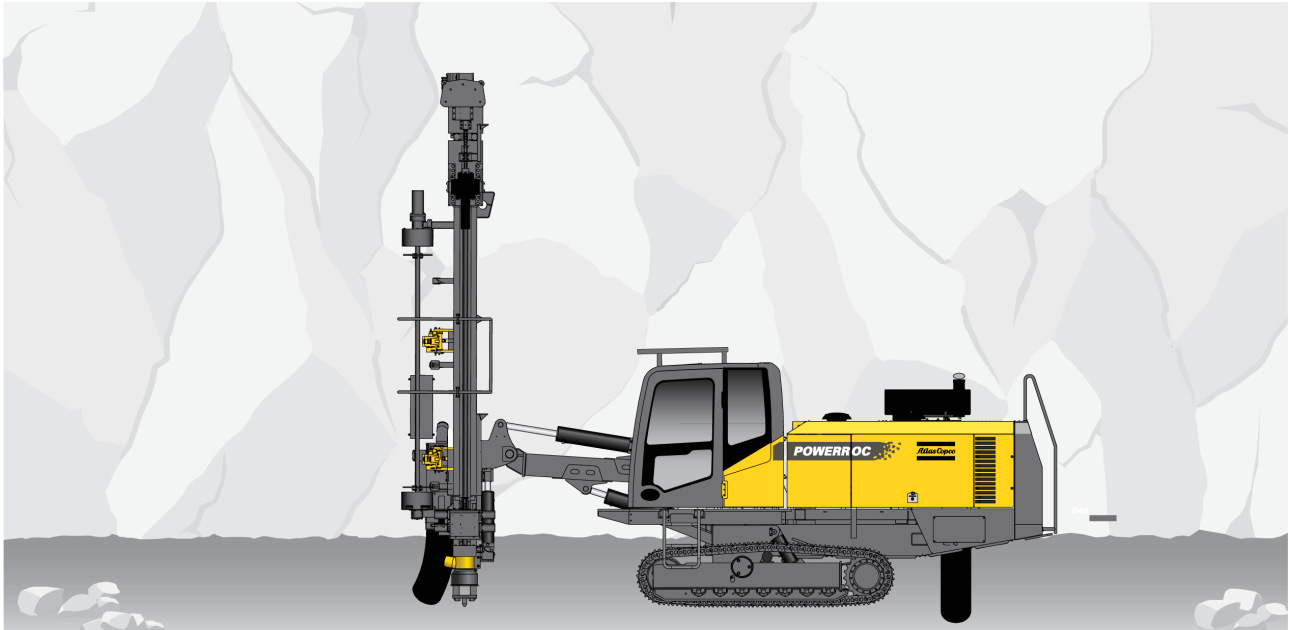


# Atlas Copco PowerROC

## PowerROC / D45 Spare Parts Catalogue



No. 8992 1512 91

2017-04

Valid for: PowerROC D45 Tier3





Use Atlas Copco genuine parts only.  
Any damage or malfunction caused by the  
use of unauthorized parts is not covered by  
warranty or product liability.

This publication refers only to the mentioned  
product.

When ordering spare parts, please state part  
number (not the ref no) and the quantity.

Använd endast Atlas Copco originaldelar.  
Skada eller driftstörning förorsakade av  
användning av otillåtna delar täcks ej av  
garanti eller produktansvar.

Denna publikation gäller endast den nämnda  
produkten.

Vid beställning av reservdelar, var god ange  
artikelnummer (inte ref. nr) och antal.

**© Copyright 2017, Atlas Copco Rock Drills AB, Sweden**

Any unauthorized use or copying of the contents or any part thereof is prohibited.  
This applies in particular to trademarks, model denominations, part numbers and drawings.  
All obehörig användning eller kopiering av innehållet, helt eller delvis, är förbjuden.  
Detta gäller särskilt varumärken, modellbenämningar, artikelnummer och ritningar.

# Table of Content / Innehållsförteckning

<b>1. PARTS &amp; SERVICE / PARTS &amp; SERVICE</b> .....	<b>5</b>
PARTS & SERVICE / PARTS & SERVICE.....	9
TOOLS SET / VERKTYGSSATS.....	47
<b>2. DRILL CARRIAGE / BORRVAGN</b> .....	<b>51</b>
WAGON FRAME / VAGNSRAM.....	55
TRACK FRAME / BANDRAM.....	73
CANOPY / HUV.....	91
LADDER / LEJDARE.....	123
GREASING DEVICE / GÅNGSMÖRJNING.....	125
<b>3. DRIVE UNIT / DRIVENHET</b> .....	<b>131</b>
DRIVE UNIT / DRIVENHET.....	135
TANK UNIT / TANKENHET.....	201
FILLER SET / PÅFYLLNINGSSATS.....	205
<b>4. BOOM SYSTEM / BOMSYSTEM</b> .....	<b>207</b>
BOOM SYSTEM / BOMSYSTEM.....	211
HOSE HOLDER / SLANGHÅLLARE.....	233
FEED SUPPORT / MATARSTÖD.....	235
<b>5. FEED / MATARE</b> .....	<b>237</b>
ANGLE INDICATOR / RIKTINSTRUMENT.....	241
FEED / MATARE.....	243
<b>6. ROTATION UNIT / ROTATIONSENHET</b> .....	<b>305</b>
ROTATION UNIT / ROTATIONSENHET.....	309
ADAPTER / ADAPTER F MANOM.....	315
<b>7. CABIN / HYTT</b> .....	<b>317</b>
CABIN COMPLETE / HYTT KOMPLETT.....	321
<b>8. DUST COLLECTOR / DAMMAVSKILJARE</b> .....	<b>385</b>
DUST COLLECTOR / DAMMAVSKILJARE.....	389
PRESEPARATOR / FÖRAVSKILJARE.....	401
HOSE CONNECTION / SLANGANSLUTNING.....	407
<b>9. SIGN SET / SKYLTSATS</b> .....	<b>409</b>
SIGN SET / SKYLTSATS.....	413
<b>10. HYDR.OIL TANK / HYDRAULOLJETANK</b> .....	<b>417</b>
TANK / TANK.....	421
<b>11. HYDR. SYSTEM / HYDRAULSYSTEM</b> .....	<b>427</b>
HYDR. SYSTEM / HYDRAULSYSTEM.....	433
<b>12. AIR SYSTEM / LUFTSYSTEM</b> .....	<b>489</b>
AIR SYSTEM / LUFTSYSTEM.....	493
<b>13. ELECTR. SYSTEM / ELSYSTEM</b> .....	<b>523</b>
ELECTR. SYSTEM / ELSYSTEM.....	527
<b>14. HOSE SET / SLANGSATS</b> .....	<b>567</b>
HOSE SET / SLANGSATS.....	571
<b>15. HOSE CONNECTION / SLANGANSLUTNING</b> .....	<b>597</b>
HOSE CONNECTION / SLANGANSLUTNING.....	603
<b>CROSS REFERENCE LIST</b> .....	<b>617</b>





**PARTS & SERVICE / PARTS & SERVICE**  
**LIST OF CONTENTS**

Part no Art.nr	Description	Beskrivning	See page Se sidan	Remarks Anmärkningar
-	PARTS & SERVICE	PARTS & SERVICE	7	
-	- PARTS & SERVICE	PARTS & SERVICE	9	PD45 T3 after-market chapter
-	-- MAINTENANCE KIT	UNDERHÅLLSSATS	11	PM-KIT
5726 8098 50	---- PM-KITS	PM-KITS	13	PD45 T3 250HRS PM KIT
5726 8098 51	---- PM-KITS	PM-KITS	15	PD45 T3 500HRS PM KIT
5726 8098 52	---- PM-KITS	PM-KITS	17	PD45 T3 1000HRS PM KIT
5726 8098 53	---- PM-KITS	PM-KITS	19	PD45 T3 1500HRS PM KIT
5726 8098 54	---- PM-KITS	PM-KITS	21	PD45 T3 2000HRS PM KIT
5726 8098 55	---- PM-KITS	PM-KITS	23	PD45 T3 3000HRS PM KIT
5726 8098 56	---- PM-KITS	PM-KITS	25	PD45 T3 6000HRS PM KIT
-	-- FLUIDS	VÄTSKOR	27	
-	-- KIT	SATS	31	ATTRACTIVE KIT
5726 8097 62	---- KIT	SATS	33	FEED SYSTEM
5726 8097 63	---- KIT	SATS	35	DRIVE UNIT SYSTEM
5726 8097 64	---- KIT	SATS	37	ROTATION UNIT
5726 8097 65	---- KIT	SATS	39	DCT SYSTEM
3222 1293 00	----- SOLENOID VALVE	MAGNETVENTIL	41	
5726 8097 66	---- KIT	SATS	43	HOSES
5726 8097 67	---- KIT	SATS	45	HYDRAULIC SYSTEM
-	- TOOLS SET	VERKTYGSSATS	47	
3216 2871 82	-- TOOLS SET	VERKTYGSSATS	49	
5726 8088 60	-- SWITCH MODUL	OMKOPPL.MODUL	353	
5726 8088 63	-- SWITCH MODUL	OMKOPPL.MODUL	355	
5726 8088 65	-- SWITCH MODUL	OMKOPPL.MODUL	357	

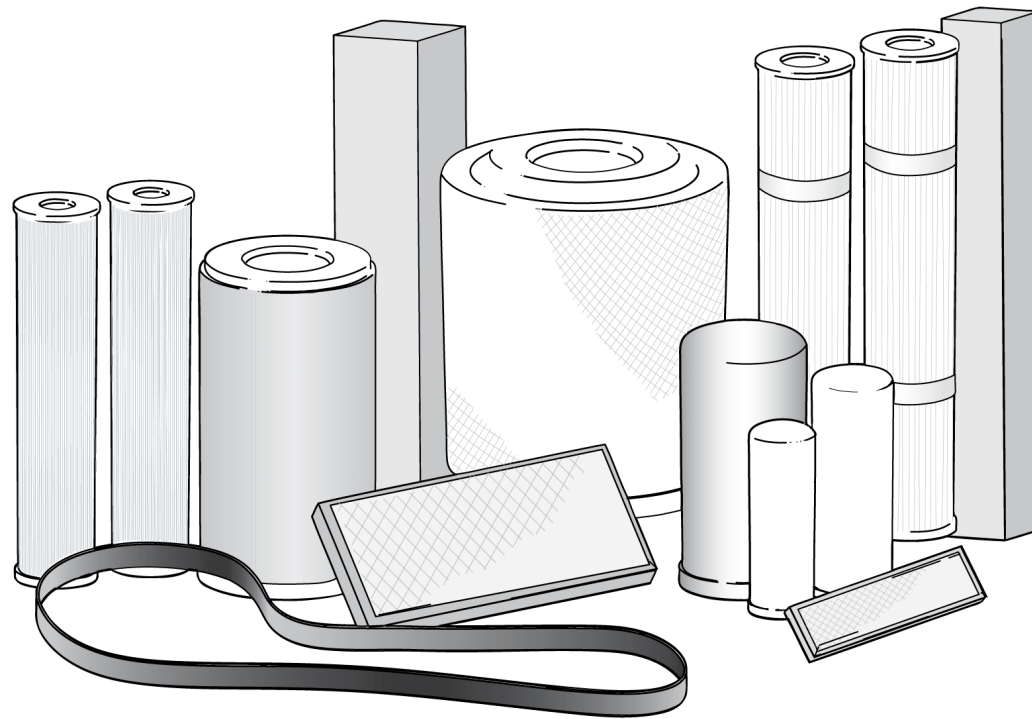


**PARTS & SERVICE / PARTS & SERVICE**

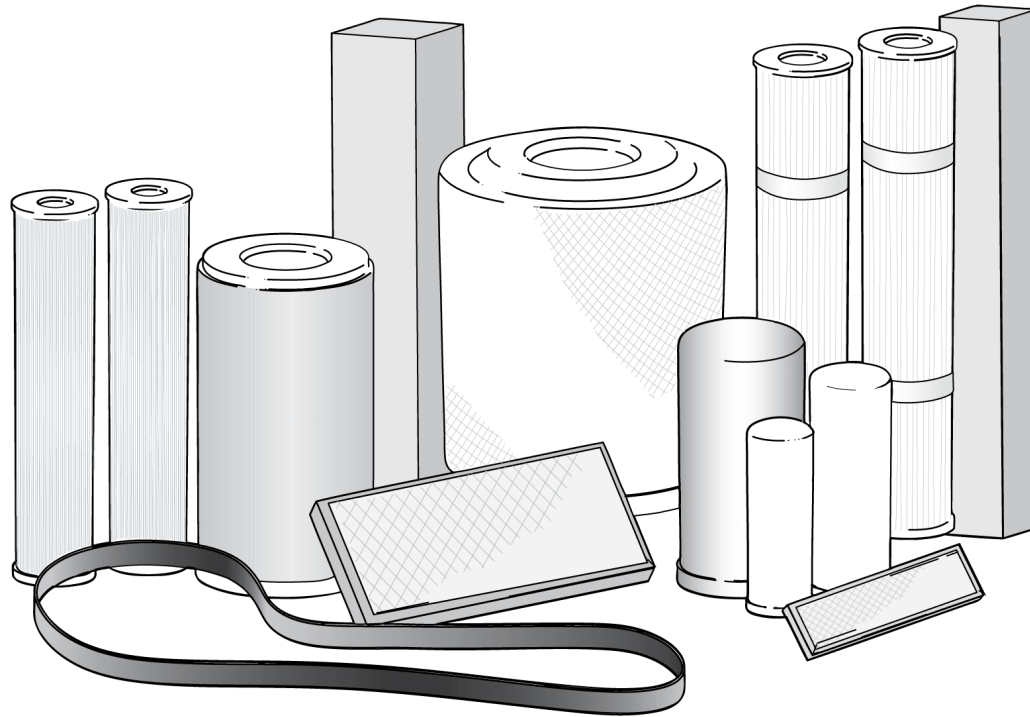
<b>Ref.no</b>	<b>Part no Art.nr</b>	<b>Qty Qty</b>	<b>Description</b>	<b>Beskrivning</b>	<b>See page Se sidan</b>	<b>Remarks Anmärkningar</b>
-		1	PARTS & SERVICE	PARTS & SERVICE	9	PD45 T3 after-market chapter
-		1	TOOLS SET	VERKTYGSSATS	47	



Ref.no	Part no Art.nr	Qty Qty	Description	Beskrivning	See page Se sidan	Remarks Anmärkningar
1	-	1	MAINTENANCE KIT	UNDERHÅLLSSATS	11	PM-KIT
2	-	1	FLUIDS	VÄTSKOR	27	
3	-	1	KIT	SATS	31	ATTRACTIVE KIT

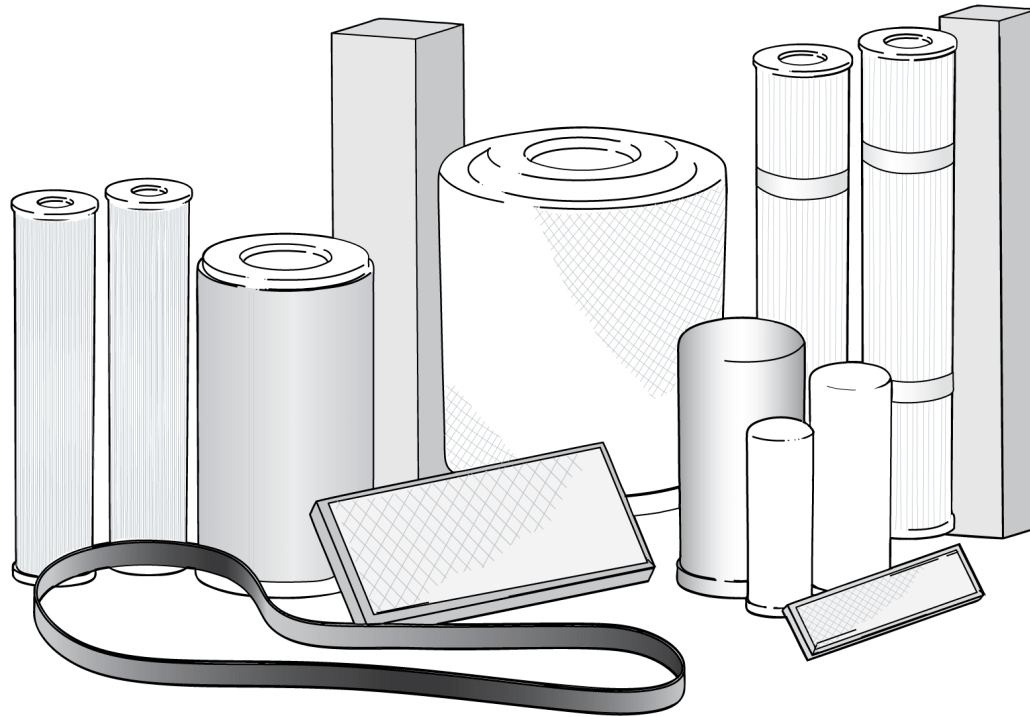


Ref.no	Part no Art.nr	Qty Qty	Description	Beskrivning	See page Se sidan	Remarks Anmärkningar
	5726 8098 50	1	PM-KITS	PM-KITS	13	PD45 T3 250HRS PM KIT
	5726 8098 51	1	PM-KITS	PM-KITS	15	PD45 T3 500HRS PM KIT
	5726 8098 52	1	PM-KITS	PM-KITS	17	PD45 T3 1000HRS PM KIT
	5726 8098 53	1	PM-KITS	PM-KITS	19	PD45 T3 1500HRS PM KIT
	5726 8098 54	1	PM-KITS	PM-KITS	21	PD45 T3 2000HRS PM KIT
	5726 8098 55	1	PM-KITS	PM-KITS	23	PD45 T3 3000HRS PM KIT
	5726 8098 56	1	PM-KITS	PM-KITS	25	PD45 T3 6000HRS PM KIT

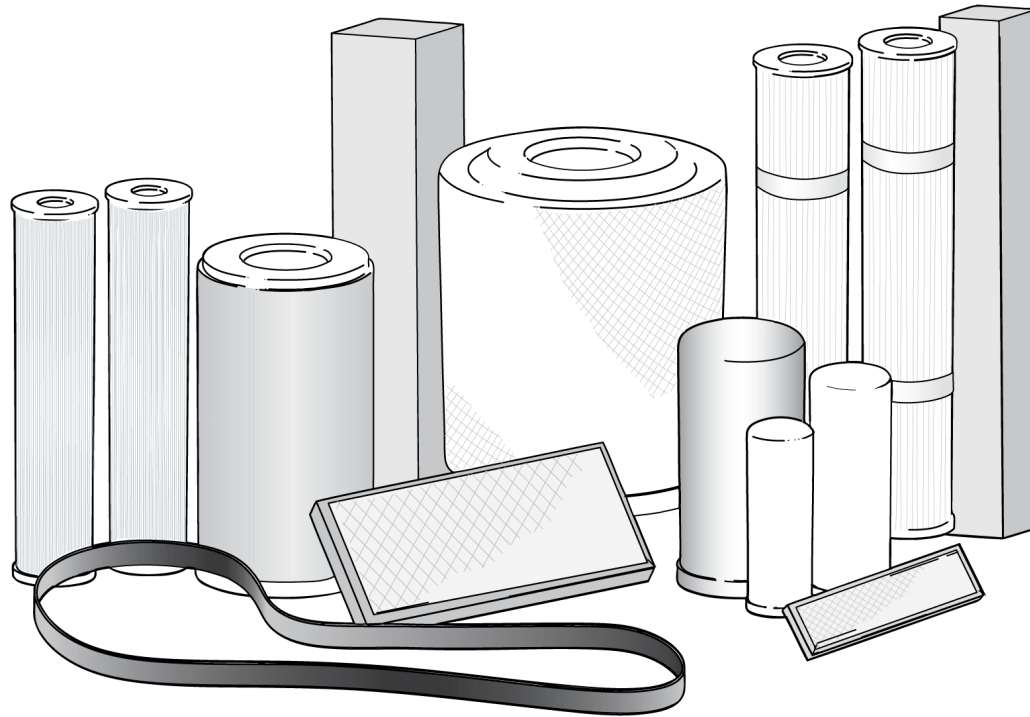




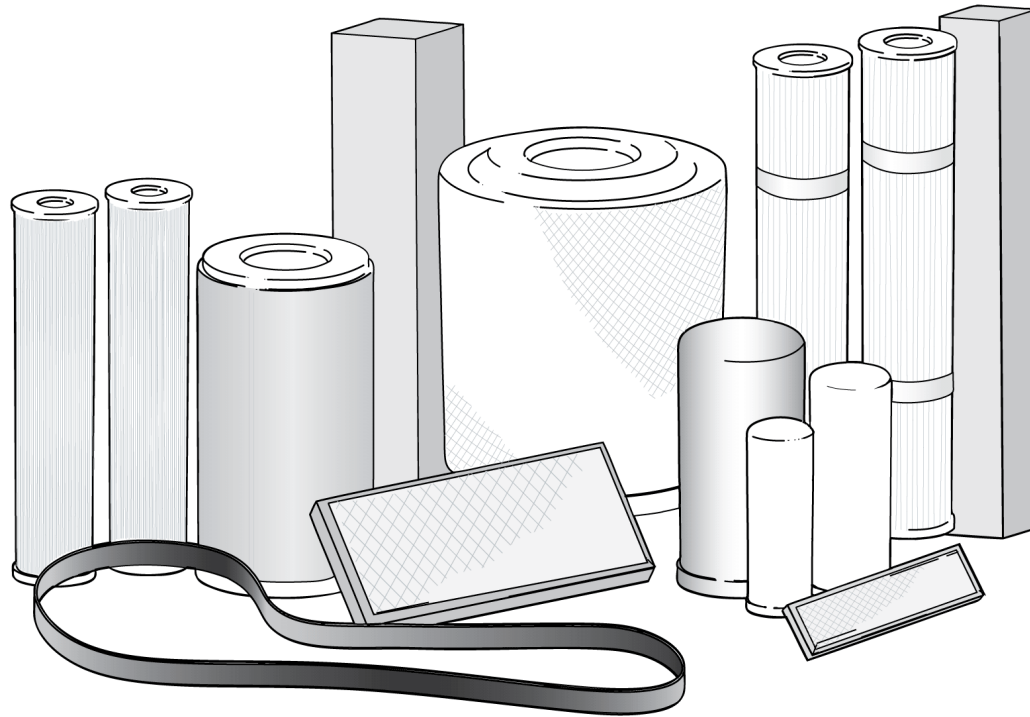
Ref.no	Part no Art.nr	Qty Qty	Description	Beskrivning	See page Se sidan	Remarks Anmärkningar
	5726 8098 32	1	OIL FILTER	OLJEFILTER		ENGINE OIL FILTER
	5726 8098 28	1	FUEL FILTER	BRÄNSLEFILTER		ENGINE FUEL FILTER
	5726 8079 84	1	FILTER	FILTER		AIR CONDITIONER AIR PRE-FILTER
	5726 8079 83	1	FILTER	FILTER		AIR CONDITIONER AIR FILTER
	5726 8098 29	1	FUEL FILTER	BRÄNSLEFILTER		ENGINE FUEL FILTER
	5726 8096 03	1	WATER SEPARATOR	VATTENSKILJARE		ENGINE FUEL PRE-FILTER



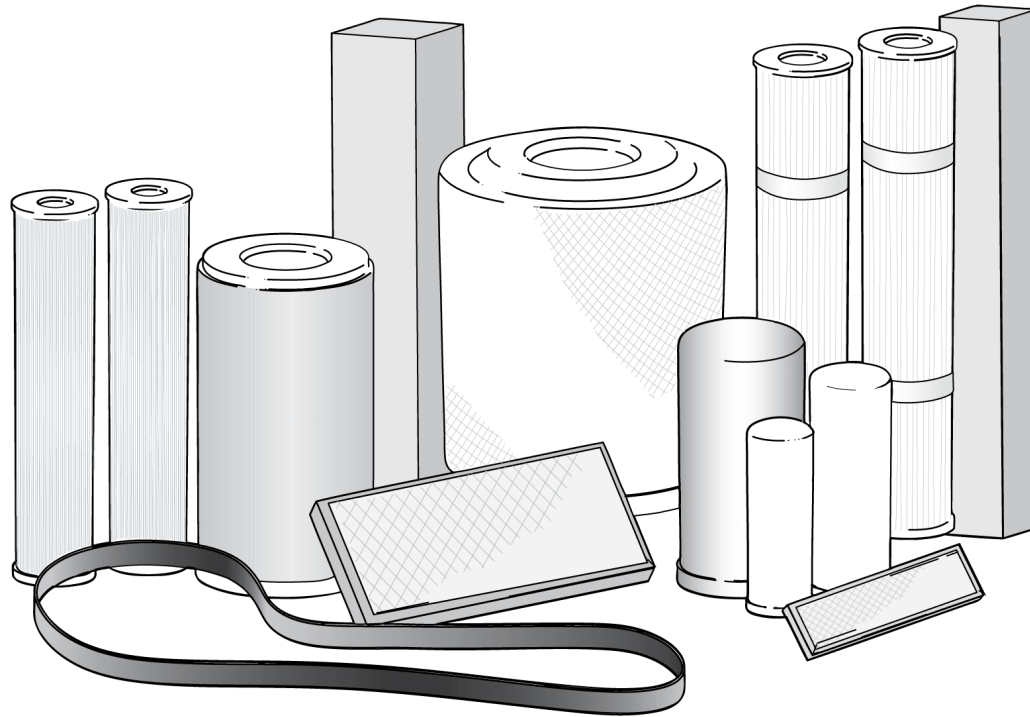
Ref.no	Part no Art.nr	Qty Qty	Description	Beskrivning	See page Se sidan	Remarks Anmärkningar
	5726 8098 32	1	OIL FILTER	OLJEFILTER		ENGINE OIL FILTER
	5726 8098 28	1	FUEL FILTER	BRÄNSLEFILTER		ENGINE FUEL FILTER
	5726 8079 84	1	FILTER	FILTER		AIR CONDITIONER AIR PRE-FILTER
	5726 8079 83	1	FILTER	FILTER		AIR CONDITIONER AIR FILTER
	5726 8020 11	1	AIR FILTER	LUFTFILTER		FUEL BREATH FILTER
	3222 3456 25	1	BREATHER FILTER	ANDNINGSFILTER		HYDRAULIC OIL BREATH FILTER
	5726 8097 61	1	FILTER SET	FILTERSATS		ENGINE AIR FILTER
	5726 8094 22	1	FILTER ELEMENT	FILTERELEMENT		COMPRESSOR AIR FILTER
	5726 8098 29	1	FUEL FILTER	BRÄNSLEFILTER		ENGINE FUEL FILTER
	5726 8096 03	1	WATER SEPARATOR	VATTENSKILJARE		ENGINE FUEL PRE-FILTER



Ref.no	Part no Art.nr	Qty Qty	Description	Beskrivning	See page Se sidan	Remarks Anmärkningar
	5726 8098 32	1	OIL FILTER	OLJEFILTER		ENGINE OIL FILTER
	1202 8040 93	3	OIL FILTER	OLJEFILTER		COMPRESSOR OIL FILTER
	5726 8098 28	1	FUEL FILTER	BRÄNSLEFILTER		ENGINE FUEL FILTER
	5726 8079 84	1	FILTER	FILTER		AIR CONDITIONER AIR PRE-FILTER
	5726 8079 83	1	FILTER	FILTER		AIR CONDITIONER AIR FILTER
	5726 8020 11	1	AIR FILTER	LUFTFILTER		FUEL BREATH FILTER
	3222 3456 25	1	BREATHER FILTER	ANDNINGSFILTER		HYDRAULIC OIL BREATH FILTER
	5726 8097 61	1	FILTER SET	FILTERSATS		ENGINE AIR FILTER
	5726 8094 22	1	FILTER ELEMENT	FILTERELEMENT		COMPRESSOR AIR FILTER
	5726 8094 65	1	BELT	REM		ENGINE BELT
	5726 8095 50	1	BELT	REM		COMPRESSOR BELT
	5726 8098 29	1	FUEL FILTER	BRÄNSLEFILTER		ENGINE FUEL FILTER
	5726 8096 03	1	WATER SEPARATOR	VATTENSKILJARE		ENGINE FUEL PRE-FILTER

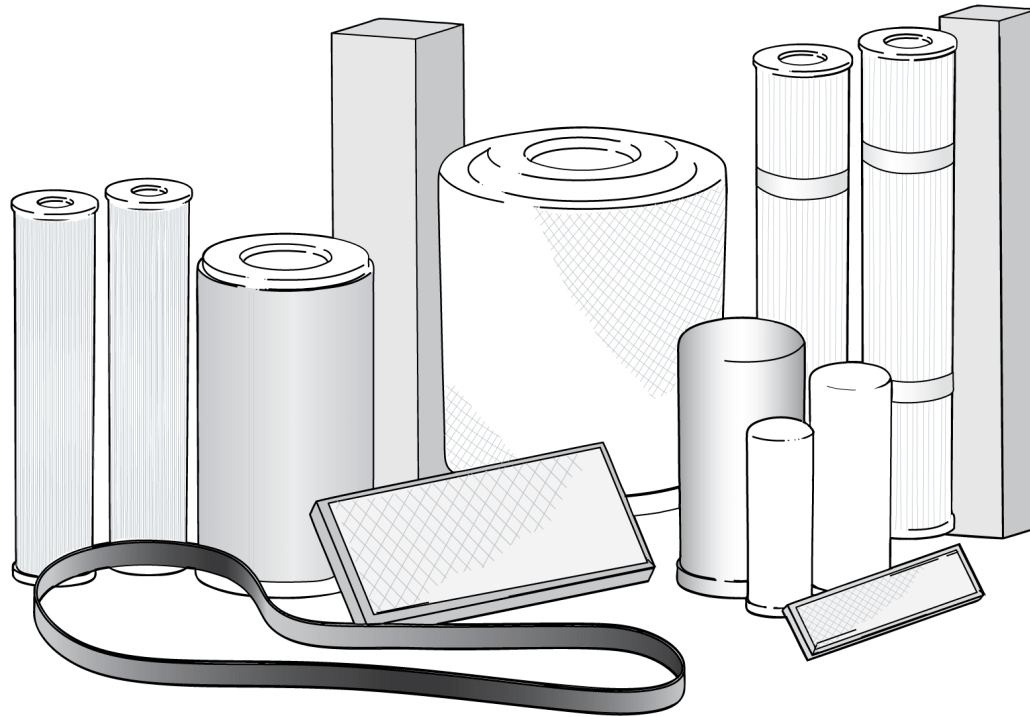


Ref.no	Part no Art.nr	Qty Qty	Description	Beskrivning	See page Se sidan	Remarks Anmärkningar
	5726 8098 32	1	OIL FILTER	OLJEFILTER		ENGINE OIL FILTER
	5726 8098 28	1	FUEL FILTER	BRÄNSLEFILTER		ENGINE FUEL FILTER
	5726 8079 84	1	FILTER	FILTER		AIR CONDITIONER AIR PRE-FILTER
	5726 8079 83	1	FILTER	FILTER		AIR CONDITIONER AIR FILTER
	5726 8020 11	1	AIR FILTER	LUFTFILTER		FUEL BREATH FILTER
	3222 3456 25	1	BREATHER FILTER	ANDNINGSFILTER		HYDRAULIC OIL BREATH FILTER
	5726 8094 21	1	FILTER SET	FILTERSATS		COMPRESSOR AIR FILTER SET
	3222 3337 40	1	FILTER ELEMENT	FILTERELEMENT		HYDRAULIC OIL RETURN FILTER
	5726 8098 29	1	FUEL FILTER	BRÄNSLEFILTER		ENGINE FUEL FILTER
	5726 8096 03	1	WATER SEPARATOR	VATTENSKILJARE		ENGINE FUEL PRE-FILTER

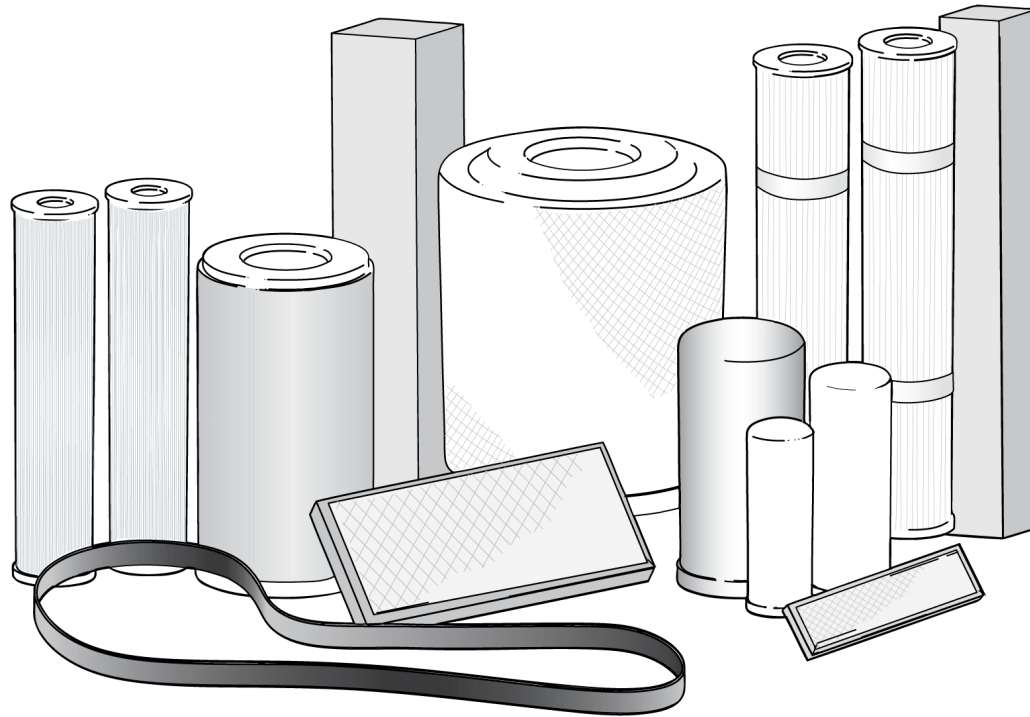




Ref.no	Part no Art.nr	Qty Qty	Description	Beskrivning	See page Se sidan	Remarks Anmärkningar
	5726 8098 32	1	OIL FILTER	OLJEFILTER		ENGINE OIL FILTER
	1202 8040 93	3	OIL FILTER	OLJEFILTER		COMPRESSOR OIL FILTER
	5726 8098 28	1	FUEL FILTER	BRÄNSLEFILTER		ENGINE FUEL FILTER
	5726 8079 84	1	FILTER	FILTER		AIR CONDITIONER AIR PRE-FILTER
	5726 8079 83	1	FILTER	FILTER		AIR CONDITIONER AIR FILTER
	5726 8020 11	1	AIR FILTER	LUFTFILTER		FUEL BREATH FILTER
	3222 3456 25	1	BREATHER FILTER	ANDNINGSFILTER		HYDRAULIC OIL BREATH FILTER
	5726 8097 61	1	FILTER SET	FILTERSATS		ENGINE AIR FILTER
	5726 8094 22	1	FILTER ELEMENT	FILTERELEMENT		COMPRESSOR AIR FILTER
	5726 8094 65	1	BELT	REM		ENGINE BELT
	5726 8095 50	1	BELT	REM		COMPRESSOR BELT
	3222 3212 95	15	FILTER ELEMENT	FILTERELEMENT		DCT FILTER
	3222 3006 30	1	SUCTION HOSE	SUGSLANG		DCT SUCTION HOSE
	2911 0112 03	1	OIL SEPARAT.	OLJEAVSKILJARE		COMPRESSOR OIL SEPARATOR
	5726 8098 29	1	FUEL FILTER	BRÄNSLEFILTER		ENGINE FUEL FILTER
	5726 8096 03	1	WATER SEPARATOR	VATTENSKILJARE		ENGINE FUEL PRE-FILTER



Ref.no	Part no Art.nr	Qty Qty	Description	Beskrivning	See page Se sidan	Remarks Anmärkningar
	5726 8098 32	1	OIL FILTER	OLJEFILTER		ENGINE OIL FILTER
	1202 8040 93	3	OIL FILTER	OLJEFILTER		COMPRESSOR OIL FILTER
	5726 8098 28	1	FUEL FILTER	BRÄNSLEFILTER		ENGINE FUEL FILTER
	5726 8079 84	1	FILTER	FILTER		AIR CONDITIONER AIR PRE-FILTER
	5726 8079 83	1	FILTER	FILTER		AIR CONDITIONER AIR FILTER
	5726 8020 11	1	AIR FILTER	LUFTFILTER		FUEL BREATH FILTER
	3222 3456 25	1	BREATHER FILTER	ANDNINGSFILTER		HYDRAULIC OIL BREATH FILTER
	5726 8097 61	1	FILTER SET	FILTERSATS		ENGINE AIR FILTER
	5726 8094 22	1	FILTER ELEMENT	FILTERELEMENT		COMPRESSOR AIR FILTER
	5726 8094 65	1	BELT	REM		ENGINE BELT
	5726 8095 50	1	BELT	REM		COMPRESSOR BELT
	3222 3212 95	15	FILTER ELEMENT	FILTERELEMENT		DCT FILTER
	3222 3006 30	1	SUCTION HOSE	SUGSLANG		DCT SUCTION HOSE
	3222 3337 40	1	FILTER ELEMENT	FILTERELEMENT		HYDRAULIC OIL RETURN FILTER
	5726 8098 29	1	FUEL FILTER	BRÄNSLEFILTER		ENGINE FUEL FILTER
	5726 8096 03	1	WATER SEPARATOR	VATTENSKILJARE		ENGINE FUEL PRE-FILTER



Ref.no	Part no Art.nr	Qty Qty	Description	Beskrivning	See page Se sidan	Remarks Anmärkningar
	5726 8098 32	1	OIL FILTER	OLJEFILTER		ENGINE OIL FILTER
	1202 8040 93	3	OIL FILTER	OLJEFILTER		COMPRESSOR OIL FILTER
	5726 8098 28	1	FUEL FILTER	BRÄNSLEFILTER		ENGINE FUEL FILTER
	5726 8079 84	1	FILTER	FILTER		AIR CONDITIONER AIR PRE-FILTER
	5726 8079 83	1	FILTER	FILTER		AIR CONDITIONER AIR FILTER
	5726 8020 11	1	AIR FILTER	LUFTFILTER		FUEL BREATH FILTER
	3222 3456 25	1	BREATHER FILTER	ANDNINGSFILTER		HYDRAULIC OIL BREATH FILTER
	5726 8097 61	1	FILTER SET	FILTERSATS		ENGINE AIR FILTER
	5726 8094 22	1	FILTER ELEMENT	FILTERELEMENT		COMPRESSOR AIR FILTER
	5726 8094 65	1	BELT	REM		ENGINE BELT
	3222 3212 95	15	FILTER ELEMENT	FILTERELEMENT		DCT FILTER
	3222 3006 30	1	SUCTION HOSE	SUGSLANG		DCT SUCTION HOSE
	3222 3337 40	1	FILTER ELEMENT	FILTERELEMENT		HYDRAULIC OIL RETURN FILTER
	2911 0112 03	1	OIL SEPARAT.	OLJEAVSKILJARE		COMPRESSOR OIL SEPARATOR
	5726 8098 29	1	FUEL FILTER	BRÄNSLEFILTER		ENGINE FUEL FILTER
	5726 8096 03	1	WATER SEPARATOR	VATTENSKILJARE		ENGINE FUEL PRE-FILTER



**FLUIDS / VÄTSKOR**

-

Ref.no	Part no Art.nr	Qty Qty	Description	Beskrivning	See page Se sidan	Remarks Anmärkningar
2	5501 5277 00	1	ENGINE OIL	MOTOROLJA		ENGINE 100,209 L,NORMAL/ TROPIC
3	5501 5227 00	1	ENGINE OIL	MOTOROLJA		ENGINE 100,20L,NORMAL/ TROPICAL
4	5580 0206 24	1	ENGINE OIL	MOTOROLJA		ENGINE 100,5L,NORMAL/ TROPICAL
5	2658 4490 97	1	COOLANT	KYLVÄTSKA		COOLANT 150,18,9L
6	2658 4491 04	1	COOLANT	KYLVÄTSKA		COOLANT 150,209L
7	9106 2303 21	1	HYDRAULIC OIL	HYDRAULOLJA		HYDRAULIC 100,20 L,NORMAL
8	9106 2303 20	1	HYDRAULIC OIL	HYDRAULOLJA		HYDRAULIC 100,209 L,NOR- MAL
10	9106 2303 23	1	HYDRAULIC OIL	HYDRAULOLJA		HYDRAULIC 120,20 L NOR- MAL,BIODEGRADABLE
11	9106 2303 22	1	HYDRAULIC OIL	HYDRAULOLJA		HYDRAULIC 120,209 L NOR- MAL,BIODEGRADABLE
13	9106 2303 27	1	HYDRAULIC OIL	HYDRAULOLJA		HYDRAULIC 200,20 L,ARCTIC
14	9106 2303 28	1	HYDRAULIC OIL	HYDRAULOLJA		HYDRAULIC 200,209L,ARCTIC
16	1630 0161 00	1	COMPRESSOR OIL	KOMPRESSOROLJA		PAROIL S 20 L
17	1630 0162 00	1	COMPRESSOR OIL	KOMPRESSOROLJA		PAROIL S 210 L
18	1630 0180 00	1	COMPRESSOR OIL	KOMPRESSOROLJA		PAROIL S XTREME 20L
19	1630 0181 00	1	COMPRESSOR OIL	KOMPRESSOROLJA		PAROIL S XTREME 210L
20	3222 3352 15	1	OIL	OLJA		TRACTION GEAR 100,5 L NOR- MAL/TROPICAL
21	3222 3352 17	1	OIL	OLJA		TRACTION GEAR 100,20 L NORMAL/TROPICAL
22	3115 3125 01	1	OIL	OLJA		COP OIL,20L COP OIL ENVI- RONM. ADAPT. ARCTIC-TROPI- CAL,BIODEGRADABLE.
23	3115 3127 00	1	OIL	OLJA		COPOIL DRUM 208L COP OIL ENVIRONM. ADAPT. ARCTIC- TROPICAL,BIODEGRADABLE
24	3115 3129 00	1	OIL	OLJA		COP OIL,1000L ARCTIC-TROPI- CAL,BIODEGRADABLE
25	9106 2303 37	1	OIL	OLJA		ROCK DRILL OIL, BASIC, 20L
26	9106 2303 38	1	OIL	OLJA		ROCK DRILL 100,209 L,NOR- MAL
28	5580 0206 31	1	TRANSMISS. OIL	VÄXELLÅDSOLJA		GEARBOX 100,5 L NORMAL/ TROPICAL

**FLUIDS / VÄTSKOR**

-

Ref.no	Part no Art.nr	Qty Qty	Description	Beskrivning	See page Se sidan	Remarks Anmärkningar
29	5580 0206 32	1	TRANSMISS. OIL	VÄXELLÅDSOLJA		GEARBOX 100,20 L NORMAL/ TROPICAL
30	5580 0206 33	1	TRANSMISS. OIL	VÄXELLÅDSOLJA		GEARBOX 100,209 L NORMAL/ TROPICAL
31	5580 0206 43	1	GREASE	SMÖRJFETT		GREASE 100,0.4 KG ARCTIC/ NORMAL
32	5580 0206 44	1	GREASE	SMÖRJFETT		GREASE 100,18 KG ARCTIC/ NORMAL
33	5580 0206 45	1	GREASE	SMÖRJFETT		GREASE 100,180KG ARCTIC/ NORMAL
34	3222 3352 22	1	GREASE	SMÖRJFETT		GREASE, 18 KG







Ref.no	Part no Art.nr	Qty Qty	Description	Beskrivning	See page Se sidan	Remarks Anmärkningar
1	5726 8097 62	1	KIT	SATS	33	FEED SYSTEM
2	5726 8097 63	1	KIT	SATS	35	DRIVE UNIT SYSTEM
3	5726 8097 64	1	KIT	SATS	37	ROTATION UNIT
4	5726 8097 65	1	KIT	SATS	39	DCT SYSTEM
5	5726 8097 66	1	KIT	SATS	43	HOSES
6	5726 8097 67	1	KIT	SATS	45	HYDRAULIC SYSTEM



Ref.no	Part no Art.nr	Qty Qty	Description	Beskrivning	See page Se sidan	Remarks Anmärkningar
1	3128 0829 07	2	CHECK	BACK		
2	5726 8083 98	1	CHAIN	KÄTTING		
3	5726 8083 99	1	CHAIN	KÄTTING		
4	5726 8083 79	2	PLATE	PLÅT		
5	5726 8083 80	2	PLATE	PLÅT		
6	5726 8084 24	1	FLANGE	FLÄNS		
7	5726 8084 39	1	SEALING	TÄTNING		
8	5726 8084 40	2	BLOCK	BLOCK		
10	5726 8084 32	1	RUBBER HOOD	GUMMIKÅPA		
11	5726 8085 18	2	BUSHING HALF	BUSSNINGSHALVA		
12	5726 8084 60	2	BLOCK	BLOCK		



Ref.no	Part no Art.nr	Qty Qty	Description	Beskrivning	See page Se sidan	Remarks Anmärkningar
1	5580 0255 57	1	OIL FILTER	OLJEFILTER		
2	5726 8094 62	1	FUEL FILTER	BRÄNSLEFILTER		
5	5726 8094 65	1	BELT	REM		
7	5726 8095 50	1	BELT	REM		
8	5726 8096 03	1	WATER SEPARATOR	VATTENSKILJARE		
9	1202 8040 93	3	OIL FILTER	OLJEFILTER		
10	5726 8094 21	1	FILTER SET	FILTERSATS		
11	5726 8097 61	1	FILTER SET	FILTERSATS		
12	5726 8089 05	1	TEMP. SENSOR	TEMP.GIVARE		
13	5726 8089 08	1	OIL PRES.SENSOR	OLJETR.GIVARE		

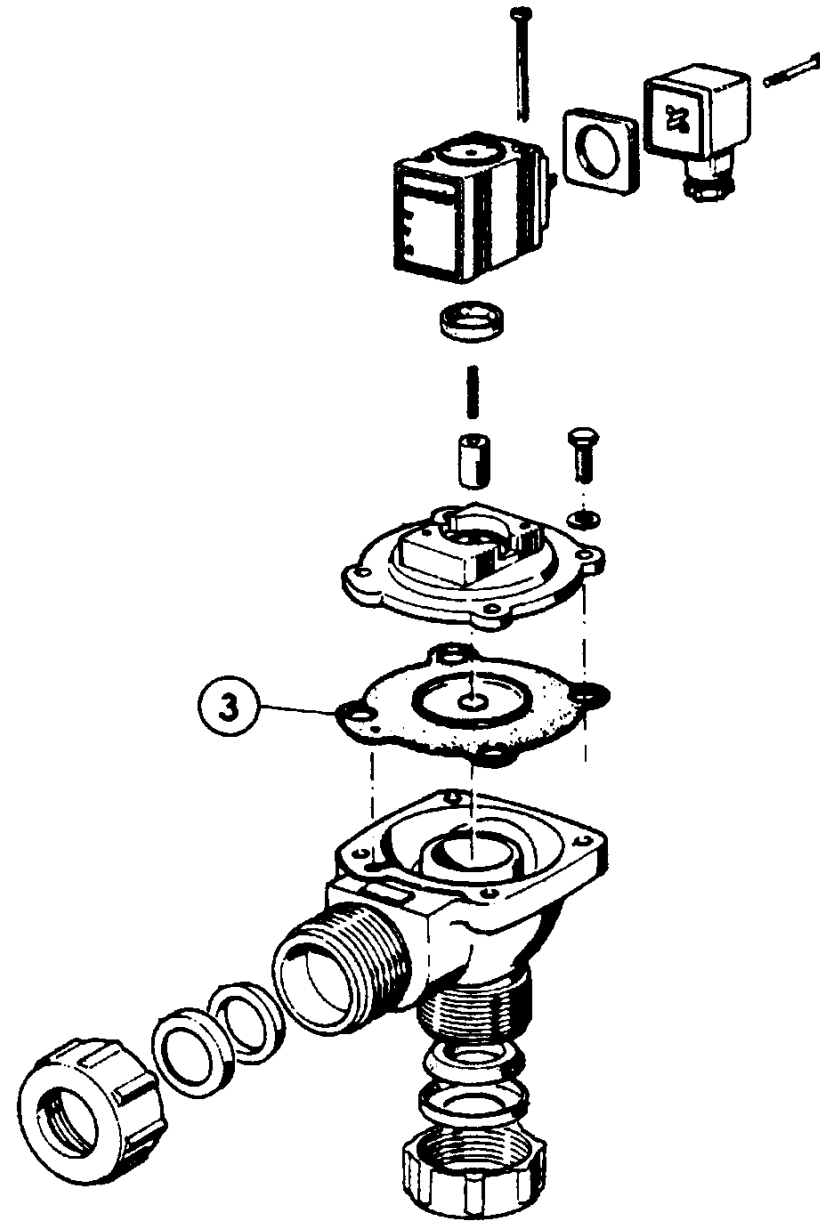




Ref.no	Part no Art.nr	Qty Qty	Description	Beskrivning	See page Se sidan	Remarks Anmärkningar
1	5726 8097 59	1	SEAL KIT	TÄTNINGSSATS		
2	3121 2031 66	1	SEAL KIT	TÄTNINGSSATS		



Ref.no	Part no Art.nr	Qty Qty	Description	Beskrivning	See page Se sidan	Remarks Anmärkningar
2	3214 6238 02	1	RUBBER SLEEVE	GUMMIHYLSA		DCT/DPS
3	3222 3320 81	15	FILTER ELEMENT	FILTERELEMENT		
4	9090 1172 00	1	PRESSURE GAUGE	TRYCKMÄTARE		0-10 BAR G 1/8"
5	3222 3049 36	1	REPAIR KIT	RENOVERINGSSATS		
6	3222 3049 37	1	SEAL KIT	TÄTNINGSSATS		
7	3222 1293 00	1	SOLENOID VALVE	MAGNETVENTIL	41	



**SOLENOID VALVE / MAGNETVENTIL****3222 1293 00**

<b>Ref.no</b>	<b>Part no</b>	<b>Qty</b>	<b>Description</b>	<b>Beskrivning</b>	<b>See page</b>	<b>Remarks</b>
	<b>Art.nr</b>	<b>Qty</b>			<b>Se sidan</b>	<b>Anmärkningar</b>
	3222 3075 63	1	DIAPHRAGM	MEMBRAN		

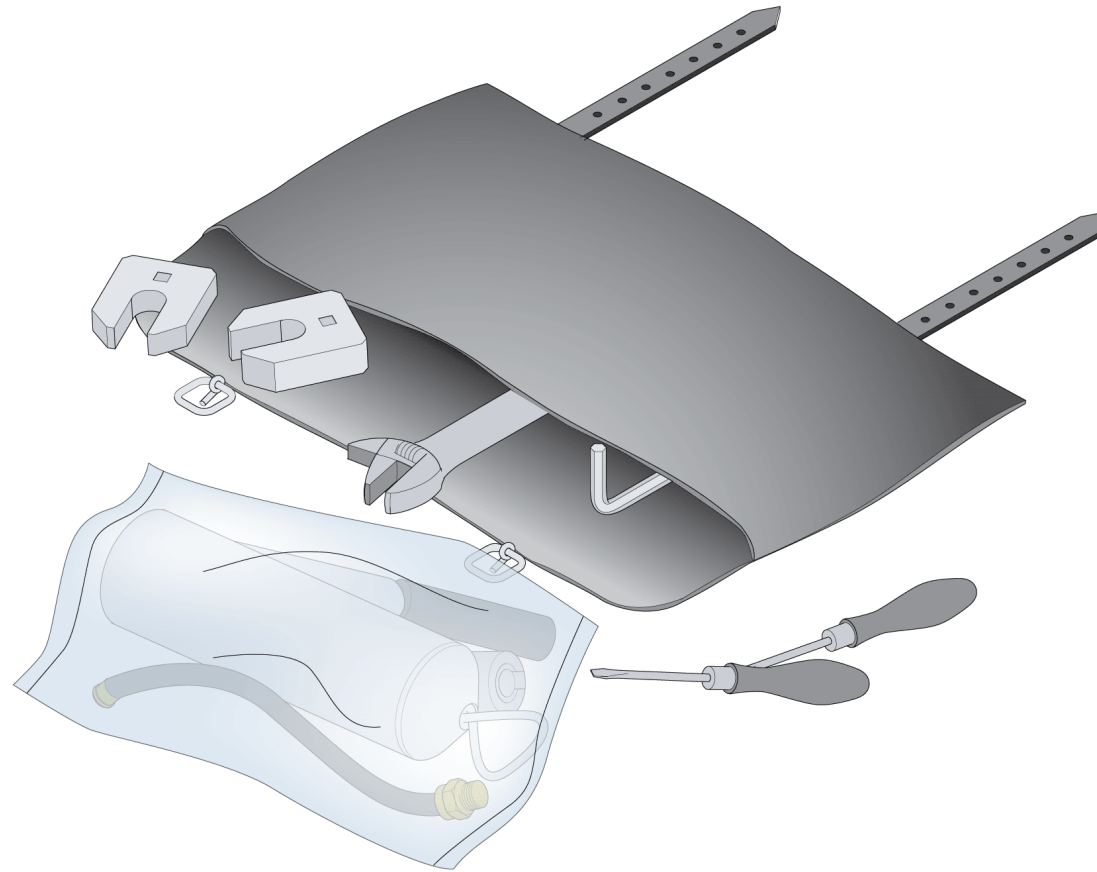


Ref.no	Part no Art.nr	Qty Qty	Description	Beskrivning	See page Se sidan	Remarks Anmärkningar
1	5726 8092 84	1	HOSE ASSEMBLY	SLANGLEDNING		
2	5726 8078 58	1	HOSE ASSEMBLY	SLANGLEDNING		19X2950 IBI EN857-2SC
4	3214 6215 00	1	SUCTION HOSE	SUGSLANG		DI=127 L=7500
5	3222 3145 47	1	SUCTION HOSE	SUGSLANG		





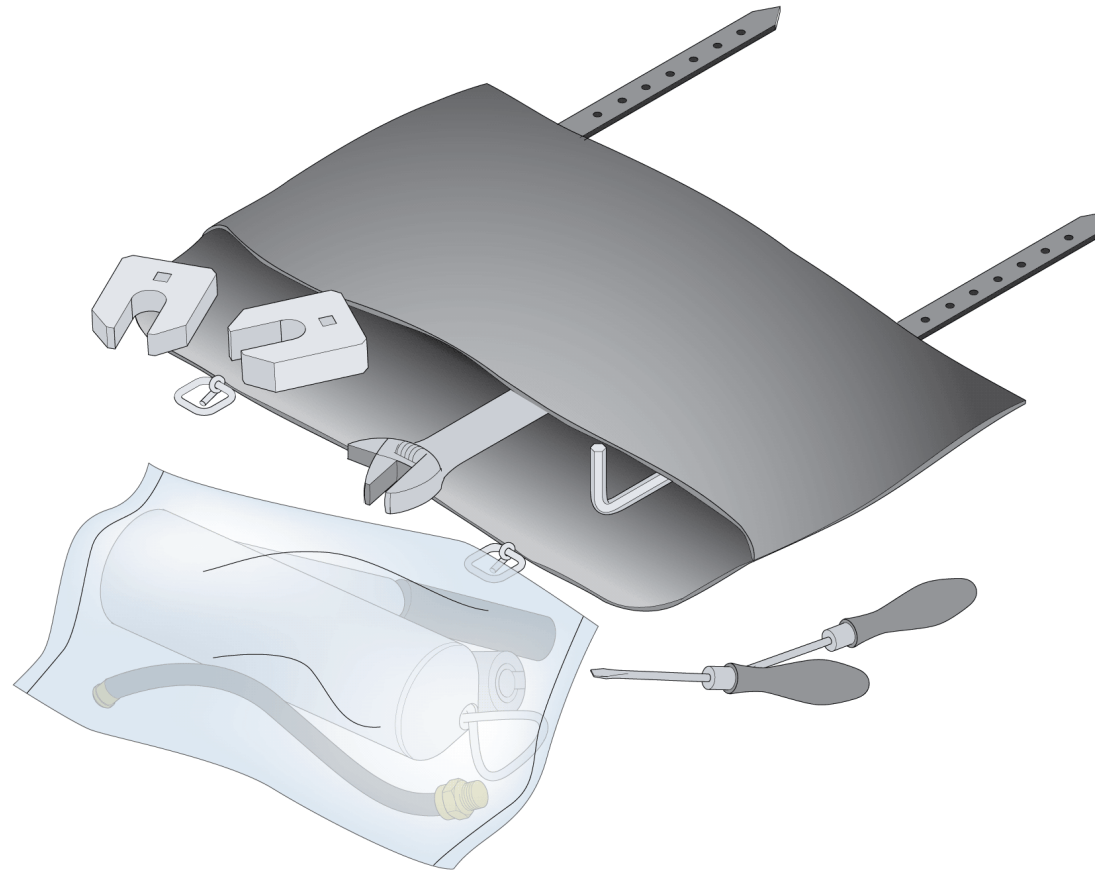
Ref.no	Part no Art.nr	Qty Qty	Description	Beskrivning	See page Se sidan	Remarks Anmärkningar
1	5726 8082 25	1	SEAL KIT	TÄTNINGSSATS		
2	5726 8082 14	1	SEAL KIT	TÄTNINGSSATS		
3	5726 8082 15	1	SEAL KIT	TÄTNINGSSATS		
4	5726 8082 16	1	SEAL KIT	TÄTNINGSSATS		
5	5726 8082 17	1	SEAL KIT	TÄTNINGSSATS		
6	5726 8082 21	1	SEAL KIT	TÄTNINGSSATS		
7	5726 8082 22	1	SEAL KIT	TÄTNINGSSATS		
8	5726 8082 20	1	SEAL KIT	TÄTNINGSSATS		
9	5726 8082 12	1	SEAL KIT	TÄTNINGSSATS		



**TOOLS SET / VERKTYGSSATS**

-

<b>Ref.no</b>	<b>Part no Art.nr</b>	<b>Qty Qty</b>	<b>Description</b>	<b>Beskrivning</b>	<b>See page Se sidan</b>	<b>Remarks Anmärkningar</b>
1	3216 2871 82	1	TOOLS SET	VERKTYGSSATS	49	
2	3121 2605 48	1	PIN	PINNE		
3	3121 2220 06	1	WRENCH	NYCKEL		
4	5726 8088 60	1	SWITCH MODUL	OMKOPPL.MODUL	353	
5	5726 8088 63	1	SWITCH MODUL	OMKOPPL.MODUL	355	
6	5726 8088 65	1	SWITCH MODUL	OMKOPPL.MODUL	357	



**TOOLS SET / VERKTYGSSATS**

**3216 2871 82**

Ref.no	Part no Art.nr	Qty Qty	Description	Beskrivning	See page Se sidan	Remarks Anmärkningar
1	0461 5010 12	1	LUBRICAT.HOSE	SMÖRJSLANG		
2	3222 3144 95	1	WRENCH, HEXAGON	NYCKEL, 6-KANT		
3	0902 7008 00	1	ADJUST. WRENCH	SKIFTNYCKEL		
4	3222 3144 99	1	SCREW DRIVER	SKRUVMEJSEL		
5	3222 3144 98	1	SCREW DRIVER	SKRUVMEJSEL		
6	0909 1071 00	1	LUBRICAT.GUN	SMÖRJSPRUTA		VOL 525 D 56
7	3115 0343 00	1	WRENCH ADAPTER	NYCKELTILLSATS		24MM
8	3115 0344 00	1	WRENCH ADAPTER	NYCKELTILLSATS		32MM
9	3216 2871 00	1	TOOL BOX	VERKTYGSLÅDA		
10	3222 3144 94	1	WRENCH	NYCKEL		
11	3222 3144 96	1	WRENCH, HEXAGON	NYCKEL, 6-KANT		
12	0461 5010 14	1	COUPLING	KOPPLING		TRAKTORKOPPLING



## DRILL CARRIAGE / BORRVAGN

### LIST OF CONTENTS

Part no Art.nr	Description	Beskrivning	See page Se sidan	Remarks Anmärkningar
-	DRILL CARRIAGE	BORRVAGN	53	
-	- WAGON FRAME	VAGNSRAM	55	
-	-- WAGON FRAME	VAGNSRAM	57	
-	--- WAGON FRAME	VAGNSRAM	59	
-	---- WAGON FRAME	VAGNSRAM		
3121 2605 30	---- BOOM ATTACHMENT	BOMFÄSTE	61	
-	---- WAGON FRAME	VAGNSRAM		
5726 8082 00	--- CYLINDER	CYLINDER	63	TRACK OSCILLATION
5726 8081 53	--- LADDER	LEJDARE		
-	--- ATTACHMENT SET	FÄSTDETALJER	65	
5726 8093 64	-- CONNECTION SET	ANSLUTNINGSSATS	67	ENGINE OIL DRAIN
5726 8093 72	-- CONNECTION SET	ANSLUTNINGSSATS	69	COOLANT DRAIN
5726 8077 98	-- CONNECTION SET	ANSLUTNINGSSATS	71	SEE CHAPTER HYDR. SYSTEM
-	- TRACK FRAME	BANDRAM	73	POWERROC D45
-	-- TRACK FRAME	BANDRAM	75	
-	--- TRACK FRAME	BANDRAM	77	TRACK FRAME LEFT
5726 8097 16	---- TRACK CHAIN	LARVBAND	79	
5726 8097 33	----- TRACK CHAIN	LARVBAND	81	
5726 8077 31	---- DRIVE UNIT	DRIVENHET	83	TRAM UNIT
-	--- TRACK FRAME	BANDRAM	85	TRACK FRAME RIGHT
5726 8097 16	---- TRACK CHAIN	LARVBAND	79	
5726 8097 33	----- TRACK CHAIN	LARVBAND	81	
5726 8077 31	---- DRIVE UNIT	DRIVENHET	83	TRAM UNIT
-	-- DRIVE UNIT	DRIVENHET	83	
-	-- CONNECTION SET	ANSLUTNINGSSATS	87	TRAMMING MOTOR RIGHT
-	--- DRIVE UNIT	DRIVENHET	83	
-	-- CONNECTION SET	ANSLUTNINGSSATS	89	TRAMMING MOTOR LEFT
-	--- DRIVE UNIT	DRIVENHET	83	
-	- CANOPY	HUV	91	CUMMINS ENGINE
-	-- ENCLOSURE	KAPSLING	93	
-	--- DOOR	DÖRR	95	LEFT DOOR
5726 8087 50	---- DOOR	DÖRR	97	
-	--- DOOR	DÖRR	99	RIGHT DOOR
5726 8087 56	---- DOOR	DÖRR	101	
5726 8088 43	--- ROOF	TAK	103	

Part no Art.nr	Description	Beskrivning	See page Se sidan	Remarks Anmärkningar
5726 8088 44	--- ROOF	TAK	105	
5726 8088 46	--- ROOF	TAK	107	
5726 8087 91	---- ROOF	TAK		
5726 8088 48	--- ROOF	TAK	109	
5726 8087 96	---- ROOF	TAK		
-	---- ROOF	TAK	111	
5726 8086 25	---- ROOF	TAK		
-	---- ROOF	TAK	113	
-	-- FRAME	RAM	115	
-	-- GUARD	SPRÄNGSKYDD	117	
5726 8090 52	-- ARM	ARM	119	
5726 8090 14	-- DUST SHIELD	DAMMSKÄRM	121	
-	- LADDER	LEJDARE	123	REAR LADDER
-	- GREASING DEVICE	GÄNGSMÖRJNING	125	GREASE DEVICE
5726 8011 34	-- PUMP UNIT	PUMPAGGREGAT	127	
3222 3358 74	--- GREASE PUMP	FETTPUMP	129	
-	-- AIR SYSTEM	LUFTSYSTEM	519	SEE CHAPTER AIR SYSTEM
3176 8641 00	--- PRESS.REGULATOR	TRYCKREGULATOR	393	R 1/4"
5726 8011 34	--- PUMP UNIT	PUMPAGGREGAT	127	
3222 3358 74	---- GREASE PUMP	FETTPUMP	129	
-	--- CONNECTION SET	ANSLUTNINGSSATS	521	
-	--- CONNECTION SET	ANSLUTNINGSSATS		
-	--- CONNECTION SET	ANSLUTNINGSSATS		



**DRILL CARRIAGE / BORRVAGN**

<b>Ref.no</b>	<b>Part no Art.nr</b>	<b>Qty Qty</b>	<b>Description</b>	<b>Beskrivning</b>	<b>See page Se sidan</b>	<b>Remarks Anmärkningar</b>
-		1	WAGON FRAME	VAGNSRAM	55	
-		1	TRACK FRAME	BANDRAM	73	POWERROC D45
-		1	CANOPY	HUV	91	CUMMINS ENGINE
-		1	LADDER	LEJDARE	123	REAR LADDER
-		1	GREASING DEVICE	GÄNGSMÖRJNING	125	GREASE DEVICE

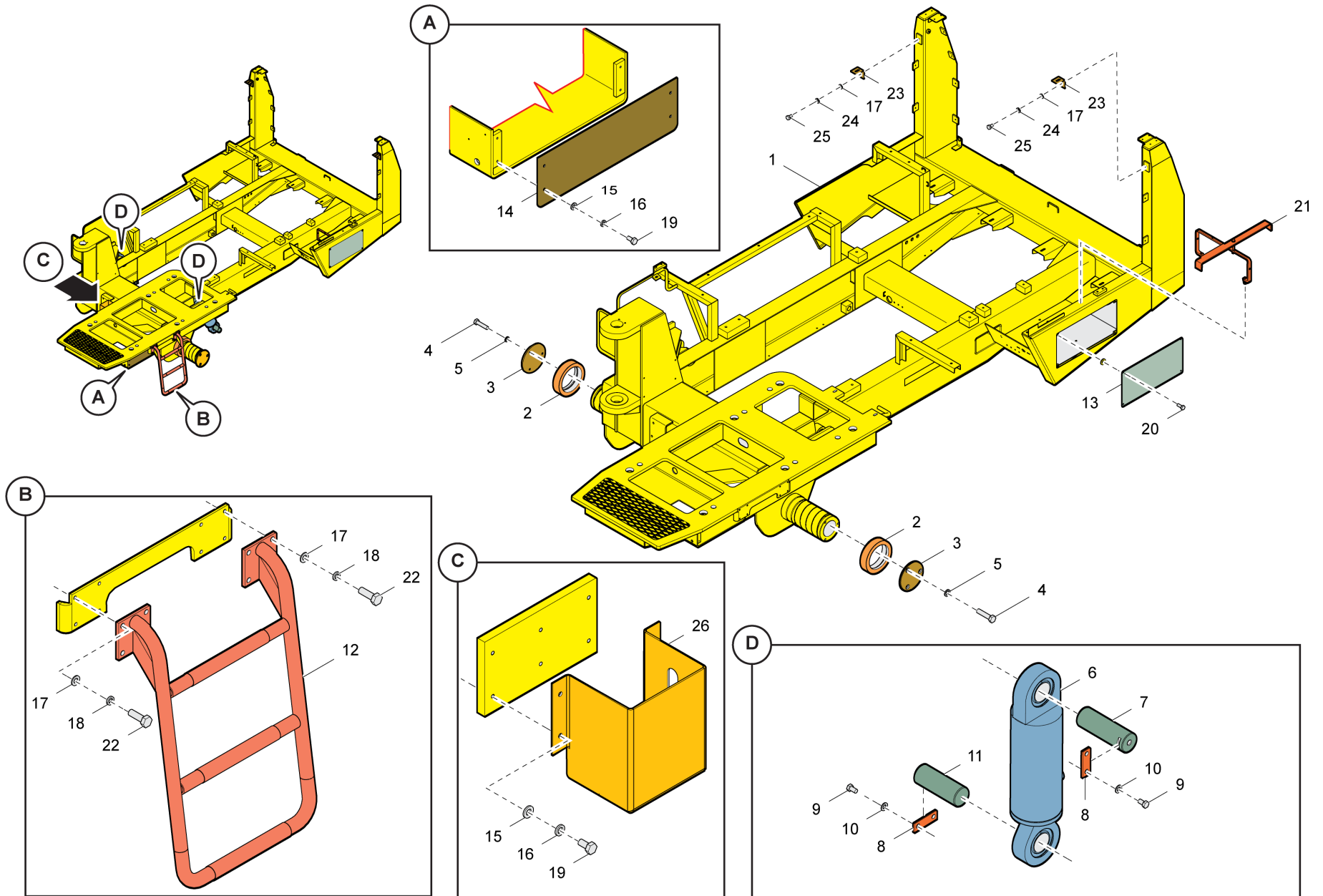


**WAGON FRAME / VAGNSRAM**

-

<b>Ref.no</b>	<b>Part no Art.nr</b>	<b>Qty Qty</b>	<b>Description</b>	<b>Beskrivning</b>	<b>See page Se sidan</b>	<b>Remarks Anmärkningar</b>
1	-	1	WAGON FRAME	VAGNSRAM	57	
2	-	1	ELECTR. SYSTEM	ELSYSTEM		SEE CHAPTER ELECTR. SYSTEM
3	-	1	AIR SYSTEM	LUFTSYSTEM		SEE CHAPTER AIR SYSTEM
4	-	1	HYDR. SYSTEM	HYDRAULSYSTEM		SEE CHAPTER HYDR. SYSTEM
5	5726 8093 64	1	CONNECTION SET	ANSLUTNINGSSATS	67	ENGINE OIL DRAIN
6	5726 8093 72	1	CONNECTION SET	ANSLUTNINGSSATS	69	COOLANT DRAIN
7	5726 8077 98	1	CONNECTION SET	ANSLUTNINGSSATS	71	SEE CHAPTER HYDR. SYSTEM

# WAGON FRAME / VAGNSRAM



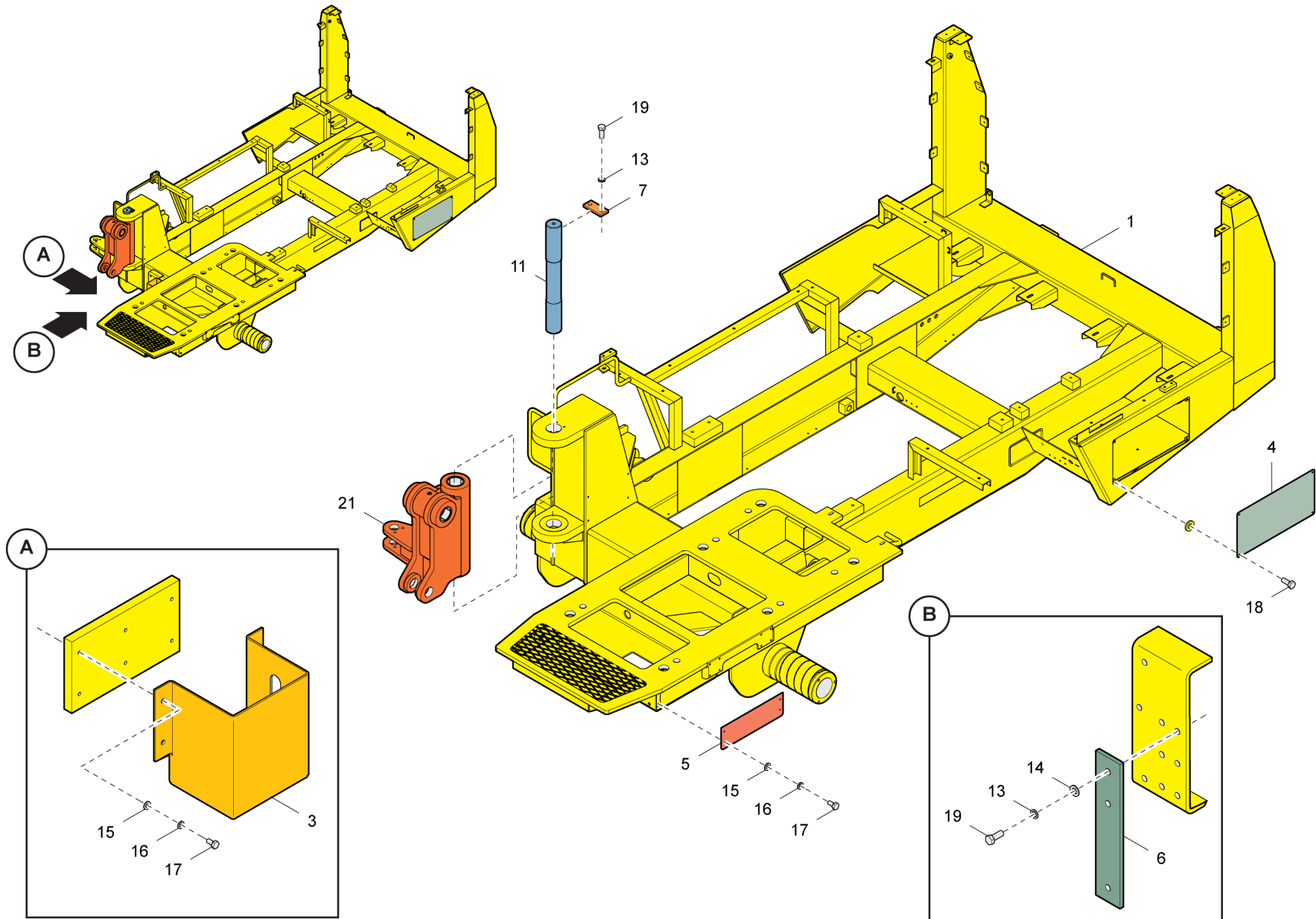
5726808000\_05

**WAGON FRAME / VAGNSRAM**

-

Ref.no	Part no Art.nr	Qty Qty	Description	Beskrivning	See page Se sidan	Remarks Anmärkningar
A01	-	1	WAGON FRAME	VAGNSRAM	59	
1	-	1	WAGON FRAME	VAGNSRAM		
2	5726 8081 89	2	SPACER RING	DISTANSRING		
3	5726 8002 15	2	COVER	KÅPA		
4	0147 1405 03	6	SCREW, HEX HEAD	SKRUV, SEXKANT		M 12 X 50 - 8.8 FZB
5	3315 0195 08	6	LOCK WASHER	LÅSBRICKA		13,0/19,5 X 2,6 HRC50 FZB
6	5726 8082 00	2	CYLINDER	CYLINDER	63	TRACK OSCILLATION
7	5726 8002 78	2	SHAFT	AXEL		
8	5726 8002 17	4	WASHER	BRICKA		
9	0147 1398 03	8	SCREW, HEX HEAD	SKRUV, SEXKANT		M 12 X 20 - 8.8 FZB
10	0301 2358 00	8	WASHER	BRICKA		13 / 24 X 2,5 -HB 200 FZB
11	5726 8002 16	2	SHAFT	AXEL		
12	5726 8081 53	1	LADDER	LEJDARE		
13	-	1	PLATE	PLÅT		
14	-	1	ATTACHMENT	FÄSTE		
15	0301 2321 00	8	PLAIN WASHER	RUNDBRICKA		6,4 / 12 X 1,6 -HB200 FZB
16	3315 0195 02	8	LOCK WASHER	LÅSBRICKA		6,5/10.8X1.8 NORDLOCK
17	0301 2335 00	10	PLAIN WASHER	RUNDBRICKA		8,4 / 16 X 1,6 -HB200 FZB
18	3315 0195 04	8	LOCK WASHER	LÅSBRICKA		8,2/13,5 X 2,6 HRC50 FZB
19	0147 1244 03	8	SCREW, HEX HEAD	SKRUV, SEXKANT		M 6 X 12 - 8.8 FZB
20	0147 1323 03	4	SCREW, HEX HEAD	SKRUV, SEXKANT		M 8 X 20 -8.8 FZB
21	-	1	ATTACHMENT SET	FÄSTDETALJER	65	
22	0147 1363 03	8	SCREW, HEX HEAD	SKRUV, SEXKANT		M 10 X 30 - 8.8 FZB
23	5726 8080 02	2	PLATE	PLÅT		
24	0333 5200 15	2	LOCK WASHER	LÅSBRICKA		8,7 / 16,6 X 2,5
25	0147 1321 03	2	SCREW, HEX HEAD	SKRUV, SEXKANT		M 8 X 14 - 8.8 FZB
26	5726 8081 57	1	HOLDER	FORDONSHÄNGARE		

# WAGON FRAME / VAGNSRAM



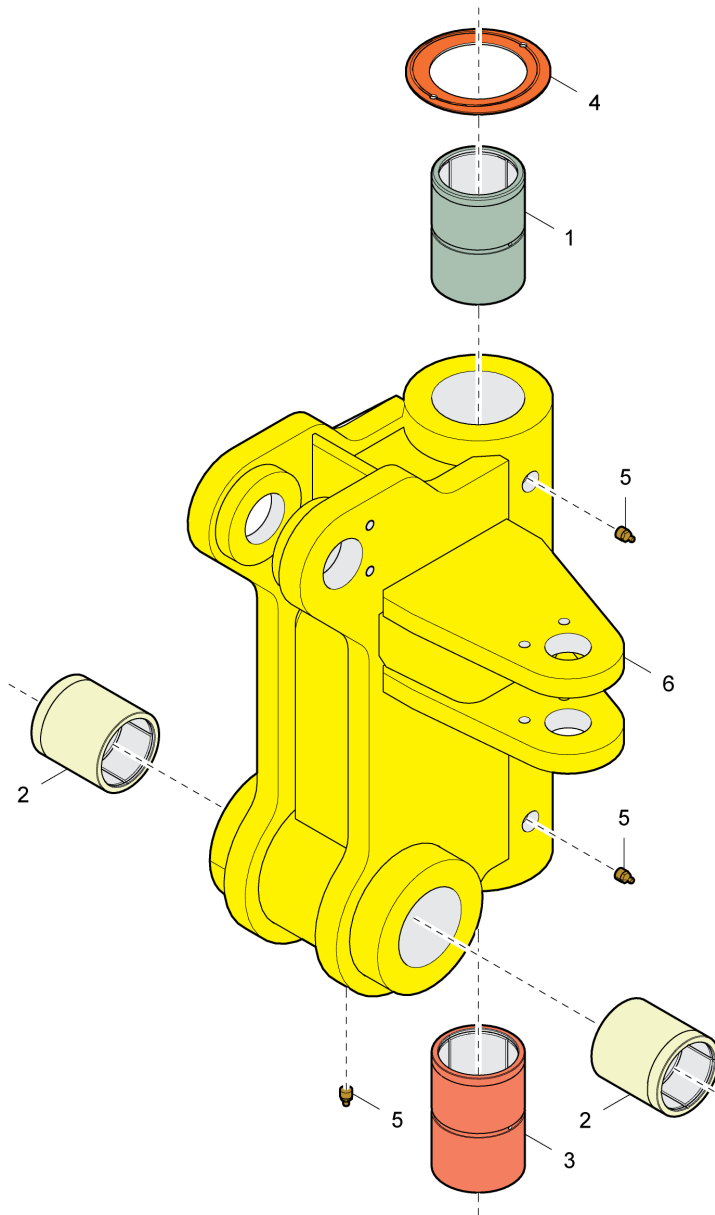
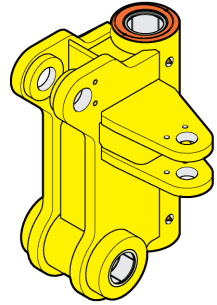
## WAGON FRAME / VAGNSRAM

-

Ref.no	Part no Art.nr	Qty Qty	Description	Beskrivning	See page Se sidan	Remarks Anmärkningar
1	-	1	WAGON FRAME	VAGNSRAM		
3	5726 8081 57	1	HOLDER	FORDONSHÄNGARE		
4	-	1	PLATE	PLÅT		
5	-	1	ATTACHMENT	FÄSTE		
6	5726 8002 31	1	PLATE	PLÅT		
7	5726 8081 09	1	PLATE	PLÅT		
11	3121 2605 32	1	SHAFT	AXEL		
13	3315 0195 08	4	LOCK WASHER	LÅSBRICKA		13,0/19,5 X 2,6 HRC50 FZB
14	0301 2358 00	2	WASHER	BRICKA		13 / 24 X 2,5 -HB 200 FZB
15	0301 2321 00	8	PLAIN WASHER	RUNDBRICKA		6,4 / 12 X 1,6 -HB200 FZB
16	3315 0195 02	8	LOCK WASHER	LÅSBRICKA		6,5/10.8X1.8 NORDLOCK
17	0147 1244 03	8	SCREW, HEX HEAD	SKRUV, SEXKANT		M 6 X 12 - 8.8 FZB
18	0147 1323 03	4	SCREW, HEX HEAD	SKRUV, SEXKANT		M 8 X 20 -8.8 FZB
19	0147 1401 03	4	SCREW, HEX HEAD	SKRUV, SEXKANT		M 12 X 30 - 8.8 FZB
21	3121 2605 30	1	BOOM ATTACHMENT	BOMFÄSTE	61	
22	5726 8080 02	2	PLATE	PLÅT		
23	0301 2335 00	2	PLAIN WASHER	RUNDBRICKA		8,4 / 16 X 1,6 -HB200 FZB
24	0333 5200 15	2	LOCK WASHER	LÅSBRICKA		8,7 / 16,6 X 2,5
25	0147 1321 03	2	SCREW, HEX HEAD	SKRUV, SEXKANT		M 8 X 14 - 8.8 FZB

# BOOM ATTACHMENT / BOMFÄSTE

3121 2605 30

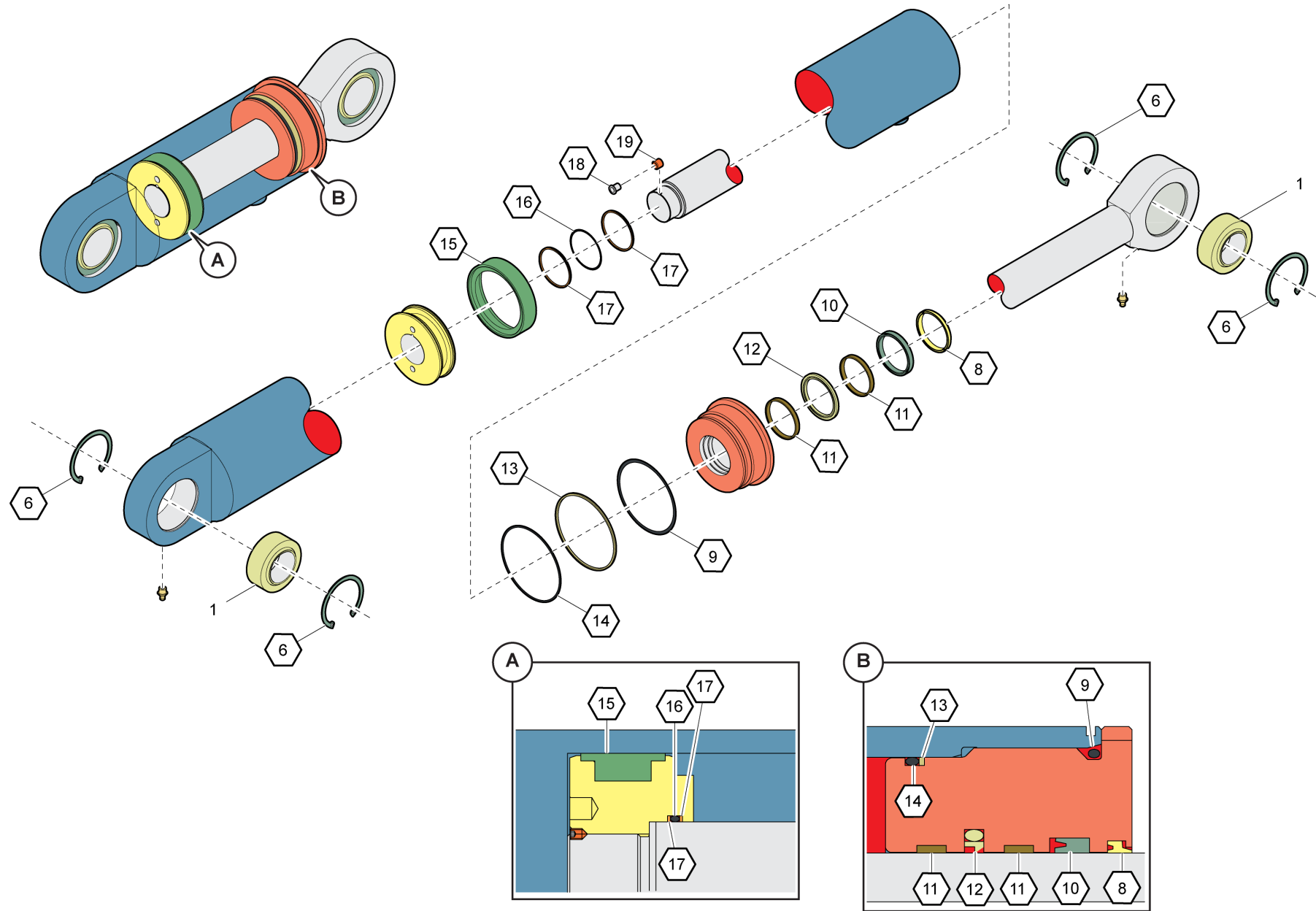


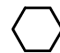


## BOOM ATTACHMENT / BOMFÄSTE

3121 2605 30

Ref.no	Part no Art.nr	Qty Qty	Description	Beskrivning	See page Se sidan	Remarks Anmärkningar
1	3121 2605 33	1	BUSHING	BUSSNING		
2	3121 2605 34	2	BUSHING	BUSSNING		
3	3121 2605 35	1	BUSHING	BUSSNING		
4	3121 2605 37	1	SHIM	MELLANLÄGG		
5	0544 1100 12	3	GREASE NIPPLE	FETTNIPPEL		M 10 X 1 AH 580
6	-	1	BOOM STANDS	BOM STOPP		

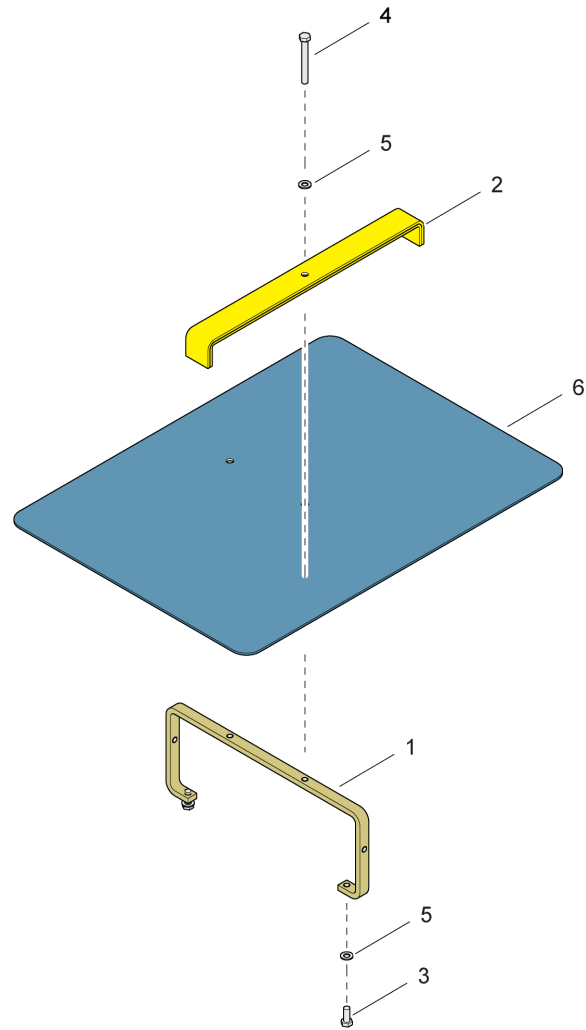


 = Seal kit

Ref.no	Part no Art.nr	Qty Qty	Description	Beskrivning	See page Se sidan	Remarks Anmärkningar
	5726 8082 12	1	SEAL KIT	TÄTNINGSSATS		
1	5726 8094 70	2	BEARING	BÄRLAGER		

ATTACHMENT SET / FÄSTDETALJER

-



## ATTACHMENT SET / FÄSTDDETALJER

-

Ref.no	Part no Art.nr	Qty Qty	Description	Beskrivning	See page Se sidan	Remarks Anmärkningar
1	5726 8002 81	1	ATTACHMENT	FÄSTE		
2	5726 5829 36	1	BRACKET	FÄSTDON		
3	0147 1362 03	2	SCREW, HEX HEAD	SKRUV, SEXKANT		M 10 X 25 - 8.8 FZB
4	0147 1374 03	1	SCREW, HEX HEAD	SKRUV, SEXKANT		M 10 X 85 - 8.8 FZB
5	0301 2344 00	3	PLAIN WASHER	RUNDBRICKA		10,5 / 20 X 2 -HB 200 FZB
6	5726 8106 56	1	RUBBER CLOTH	GUMMIDUK		



Ref.no	Part no Art.nr	Qty Qty	Description	Beskrivning	See page Se sidan	Remarks Anmärkningar
1	3176 6981 00	1	NIPPLE	NIPPEL		UNF 3/4-7/8
2	3455 0543 05	1	NIPPLE	NIPPEL		UNF 7/8
3	3715 0597 00	1	CAP	HUV		UNF 7/8





Ref.no	Part no Art.nr	Qty Qty	Description	Beskrivning	See page Se sidan	Remarks Anmärkningar
1	3176 2645 00	1	NIPPLE	NIPPEL		UNF 3/4 - NPTF 1/4
2	3176 6981 00	1	NIPPLE	NIPPEL		UNF 3/4-UNF 7/8
3	3715 0597 00	1	CAP	HUV		UNF 7/8
4	3455 0543 05	1	NIPPLE	NIPPEL		UNF 7/8



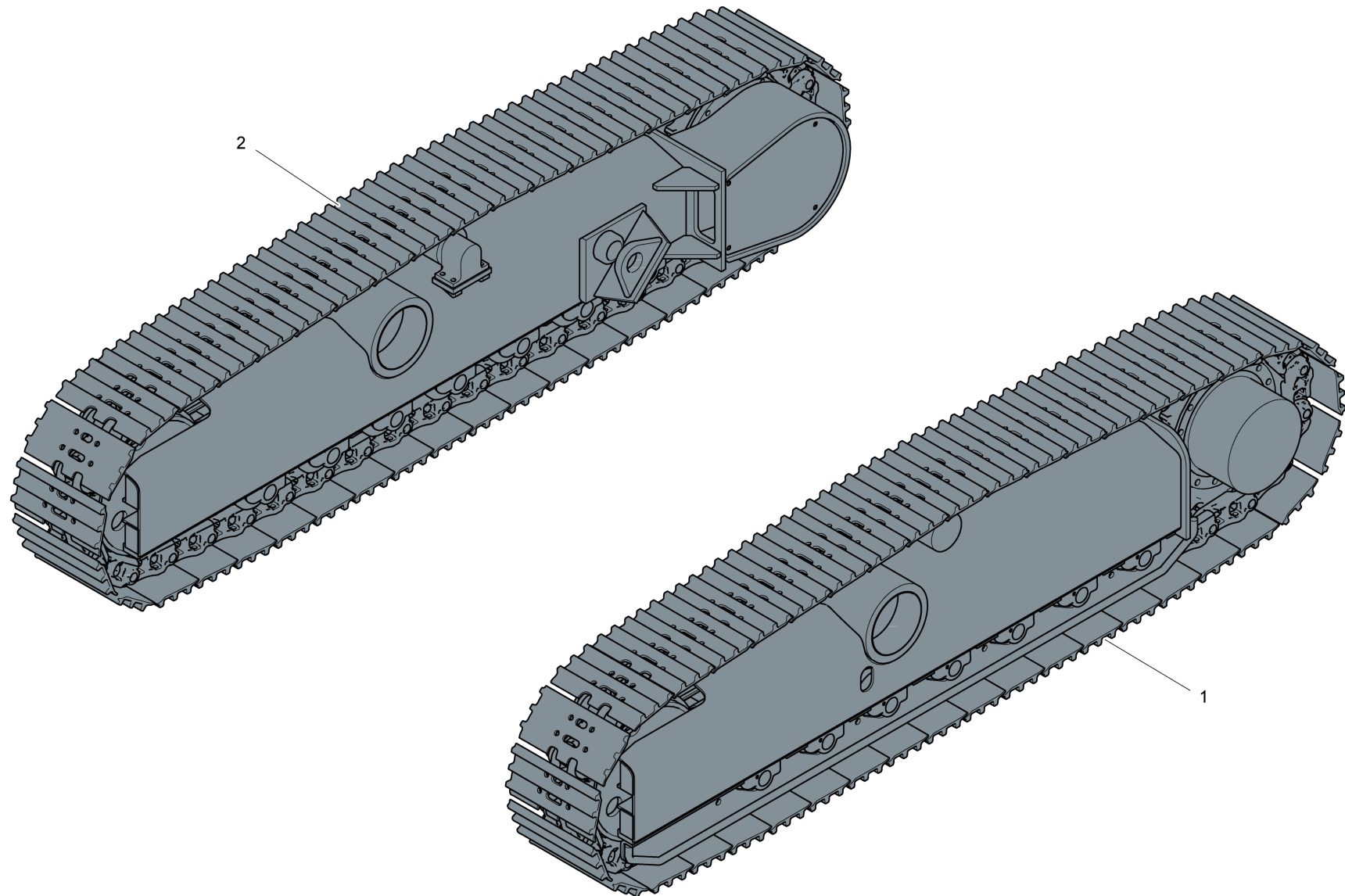
Ref.no	Part no Art.nr	Qty Qty	Description	Beskrivning	See page Se sidan	Remarks Anmärkningar
1	3455 0543 05	1	NIPPLE	NIPPEL		UNF 7/8
2	3715 0597 00	1	CAP	HUV		UNF 7/8



Ref.no	Part no Art.nr	Qty Qty	Description	Beskrivning	See page Se sidan	Remarks Anmärkningar
1	-	1	TRACK FRAME	BANDRAM	75	
2	-	2	DRIVE UNIT	DRIVENHET	83	
3	-	1	CONNECTION SET	ANSLUTNINGSSATS	87	TRAMMING MOTOR RIGHT
4	-	1	CONNECTION SET	ANSLUTNINGSSATS	89	TRAMMING MOTOR LEFT

# TRACK FRAME / BANDRAM

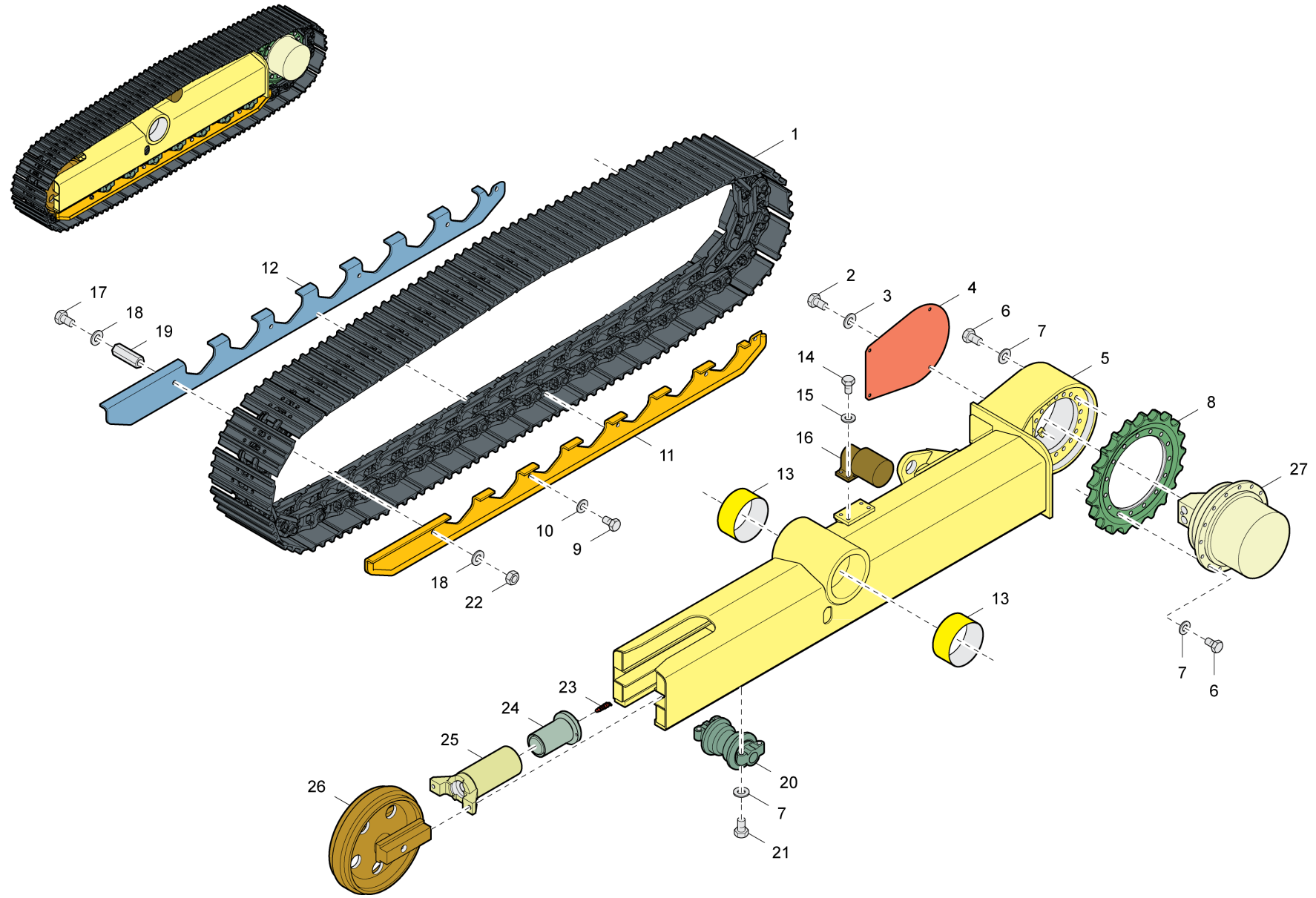
-



**TRACK FRAME / BANDRAM**

-

<b>Ref.no</b>	<b>Part no Art.nr</b>	<b>Qty Qty</b>	<b>Description</b>	<b>Beskrivning</b>	<b>See page Se sidan</b>	<b>Remarks Anmärkningar</b>
1	-	1	TRACK FRAME	BANDRAM	77	TRACK FRAME LEFT
2	-	1	TRACK FRAME	BANDRAM	85	TRACK FRAME RIGHT



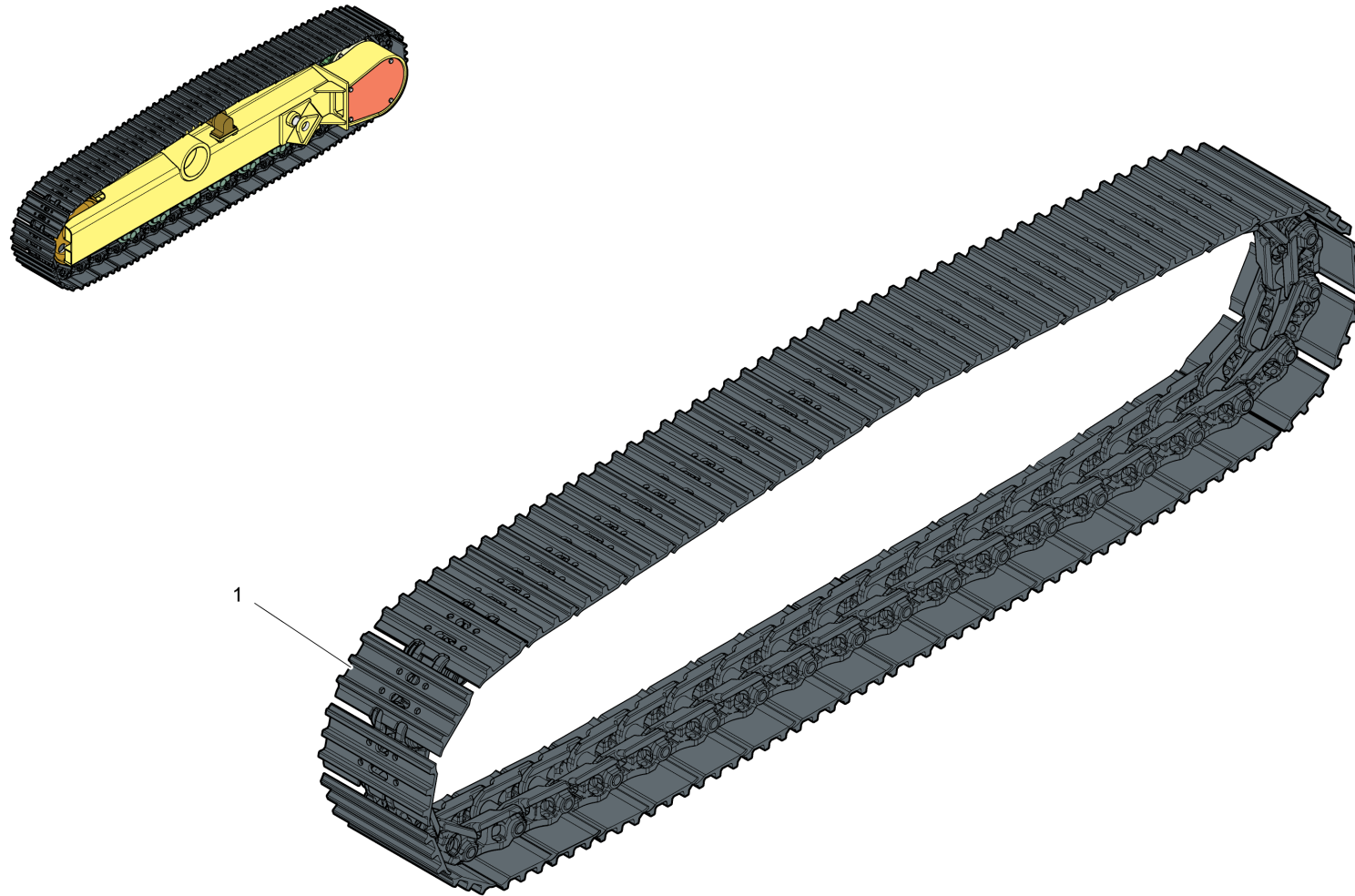


## TRACK FRAME / BANDRAM

-

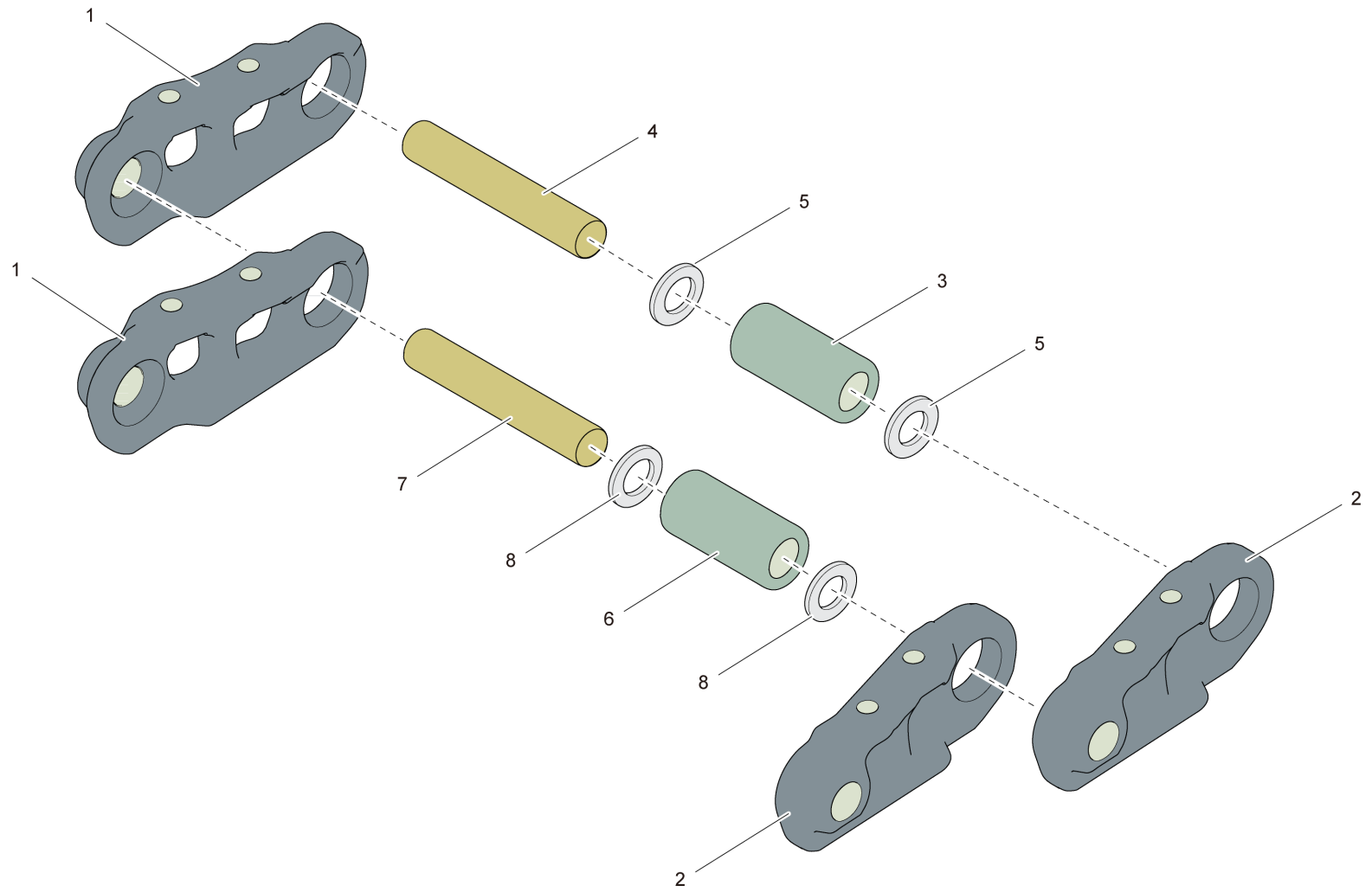
## TRACK FRAME LEFT

Ref.no	Part no Art.nr	Qty Qty	Description	Beskrivning	See page Se sidan	Remarks Anmärkningar
1	5726 8097 16	1	TRACK CHAIN	LARVBAND	79	
2	5726 8097 17	4	BOLT	BULT		
3	5726 5004 31	4	LOCK WASHER	LÅSBRICKA		
4	5726 8097 18	1	COVER	KÅPA		
5	5726 8097 19	1	FRAME	RAM		
6	5726 8097 21	35	BOLT	BULT		
7	5726 5004 28	63	LOCK WASHER	LÅSBRICKA		
8	5726 8097 22	1	SPROCKET WHEEL	KEDJEHJUL		
9	5726 8097 23	20	BOLT	BULT		
10	5726 5004 46	20	LOCK WASHER	LÅSBRICKA		
11	5726 8097 24	1	GUARD	SPRÅNGSKYDD		
12	5726 8097 25	1	GUARD	SPRÅNGSKYDD		
13	5726 8097 26	2	BUSHING	BUSSNING		
14	5726 8097 27	4	BOLT	BULT		
15	5726 5004 31	4	LOCK WASHER	LÅSBRICKA		
16	3725 0027 29	1	ROLLER	RULLE		
17	5726 5004 39	5	BOLT	BULT		
18	5726 5004 43	10	SPRING WASHER	FJÄDERBRICKA		
19	5726 8097 28	5	COLLAR	KRAGE		
20	3725 0027 30	7	ROLLER	RULLE		
21	5726 8097 29	28	BOLT	BULT		
22	5726 5004 34	5	NUT	BOTTENMUTTER		
23	5726 5004 35	1	PROTECTION CAP	SKYDDSHUV		
24	5726 8097 30	1	CYLINDER	CYLINDER		
25	5726 8097 31	1	TENSION WHEEL	SPÄNNHJUL		
26	5726 8097 32	1	GUIDE WHEEL SET	STYRHJULSSATS		
27	5726 8077 31	1	DRIVE UNIT	DRIVENHET	83	TRAM UNIT



**TRACK CHAIN / LARVBAND****5726 8097 16**

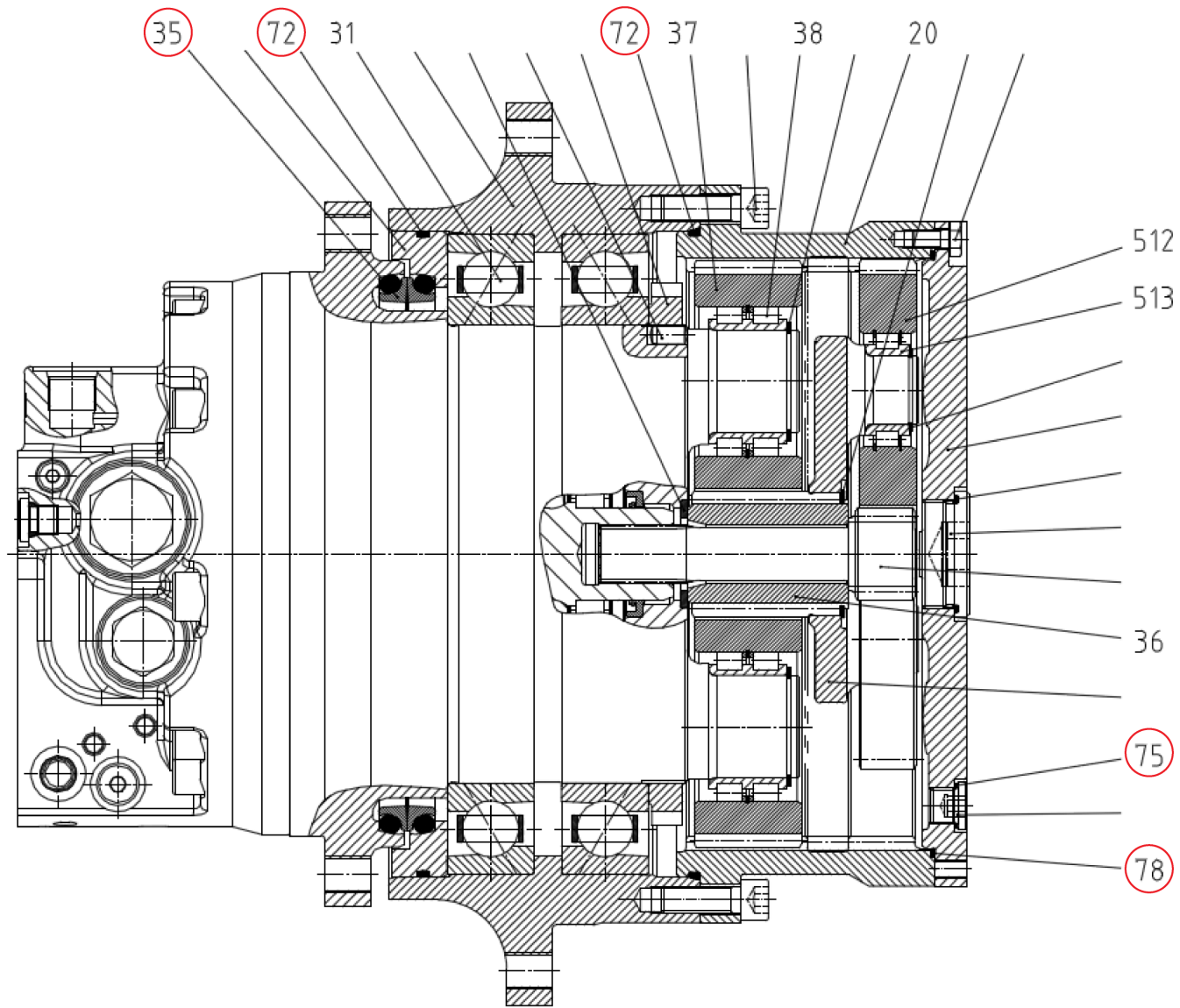
<b>Ref.no</b>	<b>Part no</b> <b>Art.nr</b>	<b>Qty</b> <b>Qty</b>	<b>Description</b>	<b>Beskrivning</b>	<b>See page</b> <b>Se sidan</b>	<b>Remarks</b> <b>Anmärkningar</b>
1	5726 8097 33	41	TRACK CHAIN	LARVBAND	81	




## TRACK CHAIN / LARVBAND

5726 8097 33

Ref.no	Part no Art.nr	Qty Qty	Description	Beskrivning	See page Se sidan	Remarks Anmärkningar
1	5726 8097 34	1	LINK	LÄNK		
2	5726 8097 35	1	LINK	LÄNK		
3	5726 8097 36	1	BUSHING	BUSSNING		
4	5726 8097 37	1	PIN	PINNE		
5	5726 8097 38	2	SEAL	PLOMB		
6	5726 8097 39	1	BUSHING	BUSSNING		
7	5726 8097 40	1	PIN	PINNE		
8	5726 8097 41	2	SEAL	PLOMB		



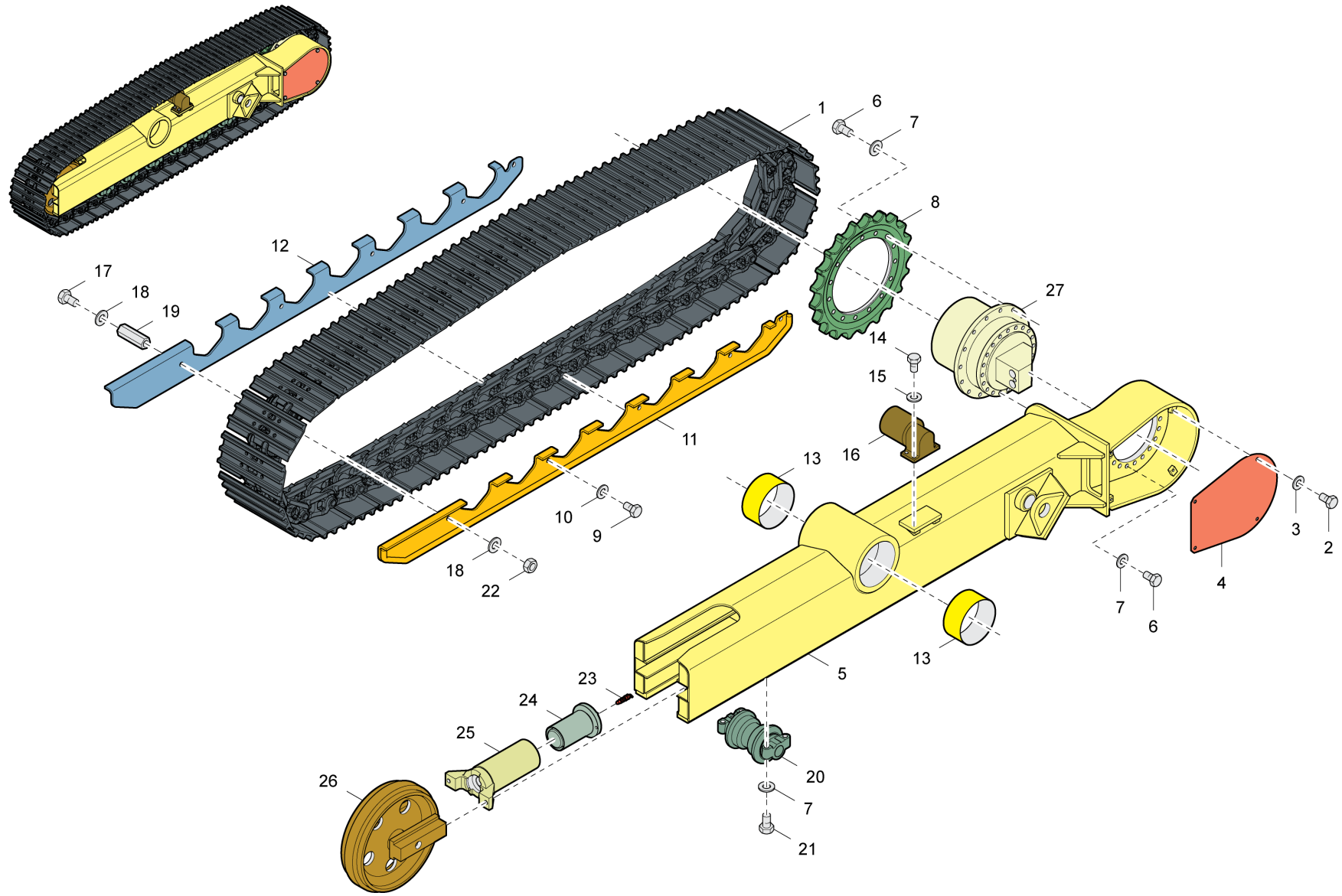
 = SEAL KIT

## DRIVE UNIT / DRIVENHET

-

## TRAM UNIT

Ref.no	Part no Art.nr	Qty Qty	Description	Beskrivning	See page Se sidan	Remarks Anmärkningar
	5726 8094 91	1	SEAL KIT	TÄTNINGSSATS		
20	5726 8094 92	1	RING GEAR	KRONDREV		
31	5726 8094 93	2	BEARING	BÄRLAGER		
36	5726 8094 94	1	SUN GEAR	SOLHJUL		
37	5726 8094 95	4	PLANET GEAR	PLANETVÄXEL		
38	5726 8094 96	4	BEARING	BÄRLAGER		
512	5726 8094 97	3	PLANET GEAR	PLANETVÄXEL		
513	5726 8094 98	3	BEARING	BÄRLAGER		
9	5726 8097 69	1	AX.PISTON MOTOR	AXIALKOLVMOTOR		





## TRACK FRAME / BANDRAM

-

## TRACK FRAME RIGHT

Ref.no	Part no Art.nr	Qty Qty	Description	Beskrivning	See page Se sidan	Remarks Anmärkningar
1	5726 8097 16	1	TRACK CHAIN	LARVBAND	79	
2	5726 8097 17	4	BOLT	BULT		
3	5726 5004 31	4	LOCK WASHER	LÅSBRICKA		
4	5726 8097 18	1	COVER	KÅPA		
5	5726 8097 20	1	FRAME	RAM		
6	5726 8097 21	35	BOLT	BULT		
7	5726 5004 28	63	LOCK WASHER	LÅSBRICKA		
8	5726 8097 22	1	SPROCKET WHEEL	KEDJEHJUL		
9	5726 8097 23	20	BOLT	BULT		
10	5726 5004 46	20	LOCK WASHER	LÅSBRICKA		
11	5726 8097 24	1	GUARD	SPRÅNGSKYDD		
12	5726 8097 25	1	GUARD	SPRÅNGSKYDD		
13	5726 8097 26	2	BUSHING	BUSSNING		
14	5726 8097 27	4	BOLT	BULT		
15	5726 5004 31	4	LOCK WASHER	LÅSBRICKA		
16	3725 0027 29	1	ROLLER	RULLE		
17	5726 5004 39	5	BOLT	BULT		
18	5726 5004 43	10	SPRING WASHER	FJÄDERBRICKA		
19	5726 8097 28	5	COLLAR	KRAGE		
20	3725 0027 30	7	ROLLER	RULLE		
21	5726 8097 29	28	BOLT	BULT		
22	5726 5004 34	5	NUT	BOTTENMUTTER		
23	5726 5004 35	1	PROTECTION CAP	SKYDDSHUV		
24	5726 8097 30	1	CYLINDER	CYLINDER		
25	5726 8097 31	1	TENSION WHEEL	SPÄNNHJUL		
26	5726 8097 32	1	GUIDE WHEEL SET	STYRHJULSSATS		
27	5726 8077 31	1	DRIVE UNIT	DRIVENHET	83	TRAM UNIT



## CONNECTION SET / ANSLUTNINGSSATS

-

## TRAMMING MOTOR RIGHT

Ref.no	Part no Art.nr	Qty Qty	Description	Beskrivning	See page Se sidan	Remarks Anmärkningar
1	3176 6515 00	1	NIPPLE	NIPPEL		
2	3176 6517 00	2	NIPPLE	NIPPEL		UN 1 1/16 - G 3/4
3	3176 6348 00	1	NIPPLE	NIPPEL		UNF 9/16 - G 1/4
4	3715 0584 00	1	ELBOW NIPPLE	VINKELNIPPEL		UNF 9/16 - UNF 9/16
5	-	1	DRIVE UNIT	DRIVENHET	83	

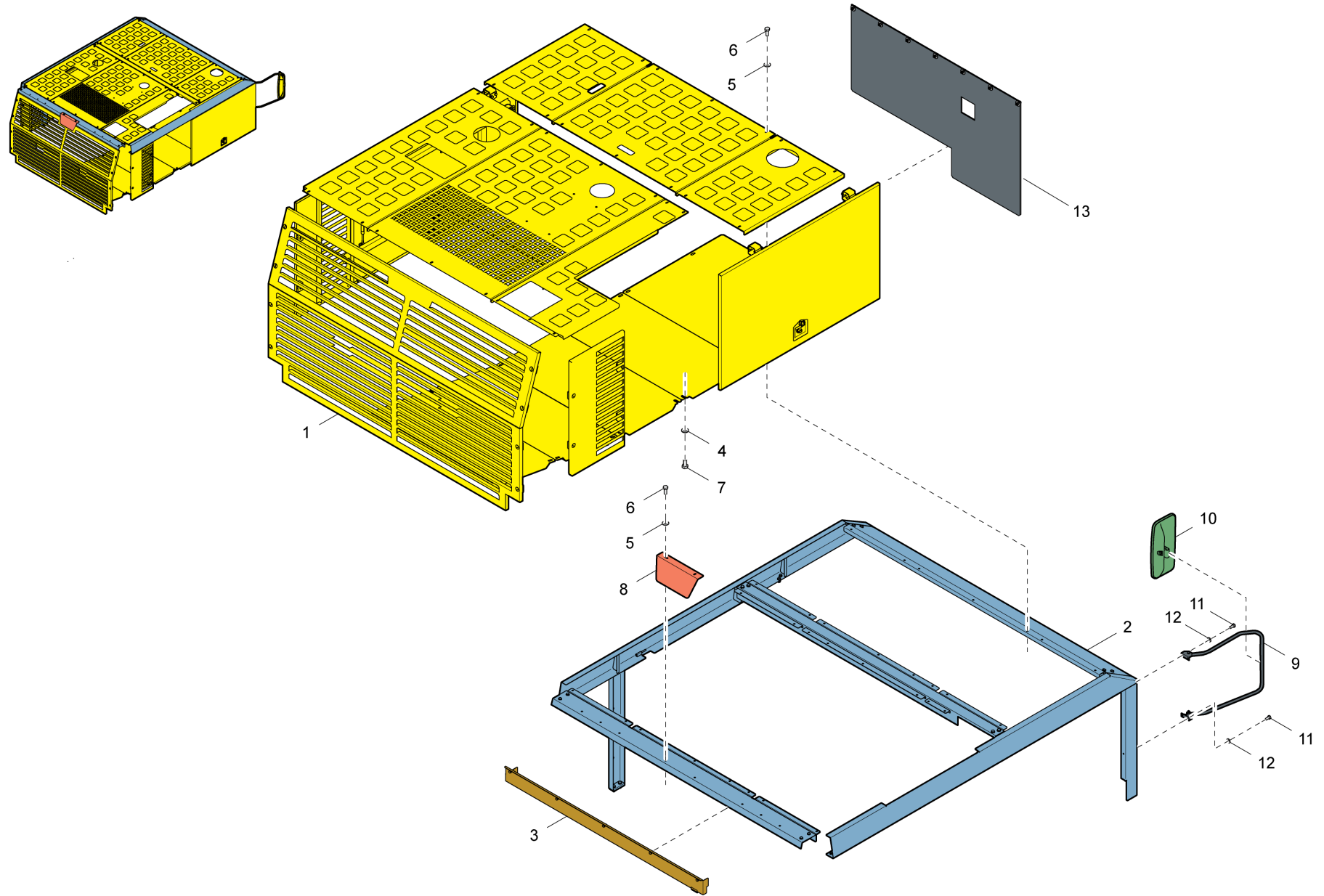


## CONNECTION SET / ANSLUTNINGSSATS

-

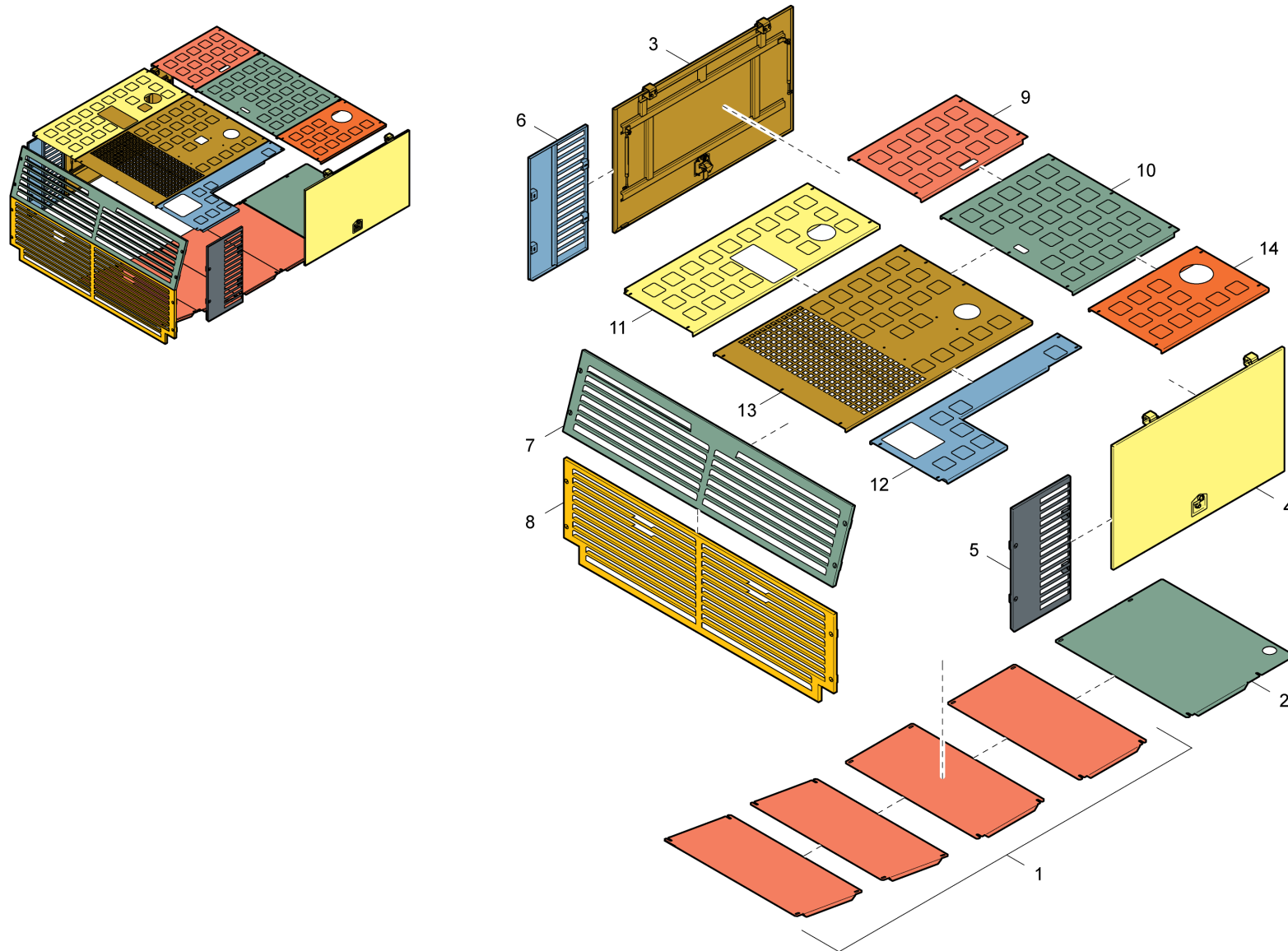
## TRAMMING MOTOR LEFT

Ref.no	Part no Art.nr	Qty Qty	Description	Beskrivning	See page Se sidan	Remarks Anmärkningar
1	3176 6515 00	1	NIPPLE	NIPPEL		
2	3176 6517 00	2	NIPPLE	NIPPEL		UN 1 1/16 - G 3/4
3	3176 6348 00	1	NIPPLE	NIPPEL		UNF 9/16 - G 1/4
4	3715 0584 00	1	ELBOW NIPPLE	VINKELNIPPEL		UNF 9/16 - UNF 9/16
5	-	1	DRIVE UNIT	DRIVENHET	83	



Ref.no	Part no Art.nr	Qty Qty	Description	Beskrivning	See page Se sidan	Remarks Anmärkningar
1	-	1	ENCLOSURE	KAPSLING	93	
2	-	1	FRAME	RAM	115	
3	-	1	GUARD	SPRÄNGSKYDD	117	
4	0333 5200 13	20	LOCK WASHER	LÅSBRICKA		M10 - 10,7 21,0 2,5 STEEL
5	0300 0129 09	47	PLAIN WASHER	RUNDBRICKA		A 8 8,4 20 1,5 - - STEEL
6	0147 1323 03	47	SCREW, HEX HEAD	SKRUV, SEXKANT		M 8 X 20 -8.8 FZB
7	0147 1360 03	20	SCREW, HEX HEAD	SKRUV, SEXKANT		M 10 X 20 - 8.8 FZB
8	-	1	LOGOTYPE LABEL	LOGOTYPMÄRKE		
9	5726 8090 52	1	ARM	ARM	119	
10	3214 8734 01	1	DRIVING MIRROR	BACKSPEGEL		
11	0147 1245 03	4	SCREW, HEX HEAD	SKRUV, SEXKANT		HEX CAP SCREW M6X14-8.8 FZB
12	0300 0274 32	4	PLAIN WASHER	RUNDBRICKA		A 6 6,4 14 1,5 - - STEEL
13	5726 8090 14	1	DUST SHIELD	DAMMSKÄRM	121	

# ENCLOSURE / KAPSLING

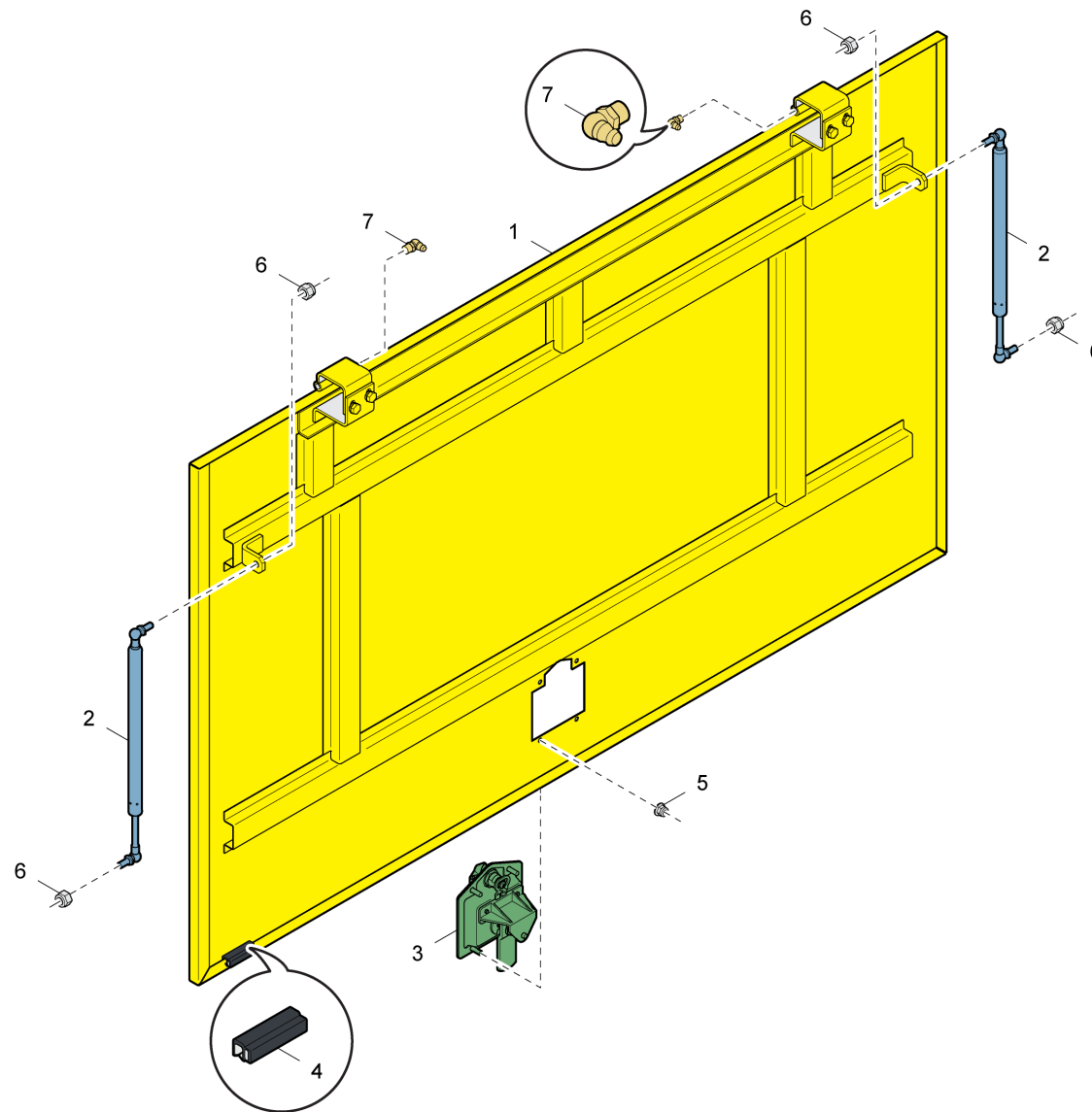
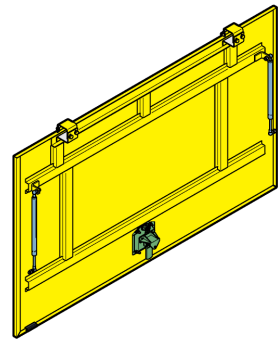




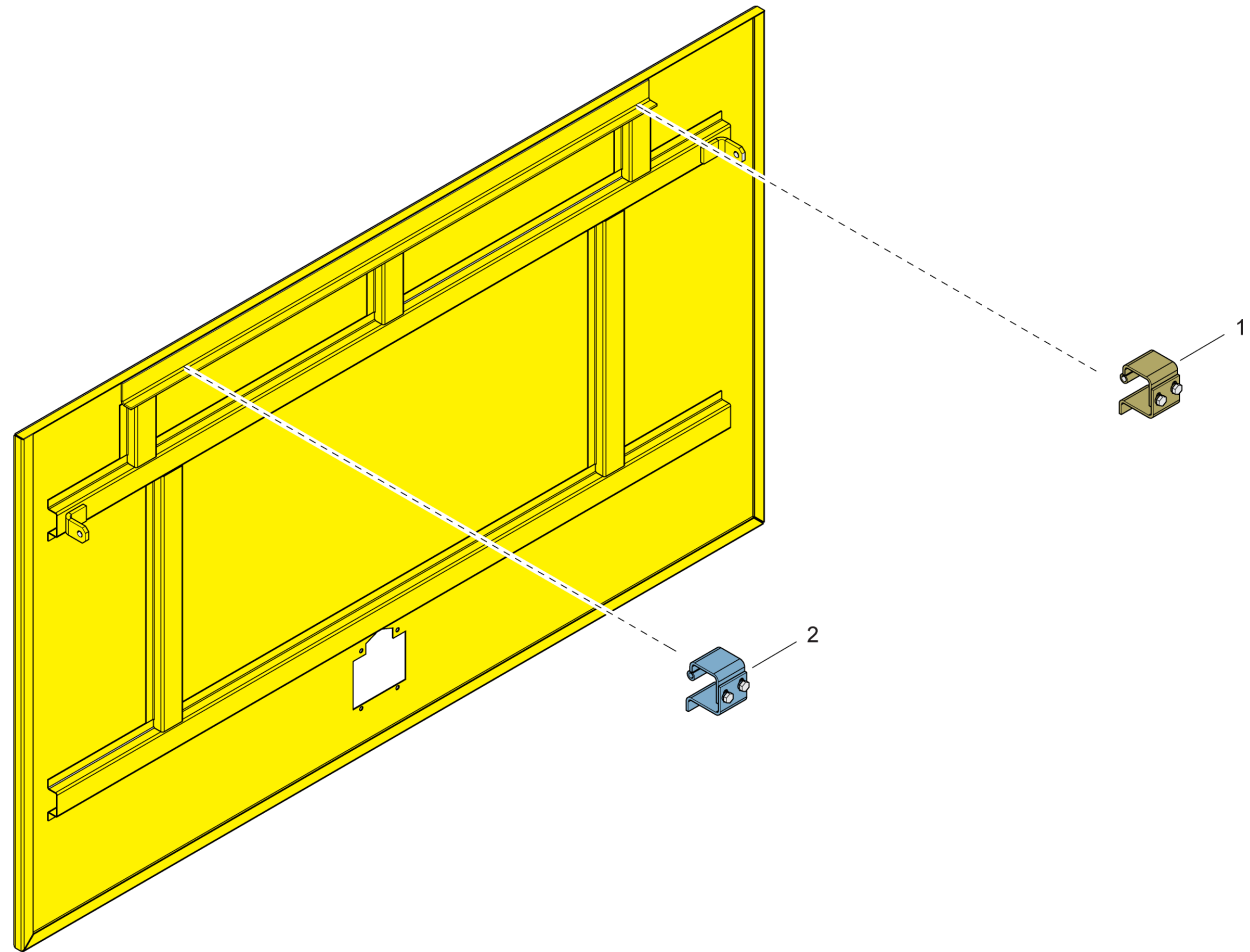
## ENCLOSURE / KAPSLING

-

Ref.no	Part no Art.nr	Qty Qty	Description	Beskrivning	See page Se sidan	Remarks Anmärkningar
1	5726 8087 70	4	GUARD	SPRÄNGSKYDD		
2	5726 8087 73	1	GUARD	SPRÄNGSKYDD		
3	-	1	DOOR	DÖRR	95	LEFT DOOR
4	-	1	DOOR	DÖRR	99	RIGHT DOOR
5	5726 8087 60	1	DOOR	DÖRR		
6	5726 8087 65	1	DOOR	DÖRR		
7	5726 8087 75	1	GUARD	SPRÄNGSKYDD		
8	5726 8087 76	1	GUARD	SPRÄNGSKYDD		
9	5726 8088 43	1	ROOF	TAK	103	
10	5726 8088 44	1	ROOF	TAK	105	
11	5726 8088 46	1	ROOF	TAK	107	
12	5726 8088 48	1	ROOF	TAK	109	
13	-	1	ROOF	TAK	111	
14	-	1	ROOF	TAK	113	

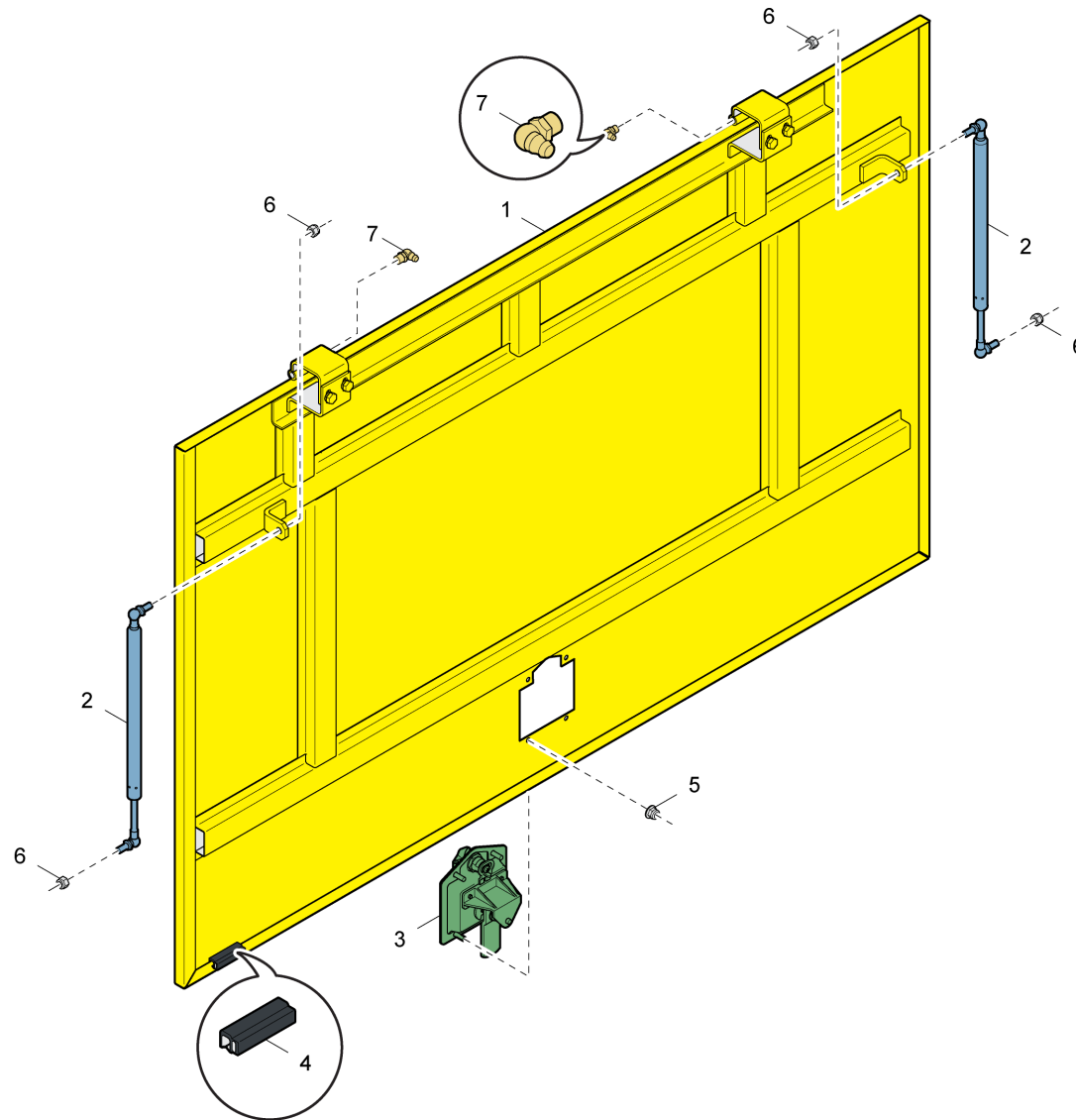
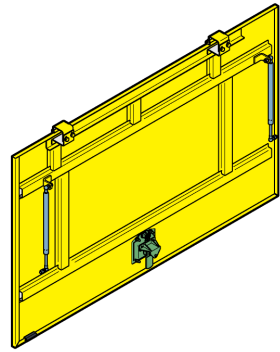


Ref.no	Part no Art.nr	Qty Qty	Description	Beskrivning	See page Se sidan	Remarks Anmärkningar
1	5726 8087 50	1	DOOR	DÖRR	97	
2	5726 8087 58	2	GAS SPRING	GASFJÄDER		
3	5726 8087 68	1	LOCK	LÅS		
4	5726 8016 53	100M	SEALING	TÄTNING		
5	0291 1128 16	4	LOCK NUT	LÅSMUTTER		M 6 - 8 FZB / ISO 7043
6	0291 1128 18	4	LOCK NUT	LÅSMUTTER		M 8 - 8 FZB / ISO 7040
7	0544 2562 00	2	GREASE NIPPLE	SMÖRJNIPPEL		CH KR 1/8 SMS 1586



**DOOR / DÖRR****5726 8087 50**

<b>Ref.no</b>	<b>Part no</b> <b>Art.nr</b>	<b>Qty</b> <b>Qty</b>	<b>Description</b>	<b>Beskrivning</b>	<b>See page</b> <b>Se sidan</b>	<b>Remarks</b> <b>Anmärkningar</b>
1	3222 3369 37	1	HINGE	GÅNGJÄRN		
2	3222 3369 38	1	HINGE	GÅNGJÄRN		

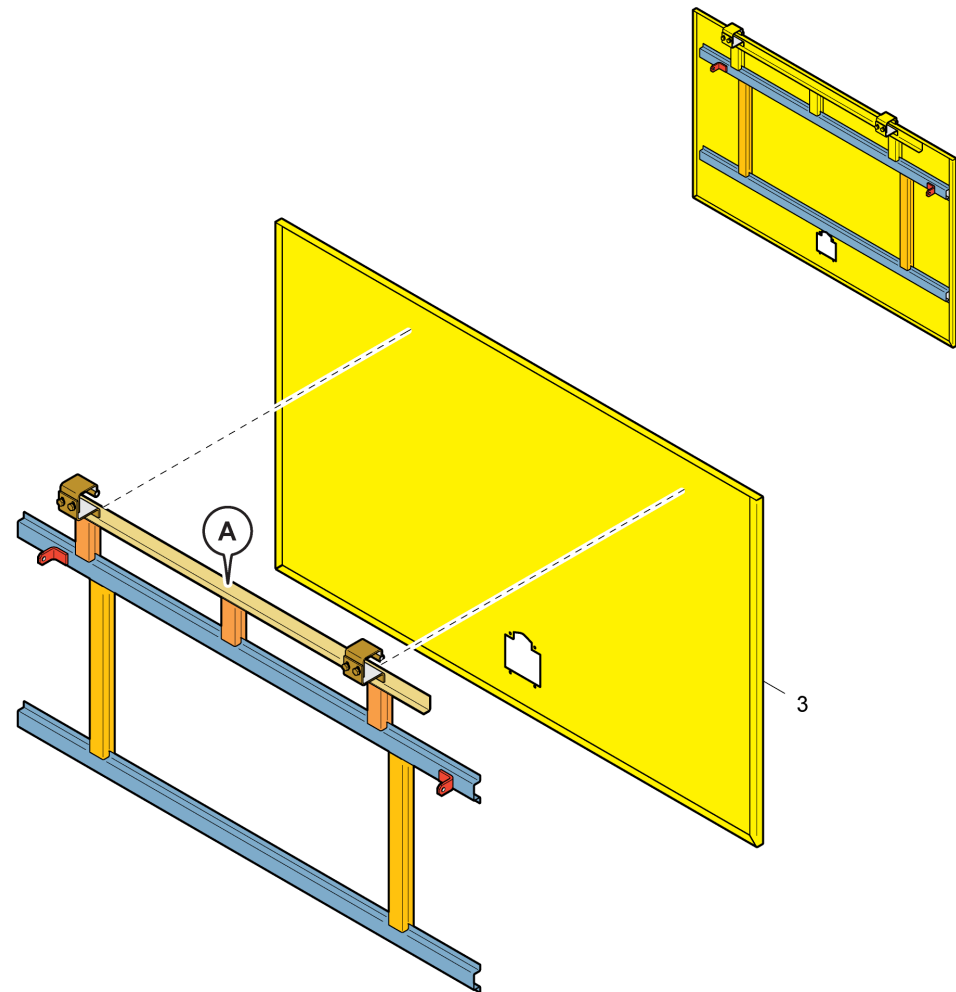
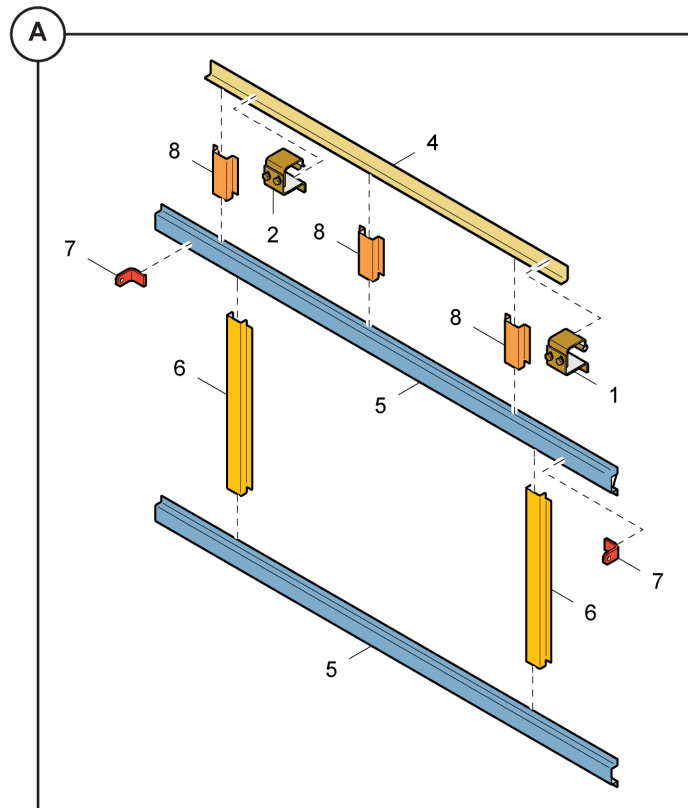


## DOOR / DÖRR

-

## RIGHT DOOR

Ref.no	Part no Art.nr	Qty Qty	Description	Beskrivning	See page Se sidan	Remarks Anmärkningar
1	5726 8087 56	1	DOOR	DÖRR	101	
2	5726 8087 58	2	GAS SPRING	GASFJÄDER		
3	5726 8087 68	1	LOCK	LÅS		
4	5726 8016 53	100M	SEALING	TÄTNING		
5	0291 1128 16	4	LOCK NUT	LÅSMUTTER		M 6 - 8 FZB / ISO 7043
6	0291 1128 18	4	LOCK NUT	LÅSMUTTER		M 8 - 8 FZB / ISO 7040
7	0544 2562 00	2	GREASE NIPPLE	SMÖRJNIPPEL		CH KR 1/8 SMS 1586

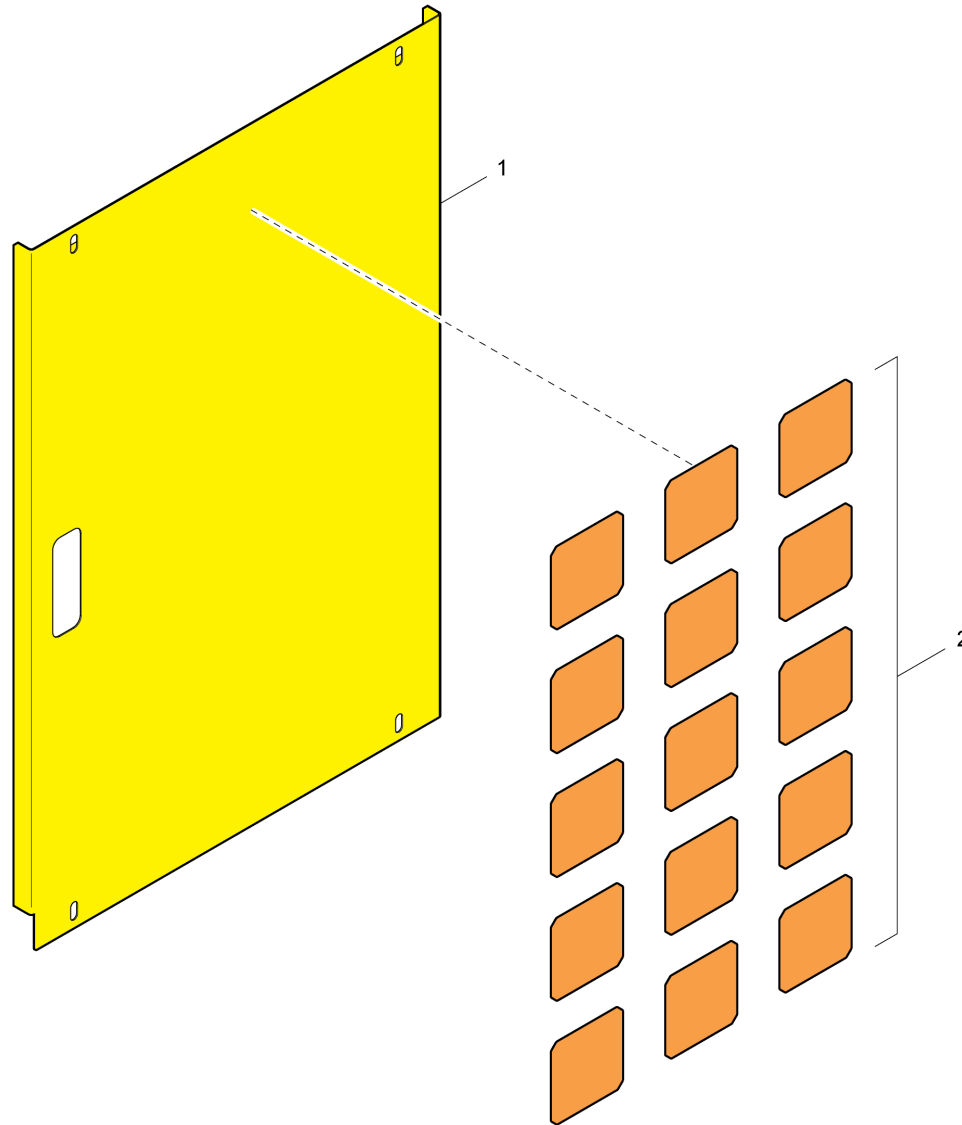
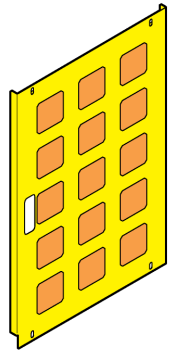




## DOOR / DÖRR

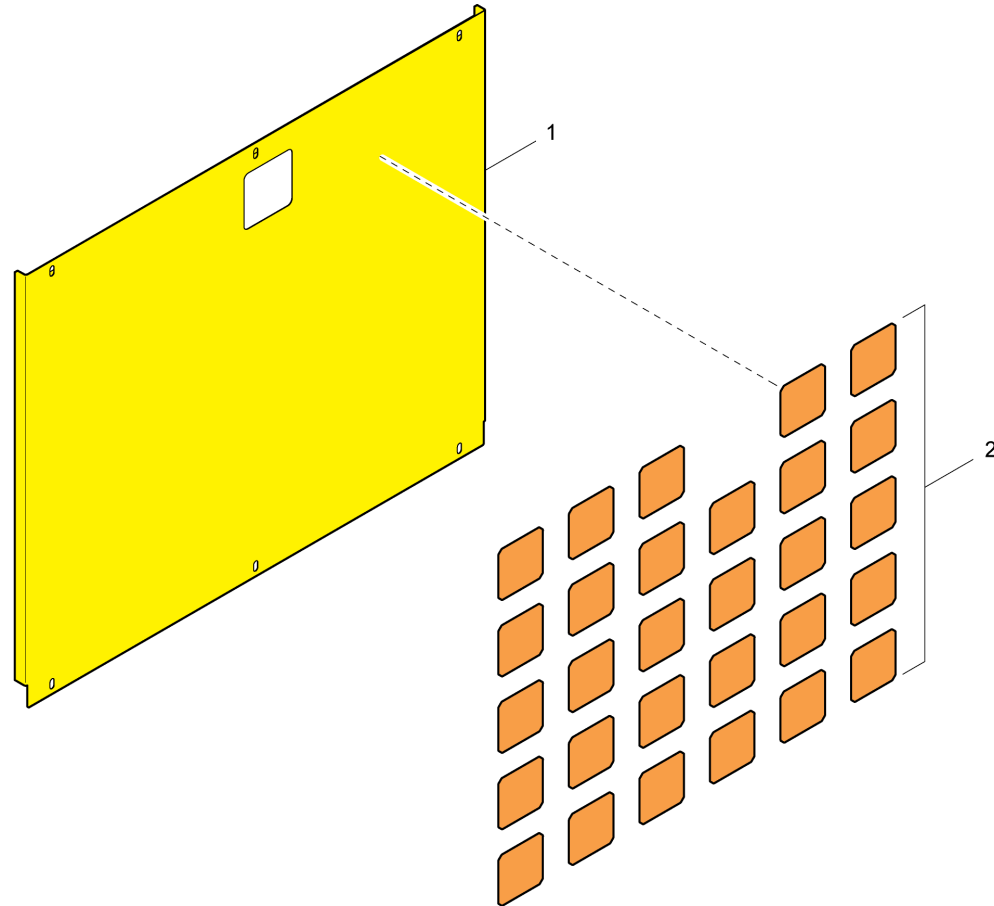
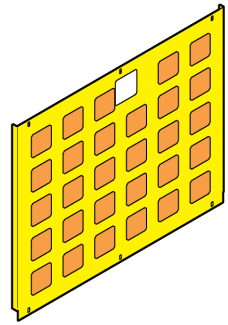
5726 8087 56

Ref.no	Part no Art.nr	Qty Qty	Description	Beskrivning	See page Se sidan	Remarks Anmärkningar
1	3222 3369 37	1	HINGE	GÅNGJÄRN		
2	3222 3369 38	1	HINGE	GÅNGJÄRN		
3	-	1	DOOR	DÖRR		
4	-	1	PLATE	PLÅT		
5	-	2	PLATE	PLÅT		
6	-	2	PLATE	PLÅT		
7	-	2	PLATE	PLÅT		
8	-	3	PLATE	PLÅT		



**ROOF / TAK****5726 8088 43**

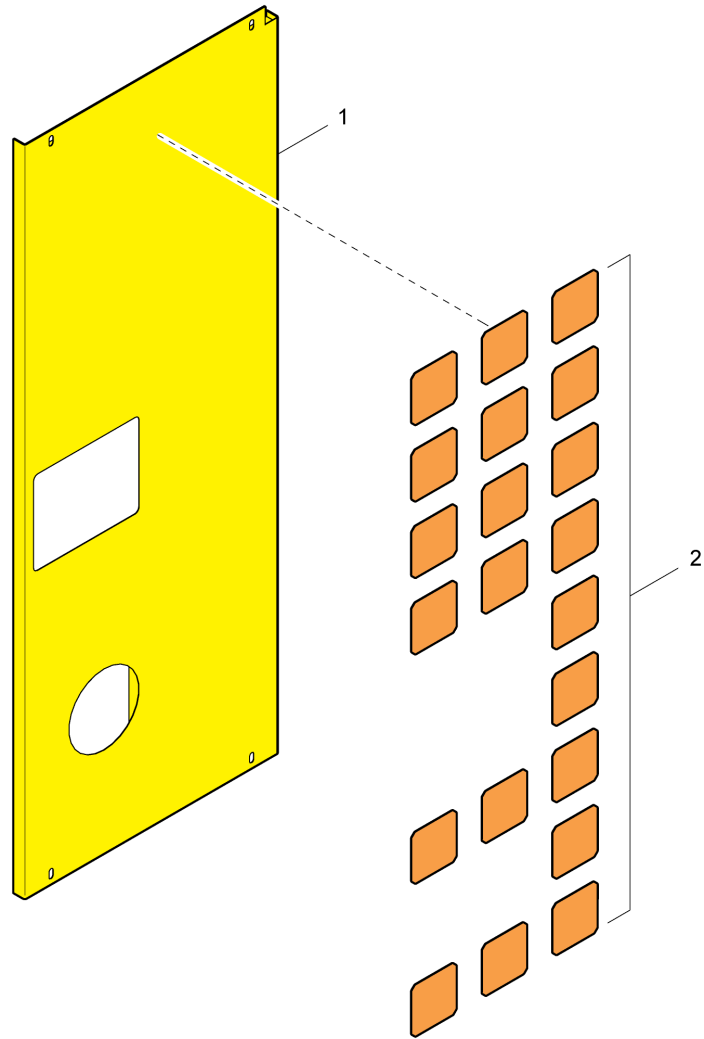
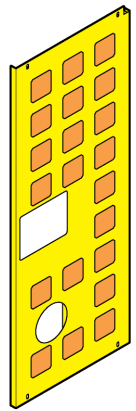
<b>Ref.no</b>	<b>Part no Art.nr</b>	<b>Qty Qty</b>	<b>Description</b>	<b>Beskrivning</b>	<b>See page Se sidan</b>	<b>Remarks Anmärkningar</b>
1	5726 8087 81	1	ROOF	TAK		
2	5580 0148 32	15	SLIP COVER	HALKSKYDD		BLACK 100X100



## ROOF / TAK

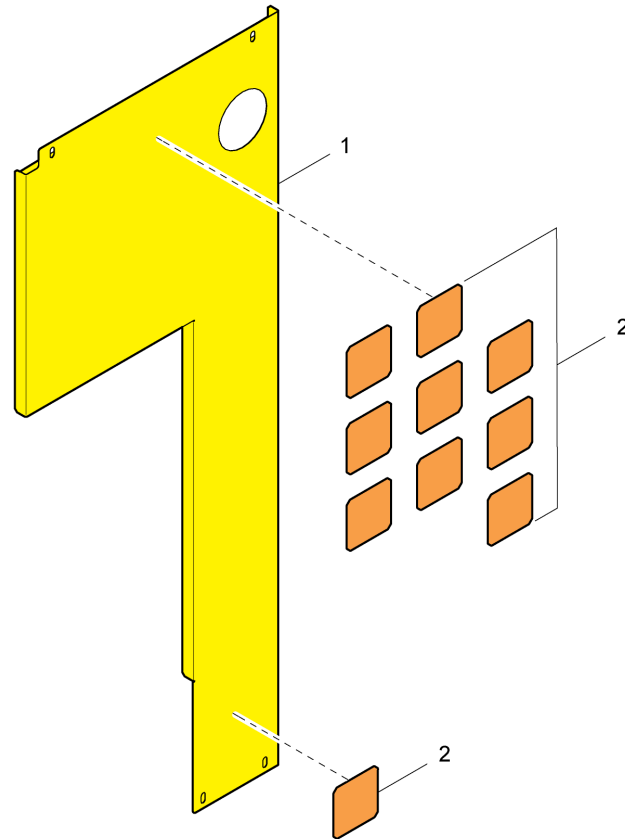
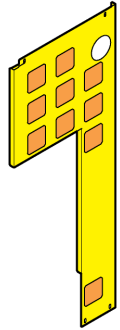
5726 8088 44

Ref.no	Part no Art.nr	Qty Qty	Description	Beskrivning	See page Se sidan	Remarks Anmärkningar
1	5726 8087 85	1	ROOF	TAK		
2	5580 0148 32	28	SLIP COVER	HALKSKYDD		BLACK 100X100



**ROOF / TAK****5726 8088 46**

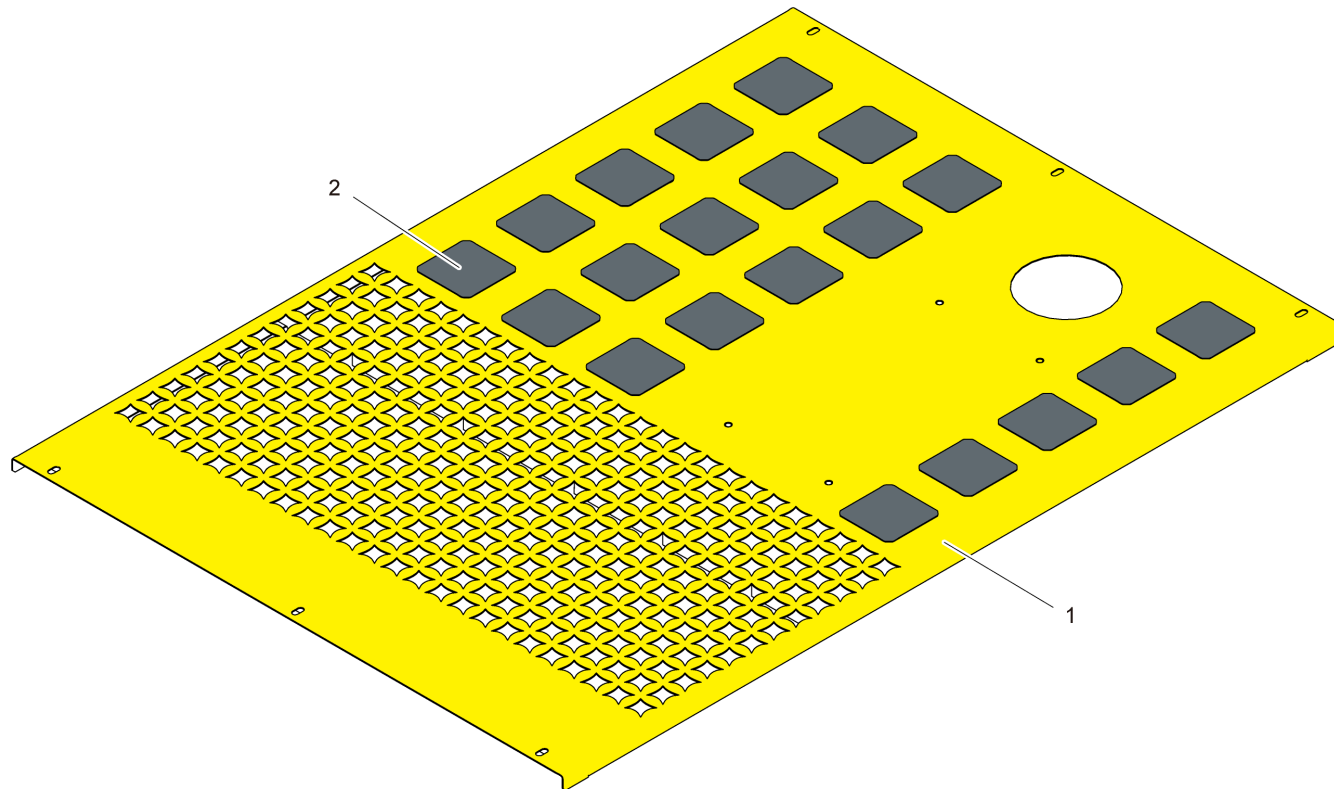
<b>Ref.no</b>	<b>Part no Art.nr</b>	<b>Qty Qty</b>	<b>Description</b>	<b>Beskrivning</b>	<b>See page Se sidan</b>	<b>Remarks Anmärkningar</b>
1	5726 8087 91	1	ROOF	TAK		
2	5580 0148 32	21	SLIP COVER	HALKSKYDD		BLACK 100X100





**ROOF / TAK****5726 8088 48**

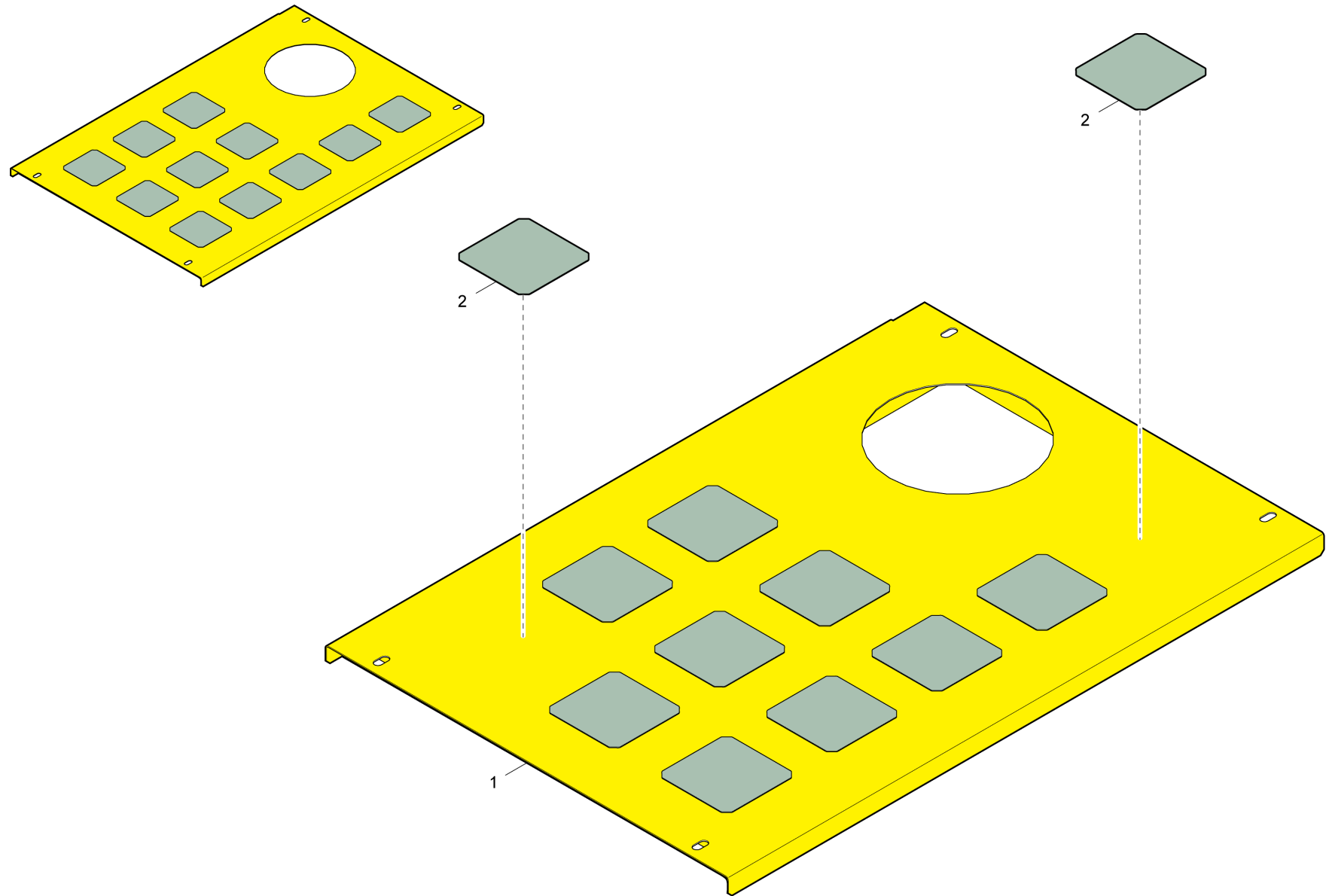
<b>Ref.no</b>	<b>Part no Art.nr</b>	<b>Qty Qty</b>	<b>Description</b>	<b>Beskrivning</b>	<b>See page Se sidan</b>	<b>Remarks Anmärkningar</b>
1	5726 8087 96	1	ROOF	TAK		
2	5580 0148 32	9	SLIP COVER	HALKSKYDD		BLACK 100X100



**ROOF / TAK**

-

<b>Ref.no</b>	<b>Part no Art.nr</b>	<b>Qty Qty</b>	<b>Description</b>	<b>Beskrivning</b>	<b>See page Se sidan</b>	<b>Remarks Anmärkningar</b>
1	5726 8086 25	1	ROOF	TAK		
2	5580 0148 32	20	SLIP COVER	HALKSKYDD		BLACK 100X100

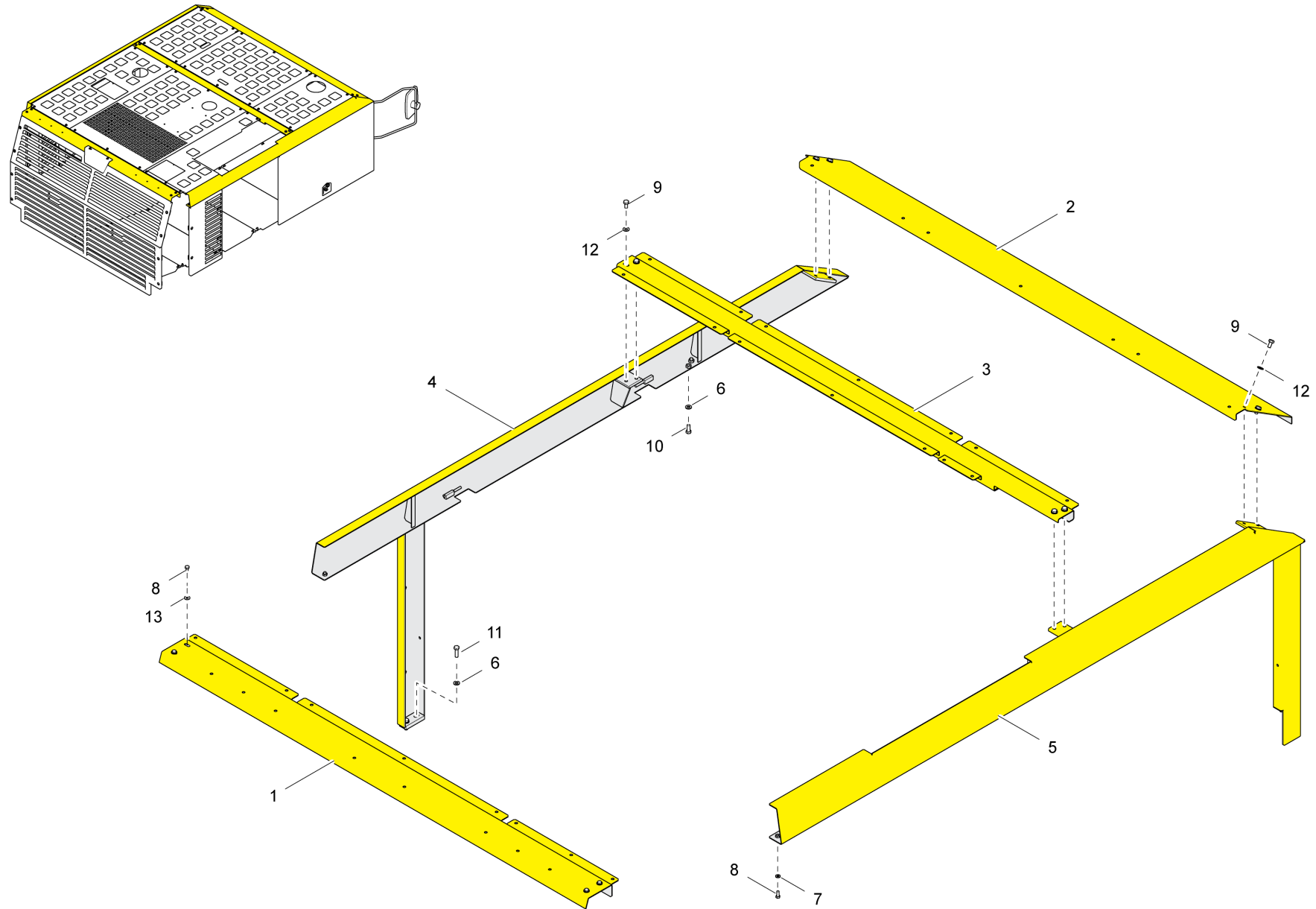


**ROOF / TAK**

-

<b>Ref.no</b>	<b>Part no Art.nr</b>	<b>Qty Qty</b>	<b>Description</b>	<b>Beskrivning</b>	<b>See page Se sidan</b>	<b>Remarks Anmärkningar</b>
1	5726 8090 38	1	ROOF	TAK		
2	5580 0148 32	11	SLIP COVER	HALKSKYDD		BLACK 100X100

# FRAME / BASTIDOR



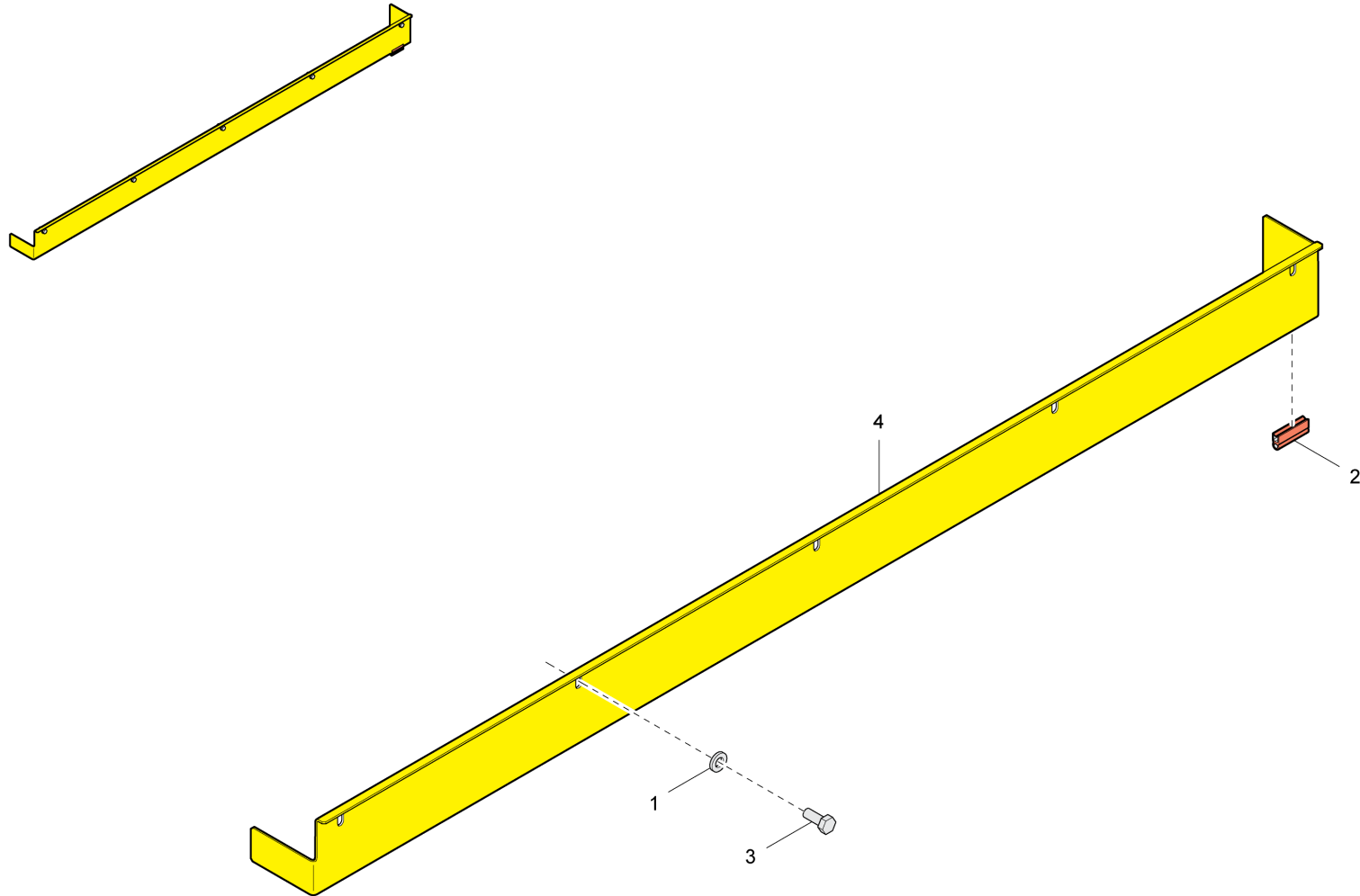
FRAME / BASTIDOR

-

Ref.no	Part no Art.nr	Qty Qty	Description	Beskrivning	See page Se sidan	Remarks Anmärkningar
1	5726 8087 35	1	BEAM	BALK		
2	-	1	BEAM	BALK		
3	-	1	BEAM	BALK		
4	5726 8087 23	1	FRAME	RAM		
5	5726 8087 28	1	FRAME	RAM		
6	0333 5200 13	8	LOCK WASHER	LÅSBRICKA		M10 - 10,7 21,0 2,5 STEEL
7	0333 5200 15	2	LOCK WASHER	LÅSBRICKA		8,7 / 16,6 X 2,5
8	0147 1323 03	6	SCREW, HEX HEAD	SKRUV, SEXKANT		M 8 X 20 -8.8 FZB
9	0147 1360 03	8	SCREW, HEX HEAD	SKRUV, SEXKANT		M 10 X 20 - 8.8 FZB
10	0147 1362 03	4	SCREW, HEX HEAD	SKRUV, SEXKANT		M 10 X 25 - 8.8 FZB
11	0147 1364 03	4	SCREW, HEX HEAD	SKRUV, SEXKANT		M 10 X 35 - 8.8 FZB
12	0300 0274 38	8	PLAIN WASHER	RUNDBRICKA		A 10 10,5 22 2 - - STEEL
13	0300 0129 09	4	PLAIN WASHER	RUNDBRICKA		A 8 8,4 20 1,5 - - STEEL

# GUARD / SPRÄNGSKYDD

-

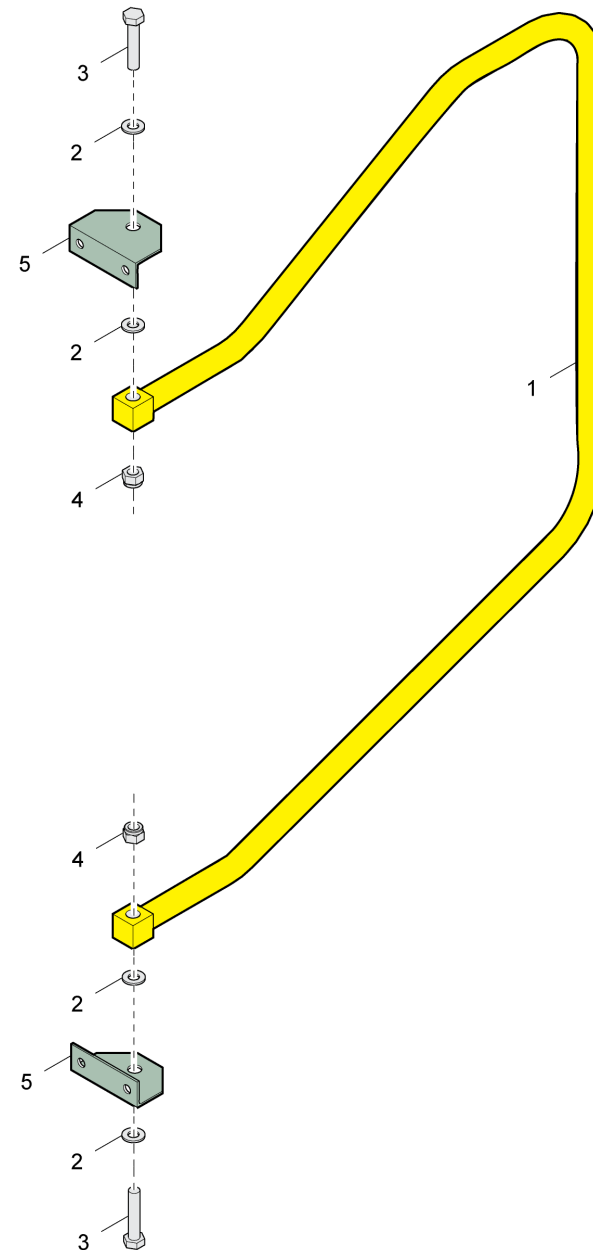
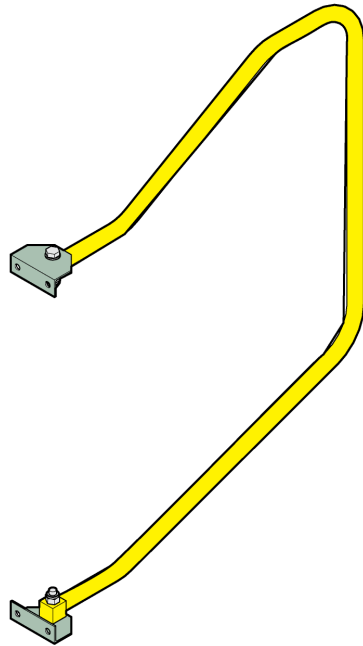




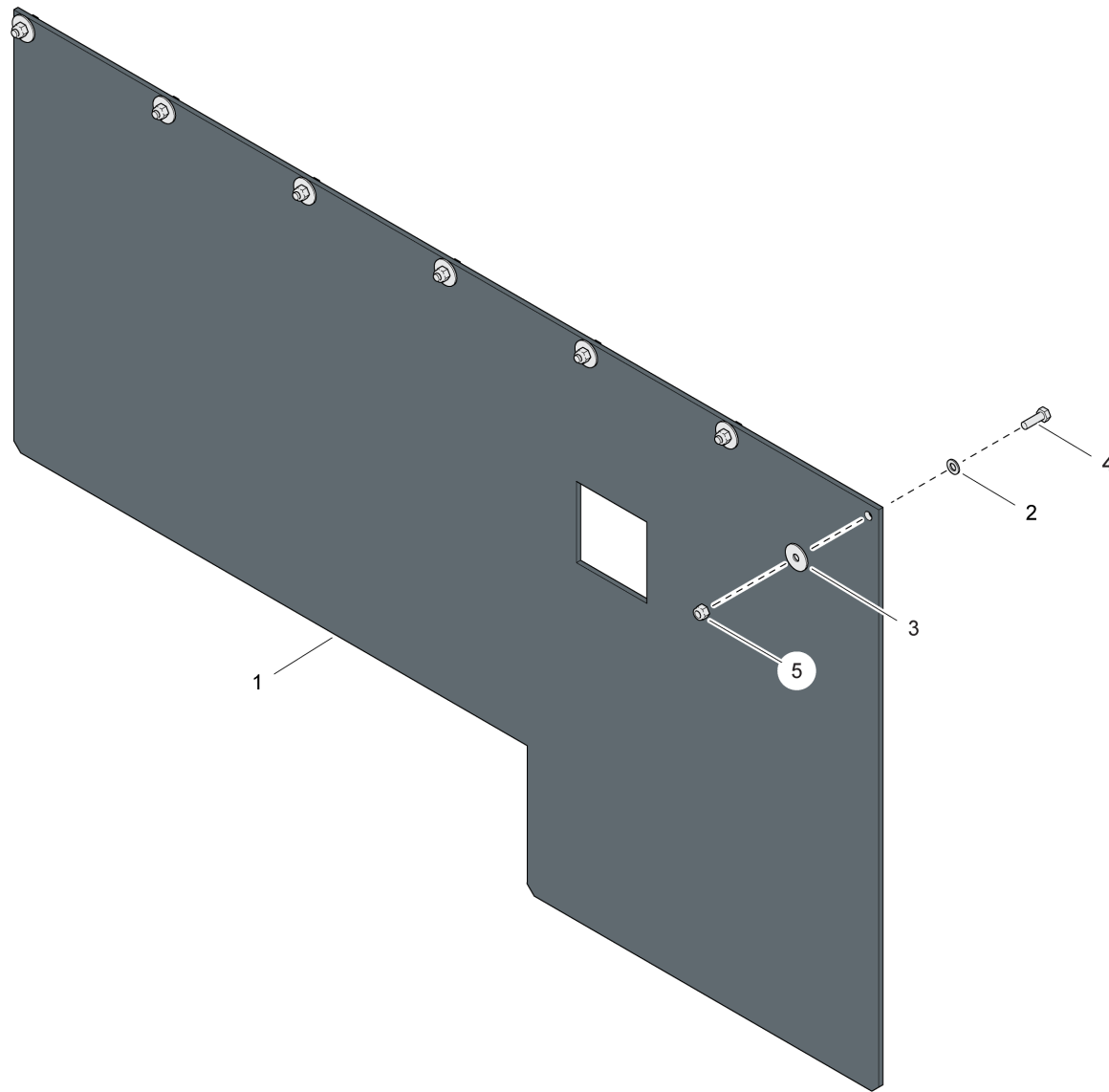
**GUARD / SPRÄNGSKYDD**

-

<b>Ref.no</b>	<b>Part no Art.nr</b>	<b>Qty Qty</b>	<b>Description</b>	<b>Beskrivning</b>	<b>See page Se sidan</b>	<b>Remarks Anmärkningar</b>
1	0333 5200 15	5	LOCK WASHER	LÅSBRICKA		8,7 / 16,6 X 2,5
2	5726 8088 09	1	SEALING	TÄTNING		
3	0147 1323 03	5	SCREW, HEX HEAD	SKRUV, SEXKANT		M 8 X 20 -8.8 FZB
4	5726 8088 49	1	GUARD	SPRÄNGSKYDD		

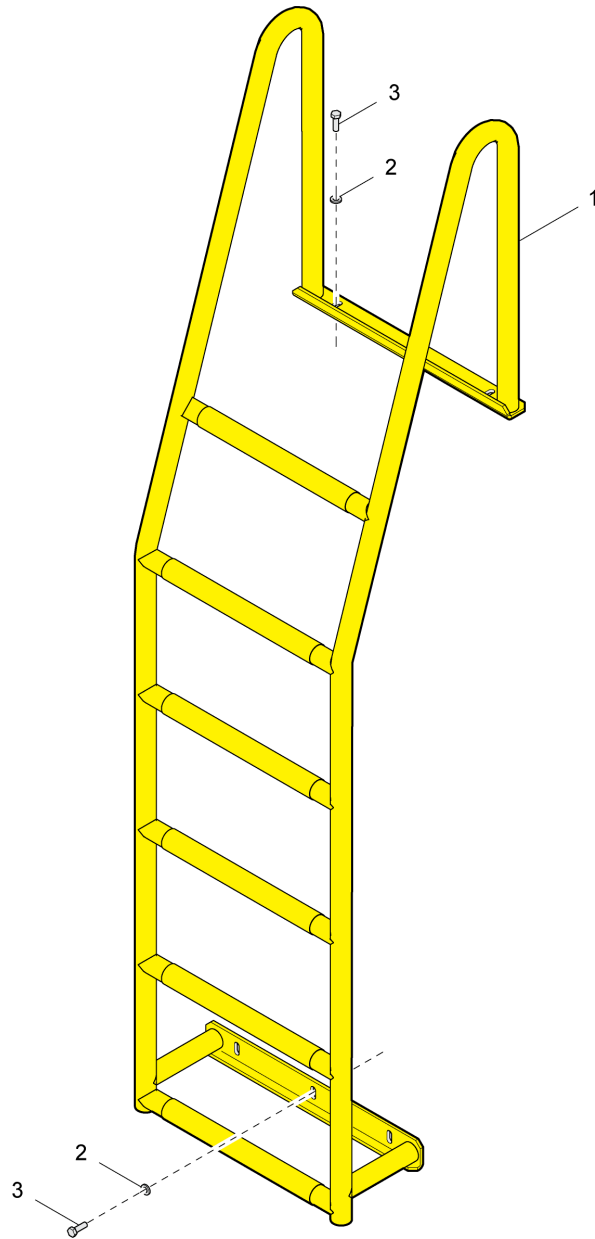
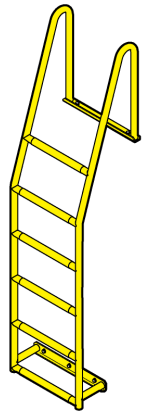


Ref.no	Part no Art.nr	Qty Qty	Description	Beskrivning	See page Se sidan	Remarks Anmärkningar
1	5726 8090 53	1	ARM	ARM		
2	0300 0129 26	4	PLAIN WASHER	RUNDBRICKA		A 8 9 16 1,6 -- STEEL -
3	0147 1328 05	2	SCREW, HEX HEAD	SKRUV, SEXKANT		M 8 X 40 - 8.8
4	0291 1128 18	2	LOCK NUT	LÅSMUTTER		M 8 - 8 FZB / ISO 7040
5	5726 8033 68	2	PLATE	PLÅT		



**DUST SHIELD / DAMMSKÄRM****5726 8090 14**

<b>Ref.no</b>	<b>Part no</b> <b>Art.nr</b>	<b>Qty</b> <b>Qty</b>	<b>Description</b>	<b>Beskrivning</b>	<b>See page</b> <b>Se sidan</b>	<b>Remarks</b> <b>Anmärkningar</b>
1	5726 8090 25	1	DUST SHIELD	DAMMSKÄRM		
2	0301 2335 00	7	PLAIN WASHER	RUNDBRICKA		8,4 / 16 X 1,6 -HB200 FZB
3	0300 0274 94	7	PLAIN WASHER	RUNDBRICKA		8 8,4 30 A
4	0147 1325 03	7	SCREW, HEX HEAD	SKRUV, SEXKANT		M 8 X 25 - 8.8 FZB
5	0291 1128 18	7	LOCK NUT	LÅSMUTTER		M 8 - 8 FZB / ISO 7040



## LADDER / LEJDARE

-

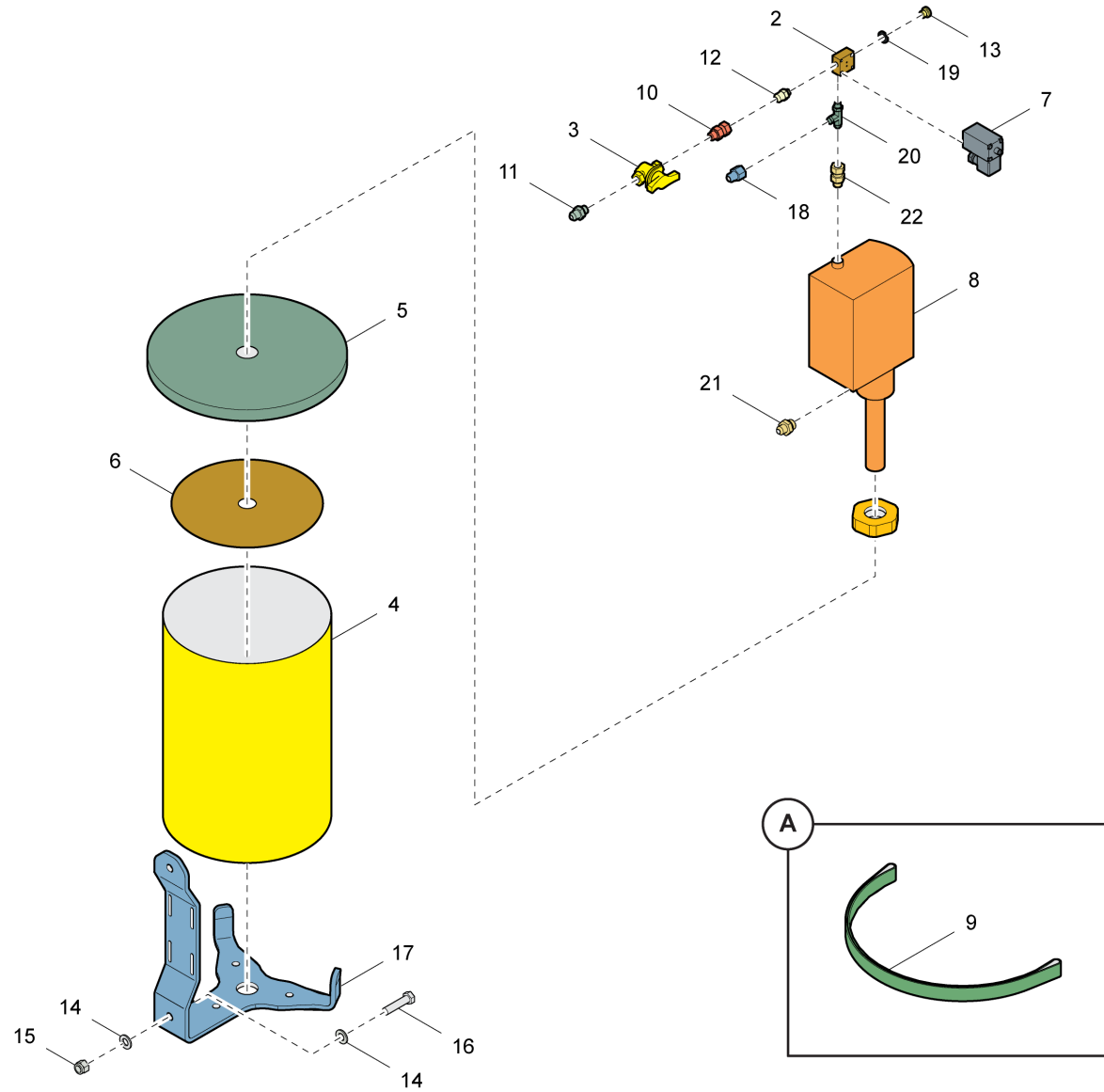
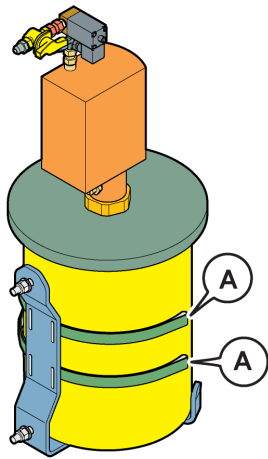
## REAR LADDER

Ref.no	Part no Art.nr	Qty Qty	Description	Beskrivning	See page Se sidan	Remarks Anmärkningar
1	5726 8088 01	1	LADDER	LEJDARE		
2	0333 5200 15	6	LOCK WASHER	LÅSBRICKA		8,7 / 16,6 X 2,5
3	0147 1325 03	6	SCREW, HEX HEAD	SKRUV, SEXKANT		M 8 X 25 - 8.8 FZB



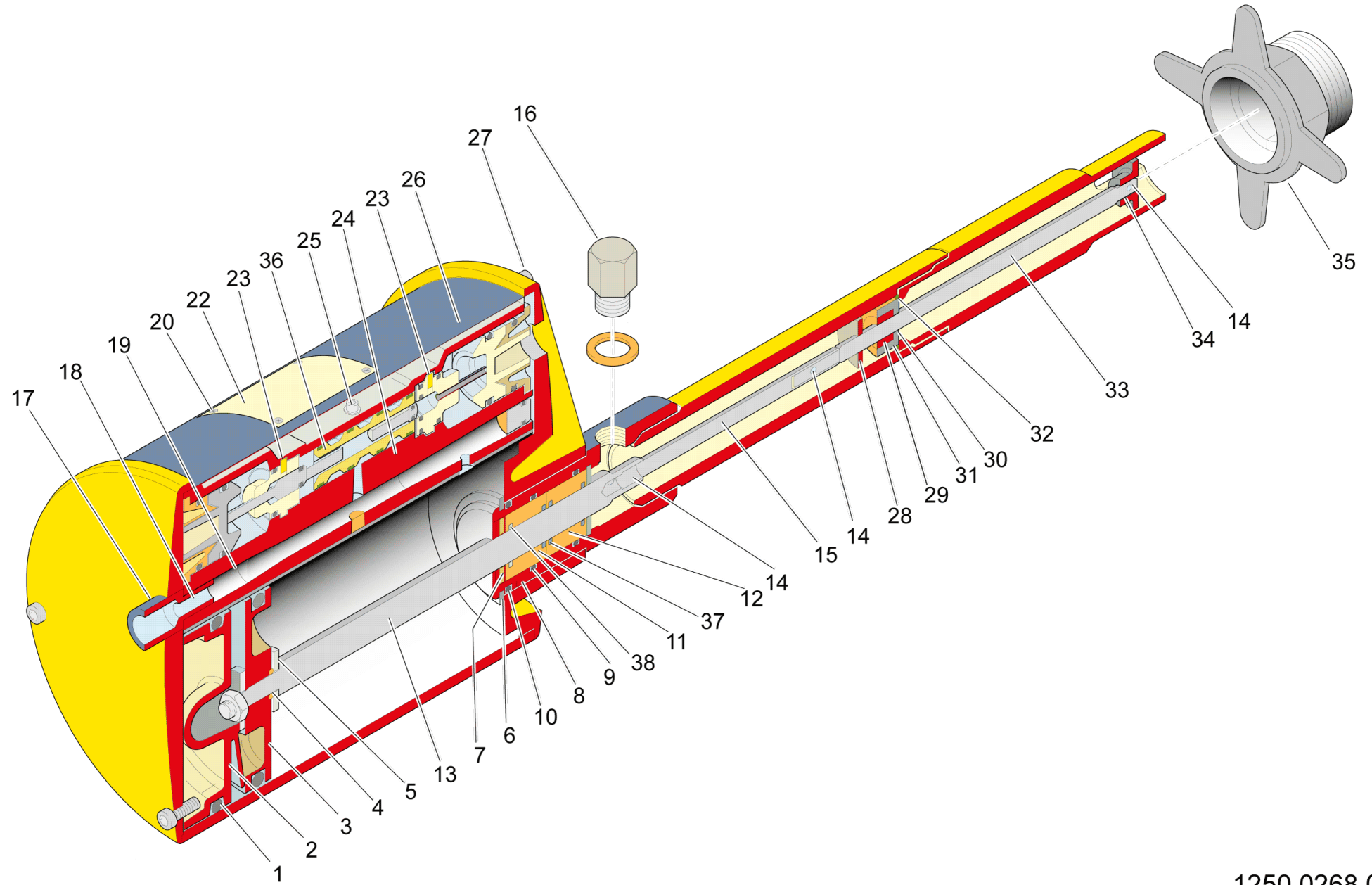


Ref.no	Part no Art.nr	Qty Qty	Description	Beskrivning	See page Se sidan	Remarks Anmärkningar
1	5726 8011 34	1	PUMP UNIT	PUMPAGGREGAT	127	
2	-	1	AIR SYSTEM	LUFTSYSTEM	519	SEE CHAPTER AIR SYSTEM



ITEM #23 NOT ILLUSTRATED

Ref.no	Part no Art.nr	Qty Qty	Description	Beskrivning	See page Se sidan	Remarks Anmärkningar
2	9124 8081 00	1	CONNECT. PLATE	ANSLUTN.PLATTA		
3	8202 0301 05	1	BALL VALVE	KULVENTIL		BAL 08
4	3217 9766 20	1	GREASE	FETT		
5	3217 9766 03	1	COVER	LOCK		
6	3217 9766 16	1	COVER	LOCK		
7	8204 0498 97	1	SOLENOID VALVE	MAGNETVENTIL		24V DC
8	3222 3358 74	1	GREASE PUMP	FETTPUMP	129	
9	3115 0212 00	2	STRAP	BAGAGEBAND		
10	3176 8489 00	1	NIPPLE	NIPPEL		UNF 9/16 - G 1/4
11	3176 6348 00	1	NIPPLE	NIPPEL		UNF 9/16 - G 1/4
12	3176 6510 00	1	NIPPLE	NIPPEL		UNF 9/16 - G 1/8
13	0686 6441 00	1	PLUG	PROPP		R 1/8 - STEEL 5.8
14	0301 2358 00	4	WASHER	BRICKA		13 / 24 X 2,5 -HB 200 FZB
15	0291 1128 22	2	LOCK NUT	LÅSMUTTER		M 12 - 8 FZB / ISO 7040
16	0147 1405 03	2	SCREW, HEX HEAD	SKRUV, SEXKANT		M 12 X 50 - 8.8 FZB
17	5726 8013 13	1	HOLDER	FORDONSHÄNGARE		
18	3217 6218 00	1	NIPPLE	NIPPEL		UNF 7/16 - UNF 9/16
19	0661 1014 00	1	SEAL WASHER	TÄTNINGSBRICKA		10,4 / 15,9 X 2,1 TREDO
20	0570 5120 01	1	NIPPLE	NIPPEL		UNF 7/16 - G 1/8
21	3176 6349 00	1	NIPPLE	NIPPEL		STRAIGHT
22	0570 5040 05	1	NIPPLE	NIPPEL		UNF 7/16 - G 1/4
23	3222 3416 66	1	RUBBER PROTEC	GUMMISKYDD		



1250 0268 05

## GREASE PUMP / FETTPUMP

3222 3358 74

Ref.no	Part no Art.nr	Qty Qty	Description	Beskrivning	See page Se sidan	Remarks Anmärkningar
	3222 3051 47	1	AIR KIT	LUFTSATS		INCLUDES 17-19
	3222 3051 51	1	PISTON SET	KOLVSATS		INCLUDES 14 AND 34
	3222 3358 88	1	SEAL KIT	TÄTNINGSSATS		INCLUDES 1,4,6-9,37-38
	3222 3358 89	1	REPAIR KIT	RENOVERINGSSATS		INCLUDES 1,3-11,14,17-20,2224-25,27
	3222 3358 90	1	SEAL KIT	TÄTNINGSSATS		INCLUDES 14,29,33-34,37
	3222 3358 91	1	REPAIR KIT	RENOVERINGSSATS		INCLUDES 12-14,28-33
16	3222 3051 52	1	CHECK VALVE	BACKVENTIL		COMPL.
24	3222 3051 46	1	MECH. COMPONENT	MEK. KOMPONENT		ITEM 24
35	3222 3051 53	1	SCREW	SKRUV		
36	3222 3051 48	1	REPAIR KIT	RENOVERINGSSATS		ITEM 36



**DRIVE UNIT / DRIVENHET**  
**LIST OF CONTENTS**

Part no Art.nr	Description	Beskrivning	See page Se sidan	Remarks Anmärkningar
-	DRIVE UNIT	DRIVENHET	133	
-	- DRIVE UNIT	DRIVENHET	135	
-	-- POWER PACK	KRAFTPAKET	139	
5726 8086 92	--- DIESEL ENGINE	DIESELMOTOR	145	
5726 8095 49	--- COMPRESSOR SET	KOMPRESSORSATS	147	
5726 8095 44	---- BRACKET	FÄSTDON		
-	---- PROTECTION	SKYDD	149	
-	---- PROTECTION	SKYDD		
5726 8095 86	--- COUPLING	KOPPLING	151	
5726 8095 92	--- COUPLING	KOPPLING	153	
5726 8078 99	--- PUMP	PUMP	155	
5726 8020 31	--- SPRING SET	FJÄDERSATS	157	
5726 8078 98	--- PUMP	PUMP	159	
-	-- PIPE SET	RÖRSATS	161	
-	-- EXHAUST SYSTEM	AVGASSYSTEM	163	
-	-- BRACKET	KONSOL	165	
5726 8086 81	--- BRACKET	KONSOL		
5726 8093 99	--- BRACKET	KONSOL		
5726 8095 27	--- BRACKET	FÄSTDON		
-	-- FILTER SET	FILTERSATS	167	
5726 8075 12	--- AIR FILTER	LUFTFILTER	169	
-	--- BRACKET	FÄSTDON		
5726 8078 05	--- NIPPLE	NIPPEL	171	
-	-- AIR FILTER	LUFTFILTER	173	
5726 8095 81	--- AIR CLEANING	LUFTRENING	175	
-	-- COOLING SYSTEM	KYLSYSTEM	177	
5726 8095 96	--- COOLER	KYLARE	179	
-	-- PROTECTION	SKYDD	181	
5726 8095 21	--- BRACKET	FÄSTDON		
-	-- COMPRESSOR UNIT	KOMPRESSORENHET	183	
-	--- COMPRESSOR SET	KOMPRESSORSATS	185	
-	--- VESSEL	KÄRL	187	
-	--- FILTER SET	FILTERSATS	191	
5726 8075 12	---- AIR FILTER	LUFTFILTER	169	COMPRESSOR
-	---- BRACKET	FÄSTDON		

Part no Art.nr	Description	Beskrivning	See page Se sidan	Remarks Anmärkningar
5726 8078 05	---- NIPPLE	NIPPEL	171	
5726 8089 85	-- ELECTRICAL	ELEKTRISK	193	
-	-- HOSE SET	SLANGSATS	573	
-	-- HYDR. SYSTEM	HYDRAULSYSTEM	435	PUMP SYSTEM
5726 8078 98	---- PUMP	PUMP	159	MAIN PUMP
5726 8078 99	---- PUMP	PUMP	155	COOLER PUMP
-	---- CONNECTION SET	ANSLUTNINGSSATS		SUCTION PUMP1
-	---- CONNECTION SET	ANSLUTNINGSSATS		SUCTION PUMP2
-	---- CONNECTION SET	ANSLUTNINGSSATS		SUCTION PUMP3
-	---- CONNECTION SET	ANSLUTNINGSSATS		SUCTION PUMP4&5
-	---- CONNECTION SET	ANSLUTNINGSSATS		OUTPUT PUMP1
-	---- CONNECTION SET	ANSLUTNINGSSATS		OUTPUT PUMP2
-	---- CONNECTION SET	ANSLUTNINGSSATS	437	OUTPUT PUMP3
5726 8078 98	---- PUMP	PUMP	159	MAIN PUMP
5726 8077 17	---- VALVE BLOCK	VENTILBLOCK	439	DCT CONTROL VALVE BLOCK
-	---- CONNECTION SET	ANSLUTNINGSSATS		OUT PUMP4&5
-	---- CONNECTION SET	ANSLUTNINGSSATS		CONNECTION PUMP1&2&3
-	---- CONNECTION SET	ANSLUTNINGSSATS		CONNECTION OF PUMP4&5
5726 8077 01	-- VALVE SET	VENTILSATS	195	
-	---- EMERG.SET	NÖDSTOPPSATS	197	EMERGENCY STOP KIT S132B,S132C,S132D
-	---- VALVE PLATE	VENTILPLATTA		
5728 2015 00	-- FIRE EXTINGUIS.	ELDSLÄCKARE	199	
5726 8086 97	-- PROTECTION	SKYDD		
-	- TANK UNIT	TANKENHET	201	
-	-- FUEL TANK	BRÄNSLETANK	203	
-	- FILLER SET	PÅFYLLNINGSSATS	205	FILLER SET FOR FUEL



**DRIVE UNIT / DRIVENHET**

<b>Ref.no</b>	<b>Part no Art.nr</b>	<b>Qty Qty</b>	<b>Description</b>	<b>Beskrivning</b>	<b>See page Se sidan</b>	<b>Remarks Anmärkningar</b>
-		1	DRIVE UNIT	DRIVENHET	135	
-		1	TANK UNIT	TANKENHET	201	
-		1	FILLER SET	PÅFYLLNINGSSATS	205	FILLER SET FOR FUEL

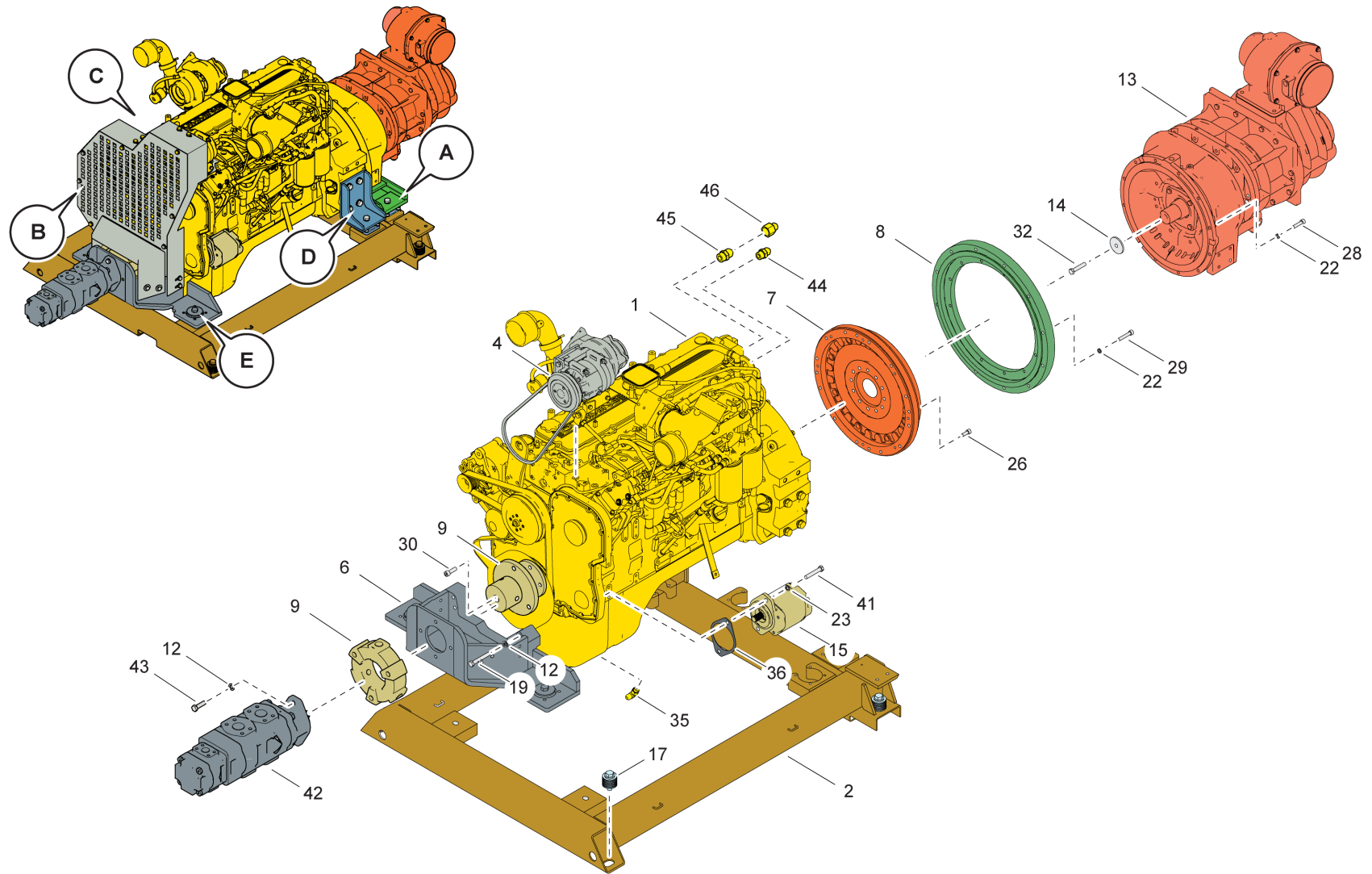


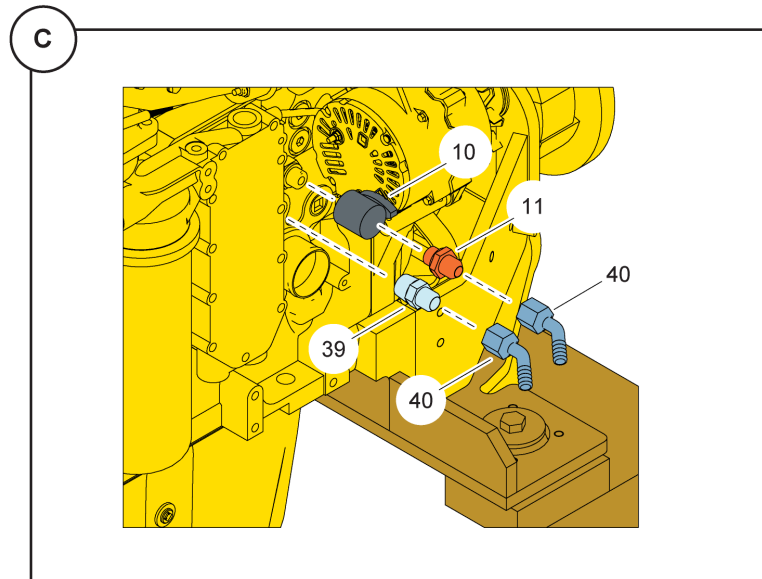
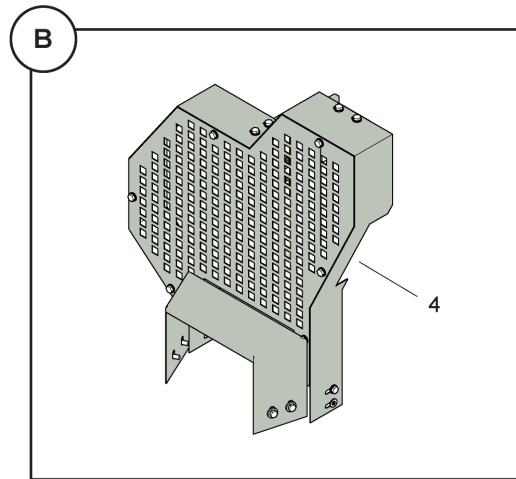
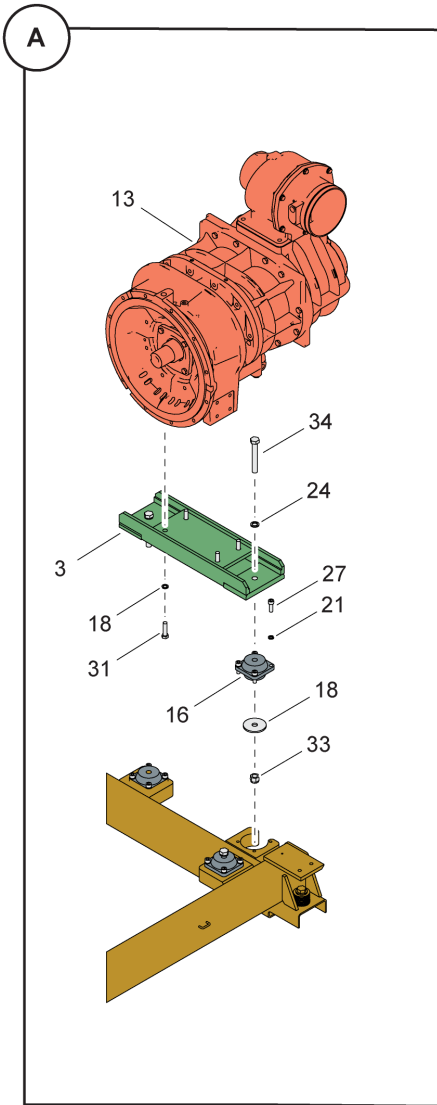
## DRIVE UNIT / DRIVENHET

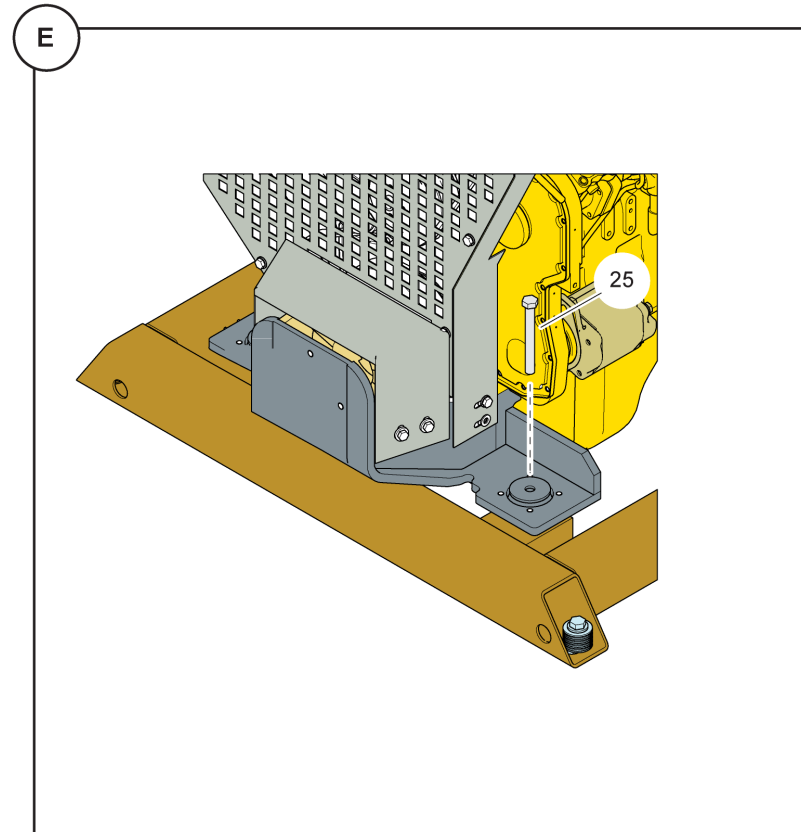
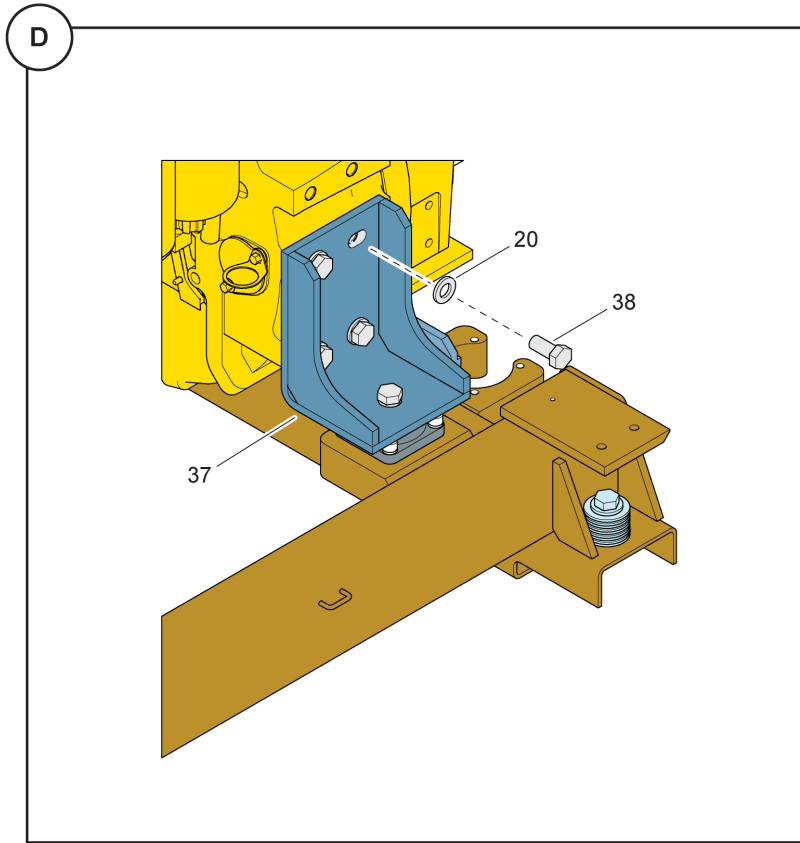
-

Ref.no	Part no Art.nr	Qty Qty	Description	Beskrivning	See page Se sidan	Remarks Anmärkningar
1	-	1	POWER PACK	KRAFTPAKET	139	
2	-	1	PIPE SET	RÖRSATS	161	
3	-	1	EXHAUST SYSTEM	AVGASSYSTEM	163	
4	-	1	BRACKET	KONSOL	165	
5	-	1	FILTER SET	FILTERSATS	167	
6	-	1	AIR FILTER	LUFTFILTER	173	
7	-	1	COOLING SYSTEM	KYLSYSTEM	177	
8	-	1	PROTECTION	SKYDD	181	
9	-	1	COMPRESSOR UNIT	KOMPRESSORENHET	183	
10	5726 8089 85	1	ELECTRICAL	ELEKTRISK	193	
11	-	1	HOSE SET	SLANGSATS	573	
12	-	1	HYDR. SYSTEM	HYDRAULSYSTEM	435	PUMP SYSTEM
13	5726 8077 01	1	VALVE SET	VENTILSATS	195	
14	5728 2015 00	2	FIRE EXTINGUIS.	ELDSLÄCKARE	199	
15	5726 8086 97	1	PROTECTION	SKYDD		

POWER PACK / KRAFTPAKET







## POWER PACK / KRAFTPAKET

-

Ref.no	Part no Art.nr	Qty Qty	Description	Beskrivning	See page Se sidan	Remarks Anmärkningar
1	5726 8086 92	1	DIESEL ENGINE	DIESELMOTOR	145	
2	5726 8093 81	100KG	SUB FRAME	UNDERRAM		
3	5726 8095 32	1	BRACKET	FÄSTDON		
4	5726 8095 49	1	COMPRESSOR SET	KOMPRESSORSATS	147	
5	-	1	PROTECTION	SKYDD	149	
6	5726 8093 74	1	SUPPORT	STÖD		
7	5726 8095 86	1	COUPLING	KOPPLING	151	
8	5726 8095 91	1	FLANGE	FLÄNS		
9	5726 8095 92	1	COUPLING	KOPPLING	153	
10	8202 0303 03	1	BALL VALVE	KULVENTIL		BAL 15-G1/2 R 1/2"-16 BAR *
11	3176 6515 00	1	NIPPLE	NIPPEL		
12	0300 0155 00	4	WASHER	BRICKA		BRICKA12,5X22X2 FZV
13	-	1	COMPRESSOR UNIT	KOMPRESSORENHET		
14	5726 5802 89	1	WASHER	BRICKA		
15	5726 8078 99	1	PUMP	PUMP	155	
16	0399 9999 07	6	DAMPER	DÄMPARE		REAR / ORANGE
17	5726 8020 31	4	SPRING SET	FJÄDERSATS	157	
18	5726 8020 38	6	WASHER	BRICKA		
19	0147 1411 03	4	SCREW, HEX HEAD	SKRUV, SEXKANT		M 12 X 80 - 8.8 FZB
20	0333 5200 08	10	LOCK WASHER	LÅSBRICKA		17 / 30,7 X 3,7 FZB
21	3315 0195 06	24	LOCK WASHER	LÅSBRICKA		10,3/16,6 X 2,6 HRC50 FZB
22	0333 5200 14	24	LOCK WASHER	LÅSBRICKA		NORD-LOCK M10
23	3315 0195 08	6	LOCK WASHER	LÅSBRICKA		13,0/19,5 X 2,6 HRC50 FZB
24	3315 0195 10	4	LOCK WASHER	LÅSBRICKA		17/25,4 X 3,7 HRC50 FZB
25	5541 0162 00	2	SCREW, HEX HEAD	SKRUV, SEXKANT		A M16 140 44 10 24 10.9 -
26	0211 1962 86	16	SCREW	SKRUV		MC6S M 10 X 25 - 12.9
27	0211 1363 03	23	SCREW	SKRUV		MC6S M 10 X 30 - 8.8 FZB
28	0211 1962 93	12	SCREW	SKRUV		MC6S M 10 X 40 - 12.9
29	0211 1368 00	12	SCREW	SKRUV		MC6S M 10 X 55 - 12.9
30	0147 1402 03	4	SCREW, HEX HEAD	SKRUV, SEXKANT		M 12 X 35 - 8.8 FZB
31	0147 1404 03	4	SCREW, HEX HEAD	SKRUV, SEXKANT		M 12 X 45 - 8.8 FZB
32	0147 1407 03	1	SCREW, HEX HEAD	SKRUV, SEXKANT		M 12 X 60 - 8.8 FZB
33	0291 1128 25	6	LOCK NUT	LÅSMUTTER		M 16 - 8 FZB / ISO 7040
34	0147 1491 03	4	SCREW, HEX HEAD	SKRUV, SEXKANT		M 16 X 110 - 8.8 FZB
35	0570 5090 02	1	NIPPLE	NIPPEL		UNF 3/4 - M18 X 1,5
36	5726 8096 16	1	GASKET	PACKNING		
37	-	2	BRACKET	FÄSTDON		
38	0147 1476 03	8	SCREW, HEX HEAD	SKRUV, SEXKANT		M 16 X 35 - 8.8 FZB

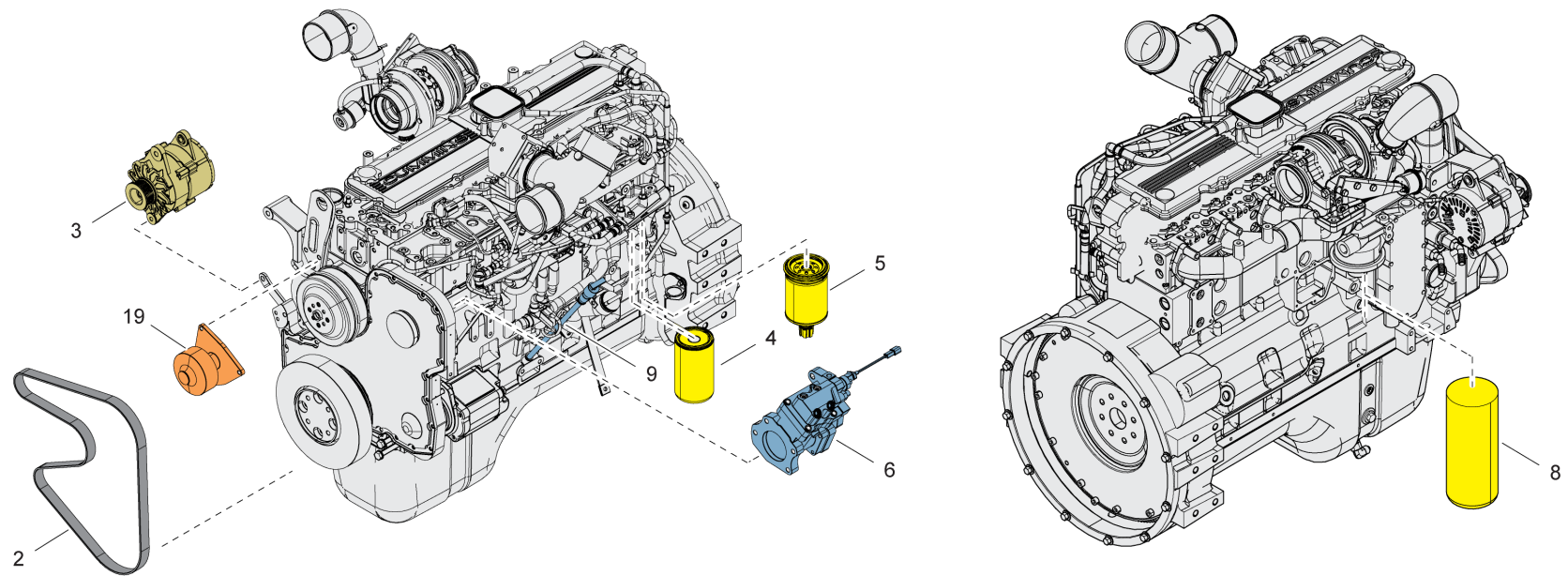
## POWER PACK / KRAFTPAKET

-

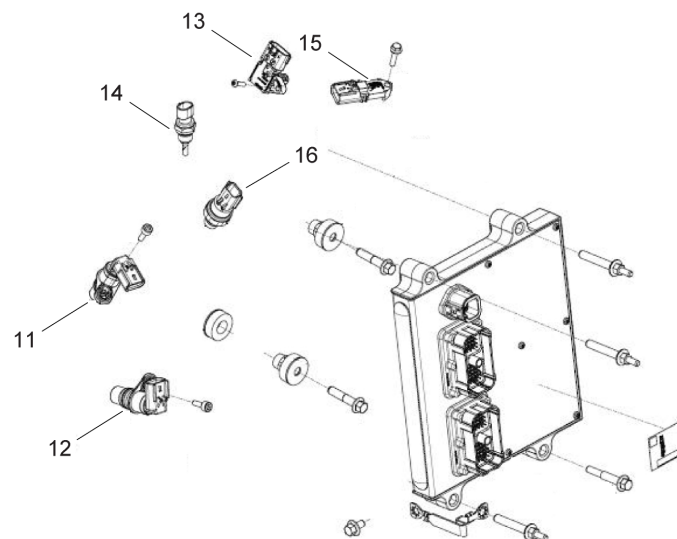
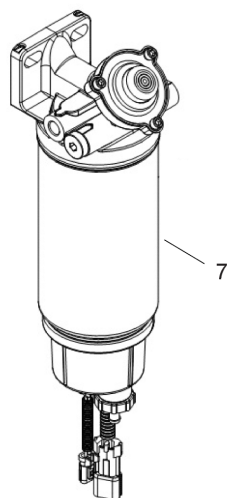
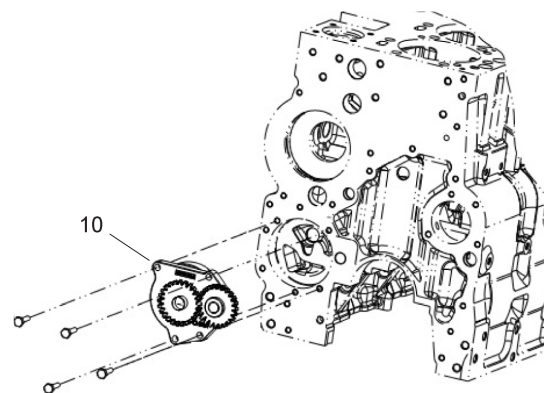
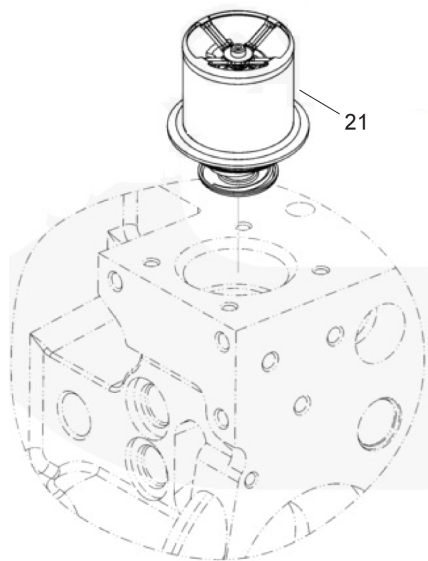
Ref.no	Part no Art.nr	Qty Qty	Description	Beskrivning	See page Se sidan	Remarks Anmärkningar
39	0570 5010 24	2	NIPPLE	NIPPEL		UNF 7/8 - NPTF 3/4
40	5501 4790 00	2	HOSE NIPPLE	SLANGNIPPEL		FJA 10 NA 22,23 UNF -2B 7
41	0147 1409 03	2	SCREW, HEX HEAD	SKRUV, SEXKANT		M 12 X 70 - 8.8 FZB
42	5726 8078 98	1	PUMP	PUMP	159	
43	0147 1403 03	2	SCREW, HEX HEAD	SKRUV, SEXKANT		M 12 X 40 - 8.8 FZB
44	3176 1271 00	1	NIPPLE	NIPPEL		UNF 3/4 - UNF 3/4
45	3176 1586 00	1	NIPPLE	NIPPEL		
46	3176 7336 00	1	NIPPLE	NIPPEL		UNF 7/8 - UNF 3/4

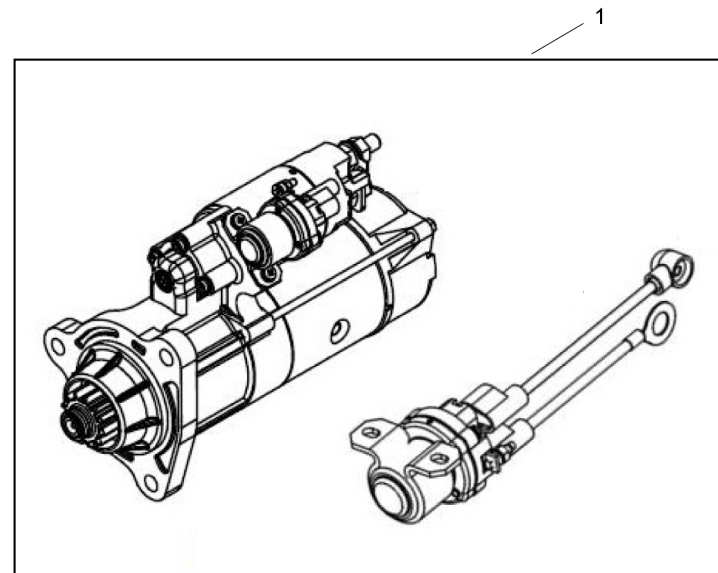
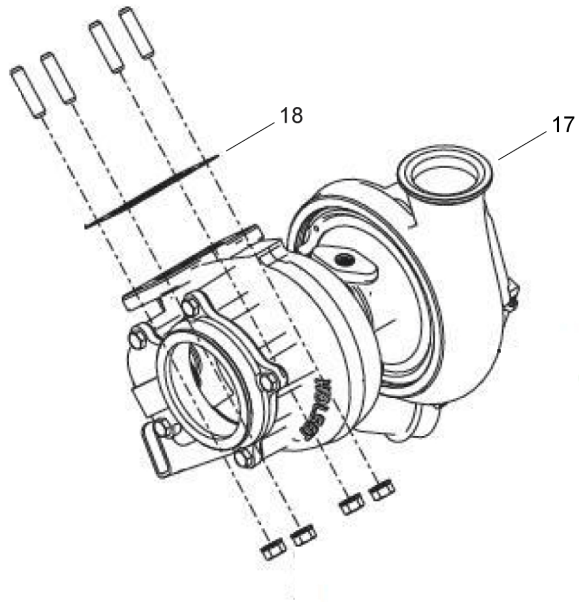






ITEM #20 NOT ILLUSTRATED

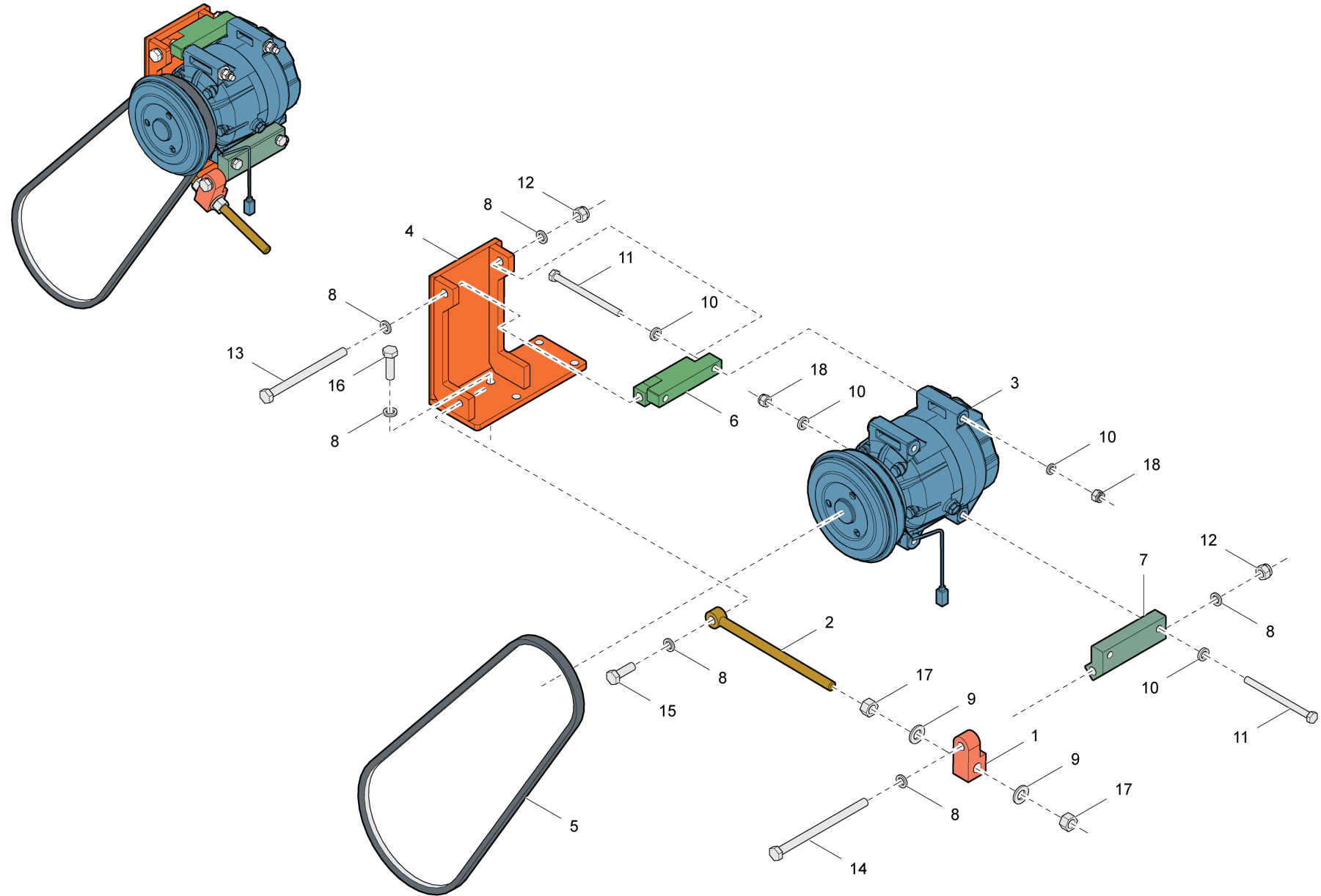




## DIESEL ENGINE / DIESELMOTOR

5726 8086 92

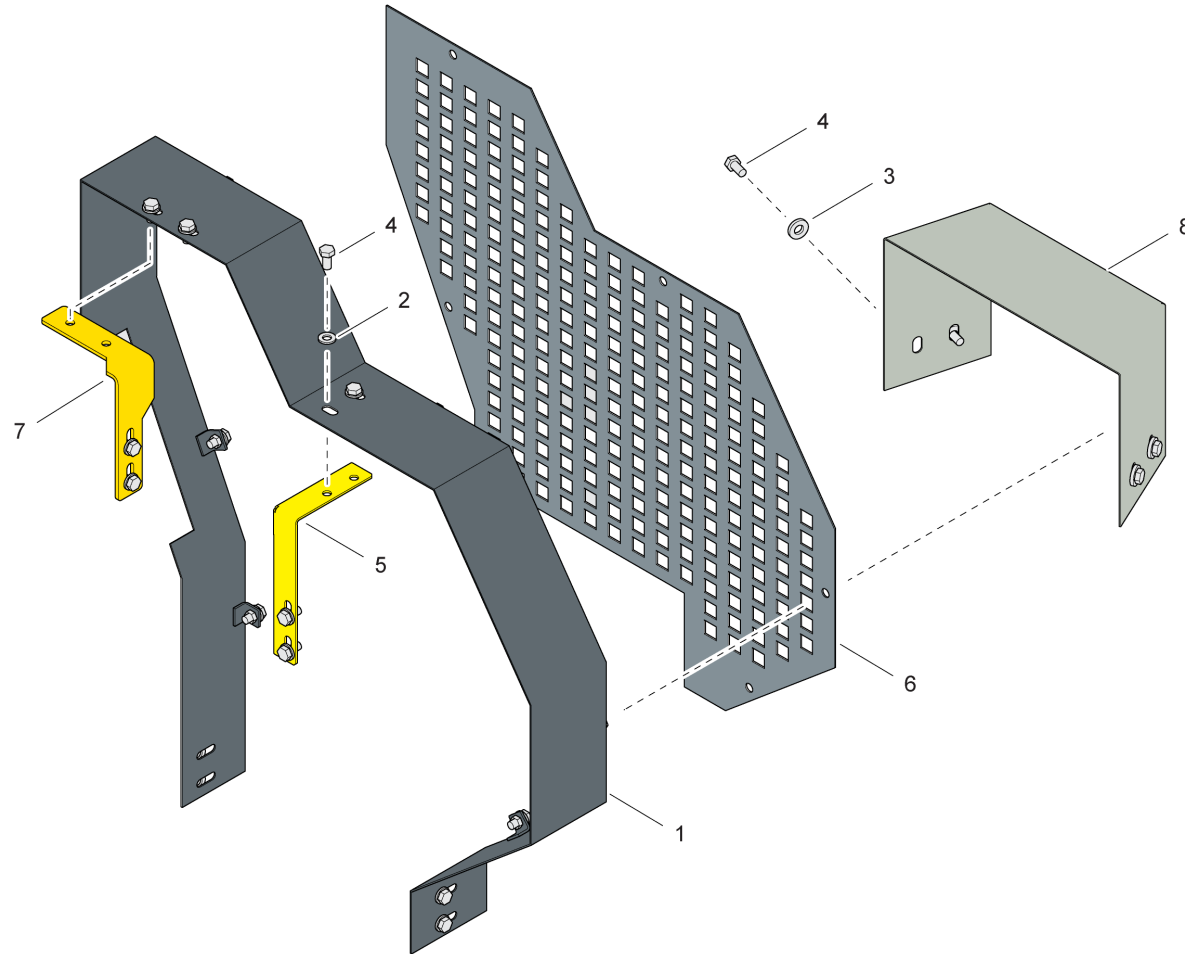
Ref.no	Part no Art.nr	Qty Qty	Description	Beskrivning	See page Se sidan	Remarks Anmärkningar
1	5726 8094 64	1	STARTER	STARTAPPARAT		
2	5726 8094 65	1	BELT	REM		
3	5726 8098 27	1	ALTERNATOR	GENERATOR		
4	5726 8098 28	1	FUEL FILTER	BRÄNSLEFILTER		
5	5726 8098 29	1	FUEL FILTER	BRÄNSLEFILTER		
6	5726 8098 30	1	FUEL PUMP	BRÄNSLEPUMP		
7	5726 8096 03	1	WATER SEPARATOR	VATTENSKILJARE		
8	5726 8098 32	1	OIL FILTER	OLJEFILTER		
9	5726 8098 33	1	DIPSTICK TUBE	OLJESTICKSRÖR		
10	5726 8098 34	1	OIL PUMP	OLJEPUMP		
11	5726 8098 35	1	SENSOR	SENSOR		POSITION SENSOR
12	5726 8098 36	1	SENSOR	SENSOR		POSITION SENSOR
13	5726 8098 37	1	TEMP. SENSOR	TEMP.GIVARE		
14	5726 8098 38	1	TEMP. SENSOR	TEMP.GIVARE		
15	5726 8098 39	1	OIL PRES.SENSOR	OLJETR.GIVARE		
16	5726 8098 40	1	OIL PRES.SENSOR	OLJETR.GIVARE		
17	5726 8098 41	1	TURBO	TURBOAGGREGAT		
18	5726 8098 42	1	SEAL	TÄTNING		SEAL FOR TURBO 5726 8098 41
19	5726 8098 43	1	WATER PUMP	VATTENPUMP		
20	5726 8098 44	1	SEAL	TÄTNING		SEAL FOR WATERPUMP 5726 8098 43
21	5726 8098 45	1	THERMOSTAT	TERMOSTAT		



## COMPRESSOR SET / KOMPRESSORSATS

5726 8095 49

Ref.no	Part no Art.nr	Qty Qty	Description	Beskrivning	See page Se sidan	Remarks Anmärkningar
1	-	1	BLOCK	BLOCK		
2	5726 8075 98	1	ROD	STÅNG		
3	5726 8079 92	1	COMPRESSOR SET	KOMPRESSORSATS		REFER TO SEPARATE PARTS MANUAL
4	5726 8095 44	1	BRACKET	FÄSTDON		
5	5726 8095 50	1	BELT	REM		
6	-	1	BLOCK	BLOCK		
7	-	1	BLOCK	BLOCK		
8	0333 5200 14	9	LOCK WASHER	LÅSBRICKA		NORD-LOCK M10
9	0301 2358 00	2	WASHER	BRICKA		13 / 24 X 2,5 -HB 200 FZB
10	3315 0195 04	8	LOCK WASHER	LÅSBRICKA		8,2/13,5 X 2,6 HRC50 FZB
11	0147 1342 03	4	SCREW, HEX HEAD	SKRUV, SEXKANT		M 8 X 110 - 8.8 FZB
12	0291 1128 20	2	LOCK NUT	LÅSMUTTER		M 10 - 8 FZB / ISO 7040
13	0147 1381 03	1	SCREW, HEX HEAD	SKRUV, SEXKANT		M 10 X 130 - 8.8 FZB
14	0147 1383 03	1	SCREW, HEX HEAD	SKRUV, SEXKANT		M 10 X 150 - 8.8 FZB
15	0147 1363 03	1	SCREW, HEX HEAD	SKRUV, SEXKANT		M 10 X 30 - 8.8 FZB
16	0147 1364 03	4	SCREW, HEX HEAD	SKRUV, SEXKANT		M 10 X 35 - 8.8 FZB
17	0266 2112 00	2	NUT	MUTTER		M 12 - 8 FZB
18	0291 1128 18	4	LOCK NUT	LÅSMUTTER		M 8 - 8 FZB / ISO 7040

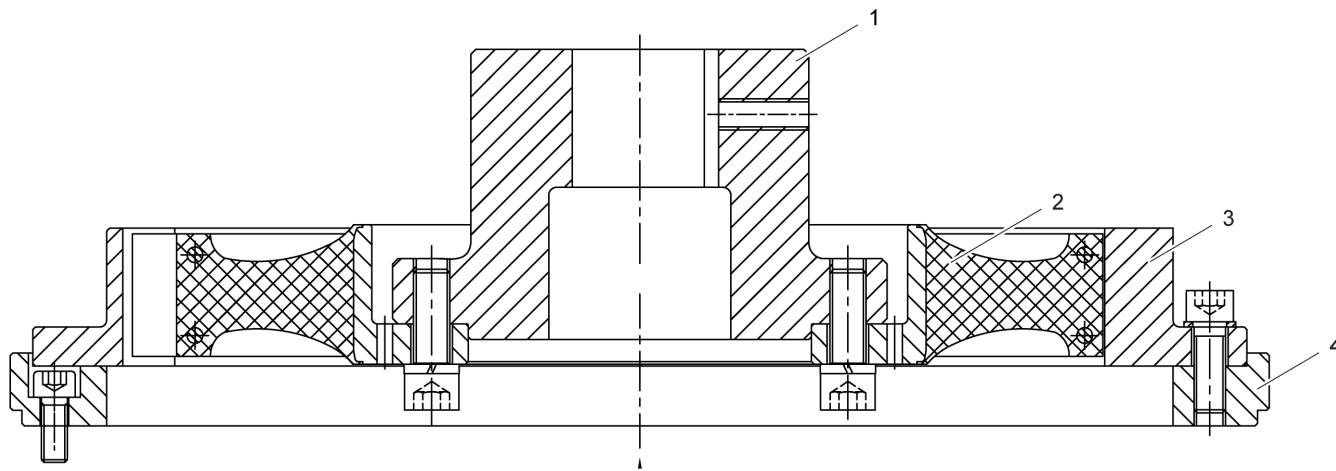




**PROTECTION / SKYDD**

-

Ref.no	Part no Art.nr	Qty Qty	Description	Beskrivning	See page Se sidan	Remarks Anmärkningar
1	-	1	PROTECTION	SKYDD		
2	0333 5200 13	18	LOCK WASHER	LÅSBRICKA		M10 - 10,7 21,0 2,5 STEEL
3	0333 5200 25	4	LOCK WASHER	LÅSBRICKA		M12 - 12,5 25,4 4,2 STEEL
4	0147 1360 03	21	SCREW, HEX HEAD	SKRUV, SEXKANT		M 10 X 20 - 8.8 FZB
5	-	1	BRACKET	FÄSTDON		
6	-	1	PLATE	PLÅT		
7	-	1	PLATE	PLÅT		
8	-	1	PROTECTION	SKYDD		



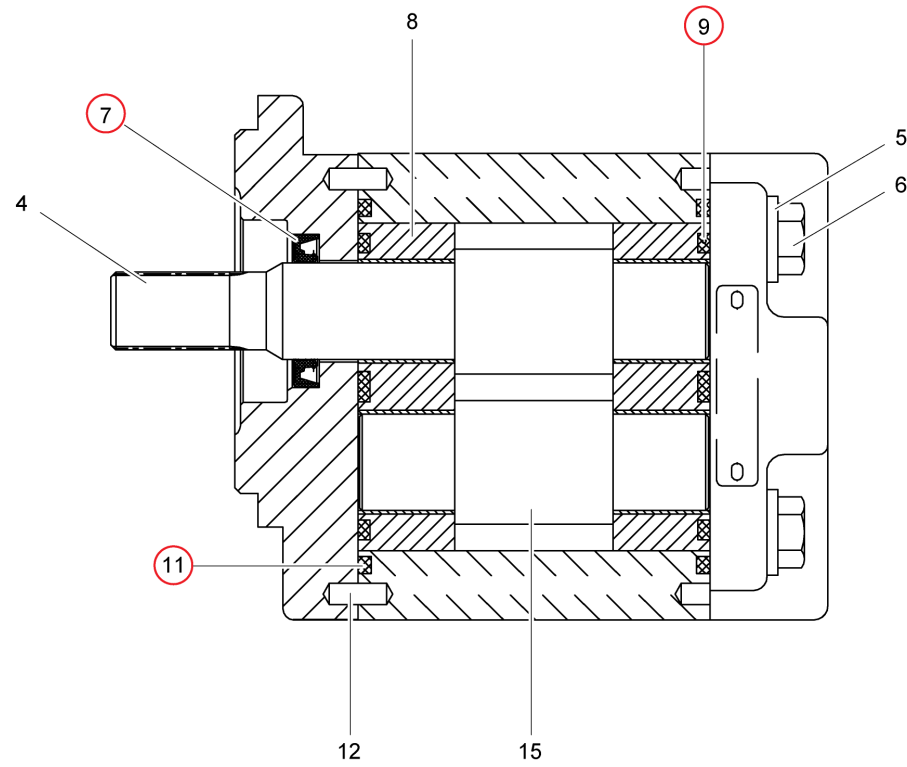
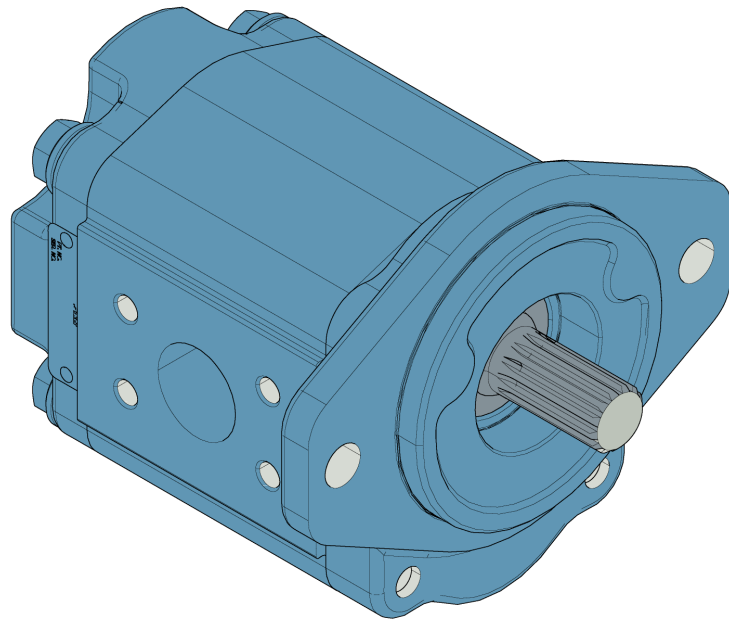
**COUPLING / KOPPLING****5726 8095 86**

<b>Ref.no</b>	<b>Part no Art.nr</b>	<b>Qty Qty</b>	<b>Description</b>	<b>Beskrivning</b>	<b>See page Se sidan</b>	<b>Remarks Anmärkningar</b>
1	5726 8098 17	1	HUB	NAV		SHAFT HUB
2	5726 8098 18	1	RUBBER	GUMMI		RUBBER COMPONENTS
3	5726 8098 19	1	FLANGE PLATE	FLÄNSPLÅT		
4	5726 8098 20	1	MEDIUM PLATE	MELLANPLÅT		



**COUPLING / KOPPLING****5726 8095 92**

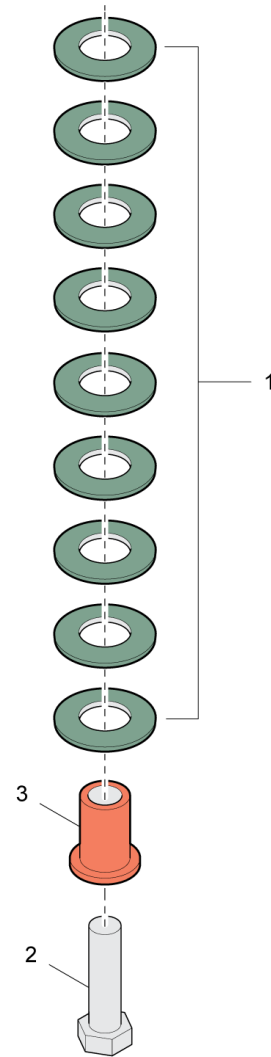
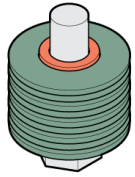
<b>Ref.no</b>	<b>Part no</b> <b>Art.nr</b>	<b>Qty</b> <b>Qty</b>	<b>Description</b>	<b>Beskrivning</b>	<b>See page</b> <b>Se sidan</b>	<b>Remarks</b> <b>Anmärkningar</b>
1	5726 8098 26	1	RUBBER ELEMENT	GUMMIELEMENT		



Ref.no	Part no Art.nr	Qty Qty	Description	Beskrivning	See page Se sidan	Remarks Anmärkningar
	5726 8097 07	1	SEAL KIT	TÄTNINGSSATS		
4	5726 8097 12	1	GEAR SHAFT	KUGGAXEL		
5	5726 8097 08	4	WASHER	BRICKA		
6	5726 8097 09	4	BOLT	BULT		
8	5726 8097 10	2	BUSHING	BUSSNING		
12	5726 8097 11	2	PIN	PINNE		
15	5726 8097 13	1	GEAR SHAFT	KUGGAXEL		

SPRING SET / FJÄDERSATS

5726 8020 31

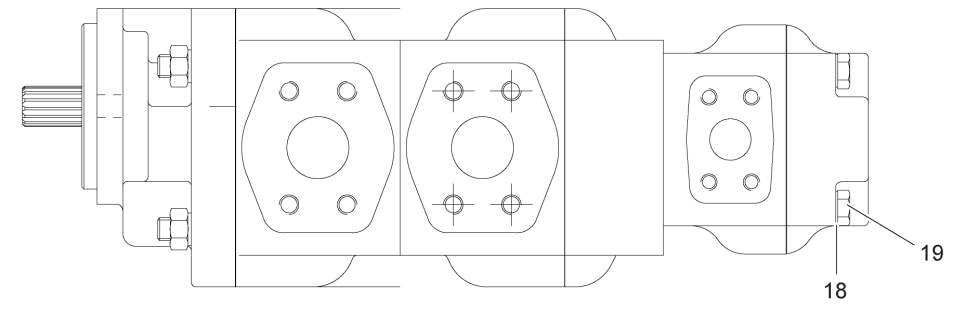
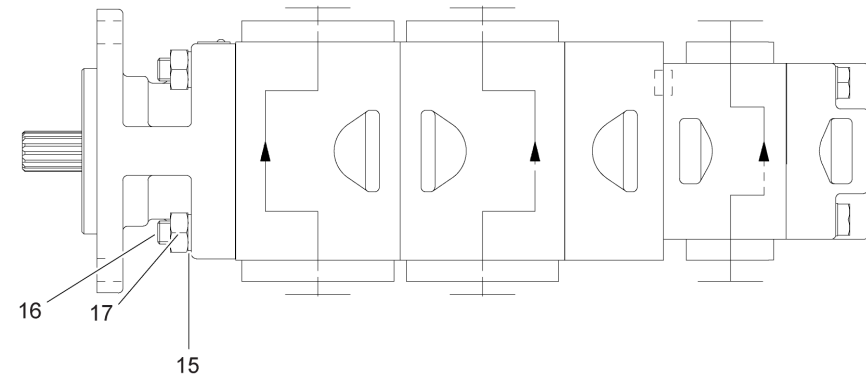
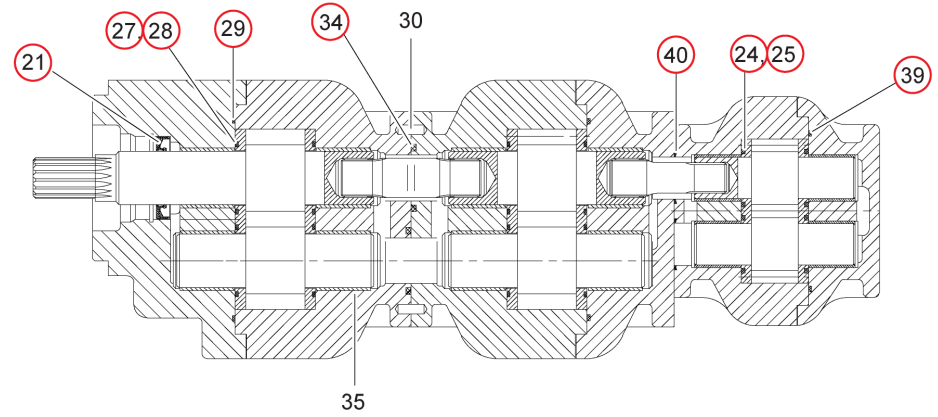
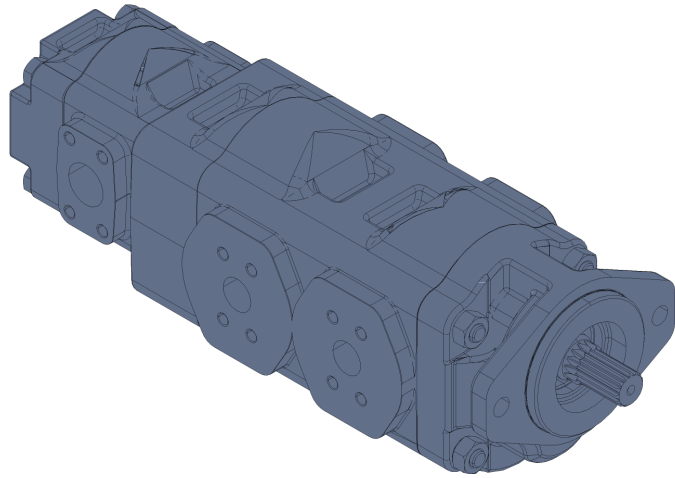




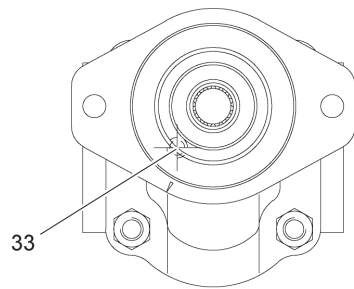
**SPRING SET / FJÄDERSATS**

**5726 8020 31**

Ref.no	Part no Art.nr	Qty Qty	Description	Beskrivning	See page Se sidan	Remarks Anmärkningar
1	0384 3437 00	9	DISK SPRING	TALLRIKSFJÄDER		
2	0147 1481 03	1	SCREW, HEX HEAD	SKRUV, SEXKANT		M 16 X 60 - 8.8 FZB
3	5726 8020 32	1	SPACER SLEEVE	DISTANSHYLSA		

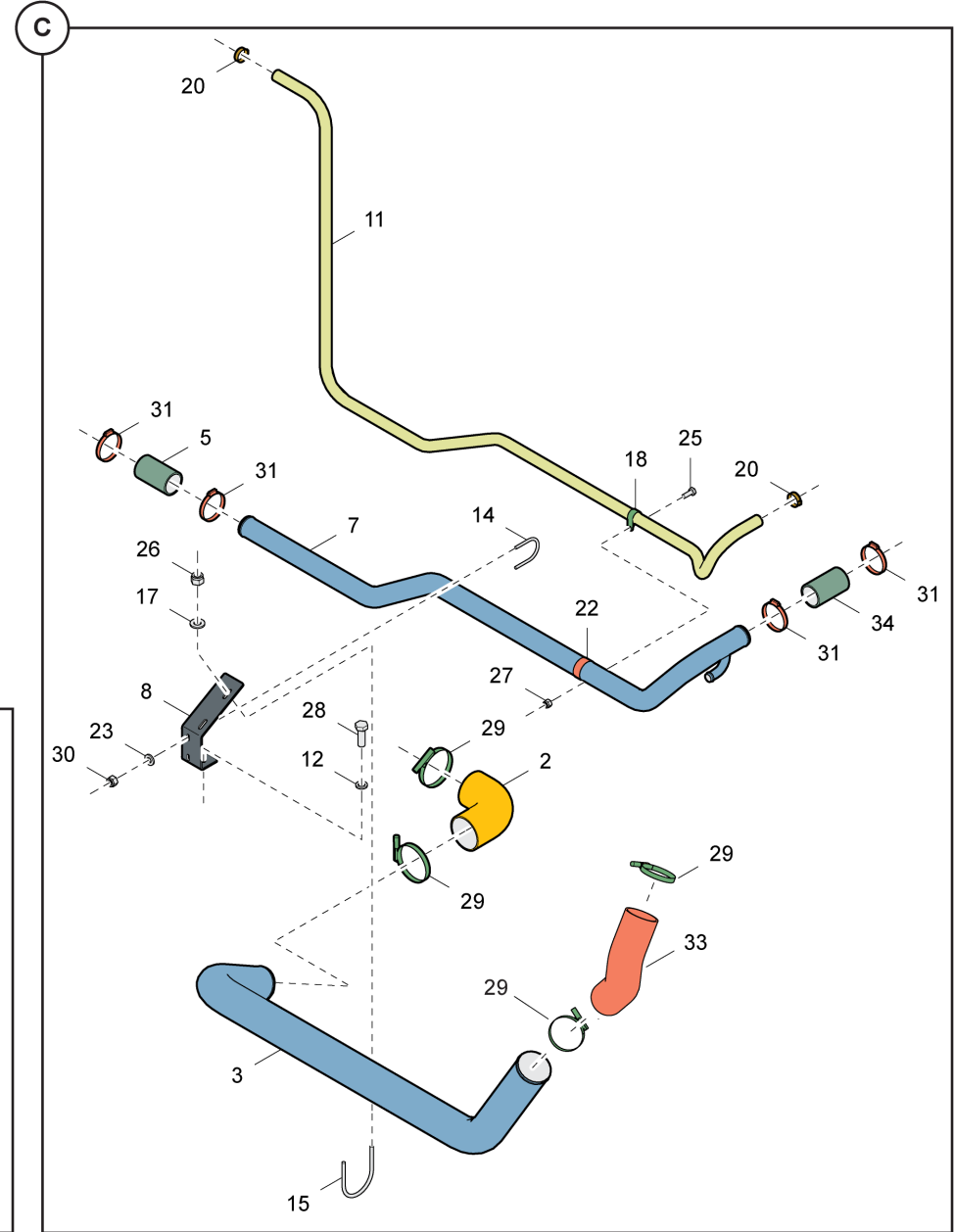
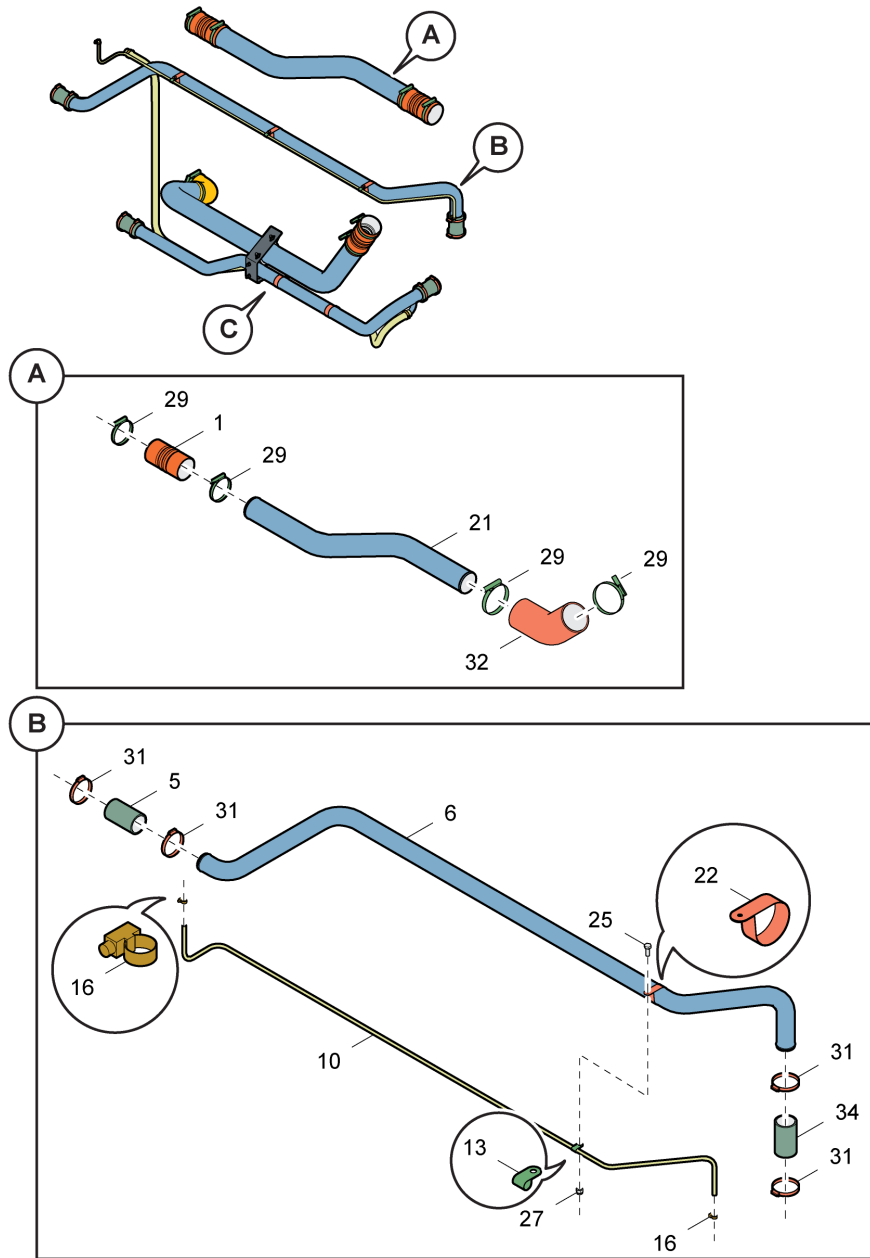


○ = SEAL KIT



Ref.no	Part no Art.nr	Qty Qty	Description	Beskrivning	See page Se sidan	Remarks Anmärkningar
	5726 8094 99	1	SEAL KIT	TÄTNINGSSATS		
13	6060 0007 11	4	BUSHING	BUSSNING		
15	5726 8097 00	4	WASHER	BRICKA		
16	5726 8097 01	4	STUD	PINNBULT		
17	5726 8097 02	4	NUT	BOTTENMUTTER		
18	0333 3100 43	4	LOCK WASHER	LÅSBRICKA		Z 13 18 1.4 2.1
19	5726 8097 03	4	SCREW	HÅLSKRUV		
30	5726 8097 04	2	PIN	PINNE		
33	5726 8097 05	1	PLUG	PLUGG		
35	5726 8097 06	8	BUSHING	BUSSNING		

PIPE SET / RÖRSATS

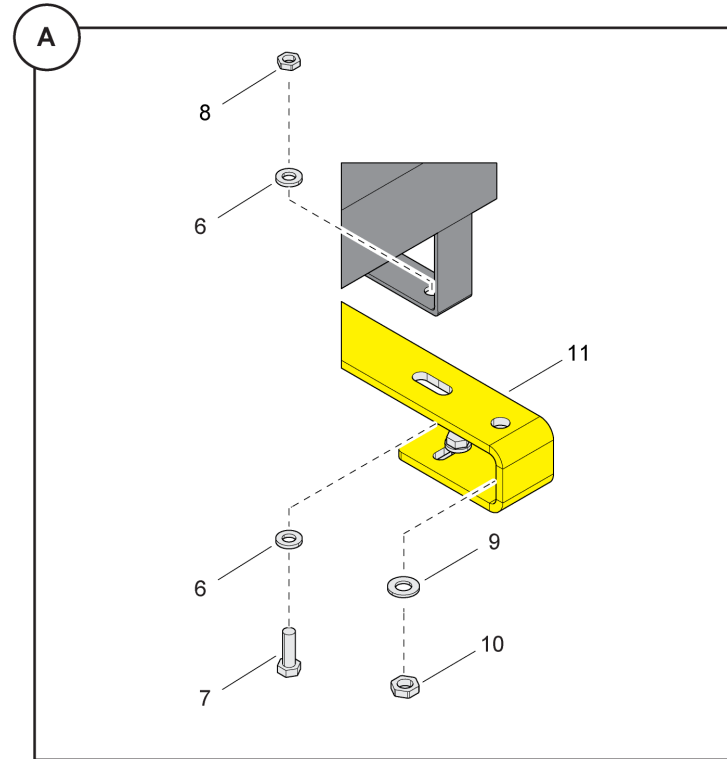
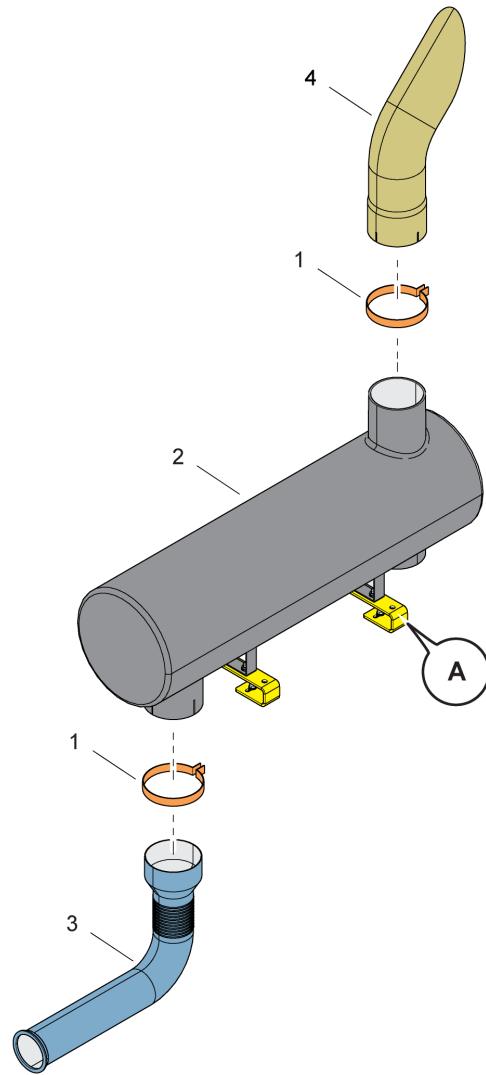


5726808694\_03

PIPE SET / RÖRSATS

-

Ref.no	Part no Art.nr	Qty Qty	Description	Beskrivning	See page Se sidan	Remarks Anmärkningar
1	5726 8021 04	1	SOCKET	MUFF		
2	5726 8075 77	1	ELBOW	RÖRVINKEL		
3	5726 8086 86	1	AIR PIPE	LUFTRÖR		
5	5726 8095 06	2	CONNECTOR	KONTAKTDON		
6	5726 8095 07	1	PIPE	RÖR		
7	5726 8095 08	1	PIPE	RÖR		
8	-	1	PLATE	PLÅT		
9	0347 6100 52	2	HOSE CLIP	SLANGKLÄMMA		A 8 16 9 - 0011 2333 - -
10	5726 8095 41	1	HOSE	SLANG		
11	5726 8095 42	1	HOSE	SLANG		
12	0333 5200 14	2	LOCK WASHER	LÅSBRICKA		NORD-LOCK M10
13	0346 1000 24	3	PIPE CLAMP	RÖRKLAMMA		B 13 20 25 CR 1 - 8,4 - -
14	3176 5588 00	1	U-BOLT	U-BULT		
15	3176 7368 00	1	U-BOLT	U-BULT		
17	0333 5200 13	2	LOCK WASHER	LÅSBRICKA		M10 - 10,7 21,0 2,5 STEEL
18	0346 1000 15	2	PIPE CLAMP	RÖRKLAMMA		B 34 20 25 CR 1 - 8,4 - 3
20	0347 6109 00	2	HOSE CLIP	SLANGKLÄMMA		26 - 38 FZB
21	5726 8093 97	1	AIR PIPE	LUFTRÖR		
22	0346 1005 19	5	PIPE CLAMP	RÖRKLAMMA		
23	0333 5200 15	2	LOCK WASHER	LÅSBRICKA		8,7 / 16,6 X 2,5
25	0147 1246 03	5	SCREW, HEX HEAD	SKRUV, SEXKANT		M 6 X 16 - 8.8 FZB
26	0291 1128 20	2	LOCK NUT	LÅSMUTTER		M 10 - 8 FZB / ISO 7040
27	0291 1128 15	5	LOCK NUT	LÅSMUTTER		M6 - 8 FZB / ISO 7040
28	0147 1363 03	2	SCREW, HEX HEAD	SKRUV, SEXKANT		M 10 X 30 - 8.8 FZB
29	0347 6100 23	8	HOSE CLIP	SLANGKLÄMMA		B 95 117
30	0291 1128 18	2	LOCK NUT	LÅSMUTTER		M 8 - 8 FZB / ISO 7040
31	0347 6100 20	8	HOSE CLIP	SLANGKLÄMMA		B 57 79 15,8 - - - -
32	5726 8093 96	1	AIR HOSE	LUFTSLANG		
33	5726 8086 87	1	AIR HOSE	LUFTSLANG		
34	5726 8022 55	2	CONNECTION	ANSLUTNING		



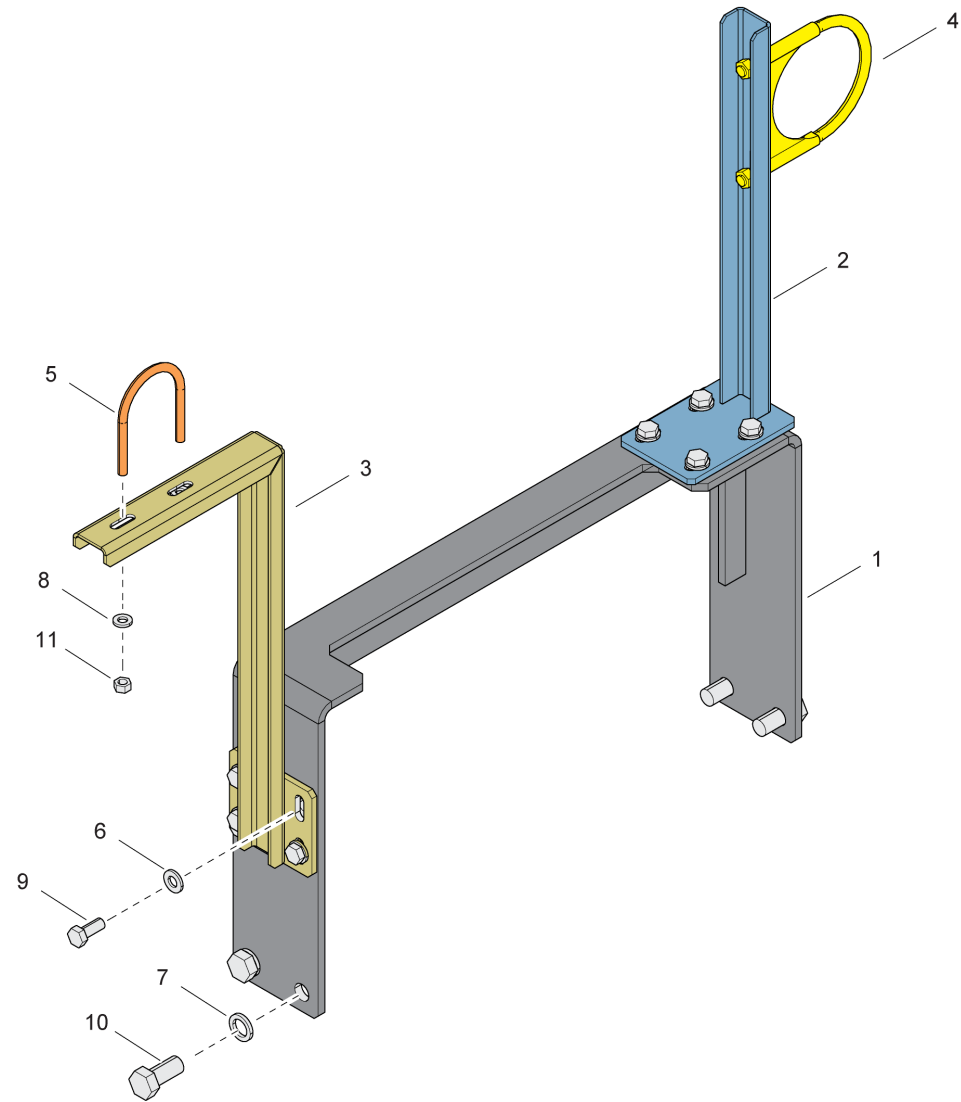
## EXHAUST SYSTEM / AVGASSYSTEM

-

Ref.no	Part no Art.nr	Qty Qty	Description	Beskrivning	See page Se sidan	Remarks Anmärkningar
1	5726 5803 28	2	CLAMP	ÖVERFALL		
2	-	1	EXHAUST SYSTEM	AVGASSYSTEM		
3	5726 8095 09	1	EXHAUST PIPE	AVGASRÖR		
4	5726 8095 13	1	PIPE	RÖR		
6	0333 5200 15	12	LOCK WASHER	LÅSBRICKA		8,7 / 16,6 X 2,5
7	0147 1325 03	8	SCREW, HEX HEAD	SKRUV, SEXKANT		M 8 X 25 - 8.8 FZB
8	0261 2110 00	4	NUT	MUTTER		M 8 - 4 FZB
9	0301 2344 00	4	PLAIN WASHER	RUNDBRICKA		10,5 / 20 X 2 -HB 200 FZB
10	0261 2111 00	4	NUT	MUTTER		M 10 - 4 FZB
11	5726 8086 70	2	PLATE	PLATTA		

# BRACKET / KONSOL

-



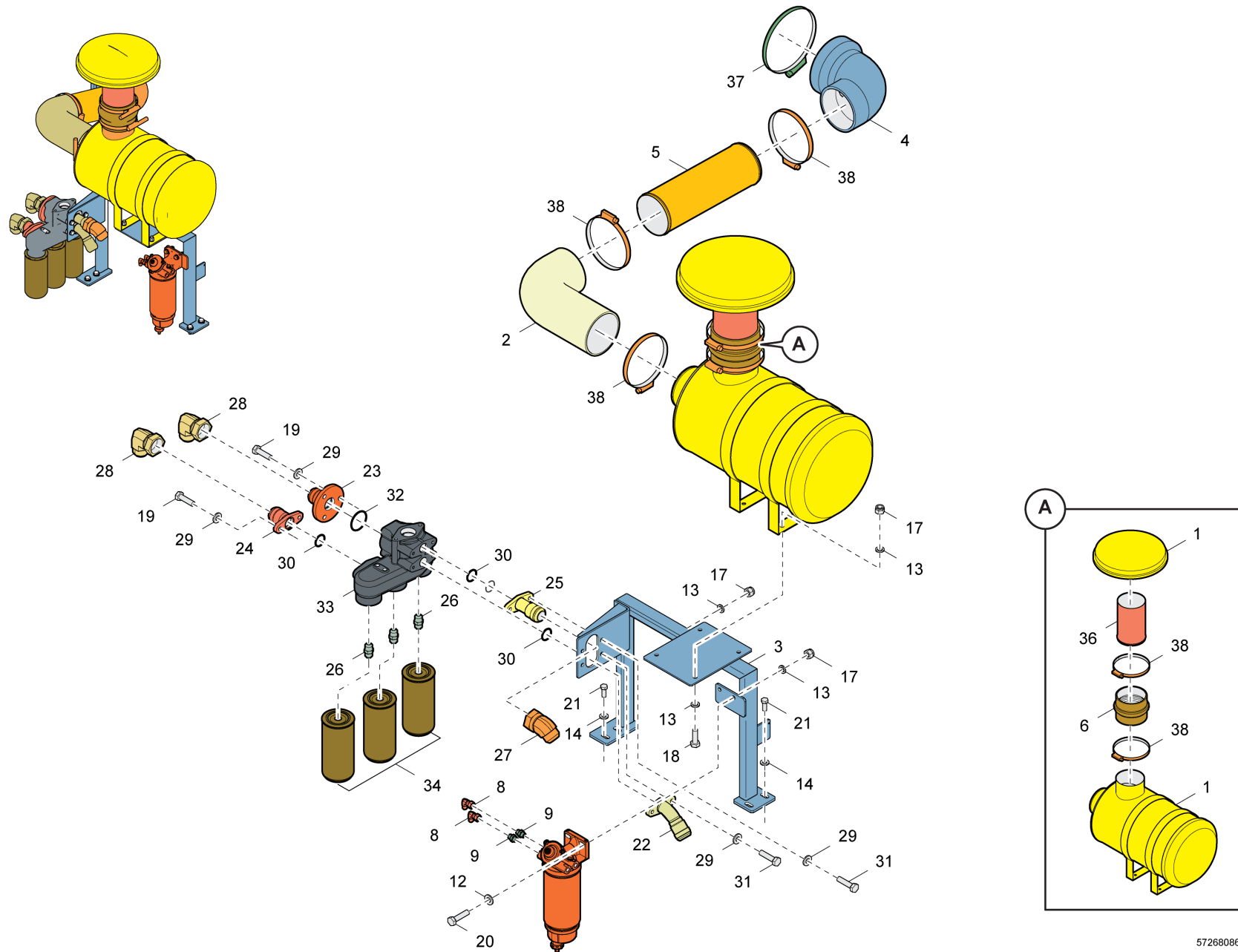


## BRACKET / KONSOL

-

Ref.no	Part no Art.nr	Qty Qty	Description	Beskrivning	See page Se sidan	Remarks Anmärkningar
1	5726 8086 81	1	BRACKET	KONSOL		
2	5726 8093 99	1	BRACKET	KONSOL		
3	5726 8095 27	1	BRACKET	FÄSTDON		
4	3222 3077 13	1	PIPE CLAMP	RÖRKLAMMA		
5	3176 5588 00	1	U-BOLT	U-BULT		
6	0333 5200 13	8	LOCK WASHER	LÅSBRICKA		M10 - 10,7 21,0 2,5 STEEL
7	3315 0195 10	4	LOCK WASHER	LÅSBRICKA		17/25,4 X 3,7 HRC50 FZB
8	0333 5200 15	2	LOCK WASHER	LÅSBRICKA		8,7 / 16,6 X 2,5
9	0147 1362 03	8	SCREW, HEX HEAD	SKRUV, SEXKANT		M 10 X 25 - 8.8 FZB
10	0147 1476 03	4	SCREW, HEX HEAD	SKRUV, SEXKANT		M 16 X 35 - 8.8 FZB
11	0266 2110 00	2	NUT	MUTTER		M 8 - 8 FZB

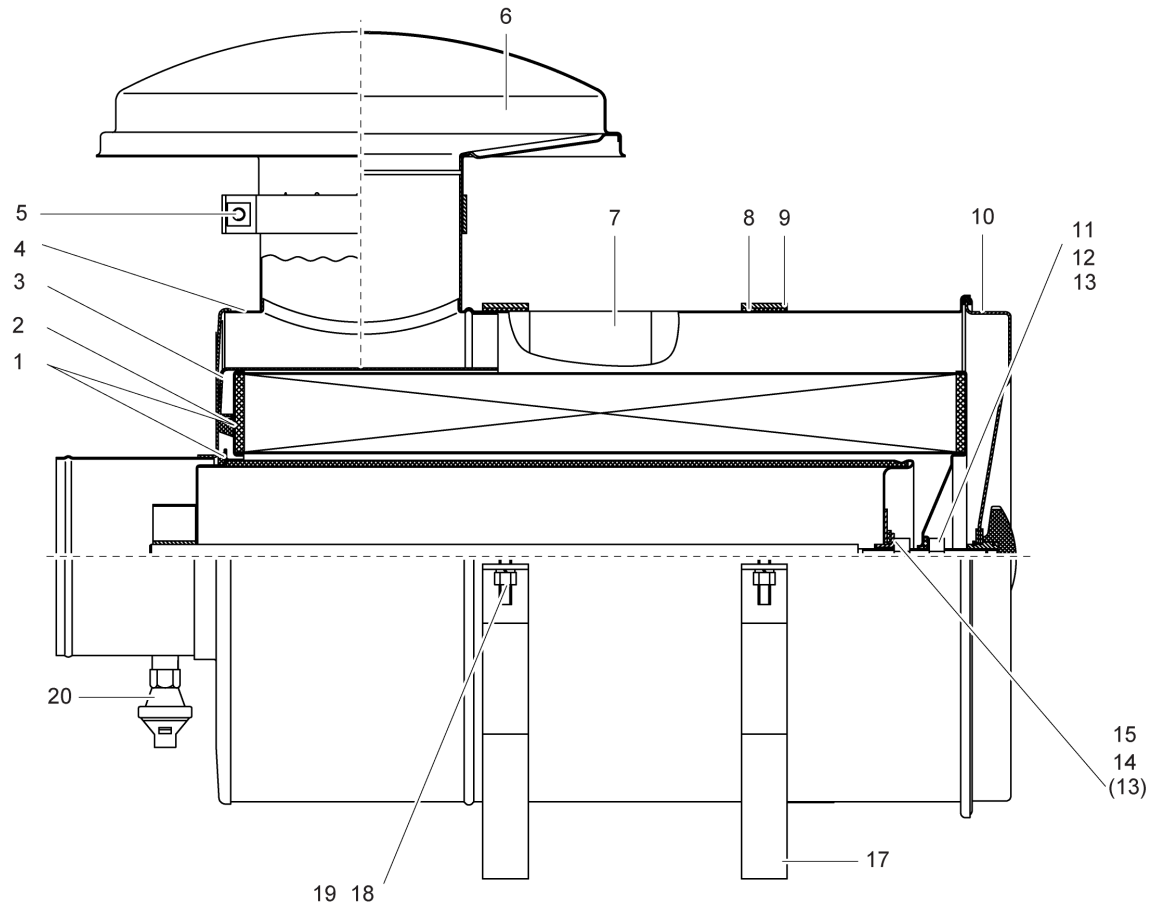
FILTER SET / FILTERSATS



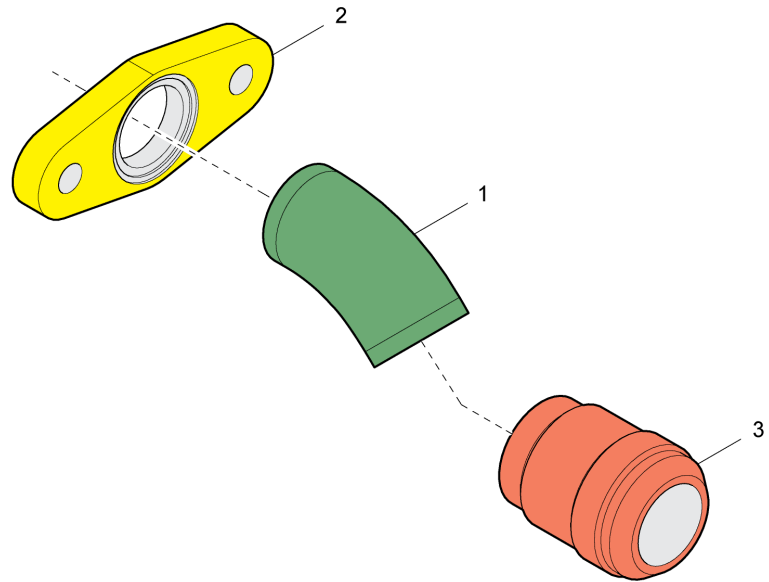
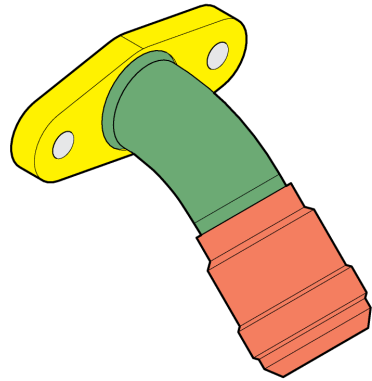
**FILTER SET / FILTERSATS**

-

Ref.no	Part no Art.nr	Qty Qty	Description	Beskrivning	See page Se sidan	Remarks Anmärkningar
1	5726 8075 12	1	AIR FILTER	LUFTFILTER	169	
2	5726 8095 38	1	ELBOW	RÖRVINKEL		
3	-	1	BRACKET	FÄSTDON		
4	5726 8095 71	1	REDUCER	REDUCERING		
5	5726 8095 72	1	PIPE	RÖR		
6	5726 8095 79	1	CONNECTOR	KONTAKTDON		
8	3176 3060 00	2	NIPPLE	NIPPEL		90 DEGREE WITH SVIVELNUT
9	0570 5010 17	2	NIPPLE	NIPPEL		UNF 3/4 - M16 X 1,5
12	0333 5200 13	2	LOCK WASHER	LÅSBRICKA		M10 - 10,7 21,0 2,5 STEEL
13	0333 5200 14	10	LOCK WASHER	LÅSBRICKA		NORD-LOCK M10
14	0333 5200 09	4	LOCK WASHER	LÅSBRICKA		
17	0291 1128 20	6	LOCK NUT	LÅSMUTTER		M 10 - 8 FZB / ISO 7040
18	0147 1363 03	4	SCREW, HEX HEAD	SKRUV, SEXKANT		M 10 X 30 - 8.8 FZB
19	0147 1364 03	5	SCREW, HEX HEAD	SKRUV, SEXKANT		M 10 X 35 - 8.8 FZB
20	0147 1365 03	2	SCREW, HEX HEAD	SKRUV, SEXKANT		M 10 X 40 - 8.8 FZB
21	0147 1401 03	4	SCREW, HEX HEAD	SKRUV, SEXKANT		M 12 X 30 - 8.8 FZB
22	5726 8078 05	1	NIPPLE	NIPPEL	171	
23	5726 8021 36	1	FLANGE CONNECT.	FLÄNSANSLUTNING		
24	5726 8078 08	1	FLANGE CONNECT.	FLÄNSANSLUTNING		
25	5726 8078 13	1	FLANGE CONNECT.	FLÄNSANSLUTNING		
26	2254 7257 00	3	NIPPLE	NIPPEL		
27	3176 6661 00	1	NIPPLE	NIPPEL		UN 1 7/8
28	3176 6669 00	2	NIPPLE	NIPPEL		UN 1 7/8
29	0333 5200 10	9	LOCK WASHER	LÅSBRICKA		10,3 / 21 X 2,6 FZB
30	0663 3130 00	3	O-RING	O-RING		32,2 X 3 70 SHORE
31	0147 1962 64	4	SCREW, HEX HEAD	SKRUV, SEXKANT		A M10 40 H 6,4 16 8.8 SAE
32	0663 9868 00	1	O-RING	O-RING		57,2 X 3 70 SHORE
33	1615 6398 00	1	HOUSING	HUS		
34	1202 8040 02	3	OIL FILTER	OLJEFILTER		
36	5726 8096 19	1	PIPE	RÖR		
37	5540 6681 00	1	CLAMP	KLAMMA		CLAMP-HOSE-CONSTANT TORQ. 7.5"
38	0347 6100 26	5	HOSE CLIP	SLANGKLÄMMA		B 133 156 15,8 - STEEL FZ



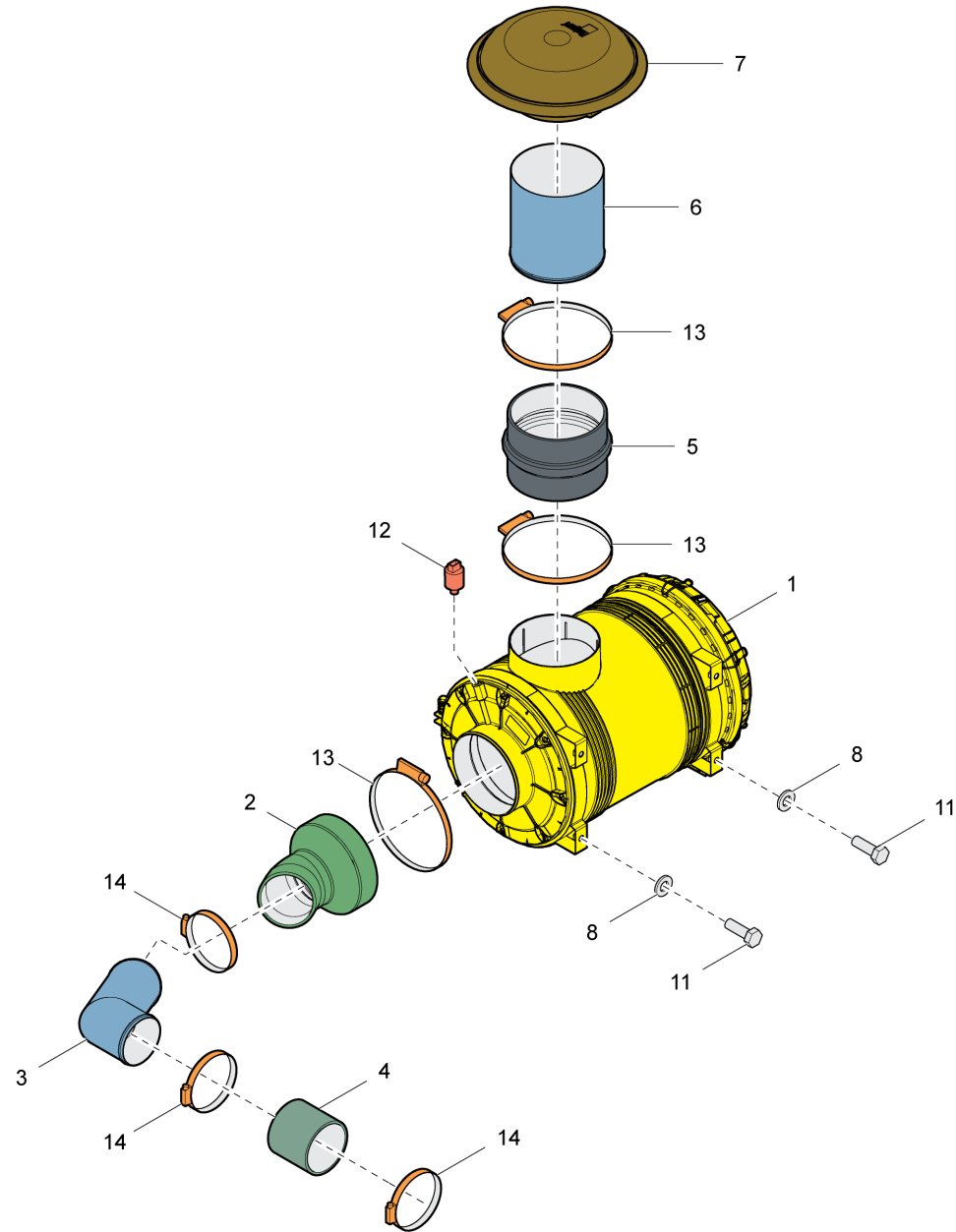
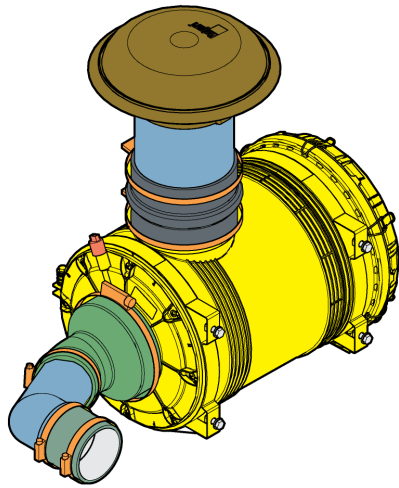
Ref.no	Part no Art.nr	Qty Qty	Description	Beskrivning	See page Se sidan	Remarks Anmärkningar
1	5726 8094 21	1	FILTER SET	FILTERSATS		
2	5726 8094 22	1	FILTER ELEMENT	FILTERELEMENT		
3	5726 8094 23	1	RING	RING		
4	5726 8094 24	1	HOUSING	PANELBRUNN		
5	5726 8094 25	1	CLAMP	ÖVERFALL		
6	5726 8094 26	1	RAIN PROT. CAP	REGNSKYDDSKÅPA		
7	5726 8094 27	1	SIGN	SKYLT		
8	5726 8094 28	4	RUBBER PLATE	GUMMIPLATTA		
9	5726 8094 29	2	BRACKET	FÄSTDON		
10	5726 8094 30	1	PLATE	PLÅT		
11	5726 8094 31	1	RUBBER RING	GUMMIRING		
12	5726 8094 12	1	BRACKET	FÄSTDON		
13	5726 8094 32	2	NUT	BOTTENMUTTER		M10
14	5726 8094 08	1	RUBBER RING	GUMMIRING		
15	5726 8094 33	1	PLATE	PLÅT		
16	5726 8094 34	2	BRACKET	FÄSTDON		
17	5726 8094 35	4	NUT	BOTTENMUTTER		M8
18	5726 8094 36	4	BOLT	BULT		M8*40
19	5726 8094 37	4	SPRING WASHER	FJÄDERBRICKA		8
20	5726 8094 20	1	INDICATOR	INDIKATOR		



**NIPPLE / NIPPEL****5726 8078 05**

<b>Ref.no</b>	<b>Part no Art.nr</b>	<b>Qty Qty</b>	<b>Description</b>	<b>Beskrivning</b>	<b>See page Se sidan</b>	<b>Remarks Anmärkningar</b>
1	-	1	TUBE	TUB		
2	-	1	FLANGE	FLÄNS		
3	5726 8021 42	1	CONNECTION	ANSLUTNING		

# AIR FILTER / LUFTFILTER

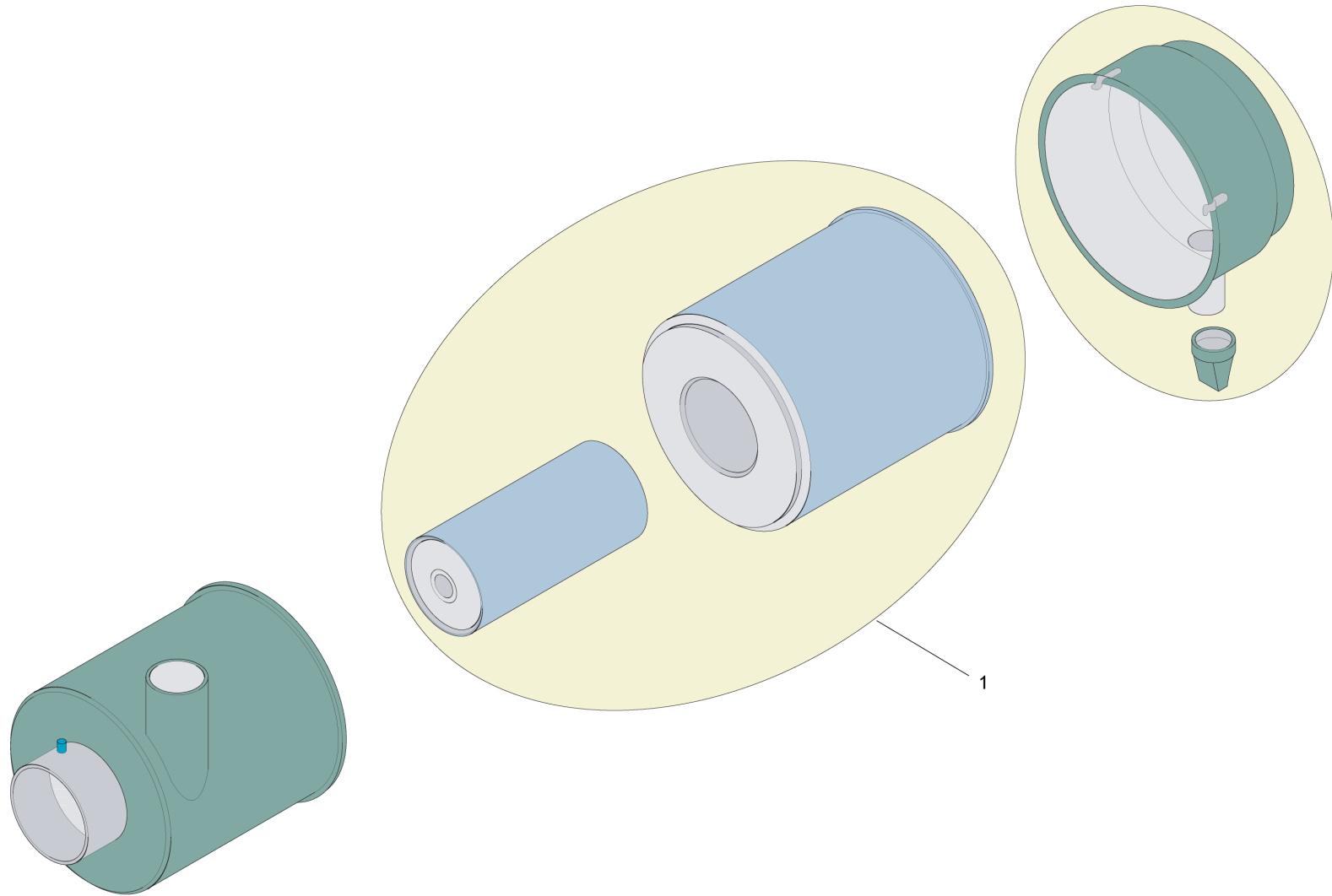




## AIR FILTER / LUFTFILTER

-

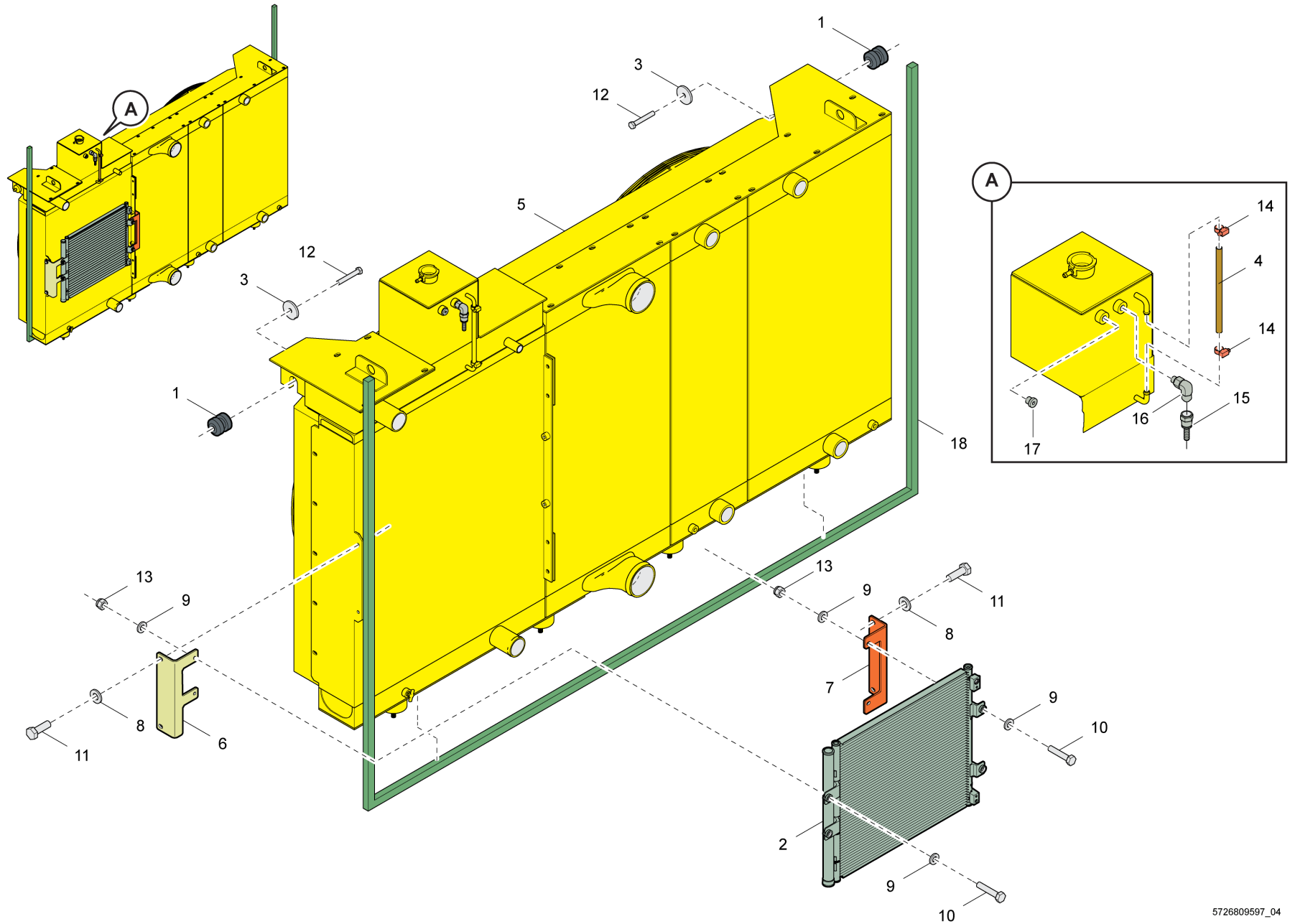
Ref.no	Part no Art.nr	Qty Qty	Description	Beskrivning	See page Se sidan	Remarks Anmärkningar
1	5726 8095 81	1	AIR CLEANING	LUFTRENING	175	
2	5726 8095 82	1	CONNECTOR	KONTAKTDON		
3	5726 8095 83	1	PIPE	RÖR		
4	5726 8095 84	1	CONNECTOR	KONTAKTDON		
5	5726 8096 00	1	CONNECTOR	KONTAKTDON		
6	5726 8096 01	1	PIPE	RÖR		
7	5726 8096 02	1	RAIN PROT. CAP	REGNSKYDDSKÅPA		
8	0333 5200 13	4	LOCK WASHER	LÅSBRICKA		M10 - 10,7 21,0 2,5 STEEL
11	0147 1363 03	4	SCREW, HEX HEAD	SKRUV, SEXKANT		M 10 X 30 - 8.8 FZB
12	5726 8095 88	1	ALARM	ALARM		
13	5540 6681 00	3	CLAMP	KLAMMA		CLAMP-HOSE-CONSTANT TORQ. 7.5"
14	0347 6100 23	3	HOSE CLIP	SLANGKLÄMMA		B 95 117



**AIR CLEANING / LUFTRENING****5726 8095 81**

<b>Ref.no</b>	<b>Part no</b> <b>Art.nr</b>	<b>Qty</b> <b>Qty</b>	<b>Description</b>	<b>Beskrivning</b>	<b>See page</b> <b>Se sidan</b>	<b>Remarks</b> <b>Anmärkningar</b>
1	5726 8097 61	1	FILTER SET	FILTERSATS		

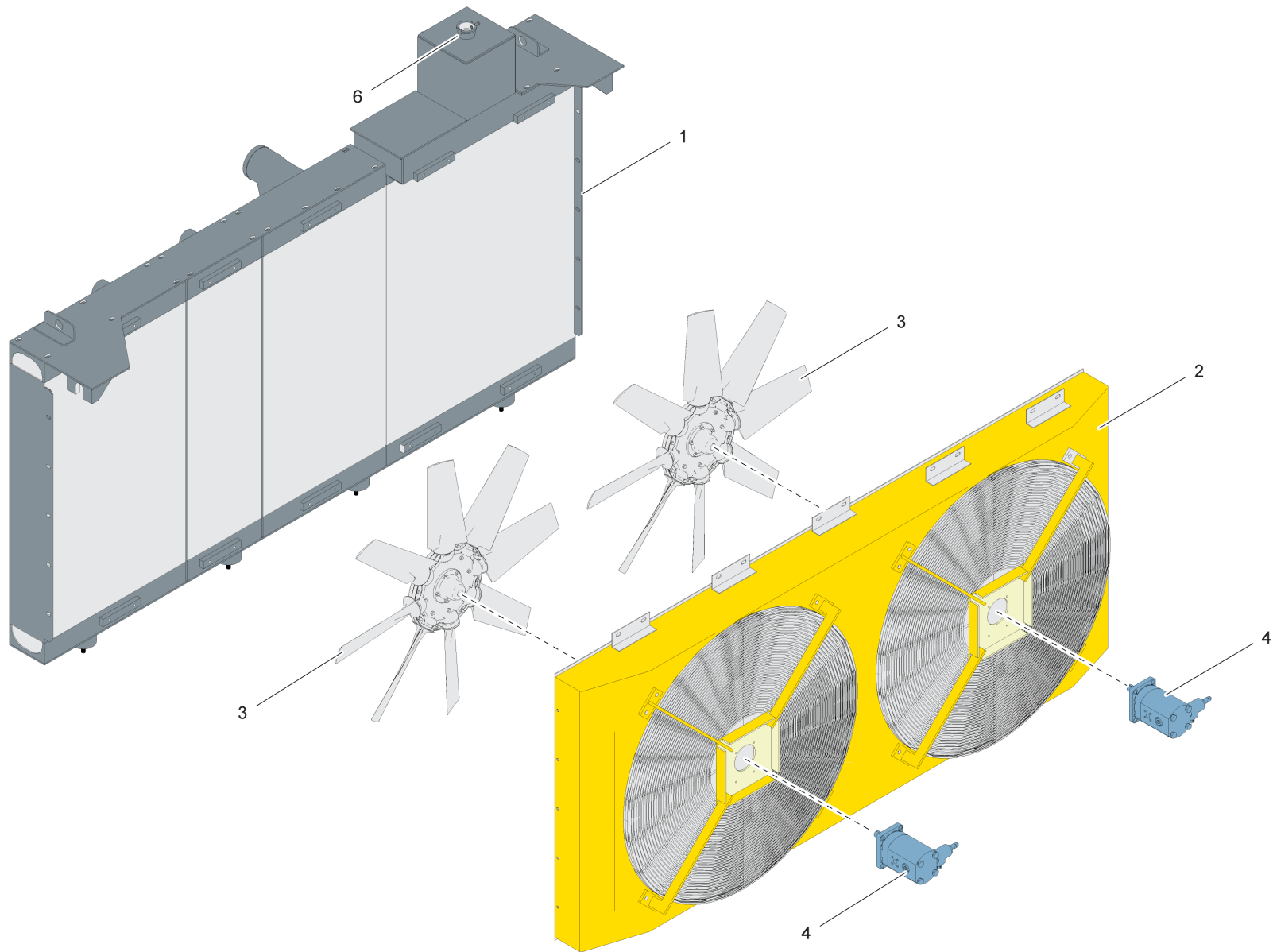
# COOLING SYSTEM / KYLSYSTEM



COOLING SYSTEM / KYLSYSTEM

-

Ref.no	Part no Art.nr	Qty Qty	Description	Beskrivning	See page Se sidan	Remarks Anmärkningar
1	5726 8075 19	2	DAMPER	DÄMPARE		
2	5726 8079 91	1	CONDENSER	KONDENSOR		
3	5726 8082 52	2	WASHER	BRICKA		
4	5726 8095 43	1	HOSE	SLANG		
5	5726 8095 96	1	COOLER	KYLARE	179	
6	-	1	PLATE	PLÅT		
7	-	1	PLATE	PLÅT		
8	0333 5200 13	4	LOCK WASHER	LÅSBRICKA		M10 - 10,7 21,0 2,5 STEEL
9	0333 5200 15	8	LOCK WASHER	LÅSBRICKA		8,7 / 16,6 X 2,5
10	0147 1328 03	4	SCREW, HEX HEAD	SKRUV, SEXKANT		M 8 X 40 - 8.8 FZB
11	0147 1363 03	4	SCREW, HEX HEAD	SKRUV, SEXKANT		M 10 X 30 - 8.8 FZB
12	0147 1411 03	2	SCREW, HEX HEAD	SKRUV, SEXKANT		M 12 X 80 - 8.8 FZB
13	0291 1128 18	4	LOCK NUT	LÅSMUTTER		M 8 - 8 FZB / ISO 7040
14	0347 6100 52	2	HOSE CLIP	SLANGKLÄMMA		A 8 16 9 - 0011 2333 - -
15	0570 0252 03	1	HOSE COUPLING	SLANGKOPPLING		UNF 3/4 - 10 R9R
16	3176 6563 00	1	NIPPLE	NIPPEL		UNF 3/4 - G 1/4
17	0686 3718 24	1	PLUG	PROPP		- G 1/4 A 19 15,5 10,5 6
18	5726 8093 50	1	SEALING	TÄTNING		

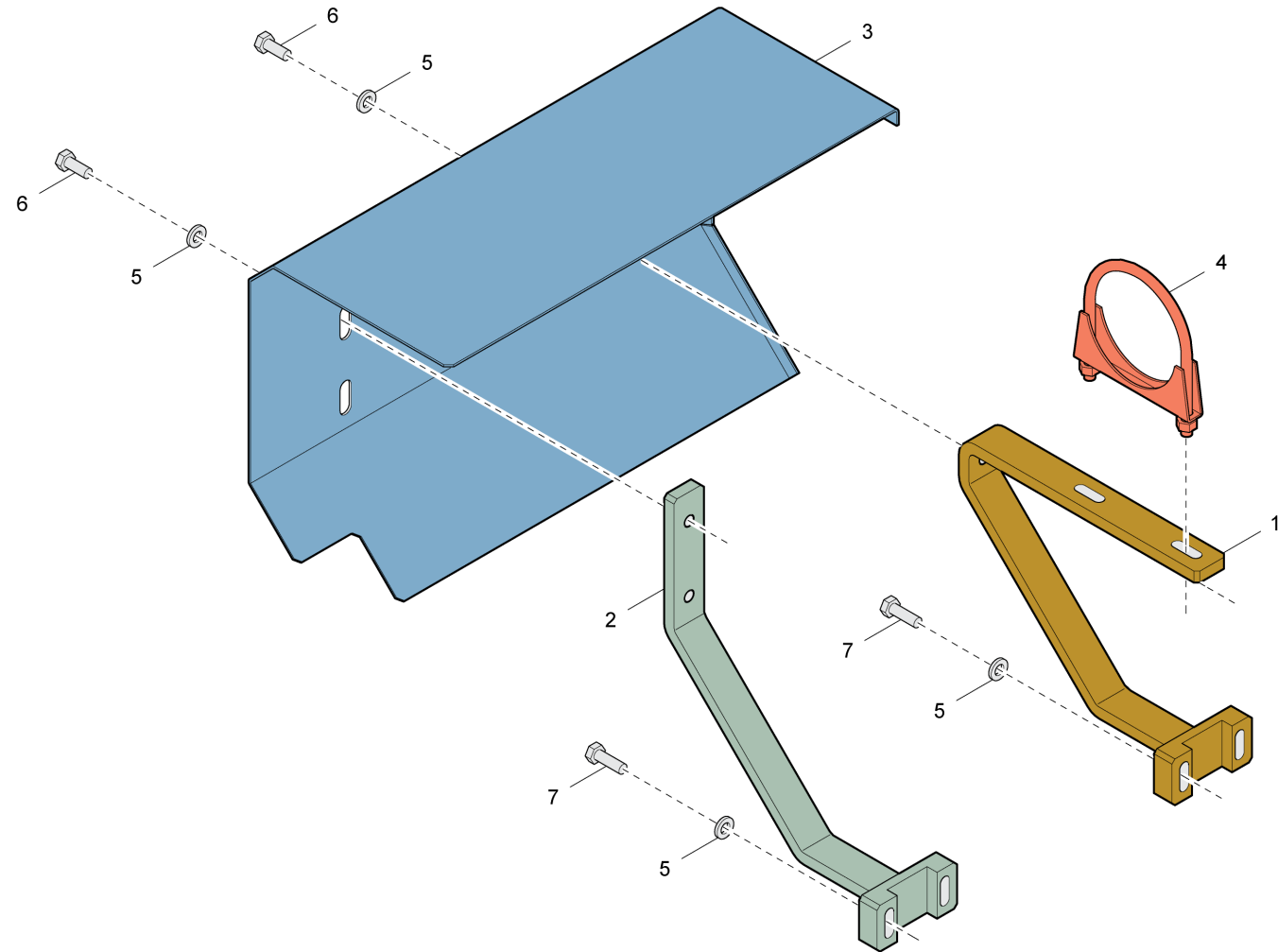
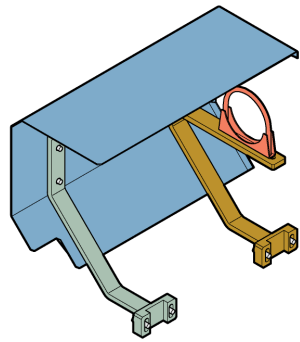


ITEM #5 NOT ILLUSTRATED

## COOLER / KYLARE

5726 8095 96

Ref.no	Part no Art.nr	Qty Qty	Description	Beskrivning	See page Se sidan	Remarks Anmärkningar
1	5726 8097 42	1	BODY	VENT. KROPP		
2	5726 8097 43	1	HOOD	HUV		
3	5726 8097 44	2	FAN	FLÄKT		
4	5726 8097 45	2	HYDRAULIC MOTOR	HYDRAULMOTOR		
5	5726 8097 46	1	SET	SATS		
6	5726 8098 21	1	CAP	KÅPA		

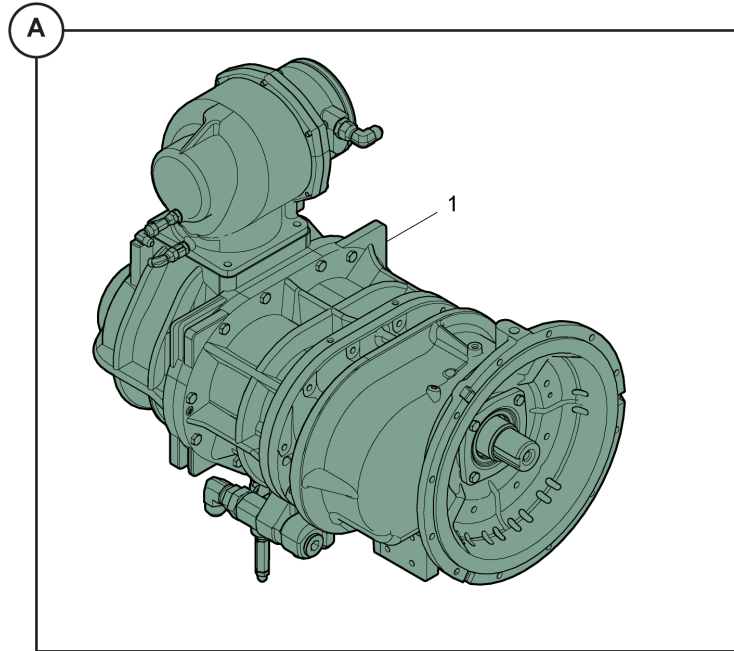
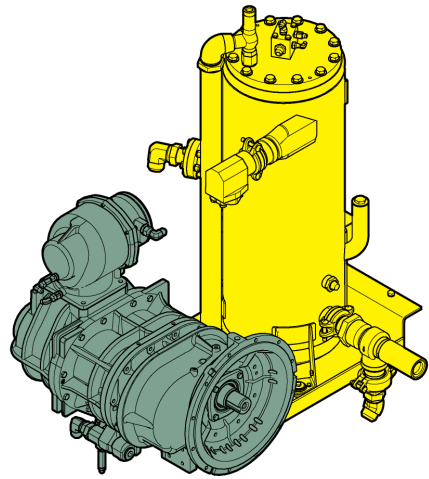




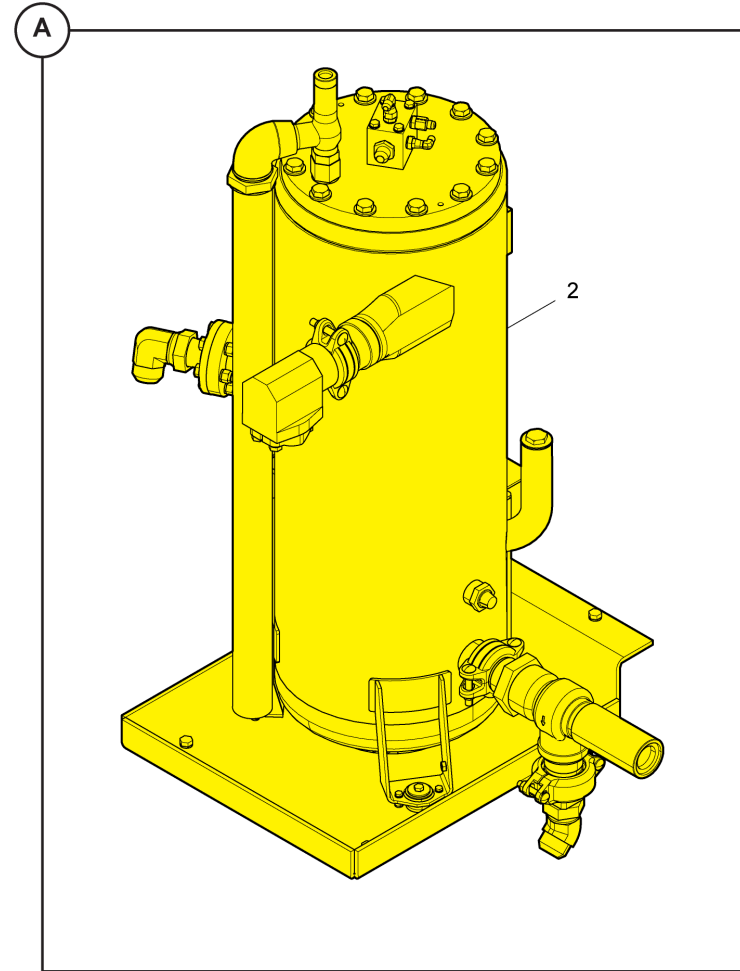
PROTECTION / SKYDD

-

Ref.no	Part no Art.nr	Qty Qty	Description	Beskrivning	See page Se sidan	Remarks Anmärkningar
1	5726 8095 21	1	BRACKET	FÄSTDON		
2	5726 8095 24	1	BRACKET	FÄSTDON		
3	-	1	PLATE	PLÅT		
4	0346 2900 25	1	PIPE CLAMP	RÖRKLAMMA		P 89 M 8 116 - 92 - - - 1
5	0333 5200 15	7	LOCK WASHER	LÅSBRICKA		8,7 / 16,6 X 2,5
6	0147 1323 03	3	SCREW, HEX HEAD	SKRUV, SEXKANT		M 8 X 20 -8.8 FZB
7	0147 1325 03	4	SCREW, HEX HEAD	SKRUV, SEXKANT		M 8 X 25 - 8.8 FZB



ITEM # 3 - NOT ILLUSTRATED



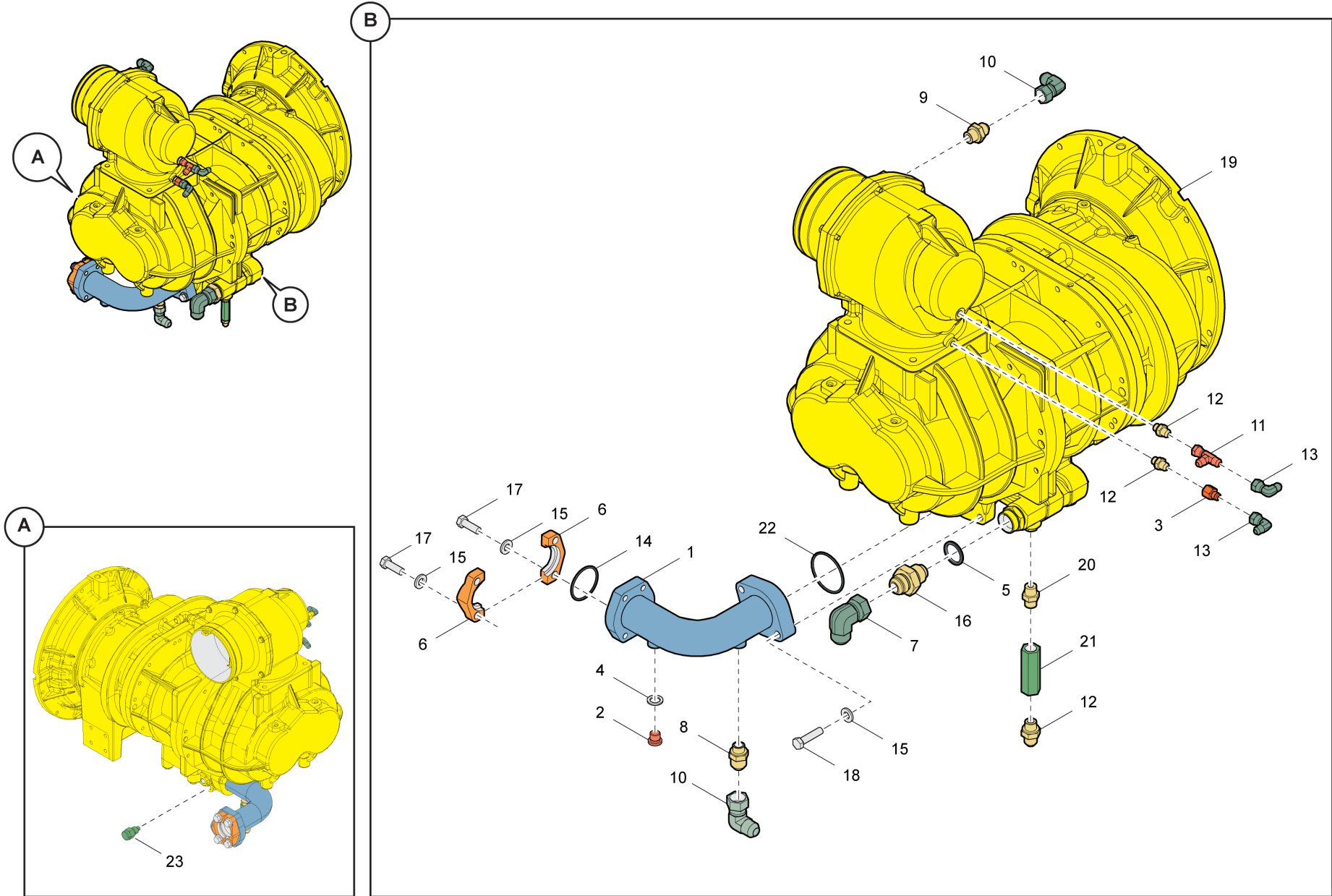
**COMPRESSOR UNIT / KOMPRESSORENHET**

-

<b>Ref.no</b>	<b>Part no Art.nr</b>	<b>Qty Qty</b>	<b>Description</b>	<b>Beskrivning</b>	<b>See page Se sidan</b>	<b>Remarks Anmärkningar</b>
1	-	1	COMPRESSOR SET	KOMPRESSORSATS	185	
2	-	1	VESSEL	KÄRL	187	
3	-	1	FILTER SET	FILTERSATS	191	

# COMPRESSOR SET / KOMPRESSORSATS

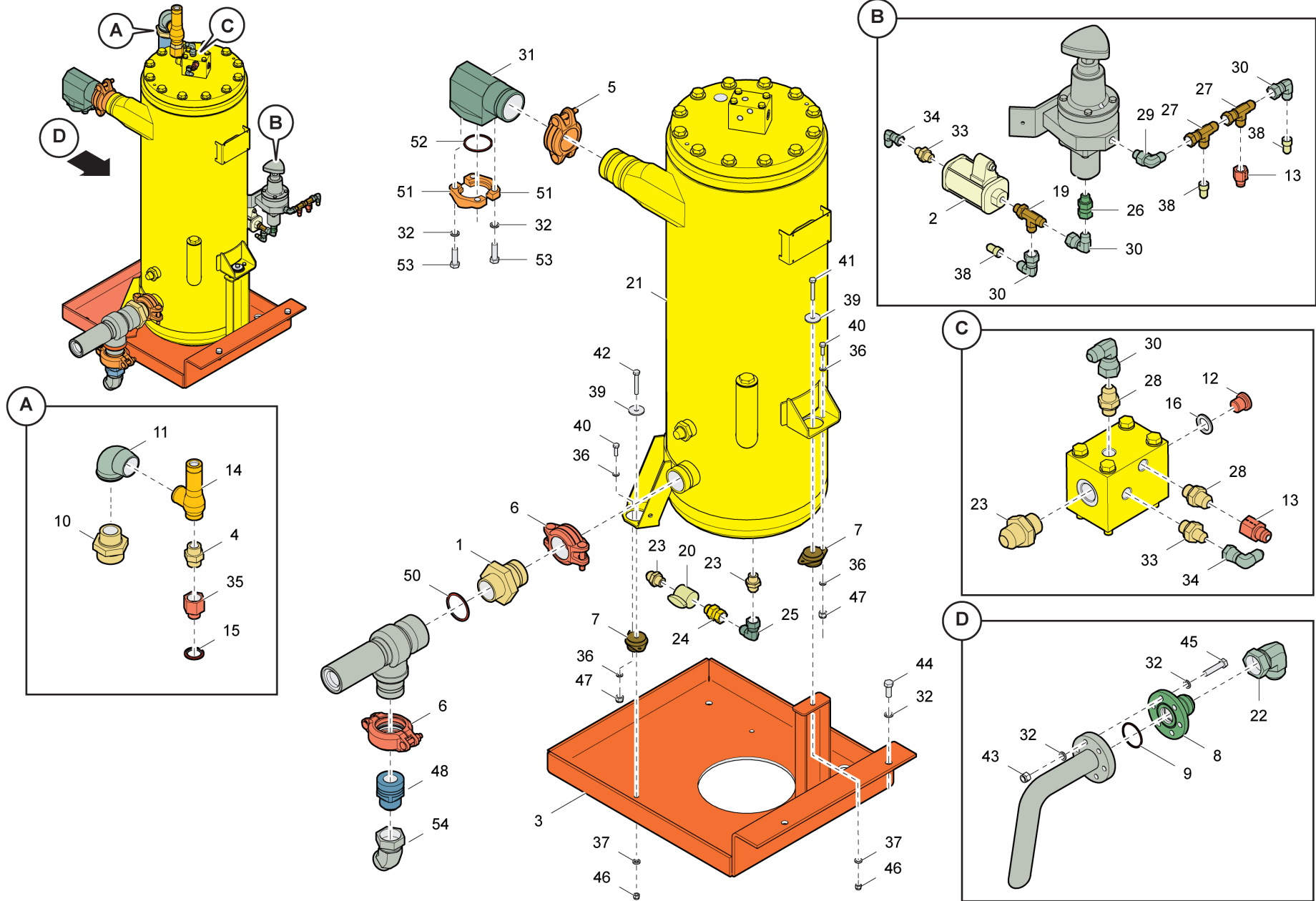
-



**COMPRESSOR SET / KOMPRESSORSATS**

-

Ref.no	Part no Art.nr	Qty Qty	Description	Beskrivning	See page Se sidan	Remarks Anmärkningar
1	-	1	MANIFOLD	SAMLINGSRÖR		
2	0686 6442 00	2	PLUG	PROPP		G 1/4 TYPE B - STEEL 5.8
3	3217 6513 04	1	RESTRICTION	STRYPNING		D2,0;JIC9/16"
4	0661 1020 00	2	SEAL WASHER	TÄTNINGSBRICKA		TREDO 1/4 13,7 / 20,6 X 2,1 - FZ ST
5	0661 1049 00	1	SEAL WASHER	TÄTNINGSBRICKA		TREDO G 1
6	3176 7922 00	2	FLANGE HALF	FLÄNSHALVA		38 61,09
7	3176 6039 00	1	NIPPLE	NIPPEL		UN 1 5/16
8	3176 6514 00	1	NIPPLE	NIPPEL		UNF 7/8 - G 3/8
9	3176 6515 00	1	NIPPLE	NIPPEL		
10	3715 0585 00	2	NIPPLE	NIPPEL		90 DEGREE WITH SVIVELNUT
11	3176 5427 00	1	NIPPLE	NIPPEL		UNF 9/16
12	3176 6348 00	3	NIPPLE	NIPPEL		UNF 9/16 - G 1/4
13	3715 0584 00	2	ELBOW NIPPLE	VINKELNIPPEL		UNF 9/16 - UNF 9/16
14	0663 2109 89	1	O-RING	O-RING		56,75 3,53 13 3971 90
15	0333 5200 09	6	LOCK WASHER	LÅSBRICKA		
16	5726 8078 16	1	NIPPLE	NIPPEL		
17	0147 1402 03	4	SCREW, HEX HEAD	SKRUV, SEXKANT		M 12 X 35 - 8.8 FZB
18	0147 1405 03	2	SCREW, HEX HEAD	SKRUV, SEXKANT		M 12 X 50 - 8.8 FZB
19	-	1	COMPRESSOR UNIT	KOMPRESSORENHET		
20	0603 4206 00	1	HEXAGON NIPPLE	SEXXANTNIPPEL		G 1/4 A G 1/4 A
21	0823 0050 16	1	CHECK VALVE	BACKVENTIL		
22	0663 2108 76	1	O-RING	O-RING		69,44 3,53 0013 3970 90 -
23	-	1	ELECTR. SYSTEM	ELSYSTEM		SEE CHAPTER ELECTR. SYS- TEM



## VESSEL / KÄRL

-

Ref.no	Part no Art.nr	Qty Qty	Description	Beskrivning	See page Se sidan	Remarks Anmärkningar
1	-	1	ADAPTER	ÖVERGÅNG		
2	1089 0451 07	1	AIR VALVE	LUFTVENTIL		AIR VALVE
3	5726 8090 43	1	BRACKET	FÄSTDON		
4	0603 4150 55	1	BUSHING	BUSSNING		A NPTF 1 1/2 55 G 1 1/2 -
5	1604 1791 01	1	CLAMP	ÖVERFALL		2 1/2"
6	1604 1792 01	2	CLAMPING PIECE	KLÄMSTYCKE		2"
7	1604 2116 00	3	RUBBER DAMPER	GUMMIDÄMPARE		
8	5726 8021 34	1	FLANGE CONNECT.	FLÄNSANSLUTNING		
9	0663 7135 00	1	O-RING	O-RING		54,5 X 3 70 SHORE
10	0570 5005 37	1	NIPPLE	NIPPEL		B2 25 - UN 1 5/16-12 G 1
11	0560 1309 03	1	ELBOW	RÖRVINKEL		RP1 1/2 X ISO7-R1 1/2 -90
12	0686 6442 00	1	PLUG	PROPP		G 1/4 TYPE B - STEEL 5.8
13	3217 6513 08	2	RESTRICTION	STRYPNING		
14	1092 3098 00	1	SAFETY VALVE	SÄKERHETSVENTIL		
15	0661 1000 30	1	SEAL WASHER	TÄTNINGSBRICKA		B1 33,89 42,80 3,40
16	0661 1020 00	1	SEAL WASHER	TÄTNINGSBRICKA		TREDO 1/4 13,7 / 20,6 X 2,1 - FZ ST
19	3176 6593 00	1	NIPPLE	NIPPEL		UNF 9/16 - G 1/4
20	8202 0303 03	1	BALL VALVE	KULVENTIL		BAL 15-G1/2 R 1/2"-16 BAR *
21	1625 0044 69	1	VESSEL	KÄRL		
22	3176 6669 00	1	NIPPLE	NIPPEL		UN 1 7/8
23	3176 6515 00	3	NIPPLE	NIPPEL		
24	3176 8490 00	1	NIPPLE	NIPPEL		UNF 7/8 - G 1/2
25	3715 0585 00	1	NIPPLE	NIPPEL		90 DEGREE WITH SVIVELNUT
26	3176 8489 00	1	NIPPLE	NIPPEL		UNF 9/16 - G 1/4
27	3176 5427 00	2	NIPPLE	NIPPEL		UNF 9/16
28	3176 6348 00	2	NIPPLE	NIPPEL		UNF 9/16 - G 1/4
29	3176 6351 00	1	NIPPLE	NIPPEL		UNF 9/16 - G 1/4
30	3715 0584 00	4	ELBOW NIPPLE	VINKELNIPPEL		UNF 9/16 - UNF 9/16
31	5726 5813 12	1	MANIFOLD	SAMLINGSRÖR		
32	3315 0195 08	20	LOCK WASHER	LÅSBRICKA		13,0/19,5 X 2,6 HRC50 FZB
33	3176 6619 00	2	NIPPLE	NIPPEL		UNF 7/16 - G 1/4
34	3176 7872 00	2	ELBOW NIPPLE	VINKELNIPPEL		UNF 7/16
35	0605 8700 73	1	BUSHING	BUSSNING		A G 1 A NPT 1 1/4 ? 20 ?
36	0301 2321 00	12	PLAIN WASHER	RUNDBRICKA		6,4 / 12 X 1,6 -HB200 FZB
37	3315 0195 04	3	LOCK WASHER	LÅSBRICKA		8,2/13,5 X 2,6 HRC50 FZB
38	3176 8026 00	3	NIPPLE	NIPPEL		UNF 9/16 - UNF 7/16
39	0300 0274 91	3	PLAIN WASHER	RUNDBRICKA		9 / 35 X 3 -HB180/200 FZB

## VESSEL / KÄRL

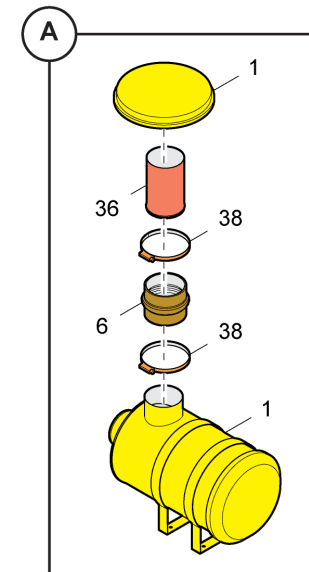
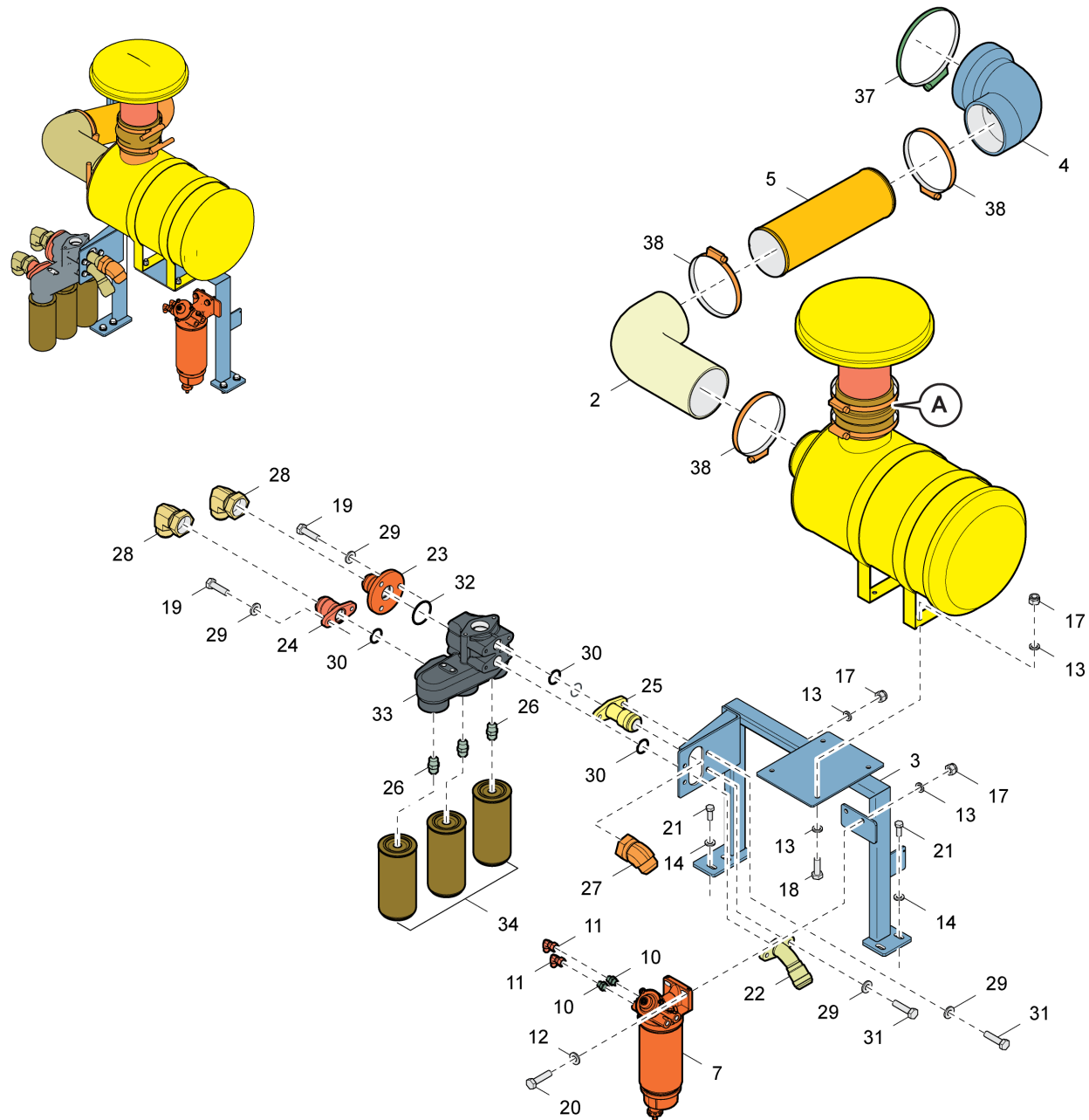
-

Ref.no	Part no Art.nr	Qty Qty	Description	Beskrivning	See page Se sidan	Remarks Anmärkningar
40	0147 1247 03	6	SCREW, HEX HEAD	SKRUV, SEXKANT		M 6 X 20 - 8.8 FZB
41	0147 1330 12	1	SCREW, HEX HEAD	SKRUV, SEXKANT		SKRUV
42	0147 1331 12	2	SCREW, HEX HEAD	SKRUV, SEXKANT		M 8 X 55 - 8.8 FZB
43	0291 1128 22	6	LOCK NUT	LÅSMUTTER		M 12 - 8 FZB / ISO 7040
44	0147 1401 03	4	SCREW, HEX HEAD	SKRUV, SEXKANT		M 12 X 30 - 8.8 FZB
45	0147 1406 03	6	SCREW, HEX HEAD	SKRUV, SEXKANT		M 12 X 55 - 8.8 FZB
46	0291 1128 15	3	LOCK NUT	LÅSMUTTER		M6 - 8 FZB / ISO 7040
47	0291 1128 18	6	LOCK NUT	LÅSMUTTER		M 8 - 8 FZB / ISO 7040
48	3222 3148 62	1	ADAPTER	ADAPTER		
50	0653 1293 00	1	GASKET	PACKNING		60 / 68 X 2,5- 11 5013 12
51	3176 7922 00	2	FLANGE HALF	FLÄNSHALVA		38 61,09
52	0663 2109 89	1	O-RING	O-RING		56,75 3,53 13 3971 90
53	0147 1403 03	4	SCREW, HEX HEAD	SKRUV, SEXKANT		M 12 X 40 - 8.8 FZB
54	3176 6661 00	1	NIPPLE	NIPPEL		UN 1 7/8





FILTER SET / FILTERSATS



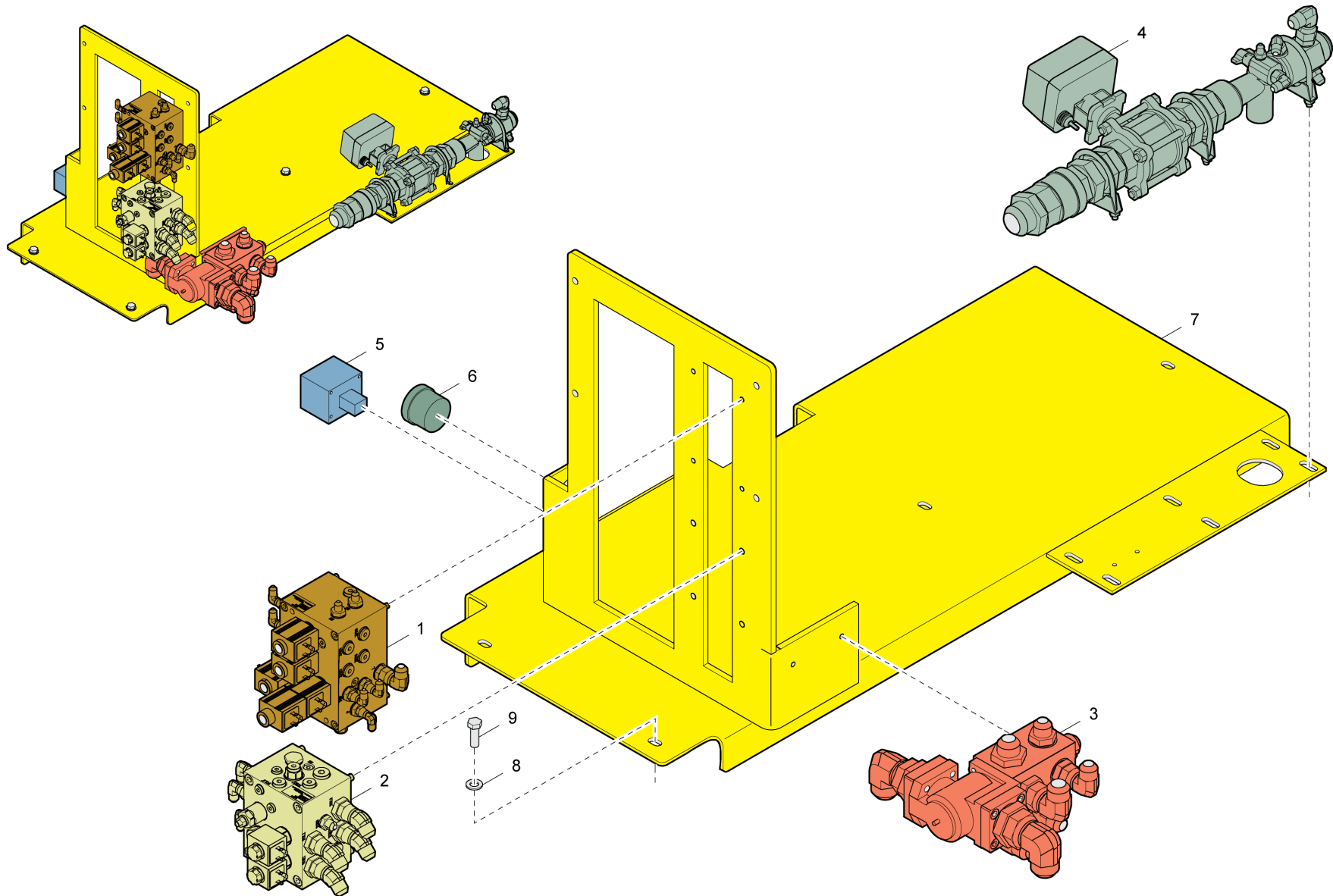
**FILTER SET / FILTERSATS**

-

Ref.no	Part no Art.nr	Qty Qty	Description	Beskrivning	See page Se sidan	Remarks Anmärkningar
1	5726 8075 12	1	AIR FILTER	LUFTFILTER	169	COMPRESSOR
2	5726 8095 38	1	ELBOW	RÖRVINKEL		
3	-	1	BRACKET	FÄSTDON		
4	5726 8095 71	1	REDUCER	REDUCERING		
5	5726 8095 72	1	PIPE	RÖR		
6	5726 8095 79	1	CONNECTOR	KONTAKTDON		
7	5726 8096 03	1	WATER SEPARATOR	VATTENSKILJARE		
10	3176 7319 00	2	NIPPLE	NIPPEL		UNF 9/16 - M14 X 1,5
11	3715 0584 00	2	ELBOW NIPPLE	VINKELNIPPEL		UNF 9/16 - UNF 9/16
12	0333 5200 13	2	LOCK WASHER	LÅSBRICKA		M10 - 10,7 21,0 2,5 STEEL
13	0333 5200 14	10	LOCK WASHER	LÅSBRICKA		NORD-LOCK M10
14	0333 5200 09	4	LOCK WASHER	LÅSBRICKA		
17	0291 1128 20	6	LOCK NUT	LÅSMUTTER		M 10 - 8 FZB / ISO 7040
18	0147 1363 03	4	SCREW, HEX HEAD	SKRUV, SEXKANT		M 10 X 30 - 8.8 FZB
19	0147 1364 03	5	SCREW, HEX HEAD	SKRUV, SEXKANT		M 10 X 35 - 8.8 FZB
20	0147 1365 03	2	SCREW, HEX HEAD	SKRUV, SEXKANT		M 10 X 40 - 8.8 FZB
21	0147 1401 03	4	SCREW, HEX HEAD	SKRUV, SEXKANT		M 12 X 30 - 8.8 FZB
22	5726 8078 05	1	NIPPLE	NIPPEL	171	
23	5726 8021 36	1	FLANGE CONNECT.	FLÄNSANSLUTNING		
24	5726 8078 08	1	FLANGE CONNECT.	FLÄNSANSLUTNING		
25	5726 8078 13	1	FLANGE CONNECT.	FLÄNSANSLUTNING		
26	2254 7257 00	3	NIPPLE	NIPPEL		
27	3176 6661 00	1	NIPPLE	NIPPEL		UN 1 7/8
28	3176 6669 00	2	NIPPLE	NIPPEL		UN 1 7/8
29	0333 5200 10	9	LOCK WASHER	LÅSBRICKA		10,3 / 21 X 2,6 FZB
30	0663 3130 00	3	O-RING	O-RING		32,2 X 3 70 SHORE
31	0147 1962 64	4	SCREW, HEX HEAD	SKRUV, SEXKANT		A M10 40 H 6,4 16 8.8 SAE
32	0663 9868 00	1	O-RING	O-RING		57,2 X 3 70 SHORE
33	1615 6398 00	1	HOUSING	HUS		
34	1202 8040 02	3	OIL FILTER	OLJEFILTER		
36	5726 8096 19	1	PIPE	RÖR		
37	5540 6681 00	1	CLAMP	KLAMMA		CLAMP-HOSE-CONSTANT TORQ. 7.5"
38	0347 6100 26	5	HOSE CLIP	SLANGKLÄMMA		B 133 156 15,8 - STEEL FZ



Ref.no	Part no Art.nr	Qty Qty	Description	Beskrivning	See page Se sidan	Remarks Anmärkningar
K6	5726 8089 19	1	RELAY	RELÄ		NO 200A 24VDC
B360	5726 8095 88	1	ALARM	ALARM		CUMMINS AIR FILTER ALARM
B365	5726 8088 98	1	VACUUM SWITCH	VAKUUMBRYTARE		AIR FILTER



## VALVE SET / VENTILSATS

5726 8077 01

Ref.no	Part no Art.nr	Qty Qty	Description	Beskrivning	See page Se sidan	Remarks Anmärkningar
1	-	1	CONNECTION SET	ANSLUTNINGSSATS		SEE CHAPTER HYDR. SYSTEM
2	-	1	CONNECTION SET	ANSLUTNINGSSATS		SEE CHAPTER HYDR. SYSTEM
3	-	1	CONNECTION SET	ANSLUTNINGSSATS		SEE CHAPTER HYDR. SYSTEM
4	-	1	CONNECTION SET	ANSLUTNINGSSATS		SEE CHAPTER AIR SYSTEM
5	-	1	EMERG.SET	NÖDSTOPPSATS	197	EMERGENCY STOP KIT S132B,S132C,S132D
6	5726 8021 89	1	HOUR METER	TIMRÄKNARE		
7	-	1	VALVE PLATE	VENTILPLATTA		
8	0301 2358 00	5	WASHER	BRICKA		13 / 24 X 2,5 -HB 200 FZB
9	0147 1402 03	5	SCREW, HEX HEAD	SKRUV, SEXKANT		M 12 X 35 - 8.8 FZB

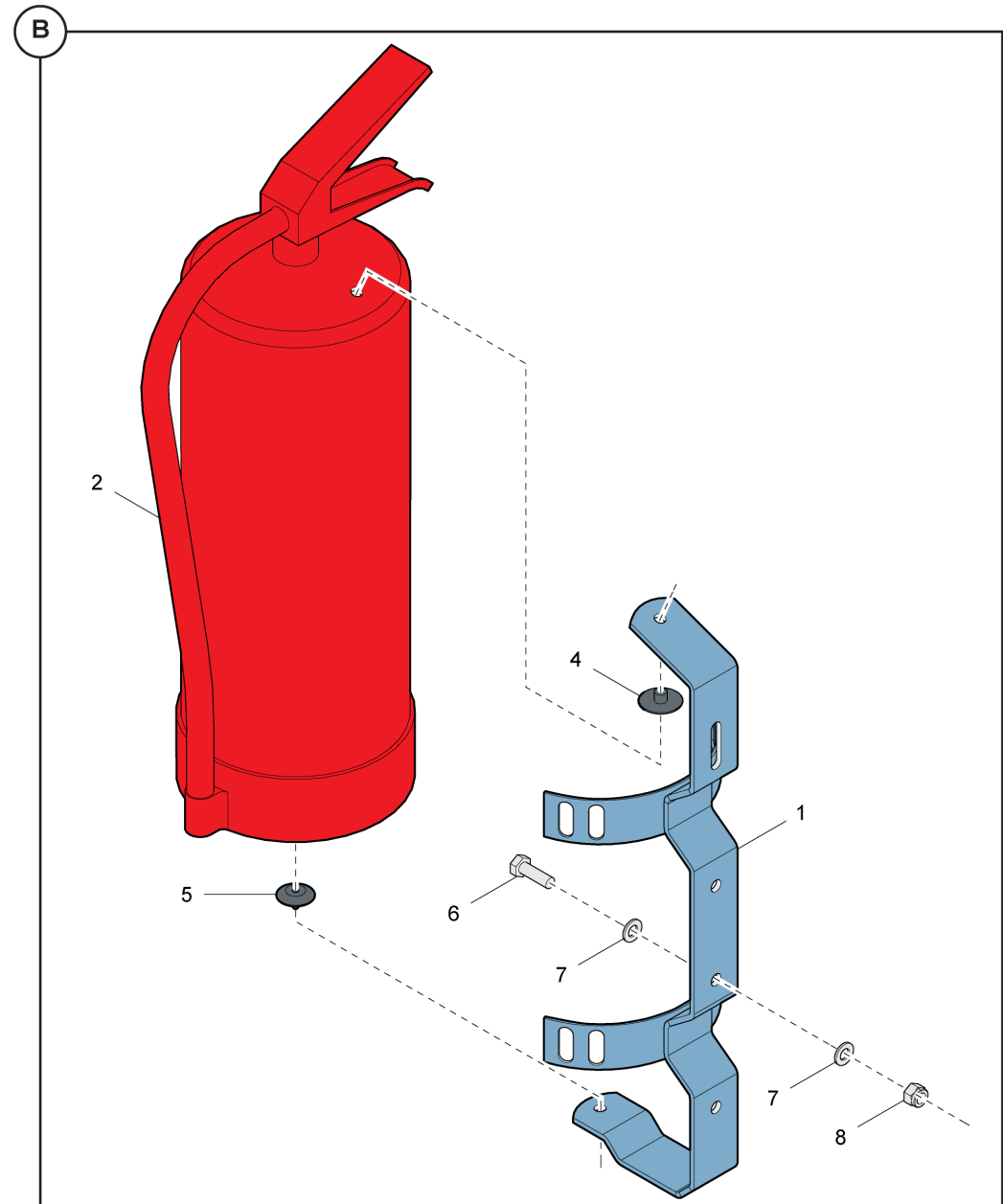
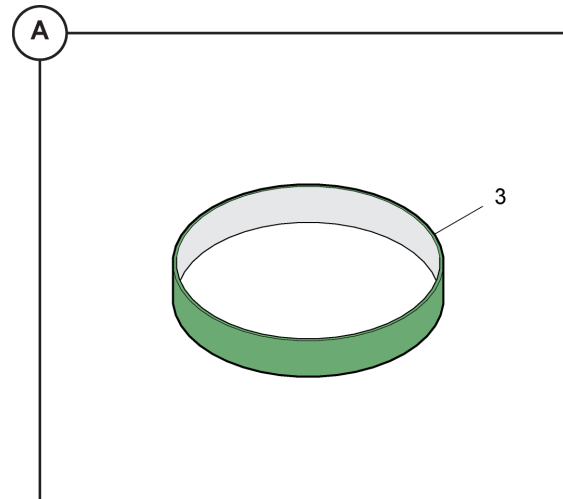
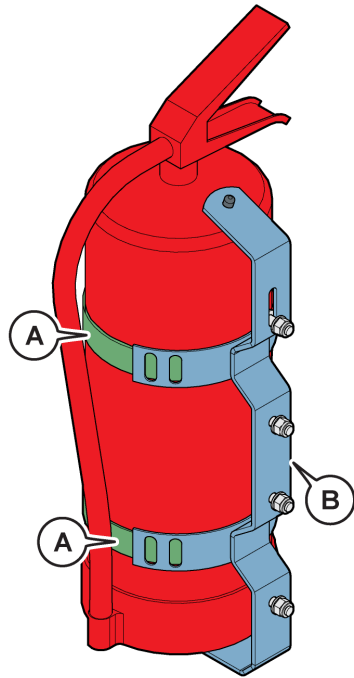
**EMERG.SET / NÖDSTOPPSATS**

-

**EMERGENCY STOP KIT S132B,S132C,S132D**



Ref.no	Part no Art.nr	Qty Qty	Description	Beskrivning	See page Se sidan	Remarks Anmärkningar
1	5726 8088 68	1	EMERG. STOP BOX	NÖDSTOPPSLÅDA		E STOP BOX PG16 NUT 2NC
2	-	1	CABLE GLAND	KABELFÖRSKRUVN.		FCS-K-PG16 PG16 7-12MM DIA
3	0211 1173 03	2	SCREW	SKRUV		MC6S M4X16-8.8 FZB



## FIRE EXTINGUIS. / ELDSLÄCKARE

5728 2015 00

Ref.no	Part no Art.nr	Qty Qty	Description	Beskrivning	See page Se sidan	Remarks Anmärkningar
1	5728 2008 01	1	BRACKET	KONSOL		
2	-	1	FIRE EXTINGUIS.	ELDSLÄCKARE		
3	5728 2016 59	2	STRAP	BAGAGEBAND		
4	5728 2008 04	1	RUBBER CAP	GUMMIHUV		
5	5728 2008 06	1	RUBBER CAP	GUMMIHUV		
6	0147 1326 03	4	SCREW, HEX HEAD	SKRUV, SEXKANT		M 8 X 30 - 8.8 FZB
7	0301 2335 00	8	PLAIN WASHER	RUNDBRICKA		8,4 / 16 X 1,6 -HB200 FZB
8	0291 1128 18	4	LOCK NUT	LÅSMUTTER		M 8 - 8 FZB / ISO 7040

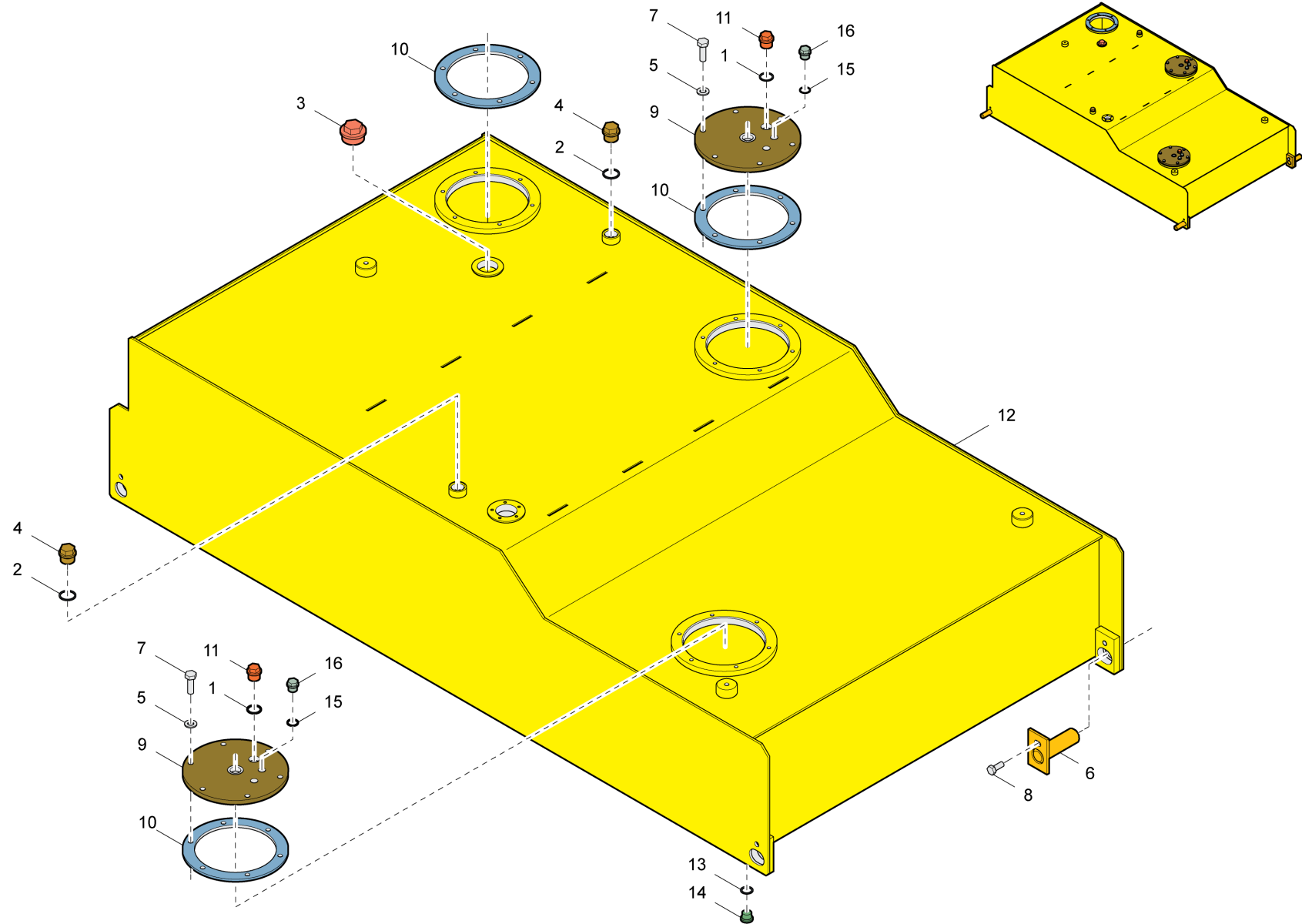


## TANK UNIT / TANKENHET

-

Ref.no	Part no Art.nr	Qty Qty	Description	Beskrivning	See page Se sidan	Remarks Anmärkningar
1	-	1	FUEL TANK	BRÄNSLETANK	203	
6	5726 8090 08	4	BLOCK	BLOCK		
2	-	1	ELECTR. SYSTEM	ELSYSTEM		SEE CHAPTER ELECTR. SYSTEM
4	5726 8090 93	1	FUEL PIPE	BRÄNSLERÖR		
5	5726 8090 94	1	FUEL PIPE	BRÄNSLERÖR		
6	3176 6511 00	1	NIPPLE	NIPPEL		STRAIGHT
7	3176 3060 00	1	NIPPLE	NIPPEL		90 DEGREE WITH SVIVELNUT
8	0570 5010 13	1	NIPPLE	NIPPEL		UNF 3/4 - G 3/4

# FUEL TANK / BRÄNSLETANK



**FUEL TANK / BRÄNSLETANK**

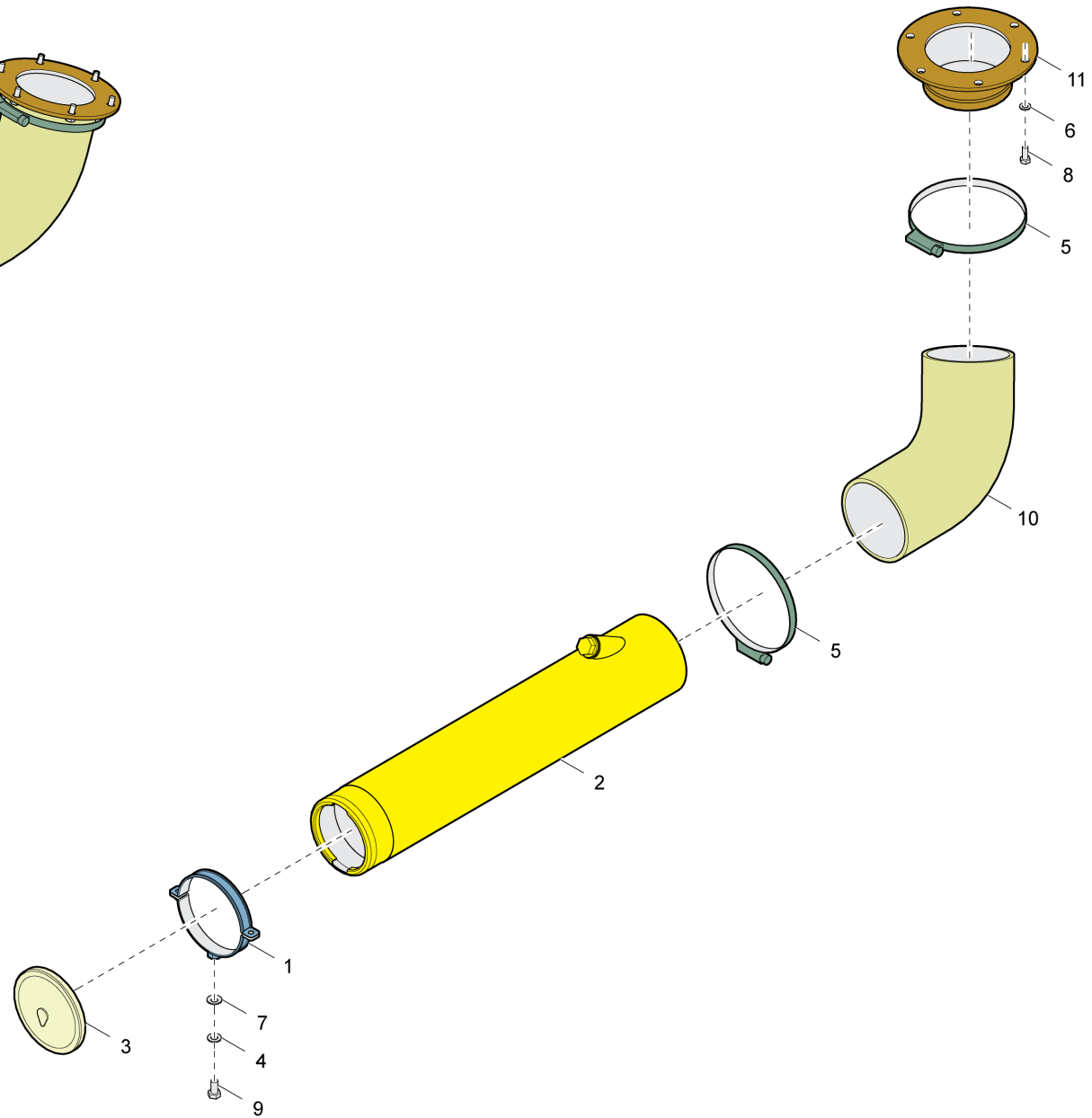
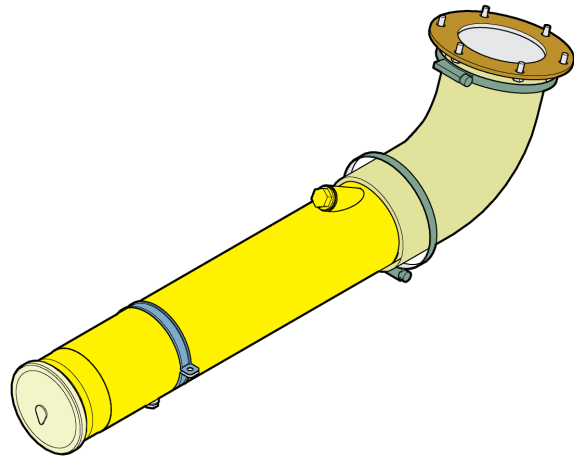
-

Ref.no	Part no Art.nr	Qty Qty	Description	Beskrivning	See page Se sidan	Remarks Anmärkningar
1	0653 1128 00	2	GASKET	PACKNING		22 / 27 X 1,5 -11 5013 12
2	0653 1162 00	2	GASKET	PACKNING		27 / 32 X 2 - 11 5013 12
3	0686 3716 09	1	PLUG	PROPP		R 1 1/4 - 5.8 FZB
4	0686 3716 35	2	PLUG	PLUGG		G 3/4 A A
5	0301 2335 00	12	PLAIN WASHER	RUNDBRICKA		8,4 / 16 X 1,6 -HB200 FZB
6	5726 8090 08	4	BLOCK	BLOCK		
7	0147 1325 03	12	SCREW, HEX HEAD	SKRUV, SEXKANT		M 8 X 25 - 8.8 FZB
8	0147 1362 15	4	SCREW, HEX HEAD	SKRUV, SEXKANT		B M10 25
9	5726 8019 43	2	COVER	KÅPA		
10	5726 8019 46	3	GASKET	PACKNING		
11	0686 4230 04	2	PLUG	PROPP		M 22X1,5 - STEEL 5.8
12	5726 8090 10	1	FUEL TANK	BRÄNSLETANK		
13	0653 1115 00	3	GASKET	PACKNING		18 / 24 X 1,5 -11 5013 12
14	0686 6445 04	3	PLUG	PROPP		M 18X1,5 - STEEL 5.8
15	0653 1100 00	4	GASKET	PACKNING		17 / 21 X 1,5 -11 5013 12
16	0686 3716 30	4	PLUG	PLUGG		G 3/8 A A

# FILLER SET / PÅFYLLNINGSSATS

-

# FILLER SET FOR FUEL





## FILLER SET / PÅFYLLNINGSSATS

-

## FILLER SET FOR FUEL

Ref.no	Part no Art.nr	Qty Qty	Description	Beskrivning	See page Se sidan	Remarks Anmärkningar
1	3222 1681 01	1	HOSE CLIP	SLANGKLAMMA		WOPF 125, M10
2	5726 8018 80	1	FILLER PIPE	PÅFYLLNINGSRÖR		
3	3216 7655 00	1	TANK COVER	TANKLOCK		
4	0301 2344 00	1	PLAIN WASHER	RUNDBRICKA		10,5 / 20 X 2 -HB 200 FZB
5	0347 6100 43	2	HOSE CLIP	SLANGKLÄMMA		A 130 165
6	0301 2335 00	6	PLAIN WASHER	RUNDBRICKA		8,4 / 16 X 1,6 -HB200 FZB
7	0333 3100 07	1	LOCK WASHER	LÅSBRICKA		Z 10,2 22 1,6 2,7 8.8 - F
8	0147 1323 03	6	SCREW, HEX HEAD	SKRUV, SEXKANT		M 8 X 20 -8.8 FZB
9	0147 1360 03	1	SCREW, HEX HEAD	SKRUV, SEXKANT		M 10 X 20 - 8.8 FZB
10	5726 8090 29	1	HOSE BEND	SLANGKRÖK		
11	5726 8090 27	1	FLANGE	FLÄNS		



**BOOM SYSTEM / BOMSYSTEM  
LIST OF CONTENTS**

Part no Art.nr	Description	Beskrivning	See page Se sidan	Remarks Anmärkningar
-	BOOM SYSTEM	BOMSYSTEM	209	
-	- BOOM SYSTEM	BOMSYSTEM	211	POWERROC D45
-	-- BOOM SYSTEM	BOMSYSTEM	215	
3121 2605 30	--- BOOM ATTACHMENT	BOMFÄSTE	61	
-	--- BOOM BEAM	BOMBALK	217	
-	---- BOOM BEAM	BOMBALK		
3121 2605 40	---- BOOM HEAD	BOMHUVUD	219	
3121 2604 02	---- BOOM HEAD	BOMHUVUD		
5726 8082 24	--- CYLINDER	CYLINDER	221	BOOM SWING
5726 8082 02	--- CYLINDER	CYLINDER	223	BOOM LIFT
5726 8082 03	--- CYLINDER	CYLINDER	225	FEED DUMP
5726 8082 04	--- CYLINDER	CYLINDER	227	FEED SWING
5726 8082 05	--- CYLINDER	CYLINDER	229	FEED EXTENSION
3121 2603 01	--- FEED HOLDER	MATARHÅLLARE		
-	--- SUPPORT SET	STÖDSATS	231	
-	- HOSE HOLDER	SLANGHÅLLARE	233	
-	- FEED SUPPORT	MATARSTÖD	235	



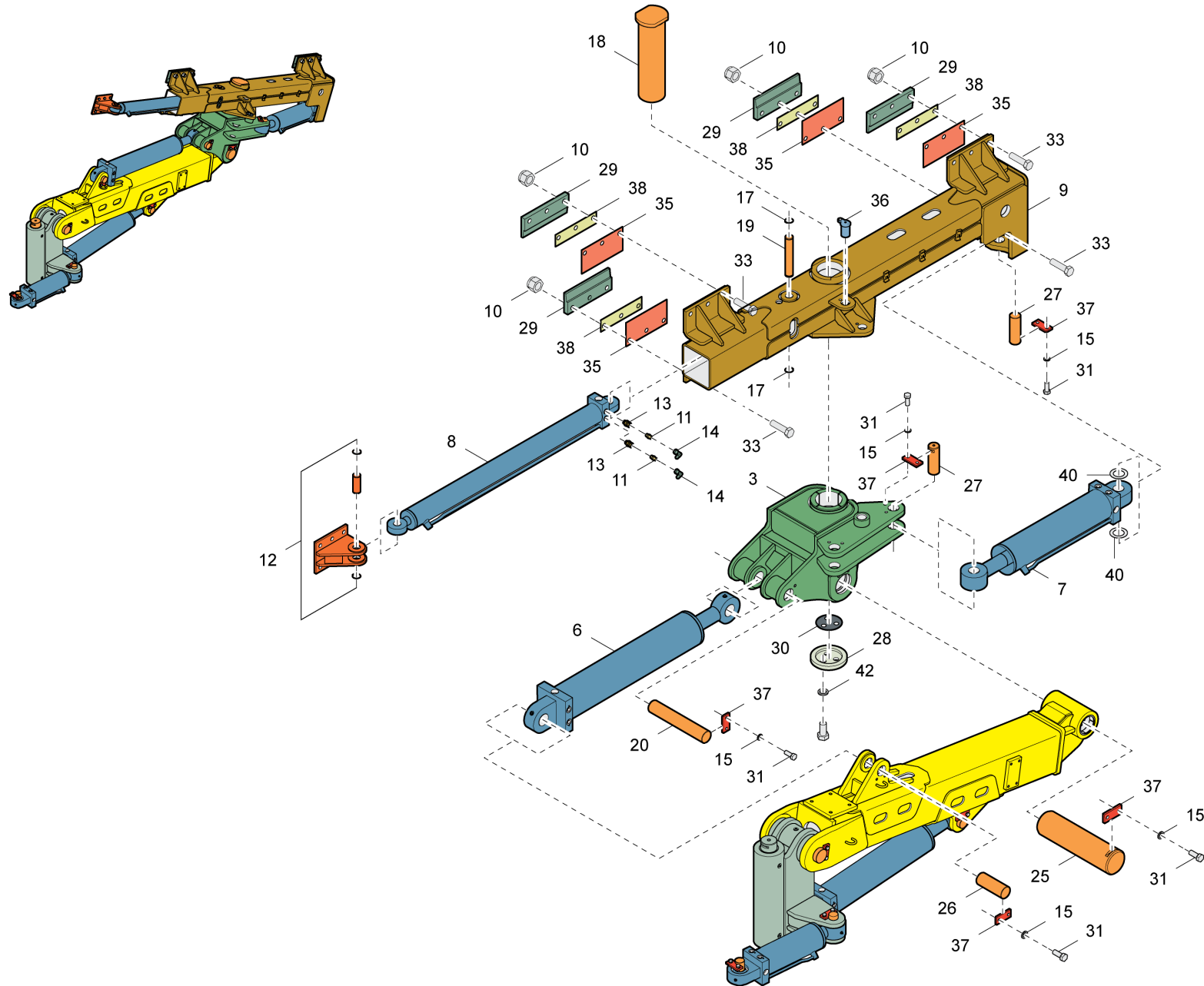
**BOOM SYSTEM / BOMSYSTEM**

<b>Ref.no</b>	<b>Part no Art.nr</b>	<b>Qty Qty</b>	<b>Description</b>	<b>Beskrivning</b>	<b>See page Se sidan</b>	<b>Remarks Anmärkningar</b>
-		1	BOOM SYSTEM	BOMSYSTEM	211	POWERROC D45
-		1	HOSE HOLDER	SLANGHÅLLARE	233	
-		1	FEED SUPPORT	MATARSTÖD	235	



Ref.no	Part no Art.nr	Qty Qty	Description	Beskrivning	See page Se sidan	Remarks Anmärkningar
1	-	1	BOOM SYSTEM	BOMSYSTEM	215	
2	-	1	HYDR. SYSTEM	HYDRAULSYSTEM		SEE CHAPTER HYDR. SYSTEM
3	3176 6637 00	1	NIPPLE	NIPPEL		UN 1 7/8
4	3176 6634 00	1	NIPPLE	NIPPEL		UN 1 7/8

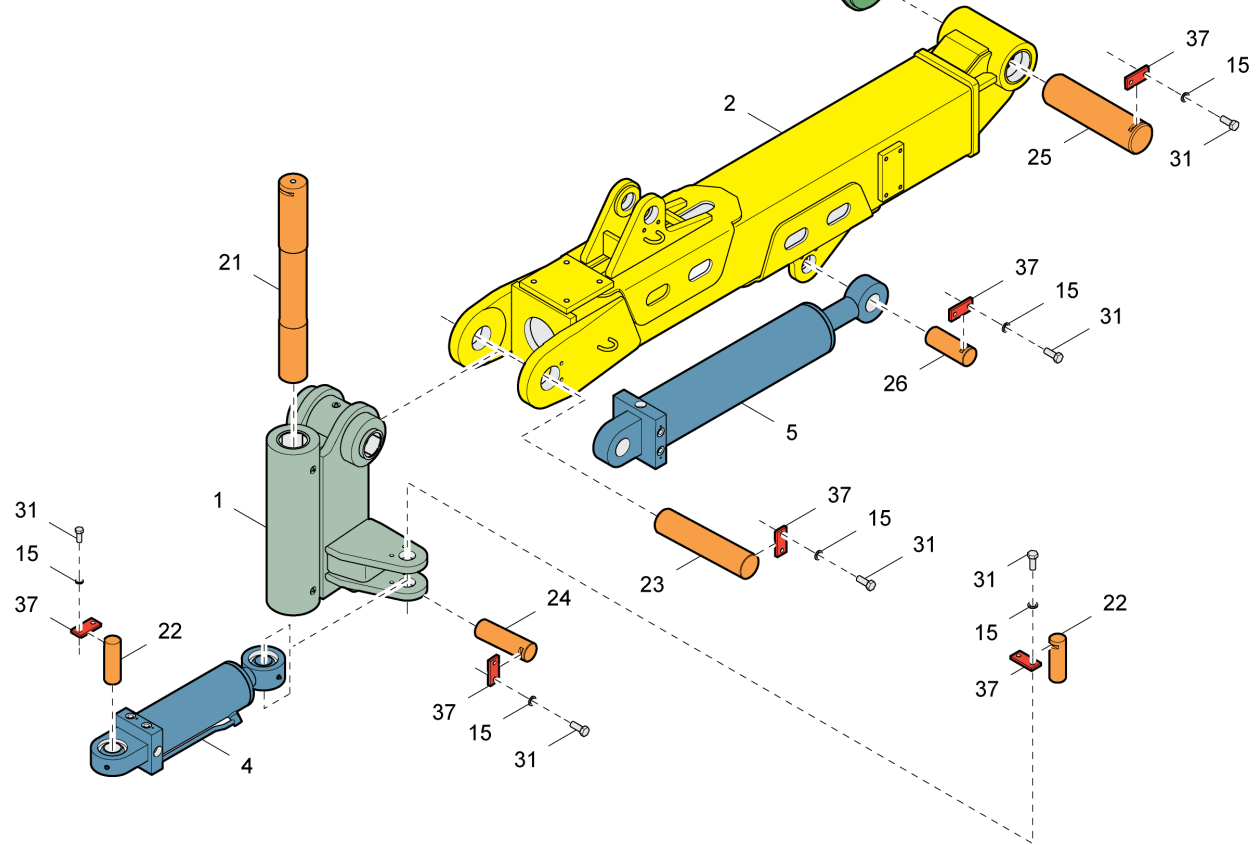
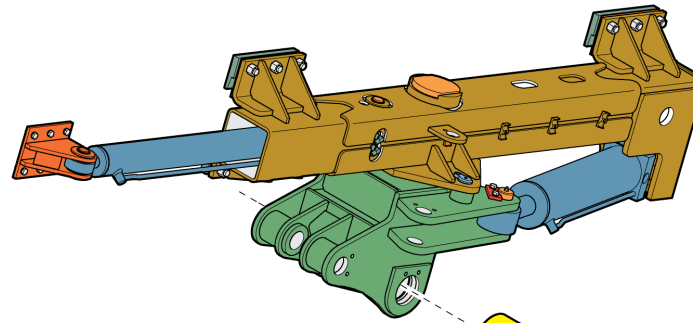
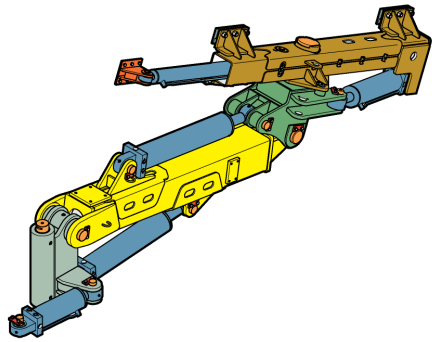
# BOOM SYSTEM / BOMSYSTEM





BOOM SYSTEM / BOMSYSTEM

-





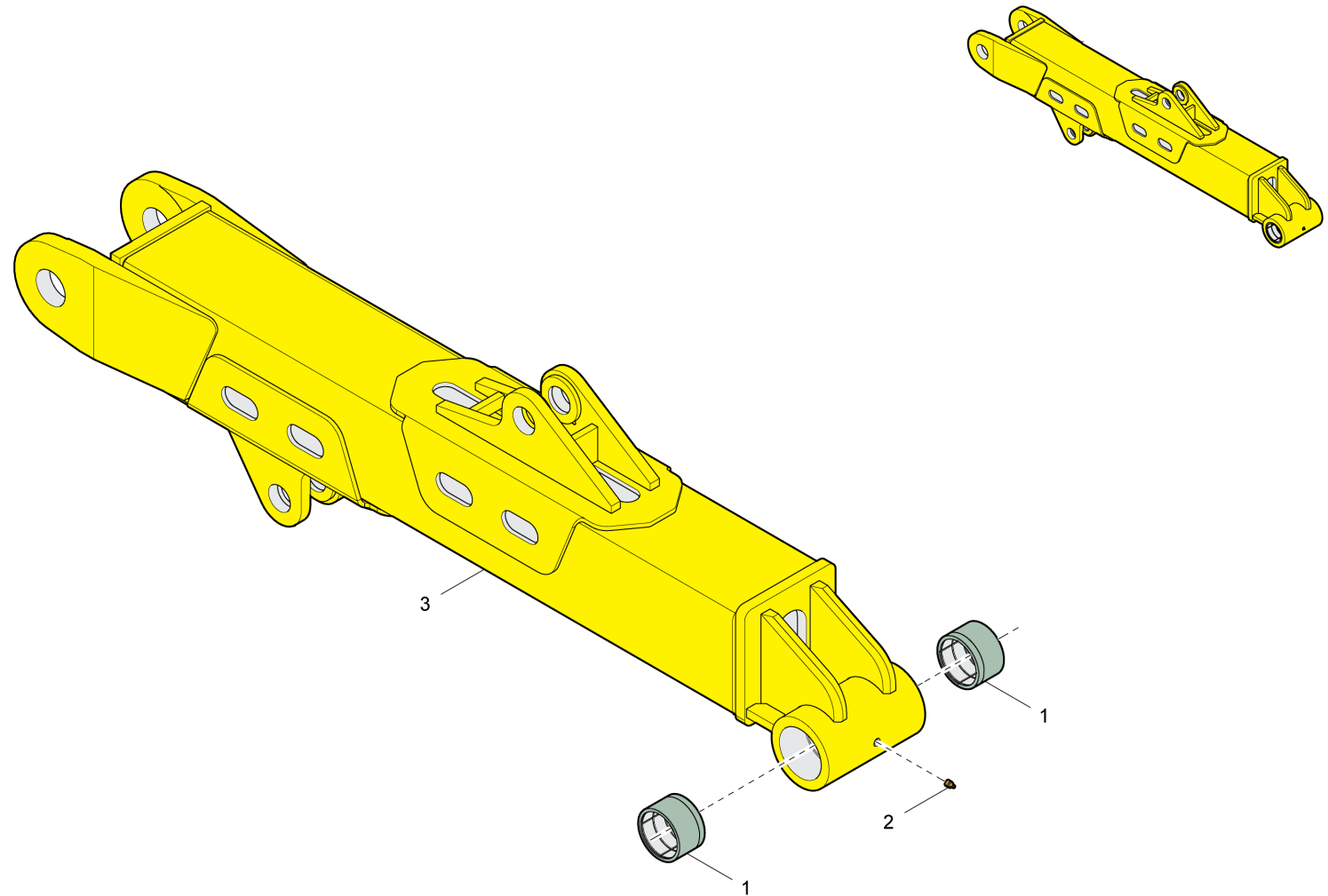
## BOOM SYSTEM / BOMSYSTEM

-

Ref.no	Part no Art.nr	Qty Qty	Description	Beskrivning	See page Se sidan	Remarks Anmärkningar
1	3121 2605 30	1	BOOM ATTACHMENT	BOMFÄSTE	61	
2	-	1	BOOM BEAM	BOMBALK	217	
3	3121 2605 40	1	BOOM HEAD	BOMHUVUD	219	
4	5726 8082 24	1	CYLINDER	CYLINDER	221	BOOM SWING
5	5726 8082 02	1	CYLINDER	CYLINDER	223	BOOM LIFT
6	5726 8082 03	1	CYLINDER	CYLINDER	225	FEED DUMP
7	5726 8082 04	1	CYLINDER	CYLINDER	227	FEED SWING
8	5726 8082 05	1	CYLINDER	CYLINDER	229	FEED EXTENSION
9	3121 2603 01	1	FEED HOLDER	MATARHÅLLARE		
10	0291 1128 28	12	NUT	BOTTENMUTTER		M 20 - 8 FZB / ISO 7040
11	3176 3556 00	2	NIPPLE	NIPPEL		UNF 9/16=HTXS10
12	-	1	SUPPORT SET	STÖDSATS	231	
13	0570 5040 03	2	NIPPLE	NIPPEL		UNF 9/16 - G 3/8
14	3715 0584 00	2	ELBOW NIPPLE	VINKELNIPPEL		UNF 9/16 - UNF 9/16
15	3315 0195 08	26	LOCK WASHER	LÅSBRICKA		13,0/19,5 X 2,6 HRC50 FZB
17	0335 1136 00	2	CIRCLIP	SPÄRRING		SGA 35 X 1,5 DIN 471
18	3121 2603 22	1	SHAFT	AXEL		
19	3121 2605 01	1	SHAFT	AXEL		
20	3121 2605 31	1	SHAFT	AXEL		
21	3121 2605 32	1	SHAFT	AXEL		
22	3121 2605 36	2	SHAFT	AXEL		
23	3121 2605 38	1	SHAFT	AXEL		
24	3121 2605 39	1	SHAFT	AXEL		
25	3121 2605 43	1	SHAFT	AXEL		
26	3121 2605 44	2	SHAFT	AXEL		
27	3121 2605 45	2	SHAFT	AXEL		
28	3121 2603 24	1	COMPRESSOR CAP	KOMPRESSORHUV		
29	3121 2603 21	4	MOUNTING PLATE	MONTERINGSPLÅT		
30	3121 2603 23	1	SHIM	MELLANLÄGG		
31	0147 1401 03	26	SCREW, HEX HEAD	SKRUV, SEXKANT		M 12 X 30 - 8.8 FZB
33	0147 1958 65	12	SCREW, HEX HEAD	SKRUV, SEXKANT		M 20 X 75 - 8.8 FZB
35	3121 2603 20	4	GUIDE PLATE	STYRPLÅT		
36	3121 2605 48	1	PIN	PINNE		
37	5726 8081 09	10	PLATE	PLÅT		
38	3121 2605 02	4	SHIM	MELLANLÄGG		
40	3121 2605 46	2	WASHER	BRICKA		
42	3315 0195 12	3	LOCK WASHER	LÅSBRICKA		NORD-LOCK M20

BOOM BEAM / BOMBALK

-



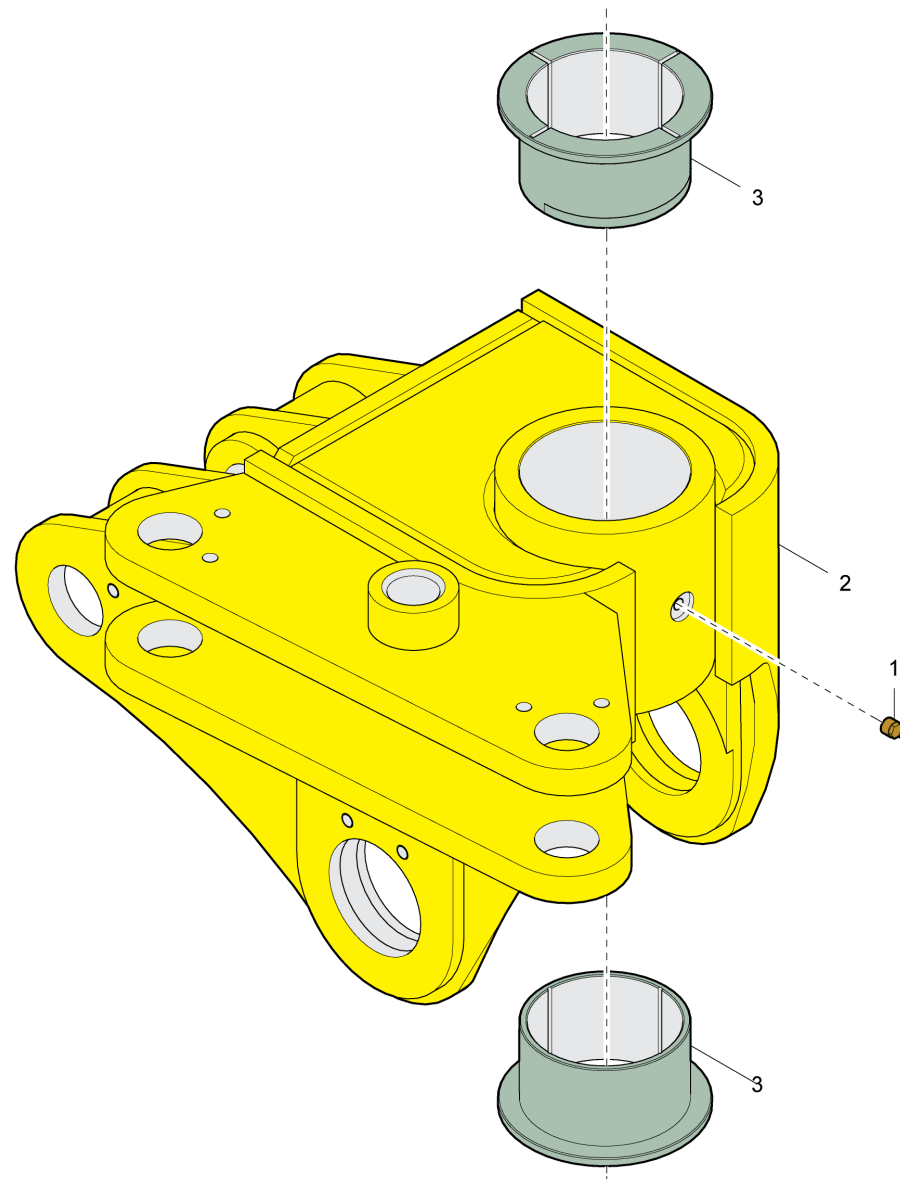
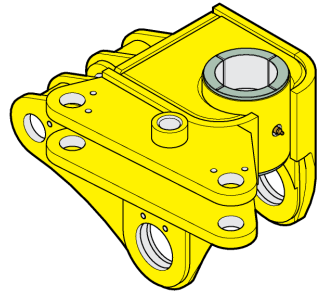
**BOOM BEAM / BOMBALK**

-

<b>Ref.no</b>	<b>Part no Art.nr</b>	<b>Qty Qty</b>	<b>Description</b>	<b>Beskrivning</b>	<b>See page Se sidan</b>	<b>Remarks Anmärkningar</b>
1	3121 2605 41	2	BUSHING	BUSSNING		
2	0544 1100 12	1	GREASE NIPPLE	FETTNIPPEL		M 10 X 1 AH 580
3	-	1	BOOM BEAM	BOMBALK		

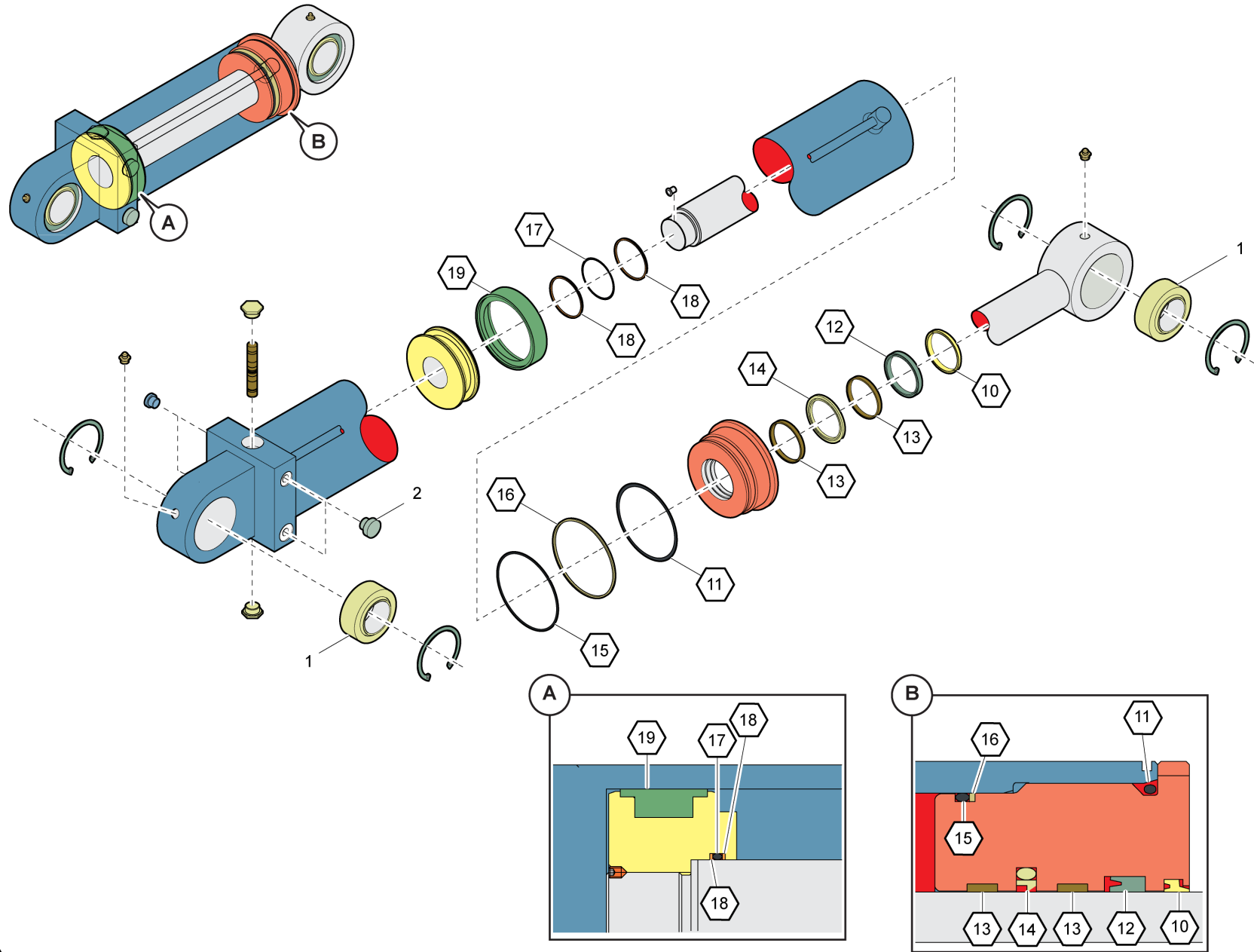
BOOM HEAD / BOMHUVUD

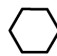
3121 2605 40



**BOOM HEAD / BOMHUVUD****3121 2605 40**

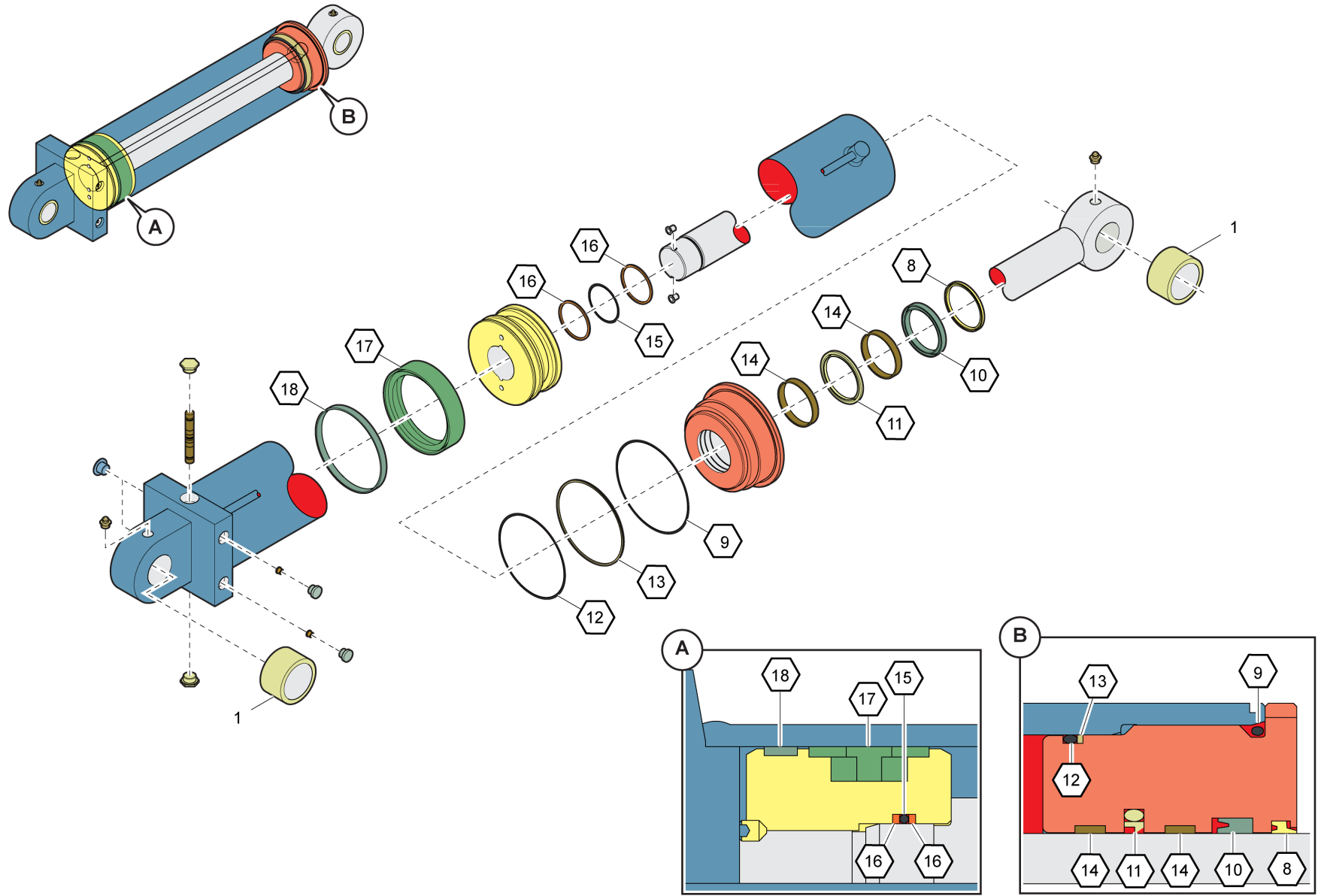
<b>Ref.no</b>	<b>Part no</b> <b>Art.nr</b>	<b>Qty</b> <b>Qty</b>	<b>Description</b>	<b>Beskrivning</b>	<b>See page</b> <b>Se sidan</b>	<b>Remarks</b> <b>Anmärkningar</b>
1	0544 1100 12	1	GREASE NIPPLE	FETTNIPPEL		M 10 X 1 AH 580
2	3121 2604 02	1	BOOM HEAD	BOMHUVUD		
3	3121 2605 42	2	SLEEVE	HYLSA		

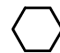


 = Seal kit

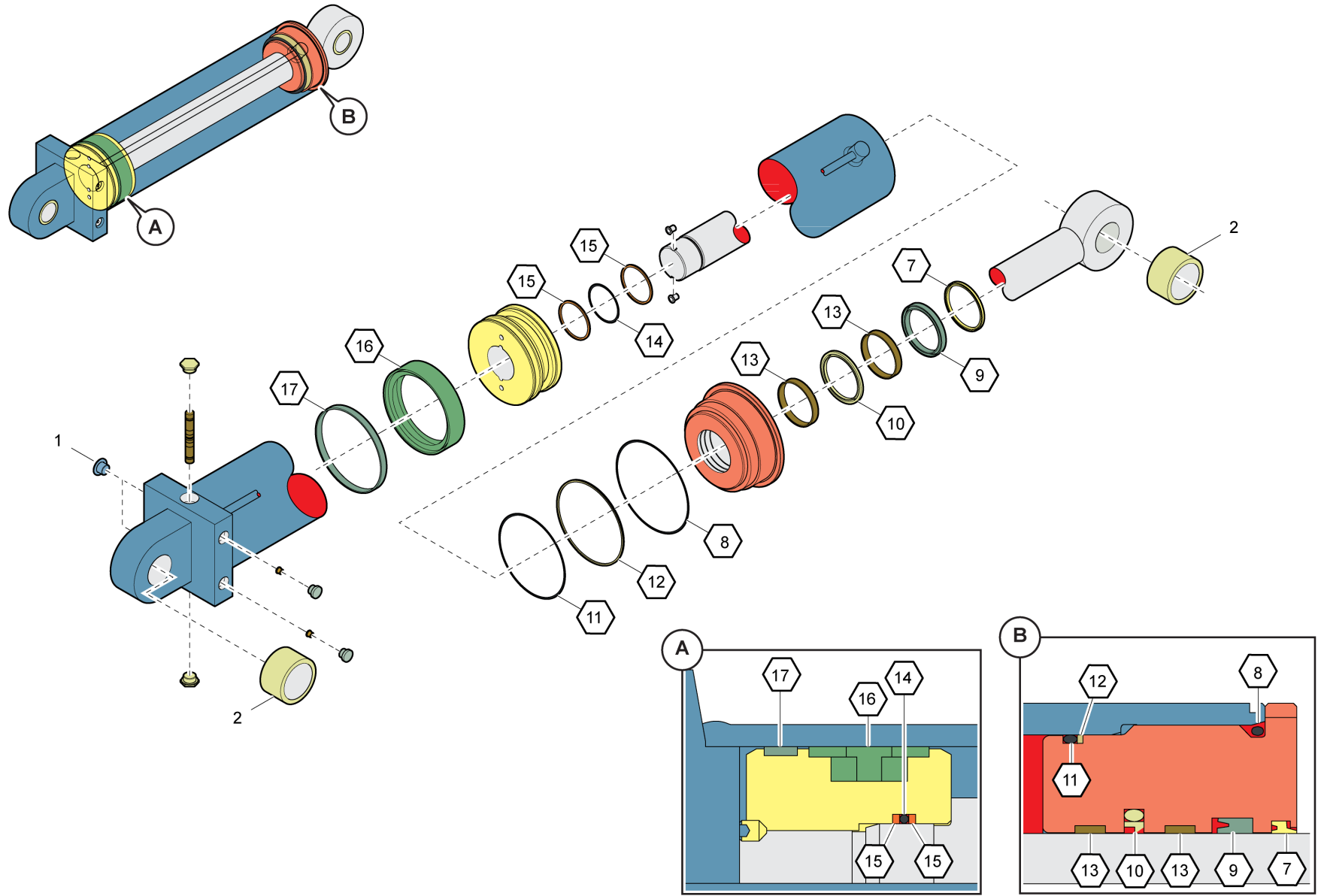


Ref.no	Part no Art.nr	Qty Qty	Description	Beskrivning	See page Se sidan	Remarks Anmärkningar
	5726 8082 25	1	SEAL KIT	TÄTNINGSSATS		
1	8440 3086 12	2	BEARING	BÄRLAGER		
2	3128 2099 98	2	CHECK VALVE	BACKVENTIL		



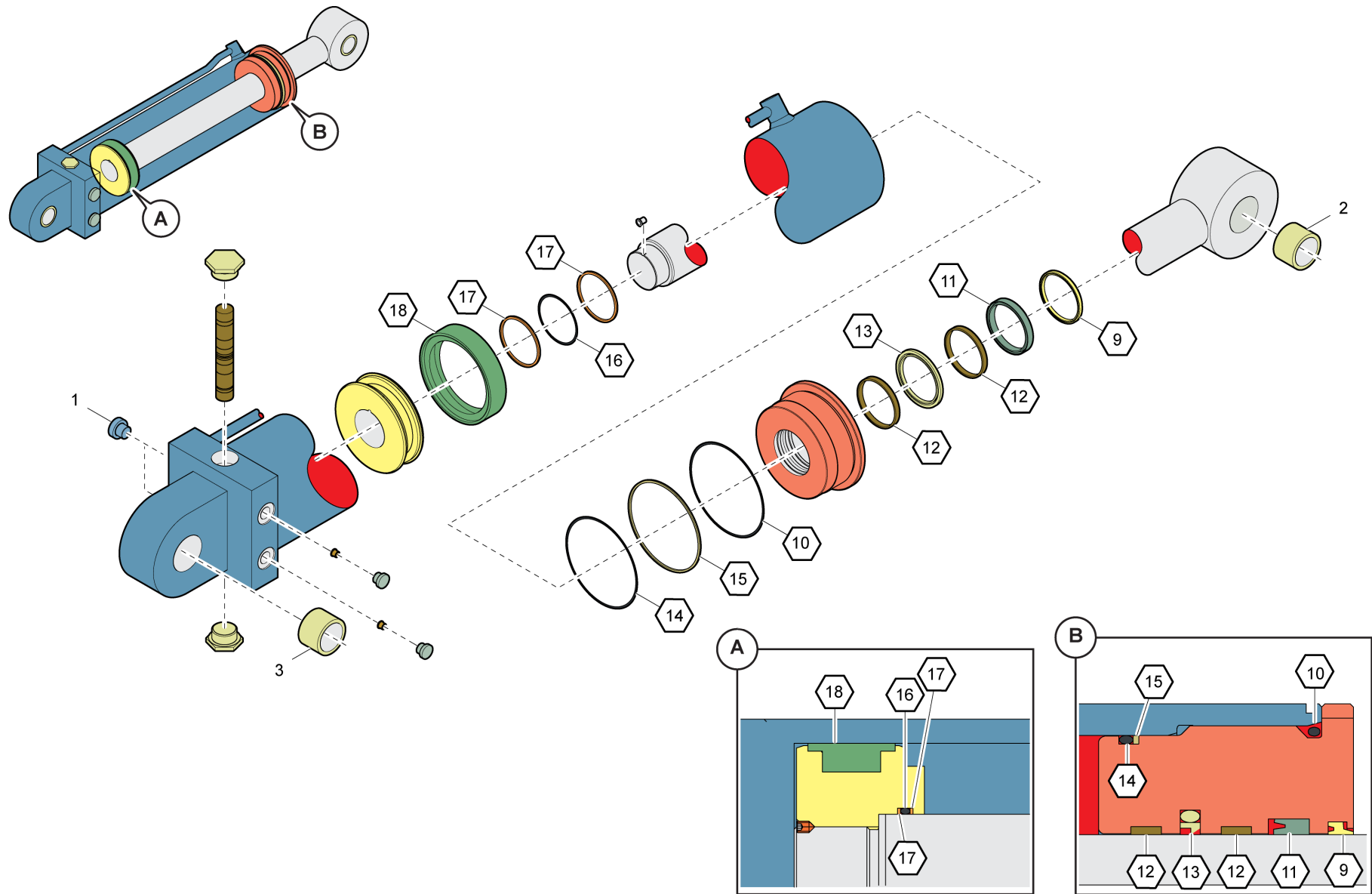
 = Seal kit

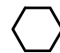
Ref.no	Part no Art.nr	Qty Qty	Description	Beskrivning	See page Se sidan	Remarks Anmärkningar
	5726 8082 14	1	SEAL KIT	TÄTNINGSSATS		
1	3128 2099 98	2	CHECK VALVE	BACKVENTIL		
2	5726 8094 73	2	BUSHING	BUSSNING		



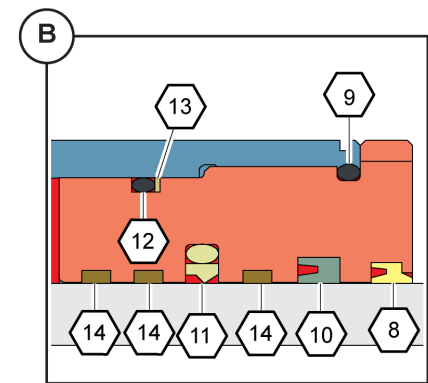
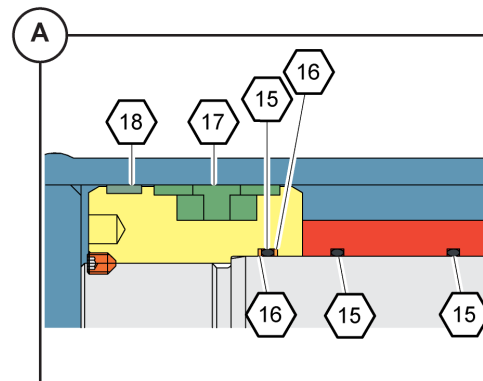
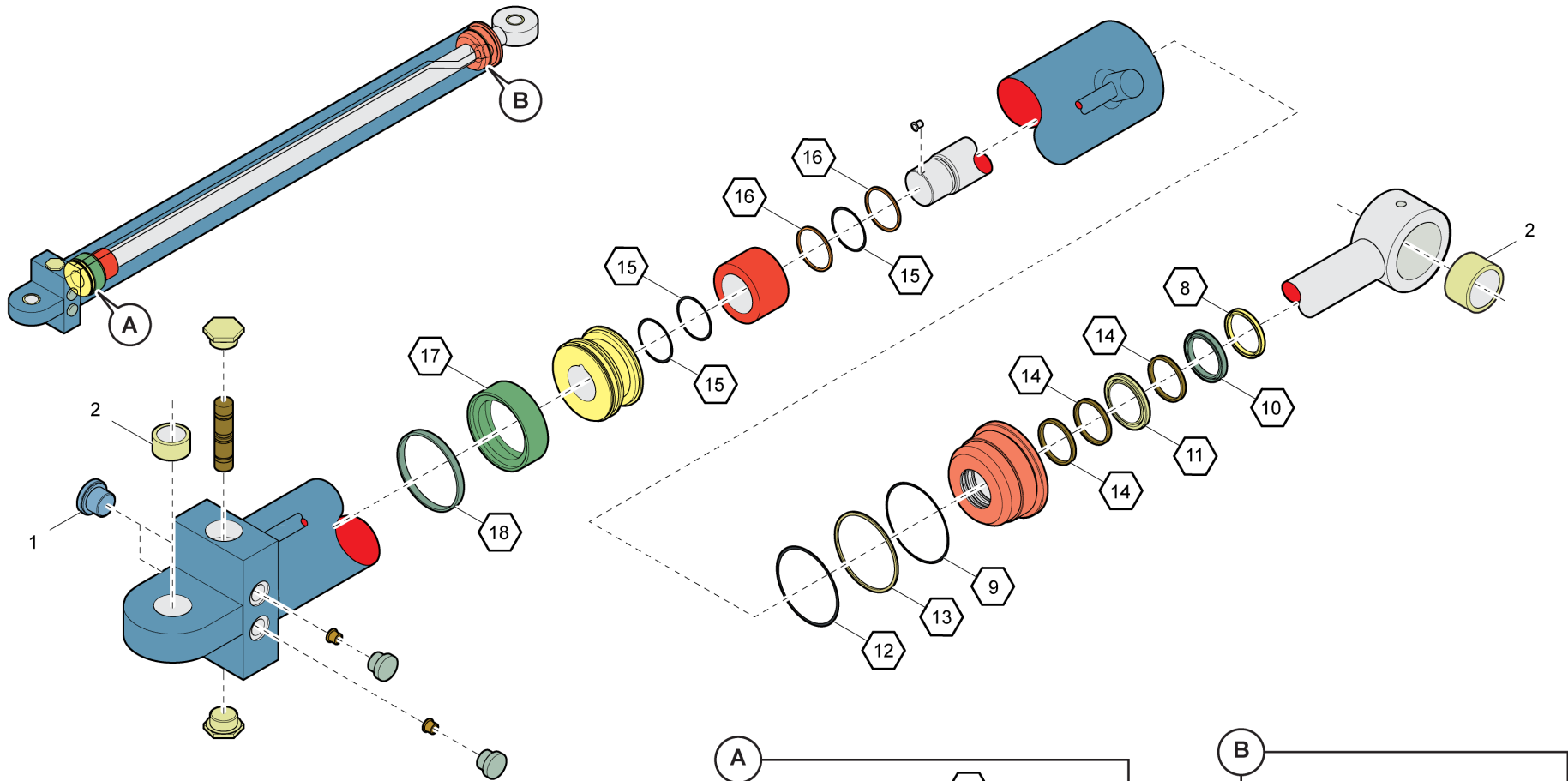
⬡ = Seal kit

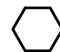
Ref.no	Part no Art.nr	Qty Qty	Description	Beskrivning	See page Se sidan	Remarks Anmärkningar
	5726 8082 15	1	SEAL KIT	TÄTNINGSSATS		
1	3128 2099 98	2	CHECK VALVE	BACKVENTIL		
2	5726 8094 73	2	BUSHING	BUSSNING		



 = Seal kit

Ref.no	Part no Art.nr	Qty Qty	Description	Beskrivning	See page Se sidan	Remarks Anmärkningar
	5726 8082 16	1	SEAL KIT	TÄTNINGSSATS		
1	3128 2099 98	2	CHECK VALVE	BACKVENTIL		
2	5726 8094 71	1	BUSHING	BUSSNING		
3	5726 8094 74	1	BUSHING	BUSSNING		



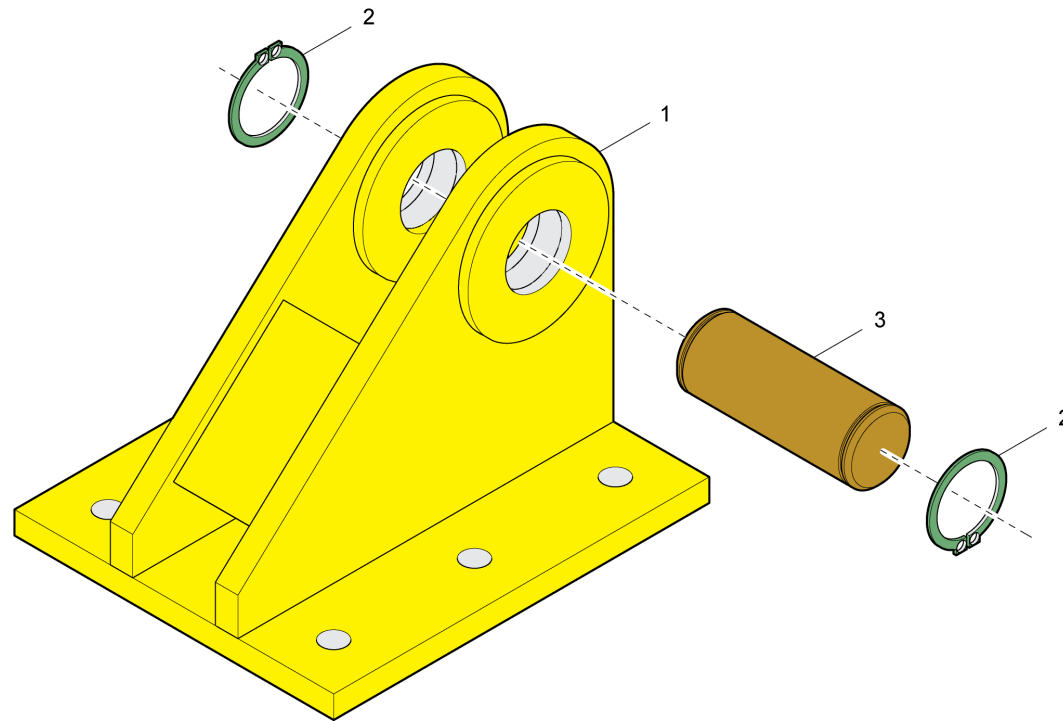
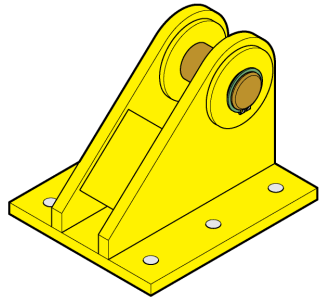
 = Seal kit



Ref.no	Part no Art.nr	Qty Qty	Description	Beskrivning	See page Se sidan	Remarks Anmärkningar
	5726 8082 17	1	SEAL KIT	TÄTNINGSSATS		
1	3128 2099 98	2	CHECK VALVE	BACKVENTIL		
2	5726 8094 75	2	BUSHING	BUSSNING		

# SUPPORT SET / STÖDSATS

-



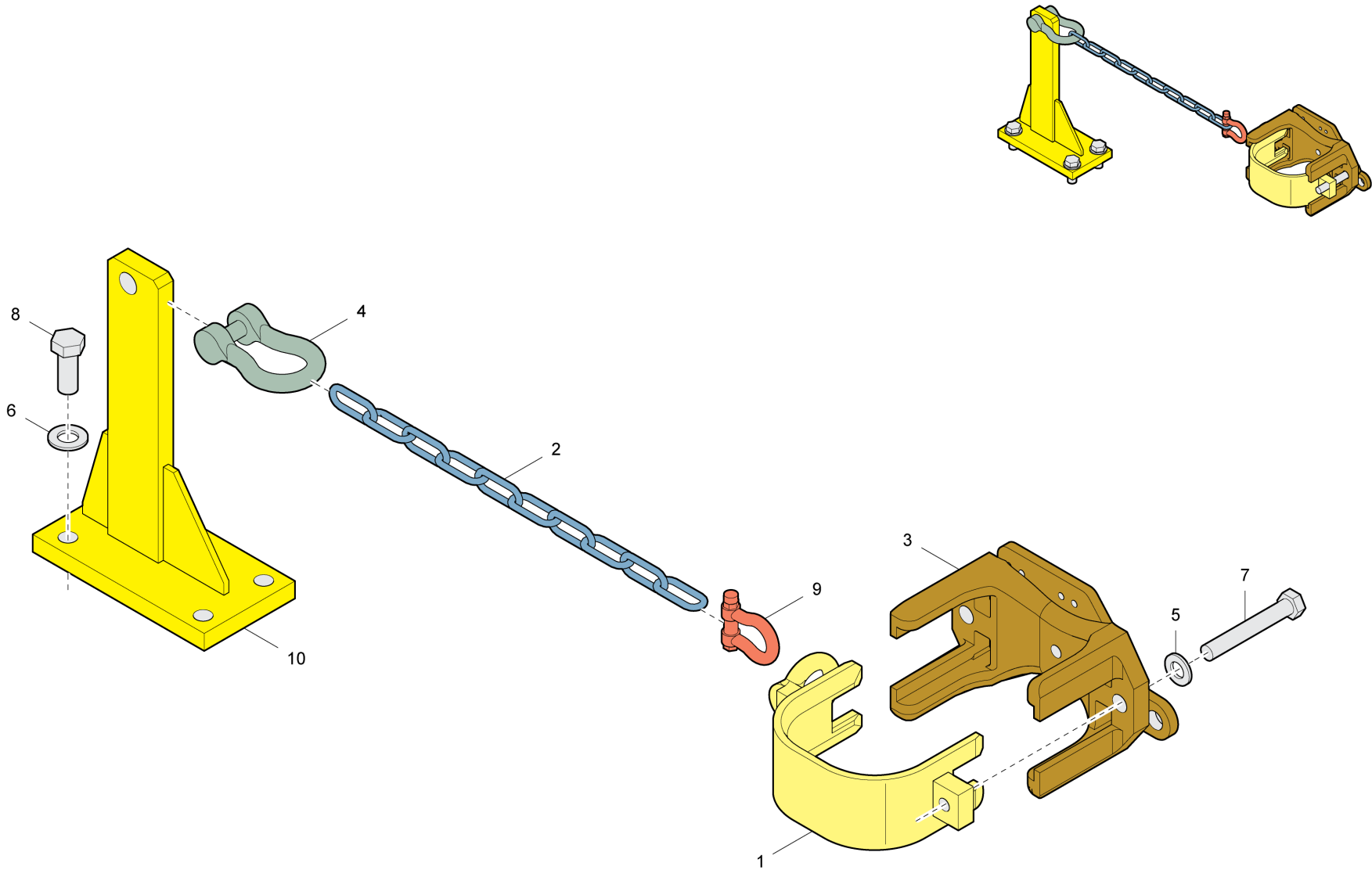
**SUPPORT SET / STÖDSATS**

-

<b>Ref.no</b>	<b>Part no</b> <b>Art.nr</b>	<b>Qty</b> <b>Qty</b>	<b>Description</b>	<b>Beskrivning</b>	<b>See page</b> <b>Se sidan</b>	<b>Remarks</b> <b>Anmärkningar</b>
1	5726 8091 19	1	SUPPORT	BOCK		
2	0335 1136 00	2	CIRCLIP	SPÄRRING		SGA 35 X 1,5 DIN 471
3	5726 8091 04	1	SHAFT	AXEL		

# HOSE HOLDER / SLANGHÅLLARE

-

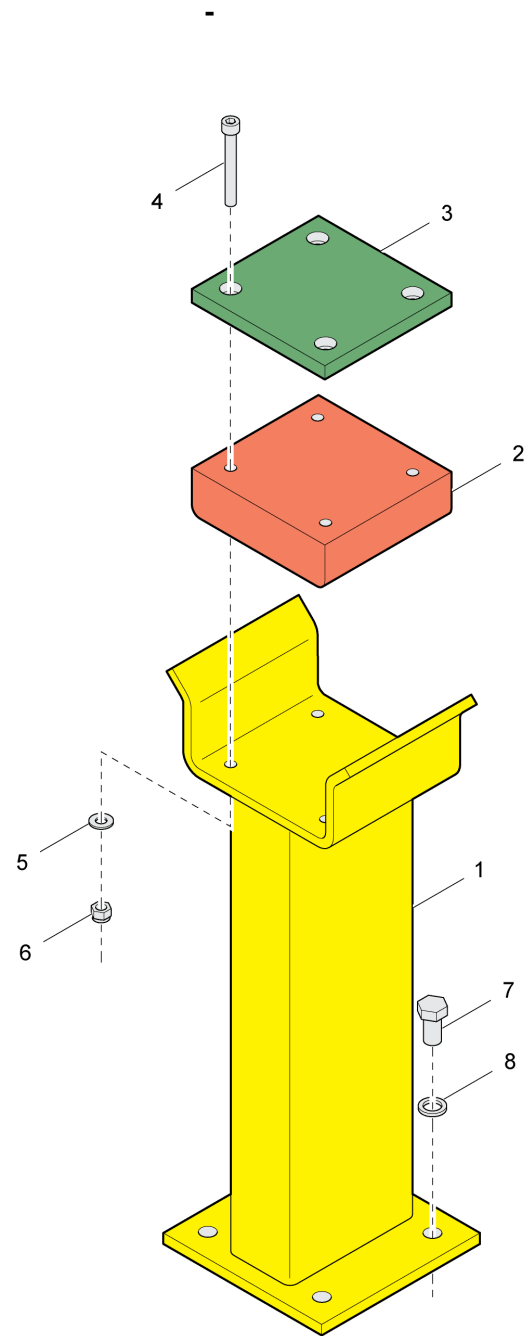
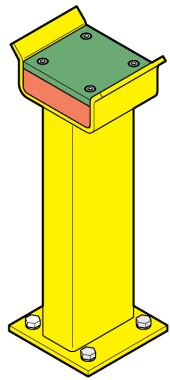


**HOSE HOLDER / SLANGHÅLLARE**

-

Ref.no	Part no Art.nr	Qty Qty	Description	Beskrivning	See page Se sidan	Remarks Anmärkningar
1	3222 3097 93	1	BRACKET	KONSOL		
2	0369 1000 05	1M	CHAIN	KÄTTING		DIA.=5MM LÄNKLÄNGD=28MM
3	3222 3097 87	1	YOKE	BYGEL		
4	0372 4134 00	1	SHACKLE	SCHACKEL		SMS 1619 B, 0,9 TON
5	0301 2358 00	2	WASHER	BRICKA		13 / 24 X 2,5 -HB 200 FZB
6	3315 0195 08	4	LOCK WASHER	LÅSBRICKA		13,0/19,5 X 2,6 HRC50 FZB
7	0147 1411 05	2	SCREW, HEX HEAD	SKRUV, SEXKANT		M 12 X 80 - 8.8 FZB
8	0147 1402 03	4	SCREW, HEX HEAD	SKRUV, SEXKANT		M 12 X 35 - 8.8 FZB
9	0372 4100 14	1	SHACKLE	SCHACKEL		A1 ? 10 0,75 9 21 20 13 3
10	3121 2605 63	1	BRACKET	FÄSTDON		

# FEED SUPPORT / MATARSTÖD



FEED SUPPORT / MATARSTÖD

-

Ref.no	Part no Art.nr	Qty Qty	Description	Beskrivning	See page Se sidan	Remarks Anmärkningar
1	3121 2605 54	1	BRACKET	FÄSTDON		
2	3121 2605 56	1	RUBBER BLOCK	GUMMIBLOCK		
3	3121 2605 57	1	PLATE	PLÅT		
4	0211 1964 74	4	HEXAGON SCREW	SEKKANTSSKRUV		M10 80 16 32 10 5 8 8.8 -
5	0300 0274 38	4	PLAIN WASHER	RUNDBRICKA		A 10 10,5 22 2 - - STEEL
6	0291 1128 20	4	LOCK NUT	LÅSMUTTER		M 10 - 8 FZB / ISO 7040
7	0147 1475 03	4	SCREW, HEX HEAD	SKRUV, SEKKANT		M 16 X 30 - 8.8 FZB
8	3315 0195 10	4	LOCK WASHER	LÅSBRICKA		17/25,4 X 3,7 HRC50 FZB





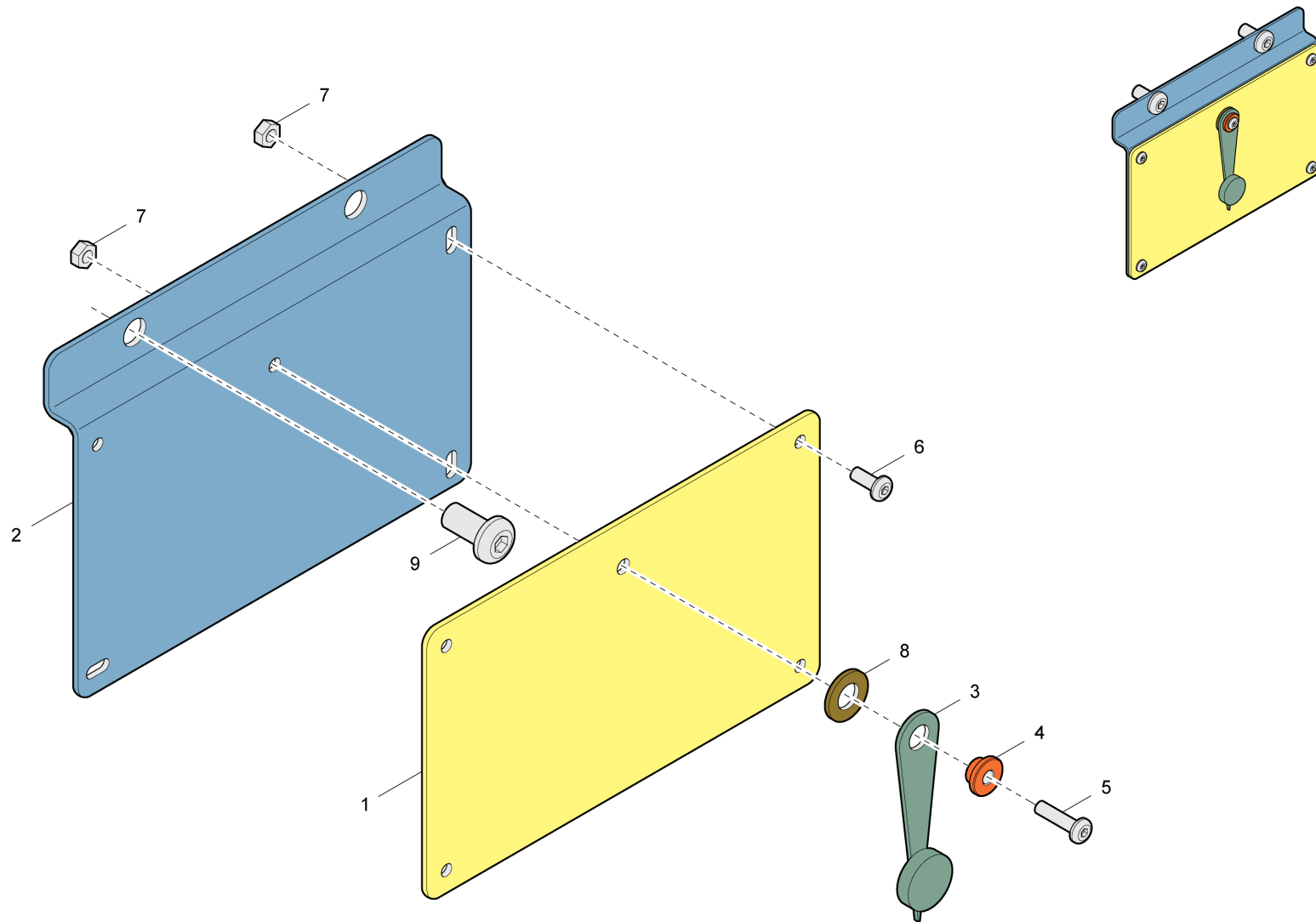
**FEED / MATARE  
LIST OF CONTENTS**

Part no Art.nr	Description	Beskrivning	See page Se sidan	Remarks Anmärkningar
-	FEED	MATARE	239	
5726 8090 32	- ANGLE INDICATOR	RIKTINSTRUMENT	241	MECHANICAL ANGLE INDICATOR
-	- FEED	MATARE	243	
-	-- FEED	MATARE	247	
-	--- SUPPORT	BOCK	251	
-	--- CRADLE	SLÄDE	253	
-	---- DRUM	TRUMMA	255	
5726 8083 98	--- CHAIN	KÄTTING		
-	--- BREAK-OUT TABLE	BRÄCKDON	257	
5726 8082 09	---- CYLINDER	CYLINDER	261	BREAK-OUT TOOL
5726 8084 18	---- HOUSE	HUS		
5726 8082 10	---- CYLINDER	CYLINDER	263	BREAK-OUT TOOL
5726 8084 58	---- BRACKET	FÄSTDON	265	
-	--- SUCTION HOOD	SUGKÅPA	267	
5726 8082 08	---- CYLINDER	CYLINDER	271	DRILL STEEL SUPPORT
5726 8082 11	---- CYLINDER	CYLINDER	273	SUCTION HOOD
-	--- CRADLE SET	SLÄDSATS	275	
5726 8084 73	---- PLATE	PLÅT		
-	--- ROD HANDLING	STÅNGHANTERING	277	
5726 8085 01	---- ARM	ARM	279	
5726 8082 06	----- CYLINDER	CYLINDER	281	ROD TRANSFER
5726 8082 07	----- CYLINDER	CYLINDER	283	ROD GRIP
-	---- END PIECE	ÄNDSTYCKE	285	
5726 8085 58	---- END PIECE	ÄNDSTYCKE	287	
5726 8085 90	----- PLATE	PLÅT		
5726 8085 28	---- SHAFT	AXEL	289	
5726 8085 33	----- DAMPER	DÄMPARE	291	
5726 8085 40	----- DAMPER	DÄMPARE		
5726 8091 29	--- HOSE HOLDER	SLANGHÅLLARE	293	
5726 8091 25	---- SUPPORT	BOCK		
-	--- WHEEL SET	HJULSATS	295	
5726 8091 51	--- MOTOR BRACKET	MOTORFÄSTE	297	
-	---- WHEEL SET	HJULSATS	299	
5726 8091 45	----- SUPPORT	BOCK		

Part no Art.nr	Description	Beskrivning	See page Se sidan	Remarks Anmärkningar
5726 8077 32	---- FEED MOTOR	MATARMOTOR	301	
-	--- BRACKET	FÄSTDON	303	

**FEED / MATARE**

<b>Ref.no</b>	<b>Part no Art.nr</b>	<b>Qty Qty</b>	<b>Description</b>	<b>Beskrivning</b>	<b>See page Se sidan</b>	<b>Remarks Anmärkningar</b>
	5726 8090 32	1	ANGLE INDICATOR	RIKTINSTRUMENT	241	MECHANICAL ANGLE INDICA- TOR
	-	1	FEED	MATARE	243	



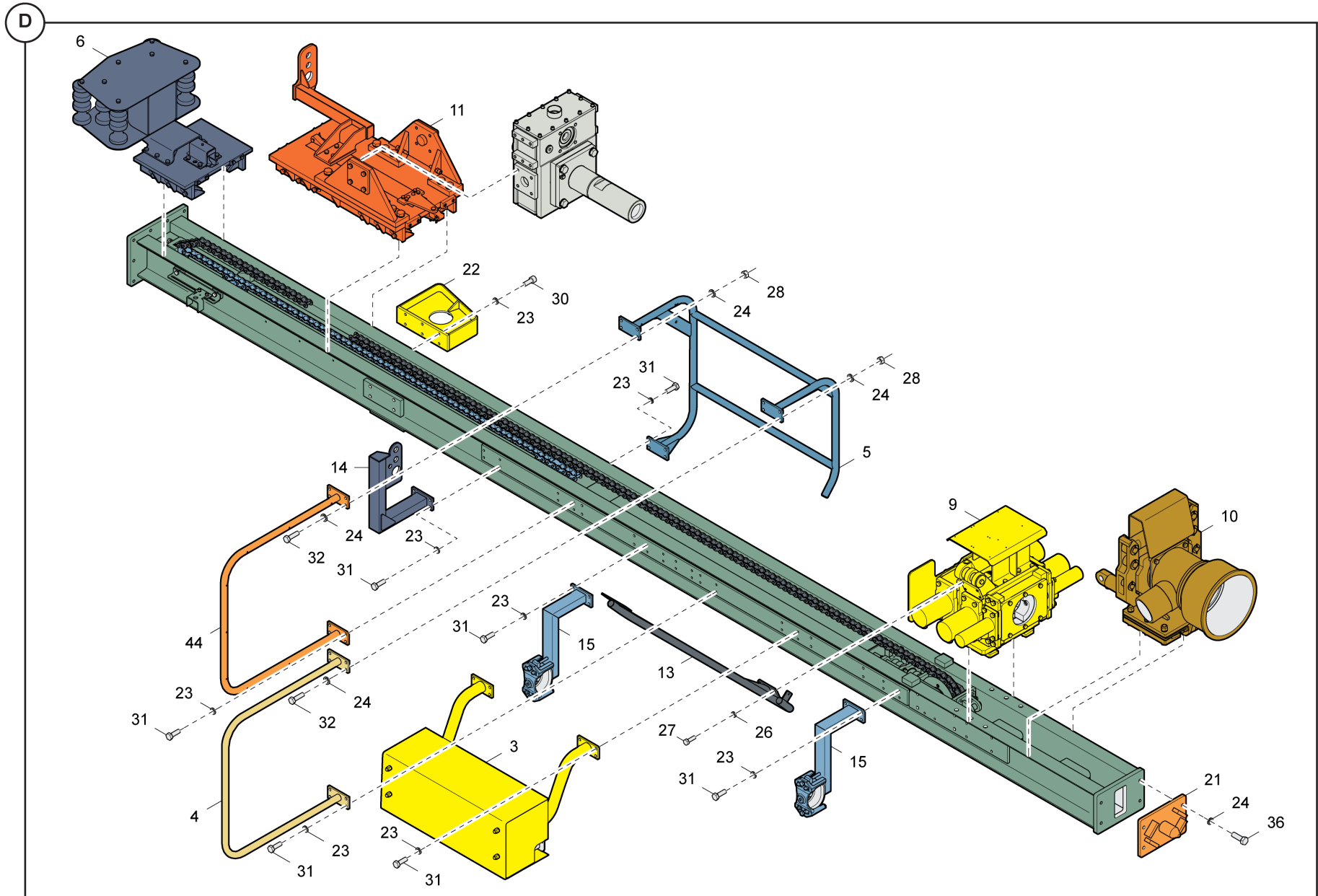
Ref.no	Part no Art.nr	Qty Qty	Description	Beskrivning	See page Se sidan	Remarks Anmärkningar
1	-	1	ANGLE INDICATOR	RIKTINSTRUMENT		
2	-	1	BRACKET	FÄSTDON		
3	-	1	POINTER	VISARE		
4	5726 8090 35	1	BUSHING	BUSSNING		
5	0216 0000 10	1	HEX SOCK. SCREW	SEKKANTHÅLSKRUV		B M 4 16 7,6 H 2,2 1,3 2,
6	0215 0003 72	4	HEX SOCK. SCREW	SEKKANTHÅLSKRUV		B M 4 10 7,6 H 2,2 1,3 2,
7	0266 2106 00	5	NUT	MUTTER		M 4 - 8 FZB
8	0300 0275 05	1	PLAIN WASHER	RUNDBRICKA		8.4 / 16 X 1,6 - BRASS
9	0215 0003 87	2	HEX SOCK. SCREW	SEKKANTHÅLSKRUV		B M 8 16 14,0 H 4,3 2,6 5



**FEED / MATARE**

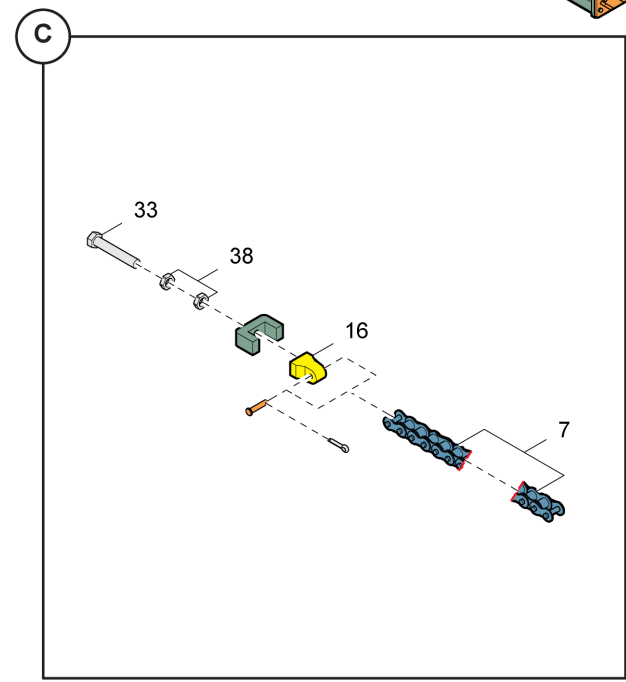
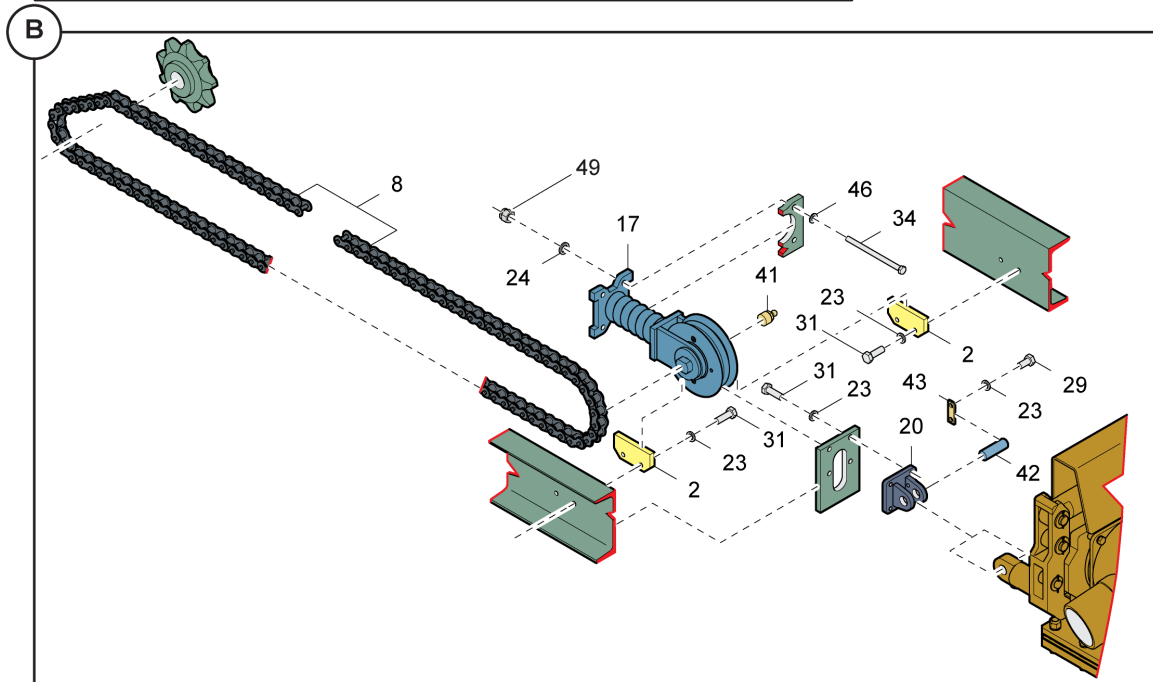
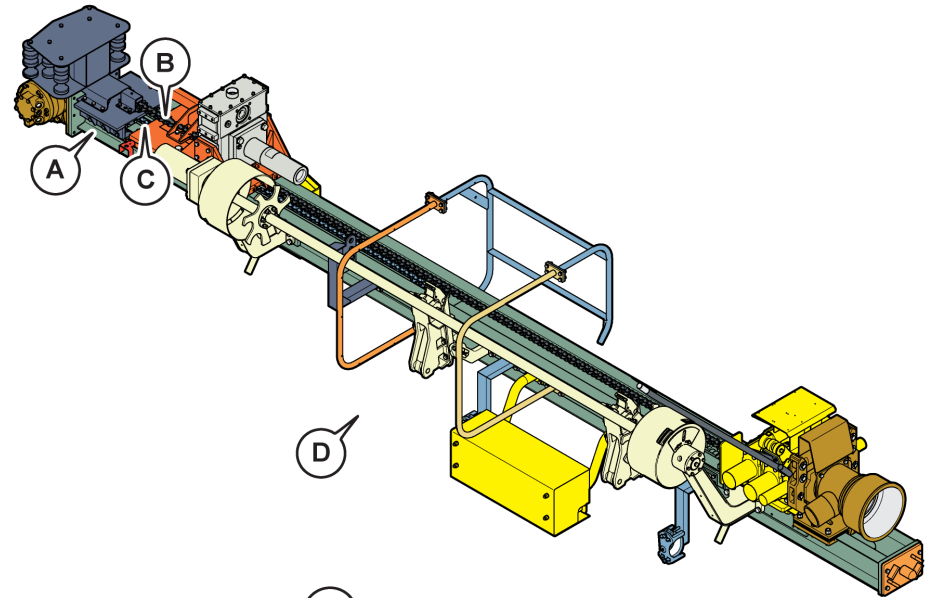
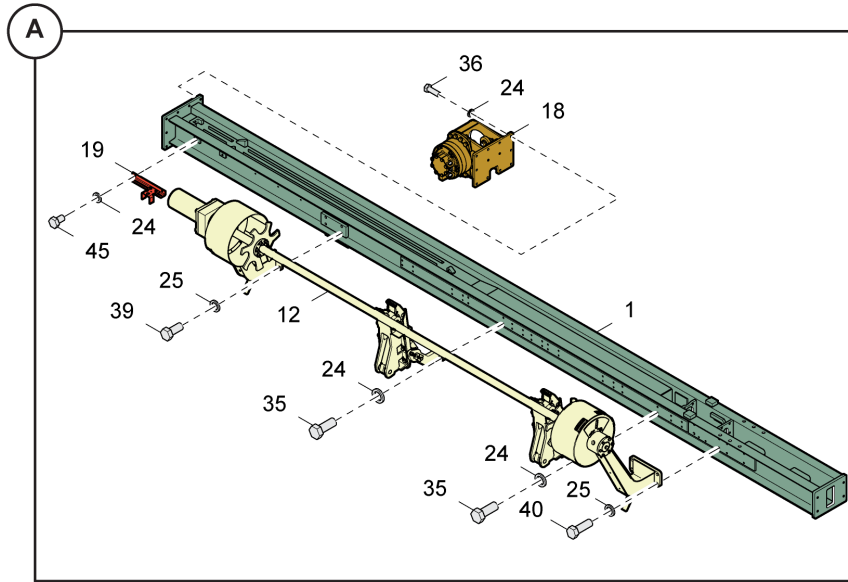
-

Ref.no	Part no Art.nr	Qty Qty	Description	Beskrivning	See page Se sidan	Remarks Anmärkningar
1	-	1	FEED	MATARE	247	
2	-	1	ELECTR. SYSTEM	ELSYSTEM		SEE CHAPTER ELECTR. SYSTEM
3	-	1	HYDR. SYSTEM	HYDRAULSYSTEM		SEE CHAPTER HYDR. SYSTEM
4	5726 8092 91	1	CONNECTION SET	ANSLUTNINGSSATS		SEE CHAPTER AIR SYSTEM
	3176 6637 00	1	NIPPLE	NIPPEL		UN 1 7/8
	3176 6646 00	1	NIPPLE	NIPPEL		UN 1 7/8 - G 1 1/2
	3176 6669 00	2	NIPPLE	NIPPEL		UN 1 7/8





FEED / MATARE



**FEED / MATARE**

-

## FEED / MATARE

-

Ref.no	Part no Art.nr	Qty Qty	Description	Beskrivning	See page Se sidan	Remarks Anmärkningar
1	5726 8083 01	1	FEED BEAM	MATARBALK		
2	5726 8083 33	2	PLATE	PLÅT		
3	-	1	SUPPORT	BOCK	251	
4	5726 8083 59	1	ARCH	VALV		
5	5726 8083 62	1	ARCH	VALV		
6	-	1	CRADLE	SLÅDE	253	
7	5726 8083 98	1	CHAIN	KÄTTING		
8	5726 8083 99	1	CHAIN	KÄTTING		
9	-	1	BREAK-OUT TABLE	BRÄCKDON	257	
10	-	1	SUCTION HOOD	SUGKÅPA	267	
11	-	1	CRADLE SET	SLÅDSATS	275	
12	-	1	ROD HANDLING	STÅNGHANTERING	277	
13	5726 8085 76	1	BRACKET	FÄSTDON		
14	5726 8091 08	1	SUPPORT	BOCK		
15	5726 8091 29	1	HOSE HOLDER	SLANGHÅLLARE	293	
16	5726 8091 33	1	CONNECTION	ANSLUTNING		
17	-	1	WHEEL SET	HJULSATS	295	
18	5726 8091 51	1	MOTOR BRACKET	MOTORFÄSTE	297	
19	-	1	BRACKET	FÄSTDON	303	
20	5726 8091 60	1	CONNECTION	ANSLUTNING		
21	5726 8105 32	1	DOWEL	DUBB		
22	5726 8091 67	1	FEED SUPPORT	MATARSTÖD		
23	0333 5200 14	46	LOCK WASHER	LÅSBRICKA		NORD-LOCK M10
24	3315 0195 08	42	LOCK WASHER	LÅSBRICKA		13,0/19,5 X 2,6 HRC50 FZB
25	3315 0195 10	8	LOCK WASHER	LÅSBRICKA		17/25,4 X 3,7 HRC50 FZB
26	3315 0195 04	4	LOCK WASHER	LÅSBRICKA		8,2/13,5 X 2,6 HRC50 FZB
27	0147 1325 03	4	SCREW, HEX HEAD	SKRUV, SEXKANT		M 8 X 25 - 8.8 FZB
28	0266 2111 00	8	NUT	MUTTER		M 10 - 8 FZB
29	0147 1360 03	2	SCREW, HEX HEAD	SKRUV, SEXKANT		M 10 X 20 - 8.8 FZB
30	0211 1362 03	6	SCREW	SKRUV		MC6S M 10 X 25 - 8.8 FZB
31	0147 1363 03	36	SCREW, HEX HEAD	SKRUV, SEXKANT		M 10 X 30 - 8.8 FZB
32	0147 1364 03	8	SCREW, HEX HEAD	SKRUV, SEXKANT		M 10 X 35 - 8.8 FZB
33	0147 1961 35	1	SCREW, HEX HEAD	SKRUV, SEXKANT		SKRUV
34	5726 8091 84	4	SCREW	HÅLSKRUV		
35	0147 1401 03	12	SCREW, HEX HEAD	SKRUV, SEXKANT		M 12 X 30 - 8.8 FZB
36	0147 1402 03	12	SCREW, HEX HEAD	SKRUV, SEXKANT		M 12 X 35 - 8.8 FZB
37	0147 1404 03	2	SCREW, HEX HEAD	SKRUV, SEXKANT		M 12 X 45 - 8.8 FZB
38	0261 2112 00	6	NUT	MUTTER		M 12 - 4 FZB

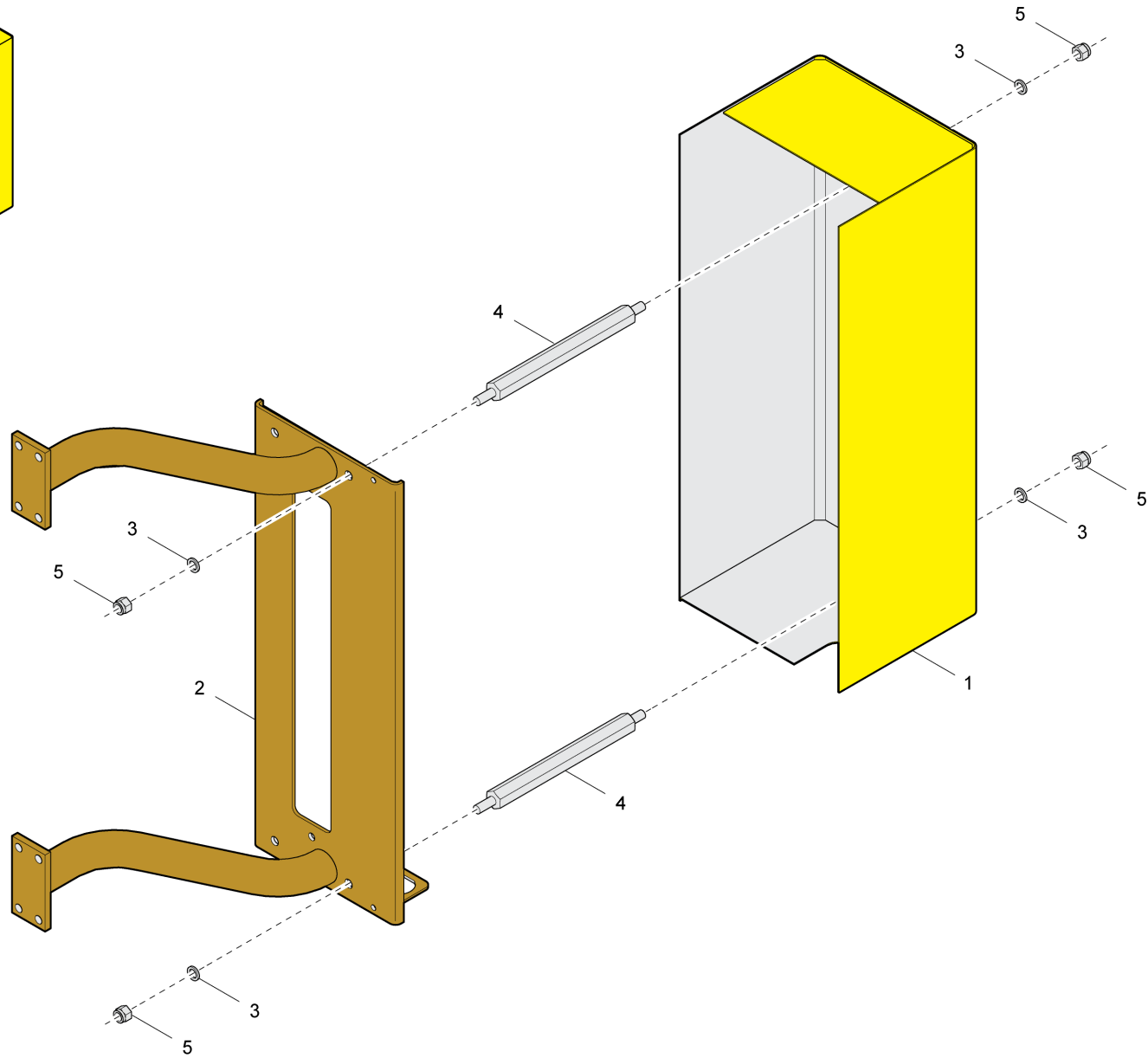
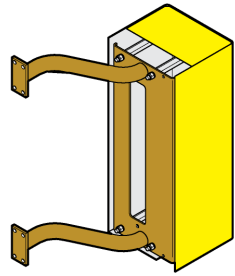
**FEED / MATARE**

-

Ref.no	Part no Art.nr	Qty Qty	Description	Beskrivning	See page Se sidan	Remarks Anmärkningar
39	0147 1476 03	4	SCREW, HEX HEAD	SKRUV, SEXKANT		M 16 X 35 - 8.8 FZB
40	0147 1478 03	4	SCREW, HEX HEAD	SKRUV, SEXKANT		M 16 X 45 - 8.8 FZB
41	0544 1100 12	1	GREASE NIPPLE	FETTNIPPEL		M 10 X 1 AH 580
42	5726 8084 20	1	SHAFT	AXEL		
43	5726 8012 70	1	STOP	STOPP		
44	5726 8091 87	1	ARCH	VALV		
45	0147 1359 03	2	SCREW, HEX HEAD	SKRUV, SEXKANT		M 10 X 16 - 8.8 FZB
46	0301 2358 00	4	WASHER	BRICKA		13 / 24 X 2,5 -HB 200 FZB
49	0291 1128 22	4	LOCK NUT	LÄSMUTTER		M 12 - 8 FZB / ISO 7040



# SUPPORT / BOCK

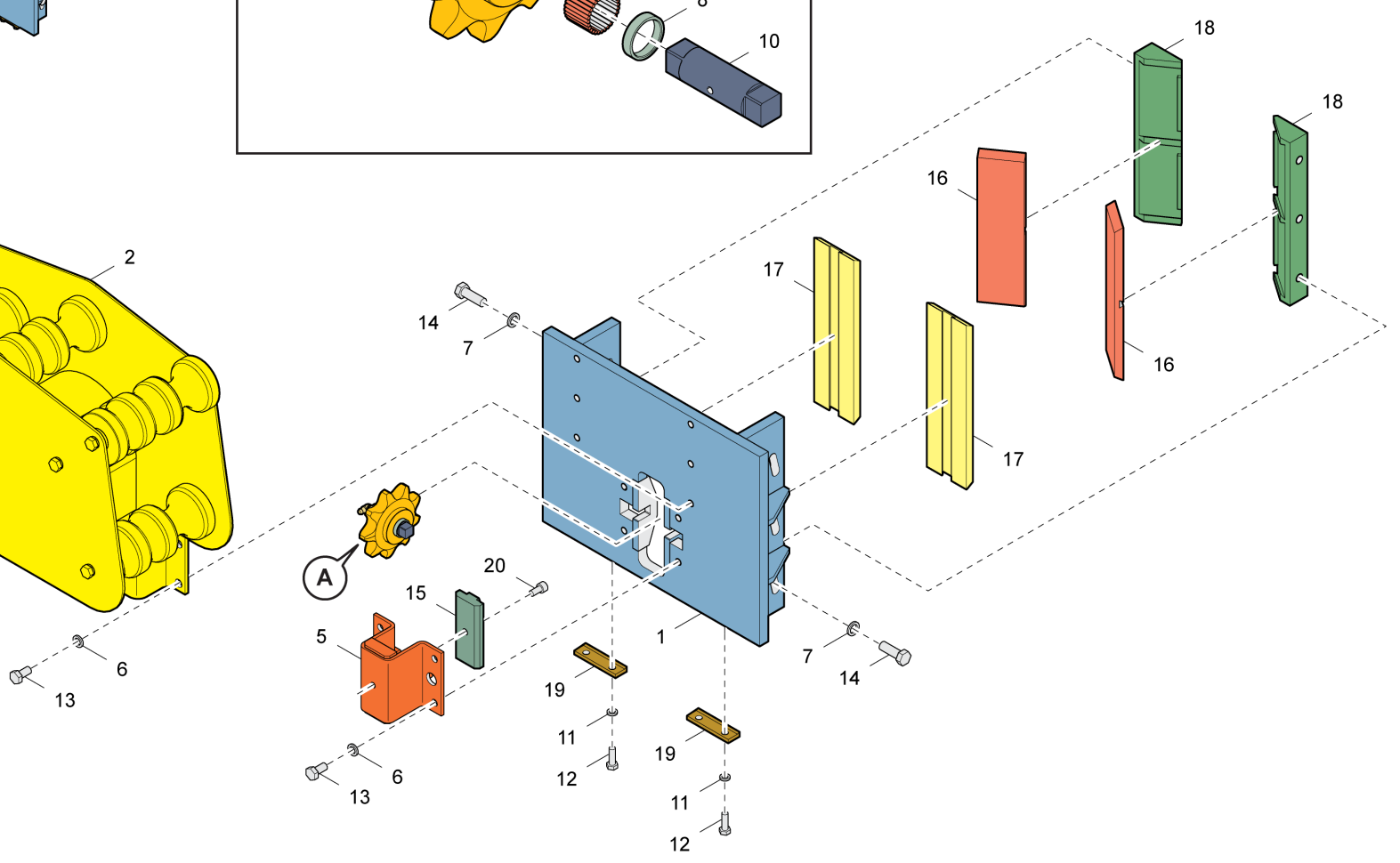
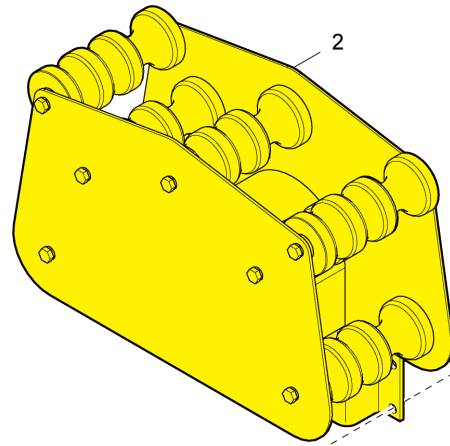
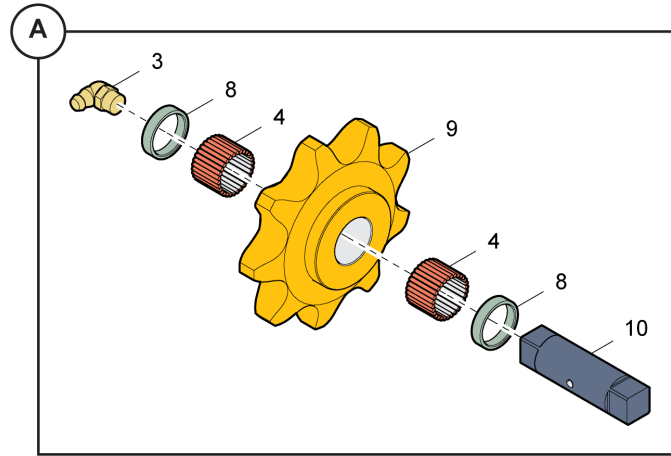
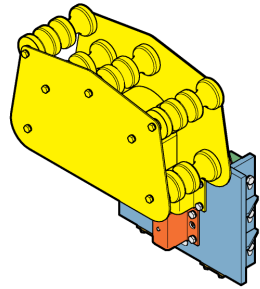


**SUPPORT / BOCK**

-

<b>Ref.no</b>	<b>Part no Art.nr</b>	<b>Qty Qty</b>	<b>Description</b>	<b>Beskrivning</b>	<b>See page Se sidan</b>	<b>Remarks Anmärkningar</b>
1	5726 8083 55	1	COVER	KÅPA		
2	5726 8083 51	1	SUPPORT SET	STÖDSATS		
3	3315 0195 08	8	LOCK WASHER	LÅSBRICKA		13,0/19,5 X 2,6 HRC50 FZB
4	5726 8083 54	4	BOLT	BULT		
5	0291 1128 22	8	LOCK NUT	LÅSMUTTER		M 12 - 8 FZB / ISO 7040

# CRADLE / SLÄDE



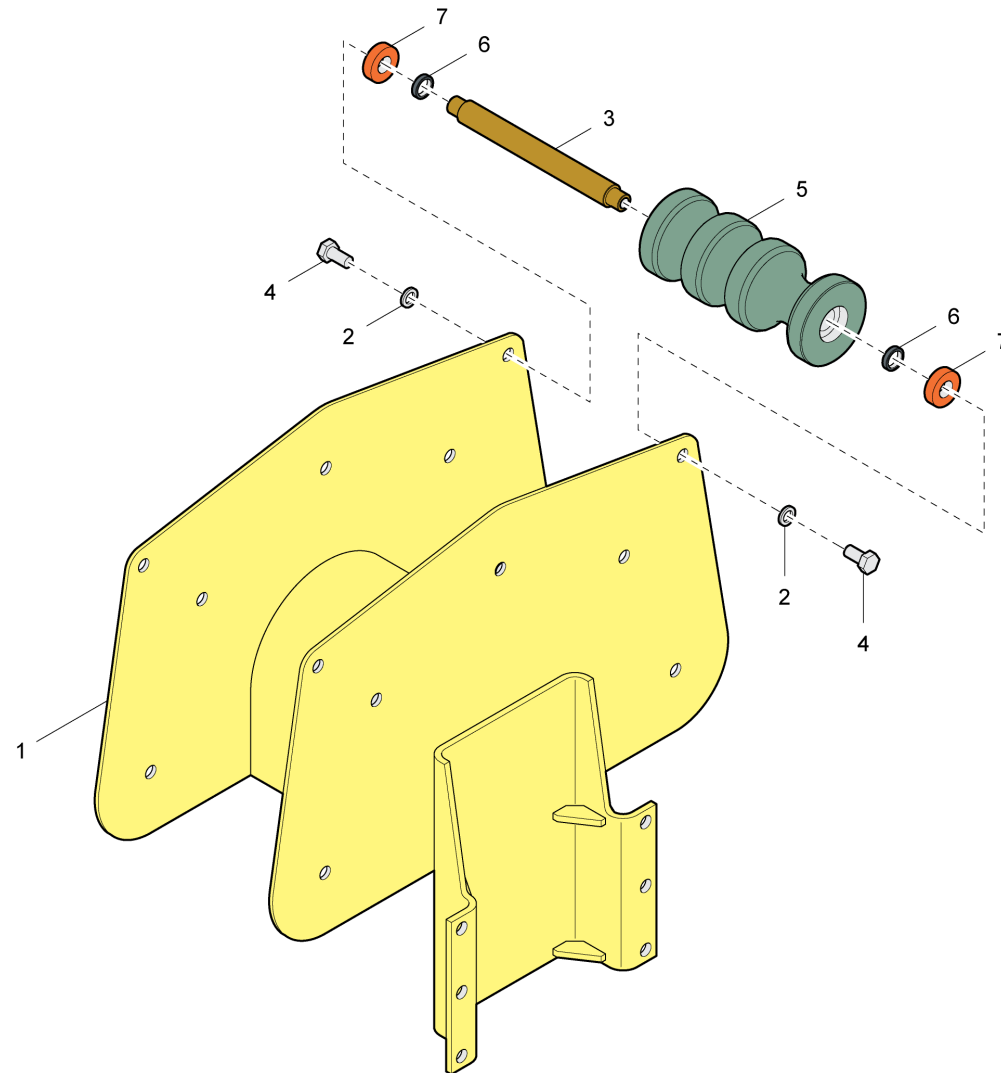
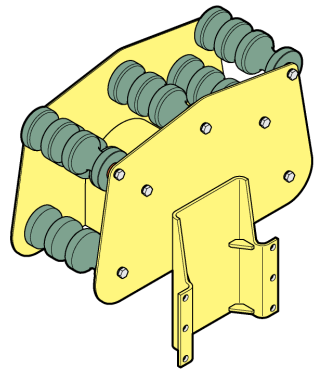


## CRADLE / SLÄDE

-

Ref.no	Part no Art.nr	Qty Qty	Description	Beskrivning	See page Se sidan	Remarks Anmärkningar
1	5726 8083 71	1	CRADLE	SLÄDE		
2	-	1	DRUM	TRUMMA	255	
3	5730 0077 65	1	GREASE NIPPLE	SMÖRJNIPPEL		NIPPLE
4	5726 8084 97	2	NEEDLE BEARING	NÅLLAGER		
5	5726 8083 92	1	PLATE SET	PLÅTSATS		
6	0333 5200 14	10	LOCK WASHER	LÅSBRICKA		NORD-LOCK M10
7	0333 5200 09	6	LOCK WASHER	LÅSBRICKA		
8	5726 8083 94	2	SPACER	DISTANS		
9	5726 8083 81	1	WHEEL	HJUL		
10	5726 8083 93	1	SHAFT	AXEL		
11	3315 0195 04	4	LOCK WASHER	LÅSBRICKA		8,2/13,5 X 2,6 HRC50 FZB
12	0147 1325 03	4	SCREW, HEX HEAD	SKRUV, SEXKANT		M 8 X 25 - 8.8 FZB
13	0147 1360 03	10	SCREW, HEX HEAD	SKRUV, SEXKANT		M 10 X 20 - 8.8 FZB
14	0147 1402 03	6	SCREW, HEX HEAD	SKRUV, SEXKANT		M 12 X 35 - 8.8 FZB
15	5726 8083 95	1	BLOCK	BLOCK		
16	5726 8083 79	2	PLATE	PLÅT		
17	5726 8083 80	2	PLATE	PLÅT		
18	5726 8083 78	2	PLATE	PLÅT		
19	5726 8083 96	2	PLATE	PLÅT		
20	0211 1322 03	1	SCREW	SKRUV		MC6S M 8 X 16 - 8.8 FZB

# DRUM / TRUMMA

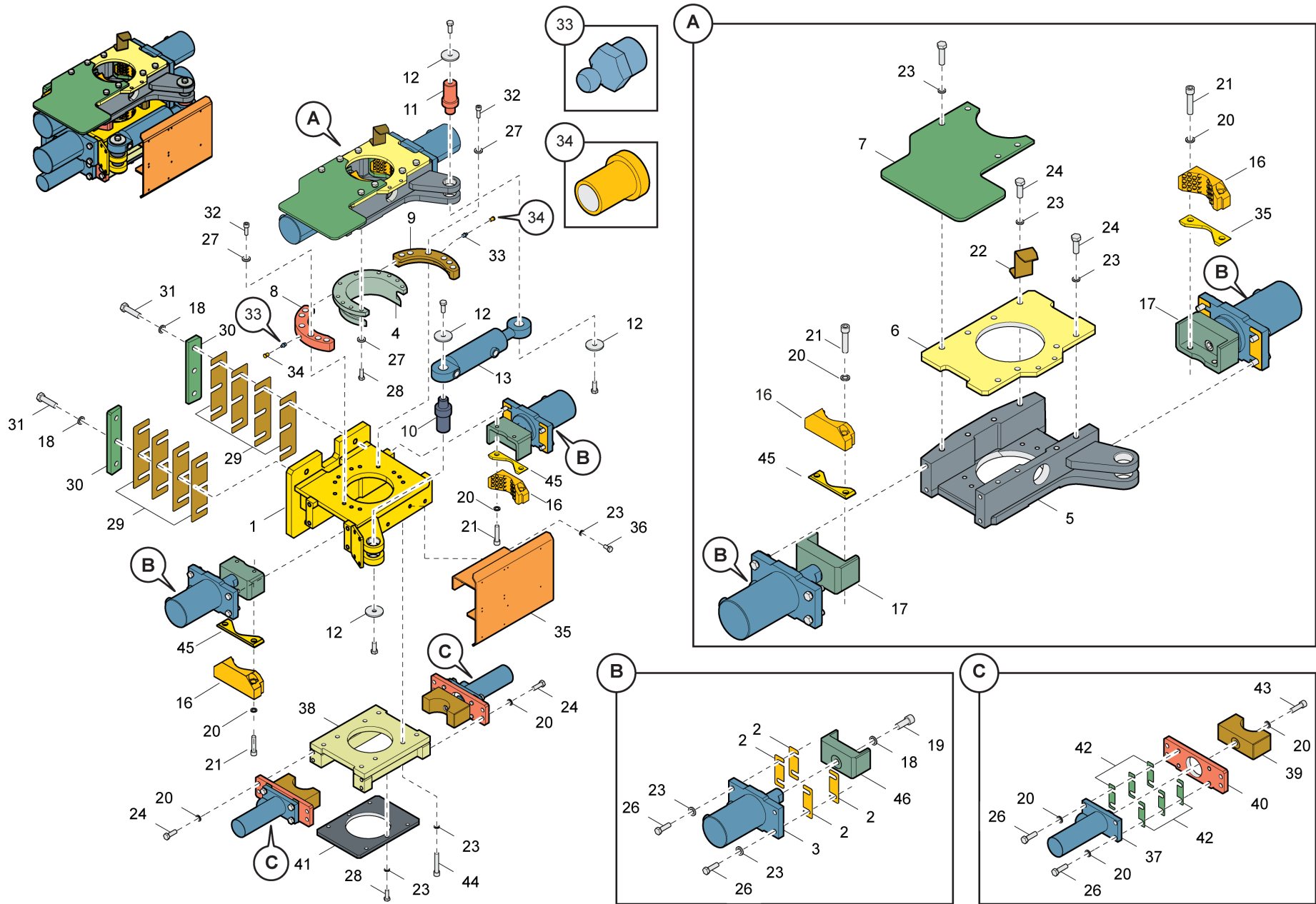


## DRUM / TRUMMA

-

Ref.no	Part no Art.nr	Qty Qty	Description	Beskrivning	See page Se sidan	Remarks Anmärkningar
1	5726 8083 83	1	SUPPORT	BOCK		
2	0333 5200 14	14	LOCK WASHER	LÅSBRICKA		NORD-LOCK M10
3	5726 8083 91	7	SHAFT	AXEL		
4	0147 1360 03	14	SCREW, HEX HEAD	SKRUV, SEXKANT		M 10 X 20 - 8.8 FZB
5	5726 8083 89	7	ROLLER	LÖPRULLE		
6	5726 8083 90	14	SPACER	DISTANS		
7	0502 1100 66	14	BALL BEARING	KULLAGER		A 15 32 9 0,3 6000 2600 1

# BREAK-OUT TABLE / BRÄCKDON



**BREAK-OUT TABLE / BRÄCKDON**

-

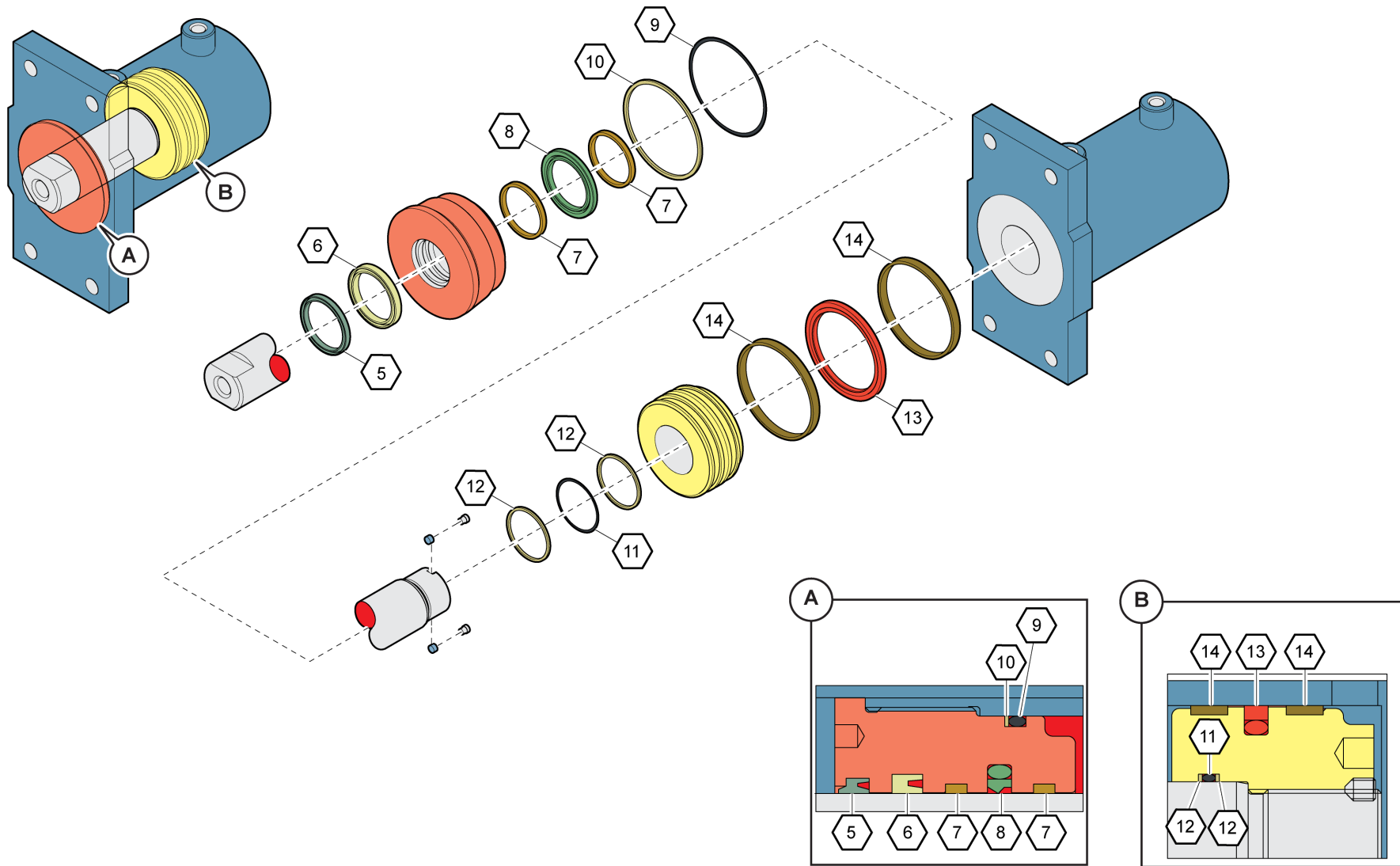
Ref.no	Part no Art.nr	Qty Qty	Description	Beskrivning	See page Se sidan	Remarks Anmärkningar
1	5726 8084 04	1	HOUSE	HUS		
2	5726 8084 57	16	SHIM	MELLANLÄGG		
3	5726 8082 09	4	CYLINDER	CYLINDER	261	BREAK-OUT TOOL
4	5726 8084 24	1	FLANGE	FLÄNS		
5	5726 8084 18	1	HOUSE	HUS		
6	5726 8084 21	1	PLATE	PLÅT		
7	5726 8084 22	1	PLATE	PLÅT		
8	5726 8084 25	1	RING	RING		
9	5726 8084 26	1	RING	RING		
10	5726 8084 43	1	SHAFT	AXEL		
11	5726 8084 16	1	SHAFT	AXEL		
12	5726 8084 12	4	WASHER	BRICKA		
13	5726 8082 10	1	CYLINDER	CYLINDER	263	BREAK-OUT TOOL
16	3128 0829 07	4	CHECK	BACK		
17	5726 8091 82	2	BLOCK	BLOCK		
18	3315 0195 10	10	LOCK WASHER	LÅSBRICKA		17/25,4 X 3,7 HRC50 FZB
19	0211 1477 03	4	SCREW	SKRUV		MC6S M 16 X 40 - 8.8 FZB
20	3315 0195 08	26	LOCK WASHER	LÅSBRICKA		13,0/19,5 X 2,6 HRC50 FZB
21	0211 1964 35	8	HEX SOCK. SCREW	SEKKANTHÅLSKRUV		SKRUV
22	-	1	PLATE	PLÅT		
23	0333 5200 14	41	LOCK WASHER	LÅSBRICKA		NORD-LOCK M10
24	0147 1402 03	12	SCREW, HEX HEAD	SKRUV, SEKKANT		M 12 X 35 - 8.8 FZB
26	0147 1403 03	24	SCREW, HEX HEAD	SKRUV, SEKKANT		M 12 X 40 - 8.8 FZB
27	3315 0195 06	22	LOCK WASHER	LÅSBRICKA		10,3/16,6 X 2,6 HRC50 FZB
28	0147 1363 03	16	SCREW, HEX HEAD	SKRUV, SEKKANT		M 10 X 30 - 8.8 FZB
29	5726 8084 42	8	SHIM	MELLANLÄGG		
30	5726 8084 52	2	PLATE	PLÅT		
31	0147 1961 80	6	SCREW, HEX HEAD	SKRUV, SEKKANT		M16X60 - 8.8FZB
32	0211 1960 81	12	SCREW	SKRUV		MC6S M 10 X 30 - 12.9
33	0544 2162 00	2	GREASE NIPPLE	SMÖRJNIPPEL		ISO 7 - R 1/8 TYPE AH
34	0686 9252 27	2	PROTECTION CAP	SKYDDSHUV		12 X 12 PELD / RED
35	5726 8085 95	1	PROTECTION	SKYDD		
36	0147 1360 03	3	SCREW, HEX HEAD	SKRUV, SEKKANT		M 10 X 20 - 8.8 FZB
37	5726 8082 26	2	CYLINDER	CYLINDER		
38	5726 8084 58	1	BRACKET	FÄSTDON	265	
39	5726 8084 60	2	BLOCK	BLOCK		
40	5726 8084 61	2	PLATE	PLÅT		
41	5726 8084 63	1	PLATE	PLÅT		

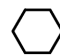
**BREAK-OUT TABLE / BRÄCKDON**

-

<b>Ref.no</b>	<b>Part no Art.nr</b>	<b>Qty Qty</b>	<b>Description</b>	<b>Beskrivning</b>	<b>See page Se sidan</b>	<b>Remarks Anmärkningar</b>
42	5726 8084 64	12	SHIM	MELLANLÄGG		
43	0211 1403 03	2	SCREW	SKRUV		MC6S M 12 X 40 - 8.8 FZB
44	0211 1409 03	8	SCREW	SKRUV		MC6S M 12 X 70 - 8.8 FZB
45	5726 8091 81	4	SPACER	DISTANS		
46	5726 8020 94	2	BLOCK	KLOTS		





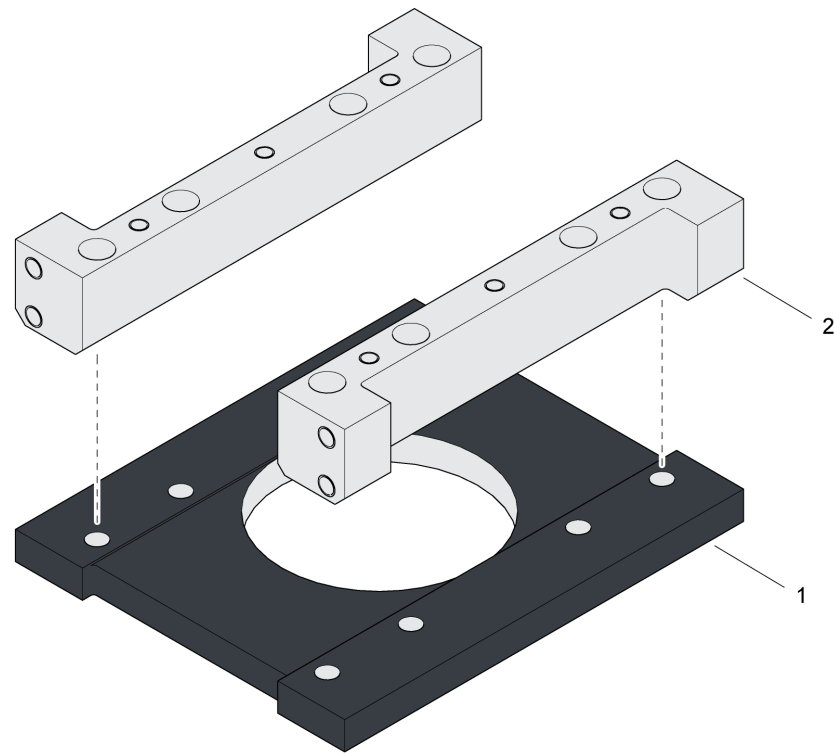
 = Seal kit



Ref.no	Part no Art.nr	Qty Qty	Description	Beskrivning	See page Se sidan	Remarks Anmärkningar
1	5726 8082 21	1	SEAL KIT	TÄTNINGSSATS		



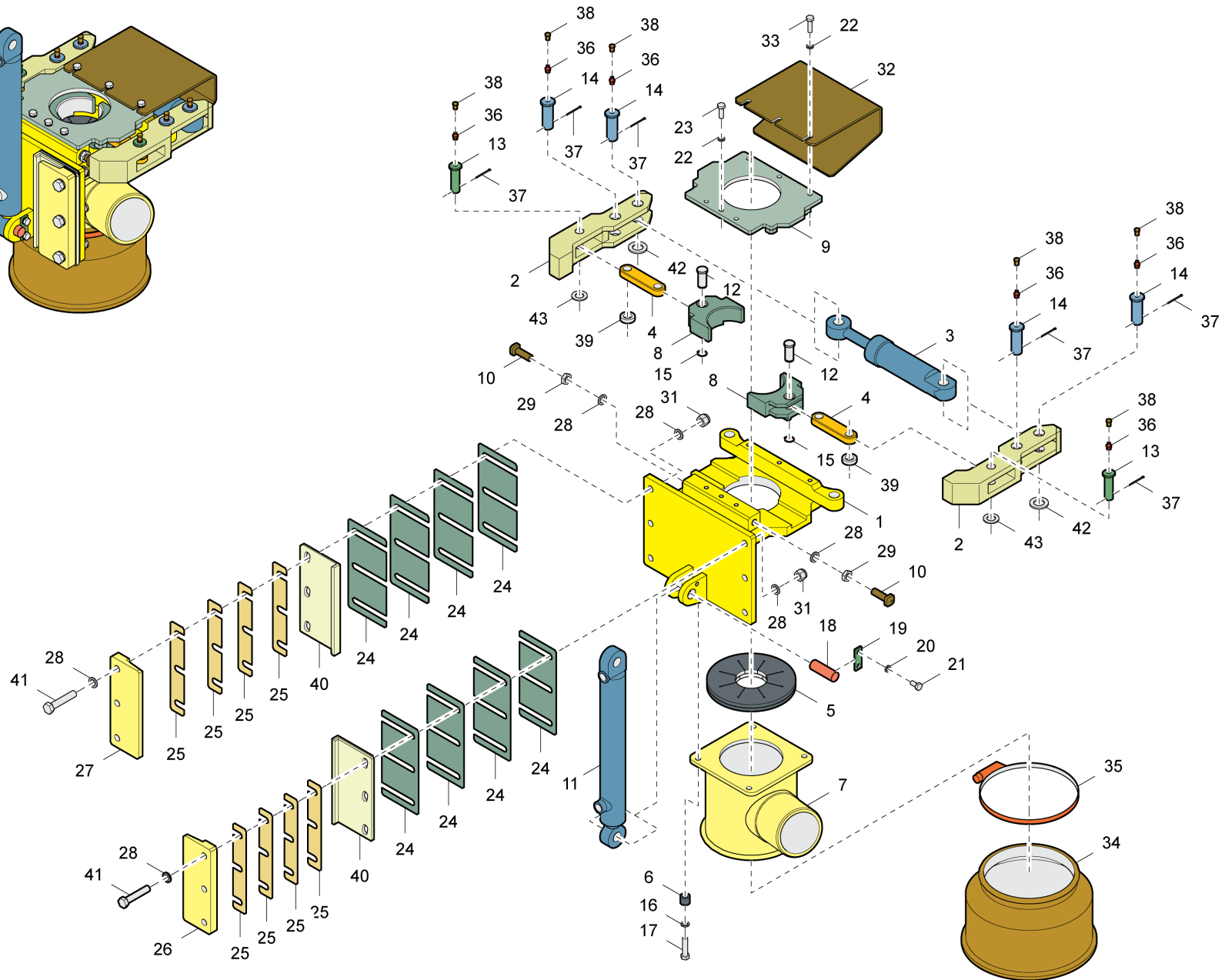
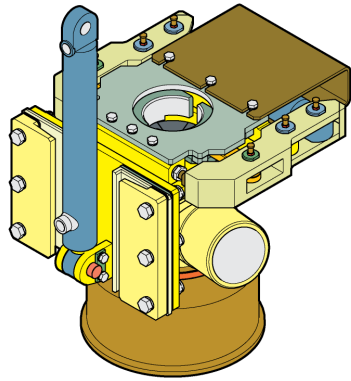
Ref.no	Part no Art.nr	Qty Qty	Description	Beskrivning	See page Se sidan	Remarks Anmärkningar
	5726 8082 22	1	SEAL KIT	TÄTNINGSSATS		
1	5726 8094 78	2	BEARING	BÄRLAGER		



**BRACKET / FÄSTDON****5726 8084 58**

<b>Ref.no</b>	<b>Part no Art.nr</b>	<b>Qty Qty</b>	<b>Description</b>	<b>Beskrivning</b>	<b>See page Se sidan</b>	<b>Remarks Anmärkningar</b>
	5726 8084 58	1	BRACKET	FÄSTDON		
1	5726 8084 05	1	PLATE	PLÅT		
2	-	2	PLATE	PLÅT		

# SUCTION HOOD / SUGKÁPA



SUCTION HOOD / SUGKÅPA

-

Ref.no	Part no Art.nr	Qty Qty	Description	Beskrivning	See page Se sidan	Remarks Anmärkningar
1	5726 8084 28	1	BRACKET	FÄSTDON		
2	5726 8084 49	2	BRACKET	FÄSTDON		
3	5726 8082 08	1	CYLINDER	CYLINDER	271	DRILL STEEL SUPPORT
4	5726 8084 34	2	LINK	LÄNK		
5	5726 8084 39	1	SEALING	TÄTNING		
6	5726 8084 41	4	SLEEVE	HYLSA		
7	5726 8084 35	1	HOOD	HUV		
8	5726 8084 40	2	BLOCK	BLOCK		
9	5726 8084 03	1	PLATE	PLÅT		
10	3215 9312 00	2	SET SCREW	STOPPSKRUV		
11	5726 8082 11	1	CYLINDER	CYLINDER	273	SUCTION HOOD
12	5726 8084 44	2	SHAFT	AXEL		
13	5726 8084 45	2	PIN	PINNE		
14	5726 8084 46	4	PIN	PINNE		
15	0335 1122 00	2	CIRCLIP	SPÄRRING		SGA 20 X 1,2 DIN 471
16	3315 0195 08	4	LOCK WASHER	LÅSBRICKA		13,0/19,5 X 2,6 HRC50 FZB
17	0147 1405 03	4	SCREW, HEX HEAD	SKRUV, SEXKANT		M 12 X 50 - 8.8 FZB
18	5726 8084 20	1	SHAFT	AXEL		
19	5726 8012 70	1	STOP	STOPP		
20	3315 0195 06	2	LOCK WASHER	LÅSBRICKA		10,3/16,6 X 2,6 HRC50 FZB
21	0147 1360 03	2	SCREW, HEX HEAD	SKRUV, SEXKANT		M 10 X 20 - 8.8 FZB
22	0333 5200 14	6	LOCK WASHER	LÅSBRICKA		NORD-LOCK M10
23	0147 1363 03	3	SCREW, HEX HEAD	SKRUV, SEXKANT		M 10 X 30 - 8.8 FZB
24	5726 8084 56	8	SHIM	MELLANLÄGG		
25	5726 8084 53	5	SHIM	MELLANLÄGG		
27	5726 8084 55	2	PLATE	PLÅT		
28	3315 0195 10	14	LOCK WASHER	LÅSBRICKA		17/25,4 X 3,7 HRC50 FZB
29	0261 2114 00	2	NUT	MUTTER		M 16 - 4 FZB
31	0291 1128 25	6	LOCK NUT	LÅSMUTTER		M 16 - 8 FZB / ISO 7040
32	5726 8084 51	1	PLATE	PLÅT		
33	0147 1364 03	3	SCREW, HEX HEAD	SKRUV, SEXKANT		M 10 X 35 - 8.8 FZB
34	5726 8084 32	1	RUBBER HOOD	GUMMIKÅPA		
35	0347 6100 42	1	HOSE CLIP	SLANGKLÄMMA		A 200 231
36	0544 2162 00	6	GREASE NIPPLE	SMÖRJNIPPEL		ISO 7 - R 1/8 TYPE AH
37	0111 1285 00	6	SPLIT PIN	SAXPINNE		PINNE
38	0686 9252 27	6	PROTECTION CAP	SKYDDSHUV		12 X 12 PELD / RED
39	5726 8085 86	2	SLEEVE	HYLSA		
40	-	2	PLATE	PLÅT		

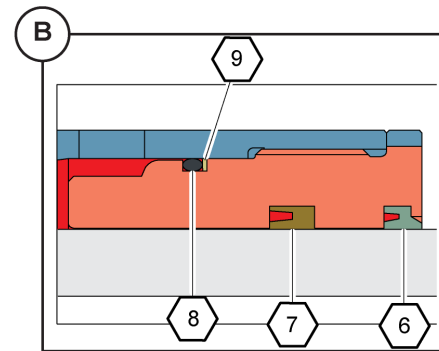
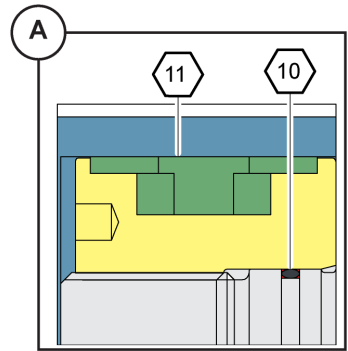
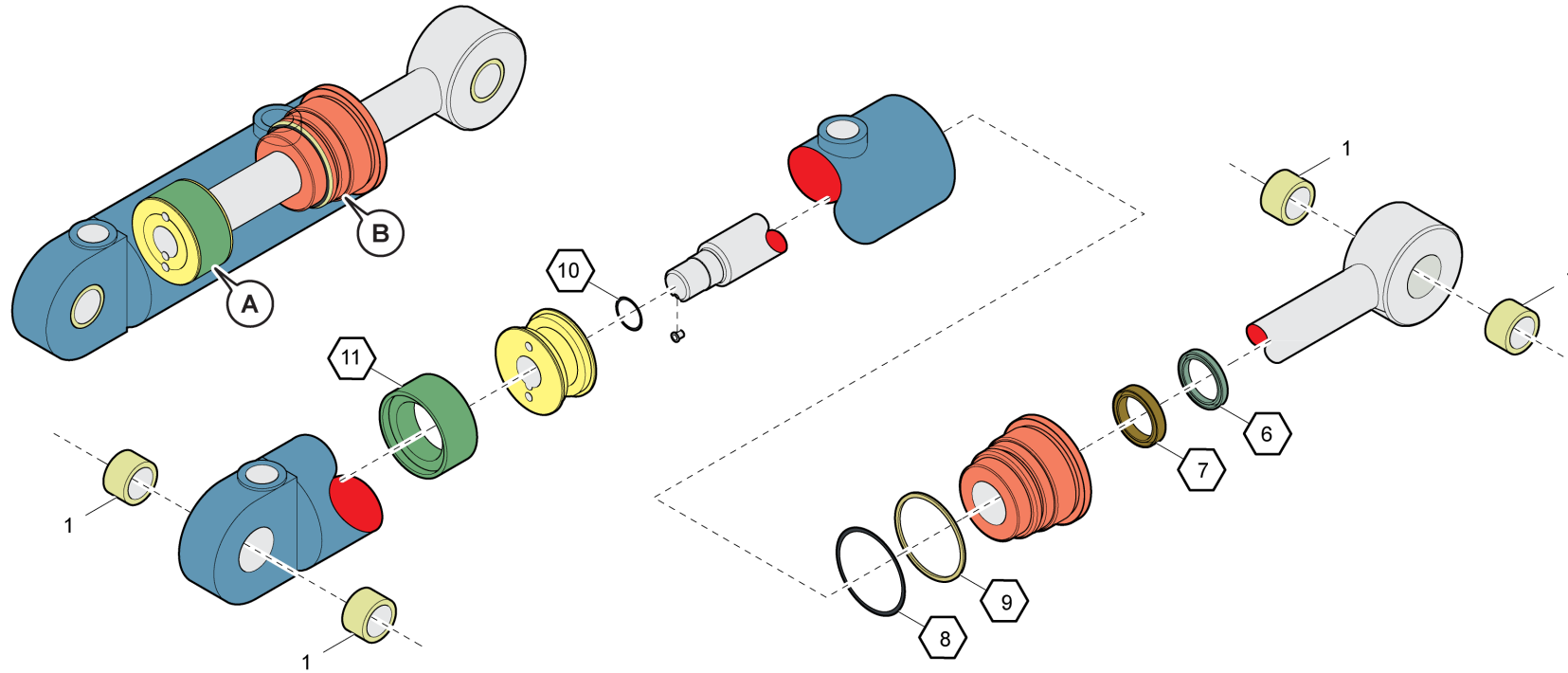
**SUCTION HOOD / SUGKÅPA**

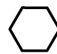
-

<b>Ref.no</b>	<b>Part no Art.nr</b>	<b>Qty Qty</b>	<b>Description</b>	<b>Beskrivning</b>	<b>See page Se sidan</b>	<b>Remarks Anmärkningar</b>
41	0147 1485 03	6	SCREW, HEX HEAD	SKRUV, SEXKANT		M 16 X 80 - 8.8 FZB
42	5540 1129 00	4	WASHER	PLÅTBRICKA		WASHER-FLAT M24 HT PLTD
43	0300 0274 13	2	PLAIN WASHER	RUNDBRICKA		21 / 37 X 3 - HB 200 FZB

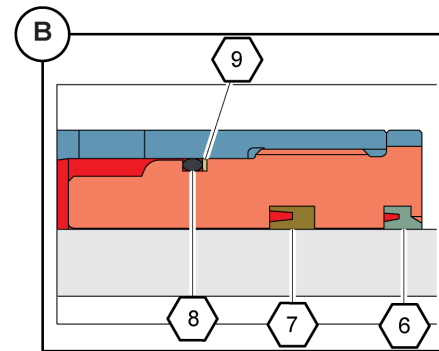
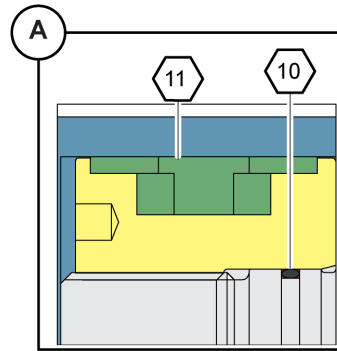
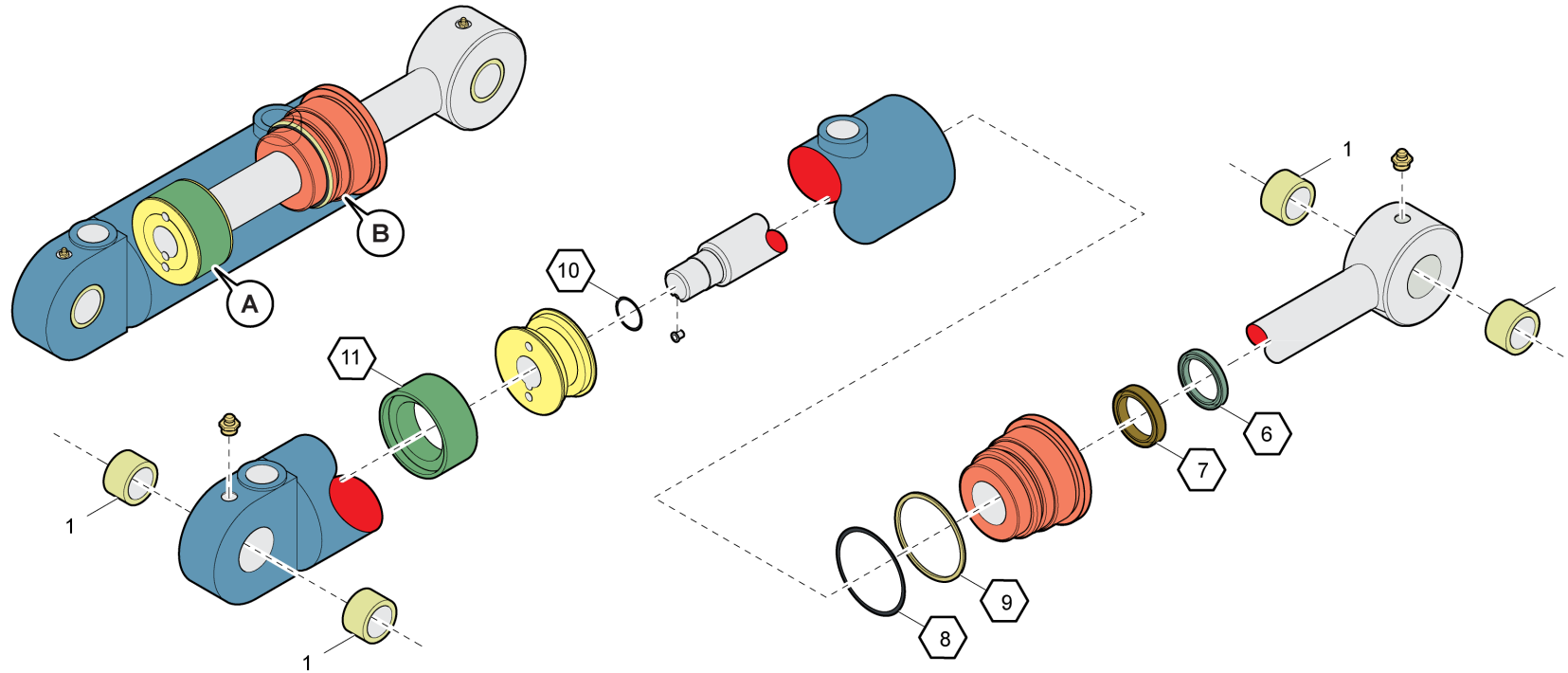


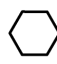




 = Seal kit

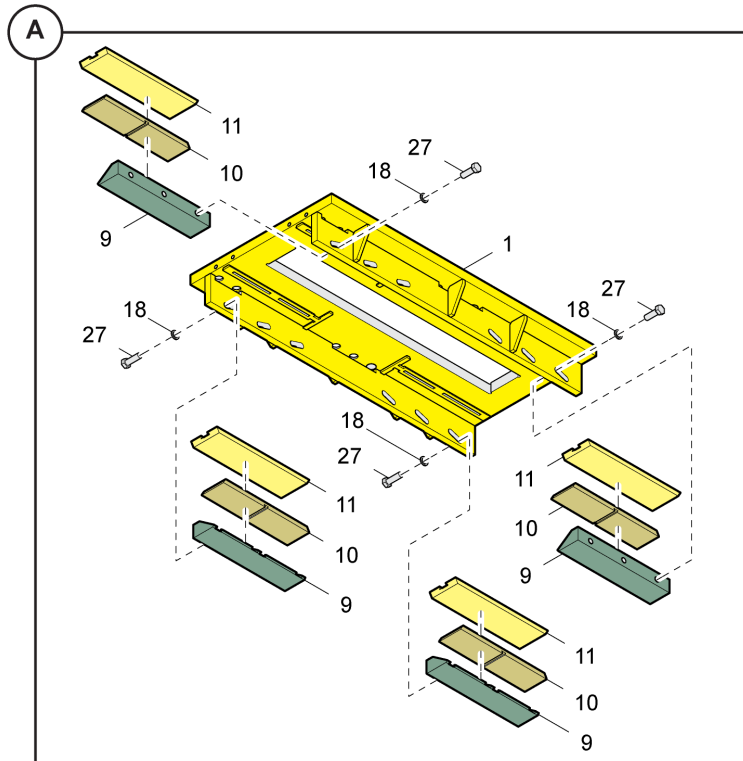
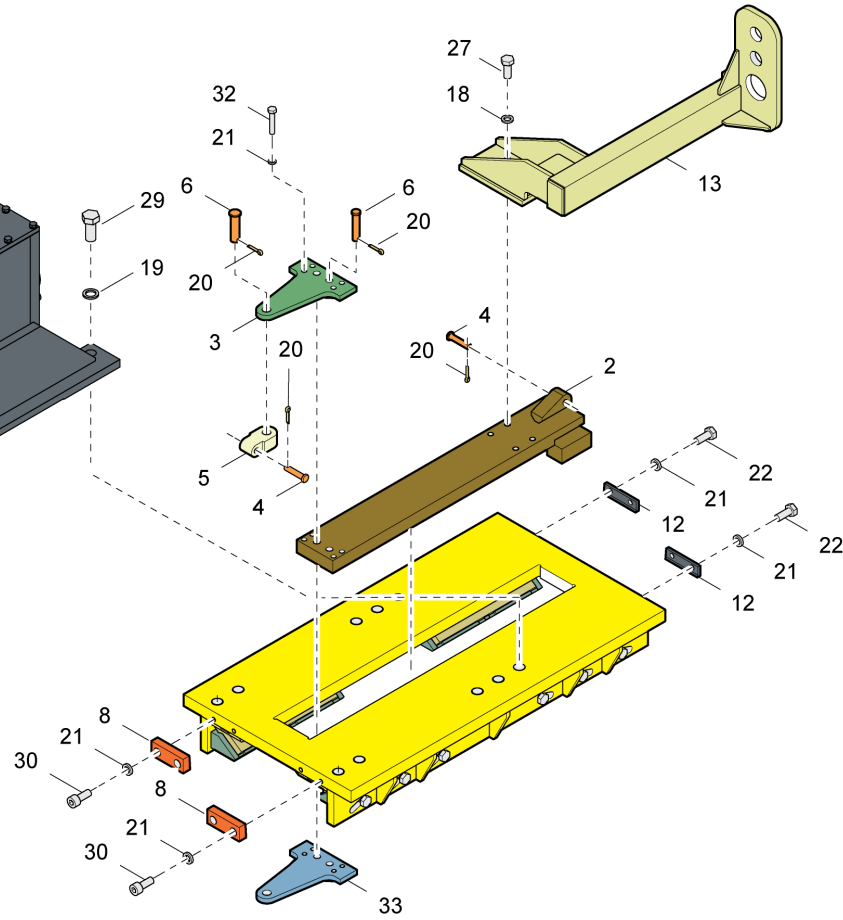
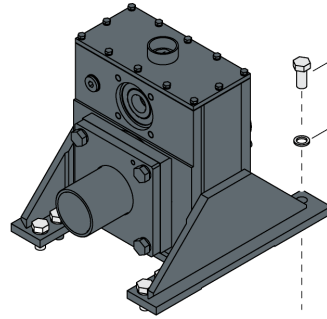
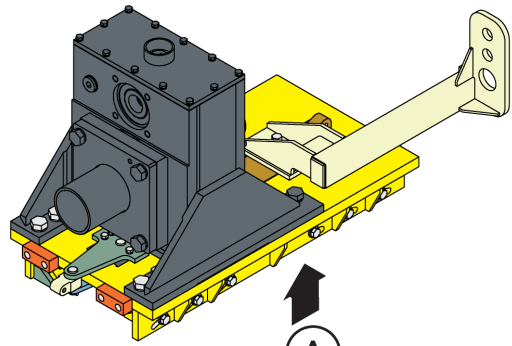
Ref.no	Part no Art.nr	Qty Qty	Description	Beskrivning	See page Se sidan	Remarks Anmärkningar
	5726 8082 20	1	SEAL KIT	TÄTNINGSSATS		
1	5726 8094 77	4	BUSHING	BUSSNING		



 = Seal kit

Ref.no	Part no Art.nr	Qty Qty	Description	Beskrivning	See page Se sidan	Remarks Anmärkningar
	5726 8082 23	1	SEAL KIT	TÄTNINGSSATS		
1	5726 8094 77	4	BUSHING	BUSSNING		

# CRADLE SET / SLÄDSATS

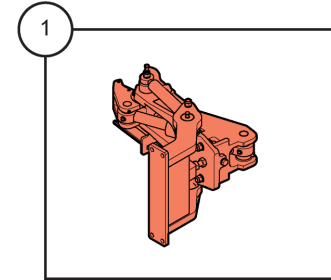
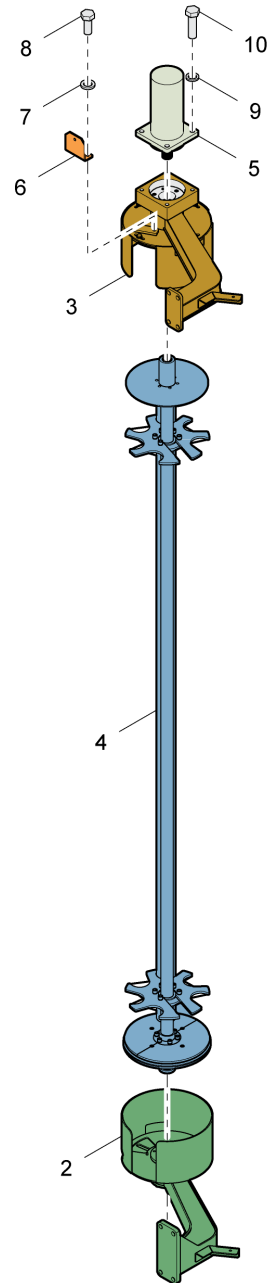
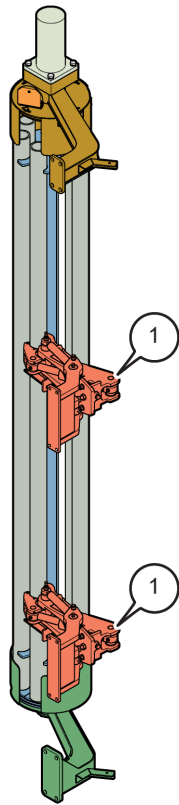


CRADLE SET / SLÄDSATS

-

Ref.no	Part no Art.nr	Qty Qty	Description	Beskrivning	See page Se sidan	Remarks Anmärkningar
1	5726 8084 71	1	CRADLE	SLÄDE		
2	5726 8084 73	1	PLATE	PLÅT		
3	5726 8084 75	1	PLATE	PLÅT		
4	0333 5200 09	12	LOCK WASHER	LÅSBRICKA		
5	-	1	PLATE	PLÅT		
6	5726 8084 78	2	SHAFT	AXEL		
8	5726 8084 80	2	PLATE	PLÅT		
9	-	4	PLATE	PLÅT		
10	5726 8083 79	4	PLATE	PLÅT		
11	5726 8083 80	4	PLATE	PLÅT		
12	-	2	PLATE	PLÅT		
13	5726 8091 15	1	SUPPORT	BOCK		
18	3315 0195 08	4	LOCK WASHER	LÅSBRICKA		13,0/19,5 X 2,6 HRC50 FZB
19	3315 0195 12	10	LOCK WASHER	LÅSBRICKA		NORD-LOCK M20
20	0111 1371 00	2	SPLIT PIN	SAXPINNE		5 20 9,2 4,4 4,6 10 4 STE
21	3315 0195 04	12	LOCK WASHER	LÅSBRICKA		8,2/13,5 X 2,6 HRC50 FZB
22	0147 1323 03	4	SCREW, HEX HEAD	SKRUV, SEXKANT		M 8 X 20 -8.8 FZB
27	0147 1402 03	16	SCREW, HEX HEAD	SKRUV, SEXKANT		M 12 X 35 - 8.8 FZB
29	0147 1550 03	10	SCREW, HEX HEAD	SKRUV, SEXKANT		M 20 X 45 - 8.8 FZB
30	0211 1323 03	4	SCREW	SKRUV		MC6S M 8 X 20 - 8.8 FZB
32	0147 1329 03	4	SCREW, HEX HEAD	SKRUV, SEXKANT		M 8 X 45 - 8.8 FZB
33	5726 8091 89	1	PLATE	PLÅT		

# ROD HANDLING / STÅNGHANTERING

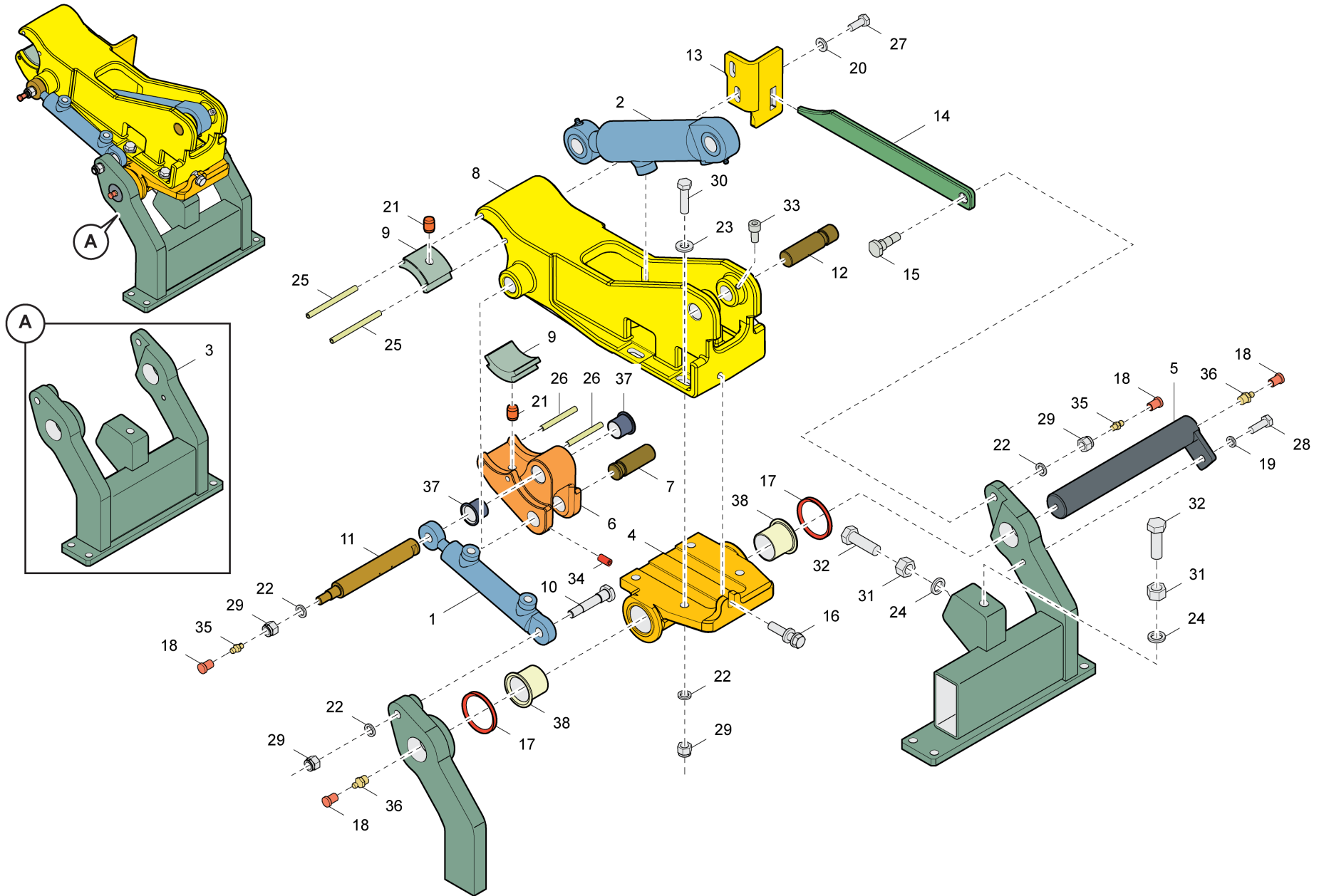




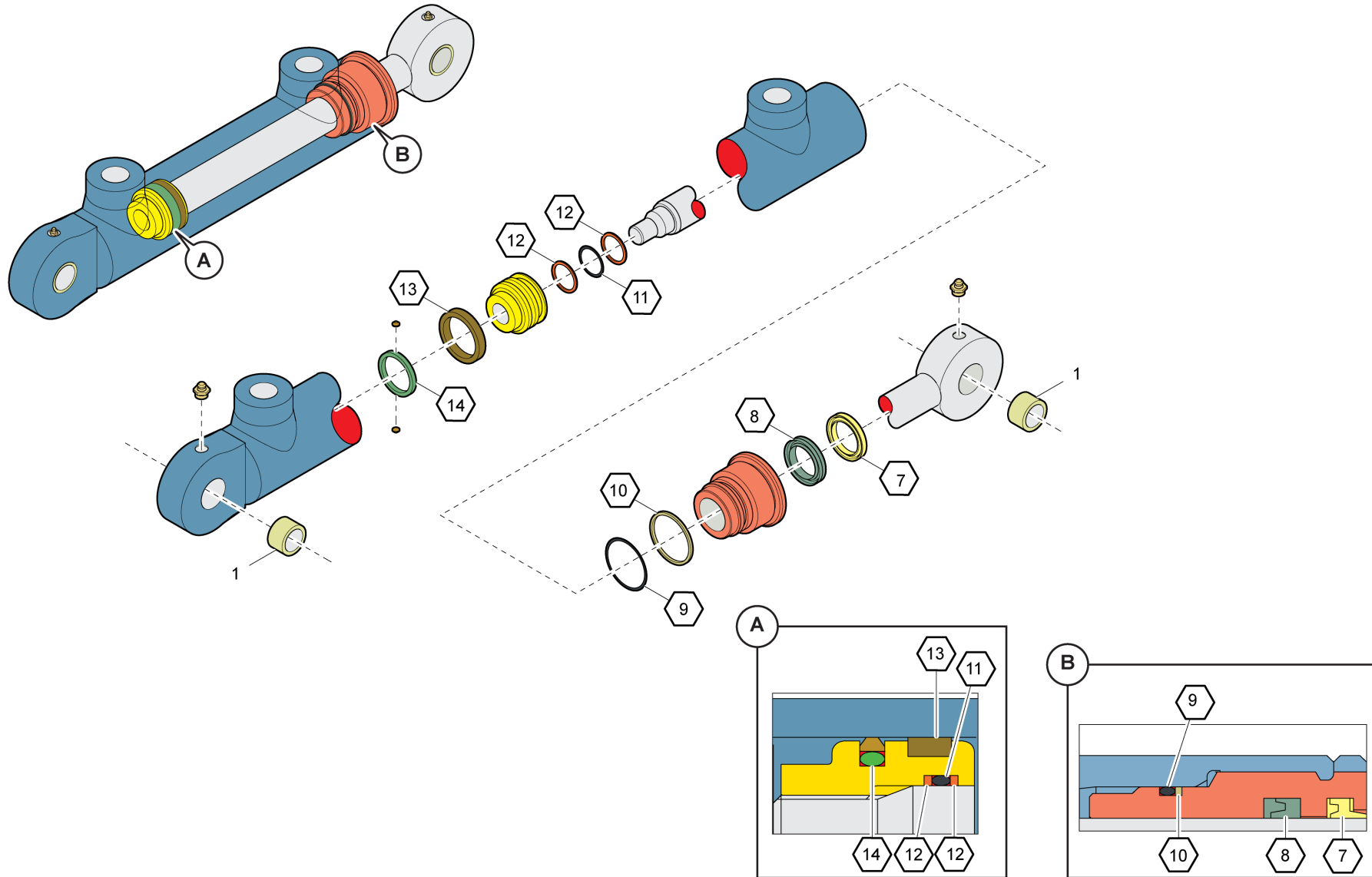
**ROD HANDLING / STÅNGHANTERING**

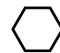
-

Ref.no	Part no Art.nr	Qty Qty	Description	Beskrivning	See page Se sidan	Remarks Anmärkningar
1	5726 8085 01	2	ARM	ARM	279	
2	-	1	END PIECE	ÄNDSTYCKE	285	
3	5726 8085 58	1	END PIECE	ÄNDSTYCKE	287	
4	5726 8085 28	1	SHAFT	AXEL	289	
5	5726 8077 33	1	MOTOR	MOTOR		
6	5726 8085 85	1	PLATE	PLÅT		
7	0333 5200 14	2	LOCK WASHER	LÅSBRICKA		NORD-LOCK M10
8	0147 1362 03	2	SCREW, HEX HEAD	SKRUV, SEXKANT		M 10 X 25 - 8.8 FZB
9	3315 0195 10	4	LOCK WASHER	LÅSBRICKA		17/25,4 X 3,7 HRC50 FZB
10	0147 1480 03	4	SCREW, HEX HEAD	SKRUV, SEXKANT		M 16 X 55 - 8.8 FZB

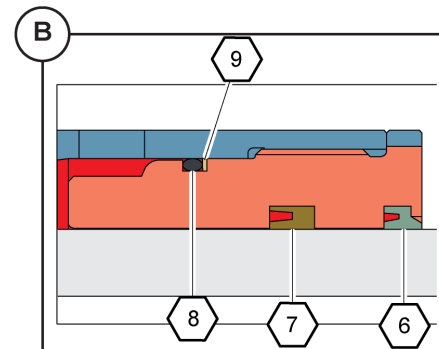
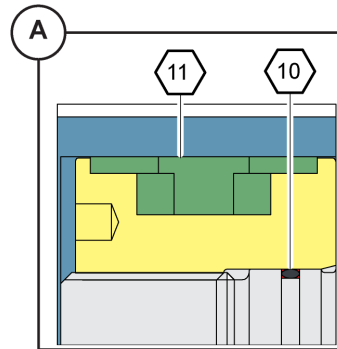
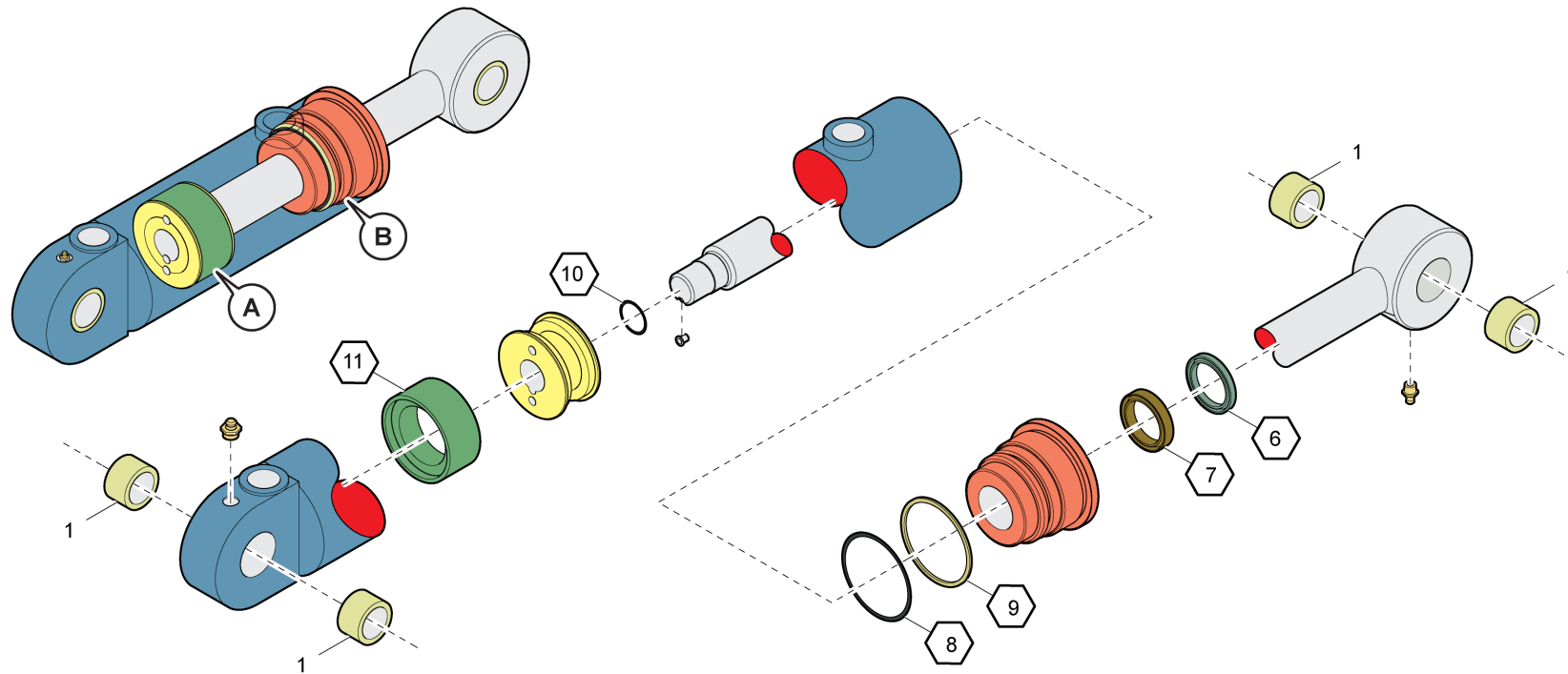


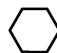
Ref.no	Part no Art.nr	Qty Qty	Description	Beskrivning	See page Se sidan	Remarks Anmärkningar
1	5726 8082 06	1	CYLINDER	CYLINDER	281	ROD TRANSFER
2	5726 8082 07	1	CYLINDER	CYLINDER	283	ROD GRIP
3	5726 8085 02	1	BRACKET	FÄSTDON		
4	5726 8085 03	1	SHAFT	AXEL		
5	5726 8085 05	1	SHAFT	AXEL		
6	5726 8085 08	1	JAW	KLO		
7	5726 8085 13	1	SHAFT	AXEL		
8	5726 8085 17	1	ARM	ARM		
9	5726 8085 18	2	BUSHING HALF	BUSSNINGSHALVA		
10	5726 8085 19	1	SHAFT	AXEL		
11	5726 8085 20	1	SHAFT	AXEL		
12	5726 8085 21	1	SHAFT	AXEL		
13	5726 8085 24	1	PLATE	PLÅT		
14	5726 8085 25	1	PLATE	PLÅT		
15	5726 8085 26	1	SHAFT	AXEL		
16	5726 8085 27	1	SCREW	HÅLSKRUV		
17	0666 8100 17	2	AXIAL SEAL	AXIALTÄTNING		A 54 64 7
18	0686 9252 27	4	PROTECTION CAP	SKYDDSHUV		12 X 12 PELD / RED
19	0333 5200 14	1	LOCK WASHER	LÅSBRICKA		NORD-LOCK M10
20	0333 5200 13	2	LOCK WASHER	LÅSBRICKA		M10 - 10,7 21,0 2,5 STEEL
21	0101 1951 60	2	CYL.PIN	CYL.PINNE		B3 12 15 - 3 0011 1914 04
22	3315 0195 08	7	LOCK WASHER	LÅSBRICKA		13,0/19,5 X 2,6 HRC50 FZB
23	0333 5200 09	4	LOCK WASHER	LÅSBRICKA		
24	3315 0195 10	2	LOCK WASHER	LÅSBRICKA		17/25,4 X 3,7 HRC50 FZB
25	0108 1370 00	2	SPRING PIN	RÖRPINNE		8 100
26	0108 1366 00	2	SPRING PIN	RÖRPINNE		8 X 70 DIN 1481
27	0147 1362 03	2	SCREW, HEX HEAD	SKRUV, SEXKANT		M 10 X 25 - 8.8 FZB
28	0147 1363 03	1	SCREW, HEX HEAD	SKRUV, SEXKANT		M 10 X 30 - 8.8 FZB
29	0291 1128 22	7	LOCK NUT	LÅSMUTTER		M 12 - 8 FZB / ISO 7040
30	0147 1404 03	4	SCREW, HEX HEAD	SKRUV, SEXKANT		M 12 X 45 - 8.8 FZB
31	0266 2114 00	2	NUT	MUTTER		M 16 - 8 FZB
32	0147 1479 03	2	SCREW, HEX HEAD	SKRUV, SEXKANT		M 16 X 50 - 8.8 FZB
33	0211 1957 55	1	HEX SOCK. SCREW	SEKANTHÅLSKRUV		SKRUV
34	0190 1322 00	1	SET SCREW	STOPPSKRUV		M 8 X 16 P6SS DIN 913
35	0544 2106 00	2	GREASE NIPPLE	SMÖRJNIPPEL		AH M 6X1 SMS 1568
36	0544 2162 00	2	GREASE NIPPLE	SMÖRJNIPPEL		ISO 7 - R 1/8 TYPE AH
37	0500 4500 16	2	FLANGE BEARING	FLÄNSLAGER		B1T 25 28 25 35
38	0500 4500 24	2	FLANGE BEARING	FLÄNSLAGER		B1T 40 44 40 55



 = Seal kit

Ref.no	Part no Art.nr	Qty Qty	Description	Beskrivning	See page Se sidan	Remarks Anmärkningar
	5726 8082 18	1	SEAL KIT	TÄTNINGSSATS		
1	5726 8094 76	2	BUSHING	BUSSNING		

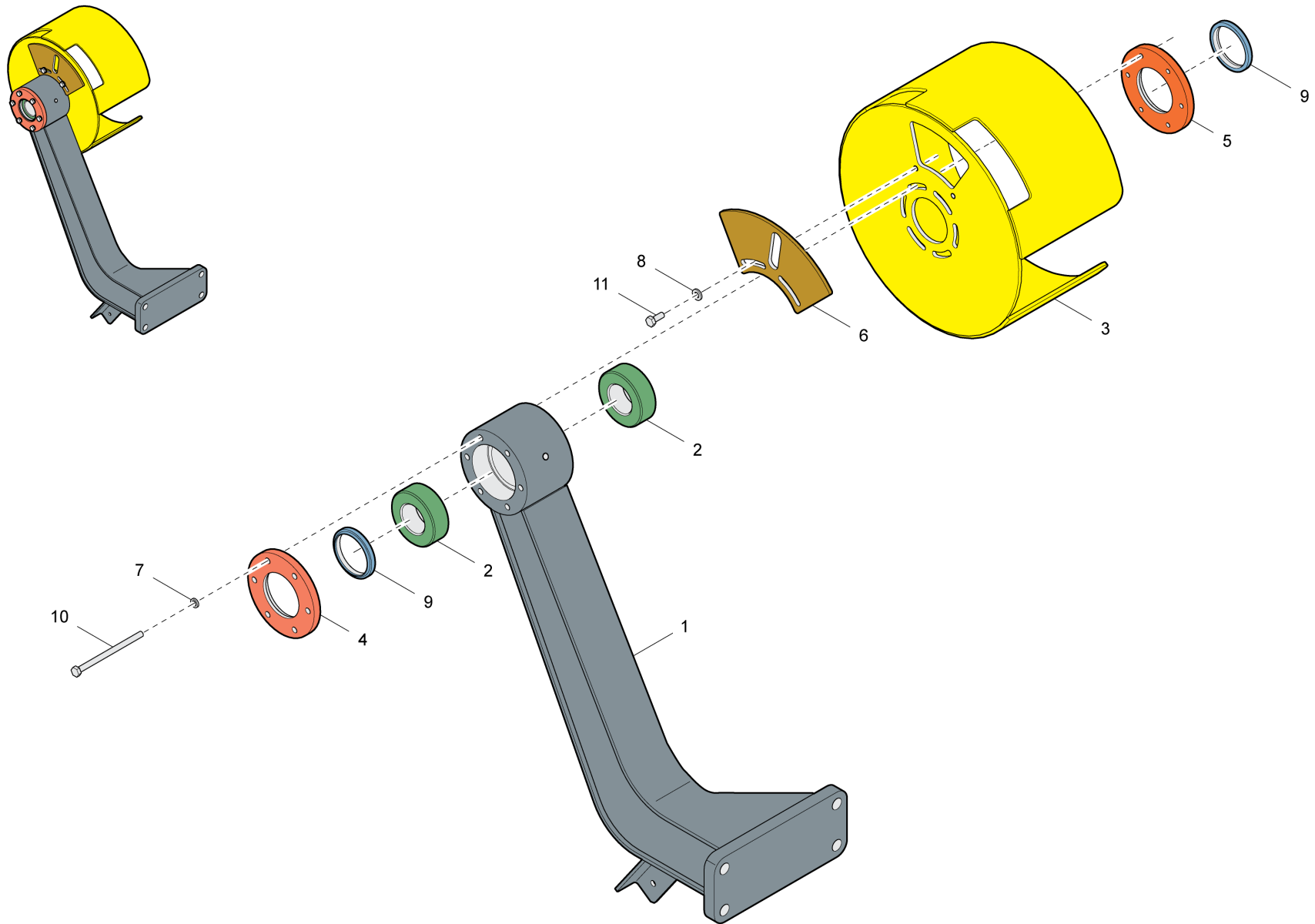


 = Seal kit

Ref.no	Part no Art.nr	Qty Qty	Description	Beskrivning	See page Se sidan	Remarks Anmärkningar
	5726 8082 19	1	SEAL KIT	TÄTNINGSSATS		
1	5726 8094 77	4	BUSHING	BUSSNING		

# END PIECE / ÄNDSTYCKE

-

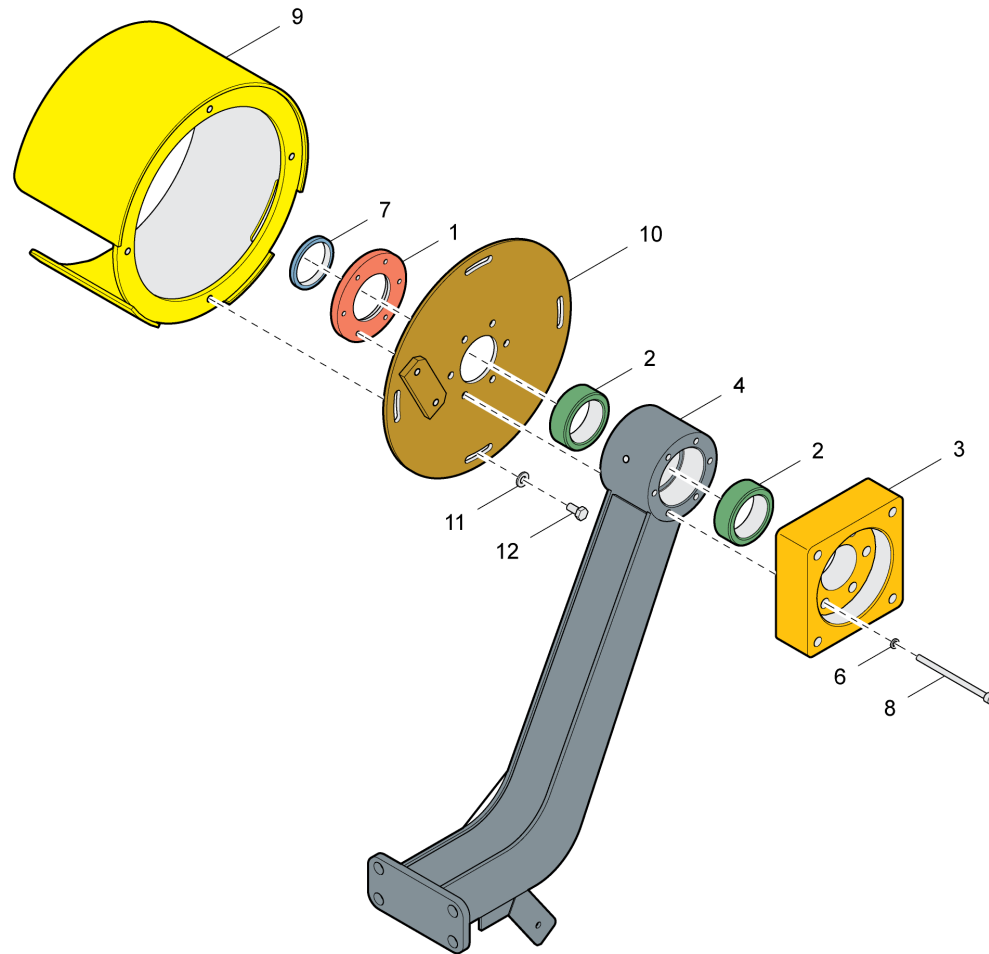
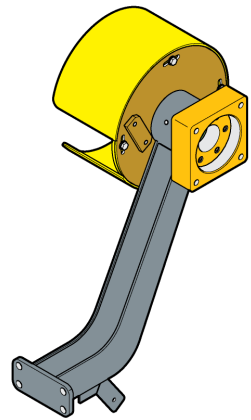




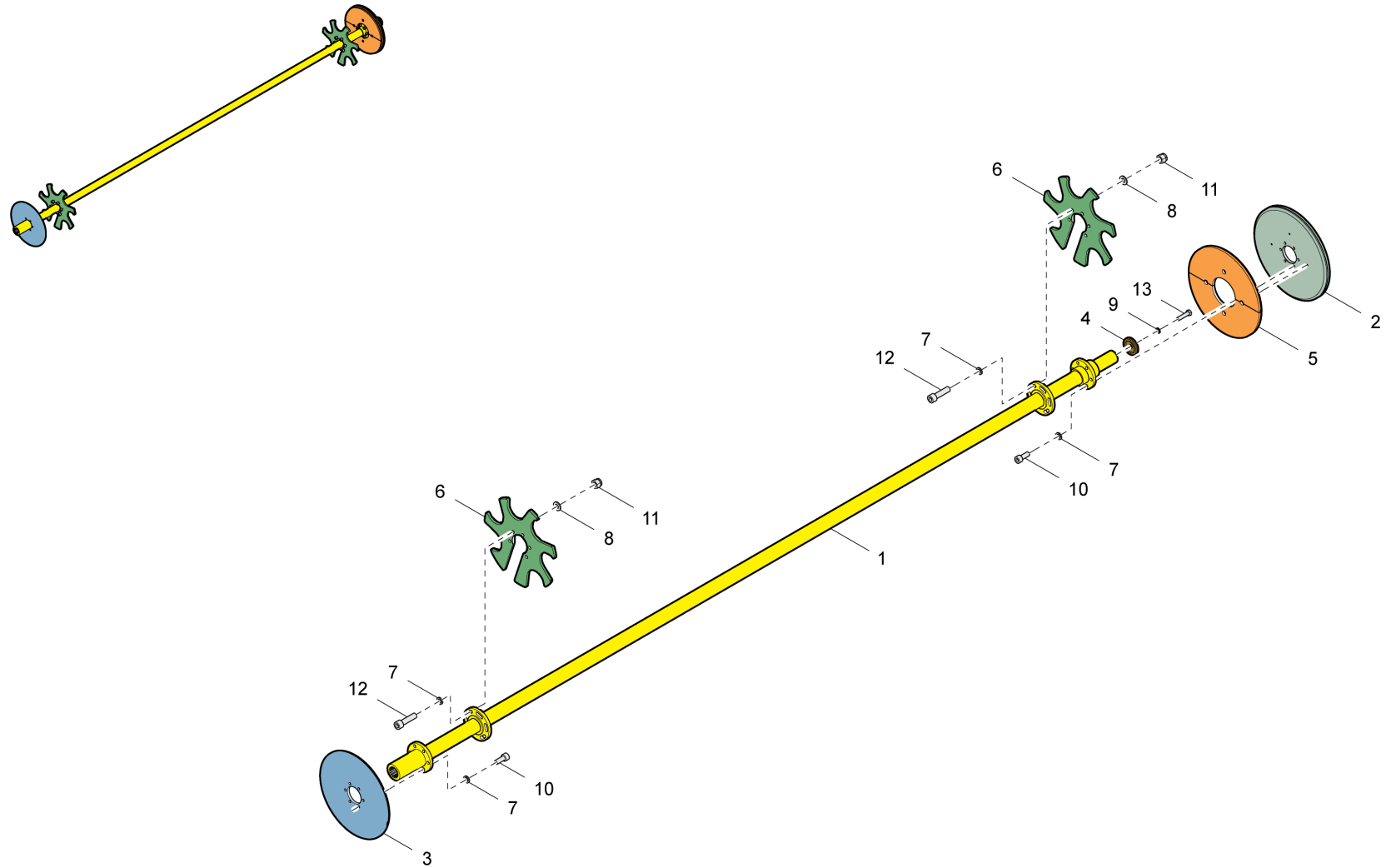
## END PIECE / ÄNDSTYCKE

-

Ref.no	Part no Art.nr	Qty Qty	Description	Beskrivning	See page Se sidan	Remarks Anmärkningar
1	5726 8085 44	1	BRACKET	FÄSTDON		
2	5726 8085 45	2	BEARING	BÄRLAGER		
3	5726 8085 46	1	PROTECTION	SKYDD		
4	5726 8085 47	1	RING	RING		
5	5726 8085 48	1	RING	RING		
6	5726 8085 74	1	PLATE	PLÅT		
7	3315 0195 04	6	LOCK WASHER	LÄSBRICKA		8,2/13,5 X 2,6 HRC50 FZB
8	0333 5200 15	2	LOCK WASHER	LÄSBRICKA		8,7 / 16,6 X 2,5
9	0665 9100 16	2	WIPER	AVSTRYKARE		63 / 75 X 10 AU 94
10	0147 1344 03	6	SCREW, HEX HEAD	SKRUV, SEXKANT		M 8 X 130 - 8.8 FZB
11	0147 1323 03	2	SCREW, HEX HEAD	SKRUV, SEXKANT		M 8 X 20 -8.8 FZB



Ref.no	Part no Art.nr	Qty Qty	Description	Beskrivning	See page Se sidan	Remarks Anmärkningar
1	5726 8085 48	1	RING	RING		
2	5726 8085 57	2	BEARING	BÄRLAGER		
3	5726 8085 59	1	ADAPTER	ÖVERGÅNG		
4	5726 8085 71	1	BRACKET	FÄSTDON		
6	3315 0195 04	6	LOCK WASHER	LÅSBRICKA		8,2/13,5 X 2,6 HRC50 FZB
7	0665 9100 16	1	WIPER	AVSTRYKARE		63 / 75 X 10 AU 94
8	0211 1344 03	6	SCREW	SKRUV		MC6S M 8 X 130 - 8.8 FZB
9	5726 8085 88	1	PROTECTION	SKYDD		
10	5726 8085 90	1	PLATE	PLÅT		
11	0333 5200 13	4	LOCK WASHER	LÅSBRICKA		M10 - 10,7 21,0 2,5 STEEL
12	0147 1360 03	4	SCREW, HEX HEAD	SKRUV, SEXKANT		M 10 X 20 - 8.8 FZB



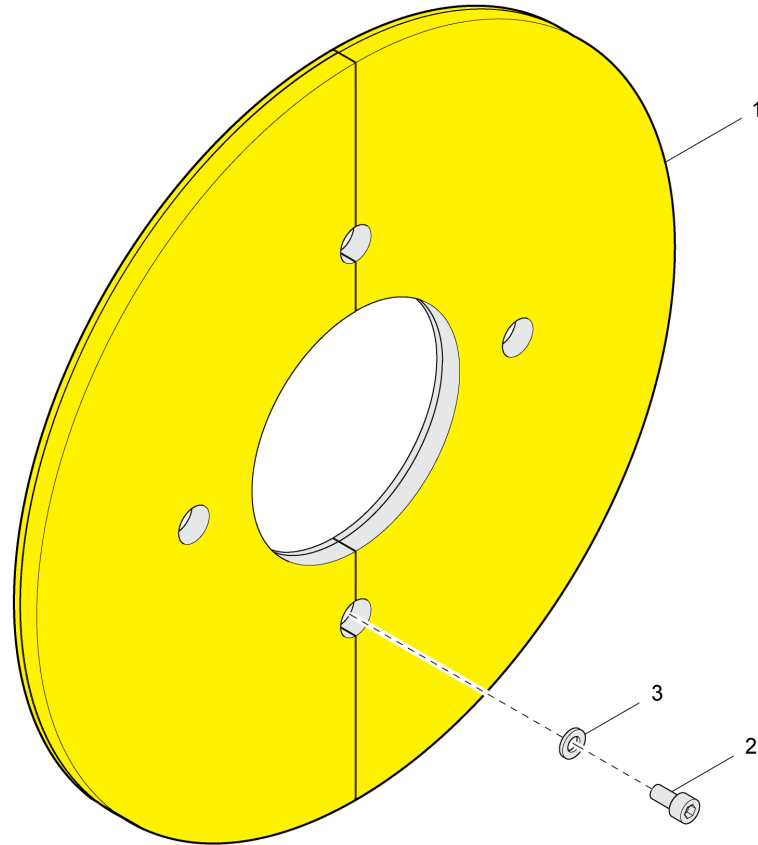
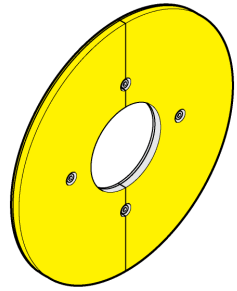
## SHAFT / AXEL

5726 8085 28

Ref.no	Part no Art.nr	Qty Qty	Description	Beskrivning	See page Se sidan	Remarks Anmärkningar
1	5726 8085 29	1	SHAFT	AXEL		
2	5726 8085 30	1	GABLE PLATE	GAVELPLÅT		
3	5726 8085 31	1	PLATE	PLÅT		
4	5726 8085 32	1	RING	RING		
5	5726 8085 33	1	DAMPER	DÄMPARE	291	
6	-	2	PLATE	PLÅT		
7	0333 5200 14	22	LOCK WASHER	LÅSBRICKA		NORD-LOCK M10
8	0333 5200 13	10	LOCK WASHER	LÅSBRICKA		M10 - 10,7 21,0 2,5 STEEL
9	3315 0195 08	1	LOCK WASHER	LÅSBRICKA		13,0/19,5 X 2,6 HRC50 FZB
10	0211 1362 03	12	SCREW	SKRUV		MC6S M 10 X 25 - 8.8 FZB
11	0291 1128 22	10	LOCK NUT	LÅSMUTTER		M 12 - 8 FZB / ISO 7040
12	0211 1404 03	10	SCREW	SKRUV		MC6S M 12 X 45 - 8.8 FZB
13	0147 1405 03	1	SCREW, HEX HEAD	SKRUV, SEXKANT		M 12 X 50 - 8.8 FZB

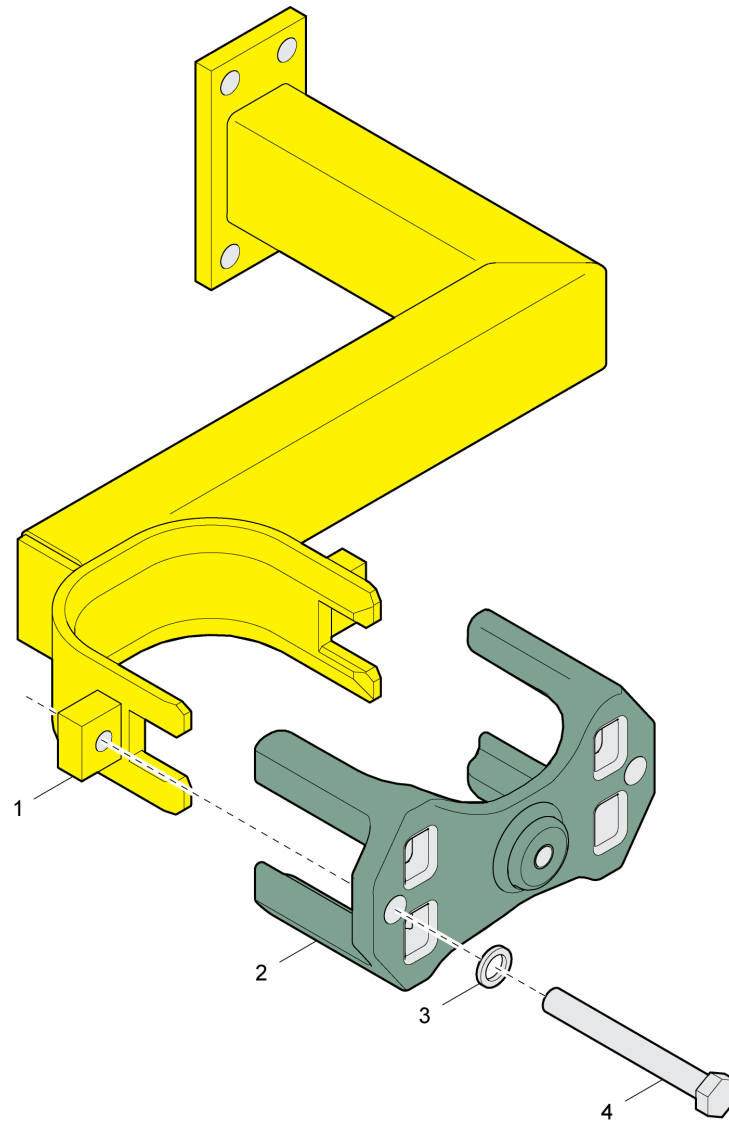
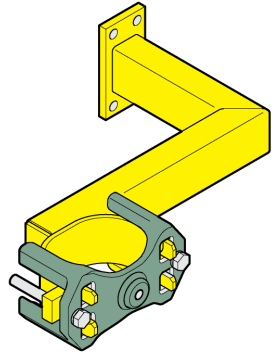
DAMPER / DÄMPARE

5726 8085 33



**DAMPER / DÄMPARE****5726 8085 33**

<b>Ref.no</b>	<b>Part no Art.nr</b>	<b>Qty Qty</b>	<b>Description</b>	<b>Beskrivning</b>	<b>See page Se sidan</b>	<b>Remarks Anmärkningar</b>
1	5726 8085 40	1	DAMPER	DÄMPARE		
2	0211 1244 03	4	SCREW	SKRUV		MC6S M 6 X 12 - 8.8 FZB
3	0301 2321 00	4	PLAIN WASHER	RUNDBRICKA		6,4 / 12 X 1,6 -HB200 FZB



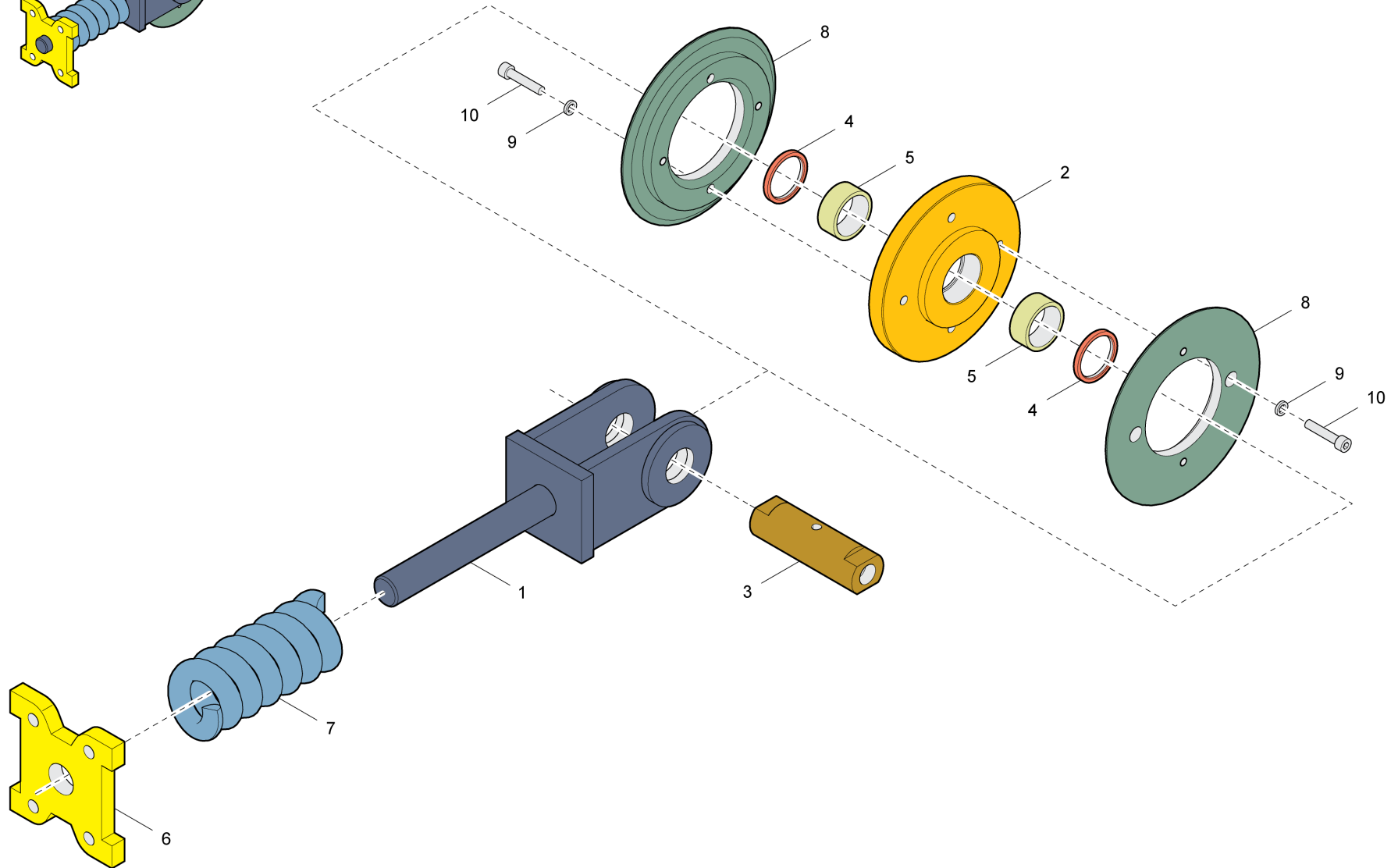
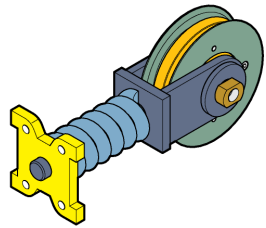


## HOSE HOLDER / SLANGHÅLLARE

5726 8091 29

Ref.no	Part no Art.nr	Qty Qty	Description	Beskrivning	See page Se sidan	Remarks Anmärkningar
1	5726 8091 25	1	SUPPORT	BOCK		
2	5726 8012 25	1	YOKE	BYGEL		
3	3315 0195 08	2	LOCK WASHER	LÅSBRICKA		13,0/19,5 X 2,6 HRC50 FZB
4	0147 1415 12	2	SCREW, HEX HEAD	SKRUV, SEXKANT		M 12 X 100 - 8.8 FZB

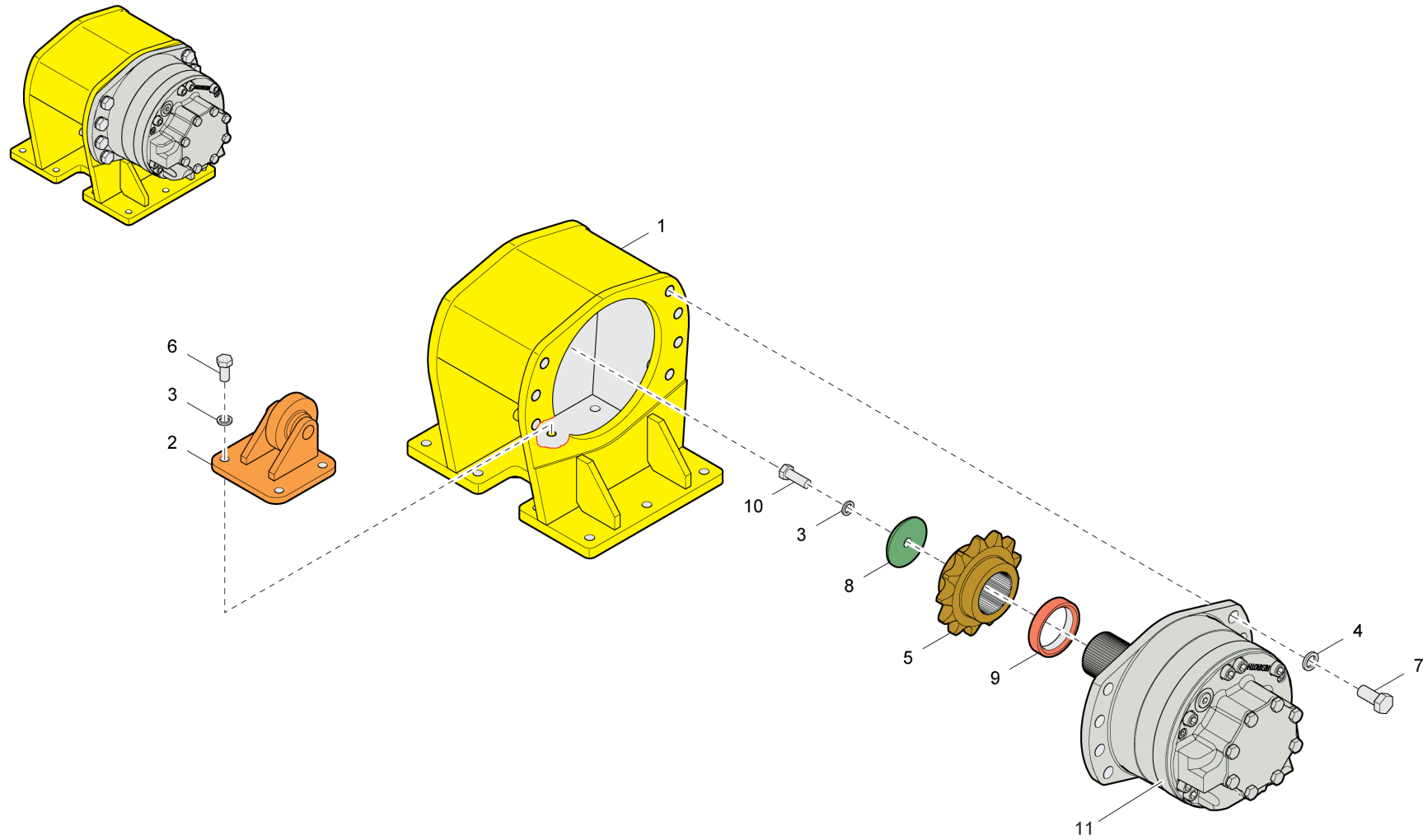
# WHEEL SET / HJULSATS



**WHEEL SET / HJULSATS**

-

Ref.no	Part no Art.nr	Qty Qty	Description	Beskrivning	See page Se sidan	Remarks Anmärkningar
1	5726 8091 35	1	SUPPORT	BOCK		
2	5726 8091 39	1	WHEEL	HJUL		
3	5726 8091 40	1	SHAFT	AXEL		
4	5726 8091 41	2	SPACER	DISTANS		
5	5726 8091 42	2	BEARING	BÄRLAGER		
6	-	1	PLATE	PLÅT		
7	3121 2151 35	1	SPRING	FJÄDER		
8	5726 8091 86	2	BLOCK	BLOCK		
9	3315 0195 04	4	LOCK WASHER	LÅSBRICKA		8,2/13,5 X 2,6 HRC50 FZB
10	0211 1328 03	4	SCREW	SKRUV		MC6S M 8 X 40 - 8.8 FZB



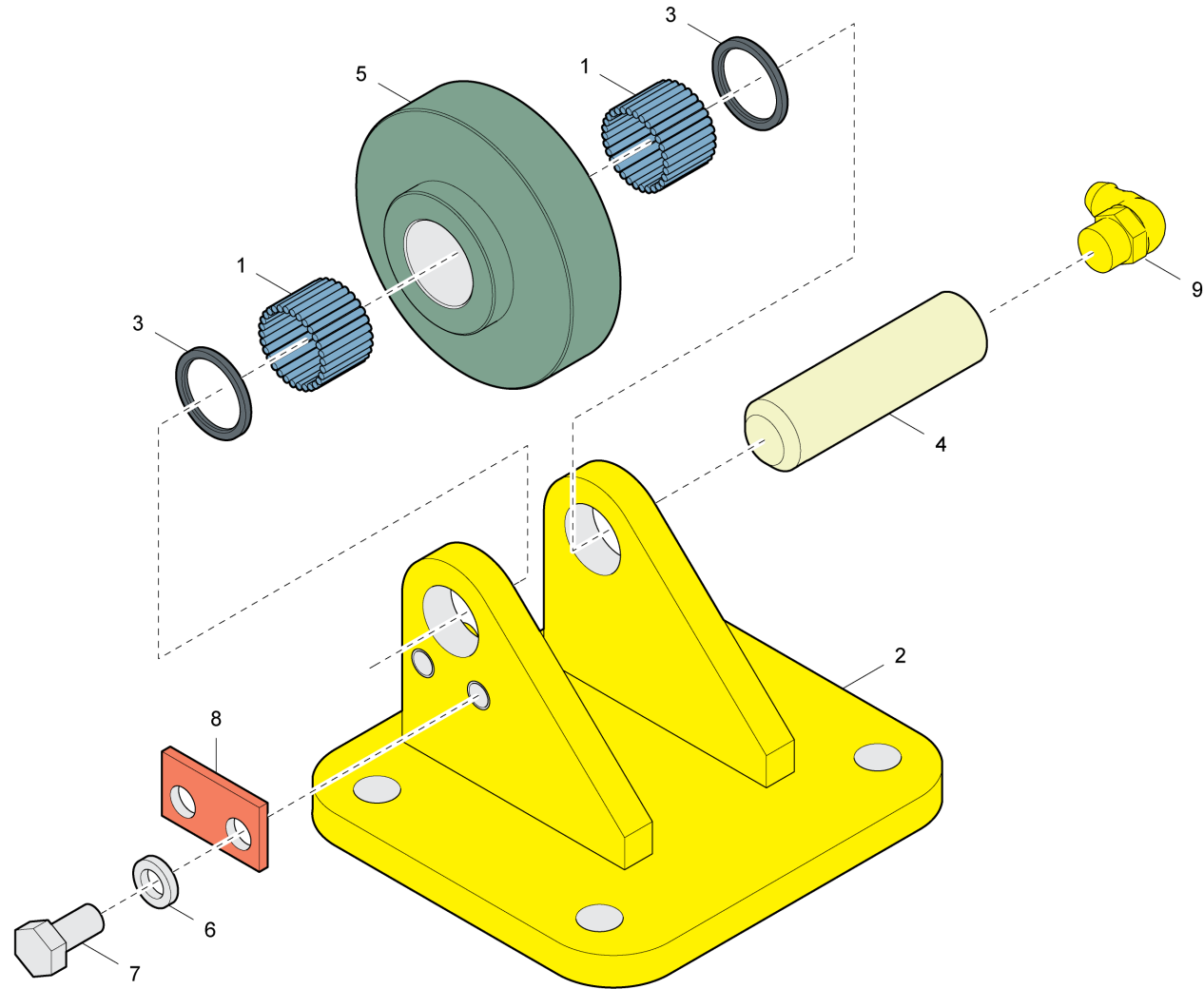
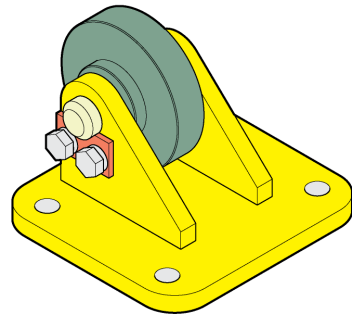
## MOTOR BRACKET / MOTORFÄSTE

5726 8091 51

Ref.no	Part no Art.nr	Qty Qty	Description	Beskrivning	See page Se sidan	Remarks Anmärkningar
1	5726 8091 52	1	MOTOR SUPPORT	MOTORSTÖD		
2	-	1	WHEEL SET	HJULSATS	299	
3	3315 0195 08	3	LOCK WASHER	LÅSBRICKA		13,0/19,5 X 2,6 HRC50 FZB
4	3315 0195 10	8	LOCK WASHER	LÅSBRICKA		17/25,4 X 3,7 HRC50 FZB
5	5726 8091 62	1	SPROCKET WHEEL	KEDJEHJUL		
6	0147 1400 03	2	SCREW, HEX HEAD	SKRUV, SEXKANT		M 12 X 25 - 8.8 FZB
7	0147 1476 03	8	SCREW, HEX HEAD	SKRUV, SEXKANT		M 16 X 35 - 8.8 FZB
8	5726 8091 63	1	WASHER	BRICKA		
9	5726 8091 88	1	SPACER	DISTANS		
10	0147 1402 03	1	SCREW, HEX HEAD	SKRUV, SEXKANT		M 12 X 35 - 8.8 FZB
11	5726 8077 32	1	FEED MOTOR	MATARMOTOR	301	

# WHEEL SET / HJULSATS

-



**WHEEL SET / HJULSATS**

-

Ref.no	Part no Art.nr	Qty Qty	Description	Beskrivning	See page Se sidan	Remarks Anmärkningar
1	5726 8084 97	2	NEEDLE BEARING	NÅLLAGER		
2	5726 8091 45	1	SUPPORT	BOCK		
3	5726 8091 50	2	SPACER	DISTANS		
4	5726 8091 49	1	SHAFT	AXEL		
5	5726 8091 48	1	SPROCKET WHEEL	KEDJEHJUL		
6	3315 0195 04	2	LOCK WASHER	LÅSBRICKA		8,2/13,5 X 2,6 HRC50 FZB
7	0147 1322 03	2	SCREW, HEX HEAD	SKRUV, SEXKANT		M 8 X 16 - 8.8 FZB
8	5726 8091 02	1	PLATE	PLÅT		
9	5730 0077 65	1	GREASE NIPPLE	SMÖRJNIPPEL		NIPPLE





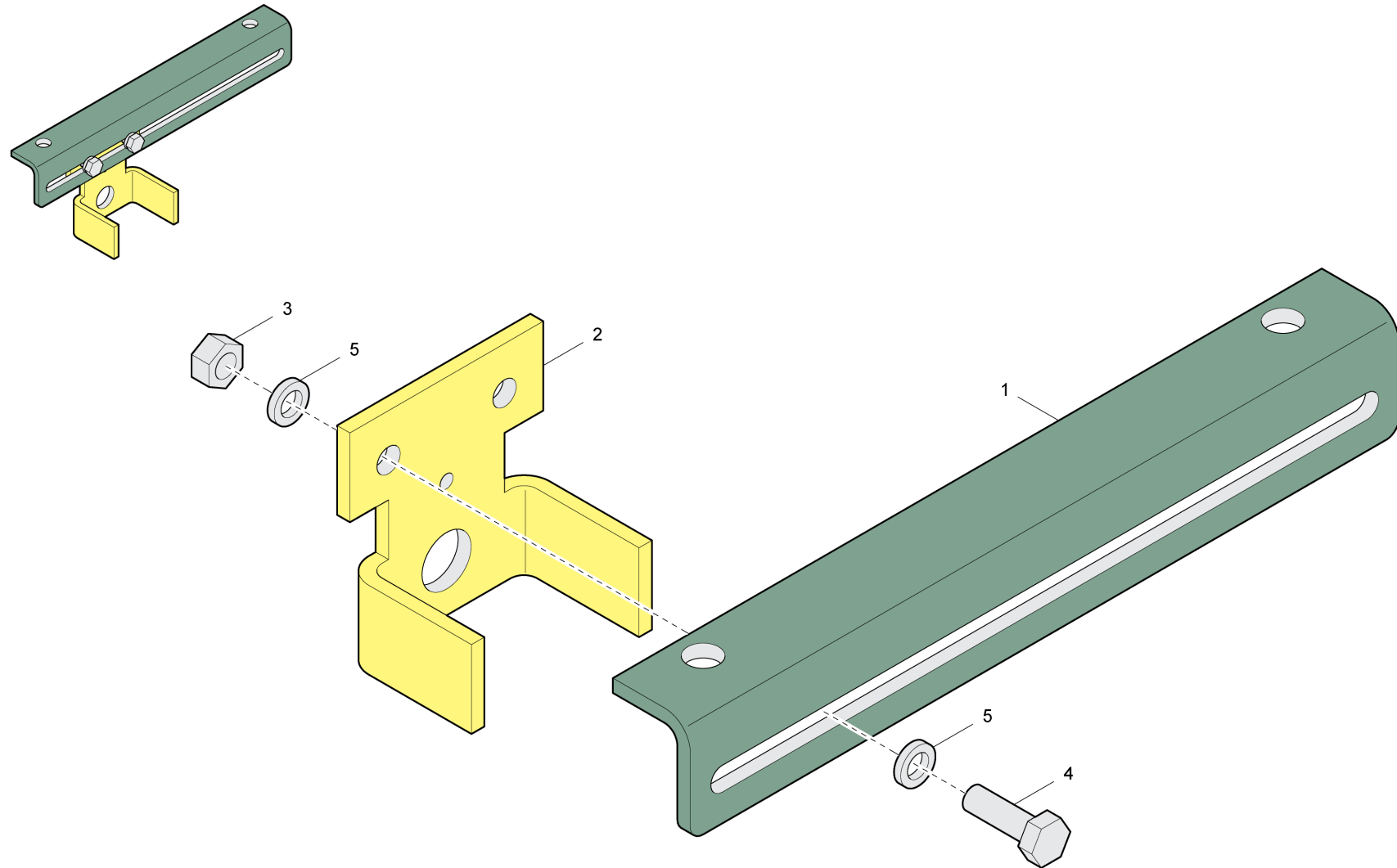
## FEED MOTOR / MATARMOTOR

5726 8077 32

Ref.no	Part no Art.nr	Qty Qty	Description	Beskrivning	See page Se sidan	Remarks Anmärkningar
1	6060 1001 51	1	SEAL KIT	TÄTNINGSSATS		
2	6060 1001 52	1	SHAFT	AXEL		
3	6060 1001 53	1	BEARING	BÄRLAGER		
4	6060 1001 54	1	BEARING	BÄRLAGER		
5	6060 1001 55	1	RING	RING		
6	6060 1001 56	1	CYLINDER BLOCK	CYLINDERBLOCK		
7	6060 1001 57	5	PISTON	KOLV		
8	6060 1001 58	5	ROLLER	LÖPRULLE		
9	6060 1001 59	1	DISTRIBUTOR	FÖRDELARE		
10	6060 1001 60	1	DOWEL PIN	DUBBPINNE		
11	6060 1001 61	9	SPRING	FJÄDER		
12	6060 1001 62	2	DOWEL PIN	DUBBPINNE		
13	6060 1001 63	1	BRAKE	BROMS		
14	6060 1001 64	1	PISTON BRAKE	KOLVBROMS		

# BRACKET / FÄSTDON

-



## BRACKET / FÄSTDON

-

Ref.no	Part no Art.nr	Qty Qty	Description	Beskrivning	See page Se sidan	Remarks Anmärkningar
1	5726 8091 58	1	PLATE	PLÅT		
2	5726 8091 59	1	PLATE	PLÅT		
3	0266 2110 00	2	NUT	MUTTER		M 8 - 8 FZB
4	0147 1325 03	2	SCREW, HEX HEAD	SKRUV, SEXKANT		M 8 X 25 - 8.8 FZB
5	3315 0195 04	4	LOCK WASHER	LÅSBRICKA		8,2/13,5 X 2,6 HRC50 FZB



**ROTATION UNIT / ROTATIONSENHET**  
**LIST OF CONTENTS**

Part no Art.nr	Description	Beskrivning	See page Se sidan	Remarks Anmärkningar
-	ROTATION UNIT	ROTATIONSENHET	307	
-	- ROTATION UNIT	ROTATIONSENHET	309	76MM
-	-- GEAR BOX ASSY	VÄXELLÄDA KOMPL	311	
3121 2015 72	-- MOTOR	MOTOR	313	
5726 8091 80	- ADAPTER	ADAPTER F MANOM	315	



**ROTATION UNIT / ROTATIONSENHET**

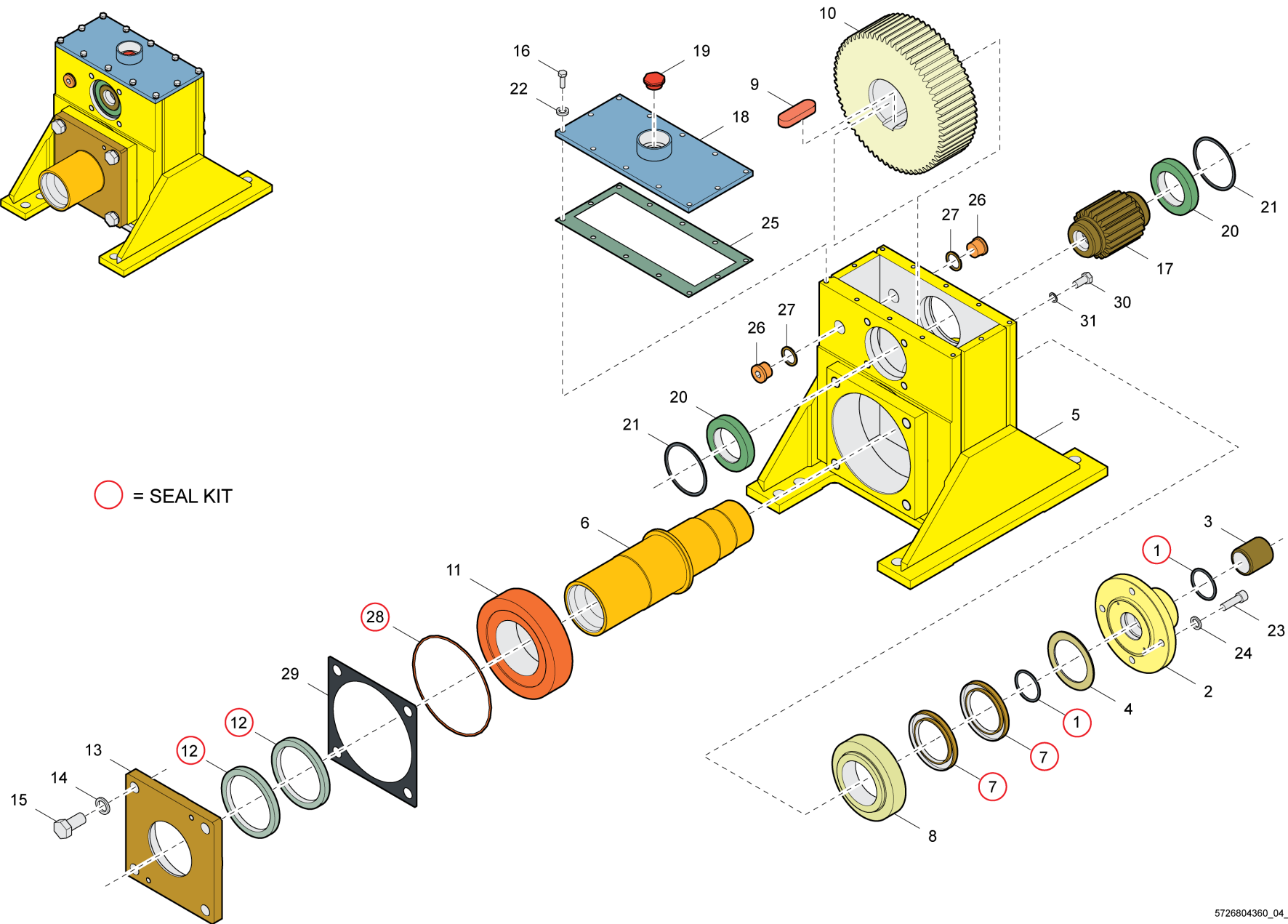
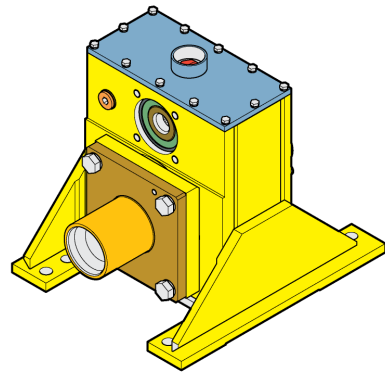
<b>Ref.no</b>	<b>Part no</b> <b>Art.nr</b>	<b>Qty</b> <b>Qty</b>	<b>Description</b>	<b>Beskrivning</b>	<b>See page</b> <b>Se sidan</b>	<b>Remarks</b> <b>Anmärkning</b>
-		1	ROTATION UNIT	ROTATIONSENHET	309	76MM
	5726 8091 80	1	ADAPTER	ADAPTER F MANOM	315	





Ref.no	Part no Art.nr	Qty Qty	Description	Beskrivning	See page Se sidan	Remarks Anmärkningar
1	-	1	GEAR BOX ASSY	VÄXELLÅDA KOMPL	311	
2	3121 2015 72	1	MOTOR	MOTOR	313	
3	5726 8014 31	2	GASKET	PACKNING		
4	5726 8082 62	1	COVER	KÅPA		
5	0211 1960 13	4	SCREW	SKRUV		MC6S M 14 X 40 - 10.9
6	0301 2371 00	8	PLAIN WASHER	RUNDBRICKA		15 / 28 X 2,5 -HB 200 FZB
7	0333 5200 16	8	LOCK WASHER	LÅSBRICKA		14,5/23,0X3,4 NORDLOCK
8	0211 1438 03	4	SCREW	SKRUV		MC6S M 14 X 30 - 8.8 FZB

# GEAR BOX ASSY / VÄXELLÅDA KOMPL



○ = SEAL KIT

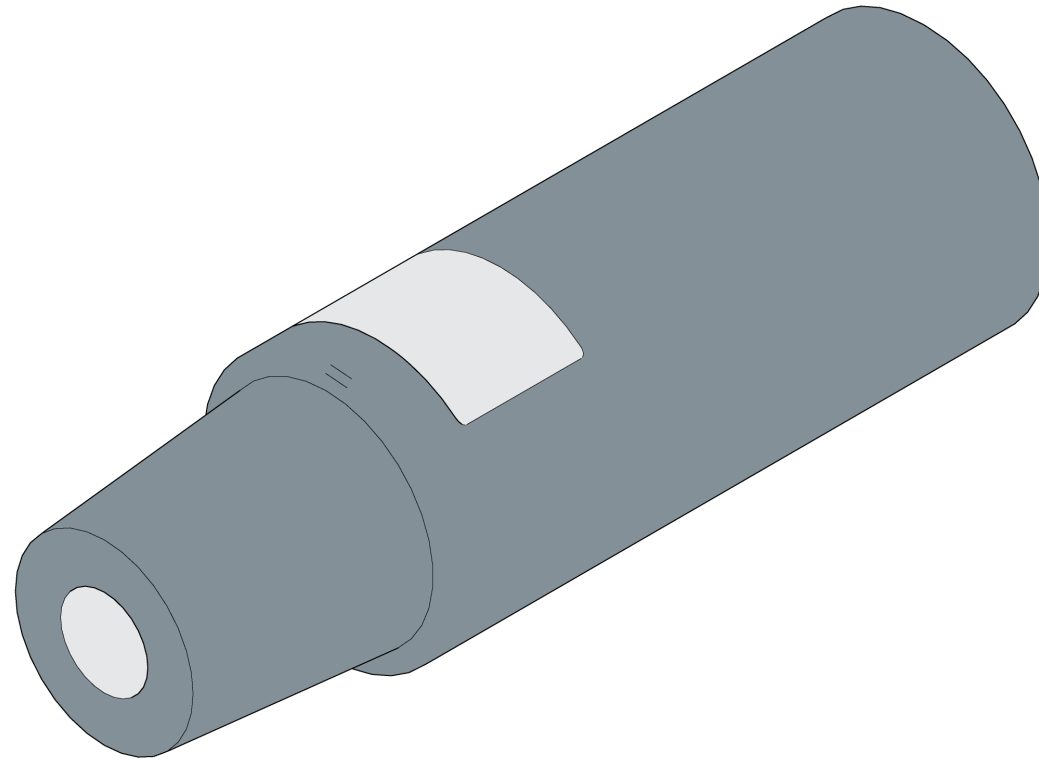
## GEAR BOX ASSY / VÄXELLÅDA KOMPL

-

Ref.no	Part no Art.nr	Qty Qty	Description	Beskrivning	See page Se sidan	Remarks Anmärkningar
	5726 8097 59	1	SEAL KIT	TÄTNINGSSATS		
1	5726 8043 61	2	SEAL	PLOMB		
2	5726 8043 62	1	COVER	KÅPA		
3	5726 8043 63	1	SLEEVE	HYLSA		
4	5726 8043 64	1	BACK-UP RING	BACK-UP RING		
5	5726 8043 65	1	GEAR BOX	VÄXELLÅDA		
6	5726 8043 66	1	SHAFT	AXEL		
7	5726 8014 38	2	RADIAL LIP SEAL	RADIALTÄTNING		
8	5726 8014 39	1	BEARING	BÄRLAGER		
9	0337 7523 00	1	FLAT KEY	PLATTKIL		25 X 14 X 80 DIN 6885 A
10	5726 8014 41	1	GEAR WHEEL	KUGGHJUL		
11	5726 8014 43	1	BEARING	BÄRLAGER		
12	0666 6000 68	2	RADIAL LIP SEAL	RADIALTÄTNING		105 130 12 - AS - 0013 39
13	5726 8014 44	1	COVER	KÅPA		
14	3315 0195 12	4	LOCK WASHER	LÅSBRICKA		NORD-LOCK M20
15	0147 1549 03	4	SCREW, HEX HEAD	SKRUV, SEXKANT		M 20 X 40 - 8.8 FZB
16	0147 1325 03	12	SCREW, HEX HEAD	SKRUV, SEXKANT		M 8 X 25 - 8.8 FZB
17	5726 8014 46	1	GEAR WHEEL	KUGGHJUL		
18	5726 8014 47	1	COVER	KÅPA		
19	5726 8014 48	1	LEVEL GLASS	NIVÅGLAS		
20	0502 1113 00	2	BALL BEARING	KULLAGER		65 / 100 X 18
21	5726 8014 96	2	SPACER	DISTANS		
22	3315 0195 04	12	LOCK WASHER	LÅSBRICKA		8,2/13,5 X 2,6 HRC50 FZB
23	0211 1964 11	4	HEX SOCK. SCREW	SEKANTHÅLSKRUV		M12 40 18 H 12 6 10 12.9
24	3315 0195 08	4	LOCK WASHER	LÅSBRICKA		13,0/19,5 X 2,6 HRC50 FZB
25	5726 8014 97	1	GASKET	PACKNING		
26	0686 3718 07	2	PLUG	PROPP		M 27X2 - STEEL PHOSP.PR
27	0661 1038 00	2	SEAL WASHER	TÄTNINGSBRICKA		TREDO 3/4"
29	5726 8014 49	1	GASKET	PACKNING		
30	0147 1400 03	1	SCREW, HEX HEAD	SKRUV, SEXKANT		M 12 X 25 - 8.8 FZB
31	0661 1005 00	1	SEAL WASHER	TÄTNINGSBRICKA		FZ STEEL



Ref.no	Part no Art.nr	Qty Qty	Description	Beskrivning	See page Se sidan	Remarks Anmärkningar
1	3121 2031 66	1	SEAL KIT	TÄTNINGSSATS		



**ADAPTER / ADAPTER F MANOM****5726 8091 80**

<b>Ref.no</b>	<b>Part no</b> <b>Art.nr</b>	<b>Qty</b> <b>Qty</b>	<b>Description</b>	<b>Beskrivning</b>	<b>See page</b> <b>Se sidan</b>	<b>Remarks</b> <b>Anmärkningar</b>
	5726 8091 80	1	ADAPTER	ADAPTER F MANOM		API 2 3/8 REG - API 2 7/8 IF





**CABIN / HYTT**  
**LIST OF CONTENTS**

Part no Art.nr	Description	Beskrivning	See page Se sidan	Remarks Anmärkningar
-	CABIN	HYTT	319	
-	- CABIN COMPLETE	HYTT KOMPLETT	321	
-	-- CABIN ASSEMBLY	HYTTMONTERING	323	
-	--- FLOOR PANEL KIT	GOLVPANEL SATS	325	
-	---- FLOOR PANEL KIT	GOLVPLÅTSSATS	327	
-	----- PANEL KIT	PANELSATS	329	
-	----- PANEL	PANEL		
-	----- PANEL KIT	PANELSATS	331	
-	----- PANEL KIT	PANELSATS	333	
5726 8077 19	----- JOYSTICK	JOYSTICK	335	
-	----- PANEL KIT	PANELSATS	337	
5726 8077 15	----- VALVE	VENTIL	339	
5726 8092 52	----- CONTROL LEVER	MANÖVERSPAK		
5726 8092 54	----- CONTROL LEVER	MANÖVERSPAK		
-	----- PANEL KIT	PANELSATS	341	
-	---- TOOL BOX	VERKTYGSLÅDA		
-	---- PANEL	PANEL	343	
-	----- PANEL KIT	PANELSATS	345	
5726 8077 18	----- JOYSTICK	JOYSTICK	347	
5726 8078 30	----- RELIEF VALVE	AVLASTN.VENTIL	349	IN LINE RELIEF VALVE FOR PD45
-	----- PANEL KIT	PANELSATS	351	
5726 8088 60	----- SWITCH MODUL	OMKOPPL.MODUL	353	
5726 8088 63	----- SWITCH MODUL	OMKOPPL.MODUL	355	
5726 8088 65	----- SWITCH MODUL	OMKOPPL.MODUL	357	
-	----- PANEL KIT	PANELSATS	359	
5726 8092 00	---- SEALING SET	PACKNINGSSATS	361	
-	---- SEALING SET	PACKNINGSSATS	363	
-	---- PLATE	PLÅT	365	
-	---- COVER	KÅPA	367	
-	----- COVER	KÅPA		
-	---- RUBBER CARPET	GUMMIMATTA	369	
-	--- PANEL KIT	PANELSATS	371	
-	---- BRACKET	KONSOL		
-	--- PANEL KIT	PANELSATS	373	

Part no Art.nr	Description	Beskrivning	See page Se sidan	Remarks Anmärkningar
-	--- EVAPORATOR	FÖRÅNGARBATTERI	377	
5726 8079 36	--- INSULATION	ISOLERING	379	
-	--- ELECTRONIC UNIT	ELEKTRONIKENHET	375	
-	---- ELECTRONIC ASSY	ELEKTRONIKENHET		
5726 8092 51	--- INCLINOMETER	LODGIVARE	381	
5726 8079 95	-- AIR CONDITIONER	KLIMATANLÄGGN.	383	
-	-- HYDR. SYSTEM	HYDRAULSYSTEM	457	SEE CHAPTER HYDR.SYSTEM
5726 8077 15	--- VALVE	VENTIL	339	
5726 8077 19	--- JOYSTICK	JOYSTICK	335	
5726 8077 18	--- JOYSTICK	JOYSTICK	347	
5726 8078 30	--- RELIEF VALVE	AVLASTN.VENTIL	349	IN LINE RELIEF VALVE FOR PD45
-	--- CONNECTION SET	ANSLUTNINGSSATS	459	POSITION VALVE
5726 8077 15	---- VALVE	VENTIL	339	
-	--- CONNECTION SET	ANSLUTNINGSSATS	461	TRAM JOYSTICK
5726 8077 19	---- JOYSTICK	JOYSTICK	335	
-	--- CONNECTION SET	ANSLUTNINGSSATS	463	FEED/ROT JOYSTICK
5726 8077 18	---- JOYSTICK	JOYSTICK	347	
-	--- CONNECTION SET	ANSLUTNINGSSATS	465	FEED PRESSURE CONTROL
5726 8078 30	---- RELIEF VALVE	AVLASTN.VENTIL	349	IN LINE RELIEF VALVE FOR PD45
-	--- CONNECTION SET	ANSLUTNINGSSATS		GAUGE HYDRAULIC

**CABIN / HYTT**

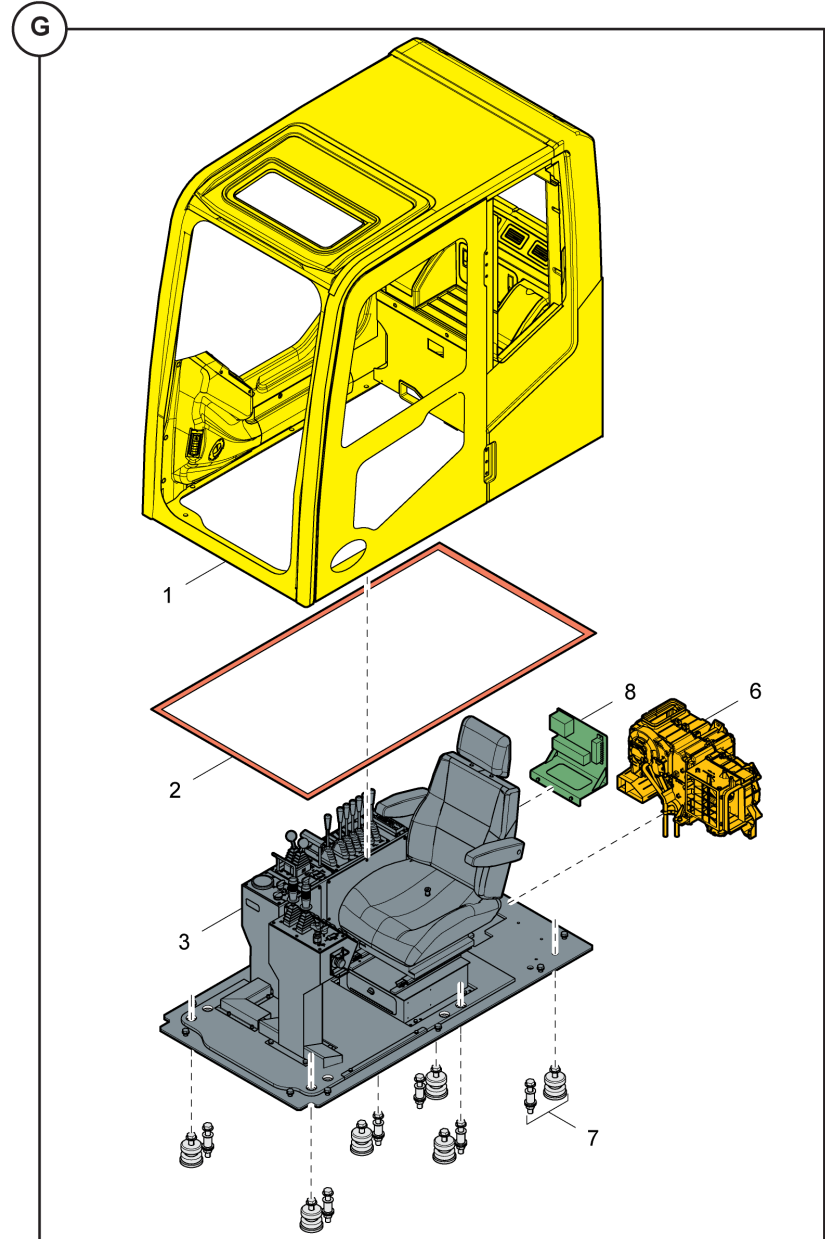
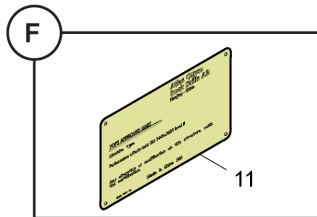
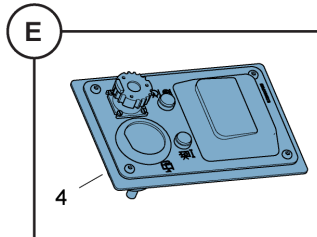
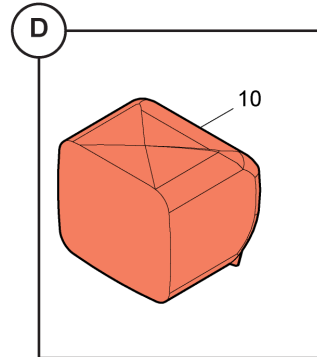
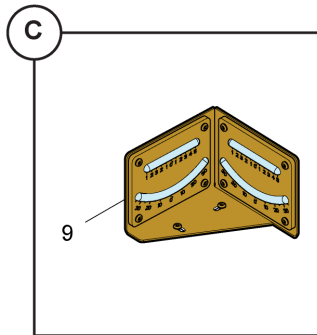
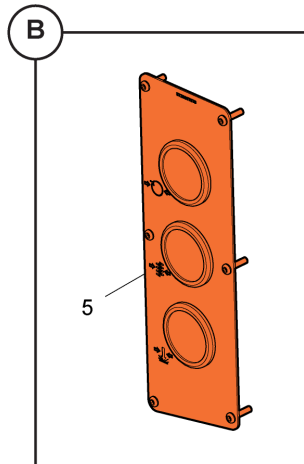
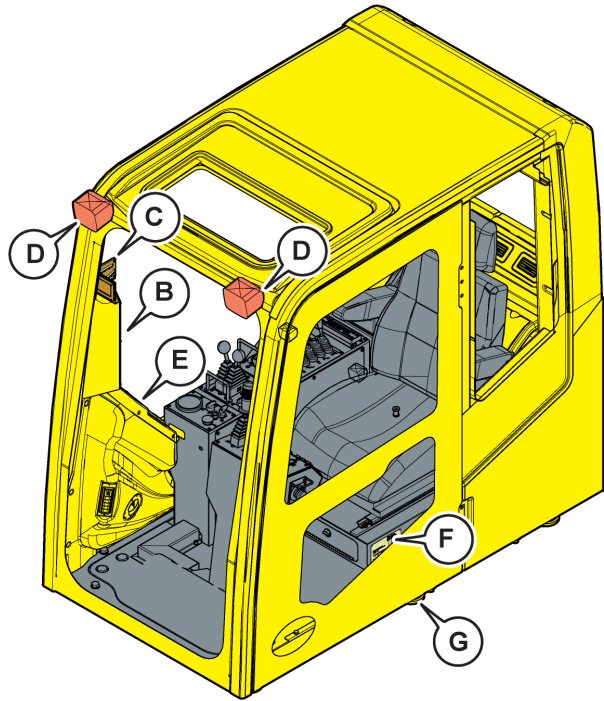
<b>Ref.no</b>	<b>Part no Art.nr</b>	<b>Qty Qty</b>	<b>Description</b>	<b>Beskrivning</b>	<b>See page Se sidan</b>	<b>Remarks Anmärkningar</b>
-		1	CABIN COMPLETE	HYTT KOMPLETT	321	



## CABIN COMPLETE / HYTT KOMPLETT

-

Ref.no	Part no Art.nr	Qty Qty	Description	Beskrivning	See page Se sidan	Remarks Anmärkningar
1	-	1	CABIN ASSEMBLY	HYTTMONTERING	323	
2	5726 8079 95	1	AIR CONDITIONER	KLIMATANLÄGGN.	383	
3	-	1	LABEL SET	DEKALSATS		
4	-	1	HYDR. SYSTEM	HYDRAULSYSTEM	457	SEE CHAPTER HYDR.SYSTEM
5	5726 8092 58	1	COVERFILM	TÄCKFILM		
6	0291 1128 18	1	LOCK NUT	LÅSMUTTER		M 8 - 8 FZB / ISO 7040
7	0147 1251 03	1	SCREW, HEX HEAD	SKRUV, SEXKANT		M 6 X 35 - 8.8 FZB
8	0147 1327 03	1	SCREW, HEX HEAD	SKRUV, SEXKANT		M 8 X 35 - 8.8 FZB
9	0301 2321 00	1	PLAIN WASHER	RUNDBRICKA		6,4 / 12 X 1,6 -HB200 FZB
10	0301 2335 00	2	PLAIN WASHER	RUNDBRICKA		8,4 / 16 X 1,6 -HB200 FZB
11	5726 8009 24	1M	SLEEVE	HYLSA		

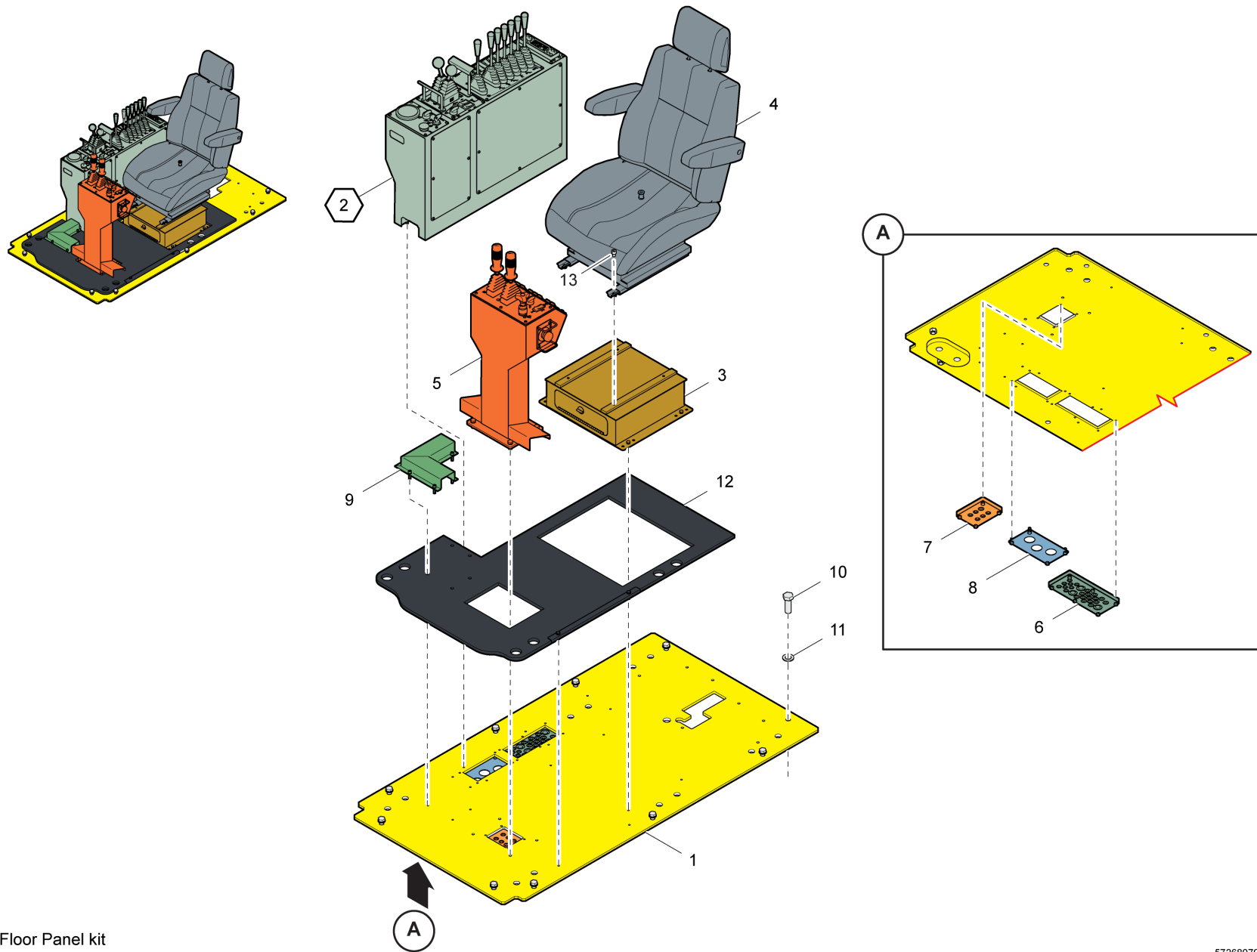


## CABIN ASSEMBLY / HYTTMONTERING

-

Ref.no	Part no Art.nr	Qty Qty	Description	Beskrivning	See page Se sidan	Remarks Anmärkningar
1	-	1	CABIN FRAME	HYTTRAM		
2	5726 8079 06	1	RUBBER	GUMMI		SEALING RUBBER
3	-	1	FLOOR PANEL KIT	GOLVPANEL SATS	325	
4	-	1	PANEL KIT	PANELSATS	371	
5	-	1	PANEL KIT	PANELSATS	373	
6	-	1	EVAPORATOR	FÖRÅNGARBATTERI	377	
7	5726 8079 36	1	INSULATION	ISOLERING	379	
8	-	1	ELECTRONIC UNIT	ELEKTRONIKENHET	375	
9	5726 8092 51	1	INCLINOMETER	LODGIVARE	381	
10	5726 8088 79	2	HEADLIGHT	STRÅLKASTARE		
11	5724 0000 66	1	DATA PLATE	DATASKYLTT		

# FLOOR PANEL KIT / GOLVPANEL SATS



⬡ = Floor Panel kit

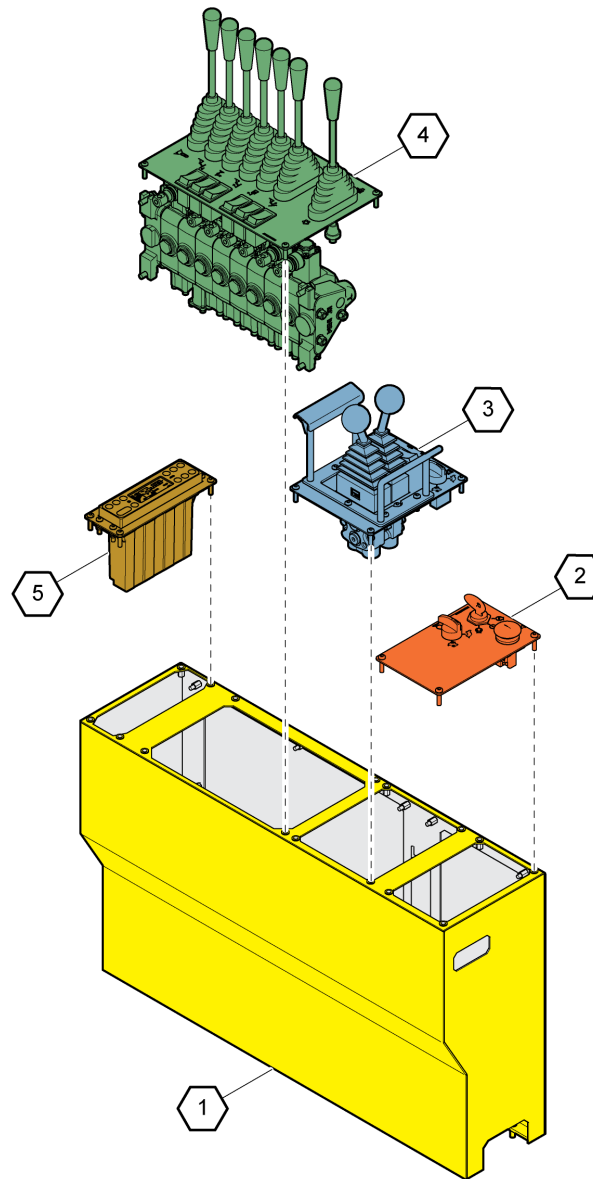


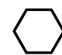
**FLOOR PANEL KIT / GOLVPANEL SATS**

-

Ref.no	Part no Art.nr	Qty Qty	Description	Beskrivning	See page Se sidan	Remarks Anmärkningar
1	-	1	FLOOR	GOLV		
2	-	1	FLOOR PANEL KIT	GOLVPLÅTSSATS	327	
3	-	1	TOOL BOX	VERKTYGSLÅDA		
4	5726 8079 97	1	SEAT	SÄTE		
5	-	1	PANEL	PANEL	343	
6	5726 8092 00	1	SEALING SET	PACKNINGSSATS	361	
7	-	1	SEALING SET	PACKNINGSSATS	363	
8	-	1	PLATE	PLÅT	365	
9	-	1	COVER	KÅPA	367	
10	0147 1478 03	10	SCREW, HEX HEAD	SKRUV, SEXKANT		M 16 X 45 - 8.8 FZB
11	0301 2378 00	10	PLAIN WASHER	RUNDBRICKA		17 / 30 X 3 - HB 200 FZB
12	-	1	RUBBER CARPET	GUMMIMATTA	369	
13	0211 1319 03	4	SCREW	SKRUV		MC6S M 8 X 10 - 8.8 FZB

# FLOOR PANEL KIT / GOLVPLÅTSSATS



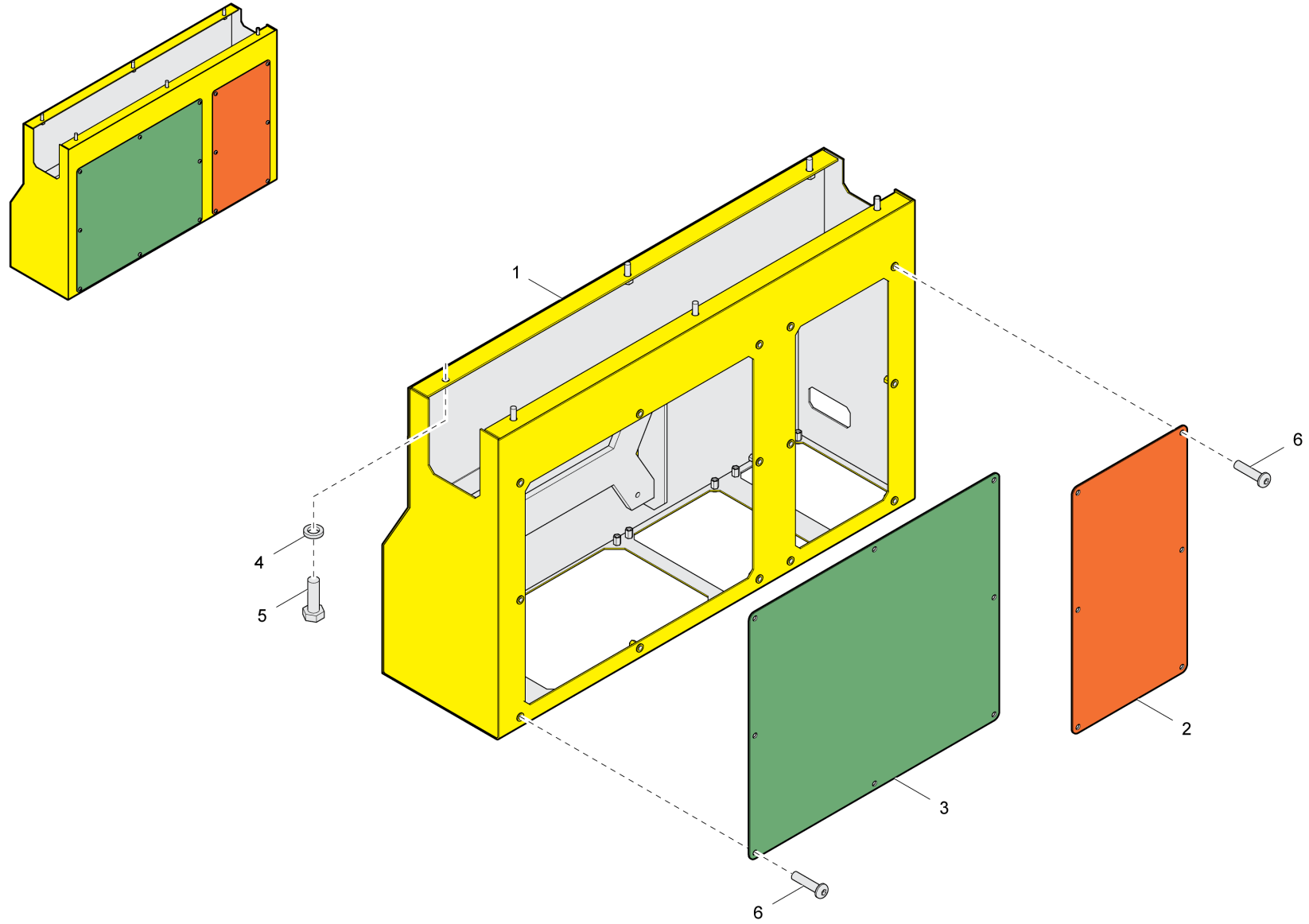
 = Panel kit

**FLOOR PANEL KIT / GOLVPLÅTSSATS**

-

<b>Ref.no</b>	<b>Part no Art.nr</b>	<b>Qty Qty</b>	<b>Description</b>	<b>Beskrivning</b>	<b>See page Se sidan</b>	<b>Remarks Anmärkningar</b>
1	-	1	PANEL KIT	PANELSATS	329	
2	-	1	PANEL KIT	PANELSATS	331	
3	-	1	PANEL KIT	PANELSATS	333	
4	-	1	PANEL KIT	PANELSATS	337	
5	-	1	PANEL KIT	PANELSATS	341	

PANEL KIT / PANELSATS

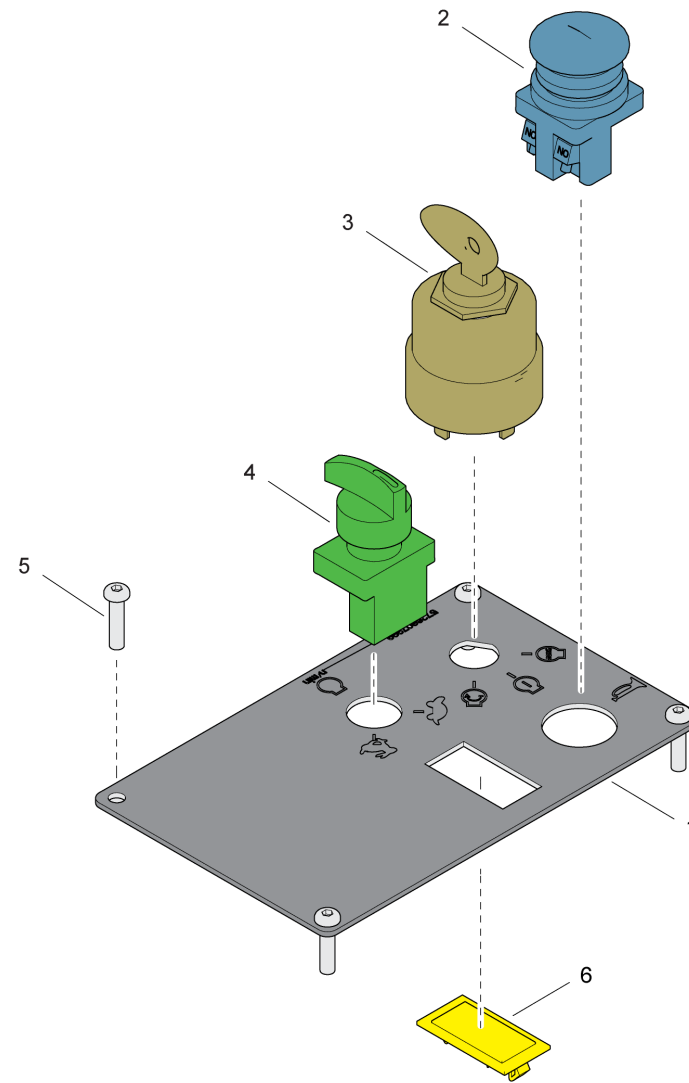


**PANEL KIT / PANELSATS**

-

Ref.no	Part no Art.nr	Qty Qty	Description	Beskrivning	See page Se sidan	Remarks Anmärkningar
1	-	1	PANEL	PANEL		
2	-	1	PLATE	PLÅT		
4	3315 0195 04	6	LOCK WASHER	LÅSBRICKA		8,2/13,5 X 2,6 HRC50 FZB
5	0147 1325 03	6	SCREW, HEX HEAD	SKRUV, SEXKANT		M 8 X 25 - 8.8 FZB
6	0215 0010 09	10	HEX SOCK. SCREW	SEKANTHÅLSKRUV		B M 6 25 10,5 H 3,3 2,1 4

PANEL KIT / PANELSATS

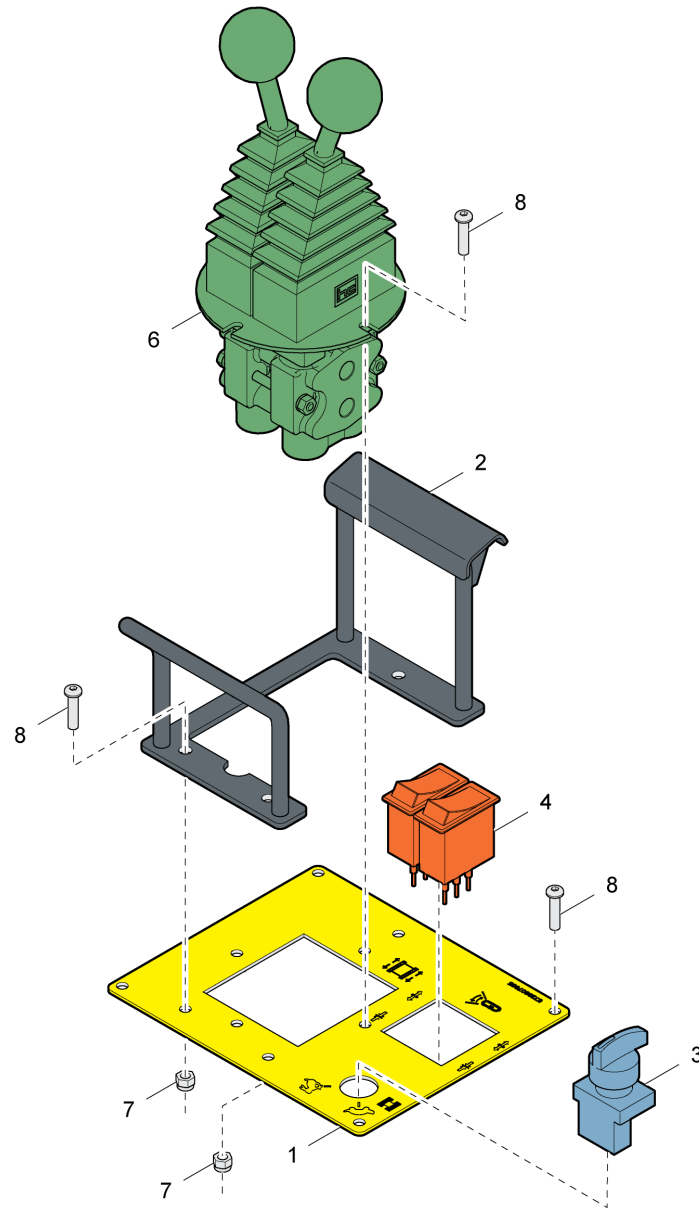
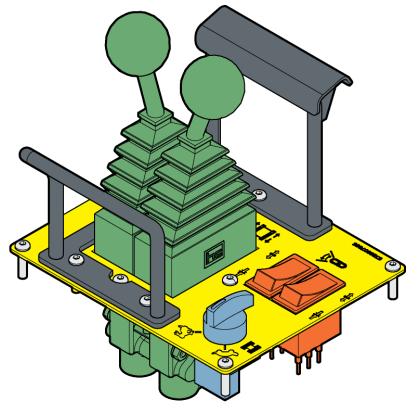


**PANEL KIT / PANELSATS**

-

Ref.no	Part no Art.nr	Qty Qty	Description	Beskrivning	See page Se sidan	Remarks Anmärkningar
1	5726 8079 99	1	PANEL	PANEL		
2	5726 8048 54	1	BUTTON	KNAPP		
3	5726 8088 57	1	IGNITION KEY	STARTNYCKEL		
4	5726 8088 58	1	SWITCH	OMKOPPLARE		
5	0215 0010 09	4	HEX SOCK. SCREW	SEKKANTHÅLSKRUV		B M 6 25 10,5 H 3,3 2,1 4
6	5726 8103 35	1	PLASTIC PLUG	PLASTPROPP		

PANEL KIT / PANELSATS

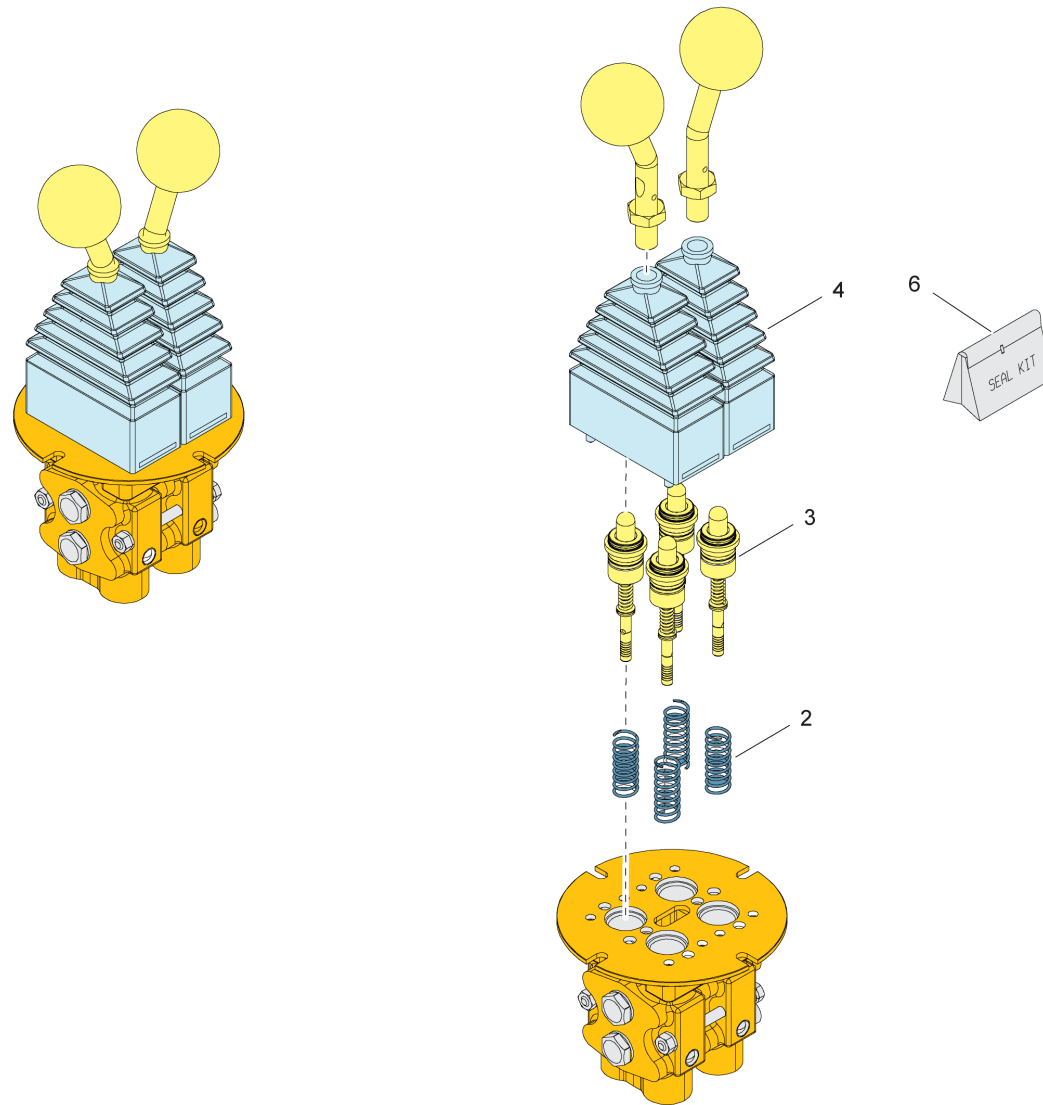




**PANEL KIT / PANELSATS**

-

Ref.no	Part no Art.nr	Qty Qty	Description	Beskrivning	See page Se sidan	Remarks Anmärkningar
1	-	1	MOUNTING PLATE	MONTERINGSPLÅT		
2	-	1	ARM REST	ARMSTÖD		
3	5726 8088 58	1	SWITCH	OMKOPPLARE		
4	5726 8089 04	1	SWITCH PANEL	INSTRUMENTPANEL		ROCKER SWITCH
6	5726 8077 19	1	JOYSTICK	JOYSTICK	335	
7	0291 1128 15	7	LOCK NUT	LÅSMUTTER		M6 - 8 FZB / ISO 7040
8	0215 0010 09	11	HEX SOCK. SCREW	SEXKANTHÅLSKRUV		B M 6 25 10,5 H 3,3 2,1 4

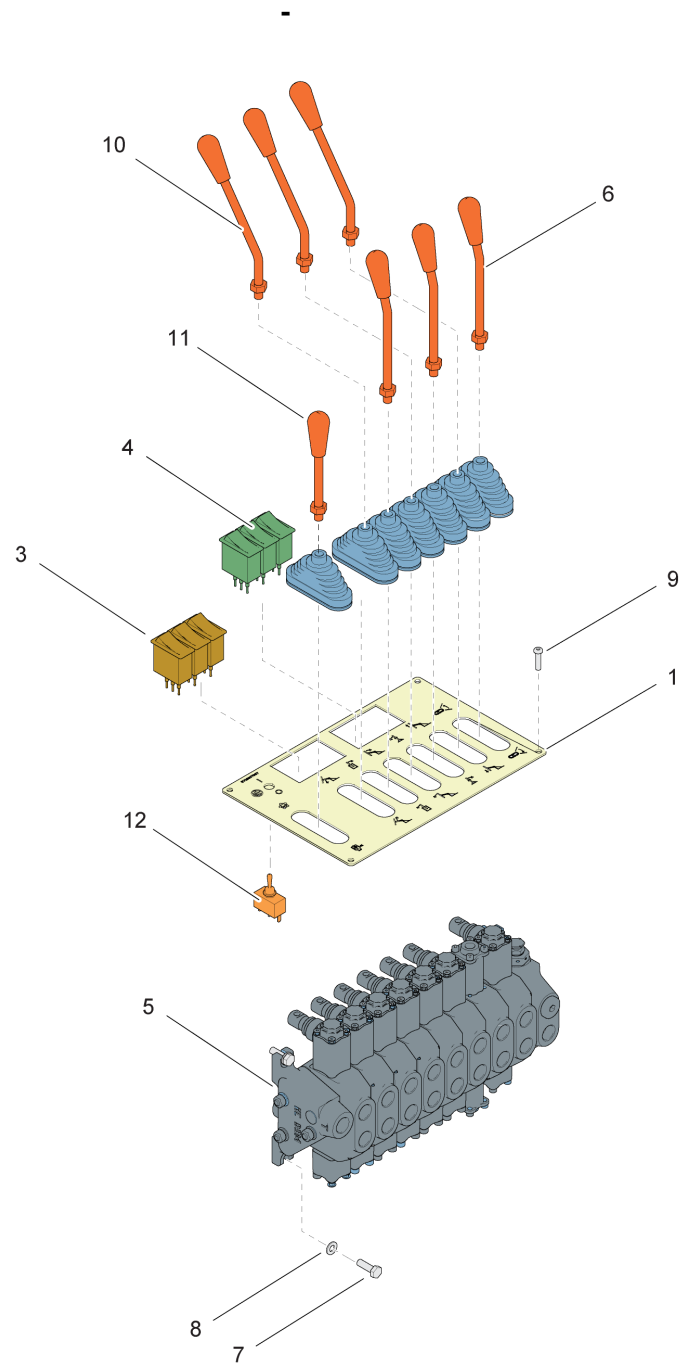
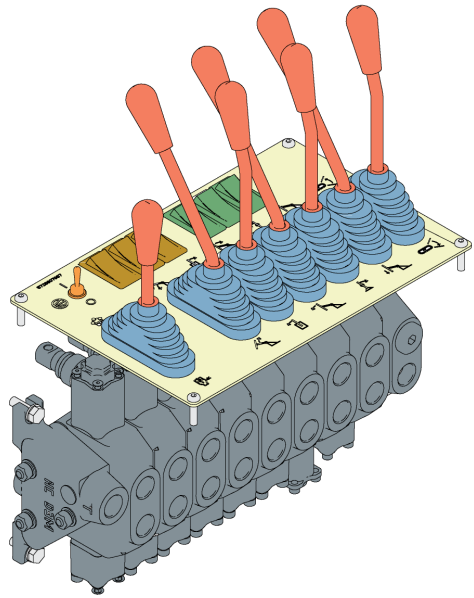


## JOYSTICK / JOYSTICK

5726 8077 19

Ref.no	Part no Art.nr	Qty Qty	Description	Beskrivning	See page Se sidan	Remarks Anmärkningar
2	5726 8097 87	4	SPRING	FJÄDER		
3	5726 8097 88	4	PISTON ROD	KOLVSTÅNG		
4	5726 8097 92	2	COVER	LOCK		
6	5726 8097 93	1	SEAL KIT	TÄTNINGSSATS		

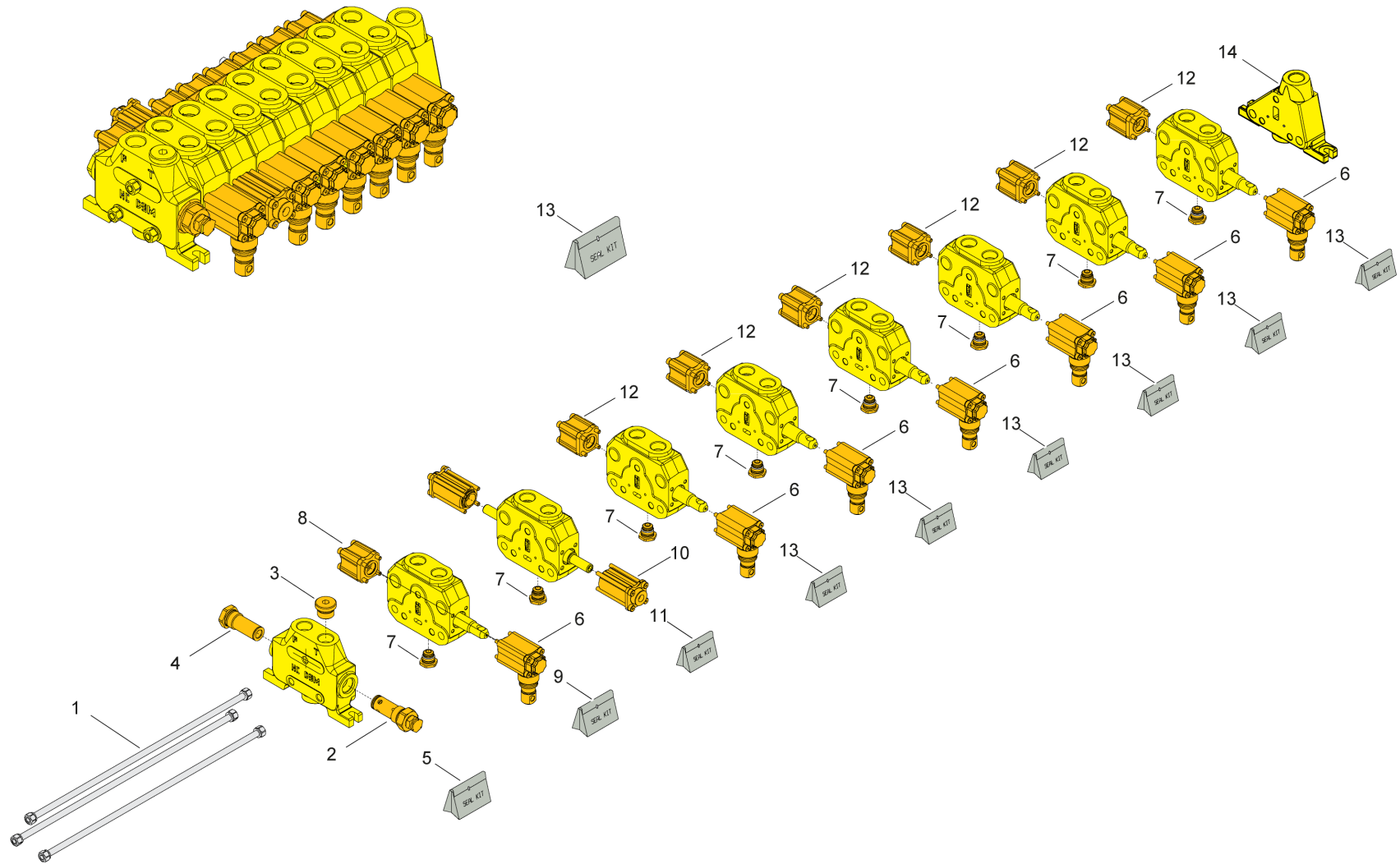
PANEL KIT / PANELSATS



**PANEL KIT / PANELSATS**

-

Ref.no	Part no Art.nr	Qty Qty	Description	Beskrivning	See page Se sidan	Remarks Anmärkningar
1	-	1	PANEL	PANEL		
2	5726 8030 82	7	BOOT	BÄLG		
3	5726 8088 71	1	SWITCH MODUL	OMKOPPL.MODUL		
4	5726 8088 75	1	SWITCH MODUL	OMKOPPL.MODUL		
5	5726 8077 15	1	VALVE	VENTIL	339	
6	5726 8092 52	3	CONTROL LEVER	MANÖVERSPAK		
7	0147 1325 03	4	SCREW, HEX HEAD	SKRUV, SEXKANT		M 8 X 25 - 8.8 FZB
8	0301 2335 00	4	PLAIN WASHER	RUNDBRICKA		8,4 / 16 X 1,6 -HB200 FZB
9	0215 0010 09	4	HEX SOCK. SCREW	SEKANTHÅLSKRUV		B M 6 25 10,5 H 3,3 2,1 4
10	5726 8092 54	3	CONTROL LEVER	MANÖVERSPAK		
11	5726 8092 56	1	CONTROL LEVER	MANÖVERSPAK		
12	5726 8022 18	1	SWITCH	OMKOPPLARE		



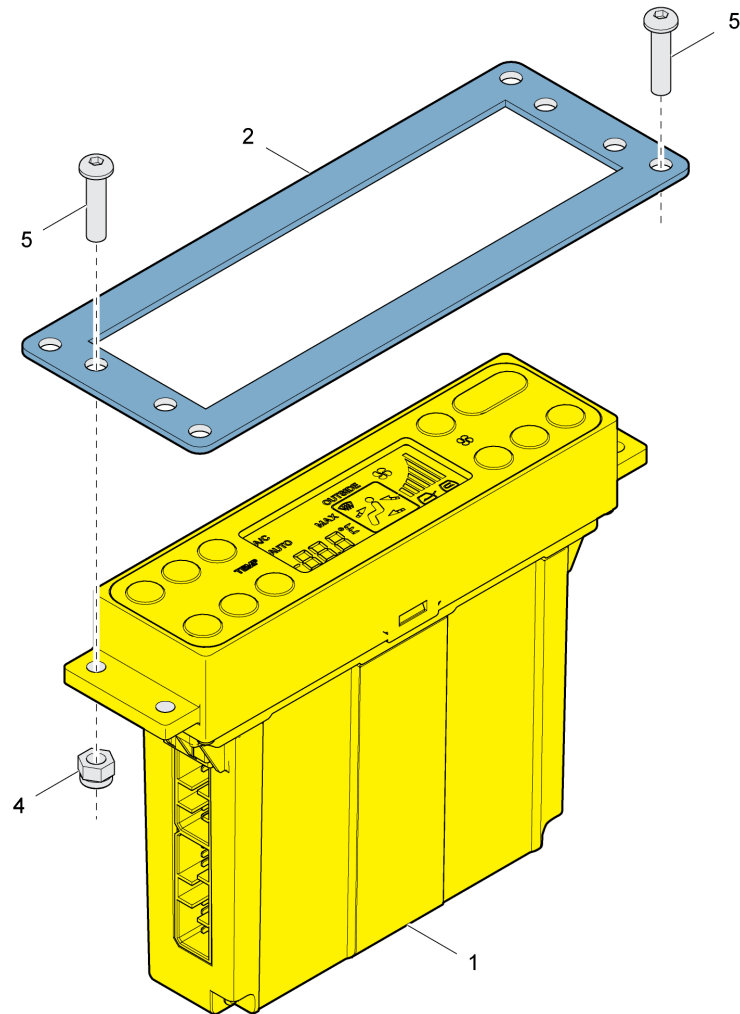
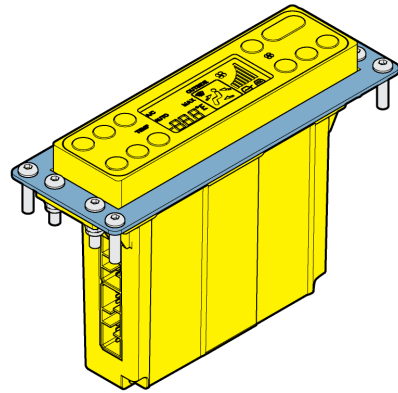
## VALVE / VENTIL

5726 8077 15

Ref.no	Part no Art.nr	Qty Qty	Description	Beskrivning	See page Se sidan	Remarks Anmärkningar
1	5726 8097 70	3	ROD	STÅNG		
2	5726 8097 71	1	RELIEF VALVE	AVLASTN.VENTIL		
3	5726 8097 72	1	PLUG	PLUGG		
4	5726 8097 73	1	PLUG	PLUGG		
5	5726 8097 74	1	SEAL KIT	TÄTNINGSSATS		
6	5726 8097 75	7	SHIFT FORK	SKIFTGAFFEL		
7	5726 8097 76	8	CHECK VALVE	BACKVENTIL		
8	5726 8097 77	1	VALVE COVER	VENTILLOCK		
9	5726 8097 78	1	SEAL KIT	TÄTNINGSSATS		
10	5726 8097 79	2	VALVE COVER	VENTILHUV		
11	5726 8097 80	1	SEAL KIT	TÄTNINGSSATS		
12	5726 8097 81	6	VALVE COVER	VENTILHUV		
13	5726 8097 82	6	SEAL KIT	TÄTNINGSSATS		
14	5726 8097 83	1	RETURN BLOCK	RETURBLOCK		
15	5726 8097 84	1	SEAL KIT	TÄTNINGSSATS		

PANEL KIT / PANELSATS

-



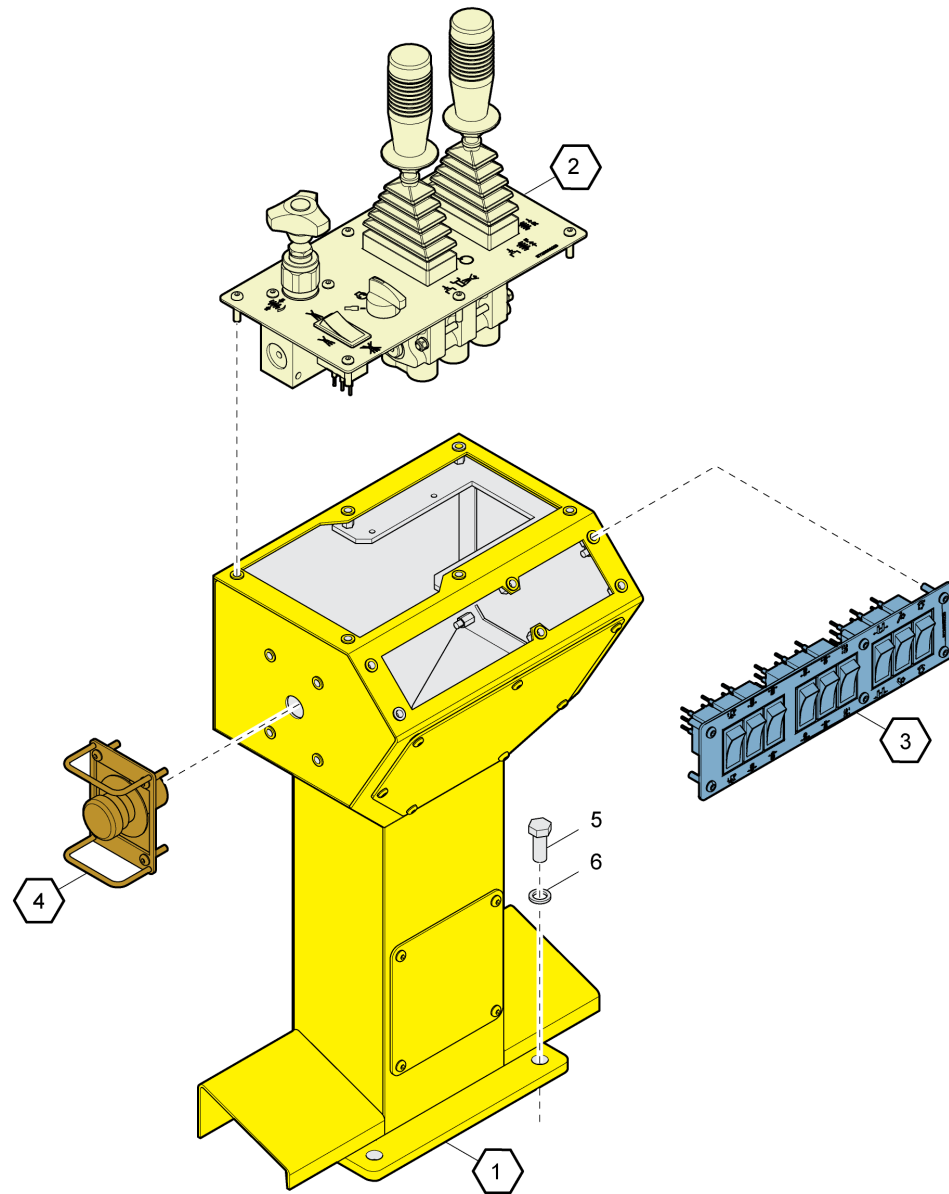
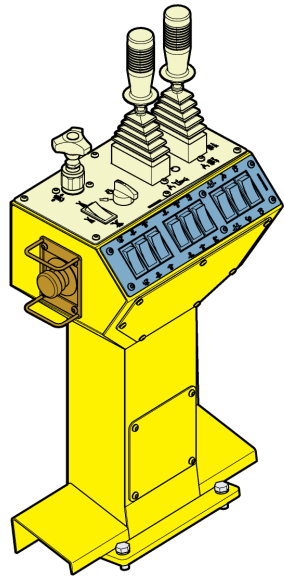


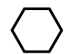
**PANEL KIT / PANELSATS**

-

<b>Ref.no</b>	<b>Part no Art.nr</b>	<b>Qty Qty</b>	<b>Description</b>	<b>Beskrivning</b>	<b>See page Se sidan</b>	<b>Remarks Anmärkningar</b>
1	5726 8079 94	1	OPERATORS PANEL	INSTRUMENTTAVLA		
2	-	1	PANEL	PANEL		
4	0291 1128 15	4	LOCK NUT	LÅSMUTTER		M6 - 8 FZB / ISO 7040
5	0215 0010 09	8	HEX SOCK. SCREW	SEXKANTHÅLSKRUV		B M 6 25 10,5 H 3,3 2,1 4

PANEL / PANEL



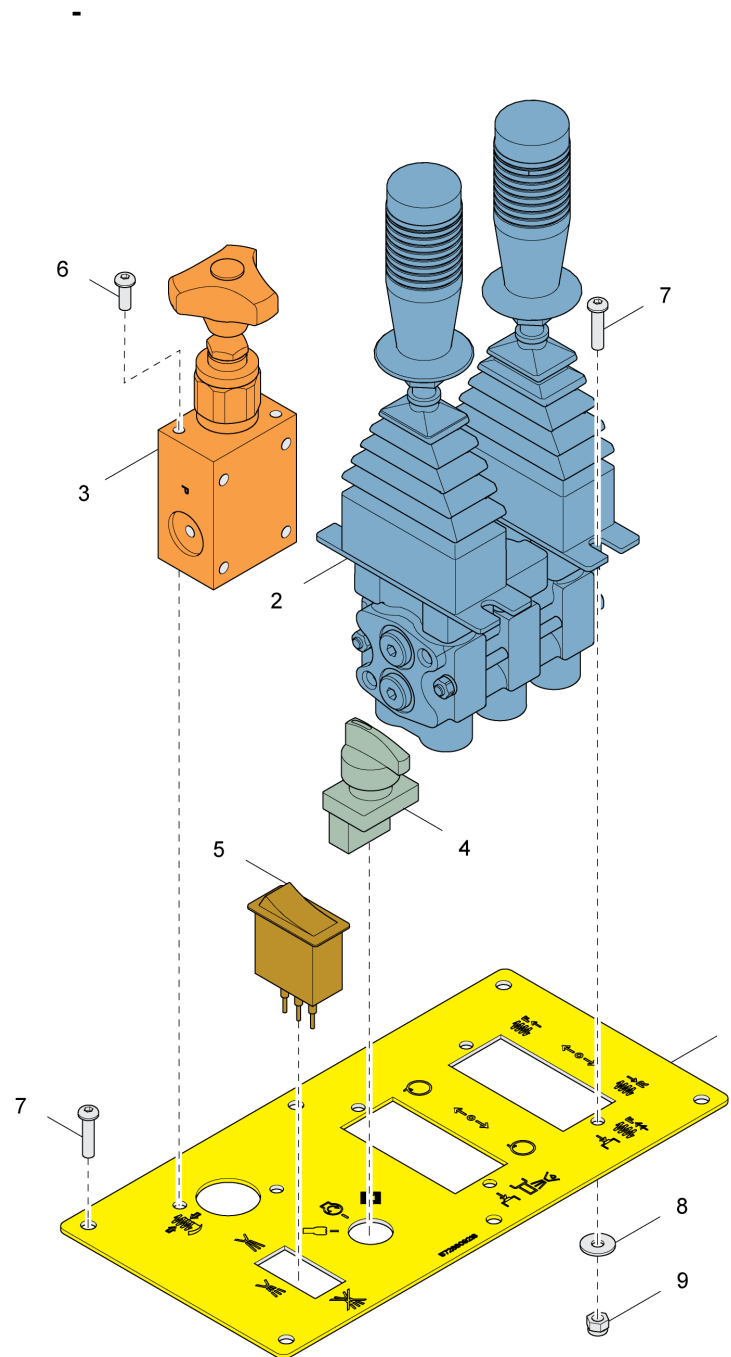
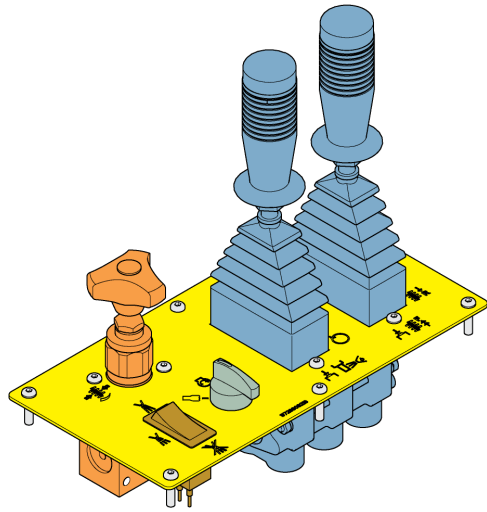
 = Panel kit

PANEL / PANEL

-

Ref.no	Part no Art.nr	Qty Qty	Description	Beskrivning	See page Se sidan	Remarks Anmärkningar
1	-	1	PANEL KIT	PANELSATS		
2	-	1	PANEL KIT	PANELSATS	345	
3	-	1	PANEL KIT	PANELSATS	351	
4	-	1	PANEL KIT	PANELSATS	359	
5	0147 1401 03	4	SCREW, HEX HEAD	SKRUV, SEXKANT		M 12 X 30 - 8.8 FZB
6	3315 0195 08	4	LOCK WASHER	LÅSBRICKA		13,0/19,5 X 2,6 HRC50 FZB

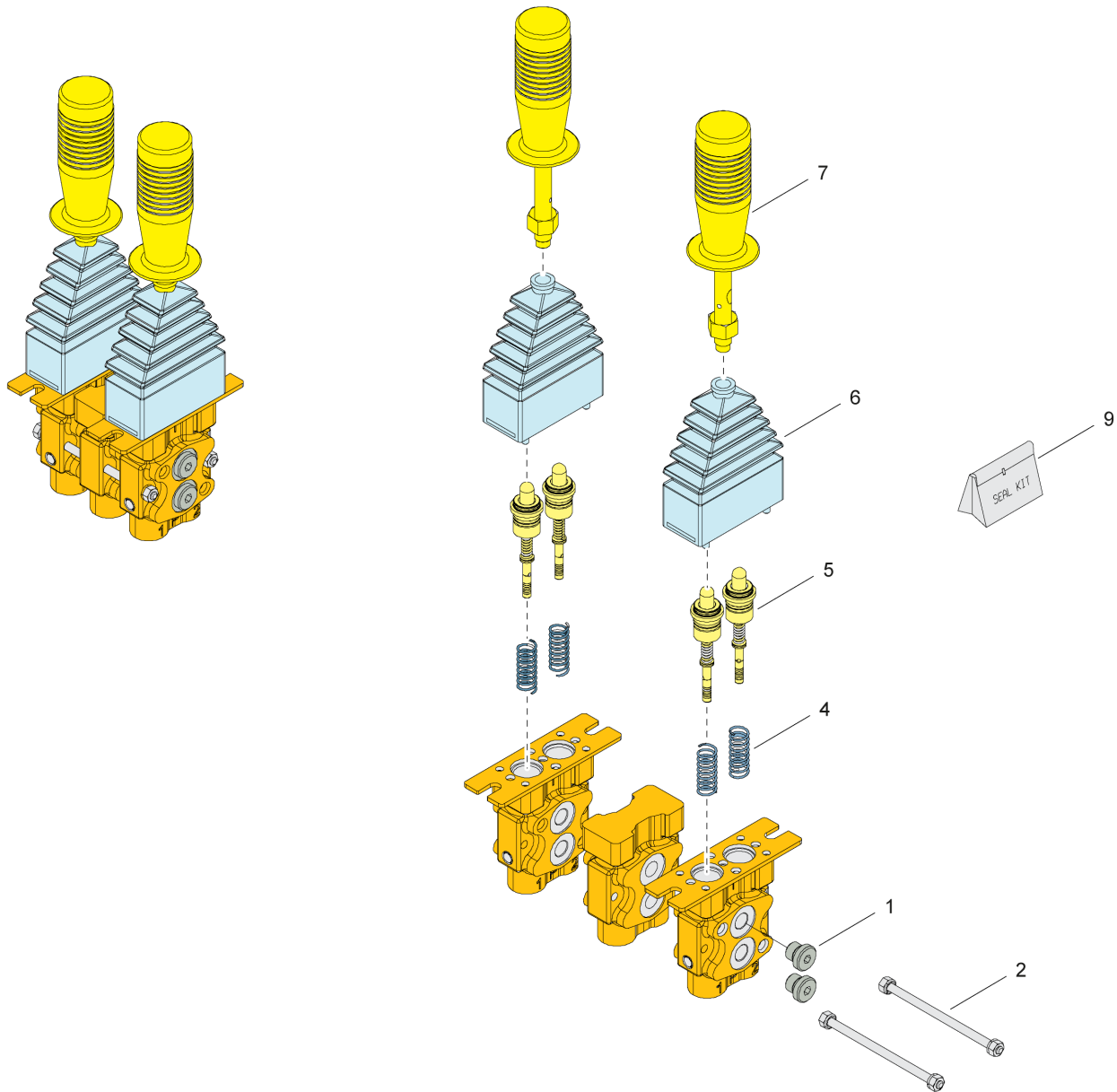
PANEL KIT / PANELSATS



**PANEL KIT / PANELSATS**

-

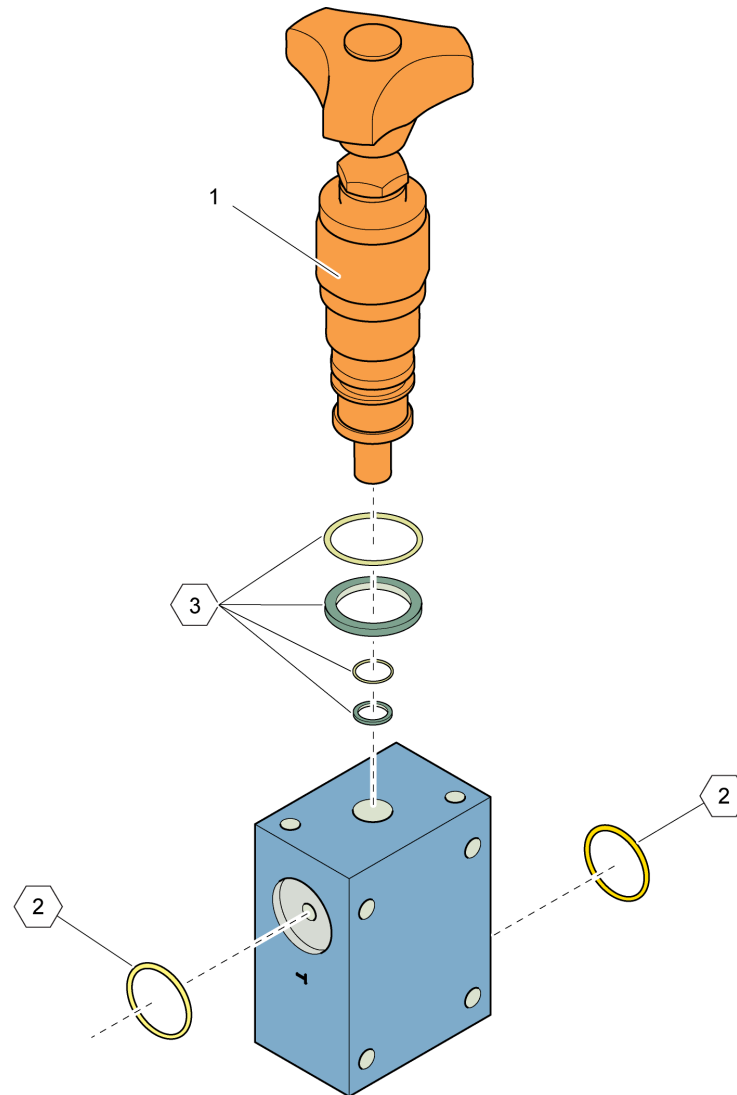
Ref.no	Part no Art.nr	Qty Qty	Description	Beskrivning	See page Se sidan	Remarks Anmärkningar
1	-	1	MOUNTING PLATE	MONTERINGSPLÅT		
2	5726 8077 18	1	JOYSTICK	JOYSTICK	347	
3	5726 8078 30	1	RELIEF VALVE	AVLASTN.VENTIL	349	IN LINE RELIEF VALVE FOR PD45
4	5726 8088 67	1	SWITCH	OMKOPPLARE		
5	5726 8088 59	1	SWITCH	OMKOPPLARE		
6	0215 0006 20	2	HEX SOCK. SCREW	SEXKANTHÅLSKRUV		B M 6 16 10,5 H 3,2 2,1 4
7	0215 0010 09	10	HEX SOCK. SCREW	SEXKANTHÅLSKRUV		B M 6 25 10,5 H 3,3 2,1 4
8	0300 0274 64	4	PLAIN WASHER	RUNDBRICKA		6,4 / 18 X 1,6 - FZB
9	0291 1128 15	4	LOCK NUT	LÅSMUTTER		M6 - 8 FZB / ISO 7040

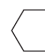


## JOYSTICK / JOYSTICK

5726 8077 18

Ref.no	Part no Art.nr	Qty Qty	Description	Beskrivning	See page Se sidan	Remarks Anmärkningar
1	5726 8097 85	2	PLUG	PLUGG		
2	5726 8097 86	2	BOLT	BULT		
4	5726 8097 87	4	SPRING	FJÄDER		
5	5726 8097 88	4	PISTON ROD	KOLVSTÅNG		
6	5726 8097 89	2	COVER	LOCK		
7	5726 8097 90	2	HANDLE	SKAFT		
9	5726 8097 91	1	SEAL KIT	TÄTNINGSSATS		

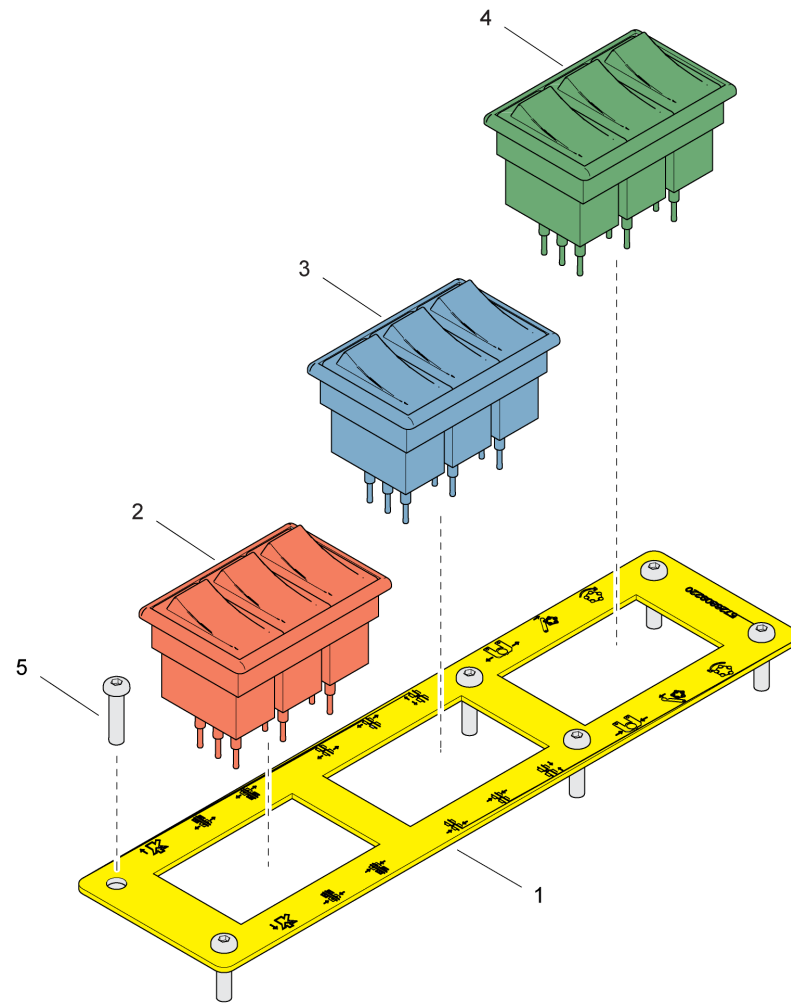


 = Seal kit



Ref.no	Part no Art.nr	Qty Qty	Description	Beskrivning	See page Se sidan	Remarks Anmärkningar
1	5726 8042 08	1	VALVE	VENTIL		
2	3125 5662 81	1	SEAL KIT	TÄTNINGSSATS		
3	5726 8094 42	1	SEAL KIT	TÄTNINGSSATS		

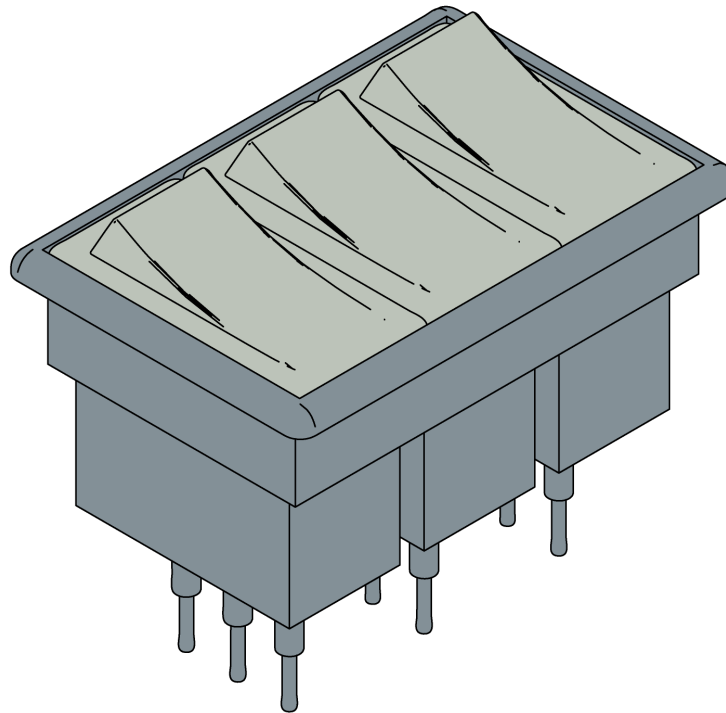
PANEL KIT / PANELSATS



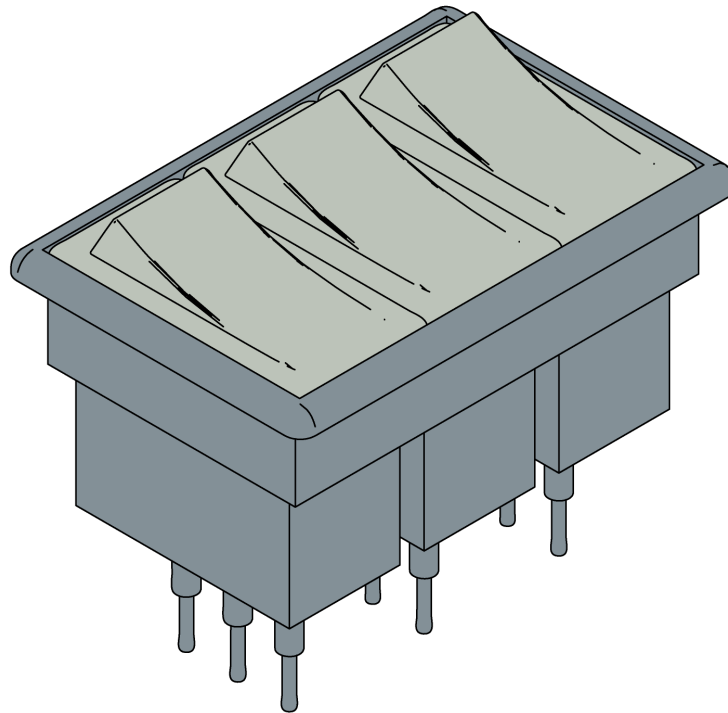
**PANEL KIT / PANELSATS**

-

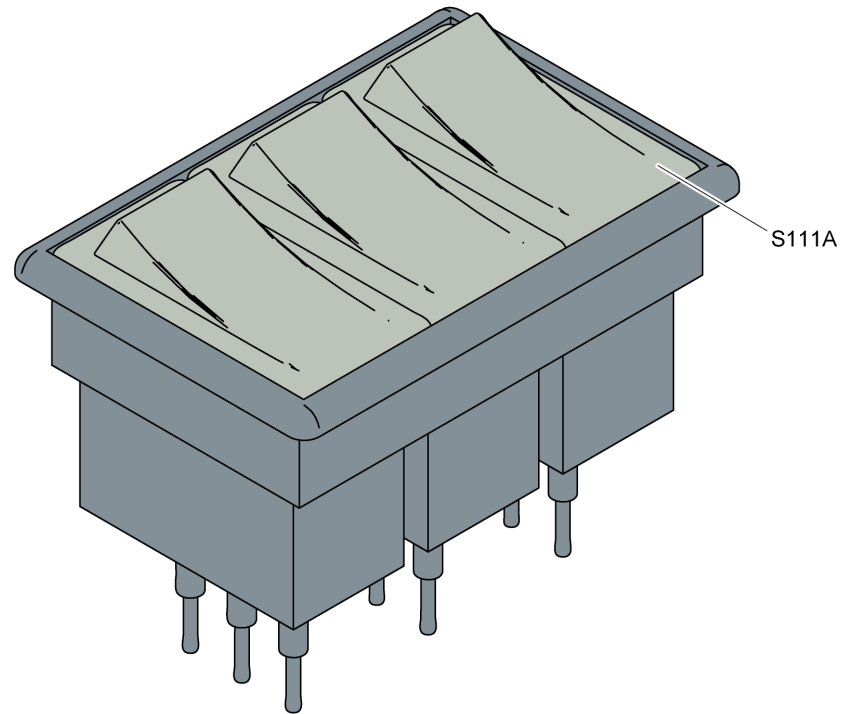
<b>Ref.no</b>	<b>Part no</b> <b>Art.nr</b>	<b>Qty</b> <b>Qty</b>	<b>Description</b>	<b>Beskrivning</b>	<b>See page</b> <b>Se sidan</b>	<b>Remarks</b> <b>Anmärkningar</b>
1	5726 8092 20	1	MOUNTING PLATE	MONTERINGSPLÅT		
2	5726 8088 60	1	SWITCH MODUL	OMKOPPL.MODUL	353	
3	5726 8088 63	1	SWITCH MODUL	OMKOPPL.MODUL	355	
4	5726 8088 65	1	SWITCH MODUL	OMKOPPL.MODUL	357	
5	0215 0010 09	6	HEX SOCK. SCREW	SEKKANTHÅLSKRUV		B M 6 25 10,5 H 3,3 2,1 4



Ref.no	Part no Art.nr	Qty Qty	Description	Beskrivning	See page Se sidan	Remarks Anmärkningar
S167	5726 8088 59	1	SWITCH	OMKOPPLARE		ROCKER 3P/S WITH 8PIN COVER
S187	5726 8109 35	1	SWITCH	OMKOPPLARE		3P/D DPDT
S119	5726 8109 35	1	SWITCH	OMKOPPLARE		3P/D DPDT
A1	-	2	SWITCH RACK	SWITCH RACK		SIDE FRAME FOR ROCKER
A2	-	1	SWITCH RACK	SWITCH RACK		MIDDLE FRAME FOR ROCKER



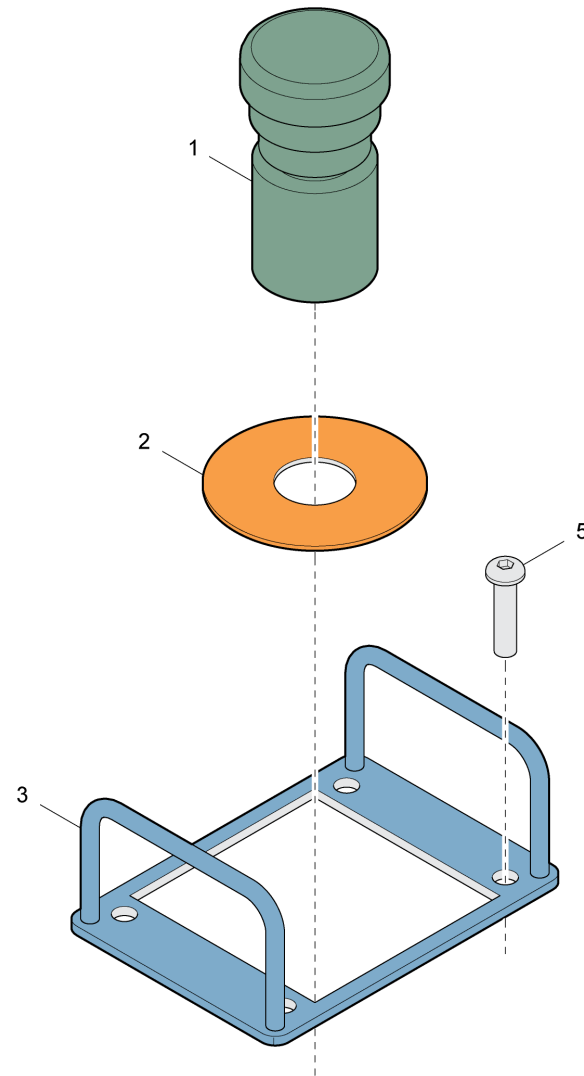
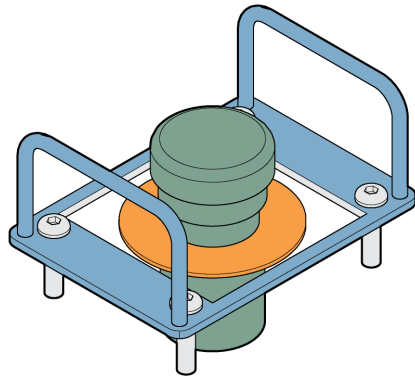
Ref.no	Part no Art.nr	Qty Qty	Description	Beskrivning	See page Se sidan	Remarks Anmärkningar
S258	5726 8089 18	1	SWITCH	OMKOPPLARE		DPDT,2PD ROCKER
S259	5726 8089 18	1	SWITCH	OMKOPPLARE		DPDT,2PD ROCKER
S260	5726 8089 18	1	SWITCH	OMKOPPLARE		DPDT,2PD ROCKER
A1	-	2	SWITCH RACK	SWITCH RACK		SIDE FRAME FOR ROCKER
A2	-	1	SWITCH RACK	SWITCH RACK		MIDDLE FRAME FOR ROCKER





Ref.no	Part no Art.nr	Qty Qty	Description	Beskrivning	See page Se sidan	Remarks Anmärkningar
S111A	5726 8088 59	1	SWITCH	OMKOPPLARE		ROCKER 3P/S WITH 8PIN COVER
S111C	5726 8088 66	1	SWITCH	OMKOPPLARE		ROCKER 3P/S WITH 8PIN COVER
S111D	5726 8088 66	1	SWITCH	OMKOPPLARE		ROCKER 3P/S WITH 8PIN COVER
A1	-	2	SWITCH RACK	SWITCH RACK		SIDE FRAME FOR ROCKER
A2	-	1	SWITCH RACK	SWITCH RACK		MIDDLE FRAME FOR ROCKER

PANEL KIT / PANELSATS



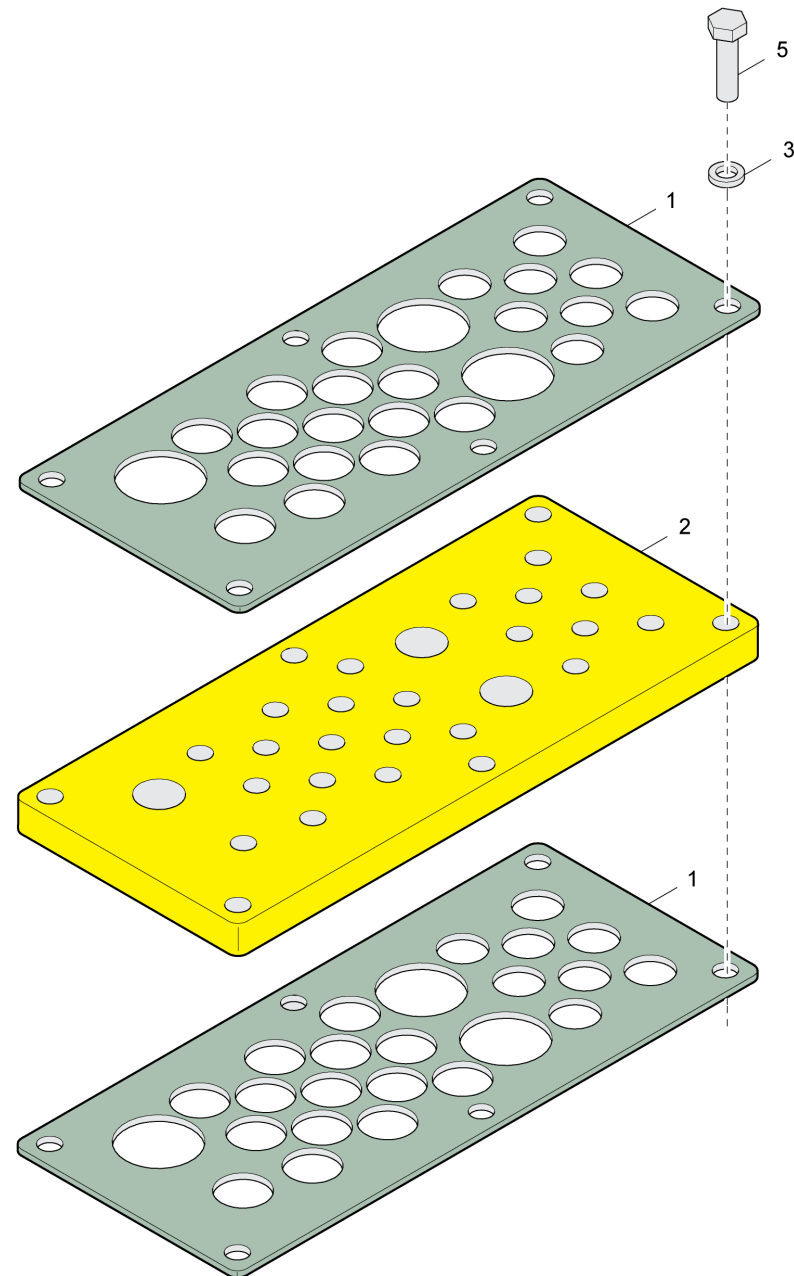
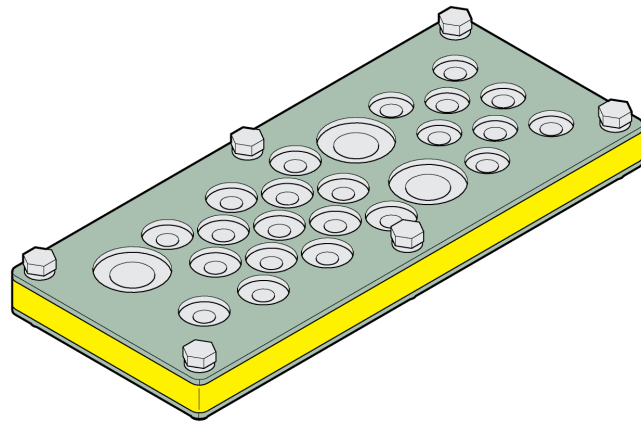
**PANEL KIT / PANELSATS**

-

<b>Ref.no</b>	<b>Part no Art.nr</b>	<b>Qty Qty</b>	<b>Description</b>	<b>Beskrivning</b>	<b>See page Se sidan</b>	<b>Remarks Anmärkningar</b>
1	5726 8089 02	1	EMERG.PUSHBUTT.	NÖDSTOPPSKNAPP		
2	5726 8089 03	1	EMERGENCY LABEL	NÖDURGÅNGSSKYLT		
3	5726 8079 39	1	PROTECTION	SKYDD		
5	0215 0010 09	4	HEX SOCK. SCREW	SEXKANTHÅLSKRUV		B M 6 25 10,5 H 3,3 2,1 4

SEALING SET / PACKNINGSSATS

5726 8092 00



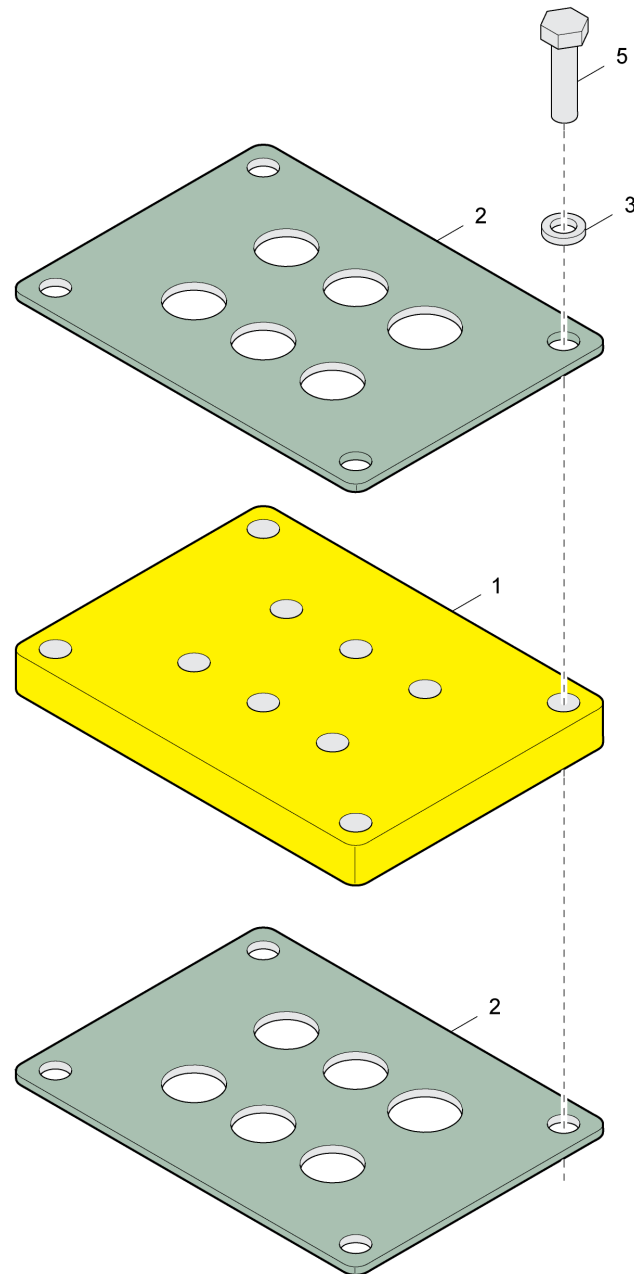
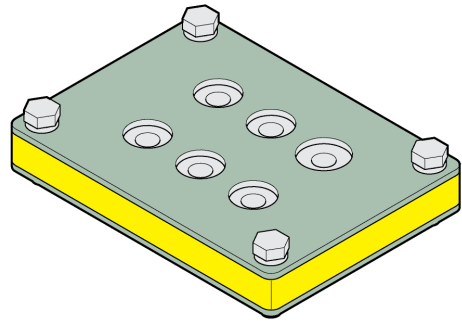
## SEALING SET / PACKNINGSSATS

5726 8092 00

Ref.no	Part no Art.nr	Qty Qty	Description	Beskrivning	See page Se sidan	Remarks Anmärkningar
1	-	2	PLATE	PLÅT		
2	-	1	INSULATION	ISOLERING		
3	3315 0195 04	6	LOCK WASHER	LÅSBRICKA		8,2/13,5 X 2,6 HRC50 FZB
5	0147 1326 03	6	SCREW, HEX HEAD	SKRUV, SEXKANT		M 8 X 30 - 8.8 FZB

# SEALING SET / PACKNINGSSATS

-



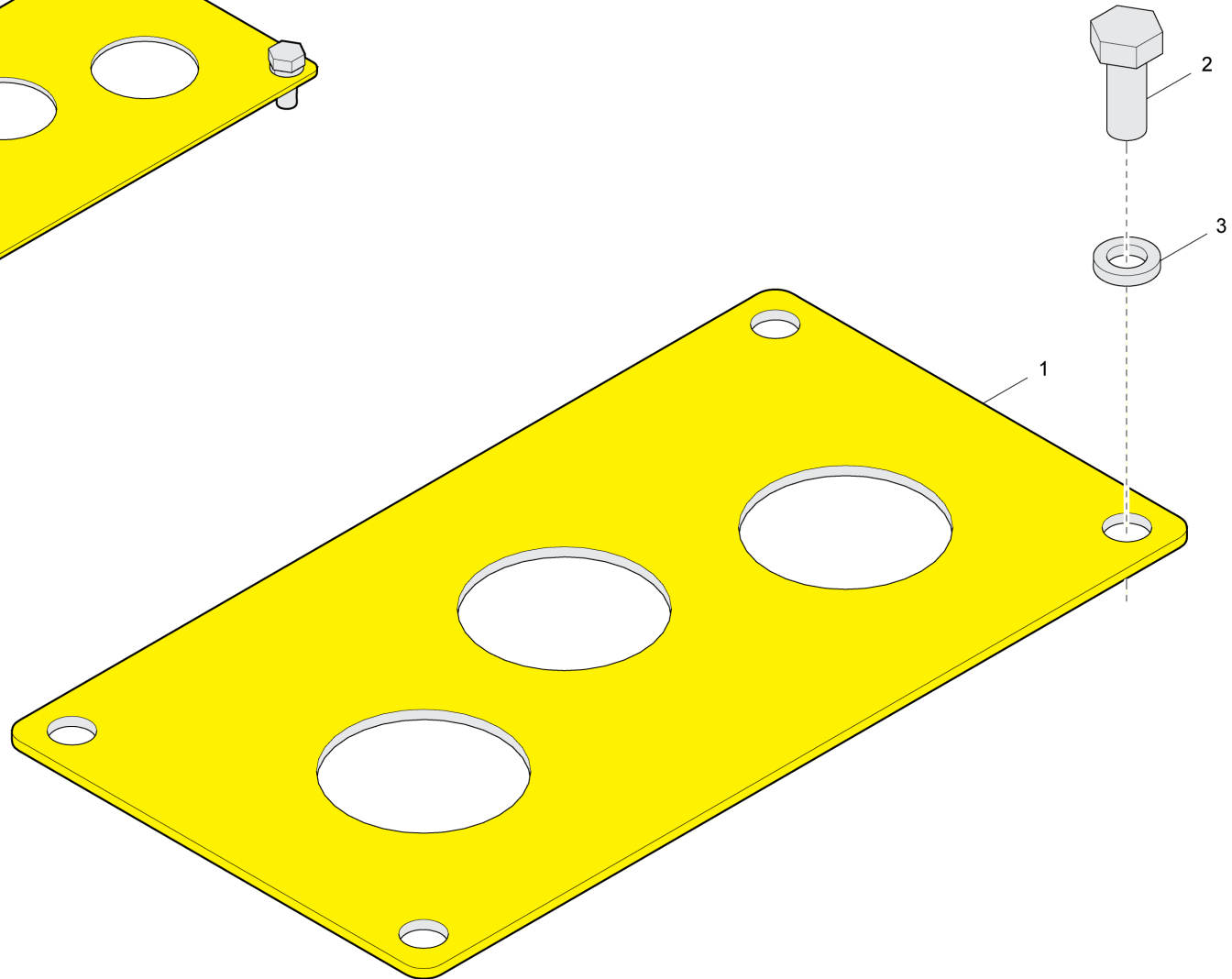
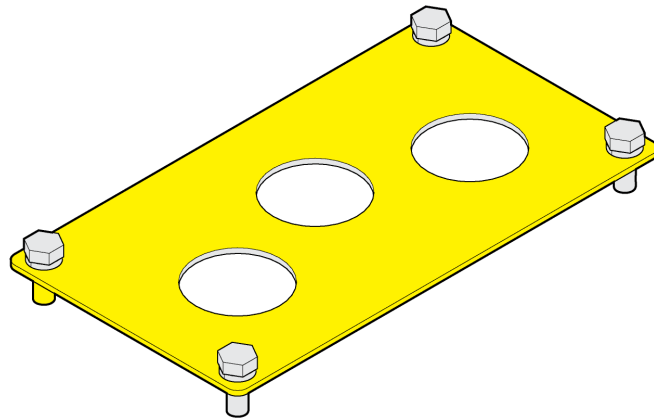
## SEALING SET / PACKNINGSSATS

-

Ref.no	Part no Art.nr	Qty Qty	Description	Beskrivning	See page Se sidan	Remarks Anmärkningar
1	-	1	INSULATION	ISOLERING		
2	-	2	PLATE	PLÅT		
3	3315 0195 04	4	LOCK WASHER	LÅSBRICKA		8,2/13,5 X 2,6 HRC50 FZB
5	0147 1326 03	4	SCREW, HEX HEAD	SKRUV, SEXKANT		M 8 X 30 - 8.8 FZB

PLATE / PLÁT

-





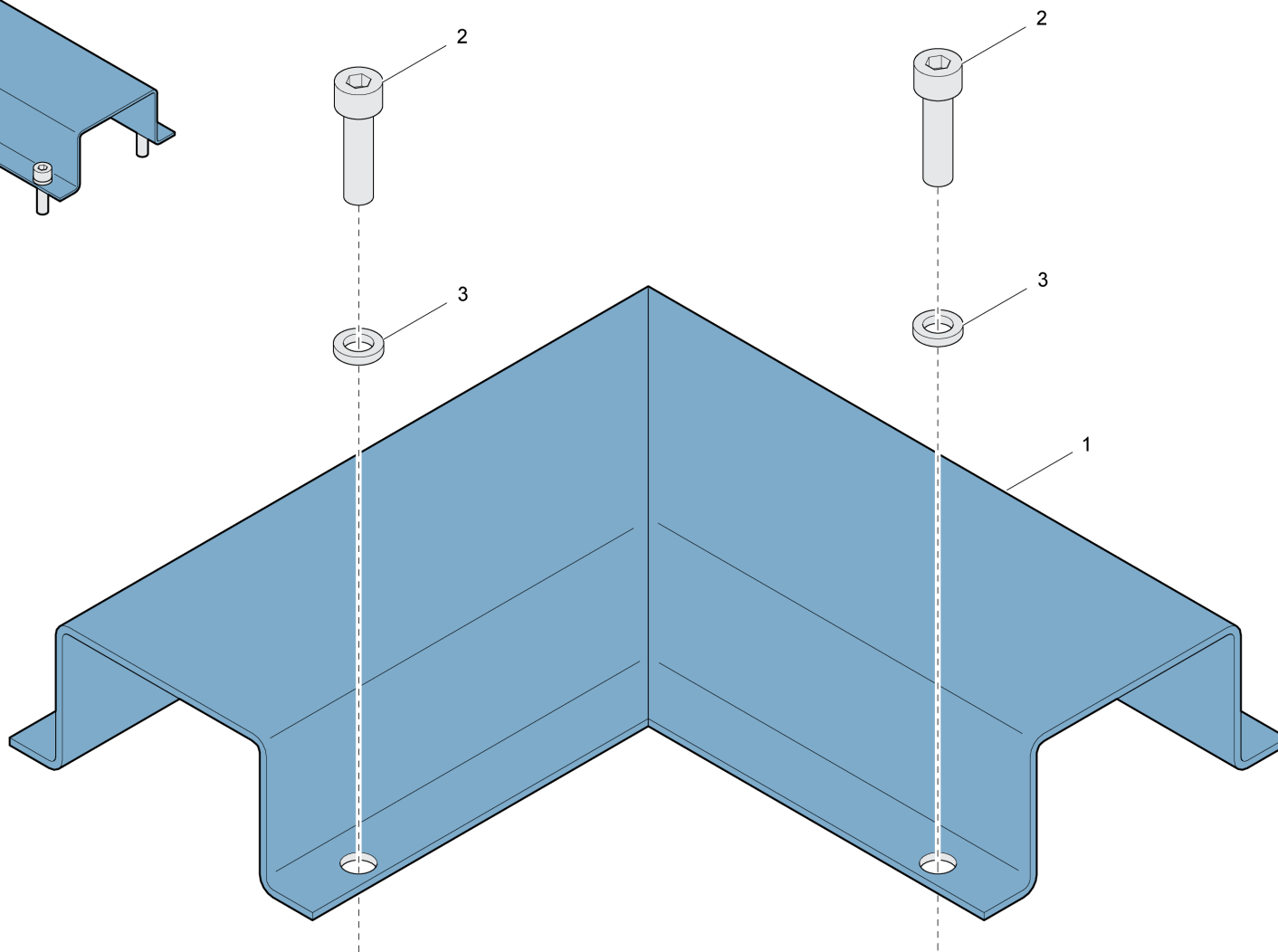
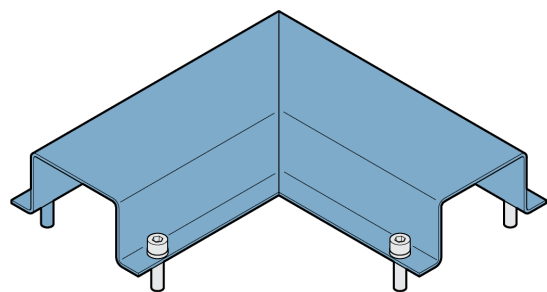
**PLATE / PLÅT**

-

<b>Ref.no</b>	<b>Part no Art.nr</b>	<b>Qty Qty</b>	<b>Description</b>	<b>Beskrivning</b>	<b>See page Se sidan</b>	<b>Remarks Anmärkningar</b>
1	-	1	PLATE	PLÅT		
2	0147 1323 03	4	SCREW, HEX HEAD	SKRUV, SEXKANT		M 8 X 20 -8.8 FZB
3	3315 0195 04	4	LOCK WASHER	LÅSBRICKA		8,2/13,5 X 2,6 HRC50 FZB

COVER / KÁPA

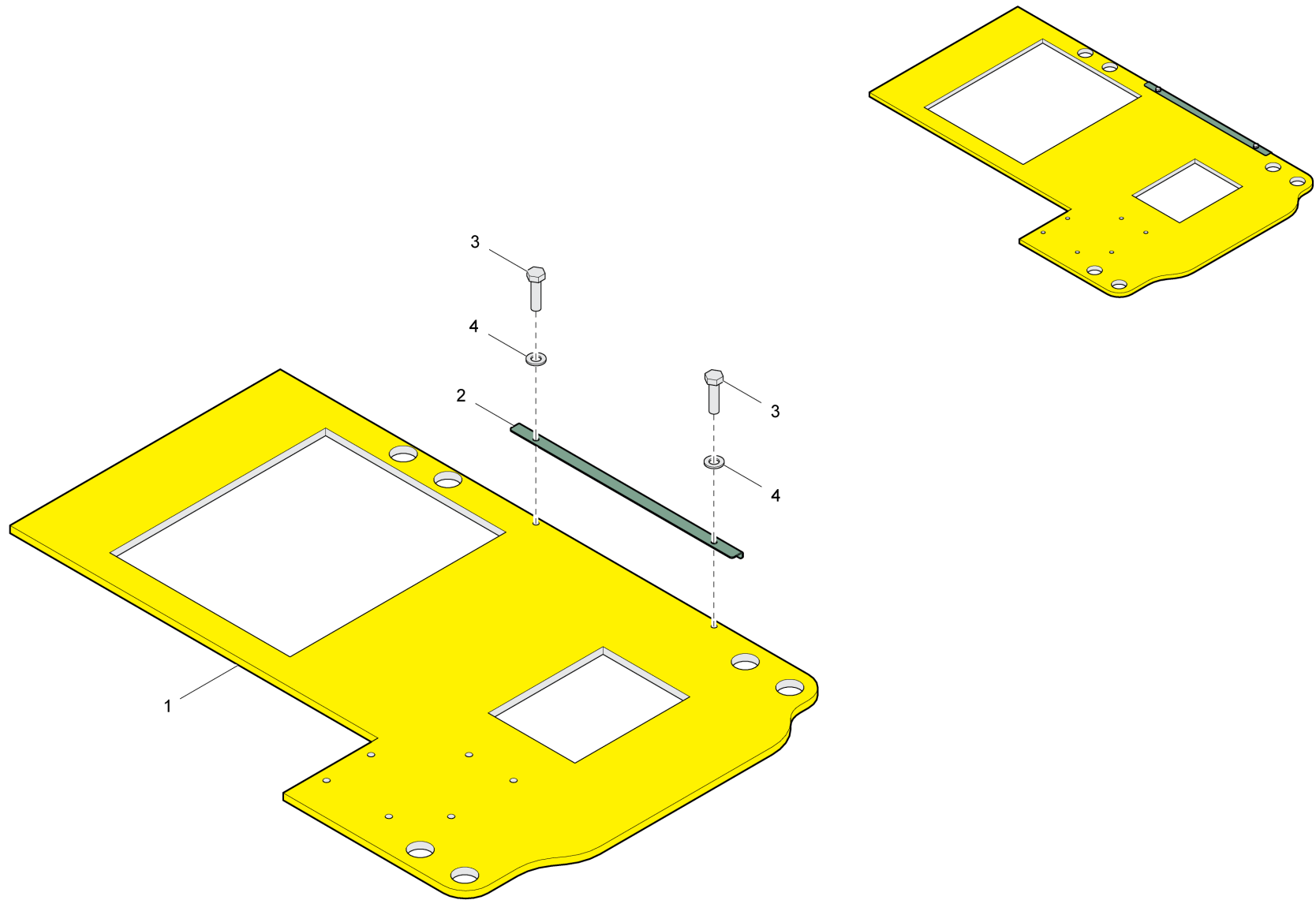
-



**COVER / KÅPA**

-

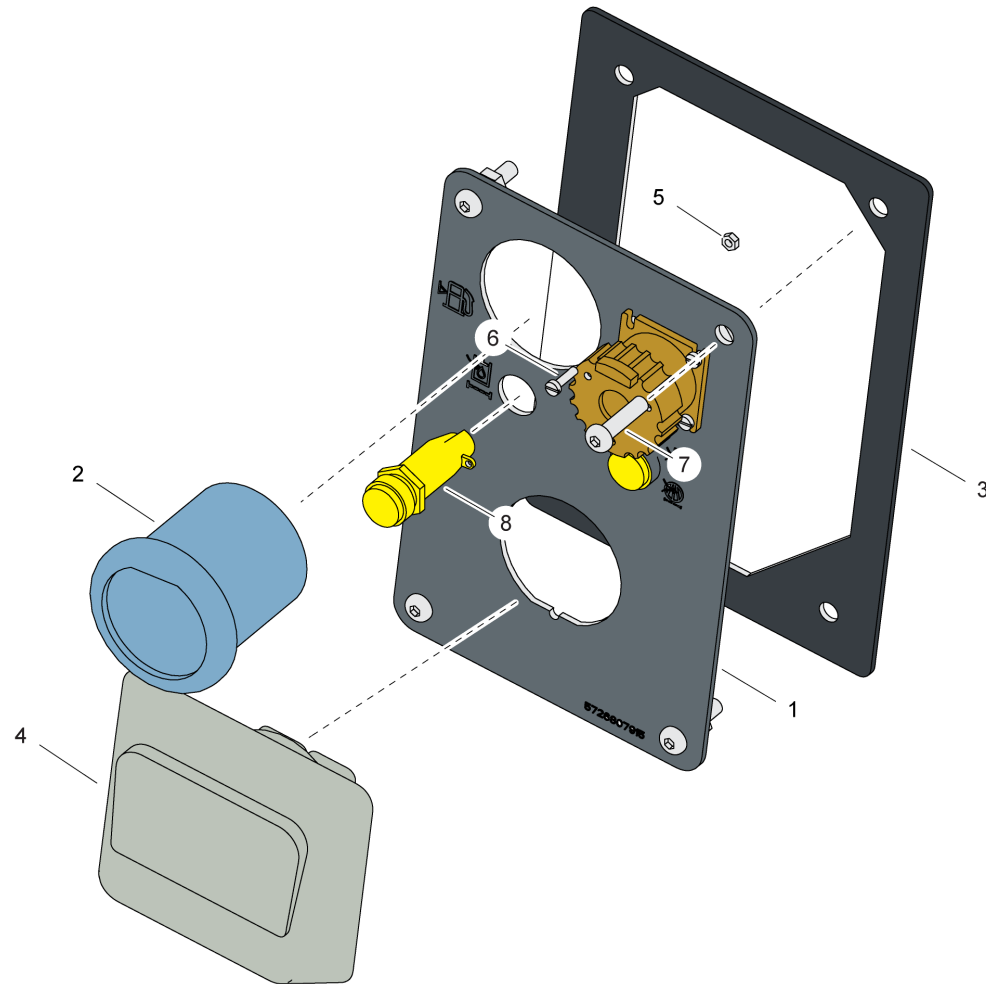
<b>Ref.no</b>	<b>Part no Art.nr</b>	<b>Qty Qty</b>	<b>Description</b>	<b>Beskrivning</b>	<b>See page Se sidan</b>	<b>Remarks Anmärkningar</b>
1	-	1	COVER	KÅPA		
2	0147 1326 03	6	SCREW, HEX HEAD	SKRUV, SEXKANT		M 8 X 30 - 8.8 FZB
3	3315 0195 04	6	LOCK WASHER	LÅSBRICKA		8,2/13,5 X 2,6 HRC50 FZB



**RUBBER CARPET / GUMMIMATTA**

-

Ref.no	Part no Art.nr	Qty Qty	Description	Beskrivning	See page Se sidan	Remarks Anmärkningar
1	-	1	FLOOR PANEL	DURK		
2	-	1	PLATE	PLÅT		
3	0147 1326 03	2	SCREW, HEX HEAD	SKRUV, SEXKANT		M 8 X 30 - 8.8 FZB
4	0301 2335 00	2	PLAIN WASHER	RUNDBRICKA		8,4 / 16 X 1,6 -HB200 FZB



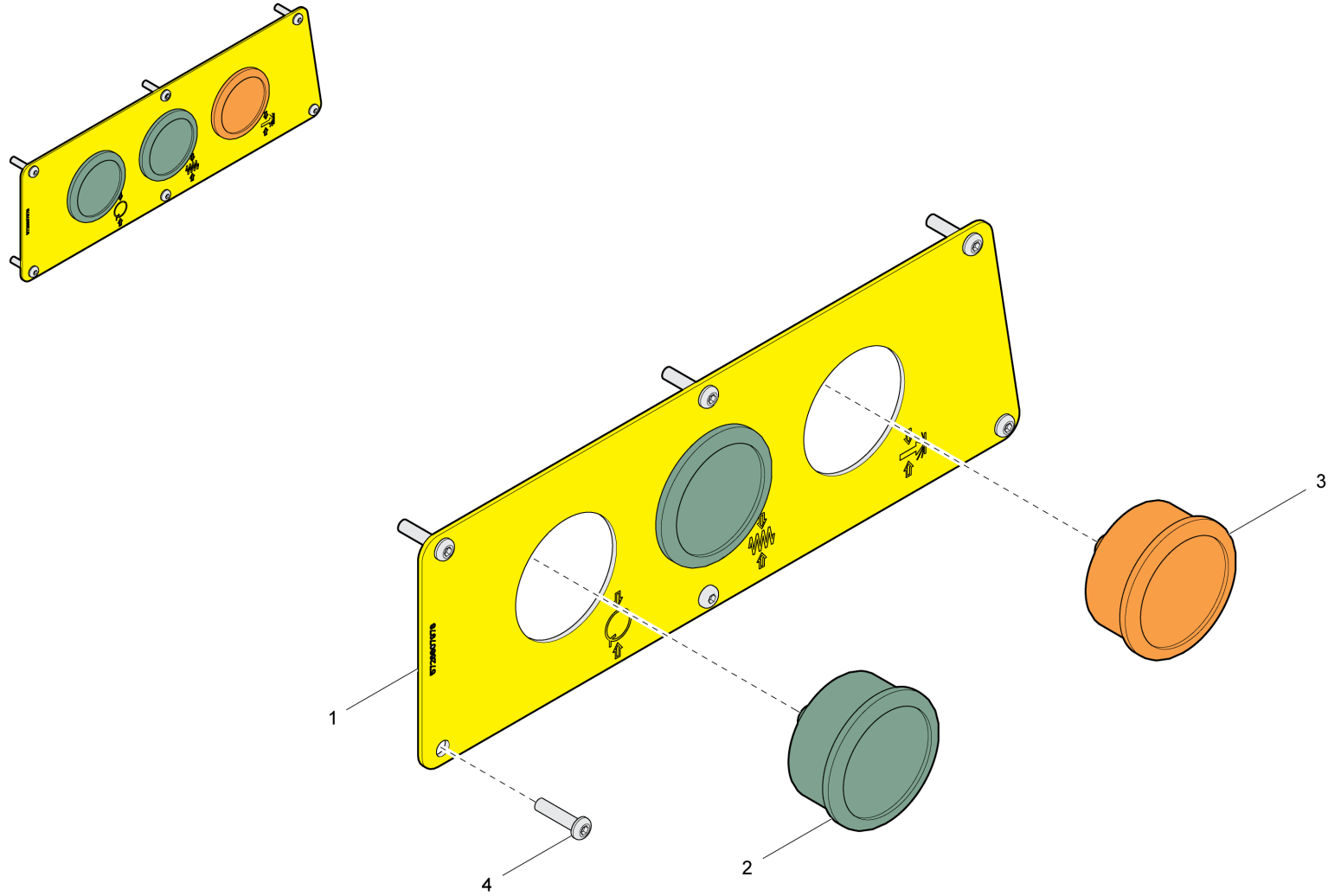
**PANEL KIT / PANELSATS**

-

Ref.no	Part no Art.nr	Qty Qty	Description	Beskrivning	See page Se sidan	Remarks Anmärkningar
1	-	1	BRACKET	KONSOL		
2	5726 8088 53	1	FUEL GAUGE	BRÄNSLEMÄTARE		
3	5726 8079 15	1	MOUNTING PLATE	MONTERINGSPLÅT		
4	5726 8021 78	1	DISPLAY	DISPLAY		
5	0266 2104 00	4	NUT	MUTTER		M 3 - 8 FZB
6	0160 6023 00	4	SCREW, SLOTTED	SPÅRSKRUV		M 3 X 12 - 4.8 FZB
7	0215 0010 09	4	HEX SOCK. SCREW	SEXKANTHÅLSKRUV		B M 6 25 10,5 H 3,3 2,1 4
8	5726 8024 60	2	INDICATOR	INDIKATOR		

PANEL KIT / PANELSATS

-



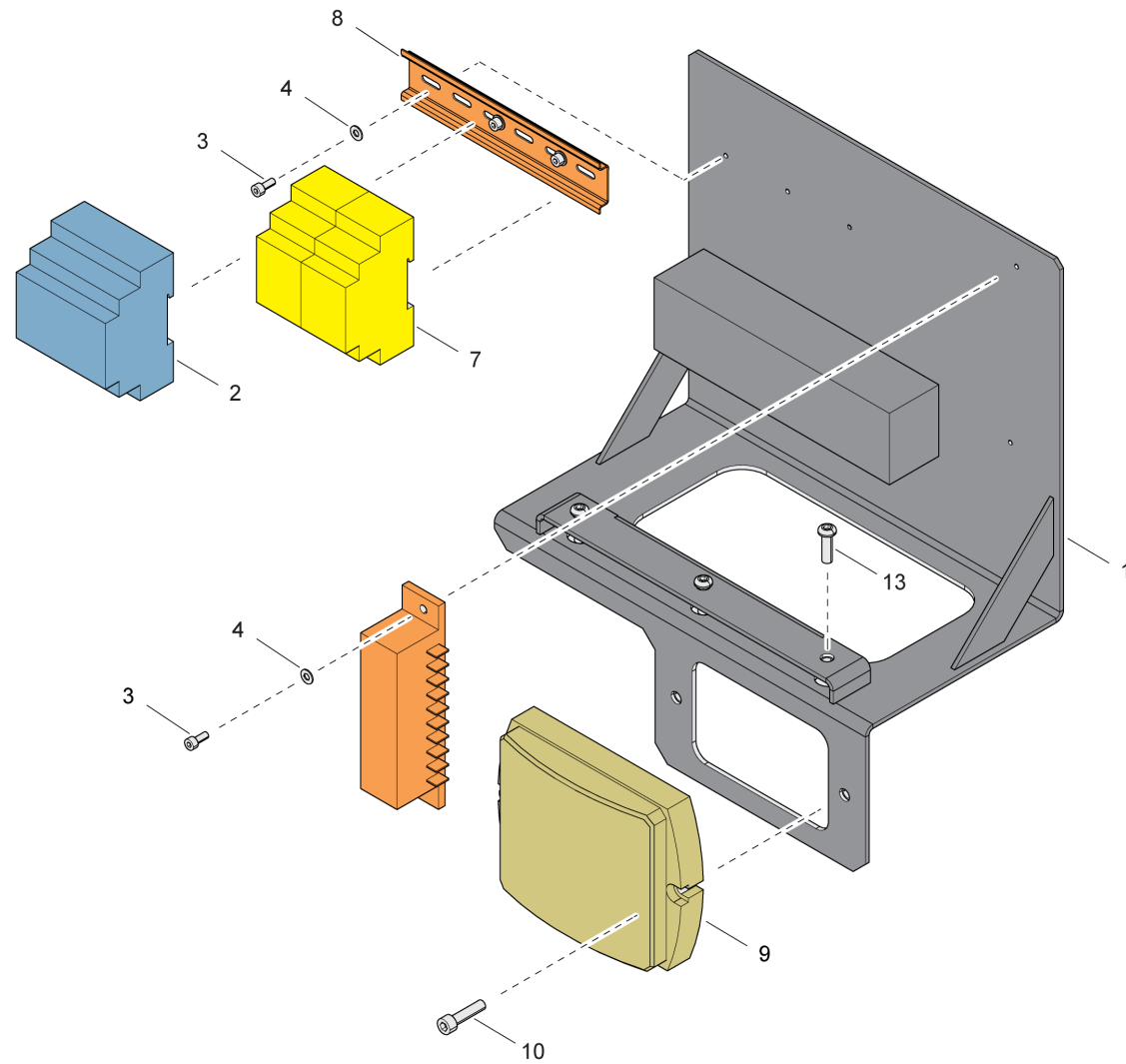


**PANEL KIT / PANELSATS**

-

Ref.no	Part no Art.nr	Qty Qty	Description	Beskrivning	See page Se sidan	Remarks Anmärkningar
1	-	1	MOUNTING PLATE	MONTERINGSPLÅT		
2	5726 8029 94	2	PRESSURE GAUGE	TRYCKMÄTARE		
3	5726 8029 93	1	PRESSURE GAUGE	TRYCKMÄTARE		
4	0215 0010 09	6	HEX SOCK. SCREW	SEXKANTHÅLSKRUV		B M 6 25 10,5 H 3,3 2,1 4

ELECTRONIC UNIT / ELEKTRONIKENHET



ITEM #12 NOT ILLUSTRATED

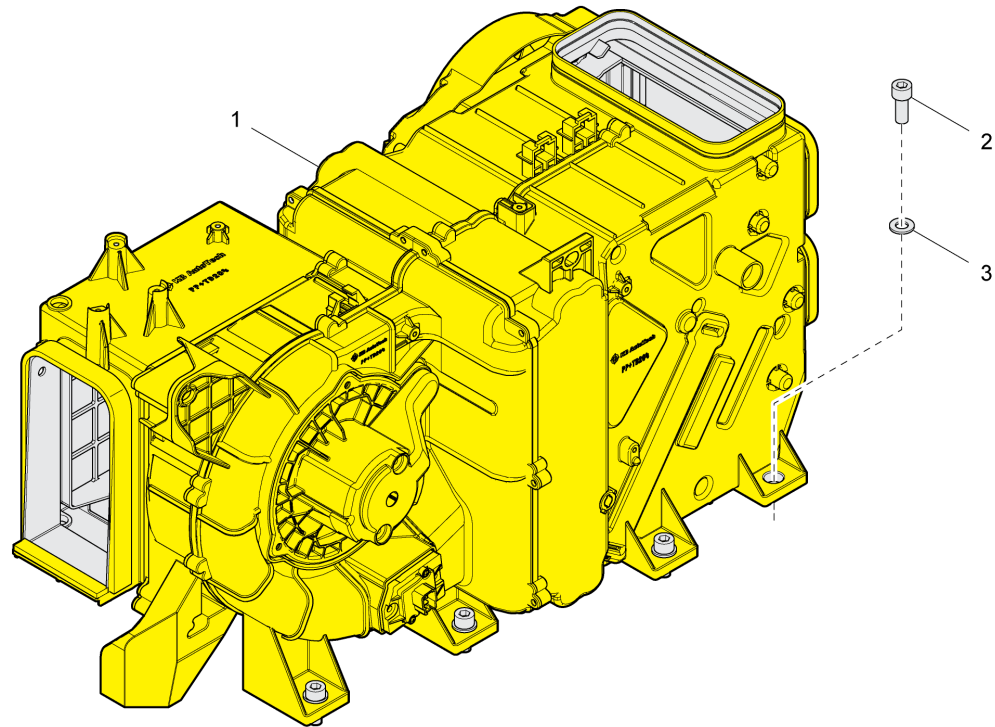
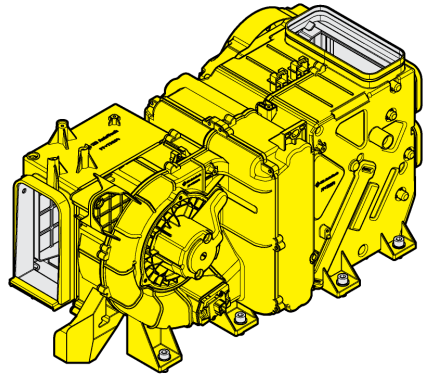
## ELECTRONIC UNIT / ELEKTRONIKENHET

-

Ref.no	Part no Art.nr	Qty Qty	Description	Beskrivning	See page Se sidan	Remarks Anmärkningar
1	-	1	ELECTRONIC ASSY	ELEKTRONIKENHET		
2	5726 8117 78	1	PLC	PLC		
3	0211 1170 03	11	SCREW	SKRUV		MC6S M 4 X 10 - 8.8 FZB
4	0301 2315 00	11	PLAIN WASHER	RUNDBRICKA		4,3 / 9 X 0,8 -HB 200 FZB
7	5726 8117 79	2	PLC	PLC		
8	-	1	RAIL	RÄL		DIN RAIL WITH HOLE 4MM
9	5726 5007 10	1	GPS	GPS		
10	0211 1249 03	2	SCREW	SKRUV		MC6S M 6 X 25 - 8.8 FZB
12	5726 8089 07	2	BRACKET	FÄSTDON		END BRACKET FOR 35 RAIL
13	0215 0006 13	3	HEX SOCK. SCREW	SEXKANTHÅLSKRUV		B M 6 20 10,5 H 3,2 2,1 4

# EVAPORATOR / FÖRÅNGARBATTERI

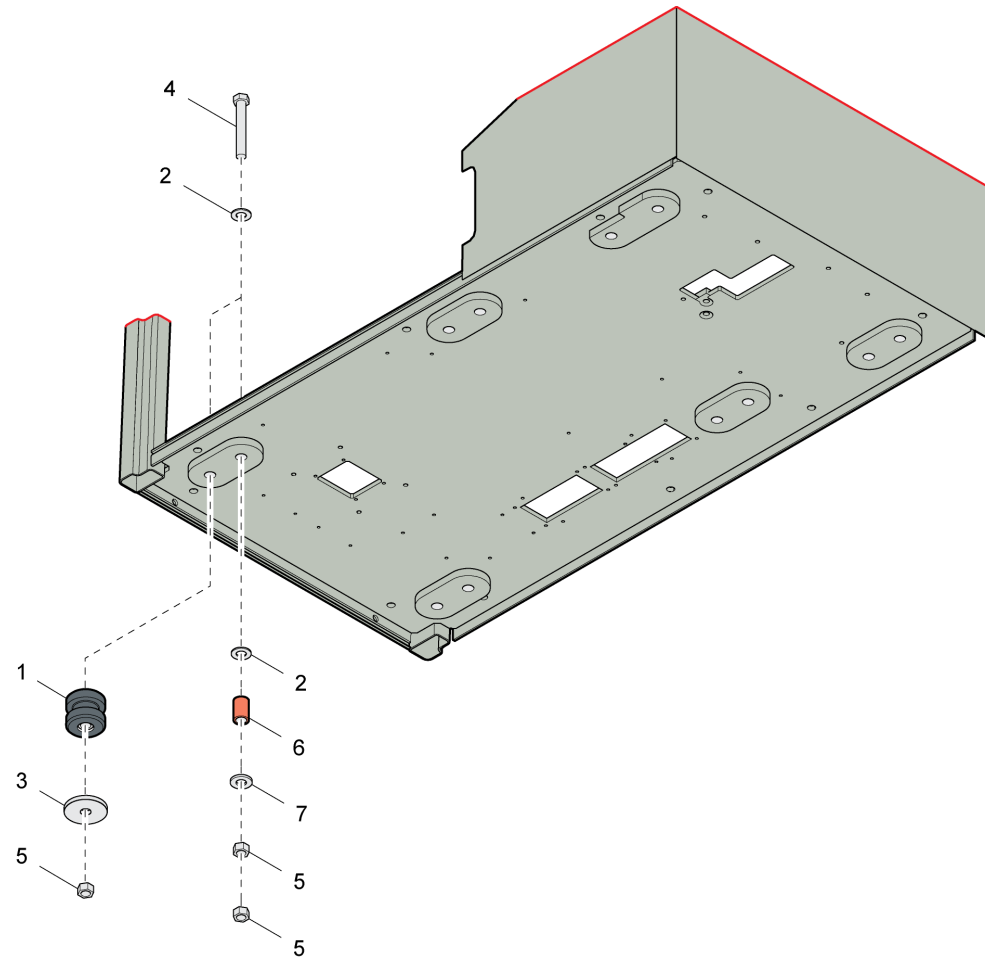
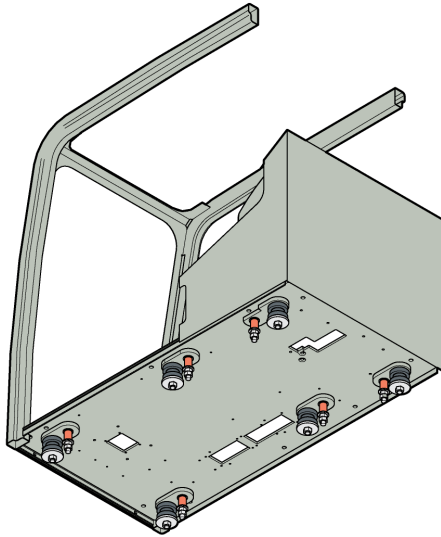
-



**EVAPORATOR / FÖRÅNGARBATTERI**

-

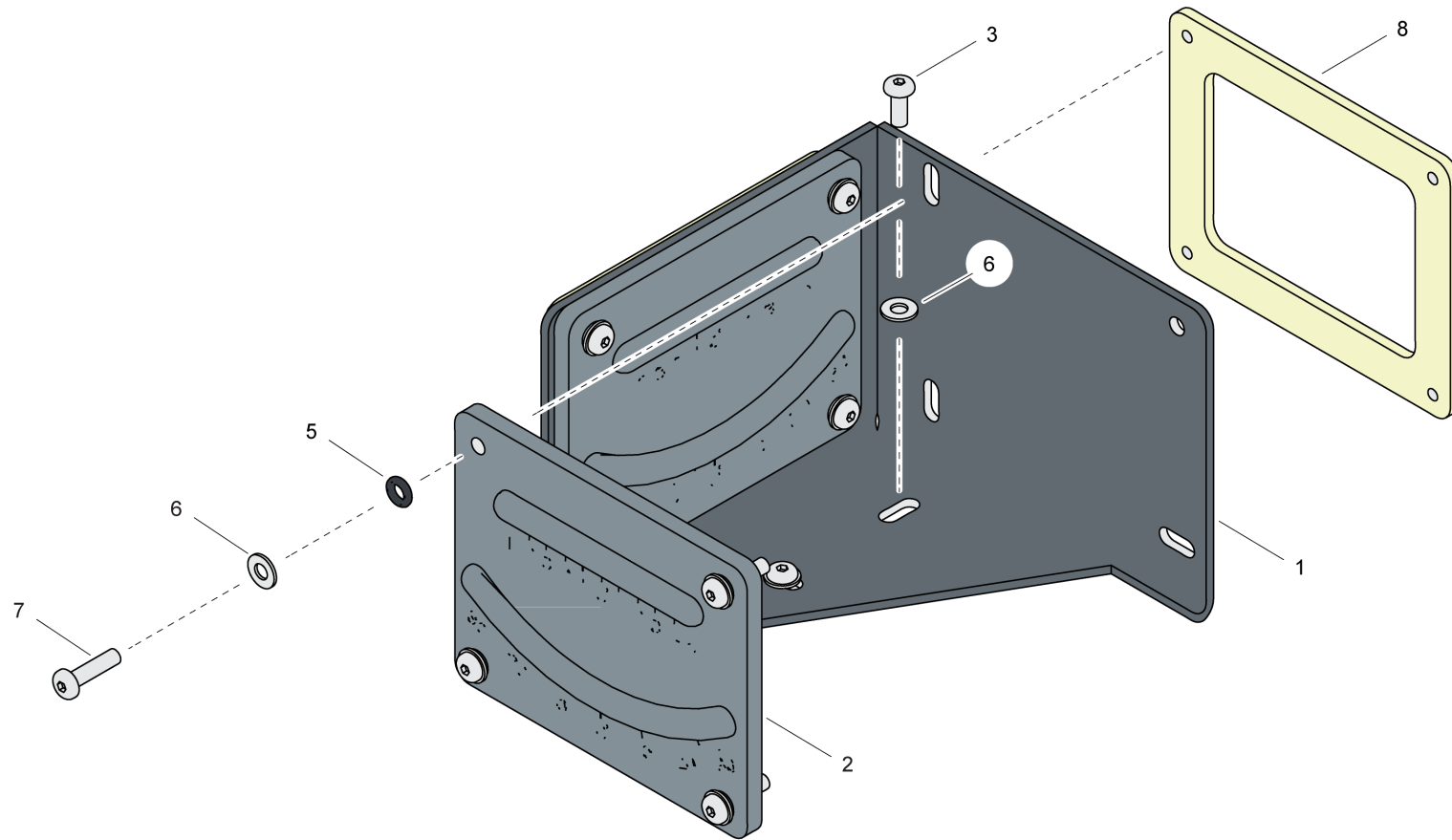
<b>Ref.no</b>	<b>Part no Art.nr</b>	<b>Qty Qty</b>	<b>Description</b>	<b>Beskrivning</b>	<b>See page Se sidan</b>	<b>Remarks Anmärkningar</b>
1	-	1	EVAPORATOR	FÖRÅNGARBATTERI		
2	0211 1362 03	7	SCREW	SKRUV		MC6S M 10 X 25 - 8.8 FZB
3	0301 2344 00	7	PLAIN WASHER	RUNDBRICKA		10,5 / 20 X 2 -HB 200 FZB



## INSULATION / ISOLERING

5726 8079 36

Ref.no	Part no Art.nr	Qty Qty	Description	Beskrivning	See page Se sidan	Remarks Anmärkningar
1	5726 8029 12	6	DAMPING CUSHION	DÄMPNINGSKUDDE		
2	0300 0129 18	18	PLAIN WASHER	RUNDBRICKA		A 22,2 23,8 45,24 3,45 -
3	5726 8029 13	6	WASHER	BRICKA		
4	0147 1964 46	12	SCREW, HEX HEAD	SKRUV, SEXKANT		A M22 150 56 14 32 10.9 -
5	0266 1117 00	18	NUT	MUTTER		M 22 - 8 (DIN 934)
6	5726 8029 14	6	SPACER	DISTANS		
7	5726 8014 76	6	WASHER	BRICKA		





Ref.no	Part no Art.nr	Qty Qty	Description	Beskrivning	See page Se sidan	Remarks Anmärkningar
1	-	1	ANGLE BRACKET	FÄSTVINKEL		
2	5112 3102 43	2	ANGLE POINTER	VINKELVISARE		+/- 35 DEGREES SPIRIT LEVEL
3	0215 0003 72	2	HEX SOCK. SCREW	SEXKANTHÅLSKRUV		B M 4 10 7,6 H 2,2 1,3 2,
5	3222 9892 24	8	O-RING	O-RING		
6	0301 2315 00	10	PLAIN WASHER	RUNDBRICKA		4,3 / 9 X 0,8 -HB 200 FZB
7	0216 0000 10	8	HEX SOCK. SCREW	SEXKANTHÅLSKRUV		B M 4 16 7,6 H 2,2 1,3 2,
8	5726 8017 95	2	PLATE	PLÅT		



Ref.no	Part no Art.nr	Qty Qty	Description	Beskrivning	See page Se sidan	Remarks Anmärkningar
1	-	1	OPERATORS PANEL	INSTRUMENTTAVLA		
2	-	1	EVAPORATOR	FÖRÅNGARBATTERI		AIR CONDITION INSIDE
3	-	1	COMPRESSOR SET	KOMPRESSORSATS		REFER TO SEPARATE PARTS MANUAL
4	5726 8079 91	1	CONDENSER	KONDENSOR		AIR CONDITION CONDENSER
5	-	1	HARNESS	SELE		
6	5726 8079 89	1	HOSE ASSEMBLY	SLANGLEDNING		COMPRESSOR SET TO CON- DENSER
7	5726 8079 88	1	HOSE ASSEMBLY	SLANGLEDNING		FROM CONDENSOR TO EVAP- ORATOR
8	5726 8079 87	1	HOSE ASSEMBLY	SLANGLEDNING		EVAPORATOR TO COMPRES- SOR SET
9	5726 8079 86	1	HOSE	SLANG		
10	-	1	CLAMP	ÖVERFALL		
11	5726 8079 84	1	FILTER	FILTER		
12	5726 8079 83	1	FILTER	FILTER		
13	5726 8079 82	1	SENSOR	GIVARE		
14	0147 1959 44	1	HEXAGON SCREW	SEKKANTSSKRUV		M10X1,25X30 FULL 6,4 1



**DUST COLLECTOR / DAMMAVSKILJARE**  
**LIST OF CONTENTS**

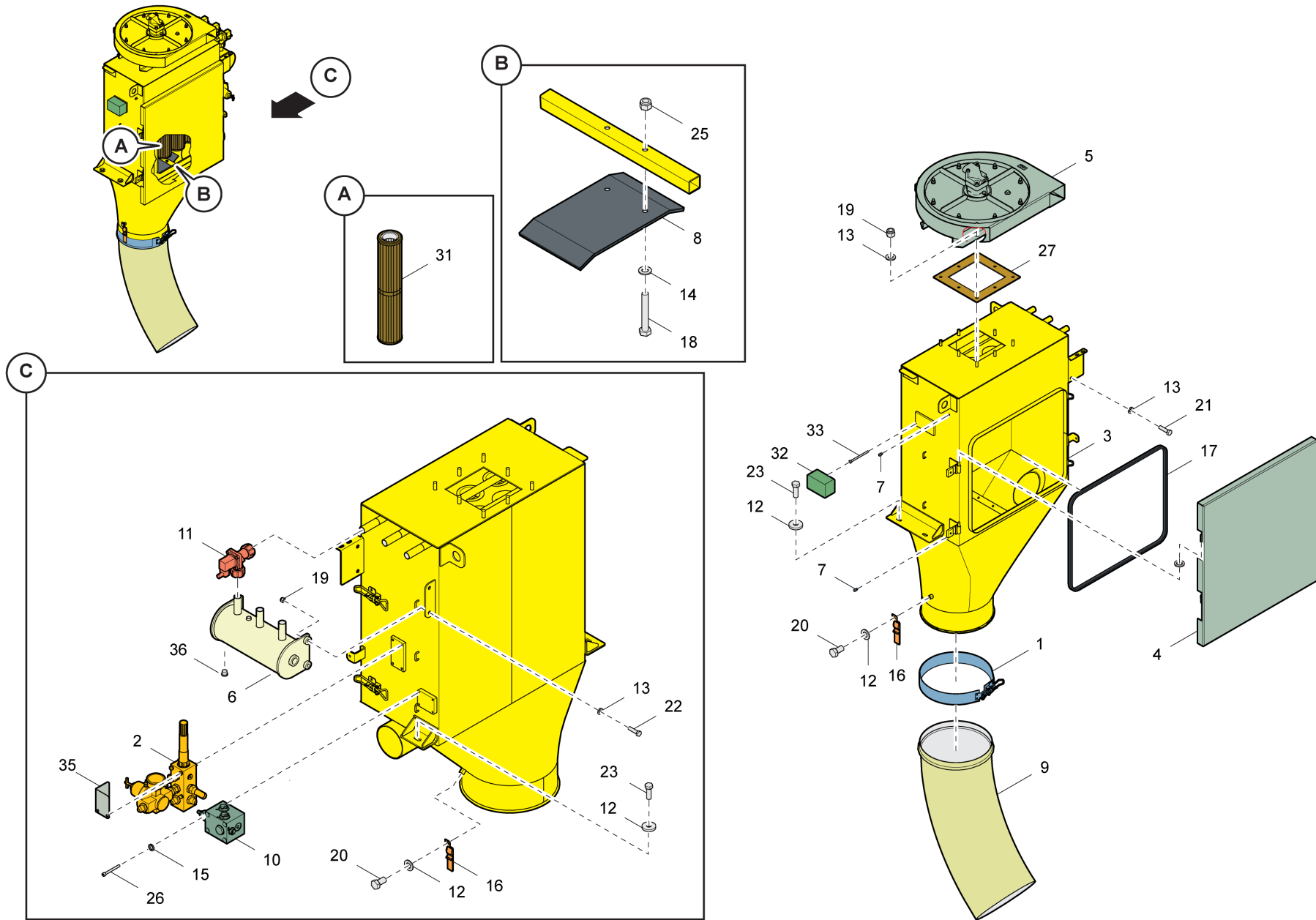
Part no Art.nr	Description	Beskrivning	See page Se sidan	Remarks Anmärkningar
-	DUST COLLECTOR	DAMMAVSKILJARE	387	
-	- DUST COLLECTOR	DAMMAVSKILJARE	389	
3217 0552 00	-- BELT	REM		
-	-- CONNECTION SET	ANSLUTNINGSSATS	391	
3176 8641 00	--- PRESS.REGULATOR	TRYCKREGULATOR	393	R 1/4"
5726 8076 01	-- FILTER HOUSING	FILTERHUS		
5726 8076 06	-- DOOR	DÖRR	395	
-	-- FAN W. MOTOR	FLÄKT M. MOTOR	397	
3177 3072 00	--- HYDRAULIC MOTOR	HYDRAULMOTOR	399	
5726 8076 03	-- AIR RECEIVER	LUFTBEHÅLLARE		
-	- PRESEPARATOR	FÖRAVSKILJARE	401	
3222 3193 75	-- PRESEPARATOR	FÖRAVSKILJARE	403	WITHOUT ATTACHMENT
3222 2822 01	--- RESERVOIR	BEHÅLLARE		
3217 0552 00	--- BELT	REM		
5726 8108 01	-- HOLDER	FORDONSHÄNGARE		
3216 0295 46	-- HOSE HOLDER	SLANGHÅLLARE	405	
-	- HOSE CONNECTION	SLANGANSLUTNING	407	



**DUST COLLECTOR / DAMMAVSKILJARE**

<b>Ref.no</b>	<b>Part no Art.nr</b>	<b>Qty Qty</b>	<b>Description</b>	<b>Beskrivning</b>	<b>See page Se sidan</b>	<b>Remarks Anmärkningar</b>
-		1	DUST COLLECTOR	DAMMAVSKILJARE	389	
-		1	PRESEPARATOR	FÖRAVSKILJARE	401	
-		1	HOSE CONNECTION	SLANGANSLUTNING	407	

# DUST COLLECTOR / DAMMAVSKILJARE



ITEM #34 NOT ILLUSTRATED



## DUST COLLECTOR / DAMMAVSKILJARE

-

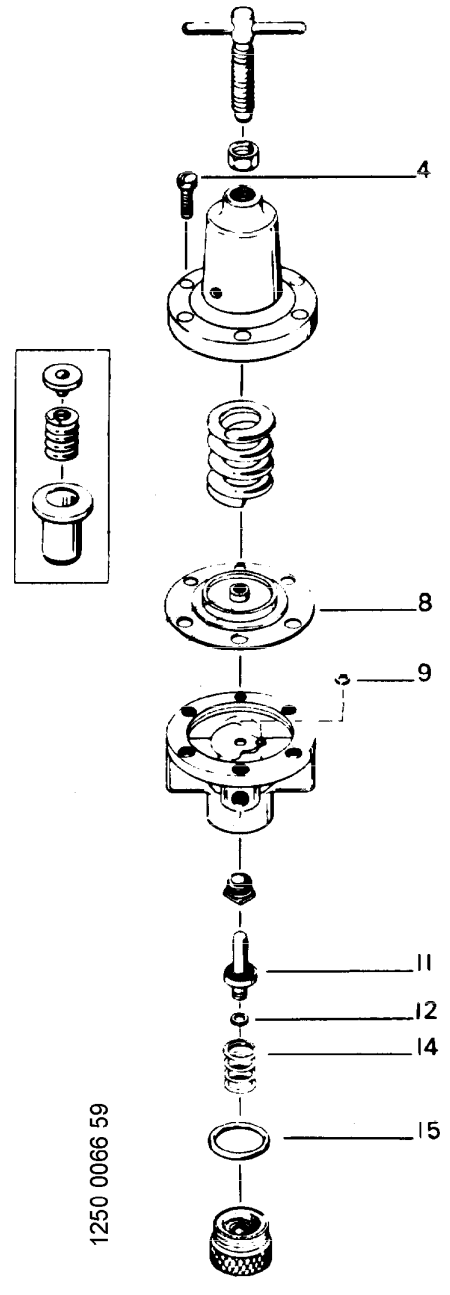
Ref.no	Part no Art.nr	Qty Qty	Description	Beskrivning	See page Se sidan	Remarks Anmärkningar
1	3217 0552 00	1	BELT	REM		
2	-	1	CONNECTION SET	ANSLUTNINGSSATS	391	
3	5726 8076 01	1	FILTER HOUSING	FILTERHUS		
4	5726 8076 06	1	DOOR	DÖRR	395	
5	-	1	FAN W. MOTOR	FLÄKT M. MOTOR	397	
6	5726 8076 03	1	AIR RECEIVER	LUFTBEHÅLLARE		
7	0686 3101 00	2	PLUG	PROPP		KR 1/8 - 11 0815 00
8	5726 8076 04	1	PROTECT. SHIELD	SKYDDSPÅT		
9	3214 6238 02	1	RUBBER SLEEVE	GUMMIHYLSA		DCT/DPS
10	5726 8077 17	1	VALVE BLOCK	VENTILBLOCK		SEE CHAPTER HYDR. SYSTEM
11	3222 1293 00	3	SOLENOID VALVE	MAGNETVENTIL		SEE CHAPTER AIR SYSTEM
12	0300 0129 38	3	PLAIN WASHER	RUNDBRICKA		A 12 13 36 6 - - STEEL -
13	0301 2358 00	14	WASHER	BRICKA		13 / 24 X 2,5 -HB 200 FZB
14	0301 2335 00	2	PLAIN WASHER	RUNDBRICKA		8,4 / 16 X 1,6 -HB200 FZB
15	0300 0274 56	4	PLAIN WASHER	RUNDBRICKA		
16	3217 5164 00	2	BAND	BAND		
17	5726 8076 07	1	RUBBER PACKING	GUMMIPACKNING		
18	0147 1331 03	2	SCREW, HEX HEAD	SKRUV, SEXKANT		M 8 X 55 - 8.8 FZB
19	0291 1128 22	11	LOCK NUT	LÅSMUTTER		M 12 - 8 FZB / ISO 7040
20	0147 1399 03	2	SCREW, HEX HEAD	SKRUV, SEXKANT		M12X22 8.8
21	0147 1403 03	2	SCREW, HEX HEAD	SKRUV, SEXKANT		M 12 X 40 - 8.8 FZB
22	0147 1404 03	2	SCREW, HEX HEAD	SKRUV, SEXKANT		M 12 X 45 - 8.8 FZB
23	0147 1402 03	3	SCREW, HEX HEAD	SKRUV, SEXKANT		M 12 X 35 - 8.8 FZB
25	0291 1128 18	2	LOCK NUT	LÅSMUTTER		M 8 - 8 FZB / ISO 7040
26	0211 1335 03	4	HEX SOCK. SCREW	SEKANTHÅLSKRUV		SKRUV
27	5726 8076 05	1	GASKET	PACKNING		
31	3222 3212 95	15	FILTER ELEMENT	FILTERELEMENT		
32	3222 3147 46	1	PULSE UNIT	PULSAGGREGAT		
33	0211 1183 00	2	SCREW	SKRUV		MC6S M 4 X 60 - 12.9
34	-	2	BRASS WASHER	MÄSSINGBRICKA		
35	-	1	PROTECTION	SKYDD		
36	0686 3718 28	1	PLUG	PROPP		- G 1/2 A 27 19,3 14 10 S



CONNECTION SET / ANSLUTNINGSSATS

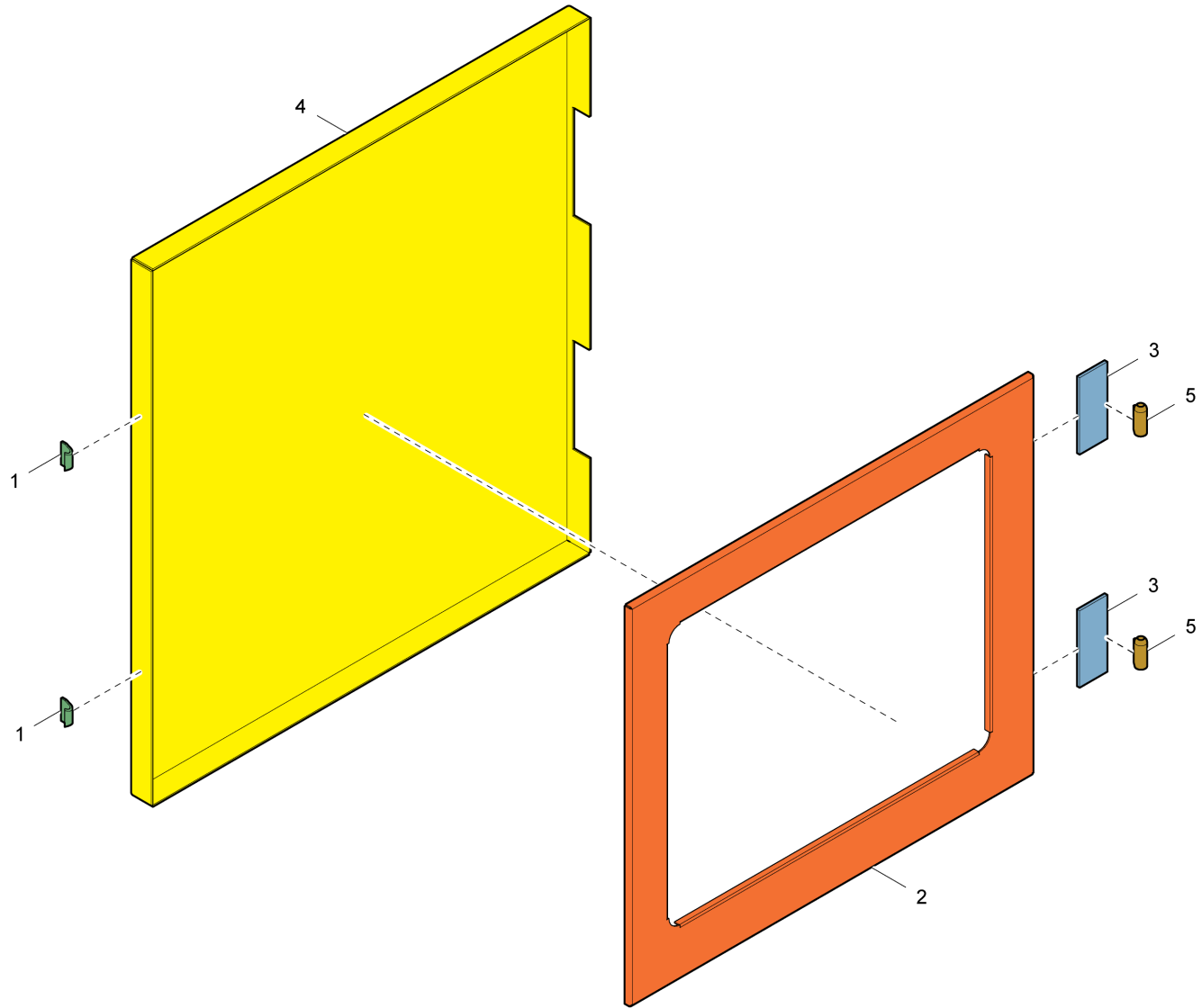
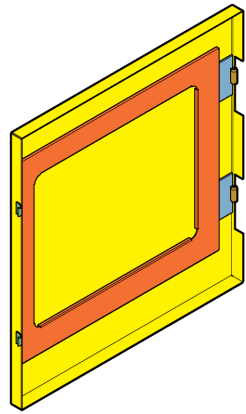
-

Ref.no	Part no Art.nr	Qty Qty	Description	Beskrivning	See page Se sidan	Remarks Anmärkningar
1	3222 3080 73	1	DISTRIBUT.BLOCK	FÖRDELN.BLOCK		
2	0686 6442 00	2	PLUG	PROPP		G 1/4 TYPE B - STEEL 5.8
3	0686 6448 00	1	PLUG	PROPP		G 1 - STEEL 5.8
4	9090 1172 00	1	PRESSURE GAUGE	TRYCKMÄTARE		0-10 BAR G 1/8"
5	3176 8641 00	1	PRESS.REGULATOR	TRYCKREGULATOR	393	R 1/4"
6	3222 3167 54	1	SAFETY VALVE	SÄKERHETSVENTIL		FRIBLÅSANDE SÄV 1" PÖ=8.5 BAR
7	0661 1020 00	2	SEAL WASHER	TÄTNINGSBRICKA		TREDO 1/4 13,7 / 20,6 X 2,1 - FZ ST
8	0661 1049 00	2	SEAL WASHER	TÄTNINGSBRICKA		TREDO G 1
9	3176 6515 00	5	NIPPLE	NIPPEL		
10	3176 8490 00	1	NIPPLE	NIPPEL		UNF 7/8 - G 1/2
11	3715 0585 00	1	NIPPLE	NIPPEL		90 DEGREE WITH SVIVELNUT
14	3315 0195 04	8	LOCK WASHER	LÅSBRICKA		8,2/13,5 X 2,6 HRC50 FZB
15	0147 1336 03	4	SCREW, HEX HEAD	SKRUV, SEXKANT		M 8 X 80 - 8.8 FZB



1250 0066 59

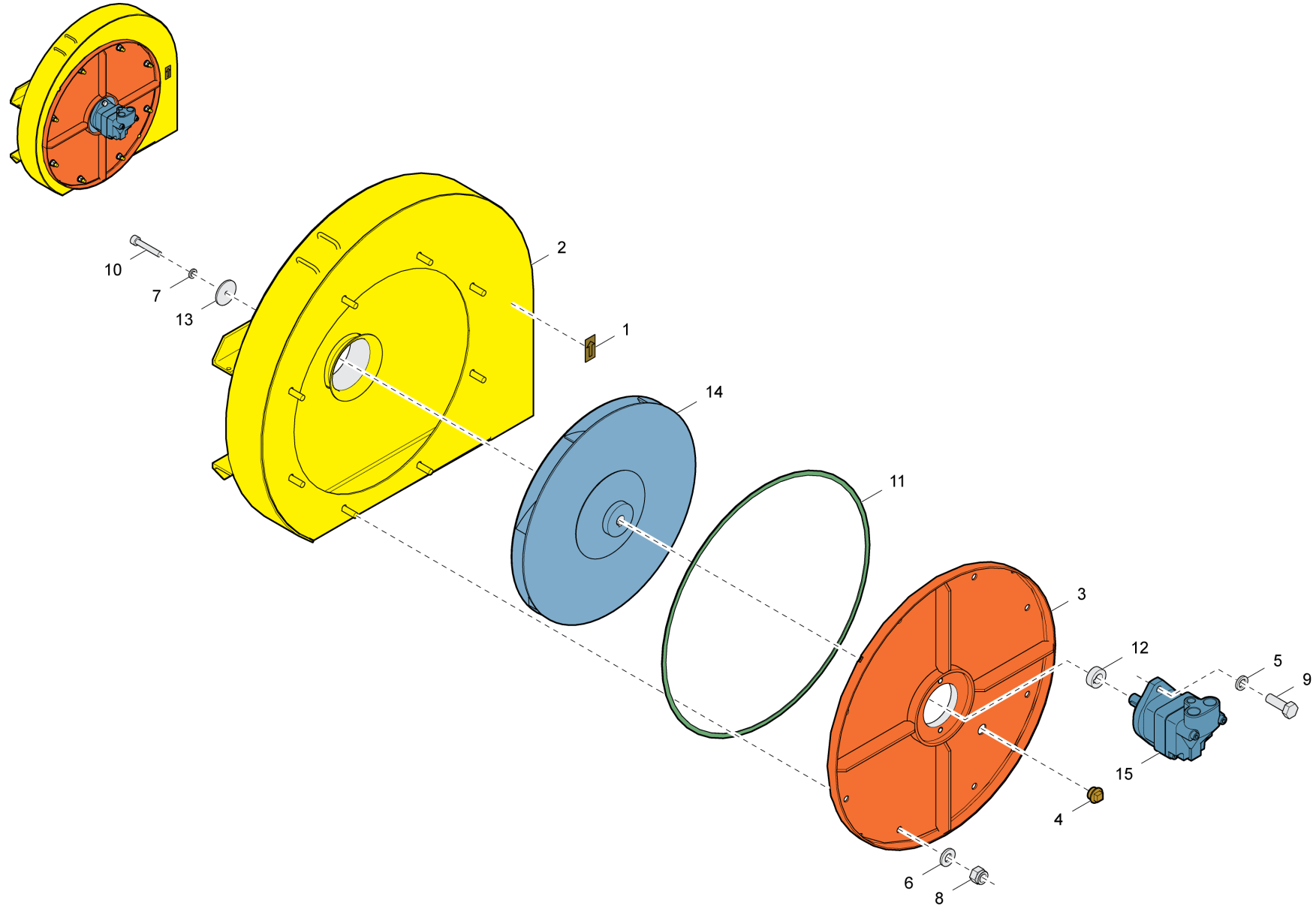
Ref.no	Part no Art.nr	Qty Qty	Description	Beskrivning	See page Se sidan	Remarks Anmärkningar
	3176 8641 01	1	SEAL KIT	TÄTNINGSSATS		POS. 4-15



## DOOR / DÖRR

5726 8076 06

Ref.no	Part no Art.nr	Qty Qty	Description	Beskrivning	See page Se sidan	Remarks Anmärkningar
1	3163 2508 01	2	HOOK	HAKE		
2	-	1	ATTACHMENT	FÄSTE		
3	-	2	PLATE	PLÅT		
4	-	1	DOOR	DÖRR		
5	-	2	WELDED HINGE	SVETSGÅNGJÄRN		

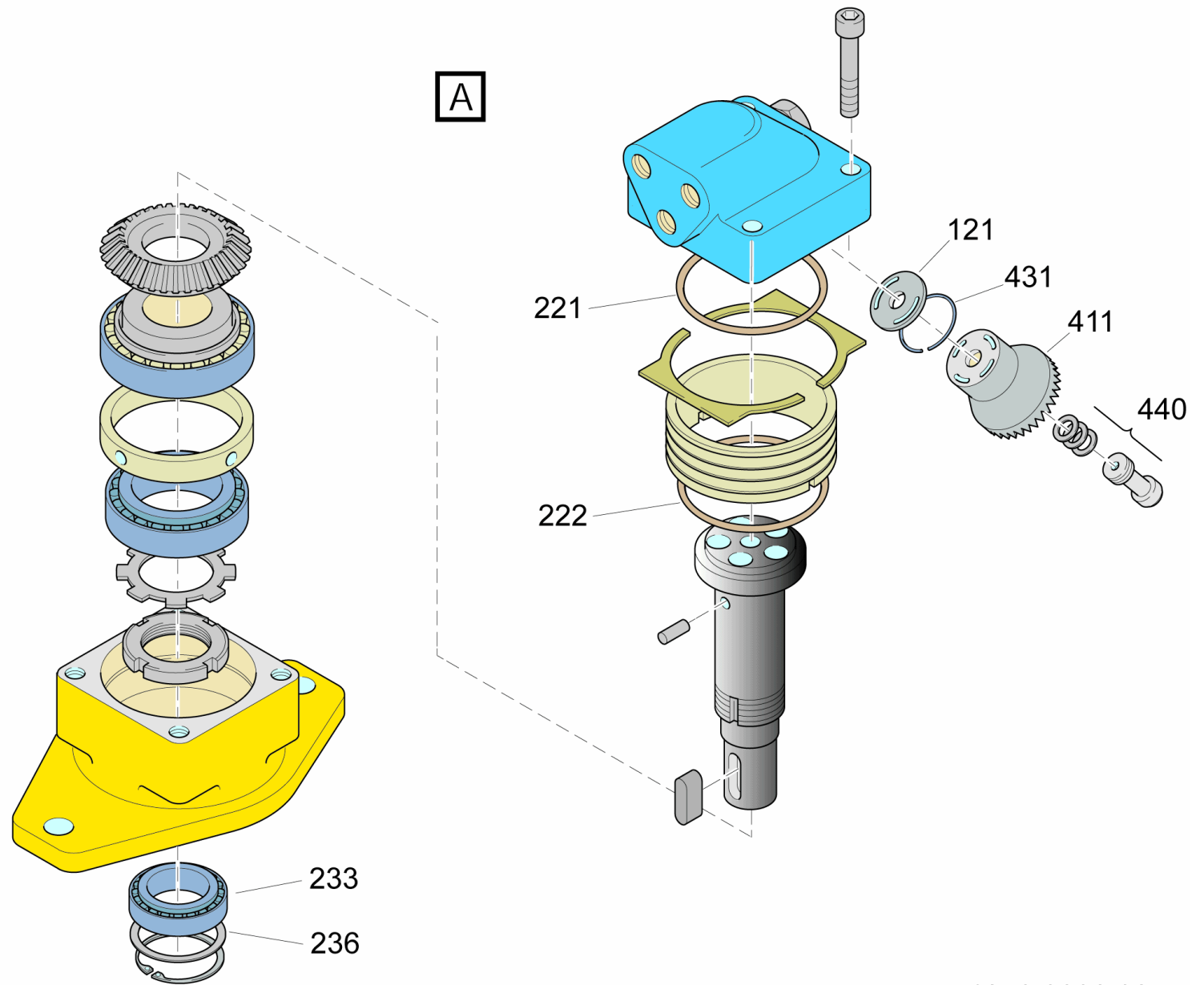
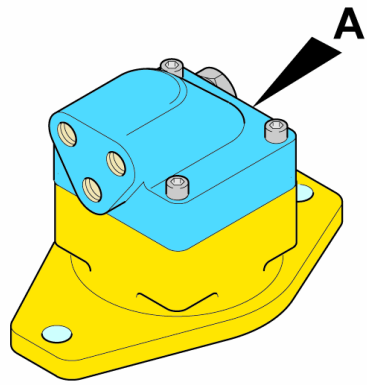




## FAN W. MOTOR / FLÄKT M. MOTOR

-

Ref.no	Part no Art.nr	Qty Qty	Description	Beskrivning	See page Se sidan	Remarks Anmärkningar
1	0691 8801 00	1	PLATE	SKYLT		
2	-	1	FAN HOUSE	FLÄKTHUS		
3	-	1	MOTOR PLATE	MOTORPLATTA		
4	0686 9252 26	1	PLUG	PROPP		R 1/2 / 27 X 19 PP BLACK
5	3315 0195 06	2	LOCK WASHER	LÅSBRICKA		10,3/16,6 X 2,6 HRC50 FZB
6	0333 5200 10	8	LOCK WASHER	LÅSBRICKA		10,3 / 21 X 2,6 FZB
7	3315 0195 02	1	LOCK WASHER	LÅSBRICKA		6,5/10.8X1.8 NORDLOCK
8	0291 1128 20	8	LOCK NUT	LÅSMUTTER		M 10 - 8 FZB / ISO 7040
9	0147 1363 03	2	SCREW, HEX HEAD	SKRUV, SEXKANT		M 10 X 30 - 8.8 FZB
10	0211 1251 00	1	SCREW	SKRUV		MC6S M 6 X 35 - 12.9
11	-	1	SEALING	TÄTNING		
12	5726 8076 66	1	WASHER	BRICKA		
13	5726 8076 35	1	WASHER	BRICKA		
14	3222 3191 83	1	FAN WHEEL	FLÄKTHJUL		
15	3177 3072 00	1	HYDRAULIC MOTOR	HYDRAULMOTOR	399	

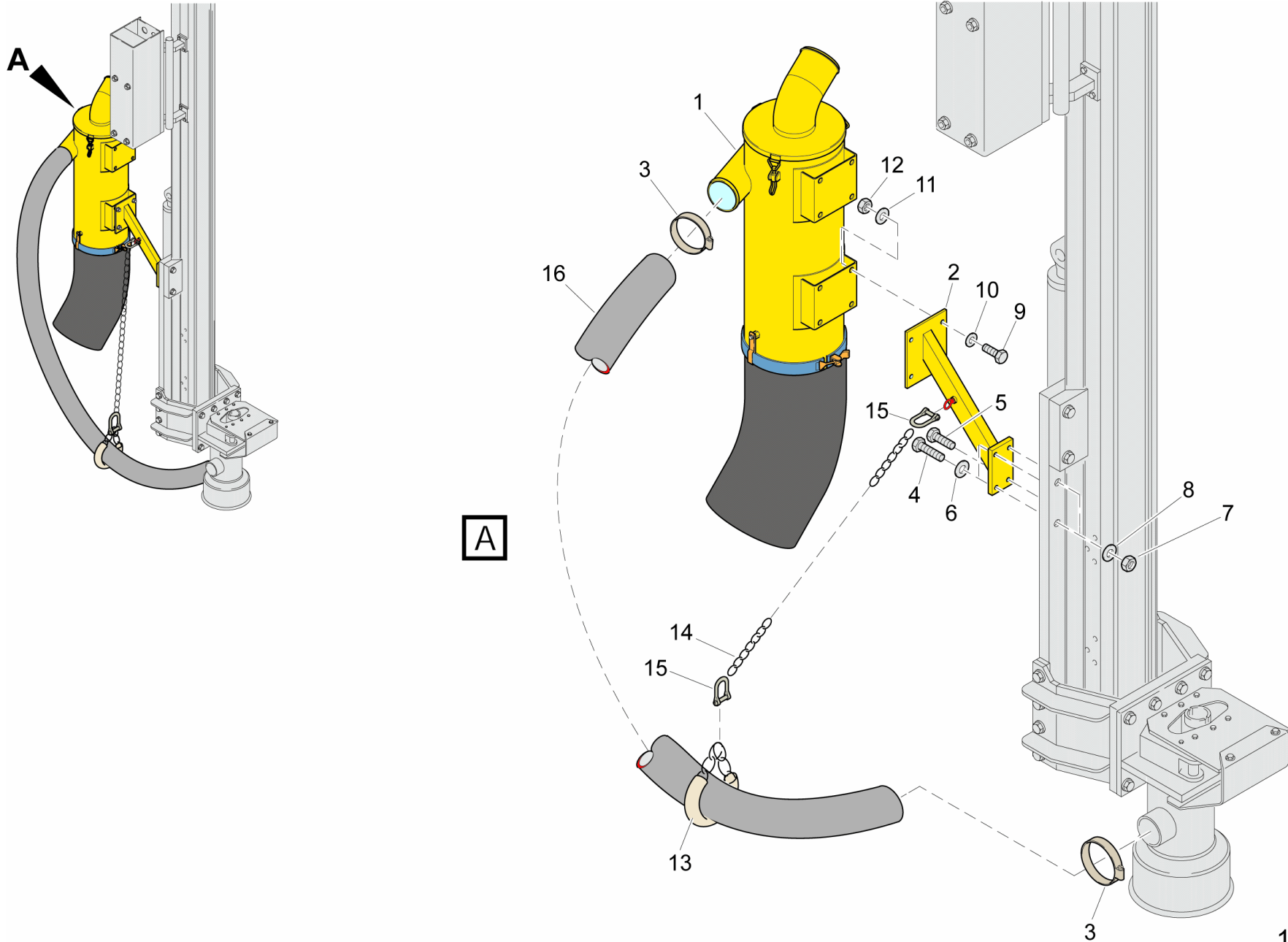


## HYDRAULIC MOTOR / HYDRAULMOTOR

3177 3072 00

Ref.no	Part no Art.nr	Qty Qty	Description	Beskrivning	See page Se sidan	Remarks Anmärkningar
	3222 3049 36	1	REPAIR KIT	RENOVERINGSSATS		REF 121, 221-233, 236, 411,431, 440
	3222 3049 37	1	SEAL KIT	TÄTNINGSSATS		REF 221-233, 236

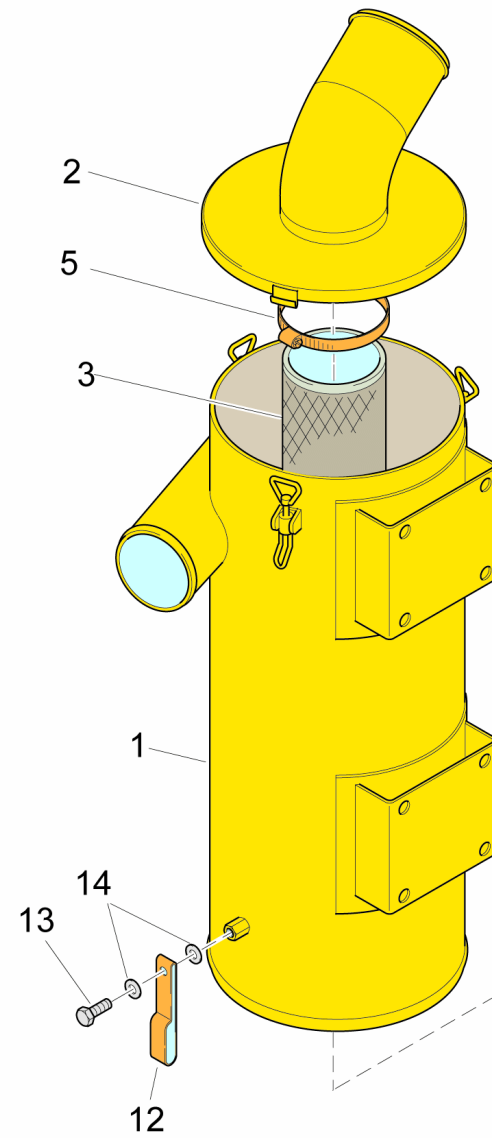
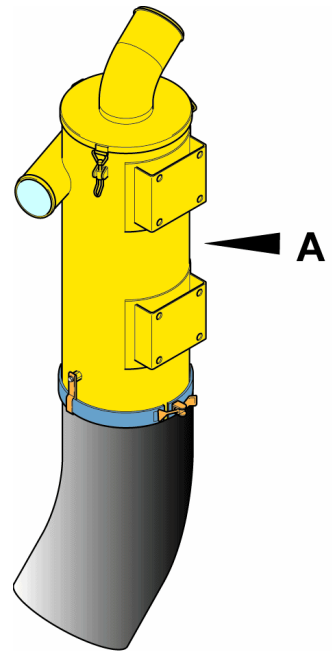
PRESEPARATOR / FÖRAVSKILJARE



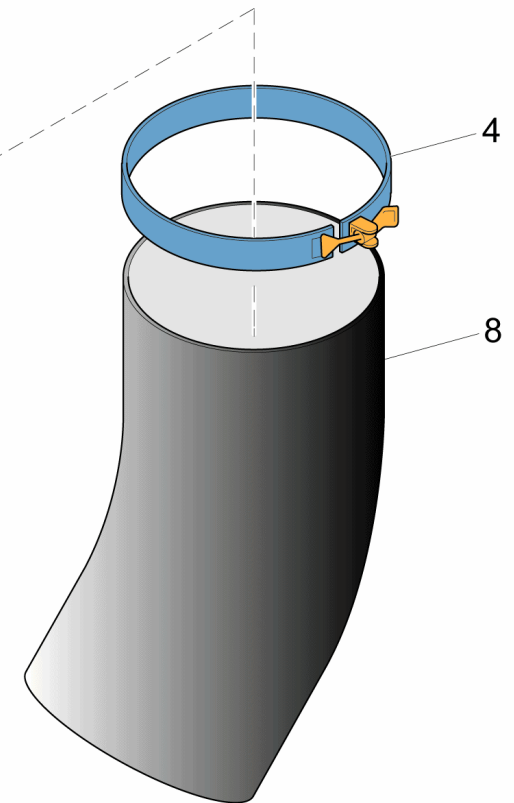
## PRESEPARATOR / FÖRAVSKILJARE

-

Ref.no	Part no Art.nr	Qty Qty	Description	Beskrivning	See page Se sidan	Remarks Anmärkningar
1	3222 3193 75	1	PRESEPARATOR	FÖRAVSKILJARE	403	WITHOUT ATTACHMENT
2	5726 8108 01	1	HOLDER	FORDONSHÄNGARE		
3	0347 6200 15	2	HOSE CLIP	SLANGKLÄMMA		A 131 - 139
4	0147 1411 03	2	SCREW, HEX HEAD	SKRUV, SEXKANT		M 12 X 80 - 8.8 FZB
5	0147 1404 03	2	SCREW, HEX HEAD	SKRUV, SEXKANT		M 12 X 45 - 8.8 FZB
6	3315 0195 08	4	LOCK WASHER	LÅSBRICKA		13,0/19,5 X 2,6 HRC50 FZB
7	0291 1128 22	2	LOCK NUT	LÅSMUTTER		M 12 - 8 FZB / ISO 7040
8	0301 2358 00	2	WASHER	BRICKA		13 / 24 X 2,5 -HB 200 FZB
9	0147 1478 03	4	SCREW, HEX HEAD	SKRUV, SEXKANT		M 16 X 45 - 8.8 FZB
10	3315 0195 10	4	LOCK WASHER	LÅSBRICKA		17/25,4 X 3,7 HRC50 FZB
11	0301 2378 00	4	PLAIN WASHER	RUNDBRICKA		17 / 30 X 3 - HB 200 FZB
12	0291 1128 25	4	LOCK NUT	LÅSMUTTER		M 16 - 8 FZB / ISO 7040
13	3216 0295 46	1	HOSE HOLDER	SLANGHÅLLARE	405	
14	0369 1000 05	1M	CHAIN	KÄTTING		DIA.=5MM LÄNKLÄNGD=28MM
15	3162 1565 00	2	SHACKLE	SCHACKEL		
16	3222 3145 47	1	SUCTION HOSE	SUGSLANG		

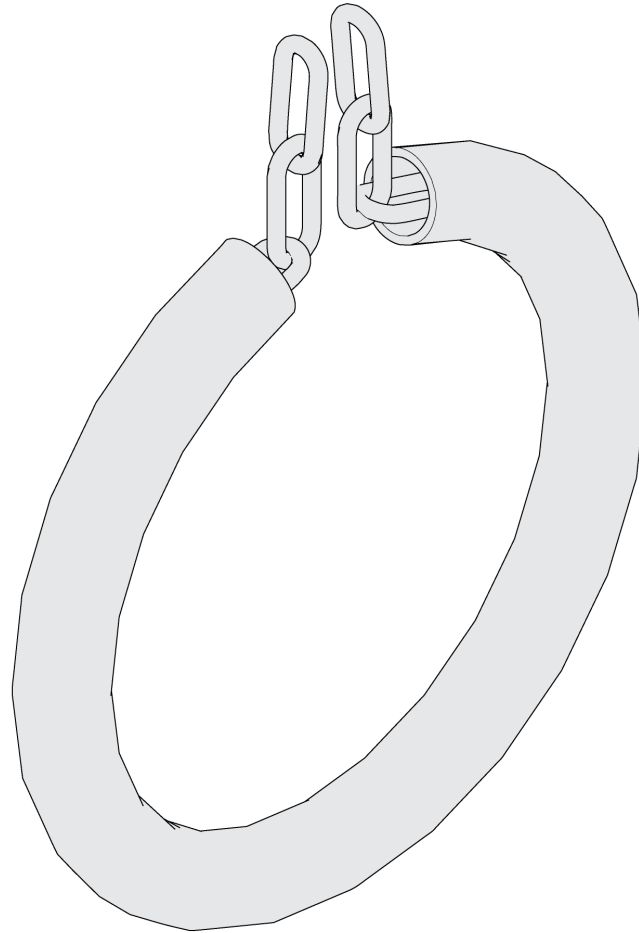


A



1250 0140 30

Ref.no	Part no Art.nr	Qty Qty	Description	Beskrivning	See page Se sidan	Remarks Anmärkningar
A01	3222 3112 14	1	REPAIR SET	REPARATIONSSATS		CARTRIDGE, TOOLS, WEAR RUBBER
1	3222 2822 01	1	RESERVOIR	BEHÅLLARE		
2	3222 3413 48	1	COVER	LOCK		
3	3222 3006 30	1	SUCTION HOSE	SUGSLANG		
4	3217 0552 00	1	BELT	REM		
5	0347 6118 00	1	HOSE CLIP	SLANGKLÄMMA		127 - 140 FZB
8	3214 6238 02	1	RUBBER SLEEVE	GUMMIHYLSA		DCT/DPS
12	3217 5164 00	2	BAND	BAND		
13	0147 1398 03	2	SCREW, HEX HEAD	SKRUV, SEXKANT		M 12 X 20 - 8.8 FZB
14	0301 2358 00	4	WASHER	BRICKA		13 / 24 X 2,5 -HB 200 FZB





**HOSE HOLDER / SLANGHÅLLARE****3216 0295 46**

<b>Ref.no</b>	<b>Part no Art.nr</b>	<b>Qty Qty</b>	<b>Description</b>	<b>Beskrivning</b>	<b>See page Se sidan</b>	<b>Remarks Anmärkningar</b>
1	3214 5287 00	1	CHAIN	KÄTTING		
2	9030 0304 00	1	AIR HOSE	LUFTSLANG		12,5 X 400



**HOSE CONNECTION / SLANGANSLUTNING**

-

Ref.no	Part no Art.nr	Qty Qty	Description	Beskrivning	See page Se sidan	Remarks Anmärkningar
1	0347 6200 15	2	HOSE CLIP	SLANGKLÄMMA		A 131 - 139
2	3214 6215 00	1	SUCTION HOSE	SUGSLANG		DI=127 L=7500
3	3216 0295 46	3	HOSE HOLDER	SLANGHÅLLARE		
4	3162 1565 00	6	SHACKLE	SCHACKEL		
5	3214 0806 04	3	CHAIN	KÄTTING		
6	3217 0578 91	1	PLASTIC BAG	PLASTPÅSE		DCT 60-220 SET OF 25
7	3216 0295 46	20	HOSE HOLDER	SLANGHÅLLARE		



**SIGN SET / SKYLTSATS**  
**LIST OF CONTENTS**

Part no	Description	Beskrivning	See page	Remarks
Art.nr			Se sidan	Anmärkning
-	SIGN SET	SKYLTSATS	411	
-	- SIGN SET	SKYLTSATS	413	
0088 0001 46	-- LABEL SET	DEKALSATS	415	



**SIGN SET / SKYLTSATS**

<b>Ref.no</b>	<b>Part no Art.nr</b>	<b>Qty Qty</b>	<b>Description</b>	<b>Beskrivning</b>	<b>See page Se sidan</b>	<b>Remarks Anmärkningar</b>
-		1	SIGN SET	SKYLTSATS	413	





## SIGN SET / SKYLTSATS

-

Ref.no	Part no Art.nr	Qty Qty	Description	Beskrivning	See page Se sidan	Remarks Anmärkningar
A01	0088 0001 46	1	LABEL SET	DEKALSATS	415	
A02	-	1	SIGN DRAWING	SKYLTRITNING		
1	9106 1071 24	5	NO ADMITTANCE	TILLTRÄDE FÖRB.		SYMBOL 157 X 157
2	9106 1073 05	4	RISK OF CRUSH.	KLÄMRISK		107 X 107
3	3222 3149 65	1	SOUND LABEL	LJUD ETIKETT		
4	9106 1071 01	1	READ INSTR.BOOK	LÄS INSTR.BOK		SYMBOL 107 X 107
5	9106 1073 21	1	TIPP. HAZ. DOWN	TIPPRISK NEDFÖR		57 X 57
6	9106 1071 06	4	SIGN	SKYLT		LIFTING EYE 57 X 57
7	9106 1071 43	1	BATTERY SWITCH	BATTERIFR.SKILJ		SYMBOL 107 X 107
8	9106 1073 31	1	HAZARDOUS PRES.	RISKABELT TRYCK		HAZARDOUS PRESSURE 107X107MM
9	9106 1073 14	3	WARNING SIGN	VARNINGSSKYLT		107 X 107
10	9106 1071 38	2	DRAIN. HYD. OIL	DRÄN. HYD. OLJA		SYMBOL 40 X 60
11	9106 1071 39	3	DRAIN. COMP OIL	DRÄN. KOMP OLJA		SYMBOL 40 X 60
12	9106 1071 37	1	DRAIN. ENG. OIL	DRÄN. MOTOROLJA		SYMBOL 40 X 60
13	9106 1071 36	1	DRAIN. COOL. W.	DRÄN. KYLVATTEN		SYMBOL 40 X 60
14	9106 1073 32	1	SIGN	SKYLT		107 X 107
15	3115 3124 01	1	LABEL	DEKAL		ENVIRONMENTAL ADAPTED LUB OIL
16	5726 5004 24	1	DATA PLATE	NAMNPLÅT		180 X 110 MM
17	9106 1071 09	2	SYMBOL PLATE	SYMBOLSKYLT		AIR INLET, EXTERNAL AIR SIGN 57 X 57
18	8915 0020 71	1	WARNING SIGN	VARNINGSSKYLT		HOT SURFACE 100X100MM
19	5724 0000 66	1	DATA PLATE	DATASKYLT		
20	-	1	REFERENCE GUIDE	REFERENSGUIDE		



**LABEL SET / DEKALSATS**

**0088 0001 46**

<b>Ref.no</b>	<b>Part no Art.nr</b>	<b>Qty Qty</b>	<b>Description</b>	<b>Beskrivning</b>	<b>See page Se sidan</b>	<b>Remarks Anmärkningar</b>
1	0088 0001 12	2	LABEL	DEKAL		
2	0088 0001 13	2	PRODUCT GRAPHICS	PRODUKTGRAFIK		
3	0088 0000 18	2	LABEL	DEKAL		
4	0088 0001 45	2	PRODUCT GRAPHICS	PRODUKTGRAFIK		
5	0088 0001 15	1	LABEL	DEKAL		
6	0088 0001 16	1	LABEL	DEKAL		
7	-	1	PRODUCT GRAPHICS	PRODUKTGRAFIK		



**HYDR.OIL TANK / HYDRAULOLJETANK**  
**LIST OF CONTENTS**

Part no Art.nr	Description	Beskrivning	See page Se sidan	Remarks Anmärkningar
-	HYDR.OIL TANK	HYDRAULOLJETANK	419	
-	- TANK	TANK	421	HYDRAULIC TANK
-	-- TANK UNIT	TANKENHET	423	
-	-- FUEL SYSTEM	BRÄNSLESYSTEM	425	



**HYDR.OIL TANK / HYDRAULOLJETANK**

<b>Ref.no</b>	<b>Part no Art.nr</b>	<b>Qty Qty</b>	<b>Description</b>	<b>Beskrivning</b>	<b>See page Se sidan</b>	<b>Remarks Anmärkningar</b>
-		1	TANK	TANK	421	HYDRAULIC TANK





## TANK / TANK

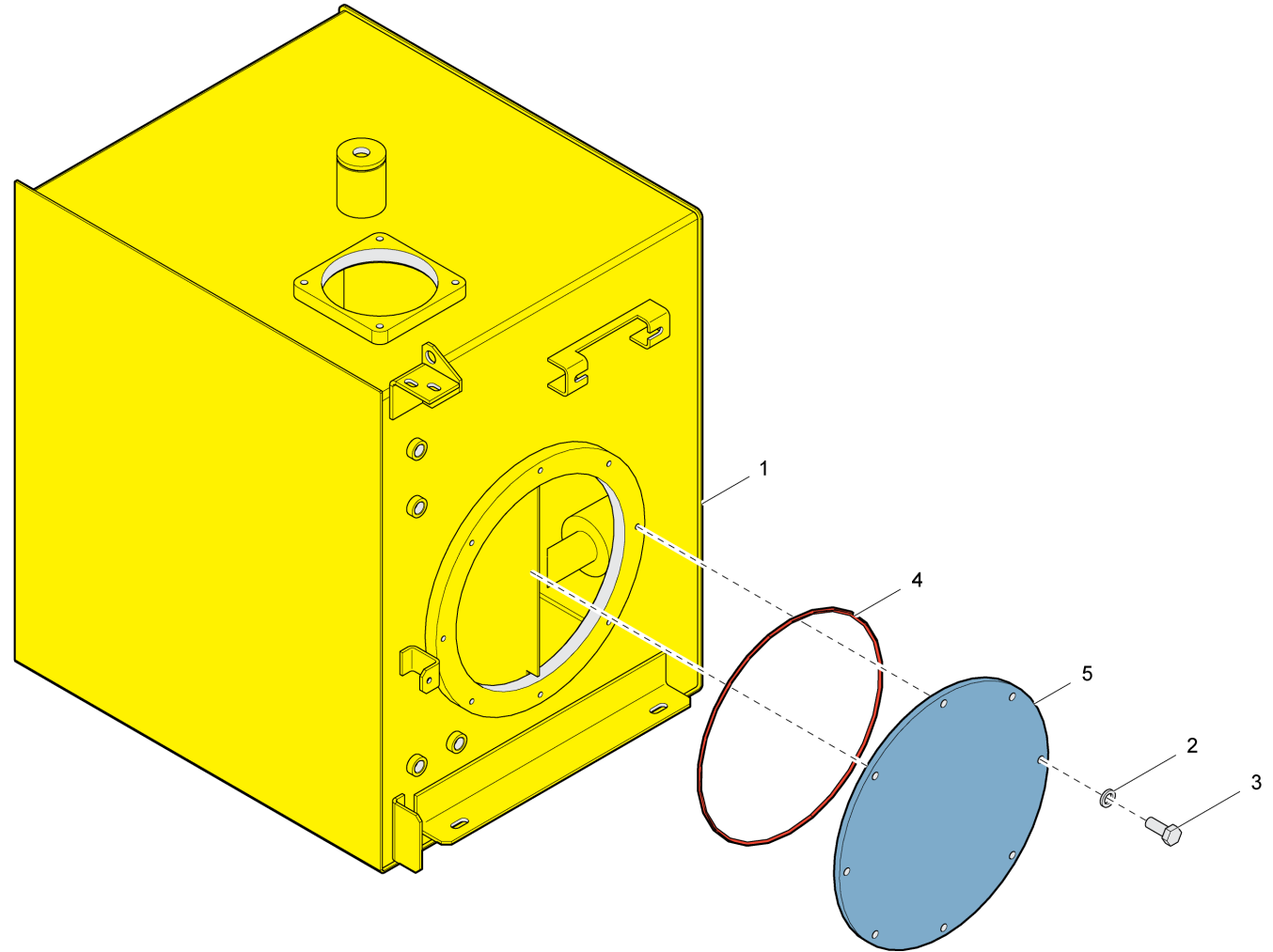
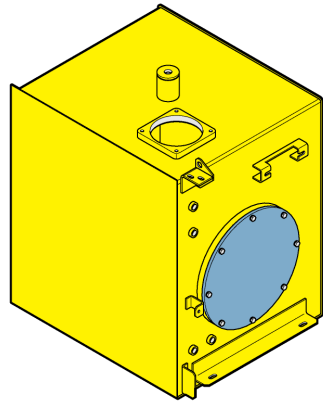
-

## HYDRAULIC TANK

Ref.no	Part no Art.nr	Qty Qty	Description	Beskrivning	See page Se sidan	Remarks Anmärkningar
1	-	1	TANK UNIT	TANKENHET	423	
2	-	1	ELECTR. SYSTEM	ELSYSTEM		SEE CHAPTER ELECTR. SYSTEM
3	-	1	HYDR. SYSTEM	HYDRAULSYSTEM		SEE CHAPTER HYDR. SYSTEM
4	-	1	FUEL SYSTEM	BRÄNSLESYSTEM	425	

TANK UNIT / TANKENHET

-



## TANK UNIT / TANKENHET

-

Ref.no	Part no Art.nr	Qty Qty	Description	Beskrivning	See page Se sidan	Remarks Anmärkningar
1	-	1	HYDR. RESERVOIR	HYDRAULTANK		
2	0333 5200 14	8	LOCK WASHER	LÅSBRICKA		NORD-LOCK M10
3	0147 1362 03	8	SCREW, HEX HEAD	SKRUV, SEXKANT		M 10 X 25 - 8.8 FZB
4	0663 6177 00	1	O-RING	O-RING		359,3 5,7 0013 3930 90 -3
5	5726 8087 09	1	COVER	KÅPA		



**FUEL SYSTEM / BRÄNSLESYSTEM**

-

<b>Ref.no</b>	<b>Part no Art.nr</b>	<b>Qty Qty</b>	<b>Description</b>	<b>Beskrivning</b>	<b>See page Se sidan</b>	<b>Remarks Anmärkningar</b>
1	5726 8020 11	1	AIR FILTER	LUFTFILTER		
2	5726 5807 31	1	PLATE	PLÅT		AIR FILTER
3	0147 1322 03	1	SCREW, HEX HEAD	SKRUV, SEXKANT		M 8 X 16 - 8.8 FZB
4	3315 0195 04	1	LOCK WASHER	LÅSBRICKA		8,2/13,5 X 2,6 HRC50 FZB



**HYDR. SYSTEM / HYDRAULSYSTEM  
LIST OF CONTENTS**

Part no Art.nr	Description	Beskrivning	See page Se sidan	Remarks Anmärkningar
-	HYDR. SYSTEM	HYDRAULSYSTEM	431	
-	- HYDR. SYSTEM	HYDRAULSYSTEM	433	HYDRAULIC SYSTEM
-	-- HYDR. SYSTEM	HYDRAULSYSTEM	435	PUMP SYSTEM
5726 8078 98	---- PUMP	PUMP	159	MAIN PUMP
5726 8078 99	---- PUMP	PUMP	155	COOLER PUMP
-	---- CONNECTION SET	ANSLUTNINGSSATS		SUCTION PUMP1
-	---- CONNECTION SET	ANSLUTNINGSSATS		SUCTION PUMP2
-	---- CONNECTION SET	ANSLUTNINGSSATS		SUCTION PUMP3
-	---- CONNECTION SET	ANSLUTNINGSSATS		SUCTION PUMP4&5
-	---- CONNECTION SET	ANSLUTNINGSSATS		OUTPUT PUMP1
-	---- CONNECTION SET	ANSLUTNINGSSATS		OUTPUT PUMP2
-	---- CONNECTION SET	ANSLUTNINGSSATS	437	OUTPUT PUMP3
5726 8078 98	----- PUMP	PUMP	159	MAIN PUMP
5726 8077 17	----- VALVE BLOCK	VENTILBLOCK	439	DCT CONTROL VALVE BLOCK
-	---- CONNECTION SET	ANSLUTNINGSSATS		OUT PUMP4&5
-	---- CONNECTION SET	ANSLUTNINGSSATS		CONNECTION PUMP1&2&3
-	---- CONNECTION SET	ANSLUTNINGSSATS		CONNECTION OF PUMP4&5
-	-- HYDR. SYSTEM	HYDRAULSYSTEM	443	WAGON SYSTEM
5726 8077 20	---- VALVE BLOCK	VENTILBLOCK	445	MAIN SECTION VALVE BLOCK
5726 8077 31	---- DRIVE UNIT	DRIVENHET	83	TRAM UNIT
3214 7669 81	---- FLOW REGULATOR	FLÖDESREGULATOR	447	
5726 8077 10	---- VALVE BLOCK	VENTILBLOCK	449	PILOT VALVE BLOCK
5726 8077 16	---- VALVE BLOCK	VENTILBLOCK	451	SOCL&SLOW FEED
5726 8082 00	---- CYLINDER	CYLINDER	63	TRACK OSCILLATION
-	---- CONNECTION SET	ANSLUTNINGSSATS		TRAM&FEED&ROTATION CON- TROL
-	---- CONNECTION SET	ANSLUTNINGSSATS	87	TRAMMING MOTOR RIGHT
-	----- DRIVE UNIT	DRIVENHET	83	
-	---- CONNECTION SET	ANSLUTNINGSSATS	89	TRAMMING MOTOR LEFT
-	----- DRIVE UNIT	DRIVENHET	83	
-	---- CONNECTION SET	ANSLUTNINGSSATS		PILOT CONTROL MANIFOLD
-	---- CONNECTION SET	ANSLUTNINGSSATS		FEED&OSCILLATION CON- TROL
-	---- CONNECTION SET	ANSLUTNINGSSATS		OSCILLATION CYLINDER

Part no Art.nr	Description	Beskrivning	See page Se sidan	Remarks Anmärkningar
-	--- CONNECTION SET	ANSLUTNINGSSATS	453	RETURN BLOCK(THERMO- STATE)
5537 1528 00	--- CYLINDER	CYLINDER	455	THROTTLE CONTROL
-	--- CONNECTION SET	ANSLUTNINGSSATS		ENGINE SPEED CONTROL
-	-- HYDR. SYSTEM	HYDRAULSYSTEM	457	CABIN SYSTEM
5726 8077 15	--- VALVE	VENTIL	339	
5726 8077 19	--- JOYSTICK	JOYSTICK	335	
5726 8077 18	--- JOYSTICK	JOYSTICK	347	
5726 8078 30	--- RELIEF VALVE	AVLASTN.VENTIL	349	IN LINE RELIEF VALVE FOR PD45
-	--- CONNECTION SET	ANSLUTNINGSSATS	459	POSITION VALVE
5726 8077 15	--- VALVE	VENTIL	339	
-	--- CONNECTION SET	ANSLUTNINGSSATS	461	TRAM JOYSTICK
5726 8077 19	--- JOYSTICK	JOYSTICK	335	
-	--- CONNECTION SET	ANSLUTNINGSSATS	463	FEED/ROT JOYSTICK
5726 8077 18	--- JOYSTICK	JOYSTICK	347	
-	--- CONNECTION SET	ANSLUTNINGSSATS	465	FEED PRESSURE CONTROL
5726 8078 30	--- RELIEF VALVE	AVLASTN.VENTIL	349	IN LINE RELIEF VALVE FOR PD45
-	--- CONNECTION SET	ANSLUTNINGSSATS		GAUGE HYDRAULIC
-	-- HYDR. SYSTEM	HYDRAULSYSTEM	467	BOOM SYSTEM
5726 8082 03	--- CYLINDER	CYLINDER	225	FEED DUMP
5726 8082 04	--- CYLINDER	CYLINDER	227	FEED SWING
5726 8082 05	--- CYLINDER	CYLINDER	229	FEED EXTENSION
5726 8082 02	--- CYLINDER	CYLINDER	223	BOOM LIFT
5726 8082 24	--- CYLINDER	CYLINDER	221	BOOM SWING
-	--- CONNECTION SET	ANSLUTNINGSSATS		FEED DUMP CYLINDER
-	--- CONNECTION SET	ANSLUTNINGSSATS		FEED SWING CYLINDER
-	--- CONNECTION SET	ANSLUTNINGSSATS		FEED EXTENTION CYLINDER
-	--- CONNECTION SET	ANSLUTNINGSSATS		BOOM LIFT CYLINDER
-	--- CONNECTION SET	ANSLUTNINGSSATS		BOOM SWING CYLINDER
-	--- CONNECTION SET	ANSLUTNINGSSATS		BULKHEAD ON BOOM ATTACHMENT
-	-- HYDR. SYSTEM	HYDRAULSYSTEM	469	FEED SYSTEM
-	--- VALVE BLOCK	VENTILBLOCK	473	
3214 8712 80	--- PRESS.RED.VALVE	TRYCKRED.VENTIL	475	
5726 8082 08	--- CYLINDER	CYLINDER	271	DRILL STEEL SUPPORT
5726 8082 11	--- CYLINDER	CYLINDER	273	SUCTION HOOD



Part no Art.nr	Description	Beskrivning	See page Se sidan	Remarks Anmärkningar
5726 8082 09	--- CYLINDER	CYLINDER	261	BREAK-OUT TOOL
5726 8082 10	--- CYLINDER	CYLINDER	263	BREAK-OUT TOOL
5726 8082 06	--- CYLINDER	CYLINDER	281	ROD TRANSFER
5726 8082 07	--- CYLINDER	CYLINDER	283	ROD GRIP
5726 8077 32	--- FEED MOTOR	MATARMOTOR	301	
5726 8077 34	--- VALVE BLOCK	VENTILBLOCK	477	FM VALVE BLOCK
3121 2015 72	--- MOTOR	MOTOR	313	ROTATION MOTOR
5726 8077 35	--- VALVE BLOCK	VENTILBLOCK	479	RM VALVE BLOCK
-	--- CONNECTION SET	ANSLUTNINGSSATS		RHS MANIFOLD
-	--- CONNECTION SET	ANSLUTNINGSSATS		DRILL STEEL SUPPORT CYLINDER
-	--- CONNECTION SET	ANSLUTNINGSSATS		SUCTION HOOD CYLINDER
-	--- CONNECTION SET	ANSLUTNINGSSATS		BREAKOUT JAW LOWER CYLINDER
-	--- CONNECTION SET	ANSLUTNINGSSATS		BREAKOUT JAW LOWER CYLINDER
-	--- CONNECTION SET	ANSLUTNINGSSATS		BREAKOUT JAW LOWER CYLINDER
-	--- CONNECTION SET	ANSLUTNINGSSATS		BREAKOUT JAW UPPER CYLINDER
-	--- CONNECTION SET	ANSLUTNINGSSATS		BREAKOUT JAW UPPER CYLINDER
-	--- CONNECTION SET	ANSLUTNINGSSATS		BREAKOUT WRENCH CYLINDER
-	--- CONNECTION SET	ANSLUTNINGSSATS		MAGAZINE MOTOR
-	--- CONNECTION SET	ANSLUTNINGSSATS		RODTRANSFER ARMS UPPER
-	--- CONNECTION SET	ANSLUTNINGSSATS		RODGRIPPER
-	--- CONNECTION SET	ANSLUTNINGSSATS		FEED MOTOR
-	--- CONNECTION SET	ANSLUTNINGSSATS		FEED OVERCENTRE MANIFOLD
-	--- CONNECTION SET	ANSLUTNINGSSATS		ROTATION MOTOR
-	--- CONNECTION SET	ANSLUTNINGSSATS		BULKHEAD
-	--- CONNECTION SET	ANSLUTNINGSSATS		BULKHEAD2 FOR ROTATION
-	--- CONNECTION SET	ANSLUTNINGSSATS		STEEL SUPPORT UPPER
-	--- CONNECTION SET	ANSLUTNINGSSATS		STEEL SUPPORT UPPER
-	-- HYDR. SYSTEM	HYDRAULSYSTEM	481	COOLANT SYSTEM
-	--- CONNECTION SET	ANSLUTNINGSSATS		COOLANT FOR ENGINE
-	--- CONNECTION SET	ANSLUTNINGSSATS		CAC/HOC COOLER
5726 8077 97	--- CONNECTION SET	ANSLUTNINGSSATS		COOLER FOR HYDRAULIC OIL
5726 8077 98	--- CONNECTION SET	ANSLUTNINGSSATS	71	COOLER DRAIN

Part no Art.nr	Description	Beskrivning	See page Se sidan	Remarks Anmärkningar
-	-- HYDR. SYSTEM	HYDRAULSYSTEM	483	DCT SYSTEM
5726 8077 17	--- VALVE BLOCK	VENTILBLOCK	439	DCT CONTROL VALVE BLOCK
3177 3072 00	--- HYDRAULIC MOTOR	HYDRAULMOTOR	399	
-	--- CONNECTION SET	ANSLUTNINGSSATS		DCT CONTROL MANIFOLD
-	--- CONNECTION SET	ANSLUTNINGSSATS		DCT MOTOR
-	-- HYDR. SYSTEM	HYDRAULSYSTEM	485	RETURN SYSTEM
-	--- TANK UNIT	TANKENHET	423	
3222 3337 11	--- OIL FILTER	OLJEFILTER	487	HYDRAULIC RETURN LINE
-	--- CONNECTION SET	ANSLUTNINGSSATS		
-	--- CONNECTION SET	ANSLUTNINGSSATS		RETURN FILTER
-	--- CONNECTION SET	ANSLUTNINGSSATS		TANK DRAIN
-	--- CONNECTION SET	ANSLUTNINGSSATS		LEAKAGE CONNECTION
-	--- CONNECTION SET	ANSLUTNINGSSATS		FILLER PUMP

**HYDR. SYSTEM / HYDRAULSYSTEM**

<b>Ref.no</b>	<b>Part no Art.nr</b>	<b>Qty Qty</b>	<b>Description</b>	<b>Beskrivning</b>	<b>See page Se sidan</b>	<b>Remarks Anmärkningar</b>
-		1	HYDR. SYSTEM	HYDRAULSYSTEM	433	HYDRAULIC SYSTEM



## HYDR. SYSTEM / HYDRAULSYSTEM

-

## HYDRAULIC SYSTEM

Ref.no	Part no Art.nr	Qty Qty	Description	Beskrivning	See page Se sidan	Remarks Anmärkningar
B01	-	1	HYDR. SYSTEM	HYDRAULSYSTEM	435	PUMP SYSTEM
B02	-	1	HYDR. SYSTEM	HYDRAULSYSTEM	443	WAGON SYSTEM
B03	-	1	HYDR. SYSTEM	HYDRAULSYSTEM	457	CABIN SYSTEM
B04	-	1	HYDR. SYSTEM	HYDRAULSYSTEM	467	BOOM SYSTEM
B05	-	1	HYDR. SYSTEM	HYDRAULSYSTEM	469	FEED SYSTEM
B06	-	1	HYDR. SYSTEM	HYDRAULSYSTEM	481	COOLANT SYSTEM
B07	-	1	HYDR. SYSTEM	HYDRAULSYSTEM	483	DCT SYSTEM
B08	-	1	HYDR. SYSTEM	HYDRAULSYSTEM	485	RETURN SYSTEM



## HYDR. SYSTEM / HYDRAULSYSTEM

-

## PUMP SYSTEM

Ref.no	Part no Art.nr	Qty Qty	Description	Beskrivning	See page Se sidan	Remarks Anmärkningar
1	5726 8078 98	1	PUMP	PUMP	159	MAIN PUMP
2	5726 8078 99	1	PUMP	PUMP	155	COOLER PUMP
101	-	1	CONNECTION SET	ANSLUTNINGSSATS		SUCTION PUMP1
102	-	1	CONNECTION SET	ANSLUTNINGSSATS		SUCTION PUMP2
103	-	1	CONNECTION SET	ANSLUTNINGSSATS		SUCTION PUMP3
104	-	1	CONNECTION SET	ANSLUTNINGSSATS		SUCTION PUMP4&5
105	-	1	CONNECTION SET	ANSLUTNINGSSATS		OUTPUT PUMP1
106	-	1	CONNECTION SET	ANSLUTNINGSSATS		OUTPUT PUMP2
107	-	1	CONNECTION SET	ANSLUTNINGSSATS	437	OUTPUT PUMP3
108	-	1	CONNECTION SET	ANSLUTNINGSSATS		OUT PUMP4&5
109	-	1	CONNECTION SET	ANSLUTNINGSSATS		CONNECTION PUMP1&2&3
110	-	1	CONNECTION SET	ANSLUTNINGSSATS		CONNECTION OF PUMP4&5





## CONNECTION SET / ANSLUTNINGSSATS

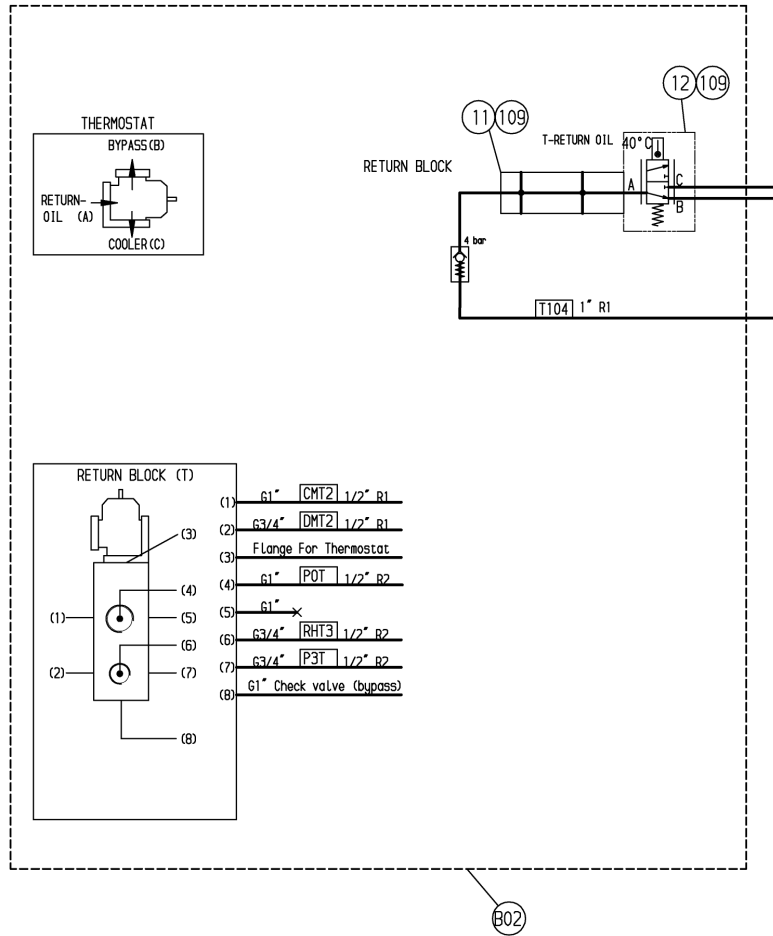
-

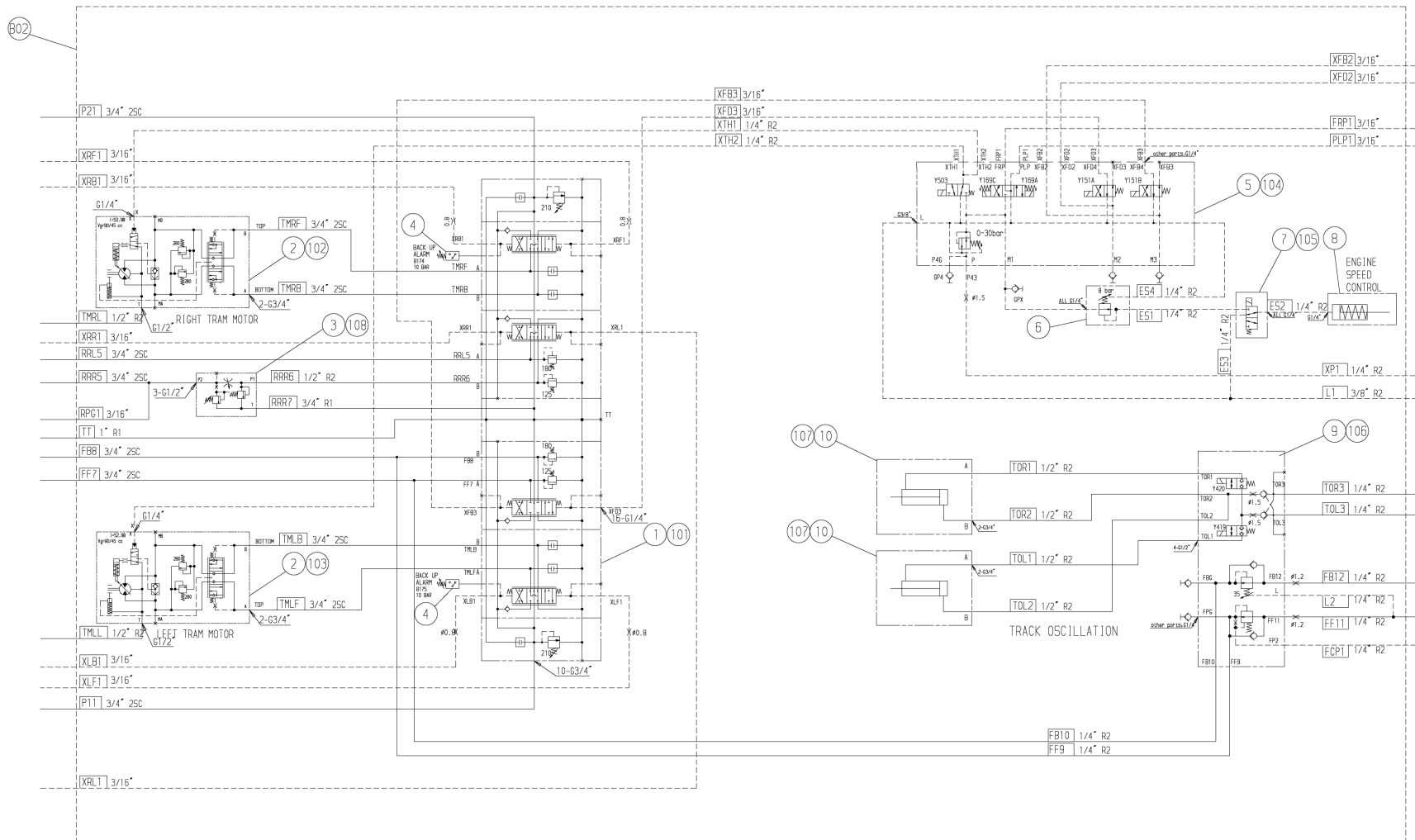
## OUTPUT PUMP3

Ref.no	Part no Art.nr	Qty Qty	Description	Beskrivning	See page Se sidan	Remarks Anmärkningar
1	0211 1963 07	4	SCREW	SKRUV		MC6S M 10 X 60 - 12.9
2	0661 1033 00	2	SEAL WASHER	TÄTNINGSBRICKA		21,5 / 28,6 X 2,5 FZ ST.
3	0663 9188 01	1	O-RING	O-RING		32,93X 3,53 90 SHORE
4	0686 6444 00	2	PLUG	PROPP		G 1/2 TYPE B - STEEL 5.8
5	3176 6518 00	1	NIPPLE	NIPPEL		UN 1 1/16 - G 1
6	3715 0585 00	1	NIPPLE	NIPPEL		90 DEGREE WITH SVIVELNUT
7	5726 8027 04	1	MANIFOLD	SAMLINGSRÖR		
8	5726 8078 98	1	PUMP	PUMP	159	MAIN PUMP
9	5726 8077 17	1	VALVE BLOCK	VENTILBLOCK	439	DCT CONTROL VALVE BLOCK
10	3176 6505 00	1	NIPPLE	NIPPEL		UN 1 1/16 - UNF 7/8
11	3176 6590 00	1	NIPPLE	NIPPEL		T- /SVIVELNUT
12	3176 8490 00	1	NIPPLE	NIPPEL		UNF 7/8 - G 1/2
13	3176 6515 00	1	NIPPLE	NIPPEL		
14	3177 3016 00	1	COUPLING	KOPPLING		
15	3176 6516 00	1	NIPPLE	NIPPEL		UN 1 1/16 - G 1/2



Ref.no	Part no Art.nr	Qty Qty	Description	Beskrivning	See page Se sidan	Remarks Anmärkningar
2	5726 8094 48	1	VALVE	VENTIL		
3	5726 8094 49	1	VALVE	VENTIL		





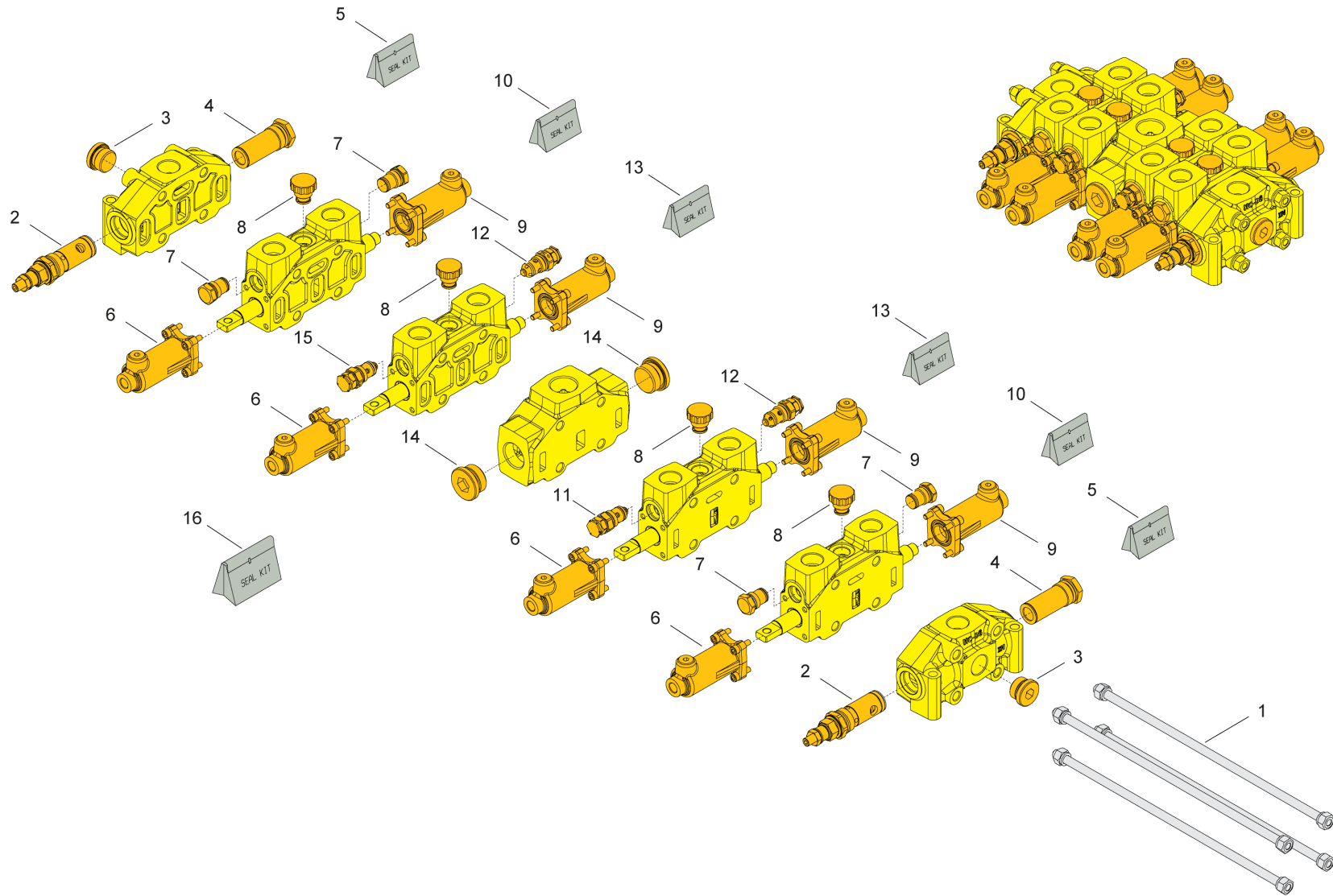


## HYDR. SYSTEM / HYDRAULSYSTEM

-

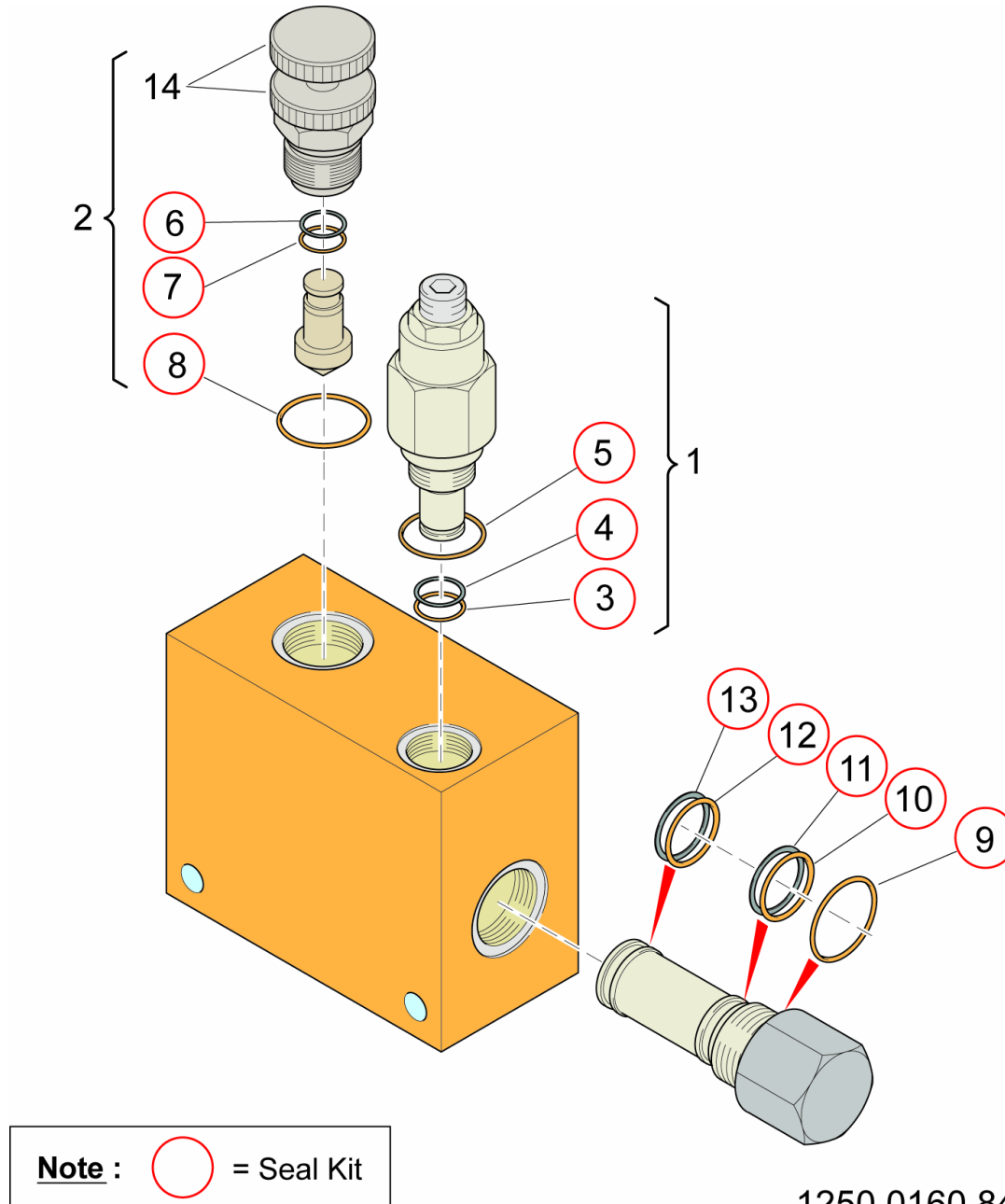
## WAGON SYSTEM

Ref.no	Part no Art.nr	Qty Qty	Description	Beskrivning	See page Se sidan	Remarks Anmärkningar
1	5726 8077 20	1	VALVE BLOCK	VENTILBLOCK	445	MAIN SECTION VAVLE BLOCK
2	5726 8077 31	2	DRIVE UNIT	DRIVENHET	83	TRAM UNIT
3	3214 7669 81	1	FLOW REGULATOR	FLÖDESREGULATOR	447	
4	5726 8022 24	2	PRESSURE SWITCH	TRYCKVAKT		PRESSURE VALUE (10BAR)
5	5726 8077 10	1	VALVE BLOCK	VENTILBLOCK	449	PILOT VALVE BLOCK
9	5726 8077 16	1	VALVE BLOCK	VENTILBLOCK	451	SOCL&SLOW FEED
10	5726 8082 00	2	CYLINDER	CYLINDER	63	TRACK OSCILLATION
11	5726 8077 12	1	RETURN BLOCK	RETURBLOCK		
12	3176 8791 00	1	THERMOSTAT	TERMOSTAT		OPEN AT +40C
101	-	1	CONNECTION SET	ANSLUTNINGSSATS		TRAM&FEED&ROTATION CON- TROL
102	-	1	CONNECTION SET	ANSLUTNINGSSATS	87	TRAMMING MOTOR RIGHT
103	-	1	CONNECTION SET	ANSLUTNINGSSATS	89	TRAMMING MOTOR LEFT
104	-	1	CONNECTION SET	ANSLUTNINGSSATS		PILOT CONTROL MANIFOLD
106	-	1	CONNECTION SET	ANSLUTNINGSSATS		FEED&OSCILLATION CON- TROL
107	-	2	CONNECTION SET	ANSLUTNINGSSATS		OSCILLATION CYLINDER
109	-	1	CONNECTION SET	ANSLUTNINGSSATS	453	RETURN BLOCK(THERMO- STATE)
8	5537 1528 00	1	CYLINDER	CYLINDER	455	THROTTLE CONTROL
105	-	1	CONNECTION SET	ANSLUTNINGSSATS		ENGINE SPEED CONTROL





Ref.no	Part no Art.nr	Qty Qty	Description	Beskrivning	See page Se sidan	Remarks Anmärkningar
1	5726 8097 94	4	BOLT	BULT		
2	5726 8097 95	2	VALVE	VENTIL		
3	5726 8097 96	2	PLUG	PLUGG		
4	5726 8097 97	2	PLUG	PLUGG		
5	5726 8097 98	2	SEAL KIT	TÄTNINGSSATS		
6	5726 8097 99	4	VALVE	VENTIL		
7	5726 8098 00	4	PLUG	PLUGG		
8	5726 8098 01	4	CHECK VALVE	BACKVENTIL		
9	5726 8098 02	4	VALVE	VENTIL		
10	5726 8098 03	2	SEAL KIT	TÄTNINGSSATS		
11	5726 8098 04	1	VALVE	VENTIL		
12	5726 8098 05	2	VALVE	VENTIL		
13	5726 8098 06	2	SEAL KIT	TÄTNINGSSATS		
14	5726 8098 07	2	PLUG	PLUGG		
15	5726 8098 08	1	VALVE	VENTIL		
16	5726 8098 09	1	SEAL KIT	TÄTNINGSSATS		



## FLOW REGULATOR / FLÖDESREGULATOR

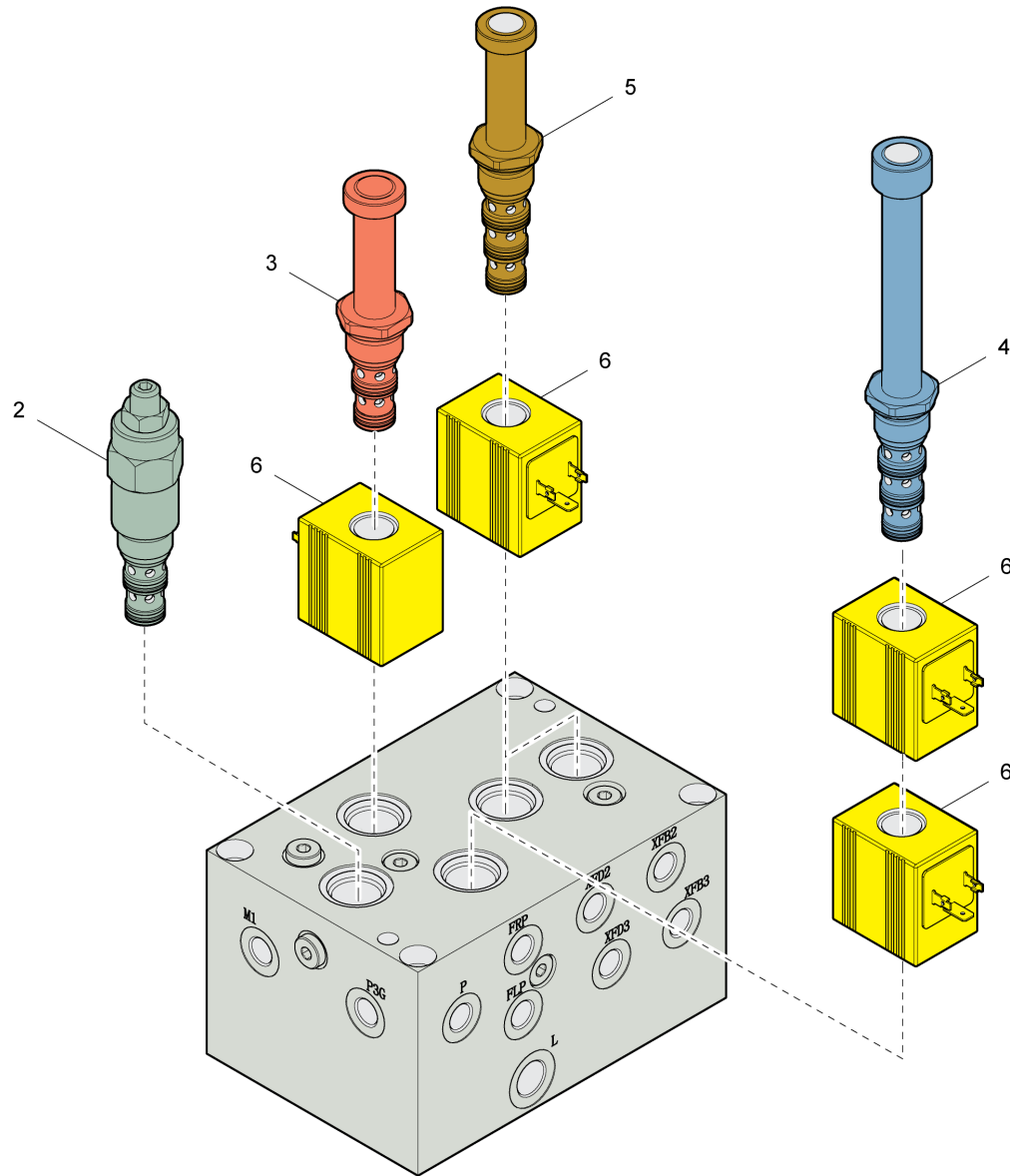
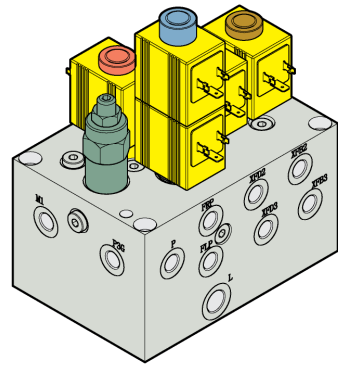
3214 7669 81

Ref.no	Part no Art.nr	Qty Qty	Description	Beskrivning	See page Se sidan	Remarks Anmärkningar
	3222 3026 48	1	SEAL KIT	TÄTNINGSSATS		INCL.POS. 6,7,8
	3222 3266 76	1	SEAL KIT	TÄTNINGSSATS		INCL.POS. 3-13
	9106 1492 04	1	SEAL KIT	TÄTNINGSSATS		INCL.POS. 3,4,5
1	3217 8937 13	1	PRESS.REL.CART.	TRYCKBEG.PATRON		
2	3222 3266 77	1	FLOW REGULATOR	FLÖDESREGULATOR		
14	3222 3266 78	1	STEERING WH.SET	RATTSATS		

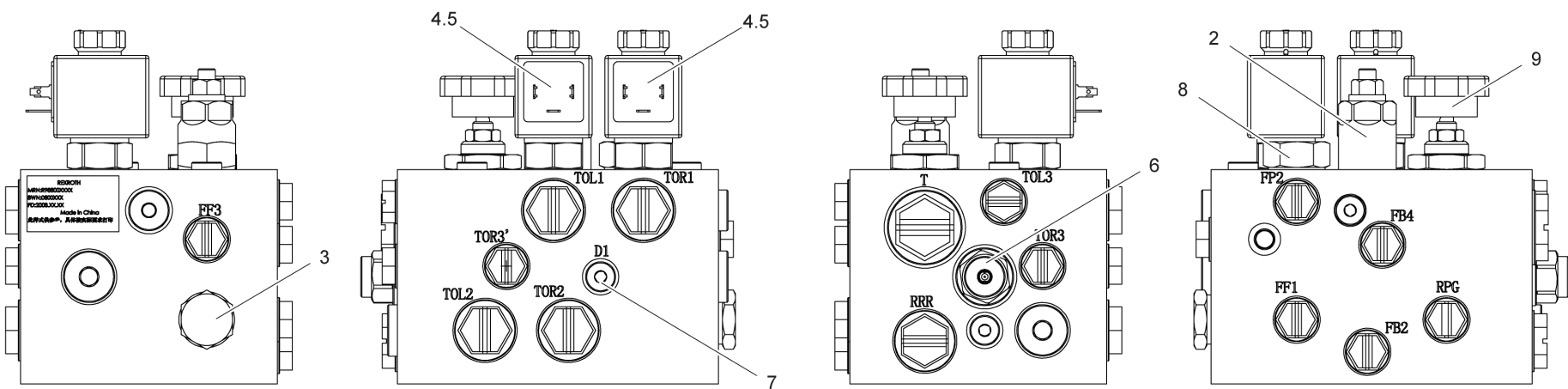
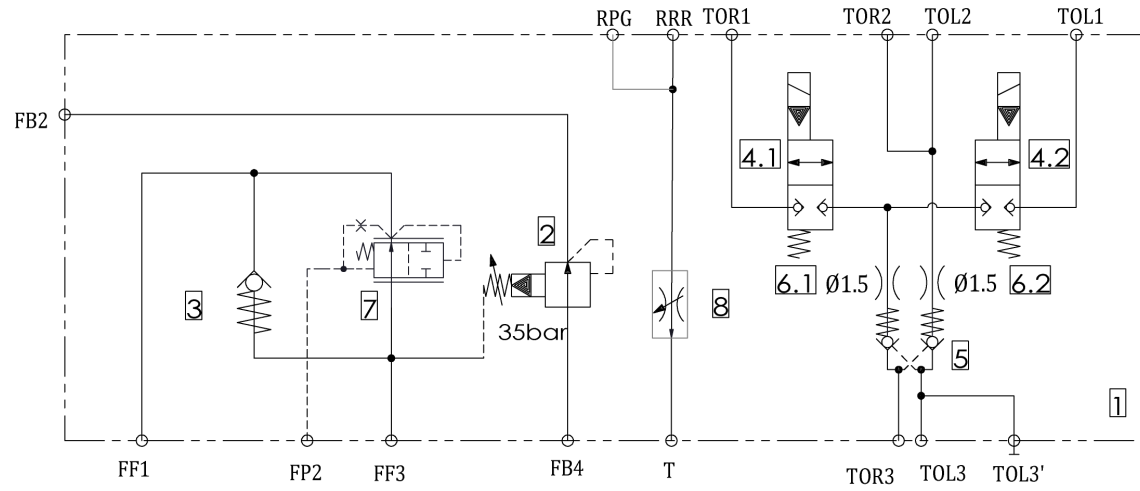
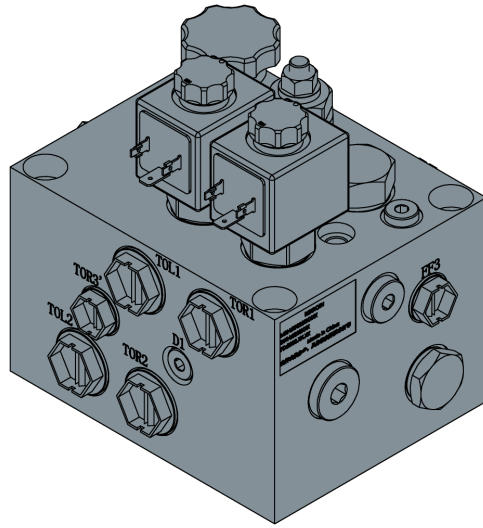
# VALVE BLOCK / VENTILBLOCK

5726 8077 10

# PILOT VALVE BLOCK



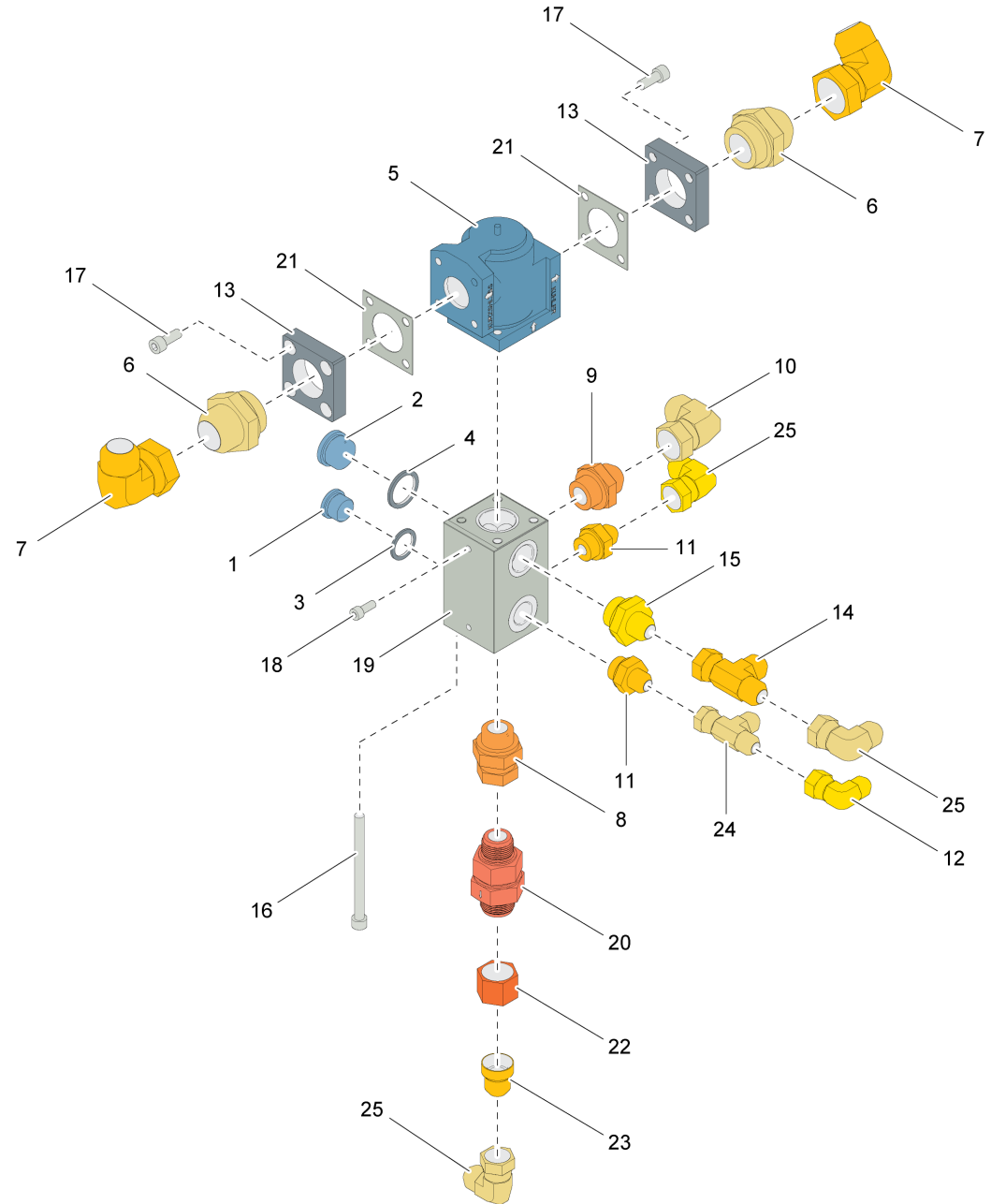
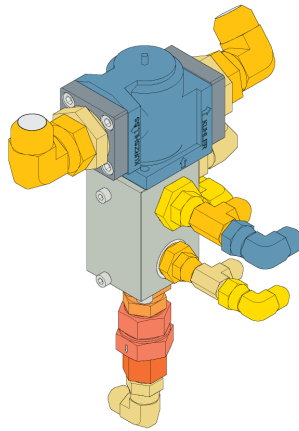
Ref.no	Part no Art.nr	Qty Qty	Description	Beskrivning	See page Se sidan	Remarks Anmärkningar
2	5726 8041 95	1	VALVE	VENTIL		
3	5726 8094 58	1	SOLENOID VALVE	MAGNETVENTIL		
4	5726 5890 34	1	SOLENOID VALVE	MAGNETVENTIL		
5	5726 5890 32	2	SOLENOID VALVE	MAGNETVENTIL		
6	5726 8094 61	5	SOLENOID	MAGNETSPOLE		



Ref.no	Part no Art.nr	Qty Qty	Description	Beskrivning	See page Se sidan	Remarks Anmärkningar
2	3716 6528 00	1	CARTRIDGE VALVE	PATRONVENTIL		
3	5726 5890 36	1	CARTRIDGE VALVE	PATRONVENTIL		
4	5726 8041 90	2	VALVE	VENTIL		
5	5740 1842 29	2	COIL	SPOLE		COIL S8 356-CLASS H -20W
6	5726 5890 31	1	CARTRIDGE VALVE	PATRONVENTIL		
7	5726 5890 45	2	NOZZLE	MUNSTYCKE		
8	5726 8094 52	1	DIRECTION VALVE	RIKTNINGSVENTIL		
9	5726 8094 53	1	CARTRIDGE VALVE	PATRONVENTIL		

CONNECTION SET / ANSLUTNINGSSATS

RETURN BLOCK(THERMOSTATE)



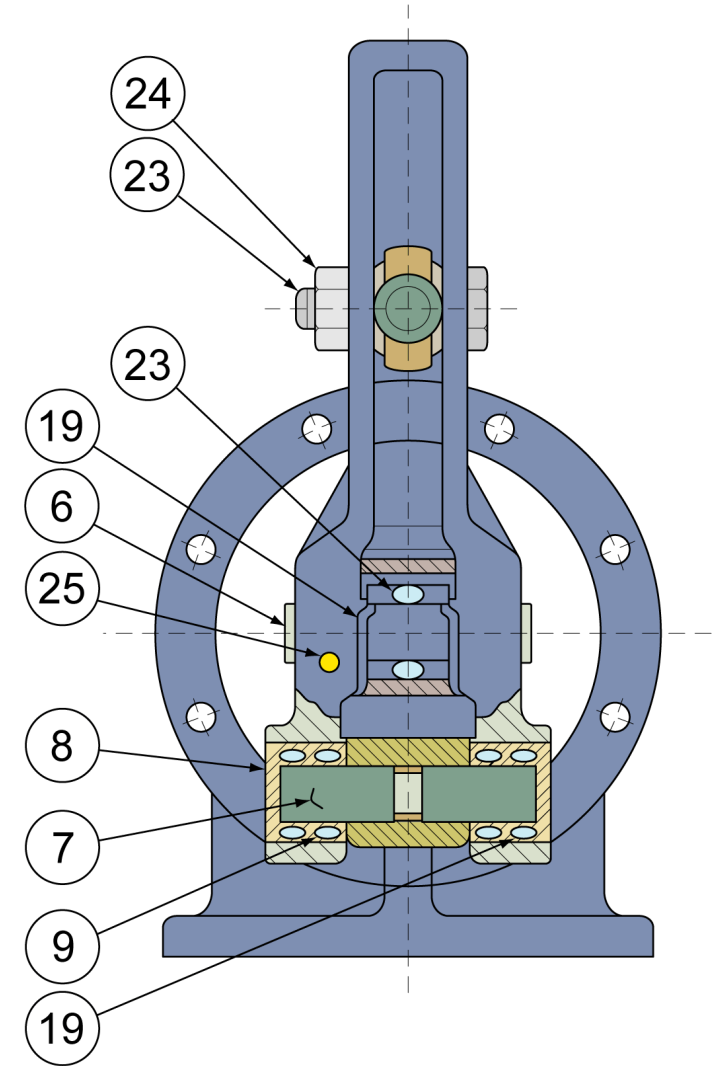
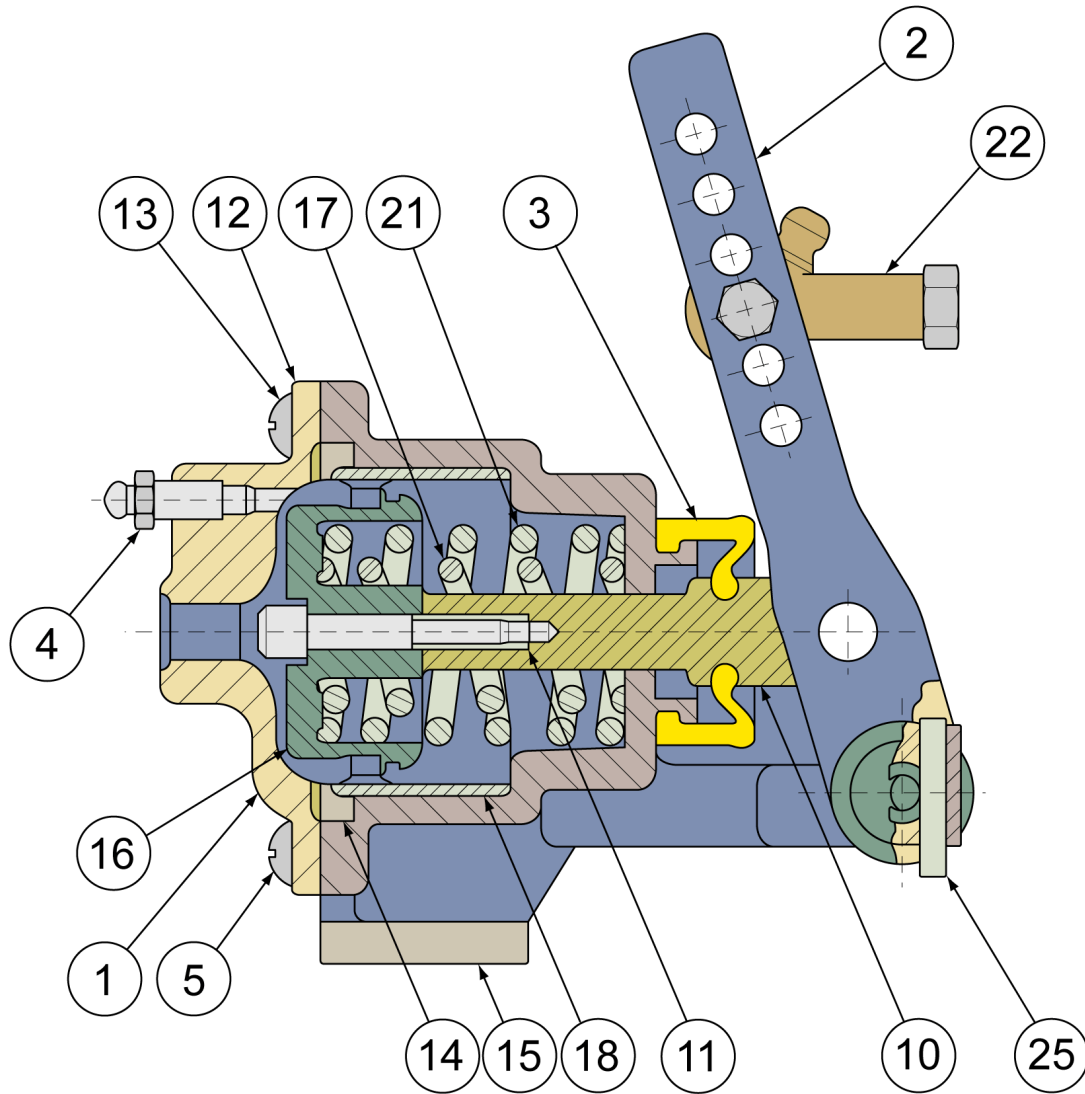


## CONNECTION SET / ANSLUTNINGSSATS

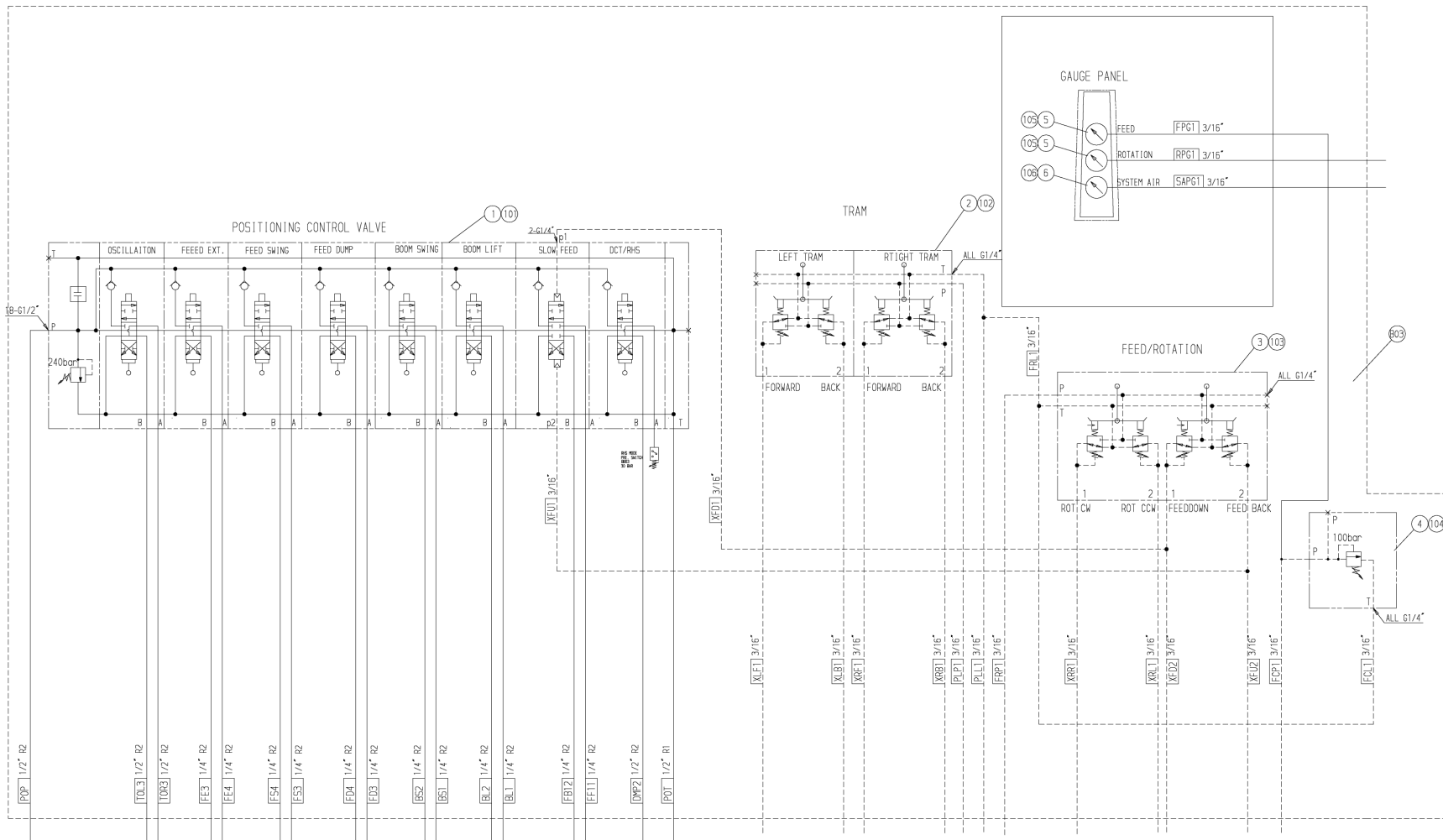
-

## RETURN BLOCK(THERMOSTATE)

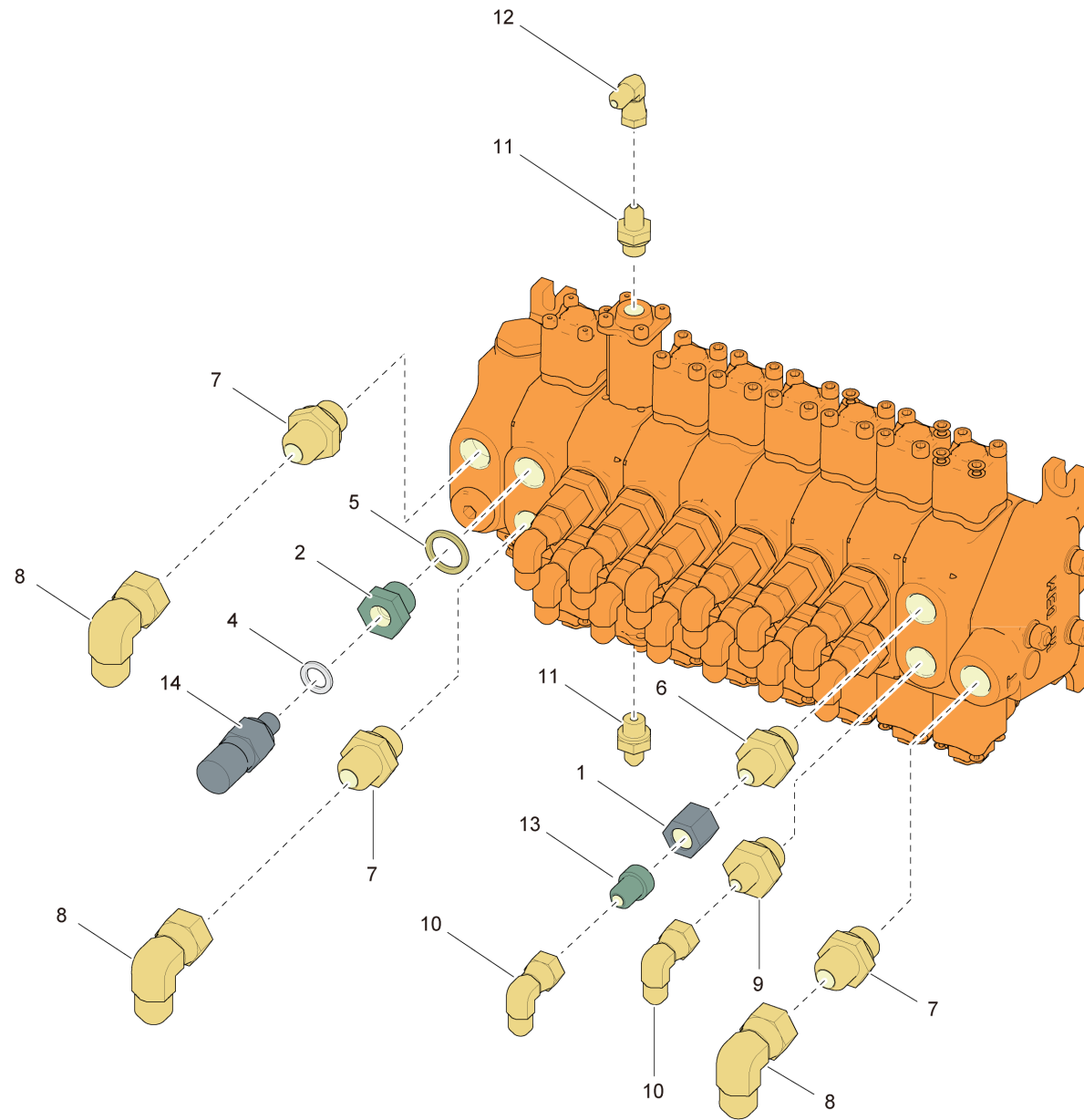
Ref.no	Part no Art.nr	Qty Qty	Description	Beskrivning	See page Se sidan	Remarks Anmärkningar
1	0686 3716 50	1	PLUG	PROPP		G 3/4 A B - 5.8 FZB
2	0686 6448 00	1	PLUG	PROPP		G 1 - STEEL 5.8
3	0661 1038 00	1	SEAL WASHER	TÄTNINGSBRICKA		TREDO 3/4"
4	0661 1049 00	1	SEAL WASHER	TÄTNINGSBRICKA		TREDO G 1
5	3176 8791 00	1	THERMOSTAT	TERMOSTAT		OPEN AT +40C
6	3176 6646 00	2	NIPPLE	NIPPEL		UN 1 7/8 - G 1 1/2
7	3176 6668 00	2	NIPPLE	NIPPEL		UN 1 5/8
8	3177 3107 00	1	NIPPLE	NIPPEL		UN 1 5/16 - G 1
9	3176 6520 00	1	NIPPLE	NIPPEL		UN 1 5/16 - G 1
10	3176 6039 00	1	NIPPLE	NIPPEL		UN 1 5/16
11	3176 2131 00	2	NIPPLE	NIPPEL		UNF 7/8-G 3/4 STRAIGHT
12	3715 0585 00	1	NIPPLE	NIPPEL		90 DEGREE WITH SVIVELNUT
13	3215 7082 00	2	FLANGE	FLÄNS		
14	3176 6591 00	1	NIPPLE	NIPPEL		UN 1 1/16
15	3176 6518 00	1	NIPPLE	NIPPEL		UN 1 1/16 - G 1
16	0211 1381 00	4	HEX SOCK. SCREW	SEKKANTHÅLSKRUV		SKRUV
17	0211 1962 86	8	SCREW	SKRUV		MC6S M 10 X 25 - 12.9
18	0211 1323 03	2	SCREW	SKRUV		MC6S M 8 X 20 - 8.8 FZB
19	5726 8077 12	1	RETURN BLOCK	RETURBLOCK		
20	3222 3231 33	1	CHECK VALVE	BACKVENTIL		
21	3215 7083 00	3	GASKET	PACKNING		
22	3176 6618 00	1	CAP NUT	ÖVERFALLSMUTTER		UN 1 5/16
23	3176 6509 00	1	NIPPLE	NIPPEL		UN 1 5/16 - UN 1 1/16
24	3176 6590 00	1	NIPPLE	NIPPEL		T- /SVIVELNUT
25	3715 0589 00	3	NIPPLE	NIPPEL		UN 1 1/16



Ref.no	Part no Art.nr	Qty Qty	Description	Beskrivning	See page Se sidan	Remarks Anmärkningar
	5537 2617 00	1	REPAIR KIT	RENOVERINGSSATS		INCLUDES ITEMS 3,12,13,14
1	5537 8370 00	1	COVER	KÅPA		
2	-	1	WAGNER PART	WAGNER ARTIKEL		INCLUDED IN ITEM 15.
3	-	1	WAGNER PART	WAGNER ARTIKEL		INCLUDED IN REPAIR KIT
4	5537 8371 00	1	BLEEDER SCREW	AVLUFTN.SKRUV		
5	5537 8372 00	8	SCREW	SKRUV		
6	-	1	WAGNER PART	WAGNER ARTIKEL		INCLUDED IN ITEM 15
7	-	1	WAGNER PART	WAGNER ARTIKEL		INCLUDED IN ITEM 15
8	-	2	WAGNER PART	WAGNER ARTIKEL		INCLUDED IN ITEM 15
9	-	4	WAGNER PART	WAGNER ARTIKEL		INCLUDED IN ITEM 15
10	-	1	WAGNER PART	WAGNER ARTIKEL		INCLUDED IN ITEM 15
11	5537 2613 00	1	SCREW	SKRUV		
12	-	1	WAGNER PART	WAGNER ARTIKEL		INCLUDED IN REPAIR KIT
13	-	1	WAGNER PART	WAGNER ARTIKEL		INCLUDED IN REPAIR KIT
14	-	1	WAGNER PART	WAGNER ARTIKEL		INCLUDED IN REPAIR KIT
15	5537 7624 00	1	LEVER	SPAK		INCLUDES ITEMS 2,6,7,8,9,10,17,19,20,25
16	5537 2615 00	1	PISTON	KOLV		
17	-	1	WAGNER PART	WAGNER ARTIKEL		INCLUDED IN ITEM 15
19	-	4	WAGNER PART	WAGNER ARTIKEL		INCLUDED IN ITEM 15
20	-	1	WAGNER PART	WAGNER ARTIKEL		INCLUDED IN ITEM 15
21	5537 2616 00	1	SPRING	FJÄDER		
22	5536 1824 00	1	ROD END	LÄNKHUVUD		
23	5536 8315 00	1	CAPSCREW	SKRUV		
24	5530 7303 00	1	LOCK NUT	LÅSMUTTER		
25	-	2	WAGNER PART	WAGNER ARTIKEL		INCLUDED IN ITEM 15
18	-	1	CYLINDER	CYLINDER		



Ref.no	Part no Art.nr	Qty Qty	Description	Beskrivning	See page Se sidan	Remarks Anmärkningar
1	5726 8077 15	1	VALVE	VENTIL	339	
2	5726 8077 19	1	JOYSTICK	JOYSTICK	335	
3	5726 8077 18	1	JOYSTICK	JOYSTICK	347	
4	5726 8078 30	1	RELIEF VALVE	AVLASTN.VENTIL	349	IN LINE RELIEF VALVE FOR PD45
101	-	1	CONNECTION SET	ANSLUTNINGSSATS	459	POSITION VALVE
102	-	1	CONNECTION SET	ANSLUTNINGSSATS	461	TRAM JOYSTICK
103	-	1	CONNECTION SET	ANSLUTNINGSSATS	463	FEED/ROT JOYSTICK
104	-	1	CONNECTION SET	ANSLUTNINGSSATS	465	FEED PRESSURE CONTROL
105	-	1	CONNECTION SET	ANSLUTNINGSSATS		GAUGE HYDRAULIC

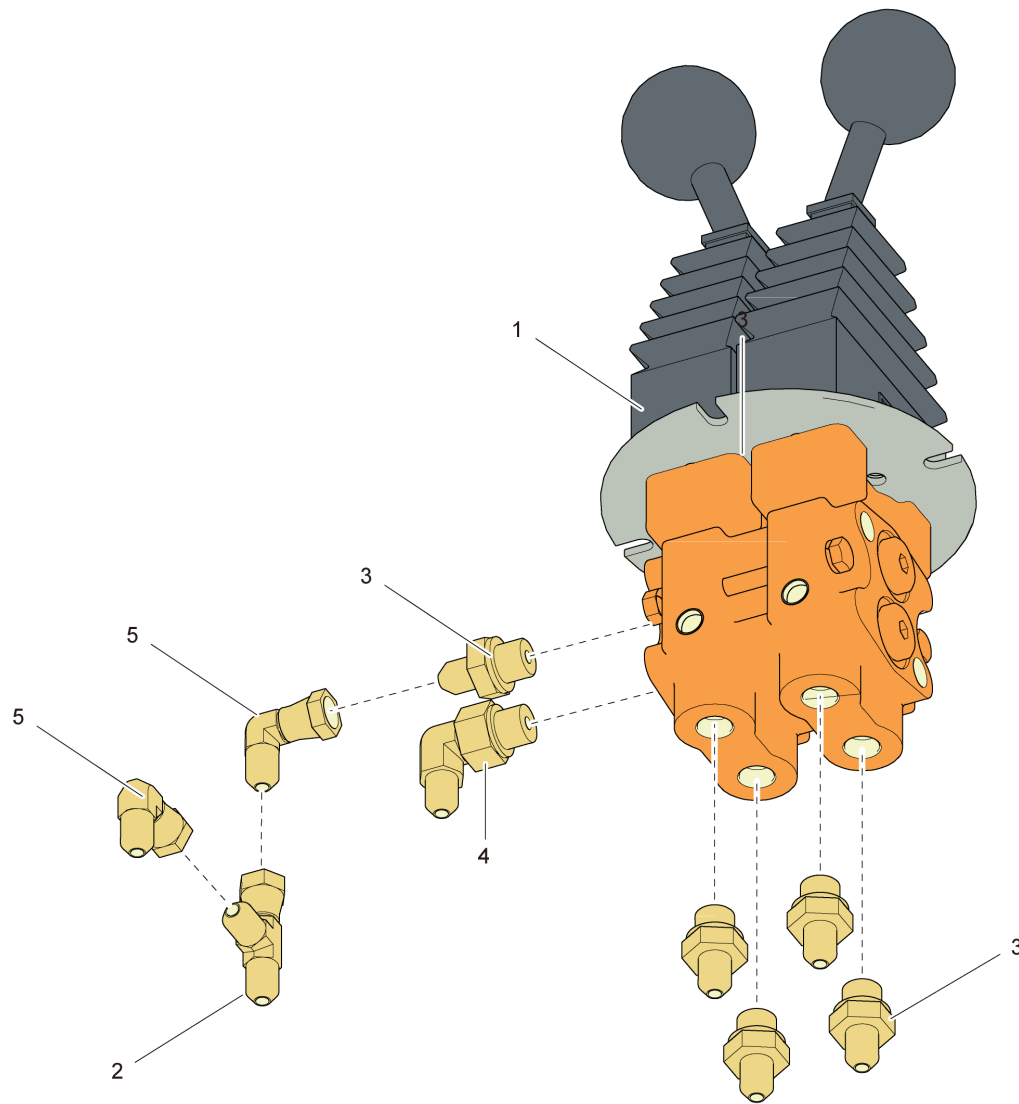


## CONNECTION SET / ANSLUTNINGSSATS

-

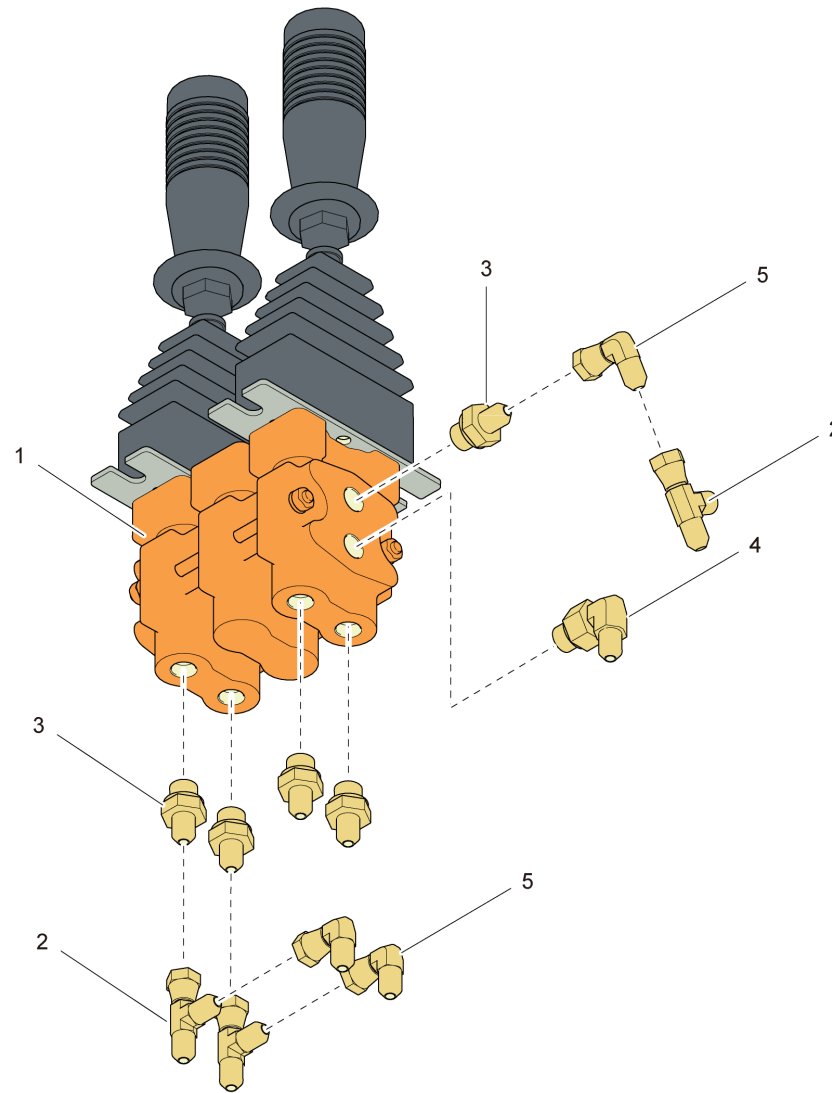
## POSITION VALVE

Ref.no	Part no Art.nr	Qty Qty	Description	Beskrivning	See page Se sidan	Remarks Anmärkningar
1	3176 6615 00	7	CAP NUT	ÖVERFALLSMUTTER		UNF 3/4
2	0605 8814 06	1	BUSHING	BUSSNING		A G 1/2 A G 1/4 FZB
3	5726 8077 15	1	VALVE	VENTIL	339	
4	0661 1020 00	1	SEAL WASHER	TÄTNINGSBRICKA		TREDO 1/4 13,7 / 20,6 X 2,1 - FZ ST
5	0661 1033 00	1	SEAL WASHER	TÄTNINGSBRICKA		21,5 / 28,6 X 2,5 FZ ST.
6	3176 6515 00	3	NIPPLE	NIPPEL		
7	3715 0585 00	3	NIPPLE	NIPPEL		90 DEGREE WITH SVIVELNUT
8	3715 6344 00	7	NIPPLE	NIPPEL		UNF 9/16 - G 1/2
9	3715 0584 00	14	ELBOW NIPPLE	VINKELNIPPEL		UNF 9/16 - UNF 9/16
10	3176 6619 00	2	NIPPLE	NIPPEL		UNF 7/16 - G 1/4
11	3176 7872 00	1	ELBOW NIPPLE	VINKELNIPPEL		UNF 7/16
12	3176 6501 00	7	NIPPLE	NIPPEL		UNF 3/4 - UNF 9/16
13	3176 6513 00	7	NIPPLE	NIPPEL		UNF 3/4 - G 1/2
14	5726 8064 74	1	PRESSURE SWITCH	TRYCKVAKT		

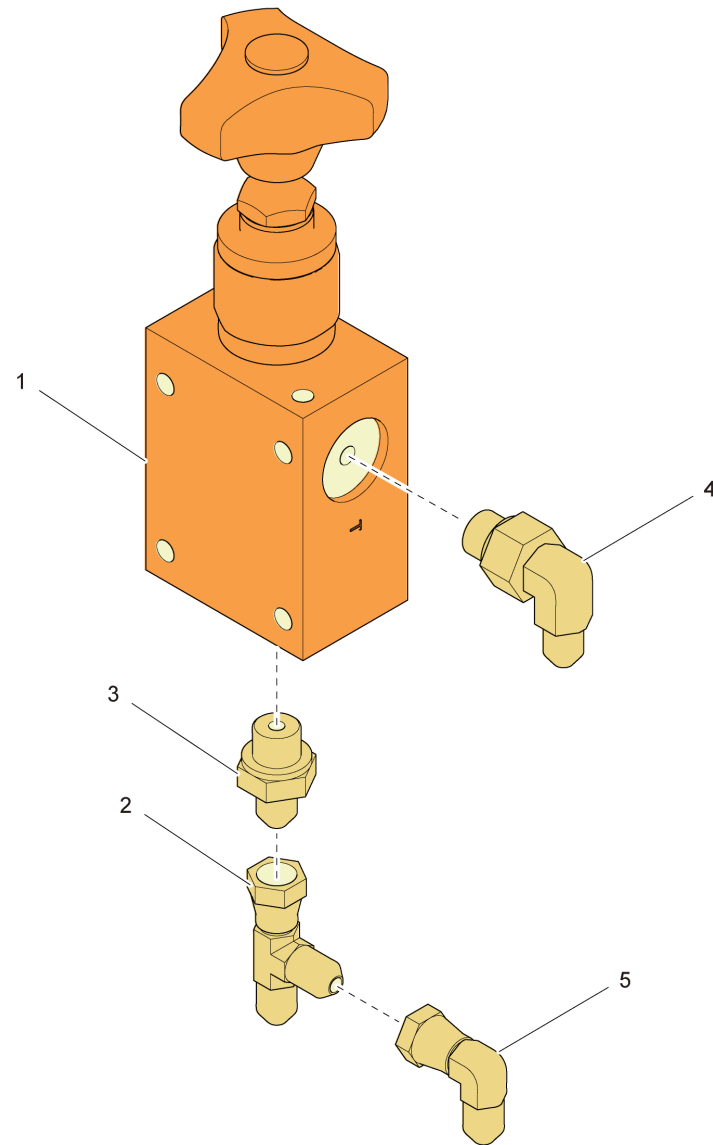




Ref.no	Part no Art.nr	Qty Qty	Description	Beskrivning	See page Se sidan	Remarks Anmärkningar
1	5726 8077 19	1	JOYSTICK	JOYSTICK	335	
2	3177 3095 00	1	NIPPLE	NIPPEL		UNF 7/16
3	3176 6619 00	5	NIPPLE	NIPPEL		UNF 7/16 - G 1/4
4	3176 6612 00	1	NIPPLE	NIPPEL		UNF 7/16 - G 1/4
5	3176 7872 00	2	ELBOW NIPPLE	VINKELNIPPEL		UNF 7/16



Ref.no	Part no Art.nr	Qty Qty	Description	Beskrivning	See page Se sidan	Remarks Anmärkningar
1	5726 8077 18	1	JOYSTICK	JOYSTICK	347	
2	3177 3095 00	3	NIPPLE	NIPPEL		UNF 7/16
3	3176 6619 00	5	NIPPLE	NIPPEL		UNF 7/16 - G 1/4
4	3176 6612 00	1	NIPPLE	NIPPEL		UNF 7/16 - G 1/4
5	3176 7872 00	3	ELBOW NIPPLE	VINKELNIPPEL		UNF 7/16

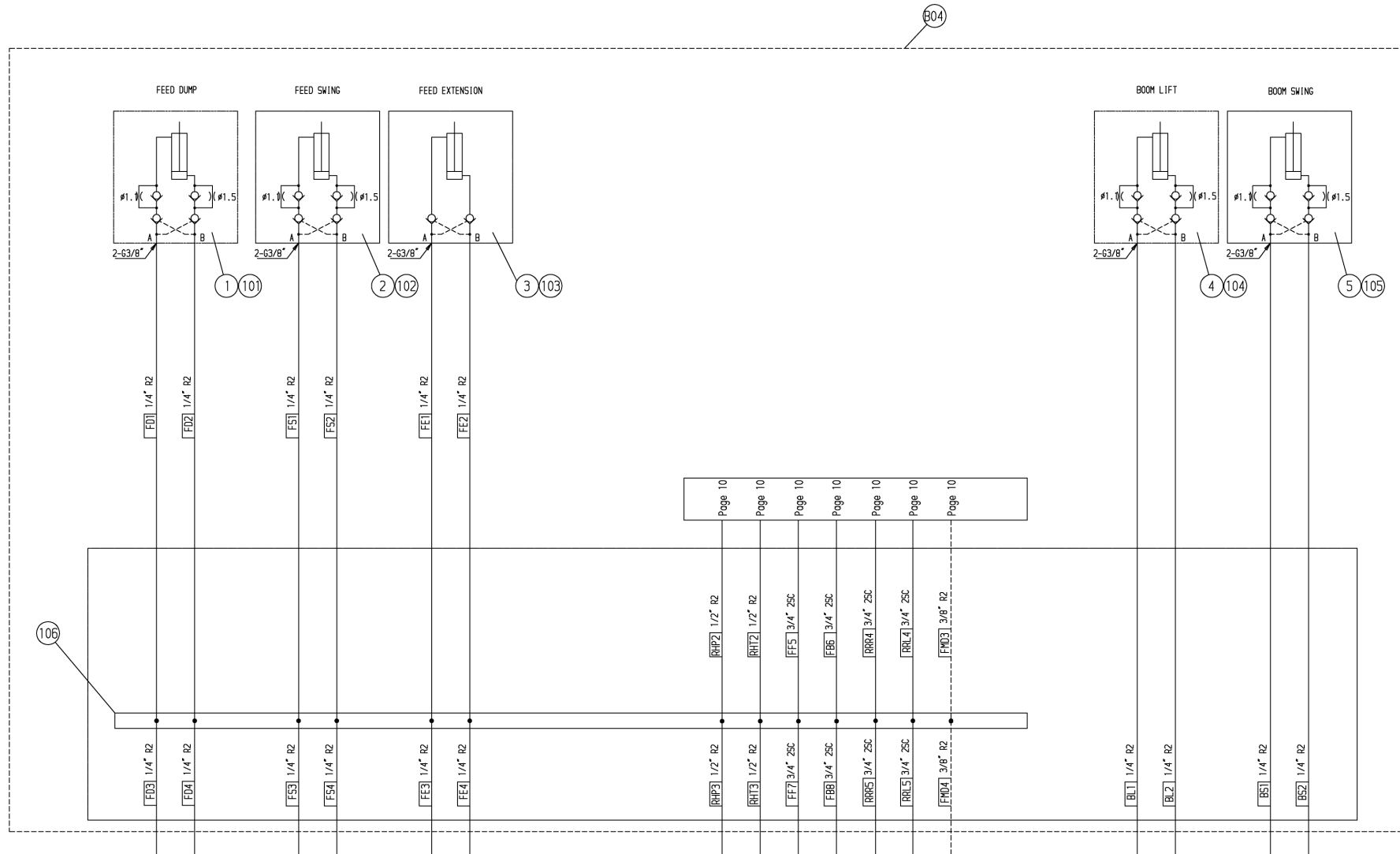


## CONNECTION SET / ANSLUTNINGSSATS

-

## FEED PRESSURE CONTROL

Ref.no	Part no Art.nr	Qty Qty	Description	Beskrivning	See page Se sidan	Remarks Anmärkningar
1	5726 8078 30	1	RELIEF VALVE	AVLASTN.VENTIL	349	IN LINE RELIEF VALVE FOR PD45
2	3177 3095 00	1	NIPPLE	NIPPEL		UNF 7/16
3	3176 6619 00	1	NIPPLE	NIPPEL		UNF 7/16 - G 1/4
4	3176 6612 00	1	NIPPLE	NIPPEL		UNF 7/16 - G 1/4
5	3176 7872 00	1	ELBOW NIPPLE	VINKELNIPPEL		UNF 7/16

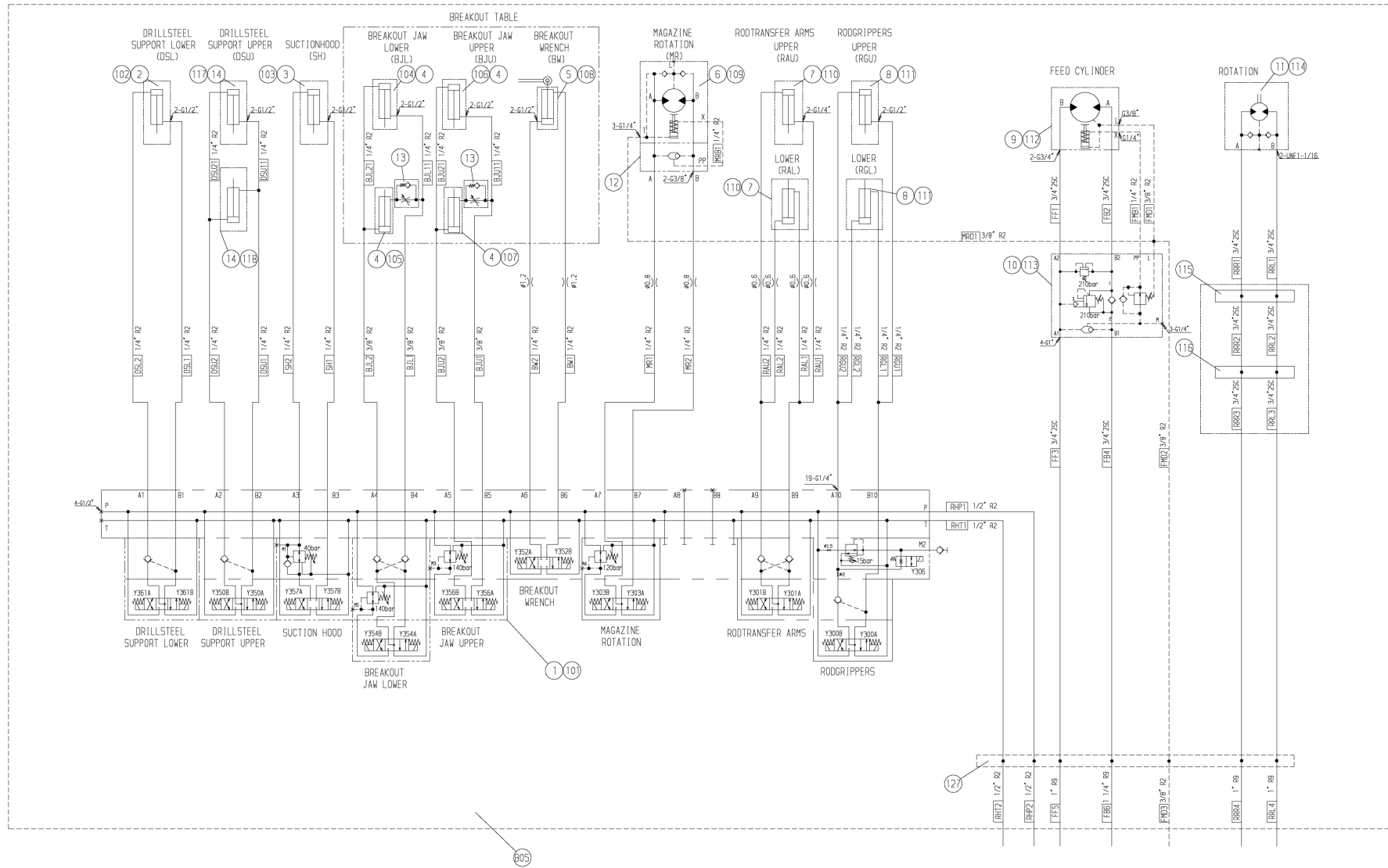


## HYDR. SYSTEM / HYDRAULSYSTEM

-

## BOOM SYSTEM

Ref.no	Part no Art.nr	Qty Qty	Description	Beskrivning	See page Se sidan	Remarks Anmärkningar
1	5726 8082 03	1	CYLINDER	CYLINDER	225	FEED DUMP
2	5726 8082 04	1	CYLINDER	CYLINDER	227	FEED SWING
3	5726 8082 05	1	CYLINDER	CYLINDER	229	FEED EXTENSION
4	5726 8082 02	1	CYLINDER	CYLINDER	223	BOOM LIFT
5	5726 8082 24	1	CYLINDER	CYLINDER	221	BOOM SWING
101	-	1	CONNECTION SET	ANSLUTNINGSSATS		FEED DUMP CYLINDER
102	-	1	CONNECTION SET	ANSLUTNINGSSATS		FEED SWING CYLINDER
103	-	1	CONNECTION SET	ANSLUTNINGSSATS		FEED EXTENTION CYLINDER
104	-	1	CONNECTION SET	ANSLUTNINGSSATS		BOOM LIFT CYLINDER
105	-	1	CONNECTION SET	ANSLUTNINGSSATS		BOOM SWING CYLINDER
106	-	1	CONNECTION SET	ANSLUTNINGSSATS		BULKHEAD ON BOOM ATTACHMENT



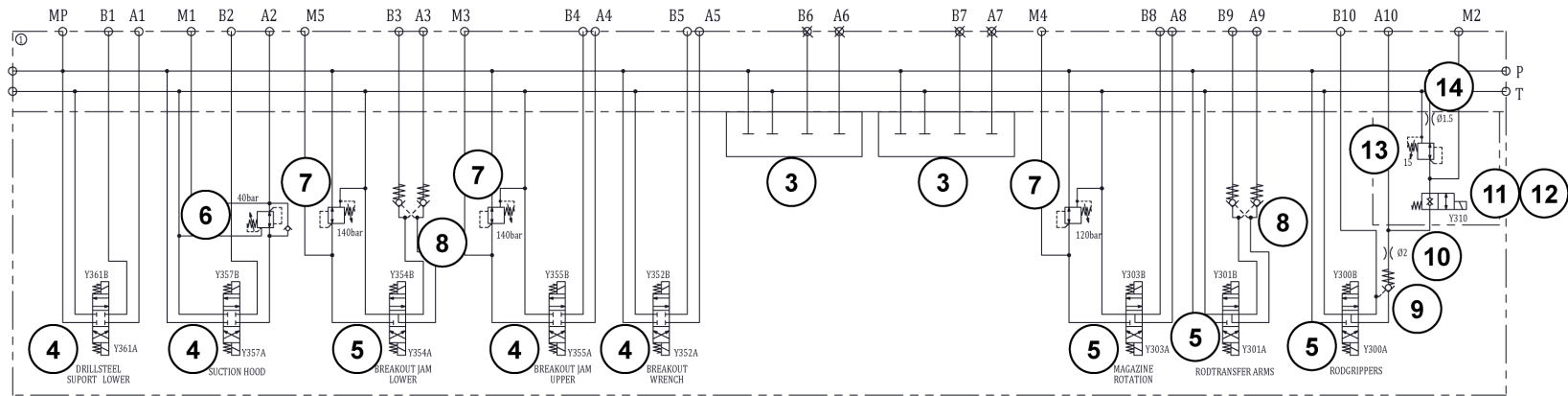
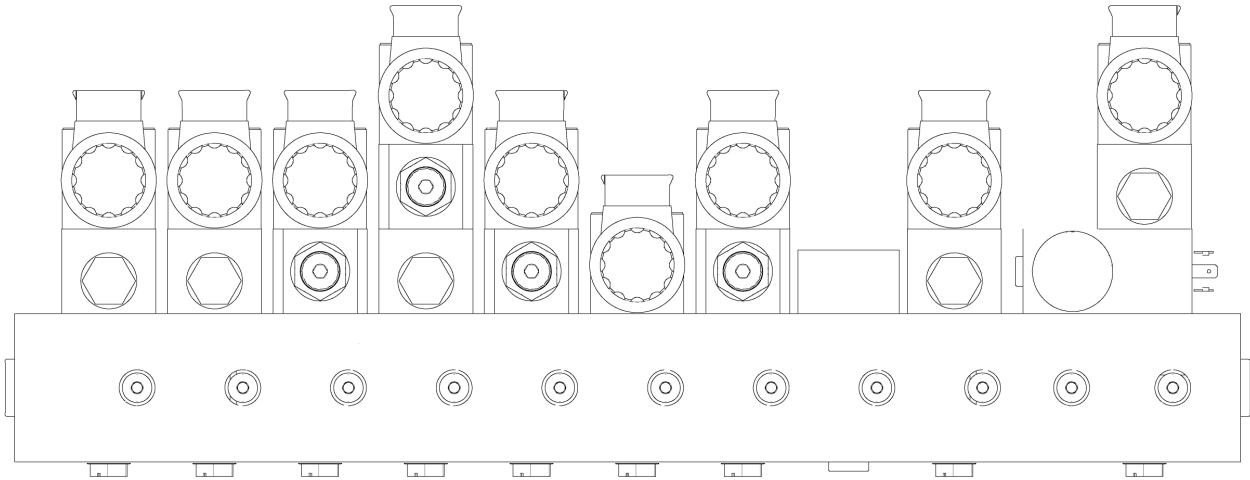
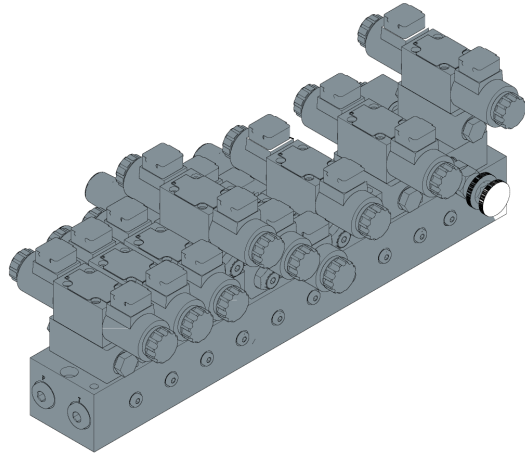


Ref.no	Part no Art.nr	Qty Qty	Description	Beskrivning	See page Se sidan	Remarks Anmärkningar
1	-	1	VALVE BLOCK	VENTILBLOCK	473	
2	5726 8082 08	1	CYLINDER	CYLINDER	271	DRILL STEEL SUPPORT
3	5726 8082 11	1	CYLINDER	CYLINDER	273	SUCTION HOOD
4	5726 8082 09	4	CYLINDER	CYLINDER	261	BREAK-OUT TOOL
5	5726 8082 10	1	CYLINDER	CYLINDER	263	BREAK-OUT TOOL
6	5726 8077 33	1	MOTOR	MOTOR		MAGAZINE MOTOR
7	5726 8082 06	2	CYLINDER	CYLINDER	281	ROD TRANSFER
8	5726 8082 07	2	CYLINDER	CYLINDER	283	ROD GRIP
9	5726 8077 32	1	FEED MOTOR	MATARMOTOR	301	
10	5726 8077 34	1	VALVE BLOCK	VENTILBLOCK	477	FM VALVE BLOCK
11	3121 2015 72	1	MOTOR	MOTOR	313	ROTATION MOTOR
12	5726 8077 35	1	VALVE BLOCK	VENTILBLOCK	479	RM VALVE BLOCK
13	3222 3182 76	2	FLOW CONT.VALVE	STRYPBACKVENTIL		
14	5726 8082 26	2	CYLINDER	CYLINDER		UPPER DRILL STEEL SUP- PORT
101	-	1	CONNECTION SET	ANSLUTNINGSSATS		RHS MANIFOLD
102	-	1	CONNECTION SET	ANSLUTNINGSSATS		DRILL STEEL SUPPORT CYL- INDER
103	-	1	CONNECTION SET	ANSLUTNINGSSATS		SUCTION HOOD CYLINDER
104	-	1	CONNECTION SET	ANSLUTNINGSSATS		BREAKOUT JAW LOWER CYL- INDER
105	-	1	CONNECTION SET	ANSLUTNINGSSATS		BREAKOUT JAW LOWER CYL- INDER
106	-	1	CONNECTION SET	ANSLUTNINGSSATS		BREAKOUT JAW UPPER CYL- INDER
107	-	1	CONNECTION SET	ANSLUTNINGSSATS		BREAKOUT JAW UPPER CYL- INDER
108	-	1	CONNECTION SET	ANSLUTNINGSSATS		BREAKOUT WRENCH CYLIN- DER
109	-	1	CONNECTION SET	ANSLUTNINGSSATS		MAGAZINE MOTOR
110	-	2	CONNECTION SET	ANSLUTNINGSSATS		RODTRANSFER ARMS UPPER
111	-	2	CONNECTION SET	ANSLUTNINGSSATS		RODGRIPPER
112	-	1	CONNECTION SET	ANSLUTNINGSSATS		FEED MOTOR
113	-	1	CONNECTION SET	ANSLUTNINGSSATS		FEED OVERCENTRE MANI- FOLD
114	-	1	CONNECTION SET	ANSLUTNINGSSATS		ROTATION MOTOR
115	-	1	CONNECTION SET	ANSLUTNINGSSATS		BULKHEAD
116	-	1	CONNECTION SET	ANSLUTNINGSSATS		BULKHEAD2 FOR ROTATION

Ref.no	Part no Art.nr	Qty Qty	Description	Beskrivning	See page Se sidan	Remarks Anmärkningar
117	-	1	CONNECTION SET	ANSLUTNINGSSATS		STEEL SUPPORT UPPER
118	-	1	CONNECTION SET	ANSLUTNINGSSATS		STEEL SUPPORT UPPER



# VALVE BLOCK / VENTILBLOCK

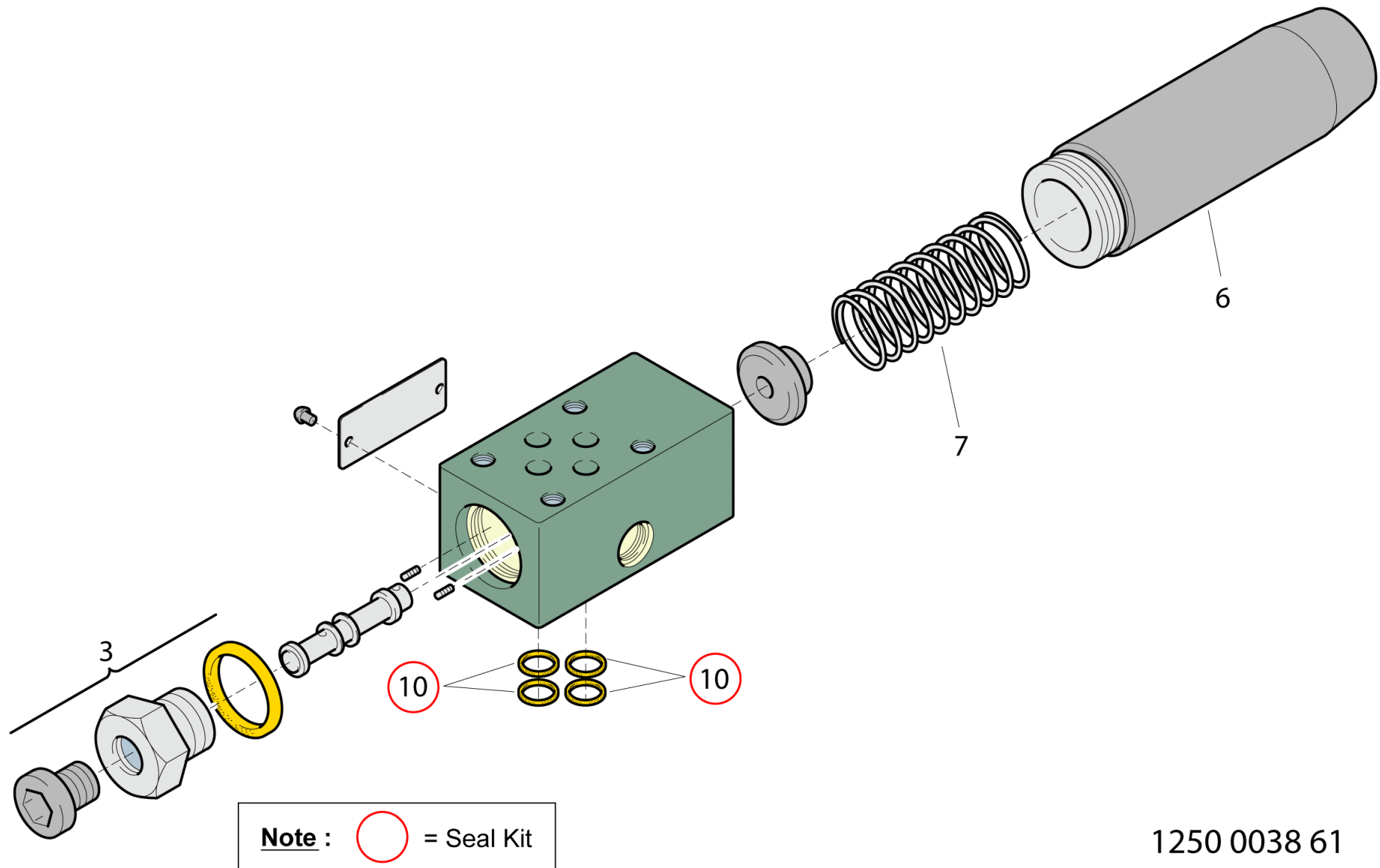


5726807714 02

## VALVE BLOCK / VENTILBLOCK

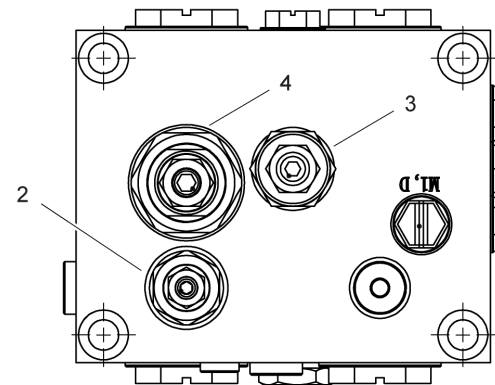
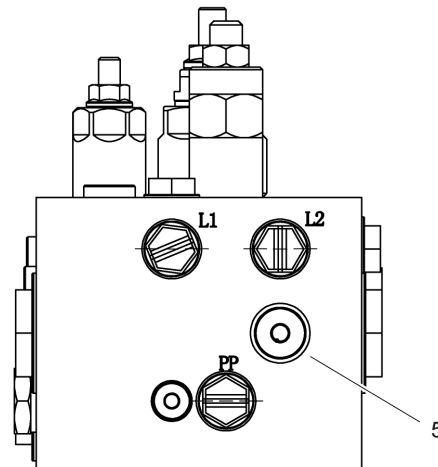
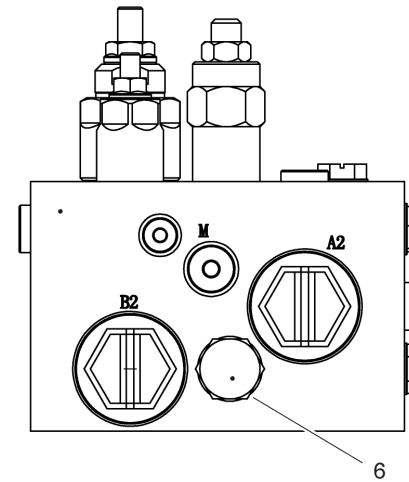
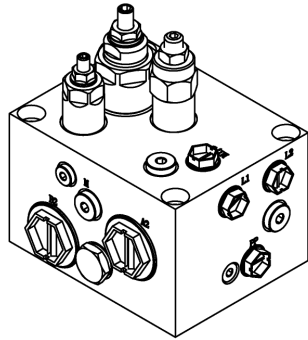
-

Ref.no	Part no Art.nr	Qty Qty	Description	Beskrivning	See page Se sidan	Remarks Anmärkningar
3	-	2	COVER	KÅPA		
4	3177 3092 12	4	DIRECTION VALVE	RIKTNINGSVENTIL		
5	3716 7022 09	4	DIRECTION VALVE	RIKTNINGSVENTIL		
6	5726 8042 22	1	VALVE	VENTIL		
7	3214 8712 80	3	PRESS.RED.VALVE	TRYCKRED.VENTIL	475	
8	5726 8042 21	2	VALVE	VENTIL		
9	3214 7391 00	1	DOUBLE CH.VALVE	HYDRAULLÅS		
10	5726 5890 49	1	NOZZLE	MUNSTYCKE		
11	5726 5890 48	1	CARTRIDGE VALVE	PATRONVENTIL		
12	5740 1842 29	1	COIL	SPOLE		COIL S8 356-CLASS H -20W
13	5726 5890 47	1	CARTRIDGE VALVE	PATRONVENTIL		
14	5726 5890 45	1	NOZZLE	MUNSTYCKE		



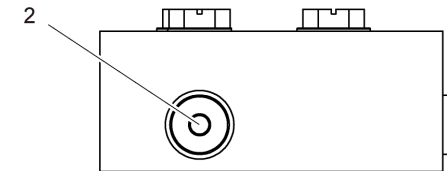
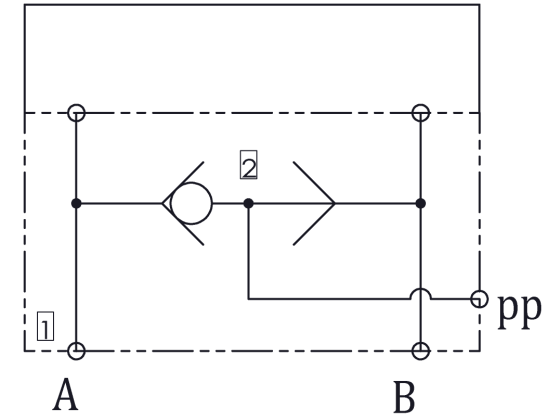
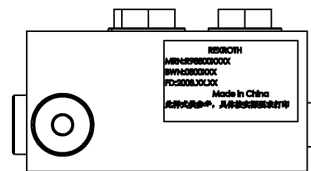
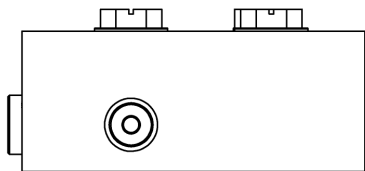
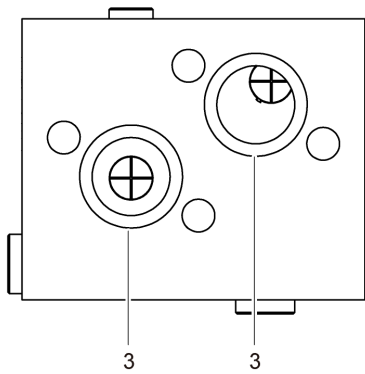
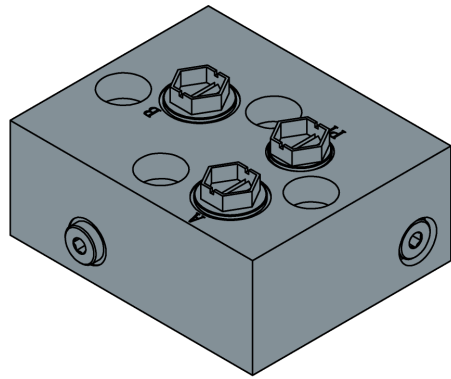
1250 0038 61

Ref.no	Part no Art.nr	Qty Qty	Description	Beskrivning	See page Se sidan	Remarks Anmärkningar
3	3214 8712 82	1	PLUG	PLUGG		
6	-	1	PRESS.RED.VALVE	TRYCKRED.VENTIL		NOT SOLD SEPARATELY
7	3214 8712 83	1	SPRING	FJÄDER		
10	3214 8712 87	1	SEAL KIT	TÄTNINGSSATS		POS. 10

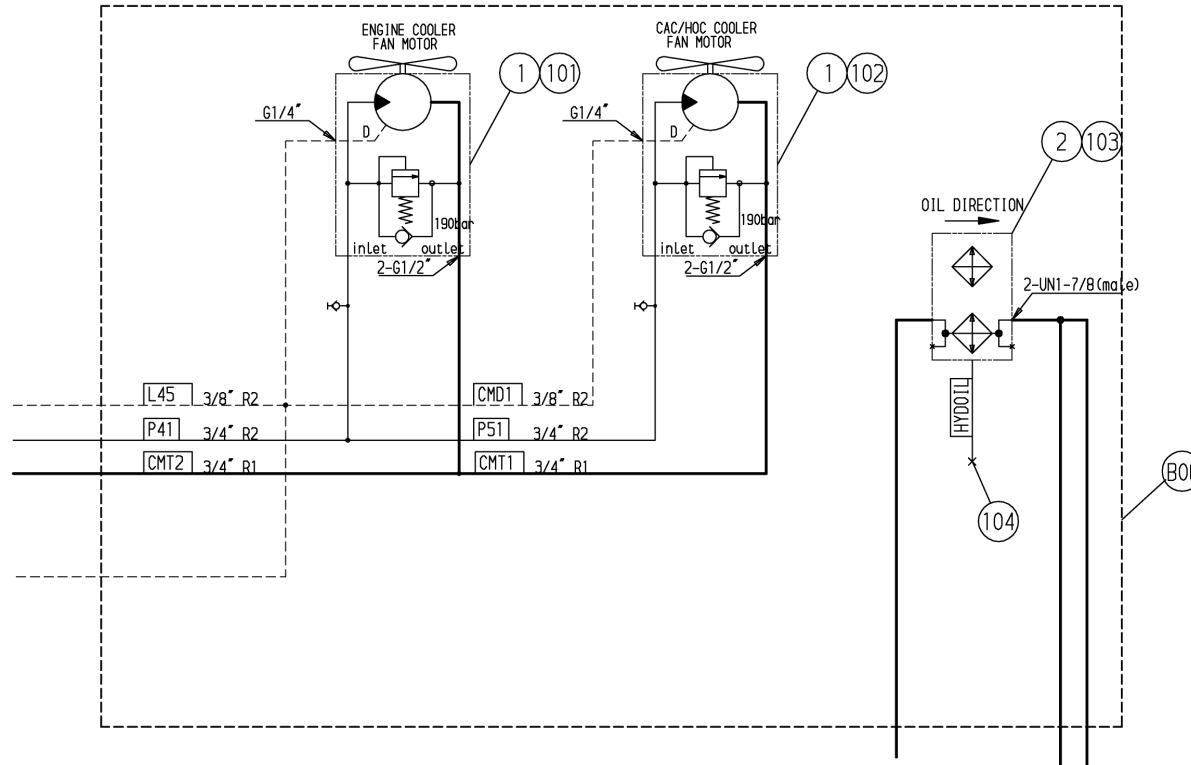




Ref.no	Part no Art.nr	Qty Qty	Description	Beskrivning	See page Se sidan	Remarks Anmärkningar
2	5726 8094 45	1	CARTRIDGE VALVE	PATRONVENTIL		
3	5726 8041 95	1	VALVE	VENTIL		
4	5726 5890 40	1	CARTRIDGE VALVE	PATRONVENTIL		
5	5726 5890 24	1	CARTRIDGE VALVE	PATRONVENTIL		
6	5726 5890 36	1	CARTRIDGE VALVE	PATRONVENTIL		



Ref.no	Part no Art.nr	Qty Qty	Description	Beskrivning	See page Se sidan	Remarks Anmärkningar
2	5726 5890 24	1	CARTRIDGE VALVE	PATRONVENTIL		
3	5726 8094 44	2	O-RING	O-RING		

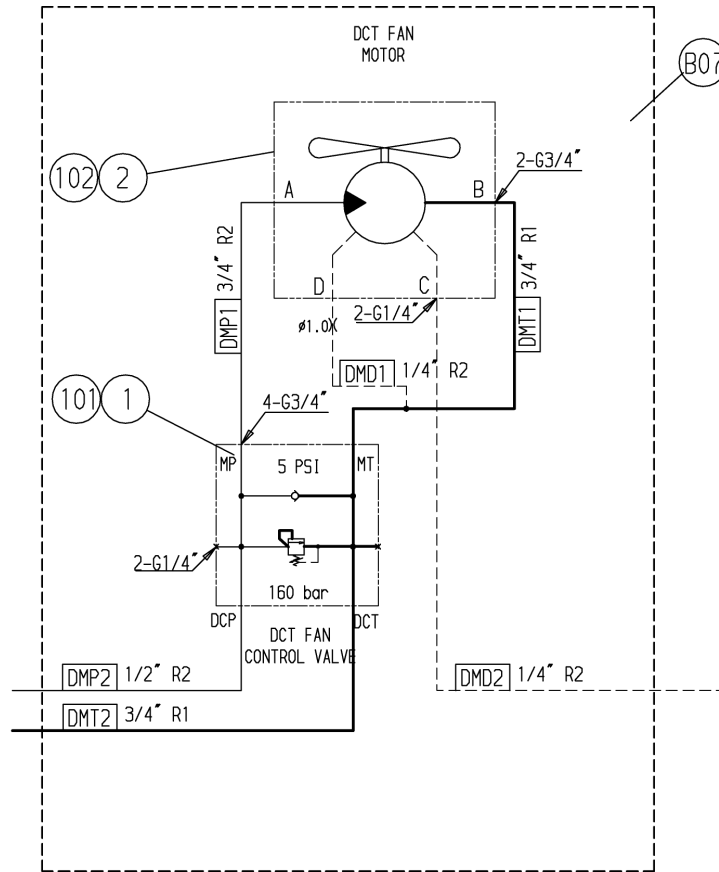


## HYDR. SYSTEM / HYDRAULSYSTEM

-

## COOLANT SYSTEM

Ref.no	Part no Art.nr	Qty Qty	Description	Beskrivning	See page Se sidan	Remarks Anmärkningar
1	5726 8075 16	1	COOLER	KYLARE		
101	-	1	CONNECTION SET	ANSLUTNINGSSATS		COOLANT FOR ENGINE
102	-	1	CONNECTION SET	ANSLUTNINGSSATS		CAC/HOC COOLER
103	5726 8077 97	1	CONNECTION SET	ANSLUTNINGSSATS		COOLER FOR HYDRAULIC OIL
104	5726 8077 98	1	CONNECTION SET	ANSLUTNINGSSATS	71	COOLER DRAIN

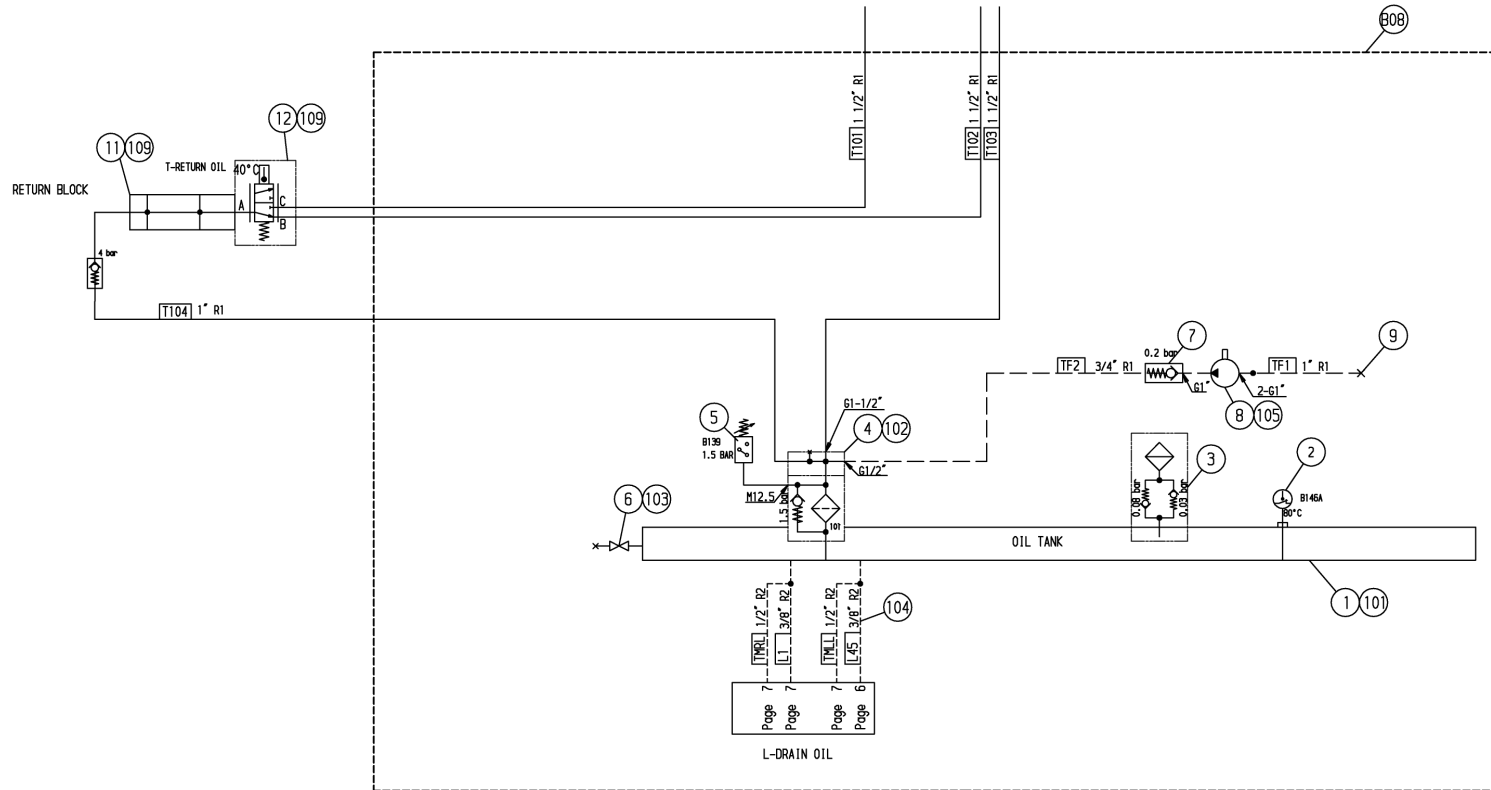


## HYDR. SYSTEM / HYDRAULSYSTEM

-

## DCT SYSTEM

Ref.no	Part no Art.nr	Qty Qty	Description	Beskrivning	See page Se sidan	Remarks Anmärkningar
1	5726 8077 17	1	VALVE BLOCK	VENTILBLOCK	439	DCT CONTROL VALVE BLOCK
2	3177 3072 00	1	HYDRAULIC MOTOR	HYDRAULMOTOR	399	
101	-	1	CONNECTION SET	ANSLUTNINGSSATS		DCT CONTROL MANIFOLD
102	-	1	CONNECTION SET	ANSLUTNINGSSATS		DCT MOTOR





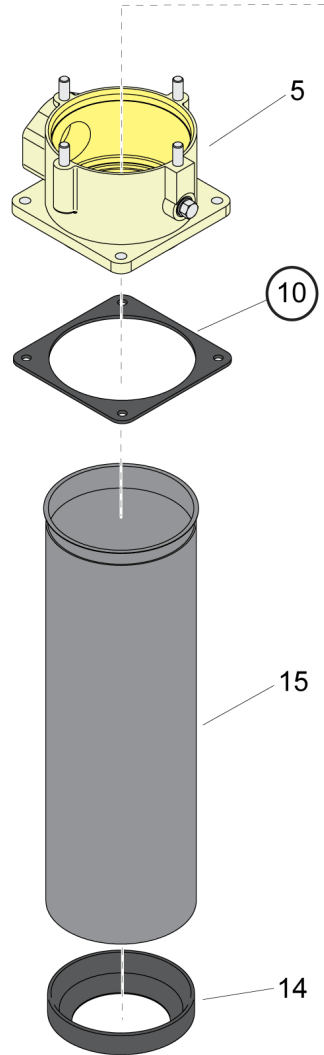
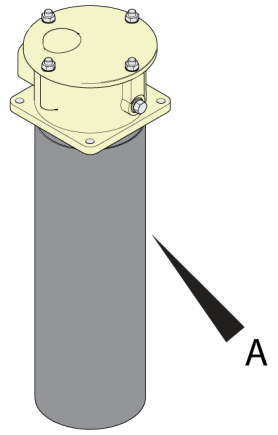
## HYDR. SYSTEM / HYDRAULSYSTEM

-

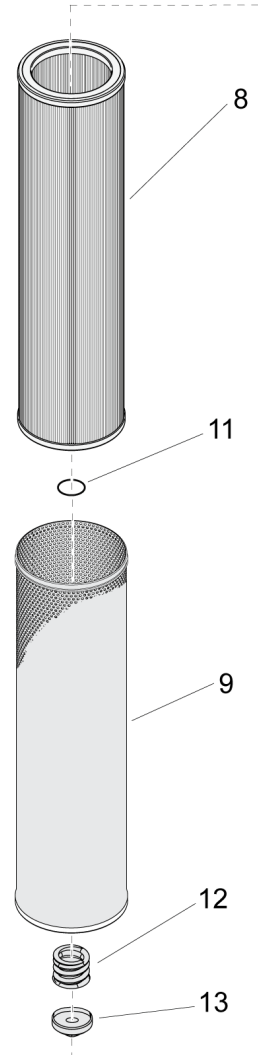
## RETURN SYSTEM

Ref.no	Part no Art.nr	Qty Qty	Description	Beskrivning	See page Se sidan	Remarks Anmärkningar
1	-	1	TANK UNIT	TANKENHET	423	
2	5726 5823 98	1	TEMP. SENSOR	TEMP.GIVARE		
3	3222 3456 25	1	BREATHER FILTER	ANDNINGSFILTER		-0,03IN, 0,08UT
4	3222 3337 11	1	OIL FILTER	OLJEFILTER	487	HYDRAULIC RETURN LINE
5	5726 5817 24	1	PRESSURE SWITCH	TRYCKVAKT		
6	8202 0304 02	1	BALL VALVE	KULVENTIL		R 3/4"-16 BAR SPARE PARTS SET 9090 1154 00
7	3222 3251 42	1	CHECK VALVE	BACKVENTIL		16RHV42EDMXS0.2B
8	3176 7467 01	1	PUMP	PUMP		COMPL. INCL. HANDLE 3222328696
101	-	1	CONNECTION SET	ANSLUTNINGSSATS		
102	-	1	CONNECTION SET	ANSLUTNINGSSATS		RETURN FILTER
103	-	1	CONNECTION SET	ANSLUTNINGSSATS		TANK DRAIN
104	-	1	CONNECTION SET	ANSLUTNINGSSATS		LEAKAGE CONNECTION
105	-	1	CONNECTION SET	ANSLUTNINGSSATS		FILLER PUMP

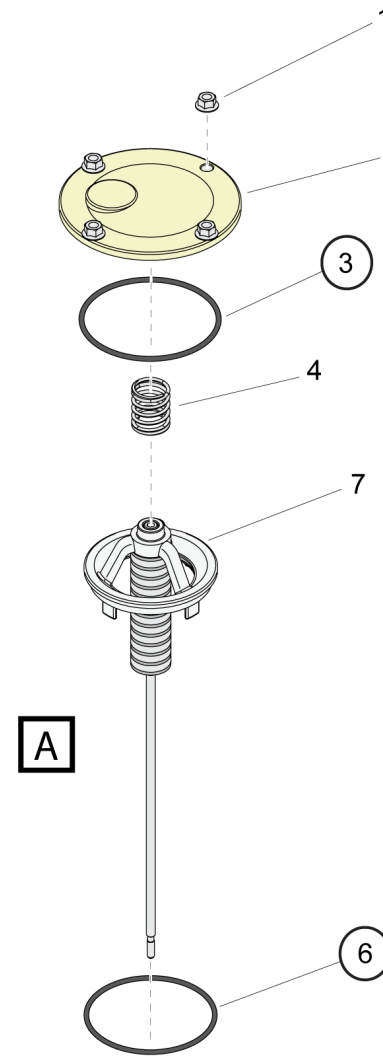
# OIL FILTER / OLJEFILTER




# 3222 3337 11



# HYDRAULIC RETURN LINE



 = Seal Kit

1250 0278 77

Ref.no	Part no Art.nr	Qty Qty	Description	Beskrivning	See page Se sidan	Remarks Anmärkningar
	3222 3347 21	1	SEAL KIT	TÄTNINGSSATS		
1	-	4	NUT	MUTTER		NOT SOLD SEPARATELY
2	-	1	COVER	LOCK		NOT SOLD SEPARATELY
3	-	1	O-RING	O-RING		NOT SOLD SEPARATELY
4	-	1	SPRING	FJÄDER		NOT SOLD SEPARATELY
5	-	1	HOUSE	HUS		NOT SOLD SEPARATELY
6	-	1	SEAL	TÄTNING		NOT SOLD SEPARATELY
7	-	1	INSERT	INSATS		NOT SOLD SEPARATELY
8	3222 3337 40	1	FILTER ELEMENT	FILTERELEMENT		
9	3222 3337 42	1	SLEEVE	HYLSA		
10	-	1	GASKET	PACKNING		NOT SOLD SEPARATELY
11	-	1	O-RING	O-RING		NOT SOLD SEPARATELY
12	-	1	SPRING	FJÄDER		NOT SOLD SEPARATELY
13	-	1	NUT	MUTTER		NOT SOLD SEPARATELY
14	-	1	SEAL	TÄTNING		NOT SOLD SEPARATELY
15	-	1	RETURN PIPE	RETURRÖR		NOT SOLD SEPARATELY



## AIR SYSTEM / LUFTSYSTEM

### LIST OF CONTENTS

Part no Art.nr	Description	Beskrivning	See page Se sidan	Remarks Anmärkningar
-	AIR SYSTEM	LUFTSYSTEM	491	
-	- AIR SYSTEM	LUFTSYSTEM	493	
-	-- AIR SYSTEM	LUFTSYSTEM	495	COMPRESSOR
1626 2153 81	---- CONTROL VALVE	REGLERVENTIL	497	
1626 1052 81	---- CONTROL VALVE	REGLERVENTIL	499	
5726 8075 12	---- AIR FILTER	LUFTFILTER	169	
5726 8075 12	---- AIR FILTER	LUFTFILTER	169	
-	---- COMPRESSOR SET	KOMPRESSORSATS	185	
-	---- VESSEL	KÄRL	187	
-	---- FILTER SET	FILTERSATS	501	
5726 8075 12	----- AIR FILTER	LUFTFILTER	169	
-	----- BRACKET	FÄSTDON		
5726 8078 05	----- NIPPLE	NIPPEL	171	
-	---- FILTER SET	FILTERSATS	191	
5726 8075 12	----- AIR FILTER	LUFTFILTER	169	COMPRESSOR
-	----- BRACKET	FÄSTDON		
5726 8078 05	----- NIPPLE	NIPPEL	171	
-	-- AIR SYSTEM	LUFTSYSTEM	503	FLUSHING AIR
5726 8078 04	---- VALVE	VENTIL	515	
9090 0303 80	---- LUBR. VALVE	SMÖRJVENTIL	505	
-	---- LUBR. OIL TANK	SMÖRJOLJEBEHÅL	507	
-	---- CONNECTION SET	ANSLUTNINGSSATS	509	
9090 0303 80	----- LUBR. VALVE	SMÖRJVENTIL	505	
5726 8078 04	----- VALVE	VENTIL	515	
5726 8092 91	---- CONNECTION SET	ANSLUTNINGSSATS	511	FEED
-	---- CONNECTION SET	ANSLUTNINGSSATS	513	
-	----- LUBR. OIL TANK	SMÖRJOLJEBEHÅL	507	
-	-- AIR SYSTEM	LUFTSYSTEM	517	DCT
3222 1293 00	---- SOLENOID VALVE	MAGNETVENTIL	41	
-	---- CONNECTION SET	ANSLUTNINGSSATS	391	
3176 8641 00	----- PRESS.REGULATOR	TRYCKREGULATOR	393	R 1/4"
-	---- CONNECTION SET	ANSLUTNINGSSATS		EXTRA OUTLET CONN.
-	---- CONNECTION SET	ANSLUTNINGSSATS		
-	-- AIR SYSTEM	LUFTSYSTEM	519	GREASE SYSTEM
3176 8641 00	---- PRESS.REGULATOR	TRYCKREGULATOR	393	R 1/4"

Part no Art.nr	Description	Beskrivning	See page Se sidan	Remarks Anmärkningar
5726 8011 34	--- PUMP UNIT	PUMPAGGREGAT	127	
3222 3358 74	---- GREASE PUMP	FETTPUMP	129	
-	---- CONNECTION SET	ANSLUTNINGSSATS	521	
-	---- CONNECTION SET	ANSLUTNINGSSATS		
-	---- CONNECTION SET	ANSLUTNINGSSATS		

**AIR SYSTEM / LUFTSYSTEM**

<b>Ref.no</b>	<b>Part no Art.nr</b>	<b>Qty Qty</b>	<b>Description</b>	<b>Beskrivning</b>	<b>See page Se sidan</b>	<b>Remarks Anmärkningar</b>
-		1	AIR SYSTEM	LUFTSYSTEM	493	

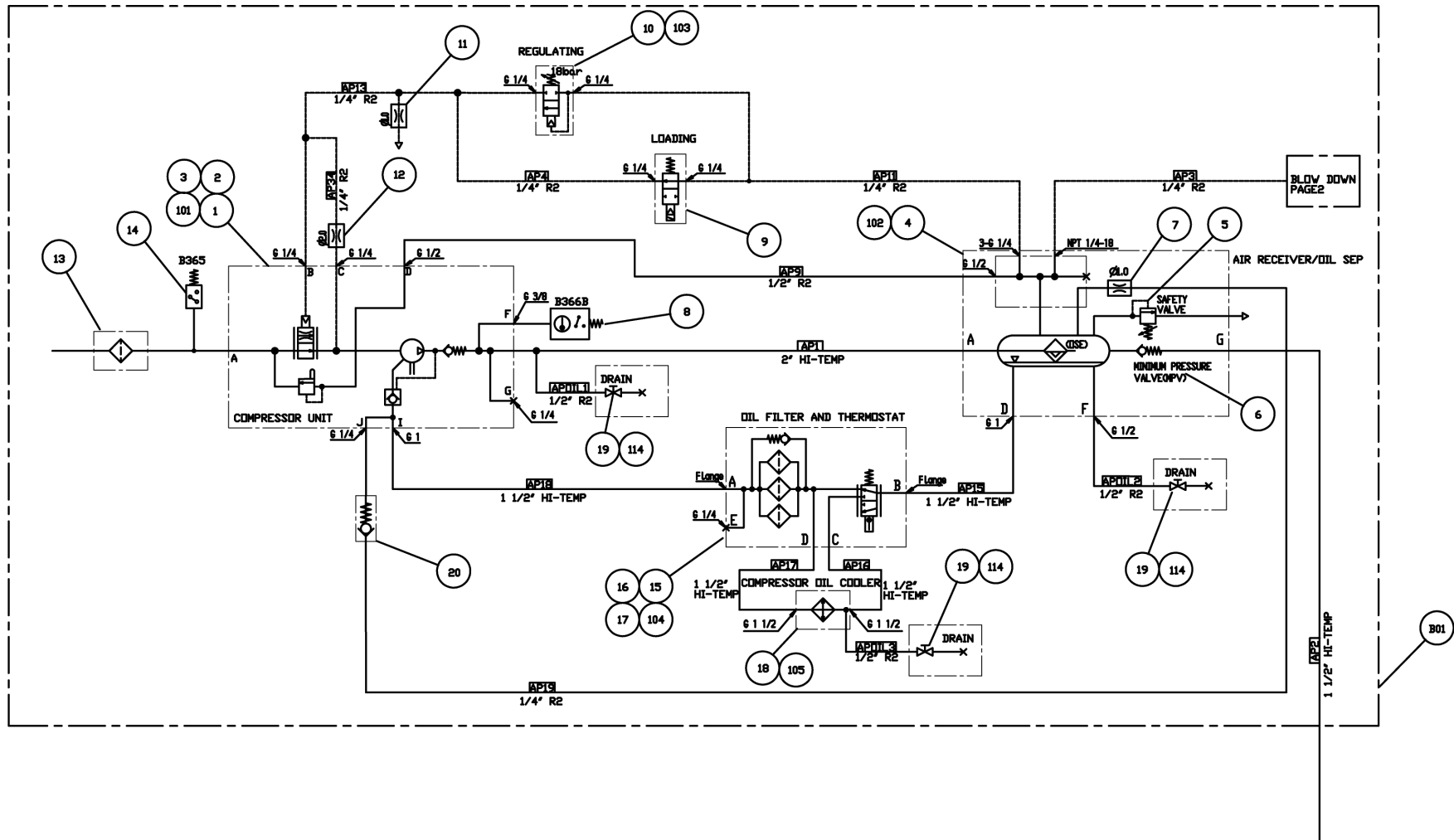




**AIR SYSTEM / LUFTSYSTEM**

-

<b>Ref.no</b>	<b>Part no Art.nr</b>	<b>Qty Qty</b>	<b>Description</b>	<b>Beskrivning</b>	<b>See page Se sidan</b>	<b>Remarks Anmärkningar</b>
B01	-	1	AIR SYSTEM	LUFTSYSTEM	495	COMPRESSOR
B02	-	1	AIR SYSTEM	LUFTSYSTEM	503	FLUSHING AIR
B03	-	1	AIR SYSTEM	LUFTSYSTEM	517	DCT
B31	-	1	AIR SYSTEM	LUFTSYSTEM	519	GREASE SYSTEM

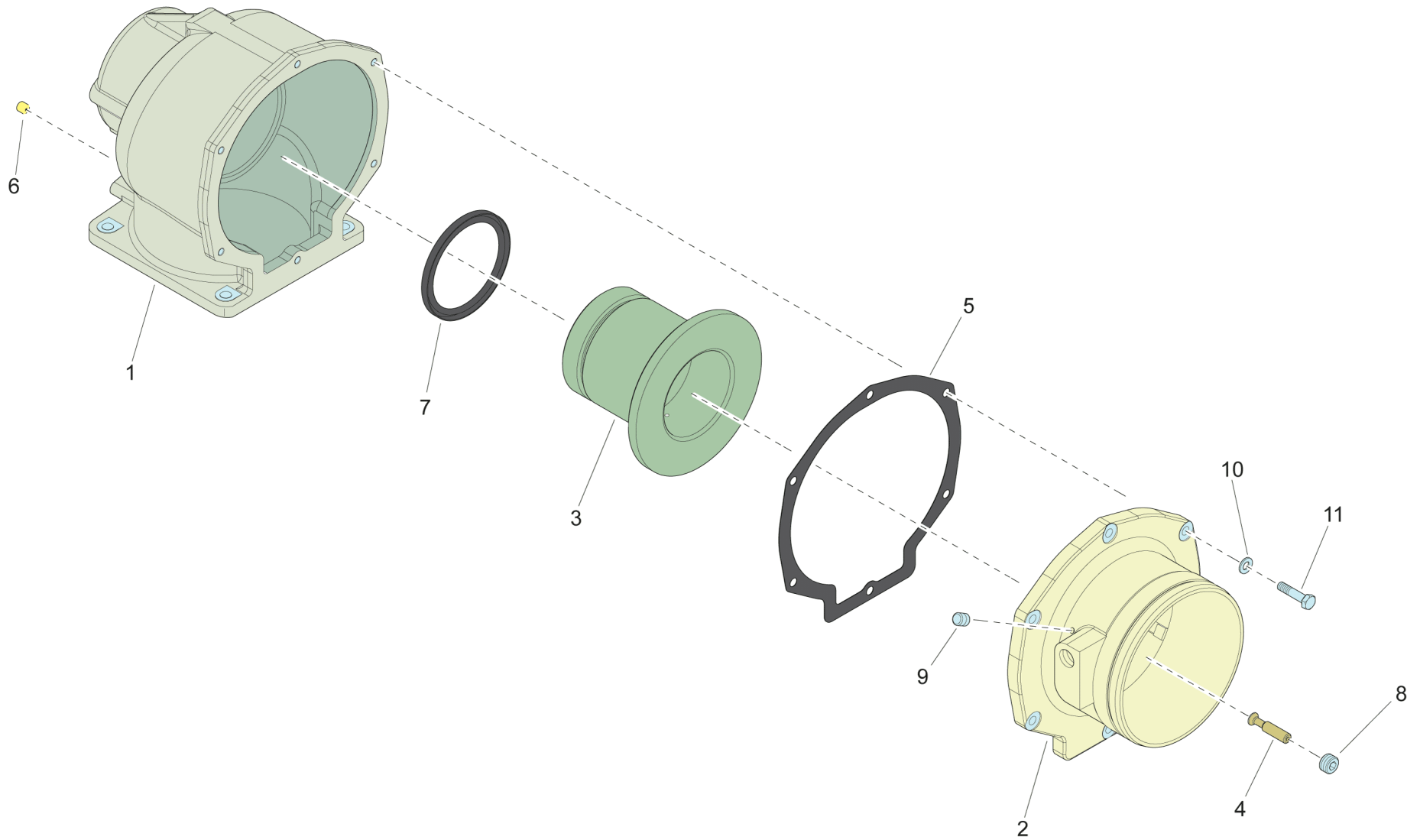


## AIR SYSTEM / LUFTSYSTEM

-

## COMPRESSOR

Ref.no	Part no Art.nr	Qty Qty	Description	Beskrivning	See page Se sidan	Remarks Anmärkningar
1	1625 0118 67	1	GEAR SET	VÄXELSTEG		
2	1626 2153 81	1	CONTROL VALVE	REGLERVENTIL	497	
3	1616 7146 92	1	SERVICE STAGE	KOMPRESSORSTEG		
4	1625 0044 69	1	VESSEL	KÄRL		
5	1092 3098 00	1	SAFETY VALVE	SÄKERHETSVENTIL		
6	1604 2524 02	1	MIN.PR.VALVE	MIN.TRYCKVENTIL		
7	3217 6513 08	1	RESTRICTION	STRYPNING		
8	5726 5823 96	1	TEMP. SENSOR	TEMP.GIVARE		
9	1089 0451 07	1	AIR VALVE	LUFTVENTIL		AIR VALVE
10	1626 1052 81	1	CONTROL VALVE	REGLERVENTIL	499	
11	3217 6513 08	1	RESTRICTION	STRYPNING		
12	3217 6513 04	1	RESTRICTION	STRYPNING		D2,0;JIC9/16"
13	5726 8075 12	1	AIR FILTER	LUFTFILTER	169	
14	5726 8088 98	1	VACUUM SWITCH	VAKUUMBRYTARE		
15	1615 6398 00	1	HOUSING	HUS		
16	1202 5869 01	1	THERMOSTAT	TEMPERATURVAKT		
17	1202 8040 02	3	OIL FILTER	OLJEFILTER		
18	5726 8075 12	1	AIR FILTER	LUFTFILTER	169	
19	8202 0303 03	3	BALL VALVE	KULVENTIL		BAL 15-G1/2 R 1/2"-16 BAR *
20	0823 0050 16	1	CHECK VALVE	BACKVENTIL		
101	-	1	COMPRESSOR SET	KOMPRESSORSATS	185	
102	-	1	VESSEL	KÄRL	187	
104	-	1	FILTER SET	FILTERSATS	501	
104	-	1	FILTER SET	FILTERSATS	191	
114	-	3	CONNECTION SET	ANSLUTNINGSSATS		



1250 0312 62

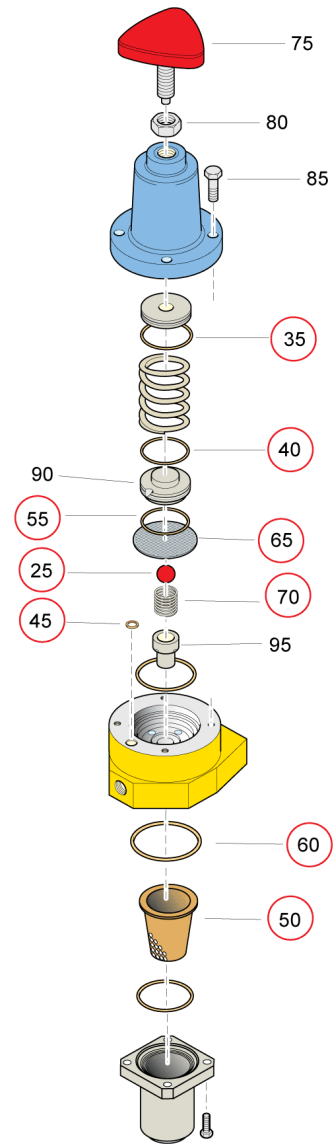
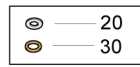
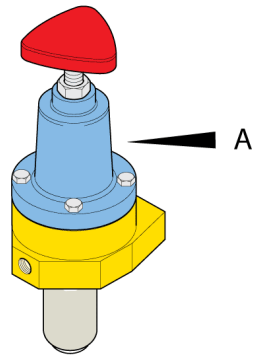
## CONTROL VALVE / REGLERVENTIL

1626 2153 81

Ref.no	Part no Art.nr	Qty Qty	Description	Beskrivning	See page Se sidan	Remarks Anmärkningar
1	1626 2153 00	1	VALVE HOUSING	VENTILHUS		
2	1626 2155 00	1	END PIECE	AVSLUTN.STYCKE		
3	1626 2189 00	1	PISTON	KOLV		
4	1604 6205 00	1	VALVE	VENTIL		
5	1626 4691 00	1	GASKET	PACKNING		
6	1626 2380 00	1	NOZZLE	MUNSTYCKE		
7	1626 2371 00	1	SEAL	TÄTNING		
8	1613 2913 00	1	PLUG	PLUGG		
9	0686 2606 00	1	PLUG	PLUGG		M 6 6
10	0301 2335 00	1	PLAIN WASHER	RUNDBRICKA		8,4 / 16 X 1,6 -HB200 FZB
11	0147 1327 03	1	SCREW, HEX HEAD	SKRUV, SEXKANT		M 8 X 35 - 8.8 FZB

# CONTROL VALVE / REGLERVENTIL

1626 1052 81



**Note :** ○ = Service Kit

1250 0215 10

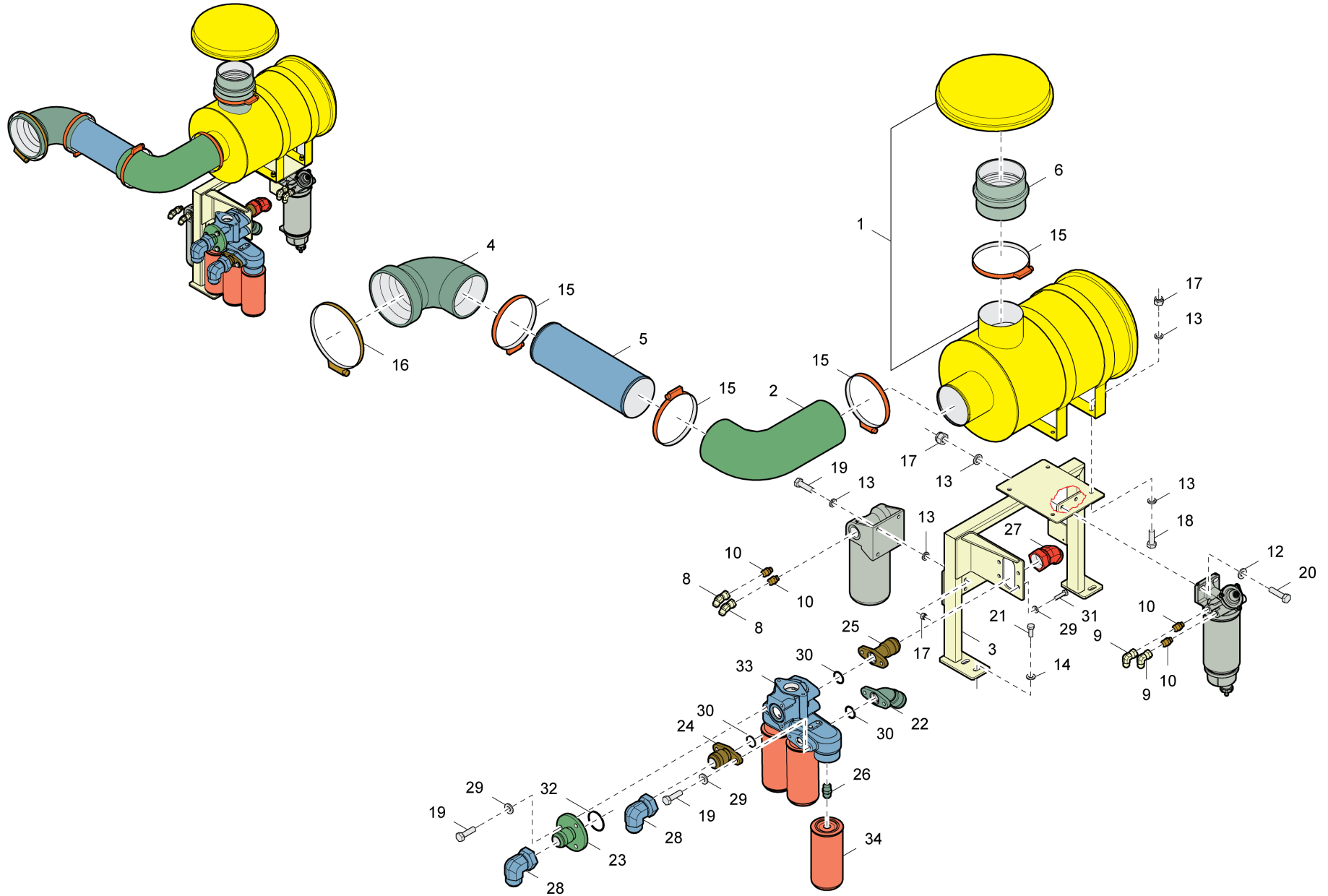
## CONTROL VALVE / REGLERVENTIL

1626 1052 81

Ref.no	Part no Art.nr	Qty Qty	Description	Beskrivning	See page Se sidan	Remarks Anmärkningar
	2911 9921 00	1	SERVICE KIT	SERVICE KIT		POS 20-70
20	0301 2344 00	2	PLAIN WASHER	RUNDBRICKA		10,5 / 20 X 2 -HB 200 FZB
25	0517 1420 00	1	BEARING BALL	LAGERKULA		DIA 12,7 (1/2)
30	0653 1062 00	2	GASKET	PACKNING		13 / 20 X 1,5 -11 5013 12
35	0663 3131 00	2	O-RING	O-RING		34,2 X 3 70 SHORE
40	0663 3132 00	1	O-RING	O-RING		36,2 X 3 70 SHORE
45	0663 6112 00	1	O-RING	O-RING		5,1 X 1,6 70 SHORE
50	1012 0356 00	1	FILTER	FILTER		
55	0663 2135 00	1	O-RING	O-RING		44,2 X 3 70 SHORE
60	0663 2105 61	2	O-RING	O-RING		47 2 0013 3970 90 -30 +17
65	1604 7076 00	1	DIAPHRAGM	MEMBRAN		
70	2252 4197 00	1	SPRING	FJÄDER		
75	1604 4289 00	1	SCREW	SKRUV		
80	0268 4138 22	1	NUT	MUTTER		UNC 7/16 14 9,5 D 17,45 ?
85	0147 1249 03	8	SCREW, HEX HEAD	SKRUV, SEXKANT		M 6 X 25 - 8.8 FZB
90	2252 4058 00	1	GUIDE RAIL	GEJDER		
95	2252 4057 00	1	CAGE	BUR		

# FILTER SET / FILTERSATS

-

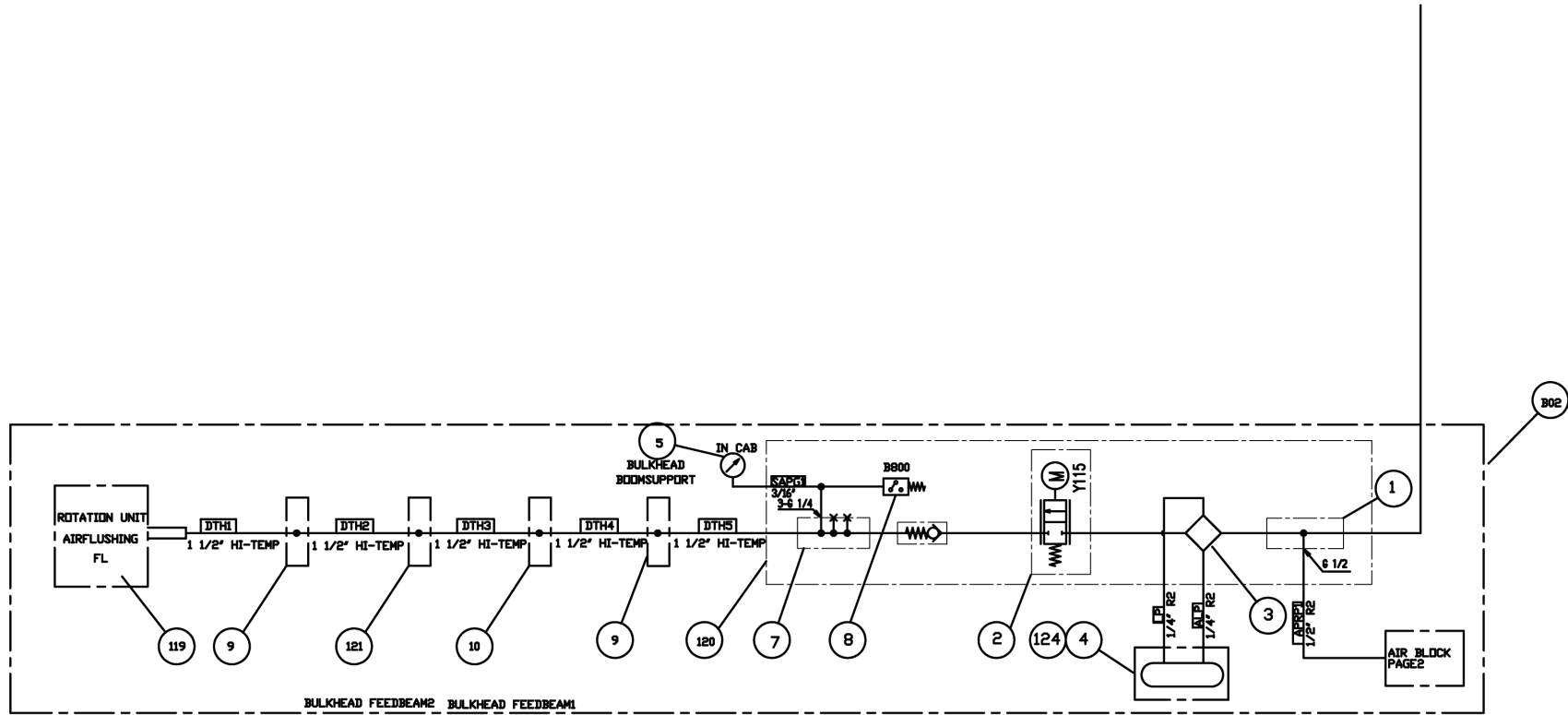




**FILTER SET / FILTERSATS**

-

Ref.no	Part no Art.nr	Qty Qty	Description	Beskrivning	See page Se sidan	Remarks Anmärkningar
1	5726 8075 12	1	AIR FILTER	LUFTFILTER	169	
2	5726 8095 38	1	ELBOW	RÖRVINKEL		
3	-	1	BRACKET	FÄSTDON		
4	5726 8095 71	1	REDUCER	REDUCERING		
5	5726 8095 72	1	PIPE	RÖR		
6	5726 8095 79	1	CONNECTOR	KONTAKTDON		
8	3176 6548 00	2	NIPPLE	NIPPEL		UNF 3/4
9	3176 3060 00	2	NIPPLE	NIPPEL		90 DEGREE WITH SVIVELNUT
10	0570 5010 42	4	NIPPLE	NIPPEL		A 12 3/4 -16 UNF-2A
12	0333 5200 13	2	LOCK WASHER	LÄSBRICKA		M10 - 10,7 21,0 2,5 STEEL
13	0333 5200 14	18	LOCK WASHER	LÄSBRICKA		NORD-LOCK M10
14	0333 5200 09	4	LOCK WASHER	LÄSBRICKA		
15	0347 6100 06	4	HOSE CLIP	SLANGKLÄMMA		
16	0347 6100 44	1	HOSE CLIP	SLANGKLÄMMA		A 175 205
17	0291 1128 20	10	LOCK NUT	LÄSMUTTER		M 10 - 8 FZB / ISO 7040
18	0147 1363 03	4	SCREW, HEX HEAD	SKRUV, SEXKANT		M 10 X 30 - 8.8 FZB
19	0147 1364 03	9	SCREW, HEX HEAD	SKRUV, SEXKANT		M 10 X 35 - 8.8 FZB
20	0147 1365 03	2	SCREW, HEX HEAD	SKRUV, SEXKANT		M 10 X 40 - 8.8 FZB
21	0147 1401 03	4	SCREW, HEX HEAD	SKRUV, SEXKANT		M 12 X 30 - 8.8 FZB
22	5726 8078 05	1	NIPPLE	NIPPEL	171	
23	5726 8021 36	1	FLANGE CONNECT.	FLÄNSANSLUTNING		
24	5726 8078 08	1	FLANGE CONNECT.	FLÄNSANSLUTNING		
25	5726 8078 13	1	FLANGE CONNECT.	FLÄNSANSLUTNING		
26	2254 7257 00	3	NIPPLE	NIPPEL		
27	3176 6661 00	1	NIPPLE	NIPPEL		UN 1 7/8
28	3176 6669 00	2	NIPPLE	NIPPEL		UN 1 7/8
29	0333 5200 10	9	LOCK WASHER	LÄSBRICKA		10,3 / 21 X 2,6 FZB
30	0663 3130 00	3	O-RING	O-RING		32,2 X 3 70 SHORE
31	0147 1962 64	4	SCREW, HEX HEAD	SKRUV, SEXKANT		A M10 40 H 6,4 16 8.8 SAE
32	0663 9868 00	1	O-RING	O-RING		57,2 X 3 70 SHORE
33	1615 6398 00	1	HOUSING	HUS		
34	1202 8040 02	3	OIL FILTER	OLJEFILTER		

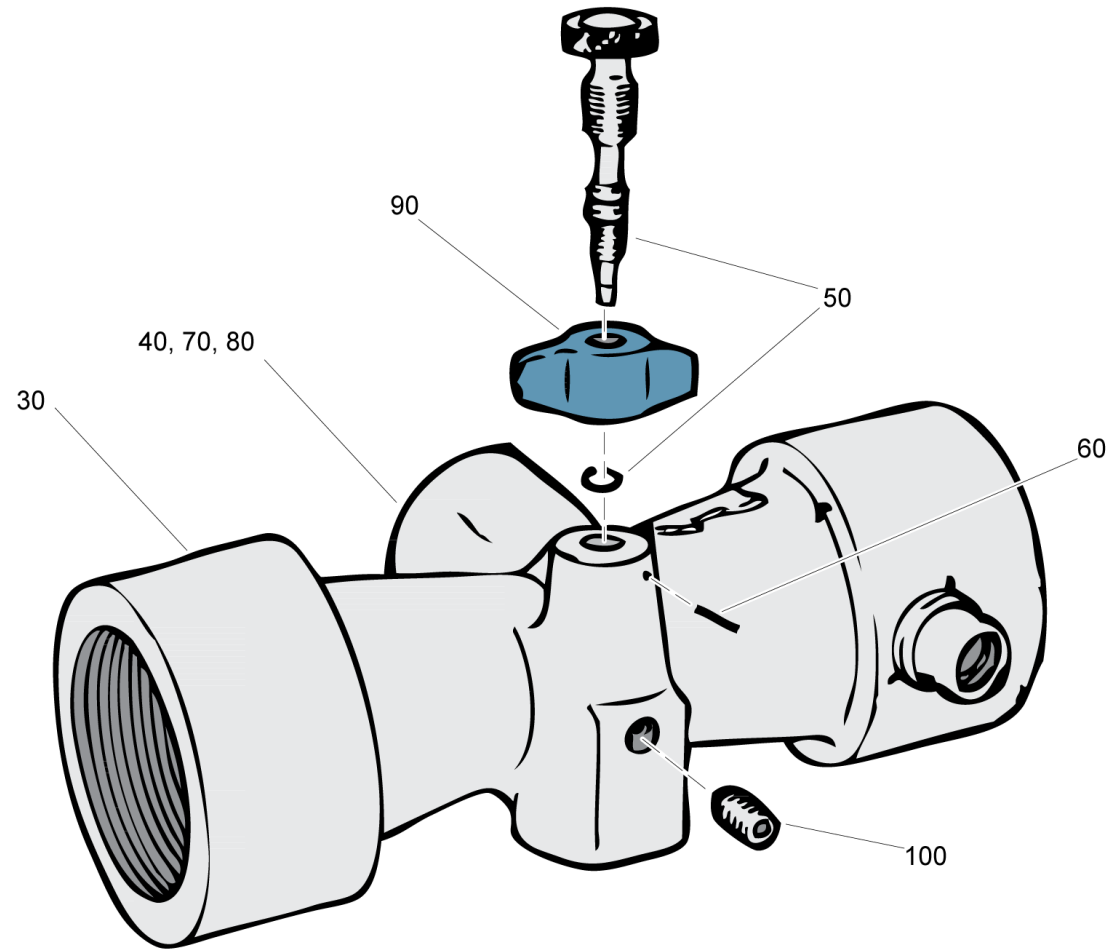


## AIR SYSTEM / LUFTSYSTEM

-

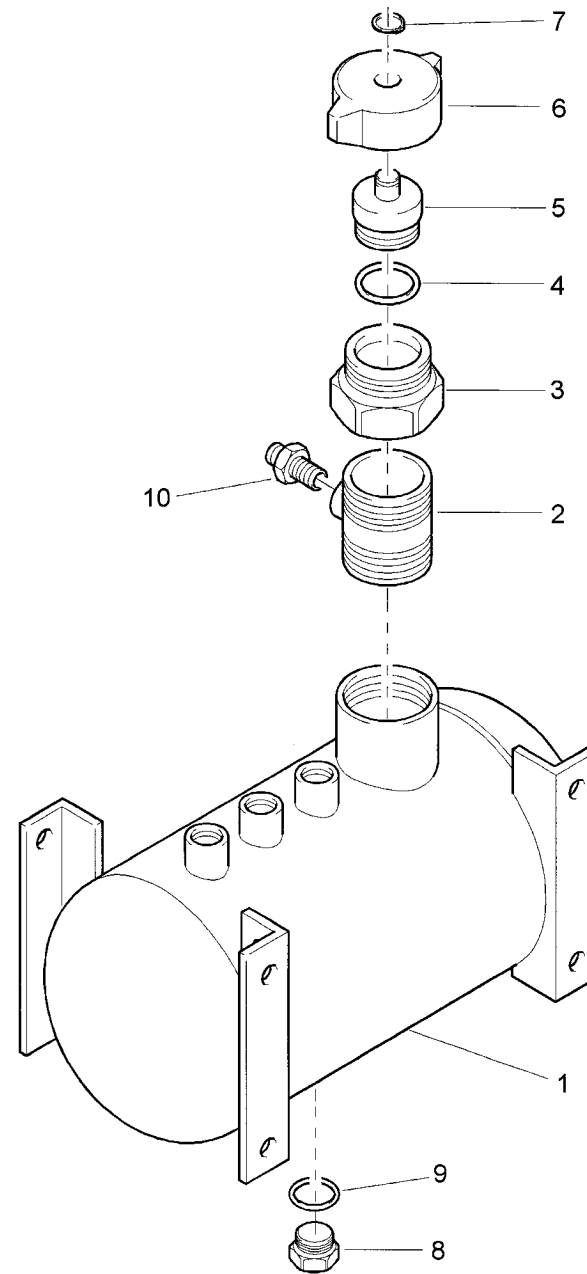
## FLUSHING AIR

Ref.no	Part no Art.nr	Qty Qty	Description	Beskrivning	See page Se sidan	Remarks Anmärkningar
1	5726 8078 07	1	NIPPLE	NIPPEL		
2	5726 8078 04	1	VALVE	VENTIL	515	
3	9090 0303 80	1	LUBR. VALVE	SMÖRJVENTIL	505	
4	-	1	LUBR. OIL TANK	SMÖRJOLJEBEHÅL	507	
5	5726 8029 93	1	PRESSURE GAUGE	TRYCKMÄTARE		
6	0823 0090 13	1	CHECK VALVE	BACKVENTIL		AL54-H151-DN40
7	5726 8078 07	1	NIPPLE	NIPPEL		
8	5726 8022 33	1	PRESSURE SWITCH	TRYCKVAKT		
9	3176 6637 00	2	NIPPLE	NIPPEL		UN 1 7/8
10	3176 6634 00	1	NIPPLE	NIPPEL		UN 1 7/8
120	-	1	CONNECTION SET	ANSLUTNINGSSATS	509	
121	5726 8092 91	1	CONNECTION SET	ANSLUTNINGSSATS	511	FEED
124	-	1	CONNECTION SET	ANSLUTNINGSSATS	513	



Ref.no	Part no Art.nr	Qty Qty	Description	Beskrivning	See page Se sidan	Remarks Anmärkningar
30	-	1	VALVE HOUSING	VENTILHUS		
40	9090 0304 00	1	AIR SCREW	LUFTSKRUV		
50	3050 0043 80	1	OIL SCREW	OLJESKRUV		
60	0101 1155 00	1	PIN	PINNE		CP 2H6 X 16 - 11 1650 06
70	0335 2127 00	1	CIRCLIP	SPÄRRING		SGH 25 X 1,2 DIN 472
80	0663 2125 00	1	O-RING	O-RING		19,2 X 3 70 SHORE
90	3050 0044 00	1	WING NUT	VINGMUTTER		
100	0686 6101 00	1	PLUG	PROPP		ISO7-R1/8 11 1550 00

LUBR. OIL TANK / SMÖRJOLJEBEHÅL



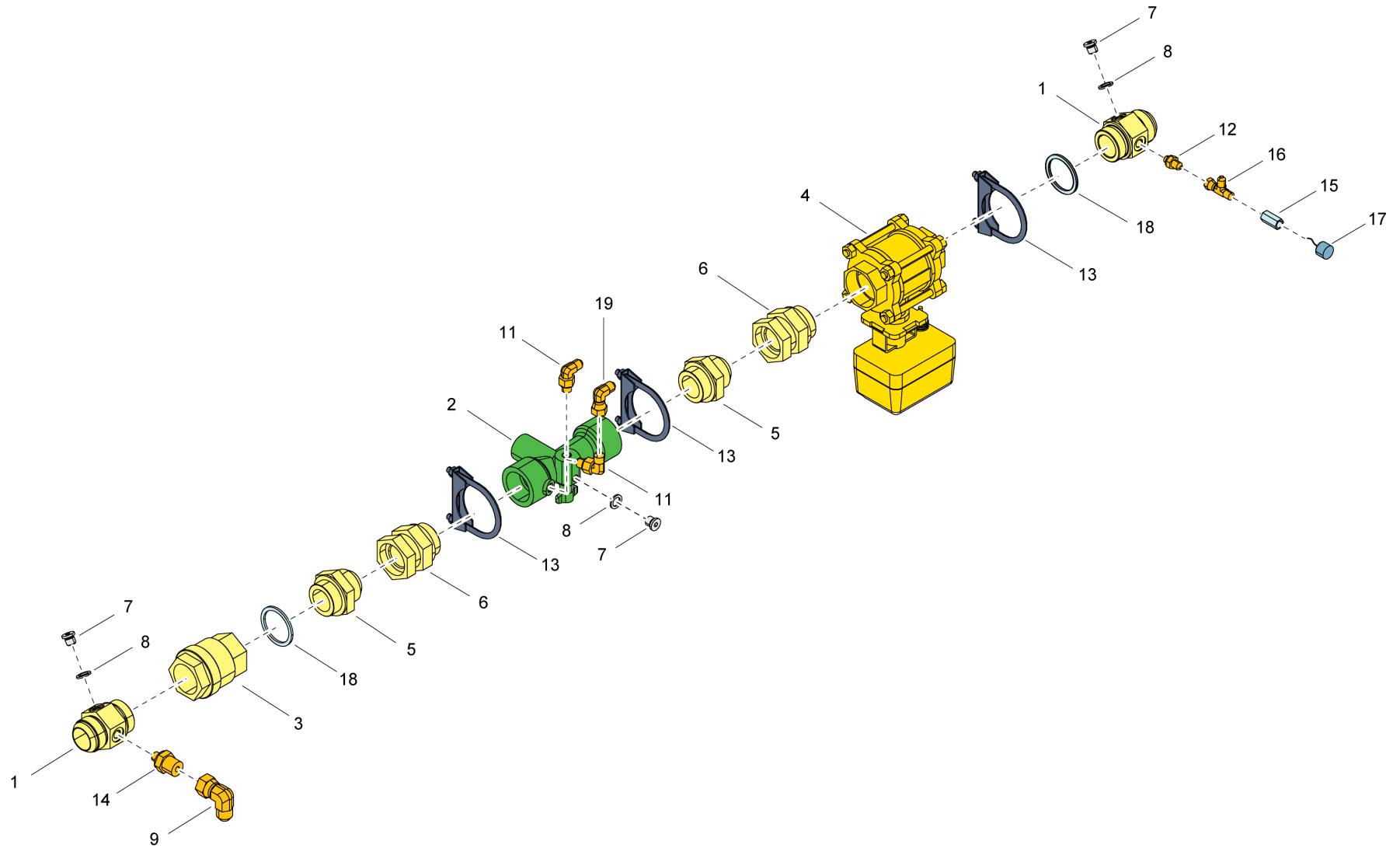
## LUBR. OIL TANK / SMÖRJOLJEBEHÅL

-

Ref.no	Part no Art.nr	Qty Qty	Description	Beskrivning	See page Se sidan	Remarks Anmärkningar
1	5726 6001 13	1	LUBR. OIL TANK	SMÖRJOLJEBEHÅL		
2	5726 6001 22	1	FILLER PIPE	PÅFYLLNINGSRÖR		
3	9000 0534 00	1	HEXAGON NIPPLE	SEKKANTNIPPEL		
4	0663 2134 00	1	O-RING	O-RING		42,2 X 3 70 SHORE
5	9090 0497 00	1	PLUG	PROPP		
6	9000 0535 00	1	WING NUT	VINGMUTTER		
7	0335 1116 00	1	CIRCLIP	SPÄRRING		SGA 14 X 1 DIN 471
8	9090 0197 00	1	PLUG	PROPP		
9	0663 2129 00	1	O-RING	O-RING		29,2 X 3 70 SHORE
10	3176 6349 00	1	NIPPLE	NIPPEL		STRAIGHT

CONNECTION SET / ANSLUTNINGSSATS

-





CONNECTION SET / ANSLUTNINGSSATS

-

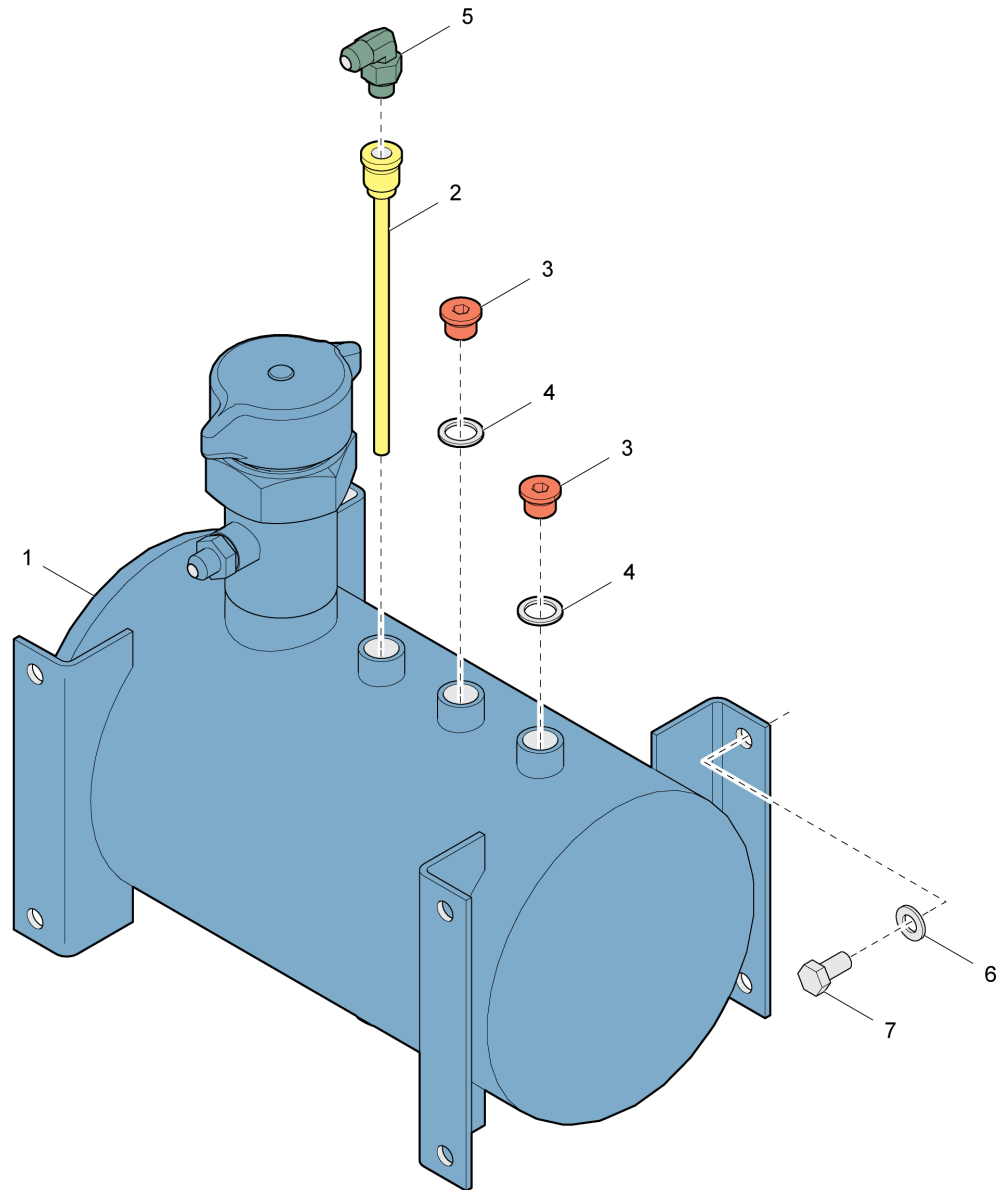
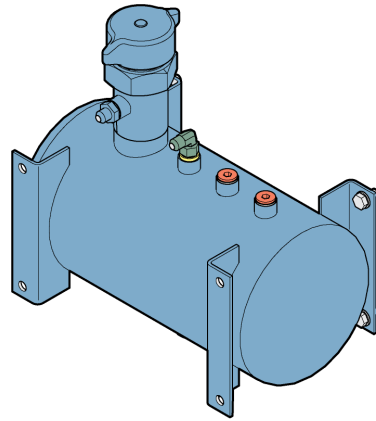
Ref.no	Part no Art.nr	Qty Qty	Description	Beskrivning	See page Se sidan	Remarks Anmärkningar
1	5726 8078 07	1	NIPPLE	NIPPEL		
2	9090 0303 80	1	LUBR. VALVE	SMÖRJVENTIL	505	
3	0823 0090 13	1	CHECK VALVE	BACKVENTIL		AL54-H151-DN40
4	5726 8078 04	1	VALVE	VENTIL	515	
5	3176 6646 00	2	NIPPLE	NIPPEL		UN 1 7/8 - G 1 1/2
6	3177 3025 00	2	NIPPLE	NIPPEL		UN 1 7/8 - G 1 1/2
7	0686 6442 00	3	PLUG	PROPP		G 1/4 TYPE B - STEEL 5.8
8	0661 1020 00	3	SEAL WASHER	TÄTNINGSBRICKA		TREDO 1/4 13,7 / 20,6 X 2,1 - FZ ST
9	3715 0589 00	1	NIPPLE	NIPPEL		UN 1 1/16
10	3176 6694 00	1	NIPPLE	NIPPEL		UN 1 7/8 - G 1 1/2
11	3176 6351 00	2	NIPPLE	NIPPEL		UNF 9/16 - G 1/4
12	3176 2904 00	1	NIPPLE	NIPPEL		UNF 7/16 - G 1/8
13	5112 2646 00	2	U-BOLT	U-BULT		P 69,9 M 8 77
14	3176 6788 00	1	CAP NUT	ÖVERFALLSMUTTER		UN 1 7/8
15	0570 5191 10	1	TEST CONNECTION	TESTANSLUTNING		UNF 7/16 - G 1/4
16	3177 3095 00	1	NIPPLE	NIPPEL		UNF 7/16
17	5726 8022 33	1	PRESSURE SWITCH	TRYCKVAKT		
18	0661 1062 00	2	SEAL WASHER	TÄTNINGSBRICKA		48,4 / 58,7 X 3,4 FZ ST.
19	3715 0584 00	1	ELBOW NIPPLE	VINKELNIPPEL		UNF 9/16 - UNF 9/16
20	3176 7337 00	1	NIPPLE	NIPPEL		UN 1 7/8 - UN 1 1/16



Ref.no	Part no Art.nr	Qty Qty	Description	Beskrivning	See page Se sidan	Remarks Anmärkningar
1	5726 8092 89	1	NIPPLE	NIPPEL		
2	-	1	NUT	MUTTER		UN 1 7/8 -12 - 8 FZB

# CONNECTION SET / ANSLUTNINGSSATS

-



**CONNECTION SET / ANSLUTNINGSSATS**

-

Ref.no	Part no Art.nr	Qty Qty	Description	Beskrivning	See page Se sidan	Remarks Anmärkningar
1	-	1	LUBR. OIL TANK	SMÖRJOLJEBEHÅL	507	
2	3216 4429 00	1	PIPE	RÖR		
3	0686 6443 00	2	PLUG	PROPP		G 3/8 - STEEL 5.8 BLACK
4	0661 1026 00	2	SEAL WASHER	TÄTNINGSBRICKA		TREDO G 3/8
5	3176 6351 00	1	NIPPLE	NIPPEL		UNF 9/16 - G 1/4
6	0301 2344 00	4	PLAIN WASHER	RUNDBRICKA		10,5 / 20 X 2 -HB 200 FZB
7	0147 1360 03	4	SCREW, HEX HEAD	SKRUV, SEXKANT		M 10 X 20 - 8.8 FZB

VALVE / VENTIL

5726 8078 04

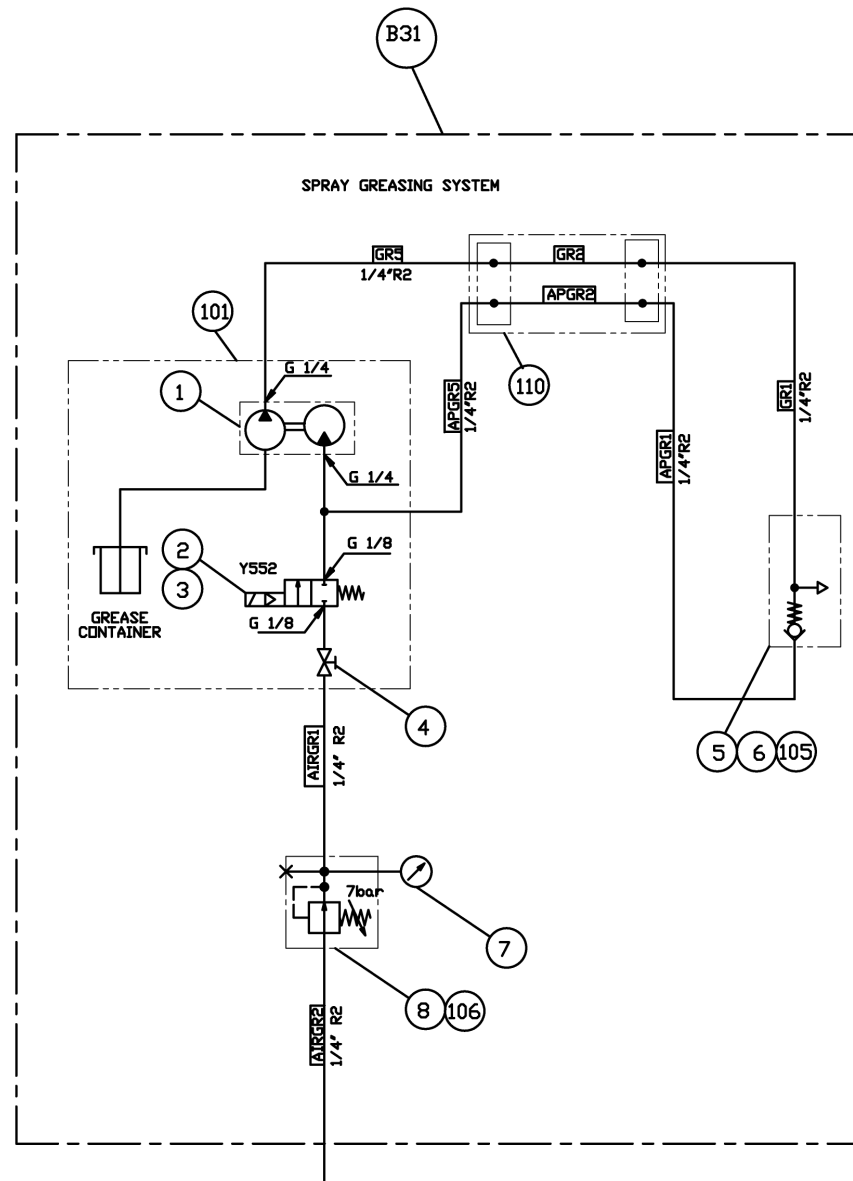
**VALVE / VENTIL****5726 8078 04**

<b>Ref.no</b>	<b>Part no</b>	<b>Qty</b>	<b>Description</b>	<b>Beskrivning</b>	<b>See page</b>	<b>Remarks</b>
	<b>Art.nr</b>	<b>Qty</b>			<b>Se sidan</b>	<b>Anmärkningar</b>
	6060 1002 72	1	ELECTR.BOX	ELLÅDA		





Ref.no	Part no Art.nr	Qty Qty	Description	Beskrivning	See page Se sidan	Remarks Anmärkningar
1	5726 8099 02	1.00FT	REGULATOR	REGULATOR		
2	9090 1172 00	1	PRESSURE GAUGE	TRYCKMÄTARE		0-10 BAR G 1/8"
3	3222 3080 73	1	DISTRIBUT.BLOCK	FÖRDELN.BLOCK		
4	8202 0303 03	2	BALL VALVE	KULVENTIL		BAL 15-G1/2 R 1/2"-16 BAR *
5	3222 3167 54	1	SAFETY VALVE	SÄKERHETSVENTIL		FRIBLÅSANDE SÄV 1" PÖ=8.5 BAR
6	9128 1308 01	1	VALVE	VENTIL		"BLOW DOWN"
7	3222 1293 00	3	SOLENOID VALVE	MAGNETVENTIL	41	
133	-	1	CONNECTION SET	ANSLUTNINGSSATS	391	
134	-	1	CONNECTION SET	ANSLUTNINGSSATS		EXTRA OUTLET CONN.
136	-	1	CONNECTION SET	ANSLUTNINGSSATS		



B31

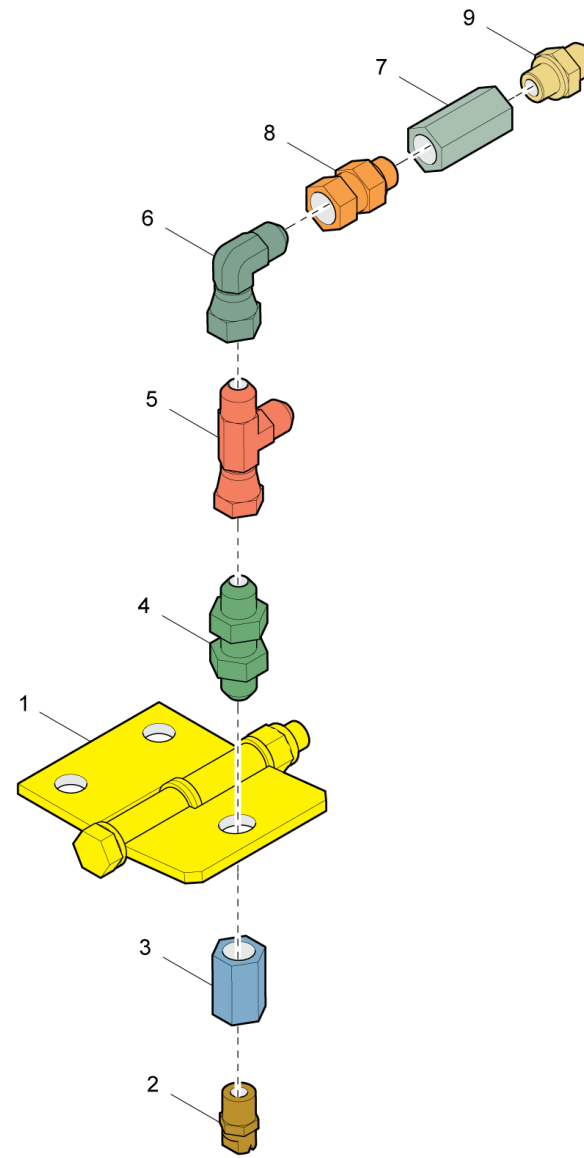
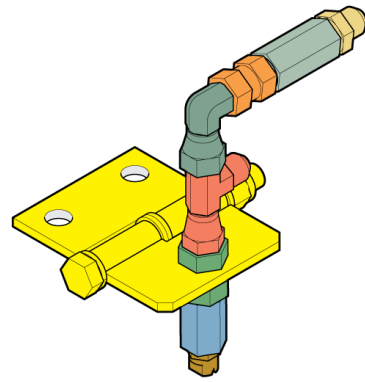
## AIR SYSTEM / LUFTSYSTEM

-

SEE CHAPTER AIR SYSTEM

Ref.no	Part no Art.nr	Qty Qty	Description	Beskrivning	See page Se sidan	Remarks Anmärkningar
1	5726 8000 03	1	GREASE PUMP	FETTPUMP		
2	8204 0498 97	1	SOLENOID VALVE	MAGNETVENTIL		24V DC
3	9124 8081 00	1	CONNECT. PLATE	ANSLUTN.PLATTA		
4	8202 0301 05	1	BALL VALVE	KULVENTIL		BAL 08
5	8204 0940 18	1	CHECK VALVE	BACKVENTIL		
6	3222 3255 57	1	JET NOZZLE	DYSA		
7	3176 8641 00	1	PRESS.REGULATOR	TRYCKREGULATOR	393	R 1/4"
8	9090 1172 00	1	PRESSURE GAUGE	TRYCKMÄTARE		0-10 BAR G 1/8"
101	5726 8011 34	1	PUMP UNIT	PUMPAGGREGAT	127	
105	-	1	CONNECTION SET	ANSLUTNINGSSATS	521	
106	-	1	CONNECTION SET	ANSLUTNINGSSATS		
110	-	1	CONNECTION SET	ANSLUTNINGSSATS		

# CONNECTION SET / ANSLUTNINGSSATS



**CONNECTION SET / ANSLUTNINGSSATS**

-

Ref.no	Part no Art.nr	Qty Qty	Description	Beskrivning	See page Se sidan	Remarks Anmärkningar
1	-	1	ATTACHMENT	FÄSTE		
2	3222 3255 57	1	JET NOZZLE	DYSA		
3	0570 5191 07	1	TEST CONNECTION	TESTANSLUTNING		UNF 9/16 - G 1/4
4	3176 6496 00	1	NIPPLE	NIPPEL		UNF 9/16=WTXNS10
5	3176 5427 00	1	NIPPLE	NIPPEL		UNF 9/16
6	3715 0584 00	1	ELBOW NIPPLE	VINKELNIPPEL		UNF 9/16 - UNF 9/16
7	8204 0940 18	1	CHECK VALVE	BACKVENTIL		
8	3176 8489 00	1	NIPPLE	NIPPEL		UNF 9/16 - G 1/4
9	3176 6348 00	1	NIPPLE	NIPPEL		UNF 9/16 - G 1/4



**ELECTR. SYSTEM / ELSYSTEM  
LIST OF CONTENTS**

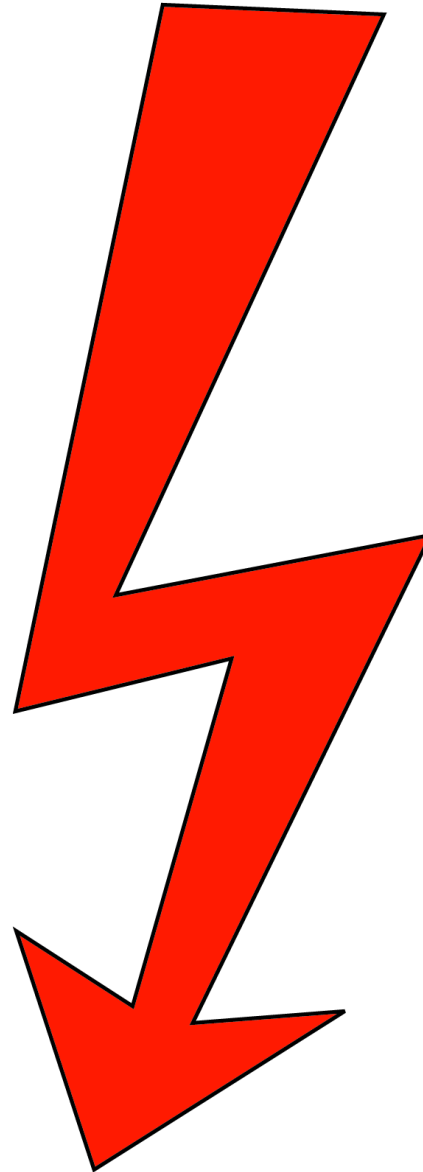
Part no Art.nr	Description	Beskrivning	See page Se sidan	Remarks Anmärkningar
-	ELECTR. SYSTEM	ELSYSTEM	525	
5726 8089 81	- ELECTR. SYSTEM	ELSYSTEM	527	Cummins QSL8.9-C325 phase3
5726 8089 84	-- ELECTR. SYSTEM	ELSYSTEM	529	PD45 T3 IN CAB
5726 8088 60	--- SWITCH MODUL	OMKOPPL.MODUL	353	3 ROCKER SWITCH
5726 8088 63	--- SWITCH MODUL	OMKOPPL.MODUL	355	3 ROCKER SWITCH
5726 8088 65	--- SWITCH MODUL	OMKOPPL.MODUL	357	3 ROCKER SWITCH
5726 8089 04	--- SWITCH PANEL	INSTRUMENTPANEL	531	2 ROCKER SWITCH
-	-- ELECTR. SYSTEM	ELSYSTEM	533	ELE.SYSTEM ON WAGON FRAME
-	--- BATTERY SET	BATTERISATS	535	
-	--- EMERG.SET	NÖDSTOPPSATS	197	EMERGENCY STOP KIT S132B,S132C,S132D
-	--- EMERG.SET	NÖDSTOPPSATS	197	EMERGENCY STOP KIT S132B,S132C,S132D
-	--- ALARM SET	LARMSATS	537	
-	-- ELECTR. SYSTEM	ELSYSTEM	539	ELE.SYSTEM ON HYD. TANK
-	-- ELECTR. SYSTEM	ELSYSTEM	541	ELE.SYSTEM ON FUEL TANK
5726 8089 85	-- ELECTRICAL	ELEKTRISK	193	PARTS ON DRIVE UNIT
-	-- ELECTR. SYSTEM	ELSYSTEM	543	ELE.SYSTEM ON VALVE PLATE
-	--- EMERG.SET	NÖDSTOPPSATS	197	EMERGENCY STOP KIT S132B,S132C,S132D
-	-- ELECTR. SYSTEM	ELSYSTEM	545	ELE.SYSTEM ON DCT
-	-- ELECTR. SYSTEM	ELSYSTEM	547	ELE.SYSTEM ON FEEDER
-	--- EMERGENCY SWIT.	NÖDKNAPP	549	WIRE TRIP SWITC KIT
-	-- ELECTR. SYSTEM	ELSYSTEM	551	ELE.SYSTEM ON HYD SYSTEM
-	-- ELECTR. SYSTEM	ELSYSTEM	553	ELECTRICAL PARTS ON AIR SYSTEM
5726 8089 90	-- HARNESS	KABEL	555	HARNESS KIT
-	--- HARNESS	SELE	557	PD45 T3 IN CAB
5726 8089 92	--- HARNESS	SELE	559	MAIN HARNESS IN CAB
-	--- HARNESS	SELE	561	HARNESS KIT OUT OF CAB
-	--- HARNESS	SELE	563	HARNESS ON FEEDER
-	--- HARNESS	KABEL	565	POWER HARNESS KIT





**ELECTR. SYSTEM / ELSYSTEM**

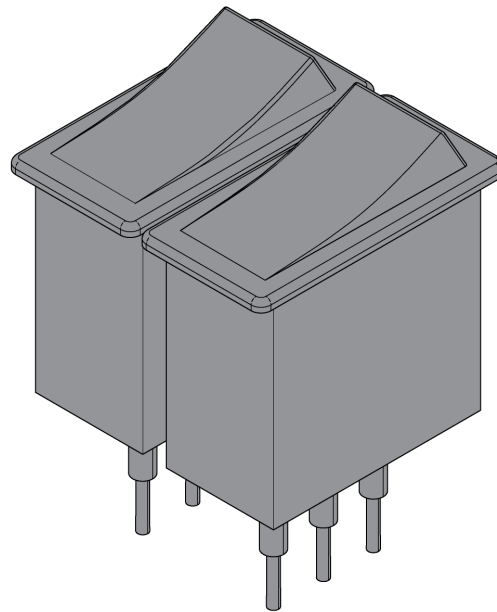
<b>Ref.no</b>	<b>Part no</b> <b>Art.nr</b>	<b>Qty</b> <b>Qty</b>	<b>Description</b>	<b>Beskrivning</b>	<b>See page</b> <b>Se sidan</b>	<b>Remarks</b> <b>Anmärkningar</b>
	5726 8089 81	1	ELECTR. SYSTEM	ELSYSTEM	527	Cummins QSL8.9-C325 phase3



Ref.no	Part no Art.nr	Qty Qty	Description	Beskrivning	See page Se sidan	Remarks Anmärkningar
3	5726 8089 84	1	ELECTR. SYSTEM	ELSYSTEM	529	PD45 T3 IN CAB
4	-	1	ELECTR. SYSTEM	ELSYSTEM	533	ELE.SYSTEM ON WAGON FRAME
5	-	1	ELECTR. SYSTEM	ELSYSTEM	539	ELE.SYSTEM ON HYD. TANK
6	-	1	ELECTR. SYSTEM	ELSYSTEM	541	ELE.SYSTEM ON FUEL TANK
7	5726 8089 85	1	ELECTRICAL	ELEKTRISK	193	PARTS ON DRIVE UNIT
8	-	1	ELECTR. SYSTEM	ELSYSTEM	543	ELE.SYSTEM ON VALVE PLATE
9	-	1	ELECTR. SYSTEM	ELSYSTEM	545	ELE.SYSTEM ON DCT
10	-	1	ELECTR. SYSTEM	ELSYSTEM	547	ELE.SYSTEM ON FEEDER
11	-	1	ELECTR. SYSTEM	ELSYSTEM	551	ELE.SYSTEM ON HYD SYSTEM
12	-	1	ELECTR. SYSTEM	ELSYSTEM	553	ELECTRICAL PARTS ON AIR SYSTEM
13	5726 8089 90	1	HARNESS	KABEL	555	HARNESS KIT



Ref.no	Part no Art.nr	Qty Qty	Description	Beskrivning	See page Se sidan	Remarks Anmärkningar
S132AA	5726 8089 03	1	EMERGENCY LABEL	NÖDURGÅNGSSKYLT		
S130A	5726 8088 58	1	SWITCH	OMKOPPLARE		ASW2L11
S132A	5726 8089 02	1	EMERG.PUSHBUTT.	NÖDSTOPPSKNAPP		2NC DIA=40 MUSHROOMHEAD
H207	5726 8024 60	1	INDICATOR	INDIKATOR		AD-16DL/Y23 24V DC YELLOW
P111	5726 8088 53	1	FUEL GAUGE	BRÄNSLEMÄTARE		YWB-203
S100	5726 8088 59	1	SWITCH	OMKOPPLARE		ROCKER 3P/S WITH 8PIN COVER
S130	5726 8088 67	1	SWITCH	OMKOPPLARE		3P/D 2NO 2NC LONG LEVEL
S139	5726 8088 57	1	IGNITON KEY	STARTNYCKEL		JK406C
S186	5726 8048 54	1	BUTTON	KNAPP		ABN310G
S189	5726 8088 58	1	SWITCH	OMKOPPLARE		ASW2L11
SP1	5726 8088 60	1	SWITCH MODUL	OMKOPPL.MODUL	353	3 ROCKER SWITCH
SP2	5726 8088 63	1	SWITCH MODUL	OMKOPPL.MODUL	355	3 ROCKER SWITCH
SP3	5726 8088 65	1	SWITCH MODUL	OMKOPPL.MODUL	357	3 ROCKER SWITCH
SP4	5726 8088 71	1	SWITCH MODUL	OMKOPPL.MODUL		3 ROCKER SWITCH
SP5	5726 8088 75	1	SWITCH MODUL	OMKOPPL.MODUL		3 ROCKER SWITCH
SP6	5726 8089 04	1	SWITCH PANEL	INSTRUMENTPANEL	531	2 ROCKER SWITCH
A3	-	1	RAIL	RÄL		DIN RAIL WITH HOLE 4MM
A4	5726 8089 07	2	BRACKET	FÄSTDON		END BRACKET FOR 35 RAIL
A5	0211 1173 03	2	SCREW	SKRUV		MC6S M4X16-8.8 FZB
H2	5726 8088 79	1	HEADLIGHT	STRÅLKASTARE		24V 70W M8 FLYWIRE DEUTSCH
H3	5726 8088 79	1	HEADLIGHT	STRÅLKASTARE		24V 70W M8 FLYWIRE DEUTSCH
U1	5726 8117 78	1	PLC	PLC		
U2	5726 8117 79	1	PLC	PLC		
U3	5726 8117 79	1	PLC	PLC		
S180	5726 8022 18	1	SWITCH	OMKOPPLARE		4451 TOGGLE SWITCH 2P/D
P1	5726 8021 78	1	DISPLAY	DISPLAY		PV101-A-ACCH
H800	5726 8024 60	1	INDICATOR	INDIKATOR		AD-16DL/Y23 24V DC YELLOW



Ref.no	Part no Art.nr	Qty Qty	Description	Beskrivning	See page Se sidan	Remarks Anmärkningar
1	5726 8088 70	2	SWITCH	OMKOPPLARE		ROCKER 2P/D WITH 8PIN COVER
2	-	2	SWITCH RACK	SWITCH RACK		





## ELECTR. SYSTEM / ELSYSTEM

-

## ELE.SYSTEM ON WAGON FRAME

Ref.no	Part no Art.nr	Qty Qty	Description	Beskrivning	See page Se sidan	Remarks Anmärkningar
G1A,B	-	1	BATTERY SET	BATTERISATS	535	
S132B	-	1	EMERG.SET	NÖDSTOPPSATS	197	EMERGENCY STOP KIT S132B,S132C,S132D
S132C	-	1	EMERG.SET	NÖDSTOPPSATS	197	EMERGENCY STOP KIT S132B,S132C,S132D
H185	-	1	ALARM SET	LARMSATS	537	
H186	5726 8003 66	1	HORN	SIGNALHORN		
H316	5726 8088 79	1	HEADLIGHT	STRÅLKASTARE		
S300	5726 8022 11	1	BATTERY SWITCH	BATTERIFR.SKILJ		MAX.2500A-24V (10S) 250A
H4	5726 8088 79	1	HEADLIGHT	STRÅLKASTARE		



**BATTERY SET / BATTERISATS**

-

<b>Ref.no</b>	<b>Part no Art.nr</b>	<b>Qty Qty</b>	<b>Description</b>	<b>Beskrivning</b>	<b>See page Se sidan</b>	<b>Remarks Anmärkningar</b>
1	5726 5010 69	2	BATTERY	BATTERI		
2	3216 3556 00	2	CLAMP	KLAMMA		FOR BATTERY (-)
3	3216 4936 00	2	CLAMP	KLAMMA		FOR BATTERY (+)
4	3216 9865 00	4	PROTECTION	SKYDD		



**ALARM SET / LARMSATS**

-

<b>Ref.no</b>	<b>Part no Art.nr</b>	<b>Qty Qty</b>	<b>Description</b>	<b>Beskrivning</b>	<b>See page Se sidan</b>	<b>Remarks Anmärkningar</b>
1	5726 8022 25	1	ALARM	ALARM		12-36V 112DB 1000-1500HZ
2	0147 1322 03	1	SCREW, HEX HEAD	SKRUV, SEXKANT		M 8 X 16 - 8.8 FZB
3	0301 2335 00	1	PLAIN WASHER	RUNDBRICKA		8,4 / 16 X 1,6 -HB200 FZB



**ELECTR. SYSTEM / ELSYSTEM**

-

**ELE.SYSTEM ON HYD. TANK**

<b>Ref.no</b>	<b>Part no</b> <b>Art.nr</b>	<b>Qty</b> <b>Qty</b>	<b>Description</b>	<b>Beskrivning</b>	<b>See page</b> <b>Se sidan</b>	<b>Remarks</b> <b>Anmärkningar</b>
B146A	5726 5823 98	1	TEMP. SENSOR	TEMP.GIVARE		





**ELECTR. SYSTEM / ELSYSTEM**

-

**ELE.SYSTEM ON FUEL TANK**

<b>Ref.no</b>	<b>Part no</b> <b>Art.nr</b>	<b>Qty</b> <b>Qty</b>	<b>Description</b>	<b>Beskrivning</b>	<b>See page</b> <b>Se sidan</b>	<b>Remarks</b> <b>Anmärkningar</b>
B352	5726 8088 93	1	LEVEL SENSOR	NIVÅGIVARE		FUEL LEVEL SENSOR



## ELECTR. SYSTEM / ELSYSTEM

-

## ELE.SYSTEM ON VALVE PLATE

Ref.no	Part no Art.nr	Qty Qty	Description	Beskrivning	See page Se sidan	Remarks Anmärkningar
S132D	-	1	EMERG.SET	NÖDSTOPPSATS	197	EMERGENCY STOP KIT S132B,S132C,S132D
B800	5726 8022 33	1	PRESSURE SWITCH	TRYCKVAKT		
P108	5726 8021 89	1	HOUR METER	TIMRÄKNARE		



Ref.no	Part no Art.nr	Qty Qty	Description	Beskrivning	See page Se sidan	Remarks Anmärkningar
U801	3222 3147 46	1	PULSE UNIT	PULSAGGREGAT		
A13	0211 1173 03	2	SCREW	SKRUV		MC6S M4X16-8.8 FZB



## ELECTR. SYSTEM / ELSYSTEM

-

## ELE.SYSTEM ON FEEDER

Ref.no	Part no Art.nr	Qty Qty	Description	Beskrivning	See page Se sidan	Remarks Anmärkningar
S132E	-	1	EMERGENCY SWIT.	NÖDKNAPP	549	WIRE TRIP SWITC KIT
B181	3222 1488 00	1	SENSOR	GIVARE		35+0/-5 NM
B803	3222 1488 00	1	SENSOR	GIVARE		35+0/-5 NM
H322	5726 8088 79	1	HEADLIGHT	STRÅLKASTARE		
H323	5726 8088 79	1	HEADLIGHT	STRÅLKASTARE		
A1	0333 3174 15	4	LOCK WASHER	LÅSBRICKA		Z 19 27

EMERGENCY SWIT. / NÖDKNAPP

-

WIRE TRIP SWITC KIT



## EMERGENCY SWIT. / NÖDKNAPP

-

## WIRE TRIP SWITC KIT

Ref.no	Part no Art.nr	Qty Qty	Description	Beskrivning	See page Se sidan	Remarks Anmärkningar
1	3222 3254 54	1	EMER.SHUTDOWN	NÖDSTOPP		TELEMECANIQUE XY2-CE6A270 FOR WIRE <50M2*NC
2	5726 8064 78	2M	WIRE	WIRE		TELEMECANIQUE XY2-CZ301
3	5726 8024 62	2	CABLE PULLEY	WIRELÅS		TELEMECANIQUE XY2-CZ513
4	3216 7475 04	1	EYE	ÖGLA		TELEMECANIQUE XY2-CZ701 WIRE PROTECTION
5	3216 7475 05	1	SPRING	FJÄDER		TELEMECANIQUE XY2-CZ703
6	3216 8241 00	1	EYE BOLT	ÖGLEBULT		M6X80 REYER TYP 48
7	5726 8024 58	1	CABLE GLAND	KABELFÖRSKRUVN.		6-12MM DIAMETER CABLE
8	0211 1252 03	4	SCREW	SKRUV		MC6S M6X40-8.8 FZB
9	0291 1128 15	5	LOCK NUT	LÅSMUTTER		M6 - 8 FZB / ISO 7040
10	0261 2108 00	1	NUT	MUTTER		M6-4 FZB
11	0301 2321 00	10	PLAIN WASHER	RUNDBRICKA		6,4 / 12 X 1,6 -HB200 FZB



Ref.no	Part no Art.nr	Qty Qty	Description	Beskrivning	See page Se sidan	Remarks Anmärkningar
B139	5726 5817 24	1	PRESSURE SWITCH	TRYCKVAKT		PRESSURE VALUE 1.2BAR
B174	5726 8022 24	1	PRESSURE SWITCH	TRYCKVAKT		PRESSURE VALUE (10BAR)
B175	5726 8022 24	1	PRESSURE SWITCH	TRYCKVAKT		PRESSURE VALUE (10BAR)
B803	5726 8064 74	1	PRESSURE SWITCH	TRYCKVAKT		PRESSURE VALUE FS30BARR

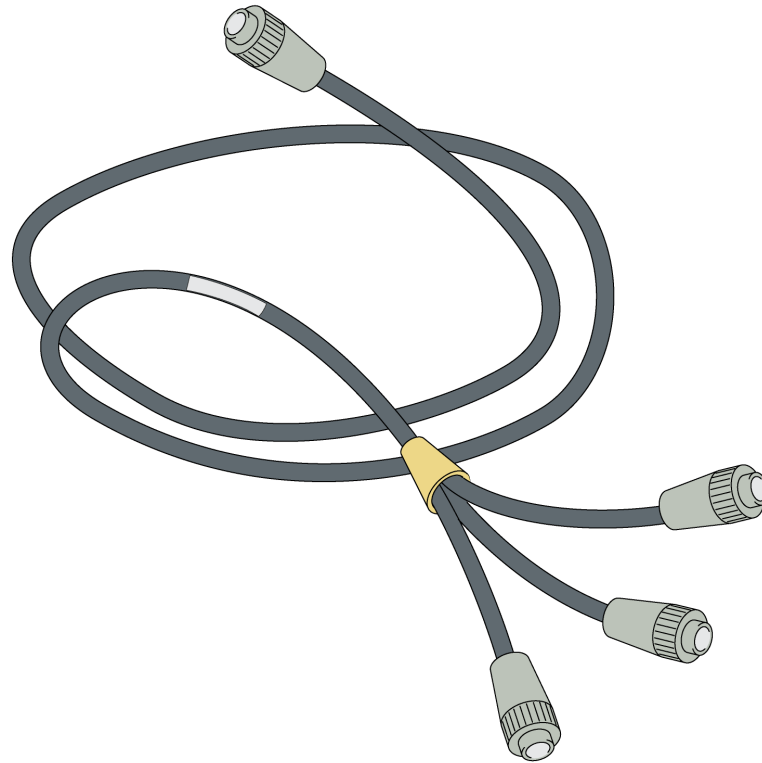


**ELECTR. SYSTEM / ELSYSTEM**

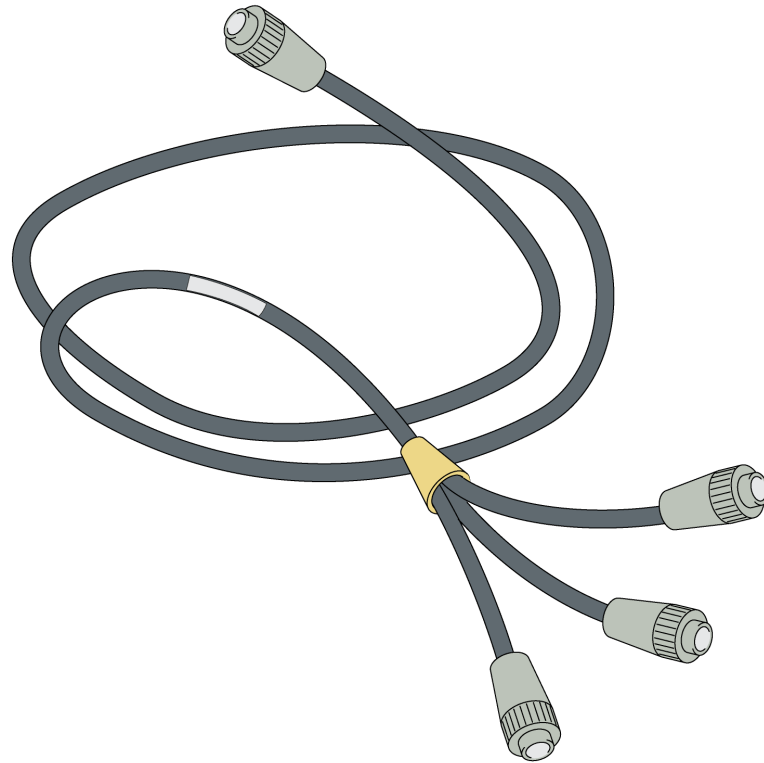
-

**ELECTRICAL PARTS ON AIR SYSTEM**

<b>Ref.no</b>	<b>Part no</b>	<b>Qty</b>	<b>Description</b>	<b>Beskrivning</b>	<b>See page</b>	<b>Remarks</b>
	<b>Art.nr</b>	<b>Qty</b>			<b>Se sidan</b>	<b>Anmärkningar</b>
B366B	5726 5823 96	1	TEMP. SENSOR	TEMP.GIVARE		



Ref.no	Part no Art.nr	Qty Qty	Description	Beskrivning	See page Se sidan	Remarks Anmärkningar
1	-	1	HARNESS	SELE	557	PD45 T3 IN CAB
2	-	1	HARNESS	SELE	561	HARNESS KIT OUT OF CAB
3	-	1	HARNESS	SELE	563	HARNESS ON FEEDER
4	-	1	HARNESS	KABEL	565	POWER HARNESS KIT

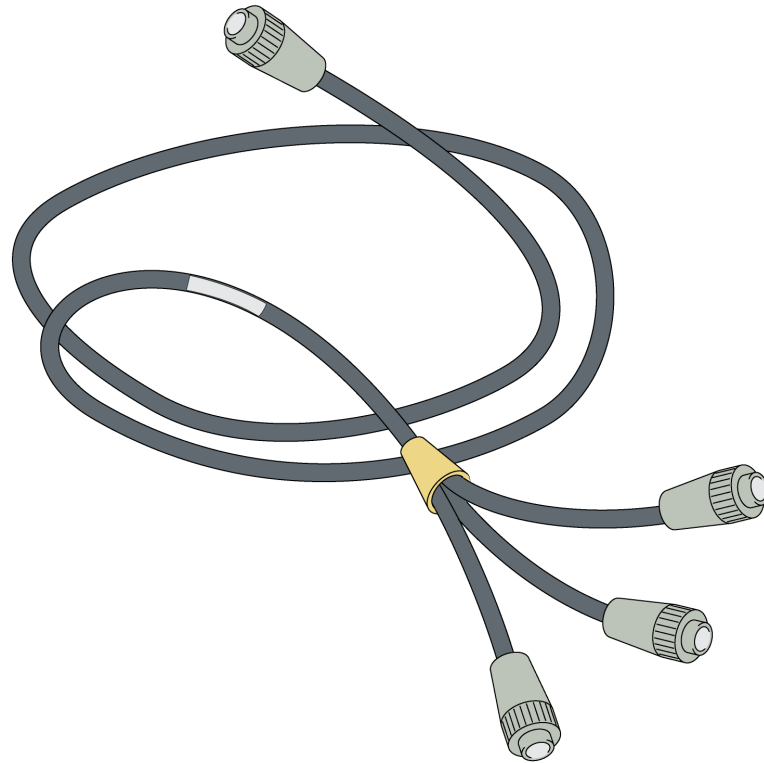




Ref.no	Part no Art.nr	Qty Qty	Description	Beskrivning	See page Se sidan	Remarks Anmärkningar
1	5726 8089 92	1	HARNESS	SELE	559	MAIN HARNESS IN CAB
2	5726 8089 93	1	HARNESS	SELE		GAUGE AND INDICATOR PANEL
3	5726 8089 94	1	HARNESS	KABEL		ENGINE CONTROL PANEL
4	5726 8089 28	1	HARNESS	SELE		PLC MODULE
5	5726 8089 29	1	HARNESS	SELE		OSIC. AND TRAM PANEL
6	5726 8089 30	1	HARNESS	SELE		CENTRAL CONTROL PANEL
7	5726 8089 31	1	HARNESS	SELE		FUNCTION CONTROL PANEL
8	5726 8089 32	1	HARNESS	SELE		LIGHT AND WIPER PANEL



Ref.no	Part no Art.nr	Qty Qty	Description	Beskrivning	See page Se sidan	Remarks Anmärkningar
1	5726 8098 10	1	FUSE	SÄKRING		5A
2	5726 8098 11	5	FUSE	SÄKRING		10A
3	5726 8098 12	3	FUSE	SÄKRING		15A
4	5726 8098 13	1	FUSE	SÄKRING		20A
5	5726 8024 52	5	RELAY	RELÄ		40/20A

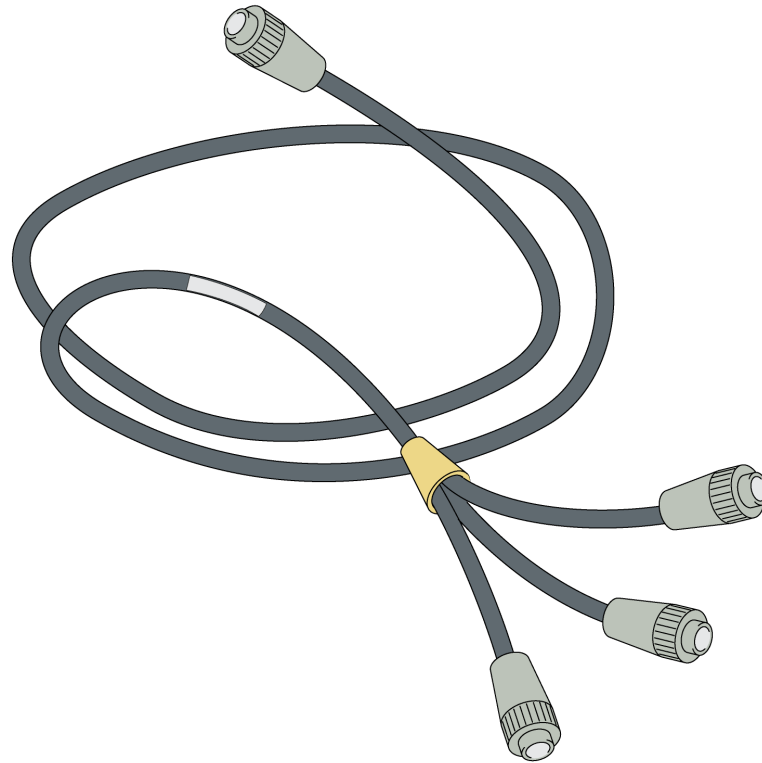


## HARNESS / SELE

-

## HARNESS KIT OUT OF CAB

Ref.no	Part no Art.nr	Qty Qty	Description	Beskrivning	See page Se sidan	Remarks Anmärkningar
1	5726 8089 96	1	HARNESS	KABEL		MAIN HARNESS OUT OF CAB
2	5726 8089 60	1	HARNESS	SELE		BACKTRAM PRESSURE SWITCH
3	5726 8089 61	1	HARNESS	SELE		PILOT VALVE BLOCK
4	5726 8089 62	1	HARNESS	SELE		OSIC. VALVE BLOCK
5	5726 8089 64	1	HARNESS	SELE		ENGINE AIR FILTER PS
6	5726 8089 65	1	HARNESS	SELE		DCT CONTROL BOX
7	5726 8089 66	1	HARNESS	SELE		DCT AIR VALVE
8	5726 8089 67	1	HARNESS	SELE		DIRLL HOUR METER,R E-STOP
9	5726 8089 69	1	HARNESS	SELE		REAR WORK LIGHT
10	5726 8089 71	1	HARNESS	SELE		COMPRESSOR AIR FILTER PS
11	5726 8089 72	1	HARNESS	SELE		COMPONENTS FORNT OF FRAM
12	5726 8089 73	1	HARNESS	SELE		LEFT E-STOP
13	5726 8089 97	1	HARNESS	SELE		FUEL FILTER TO ENGINE J1

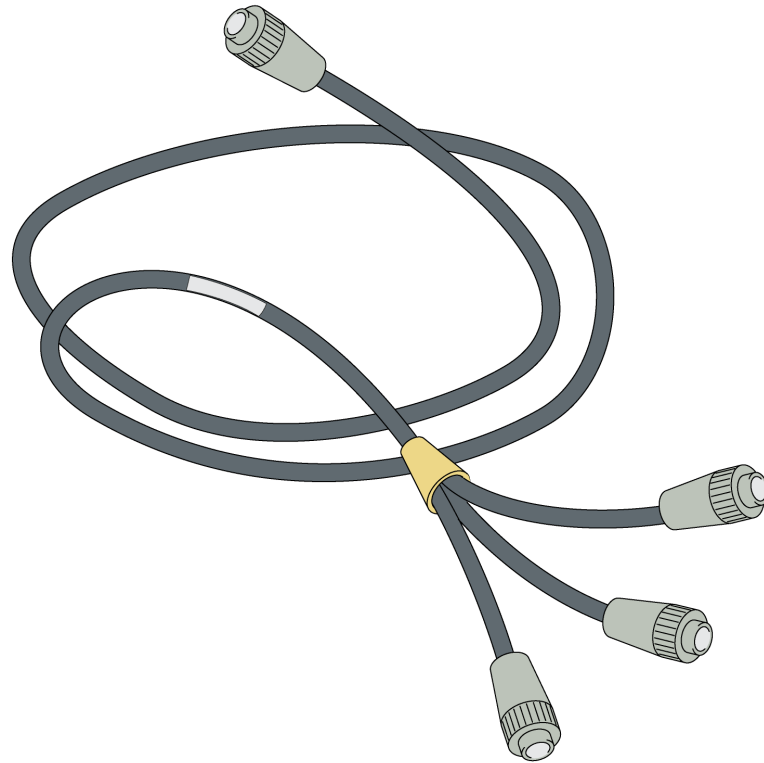


## HARNESS / SELE

-

## HARNESS ON FEEDER

Ref.no	Part no Art.nr	Qty Qty	Description	Beskrivning	See page Se sidan	Remarks Anmärkningar
1	5726 8089 43	1	HARNESS	SELE		FEEDER HARNESS
2	5726 8089 75	1	HARNESS	SELE		VALVE BLOCK ON FEEDER
3	5726 8089 76	1	HARNESS	SELE		SLOW FEED SENSOR
4	5726 8089 77	1	HARNESS	SELE		INDEX SENSOR
5	5726 8089 78	1	HARNESS	SELE		WIRE TRIP SWITCH
6	5726 8089 79	1	HARNESS	SELE		LOWER WORK LIGHT ON FEED
7	5726 8089 80	1	HARNESS	SELE		UPPER WORK LIGHT ON FEED





## HARNESS / KABEL

-

## POWER HARNESS KIT

Ref.no	Part no Art.nr	Qty Qty	Description	Beskrivning	See page Se sidan	Remarks Anmärkningar
1	5726 8089 99	1	HARNESS	KABEL		MAIN POWER HARNESS
2	5726 8089 44	1	HARNESS	SELE		BATTERY TO BATTERY SWITCH
3	5726 8089 45	1	HARNESS	SELE		BATTERY SWITCH TO STARTER
4	5726 8089 46	1	HARNESS	SELE		STARTER TO ALTERNATOR
5	5726 8089 47	1	HARNESS	SELE		BATTERY TO BATTERY
6	5726 8089 48	1	HARNESS	SELE		BATTERY TO FRAME GROUND
7	5726 8089 49	1	HARNESS	SELE		FRAME TO FRAME GROUND
8	5726 8089 50	1	HARNESS	SELE		STARTER TO FRAME GROUND
9	5726 8089 51	1	HARNESS	SELE		ALTERNATOR TO FRAME GND
10	5726 8089 53	1	HARNESS	SELE		ENGINE HEATER POWER
11	5726 8089 54	1	HARNESS	SELE		ENGINE TO FRAME
12	5726 8089 55	1	HARNESS	SELE		COMPRESSOR TO FRAME
13	5726 8089 56	1	HARNESS	SELE		ENGINE PRE-HEAT POWER



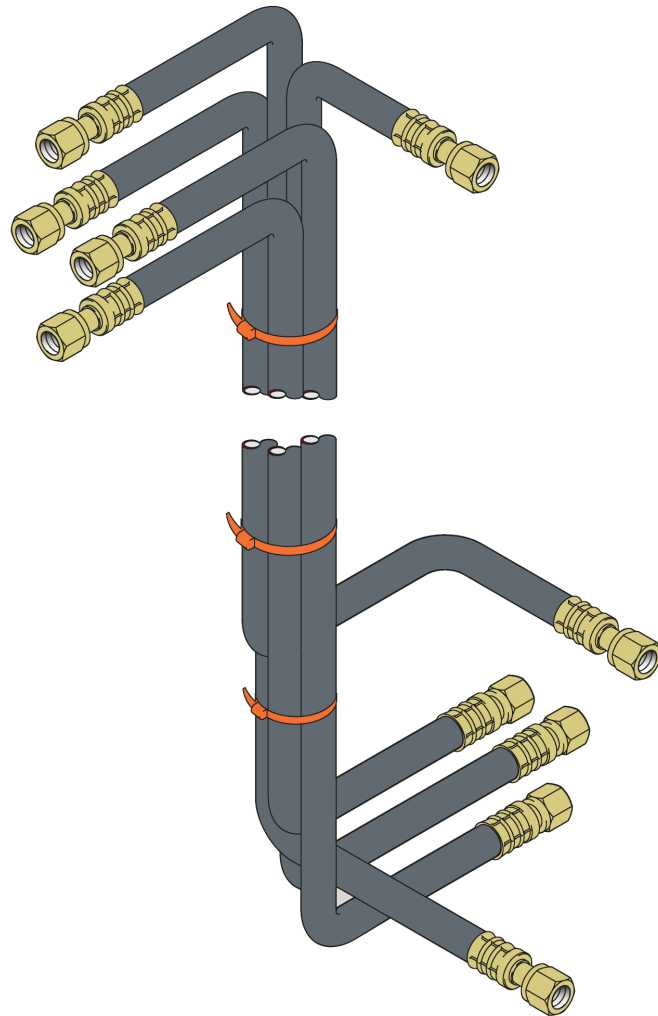
**HOSE SET / SLANGSATS**  
**LIST OF CONTENTS**

Part no Art.nr	Description	Beskrivning	See page Se sidan	Remarks Anmärkningar
-	HOSE SET	SLANGSATS	569	
-	- HOSE SET	SLANGSATS	571	
-	-- HOSE SET	SLANGSATS	573	
-	-- HOSE SET	SLANGSATS	575	
-	-- HOSE SET	SLANGSATS	577	
-	--- HOSE SET	SLANGSATS	579	PUMP SYSTEM HOSE
-	--- HOSE SET	SLANGSATS	581	WAGON HOSE
-	--- HOSE SET	SLANGSATS	583	FEED HOSE
-	--- HOSE SET	SLANGSATS	587	DCT HOSE
-	--- HOSE SET	SLANGSATS	589	BOOM HOSE
-	--- HOSE SET	SLANGSATS	591	CAB HOSE
-	--- HOSE SET	SLANGSATS	593	RETURN HOSE
-	--- HOSE SET	SLANGSATS	595	COOLER HOSE



## HOSE SET / SLANGSATS

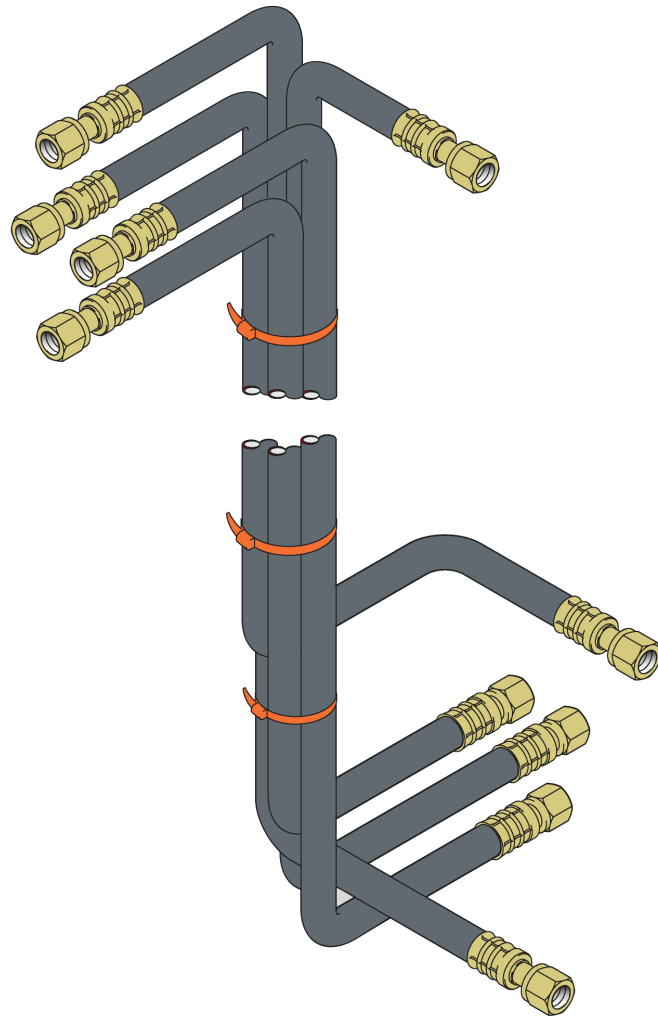
Ref.no	Part no Art.nr	Qty Qty	Description	Beskrivning	See page Se sidan	Remarks Anmärkningar
-		1	HOSE SET	SLANGSATS	571	



**HOSE SET / SLANGSATS**

-

<b>Ref.no</b>	<b>Part no Art.nr</b>	<b>Qty Qty</b>	<b>Description</b>	<b>Beskrivning</b>	<b>See page Se sidan</b>	<b>Remarks Anmärkningar</b>
-		1	HOSE SET	SLANGSATS	573	
-		1	HOSE SET	SLANGSATS	575	
-		1	HOSE SET	SLANGSATS	577	

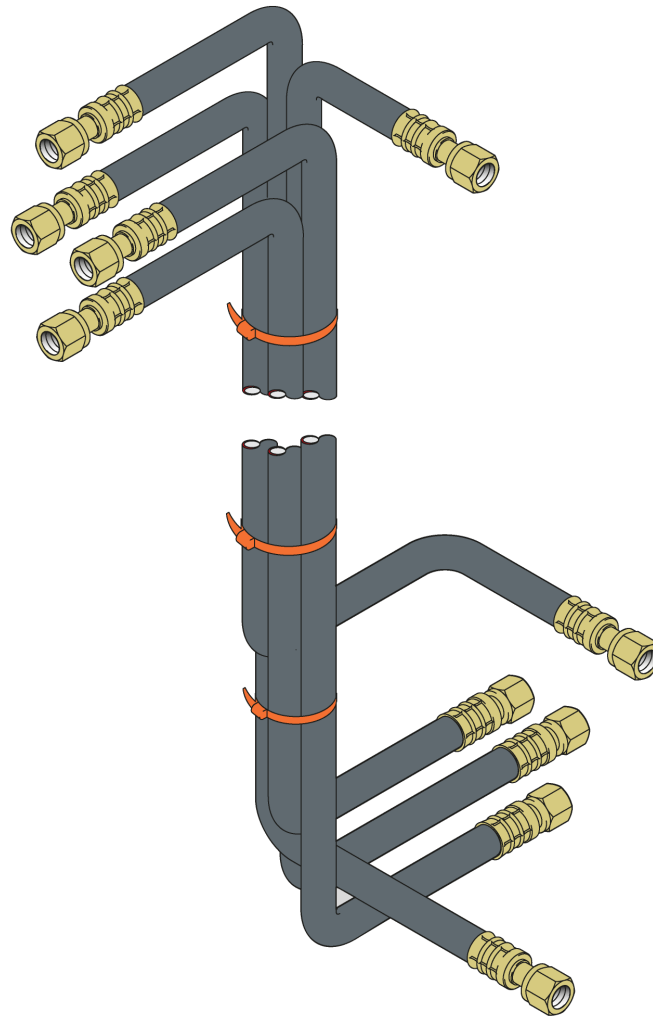




## HOSE SET / SLANGSATS

-

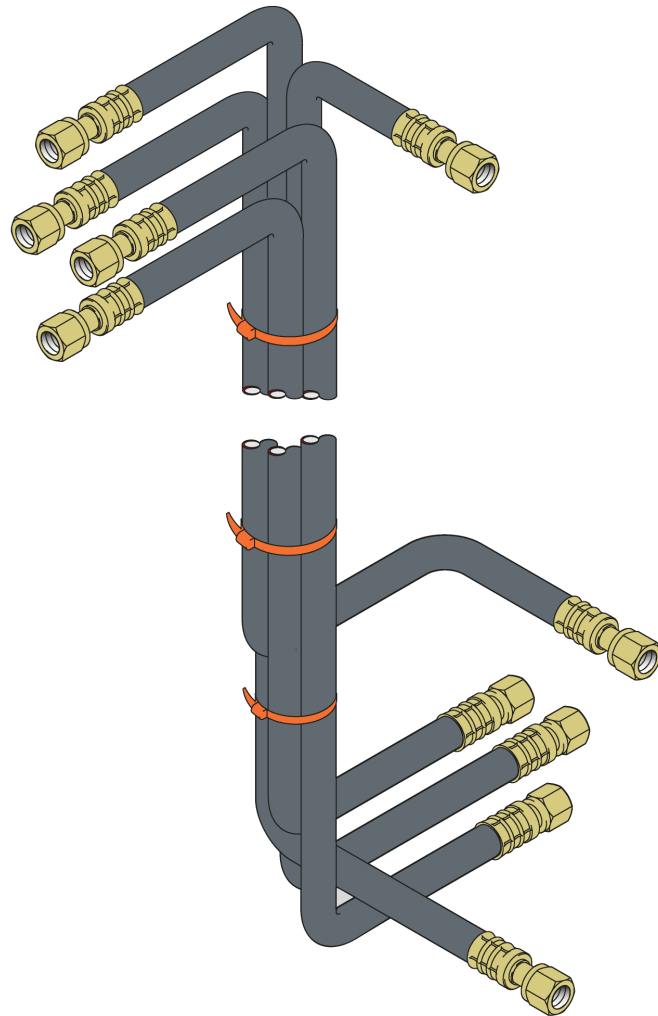
Ref.no	Part no Art.nr	Qty Qty	Description	Beskrivning	See page Se sidan	Remarks Anmärkningar
Fuel1	5726 8096 20	1	HOSE	SLANG		
Fuel2	5726 8096 21	2	HOSE	SLANG		
Fuel3	0574 1269 11	1	HOSE ASSEMBLY	SLANGLEDNING		TANK BREATH
Oil1	5726 8093 24	1	HOSE	SLANG		ENGINE OIL DRAIN HOSE
Cv1	-	1	HOSE	SLANG		COOLANT DRAIN
H1	5726 8093 18	1	HOSE	SLANG		AIR CONDITION HOT HOSE
C1	5726 8093 19	1	HOSE	SLANG		AIR CONDITION COLD HOSE
V1	5726 8095 41	1	HOSE	SLANG		
	5726 8095 42	1	HOSE	SLANG		



## HOSE SET / SLANGSATS

-

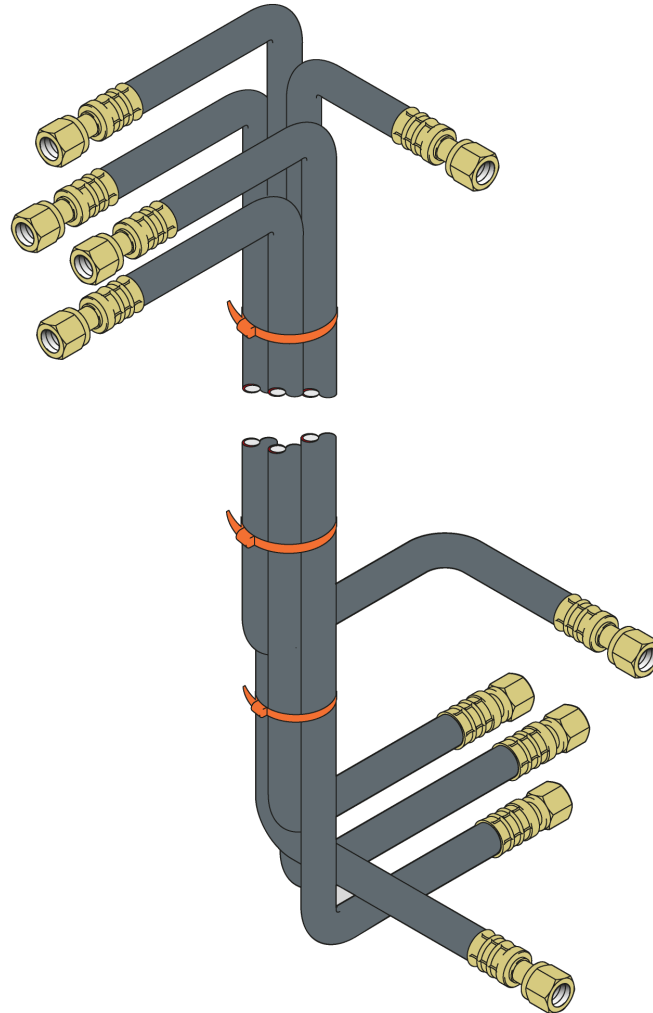
Ref.no	Part no Art.nr	Qty Qty	Description	Beskrivning	See page Se sidan	Remarks Anmärkningar
AIRGR1	3176 6856 00	1	HOSE ASSEMBLY	SLANGLEDNING		6,3X 3000 R2AT
AIRGR2	0574 0064 49	1	HOSE ASSEMBLY	SLANGLEDNING		6,3X 850 R2AT
APDCT1	3176 6861 00	1	HOSE ASSEMBLY	SLANGLEDNING		12,5X 500 R2AT
APOIL1	0574 2267 11	1	HOSE ASSEMBLY	SLANGLEDNING		12,5X 1000 R2AT
APOIL2	3176 5672 00	1	HOSE ASSEMBLY	SLANGLEDNING		12,5X 1500 R2AT
APOIL3	0574 2277 11	1	HOSE ASSEMBLY	SLANGLEDNING		12,5X 2000 R2AT
APEO1	0574 2321 11	1	HOSE ASSEMBLY	SLANGLEDNING		12,5X 2300 R2AT
APEO2	3176 6972 00	1	HOSE ASSEMBLY	SLANGLEDNING		12,5X 2200 R2AT
APGR1	3176 6857 00	1	HOSE ASSEMBLY	SLANGLEDNING		6,3X 3200 R2AT
APGR2	3176 7120 00	1	HOSE ASSEMBLY	SLANGLEDNING		6,3X 4200 R2AT
APGR5	3176 6855 00	1	HOSE ASSEMBLY	SLANGLEDNING		6,3X 2400 R2AT
APRP1	0574 0066 68	1	HOSE ASSEMBLY	SLANGLEDNING		19 X 700 R2AT 90GRA 1X
SAPG1	3217 9578 50	1	HOSE ASSEMBLY	SLANGLEDNING		BTR 105 ST, L=4500, 3/16"
AP11	3176 7449 00	1	HOSE ASSEMBLY	SLANGLEDNING		D6,3X1100 R2AT
AP13	0574 0274 11	1	HOSE ASSEMBLY	SLANGLEDNING		6,3X 1700 R2AT
AP15	5726 8078 12	1	HOSE ASSEMBLY	SLANGLEDNING		
AP16	3222 3185 91	1	HOSE ASSEMBLY	SLANGLEDNING		1071 HITEMP 38X1300
AP17	0574 1257 13	1	HOSE ASSEMBLY	SLANGLEDNING		38 2150 1SN I-I 35 UN 1 7
AP18	0574 1259 05	1	HOSE ASSEMBLY	SLANGLEDNING		25 1400 1SN I-I 70 UN 1 5
AP19	3176 6976 00	1	HOSE ASSEMBLY	SLANGLEDNING		6,3X 2000 R2AT
AP34	0574 0255 11	1	HOSE ASSEMBLY	SLANGLEDNING		6,3X 400 R2AT
DTH1	5726 8092 83	1	HOSE ASSEMBLY	SLANGLEDNING		
DTH2	5726 8092 84	1	HOSE ASSEMBLY	SLANGLEDNING		
DTH3	0574 0074 01	1	HOSE ASSEMBLY	SLANGLEDNING		38 1730 C 18 UN 1 7/8 -12
DTH4	5726 8078 19	1	HOSE ASSEMBLY	SLANGLEDNING		
DTH5	5726 8092 82	1	HOSE ASSEMBLY	SLANGLEDNING		
ALP	0574 0316 11	1	HOSE ASSEMBLY	SLANGLEDNING		6,3X 2500 R2AT
AP1	5726 8092 80	1	HOSE	SLANG		
AP2	5726 8078 11	1	HOSE ASSEMBLY	SLANGLEDNING		
AP3	0574 0318 11	1	HOSE ASSEMBLY	SLANGLEDNING		6,3X 3500 R2AT
AP4	3176 6854 00	1	HOSE ASSEMBLY	SLANGLEDNING		6,3X 600 R2AT
AP9	0574 2269 11	1	HOSE ASSEMBLY	SLANGLEDNING		12,5X1200 R2AT
GR1	0574 0000 70	1	HOSE ASSEMBLY	SLANGLEDNING		6,3X 3300 R2AT
GR2	3176 7120 00	1	HOSE ASSEMBLY	SLANGLEDNING		6,3X 4200 R2AT
GR5	3176 6855 00	1	HOSE ASSEMBLY	SLANGLEDNING		6,3X 2400 R2AT
LP	0574 3265 36	1	HOSE ASSEMBLY	SLANGLEDNING		6,3 2250 IBI 400 UNF 9/16
AP20	0574 4264 11	1	HOSE ASSEMBLY	SLANGLEDNING		25 X 850 R2AT
AP21	3176 5680 00	1	HOSE ASSEMBLY	SLANGLEDNING		6,3 X 800 R2AT



**HOSE SET / SLANGSATS**

-

<b>Ref.no</b>	<b>Part no Art.nr</b>	<b>Qty Qty</b>	<b>Description</b>	<b>Beskrivning</b>	<b>See page Se sidan</b>	<b>Remarks Anmärkningar</b>
1	-	1	HOSE SET	SLANGSATS	579	PUMP SYSTEM HOSE
2	-	1	HOSE SET	SLANGSATS	581	WAGON HOSE
3	-	1	HOSE SET	SLANGSATS	583	FEED HOSE
4	-	1	HOSE SET	SLANGSATS	587	DCT HOSE
5	-	1	HOSE SET	SLANGSATS	589	BOOM HOSE
6	-	1	HOSE SET	SLANGSATS	591	CAB HOSE
7	-	1	HOSE SET	SLANGSATS	593	RETURN HOSE
8	-	1	HOSE SET	SLANGSATS	595	COOLER HOSE

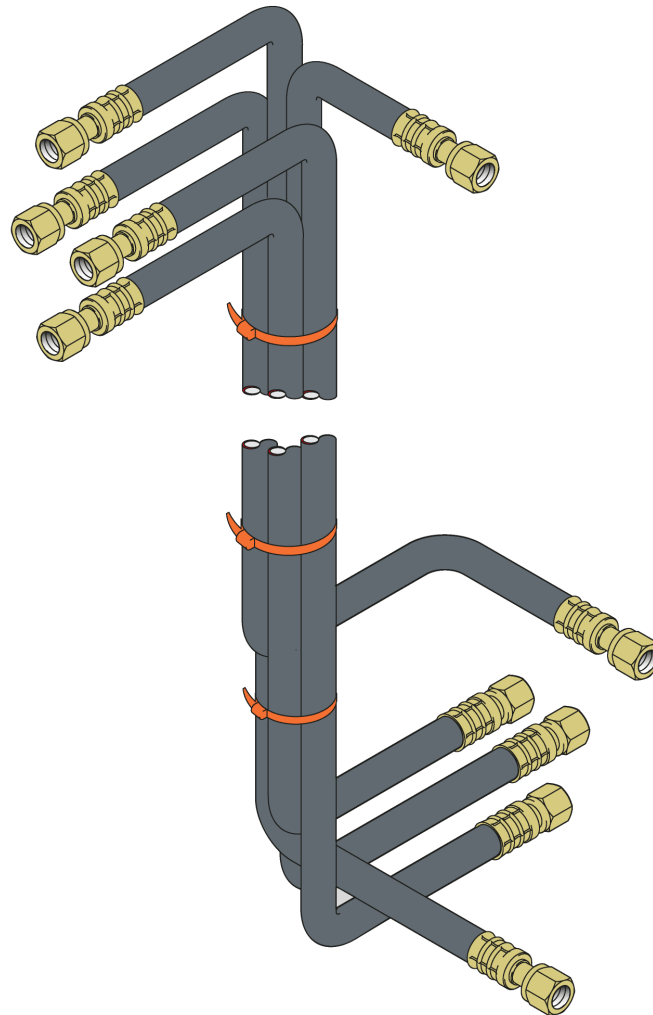


## HOSE SET / SLANGSATS

-

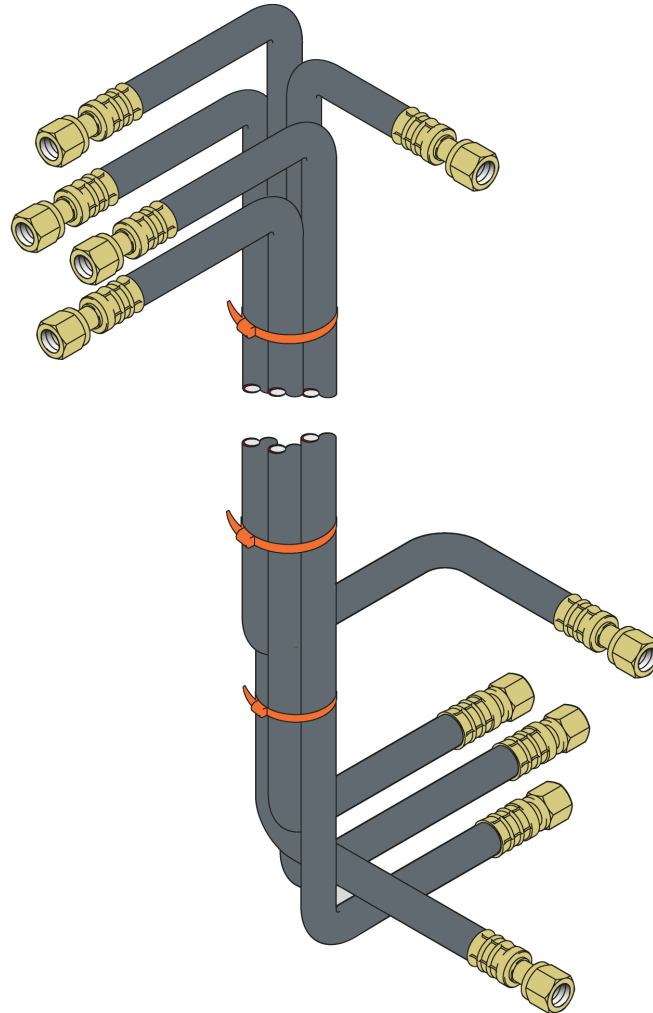
## PUMP SYSTEM HOSE

Ref.no	Part no Art.nr	Qty Qty	Description	Beskrivning	See page Se sidan	Remarks Anmärkningar
RHP3	0574 2321 11	1	HOSE ASSEMBLY	SLANGLEDNING		12,5X 2300 R2AT
SU45	5726 8078 56	1	HOSE	SLANG		SAE100R4 31.8X300
POP	0574 2276 11	1	HOSE ASSEMBLY	SLANGLEDNING		12,5X 1900 R2AT
P11	5726 8078 52	1	HOSE ASSEMBLY	SLANGLEDNING		
P21	5726 8078 51	1	HOSE ASSEMBLY	SLANGLEDNING		
P41	0574 3265 42	1	HOSE ASSEMBLY	SLANGLEDNING		19 3000 IBI 280 UN 1 1/16
P51	0574 3270 49	1	HOSE ASSEMBLY	SLANGLEDNING		19 1500 IBI 280 UN 1 1/16
SU1	5726 8078 54	1	HOSE	SLANG		SAE100R4 38X950
SU2	5726 8078 57	1	HOSE	SLANG		
SU3	5726 8078 55	1	HOSE	SLANG		SAE100R4 31.8X1050
XP1	3176 6856 00	1	HOSE ASSEMBLY	SLANGLEDNING		6,3X 3000 R2AT





Ref.no	Part no Art.nr	Qty Qty	Description	Beskrivning	See page Se sidan	Remarks Anmärkningar
FB10	3176 7186 00	1	HOSE ASSEMBLY	SLANGLEDNING		6,3X 1400 R2AT
FB12	0574 0327 11	1	HOSE ASSEMBLY	SLANGLEDNING		6,3X 3100 R2AT
FF11	3176 6857 00	1	HOSE ASSEMBLY	SLANGLEDNING		6,3X 3200 R2AT
RRL5	0574 3262 73	1	HOSE ASSEMBLY	SLANGLEDNING		19 X 500
RRR5	0574 3270 67	1	HOSE ASSEMBLY	SLANGLEDNING		19 1200 IBI 280 UN 1 1/16
RRR6	0574 3265 40	1	HOSE ASSEMBLY	SLANGLEDNING		19 750 IBI 280 UN 1 1/16-
RRR7	0574 0069 01	1	HOSE ASSEMBLY	SLANGLEDNING		19 X 500 R1T
TMLB	0574 3265 43	1	HOSE ASSEMBLY	SLANGLEDNING		19 3200 IBI 280 UN 1 1/16
TMLF	0574 3265 43	1	HOSE ASSEMBLY	SLANGLEDNING		19 3200 IBI 280 UN 1 1/16
TMLL	0574 2277 11	1	HOSE ASSEMBLY	SLANGLEDNING		12,5X 2000 R2AT
TMRB	0574 3262 76	1	HOSE ASSEMBLY	SLANGLEDNING		19 X 2100
TMRF	0574 3262 76	1	HOSE ASSEMBLY	SLANGLEDNING		19 X 2100
TMRL	0574 2283 11	1	HOSE ASSEMBLY	SLANGLEDNING		12,5X 3200 R2AT
TOL1	0574 1315 11	1	HOSE ASSEMBLY	SLANGLEDNING		10 X 2300 R2AT
TOL2	0574 0072 07	1	HOSE ASSEMBLY	SLANGLEDNING		10 2100 IBI 385 UNF 3/4 -
TOR1	0574 1270 11	1	HOSE ASSEMBLY	SLANGLEDNING		10 X 1300 R2AT
TOR2	3176 6973 00	1	HOSE ASSEMBLY	SLANGLEDNING		10 X 1100 R2AT
XFB3	3217 9578 18	1	HOSE ASSEMBLY	SLANGLEDNING		BTR 105 ST, L=1400, 3/16"
XFD3	3217 9578 18	1	HOSE ASSEMBLY	SLANGLEDNING		BTR 105 ST, L=1400, 3/16"
XTH1	0574 0316 11	1	HOSE ASSEMBLY	SLANGLEDNING		6,3X 2500 R2AT
XTH2	3176 6858 00	1	HOSE ASSEMBLY	SLANGLEDNING		6,3X 3600 R2AT
FB8	0574 3262 73	1	HOSE ASSEMBLY	SLANGLEDNING		19 X 500
FF7	0574 0065 43	1	HOSE ASSEMBLY	SLANGLEDNING		19 X 650 R2AT
FF9	3176 7186 00	1	HOSE ASSEMBLY	SLANGLEDNING		6,3X 1400 R2AT
ES2	3176 6856 00	1	HOSE ASSEMBLY	SLANGLEDNING		6,3X 3000 R2AT



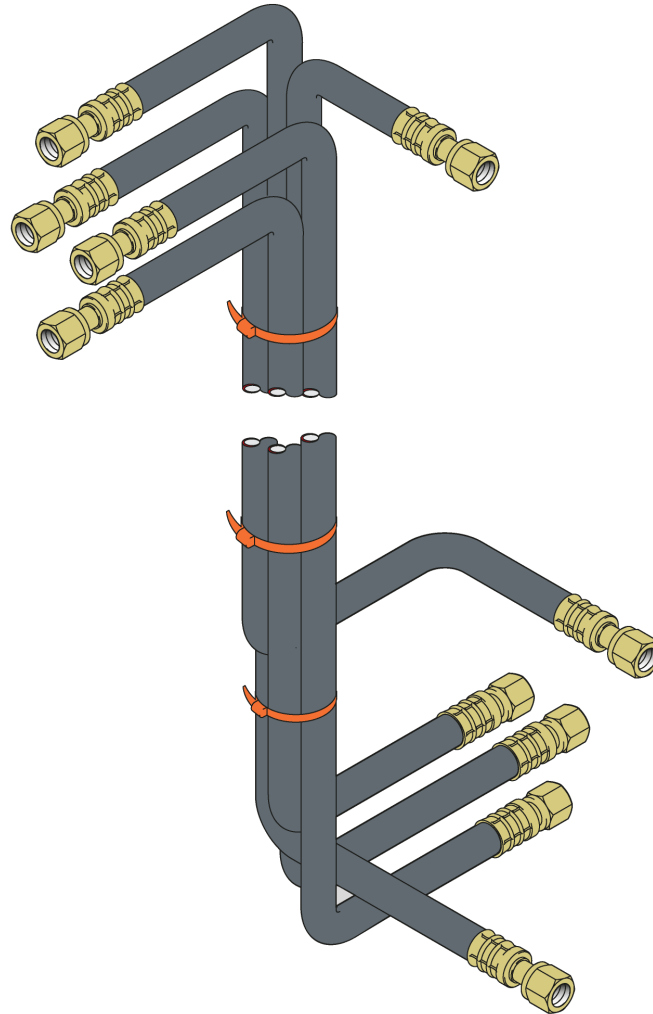
Ref.no	Part no Art.nr	Qty Qty	Description	Beskrivning	See page Se sidan	Remarks Anmärkningar
BJL11	0574 0067 89	1	HOSE ASSEMBLY	SLANGLEDNING		6,3X 525 R2AT
BJL21	3176 6336 00	1	HOSE ASSEMBLY	SLANGLEDNING		6,3X 700 R2AT
BJU11	0574 0064 54	1	HOSE ASSEMBLY	SLANGLEDNING		6,3X 550 R2AT
BJU21	0574 0065 72	1	HOSE ASSEMBLY	SLANGLEDNING		6,3X 750 R2AT
DSU11	0574 0256 11	1	HOSE ASSEMBLY	SLANGLEDNING		6,3X 450 R2AT
DSU21	3176 6336 00	1	HOSE ASSEMBLY	SLANGLEDNING		6,3X 700 R2AT
BJL1	0574 1255 72	1	HOSE ASSEMBLY	SLANGLEDNING		6,3 1650 IBI 400 UNF 9/16
BJL2	0574 1255 72	1	HOSE ASSEMBLY	SLANGLEDNING		6,3 1650 IBI 400 UNF 9/16
BJU1	0574 0314 11	1	HOSE ASSEMBLY	SLANGLEDNING		6,3X 2100 R2AT
BJU2	3176 6976 00	1	HOSE ASSEMBLY	SLANGLEDNING		6,3X 2000 R2AT
DSL1	3176 6855 00	1	HOSE ASSEMBLY	SLANGLEDNING		6,3X 2400 R2AT
DSL2	0574 0315 11	1	HOSE ASSEMBLY	SLANGLEDNING		6,3X 2300 R2AT
DSU1	0574 1255 72	1	HOSE ASSEMBLY	SLANGLEDNING		6,3 1650 IBI 400 UNF 9/16
DSU2	0574 1255 72	1	HOSE ASSEMBLY	SLANGLEDNING		6,3 1650 IBI 400 UNF 9/16
FMB1	3176 6486 00	1	HOSE ASSEMBLY	SLANGLEDNING		6,3X 1000 R2AT
FMD1	0574 1273 11	1	HOSE ASSEMBLY	SLANGLEDNING		10 X 1600 R2AT
RAL1	3176 7186 00	1	HOSE ASSEMBLY	SLANGLEDNING		6,3X 1400 R2AT
RAL2	3176 5864 00	1	HOSE ASSEMBLY	SLANGLEDNING		6,3X 1300 R2AT
RAU1	3176 7186 00	1	HOSE ASSEMBLY	SLANGLEDNING		6,3X 1400 R2AT
RAU2	3176 5864 00	1	HOSE ASSEMBLY	SLANGLEDNING		6,3X 1300 R2AT
RGL1	0574 1255 72	1	HOSE ASSEMBLY	SLANGLEDNING		6,3 1650 IBI 400 UNF 9/16
RGL2	0574 0272 11	1	HOSE ASSEMBLY	SLANGLEDNING		6,3X 1500 R2AT
RGU1	0574 0065 21	1	HOSE ASSEMBLY	SLANGLEDNING		6,3X 1250 R2AT
RGU2	3176 7449 00	1	HOSE ASSEMBLY	SLANGLEDNING		D6,3X1100 R2AT
RHP1	0574 2269 11	1	HOSE ASSEMBLY	SLANGLEDNING		12,5X1200 R2AT
RHP2	0574 2322 11	1	HOSE ASSEMBLY	SLANGLEDNING		12,5X 4300 R2AT
RHT1	0574 2269 11	1	HOSE ASSEMBLY	SLANGLEDNING		12,5X1200 R2AT
RHT2	0574 2322 11	1	HOSE ASSEMBLY	SLANGLEDNING		12,5X 4300 R2AT
RRL1	0574 3265 41	1	HOSE ASSEMBLY	SLANGLEDNING		19 800 IBI 280 UN 1 1/16-
RRL2	5726 8078 58	1	HOSE ASSEMBLY	SLANGLEDNING		19X2950 IBI EN857-2SC
RRL3	0574 3270 49	1	HOSE ASSEMBLY	SLANGLEDNING		19 1500 IBI 280 UN 1 1/16
RRR1	0574 3265 41	1	HOSE ASSEMBLY	SLANGLEDNING		19 800 IBI 280 UN 1 1/16-
RRR2	5726 8078 58	1	HOSE ASSEMBLY	SLANGLEDNING		19X2950 IBI EN857-2SC
RRR3	0574 3270 49	1	HOSE ASSEMBLY	SLANGLEDNING		19 1500 IBI 280 UN 1 1/16
BW1	3176 6855 00	1	HOSE ASSEMBLY	SLANGLEDNING		6,3X 2400 R2AT
BW2	0574 3265 36	1	HOSE ASSEMBLY	SLANGLEDNING		6,3 2250 IBI 400 UNF 9/16
FB2	0574 3270 60	1	HOSE ASSEMBLY	SLANGLEDNING		19 890 IBI 280 UN 1 1/16-
FB4	0574 3265 42	1	HOSE ASSEMBLY	SLANGLEDNING		19 3000 IBI 280 UN 1 1/16

Ref.no	Part no Art.nr	Qty Qty	Description	Beskrivning	See page Se sidan	Remarks Anmärkningar
FF1	0574 3270 60	1	HOSE ASSEMBLY	SLANGLEDNING		19 890 IBI 280 UN 1 1/16-
FF3	0574 3265 42	1	HOSE ASSEMBLY	SLANGLEDNING		19 3000 IBI 280 UN 1 1/16
MRB	3176 5679 00	1	HOSE ASSEMBLY	SLANGLEDNING		6,3X 500 R2AT
MRD	3176 6487 00	1	HOSE ASSEMBLY	SLANGLEDNING		6,3X 1600 R2AT
MR1	3176 3730 00	1	HOSE ASSEMBLY	SLANGLEDNING		6,3X 2800 R2AT
MR2	0574 3272 03	1	HOSE ASSEMBLY	SLANGLEDNING		6,3 2750 IBI 450 UNF 9/16
SH1	0574 0315 11	1	HOSE ASSEMBLY	SLANGLEDNING		6,3X 2300 R2AT
SH2	0574 3265 21	1	HOSE ASSEMBLY	SLANGLEDNING		6,3 2650 IBI 400 UNF 9/16

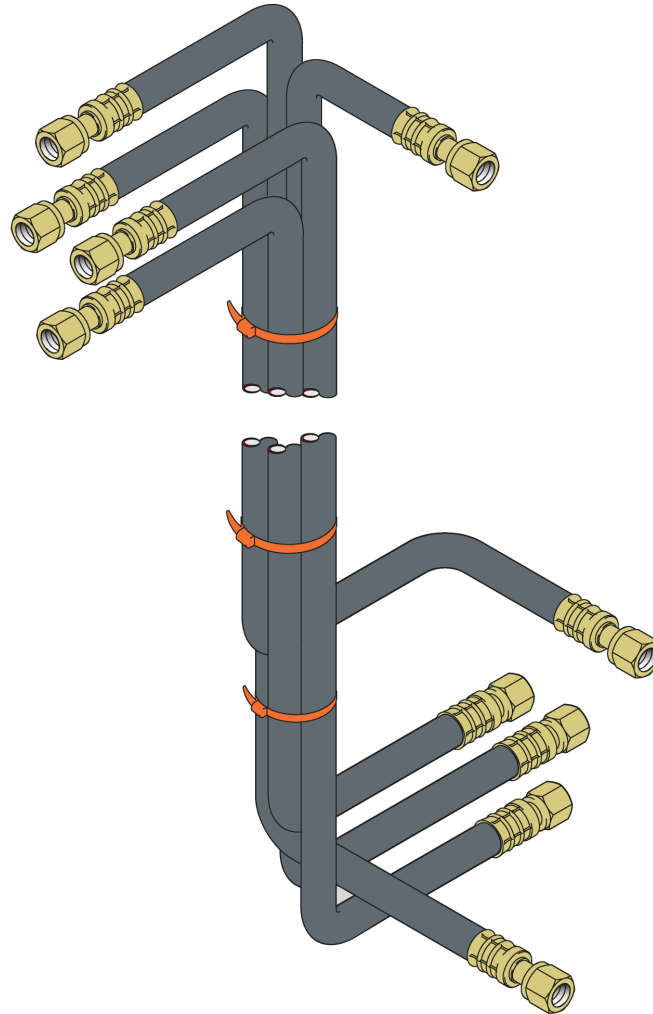
**HOSE SET / SLAGSATS**

-

**FEED HOSE**

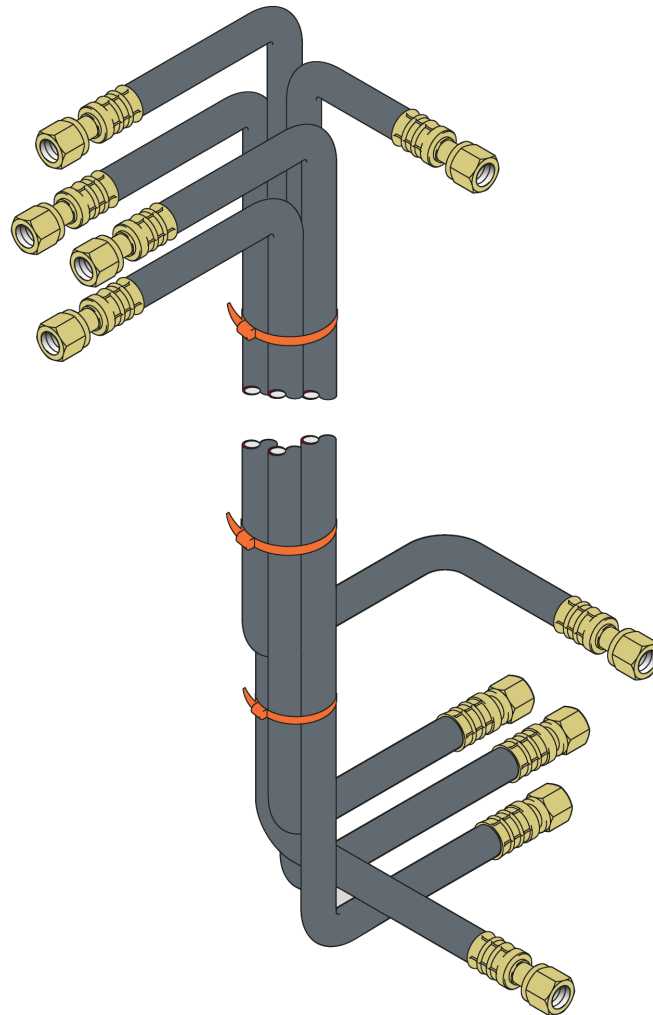


Ref.no	Part no Art.nr	Qty Qty	Description	Beskrivning	See page Se sidan	Remarks Anmärkningar
DMD1	0574 0253 11	1	HOSE ASSEMBLY	SLANGLEDNING		6,3X 300 R2AT
DMD2	3176 7120 00	1	HOSE ASSEMBLY	SLANGLEDNING		6,3X 4200 R2AT
DMP1	0574 2269 11	1	HOSE ASSEMBLY	SLANGLEDNING		12,5X1200 R2AT
DMP2	3176 2286 11	1	HOSE ASSEMBLY	SLANGLEDNING		12,5X 3800 R2AT
DMT1	0574 0069 43	1	HOSE ASSEMBLY	SLANGLEDNING		12,5X 1150 R2AT
DMT2	0574 2276 11	1	HOSE ASSEMBLY	SLANGLEDNING		12,5X 1900 R2AT

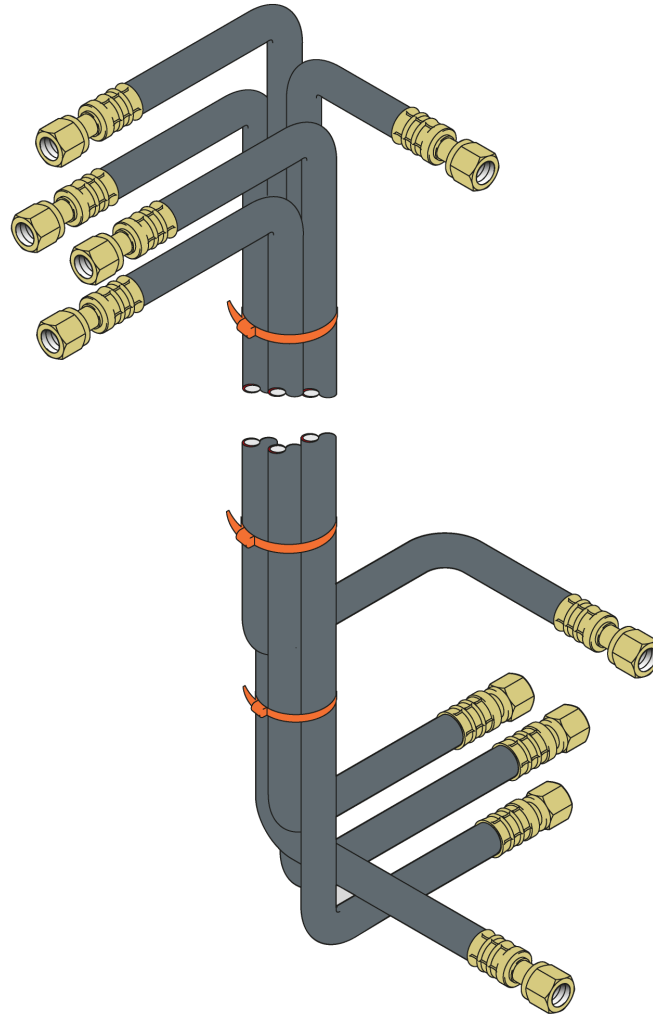




Ref.no	Part no Art.nr	Qty Qty	Description	Beskrivning	See page Se sidan	Remarks Anmärkningar
FMD2	0574 0070 66	1	HOSE ASSEMBLY	SLANGLEDNING		10 X 2850 R2AT
FMD3	0574 1289 11	1	HOSE ASSEMBLY	SLANGLEDNING		10 X 4400 R2AT
RRL4	0574 3272 96	1	HOSE ASSEMBLY	SLANGLEDNING		19 4500 IBI 280 UN 1 1/16
RRR4	0574 3272 96	1	HOSE ASSEMBLY	SLANGLEDNING		19 4500 IBI 280 UN 1 1/16
BL1	0574 0335 11	1	HOSE ASSEMBLY	SLANGLEDNING		6,3X 3900 R2AT
BL2	0574 0335 11	1	HOSE ASSEMBLY	SLANGLEDNING		6,3X 3900 R2AT
BS1	3176 6857 00	1	HOSE ASSEMBLY	SLANGLEDNING		6,3X 3200 R2AT
BS2	3176 6857 00	1	HOSE ASSEMBLY	SLANGLEDNING		6,3X 3200 R2AT
FB6	5726 8078 50	1	HOSE ASSEMBLY	SLANGLEDNING		19X4400 IBI EN857-2SC
FD1	0574 0064 50	1	HOSE ASSEMBLY	SLANGLEDNING		6,3X 1900 R2AT
FD2	0574 3265 39	1	HOSE ASSEMBLY	SLANGLEDNING		6,3 1950 IBI 400 UNF 9/16
FE1	0574 0323 11	1	HOSE ASSEMBLY	SLANGLEDNING		6,3X 5200 R2AT
FE2	0574 0323 11	1	HOSE ASSEMBLY	SLANGLEDNING		6,3X 5200 R2AT
FF5	5726 8078 50	1	HOSE ASSEMBLY	SLANGLEDNING		19X4400 IBI EN857-2SC
FS1	0574 0294 11	1	HOSE ASSEMBLY	SLANGLEDNING		6,3X 6000 R2AT
FS2	0574 0294 11	1	HOSE ASSEMBLY	SLANGLEDNING		6,3X 6000 R2AT



Ref.no	Part no Art.nr	Qty Qty	Description	Beskrivning	See page Se sidan	Remarks Anmärkningar
FCL1	3217 9578 07	1	HOSE ASSEMBLY	SLANGLEDNING		BTR 105 ST, L= 400, 3/16
FCP1	0574 0066 08	1	HOSE ASSEMBLY	SLANGLEDNING		BTR 105 ST, L=4300, 3/16"
FPG1	0574 7700 74	1	HOSE ASSEMBLY	SLANGLEDNING		4,8 2500 R8 I-I 362 UNF 7
FRL1	3217 9578 22	1	HOSE ASSEMBLY	SLANGLEDNING		BTR 105 ST, L=1800, 3/16"
FRP1	0574 7700 42	1	HOSE ASSEMBLY	SLANGLEDNING		4,8 X 4700 UNF 7/16-2
PLL1	0574 7700 38	1	HOSE ASSEMBLY	SLANGLEDNING		BTR 105 ST, L=3400, 3/16"
PLP1	0574 7700 36	1	HOSE ASSEMBLY	SLANGLEDNING		BTR 105 ST, L=3700, 3/16"
RPG1	3217 9578 50	1	HOSE ASSEMBLY	SLANGLEDNING		BTR 105 ST, L=4500, 3/16"
TOL3	3176 7645 00	1	HOSE ASSEMBLY	SLANGLEDNING		6,3X 3400 R2AT
TOR3	3176 7645 00	1	HOSE ASSEMBLY	SLANGLEDNING		6,3X 3400 R2AT
XFB1	3217 9578 20	1	HOSE ASSEMBLY	SLANGLEDNING		BTR 105 ST, L=1600, 3/16"
XFB2	3217 9578 50	1	HOSE ASSEMBLY	SLANGLEDNING		BTR 105 ST, L=4500, 3/16"
XFD1	3217 9578 20	1	HOSE ASSEMBLY	SLANGLEDNING		BTR 105 ST, L=1600, 3/16"
XFD2	0574 7700 31	1	HOSE ASSEMBLY	SLANGLEDNING		BTR 105 ST, L=4600, 3/16"
XLB1	0574 7700 29	1	HOSE ASSEMBLY	SLANGLEDNING		BTR 105 ST, L=3300, 3/16"
XLF1	0574 7700 38	1	HOSE ASSEMBLY	SLANGLEDNING		BTR 105 ST, L=3400, 3/16"
XRB1	0574 7700 35	1	HOSE ASSEMBLY	SLANGLEDNING		BTR 105 ST, L=3200, 3/16"
XRF1	0574 7700 29	1	HOSE ASSEMBLY	SLANGLEDNING		BTR 105 ST, L=3300, 3/16"
XRL1	0574 7700 23	1	HOSE ASSEMBLY	SLANGLEDNING		BTR 105 ST, L=3800, 3/16"
XRR1	0574 7700 21	1	HOSE ASSEMBLY	SLANGLEDNING		BTR 105 ST, L=4000, 3/16"
FD3	3176 7645 00	1	HOSE ASSEMBLY	SLANGLEDNING		6,3X 3400 R2AT
FD4	3176 7645 00	1	HOSE ASSEMBLY	SLANGLEDNING		6,3X 3400 R2AT
FE3	3176 7645 00	1	HOSE ASSEMBLY	SLANGLEDNING		6,3X 3400 R2AT
FE4	3176 7645 00	1	HOSE ASSEMBLY	SLANGLEDNING		6,3X 3400 R2AT
FS3	0574 1254 21	1	HOSE ASSEMBLY	SLANGLEDNING		6,3 3250 IBI 400 UNF 9/16
FS4	0574 1254 21	1	HOSE ASSEMBLY	SLANGLEDNING		6,3 3250 IBI 400 UNF 9/16

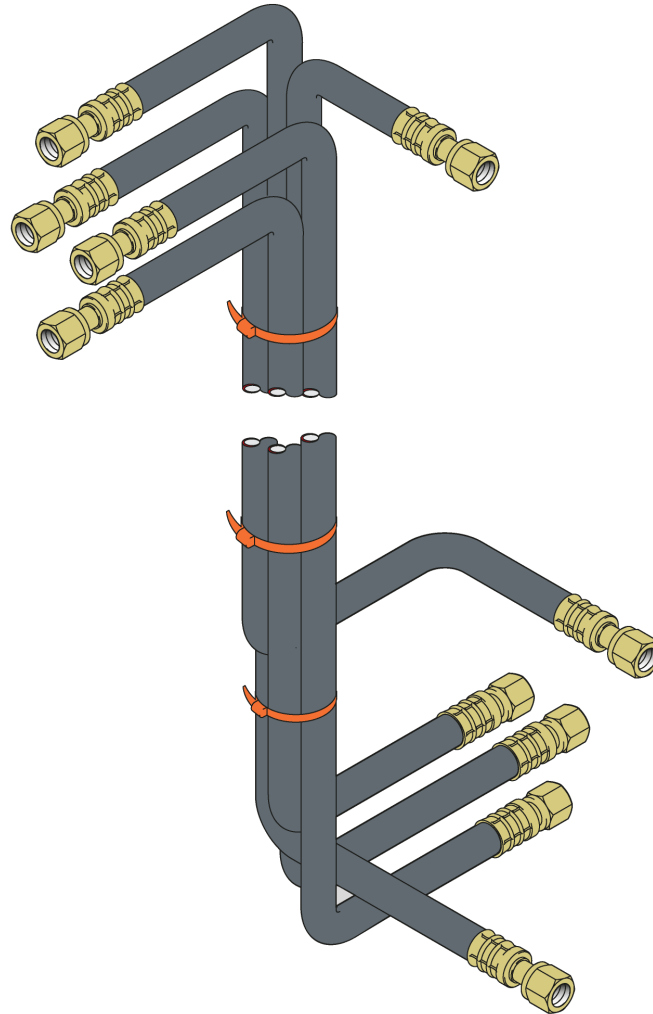


## HOSE SET / SLANGSATS

-

## RETURN HOSE

Ref.no	Part no Art.nr	Qty Qty	Description	Beskrivning	See page Se sidan	Remarks Anmärkningar
HYDOIL	0574 2273 11	1	HOSE ASSEMBLY	SLANGLEDNING		12,5X1600 R2AT
FMD4	0574 1275 11	1	HOSE ASSEMBLY	SLANGLEDNING		10 X 1800 R2AT
RHT3	0574 0000 58	1	HOSE ASSEMBLY	SLANGLEDNING		12,5X 1750 R2AT
T101	0574 6063 11	1	HOSE ASSEMBLY	SLANGLEDNING		38 X 2900 R1T
T102	0574 0064 59	1	HOSE ASSEMBLY	SLANGLEDNING		38 X 3600 R1T
T103	0574 0064 70	1	HOSE ASSEMBLY	SLANGLEDNING		38 X 3800 R1T
T104	0574 3032 11	1	HOSE ASSEMBLY	SLANGLEDNING		19 X 3000 R1T
POT	3176 7131 00	1	HOSE ASSEMBLY	SLANGLEDNING		12,5X 3000 R2AT
P3T	0574 2271 11	1	HOSE ASSEMBLY	SLANGLEDNING		12,5X 1400 R2AT
L1	0574 1251 16	1	HOSE ASSEMBLY	SLANGLEDNING		10 X 2950 R2AT
TT	0574 4017 11	1	HOSE ASSEMBLY	SLANGLEDNING		25 X 1000 R1T



## HOSE SET / SLANGSATS

-

## COOLER HOSE

Ref.no	Part no Art.nr	Qty Qty	Description	Beskrivning	See page Se sidan	Remarks Anmärkningar
CMD1	0574 3270 85	1	HOSE ASSEMBLY	SLANGLEDNING		10 1750 IBI 385 UNF 3/4 -
CMT1	0574 3036 11	1	HOSE ASSEMBLY	SLANGLEDNING		19 X 3800 R1T
L45	0574 0065 88	1	HOSE ASSEMBLY	SLANGLEDNING		10 X 3700 R2AT
T45	0574 3023 11	1	HOSE ASSEMBLY	SLANGLEDNING		19 X 1600 R1T

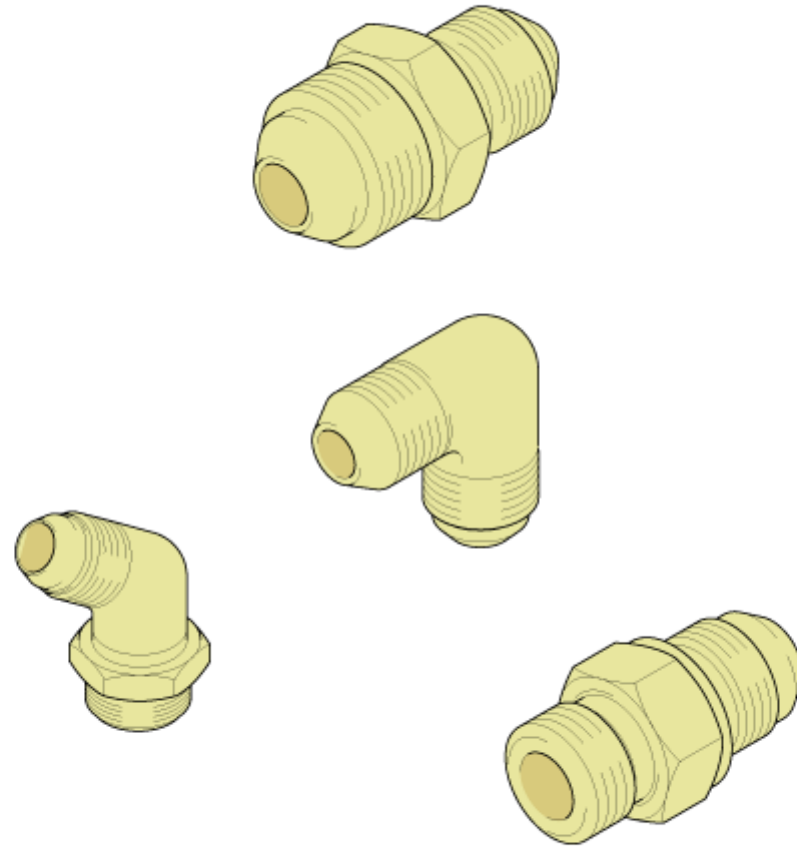




**HOSE CONNECTION / SLANGANSLUTNING**  
**LIST OF CONTENTS**

Part no Art.nr	Description	Beskrivning	See page Se sidan	Remarks Anmärkningar
-	HOSE CONNECTION	SLANGANSLUTNING	598	
-	- HOSE CONNECTION	SLANGANSLUTNING	603	

## HOSE CONNECTION / SLANGANSLUTNING



## HOSE CONNECTION / SLANGANSLUTNING

Ref.no	Part no Art.nr	Qty Qty	Description	Beskrivning	See page Se sidan	Remarks Anmärkningar
-		1	HOSE CONNECTION	SLANGANSLUTNING	603	

# HOSE CONNECTION / SLANGANSLUTNING

-

<p>1</p>	<p>2</p>	<p>3A</p>	<p>3B</p>	<p>4</p>	<p>5</p> <p>O-ring and back-up ring</p>
<p>6</p>	<p>7</p> <p>O-ring and back-up ring</p>	<p>8</p>	<p>9</p> <p>O-ring</p>	<p>10</p>	<p>11</p>
<p>12</p>	<p>13</p> <p>O-ring and back-up ring</p>	<p>14</p>	<p>15</p>	<p>16</p>	<p>17</p>
<p>18</p>	<p>19</p> <p>O-ring and back-up ring</p>	<p>20</p> <p>O-ring</p>	<p>21</p>	<p>22</p>	<p>23</p>
<p>24</p>	<p>25</p> <p>Washer, O-ring and back-up ring</p>	<p>26</p> <p>Washer, O-ring and back-up ring</p>	<p>27</p> <p>Washer, O-ring and back-up ring</p>	<p>28</p> <p>Washer and O-ring</p>	<p>29</p> <p>Washer and O-ring</p>

1250 0262 00

# HOSE CONNECTION / SLANGANSLUTNING

<p>30</p> <p>NPTF- thread</p>	<p>31</p> <p>NPTF- thread</p>	<p>32</p> <p>NPTF- thread</p>	<p>33</p>	<p>34</p> <p>D1</p>	<p>35</p> <p>D1</p>
<p>36</p> <p>Washer, O-ring and back-up ring</p> <p>D1 G- thread</p>	<p>37</p> <p>Washer, O-ring and back-up ring</p> <p>D1 G- thread</p>	<p>38</p> <p>Washer and O-ring</p> <p>D1 UN- thread</p>	<p>39</p> <p>Washer and O-ring</p> <p>D1 UN- thread</p>	<p>40</p> <p>NPTF- thread</p>	<p>41</p> <p>NPTF- thread</p>
<p>42</p> <p>D1 NPTF- thread</p>	<p>43</p>	<p>44</p>	<p>45</p>	<p>46</p>	<p>47</p>
<p>48</p> <p>D1</p>	<p>49</p>	<p>50</p>	<p>51</p>	<p>52A</p> <p>D1</p>	<p>52B</p>
<p>54</p>	<p>54</p>	<p>55</p>	<p>Note Unless stated otherwise, UN-thread with 37° sealing angle according to SAE J514</p> <p>Anm. Där annt ej angivits, UN-gänga med 37° tätningvinkel enligt SAE J514</p>		

1250 0262 01



## HOSE CONNECTION / SLANGANSLUTNING

-

Ref.no	Part no Art.nr	Qty Qty	Description	Beskrivning	See page Se sidan	Remarks Anmärkningar
1	0570 5000 06	1	NIPPLE	NIPPEL		UNF 7/16
1	3176 1472 00	1	NIPPLE	NIPPEL		UNF 3/4
1	3176 2279 00	1	NIPPLE	NIPPEL		UNF 7/8
1	3176 3556 00	1	NIPPLE	NIPPEL		UNF 9/16=HTXS10
1	3176 6495 00	1	NIPPLE	NIPPEL		UN 1 5/16
1	3176 6633 00	1	NIPPLE	NIPPEL		UN 1 5/8
1	3176 6634 00	1	NIPPLE	NIPPEL		UN 1 7/8
1	3176 6635 00	1	NIPPLE	NIPPEL		UN 2 1/2
1	3715 0581 00	1	NIPPLE	NIPPEL		UN 1 1/16
2	3177 3178 00	1	NIPPLE	NIPPEL		UNF 9/16 - UNF 7/16
3A	3176 6501 00	1	NIPPLE	NIPPEL		UNF 3/4 - UNF 9/16
3A	3176 6502 00	1	NIPPLE	NIPPEL		UNF 7/8 - UNF 9/16
3A	3176 6503 00	1	NIPPLE	NIPPEL		UN 1 1/16 - UNF 9/16
3A	3176 6504 00	1	NIPPLE	NIPPEL		UN 1 1/16 - UNF 3/4
3A	3176 6506 00	1	NIPPLE	NIPPEL		UN 1 5/16 - UNF 9/16
3A	3176 6507 00	1	NIPPLE	NIPPEL		UN 1 5/16 - UNF 3/4
3A	3176 6508 00	1	NIPPLE	NIPPEL		UN 1 5/16 - UNF 7/8
3A	3176 6509 00	1	NIPPLE	NIPPEL		UN 1 5/16 - UN 1 1/16
3A	3176 6639 00	1	NIPPLE	NIPPEL		UN 1 5/8 - UNF 7/8
3A	3176 6640 00	1	NIPPLE	NIPPEL		UN 1 5/8 - UN 1 1/16
3A	3176 6641 00	1	NIPPLE	NIPPEL		UN 1 5/8 - UN 1 5/16
3A	3176 7337 00	1	NIPPLE	NIPPEL		UN 1 7/8 - UN 1 1/16
3A	3176 7338 00	1	NIPPLE	NIPPEL		UN 1 7/8 - UN 1 5/16
3A	3176 7339 00	1	NIPPLE	NIPPEL		UN 1 7/8 - UN 1 5/8
3A	3176 8026 00	1	NIPPLE	NIPPEL		UNF 9/16 - UNF 7/16
3A	3176 8027 00	1	NIPPLE	NIPPEL		UN 1 1/16 - UNF 7/16
3A	3176 8251 00	1	NIPPLE	NIPPEL		UNF 3/4-UNF 7/16
3A	3177 3064 00	1	NIPPLE	NIPPEL		UNF 7/8 - UNF 7/16
3B	3176 6505 00	1	NIPPLE	NIPPEL		UN 1 1/16 - UNF 7/8
3B	3176 7336 00	1	NIPPLE	NIPPEL		UNF 7/8 - UNF 3/4
4	3176 6981 00	1	NIPPLE	NIPPEL		UNF 3/4 - UNF 7/8
4	3176 7340 00	1	NIPPLE	NIPPEL		UNF 7/8 - UN 1 1/16
4	3176 7341 00	1	NIPPLE	NIPPEL		UN 1 1/16 - UN 1 5/16
4	3217 6218 00	1	NIPPLE	NIPPEL		UNF 7/16 - UNF 9/16
5	0570 5010 01	1	NIPPLE	NIPPEL		UN 1 5/16 - M27 X 2
5	0570 5010 12	1	NIPPLE	NIPPEL		UNF 7/16 - M10 X 1
5	0570 5010 17	1	NIPPLE	NIPPEL		UNF 3/4 - M16 X 1,5
5	0570 5010 18	1	NIPPLE	NIPPEL		UNF 3/4 - M18 X 1,5

HOSE CONNECTION / SLANGANSLUTNING

-

Ref.no	Part no Art.nr	Qty Qty	Description	Beskrivning	See page Se sidan	Remarks Anmärkningar
5	3176 2929 00	1	NIPPLE	NIPPEL		UN 1 1/16 - M26 X 1,5
5	3176 2932 00	1	NIPPLE	NIPPEL		UN 1 1/16 - M22 X 1,5
5	3176 7319 00	1	NIPPLE	NIPPEL		UNF 9/16 - M14 X 1,5
5	3177 3054 00	1	NIPPLE	NIPPEL		UNF 7/8 - M22 X 1,5
5	3177 3068 00	1	NIPPLE	NIPPEL		UNF 7/8 - M18 X 1,5
6	3176 1900 00	1	NIPPLE	NIPPEL		UNF 7/8 - M26 X 1,5
6	3176 1901 00	1	NIPPLE	NIPPEL		UN 1 5/16 - M22 X 1,5
6	3176 6708 00	1	NIPPLE	NIPPEL		UN 1 5/16 - M30 X 1,5
6	3176 6983 00	1	NIPPLE	NIPPEL		UNF 7/8 - M16 X 1,5
6	3176 7703 00	1	NIPPLE	NIPPEL		UNF 9/16 - M10 X 1
6	3176 7707 00	1	NIPPLE	NIPPEL		UNF 9/16 - M12 X 1,5
6	3176 8076 00	1	NIPPLE	NIPPEL		UN 1 1/16 - M33 X 2
6	3176 8077 00	1	NIPPLE	NIPPEL		UNF 7/8 - M27 X 2
6	3176 8078 00	1	NIPPLE	NIPPEL		UNF 9/16 - M16 X 1,5
6	3217 6148 00	1	NIPPLE	NIPPEL		UNF 3/4 - M12 X 1,5
7	0570 5010 11	1	NIPPLE	NIPPEL		UNF 7/16 - G 1/2
7	3176 2904 00	1	NIPPLE	NIPPEL		UNF 7/16 - G 1/8
7	3176 6348 00	1	NIPPLE	NIPPEL		UNF 9/16 - G 1/4
7	3176 6619 00	1	NIPPLE	NIPPEL		UNF 7/16 - G 1/4
7	3176 6620 00	1	NIPPLE	NIPPEL		UNF 7/16 - G 3/8
7	0570 5010 13	1	NIPPLE	NIPPEL		UNF 3/4 - G 3/4
7	3176 2131 00	1	NIPPLE	NIPPEL		UNF 7/8-G 3/4 STRAIGHT
7	3176 6344 00	1	NIPPLE	NIPPEL		UNF 3/4 - G 3/8
7	3176 6349 00	1	NIPPLE	NIPPEL		STRAIGHT
7	3176 6510 00	1	NIPPLE	NIPPEL		UNF 9/16 - G 1/8
7	3176 6511 00	1	NIPPLE	NIPPEL		STRAIGHT
7	3176 6512 00	1	NIPPLE	NIPPEL		STRAIGHT
7	3176 6513 00	1	NIPPLE	NIPPEL		UNF 3/4 - G 1/2
7	3176 6514 00	1	NIPPLE	NIPPEL		UNF 7/8 - G 3/8
7	3176 6515 00	1	NIPPLE	NIPPEL		STRAIGHT UNF 7/8 - G 1/2
7	3176 6516 00	1	NIPPLE	NIPPEL		UN 1 1/16 - G 1/2
7	3176 6517 00	1	NIPPLE	NIPPEL		UN 1 1/16 - G 3/4
7	3176 6518 00	1	NIPPLE	NIPPEL		UN 1 1/16 - G 1
7	3176 6519 00	1	NIPPLE	NIPPEL		UN 1 5/16 - G 3/4
7	3176 6520 00	1	NIPPLE	NIPPEL		UN 1 5/16 - G 1
7	3176 6521 00	1	NIPPLE	NIPPEL		UN 1 5/16 - G 1 1/4
7	3176 6642 00	1	NIPPLE	NIPPEL		UN 1 5/8 - G 1
7	3176 6643 00	1	NIPPLE	NIPPEL		UN 1 5/8 - G 1 1/4



## HOSE CONNECTION / SLANGANSLUTNING

-

Ref.no	Part no Art.nr	Qty Qty	Description	Beskrivning	See page Se sidan	Remarks Anmärkningar
7	3176 6644 00	1	NIPPLE	NIPPEL		UN 1 5/8 - G 1 1/2
7	3176 6645 00	1	NIPPLE	NIPPEL		UN 1 7/8 - G 1 1/4
7	3176 6646 00	1	NIPPLE	NIPPEL		UN 1 7/8 - G 1 1/2
7	3176 7304 00	1	NIPPLE	NIPPEL		UN 1 1/16 - G 3/8
8	3176 3031 00	1	NIPPLE	NIPPEL		UNF 9/16 - G 1/4
8	3176 3032 00	1	NIPPLE	NIPPEL		UNF 9/16 - G 3/8
8	3176 3034 00	1	NIPPLE	NIPPEL		UNF 3/4 - G 3/8
8	3176 3035 00	1	NIPPLE	NIPPEL		UNF 3/4 - G 1/2
8	3176 3036 00	1	NIPPLE	NIPPEL		UNF 7/8 - G 3/8
8	3176 3037 00	1	NIPPLE	NIPPEL		UNF 7/8 - G 1/2
8	3176 6037 00	1	NIPPLE	NIPPEL		UNF 7/8 - G 1/4
8	3176 3040 00	1	NIPPLE	NIPPEL		UN 1 1/16 - G 3/4
8	3176 3042 00	1	NIPPLE	NIPPEL		UN 1 5/16 - G 3/4
8	3176 8402 00	1	NIPPLE	NIPPEL		UN 2 1/2 -G 2
9	0570 5010 07	1	NIPPLE	NIPPEL		UNF 7/16 - UNF 9/16
9	0570 5010 14	1	NIPPLE	NIPPEL		UNF 9/16 - UNF 7/16
9	3176 1271 00	1	NIPPLE	NIPPEL		UNF 3/4 - UNF 3/4
9	3176 1586 00	1	NIPPLE	NIPPEL		UNF 7/8 - UNF 7/8
9	3176 5000 00	1	NIPPLE	NIPPEL		UNF 9/16 - UNF 3/4
9	3176 6301 00	1	NIPPLE	NIPPEL		UN 1 1/16 - UN 1 1/16
9	3176 6483 00	1	NIPPLE	NIPPEL		UN 1 1/16 - UN 1 5/8
9	3176 6530 00	1	NIPPLE	NIPPEL		UNF 9/16 - UNF 9/16
9	3176 6531 00	1	NIPPLE	NIPPEL		STRAIGHT
9	3176 6532 00	1	NIPPLE	NIPPEL		UNF 3/4 - UNF 7/8
9	3176 6533 00	1	NIPPLE	NIPPEL		UNF 7/8 - UNF 3/4
9	3176 6534 00	1	NIPPLE	NIPPEL		STRAIGHT
9	3176 6535 00	1	NIPPLE	NIPPEL		UN 1 1/16 - UNF 7/8
9	3176 6536 00	1	NIPPLE	NIPPEL		UN 1 5/16 - UN 1 1/16
9	3176 6537 00	1	NIPPLE	NIPPEL		UN 1 5/16 - UN 1 5/16
9	3176 6538 00	1	NIPPLE	NIPPEL		UN 1 5/16 - UN 1 5/8
9	3176 6651 00	1	NIPPLE	NIPPEL		UN 1 5/8 - UN 1 5/16
9	3176 6652 00	1	NIPPLE	NIPPEL		UN 1 5/8 - UN 1 5/8
9	3176 6653 00	1	NIPPLE	NIPPEL		UN 1 5/8 - UN 1 7/8
9	3176 6654 00	1	NIPPLE	NIPPEL		UN 1 7/8 - UN 1 7/8
9	3176 6655 00	1	NIPPLE	NIPPEL		UN 1 7/8 - UN 2 1/2
9	3176 6656 00	1	NIPPLE	NIPPEL		UN 2 1/2 - UN 2 1/2
9	3176 8271 00	1	NIPPLE	NIPPEL		UNF 7/16 - UNF 7/16
9	3715 0587 00	1	NIPPLE	NIPPEL		UN 1 1/16 - UN 1 5/16

## HOSE CONNECTION / SLANGANSLUTNING

-

Ref.no	Part no Art.nr	Qty Qty	Description	Beskrivning	See page Se sidan	Remarks Anmärkningar
10	0570 5010 19	1	NIPPLE	NIPPEL		UNF 7/16 - NPTF 1/2
10	0570 5010 06	1	NIPPLE	NIPPEL		UN 1 1/16 - NPTF 1
10	0570 5010 09	1	NIPPLE	NIPPEL		UN 1 5/16 - NPTF 3/4
10	0570 5010 10	1	NIPPLE	NIPPEL		UN 1 5/16 - NPTF 1 1/4
10	0570 5010 15	1	NIPPLE	NIPPEL		UN 1 5/8 - NPTF 1 1/2
10	0570 5010 16	1	NIPPLE	NIPPEL		UN 1 1/16 - NPTF 1 1/2
10	0570 5010 20	1	NIPPLE	NIPPEL		UNF 9/16 - NPTF 1/2
10	0570 5010 21	1	NIPPLE	NIPPEL		UNF 3/4 - NPTF 3/4
10	0570 5010 22	1	NIPPLE	NIPPEL		UN 1 1/16 - NPTF 1/2
10	0570 5010 23	1	NIPPLE	NIPPEL		UN 1 7/8 - NPTF 1 1/4
10	0570 5010 24	1	NIPPLE	NIPPEL		UNF 7/8 - NPTF 3/4
10	3176 0064 00	1	NIPPLE	NIPPEL		UNF 9/16 - NPTF 1/4
10	3176 0065 00	1	NIPPLE	NIPPEL		UNF 3/4 - NPTF 3/8
10	3176 1508 00	1	NIPPLE	NIPPEL		UNF 7/8 - NPTF 1/2
10	3176 1522 00	1	NIPPLE	NIPPEL		UNF 7/8 - NPTF 3/8
10	3176 1942 00	1	NIPPLE	NIPPEL		UNF 9/16-NPTF 1/8 STRAIGHT
10	3176 1943 00	1	NIPPLE	NIPPEL		UN 1 5/8 - NPTF 1
10	3176 2645 00	1	NIPPLE	NIPPEL		UNF 3/4 - NPTF 1/4
10	3176 2786 00	1	NIPPLE	NIPPEL		UNF 3/4 - NPTF 1/2
10	3176 3829 00	1	NIPPLE	NIPPEL		UNF 9/16 - NPTF 3/8
10	3176 6539 00	1	NIPPLE	NIPPEL		UN 1 1/16 - NPTF 3/4
10	3176 6540 00	1	NIPPLE	NIPPEL		UN 1 5/16 - NPTF 1
10	3176 6657 00	1	NIPPLE	NIPPEL		UN 1 5/8 - NPTF 1 1/4
10	3176 6658 00	1	NIPPLE	NIPPEL		UN 1 7/8 - NPTF 1 1/2
10	3176 6659 00	1	NIPPLE	NIPPEL		UN 2 1/2 - NPTF 2
10	3176 7058 00	1	NIPPLE	NIPPEL		UNF 7/16 - NPTF 1/8
10	3177 3063 00	1	NIPPLE	NIPPEL		UNF 7/16 - NPTF 1/4
11	3176 8711 00	1	NIPPLE	NIPPEL		UN 2 1/2 - RD 65-6
11	3176 8872 00	1	NIPPLE	NIPPEL		UN 1 7/8 - RG 65-6
12	0570 5011 06	1	STRAIGHT COUPL.	RAK KOPPLING		UN 1 1/16 - ISO 7-R 1/2
13	0570 5011 05	1	STRAIGHT COUPL.	RAK KOPPLING		UNF 7/16 - M10 X 1
14	3176 6522 00	1	NIPPLE	NIPPEL		UNF 9/16-G 1/4 INV.STRAIGHT
14	3176 6523 00	1	NIPPLE	NIPPEL		UNF 9/16 - G 3/8
14	3176 6524 00	1	NIPPLE	NIPPEL		UNF 3/4 - G 1/4
14	3176 6525 00	1	NIPPLE	NIPPEL		UNF 3/4 - G 3/8
14	3176 6526 00	1	NIPPLE	NIPPEL		UNF 3/4 - G 1/2
14	3176 6527 00	1	NIPPLE	NIPPEL		UNF 7/8 - G 1/2
14	3176 6528 00	1	NIPPLE	NIPPEL		UNF 1 1/16 - G 3/4

## HOSE CONNECTION / SLANGANSLUTNING

-

Ref.no	Part no Art.nr	Qty Qty	Description	Beskrivning	See page Se sidan	Remarks Anmärkningar
14	3176 6529 00	1	NIPPLE	NIPPEL		UN 1 5/16 - G 1
14	3176 6647 00	1	NIPPLE	NIPPEL		UN 1 5/8 - G 1
14	3176 6648 00	1	NIPPLE	NIPPEL		UN 1 5/8 - G 1 1/4
14	3176 6649 00	1	NIPPLE	NIPPEL		UN 1 7/8 - G 1 1/4
14	3176 6650 00	1	NIPPLE	NIPPEL		UN 1 7/8 - G 1 1/2
14	3176 7342 00	1	NIPPLE	NIPPEL		UN 1 1/16 - G 1/2
14	3176 8043 00	1	NIPPLE	NIPPEL		UNF 1/2 - G 1/4
15	0570 5020 07	1	NIPPLE	NIPPEL		UNF 3/4 - G 1/4
15	3176 7851 00	1	NIPPLE	NIPPEL		UNF 9/16 - G 3/8
15	3176 8292 00	1	NIPPLE	NIPPEL		UNF 9/16 - G 1/2
15	3177 3012 00	1	NIPPLE	NIPPEL		UNF 7/16 - G 3/8
15	3177 3070 00	1	NIPPLE	NIPPEL		UNF 9/16 - G 1/4
15	3177 3136 00	1	NIPPLE	NIPPEL		UNF 7/16 - G 1/4
16	0570 5020 08	1	NIPPLE	NIPPEL		UN 1 1/16 - NPTF 1/2
16	3455 0402 01	1	NIPPLE	NIPPEL		UNF 7/16 - NPTF 1/8
16	3455 0402 02	1	NIPPLE	NIPPEL		UNF 7/16 - NPTF 1/4
16	3455 0402 03	1	NIPPLE	NIPPEL		UNF 1/2 - NPTF 1/8
16	3455 0402 04	1	NIPPLE	NIPPEL		UNF 9/16 - NPTF 1/4
16	3455 0402 05	1	NIPPLE	NIPPEL		UNF 9/16 - NPTF 3/8
16	3455 0402 06	1	NIPPLE	NIPPEL		UNF 3/4 - NPTF 3/8
16	3455 0402 07	1	NIPPLE	NIPPEL		UNF 7/8 - NPTF 1/2
16	3455 0402 08	1	NIPPLE	NIPPEL		UN 1 1/16 - NPTF 3/4
16	3455 0402 13	1	NIPPLE	NIPPEL		UNF 3/4 - NPTF 1/2
16	3455 0402 09	1	NIPPLE	NIPPEL		UN 1 5/16 - NPTF 1
16	3455 0402 10	1	NIPPLE	NIPPEL		UN 1 5/8 - NPTF 1 1/4
16	3455 0402 11	1	NIPPLE	NIPPEL		UN 1 7/8 - NPTF 1 1/4
16	3455 0402 12	1	NIPPLE	NIPPEL		UN 2 1/2 - NPTF 2
17	3176 3045 80	1	PIPE COUPLING	RÖRKOPPLING		UNF 9/16
17	3176 3046 80	1	PIPE COUPLING	RÖRKOPPLING		UNF 3/4
17	3176 3048 80	1	PIPE COUPLING	RÖRKOPPLING		UN 1 1/16
17	3176 3049 80	1	PIPE COUPLING	RÖRKOPPLING		UN 1 5/16
18	3176 2821 00	1	NIPPLE	NIPPEL		UNF 3/4 - 15
18	3176 3050 00	1	NIPPLE	NIPPEL		UNF 9/16 - 8
18	3176 3051 00	1	NIPPLE	NIPPEL		UNF 3/4 - 12
18	3176 3052 00	1	NIPPLE	NIPPEL		UNF 7/8 - 16
18	3176 3053 00	1	NIPPLE	NIPPEL		UN 1 1/16 - 20
18	3176 6353 00	1	NIPPLE	NIPPEL		UNF 9/16 - 12
18	3176 6542 00	1	NIPPLE	NIPPEL		UNF 3/4 - 16

HOSE CONNECTION / SLANGANSLUTNING

-

Ref.no	Part no Art.nr	Qty Qty	Description	Beskrivning	See page Se sidan	Remarks Anmärkningar
18	3176 6543 00	1	NIPPLE	NIPPEL		UNF 7/8 - 12
18	3176 6544 00	1	NIPPLE	NIPPEL		UNF 7/8 - 20
18	3176 7767 00	1	NIPPLE	NIPPEL		UNF 9/16 - 6
18	3176 8120 00	1	NIPPLE	NIPPEL		UNF 9/16 - 10
18	3217 7310 00	1	NIPPLE	NIPPEL		UN 1 5/16 - 22
19	0570 5040 02	1	NIPPLE	NIPPEL		UN 1 5/8 - G 1 1/4
19	0570 5040 03	1	NIPPLE	NIPPEL		UNF 9/16 - G 3/8
19	0570 5040 05	1	NIPPLE	NIPPEL		UNF 7/16 - G 1/4
19	0570 5040 06	1	NIPPLE	NIPPEL		UNF 3/4 - G 1/2
19	0570 5040 07	1	NIPPLE	NIPPEL		UNF 3/4 - G 1/4
19	0570 5040 15	1	NIPPLE	NIPPEL		UN 1 7/8 - G 1 1/4
19	3176 7757 00	1	NIPPLE	NIPPEL		UN 1 1/16 - G 3/4
19	3176 8270 00	1	NIPPLE	NIPPEL		UNF 3/4 - G 3/8
19	3176 8489 00	1	NIPPLE	NIPPEL		UNF 9/16 - G 1/4
19	3176 8490 00	1	NIPPLE	NIPPEL		UNF 7/8 - G 1/2
19	3177 3025 00	1	NIPPLE	NIPPEL		UN 1 7/8 - G 1 1/2
19	3177 3107 00	1	NIPPLE	NIPPEL		UN 1 5/16 - G 1
19	3177 3132 00	1	NIPPLE	NIPPEL		UNF 7/16 - G 1/8
20	0570 5040 04	1	NIPPLE	NIPPEL		UNF 7/16 - M10 X 1
21	0570 5041 05	1	NIPPLE	NIPPEL		UN 1 1/16 - NPTF 3/4
21	0570 5041 06	1	NIPPLE	NIPPEL		UNF 7/8 - NPTF 1/2
22	0570 5080 05	1	NIPPLE	NIPPEL		UN 1 5/8
22	3176 8972 00	1	NIPPLE	NIPPEL		UNF 9/16
22	3176 8973 00	1	NIPPLE	NIPPEL		UNF 7/8
23	3176 1947 00	1	NIPPLE	NIPPEL		UN 1 3/16
23	3176 3060 00	1	NIPPLE	NIPPEL		90 DEGREE WITH SVIVELNUT
23	3176 6039 00	1	NIPPLE	NIPPEL		UN 1 5/16
23	3176 6668 00	1	NIPPLE	NIPPEL		UN 1 5/8
23	3176 6669 00	1	NIPPLE	NIPPEL		UN 1 7/8
23	3176 6670 00	1	NIPPLE	NIPPEL		UN 2 1/2
23	3176 7872 00	1	ELBOW NIPPLE	VINKELNIPPEL		UNF 7/16
23	3176 7873 00	1	NIPPLE	NIPPEL		UNF 1/2
23	3715 0584 00	1	ELBOW NIPPLE	VINKELNIPPEL		UNF 9/16 - UNF 9/16
23	3715 0585 00	1	NIPPLE	NIPPEL		90 DEGREE WITH SVIVELNUT
23	3715 0589 00	1	NIPPLE	NIPPEL		UN 1 1/16
24	3176 1944 00	1	NIPPLE	NIPPEL		UNF 7/16
24	3176 6547 00	1	NIPPLE	NIPPEL		UNF 9/16
24	3176 6548 00	1	NIPPLE	NIPPEL		UNF 3/4

## HOSE CONNECTION / SLANGANSLUTNING

-

Ref.no	Part no Art.nr	Qty Qty	Description	Beskrivning	See page Se sidan	Remarks Anmärkningar
24	3176 6549 00	1	NIPPLE	NIPPEL		UNF 7/8
24	3176 6550 00	1	ELBOW	RÖRVINKEL		UN 1 1/16
24	3176 6551 00	1	ELBOW	RÖRVINKEL		JIC SWIVEL M/F ENDS
24	3176 6660 00	1	NIPPLE	NIPPEL		UN 1 5/8
24	3176 6661 00	1	NIPPLE	NIPPEL		UN 1 7/8
24	3176 6662 00	1	NIPPLE	NIPPEL		UN 2 1/2
25	0570 5090 02	1	NIPPLE	NIPPEL		UNF 3/4 - M18 X 1,5
25	0570 5090 19	1	NIPPLE	NIPPEL		UNF 3/4 - M16 X 1,5
25	0570 5090 20	1	NIPPLE	NIPPEL		UNF 7/8 - M18 X 1,5
26	3176 6351 00	1	NIPPLE	NIPPEL		UNF 9/16 - G 1/4
26	3176 6352 00	1	NIPPLE	NIPPEL		UNF 9/16 - G 3/8
26	3176 6612 00	1	NIPPLE	NIPPEL		UNF 7/16 - G 1/4
26	3176 6671 00	1	NIPPLE	NIPPEL		UNF 7/16 - G 1/8
26	0570 5090 45	1	NIPPLE	NIPPEL		UNF 9/16 - G 1/2
26	3176 6344 00	1	NIPPLE	NIPPEL		UNF 3/4 - G 3/8
26	3176 6563 00	1	NIPPLE	NIPPEL		UNF 3/4 - G 1/4
26	3176 6564 00	1	NIPPLE	NIPPEL		UNF 3/4 - G 1/2
26	3176 6565 00	1	NIPPLE	NIPPEL		UNF 7/8 - G 1/2
26	3176 6566 00	1	NIPPLE	NIPPEL		UN 1 1/16 - G 1/2
26	3176 6567 00	1	NIPPLE	NIPPEL		90 DEGREE
26	3176 6568 00	1	NIPPLE	NIPPEL		UN 1 5/16 - G 3/4
26	3176 6569 00	1	NIPPLE	NIPPEL		90 DEGREES
26	3176 6672 00	1	NIPPLE	NIPPEL		UN 1 5/8 - G 1
26	3176 6673 00	1	NIPPLE	NIPPEL		UN 1 5/8 - G 1 1/4
26	3176 6674 00	1	NIPPLE	NIPPEL		UN 1 7/8 - G 1 1/4
26	3176 6675 00	1	NIPPLE	NIPPEL		UN 1 7/8 - G 1 1/2
26	3177 3045 00	1	NIPPLE	NIPPEL		UNF 9/16 - G 1/8
26	3177 3046 00	1	NIPPLE	NIPPEL		UNF 7/8 - G 3/4
27	0570 5090 18	1	NIPPLE	NIPPEL		UNF 7/16 - G 1/4
27	3176 6552 00	1	NIPPLE	NIPPEL		UNF 9/16 - G 1/4
27	3176 6553 00	1	NIPPLE	NIPPEL		45 DEGREES
27	3176 6554 00	1	NIPPLE	NIPPEL		UNF 7/8 - G 1/2
27	3176 6555 00	1	NIPPLE	NIPPEL		UN 1 1/16 - G 3/4
27	3176 6556 00	1	NIPPLE	NIPPEL		UN 1 5/16 - G 1
27	3176 6663 00	1	NIPPLE	NIPPEL		UN 1 5/8 - G 1 1/4
27	3176 6664 00	1	NIPPLE	NIPPEL		UN 1 7/8 - G 1 1/2
27	3177 3195 00	1	NIPPLE	NIPPEL		UNF 7/16 - G 1/8
28	3176 1426 00	1	NIPPLE	NIPPEL		UNF 7/8 - UNF 7/8

HOSE CONNECTION / SLANGANSLUTNING

-

Ref.no	Part no Art.nr	Qty Qty	Description	Beskrivning	See page Se sidan	Remarks Anmärkningar
28	3176 6571 00	1	ELBOW	RÖRVINKEL		UN 1 1/16 - UN 1 1/16
28	3176 6572 00	1	NIPPLE	NIPPEL		UN 1 5/16 - UN 1 5/16
28	3176 6676 00	1	NIPPLE	NIPPEL		UN 1 5/8 - UN 1 5/8
28	3177 3190 00	1	NIPPLE	NIPPEL		UNF 1/2 - UNF 1/2
28	3715 0588 00	1	NIPPLE	NIPPEL		UNF 9/16 - UNF 9/16
28	3176 6677 00	1	NIPPLE	NIPPEL		UN 1 7/8 - UN 1 7/8
28	3176 6678 00	1	NIPPLE	NIPPEL		UN 2 1/2 - UN 2 1/2
29	3176 6557 00	1	NIPPLE	NIPPEL		UNF 9/16 - UNF 9/16
29	3176 6558 00	1	NIPPLE	NIPPEL		UNF 3/4 - UNF 3/4
29	3176 6559 00	1	NIPPLE	NIPPEL		UNF 7/8 - UNF 7/8
29	3176 6560 00	1	NIPPLE	NIPPEL		UN 1 1/16 - UN 1 1/16
29	3176 6561 00	1	NIPPLE	NIPPEL		UN 1 5/16 - UN 1 5/16
29	3176 6665 00	1	NIPPLE	NIPPEL		UN 1 5/8 - UN 1 5/8
29	3176 6666 00	1	NIPPLE	NIPPEL		UN 1 7/8 - UN 1 7/8
29	3176 6667 00	1	NIPPLE	NIPPEL		UN 2 1/2 - UN 2 1/2
30	0570 5090 01	1	NIPPLE	NIPPEL		UNF 7/16 - NPTF 1/4 90DEG
30	0570 5090 08	1	NIPPLE	NIPPEL		UNF 3/4 - NPTF 3/4
30	0570 5090 16	1	NIPPLE	NIPPEL		UNF 1/2 - NPTF 1/4
30	0570 5090 21	1	NIPPLE	NIPPEL		UNF 7/16 - NPTF 1/8
30	0570 5090 25	1	NIPPLE	NIPPEL		UNF 9/16 - NPTF 1/8
30	0570 5090 26	1	NIPPLE	NIPPEL		UNF 3/4 - NPTF 1/4
30	3176 0062 00	1	NIPPLE	NIPPEL		UNF 3/4-NPTF 3/8 90 DEGREE
30	3176 0063 00	1	NIPPLE	NIPPEL		UNF 9/16 - NPTF 1/4
30	3176 1948 00	1	NIPPLE	NIPPEL		UNF 9/16 - NPTF 1/2
30	3176 3828 00	1	NIPPLE	NIPPEL		UNF 9/16 - NPTF 3/8
30	0570 5090 22	1	NIPPLE	NIPPEL		UN 1 5/16 - NPTF 3/4
30	0570 5090 23	1	NIPPLE	NIPPEL		UN 1 5/8 - NPTF 1 1/4
30	0570 5090 24	1	NIPPLE	NIPPEL		UN 1 5/8 - NPTF 1
30	0570 5090 27	1	NIPPLE	NIPPEL		UN 1 1/16 - NPTF 1/2
30	3176 1510 00	1	NIPPLE	NIPPEL		UNF 7/8 - NPTF 1/2
30	3176 1672 00	1	NIPPLE	NIPPEL		UN 1 5/16 - NPTF 1
30	3176 1949 00	1	NIPPLE	NIPPEL		UNF 3/4 - NPTF 1/2
30A	0570 5090 13	1	NIPPLE	NIPPEL		UNF 7/16 - NPTF 1/4
30A	0570 5090 14	1	NIPPLE	NIPPEL		UN 1 1/16 - NPTF 3/4
30A	0570 5090 34	1	NIPPLE	NIPPEL		UNF 7/16 - NPTF 1/8
30A	0570 5090 35	1	NIPPLE	NIPPEL		UNF 9/16 - NPTF 1/4
30A	0570 5090 36	1	NIPPLE	NIPPEL		UNF 3/4 - NPTF 3/8
30A	0570 5090 37	1	NIPPLE	NIPPEL		UN 1 5/16 - NPTF 1

## HOSE CONNECTION / SLANGANSLUTNING

-

Ref.no	Part no Art.nr	Qty Qty	Description	Beskrivning	See page Se sidan	Remarks Anmärkningar
30A	0570 5090 38	1	NIPPLE	NIPPEL		UN 1 5/8 - NPTF 1 1/4
30B	0570 5090 15	1	NIPPLE	NIPPEL		UNF 7/16 - NPTF 1/4
30B	0570 5090 28	1	NIPPLE	NIPPEL		UNF 7/16 - NPTF 1/8
30B	0570 5090 29	1	NIPPLE	NIPPEL		UNF 3/4 - NPTF 3/8
30B	0570 5090 30	1	NIPPLE	NIPPEL		UN 1 1/16 - NPTF 3/4
30B	0570 5090 31	1	NIPPLE	NIPPEL		UN 1 5/16 - NPTF 1
30B	0570 5090 32	1	NIPPLE	NIPPEL		UN 1 5/8 - NPTF 1 1/4
30B	0570 5090 33	1	NIPPLE	NIPPEL		UNF 9/16 - NPTF 1/4
31	0570 5090 12	1	NIPPLE	NIPPEL		UNF 7/16 - NPTF 1/4
31	3176 0166 00	1	NIPPLE	NIPPEL		UNF 9/16 - NPTF 1/4
31	3176 0167 00	1	NIPPLE	NIPPEL		UNF 3/4 - NPTF 3/8
31	3176 0529 00	1	NIPPLE	NIPPEL		UN 1 5/16-NPTF 1 45GRAD
31	3176 1509 00	1	NIPPLE	NIPPEL		UNF 7/8 - NPTF 1/2
31	3176 1945 00	1	NIPPLE	NIPPEL		UN 1 5/8 - NPTF 1 1/4
31	3176 1946 00	1	NIPPLE	NIPPEL		UN 1 7/8 - NPTF 1 1/2
31	3176 6562 00	1	NIPPLE	NIPPEL		UN 1 1/16 - NPTF 3/4 45 GRADER
32	0570 5090 03	1	NIPPLE	NIPPEL		UNF 7/16 - NPTF 1/4
32	0570 5090 04	1	NIPPLE	NIPPEL		UN 1 1/16 - NPTF 3/4
33	3176 1524 00	1	NIPPLE	NIPPEL		UNF 7/8
33	3176 2644 00	1	NIPPLE	NIPPEL		UNF 3/4
33	3176 3555 00	1	NIPPLE	NIPPEL		UNF 9/16
33	3176 6574 00	1	NIPPLE	NIPPEL		UN 1 1/16
33	3176 6575 00	1	NIPPLE	NIPPEL		UN 1 5/16
33	3176 6679 00	1	NIPPLE	NIPPEL		UN 1 5/8
33	3176 6680 00	1	NIPPLE	NIPPEL		UN 1 7/8
33	3176 6681 00	1	NIPPLE	NIPPEL		UN 2 1/2
34	0570 5110 03	1	NIPPLE	NIPPEL		UNF 7/16
34	3176 5428 00	1	NIPPLE	NIPPEL		UNF 9/16
34	3176 6036 00	1	NIPPLE	NIPPEL		UNF 7/8
34	3176 6576 00	1	NIPPLE	NIPPEL		UNF 3/4
34	3176 6577 00	1	NIPPLE	NIPPEL		UN 1 1/16
34	3176 6578 00	1	NIPPLE	NIPPEL		UN 1 5/16
34	3176 6682 00	1	NIPPLE	NIPPEL		UN 1 5/8
34	3176 6683 00	1	NIPPLE	NIPPEL		UN 1 7/8
34	3176 6684 00	1	NIPPLE	NIPPEL		UN,2,1/2
35	0570 5110 01	1	NIPPLE	NIPPEL		UNF 1/2
35	3176 5427 00	1	NIPPLE	NIPPEL		UNF 9/16

**HOSE CONNECTION / SLANGANSLUTNING**

-

Ref.no	Part no Art.nr	Qty Qty	Description	Beskrivning	See page Se sidan	Remarks Anmärkningar
35	3176 5535 00	1	NIPPLE	NIPPEL		UNF 3/4
35	3176 6590 00	1	NIPPLE	NIPPEL		T- /SVIVELNUT
35	3176 6591 00	1	NIPPLE	NIPPEL		UN 1 1/16
35	3176 6592 00	1	NIPPLE	NIPPEL		UN 1 5/16
35	3176 6690 00	1	NIPPLE	NIPPEL		UN 1 5/8
35	3176 6691 00	1	NIPPLE	NIPPEL		UN 1 7/8
35	3176 6692 00	1	NIPPLE	NIPPEL		UN 2 1/2
35	3177 3095 00	1	NIPPLE	NIPPEL		UNF 7/16
36	0570 5120 03	1	NIPPLE	NIPPEL		UNF 7/16 - G 1/4
36	0570 5120 04	1	NIPPLE	NIPPEL		UN 1 1/16 - G 1/2
36	3176 6579 00	1	NIPPLE	NIPPEL		UNF 9/16 - G 1/4
36	3176 6580 00	1	NIPPLE	NIPPEL		UNF 3/4 - G 3/8
36	3176 6581 00	1	NIPPLE	NIPPEL		UNF 7/8 - G 1/2
36	3176 6582 00	1	NIPPLE	NIPPEL		UN 1 1/16 - G 3/4
36	3176 6583 00	1	NIPPLE	NIPPEL		UN 1 5/16 - G 1
36	3176 6585 00	1	NIPPLE	NIPPEL		UNF 3/4 - UNF 3/4
36	3176 6586 00	1	NIPPLE	NIPPEL		UNF 7/8 - UNF 7/8
37	0570 5120 01	1	NIPPLE	NIPPEL		UNF 7/16 - G 1/8
37	0570 5120 05	1	NIPPLE	NIPPEL		UNF 7/16 - G 1/4
37	3176 6593 00	1	NIPPLE	NIPPEL		UNF 9/16 - G 1/4
37	3176 6594 00	1	NIPPLE	NIPPEL		UNF 3/4 - G 3/8
37	3176 6595 00	1	NIPPLE	NIPPEL		UNF 7/8-G 1/2
37	3176 6596 00	1	NIPPLE	NIPPEL		UN 1 1/16 - G 3/4
37	3176 6597 00	1	NIPPLE	NIPPEL		UN 1 5/16 - G 1
37	3176 6693 00	1	NIPPLE	NIPPEL		UN 1 5/8 - G 1 1/4
37	3176 6694 00	1	NIPPLE	NIPPEL		UN 1 7/8 - G 1 1/2
38	3176 6584 00	1	NIPPLE	NIPPEL		UNF 9/16 - UNF 9/16
38	3176 6585 00	1	NIPPLE	NIPPEL		UNF 3/4 - UNF 3/4
38	3176 6586 00	1	NIPPLE	NIPPEL		UNF 7/8 - UNF 7/8
38	3176 6587 00	1	NIPPLE	NIPPEL		UN 1 1/16 - UN 1 1/16
38	3176 6588 00	1	NIPPLE	NIPPEL		UN 1 5/16 - UN 1 5/16
38	3176 6687 00	1	NIPPLE	NIPPEL		UN 1 5/8 - UN 1 5/8
38	3176 6688 00	1	NIPPLE	NIPPEL		UN 1 7/8 - UN 1 7/8
38	3176 6689 00	1	NIPPLE	NIPPEL		UN 2 1/2 - UN 2 1/2
39	3176 6598 00	1	NIPPLE	NIPPEL		UNF 9/16 - UNF 9/16
39	3176 6599 00	1	NIPPLE	NIPPEL		UNF 3/4 - UNF 3/4
39	3176 6600 00	1	NIPPLE	NIPPEL		UNF 7/8 - UNF 7/8
39	3176 6601 00	1	NIPPLE	NIPPEL		UN 1 1/16 - UN 1 1/16



## HOSE CONNECTION / SLANGANSLUTNING

-

Ref.no	Part no Art.nr	Qty Qty	Description	Beskrivning	See page Se sidan	Remarks Anmärkningar
39	3176 6602 00	1	NIPPLE	NIPPEL		UN 1 5/16 - UN 1 5/16
39	3176 6695 00	1	NIPPLE	NIPPEL		UN 1 5/8 - UN 1 5/8
39	3176 6696 00	1	NIPPLE	NIPPEL		UN 1 7/8 - UN 1 7/8
39	3176 6697 00	1	NIPPLE	NIPPEL		UN 2 1/2 - UN 2 1/2
40	3176 1300 00	1	NIPPLE	NIPPEL		UNF 3/4 - NPTF 3/8
40	3176 5018 00	1	NIPPLE	NIPPEL		UNF 9/16 - NPTF 1/4
40	3176 1523 00	1	NIPPLE	NIPPEL		UNF 7/8 - NPTF 1/2
40	3176 1671 00	1	NIPPLE	NIPPEL		UN 1 5/16 - NPTF 1
40	3176 6589 00	1	NIPPLE	NIPPEL		UN 1 1/16 - NPTF 3/4
41	0570 5120 07	1	NIPPLE	NIPPEL		UNF 7/16 - NPTF 1/8
41	0570 5120 08	1	NIPPLE	NIPPEL		UNF 7/16 - NPTF 1/4
41	0570 5120 09	1	NIPPLE	NIPPEL		UNF 9/16 - NPTF 3/8
41	0570 5120 10	1	NIPPLE	NIPPEL		UNF 3/4 - NPTF 1/2
41	0570 5120 11	1	NIPPLE	NIPPEL		UN 1 5/16 - NPTF 3/4
41	0570 5120 12	1	NIPPLE	NIPPEL		UN 1 5/8 - NPTF 1 1/4
41	0570 5120 13	1	NIPPLE	NIPPEL		UN 1 7/8 - NPTF 1 1/2
41	3176 2710 00	1	NIPPLE	NIPPEL		UNF 7/8 - NPTF 1/2
41	3176 2809 00	1	NIPPLE	NIPPEL		UNF 3/4 - NPTF 3/8
41	3176 6603 00	1	NIPPLE	NIPPEL		UNF 9/16 - NPTF 1/4
41	3176 6604 00	1	NIPPLE	NIPPEL		UN 1 1/16 - NPTF 3/4
41	3176 6605 00	1	NIPPLE	NIPPEL		UN 1 5/16 - NPTF 1
42	3455 0766 01	1	NIPPLE	NIPPEL		UNF 7/16 - NPTF 1/8
42	3455 0766 02	1	NIPPLE	NIPPEL		UNF 7/16 - NPTF 1/4
42	3455 0766 03	1	NIPPLE	NIPPEL		UNF 1/2 - NPTF 1/8
42	3455 0766 04	1	NIPPLE	NIPPEL		UNF 9/16 - NPTF 1/4
42	3455 0766 05	1	NIPPLE	NIPPEL		UNF 3/4 - NPTF 3/8
42	3455 0766 06	1	NIPPLE	NIPPEL		UNF 7/8 - NPTF 1/2
42	3455 0766 07	1	NIPPLE	NIPPEL		UN 1 1/16 - NPTF 3/4
42	3455 0766 08	1	NIPPLE	NIPPEL		UN 1 5/16 - NPTF 1
42	3455 0766 09	1	NIPPLE	NIPPEL		UN 1 5/8 - NPTF 1 1/4
43	0570 5140 05	1	NIPPLE	NIPPEL		UN 1 1/16
43	3176 7071 00	1	NIPPLE	NIPPEL		UNF 3/4
44	3176 6496 00	1	NIPPLE	NIPPEL		UNF 9/16=WTXNS10 UNF 9/16
44	3176 6497 00	1	NIPPLE	NIPPEL		UNF 3/4
44	3176 6498 00	1	NIPPLE	NIPPEL		UNF 7/8
44	3176 8028 00	1	NIPPLE	NIPPEL		UNF 7/16
44	3176 6499 00	1	NIPPLE	NIPPEL		UN 1 1/16
44	3176 6500 00	1	NIPPLE	NIPPEL		UN 1 5/16

HOSE CONNECTION / SLANGANSLUTNING

-

Ref.no	Part no Art.nr	Qty Qty	Description	Beskrivning	See page Se sidan	Remarks Anmärkningar
44	3176 6636 00	1	NIPPLE	NIPPEL		UN 1 5/8
44	3176 6637 00	1	NIPPLE	NIPPEL		UN 1 7/8
44	3176 6638 00	1	NIPPLE	NIPPEL		UN 2 1/2
45	3176 8424 00	1	NIPPLE	NIPPEL		UNF 9/16 - UNF 9/16
46	3455 0543 01	1	NIPPLE	NIPPEL		UNF 7/16
46	3455 0543 02	1	NIPPLE	NIPPEL		UNF 1/2
46	3455 0543 03	1	NIPPLE	NIPPEL		UNF 9/16
46	3455 0543 04	1	NIPPLE	NIPPEL		UNF 3/4
46	3455 0543 05	1	NIPPLE	NIPPEL		UNF 7/8
46	3455 0543 06	1	NIPPLE	NIPPEL		UN 1 1/16
46	3455 0543 07	1	NIPPLE	NIPPEL		UN 1 5/16
46	3455 0543 08	1	NIPPLE	NIPPEL		UN 1 5/8
47	0570 5160 05	1	NIPPLE	NIPPEL		UNF 7/16
47A	3176 8927 00	1	NIPPLE	NIPPEL		UNF 7/8
48	3176 2930 00	1	CAP NUT	ÖVERFALLSMUTTER		UN 1 1/16
48	3176 6613 00	1	CAP NUT	ÖVERFALLSMUTTER		UNF 7/16
48	3176 6614 00	1	CAP NUT	ÖVERFALLSMUTTER		UNF 9/16
48	3176 6615 00	1	CAP NUT	ÖVERFALLSMUTTER		UNF 3/4
48	3176 6616 00	1	CAP NUT	ÖVERFALLSMUTTER		UNF 7/8
48	3176 6618 00	1	CAP NUT	ÖVERFALLSMUTTER		UN 1 5/16
48	3176 6787 00	1	CAP NUT	ÖVERFALLSMUTTER		UN 1 5/8
48	3176 6788 00	1	CAP NUT	ÖVERFALLSMUTTER		UN 1 7/8
48	3176 6789 00	1	CAP NUT	ÖVERFALLSMUTTER		UN 2 1/2
49A	0570 5190 11	1	ADAPTER SLEEVE	KLÄMHYLSA		FOR PIPE D=32
49A	3176 2905 00	1	ADAPTER SLEEVE	KLÄMHYLSA		FOR PIPE D=30
49A	3177 3047 00	1	ADAPTER SLEEVE	KLÄMHYLSA		FOR PIPE D=6
49A	3177 3108 00	1	ADAPTER SLEEVE	KLÄMHYLSA		FOR PIPE D=38
49A	3715 1505 00	1	ADAPTER SLEEVE	KLÄMHYLSA		FOR PIPE D=20
49A	3715 3020 00	1	ADAPTER SLEEVE	KLÄMHYLSA		FOR PIPE D=10
49A	3715 3021 00	1	ADAPTER SLEEVE	KLÄMHYLSA		FOR PIPE D=16
49A	3715 3022 00	1	ADAPTER SLEEVE	KLÄMHYLSA		FOR PIPE D=25
49A	3715 3030 00	1	ADAPTER SLEEVE	KLÄMHYLSA		FOR PIPE D=12
49B	0570 5190 02	1	ADAPTER SLEEVE	KLÄMHYLSA		FOR PIPE D=1/4
49B	0570 5190 03	1	ADAPTER SLEEVE	KLÄMHYLSA		FOR PIPE D=3/8
49B	0570 5190 04	1	ADAPTER SLEEVE	KLÄMHYLSA		FOR PIPE D=1/2
49B	0570 5190 05	1	ADAPTER SLEEVE	KLÄMHYLSA		FOR PIPE D=3/4
49B	0570 5190 06	1	ADAPTER SLEEVE	KLÄMHYLSA		FOR PIPE D=1
49B	0570 5190 07	1	ADAPTER SLEEVE	KLÄMHYLSA		FOR PIPE D=1 1/4

## HOSE CONNECTION / SLANGANSLUTNING

-

Ref.no	Part no Art.nr	Qty Qty	Description	Beskrivning	See page Se sidan	Remarks Anmärkningar
49B	0570 5190 08	1	ADAPTER SLEEVE	KLÄMHYLSA		FOR PIPE D=1 1/2
50	3176 5563 00	1	PLUG	PLUGG		UNF 3/4
50	3176 6698 00	1	PLUG	PLUGG		UN 1 5/8
50	3176 6699 00	1	PLUG	PLUGG		UN 1 7/8
50	3176 6700 00	1	PLUG	PLUGG		UN 2 1/2
50	3176 8289 00	1	PLUG	PLUGG		UNF 7/16
50	3715 0598 00	1	PLUG	PLUGG		UN 1 1/16
50	3715 0599 00	1	PLUG	PLUGG		UNF 7/8
50	3715 0600 00	1	PLUG	PLUGG		UNF 9/16
50	3715 0821 00	1	PLUG	PLUGG		UN 1 5/16
51	3176 5313 00	1	CAP	HUV		UNF 3/4
51	3176 5429 00	1	CAP	HUV		UNF 9/16
51	3176 6701 00	1	CAP	HUV		UN 1 5/8
51	3176 6702 00	1	CAP	HUV		UN 1 7/8
51	3176 6703 00	1	CAP	HUV		UN 2 1/2
51	3176 8029 00	1	CAP	HUV		UNF 7/16
51	3177 3197 00	1	CAP	HUV		UNF 1/2
51	3715 0597 00	1	CAP	HUV		UNF 7/8
51	3715 0819 00	1	CAP	HUV		UN 1 5/16
51	3715 0820 00	1	CAP	HUV		UN 1 1/16
52A	0570 5191 05	1	TEST CONNECTION	TESTANSLUTNING		UNF 3/4 - G 1/4
52A	0570 5191 06	1	TEST CONNECTION	TESTANSLUTNING		UNF 7/8 - GR 1/4
52A	0570 5191 07	1	TEST CONNECTION	TESTANSLUTNING		UNF 9/16 - G 1/4
52B	0570 5191 08	1	TEST CONNECTION	TESTANSLUTNING		UN 1 1/16 - G 1/4
52B	0570 5191 09	1	TEST CONNECTION	TESTANSLUTNING		UN 1 5/16 - G 1/4
53	0584 0004 00	1	CUTTING RING	SKÄRRING		Y1 - 6 - PRESS.WORK 100 BAR
53	0584 0024 00	1	CUTTING RING	SKÄRRING		Y1 - 10 - PRESS.WORK 250 BAR
53	0584 0025 00	1	CUTTING RING	SKÄRRING		Y1 - 12 - PRESS.WORK 250 BAR
53	0584 0027 00	1	CUTTING RING	SKÄRRING		Y1 - 15 - PRESS.WORK 250 BAR
53	0584 0062 00	1	CUTTING RING	SKÄRRING		Y1 - 6 - PRESS.WORK 630 BAR
53	0584 0064 00	1	CUTTING RING	SKÄRRING		Y1 - 8 - PRESS.WORK 630 BAR
53	0584 0065 00	1	CUTTING RING	SKÄRRING		Y1 - 10 - PRESS.WORK 630 BAR
53	0584 0066 00	1	CUTTING RING	SKÄRRING		Y1 - 12 - PRESS.WORK 630 BAR

**HOSE CONNECTION / SLANGANSLUTNING**

-

Ref.no	Part no Art.nr	Qty Qty	Description	Beskrivning	See page Se sidan	Remarks Anmärkningar
53	0584 0067 00	1	CUTTING RING	SKÄRRING		Y1 - 14 - PRESS.WORK 630 BAR
53	0584 0068 00	1	CUTTING RING	SKÄRRING		Y1 - 16 - PRESS.WORK 400 BAR
53	0584 0071 00	1	CUTTING RING	SKÄRRING		Y1 - 20 - PRESS.WORK 400 BAR
53	0584 0074 00	1	CUTTING RING	SKÄRRING		Y1 - 25 - PRESS.WORK 400 BAR
54	0584 2004 00	1	NUT	MUTTER		M 10X1 - 6-LL DIN 3870
54	0584 2022 00	1	NUT	MUTTER		M 12X1,5 - 6-L DIN 3870
54	0584 2024 00	1	NUT	MUTTER		M 16X1,5 - 10-L DIN 3870
54	0584 2025 00	1	NUT	MUTTER		M 16X1,5 - 10-L DIN 3870
54	0584 2026 00	1	NUT	MUTTER		M 18X1,5 - 12-L DIN 3870
54	0584 2027 00	1	NUT	MUTTER		M 22X1,5 - 15-L DIN 3870
54	0584 2062 00	1	NUT	MUTTER		M 14X1,5 - 6-S DIN 3870
54	0584 2064 00	1	NUT	MUTTER		M 16X1,5 - 8-S DIN 3870
54	0584 2065 00	1	NUT	MUTTER		M 18X1,5 - 10-S DIN 3870
54	0584 2066 00	1	NUT	MUTTER		M 20X1,5 - 12-S DIN 3870
54	0584 2067 00	1	NUT	MUTTER		M 22X1,5 - 14-S DIN 3870
54	0584 2068 00	1	NUT	MUTTER		M 24X1,5 - 16-S DIN 3870
54	0584 2074 00	1	NUT	MUTTER		M 36X2 - 25-S DIN 3870
55	3176 7968 00	1	NIPPLE	NIPPEL		EXTRA LONG, FOR FEED BULKHEAD
55	3176 7969 00	1	NIPPLE	NIPPEL		EXTRA LONG, FOR FEED BULKHEAD
55	3176 7970 00	1	NIPPLE	NIPPEL		EXTRA LONG, FOR FEED BULKHEAD

**CROSS REFERENCE LIST**

Part no Art.nr	Description	Ref.no	See page Se sidan
-	PARTS & SERVICE		7
-	TOOLS SET		7
-	MAINTENANCE KIT	1	9
-	FLUIDS	2	9
-	KIT	3	9
-	WAGON FRAME		53
-	TRACK FRAME		53
-	CANOPY		53
-	LADDER		53
-	GREASING DEVICE		53
-	WAGON FRAME	1	55
-	ELECTR. SYSTEM	2	55
-	AIR SYSTEM	3	55
-	HYDR. SYSTEM	4	55
-	WAGON FRAME	A01	57
-	WAGON FRAME	1	57
-	PLATE	13	57
-	ATTACHMENT	14	57
-	ATTACHMENT SET	21	57
-	WAGON FRAME	1	59
-	PLATE	4	59
-	ATTACHMENT	5	59
-	BOOM STANDS	6	61
-	TRACK FRAME	1	73
-	DRIVE UNIT	2	73
-	CONNECTION SET	3	73
-	CONNECTION SET	4	73
-	TRACK FRAME	1	75
-	TRACK FRAME	2	75
-	DRIVE UNIT	5	87
-	DRIVE UNIT	5	89
-	ENCLOSURE	1	91
-	FRAME	2	91
-	GUARD	3	91
-	LOGOTYPE LABEL	8	91
-	DOOR	3	93
-	DOOR	4	93

Part no Art.nr	Description	Ref.no	See page Se sidan
-	ROOF	13	93
-	ROOF	14	93
-	DOOR	3	101
-	PLATE	4	101
-	PLATE	5	101
-	PLATE	6	101
-	PLATE	7	101
-	PLATE	8	101
-	BEAM	2	115
-	BEAM	3	115
-	AIR SYSTEM	2	125
-	DRIVE UNIT		133
-	TANK UNIT		133
-	FILLER SET		133
-	POWER PACK	1	135
-	PIPE SET	2	135
-	EXHAUST SYSTEM	3	135
-	BRACKET	4	135
-	FILTER SET	5	135
-	AIR FILTER	6	135
-	COOLING SYSTEM	7	135
-	PROTECTION	8	135
-	COMPRESSOR UNIT	9	135
-	HOSE SET	11	135
-	HYDR. SYSTEM	12	135
-	PROTECTION	5	139
-	COMPRESSOR UNIT	13	139
-	BRACKET	37	139
-	BLOCK	1	147
-	BLOCK	6	147
-	BLOCK	7	147
-	PROTECTION	1	149
-	BRACKET	5	149
-	PLATE	6	149
-	PLATE	7	149
-	PROTECTION	8	149
-	PLATE	8	161
-	EXHAUST SYSTEM	2	163

Part no Art.nr	Description	Ref.no	See page Se sidan
-	BRACKET	3	167
-	TUBE	1	171
-	FLANGE	2	171
-	PLATE	6	177
-	PLATE	7	177
-	PLATE	3	181
-	COMPRESSOR SET	1	183
-	VESSEL	2	183
-	FILTER SET	3	183
-	MANIFOLD	1	185
-	COMPRESSOR UNIT	19	185
-	ELECTR. SYSTEM	23	185
-	ADAPTER	1	187
-	BRACKET	3	191
-	CONNECTION SET	1	195
-	CONNECTION SET	2	195
-	CONNECTION SET	3	195
-	CONNECTION SET	4	195
-	EMERG.SET	5	195
-	VALVE PLATE	7	195
-	CABLE GLAND	2	197
-	FIRE EXTINGUIS.	2	199
-	FUEL TANK	1	201
-	ELECTR. SYSTEM	2	201
-	BOOM SYSTEM		209
-	HOSE HOLDER		209
-	FEED SUPPORT		209
-	BOOM SYSTEM	1	211
-	HYDR. SYSTEM	2	211
-	BOOM BEAM	2	215
-	SUPPORT SET	12	215
-	BOOM BEAM	3	217
-	FEED		239
-	ANGLE INDICATOR	1	241
-	BRACKET	2	241
-	POINTER	3	241
-	FEED	1	243
-	ELECTR. SYSTEM	2	243

Part no Art.nr	Description	Ref.no	See page Se sidan
-	HYDR. SYSTEM	3	243
-	SUPPORT	3	247
-	CRADLE	6	247
-	BREAK-OUT TABLE	9	247
-	SUCTION HOOD	10	247
-	CRADLE SET	11	247
-	ROD HANDLING	12	247
-	WHEEL SET	17	247
-	BRACKET	19	247
-	DRUM	2	253
-	PLATE	22	257
-	PLATE	2	265
-	PLATE	40	267
-	PLATE	5	275
-	PLATE	9	275
-	PLATE	12	275
-	END PIECE	2	277
-	PLATE	6	289
-	PLATE	6	295
-	WHEEL SET	2	297
-	ROTATION UNIT		307
-	GEAR BOX ASSY	1	309
-	CABIN COMPLETE		319
-	CABIN ASSEMBLY	1	321
-	LABEL SET	3	321
-	HYDR. SYSTEM	4	321
-	CABIN FRAME	1	323
-	FLOOR PANEL KIT	3	323
-	PANEL KIT	4	323
-	PANEL KIT	5	323
-	EVAPORATOR	6	323
-	ELECTRONIC UNIT	8	323
-	FLOOR	1	325
-	FLOOR PANEL KIT	2	325
-	TOOL BOX	3	325
-	PANEL	5	325
-	SEALING SET	7	325
-	PLATE	8	325

Part no Art.nr	Description	Ref.no	See page Se sidan
-	COVER	9	325
-	RUBBER CARPET	12	325
-	PANEL KIT	1	327
-	PANEL KIT	2	327
-	PANEL KIT	3	327
-	PANEL KIT	4	327
-	PANEL KIT	5	327
-	PANEL	1	329
-	PLATE	2	329
-	MOUNTING PLATE	1	333
-	ARM REST	2	333
-	PANEL	1	337
-	PANEL	2	341
-	PANEL KIT	1	343
-	PANEL KIT	2	343
-	PANEL KIT	3	343
-	PANEL KIT	4	343
-	MOUNTING PLATE	1	345
-	SWITCH RACK	A1	353
-	SWITCH RACK	A2	353
-	SWITCH RACK	A1	355
-	SWITCH RACK	A2	355
-	SWITCH RACK	A1	357
-	SWITCH RACK	A2	357
-	PLATE	1	361
-	INSULATION	2	361
-	INSULATION	1	363
-	PLATE	2	363
-	PLATE	1	365
-	COVER	1	367
-	FLOOR PANEL	1	369
-	PLATE	2	369
-	BRACKET	1	371
-	MOUNTING PLATE	1	373
-	ELECTRONIC ASSY	1	375
-	RAIL	8	375
-	EVAPORATOR	1	377
-	ANGLE BRACKET	1	381

Part no Art.nr	Description	Ref.no	See page Se sidan
-	OPERATORS PANEL	1	383
-	EVAPORATOR	2	383
-	COMPRESSOR SET	3	383
-	HARNESS	5	383
-	CLAMP	10	383
-	DUST COLLECTOR		387
-	PRESEPARATOR		387
-	HOSE CONNECTION		387
-	CONNECTION SET	2	389
-	FAN W. MOTOR	5	389
-	BRASS WASHER	34	389
-	PROTECTION	35	389
-	ATTACHMENT	2	395
-	PLATE	3	395
-	DOOR	4	395
-	WELDED HINGE	5	395
-	FAN HOUSE	2	397
-	MOTOR PLATE	3	397
-	SEALING	11	397
-	SIGN SET		411
-	SIGN DRAWING	A02	413
-	REFERENCE GUIDE	20	413
-	PRODUCT GRAPHICS	7	415
-	TANK		419
-	TANK UNIT	1	421
-	ELECTR. SYSTEM	2	421
-	HYDR. SYSTEM	3	421
-	FUEL SYSTEM	4	421
-	HYDR. RESERVOIR	1	423
-	HYDR. SYSTEM		431
-	HYDR. SYSTEM	B01	433
-	HYDR. SYSTEM	B02	433
-	HYDR. SYSTEM	B03	433
-	HYDR. SYSTEM	B04	433
-	HYDR. SYSTEM	B05	433
-	HYDR. SYSTEM	B06	433
-	HYDR. SYSTEM	B07	433
-	HYDR. SYSTEM	B08	433

Part no Art.nr	Description	Ref.no	See page Se sidan
-	CONNECTION SET	101	435
-	CONNECTION SET	102	435
-	CONNECTION SET	103	435
-	CONNECTION SET	104	435
-	CONNECTION SET	105	435
-	CONNECTION SET	106	435
-	CONNECTION SET	107	435
-	CONNECTION SET	108	435
-	CONNECTION SET	109	435
-	CONNECTION SET	110	435
-	CONNECTION SET	101	443
-	CONNECTION SET	102	443
-	CONNECTION SET	103	443
-	CONNECTION SET	104	443
-	CONNECTION SET	106	443
-	CONNECTION SET	107	443
-	CONNECTION SET	109	443
-	CONNECTION SET	105	443
-	WAGNER PART	2	455
-	WAGNER PART	3	455
-	WAGNER PART	6	455
-	WAGNER PART	7	455
-	WAGNER PART	8	455
-	WAGNER PART	9	455
-	WAGNER PART	10	455
-	WAGNER PART	12	455
-	WAGNER PART	13	455
-	WAGNER PART	14	455
-	WAGNER PART	17	455
-	WAGNER PART	19	455
-	WAGNER PART	20	455
-	WAGNER PART	25	455
-	CYLINDER	18	455
-	CONNECTION SET	101	457
-	CONNECTION SET	102	457
-	CONNECTION SET	103	457
-	CONNECTION SET	104	457
-	CONNECTION SET	105	457

Part no Art.nr	Description	Ref.no	See page Se sidan
-	CONNECTION SET	101	467
-	CONNECTION SET	102	467
-	CONNECTION SET	103	467
-	CONNECTION SET	104	467
-	CONNECTION SET	105	467
-	CONNECTION SET	106	467
-	VALVE BLOCK	1	469
-	CONNECTION SET	101	469
-	CONNECTION SET	102	469
-	CONNECTION SET	103	469
-	CONNECTION SET	104	469
-	CONNECTION SET	105	469
-	CONNECTION SET	106	469
-	CONNECTION SET	107	469
-	CONNECTION SET	108	469
-	CONNECTION SET	109	469
-	CONNECTION SET	110	469
-	CONNECTION SET	111	469
-	CONNECTION SET	112	469
-	CONNECTION SET	113	469
-	CONNECTION SET	114	469
-	CONNECTION SET	115	469
-	CONNECTION SET	116	469
-	CONNECTION SET	117	470
-	CONNECTION SET	118	470
-	COVER	3	473
-	PRESS.RED.VALVE	6	475
-	CONNECTION SET	101	481
-	CONNECTION SET	102	481
-	CONNECTION SET	101	483
-	CONNECTION SET	102	483
-	TANK UNIT	1	485
-	CONNECTION SET	101	485
-	CONNECTION SET	102	485
-	CONNECTION SET	103	485
-	CONNECTION SET	104	485
-	CONNECTION SET	105	485
-	NUT	1	487



Part no Art.nr	Description	Ref.no	See page Se sidan
-	COVER	2	487
-	O-RING	3	487
-	SPRING	4	487
-	HOUSE	5	487
-	SEAL	6	487
-	INSERT	7	487
-	GASKET	10	487
-	O-RING	11	487
-	SPRING	12	487
-	NUT	13	487
-	SEAL	14	487
-	RETURN PIPE	15	487
-	AIR SYSTEM		491
-	AIR SYSTEM	B01	493
-	AIR SYSTEM	B02	493
-	AIR SYSTEM	B03	493
-	AIR SYSTEM	B31	493
-	COMPRESSOR SET	101	495
-	VESSEL	102	495
-	FILTER SET	104	495
-	FILTER SET	104	495
-	CONNECTION SET	114	495
-	BRACKET	3	501
-	LUBR. OIL TANK	4	503
-	CONNECTION SET	120	503
-	CONNECTION SET	124	503
-	VALVE HOUSING	30	505
-	NUT	2	511
-	LUBR. OIL TANK	1	513
-	CONNECTION SET	133	517
-	CONNECTION SET	134	517
-	CONNECTION SET	136	517
-	CONNECTION SET	105	519
-	CONNECTION SET	106	519
-	CONNECTION SET	110	519
-	ATTACHMENT	1	521
-	ELECTR. SYSTEM	4	527
-	ELECTR. SYSTEM	5	527

Part no Art.nr	Description	Ref.no	See page Se sidan
-	ELECTR. SYSTEM	6	527
-	ELECTR. SYSTEM	8	527
-	ELECTR. SYSTEM	9	527
-	ELECTR. SYSTEM	10	527
-	ELECTR. SYSTEM	11	527
-	ELECTR. SYSTEM	12	527
-	RAIL	A3	529
-	SWITCH RACK	2	531
-	BATTERY SET	G1A,B	533
-	EMERG.SET	S132B	533
-	EMERG.SET	S132C	533
-	ALARM SET	H185	533
-	EMERG.SET	S132D	543
-	EMERGENCY SWIT.	S132E	547
-	HARNESS	1	555
-	HARNESS	2	555
-	HARNESS	3	555
-	HARNESS	4	555
-	HOSE SET		569
-	HOSE SET		571
-	HOSE SET		571
-	HOSE SET		571
-	HOSE SET		571
-	HOSE	Cv1	573
-	HOSE SET	1	577
-	HOSE SET	2	577
-	HOSE SET	3	577
-	HOSE SET	4	577
-	HOSE SET	5	577
-	HOSE SET	6	577
-	HOSE SET	7	577
-	HOSE SET	8	577
-	HOSE CONNECTION		599
0088 0000 18	LABEL	3	415
0088 0001 12	LABEL	1	415
0088 0001 13	PRODUCT GRAPHICS	2	415
0088 0001 15	LABEL	5	415
0088 0001 16	LABEL	6	415
0088 0001 45	PRODUCT GRAPHICS	4	415

Part no Art.nr	Description	Ref.no	See page Se sidan
0088 0001 46	LABEL SET	A01	413
0101 1155 00	PIN	60	505
0101 1951 60	CYL.PIN	21	279
0108 1366 00	SPRING PIN	26	279
0108 1370 00	SPRING PIN	25	279
0111 1285 00	SPLIT PIN	37	267
0111 1371 00	SPLIT PIN	20	275
0147 1244 03	SCREW, HEX HEAD	19	57
0147 1244 03	SCREW, HEX HEAD	17	59
0147 1245 03	SCREW, HEX HEAD	11	91
0147 1246 03	SCREW, HEX HEAD	25	161
0147 1247 03	SCREW, HEX HEAD	40	188
0147 1249 03	SCREW, HEX HEAD	85	499
0147 1251 03	SCREW, HEX HEAD	7	321
0147 1321 03	SCREW, HEX HEAD	25	57
0147 1321 03	SCREW, HEX HEAD	25	59
0147 1322 03	SCREW, HEX HEAD	7	299
0147 1322 03	SCREW, HEX HEAD	3	425
0147 1322 03	SCREW, HEX HEAD	2	537
0147 1323 03	SCREW, HEX HEAD	20	57
0147 1323 03	SCREW, HEX HEAD	18	59
0147 1323 03	SCREW, HEX HEAD	6	91
0147 1323 03	SCREW, HEX HEAD	8	115
0147 1323 03	SCREW, HEX HEAD	3	117
0147 1323 03	SCREW, HEX HEAD	6	181
0147 1323 03	SCREW, HEX HEAD	8	205
0147 1323 03	SCREW, HEX HEAD	22	275
0147 1323 03	SCREW, HEX HEAD	11	285
0147 1323 03	SCREW, HEX HEAD	2	365
0147 1325 03	SCREW, HEX HEAD	4	121
0147 1325 03	SCREW, HEX HEAD	3	123
0147 1325 03	SCREW, HEX HEAD	7	163
0147 1325 03	SCREW, HEX HEAD	7	181
0147 1325 03	SCREW, HEX HEAD	7	203
0147 1325 03	SCREW, HEX HEAD	27	247
0147 1325 03	SCREW, HEX HEAD	12	253
0147 1325 03	SCREW, HEX HEAD	4	303
0147 1325 03	SCREW, HEX HEAD	16	311

Part no Art.nr	Description	Ref.no	See page Se sidan
0147 1325 03	SCREW, HEX HEAD	5	329
0147 1325 03	SCREW, HEX HEAD	7	337
0147 1326 03	SCREW, HEX HEAD	6	199
0147 1326 03	SCREW, HEX HEAD	5	361
0147 1326 03	SCREW, HEX HEAD	5	363
0147 1326 03	SCREW, HEX HEAD	2	367
0147 1326 03	SCREW, HEX HEAD	3	369
0147 1327 03	SCREW, HEX HEAD	8	321
0147 1327 03	SCREW, HEX HEAD	11	497
0147 1328 03	SCREW, HEX HEAD	10	177
0147 1328 05	SCREW, HEX HEAD	3	119
0147 1329 03	SCREW, HEX HEAD	32	275
0147 1330 12	SCREW, HEX HEAD	41	188
0147 1331 03	SCREW, HEX HEAD	18	389
0147 1331 12	SCREW, HEX HEAD	42	188
0147 1336 03	SCREW, HEX HEAD	15	391
0147 1342 03	SCREW, HEX HEAD	11	147
0147 1344 03	SCREW, HEX HEAD	10	285
0147 1359 03	SCREW, HEX HEAD	45	248
0147 1360 03	SCREW, HEX HEAD	7	91
0147 1360 03	SCREW, HEX HEAD	9	115
0147 1360 03	SCREW, HEX HEAD	4	149
0147 1360 03	SCREW, HEX HEAD	9	205
0147 1360 03	SCREW, HEX HEAD	29	247
0147 1360 03	SCREW, HEX HEAD	13	253
0147 1360 03	SCREW, HEX HEAD	4	255
0147 1360 03	SCREW, HEX HEAD	36	257
0147 1360 03	SCREW, HEX HEAD	21	267
0147 1360 03	SCREW, HEX HEAD	12	287
0147 1360 03	SCREW, HEX HEAD	7	513
0147 1362 03	SCREW, HEX HEAD	3	65
0147 1362 03	SCREW, HEX HEAD	10	115
0147 1362 03	SCREW, HEX HEAD	9	165
0147 1362 03	SCREW, HEX HEAD	8	277
0147 1362 03	SCREW, HEX HEAD	27	279
0147 1362 03	SCREW, HEX HEAD	3	423
0147 1362 15	SCREW, HEX HEAD	8	203
0147 1363 03	SCREW, HEX HEAD	22	57

Part no Art.nr	Description	Ref.no	See page Se sidan
0147 1363 03	SCREW, HEX HEAD	15	147
0147 1363 03	SCREW, HEX HEAD	28	161
0147 1363 03	SCREW, HEX HEAD	18	167
0147 1363 03	SCREW, HEX HEAD	11	173
0147 1363 03	SCREW, HEX HEAD	11	177
0147 1363 03	SCREW, HEX HEAD	18	191
0147 1363 03	SCREW, HEX HEAD	31	247
0147 1363 03	SCREW, HEX HEAD	28	257
0147 1363 03	SCREW, HEX HEAD	23	267
0147 1363 03	SCREW, HEX HEAD	28	279
0147 1363 03	SCREW, HEX HEAD	9	397
0147 1363 03	SCREW, HEX HEAD	18	501
0147 1364 03	SCREW, HEX HEAD	11	115
0147 1364 03	SCREW, HEX HEAD	16	147
0147 1364 03	SCREW, HEX HEAD	19	167
0147 1364 03	SCREW, HEX HEAD	19	191
0147 1364 03	SCREW, HEX HEAD	32	247
0147 1364 03	SCREW, HEX HEAD	33	267
0147 1364 03	SCREW, HEX HEAD	19	501
0147 1365 03	SCREW, HEX HEAD	20	167
0147 1365 03	SCREW, HEX HEAD	20	191
0147 1365 03	SCREW, HEX HEAD	20	501
0147 1374 03	SCREW, HEX HEAD	4	65
0147 1381 03	SCREW, HEX HEAD	13	147
0147 1383 03	SCREW, HEX HEAD	14	147
0147 1398 03	SCREW, HEX HEAD	9	57
0147 1398 03	SCREW, HEX HEAD	13	403
0147 1399 03	SCREW, HEX HEAD	20	389
0147 1400 03	SCREW, HEX HEAD	6	297
0147 1400 03	SCREW, HEX HEAD	30	311
0147 1401 03	SCREW, HEX HEAD	19	59
0147 1401 03	SCREW, HEX HEAD	21	167
0147 1401 03	SCREW, HEX HEAD	44	188
0147 1401 03	SCREW, HEX HEAD	21	191
0147 1401 03	SCREW, HEX HEAD	31	215
0147 1401 03	SCREW, HEX HEAD	35	247
0147 1401 03	SCREW, HEX HEAD	5	343
0147 1401 03	SCREW, HEX HEAD	21	501

Part no Art.nr	Description	Ref.no	See page Se sidan
0147 1402 03	SCREW, HEX HEAD	30	139
0147 1402 03	SCREW, HEX HEAD	17	185
0147 1402 03	SCREW, HEX HEAD	9	195
0147 1402 03	SCREW, HEX HEAD	8	233
0147 1402 03	SCREW, HEX HEAD	36	247
0147 1402 03	SCREW, HEX HEAD	14	253
0147 1402 03	SCREW, HEX HEAD	24	257
0147 1402 03	SCREW, HEX HEAD	27	275
0147 1402 03	SCREW, HEX HEAD	10	297
0147 1402 03	SCREW, HEX HEAD	23	389
0147 1403 03	SCREW, HEX HEAD	43	140
0147 1403 03	SCREW, HEX HEAD	53	188
0147 1403 03	SCREW, HEX HEAD	26	257
0147 1403 03	SCREW, HEX HEAD	21	389
0147 1404 03	SCREW, HEX HEAD	31	139
0147 1404 03	SCREW, HEX HEAD	37	247
0147 1404 03	SCREW, HEX HEAD	30	279
0147 1404 03	SCREW, HEX HEAD	22	389
0147 1404 03	SCREW, HEX HEAD	5	401
0147 1405 03	SCREW, HEX HEAD	4	57
0147 1405 03	SCREW, HEX HEAD	16	127
0147 1405 03	SCREW, HEX HEAD	18	185
0147 1405 03	SCREW, HEX HEAD	17	267
0147 1405 03	SCREW, HEX HEAD	13	289
0147 1406 03	SCREW, HEX HEAD	45	188
0147 1407 03	SCREW, HEX HEAD	32	139
0147 1409 03	SCREW, HEX HEAD	41	140
0147 1411 03	SCREW, HEX HEAD	19	139
0147 1411 03	SCREW, HEX HEAD	12	177
0147 1411 03	SCREW, HEX HEAD	4	401
0147 1411 05	SCREW, HEX HEAD	7	233
0147 1415 12	SCREW, HEX HEAD	4	293
0147 1475 03	SCREW, HEX HEAD	7	235
0147 1476 03	SCREW, HEX HEAD	38	139
0147 1476 03	SCREW, HEX HEAD	10	165
0147 1476 03	SCREW, HEX HEAD	39	248
0147 1476 03	SCREW, HEX HEAD	7	297
0147 1478 03	SCREW, HEX HEAD	40	248

Part no Art.nr	Description	Ref.no	See page Se sidan
0147 1478 03	SCREW, HEX HEAD	10	325
0147 1478 03	SCREW, HEX HEAD	9	401
0147 1479 03	SCREW, HEX HEAD	32	279
0147 1480 03	SCREW, HEX HEAD	10	277
0147 1481 03	SCREW, HEX HEAD	2	157
0147 1485 03	SCREW, HEX HEAD	41	268
0147 1491 03	SCREW, HEX HEAD	34	139
0147 1549 03	SCREW, HEX HEAD	15	311
0147 1550 03	SCREW, HEX HEAD	29	275
0147 1958 65	SCREW, HEX HEAD	33	215
0147 1959 44	HEXAGON SCREW	14	383
0147 1961 35	SCREW, HEX HEAD	33	247
0147 1961 80	SCREW, HEX HEAD	31	257
0147 1962 64	SCREW, HEX HEAD	31	167
0147 1962 64	SCREW, HEX HEAD	31	191
0147 1962 64	SCREW, HEX HEAD	31	501
0147 1964 46	SCREW, HEX HEAD	4	379
0160 6023 00	SCREW, SLOTTED	6	371
0190 1322 00	SET SCREW	34	279
0211 1170 03	SCREW	3	375
0211 1173 03	SCREW	3	197
0211 1173 03	SCREW	A5	529
0211 1173 03	SCREW	A13	545
0211 1183 00	SCREW	33	389
0211 1244 03	SCREW	2	291
0211 1249 03	SCREW	10	375
0211 1251 00	SCREW	10	397
0211 1252 03	SCREW	8	549
0211 1319 03	SCREW	13	325
0211 1322 03	SCREW	20	253
0211 1323 03	SCREW	30	275
0211 1323 03	SCREW	18	453
0211 1328 03	SCREW	10	295
0211 1335 03	HEX SOCK. SCREW	26	389
0211 1344 03	SCREW	8	287
0211 1362 03	SCREW	30	247
0211 1362 03	SCREW	10	289
0211 1362 03	SCREW	2	377

Part no Art.nr	Description	Ref.no	See page Se sidan
0211 1363 03	SCREW	27	139
0211 1368 00	SCREW	29	139
0211 1381 00	HEX SOCK. SCREW	16	453
0211 1403 03	SCREW	43	258
0211 1404 03	SCREW	12	289
0211 1409 03	SCREW	44	258
0211 1438 03	SCREW	8	309
0211 1477 03	SCREW	19	257
0211 1957 55	HEX SOCK. SCREW	33	279
0211 1960 13	SCREW	5	309
0211 1960 81	SCREW	32	257
0211 1962 86	SCREW	26	139
0211 1962 86	SCREW	17	453
0211 1962 93	SCREW	28	139
0211 1963 07	SCREW	1	437
0211 1964 11	HEX SOCK. SCREW	23	311
0211 1964 35	HEX SOCK. SCREW	21	257
0211 1964 74	HEXAGON SCREW	4	235
0215 0003 72	HEX SOCK. SCREW	6	241
0215 0003 72	HEX SOCK. SCREW	3	381
0215 0003 87	HEX SOCK. SCREW	9	241
0215 0006 13	HEX SOCK. SCREW	13	375
0215 0006 20	HEX SOCK. SCREW	6	345
0215 0010 09	HEX SOCK. SCREW	6	329
0215 0010 09	HEX SOCK. SCREW	5	331
0215 0010 09	HEX SOCK. SCREW	8	333
0215 0010 09	HEX SOCK. SCREW	9	337
0215 0010 09	HEX SOCK. SCREW	5	341
0215 0010 09	HEX SOCK. SCREW	7	345
0215 0010 09	HEX SOCK. SCREW	5	351
0215 0010 09	HEX SOCK. SCREW	5	359
0215 0010 09	HEX SOCK. SCREW	7	371
0215 0010 09	HEX SOCK. SCREW	4	373
0216 0000 10	HEX SOCK. SCREW	5	241
0216 0000 10	HEX SOCK. SCREW	7	381
0261 2108 00	NUT	10	549
0261 2110 00	NUT	8	163
0261 2111 00	NUT	10	163

Part no Art.nr	Description	Ref.no	See page Se sidan
0261 2112 00	NUT	38	247
0261 2114 00	NUT	29	267
0266 1117 00	NUT	5	379
0266 2104 00	NUT	5	371
0266 2106 00	NUT	7	241
0266 2110 00	NUT	11	165
0266 2110 00	NUT	3	303
0266 2111 00	NUT	28	247
0266 2112 00	NUT	17	147
0266 2114 00	NUT	31	279
0268 4138 22	NUT	80	499
0291 1128 15	LOCK NUT	27	161
0291 1128 15	LOCK NUT	46	188
0291 1128 15	LOCK NUT	7	333
0291 1128 15	LOCK NUT	4	341
0291 1128 15	LOCK NUT	9	345
0291 1128 15	LOCK NUT	9	549
0291 1128 16	LOCK NUT	5	95
0291 1128 16	LOCK NUT	5	99
0291 1128 18	LOCK NUT	6	95
0291 1128 18	LOCK NUT	6	99
0291 1128 18	LOCK NUT	4	119
0291 1128 18	LOCK NUT	5	121
0291 1128 18	LOCK NUT	18	147
0291 1128 18	LOCK NUT	30	161
0291 1128 18	LOCK NUT	13	177
0291 1128 18	LOCK NUT	47	188
0291 1128 18	LOCK NUT	8	199
0291 1128 18	LOCK NUT	6	321
0291 1128 18	LOCK NUT	25	389
0291 1128 20	LOCK NUT	12	147
0291 1128 20	LOCK NUT	26	161
0291 1128 20	LOCK NUT	17	167
0291 1128 20	LOCK NUT	17	191
0291 1128 20	LOCK NUT	6	235
0291 1128 20	LOCK NUT	8	397
0291 1128 20	LOCK NUT	17	501
0291 1128 22	LOCK NUT	15	127

Part no Art.nr	Description	Ref.no	See page Se sidan
0291 1128 22	LOCK NUT	43	188
0291 1128 22	LOCK NUT	49	248
0291 1128 22	LOCK NUT	5	251
0291 1128 22	LOCK NUT	29	279
0291 1128 22	LOCK NUT	11	289
0291 1128 22	LOCK NUT	19	389
0291 1128 22	LOCK NUT	7	401
0291 1128 25	LOCK NUT	33	139
0291 1128 25	LOCK NUT	31	267
0291 1128 25	LOCK NUT	12	401
0291 1128 28	NUT	10	215
0300 0129 09	PLAIN WASHER	5	91
0300 0129 09	PLAIN WASHER	13	115
0300 0129 18	PLAIN WASHER	2	379
0300 0129 26	PLAIN WASHER	2	119
0300 0129 38	PLAIN WASHER	12	389
0300 0155 00	WASHER	12	139
0300 0274 13	PLAIN WASHER	43	268
0300 0274 32	PLAIN WASHER	12	91
0300 0274 38	PLAIN WASHER	12	115
0300 0274 38	PLAIN WASHER	5	235
0300 0274 56	PLAIN WASHER	15	389
0300 0274 64	PLAIN WASHER	8	345
0300 0274 91	PLAIN WASHER	39	187
0300 0274 94	PLAIN WASHER	3	121
0300 0275 05	PLAIN WASHER	8	241
0301 2315 00	PLAIN WASHER	4	375
0301 2315 00	PLAIN WASHER	6	381
0301 2321 00	PLAIN WASHER	15	57
0301 2321 00	PLAIN WASHER	15	59
0301 2321 00	PLAIN WASHER	36	187
0301 2321 00	PLAIN WASHER	3	291
0301 2321 00	PLAIN WASHER	9	321
0301 2321 00	PLAIN WASHER	11	549
0301 2335 00	PLAIN WASHER	17	57
0301 2335 00	PLAIN WASHER	23	59
0301 2335 00	PLAIN WASHER	2	121
0301 2335 00	PLAIN WASHER	7	199

Part no Art.nr	Description	Ref.no	See page Se sidan
0301 2335 00	PLAIN WASHER	5	203
0301 2335 00	PLAIN WASHER	6	205
0301 2335 00	PLAIN WASHER	10	321
0301 2335 00	PLAIN WASHER	8	337
0301 2335 00	PLAIN WASHER	4	369
0301 2335 00	PLAIN WASHER	14	389
0301 2335 00	PLAIN WASHER	10	497
0301 2335 00	PLAIN WASHER	3	537
0301 2344 00	PLAIN WASHER	5	65
0301 2344 00	PLAIN WASHER	9	163
0301 2344 00	PLAIN WASHER	4	205
0301 2344 00	PLAIN WASHER	3	377
0301 2344 00	PLAIN WASHER	20	499
0301 2344 00	PLAIN WASHER	6	513
0301 2358 00	WASHER	10	57
0301 2358 00	WASHER	14	59
0301 2358 00	WASHER	14	127
0301 2358 00	WASHER	9	147
0301 2358 00	WASHER	8	195
0301 2358 00	WASHER	5	233
0301 2358 00	WASHER	46	248
0301 2358 00	WASHER	13	389
0301 2358 00	WASHER	8	401
0301 2358 00	WASHER	14	403
0301 2371 00	PLAIN WASHER	6	309
0301 2378 00	PLAIN WASHER	11	325
0301 2378 00	PLAIN WASHER	11	401
0333 3100 07	LOCK WASHER	7	205
0333 3100 43	LOCK WASHER	18	159
0333 3174 15	LOCK WASHER	A1	547
0333 5200 08	LOCK WASHER	20	139
0333 5200 09	LOCK WASHER	14	167
0333 5200 09	LOCK WASHER	15	185
0333 5200 09	LOCK WASHER	14	191
0333 5200 09	LOCK WASHER	7	253
0333 5200 09	LOCK WASHER	4	275
0333 5200 09	LOCK WASHER	23	279
0333 5200 09	LOCK WASHER	14	501

Part no Art.nr	Description	Ref.no	See page Se sidan
0333 5200 10	LOCK WASHER	29	167
0333 5200 10	LOCK WASHER	29	191
0333 5200 10	LOCK WASHER	6	397
0333 5200 10	LOCK WASHER	29	501
0333 5200 13	LOCK WASHER	4	91
0333 5200 13	LOCK WASHER	6	115
0333 5200 13	LOCK WASHER	2	149
0333 5200 13	LOCK WASHER	17	161
0333 5200 13	LOCK WASHER	6	165
0333 5200 13	LOCK WASHER	12	167
0333 5200 13	LOCK WASHER	8	173
0333 5200 13	LOCK WASHER	8	177
0333 5200 13	LOCK WASHER	12	191
0333 5200 13	LOCK WASHER	20	279
0333 5200 13	LOCK WASHER	11	287
0333 5200 13	LOCK WASHER	8	289
0333 5200 13	LOCK WASHER	12	501
0333 5200 14	LOCK WASHER	22	139
0333 5200 14	LOCK WASHER	8	147
0333 5200 14	LOCK WASHER	12	161
0333 5200 14	LOCK WASHER	13	167
0333 5200 14	LOCK WASHER	13	191
0333 5200 14	LOCK WASHER	23	247
0333 5200 14	LOCK WASHER	6	253
0333 5200 14	LOCK WASHER	2	255
0333 5200 14	LOCK WASHER	23	257
0333 5200 14	LOCK WASHER	22	267
0333 5200 14	LOCK WASHER	7	277
0333 5200 14	LOCK WASHER	19	279
0333 5200 14	LOCK WASHER	7	289
0333 5200 14	LOCK WASHER	2	423
0333 5200 14	LOCK WASHER	13	501
0333 5200 15	LOCK WASHER	24	57
0333 5200 15	LOCK WASHER	24	59
0333 5200 15	LOCK WASHER	7	115
0333 5200 15	LOCK WASHER	1	117
0333 5200 15	LOCK WASHER	2	123
0333 5200 15	LOCK WASHER	23	161

Part no Art.nr	Description	Ref.no	See page Se sidan
0333 5200 15	LOCK WASHER	6	163
0333 5200 15	LOCK WASHER	8	165
0333 5200 15	LOCK WASHER	9	177
0333 5200 15	LOCK WASHER	5	181
0333 5200 15	LOCK WASHER	8	285
0333 5200 16	LOCK WASHER	7	309
0333 5200 25	LOCK WASHER	3	149
0335 1116 00	CIRCLIP	7	507
0335 1122 00	CIRCLIP	15	267
0335 1136 00	CIRCLIP	17	215
0335 1136 00	CIRCLIP	2	231
0335 2127 00	CIRCLIP	70	505
0337 7523 00	FLAT KEY	9	311
0346 1000 15	PIPE CLAMP	18	161
0346 1000 24	PIPE CLAMP	13	161
0346 1005 19	PIPE CLAMP	22	161
0346 2900 25	PIPE CLAMP	4	181
0347 6100 06	HOSE CLIP	15	501
0347 6100 20	HOSE CLIP	31	161
0347 6100 23	HOSE CLIP	29	161
0347 6100 23	HOSE CLIP	14	173
0347 6100 26	HOSE CLIP	38	167
0347 6100 26	HOSE CLIP	38	191
0347 6100 42	HOSE CLIP	35	267
0347 6100 43	HOSE CLIP	5	205
0347 6100 44	HOSE CLIP	16	501
0347 6100 52	HOSE CLIP	9	161
0347 6100 52	HOSE CLIP	14	177
0347 6109 00	HOSE CLIP	20	161
0347 6118 00	HOSE CLIP	5	403
0347 6200 15	HOSE CLIP	3	401
0347 6200 15	HOSE CLIP	1	407
0369 1000 05	CHAIN	2	233
0369 1000 05	CHAIN	14	401
0372 4100 14	SHACKLE	9	233
0372 4134 00	SHACKLE	4	233
0384 3437 00	DISK SPRING	1	157
0399 9999 07	DAMPER	16	139

Part no Art.nr	Description	Ref.no	See page Se sidan
0461 5010 12	LUBRICAT.HOSE	1	49
0461 5010 14	COUPLING	12	49
0500 4500 16	FLANGE BEARING	37	279
0500 4500 24	FLANGE BEARING	38	279
0502 1100 66	BALL BEARING	7	255
0502 1113 00	BALL BEARING	20	311
0517 1420 00	BEARING BALL	25	499
0544 1100 12	GREASE NIPPLE	5	61
0544 1100 12	GREASE NIPPLE	2	217
0544 1100 12	GREASE NIPPLE	1	219
0544 1100 12	GREASE NIPPLE	41	248
0544 2106 00	GREASE NIPPLE	35	279
0544 2162 00	GREASE NIPPLE	33	257
0544 2162 00	GREASE NIPPLE	36	267
0544 2162 00	GREASE NIPPLE	36	279
0544 2562 00	GREASE NIPPLE	7	95
0544 2562 00	GREASE NIPPLE	7	99
0560 1309 03	ELBOW	11	187
0570 0252 03	HOSE COUPLING	15	177
0570 5000 06	NIPPLE	1	603
0570 5005 37	NIPPLE	10	187
0570 5010 01	NIPPLE	5	603
0570 5010 06	NIPPLE	10	606
0570 5010 07	NIPPLE	9	605
0570 5010 09	NIPPLE	10	606
0570 5010 10	NIPPLE	10	606
0570 5010 11	NIPPLE	7	604
0570 5010 12	NIPPLE	5	603
0570 5010 13	NIPPLE	8	201
0570 5010 13	NIPPLE	7	604
0570 5010 14	NIPPLE	9	605
0570 5010 15	NIPPLE	10	606
0570 5010 16	NIPPLE	10	606
0570 5010 17	NIPPLE	9	167
0570 5010 17	NIPPLE	5	603
0570 5010 18	NIPPLE	5	603
0570 5010 19	NIPPLE	10	606
0570 5010 20	NIPPLE	10	606

Part no Art.nr	Description	Ref.no	See page Se sidan
0570 5010 21	NIPPLE	10	606
0570 5010 22	NIPPLE	10	606
0570 5010 23	NIPPLE	10	606
0570 5010 24	NIPPLE	39	140
0570 5010 24	NIPPLE	10	606
0570 5010 42	NIPPLE	10	501
0570 5011 05	STRAIGHT COUPL.	13	606
0570 5011 06	STRAIGHT COUPL.	12	606
0570 5020 07	NIPPLE	15	607
0570 5020 08	NIPPLE	16	607
0570 5040 02	NIPPLE	19	608
0570 5040 03	NIPPLE	13	215
0570 5040 03	NIPPLE	19	608
0570 5040 04	NIPPLE	20	608
0570 5040 05	NIPPLE	22	127
0570 5040 05	NIPPLE	19	608
0570 5040 06	NIPPLE	19	608
0570 5040 07	NIPPLE	19	608
0570 5040 15	NIPPLE	19	608
0570 5041 05	NIPPLE	21	608
0570 5041 06	NIPPLE	21	608
0570 5080 05	NIPPLE	22	608
0570 5090 01	NIPPLE	30	610
0570 5090 02	NIPPLE	35	139
0570 5090 02	NIPPLE	25	609
0570 5090 03	NIPPLE	32	611
0570 5090 04	NIPPLE	32	611
0570 5090 08	NIPPLE	30	610
0570 5090 12	NIPPLE	31	611
0570 5090 13	NIPPLE	30A	610
0570 5090 14	NIPPLE	30A	610
0570 5090 15	NIPPLE	30B	611
0570 5090 16	NIPPLE	30	610
0570 5090 18	NIPPLE	27	609
0570 5090 19	NIPPLE	25	609
0570 5090 20	NIPPLE	25	609
0570 5090 21	NIPPLE	30	610
0570 5090 22	NIPPLE	30	610

Part no Art.nr	Description	Ref.no	See page Se sidan
0570 5090 23	NIPPLE	30	610
0570 5090 24	NIPPLE	30	610
0570 5090 25	NIPPLE	30	610
0570 5090 26	NIPPLE	30	610
0570 5090 27	NIPPLE	30	610
0570 5090 28	NIPPLE	30B	611
0570 5090 29	NIPPLE	30B	611
0570 5090 30	NIPPLE	30B	611
0570 5090 31	NIPPLE	30B	611
0570 5090 32	NIPPLE	30B	611
0570 5090 33	NIPPLE	30B	611
0570 5090 34	NIPPLE	30A	610
0570 5090 35	NIPPLE	30A	610
0570 5090 36	NIPPLE	30A	610
0570 5090 37	NIPPLE	30A	610
0570 5090 38	NIPPLE	30A	611
0570 5090 45	NIPPLE	26	609
0570 5110 01	NIPPLE	35	611
0570 5110 03	NIPPLE	34	611
0570 5120 01	NIPPLE	20	127
0570 5120 01	NIPPLE	37	612
0570 5120 03	NIPPLE	36	612
0570 5120 04	NIPPLE	36	612
0570 5120 05	NIPPLE	37	612
0570 5120 07	NIPPLE	41	613
0570 5120 08	NIPPLE	41	613
0570 5120 09	NIPPLE	41	613
0570 5120 10	NIPPLE	41	613
0570 5120 11	NIPPLE	41	613
0570 5120 12	NIPPLE	41	613
0570 5120 13	NIPPLE	41	613
0570 5140 05	NIPPLE	43	613
0570 5160 05	NIPPLE	47	614
0570 5190 02	ADAPTER SLEEVE	49B	614
0570 5190 03	ADAPTER SLEEVE	49B	614
0570 5190 04	ADAPTER SLEEVE	49B	614
0570 5190 05	ADAPTER SLEEVE	49B	614
0570 5190 06	ADAPTER SLEEVE	49B	614



Part no Art.nr	Description	Ref.no	See page Se sidan
0570 5190 07	ADAPTER SLEEVE	49B	614
0570 5190 08	ADAPTER SLEEVE	49B	615
0570 5190 11	ADAPTER SLEEVE	49A	614
0570 5191 05	TEST CONNECTION	52A	615
0570 5191 06	TEST CONNECTION	52A	615
0570 5191 07	TEST CONNECTION	3	521
0570 5191 07	TEST CONNECTION	52A	615
0570 5191 08	TEST CONNECTION	52B	615
0570 5191 09	TEST CONNECTION	52B	615
0570 5191 10	TEST CONNECTION	15	509
0574 0000 58	HOSE ASSEMBLY	RHT3	593
0574 0000 70	HOSE ASSEMBLY	GR1	575
0574 0064 49	HOSE ASSEMBLY	AIRGR	575
		2	
0574 0064 50	HOSE ASSEMBLY	FD1	589
0574 0064 54	HOSE ASSEMBLY	BJU11	583
0574 0064 59	HOSE ASSEMBLY	T102	593
0574 0064 70	HOSE ASSEMBLY	T103	593
0574 0065 21	HOSE ASSEMBLY	RGU1	583
0574 0065 43	HOSE ASSEMBLY	FF7	581
0574 0065 72	HOSE ASSEMBLY	BJU21	583
0574 0065 88	HOSE ASSEMBLY	L45	595
0574 0066 08	HOSE ASSEMBLY	FCP1	591
0574 0066 68	HOSE ASSEMBLY	APRP1	575
0574 0067 89	HOSE ASSEMBLY	BJL11	583
0574 0069 01	HOSE ASSEMBLY	RRR7	581
0574 0069 43	HOSE ASSEMBLY	DMT1	587
0574 0070 66	HOSE ASSEMBLY	FMD2	589
0574 0072 07	HOSE ASSEMBLY	TOL2	581
0574 0074 01	HOSE ASSEMBLY	DTH3	575
0574 0253 11	HOSE ASSEMBLY	DMD1	587
0574 0255 11	HOSE ASSEMBLY	AP34	575
0574 0256 11	HOSE ASSEMBLY	DSU11	583
0574 0272 11	HOSE ASSEMBLY	RGL2	583
0574 0274 11	HOSE ASSEMBLY	AP13	575
0574 0294 11	HOSE ASSEMBLY	FS1	589
0574 0294 11	HOSE ASSEMBLY	FS2	589
0574 0314 11	HOSE ASSEMBLY	BJU1	583

Part no Art.nr	Description	Ref.no	See page Se sidan
0574 0315 11	HOSE ASSEMBLY	DSL2	583
0574 0315 11	HOSE ASSEMBLY	SH1	584
0574 0316 11	HOSE ASSEMBLY	ALP	575
0574 0316 11	HOSE ASSEMBLY	XTH1	581
0574 0318 11	HOSE ASSEMBLY	AP3	575
0574 0323 11	HOSE ASSEMBLY	FE1	589
0574 0323 11	HOSE ASSEMBLY	FE2	589
0574 0327 11	HOSE ASSEMBLY	FB12	581
0574 0335 11	HOSE ASSEMBLY	BL1	589
0574 0335 11	HOSE ASSEMBLY	BL2	589
0574 1251 16	HOSE ASSEMBLY	L1	593
0574 1254 21	HOSE ASSEMBLY	FS3	591
0574 1254 21	HOSE ASSEMBLY	FS4	591
0574 1255 72	HOSE ASSEMBLY	BJL1	583
0574 1255 72	HOSE ASSEMBLY	BJL2	583
0574 1255 72	HOSE ASSEMBLY	DSU1	583
0574 1255 72	HOSE ASSEMBLY	DSU2	583
0574 1255 72	HOSE ASSEMBLY	RGL1	583
0574 1257 13	HOSE ASSEMBLY	AP17	575
0574 1259 05	HOSE ASSEMBLY	AP18	575
0574 1269 11	HOSE ASSEMBLY	Fuel3	573
0574 1270 11	HOSE ASSEMBLY	TOR1	581
0574 1273 11	HOSE ASSEMBLY	FMD1	583
0574 1275 11	HOSE ASSEMBLY	FMD4	593
0574 1289 11	HOSE ASSEMBLY	FMD3	589
0574 1315 11	HOSE ASSEMBLY	TOL1	581
0574 2267 11	HOSE ASSEMBLY	APOIL	575
		1	
0574 2269 11	HOSE ASSEMBLY	AP9	575
0574 2269 11	HOSE ASSEMBLY	RHP1	583
0574 2269 11	HOSE ASSEMBLY	RHT1	583
0574 2269 11	HOSE ASSEMBLY	DMP1	587
0574 2271 11	HOSE ASSEMBLY	P3T	593
0574 2273 11	HOSE ASSEMBLY	HYDOI	593
		L	
0574 2276 11	HOSE ASSEMBLY	POP	579
0574 2276 11	HOSE ASSEMBLY	DMT2	587

Part no Art.nr	Description	Ref.no	See page Se sidan
0574 2277 11	HOSE ASSEMBLY	APOIL 3	575
0574 2277 11	HOSE ASSEMBLY	TMLL	581
0574 2283 11	HOSE ASSEMBLY	TMRL	581
0574 2321 11	HOSE ASSEMBLY	APEO1	575
0574 2321 11	HOSE ASSEMBLY	RHP3	579
0574 2322 11	HOSE ASSEMBLY	RHP2	583
0574 2322 11	HOSE ASSEMBLY	RHT2	583
0574 3023 11	HOSE ASSEMBLY	T45	595
0574 3032 11	HOSE ASSEMBLY	T104	593
0574 3036 11	HOSE ASSEMBLY	CMT1	595
0574 3262 73	HOSE ASSEMBLY	RRL5	581
0574 3262 73	HOSE ASSEMBLY	FB8	581
0574 3262 76	HOSE ASSEMBLY	TMRB	581
0574 3262 76	HOSE ASSEMBLY	TMRF	581
0574 3265 21	HOSE ASSEMBLY	SH2	584
0574 3265 36	HOSE ASSEMBLY	LP	575
0574 3265 36	HOSE ASSEMBLY	BW2	583
0574 3265 39	HOSE ASSEMBLY	FD2	589
0574 3265 40	HOSE ASSEMBLY	RRR6	581
0574 3265 41	HOSE ASSEMBLY	RRL1	583
0574 3265 41	HOSE ASSEMBLY	RRR1	583
0574 3265 42	HOSE ASSEMBLY	P41	579
0574 3265 42	HOSE ASSEMBLY	FB4	583
0574 3265 42	HOSE ASSEMBLY	FF3	584
0574 3265 43	HOSE ASSEMBLY	TMLB	581
0574 3265 43	HOSE ASSEMBLY	TMLF	581
0574 3270 49	HOSE ASSEMBLY	P51	579
0574 3270 49	HOSE ASSEMBLY	RRL3	583
0574 3270 49	HOSE ASSEMBLY	RRR3	583
0574 3270 60	HOSE ASSEMBLY	FB2	583
0574 3270 60	HOSE ASSEMBLY	FF1	584
0574 3270 67	HOSE ASSEMBLY	RRR5	581
0574 3270 85	HOSE ASSEMBLY	CMD1	595
0574 3272 03	HOSE ASSEMBLY	MR2	584
0574 3272 96	HOSE ASSEMBLY	RRL4	589
0574 3272 96	HOSE ASSEMBLY	RRR4	589
0574 4017 11	HOSE ASSEMBLY	TT	593

Part no Art.nr	Description	Ref.no	See page Se sidan
0574 4264 11	HOSE ASSEMBLY	AP20	575
0574 6063 11	HOSE ASSEMBLY	T101	593
0574 7700 21	HOSE ASSEMBLY	XRR1	591
0574 7700 23	HOSE ASSEMBLY	XRL1	591
0574 7700 29	HOSE ASSEMBLY	XLB1	591
0574 7700 29	HOSE ASSEMBLY	XRF1	591
0574 7700 31	HOSE ASSEMBLY	XFD2	591
0574 7700 35	HOSE ASSEMBLY	XRB1	591
0574 7700 36	HOSE ASSEMBLY	PLP1	591
0574 7700 38	HOSE ASSEMBLY	PLL1	591
0574 7700 38	HOSE ASSEMBLY	XLF1	591
0574 7700 42	HOSE ASSEMBLY	FRP1	591
0574 7700 74	HOSE ASSEMBLY	FPG1	591
0584 0004 00	CUTTING RING	53	615
0584 0024 00	CUTTING RING	53	615
0584 0025 00	CUTTING RING	53	615
0584 0027 00	CUTTING RING	53	615
0584 0062 00	CUTTING RING	53	615
0584 0064 00	CUTTING RING	53	615
0584 0065 00	CUTTING RING	53	615
0584 0066 00	CUTTING RING	53	615
0584 0067 00	CUTTING RING	53	616
0584 0068 00	CUTTING RING	53	616
0584 0071 00	CUTTING RING	53	616
0584 0074 00	CUTTING RING	53	616
0584 2004 00	NUT	54	616
0584 2022 00	NUT	54	616
0584 2024 00	NUT	54	616
0584 2025 00	NUT	54	616
0584 2026 00	NUT	54	616
0584 2027 00	NUT	54	616
0584 2062 00	NUT	54	616
0584 2064 00	NUT	54	616
0584 2065 00	NUT	54	616
0584 2066 00	NUT	54	616
0584 2067 00	NUT	54	616
0584 2068 00	NUT	54	616
0584 2074 00	NUT	54	616

Part no Art.nr	Description	Ref.no	See page Se sidan
0603 4150 55	BUSHING	4	187
0603 4206 00	HEXAGON NIPPLE	20	185
0605 8700 73	BUSHING	35	187
0605 8814 06	BUSHING	2	459
0653 1062 00	GASKET	30	499
0653 1100 00	GASKET	15	203
0653 1115 00	GASKET	13	203
0653 1128 00	GASKET	1	203
0653 1162 00	GASKET	2	203
0653 1293 00	GASKET	50	188
0661 1000 30	SEAL WASHER	15	187
0661 1005 00	SEAL WASHER	31	311
0661 1014 00	SEAL WASHER	19	127
0661 1020 00	SEAL WASHER	4	185
0661 1020 00	SEAL WASHER	16	187
0661 1020 00	SEAL WASHER	7	391
0661 1020 00	SEAL WASHER	4	459
0661 1020 00	SEAL WASHER	8	509
0661 1026 00	SEAL WASHER	4	513
0661 1033 00	SEAL WASHER	2	437
0661 1033 00	SEAL WASHER	5	459
0661 1038 00	SEAL WASHER	27	311
0661 1038 00	SEAL WASHER	3	453
0661 1049 00	SEAL WASHER	5	185
0661 1049 00	SEAL WASHER	8	391
0661 1049 00	SEAL WASHER	4	453
0661 1062 00	SEAL WASHER	18	509
0663 2105 61	O-RING	60	499
0663 2108 76	O-RING	22	185
0663 2109 89	O-RING	14	185
0663 2109 89	O-RING	52	188
0663 2125 00	O-RING	80	505
0663 2129 00	O-RING	9	507
0663 2134 00	O-RING	4	507
0663 2135 00	O-RING	55	499
0663 3130 00	O-RING	30	167
0663 3130 00	O-RING	30	191
0663 3130 00	O-RING	30	501

Part no Art.nr	Description	Ref.no	See page Se sidan
0663 3131 00	O-RING	35	499
0663 3132 00	O-RING	40	499
0663 6112 00	O-RING	45	499
0663 6177 00	O-RING	4	423
0663 7135 00	O-RING	9	187
0663 9188 01	O-RING	3	437
0663 9868 00	O-RING	32	167
0663 9868 00	O-RING	32	191
0663 9868 00	O-RING	32	501
0665 9100 16	WIPER	9	285
0665 9100 16	WIPER	7	287
0666 6000 68	RADIAL LIP SEAL	12	311
0666 8100 17	AXIAL SEAL	17	279
0686 2606 00	PLUG	9	497
0686 3101 00	PLUG	7	389
0686 3716 09	PLUG	3	203
0686 3716 30	PLUG	16	203
0686 3716 35	PLUG	4	203
0686 3716 50	PLUG	1	453
0686 3718 07	PLUG	26	311
0686 3718 24	PLUG	17	177
0686 3718 28	PLUG	36	389
0686 4230 04	PLUG	11	203
0686 6101 00	PLUG	100	505
0686 6441 00	PLUG	13	127
0686 6442 00	PLUG	2	185
0686 6442 00	PLUG	12	187
0686 6442 00	PLUG	2	391
0686 6442 00	PLUG	7	509
0686 6443 00	PLUG	3	513
0686 6444 00	PLUG	4	437
0686 6445 04	PLUG	14	203
0686 6448 00	PLUG	3	391
0686 6448 00	PLUG	2	453
0686 9252 26	PLUG	4	397
0686 9252 27	PROTECTION CAP	34	257
0686 9252 27	PROTECTION CAP	38	267
0686 9252 27	PROTECTION CAP	18	279

Part no Art.nr	Description	Ref.no	See page Se sidan
0691 8801 00	PLATE	1	397
0823 0050 16	CHECK VALVE	21	185
0823 0050 16	CHECK VALVE	20	495
0823 0090 13	CHECK VALVE	6	503
0823 0090 13	CHECK VALVE	3	509
0902 7008 00	ADJUST. WRENCH	3	49
0909 1071 00	LUBRICAT.GUN	6	49
1012 0356 00	FILTER	50	499
1089 0451 07	AIR VALVE	2	187
1089 0451 07	AIR VALVE	9	495
1092 3098 00	SAFETY VALVE	14	187
1092 3098 00	SAFETY VALVE	5	495
1202 5869 01	THERMOSTAT	16	495
1202 8040 02	OIL FILTER	34	167
1202 8040 02	OIL FILTER	34	191
1202 8040 02	OIL FILTER	17	495
1202 8040 02	OIL FILTER	34	501
1202 8040 93	OIL FILTER		17
1202 8040 93	OIL FILTER		21
1202 8040 93	OIL FILTER		23
1202 8040 93	OIL FILTER		25
1202 8040 93	OIL FILTER	9	35
1604 1791 01	CLAMP	5	187
1604 1792 01	CLAMPING PIECE	6	187
1604 2116 00	RUBBER DAMPER	7	187
1604 2524 02	MIN.PR.VALVE	6	495
1604 4289 00	SCREW	75	499
1604 6205 00	VALVE	4	497
1604 7076 00	DIAPHRAGM	65	499
1613 2913 00	PLUG	8	497
1615 6398 00	HOUSING	33	167
1615 6398 00	HOUSING	33	191
1615 6398 00	HOUSING	15	495
1615 6398 00	HOUSING	33	501
1616 7146 92	SERVICE STAGE	3	495
1625 0044 69	VESSEL	21	187
1625 0044 69	VESSEL	4	495
1625 0118 67	GEAR SET	1	495

Part no Art.nr	Description	Ref.no	See page Se sidan
1626 1052 81	CONTROL VALVE	10	495
1626 2153 00	VALVE HOUSING	1	497
1626 2153 81	CONTROL VALVE	2	495
1626 2155 00	END PIECE	2	497
1626 2189 00	PISTON	3	497
1626 2371 00	SEAL	7	497
1626 2380 00	NOZZLE	6	497
1626 4691 00	GASKET	5	497
1630 0161 00	COMPRESSOR OIL	16	27
1630 0162 00	COMPRESSOR OIL	17	27
1630 0180 00	COMPRESSOR OIL	18	27
1630 0181 00	COMPRESSOR OIL	19	27
2252 4057 00	CAGE	95	499
2252 4058 00	GUIDE RAIL	90	499
2252 4197 00	SPRING	70	499
2254 7257 00	NIPPLE	26	167
2254 7257 00	NIPPLE	26	191
2254 7257 00	NIPPLE	26	501
2658 4490 97	COOLANT	5	27
2658 4491 04	COOLANT	6	27
2911 0112 03	OIL SEPARAT.		21
2911 0112 03	OIL SEPARAT.		25
2911 9921 00	SERVICE KIT		499
3050 0043 80	OIL SCREW	50	505
3050 0044 00	WING NUT	90	505
3115 0212 00	STRAP	9	127
3115 0343 00	WRENCH ADAPTER	7	49
3115 0344 00	WRENCH ADAPTER	8	49
3115 3124 01	LABEL	15	413
3115 3125 01	OIL	22	27
3115 3127 00	OIL	23	27
3115 3129 00	OIL	24	27
3121 2015 72	MOTOR	2	309
3121 2015 72	MOTOR	11	469
3121 2031 66	SEAL KIT	2	37
3121 2031 66	SEAL KIT	1	313
3121 2151 35	SPRING	7	295
3121 2220 06	WRENCH	3	47

Part no Art.nr	Description	Ref.no	See page Se sidan
3121 2603 01	FEED HOLDER	9	215
3121 2603 20	GUIDE PLATE	35	215
3121 2603 21	MOUNTING PLATE	29	215
3121 2603 22	SHAFT	18	215
3121 2603 23	SHIM	30	215
3121 2603 24	COMPRESSOR CAP	28	215
3121 2604 02	BOOM HEAD	2	219
3121 2605 01	SHAFT	19	215
3121 2605 02	SHIM	38	215
3121 2605 30	BOOM ATTACHMENT	21	59
3121 2605 30	BOOM ATTACHMENT	1	215
3121 2605 31	SHAFT	20	215
3121 2605 32	SHAFT	11	59
3121 2605 32	SHAFT	21	215
3121 2605 33	BUSHING	1	61
3121 2605 34	BUSHING	2	61
3121 2605 35	BUSHING	3	61
3121 2605 36	SHAFT	22	215
3121 2605 37	SHIM	4	61
3121 2605 38	SHAFT	23	215
3121 2605 39	SHAFT	24	215
3121 2605 40	BOOM HEAD	3	215
3121 2605 41	BUSHING	1	217
3121 2605 42	SLEEVE	3	219
3121 2605 43	SHAFT	25	215
3121 2605 44	SHAFT	26	215
3121 2605 45	SHAFT	27	215
3121 2605 46	WASHER	40	215
3121 2605 48	PIN	2	47
3121 2605 48	PIN	36	215
3121 2605 54	BRACKET	1	235
3121 2605 56	RUBBER BLOCK	2	235
3121 2605 57	PLATE	3	235
3121 2605 63	BRACKET	10	233
3125 5662 81	SEAL KIT	2	349
3128 0829 07	CHECK	1	33
3128 0829 07	CHECK	16	257
3128 2099 98	CHECK VALVE	2	221

Part no Art.nr	Description	Ref.no	See page Se sidan
3128 2099 98	CHECK VALVE	1	223
3128 2099 98	CHECK VALVE	1	225
3128 2099 98	CHECK VALVE	1	227
3128 2099 98	CHECK VALVE	1	229
3162 1565 00	SHACKLE	15	401
3162 1565 00	SHACKLE	4	407
3163 2508 01	HOOK	1	395
3176 0062 00	NIPPLE	30	610
3176 0063 00	NIPPLE	30	610
3176 0064 00	NIPPLE	10	606
3176 0065 00	NIPPLE	10	606
3176 0166 00	NIPPLE	31	611
3176 0167 00	NIPPLE	31	611
3176 0529 00	NIPPLE	31	611
3176 1271 00	NIPPLE	44	140
3176 1271 00	NIPPLE	9	605
3176 1300 00	NIPPLE	40	613
3176 1426 00	NIPPLE	28	609
3176 1472 00	NIPPLE	1	603
3176 1508 00	NIPPLE	10	606
3176 1509 00	NIPPLE	31	611
3176 1510 00	NIPPLE	30	610
3176 1522 00	NIPPLE	10	606
3176 1523 00	NIPPLE	40	613
3176 1524 00	NIPPLE	33	611
3176 1586 00	NIPPLE	45	140
3176 1586 00	NIPPLE	9	605
3176 1671 00	NIPPLE	40	613
3176 1672 00	NIPPLE	30	610
3176 1900 00	NIPPLE	6	604
3176 1901 00	NIPPLE	6	604
3176 1942 00	NIPPLE	10	606
3176 1943 00	NIPPLE	10	606
3176 1944 00	NIPPLE	24	608
3176 1945 00	NIPPLE	31	611
3176 1946 00	NIPPLE	31	611
3176 1947 00	NIPPLE	23	608
3176 1948 00	NIPPLE	30	610

Part no Art.nr	Description	Ref.no	See page Se sidan
3176 1949 00	NIPPLE	30	610
3176 2131 00	NIPPLE	11	453
3176 2131 00	NIPPLE	7	604
3176 2279 00	NIPPLE	1	603
3176 2286 11	HOSE ASSEMBLY	DMP2	587
3176 2644 00	NIPPLE	33	611
3176 2645 00	NIPPLE	1	69
3176 2645 00	NIPPLE	10	606
3176 2710 00	NIPPLE	41	613
3176 2786 00	NIPPLE	10	606
3176 2809 00	NIPPLE	41	613
3176 2821 00	NIPPLE	18	607
3176 2904 00	NIPPLE	12	509
3176 2904 00	NIPPLE	7	604
3176 2905 00	ADAPTER SLEEVE	49A	614
3176 2929 00	NIPPLE	5	604
3176 2930 00	CAP NUT	48	614
3176 2932 00	NIPPLE	5	604
3176 3031 00	NIPPLE	8	605
3176 3032 00	NIPPLE	8	605
3176 3034 00	NIPPLE	8	605
3176 3035 00	NIPPLE	8	605
3176 3036 00	NIPPLE	8	605
3176 3037 00	NIPPLE	8	605
3176 3040 00	NIPPLE	8	605
3176 3042 00	NIPPLE	8	605
3176 3045 80	PIPE COUPLING	17	607
3176 3046 80	PIPE COUPLING	17	607
3176 3048 80	PIPE COUPLING	17	607
3176 3049 80	PIPE COUPLING	17	607
3176 3050 00	NIPPLE	18	607
3176 3051 00	NIPPLE	18	607
3176 3052 00	NIPPLE	18	607
3176 3053 00	NIPPLE	18	607
3176 3060 00	NIPPLE	8	167
3176 3060 00	NIPPLE	7	201
3176 3060 00	NIPPLE	9	501
3176 3060 00	NIPPLE	23	608

Part no Art.nr	Description	Ref.no	See page Se sidan
3176 3555 00	NIPPLE	33	611
3176 3556 00	NIPPLE	11	215
3176 3556 00	NIPPLE	1	603
3176 3730 00	HOSE ASSEMBLY	MR1	584
3176 3828 00	NIPPLE	30	610
3176 3829 00	NIPPLE	10	606
3176 5000 00	NIPPLE	9	605
3176 5018 00	NIPPLE	40	613
3176 5313 00	CAP	51	615
3176 5427 00	NIPPLE	11	185
3176 5427 00	NIPPLE	27	187
3176 5427 00	NIPPLE	5	521
3176 5427 00	NIPPLE	35	611
3176 5428 00	NIPPLE	34	611
3176 5429 00	CAP	51	615
3176 5535 00	NIPPLE	35	612
3176 5563 00	PLUG	50	615
3176 5588 00	U-BOLT	14	161
3176 5588 00	U-BOLT	5	165
3176 5672 00	HOSE ASSEMBLY	APOIL	575
		2	
3176 5679 00	HOSE ASSEMBLY	MRB	584
3176 5680 00	HOSE ASSEMBLY	AP21	575
3176 5864 00	HOSE ASSEMBLY	RAL2	583
3176 5864 00	HOSE ASSEMBLY	RAU2	583
3176 6036 00	NIPPLE	34	611
3176 6037 00	NIPPLE	8	605
3176 6039 00	NIPPLE	7	185
3176 6039 00	NIPPLE	10	453
3176 6039 00	NIPPLE	23	608
3176 6301 00	NIPPLE	9	605
3176 6336 00	HOSE ASSEMBLY	BJL21	583
3176 6336 00	HOSE ASSEMBLY	DSU21	583
3176 6344 00	NIPPLE	7	604
3176 6344 00	NIPPLE	26	609
3176 6348 00	NIPPLE	3	87
3176 6348 00	NIPPLE	3	89
3176 6348 00	NIPPLE	11	127

Part no Art.nr	Description	Ref.no	See page Se sidan
3176 6348 00	NIPPLE	12	185
3176 6348 00	NIPPLE	28	187
3176 6348 00	NIPPLE	9	521
3176 6348 00	NIPPLE	7	604
3176 6349 00	NIPPLE	21	127
3176 6349 00	NIPPLE	10	507
3176 6349 00	NIPPLE	7	604
3176 6351 00	NIPPLE	29	187
3176 6351 00	NIPPLE	11	509
3176 6351 00	NIPPLE	5	513
3176 6351 00	NIPPLE	26	609
3176 6352 00	NIPPLE	26	609
3176 6353 00	NIPPLE	18	607
3176 6483 00	NIPPLE	9	605
3176 6486 00	HOSE ASSEMBLY	FMB1	583
3176 6487 00	HOSE ASSEMBLY	MRD	584
3176 6495 00	NIPPLE	1	603
3176 6496 00	NIPPLE	4	521
3176 6496 00	NIPPLE	44	613
3176 6497 00	NIPPLE	44	613
3176 6498 00	NIPPLE	44	613
3176 6499 00	NIPPLE	44	613
3176 6500 00	NIPPLE	44	613
3176 6501 00	NIPPLE	12	459
3176 6501 00	NIPPLE	3A	603
3176 6502 00	NIPPLE	3A	603
3176 6503 00	NIPPLE	3A	603
3176 6504 00	NIPPLE	3A	603
3176 6505 00	NIPPLE	10	437
3176 6505 00	NIPPLE	3B	603
3176 6506 00	NIPPLE	3A	603
3176 6507 00	NIPPLE	3A	603
3176 6508 00	NIPPLE	3A	603
3176 6509 00	NIPPLE	23	453
3176 6509 00	NIPPLE	3A	603
3176 6510 00	NIPPLE	12	127
3176 6510 00	NIPPLE	7	604
3176 6511 00	NIPPLE	6	201

Part no Art.nr	Description	Ref.no	See page Se sidan
3176 6511 00	NIPPLE	7	604
3176 6512 00	NIPPLE	7	604
3176 6513 00	NIPPLE	13	459
3176 6513 00	NIPPLE	7	604
3176 6514 00	NIPPLE	8	185
3176 6514 00	NIPPLE	7	604
3176 6515 00	NIPPLE	1	87
3176 6515 00	NIPPLE	1	89
3176 6515 00	NIPPLE	11	139
3176 6515 00	NIPPLE	9	185
3176 6515 00	NIPPLE	23	187
3176 6515 00	NIPPLE	9	391
3176 6515 00	NIPPLE	13	437
3176 6515 00	NIPPLE	6	459
3176 6515 00	NIPPLE	7	604
3176 6516 00	NIPPLE	15	437
3176 6516 00	NIPPLE	7	604
3176 6517 00	NIPPLE	2	87
3176 6517 00	NIPPLE	2	89
3176 6517 00	NIPPLE	7	604
3176 6518 00	NIPPLE	5	437
3176 6518 00	NIPPLE	15	453
3176 6518 00	NIPPLE	7	604
3176 6519 00	NIPPLE	7	604
3176 6520 00	NIPPLE	9	453
3176 6520 00	NIPPLE	7	604
3176 6521 00	NIPPLE	7	604
3176 6522 00	NIPPLE	14	606
3176 6523 00	NIPPLE	14	606
3176 6524 00	NIPPLE	14	606
3176 6525 00	NIPPLE	14	606
3176 6526 00	NIPPLE	14	606
3176 6527 00	NIPPLE	14	606
3176 6528 00	NIPPLE	14	606
3176 6529 00	NIPPLE	14	607
3176 6530 00	NIPPLE	9	605
3176 6531 00	NIPPLE	9	605
3176 6532 00	NIPPLE	9	605

Part no Art.nr	Description	Ref.no	See page Se sidan
3176 6533 00	NIPPLE	9	605
3176 6534 00	NIPPLE	9	605
3176 6535 00	NIPPLE	9	605
3176 6536 00	NIPPLE	9	605
3176 6537 00	NIPPLE	9	605
3176 6538 00	NIPPLE	9	605
3176 6539 00	NIPPLE	10	606
3176 6540 00	NIPPLE	10	606
3176 6542 00	NIPPLE	18	607
3176 6543 00	NIPPLE	18	608
3176 6544 00	NIPPLE	18	608
3176 6547 00	NIPPLE	24	608
3176 6548 00	NIPPLE	8	501
3176 6548 00	NIPPLE	24	608
3176 6549 00	NIPPLE	24	609
3176 6550 00	ELBOW	24	609
3176 6551 00	ELBOW	24	609
3176 6552 00	NIPPLE	27	609
3176 6553 00	NIPPLE	27	609
3176 6554 00	NIPPLE	27	609
3176 6555 00	NIPPLE	27	609
3176 6556 00	NIPPLE	27	609
3176 6557 00	NIPPLE	29	610
3176 6558 00	NIPPLE	29	610
3176 6559 00	NIPPLE	29	610
3176 6560 00	NIPPLE	29	610
3176 6561 00	NIPPLE	29	610
3176 6562 00	NIPPLE	31	611
3176 6563 00	NIPPLE	16	177
3176 6563 00	NIPPLE	26	609
3176 6564 00	NIPPLE	26	609
3176 6565 00	NIPPLE	26	609
3176 6566 00	NIPPLE	26	609
3176 6567 00	NIPPLE	26	609
3176 6568 00	NIPPLE	26	609
3176 6569 00	NIPPLE	26	609
3176 6571 00	ELBOW	28	610
3176 6572 00	NIPPLE	28	610

Part no Art.nr	Description	Ref.no	See page Se sidan
3176 6574 00	NIPPLE	33	611
3176 6575 00	NIPPLE	33	611
3176 6576 00	NIPPLE	34	611
3176 6577 00	NIPPLE	34	611
3176 6578 00	NIPPLE	34	611
3176 6579 00	NIPPLE	36	612
3176 6580 00	NIPPLE	36	612
3176 6581 00	NIPPLE	36	612
3176 6582 00	NIPPLE	36	612
3176 6583 00	NIPPLE	36	612
3176 6584 00	NIPPLE	38	612
3176 6585 00	NIPPLE	36	612
3176 6585 00	NIPPLE	38	612
3176 6586 00	NIPPLE	36	612
3176 6586 00	NIPPLE	38	612
3176 6587 00	NIPPLE	38	612
3176 6588 00	NIPPLE	38	612
3176 6589 00	NIPPLE	40	613
3176 6590 00	NIPPLE	11	437
3176 6590 00	NIPPLE	24	453
3176 6590 00	NIPPLE	35	612
3176 6591 00	NIPPLE	14	453
3176 6591 00	NIPPLE	35	612
3176 6592 00	NIPPLE	35	612
3176 6593 00	NIPPLE	19	187
3176 6593 00	NIPPLE	37	612
3176 6594 00	NIPPLE	37	612
3176 6595 00	NIPPLE	37	612
3176 6596 00	NIPPLE	37	612
3176 6597 00	NIPPLE	37	612
3176 6598 00	NIPPLE	39	612
3176 6599 00	NIPPLE	39	612
3176 6600 00	NIPPLE	39	612
3176 6601 00	NIPPLE	39	612
3176 6602 00	NIPPLE	39	613
3176 6603 00	NIPPLE	41	613
3176 6604 00	NIPPLE	41	613
3176 6605 00	NIPPLE	41	613



Part no Art.nr	Description	Ref.no	See page Se sidan
3176 6612 00	NIPPLE	4	461
3176 6612 00	NIPPLE	4	463
3176 6612 00	NIPPLE	4	465
3176 6612 00	NIPPLE	26	609
3176 6613 00	CAP NUT	48	614
3176 6614 00	CAP NUT	48	614
3176 6615 00	CAP NUT	1	459
3176 6615 00	CAP NUT	48	614
3176 6616 00	CAP NUT	48	614
3176 6618 00	CAP NUT	22	453
3176 6618 00	CAP NUT	48	614
3176 6619 00	NIPPLE	33	187
3176 6619 00	NIPPLE	10	459
3176 6619 00	NIPPLE	3	461
3176 6619 00	NIPPLE	3	463
3176 6619 00	NIPPLE	3	465
3176 6619 00	NIPPLE	7	604
3176 6620 00	NIPPLE	7	604
3176 6633 00	NIPPLE	1	603
3176 6634 00	NIPPLE	4	211
3176 6634 00	NIPPLE	10	503
3176 6634 00	NIPPLE	1	603
3176 6635 00	NIPPLE	1	603
3176 6636 00	NIPPLE	44	614
3176 6637 00	NIPPLE	3	211
3176 6637 00	NIPPLE		243
3176 6637 00	NIPPLE	9	503
3176 6637 00	NIPPLE	44	614
3176 6638 00	NIPPLE	44	614
3176 6639 00	NIPPLE	3A	603
3176 6640 00	NIPPLE	3A	603
3176 6641 00	NIPPLE	3A	603
3176 6642 00	NIPPLE	7	604
3176 6643 00	NIPPLE	7	604
3176 6644 00	NIPPLE	7	605
3176 6645 00	NIPPLE	7	605
3176 6646 00	NIPPLE		243
3176 6646 00	NIPPLE	6	453

Part no Art.nr	Description	Ref.no	See page Se sidan
3176 6646 00	NIPPLE	5	509
3176 6646 00	NIPPLE	7	605
3176 6647 00	NIPPLE	14	607
3176 6648 00	NIPPLE	14	607
3176 6649 00	NIPPLE	14	607
3176 6650 00	NIPPLE	14	607
3176 6651 00	NIPPLE	9	605
3176 6652 00	NIPPLE	9	605
3176 6653 00	NIPPLE	9	605
3176 6654 00	NIPPLE	9	605
3176 6655 00	NIPPLE	9	605
3176 6656 00	NIPPLE	9	605
3176 6657 00	NIPPLE	10	606
3176 6658 00	NIPPLE	10	606
3176 6659 00	NIPPLE	10	606
3176 6660 00	NIPPLE	24	609
3176 6661 00	NIPPLE	27	167
3176 6661 00	NIPPLE	54	188
3176 6661 00	NIPPLE	27	191
3176 6661 00	NIPPLE	27	501
3176 6661 00	NIPPLE	24	609
3176 6662 00	NIPPLE	24	609
3176 6663 00	NIPPLE	27	609
3176 6664 00	NIPPLE	27	609
3176 6665 00	NIPPLE	29	610
3176 6666 00	NIPPLE	29	610
3176 6667 00	NIPPLE	29	610
3176 6668 00	NIPPLE	7	453
3176 6668 00	NIPPLE	23	608
3176 6669 00	NIPPLE	28	167
3176 6669 00	NIPPLE	22	187
3176 6669 00	NIPPLE	28	191
3176 6669 00	NIPPLE		243
3176 6669 00	NIPPLE	28	501
3176 6669 00	NIPPLE	23	608
3176 6670 00	NIPPLE	23	608
3176 6671 00	NIPPLE	26	609
3176 6672 00	NIPPLE	26	609

Part no Art.nr	Description	Ref.no	See page Se sidan
3176 6673 00	NIPPLE	26	609
3176 6674 00	NIPPLE	26	609
3176 6675 00	NIPPLE	26	609
3176 6676 00	NIPPLE	28	610
3176 6677 00	NIPPLE	28	610
3176 6678 00	NIPPLE	28	610
3176 6679 00	NIPPLE	33	611
3176 6680 00	NIPPLE	33	611
3176 6681 00	NIPPLE	33	611
3176 6682 00	NIPPLE	34	611
3176 6683 00	NIPPLE	34	611
3176 6684 00	NIPPLE	34	611
3176 6687 00	NIPPLE	38	612
3176 6688 00	NIPPLE	38	612
3176 6689 00	NIPPLE	38	612
3176 6690 00	NIPPLE	35	612
3176 6691 00	NIPPLE	35	612
3176 6692 00	NIPPLE	35	612
3176 6693 00	NIPPLE	37	612
3176 6694 00	NIPPLE	10	509
3176 6694 00	NIPPLE	37	612
3176 6695 00	NIPPLE	39	613
3176 6696 00	NIPPLE	39	613
3176 6697 00	NIPPLE	39	613
3176 6698 00	PLUG	50	615
3176 6699 00	PLUG	50	615
3176 6700 00	PLUG	50	615
3176 6701 00	CAP	51	615
3176 6702 00	CAP	51	615
3176 6703 00	CAP	51	615
3176 6708 00	NIPPLE	6	604
3176 6787 00	CAP NUT	48	614
3176 6788 00	CAP NUT	14	509
3176 6788 00	CAP NUT	48	614
3176 6789 00	CAP NUT	48	614
3176 6854 00	HOSE ASSEMBLY	AP4	575
3176 6855 00	HOSE ASSEMBLY	APGR5	575
3176 6855 00	HOSE ASSEMBLY	GR5	575

Part no Art.nr	Description	Ref.no	See page Se sidan
3176 6855 00	HOSE ASSEMBLY	DSL1	583
3176 6855 00	HOSE ASSEMBLY	BW1	583
3176 6856 00	HOSE ASSEMBLY	AIRGR	575
		1	
3176 6856 00	HOSE ASSEMBLY	XP1	579
3176 6856 00	HOSE ASSEMBLY	ES2	581
3176 6857 00	HOSE ASSEMBLY	APGR1	575
3176 6857 00	HOSE ASSEMBLY	FF11	581
3176 6857 00	HOSE ASSEMBLY	BS1	589
3176 6857 00	HOSE ASSEMBLY	BS2	589
3176 6858 00	HOSE ASSEMBLY	XTH2	581
3176 6861 00	HOSE ASSEMBLY	APDCT	575
		1	
3176 6972 00	HOSE ASSEMBLY	APEO2	575
3176 6973 00	HOSE ASSEMBLY	TOR2	581
3176 6976 00	HOSE ASSEMBLY	AP19	575
3176 6976 00	HOSE ASSEMBLY	BJU2	583
3176 6981 00	NIPPLE	1	67
3176 6981 00	NIPPLE	2	69
3176 6981 00	NIPPLE	4	603
3176 6983 00	NIPPLE	6	604
3176 7058 00	NIPPLE	10	606
3176 7071 00	NIPPLE	43	613
3176 7120 00	HOSE ASSEMBLY	APGR2	575
3176 7120 00	HOSE ASSEMBLY	GR2	575
3176 7120 00	HOSE ASSEMBLY	DMD2	587
3176 7131 00	HOSE ASSEMBLY	POT	593
3176 7186 00	HOSE ASSEMBLY	FB10	581
3176 7186 00	HOSE ASSEMBLY	FF9	581
3176 7186 00	HOSE ASSEMBLY	RAL1	583
3176 7186 00	HOSE ASSEMBLY	RAU1	583
3176 7304 00	NIPPLE	7	605
3176 7319 00	NIPPLE	10	191
3176 7319 00	NIPPLE	5	604
3176 7336 00	NIPPLE	46	140
3176 7336 00	NIPPLE	3B	603
3176 7337 00	NIPPLE	20	509
3176 7337 00	NIPPLE	3A	603

Part no Art.nr	Description	Ref.no	See page Se sidan
3176 7338 00	NIPPLE	3A	603
3176 7339 00	NIPPLE	3A	603
3176 7340 00	NIPPLE	4	603
3176 7341 00	NIPPLE	4	603
3176 7342 00	NIPPLE	14	607
3176 7368 00	U-BOLT	15	161
3176 7449 00	HOSE ASSEMBLY	AP11	575
3176 7449 00	HOSE ASSEMBLY	RGU2	583
3176 7467 01	PUMP	8	485
3176 7645 00	HOSE ASSEMBLY	TOL3	591
3176 7645 00	HOSE ASSEMBLY	TOR3	591
3176 7645 00	HOSE ASSEMBLY	FD3	591
3176 7645 00	HOSE ASSEMBLY	FD4	591
3176 7645 00	HOSE ASSEMBLY	FE3	591
3176 7645 00	HOSE ASSEMBLY	FE4	591
3176 7703 00	NIPPLE	6	604
3176 7707 00	NIPPLE	6	604
3176 7757 00	NIPPLE	19	608
3176 7767 00	NIPPLE	18	608
3176 7851 00	NIPPLE	15	607
3176 7872 00	ELBOW NIPPLE	34	187
3176 7872 00	ELBOW NIPPLE	11	459
3176 7872 00	ELBOW NIPPLE	5	461
3176 7872 00	ELBOW NIPPLE	5	463
3176 7872 00	ELBOW NIPPLE	5	465
3176 7872 00	ELBOW NIPPLE	23	608
3176 7873 00	NIPPLE	23	608
3176 7922 00	FLANGE HALF	6	185
3176 7922 00	FLANGE HALF	51	188
3176 7968 00	NIPPLE	55	616
3176 7969 00	NIPPLE	55	616
3176 7970 00	NIPPLE	55	616
3176 8026 00	NIPPLE	38	187
3176 8026 00	NIPPLE	3A	603
3176 8027 00	NIPPLE	3A	603
3176 8028 00	NIPPLE	44	613
3176 8029 00	CAP	51	615
3176 8043 00	NIPPLE	14	607

Part no Art.nr	Description	Ref.no	See page Se sidan
3176 8076 00	NIPPLE	6	604
3176 8077 00	NIPPLE	6	604
3176 8078 00	NIPPLE	6	604
3176 8120 00	NIPPLE	18	608
3176 8251 00	NIPPLE	3A	603
3176 8270 00	NIPPLE	19	608
3176 8271 00	NIPPLE	9	605
3176 8289 00	PLUG	50	615
3176 8292 00	NIPPLE	15	607
3176 8402 00	NIPPLE	8	605
3176 8424 00	NIPPLE	45	614
3176 8489 00	NIPPLE	10	127
3176 8489 00	NIPPLE	26	187
3176 8489 00	NIPPLE	8	521
3176 8489 00	NIPPLE	19	608
3176 8490 00	NIPPLE	24	187
3176 8490 00	NIPPLE	10	391
3176 8490 00	NIPPLE	12	437
3176 8490 00	NIPPLE	19	608
3176 8641 00	PRESS.REGULATOR	5	391
3176 8641 00	PRESS.REGULATOR	7	519
3176 8641 01	SEAL KIT		393
3176 8711 00	NIPPLE	11	606
3176 8791 00	THERMOSTAT	12	443
3176 8791 00	THERMOSTAT	5	453
3176 8872 00	NIPPLE	11	606
3176 8927 00	NIPPLE	47A	614
3176 8972 00	NIPPLE	22	608
3176 8973 00	NIPPLE	22	608
3177 3012 00	NIPPLE	15	607
3177 3016 00	COUPLING	14	437
3177 3025 00	NIPPLE	6	509
3177 3025 00	NIPPLE	19	608
3177 3045 00	NIPPLE	26	609
3177 3046 00	NIPPLE	26	609
3177 3047 00	ADAPTER SLEEVE	49A	614
3177 3054 00	NIPPLE	5	604
3177 3063 00	NIPPLE	10	606

Part no Art.nr	Description	Ref.no	See page Se sidan
3177 3064 00	NIPPLE	3A	603
3177 3068 00	NIPPLE	5	604
3177 3070 00	NIPPLE	15	607
3177 3072 00	HYDRAULIC MOTOR	15	397
3177 3072 00	HYDRAULIC MOTOR	2	483
3177 3092 12	DIRECTION VALVE	4	473
3177 3095 00	NIPPLE	2	461
3177 3095 00	NIPPLE	2	463
3177 3095 00	NIPPLE	2	465
3177 3095 00	NIPPLE	16	509
3177 3095 00	NIPPLE	35	612
3177 3107 00	NIPPLE	8	453
3177 3107 00	NIPPLE	19	608
3177 3108 00	ADAPTER SLEEVE	49A	614
3177 3132 00	NIPPLE	19	608
3177 3136 00	NIPPLE	15	607
3177 3178 00	NIPPLE	2	603
3177 3190 00	NIPPLE	28	610
3177 3195 00	NIPPLE	27	609
3177 3197 00	CAP	51	615
3214 0806 04	CHAIN	5	407
3214 5287 00	CHAIN	1	405
3214 6215 00	SUCTION HOSE	4	43
3214 6215 00	SUCTION HOSE	2	407
3214 6238 02	RUBBER SLEEVE	2	39
3214 6238 02	RUBBER SLEEVE	9	389
3214 6238 02	RUBBER SLEEVE	8	403
3214 7391 00	DOUBLE CH.VALVE	9	473
3214 7669 81	FLOW REGULATOR	3	443
3214 8712 80	PRESS.RED.VALVE	7	473
3214 8712 82	PLUG	3	475
3214 8712 83	SPRING	7	475
3214 8712 87	SEAL KIT	10	475
3214 8734 01	DRIVING MIRROR	10	91
3215 7082 00	FLANGE	13	453
3215 7083 00	GASKET	21	453
3215 9312 00	SET SCREW	10	267
3216 0295 46	HOSE HOLDER	13	401

Part no Art.nr	Description	Ref.no	See page Se sidan
3216 0295 46	HOSE HOLDER	3	407
3216 0295 46	HOSE HOLDER	7	407
3216 2871 00	TOOL BOX	9	49
3216 2871 82	TOOLS SET	1	47
3216 3556 00	CLAMP	2	535
3216 4429 00	PIPE	2	513
3216 4936 00	CLAMP	3	535
3216 7475 04	EYE	4	549
3216 7475 05	SPRING	5	549
3216 7655 00	TANK COVER	3	205
3216 8241 00	EYE BOLT	6	549
3216 9865 00	PROTECTION	4	535
3217 0552 00	BELT	1	389
3217 0552 00	BELT	4	403
3217 0578 91	PLASTIC BAG	6	407
3217 5164 00	BAND	16	389
3217 5164 00	BAND	12	403
3217 6148 00	NIPPLE	6	604
3217 6218 00	NIPPLE	18	127
3217 6218 00	NIPPLE	4	603
3217 6513 04	RESTRICTION	3	185
3217 6513 04	RESTRICTION	12	495
3217 6513 08	RESTRICTION	13	187
3217 6513 08	RESTRICTION	7	495
3217 6513 08	RESTRICTION	11	495
3217 7310 00	NIPPLE	18	608
3217 8937 13	PRESS.REL.CART.	1	447
3217 9578 07	HOSE ASSEMBLY	FCL1	591
3217 9578 18	HOSE ASSEMBLY	XFB3	581
3217 9578 18	HOSE ASSEMBLY	XFD3	581
3217 9578 20	HOSE ASSEMBLY	XFB1	591
3217 9578 20	HOSE ASSEMBLY	XFD1	591
3217 9578 22	HOSE ASSEMBLY	FRL1	591
3217 9578 50	HOSE ASSEMBLY	SAPG1	575
3217 9578 50	HOSE ASSEMBLY	RPG1	591
3217 9578 50	HOSE ASSEMBLY	XFB2	591
3217 9766 03	COVER	5	127
3217 9766 16	COVER	6	127

Part no Art.nr	Description	Ref.no	See page Se sidan
3217 9766 20	GREASE	4	127
3222 1293 00	SOLENOID VALVE	7	39
3222 1293 00	SOLENOID VALVE	11	389
3222 1293 00	SOLENOID VALVE	7	517
3222 1488 00	SENSOR	B181	547
3222 1488 00	SENSOR	B803	547
3222 1681 01	HOSE CLIP	1	205
3222 2822 01	RESERVOIR	1	403
3222 3006 30	SUCTION HOSE		21
3222 3006 30	SUCTION HOSE		23
3222 3006 30	SUCTION HOSE		25
3222 3006 30	SUCTION HOSE	3	403
3222 3026 48	SEAL KIT		447
3222 3049 36	REPAIR KIT	5	39
3222 3049 36	REPAIR KIT		399
3222 3049 37	SEAL KIT	6	39
3222 3049 37	SEAL KIT		399
3222 3051 46	MECH. COMPONENT	24	129
3222 3051 47	AIR KIT		129
3222 3051 48	REPAIR KIT	36	129
3222 3051 51	PISTON SET		129
3222 3051 52	CHECK VALVE	16	129
3222 3051 53	SCREW	35	129
3222 3075 63	DIAPHRAGM		41
3222 3077 13	PIPE CLAMP	4	165
3222 3080 73	DISTRIBUT.BLOCK	1	391
3222 3080 73	DISTRIBUT.BLOCK	3	517
3222 3097 87	YOKE	3	233
3222 3097 93	BRACKET	1	233
3222 3112 14	REPAIR SET	A01	403
3222 3144 94	WRENCH	10	49
3222 3144 95	WRENCH, HEXAGON	2	49
3222 3144 96	WRENCH, HEXAGON	11	49
3222 3144 98	SCREW DRIVER	5	49
3222 3144 99	SCREW DRIVER	4	49
3222 3145 47	SUCTION HOSE	5	43
3222 3145 47	SUCTION HOSE	16	401
3222 3147 46	PULSE UNIT	32	389

Part no Art.nr	Description	Ref.no	See page Se sidan
3222 3147 46	PULSE UNIT	U801	545
3222 3148 62	ADAPTER	48	188
3222 3149 65	SOUND LABEL	3	413
3222 3167 54	SAFETY VALVE	6	391
3222 3167 54	SAFETY VALVE	5	517
3222 3182 76	FLOW CONT.VALVE	13	469
3222 3185 91	HOSE ASSEMBLY	AP16	575
3222 3191 83	FAN WHEEL	14	397
3222 3193 75	PRESEPARATOR	1	401
3222 3212 95	FILTER ELEMENT		21
3222 3212 95	FILTER ELEMENT		23
3222 3212 95	FILTER ELEMENT		25
3222 3212 95	FILTER ELEMENT	31	389
3222 3231 33	CHECK VALVE	20	453
3222 3251 42	CHECK VALVE	7	485
3222 3254 54	EMER.SHUTDOWN	1	549
3222 3255 57	JET NOZZLE	6	519
3222 3255 57	JET NOZZLE	2	521
3222 3266 76	SEAL KIT		447
3222 3266 77	FLOW REGULATOR	2	447
3222 3266 78	STEERING WH.SET	14	447
3222 3320 81	FILTER ELEMENT	3	39
3222 3337 11	OIL FILTER	4	485
3222 3337 40	FILTER ELEMENT		19
3222 3337 40	FILTER ELEMENT		23
3222 3337 40	FILTER ELEMENT		25
3222 3337 40	FILTER ELEMENT	8	487
3222 3337 42	SLEEVE	9	487
3222 3347 21	SEAL KIT		487
3222 3352 15	OIL	20	27
3222 3352 17	OIL	21	27
3222 3352 22	GREASE	34	28
3222 3358 74	GREASE PUMP	8	127
3222 3358 88	SEAL KIT		129
3222 3358 89	REPAIR KIT		129
3222 3358 90	SEAL KIT		129
3222 3358 91	REPAIR KIT		129
3222 3369 37	HINGE	1	97

Part no Art.nr	Description	Ref.no	See page Se sidan
3222 3369 37	HINGE	1	101
3222 3369 38	HINGE	2	97
3222 3369 38	HINGE	2	101
3222 3413 48	COVER	2	403
3222 3416 66	RUBBER PROTEC	23	127
3222 3456 25	BREATHER FILTER		15
3222 3456 25	BREATHER FILTER		17
3222 3456 25	BREATHER FILTER		19
3222 3456 25	BREATHER FILTER		21
3222 3456 25	BREATHER FILTER		23
3222 3456 25	BREATHER FILTER		25
3222 3456 25	BREATHER FILTER	3	485
3222 9892 24	O-RING	5	381
3315 0195 02	LOCK WASHER	16	57
3315 0195 02	LOCK WASHER	16	59
3315 0195 02	LOCK WASHER	7	397
3315 0195 04	LOCK WASHER	18	57
3315 0195 04	LOCK WASHER	10	147
3315 0195 04	LOCK WASHER	37	187
3315 0195 04	LOCK WASHER	26	247
3315 0195 04	LOCK WASHER	11	253
3315 0195 04	LOCK WASHER	21	275
3315 0195 04	LOCK WASHER	7	285
3315 0195 04	LOCK WASHER	6	287
3315 0195 04	LOCK WASHER	9	295
3315 0195 04	LOCK WASHER	6	299
3315 0195 04	LOCK WASHER	5	303
3315 0195 04	LOCK WASHER	22	311
3315 0195 04	LOCK WASHER	4	329
3315 0195 04	LOCK WASHER	3	361
3315 0195 04	LOCK WASHER	3	363
3315 0195 04	LOCK WASHER	3	365
3315 0195 04	LOCK WASHER	3	367
3315 0195 04	LOCK WASHER	14	391
3315 0195 04	LOCK WASHER	4	425
3315 0195 06	LOCK WASHER	21	139
3315 0195 06	LOCK WASHER	27	257
3315 0195 06	LOCK WASHER	20	267

Part no Art.nr	Description	Ref.no	See page Se sidan
3315 0195 06	LOCK WASHER	5	397
3315 0195 08	LOCK WASHER	5	57
3315 0195 08	LOCK WASHER	13	59
3315 0195 08	LOCK WASHER	23	139
3315 0195 08	LOCK WASHER	32	187
3315 0195 08	LOCK WASHER	15	215
3315 0195 08	LOCK WASHER	6	233
3315 0195 08	LOCK WASHER	24	247
3315 0195 08	LOCK WASHER	3	251
3315 0195 08	LOCK WASHER	20	257
3315 0195 08	LOCK WASHER	16	267
3315 0195 08	LOCK WASHER	18	275
3315 0195 08	LOCK WASHER	22	279
3315 0195 08	LOCK WASHER	9	289
3315 0195 08	LOCK WASHER	3	293
3315 0195 08	LOCK WASHER	3	297
3315 0195 08	LOCK WASHER	24	311
3315 0195 08	LOCK WASHER	6	343
3315 0195 08	LOCK WASHER	6	401
3315 0195 10	LOCK WASHER	24	139
3315 0195 10	LOCK WASHER	7	165
3315 0195 10	LOCK WASHER	8	235
3315 0195 10	LOCK WASHER	25	247
3315 0195 10	LOCK WASHER	18	257
3315 0195 10	LOCK WASHER	28	267
3315 0195 10	LOCK WASHER	9	277
3315 0195 10	LOCK WASHER	24	279
3315 0195 10	LOCK WASHER	4	297
3315 0195 10	LOCK WASHER	10	401
3315 0195 12	LOCK WASHER	42	215
3315 0195 12	LOCK WASHER	19	275
3315 0195 12	LOCK WASHER	14	311
3455 0402 01	NIPPLE	16	607
3455 0402 02	NIPPLE	16	607
3455 0402 03	NIPPLE	16	607
3455 0402 04	NIPPLE	16	607
3455 0402 05	NIPPLE	16	607
3455 0402 06	NIPPLE	16	607

Part no Art.nr	Description	Ref.no	See page Se sidan
3455 0402 07	NIPPLE	16	607
3455 0402 08	NIPPLE	16	607
3455 0402 09	NIPPLE	16	607
3455 0402 10	NIPPLE	16	607
3455 0402 11	NIPPLE	16	607
3455 0402 12	NIPPLE	16	607
3455 0402 13	NIPPLE	16	607
3455 0543 01	NIPPLE	46	614
3455 0543 02	NIPPLE	46	614
3455 0543 03	NIPPLE	46	614
3455 0543 04	NIPPLE	46	614
3455 0543 05	NIPPLE	2	67
3455 0543 05	NIPPLE	4	69
3455 0543 05	NIPPLE	1	71
3455 0543 05	NIPPLE	46	614
3455 0543 06	NIPPLE	46	614
3455 0543 07	NIPPLE	46	614
3455 0543 08	NIPPLE	46	614
3455 0766 01	NIPPLE	42	613
3455 0766 02	NIPPLE	42	613
3455 0766 03	NIPPLE	42	613
3455 0766 04	NIPPLE	42	613
3455 0766 05	NIPPLE	42	613
3455 0766 06	NIPPLE	42	613
3455 0766 07	NIPPLE	42	613
3455 0766 08	NIPPLE	42	613
3455 0766 09	NIPPLE	42	613
3715 0581 00	NIPPLE	1	603
3715 0584 00	ELBOW NIPPLE	4	87
3715 0584 00	ELBOW NIPPLE	4	89
3715 0584 00	ELBOW NIPPLE	13	185
3715 0584 00	ELBOW NIPPLE	30	187
3715 0584 00	ELBOW NIPPLE	11	191
3715 0584 00	ELBOW NIPPLE	14	215
3715 0584 00	ELBOW NIPPLE	9	459
3715 0584 00	ELBOW NIPPLE	19	509
3715 0584 00	ELBOW NIPPLE	6	521
3715 0584 00	ELBOW NIPPLE	23	608

Part no Art.nr	Description	Ref.no	See page Se sidan
3715 0585 00	NIPPLE	10	185
3715 0585 00	NIPPLE	25	187
3715 0585 00	NIPPLE	11	391
3715 0585 00	NIPPLE	6	437
3715 0585 00	NIPPLE	12	453
3715 0585 00	NIPPLE	7	459
3715 0585 00	NIPPLE	23	608
3715 0587 00	NIPPLE	9	605
3715 0588 00	NIPPLE	28	610
3715 0589 00	NIPPLE	25	453
3715 0589 00	NIPPLE	9	509
3715 0589 00	NIPPLE	23	608
3715 0597 00	CAP	3	67
3715 0597 00	CAP	3	69
3715 0597 00	CAP	2	71
3715 0597 00	CAP	51	615
3715 0598 00	PLUG	50	615
3715 0599 00	PLUG	50	615
3715 0600 00	PLUG	50	615
3715 0819 00	CAP	51	615
3715 0820 00	CAP	51	615
3715 0821 00	PLUG	50	615
3715 1505 00	ADAPTER SLEEVE	49A	614
3715 3020 00	ADAPTER SLEEVE	49A	614
3715 3021 00	ADAPTER SLEEVE	49A	614
3715 3022 00	ADAPTER SLEEVE	49A	614
3715 3030 00	ADAPTER SLEEVE	49A	614
3715 6344 00	NIPPLE	8	459
3716 6528 00	CARTRIDGE VALVE	2	451
3716 7022 09	DIRECTION VALVE	5	473
3725 0027 29	ROLLER	16	77
3725 0027 29	ROLLER	16	85
3725 0027 30	ROLLER	20	77
3725 0027 30	ROLLER	20	85
5112 2646 00	U-BOLT	13	509
5112 3102 43	ANGLE POINTER	2	381
5501 4790 00	HOSE NIPPLE	40	140
5501 5227 00	ENGINE OIL	3	27

Part no Art.nr	Description	Ref.no	See page Se sidan
5501 5277 00	ENGINE OIL	2	27
5530 7303 00	LOCK NUT	24	455
5536 1824 00	ROD END	22	455
5536 8315 00	CAPSCREW	23	455
5537 1528 00	CYLINDER	8	443
5537 2613 00	SCREW	11	455
5537 2615 00	PISTON	16	455
5537 2616 00	SPRING	21	455
5537 2617 00	REPAIR KIT		455
5537 7624 00	LEVER	15	455
5537 8370 00	COVER	1	455
5537 8371 00	BLEEDER SCREW	4	455
5537 8372 00	SCREW	5	455
5540 1129 00	WASHER	42	268
5540 6681 00	CLAMP	37	167
5540 6681 00	CLAMP	13	173
5540 6681 00	CLAMP	37	191
5541 0162 00	SCREW, HEX HEAD	25	139
5580 0148 32	SLIP COVER	2	103
5580 0148 32	SLIP COVER	2	105
5580 0148 32	SLIP COVER	2	107
5580 0148 32	SLIP COVER	2	109
5580 0148 32	SLIP COVER	2	111
5580 0148 32	SLIP COVER	2	113
5580 0206 24	ENGINE OIL	4	27
5580 0206 31	TRANSMISS. OIL	28	27
5580 0206 32	TRANSMISS. OIL	29	28
5580 0206 33	TRANSMISS. OIL	30	28
5580 0206 43	GREASE	31	28
5580 0206 44	GREASE	32	28
5580 0206 45	GREASE	33	28
5580 0255 57	OIL FILTER	1	35
5724 0000 66	DATA PLATE	11	323
5724 0000 66	DATA PLATE	19	413
5726 5004 24	DATA PLATE	16	413
5726 5004 28	LOCK WASHER	7	77
5726 5004 28	LOCK WASHER	7	85
5726 5004 31	LOCK WASHER	3	77

Part no Art.nr	Description	Ref.no	See page Se sidan
5726 5004 31	LOCK WASHER	15	77
5726 5004 31	LOCK WASHER	3	85
5726 5004 31	LOCK WASHER	15	85
5726 5004 34	NUT	22	77
5726 5004 34	NUT	22	85
5726 5004 35	PROTECTION CAP	23	77
5726 5004 35	PROTECTION CAP	23	85
5726 5004 39	BOLT	17	77
5726 5004 39	BOLT	17	85
5726 5004 43	SPRING WASHER	18	77
5726 5004 43	SPRING WASHER	18	85
5726 5004 46	LOCK WASHER	10	77
5726 5004 46	LOCK WASHER	10	85
5726 5007 10	GPS	9	375
5726 5010 69	BATTERY	1	535
5726 5802 89	WASHER	14	139
5726 5803 28	CLAMP	1	163
5726 5807 31	PLATE	2	425
5726 5813 12	MANIFOLD	31	187
5726 5817 24	PRESSURE SWITCH	5	485
5726 5817 24	PRESSURE SWITCH	B139	551
5726 5823 96	TEMP. SENSOR	8	495
5726 5823 96	TEMP. SENSOR	B366B	553
5726 5823 98	TEMP. SENSOR	2	485
5726 5823 98	TEMP. SENSOR	B146A	539
5726 5829 36	BRACKET	2	65
5726 5890 24	CARTRIDGE VALVE	5	477
5726 5890 24	CARTRIDGE VALVE	2	479
5726 5890 31	CARTRIDGE VALVE	6	451
5726 5890 32	SOLENOID VALVE	5	449
5726 5890 34	SOLENOID VALVE	4	449
5726 5890 36	CARTRIDGE VALVE	3	451
5726 5890 36	CARTRIDGE VALVE	6	477
5726 5890 40	CARTRIDGE VALVE	4	477
5726 5890 45	NOZZLE	7	451
5726 5890 45	NOZZLE	14	473
5726 5890 47	CARTRIDGE VALVE	13	473
5726 5890 48	CARTRIDGE VALVE	11	473



Part no Art.nr	Description	Ref.no	See page Se sidan
5726 5890 49	NOZZLE	10	473
5726 6001 13	LUBR. OIL TANK	1	507
5726 6001 22	FILLER PIPE	2	507
5726 8000 03	GREASE PUMP	1	519
5726 8002 15	COVER	3	57
5726 8002 16	SHAFT	11	57
5726 8002 17	WASHER	8	57
5726 8002 31	PLATE	6	59
5726 8002 78	SHAFT	7	57
5726 8002 81	ATTACHMENT	1	65
5726 8003 66	HORN	H186	533
5726 8009 24	SLEEVE	11	321
5726 8011 34	PUMP UNIT	1	125
5726 8011 34	PUMP UNIT	101	519
5726 8012 25	YOKE	2	293
5726 8012 70	STOP	43	248
5726 8012 70	STOP	19	267
5726 8013 13	HOLDER	17	127
5726 8014 31	GASKET	3	309
5726 8014 38	RADIAL LIP SEAL	7	311
5726 8014 39	BEARING	8	311
5726 8014 41	GEAR WHEEL	10	311
5726 8014 43	BEARING	11	311
5726 8014 44	COVER	13	311
5726 8014 46	GEAR WHEEL	17	311
5726 8014 47	COVER	18	311
5726 8014 48	LEVEL GLASS	19	311
5726 8014 49	GASKET	29	311
5726 8014 76	WASHER	7	379
5726 8014 96	SPACER	21	311
5726 8014 97	GASKET	25	311
5726 8016 53	SEALING	4	95
5726 8016 53	SEALING	4	99
5726 8017 95	PLATE	8	381
5726 8018 80	FILLER PIPE	2	205
5726 8019 43	COVER	9	203
5726 8019 46	GASKET	10	203
5726 8020 11	AIR FILTER		15

Part no Art.nr	Description	Ref.no	See page Se sidan
5726 8020 11	AIR FILTER		17
5726 8020 11	AIR FILTER		19
5726 8020 11	AIR FILTER		21
5726 8020 11	AIR FILTER		23
5726 8020 11	AIR FILTER		25
5726 8020 11	AIR FILTER	1	425
5726 8020 31	SPRING SET	17	139
5726 8020 32	SPACER SLEEVE	3	157
5726 8020 38	WASHER	18	139
5726 8020 94	BLOCK	46	258
5726 8021 04	SOCKET	1	161
5726 8021 34	FLANGE CONNECT.	8	187
5726 8021 36	FLANGE CONNECT.	23	167
5726 8021 36	FLANGE CONNECT.	23	191
5726 8021 36	FLANGE CONNECT.	23	501
5726 8021 42	CONNECTION	3	171
5726 8021 78	DISPLAY	4	371
5726 8021 78	DISPLAY	P1	529
5726 8021 89	HOUR METER	6	195
5726 8021 89	HOUR METER	P108	543
5726 8022 11	BATTERY SWITCH	S300	533
5726 8022 18	SWITCH	12	337
5726 8022 18	SWITCH	S180	529
5726 8022 24	PRESSURE SWITCH	4	443
5726 8022 24	PRESSURE SWITCH	B174	551
5726 8022 24	PRESSURE SWITCH	B175	551
5726 8022 25	ALARM	1	537
5726 8022 33	PRESSURE SWITCH	8	503
5726 8022 33	PRESSURE SWITCH	17	509
5726 8022 33	PRESSURE SWITCH	B800	543
5726 8022 55	CONNECTION	34	161
5726 8024 52	RELAY	5	559
5726 8024 58	CABLE GLAND	7	549
5726 8024 60	INDICATOR	8	371
5726 8024 60	INDICATOR	H207	529
5726 8024 60	INDICATOR	H800	529
5726 8024 62	CABLE PULLEY	3	549
5726 8027 04	MANIFOLD	7	437

Part no Art.nr	Description	Ref.no	See page Se sidan
5726 8029 12	DAMPING CUSHION	1	379
5726 8029 13	WASHER	3	379
5726 8029 14	SPACER	6	379
5726 8029 93	PRESSURE GAUGE	3	373
5726 8029 93	PRESSURE GAUGE	5	503
5726 8029 94	PRESSURE GAUGE	2	373
5726 8030 82	BOOT	2	337
5726 8033 68	PLATE	5	119
5726 8041 90	VALVE	4	451
5726 8041 95	VALVE	2	449
5726 8041 95	VALVE	3	477
5726 8042 08	VALVE	1	349
5726 8042 21	VALVE	8	473
5726 8042 22	VALVE	6	473
5726 8043 61	SEAL	1	311
5726 8043 62	COVER	2	311
5726 8043 63	SLEEVE	3	311
5726 8043 64	BACK-UP RING	4	311
5726 8043 65	GEAR BOX	5	311
5726 8043 66	SHAFT	6	311
5726 8048 54	BUTTON	2	331
5726 8048 54	BUTTON	S186	529
5726 8064 74	PRESSURE SWITCH	14	459
5726 8064 74	PRESSURE SWITCH	B803	551
5726 8064 78	WIRE	2	549
5726 8075 12	AIR FILTER	1	167
5726 8075 12	AIR FILTER	1	191
5726 8075 12	AIR FILTER	13	495
5726 8075 12	AIR FILTER	18	495
5726 8075 12	AIR FILTER	1	501
5726 8075 16	COOLER	1	481
5726 8075 19	DAMPER	1	177
5726 8075 77	ELBOW	2	161
5726 8075 98	ROD	2	147
5726 8076 01	FILTER HOUSING	3	389
5726 8076 03	AIR RECEIVER	6	389
5726 8076 04	PROTECT. SHIELD	8	389
5726 8076 05	GASKET	27	389

Part no Art.nr	Description	Ref.no	See page Se sidan
5726 8076 06	DOOR	4	389
5726 8076 07	RUBBER PACKING	17	389
5726 8076 35	WASHER	13	397
5726 8076 66	WASHER	12	397
5726 8077 01	VALVE SET	13	135
5726 8077 10	VALVE BLOCK	5	443
5726 8077 12	RETURN BLOCK	11	443
5726 8077 12	RETURN BLOCK	19	453
5726 8077 15	VALVE	5	337
5726 8077 15	VALVE	1	457
5726 8077 15	VALVE	3	459
5726 8077 16	VALVE BLOCK	9	443
5726 8077 17	VALVE BLOCK	10	389
5726 8077 17	VALVE BLOCK	9	437
5726 8077 17	VALVE BLOCK	1	483
5726 8077 18	JOYSTICK	2	345
5726 8077 18	JOYSTICK	3	457
5726 8077 18	JOYSTICK	1	463
5726 8077 19	JOYSTICK	6	333
5726 8077 19	JOYSTICK	2	457
5726 8077 19	JOYSTICK	1	461
5726 8077 20	VALVE BLOCK	1	443
5726 8077 31	DRIVE UNIT	27	77
5726 8077 31	DRIVE UNIT	27	85
5726 8077 31	DRIVE UNIT	2	443
5726 8077 32	FEED MOTOR	11	297
5726 8077 32	FEED MOTOR	9	469
5726 8077 33	MOTOR	5	277
5726 8077 33	MOTOR	6	469
5726 8077 34	VALVE BLOCK	10	469
5726 8077 35	VALVE BLOCK	12	469
5726 8077 97	CONNECTION SET	103	481
5726 8077 98	CONNECTION SET	7	55
5726 8077 98	CONNECTION SET	104	481
5726 8078 04	VALVE	2	503
5726 8078 04	VALVE	4	509
5726 8078 05	NIPPLE	22	167
5726 8078 05	NIPPLE	22	191

Part no Art.nr	Description	Ref.no	See page Se sidan
5726 8078 05	NIPPLE	22	501
5726 8078 07	NIPPLE	1	503
5726 8078 07	NIPPLE	7	503
5726 8078 07	NIPPLE	1	509
5726 8078 08	FLANGE CONNECT.	24	167
5726 8078 08	FLANGE CONNECT.	24	191
5726 8078 08	FLANGE CONNECT.	24	501
5726 8078 11	HOSE ASSEMBLY	AP2	575
5726 8078 12	HOSE ASSEMBLY	AP15	575
5726 8078 13	FLANGE CONNECT.	25	167
5726 8078 13	FLANGE CONNECT.	25	191
5726 8078 13	FLANGE CONNECT.	25	501
5726 8078 16	NIPPLE	16	185
5726 8078 19	HOSE ASSEMBLY	DTH4	575
5726 8078 30	RELIEF VALVE	3	345
5726 8078 30	RELIEF VALVE	4	457
5726 8078 30	RELIEF VALVE	1	465
5726 8078 50	HOSE ASSEMBLY	FB6	589
5726 8078 50	HOSE ASSEMBLY	FF5	589
5726 8078 51	HOSE ASSEMBLY	P21	579
5726 8078 52	HOSE ASSEMBLY	P11	579
5726 8078 54	HOSE	SU1	579
5726 8078 55	HOSE	SU3	579
5726 8078 56	HOSE	SU45	579
5726 8078 57	HOSE	SU2	579
5726 8078 58	HOSE ASSEMBLY	2	43
5726 8078 58	HOSE ASSEMBLY	RRL2	583
5726 8078 58	HOSE ASSEMBLY	RRR2	583
5726 8078 98	PUMP	42	140
5726 8078 98	PUMP	1	435
5726 8078 98	PUMP	8	437
5726 8078 99	PUMP	15	139
5726 8078 99	PUMP	2	435
5726 8079 06	RUBBER	2	323
5726 8079 15	MOUNTING PLATE	3	371
5726 8079 36	INSULATION	7	323
5726 8079 39	PROTECTION	3	359
5726 8079 82	SENSOR	13	383

Part no Art.nr	Description	Ref.no	See page Se sidan
5726 8079 83	FILTER		13
5726 8079 83	FILTER		15
5726 8079 83	FILTER		17
5726 8079 83	FILTER		19
5726 8079 83	FILTER		21
5726 8079 83	FILTER		23
5726 8079 83	FILTER		25
5726 8079 83	FILTER	12	383
5726 8079 84	FILTER		13
5726 8079 84	FILTER		15
5726 8079 84	FILTER		17
5726 8079 84	FILTER		19
5726 8079 84	FILTER		21
5726 8079 84	FILTER		23
5726 8079 84	FILTER		25
5726 8079 84	FILTER	11	383
5726 8079 86	HOSE	9	383
5726 8079 87	HOSE ASSEMBLY	8	383
5726 8079 88	HOSE ASSEMBLY	7	383
5726 8079 89	HOSE ASSEMBLY	6	383
5726 8079 91	CONDENSER	2	177
5726 8079 91	CONDENSER	4	383
5726 8079 92	COMPRESSOR SET	3	147
5726 8079 94	OPERATORS PANEL	1	341
5726 8079 95	AIR CONDITIONER	2	321
5726 8079 97	SEAT	4	325
5726 8079 99	PANEL	1	331
5726 8080 02	PLATE	23	57
5726 8080 02	PLATE	22	59
5726 8081 09	PLATE	7	59
5726 8081 09	PLATE	37	215
5726 8081 53	LADDER	12	57
5726 8081 57	HOLDER	26	57
5726 8081 57	HOLDER	3	59
5726 8081 89	SPACER RING	2	57
5726 8082 00	CYLINDER	6	57
5726 8082 00	CYLINDER	10	443
5726 8082 02	CYLINDER	5	215

Part no Art.nr	Description	Ref.no	See page Se sidan
5726 8082 02	CYLINDER	4	467
5726 8082 03	CYLINDER	6	215
5726 8082 03	CYLINDER	1	467
5726 8082 04	CYLINDER	7	215
5726 8082 04	CYLINDER	2	467
5726 8082 05	CYLINDER	8	215
5726 8082 05	CYLINDER	3	467
5726 8082 06	CYLINDER	1	279
5726 8082 06	CYLINDER	7	469
5726 8082 07	CYLINDER	2	279
5726 8082 07	CYLINDER	8	469
5726 8082 08	CYLINDER	3	267
5726 8082 08	CYLINDER	2	469
5726 8082 09	CYLINDER	3	257
5726 8082 09	CYLINDER	4	469
5726 8082 10	CYLINDER	13	257
5726 8082 10	CYLINDER	5	469
5726 8082 11	CYLINDER	11	267
5726 8082 11	CYLINDER	3	469
5726 8082 12	SEAL KIT	9	45
5726 8082 12	SEAL KIT		63
5726 8082 14	SEAL KIT	2	45
5726 8082 14	SEAL KIT		223
5726 8082 15	SEAL KIT	3	45
5726 8082 15	SEAL KIT		225
5726 8082 16	SEAL KIT	4	45
5726 8082 16	SEAL KIT		227
5726 8082 17	SEAL KIT	5	45
5726 8082 17	SEAL KIT		229
5726 8082 18	SEAL KIT		281
5726 8082 19	SEAL KIT		283
5726 8082 20	SEAL KIT	8	45
5726 8082 20	SEAL KIT		271
5726 8082 21	SEAL KIT	6	45
5726 8082 21	SEAL KIT	1	261
5726 8082 22	SEAL KIT	7	45
5726 8082 22	SEAL KIT		263
5726 8082 23	SEAL KIT		273

Part no Art.nr	Description	Ref.no	See page Se sidan
5726 8082 24	CYLINDER	4	215
5726 8082 24	CYLINDER	5	467
5726 8082 25	SEAL KIT	1	45
5726 8082 25	SEAL KIT		221
5726 8082 26	CYLINDER	37	257
5726 8082 26	CYLINDER	14	469
5726 8082 52	WASHER	3	177
5726 8082 62	COVER	4	309
5726 8083 01	FEED BEAM	1	247
5726 8083 33	PLATE	2	247
5726 8083 51	SUPPORT SET	2	251
5726 8083 54	BOLT	4	251
5726 8083 55	COVER	1	251
5726 8083 59	ARCH	4	247
5726 8083 62	ARCH	5	247
5726 8083 71	CRADLE	1	253
5726 8083 78	PLATE	18	253
5726 8083 79	PLATE	4	33
5726 8083 79	PLATE	16	253
5726 8083 79	PLATE	10	275
5726 8083 80	PLATE	5	33
5726 8083 80	PLATE	17	253
5726 8083 80	PLATE	11	275
5726 8083 81	WHEEL	9	253
5726 8083 83	SUPPORT	1	255
5726 8083 89	ROLLER	5	255
5726 8083 90	SPACER	6	255
5726 8083 91	SHAFT	3	255
5726 8083 92	PLATE SET	5	253
5726 8083 93	SHAFT	10	253
5726 8083 94	SPACER	8	253
5726 8083 95	BLOCK	15	253
5726 8083 96	PLATE	19	253
5726 8083 98	CHAIN	2	33
5726 8083 98	CHAIN	7	247
5726 8083 99	CHAIN	3	33
5726 8083 99	CHAIN	8	247
5726 8084 03	PLATE	9	267

Part no Art.nr	Description	Ref.no	See page Se sidan
5726 8084 04	HOUSE	1	257
5726 8084 05	PLATE	1	265
5726 8084 12	WASHER	12	257
5726 8084 16	SHAFT	11	257
5726 8084 18	HOUSE	5	257
5726 8084 20	SHAFT	42	248
5726 8084 20	SHAFT	18	267
5726 8084 21	PLATE	6	257
5726 8084 22	PLATE	7	257
5726 8084 24	FLANGE	6	33
5726 8084 24	FLANGE	4	257
5726 8084 25	RING	8	257
5726 8084 26	RING	9	257
5726 8084 28	BRACKET	1	267
5726 8084 32	RUBBER HOOD	10	33
5726 8084 32	RUBBER HOOD	34	267
5726 8084 34	LINK	4	267
5726 8084 35	HOOD	7	267
5726 8084 39	SEALING	7	33
5726 8084 39	SEALING	5	267
5726 8084 40	BLOCK	8	33
5726 8084 40	BLOCK	8	267
5726 8084 41	SLEEVE	6	267
5726 8084 42	SHIM	29	257
5726 8084 43	SHAFT	10	257
5726 8084 44	SHAFT	12	267
5726 8084 45	PIN	13	267
5726 8084 46	PIN	14	267
5726 8084 49	BRACKET	2	267
5726 8084 51	PLATE	32	267
5726 8084 52	PLATE	30	257
5726 8084 53	SHIM	25	267
5726 8084 55	PLATE	27	267
5726 8084 56	SHIM	24	267
5726 8084 57	SHIM	2	257
5726 8084 58	BRACKET	38	257
5726 8084 58	BRACKET		265
5726 8084 60	BLOCK	12	33

Part no Art.nr	Description	Ref.no	See page Se sidan
5726 8084 60	BLOCK	39	257
5726 8084 61	PLATE	40	257
5726 8084 63	PLATE	41	257
5726 8084 64	SHIM	42	258
5726 8084 71	CRADLE	1	275
5726 8084 73	PLATE	2	275
5726 8084 75	PLATE	3	275
5726 8084 78	SHAFT	6	275
5726 8084 80	PLATE	8	275
5726 8084 97	NEEDLE BEARING	4	253
5726 8084 97	NEEDLE BEARING	1	299
5726 8085 01	ARM	1	277
5726 8085 02	BRACKET	3	279
5726 8085 03	SHAFT	4	279
5726 8085 05	SHAFT	5	279
5726 8085 08	JAW	6	279
5726 8085 13	SHAFT	7	279
5726 8085 17	ARM	8	279
5726 8085 18	BUSHING HALF	11	33
5726 8085 18	BUSHING HALF	9	279
5726 8085 19	SHAFT	10	279
5726 8085 20	SHAFT	11	279
5726 8085 21	SHAFT	12	279
5726 8085 24	PLATE	13	279
5726 8085 25	PLATE	14	279
5726 8085 26	SHAFT	15	279
5726 8085 27	SCREW	16	279
5726 8085 28	SHAFT	4	277
5726 8085 29	SHAFT	1	289
5726 8085 30	GABLE PLATE	2	289
5726 8085 31	PLATE	3	289
5726 8085 32	RING	4	289
5726 8085 33	DAMPER	5	289
5726 8085 40	DAMPER	1	291
5726 8085 44	BRACKET	1	285
5726 8085 45	BEARING	2	285
5726 8085 46	PROTECTION	3	285
5726 8085 47	RING	4	285

Part no Art.nr	Description	Ref.no	See page Se sidan
5726 8085 48	RING	5	285
5726 8085 48	RING	1	287
5726 8085 57	BEARING	2	287
5726 8085 58	END PIECE	3	277
5726 8085 59	ADAPTER	3	287
5726 8085 71	BRACKET	4	287
5726 8085 74	PLATE	6	285
5726 8085 76	BRACKET	13	247
5726 8085 85	PLATE	6	277
5726 8085 86	SLEEVE	39	267
5726 8085 88	PROTECTION	9	287
5726 8085 90	PLATE	10	287
5726 8085 95	PROTECTION	35	257
5726 8086 25	ROOF	1	111
5726 8086 70	PLATE	11	163
5726 8086 81	BRACKET	1	165
5726 8086 86	AIR PIPE	3	161
5726 8086 87	AIR HOSE	33	161
5726 8086 92	DIESEL ENGINE	1	139
5726 8086 97	PROTECTION	15	135
5726 8087 09	COVER	5	423
5726 8087 23	FRAME	4	115
5726 8087 28	FRAME	5	115
5726 8087 35	BEAM	1	115
5726 8087 50	DOOR	1	95
5726 8087 56	DOOR	1	99
5726 8087 58	GAS SPRING	2	95
5726 8087 58	GAS SPRING	2	99
5726 8087 60	DOOR	5	93
5726 8087 65	DOOR	6	93
5726 8087 68	LOCK	3	95
5726 8087 68	LOCK	3	99
5726 8087 70	GUARD	1	93
5726 8087 73	GUARD	2	93
5726 8087 75	GUARD	7	93
5726 8087 76	GUARD	8	93
5726 8087 81	ROOF	1	103
5726 8087 85	ROOF	1	105

Part no Art.nr	Description	Ref.no	See page Se sidan
5726 8087 91	ROOF	1	107
5726 8087 96	ROOF	1	109
5726 8088 01	LADDER	1	123
5726 8088 09	SEALING	2	117
5726 8088 43	ROOF	9	93
5726 8088 44	ROOF	10	93
5726 8088 46	ROOF	11	93
5726 8088 48	ROOF	12	93
5726 8088 49	GUARD	4	117
5726 8088 53	FUEL GAUGE	2	371
5726 8088 53	FUEL GAUGE	P111	529
5726 8088 57	IGNITON KEY	3	331
5726 8088 57	IGNITON KEY	S139	529
5726 8088 58	SWITCH	4	331
5726 8088 58	SWITCH	3	333
5726 8088 58	SWITCH	S130A	529
5726 8088 58	SWITCH	S189	529
5726 8088 59	SWITCH	5	345
5726 8088 59	SWITCH	S167	353
5726 8088 59	SWITCH	S111A	357
5726 8088 59	SWITCH	S100	529
5726 8088 60	SWITCH MODUL	4	47
5726 8088 60	SWITCH MODUL	2	351
5726 8088 60	SWITCH MODUL	SP1	529
5726 8088 63	SWITCH MODUL	5	47
5726 8088 63	SWITCH MODUL	3	351
5726 8088 63	SWITCH MODUL	SP2	529
5726 8088 65	SWITCH MODUL	6	47
5726 8088 65	SWITCH MODUL	4	351
5726 8088 65	SWITCH MODUL	SP3	529
5726 8088 66	SWITCH	S111C	357
5726 8088 66	SWITCH	S111D	357
5726 8088 67	SWITCH	4	345
5726 8088 67	SWITCH	S130	529
5726 8088 68	EMERG. STOP BOX	1	197
5726 8088 70	SWITCH	1	531
5726 8088 71	SWITCH MODUL	3	337
5726 8088 71	SWITCH MODUL	SP4	529

Part no Art.nr	Description	Ref.no	See page Se sidan
5726 8088 75	SWITCH MODUL	4	337
5726 8088 75	SWITCH MODUL	SP5	529
5726 8088 79	HEADLIGHT	10	323
5726 8088 79	HEADLIGHT	H2	529
5726 8088 79	HEADLIGHT	H3	529
5726 8088 79	HEADLIGHT	H316	533
5726 8088 79	HEADLIGHT	H4	533
5726 8088 79	HEADLIGHT	H322	547
5726 8088 79	HEADLIGHT	H323	547
5726 8088 93	LEVEL SENSOR	B352	541
5726 8088 98	VACUUM SWITCH	B365	193
5726 8088 98	VACUUM SWITCH	14	495
5726 8089 02	EMERG.PUSHBUTT.	1	359
5726 8089 02	EMERG.PUSHBUTT.	S132A	529
5726 8089 03	EMERGENCY LABEL	2	359
5726 8089 03	EMERGENCY LABEL	S132A	529
		A	
5726 8089 04	SWITCH PANEL	4	333
5726 8089 04	SWITCH PANEL	SP6	529
5726 8089 05	TEMP. SENSOR	12	35
5726 8089 07	BRACKET	12	375
5726 8089 07	BRACKET	A4	529
5726 8089 08	OIL PRES.SENSOR	13	35
5726 8089 18	SWITCH	S258	355
5726 8089 18	SWITCH	S259	355
5726 8089 18	SWITCH	S260	355
5726 8089 19	RELAY	K6	193
5726 8089 28	HARNESS	4	557
5726 8089 29	HARNESS	5	557
5726 8089 30	HARNESS	6	557
5726 8089 31	HARNESS	7	557
5726 8089 32	HARNESS	8	557
5726 8089 43	HARNESS	1	563
5726 8089 44	HARNESS	2	565
5726 8089 45	HARNESS	3	565
5726 8089 46	HARNESS	4	565
5726 8089 47	HARNESS	5	565
5726 8089 48	HARNESS	6	565

Part no Art.nr	Description	Ref.no	See page Se sidan
5726 8089 49	HARNESS	7	565
5726 8089 50	HARNESS	8	565
5726 8089 51	HARNESS	9	565
5726 8089 53	HARNESS	10	565
5726 8089 54	HARNESS	11	565
5726 8089 55	HARNESS	12	565
5726 8089 56	HARNESS	13	565
5726 8089 60	HARNESS	2	561
5726 8089 61	HARNESS	3	561
5726 8089 62	HARNESS	4	561
5726 8089 64	HARNESS	5	561
5726 8089 65	HARNESS	6	561
5726 8089 66	HARNESS	7	561
5726 8089 67	HARNESS	8	561
5726 8089 69	HARNESS	9	561
5726 8089 71	HARNESS	10	561
5726 8089 72	HARNESS	11	561
5726 8089 73	HARNESS	12	561
5726 8089 75	HARNESS	2	563
5726 8089 76	HARNESS	3	563
5726 8089 77	HARNESS	4	563
5726 8089 78	HARNESS	5	563
5726 8089 79	HARNESS	6	563
5726 8089 80	HARNESS	7	563
5726 8089 81	ELECTR. SYSTEM		525
5726 8089 84	ELECTR. SYSTEM	3	527
5726 8089 85	ELECTRICAL	10	135
5726 8089 85	ELECTRICAL	7	527
5726 8089 90	HARNESS	13	527
5726 8089 92	HARNESS	1	557
5726 8089 93	HARNESS	2	557
5726 8089 94	HARNESS	3	557
5726 8089 96	HARNESS	1	561
5726 8089 97	HARNESS	13	561
5726 8089 99	HARNESS	1	565
5726 8090 08	BLOCK	6	201
5726 8090 08	BLOCK	6	203
5726 8090 10	FUEL TANK	12	203

Part no Art.nr	Description	Ref.no	See page Se sidan
5726 8090 14	DUST SHIELD	13	91
5726 8090 25	DUST SHIELD	1	121
5726 8090 27	FLANGE	11	205
5726 8090 29	HOSE BEND	10	205
5726 8090 32	ANGLE INDICATOR		239
5726 8090 35	BUSHING	4	241
5726 8090 38	ROOF	1	113
5726 8090 43	BRACKET	3	187
5726 8090 52	ARM	9	91
5726 8090 53	ARM	1	119
5726 8090 93	FUEL PIPE	4	201
5726 8090 94	FUEL PIPE	5	201
5726 8091 02	PLATE	8	299
5726 8091 04	SHAFT	3	231
5726 8091 08	SUPPORT	14	247
5726 8091 15	SUPPORT	13	275
5726 8091 19	SUPPORT	1	231
5726 8091 25	SUPPORT	1	293
5726 8091 29	HOSE HOLDER	15	247
5726 8091 33	CONNECTION	16	247
5726 8091 35	SUPPORT	1	295
5726 8091 39	WHEEL	2	295
5726 8091 40	SHAFT	3	295
5726 8091 41	SPACER	4	295
5726 8091 42	BEARING	5	295
5726 8091 45	SUPPORT	2	299
5726 8091 48	SPROCKET WHEEL	5	299
5726 8091 49	SHAFT	4	299
5726 8091 50	SPACER	3	299
5726 8091 51	MOTOR BRACKET	18	247
5726 8091 52	MOTOR SUPPORT	1	297
5726 8091 58	PLATE	1	303
5726 8091 59	PLATE	2	303
5726 8091 60	CONNECTION	20	247
5726 8091 62	SPROCKET WHEEL	5	297
5726 8091 63	WASHER	8	297
5726 8091 67	FEED SUPPORT	22	247
5726 8091 80	ADAPTER		307

Part no Art.nr	Description	Ref.no	See page Se sidan
5726 8091 80	ADAPTER		315
5726 8091 81	SPACER	45	258
5726 8091 82	BLOCK	17	257
5726 8091 84	SCREW	34	247
5726 8091 86	BLOCK	8	295
5726 8091 87	ARCH	44	248
5726 8091 88	SPACER	9	297
5726 8091 89	PLATE	33	275
5726 8092 00	SEALING SET	6	325
5726 8092 20	MOUNTING PLATE	1	351
5726 8092 51	INCLINOMETER	9	323
5726 8092 52	CONTROL LEVER	6	337
5726 8092 54	CONTROL LEVER	10	337
5726 8092 56	CONTROL LEVER	11	337
5726 8092 58	COVERFILM	5	321
5726 8092 80	HOSE	AP1	575
5726 8092 82	HOSE ASSEMBLY	DTH5	575
5726 8092 83	HOSE ASSEMBLY	DTH1	575
5726 8092 84	HOSE ASSEMBLY	1	43
5726 8092 84	HOSE ASSEMBLY	DTH2	575
5726 8092 89	NIPPLE	1	511
5726 8092 91	CONNECTION SET	4	243
5726 8092 91	CONNECTION SET	121	503
5726 8093 18	HOSE	H1	573
5726 8093 19	HOSE	C1	573
5726 8093 24	HOSE	Oil1	573
5726 8093 50	SEALING	18	177
5726 8093 64	CONNECTION SET	5	55
5726 8093 72	CONNECTION SET	6	55
5726 8093 74	SUPPORT	6	139
5726 8093 81	SUB FRAME	2	139
5726 8093 96	AIR HOSE	32	161
5726 8093 97	AIR PIPE	21	161
5726 8093 99	BRACKET	2	165
5726 8094 08	RUBBER RING	14	169
5726 8094 12	BRACKET	12	169
5726 8094 20	INDICATOR	20	169
5726 8094 21	FILTER SET		19



Part no Art.nr	Description	Ref.no	See page Se sidan
5726 8094 21	FILTER SET	10	35
5726 8094 21	FILTER SET	1	169
5726 8094 22	FILTER ELEMENT		15
5726 8094 22	FILTER ELEMENT		17
5726 8094 22	FILTER ELEMENT		21
5726 8094 22	FILTER ELEMENT		23
5726 8094 22	FILTER ELEMENT		25
5726 8094 22	FILTER ELEMENT	2	169
5726 8094 23	RING	3	169
5726 8094 24	HOUSING	4	169
5726 8094 25	CLAMP	5	169
5726 8094 26	RAIN PROT. CAP	6	169
5726 8094 27	SIGN	7	169
5726 8094 28	RUBBER PLATE	8	169
5726 8094 29	BRACKET	9	169
5726 8094 30	PLATE	10	169
5726 8094 31	RUBBER RING	11	169
5726 8094 32	NUT	13	169
5726 8094 33	PLATE	15	169
5726 8094 34	BRACKET	16	169
5726 8094 35	NUT	17	169
5726 8094 36	BOLT	18	169
5726 8094 37	SPRING WASHER	19	169
5726 8094 42	SEAL KIT	3	349
5726 8094 44	O-RING	3	479
5726 8094 45	CARTRIDGE VALVE	2	477
5726 8094 48	VALVE	2	439
5726 8094 49	VALVE	3	439
5726 8094 52	DIRECTION VALVE	8	451
5726 8094 53	CARTRIDGE VALVE	9	451
5726 8094 58	SOLENOID VALVE	3	449
5726 8094 61	SOLENOID	6	449
5726 8094 62	FUEL FILTER	2	35
5726 8094 64	STARTER	1	145
5726 8094 65	BELT		17
5726 8094 65	BELT		21
5726 8094 65	BELT		23
5726 8094 65	BELT		25

Part no Art.nr	Description	Ref.no	See page Se sidan
5726 8094 65	BELT	5	35
5726 8094 65	BELT	2	145
5726 8094 70	BEARING	1	63
5726 8094 71	BUSHING	2	227
5726 8094 73	BUSHING	2	223
5726 8094 73	BUSHING	2	225
5726 8094 74	BUSHING	3	227
5726 8094 75	BUSHING	2	229
5726 8094 76	BUSHING	1	281
5726 8094 77	BUSHING	1	271
5726 8094 77	BUSHING	1	273
5726 8094 77	BUSHING	1	283
5726 8094 78	BEARING	1	263
5726 8094 91	SEAL KIT		83
5726 8094 92	RING GEAR	20	83
5726 8094 93	BEARING	31	83
5726 8094 94	SUN GEAR	36	83
5726 8094 95	PLANET GEAR	37	83
5726 8094 96	BEARING	38	83
5726 8094 97	PLANET GEAR	512	83
5726 8094 98	BEARING	513	83
5726 8094 99	SEAL KIT		159
5726 8095 06	CONNECTOR	5	161
5726 8095 07	PIPE	6	161
5726 8095 08	PIPE	7	161
5726 8095 09	EXHAUST PIPE	3	163
5726 8095 13	PIPE	4	163
5726 8095 21	BRACKET	1	181
5726 8095 24	BRACKET	2	181
5726 8095 27	BRACKET	3	165
5726 8095 32	BRACKET	3	139
5726 8095 38	ELBOW	2	167
5726 8095 38	ELBOW	2	191
5726 8095 38	ELBOW	2	501
5726 8095 41	HOSE	10	161
5726 8095 41	HOSE	V1	573
5726 8095 42	HOSE	11	161
5726 8095 42	HOSE		573

Part no Art.nr	Description	Ref.no	See page Se sidan
5726 8095 43	HOSE	4	177
5726 8095 44	BRACKET	4	147
5726 8095 49	COMPRESSOR SET	4	139
5726 8095 50	BELT		17
5726 8095 50	BELT		21
5726 8095 50	BELT		23
5726 8095 50	BELT	7	35
5726 8095 50	BELT	5	147
5726 8095 71	REDUCER	4	167
5726 8095 71	REDUCER	4	191
5726 8095 71	REDUCER	4	501
5726 8095 72	PIPE	5	167
5726 8095 72	PIPE	5	191
5726 8095 72	PIPE	5	501
5726 8095 79	CONNECTOR	6	167
5726 8095 79	CONNECTOR	6	191
5726 8095 79	CONNECTOR	6	501
5726 8095 81	AIR CLEANING	1	173
5726 8095 82	CONNECTOR	2	173
5726 8095 83	PIPE	3	173
5726 8095 84	CONNECTOR	4	173
5726 8095 86	COUPLING	7	139
5726 8095 88	ALARM	12	173
5726 8095 88	ALARM	B360	193
5726 8095 91	FLANGE	8	139
5726 8095 92	COUPLING	9	139
5726 8095 96	COOLER	5	177
5726 8096 00	CONNECTOR	5	173
5726 8096 01	PIPE	6	173
5726 8096 02	RAIN PROT. CAP	7	173
5726 8096 03	WATER SEPARATOR		13
5726 8096 03	WATER SEPARATOR		15
5726 8096 03	WATER SEPARATOR		17
5726 8096 03	WATER SEPARATOR		19
5726 8096 03	WATER SEPARATOR		21
5726 8096 03	WATER SEPARATOR		23
5726 8096 03	WATER SEPARATOR		25
5726 8096 03	WATER SEPARATOR	8	35

Part no Art.nr	Description	Ref.no	See page Se sidan
5726 8096 03	WATER SEPARATOR	7	145
5726 8096 03	WATER SEPARATOR	7	191
5726 8096 16	GASKET	36	139
5726 8096 19	PIPE	36	167
5726 8096 19	PIPE	36	191
5726 8096 20	HOSE	Fuel1	573
5726 8096 21	HOSE	Fuel2	573
5726 8097 00	WASHER	15	159
5726 8097 01	STUD	16	159
5726 8097 02	NUT	17	159
5726 8097 03	SCREW	19	159
5726 8097 04	PIN	30	159
5726 8097 05	PLUG	33	159
5726 8097 06	BUSHING	35	159
5726 8097 07	SEAL KIT		155
5726 8097 08	WASHER	5	155
5726 8097 09	BOLT	6	155
5726 8097 10	BUSHING	8	155
5726 8097 11	PIN	12	155
5726 8097 12	GEAR SHAFT	4	155
5726 8097 13	GEAR SHAFT	15	155
5726 8097 16	TRACK CHAIN	1	77
5726 8097 16	TRACK CHAIN	1	85
5726 8097 17	BOLT	2	77
5726 8097 17	BOLT	2	85
5726 8097 18	COVER	4	77
5726 8097 18	COVER	4	85
5726 8097 19	FRAME	5	77
5726 8097 20	FRAME	5	85
5726 8097 21	BOLT	6	77
5726 8097 21	BOLT	6	85
5726 8097 22	SPROCKET WHEEL	8	77
5726 8097 22	SPROCKET WHEEL	8	85
5726 8097 23	BOLT	9	77
5726 8097 23	BOLT	9	85
5726 8097 24	GUARD	11	77
5726 8097 24	GUARD	11	85
5726 8097 25	GUARD	12	77

Part no Art.nr	Description	Ref.no	See page Se sidan
5726 8097 25	GUARD	12	85
5726 8097 26	BUSHING	13	77
5726 8097 26	BUSHING	13	85
5726 8097 27	BOLT	14	77
5726 8097 27	BOLT	14	85
5726 8097 28	COLLAR	19	77
5726 8097 28	COLLAR	19	85
5726 8097 29	BOLT	21	77
5726 8097 29	BOLT	21	85
5726 8097 30	CYLINDER	24	77
5726 8097 30	CYLINDER	24	85
5726 8097 31	TENSION WHEEL	25	77
5726 8097 31	TENSION WHEEL	25	85
5726 8097 32	GUIDE WHEEL SET	26	77
5726 8097 32	GUIDE WHEEL SET	26	85
5726 8097 33	TRACK CHAIN	1	79
5726 8097 34	LINK	1	81
5726 8097 35	LINK	2	81
5726 8097 36	BUSHING	3	81
5726 8097 37	PIN	4	81
5726 8097 38	SEAL	5	81
5726 8097 39	BUSHING	6	81
5726 8097 40	PIN	7	81
5726 8097 41	SEAL	8	81
5726 8097 42	BODY	1	179
5726 8097 43	HOOD	2	179
5726 8097 44	FAN	3	179
5726 8097 45	HYDRAULIC MOTOR	4	179
5726 8097 46	SET	5	179
5726 8097 59	SEAL KIT	1	37
5726 8097 59	SEAL KIT		311
5726 8097 61	FILTER SET		15
5726 8097 61	FILTER SET		17
5726 8097 61	FILTER SET		21
5726 8097 61	FILTER SET		23
5726 8097 61	FILTER SET		25
5726 8097 61	FILTER SET	11	35
5726 8097 61	FILTER SET	1	175

Part no Art.nr	Description	Ref.no	See page Se sidan
5726 8097 62	KIT	1	31
5726 8097 63	KIT	2	31
5726 8097 64	KIT	3	31
5726 8097 65	KIT	4	31
5726 8097 66	KIT	5	31
5726 8097 67	KIT	6	31
5726 8097 69	AX.PISTON MOTOR	9	83
5726 8097 70	ROD	1	339
5726 8097 71	RELIEF VALVE	2	339
5726 8097 72	PLUG	3	339
5726 8097 73	PLUG	4	339
5726 8097 74	SEAL KIT	5	339
5726 8097 75	SHIFT FORK	6	339
5726 8097 76	CHECK VALVE	7	339
5726 8097 77	VALVE COVER	8	339
5726 8097 78	SEAL KIT	9	339
5726 8097 79	VALVE COVER	10	339
5726 8097 80	SEAL KIT	11	339
5726 8097 81	VALVE COVER	12	339
5726 8097 82	SEAL KIT	13	339
5726 8097 83	RETURN BLOCK	14	339
5726 8097 84	SEAL KIT	15	339
5726 8097 85	PLUG	1	347
5726 8097 86	BOLT	2	347
5726 8097 87	SPRING	2	335
5726 8097 87	SPRING	4	347
5726 8097 88	PISTON ROD	3	335
5726 8097 88	PISTON ROD	5	347
5726 8097 89	COVER	6	347
5726 8097 90	HANDLE	7	347
5726 8097 91	SEAL KIT	9	347
5726 8097 92	COVER	4	335
5726 8097 93	SEAL KIT	6	335
5726 8097 94	BOLT	1	445
5726 8097 95	VALVE	2	445
5726 8097 96	PLUG	3	445
5726 8097 97	PLUG	4	445
5726 8097 98	SEAL KIT	5	445

Part no Art.nr	Description	Ref.no	See page Se sidan
5726 8097 99	VALVE	6	445
5726 8098 00	PLUG	7	445
5726 8098 01	CHECK VALVE	8	445
5726 8098 02	VALVE	9	445
5726 8098 03	SEAL KIT	10	445
5726 8098 04	VALVE	11	445
5726 8098 05	VALVE	12	445
5726 8098 06	SEAL KIT	13	445
5726 8098 07	PLUG	14	445
5726 8098 08	VALVE	15	445
5726 8098 09	SEAL KIT	16	445
5726 8098 10	FUSE	1	559
5726 8098 11	FUSE	2	559
5726 8098 12	FUSE	3	559
5726 8098 13	FUSE	4	559
5726 8098 17	HUB	1	151
5726 8098 18	RUBBER	2	151
5726 8098 19	FLANGE PLATE	3	151
5726 8098 20	MEDIUM PLATE	4	151
5726 8098 21	CAP	6	179
5726 8098 26	RUBBER ELEMENT	1	153
5726 8098 27	ALTERNATOR	3	145
5726 8098 28	FUEL FILTER		13
5726 8098 28	FUEL FILTER		15
5726 8098 28	FUEL FILTER		17
5726 8098 28	FUEL FILTER		19
5726 8098 28	FUEL FILTER		21
5726 8098 28	FUEL FILTER		23
5726 8098 28	FUEL FILTER		25
5726 8098 28	FUEL FILTER	4	145
5726 8098 29	FUEL FILTER		13
5726 8098 29	FUEL FILTER		15
5726 8098 29	FUEL FILTER		17
5726 8098 29	FUEL FILTER		19
5726 8098 29	FUEL FILTER		21
5726 8098 29	FUEL FILTER		23
5726 8098 29	FUEL FILTER		25
5726 8098 29	FUEL FILTER	5	145

Part no Art.nr	Description	Ref.no	See page Se sidan
5726 8098 30	FUEL PUMP	6	145
5726 8098 32	OIL FILTER		13
5726 8098 32	OIL FILTER		15
5726 8098 32	OIL FILTER		17
5726 8098 32	OIL FILTER		19
5726 8098 32	OIL FILTER		21
5726 8098 32	OIL FILTER		23
5726 8098 32	OIL FILTER		25
5726 8098 32	OIL FILTER	8	145
5726 8098 33	DIPSTICK TUBE	9	145
5726 8098 34	OIL PUMP	10	145
5726 8098 35	SENSOR	11	145
5726 8098 36	SENSOR	12	145
5726 8098 37	TEMP. SENSOR	13	145
5726 8098 38	TEMP. SENSOR	14	145
5726 8098 39	OIL PRES.SENSOR	15	145
5726 8098 40	OIL PRES.SENSOR	16	145
5726 8098 41	TURBO	17	145
5726 8098 42	SEAL	18	145
5726 8098 43	WATER PUMP	19	145
5726 8098 44	SEAL	20	145
5726 8098 45	THERMOSTAT	21	145
5726 8098 50	PM-KITS		11
5726 8098 51	PM-KITS		11
5726 8098 52	PM-KITS		11
5726 8098 53	PM-KITS		11
5726 8098 54	PM-KITS		11
5726 8098 55	PM-KITS		11
5726 8098 56	PM-KITS		11
5726 8099 02	REGULATOR	1	517
5726 8103 35	PLASTIC PLUG	6	331
5726 8105 32	DOWEL	21	247
5726 8106 56	RUBBER CLOTH	6	65
5726 8108 01	HOLDER	2	401
5726 8109 35	SWITCH	S187	353
5726 8109 35	SWITCH	S119	353
5726 8117 78	PLC	2	375
5726 8117 78	PLC	U1	529

Part no Art.nr	Description	Ref.no	See page Se sidan
5726 8117 79	PLC	7	375
5726 8117 79	PLC	U2	529
5726 8117 79	PLC	U3	529
5728 2008 01	BRACKET	1	199
5728 2008 04	RUBBER CAP	4	199
5728 2008 06	RUBBER CAP	5	199
5728 2015 00	FIRE EXTINGUIS.	14	135
5728 2016 59	STRAP	3	199
5730 0077 65	GREASE NIPPLE	3	253
5730 0077 65	GREASE NIPPLE	9	299
5740 1842 29	COIL	5	451
5740 1842 29	COIL	12	473
6060 0007 11	BUSHING	13	159
6060 1001 51	SEAL KIT	1	301
6060 1001 52	SHAFT	2	301
6060 1001 53	BEARING	3	301
6060 1001 54	BEARING	4	301
6060 1001 55	RING	5	301
6060 1001 56	CYLINDER BLOCK	6	301
6060 1001 57	PISTON	7	301
6060 1001 58	ROLLER	8	301
6060 1001 59	DISTRIBUTOR	9	301
6060 1001 60	DOWEL PIN	10	301
6060 1001 61	SPRING	11	301
6060 1001 62	DOWEL PIN	12	301
6060 1001 63	BRAKE	13	301
6060 1001 64	PISTON BRAKE	14	301
6060 1002 72	ELECTR.BOX		515
8202 0301 05	BALL VALVE	3	127
8202 0301 05	BALL VALVE	4	519
8202 0303 03	BALL VALVE	10	139
8202 0303 03	BALL VALVE	20	187
8202 0303 03	BALL VALVE	19	495
8202 0303 03	BALL VALVE	4	517
8202 0304 02	BALL VALVE	6	485
8204 0498 97	SOLENOID VALVE	7	127
8204 0498 97	SOLENOID VALVE	2	519
8204 0940 18	CHECK VALVE	5	519

Part no Art.nr	Description	Ref.no	See page Se sidan
8204 0940 18	CHECK VALVE	7	521
8440 3086 12	BEARING	1	221
8915 0020 71	WARNING SIGN	18	413
9000 0534 00	HEXAGON NIPPLE	3	507
9000 0535 00	WING NUT	6	507
9030 0304 00	AIR HOSE	2	405
9090 0197 00	PLUG	8	507
9090 0303 80	LUBR. VALVE	3	503
9090 0303 80	LUBR. VALVE	2	509
9090 0304 00	AIR SCREW	40	505
9090 0497 00	PLUG	5	507
9090 1172 00	PRESSURE GAUGE	4	39
9090 1172 00	PRESSURE GAUGE	4	391
9090 1172 00	PRESSURE GAUGE	2	517
9090 1172 00	PRESSURE GAUGE	8	519
9106 1071 01	READ INSTR.BOOK	4	413
9106 1071 06	SIGN	6	413
9106 1071 09	SYMBOL PLATE	17	413
9106 1071 24	NO ADMITTANCE	1	413
9106 1071 36	DRAIN. COOL. W.	13	413
9106 1071 37	DRAIN. ENG. OIL	12	413
9106 1071 38	DRAIN. HYD. OIL	10	413
9106 1071 39	DRAIN. COMP OIL	11	413
9106 1071 43	BATTERY SWITCH	7	413
9106 1073 05	RISK OF CRUSH.	2	413
9106 1073 14	WARNING SIGN	9	413
9106 1073 21	TIPP. HAZ. DOWN	5	413
9106 1073 31	HAZARDOUS PRES.	8	413
9106 1073 32	SIGN	14	413
9106 1492 04	SEAL KIT		447
9106 2303 20	HYDRAULIC OIL	8	27
9106 2303 21	HYDRAULIC OIL	7	27
9106 2303 22	HYDRAULIC OIL	11	27
9106 2303 23	HYDRAULIC OIL	10	27
9106 2303 27	HYDRAULIC OIL	13	27
9106 2303 28	HYDRAULIC OIL	14	27
9106 2303 37	OIL	25	27
9106 2303 38	OIL	26	27

<b>Part no</b>	<b>Description</b>	<b>Ref.no</b>	<b>See page</b>
<b>Art.nr</b>			<b>Se sidan</b>
9124 8081 00	CONNECT. PLATE	2	127
9124 8081 00	CONNECT. PLATE	3	519
9128 1308 01	VALVE	6	517