



Atlas Copco

PARTS LIST

MODEL: DM30



Read the instruction manual before operating this equipment.

The Distributer/Dealer serving the area in which your equipment is working will be able to give you the BEST and FASTEST SERVICE of Genuine Replacement Parts.

IMPORTANT:

Be sure the parts book which you are ordering parts from is the parts book for the Drill needing the replacement parts!
Each parts book is CUSTOM MADE to a specific Drill.
All parts books have a Drill SERIAL NUMBER and MODEL DESCRIPTION on the header of each parts page. All Drills have a SERIAL NUMBER welded on the frame at the drilling end of the MAIN FRAME or CHASSIS.

YOU MUST USE THE CORRECT PARTS BOOK TO INSURE CORRECT PARTS IDENTIFICATION.

Continuing Product Improvement and advancement of product design may cause changes to your Drill which may not be reflected in this Parts/Service Manual. Production models may vary in some detail. Drilling Solutions reserves the right to modify or make changes without notice or obligation.

Parts Ordering Instructions

By giving complete information, you will enable us to fill your order correctly and avoid unnecessary delays!

When ordering Replacement Parts, specify:

1. Unit **Serial Number**
2. The **Name** of each part as listed
3. The **Part Number** as listed in your Partsbook.
4. **Quantity** of parts desired.

Refer all communications concerning this unit to our nearest Branch Office, Distributor, Dealer or Agent

WARNING IN THE MANUAL

CALIFORNIA PROPOSITION 65 INFORMATION

**TO CALIFORNIA CUSTOMERS AND
TO CUSTOMERS SELLING DIESEL ENGINE EQUIPMENT
INTO OR FOR USE IN CALIFORNIA**

CALIFORNIA

Proposition 65 Warning

Diesel engine exhaust and some of its constituents are known to the State of California to cause cancer, birth defects and other reproductive harm.

This page is intentionally blank.

Table of Contents

TABLE OF CONTENTS

FRAME/CHASSIS 1

57657835 MAINFRAME WELDMENT,DM30 3

 57492043 BEARING, BLOCK ASSY DM30 5

57664153 HANDRAIL,INSTALLATION 7

UNDERCARRIAGE/TRACKS 9

57664567 UNDERCARRIAGE,320L 11

 57438327 GUARD GROUP,TRACK MOTOR 15

 57438319 TRACK GROUP 17

 57456964 LINK ASSY,TRACK 19

 57438285 FINAL DRIVE 21

 57563678 DRIVE GROUP,W/MOT 23

 57438301 ROLLER ARRANGEMENT 27

 57456774 ROLLER GROUP, CARRIER 29

 57565616 ROLLER GROUP-SFLG 31

 57565707 RECOIL GROUP 33

 57565715 RECOIL GROUP 35

 57565855 IDLER GROUP 37

 57565707 RECOIL GROUP 39

 57565715 RECOIL GROUP 41

 57565855 IDLER GROUP 43

 57565905 FRAME ASSY,RH 45

 57565962 FRAME ASSY,LH 47

 57704967 IDLER,ASM,W/BRACKET 49

 57704926 CHAIN TRACK ASM,W/SHOE 51

 57704942 CHAIN TRACK,LESS SHOES 53

 57704967 IDLER,ASM,W/BRACKET 55

 57704942 CHAIN TRACK,LESS SHOES 57

JACKS 59

57116089 JACKS, FRONT 61

57176356 JACK, REAR 63

 57224586 CYLINDER JACK 4 X 3 X 48 65

Table of Contents

TABLE OF CONTENTS

| | |
|--|------------|
| CAB/CONSOLE | 69 |
| 57668675 AIR COND,INSTL,C15/DM30 | 71 |
| 57663551 CAB ASSEMBLY | 81 |
| 57752776 CAB BARE,TIER2,DM30 | 85 |
| 57214470 STEP,CAB | 89 |
| 57666596 CONSOLE,CONTROL,CAT T2 | 91 |
| 52236932 VALVE, PRESSURE-REMOTE | 99 |
| 57014763 CABLE,CONTROL-ASSY | 101 |
| 57004533 HANDLE ASSY | 103 |
| 57666570 PANEL,ELEC ENG CAT | 105 |
| 57037616 COVER INSTL, VALVE | 107 |
| | |
| DERRICK/TOWER | 109 |
| 57570004 POWERHEAD,DM30 6CI MTR | 111 |
| 57117764 MOTOR,HYDRAULIC | 119 |
| 57149031 POWERHEAD MACHINING | 123 |
| 54472170 KIT,RETAINING RING | 125 |
| 57169070 ROD CHANGER ASSY.4-5 DIA | 127 |
| 57139206 KIT, SEAL | 131 |
| 57345472 PIPING,ROD HOLDER-5 | 133 |
| 57168437 BREAKOUT-5.0 DIA DM30 | 137 |
| 50350602 BREAKOUT ASSY,AUTO-4.5/5 | 139 |
| 57097677 WRENCH, POWER BREAKOUT | 141 |
| 57155988 CYL,WRENCH 760-80 | 143 |
| 57032880 SPINDLE SUB-4.5/3.5R-19 | 145 |
| 57363871 SPINDLE SUB,FLOAT.- 5 | 147 |
| 57136434 TOWER,ASSM,DM30 | 149 |
| 57144453 TOWER,WELDMENT | 155 |
| 57136426 FEED CYLINDER ASSY | 157 |
| 57000192 PINNING, TOWER-VERTICAL | 159 |
| 57136590 WINCH INSTALLATION | 163 |
| 57136582 WINCH,ASSM,11 DRUM | 167 |
| 50820935 MOTOR, HYDRAULIC | 169 |

Table of Contents

POWERPACK/ENGINE 171

 57740169 BATTERY,INSTL-W/JUMP STR 173

 57675464 COOLER,ASSM,525-600HP 177

 57736860 COOLER,T2,525-600HP,ASSM 183

 57652885 PIPING,RADIATOR-CAT 185

 57740151 ENGINE,ASM,CAT525,2STRT 189

 57740144 WIRING,ENGINE CAT-2STRT 195

 57677122 BOX,ELECTRIC ASM 201

 57667701 EXHAUST INSTL,C16 203

 57326340 MOUNTING, POWER PACK BASE 207

 57652877 PIPING,CAT,CAC 209

 57643652 SUPPORT,CAC PIPING 213

AIR CLEANERS 215

 57653032 PIPING,AIR CLEANER CAT 217

 50616028 AIR CLEANER 221

FUEL SYSTEM 223

 57686487 INJECTION,ETHER,C15/DM30 225

 57671521 COOLER,FUEL,P-DM30 229

 57667982 TANK,FUEL P.CAT 230GAL 231

COMPRESSOR/AIR SYSTEM 237

 57668089 PIPING,COC-DM30HP 239

 57667743 PIPING,COMPRESS TO REC 245

 57668113 PIPING,COMP CNTRL,HP900 249

 57530917 REGULATOR ASSY, UL-88 261

 57564973 COMPR ASSY,900 HR2,1800 263

 57666711 PIPING,REC TO TWR,DM30 265

TABLE OF CONTENTS

Table of Contents

COMPRESSOR/AIR SYSTEM—continued

| | | |
|----------|--------------------------------|-----|
| 57668097 | SERVICE AIR,P–25SP/30 | 267 |
| 57523789 | PIPING,TOWER,AIR,2NPT | 269 |
| 57667735 | TANK,VERT ASM HP DM30 | 271 |
| 57668733 | MANIFOLD,UPPER,DM30HP | 277 |
| 57584195 | MANIFOLD,LWR HP DM4550/L | 279 |

HYDRAULIC SYSTEM 281

| | | |
|----------|--------------------------------|-----|
| 57668253 | PIPING,PROPEL–CAT320L | 283 |
| 57668238 | COVER,HOSE & FOOT VALVE | 287 |
| 52226115 | KIT, SPLIT FLANGE | 289 |
| 57335242 | PIPING,BREAKOUT | 291 |
| 57435570 | CONTROL,TORQUELIMIT–DM30 | 293 |
| 52236932 | VALVE, PRESSURE–REMOTE | 295 |
| 57136103 | PIPING, FEED ANDROTATION | 297 |
| 57120420 | TANK/PIPING,HYD,96 GAL | 305 |
| 57116816 | PIPING,JACKS | 311 |
| 57664948 | DRIVE,MAIN,HYD,DM30 | 313 |
| 57651234 | DRIVE,PUMP–3 HOLE | 319 |
| 52245065 | PUMP,HYDRAULIC | 321 |
| 57480386 | SERVO, PUMP–INPUT,MANUAL | 325 |
| 57123283 | CAM STROKER ASSY | 327 |
| 57052631 | SERVO OUTPUT | 329 |
| 57036030 | PUMP,HYDRAULIC–DOUBLE | 331 |
| 57666646 | PIPING,MAIN HYD,DM30 | 335 |
| 57118713 | VALVE ASSY–DIVERter | 347 |
| 57106429 | VALVE, DIVERter | 349 |
| 52172111 | FILTER,OIL | 351 |
| 57157323 | VALVE ASSY, 6 SPOOL MAIN | 353 |
| 57008203 | VALVE, HYDRAULIC–6 SPOOL | 355 |
| 57251431 | CONTROL,OVERPRESSURE P. | 357 |
| 57666687 | PIPING,FAN/HOC DM30 | 359 |

TABLE OF CONTENTS

Table of Contents

HYDRAULIC SYSTEM—continued

57137713 PIPING, SWING/INDEX—2 RODS 363

57589053 PIPING,ANGLE DRILL,20DEG 365
57139206 KIT, SEAL 369

57525289 PIPING,CYLINDER,TWRLIFT 371

57531253 VALVE ASM,6 SPOOL 373
57117327 KIT,CAB DUST CURTAIN 375

ELECTRICAL SYSTEM 377

57273153 LIGHTS,DRILL & PROPEL 379

57667826 WIRING,BASIC CAT 385

OPTIONS 397

56244791 DUST COLL,P—3SB/TIMER 399
56244783 DUST COLLECTOR—3SB/TIMER 401
52227352 MOTOR, HYDRAULIC 403
56994932 FAN WHEEL—20 405

57155202 HOOD & PIPING—DUST 407

57389702 JACK UP INDICATOR LIGHTS 409

57439010 LUBE,SYSTEM,MANUAL—DM30 415

57439010 LUBE,SYSTEM,MANUAL—DM30 416

57532335 INJECTION,LUBE,DHD 431
57353369 LUBRICATOR ASSY—7GAL DHD 433
57428104 LUBRICATOR TANK SUB—ASM 439
57352973 PUMP,DHD LUBRICATOR 443
57353245 TANK,7—GAL DHD LUBRICATOR 445

57693665 LUBRICATOR,AUTO THREAD 447
56246747 NOZZLE,SPRAY 453
57079550 REGULATOR,AIR—RELIEVING 455

TABLE OF CONTENTS

Table of Contents

TOOLS/ACCESSORIES 457

57146730 DECAL LOCATOR DM30 459

57156564 DECALS, SAFETY 465

56958846 EXPORT PACKAGE –DM30 471

57328247 FILTER KIT,FIELD REPLACE 473

57135626 PAINT 475

TABLE OF CONTENTS

Table of Contents

This page is intentionally blank.

TABLE OF CONTENTS

FRAME/CHASSIS

SECTION

FRAME/CHASSIS

This page is intentionally blank.

SECTION

FRAME/CHASSIS

57657835 MAINFRAME WELDMENT,DM30

MAINFRAME WELDMENT,DM30
57657835

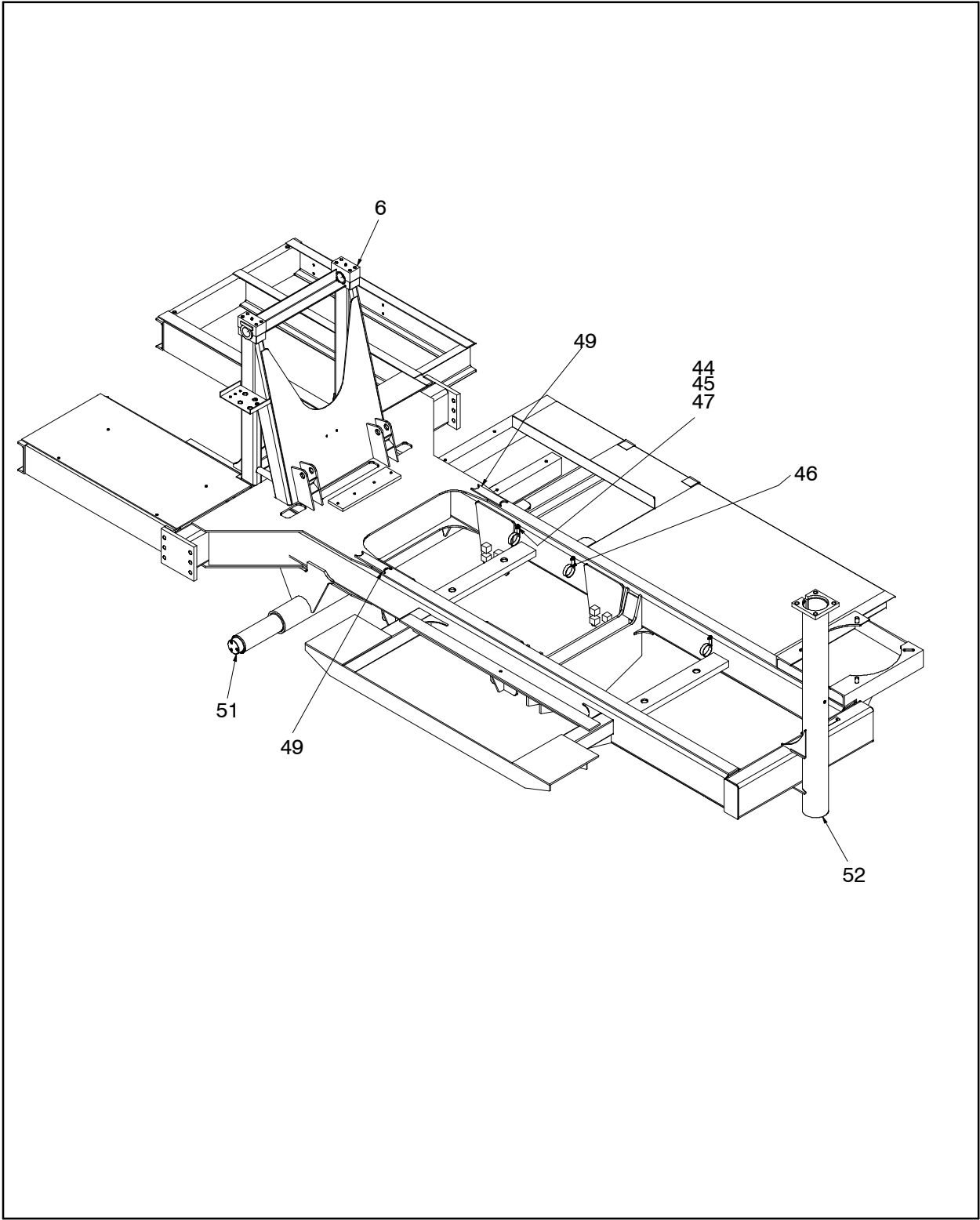


Figure 1 :MAINFRAME WELDMENT,DM30
D57657835 REV 000

57657835 MAINFRAME WELDMENT,DM30

| REF. | PART NO. | QTY. | UNIT | DESCRIPTION |
|------|----------|------|------|--|
| 006 | 57494775 | 1 | EA | SUPPORT,TOWER WELDMENT |
| | 57492043 | 2 | EA | ● - BEARING, BLOCK ASSY DM30(See figure 2) |
| 044 | 95922894 | 3 | EA | NUT,HEX,FINISHED |
| 045 | 95937413 | 3 | EA | WASHER,LOCK,HELICAL |
| 046 | 95654216 | 3 | EA | CLAMP, HOSE |
| 047 | 95920674 | 3 | EA | CAPSCREW,HEX HEAD |
| 049 | 57189458 | 4 | EA | GUSSET,FRAME MAIN |
| 051 | 57397218 | 1 | EA | SHAFT, AXLE B4 & 320L |
| | 57220980 | 2 | EA | ● - PLUG OSCILLATION SHAFT |
| 052 | 50425958 | 1 | EA | CROSSHEAD |

MAINFRAME WELDMENT,DM30

57657835

57492043 BEARING, BLOCK ASSY DM30

MAINFRAME WELDMENT,DM30
57657835

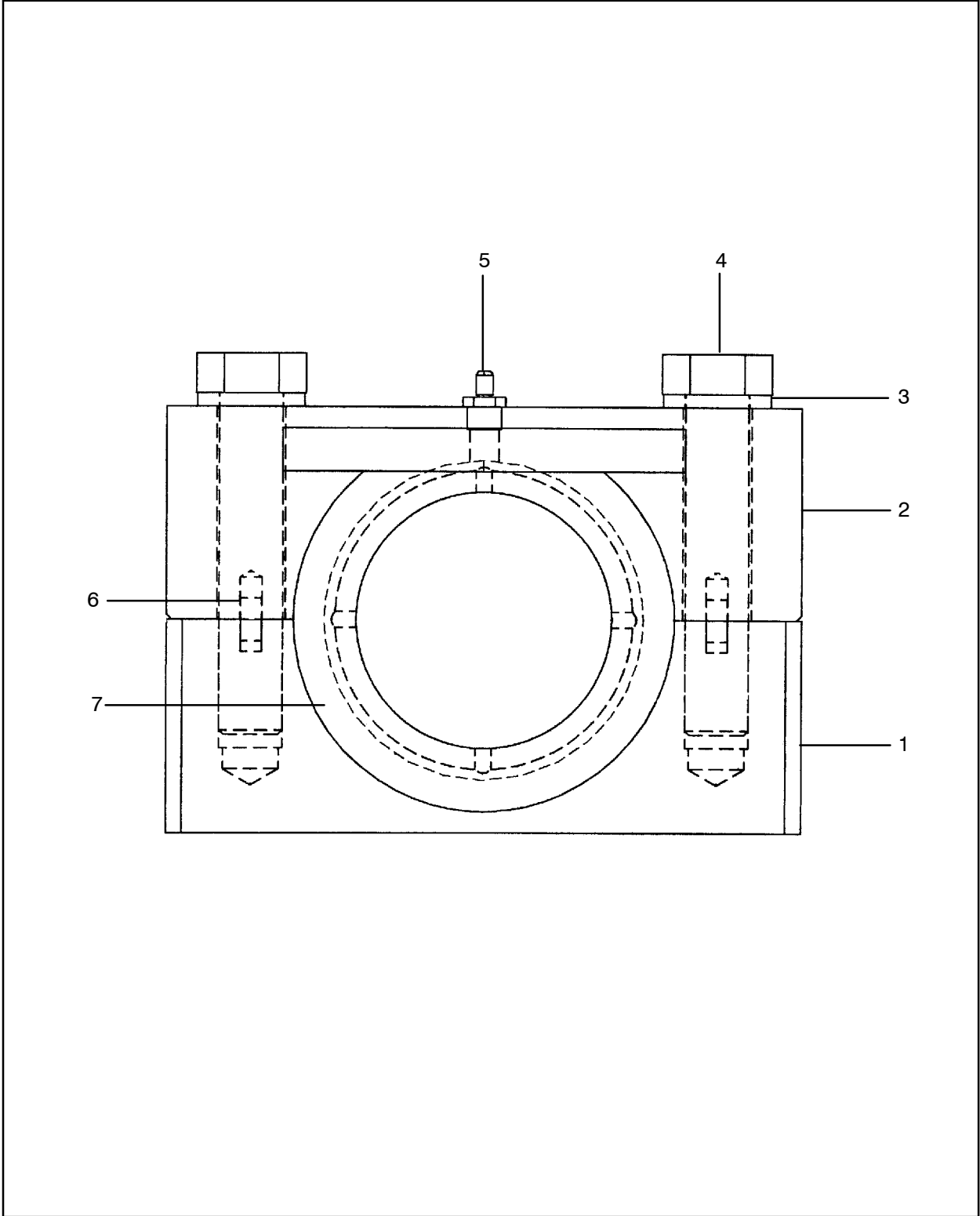


Figure 2 :BEARING, BLOCK ASSY DM30
C57492043 REV 001

57492043 BEARING, BLOCK ASSY DM30

| REF. | PART NO. | QTY. | UNIT | DESCRIPTION |
|------|----------|------|------|---------------------------|
| 001 | 57492050 | 1 | EA | BEARING,LOWER-TOWER PIVOT |
| 002 | 57494767 | 1 | EA | BEARING,UPPER-TOWER PIVOT |
| 003 | 95081808 | 4 | EA | WASHER,LOCK-3/4 |
| 004 | 95104733 | 4 | EA | SCREW CAP |
| 005 | 95201281 | 1 | EA | FITTING,LUBE |
| 006 | 95002564 | 2 | EA | PIN |
| 007 | 57425357 | 1 | EA | BUSHING, BEARING BLOCK |

MAINFRAME WELDMENT,DM30
57657835

57664153

HANDRAIL,INSTALLATION

HANDRAIL,INSTALLATION 57664153

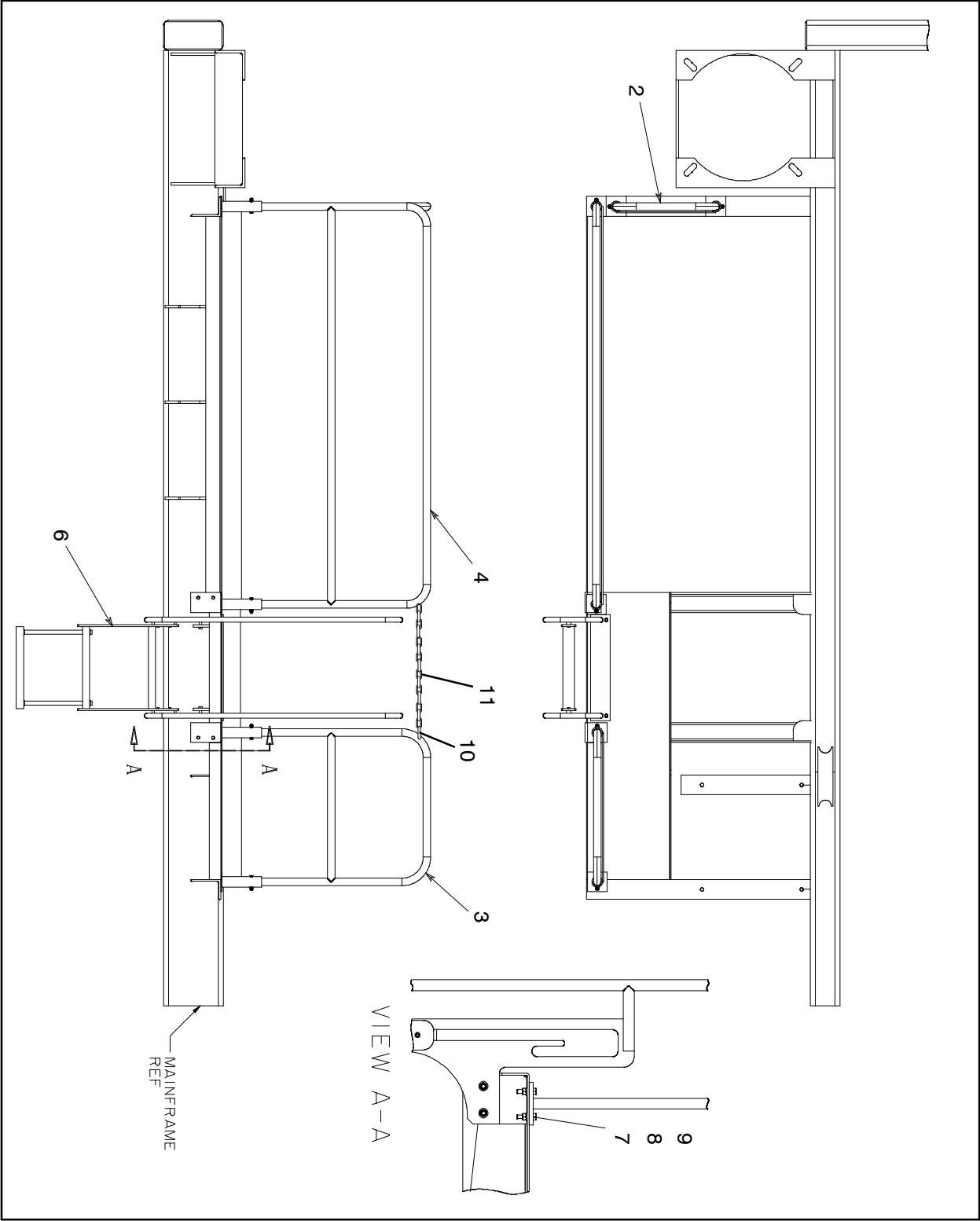


Figure 3 :HANDRAIL,INSTALLATION
D57664153 REV 001

57664153 HANDRAIL,INSTALLATION

| REF. | PART NO. | QTY. | UNIT | DESCRIPTION |
|------|----------|-------|------|--------------------------|
| 002 | 57533622 | 1 | EA | HANDRAIL ASSY-20 CNTDIST |
| 003 | 57424392 | 1 | EA | HANDRAIL ASSY-30 CNTDIST |
| 004 | 57481236 | 1 | EA | HANDRAIL ASSY-80 CNTDIST |
| 006 | 57724619 | 1 | EA | LADDER,W/HANDRAIL,FOLD |
| | 57664666 | 1 | EA | ●- LADDER ASSEMBLY |
| | 57664674 | 1 | EA | ●- HANDRAIL ASSEMBLY |
| 007 | 95934584 | 4 | EA | SCREW, CAP-3/8-16 X1-1/2 |
| 008 | 95937413 | 4 | EA | WASHER,LOCK,HELICAL |
| 009 | 95922894 | 4 | EA | NUT,HEX,FINISHED |
| 010 | 56801053 | 1 | EA | LINK |
| 011 | 50699321 | 25.00 | IN | CHAIN,BULK-3/16 COIL |

HANDRAIL,INSTALLATION 57664153

UNDERCARRIAGE/TRACKS

SECTION

UNDERCARRIAGE/TRACKS

This page is intentionally blank.

SECTION

UNDERCARRIAGE/TRACKS

57664567

UNDERCARRIAGE,320L

UNDERCARRIAGE,320L

57664567

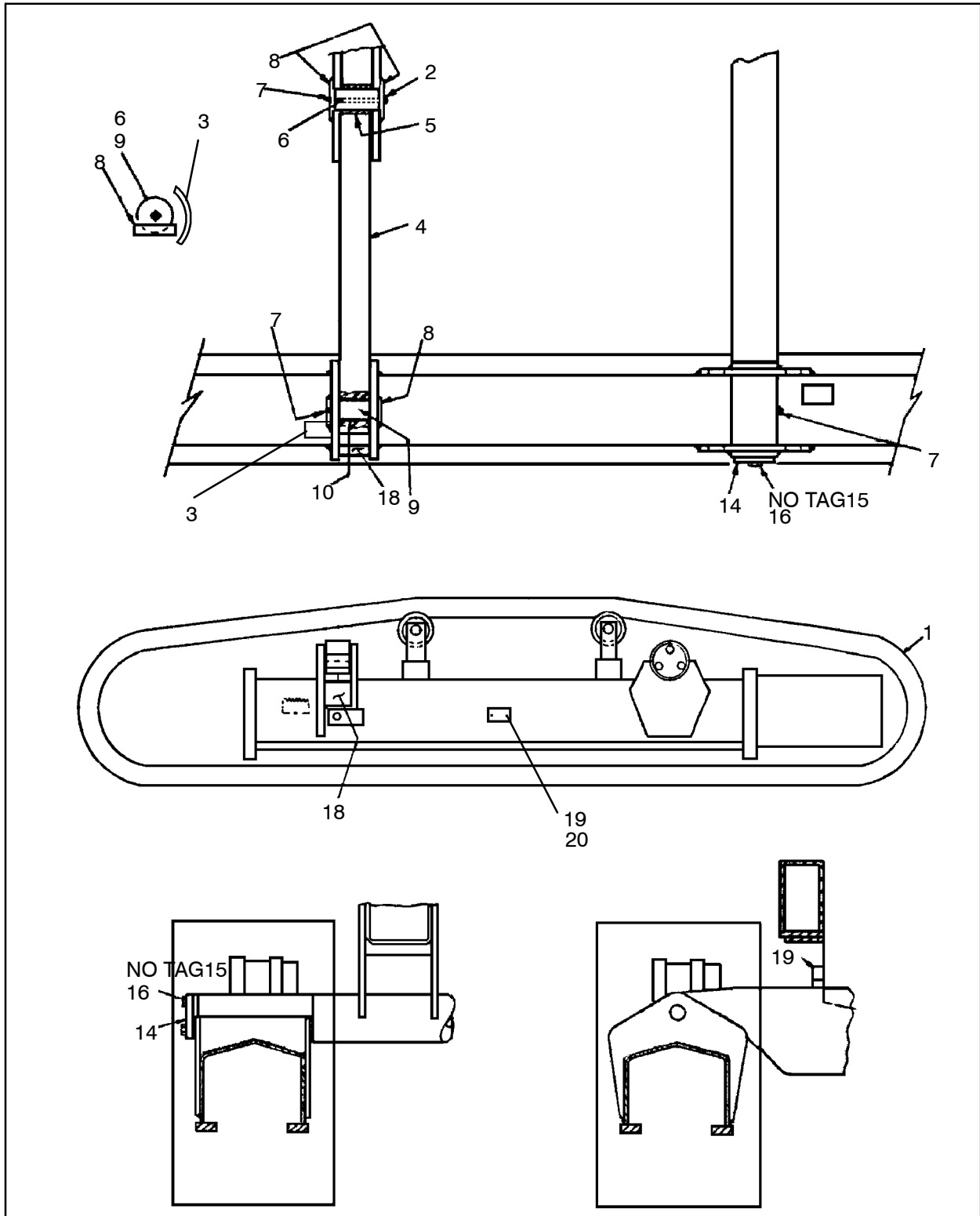


Figure 4 :UNDERCARRIAGE,320L
D57390833 REV 004

57664567 UNDERCARRIAGE,320L

| REF. | PART NO. | QTY. | UNIT | DESCRIPTION |
|------|----------|------|------|---|
| 001 | 57538167 | 1 | EA | UNDERCARRIAGE, 320LW/Y&A |
| | 57438327 | 1 | EA | ● - GUARD GROUP,TRACK MOTOR(See figure 5) |
| | 57438319 | 2 | EA | ● - TRACK GROUP (See figure 6) |
| | 57438285 | 2 | EA | ● - FINAL DRIVE (See figure 8) |
| | 57438343 | 1 | EA | ● - GUARD GROUP, SPROCKET |
| | 57457137 | 2 | EA | ● - GUARD ASSEMBLY |
| | 57357683 | 12 | EA | ● - BOLT |
| | 57355075 | 12 | EA | ● - WASHER- PLATED |
| | 57438350 | 1 | EA | ● - GUARD GROUP, FRONT |
| | 57457145 | 2 | EA | ● - GUARD ASSEMBLY |
| | 57357683 | 16 | EA | ● - BOLT |
| | 57355075 | 16 | EA | ● - WASHER- PLATED |
| | 57438301 | 1 | EA | ● - ROLLER ARRANGEMENT (See figure 10) |
| | 57438335 | 2 | EA | ● - GUARD GROUP,TRACK GUIDE |
| | 57565632 | 1 | EA | ● - GUARD ASSY,TCK GDE |
| | 57355075 | 4 | EA | ● - WASHER- PLATED |
| | 57357683 | 4 | EA | ● - BOLT |
| | 57565640 | 2 | EA | ● - SPROCKET GROUP |
| | 57565657 | 1 | EA | ● - SPROCKET,TRACK |
| | 57456444 | 22 | EA | ● - BOLT |
| | 57565665 | 1 | EA | ● - FRONT IDLER GROUP |
| | 57565673 | 1 | EA | ● - IDLER GROUP,FRONT |
| | 57565681 | 1 | EA | ● - RECOIL GROUP |
| | 57565699 | 1 | EA | ● - PLATE ASSY |
| | 57565707 | 1 | EA | ● - RECOIL GROUP (See figure 13) |
| | 57456469 | 2 | EA | ● - BOLT |
| | 57565848 | 4 | EA | ● - BOLT |
| | 57565855 | 1 | EA | ● - IDLER GROUP (See figure 15) |
| | 57565889 | 1 | EA | ● - IDLER GROUP-FRONT |
| | 57565897 | 1 | EA | ● - RECOIL GROUP |
| | 57565707 | 1 | EA | ● - RECOIL GROUP (See figure 13) |
| | 57565699 | 1 | EA | ● - PLATE ASSY |
| | 57456469 | 2 | EA | ● - BOLT |
| | 57565848 | 4 | EA | ● - BOLT |
| | 57565855 | 1 | EA | ● - IDLER GROUP (See figure 15) |

UNDERCARRIAGE,320L
57664567

57664567 UNDERCARRIAGE,320L

UNDERCARRIAGE,320L
57664567

| REF. | PART NO. | QTY. | UNIT | DESCRIPTION |
|------|----------|------|------|---|
| | 57565905 | 1 | EA | ● - FRAME ASSY,RH (See figure 19) |
| | 57565962 | 1 | EA | ● - FRAME ASSY,LH (See figure 20) |
| | 57725418 | 1 | EA | ● - KIT,UPGRADE (A)CAT/IRGT |
| | 57725301 | 2 | EA | ● - SPROCKET,CAT FRAME (AMK) |
| | 57456444 | 44 | EA | ● - BOLT |
| | 57704918 | 4 | EA | ● - ROLLER-CARRIER |
| | 57356776 | 4 | EA | ● - BOLT |
| | 57704900 | 16 | EA | ● - ROLLER-TRACK |
| | 57456790 | 64 | EA | ● - BOLT |
| | 57355075 | 64 | EA | ● - WASHER-PLATED |
| | 57704967 | 2 | EA | ● - IDLER,ASM,W/BRACKET(See figure 21) |
| | 57704926 | 2 | EA | ● - CHAIN TRACK ASM,W/SHOE(See figure 22) |
| | 57725426 | 1 | EA | ● - KIT,UPGRADE (B)CAT/IRGT |
| | 57725301 | 2 | EA | ● - SPROCKET,CAT FRAME (AMK) |
| | 57456444 | 44 | EA | ● - BOLT |
| | 57704918 | 4 | EA | ● - ROLLER-CARRIER |
| | 57356776 | 4 | EA | ● - BOLT |
| | 57704900 | 16 | EA | ● - ROLLER-TRACK |
| | 57456790 | 64 | EA | ● - BOLT |
| | 57355075 | 64 | EA | ● - WASHER-PLATED |
| | 57704967 | 2 | EA | ● - IDLER,ASM,W/BRACKET(See figure 21) |
| | 57704942 | 2 | EA | ● - CHAIN TRACK,LESS SHOES(See figure 23) |
| | 57708893 | 392 | EA | ● - BOLT,TRACK-SHOE |
| | 57708901 | 392 | EA | ● - NUT,TRACK-SHOE |
| 002 | 95201547 | 1 | EA | FITTING,LUBE |
| 003 | 57559387 | 2 | EA | BRACKET,GREASE FITTING |
| | A1564 | 3.00 | IN | ● - TUBE RD 1026 DOM |
| 004 | 57746232 | 1 | EA | YOKE,OSCILLATION,92 IN |
| 005 | 57180184 | 1 | EA | BUSHING, CENTER |
| 006 | 57188120 | 1 | EA | PIN,CENTER YOKE |
| 007 | 95201547 | 6 | EA | FITTING,LUBE |
| 008 | 56901853 | 6 | EA | BAR,FLAT |
| | A0444 | 4.75 | IN | ● - BAR FLAT 1018 CR |
| 009 | 57188112 | 2 | EA | PIN,END YOKE |

57664567 UNDERCARRIAGE,320L

| REF. | PART NO. | QTY. | UNIT | DESCRIPTION |
|------|----------|------|------|-------------------------|
| 010 | 57309791 | 2 | EA | BUSHING, YOKE END |
| 014 | 52264652 | 2 | EA | RETAINER, TRACK |
| 016 | 95934691 | 6 | EA | WASHER, LOCK, HELICAL |
| 018 | 57252249 | 2 | EA | STOP, YOKE |
| 019 | 57687170 | 2 | EA | DECAL, UNDERCARRIAGE |
| 020 | 95064192 | 8 | EA | SCREW, DRIVE - #6 X 1/4 |

UNDERCARRIAGE,320L
57664567

57438327 GUARD GROUP,TRACK MOTOR

UNDERCARRIAGE,320L
57664567

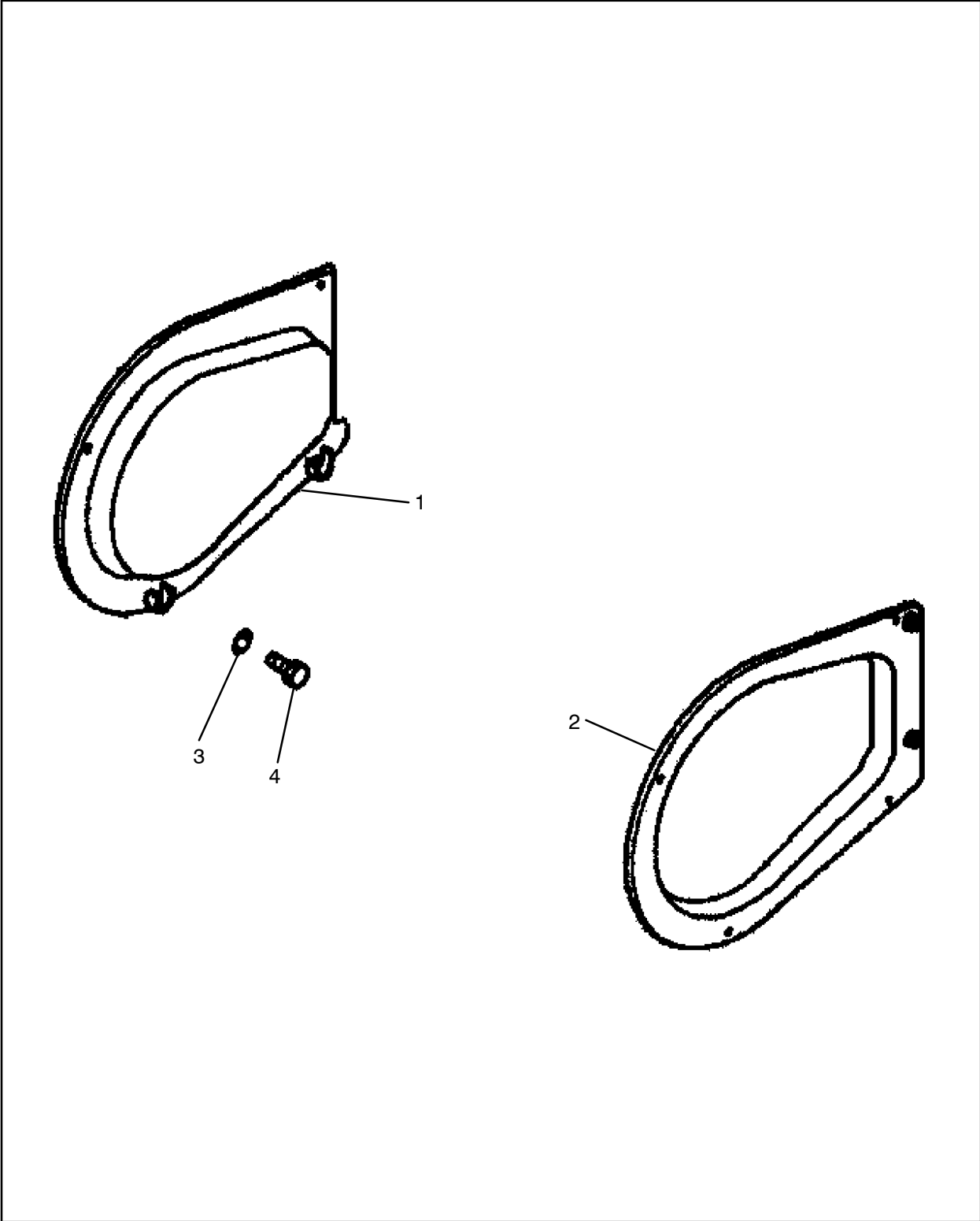


Figure 5 :GUARD GROUP,TRACK MOTOR
C57438327 REV 000

57438327 GUARD GROUP,TRACK MOTOR

| REF. | PART NO. | QTY. | UNIT | DESCRIPTION |
|------|----------|------|------|---------------------|
| 001 | 57457103 | 1 | EA | COVER ASSEMBLY |
| 002 | 57457111 | 1 | EA | COVER ASSEMBLY |
| 003 | 57357097 | 8 | EA | WASHER |
| 004 | 57456600 | 8 | EA | BOLT |
| 005 | 57564171 | 1 | EA | GUARD GROUP-TCK MOT |

UNDERCARRIAGE,320L
57664567

57438319 TRACK GROUP

UNDERCARRIAGE,320L
57664567

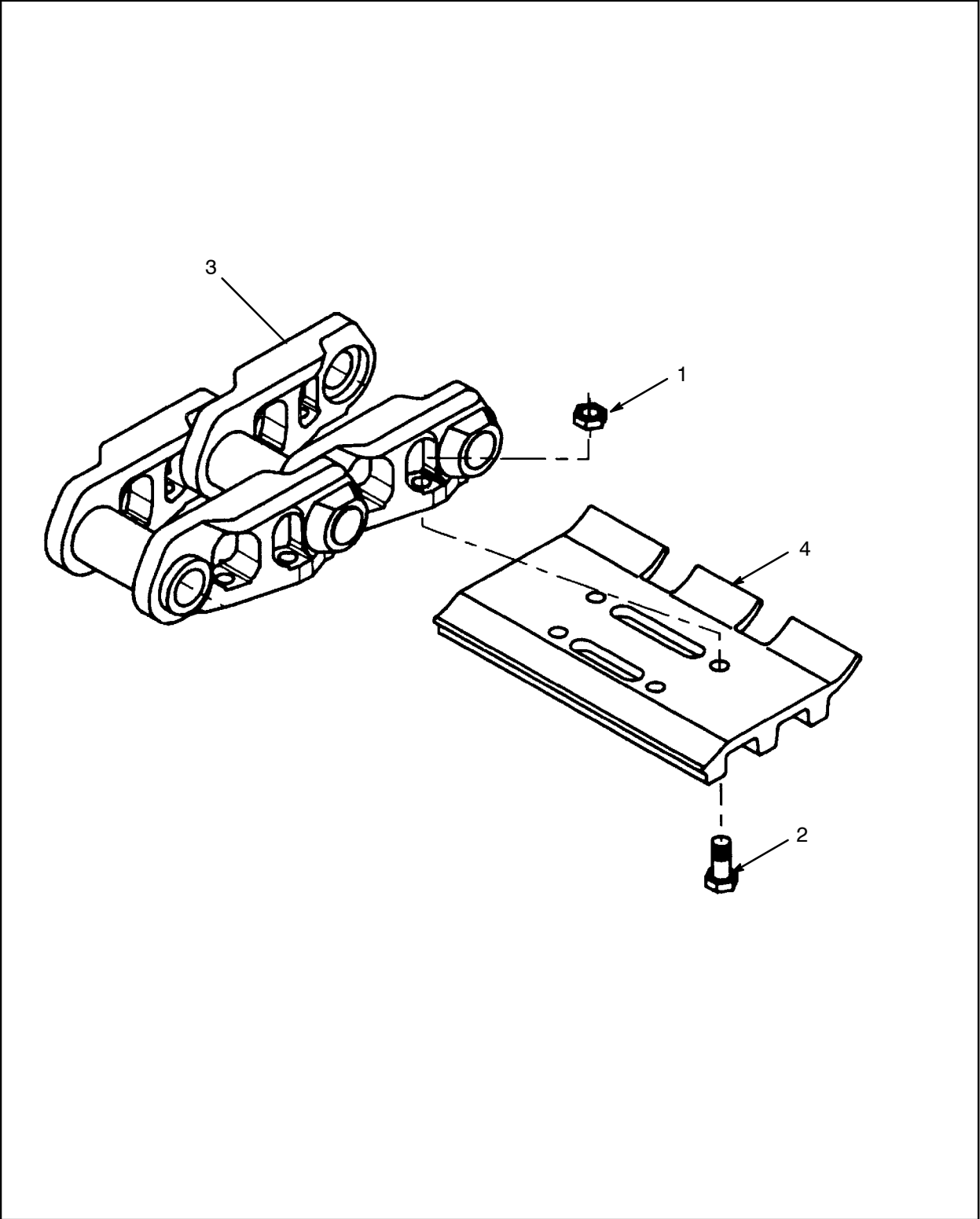


Figure 6 :TRACK GROUP
C57438319 REV 000

57438319 TRACK GROUP

| REF. | PART NO. | QTY. | UNIT | DESCRIPTION |
|------|----------|------|------|------------------|
| 001 | 57356990 | 196 | EA | NUT-TRACK |
| 002 | 57456972 | 196 | EA | BOLT, TRACK |
| 003 | 57456964 | 1 | EA | LINK ASSY, TRACK |
| 004 | 57564205 | 49 | EA | SHOE, TRACK |

(See figure 7)

UNDERCARRIAGE, 320L
57664567

57456964 LINK ASSY,TRACK

UNDERCARRIAGE,320L
57664567

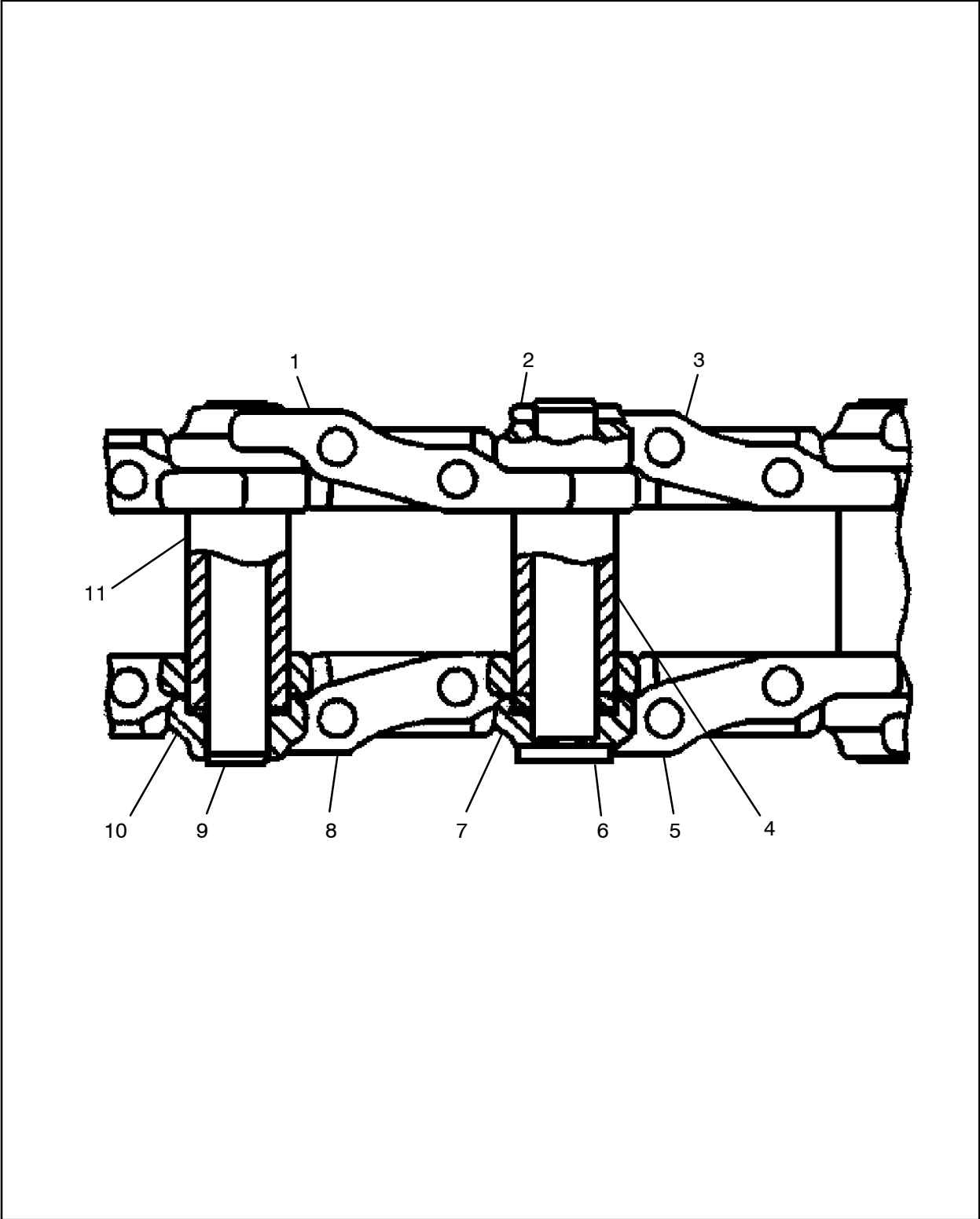


Figure 7 :LINK ASSY,TRACK
C57456964 REV 000

57456964 LINK ASSY,TRACK

| REF. | PART NO. | QTY. | UNIT | DESCRIPTION |
|------|----------|------|------|-----------------|
| 001 | 57456998 | 48 | EA | LINK, LH |
| 002 | 57457004 | 1 | EA | COTTER |
| 003 | 57457012 | 1 | EA | LINK, MASTER-LH |
| 004 | 57564189 | 1 | EA | BUSHING,MASTER |
| 005 | 57457038 | 1 | EA | LINK, MASTER-RH |
| 006 | 57457046 | 1 | EA | PIN, MASTER |
| 007 | 56891500 | 2 | EA | SPACER |
| 008 | 57457053 | 48 | EA | LINK, RH |
| 009 | 57457061 | 48 | EA | PIN |
| 010 | 57457079 | 196 | EA | WASHER |
| 011 | 57564197 | 48 | EA | BUSHING |

UNDERCARRIAGE,320L
 57664567

57438285 FINAL DRIVE

| REF. | PART NO. | QTY. | UNIT | DESCRIPTION |
|------|----------|------|------|-------------------|
| 001 | 57564270 | 1 | EA | SEAL,O-RING |
| 002 | 57356479 | 16 | EA | BOLT |
| 003 | 57355075 | 16 | EA | WASHER-PLATED |
| 004 | 57545204 | 1 | EA | SEAL |
| 005 | 57564288 | 1 | EA | CONNECTOR |
| 006 | 57545196 | 1 | EA | CONNECTOR |
| 007 | 57563678 | 1 | EA | DRIVE GROUP,W/MOT |

(See figure 9)

UNDERCARRIAGE,320L
57664567

57563678 DRIVE GROUP,W/MOT

UNDERCARRIAGE,320L
57664567

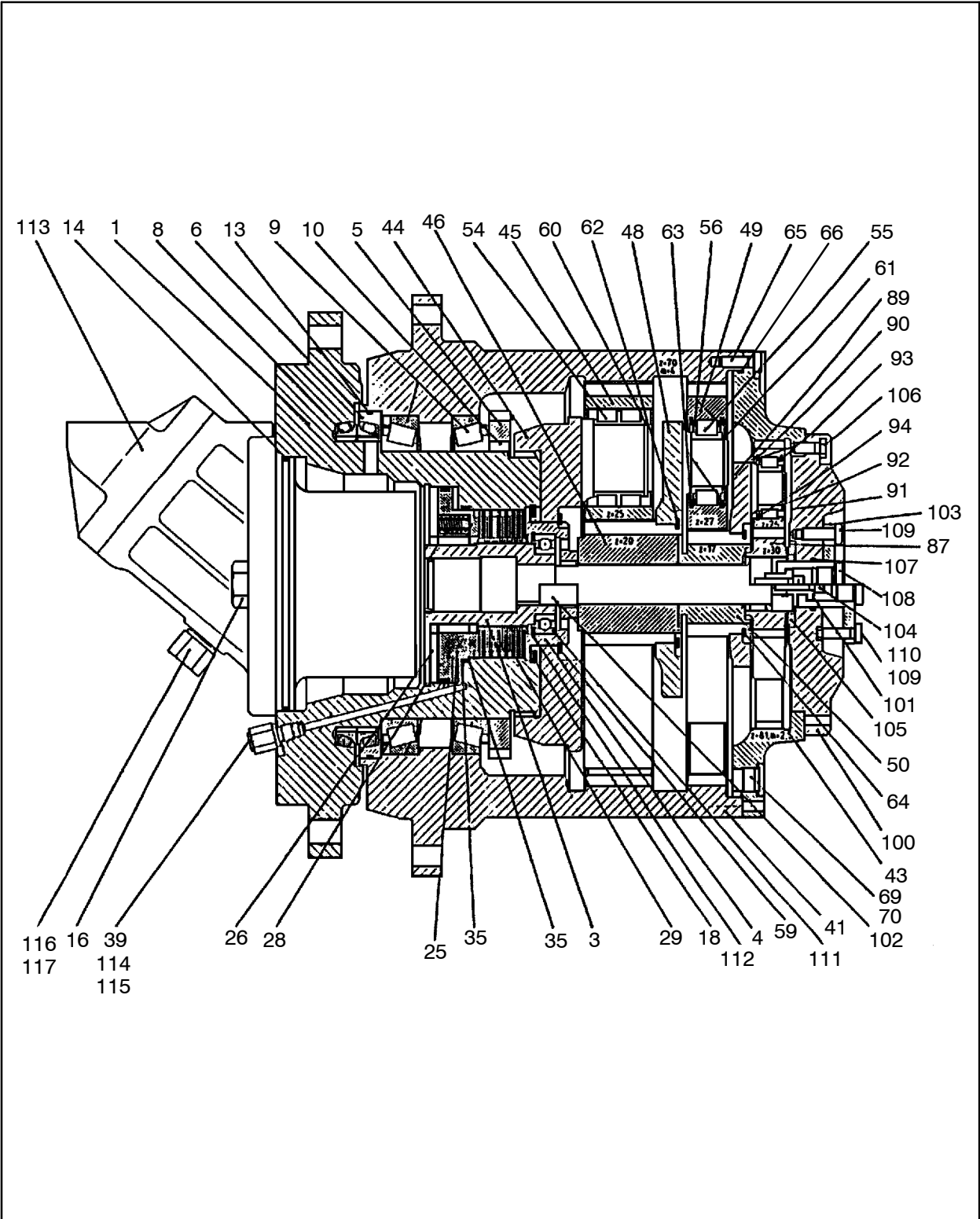


Figure 9 :DRIVE GROUP,W/MOT
C57563678 REV 000

57563678 DRIVE GROUP,W/MOT

| REF. | PART NO. | QTY. | UNIT | DESCRIPTION |
|------|----------|------|------|---------------------|
| 001 | 57552606 | 1 | EA | SPINDLE |
| 003 | 57552614 | 1 | EA | COUPLER |
| 004 | 57552945 | 1 | EA | RING, RETAINING |
| 005 | 57553000 | 1 | EA | NUT, SHAFT |
| 006 | 57553158 | 1 | EA | RING, SEAL |
| 008 | 57553174 | 1 | EA | SEAL, FACE |
| 009 | 57553182 | 2 | EA | BEARING, TAP ROLLER |
| 010 | 57553190 | 2 | EA | PIN, DOWEL |
| 013 | 57553208 | 1 | EA | RING, O |
| 014 | 57552549 | 1 | EA | RING, O |
| 016 | 57553216 | 2 | EA | BOLT,HEX HEAD |
| 018 | 57553323 | 1 | EA | RING, SNAP |
| 025 | 57553364 | 1 | EA | PISTON |
| 026 | 57553372 | 1 | EA | PLATE, BACK-UP |
| 028 | 57553539 | 1 | EA | RING, SNAP |
| 029 | 57553547 | 1 | EA | KIT, DISC (BRAKE) |
| 035 | 57553596 | 1 | EA | KIT, SEAL (BRAKE) |
| 039 | 57552622 | 1 | EA | PLUG, CAP |
| 041 | 57553604 | 1 | EA | GEAR,RING |
| 043 | 57553612 | 1 | EA | COVER, RING GEAR |
| 044 | 57553620 | 1 | EA | CARRIER, PLANET |
| 045 | 57553638 | 1 | EA | SET, PLANET GEAR |
| 046 | 57553646 | 1 | EA | GEAR, SUN |
| 048 | 57553653 | 1 | EA | CARRIER, PLANET |
| 049 | 57553661 | 3 | EA | PLANET GEAR |
| 050 | 57553679 | 1 | EA | GEAR, SUN |
| 054 | 57553687 | 5 | EA | PLANET BEARING |
| 055 | 57553695 | 3 | EA | PLANET BEARING |
| 056 | 57553703 | 6 | EA | LOCATING RING |
| 059 | 57553711 | 1 | EA | RING, SNAP |
| 060 | 57552481 | 5 | EA | RING, SNAP |
| 061 | 57553729 | 3 | EA | RING, SNAP |
| 062 | 57553737 | 1 | EA | RING, SNAP |
| 063 | 57553745 | 6 | EA | RING, SNAP |
| 064 | 57553752 | 1 | EA | RING, SNAP |
| 065 | 57553760 | 12 | EA | BOLT, HEX HEAD |
| 066 | 57552721 | 1 | EA | O-RING |

UNDERCARRIAGE,320L
57664567

57563678 DRIVE GROUP,W/MOT

UNDERCARRIAGE,320L
57664567

| REF. | PART NO. | QTY. | UNIT | DESCRIPTION |
|------|----------|------|------|-------------------|
| 069 | 57552747 | 2 | EA | PLUG, SCREW |
| 070 | 57552754 | 2 | EA | RING, SEAL |
| 087 | 57553778 | 1 | EA | GEAR, SUN |
| 089 | 57553786 | 1 | EA | CARRIER, PLANET |
| 090 | 57553794 | 3 | EA | PLANET GEAR |
| 091 | 57553802 | 3 | EA | PLANET BEARING |
| 092 | 57553810 | 3 | EA | RING, SNAP |
| 093 | 57553828 | 6 | EA | RING, SNAP |
| 094 | 57553836 | 6 | EA | LOCATING RING |
| 100 | 57553844 | 1 | EA | COVER |
| 101 | 57552820 | 1 | EA | SLEEVE, LOCATING |
| 102 | 57553851 | 1 | EA | SHAFT, SUN GEAR |
| 103 | 57553869 | 1 | EA | SLEEVE, SHIFT |
| 104 | 57553877 | 1 | EA | BOLT, SOCKET HEAD |
| 105 | 57553513 | 1 | EA | WASHER, THRUST |
| 106 | 57553885 | 12 | EA | BOLT, HEX HEAD |
| 107 | 57552887 | 1 | EA | O-RING |
| 108 | 57552895 | 1 | EA | PLUG, SCREW |
| 109 | 57553893 | 2 | EA | BOLT, HEX HEAD |
| 110 | 57553901 | 2 | EA | BOLT, HEX HEAD |
| 111 | 57553919 | 1 | EA | BEARING, BALL |
| 112 | 57553927 | 1 | EA | RING, SNAP |
| 113 | 57553935 | 1 | EA | MOTOR, HYDRAULIC |
| 114 | 57552929 | 1 | EA | ADAPTER |
| 115 | 57553943 | 1 | EA | RING, SEAL |
| 116 | 57552952 | 1 | EA | ADAPTER |
| 117 | 57552754 | 1 | EA | RING, SEAL |

57563678 DRIVE GROUP,W/MOT

This page is intentionally blank.

UNDERCARRIAGE,320L
57664567

57438301 ROLLER ARRANGEMENT

UNDERCARRIAGE,320L
57664567

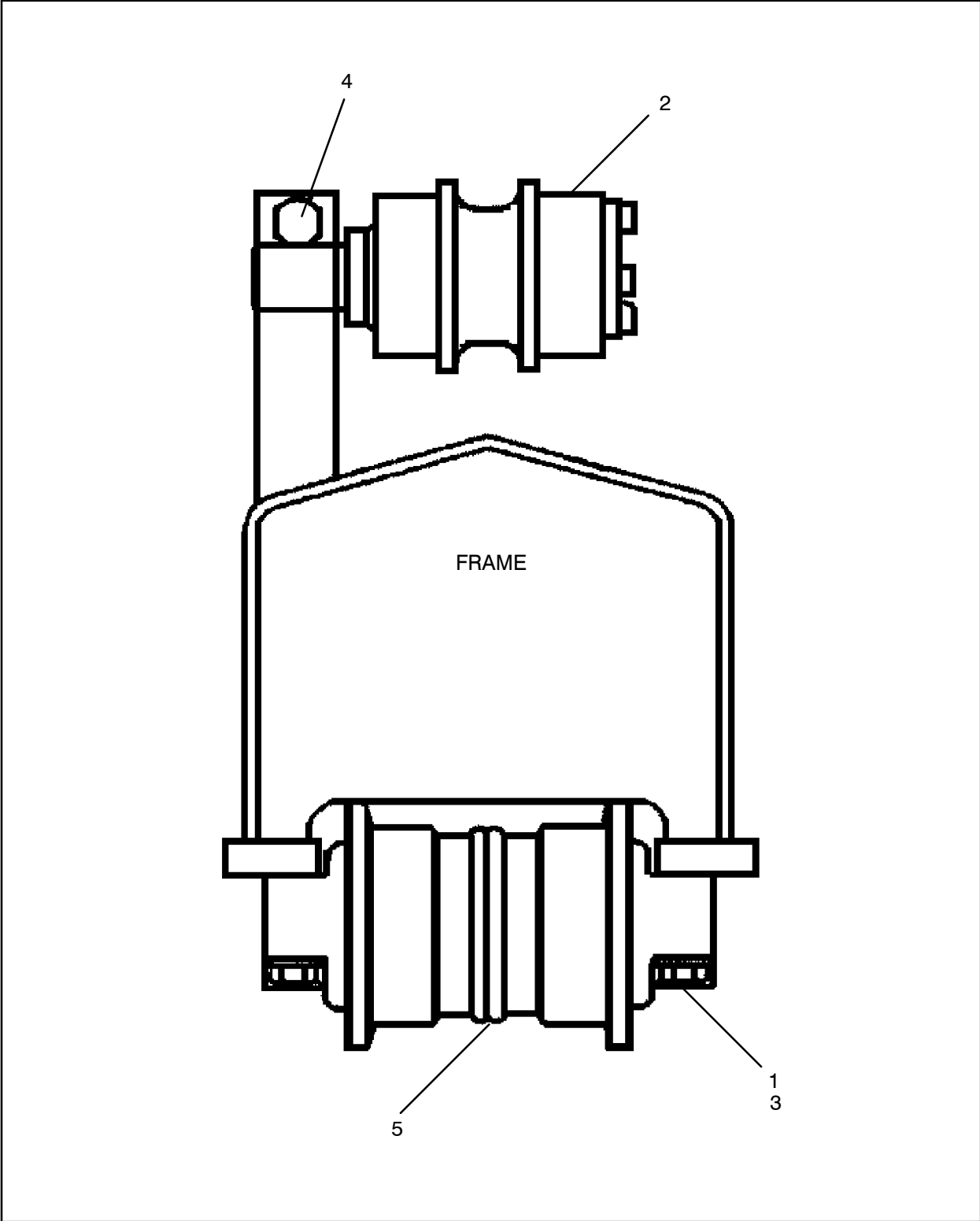


Figure 10 :ROLLER ARRANGEMENT
C57438301 REV 000

57438301 ROLLER ARRANGEMENT

| REF. | PART NO. | QTY. | UNIT | DESCRIPTION |
|------|----------|------|------|--|
| 001 | 57456790 | 64 | EA | BOLT |
| 002 | 57456774 | 4 | EA | ROLLER GROUP, CARRIER <i>(See figure 11)</i> |
| 003 | 57355075 | 64 | EA | WASHER-PLATED |
| 004 | 57356776 | 4 | EA | BOLT |
| 005 | 57565616 | 16 | EA | ROLLER GROUP-SFLG <i>(See figure 12)</i> |

UNDERCARRIAGE,320L
57664567

57456774 ROLLER GROUP, CARRIER

UNDERCARRIAGE,320L
57664567

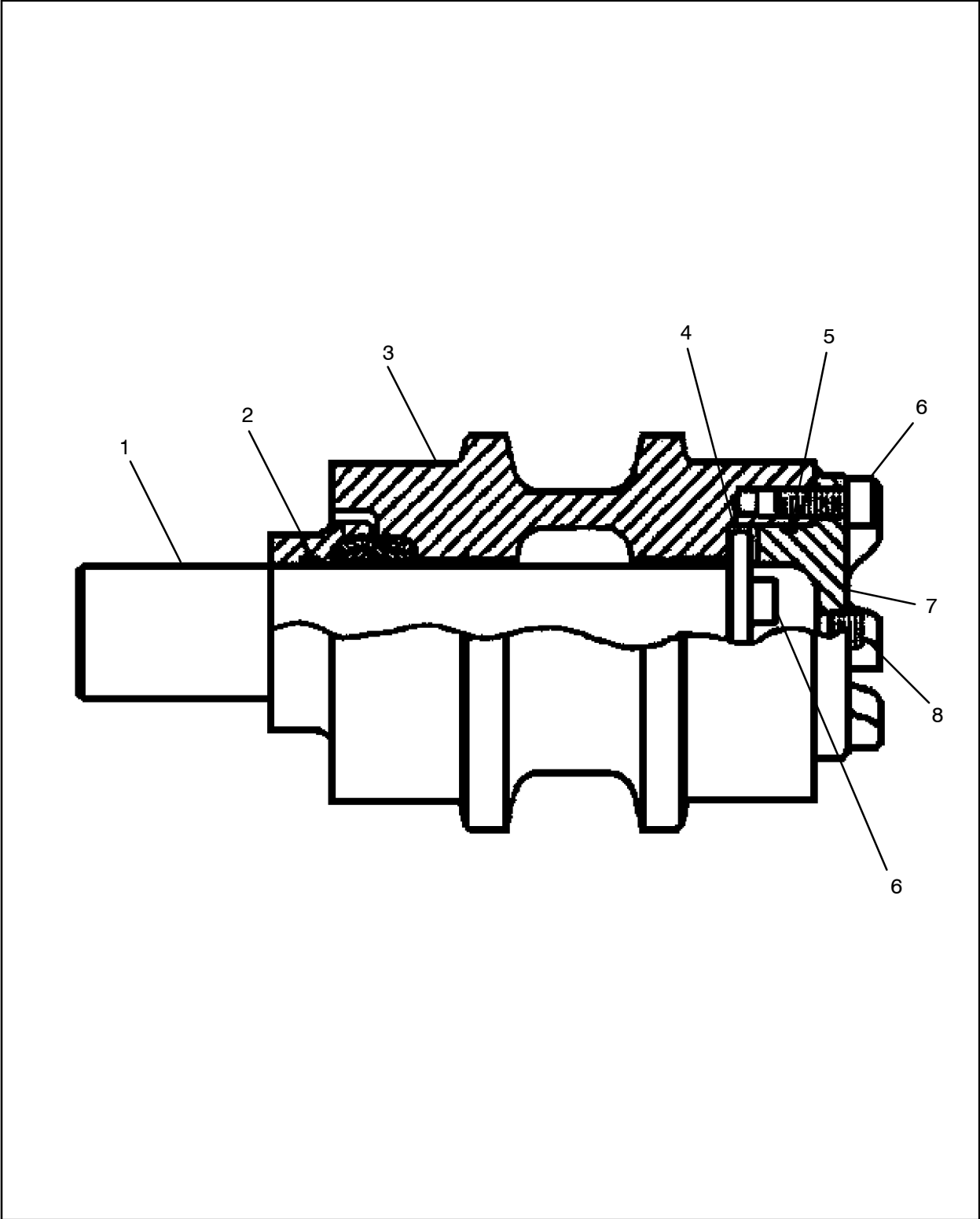


Figure 11 :ROLLER GROUP, CARRIER
C57456774 REV 000

57456774 ROLLER GROUP, CARRIER

| REF. | PART NO. | QTY. | UNIT | DESCRIPTION |
|------|----------|------|------|-------------------|
| 001 | 57456808 | 1 | EA | SHAFT |
| 002 | 57563686 | 1 | EA | SEAL GROUP |
| 003 | 57456824 | 1 | EA | ROLLER ASSEMBLY |
| 004 | 57456857 | 1 | EA | RETAINER |
| 005 | 57456865 | 1 | EA | SEAL |
| 006 | 57356875 | 5 | EA | BOLT – SOCKETHEAD |
| 007 | 57456873 | 1 | EA | COVER |
| 008 | 57356768 | 1 | EA | PLUG – PIPE |

UNDERCARRIAGE, 320L
57664567

57565616 ROLLER GROUP-SFLG

UNDERCARRIAGE,320L
57664567

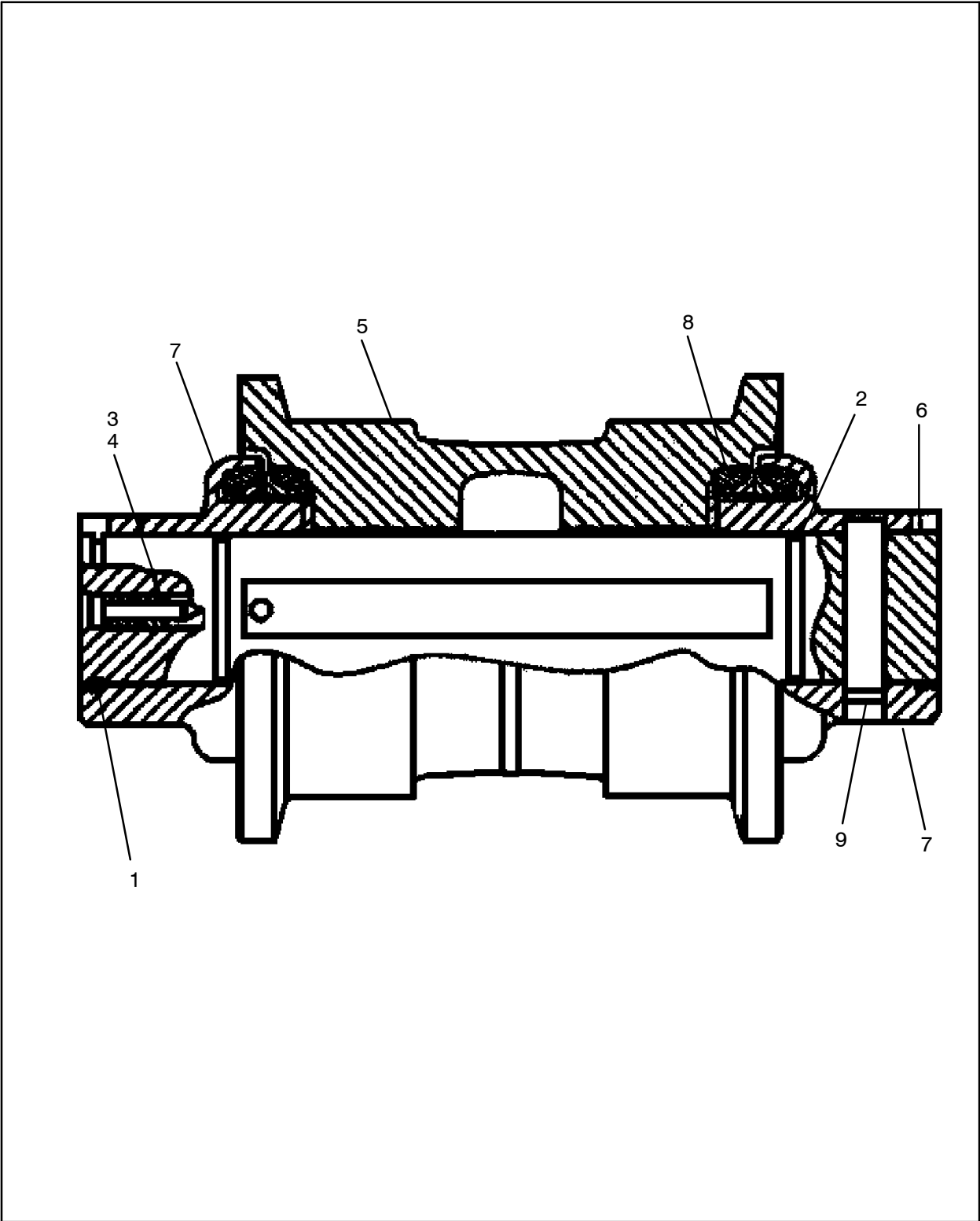


Figure 12 :ROLLER GROUP-SFLG
C57565616 REV 000

57565616 ROLLER GROUP-SFLG

| REF. | PART NO. | QTY. | UNIT | DESCRIPTION |
|------|----------|------|------|-----------------|
| 001 | 57456956 | 2 | EA | RING |
| 002 | 57456923 | 2 | EA | SEAL |
| 003 | 57356883 | 1 | EA | STOPPER-RUBBER |
| 004 | 57356891 | 1 | EA | PLUG-CLEAR |
| 005 | 57456899 | 1 | EA | ROLLER ASSEMBLY |
| 006 | 57456931 | 1 | EA | SHAFT |
| 007 | 57456881 | 2 | EA | COLLAR |
| 008 | 57565624 | 2 | EA | SEAL GROUP |
| 009 | 57456949 | 1 | EA | PIN |

UNDERCARRIAGE,320L
57664567

57565707 RECOIL GROUP

UNDERCARRIAGE,320L
57664567

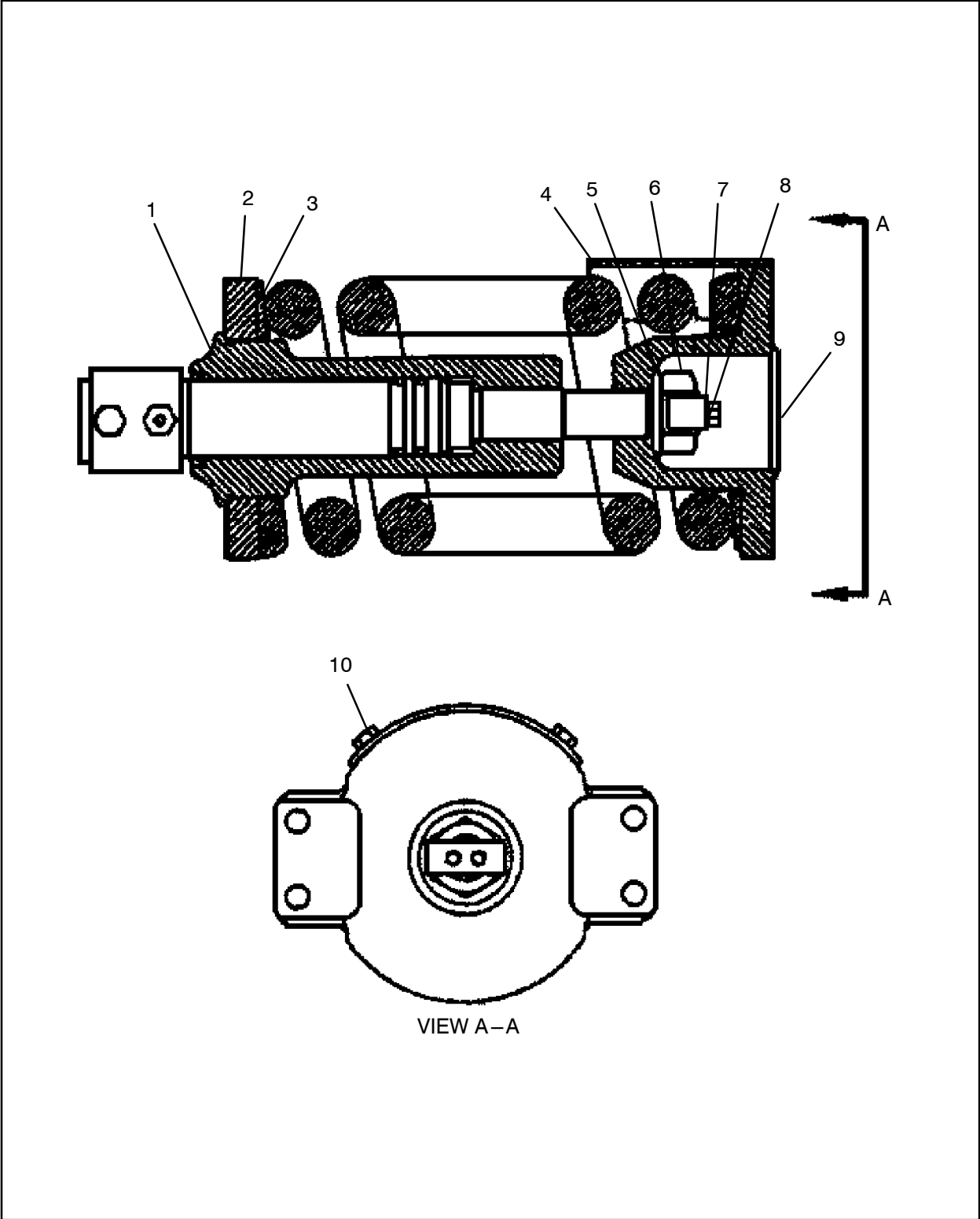


Figure 13 :RECOIL GROUP
C57565707 REV 000

57565707 RECOIL GROUP

| REF. | PART NO. | QTY. | UNIT | DESCRIPTION |
|------|----------|------|------|--|
| 001 | 57565715 | 1 | EA | RECOIL GROUP <i>(See figure 14)</i> |
| 002 | 57565772 | 1 | EA | PLATE |
| 003 | 57565780 | 1 | EA | SPRING |
| 004 | 57456543 | 1 | EA | COVER |
| 005 | 57565798 | 1 | EA | WASHER |
| 006 | 57565806 | 1 | EA | NUT,HEX |
| 007 | 57565814 | 1 | EA | STRIP |
| 008 | 57565822 | 2 | EA | BOLT |
| 009 | 57565830 | 1 | EA | SUPPORT |
| 010 | 57456600 | 2 | EA | BOLT |

UNDERCARRIAGE,320L

57664567

57565715 RECOIL GROUP

UNDERCARRIAGE,320L
57664567

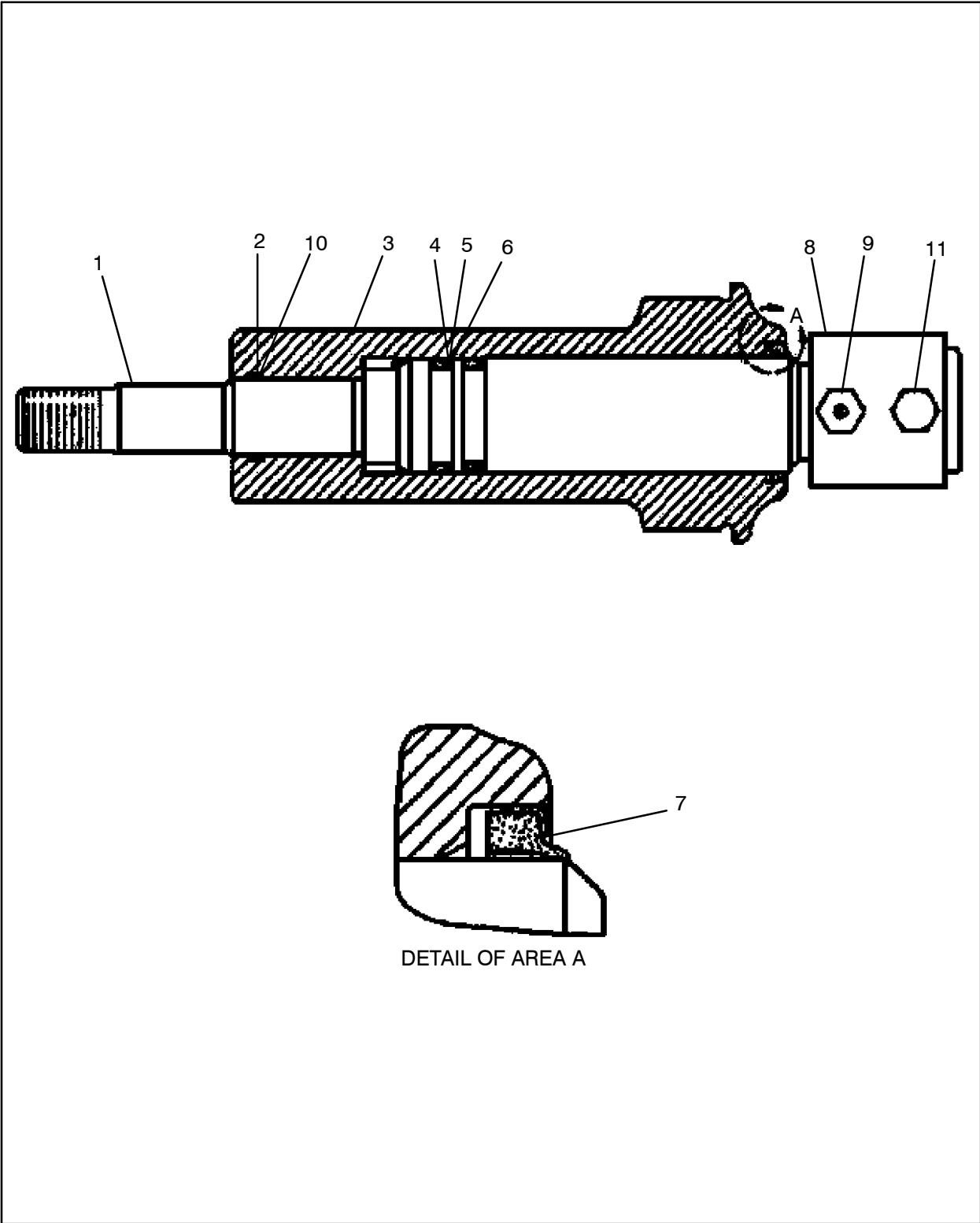


Figure 14 :RECOIL GROUP
C57565715 REV 000

57565715 RECOIL GROUP

| REF. | PART NO. | QTY. | UNIT | DESCRIPTION |
|------|----------|------|------|---------------|
| 001 | 57565723 | 1 | EA | ROD |
| 002 | 57565731 | 1 | EA | RING,BACKUP |
| 003 | 57565756 | 1 | EA | CYLINDER |
| 004 | 57356594 | 2 | EA | O RING-SEAL |
| 005 | 57356586 | 2 | EA | RING |
| 006 | 57356578 | 2 | EA | RING |
| 007 | 57356552 | 1 | EA | SEAL-LIP TYPE |
| 008 | 57565764 | 1 | EA | PISTON ASSY |
| 009 | 57563389 | 1 | EA | VALVE,FILL |
| 010 | 57565749 | 1 | EA | SEAL,O-RING |
| 011 | 50416551 | 1 | EA | VALVE |

UNDERCARRIAGE,320L
57664567

57565855 IDLER GROUP

UNDERCARRIAGE,320L
57664567

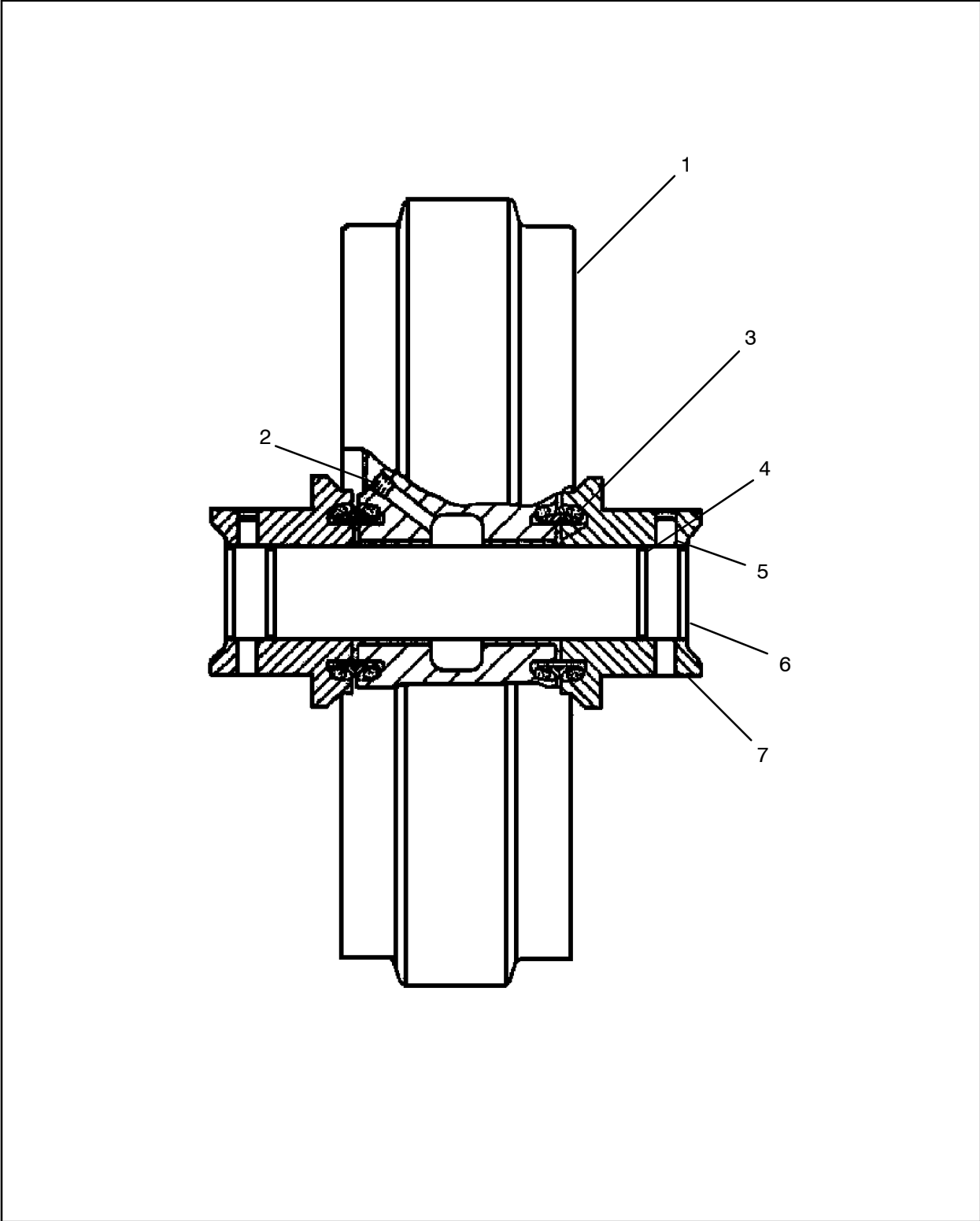


Figure 15 :IDLER GROUP
C57565855 REV 000

57565855 IDLER GROUP

| REF. | PART NO. | QTY. | UNIT | DESCRIPTION |
|------|----------|------|------|-------------|
| 001 | 57565863 | 1 | EA | IDLER ASSY |
| 002 | 57356768 | 1 | EA | PLUG-PIPE |
| 003 | 57183014 | 2 | EA | SEAL GP. |
| 004 | 57456733 | 2 | EA | SEAL |
| 005 | 57456741 | 2 | EA | PIN |
| 006 | 57456758 | 1 | EA | SHAFT |
| 007 | 57565871 | 2 | EA | BEARING |

UNDERCARRIAGE,320L
57664567

57565707 RECOIL GROUP

UNDERCARRIAGE,320L
57664567

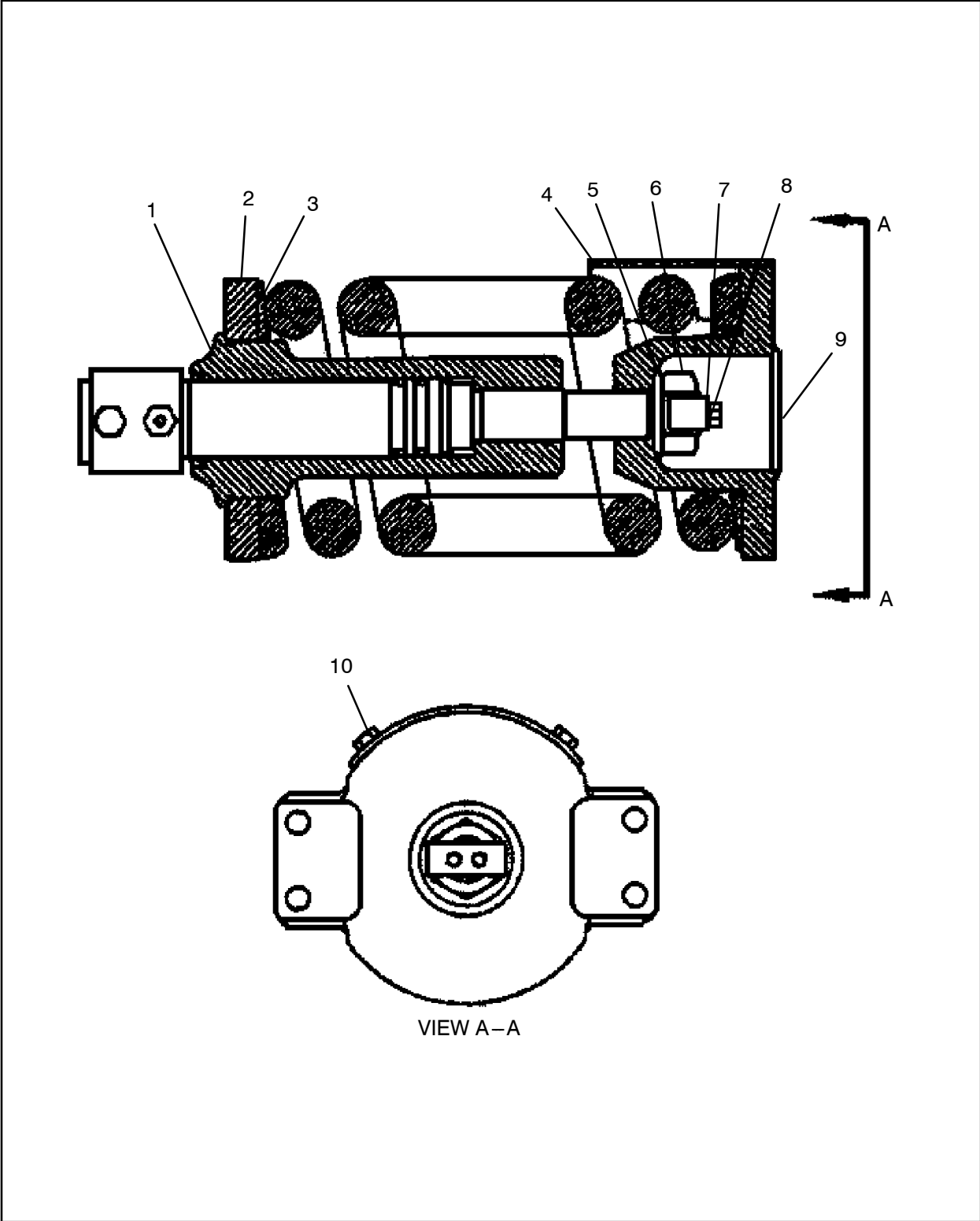


Figure 16 :RECOIL GROUP
C57565707 REV 000

57565707 RECOIL GROUP

| REF. | PART NO. | QTY. | UNIT | DESCRIPTION |
|------|----------|------|------|--------------|
| 001 | 57565715 | 1 | EA | RECOIL GROUP |
| 002 | 57565772 | 1 | EA | PLATE |
| 003 | 57565780 | 1 | EA | SPRING |
| 004 | 57456543 | 1 | EA | COVER |
| 005 | 57565798 | 1 | EA | WASHER |
| 006 | 57565806 | 1 | EA | NUT,HEX |
| 007 | 57565814 | 1 | EA | STRIP |
| 008 | 57565822 | 2 | EA | BOLT |
| 009 | 57565830 | 1 | EA | SUPPORT |
| 010 | 57456600 | 2 | EA | BOLT |

(See figure 14)

UNDERCARRIAGE,320L
57664567

57565715 RECOIL GROUP

UNDERCARRIAGE,320L
57664567

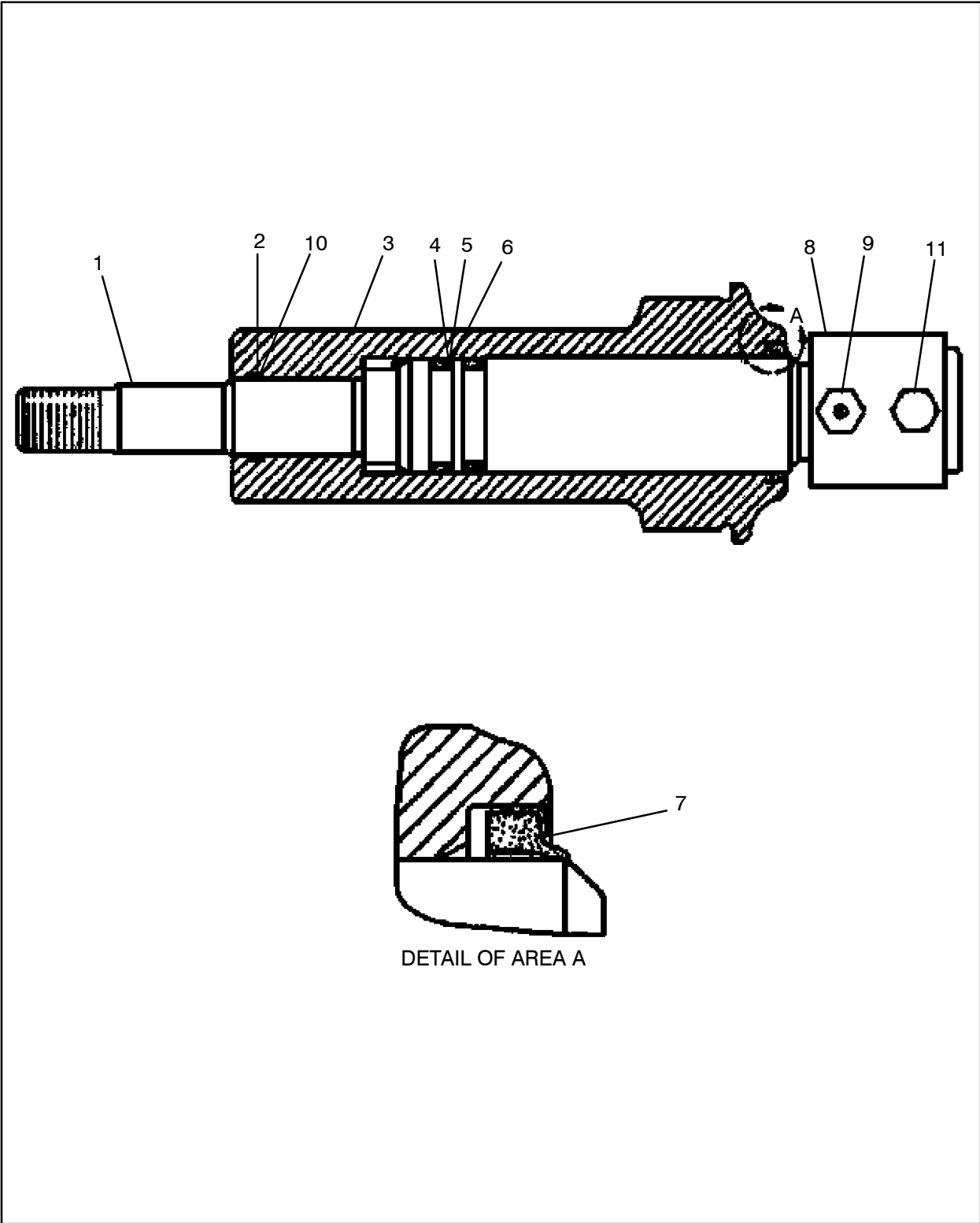


Figure 17 :RECOIL GROUP
C57565715 REV 000

57565715 RECOIL GROUP

| REF. | PART NO. | QTY. | UNIT | DESCRIPTION |
|------|----------|------|------|---------------|
| 001 | 57565723 | 1 | EA | ROD |
| 002 | 57565731 | 1 | EA | RING,BACKUP |
| 003 | 57565756 | 1 | EA | CYLINDER |
| 004 | 57356594 | 2 | EA | O RING-SEAL |
| 005 | 57356586 | 2 | EA | RING |
| 006 | 57356578 | 2 | EA | RING |
| 007 | 57356552 | 1 | EA | SEAL-LIP TYPE |
| 008 | 57565764 | 1 | EA | PISTON ASSY |
| 009 | 57563389 | 1 | EA | VALVE,FILL |
| 010 | 57565749 | 1 | EA | SEAL,O-RING |
| 011 | 50416551 | 1 | EA | VALVE |

UNDERCARRIAGE,320L
57664567

57565855 IDLER GROUP

UNDERCARRIAGE,320L
57664567

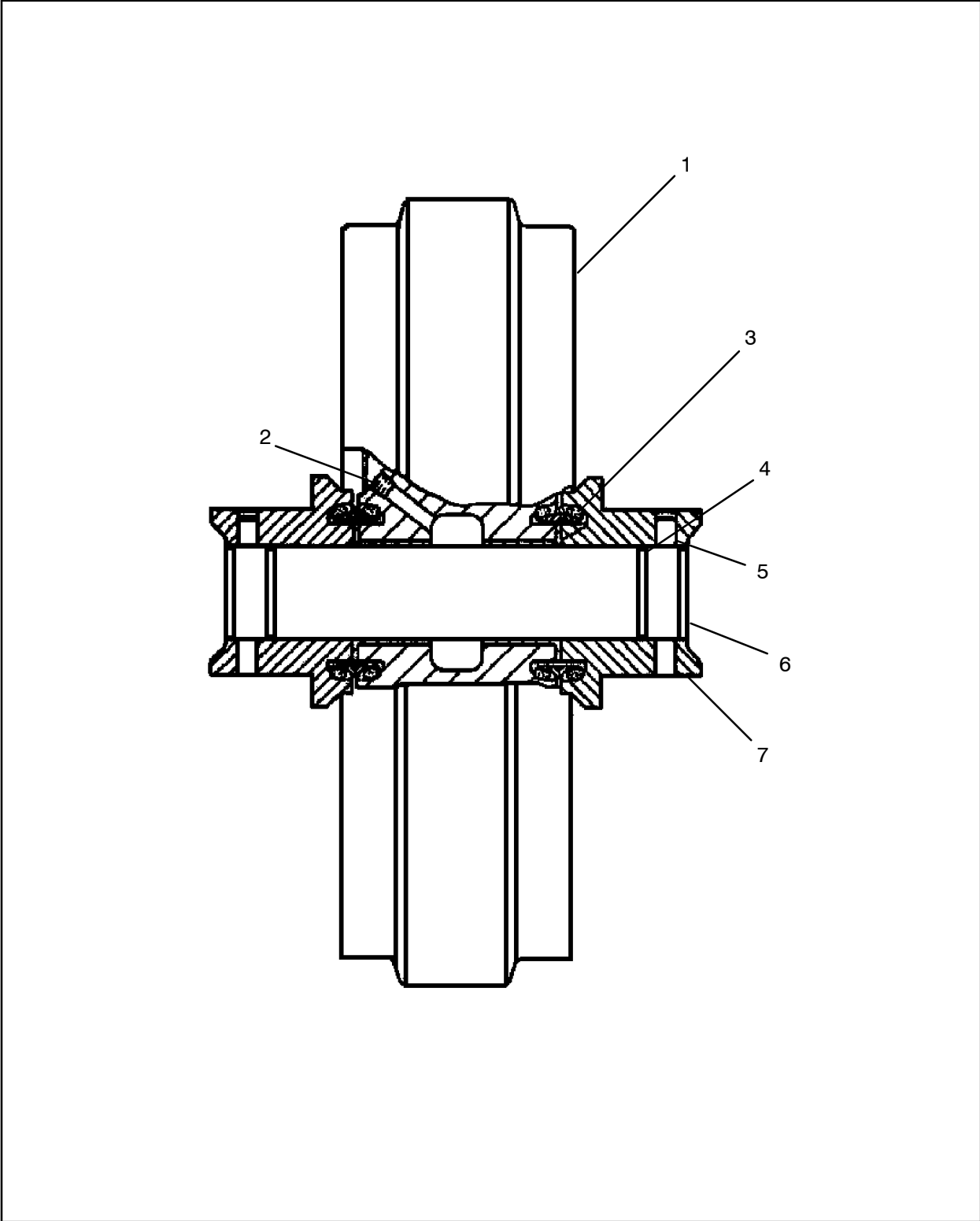


Figure 18 :IDLER GROUP
C57565855 REV 000

57565855 IDLER GROUP

| REF. | PART NO. | QTY. | UNIT | DESCRIPTION |
|------|----------|------|------|-------------|
| 001 | 57565863 | 1 | EA | IDLER ASSY |
| 002 | 57356768 | 1 | EA | PLUG-PIPE |
| 003 | 57183014 | 2 | EA | SEAL GP. |
| 004 | 57456733 | 2 | EA | SEAL |
| 005 | 57456741 | 2 | EA | PIN |
| 006 | 57456758 | 1 | EA | SHAFT |
| 007 | 57565871 | 2 | EA | BEARING |

UNDERCARRIAGE,320L
57664567

57565905 FRAME ASSY,RH

There is no drawing available at this time.

UNDERCARRIAGE,320L

57664567

Figure 19 :FRAME ASSY,RH
C57565905 REV 000

57565905 FRAME ASSY,RH

| REF. | PART NO. | QTY. | UNIT | DESCRIPTION |
|------|----------|------|------|------------------------|
| 001 | 57565913 | 1 | EA | SUPPORT ASSY,IDLER |
| 002 | 57565921 | 1 | EA | SUPPPORT ASSY,MOTOR |
| 003 | 57565939 | 1 | EA | FRAME ASSY,RH |
| 004 | 57565947 | 1 | EA | PLATE |
| 005 | 57308041 | 2 | EA | BRACKET-CARRIER ROLLER |
| 006 | 57565954 | 2 | EA | BLOCK |

UNDERCARRIAGE,320L
57664567

57565962 FRAME ASSY,LH

UNDERCARRIAGE,320L
57664567

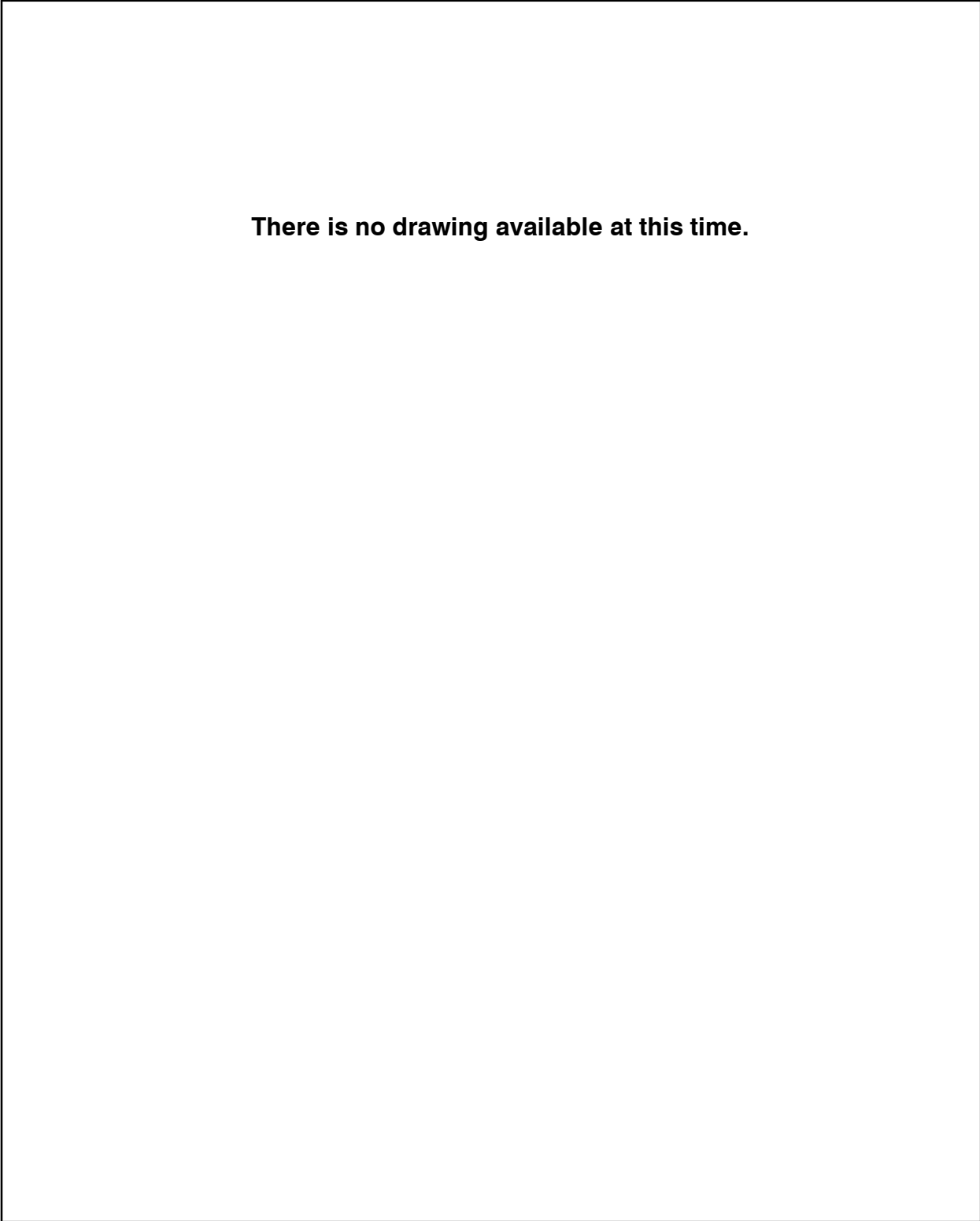


Figure 20 :FRAME ASSY,LH
C57565962 REV 000

57565962 FRAME ASSY,LH

| REF. | PART NO. | QTY. | UNIT | DESCRIPTION |
|------|----------|------|------|------------------------|
| 001 | 57565913 | 1 | EA | SUPPORT ASSY,IDLER |
| 002 | 57565970 | 1 | EA | SUPPORT ASSY,MOTOR |
| 003 | 57565988 | 1 | EA | FRAME ASSY,LH |
| 004 | 57565947 | 1 | EA | PLATE |
| 005 | 57308041 | 2 | EA | BRACKET-CARRIER ROLLER |
| 006 | 57565954 | 2 | EA | BLOCK |

UNDERCARRIAGE,320L
57664567

57704967

IDLER,ASM,W/BRACKET

UNDERCARRIAGE,320L

57664567

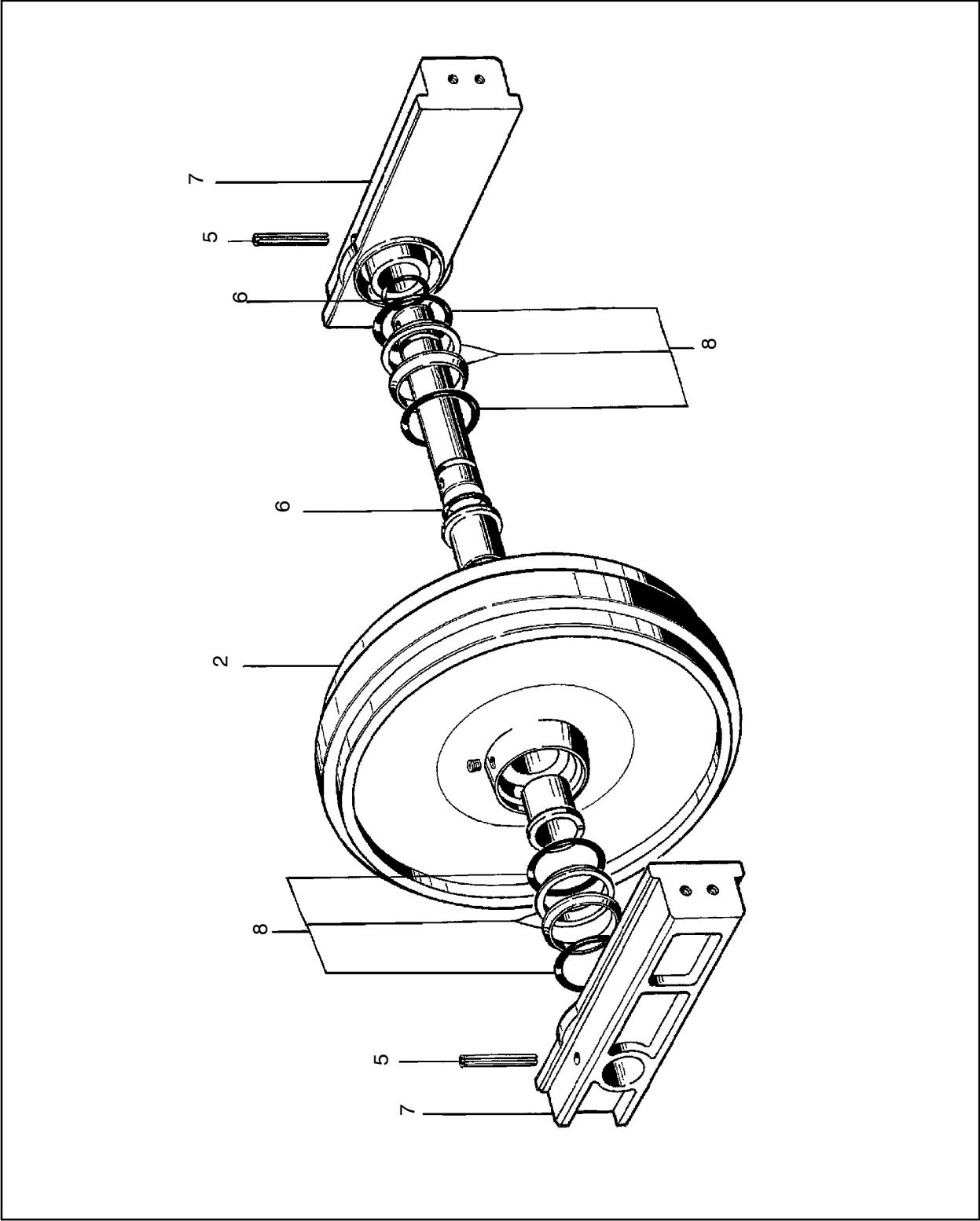


Figure 21 :IDLER,ASM,W/BRACKET
C57704967 REV 001

57704967 IDLER,ASM,W/BRACKET

| REF. | PART NO. | QTY. | UNIT | DESCRIPTION |
|------|----------|------|------|------------------|
| 002 | 57708927 | 1 | EA | IDLER,FRONT-BARE |
| 005 | 57700452 | 2 | EA | ROLL PIN,IDLER |
| 006 | 57708950 | 2 | EA | O-RING,IDLER |
| 007 | 57708968 | 2 | EA | BRACKET,IDLER |
| 008 | 57708976 | 2 | EA | SEAL,GROUP-IDLER |

UNDERCARRIAGE,320L
57664567

57704926 CHAIN TRACK ASM,W/SHOE

UNDERCARRIAGE,320L
57664567

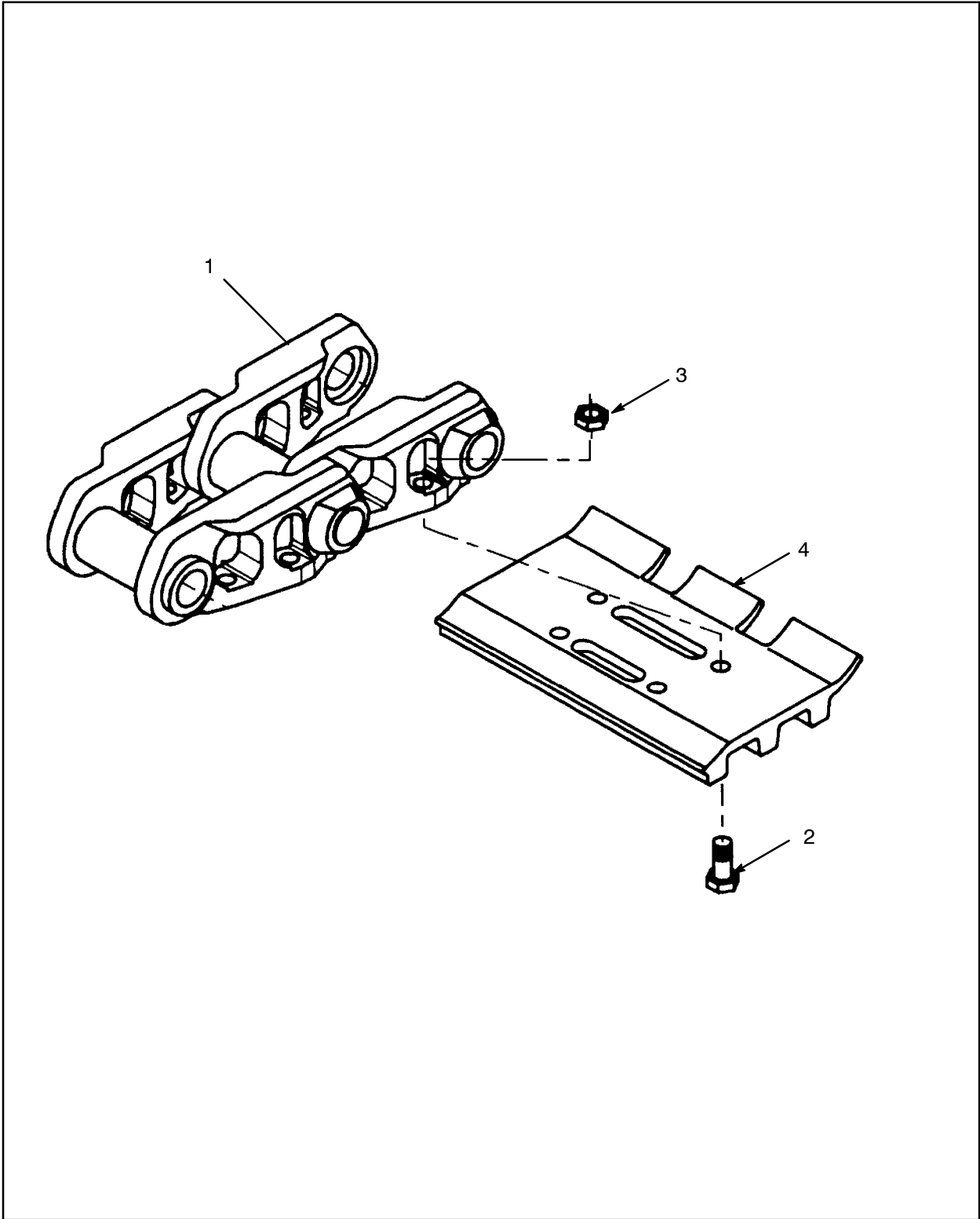


Figure 22 :CHAIN TRACK ASM,W/SHOE
C57704926 REV 000

57704926 CHAIN TRACK ASM,W/SHOE

| REF. | PART NO. | QTY. | UNIT | DESCRIPTION |
|------|----------|------|------|--|
| 001 | 57704942 | 1 | EA | CHAIN TRACK,LESS SHOES (See figure 23) |
| 002 | 57708893 | 196 | EA | BOLT,TRACK-SHOE |
| 003 | 57708901 | 196 | EA | NUT,TRACK-SHOE |
| 004 | 57708919 | 49 | EA | SHOE,TRACK |

UNDERCARRIAGE,320L
57664567

57704942 CHAIN TRACK,LESS SHOES

UNDERCARRIAGE,320L
57664567

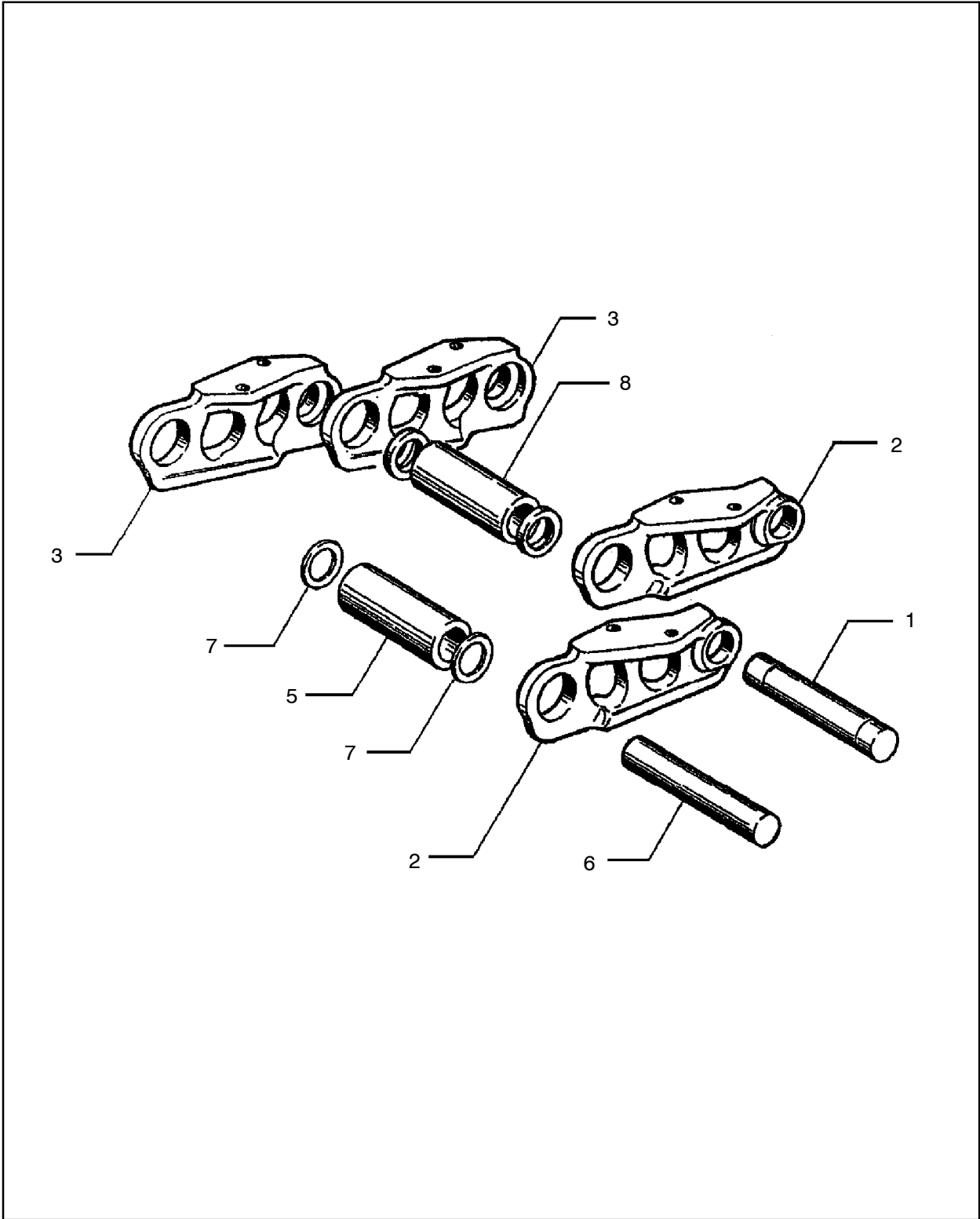


Figure 23 :CHAIN TRACK,LESS SHOES
C57704942 REV 001

57704942 CHAIN TRACK,LESS SHOES

| REF. | PART NO. | QTY. | UNIT | DESCRIPTION |
|------|----------|------|------|-----------------------|
| 001 | 57708810 | 1 | EA | PIN,MASTER,CHAIN |
| 002 | 57708828 | 49 | EA | LINK,CHAIN,RH |
| 003 | 57708836 | 49 | EA | LINK,CHAIN,LH |
| 005 | 57708851 | 48 | EA | BUSHING,CHAIN- TRACK |
| 006 | 57708869 | 48 | EA | PIN,CHAIN- TRACK |
| 007 | 57708877 | 96 | EA | WASHER,SEAL- TRACK |
| 008 | 57708885 | 1 | EA | BUSHING,MASTER- CHAIN |

UNDERCARRIAGE,320L
57664567

57704967

IDLER,ASM,W/BRACKET

UNDERCARRIAGE,320L
57664567

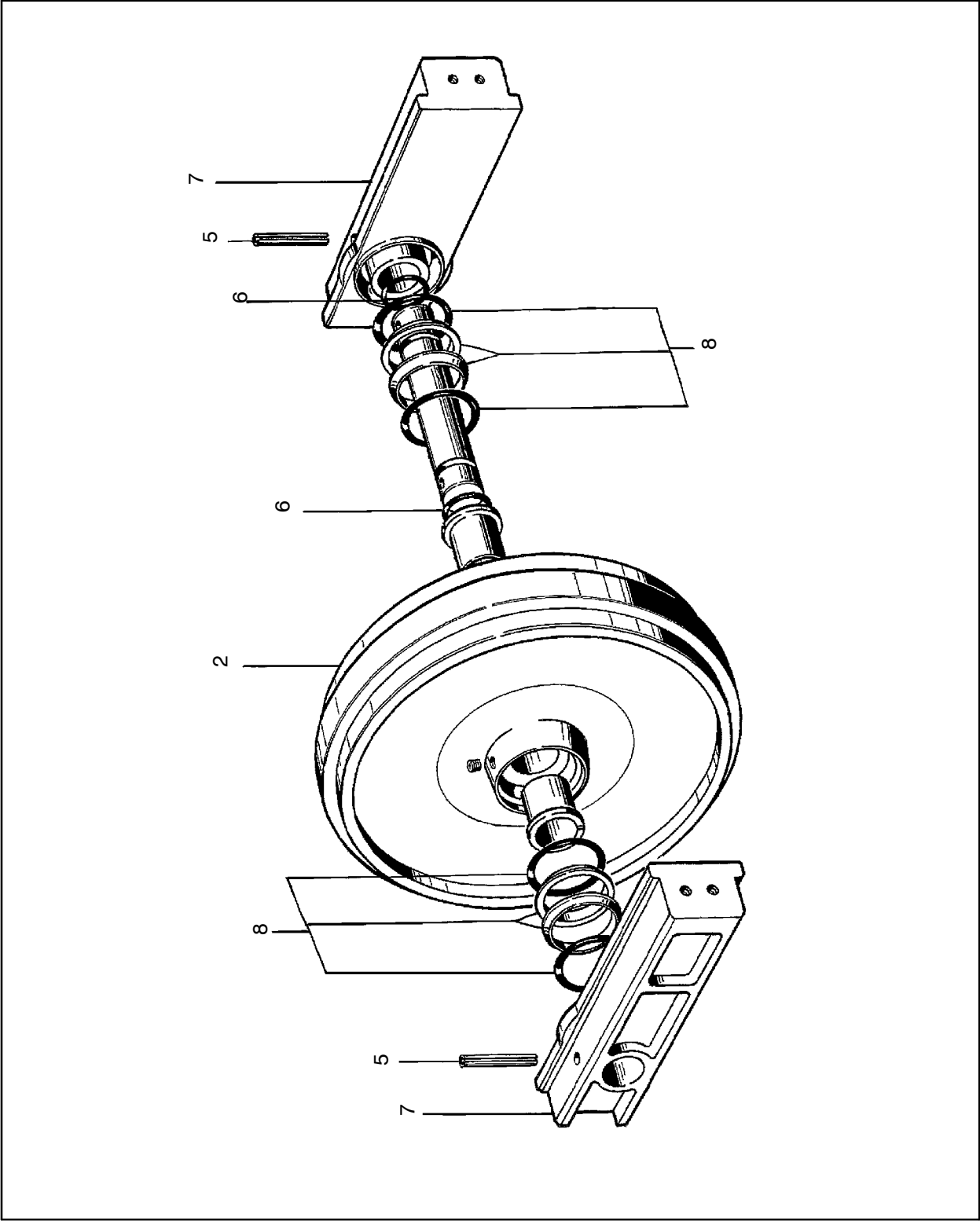


Figure 24 :IDLER,ASM,W/BRACKET
C57704967 REV 001

57704967 IDLER,ASM,W/BRACKET

| REF. | PART NO. | QTY. | UNIT | DESCRIPTION |
|------|----------|------|------|------------------|
| 002 | 57708927 | 1 | EA | IDLER,FRONT-BARE |
| 005 | 57700452 | 2 | EA | ROLL PIN,IDLER |
| 006 | 57708950 | 2 | EA | O-RING,IDLER |
| 007 | 57708968 | 2 | EA | BRACKET,IDLER |
| 008 | 57708976 | 2 | EA | SEAL,GROUP-IDLER |

UNDERCARRIAGE,320L
57664567

57704942 CHAIN TRACK,LESS SHOES

UNDERCARRIAGE,320L
57664567

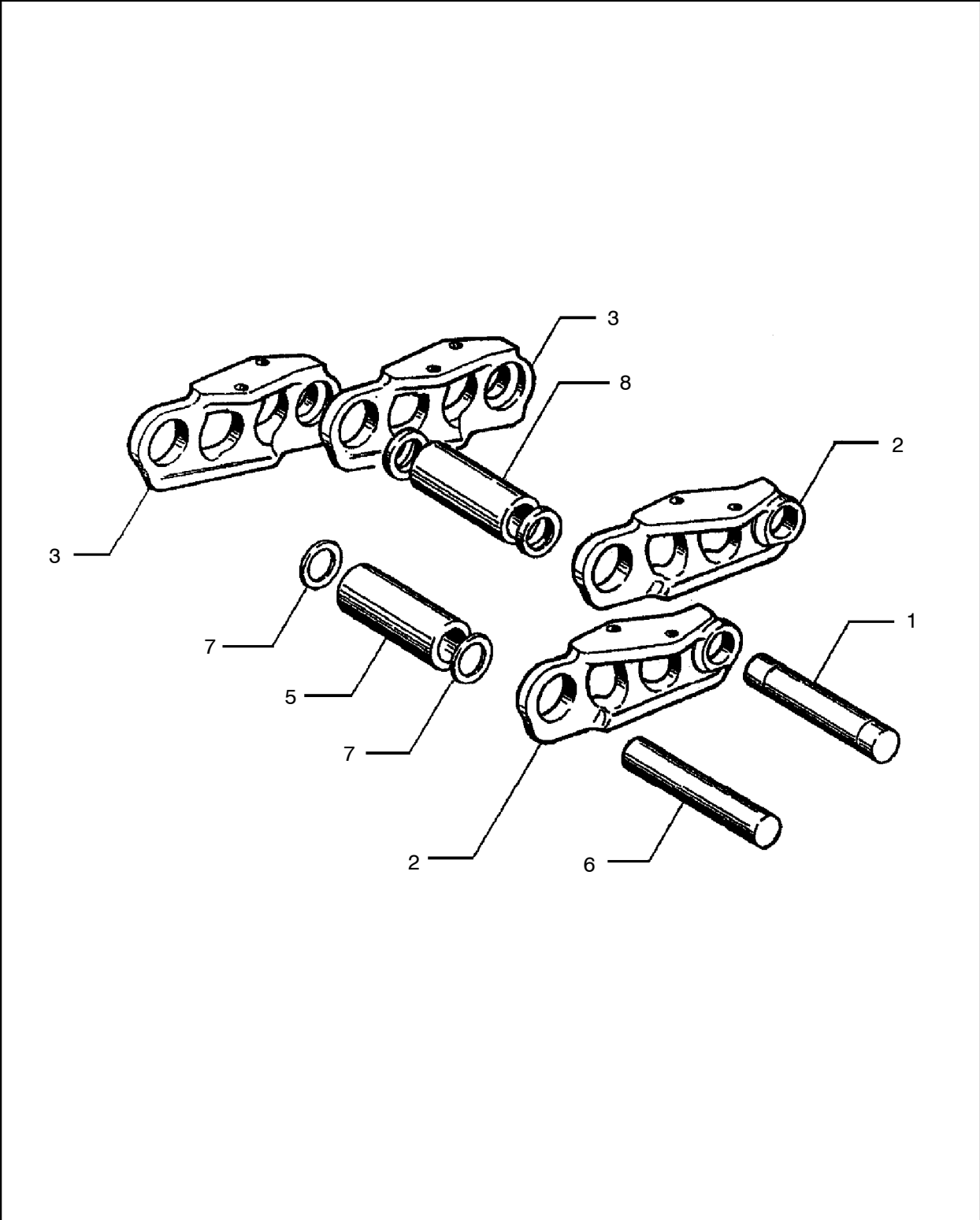


Figure 25 :CHAIN TRACK,LESS SHOES
C57704942 REV 001

57704942 CHAIN TRACK,LESS SHOES

| REF. | PART NO. | QTY. | UNIT | DESCRIPTION |
|------|----------|------|------|-----------------------|
| 001 | 57708810 | 1 | EA | PIN,MASTER,CHAIN |
| 002 | 57708828 | 49 | EA | LINK,CHAIN,RH |
| 003 | 57708836 | 49 | EA | LINK,CHAIN,LH |
| 005 | 57708851 | 48 | EA | BUSHING,CHAIN- TRACK |
| 006 | 57708869 | 48 | EA | PIN,CHAIN- TRACK |
| 007 | 57708877 | 96 | EA | WASHER,SEAL- TRACK |
| 008 | 57708885 | 1 | EA | BUSHING,MASTER- CHAIN |

UNDERCARRIAGE,320L
57664567

JACKS

SECTION

JACKS

This page is intentionally blank.

SECTION

JACKS

57116089 JACKS, FRONT

JACKS, FRONT
57116089

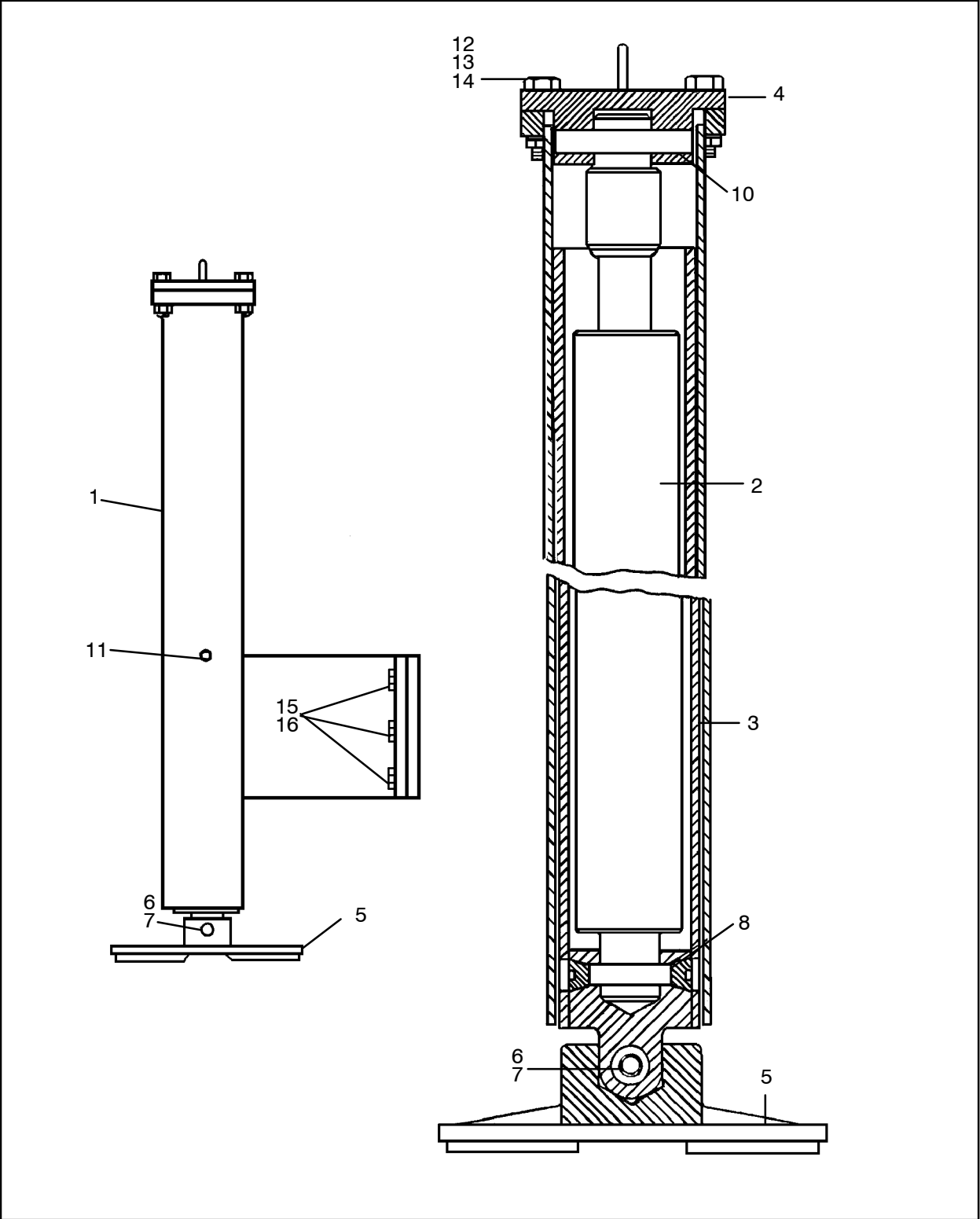


Figure 26 :JACKS, FRONT
E57013781 REV 008

57116089 JACKS, FRONT

| REF. | PART NO. | QTY. | UNIT | DESCRIPTION |
|------|----------|------|------|--|
| 001 | 57015851 | 1 | EA | CROSSHEAD |
| 002 | 57224586 | 1 | EA | CYLINDER, HYDRAULIC <i>(See figure 28)</i> |
| 003 | 50072347 | 1 | EA | SLIDE |
| 004 | 50173467 | 1 | EA | CAP |
| 005 | 50033414 | 1 | EA | FOOT, JACK |
| 006 | 95920351 | 1 | EA | CAPSCREW,HEX HEAD |
| 007 | 95080149 | 2 | EA | LOCKNUT 68A4C10 |
| 008 | 50067834 | 1 | EA | PIN |
| 010 | 50171941 | 1 | EA | PIN,ANCHOR |
| 011 | 95201547 | 2 | EA | FITTING,LUBE |
| 012 | 95920286 | 4 | EA | CAPSCREW,HEXHEAD,PLATED |
| 013 | 95934717 | 4 | EA | LOCKWASHER,SPRING,PLATED |
| 014 | 95941084 | 4 | EA | NUT,HEX,FINISHED,PLATED |
| 015 | 95379640 | 6 | EA | SCREW,CAP-1-1/4-7 X2-1/2 |
| 016 | 95094280 | 6 | EA | WASHER, FLAT-1-1/4 |

JACKS, FRONT
57116089

57176356 JACK, REAR

JACK, REAR
57176356

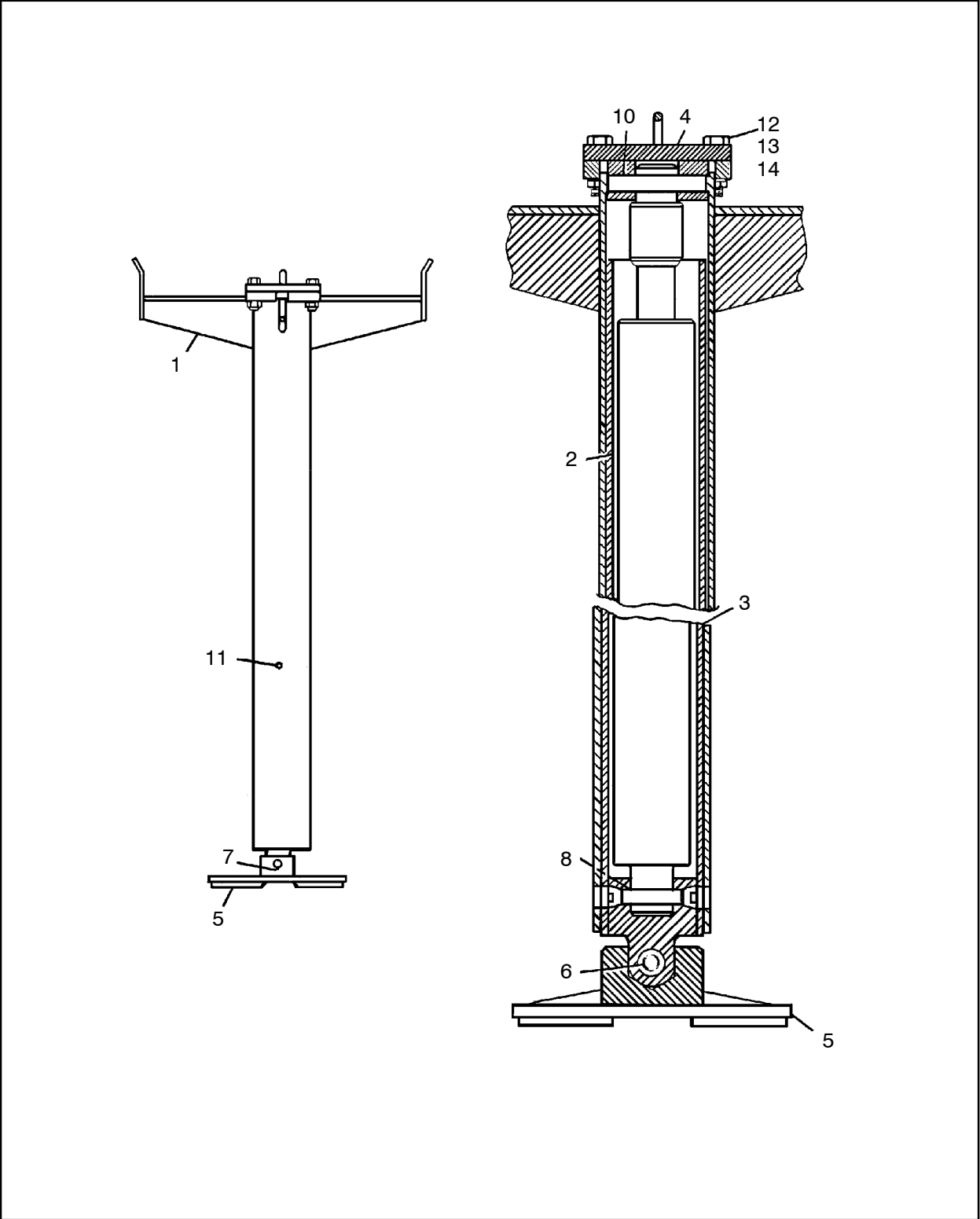


Figure 27 :JACK, REAR
E57176349 REV 01

57176356 JACK, REAR

| REF. | PART NO. | QTY. | UNIT | DESCRIPTION |
|------|----------|------|------|--|
| 001 | 57176380 | 2 | EA | REST, TOWER |
| 002 | 57224586 | 1 | EA | CYLINDER, HYD- 4 X 3 X 48 <i>(See figure 28)</i> |
| 003 | 50072347 | 1 | EA | SLIDE |
| 004 | 50173467 | 1 | EA | CAP |
| 005 | 50033414 | 1 | EA | FOOT, JACK |
| 006 | 95920351 | 1 | EA | CAPSCREW, HEX HEAD |
| 007 | 95080149 | 2 | EA | LOCKNUT 68A4C10 |
| 008 | 50067834 | 1 | EA | PIN |
| 010 | 50171941 | 1 | EA | PIN, ANCHOR |
| 011 | 95201547 | 2 | EA | FITTING, LUBE |
| 012 | 95920286 | 4 | EA | CAPSCREW, HEXHEAD, PLATED |
| 013 | 95934717 | 4 | EA | LOCKWASHER, SPRING, PLATED |
| 014 | 95941084 | 4 | EA | NUT, HEX, FINISHED, PLATED |

JACK, REAR

57176356

57224586

CYLINDER JACK 4 X 3 X 48

JACK, REAR

57176356

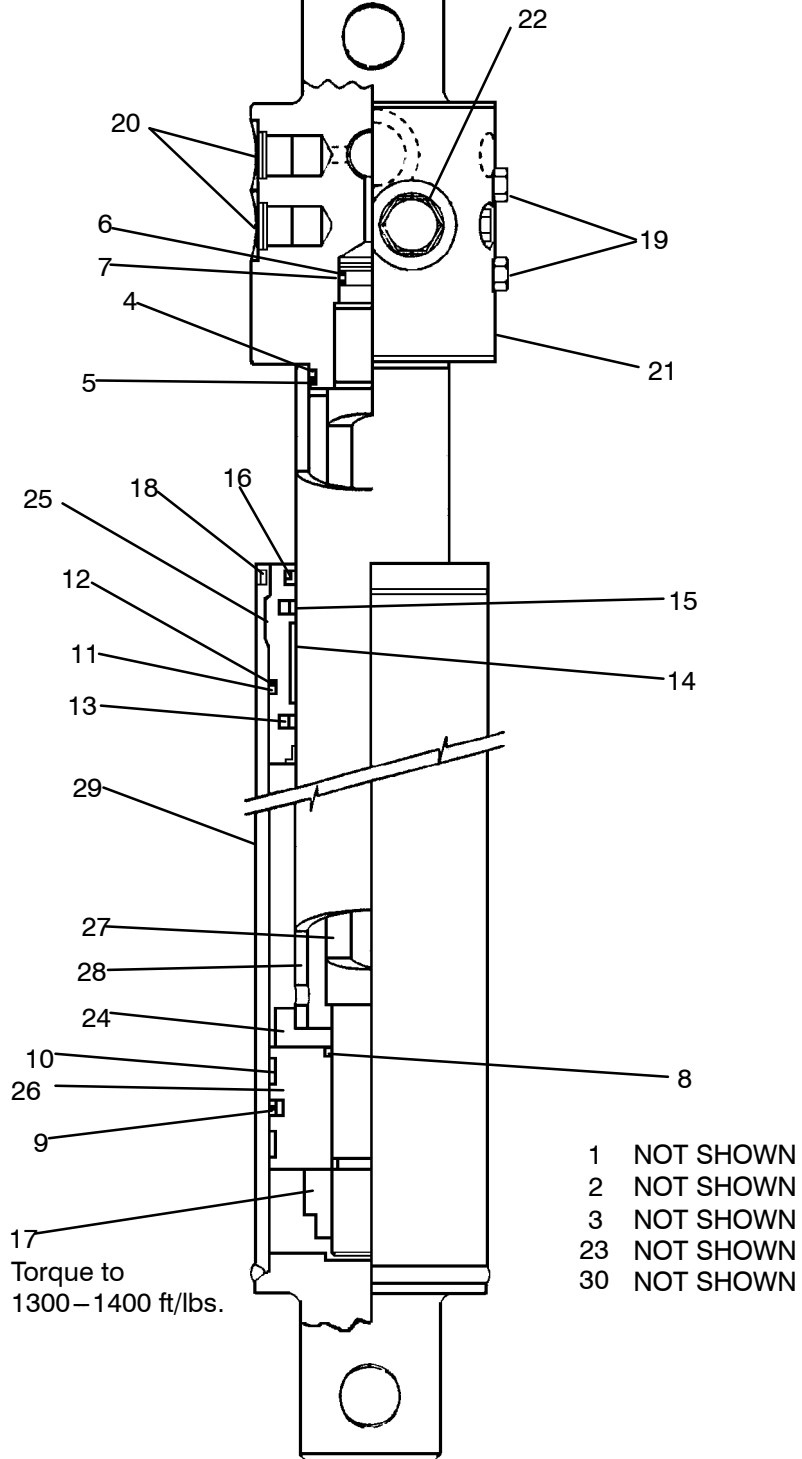


Figure 28 :CYLINDER JACK 4 X 3 X 48
 E57224586 REV000

57224586 CYLINDER JACK 4 X 3 X 48

| REF. | PART NO. | QTY. | UNIT | DESCRIPTION |
|------|----------|------|------|------------------------|
| 001 | 57248411 | 0 | EA | SEAL KIT |
| | 57239444 | 1 | EA | ●- INSTL INSTR-SEAL |
| | 57115727 | 1 | EA | ●- BACK UP RING |
| | 95868055 | 1 | EA | ●- O RING |
| | 57183600 | 2 | EA | ●- BACK-UP RING |
| | 95868030 | 1 | EA | ●- O RING |
| | 57244832 | 1 | EA | ●- O-RING |
| | 57244840 | 1 | EA | ●- AQ SEAL ASSY |
| | 57244857 | 2 | EA | ●- SLYDRING |
| | 95868048 | 1 | EA | ●- O RING |
| | 57115818 | 1 | EA | ●- SEAL,BACK-UP RING |
| | 57244865 | 1 | EA | ●- STEP SEAL |
| | 57244873 | 1 | EA | ●- SLYDRING |
| | 57244881 | 1 | EA | ●- STEPSEAL |
| | 57244899 | 1 | EA | ●- EXCLUDER |
| 002 | 57248429 | 0 | EA | SEAL KIT,FIELD SERVICE |
| | 57239444 | 1 | EA | ●- INSTL INSTR-SEAL |
| | 57115727 | 1 | EA | ●- BACK UP RING |
| | 95868055 | 1 | EA | ●- O RING |
| | 57183600 | 2 | EA | ●- BACK-UP RING |
| | 95868030 | 1 | EA | ●- O RING |
| | 57244832 | 1 | EA | ●- O-RING |
| | 57244840 | 1 | EA | ●- AQ SEAL ASSY |
| | 57244857 | 2 | EA | ●- SLYDRING |
| | 95868048 | 1 | EA | ●- O RING |
| | 57115818 | 1 | EA | ●- SEAL,BACK-UP RING |
| | 57244865 | 1 | EA | ●- STEP SEAL |
| | 57244873 | 1 | EA | ●- SLYDRING |
| | 57244881 | 1 | EA | ●- STEPSEAL |
| | 57244899 | 1 | EA | ●- EXCLUDER |
| | 57115834 | 1 | EA | ●- ROD SEAL PACKING |
| | 58209610 | 1 | EA | ●- ROD WIPER |
| | 57181273 | 2 | EA | ●- WEAR RING |
| | 57183592 | 2 | EA | ●- BACK-UP RING |
| | 57245110 | 1 | EA | ●- INSTRUCTIONS, KIT |
| 003 | 57239444 | 0 | EA | INSTL INSTR-SEAL |
| 004 | 57115727 | 1 | EA | BACK UP RING |

JACK, REAR
57176356

57224586 CYLINDER JACK 4 X 3 X 48

JACK, REAR
57176356

| REF. | PART NO. | QTY. | UNIT | DESCRIPTION |
|------|----------|------|------|-------------------------|
| 005 | 95868055 | 1 | EA | O RING |
| 006 | 57183600 | 2 | EA | BACK-UP RING |
| 007 | 95868030 | 1 | EA | O RING |
| 008 | 57244832 | 1 | EA | O-RING |
| 009 | 57244840 | 1 | EA | AQ SEAL ASSY |
| 010 | 57244857 | 2 | EA | SLYDRING |
| 011 | 95868048 | 1 | EA | O RING |
| 012 | 57115818 | 1 | EA | SEAL,BACK-UP RING |
| 013 | 57244865 | 1 | EA | STEP SEAL |
| 014 | 57244873 | 1 | EA | SLYDRING |
| 015 | 57244881 | 1 | EA | STEPSEAL |
| 016 | 57244899 | 1 | EA | EXCLUDER |
| 017 | 57181240 | 1 | EA | LOCKNUT |
| 018 | 57244907 | 1 | EA | SET SCREW,1/4-28UNF-2 |
| 019 | 57244915 | 6 | EA | PORT PLUG |
| 020 | 57224156 | 2 | EA | PLUG, PORT |
| 021 | 57182875 | 1 | EA | VALVE BLOCK |
| 022 | 57205007 | 2 | EA | VALVE, COUNTERBALANCE |
| | 57240814 | 1 | EA | ●- SEAL KIT- VALVE |
| 023 | 57244972 | 0 | EA | DRILL PLUG |
| 024 | 57181265 | 1 | EA | PISTON SPACER |
| 025 | 57244949 | 1 | EA | HEAD, 4 X 3 |
| 026 | 57244956 | 1 | EA | PISTON |
| 027 | 57244964 | 1 | EA | ROD-TUBE |
| 028 | 57180325 | 1 | EA | ROD TUBE |
| 029 | 57181125 | 1 | EA | TUBE ASSY. |
| 030 | 57239428 | 1 | EA | ASSY TOOL &INSTRUCT KIT |
| | 57239451 | 1 | EA | ●- TOOL, 4" BORE SIZING |
| | 57239444 | 1 | EA | ●- INSTL INSTR-SEAL |

57224586 CYLINDER JACK 4 X 3 X 48

This page is intentionally blank.

JACK, REAR

57176356

CAB/CONSOLE

SECTION

CAB/CONSOLE

This page is intentionally blank.

SECTION

CAB/CONSOLE

57668675 AIR COND,INSTL,C15/DM30

AIR COND,INSTL,C15/DM30
57668675

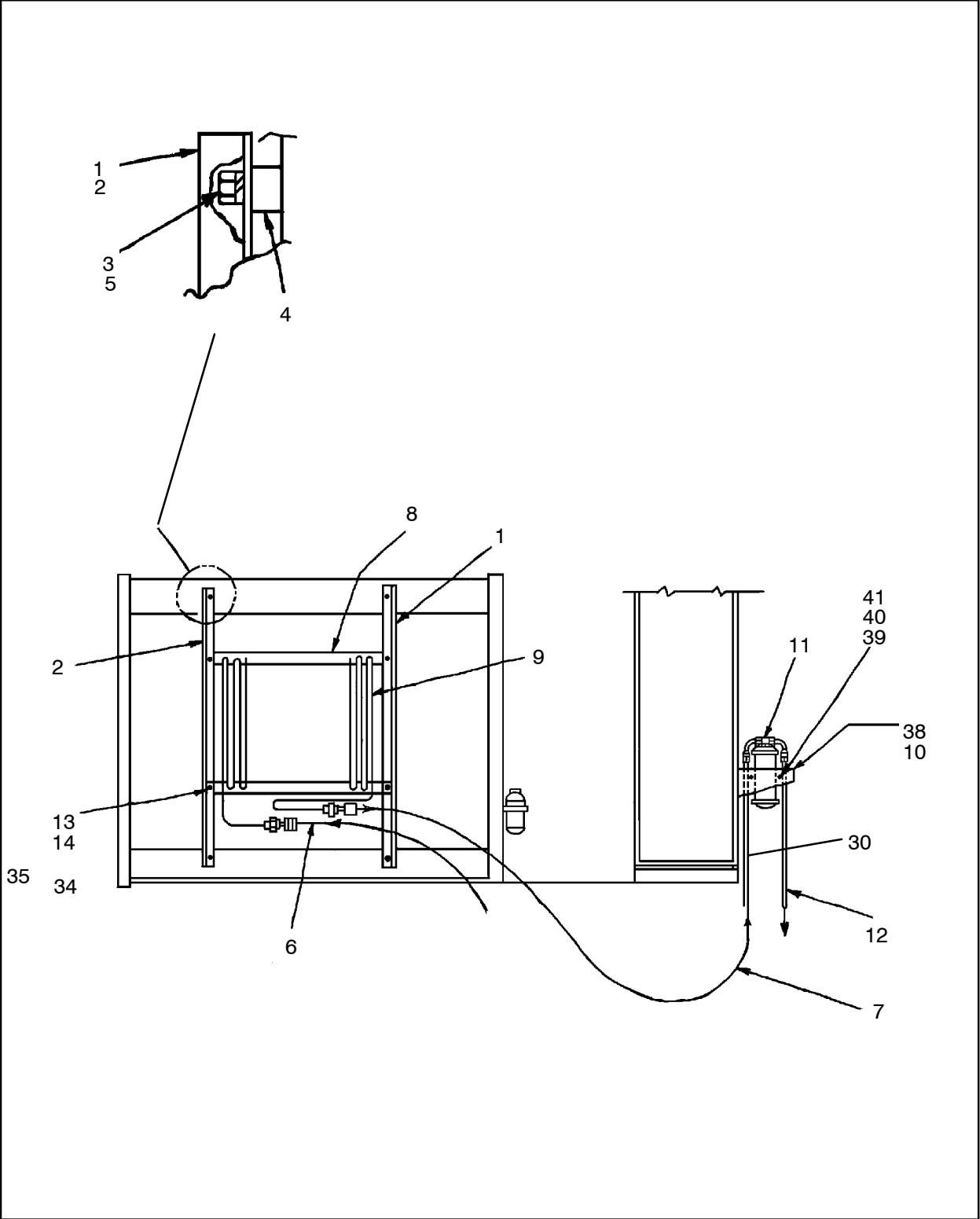
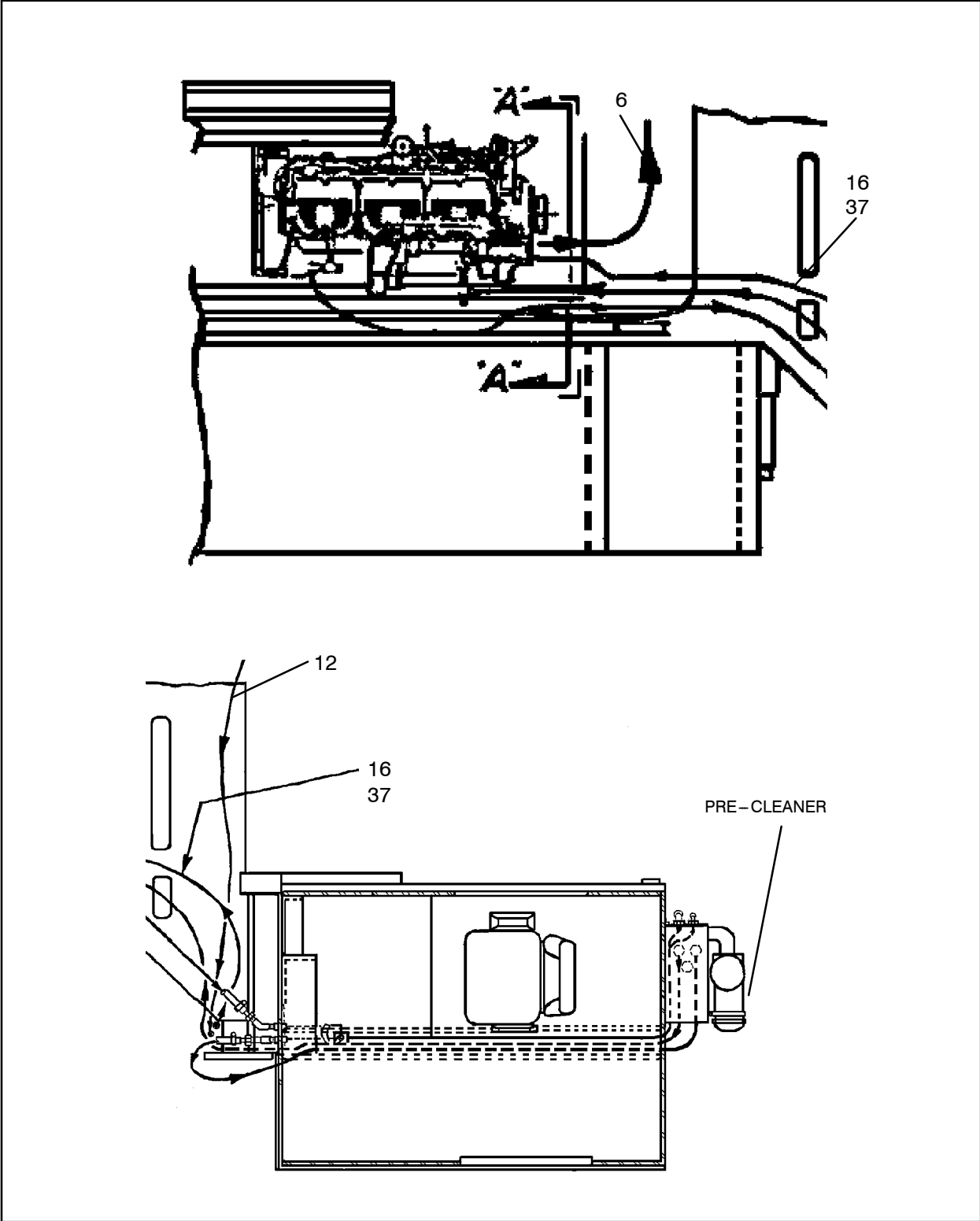


Figure 29 :AIR COND,INSTL,C15/DM30
D57668675 REV 004

57668675 AIR COND,INSTL,C15/DM30



AIR COND,INSTL,C15/DM30
57668675

Figure 30 :AIR COND,INSTL,C15/DM30
D57668675 REV 004

57668675 AIR COND,INSTL,C15/DM30

AIR COND,INSTL,C15/DM30
57668675

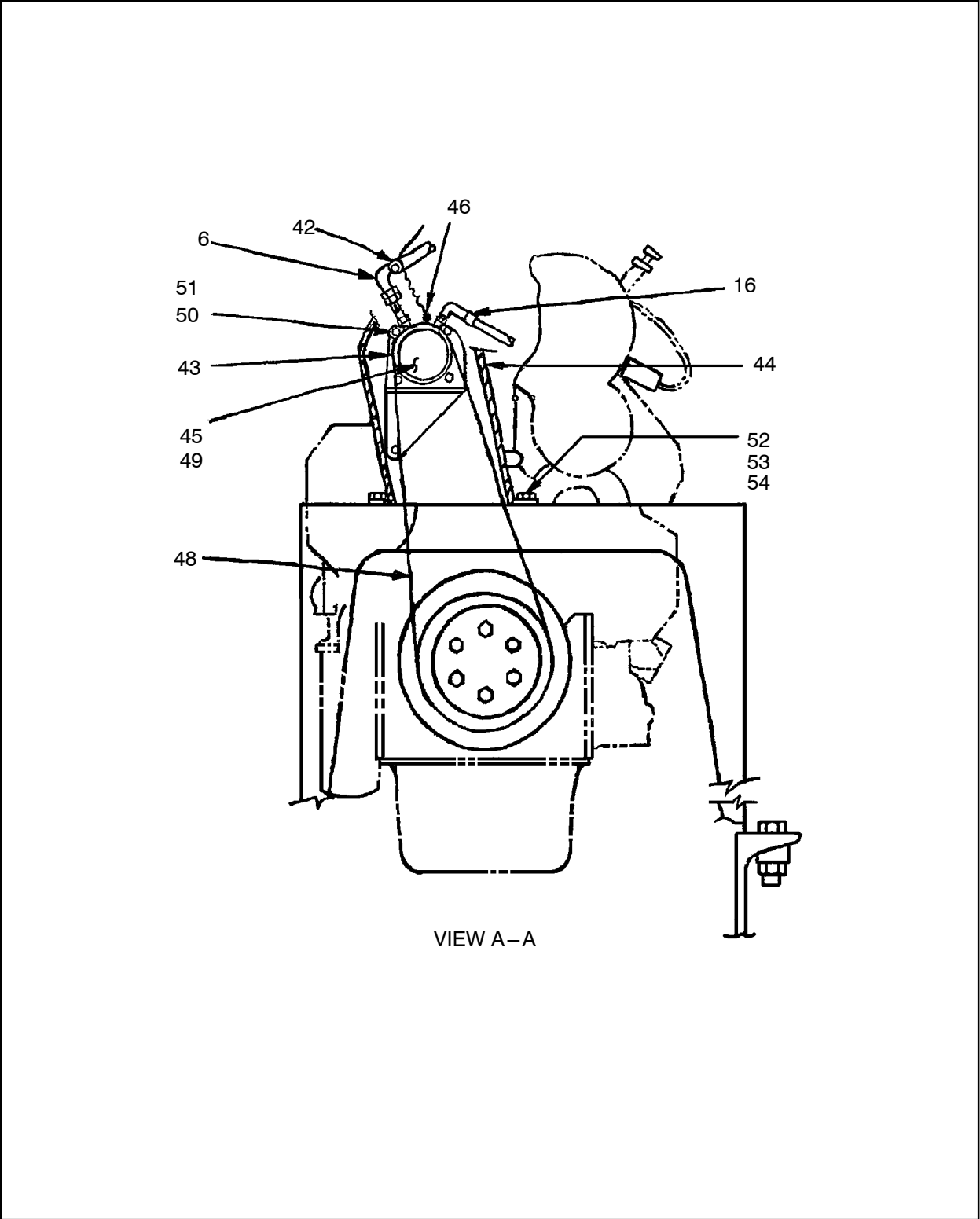
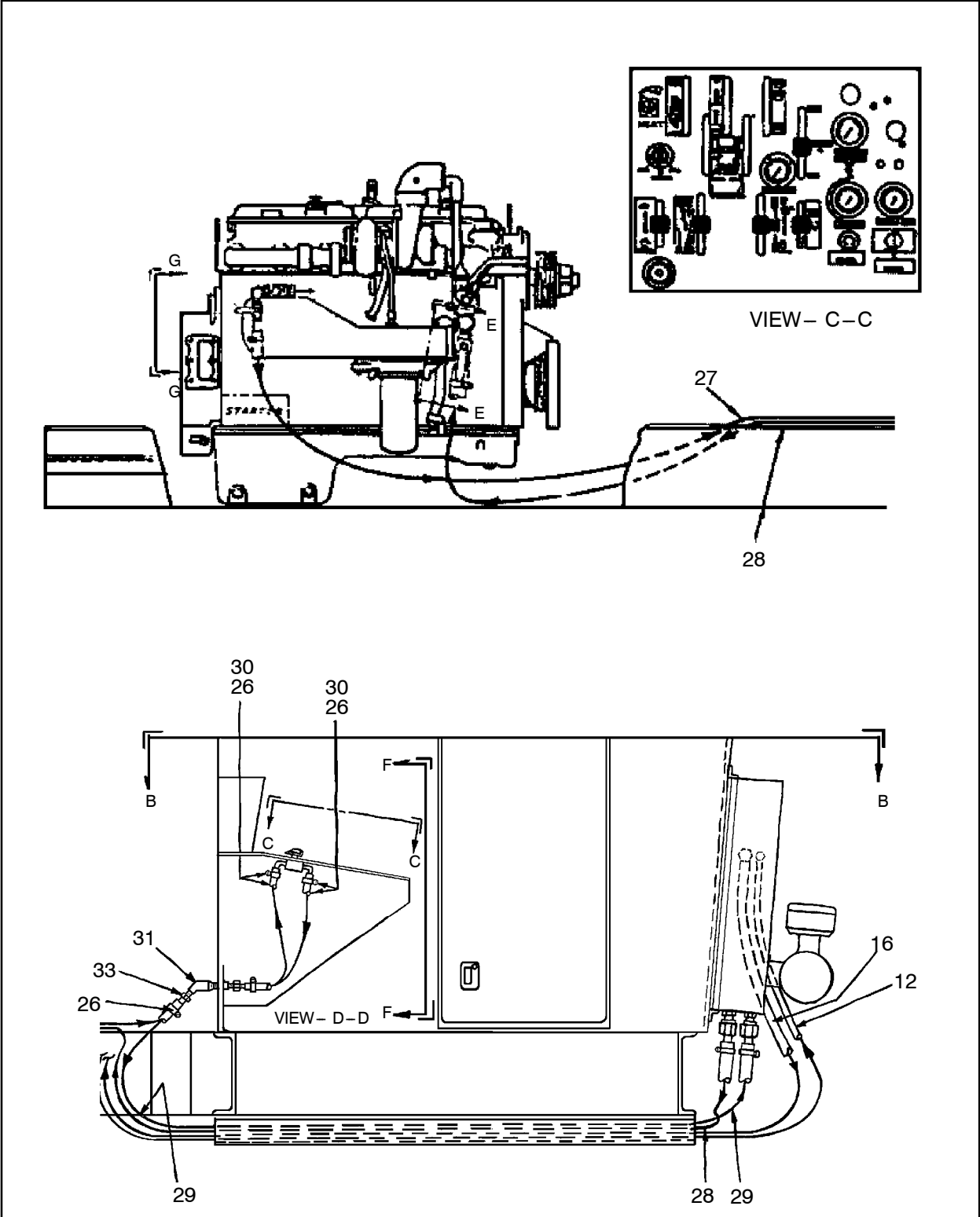


Figure 31 :AIR COND,INSTL,C15/DM30
D57668675 REV 004

57668675 AIR COND,INSTL,C15/DM30



AIR COND,INSTL,C15/DM30
57668675

Figure 32 :AIR COND,INSTL,C15/DM30
D57668675 REV 004

57668675

AIR COND,INSTL,C15/DM30

AIR COND,INSTL,C15/DM30

57668675

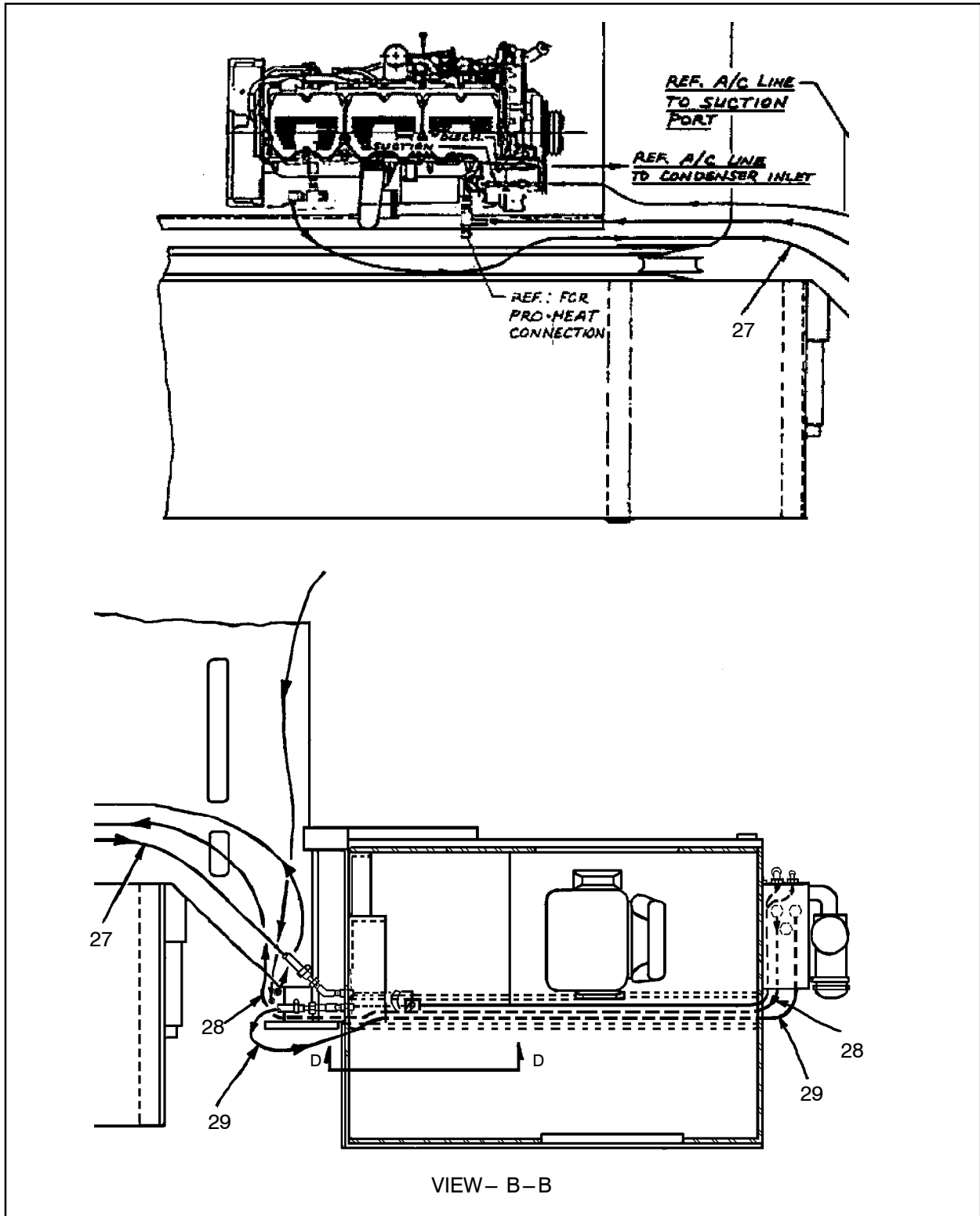
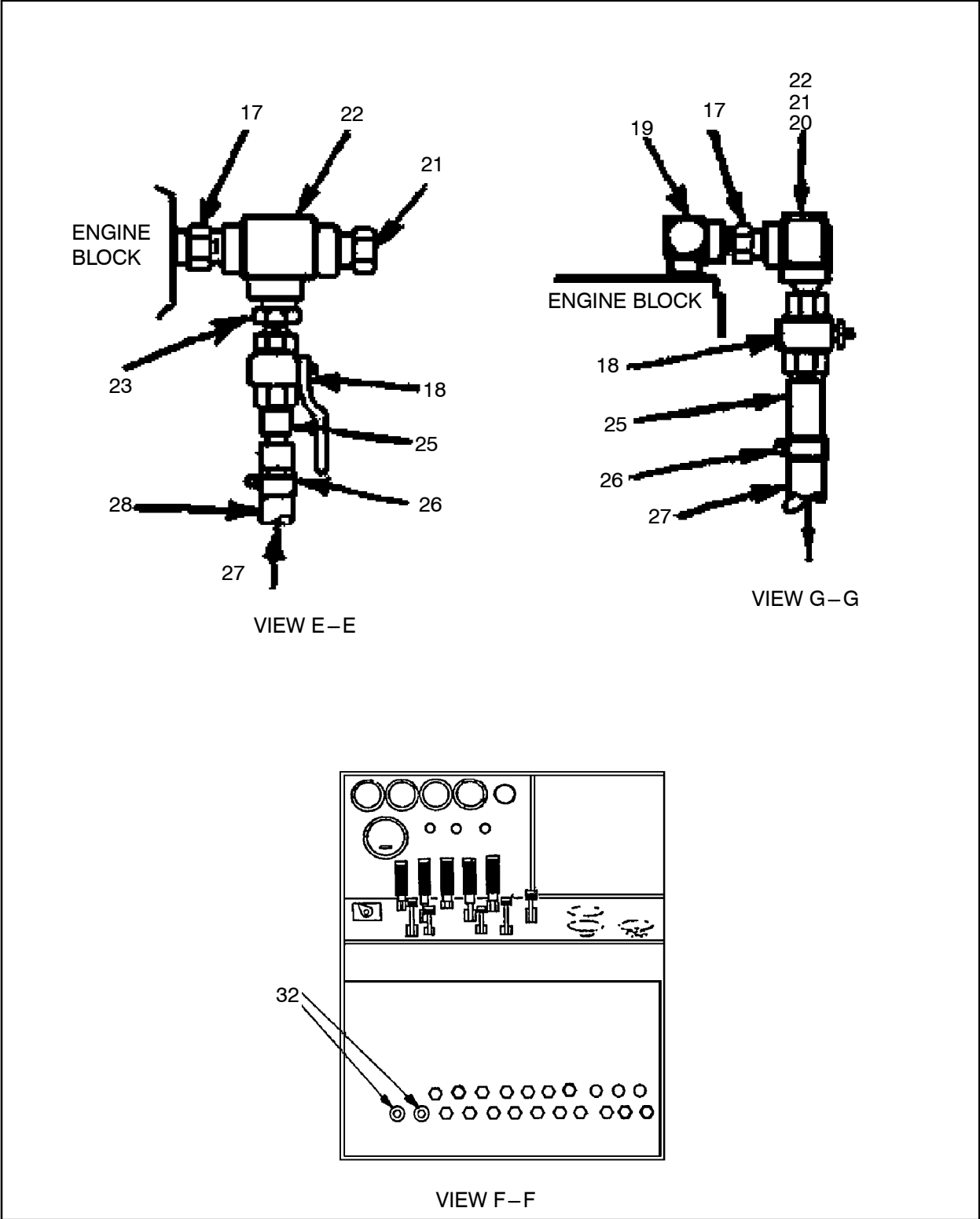


Figure 33 :AIR COND,INSTL,C15/DM30
D57668675 REV 004

57668675 AIR COND,INSTL,C15/DM30



AIR COND,INSTL,C15/DM30
57668675

Figure 34 :AIR COND,INSTL,C15/DM30
D57668675 REV 004

57668675 AIR COND,INSTL,C15/DM30

AIR COND,INSTL,C15/DM30
 57668675

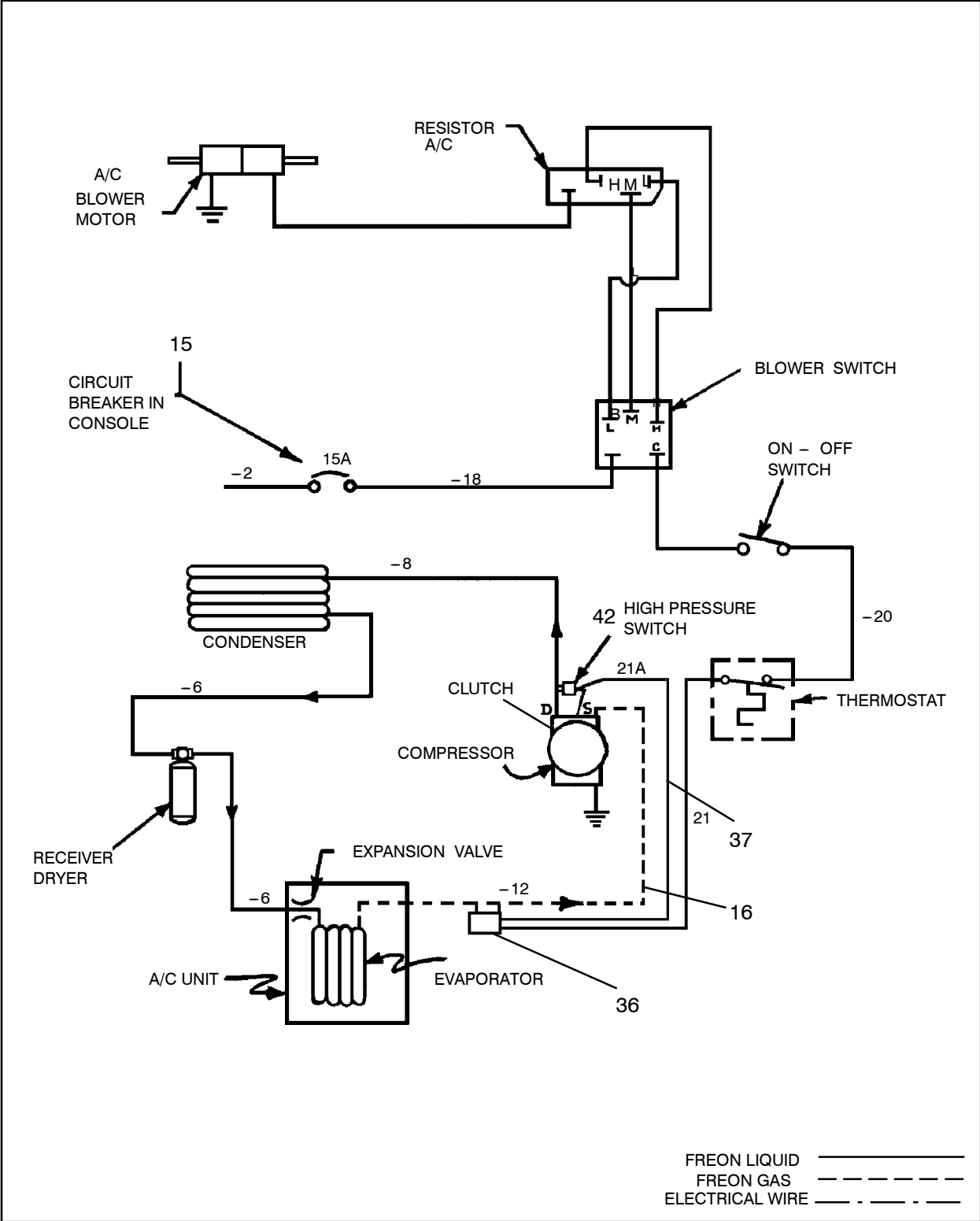


Figure 35 :AIR COND,INSTL,C15/DM30
 D57668675 REV 004

57668675 AIR COND,INSTL,C15/DM30

| REF. | PART NO. | QTY. | UNIT | DESCRIPTION |
|------|----------|--------|------|---------------------------|
| 001 | 57643116 | 1 | EA | MOUNT,FUEL COOLER,LH |
| 002 | 57643132 | 1 | EA | MOUNT,FUEL COOLER,RH |
| 003 | 95934733 | 4 | EA | WASHER,LOCK |
| 004 | 56987712 | 4 | EA | BAR,TAPPED |
| 005 | 95104147 | 4 | EA | SCREW,CAP,HEX |
| 006 | 57771388 | 1 | EA | HOSE,ASSM,08,R134A,156LG |
| 007 | 57666117 | 1 | EA | HOSE,ASSM,06X108"LG,R134 |
| | 57762916 | 2 | EA | ●- O'RING,#6,R134A |
| 008 | 57481525 | 2 | EA | MOUNTING, CONDENSER |
| 009 | 57364358 | 1 | EA | COIL, CONDENSER |
| 010 | 57097941 | 1 | EA | BRACKET |
| 011 | 57364366 | 1 | EA | DRIER, RECEIVER |
| 012 | 57666109 | 1 | EA | HOSE,ASSM,06X312"LG,R134 |
| | 57762916 | 2 | EA | ●- O'RING,#6,R134A |
| 013 | 95920682 | 4 | EA | SCREW,CAP,HEX |
| 014 | 95922233 | 4 | EA | WASHER,FLAT,WIDE |
| 015 | 57084055 | 1 | EA | BREAKER,CIRCUIT- 15 AMP |
| 016 | 57743825 | 1 | EA | HOSE,ASSM,LR134A |
| 017 | 95315222 | 2 | EA | FITTING,HYD |
| 018 | 50829605 | 2 | EA | VALVE,BALL- 1/2 |
| 019 | 95264909 | 1 | EA | ELBOW,90DEG- EXT/INT NPT |
| 020 | 95323341 | 1 | EA | ELBOWST- 90DEG,EXT/EXTNPT |
| 021 | 95002143 | 1 | EA | PLUG,PIPE- SQ HEAD |
| 022 | 95264974 | 1 | EA | FITTING,HYD |
| 023 | 95323358 | 1 | EA | FITTING, STR- EXT NPT RUN |
| 025 | 57082018 | 2 | EA | NIPPLE, HOSE |
| 026 | 95220844 | 10 | EA | CLAMP,HOSE |
| 027 | 57065260 | 200.00 | IN | HOSE,HYD- A10 BULK |
| 028 | 57065260 | 300.00 | IN | HOSE,HYD- A10 BULK |
| 029 | 57065260 | 130.00 | IN | HOSE,HYD- A10 BULK |
| 030 | 57737934 | 1 | EA | OIL,REFRIGERANT,R134A |
| 031 | 95341053 | 2 | EA | FITTING, HYD |
| 032 | 95011094 | 2 | EA | COUPLING |
| 033 | 57082018 | 2 | EA | NIPPLE, HOSE |

AIR COND,INSTL,C15/DM30
57668675

57668675 AIR COND,INSTL,C15/DM30

AIR COND,INSTL,C15/DM30
57668675

| REF. | PART NO. | QTY. | UNIT | DESCRIPTION |
|------|----------|--------|------|--------------------------|
| 034 | 95922894 | 4 | EA | NUT,HEX,FINISHED |
| 035 | 95937413 | 4 | EA | WASHER,LOCK,HELICAL |
| 036 | 57741829 | 1 | EA | SWITCH,LP-R134A |
| 037 | 58150103 | 360.00 | IN | CORD,14/2 |
| 038 | 57095515 | 1 | EA | CLAMP, DRIER AIR COND. |
| 039 | 95934816 | 2 | EA | SCREW,CAP,HEX |
| 040 | 95934766 | 2 | EA | WASHER,LOCK,HELICAL |
| 041 | 95931564 | 2 | EA | NUT,HEX,FINISHED |
| 042 | 57741837 | 1 | EA | SWITCH,HP-R134A |
| 043 | 57668055 | 1 | EA | SUPPORT,COMPR,A/C-C15 |
| 044 | 57667834 | 1 | EA | GUARD,WELDMENT A/C CAT |
| 045 | 57451890 | 1 | EA | COMPRESSOR,W/CLUTCHR134A |
| 046 | 56762248 | 3 | EA | CONNECTOR, SPLICE |
| 048 | 57451924 | 1 | EA | BELT, VEE |
| 049 | 57364473 | 7.00 | LB | REFRIGERANT, R134A |
| 050 | 95104147 | 5 | EA | SCREW,CAP,HEX |
| 051 | 95934733 | 5 | EA | WASHER,LOCK |
| 052 | 95920674 | 2 | EA | SCREW,CAP,HEX |
| 053 | 95937413 | 2 | EA | WASHER,LOCK,HELICAL |
| 054 | 95922894 | 2 | EA | NUT,HEX,FINISHED |

57668675 AIR COND,INSTL,C15/DM30

This page is intentionally blank.

AIR COND,INSTL,C15/DM30
57668675

57663551 CAB ASSEMBLY

CAB ASSEMBLY
57663551

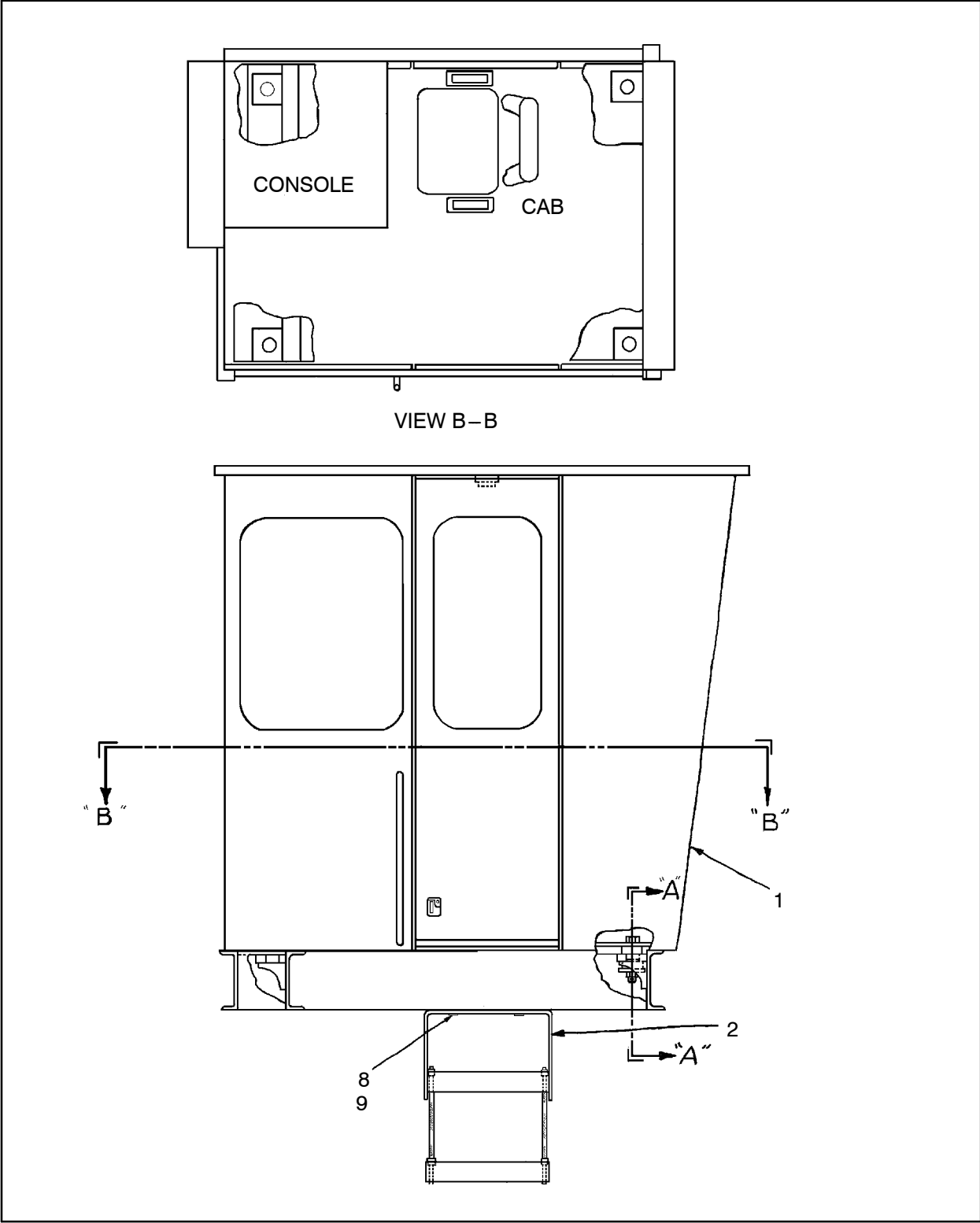
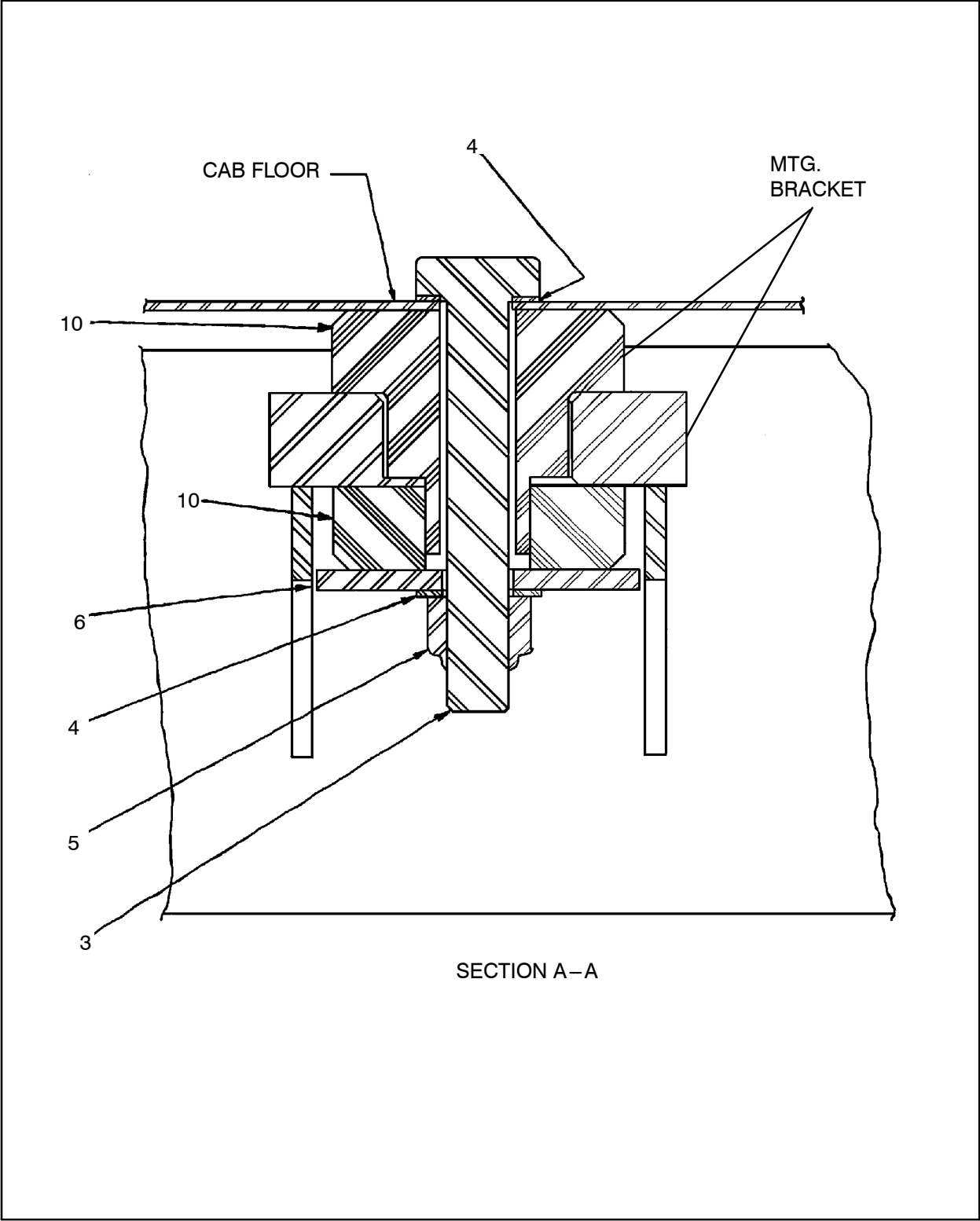


Figure 36 :CAB ASSEMBLY
D57663551 REV 002

57663551 CAB ASSEMBLY



CAB ASSEMBLY
57663551

Figure 37 :CAB ASSEMBLY
D57663551 REV 002

57663551 CAB ASSEMBLY

| REF. | PART NO. | QTY. | UNIT | DESCRIPTION | |
|------|----------|------|------|--------------------------|-----------------|
| 001 | 57752776 | 1 | EA | CAB BARE,TIER2,DM30 | (See figure 38) |
| 002 | 57214470 | 1 | EA | STEP,CAB | (See figure 39) |
| 003 | 95983318 | 4 | EA | CAPSCREW/35A2A440Z1HR | |
| 004 | 96704150 | 8 | EA | WASHER/10M5LC20AM4HR | |
| 005 | 95955886 | 4 | EA | LOCKNUT/85A4CA14Z1HR | |
| 006 | 52086188 | 10 | EA | WASHER,ISOLATOR,CAB | |
| 008 | 95934733 | 2 | EA | WASHER,LOCK | |
| 009 | 95934659 | 2 | EA | SCREW,CAP,HEX | |
| 010 | 59101451 | 4 | EA | BUSHING,TRANSMISSION MTG | |

CAB ASSEMBLY
57663551

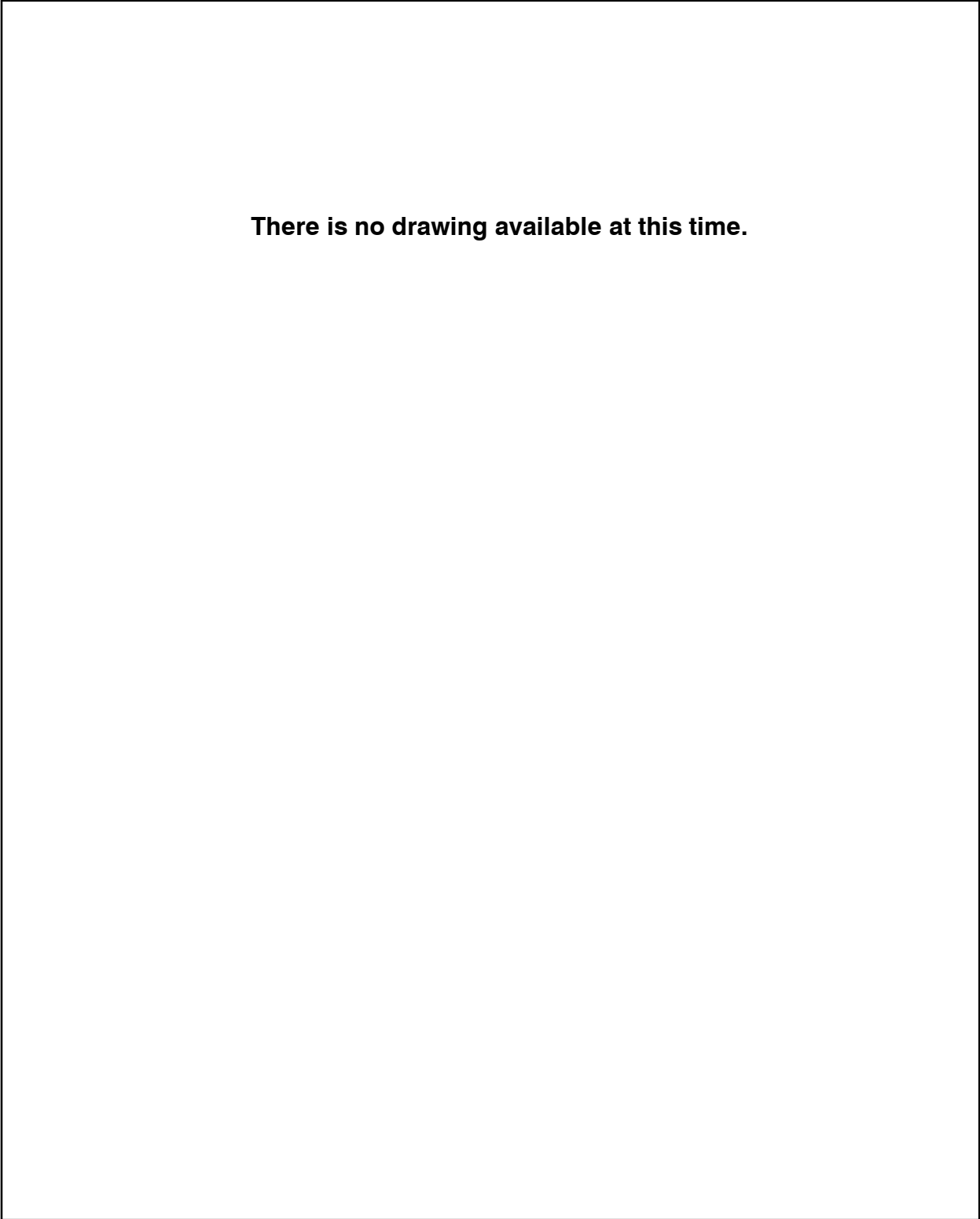
57663551 CAB ASSEMBLY

This page is intentionally blank.

CAB ASSEMBLY 57663551

57752776 CAB BARE,TIER2,DM30

CAB ASSEMBLY
57663551



**Figure 38 :CAB BARE,TIER2,DM30
PENDING REV 000**

57752776 CAB BARE,TIER2,DM30

| REF. | PART NO. | QTY. | UNIT | DESCRIPTION |
|------|----------|------|------|-----------------------------|
| 082 | 57623043 | 1 | EA | LATCH,SEAT BASE |
| 088 | 57690463 | 1 | EA | DOOR ASSY,NONDRILL SIDE |
| | 57690471 | 1 | EA | ●- LATCH ASSY,RIGHT HAND |
| | 57690489 | 1 | EA | ●- ROD,LINKAGE |
| | 57690497 | 1 | EA | ●- ROD,LINKAGE |
| | 57694101 | 1 | EA | ●- ROD,LINKAGE |
| | 57694119 | 1 | EA | ●- ROD,LINKAGE |
| | 57623084 | 1 | EA | ●- DOOR,PULL |
| | 57694127 | 1 | EA | ●- STRAP,DOOR RESTRAINT 9" |
| | 57694135 | 2 | EA | ●- PIN |
| | 57694143 | 1 | EA | ●- RUBBER,WINDOW |
| | 57694150 | 1 | EA | ●- GLASS,NON- DRILL SIDE DR |
| | 57694168 | 1 | EA | ●- BULB,RUBBER,PSA BACKED |
| | 57694176 | 2 | EA | ●- HINGE,NON- DRILL SIDE,L |
| 142 | 57694184 | 1 | EA | DOOR ASSEMBLY,DRILL SIDE |
| | 57694192 | 1 | EA | ●- KIT,LATCH,R.H. |
| | 57623084 | 1 | EA | ●- DOOR,PULL |
| | 57694127 | 1 | EA | ●- STRAP,DOOR RESTRAINT 9" |
| | 57694135 | 2 | EA | ●- PIN |
| | 57694200 | 1 | EA | ●- RUBBER,WINDOW |
| | 57694218 | 1 | EA | ●- GLASS,DRILL SIDE DOOR |
| | 57694226 | 1 | EA | ●- BULB,RUBBER,PSA BACKED |
| | 57694234 | 2 | EA | ●- HINGE,DRILL SIDE,RT DOOR |
| 203 | 57694242 | 1 | EA | MAT,FLOOR |
| 210 | 57623050 | 1 | EA | SEAT,T4BH CAB |
| 213 | 57694267 | 1 | EA | GLASS,NON- DRILL SIDE,FRT |
| 223 | 57694259 | 1 | EA | RUBBER,WINDOW,NON- DRILL |
| 224 | 57694267 | 1 | EA | GLASS,NON- DRILL SIDE,FRT |
| 225 | 57694275 | 1 | EA | RUBBER,WINDOW,DRILL SIDE |
| 226 | 57694283 | 1 | EA | GLASS,DRILL SIDE FRONT |
| 227 | 57694291 | 1 | EA | RUBBER,WINDOW,UPPER FRT |
| 228 | 57694309 | 1 | EA | GLASS,UPPER FRONT |
| 229 | 57694341 | 1 | EA | RUBBER,WINDOW,LOWER FRT |
| 230 | 57694317 | 1 | EA | GLASS,LOWER FRONT |
| 231 | 57694325 | 1 | EA | RUBBER,WINDOW,REAR |
| 232 | 57694333 | 1 | EA | GLASS,REAR |
| 234 | 57694358 | 1 | EA | RUBBER,DOOR,NON- DRILL |

CAB ASSEMBLY
57663551

57752776 CAB BARE,TIER2,DM30

| REF. | PART NO. | QTY. | UNIT | DESCRIPTION |
|------|----------|------|------|------------------------|
| 235 | 57694366 | 1 | EA | RUBBER,DOOR,DRILL SIDE |
| 257 | 57694374 | 1 | EA | A/C & HEATER UNIT |
| 265 | 57694382 | 1 | EA | LIGHT,DOME,24V |
| 273 | 57623241 | 1 | EA | HOLDER,CUP-T4BH CAB |
| 300 | 57694390 | 1 | EA | POCKET,MAGAZINE |

CAB ASSEMBLY
57663551

57752776 CAB BARE,TIER2,DM30

This page is intentionally blank.

CAB ASSEMBLY 57663551

57214470 STEP,CAB

CAB ASSEMBLY
57663551

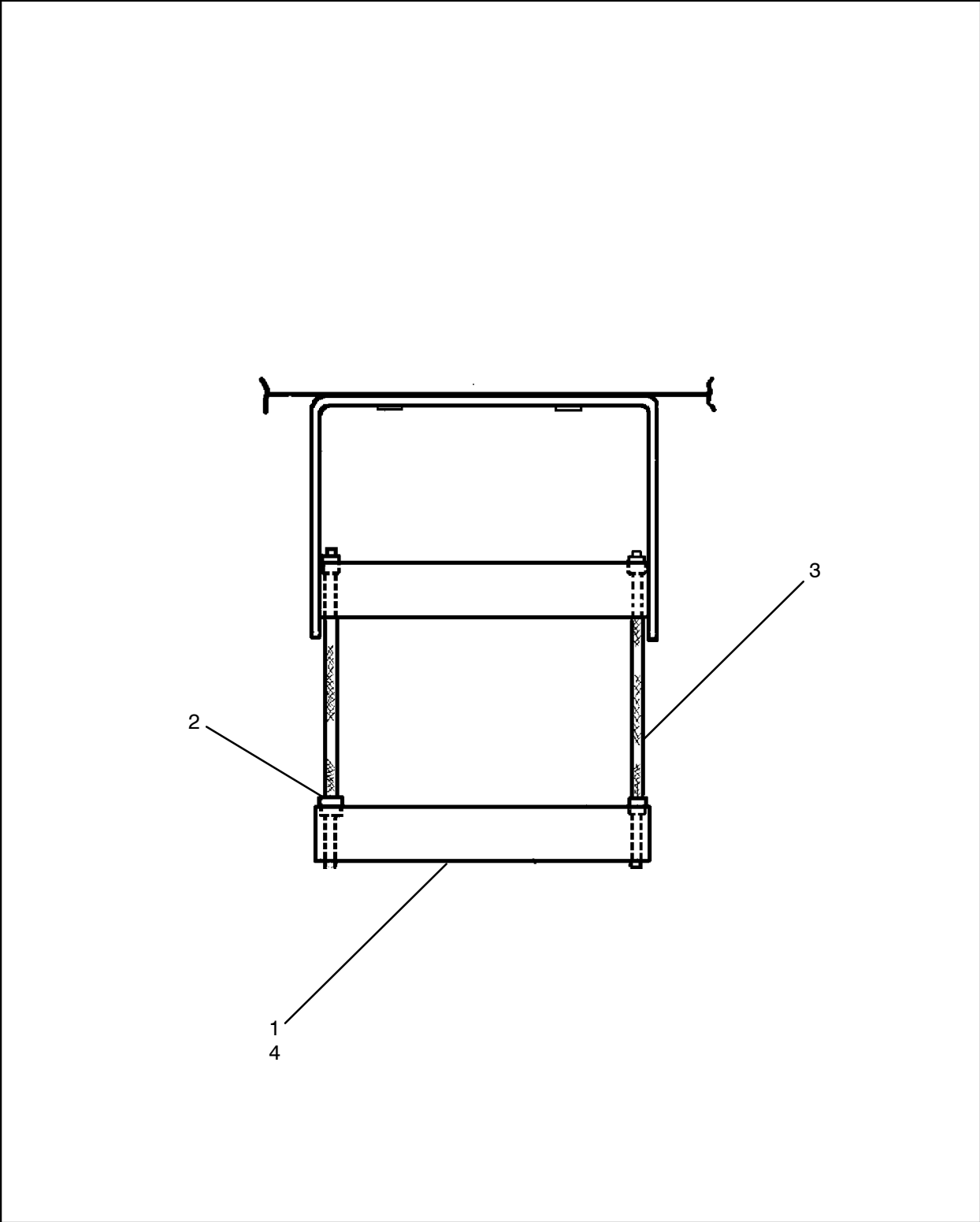


Figure 39 :STEP,CAB
C57214470 REV 002

57214470 STEP,CAB

| REF. | PART NO. | QTY. | UNIT | DESCRIPTION |
|------|----------|------|------|----------------|
| 001 | 57047847 | 2 | EA | RUNG LADDER |
| 002 | 57068587 | 4 | EA | PIPE |
| 003 | 57068595 | 2 | EA | WIRE ROPE |
| 004 | 57214488 | 1 | EA | PLATE, SUPPORT |

CAB ASSEMBLY
57663551

57666596 CONSOLE,CONTROL,CAT T2

CONSOLE,CONTROL,CAT T2
 57666596

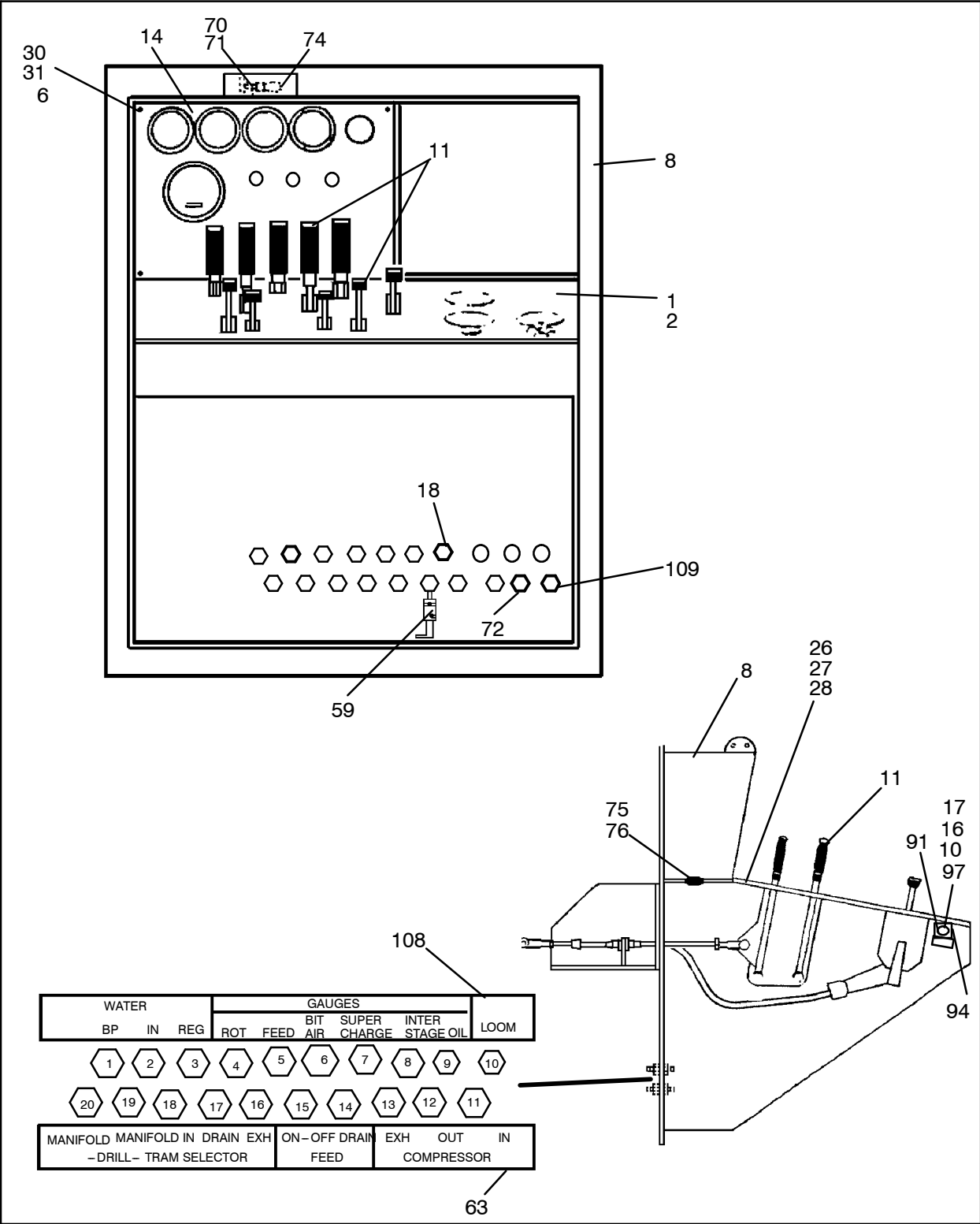
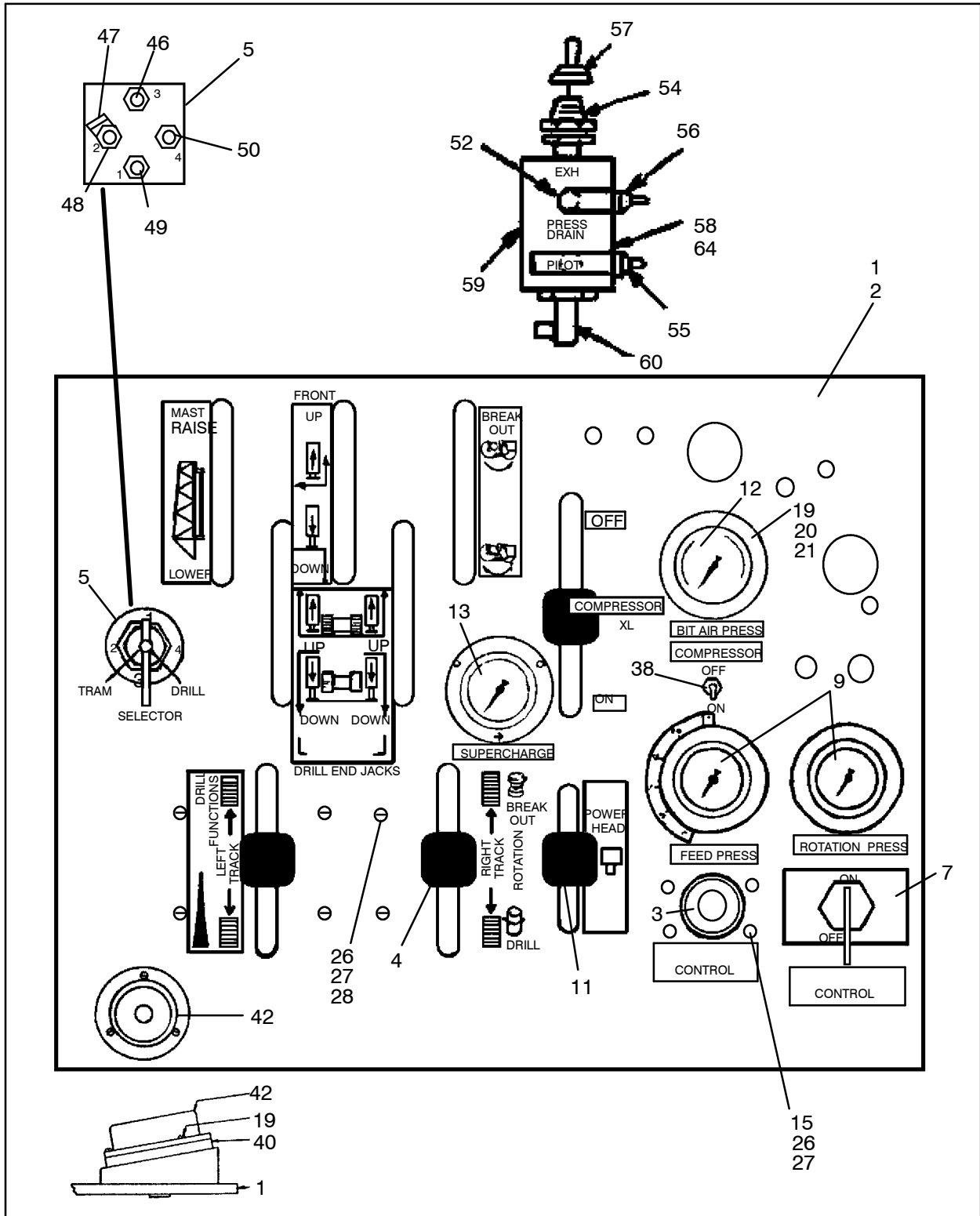


Figure 40 :CONSOLE,CONTROL,CAT T2
 E57665077 REV 003

57666596 CONSOLE,CONTROL,CAT T2



CONSOLE,CONTROL,CAT T2
57666596

Figure 41 :CONSOLE,CONTROL,CAT T2
E57665077 REV 003

57666596

CONSOLE,CONTROL,CAT T2

CONSOLE,CONTROL,CAT T2

57666596

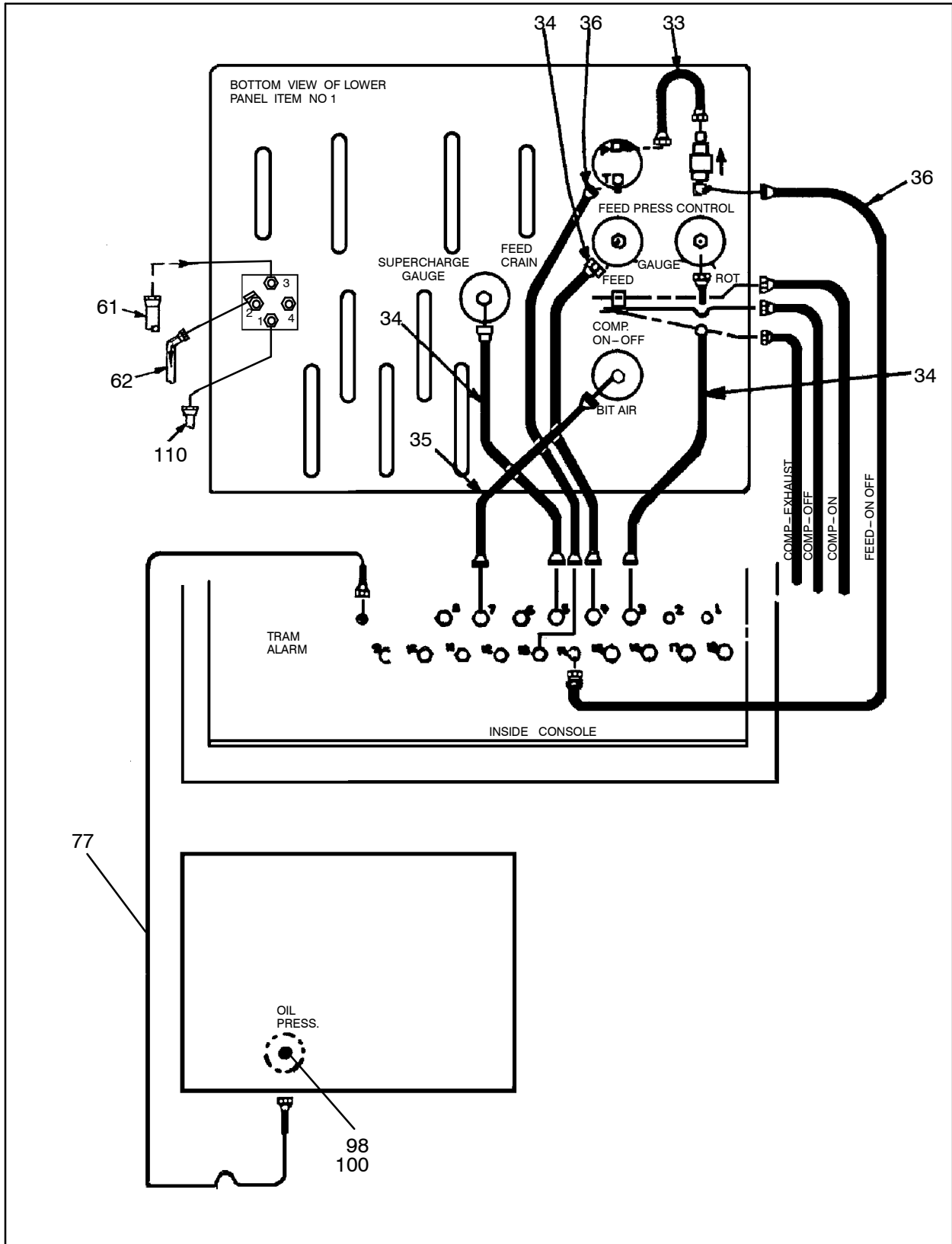
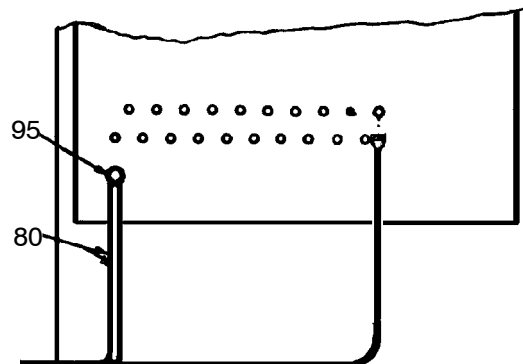
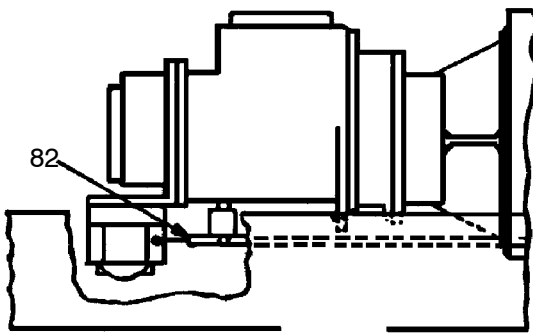
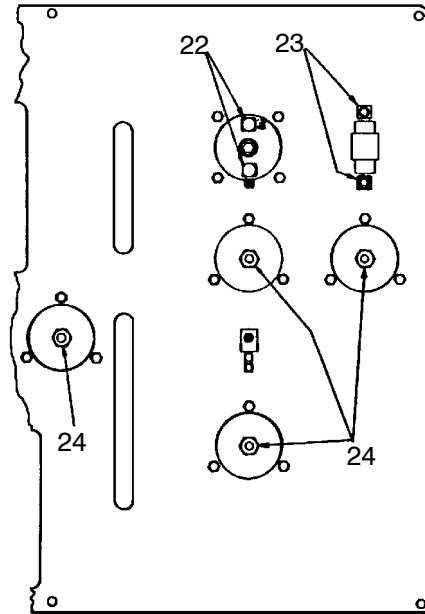


Figure 42 :CONSOLE,CONTROL,CAT T2
 E57665077 REV 003

57666596 CONSOLE,CONTROL,CAT T2

43 – NOT SHOWN
53 – NOT SHOWN
78 – NOT SHOWN
101 – NOT SHOWN



CONSOLE,CONTROL,CAT T2
57666596

Figure 43 :CONSOLE,CONTROL,CAT T2
E57665077 REV 003

57666596

CONSOLE,CONTROL,CAT T2

CONSOLE,CONTROL,CAT T2

57666596

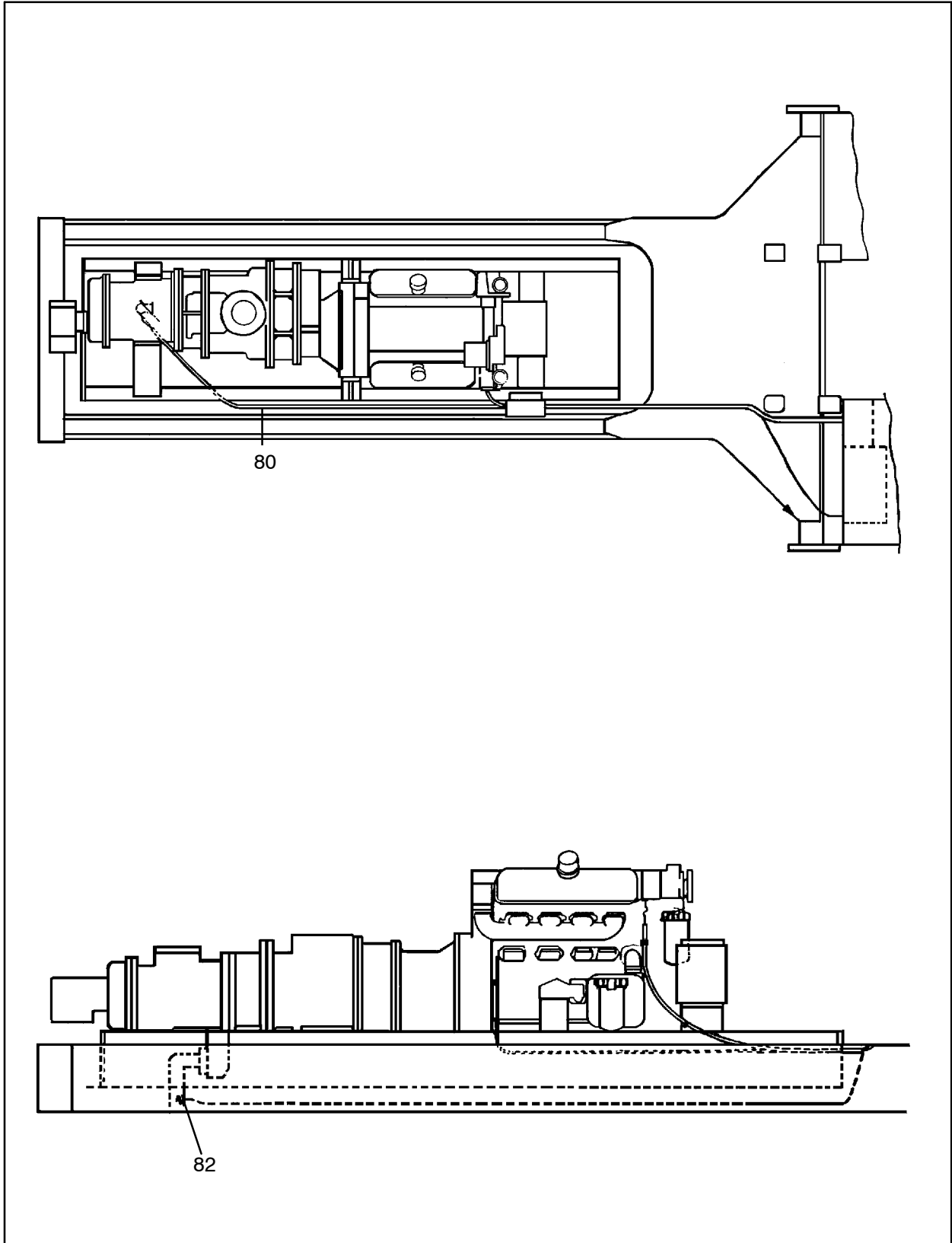


Figure 44 :CONSOLE,CONTROL,CAT T2
E57665077 REV 003

57666596 CONSOLE,CONTROL,CAT T2

| REF. | PART NO. | QTY. | UNIT | DESCRIPTION |
|------|----------|------|------|---|
| 001 | 57667818 | 1 | EA | DECAL,PANEL LOWER |
| 002 | 57666547 | 1 | EA | PANEL,CONTROL,LOWER |
| 003 | 52236932 | 1 | EA | VALVE, PRESSURE-REMOTE <i>(See figure 45)</i> |
| 004 | 57014763 | 1 | EA | CABLE,CONTROL-ASSY <i>(See figure 46)</i> |
| 005 | 57169989 | 1 | EA | VALVE,SELECTOR- 4 WAY |
| | 56265317 | 1 | EA | ● - KIT, SEAL UPGRADE |
| 006 | 56993694 | 1 | EA | TACHOMETER |
| 007 | 50517192 | 1 | EA | VALVE, SHUTOFF |
| 008 | 57668261 | 1 | EA | CABINET,CONSOLE |
| | 57676108 | 1 | EA | ● - CABINET,CONSOLE-DM30 |
| 009 | 54413000 | 2 | EA | GAUGE,PRESSURE W/SNUBBER |
| 010 | 95475869 | 4 | EA | SCREW,MACHINE |
| 011 | 57004533 | 1 | EA | HANDLE ASSY <i>(See figure 47)</i> |
| 012 | 56795214 | 1 | EA | GAUGE,PRESSURE-0-600 PSI |
| 013 | 56795214 | 1 | EA | GAUGE,PRESSURE-0-600 PSI |
| 014 | 57666570 | 1 | EA | PANEL,ELEC ENG CAT <i>(See figure 48)</i> |
| 015 | 95917613 | 4 | EA | SCREW,FLAT HD-1/4-20X1.5 |
| 016 | 95076709 | 4 | EA | NUT,HEX MACHINE-NO.4-40 |
| 017 | 95929766 | 4 | EA | LOCKWASHER-NO. 4 REGULAR |
| 018 | 95364972 | 7 | EA | FITTING,HYD |
| 019 | 95933248 | 15 | EA | SCREW,ROUND HD |
| 020 | 95076717 | 12 | EA | NUT, MACHINE-HEX |
| 021 | 95922548 | 12 | EA | LOCKWASHER |
| 022 | 95653614 | 2 | EA | ADAPTER-90DEG,ORING/JIC |
| 023 | 95209094 | 2 | EA | FITTING,HYD |
| 024 | 95286514 | 4 | EA | CONNECTOR,FEMALE,37 DEG |
| 026 | 95931564 | 36 | EA | NUT,HEX,FINISHED |
| 027 | 95934766 | 37 | EA | WASHER,LOCK,HELICAL |
| 028 | 95260691 | 28 | EA | SCREW,MACHINE-1/4-20X3/4 |
| 030 | 32130353 | 4 | EA | SCREW, RND HD-1/4-20X.75 |
| 031 | 95922183 | 4 | EA | WASHER,FLAT |
| 033 | 56955982 | 2 | EA | HOSE ASSY |
| 034 | 56961774 | 4 | EA | HOSE ASSY |
| 035 | 56956006 | 1 | EA | HOSE ASSY |
| 036 | 56958689 | 2 | EA | HOSE ASSY |
| 038 | 58166091 | 1 | EA | PLUG,HOLE |
| 040 | 56958879 | 1 | EA | PAD, RUBBER |

CONSOLE,CONTROL,CAT T2
57666596

57666596 CONSOLE,CONTROL,CAT T2

CONSOLE,CONTROL,CAT T2
57666596

| REF. | PART NO. | QTY. | UNIT | DESCRIPTION |
|------|-------------|--------|------|--------------------------|
| 042 | 56822919 | 1 | EA | LEVEL |
| 043 | 95928982 | 5 | EA | SCREW,CAP-1/4-20 X 3/4 |
| 046 | 95381158 | 1 | EA | CONNECTOR,MALE,37 DEG |
| 047 | 95403580 | 1 | EA | TEE |
| 048 | 95381158 | 1 | EA | CONNECTOR,MALE,37 DEG |
| 049 | 95381158 | 1 | EA | CONNECTOR,MALE,37 DEG |
| 050 | 57237380 | 1 | EA | FITTING, MALE-FEMALE NPT |
| 052 | 95209094 | 1 | EA | FITTING,HYD |
| 053 | 95279451 | 1 | EA | ELBOW,90 DEG MALE |
| 054 | 52187465 | 1 | EA | FITTING, HYD |
| 055 | 56961790 | 1 | EA | HOSE ASSY |
| 056 | 56958689 | 1 | EA | HOSE ASSY |
| 057 | 56961774 | 1 | EA | HOSE ASSY |
| 058 | 95381158 | 1 | EA | CONNECTOR,MALE,37 DEG |
| 059 | 57168031 | 1 | EA | VALVE, CHECK-VENTABLE |
| 060 | 95293403 | 1 | EA | ELBOW,90 DEG MALE |
| 061 | 56949407 | 1 | EA | HOSE ASSY |
| 062 | 57044521 | 1 | EA | HOSE ASSY |
| 063 | 57237372 | 1 | EA | DECAL,CONSOLE,TOP-REAR |
| 064 | 95652178 | 1 | EA | FITTING, HYD |
| 070 | 57769945 | 1 | EA | LAMP,PANEL,24V,ASSM |
| | 57769937 | 1 | EA | ● - LAMP,PANEL |
| | 855017P0872 | 1 | EA | ● - BULB, 24V.D.C.,DUAL |
| 071 | 56935406 | 2 | EA | SCREW TPG |
| 072 | 95364972 | 4 | EA | FITTING,HYD |
| 074 | 56906936 | 1 | EA | LAMP |
| 075 | 52223088 | 7.00 | IN | HOSE,WATER-M05 BULK |
| 076 | 50700731 | 1 | EA | COMPOUND,SILICONE |
| 077 | 56994585 | 1 | EA | HOSE ASSY |
| 078 | 95364964 | 1 | EA | ADAPTER |
| 080 | 50812429 | 680.00 | IN | WIRE, 14AWG-BLUE |
| 082 | 57409104 | 1 | EA | SENSOR, 2WIRE-TEMPERTURE |
| 091 | 57651267 | 1 | EA | CAP,PROTECTIVE |
| 094 | 57392441 | 1 | EA | NAMEPLATE, DATALINK CONN |
| 095 | 50247709 | 2.75 | IN | TUBING,VINYL |
| 097 | 57651242 | 1 | EA | CONNECTOR |
| 097 | 57651259 | 9 | EA | TERMINAL |

57666596 CONSOLE,CONTROL,CAT T2

| REF. | PART NO. | QTY. | UNIT | DESCRIPTION |
|------|----------|------|------|--------------------------|
| 098 | 95037784 | 1 | EA | BUSHING |
| 100 | 95338406 | 1 | EA | FITTING, HYD |
| 101 | 95655064 | 1 | EA | ADAPTER,FEMALE,STRT THRD |
| 108 | 57237364 | 1 | EA | DECAL,CONSOLEBOTTOM-REAR |
| 109 | 52187465 | 1 | EA | FITTING, HYD |
| 110 | 57044729 | 1 | EA | HOSE ASSY |

CONSOLE,CONTROL,CAT T2
57666596

52236932 VALVE, PRESSURE-REMOTE

CONSOLE, CONTROL, CAT T2
57666596

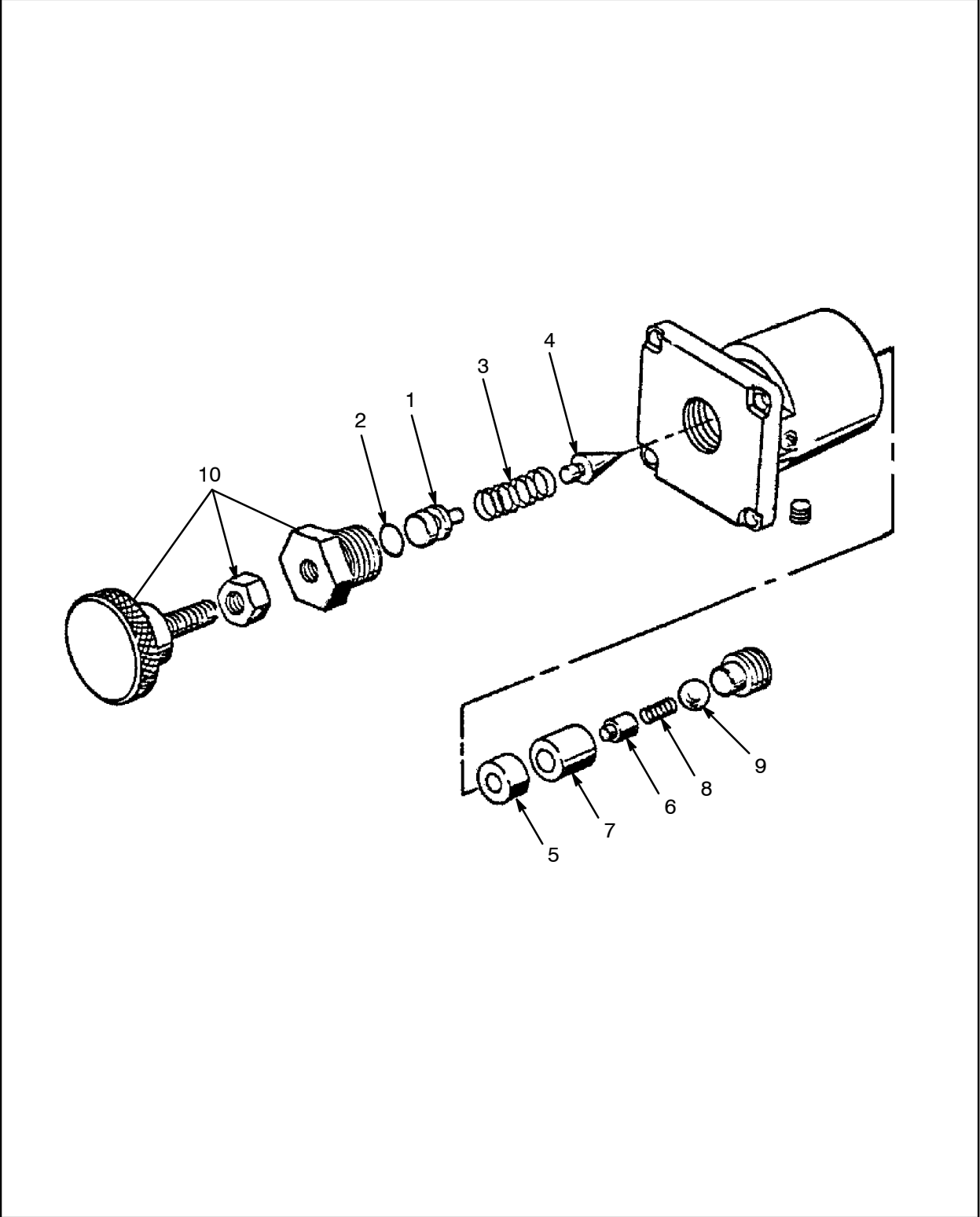


Figure 45 :VALVE, PRESSURE-REMOTE
X52236932 REV 01

52236932 VALVE, PRESSURE – REMOTE

| REF. | PART NO. | QTY. | UNIT | DESCRIPTION |
|------|----------|------|------|--------------------------|
| 001 | 52155660 | 1 | EA | SPRING GUIDE,PISTON SEAL |
| 002 | 95017984 | 1 | EA | O – RING |
| 003 | 50798925 | 1 | EA | SPRING |
| 004 | 52155686 | 1 | EA | CONE |
| 005 | 50798891 | 1 | EA | SEAT |
| 006 | 52249604 | 1 | EA | PISTON |
| 007 | 52249620 | 1 | EA | SLEEVE |
| 008 | 52249638 | 1 | EA | SPRING |
| 009 | 52249646 | 1 | EA | BALL |
| 010 | 52249588 | 1 | EA | KNOB, CONTROL |

CONSOLE, CONTROL, CAT T2
57666596

57014763 CABLE,CONTROL-ASSY

CONSOLE,CONTROL,CAT T2
57666596

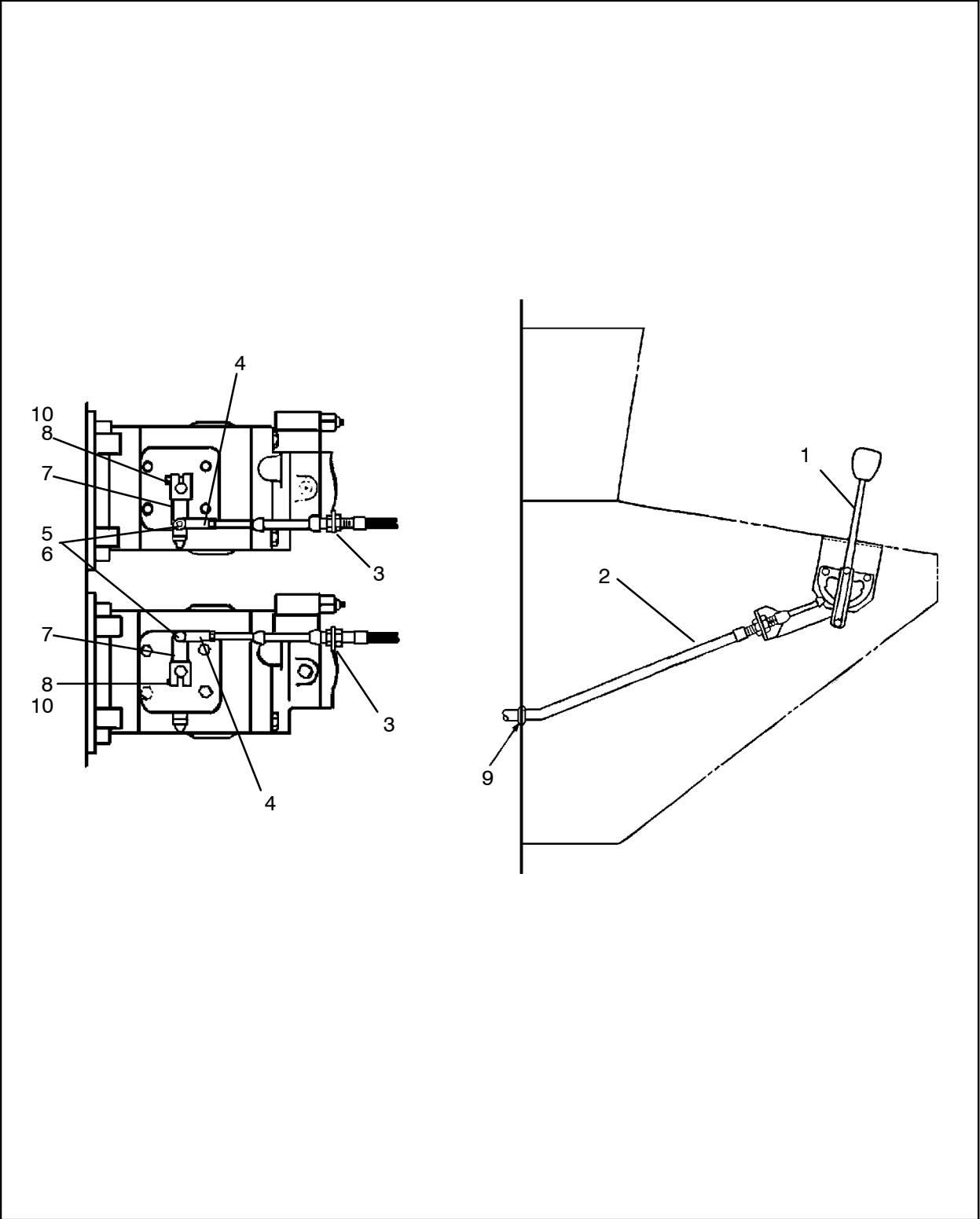


Figure 46 :CABLE,CONTROL-ASSY
D57014763 REV 003

57014763 CABLE,CONTROL-ASSY

| REF. | PART NO. | QTY. | UNIT | DESCRIPTION |
|------|----------|------|------|-------------------------|
| 001 | 57007833 | 1 | EA | CONTROL UNIT |
| 002 | 57351074 | 2 | EA | CABLE, PUMP - 112 LG |
| 003 | 56949092 | 2 | EA | BRACKET |
| 004 | 56789571 | 2 | EA | YOKE,CLEVIS |
| 005 | 56789589 | 2 | EA | PIN,CLEVIS |
| 006 | 95211900 | 2 | EA | PIN,COTTER |
| 007 | 56948938 | 2 | EA | LEVER |
| 008 | 95067609 | 2 | EA | SCREW, CAP-1/4-20 X 3/4 |
| 009 | 56987456 | 2 | EA | GROMMET, RUBBER |
| 010 | 95959136 | 2 | EA | WASHER,LOCK |

CONSOLE,CONTROL,CAT T2
57666596

57004533 HANDLE ASSY

CONSOLE, CONTROL, CAT T2

57666596

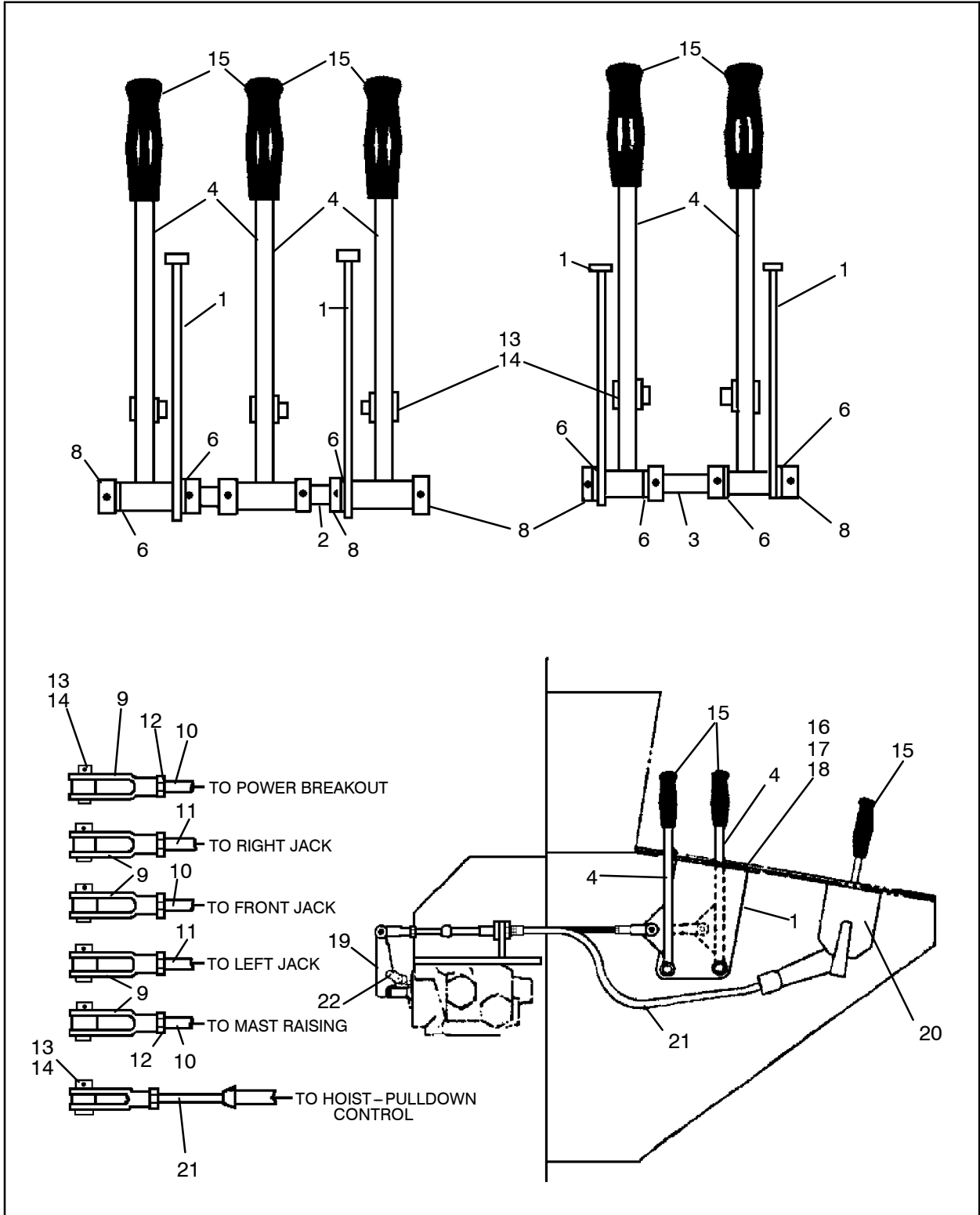


Figure 47 :HANDLE ASSY
 D57004533 REV 002

57004533 HANDLE ASSY

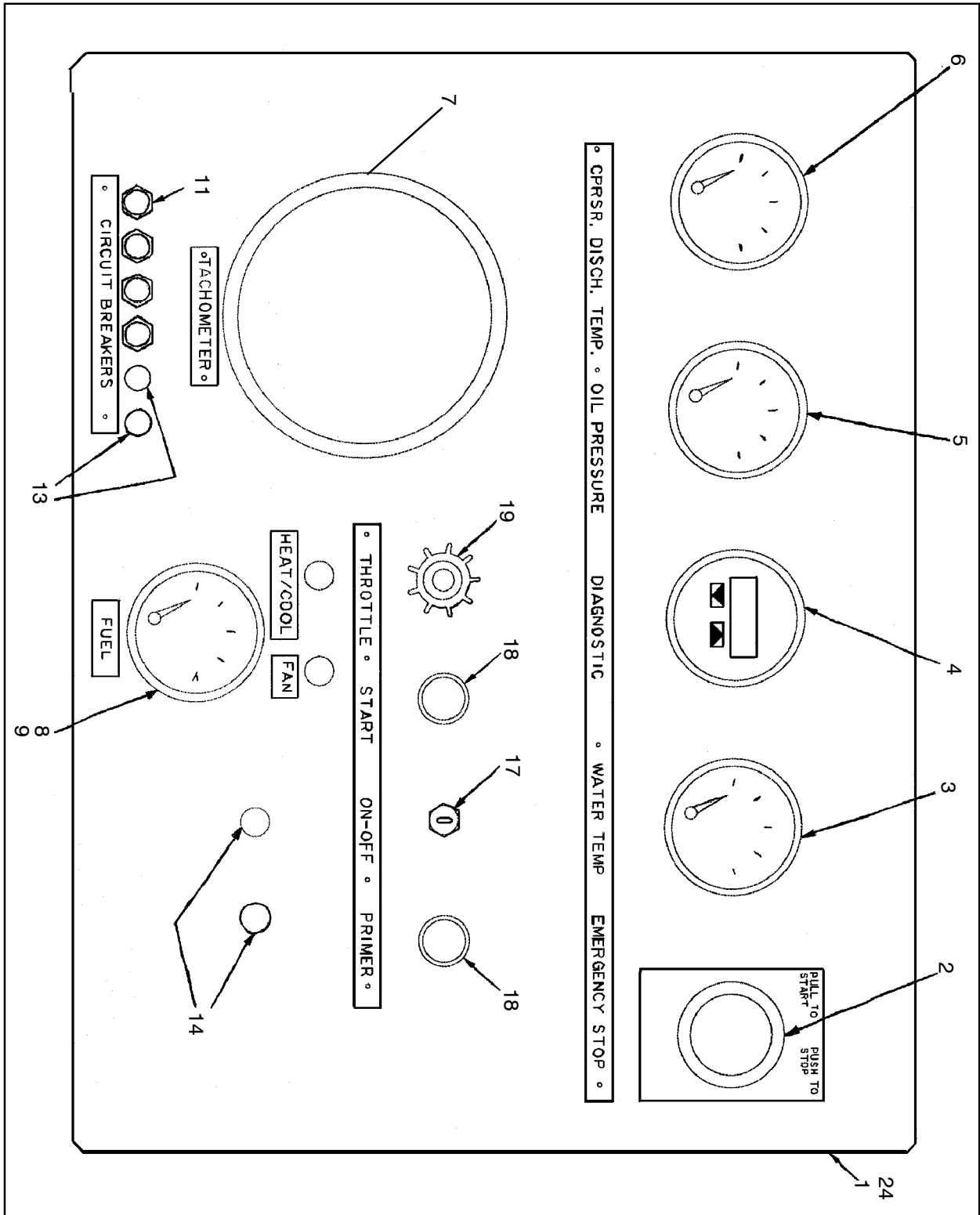
| REF. | PART NO. | QTY. | UNIT | DESCRIPTION |
|------|----------|------|------|-----------------------------|
| 001 | 56987548 | 2 | EA | BRACKET |
| 002 | 57143497 | 1 | EA | BAR, RD 9/16 DIA, X11 |
| 003 | 57326282 | 1 | EA | BAR, 9/16 DIA X 8 LG |
| 004 | 56987613 | 5 | EA | HANDLE ASSY |
| 006 | 57005399 | 10 | EA | BUSHING,FLG |
| 008 | 56805138 | 10 | EA | COLLAR,SET |
| 009 | 56805237 | 10 | EA | YOKE,CLEVIS |
| 010 | 56987571 | 3 | EA | ROD,LINKAGE |
| 011 | 56987589 | 2 | EA | ROD,LINKAGE |
| 012 | 95098356 | 10 | EA | NUT, HEX JAM-3/8-24 |
| 013 | 56810195 | 10 | EA | PIN,CLEVIS |
| 014 | 95211900 | 10 | EA | PIN,COTTER |
| 015 | 56883713 | 5 | EA | GRIP |
| 016 | 95260691 | 8 | EA | SCREW,MACHINE-1/4-20X3/4 |
| 017 | 95934766 | 8 | EA | WASHER,LOCK,HELICAL |
| 018 | 95931564 | 8 | EA | NUT,HEX,FINISHED |
| 019 | 57004525 | 6 | EA | LINK,HANDLE |
| 020 | 56958135 | 1 | EA | CONTROL |
| | 57115503 | 1 | EA | ●- KNOB, TRANS. SHFTCONTROL |
| 021 | 56958127 | 1 | EA | CABLE |
| 022 | 95922365 | 24 | EA | WASHER,FLAT |

CONSOLE,CONTROL,CAT T2

57666596

57666570

PANEL,ELEC ENG CAT



CONSOLE, CONTROL, CAT T2

57666596

Figure 48 :PANEL,ELEC ENG CAT
C57666570 REV 001

57666570 PANEL,ELEC ENG CAT

| REF. | PART NO. | QTY. | UNIT | DESCRIPTION |
|------|----------|------|------|--------------------------|
| 001 | 57666554 | 1 | EA | PANEL,ENGINE ELEC QSX |
| 002 | 57358855 | 1 | EA | PUSHBUTTON, 2-POSITION |
| | 57364010 | 1 | EA | ● - LED,24V AC/DC RED |
| 003 | 57632747 | 1 | EA | GAUGE,WATER TEMP M-LINK |
| 004 | 57632697 | 1 | EA | MODULE,MURPHY LNK DISPLY |
| 005 | 57632754 | 1 | EA | GAUGE,OIL PRESS M-LINK |
| 006 | 57446734 | 1 | EA | GAUGE,WATER TEMP |
| 007 | 57632655 | 1 | EA | TACHOMETER,MLINK ANALOG |
| 008 | 57534281 | 1 | EA | GAUGE, FUEL-24VDC |
| | 57534315 | 0 | EA | ● - PANEL, ONE GAUGE |
| 009 | 57443954 | 1 | EA | KIT,LIGHT GAUGE-24VDC |
| 011 | 57084055 | 4 | EA | BREAKER,CIRCUIT-15 AMP |
| 013 | 58206087 | 2 | EA | PLUG,HOLE |
| 014 | 58207598 | 2 | EA | PLUG,HOLE |
| 017 | 56993678 | 1 | EA | SWITCH, KEY |
| 018 | 52185832 | 2 | EA | SWITCH, PUSH BUTTON |
| 019 | 57493868 | 1 | EA | THROTTLE,ELECTRONIC-CAT |
| 024 | 57666562 | 1 | EA | DECAL,UPPER PANEL QSX |

CONSOLE,CONTROL,CAT T2
57666596

57037616

COVER INSTL, VALVE

COVER INSTL, VALVE

57037616

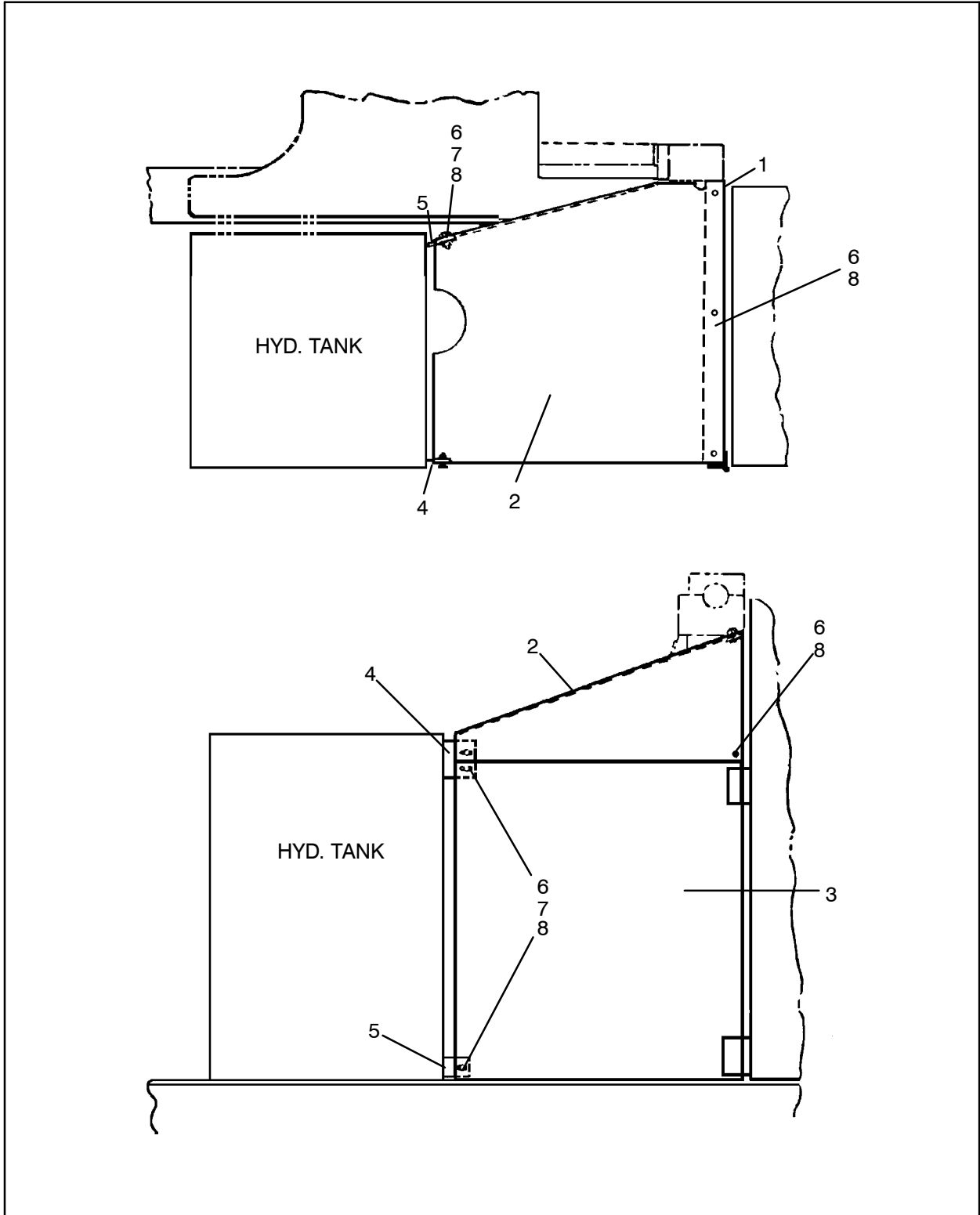


Figure 49 :COVER INSTL, VALVE
D57037616 REV 01

57037616 COVER INSTL, VALVE

| REF. | PART NO. | QTY. | UNIT | DESCRIPTION |
|------|----------|------|------|----------------------|
| 001 | 57037673 | 1 | EA | SUPPORT, COVER |
| | 57037665 | 1 | EA | ● - ANGLE |
| | 57037566 | 1 | EA | ● - ANGLE,W/HOLE |
| | 95922894 | 4 | EA | ● - NUT,HEX,FINISHED |
| 002 | 57112872 | 1 | EA | COVER, VALVE BANK |
| 003 | 57037624 | 1 | EA | COVER |
| | 57037632 | 1 | EA | ● - SHEET,14 6A |
| | 56947971 | 2 | EA | ● - HINGE |
| 004 | 57037640 | 1 | EA | PLATE, MOUNTING |
| | 57037657 | 1 | EA | ● - PLATE |
| | 95922894 | 1 | EA | ● - NUT,HEX,FINISHED |
| 005 | 57037681 | 2 | EA | PLATE, MOUNTING |
| | 57037699 | 1 | EA | ● - BAR |
| | 95922894 | 1 | EA | ● - NUT,HEX,FINISHED |
| 006 | 95920674 | 8 | EA | CAPSCREW,HEX HEAD |
| 007 | 95922373 | 4 | EA | WASHER, FLAT - 3/8 |
| 008 | 95937413 | 8 | EA | WASHER,LOCK,HELICAL |

COVER INSTL, VALVE

57037616

DERRICK/TOWER

SECTION

DERRICK/TOWER

This page is intentionally blank.

SECTION

DERRICK/TOWER

57570004 POWERHEAD,DM30 6CI MTR

POWERHEAD,DM30 6CI MTR
57570004

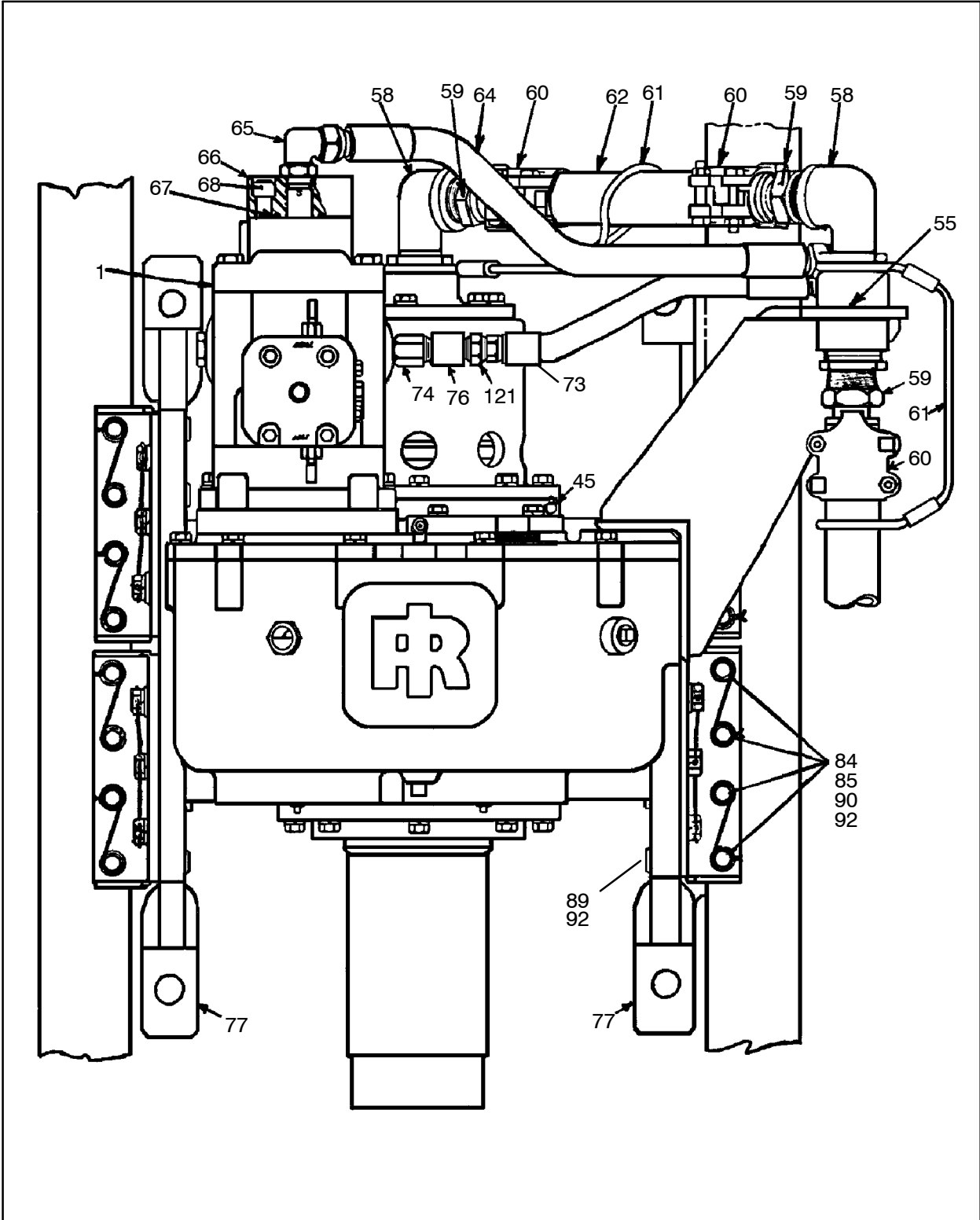


Figure 50 :POWERHEAD,DM30 6CI MTR
D57570004 REV 004

57570004 POWERHEAD,DM30 6CI MTR

POWERHEAD,DM30 6CI MTR
57570004

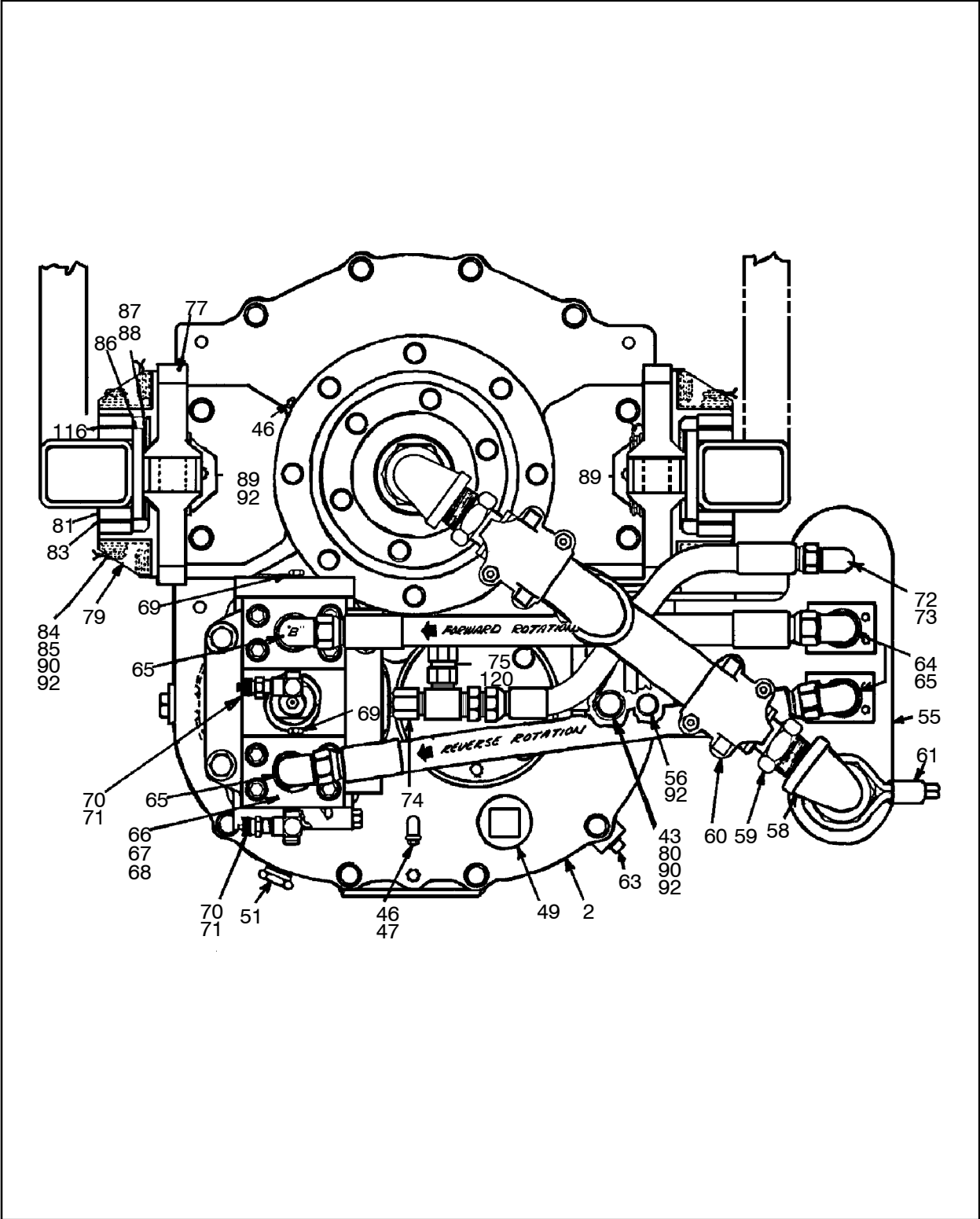


Figure 51 :POWERHEAD,DM30 6CI MTR
D57570004 REV 004

57570004 POWERHEAD,DM30 6CI MTR

POWERHEAD,DM30 6CI MTR
 57570004

- 53 - GREASE
- 57 - NIPPLE PIPE
- 96 - SCREW, CAP
- 98 - ELBOW
- 105 - FITTING, HYD
- 106 - FITTING, HYD
- 118 - O-RING
- 119 - O-RING
- 203 - (NOT SHOWN)

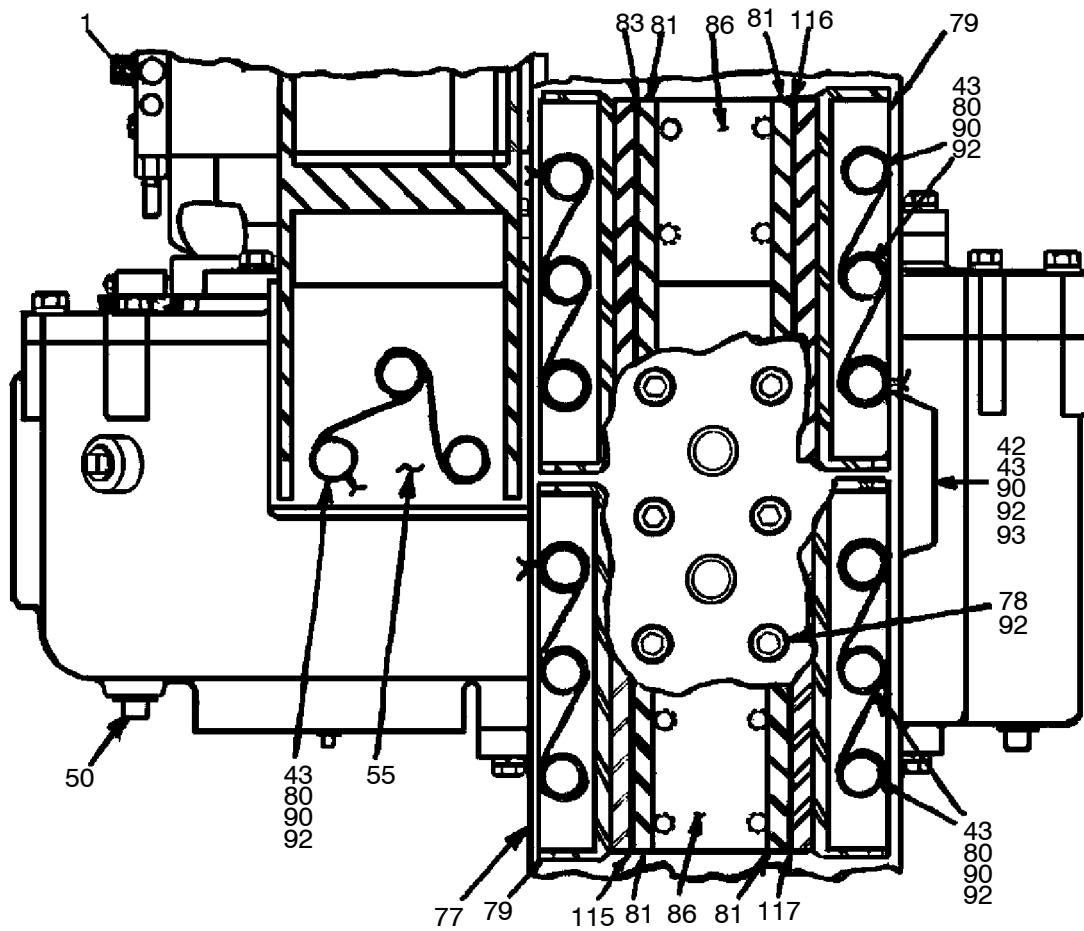
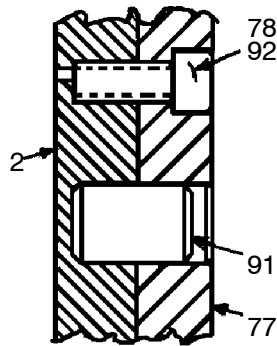
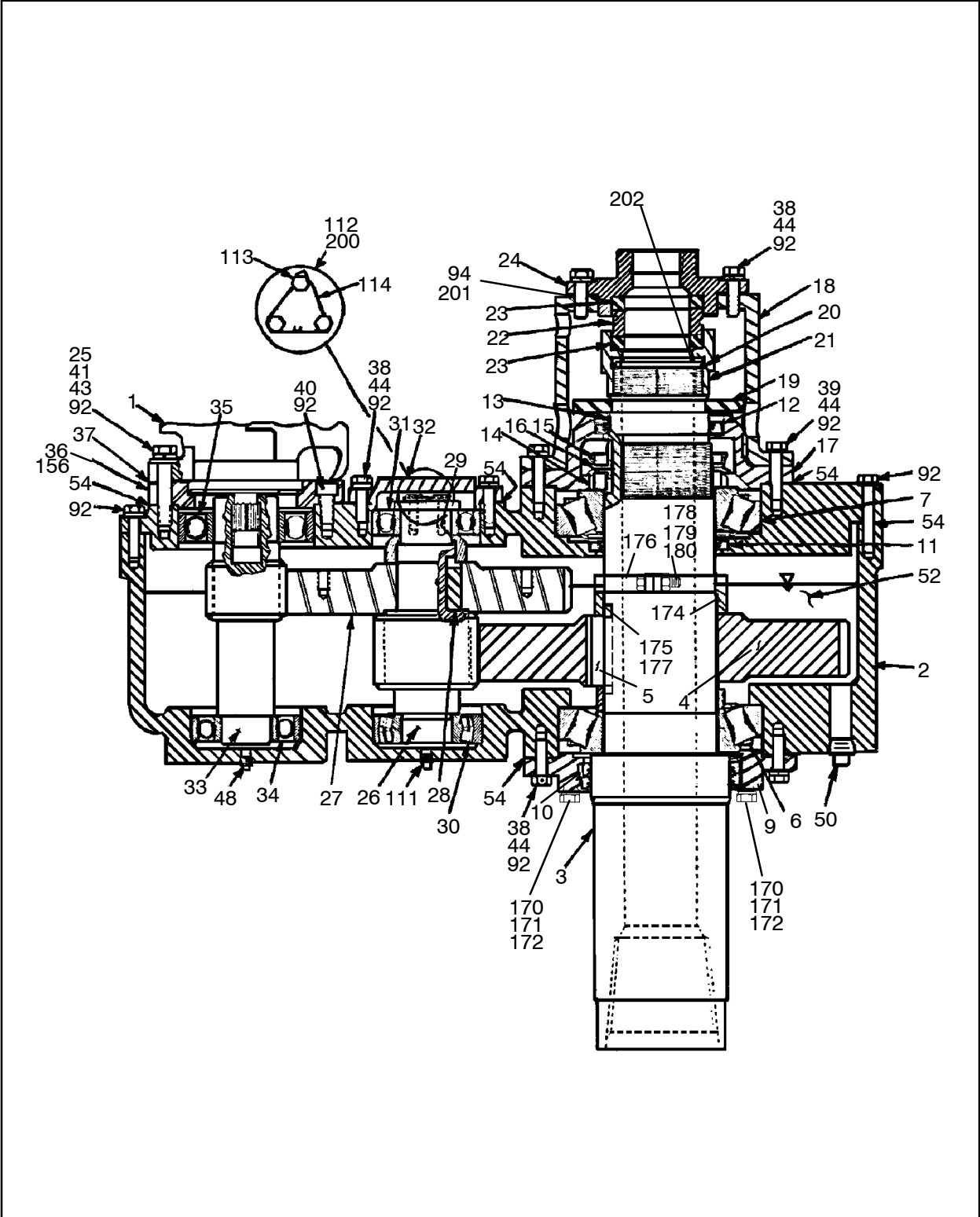


Figure 52 :POWERHEAD,DM30 6CI MTR
 D57570004 REV 004

57570004 POWERHEAD,DM30 6CI MTR



POWERHEAD,DM30 6CI MTR
57570004

Figure 53 :POWERHEAD,DM30 6CI MTR
D57570004 REV 004

57570004 POWERHEAD,DM30 6CI MTR

POWERHEAD,DM30 6CI MTR
57570004

| REF. | PART NO. | QTY. | UNIT | DESCRIPTION |
|------|----------|------|------|-------------------------------------|
| 001 | 57117764 | 1 | EA | MOTOR,HYDRAULIC (See figure 47) |
| 002 | 57149031 | 1 | EA | POWERHEAD MACHINING (See figure 49) |
| 003 | 57546343 | 1 | EA | SPINDLE – FINAL DRIVE |
| 004 | 57546301 | 1 | EA | GEAR, OUTPUT |
| 005 | 57546327 | 1 | EA | KEY, CUSTOM |
| 006 | 95434551 | 1 | EA | BEARING,ROLLER |
| 007 | 95434569 | 1 | EA | BEARING,ROLLER |
| 009 | 57578023 | 1 | EA | HOUSING,LOWER SEAL |
| 010 | 52146784 | 2 | EA | SEAL, OIL |
| 011 | 58229915 | 1 | EA | SEAL, OIL |
| 012 | 52164282 | 1 | EA | SEAL, OIL |
| 013 | 50822097 | 1 | EA | SLEEVE, WEAR |
| 014 | 57291304 | 1 | EA | NUT, ADJUSTING |
| 015 | 95270815 | 6 | EA | SCREW, CAP |
| 016 | 57291288 | 1 | EA | WASHER, LOCK– TONGUED |
| 017 | 52248150 | 1 | EA | HOUSING,UPPER SEAL |
| 018 | 52248176 | 1 | EA | SWIVEL |
| 019 | 52187804 | 1 | EA | SLINGER |
| 020 | 50610971 | 1 | EA | RING, THREADED |
| 021 | 57347379 | 1 | EA | CAP, SPINDLE–SPUR HEAD |
| 022 | 50694934 | 1 | EA | BUSHING, WEAR |
| 023 | 57336067 | 2 | EA | PACKING, SWIVEL–30XV |
| 024 | 57183329 | 1 | EA | CAP, SWIVEL |
| 025 | 56951700 | 2 | EA | TUBE |
| 026 | 57191017 | 1 | EA | SHAFT, INTERMEDIATE |
| 027 | 57159113 | 1 | EA | GEAR, INTERMEDIATE |
| 028 | 57159139 | 1 | EA | KEY, INTERMEDIATE SHAFT |
| 029 | 57159121 | 1 | EA | SPACER, INTERMEDIATEGEAR |

57570004 POWERHEAD,DM30 6CI MTR

| REF. | PART NO. | QTY. | UNIT | DESCRIPTION |
|------|----------|-------|------|--|
| 030 | 95711156 | 1 | EA | BEARING,SPHERICAL,ROLLER |
| 031 | 95434874 | 1 | EA | BEARING,BALL |
| 032 | 57191025 | 1 | EA | CAP, BEARING |
| 033 | 57170110 | 1 | EA | PINION, INPUT |
| 034 | 95214037 | 1 | EA | BEARING |
| 035 | 52209939 | 1 | EA | BEARING |
| 036 | 57368052 | 1 | EA | ADAPTER, MOTOR |
| 037 | 95086724 | 1 | EA | O-RING |
| 038 | 95934451 | 18 | EA | SCREW,CAP,HEXHEAD,PLATED |
| 039 | 95104204 | 8 | EA | SCREW,CAP,HEX |
| 040 | 95055232 | 2 | EA | SCREW, CAP-5/8-11 X1-1/4 |
| 041 | 95934170 | 2 | EA | SCREW,CAP,HEX |
| 042 | 95922415 | 8 | EA | WASHER,FLAT,PLAIN |
| 043 | 95934741 | 31 | EA | WASHER,LOCK HELICAL |
| 044 | 95934733 | 36 | EA | WASHER,LOCK |
| 045 | 95208971 | 1 | EA | FITTING, LUBE-90 DEG |
| 046 | 95246724 | 2 | EA | FITTING,RELIEF,HYD |
| 047 | 95040952 | 1 | EA | ELBOW,STREET,90DEG |
| 048 | 95323465 | 1 | EA | PLUG,HEX HEAD,STRT THRD |
| 049 | 95249694 | 1 | EA | PLUG,PIPE,SQ HEAD |
| 050 | 50137256 | 2 | EA | PLUG, DRAIN |
| 051 | 52253176 | 1 | EA | GAUGE,SIGHT |
| 052 | 50422849 | 5.75 | GL | OIL,POWERHEAD |
| 053 | 52180957 | 1.00 | LB | GREASE |
| 054 | 50700731 | 1 | EA | COMPOUND,SILICONE |
| 055 | 57197113 | 1 | EA | BRACKET, HOSE <i>(See figure NO TAG)</i> |
| 056 | 95053054 | 2 | EA | SCREW, CAP-1/2-13 X 3 |
| 057 | 95243093 | 2 | EA | NIPPLE,PIPE,EXTRA STRONG |
| 058 | 95651683 | 2 | EA | ELBOW,90DEG,FORGED STL |
| 059 | 50023910 | 2 | EA | STEM |
| 060 | 50743731 | 2 | EA | CLAMP,HOSE |
| 061 | 57358145 | 2 | EA | CABLE, HOSE RESTRAINT |
| 062 | 95313961 | 14.50 | IN | HOSE,AIR-R32 BULK |
| 063 | 95249587 | 1 | EA | PLUG,PIPE,SQ HEAD |

POWERHEAD,DM30 6CI MTR
57570004

57570004 POWERHEAD,DM30 6CI MTR

POWERHEAD,DM30 6CI MTR
57570004

| REF. | PART NO. | QTY. | UNIT | DESCRIPTION |
|------|----------|-------|------|--------------------------|
| 064 | 56988850 | 2 | EA | HOSE ASSY |
| 065 | 95280194 | 4 | EA | ELBOW,90 DEG STRT THRD |
| 066 | 57051401 | 2 | EA | ADAPTER |
| 067 | 95086518 | 2 | EA | O-RING |
| 068 | 95013702 | 8 | EA | CAPSCREW,HEX SOCKET HEAD |
| 069 | 95033593 | 2 | EA | PLUG,PIPE,SQ HEAD,SOLID |
| 070 | 95279998 | 2 | EA | ELBOW,90 DEG STREET |
| 071 | 59713438 | 2 | EA | COUPLING, MIN |
| 072 | 95338018 | 1 | EA | FITTING, HYD |
| 073 | 57135261 | 1 | EA | HOSE ASSY |
| 074 | 95702619 | 1 | EA | ADAPTER |
| 075 | 57568487 | 1 | EA | VALVE,RELIEF (ATM) |
| 076 | 95264958 | 1 | EA | TEE,MALE RUN,NPTF |
| 077 | 57149098 | 2 | EA | ANCHOR, CABLE |
| 078 | 95013785 | 12 | EA | SCREW, CAP-5/8-11 X1-1/2 |
| 079 | 57143778 | 4 | EA | GUIDE, FINISHEDPOWERHEAD |
| 080 | 95715942 | 21 | EA | SCREW, CAP-5/8-11 X1-1/2 |
| 081 | 57386427 | 8 | EA | GUIDE,BLOCK-LONG R.H. |
| 083 | 50624709 | 4 | EA | SHIM, GUIDE |
| 084 | 95880811 | 32 | EA | SCREW, CAP-1/2-13 X1-3/4 |
| 085 | 95064697 | 80 | EA | WASHER,FLAT 1/2 |
| 086 | 57376832 | 4 | EA | GUIDE SLIDE - R.H. |
| 087 | 57149080 | 4 | EA | SHIM |
| 088 | 57149171 | 4 | EA | SPACER |
| 089 | 95293460 | 16 | EA | CAPSCREW,HEX SOCKET |
| 090 | 50344605 | 12.00 | FT | WIRE, LOCK |
| 091 | 57124612 | 4 | EA | PIN |
| 092 | 56784267 | 1 | EA | ADHESIVE |
| 093 | 95891008 | 8 | EA | SCREW, CAP-5/8-11 X2-3/4 |
| 094 | 52210317 | 1 | EA | SHIM SET |
| 096 | 95958948 | 3 | EA | SCREW, CAP-5/16-18 X 3 |
| 098 | 95264909 | 1 | EA | ELBOW, 90DEG-EXT/INT NPT |
| 105 | 95419594 | 1 | EA | CONNECTOR,STRT THRD |

57570004 POWERHEAD,DM30 6CI MTR

| REF. | PART NO. | QTY. | UNIT | DESCRIPTION |
|------|----------|------|------|--------------------------|
| 106 | 95302113 | 1 | EA | FITTING, HYD |
| 111 | 95323465 | 1 | EA | PLUG,HEX HEAD,STRT THRD |
| 112 | 57191033 | 1 | EA | PLATE, END |
| 113 | 95101762 | 3 | EA | CAPSCREW,HEX HEAD |
| 114 | 50344605 | 1.00 | FT | WIRE, LOCK |
| 115 | 50624709 | 8 | EA | SHIM, GUIDE |
| 116 | 50624709 | 8 | EA | SHIM, GUIDE |
| 117 | 50624709 | 4 | EA | SHIM, GUIDE |
| 118 | 95097689 | 1 | EA | O-RING |
| 119 | 95097689 | 1 | EA | O-RING |
| 120 | 57369613 | 1 | EA | ADAPTER, HYD |
| 121 | 95219747 | 1 | EA | CONNECTOR,MALE,37 DEG |
| 156 | 95097929 | 1 | EA | O-RING |
| 170 | 52237179 | 2 | EA | WASHER |
| 171 | 95934766 | 2 | EA | WASHER,LOCK,HELICAL |
| 172 | 95208997 | 2 | EA | SCREW, CAP-1/4-28 X 3/4 |
| 174 | 57546319 | 2 | EA | SPACER, FINAL DRIVE |
| 175 | 57546384 | 2 | EA | SHIM, FINAL DRIVE |
| 176 | 57546335 | 1 | EA | COLLAR, RETAINING |
| 177 | 57562829 | 4 | EA | SHIM, FINAL DRIVE |
| 178 | 95935235 | 2 | EA | SCREW, CAP-5/16-18X1-1/2 |
| 179 | 95922225 | 6 | EA | WASHER, FLAT-5/16 |
| 180 | 95923371 | 2 | EA | NUT, FLEX LOCK-5/16-18 |
| 200 | 57243719 | 1 | EA | SHIM, POWERHEAD-SPURGEAR |
| 201 | 57371163 | 1 | EA | SPACER, SWIVEL PACKING |
| 202 | 95086625 | 1 | EA | O-RING |
| 203 | 57755266 | 0.10 | PT | LUBRICANT,MOLYCOTE G-N |

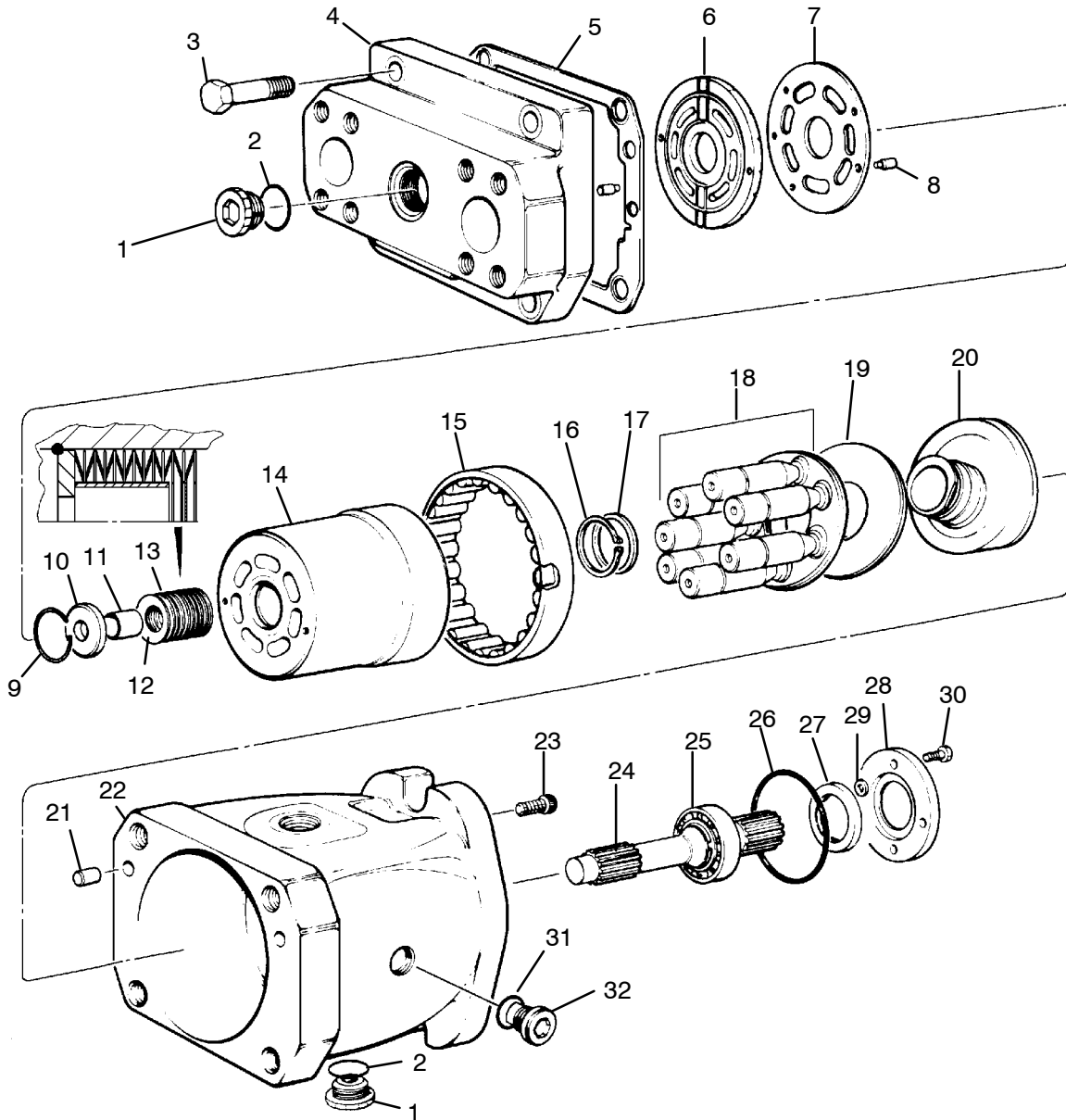
POWERHEAD,DM30 6CI MTR
57570004

57117764

MOTOR, HYDRAULIC

POWERHEAD, DM30 6CI MTR

57570004



33 SEAL KIT (NOT SHOWN) CONSISTS OF
ITEMS 2, 5, 26, 27, 29 and 31

Figure 54 :MOTOR, HYDRAULIC
B57117764 REV 003

57117764 MOTOR,HYDRAULIC

ITEM 16 (RETAINING RING) IS ONE OF THE FOLLOWING LIST:

- 52155140 – .083” (2.11mm), YELLOW
- 52155157 – .081” (2.03mm), GREEN
- 52155165 – .079” (2.01mm), RED
- 52204872 – .087” (2.18mm), WHITE
- 52204864 – .085” (2.13mm), BLUE
- 54408299 – .077” (1.96mm), BLACK
- 54472469 – .075” (1.90mm), ORANGE

SECURE THE PISTON AND SHOE ASSEMBLY BY INSTALLING THE THICKEST OF THE RETAINING RINGS THAT WILL FIT IN THE GROOVE ON THE CAM CENTER POST. CHECK CLEARANCE BETWEEN SHOE FACES AND CREEP PLATE WITH A FEELER GAUGE. GRASP ONE PISTON AND LIFT TIGHTLY AGAINST THE SHOE RETAINER TO OBTAIN CLEARANCE. GAP SHOULD BE BETWEEN .002”(.051mm) AND .004”(.102mm). ASSEMBLY MUST BE FREE TO ROTATE BY HAND WITH APPROXIMATE FORCE OF 5 FT. LBS.(6.8 Nm).

POWERHEAD,DM30 6CI MTR
57570004

**Figure 55 :MOTOR,HYDRAULIC
B57117764 REV 003**

57117764 MOTOR, HYDRAULIC

POWERHEAD, DM30 6CI MTR
57570004

| REF. | PART NO. | QTY. | UNIT | DESCRIPTION |
|------|----------|------|------|-------------------------|
| 001 | 54408059 | 2 | EA | PLUG |
| 002 | 52154994 | 2 | EA | O-RING |
| 003 | 52215613 | 4 | EA | SCREW |
| 004 | 54471321 | 1 | EA | PORT BLOCK, W/O SHUTTLE |
| 005 | 54471768 | 1 | EA | GASKET |
| 006 | 57181372 | 1 | EA | PLATE, PORT |
| 007 | 52201712 | 1 | EA | FACEPLATE, BARREL-13/32 |
| 008 | 50817089 | 5 | EA | PINS |
| 009 | 52155843 | 1 | EA | RING, RETAINING |
| 010 | 57514903 | 1 | EA | SPRING, RETAINER |
| 011 | 54471792 | 1 | EA | STOP, BARREL |
| 012 | 57300816 | 12 | EA | DISC SPRING |
| 013 | 57300824 | 12 | EA | THRUST WASHER |
| 014 | 52201696 | 1 | EA | BARREL/SLEEVE |
| 015 | 52155041 | 1 | EA | BEARING |
| 016 | 54472170 | 1 | EA | KIT, RETAINING RING |
| 017 | 52204856 | 1 | EA | WASHER, THRUST |
| 018 | 54413646 | 1 | EA | RETAINER PISTON & SHOE |
| 019 | 52203668 | 1 | EA | PLATE, CREEP |
| 020 | 54471917 | 1 | EA | CAM, MOTOR |
| 021 | 54472105 | 2 | EA | PIN, DOWELL |
| 022 | 54472113 | 1 | EA | HOUSING |
| 023 | 54472121 | 1 | EA | SCREW, SOCKET HD CAP |
| 024 | 57240806 | 1 | EA | SHAFT |
| 025 | 57117772 | 1 | EA | BEARING, MOTOR SHAFT |
| 026 | 57300329 | 1 | EA | O-RING |
| 027 | 57117780 | 1 | EA | SEAL, SHAFT |
| 028 | 57164592 | 1 | EA | RETAINER, SEAL |
| 029 | 52215696 | 4 | EA | O-RING |
| 030 | 54472139 | 4 | EA | SCREW, HEX HD CAP |
| 031 | 57416950 | 1 | EA | O RING |
| 032 | 57416943 | 1 | EA | RETAINER |
| 033 | 54472147 | 1 | EA | KIT, SEAL M6F |

(See figure 50)

57117764 MOTOR,HYDRAULIC

This page is intentionally blank.

POWERHEAD,DM30 6CI MTR
57570004

57149031 POWERHEAD MACHINING

POWERHEAD,DM30 6CI MTR
57570004

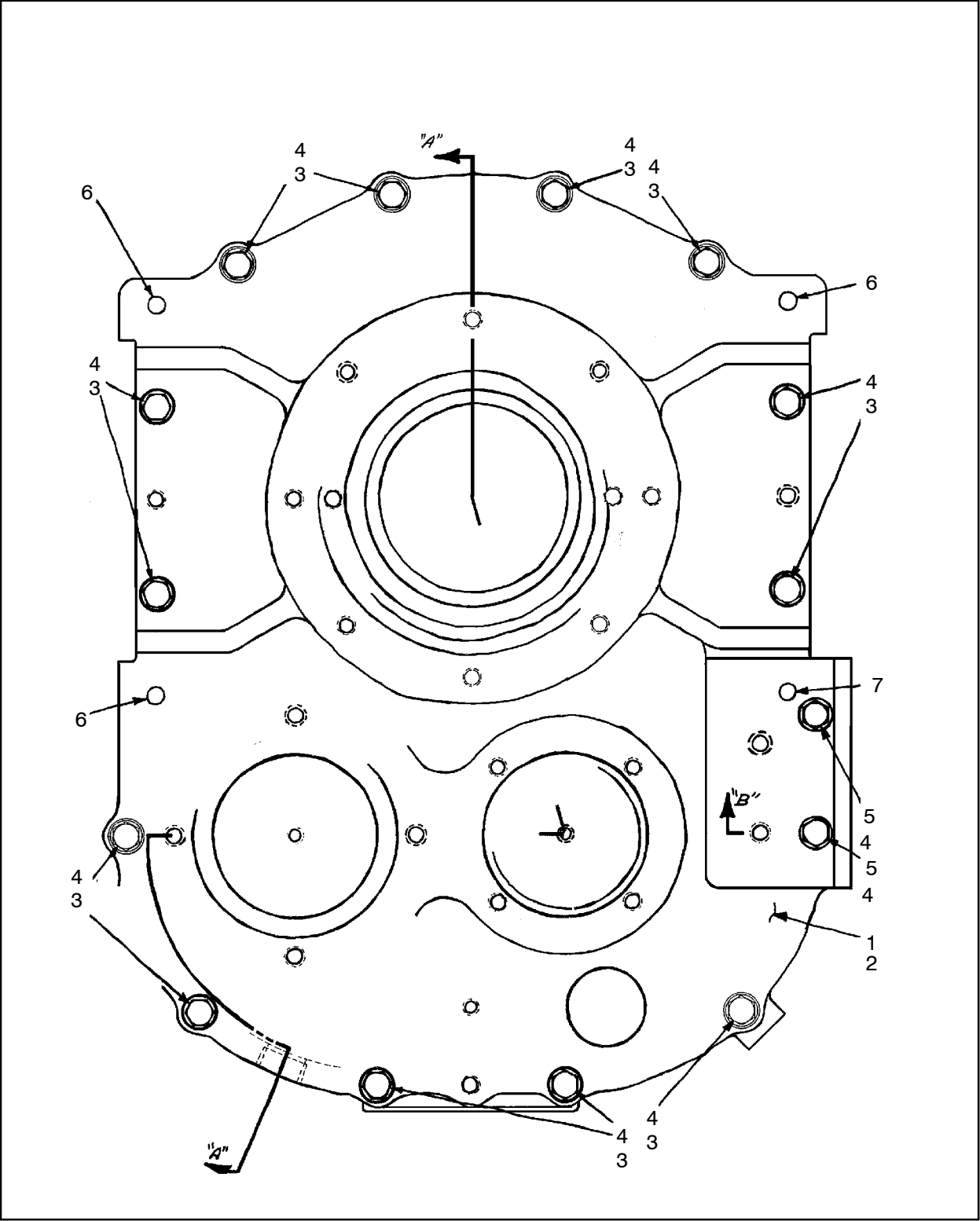


Figure 56 :POWERHEAD MACHINING
E57149031 REV 06

57149031 POWERHEAD MACHINING

| REF. | PART NO. | QTY. | UNIT | DESCRIPTION |
|------|----------|------|------|---------------------------|
| 001 | 57149049 | 1 | EA | CAST HOUSING MACHINING |
| 002 | 57149056 | 1 | EA | CAST COVER PLATE MACHINNG |
| 003 | 95934469 | 13 | EA | SCREW,CAP,HEX |
| 004 | 95934733 | 15 | EA | WASHER,LOCK |
| 005 | 95928958 | 2 | EA | SCREW,CAP,HEX |
| 006 | 95239927 | 3 | EA | PIN,DOWEL |
| 007 | 95287157 | 1 | EA | PIN, DOWEL |

POWERHEAD,DM30 6CI MTR
57570004

54472170 KIT,RETAINING RING

POWERHEAD,DM30 6CI MTR
57570004

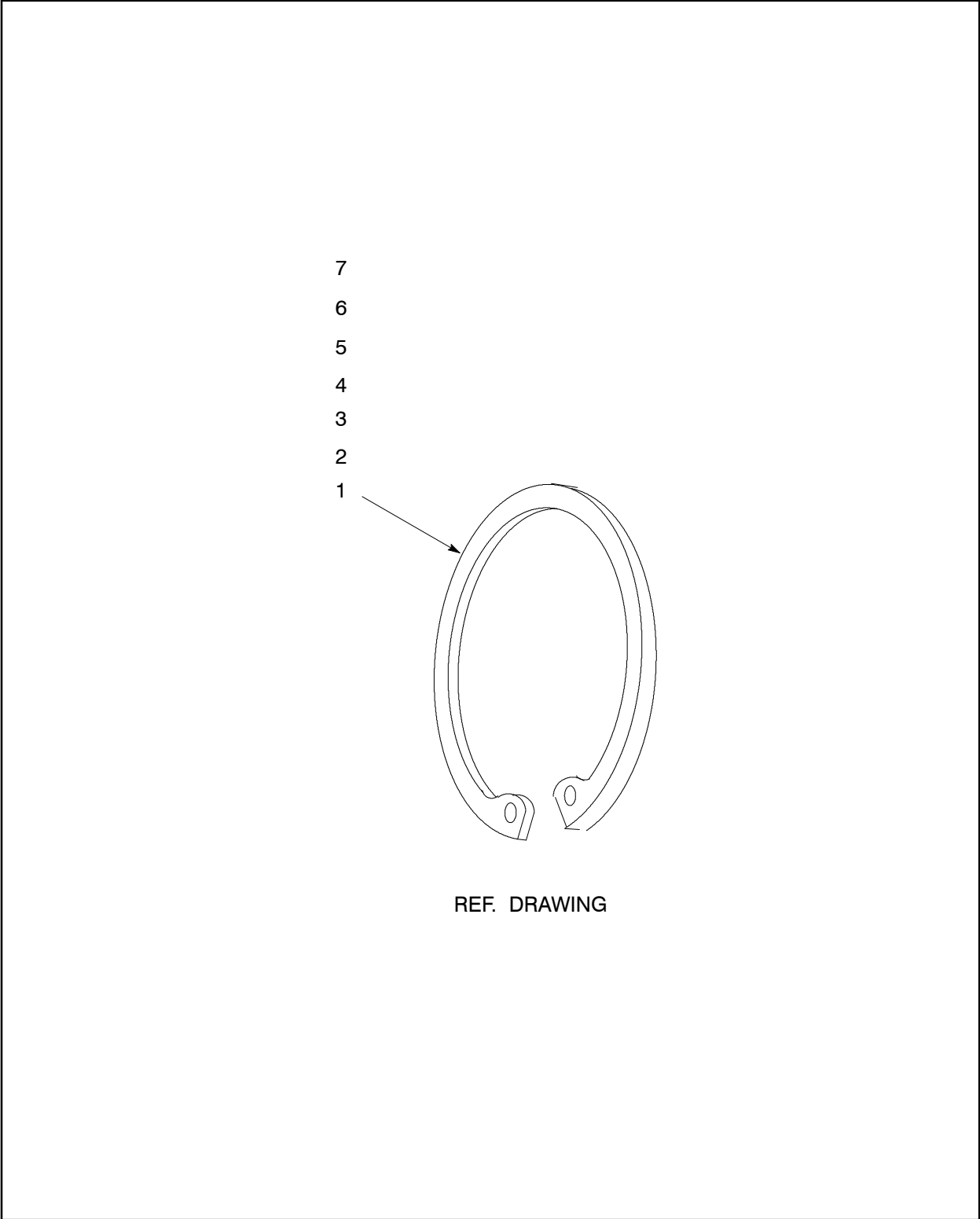


Figure 57 :KIT,RETAINING RING
B57117764 REV 003

54472170 KIT,RETAINING RING

| REF. | PART NO. | QTY. | UNIT | DESCRIPTION |
|------|----------|------|------|----------------|
| 001 | 52155140 | 1 | EA | RING,RETAINING |
| 002 | 52155157 | 1 | EA | RING,RETAINING |
| 003 | 52155165 | 1 | EA | RING,RETAINING |
| 004 | 52204872 | 1 | EA | RING,RETAINING |
| 005 | 52204864 | 1 | EA | RING,RETAINING |
| 006 | 54408299 | 1 | EA | RING,RETAINING |
| 007 | 54472469 | 1 | EA | RING,RETAINING |

POWERHEAD,DM30 6CI MTR
57570004

57169070

ROD CHANGER ASSY.4-5 DIA

ROD CHANGER ASSY.4-5 DIA

57169070

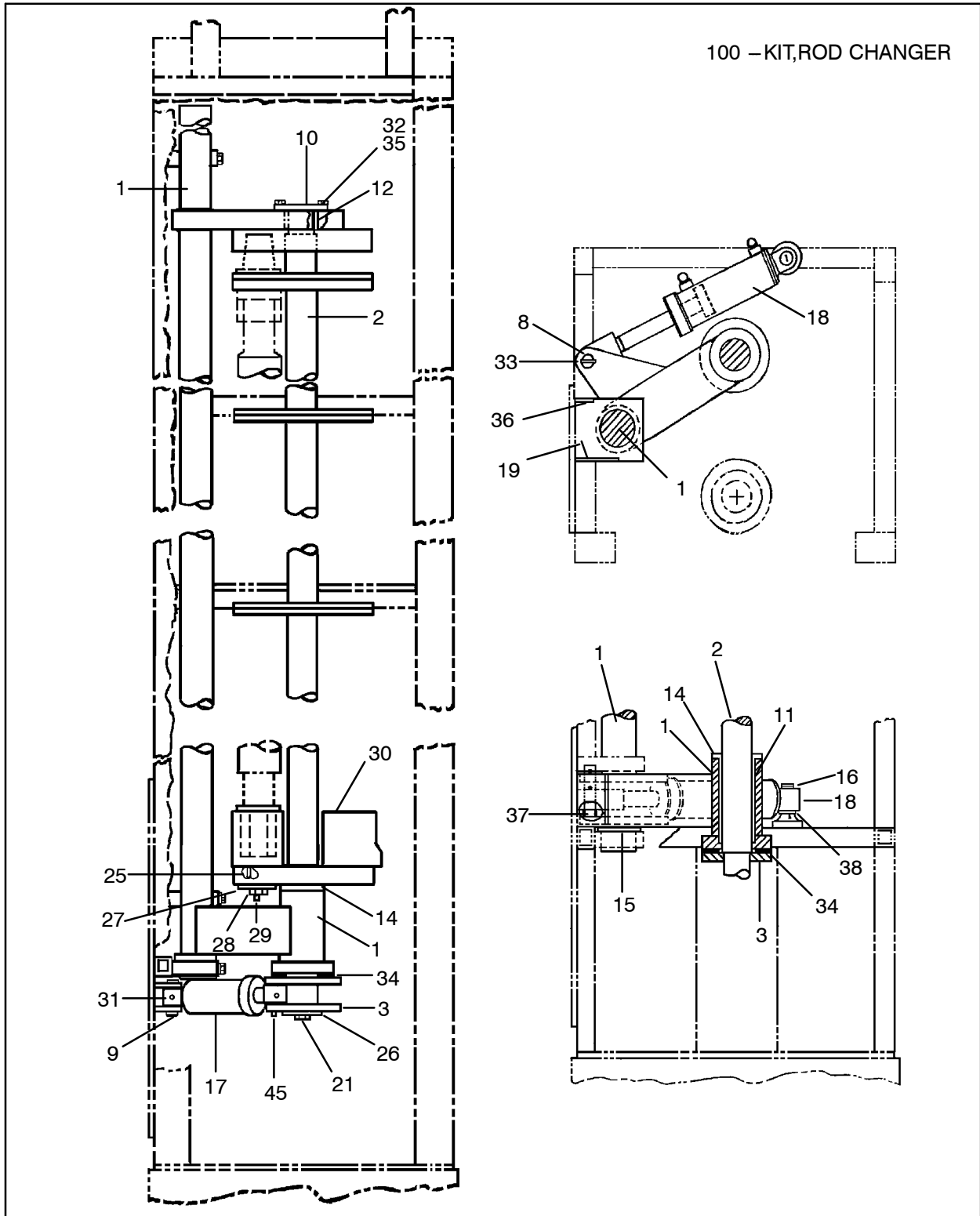
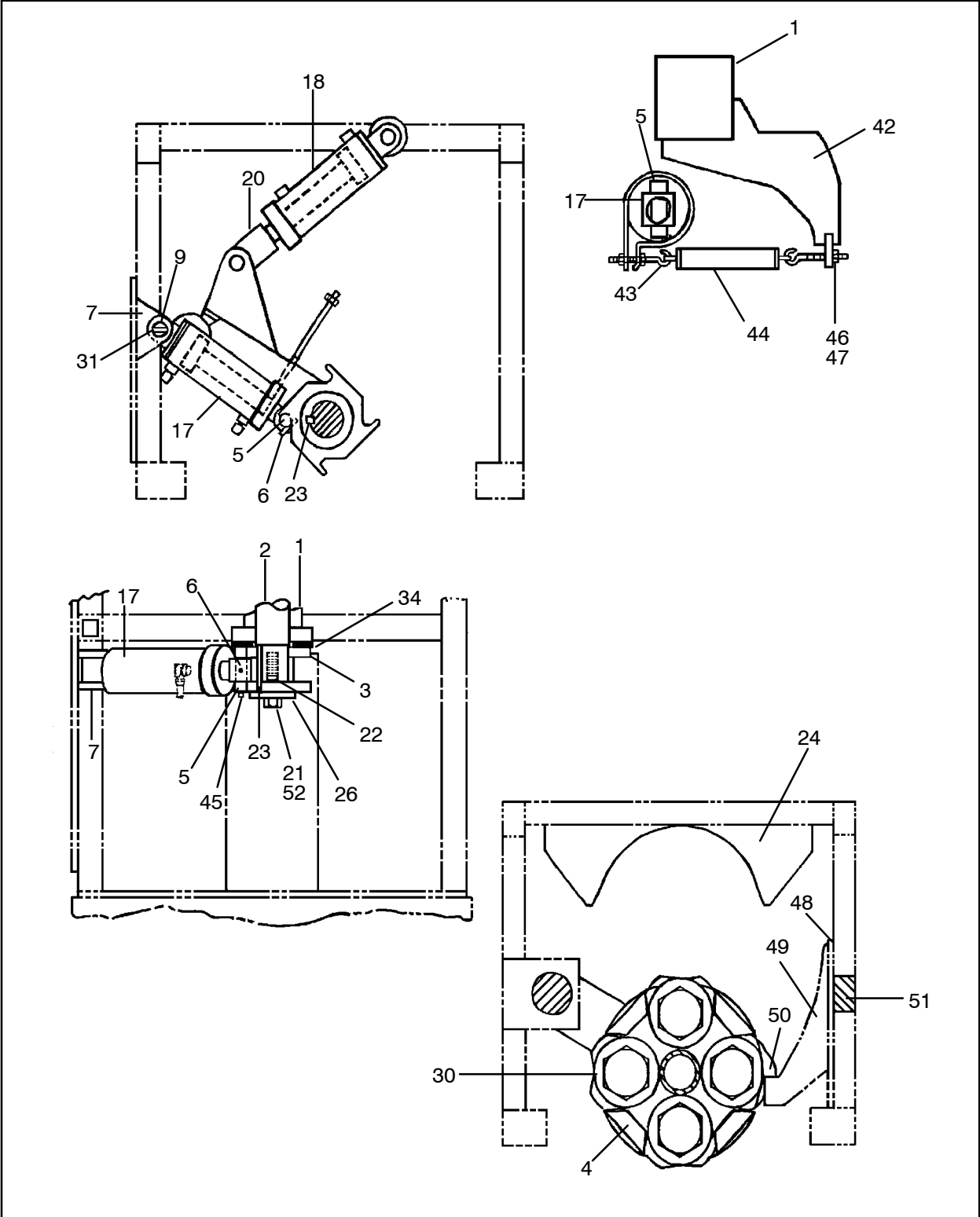


Figure 58 :ROD CHANGER ASSY.4-5 DIA
E57169070 REV 006

57169070 ROD CHANGER ASSY.4-5 DIA



ROD CHANGER ASSY.4-5 DIA
57169070

Figure 59 :ROD CHANGER ASSY.4-5 DIA
E57169070 REV 006

57169070 ROD CHANGER ASSY.4-5 DIA

ROD CHANGER ASSY.4-5 DIA
57169070

| REF. | PART NO. | QTY. | UNIT | DESCRIPTION |
|------|----------|------|------|-------------------------------|
| 001 | 57169393 | 1 | EA | ARM, ROD CHANGER |
| 002 | 57169401 | 1 | EA | SPINDLE, ROD CHGR-4 RODS |
| 003 | 57169419 | 1 | EA | INDEXER,4 ROD CHANGER |
| 004 | 57180358 | 4 | EA | BLOCK, IMPACT-4ROD CHGR. |
| 005 | 50456912 | 1 | EA | PIN |
| 006 | 95340758 | 1 | EA | PIN, DRIV-LOK |
| 007 | 57184517 | 1 | EA | CLEVIS, INDEX CYL. DM30 |
| 008 | 57145963 | 1 | EA | PIN, CAROUSEL SWG.CYLNDR |
| 009 | 57142804 | 1 | EA | PIN, W/HOLES |
| 010 | 57135675 | 1 | EA | PLATE, COVER-BUSHING |
| 011 | 57135279 | 2 | EA | BEARING, BRONZE |
| 012 | 57135287 | 1 | EA | BEARING, BRONZE |
| 014 | 57267577 | 1 | EA | WASHER |
| 015 | 57750523 | 1 | EA | WASHER,THRUST CAROUSEL |
| 016 | 95223376 | 1 | EA | RING,RETAINING |
| 017 | 57620833 | 1 | EA | CYLINDER,INDEXING,DM30 |
| | 57732182 | 1 | EA | ● - KIT,SEAL,CYL,HYDRAULIC |
| 018 | 57135956 | 1 | EA | CYLINDER,HYDRAULIC |
| | 57139206 | 0 | EA | ● - KIT, SEAL (See figure 60) |
| | 54533120 | 1 | EA | ● - KIT,ARCTIC SEAL |
| 019 | 57183576 | 1 | EA | BLOCK, STOP SUPPORT |
| 020 | 56938335 | 1 | EA | EYE,ROD |
| 021 | 95105052 | 1 | EA | SCREW,CAP,HEX |
| 022 | 50415231 | 1 | EA | RING,THREAD LOCKING |
| 023 | 95159232 | 1 | EA | KEY,SQUARE-ROUND ENDS |
| 024 | 57176851 | 1 | EA | SUPPORT, DRILL RODS |
| 025 | 57083479 | 4 | EA | BUSHING, ROD CHUCK-STEEL |
| 026 | 50415249 | 1 | EA | PLATE,KEEPER |
| 027 | 50519560 | 4 | EA | PLATE,ROD CHUCK LOCKING |
| 028 | 50519578 | 4 | EA | BOLT,ROD CHUCK |
| 029 | 95201547 | 5 | EA | FITTING,LUBE |
| 030 | 50245422 | 4 | EA | CHUCK, ROD-4 HEX |
| 031 | 95093399 | 1 | EA | PIN, COTTER-3/16 X 2 |
| 032 | 95934733 | 3 | EA | WASHER,LOCK |
| 033 | 95210852 | 2 | EA | PIN, COTTER |
| 034 | 57141079 | 1 | EA | BRAKE, DISC |
| 035 | 95934659 | 3 | EA | SCREW,CAP,HEX |

57169070 ROD CHANGER ASSY.4-5 DIA

| REF. | PART NO. | QTY. | UNIT | DESCRIPTION |
|------|----------|------|------|----------------------------|
| 036 | 57143786 | 1 | EA | PLATE, SUPPORT DM30 |
| 037 | 57143836 | 2 | EA | TUBING, MECHANICAL |
| 038 | 95094280 | 1 | EA | WASHER, FLAT-1-1/4 |
| 042 | 57170706 | 1 | EA | BRACKET, 4 ROD INDEXER |
| 043 | 50344191 | 1 | EA | BOLT, EYE |
| 044 | 50456938 | 1 | EA | SPRING |
| 045 | 95208971 | 1 | EA | FITTING, LUBE-90 DEG |
| 046 | 95934766 | 1 | EA | WASHER, LOCK, HELICAL |
| 047 | 95931564 | 1 | EA | NUT, HEX, FINISHED |
| 048 | 57185811 | 1 | EA | PLATE, CAROUSEL LOCK |
| 049 | 57184822 | 1 | EA | STOP, CAROUSEL-4 ROD |
| 050 | 57184814 | 4 | EA | BLOCK, STOP-CAROUSEL |
| 051 | 57184806 | 1 | EA | SUPPORT, CAROUSEL LOCK |
| 052 | 95934717 | 1 | EA | LOCKWASHER, SPRING, PLATED |
| 100 | 57169112 | 0 | EA | KIT, ROD CHANGER 4-5 DIA |

ROD CHANGER ASSY.4-5 DIA

57169070

57139206

KIT, SEAL

ROD CHANGER ASSY.4--5 DIA
57169070

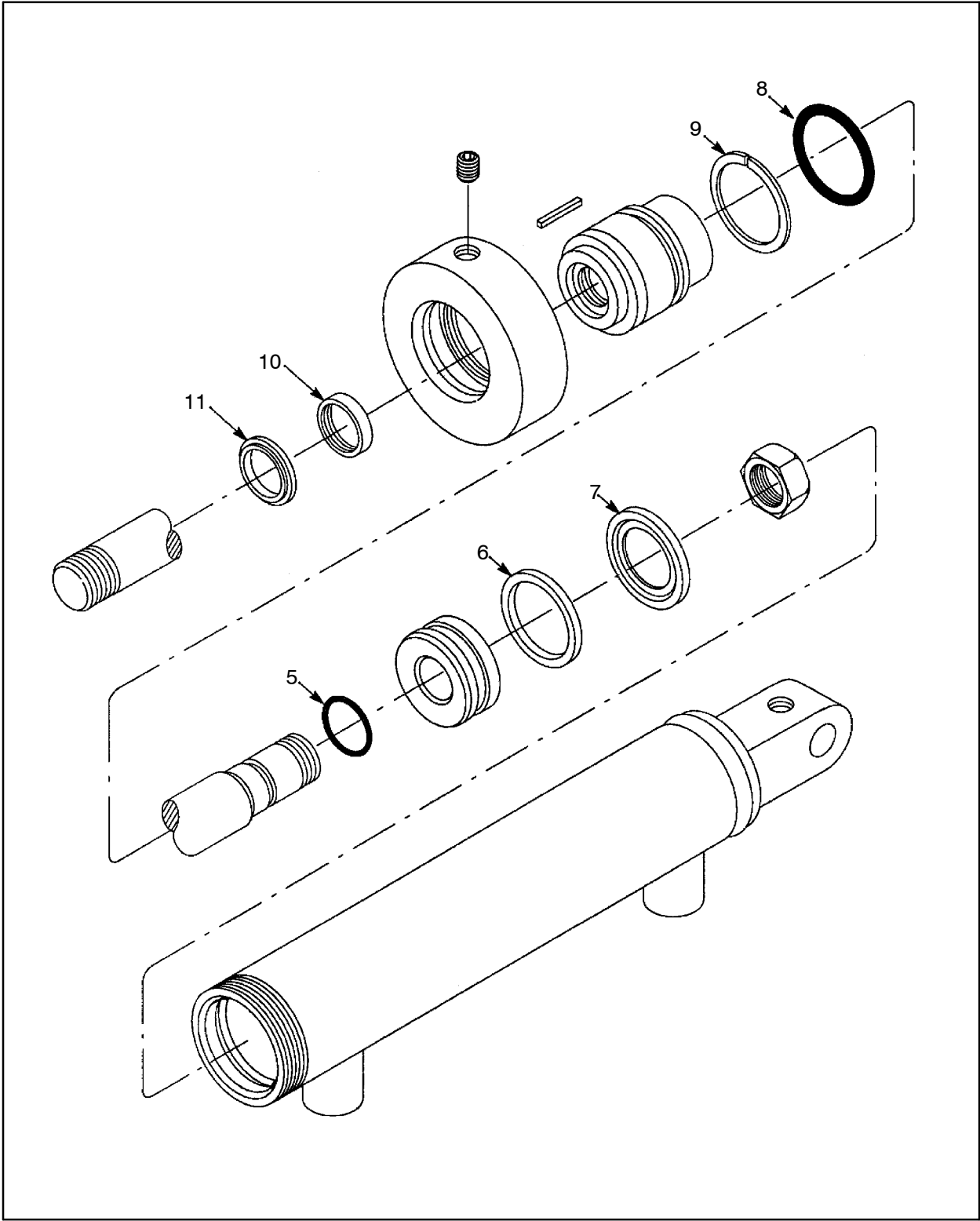


Figure 60 :KIT, SEAL
D57135956 REV 001

57139206 KIT, SEAL

| REF. | PART NO. | QTY. | UNIT | DESCRIPTION |
|------|----------|------|------|---------------|
| 005 | 57163420 | 1 | EA | O-RING |
| 006 | 57163438 | 2 | EA | CROWN SEAL |
| 007 | 57363988 | 1 | EA | RING, BACK UP |
| 008 | 57163511 | 1 | EA | O-RING |
| 009 | 57163529 | 1 | EA | RING, BACK UP |
| 010 | 57163453 | 1 | EA | U-CUP |
| 011 | 59322677 | 1 | EA | WIPER |

ROD CHANGER ASSY.4--5 DIA
57169070

57345472 PIPING,ROD HOLDER-5

PIPING,ROD HOLDER-5

57345472

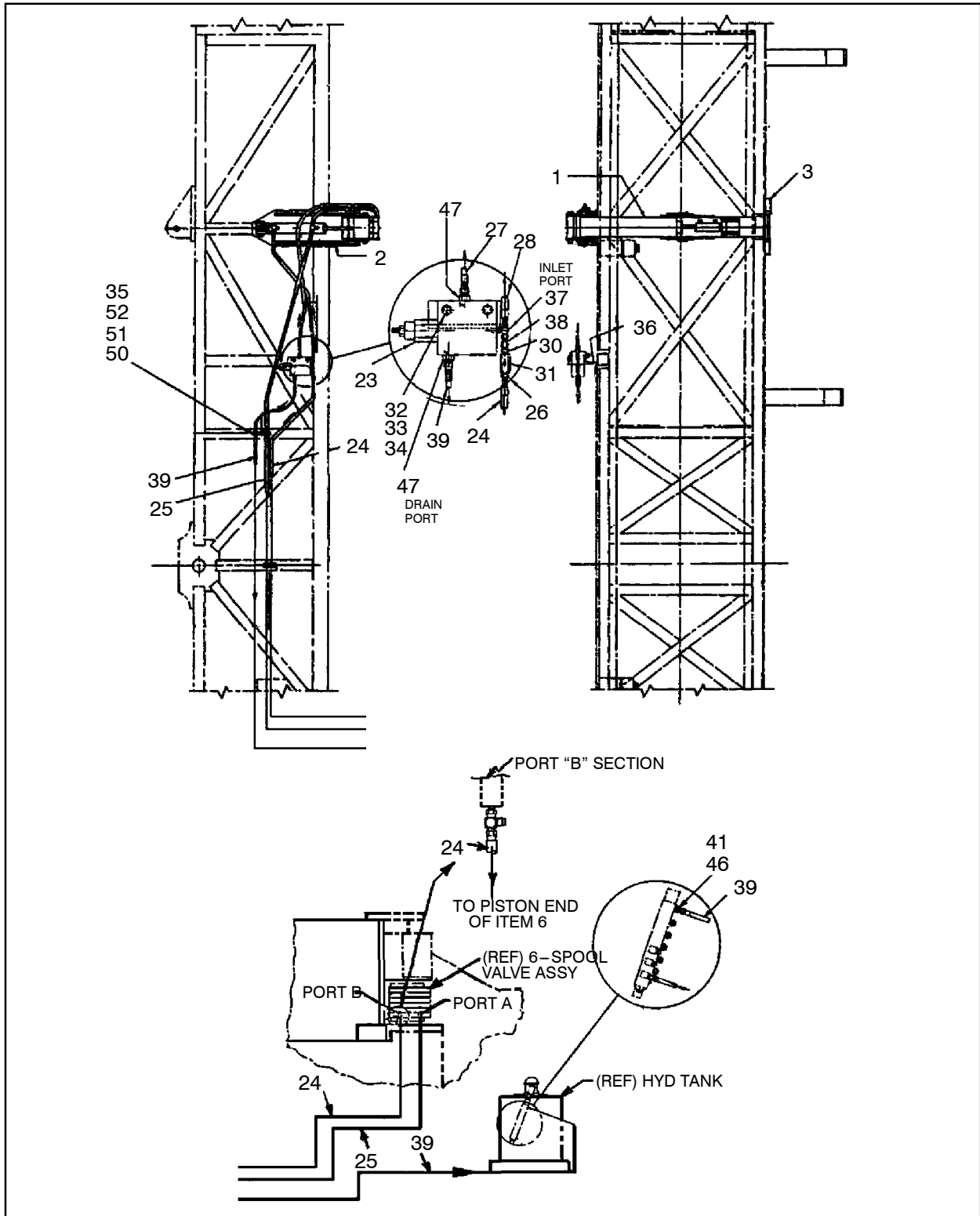
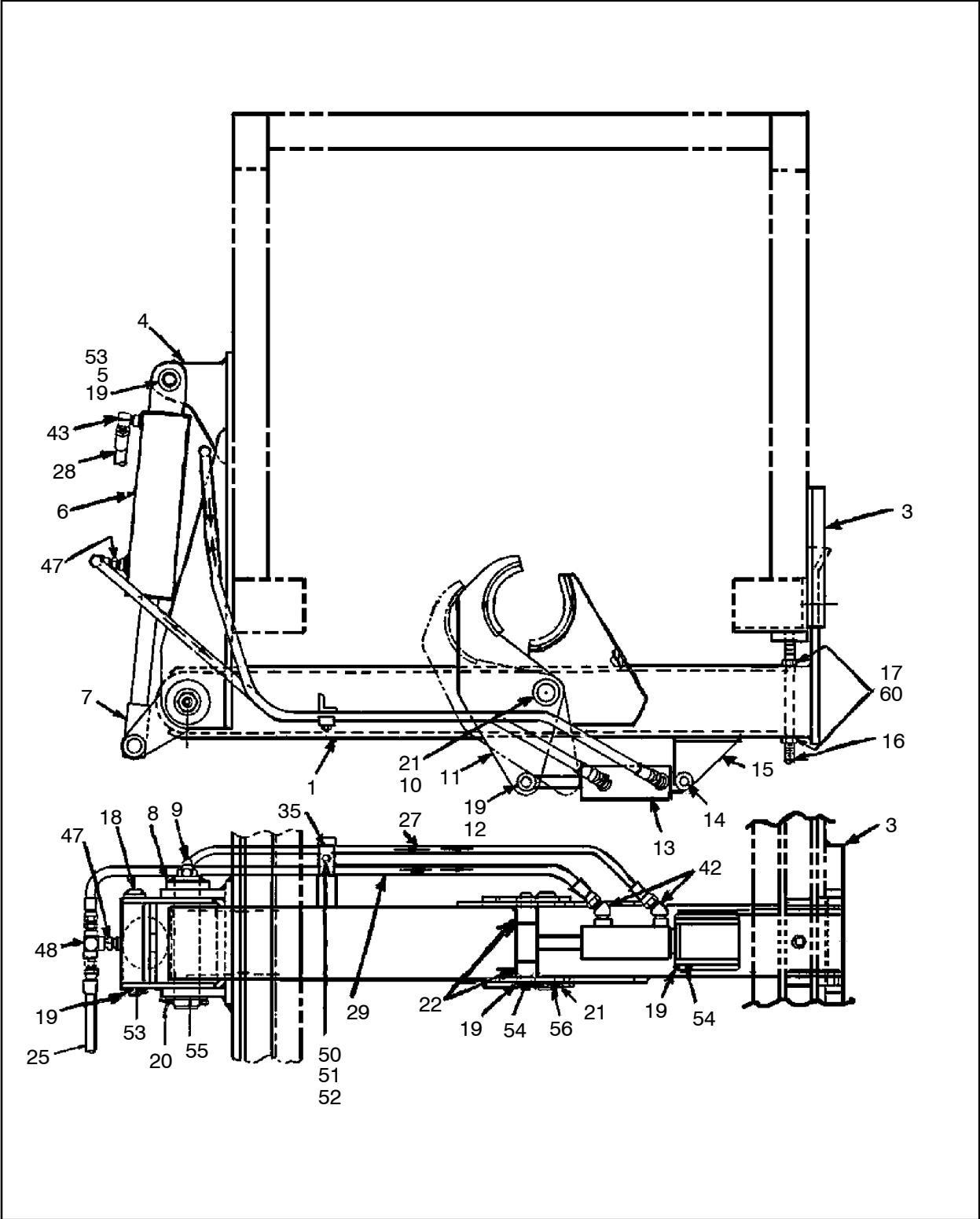


Figure 61 :PIPING,ROD HOLDER-5
 D57345472 REV 004

57345472 PIPING,ROD HOLDER-5



PIPING,ROD HOLDER-5
57345472

Figure 62 :PIPING,ROD HOLDER-5
D57345472 REV 004

57345472 PIPING,ROD HOLDER-5

PIPING,ROD HOLDER-5
57345472

| REF. | PART NO. | QTY. | UNIT | DESCRIPTION |
|------|----------|------|------|----------------------------|
| 001 | 57345480 | 1 | EA | ARM, SUPPORT-ANGLE DRILL |
| 002 | 56955586 | 1 | EA | SUPPORT |
| 003 | 57144933 | 1 | EA | GUIDE, PIVOT ARM |
| 004 | 56957053 | 1 | EA | SUPPORT, CYLINDER |
| 005 | 56957400 | 1 | EA | PIN |
| 006 | 57367088 | 1 | EA | CYLINDER, HYDRAULIC |
| | 56968464 | 1 | EA | ● - KIT,SEAL |
| 007 | 56954761 | 1 | EA | END, ROD |
| 008 | 56957384 | 1 | EA | PIN |
| 009 | 95201547 | 1 | EA | FITTING,LUBE |
| 010 | 56957574 | 1 | EA | PIN |
| 011 | 57345506 | 1 | EA | HOLDER, ANGLE-DRILLROD |
| 012 | 57345514 | 1 | EA | PIN, ROD END-CLAMP CYL. |
| 013 | 57345522 | 1 | EA | CYLINDER, HYDRAULIC |
| | 57349193 | 1 | EA | ● - KIT,SEAL CYLINDER HYD. |
| 014 | 57345530 | 1 | EA | PIN, BASE END-CLAMP CYL. |
| 015 | 57345548 | 1 | EA | CLEVIS, CYL-PISTON END |
| 016 | 57171332 | 1 | EA | ROD, ALL THD. |
| 017 | 95922902 | 2 | EA | NUT,HEX,FINISHED,PLATED |
| 018 | 56957392 | 1 | EA | PIN |
| 019 | 95002697 | 4 | EA | PIN, COTTER |
| 020 | 95093399 | 1 | EA | PIN, COTTER-3/16 X 2 |
| 021 | 95200077 | 1 | EA | PIN, COTTER-1/8 X 1-1/2 |
| 022 | 57345555 | 2 | EA | SPACER |
| 023 | 57722738 | 1 | EA | VALVE,SEQUENCE,SUN |
| 024 | 56968084 | 3 | EA | HOSE ASSY |
| 025 | 56956972 | 1 | EA | HOSE ASSY |
| 026 | 95316972 | 1 | EA | CONNECTOR,MALE,37 DEG |
| 027 | 57005654 | 1 | EA | HOSE ASSY |
| 028 | 56949399 | 1 | EA | HOSE ASSY |
| 029 | 56954043 | 1 | EA | HOSE ASSY |
| 030 | 95377156 | 1 | EA | NIPPLE,NPTF DRYSEAL |
| 031 | 50459486 | 1 | EA | ORIFICE, .038 |
| 032 | 95935128 | 2 | EA | SCREW, CAP-3/8-16 X 2 |
| 033 | 95937413 | 2 | EA | WASHER,LOCK,HELICAL |
| 034 | 95922894 | 2 | EA | NUT,HEX,FINISHED |
| 035 | 50034826 | 6 | EA | CLAMP,HOSE,HALF |

57345472 PIPING,ROD HOLDER-5

| REF. | PART NO. | QTY. | UNIT | DESCRIPTION |
|------|----------|------|------|--------------------------|
| 036 | 57684029 | 1 | EA | ANGLE, W/HOLES |
| 037 | 95431284 | 1 | EA | FITTING, HYD-ORING/JIC |
| 038 | 58167842 | 1 | EA | FITTING, HYD |
| 039 | 56968084 | 1 | EA | HOSE ASSY |
| 041 | 95219713 | 1 | EA | CONNECTOR, MALE, 37 DEG. |
| 042 | 95363339 | 2 | EA | ADAPTER, 45DEG-ORING/JIC |
| 043 | 95329975 | 1 | EA | ELBOW, 90 DEG STRT THRD |
| 046 | 95037446 | 1 | EA | BUSHING, PIPE |
| 047 | 95365078 | 3 | EA | CONNECTOR, STRT THRD |
| 048 | 56922206 | 1 | EA | FITTING, HYD |
| 050 | 95920724 | 6 | EA | SCREW, CAP-1/4-20 X1-1/2 |
| 051 | 95931564 | 6 | EA | NUT, HEX, FINISHED |
| 052 | 95934766 | 6 | EA | WASHER, LOCK, HELICAL |
| 053 | 95200093 | 2 | EA | WASHER, FLAT |
| 054 | 95064697 | 2 | EA | WASHER, FLAT 1/2 |
| 055 | 95234449 | 1 | EA | WASHER, FLAT-1-1/2 |
| 056 | 95081709 | 1 | EA | WASHER, FLAT-1 |
| 060 | 95934733 | 2 | EA | WASHER, LOCK |

PIPING,ROD HOLDER-5

57345472

57168437

BREAKOUT-5.0 DIA DM30

BREAKOUT-5.0 DIA DM30

57168437

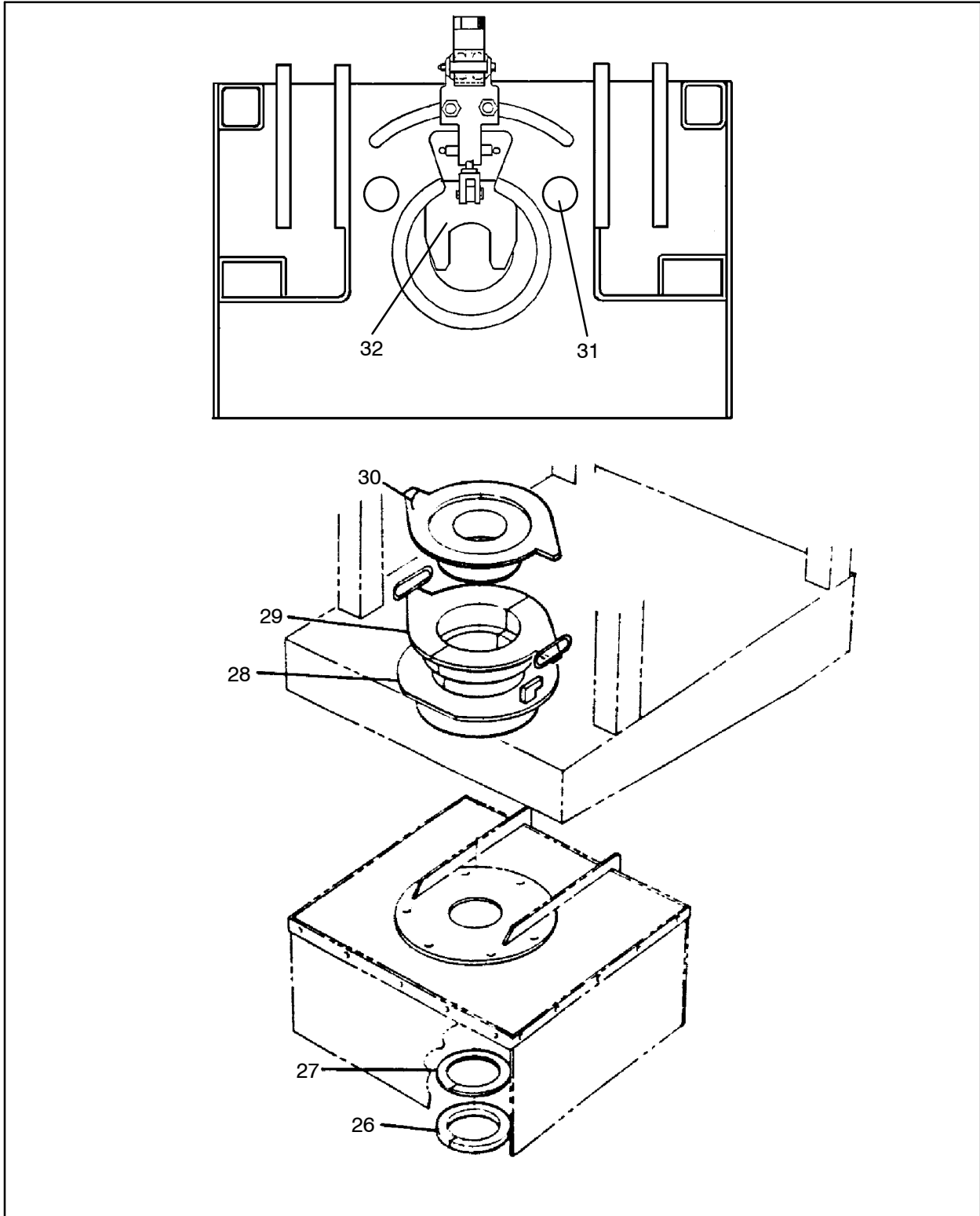


Figure 63 :BREAKOUT-5.0 DIA DM30
D57136673 REV04

57168437 BREAKOUT – 5.0 DIA DM30

| REF. | PART NO. | QTY. | UNIT | DESCRIPTION |
|------|----------|------|------|---|
| 026 | 57168403 | 1 | EA | WIPER,PIPE 5 DIA. |
| 027 | 57154866 | 1 | EA | GASKET,DRILL ROD 5 DIA. |
| 028 | 57136624 | 1 | EA | CENTRALIZER |
| 029 | 57136640 | 1 | EA | BUSHING,SPLIT – DHD360 |
| 030 | 57142085 | 1 | EA | BUSHING,CENT – 5 ROD |
| 031 | 56987787 | 2 | EA | BAR, ROUND |
| 032 | 50350602 | 1 | EA | BREAKOUT ASSY,AUTO – 4.5/5 <i>(See figure 64)</i> |

BREAKOUT – 5.0 DIA DM30

57168437

50350602 BREAKOUT ASSY,AUTO-4.5/5

BREAKOUT-5.0 DIA DM30
57168437

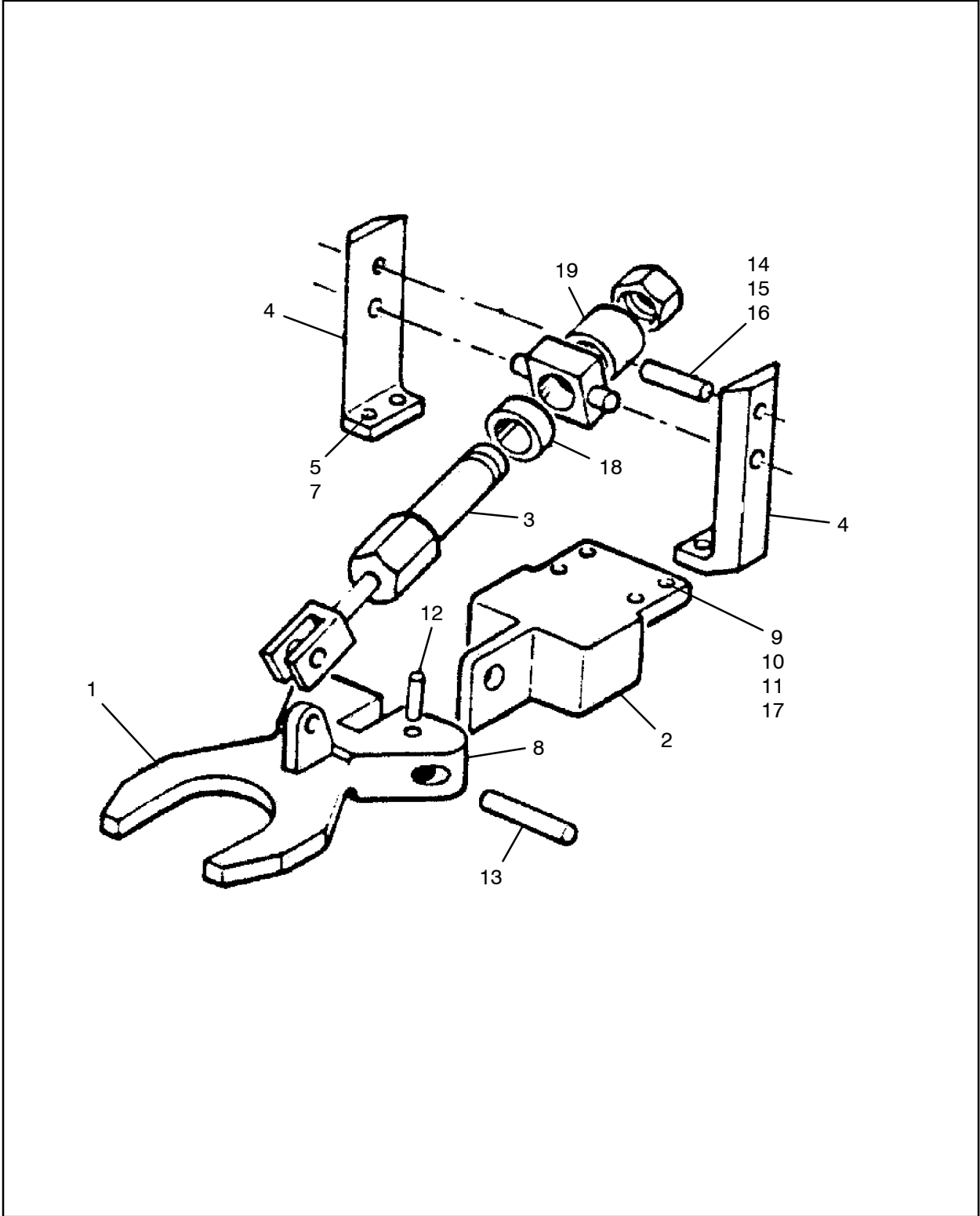


Figure 64 :BREAKOUT ASSY,AUTO-4.5/5
E50350594 REV 10

50350602 BREAKOUT ASSY,AUTO-4.5/5

| REF. | PART NO. | QTY. | UNIT | DESCRIPTION |
|------|----------|------|------|---------------------------|
| 001 | 50348309 | 1 | EA | FORK CHUCK-3.5 FLATS |
| | 50380781 | 1 | EA | ●- CHUCK,ROD-CASTING |
| 002 | 50422997 | 1 | EA | GUIDE, SLIDING |
| | 50383017 | 1 | EA | ●- GUIDE |
| 003 | 50345636 | 1 | EA | CYLINDER, AIR |
| | 50416502 | 1 | EA | ●- SERVICE KIT |
| | 50815356 | 1 | EA | ●- ADJ GLAND |
| | 57415382 | 1 | EA | ●- ROD & PISTON ASSY-CYL. |
| 004 | 50350461 | 2 | EA | ANGLE, CYLINDER |
| 005 | 95494563 | 4 | EA | SCREW, CAP-1/2-13 X2-1/4 |
| 007 | 95077798 | 4 | EA | NUT, HEX-1/2-13 |
| 008 | 95201299 | 1 | EA | FITTING |
| 009 | 95402996 | 2 | EA | SCREW,CAP |
| 010 | 95081642 | 2 | EA | WASHER, FLAT-1 |
| 011 | 95076899 | 2 | EA | NUT, HEX JAM-1-8 |
| 012 | 95338604 | 2 | EA | PIN, ROLL-1/2 X 3-1/4 |
| 013 | 50345677 | 1 | EA | PIN |
| 014 | 95104303 | 1 | EA | SCREW, CAP-1/2-13 X 5 |
| 015 | 50350644 | 1 | EA | SPACER |
| 016 | 95321204 | 1 | EA | NUT, HEX JAM-1/2-13 |
| 017 | 50462514 | 1 | EA | PLATE, MOUNTING |
| 018 | 50696251 | 1 | EA | SLEEVE |
| 019 | 50696269 | 1 | EA | SLEEVE |

BREAKOUT-5.0 DIA DM30

57168437

57097677 WRENCH, POWER BREAKOUT

WRENCH, POWER BREAKOUT
57097677

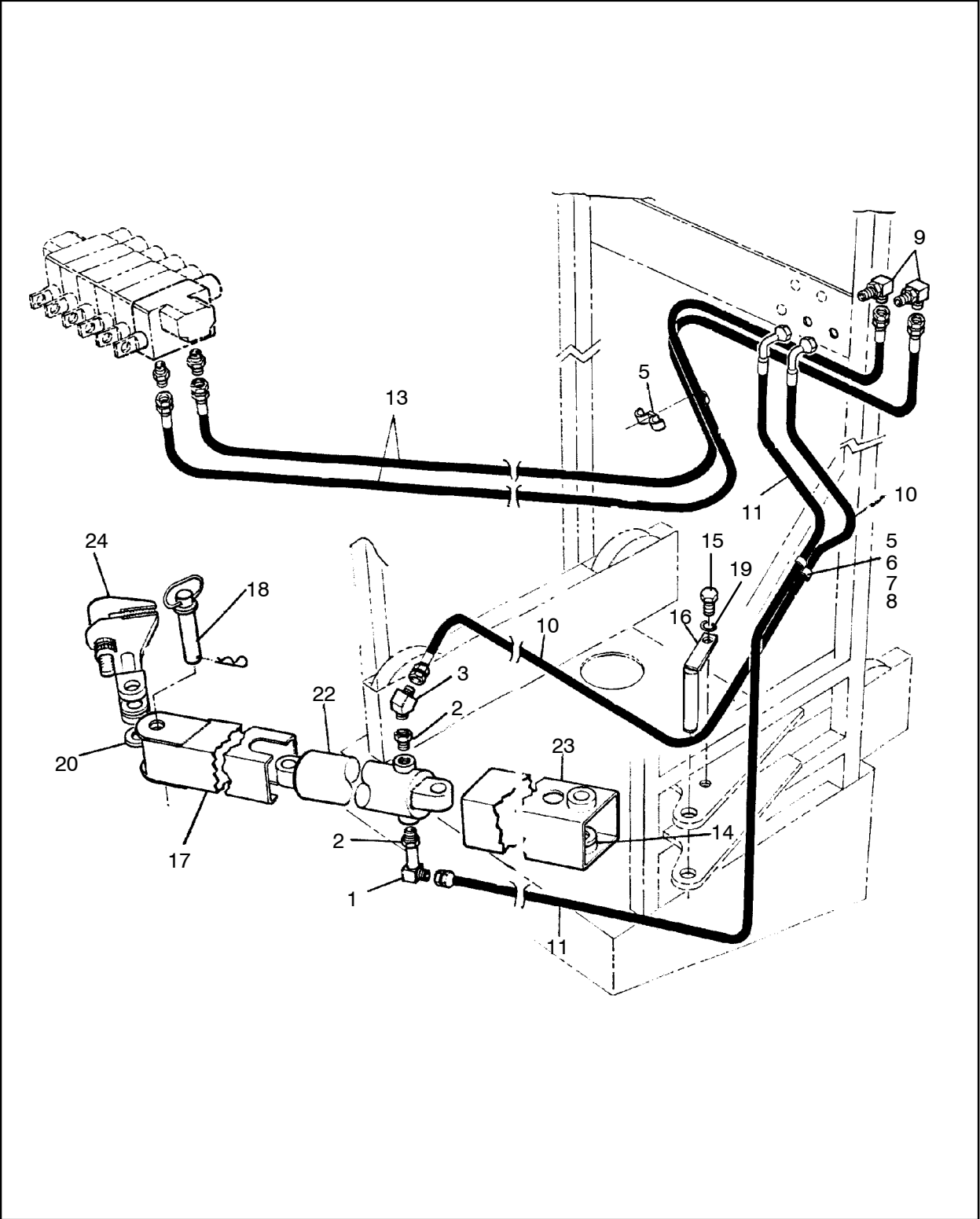


Figure 65 :WRENCH, POWER BREAKOUT
D57097677 REV 001

57097677 WRENCH, POWER BREAKOUT

| REF. | PART NO. | QTY. | UNIT | DESCRIPTION |
|------|----------|------|------|----------------------------|
| 001 | 95381380 | 1 | EA | FITTING, HYD |
| 002 | 95775623 | 2 | EA | FITTING, HYD |
| 003 | 95279097 | 1 | EA | FITTING, HYD |
| 005 | 50034826 | 4 | EA | CLAMP, HOSE, HALF |
| 006 | 95934568 | 2 | EA | SCREW, CAP, HEX |
| 007 | 95931564 | 2 | EA | NUT, HEX, FINISHED |
| 008 | 95934766 | 2 | EA | WASHER, LOCK, HELICAL |
| 009 | 95278966 | 2 | EA | FITTING, HYD |
| 010 | 56994536 | 1 | EA | HOSE ASSY |
| 011 | 57020398 | 1 | EA | HOSE ASSY |
| 013 | 56959836 | 2 | EA | HOSE ASSY |
| 014 | 56949365 | 1 | EA | SPACER |
| 015 | 95934550 | 1 | EA | SCREW, CAP, HEX |
| 016 | 56932510 | 1 | EA | PIN ASSY |
| 017 | 56932395 | 1 | EA | MOUNT |
| 018 | 57013823 | 1 | EA | PIN, HITCH |
| 019 | 95937413 | 1 | EA | WASHER, LOCK, HELICAL |
| 020 | 56968399 | 2 | EA | SPACER |
| 022 | 57155988 | 1 | EA | CYL, WRENCH 760-80 |
| 023 | 56932387 | 1 | EA | MOUNT |
| | 56948649 | 2 | EA | ● - BAR ROUND |
| 024 | 57276578 | 1 | EA | WRENCH, PIPE- ALTERATION |
| | 56942030 | 1 | EA | ● - WRENCH, PIPE-48 6 CAP. |
| | 57094674 | 1 | EA | ● - JAW, HOOK |
| | 57094682 | 1 | EA | ● - JAW, HEEL |

(See figure 66)

WRENCH, POWER BREAKOUT 57097677

57155988 CYL,WRENCH 760-80

2 - NOT SHOWN

WRENCH, POWER BREAKOUT
57097677

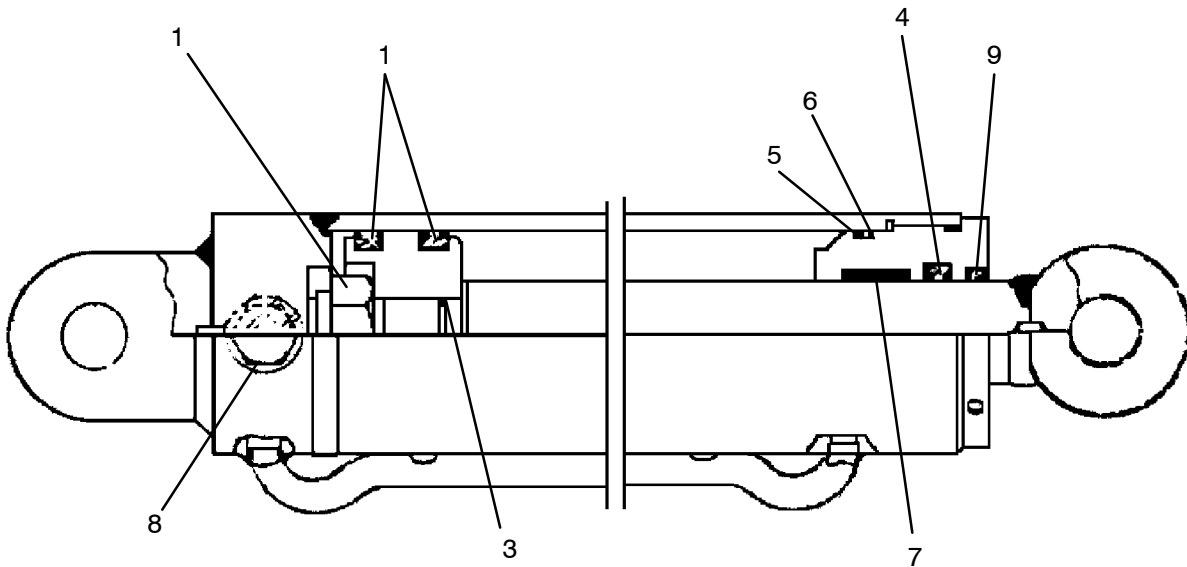


Figure 66 :CYL,WRENCH 760-80
D57155988 REV00

57155988 CYL,WRENCH 760-80

| REF. | PART NO. | QTY. | UNIT | DESCRIPTION |
|------|----------|------|------|--------------------------|
| 001 | 56998503 | 1 | EA | NUT, LOCK |
| 001 | 59752063 | 2 | EA | U-CUP |
| 002 | 57156549 | 1 | EA | KIT,WRNCH CYL SEAL 760-8 |
| 003 | 57163420 | 1 | EA | O-RING |
| 004 | 57163453 | 1 | EA | U-CUP |
| 005 | 57163511 | 1 | EA | O-RING |
| 006 | 57163529 | 1 | EA | RING, BACK UP |
| 007 | 57163537 | 2 | EA | WEAR RING |
| 008 | 57249500 | 2 | EA | PORT PLUG |
| 009 | 59322677 | 1 | EA | WIPER |

WRENCH, POWER BREAKOUT
57097677

57032880 SPINDLE SUB-4.5/3.5R-19

SPINDLE SUB-4.5/3.5R-19
57032880

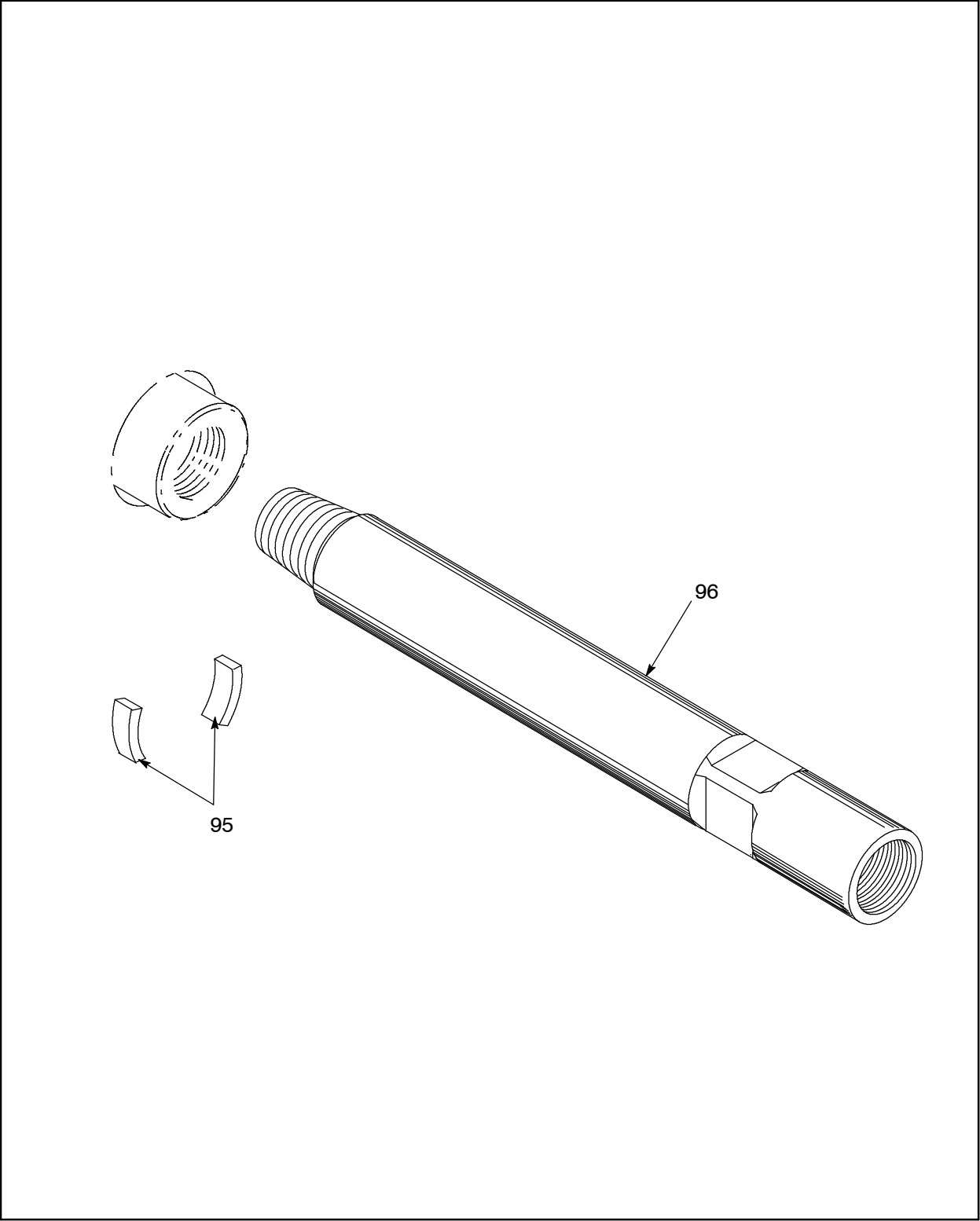


Figure 67 :SPINDLE SUB-4.5/3.5R-19
W346253 REV 029

57032880 SPINDLE SUB-4.5/3.5R-19

| REF. | PART NO. | QTY. | UNIT | DESCRIPTION |
|------|----------|------|------|--------------------|
| 095 | 50628007 | 2 | EA | LOCK, SPINDLE |
| 096 | 57032872 | 1 | EA | ADAPTER, DRILL ROD |

SPINDLE SUB-4.5/3.5R-19
57032880

57363871 SPINDLE SUB,FLOAT. – 5

999 – NOT SHOWN

SPINDLE SUB,FLOAT. – 5
57363871

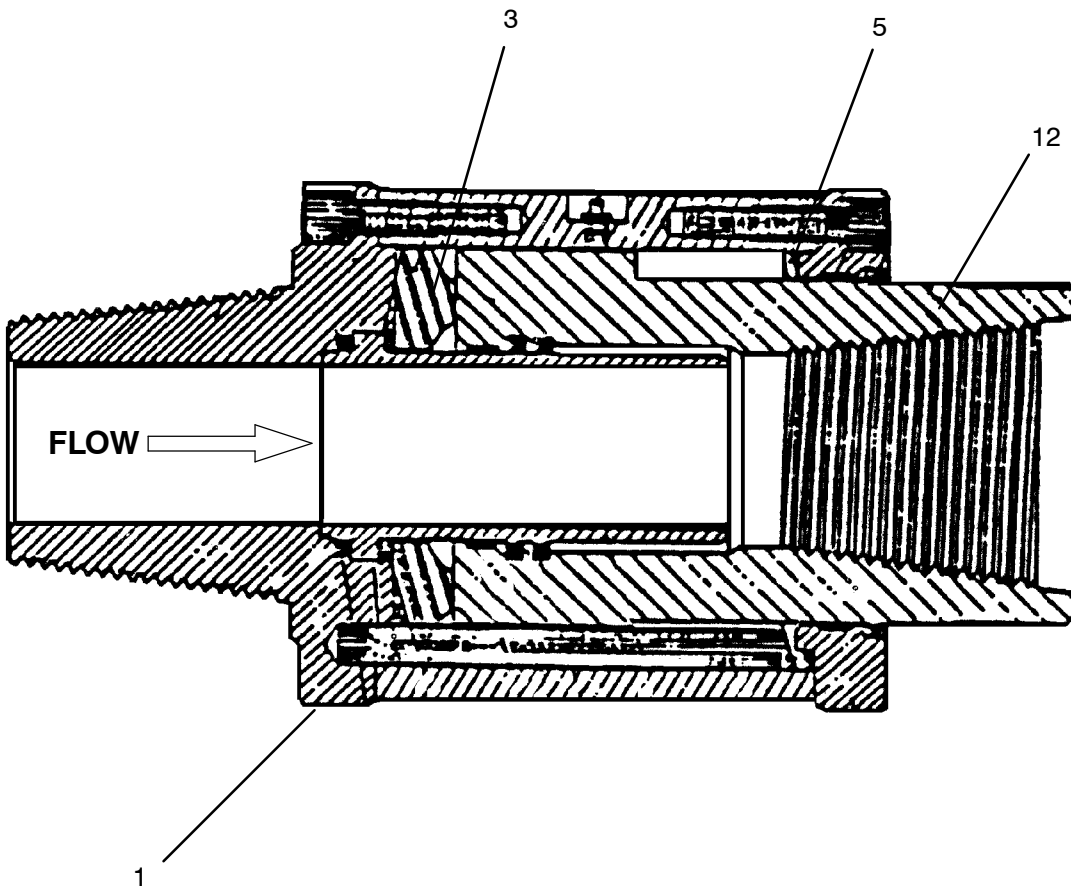


Figure 68 :SPINDLE SUB,FLOAT. – 5
B57363871 REV 02

57363871 SPINDLE SUB,FLOAT. – 5

| REF. | PART NO. | QTY. | UNIT | DESCRIPTION |
|------|----------|------|------|----------------------------|
| 001 | 57363806 | 1 | EA | SPINDLE SUB – FLOATING,5 |
| 003 | 57095036 | 1 | EA | CUSHION, SUB – UPPER |
| 005 | 57095044 | 1 | EA | CUSHION, SUB – LOWER |
| 012 | 57307373 | 1 | EA | PISTON – 5 ODX31/2APIREGPN |
| 999 | 57095051 | 1 | EA | SEAL KIT, FLOATING SUB |

SPINDLE SUB,FLOAT. – 5
57363871

57136434

TOWER,ASSM,DM30

TOWER,ASSM,DM30

57136434

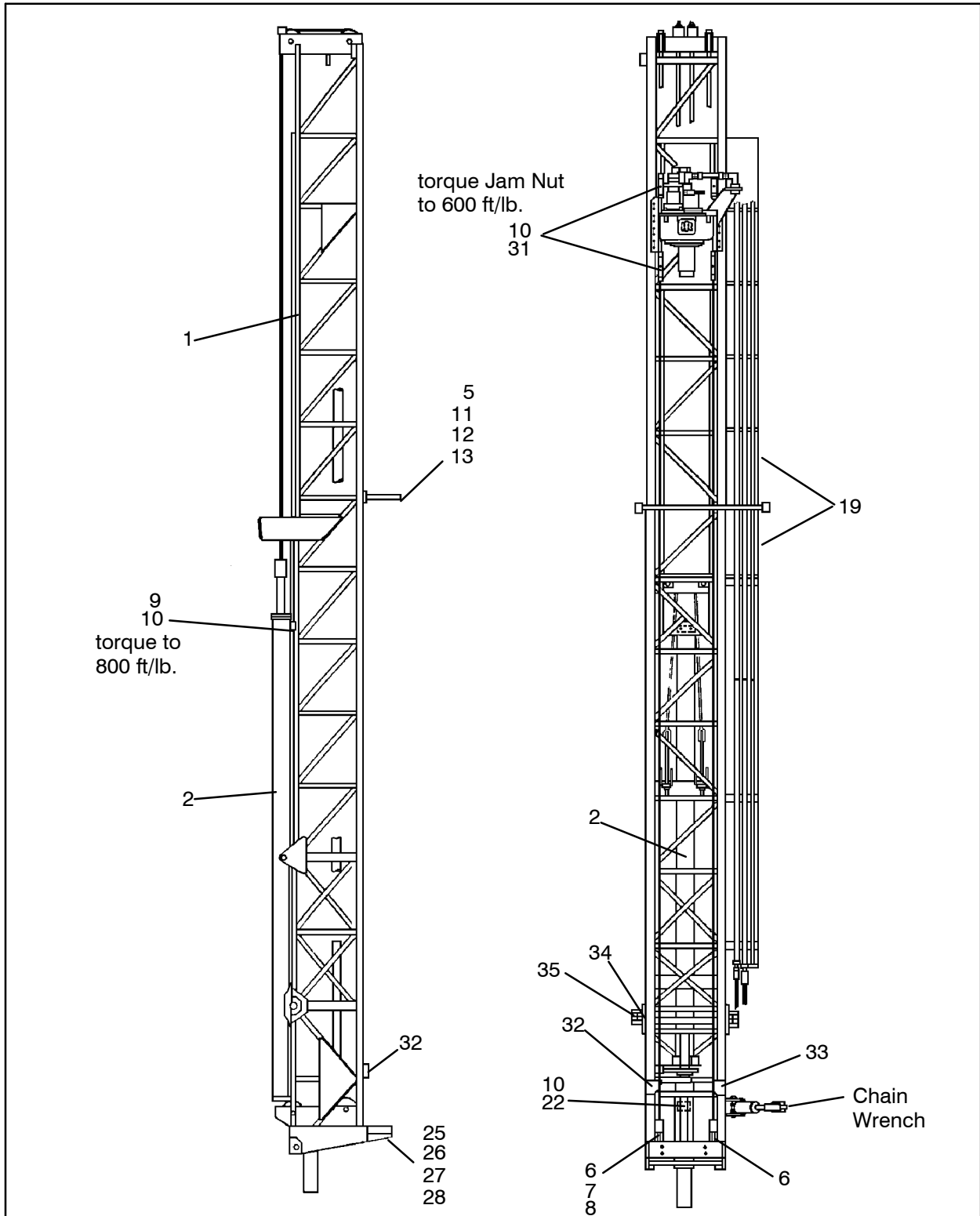
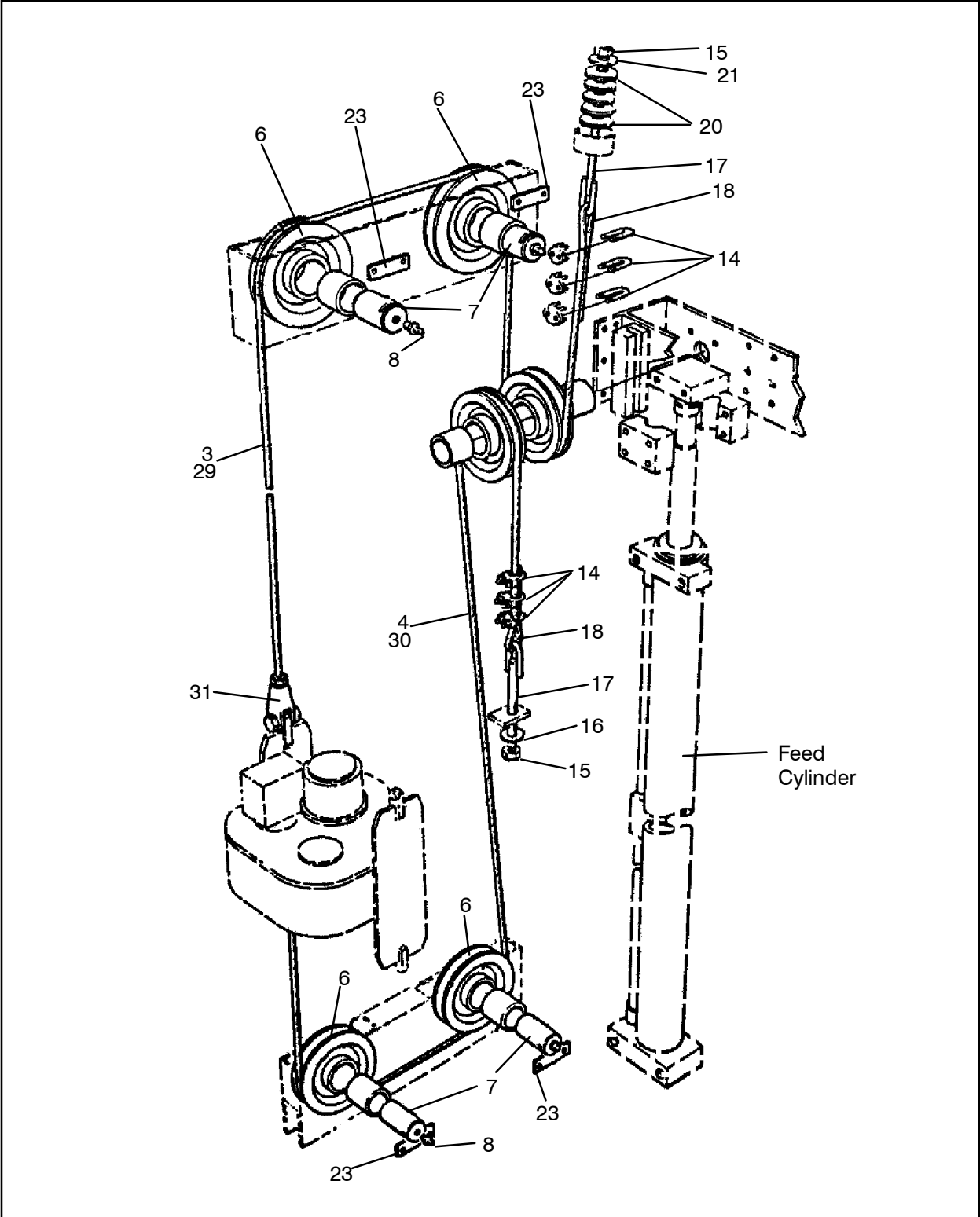


Figure 69 :TOWER,ASSM,DM30
D57136434 REV 006

57136434 TOWER,ASSM,DM30



TOWER,ASSM,DM30
57136434

Figure 70 :TOWER,ASSM,DM30
D57136434 REV 006

57136434 TOWER,ASSM,DM30

TOWER,ASSM,DM30
57136434

| REF. | PART NO. | QTY. | UNIT | DESCRIPTION | |
|------|----------|-------|------|------------------------------|-----------------|
| 001 | 57144453 | 1 | EA | TOWER,WELDMENT | (See figure 71) |
| 002 | 57136426 | 1 | EA | FEED CYLINDER ASSY | (See figure 72) |
| 003 | 58143348 | 72.00 | FT | WIRE ROPE-3/4 BULK | |
| 004 | 58143348 | 62.00 | FT | WIRE ROPE-3/4 BULK | |
| 005 | 95922894 | 8 | EA | NUT,HEX,FINISHED | |
| 006 | 57057606 | 8 | EA | SHEAVE | |
| | 57057598 | 1 | EA | ● - SHEAVE,FAB. | |
| | 57403164 | 1 | EA | ● - BUSHING, SHEAVE SAE660 | |
| 007 | 57004319 | 8 | EA | PIN, SHEAVE | |
| 008 | 95201547 | 8 | EA | FITTING,LUBE | |
| 009 | 95366266 | 2 | EA | SCREW, CAP-1-1/4-7X1-1/2 | |
| 010 | 56784267 | 1 | EA | ADHESIVE | |
| 011 | 95937413 | 8 | EA | WASHER,LOCK,HELICAL | |
| 012 | 95920674 | 8 | EA | SCREW,CAP,HEX | |
| 013 | 57156507 | 1 | EA | RAIL, SAFETY | |
| 014 | 56793599 | 12 | EA | CLAMP,CABLE-3/4 | |
| 015 | 95505699 | 15 | EA | LOCK NUT,HEX | |
| 016 | 56972391 | 2 | EA | WASHER, SPHERICAL | |
| 017 | 57347700 | 4 | EA | EYE, ANCHOR CABLE | |
| | 56971922 | 1 | EA | ● - ROD, ALL THD | |
| | 56940927 | 1 | EA | ● - ROD,ALL THD | |
| 018 | 58060203 | 4 | EA | THIMBLE, WIRE ROPE-3/4 | |
| 019 | 57136442 | 2 | EA | TROUGH, HOSE-TOWER | |
| 020 | 58038910 | 20 | EA | WASHER,BELLEVILLE | |
| 021 | 95231742 | 2 | EA | WASHER, FLAT-1-1/8 | |
| 022 | 95484747 | 2 | EA | SCREW,CAP-1-1/4-7 X3-1/4 | |
| 023 | 56901853 | 8 | EA | BAR,FLAT | |
| 025 | 57666059 | 1 | EA | PLATFORM,TOWER | |
| | 57136319 | 1 | EA | ● - PLATE-W/HOLES | |
| | 57424392 | 1 | EA | ● - HANDRAIL ASSY-30 CNTDIST | |
| 026 | 95930723 | 4 | EA | SCREW,CAP,HEX | |
| 027 | 95934741 | 4 | EA | WASHER,LOCK HELICAL | |
| 028 | 95922910 | 4 | EA | NUT,HEX,PLATED | |
| 029 | 58143348 | 72.00 | FT | WIRE ROPE-3/4 BULK | |
| 030 | 58143348 | 62.00 | FT | WIRE ROPE-3/4 BULK | |
| 031 | 57160954 | 4 | EA | SOCKET ASM, CLEVIS 3/4 | |

57136434 TOWER,ASSM,DM30

| REF. | PART NO. | QTY. | UNIT | DESCRIPTION |
|------|----------|------|------|------------------------------|
| | 57160962 | 1 | EA | ● - CLEVIS PIN W/COTTER PIN |
| | 57398174 | 1 | EA | ● - PLUG, WIRE ROPE SOCKET |
| | 57398182 | 1 | EA | ● - SLEEVE, WIRE ROPE SOCKET |
| 032 | 57145138 | 1 | EA | BLOCK, STOP-POWERHEAD,RH |
| | 57165987 | 1 | EA | ● - PLATE |
| | 57165995 | 1 | EA | ● - PLATE |
| 033 | 57144941 | 1 | EA | BLOCK, STOP-POWERHEAD,LH |
| | 57165987 | 1 | EA | ● - PLATE |
| | 57165995 | 1 | EA | ● - PLATE |
| 034 | 50244060 | 15 | EA | SPACER |
| 035 | 56901853 | 2 | EA | BAR,FLAT |

TOWER,ASSM,DM30
 57136434

57136434 TOWER,ASSM,DM30

This page is intentionally blank.

TOWER,ASSM,DM30
57136434

57136434 TOWER,ASSM,DM30

This page is intentionally blank.

TOWER,ASSM,DM30
57136434

57144453 TOWER,WELDMENT

TOWER,ASSM,DM30
57136434

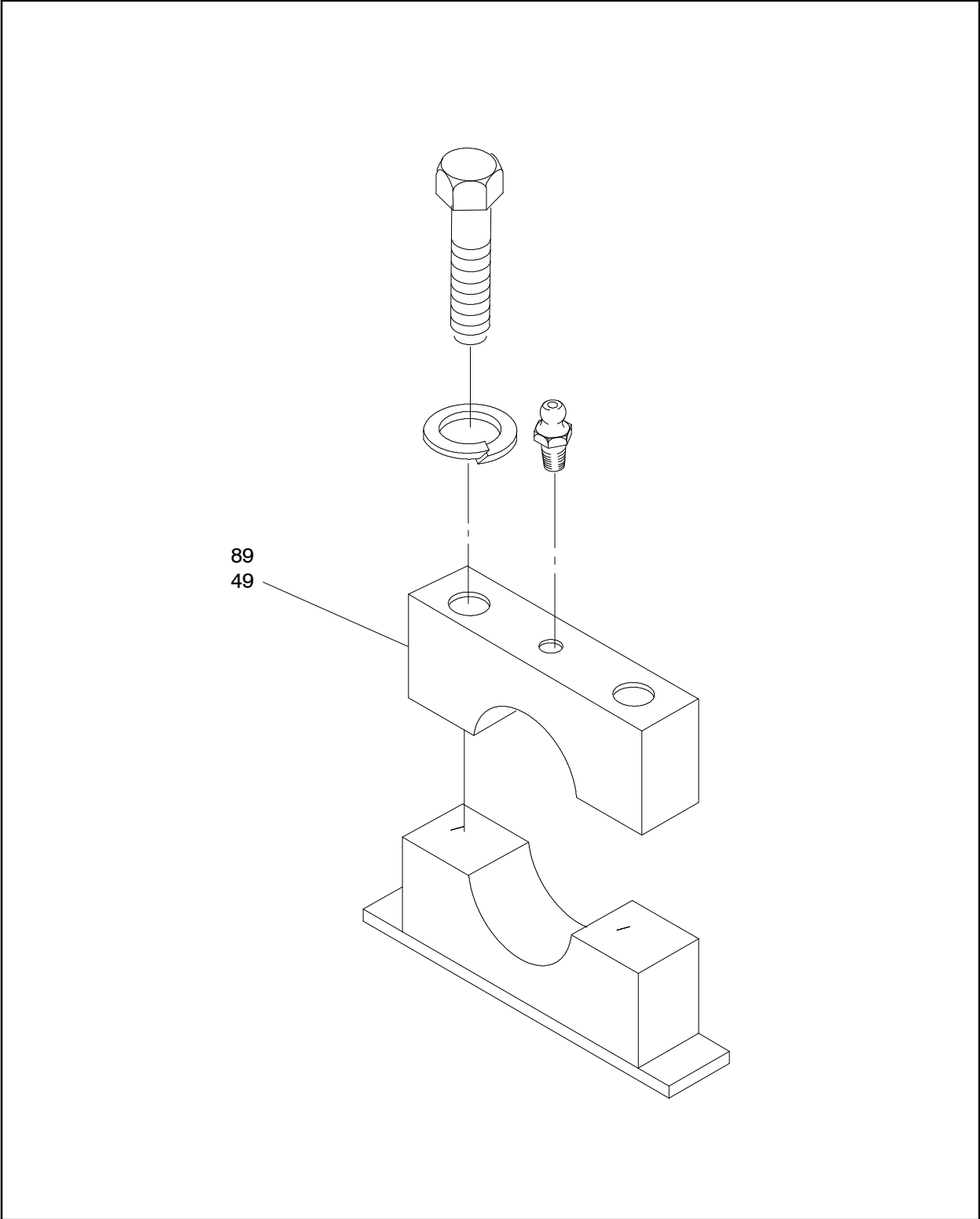


Figure 71 :TOWER,WELDMENT
E57144453 REV 007

57144453 TOWER,WELDMENT

| REF. | PART NO. | QTY. | UNIT | DESCRIPTION |
|------|----------|------|------|------------------------------|
| 049 | 57052813 | 2 | EA | PILLOW BLOCK |
| | 95934691 | 2 | EA | ● - WASHER,LOCK,HELICAL |
| | 95104691 | 2 | EA | ● - SCREW,CAP-3/4-10 X 3-3/4 |
| | 95201547 | 1 | EA | ● - FITTING,LUBE |
| 089 | 57135980 | 1 | EA | PILLOW BLOCK,SPLIT |
| | 95934691 | 2 | EA | ● - WASHER,LOCK,HELICAL |
| | 95488268 | 2 | EA | ● - SUB 95104691 |
| | 95201547 | 1 | EA | ● - FITTING,LUBE |

TOWER,ASSM,DM30
 57136434

57136426 FEED CYLINDER ASSY

TOWER, ASSM, DM30
57136434

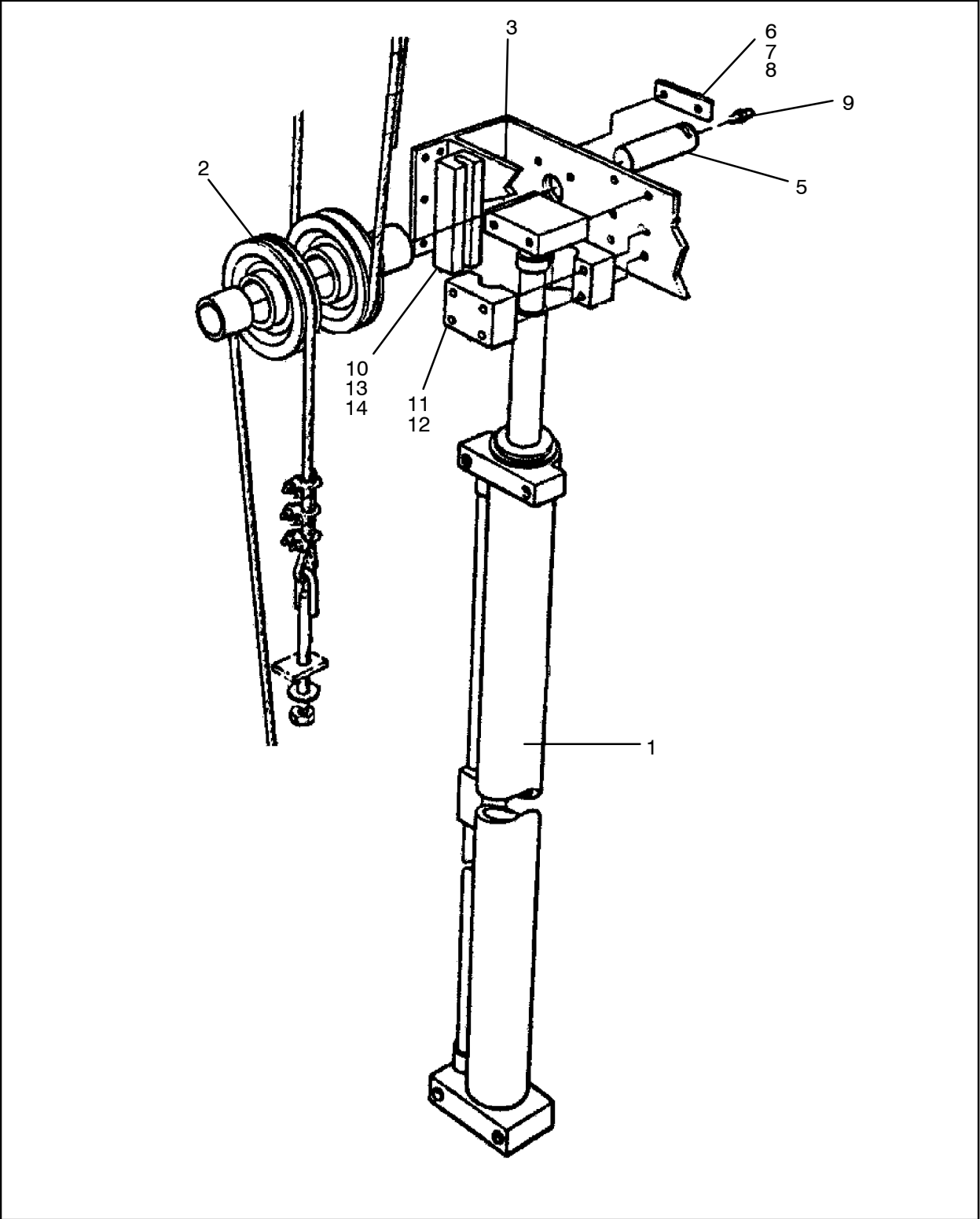


Figure 72 :FEED CYLINDER ASSY
D57053241 REV03

57136426 FEED CYLINDER ASSY

| REF. | PART NO. | QTY. | UNIT | DESCRIPTION |
|------|----------|------|------|---------------------------------|
| 001 | 57224677 | 1 | EA | CYLINDER, HYDRAULIC |
| 002 | 57057606 | 4 | EA | SHEAVE |
| | 57057598 | 1 | EA | ● - SHEAVE, FAB. |
| | 57403164 | 1 | EA | ● - BUSHING, SHEAVE SAE660 |
| 003 | 57136418 | 1 | EA | CAGE, SHEAVE - PULLDOWN |
| 005 | 57004327 | 2 | EA | PIN, SHEAVE |
| 006 | 56938319 | 2 | EA | MOUNT |
| 007 | 95934816 | 4 | EA | SCREW, CAP, HEX |
| 008 | 95934766 | 4 | EA | WASHER, LOCK, HELICAL |
| 009 | 95201547 | 2 | EA | FITTING, LUBE |
| 010 | 57052714 | 2 | EA | BLOCK, GUIDE |
| 011 | 95077319 | 6 | EA | NUT, HEX, STOP |
| 012 | 95269528 | 6 | EA | SCREW, CAP - 3/4 - 10 X 6 - 1/2 |
| 013 | 95920674 | 6 | EA | SCREW, CAP, HEX |
| 014 | 95937413 | 6 | EA | WASHER, LOCK, HELICAL |

TOWER, ASSM, DM30
57136434

57000192 PINNING, TOWER-VERTICAL

PINNING, TOWER-VERTICAL
 57000192

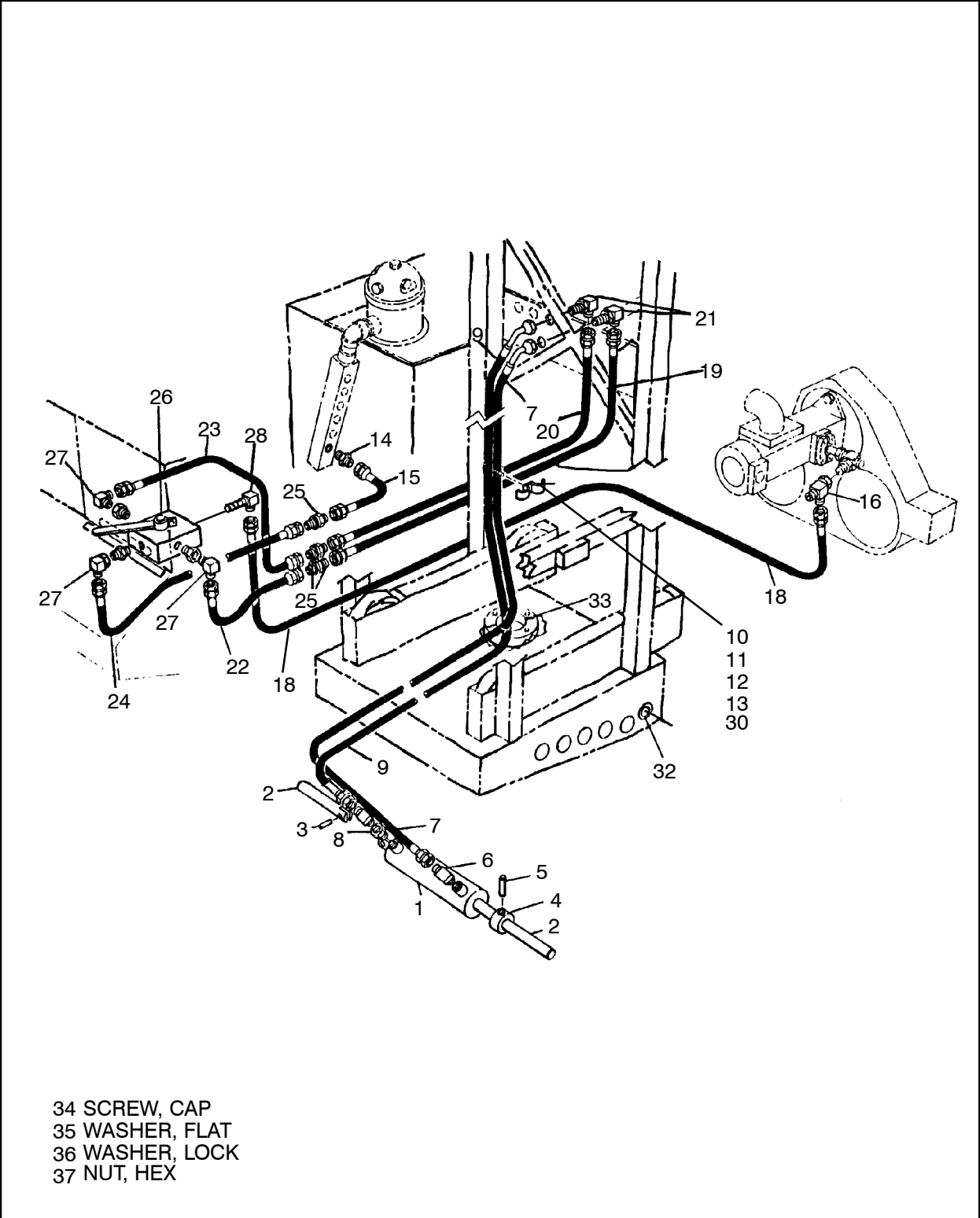


Figure 73 :PINNING, TOWER-VERTICAL
 E57000192 REV 005

57000192 PINNING, TOWER – VERTICAL

| REF. | PART NO. | QTY. | UNIT | DESCRIPTION |
|------|----------|------|------|------------------------|
| 001 | 56999170 | 1 | EA | CYLINDER, HYDRAULIC |
| | 57307431 | 1 | EA | ● - SEAL KIT,CYLINDER |
| | 57487043 | 1 | EA | ● - O-RING |
| | 13084181 | 2 | EA | ● - BACK-UP |
| | 57220345 | 1 | EA | ● - O-RING |
| | 57220337 | 1 | EA | ● - SEAL,BACKUP |
| | 56963531 | 1 | EA | ● - O-RING |
| | 57377202 | 1 | EA | ● - BACK-UP |
| | 59322677 | 1 | EA | ● - WIPER |
| | 57718090 | 1 | EA | ● - HEAD,CYLINDER |
| 002 | 57000150 | 2 | EA | PIN,TIE DOWN |
| 003 | 95414835 | 2 | EA | PIN,DOWEL-1/2 X 1-1/4 |
| 004 | 57000176 | 2 | EA | STOP,PIN,TWR |
| 005 | 95034062 | 2 | EA | PIN,ROLL |
| 006 | 95329975 | 1 | EA | ELBOW,90 DEG STRT THRD |
| 007 | 58207333 | 1 | EA | HOSE ASSY |
| 008 | 95365078 | 1 | EA | CONNECTOR,STRT THRD |
| 009 | 57025991 | 1 | EA | HOSE ASSY |
| 010 | 50034826 | 4 | EA | CLAMP,HOSE,HALF |
| 011 | 95934568 | 2 | EA | CAPSCREW,HEX HEAD |
| 012 | 95931564 | 6 | EA | NUT,HEX,FINISHED |
| 013 | 95934766 | 6 | EA | WASHER,LOCK,HELICAL |
| 014 | 95219713 | 1 | EA | CONNECTOR,MALE,37 DEG. |
| 015 | 56954043 | 1 | EA | HOSE ASSY |
| 016 | 95415667 | 1 | EA | FITTING, HYD |
| 018 | 56956972 | 1 | EA | HOSE ASSY |
| 019 | 56974678 | 1 | EA | HOSE ASSY |
| 020 | 56968084 | 1 | EA | HOSE ASSY |
| 021 | 95278958 | 3 | EA | FITTING, HYD |
| 022 | 56961766 | 1 | EA | HOSE ASSY |
| 023 | 56961840 | 1 | EA | HOSE ASSY |
| 024 | 56956006 | 1 | EA | HOSE ASSY |
| 025 | 95364972 | 3 | EA | FITTING, HYD |
| 026 | 57082703 | 1 | EA | VALVE, BALL |
| | 57082737 | 1 | EA | ● - KIT,O-RING |
| 027 | 95209094 | 3 | EA | FITTING, HYD |
| 028 | 95401089 | 1 | EA | FITTING-90 DEG,NPT/JIC |

PINNING, TOWER – VERTICAL
57000192

57000192 PINNING, TOWER – VERTICAL

| REF. | PART NO. | QTY. | UNIT | DESCRIPTION |
|------|----------|------|------|--------------------------------|
| 030 | 95971552 | 4 | EA | CAPSCREW,HEX HEAD |
| 032 | 57012510 | 2 | EA | INSERT, PINNING |
| 033 | 57012528 | 1 | EA | GUIDE,HOSE |
| 034 | 95104014 | 4 | EA | SCREW, CAP – 7/16 – 14X1 – 1/4 |
| 035 | 95081667 | 4 | EA | WASHER,FLAT,WIDE |
| 036 | 95081865 | 4 | EA | WASHER, LOCK – 7/16 |
| 037 | 95077772 | 4 | EA | NUT,HEX |

PINNING, TOWER – VERTICAL
57000192

57000192 PINNING, TOWER – VERTICAL

This page is intentionally blank.

PINNING, TOWER – VERTICAL 57000192

57136590

WINCH INSTALLATION

WINCH INSTALLATION

57136590

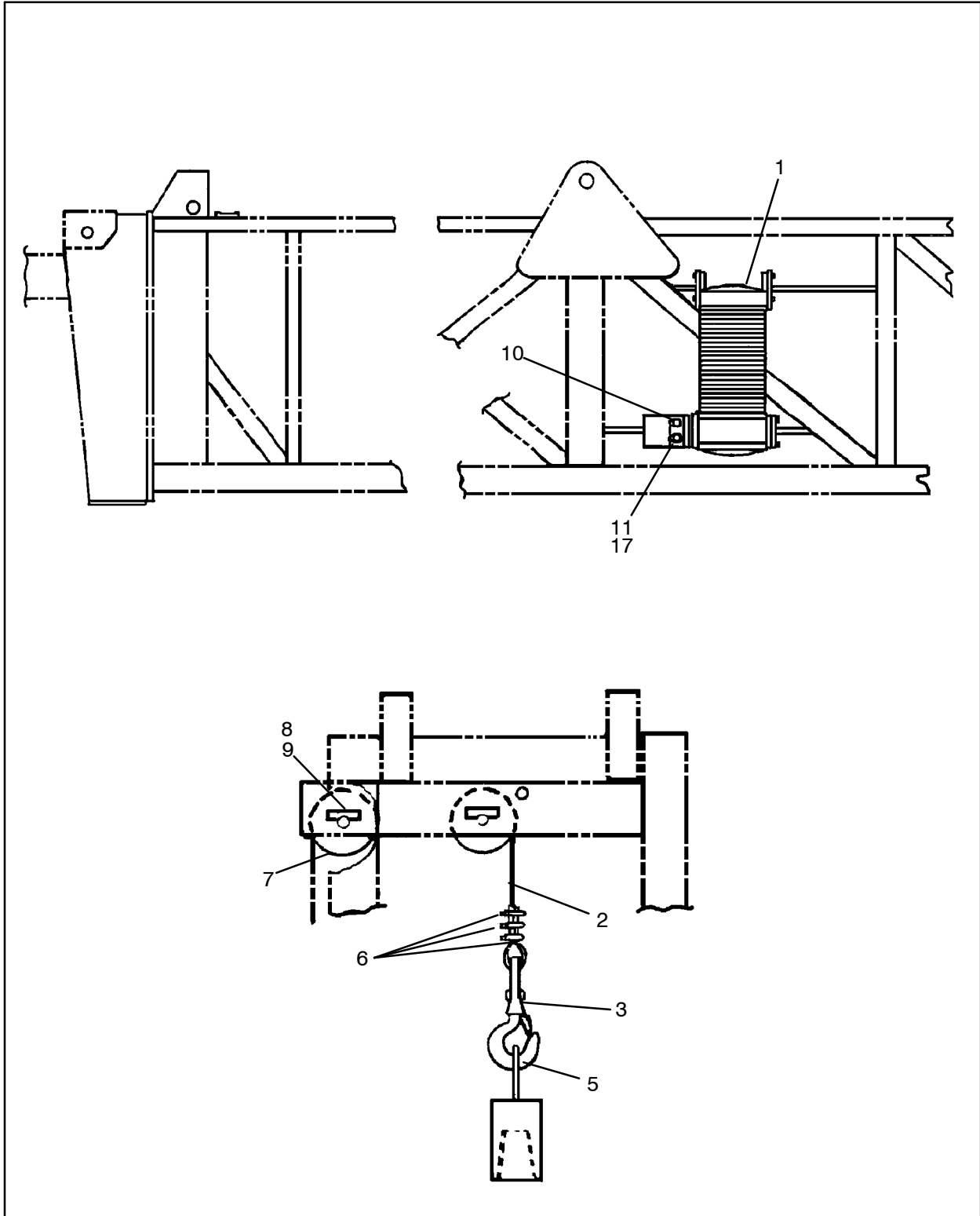
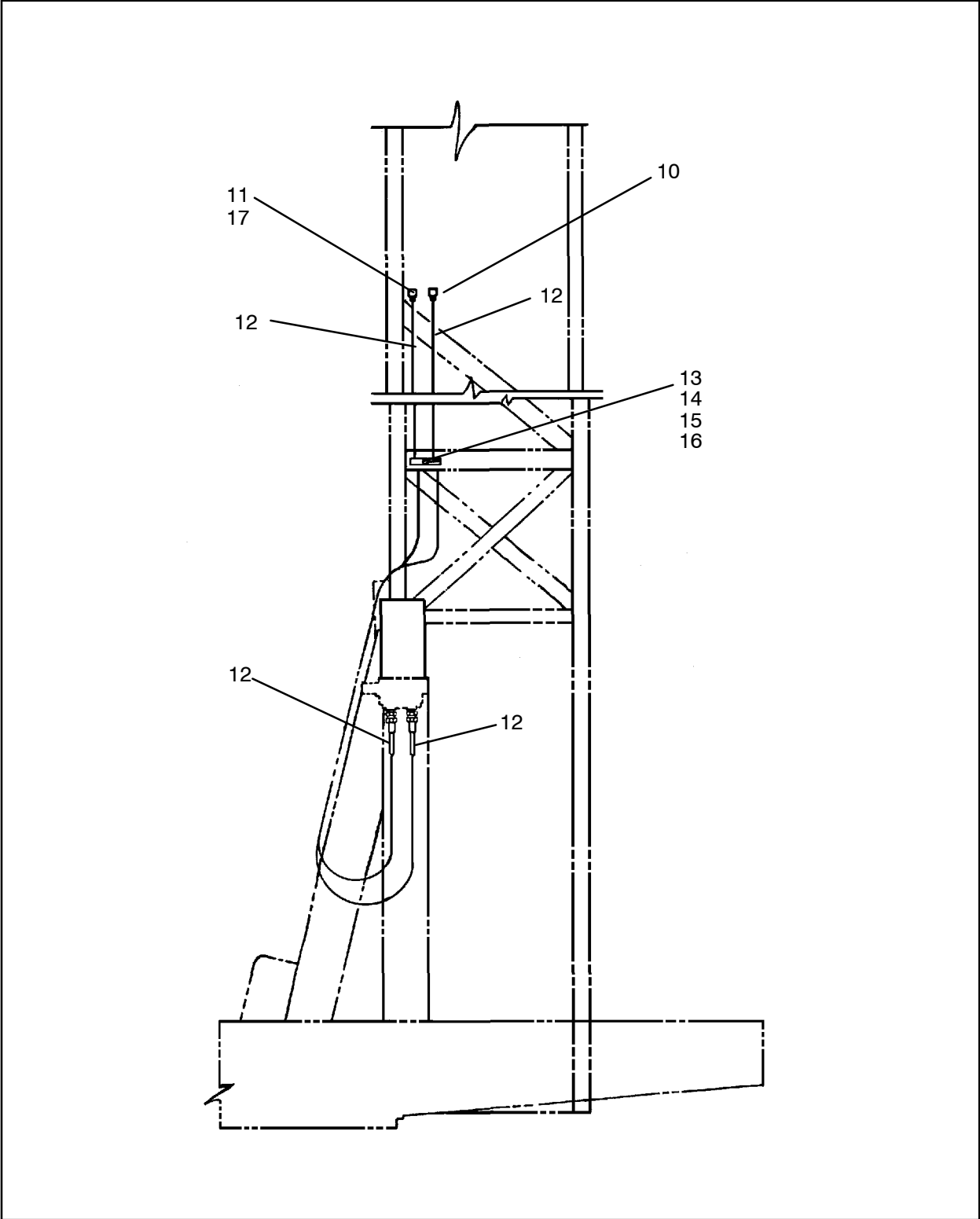


Figure 74 :WINCH INSTALLATION
D57136590 REV 002

57136590 WINCH INSTALLATION



WINCH INSTALLATION
57136590

Figure 75 :WINCH INSTALLATION
D57136590 REV 002

57136590 WINCH INSTALLATION

WINCH INSTALLATION
57136590

| REF. | PART NO. | QTY. | UNIT | DESCRIPTION |
|------|----------|------|------|---|
| 001 | 57136582 | 1 | EA | WINCH,ASSM,11 DRUM (See figure 76) |
| 002 | 50049451 | 1 | EA | CABLE, HOIST |
| 003 | 56815111 | 1 | EA | THIMBLE |
| 005 | 54440474 | 1 | EA | HOOK & LATCH ASM,5 TON |
| | 54440466 | 1 | EA | ● - HOOK-SWIVEL,5 TON |
| | 54440490 | 1 | EA | ● - LATCH ASM |
| 006 | 58060187 | 3 | EA | CLAMP,CABLE-5/16 |
| 007 | 50245810 | 2 | EA | SHEAVE, WIRE |
| 008 | 57264731 | 2 | EA | BAR |
| 009 | 57139081 | 2 | EA | PIN, SHEAVE-WINCH |
| 010 | 95279535 | 1 | EA | ELBOW,90 DEG MALE |
| 011 | 95219721 | 1 | EA | CONNECTOR,MALE,37 DEG. |
| 012 | 56974496 | 2 | EA | HOSE ASSY |
| 013 | 95934568 | 1 | EA | SCREW,CAP,HEX |
| 014 | 50034818 | 2 | EA | CLAMP, HALF |
| 015 | 95934766 | 1 | EA | WASHER,LOCK,HELICAL |
| 016 | 95931564 | 1 | EA | NUT,HEX,FINISHED |
| 017 | 95302121 | 1 | EA | FITTING, HYD |

57136590 WINCH INSTALLATION

This page is intentionally blank.

WINCH INSTALLATION 57136590

57136582

WINCH,ASSM,11 DRUM

WINCH INSTALLATION

57136590

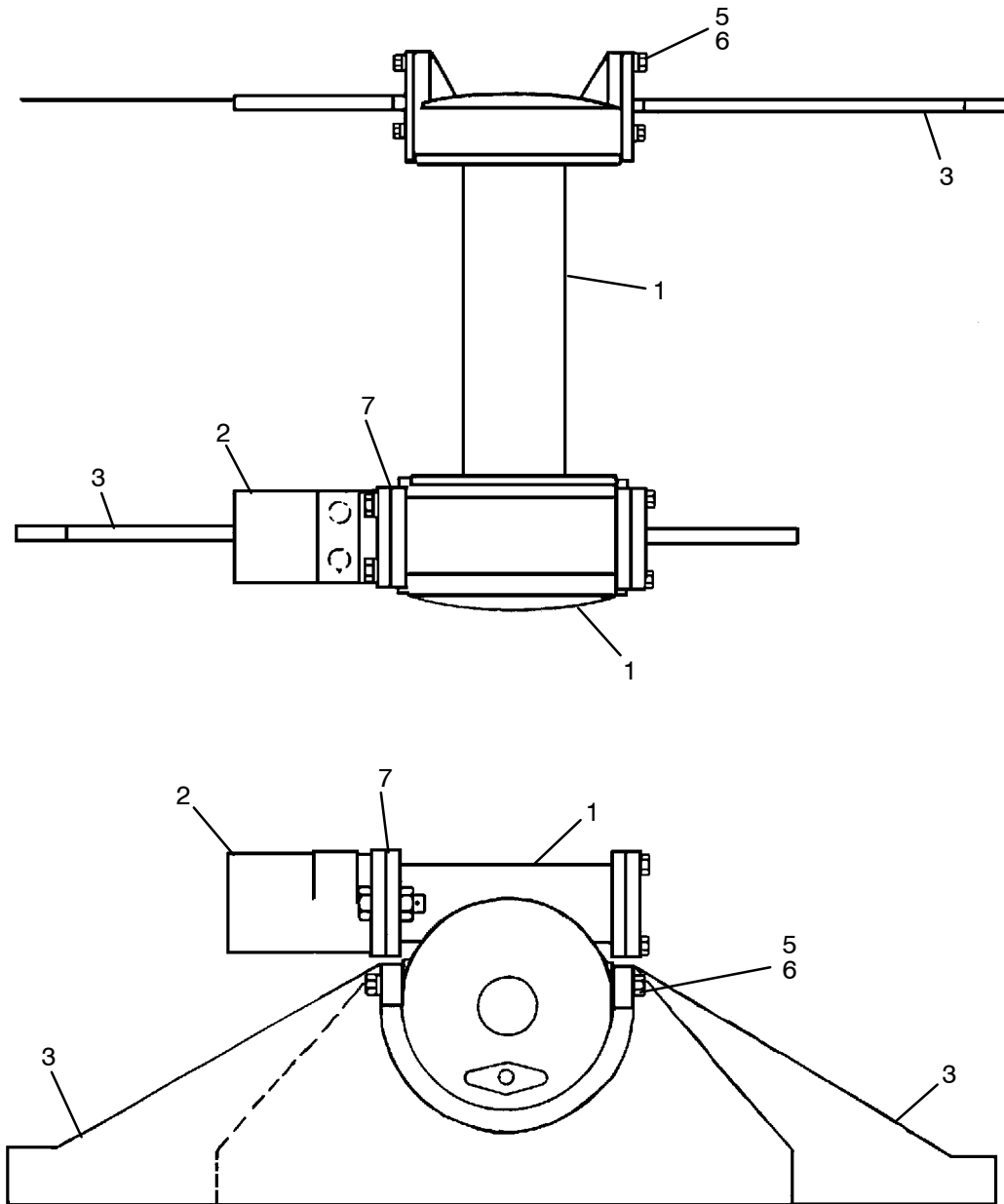


Figure 76 :WINCH,ASSM,11 DRUM
C57136582 REV 003

57136582 WINCH,ASSM,11 DRUM

| REF. | PART NO. | QTY. | UNIT | DESCRIPTION |
|------|----------|------|------|--|
| 001 | 57119521 | 1 | EA | WINCH HYD.-8000LB |
| 002 | 50820935 | 1 | EA | MOTOR, HYDRAULIC <i>(See figure 77)</i> |
| 003 | 57160970 | 2 | EA | PLATE |
| 004 | 57615247 | 4 | EA | BAR,FLAT |
| 005 | 95958989 | 8 | EA | SCREW,CAP 3/8-16 X 1-3/4 |
| 006 | 95937413 | 8 | EA | WASHER,LOCK,HELICAL |
| 007 | 56953045 | 1 | EA | GASKET |

WINCH INSTALLATION 57136590

50820935 MOTOR, HYDRAULIC

WINCH INSTALLATION
57136590

000 NOT SHOWN

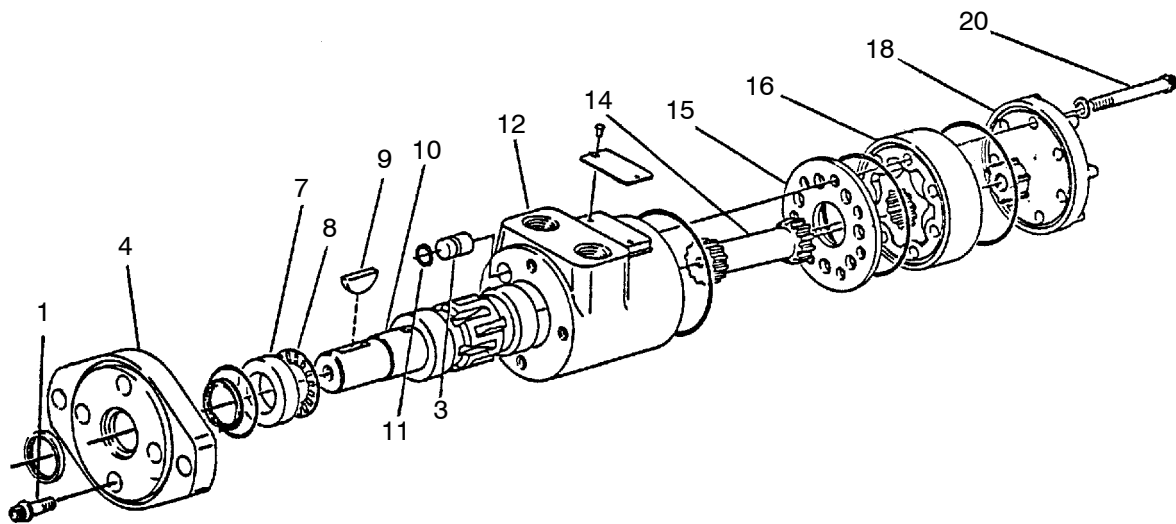


Figure 77 :MOTOR, HYDRAULIC
Y352128 REV00

50820935 MOTOR, HYDRAULIC

| REF. | PART NO. | QTY. | UNIT | DESCRIPTION |
|------|----------|------|------|-------------------------|
| 000 | 52188976 | 1 | EA | SEAL KIT |
| 001 | 50491729 | 4 | EA | SCREW, CAP-5/16 X 7/8 |
| 003 | 50998103 | 1 | EA | PLUG |
| 004 | 52188851 | 1 | EA | FLANGE, MOUNTING |
| 007 | 52188885 | 1 | EA | RACE, BEARING |
| 008 | 56001118 | 1 | EA | BEARING, MOTOR |
| 009 | 52188893 | 1 | EA | KEY, WOODRUFF |
| 010 | 52188901 | 1 | EA | SHAFT, OUTPUT |
| 011 | 50636547 | 1 | EA | O-RING |
| 012 | 52188927 | 1 | EA | HOUSING, 1/2 NPT PORTS |
| 014 | 52188935 | 1 | EA | DRIVE SHAFT |
| 015 | 52188943 | 1 | EA | SPACER PLATE |
| 016 | 52188950 | 1 | EA | GEROTOR SET |
| 018 | 52188968 | 1 | EA | CAP, END |
| 020 | 50799170 | 7 | EA | SCREW, CAP-5/16 X 1-1/2 |

WINCH INSTALLATION
57136590

POWERPACK/ENGINE

SECTION

POWERPACK/ENGINE

This page is intentionally blank.

SECTION

POWERPACK/ENGINE

57740169

BATTERY,INSTL-W/JUMP STR

BATTERY,INSTL-W/JUMP STR

57740169

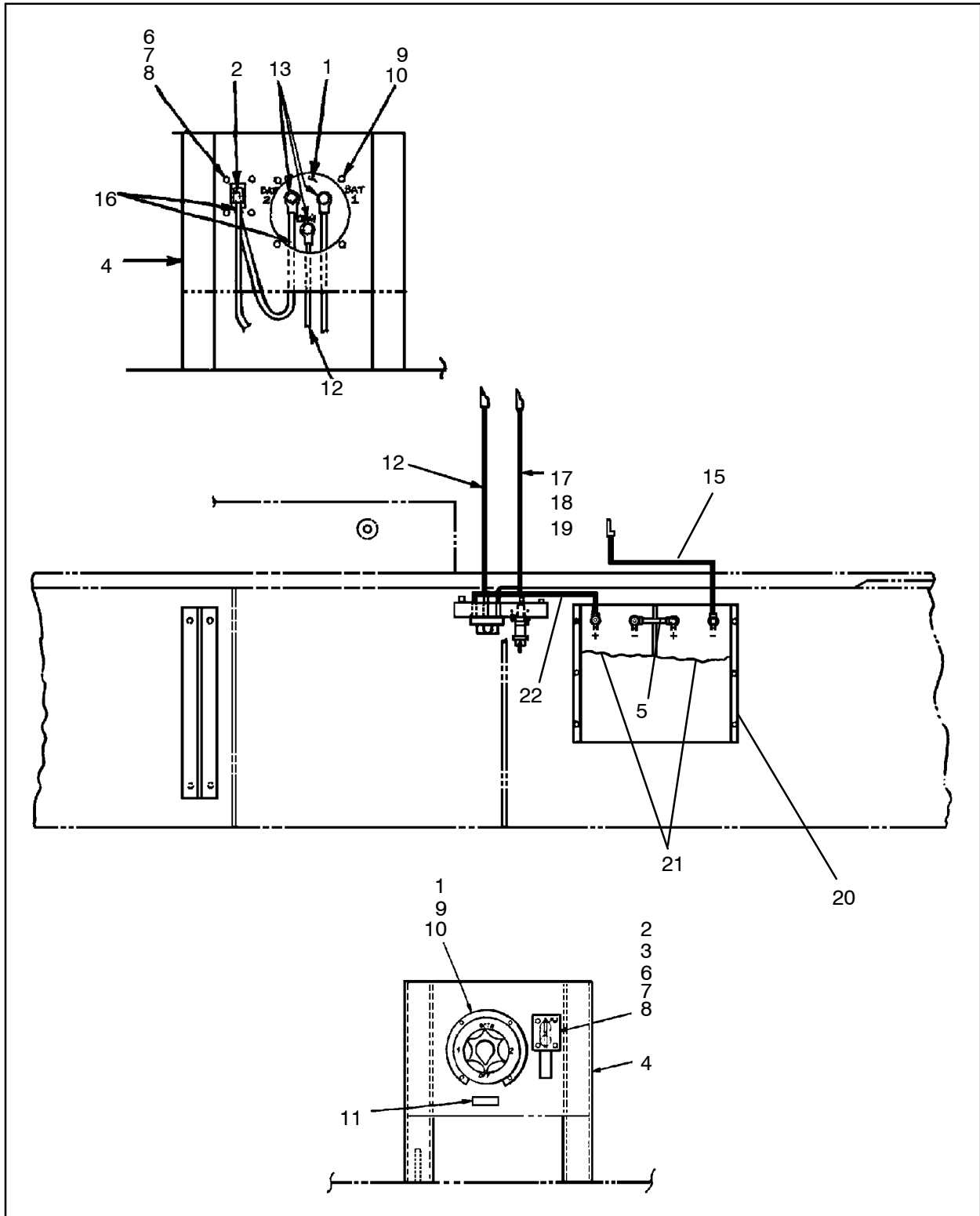
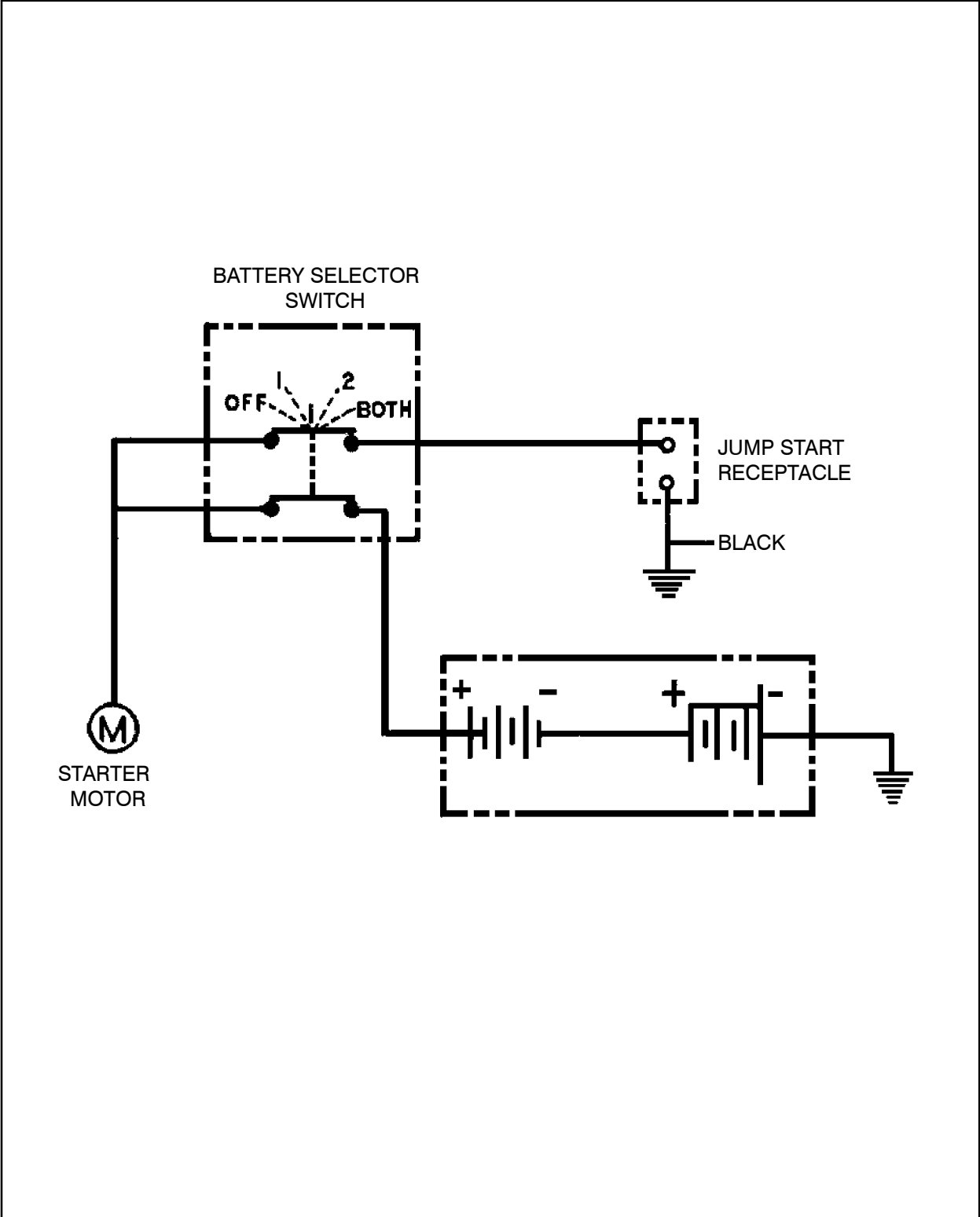


Figure 78 :BATTERY,INSTL-W/JUMP STR
D57666737 REV 002

57740169 BATTERY,INSTL-W/JUMP STR



BATTERY,INSTL-W/JUMP STR
57740169

Figure 79 :BATTERY,INSTL-W/JUMP STR
D57666737 REV 002

57740169 BATTERY,INSTL-W/JUMP STR

BATTERY,INSTL-W/JUMP STR
57740169

| REF. | PART NO. | QTY. | UNIT | DESCRIPTION |
|------|----------|------|------|---------------------------|
| 001 | 57236705 | 1 | EA | SWITCH, BATTERY SELECTOR |
| 002 | 57749145 | 1 | EA | RECEPTACLE ASSEMBLY |
| 003 | 57007429 | 1 | EA | COVER, RECPT-BATTERY CONN |
| 004 | 57379992 | 1 | EA | BRACKET, BATT.SELECTSWTC |
| | 57383747 | 1 | EA | ●- PLATE-BRKT BAT SELECT |
| 005 | 30441570 | 1 | EA | CABLE, BATTERY |
| 006 | 95920682 | 4 | EA | SCREW, CAP, HEX |
| 007 | 95937413 | 4 | EA | WASHER, LOCK, HELICAL |
| 008 | 95922894 | 4 | EA | NUT, HEX, FINISHED |
| 009 | 95412623 | 4 | EA | SCREW |
| 010 | 95098208 | 4 | EA | NUT, MACHINE-HEX N0.5-40 |
| 011 | 57379166 | 1 | EA | NAMEPLATE, ISOLATIONSWTCH |
| 012 | 57740110 | 1 | EA | CABLE, BATTERY, POS, 4/0 |
| 013 | 57011611 | 3 | EA | LUG, BATTERY |
| 015 | 57740128 | 1 | EA | CABLE ASSY, NEG, 4/0AWG |
| 016 | 58159088 | 1 | EA | INSULATOR, HEAT SHRINK. |
| 017 | 95934469 | 1 | EA | SCREW, CAP, HEX |
| 018 | 95209409 | 1 | EA | WASHER, LOCK-1/2 |
| 019 | 95081667 | 1 | EA | WASHER, FLAT, WIDE |
| 020 | 58231887 | 1 | EA | BOX, BATTERY |
| | 57143505 | 1 | EA | ●- COVER, BATTERY |
| 021 | 57113177 | 2 | EA | BATTERY, 12V-8DW/ELECTROL |
| 022 | 57740136 | 1 | EA | CABLE ASSY, POS, 4/0AWG |

57740169 BATTERY,INSTL–W/JUMP STR

This page is intentionally blank.

BATTERY,INSTL–W/JUMP STR
57740169

57675464 COOLER,ASSM,525-600HP

COOLER,ASSM,525-600HP
57675464

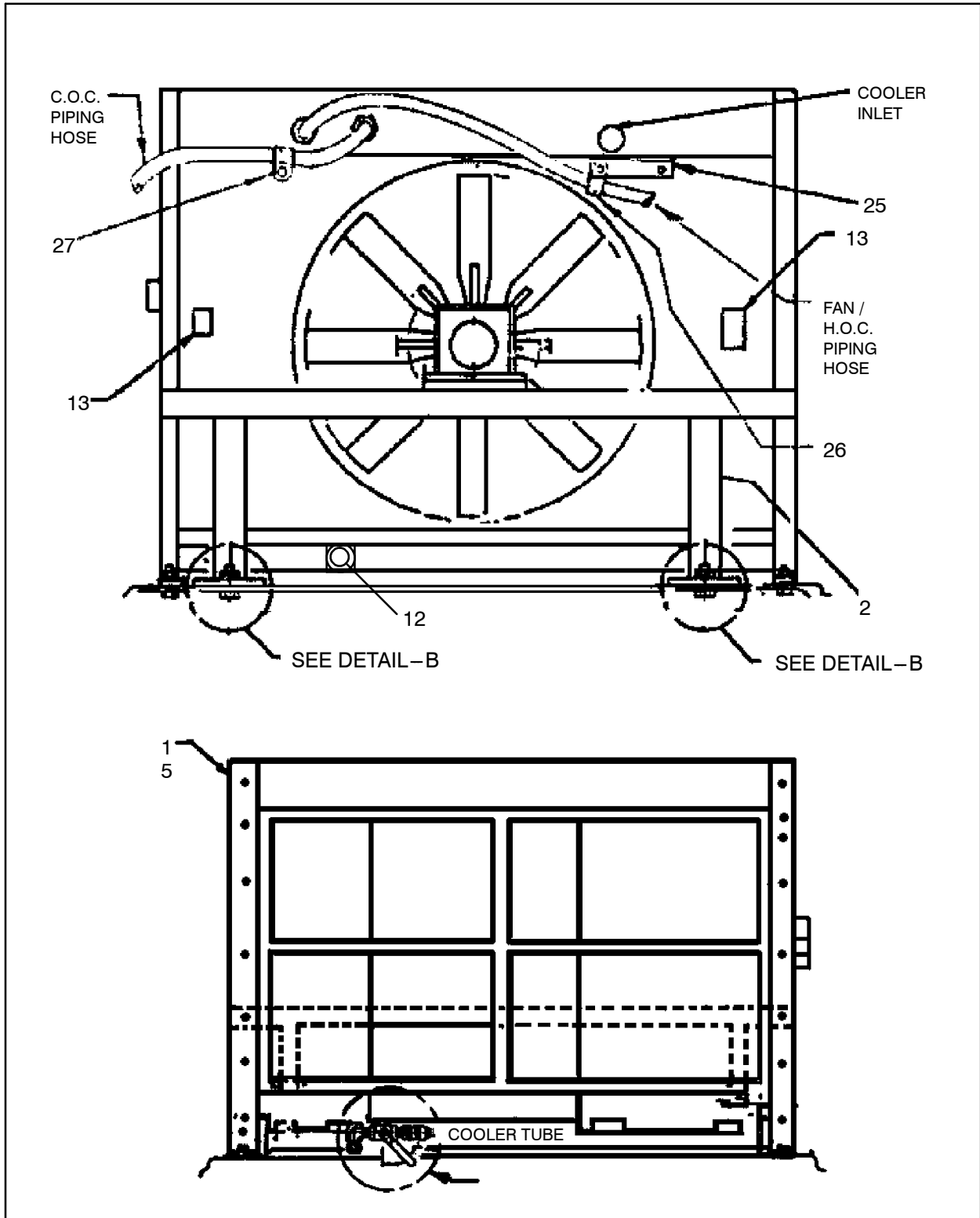


Figure 80 :COOLER,ASSM,525-600HP
D57665705 REV 010

57675464 COOLER,ASSM,525-600HP

COOLER,ASSM,525-600HP
57675464

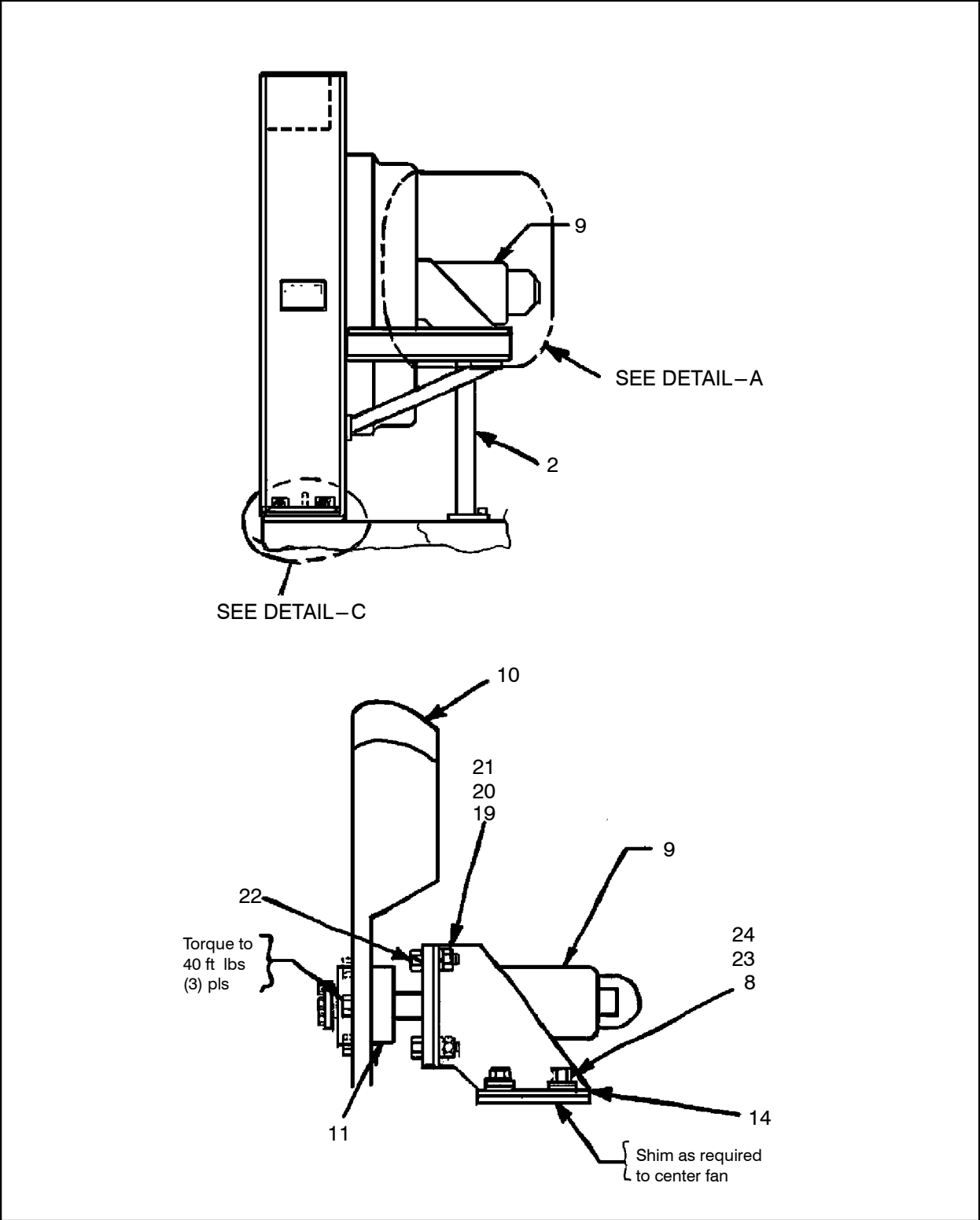


Figure 81 :COOLER,ASSM,525-600HP
D57665705 REV 010

57675464 COOLER,ASSM,525-600HP

COOLER,ASSM,525-600HP
57675464

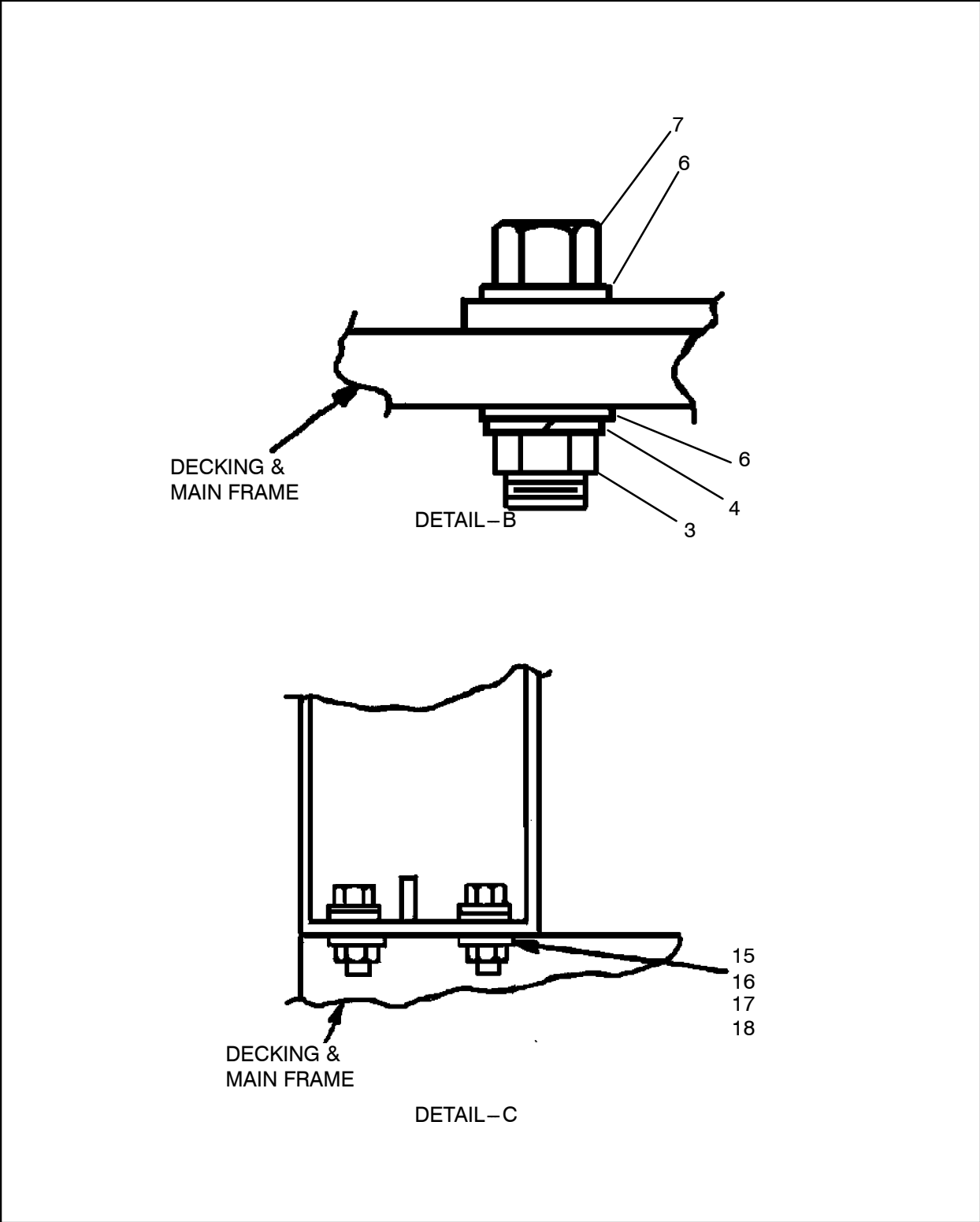
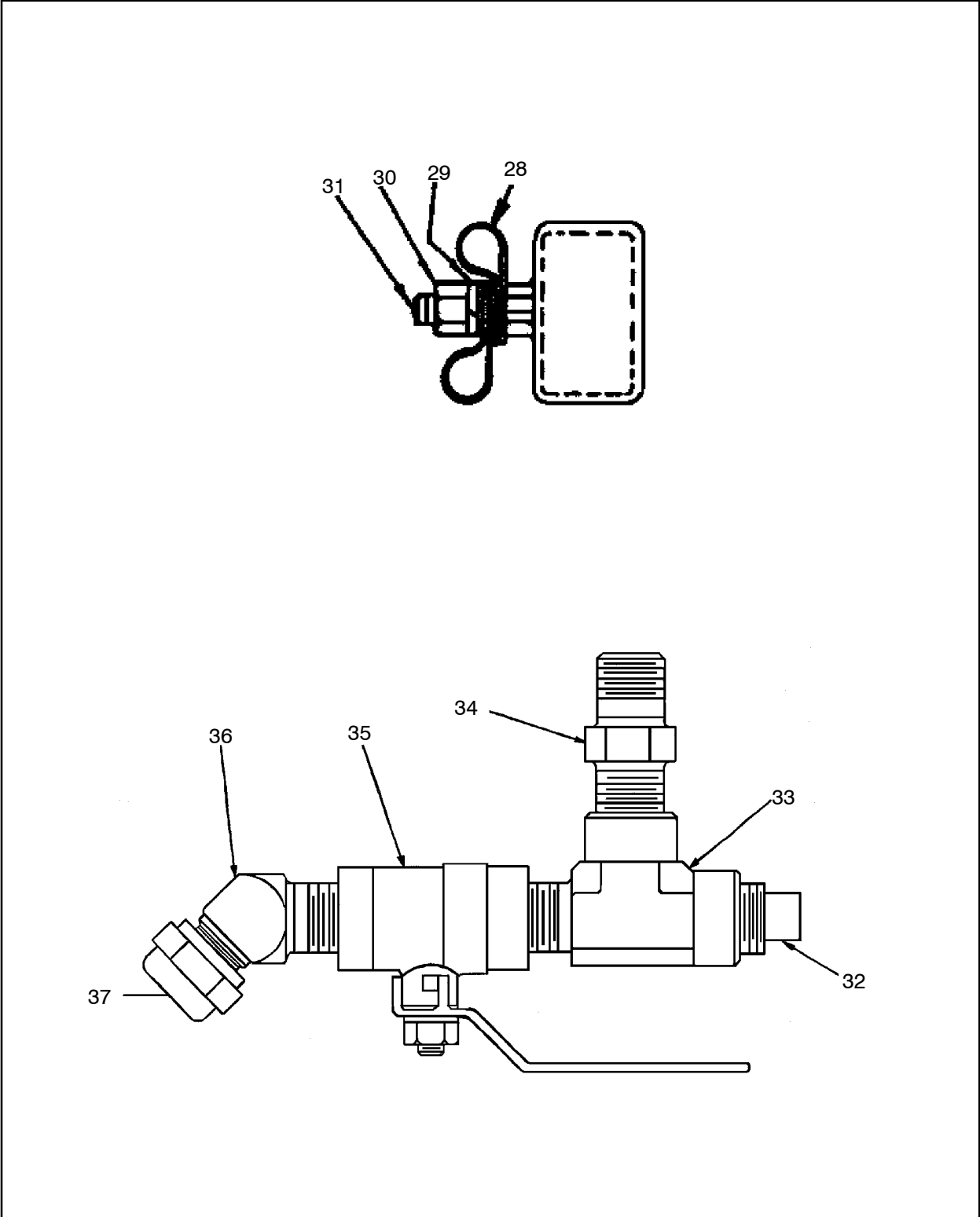


Figure 82 :COOLER,ASSM,525-600HP
D57665705 REV 010

57675464 COOLER,ASSM,525-600HP



COOLER,ASSM,525-600HP
57675464

Figure 83 :COOLER,ASSM,525-600HP
D57665705 REV 010

57675464 COOLER,ASSM,525 – 600HP

COOLER,ASSM,525 – 600HP
57675464

| REF. | PART NO. | QTY. | UNIT | DESCRIPTION |
|------|----------|-------|------|--|
| 001 | 57736860 | 1 | EA | COOLER,T2,525 – 600HP,ASSM (See figure 84) |
| 002 | 57503591 | 2 | EA | SUPPORT LEG – COOLER |
| 003 | 95922910 | 2 | EA | NUT,HEX,PLATED |
| 004 | 95934741 | 2 | EA | WASHER,LOCK HELICAL |
| 005 | 50262526 | 22.00 | GL | ANTI – FREEZE |
| 006 | 95094314 | 4 | EA | WASHER,FLAT,WIDE |
| 007 | 95934154 | 2 | EA | SCREW,CAP,HEX |
| 008 | 95064697 | 4 | EA | WASHER,FLAT 1/2 |
| 009 | 57657660 | 1 | EA | MOTOR,HYDRAULIC FAN |
| | 57756561 | 1 | EA | ● - KIT,SEAL |
| | 57756553 | 1 | EA | ● - KIT,SHAFT(SHAFT,BRG,KEY) |
| 010 | 57436024 | 1 | EA | FAN BLADE – 54IN. 8 BLADE |
| 011 | 57480980 | 1 | EA | BUSHING, TAPER – 1.75 BORE |
| 012 | 95666996 | 1 | EA | PLUG,HEX HEAD,STRT THRD |
| 013 | 57140469 | 2 | EA | DECAL,WARNING – ROT.BLADE |
| 014 | 52223872 | 8 | EA | SHIM |
| 015 | 95934154 | 4 | EA | SCREW,CAP,HEX |
| 016 | 95094314 | 4 | EA | WASHER,FLAT,WIDE |
| 017 | 95922910 | 4 | EA | NUT,HEX,PLATED |
| 018 | 95934741 | 4 | EA | WASHER,LOCK HELICAL |
| 019 | 58233693 | 4 | EA | WASHER, CINCH |
| 020 | 95077319 | 4 | EA | NUT,HEX,STOP |
| 021 | 95200093 | 4 | EA | WASHER,FLAT |
| 022 | 95935201 | 4 | EA | SCREW,CAP,HEX |
| 023 | 95934451 | 4 | EA | SCREW,CAP,HEXHEAD,PLATED |
| 024 | 95934733 | 4 | EA | WASHER,LOCK |
| 025 | 57668279 | 1 | EA | BRACKET,COOLER INLET |
| 026 | 95457586 | 1 | EA | CLAMP,HOSE |
| 027 | 95301875 | 1 | EA | CLAMP,HOSE |
| 028 | 95457586 | 2 | EA | CLAMP,HOSE |
| 029 | 95209409 | 1 | EA | WASHER,LOCK – 1/2 |
| 030 | 95922902 | 1 | EA | NUT,HEX,FINISHED,PLATED |
| 031 | 95920708 | 1 | EA | SCREW,CAP,HEX |
| 032 | 95033619 | 1 | EA | PLUG,PIPE – 1/2 SQ HEAD |
| 033 | 95264941 | 1 | EA | TEE,MALE RUN,NPTF |

57675464 COOLER,ASSM,525 – 600HP

| REF. | PART NO. | QTY. | UNIT | DESCRIPTION |
|------|----------|------|------|---------------------|
| 034 | 95315214 | 1 | EA | NIPPLE,NPTF DRYSEAL |
| 035 | 50829605 | 1 | EA | VALVE,BALL – 1/2 |
| 036 | 95279097 | 1 | EA | FITTING,HYD |
| 037 | 95257325 | 1 | EA | CAP,37 DEG FLARED |

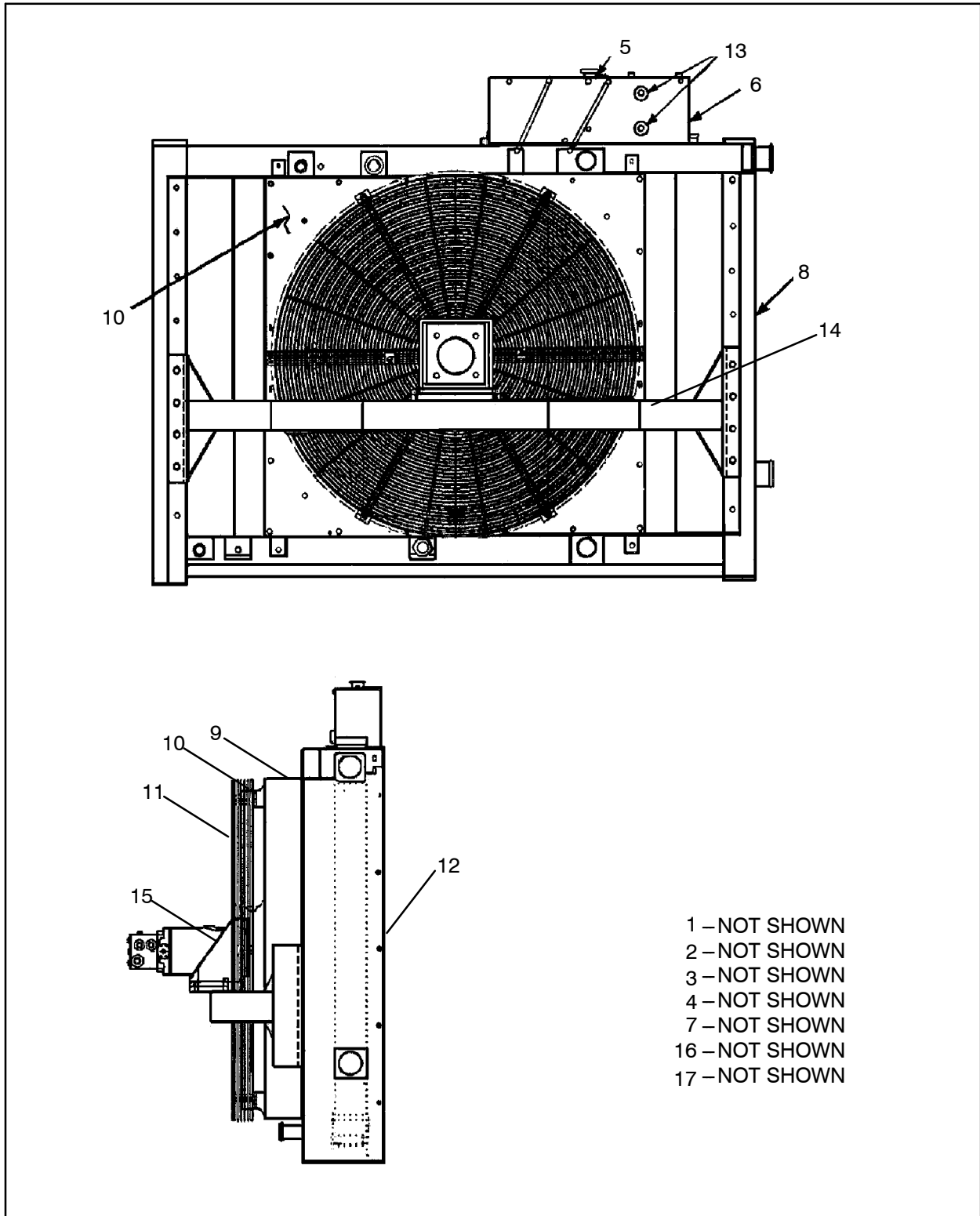
COOLER,ASSM,525 – 600HP
57675464

57736860

COOLER,T2,525-600HP,ASSM

COOLER,ASSM,525-600HP

57675464



- 1 - NOT SHOWN
- 2 - NOT SHOWN
- 3 - NOT SHOWN
- 4 - NOT SHOWN
- 7 - NOT SHOWN
- 16 - NOT SHOWN
- 17 - NOT SHOWN

Figure 84 :COOLER,T2,525-600HP,ASSM
D57736860 REV 000

57736860 COOLER,T2,525 – 600HP,ASSM

| REF. | PART NO. | QTY. | UNIT | DESCRIPTION |
|------|----------|------|------|-------------------------|
| 001 | 57667990 | 1 | EA | CORE,COC AKG TIER 2,HP |
| 002 | 57668006 | 1 | EA | CORE,RAD AKG TIER 2,HP |
| 003 | 57668014 | 1 | EA | CORE,HOC AKG TIER 2,HP |
| 004 | 57668022 | 1 | EA | CORE,CAC AKG TIER 2,HP |
| 005 | 51792323 | 1 | EA | CAP,RADIATOR |
| 006 | 57547499 | 1 | EA | TANK, SURGE |
| 007 | 57736746 | 3 | EA | PLATE,SEPARATOR |
| 008 | 57736753 | 1 | EA | FRAME |
| 009 | 57725574 | 1 | EA | SHROUD |
| 010 | 57736878 | 1 | EA | SHROUD,ROLLED RING |
| 011 | 57736837 | 1 | EA | GUARD,FINGER 56" SYM |
| 012 | 57736779 | 2 | EA | GUARD,WIRE TRASH (HALF) |
| 013 | 57547580 | 2 | EA | GUAGE, SIGHT |
| 014 | 57736803 | 1 | EA | MOUNT,MOTOR,ASSM |
| 015 | 57736845 | 1 | EA | BRACKET,MOTOR |
| 016 | 57547606 | 3 | EA | CLAMP, LOOP |
| 017 | 57736829 | 3 | EA | CLAMP,RUBBER 1.25 OD |

COOLER,ASSM,525 – 600HP
57675464

57652885 PIPING,RADIATOR-CAT

PIPING,RADIATOR-CAT
57652885

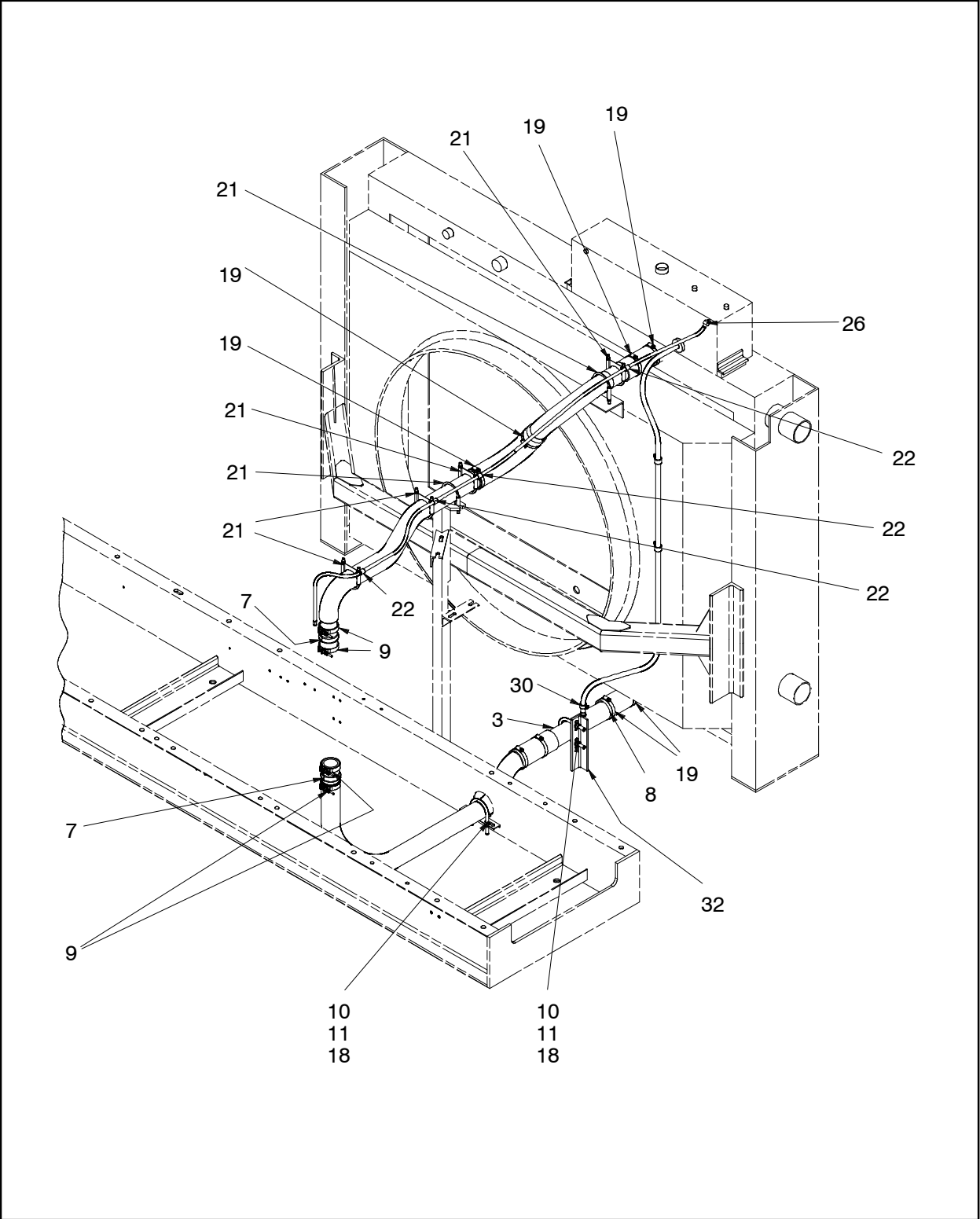
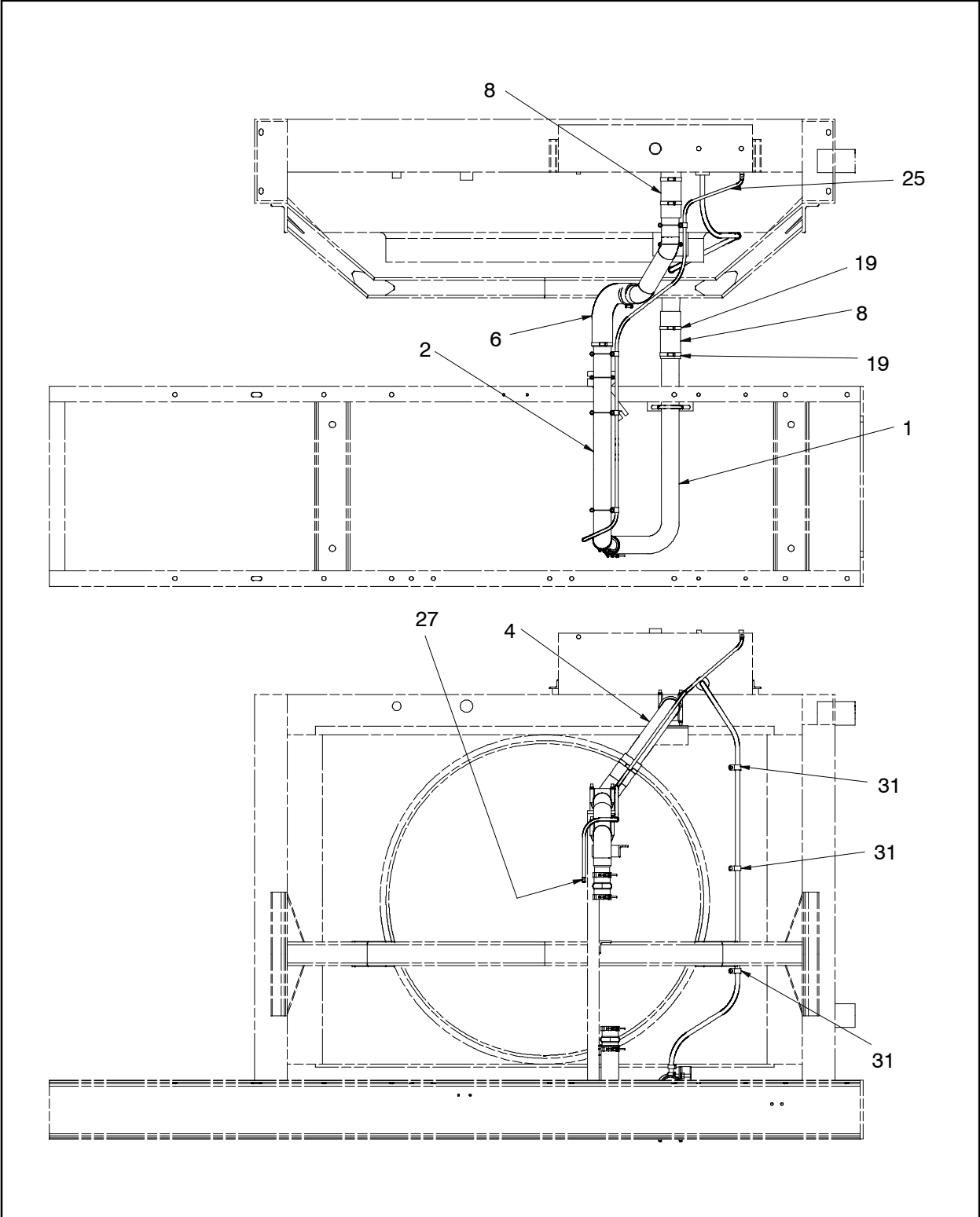


Figure 85 :PIPING,RADIATOR-CAT
D57652885 REV 001

57652885 PIPING,RADIATOR-CAT



PIPING,RADIATOR-CAT
57652885

Figure 86 :PIPING,RADIATOR-CAT
D57652885 REV 001

57652885 PIPING,RADIATOR-CAT

PIPING,RADIATOR-CAT
57652885

| REF. | PART NO. | QTY. | UNIT | DESCRIPTION |
|------|----------|------|------|-------------------------|
| 001 | 57652943 | 1 | EA | PIPE,INLET ENGINE |
| 002 | 57652950 | 1 | EA | TUBE,RADIATOR |
| 003 | 57652935 | 1 | EA | PIPE |
| 004 | 57652968 | 1 | EA | TUBE,RADIATOR |
| 006 | 56256522 | 1 | EA | ELBOW,3, 90DEG,COOLANT |
| 007 | 50463645 | 2 | EA | HOSE HUMP |
| 008 | 57213399 | 3 | EA | HOSE, RADIATOR |
| 009 | 58173097 | 4 | EA | CLAMP,HOSE |
| 010 | 95922902 | 2 | EA | NUT,HEX,FINISHED,PLATED |
| 010 | 95922902 | 2 | EA | NUT,HEX,FINISHED,PLATED |
| 011 | 95481800 | 2 | EA | U-BOLT |
| 018 | 95934733 | 4 | EA | WASHER,LOCK |
| 019 | 50905181 | 8 | EA | CLAMP, HOSE |
| 021 | 52246154 | 6 | EA | CLAMP |
| 022 | 95351904 | 4 | EA | CLAMP, HOSE |
| 025 | 58143439 | 1 | EA | HOSE ASSY |
| 026 | 95279071 | 1 | EA | FITTING, HYD |
| 027 | 57661829 | 1 | EA | FITTING,METRIC |
| 030 | 95220844 | 1 | EA | CLAMP, HOSE |
| 031 | 95301883 | 3 | EA | CLAMP, HOSE |
| 032 | 57740094 | 1 | EA | BRACKET,RAD PIPE,DM30 |

57652885 PIPING,RADIATOR – CAT

This page is intentionally blank.

PIPING,RADIATOR – CAT
57652885

57740151 ENGINE,ASM,CAT525,2STRT

ENGINE,ASM,CAT525,2STRT
57740151

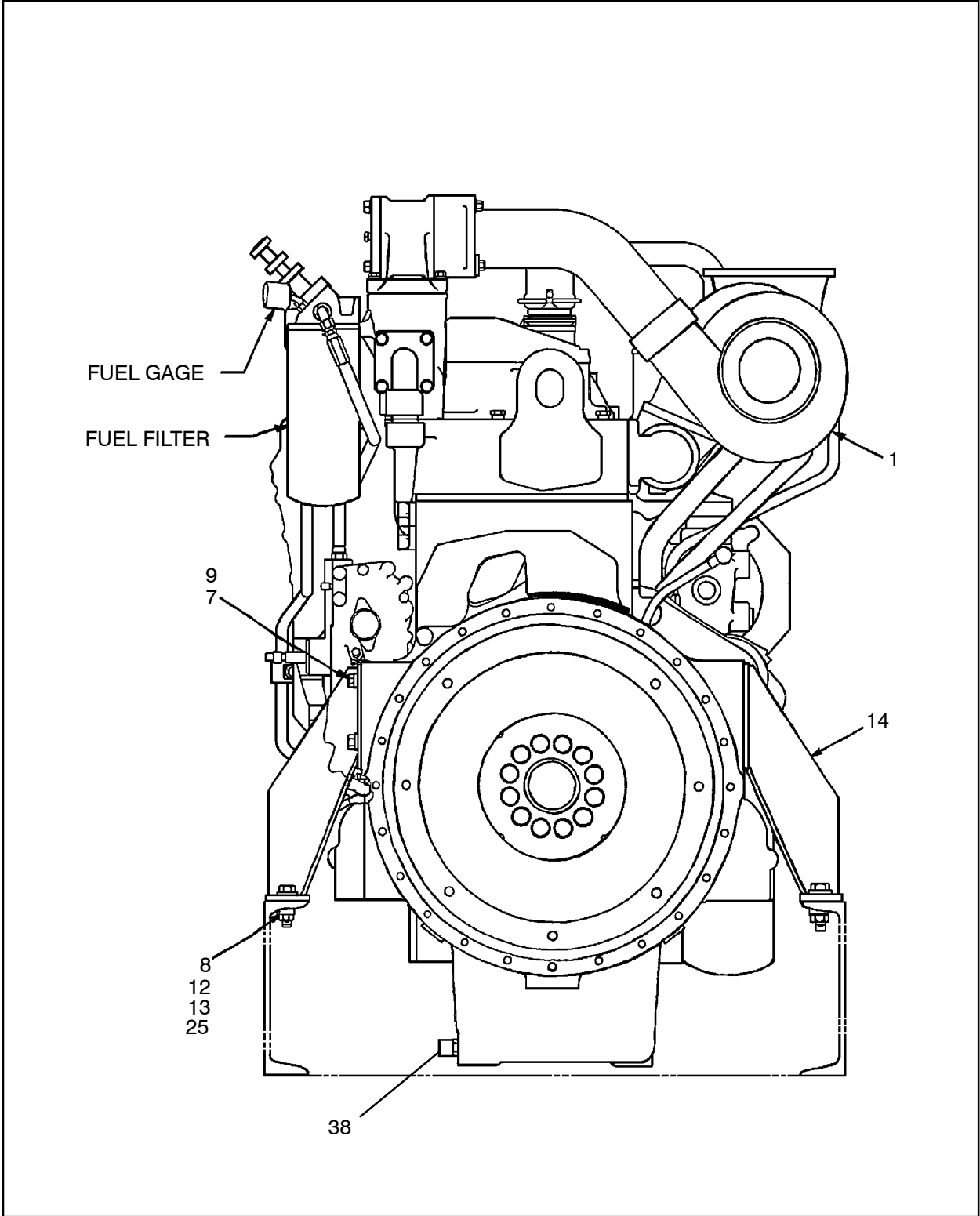
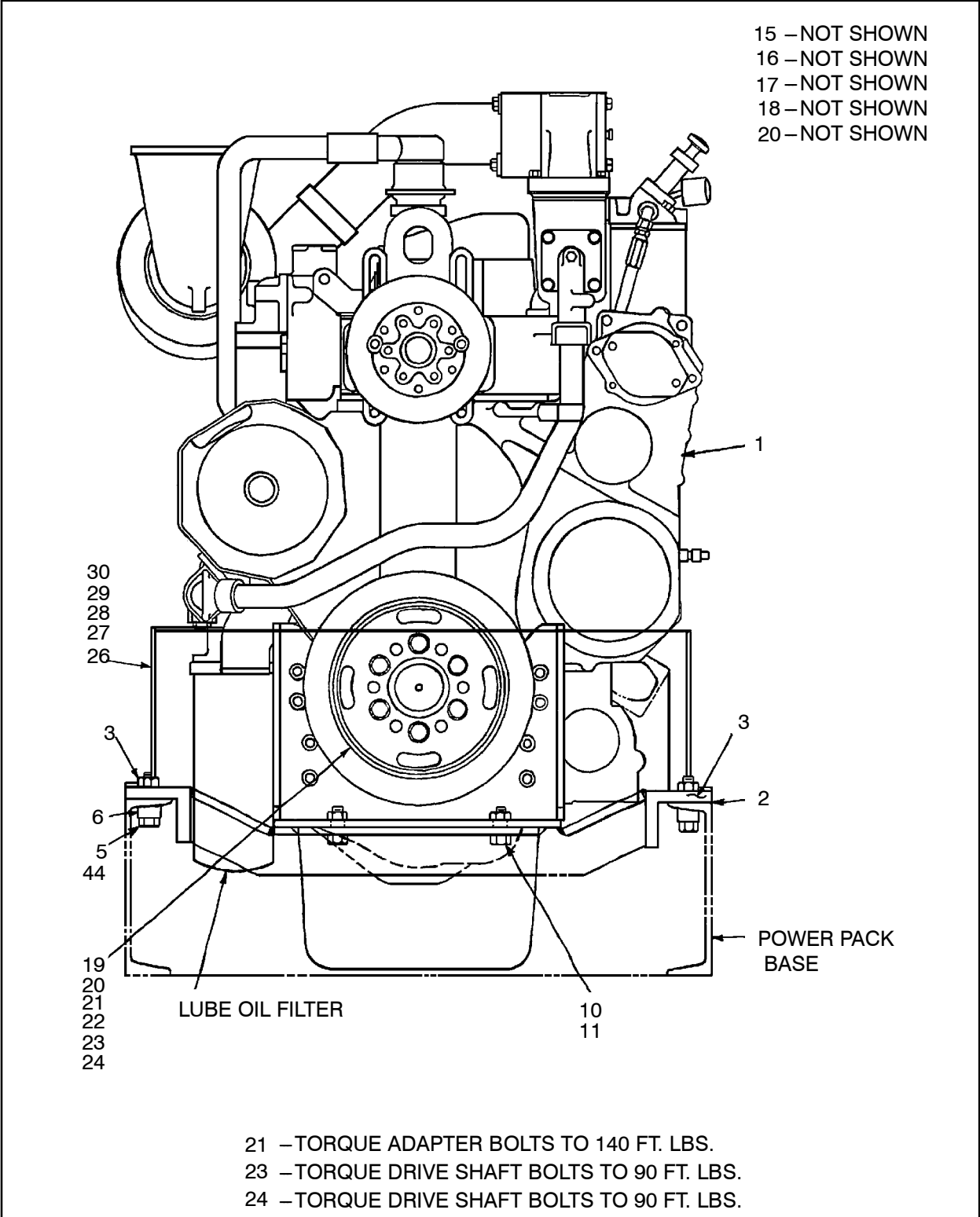


Figure 87 :ENGINE,ASM,CAT525,2STRT
D57639312 REV 006

57740151 ENGINE,ASM,CAT525,2STRT



ENGINE,ASM,CAT525,2STRT
 57740151

Figure 88 :ENGINE,ASM,CAT525,2STRT
 D57639312 REV 006

57740151 ENGINE,ASM,CAT525,2STRT

ENGINE,ASM,CAT525,2STRT
57740151

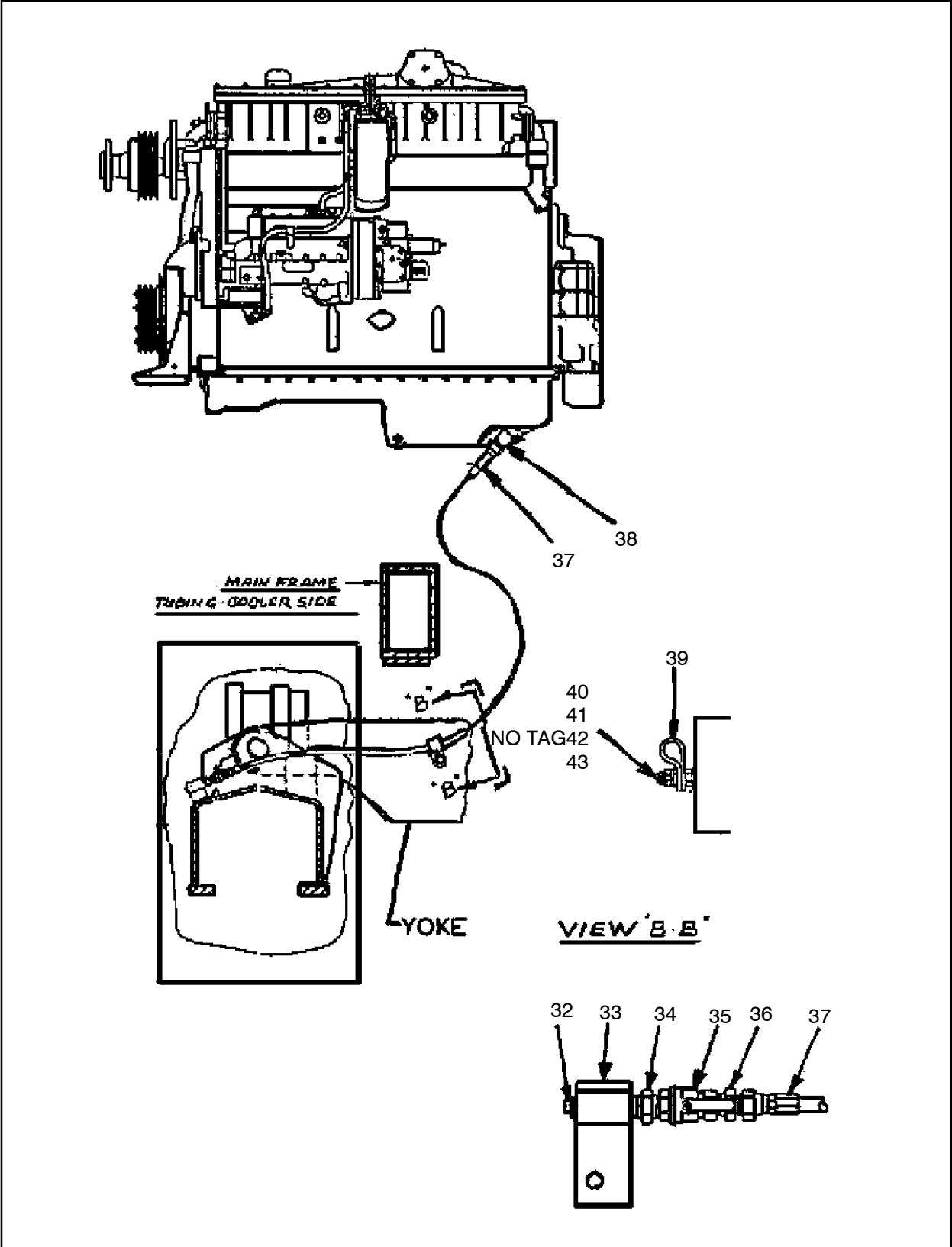


Figure 89 :ENGINE,ASM,CAT525,2STRT
D57639312 REV 006

57740151 ENGINE,ASM,CAT525,2STRT

| REF. | PART NO. | QTY. | UNIT | DESCRIPTION |
|------|----------|------|------|---|
| 001 | 57639890 | 1 | EA | ENGINE,BARE,525-CAT |
| | 54594577 | 1 | EA | ●- SENSOR,LOW COOLANT |
| 002 | 57643199 | 1 | EA | MOUNT,FRONT ENGINE-C16 |
| 003 | 95972246 | 4 | EA | WASHER,FLAT,PLATED |
| 004 | 95200093 | 2 | EA | WASHER,FLAT |
| 005 | 95077608 | 2 | EA | NUT, HEX STOP-3/4-10 |
| 006 | 95245775 | 2 | EA | WASHER,BEVEL-3/4 |
| 007 | 95930723 | 12 | EA | SCREW,CAP,HEX |
| 008 | 95952354 | 4 | EA | SCREW,CAP,HEX |
| 009 | 95934741 | 12 | EA | WASHER,LOCK HELICAL |
| 010 | 95104659 | 2 | EA | SCREW, CAP-3/4-10 X2-3/4 |
| 011 | 95077608 | 2 | EA | NUT, HEX STOP-3/4-10 |
| 012 | 95077590 | 4 | EA | NUT,HEX,STOP |
| 013 | 54573704 | 4 | EA | WASHER,BEVEL,SQ,PLATED |
| 014 | 57643157 | 2 | EA | MOUNT,REAR ENGINE,C16 (See figure NO TAG) |
| 015 | 57294829 | 1 | EA | FILTER,FUEL SECONDARY |
| 016 | 56985971 | 1 | EA | ELEMENT,WATER FILTER |
| 017 | 52183233 | 1 | EA | FILTER,OIL-ENGINE |
| 018 | 57740144 | 1 | EA | WIRING,ENGINE CAT-2STRT (See figure 90) |
| 019 | 57245870 | 1 | EA | ADAPTERFRT.ENG.CAT3406TA |
| 020 | 57595639 | 1 | EA | CONNECTOR,COMMUNICATION |
| 021 | 95013702 | 6 | EA | CAPSCREW,HEX SOCKET HEAD |
| 022 | 95934733 | 8 | EA | WASHER,LOCK |
| 023 | 95215257 | 4 | EA | CAPSCREW,HEX |
| 024 | 95920708 | 4 | EA | SCREW,CAP,HEX |
| 025 | 95094314 | 4 | EA | WASHER,FLAT,WIDE |
| 026 | 57666083 | 1 | EA | GUARD,DRIVESHAFT-C15 |
| 027 | 95922233 | 4 | EA | WASHER,FLAT,WIDE |
| 028 | 95922639 | 4 | EA | LOCKWASHER,HELICAL SPRNG |
| 029 | 95055349 | 4 | EA | SCREW,CAP,AH |
| 030 | 57368524 | 1 | EA | DRIVE SHAFT |
| | 57227787 | 0 | EA | ●- CROSS KIT |
| 032 | 95002143 | 1 | EA | PLUG,PIPE-SQ HEAD |
| 033 | 52235363 | 1 | EA | BRACKET,OIL |
| 034 | 95323358 | 1 | EA | FITTING, STR-EXT NPT RUN |

ENGINE,ASM,CAT525,2STRT
57740151

57740151 ENGINE,ASM,CAT525,2STRT

| REF. | PART NO. | QTY. | UNIT | DESCRIPTION |
|------|----------|------|------|---------------------|
| 035 | 50829605 | 1 | EA | VALVE,BALL-1/2 |
| 036 | 95279378 | 1 | EA | FITTING,HYD |
| 037 | 56954233 | 1 | EA | HOSE ASSY |
| 038 | 95279436 | 1 | EA | FITTING,HYD |
| 039 | 95478509 | 1 | EA | CLAMP,HOSE |
| 040 | 95920674 | 1 | EA | SCREW,CAP,HEX |
| 041 | 95937413 | 1 | EA | WASHER,LOCK,HELICAL |
| 043 | 95922894 | 1 | EA | NUT,HEX,FINISHED |
| 044 | 95935201 | 2 | EA | SCREW,CAP,HEX |

ENGINE,ASM,CAT525,2STRT
 57740151

57740151 ENGINE,ASM,CAT525,2STRT

This page is intentionally blank.

ENGINE,ASM,CAT525,2STRT 57740151

57740144 WIRING,ENGINE CAT-2STRT

ENGINE,ASM,CAT525,2STRT
57740151

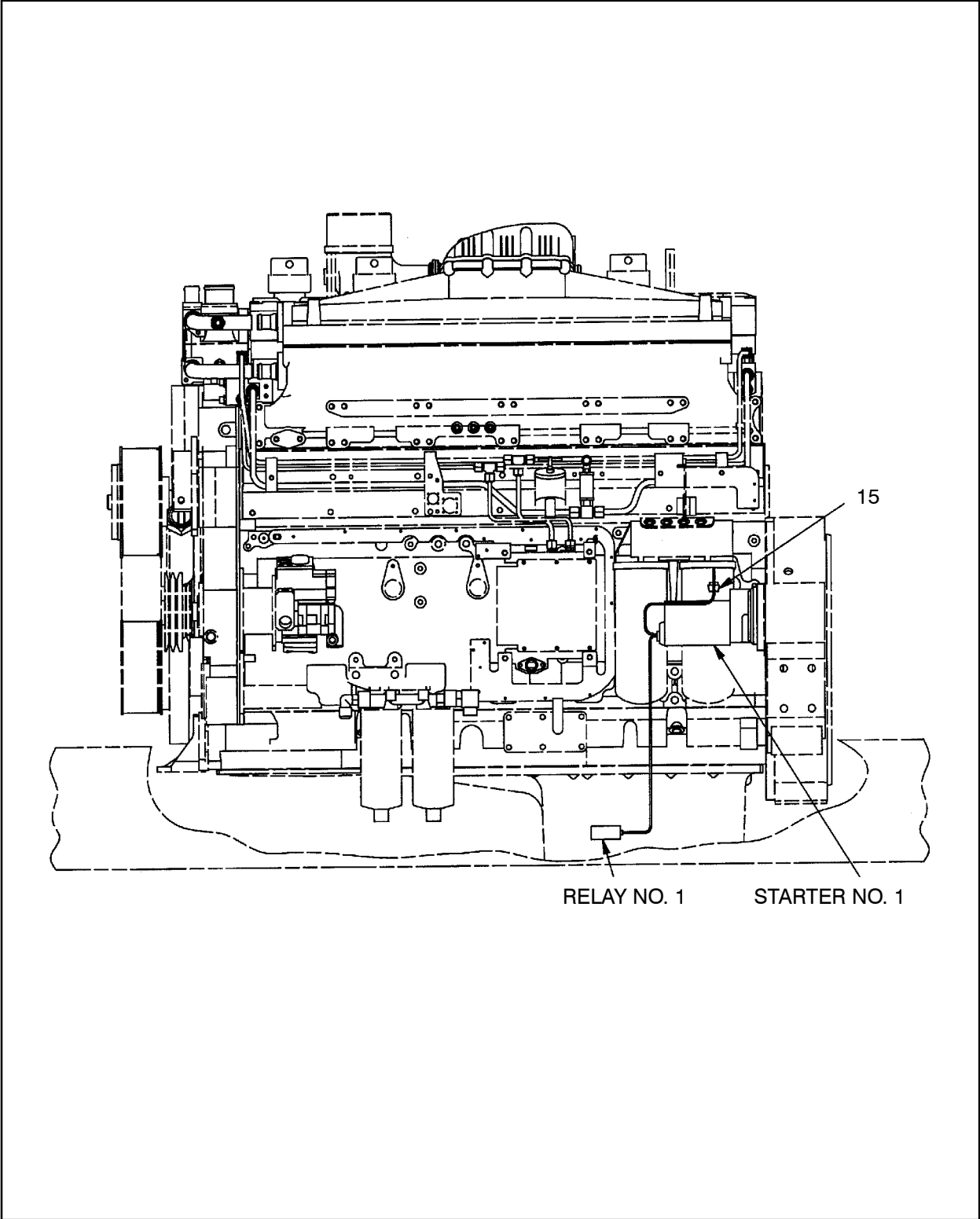
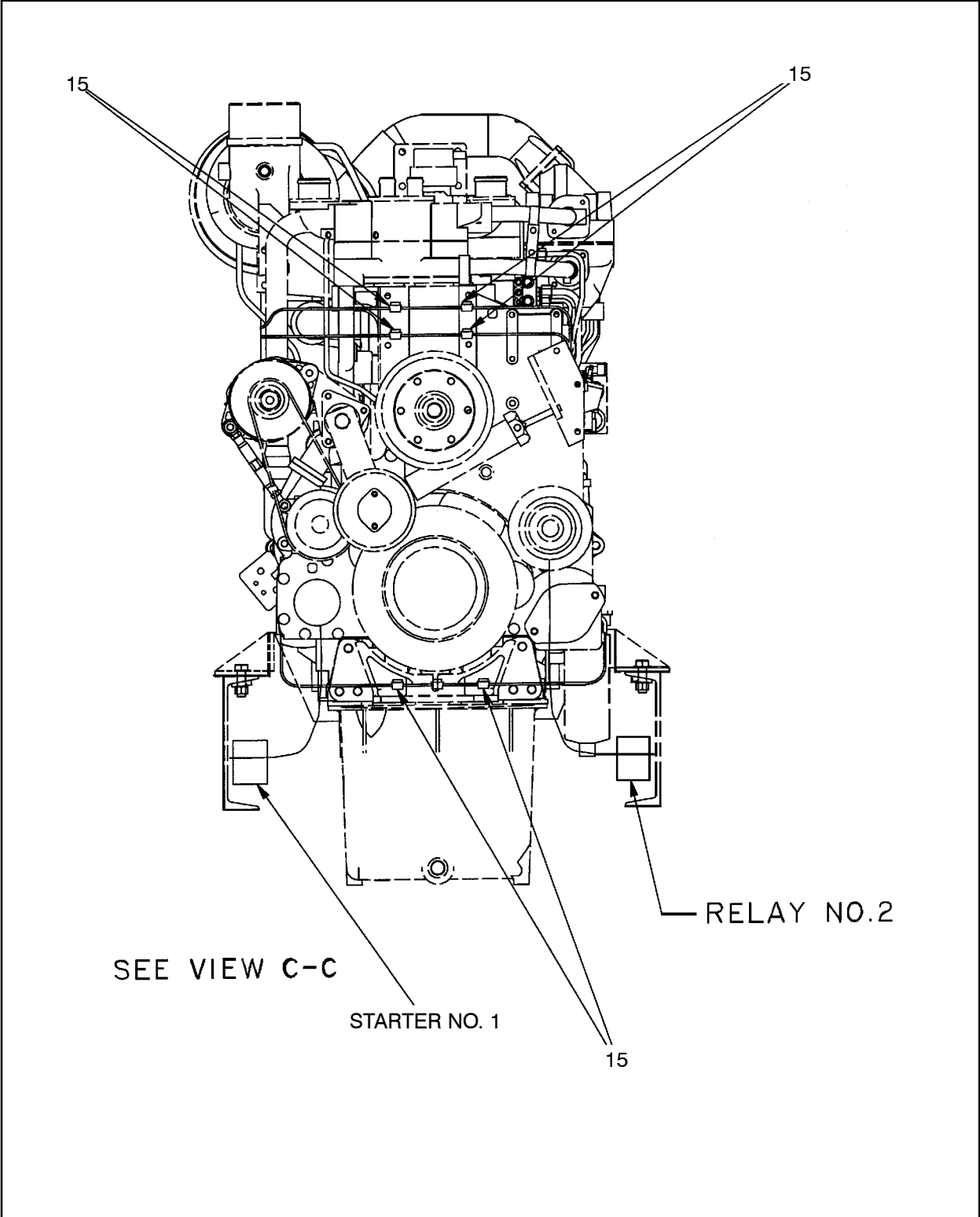


Figure 90 :WIRING,ENGINE CAT-2STRT
D57740144 REV 001

57740144 WIRING,ENGINE CAT-2STRT



ENGINE, ASM, CAT525, 2STRT

57740151

Figure 91 :WIRING,ENGINE CAT-2STRT
D57740144 REV 001

57740144 WIRING,ENGINE CAT-2STRT

ENGINE,ASM,CAT525,2STRT
57740151

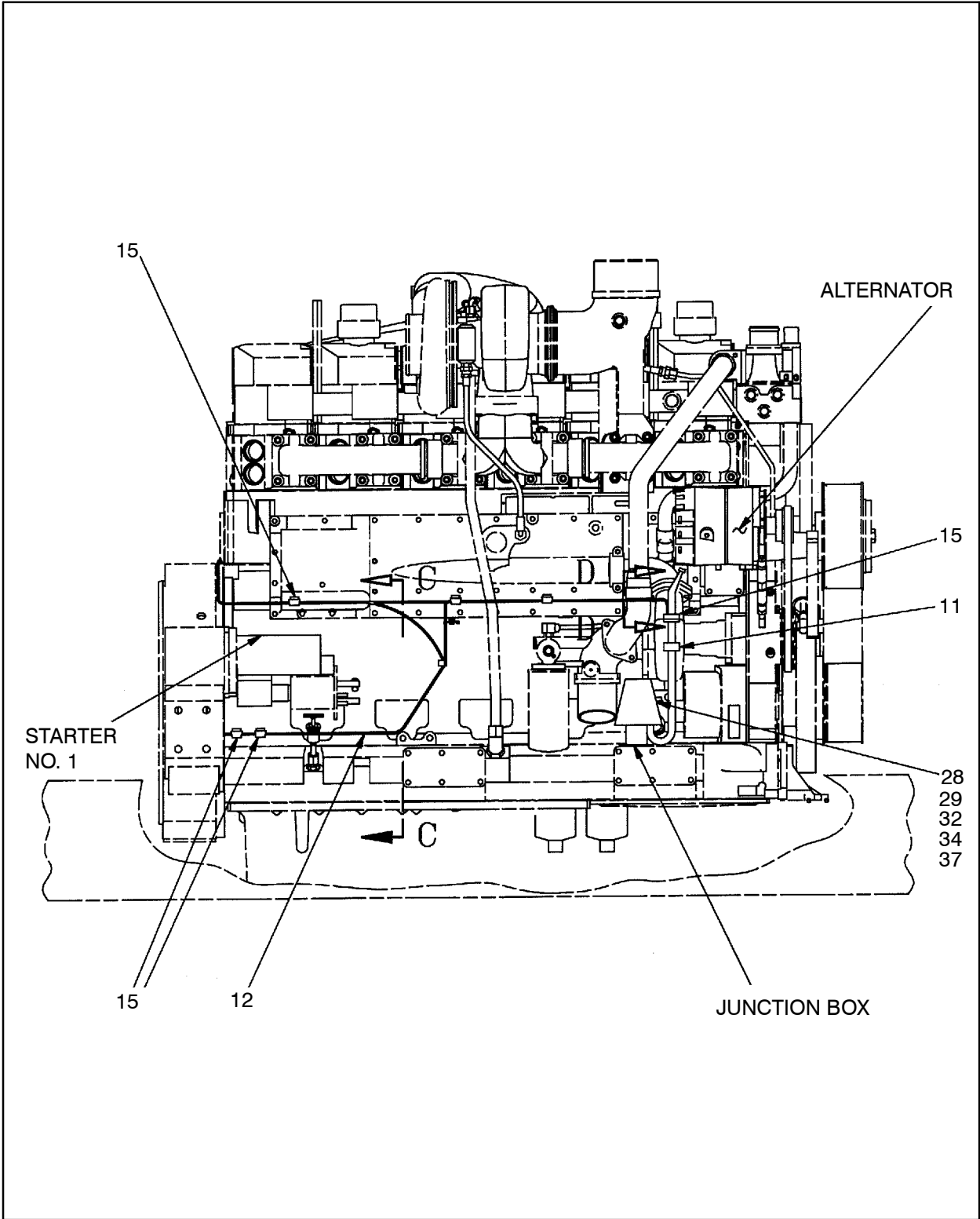
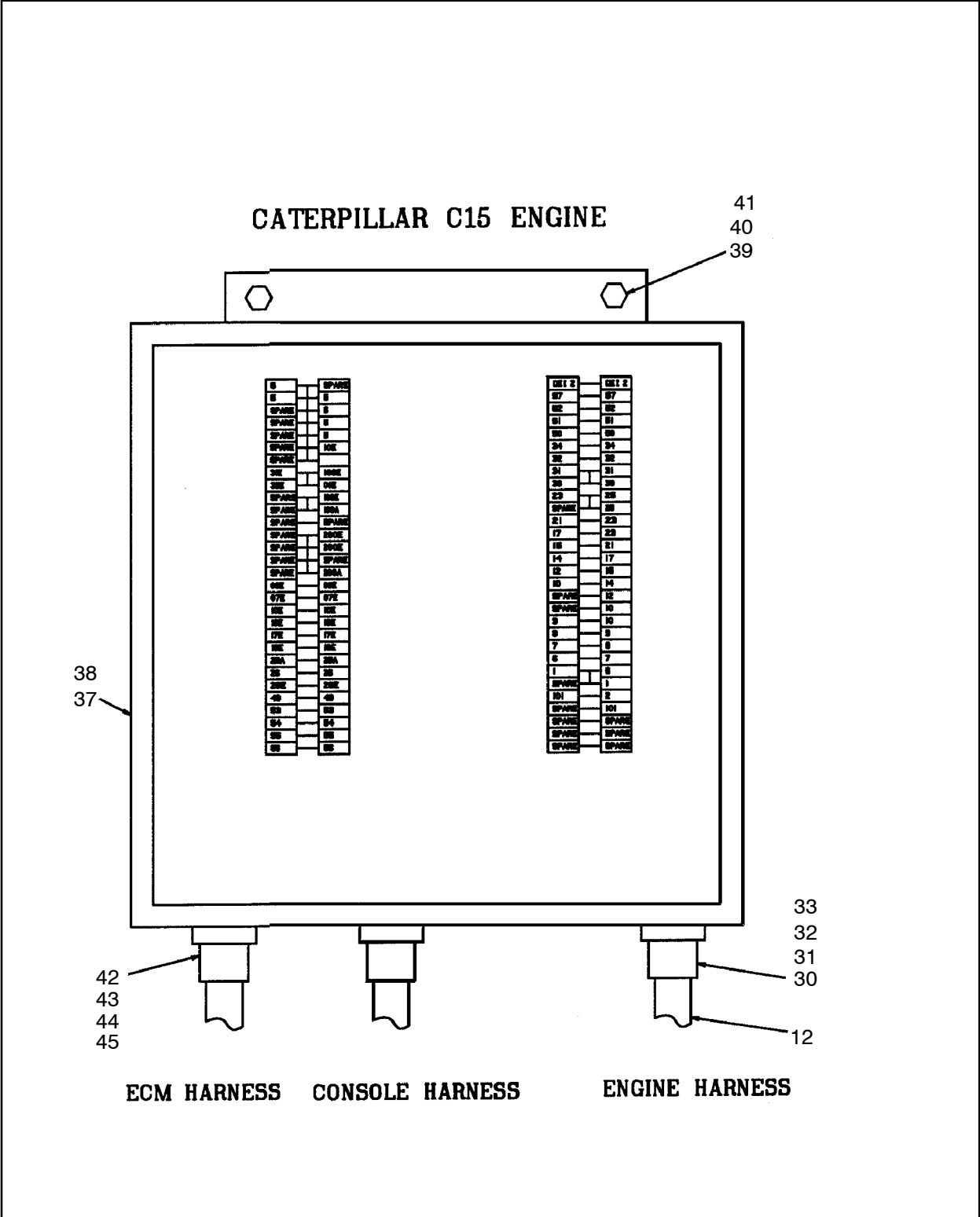


Figure 92 :WIRING,ENGINE CAT-2STRT
D57740144 REV 001

57740144 WIRING,ENGINE CAT-2STRT



ENGINE,ASM,CAT525,2STRT
57740151

Figure 93 :WIRING,ENGINE CAT-2STRT
 D57740144 REV 001

57740144 WIRING,ENGINE CAT-2STRT

ENGINE,ASM,CAT525,2STRT
 57740151

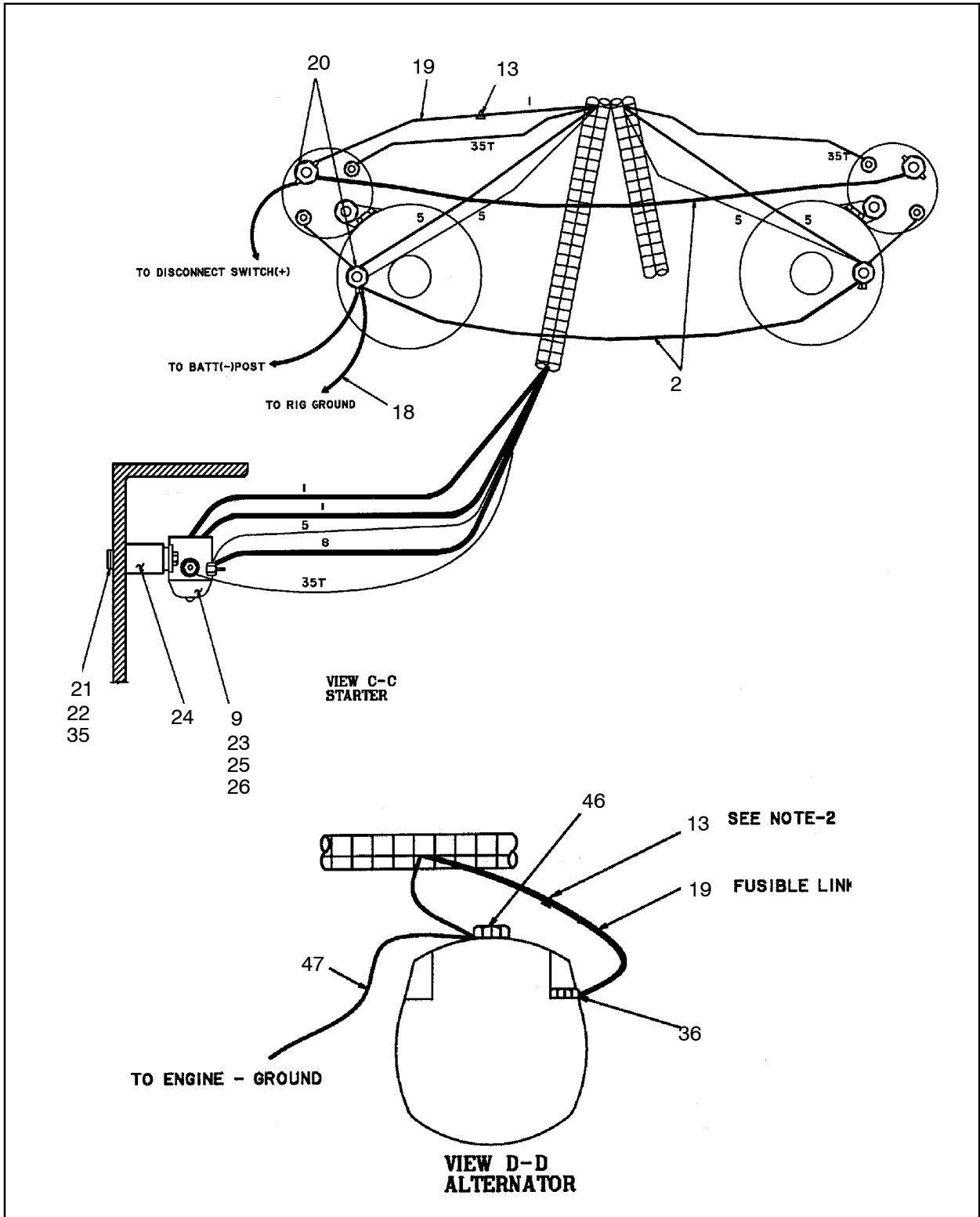


Figure 94 :WIRING,ENGINE CAT-2STRT
 D57740144 REV 001

57740144 WIRING,ENGINE CAT-2STRT

| REF. | PART NO. | QTY. | UNIT | DESCRIPTION |
|------|----------|------|------|--------------------------|
| 002 | 57412710 | 2 | EA | CABLE, STARTER JUMPER |
| 009 | 95922183 | 2 | EA | WASHER,FLAT |
| 011 | 95748802 | 4 | EA | TIE,CABLE |
| 012 | 57656159 | 1 | EA | HARNES,ENG C16 2 STRTR |
| 013 | 50695063 | 2 | EA | CONNECTOR,12 RED |
| 015 | 95301859 | 11 | EA | CLAMP,HOSE |
| 018 | 52246519 | 1 | EA | CABLE,GROUND-1/0 X 36 |
| 019 | 56999360 | 2 | EA | WIRE LINK-9 |
| 020 | 95359329 | 2 | EA | TERMINAL,12-10,1/2 RING |
| 021 | 57141939 | 2 | EA | FASTENER,1/4-20 TEENUT |
| 022 | 56784267 | 0.00 | EA | ADHESIVE |
| 023 | 59956466 | 2 | EA | RELAY,SOLENOID-24VMARINE |
| 024 | 57139131 | 4 | EA | MOUNT,FLEX-BOLTSANDWICH |
| 025 | 95931564 | 4 | EA | NUT,HEX,FINISHED |
| 026 | 95934766 | 4 | EA | WASHER,LOCK,HELICAL |
| 028 | 95928982 | 4 | EA | SCREW,CAP-1/4-20 X 3/4 |
| 029 | 95920674 | 2 | EA | SCREW,CAP,HEX |
| 030 | 56992191 | 1 | EA | CONNECTOR |
| 031 | 50619915 | 1 | EA | NUT,LOCK-1/2,CONDUIT |
| 032 | 95922233 | 4 | EA | WASHER,FLAT,WIDE |
| 033 | 50625839 | 1 | EA | BUSHING,CONDUIT |
| 034 | 95958831 | 2 | EA | NUT,HEX-LOCK,3/8-16UNC |
| 035 | 95934303 | 2 | EA | WASHER,LOCK,PLATED |
| 036 | 56921430 | 1 | EA | TERMINAL,12-10,1/4 RING |
| 037 | 57677122 | 1 | EA | BOX,ELECTRIC ASM |
| 038 | 52236577 | 1 | EA | GASKET,SEALING |
| 039 | 95938544 | 4 | EA | SCREW,CAP |
| 040 | 95929782 | 4 | EA | NUT,HEX,FINISHED |
| 041 | 95934303 | 4 | EA | WASHER,LOCK,PLATED |
| 042 | 51234375 | 1 | EA | CONNECTOR |
| 043 | 50628916 | 1 | EA | NUT, LOCK 1 |
| 044 | 50625995 | 1 | EA | BUSHING,COND |
| 045 | 52236551 | 1 | EA | GASKET, 1 |
| 046 | 56921448 | 1 | EA | TERMINAL,12-10,3/8 RING |
| 047 | 56949084 | 1 | EA | WIRE,GROUND |

(See figure 95)

ENGINE,ASM,CAT525,2STRT
57740151

57677122 BOX,ELECTRIC ASM

ENGINE,ASM,CAT525,2STRT
57740151

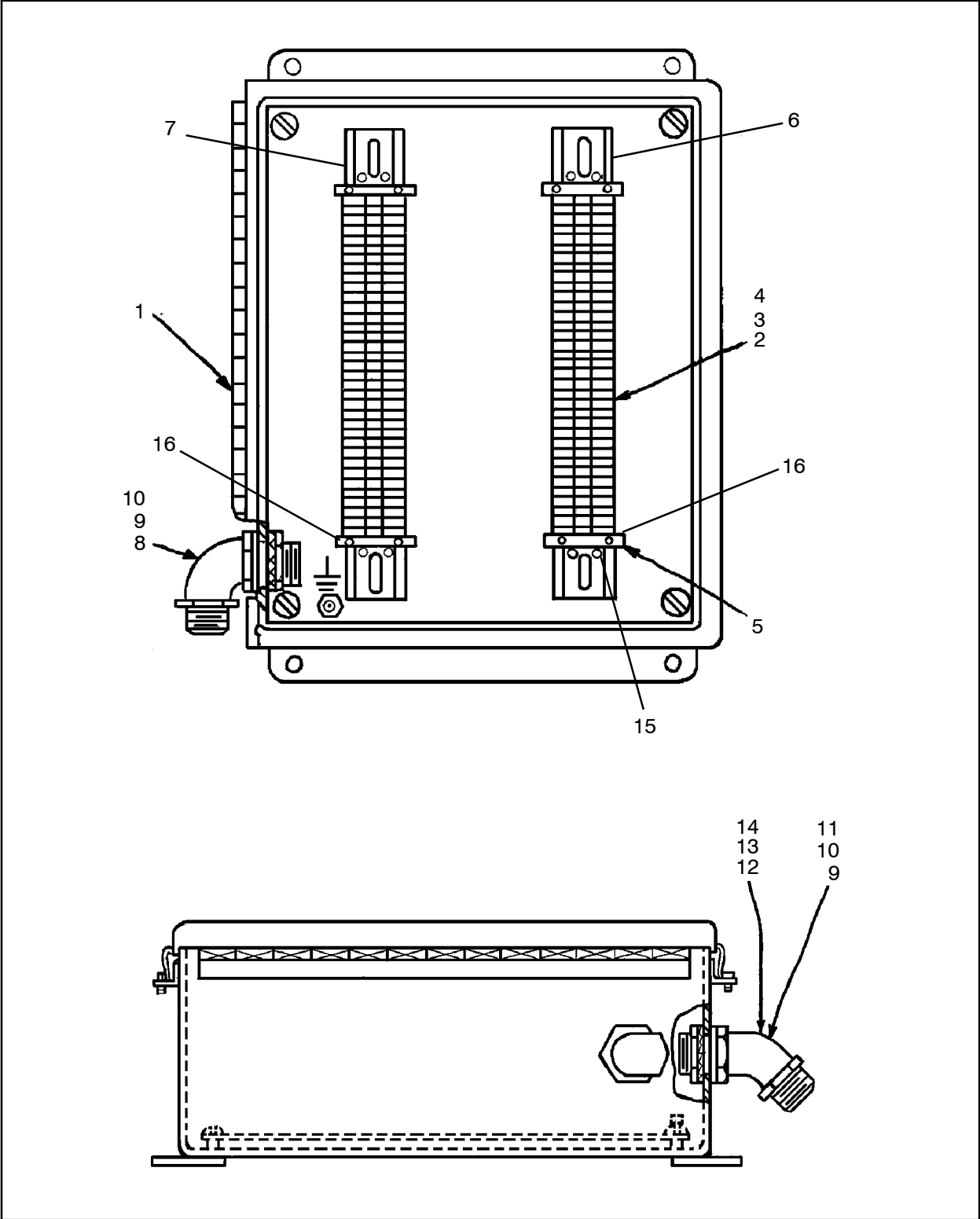


Figure 95 :BOX,ELECTRIC ASM
D57677122 REV 001

57677122 BOX,ELECTRIC ASM

| REF. | PART NO. | QTY. | UNIT | DESCRIPTION |
|------|----------|-------|------|------------------------|
| 001 | 52255734 | 1 | EA | BOX,ELEC |
| 002 | 57684979 | 100 | EA | MARKER,TERMINAL |
| 003 | 57684888 | 70 | EA | TERMINAL,BLOCK |
| 004 | 57473514 | 1 | EA | BRIDGE,UK-10,INSULATED |
| 005 | 57429748 | 4 | EA | HOLDER, LOCKING END |
| 006 | 57221855 | 12.00 | IN | MOUNTING RAIL (DIN) |
| 007 | 57221855 | 12.00 | IN | MOUNTING RAIL (DIN) |
| 008 | 95318457 | 1 | EA | CONNECTOR,3/4,90 DEG |
| 009 | 52236569 | 2 | EA | GASKET, 3/4 |
| 010 | 52240348 | 2 | EA | NUT,SEALING |
| 011 | 95318440 | 1 | EA | CONNECTOR,3/4 45 DEG |
| 012 | 95482451 | 3 | EA | CONNECTOR, 1 45 DEG |
| 013 | 52236551 | 3 | EA | GASKET, 1 |
| 014 | 52240355 | 3 | EA | NUT,SEALING |
| 015 | 95715751 | 10 | EA | RIVET, DOME HEAD |
| 016 | 57735524 | 2 | EA | END,PLATE TERMINAL |

ENGINE,ASM,CAT525,2STRT
57740151

57667701

EXHAUST INSTL,C16

EXHAUST INSTL,C16

57667701

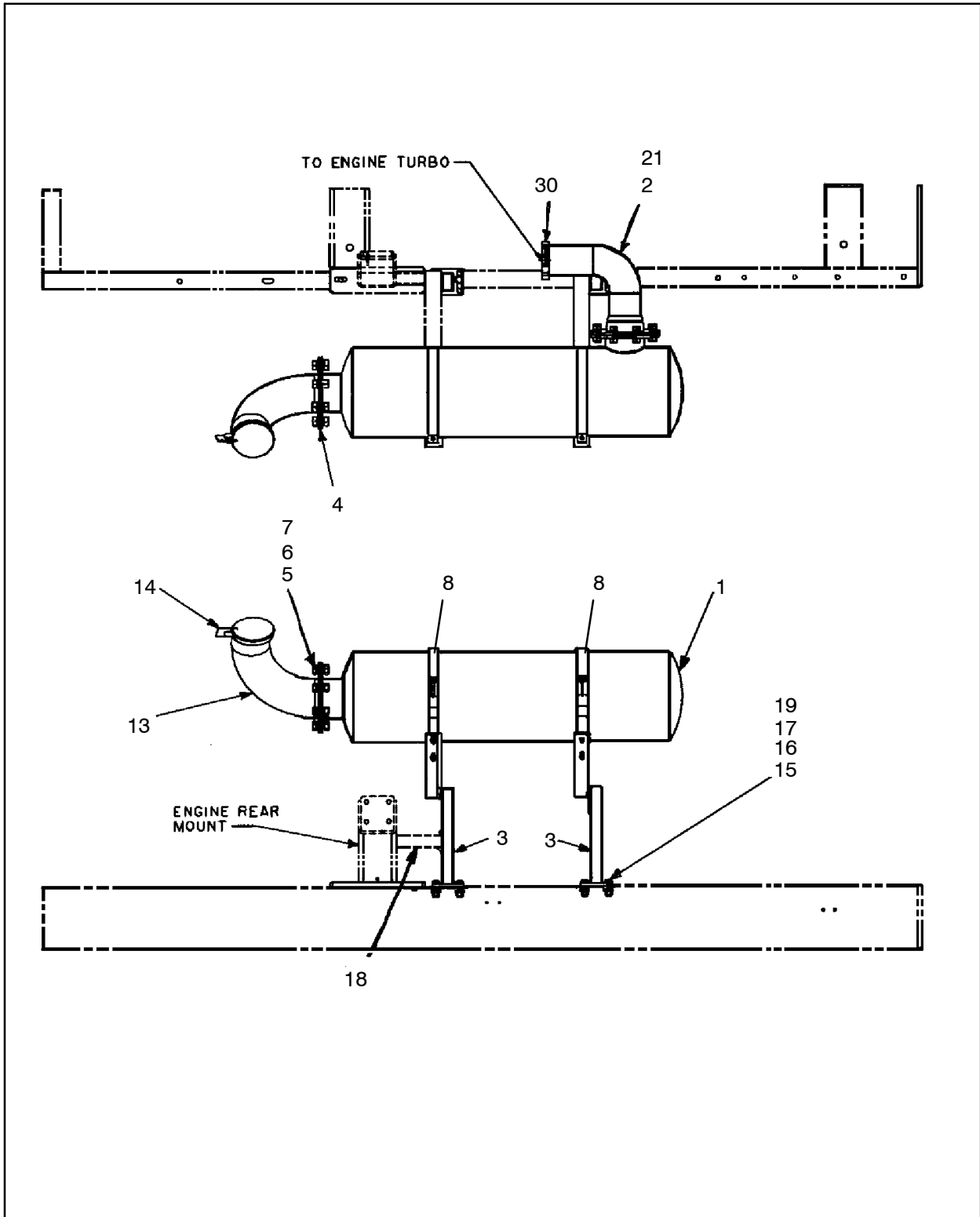
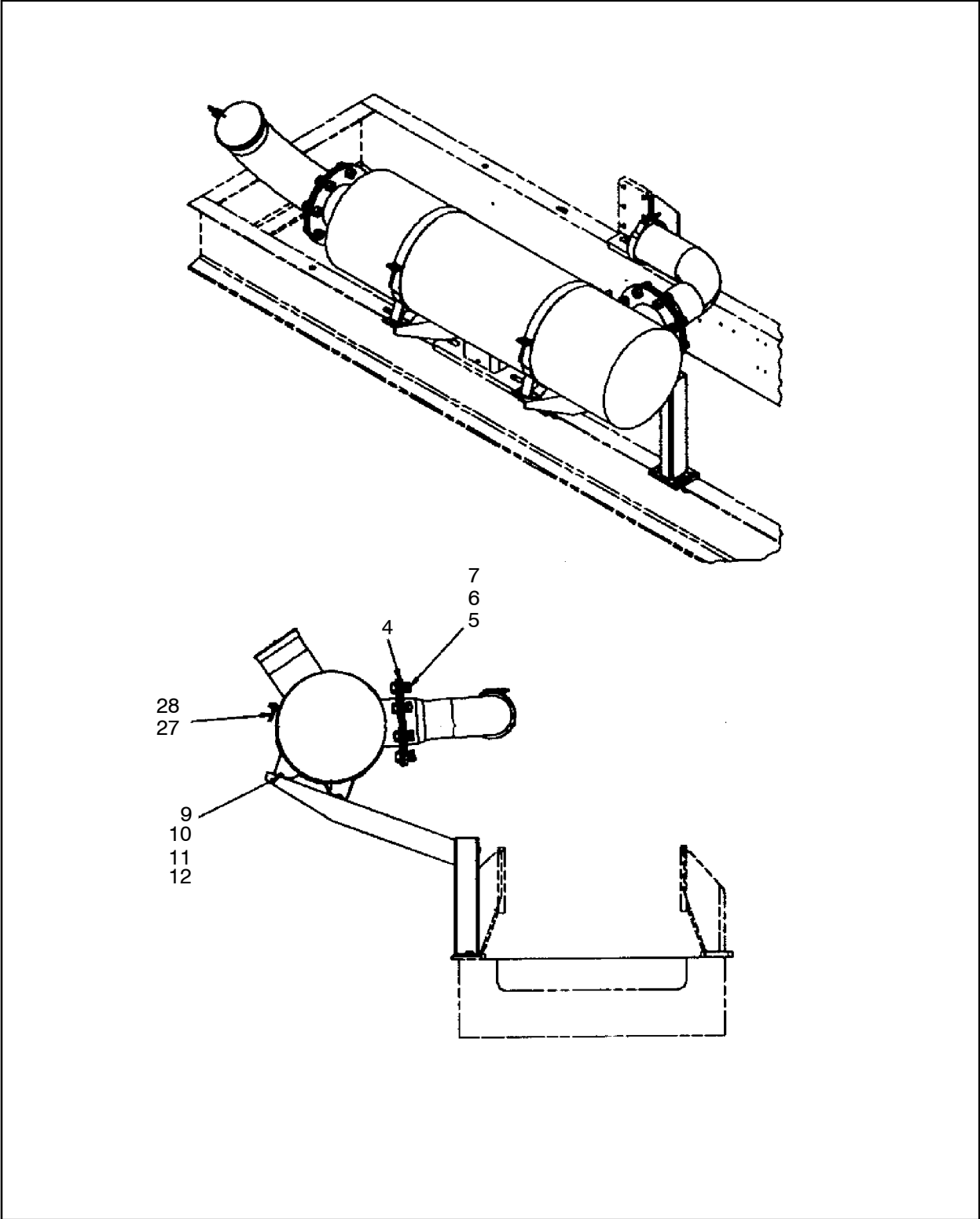


Figure 96 :EXHAUST INSTL,C16
D57667701 REV 002

57667701 EXHAUST INSTL,C16



EXHAUST INSTL,C16
57667701

Figure 97 :EXHAUST INSTL,C16
D57667701 REV 002

57667701 EXHAUST INSTL,C16

EXHAUST INSTL,C16
57667701

| REF. | PART NO. | QTY. | UNIT | DESCRIPTION |
|------|----------|------|------|--------------------------|
| 001 | 57656647 | 1 | EA | SILENCER,6"W/INSULAITON |
| 002 | 57442535 | 1 | EA | ELBOW, FLEX-W/FLANGE |
| 003 | 57661779 | 2 | EA | BRACKET,SILENCER SUPPORT |
| 004 | 50419670 | 2 | EA | GASKET |
| 005 | 95934378 | 16 | EA | CAPSCREW,HEX-HEAD,PLATED |
| 006 | 95934691 | 16 | EA | WASHER,LOCK,HELICAL |
| 007 | 95922928 | 16 | EA | NUT,HEX,FINISHED |
| 008 | 50279413 | 2 | EA | BAND, MOUNTING-AIRCLEANR |
| 009 | 95920682 | 4 | EA | CAPSCREW,HEX HEAD |
| 010 | 95937413 | 4 | EA | WASHER,LOCK,HELICAL |
| 011 | 95922894 | 4 | EA | NUT,HEX,FINISHED |
| 012 | 95922233 | 4 | EA | WASHER,FLAT,WIDE |
| 013 | 57706095 | 1 | EA | ELBOW,SILENCER |
| | 50622802 | 1 | EA | ●- FLANGE EXH |
| 014 | 50469238 | 1 | EA | CAP, WEATHER |
| 015 | 95930723 | 4 | EA | CAPSCREW,HEX HEAD |
| 016 | 54573704 | 4 | EA | WASHER,BEVEL,SQ, PLATED |
| 017 | 95077590 | 4 | EA | NUT,HEX,STOP |
| 018 | 57071755 | 1 | EA | TUBE,SQUARE |
| 019 | 95094314 | 4 | EA | WASHER,FLAT,WIDE |
| 021 | 57704124 | 1 | EA | BLANKET,EXHAUST ELBOW |
| 027 | 95958948 | 2 | EA | SCREW, CAP-5/16-18 X 3 |
| 028 | 95922829 | 2 | EA | NUT,ELASTIC LOCK-5/16-18 |
| 030 | 52175023 | 1 | EA | CLAMP, EXHAUST-TURBO |

57667701 EXHAUST INSTL,C16

This page is intentionally blank.

EXHAUST INSTL,C16
57667701

57326340 MOUNTING, POWER PACK BASE

MOUNTING, POWER PACK BASE
57326340

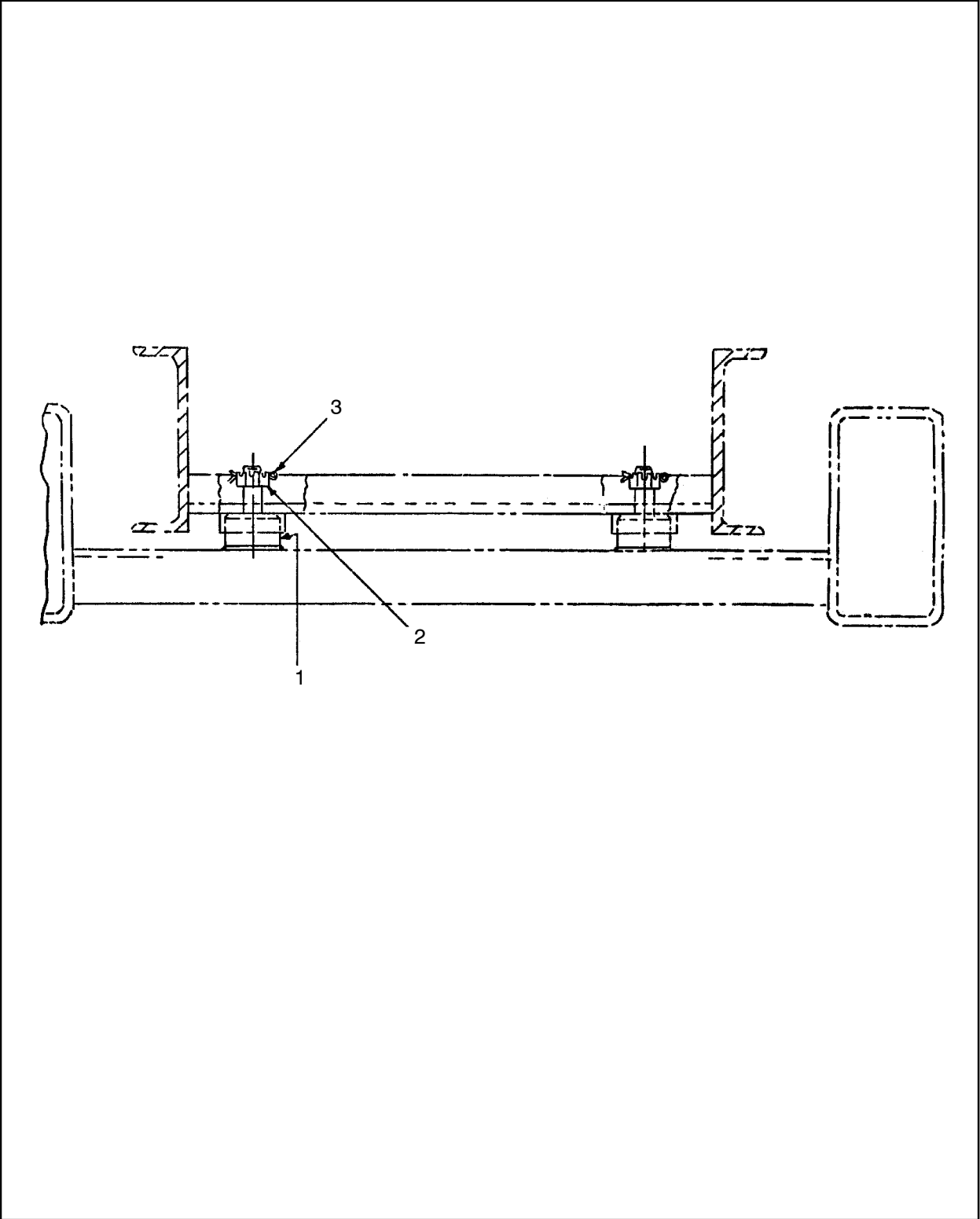


Figure 98 :MOUNTING, POWER PACK BASE
C57326340 REV00

57326340 MOUNTING, POWER PACK BASE

| REF. | PART NO. | QTY. | UNIT | DESCRIPTION |
|------|----------|------|------|-------------------------|
| 001 | 56897317 | 4 | EA | STUD |
| 002 | 95257093 | 4 | EA | NUT, HEX-SLOTTED 1" - 8 |
| 003 | 95272902 | 4 | EA | PIN, COTTER - 1/8 X 2 |

MOUNTING, POWER PACK BASE
57326340

57652877 PIPING,CAT,CAC

PIPING,CAT,CAC

57652877

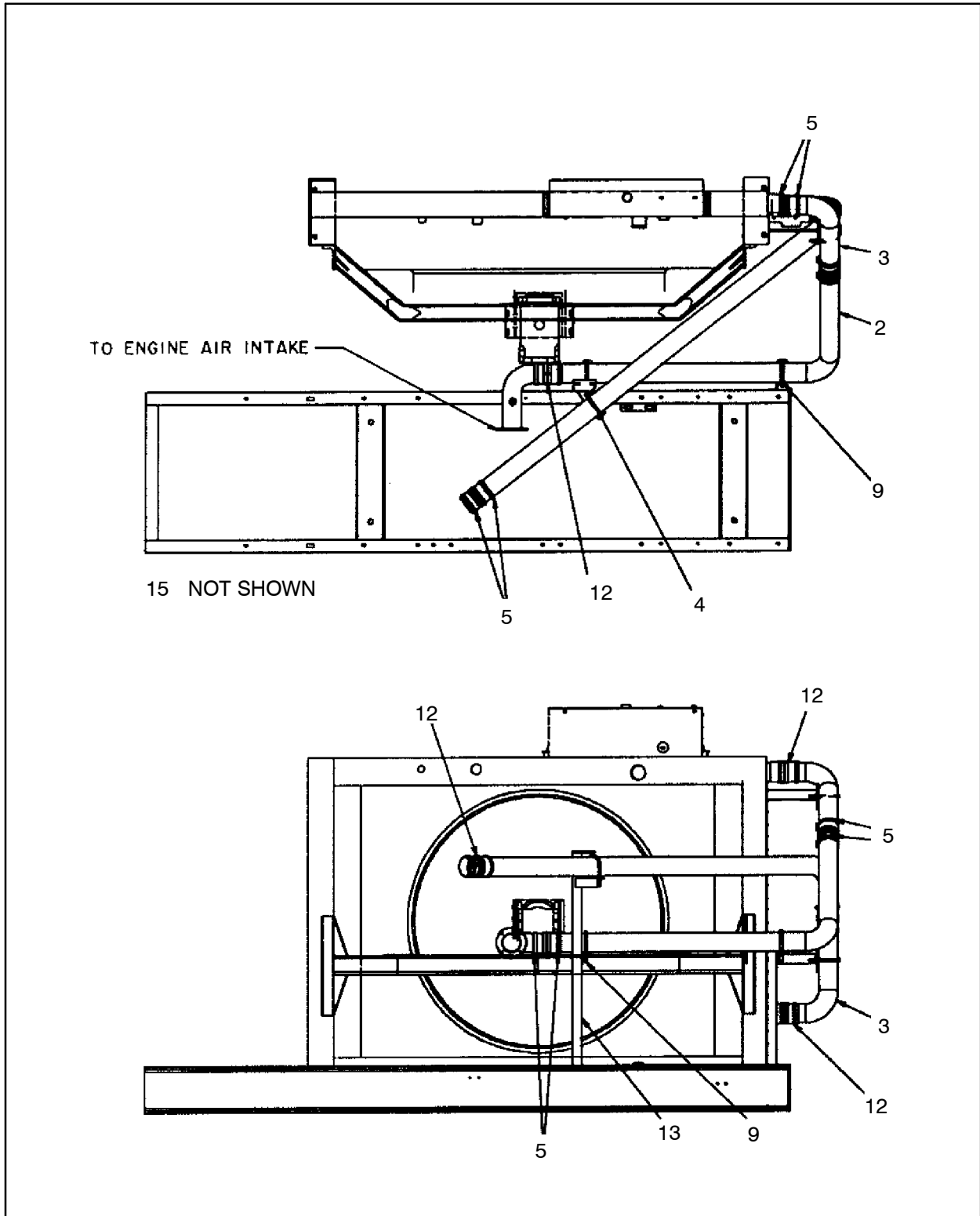
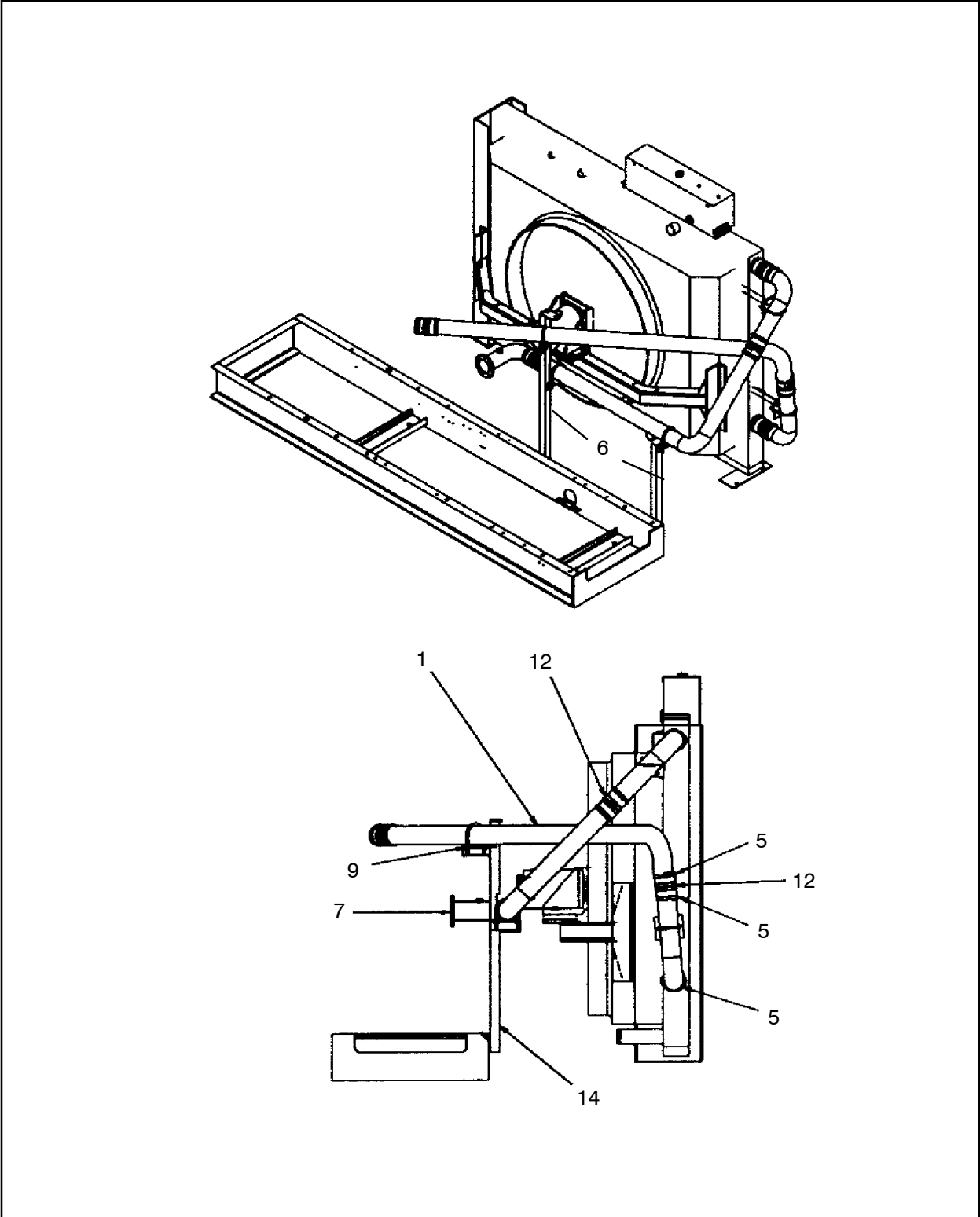


Figure 99 :PIPING,CAT,CAC
D57652877 REV 001

57652877 PIPING,CAT,CAC



PIPING,CAT,CAC
57652877

Figure 100 :PIPING,CAT,CAC
D57652877 REV 001

57652877 PIPING,CAT,CAC

| REF. | PART NO. | QTY. | UNIT | DESCRIPTION |
|------|----------|-------|------|--|
| 001 | 57652992 | 1 | EA | PIPE,ENGINE OUTLET |
| 002 | 57652984 | 1 | EA | PIPE,ENG OUTLET,CAC |
| 003 | 57633778 | 2 | EA | ELBOW,COOLER IN/OUT,CAC |
| 004 | 95391173 | 3 | EA | U-BOLT |
| 005 | 56280852 | 12 | EA | CLAMP, CONSTANT TORQUE |
| 006 | 57643652 | 2 | EA | SUPPORT,CAC PIPING <i>(See figure 101)</i> |
| 007 | 57652976 | 1 | EA | ELBOW,ENG INLET CAT |
| 009 | 95922902 | 6 | EA | NUT,HEX,FINISHED,PLATED |
| 012 | 57580516 | 6 | EA | CONNECTOR,CHRG AIR |
| 013 | 57653008 | 1 | EA | SUPPORT,PIPING |
| 014 | 57653016 | 1 | EA | SUPPORT,PIPING |
| 015 | 57578718 | 50.00 | FT | INSULATION,WRAP |

PIPING,CAT,CAC
57652877

57652877 PIPING,CAT,CAC

This page is intentionally blank.

PIPING,CAT,CAC
57652877

57643652 SUPPORT,CAC PIPING

PIPING,CAT,CAC
57652877

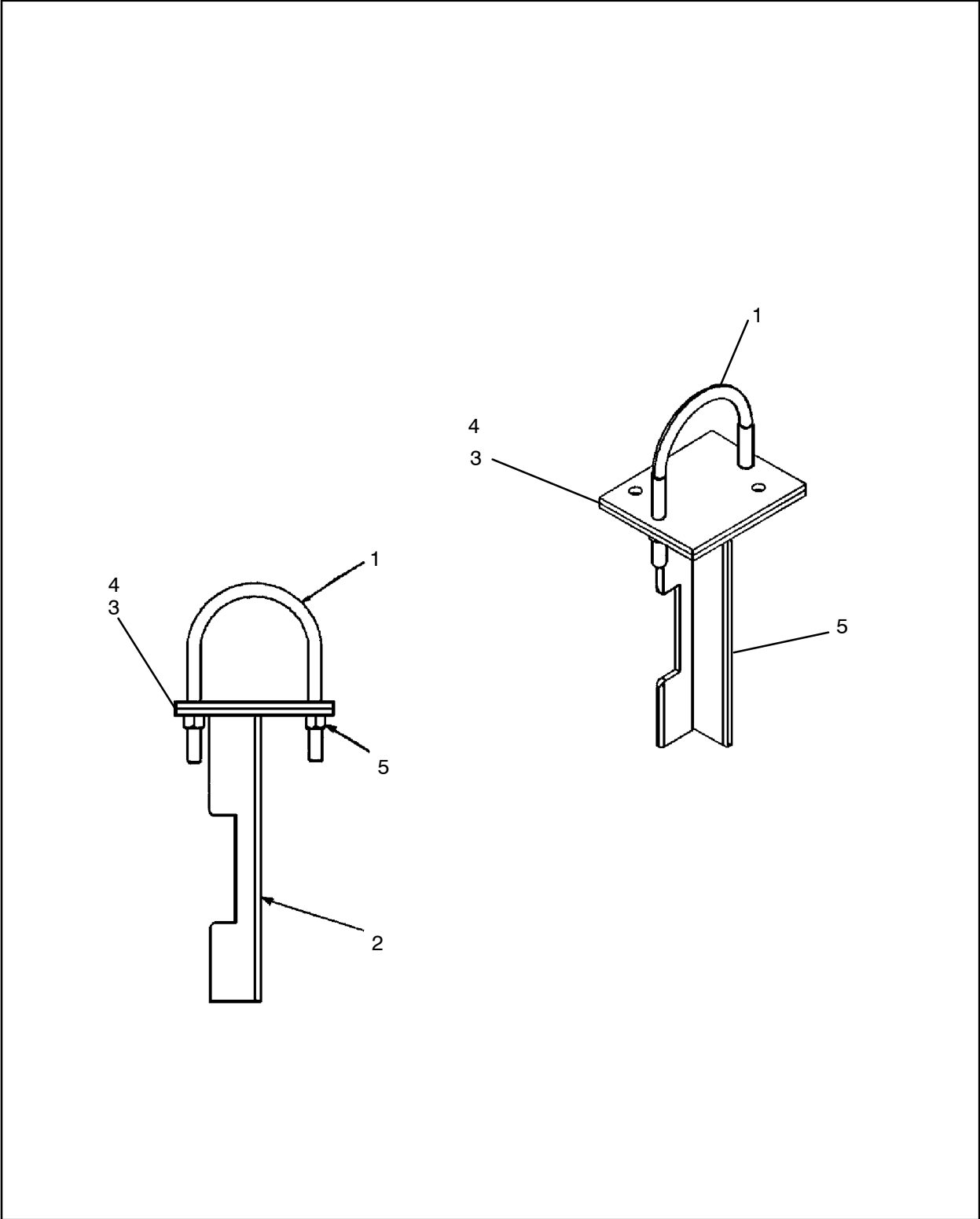


Figure 101 :SUPPORT,CAC PIPING
D57643652 REV 003

57643652 SUPPORT,CAC PIPING

| REF. | PART NO. | QTY. | UNIT | DESCRIPTION |
|------|----------|------|------|-------------------------|
| 001 | 95391173 | 1 | EA | U-BOLT |
| 002 | 57660730 | 1 | EA | BRACKET,ARM |
| 003 | 57657744 | 1 | EA | BRACKET,PLATE |
| 004 | 57657751 | 1 | EA | PAD,ANTI-VIBRATION |
| 005 | 95922902 | 2 | EA | NUT,HEX,FINISHED,PLATED |

PIPING,CAT,CAC
57652877

AIR CLEANERS

SECTION

AIR CLEANERS

This page is intentionally blank.

SECTION

AIR CLEANERS

57653032

PIPING,AIR CLEANER CAT

PIPING,AIR CLEANER CAT

57653032

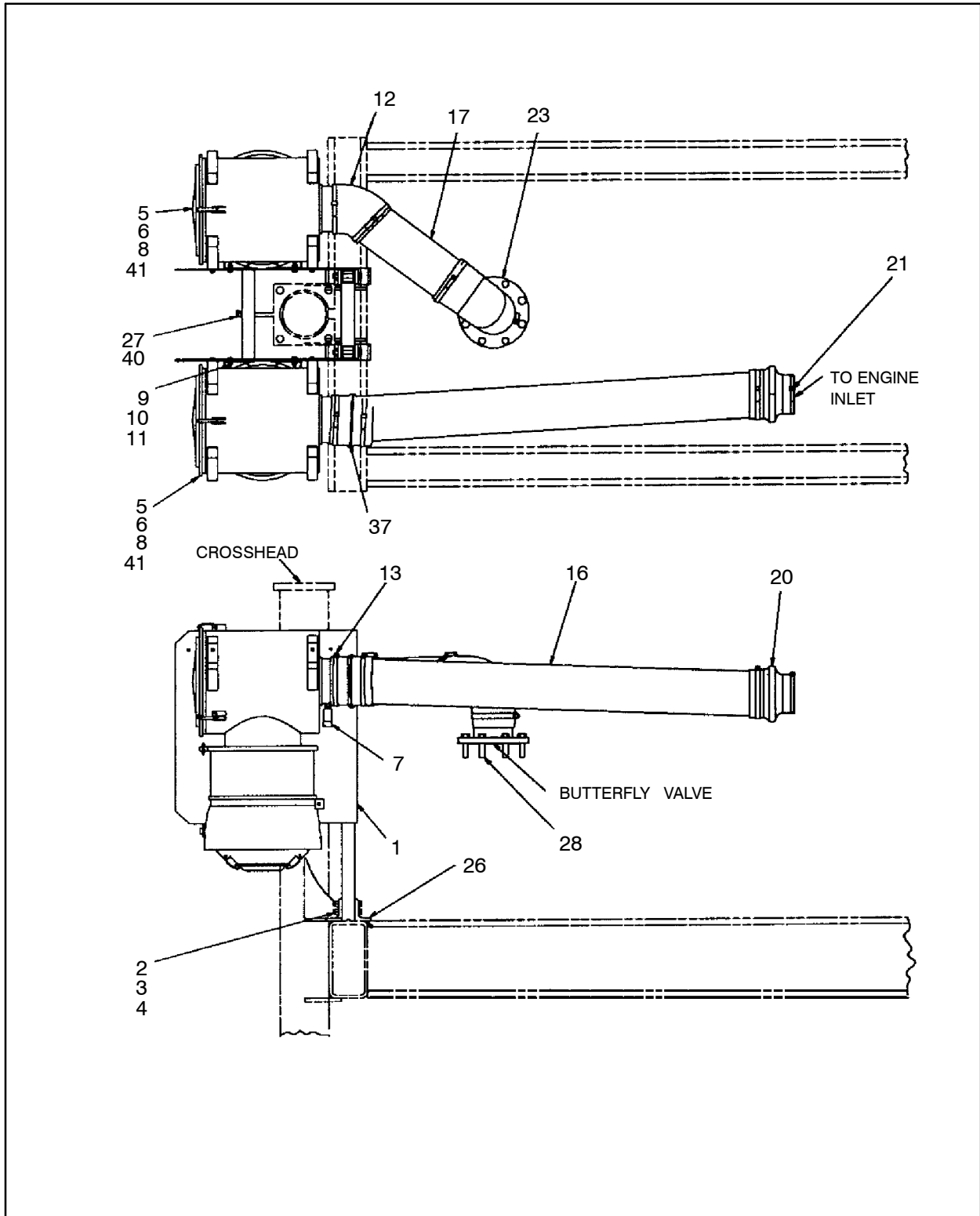
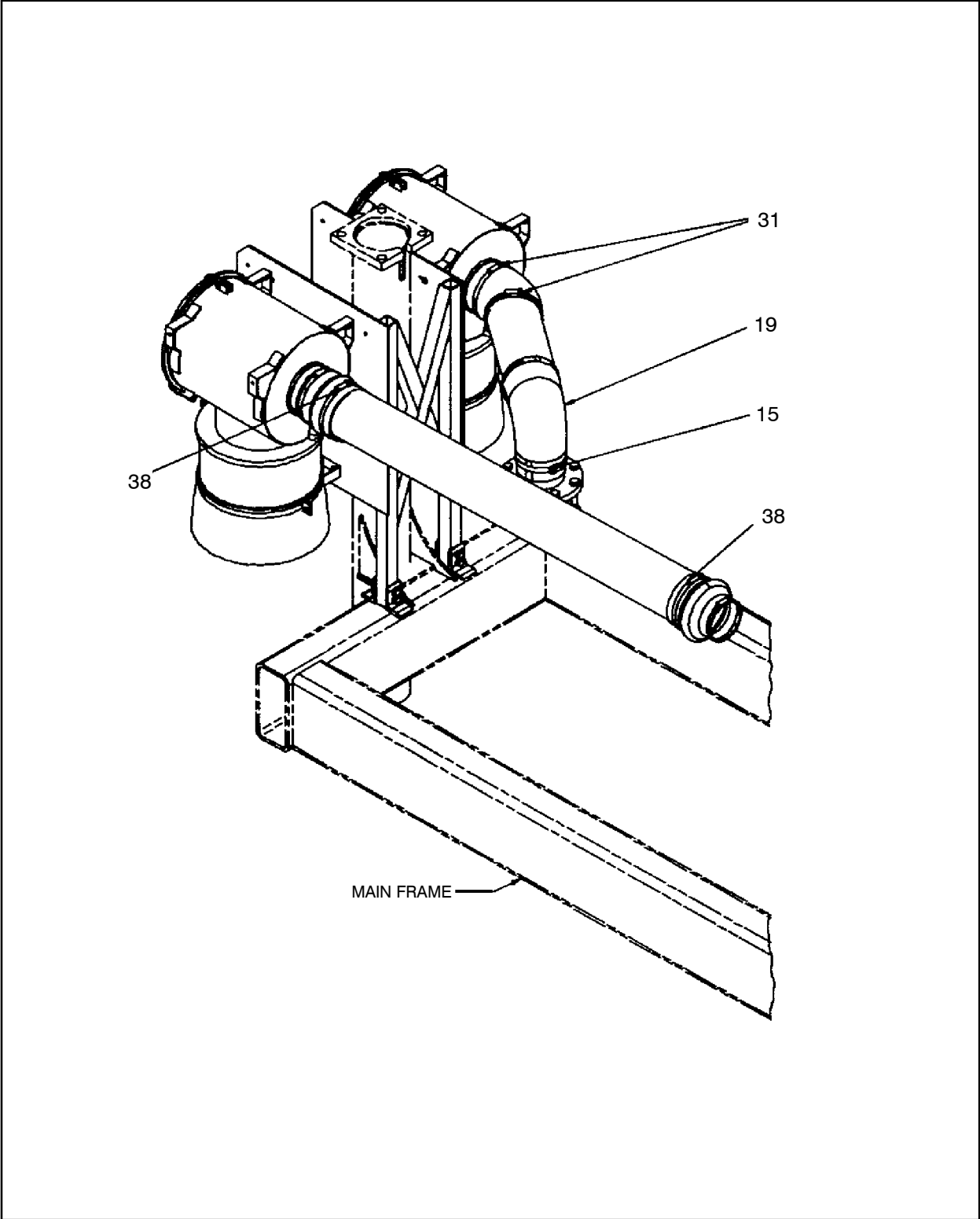


Figure 102 :PIPING,AIR CLEANER CAT
D57653032 REV 001

57653032 PIPING,AIR CLEANER CAT



PIPING,AIR CLEANER CAT
57653032

Figure 103 :PIPING,AIR CLEANER CAT
D57653032 REV 001

57653032 PIPING,AIR CLEANER CAT

PIPING,AIR CLEANER CAT
57653032

| REF. | PART NO. | QTY. | UNIT | DESCRIPTION |
|------|----------|------|------|------------------------------|
| 001 | 57664534 | 1 | EA | SUPPORT,AIR CLEANER |
| | 57507659 | 2 | EA | ●- PLATE, MOUNTING – FILTER |
| 002 | 95929147 | 4 | EA | SCREW,CAP,HEX |
| 003 | 95934741 | 4 | EA | WASHER,LOCK HELICAL |
| 004 | 95922910 | 4 | EA | NUT,HEX,PLATED |
| 005 | 50616028 | 2 | EA | AIR CLEANER (See figure 104) |
| 006 | 56899669 | 2 | EA | SHROUD,INLET |
| 007 | 52265311 | 2 | EA | INDICATOR,RESTRICTION |
| 008 | 58044744 | 2 | EA | BAND,MOUNTING |
| 009 | 95920682 | 8 | EA | SCREW,CAP,HEX |
| 010 | 95937413 | 8 | EA | WASHER,LOCK,HELICAL |
| 011 | 95922894 | 8 | EA | NUT,HEX,FINISHED |
| 012 | 58173360 | 1 | EA | ELBOW,RUBBER–45 DEG |
| 013 | 57440554 | 1 | EA | CLAMP,CONSTANT TORQUE |
| 015 | 57439267 | 1 | EA | CLAMP,CONSTANT TORQUE |
| 016 | 57338121 | 1 | EA | TUBE, AIR–7 X 65 |
| 017 | 57653065 | 1 | EA | TUBE |
| 019 | 56996499 | 1 | EA | ELBOW,RUBBER |
| 020 | 58044561 | 1 | EA | HOSE HUMP,REDUCING |
| 021 | 57439267 | 1 | EA | CLAMP,CONSTANT TORQUE |
| 023 | 57653057 | 1 | EA | TUBE,COMP INLET |
| 026 | 57664559 | 4 | EA | ANGLE,PLATE |
| 027 | 57664526 | 1 | EA | GUSSET |
| 028 | 56946247 | 8 | EA | SCREW,CAP–M20X2.5 X80MM |
| 031 | 57440554 | 3 | EA | CLAMP,CONSTANT TORQUE |
| 037 | 56799844 | 1 | EA | HOSE HUMP |
| 038 | 57440554 | 2 | EA | CLAMP,CONSTANT TORQUE |
| 040 | 57019853 | 2 | EA | PLATE |
| 041 | 56903586 | 2 | EA | CUP,DUST |

57653032 PIPING,AIR CLEANER CAT

This page is intentionally blank.

PIPING,AIR CLEANER CAT 57653032

50616028 AIR CLEANER

PIPING, AIR CLEANER CAT 57653032

000 - NOT SHOWN
16 - NOT SHOWN

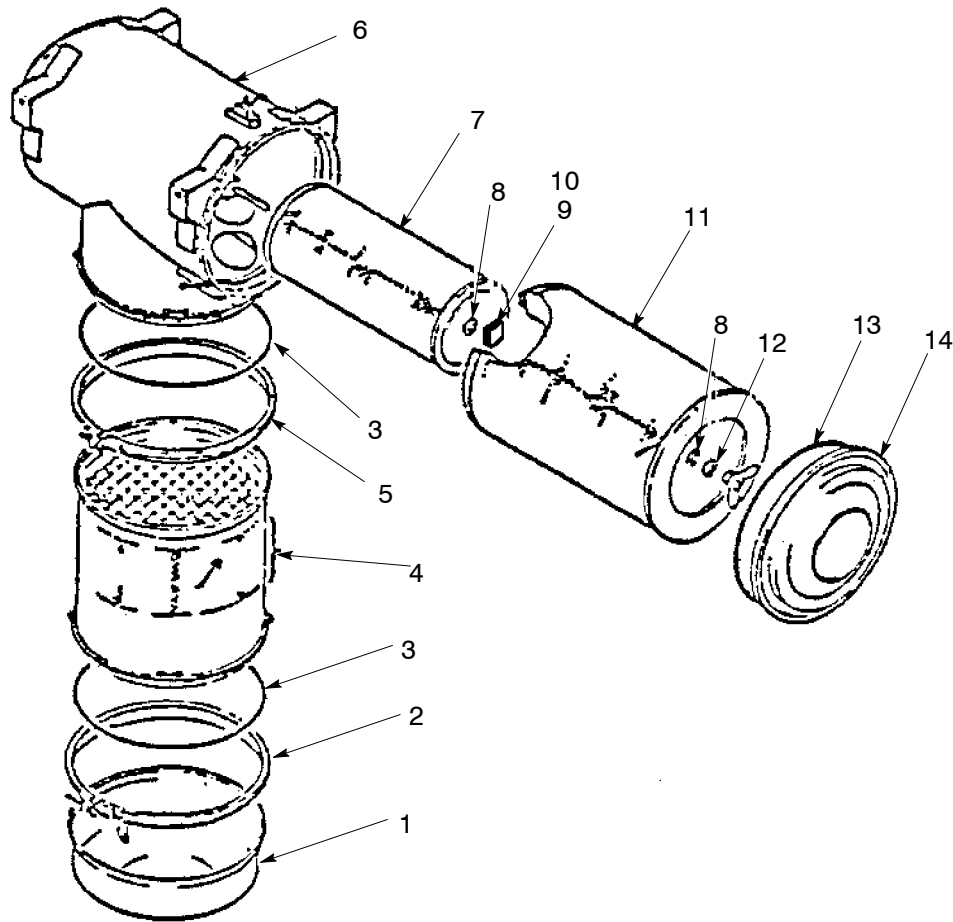


Figure 104 :AIR CLEANER
C50616028 REV05

50616028 AIR CLEANER

| REF. | PART NO. | QTY. | UNIT | DESCRIPTION |
|------|----------|------|------|---------------------------|
| 000 | 50621796 | 1 | EA | KIT, GASKET – AIR CLEANER |
| 001 | 50816479 | 1 | EA | CUP ASSY |
| 002 | 50816487 | 1 | EA | CLAMP |
| 004 | 50816503 | 1 | EA | INLET,AIR |
| 005 | 50816511 | 1 | EA | CLAMP |
| 006 | 50816529 | 1 | EA | BODY ASSY – AIR CLEANER |
| 007 | 50616408 | 1 | EA | ELEMENT,SAFETY |
| 009 | 50816420 | 1 | EA | NUT |
| 010 | 95002697 | 1 | EA | PIN, COTTER |
| 011 | 50616390 | 1 | EA | ELEMENT, PRIMARY |
| 012 | 50816446 | 1 | EA | NUT, WING |
| 014 | 50816537 | 1 | EA | ACCESS COVER |
| 016 | 56899669 | 1 | EA | SHROUD,INLET |

PIPING,AIR CLEANER CAT 57653032

FUEL SYSTEM

SECTION

FUEL SYSTEM

This page is intentionally blank.

SECTION

FUEL SYSTEM

57686487

INJECTION,ETHER,C15/DM30

INJECTION,ETHER,C15/DM30

57686487

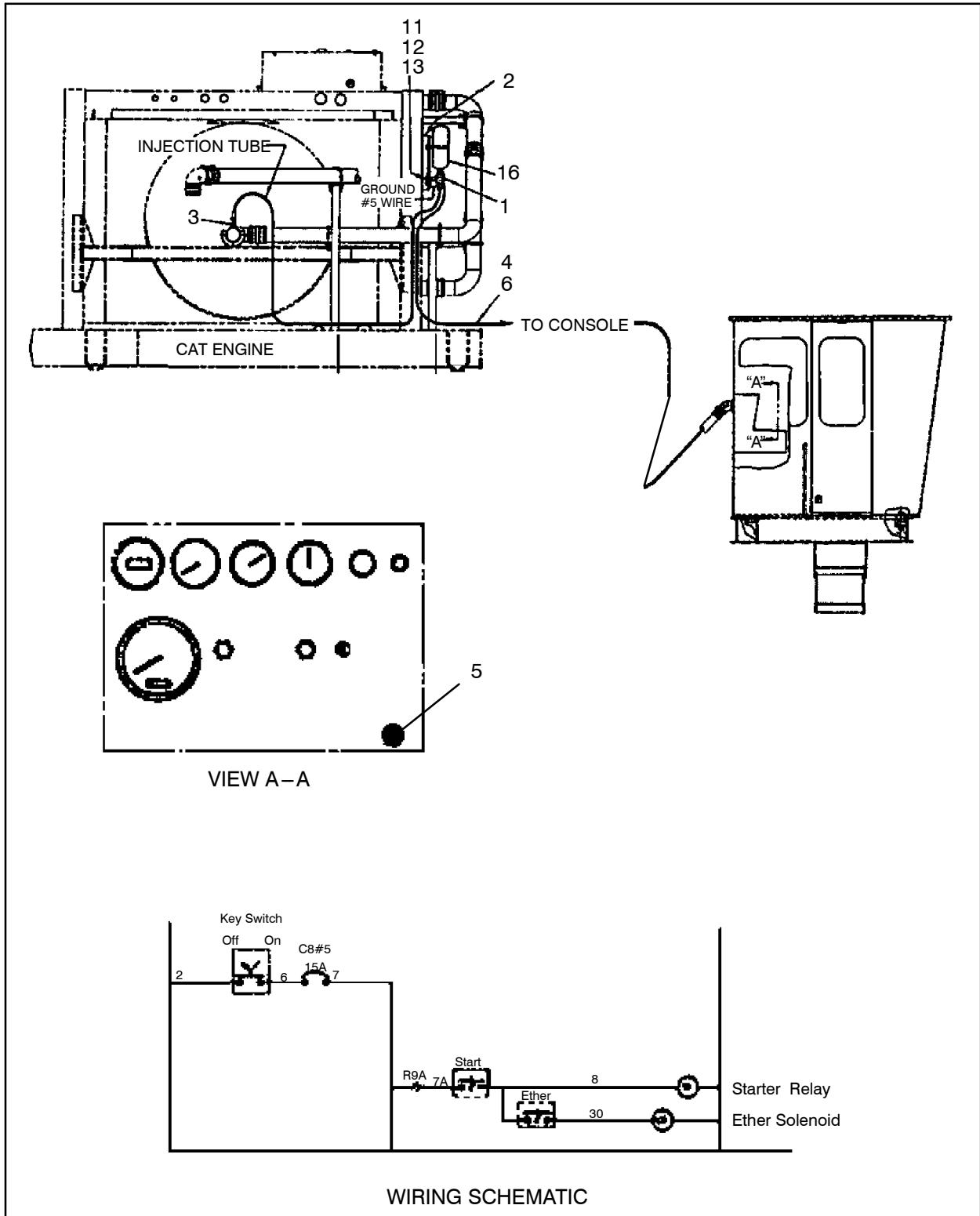
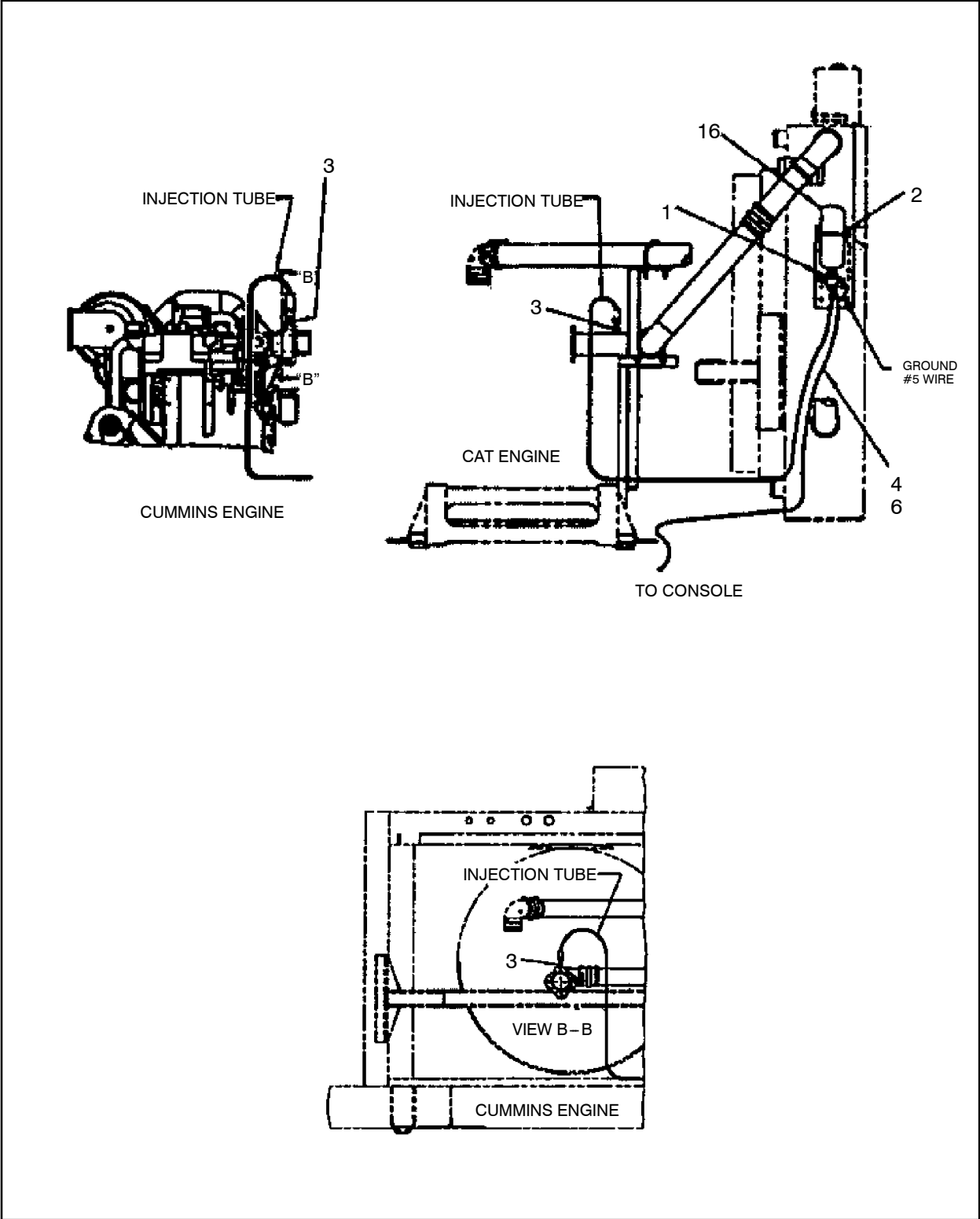


Figure 105 :INJECTION,ETHER,C15/DM30
 D57686479 REV 001

57686487 INJECTION,ETHER,C15/DM30



INJECTION,ETHER,C15/DM30
57686487

Figure 106 :INJECTION,ETHER,C15/DM30
D57686479 REV 001

57686487 INJECTION,ETHER,C15/DM30

| REF. | PART NO. | QTY. | UNIT | DESCRIPTION |
|------|----------|--------|------|-----------------------------|
| 001 | 57758658 | 1 | EA | STARTING KIT,ETHER |
| | 57301855 | 1 | EA | ● - VALVE,MEASURED SHOT |
| | 57301863 | 1 | EA | ● - ATOMIZER-STARTING FLUID |
| 002 | 57095853 | 1 | EA | MOUNT,CYLINDER |
| 003 | 95038147 | 1 | EA | BUSHING |
| 004 | 57358830 | 224.00 | IN | CONDUIT, 3/8 NYLON |
| 005 | 52185832 | 1 | EA | SWITCH, PUSH BUTTON |
| 006 | 95748802 | 10 | EA | TIE, CABLE |
| 011 | 95928982 | 2 | EA | SCREW,CAP-1/4-20 X 3/4 |
| 012 | 95931564 | 2 | EA | NUT,HEX,FINISHED |
| 013 | 95934766 | 2 | EA | WASHER,LOCK,HELICAL |
| 016 | 92473297 | 1 | EA | CANNISTER |

INJECTION,ETHER,C15/DM30
57686487

57686487 INJECTION,ETHER,C15/DM30

This page is intentionally blank.

INJECTION,ETHER,C15/DM30 57686487

57671521

COOLER,FUEL,P – DM30

COOLER,FUEL,P – DM30

57671521

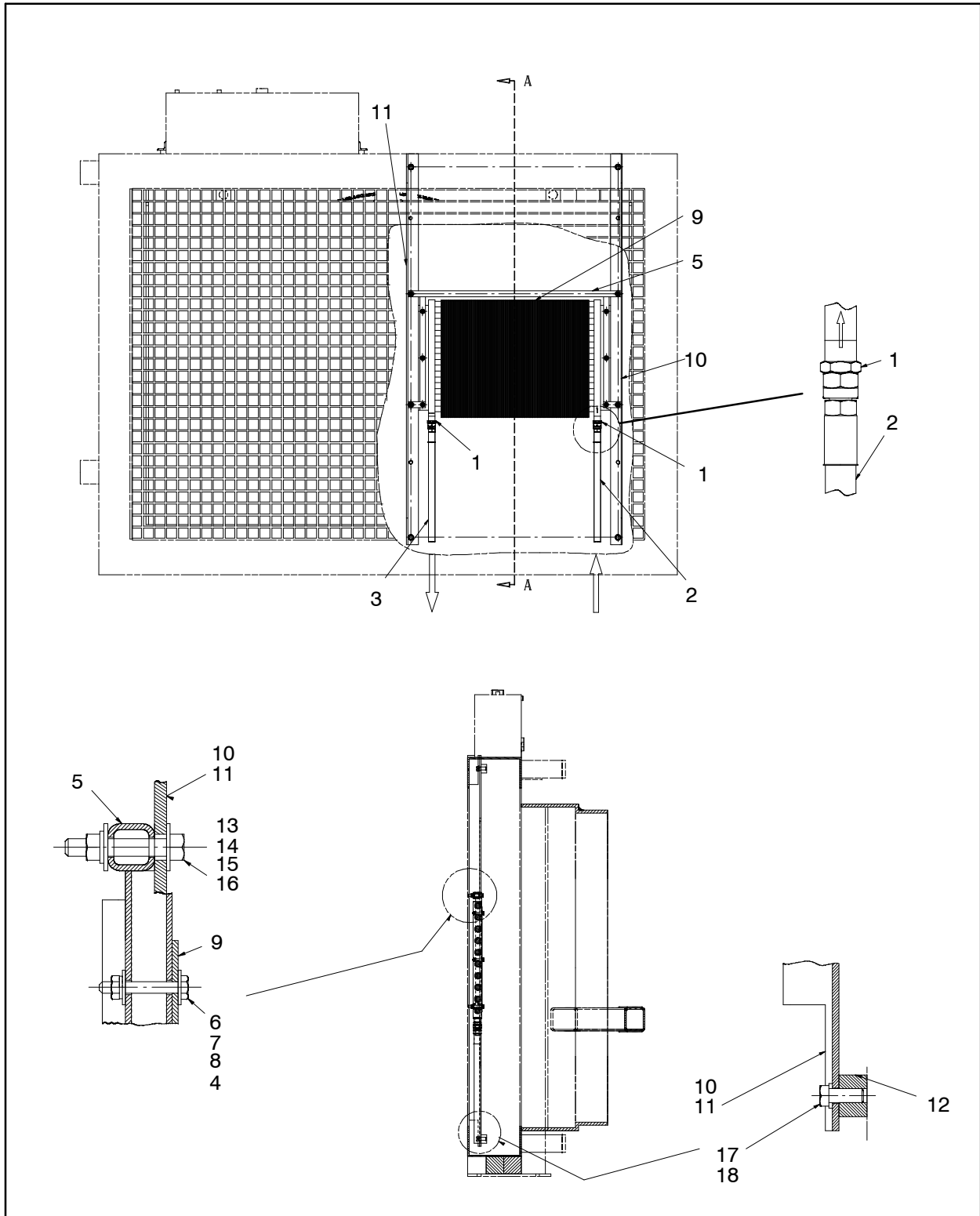


Figure 107 :COOLER,FUEL,P – DM30
D57665697 REV 002

57671521 COOLER,FUEL,P – DM30

| REF. | PART NO. | QTY. | UNIT | DESCRIPTION |
|------|----------|------|------|--------------------------|
| 001 | 95357570 | 2 | EA | CONNECTOR,STRT THRD |
| 002 | 57004053 | 1 | EA | HOSE ASSY |
| 003 | 58202557 | 1 | EA | HOSE ASSY |
| 004 | 95934766 | 6 | EA | WASHER,LOCK,HELICAL |
| 005 | 57491078 | 1 | EA | BRACKET, COOLER MTG. |
| 006 | 95934782 | 6 | EA | SCREW, CAP-1/4-20 X1-3/4 |
| 007 | 95116869 | 6 | EA | NUT,FLEX LOCK |
| 008 | 95922183 | 6 | EA | WASHER, FLAT-1/4 |
| 009 | 57472698 | 1 | EA | COOLER,FUEL,QSK19ENGINES |
| 010 | 57643132 | 1 | EA | MOUNT,FUEL COOLER,LH |
| 011 | 57643116 | 1 | EA | MOUNT,FUEL COOLER,RH |
| 012 | 56987712 | 4 | EA | BAR,TAPPED |
| 013 | 95934592 | 4 | EA | CAPSCREW,HEX HEAD |
| 014 | 95922233 | 4 | EA | WASHER,FLAT,WIDE |
| 015 | 95937413 | 4 | EA | WASHER,LOCK,HELICAL |
| 016 | 95077939 | 4 | EA | NUT 16A4K3 |
| 017 | 95104147 | 4 | EA | CAPSCREW,HEX HEAD |
| 018 | 95934733 | 4 | EA | WASHER,LOCK |

COOLER,FUEL,P – DM30
57671521

57667982

TANK,FUEL P.CAT 230GAL

TANK, FUEL P.CAT 230GAL

57667982

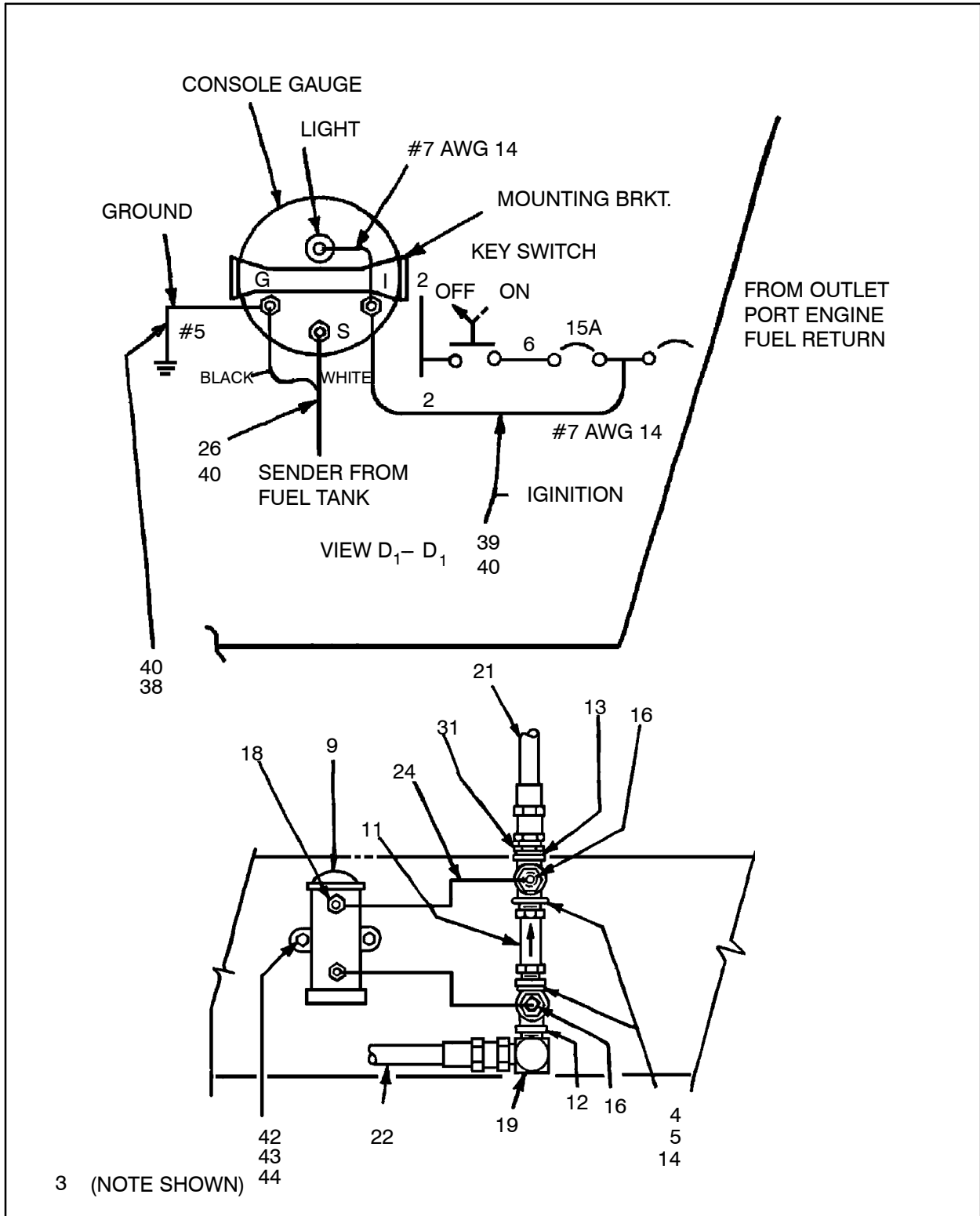
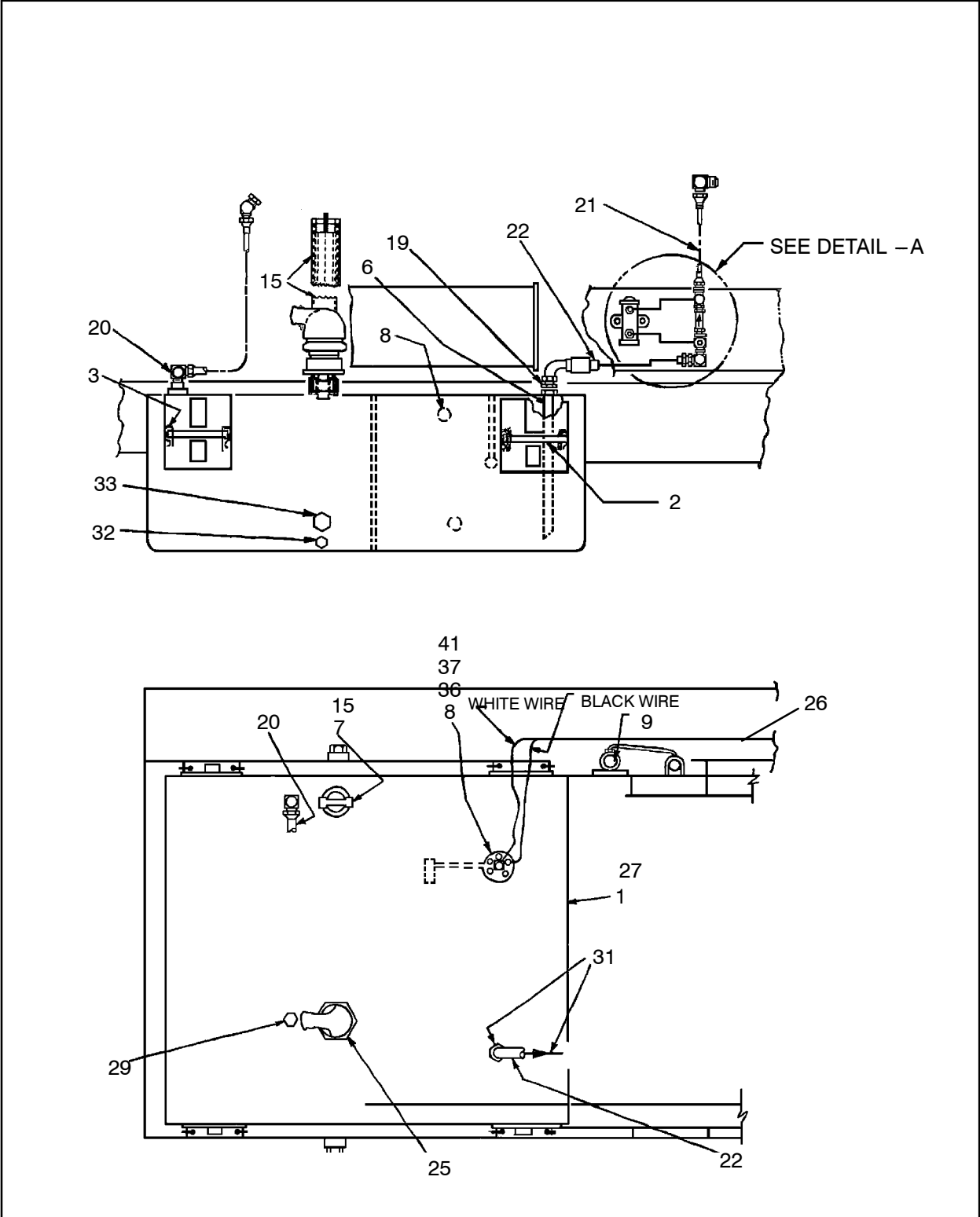


Figure 108 :TANK,FUEL P.CAT 230GAL
 D57667982 REV 004

57667982 TANK,FUEL P.CAT 230GAL



TANK, FUEL P.CAT 230GAL
57667982

Figure 109 :TANK,FUEL P.CAT 230GAL
D57667982 REV 004

57667982 TANK,FUEL P.CAT 230GAL

TANK, FUEL P.CAT 230GAL
57667982

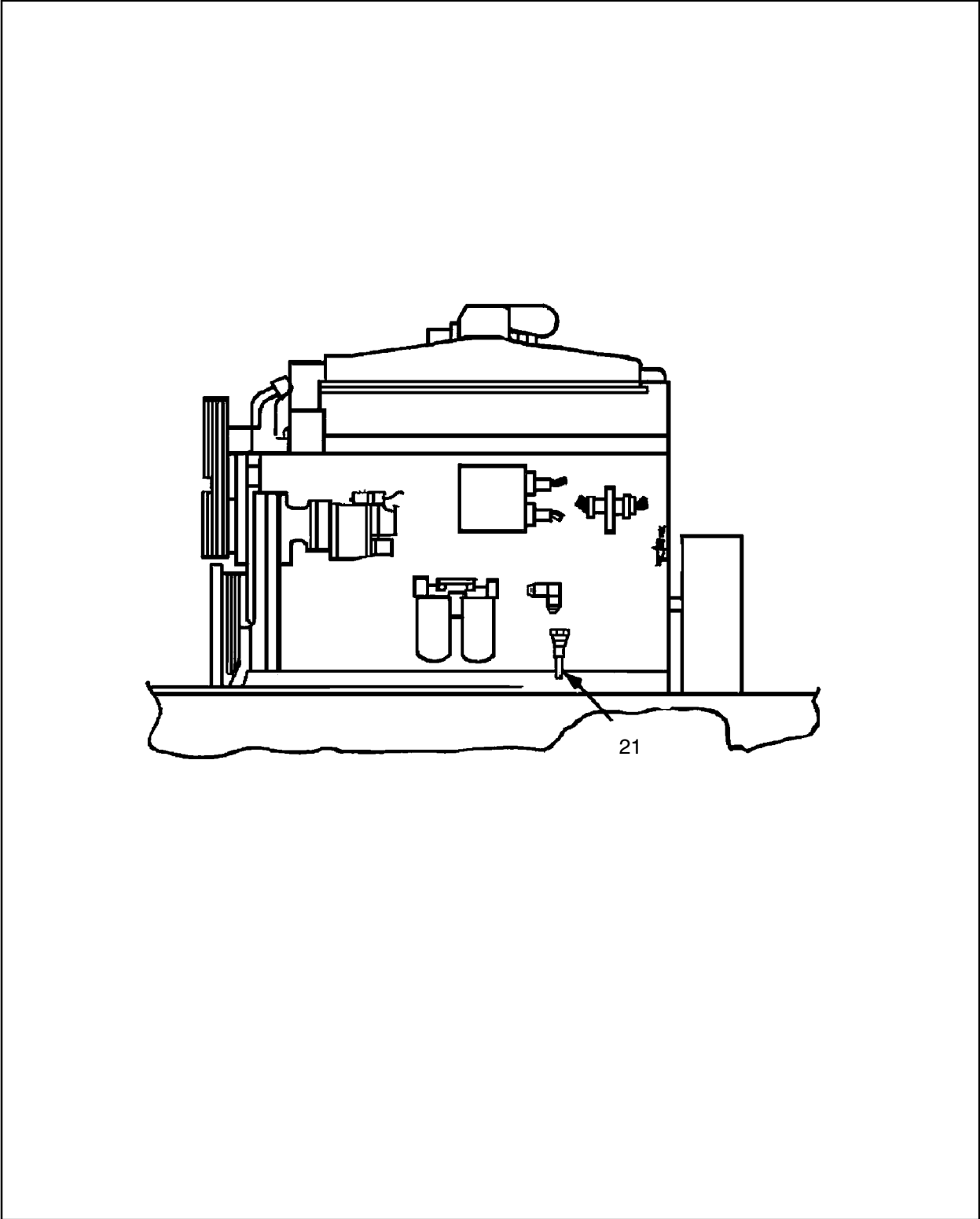
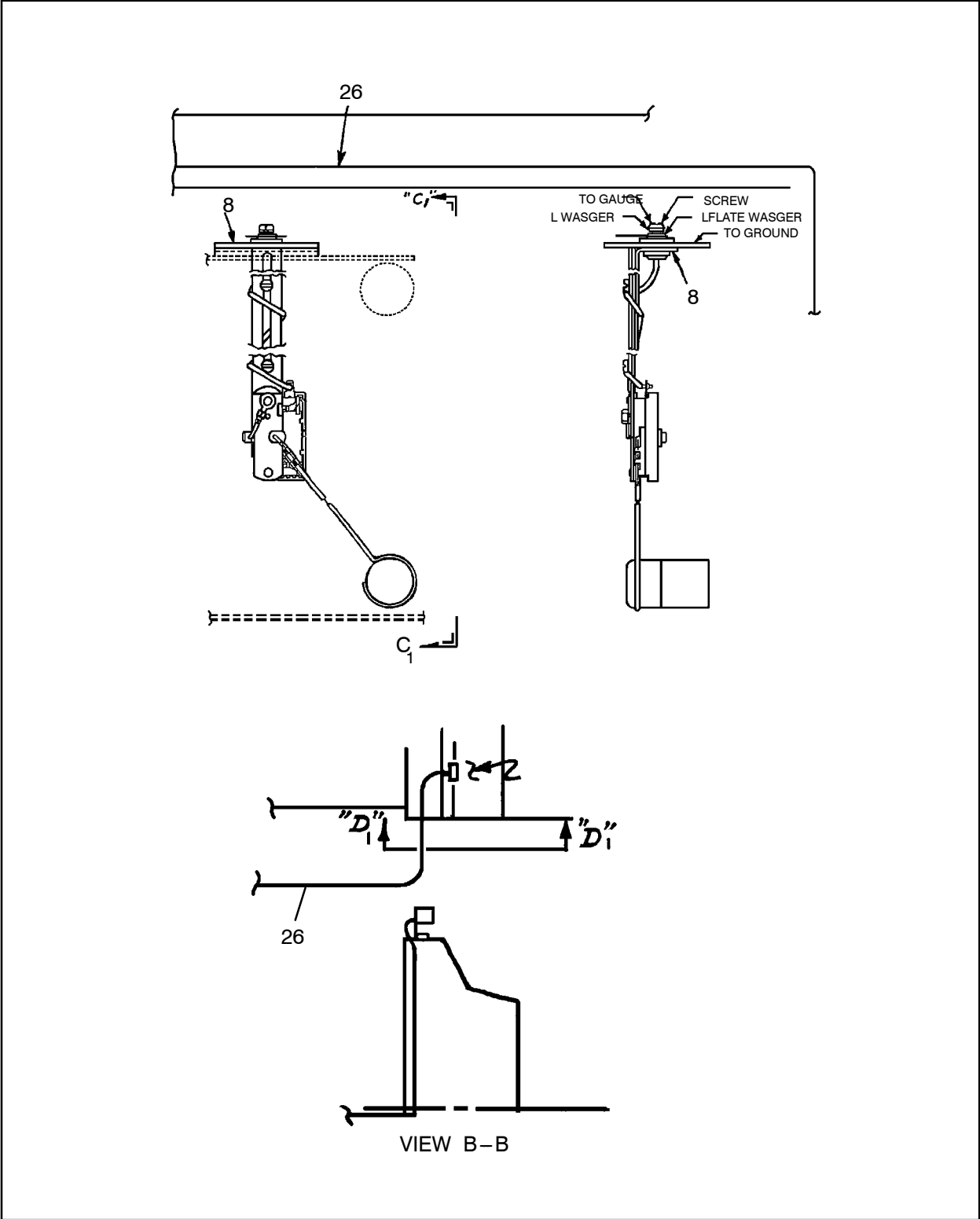


Figure 110 :TANK,FUEL P.CAT 230GAL
D57667982 REV 004

57667982 TANK,FUEL P.CAT 230GAL



TANK, FUEL P.CAT 230GAL
57667982

Figure 111 :TANK,FUEL P.CAT 230GAL
D57667982 REV 004

57667982 TANK,FUEL P.CAT 230GAL

TANK, FUEL PCAT 230GAL
57667982

| REF. | PART NO. | QTY. | UNIT | DESCRIPTION |
|------|----------|--------|------|--------------------------|
| 001 | 57664575 | 1 | EA | TANK,FUEL 230GL CAP DM30 |
| 002 | 57668170 | 4 | EA | PIN,FUEL TANK SUPPORT |
| 003 | 52266731 | 8 | EA | PIN, COTTER |
| 004 | 95934766 | 6 | EA | WASHER,LOCK,HELICAL |
| 005 | 95931564 | 6 | EA | NUT,HEX,FINISHED |
| 006 | 57475873 | 1 | EA | TUBE,SUCTION-FUEL |
| 007 | 51941979 | 1 | EA | UNIT,TANK FILL |
| | 51942860 | 1 | EA | ● - SCREEN ASSEMBLY |
| | 51942878 | 1 | EA | ● - HEAD ASSEMBLY |
| 008 | 57534299 | 1 | EA | SENDER, FUEL-W/FLOAT |
| | 57533614 | 1 | EA | ● - FLOAT, LIFE CELL |
| 009 | 50258441 | 1 | EA | PUMP,FUEL |
| 011 | 50829480 | 1 | EA | VALVE, CHECK |
| 012 | 95063475 | 1 | EA | TEE |
| 013 | 95003463 | 1 | EA | TEE, PIPE |
| 014 | 52263035 | 2 | EA | U-BOLT |
| 015 | 57058448 | 1 | EA | PIPE,2.5 NPT |
| | 58034133 | 30.00 | IN | ● - PIPE |
| 016 | 95330023 | 2 | EA | FITTING, HYD |
| 018 | 95209086 | 2 | EA | FITTING,HYD |
| 019 | 95279543 | 1 | EA | FITTING, HYD |
| 020 | 95303335 | 1 | EA | ELBOW,90 DEG STRT THRD |
| 021 | 56955115 | 1 | EA | HOSE ASSY |
| 022 | 57293656 | 1 | EA | HOSE ASSY |
| 024 | 57101263 | 2 | EA | HOSE ASSY |
| 025 | 95748562 | 1 | EA | FITTING, HYD |
| 026 | 58150103 | 300.00 | IN | CORD,14/2 |
| 027 | 52246774 | 100.00 | GL | FUEL, DIESEL |
| 029 | 95653317 | 1 | EA | PLUG,HEX HEAD |
| 031 | 95279378 | 1 | EA | FITTING,HYD |
| 032 | 95653317 | 1 | EA | PLUG,HEX HEAD |
| 033 | 95746194 | 2 | EA | PLUG, ORING-SAE 32 |
| 036 | 95111043 | 5 | EA | SCREW MACH |
| 037 | 95922563 | 5 | EA | WASHER, LOCK-NO.10(REG) |
| 038 | 50249655 | 10.00 | IN | WIRE, 14AWG-BLACK |
| 039 | 50812429 | 20.00 | IN | WIRE, 14AWG-BLUE |

57667982 TANK,FUEL P.CAT 230GAL

| REF. | PART NO. | QTY. | UNIT | DESCRIPTION |
|------|----------|------|------|--------------------------|
| 040 | 56921406 | 4 | EA | TERMINAL,16-14,8 RING |
| 041 | 57443962 | 1 | EA | GASKET, SENDER |
| 042 | 95934766 | 2 | EA | WASHER,LOCK,HELICAL |
| 043 | 95931564 | 2 | EA | NUT,HEX,FINISHED |
| 044 | 95920724 | 2 | EA | SCREW, CAP-1/4-20 X1-1/2 |

TANK, FUEL PCAT 230GAL
57667982

COMPRESSOR/AIR SYSTEM

SECTION

COMPRESSOR/AIR SYSTEM

This page is intentionally blank.

SECTION

COMPRESSOR/AIR SYSTEM

57668089 PIPING,COC-DM30HP

PIPING,COC-DM30HP

57668089

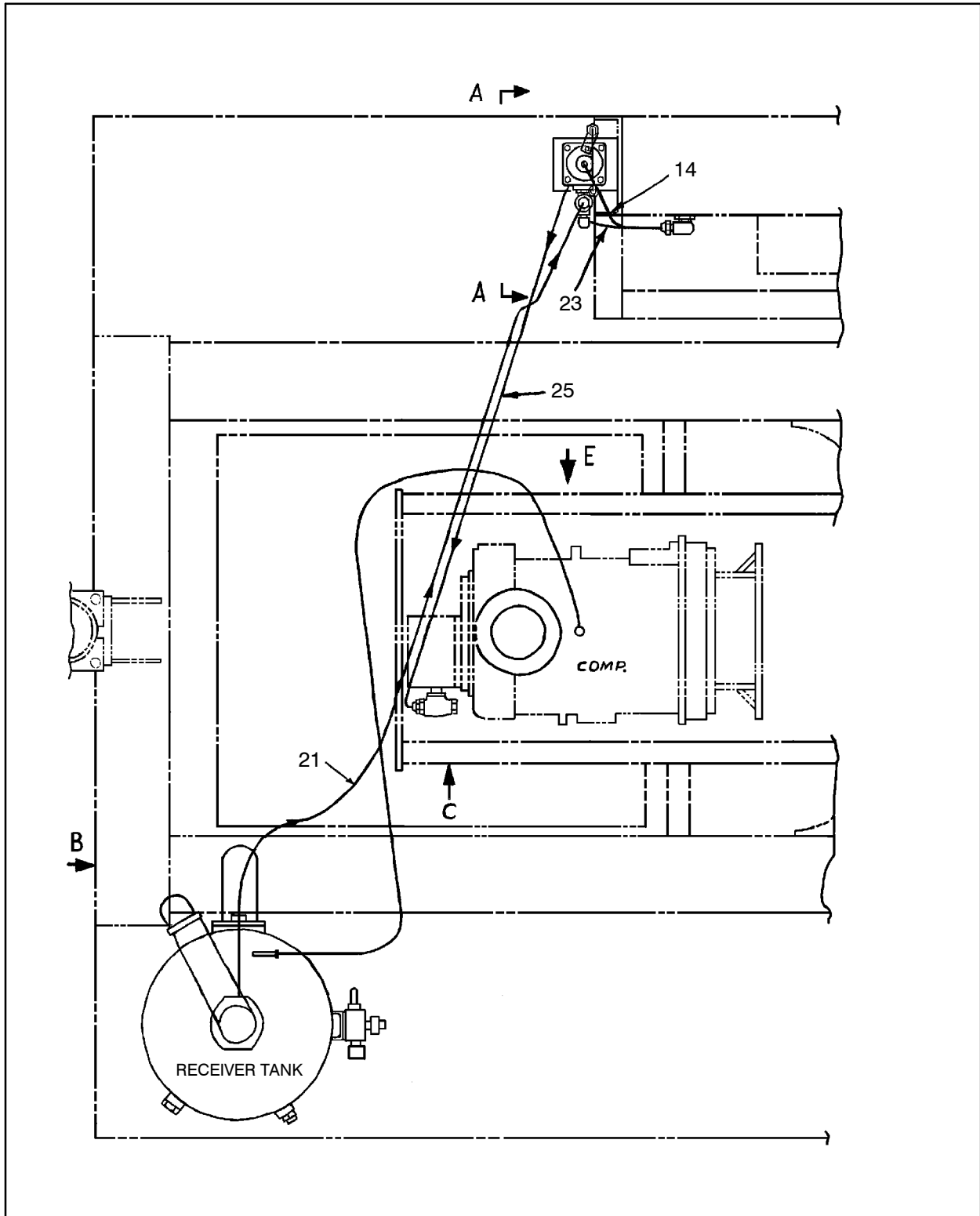
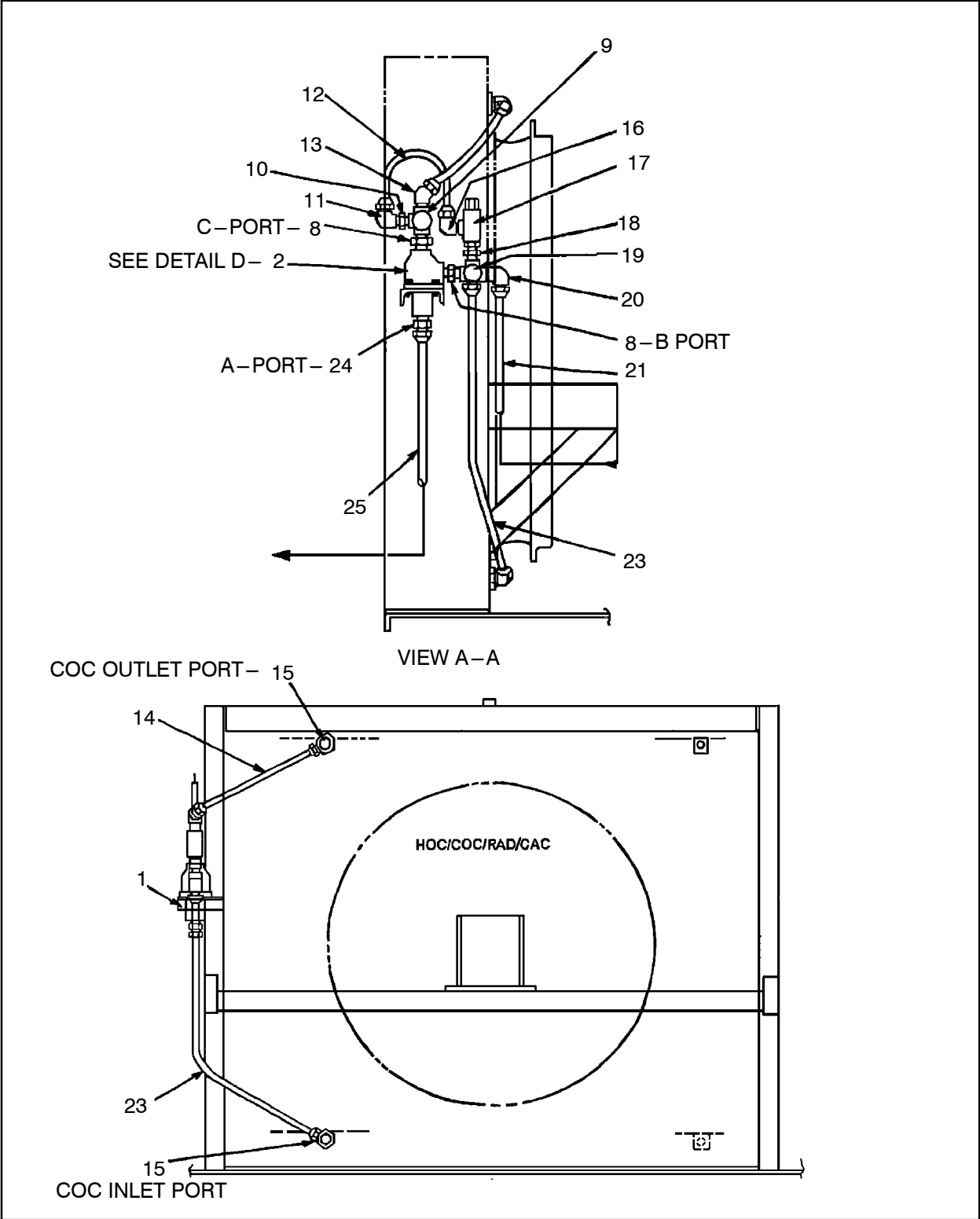


Figure 112 :PIPING,COC-DM30HP
D57668089 REV 002

57668089 PIPING,COC-DM30HP



PIPING,COC-DM30HP
57668089

Figure 113 :PIPING,COC-DM30HP
D57668089 REV 002

57668089 PIPING,COC-DM30HP

PIPING,COC-DM30HP
57668089

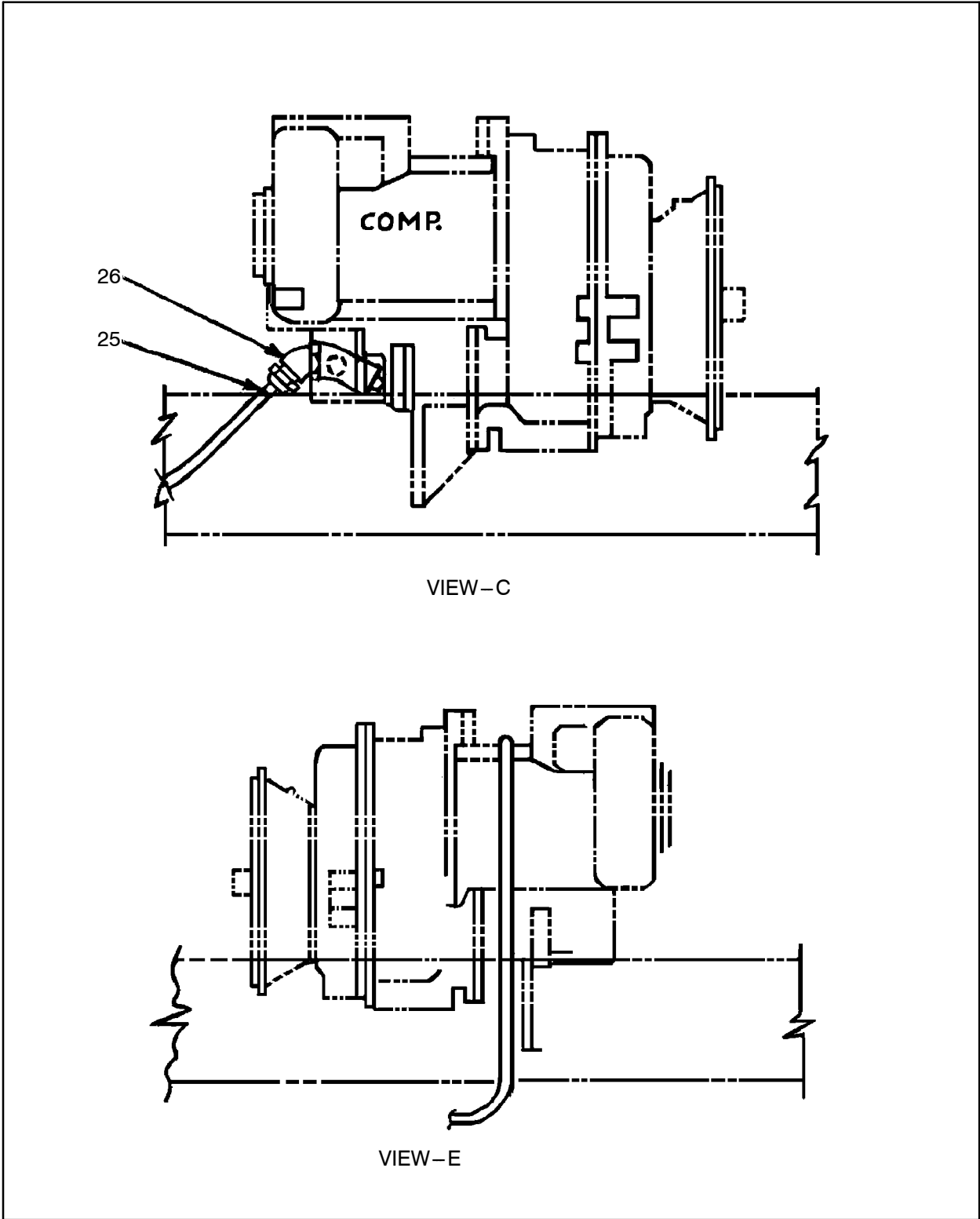


Figure 114 :PIPING,COC-DM30HP
D57668089 REV 002

57668089 PIPING,COC-DM30HP

PIPING,COC-DM30HP
57668089

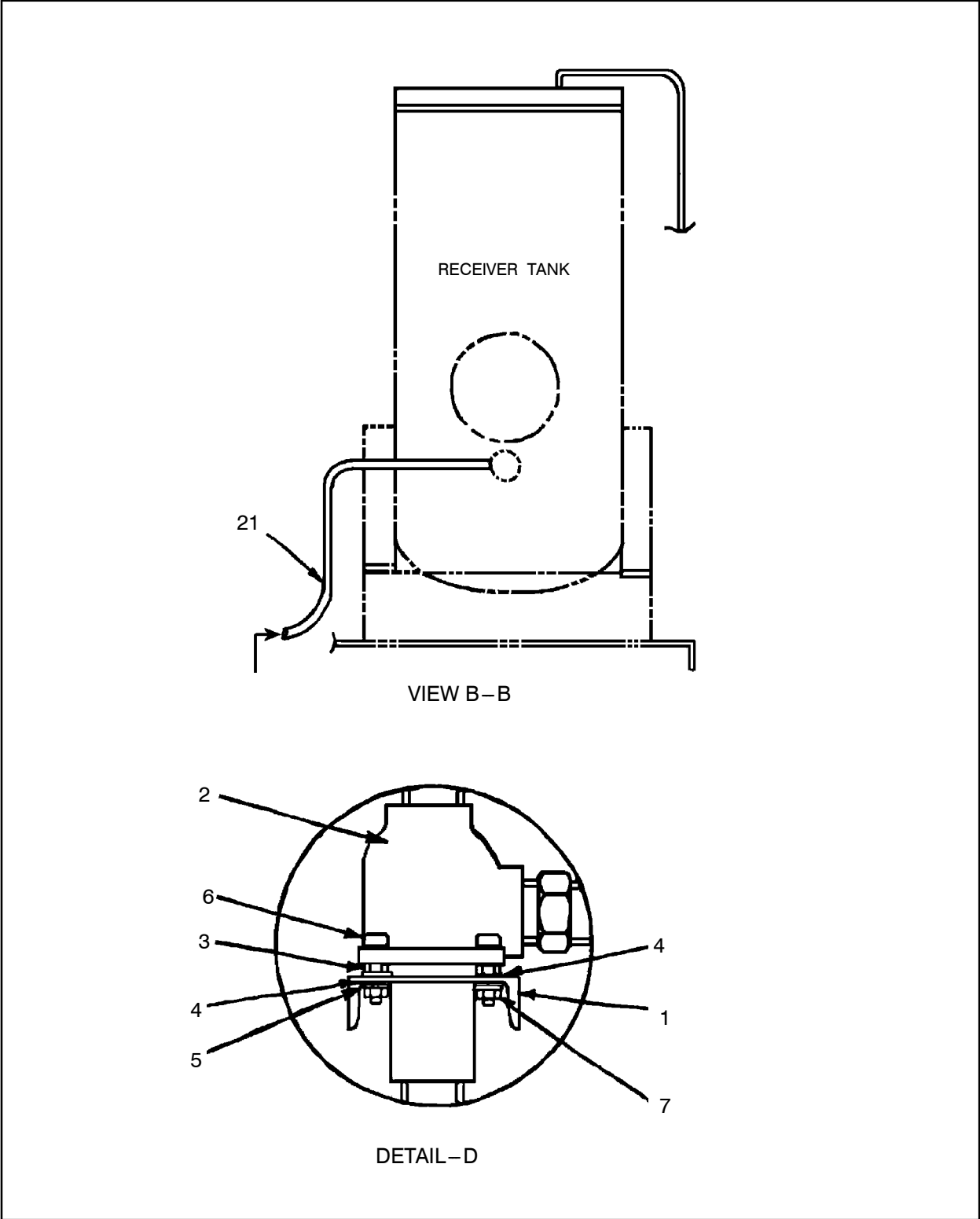


Figure 115 :PIPING,COC-DM30HP
D57668089 REV 002

57668089 PIPING,COC-DM30HP

PIPING,COC-DM30HP
57668089

| REF. | PART NO. | QTY. | UNIT | DESCRIPTION |
|------|----------|------|------|--------------------------|
| 001 | 57747370 | 1 | EA | BRACKET,AMOT |
| 002 | 57170821 | 1 | EA | VALVE, TEMPERATUREBYPASS |
| | 57170839 | 1 | EA | ● - ELEMENT |
| | 95000477 | 1 | EA | ● - O'RING |
| | 95022281 | 1 | EA | ● - O-RING |
| 003 | 95201331 | 4 | EA | NUT,HEX JAM |
| 004 | 95064697 | 8 | EA | WASHER,FLAT 1/2 |
| 005 | 95934733 | 4 | EA | WASHER,LOCK |
| 006 | 95055067 | 4 | EA | SCREW CAP AH |
| 007 | 95922902 | 4 | EA | NUT,HEX,FINISHED,PLATED |
| 008 | 95365177 | 2 | EA | FITTING,HYD |
| 009 | 95678041 | 1 | EA | FITTING, HYD |
| 010 | 52226164 | 1 | EA | FITTING, HYD |
| 011 | 95219853 | 1 | EA | ELBOW,90 DEG MALE |
| 012 | 58206954 | 1 | EA | HOSE ASSY |
| 013 | 95279139 | 1 | EA | FITTING,HYD |
| 014 | 57018681 | 1 | EA | HOSE ASSY |
| 015 | 95387346 | 2 | EA | ADAPTER |
| 016 | 95219853 | 1 | EA | ELBOW,90 DEG MALE |
| 017 | 35321645 | 1 | EA | VALVE, RELIEF-75 PSI |
| 018 | 52226164 | 1 | EA | FITTING, HYD |
| 019 | 57080251 | 1 | EA | FITTING, HYD |
| 020 | 95279477 | 1 | EA | FITTING,HYD |
| 021 | 57077927 | 1 | EA | HOSE ASSY |
| 023 | 57208415 | 1 | EA | HOSE ASSY. |
| 024 | 95208682 | 1 | EA | FITTING,HYD |
| 025 | 57337271 | 1 | EA | HOSE ASSY |
| 026 | 95431292 | 1 | EA | ELBOW,90 DEG STRT THRD |

57668089 PIPING,COC-DM30HP

This page is intentionally blank.

PIPING,COC-DM30HP
57668089

57667743 PIPING,COMPRESS TO REC

PIPING,COMPRESS TO REC
57667743

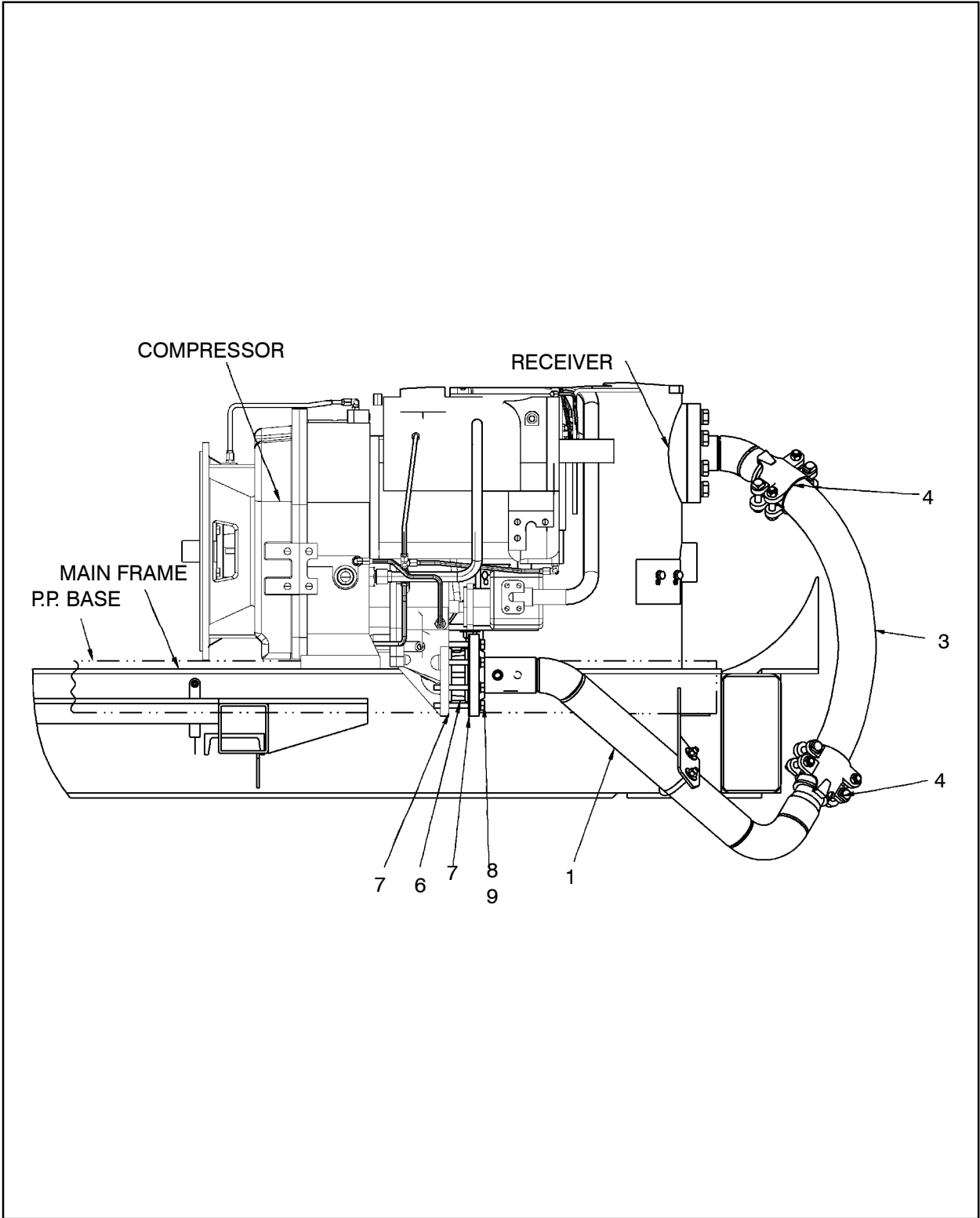
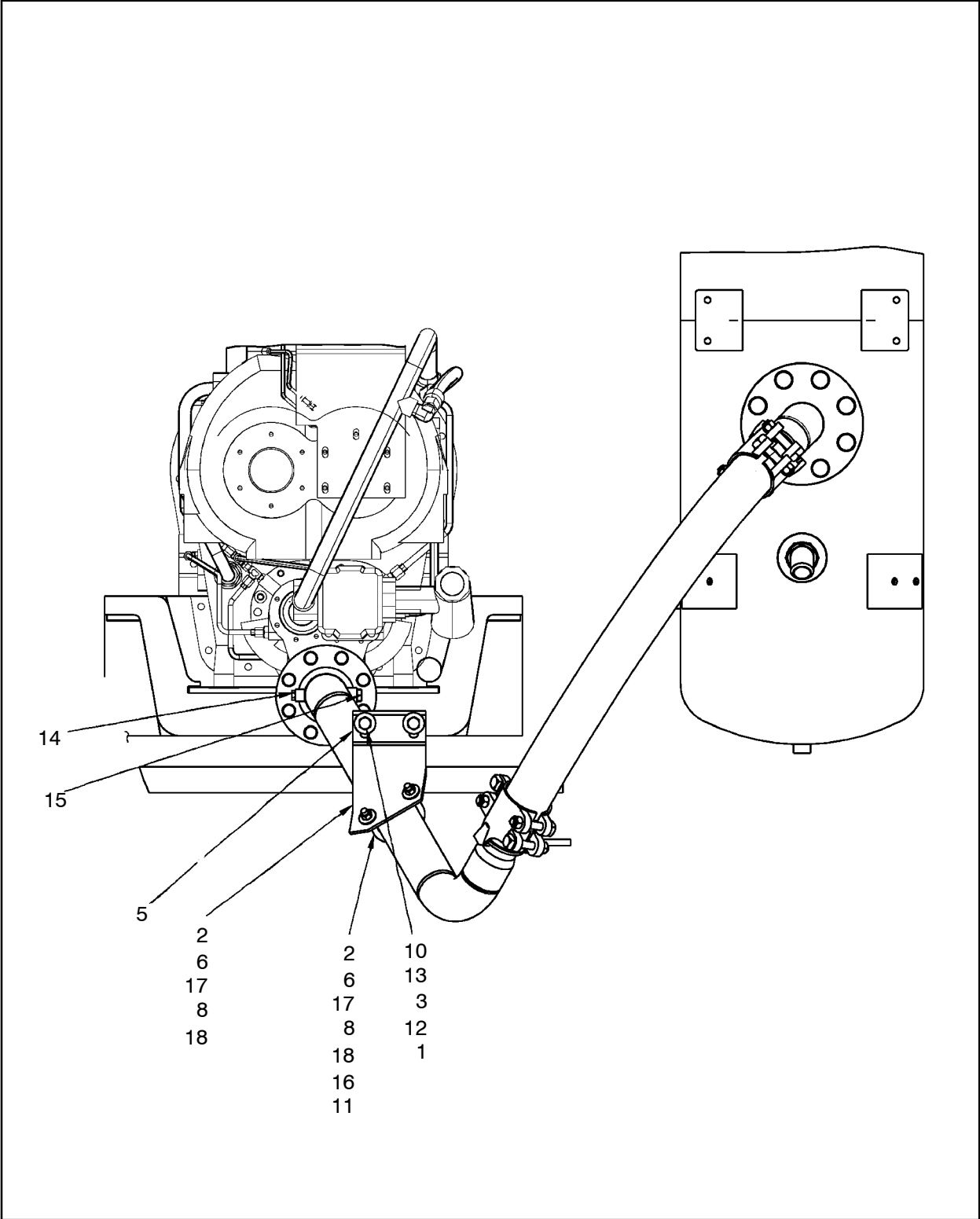


Figure 116 :PIPING,COMPRESS TO REC
D57667743 REV 000

57667743 PIPING,COMPRESS TO REC



PIPING,COMPRESS TO REC
57667743

Figure 117 :PIPING,COMPRESS TO REC
D57667743 REV 000

57667743 PIPING,COMPRESS TO REC

PIPING,COMPRESS TO REC
57667743

| REF. | PART NO. | QTY. | UNIT | DESCRIPTION |
|------|----------|-------|------|-------------------------|
| 001 | 57670895 | 1 | EA | PIPE,DISCHARGE |
| 002 | 57670903 | 1 | EA | BRACKET,SUPPORT |
| 003 | 57137986 | 45.00 | IN | HOSE, AIR-U48 BULK |
| 004 | 57546061 | 2 | EA | CLAMP,HOSE |
| 005 | 57671729 | 1 | EA | ANGLE |
| 006 | 36843720 | 1 | EA | VALVE,CHECK |
| 007 | 95225116 | 2 | EA | GASKET RING |
| 008 | 96705504 | 8 | EA | BOLT |
| 009 | 95934741 | 8 | EA | WASHER,LOCK HELICAL |
| 010 | 95935185 | 2 | EA | SCREW,CAP,HEX |
| 011 | 95922910 | 2 | EA | NUT,HEX,PLATED |
| 012 | 95934741 | 2 | EA | WASHER,LOCK HELICAL |
| 013 | 95094314 | 4 | EA | WASHER,FLAT,WIDE |
| 014 | 95666996 | 1 | EA | PLUG,HEX HEAD,STRT THRD |
| 015 | 95653317 | 2 | EA | PLUG,HEX HEAD |
| 016 | 57670911 | 1 | EA | U-BOLT |
| 017 | 95922902 | 2 | EA | NUT,HEX,FINISHED,PLATED |
| 018 | 95081667 | 2 | EA | WASHER,FLAT,WIDE |

57667743 PIPING,COMPRESS TO REC

This page is intentionally blank.

PIPING,COMPRESS TO REC
57667743

57668113

PIPING,COMP CNTRL,HP900

PIPING,COMP CNTRL,HP900

57668113

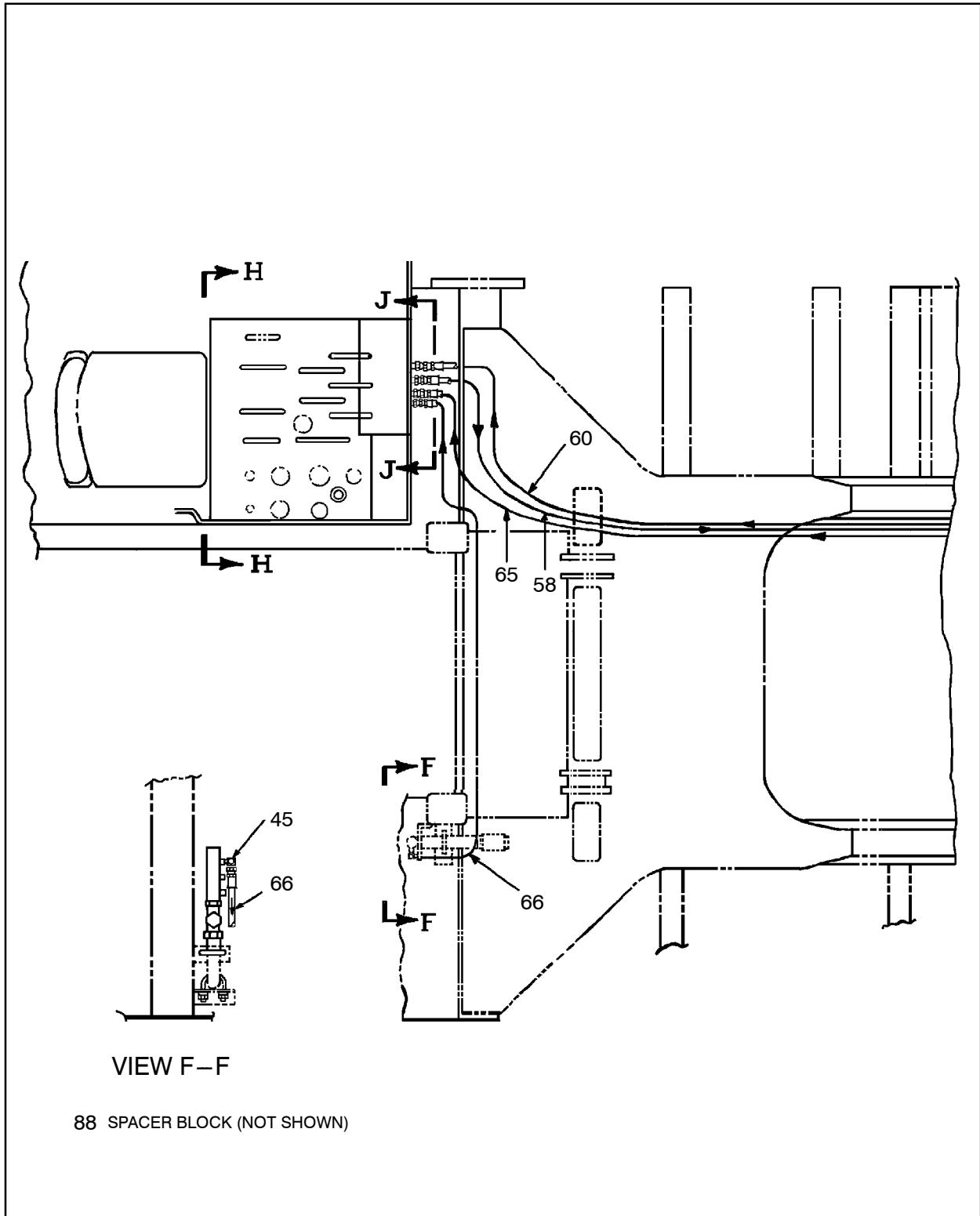
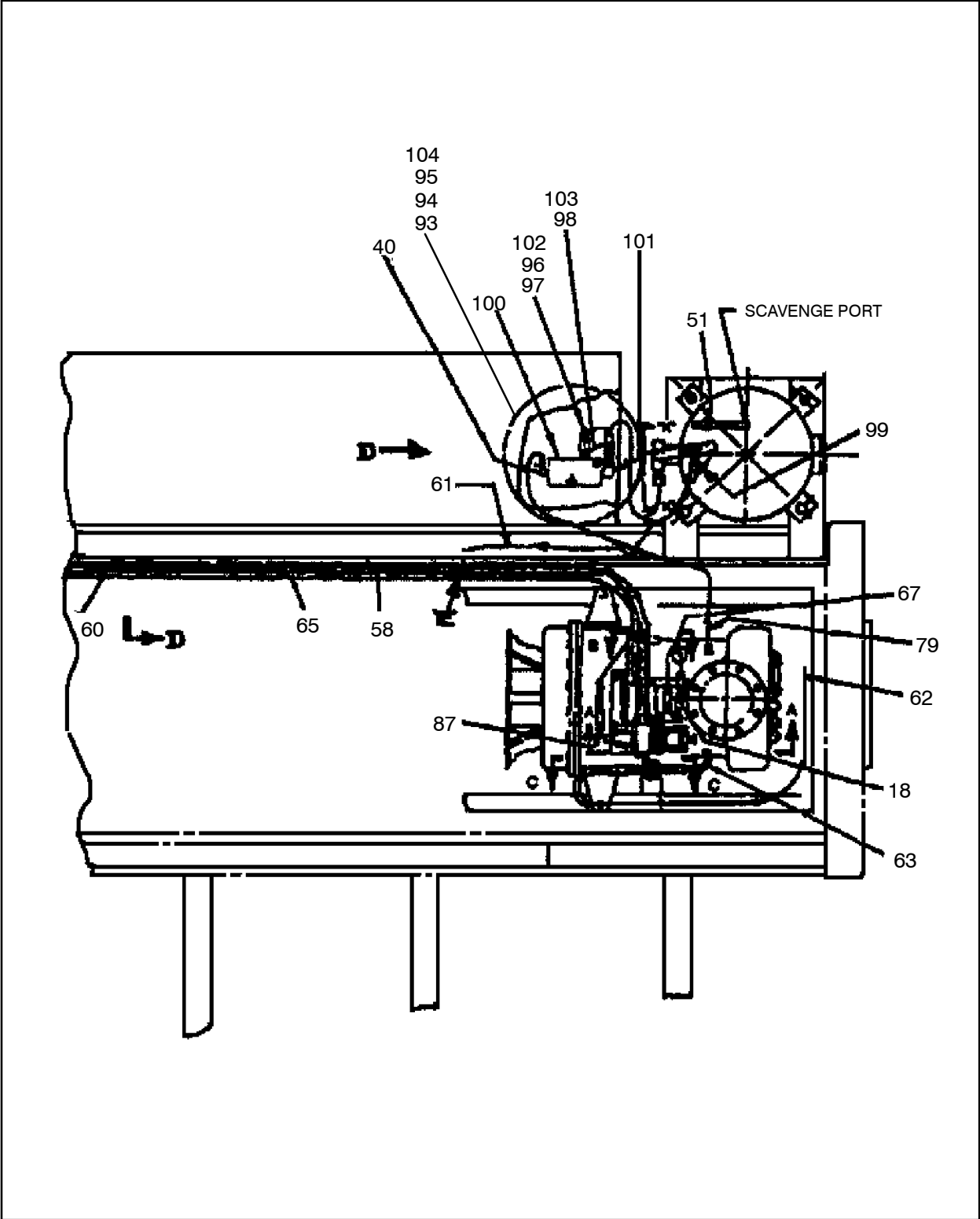


Figure 118 :PIPING,COMP CNTRL,HP900
E57668113 REV 006

57668113 PIPING,COMP CNTRL,HP900



PIPING,COMP CNTRL,HP900
57668113

Figure 119 :PIPING,COMP CNTRL,HP900
E57668113 REV 006

57668113

PIPING,COMP CNTRL,HP900

PIPING,COMP CNTRL,HP900

57668113

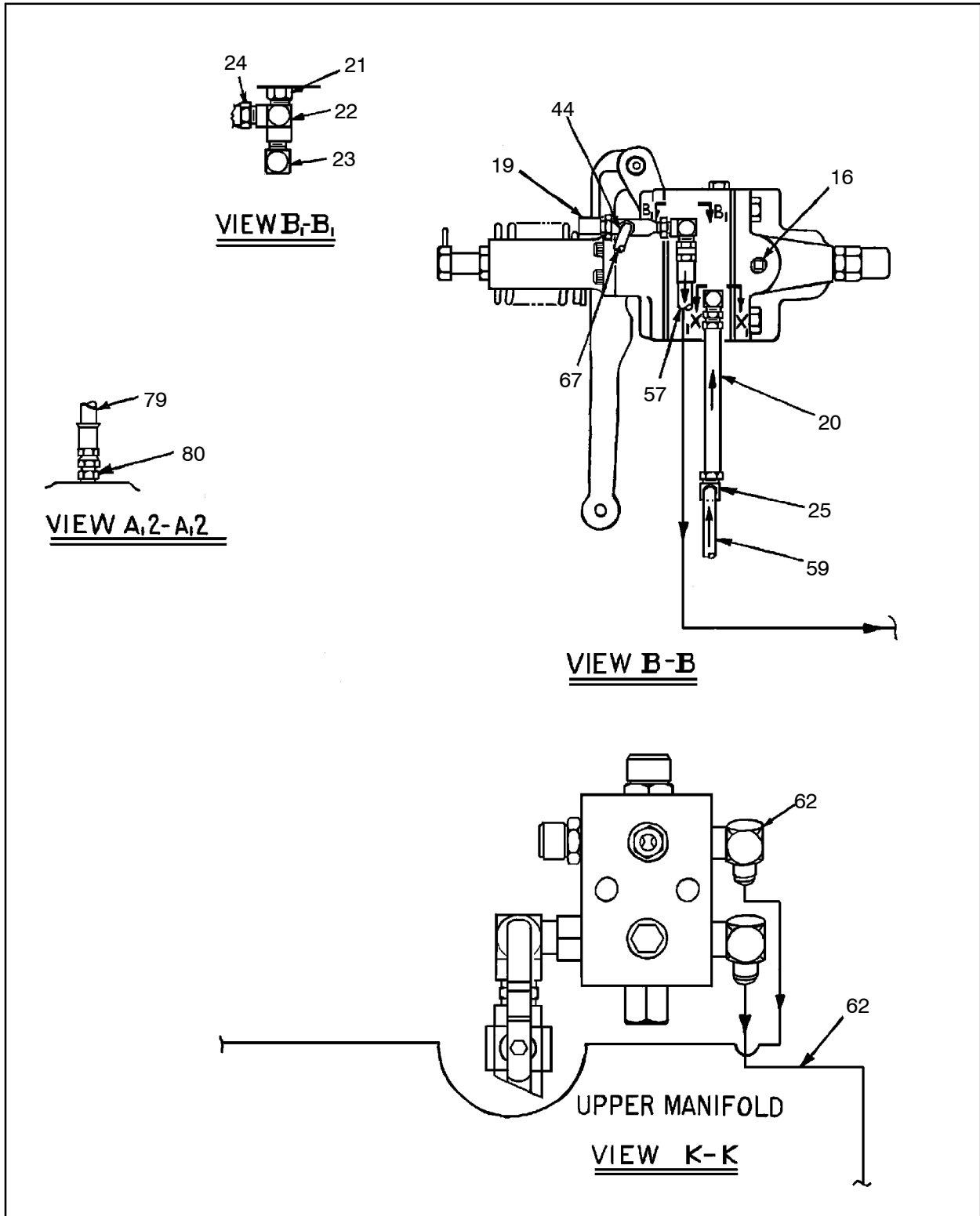


Figure 120 :PIPING,COMP CNTRL,HP900
E57668113 REV 006

57668113 PIPING,COMP CNTRL,HP900

PIPING,COMP CNTRL,HP900
57668113

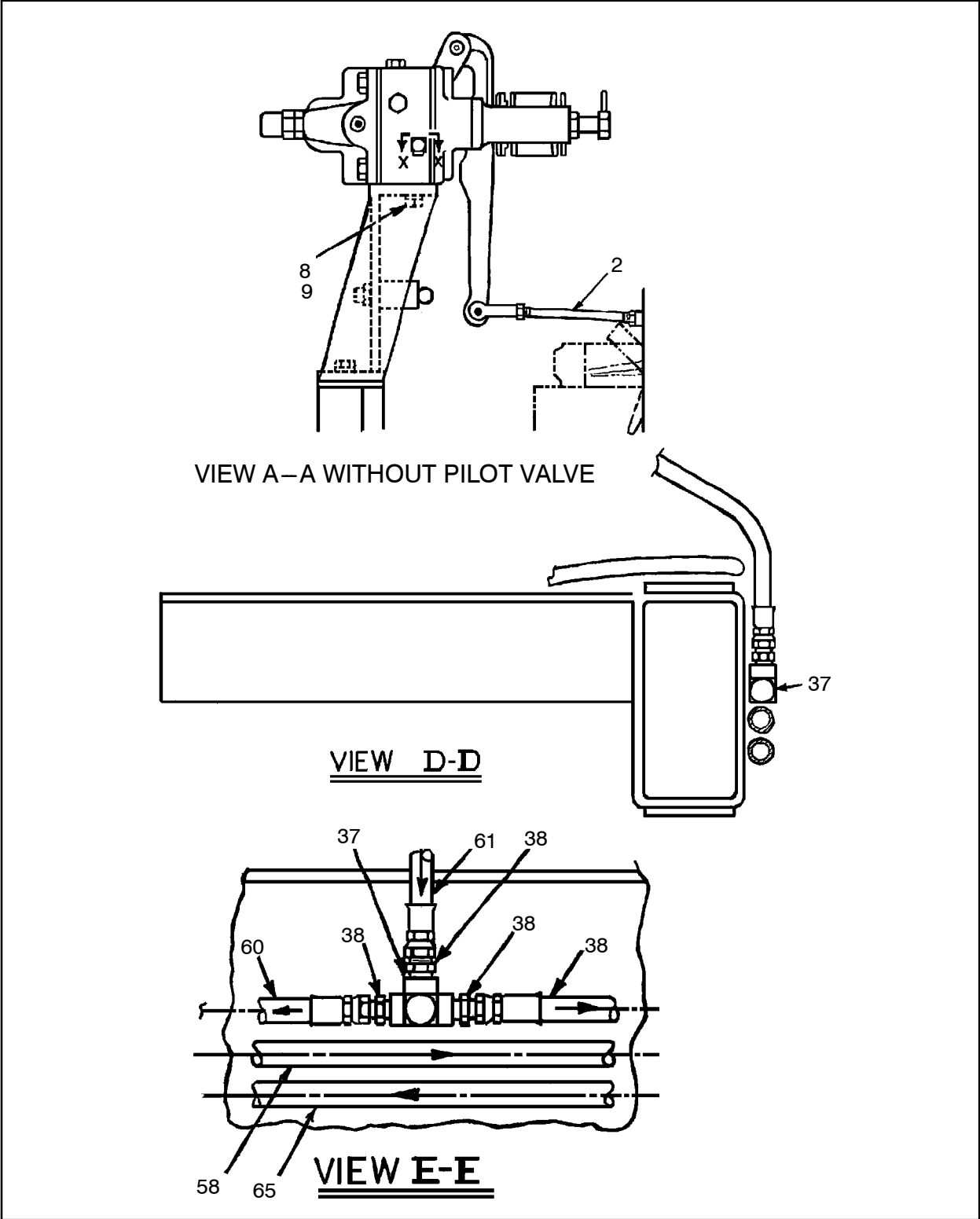


Figure 121 :PIPING,COMP CNTRL,HP900
E57668113 REV 006

57668113

PIPING,COMP CNTRL,HP900

PIPING,COMP CNTRL,HP900

57668113

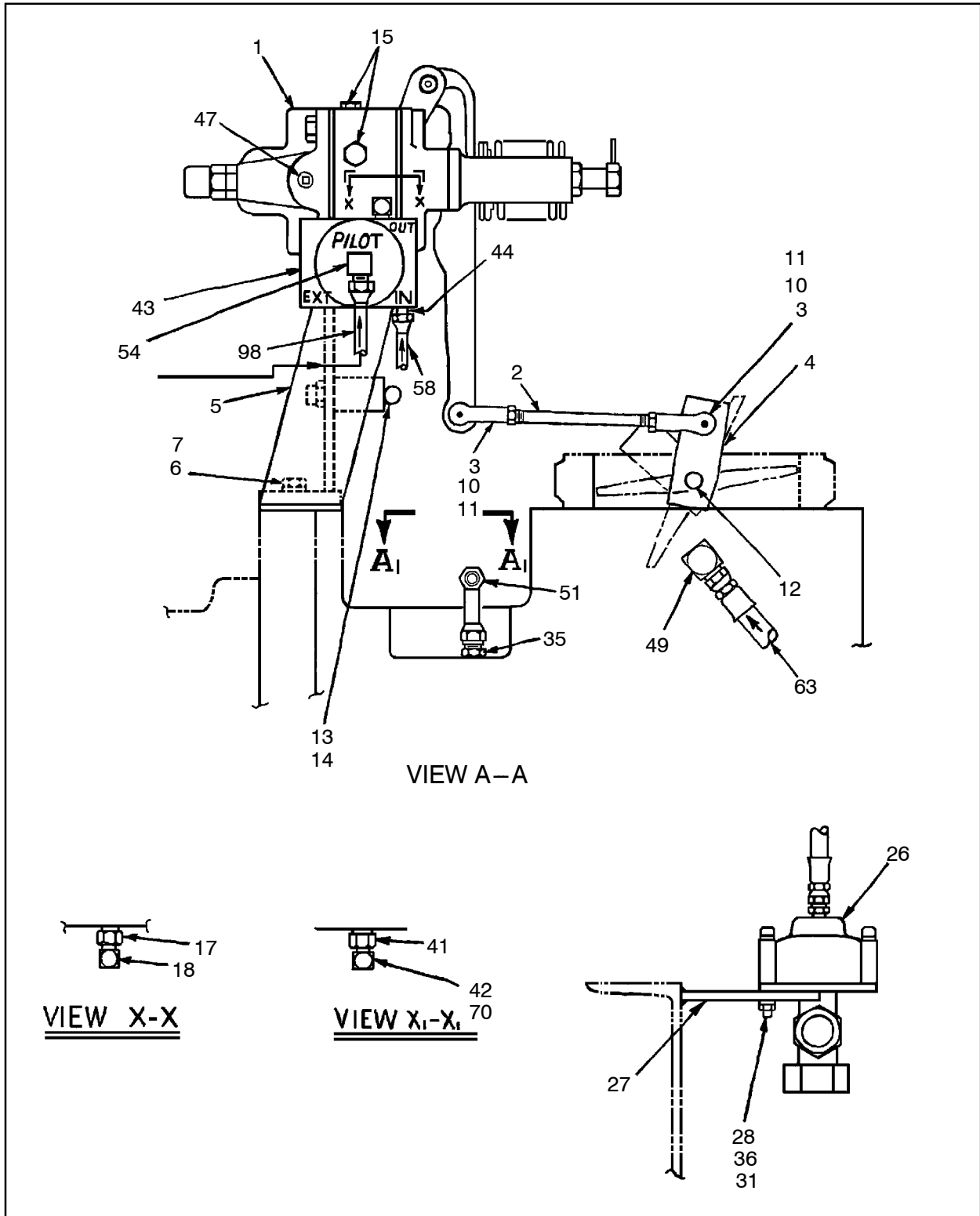
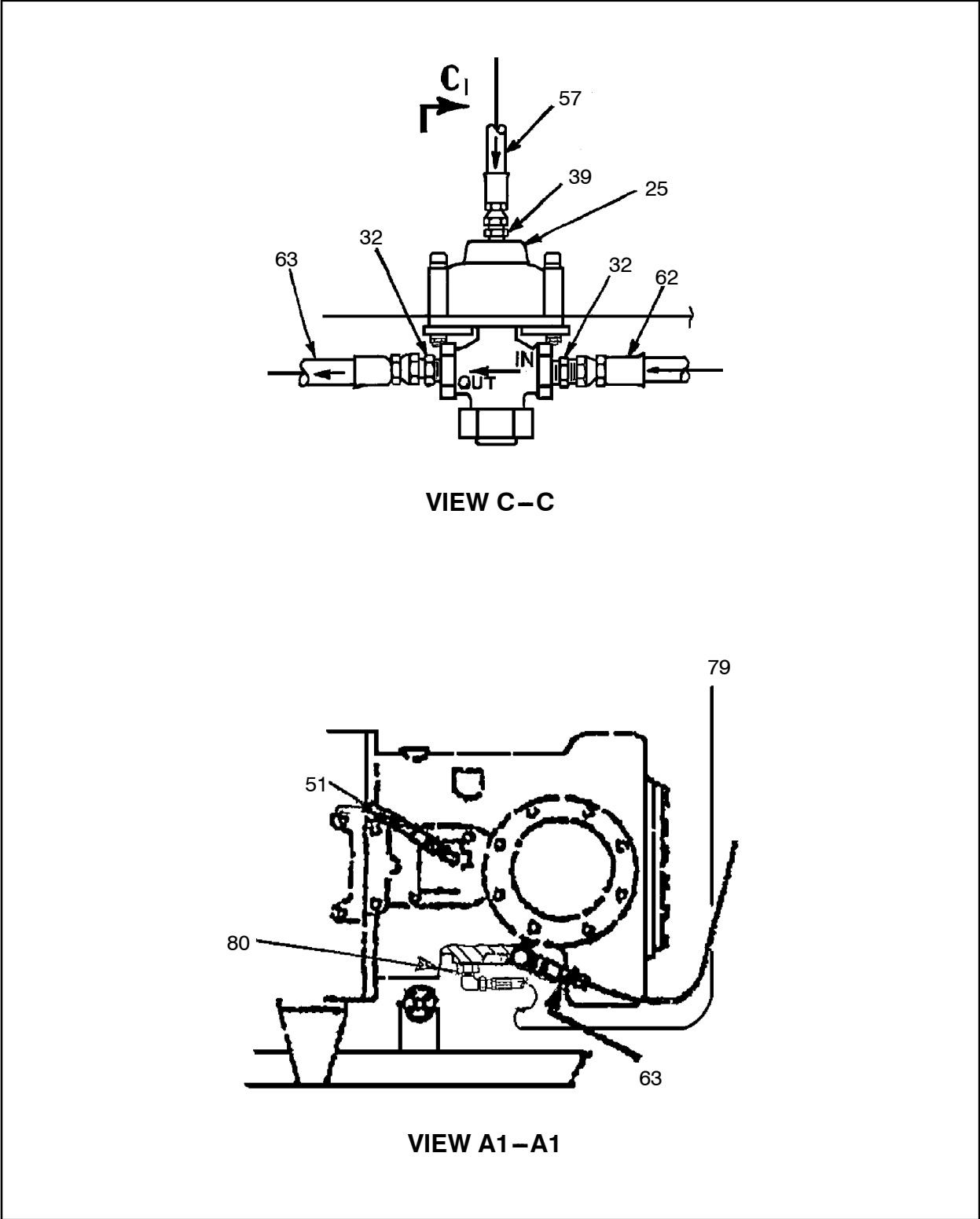


Figure 122 :PIPING,COMP CNTRL,HP900
E57668113 REV 006

57668113 PIPING,COMP CNTRL,HP900



PIPING,COMP CNTRL,HP900
57668113

Figure 123 :PIPING,COMP CNTRL,HP900
E57668113 REV 006

57668113

PIPING,COMP CNTRL,HP900

PIPING,COMP CNTRL,HP900

57668113

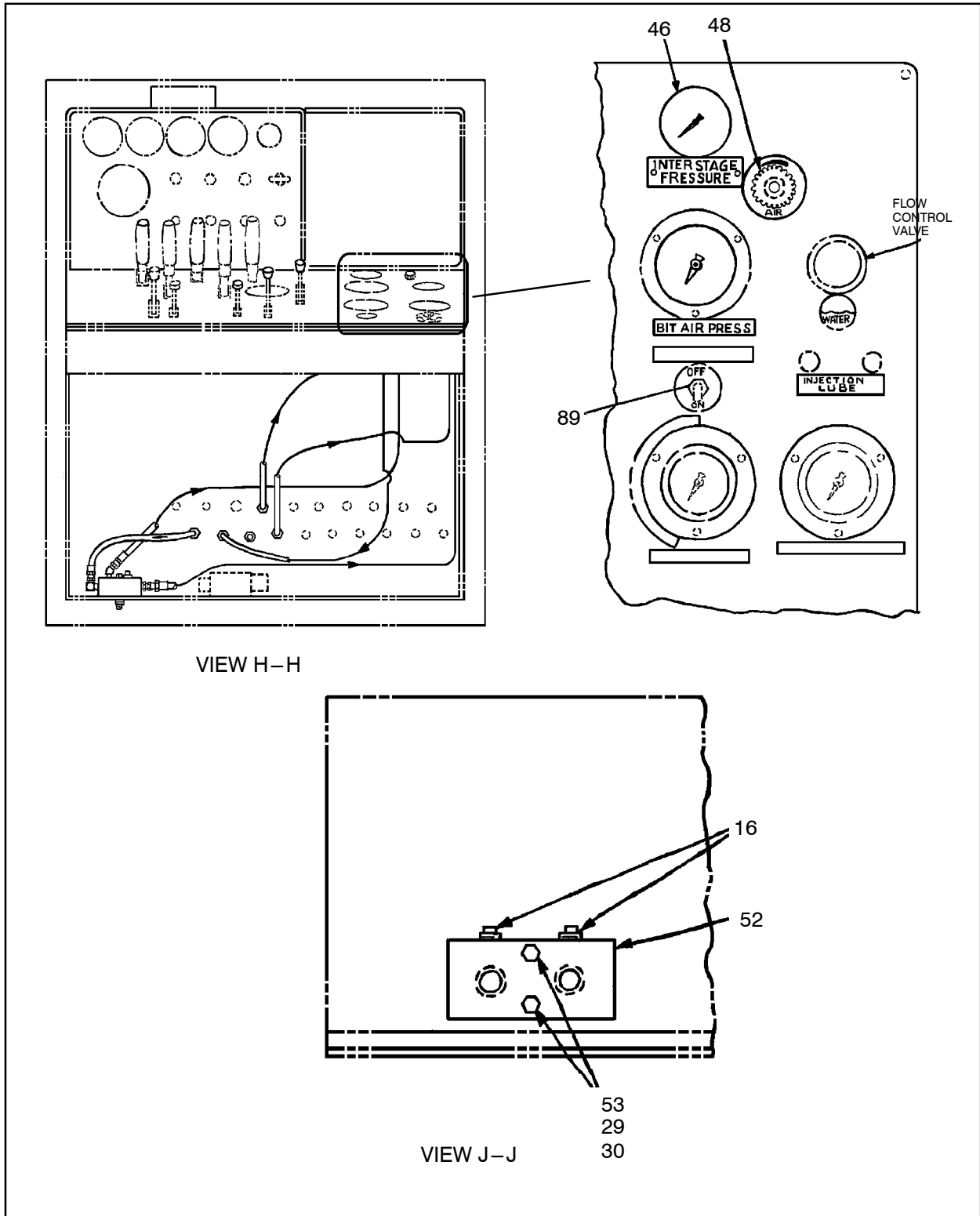
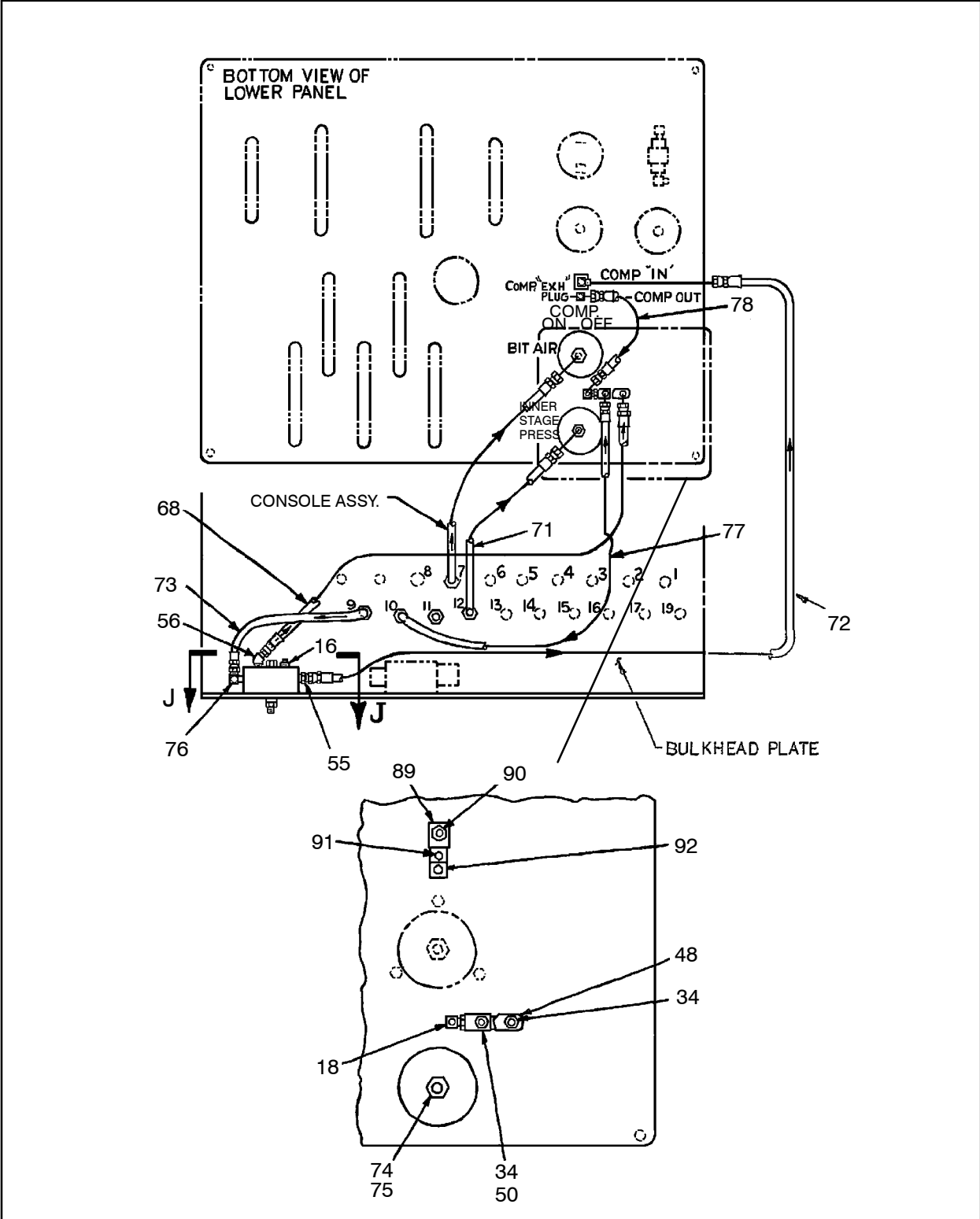


Figure 124 :PIPING,COMP CNTRL,HP900
E57668113 REV 006

57668113 PIPING,COMP CNTRL,HP900



PIPING,COMP CNTRL,HP900
 57668113

Figure 125 :PIPING,COMP CNTRL,HP900
 E57668113 REV 006

57668113

PIPING,COMP CNTRL,HP900

PIPING,COMP CNTRL,HP900

57668113

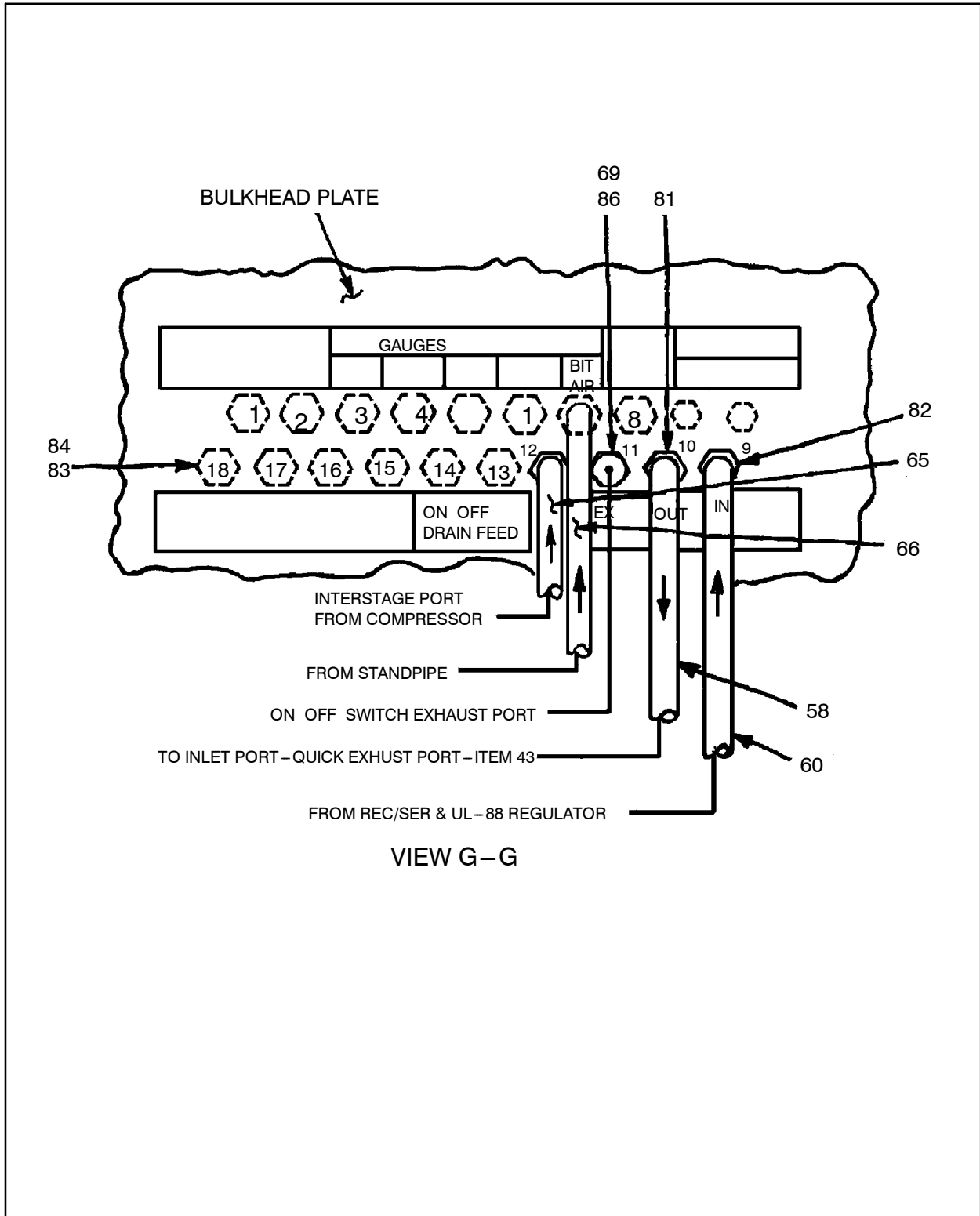


Figure 126 :PIPING,COMP CNTRL,HP900
 E57668113 REV 006

57668113 PIPING,COMP CNTRL,HP900

| REF. | PART NO. | QTY. | UNIT | DESCRIPTION |
|------|----------|------|------|---|
| 001 | 57530917 | 1 | EA | REGULATOR ASSY, UL-88 <i>(See figure 127)</i> |
| 002 | 50462845 | 1 | EA | TIE ROD |
| 003 | 52227733 | 2 | EA | LINKAGE |
| 004 | 52208162 | 1 | EA | LINK |
| 005 | 57050718 | 1 | EA | BRACKET |
| 006 | 35272558 | 2 | EA | SCREW, HEX-M20 X 45 |
| 007 | 50759455 | 2 | EA | WASHER, LOCK M20 |
| 008 | 52264926 | 2 | EA | BOLT 12MM |
| 009 | 95934733 | 2 | EA | WASHER, LOCK |
| 010 | 95862876 | 2 | EA | NUT, HEX, FINISHED |
| 011 | 95213401 | 2 | EA | WASHER, LOCK, EXT TOOTH |
| 012 | 95033932 | 1 | EA | PIN, ROLL |
| 013 | 95053054 | 1 | EA | SCREW, CAP-1/2-13 X 3 |
| 014 | 95201331 | 1 | EA | NUT, HEX JAM |
| 015 | 95323465 | 2 | EA | PLUG, HEX HEAD, STRT THRD |
| 016 | 95033593 | 2 | EA | PLUG, PIPE, SQ HEAD, SOLID |
| 017 | 95655064 | 1 | EA | ADAPTER, FEMALE, STRT THRD |
| 018 | 95654448 | 1 | EA | ELBOW, 90 DEG MALE, NPTF |
| 019 | 57294936 | 1 | EA | VALVE, RELIEF |
| 020 | 57085383 | 1 | EA | VALVE, RELIEF |
| 021 | 95670535 | 1 | EA | ADAPTER, FEMALE, STRT THRD |
| 022 | 95221065 | 1 | EA | TEE, MALE RUN |
| 023 | 95279493 | 2 | EA | ELBOW, 90 DEG MALE |
| 024 | 95352738 | 1 | EA | NIPPLE, NPTF DRYSEAL |
| 025 | 95279535 | 1 | EA | ELBOW, 90 DEG MALE |
| 026 | 35316405 | 1 | EA | VALVE, POPPET-ANTIRUMBLE |
| 027 | 56951148 | 1 | EA | BRACKET |
| 028 | 95958914 | 2 | EA | SCREW, CAP, HEX |
| 029 | 95934766 | 2 | EA | WASHER, LOCK, HELICAL |
| 030 | 95931564 | 2 | EA | NUT, HEX, FINISHED |
| 031 | 95931564 | 2 | EA | NUT, HEX, FINISHED |
| 032 | 95219721 | 2 | EA | CONNECTOR, MALE, 37 DEG. |
| 034 | 95316972 | 2 | EA | CONNECTOR, MALE, 37 DEG |
| 035 | 95365078 | 1 | EA | CONNECTOR, STRT THRD |

PIPING,COMP CNTRL,HP900

 57668113

57668113 PIPING,COMP CNTRL,HP900

PIPING,COMP CNTRL,HP900
57668113

| REF. | PART NO. | QTY. | UNIT | DESCRIPTION |
|------|----------|------|------|--------------------------|
| 036 | 95934766 | 2 | EA | WASHER,LOCK,HELICAL |
| 037 | 95264966 | 1 | EA | FITTING, HYD |
| 038 | 95219721 | 3 | EA | CONNECTOR,MALE,37 DEG. |
| 039 | 95316972 | 1 | EA | CONNECTOR,MALE,37 DEG |
| 040 | 95279493 | 1 | EA | ELBOW,90 DEG MALE |
| 041 | 95655064 | 1 | EA | ADAPTER,FEMALE,STRT THRD |
| 042 | 95424370 | 1 | EA | ELBOW-90DEG,EXT/INT NPT |
| 043 | 57163339 | 1 | EA | VALVE, PILOT |
| 044 | 95219713 | 2 | EA | CONNECTOR,MALE,37 DEG. |
| 045 | 95279493 | 1 | EA | ELBOW,90 DEG MALE |
| 046 | 50262492 | 1 | EA | GAUGE,PRESSURE-0-160PSI |
| 047 | 95033593 | 2 | EA | PLUG,PIPE,SQ HEAD,SOLID |
| 048 | 52210986 | 1 | EA | VALVE,NEEDLE |
| 049 | 95480109 | 1 | EA | FITTING, HYD-90DEGO-RING |
| 050 | 95341079 | 1 | EA | TEE,MALE RUN,NPTF |
| 051 | 57250185 | 1 | EA | HOSE ASSY |
| 052 | 52162138 | 1 | EA | MANIFOLD |
| 053 | 95934568 | 2 | EA | SCREW,CAP,HEX |
| 054 | 95293403 | 1 | EA | ELBOW,90 DEG MALE |
| 055 | 95338372 | 1 | EA | FITTING, HYD |
| 056 | 95279071 | 1 | EA | FITTING, HYD |
| 057 | 57097081 | 1 | EA | HOSE ASSY |
| 058 | 57057416 | 1 | EA | HOSE,ASSY |
| 059 | 56974751 | 1 | EA | HOSE ASSY |
| 060 | 57110579 | 1 | EA | HOSE ASSY |
| 061 | 57017857 | 1 | EA | HOSE ASSY |
| 062 | 57015828 | 1 | EA | HOSE ASSY |
| 063 | 57128449 | 1 | EA | HOSE ASSY |
| 065 | 57095093 | 1 | EA | HOSE ASSY |
| 066 | 57058117 | 1 | EA | HOSE ASSY |
| 067 | 57095069 | 1 | EA | HOSE ASSY |
| 068 | 57095077 | 1 | EA | HOSE ASSY |
| 069 | 95257333 | 1 | EA | CAP, JIC-4 |
| 070 | 95302733 | 1 | EA | FITTING |

57668113 PIPING,COMP CNTRL,HP900

| REF. | PART NO. | QTY. | UNIT | DESCRIPTION |
|------|----------|------|------|--------------------------|
| 071 | 57058109 | 1 | EA | HOSE ASSY |
| 072 | 56961774 | 1 | EA | HOSE ASSY |
| 073 | 57095119 | 1 | EA | HOSE ASSY |
| 074 | 95381158 | 1 | EA | CONNECTOR,MALE,37 DEG |
| 075 | 95038634 | 1 | EA | COUPLING,PIPE-1/8 NPT |
| 076 | 95338406 | 1 | EA | FITTING, HYD |
| 077 | 57015760 | 1 | EA | HOSE ASSY |
| 078 | 57095069 | 1 | EA | HOSE ASSY |
| 079 | 57058117 | 1 | EA | HOSE ASSY |
| 080 | 95329975 | 1 | EA | ELBOW,90 DEG STRT THRD |
| 081 | 95364972 | 2 | EA | FITTING, HYD |
| 082 | 95364964 | 1 | EA | ADAPTER |
| 083 | 95364972 | 4 | EA | FITTING, HYD |
| 084 | 95257341 | 4 | EA | CAP, JIC-6 |
| 086 | 95282422 | 1 | EA | ADAPTER |
| 087 | 95329975 | 1 | EA | ELBOW,90 DEG STRT THRD |
| 088 | 57100091 | 1 | EA | BLOCK, VALVE-BUTTERFLY |
| 089 | 50258128 | 1 | EA | VALVE, 3-WAY |
| 090 | 95381158 | 1 | EA | CONNECTOR,MALE,37 DEG |
| 091 | 95279451 | 1 | EA | ELBOW,90 DEG MALE |
| 092 | 95033585 | 1 | EA | PLUG,PIPE,SQ HEAD,SOLID |
| 093 | 95937413 | 2 | EA | WASHER,LOCK,HELICAL |
| 094 | 95922894 | 2 | EA | NUT,HEX,FINISHED |
| 095 | 95959011 | 2 | EA | SCREW,CAP |
| 096 | 35517234 | 1 | EA | ORIFICE |
| 097 | 35132299 | 1 | EA | SILENCER,PNEUMATIC |
| 098 | 57325409 | 1 | EA | HOSE ASSY |
| 099 | 52198439 | 1 | EA | HOSE ASSY |
| 100 | 35849215 | 1 | EA | VALVE,BLOWDOWN |
| 101 | 95279402 | 1 | EA | ELBOW, 90DEG MALE 37DGFL |
| 102 | 95279055 | 1 | EA | FITTING, HYD |
| 103 | 95293403 | 1 | EA | ELBOW,90 DEG MALE |
| 104 | 95922233 | 4 | EA | WASHER,FLAT,WIDE |

PIPING,COMP CNTRL,HP900
 57668113

57530917 REGULATOR ASSY, UL-88

PIPING, COMP CNTRL, HP900

57668113

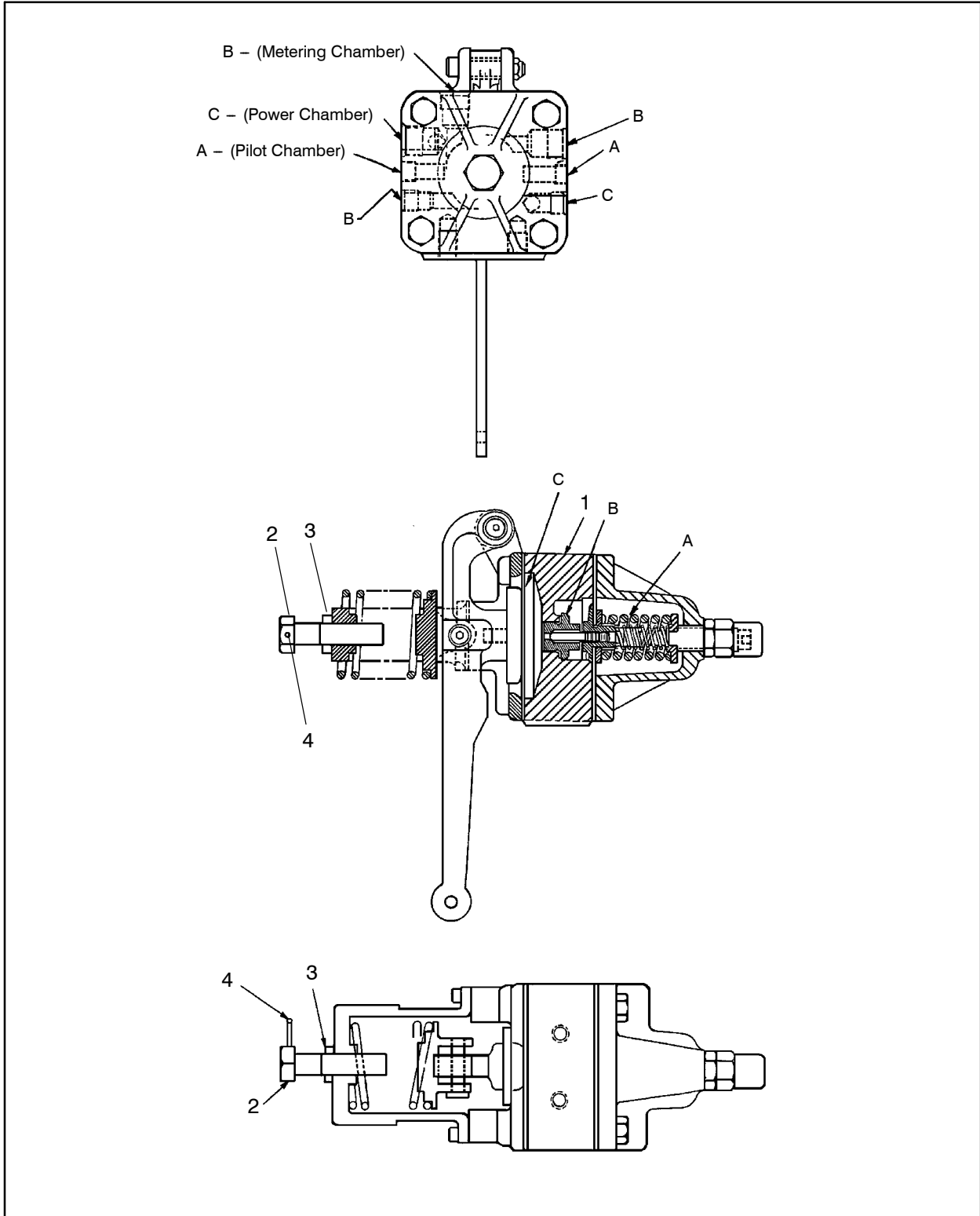


Figure 127 :REGULATOR ASSY, UL-88
C57530917 REV 000

57530917 REGULATOR ASSY, UL-88

| REF. | PART NO. | QTY. | UNIT | DESCRIPTION |
|------|----------|------|------|----------------------------|
| 001 | 36887396 | 1 | EA | REGULATOR, UL-88 ASSY |
| | 36037471 | 0 | EA | ● - KIT, REPAIR UL-88 ASSY |
| 002 | 50527308 | 1 | EA | SCREW, STOP |
| 003 | 95922902 | 1 | EA | NUT,HEX,FINISHED,PLATED |
| 004 | 95033965 | 1 | EA | PIN,ROLL |

PIPING,COMP CNTRL,HP900
57668113

57564973 COMPR ASSY,900 HR2,1800

COMPR ASSY,900 HR2,1800

57564973

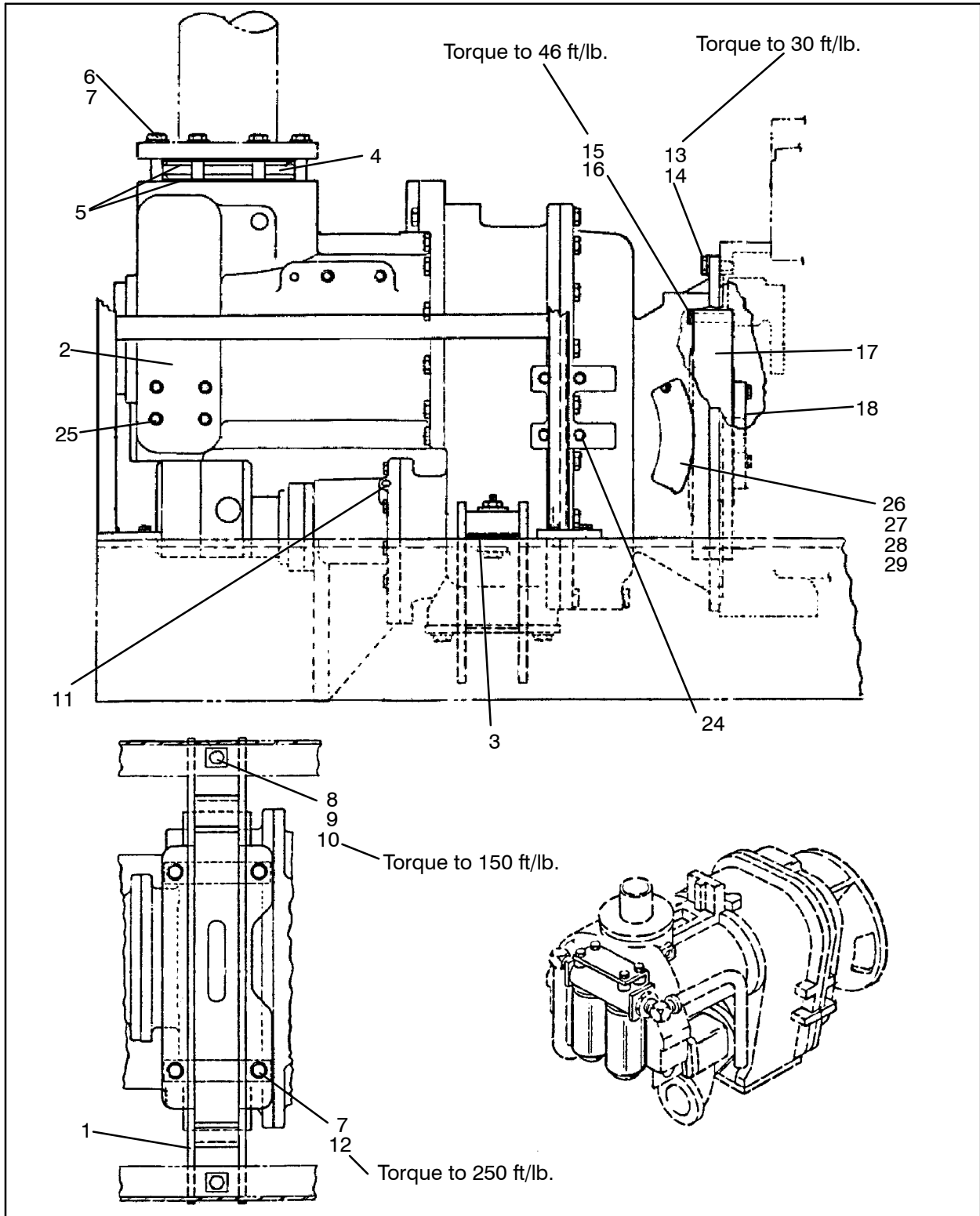


Figure 128 :COMPR ASSY,900 HR2,1800
D57564973 REV 001

57564973 COMPR ASSY,900 HR2,1800

| REF. | PART NO. | QTY. | UNIT | DESCRIPTION |
|------|----------|------|------|------------------------------|
| 001 | 57170896 | 1 | EA | SUPPORT, COMPRESSOR |
| 002 | 35097468 | 1 | EA | AIR END,900/350@1800RPM |
| | 36765113 | 1 | EA | ● - GEAR,SET HR2,900,1050CFM |
| | 35366657 | 1 | EA | ● - PUMP, OIL-HR2 AIR END |
| | 35092279 | 1 | EA | ● - STRAINER ASSY-HR2 |
| | 36751295 | 1 | EA | ● - STRAINER BODY |
| | 35609098 | 1 | EA | ● - PLUG,STRAINER |
| | 35370063 | 1 | EA | ● - ELEMENT,STRAINER-HR2 |
| | 35277797 | 1 | EA | ● - O-RING |
| | 36502870 | 1 | EA | ● - DECAL, FILTER MAINT.-HR2 |
| 003 | 50518083 | 4 | EA | SHIM SET |
| 004 | 52206547 | 1 | EA | VALVE, BUTTERFLY |
| 005 | 95214524 | 2 | EA | GASKET RING |
| 006 | 56946247 | 8 | EA | SCREW, CAP-M20X2.5 X80MM |
| 007 | 50759455 | 12 | EA | WASHER, LOCK M20 |
| 008 | 95035432 | 2 | EA | CAPSCREW,HEX HEAD |
| 009 | 54573704 | 2 | EA | WASHER,BEVEL,SQ, PLATED |
| 010 | 95080206 | 2 | EA | NUT, HEX LOCK-5/8-11 |
| 011 | 35596436 | 1 | EA | SWITCH,TEMP |
| 012 | 35272558 | 4 | EA | SCREW, HEX-M20 X 45 |
| 013 | 95934626 | 12 | EA | CAPSCREW,HEX HEAD,PLATED |
| 014 | 95238143 | 12 | EA | WASHER, LOCK-7/16 |
| 015 | 95919338 | 12 | EA | CAPSCREW,HEX HEAD |
| 016 | 95937413 | 12 | EA | WASHER,LOCK,HELICAL |
| 017 | 36783710 | 1 | EA | COUPLING, ASSY |
| 018 | 35103852 | 1 | EA | BUSHING,TAPER,SPLIT |
| 024 | 57134140 | 8 | EA | SCREW, HEX-M20 X 25 |
| 025 | 57134157 | 7 | EA | SCREW, HEX-M16 X 20 |
| 026 | 52247657 | 2 | EA | PLATE, COVER |
| 027 | 95928982 | 4 | EA | SCREW, CAP-1/4-20 X 3/4 |
| 028 | 95934766 | 4 | EA | WASHER,LOCK,HELICAL |
| 029 | 52263787 | 2 | EA | GASKET |

COMPR ASSY,900 HR2,1800
57564973

57666711 PIPING,REC TO TWR,DM30

PIPING,REC TO TWR,DM30

57666711

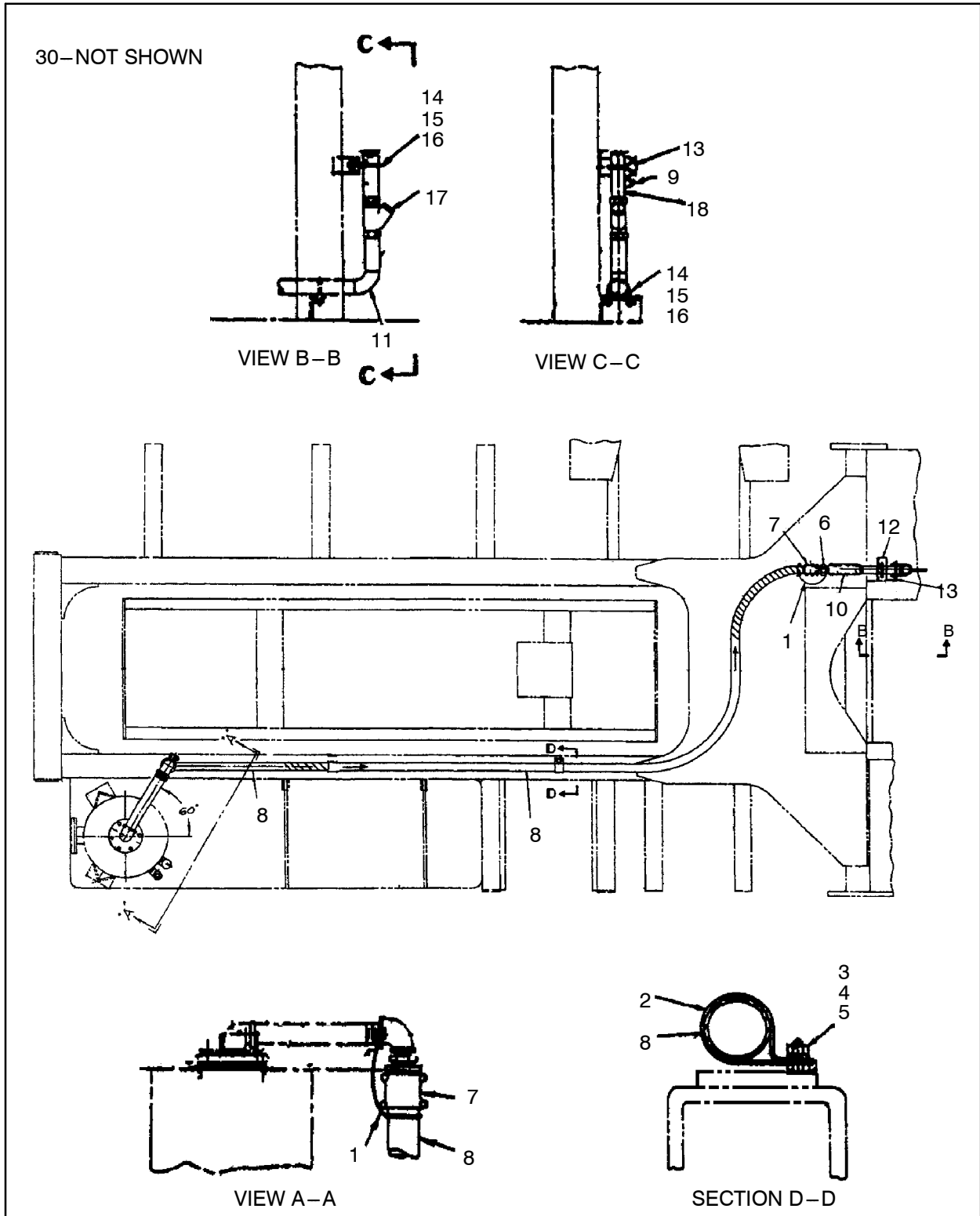


Figure 129 :PIPING,REC TO TWR,DM30
 D57666711 REV 001

57666711 PIPING,REC TO TWR,DM30

| REF. | PART NO. | QTY. | UNIT | DESCRIPTION |
|------|----------|--------|------|--------------------------|
| 001 | 57358145 | 2 | EA | CABLE, HOSE RESTRAINT |
| 002 | 95322871 | 2 | EA | CLAMP,HOSE |
| 003 | 95104121 | 2 | EA | SCREW, CAP-1/2UNCX 3/4 |
| 004 | 95922902 | 2 | EA | NUT,HEX,FINISHED,PLATED |
| 005 | 95934733 | 2 | EA | WASHER,LOCK |
| 006 | 50023910 | 1 | EA | STEM |
| 007 | 50743731 | 2 | EA | CLAMP,HOSE |
| 008 | 35612712 | 250.00 | IN | HOSE,AIR 2"IR BRAND |
| 009 | 95033601 | 3 | EA | PLUG,PIPE,SQ HEAD |
| 010 | 95038808 | 1 | EA | COUPLING |
| 011 | 57523847 | 1 | EA | PIPE, AIR ELBOW - 2NPT |
| 012 | 56245442 | 1 | EA | ANGLE,MOUNT TOWER PIPING |
| 013 | 57523862 | 1 | EA | BRACKET, TOWER AIR PIPNG |
| 014 | 95413449 | 2 | EA | U-BOLT |
| 015 | 95922894 | 4 | EA | NUT,HEX,FINISHED |
| 016 | 95937413 | 4 | EA | WASHER,LOCK,HELICAL |
| 017 | 95294344 | 1 | EA | VALVE |
| 018 | 57523870 | 1 | EA | MANIFOLD, AIR/HYD. |
| 030 | 50023910 | 1 | EA | STEM |

PIPING,REC TO TWR,DM30

 57666711

57668097

SERVICE AIR,P-25SP/30

SERVICE AIR,P-25SP/30

57668097

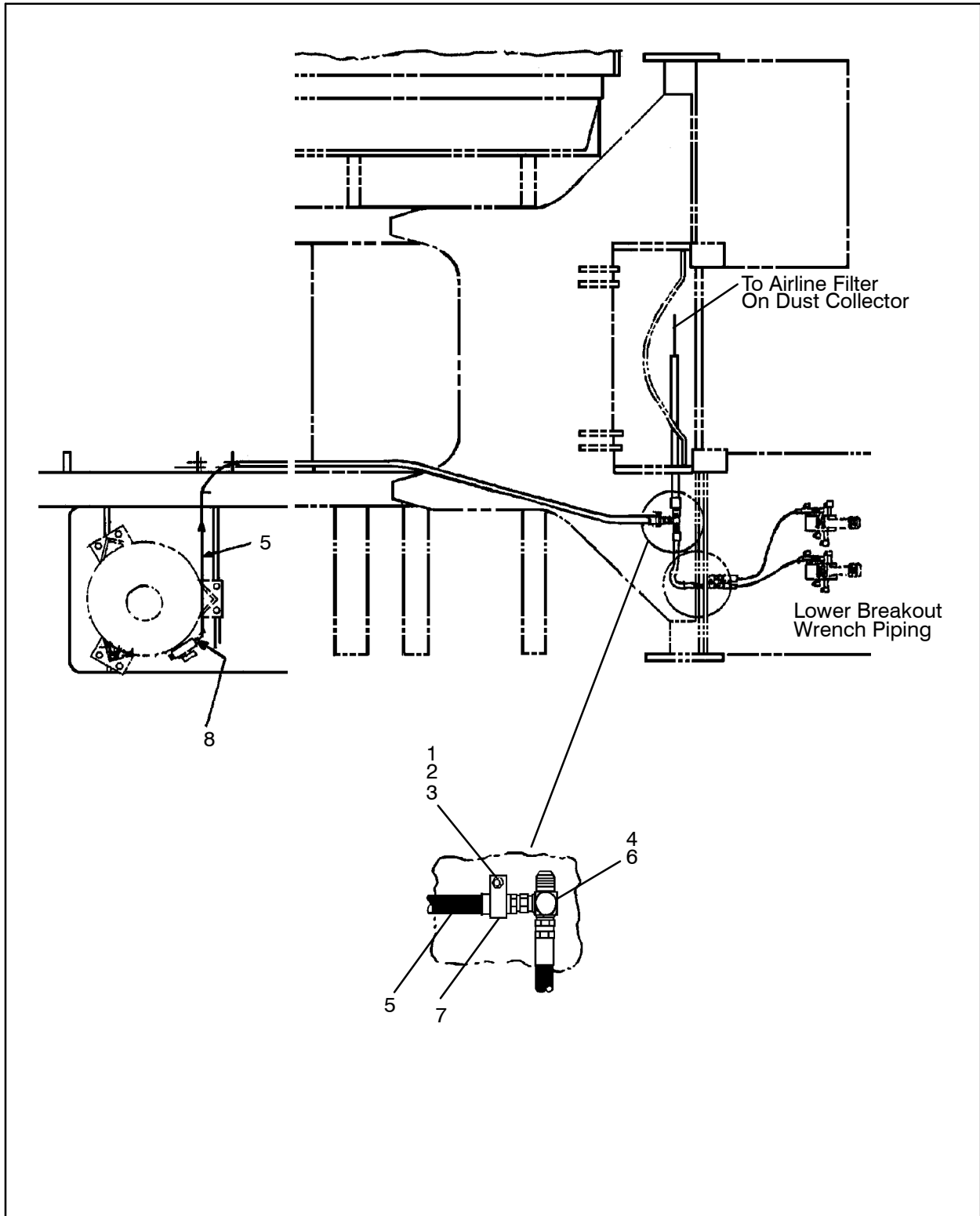


Figure 130 :SERVICE AIR,P-25SP/30
D57668097 REV 000

57668097 SERVICE AIR,P-25SP/30

| REF. | PART NO. | QTY. | UNIT | DESCRIPTION |
|------|----------|------|------|---------------------|
| 001 | 95920674 | 1 | EA | CAPSCREW,HEX HEAD |
| 002 | 95937413 | 1 | EA | WASHER,LOCK,HELICAL |
| 003 | 95922894 | 1 | EA | NUT,HEX,FINISHED |
| 004 | 95652947 | 1 | EA | TEE, JIC |
| 005 | 57097909 | 1 | EA | HOSE ASSY |
| 006 | 95257341 | 2 | EA | CAP, JIC-6 |
| 007 | 95351904 | 1 | EA | CLAMP, HOSE |
| 008 | 95279493 | 1 | EA | ELBOW,90 DEG MALE |

SERVICE AIR,P-25SP/30
57668097

57523789 PIPING,TOWER,AIR,2NPT

PIPING,TOWER,AIR,2NPT
57523789

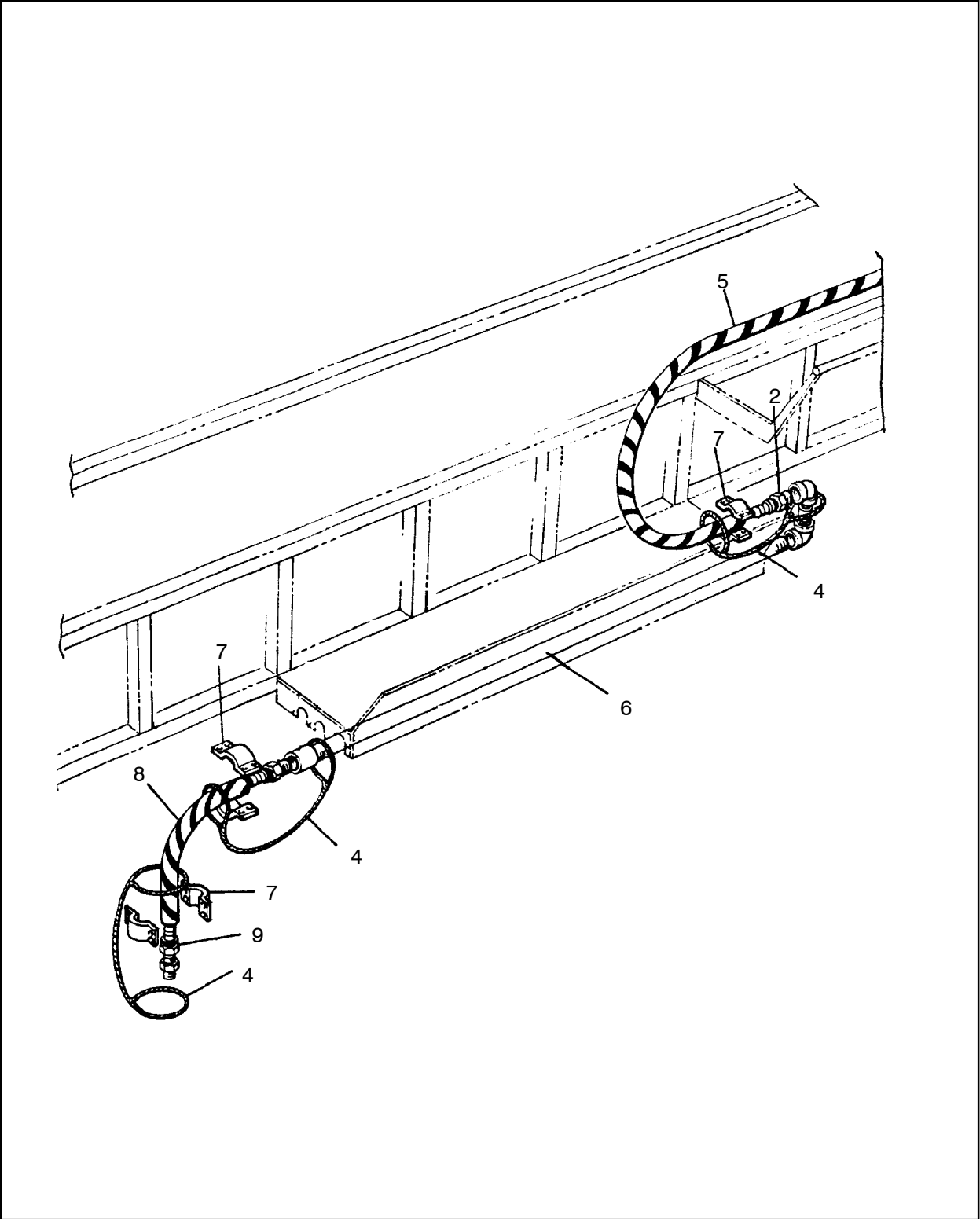


Figure 131 :PIPING,TOWER,AIR,2NPT
E57002032 REV 005

57523789 PIPING,TOWER,AIR,2NPT

| REF. | PART NO. | QTY. | UNIT | DESCRIPTION |
|------|----------|--------|------|--------------------------|
| 002 | 50023910 | 2 | EA | STEM |
| 004 | 57358145 | 3 | EA | CABLE, HOSE RESTRAINT |
| 005 | 35612712 | 271.00 | IN | HOSE,AIR 2"IR BRAND |
| 006 | 57523920 | 1 | EA | PIPE, TRANSFER AIR, DM30 |
| 007 | 50743731 | 3 | EA | CLAMP,HOSE |
| 008 | 35612712 | 58.00 | IN | HOSE,AIR 2"IR BRAND |
| 009 | 50733336 | 1 | EA | COUPLING |

PIPING,TOWER,AIR,2NPT
57523789

57667735 TANK,VERT ASM HP DM30

TANK, VERT ASM HP DM30
57667735

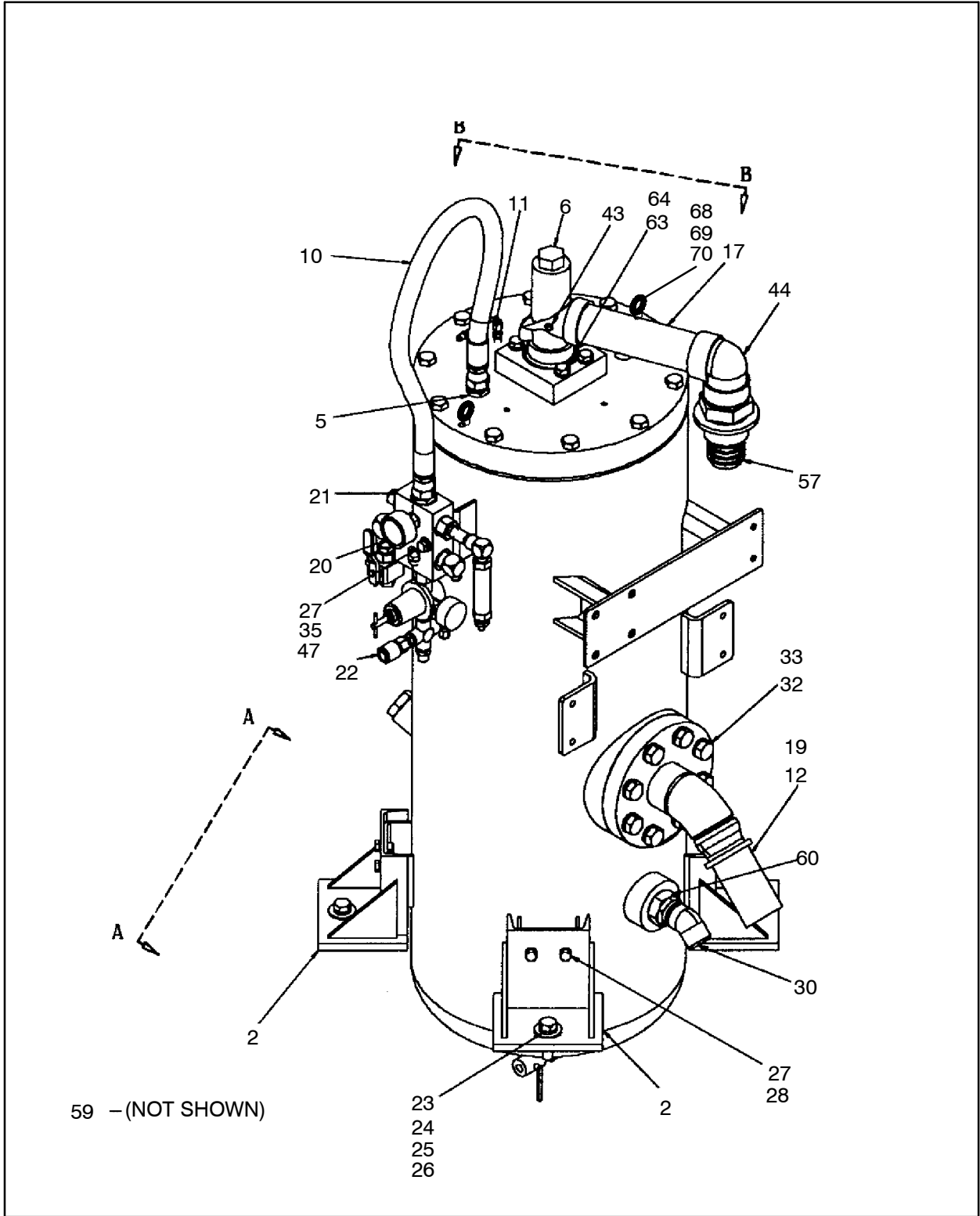


Figure 132 :TANK,VERT ASM HP DM30
D57667735 REV 004

57667735 TANK,VERT ASM HP DM30

TANK, VERT ASM HP DM30
57667735

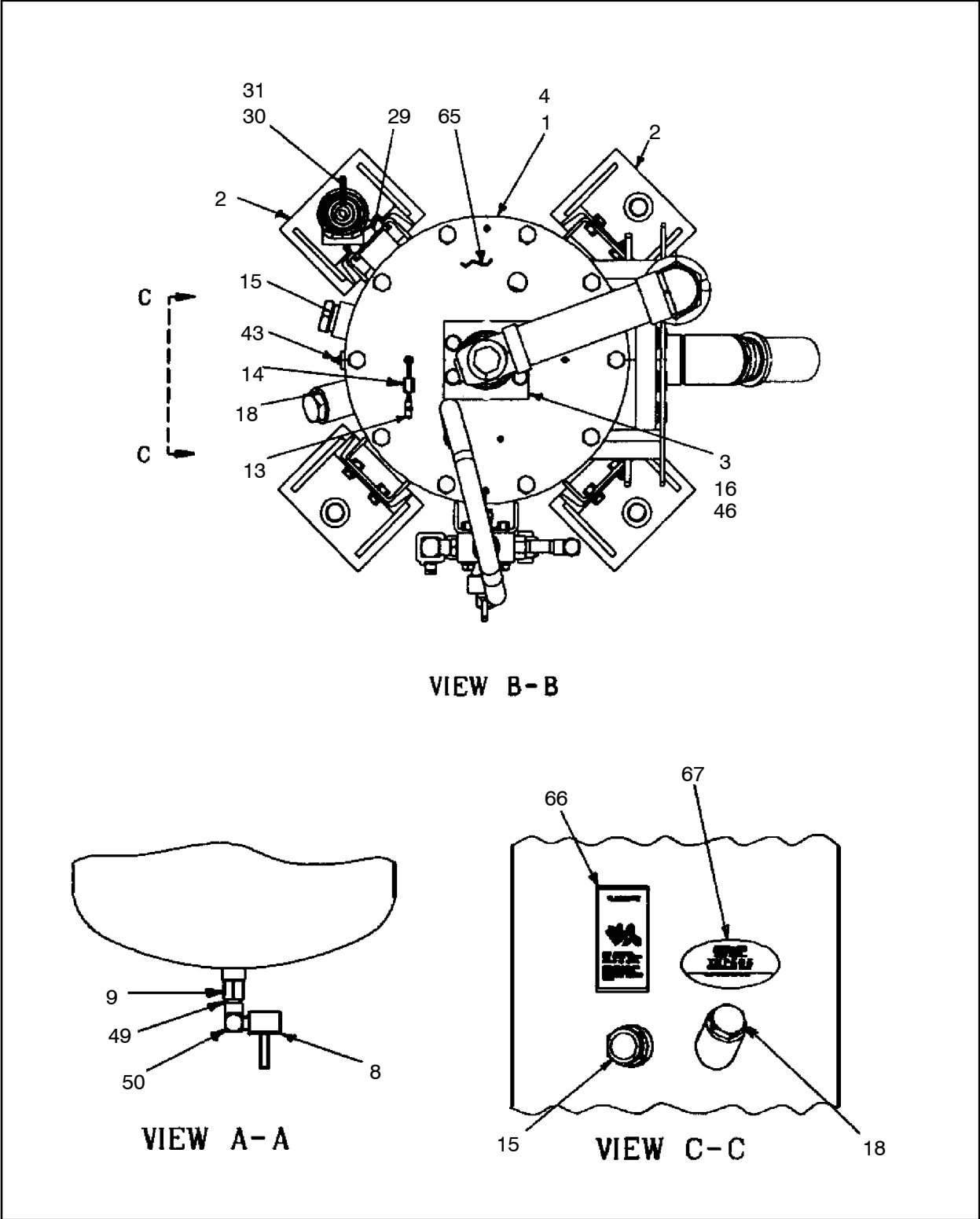


Figure 133 :TANK,VERT ASM HP DM30
D57667735 REV 004

57667735 TANK,VERT ASM HP DM30

TANK, VERT ASM HP DM30
57667735

| REF. | PART NO. | QTY. | UNIT | DESCRIPTION | |
|------|----------|------|------|--------------------------------|------------------|
| 001 | 57570202 | 1 | EA | TANK,SEPARATOR HP 20" | |
| 002 | 57584310 | 4 | EA | FOOT,RECEIVER TANK HP | |
| 003 | 57569923 | 1 | EA | BLOCK,FLANGE 2"NPT | |
| 004 | 57569758 | 1 | EA | ELEMENT,SEPARATOR | |
| 005 | 95329983 | 1 | EA | CONNECTOR,STRAIGHT THRD | |
| 006 | 57391047 | 1 | EA | VALVE,MIN.PRESSURE | |
| | 57514846 | 1 | EA | ● - KIT - REPAIR | |
| 008 | 50829605 | 1 | EA | VALVE,BALL - 1/2 | |
| 009 | 95775623 | 1 | EA | FITTING, HYD | |
| 010 | 56974140 | 1 | EA | HOSE ASSY | |
| 011 | 39417118 | 1 | EA | ADAPTER,1/4" | |
| 012 | 57546053 | 1 | EA | PIPE,INLET 3" | |
| 013 | 95731014 | 1 | EA | FITTING, HYD | |
| 014 | 39871702 | 1 | EA | TUBE,SCAVENGE | |
| 015 | 39476916 | 1 | EA | SIGHT GLASS | |
| 016 | 95022372 | 1 | EA | O - RING | |
| 017 | 95298170 | 1 | EA | NIPPLE,PIPE | |
| 018 | 95748562 | 1 | EA | FITTING, HYD | |
| 019 | 57546160 | 1 | EA | GASKET,COMP DISCHARGE | |
| 020 | 57112971 | 1 | EA | GAUGE, PRESSURE - 2.5 IN | |
| 021 | 57668733 | 1 | EA | MANIFOLD,UPPER,DM30HP | (See figure 134) |
| 022 | 57584195 | 1 | EA | MANIFOLD,LWR HP DM4550/L | (See figure 135) |
| 023 | 95934691 | 4 | EA | WASHER,LOCK,HELICAL | |
| 024 | 95922928 | 4 | EA | NUT,HEX,FINISHED | |
| 025 | 95104659 | 4 | EA | SCREW, CAP - 3/4 - 10 X2 - 3/4 | |
| 026 | 95972246 | 4 | EA | WASHER,FLAT,PLATED | |
| 027 | 95209409 | 10 | EA | WASHER,LOCK - 1/2 | |
| 028 | 95104147 | 8 | EA | SCREW,CAP,HEX | |
| 029 | 56949514 | 1 | EA | FITTING,HYD | |
| 030 | 95392312 | 1 | EA | FITTING,HYD | |
| 031 | 50621986 | 1 | EA | VALVE, SAFETY | |
| 032 | 54565569 | 8 | EA | SCREW,CAP,HEX | |
| 033 | 95043162 | 8 | EA | WASHER, LOCK - 7/8 | |
| 035 | 95064697 | 2 | EA | WASHER,FLAT 1/2 | |
| | 03209269 | 1 | EA | ● - WASHER 23 - 725 | |
| 043 | 95033593 | 1 | EA | PLUG,PIPE,SQ HEAD,SOLID | |
| 044 | 95651683 | 1 | EA | ELBOW,90DEG,FORGED STL | |

57667735 TANK,VERT ASM HP DM30

| REF. | PART NO. | QTY. | UNIT | DESCRIPTION |
|------|----------|------|------|-----------------------------|
| 046 | 95097333 | 1 | EA | NIPPLE,PIPE,EXTRA STRONG |
| 047 | 95053054 | 2 | EA | SCREW, CAP-1/2-13 X 3 |
| 049 | 95084109 | 1 | EA | NIPPLE, PIPE |
| 050 | 95264891 | 1 | EA | ELBOW,90DEG-EXT/INT NPT |
| 057 | 57637894 | 1 | EA | STEM W/ ORIFICE |
| | 50023910 | 1 | EA | ●- STEM |
| | 57637902 | 1 | EA | ●- ORIFICE,MINIMUM PRESSURE |
| 059 | 95110458 | 1 | EA | FITTING,HYD |
| 060 | 95371225 | 1 | EA | ADAPTER,STR-20-24S |
| 063 | 95919841 | 4 | EA | CAPSCREW/35A2A329Z1HR |
| 064 | 95934741 | 4 | EA | WASHER,LOCK HELICAL |
| 065 | 95293403 | 1 | EA | ELBOW,90 DEG MALE |
| 066 | 57140352 | 1 | EA | DECAL,WARNING-HIGH PRESS |
| 067 | 54640040 | 1 | EA | DECAL,XHP605 OVAL |
| 068 | 95209409 | 2 | EA | WASHER,LOCK-1/2 |
| 069 | 95922902 | 2 | EA | NUT,HEX,FINISHED,PLATED |
| 070 | 95037255 | 2 | EA | BOLT,EYE |

TANK, VERT ASM HP DM30
 57667735

57667735 TANK,VERT ASM HP DM30

This page is intentionally blank.

TANK, VERT ASM HP DM30
57667735

57667735 TANK,VERT ASM HP DM30

This page is intentionally blank.

TANK, VERT ASM HP DM30 57667735

57668733 MANIFOLD,UPPER,DM30HP

TANK, VERT ASM HP DM30
57667735

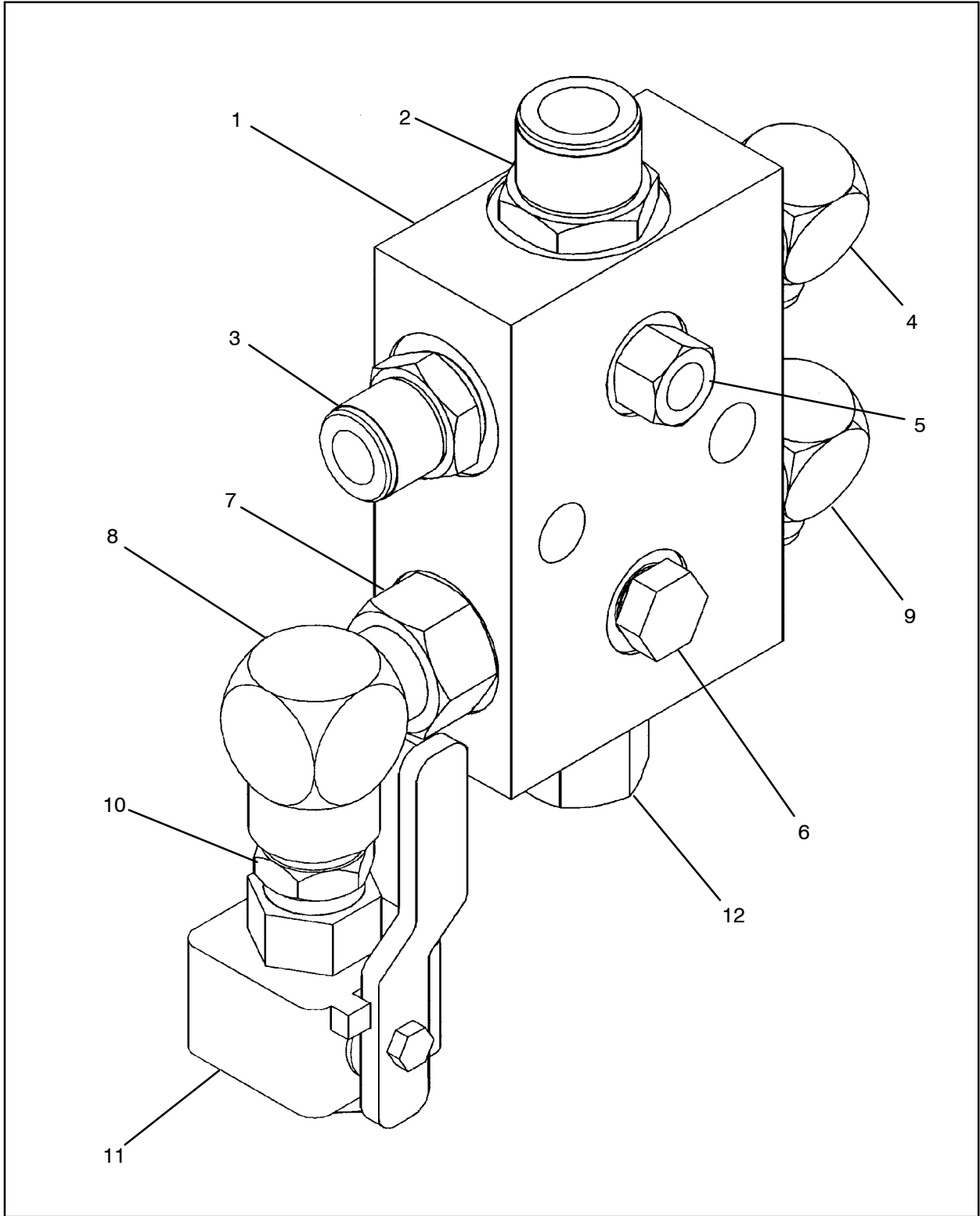


Figure 134 :MANIFOLD,UPPER,DM30HP
C57668733 REV 002

57668733 MANIFOLD,UPPER,DM30HP

| REF. | PART NO. | QTY. | UNIT | DESCRIPTION |
|------|----------|------|------|-------------------------|
| 001 | 57546038 | 1 | EA | MANIFOLD |
| 002 | 95329983 | 1 | EA | CONNECTOR,STRAIGHT THRD |
| 003 | 95356960 | 1 | EA | CONNECTOR,STRT THRD |
| 004 | 95330692 | 1 | EA | ELBOW,90 DEG STRT THRD |
| 005 | 95655072 | 1 | EA | FITTING, HYD |
| 006 | 95323465 | 1 | EA | PLUG,HEX HEAD,STRT THRD |
| 007 | 95702619 | 1 | EA | ADAPTER |
| 008 | 95264909 | 1 | EA | ELBOW,90DEG-EXT/INT NPT |
| 009 | 95330692 | 1 | EA | ELBOW,90 DEG STRT THRD |
| 010 | 95315222 | 1 | EA | FITTING,HYD |
| 011 | 52172723 | 1 | EA | VALVE, MANUAL SHUTOFF |
| | 50212224 | 1 | EA | ● - VALVE,BALL-3/4 |
| 012 | 95775623 | 1 | EA | FITTING, HYD |

TANK, VERT ASM HP DM30
 57667735

57584195 MANIFOLD,LWR HP DM4550/L

TANK, VERT ASM HP DM30
57667735

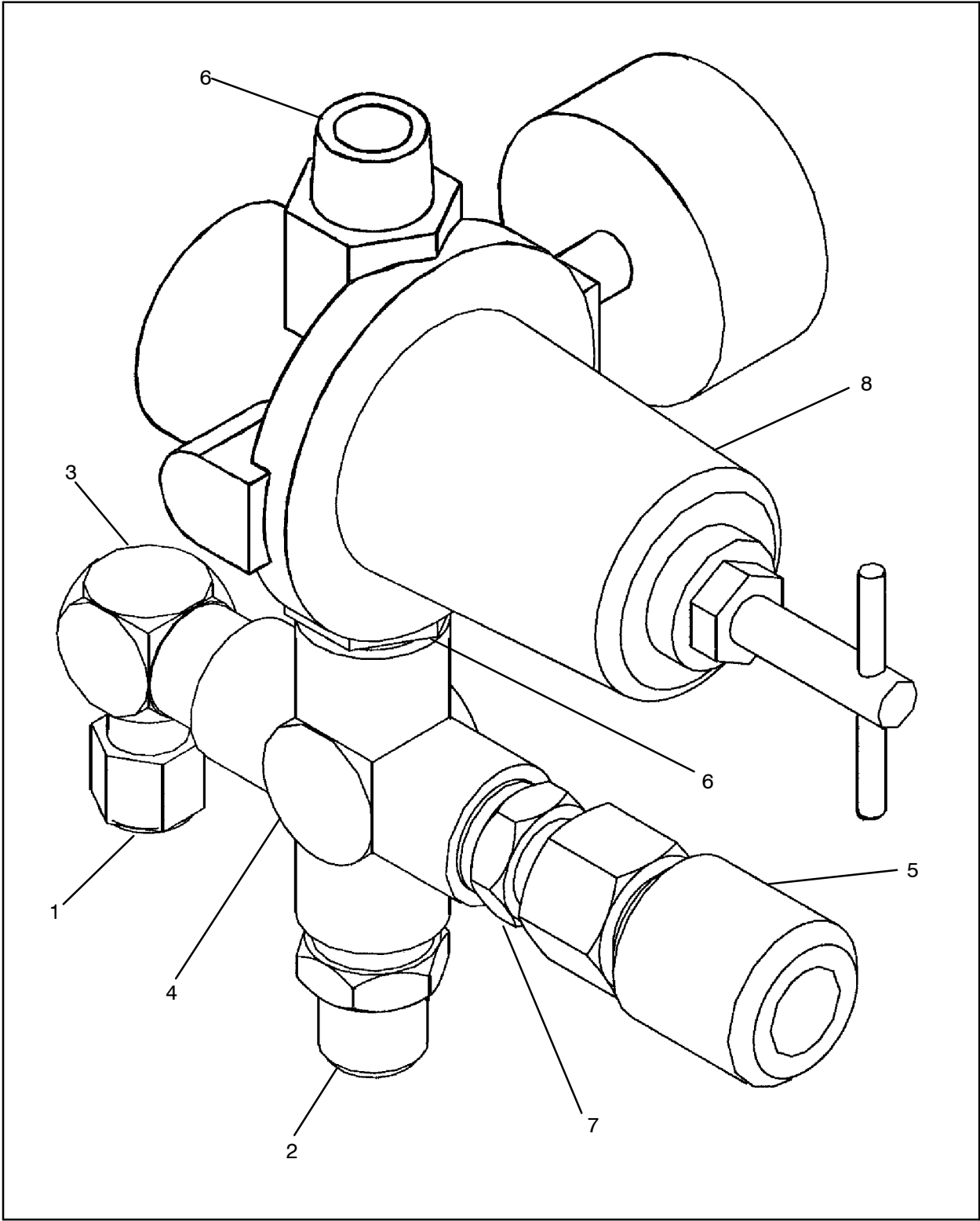


Figure 135 :MANIFOLD,LWR HP DM4550/L
C57584195 REV 000

57584195 MANIFOLD,LWR HP DM4550/L

| REF. | PART NO. | QTY. | UNIT | DESCRIPTION |
|------|----------|------|------|--------------------------|
| 001 | 95257341 | 1 | EA | CAP,JIC-6 |
| 002 | 95219721 | 1 | EA | CONNECTOR,MALE,37 DEG. |
| 003 | 95279527 | 1 | EA | ELBOW,90 DEG MALE |
| 004 | 95378907 | 1 | EA | CROSS,FEMALE PIPE |
| 005 | 57434110 | 1 | EA | COUPLING,QUICKDISCONNECT |
| 006 | 95084109 | 2 | EA | NIPPLE, PIPE |
| 007 | 95302733 | 1 | EA | FITTING |
| 008 | 57442477 | 1 | EA | REGULATOR,PRESSURE |
| | 50603869 | 1 | EA | ●- SERVICE KIT |

TANK, VERT ASM HP DM30
 57667735

HYDRAULIC SYSTEM

SECTION

HYDRAULIC SYSTEM

This page is intentionally blank.

SECTION

HYDRAULIC SYSTEM

57668253 PIPING,PROPEL-CAT320L

PIPING,PROPEL-CAT320L
57668253

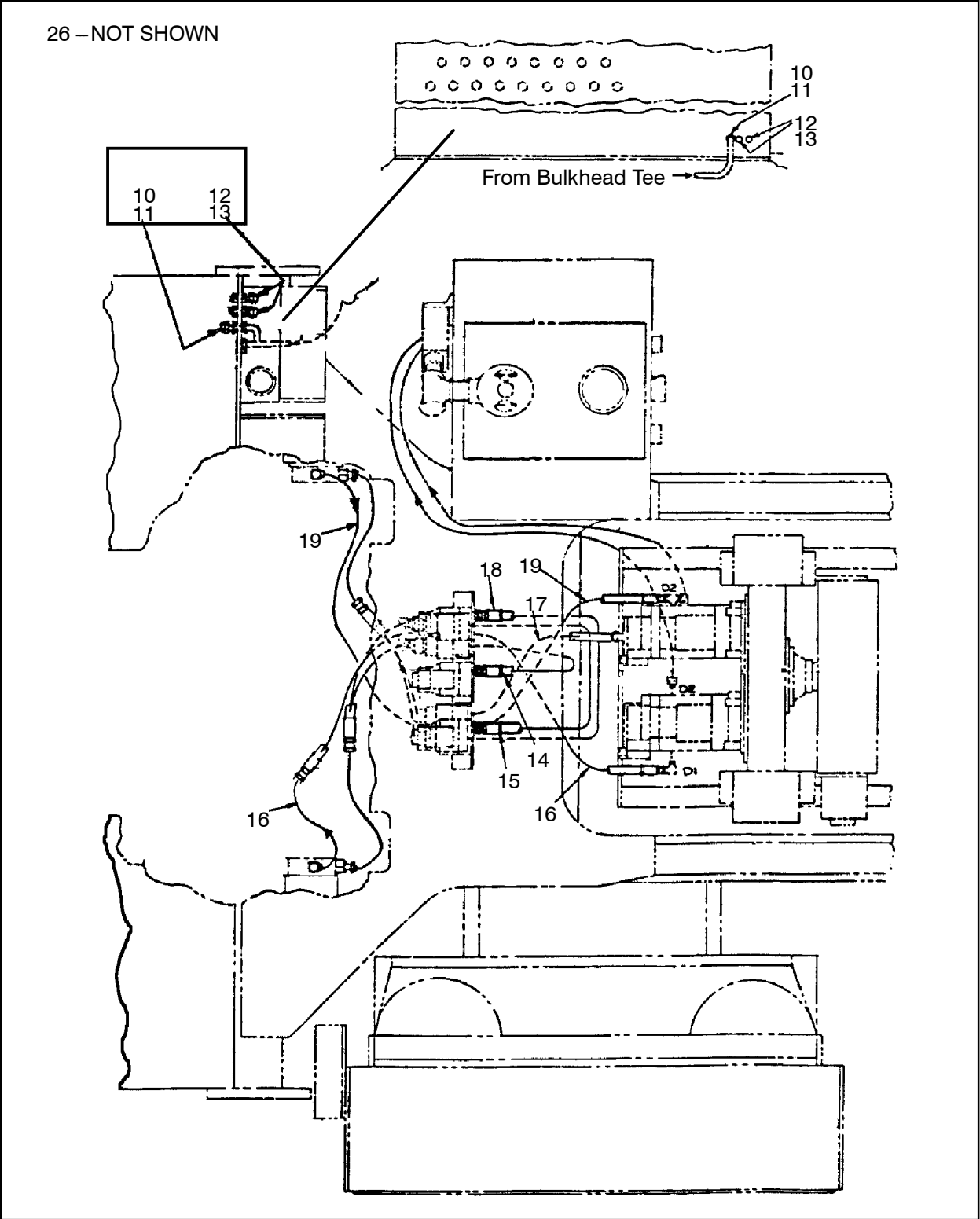
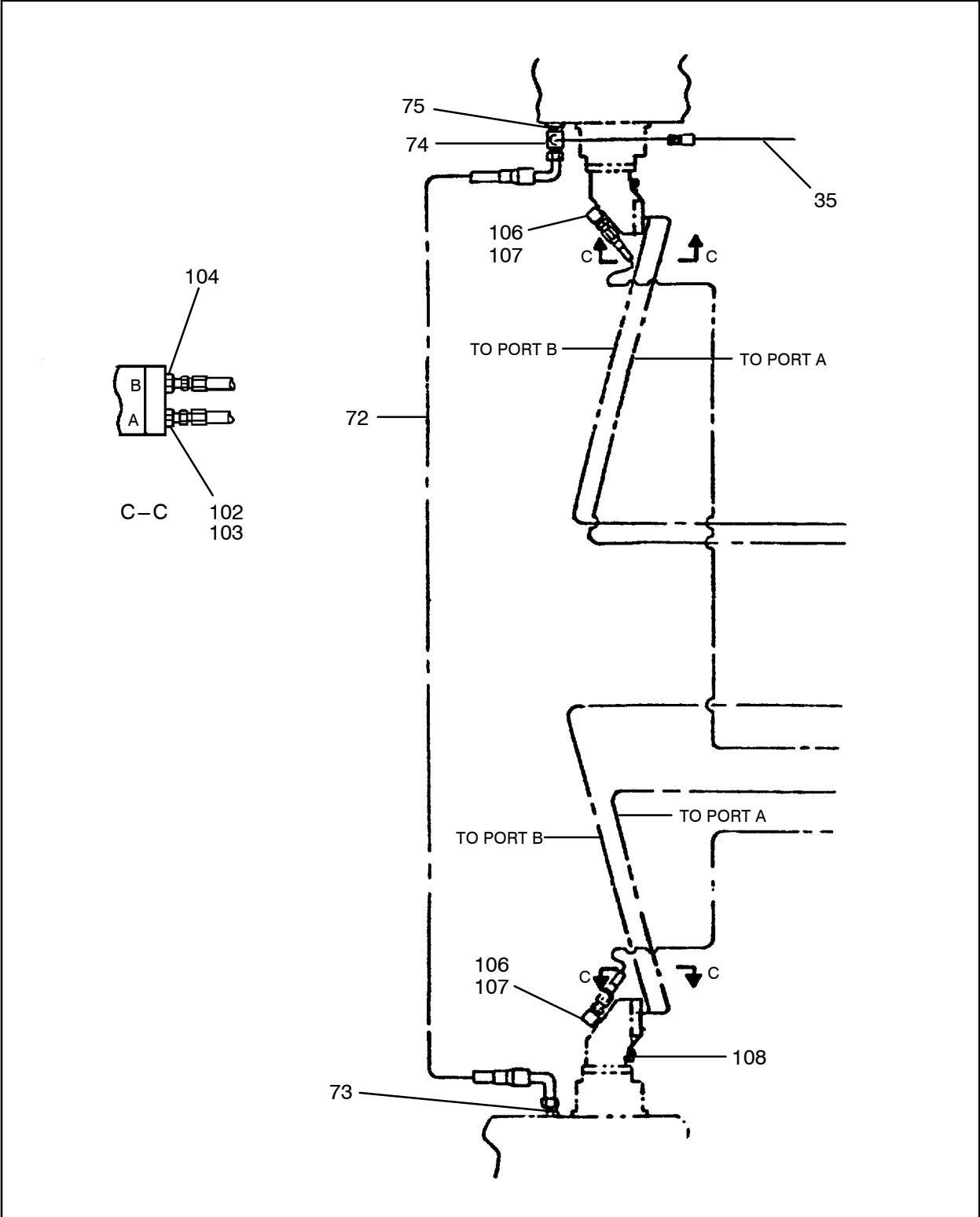


Figure 136 :PIPING,PROPEL-CAT320L
E57397077 REV 003

57668253 PIPING,PROPEL-CAT320L



PIPING, PROPEL-CAT320L
57668253

Figure 137 :PIPING,PROPEL-CAT320L
E57397077 REV 003

57668253

PIPING,PROPEL-CAT320L

PIPING,PROPEL-CAT320L

57668253

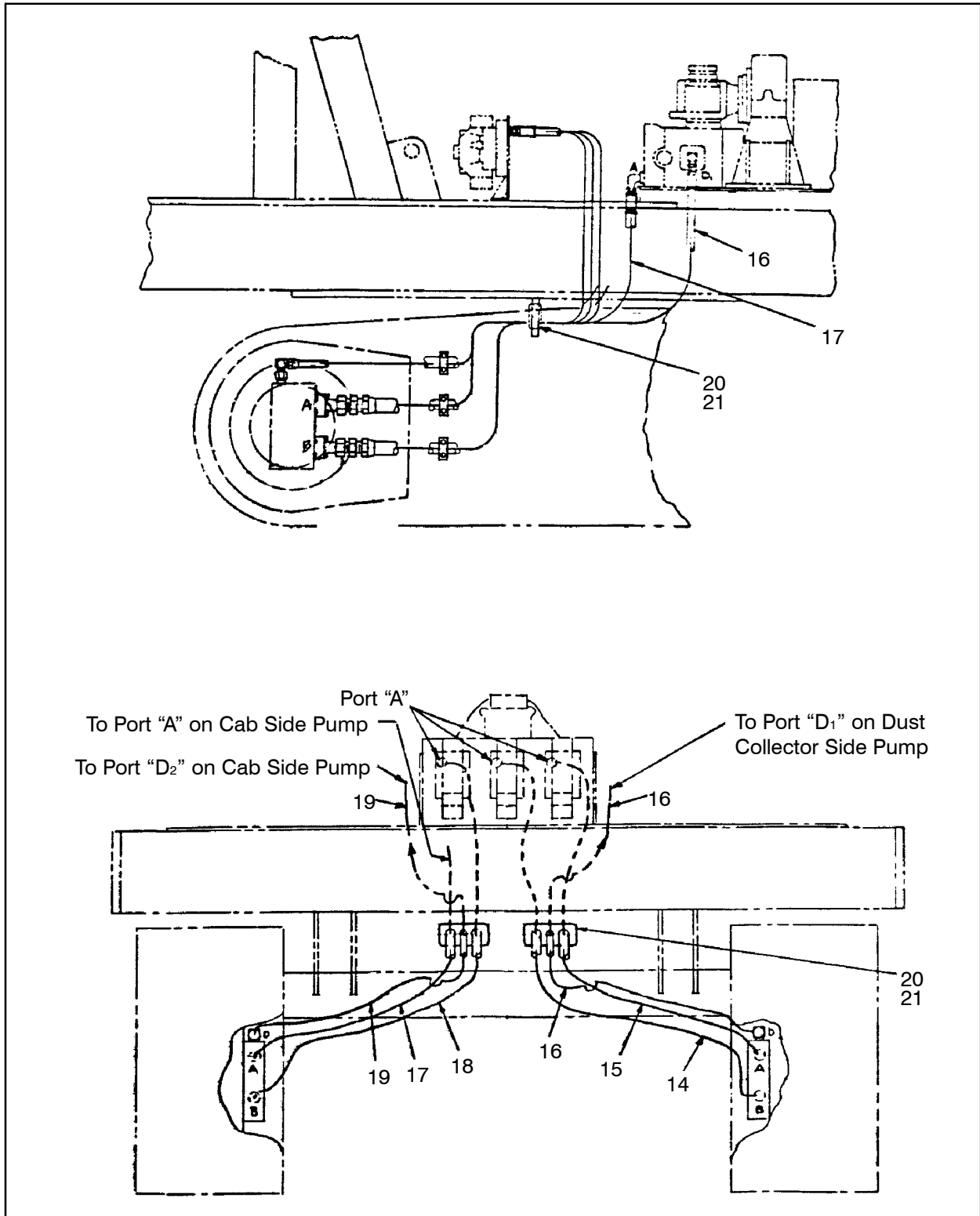


Figure 138 :PIPING,PROPEL-CAT320L
E57397077 REV 003

57668253 PIPING,PROPEL-CAT320L

| REF. | PART NO. | QTY. | UNIT | DESCRIPTION |
|------|----------|-------|------|---|
| 010 | 95364972 | 1 | EA | FITTING, HYD |
| 011 | 95257341 | 1 | EA | CAP, JIC-6 |
| 012 | 95364972 | 2 | EA | FITTING, HYD |
| 013 | 95257341 | 2 | EA | CAP, JIC-6 |
| 014 | 57538183 | 1 | EA | HOSE ASSY |
| 015 | 57538183 | 1 | EA | HOSE ASSY |
| 016 | 56961337 | 1 | EA | HOSE ASSY |
| 017 | 57538191 | 1 | EA | HOSE ASSY |
| 018 | 57538183 | 1 | EA | HOSE ASSY |
| 019 | 56961337 | 1 | EA | HOSE ASSY |
| 020 | 52223088 | 31.00 | IN | HOSE,WATER-M05 BULK |
| 021 | 50700731 | 1 | EA | COMPOUND,SILICONE |
| 026 | 57668238 | 1 | EA | COVER,HOSE & FOOT VALVE <i>(See figure 139)</i> |
| 035 | 57006538 | 1 | EA | HOSE ASSY |
| 072 | 57469538 | 1 | EA | HOSE ASSY |
| 073 | 95402806 | 1 | EA | CONNECTOR,STRT THRD |
| 074 | 95415667 | 1 | EA | FITTING, HYD |
| 075 | 95402806 | 1 | EA | CONNECTOR,STRT THRD |
| 102 | 50922202 | 16 | EA | SCREW-HEX M12X1.75X40MM |
| 103 | 95934733 | 16 | EA | WASHER,LOCK |
| 104 | 52226115 | 4 | EA | KIT, SPLIT FLANGE <i>(See figure 140)</i> |
| 106 | 57391559 | 2 | EA | CONNECTOR, MALE |
| 107 | 57072423 | 2 | EA | ADAPTER |
| 108 | 57482002 | 0 | EA | PLUG,METRIC-M18X1.5 |

PIPING,PROPEL-CAT320L
 57668253

57668238 COVER,HOSE & FOOT VALVE

PIPING,PROPEL--CAT320L
57668253

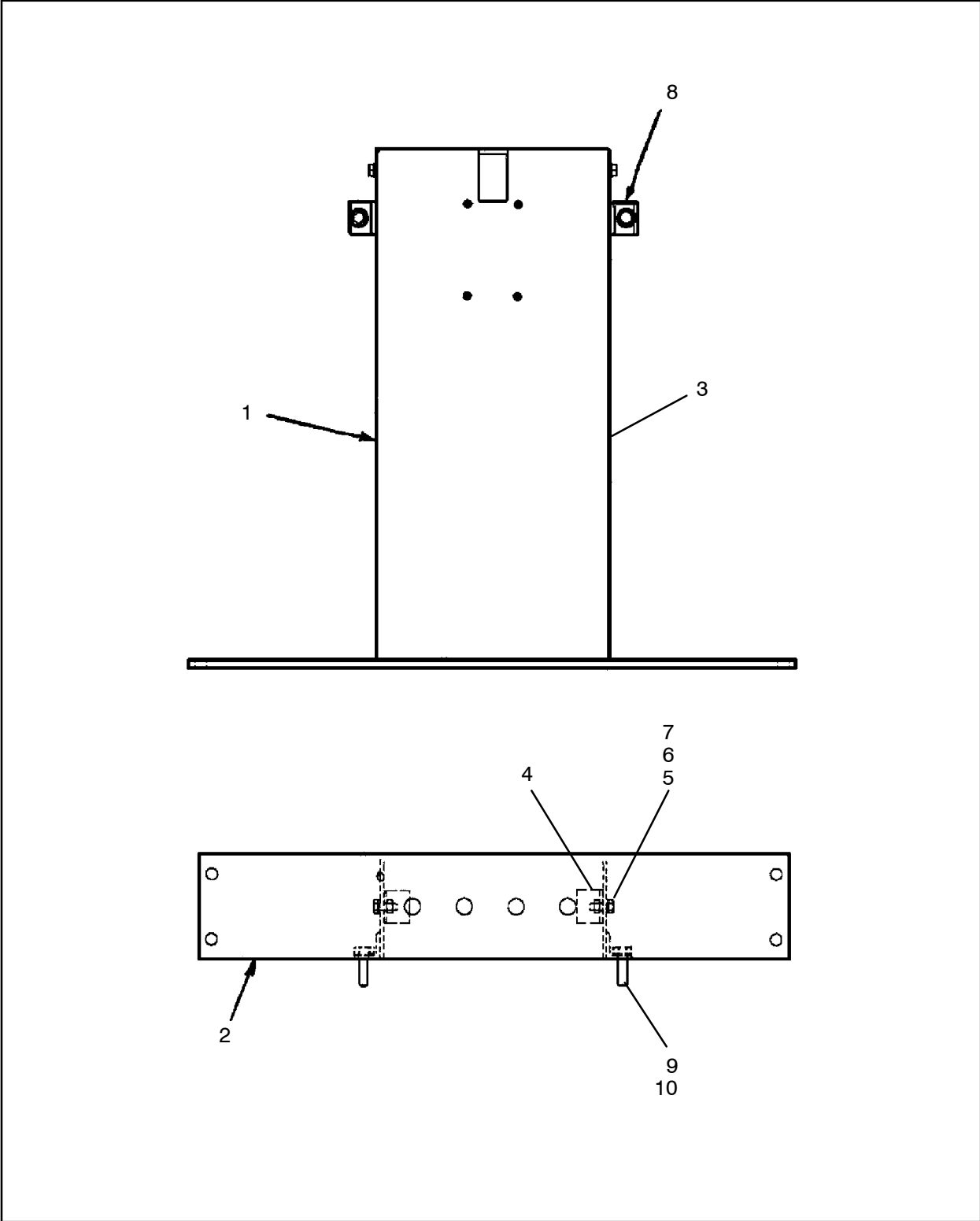


Figure 139 :COVER,HOSE & FOOT VALVE
D57668238 REV 000

57668238 COVER,HOSE & FOOT VALVE

| REF. | PART NO. | QTY. | UNIT | DESCRIPTION |
|------|----------|------|------|-------------------------|
| 001 | 57029415 | 1 | EA | SHEET,STL |
| 002 | 57029423 | 1 | EA | BAR,FLAT |
| 003 | 57029431 | 1 | EA | SHEET,STL |
| 004 | 56974876 | 2 | EA | ANGLE |
| 005 | 95077681 | 2 | EA | NUT,HEX FINISHED UNC-2B |
| 006 | 95928982 | 2 | EA | SCREW,CAP-1/4-20 X 3/4 |
| 007 | 95934766 | 2 | EA | WASHER,LOCK,HELICAL |
| 008 | 57029266 | 2 | EA | ANGLE,W/HOLE |
| 009 | 95937413 | 2 | EA | WASHER,LOCK,HELICAL |
| 010 | 95958963 | 2 | EA | SCREW,CAP-3/8-16 X 5/8 |

PIPING,PROPEL-CAT320L
57668253

52226115 KIT, SPLIT FLANGE

| REF. | PART NO. | QTY. | UNIT | DESCRIPTION |
|------|----------|------|------|--------------------------|
| 001 | 57404147 | 2 | EA | FLANGE HALF,SIZE 16-CD62 |
| 002 | 56883614 | 1 | EA | O-RING |
| 003 | 95934592 | 4 | EA | SCREW,CAP,HEX |
| 004 | 95937413 | 4 | EA | WASHER,LOCK,HELICAL |

PIPING, PROPEL - CAT320L
57668253

57335242 PIPING,BREAKOUT

PIPING,BREAKOUT
57335242

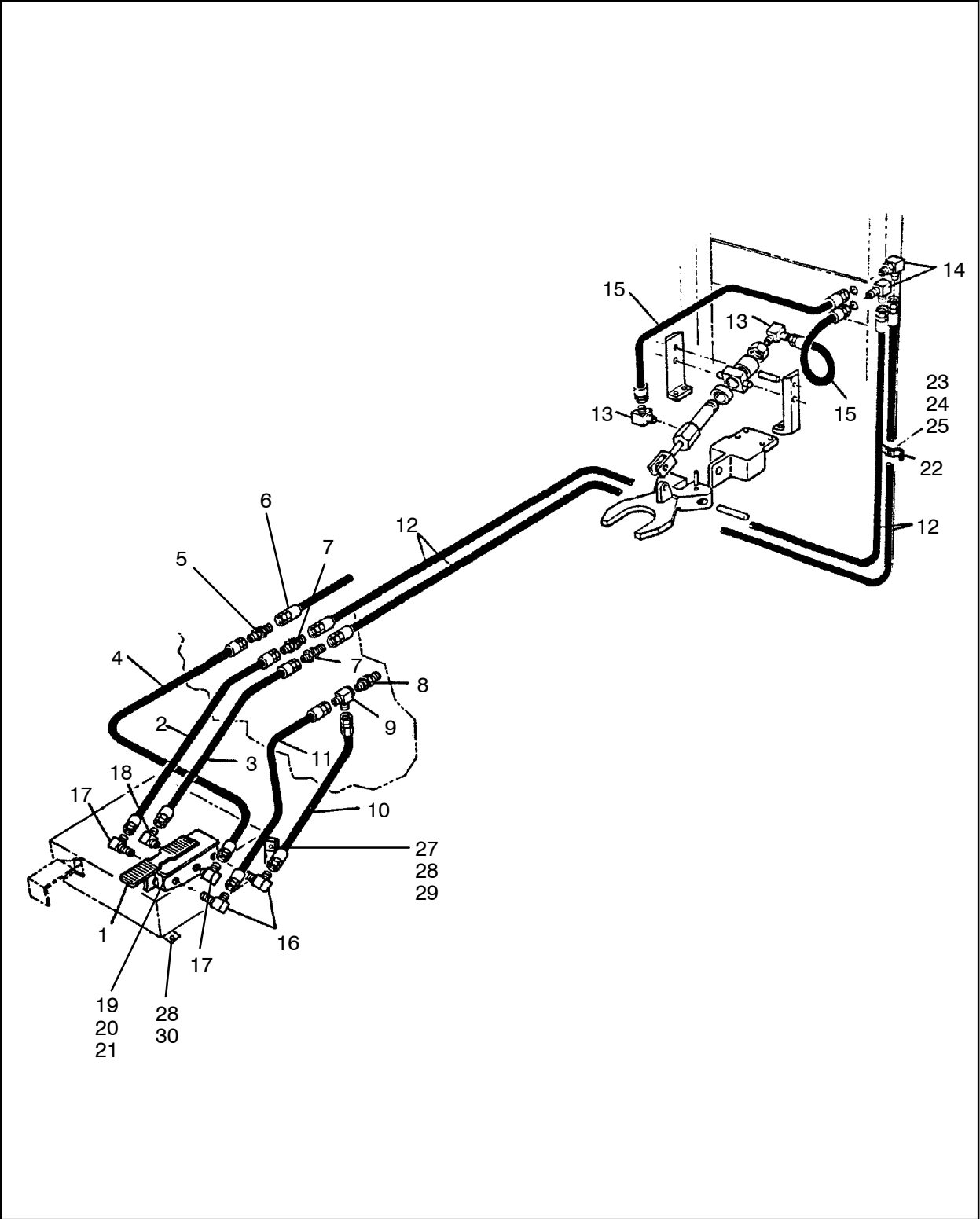


Figure 141 :PIPING,BREAKOUT
D57335242 REV 002

57335242 PIPING,BREAKOUT

| REF. | PART NO. | QTY. | UNIT | DESCRIPTION |
|------|----------|------|------|-----------------------------|
| 001 | 56974827 | 1 | EA | VALVE, FOOT |
| 002 | 56955974 | 1 | EA | HOSE ASSY |
| 003 | 56955982 | 1 | EA | HOSE ASSY |
| 004 | 56971930 | 1 | EA | HOSE ASSY |
| 005 | 50682749 | 1 | EA | TEE,BULKHEAD |
| 006 | 56958689 | 1 | EA | HOSE ASSY |
| 007 | 95364972 | 2 | EA | FITTING, HYD |
| 008 | 95282422 | 1 | EA | ADAPTER |
| 009 | 95473443 | 1 | EA | FITTING, HYD |
| 010 | 57041550 | 1 | EA | HOSE ASSY |
| 011 | 56992050 | 1 | EA | HOSE ASSY |
| 012 | 56968084 | 2 | EA | HOSE ASSY |
| 013 | 95279493 | 2 | EA | ELBOW,90 DEG MALE |
| 014 | 95278958 | 2 | EA | FITTING, HYD |
| 015 | 57008542 | 2 | EA | HOSE ASSY |
| 016 | 95302238 | 2 | EA | ELBOW |
| 017 | 95209094 | 2 | EA | FITTING, HYD |
| 018 | 95365169 | 1 | EA | ADAPTER, 90 DEG |
| 019 | 95261772 | 4 | EA | SCREW,MACHINE- 10- 24X1.25 |
| 020 | 95922563 | 4 | EA | WASHER, LOCK-NO.10(REG) |
| 021 | 95923041 | 4 | EA | NUT,HEX,MACHINE,PLATED |
| 022 | 50034826 | 2 | EA | CLAMP,HOSE,HALF |
| 023 | 95920724 | 1 | EA | SCREW, CAP- 1/4- 20 X1- 1/2 |
| 024 | 95931564 | 1 | EA | NUT,HEX,FINISHED |
| 025 | 95934766 | 1 | EA | WASHER,LOCK,HELICAL |
| 027 | 95920674 | 4 | EA | CAPSCREW,HEX HEAD |
| 028 | 95937413 | 8 | EA | WASHER,LOCK,HELICAL |
| 029 | 95922894 | 6 | EA | NUT,HEX,FINISHED |
| 030 | 95934550 | 2 | EA | CAPSCREW,HEX HEAD |

PIPING,BREAKOUT

57335242

57435570

CONTROL,TORQUELIMIT – DM30

CONTROL,TORQUELIMIT – DM30

57435570

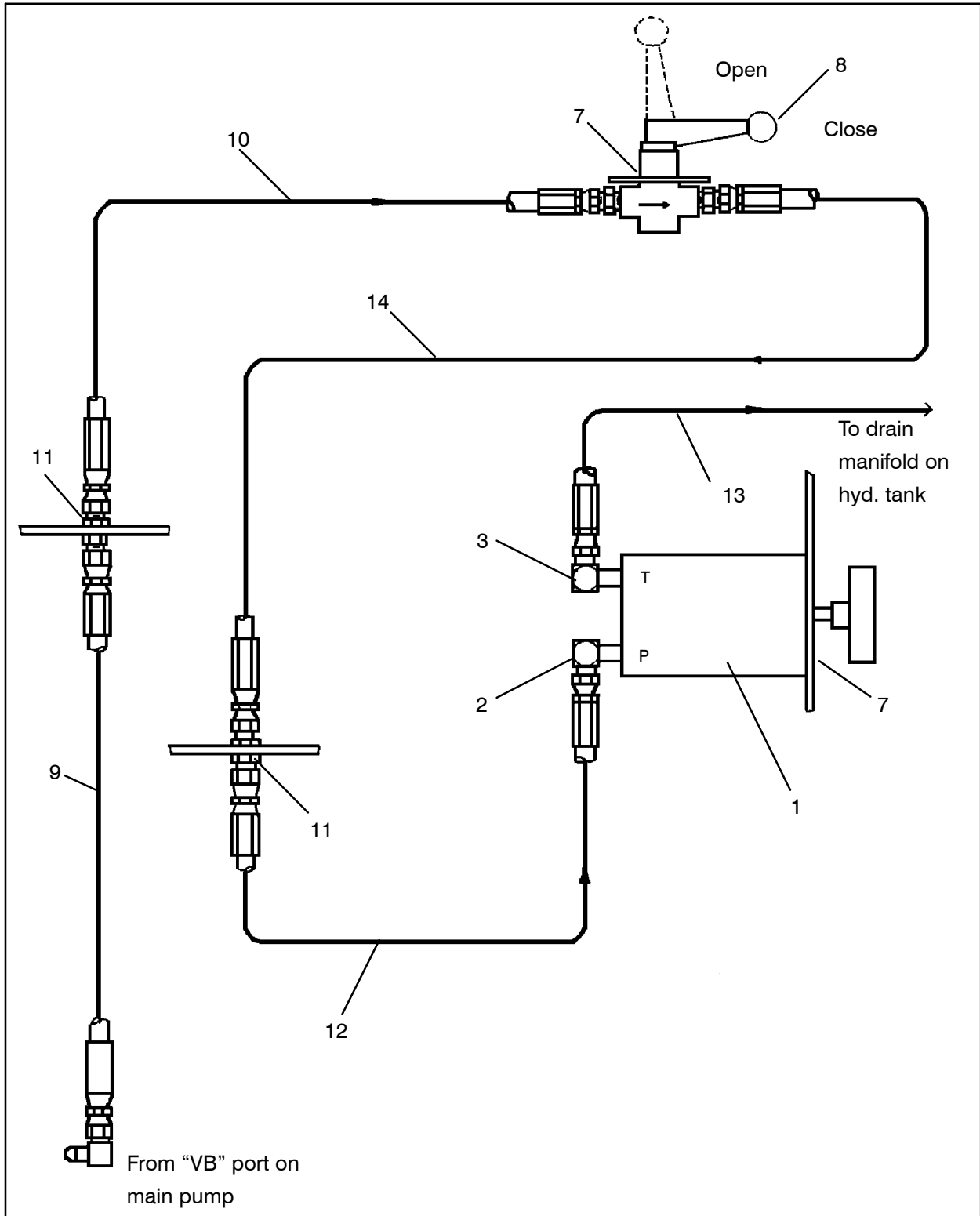


Figure 142 :CONTROL,TORQUELIMIT – DM30
E57435570 REV 01

57435570 CONTROL,TORQUELIMIT – DM30

| REF. | PART NO. | QTY. | UNIT | DESCRIPTION |
|------|----------|------|------|--|
| 001 | 52236932 | 1 | EA | VALVE, PRESSURE – REMOTE <i>(See figure 143)</i> |
| 002 | 95341665 | 1 | EA | ELBOW,90 DEG STRT THRD |
| 003 | 95653614 | 1 | EA | ADAPTER – 90DEG,ORING/JIC |
| 004 | 95934816 | 4 | EA | CAPSCREW,HEX HEAD |
| 005 | 95934766 | 4 | EA | WASHER,LOCK,HELICAL |
| 006 | 95931564 | 4 | EA | NUT,HEX,FINISHED |
| 007 | 57435588 | 1 | EA | DECAL,ROTATION TORQUE |
| 008 | 50517192 | 1 | EA | VALVE, SHUTOFF |
| 009 | 58143439 | 1 | EA | HOSE ASSY |
| 010 | 56949399 | 1 | EA | HOSE ASSY |
| 011 | 95364972 | 2 | EA | FITTING, HYD |
| 012 | 57005654 | 1 | EA | HOSE ASSY |
| 013 | 56966955 | 1 | EA | HOSE ASSY |
| 014 | 56949399 | 1 | EA | HOSE ASSY |

CONTROL,TORQUELIMIT – DM30

57435570

52236932 VALVE, PRESSURE-REMOTE

CONTROL, TORQUELIMIT - DM30
57435570

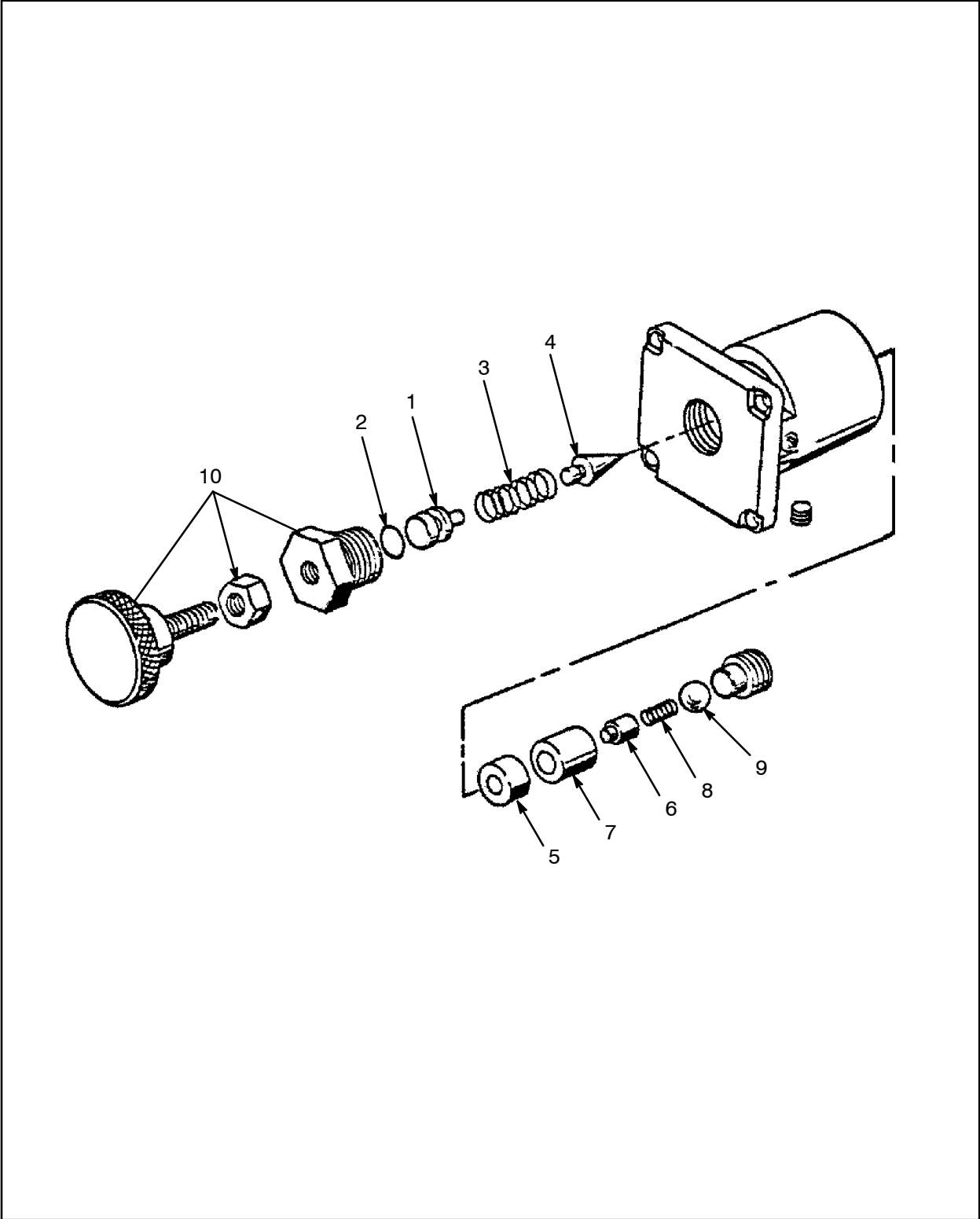


Figure 143 :VALVE, PRESSURE-REMOTE
X357724 REV 01

52236932 VALVE, PRESSURE – REMOTE

| REF. | PART NO. | QTY. | UNIT | DESCRIPTION |
|------|----------|------|------|--------------------------|
| 001 | 52155660 | 1 | EA | SPRING GUIDE,PISTON SEAL |
| 002 | 95017984 | 1 | EA | O – RING |
| 003 | 50798925 | 1 | EA | SPRING |
| 004 | 52155686 | 1 | EA | CONE |
| 005 | 50798891 | 1 | EA | SEAT |
| 006 | 52249604 | 1 | EA | PISTON |
| 007 | 52249620 | 1 | EA | SLEEVE |
| 008 | 52249638 | 1 | EA | SPRING |
| 009 | 52249646 | 1 | EA | BALL |
| 010 | 52249588 | 1 | EA | KNOB, CONTROL |

CONTROL, TORQUE LIMIT – DM30
57435570

57136103

PIPING, FEED ANDROTATION

PIPING, FEED ANDROTATION

57136103

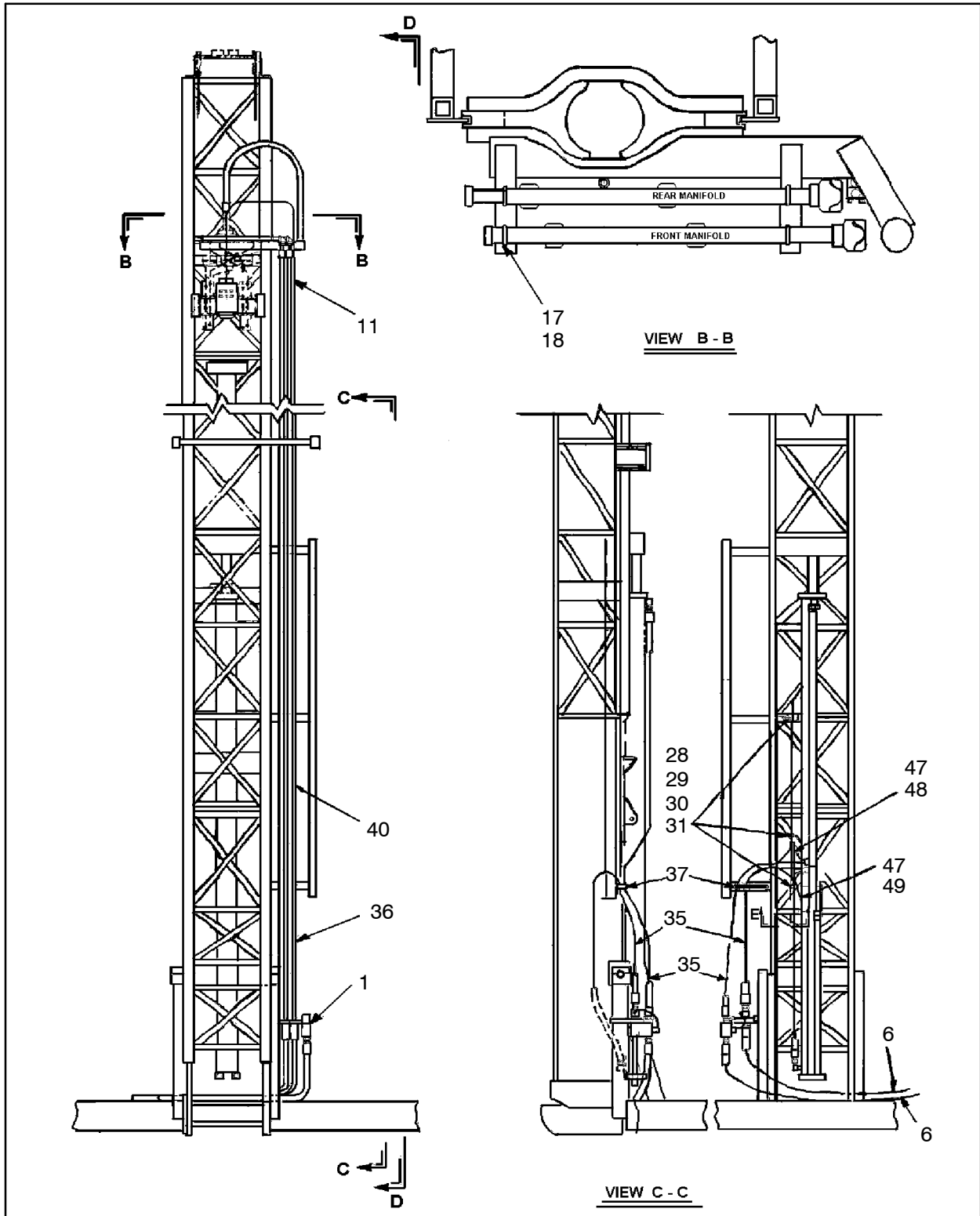
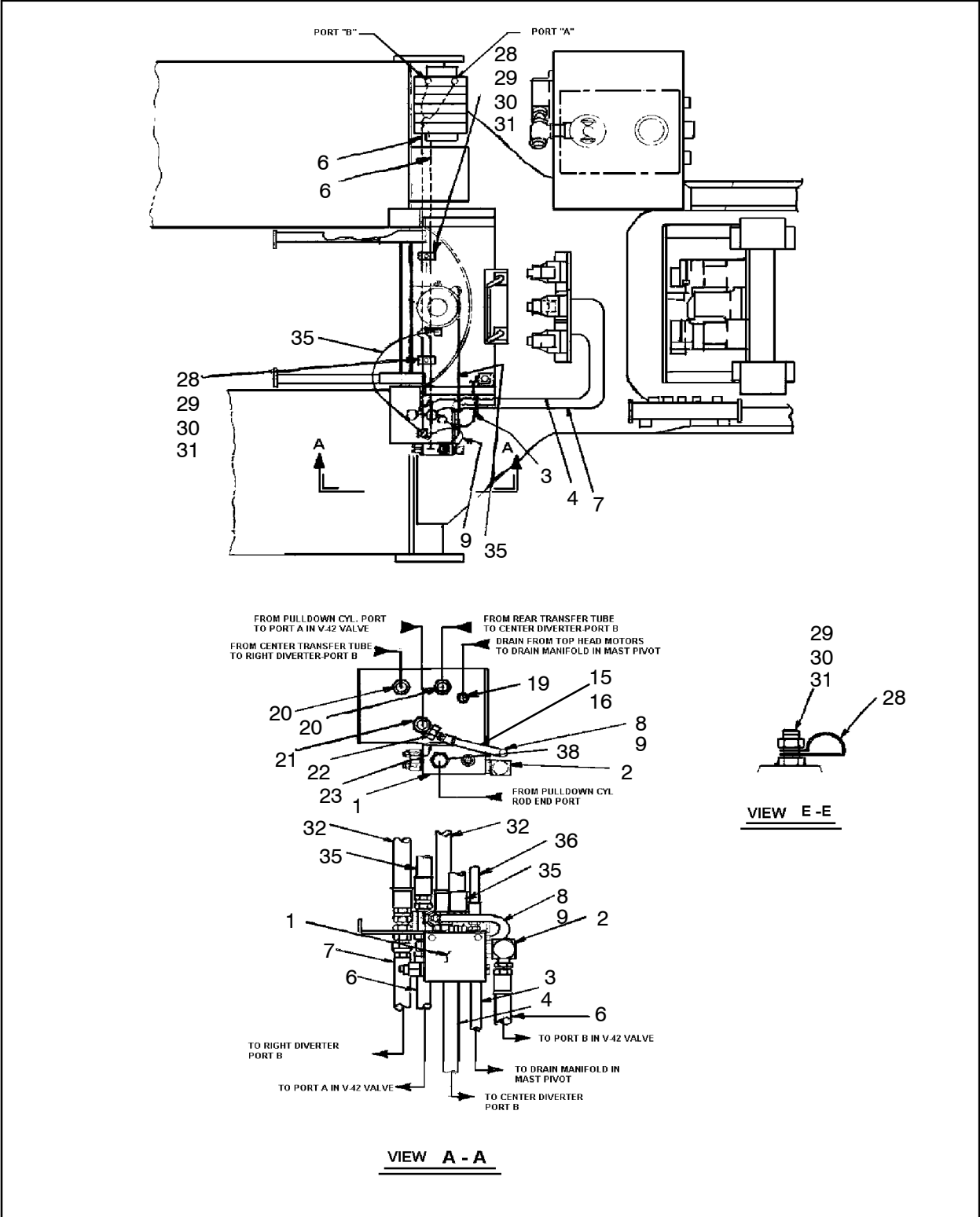


Figure 144 :PIPING, FEED ANDROTATION
E57053282 REV 012

57136103 PIPING, FEED ANDROTATION



PIPING, FEED ANDROTATION
 57136103

Figure 145 :PIPING, FEED ANDROTATION
 E57053282 REV 012

57136103 PIPING, FEED ANDROTATION

PIPING, FEED ANDROTATION
 57136103

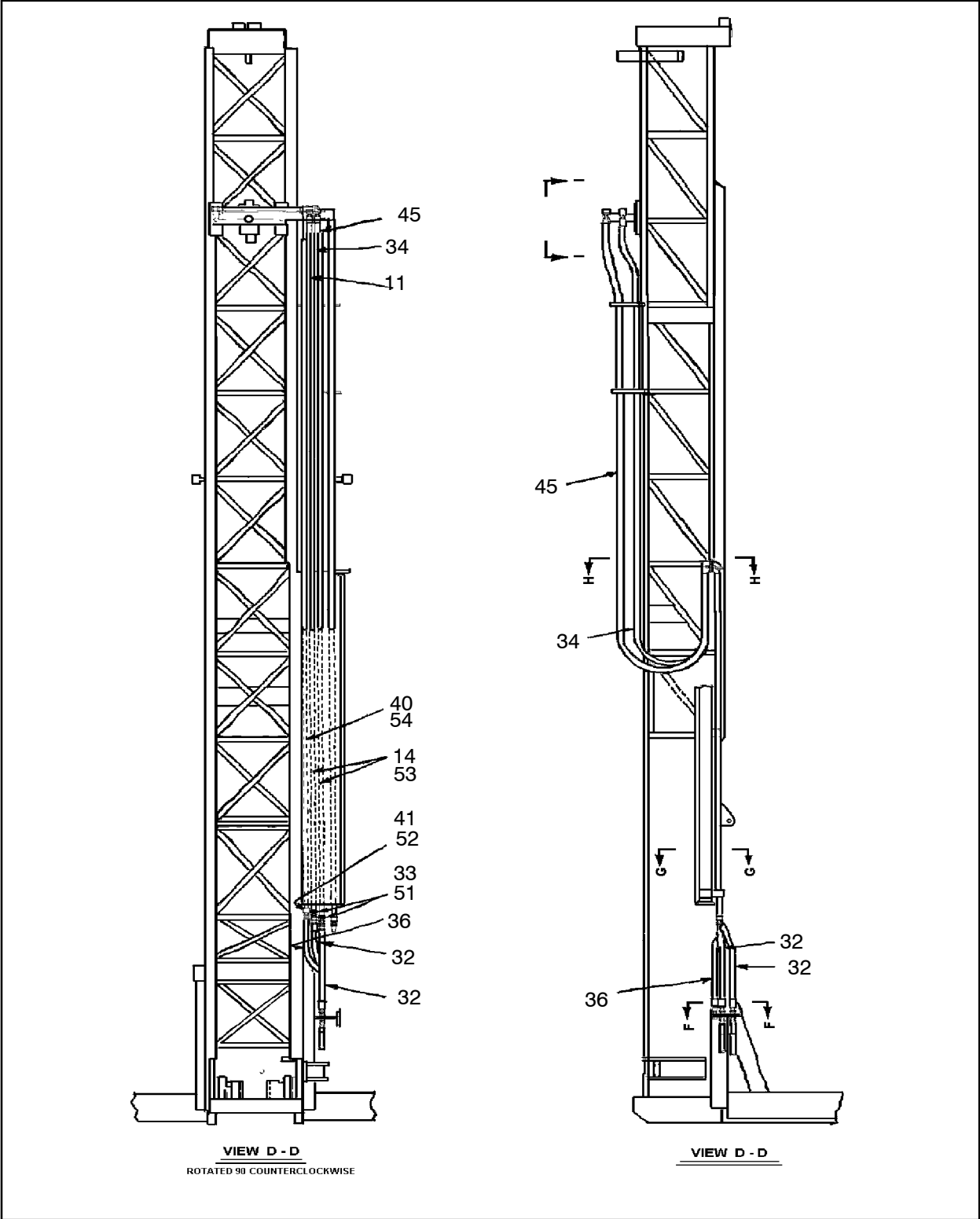
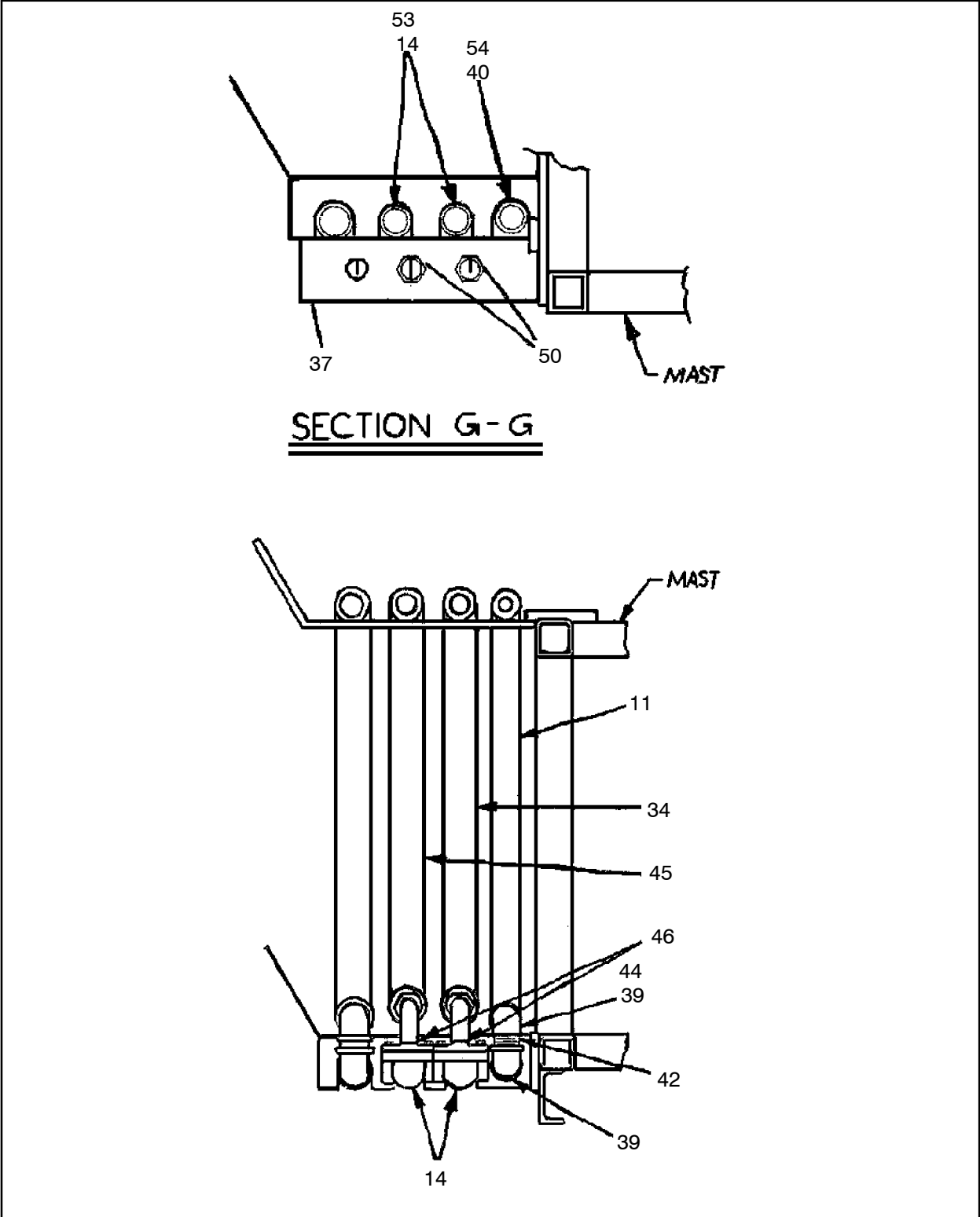


Figure 146 :PIPING, FEED ANDROTATION
 E57053282 REV 012

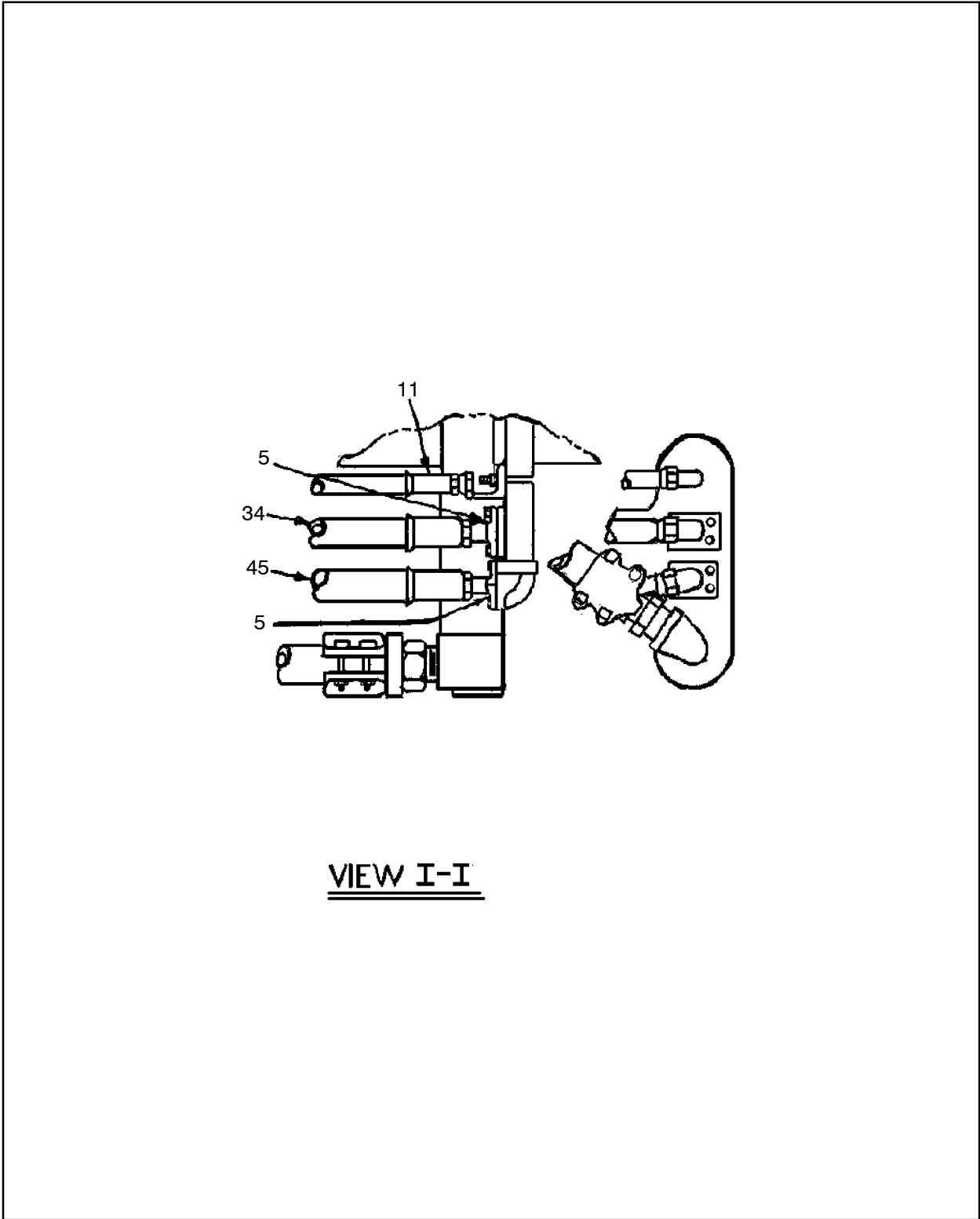
57136103 PIPING, FEED ANDROTATION



PIPING, FEED ANDROTATION
57136103

Figure 147 :PIPING, FEED ANDROTATION
E57053282 REV 012

PIPING, FEED ANDROTATION
57136103



VIEW I-I

Figure 148 :PIPING, FEED ANDROTATION
E57053282 REV 012

57136103 PIPING, FEED ANDROTATION

| REF. | PART NO. | QTY. | UNIT | DESCRIPTION |
|------|----------|------|------|-----------------------------|
| 001 | 57709271 | 1 | EA | VALVE,COUNTERBALANCE,SGL |
| 002 | 95280194 | 1 | EA | ELBOW,90 DEG STRT THRD |
| 003 | 56954225 | 1 | EA | HOSE ASSY |
| 004 | 56991961 | 1 | EA | HOSE ASSY |
| 005 | 56883572 | 2 | EA | KIT,SPLIT FLANGE |
| 006 | 56956121 | 2 | EA | HOSE ASSY |
| 007 | 56988827 | 1 | EA | HOSE ASSY |
| 008 | 95671269 | 1 | EA | ELBOW 560A10C060X |
| 009 | 56955974 | 1 | EA | HOSE ASSY |
| 011 | 57007502 | 1 | EA | HOSE ASSY |
| 014 | 57136012 | 2 | EA | TUBE, TRANSFER-HYDRAULIC |
| | 56937790 | 1 | EA | ●- FITTING,FLANGED |
| | 95488284 | 1 | EA | ●- FLANGE |
| | 57141608 | 1 | EA | ●- PIPE-1.25IN SCH160X168IN |
| 015 | 95935151 | 2 | EA | SCREW,CAP-3/8-16 X3-1/4 |
| 016 | 95922233 | 2 | EA | WASHER,FLAT,WIDE |
| 017 | 95937413 | 2 | EA | WASHER,LOCK,HELICAL |
| 018 | 95922894 | 2 | EA | NUT,HEX,FINISHED |
| 019 | 95332599 | 1 | EA | ADAPTER |
| 020 | 95328753 | 2 | EA | ADAPTER |
| 021 | 52228145 | 1 | EA | FITTING, HYD |
| 022 | 56949191 | 1 | EA | FITTING, HYD |
| 023 | 57709313 | 1 | EA | BAR W/HOLES |
| 028 | 95451134 | 2 | EA | CLAMP, HOSE |
| 029 | 95104121 | 2 | EA | SCREW, CAP-1/2UNCX 3/4 |
| 030 | 95934733 | 2 | EA | WASHER,LOCK |
| 031 | 95922902 | 2 | EA | NUT,HEX,FINISHED,PLATED |
| 032 | 56947708 | 2 | EA | HOSE ASSY |
| 033 | 52251881 | 2 | EA | ADAPTER |
| 034 | 57137895 | 1 | EA | HOSE ASSY |
| 035 | 56956113 | 2 | EA | HOSE ASSY |
| 036 | 56983430 | 1 | EA | HOSE ASSY |
| 037 | 56952963 | 1 | EA | BRACKET |
| 038 | 95329983 | 1 | EA | CONNECTOR,STRAIGHT THRD |
| 039 | 95069332 | 2 | EA | ELBOW,PIPE, 90 DEG. |
| 040 | 57136020 | 1 | EA | PIPE-.75 |
| 041 | 95293320 | 1 | EA | FITTING, HYD |

PIPING, FEED ANDROTATION

57136103

57136103 PIPING, FEED ANDROTATION

| REF. | PART NO. | QTY. | UNIT | DESCRIPTION |
|------|----------|------|------|-------------------------|
| 042 | 95243069 | 1 | EA | NIPPLE, PIPE |
| 044 | 95219747 | 1 | EA | CONNECTOR,MALE,37 DEG |
| 045 | 57137903 | 1 | EA | HOSE ASSY |
| 046 | 56783020 | 2 | EA | KIT, SPLIT FLANGE |
| 047 | 95329983 | 2 | EA | CONNECTOR,STRAIGHT THRD |
| 048 | 57171514 | 1 | EA | HOSE ASSY |
| 049 | 57171522 | 1 | EA | HOSE ASSY |
| 050 | 95278925 | 2 | EA | ADAPTER, 45 DEG-JIC/JIC |
| 051 | 56783020 | 2 | EA | KIT, SPLIT FLANGE |
| 052 | 50347889 | 1 | EA | VALVE,CHECK |
| 053 | 57092728 | 6 | EA | CLAMP ASSY, 1-1/4 PIPE |
| 054 | 57083156 | 3 | EA | CLAMP ASSY, 3/4 PIPE |

PIPING, FEED ANDROTATION
57136103

57136103 PIPING, FEED ANDROTATION

This page is intentionally blank.

PIPING, FEED ANDROTATION 57136103

57120420 TANK/PIPING,HYD,96 GAL

TANK/PIPING,HYD,96 GAL
57120420

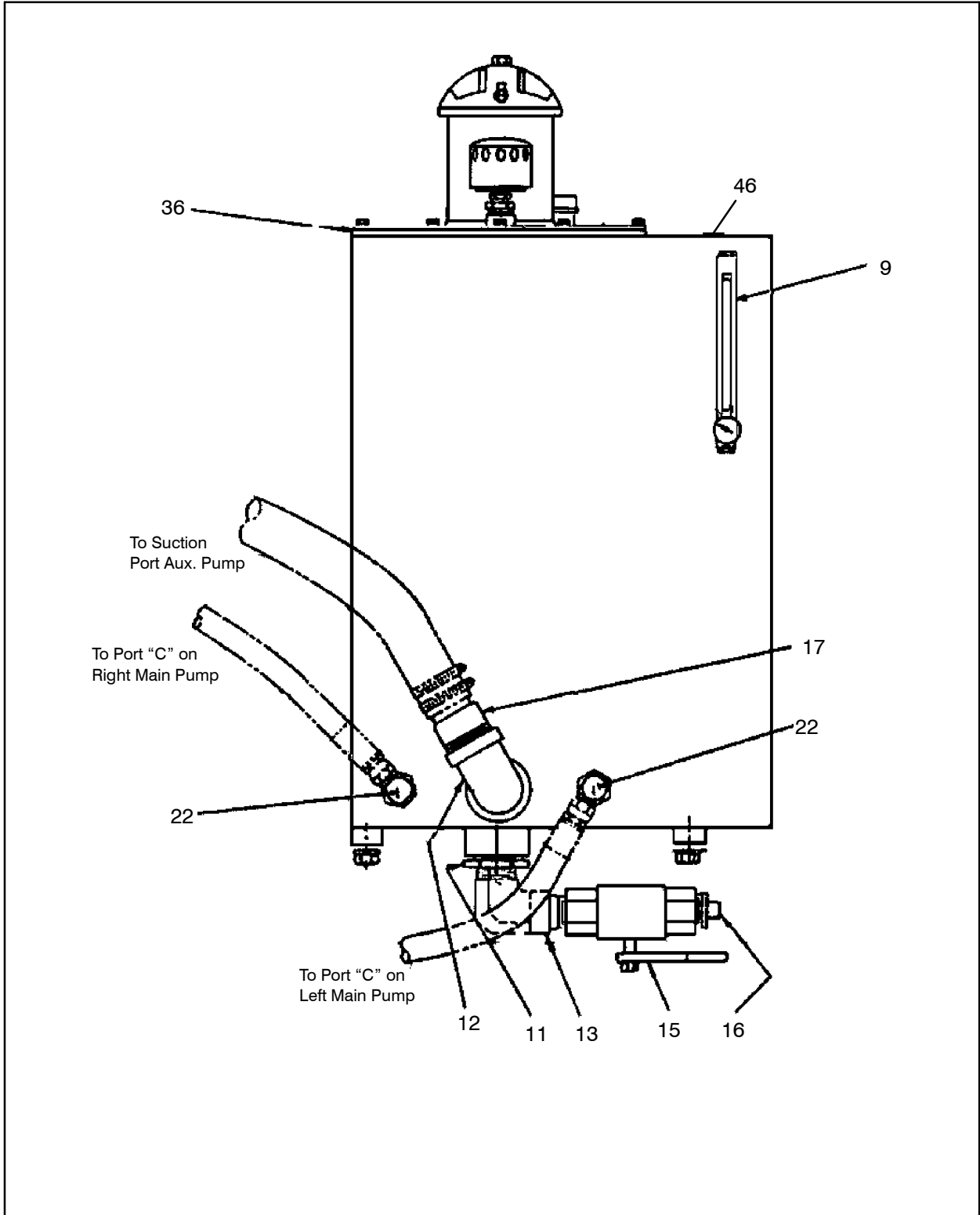
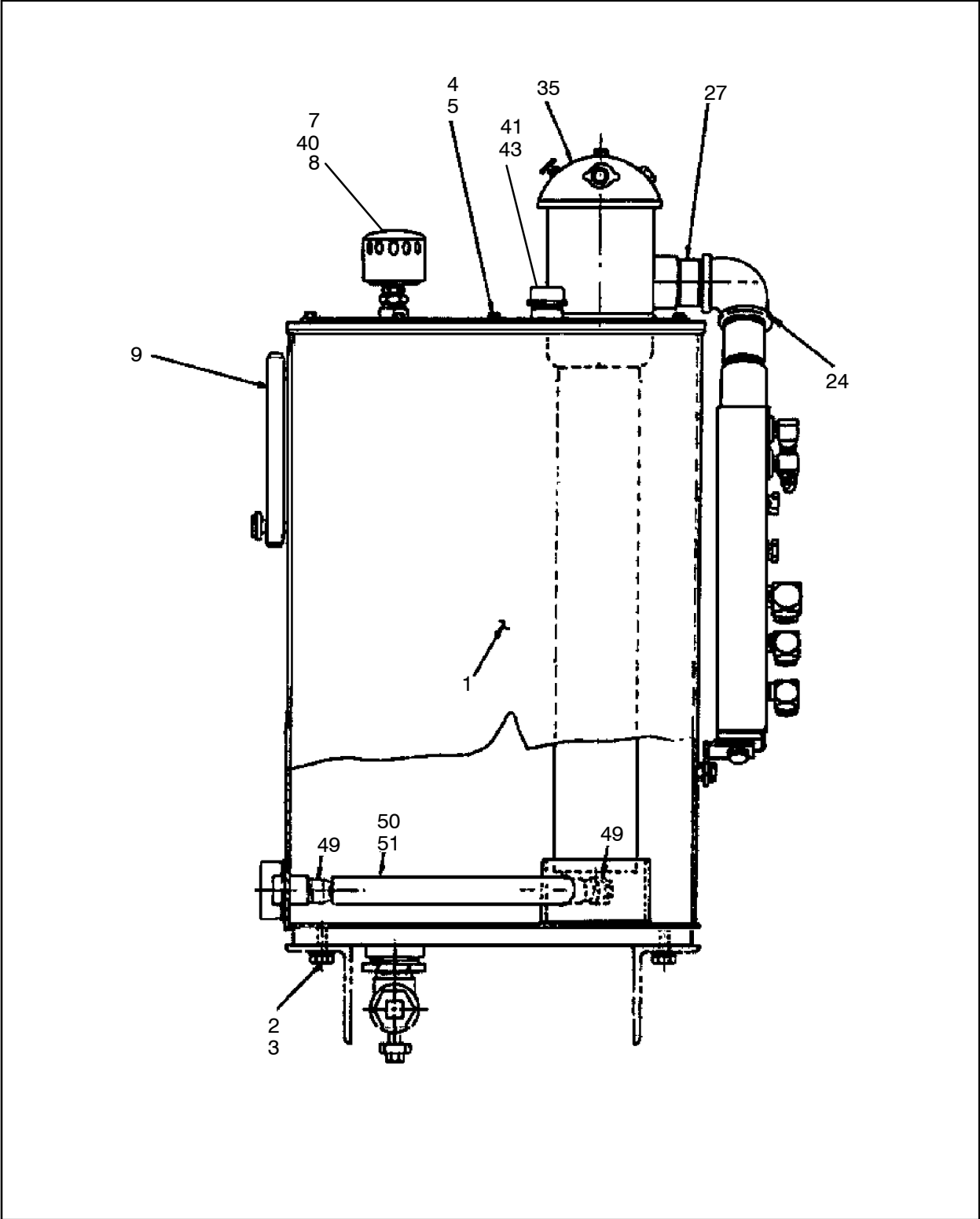


Figure 149 :TANK/PIPING,HYD,96 GAL
D57120420 REV 006

57120420 TANK/PIPING,HYD,96 GAL



TANK/PIPING,HYD,96 GAL
57120420

Figure 150 :TANK/PIPING,HYD,96 GAL
D57120420 REV 006

57120420 TANK/PIPING,HYD,96 GAL

TANK/PIPING,HYD,96 GAL
 57120420

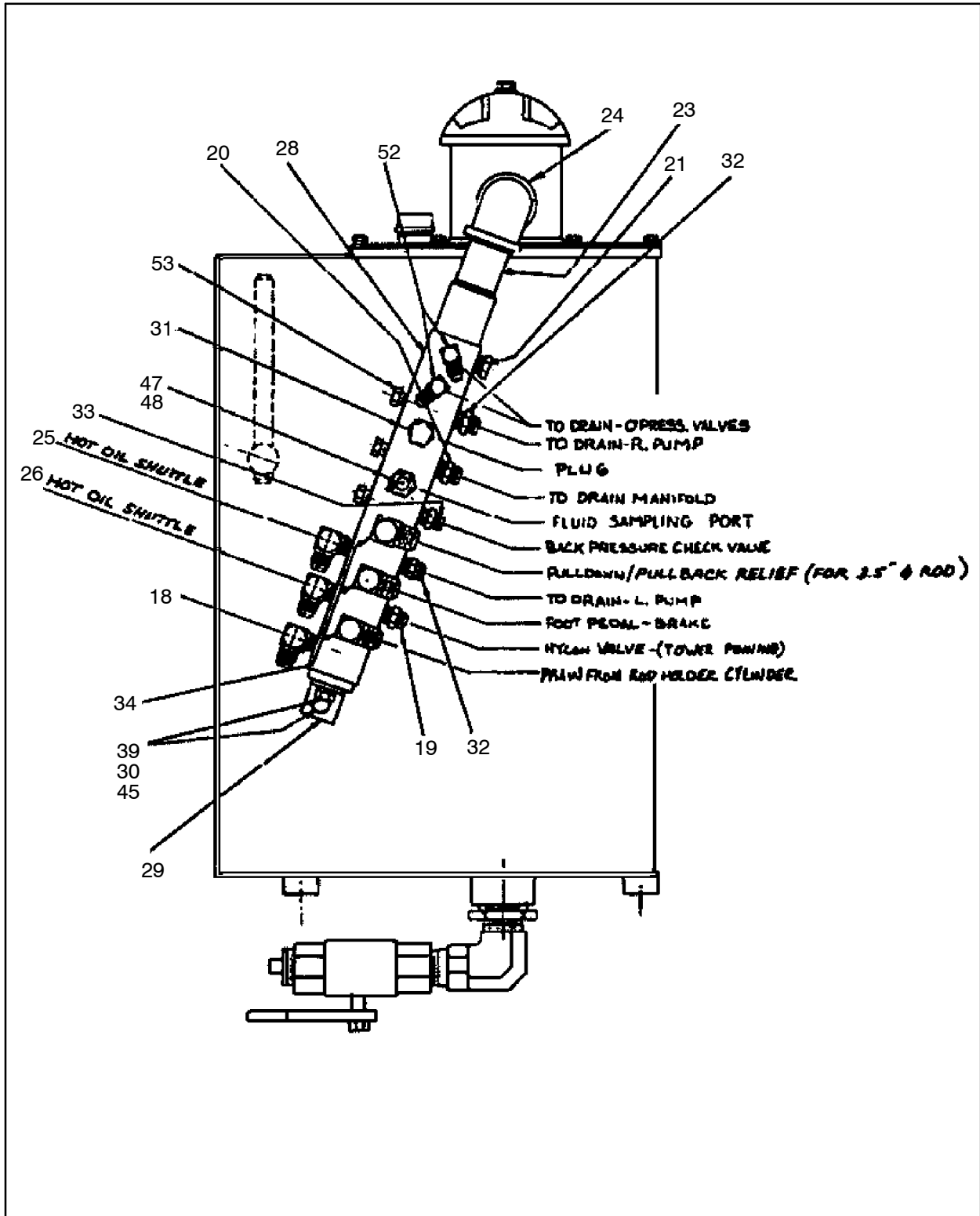


Figure 151 :TANK/PIPING,HYD,96 GAL
 D57120420 REV 006

57120420 TANK/PIPING,HYD,96 GAL

| REF. | PART NO. | QTY. | UNIT | DESCRIPTION |
|------|----------|------|------|--------------------------|
| 001 | 57736597 | 1 | EA | TANK,HYDRAULIC-96GLS |
| 002 | 95935185 | 4 | EA | SCREW,CAP,HEX |
| 003 | 95934741 | 4 | EA | WASHER,LOCK HELICAL |
| 004 | 95934550 | 16 | EA | SCREW,CAP,HEX |
| 005 | 95937413 | 16 | EA | WASHER,LOCK,HELICAL |
| 007 | 50903236 | 1 | EA | BREATHER |
| 008 | 50811173 | 1 | EA | VENT |
| 009 | 57004541 | 1 | EA | GAUGE, LEVEL |
| 011 | 95037917 | 1 | EA | BUSHING |
| 012 | 95040978 | 1 | EA | ELBOW, STREET |
| 013 | 95789780 | 1 | EA | FITTING, HYD |
| 015 | 50212224 | 1 | EA | VALVE, BALL-3/4 |
| 016 | 95002143 | 1 | EA | PLUG, PIPE-SQ HEAD, 3/4 |
| 017 | 56901440 | 1 | EA | NIPPLE, KING |
| 018 | 95279493 | 1 | EA | ELBOW,90 DEG MALE |
| 019 | 95219713 | 1 | EA | CONNECTOR,MALE,37 DEG. |
| 020 | 95219762 | 1 | EA | ADAPTER |
| 021 | 95267191 | 1 | EA | PLUG, PIPE-3/4 CSUNK |
| 022 | 95219853 | 2 | EA | ELBOW,90 DEG MALE |
| 023 | 95034831 | 1 | EA | NIPPLE, PIPE |
| 023 | 95280699 | 1 | EA | NIPPLE PIPE |
| 024 | 95080727 | 1 | EA | ELBOW, PIPE |
| 025 | 95279493 | 1 | EA | ELBOW,90 DEG MALE |
| 026 | 95279493 | 1 | EA | ELBOW,90 DEG MALE |
| 027 | 95034831 | 1 | EA | NIPPLE, PIPE |
| 027 | 95097291 | 1 | EA | NIPPLE,PIPE,EXTRA STRONG |
| 028 | 57185738 | 1 | EA | MANIFOLD, HYD. RETURN |
| 029 | 57004186 | 1 | EA | SUPPORT |
| 030 | 95104139 | 2 | EA | SCREW, CAP-1/2-13 X 7/8 |
| 031 | 95345021 | 1 | EA | PLUG, PIPE-3/8 CSUNK |
| 032 | 95219747 | 2 | EA | CONNECTOR,MALE,37 DEG |
| 033 | 95324273 | 1 | EA | FITTING, HYD |
| 034 | 95279493 | 3 | EA | ELBOW,90 DEG MALE |
| 035 | 57004335 | 1 | EA | FILTER ASSY |
| | 56923030 | 1 | EA | ●- FILTER |
| | 56945512 | 1 | EA | ●- ELEMENT ASSY |
| | 57004343 | 1 | EA | ●- COVER |

TANK/PIPING,HYD,96 GAL
57120420

57120420 TANK/PIPING,HYD,96 GAL

TANK/PIPING,HYD,96 GAL
57120420

| REF. | PART NO. | QTY. | UNIT | DESCRIPTION |
|------|----------|-------|------|------------------------|
| | 95451209 | 1 | EA | ● - COUPLING |
| | 95056347 | 1 | EA | ● - NIPPLE |
| 036 | 50700731 | 1 | EA | COMPOUND,SILICONE |
| 039 | 95934733 | 2 | EA | WASHER,LOCK |
| 040 | 95038105 | 1 | EA | BUSHING, PIPE-REDUCING |
| 041 | 95038410 | 1 | EA | CAP, PIPE-1-1/2 |
| 043 | 50247691 | 1 | EA | STRAINER, OIL |
| 045 | 95064697 | 2 | EA | WASHER,FLAT 1/2 |
| 046 | 52223807 | 1 | EA | DECAL,HYDRAULIC OIL |
| 047 | 95295747 | 1 | EA | BUSHING, PIPE-REDUCING |
| 048 | 57093775 | 1 | EA | PLUG, MINI |
| 049 | 58045188 | 4 | EA | NIPPLE |
| 050 | 95313359 | 15.00 | IN | HOSE,AIR-BULK |
| 051 | 95313359 | 15.00 | IN | HOSE,AIR-BULK |
| 052 | 95335980 | 2 | EA | ELBOW,90 DEG,MALE |
| 053 | 95033601 | 3 | EA | PLUG,PIPE,SQ HEAD |

57120420 TANK/PIPING,HYD,96 GAL

This page is intentionally blank.

TANK/PIPING,HYD,96 GAL
57120420

57116816

PIPING,JACKS

PIPING,JACKS

57116816

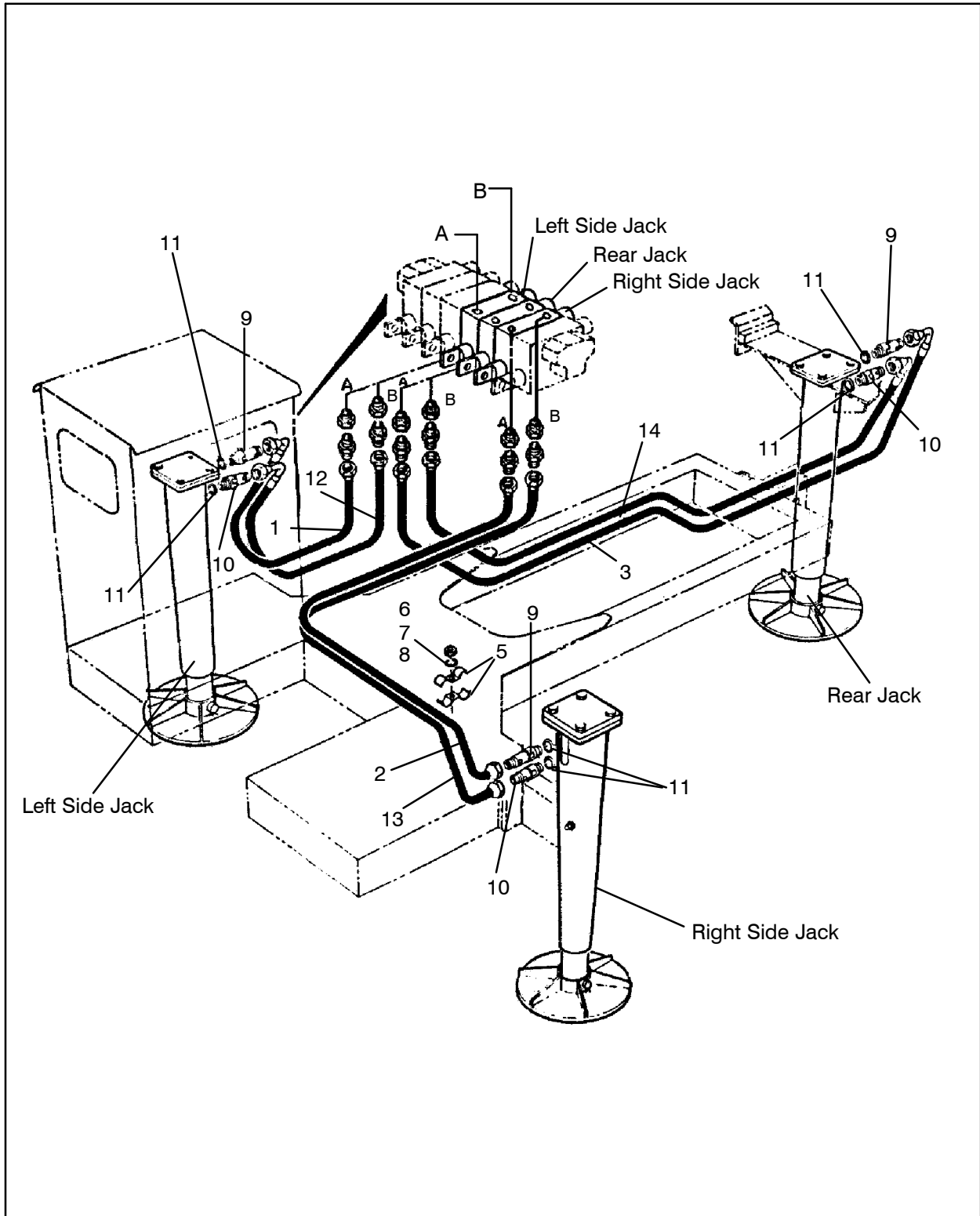


Figure 152 :PIPING,JACKS
D57116816 REV 002

57664948 DRIVE,MAIN,HYD,DM30

DRIVE,MAIN,HYD,DM30
 57664948

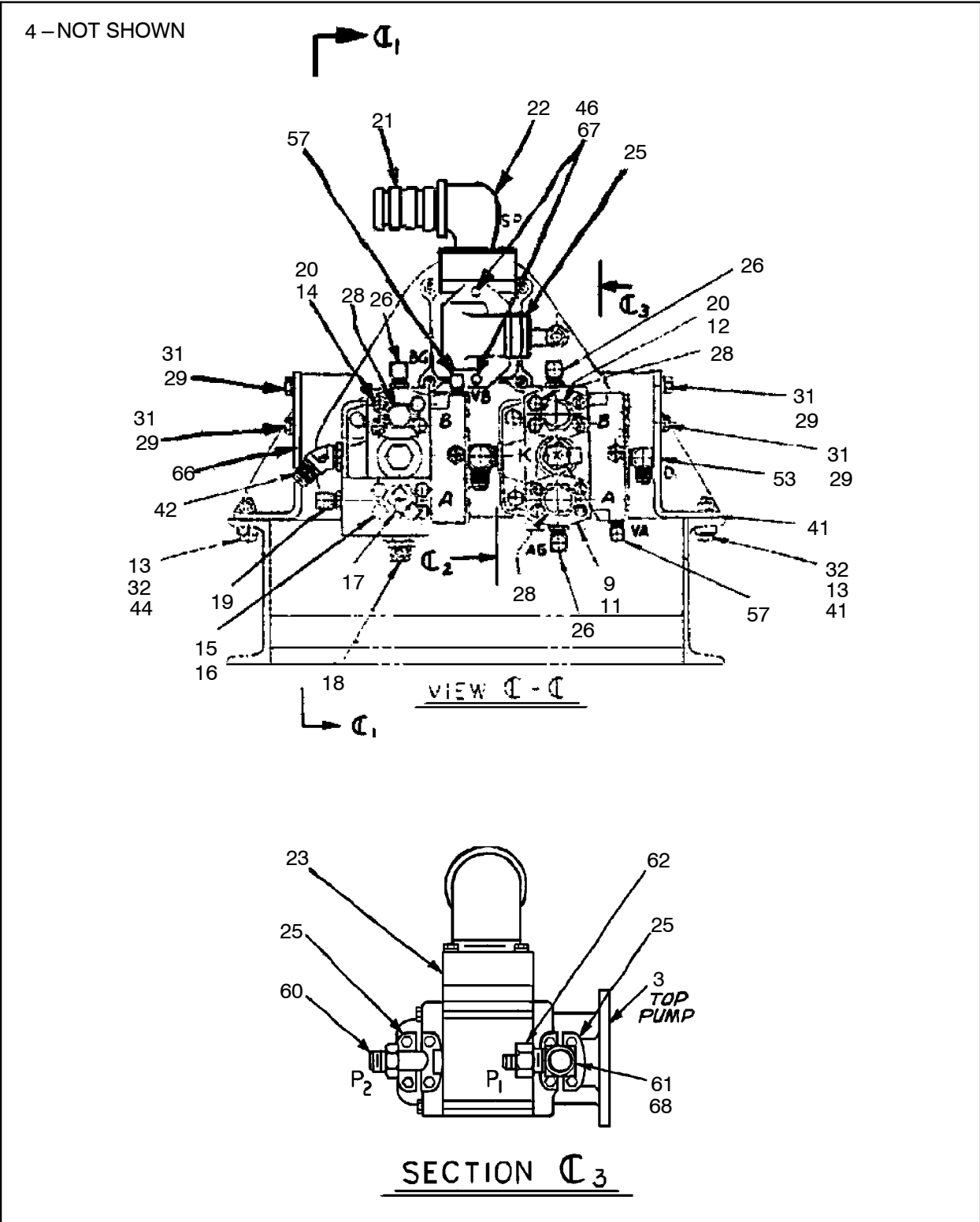
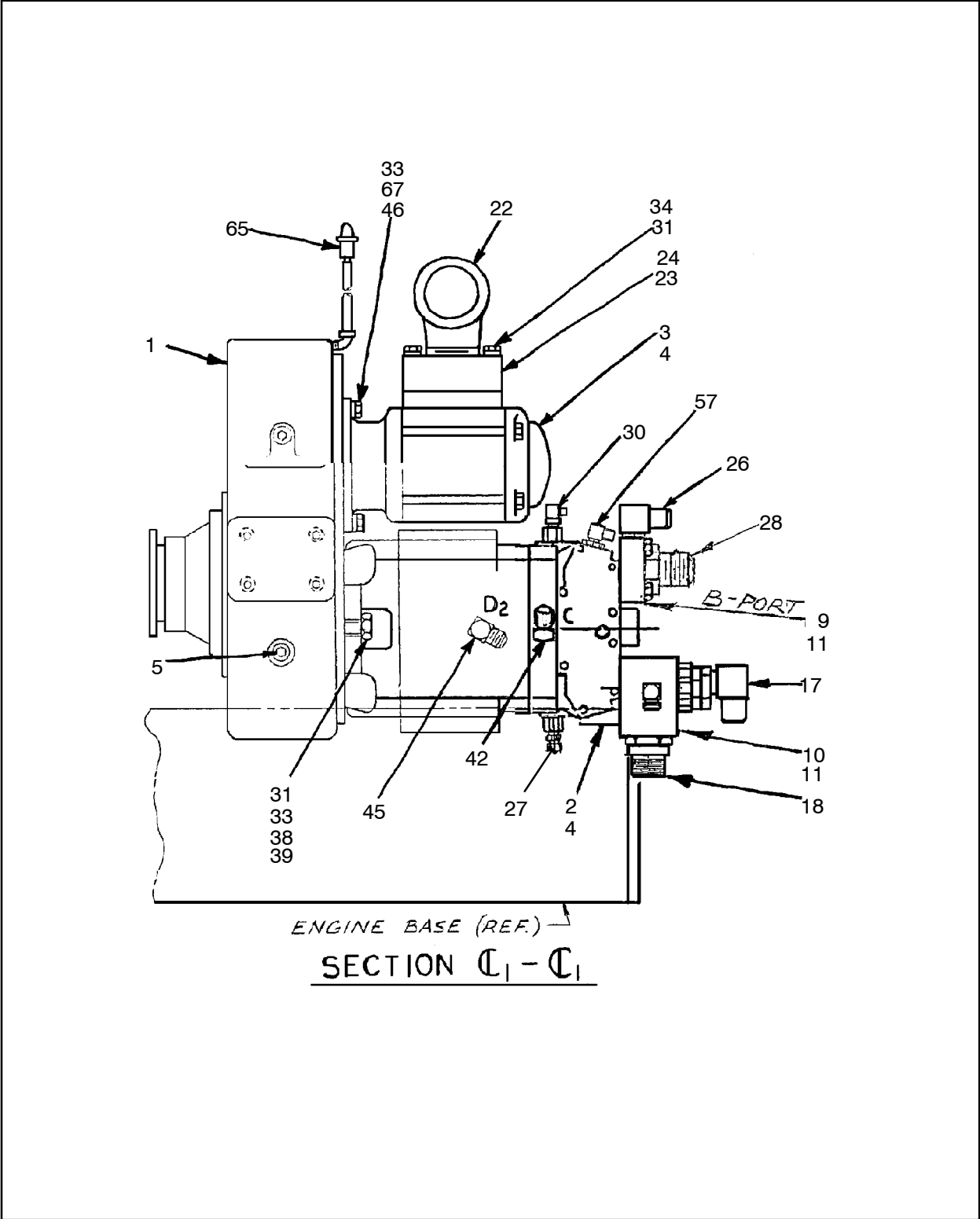


Figure 153 :DRIVE,MAIN,HYD,DM30
 D57664948 REV 006

57664948 DRIVE,MAIN,HYD,DM30



DRIVE,MAIN,HYD,DM30
57664948

Figure 154 :DRIVE,MAIN,HYD,DM30
D57664948 REV 006

57664948 DRIVE,MAIN,HYD,DM30

DRIVE,MAIN,HYD,DM30

57664948

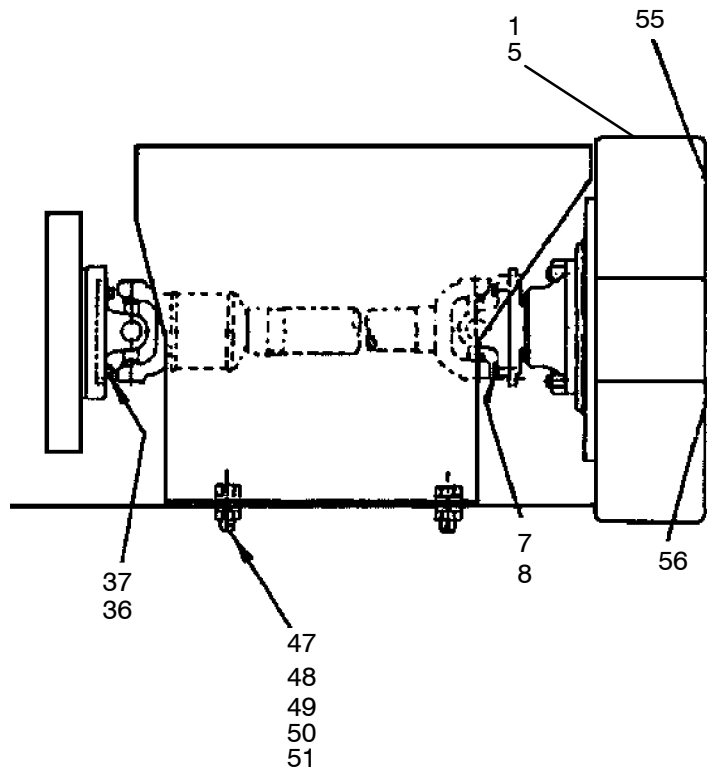
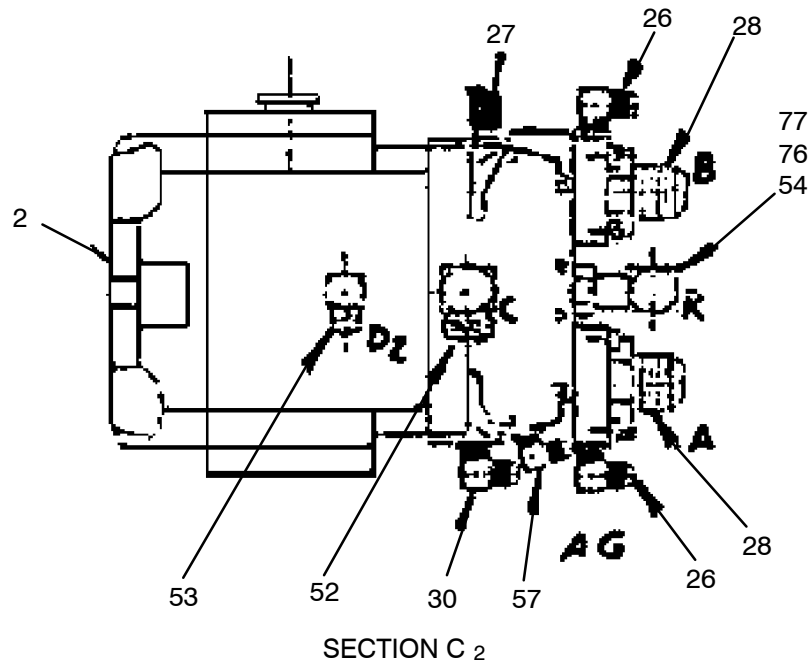


Figure 155 :DRIVE,MAIN,HYD,DM30
D57664948 REV 006

57664948 DRIVE,MAIN,HYD,DM30

| REF. | PART NO. | QTY. | UNIT | DESCRIPTION | |
|------|----------|------|------|----------------------------|------------------|
| 001 | 57651234 | 1 | EA | DRIVE,PUMP-3 HOLE | (See figure 156) |
| 002 | 57101032 | 2 | EA | PUMP,HYDRAULIC | |
| | 52245065 | 1 | EA | ● - PUMP,HYDRAULIC | (See figure 157) |
| | 95735346 | 1 | EA | ● - FITTING,HYD | |
| | 57101040 | 0 | EA | ● - ALTERATION-PUMP INSTR. | |
| | TEST1 | 1 | EA | ● - TEST ITEM | |
| 003 | 57036030 | 1 | EA | PUMP,HYDRAULIC-DOUBLE | (See figure 163) |
| 004 | 57755266 | 0.10 | PT | LUBRICANT,MOLYCOTE G-N | |
| 005 | 50416544 | 2.00 | GL | OIL, GEAR | |
| 007 | 95920856 | 4 | EA | CAPSCREW | |
| 008 | 57318743 | 4 | EA | WASHER, FLAT-HARDENED | |
| 009 | 57213936 | 3 | EA | BLOCK,FLANGE | |
| 010 | 57409443 | 1 | EA | FLANGE, STRAIGHT - SAE | |
| 011 | 95086567 | 4 | EA | O-RING | |
| 012 | 95013728 | 4 | EA | CAPSCREW | |
| 013 | 95952354 | 4 | EA | SCREW,CAP,HEX | |
| 014 | 95013702 | 8 | EA | CAPSCREW,HEX SOCKET HEAD | |
| 015 | 95929147 | 4 | EA | SCREW,CAP,HEX | |
| 016 | 95934741 | 4 | EA | WASHER,LOCK HELICAL | |
| 017 | 95376133 | 1 | EA | ADAPTER,90DEG-O-RING/JIC | |
| 018 | 95329983 | 1 | EA | CONNECTOR,STRAIGHT THRD | |
| 019 | 95338406 | 1 | EA | FITTING, HYD | |
| 020 | 95209425 | 12 | EA | WASHER,LOCK-5/8 | |
| 021 | 56901440 | 1 | EA | NIPPLE, KING | |
| 022 | 95040978 | 1 | EA | ELBOW, STREET | |
| 023 | 95086625 | 1 | EA | O-RING | |
| 024 | 56932080 | 1 | EA | FLANGE | |
| 025 | 56883572 | 2 | EA | KIT,SPLIT FLANGE | |
| 026 | 95338406 | 3 | EA | FITTING, HYD | |
| 027 | 57328676 | 2 | EA | FITTING, TEST | |
| 028 | 95402830 | 3 | EA | CONNECTOR,STRT THRD | |
| 029 | 95929089 | 8 | EA | SCREW,CAP,HEX | |
| 030 | 95209094 | 1 | EA | FITTING,HYD | |
| 031 | 95934741 | 16 | EA | WASHER,LOCK HELICAL | |
| 032 | 56986599 | 2 | EA | WASHER | |

DRIVE,MAIN,HYD,DM30
57664948

57664948 DRIVE,MAIN,HYD,DM30

DRIVE,MAIN,HYD,DM30
57664948

| REF. | PART NO. | QTY. | UNIT | DESCRIPTION |
|------|----------|------|------|--------------------------|
| 033 | 50700731 | 0 | EA | COMPOUND,SILICONE |
| 034 | 95934154 | 4 | EA | SCREW,CAP,HEX |
| 036 | 95297602 | 4 | EA | CAPSCREW (6R8) |
| 037 | 57318743 | 4 | EA | WASHER, FLAT –HARDENED |
| 038 | 95644126 | 4 | EA | SCREW CAP |
| 039 | 56951700 | 4 | EA | TUBE |
| 040 | 95209094 | 1 | EA | FITTING,HYD |
| 041 | 50518083 | 4 | EA | SHIM SET |
| 042 | 95280160 | 1 | EA | FITTING,HYD |
| 044 | 95077590 | 4 | EA | NUT,HEX,STOP |
| 045 | 95829263 | 1 | EA | TEE,STRAIGHT THRD RUN |
| 046 | 95934451 | 2 | EA | SCREW,CAP,HEXHEAD,PLATED |
| 047 | 95934451 | 4 | EA | SCREW,CAP,HEXHEAD,PLATED |
| 048 | 95081667 | 4 | EA | WASHER,FLAT,WIDE |
| 049 | 95934733 | 4 | EA | WASHER,LOCK |
| 050 | 95922902 | 4 | EA | NUT,HEX,FINISHED,PLATED |
| 051 | 95245767 | 4 | EA | WASHER,BEVEL |
| 052 | 95280194 | 1 | EA | ELBOW,90 DEG STRT THRD |
| 053 | 95280186 | 2 | EA | ELBOW,90 DEG STRT THRD |
| 054 | 95676417 | 1 | EA | FITTING HYD –90 |
| 055 | 95086641 | 1 | EA | O – RING |
| 056 | 95045324 | 1 | EA | O – RING |
| 057 | 95279451 | 2 | EA | ELBOW,90 DEG MALE |
| 060 | 56898778 | 1 | EA | ADAPTER |
| 061 | 58214453 | 1 | EA | ADAPTER |
| 062 | 56949191 | 1 | EA | FITTING, HYD |
| 065 | 95011094 | 1 | EA | COUPLING |
| 066 | 52227154 | 2 | EA | BRACKET |
| 067 | 95934733 | 2 | EA | WASHER,LOCK |
| 068 | 95403325 | 1 | EA | FITTING,HYD |
| 076 | 56988728 | 1 | EA | COVER,FTG/90514L |
| 077 | 95086310 | 1 | EA | O – RING |

57664948 DRIVE,MAIN,HYD,DM30

This page is intentionally blank.

DRIVE,MAIN,HYD,DM30
57664948

57651234

DRIVE,PUMP-3 HOLE

DRIVE,MAIN,HYD,DM30

57664948

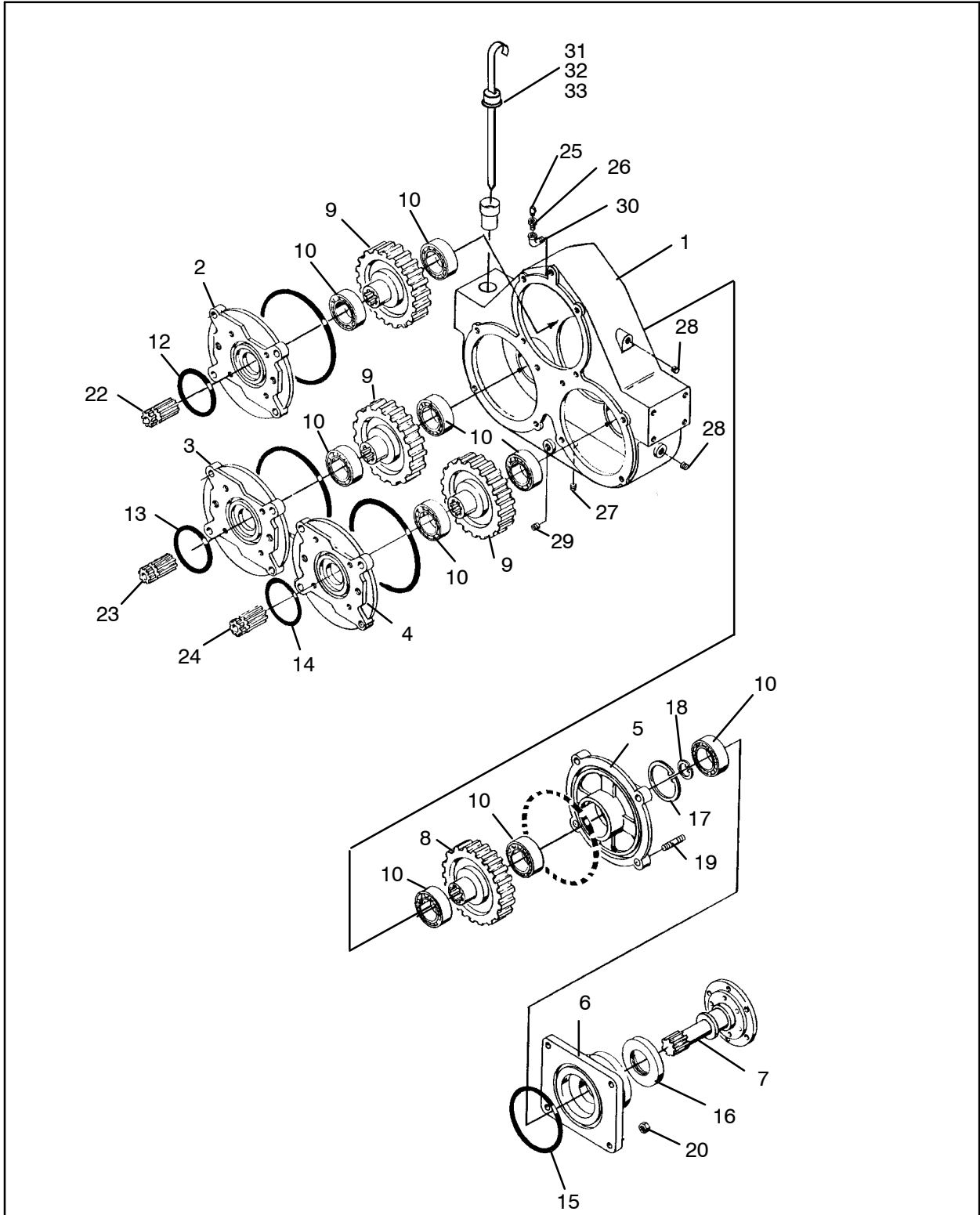


Figure 156 :DRIVE,PUMP-3 HOLE
E57352528 REV 005

57651234 DRIVE,PUMP-3 HOLE

| REF. | PART NO. | QTY. | UNIT | DESCRIPTION |
|------|----------|------|------|----------------------|
| 001 | 59551127 | 1 | EA | HOUSING, GEARBOX |
| 002 | 59572917 | 1 | EA | ADAPTER,SAE B |
| 003 | 50597624 | 1 | EA | ADAPTER, SAE C |
| 004 | 50597624 | 1 | EA | ADAPTER, SAE C |
| 005 | 50597632 | 1 | EA | ADAPTER, PUMP D |
| 006 | 50597640 | 1 | EA | ADAPTER, INPUT |
| 007 | 50595115 | 1 | EA | SHAFT, INPUT |
| 008 | 57572406 | 1 | EA | GEAR |
| 009 | 57572398 | 3 | EA | GEAR |
| 010 | 95200663 | 9 | EA | BEARING |
| 012 | 50597434 | 1 | EA | O-RING |
| 013 | 59595629 | 1 | EA | O-RING |
| 014 | 59595629 | 1 | EA | O-RING |
| 015 | 50717743 | 1 | EA | O-RING |
| 016 | 50717750 | 1 | EA | SEAL, OIL |
| 017 | 50597442 | 1 | EA | RING,SNAP |
| 018 | 95223475 | 1 | EA | RING,RETAINING |
| 019 | 59383463 | 4 | EA | STUD, ADAPTER |
| 020 | 50943240 | 16 | EA | NUT |
| 022 | 50594779 | 1 | EA | ADAPTER,SLEEVE-SAE B |
| 023 | 59516096 | 1 | EA | SLEEVE,SPLINE |
| 024 | 59516096 | 1 | EA | SLEEVE,SPLINE |
| 025 | 59677831 | 1 | EA | BREATHER |
| 026 | 59551242 | 1 | EA | BUSHING, REDUCER |
| 027 | 59514976 | 1 | EA | PLUG, MAGNETIC |
| 028 | 59551259 | 4 | EA | PLUG, OIL LEVEL |
| 029 | 59551267 | 1 | EA | PLUG |
| 030 | 59551275 | 1 | EA | ELBOW |
| 031 | 57367310 | 12 | EA | BOLT, ADAPTER |
| 032 | 50906379 | 1 | EA | TUBE |
| 033 | 59515007 | 1 | EA | DIPSTICK |

DRIVE,MAIN,HYD,DM30
57664948

52245065

PUMP,HYDRAULIC

DRIVE,MAIN,HYD,DM30

57664948

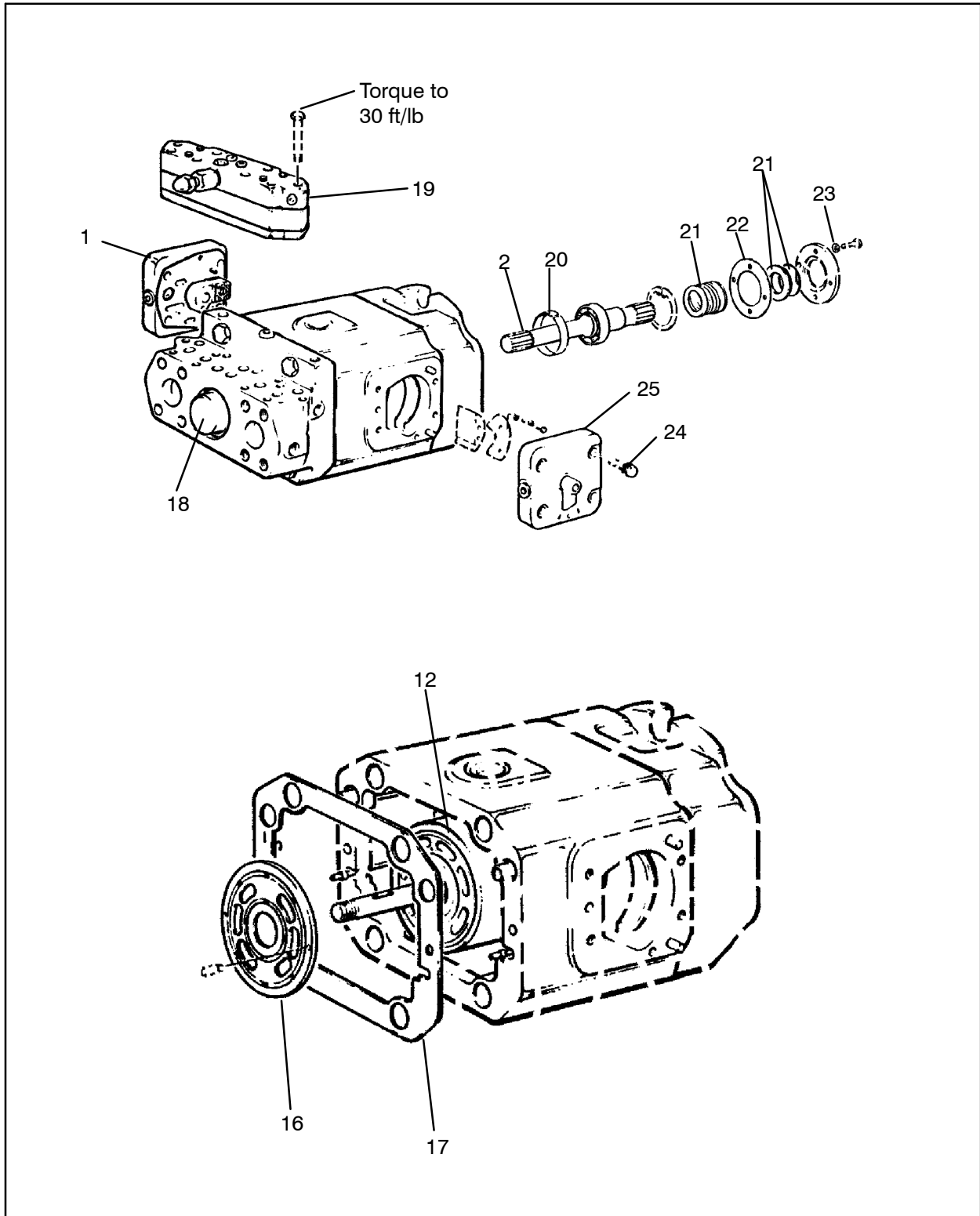
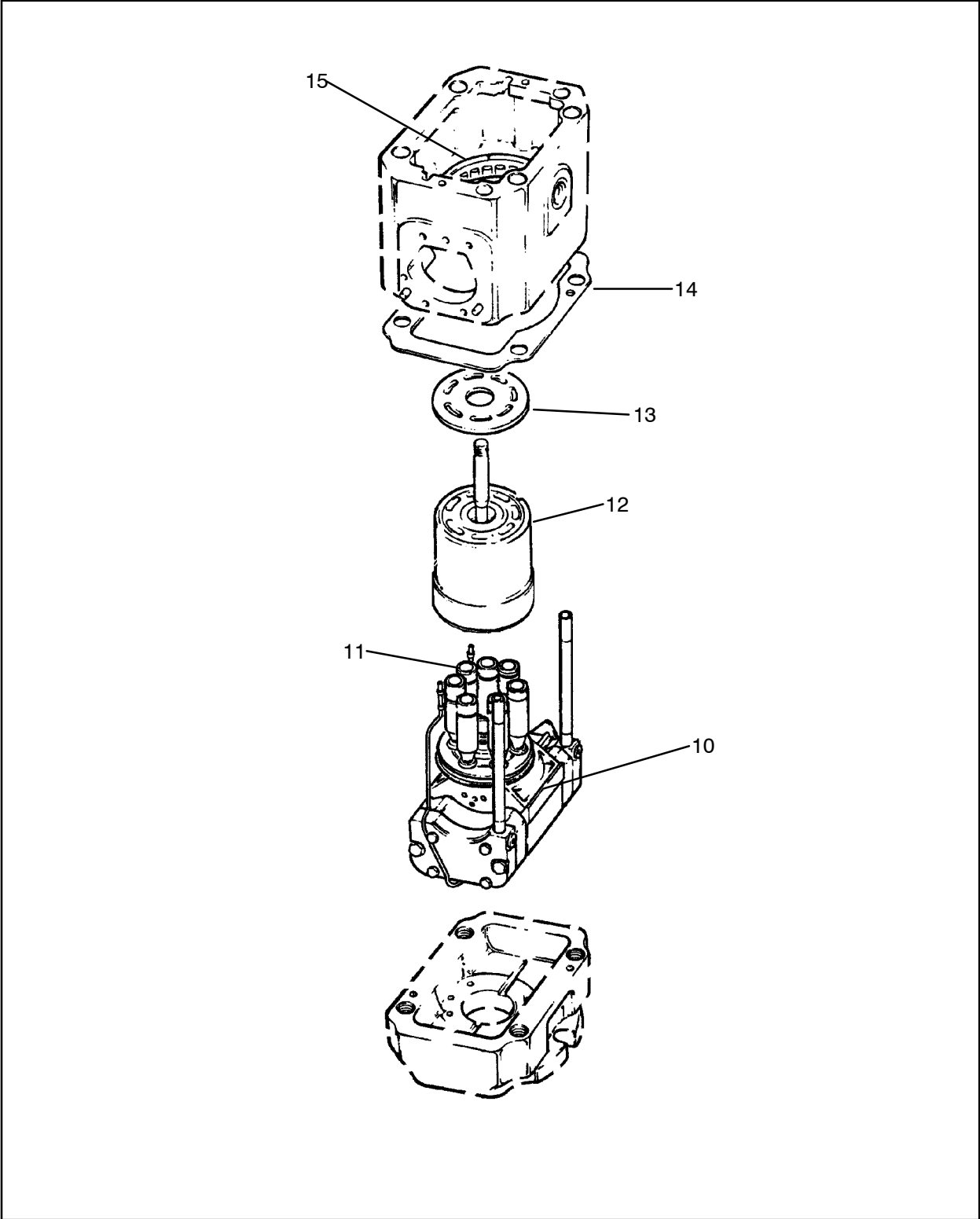


Figure 157 :PUMP,HYDRAULIC
E52226834 REV 010

52245065 PUMP,HYDRAULIC



DRIVE, MAIN, HYD, DM30
57664948

Figure 158 :PUMP,HYDRAULIC
E52226834 REV 010

52245065

PUMP,HYDRAULIC

DRIVE, MAIN, HYD, DM30

57664948

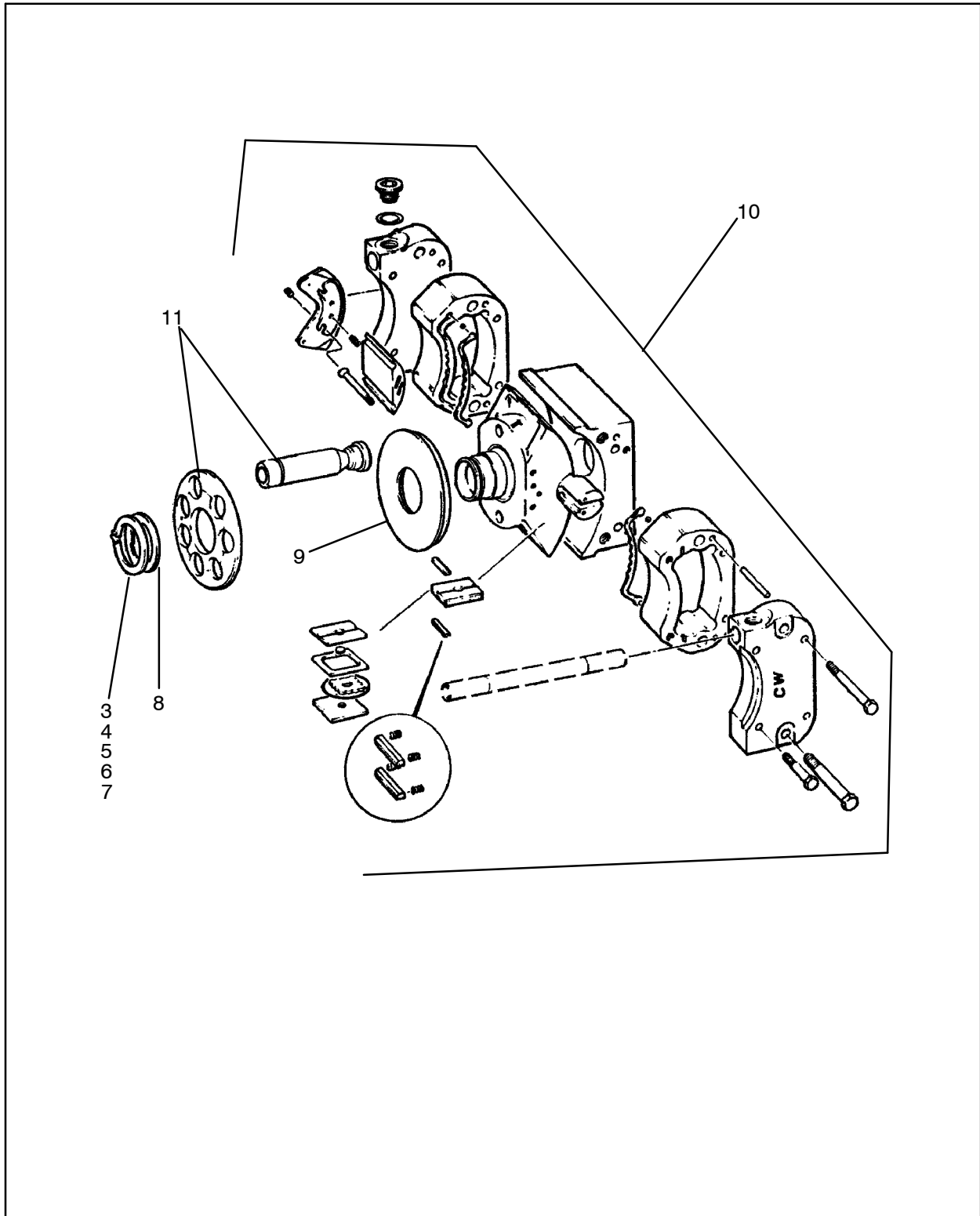


Figure 159 :PUMP,HYDRAULIC
E52226834 REV 010

52245065 PUMP,HYDRAULIC

| REF. | PART NO. | QTY. | UNIT | DESCRIPTION |
|------|----------|------|------|---|
| 001 | 57480386 | 1 | EA | SERVO, PUMP-INPUT,MANUAL (See figure 160) |
| 002 | 54407309 | 1 | EA | DRIVE SHAFT & BEARING |
| | 52201662 | 1 | EA | ●- SHAFT |
| | 54407317 | 1 | EA | ●- BEARING |
| | 52155751 | 2 | EA | ●- RING, RETAINING |
| 003 | 57026403 | 1 | EA | RING,RETAING |
| 004 | 57026411 | 1 | EA | RING,RETAING |
| 005 | 57026429 | 1 | EA | RING,RETAING |
| 006 | 52204864 | 1 | EA | RING,RETAINING |
| 007 | 52204872 | 1 | EA | RING,RETAINING |
| 008 | 52204856 | 1 | EA | WASHER,THRUST |
| 009 | 57026478 | 1 | EA | PLATE,CREEP |
| 010 | 57123283 | 1 | EA | CAM STROKER ASSY (See figure 161) |
| 011 | 52218690 | 1 | EA | PISTON/SHOE ASSEMBLY |
| 012 | 52201696 | 1 | EA | BARRL/SLEEVE |
| 013 | 52201712 | 1 | EA | FACEPLATE, BARREL-13/32 |
| 014 | 52155033 | 1 | EA | GASKET, HOUSING |
| 015 | 57026395 | 1 | EA | BEARING, BARREL |
| 016 | 52201845 | 1 | EA | PLATE, PORT-RH 13/32 |
| 017 | 52154952 | 1 | EA | GASKET |
| 018 | 52163474 | 1 | EA | GEROTOR ASSY |
| 019 | 52233145 | 1 | EA | VALVE BLOCK |
| 020 | 57153090 | 1 | EA | KIT-SHIM |
| 021 | 52154515 | 1 | EA | SEAL, SHAFT |
| 022 | 52154531 | 1 | EA | GASKET, RETAINING |
| 023 | 52154499 | 1 | EA | GASKET |
| 024 | 52154622 | 4 | EA | WASHER, NYLITE |
| 025 | 57052631 | 1 | EA | SERVO OUTPUT (See figure 162) |

DRIVE,MAIN,HYD,DM30
57664948

57480386

SERVO, PUMP-INPUT,MANUAL

DRIVE, MAIN, HYD, DM30

57664948

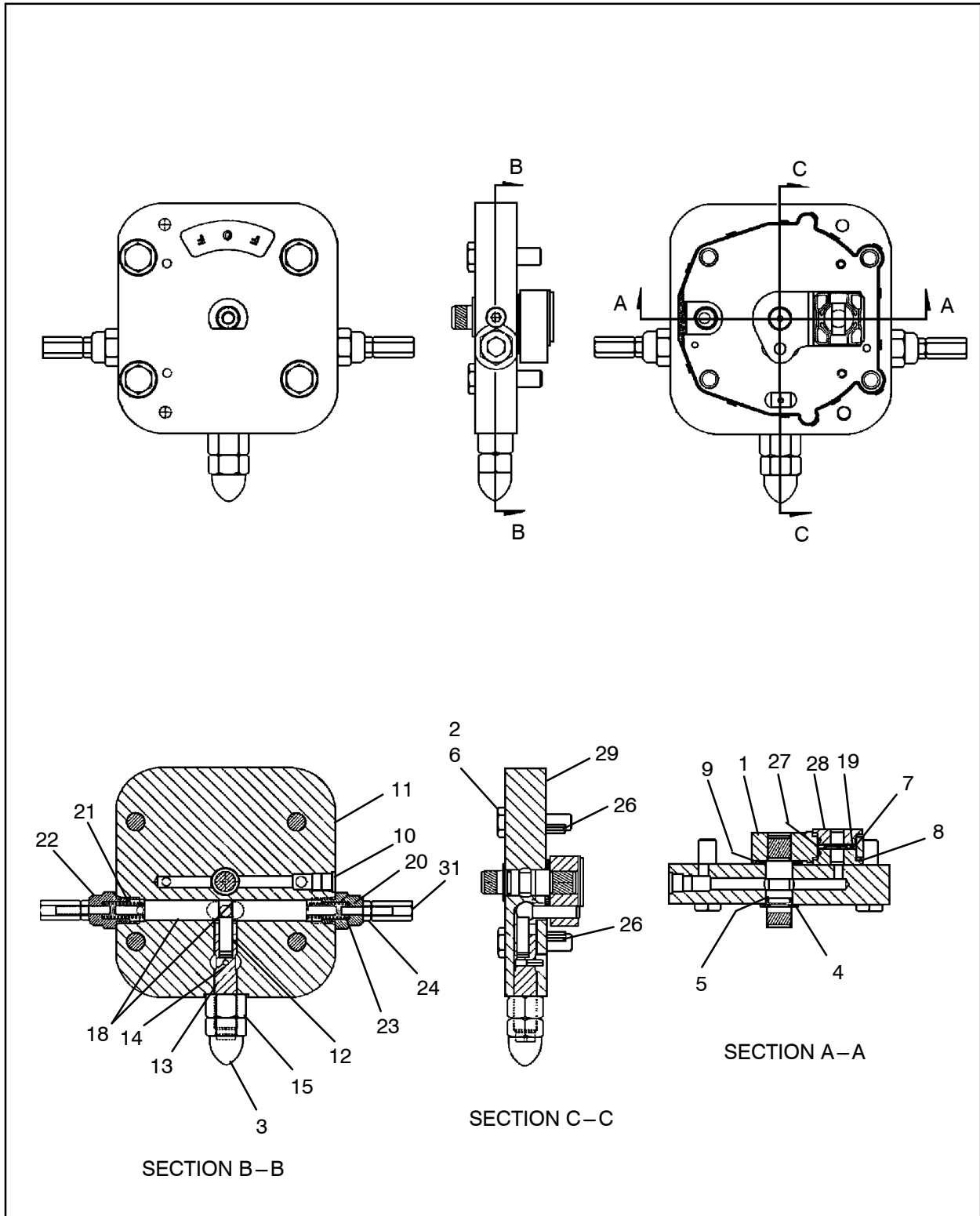


Figure 160 :SERVO, PUMP-INPUT,MANUAL
 D57480386 REV 000

57480386 SERVO, PUMP – INPUT,MANUAL

| REF. | PART NO. | QTY. | UNIT | DESCRIPTION |
|------|----------|------|------|---------------------------|
| 001 | 52201746 | 1 | EA | SHAFT LINK |
| 002 | 54407390 | 4 | EA | SCREW |
| 003 | 57239725 | 1 | EA | NUT,ACORN |
| 004 | 52201803 | 1 | EA | RING,RETAING |
| 005 | 54407416 | 1 | EA | O – RING |
| 006 | 52154622 | 4 | EA | WASHER, NYLITE |
| 007 | 95097689 | 2 | EA | O – RING |
| 008 | 57153108 | 1 | EA | SHEAR SEAL |
| 009 | 54407457 | 3 | EA | WASHER,THRUST |
| 010 | 52201811 | 1 | EA | PIPE PLUG |
| 011 | 54407499 | 1 | EA | COVER |
| 012 | 57305948 | 1 | EA | PIN – PUMP |
| 013 | 54407580 | 1 | EA | SCREW,ADJ |
| 014 | 54407606 | 1 | EA | PIN |
| 015 | 57104929 | 1 | EA | NUT, JAM |
| 018 | 54407630 | 2 | EA | SPOOL,CENT LUBE GROOVES |
| 019 | 54407481 | 1 | EA | WASHER,THRUST |
| 020 | 57240566 | 2 | EA | SPRING |
| 021 | 52154937 | 2 | EA | O – RING |
| 022 | 57240574 | 2 | EA | PLUG |
| 023 | 57239717 | 2 | EA | SCREW, SET |
| 024 | 57104937 | 2 | EA | NUT, JAM |
| 026 | 52155454 | 2 | EA | PIN |
| 027 | 52201779 | 2 | EA | WASHER |
| 028 | 52201761 | 1 | EA | SEAL,SHEAR |
| 029 | 57417339 | 1 | EA | SERVO – CONT.COVER GASKET |
| 031 | 57104895 | 2 | EA | COVER, NUT |

DRIVE,MAIN,HYD,DM30
57664948

57123283

CAM STROKER ASSY

DRIVE, MAIN, HYD, DM30

57664948

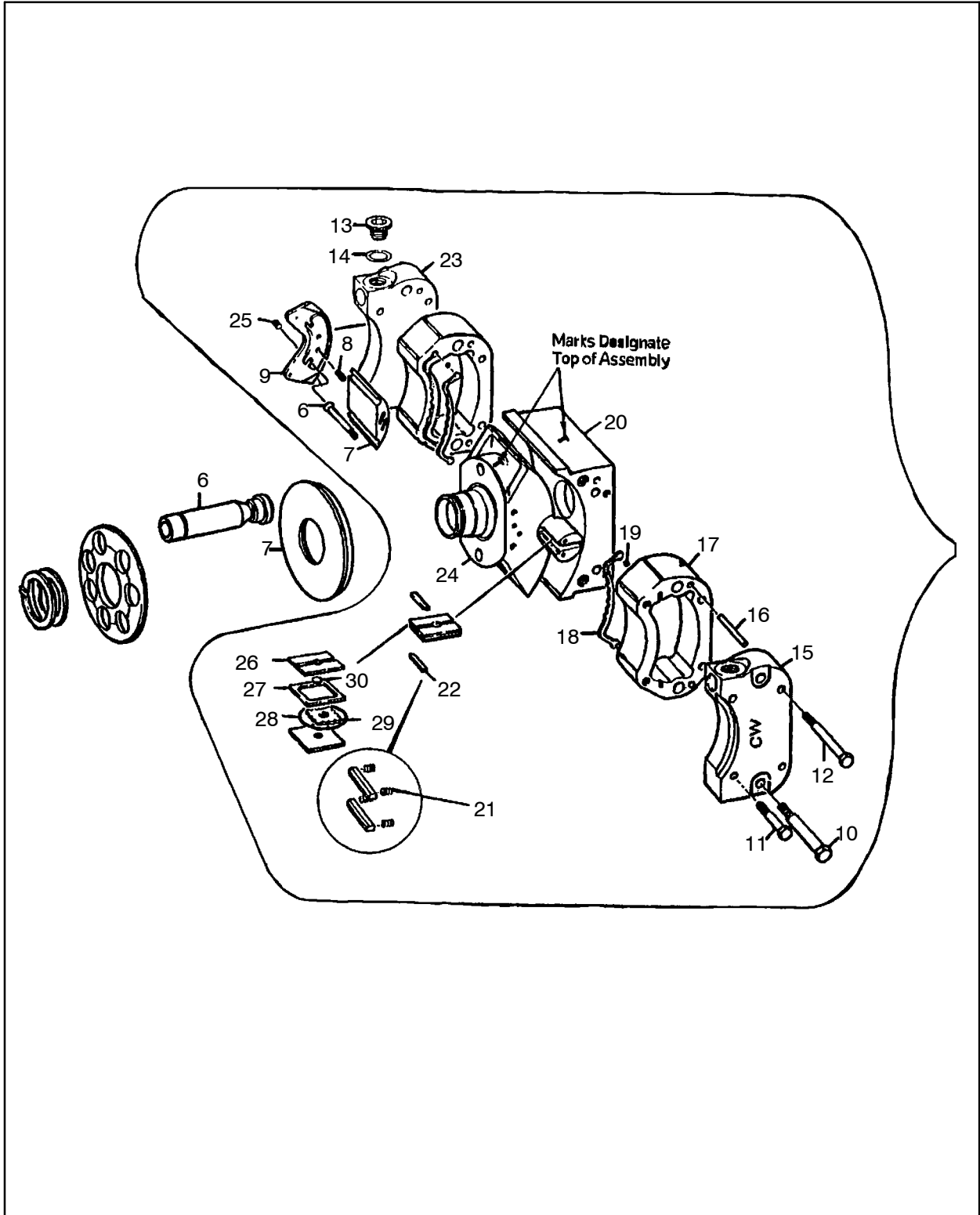


Figure 161 :CAM STROKER ASSY
C54410741 REV 000

57123283 CAM STROKER ASSY

| REF. | PART NO. | QTY. | UNIT | DESCRIPTION |
|------|----------|------|------|-----------------------|
| 006 | 57240749 | 2 | EA | SCREW, MOTOR |
| 007 | 52201738 | 1 | EA | SERVO PLATE |
| 008 | 52155256 | 2 | EA | SCREW |
| 009 | 57240764 | 1 | EA | PLATE, MOTOR |
| 010 | 54408331 | 4 | EA | SCREW |
| 011 | 54408349 | 4 | EA | SCREW |
| 012 | 54408356 | 4 | EA | SCREW |
| 013 | 52155306 | 5 | EA | PLUG |
| 014 | 52155314 | 5 | EA | O-RING |
| 015 | 52155330 | 1 | EA | COVER, CONTROL |
| 016 | 52155348 | 4 | EA | PIN |
| 017 | 54408364 | 2 | EA | CONTROL CHAMBER |
| 018 | 52155363 | 2 | EA | SEAL |
| 019 | 52155371 | 4 | EA | BALL |
| 020 | 52203718 | 1 | EA | CRADLE |
| 021 | 57064065 | 8 | EA | VANE HOLD DOWN SPRING |
| 022 | 57181307 | 4 | EA | HOLD DOWN-VANE |
| 023 | 52155322 | 1 | EA | COVER |
| 024 | 54408406 | 1 | EA | ROCKER AND PLUG |
| 025 | 57240756 | 2 | EA | SCREW, SET |
| 026 | 54408372 | 4 | EA | PLATE, SEAL VANE |
| 027 | 54408380 | 2 | EA | SEAL VANE |
| 028 | 52203767 | 2 | EA | O-RING |
| 029 | 54408398 | 2 | EA | SPACER, VANE |
| 030 | 57150617 | 2 | EA | CHECK VALVE |

DRIVE, MAIN, HYD, DM30
57664948

57052631 SERVO OUTPUT

DRIVE, MAIN, HYD, DM30
 57664948

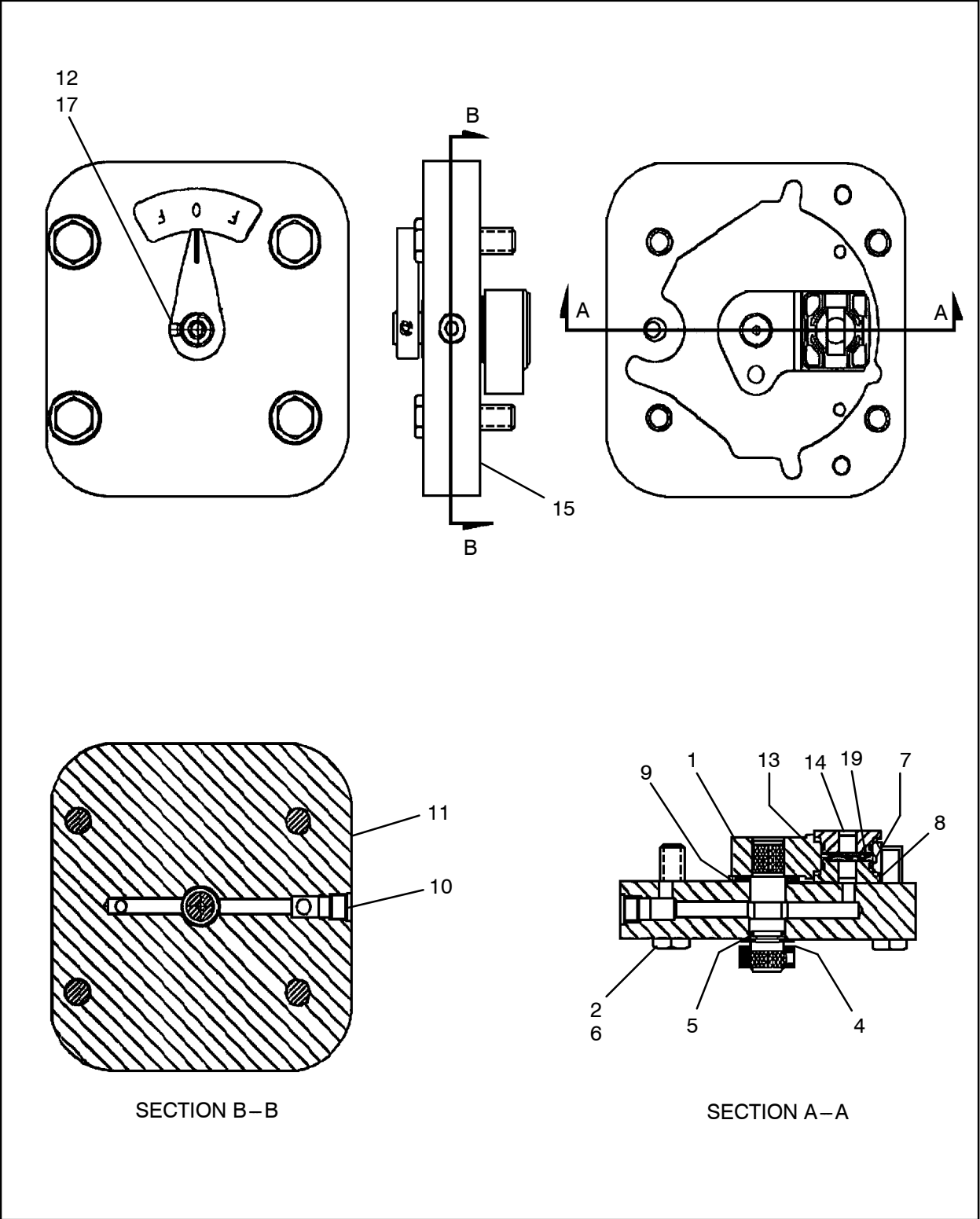


Figure 162 :SERVO OUTPUT
 C57052631 REV 000

57036030 PUMP,HYDRAULIC-DOUBLE

DRIVE, MAIN, HYD, DM30
57664948

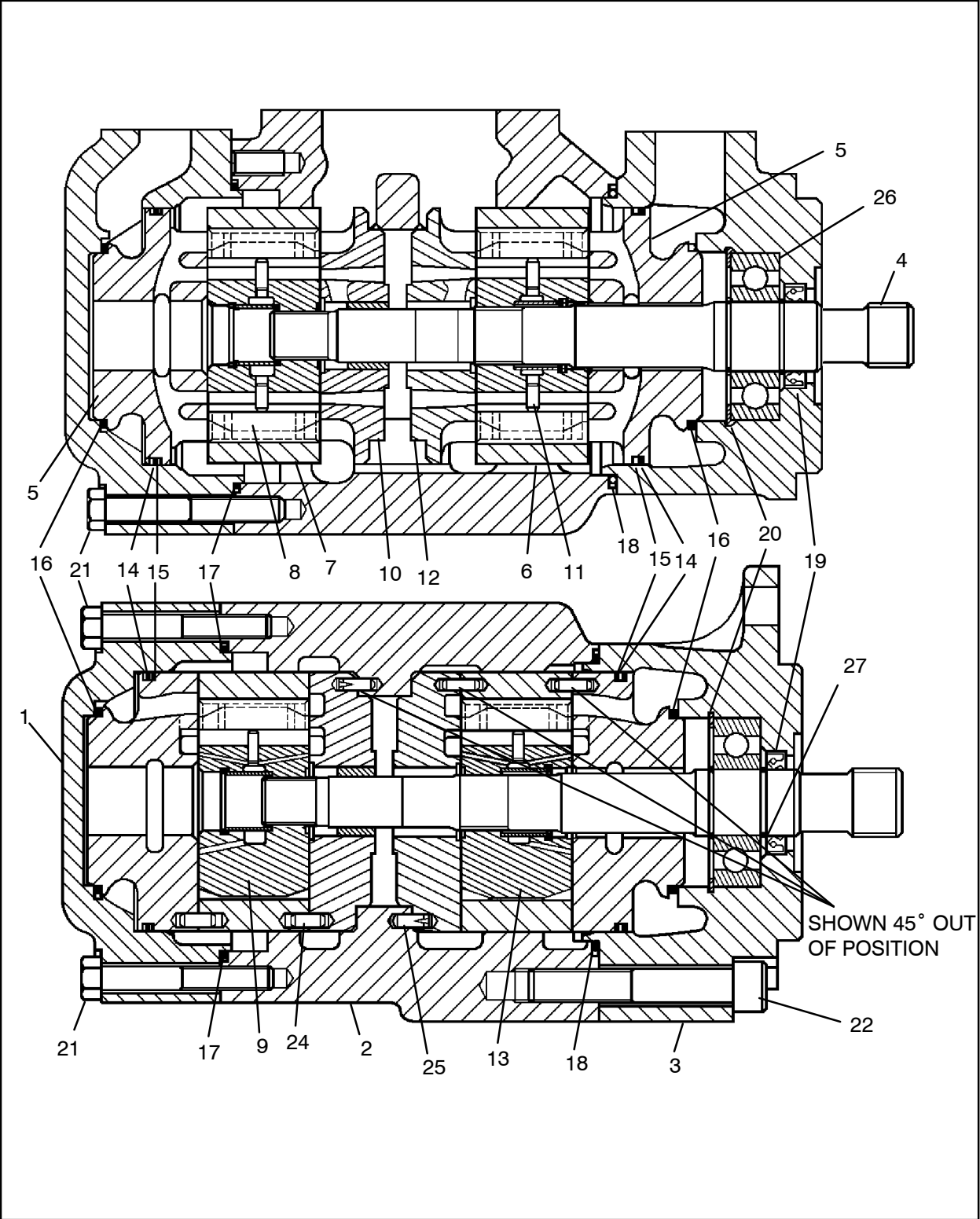
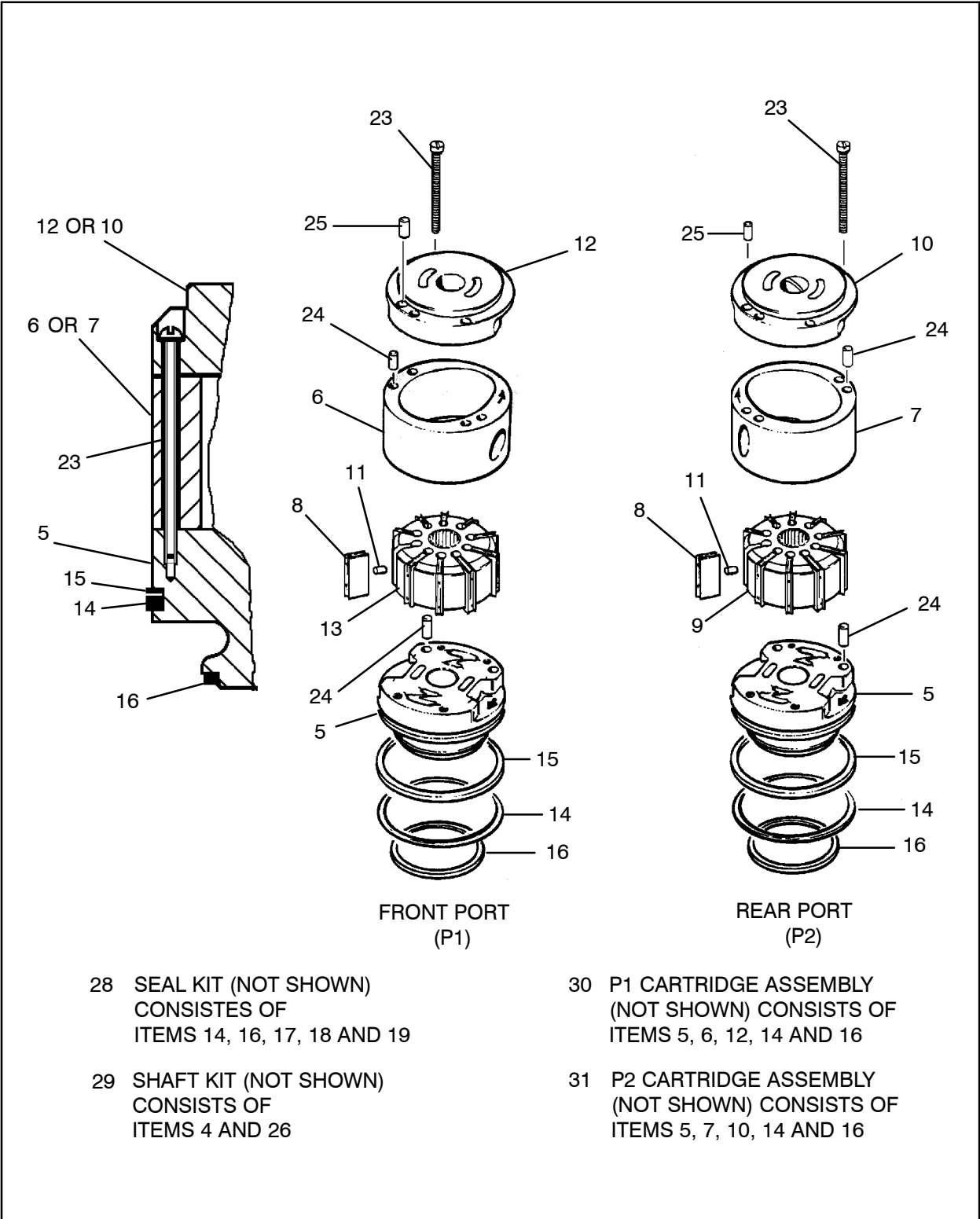


Figure 163 :PUMP,HYDRAULIC-DOUBLE
B57036030 REV 003

57036030 PUMP, HYDRAULIC – DOUBLE



DRIVE, MAIN, HYD, DM30
 57664948

Figure 164 :PUMP, HYDRAULIC – DOUBLE
 B57036030 REV 003

57036030 PUMP,HYDRAULIC – DOUBLE

DRIVE,MAIN,HYD,DM30
57664948

| REF. | PART NO. | QTY. | UNIT | DESCRIPTION |
|------|----------|------|------|-----------------------|
| 001 | 57191991 | 1 | EA | END CAP |
| 002 | 57192007 | 1 | EA | HOUSING |
| 003 | 57192015 | 1 | EA | MOUNTING CAP |
| 004 | 54513858 | 1 | EA | SHAFT,SPLINED #5 |
| 005 | 57185217 | 2 | EA | PRESSURE PLATE |
| 006 | 57419939 | 1 | EA | CAM RING |
| 007 | 54495585 | 1 | EA | RING,CAM |
| 008 | 57192098 | 20 | EA | VANE |
| 009 | 57192163 | 1 | EA | P2 ROTOR ASSY. |
| 010 | 54494026 | 1 | EA | PLATE,PORT,REAR |
| 011 | 57192106 | 20 | EA | VANE PIN |
| 012 | 54494018 | 1 | EA | PLATE,PORT,FRONT |
| 013 | 57192122 | 1 | EA | P1 ROTOR ASSY. |
| 014 | 50815851 | 2 | EA | SEAL,SQ SECT |
| 015 | 57192130 | 2 | EA | RING,BACK UP |
| 016 | 57192148 | 2 | EA | SQUARE SECTION GASKET |
| 017 | 57307720 | 1 | EA | GASKET,SQ.SECTION |
| 018 | 57192197 | 1 | EA | O – RING |
| 019 | 50495860 | 1 | EA | SEAL SHAFT |
| 020 | 50644558 | 1 | EA | RING SNAP |
| 021 | 57192023 | 7 | EA | CAPSCREW |
| 022 | 57045494 | 4 | EA | CAP |
| 023 | 50816271 | 4 | EA | SCREW |
| 024 | 50604479 | 4 | EA | DOWEL PIN |
| 025 | 50816289 | 2 | EA | PIN |
| 026 | 50632538 | 1 | EA | BEARING BALL |
| 027 | 50806223 | 2 | EA | RING,SNAP |
| 028 | 57032997 | 1 | EA | KIT,SEAL |
| 029 | 57053555 | 1 | EA | KIT, SHAFT |
| 030 | 57150278 | 1 | EA | CAM ASSEMBLY |
| 031 | 57053548 | 1 | EA | CAM ASM (10) |

57036030 PUMP,HYDRAULIC – DOUBLE

This page is intentionally blank.

DRIVE, MAIN, HYD, DM30

57664948

57666646

PIPING,MAIN HYD,DM30

PIPING,MAIN HYD,DM30

57666646

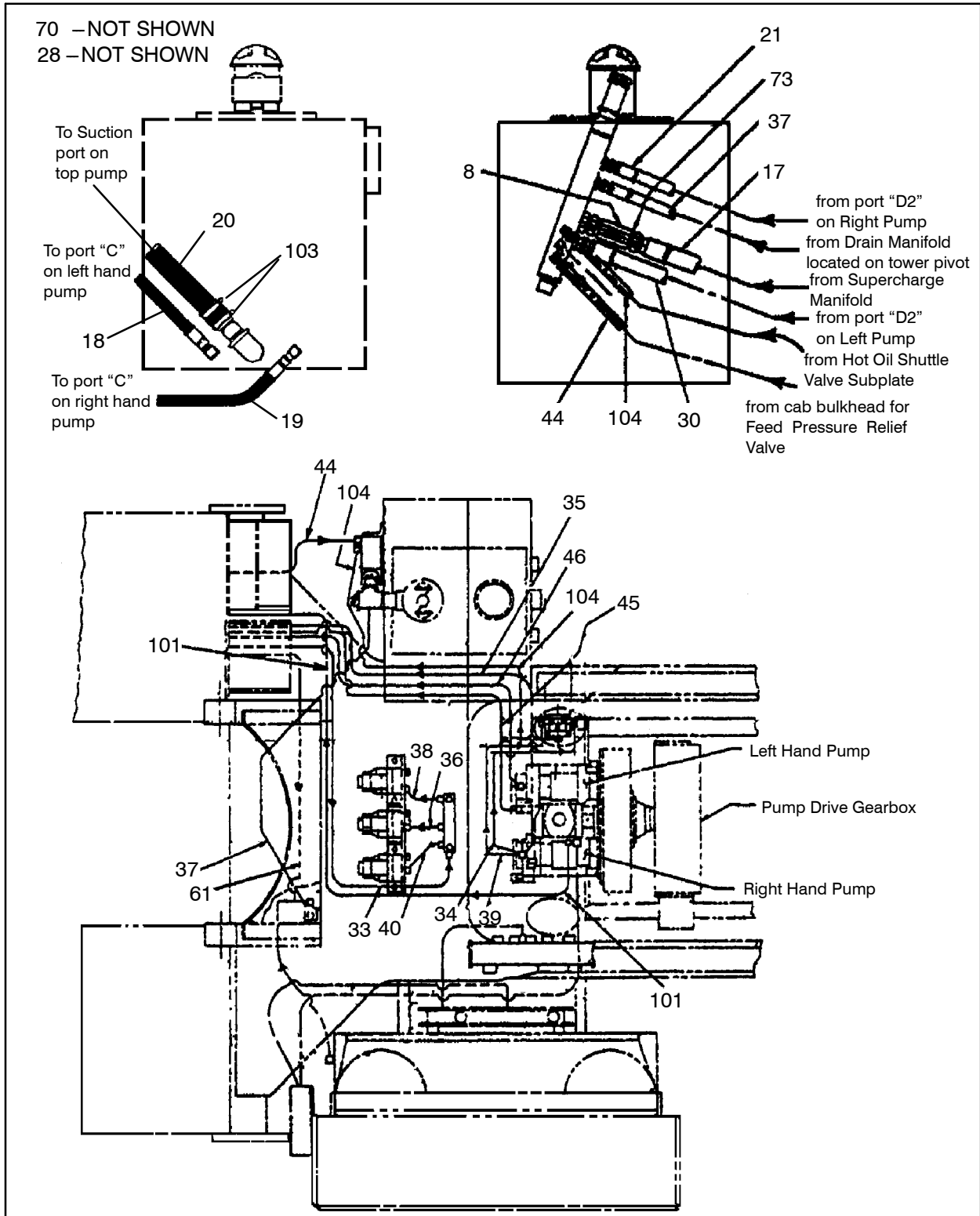
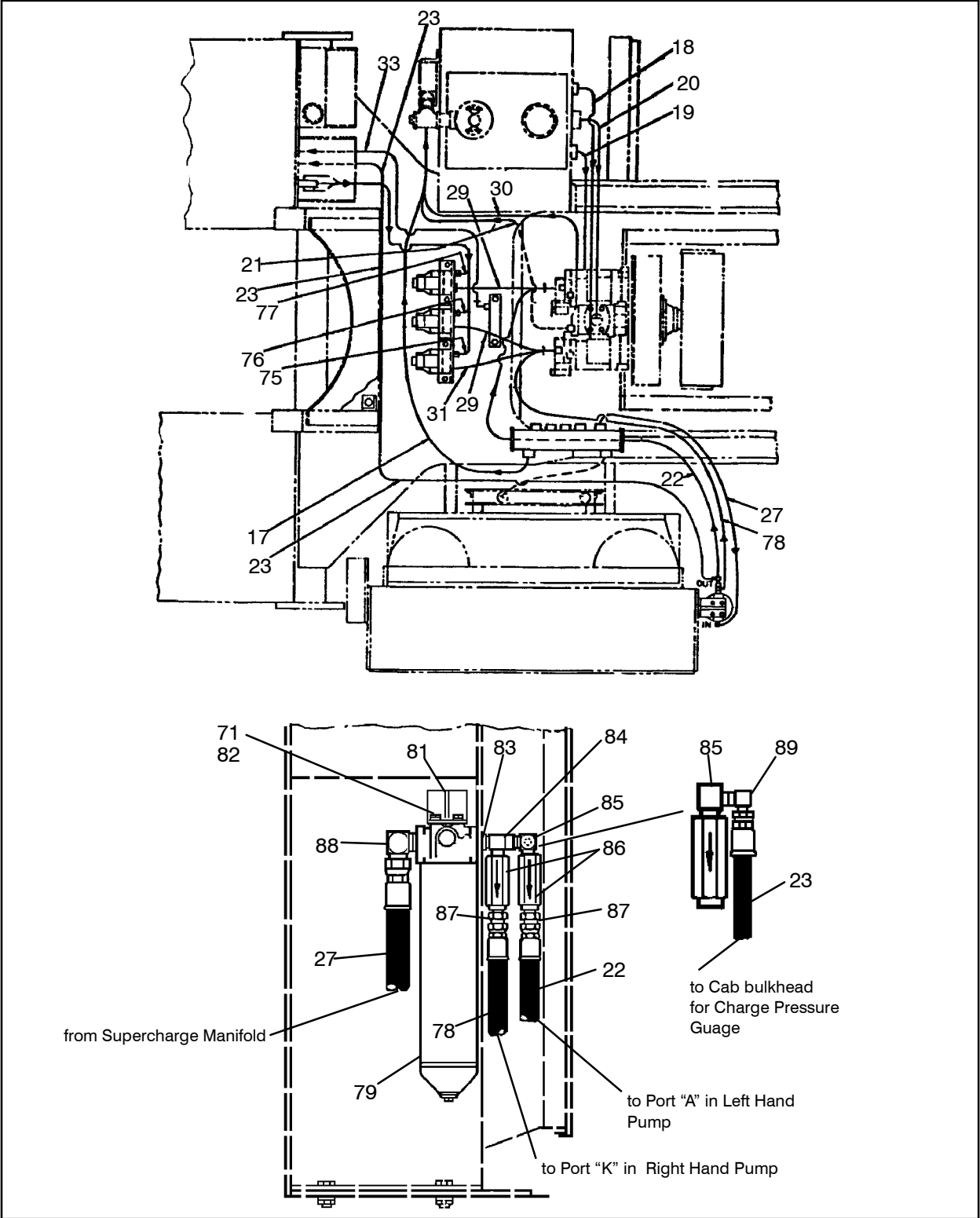


Figure 165 :PIPING,MAIN HYD,DM30
 E57666646 REV 006

57666646 PIPING,MAIN HYD,DM30



PIPING,MAIN HYD,DM30
 57666646

Figure 166 :PIPING,MAIN HYD,DM30
 E57666646 REV 006

57666646

PIPING,MAIN HYD,DM30

PIPING,MAIN HYD,DM30

57666646

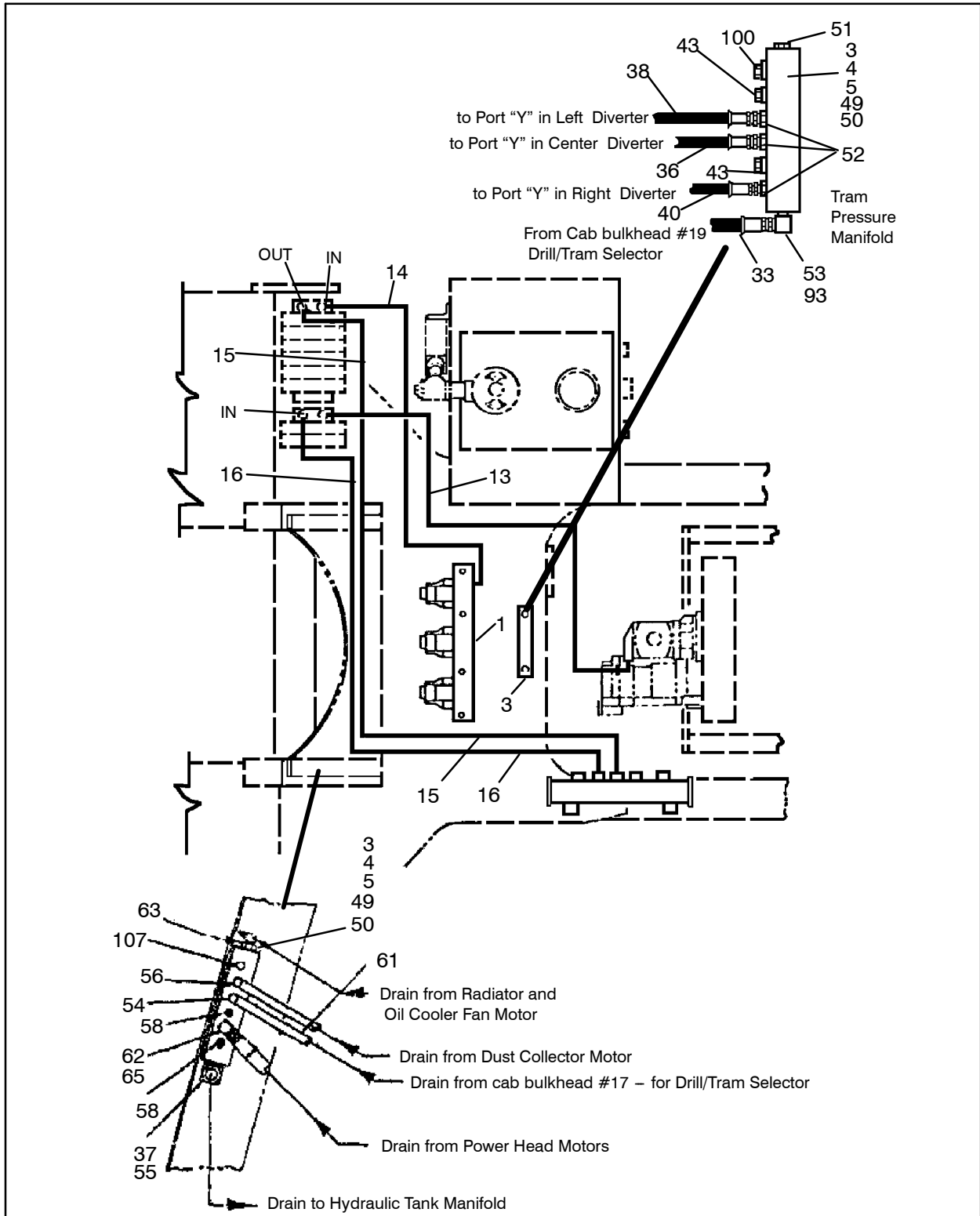
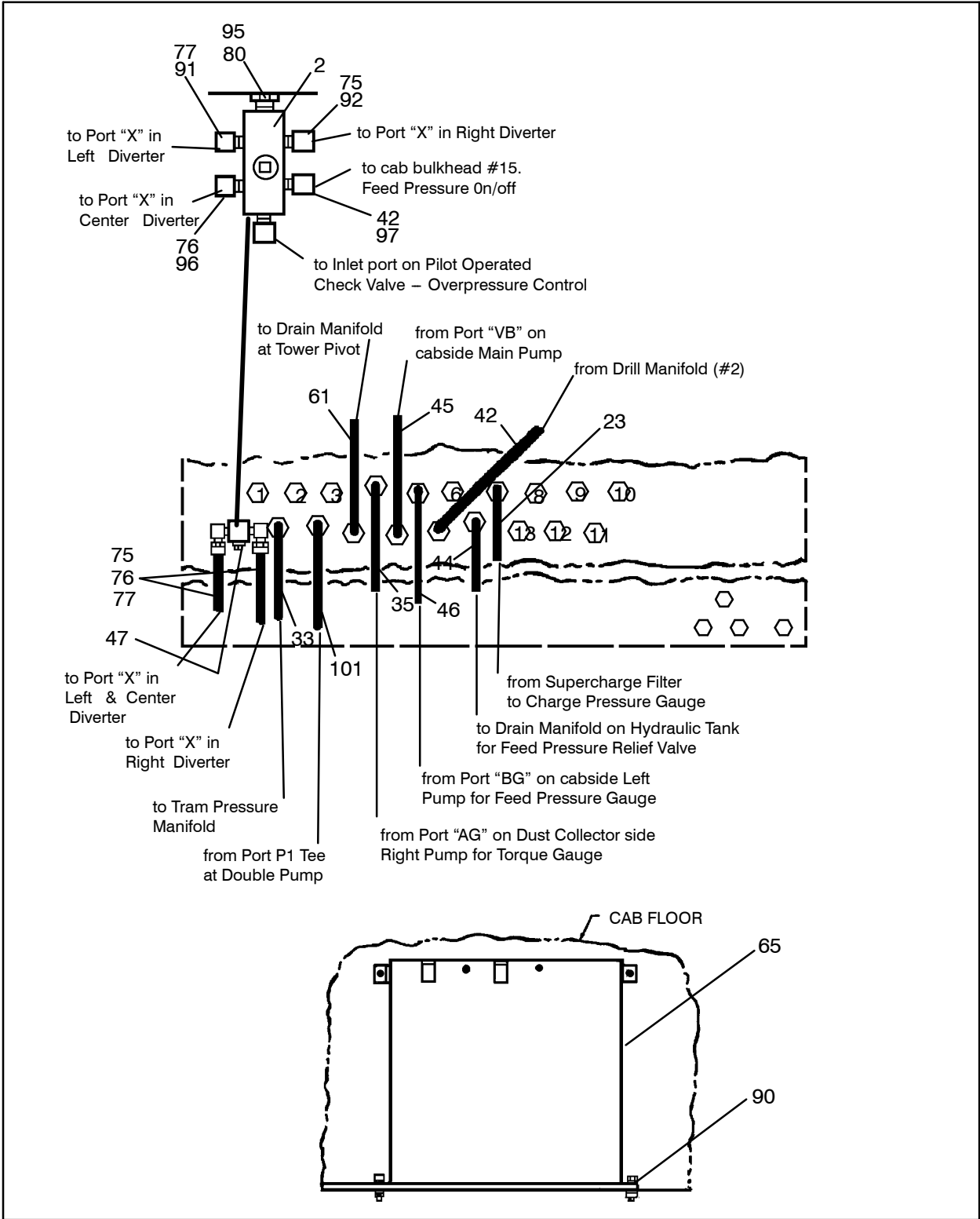


Figure 167 :PIPING,MAIN HYD,DM30
 E57666646 REV 006



PIPING,MAIN HYD,DM30
57666646

Figure 168 :PIPING,MAIN HYD,DM30
E57666646 REV 006

57666646

PIPING,MAIN HYD,DM30

PIPING,MAIN HYD,DM30

57666646

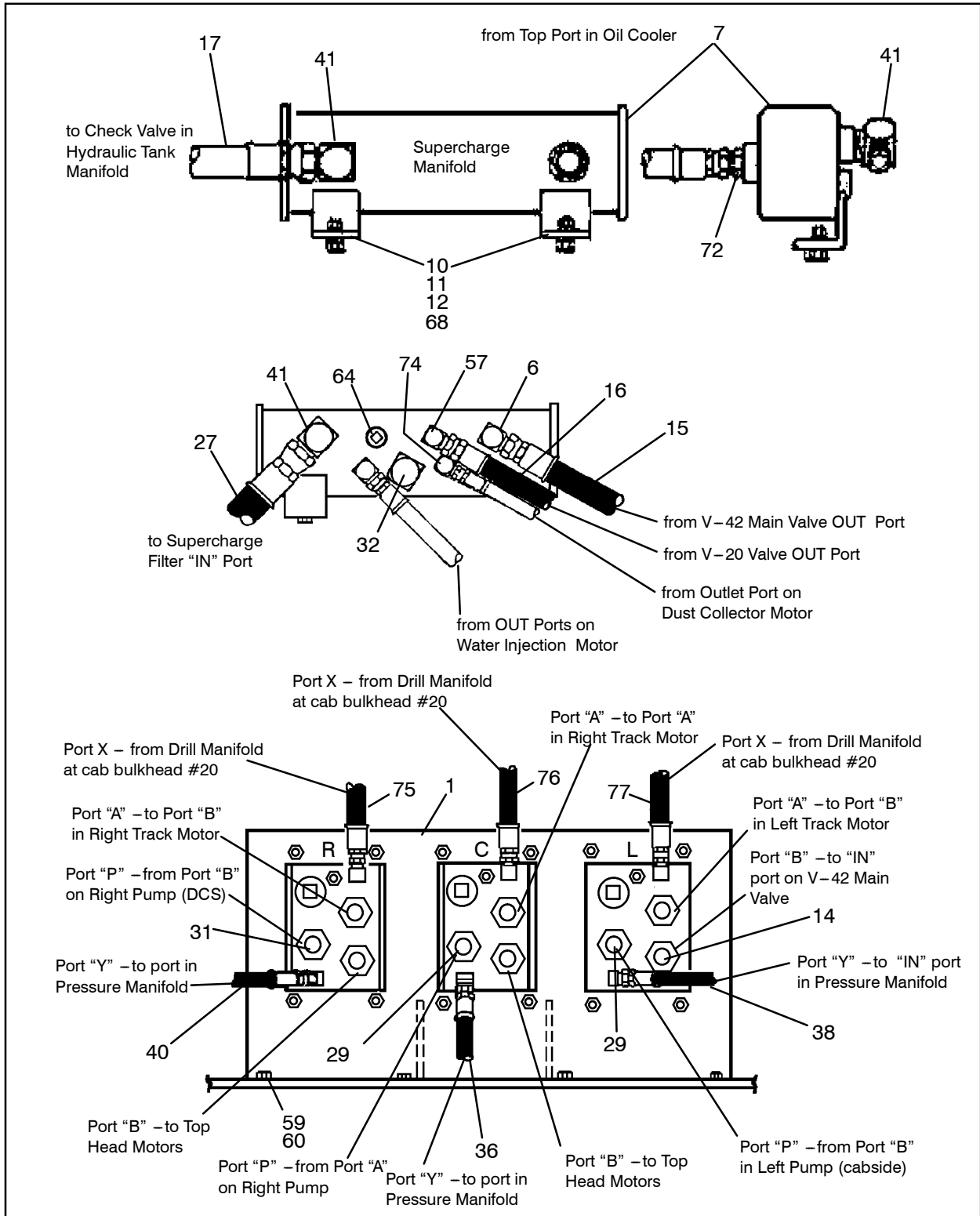


Figure 169 :PIPING,MAIN HYD,DM30
E57666646 REV 006

57666646 PIPING,MAIN HYD,DM30

PIPING,MAIN HYD,DM30
 57666646

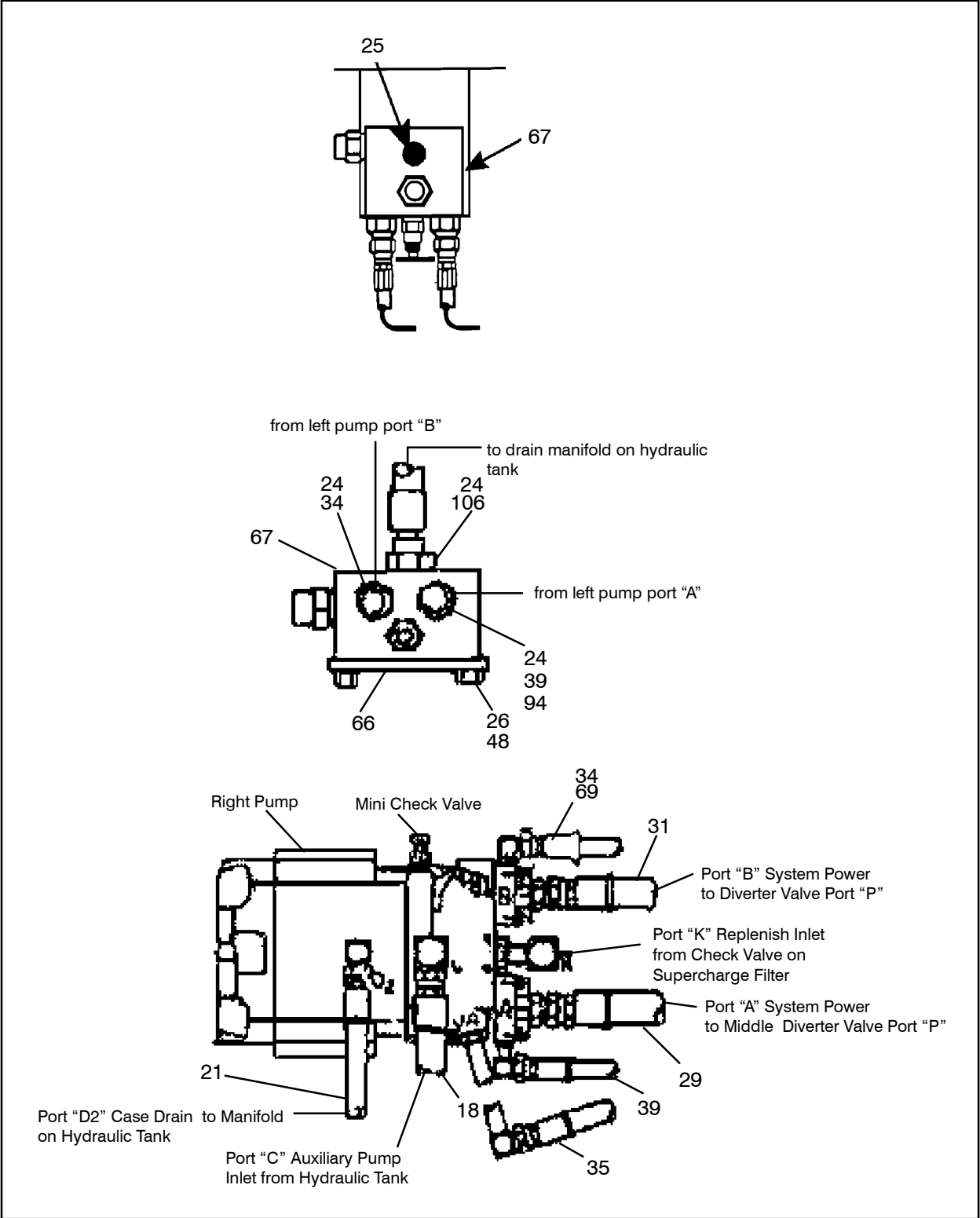


Figure 170 :PIPING,MAIN HYD,DM30
 E57666646 REV 006

57666646 PIPING,MAIN HYD,DM30

PIPING,MAIN HYD,DM30
 57666646

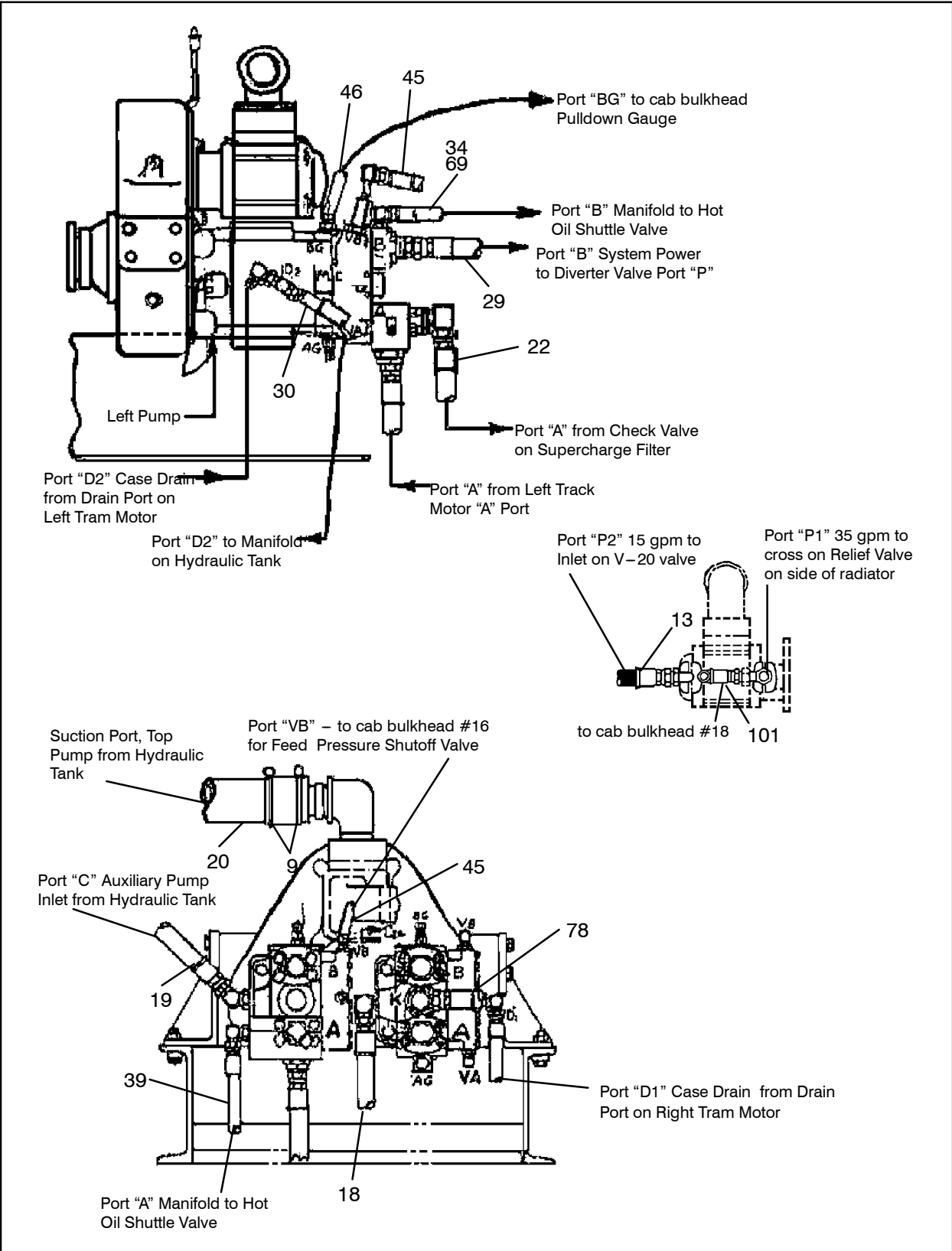


Figure 171 :PIPING,MAIN HYD,DM30
 E57666646 REV 006

57666646 PIPING,MAIN HYD,DM30

| REF. | PART NO. | QTY. | UNIT | DESCRIPTION |
|------|----------|------|------|--------------------------------------|
| 001 | 57118713 | 1 | EA | VALVE ASSY-DIVERTER (See figure 172) |
| 002 | 57420838 | 1 | EA | MANIFOLD,DRILL SAEPORTS |
| 003 | 57350076 | 2 | EA | MANIFOLD,HYD. ORING THDS |
| 004 | 95928974 | 8 | EA | SCREW,CAP,HEX |
| 005 | 56970601 | 2 | EA | BRACKET |
| 006 | 95280194 | 1 | EA | ELBOW,90 DEG STRT THRD |
| 007 | 57350092 | 1 | EA | MANIFOLD,HYDRAULIC-ORING |
| 008 | 56795198 | 1 | EA | VALVE, CHECK |
| 009 | 58146903 | 2 | EA | CLAMP,HOSE |
| 010 | 95920708 | 2 | EA | SCREW,CAP,HEX |
| 011 | 95064697 | 2 | EA | WASHER,FLAT 1/2 |
| 012 | 95934733 | 2 | EA | WASHER,LOCK |
| 013 | 56954357 | 1 | EA | HOSE ASSY |
| 014 | 56988827 | 1 | EA | HOSE ASSY |
| 015 | 56974249 | 1 | EA | HOSE ASSY |
| 016 | 56992126 | 1 | EA | HOSE ASSY |
| 017 | 56969280 | 1 | EA | HOSE ASSY |
| 018 | 57044620 | 1 | EA | HOSE ASSY |
| 019 | 56971526 | 1 | EA | HOSE ASSY |
| 020 | 56950157 | 1 | EA | HOSE HYD |
| 021 | 56992118 | 1 | EA | HOSE ASSY |
| 022 | 58182486 | 1 | EA | HOSE ASSY |
| 023 | 57042947 | 1 | EA | HOSE ASSY |
| 024 | 95303368 | 6 | EA | CONNECTOR,STRT THRD |
| 025 | 57328676 | 2 | EA | FITTING, TEST |
| 026 | 95937413 | 4 | EA | WASHER,LOCK,HELICAL |
| 027 | 57136806 | 1 | EA | HOSE ASSY |
| 028 | 57495095 | 1 | EA | HOSE ASSY |
| 029 | 56991987 | 2 | EA | HOSE ASSY |
| 030 | 57414112 | 1 | EA | HOSE ASSY |
| 031 | 56991987 | 2 | EA | HOSE ASSY |
| 032 | 95735346 | 1 | EA | FITTING,HYD |

PIPING,MAIN HYD,DM30
57666646

57666646 PIPING,MAIN HYD,DM30

PIPING,MAIN HYD,DM30
57666646

| REF. | PART NO. | QTY. | UNIT | DESCRIPTION |
|------|----------|------|------|-------------------------|
| 033 | 56954068 | 1 | EA | HOSE ASSY |
| 034 | 57495095 | 1 | EA | HOSE ASSY |
| 035 | 56956964 | 1 | EA | HOSE ASSY |
| 036 | 56992050 | 1 | EA | HOSE ASSY |
| 037 | 56956691 | 1 | EA | HOSE ASSY |
| 038 | 56992050 | 1 | EA | HOSE ASSY |
| 039 | 56949431 | 1 | EA | HOSE ASSY |
| 040 | 56992050 | 1 | EA | HOSE ASSY |
| 041 | 95829362 | 2 | EA | FITTING, HYD |
| 042 | 56961840 | 1 | EA | HOSE ASSY |
| 043 | 95323465 | 2 | EA | PLUG,HEX HEAD,STRT THRD |
| 044 | 56958697 | 1 | EA | HOSE ASSY |
| 045 | 56992522 | 1 | EA | HOSE ASSY |
| 046 | 56956964 | 1 | EA | HOSE ASSY |
| 047 | 95754867 | 1 | EA | FITTING,HYD |
| 048 | 95920674 | 4 | EA | SCREW,CAP,HEX |
| 049 | 95931564 | 8 | EA | NUT,HEX,FINISHED |
| 050 | 95934766 | 8 | EA | WASHER,LOCK,HELICAL |
| 051 | 95280541 | 1 | EA | FITTING,HYD |
| 052 | 95371258 | 3 | EA | FITTING,HYD |
| 053 | 56922206 | 1 | EA | FITTING, HYD |
| 054 | 95329975 | 2 | EA | ELBOW,90 DEG STRT THRD |
| 055 | 95368890 | 1 | EA | ELBOW,90 DEG,STRT THRD |
| 056 | 95356903 | 1 | EA | CONNECTOR,STRT THRD |
| 057 | 95280186 | 1 | EA | ELBOW,90 DEG STRT THRD |
| 058 | 95666996 | 2 | EA | PLUG,HEX HEAD,STRT THRD |
| 059 | 95104147 | 4 | EA | SCREW,CAP,HEX |
| 060 | 95064697 | 4 | EA | WASHER,FLAT 1/2 |
| 060 | 95934733 | 4 | EA | WASHER,LOCK |
| 061 | 58207325 | 1 | EA | HOSE ASSY |
| 062 | 95279543 | 1 | EA | FITTING,HYD |
| 063 | 95280186 | 1 | EA | ELBOW,90 DEG STRT THRD |
| 064 | 95280541 | 1 | EA | FITTING,HYD |

57666646 PIPING,MAIN HYD,DM30

| REF. | PART NO. | QTY. | UNIT | DESCRIPTION |
|------|----------|--------|------|--------------------------|
| 065 | 95775623 | 1 | EA | FITTING, HYD |
| 066 | 57244980 | 2 | EA | PLATE,MTG |
| | A0459 | 5.00 | IN | ●- BAR FLAT A36 |
| 067 | 57244352 | 2 | EA | VALVE,PUMP RELIEF |
| | 57325599 | 1 | EA | ●- VALVE,SHUTTLE CART |
| | 57303794 | 1 | EA | ●- SEAL KIT |
| | 57325607 | 1 | EA | ●- VALVE,RELIEF CART. |
| | 57301012 | 1 | EA | ●- SEAL KIT- VALVE CART. |
| 068 | 95922902 | 2 | EA | NUT,HEX,FINISHED,PLATED |
| 069 | 95329975 | 1 | EA | ELBOW,90 DEG STRT THRD |
| 070 | 95431284 | 1 | EA | FITTING, HYD- ORING/JIC |
| 071 | 95922233 | 4 | EA | WASHER,FLAT,WIDE |
| 072 | 95371233 | 1 | EA | FITTING,HYD |
| 073 | 95219770 | 1 | EA | FITTING,HYD |
| 074 | 95330692 | 1 | EA | ELBOW,90 DEG STRT THRD |
| 075 | 56994544 | 1 | EA | HOSE ASSY |
| 076 | 58170440 | 1 | EA | HOSE ASSY |
| 077 | 56964232 | 1 | EA | HOSE ASSY |
| 078 | 57002222 | 1 | EA | HOSE ASSY |
| 079 | 52172111 | 1 | EA | FILTER,OIL |
| 080 | 52187465 | 1 | EA | FITTING, HYD |
| 081 | 57041873 | 1 | EA | BRACKET,FLTR |
| 082 | 95920674 | 4 | EA | SCREW,CAP,HEX |
| 083 | 52226164 | 1 | EA | FITTING, HYD |
| 084 | 56952757 | 1 | EA | FITTING,HYD |
| 085 | 56997992 | 1 | EA | ELBOW,MOD |
| | 95279865 | 1 | EA | ●- PIPE,MALE |
| 086 | 56927445 | 2 | EA | VALVE,CHECK |
| 087 | 95219762 | 2 | EA | ADAPTER |
| 088 | 95286555 | 1 | EA | FITTING HYD |
| 089 | 95209094 | 1 | EA | FITTING,HYD |
| 090 | 51858124 | 100.00 | FT | WRAP,HOSE,SPIRAL CUT |
| 091 | 59621078 | 1 | EA | FITTING,HYD-LONG 90 DEG |
| 092 | 59621078 | 1 | EA | FITTING,HYD-LONG 90 DEG |
| 093 | 52209913 | 1 | EA | ADAPTER,SAE |
| 094 | 56949431 | 1 | EA | HOSE ASSY |
| 095 | 95780599 | 1 | EA | ADAPTER |

(See figure 174)

PIPING,MAIN HYD,DM30

 57666646

57666646 PIPING,MAIN HYD,DM30

| REF. | PART NO. | QTY. | UNIT | DESCRIPTION |
|------|----------|------|------|-------------------------|
| 096 | 95341665 | 1 | EA | ELBOW,90 DEG STRT THRD |
| 097 | 95653614 | 1 | EA | ADAPTER-90DEG,ORING/JIC |
| 100 | 95666996 | 1 | EA | PLUG,HEX HEAD,STRT THRD |
| 101 | 97113575 | 1 | EA | HOSE ASSEMBLY |
| 103 | 58146903 | 2 | EA | CLAMP,HOSE |
| 104 | 57438681 | 1 | EA | HOSE ASSY |
| 106 | 57010134 | 1 | EA | HOSE ASSY |
| 107 | 95666996 | 1 | EA | PLUG,HEX HEAD,STRT THRD |

PIPING,MAIN HYD,DM30
57666646

57666646 PIPING,MAIN HYD,DM30

This page is intentionally blank.

PIPING,MAIN HYD,DM30 57666646

57118713 VALVE ASSY-DIVERTER

PIPING, MAIN HYD, DM30
57666646

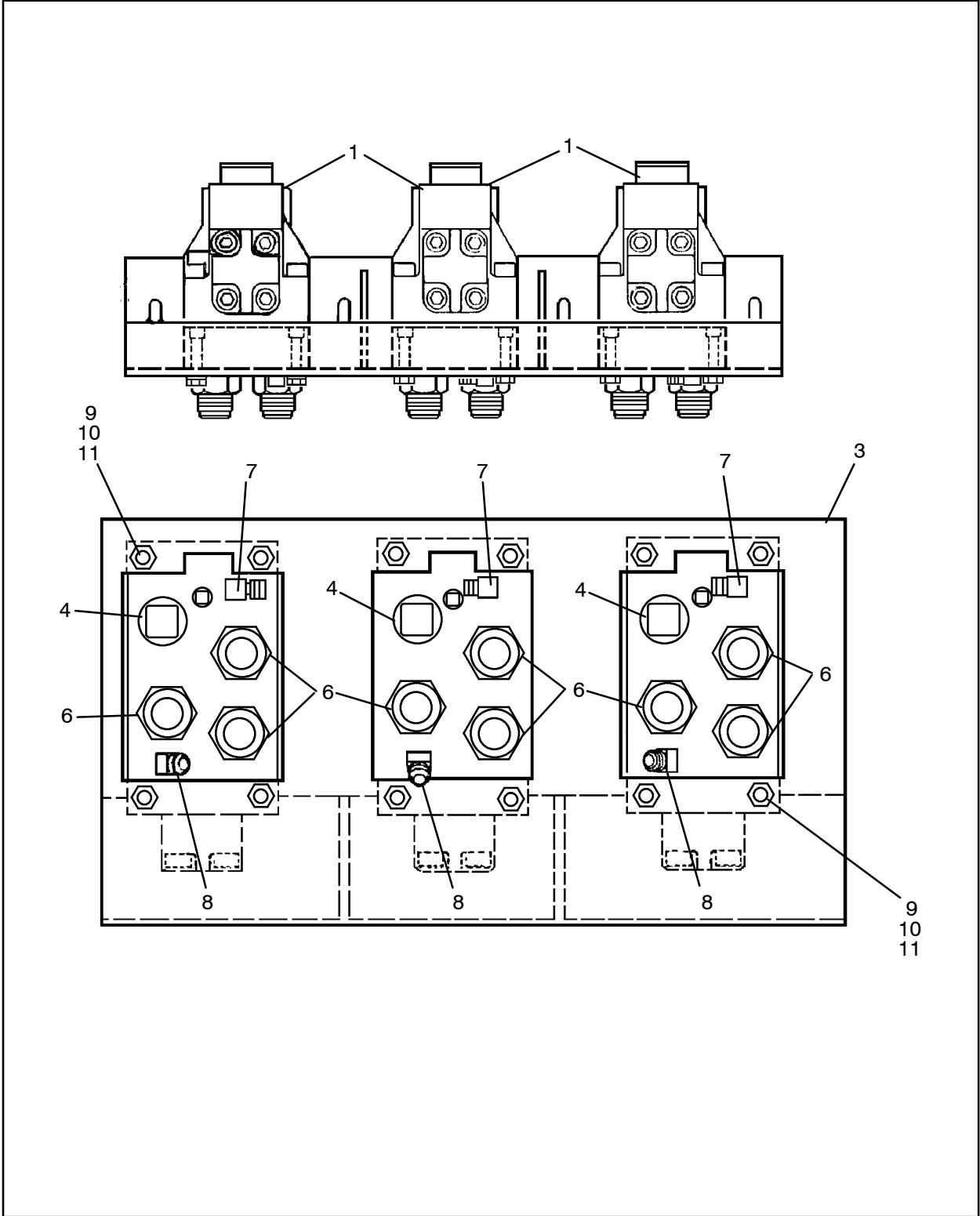


Figure 172 :VALVE ASSY-DIVERTER
D56997299 REV 02

57118713 VALVE ASSY-DIVERTER

| REF. | PART NO. | QTY. | UNIT | DESCRIPTION |
|------|----------|------|------|----------------------------------|
| 001 | 57106429 | 3 | EA | VALVE, DIVERTER (See figure 173) |
| 003 | 56975766 | 1 | EA | BRACKET |
| 004 | 95735346 | 3 | EA | FITTING, HYD |
| 006 | 95329983 | 9 | EA | CONNECTOR, STRAIGHT THRD |
| 007 | 95365094 | 3 | EA | ELBOW, 90DEG, STRT THRD |
| 008 | 50700814 | 3 | EA | ADAPTER |
| 009 | 95055315 | 12 | EA | SCREW, CAP-3/8-16 X 2-1/4 |
| 010 | 95937413 | 12 | EA | WASHER, LOCK, HELICAL |
| 011 | 95922894 | 12 | EA | NUT, HEX, FINISHED |

PIPING, MAIN HYD, DM30
57666646

57106429 VALVE, DIVERTER

PIPING, MAIN HYD, DM30
57666646

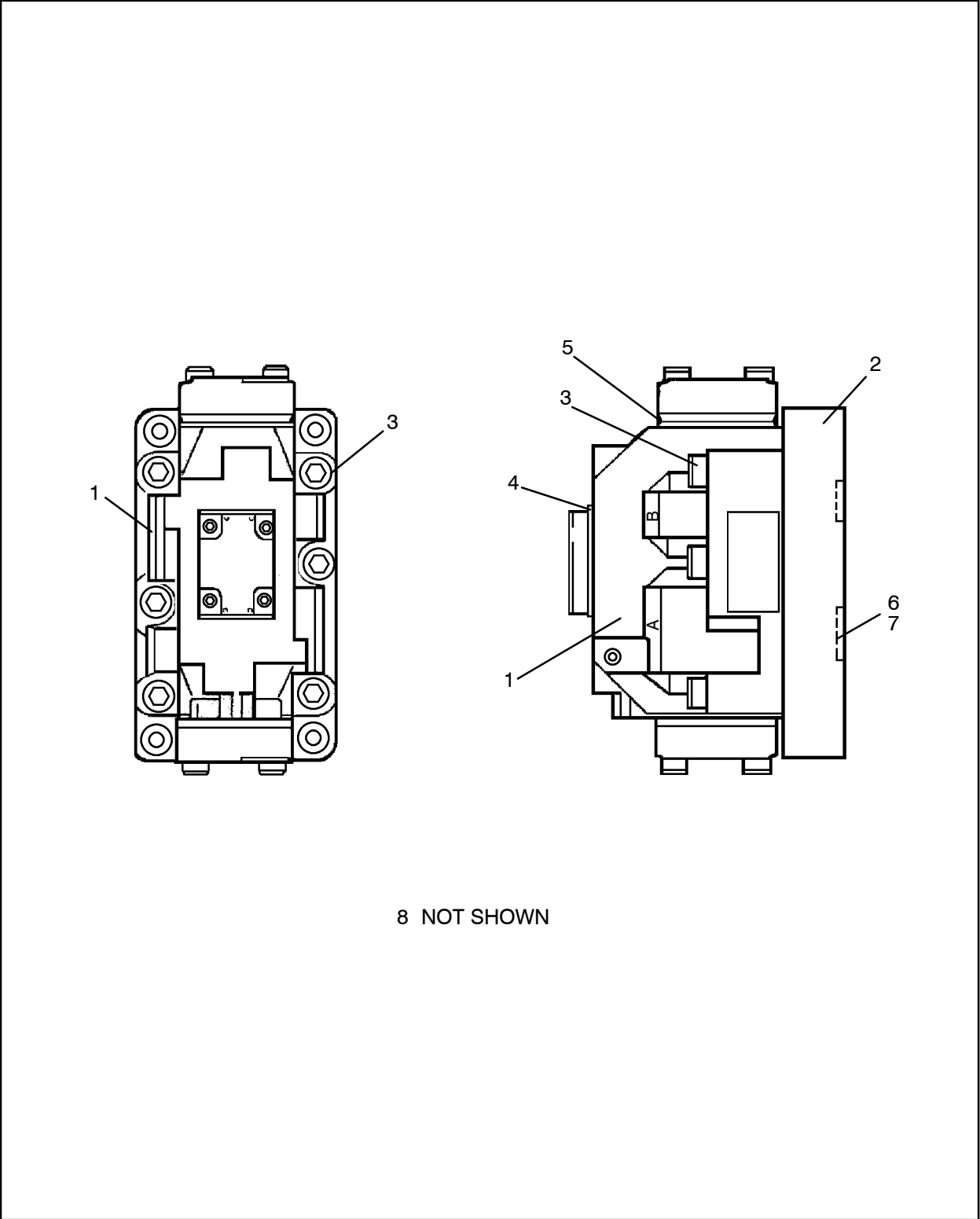


Figure 173 :VALVE, DIVERTER
D57106429 REV 02

57106429 VALVE, DIVERTER

| REF. | PART NO. | QTY. | UNIT | DESCRIPTION |
|------|----------|------|------|--------------|
| 001 | 57106460 | 1 | EA | VALVE, 4-WAY |
| | 57107914 | 1 | EA | ● - KIT,SEAL |
| 002 | 57106965 | 1 | EA | SUBPLATE |
| 003 | 51076271 | 1 | EA | BOLT KIT |
| 004 | 57107906 | 2 | EA | O-RING |
| 005 | 51076156 | 2 | EA | O-RING |
| 006 | 51076172 | 2 | EA | O-RING |
| 007 | 51076164 | 4 | EA | O-RING |
| 008 | 57107914 | 0 | EA | KIT,SEAL |

PIPING,MAIN HYD,DM30
57666646

52172111 FILTER,OIL

PIPING,MAIN HYD,DM30
57666646

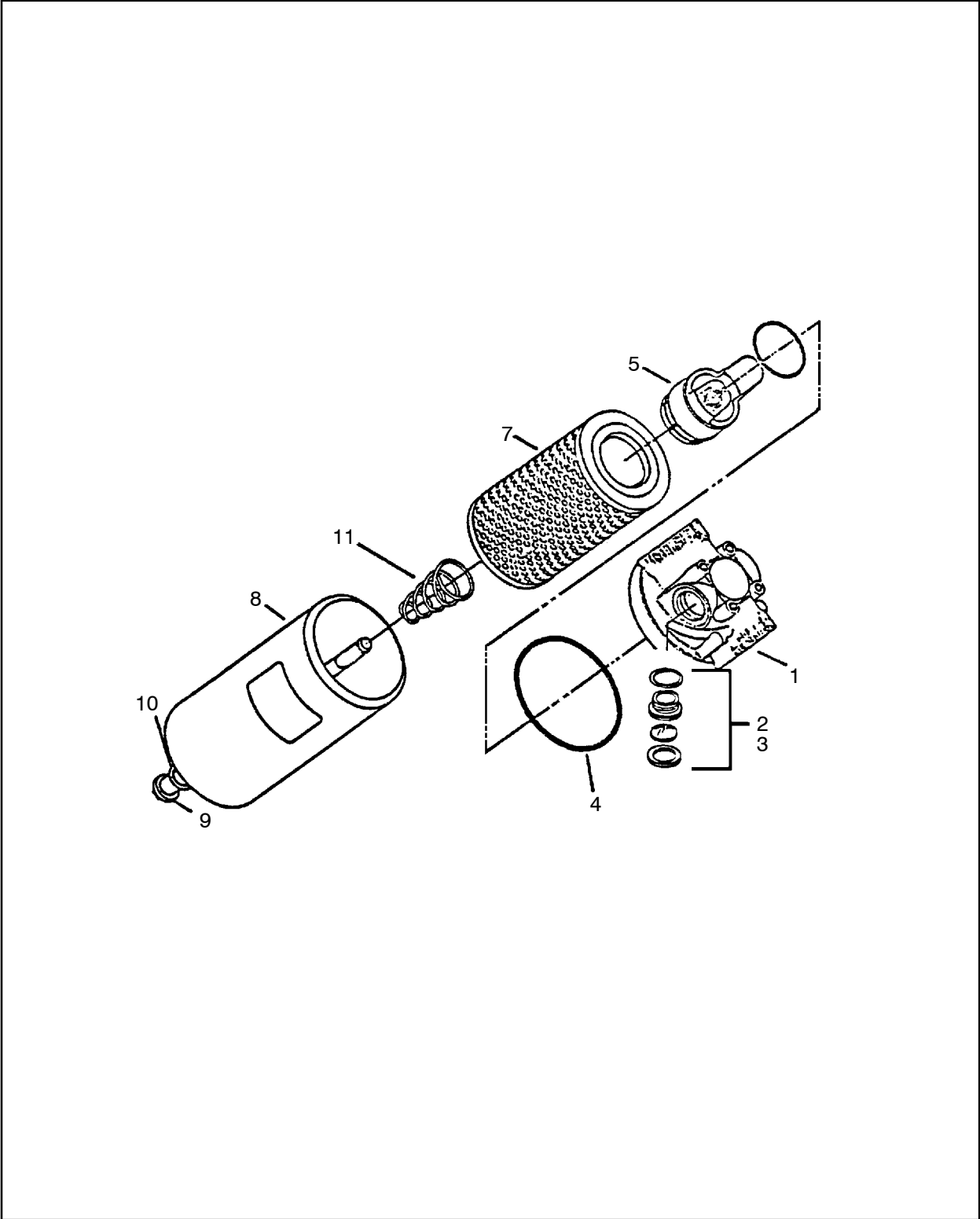


Figure 174 :FILTER,OIL
W353701 REV 008

52172111 FILTER,OIL

| REF. | PART NO. | QTY. | UNIT | DESCRIPTION |
|------|----------|------|------|-------------------------|
| 001 | 52234655 | 1 | EA | HEAD ASSEMBLY |
| 002 | 52234705 | 1 | EA | WINDOW ASSY |
| 003 | 52234713 | 1 | EA | WINDOW ASSY |
| 004 | 95070603 | 1 | EA | O-RING |
| 005 | 57113367 | 1 | EA | VALVE,BY PASS |
| 007 | 52263209 | 1 | EA | ELEMENT,FILTER-10MICRON |
| | 95070603 | 1 | EA | ●- O-RING |
| 008 | 35251529 | 1 | EA | HOUSING |
| 009 | 50815638 | 1 | EA | BOLT |
| 010 | 52234747 | 1 | EA | RING |
| 011 | 35251552 | 1 | EA | SPRING |

PIPING,MAIN HYD,DM30
 57666646

57157323 VALVE ASSY, 6 SPOOL MAIN

VALVE ASSY, 6 SPOOL MAIN
57157323

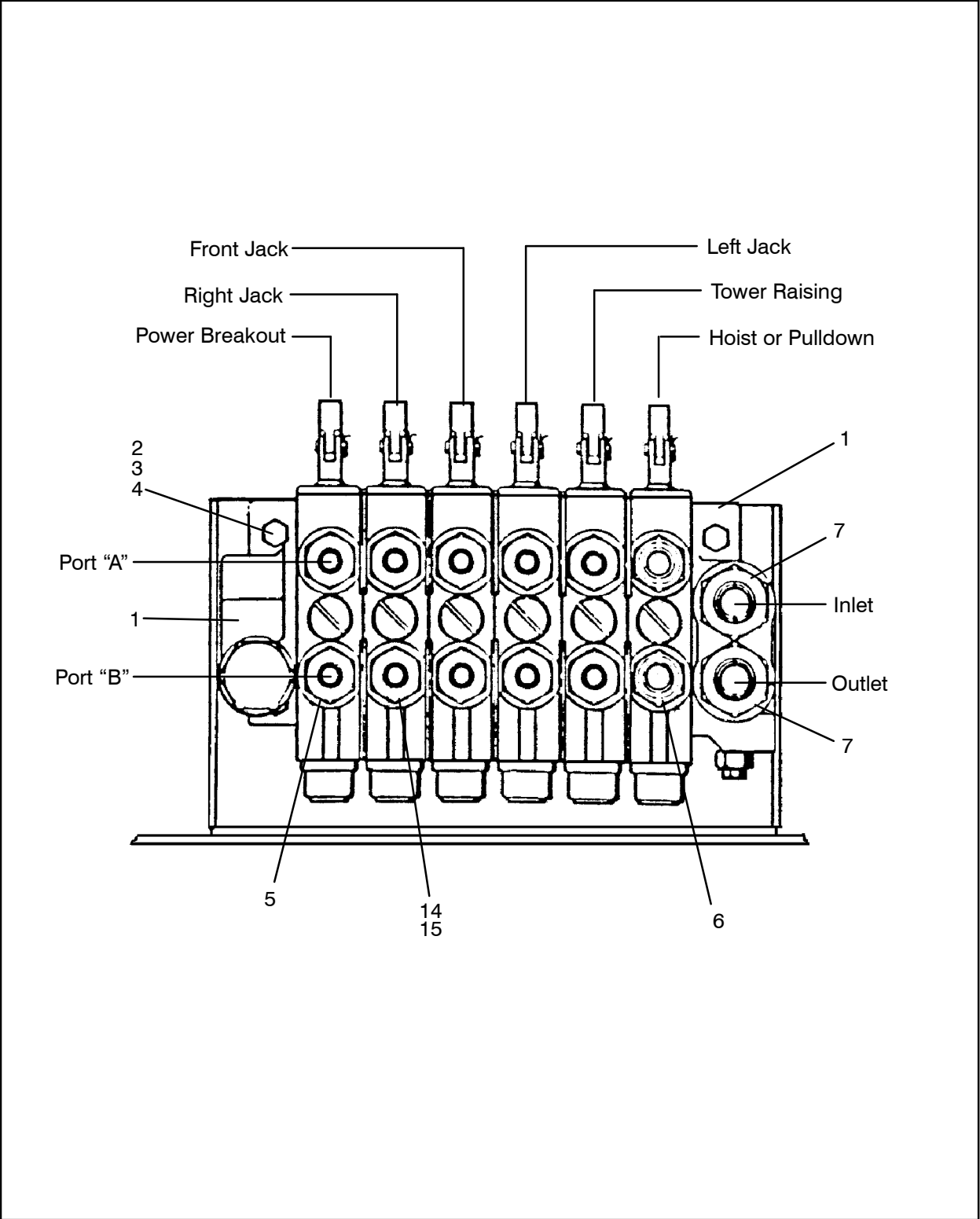


Figure 175 :VALVE ASSY, 6 SPOOL MAIN
D57010845 REV03

57157323 VALVE ASSY, 6 SPOOL MAIN

| REF. | PART NO. | QTY. | UNIT | DESCRIPTION |
|------|----------|------|------|---|
| 001 | 57008203 | 1 | EA | VALVE, HYDRAULIC-6 SPOOL (See figure 134) |
| 001 | 57158040 | 6 | EA | KIT, PIN |
| 002 | 95928958 | 3 | EA | SCREW,CAP,HEX |
| 003 | 95922902 | 3 | EA | NUT,HEX,FINISHED,PLATED |
| 004 | 95934733 | 3 | EA | WASHER,LOCK |
| 005 | 95366019 | 4 | EA | FITTING, HYD |
| 006 | 95329983 | 2 | EA | CONNECTOR,STRAIGHT THRD |
| 007 | 95402830 | 2 | EA | CONNECTOR,STRT THRD |
| 014 | 95479739 | 6 | EA | REDUCER, SAE/ORING 16-8 |
| 015 | 95356903 | 6 | EA | CONNECTOR,STRT THRD |

VALVE ASSY, 6 SPOOL MAIN

57157323

57008203 VALVE, HYDRAULIC-6 SPOOL

VALVE ASSY, 6 SPOOL MAIN
57157323

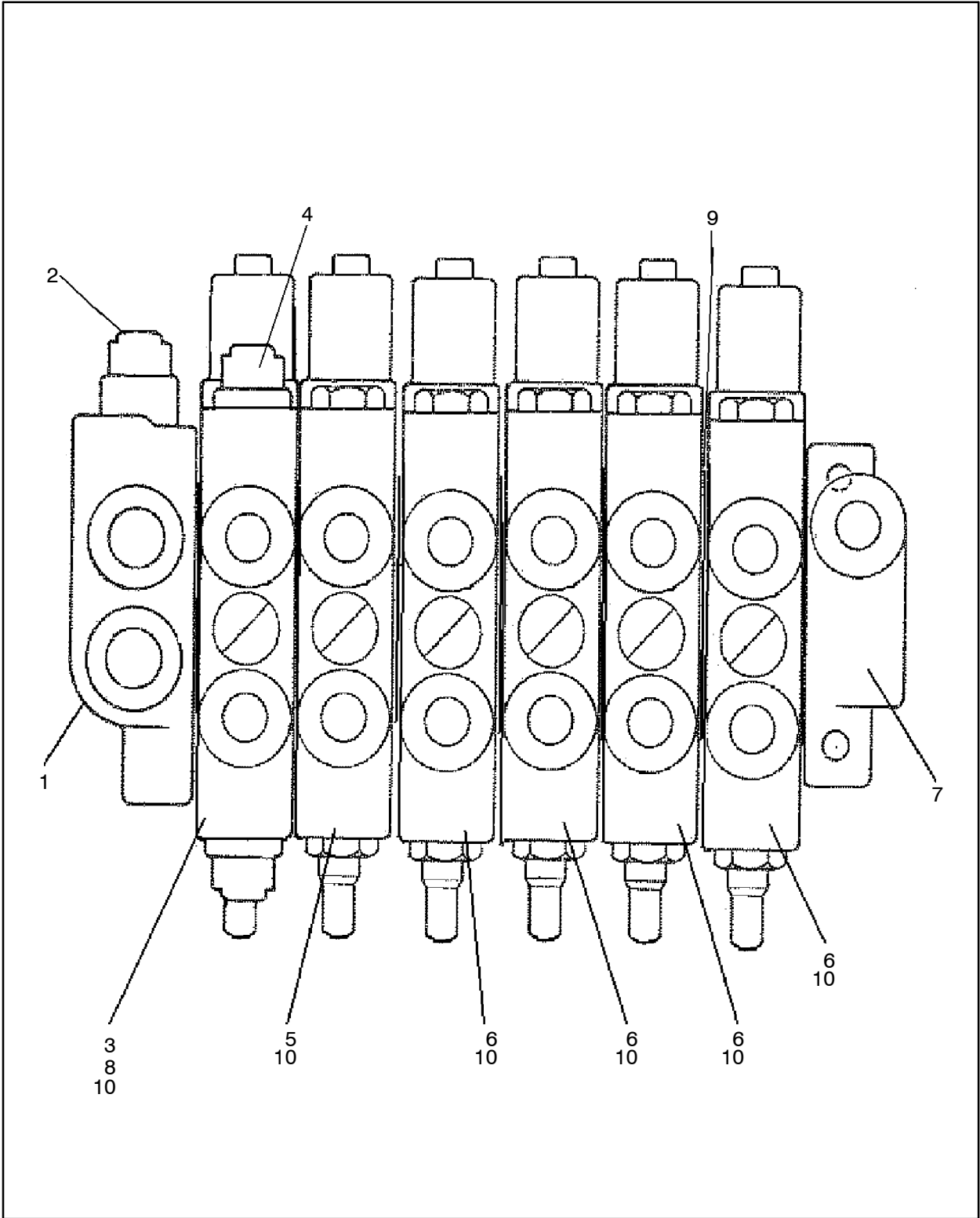


Figure 176 :VALVE, HYDRAULIC-6 SPOOL
B57008203 REV 001

57008203 VALVE, HYDRAULIC-6 SPOOL

| REF. | PART NO. | QTY. | UNIT | DESCRIPTION |
|------|----------|------|------|----------------------------|
| 001 | 57750465 | 1 | EA | COVER,INLET-6 SPOOL VLV |
| 002 | 56962293 | 1 | EA | VALVE,RELIEF |
| | 57153728 | 1 | EA | ● - SEAL KIT |
| 003 | 57750473 | 1 | EA | VALVE,DETENT:4WAY 3P |
| 004 | 56989890 | 2 | EA | CARTRIDGE,3000 PSI |
| | 57153579 | 1 | EA | ● - REPAIR KIT,MAIN RELIEF |
| 005 | 57014649 | 1 | EA | SECTION,VALVE |
| 006 | 57415325 | 4 | EA | VALVE SECTION |
| 007 | 57750481 | 1 | EA | COVER,OUTLET: 6 SP VLV |
| 008 | 58211798 | 1 | EA | DETENT KIT |
| 009 | 56943756 | 7 | EA | KIT,SEAL |
| 010 | 57158040 | 6 | EA | KIT, PIN |

VALVE ASSY, 6 SPOOL MAIN
 57157323

57251431

CONTROL,OVERPRESSURE P.

CONTROL,OVERPRESSURE P.

57251431

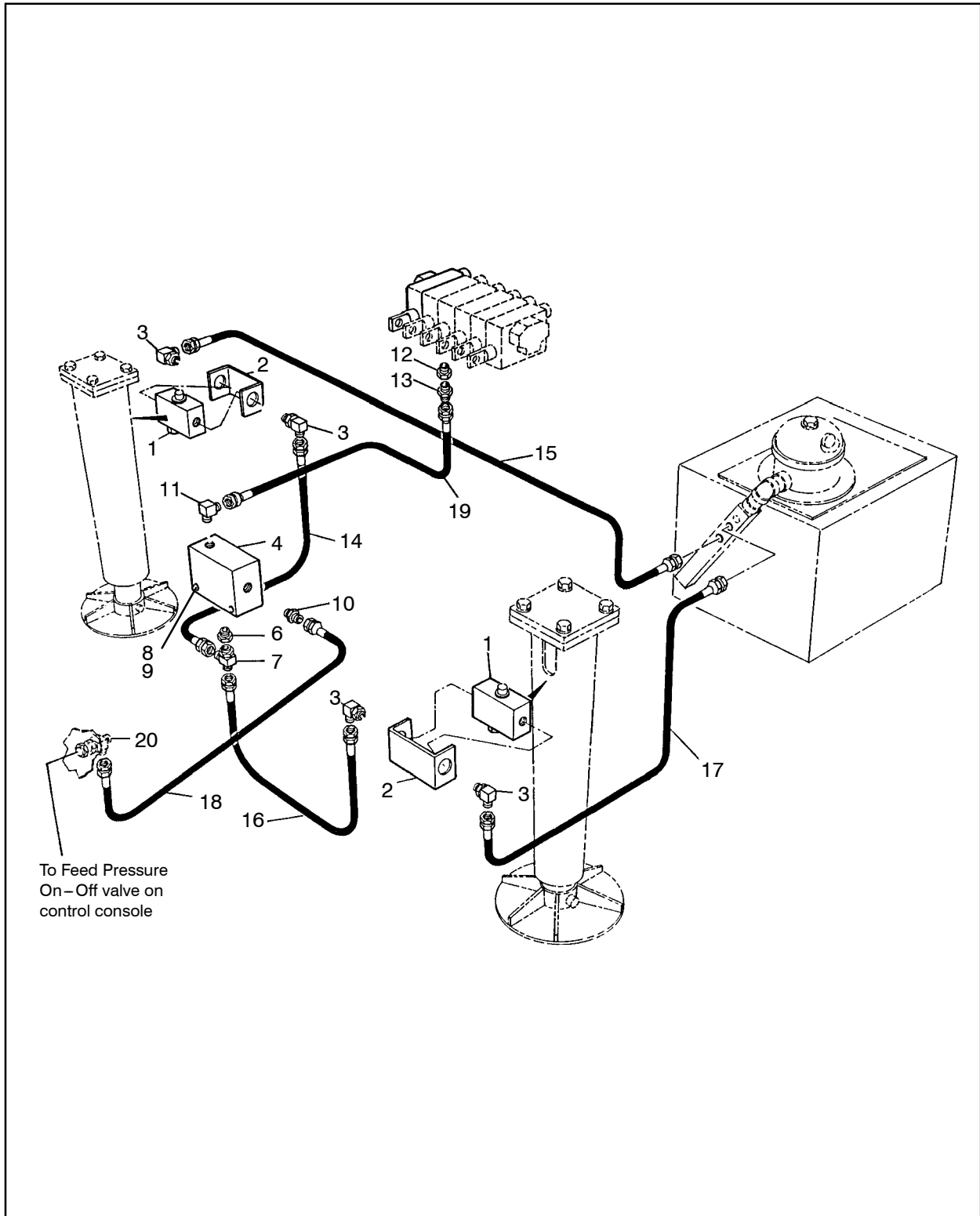


Figure 177 :CONTROL,OVERPRESSURE P.
E57251431 REV 002

57251431 CONTROL,OVERPRESSURE P.

| REF. | PART NO. | QTY. | UNIT | DESCRIPTION |
|------|----------|------|------|--------------------------|
| 001 | 50429356 | 2 | EA | VALVE, 2-WAY |
| 002 | 50429455 | 2 | EA | BRACKET, VALVE |
| 003 | 95365086 | 4 | EA | CONNECTOR,STRT THRD |
| 004 | 56986656 | 1 | EA | VALVE, CHECK |
| 006 | 95655064 | 1 | EA | ADAPTER,FEMALE,STRT THRD |
| 007 | 95419073 | 1 | EA | TEE, NPT/JIC |
| 008 | 95934782 | 2 | EA | SCREW, CAP-1/4-20 X1-3/4 |
| 009 | 95934766 | 2 | EA | WASHER,LOCK,HELICAL |
| 010 | 95365078 | 1 | EA | CONNECTOR,STRT THRD |
| 011 | 95365094 | 1 | EA | ELBOW,90DEG,STRT THRD |
| 012 | 57097446 | 1 | EA | PLUG, MODIFIED |
| 013 | 95263380 | 1 | EA | FITTING,HYD-NPT/JIC |
| 014 | 52241031 | 1 | EA | HOSE ASSY |
| 015 | 52225547 | 1 | EA | HOSE ASSY |
| 016 | 57020851 | 1 | EA | HOSE ASSY |
| 017 | 57020851 | 1 | EA | HOSE ASSY |
| 018 | 56961824 | 1 | EA | HOSE ASSY |
| 019 | 56964141 | 1 | EA | HOSE ASSY |
| 020 | 95209094 | 1 | EA | FITTING, HYD |

CONTROL,OVERPRESSURE P. 57251431

57666687

PIPING,FAN/HOC DM30

PIPING,FAN/HOC DM30

57666687

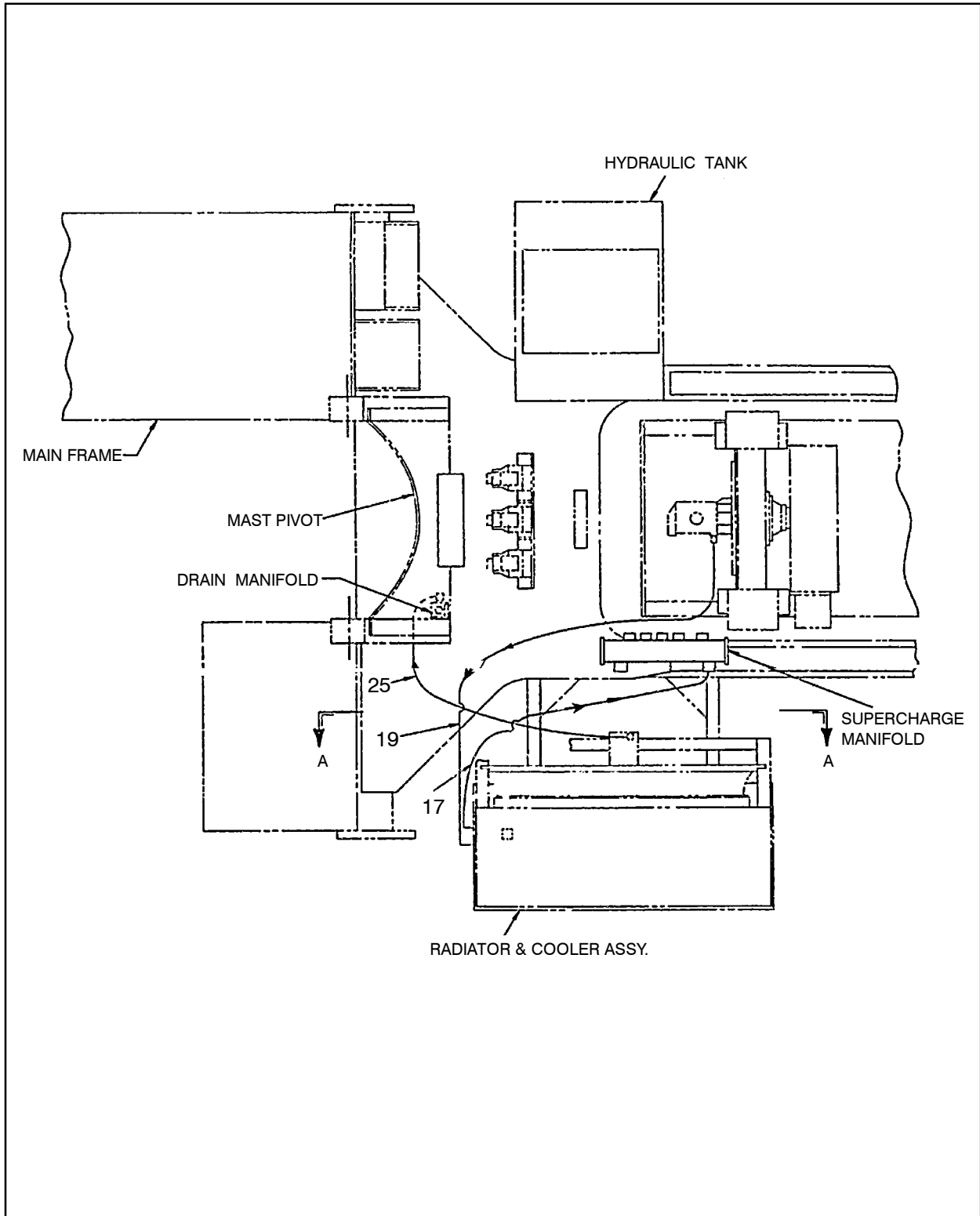
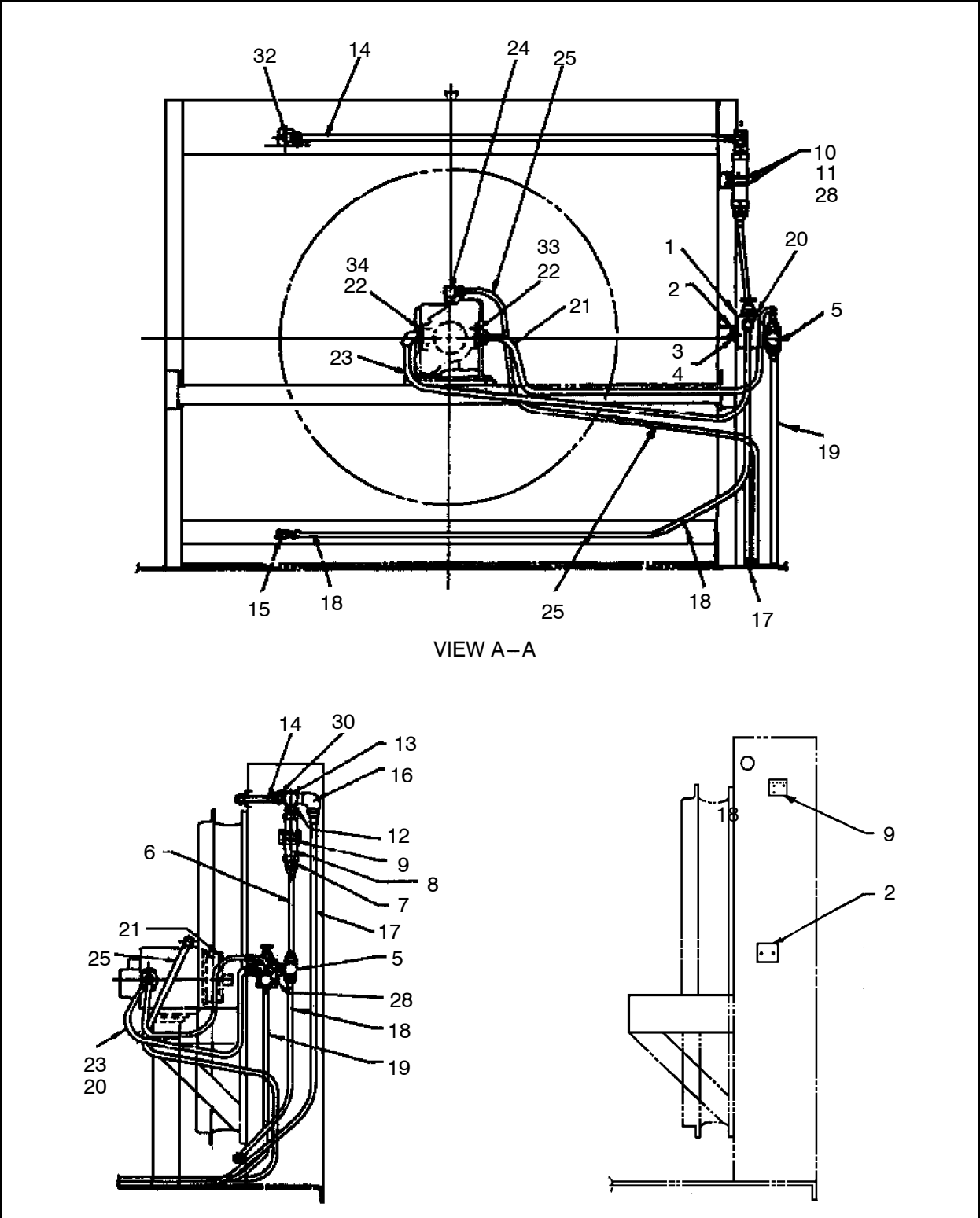


Figure 178 :PIPING,FAN/HOC DM30
D57666687 REV 004

57666687 PIPING,FAN/HOC DM30



PIPING,FAN/HOC DM30
57666687

Figure 179 :PIPING,FAN/HOC DM30
D57666687 REV 004

57666687 PIPING,FAN/HOC DM30

PIPING,FAN/HOC DM30
57666687

| REF. | PART NO. | QTY. | UNIT | DESCRIPTION |
|------|----------|------|------|--------------------------|
| 001 | 57142515 | 1 | EA | VALVE, RELIEF- VENTED |
| 002 | 57499196 | 1 | EA | ANGLE |
| 003 | 95934550 | 2 | EA | SCREW,CAP,HEX |
| 004 | 95937413 | 2 | EA | WASHER,LOCK,HELICAL |
| 005 | 57482580 | 2 | EA | TEE-JIC RUN/ORING |
| 006 | 56947674 | 1 | EA | HOSE ASSY |
| 007 | 95316956 | 1 | EA | FITTING, HYD |
| 008 | 50261825 | 1 | EA | VALVE, CHECK |
| 009 | 57481483 | 1 | EA | ANGLE, MOUNTING-CHECKVLV |
| 010 | 95381828 | 2 | EA | U-BOLT,ROUND BEND |
| 011 | 95922894 | 4 | EA | NUT,HEX,FINISHED |
| 012 | 95479861 | 1 | EA | FITTING-STR EXT NPT |
| 013 | 95280095 | 1 | EA | TEE,FEMALE,NPTF |
| 014 | 57662736 | 1 | EA | HOSE ASSEMBLY |
| 015 | 95329983 | 1 | EA | CONNECTOR,STRAIGHT THRD |
| 016 | 95279410 | 1 | EA | FITTING HYD |
| 017 | 57480808 | 1 | EA | HOSE ASSY |
| 018 | 52228244 | 1 | EA | HOSE ASSY |
| 019 | 56992001 | 1 | EA | HOSE ASSY |
| 020 | 95371217 | 1 | EA | CONNECTOR,STRT THRD |
| 021 | 56988827 | 1 | EA | HOSE ASSY |
| 022 | 56950579 | 2 | EA | KIT,SPLIT FLANGE |
| 023 | 57714719 | 1 | EA | HOSE ASSEMBLY |
| 024 | 95376141 | 1 | EA | ELBOW,90DEG STRT THRD |
| 025 | 57357485 | 1 | EA | HOSE ASSY |
| 028 | 95343596 | 2 | EA | PLUG,HEX HEAD,O'RING |
| 030 | 95219762 | 1 | EA | ADAPTER |
| 032 | 95280194 | 1 | EA | ELBOW,90 DEG STRT THRD |
| 033 | 56986821 | 1 | EA | ADAPTER |
| 034 | 56986821 | 1 | EA | ADAPTER |

57666687 PIPING,FAN/HOC DM30

This page is intentionally blank.

PIPING,FAN/HOC DM30
57666687

57137713 PIPING, SWING/INDEX-2 RODS

PIPING, SWING/INDEX-2 RODS
57137713

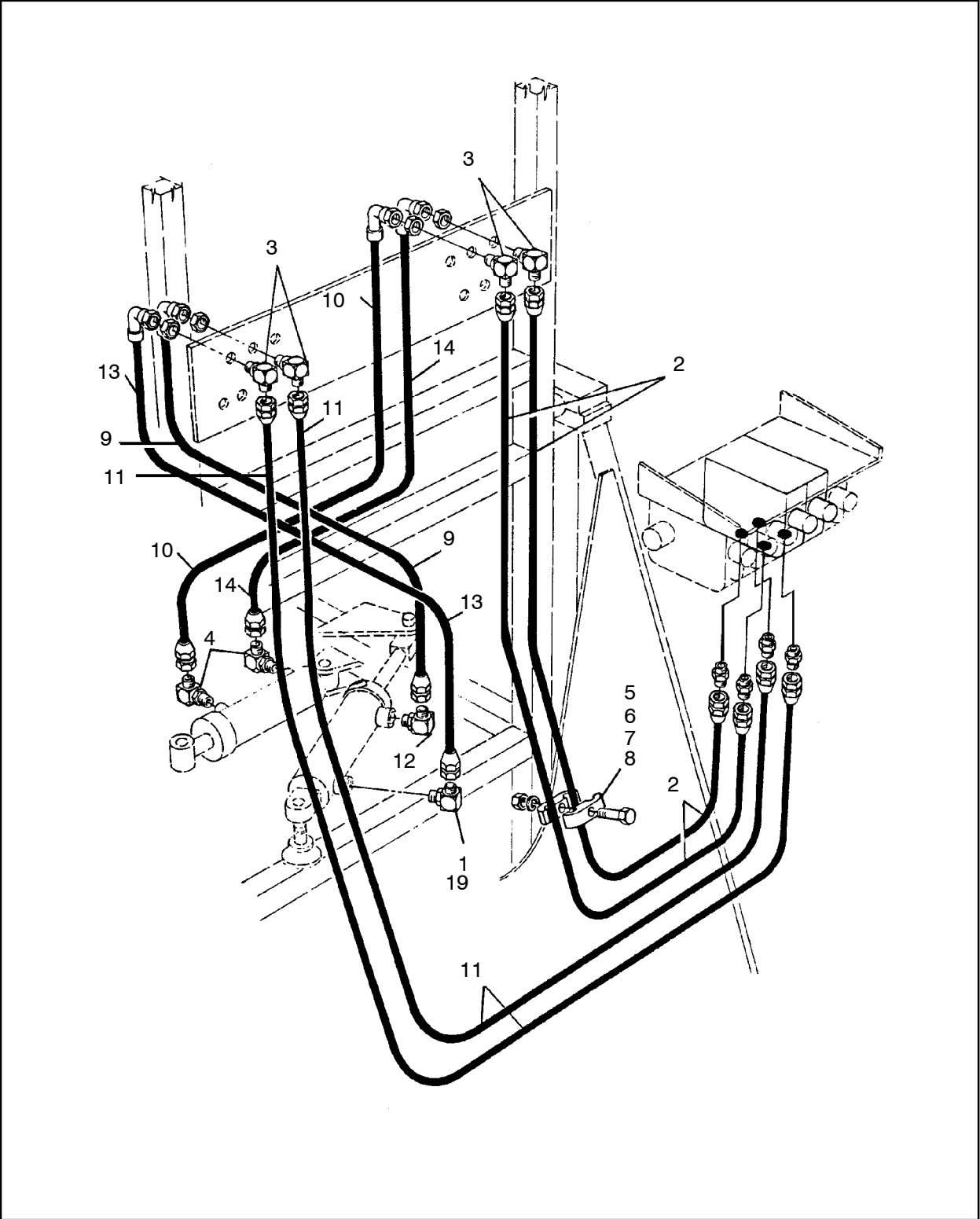


Figure 180 :PIPING, SWING/INDEX-2 RODS
D57137713 REV 06

57137713 PIPING, SWING/INDEX-2 RODS

| REF. | PART NO. | QTY. | UNIT | DESCRIPTION |
|------|----------|------|------|--------------------------|
| 001 | 95356853 | 1 | EA | FITTING, HYD |
| 002 | 97113583 | 2 | EA | HOSE ASSY |
| 003 | 95278958 | 4 | EA | FITTING, HYD |
| 004 | 95329975 | 2 | EA | FITTING, HYD |
| 005 | 50034826 | 8 | EA | CLAMP, HOSE |
| 006 | 95934568 | 4 | EA | SCREW, CAP-1/4-20 X 2 |
| 007 | 95931564 | 4 | EA | NUT, HEX-1/4-20 |
| 008 | 95934766 | 4 | EA | WASHER, LOCK-1/4 PLATED |
| 009 | 57039745 | 1 | EA | HOSE ASSY |
| 010 | 57025991 | 1 | EA | HOSE ASSY |
| 011 | 56953896 | 2 | EA | HOSE ASSY |
| 012 | 95356853 | 1 | EA | FITTING, HYD |
| 013 | 58182791 | 1 | EA | HOSE ASSY |
| 014 | 57025991 | 1 | EA | HOSE ASSY |
| 019 | 57291049 | 1 | EA | RESTRICTOR, JIC/JIC .062 |

PIPING, SWING/INDEX-2 RODS

57137713

57589053

PIPING,ANGLE DRILL,20DEG

PIPING,ANGLE DRILL,20DEG

57589053

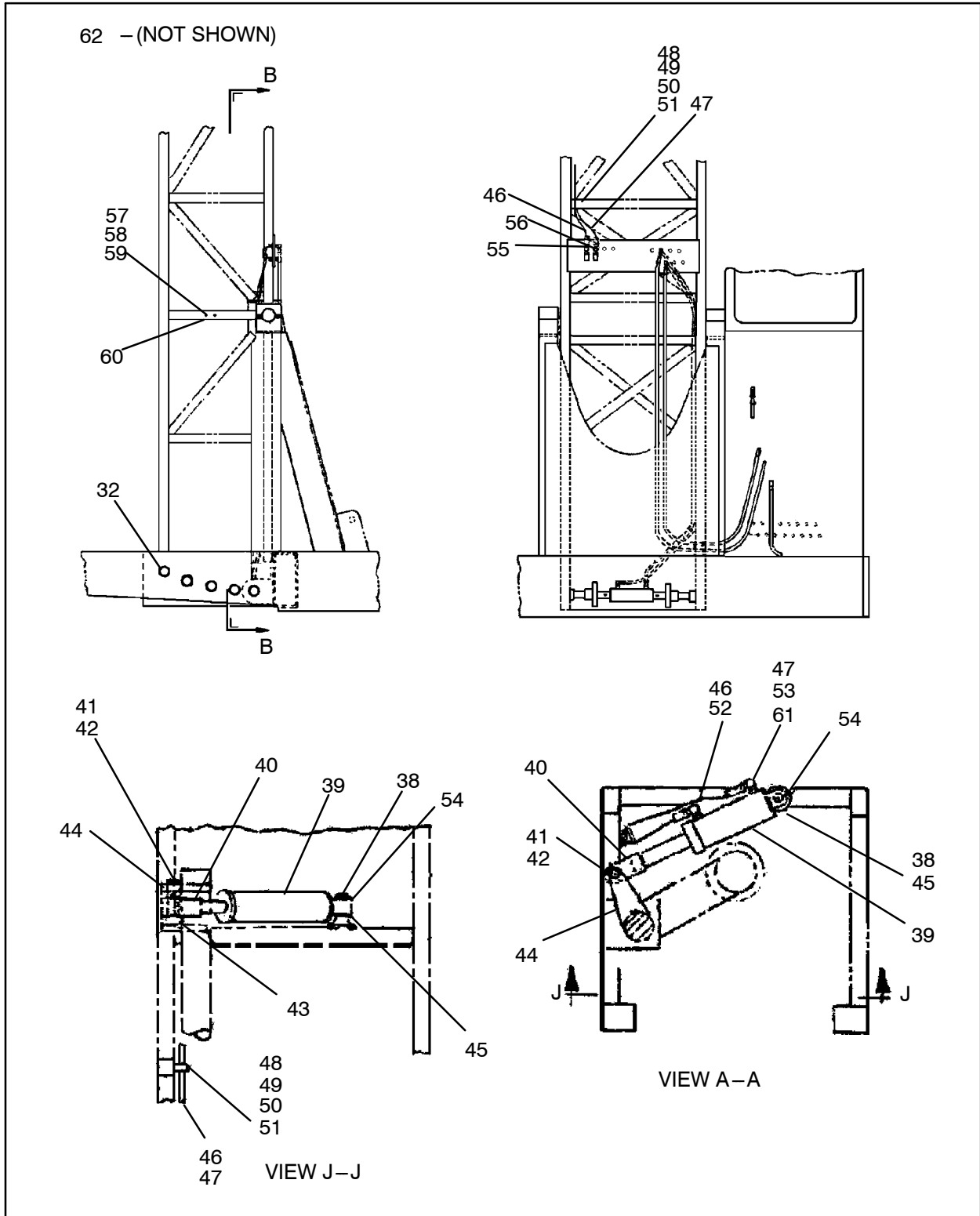
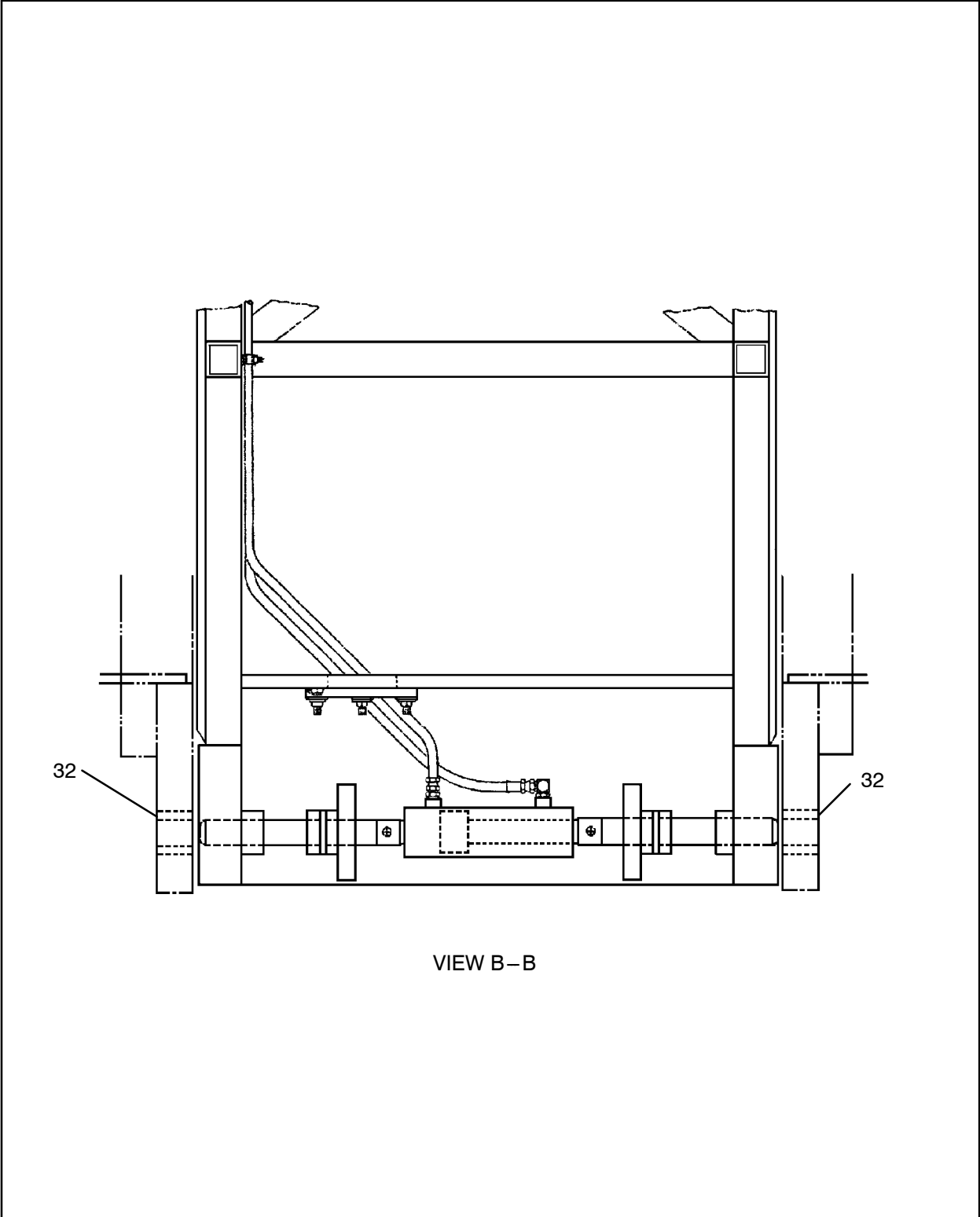


Figure 181 :PIPING,ANGLE DRILL,20DEG
D57589053 REV 001

57589053 PIPING,ANGLE DRILL,20DEG



PIPING,ANGLE DRILL,20DEG
57589053

Figure 182 :PIPING,ANGLE DRILL,20DEG
D57589053 REV 001

57589053 PIPING,ANGLE DRILL,20DEG

PIPING,ANGLE DRILL,20DEG
57589053

| REF. | PART NO. | QTY. | UNIT | DESCRIPTION |
|------|----------|------|------|---|
| 032 | 57012510 | 8 | EA | INSERT, PINNING |
| 038 | 57143828 | 1 | EA | PIN,POST CAR-SW CYL DM30 |
| 039 | 57135956 | 1 | EA | CYLINDER,HYDRAULIC |
| | 57139206 | 0 | EA | ● - KIT, SEAL (See figure 183) |
| | 54533120 | 1 | EA | ● - KIT,ARCTIC SEAL |
| 040 | 56938335 | 1 | EA | EYE,ROD |
| 041 | 57145963 | 1 | EA | PIN, CAROUSEL SWG.CYLNDR |
| 042 | 95210852 | 2 | EA | PIN, COTTER |
| 043 | 57143836 | 2 | EA | TUBING, MECHANICAL |
| 044 | 57169435 | 2 | EA | PLATE, SWING CYL. 4 ROD |
| 045 | 95094280 | 1 | EA | WASHER, FLAT-1-1/4 |
| 046 | 57157422 | 1 | EA | HOSE ASSY |
| 047 | 57157422 | 1 | EA | HOSE ASSY |
| 048 | 50034826 | 18 | EA | CLAMP,HOSE,HALF |
| 049 | 95934568 | 9 | EA | SCREW,CAP,HEX |
| 050 | 95934766 | 9 | EA | WASHER,LOCK,HELICAL |
| 051 | 95931564 | 9 | EA | NUT,HEX,FINISHED |
| 052 | 95356853 | 1 | EA | ELBOW,90 DEG STRT THRD |
| 053 | 95356853 | 1 | EA | ELBOW,90 DEG STRT THRD |
| 054 | 95223376 | 1 | EA | RING, RETAINING |
| 055 | 50932268 | 1 | EA | FITTING, HYD |
| 056 | 50932268 | 1 | EA | FITTING, HYD |
| 057 | 95076725 | 2 | EA | NUT,MACHINE,HEX |
| 058 | 95922555 | 2 | EA | WASHER,LOCK |
| 059 | 95942918 | 2 | EA | SCREW,ROUND HD |
| 060 | 57118879 | 1 | EA | INCLINOMETER-0-20 DEG. |
| 061 | 57291049 | 1 | EA | RESTRICTOR, JIC/JIC .062 |
| 062 | 57760183 | 1 | EA | ANGLE,W/HOLES |

57589053 PIPING,ANGLE DRILL,20DEG

This page is intentionally blank.

PIPING,ANGLE DRILL,20DEG 57589053

57139206

KIT, SEAL

PIPING, ANGLE DRILL, 20DEG

57589053

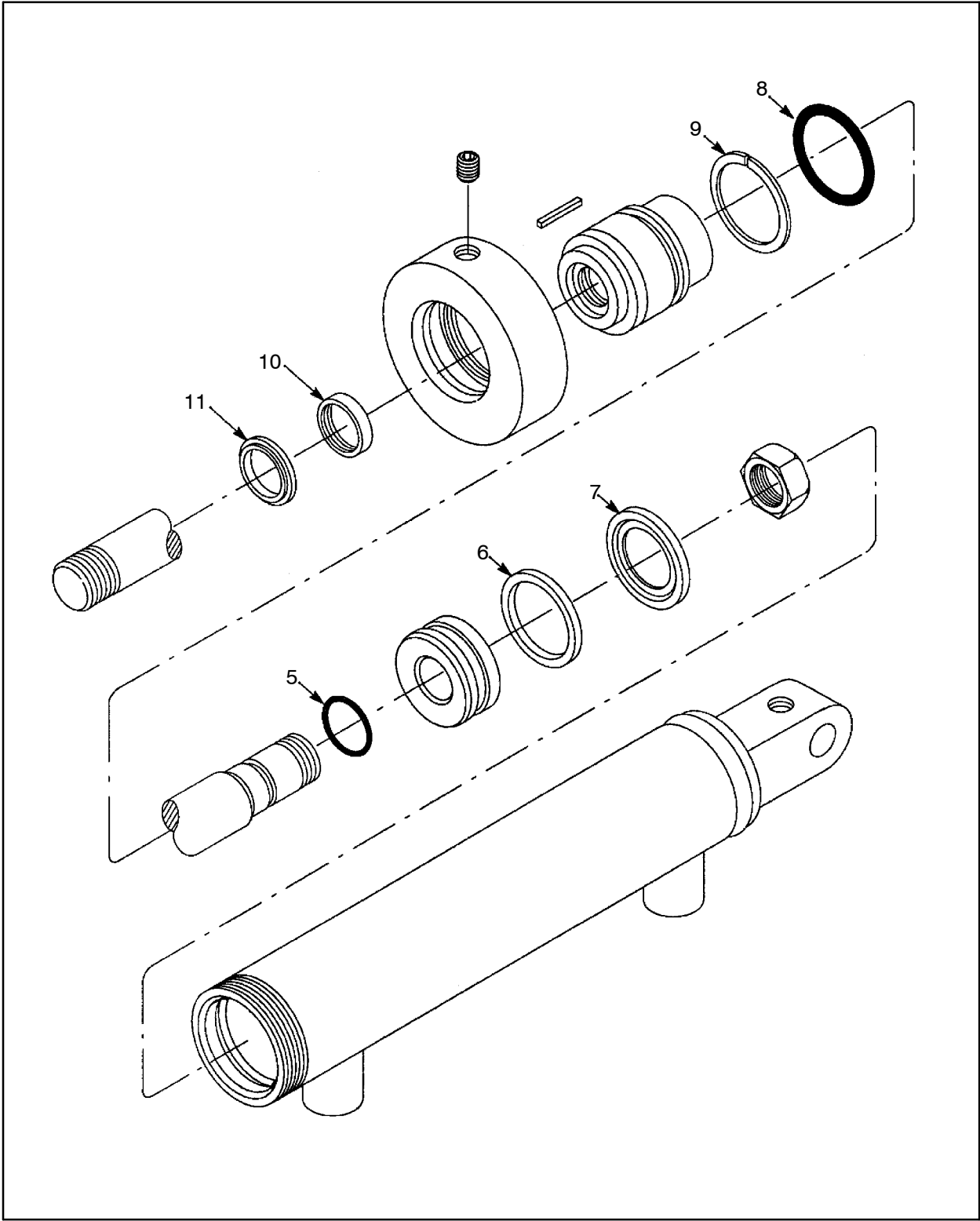


Figure 183 :KIT, SEAL
D57135956 REV 00

57139206 KIT, SEAL

| REF. | PART NO. | QTY. | UNIT | DESCRIPTION |
|------|----------|------|------|---------------|
| 005 | 57163420 | 1 | EA | O-RING |
| 006 | 57163438 | 2 | EA | CROWN SEAL |
| 007 | 57363988 | 1 | EA | RING, BACK UP |
| 008 | 57163511 | 1 | EA | O-RING |
| 009 | 57163529 | 1 | EA | RING, BACK UP |
| 010 | 57163453 | 1 | EA | U-CUP |
| 011 | 59322677 | 1 | EA | WIPER |

PIPING, ANGLE DRILL, 20DEG
57589053

57525289

PIPING,CYLINDER,TWRIFT

PIPING,CYLINDER,TWRIFT

57525289

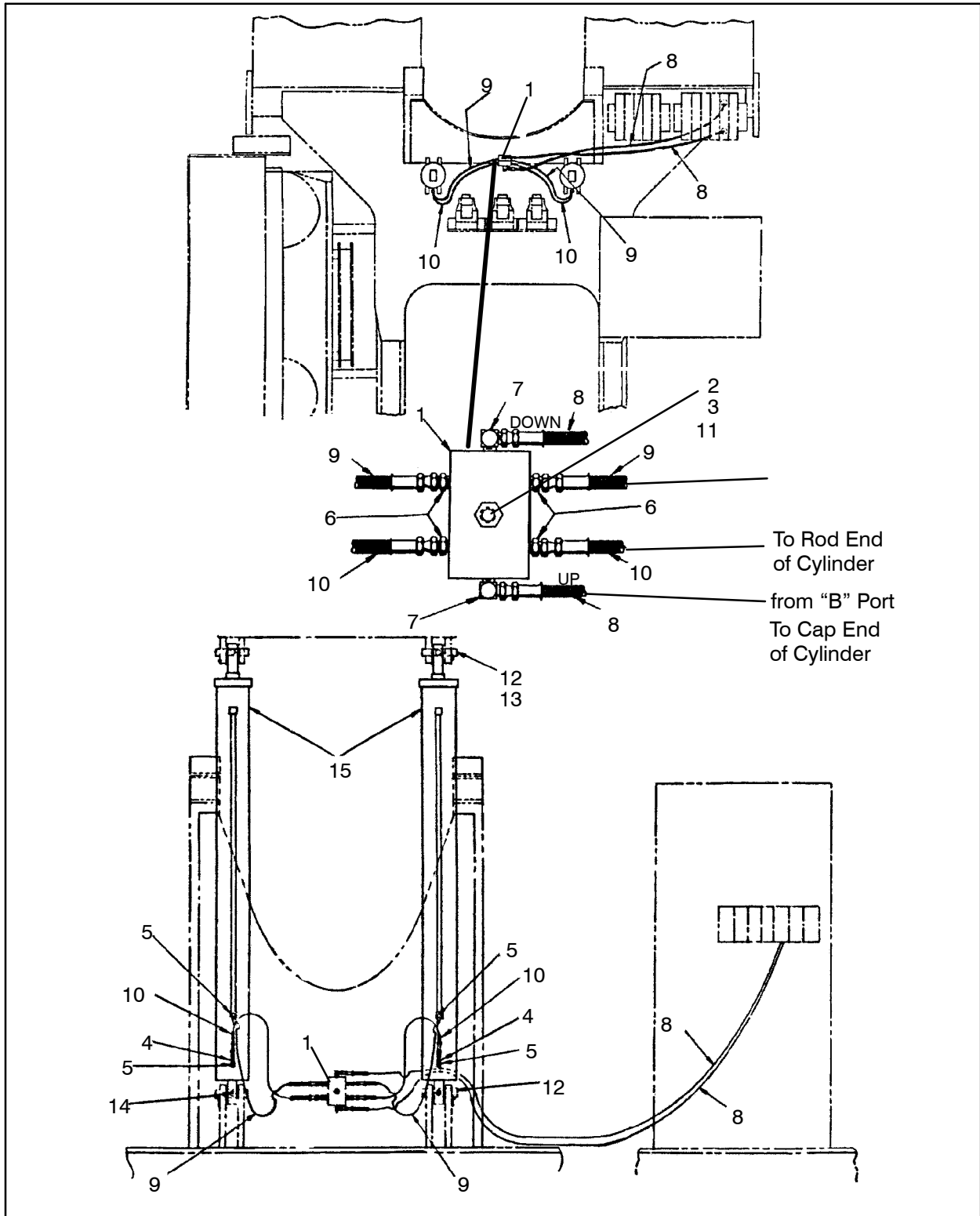


Figure 184 :PIPING,CYLINDER,TWRIFT
 D57117251 REV 003

57525289 PIPING,CYLINDER,TWRLIFT

| REF. | PART NO. | QTY. | UNIT | DESCRIPTION |
|------|----------|------|------|--------------------------|
| 001 | 57350084 | 1 | EA | MANIFOLD, HYD-ORING THDS |
| 002 | 95035465 | 1 | EA | SCREW,CAP,HEX |
| 003 | 95922928 | 1 | EA | NUT,HEX,FINISHED |
| 004 | 56980303 | 2 | EA | ORIFICE, .125 |
| 005 | 95480109 | 4 | EA | FITTING, HYD-90DEGO-RING |
| 006 | 95372173 | 4 | EA | FITTING, HYD |
| 007 | 95480109 | 2 | EA | FITTING, HYD-90DEGO-RING |
| 008 | 56954183 | 2 | EA | HOSE ASSY |
| 009 | 56959828 | 2 | EA | HOSE ASSY |
| 010 | 56959828 | 2 | EA | HOSE ASSY |
| 011 | 95934691 | 1 | EA | WASHER,LOCK,HELICAL |
| 012 | 50813567 | 4 | EA | PIN, CYLINDER |
| 013 | 50813575 | 4 | EA | PLATE,LOCKING |
| 014 | 95201547 | 4 | EA | FITTING,LUBE |
| 015 | 57488942 | 2 | EA | CYLINDER, HYDRAULIC |
| | 57511222 | 1 | EA | ●- SEAL KIT, CYLINDER |
| | 57658981 | 1 | EA | ●- PISTON |

PIPING,CYLINDER,TWRLIFT
 57525289

57531253 VALVE ASM,6 SPOOL

VALVE ASM,6 SPOOL

57531253

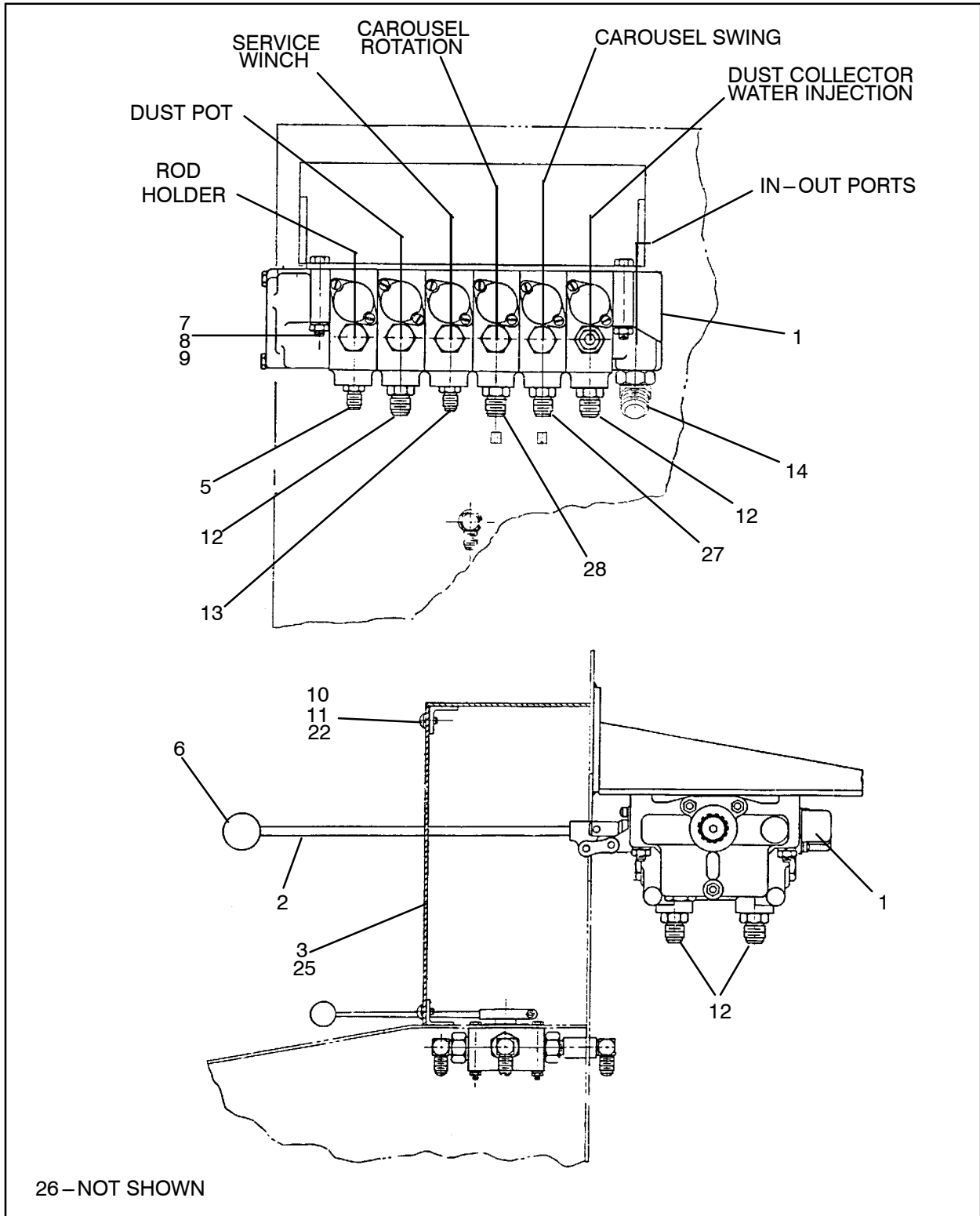


Figure 185 :VALVE ASM,6 SPOOL
D57006025 REV 008

57531253 VALVE ASM,6 SPOOL

| REF. | PART NO. | QTY. | UNIT | DESCRIPTION |
|------|----------|------|------|---------------------------|
| 001 | 57158040 | 6 | EA | KIT, PIN |
| 001 | 57531220 | 1 | EA | VALVE, HYDRAULIC-6 SPOOL |
| | 59681999 | 1 | EA | ● - SEAL KIT |
| | 57532343 | 3 | EA | ● - SECTION, VALVE- V-20 |
| 002 | 56957244 | 6 | EA | HANDLE ASSY |
| | 56957236 | 1 | EA | ● - LINK |
| | 56957228 | 1 | EA | ● - ROD |
| 003 | 57004590 | 1 | EA | PANEL, COVER |
| 005 | 95397394 | 2 | EA | FITTING, HYD |
| 006 | 57148934 | 6 | EA | KNOB,BLACK |
| 007 | 95958948 | 3 | EA | SCREW, CAP-5/16-18 X 3 |
| 008 | 95929782 | 3 | EA | NUT,HEX,FINISHED |
| 009 | 95934303 | 3 | EA | WASHER,LOCK,PLATED |
| 010 | 95958591 | 4 | EA | SCREW,ROUNDHDD-1/4-20X3/8 |
| 011 | 95746418 | 4 | EA | WASHER, LOCK-1/4 CAD PLT |
| 012 | 95285946 | 4 | EA | FITTING, HYD |
| 013 | 95285946 | 2 | EA | FITTING, HYD |
| 014 | 95359410 | 2 | EA | ELBOW,45DEG,STRT THRD |
| 022 | 95922183 | 4 | EA | WASHER,FLAT |
| 025 | 57179061 | 1 | EA | DECAL, 6 SPOOL VALVE |
| | 57004590 | 0 | EA | ● - PANEL, COVER |
| 026 | 57117327 | 1 | EA | KIT,CAB DUST CURTAIN |
| 027 | 95397394 | 2 | EA | FITTING, HYD |
| 028 | 95397394 | 2 | EA | FITTING, HYD |

(See figure 186)

VALVE ASM,6 SPOOL
57531253

57117327 KIT,CAB DUST CURTAIN

VALVE ASM,6 SPOOL
57531253

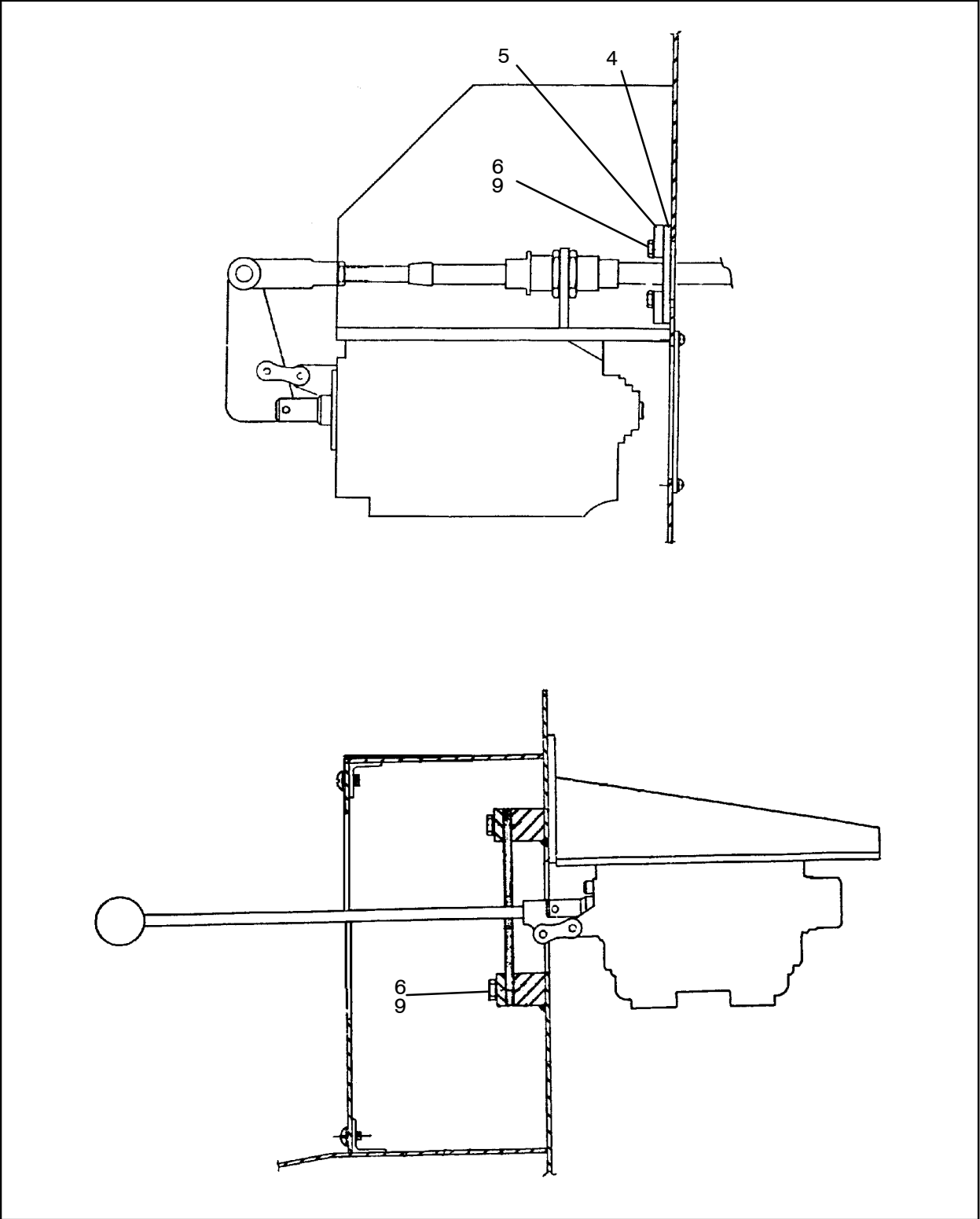


Figure 186 :KIT,CAB DUST CURTAIN
D57098980 REV 003

57117327 KIT,CAB DUST CURTAIN

| REF. | PART NO. | QTY. | UNIT | DESCRIPTION |
|------|----------|------|------|-------------------------|
| 004 | 57715088 | 1 | EA | SEAL,DUST,5 SPOOL VALVE |
| 005 | 57099046 | 2 | EA | BAR - W/HOLES |
| 006 | 95934816 | 8 | EA | SCREW,CAP,HEX |
| 009 | 95934766 | 8 | EA | WASHER,LOCK,HELICAL |
| 011 | 57715096 | 1 | EA | SEAL,DUST,6 SPOOL VALVE |

VALVE ASM,6 SPOOL
57531253

ELECTRICAL SYSTEM

SECTION

ELECTRICAL SYSTEM

This page is intentionally blank.

SECTION

ELECTRICAL SYSTEM

57273153 LIGHTS,DRILL & PROPEL

LIGHTS,DRILL & PROPEL
57273153

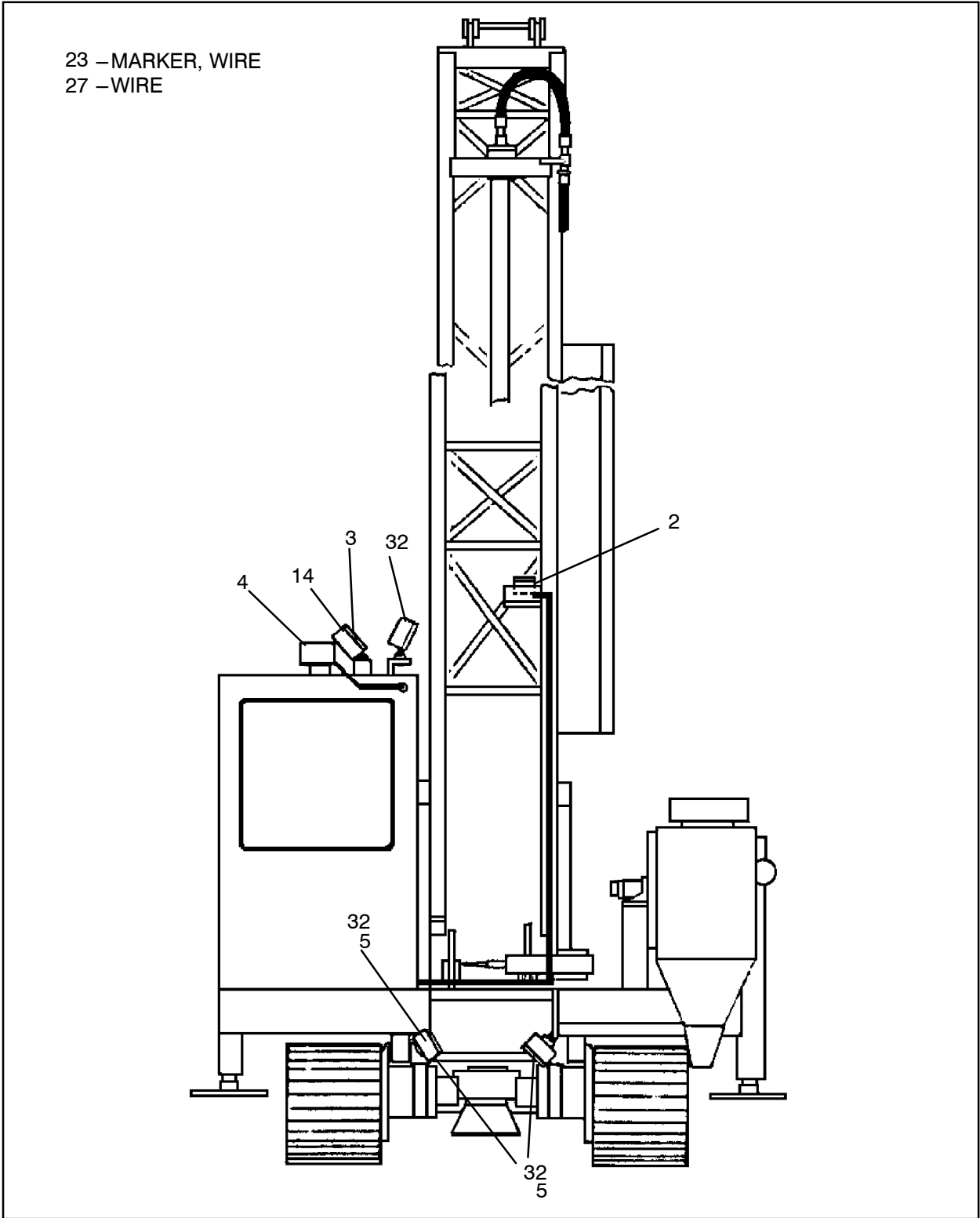
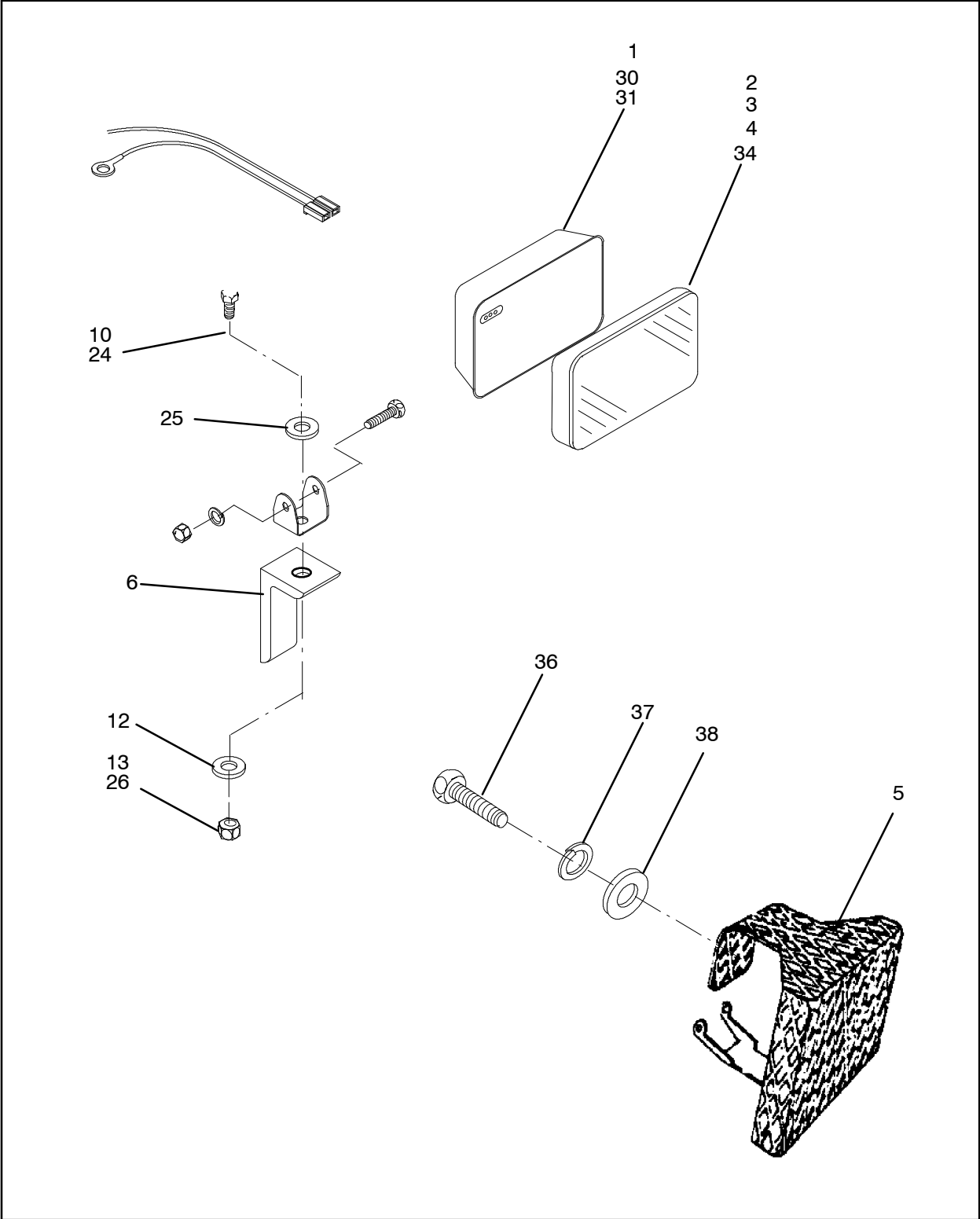


Figure 187 :LIGHTS,DRILL & PROPEL
D57273153 REV 005

57273153 LIGHTS,DRILL & PROPEL



LIGHTS,DRILL & PROPEL
57273153

Figure 188 :LIGHTS,DRILL & PROPEL
D57273153 REV 005

57273153

LIGHTS,DRILL & PROPEL

LIGHTS,DRILL & PROPEL

57273153

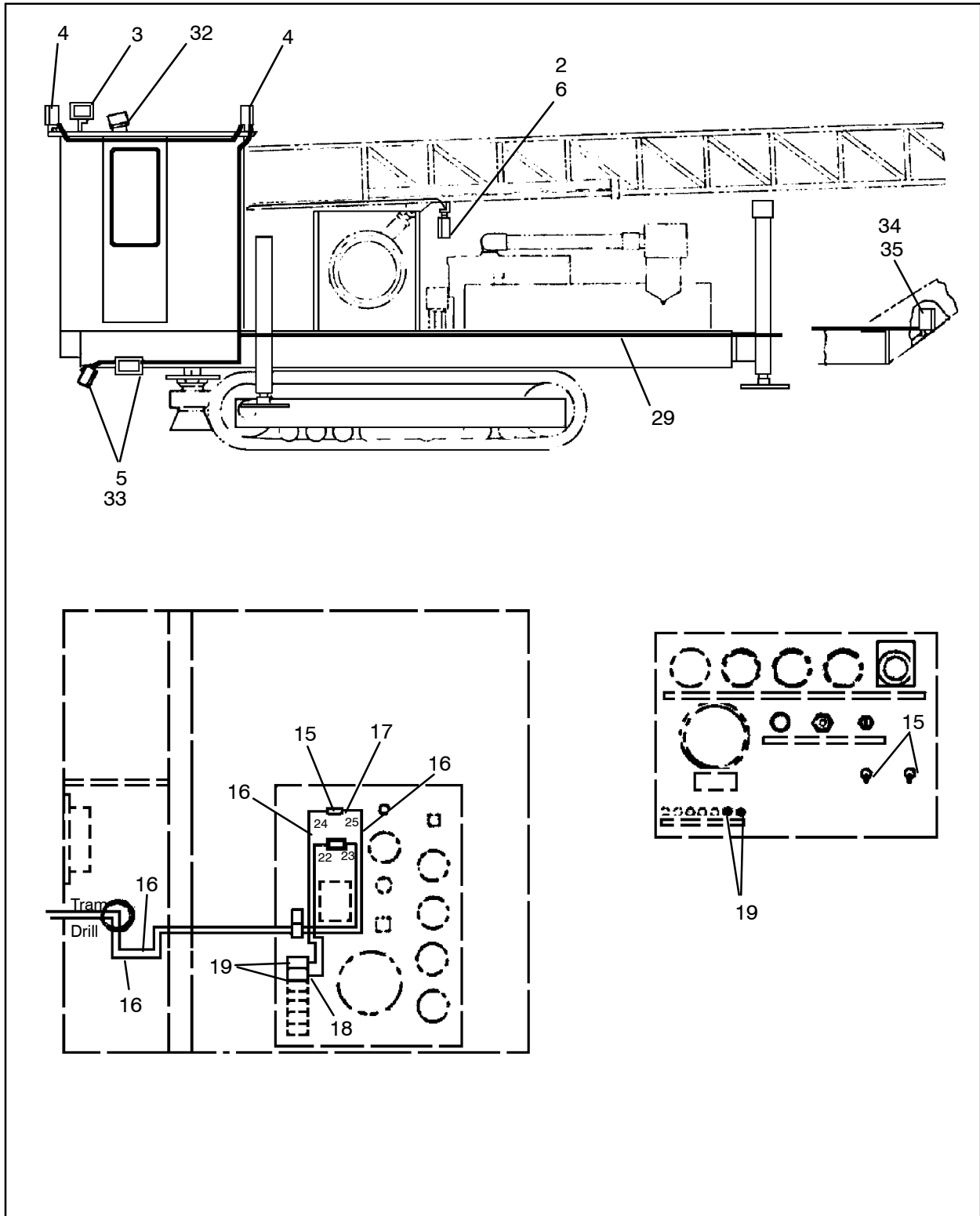
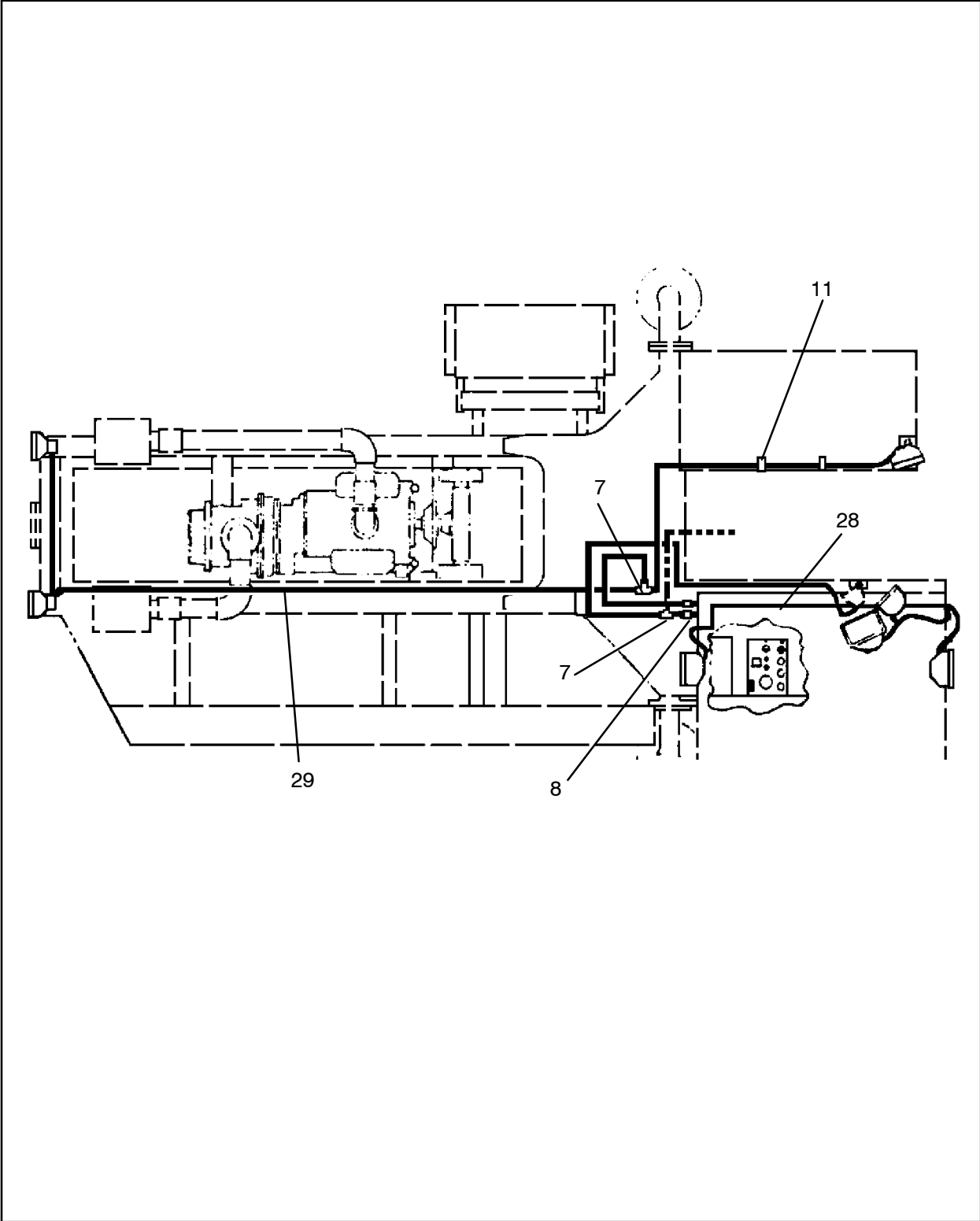


Figure 189 :LIGHTS,DRILL & PROPEL
D57273153 REV 005

57273153 LIGHTS,DRILL & PROPEL



LIGHTS,DRILL & PROPEL
57273153

Figure 190 :LIGHTS,DRILL & PROPEL
D57273153 REV 005

57273153 LIGHTS,DRILL & PROPEL

LIGHTS,DRILL & PROPEL
57273153

| REF. | PART NO. | QTY. | UNIT | DESCRIPTION |
|------|----------|--------|------|---------------------------|
| 001 | 57157885 | 4 | EA | HOUSING, 4X6 LIGHT |
| 002 | 57147282 | 1 | EA | LAMP, FLOOD-70W HALOGEN |
| 003 | 57147290 | 1 | EA | LAMP, SPOT-70W/24VHALOGEN |
| 004 | 57157893 | 2 | EA | LAMP, TRAP-70W HALOGEN |
| 005 | 57273591 | 2 | EA | GUARD, DRILLING LIGHT |
| 006 | 56790330 | 1 | EA | ANGLE |
| 007 | 56762206 | 6 | EA | CONNECTOR |
| 008 | 56762248 | 12 | EA | CONNECTOR, SPLICE |
| 010 | 95920682 | 12 | EA | SCREW,CAP,HEX |
| 011 | 95301842 | 12 | EA | CLAMP, HOSE |
| 012 | 95937413 | 12 | EA | WASHER,LOCK,HELICAL |
| 013 | 95922894 | 12 | EA | NUT,HEX,FINISHED |
| 014 | 50700731 | 1 | EA | COMPOUND,SILICONE |
| 015 | 57179608 | 2 | EA | SWITCH, SPST/ON-OFF |
| 016 | 50623065 | 1.00 | IN | WIRE,14AWG-VIOLET |
| 017 | 95329249 | 4 | EA | TERMINAL |
| 018 | 56930308 | 2 | EA | TERMINAL |
| 019 | 57084055 | 2 | EA | BREAKER, CIRCUIT-15 AMP |
| 023 | 57093080 | 72 | EA | MARKER, WIRE |
| 024 | 95920674 | 9 | EA | SCREW,CAP,HEX |
| 025 | 95922225 | 18 | EA | WASHER, FLAT-5/16 |
| 026 | 95923223 | 9 | EA | NUT,ELASTIC LOCK-3/8-16 |
| 027 | 50249671 | 454.00 | IN | WIRE, 14AWG-WHITE |
| 028 | 57358830 | 276.00 | IN | CONDUIT, 3/8 NYLON |
| 029 | 57358830 | 1.00 | IN | CONDUIT, 3/8 NYLON |
| 030 | 57157885 | 4 | EA | HOUSING, 4X6 LIGHT |
| 031 | 57157885 | 1 | EA | HOUSING, 4X6 LIGHT |
| 032 | 57147282 | 1 | EA | LAMP, FLOOD-70W HALOGEN |
| 033 | 57147282 | 2 | EA | LAMP, FLOOD-70W HALOGEN |
| 034 | 57157893 | 2 | EA | LAMP, TRAP-70W HALOGEN |
| 035 | 56790330 | 4 | EA | ANGLE |
| 036 | 95931812 | 4 | EA | SCREW,ROUND HD-10-24X3/4 |
| 037 | 95922563 | 4 | EA | WASHER, LOCK-NO.10(REG) |
| 038 | 95234456 | 4 | EA | WASHER, FLAT-NO.10 |

57273153 LIGHTS,DRILL & PROPEL

This page is intentionally blank.

LIGHTS,DRILL & PROPEL
57273153

57667826 WIRING,BASIC CAT

WIRING,BASIC CAT 57667826

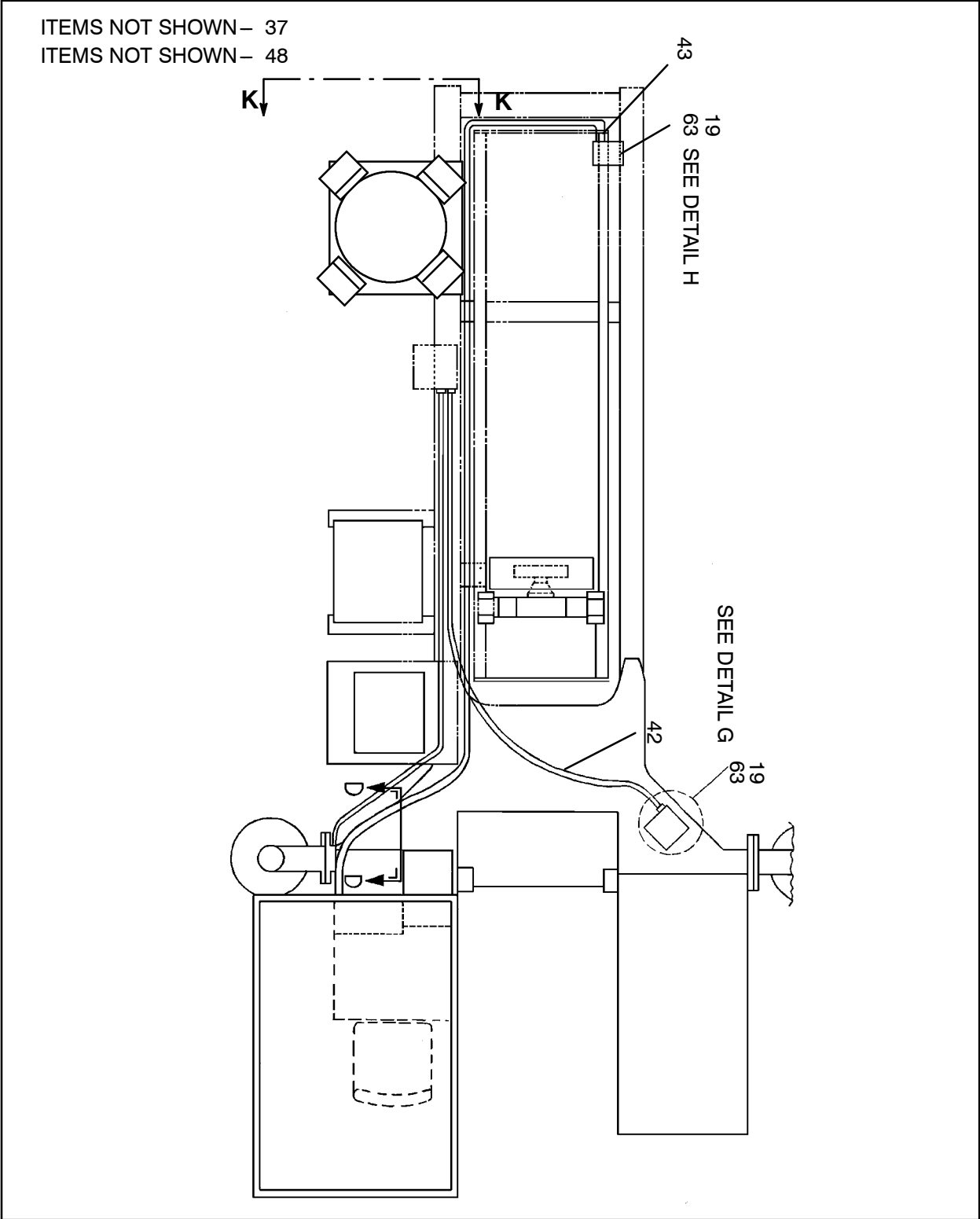
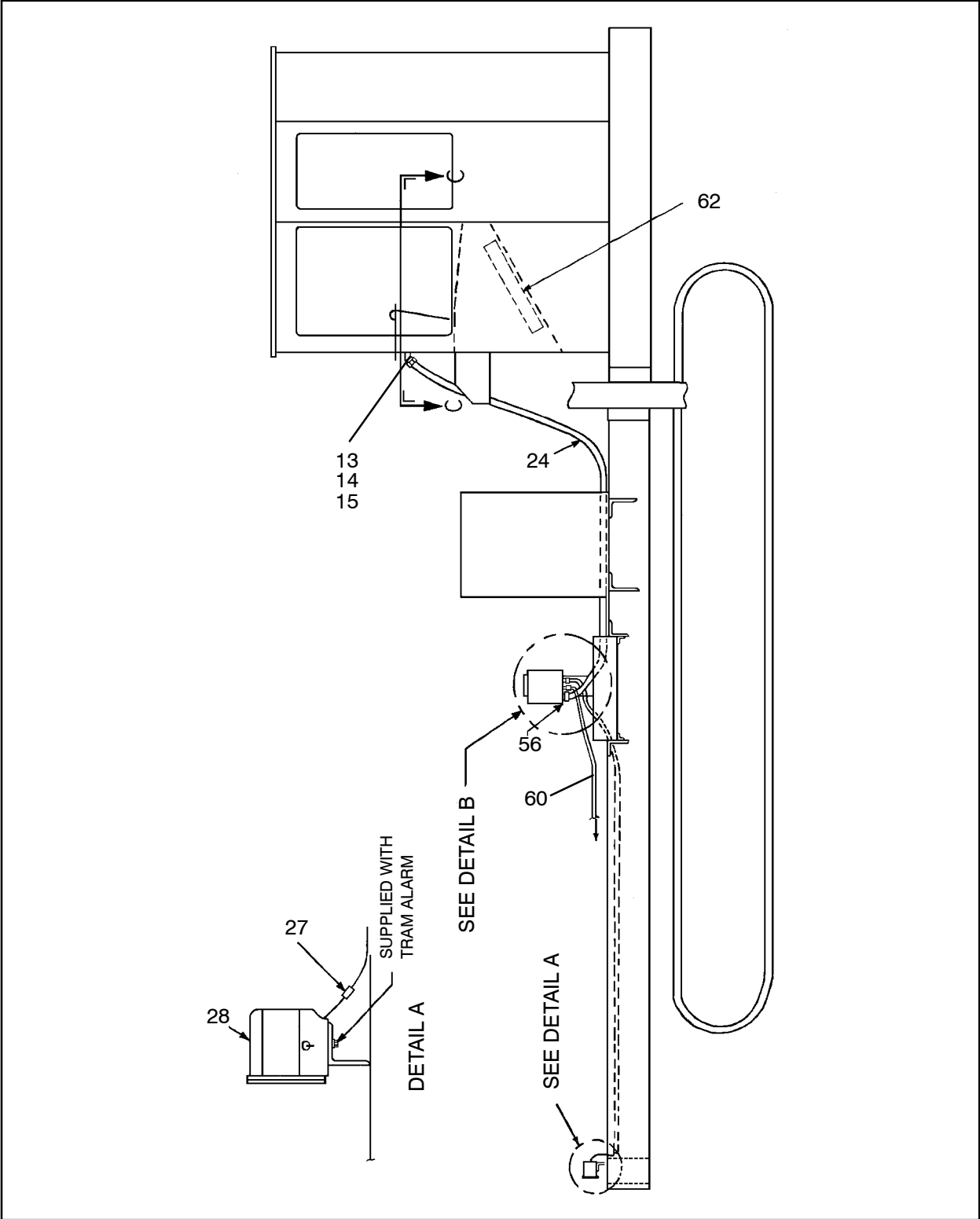


Figure 191 :WIRING,BASIC CAT
D57667826 REV 006

57667826 WIRING,BASIC CAT



WIRING,BASIC CAT 57667826

Figure 192 :WIRING,BASIC CAT
D57667826 REV 006

57667826

WIRING,BASIC CAT

WIRING,BASIC CAT

57667826

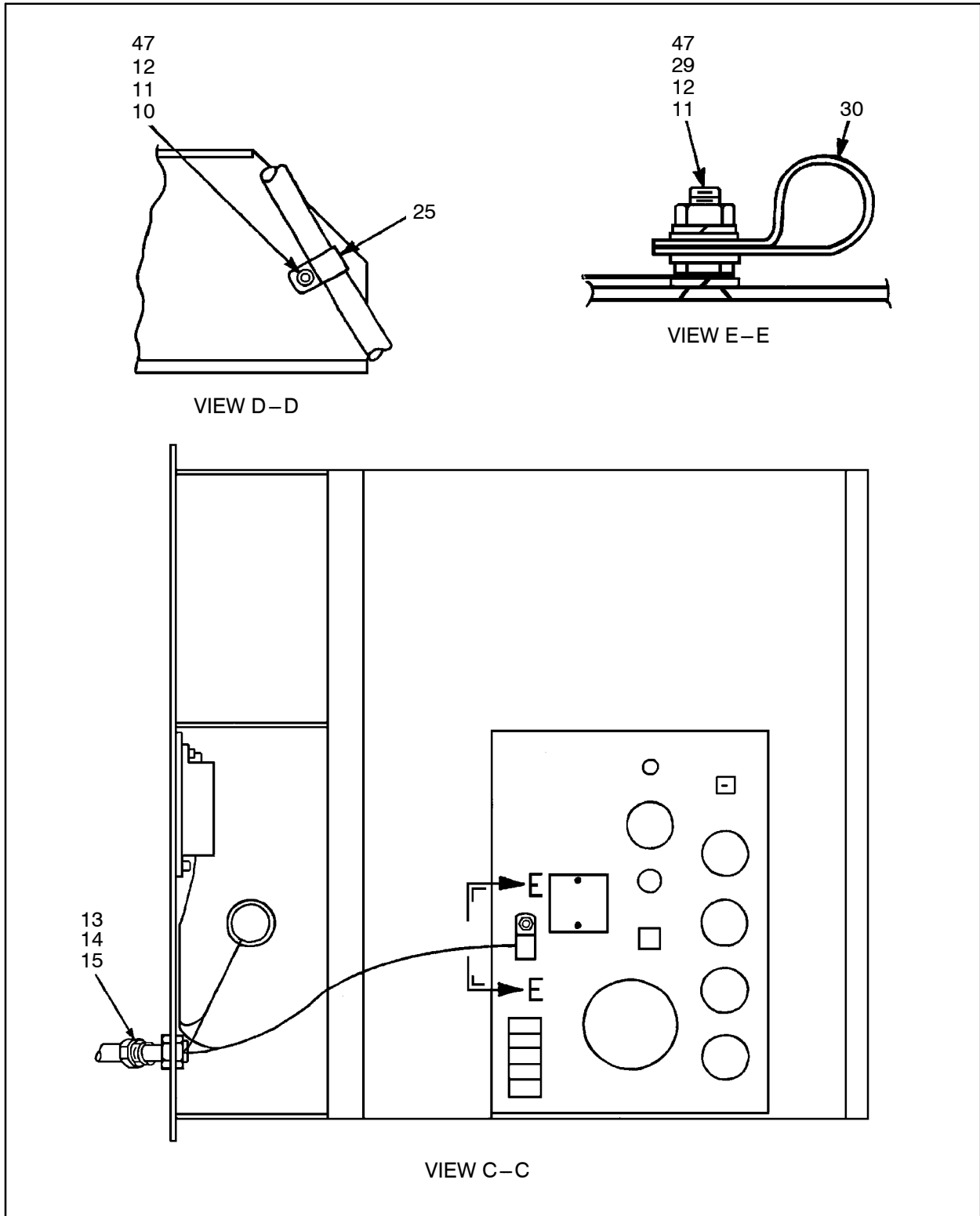
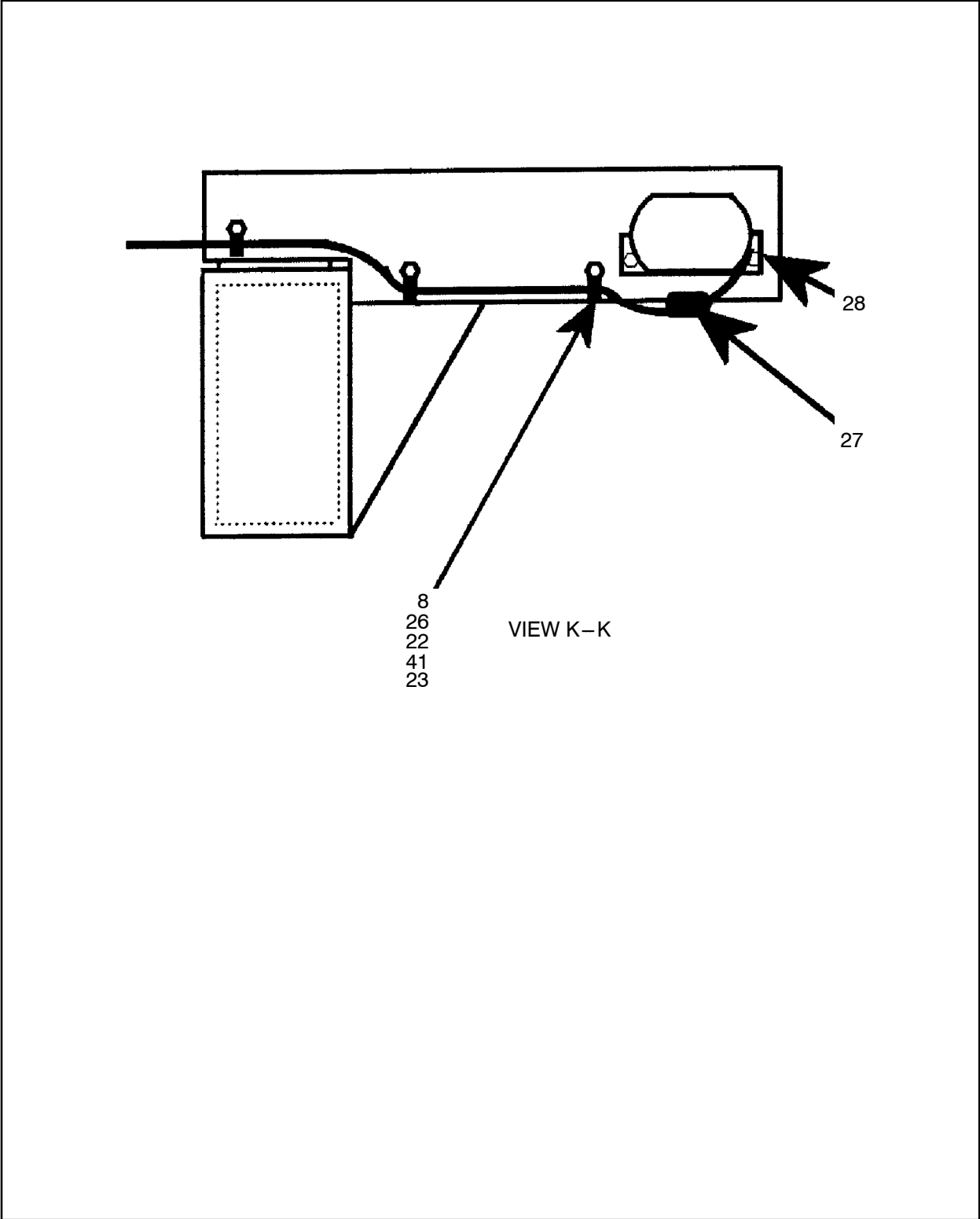


Figure 193 :WIRING,BASIC CAT
D57667826 REV 006

57667826 WIRING,BASIC CAT



WIRING,BASIC CAT
57667826

Figure 194 :WIRING,BASIC CAT
D57667826 REV 006

57667826 WIRING,BASIC CAT

WIRING,BASIC CAT
 57667826

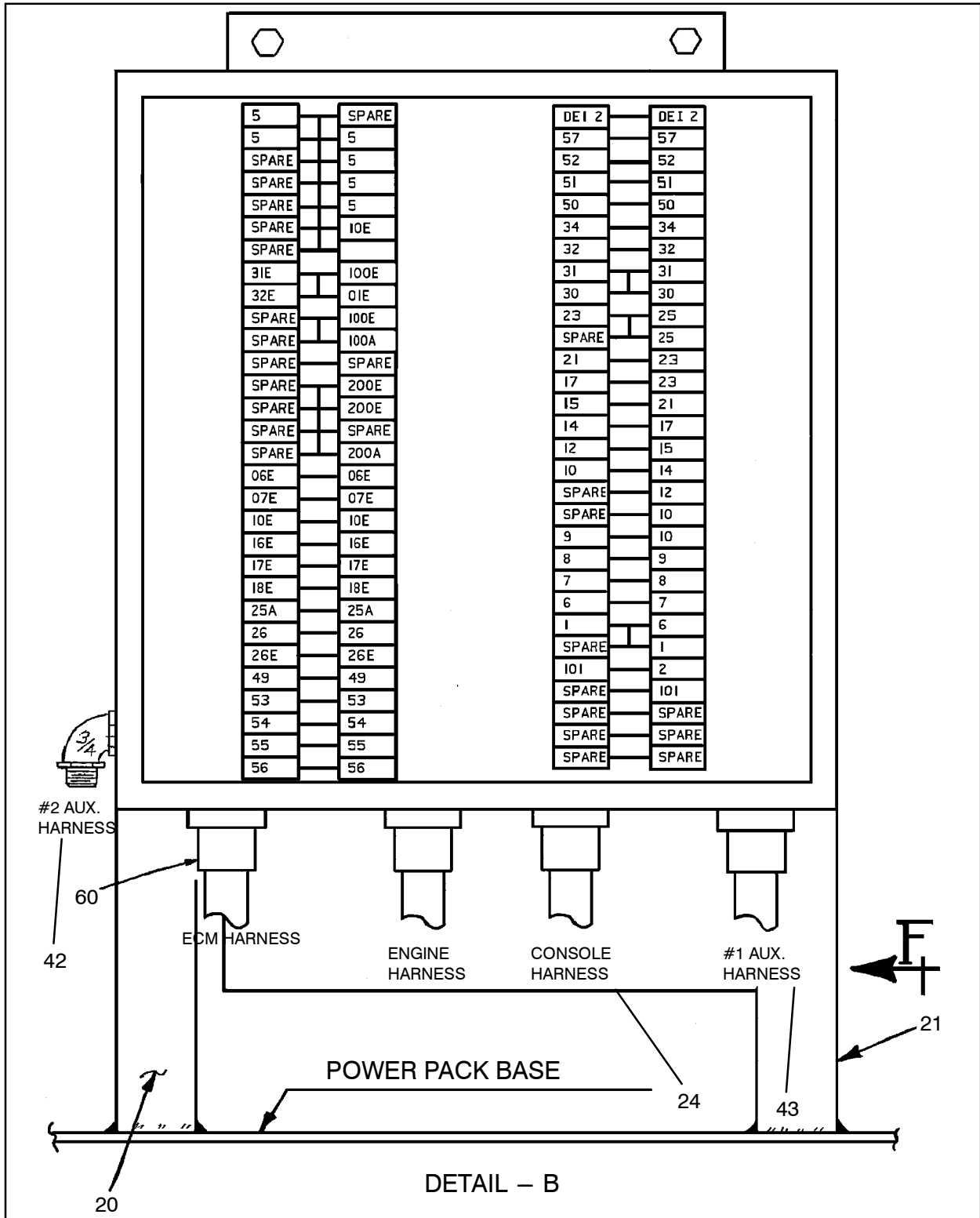


Figure 195 :WIRING,BASIC CAT
 D57667826 REV 006

57667826 WIRING,BASIC CAT

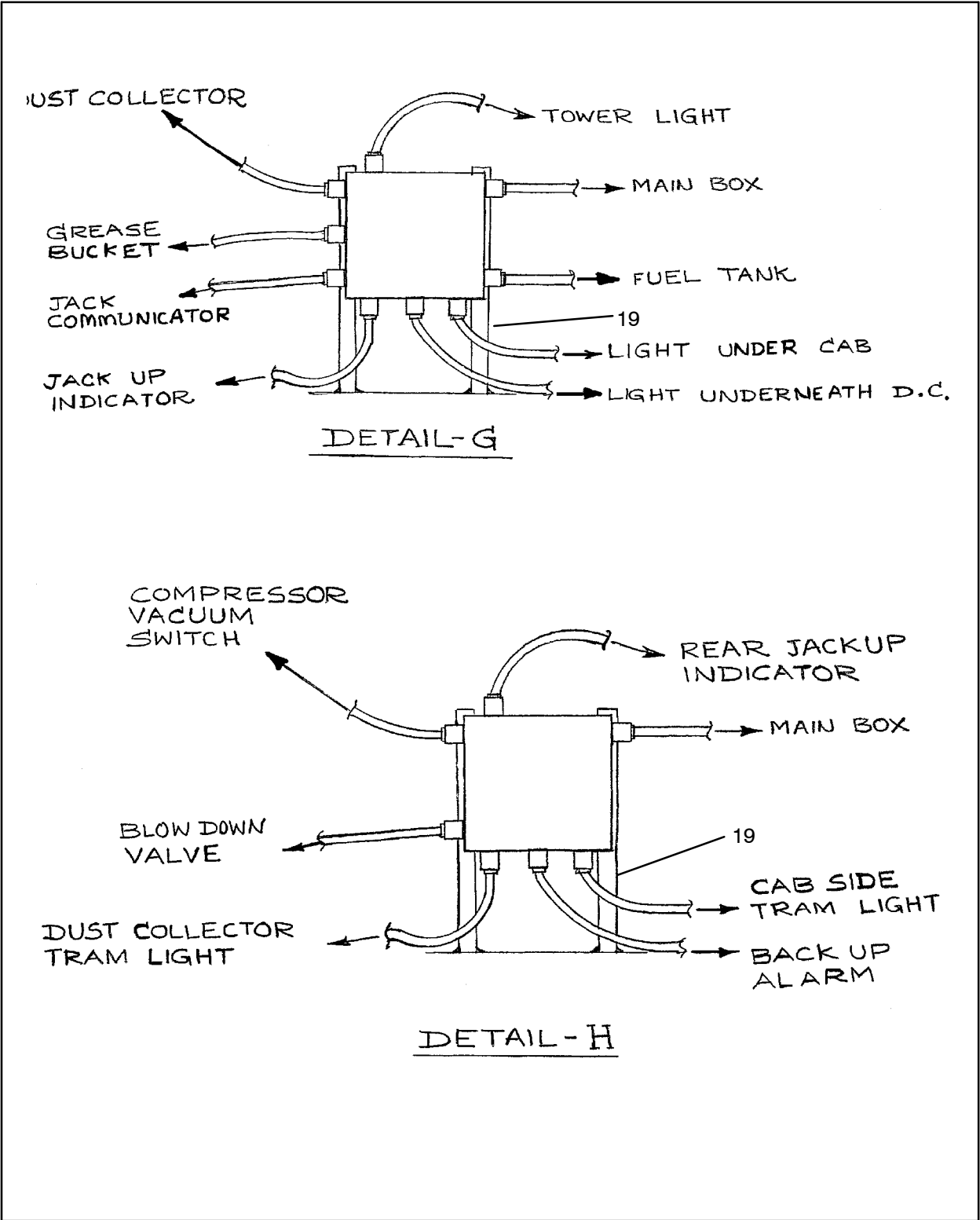
| WIRE DESCRIPTION | | | | |
|--|----------------|------------|--|--------------------------|
| | COLOR | GAGE (AWG) | WIRE NUMBERS | CIRCUIT |
| 31 | 1 → RED | 8 | 1, | (+) POSITIVE MAIN FEEDER |
| 2 | 2 → GREEN | 14 | 3,4,11,7,8,12, | START & EMERG STOP |
| 3 | 3 → BLUE | 14 | 10,17 | TRAM,PRESS. |
| 4 | 4 → VIOLET | 14 | 18,22,23,25 | LIGHTS |
| 5 | 5 → WHITE | 14 | 19,20,21 | A/C. |
| 52 | → BLACK | 10 | 5 | GROUND |
| 7 | 7 → CABLE,SHLD | 18/2 COND | 16E BARE 17E CLEAR 18E BLACK 06E BLACK 07E CLEAR | DIAGNOSTICS |
| IDENTIFY BOTH ENDS OF ALL WIRES USING ITEMS 37 | | | | |

| WIRE DESCRIPTION | | | | |
|--|--------------|------------|--|--------------------------|
| | COLOR | GAGE (AWG) | WIRE NUMBERS | CIRCUIT |
| 1 | → RED | 8 | 1, | (+) POSITIVE MAIN FEEDER |
| 2 | → GREEN | 14 | 3,4,11,7,8,12, | START & EMERG STOP |
| 3 | → BLUE | 14 | 10,17 | TRAM., PRESS. |
| 4 | → VIOLET | 14 | 18,22,23,25 | LIGHTS |
| 5 | → WHITE | 14 | 19,20,21 | A/C, PRESS. |
| 7 | → CABLE,SHLD | 18/2 COND | 16E BARE 17E CLEAR 18E BLACK 06E BLACK 07E CLEAR | DIAGNOSTICS |
| IDENTIFY BOTH ENDS OF ALL WIRES USING ITEMS 37 | | | | |
| 54 | → RED | 10 | 6 | JUMPER |

WIRING,BASIC CAT 57667826

Figure 196 :WIRING,BASIC CAT
D57667826 REV 006

57667826 WIRING,BASIC CAT



WIRING,BASIC CAT
57667826

Figure 198 :WIRING,BASIC CAT
D57667826 REV 006

57667826

WIRING,BASIC CAT

WIRING,BASIC CAT

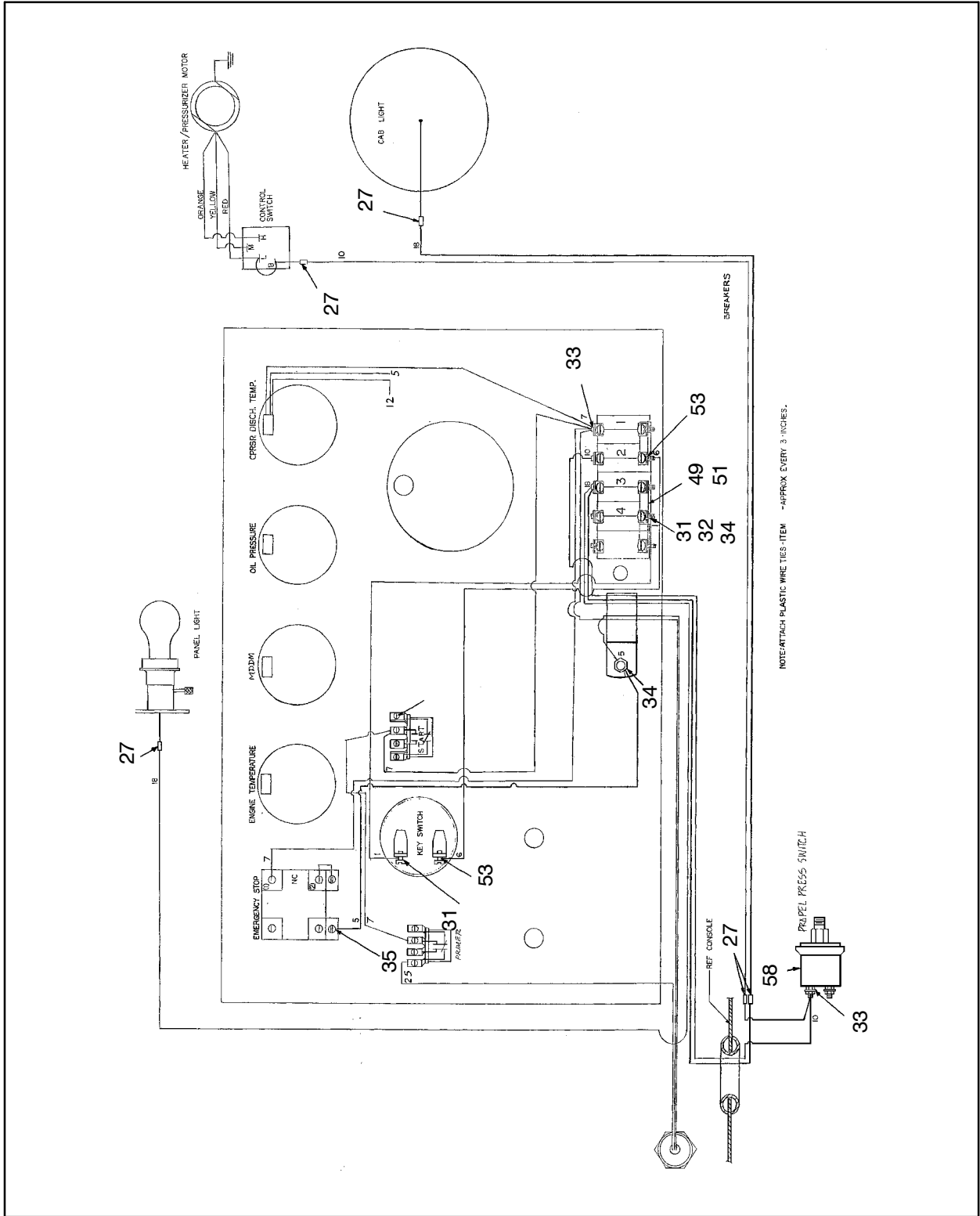
57667826

| | CAT | 3 PIN | 9 PIN |
|-------------------|-----|-------|-------|
| + J1939 | 17E | A | G |
| - J1939 | 18E | B | F |
| SHIELD- J1939 | 16E | C | C |
| CAT DATA LINK (-) | 06E | - | E |
| CAT DATA LINK (+) | 07E | - | D |
| UNSWITCH GRD | 51 | - | B |
| UNSWITCH PWR | 52 | - | A |

| WIRE DESCRIPTION | | | | |
|------------------|------------|--------------|--|--------------------------|
| | COLOR | GAGE (AWG) | WIRE NUMBERS | CIRCUIT |
| 1 | RED | 8 | 1, | (+) POSITIVE MAIN FEEDER |
| 2 | GREEN | 14 | 3,4,6,7,8 | START & EMERG STOP |
| 3 | BLUE | 14 | 10 17 | |
| 4 | VIOLET | 14 | 18,22,23, | LIGHTS |
| 5 | WHITE | 14 | 20,21 | A/C |
| 52 | BLACK | 10 | 5 | GROUND |
| 7 | CABLE,SHLD | 18/2 COND | 16E BARE 17E CLEAR 18E BLACK 06E BLACK 07E CLEAR | |

Figure 199 :WIRING,BASIC CAT
D57667826 REV 006

57667826 WIRING,BASIC CAT



WIRING,BASIC CAT 57667826

Figure 200 :WIRING,BASIC CAT
 D57667826 REV 006

57667826 WIRING,BASIC CAT

WIRING,BASIC CAT 57667826

| REF. | PART NO. | QTY. | UNIT | DESCRIPTION |
|------|----------|--------|------|-----------------------------|
| 001 | 50465293 | 425.00 | IN | WIRE,8AWG-RED |
| 002 | 50625938 | 600.00 | IN | WIRE, 14AWG-GREEN |
| 003 | 50812429 | 300.00 | IN | WIRE, 14AWG-BLUE |
| 004 | 50623065 | 300.00 | IN | WIRE,14AWG-VIOLET |
| 005 | 50249671 | 300.00 | IN | WIRE,14AWG-WHITE |
| 007 | 85771715 | 300.00 | IN | CABLE, 18/2 |
| 008 | 95928982 | 3 | EA | SCREW,CAP-1/4-20 X 3/4 |
| 009 | 57632788 | 1 | EA | HEADER BOARD,M-LINK |
| 010 | 95928982 | 5 | EA | SCREW,CAP-1/4-20 X 3/4 |
| 011 | 95934766 | 6 | EA | WASHER,LOCK,HELICAL |
| 012 | 95931564 | 6 | EA | NUT,HEX,FINISHED |
| 013 | 95482451 | 1 | EA | CONNECTOR, 1 45 DEG |
| 014 | 52240355 | 1 | EA | NUT,SEALING |
| 015 | 52236551 | 1 | EA | GASKET, 1 |
| 017 | 57640096 | 1 | EA | HARNESS,MDDM TO HEADER |
| 018 | 57640088 | 1 | EA | HARNESS,POWER |
| 019 | 56257553 | 4 | EA | BRACKET-ELEC BOX, 8X6 |
| 020 | 57762569 | 1 | EA | ANGLE,W/HOLES |
| 021 | 57762577 | 1 | EA | ANGLE,W/HOLES |
| 022 | 95934766 | 3 | EA | WASHER,LOCK,HELICAL |
| 023 | 95931564 | 3 | EA | NUT,HEX,FINISHED |
| 024 | 57667891 | 1 | EA | HARNESS,CONSOLE CAT |
| 025 | 95256749 | 1 | EA | CLAMP-3/4 |
| 026 | 95256749 | 3 | EA | CLAMP-3/4 |
| 027 | 56762248 | 6 | EA | CONNECTOR, SPLICE |
| 028 | 57366395 | 1 | EA | ALARM KIT, BACKUP |
| | 57366387 | 1 | EA | ●- ALARM, BACKUP-12 TO36VDC |
| | 57014672 | 1 | EA | ●- ANGLE |
| | A0022 | 6.00 | IN | ●- ANGLE A36 |
| | 95922365 | 2 | EA | ●- WASHER,FLAT |
| | 95929782 | 2 | EA | ●- NUT,HEX,FINISHED |
| | 95934303 | 2 | EA | ●- WASHER,LOCK,PLATED |
| | 95922225 | 4 | EA | ●- WASHER,FLAT |
| 029 | 95917613 | 1 | EA | SCREW,FLAT HD-1/4-20X1.5 |
| 030 | 95351904 | 1 | EA | CLAMP, HOSE |
| 031 | 56951858 | 6 | EA | TERMINAL,AWG 8,3/16"RING |

57667826 WIRING,BASIC CAT

| REF. | PART NO. | QTY. | UNIT | DESCRIPTION |
|------|----------|--------|------|--------------------------|
| 032 | 95484408 | 4 | EA | TERMINAL |
| 033 | 95329256 | 15 | EA | TERMINAL,16-14, 8 FORK |
| 034 | 95373841 | 4 | EA | TERMINAL,16-14,1/4"RING |
| 035 | 95329249 | 15 | EA | TERMINAL,16-14,6 FORK |
| 036 | 95748802 | 31 | EA | TIE,CABLE |
| 037 | 57093080 | 80 | EA | MARKER, WIRE |
| 038 | 57640104 | 3 | EA | HARNESS,HEADER TO GAUGES |
| 039 | 57662744 | 1 | EA | REGULATOR,12V |
| 040 | 57661738 | 1 | EA | PLUG,ELECTRIC 3-WAY |
| 041 | 95922183 | 3 | EA | WASHER,FLAT |
| 042 | 57758674 | 1 | EA | HARNESS,MAINBOX,DUST COL |
| 043 | 57760076 | 1 | EA | HARNESS,MAINBOX,REARJACK |
| 047 | 95922183 | 3 | EA | WASHER,FLAT |
| 048 | 57168916 | 6.00 | OZ | VARNISH, INSULATING |
| 049 | 57036881 | 2 | EA | BAR,COPPER |
| 051 | 95843371 | 1 | EA | TERMINAL,22-18-8 FORK |
| 052 | 50249697 | 204.00 | IN | WIRE,10AWG-BLACK |
| 053 | 95359600 | 2 | EA | TERMINAL |
| 054 | 50249689 | 24.00 | IN | WIRE,10AWG-RED |
| 055 | 56921430 | 1 | EA | TERMINAL,12-10,1/4 RING |
| 056 | 98632888 | 1 | EA | SEAL,HOLE |
| 058 | 52232428 | 1 | EA | SWITCH,PRESSURE |
| 060 | 57656118 | 1 | EA | HARNESS,ECM CAT |
| 062 | 57073637 | 30 | EA | TERMINAL |
| 063 | 57549941 | 2 | EA | BOX, ELEC ASSY-8X6X3.5 |

WIRING,BASIC CAT
 57667826

OPTIONS

SECTION

OPTIONS

This page is intentionally blank.

SECTION

OPTIONS

56244791 DUST COLL,P-3SB/TIMER

DUST COLL,P-3SB/TIMER
56244791

19 - WIRE, ELECTRICAL

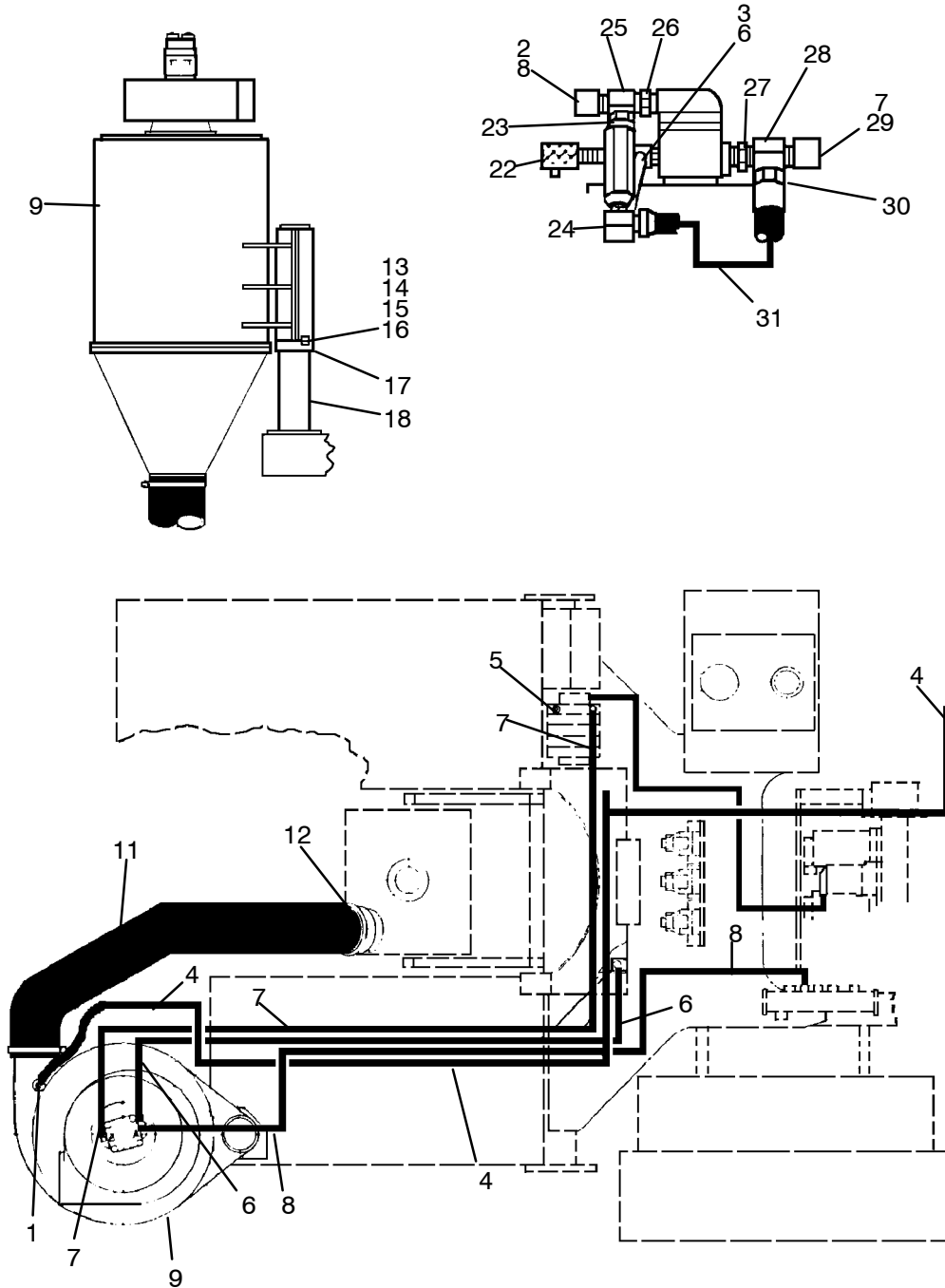


Figure 201 :DUST COLL,P-3SB/TIMER
D57005365 REV 009

56244791 DUST COLL,P-3SB/TIMER

| REF. | PART NO. | QTY. | UNIT | DESCRIPTION |
|------|----------|--------|------|---|
| 001 | 95316972 | 1 | EA | CONNECTOR,MALE,37 DEG |
| 002 | 95279535 | 1 | EA | ELBOW,90 DEG MALE |
| 003 | 95279493 | 1 | EA | ELBOW,90 DEG MALE |
| 004 | 57038424 | 1 | EA | HOSE ASSY |
| 005 | 95257325 | 1 | EA | CAP,37 DEG FLARED |
| 006 | 57015992 | 1 | EA | HOSE ASSY |
| 007 | 56992100 | 1 | EA | HOSE ASSY |
| 008 | 57005951 | 1 | EA | HOSE ASSY |
| 009 | 56244783 | 1 | EA | DUST COLLECTOR-3SB/TIMER (See figure 202) |
| 011 | 57400459 | 1 | EA | HOSE,SUCTION WITHSPRING |
| 012 | 56958523 | 2 | EA | CLAMP,HOSE |
| 013 | 56996275 | 3 | EA | BAR, W/HOLE |
| 014 | 95920682 | 1 | EA | SCREW,CAP,HEX |
| 015 | 95937413 | 1 | EA | WASHER,LOCK,HELICAL |
| 016 | 95922894 | 1 | EA | NUT,HEX,FINISHED |
| 017 | 57172967 | 1 | EA | TUBING-7.5OD X .38W X 2 |
| 018 | 57172793 | 1 | EA | POST,DUST COLLECTOR |
| 019 | 58150103 | 240.00 | IN | CORD,14/2 |
| 022 | 56981095 | 1 | EA | VALVE, FLOW CONTROL |
| 023 | 95315214 | 1 | EA | NIPPLE,NPTF DRYSEAL |
| 024 | 95219721 | 1 | EA | CONNECTOR,MALE,37 DEG. |
| 025 | 95264966 | 1 | EA | FITTING,HYD |
| 026 | 95323358 | 1 | EA | FITTING, STR-EXT NPT RUN |
| 027 | 95323358 | 1 | EA | FITTING, STR-EXT NPT RUN |
| 028 | 95264966 | 1 | EA | FITTING,HYD |
| 029 | 95279535 | 1 | EA | ELBOW,90 DEG MALE |
| 030 | 95219721 | 1 | EA | CONNECTOR,MALE,37 DEG. |
| 031 | 56949449 | 1 | EA | HOSE ASSY |

DUST COLL,P-3SB/TIMER
56244791

56244783 DUST COLLECTOR-3SB/TIMER

DUST COLL,P-3SB/TIMER
56244791

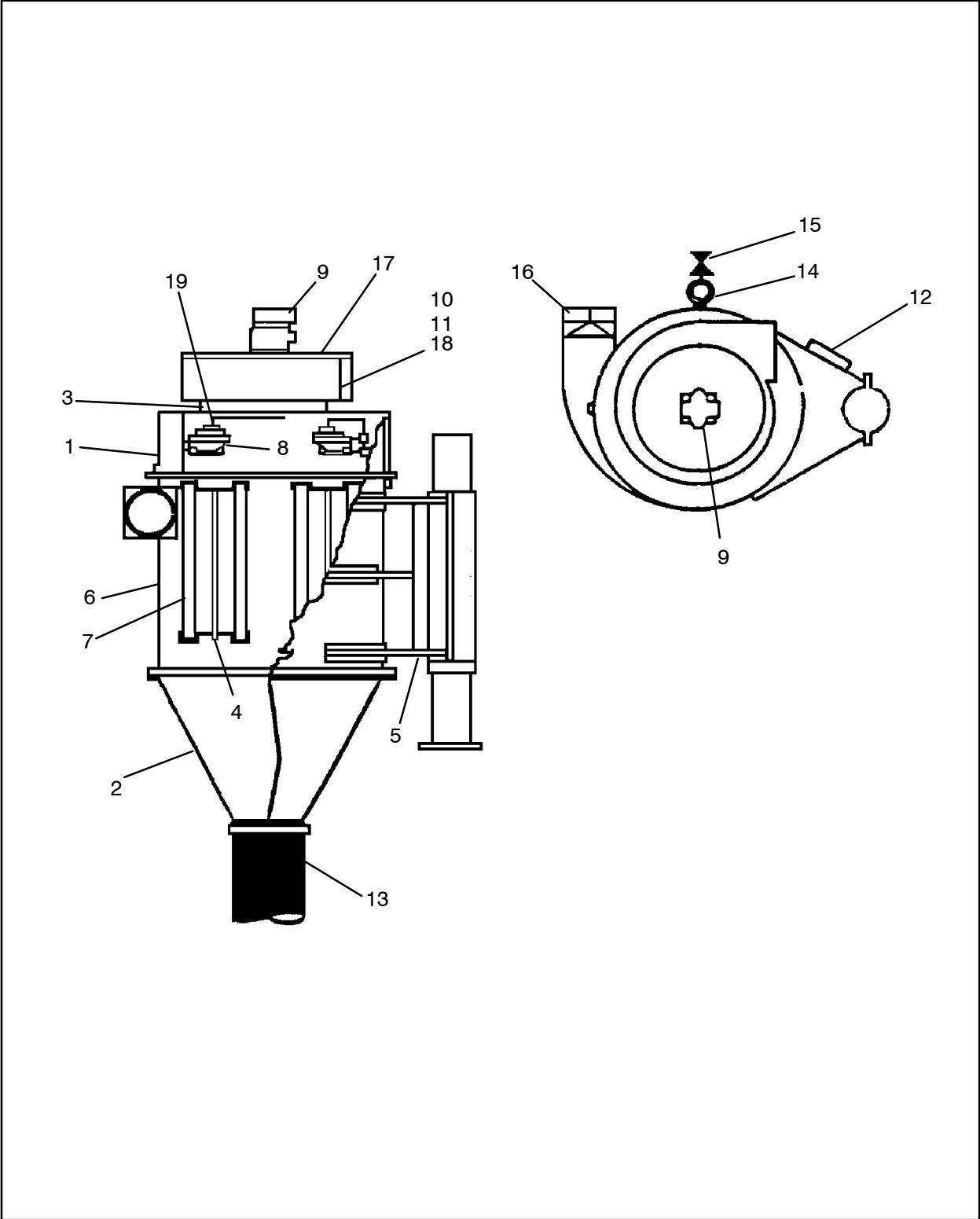


Figure 202 :DUST COLLECTOR-3SB/TIMER
C56244783 REV 001

56244783 DUST COLLECTOR-3SB/TIMER

| REF. | PART NO. | QTY. | UNIT | DESCRIPTION | |
|------|----------|------|------|----------------------|------------------|
| 001 | 57117418 | 1 | EA | HOUSING,UPPER-3SB | |
| 002 | 57088403 | 1 | EA | DROPOUT CONE | |
| 003 | 51024792 | 1 | EA | BLOWER MOUNT | |
| 004 | 57063877 | 4 | EA | ELEMENT,RETENTION | |
| 005 | 57198178 | 1 | EA | SADDLE, MOUNTING, 3R | |
| 006 | 57117426 | 1 | EA | HOUSING,LOWER-3SB | |
| 007 | 56958945 | 4 | EA | ELEMENT ASSY | |
| 008 | 56934185 | 4 | EA | VALVE,IMPULSE | |
| 009 | 52227352 | 1 | EA | MOTOR, HYDRAULIC | (See figure 203) |
| 010 | 57003386 | 1 | EA | HOUSING,BLOWER | |
| 011 | 56994932 | 1 | EA | FAN WHEEL-20 | (See figure 204) |
| 012 | 57284671 | 1 | EA | TIMER, DC ELECTRIC | |
| | 57514804 | 1 | EA | ●- TIMER BOX, BARE | |
| 013 | 51024842 | 1 | EA | HOSE,DROPOUT | |
| 014 | 57082455 | 1 | EA | FILTER & REGULATOR | |
| | 57082463 | 1 | EA | ●- ELEMENT, FILTER | |
| | 57112963 | 1 | EA | ●- GAUGE,PRESSURE | |
| 015 | 40027344 | 1 | EA | VALVE, BALL-1/4 | |
| 016 | 57173056 | 1 | EA | DUCT INLET | |
| 017 | 57088536 | 1 | EA | TOP PLATE | |
| 018 | 57173510 | 1 | EA | BUSHING | |
| 019 | 57003790 | 4 | EA | VALVE,SOLENOID | |

DUST COLL,P-3SB/TIMER
56244791

52227352 MOTOR, HYDRAULIC

DUST COLL,P--3SB/TIMER
56244791

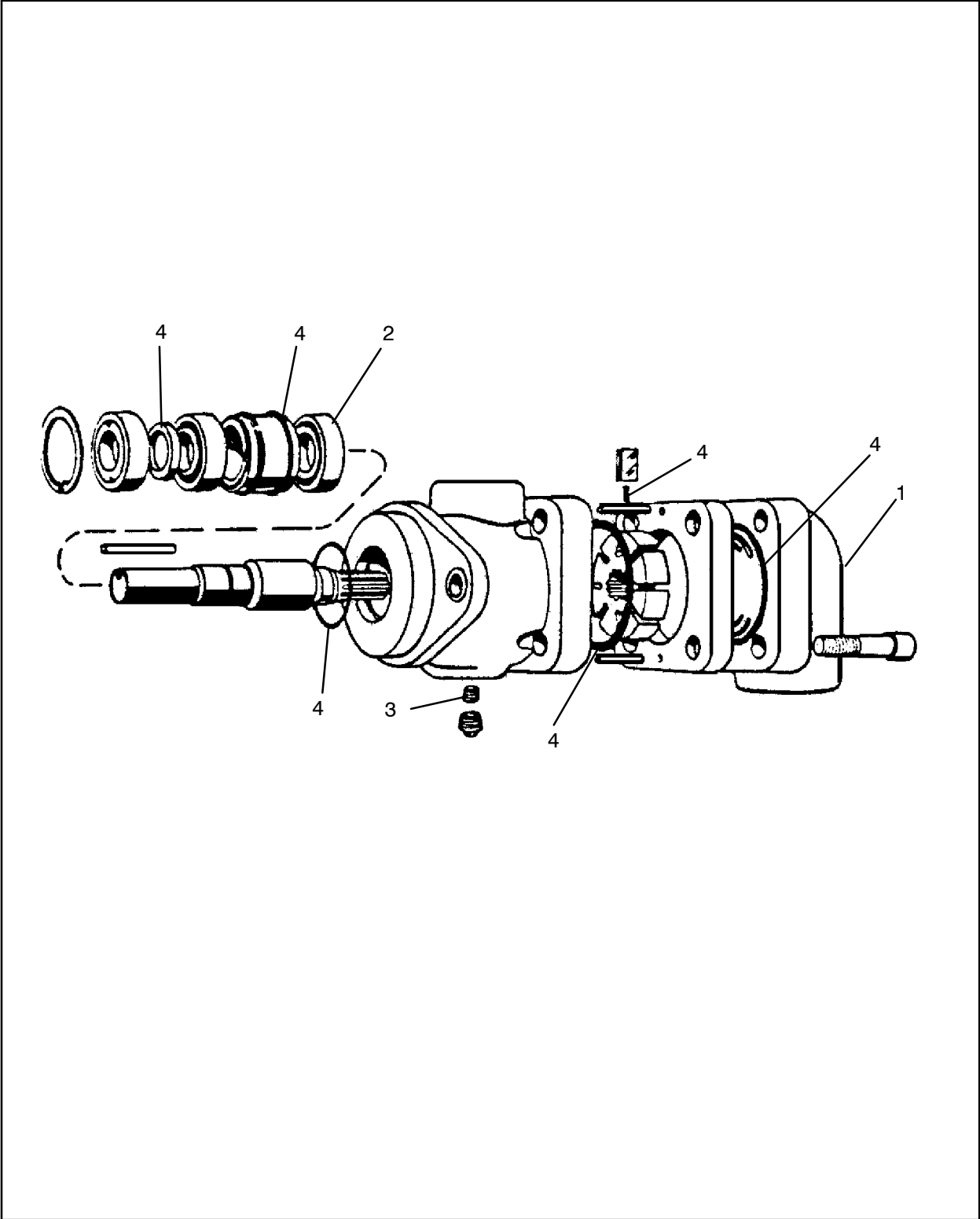


Figure 203 :MOTOR, HYDRAULIC
A1046T REV00

52227352 MOTOR, HYDRAULIC

| REF. | PART NO. | QTY. | UNIT | DESCRIPTION |
|------|----------|------|------|---------------|
| 001 | 52231412 | 1 | EA | CAP |
| 002 | 52179504 | 1 | EA | BEARING, BALL |
| 003 | 52231560 | 1 | EA | VALVE,CHECK |
| 004 | 52231586 | 1 | EA | SERVICE KIT |

DUST COLL,P-3SB/TIMER
56244791

56994932

FAN WHEEL-20

DUST COLL,P--3SB/TIMER

56244791

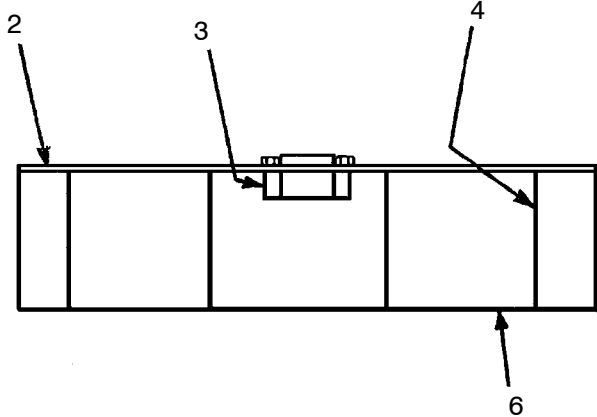
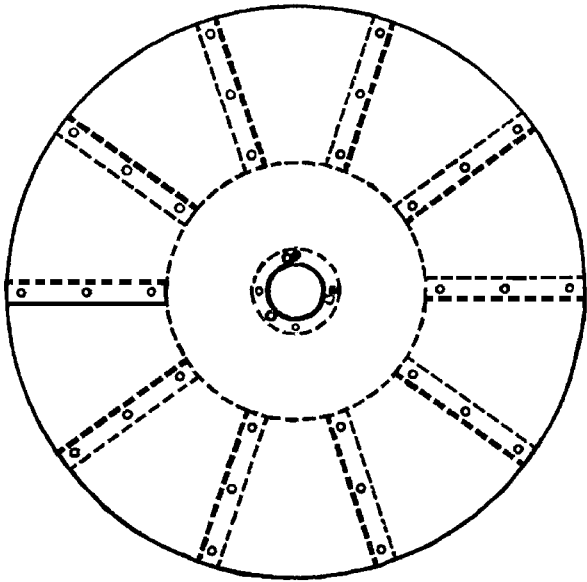


Figure 204 :FAN WHEEL-20
C56994932 REV 002

56994932 FAN WHEEL-20

| REF. | PART NO. | QTY. | UNIT | DESCRIPTION |
|------|----------|------|------|-------------------------|
| 002 | 57173114 | 1 | EA | BLOWER WHEEL TOP PLATE |
| 003 | 57173064 | 1 | EA | HUB |
| 004 | 57173080 | 10 | EA | BLOWER WHEEL BLADES |
| 006 | 57173106 | 1 | EA | PLATE,BOTTOM BLWR WHEEL |

DUST COLL,P-3SB/TIMER
56244791

57155202

HOOD & PIPING-DUST

HOOD & PIPING-DUST

57155202

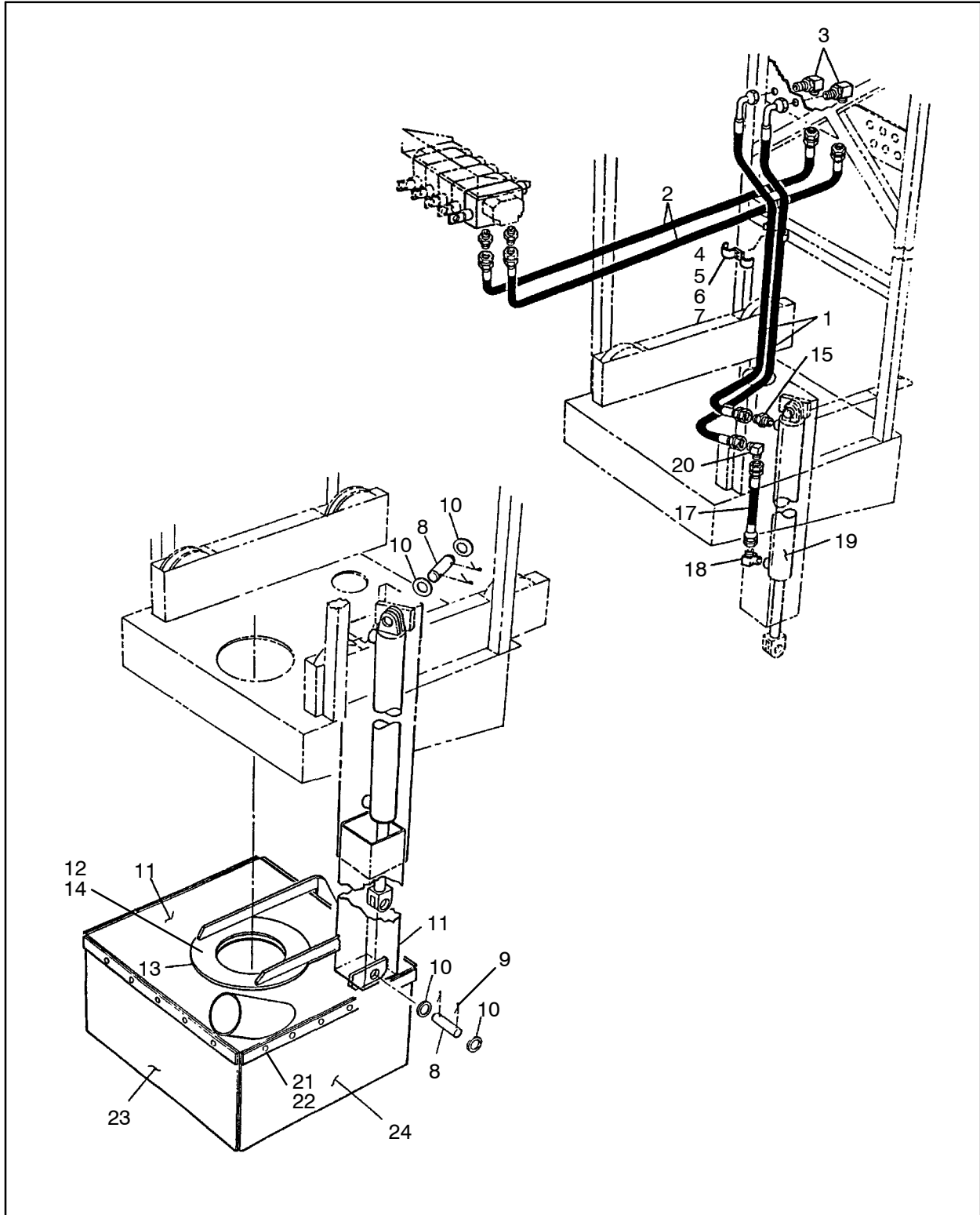


Figure 205 :HOOD & PIPING-DUST
D57020380 REV 03

57155202 HOOD & PIPING – DUST

| REF. | PART NO. | QTY. | UNIT | DESCRIPTION |
|------|----------|------|------|-------------------------------|
| 001 | 57020398 | 2 | EA | HOSE ASSY |
| 002 | 56994593 | 2 | EA | HOSE ASSY |
| 003 | 95278966 | 2 | EA | FITTING, HYD |
| 004 | 50034826 | 4 | EA | CLAMP, HOSE |
| 005 | 95934568 | 2 | EA | SCREW, CAP – 1/4 – 20 X 2 |
| 006 | 95931564 | 2 | EA | NUT, HEX – 1/4 – 20 |
| 007 | 95934766 | 2 | EA | WASHER, LOCK – 1/4 PLATED |
| 008 | 95342028 | 2 | EA | PIN, HINGE |
| 009 | 95093381 | 4 | EA | PIN, COTTER – 3/16 X 1 – 3/4 |
| 010 | 95081709 | 4 | EA | WASHER, FLAT – 1” |
| 011 | 57155210 | 1 | EA | HOOD & BRACKET – DUST |
| 012 | 95929782 | 4 | EA | NUT, HEX – 5/16 – 18 |
| 013 | 57155509 | 1 | EA | RETAINER, PLATE – DUST HOOD |
| 014 | 95934303 | 4 | EA | WASHER, LOCK – 5/16 PLATED |
| 015 | 95372173 | 1 | EA | FITTING, HYD |
| 017 | 56994569 | 1 | EA | HOSE ASSY |
| 018 | 95480109 | 1 | EA | FITTING, HYD – 90DEG O – RING |
| 019 | 57531626 | 1 | EA | CYLINDER, HYDRAULIC |
| | 57512006 | 1 | EA | ● - SEAL KIT |
| 020 | 56901283 | 1 | EA | FITTING, HYD |
| 021 | 95934303 | 24 | EA | WASHER, LOCK – 5/16 PLATED |
| 022 | 95929782 | 24 | EA | NUT, HEX – 5/16 – 18 |
| 023 | 57155491 | 2 | EA | CURTAINS, DUST HOOD |
| 024 | 57155483 | 2 | EA | CURTAINS, DUST HOOD |

HOOD & PIPING – DUST
57155202

57389702 JACK UP INDICATOR LIGHTS

JACK UP INDICATOR LIGHTS
57389702

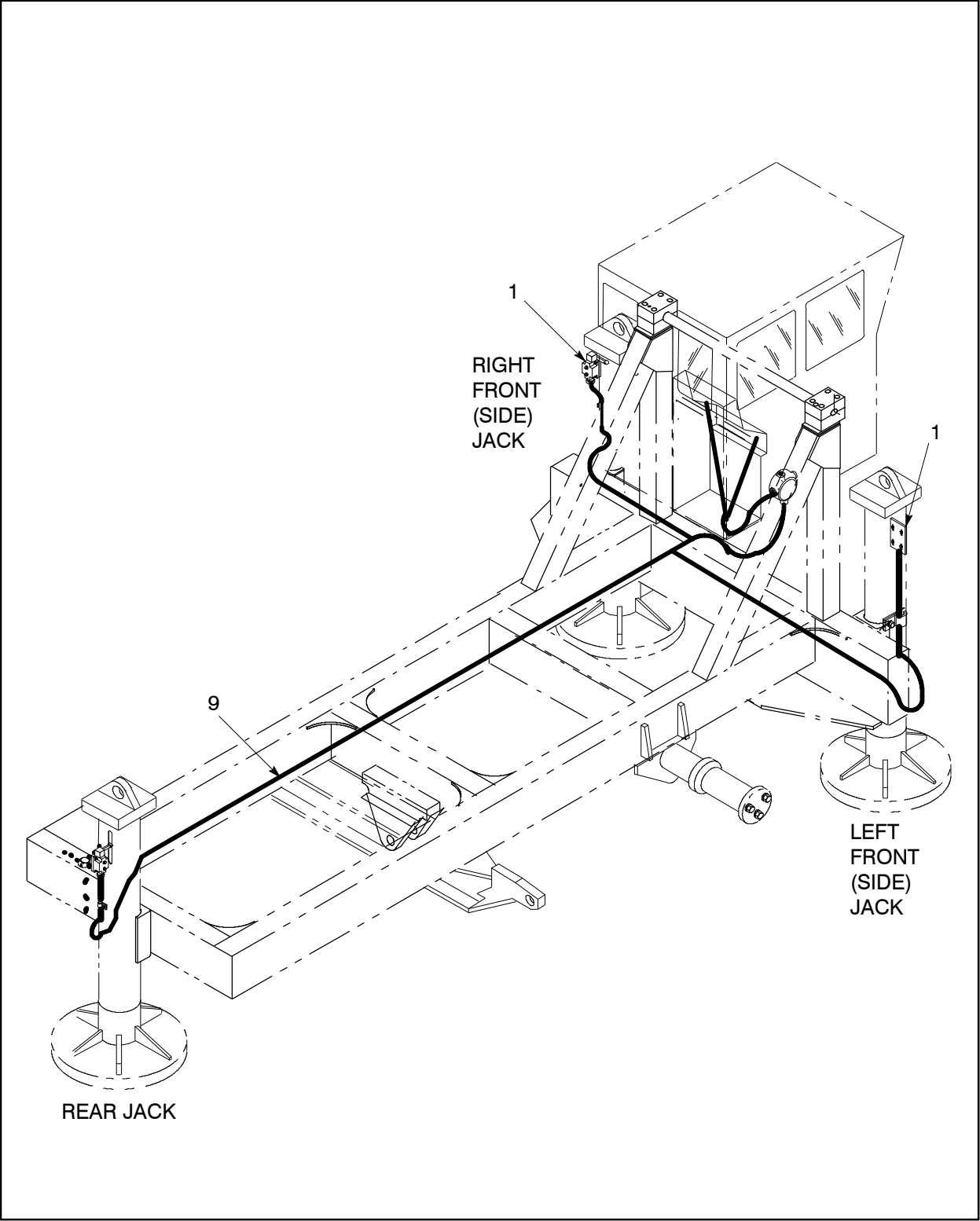
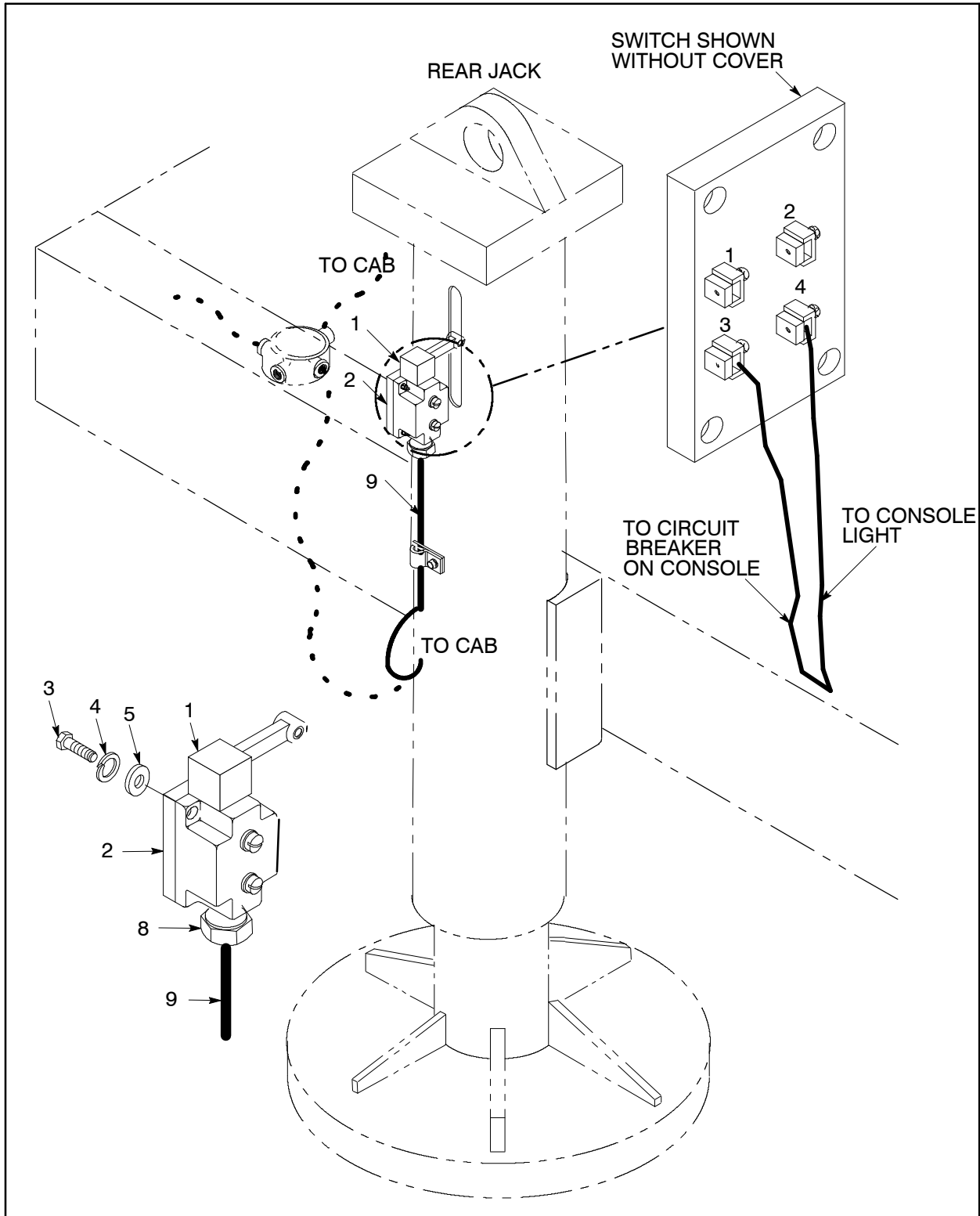


Figure 206 :JACK UP INDICATOR LIGHTS
D57389702 REV 02

57389702 JACK UP INDICATOR LIGHTS



JACK UP INDICATOR LIGHTS
57389702

Figure 207 :JACK UP INDICATOR LIGHTS
D57389702 REV 02

57389702

JACK UP INDICATOR LIGHTS

JACK UP INDICATOR LIGHTS

57389702

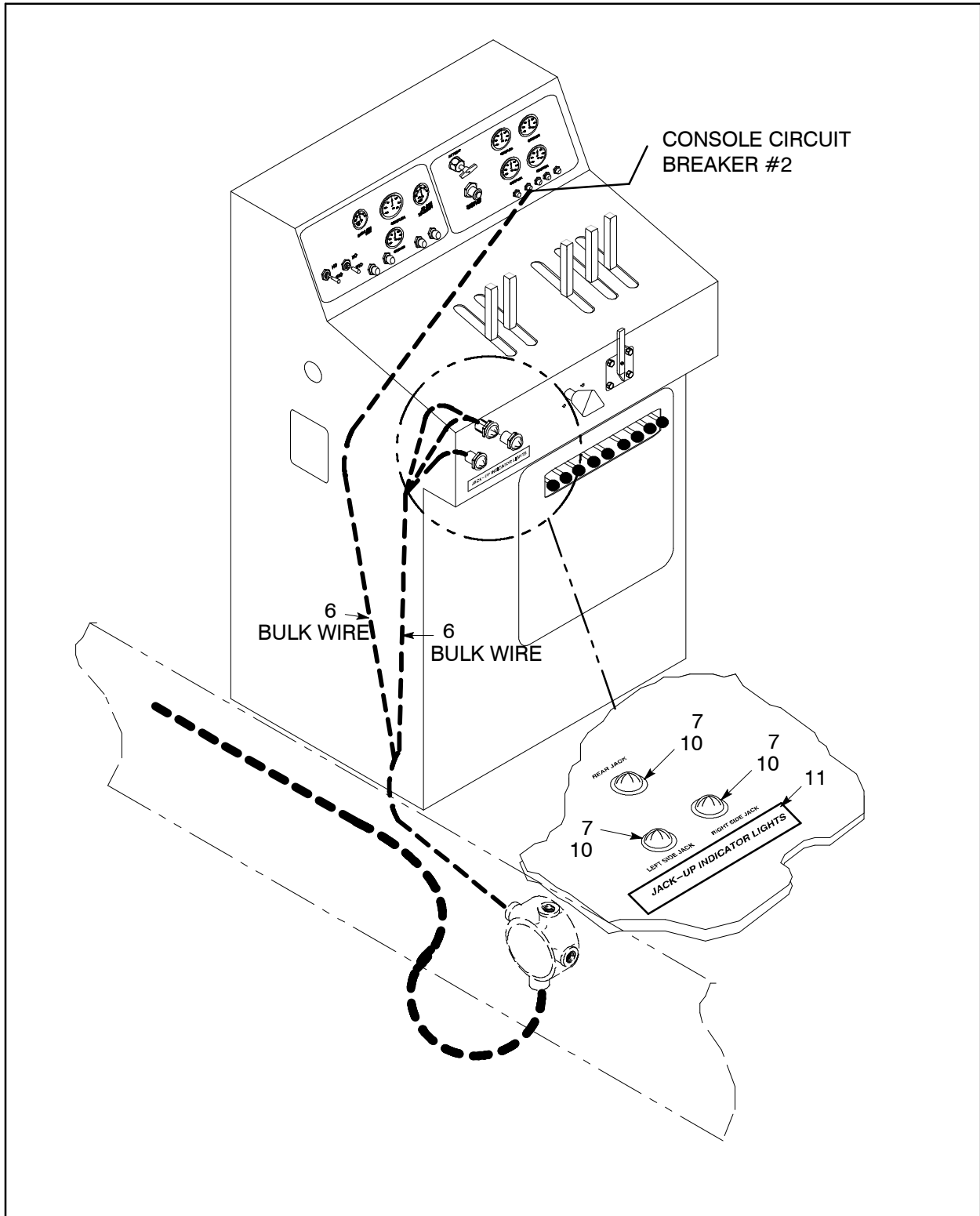
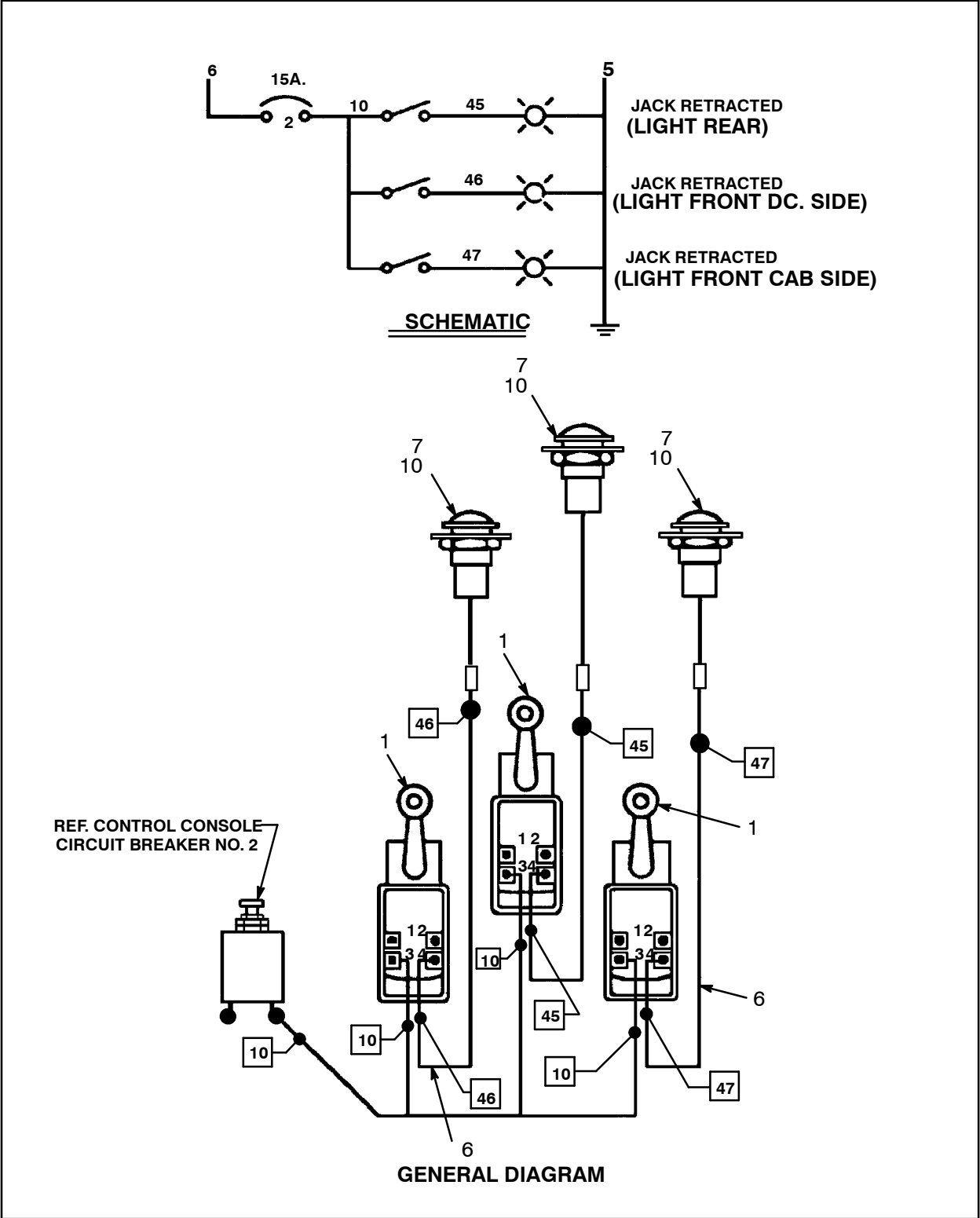


Figure 208 :JACK UP INDICATOR LIGHTS
D57389702 REV 02

57389702 JACK UP INDICATOR LIGHTS



JACK UP INDICATOR LIGHTS
 57389702

Figure 209 :JACK UP INDICATOR LIGHTS
 D57389702 REV 02

57389702 JACK UP INDICATOR LIGHTS

| REF. | PART NO. | QTY. | UNIT | DESCRIPTION |
|------|----------|-------|------|-------------------------|
| 001 | 50518653 | 3 | EA | SWITCH, LIMIT |
| 002 | 52243789 | 3 | EA | PLATE, MTG |
| 003 | 95928982 | 12 | EA | SCREW, CAP-1/4-20 X 3/4 |
| 004 | 95096350 | 12 | EA | WASHER, LOCK-1/4 |
| 005 | 95922183 | 12 | EA | WASHER, FLAT-1/4 |
| 006 | 50623065 | 1.00 | IN | WIRE, 14AWG-VIOLET |
| 007 | 57266181 | 3 | EA | LIGHT, INDICATOR |
| 008 | 95245221 | 4 | EA | CONNECTOR, STRAIGHT-1/2 |
| 009 | 95333209 | 20.00 | FT | CONDUIT, FLEX-1/2 |
| 010 | 50611235 | 3 | EA | LAMP, PANEL |
| 011 | 57361495 | 1 | EA | DECAL-JACK UP INDICATOR |

JACK UP INDICATOR LIGHTS
57389702

57389702 JACK UP INDICATOR LIGHTS

This page is intentionally blank.

JACK UP INDICATOR LIGHTS 57389702

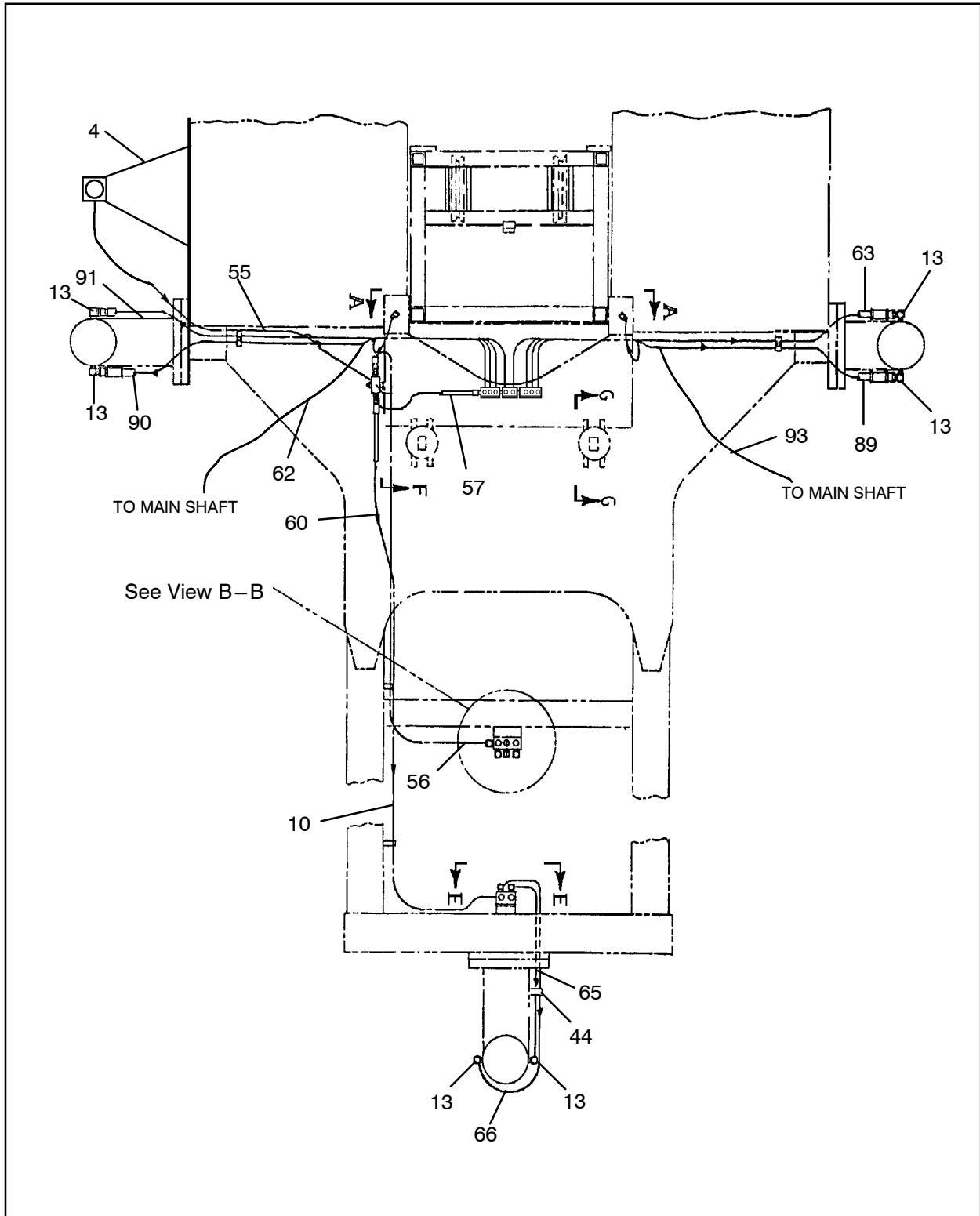
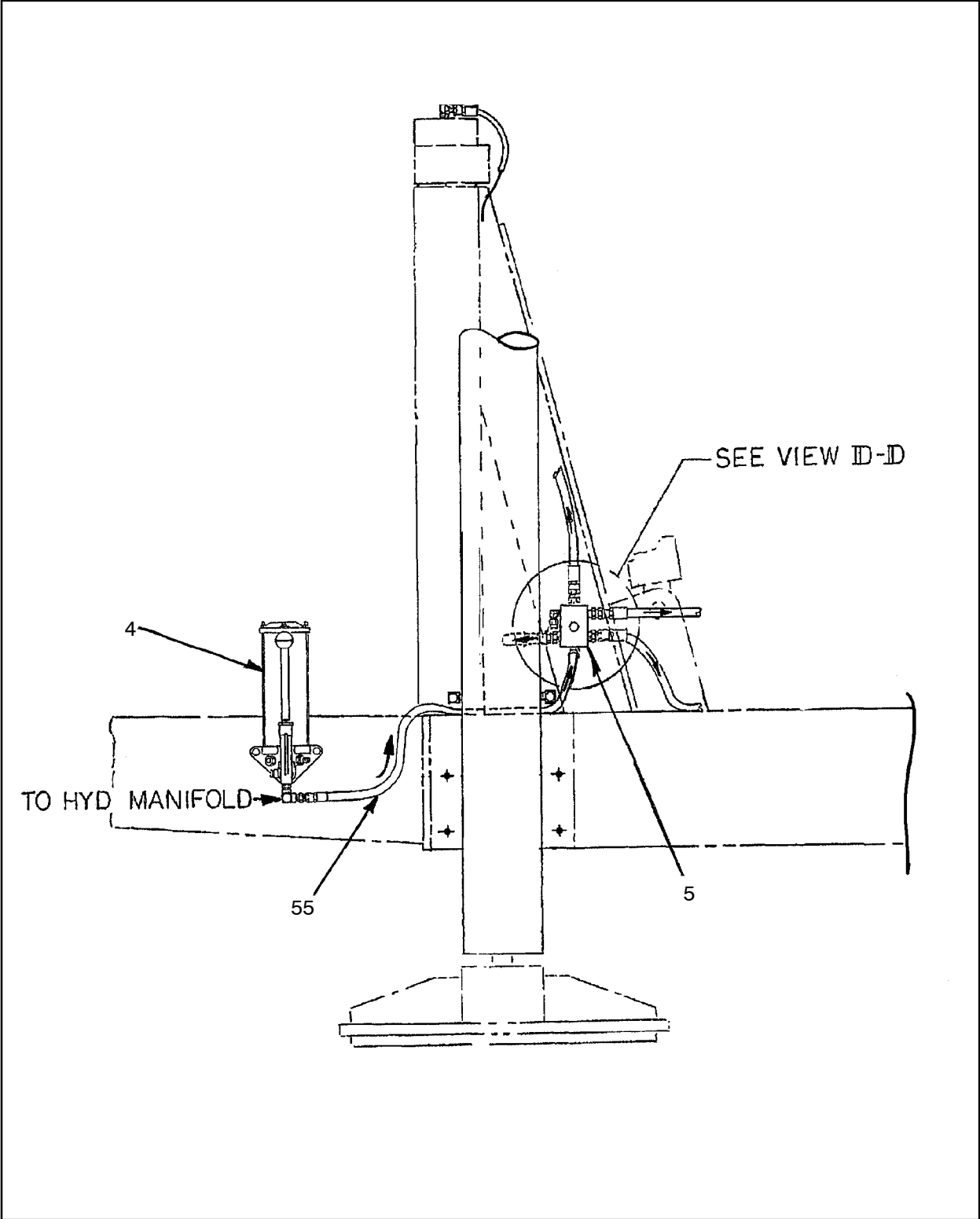


Figure 210 :LUBE,SYSTEM,MANUAL-DM30
E57439010 REV 002

57439010 LUBE,SYSTEM,MANUAL – DM30



LUBE,SYSTEM,MANUAL – DM30
57439010

Figure 211 :LUBE,SYSTEM,MANUAL – DM30
E57439010 REV 002

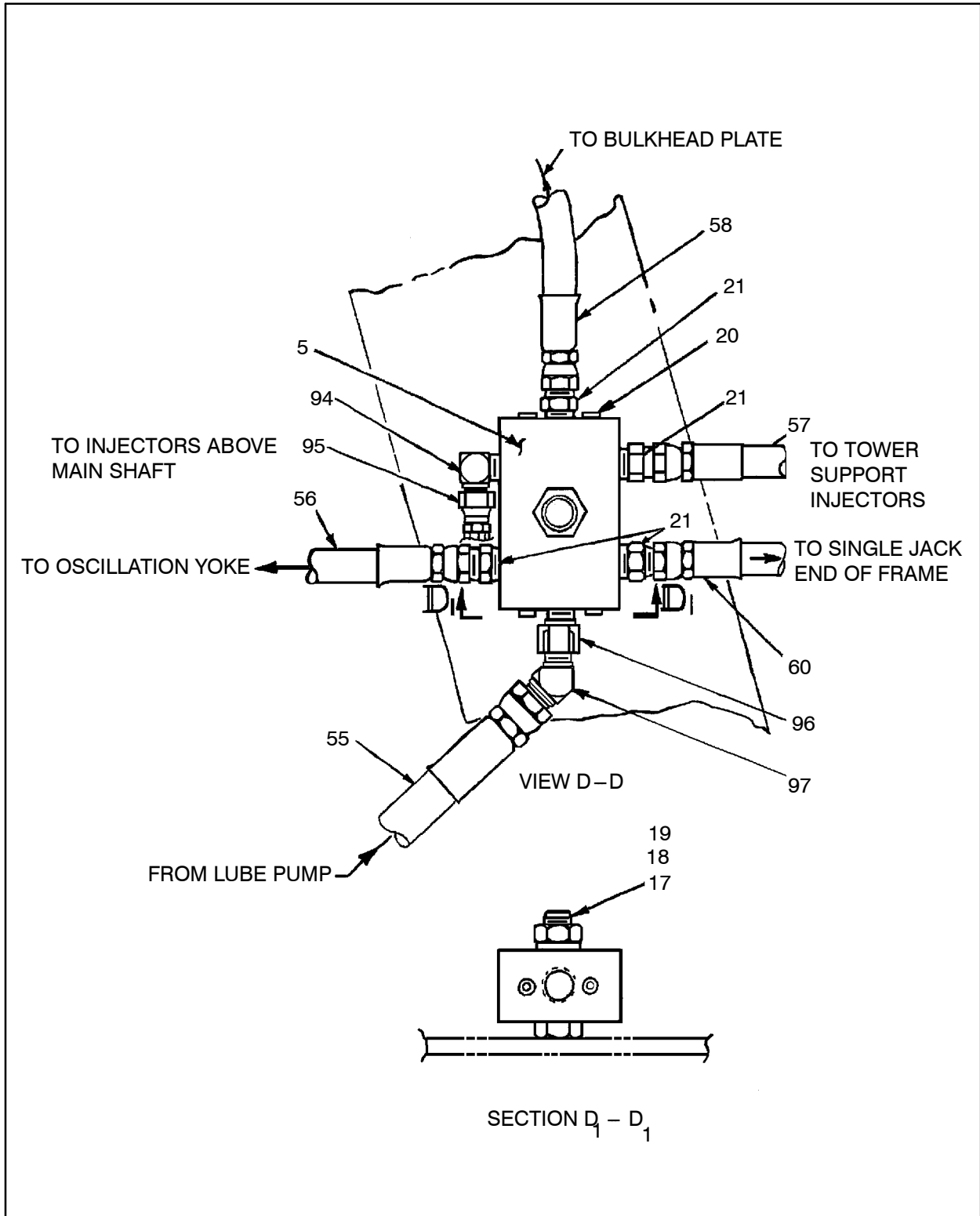


Figure 212 :LUBE,SYSTEM,MANUAL – DM30
E57439010 REV 002

57439010 LUBE,SYSTEM,MANUAL – DM30

LUBE,SYSTEM,MANUAL – DM30
57439010

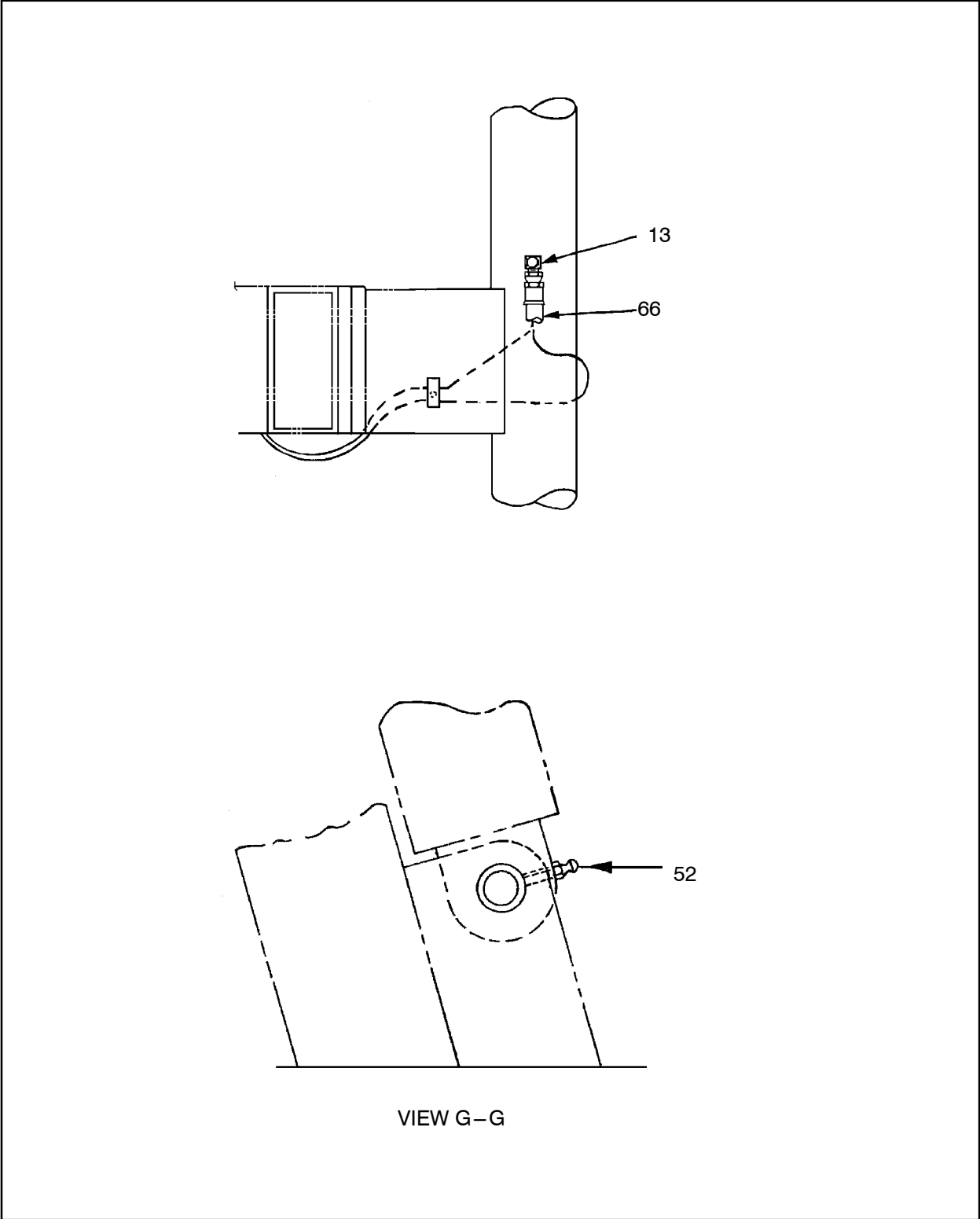


Figure 213 :LUBE,SYSTEM,MANUAL – DM30
E57439010 REV 002

57439010 LUBE,SYSTEM,MANUAL-DM30

LUBE,SYSTEM,MANUAL-DM30
 57439010

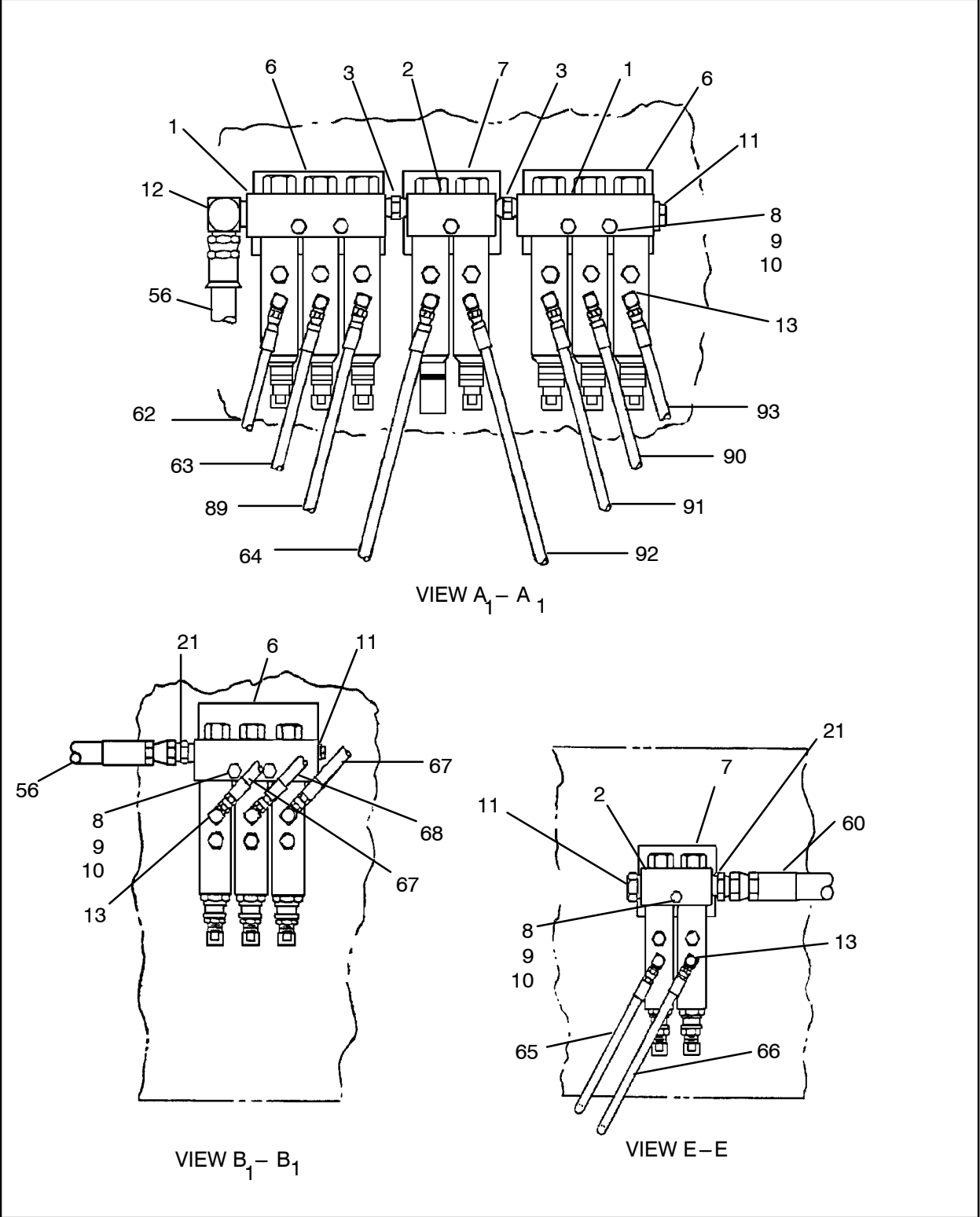
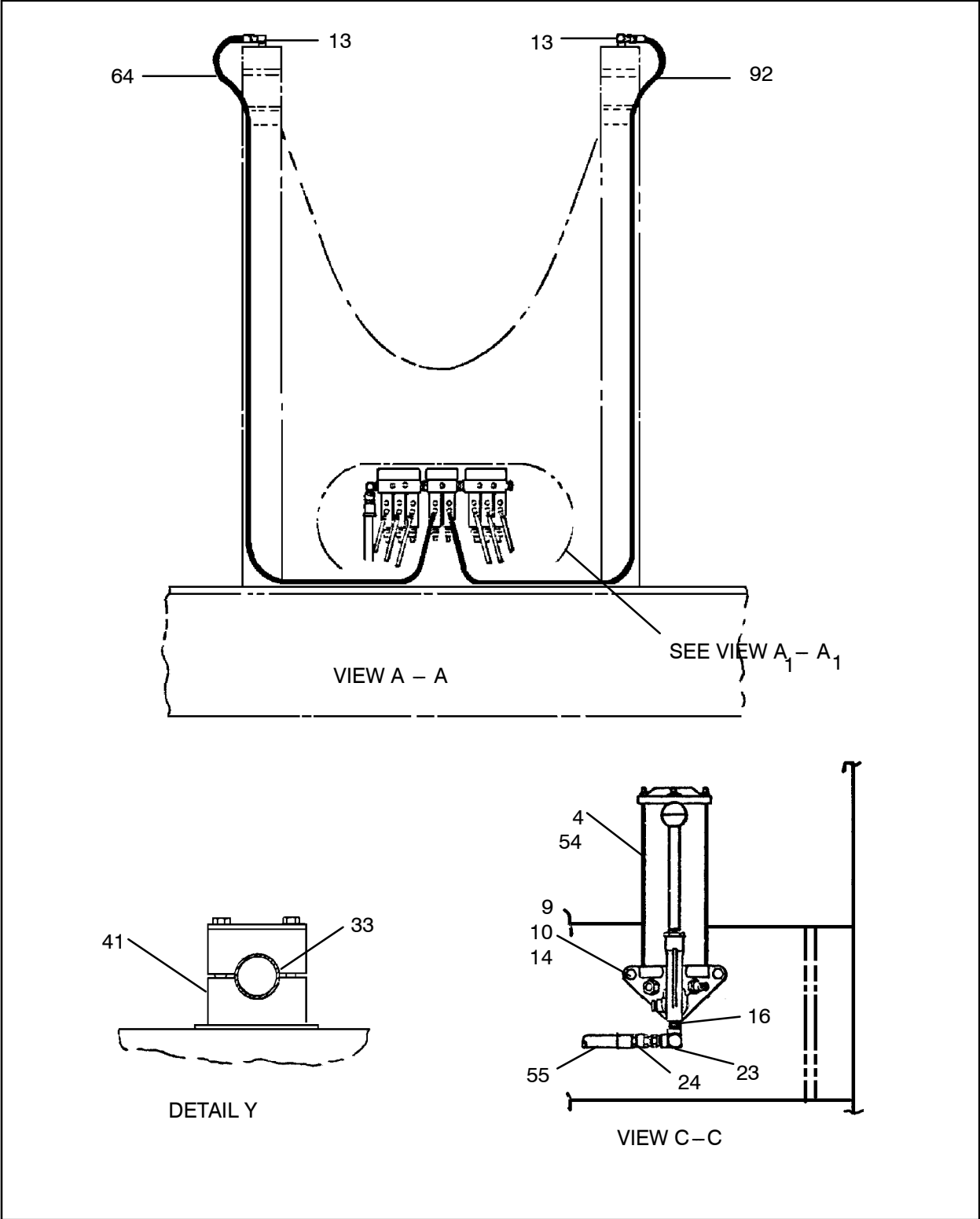


Figure 214 :LUBE,SYSTEM,MANUAL-DM30
 E57439010 REV 002

57439010 LUBE,SYSTEM,MANUAL – DM30



LUBE,SYSTEM,MANUAL – DM30
57439010

Figure 215 :LUBE,SYSTEM,MANUAL – DM30
E57439010 REV 002

57439010 LUBE,SYSTEM,MANUAL-DM30

LUBE,SYSTEM,MANUAL-DM30
57439010

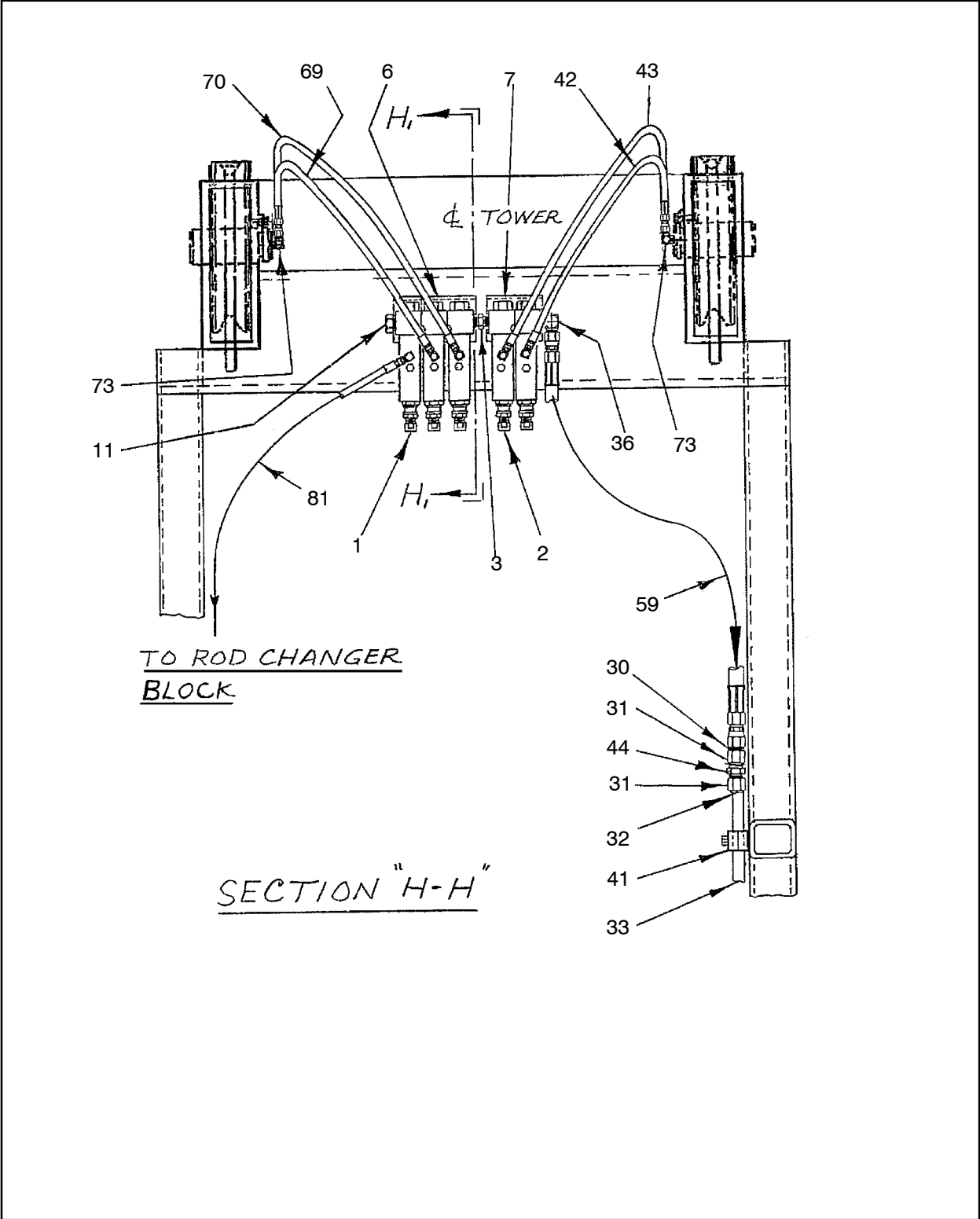
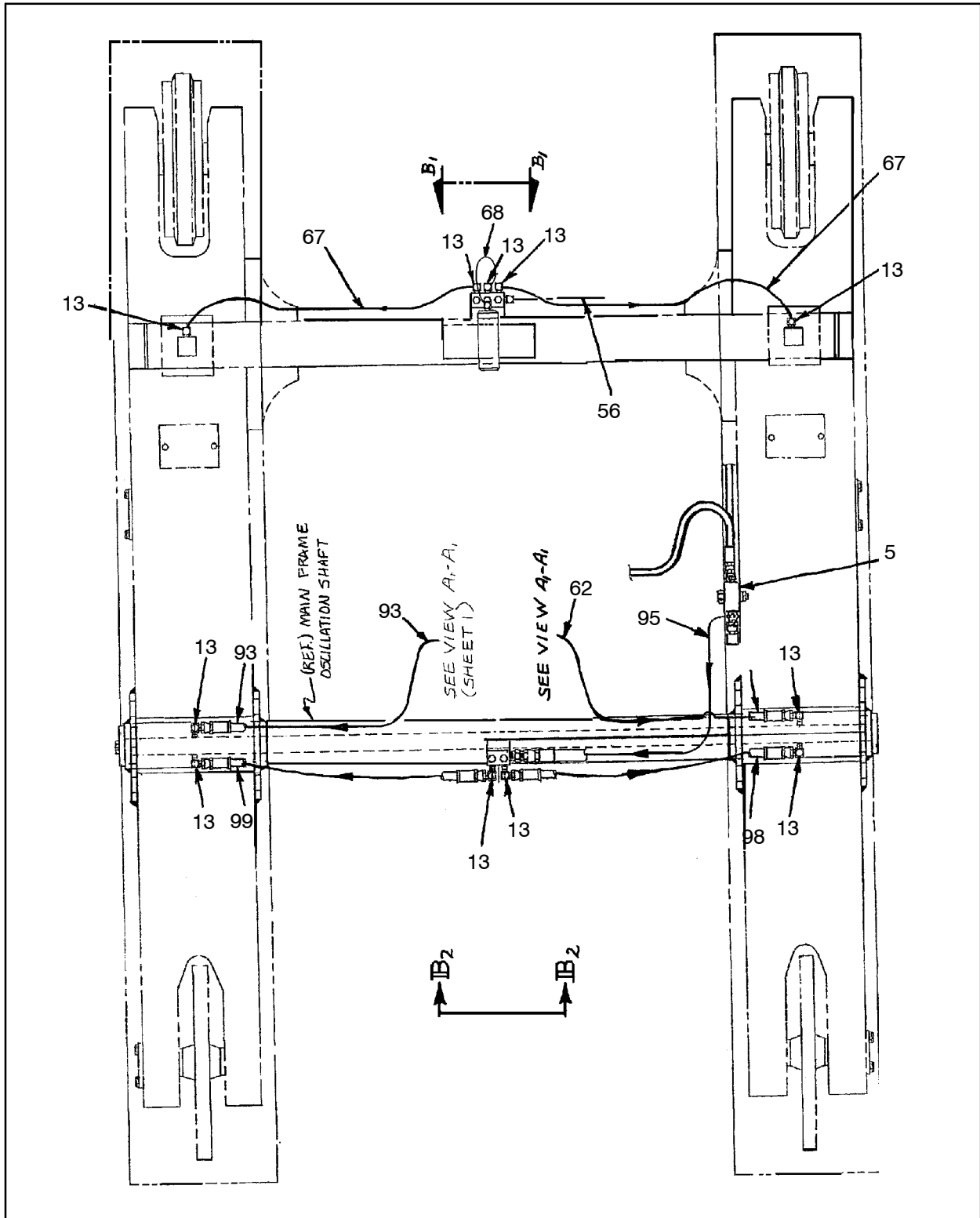


Figure 216 :LUBE,SYSTEM,MANUAL-DM30
E57439010 REV 002

57439010 LUBE,SYSTEM,MANUAL-DM30



LUBE,SYSTEM,MANUAL-DM30
57439010

Figure 217 :LUBE,SYSTEM,MANUAL-DM30
E57439010 REV 002

57439010

LUBE,SYSTEM,MANUAL-DM30

LUBE,SYSTEM,MANUAL-DM30

57439010

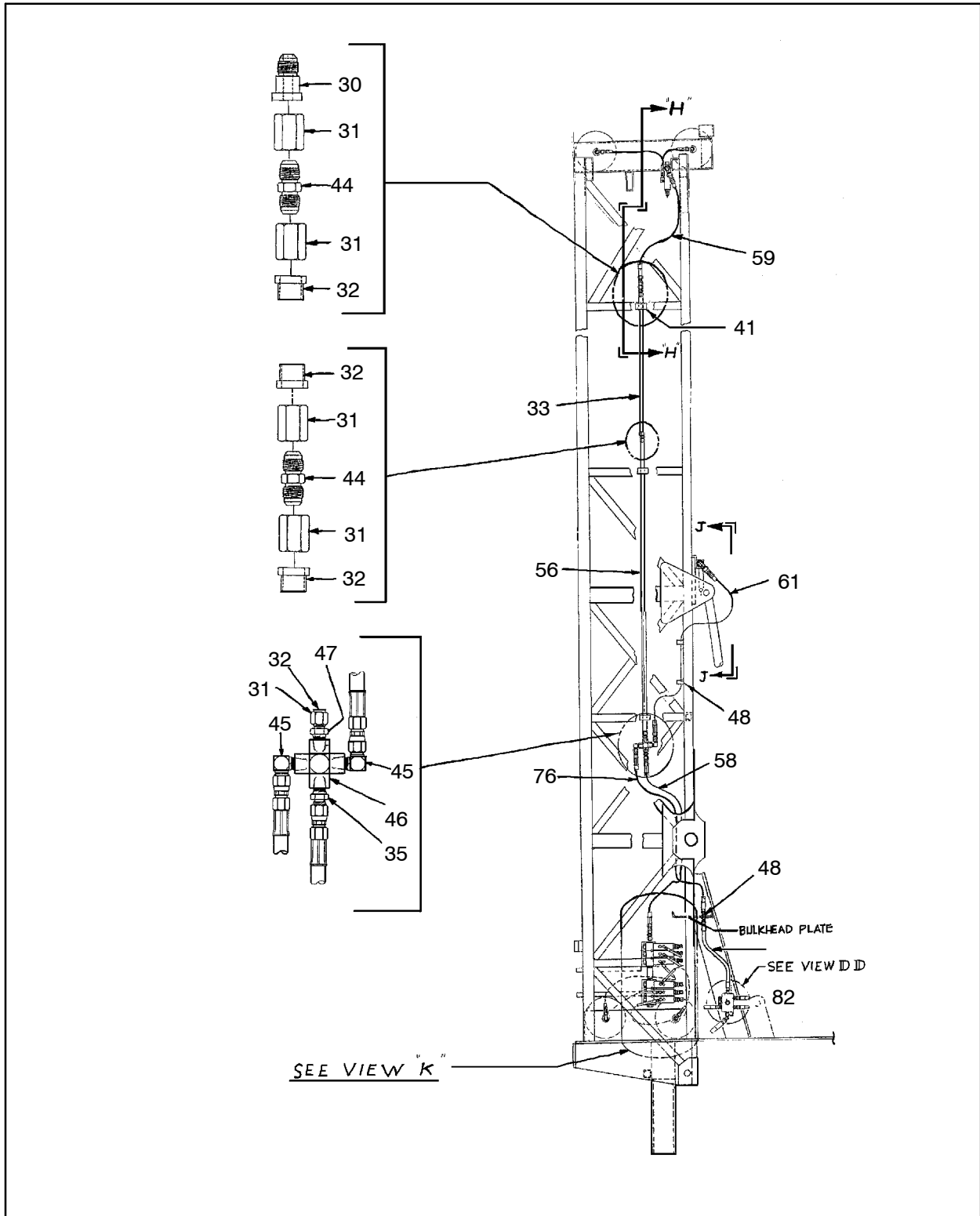
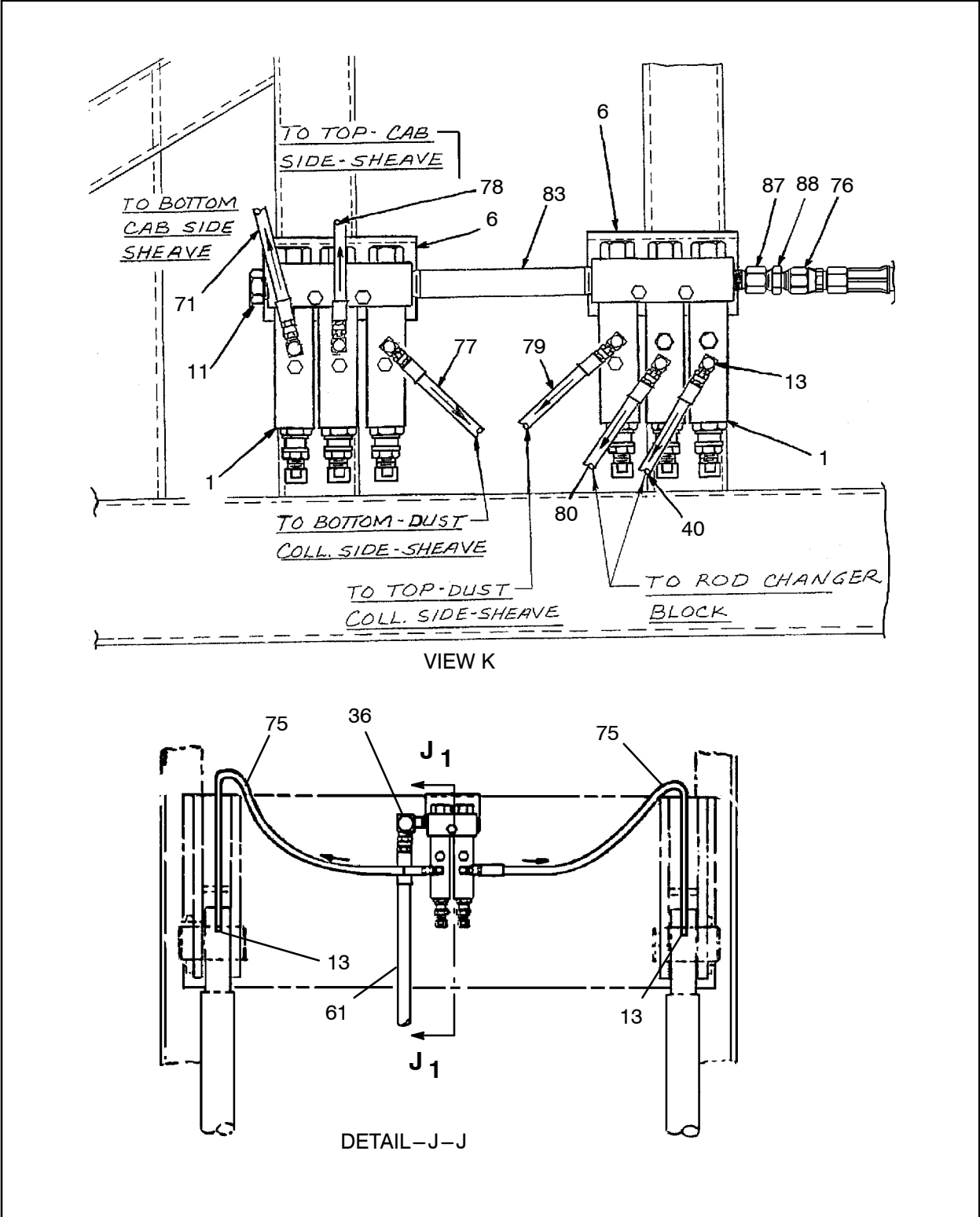


Figure 218 :LUBE,SYSTEM,MANUAL-DM30
E57439010 REV 002

57439010 LUBE,SYSTEM,MANUAL-DM30



LUBE,SYSTEM,MANUAL-DM30
57439010

Figure 219 :LUBE,SYSTEM,MANUAL-DM30
E57439010 REV 002

57439010

LUBE,SYSTEM,MANUAL-DM30

LUBE,SYSTEM,MANUAL-DM30

57439010

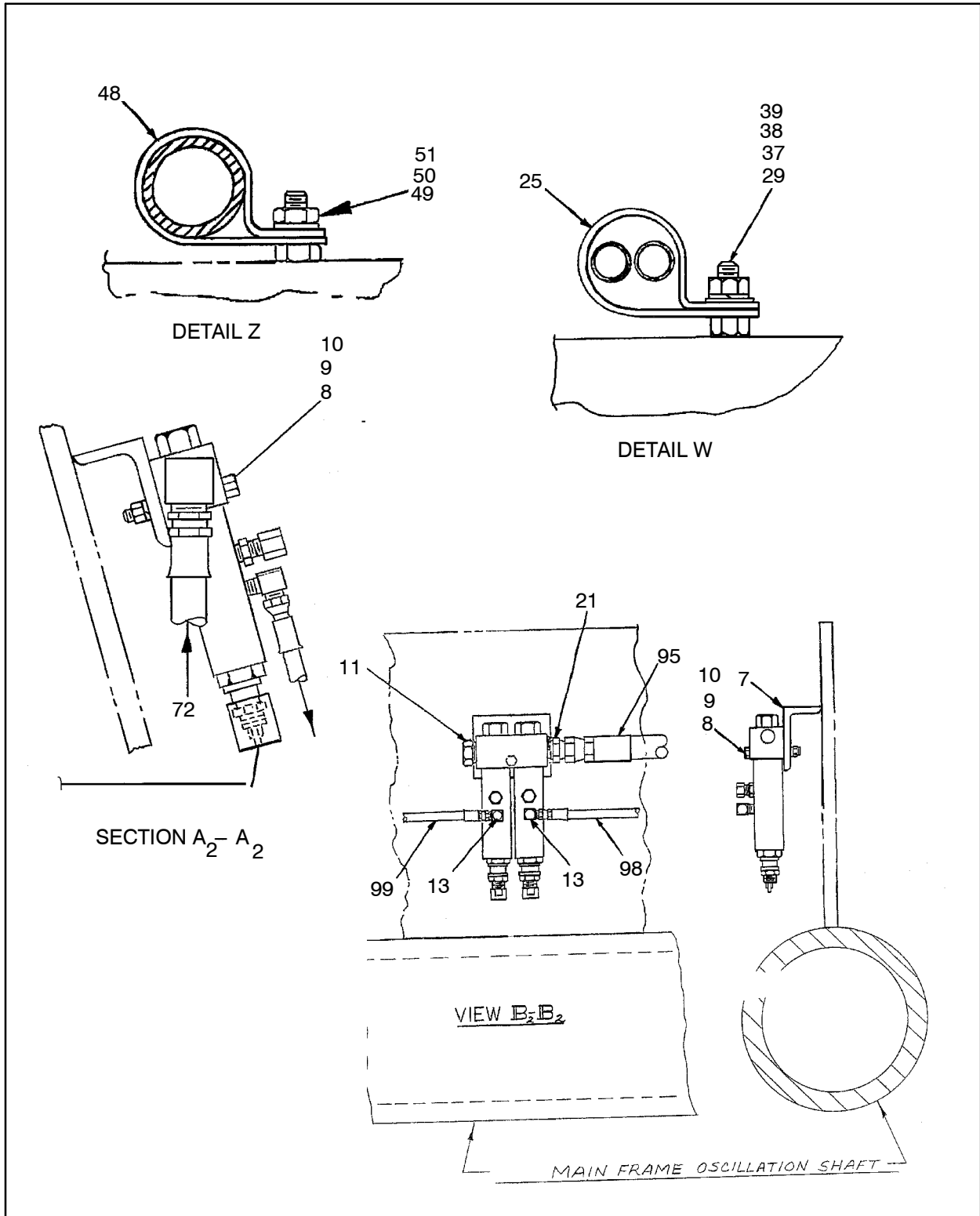
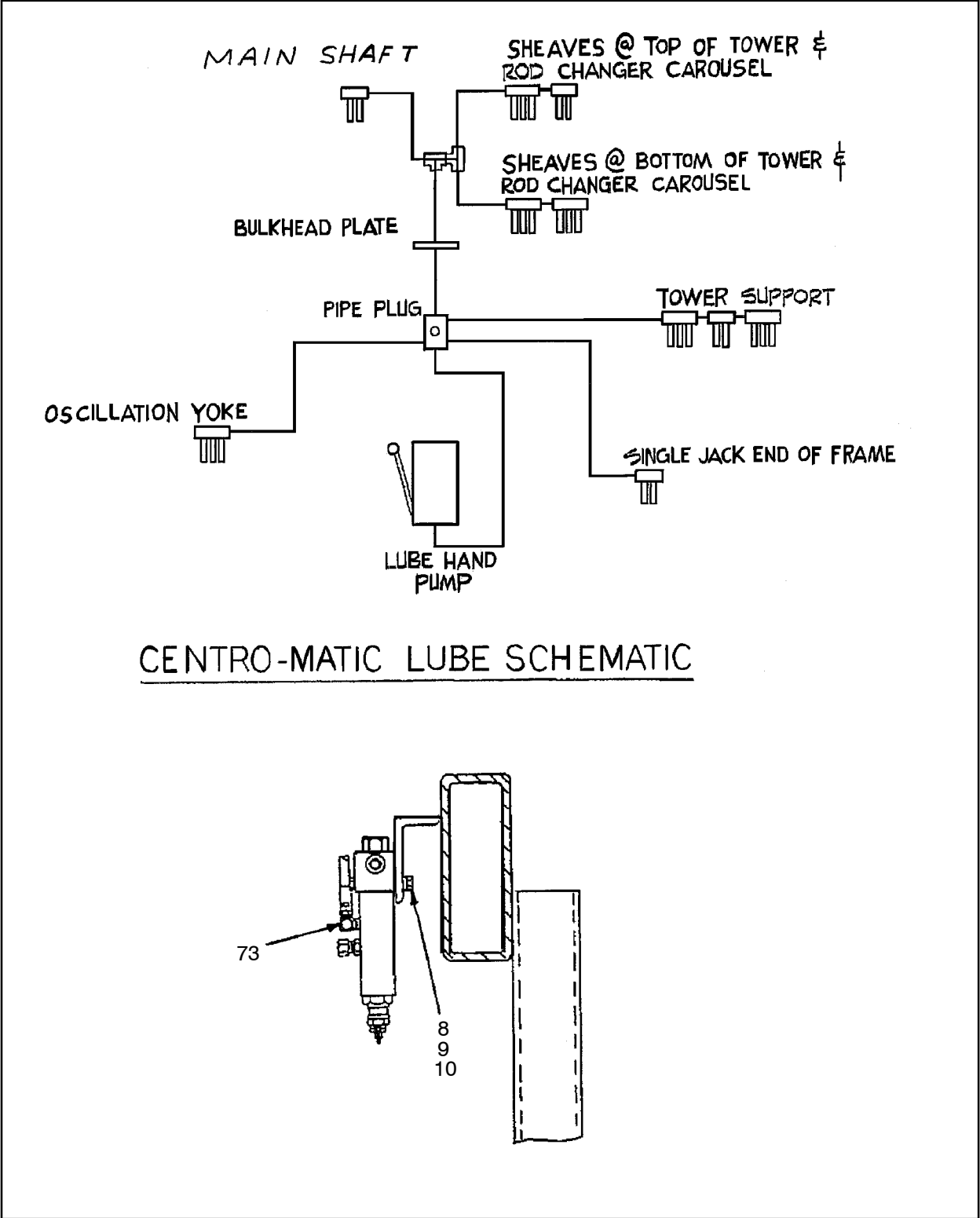


Figure 220 :LUBE,SYSTEM,MANUAL-DM30
E57439010 REV 002

57439010 LUBE,SYSTEM,MANUAL-DM30



LUBE,SYSTEM,MANUAL-DM30
57439010

Figure 221 :LUBE,SYSTEM,MANUAL-DM30
E57439010 REV 002

57439010 LUBE,SYSTEM,MANUAL – DM30

LUBE,SYSTEM,MANUAL – DM30
57439010

| REF. | PART NO. | QTY. | UNIT | DESCRIPTION |
|------|----------|------|------|--------------------------|
| 001 | 57070765 | 6 | EA | INJECTOR, SL1/3 BANK |
| 002 | 57070757 | 4 | EA | INJECTOR, SL1/2 BANK |
| 003 | 95352738 | 3 | EA | NIPPLE,NPTF DRYSEAL |
| 004 | 57083982 | 1 | EA | PUMP,GREASE – MANUAL |
| 005 | 57083883 | 1 | EA | MANIFOLD,HYD |
| 006 | 57083941 | 6 | EA | ANGLE,W/HOLE |
| 007 | 57083958 | 4 | EA | ANGLE W/HOLE |
| 008 | 95934592 | 17 | EA | SCREW,CAP,HEX |
| 009 | 95922894 | 19 | EA | NUT,HEX,FINISHED |
| 010 | 95937413 | 19 | EA | WASHER,LOCK,HELICAL |
| 011 | 95033601 | 6 | EA | PLUG,PIPE,SQ HEAD |
| 012 | 95279519 | 1 | EA | FITTING, HYD |
| 013 | 95209086 | 41 | EA | FITTING,HYD |
| 014 | 95920682 | 2 | EA | SCREW,CAP,HEX |
| 016 | 95395737 | 1 | EA | NIPPLE,NPTF DRYSEAL |
| 017 | 95035465 | 1 | EA | SCREW,CAP,HEX |
| 018 | 95922928 | 1 | EA | NUT,HEX,FINISHED |
| 019 | 95934691 | 1 | EA | WASHER,LOCK,HELICAL |
| 020 | 95033585 | 4 | EA | PLUG,PIPE,SQ HEAD,SOLID |
| 021 | 50814581 | 8 | EA | FITTING, HYD |
| 022 | 95302733 | 1 | EA | FITTING |
| 023 | 95433884 | 2 | EA | FITTING,HYD |
| 024 | 95219747 | 2 | EA | CONNECTOR,MALE,37 DEG |
| 024 | 95219754 | 2 | EA | FITTING, HYD |
| 025 | 95301875 | 3 | EA | CLAMP, HOSE |
| 026 | 95264974 | 1 | EA | FITTING, HYD |
| 027 | 95219747 | 1 | EA | CONNECTOR,MALE,37 DEG |
| 028 | 95279402 | 1 | EA | ELBOW, 90DEG MALE 37DGFL |
| 029 | 95934659 | 3 | EA | SCREW,CAP,HEX |
| 030 | 56953573 | 5 | EA | FITTING, HYD |
| 031 | 95257374 | 5 | EA | NUT, TUBE – 16 |

57439010 LUBE,SYSTEM,MANUAL – DM30

| REF. | PART NO. | QTY. | UNIT | DESCRIPTION |
|------|----------|--------|------|----------------------------|
| 032 | 95257481 | 4 | EA | SLEEVE, TUBE |
| 033 | 58242090 | 672.00 | IN | TUBE HYD |
| 035 | 95279329 | 1 | EA | CONNECTOR,MALE,37 DEG |
| 036 | 95279519 | 2 | EA | FITTING, HYD |
| 037 | 95081667 | 3 | EA | WASHER,FLAT,WIDE |
| 038 | 95939948 | 3 | EA | WASHER,LOCK,HELICAL SPRG |
| 039 | 95922902 | 3 | EA | NUT,HEX,FINISHED,PLATED |
| 040 | 56964224 | 1 | EA | HOSE ASSY |
| 041 | 57083156 | 5 | EA | CLAMP ASSY, 3/4 PIPE |
| 042 | 58170465 | 1 | EA | HOSE ASSY |
| 043 | 52198173 | 1 | EA | HOSE ASSY |
| 044 | 95423075 | 2 | EA | FITTING HYD |
| 045 | 95279436 | 2 | EA | FITTING, HYD |
| 046 | 95279881 | 1 | EA | FITTING, HYD |
| 047 | 95219762 | 1 | EA | ADAPTER |
| 048 | 95301875 | 2 | EA | CLAMP, HOSE |
| 049 | 95104121 | 2 | EA | SCREW, CAP – 1/2UNCX 3/4 |
| 050 | 95922902 | 2 | EA | NUT,HEX,FINISHED,PLATED |
| 051 | 95934733 | 2 | EA | WASHER,LOCK |
| 052 | 95201547 | 2 | EA | FITTING,LUBE |
| 054 | 57092579 | 35.00 | LB | GREASE,EPO |
| 055 | 56959919 | 1 | EA | HOSE ASSY |
| 056 | 56966898 | 1 | EA | HOSE ASSY |
| 057 | 56958663 | 1 | EA | HOSE ASSY |
| 058 | 56961329 | 1 | EA | HOSE ASSY |
| 059 | 56950504 | 1 | EA | HOSE ASSY, F12X032J – –/J– |
| 060 | 56960826 | 1 | EA | HOSE ASSY |
| 061 | 57074239 | 1 | EA | HOSE ASSY |
| 062 | 56972680 | 1 | EA | HOSE ASSY |
| 063 | 56972680 | 1 | EA | HOSE ASSY |
| 064 | 57010142 | 1 | EA | HOSE ASSY |
| 065 | 56964190 | 1 | EA | HOSE ASSY |
| 066 | 52226453 | 1 | EA | HOSE ASSY |
| 067 | 56973621 | 2 | EA | HOSE ASSY |
| 068 | 56964158 | 1 | EA | HOSE ASSY |
| 069 | 58170465 | 2 | EA | HOSE ASSY |
| 070 | 52198173 | 2 | EA | HOSE ASSY |

LUBE,SYSTEM,MANUAL – DM30
57439010

57439010 LUBE,SYSTEM,MANUAL – DM30

LUBE,SYSTEM,MANUAL – DM30
57439010

| REF. | PART NO. | QTY. | UNIT | DESCRIPTION |
|------|----------|------|------|--------------------|
| 071 | 52226479 | 1 | EA | HOSE ASSY |
| 072 | 57070849 | 26 | EA | CAP, COVER |
| 073 | 95209086 | 9 | EA | FITTING, HYD |
| 074 | 95037446 | 1 | EA | BUSHING, PIPE |
| 075 | 56964166 | 2 | EA | HOSE ASSY |
| 076 | 56983430 | 1 | EA | HOSE ASSY |
| 077 | 57044737 | 1 | EA | HOSE ASSY |
| 078 | 58146622 | 1 | EA | HOSE ASSY |
| 079 | 56966302 | 1 | EA | HOSE ASSY |
| 080 | 56964224 | 1 | EA | HOSE ASSY |
| 081 | 58081662 | 1 | EA | HOSE ASSY |
| 082 | 56992134 | 1 | EA | HOSE ASSY |
| 083 | 95069035 | 1 | EA | NIPPLE |
| 084 | 95332599 | 1 | EA | ADAPTER |
| 087 | 85597904 | 1 | EA | FITTING, HYD |
| 088 | 95279378 | 1 | EA | FITTING, HYD |
| 089 | 56972680 | 1 | EA | HOSE ASSY |
| 090 | 56972680 | 1 | EA | HOSE ASSY |
| 091 | 56972680 | 1 | EA | HOSE ASSY |
| 092 | 57010142 | 1 | EA | HOSE ASSY |
| 093 | 56972680 | 1 | EA | HOSE ASSY |
| 094 | 95279535 | 1 | EA | ELBOW, 90 DEG MALE |
| 095 | 56957657 | 1 | EA | HOSE ASSY |
| 096 | 56947518 | 1 | EA | FITTING, HYD |
| 097 | 95279113 | 1 | EA | FITTING HYD |
| 098 | 56964224 | 1 | EA | HOSE ASSY |
| 099 | 56964224 | 1 | EA | HOSE ASSY |

This page is intentionally blank.

LUBE,SYSTEM,MANUAL – DM30
57439010

57532335

INJECTION,LUBE,DHD

INJECTION,LUBE,DHD

57532335

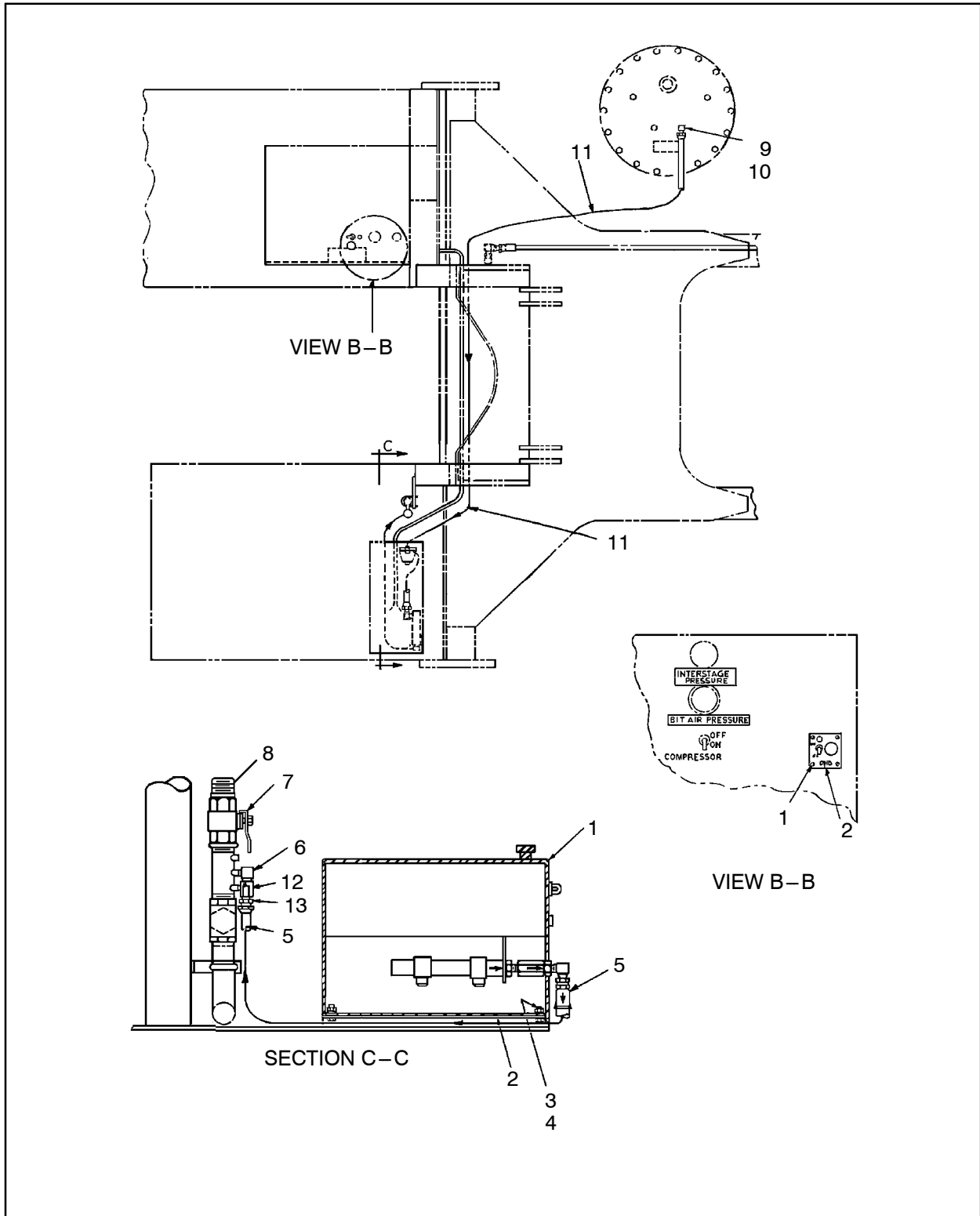


Figure 222 :INJECTION,LUBE,DHD
D57379497 REV 002

57532335 INJECTION,LUBE,DHD

| REF. | PART NO. | QTY. | UNIT | DESCRIPTION |
|------|----------|------|------|---|
| 001 | 57353369 | 1 | EA | LUBRICATOR ASSY-7GAL DHD (See figure 223) |
| 002 | 57038366 | 2 | EA | ANGLE |
| 003 | 95104147 | 4 | EA | SCREW,CAP,HEX |
| 004 | 95934733 | 4 | EA | WASHER,LOCK |
| 005 | 56949456 | 1 | EA | HOSE ASSY |
| 006 | 95377156 | 1 | EA | NIPPLE,NPTF DRYSEAL |
| 007 | 57532178 | 1 | EA | VALVE, BALL-2 NPT |
| 008 | 95097291 | 1 | EA | NIPPLE,PIPE,EXTRA STRONG |
| 009 | 95670535 | 1 | EA | ADAPTER,FEMALE,STRT THRD |
| 010 | 95335980 | 1 | EA | ELBOW,90 DEG,MALE |
| 011 | 57025926 | 1 | EA | HOSE ASSY |
| 012 | 57552275 | 1 | EA | CHECK VALVE,.25NPT |
| 013 | 95338372 | 1 | EA | FITTING, HYD |

INJECTION,LUBE,DHD
57532335

57353369 LUBRICATOR ASSY-7GAL DHD

INJECTION, LUBE, DHD
57532335

30 - Insulating Varnish

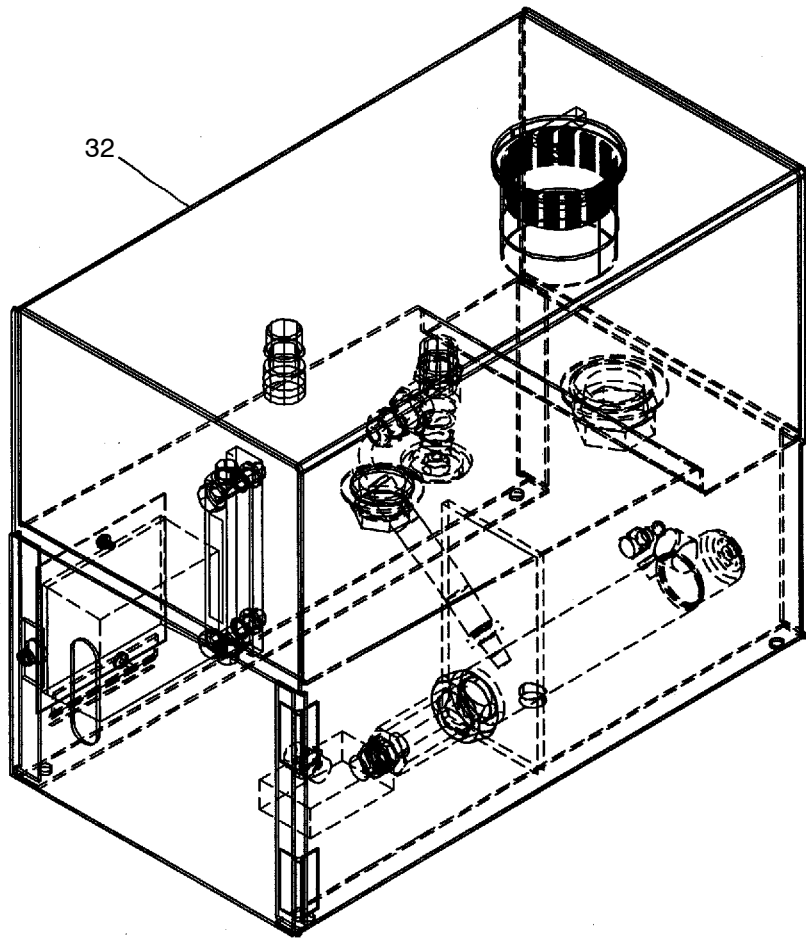
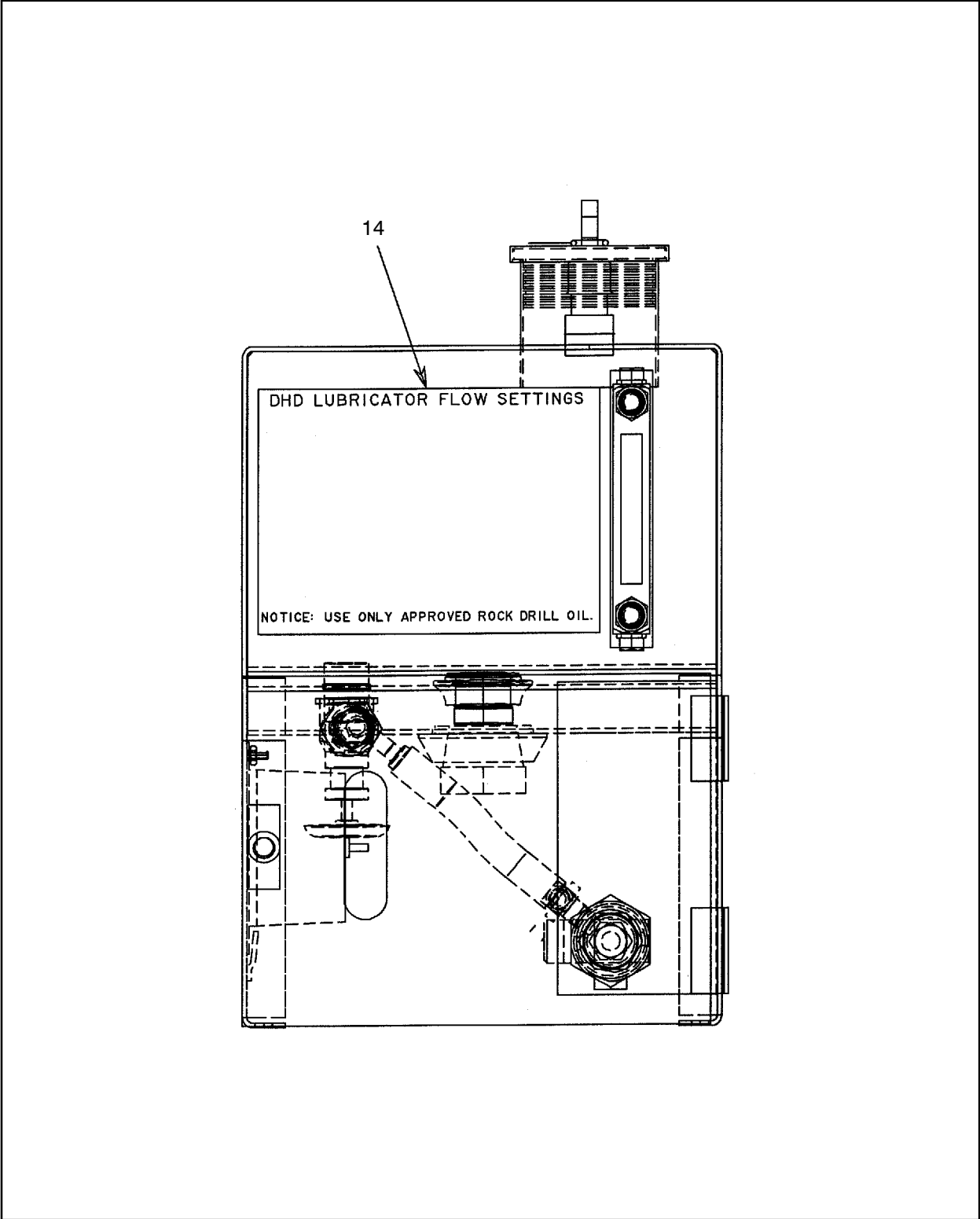


Figure 223 :LUBRICATOR ASSY-7GAL DHD
D57353369 REV004

57353369 LUBRICATOR ASSY-7GAL DHD



INJECTION, LUBE, DHD
57532335

Figure 224 :LUBRICATOR ASSY-7GAL DHD
D57353369 REV004

57353369 LUBRICATOR ASSY-7GAL DHD

INJECTION,LUBE,DHD
57532335

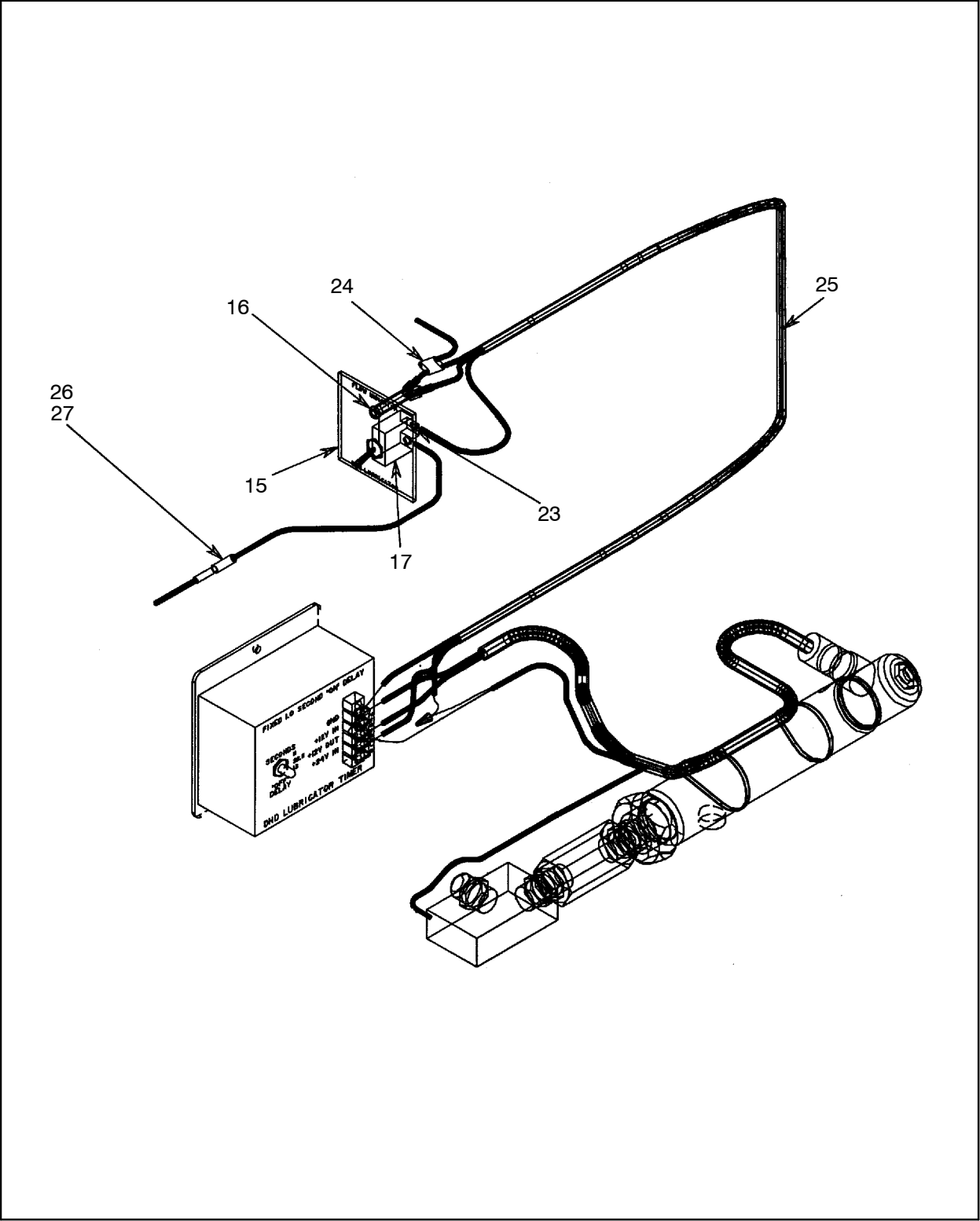


Figure 225 :LUBRICATOR ASSY-7GAL DHD
D57353369 REV004

57353369 LUBRICATOR ASSY-7GAL DHD

INJECTION, LUBE, DHD
57532335

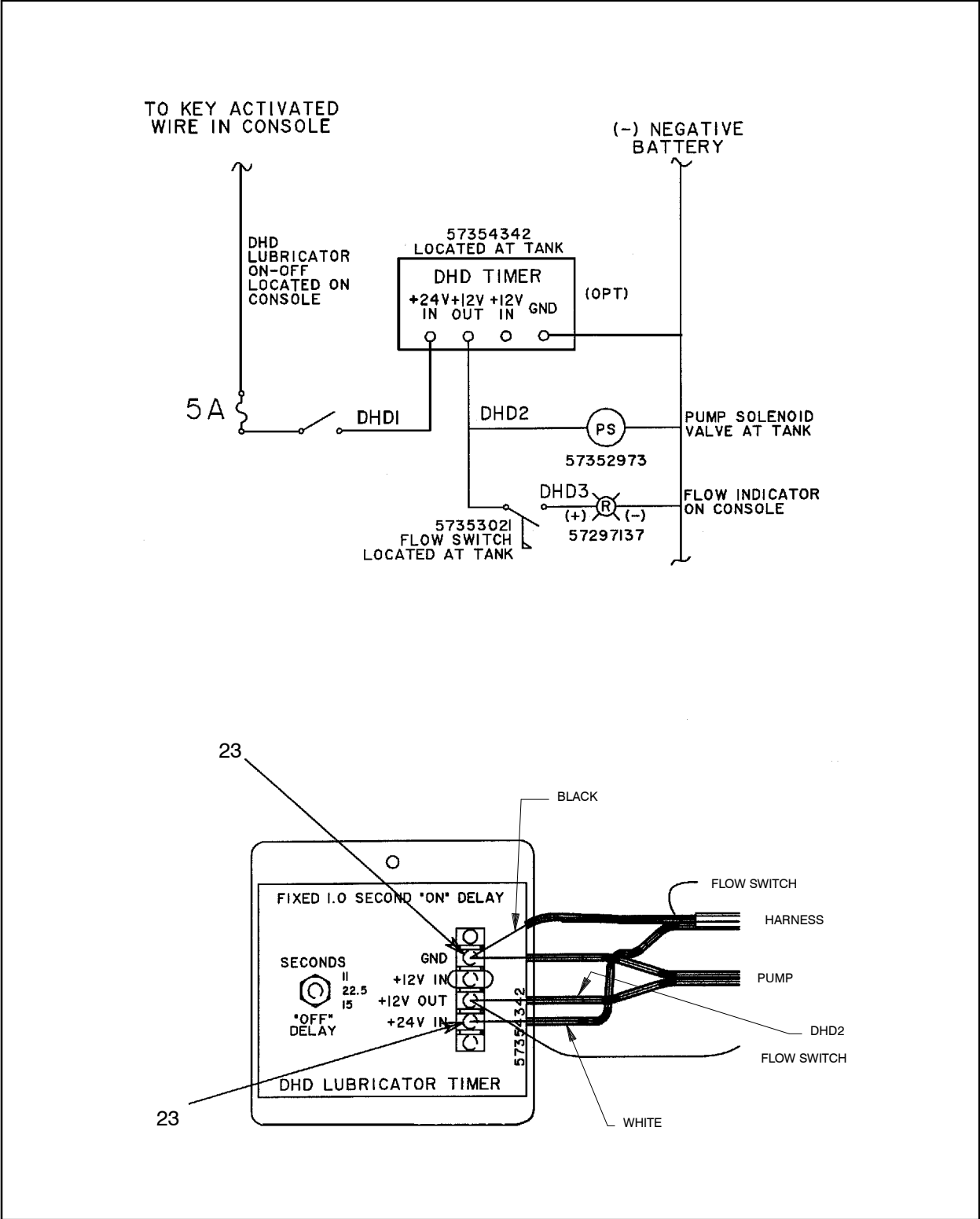


Figure 226 :LUBRICATOR ASSY-7GAL DHD
D57353369 REV004

57353369 LUBRICATOR ASSY-7GAL DHD

| REF. | PART NO. | QTY. | UNIT | DESCRIPTION |
|------|---------------|--------|------|--|
| 014 | 57361982 | 1 | EA | DECAL,DHD LUBE SETTINGS |
| 015 | 57361990 | 1 | EA | NAMEPLATE, DHD CONTROL |
| 016 | 57297137 | 1 | EA | LIGHT,LED INDICATOR |
| 017 | 57179608 | 1 | EA | SWITCH, SPST/ON-OFF |
| 023 | 95329249 | 4 | EA | TERMINAL,16-14,6 FORK |
| 024 | 855017P0841-1 | 1 | EA | CONNECTOR,TAP TYPE |
| 025 | 56933690 | 480.00 | IN | WIRE ELEC |
| 026 | 57130577 | 1 | EA | HOLDER,FUSE |
| 027 | 52279338 | 1 | EA | FUSE |
| 030 | 57168916 | 1.00 | OZ | VARNISH, INSULATING |
| 032 | 57428104 | 1 | EA | LUBRICATOR TANK SUB-ASM (See figure 227) |

INJECTION,LUBE,DHD

57532335

57353369 LUBRICATOR ASSY-7GAL DHD

This page is intentionally blank.

INJECTION,LUBE,DHD
57532335

57428104

LUBRICATOR TANK SUB-ASM

INJECTION, LUBE, DHD
57532335

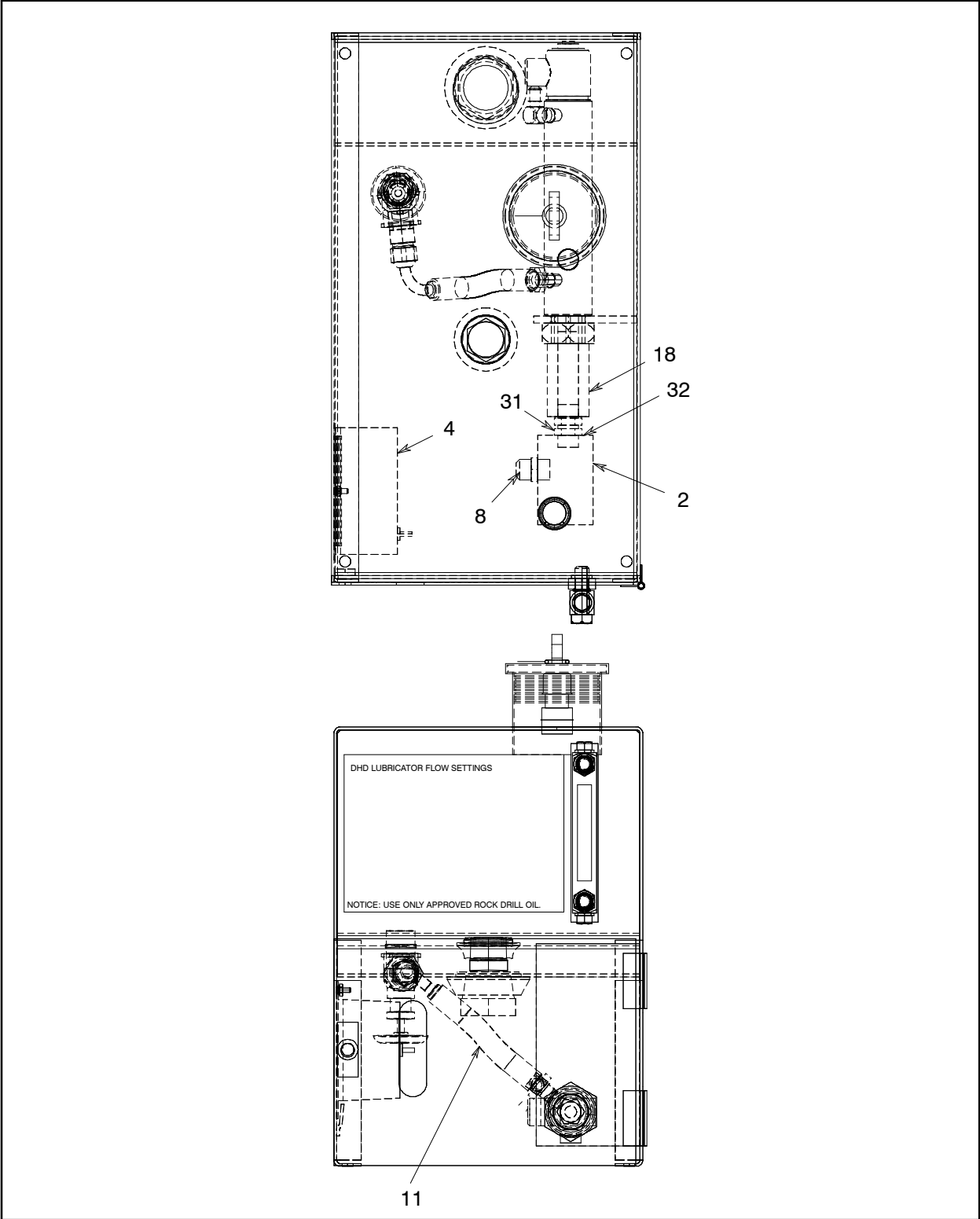
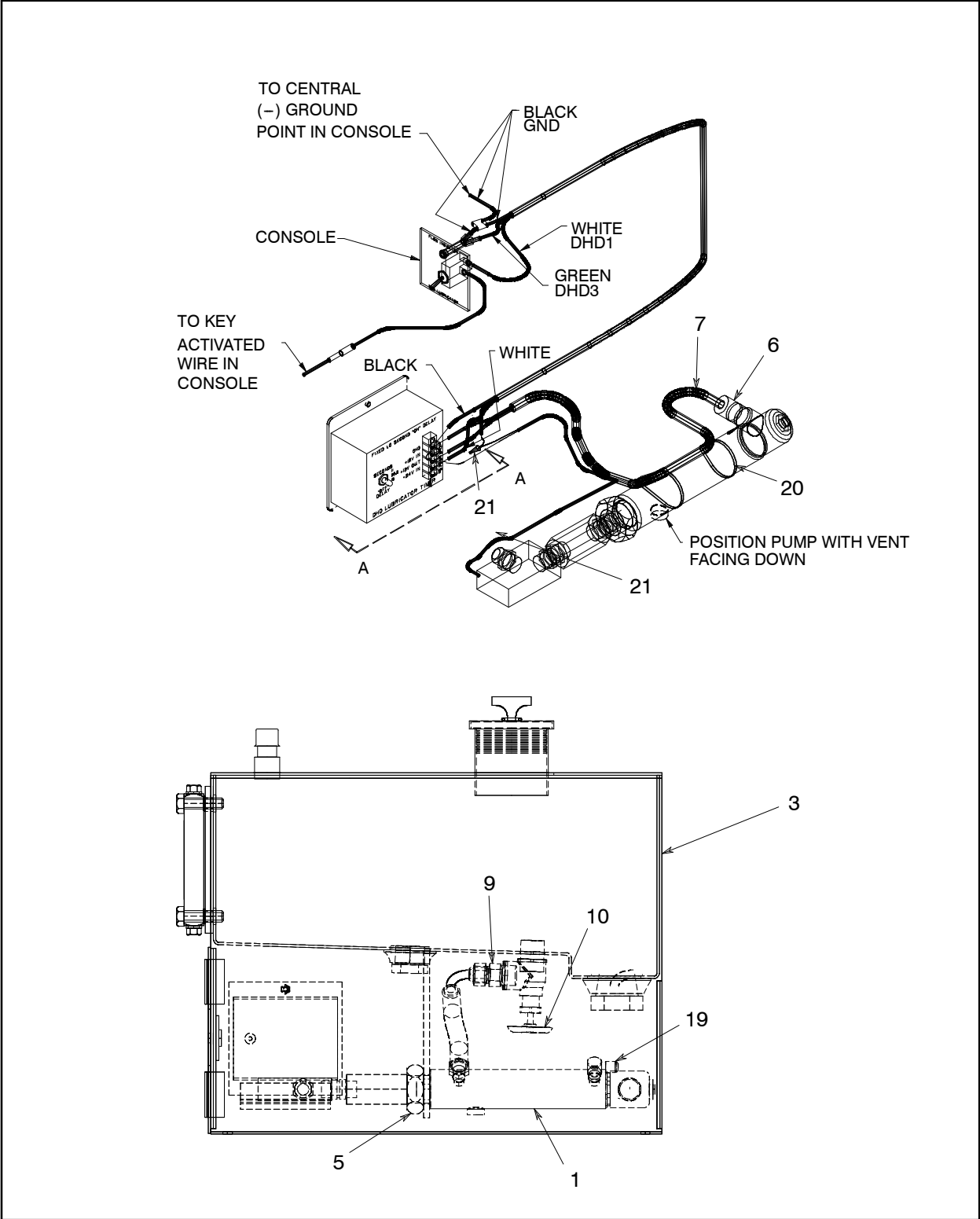


Figure 227 :LUBRICATOR TANK SUB-ASM
D57428104 REV 002

57428104 LUBRICATOR TANK SUB-ASM



INJECTION, LUBE, DHD
57532335

Figure 228 :LUBRICATOR TANK SUB-ASM
D57428104 REV 002

57428104

LUBRICATOR TANK SUB-ASM

INJECTION, LUBE, DHD

57532335

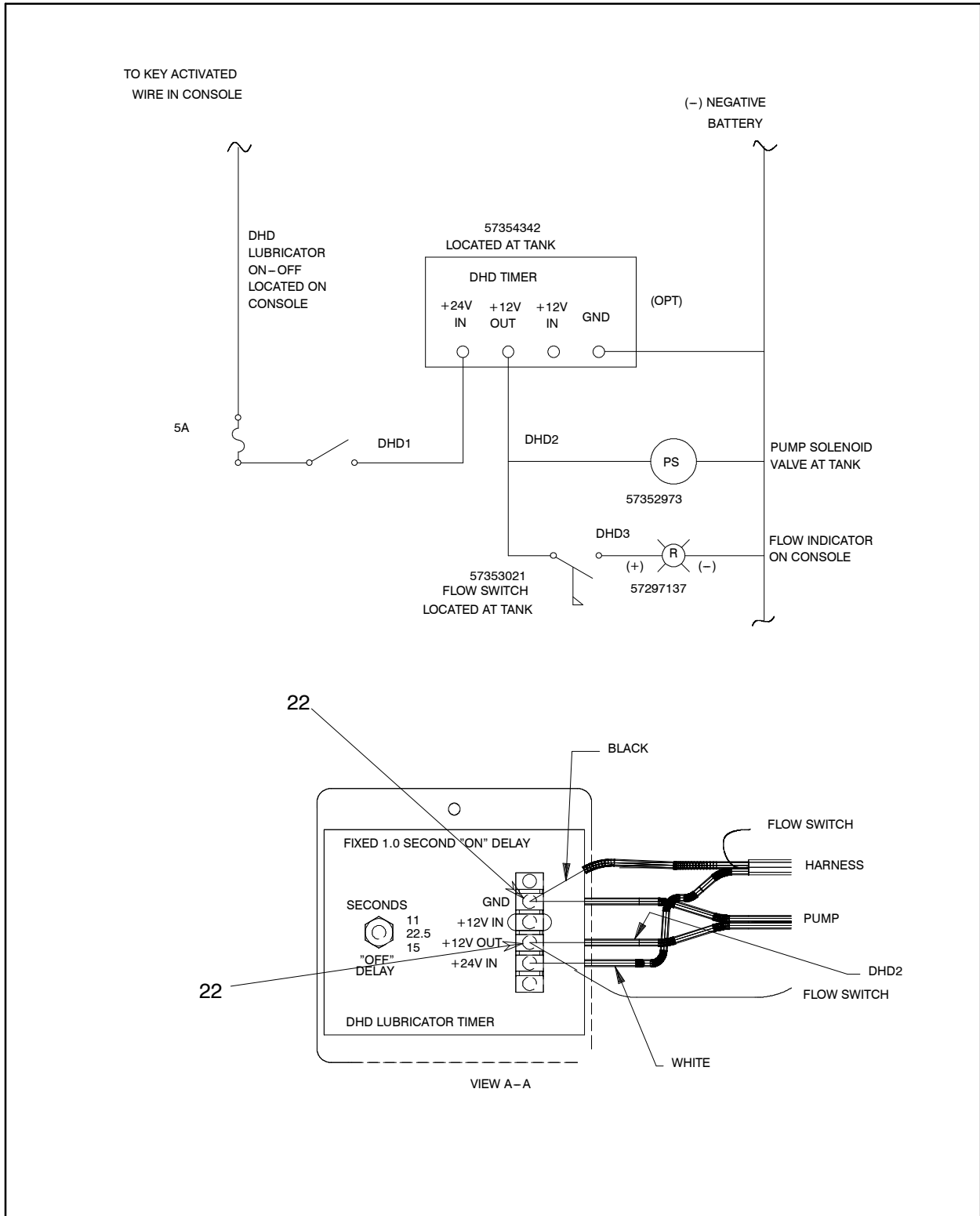


Figure 229 :LUBRICATOR TANK SUB-ASM
D57428104 REV 002

57428104 LUBRICATOR TANK SUB-ASM

| REF. | PART NO. | QTY. | UNIT | DESCRIPTION |
|------|----------|-------|------|--|
| 001 | 57352973 | 1 | EA | PUMP,DHD LUBRICATOR (See figure 230) |
| 002 | 57353021 | 1 | EA | SWITCH, FLUID FLOW |
| | 57428914 | 1 | EA | ●- SWITCH, SPST REED |
| 003 | 57353245 | 1 | EA | TANK,7-GAL DHD LUBRICATOR (See figure 231) |
| 004 | 57354342 | 1 | EA | TIMER,DHD LUBRICATOR |
| 005 | 95315404 | 1 | EA | NUT,HEX JAM |
| 006 | 50625946 | 1 | EA | CONNECTOR,CORD GRIP |
| 007 | 57358830 | 16.00 | IN | CONDUIT, 3/8 NYLON |
| 008 | 95303335 | 1 | EA | ELBOW,90 DEG STRT THRD |
| 009 | 95219739 | 1 | EA | ADAPTER |
| 010 | 95072971 | 1 | EA | VALVE |
| 011 | 57481178 | 1 | EA | HOSE ASSY |
| 018 | 57408775 | 1 | EA | VALVE, CHECK |
| 019 | 95293403 | 1 | EA | ELBOW,90 DEG MALE |
| 020 | 95748802 | 6 | EA | TIE,CABLE |
| 021 | 95239216 | 1 | EA | JOINT,WIRE,10,CLEAR |
| 022 | 95843371 | 3 | EA | TERMINAL,22-18-8 FORK |
| 031 | 57408767 | 1 | EA | ADAPTER, SAE 8 STRAIGHT |
| 032 | 95209870 | 1 | EA | O-RING |

INJECTION,LUBE,DHD 57532335

57352973 PUMP,DHD LUBRICATOR

INJECTION,LUBE,DHD
57532335

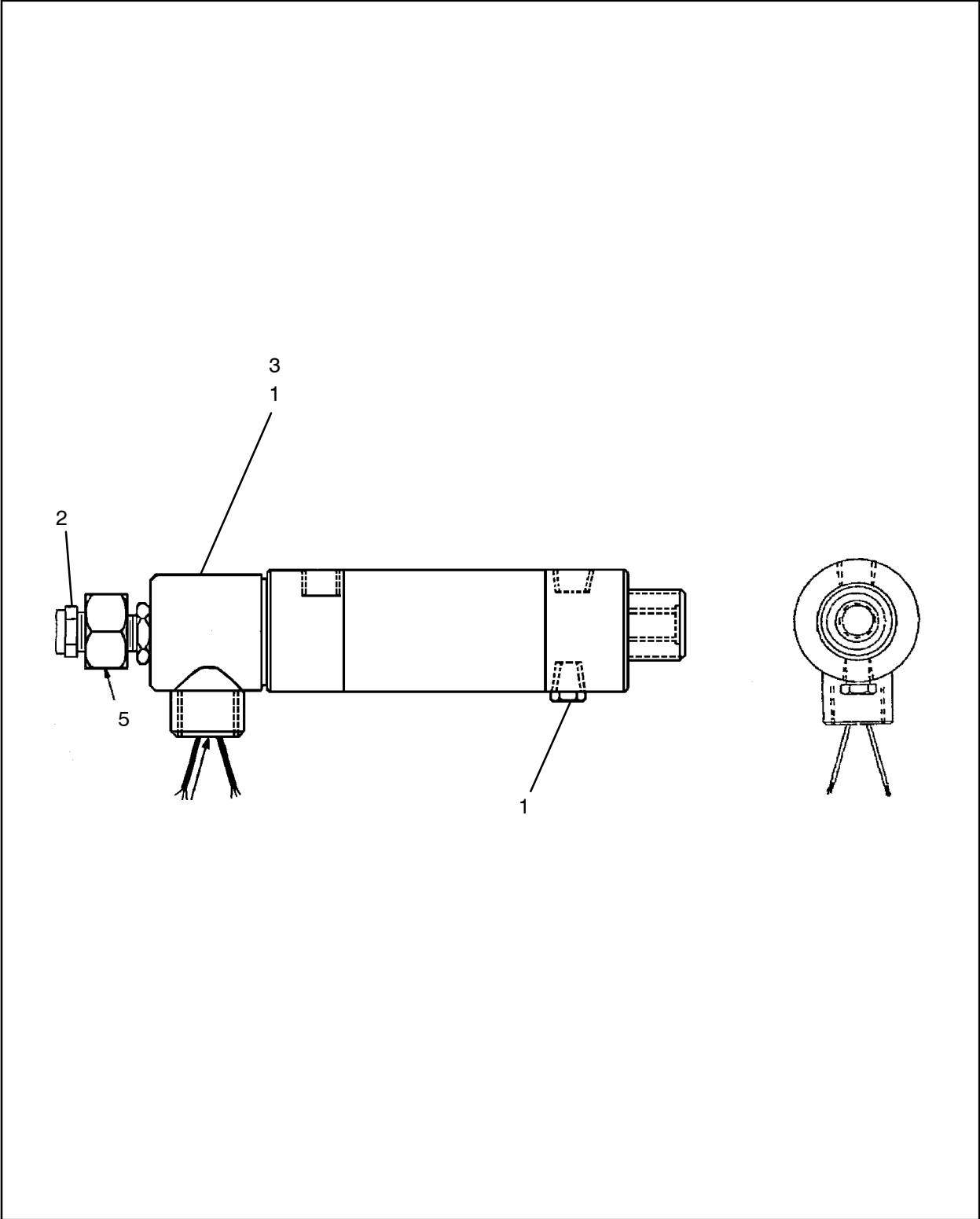


Figure 230 :PUMP,DHD LUBRICATOR
C57352973 REV 004

57352973 PUMP,DHD LUBRICATOR

| REF. | PART NO. | QTY. | UNIT | DESCRIPTION |
|------|----------|------|------|------------------------|
| 001 | 57307886 | 1 | EA | SEAL KIT,PUMP |
| 001 | 57725400 | 1 | EA | VENT,FILTER |
| 002 | 57431223 | 1 | EA | PLUNGER, TEFLON |
| 003 | 57560682 | 1 | EA | SPRING |
| 005 | 57769390 | 1 | EA | BREATHER,VENT,DHD PUMP |

INJECTION,LUBE,DHD
57532335

57353245 TANK,7-GAL DHD LUBRICATOR

INJECTION, LUBE, DHD
57532335

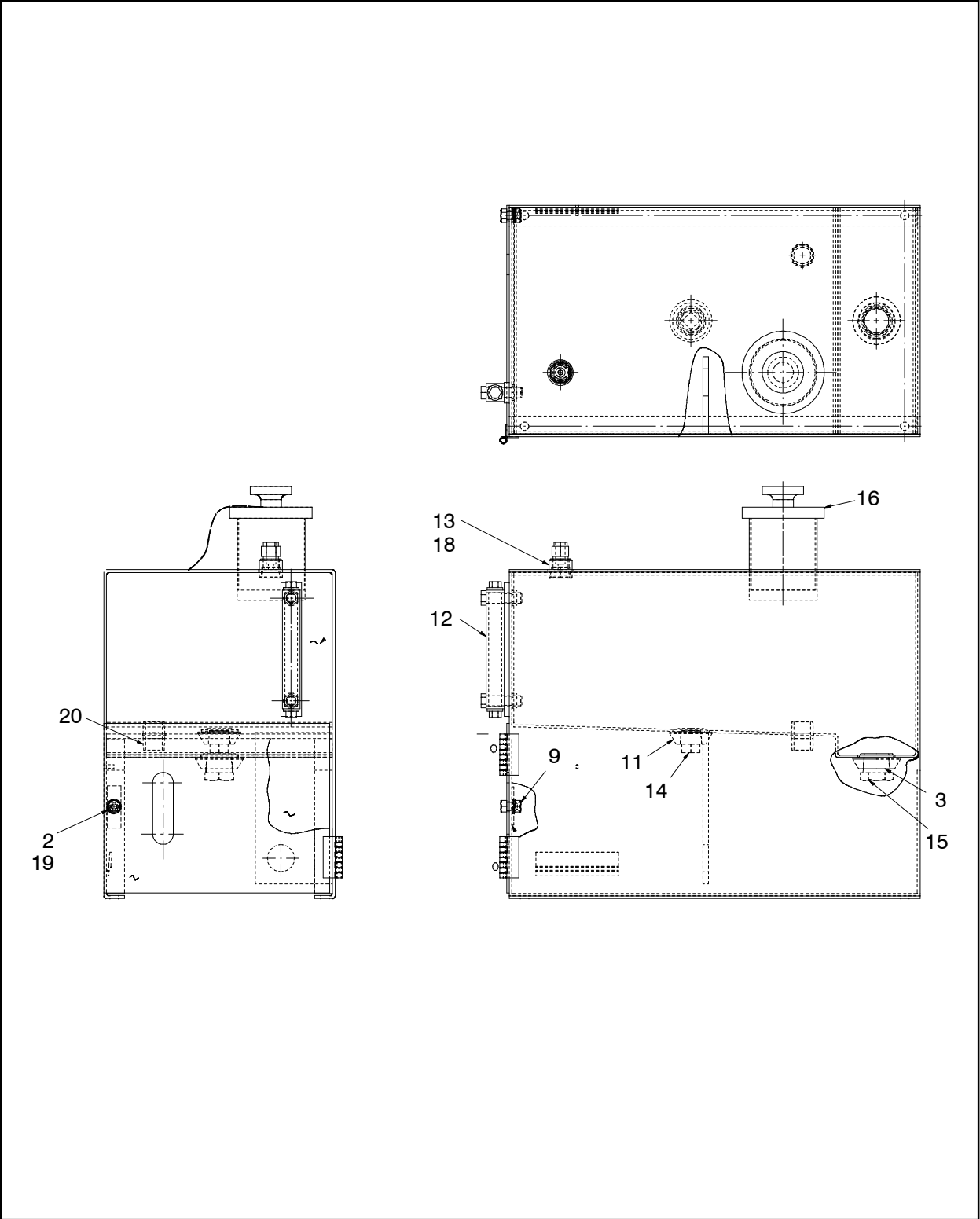


Figure 231 :TANK,7-GAL DHD LUBRICATOR
D57353245 REV 002

57353245 TANK,7-GAL DHD LUBRICATOR

| REF. | PART NO. | QTY. | UNIT | DESCRIPTION |
|------|----------|------|------|------------------------------|
| 002 | 95081857 | 1 | EA | SUB 95937413, LOCKWASHER |
| 003 | 95324083 | 1 | EA | FLANGE, 1 NPT |
| 009 | 40011975 | 1 | EA | NUT - CAGED |
| 011 | 95273736 | 1 | EA | FLANGE, 3/4 NPT W/PILOT |
| 012 | 57359192 | 1 | EA | GAUGE, 5 TANK SIDE LEVEL |
| 013 | 95446530 | 1 | EA | COUPLING |
| 014 | 95002143 | 1 | EA | PLUG, PIPE - SQ HEAD |
| 015 | 57408353 | 1 | EA | PLUG, MAGNETIC 1 NPT |
| 016 | 57408346 | 1 | EA | PLUG, PIPE - 3 RUBBER |
| 018 | 56799125 | 1 | EA | VENT, FILTER |
| 019 | 95103727 | 1 | EA | SUB 95934543 - CAPSCREW, HEX |
| 020 | 95084125 | 1 | EA | NIPPLE, PIPE |

INJECTION, LUBE, DHD

57532335

57693665 LUBRICATOR,AUTO THREAD

LUBRICATOR,AUTO THREAD
 57693665

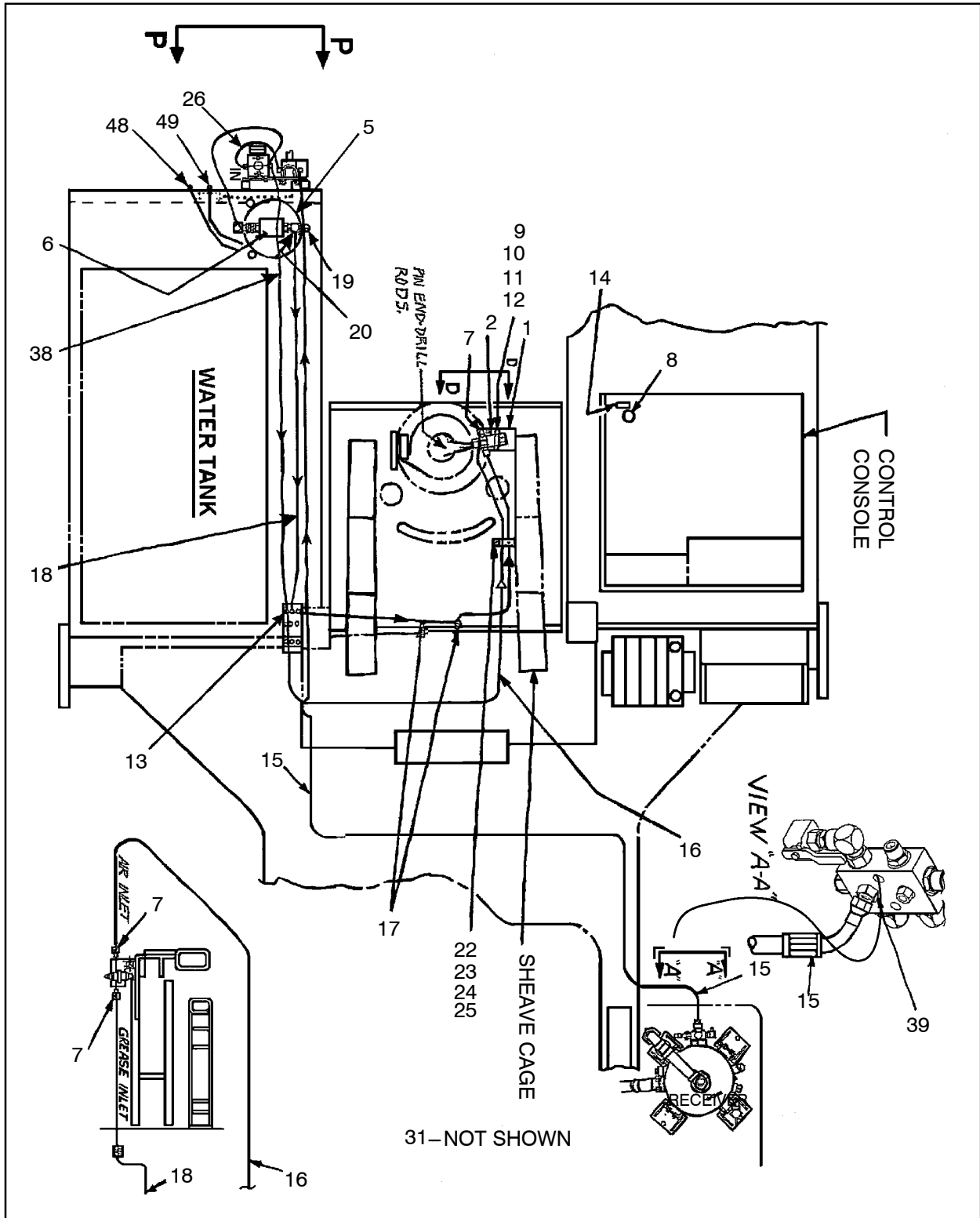
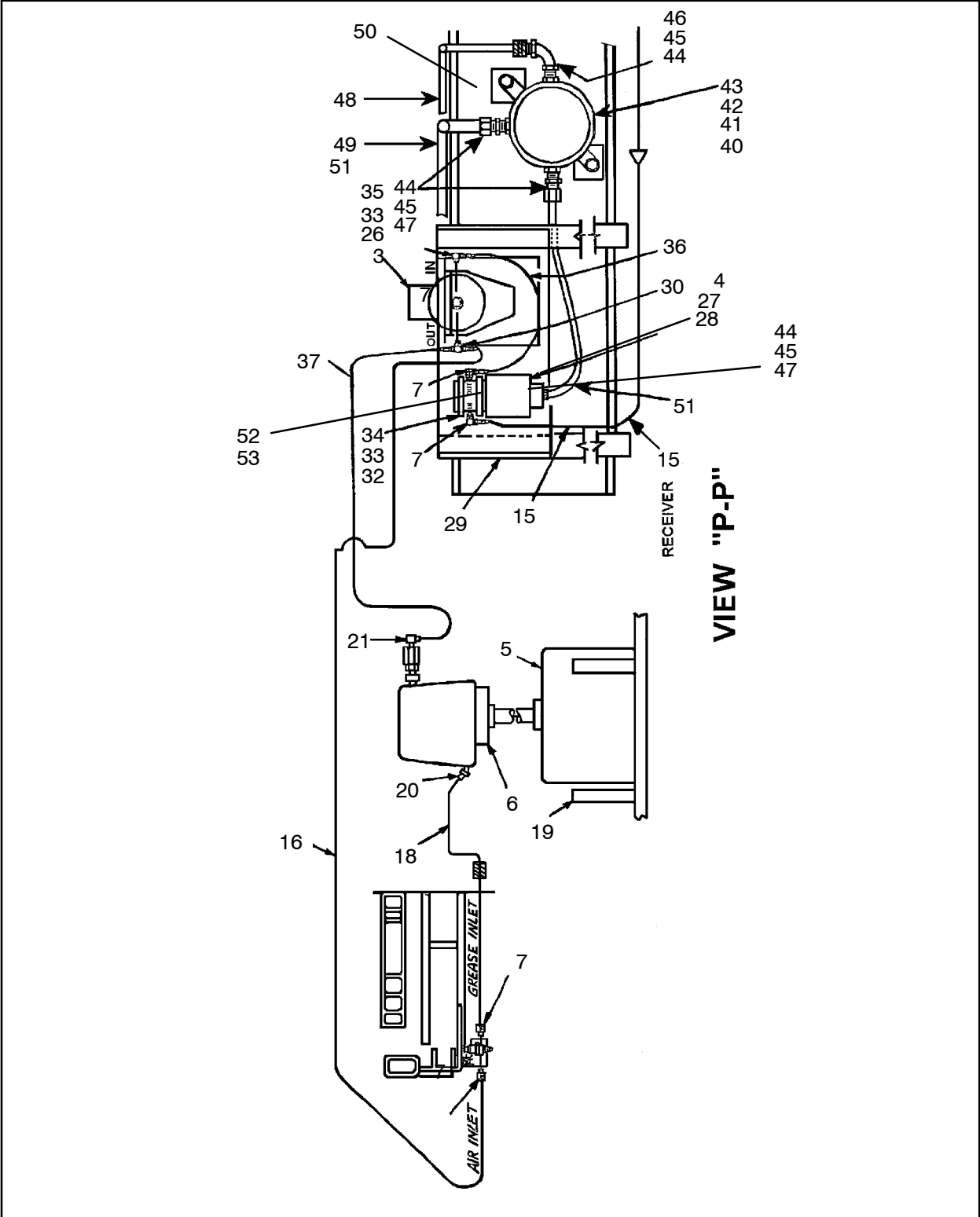


Figure 232 :LUBRICATOR,AUTO THREAD
 D57693665 REV 004

57693665 LUBRICATOR,AUTO THREAD



LUBRICATOR,AUTO THREAD
57693665

Figure 233 :LUBRICATOR,AUTO THREAD
D57693665 REV 004

57693665 LUBRICATOR,AUTO THREAD

| REF. | PART NO. | QTY. | UNIT | DESCRIPTION |
|------|----------------|------|------|--|
| 001 | 56246770 | 1 | EA | BRACKET,NOZZLE AUTOGRSR |
| 002 | 56246747 | 1 | EA | NOZZLE,SPRAY (See figure 235) |
| 003 | 57079550 | 1 | EA | REGULATOR,AIR-RELIEVING (See figure 236) |
| 004 | 57312563 | 1 | EA | VALVE,SOLENOID-3WAY/2POS |
| 005 | 50525187 | 1 | EA | LUBRICANT,TOOL JOINT |
| 006 | 57336430 | 1 | EA | POWERLUBER,AUTO-GREASING |
| 007 | 95293403 | 5 | EA | ELBOW,90 DEG MALE |
| 008 | 52185832 | 1 | EA | SWITCH, PUSH BUTTON |
| 009 | 95353942 | 1 | EA | U-BOLT, 1.5 PIPE-3/8THD |
| 010 | 95922894 | 2 | EA | NUT,HEX,FINISHED |
| 011 | 95937413 | 2 | EA | WASHER,LOCK,HELICAL |
| 012 | 95922233 | 2 | EA | WASHER,FLAT,WIDE |
| 013 | 95282422 | 2 | EA | ADAPTER |
| 014 | 57406829 | 1 | EA | NAMEPLATE, THD-GREASER |
| 015 | 57201840 | 1 | EA | HOSE ASSY |
| 016 | 58144585 | 1 | EA | HOSE ASSY |
| 017 | F04X000J--/J-- | 1 | EA | FC310-04 HOSE INDICATOR |
| 018 | 56966211 | 1 | EA | HOSE ASSY |
| 019 | 56987803 | 3 | EA | BAR ROUND |
| 020 | 95679593 | 1 | EA | FITTING, HYD |
| 021 | 95293403 | 1 | EA | ELBOW,90 DEG MALE |
| 022 | 95301859 | 1 | EA | CLAMP,HOSE |
| 023 | 95920674 | 1 | EA | SCREW,CAP,HEX |
| 024 | 95937413 | 1 | EA | WASHER,LOCK,HELICAL |
| 025 | 95922894 | 1 | EA | NUT,HEX,FINISHED |
| 026 | 57112963 | 1 | EA | GAUGE,PRESSURE |
| 027 | 52142031 | 1 | EA | MUFFLER,FILTER |
| 028 | 95038030 | 1 | EA | BUSHING,PIPE-REDUCING |
| 029 | 57548034 | 1 | EA | BRACKET,THREAD GREASER |
| 030 | 52226149 | 1 | EA | FITTING,HYD |
| 031 | 95302113 | 1 | EA | FITTING,HYD |
| 032 | 95335154 | 2 | EA | U-BOLT, 1/4ROD X 1 PIPE |
| 033 | 95934766 | 6 | EA | WASHER,LOCK,HELICAL |
| 034 | 95923298 | 4 | EA | NUT,ELASTIC LOCK-1/4-20 |
| 035 | 95934857 | 2 | EA | SCREW,CAP,HEX |
| 036 | 56975980 | 1 | EA | HOSE ASSY |

LUBRICATOR,AUTO THREAD 57693665

57693665 LUBRICATOR,AUTO THREAD

| REF. | PART NO. | QTY. | UNIT | DESCRIPTION |
|------|----------|--------|------|--------------------------|
| 037 | 56964224 | 1 | EA | HOSE ASSY |
| 038 | 56966211 | 1 | EA | HOSE ASSY |
| 039 | 95419594 | 1 | EA | CONNECTOR,STRT THRD |
| 040 | 52175809 | 1 | EA | BOX,1/2,STONCO |
| 041 | 52240959 | 2 | EA | PLATE,TAPPED |
| 042 | 95934774 | 2 | EA | SCREW,CAP |
| 043 | 95934766 | 2 | EA | WASHER,LOCK,HELICAL |
| 044 | 98632888 | 4 | EA | SEAL,HOLE |
| 045 | 50619915 | 4 | EA | NUT,LOCK-1/2,CONDUIT |
| 046 | 56263452 | 1 | EA | CONNECTOR, CORD GRIP |
| 047 | 95361390 | 3 | EA | CONNECTOR, 1/2 90 DEG |
| 048 | 58150103 | 120.00 | IN | CORD,14/2 |
| 049 | 56933690 | 120.00 | IN | WIRE ELEC |
| 050 | 57014417 | 1 | EA | PLATE |
| 051 | 95245049 | 120.00 | IN | CONDUIT,FLEX-1/2SEALTITE |
| 052 | 52142031 | 1 | EA | MUFFLER,FILTER |
| 053 | 95038030 | 1 | EA | BUSHING,PIPE-REDUCING |

LUBRICATOR,AUTO THREAD
57693665

57693665 LUBRICATOR,AUTO THREAD

This page is intentionally blank.

LUBRICATOR,AUTO THREAD
57693665

56246747

NOZZLE,SPRAY

LUBRICATOR, AUTO THREAD

57693665

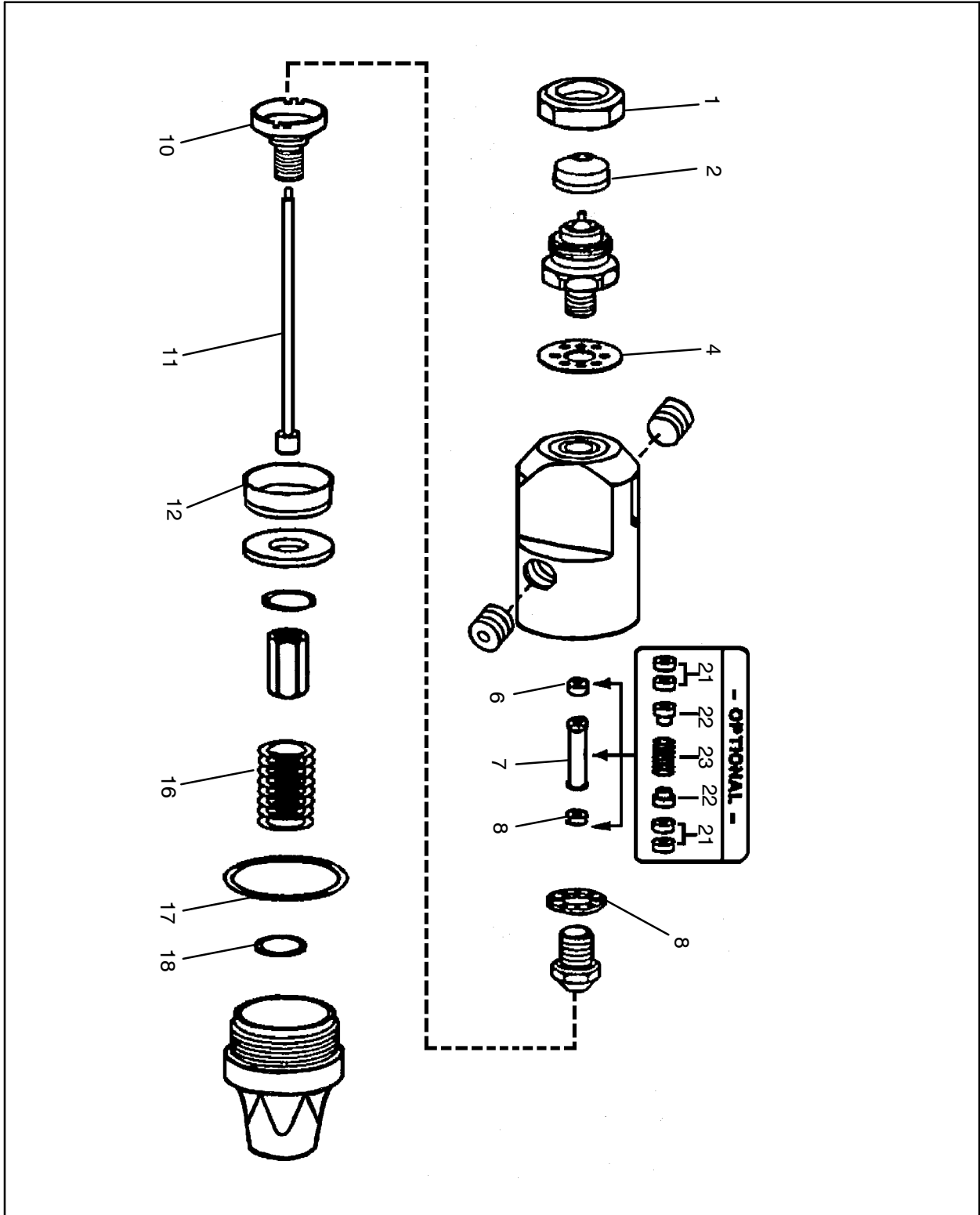


Figure 235 :NOZZLE,SPRAY
 C56246747 REV 00

56246747 NOZZLE,SPRAY

| REF. | PART NO. | QTY. | UNIT | DESCRIPTION |
|------|----------|------|------|----------------------|
| 001 | 57758971 | 1 | EA | RETAINER,HEXAGON |
| 002 | 57758989 | 1 | EA | CAP,AIR,BRASS |
| 004 | 57511503 | 1 | EA | FLUID CAP GASKET |
| 006 | 57511511 | 2 | EA | QUAD RING |
| 007 | 57511529 | 1 | EA | QUAD RING RETAINER |
| 008 | 57511537 | 1 | EA | SHAKEPROOF WASHER |
| 010 | 57512865 | 1 | EA | PISTON BODY, BRASS |
| 011 | 57512873 | 1 | EA | NEEDLE, W/BUSHING |
| 012 | 57511545 | 1 | EA | PACKING CUP, LEATHER |
| 016 | 57511602 | 1 | EA | SPRING |
| 017 | 57511552 | 1 | EA | COPPER GASKET |
| 018 | 57511560 | 1 | EA | DISC STRAINER |
| 021 | 57511578 | 4 | EA | PACKING, LEATHER |
| 022 | 57511586 | 2 | EA | PACKING GLAND |
| 023 | 57511594 | 1 | EA | PACKING SPRING |

LUBRICATOR,AUTO THREAD
 57693665

57079550 REGULATOR,AIR-RELIEVING

LUBRICATOR,AUTO THREAD
57693665

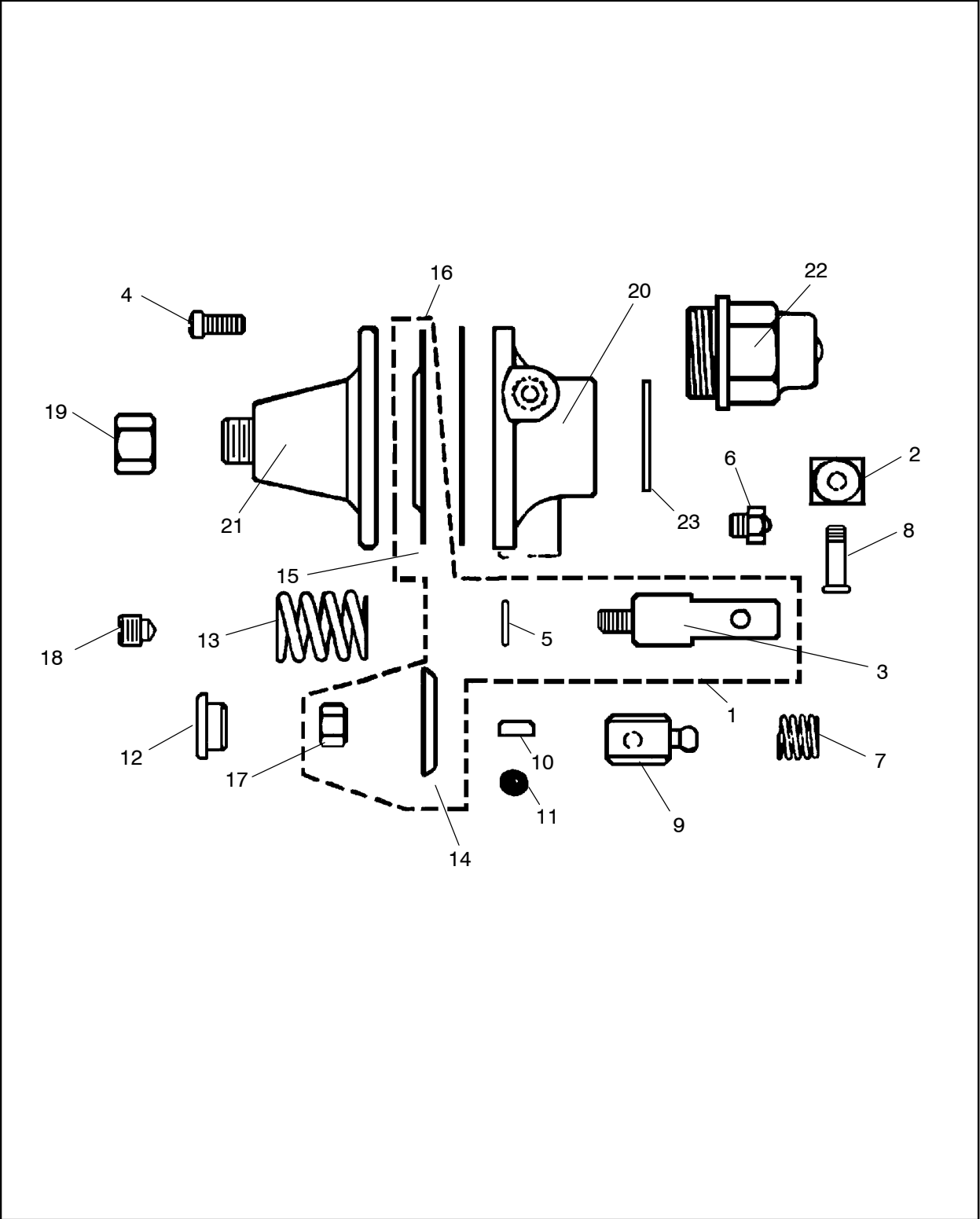


Figure 236 :REGULATOR,AIR-RELIEVING
A57079550 REV03

57079550 REGULATOR,AIR –RELIEVING

| REF. | PART NO. | QTY. | UNIT | DESCRIPTION |
|------|----------|------|------|--------------------------|
| 001 | 57341083 | 1 | EA | DIAPHRAGM, YOKE ASSY |
| 002 | 57341091 | 1 | EA | SEAT BLOCK W/WHT NYLON |
| 003 | 57341133 | 1 | EA | YOKE |
| 004 | 57341141 | 1 | EA | SCREW, BONNET |
| 005 | 57341158 | 1 | EA | GASKET, TEFLON YOKE |
| 006 | 57341166 | 1 | EA | NOZZLE, W/3/16 ORIFICE |
| 007 | 57341174 | 1 | EA | SPRING,REAR +500 LB PRES |
| 008 | 57341182 | 1 | EA | SCREW, YOKE CLAMP |
| 009 | 57341190 | 1 | EA | GUIDE, YOKE |
| 010 | 57341208 | 1 | EA | SCREEN, FILTER |
| 011 | 57341216 | 1 | EA | FILTER, SINTERED |
| 012 | 57341224 | 1 | EA | BUTTON, SPRING |
| 013 | 57341240 | 1 | EA | SPRING, COMPRESSION125LB |
| 014 | 57341265 | 1 | EA | PLATE, DIAPHRAGM |
| 015 | 57341273 | 1 | EA | DIAPHRAGM, STAINLESS STL |
| 016 | 57341281 | 1 | EA | GASKET, DIAPHRAGM |
| 017 | 57341299 | 1 | EA | NUT, DIAPHRAGM PLATE |
| 018 | 57341307 | 1 | EA | SCREW, ADJUSTING –SLOT |
| 019 | 57341315 | 1 | EA | CAP, PROTECTION |
| 020 | 57341356 | 1 | EA | BODY, 1 INLET, 3 OUTLETS |
| 021 | 57341380 | 1 | EA | BONNET, SCREW |
| 022 | 57341398 | 1 | EA | BACK CAP |
| 023 | 57341406 | 1 | EA | GASKET, BACK CAP |

LUBRICATOR,AUTO THREAD
57693665

TOOLS/ACCESSORIES

SECTION
TOOLS/ACCESSORIES

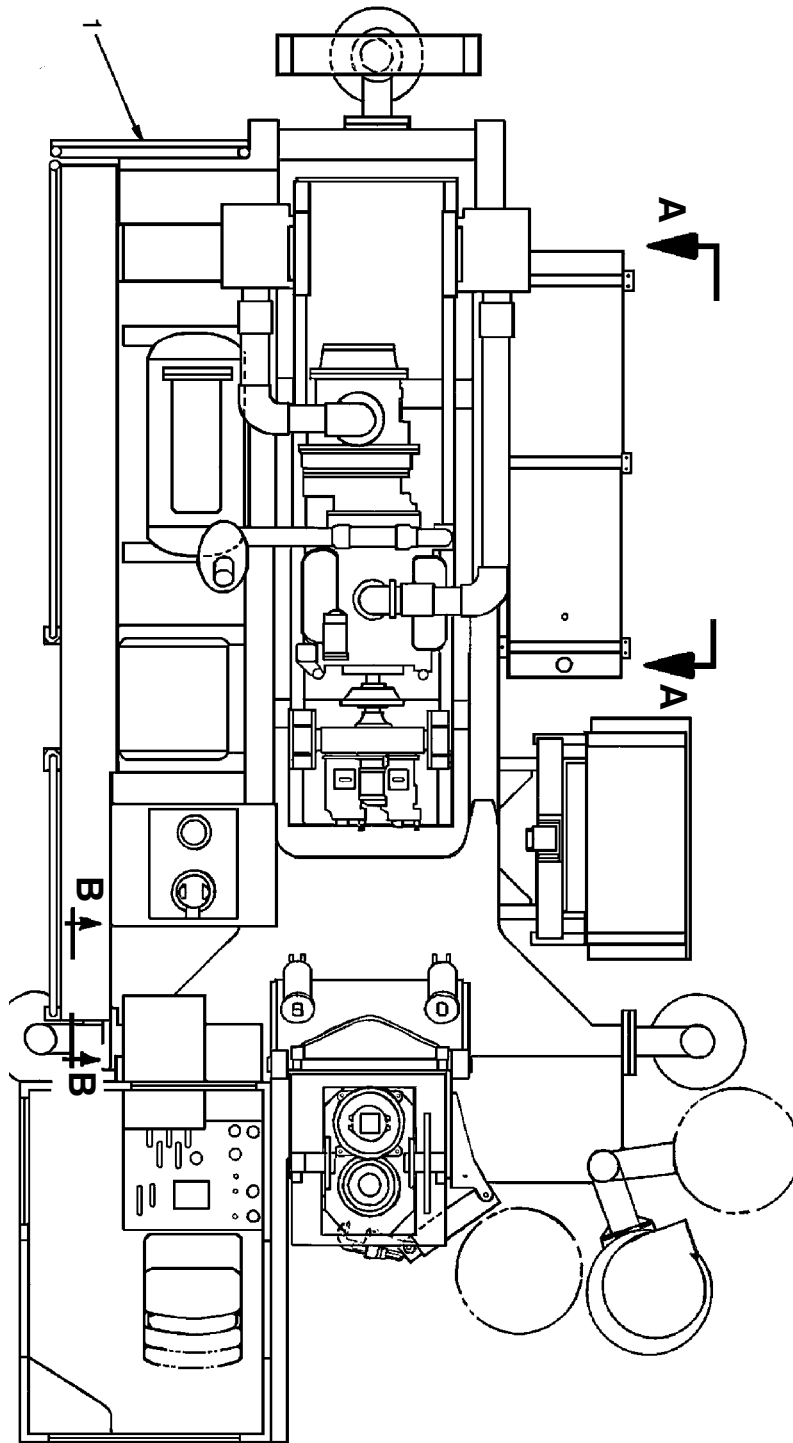
This page is intentionally blank.

SECTION

TOOLS/ACCESSORIES

57146730

DECAL LOCATOR DM30

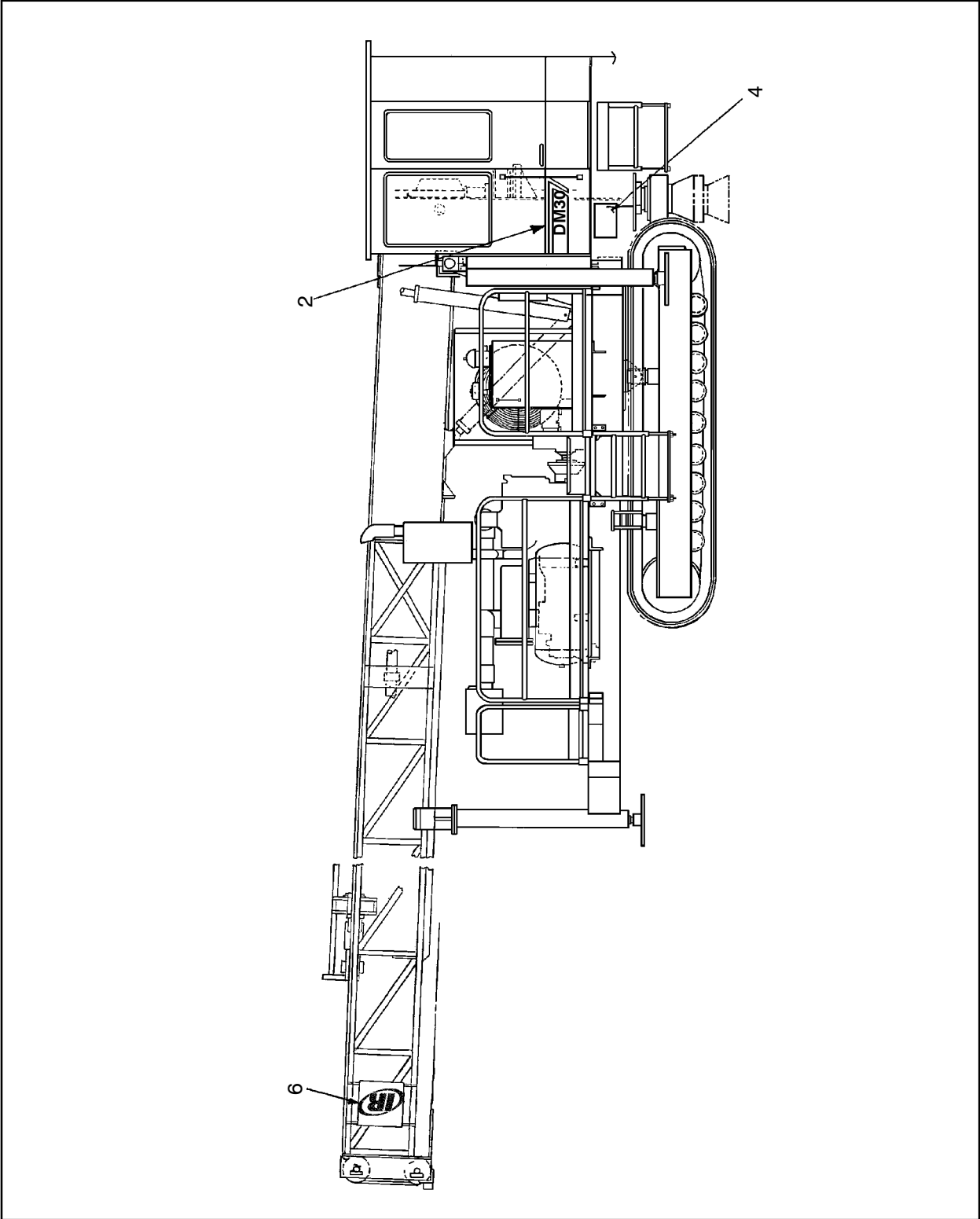


DECAL LOCATOR DM30

57146730

Figure 237 :DECAL LOCATOR DM30
E57146730 REV 002

57146730 DECAL LOCATOR DM30



DECAL LOCATOR DM30
57146730

Figure 238 :DECAL LOCATOR DM30
E57146730 REV 002

57146730 DECAL LOCATOR DM30

DECAL LOCATOR DM30
57146730

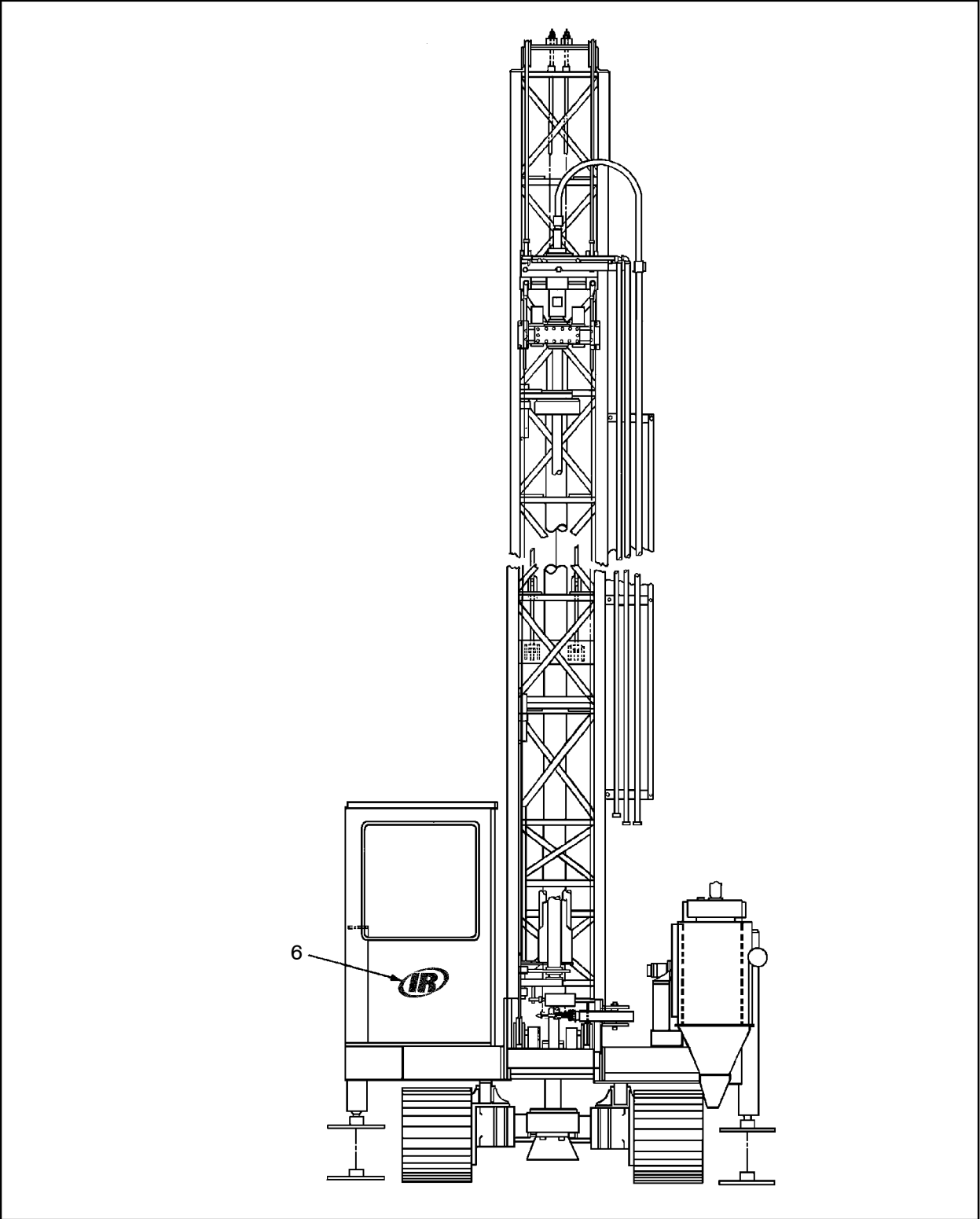
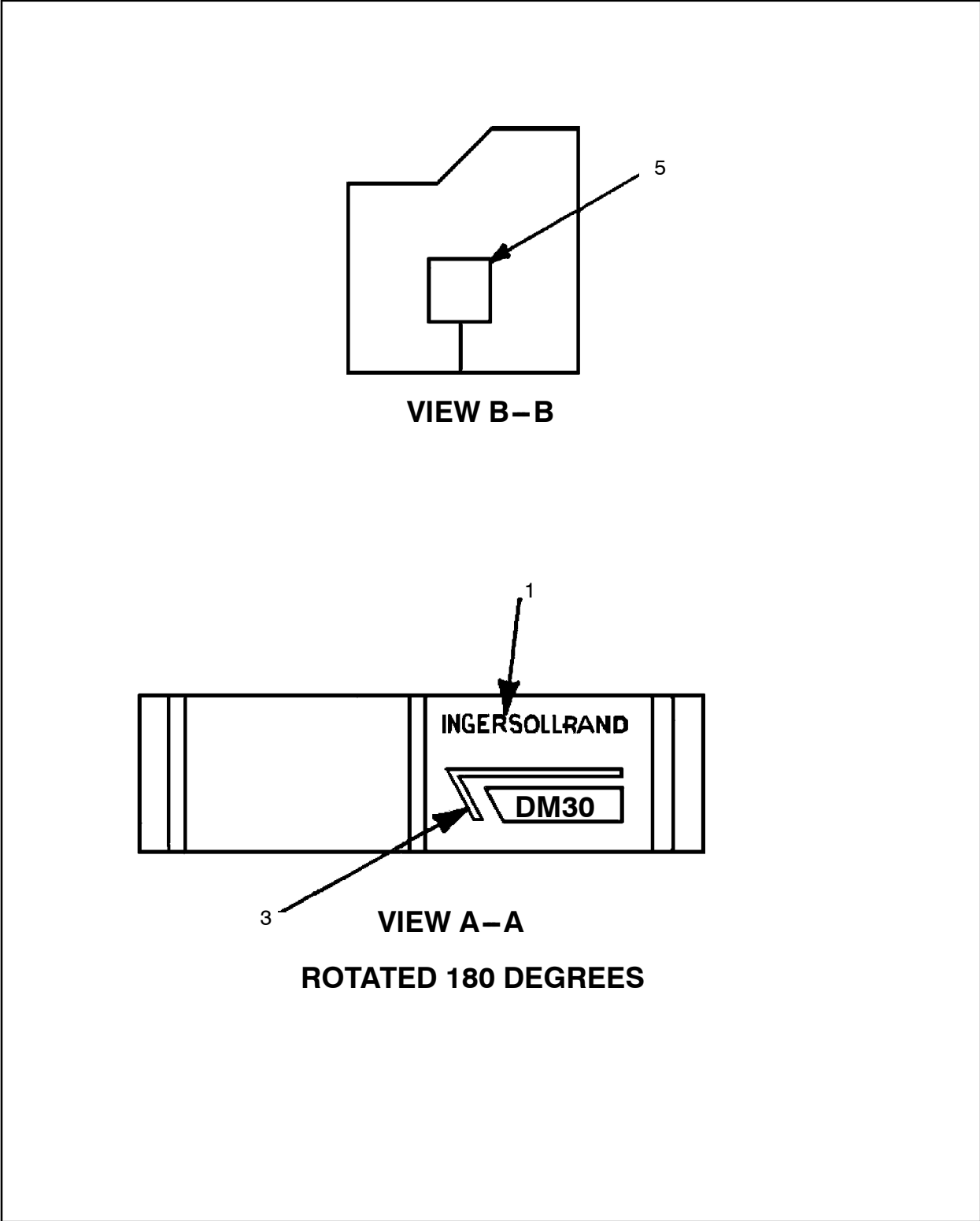


Figure 239 :DECAL LOCATOR DM30
E57146730 REV 002

57146730 DECAL LOCATOR DM30



DECAL LOCATOR DM30
57146730

Figure 240 :DECAL LOCATOR DM30
E57146730 REV 002

57146730 DECAL LOCATOR DM30

| REF. | PART NO. | QTY. | UNIT | DESCRIPTION |
|------|----------|------|------|--------------------------|
| 001 | 35861269 | 2 | EA | DECAL,CORPORATENAMEPLATE |
| 002 | 57146755 | 1 | EA | DECAL,MACHINE-DM30 |
| 003 | 57146748 | 1 | EA | DECAL,MACHINE-DM30 |
| 004 | 57511859 | 1 | EA | NAMEPLATE-FILTER |
| 005 | 57497687 | 1 | EA | NAMEPLATE, MODEL I.D. |
| 006 | 57665945 | 3 | EA | DECAL,IR LOGO,RED |

DECAL LOCATOR DM30
57146730

57146730 DECAL LOCATOR DM30

This page is intentionally blank.

DECAL LOCATOR DM30 57146730

57156564

DECALS, SAFETY

DECALS, SAFETY

57156564

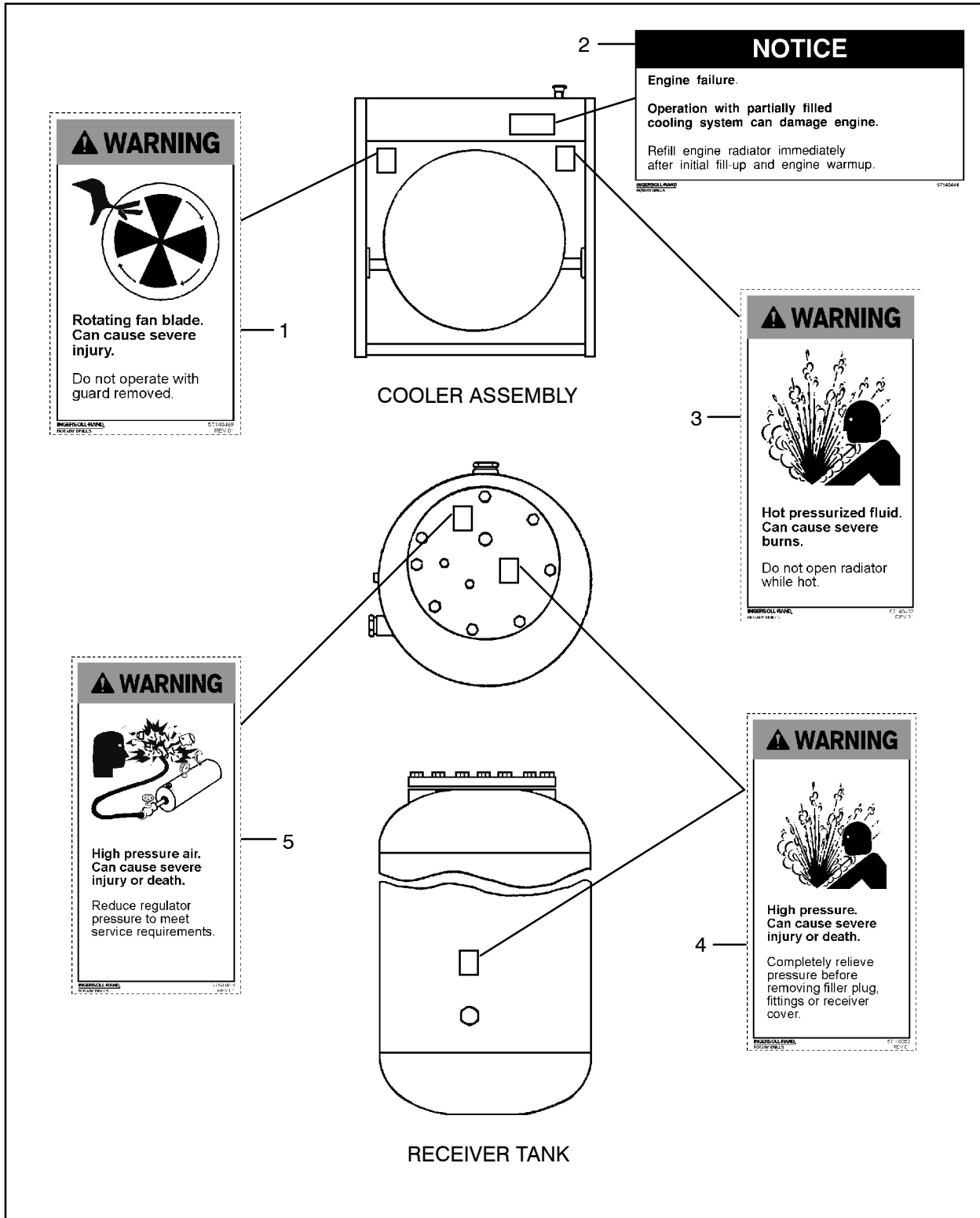
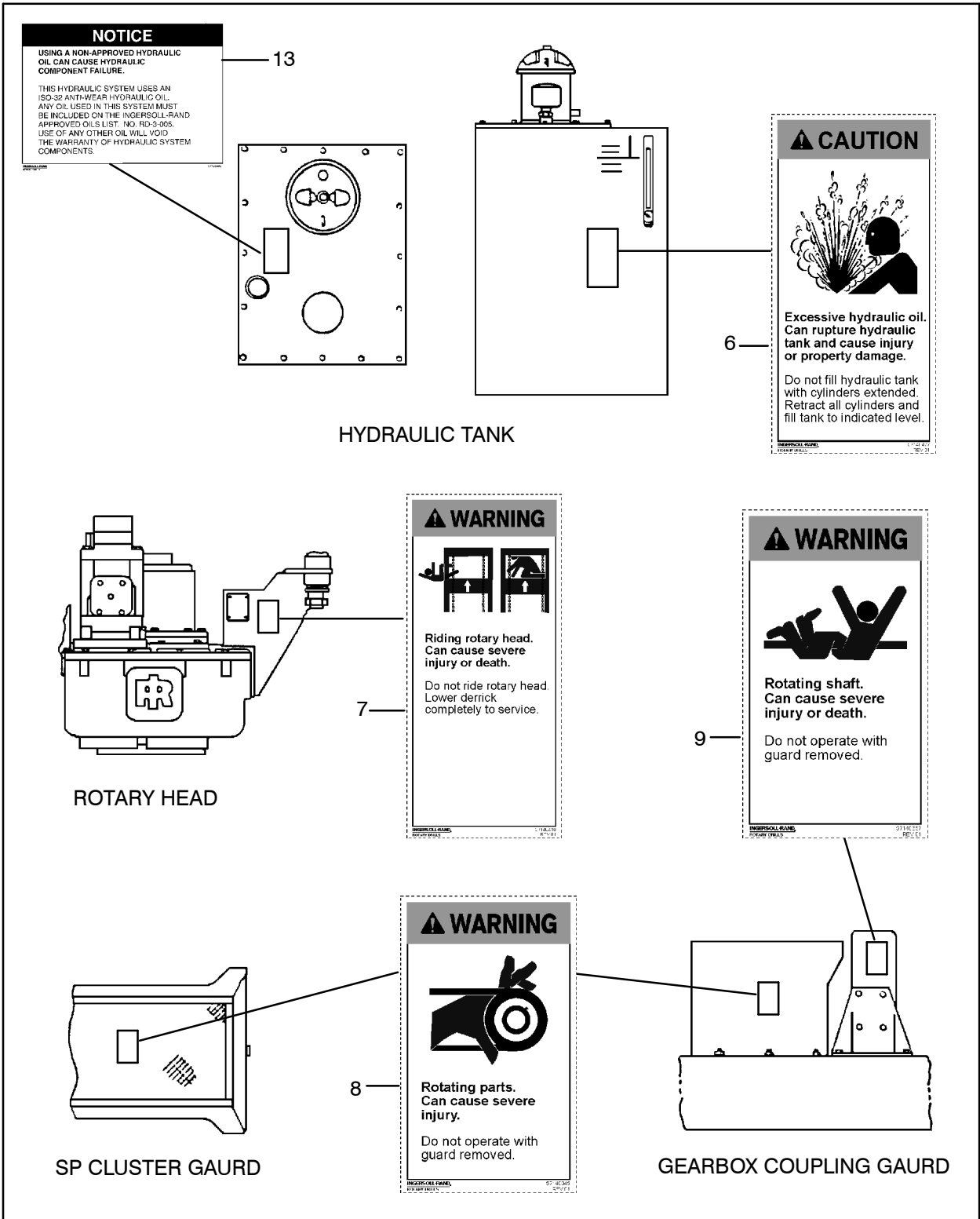


Figure 241 :DECALS, SAFETY
D57156564 REV09

57156564 DECALS, SAFETY



DECALS, SAFETY
57156564

Figure 242 :DECALS, SAFETY
D57156564 REV 09

57156564

DECALS, SAFETY

DECALS, SAFETY

57156564

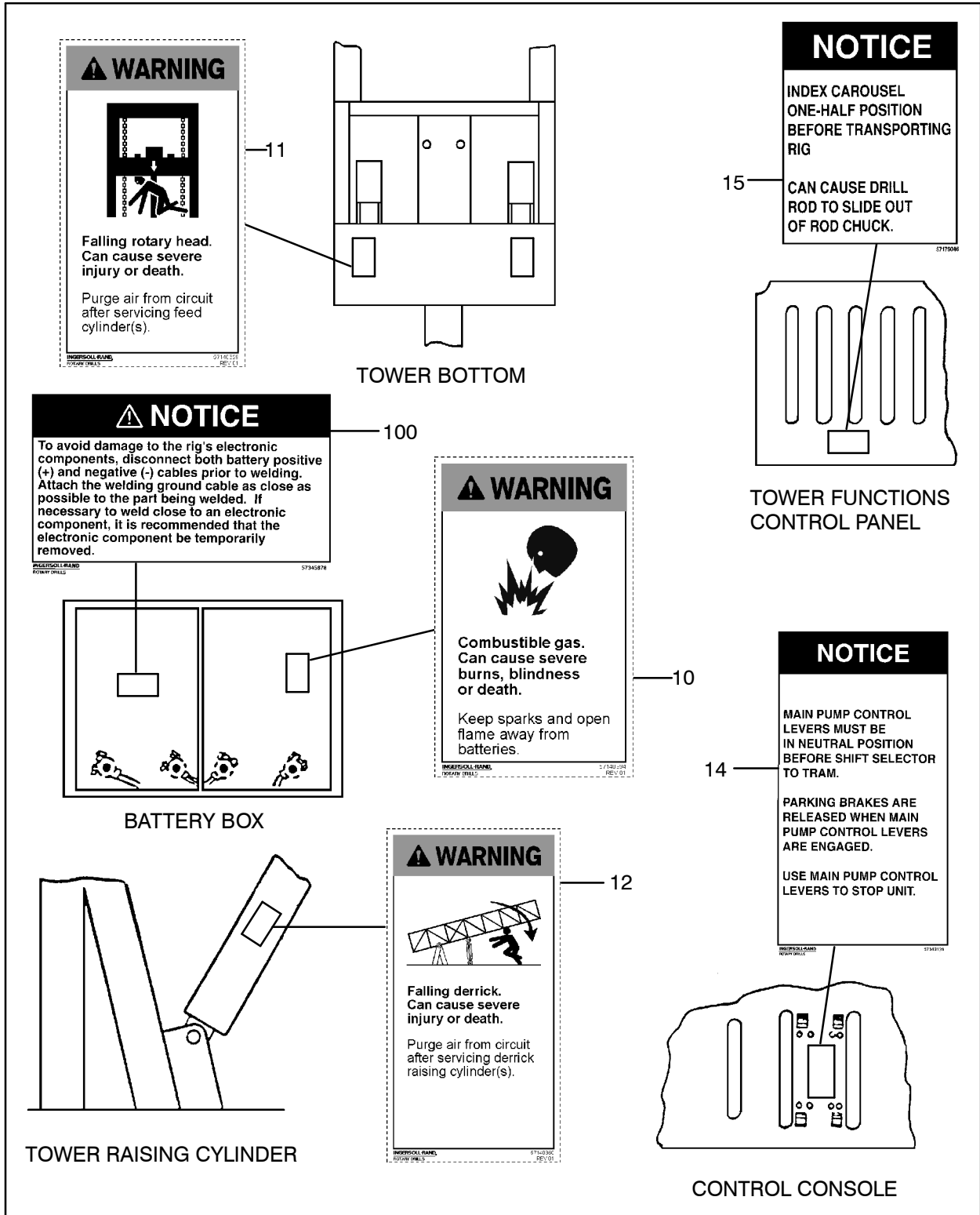
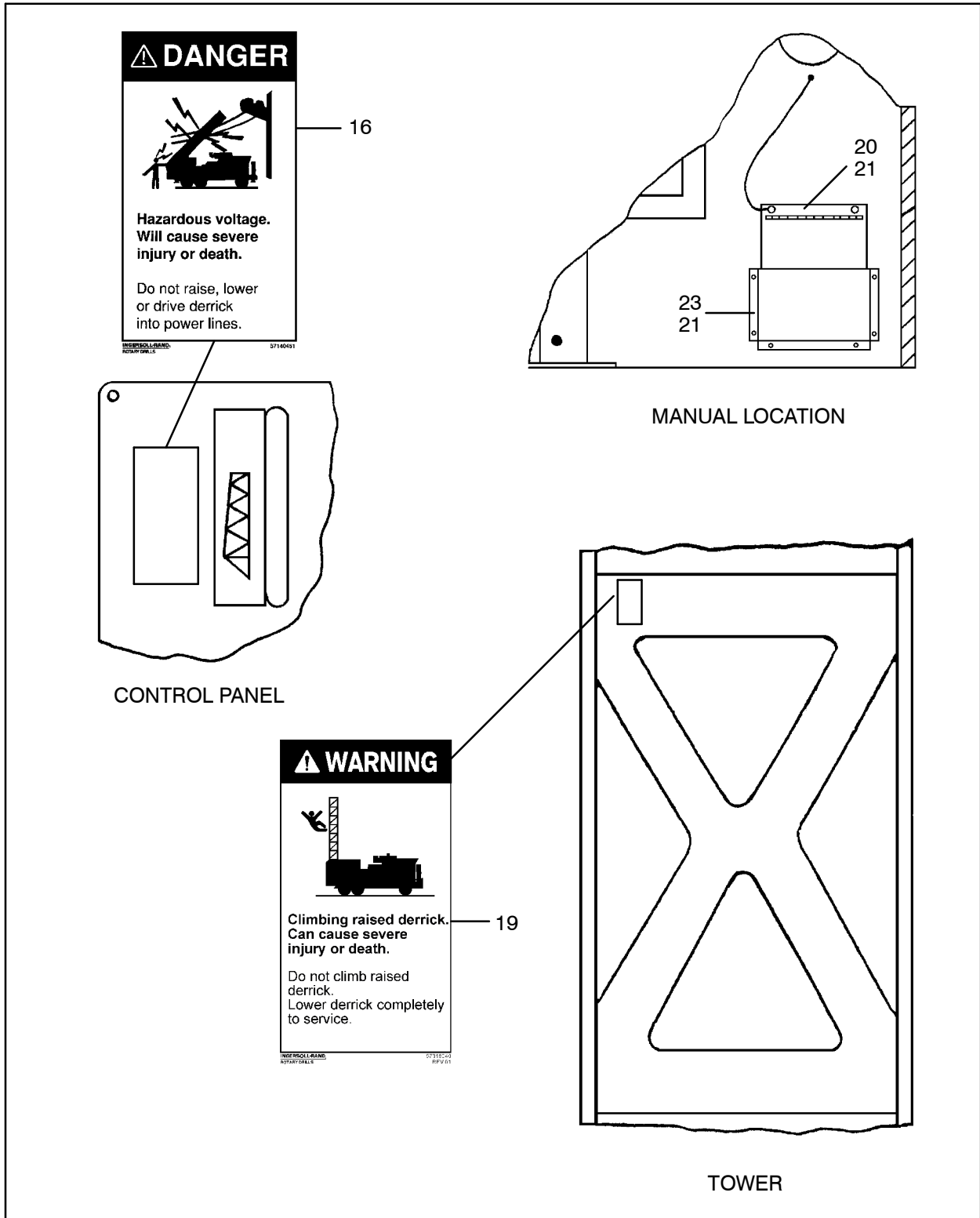


Figure 243 :DECALS, SAFETY
D57156564 REV 09

57156564 DECALS, SAFETY



DECALS, SAFETY
57156564

Figure 244 :DECALS, SAFETY
D57156564 REV 09

57156564

DECALS, SAFETY

DECALS, SAFETY

57156564

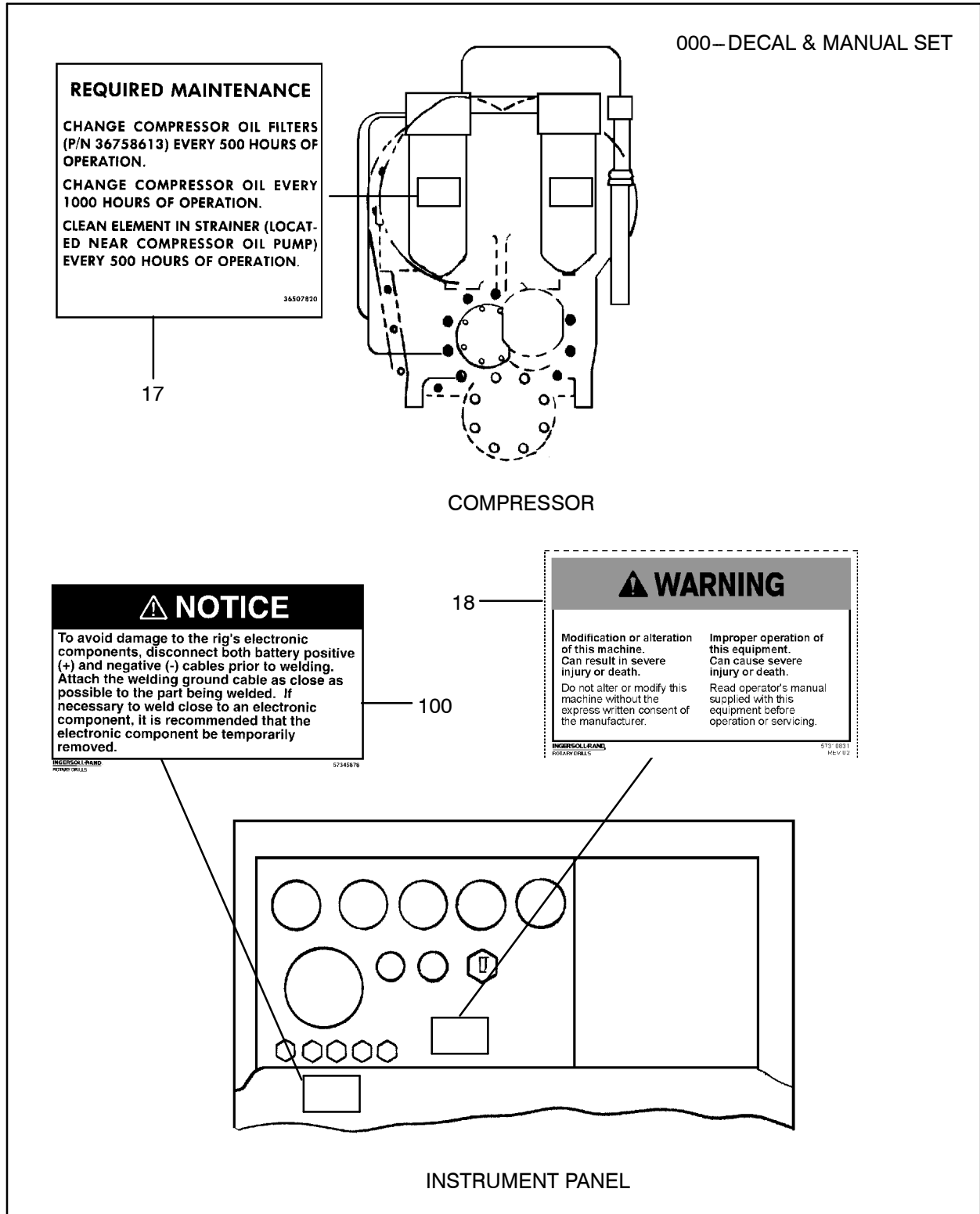


Figure 245 :DECALS, SAFETY
D57156564 REV 09

57156564 DECALS, SAFETY

| REF. | PART NO. | QTY. | UNIT | DESCRIPTION |
|------|----------|------|------|----------------------------|
| 000 | 57404311 | 1 | EA | DECAL & MANUAL SET –DM25/3 |
| 001 | 57140469 | 0 | EA | DECAL,WARNING –ROT.BLADE |
| 002 | 57140444 | 0 | EA | DECAL, ENG.FAILURE COOLSY |
| 003 | 57140402 | 0 | EA | DECAL, WARNING –HOT FLUID |
| 004 | 57140352 | 0 | EA | DECAL,WARNING –HIGH PRESS. |
| 005 | 57140428 | 0 | EA | DECAL, WARNING –HIGH PRESS |
| 006 | 57140477 | 0 | EA | DECAL, CAUTION –EXCESS OIL |
| 007 | 57140410 | 0 | EA | DECAL, WARNING –POWER HEAD |
| 008 | 57140345 | 0 | EA | DECAL,WARNING –ROTAT.PARTS |
| 009 | 57140337 | 0 | EA | DECAL,WARNING –ROTATING PT |
| 010 | 57140394 | 0 | EA | DECAL,WARNING –COMBUST.GAS |
| 011 | 57140329 | 0 | EA | DECAL,WARNING –FALL PWR HD |
| 012 | 57140360 | 0 | EA | DECAL,WARNING –FALL DERRIC |
| 013 | 57156465 | 0 | EA | DECAL, NOTICE –HYD.FAILURE |
| 014 | 57343139 | 0 | EA | DECAL,NOTICE –PARKING BRAK |
| 015 | 57179046 | 0 | EA | DECAL,NOTICE –CAROUSEL INX |
| 016 | 57311086 | 0 | EA | DECAL, DANGER –HAZ. VOLT. |
| 017 | 36507820 | 0 | EA | DECAL,COMP REQ'D MAINT. |
| 018 | 57310831 | 1 | EA | DECAL,WARNING –DON'T ALTER |
| 019 | 57318040 | 0 | EA | DECAL, WARNING –NO CLIMBNG |
| 020 | 57314023 | 0 | EA | MANUAL, SAFETY –DM25/30 |
| 021 | 57318693 | 7 | EA | RIVET, DRIVE |
| 023 | 57315269 | 1 | EA | HOLDER, SAFETY MANUAL |
| 100 | 57345878 | 0 | EA | DECAL, NOTICE |

DECALS, SAFETY
57156564

56958846 EXPORT PACKAGE – DM30

EXPORT PACKAGE – DM30
56958846

10 – NOT SHOWN
11 – NOT SHOWN

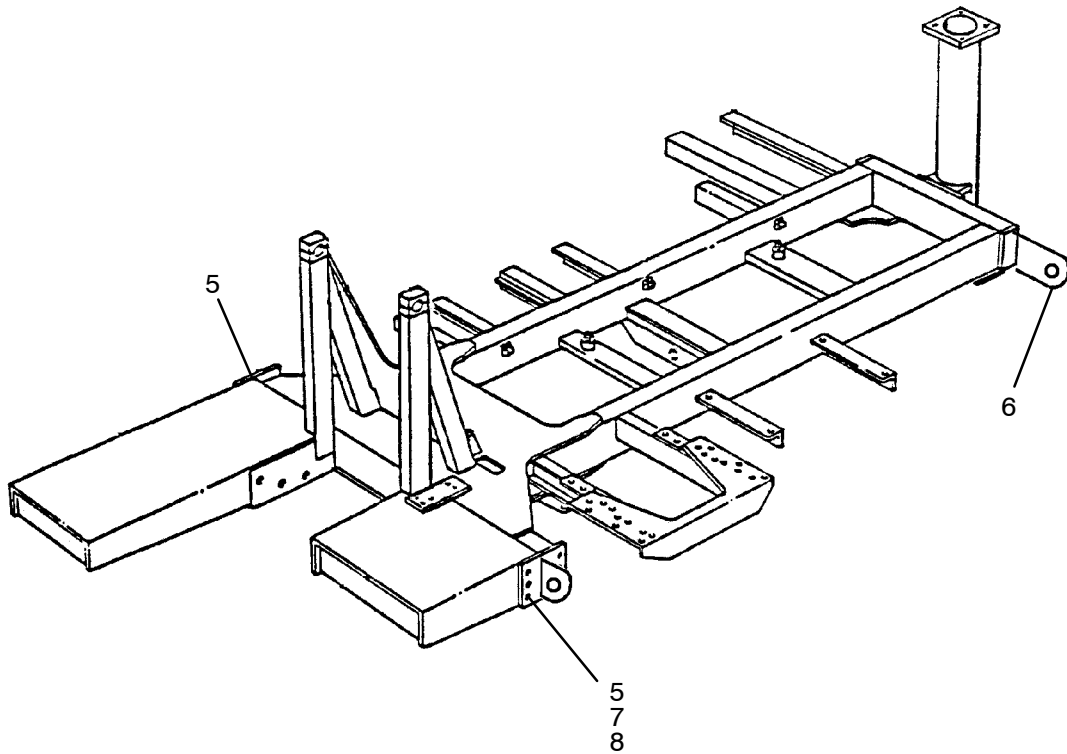


Figure 246 :EXPORT PACKAGE – DM30
D56958846 REV02

56958846 EXPORT PACKAGE – DM30

| REF. | PART NO. | QTY. | UNIT | DESCRIPTION |
|------|----------|------|------|---------------------------|
| 005 | 57039315 | 2 | EA | LIFTING EYE |
| | 57029704 | 1 | EA | ● - PLATE |
| | 57039323 | 1 | EA | ● - PLATE W/HOLE |
| 006 | 56958598 | 2 | EA | EYE |
| 007 | 95714093 | 16 | EA | SCREW CAP |
| 008 | 95064754 | 16 | EA | WASHER, LOCK – 1 – 1/4 |
| 010 | 57147282 | 3 | EA | LAMP, FLOOD – 70W HALOGEN |
| 011 | 57039950 | 1 | EA | PROCEDURE |

EXPORT PACKAGE – DM30
56958846

57328247 FILTER KIT,FIELD REPLACE

FILTER KIT,FIELD REPLACE
57328247

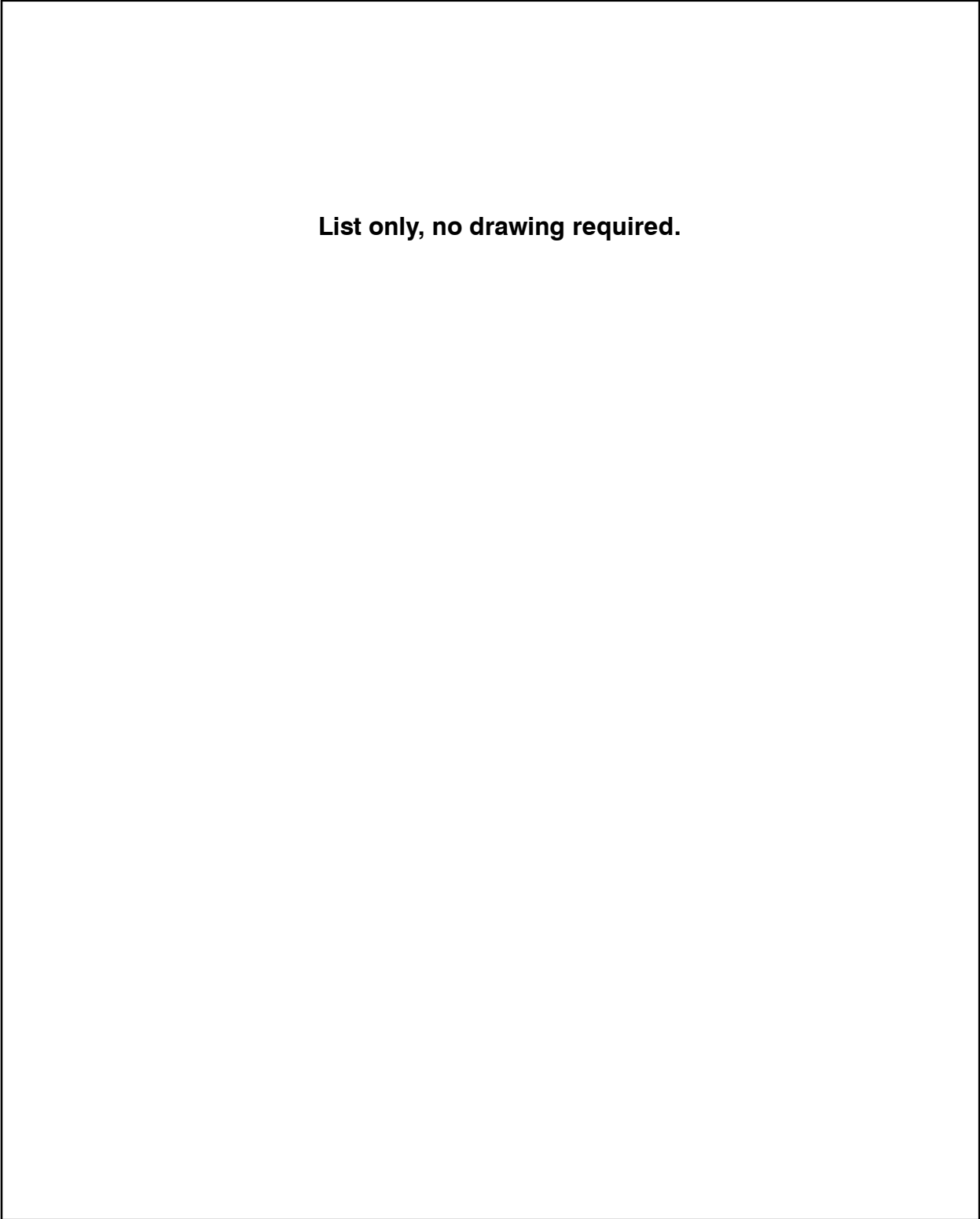


Figure 247 :FILTER KIT,FIELD REPLACE
LIST

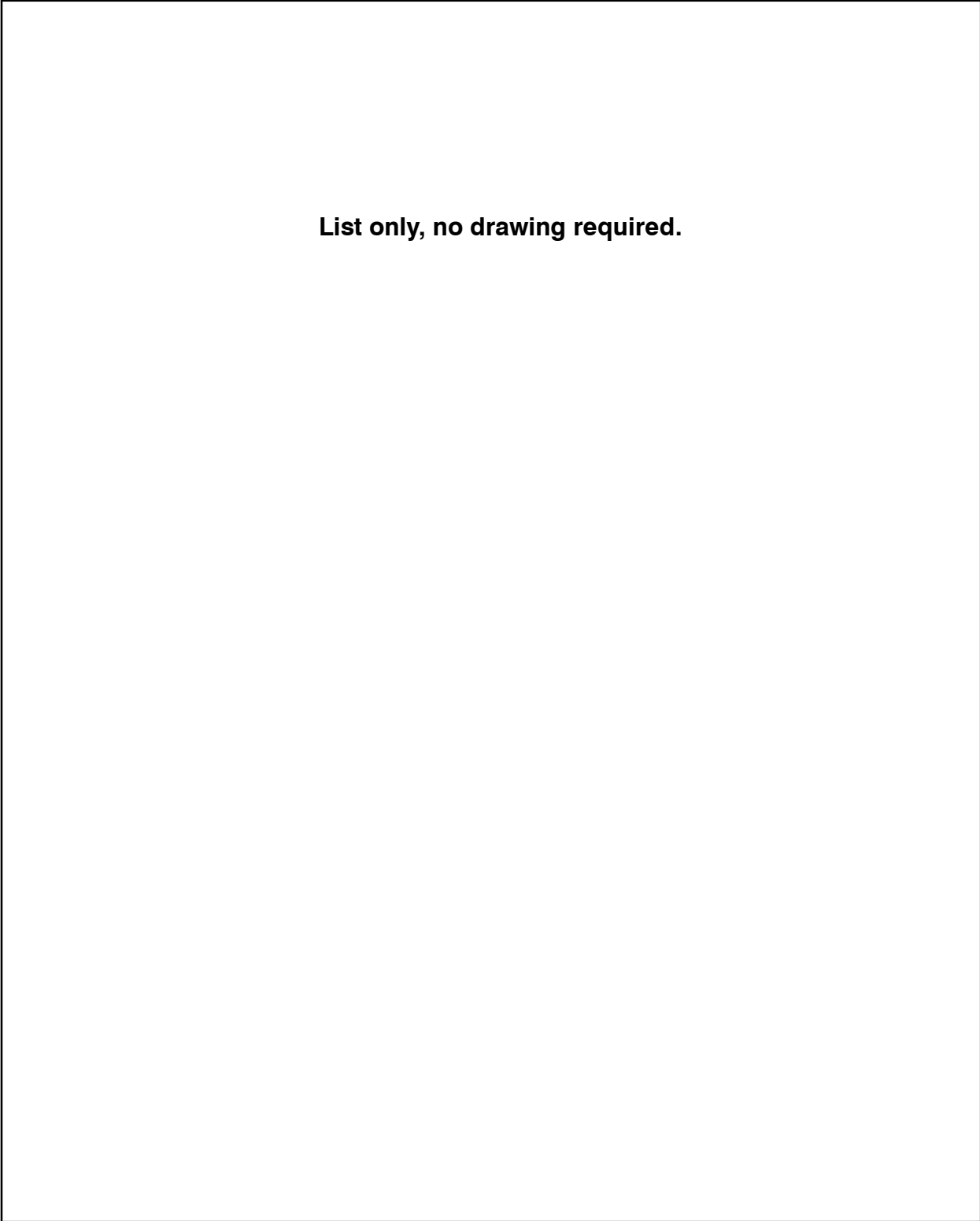
57328247 FILTER KIT,FIELD REPLACE

| REF. | PART NO. | QTY. | UNIT | DESCRIPTION |
|------|----------|------|------|----------------------------|
| 001 | 52263183 | 2 | EA | ELEMENT, FILTER – MAIN HYD |
| 002 | 50343490 | 1 | EA | ELEMENT, FILTER – 3 MICRON |
| 003 | 36860336 | 2 | EA | ELEMENT, OIL FILTER |

FILTER KIT,FIELD REPLACE
57328247

57135626 PAINT

PAINT
57135626



**Figure 248 :PAINT
NONE REV 000**

57135626 PAINT

| REF. | PART NO. | QTY. | UNIT | DESCRIPTION |
|------|----------|-------|------|---------------------|
| 001 | 35323567 | 15.00 | GL | PAINT, BEIGE |
| 002 | 50261437 | 5.00 | GL | THINNER, |
| 003 | 50261445 | 5.00 | GL | PAINT, BLACK |
| 005 | 58220773 | 1.00 | GL | PAINT, BLACK |
| 006 | 57135501 | 10.00 | GL | PRIMER, GREY EPOXY |
| 007 | 57136459 | 10.00 | QT | CATALYST, PRIMER |
| 008 | 57168916 | 4.00 | OZ | VARNISH, INSULATING |
| 009 | 50407451 | 3 | EA | SEALANT |

PAINT
57135626

57135626 PAINT

PAINT
57135626

This page is intentionally blank.

Index

A

A/C & HEATER UNIT, 57694374, 87
ACCESS COVER, 50816537, 222
ADAPTER
1/4", 39417118, 273
45 DEG–JIC/JIC, 95278925, 303
45DEG–ORING/JIC, 95363339, 136
50700814, 348
52251881, 302
56898778, 317
56986821, 361
57051401, 117
57072423, 286
57552929, 25
57552952, 25
58214453, 317
90 DEG, 95365169, 292
90DEG–O–RING/JIC, 95376133, 316
95219739, 442
95219762, 308, 344, 361, 428
95282422, 260, 292, 450
95328753, 302
95332599, 302, 429
95364964, 97, 260
95387346, 243
95702619, 117, 278
95780599, 344
DRILL ROD, 57032872, 146
FEMALE, STRT THRD
95655064, 98, 258, 259, 358
95670535, 258, 432
HYD, 57369613, 118
INPUT, 50597640, 320
JACK–LONG, 57116758, 312
JACK–SHORT, 57116766, 312
MOTOR, 57368052, 116
PUMP D, 50597632, 320
SAE, 52209913, 344
SAE 8 STRAIGHT, 57408767, 442
SAE B, 59572917, 320
SAE C, 50597624, 320
SLEEVE–SAE B, 50594779, 320
STR–20–24S, 95371225, 274
ADAPTER–90DEG, ORING/JIC, 95653614, 96,
294, 345
ADAPTERFRT.ENG.CAT3406TA, 57245870, 192
ADHESIVE, 56784267, 117, 151, 200
ADJ GLAND, 50815356, 140

AIR CLEANER, 50616028, 219
AIR END, 900/350@1800RPM, 35097468, 264
ALARM, BACKUP–12 TO36VDC, 57366387,
395
ALARM KIT, BACKUP, 57366395, 395
ALTERATION–PUMP INSTR., 57101040, 316
ANCHOR, CABLE, 57149098, 117
ANGLE
56790330, 383
56974876, 288
57014672, 395
57037665, 108
57038366, 432
57499196, 361
57671729, 247
CYLINDER, 50350461, 140
MOUNT TOWER PIPING, 56245442, 266
MOUNTING–CHECKVLV, 57481483, 361
PLATE, 57664559, 219
W/HOLE
57029266, 288
57037566, 108
57083941, 427
W/HOLES
57684029, 136
57760183, 367
57762569, 395
57762577, 395
ANGLE A36, A0022, 395
ANGLE W/HOLE, 57083958, 427
ANTI–FREEZE, 50262526, 181
AQ SEAL ASSY, 57244840, 66, 67
ARM
ROD CHANGER, 57169393, 129
SUPPORT–ANGLE DRILL, 57345480, 135
ASSY TOOL &INSTRUCT KIT, 57239428, 67
ATOMIZER–STARTING FLUID, 57301863, 227

B

BACK CAP, 57341398, 456
BACK UP RING, 57115727, 66
BACK–UP
13084181, 160
57377202, 160
BACK–UP RING
57183592, 66
57183600, 66, 67

INDEX

Index

- BALL
 - 52155371, 328
 - 52249646, 100, 296
- BAND
 - MOUNTING, 58044744, 219
 - MOUNTING–AIRCLEAR, 50279413, 205
- BAR
 - 57037699, 108
 - 57264731, 165
 - 9/16 DIA X 8 LG, 57326282, 104
 - COPPER, 57036881, 396
 - FLAT
 - 56901853, 13, 151, 152
 - 57029423, 288
 - 57615247, 168
 - RD 9/16 DIA, X11, 57143497, 104
 - ROUND, 56987787, 138
 - TAPPED, 56987712, 78, 230
 - W/HOLE, 56996275, 400
- BAR FLAT 1018 CR, A0444, 13
- BAR FLAT A36, A0459, 344
- BAR ROUND
 - 56948649, 142
 - 56987803, 450
- BAR W/HOLES, 57709313, 302
- BAR–W/HOLES, 57099046, 376
- BARRL/SLEEVE, 52201696, 121, 324
- BATTERY, 12V–8DW/ELECTROL, 57113177, 175
- BEARING
 - 52155041, 121
 - 52209939, 116
 - 54407317, 324
 - 57565871, 38, 44
 - 95200663, 320
 - 95214037, 116
- BALL
 - 52179504, 404
 - 57553919, 25
 - 95434874, 116
- BARREL, 57026395, 324
- BLOCK ASSY DM30, 57492043, 4
- BRONZE
 - 57135279, 129
 - 57135287, 129
- LOWER–TOWER PIVOT, 57492050, 6
- MOTOR, 56001118, 170
- MOTOR SHAFT, 57117772, 121
- ROLLER
 - 95434551, 115
 - 95434569, 115
- SPHERICAL, ROLLER, 95711156, 116
- TAP ROLLER, 57553182, 24
- UPPER–TOWER PIVOT, 57494767, 6
- BEARING BALL, 50632538, 333
- BELT, VEE, 57451924, 79
- BLANKET, EXHAUST ELBOW, 57704124, 205
- BLOCK
 - 57565954, 46, 48
 - FLANGE, 57213936, 316
 - FLANGE 2”NPT, 57569923, 273
 - GUIDE, 57052714, 158
 - IMPACT–4ROD CHGR., 57180358, 129
 - STOP SUPPORT, 57183576, 129
 - STOP–CAROUSEL, 57184814, 130
 - STOP–POWERHEAD
 - LH, 57144941, 152
 - RH, 57145138, 152
 - VALVE–BUTTERFLY, 57100091, 260
- BLOWER MOUNT, 51024792, 402
- BLOWER WHEEL BLADES, 57173080, 406
- BLOWER WHEEL TOP PLATE, 57173114, 406
- BODY, 1 INLET, 3 OUTLETS, 57341356, 456
- BODY ASSY–AIR CLEANER, 50816529, 222
- BOLT
 - 50815638, 352
 - 57356479, 22
 - 57356776, 13, 28
 - 57357683, 12
 - 57456444, 12, 13
 - 57456469, 12
 - 57456600, 16, 34, 40
 - 57456790, 13, 28
 - 57565822, 34, 40
 - 57565848, 12
 - ADAPTER, 57367310, 320
- EYE
 - 50344191, 130
 - 95037255, 274
- HEX HEAD
 - 57553216, 24
 - 57553760, 24
 - 57553885, 25
 - 57553893, 25
 - 57553901, 25
- ROD CHUCK, 50519578, 129
- SOCKET HEAD, 57553877, 25
- TRACK, 57456972, 18
- TRACK–SHOE, 57708893, 13, 52
- BOLT 12MM, 52264926, 258
- BOLT KIT, 51076271, 350
- BOLT–SOCKETHEAD, 57356875, 30

Index

- BONNET, SCREW, 57341380, 456
- BOX
1/2, STONCO, 52175809, 451
BATTERY, 58231887, 175
ELEC, 52255734, 202
ELEC ASSY-8X6X3.5, 57549941, 396
ELECTRIC ASM, 57677122, 200
- BRACKET
4 ROD INDEXER, 57170706, 130
52227154, 317
56949092, 102
56951148, 258
56952963, 302
56970601, 342
56975766, 348
56987548, 104
57050718, 258
57097941, 78
AMOT, 57747370, 243
ARM, 57660730, 214
BATT.SELECTSWTC, 57379992, 175
COOLER INLET, 57668279, 181
COOLER MTG., 57491078, 230
FLTR, 57041873, 344
GREASE FITTING, 57559387, 13
HOSE, 57197113, 116
IDLER, 57708968, 50, 56
MOTOR, 57736845, 184
NOZZLE AUTOGRSR, 56246770, 450
OIL, 52235363, 192
PLATE, 57657744, 214
RAD PIPE, DM30, 57740094, 187
SILENCER SUPPORT, 57661779, 205
SUPPORT, 57670903, 247
THREAD GREASER, 57548034, 450
TOWER AIR PIPNG, 57523862, 266
VALVE, 50429455, 358
- BRACKET-CARRIER ROLLER, 57308041, 46,
48
- BRACKET-ELEC BOX, 8X6, 56257553, 395
- BRAKE, DISC, 57141079, 129
- BREAKER, CIRCUIT-15 AMP, 57084055, 78,
106, 383
- BREAKOUT ASSY, AUTO-4.5/5, 50350602, 138
- BREATHER
50903236, 308
59677831, 320
VENT, DHD PUMP, 57769390, 444
- BRIDGE, UK-10, INSULATED, 57473514, 202
- BULB
24V.D.C., DUAL, 855017P0872, 97
- RUBBER, PSA BACKED
57694168, 86
57694226, 86
- BUSHING
57173510, 402
57564197, 20
95037784, 98
95037917, 308
95038147, 227
BEARING BLOCK, 57425357, 6
CENT-5 ROD, 57142085, 138
CENTER, 57180184, 13
CHAIN-TRACK, 57708851, 54, 58
COND, 50625995, 200
CONDUIT, 50625839, 200
FLG, 57005399, 104
MASTER, 57564189, 20
MASTER-CHAIN, 57708885, 54, 58
PIPE, 95037446, 429
PIPE-REDUCING, 95038030, 450, 451
REDUCER, 59551242, 320
ROD CHUCK-STEEL, 57083479, 129
SHEAVE SAE660, 57403164, 151, 158
SPLIT-DHD360, 57136640, 138
TAPER, SPLIT, 35103852, 264
TAPER-1.75 BORE, 57480980, 181
TRANSMISSION MTG, 59101451, 83
WEAR, 50694934, 115
YOKE END, 57309791, 14
- BUTTON, SPRING, 57341224, 456
- C**
- CAB BARE, TIER2, DM30, 57752776, 83
- CABINET
CONSOLE, 57668261, 96
CONSOLE-DM30, 57676108, 96
- CABLE
18/2, 85771715, 395
56958127, 104
BATTERY
30441570, 175
POS, 4/0, 57740110, 175
CONTROL-ASSY, 57014763, 96
GROUND-1/0 X 36, 52246519, 200
HOIST, 50049451, 165
HOSE RESTRAINT, 57358145, 116, 266, 270
PUMP - 112 LG, 57351074, 102
STARTER JUMPER, 57412710, 200
- CABLE ASSY
NEG, 4/0AWG, 57740128, 175
POS, 4/0AWG, 57740136, 175
- CAGE, SHEAVE-PULLDOWN, 57136418, 158

Index

- CAM, MOTOR, 54471917, 121
- CAM ASM (10), 57053548, 333
- CAM ASSEMBLY, 57150278, 333
- CAM RING, 57419939, 333
- CAM STROKER ASSY, 57123283, 324
- CANNISTER, 92473297, 227
- CAP
 - 37 DEG FLARED, 95257325, 182, 400
 - 50173467, 62, 64
 - 52231412, 404
 - 57045494, 333
 - AIR, BRASS, 57758989, 454
 - BEARING, 57191025, 116
 - COVER, 57070849, 429
 - END, 52188968, 170
 - JIC-4, 95257333, 259
 - JIC-6, 95257341, 260, 268, 280, 286
 - PROTECTION, 57341315, 456
 - PROTECTIVE, 57651267, 97
 - RADIATOR, 51792323, 184
 - SPINDLE-SPUR HEAD, 57347379, 115
 - SWIVEL, 57183329, 115
 - WEATHER, 50469238, 205
- CAPSCREW
 - 57192023, 333
 - 95013728, 316
 - 95920856, 316
 - HEX, 95215257, 192
 - HEX HEAD
 - 95101762, 118
 - 95920351, 62, 64
 - HEX SOCKET, 95293460, 117
 - HEX SOCKET HEAD, 95013702, 117, 192, 316
 - HEXHEAD, PLATED, 95920286, 62
- CAPSCREW (6R8), 95297602, 317
- CAPSCREW/35A2A329Z1HR, 95919841, 274
- CARRIER, PLANET
 - 57553620, 24
 - 57553653, 24
 - 57553786, 25
- CARTRIDGE, 3000 PSI, 56989890, 356
- CAST COVER PLATE MACHINING, 57149056, 124
- CAST HOUSING MACHINING, 57149049, 124
- CATALYST, PRIMER, 57136459, 476
- CENTRALIZER, 57136624, 138
- CHAIN, BULK-3/16 COIL, 50699321, 8
- CHAIN TRACK, LESS SHOES, 57704942, 13, 52
- CHAIN TRACK ASM, W/SHOE, 57704926, 13
- CHECK VALVE
 - .25NPT, 57552275, 432
 - 57150617, 328
- CHUCK
 - ROD-4 HEX, 50245422, 129
 - ROD-CASTING, 50380781, 140
- CLAMP
 - 50816487, 222
 - 50816511, 222
 - 52246154, 187
 - CABLE-3/4, 56793599, 151
 - CABLE-5/16, 58060187, 165
 - CONSTANT TORQUE
 - 56280852, 211
 - 57439267, 219
 - 57440554, 219
 - DRIER AIR COND., 57095515, 79
 - EXHAUST-TURBO, 52175023, 205
 - HALF, 50034818, 165
 - HOSE
 - 50034826, 408
 - 50743731, 116, 266, 270
 - 50905181, 187
 - 56958523, 400
 - 57546061, 247
 - 58146903, 342, 345
 - 58173097, 187
 - 95220844, 78, 187
 - 95301842, 383
 - 95301859, 200, 450
 - 95301875, 181, 427, 428
 - 95301883, 187
 - 95322871, 266
 - 95351904, 187, 268, 395
 - 95451134, 302
 - 95457586, 181
 - 95478509, 193
 - 95654216, 4
 - HALF, 50034826, 135, 142, 160, 292, 312, 367
 - HOSE, 50034826, 364
 - LOOP, 57547606, 184
 - RUBBER 1.25 OD, 57736829, 184
- CLAMP ASSY
 - 1-1/4 PIPE, 57092728, 303
 - 3/4 PIPE, 57083156, 303, 428
- CLAMP-3/4, 95256749, 395
- CLEVIS
 - CYL-PISTON END, 57345548, 135
 - INDEX CYL. DM30, 57184517, 129
- CLEVIS PIN W/COTTER PIN, 57160962, 152
- COIL, CONDENSER, 57364358, 78
- COLLAR
 - 57456881, 32

Index

- RETAINING, 57546335, 118
- SET, 56805138, 104
- COMPOUND, SILICONE, 50700731, 97, 116, 286, 309, 317, 383
- COMPRESSOR, W/CLUTCHR134A, 57451890, 79
- CONDUIT
 - 3/8 NYLON, 57358830, 227, 383, 442
 - FLEX-1/2, 95333209, 413
 - FLEX-1/2SEALTITE, 95245049, 451
- CONE, 52155686, 100, 296
- CONNECTOR
 - 1 45 DEG, 95482451, 202, 395
 - 1/2 90 DEG, 95361390, 451
 - 12 RED, 50695063, 200
 - 3/4, 90 DEG, 95318457, 202
 - 3/4 45 DEG, 95318440, 202
 - 51234375, 200
 - 56992191, 200
 - 57545196, 22
 - 57564288, 22
 - 57651242, 97
 - CHRG AIR, 57580516, 211
 - COMMUNICATION, 57595639, 192
 - CORD GRIP
 - 50625946, 442
 - 56263452, 451
 - FEMALE, 37 DEG, 95286514, 96
 - MALE
 - 37 DEG
 - 95219747, 118, 303, 308, 427
 - 95279329, 428
 - 95316972, 135, 258, 259, 400
 - 95381158, 97, 260
 - 37 DEG.
 - 95219713, 136, 160, 259, 308
 - 95219721, 165, 258, 259, 280, 400
 - 57391559, 286
 - SPLICE, 56762248, 79, 395
 - STRAIGHT THRD, 95329983, 273, 278, 302, 303, 316, 348, 354, 361
 - STRAIGHT-1/2, 95245221, 413
 - STRT THRD
 - 95303368, 342
 - 95356903, 343, 354
 - 95356960, 278
 - 95357570, 230
 - 95365078, 136, 160, 258, 358
 - 95365086, 358
 - 95371217, 361
 - 95402806, 286
 - 95402830, 316, 354
 - 95419594, 117, 451
 - TAP TYPE, 855017P0841-1, 437
 - CONTROL, 56958135, 104
 - CONTROL CHAMBER, 54408364, 328
 - CONTROL UNIT, 57007833, 102
 - COOLER
 - FUEL, QSK19ENGINES, 57472698, 230
 - T2, 525-600HP, ASSM, 57736860, 181
 - COPPER GASKET, 57511552, 454
 - CORD, 14/2, 58150103, 79, 235, 400, 451
 - CORE
 - CAC AKG TIER 2, HP, 57668022, 184
 - COC AKG TIER 2, HP, 57667990, 184
 - HOC AKG TIER 2, HP, 57668014, 184
 - RAD AKG TIER 2, HP, 57668006, 184
 - COTTER, 57457004, 20
 - COUPLER, 57552614, 24
 - COUPLING
 - 50733336, 270
 - 95011094, 78, 317
 - 95446530, 446
 - ASSY, 36783710, 264
 - MIN, 59713438, 117
 - PIPE-1/8 NPT, 95038634, 260
 - QUICKDISCONNECT, 57434110, 280
 - COVER
 - 52155322, 328
 - 54407499, 326
 - 57004343, 308
 - 57037624, 108
 - 57151144, 330
 - 57456543, 34, 40
 - 57456873, 30
 - 57553844, 25
 - BATTERY, 57143505, 175
 - CONTROL, 52155330, 328
 - FTG/90514L, 56988728, 317
 - HOSE & FOOT VALVE, 57668238, 286
 - INLET-6 SPOOL VLV, 57750465, 356
 - NUT, 57104895, 326
 - OUTLET: 6 SP VLV, 57750481, 356
 - RECPT-BATTERY CONN, 57007429, 175
 - RING GEAR, 57553612, 24
 - VALVE BANK, 57112872, 108
 - COVER ASSEMBLY
 - 57457103, 16
 - 57457111, 16
 - CRADLE, 52203718, 328
 - CROSS, FEMALE PIPE, 95378907, 280
 - CROSS KIT, 57227787, 192
 - CROSSHEAD
 - 50425958, 4

Index

57015851, 62
CROWN SEAL, 57163438, 132, 370
CUP, DUST, 56903586, 219
CUP ASSY, 50816479, 222
CURTAINS, DUST HOOD
57155483, 408
57155491, 408
CUSHION
SUB–LOWER, 57095044, 148
SUB–UPPER, 57095036, 148
CYL, WRENCH 760–80, 57155988, 142
CYLINDER
57565756, 36, 42
AIR, 50345636, 140
HYD– 4 X 3 X 48, 57224586, 64
HYDRAULIC
56999170, 160
57135956, 129, 367
57224586, 62
57224677, 158
57345522, 135
57367088, 135
57488942, 372
57531626, 408
INDEXING, DM30, 57620833, 129

D

DECAL
6 SPOOL VALVE, 57179061, 374
CAUTION–EXCESS OIL, 57140477, 470
COMP REQ'D MAINT., 36507820, 470
CONSOLE, TOP–REAR, 57237372, 97
CONSOLEBOTTOM–REAR, 57237364, 98
CORPORATENAMEPLATE, 35861269, 463
DANGER–HAZ. VOLT., 57311086, 470
DHD LUBE SETTINGS, 57361982, 437
ENG.FAILURE COOLSY, 57140444, 470
FILTER MAINT.–HR2, 36502870, 264
HYDRAULIC OIL, 52223807, 309
IR LOGO, RED, 57665945, 463
MACHINE–DM30
57146748, 463
57146755, 463
NOTICE, 57345878, 470
NOTICE–CAROUSEL INX, 57179046, 470
NOTICE–HYD.FAILURE, 57156465, 470
NOTICE–PARKING BRAK, 57343139, 470
PANEL LOWER, 57667818, 96
ROTATION TORQUE, 57435588, 294
UNDERCARRIAGE, 57687170, 14

UPPER PANEL QSX, 57666562, 106
WARNING–COMBUST.GAS, 57140394, 470
WARNING–DON'T ALTER, 57310831, 470
WARNING–FALL DERRIC, 57140360, 470
WARNING–FALL PWR HD, 57140329, 470
WARNING–HIGH PRESS
57140352, 274
57140428, 470
WARNING–HIGH PRESS., 57140352, 470
WARNING–HOT FLUID, 57140402, 470
WARNING–NO CLIMBNG, 57318040, 470
WARNING–POWER HEAD, 57140410, 470
WARNING–ROT.BLADE, 57140469, 181, 470
WARNING–ROTAT.PARTS, 57140345, 470
WARNING–ROTATING PT, 57140337, 470
XHP605 OVAL, 54640040, 274
DECAL & MANUAL SET–DM25/3, 57404311,
470
DECAL–JACK UP INDICATOR, 57361495, 413
DETENT KIT, 58211798, 356
DIAPHRAGM
STAINLESS STL, 57341273, 456
YOKE ASSY, 57341083, 456
DIPSTICK, 59515007, 320
DISC SPRING, 57300816, 121
DISC STRAINER, 57511560, 454
DOOR, PULL, 57623084, 86
DOOR ASSEMBLY, DRILL SIDE, 57694184, 86
DOOR ASSY, NONDRILL SIDE, 57690463, 86
DOWEL PIN, 50604479, 333
DRIER, RECEIVER, 57364366, 78
DRILL PLUG, 57244972, 67
DRIVE, PUMP–3 HOLE, 57651234, 316
DRIVE GROUP, W/MOT, 57563678, 22
DRIVE SHAFT
52188935, 170
57368524, 192
DRIVE SHAFT & BEARING, 54407309, 324
DROPOUT CONE, 57088403, 402
DUCT INLET, 57173056, 402
DUST COLLECTOR–3SB/TIMER, 56244783,
400

E

ELBOW
3, 90DEG, COOLANT, 56256522, 187

Index

- 45DEG, STRT THRD, 95359410, 374
59551275, 320
90 DEG
 MALE, 95335980, 309, 432
 STRT THRD, 95368890, 343
90 DEG MALE
 95219853, 243, 308
 95279451, 97, 260, 317
 95279493, 258, 259, 268, 292, 308, 400
 95279527, 280
 95279535, 165, 258, 400, 429
 95293403, 97, 259, 260, 274, 442, 450
90 DEG STREET, 95279998, 117
90 DEG STRT THRD
 95280186, 317, 343
 95280194, 117, 302, 317, 342, 361
 95303335, 235, 442
 95329975, 136, 160, 260, 343, 344
 95330692, 278, 344
 95341665, 294, 345
 95356853, 367
 95431292, 243
90DEG
 FORGED STL, 95651683, 116, 273
 STRT THRD, 95365094, 348, 358
90DEG MALE, NPTF, 95654448, 258
90DEG MALE 37DGFL, 95279402, 260, 427
90DEG STRT THRD, 95376141, 361
90DEG-EXT/INT NPT
 95264891, 274
 95264909, 78, 117, 278
95302238, 292
COOLER IN/OUT, CAC, 57633778, 211
ENG INLET CAT, 57652976, 211
FLEX-W/FLANGE, 57442535, 205
MOD, 56997992, 344
RUBBER, 56996499, 219
RUBBER-45 DEG, 58173360, 219
SILENCER, 57706095, 205
STREET
 90DEG, 95040952, 116
 95040978, 316
ELBOW 560A10C060X, 95671269, 302
ELBOW-90DEG, EXT/INT NPT, 95424370, 259
ELBOWST-90DEG, EXT/EXTNPT, 95323341, 78
ELEMENT
 57170839, 243
 FILTER, 57082463, 402
 FILTER-10MICRON, 52263209, 352
 FILTER-3 MICRON, 50343490, 474
 FILTER-MAIN HYD, 52263183, 474
 OIL FILTER, 36860336, 474
 PRIMARY, 50616390, 222
 RETENTION, 57063877, 402
 SAFETY, 50616408, 222
 SEPARATOR, 57569758, 273
 STRAINER-HR2, 35370063, 264
 WATER FILTER, 56985971, 192
ELEMENT ASSY
 56945512, 308
 56958945, 402
END
 PLATE TERMINAL, 57735524, 202
 ROD, 56954761, 135
END CAP, 57191991, 333
ENGINE, BARE, 525-CAT, 57639890, 192
EXCLUDER, 57244899, 66, 67
EYE
 56958598, 472
 ANCHOR CABLE, 57347700, 151
 ROD, 56938335, 129, 367

F
FACEPLATE, BARREL-13/32, 52201712, 121, 324
FAN BLADE-54IN. 8 BLADE, 57436024, 181
FAN WHEEL-20, 56994932, 402
FASTENER, 1/4-20 TEENUT, 57141939, 200
FC310-04 HOSE INDICATOR,
 F04X000J--/J--, 450
FEED CYLINDER ASSY, 57136426, 151
FILTER
 56923030, 308
 FUEL SECONDARY, 57294829, 192
 OIL, 52172111, 344
 OIL-ENGINE, 52183233, 192
 SINTERED, 57341216, 456
FILTER & REGULATOR, 57082455, 402
FILTER ASSY, 57004335, 308
FINAL DRIVE, 57438285, 12
FITTING
 95201299, 140
 95302733, 259, 280, 427
 FLANGED, 56937790, 302
HYD
 50814581, 427
 50932268, 367
 52187465, 97, 98, 344
 52226149, 450
 52226164, 243, 344

INDEX

Index

- 52228145, 302
- 56922206, 136, 343
- 56947518, 429
- 56949191, 302, 317
- 56949514, 273
- 56952757, 344
- 56953573, 427
- 57080251, 243
- 58167842, 136
- 85597904, 429
- 95110458, 274
- 95208682, 243
- 95209086, 235, 427, 429
- 95209094, 96, 97, 160, 292, 316, 317, 344, 358
- 95219754, 427
- 95219770, 344
- 95264966, 259, 400
- 95264974, 78, 427
- 95278958, 160, 292
- 95278966, 142
- 95279055, 260
- 95279071, 187, 259
- 95279097, 142, 182
- 95279139, 243
- 95279378, 193, 235, 429
- 95279436, 193, 428
- 95279477, 243
- 95279519, 427, 428
- 95279543, 235, 343
- 95279881, 428
- 95280160, 317
- 95280541, 343
- 95285946, 374
- 95293320, 302
- 95302113, 118, 450
- 95302121, 165
- 95315222, 78, 278
- 95316956, 361
- 95324273, 308
- 95330023, 235
- 95338018, 117
- 95338372, 259, 432
- 95338406, 98, 260, 316
- 95341053, 78
- 95364972, 96, 97, 160, 260, 286, 292, 294
- 95365177, 243
- 95366019, 354
- 95371233, 344
- 95371258, 343
- 95372173, 372
- 95381380, 142
- 95392312, 273
- 95397394, 374
- 95403325, 317
- 95415667, 160, 286
- 95433884, 427
- 95473443, 292
- 95652178, 97
- 95655072, 278
- 95678041, 243
- 95679593, 450
- 95731014, 273
- 95735346, 316, 342, 348
- 95748562, 235, 273
- 95754867, 343
- 95775623, 142, 273, 278, 344
- 95789780, 308
- 95829362, 343
- HYD-90DEGO-RING, 95480109, 259, 372
- HYD-LONG 90 DEG, 59621078, 344
- HYD-NPT/JIC, 95263380, 358
- HYD-ORING/JIC, 95431284, 136, 344
- LUBE, 95201547, 13, 62, 129, 428
- LUBE-90 DEG, 95208971, 116, 130
- MALE-FEMALE NPT, 57237380, 97
- METRIC, 57661829, 187
- RELIEF, HYD, 95246724, 116
- STR-EXT NPT RUN, 95323358, 78, 192, 400
- TEST, 57328676, 316, 342
- FITTING HYD
 - 95279113, 429
 - 95279410, 361
 - 95286555, 344
 - 95423075, 428
- FITTING HYD-90, 95676417, 317
- FITTING-90 DEG, NPT/JIC, 95401089, 160
- FITTING-STR EXT NPT, 95479861, 361
- FLANGE
 - 1 NPT, 95324083, 446
 - 3/4NPT W/PILOT, 95273736, 446
 - 56932080, 316
 - 95488284, 302
 - MOUNTING, 52188851, 170
 - STRAIGHT - SAE, 57409443, 316
- FLANGE EXH, 50622802, 205
- FLANGE HALF, SIZE 16-CD62, 57404147, 290
- FLOAT, LIFE CELL, 57533614, 235
- FLUID CAP GASKET, 57511503, 454
- FOOT
 - JACK, 50033414, 62, 64
 - RECEIVER TANK HP, 57584310, 273
- FORK CHUCK-3.5 FLATS, 50348309, 140
- FRAME, 57736753, 184
- FRAME ASSY
 - LH
 - 57565962, 13

Index

57565988, 48
RH
57565905, 13
57565939, 46
FRONT IDLER GROUP, 57565665, 12
FUEL, DIESEL, 52246774, 235
FUSE, 52279338, 437

G

GASKET
1, 52236551, 200, 202, 395
3/4, 52236569, 202
50419670, 205
52154499, 324
52154952, 324
52263787, 264
54471768, 121
56953045, 168
BACK CAP, 57341406, 456
COMP DISCHARGE, 57546160, 273
DIAPHRAGM, 57341281, 456
DRILL ROD 5 DIA., 57154866, 138
HOUSING, 52155033, 324
RETAINING, 52154531, 324
SEALING, 52236577, 200
SENDER, 57443962, 236
SQ.SECTION, 57307720, 333
TEFLON YOKE, 57341158, 456
GASKET RING
95214524, 264
95225116, 247
GAUGE
5 TANK SIDE LEVEL, 57359192, 446
FUEL-24VDC, 57534281, 106
LEVEL, 57004541, 308
OIL PRESS M-LINK, 57632754, 106
PRESSURE, 57112963, 402, 450
PRESSURE W/SNUBBER, 54413000, 96
PRESSURE-0-160PSI, 50262492, 259
PRESSURE-0-600 PSI, 56795214, 96
PRESSURE-2.5 IN, 57112971, 273
SIGHT, 52253176, 116
WATER TEMP, 57446734, 106
WATER TEMP M-LINK, 57632747, 106
GEAR
57572398, 320
57572406, 320
INTERMEDIATE, 57159113, 115
OUTPUT, 57546301, 115
RING, 57553604, 24

SET HR2, 900, 1050CFM, 36765113, 264
SUN
57553646, 24
57553679, 24
57553778, 25
GEROTOR ASSY, 52163474, 324
GEROTOR SET, 52188950, 170
GLASS
DRILL SIDE DOOR, 57694218, 86
DRILL SIDE FRONT, 57694283, 86
LOWER FRONT, 57694317, 86
NON-DRILL SIDE, FRT, 57694267, 86
NON-DRILL SIDE DR, 57694150, 86
REAR, 57694333, 86
UPPER FRONT, 57694309, 86
GREASE
52180957, 116
EPO, 57092579, 428
GRIP, 56883713, 104
GROMMET, RUBBER, 56987456, 102
GUAGE, SIGHT, 57547580, 184
GUARD
DRILLING LIGHT, 57273591, 383
DRIVESHAFT-C15, 57666083, 192
FINGER 56" SYM, 57736837, 184
WELDMENT A/C CAT, 57667834, 79
WIRE TRASH (HALF), 57736779, 184
GUARD ASSEMBLY
57457137, 12
57457145, 12
GUARD ASSY, TCK GDE, 57565632, 12
GUARD GROUP
FRONT, 57438350, 12
SPROCKET, 57438343, 12
TRACK GUIDE, 57438335, 12
TRACK MOTOR, 57438327, 12
GUARD GROUP-TCK MOT, 57564171, 16
GUIDE
50383017, 140
BLOCK-LONG R.H., 57386427, 117
FINISHEDPOWERHEAD, 57143778, 117
HOSE, 57012528, 161
PIVOT ARM, 57144933, 135
SLIDING, 50422997, 140
YOKE, 57341190, 456
GUIDE SLIDE - R.H., 57376832, 117
GUSSET
57664526, 219
FRAME MAIN, 57189458, 4

INDEX

Index

H

HANDLE ASSY

56957244, 374
56987613, 104
57004533, 96

HANDRAIL ASSEMBLY, 57664674, 8

HANDRAIL ASSY-20 CNTDIST, 57533622, 8

HANDRAIL ASSY-30 CNTDIST, 57424392, 8,
151

HANDRAIL ASSY-80 CNTDIST, 57481236, 8

HARNESS

CONSOLE CAT, 57667891, 395
ECM CAT, 57656118, 396
ENG C16 2 STRTR, 57656159, 200
HEADER TO GAUGES, 57640104, 396
MAINBOX, DUST COL, 57758674, 396
MDDM TO HEADER, 57640096, 395
POWER, 57640088, 395

HEAD

4 X 3, 57244949, 67
CYLINDER, 57718090, 160

HEAD ASSEMBLY

51942878, 235
52234655, 352

HEADER BOARD, M-LINK, 57632788, 395

HINGE

56947971, 108
DRILL SIDE, RT DOOR, 57694234, 86
NON-DRILL SIDE, L, 57694176, 86

HOLD DOWN-VANE, 57181307, 328

HOLDER

ANGLE-DRILLROD, 57345506, 135
CUP-T4BH CAB, 57623241, 87
FUSE, 57130577, 437
LOCKING END, 57429748, 202
SAFETY MANUAL, 57315269, 470

HOOD & BRACKET-DUST, 57155210, 408

HOOK & LATCH ASM, 5 TON, 54440474, 165

HOOK-SWIVEL, 5 TON, 54440466, 165

HOSE

AIR 2"IR BRAND, 35612712, 266, 270
AIR-BULK, 95313359, 309
AIR-R32 BULK, 95313961, 116
AIR-U48 BULK, 57137986, 247
ASSM
06X108"LG, R134, 57666117, 78
06X312"LG, R134, 57666109, 78
08, R134A, 156LG, 57771388, 78

LR134A, 57743825, 78
ASSY, 57057416, 259
DROPOUT, 51024842, 402
HYD-A10 BULK, 57065260, 78
RADIATOR, 57213399, 187
SUCTION WITHSPRING, 57400459, 400
WATER-M05 BULK, 52223088, 97, 286

HOSE ASSEMBLY

57662736, 361
57714719, 361
97113575, 345

HOSE ASSY

52198173, 428
52198439, 260
52225547, 358
52226453, 428
52226479, 429
52228244, 361
52241031, 358
56947674, 361
56947708, 302
56949399, 135, 294
56949407, 97
56949431, 343, 344
56949449, 400
56949456, 432
56953896, 364
56954043, 135, 160
56954068, 343
56954183, 372
56954225, 302
56954233, 193
56954357, 342
56955115, 235
56955974, 292, 302
56955982, 96, 292
56956006, 96, 160
56956113, 302
56956121, 302
56956691, 343
56956964, 343
56956972, 135, 160
56957657, 429
56958663, 428
56958689, 96, 97, 292
56958697, 343
56959828, 372
56959836, 142
56959919, 428
56960826, 428
56961329, 428
56961337, 286
56961766, 160
56961774, 96, 97, 260
56961790, 97

INDEX

Index

| | |
|------------------------------|--------------------|
| 56961824, 358 | 57020398, 142, 408 |
| 56961840, 160, 343 | 57020851, 358 |
| 56964141, 358 | 57025926, 432 |
| 56964158, 428 | 57025991, 160, 364 |
| 56964166, 429 | 57038424, 400 |
| 56964190, 428 | 57039745, 364 |
| 56964224, 428, 429, 451 | 57041550, 292 |
| 56964232, 344 | 57042947, 342 |
| 56966211, 450, 451 | 57044521, 97 |
| 56966302, 429 | 57044620, 342 |
| 56966898, 428 | 57044729, 98 |
| 56966955, 294 | 57044737, 429 |
| 56968084, 135, 136, 160, 292 | 57058109, 260 |
| 56969280, 342 | 57058117, 259, 260 |
| 56971526, 342 | 57074239, 428 |
| 56971930, 292 | 57077927, 243 |
| 56972680, 428, 429 | 57095069, 259, 260 |
| 56973621, 428 | 57095077, 259 |
| 56974140, 273 | 57095093, 259 |
| 56974249, 342 | 57095119, 260 |
| 56974496, 165 | 57097081, 259 |
| 56974678, 160 | 57097909, 268 |
| 56974751, 259 | 57101263, 235 |
| 56975980, 450 | 57110579, 259 |
| 56983430, 302, 429 | 57116899, 312 |
| 56988827, 302, 342, 361 | 57116915, 312 |
| 56988850, 117 | 57128449, 259 |
| 56991961, 302 | 57135261, 117 |
| 56991987, 342 | 57136806, 342 |
| 56992001, 361 | 57137895, 302 |
| 56992050, 292, 343 | 57137903, 303 |
| 56992100, 400 | 57157422, 367 |
| 56992118, 342 | 57171514, 303 |
| 56992126, 342 | 57171522, 303 |
| 56992134, 429 | 57201840, 450 |
| 56992522, 343 | 57229957, 312 |
| 56994536, 142 | 57250185, 259 |
| 56994544, 344 | 57293656, 235 |
| 56994569, 408 | 57325409, 260 |
| 56994585, 97 | 57337271, 243 |
| 56994593, 408 | 57357485, 361 |
| 57002222, 344 | 57414112, 342 |
| 57004053, 230 | 57438681, 345 |
| 57005654, 135, 294 | 57469538, 286 |
| 57005951, 400 | 57480808, 361 |
| 57006538, 286 | 57481178, 442 |
| 57007502, 302 | 57495095, 342, 343 |
| 57008542, 292 | 57538183, 286 |
| 57010134, 345 | 57538191, 286 |
| 57010142, 428, 429 | 58081662, 429 |
| 57015760, 260 | 58143439, 187, 294 |
| 57015828, 259 | 58144585, 450 |
| 57015992, 400 | 58146622, 429 |
| 57017857, 259 | 58170440, 344 |
| 57018681, 243 | 58170465, 428 |
| | 58182486, 342 |

INDEX

Index

- 58182791, 364
- 58202557, 230
- 58206954, 243
- 58207325, 343
- 58207333, 160
- 97113583, 364
- F12X032J--/J-, 56950504, 428
- HOSE ASSY., 57208415, 243
- HOSE HUMP
 - 50463645, 187
 - 56799844, 219
 - REDUCING, 58044561, 219
- HOSE HYD, 56950157, 342
- HOUSING
 - 1/2 NPT PORTS, 52188927, 170
 - 35251529, 352
 - 4X6 LIGHT, 57157885, 383
 - 54472113, 121
 - 57192007, 333
 - BLOWER, 57003386, 402
 - GEARBOX, 59551127, 320
 - LOWER SEAL, 57578023, 115
 - LOWER-3SB, 57117426, 402
 - UPPER SEAL, 52248150, 115
 - UPPER-3SB, 57117418, 402
- HUB, 57173064, 406
- I**
- IDLER
 - ASM, W/BACKET, 57704967, 13
 - FRONT-BARE, 57708927, 50, 56
- IDLER ASSY, 57565863, 38, 44
- IDLER GROUP
 - 57565855, 12
 - FRONT, 57565673, 12
- IDLER GROUP-FRONT, 57565889, 12
- INCLINOMETER-0-20 DEG., 57118879, 367
- INDEXER, 4 ROD CHANGER, 57169419, 129
- INDICATOR
 - 54407473, 330
 - RESTRICTION, 52265311, 219
- INJECTOR
 - SL1/2 BANK, 57070757, 427
 - SL1/3 BANK, 57070765, 427
- INLET, AIR, 50816503, 222
- INSERT, PINNING, 57012510, 161, 367
- INSTL INSTR-SEAL, 57239444, 66, 67
- INSTRUCTIONS, KIT, 57245110, 66
- INSULATION, WRAP, 57578718, 211
- INSULATOR, HEAT SHRINK., 58159088, 175
- J**
- JAW
 - HEEL, 57094682, 142
 - HOOK, 57094674, 142
- JOINT, WIRE, 10, CLEAR, 95239216, 442
- K**
- KEY
 - CUSTOM, 57546327, 115
 - INTERMEDIATE SHAFT, 57159139, 115
 - SQUARE-ROUND ENDS, 95159232, 129
 - WOODRUFF, 52188893, 170
- KIT
 - ARCTIC SEAL, 54533120, 129, 367
 - CAB DUST CURTAIN, 57117327, 374
 - DISC (BRAKE), 57553547, 24
 - GASKET-AIR CLEANER, 50621796, 222
 - LATCH, R.H., 57694192, 86
 - LIGHT GAUGE-24VDC, 57443954, 106
 - O-RING, 57082737, 160
 - PIN, 57158040, 354, 356, 374
 - REPAIR UL-88 ASSY, 36037471, 262
 - RETAINING RING, 54472170, 121
 - ROD CHANGER 4-5 DIA, 57169112, 130
 - SEAL
 - 56943756, 356
 - 56968464, 135
 - 57032997, 333
 - 57107914, 350
 - 57139206, 129, 367
 - 57756561, 181
 - CYL, HYDRAULIC, 57732182, 129
 - SEAL (BRAKE), 57553596, 24
 - SEAL CYLINDER HYD., 57349193, 135
 - SEAL M6F, 54472147, 121
 - SEAL UPGRADE, 56265317, 96
 - SHAFT, 57053555, 333
 - SHAFT(SHAFT, BRG, KEY), 57756553, 181
 - SPLIT FLANGE
 - 52226115, 286
 - 56783020, 303
 - 56883572, 302, 316
 - 56950579, 361
 - UPGRADE (A)CAT/IRGT, 57725418, 13
 - UPGRADE (B)CAT/IRGT, 57725426, 13
 - WRNCH CYL SEAL 760-8, 57156549, 144

Index

KIT-REPAIR, 57514846, 273
KIT-SHIM, 57153090, 324
KNOB
BLACK, 57148934, 374
CONTROL, 52249588, 100, 296
TRANS. SHFTCONTROL, 57115503, 104

L

LADDER, W/HANDRAIL, FOLD, 57724619, 8
LADDER ASSEMBLY, 57664666, 8
LAMP
56906936, 97
FLOOD-70W HALOGEN, 57147282, 383, 472
PANEL
24V, ASSM, 57769945, 97
50611235, 413
57769937, 97
SPOT-70W/24VHALOGEN, 57147290, 383
TRAP-70W HALOGEN, 57157893, 383

LATCH, SEAT BASE, 57623043, 86
LATCH ASM, 54440490, 165
LATCH ASSY, RIGHT HAND, 57690471, 86
LED, 24V AC/DC RED, 57364010, 106
LEVEL, 56822919, 97
LEVER, 56948938, 102
LIFTING EYE, 57039315, 472
LIGHT
DOME, 24V, 57694382, 87
INDICATOR, 57266181, 413
LED INDICATOR, 57297137, 437
LINK
52208162, 258
56801053, 8
56957236, 374
CHAIN
LH, 57708836, 54, 58
RH, 57708828, 54, 58
HANDLE, 57004525, 104
LH, 57456998, 20
MASTER-LH, 57457012, 20
MASTER-RH, 57457038, 20
RH, 57457053, 20
LINK ASSY, TRACK, 57456964, 18
LINKAGE, 52227733, 258
LOCATING RING
57553703, 24
57553836, 25

LOCK, SPINDLE, 50628007, 146
LOCKNUT, 57181240, 67
LOCKNUT 68A4C10, 95080149, 62
LOCKWASHER
95922548, 96
HELICAL SPRNG, 95922639, 192
SPRING, PLATED, 95934717, 62, 130
LOCKWASHER-NO. 4 REGULAR, 95929766,
96
LUBRICANT
MOLYCOTE G-N, 57755266, 118, 316
TOOL JOINT, 50525187, 450
LUBRICATOR ASSY-7GAL DHD, 57353369,
432
LUBRICATOR TANK SUB-ASM, 57428104, 437
LUG, BATTERY, 57011611, 175

M

MANIFOLD
52162138, 259
57546038, 278
AIR/HYD., 57523870, 266
DRILL SAEPORTS, 57420838, 342
HYD, 57083883, 427
HYD. ORING THDS, 57350076, 342
HYD. RETURN, 57185738, 308
HYD-ORING THDS, 57350084, 372
HYDRAULIC-ORING, 57350092, 342
LWR HP DM4550/L, 57584195, 273
UPPER, DM30HP, 57668733, 273
MANUAL, SAFETY-DM25/30, 57314023, 470
MARKER
TERMINAL, 57684979, 202
WIRE, 57093080, 383, 396
MAT, FLOOR, 57694242, 86
MODULE, MURPHY LNK DISPLY, 57632697,
106
MOTOR
HYDRAULIC
50820935, 168
52227352, 402
57117764, 115
57553935, 25
HYDRAULIC FAN, 57657660, 181
MOUNT
56932387, 142
56932395, 142
56938319, 158

INDEX

Index

CYLINDER, 57095853, 227
FLEX-BOLTSANDWICH, 57139131, 200
FRONT ENGINE-C16, 57643199, 192
FUEL COOLER
LH
57643116, 78
57643132, 230
RH
57643116, 230
57643132, 78
MOTOR, ASSM, 57736803, 184
REAR ENGINE, C16, 57643157, 192
MOUNTING, CONDENSER, 57481525, 78
MOUNTING CAP, 57192015, 333
MOUNTING RAIL (DIN), 57221855, 202
MUFFLER, FILTER, 52142031, 450, 451

N

NAMEPLATE
DATALINK CONN, 57392441, 97
DHD CONTROL, 57361990, 437
ISOLATIONSWTCH, 57379166, 175
MODEL I.D., 57497687, 463
THD-GREASER, 57406829, 450
NAMEPLATE-FILTER, 57511859, 463
NEEDLE, W/BUSHING, 57512873, 454
NIPPLE
58045188, 309
95069035, 429
HOSE, 57082018, 78
KING, 56901440, 308, 316
NPTF DRYSEAL
95315214, 182, 400
95352738, 258, 427
95377156, 135, 432
95395737, 427
PIPE
95084109, 274, 280
95084125, 446
95298170, 273
EXTRA STRONG
95097291, 432
95097333, 274
95243093, 116
NOZZLE
SPRAY, 56246747, 450
W/3/16 ORIFICE, 57341166, 456
NUT
50816420, 222

50943240, 320
ACORN, 57239725, 326
ADJUSTING, 57291304, 115
DIAPHRAGM PLATE, 57341299, 456
ELASTIC LOCK-1/4-20, 95923298, 450
FLEX LOCK-5/16-18, 95923371, 118
HEX
57565806, 34, 40
FINISHED
95862876, 258
95922894, 8, 79, 193, 260, 348, 361, 400, 427, 450
95922928, 273, 427
95929782, 200, 374, 395
95931564, 79, 96, 104, 130, 200, 227, 235, 236, 258, 343, 367, 395
PLATED
95922902, 181, 243, 262, 274, 317, 344, 428
95941084, 62
PLATED, 95922910, 181
STOP
95077319, 181
95077590, 192, 317
HEX JAM
95201331, 243, 258
95315404, 442
HEX JAM-3/8-24, 95098356, 104
HEX MACHINE-NO.4-40, 95076709, 96
HEX STOP-3/4-10, 95077608, 192
HEX-LOCK, 3/8-16UNC, 95958831, 200
JAM
57104929, 326
57104937, 326
LOCK, 56998503, 144
LOCK 1, 50628916, 200
LOCK-1/2, CONDUIT, 50619915, 200, 451
MACHINE, HEX, 95076725, 367
MACHINE-HEX, 95076717, 96
SEALING
52240348, 202
52240355, 202, 395
SHAFT, 57553000, 24
TRACK-SHOE, 57708901, 13, 52
TUBE-16, 95257374, 427
WING, 50816446, 222
NUT-CAGED, 40011975, 446
NUT-TRACK, 57356990, 18

O

O RING
57416950, 121
95868030, 66, 67
95868048, 66, 67

Index

- 95868055, 66, 67
- O RING–SEAL, 57356594, 36, 42
- O’RING
 - #6, R134A, 57762916, 78
 - 95000477, 243
- O–RING
 - 35277797, 264
 - 50597434, 320
 - 50636547, 170
 - 50717743, 320
 - 51076156, 350
 - 51076164, 350
 - 51076172, 350
 - 52154937, 326
 - 52154994, 121
 - 52155314, 328
 - 52203767, 328
 - 52215696, 121
 - 54407416, 326, 330
 - 56883614, 290
 - 56963531, 160
 - 57107906, 350
 - 57163420, 132, 144, 370
 - 57163511, 132, 144, 370
 - 57192197, 333
 - 57220345, 160
 - 57244832, 66, 67
 - 57300329, 121
 - 57487043, 160
 - 57552721, 24
 - 57552887, 25
 - 59595629, 320
 - 95017984, 100, 296
 - 95022281, 243
 - 95022372, 273
 - 95045324, 317
 - 95070603, 352
 - 95086310, 317
 - 95086518, 117
 - 95086567, 316
 - 95086625, 118, 316
 - 95086641, 317
 - 95086724, 116
 - 95097689, 118, 326, 330
 - 95097929, 118
 - 95209870, 442
 - HYD, 95209888, 312
 - IDLER, 57708950, 50, 56
- OIL
 - GEAR, 50416544, 316
 - POWERHEAD, 50422849, 116
 - REFRIGERANT, R134A, 57737934, 78
- ORIFICE
 - .038, 50459486, 135
 - .125, 56980303, 372
 - 35517234, 260
 - MINIMUM PRESSURE, 57637902, 274
- P**
- P1 ROTOR ASSY., 57192122, 333
- P2 ROTOR ASSY., 57192163, 333
- PACKING
 - LEATHER, 57511578, 454
 - SWIVEL–30XV, 57336067, 115
- PACKING CUP, LEATHER, 57511545, 454
- PACKING GLAND, 57511586, 454
- PACKING SPRING, 57511594, 454
- PAD
 - ANTI–VIBRATION, 57657751, 214
 - RUBBER, 56958879, 96
- PAINT
 - BEIGE, 35323567, 476
 - BLACK
 - 50261445, 476
 - 58220773, 476
- PANEL
 - CONTROL, LOWER, 57666547, 96
 - COVER, 57004590, 374
 - ELEC ENG CAT, 57666570, 96
 - ENGINE ELEC QSX, 57666554, 106
 - ONE GAUGE, 57534315, 106
- PILLOW BLOCK
 - 57052813, 156
 - SPLIT, 57135980, 156
- PIN
 - 50067834, 62, 64
 - 50345677, 140
 - 50456912, 129
 - 50816289, 333
 - 52155348, 328
 - 52155454, 326
 - 54407606, 326
 - 56957384, 135
 - 56957392, 135
 - 56957400, 135
 - 56957574, 135
 - 57124612, 117
 - 57456741, 38, 44
 - 57456949, 32
 - 57457061, 20
 - 57694135, 86
 - ANCHOR, 50171941, 62, 64

Index

- BASE END–CLAMP CYL., 57345530, 135
- CAROUSEL SWG.CYLNDR, 57145963, 129, 367
- CENTER YOKE, 57188120, 13
- CHAIN–TRACK, 57708869, 54, 58
- CLEVIS
 - 56789589, 102
 - 56810195, 104
- COTTER
 - 52266731, 235
 - 95210852, 129, 367
 - 95211900, 102, 104
- COTTER–3/16 X 2, 95093399, 129
- CYLINDER, 50813567, 372
- DOWEL
 - 57553190, 24
 - 95239927, 124
 - 95287157, 124
- DOWELL, 54472105, 121
- DRIV–LOK, 95340758, 129
- END YOKE, 57188112, 13
- FUEL TANK SUPPORT, 57668170, 235
- HITCH, 57013823, 142
- MASTER
 - 57457046, 20
 - CHAIN, 57708810, 54, 58
- POST CAR–SW CYL DM30, 57143828, 367
- ROD END–CLAMP CYL., 57345514, 135
- ROLL
 - 95033932, 258
 - 95033965, 262
- SHEAVE
 - 57004319, 151
 - 57004327, 158
- SHEAVE–WINCH, 57139081, 165
- TIE DOWN, 57000150, 160
- W/HOLES, 57142804, 129
- PIN ASSY, 56932510, 142
- PIN–PUMP, 57305948, 326
- PINION, INPUT, 57170110, 116
- PINS, 50817089, 121
- PIPE
 - 2.5 NPT, 57058448, 235
 - 57068587, 90
 - 57652935, 187
 - 58034133, 235
 - AIR ELBOW – 2NPT, 57523847, 266
 - DISCHARGE, 57670895, 247
 - ENG OUTLET, CAC, 57652984, 211
 - ENGINE OUTLET, 57652992, 211
 - INLET 3”, 57546053, 273
 - INLET ENGINE, 57652943, 187
 - MALE, 95279865, 344
 - TRANSFER AIR, DM30, 57523920, 270
 - PIPE PLUG, 52201811, 326, 330
 - PIPE–.75, 57136020, 302
 - PIPE–1.25IN SCH160X168IN, 57141608, 302
 - PISTON
 - 52249604, 100, 296
 - 57244956, 67
 - 57553364, 24
 - 57658981, 372
 - PISTON ASSY, 57565764, 36, 42
 - PISTON BODY, BRASS, 57512865, 454
 - PISTON SPACER, 57181265, 67
 - PISTON–5 ODX31/2APIREGPN, 57307373, 148
 - PISTON/SHOE ASSEMBLY, 52218690, 324
 - PLANET BEARING
 - 57553687, 24
 - 57553695, 24
 - 57553802, 25
 - PLANET GEAR
 - 57553661, 24
 - 57553794, 25
 - PLATE
 - 57014417, 451
 - 57019853, 219
 - 57029704, 472
 - 57037657, 108
 - 57160970, 168
 - 57165987, 152
 - 57165995, 152
 - 57565772, 34, 40
 - 57565947, 46, 48
 - BACK–UP, 57553372, 24
 - BOTTOM BLWR WHEEL, 57173106, 406
 - CAROUSEL LOCK, 57185811, 130
 - COVER, 52247657, 264
 - COVER–BUSHING, 57135675, 129
 - CREEP
 - 52203668, 121
 - 57026478, 324
 - DIAPHRAGM, 57341265, 456
 - END, 57191033, 118
 - KEEPER, 50415249, 129
 - LOCKING, 50813575, 372
 - MOTOR, 57240764, 328
 - MOUNTING
 - 50462514, 140
 - 57037640, 108
 - 57037681, 108
 - MOUNTING – FILTER, 57507659, 219
 - MTG
 - 52243789, 413

Index

- 57244980, 344
 - PORT
 - 57181372, 121
 - FRONT, 54494018, 333
 - REAR, 54494026, 333
 - PORT–RH 13/32, 52201845, 324
 - ROD CHUCK LOCKING, 50519560, 129
 - SEAL VANE, 54408372, 328
 - SEPARATOR, 57736746, 184
 - SUPPORT, 57214488, 90
 - SUPPORT DM30, 57143786, 130
 - SWING CYL. 4 ROD, 57169435, 367
 - TAPPED, 52240959, 451
 - PLATE ASSY, 57565699, 12
 - PLATE W/HOLE, 57039323, 472
 - PLATE–BRKT BAT SELECT, 57383747, 175
 - PLATE–W/HOLES, 57136319, 151
 - PLATFORM, TOWER, 57666059, 151
 - PLUG
 - 50998103, 170
 - 52155306, 328
 - 54408059, 121
 - 57240574, 326
 - 59551267, 320
 - CAP, 57552622, 24
 - DRAIN, 50137256, 116
 - ELECTRIC 3–WAY, 57661738, 396
 - HEX HEAD
 - 95653317, 235, 247
 - O’RING, 95343596, 361
 - STRT THRD
 - 95323465, 116, 118, 258, 278, 343
 - 95666996, 181, 247, 343, 345
 - HOLE
 - 58166091, 96
 - 58206087, 106
 - 58207598, 106
 - MAGNETIC, 59514976, 320
 - MAGNETIC 1 NPT, 57408353, 446
 - METRIC–M18X1.5, 57482002, 286
 - MINI, 57093775, 309
 - MODIFIED, 57097446, 358
 - OIL LEVEL, 59551259, 320
 - ORING–SAE 32, 95746194, 235
 - PIPE, SQ HEAD
 - 95033601, 427
 - 95249587, 116
 - 95249694, 116
 - SOLID
 - 95033585, 260, 427
 - 95033593, 117, 258, 259, 273
 - PIPE–1/2 SQ HEAD, 95033619, 181
 - PIPE–3 RUBBER, 57408346, 446
 - PIPE–3/4 CSUNK, 95267191, 308
 - PIPE–SQ HEAD, 95002143, 78, 192, 446
 - PORT, 57224156, 67
 - SCREW
 - 57552747, 25
 - 57552895, 25
 - STRAINER, 35609098, 264
 - WIRE ROPE SOCKET, 57398174, 152
 - PLUG OSCILLATION SHAFT, 57220980, 4
 - PLUG–CLEAR, 57356891, 32
 - PLUG–PIPE, 57356768, 30, 38, 44
 - PLUNGER, TEFLON, 57431223, 444
 - POCKET, MAGAZINE, 57694390, 87
 - PORT BLOCK, W/O SHUTTLE, 54471321, 121
 - PORT PLUG
 - 57244915, 67
 - 57249500, 144
 - POST, DUST COLLECTOR, 57172793, 400
 - POWERHEAD MACHINING, 57149031, 115
 - POWERLUBER, AUTO–GREASING,
57336430, 450
 - PRESSURE PLATE, 57185217, 333
 - PRIMER, GREY EPOXY, 57135501, 476
 - PROCEDURE, 57039950, 472
 - PUMP
 - DHD LUBRICATOR, 57352973, 442
 - FUEL, 50258441, 235
 - GREASE–MANUAL, 57083982, 427
 - HYDRAULIC
 - 52245065, 316
 - 57101032, 316
 - HYDRAULIC–DOUBLE, 57036030, 316
 - OIL–HR2 AIR END, 35366657, 264
 - PUSHBUTTON, 2–POSITION, 57358855, 106
- Q**
- QUAD RING, 57511511, 454
 - QUAD RING RETAINER, 57511529, 454
- R**
- RACE, BEARING, 52188885, 170
 - RAIL, SAFETY, 57156507, 151
 - RECEPTACLE ASSEMBLY, 57749145, 175
 - RECOIL GROUP
 - 57565681, 12

Index

INDEX

- 57565707, 12
- 57565715, 34, 40
- 57565897, 12
- REDUCER, SAE/ORING 16–8, 95479739, 354
- REFRIGERANT, R134A, 57364473, 79
- REGULATOR
 - 12V, 57662744, 396
 - AIR–RELIEVING, 57079550, 450
 - PRESSURE, 57442477, 280
 - UL–88 ASSY, 36887396, 262
- REGULATOR ASSY, UL–88, 57530917, 258
- RELAY, SOLENOID–24VMARINE, 59956466, 200
- REPAIR KIT, MAIN RELIEF, 57153579, 356
- REST, TOWER, 57176380, 64
- RESTRICTOR, JIC/JIC .062, 57291049, 364, 367
- RETAINER
 - 57416943, 121
 - 57456857, 30
 - HEXAGON, 57758971, 454
 - PLATE–DUST HOOD, 57155509, 408
 - SEAL, 57164592, 121
 - TRACK, 52264652, 14
- RETAINER PISTON & SHOE, 54413646, 121
- RING
 - 52234747, 352
 - 57356578, 36, 42
 - 57356586, 36, 42
 - 57456956, 32
- BACK UP
 - 57163529, 132, 144, 370
 - 57192130, 333
 - 57363988, 132, 370
- BACKUP, 57565731, 36, 42
- CAM, 54495585, 333
- O
 - 57552549, 24
 - 57553208, 24
- RETAING
 - 52201803, 326, 330
 - 57026403, 324
 - 57026411, 324
 - 57026429, 324
- RETAINING
 - 52155140, 126
 - 52155157, 126
 - 52155165, 126
 - 52155751, 324
 - 52155843, 121
 - 52204864, 126, 324
 - 52204872, 126, 324
- 54408299, 126
- 54472469, 126
- 57552945, 24
- 95223376, 129, 367
- 95223475, 320
- SEAL
 - 57552754, 25
 - 57553158, 24
 - 57553943, 25
- SNAP
 - 50597442, 320
 - 50806223, 333
 - 57552481, 24
 - 57553323, 24
 - 57553539, 24
 - 57553711, 24
 - 57553729, 24
 - 57553737, 24
 - 57553745, 24
 - 57553752, 24
 - 57553810, 25
 - 57553828, 25
 - 57553927, 25
- THREAD LOCKING, 50415231, 129
- THREADED, 50610971, 115
- RING SNAP, 50644558, 333
- RIVET, DOME HEAD, 95715751, 202
- ROCKER AND PLUG, 54408406, 328
- ROD
 - 56957228, 374
 - 57565723, 36, 42
- ALL THD
 - 56940927, 151
 - 56971922, 151
- ALL THD., 57171332, 135
- LINKAGE
 - 56987571, 104
 - 56987589, 104
 - 57690489, 86
 - 57690497, 86
 - 57694101, 86
 - 57694119, 86
- ROD & PISTON ASSY–CYL., 57415382, 140
- ROD SEAL PACKING, 57115834, 66
- ROD TUBE, 57180325, 67
- ROD WIPER, 58209610, 66
- ROD–TUBE, 57244964, 67
- ROLL PIN, IDLER, 57700452, 50, 56
- ROLLER ARRANGEMENT, 57438301, 12
- ROLLER ASSEMBLY
 - 57456824, 30

Index

57456899, 32
 ROLLER GROUP, CARRIER, 57456774, 28
 ROLLER GROUP–SFLG, 57565616, 28
 ROLLER–CARRIER, 57704918, 13
 ROLLER–TRACK, 57704900, 13
 RUBBER
 DOOR
 DRILL SIDE, 57694366, 87
 NON–DRILL, 57694358, 86
 WINDOW
 57694143, 86
 57694200, 86
 DRILL SIDE, 57694275, 86
 LOWER FRT, 57694341, 86
 NON–DRILL, 57694259, 86
 UPPER FRT, 57694291, 86
 WINDOWN, REAR, 57694325, 86
 RUNG LADDER, 57047847, 90

S

SADDLE, MOUNTING, 3R, 57198178, 402
 SCREEN, FILTER, 57341208, 456
 SCREEN ASSEMBLY, 51942860, 235
 SCREW
 50816271, 333
 52155256, 328
 52215613, 121
 54407390, 326, 330
 54408331, 328
 54408349, 328
 54408356, 328
 95412623, 175
 ADJ, 54407580, 326
 ADJUSTING –SLOT, 57341307, 456
 BONNET, 57341141, 456
 CAP
 95270815, 115
 95934774, 451
 95938544, 200
 95959011, 260
 AH, 95055349, 192
 HEX
 54565569, 273
 95035465, 427
 95104147, 78, 79, 273, 343, 432
 95104204, 116
 95105052, 129
 95920674, 79, 193, 200, 343, 344, 450
 95920682, 78, 400, 427

95920708, 181, 192, 342
 95928958, 124
 95928974, 342
 95929089, 316
 95929147, 316
 95930723, 192
 95934154, 181, 317
 95934170, 116
 95934469, 124
 95934550, 361
 95934568, 259, 367
 95934592, 427
 95934659, 129, 427
 95934816, 79, 376
 95934857, 450
 95935201, 181, 193
 95952354, 192, 316
 95958914, 258
 HEXHEAD, PLATED, 95934451, 116, 181, 317
 CAP–1–1/4–7 X2–1/2, 95379640, 62
 CAP–1/2–13 X 3, 95053054, 116, 258, 274
 CAP–1/2–13 X1–3/4, 95880811, 117
 CAP–1/2UNCX 3/4, 95104121, 428
 CAP–1/4–20 X 3/4
 95067609, 102
 95928982, 97, 200, 227, 395
 CAP–1/4–20 X1–1/2, 95920724, 236
 CAP–1/4–28 X 3/4, 95208997, 118
 CAP–3/4–10 X2–3/4, 95104659, 192, 273
 CAP–3/8–16 X 2–1/4, 95055315, 348
 CAP–3/8–16 X1–1/2, 95934584, 8
 CAP–5/16 X 1–1/2, 50799170, 170
 CAP–5/16 X 7/8, 50491729, 170
 CAP–5/16–18 X 3, 95958948, 117, 374
 CAP–5/16–18X1–1/2, 95935235, 118
 CAP–5/8–11 X1–1/2
 95013785, 117
 95715942, 117
 CAP–5/8–11 X1–1/4, 95055232, 116
 CAP–5/8–11 X2–3/4, 95891008, 117
 DRIVE–#6 X 1/4, 95064192, 14
 FLAT HD–1/4–20X1.5, 95917613, 96, 395
 HEX HD CAP, 54472139, 121
 HEX–M20 X 45, 35272558, 258
 MACHINE, 95475869, 96
 MACHINE–1/4–20X3/4, 95260691, 96, 104
 MOTOR, 57240749, 328
 RND HD–1/4–20X.75, 32130353, 96
 ROUND HD
 95933248, 96
 95942918, 367
 ROUNDHD–1/4–20X3/8, 95958591, 374
 SET
 57239717, 326
 57240756, 328, 330

INDEX

Index

- SOCKET HD CAP, 54472121, 121
- STOP, 50527308, 262
- YOKE CLAMP, 57341182, 456
- SCREW CAP, 95644126, 317
- SCREW CAP AH, 95055067, 243
- SCREW MACH, 95111043, 235
- SCREW TPG, 56935406, 97
- SEAL
 - 52155363, 328
 - 57456733, 38, 44
 - 57456865, 30
 - 57456923, 32
 - 57545204, 22
 - BACK-UP RING, 57115818, 66, 67
 - BACKUP, 57220337, 160
 - DUST
 - 5 SPOOL VALVE, 57715088, 376
 - 6 SPOOL VALVE, 57715096, 376
 - FACE, 57553174, 24
 - GROUP-IDLER, 57708976, 50, 56
 - HOLE, 98632888, 396, 451
 - O-RING
 - 57564270, 22
 - 57565749, 36, 42
 - OIL
 - 50717750, 320
 - 52146784, 115
 - 52164282, 115
 - 58229915, 115
 - SHAFT
 - 52154515, 324
 - 57117780, 121
 - SHEAR, 52201761, 326, 330
 - SQ SECT, 50815851, 333
- SEAL GP, 57183014, 38, 44
- SEAL GROUP
 - 57563686, 30
 - 57565624, 32
- SEAL KIT
 - 52188976, 170
 - 57153728, 356
 - 57248411, 66
 - 57303794, 344
 - 57512006, 408
 - 59681999, 374
- CYLINDER
 - 57307431, 160
 - 57511222, 372
- FIELD SERVICE, 57248429, 66
- FLOATING SUB, 57095051, 148
- PUMP, 57307886, 444
- SEAL KIT-VALVE, 57240814, 67
- SEAL KIT-VALVE CART., 57301012, 344
- SEAL SHAFT, 50495860, 333
- SEAL VANE, 54408380, 328
- SEAL-LIP TYPE, 57356552, 36, 42
- SEALANT, 50407451, 476
- SEAT
 - 50798891, 100, 296
 - T4BH CAB, 57623050, 86
- SEAT BLOCK W/WHT NYLON, 57341091, 456
- SECTION
 - VALVE, 57014649, 356
 - VALVE- V-20, 57532343, 374
- SENDER, FUEL-W/FLOAT, 57534299, 235
- SENSOR
 - 2WIRE-TEMPERTURE, 57409104, 97
 - LOW COOLANT, 54594577, 192
- SERVICE KIT
 - 50416502, 140
 - 50603869, 280
 - 52231586, 404
- SERVO, PUMP-INPUT, MANUAL, 57480386, 324
- SERVO OUTPUT, 57052631, 324
- SERVO PLATE, 52201738, 328
- SERVO SHAFT ASSY, 54409123, 330
- SERVO-CONT.COVER GASKET, 57417339, 326, 330
- SET, PLANET GEAR, 57553638, 24
- SET SCREW, 1/4-28UNF-2, 57244907, 67
- SHAFT
 - 52201662, 324
 - 57240806, 121
 - 57456758, 38, 44
 - 57456808, 30
 - 57456931, 32
 - AXLE B4 & 320L, 57397218, 4
 - INPUT, 50595115, 320
 - INTERMEDIATE, 57191017, 115
 - OUTPUT, 52188901, 170
 - SPLINED #5, 54513858, 333
 - SUN GEAR, 57553851, 25
- SHAFT LINK, 52201746, 326
- SHAKEPROOF WASHER, 57511537, 454
- SHEAR SEAL, 57153108, 326, 330
- SHEAVE
 - 57057606, 151, 158

Index

- FAB., 57057598, 151, 158
- WIRE, 50245810, 165
- SHEET
 - 14 6A, 57037632, 108
- STL
 - 57029415, 288
 - 57029431, 288
- SHIM
 - 52223872, 181
 - 57149080, 117
 - FINAL DRIVE
 - 57546384, 118
 - 57562829, 118
 - GUIDE, 50624709, 117, 118
 - POWERHEAD-SPURGEAR, 57243719, 118
- SHIM SET
 - 50518083, 264, 317
 - 52210317, 117
- SHOE, TRACK
 - 57564205, 18
 - 57708919, 52
- SHROUD
 - 57725574, 184
 - INLET, 56899669, 219, 222
 - ROLLED RING, 57736878, 184
- SIGHT GLASS, 39476916, 273
- SILENCER
 - 6"W/INSULAITON, 57656647, 205
 - PNEUMATIC, 35132299, 260
- SLEEVE
 - 50696251, 140
 - 50696269, 140
 - 52249620, 100, 296
 - LOCATING, 57552820, 25
 - SHIFT, 57553869, 25
 - SPLINE, 59516096, 320
 - TUBE, 95257481, 428
 - WEAR, 50822097, 115
 - WIRE ROPE SOCKET, 57398182, 152
- SLIDE, 50072347, 62, 64
- SLINGER, 52187804, 115
- SLYDRING
 - 57244857, 66, 67
 - 57244873, 66, 67
- SOCKET ASM, CLEVIS 3/4, 57160954, 151
- SPACER
 - 50244060, 152
 - 50350644, 140
 - 56891500, 20
 - 56949365, 142
 - 56968399, 142
 - 57149171, 117
 - 57345555, 135
 - FINAL DRIVE, 57546319, 118
 - INTERMEDIATEGEAR, 57159121, 115
 - SWIVEL PACKING, 57371163, 118
 - VANE, 54408398, 328
- SPACER PLATE, 52188943, 170
- SPINDLE
 - 57552606, 24
 - ROD CHGR-4 RODS, 57169401, 129
- SPINDLE - FINAL DRIVE, 57546343, 115
- SPINDLE SUB-FLOATING, 5, 57363806, 148
- SPOOL, CENT LUBE GROOVES, 54407630, 326
- SPRING
 - 35251552, 352
 - 50456938, 130
 - 50798925, 100, 296
 - 52249638, 100, 296
 - 57240566, 326
 - 57511602, 454
 - 57560682, 444
 - 57565780, 34, 40
 - COMPRESSION125LB, 57341240, 456
 - REAR +500 LB PRES, 57341174, 456
 - RETAINER, 57514903, 121
- SPRING GUIDE, PISTON SEAL, 52155660, 100, 296
- SPROCKET
 - CAT FRAME (AMK), 57725301, 13
 - TRACK, 57565657, 12
- SPROCKET GROUP, 57565640, 12
- SQUARE SECTION GASKET, 57192148, 333
- STARTING KIT, ETHER, 57758658, 227
- STEM, 50023910, 116, 266, 270, 274
- STEM W/ ORIFICE, 57637894, 274
- STEP, CAB, 57214470, 83
- STEP SEAL, 57244865, 66, 67
- STEPSEAL, 57244881, 66, 67
- STOP
 - BARREL, 54471792, 121
 - CAROUSEL-4 ROD, 57184822, 130
 - PIN, TWR, 57000176, 160
 - YOKE, 57252249, 14
- STOPPER-RUBBER, 57356883, 32
- STRAINER, OIL, 50247691, 309
- STRAINER ASSY-HR2, 35092279, 264
- STRAINER BODY, 36751295, 264

INDEX

Index

STRAP, DOOR RESTRAINT 9", 57694127, 86

STRIP, 57565814, 34, 40

STUD

56897317, 208

ADAPTER, 59383463, 320

SUB 95104691, 95488268, 156

SUB 95937413, LOCKWASHER, 95081857, 446

SUB95934543-CAPSCREW, HEX, 95103727, 446

SUBPLATE, 57106965, 350

SUPPORT

56955586, 135

57004186, 308

57565830, 34, 40

AIR CLEANER, 57664534, 219

CAC PIPING, 57643652, 211

CAROUSEL LOCK, 57184806, 130

COMPR, A/C-C15, 57668055, 79

COMPRESSOR, 57170896, 264

COVER, 57037673, 108

CYLINDER, 56957053, 135

DRILL RODS, 57176851, 129

PIPING

57653008, 211

57653016, 211

TOWER WELDMENT, 57494775, 4

SUPPORT ASSY

IDLER, 57565913, 46, 48

MOTOR, 57565970, 48

SUPPORT LEG - COOLER, 57503591, 181

SUPPPORT ASSY, MOTOR, 57565921, 46

SWITCH

BATTERY SELECTOR, 57236705, 175

FLUID FLOW, 57353021, 442

HP-R134A, 57741837, 79

KEY, 56993678, 106

LIMIT, 50518653, 413

LP-R134A, 57741829, 79

PRESSURE, 52232428, 396

PUSH BUTTON, 52185832, 106, 227, 450

SPST REED, 57428914, 442

SPST/ON-OFF, 57179608, 383, 437

TEMP, 35596436, 264

SWIVEL, 52248176, 115

T

TACHOMETER

56993694, 96

MLINK ANALOG, 57632655, 106

TANK

7-GAL DHDLUBRICATOR, 57353245, 442

FUEL 230GL CAP DM30, 57664575, 235

HYDRAULIC-96GLS, 57736597, 308

SEPARATOR HP 20", 57570202, 273

SURGE, 57547499, 184

TEE

95063475, 235

95403580, 97

BULKHEAD, 50682749, 292

FEMALE, NPTF, 95280095, 361

JIC, 95652947, 268

MALE RUN

95221065, 258

NPTF

95264941, 181

95264958, 117

95341079, 259

NPT/JIC, 95419073, 358

PIPE, 95003463, 235

STRAIGHT THRD RUN, 95829263, 317

TEE-JIC RUN/ORING, 57482580, 361

TERMINAL

12-10

1/2 RING, 95359329, 200

1/4 RING, 56921430, 200, 396

3/8 RING, 56921448, 200

16-14

1/4"RING, 95373841, 396

6 FORK, 95329249, 396, 437

8 FORK, 95329256, 396

8 RING, 56921406, 236

22-18-8 FORK, 95843371, 396, 442

56930308, 383

57073637, 396

57651259, 97

95329249, 383

95359600, 396

95484408, 396

AWG 8, 3/16"RING, 56951858, 395

BLOCK, 57684888, 202

TEST ITEM, TEST1, 316

THIMBLE, 56815111, 165

THINNER, 50261437, 476

THROTTLE, ELECTRONIC-CAT, 57493868,
106

THRUST WASHER, 57300824, 121

TIE, CABLE, 95748802, 200, 227, 396, 442

TIE ROD, 50462845, 258

TIMER

DC ELECTRIC, 57284671, 402

DHD LUBRICATOR, 57354342, 442

Index

TIMER BOX, BARE, 57514804, 402
 TOOL, 4" BORE SIZING, 57239451, 67
 TOP PLATE, 57088536, 402
 TOWER, WELDMENT, 57144453, 151
 TRACK GROUP, 57438319, 12
 TROUGH, HOSE-TOWER, 57136442, 151
 TUBE
 50906379, 320
 56951700, 115, 317
 57653065, 219
 AIR-7 X 65, 57338121, 219
 COMP INLET, 57653057, 219
 RADIATOR
 57652950, 187
 57652968, 187
 SCAVENGE, 39871702, 273
 SQUARE, 57071755, 205
 SUCTION-FUEL, 57475873, 235
 TRANSFER-HYDRAULIC, 57136012, 302
 TUBE ASSY., 57181125, 67
 TUBE HYD, 58242090, 428
 TUBE RD 1026 DOM, A1564, 13
 TUBING
 MECHANICAL, 57143836, 130, 367
 VINYL, 50247709, 97
 TUBING-7.5OD X .38W X 2, 57172967, 400

U

U-BOLT
 1.5 PIPE-3/8THD, 95353942, 450
 1/4ROD X 1 PIPE, 95335154, 450
 52263035, 235
 ROUND BEND, 95381828, 361
 U-CUP
 57163453, 132, 144, 370
 59752063, 144
 UNDERCARRIAGE, 320LW/Y&A, 57538167, 12
 UNIT, TANK FILL, 51941979, 235

V

VALVE
 2-WAY, 50429356, 358
 3-WAY, 50258128, 260
 4-WAY, 57106460, 350
 50416551, 36, 42

95072971, 442
 95294344, 266
 BALL, 57082703, 160
 BALL-1/2, 50829605, 78, 182, 193, 273
 BALL-1/4, 40027344, 402
 BALL-2 NPT, 57532178, 432
 BALL-3/4, 50212224, 278
 BLOWDOWN, 35849215, 260
 BUTTERFLY, 52206547, 264
 BY PASS, 57113367, 352
 CHECK
 36843720, 247
 50261825, 361
 50347889, 303
 50829480, 235
 52231560, 404
 56795198, 342
 56927445, 344
 56986656, 358
 57408775, 442
 CHECK-VENTABLE, 57168031, 97
 COUNTERBALANCE
 57205007, 67
 SGL, 57709271, 302
 DETENT:4WAY 3P, 57750473, 356
 DIVERTER, 57106429, 348
 FILL, 57563389, 36, 42
 FLOW CONTROL, 56981095, 400
 FOOT, 56974827, 292
 HYDRAULIC-6 SPOOL
 57008203, 354
 57531220, 374
 IMPULSE, 56934185, 402
 MANUAL SHUTOFF, 52172723, 278
 MEASURED SHOT, 57301855, 227
 MIN.PRESSURE, 57391047, 273
 NEEDLE, 52210986, 259
 PILOT, 57163339, 259
 POPPET-ANTIRUMBLE, 35316405, 258
 PRESSURE-REMOTE, 52236932, 96, 294
 PUMP RELIEF, 57244352, 344
 RELIEF
 56962293, 356
 57085383, 258
 57294936, 258
 RELIEF (ATM), 57568487, 117
 RELIEF CART., 57325607, 344
 RELIEF-75 PSI, 35321645, 243
 RELIEF-VENTED, 57142515, 361
 SAFETY, 50621986, 273
 SELECTOR- 4 WAY, 57169989, 96
 SEQUENCE, SUN, 57722738, 135
 SHUTOFF, 50517192, 96, 294
 SHUTTLE CART, 57325599, 344
 SOLENOID, 57003790, 402
 SOLENOID-3WAY/2POS, 57312563, 450

INDEX

Index

TEMPERATUREBYPASS, 57170821, 243
 VALVE ASSY – DIVERTER, 57118713, 342
 VALVE BLOCK
 52233145, 324
 57182875, 67
 VALVE SECTION, 57415325, 356
 VANE, 57192098, 333
 VANE HOLD DOWN SPRING, 57064065, 328
 VANE PIN, 57192106, 333
 VARNISH, INSULATING, 57168916, 396, 437,
 476
 VENT
 50811173, 308
 FILTER
 56799125, 446
 57725400, 444

W

WASHER
 52201779, 326, 330
 52237179, 118
 56986599, 316
 57267577, 129
 57357097, 16
 57457079, 20
 57565798, 34, 40
 BELLEVILLE, 58038910, 151
 BEVEL
 95245767, 317
 SQ, PLATED, 54573704, 192
 BEVEL – 3/4, 95245775, 192
 CINCH, 58233693, 181
 FLAT
 95200093, 181, 192
 95922183, 96, 200, 374, 396
 95922225, 395
 95922365, 104, 395
 PLAIN, 95922415, 116
 PLATED, 95972246, 192, 273
 WIDE
 95081667, 317, 428
 95094314, 181, 192
 95922233, 78, 192, 200, 260, 344, 450
 FLAT 1/2, 95064697, 117, 181, 243, 273, 342, 343
 FLAT – 1 – 1/4, 95094280, 62, 130, 367
 FLAT – 5/16, 95922225, 118
 FLAT – HARDENED, 57318743, 316, 317
 ISOLATOR, CAB, 52086188, 83
 LOCK
 95922555, 367

95934733, 78, 79, 116, 124, 129, 181, 192, 243,
 258, 317, 342, 343, 428, 432
 95959136, 102
 EXT TOOTH, 95213401, 258
 HELICAL
 95934691, 14, 273, 427
 95934766, 79, 96, 104, 118, 130, 200, 227,
 235, 236, 258, 259, 343, 367, 376, 395,
 450, 451
 95937413, 8, 79, 193, 260, 342, 348, 361, 400,
 427, 450
 HELICAL SPRG, 95939948, 428
 PLATED, 95934303, 200, 374, 395
 LOCK HELICAL, 95934741, 116, 181, 192, 274,
 316
 LOCK M20, 50759455, 258
 LOCK – 1/2, 95209409, 181, 273, 274
 LOCK – 1/4 CAD PLT, 95746418, 374
 LOCK – 5/8, 95209425, 316
 LOCK – 7/8, 95043162, 273
 LOCK – NO.10(REG), 95922563, 235
 LOCK – TONGUED, 57291288, 115
 NYLITE, 52154622, 324, 326, 330
 SEAL – TRACK, 57708877, 54, 58
 SPHERICAL, 56972391, 151
 THRUST
 52204856, 121, 324
 54407457, 326, 330
 54407481, 326, 330
 57553513, 25
 THRUST CAROUSEL, 57750523, 129
 WASHER 23 – 725, 03209269, 273
 WASHER – PLATED, 57355075, 12, 13, 22, 28
 WASHER/10M5LC20AM4HR, 96704150, 83
 WEAR RING
 57163537, 144
 57181273, 66
 WINCH, ASSM, 11 DRUM, 57136582, 165
 WINCH HYD. – 8000LB, 57119521, 168
 WINDOW ASSY
 52234705, 352
 52234713, 352
 WIPER
 59322677, 132, 144, 160, 370
 PIPE 5 DIA., 57168403, 138
 WIRE
 10AWG – BLACK, 50249697, 396
 10AWG – RED, 50249689, 396
 14AWG – BLACK, 50249655, 235
 14AWG – BLUE, 50812429, 97, 235, 395
 14AWG – GREEN, 50625938, 395
 14AWG – VIOLET, 50623065, 383, 395, 413
 14AWG – WHITE, 50249671, 383, 395

Index

8AWG–RED, 50465293, 395
GROUND, 56949084, 200
LOCK, 50344605, 117, 118

WIRE ELEC, 56933690, 437, 451

WIRE LINK–9, 56999360, 200

WIRE ROPE, 57068595, 90

WIRE ROPE–3/4 BULK, 58143348, 151

WIRING, ENGINE CAT–2STRT, 57740144, 192

WRAP, HOSE, SPIRAL CUT, 51858124, 344

WRENCH
PIPE–48 6 CAP., 56942030, 142
PIPE–ALTERATION, 57276578, 142

Y

YOKE
57341133, 456
CLEVIS
56789571, 102
56805237, 104
OSCILLATION, 92 IN, 57746232, 13

INDEX

Index

Numbers

- 03209269, WASHER 23–725, 273
- 13084181, BACK–UP, 160
- 30441570, CABLE, BATTERY, 175
- 32130353, SCREW, RND HD–1/4–20X.75, 96
- 35092279, STRAINER ASSY–HR2, 264
- 35097468, AIR END, 900/350@1800RPM, 264
- 35103852, BUSHING, TAPER, SPLIT, 264
- 35132299, SILENCER, PNEUMATIC, 260
- 35251529, HOUSING, 352
- 35251552, SPRING, 352
- 35272558, SCREW, HEX–M20 X 45, 258
- 35277797, O–RING, 264
- 35316405, VALVE, POPPET–ANTIRUMBLE, 258
- 35321645, VALVE, RELIEF–75 PSI, 243
- 35323567, PAINT, BEIGE, 476
- 35366657, PUMP, OIL–HR2 AIR END, 264
- 35370063, ELEMENT, STRAINER–HR2, 264
- 35517234, ORIFICE, 260
- 35596436, SWITCH, TEMP, 264
- 35609098, PLUG, STRAINER, 264
- 35612712, HOSE, AIR 2”IR BRAND, 266, 270
- 35849215, VALVE, BLOWDOWN, 260
- 35861269, DECAL, CORPORATENAMEPLATE, 463
- 36037471, KIT, REPAIR UL–88 ASSY, 262
- 36502870, DECAL, FILTER MAINT.–HR2, 264
- 36507820, DECAL, COMP REQ'D MAINT., 470
- 36751295, STRAINER BODY, 264
- 36765113, GEAR, SET HR2, 900, 1050CFM, 264
- 36783710, COUPLING, ASSY, 264
- 36843720, VALVE, CHECK, 247
- 36860336, ELEMENT, OIL FILTER, 474
- 36887396, REGULATOR, UL–88 ASSY, 262
- 39417118, ADAPTER, 1/4”, 273
- 39476916, SIGHT GLASS, 273
- 39871702, TUBE, SCAVENGE, 273
- 40011975, NUT–CAGED, 446
- 40027344, VALVE, BALL–1/4, 402
- 50023910, STEM, 116, 266, 270, 274
- 50033414, FOOT, JACK, 62, 64
- 50034818, CLAMP, HALF, 165
- 50034826, CLAMP, HOSE, 364, 408
HALF, 135, 142, 160, 292, 312, 367
- 50049451, CABLE, HOIST, 165
- 50067834, PIN, 62, 64
- 50072347, SLIDE, 62, 64
- 50137256, PLUG, DRAIN, 116
- 50171941, PIN, ANCHOR, 62, 64
- 50173467, CAP, 62, 64
- 50212224, VALVE, BALL–3/4, 278
- 50244060, SPACER, 152
- 50245422, CHUCK, ROD–4 HEX, 129
- 50245810, SHEAVE, WIRE, 165
- 50247691, STRAINER, OIL, 309
- 50247709, TUBING, VINYL, 97
- 50249655, WIRE, 14AWG–BLACK, 235
- 50249671, WIRE, 14AWG–WHITE, 383, 395
- 50249689, WIRE, 10AWG–RED, 396
- 50249697, WIRE, 10AWG–BLACK, 396
- 50258128, VALVE, 3–WAY, 260
- 50258441, PUMP, FUEL, 235
- 50261437, THINNER, 476
- 50261445, PAINT, BLACK, 476
- 50261825, VALVE, CHECK, 361
- 50262492, GAUGE, PRESSURE–0–160PSI, 259
- 50262526, ANTI–FREEZE, 181
- 50279413, BAND, MOUNTING–AIRCLEAR, 205
- 50343490, ELEMENT, FILTER–3 MICRON, 474
- 50344191, BOLT, EYE, 130
- 50344605, WIRE, LOCK, 117, 118
- 50345636, CYLINDER, AIR, 140
- 50345677, PIN, 140
- 50347889, VALVE, CHECK, 303
- 50348309, FORK CHUCK–3.5 FLATS, 140
- 50350461, ANGLE, CYLINDER, 140

Index

- 50350602, BREAKOUT ASSY, AUTO-4.5/5, 138
50350644, SPACER, 140
50380781, CHUCK, ROD-CASTING, 140
50383017, GUIDE, 140
50407451, SEALANT, 476
50415231, RING, THREAD LOCKING, 129
50415249, PLATE, KEEPER, 129
50416502, SERVICE KIT, 140
50416544, OIL, GEAR, 316
50416551, VALVE, 36, 42
50419670, GASKET, 205
50422849, OIL, POWERHEAD, 116
50422997, GUIDE, SLIDING, 140
50425958, CROSSHEAD, 4
50429356, VALVE, 2-WAY, 358
50429455, BRACKET, VALVE, 358
50456912, PIN, 129
50456938, SPRING, 130
50459486, ORIFICE, .038, 135
50462514, PLATE, MOUNTING, 140
50462845, TIE ROD, 258
50463645, HOSE HUMP, 187
50465293, WIRE, 8AWG-RED, 395
50469238, CAP, WEATHER, 205
50491729, SCREW, CAP-5/16 X 7/8, 170
50495860, SEAL SHAFT, 333
50517192, VALVE, SHUTOFF, 96, 294
50518083, SHIM SET, 264, 317
50518653, SWITCH, LIMIT, 413
50519560, PLATE, ROD CHUCK LOCKING, 129
50519578, BOLT, ROD CHUCK, 129
50525187, LUBRICANT, TOOL JOINT, 450
50527308, SCREW, STOP, 262
50594779, ADAPTER, SLEEVE-SAE B, 320
50595115, SHAFT, INPUT, 320
50597434, O-RING, 320
50597442, RING, SNAP, 320
50597624, ADAPTER, SAE C, 320
50597632, ADAPTER, PUMP D, 320
50597640, ADAPTER, INPUT, 320
50603869, SERVICE KIT, 280
50604479, DOWEL PIN, 333
50610971, RING, THREADED, 115
50611235, LAMP, PANEL, 413
50616028, AIR CLEANER, 219
50616390, ELEMENT, PRIMARY, 222
50616408, ELEMENT, SAFETY, 222
50619915, NUT, LOCK-1/2, CONDUIT, 200, 451
50621796, KIT, GASKET-AIR CLEANER, 222
50621986, VALVE, SAFETY, 273
50622802, FLANGE EXH, 205
50623065, WIRE, 14AWG-VIOLET, 383, 395, 413
50624709, SHIM, GUIDE, 117, 118
50625839, BUSHING, CONDUIT, 200
50625938, WIRE, 14AWG-GREEN, 395
50625946, CONNECTOR, CORD GRIP, 442
50625995, BUSHING, COND, 200
50628007, LOCK, SPINDLE, 146
50628916, NUT, LOCK 1, 200
50632538, BEARING BALL, 333
50636547, O-RING, 170
50644558, RING SNAP, 333
50682749, TEE, BULKHEAD, 292
50694934, BUSHING, WEAR, 115
50695063, CONNECTOR, 12 RED, 200
50696251, SLEEVE, 140
50696269, SLEEVE, 140
50699321, CHAIN, BULK-3/16 COIL, 8
50700731, COMPOUND, SILICONE, 97, 116, 286, 309, 317, 383
50700814, ADAPTER, 348
50717743, O-RING, 320
50717750, SEAL, OIL, 320
50733336, COUPLING, 270
50743731, CLAMP, HOSE, 116, 266, 270
50759455, WASHER, LOCK M20, 258
50798891, SEAT, 100, 296
50798925, SPRING, 100, 296
50799170, SCREW, CAP-5/16 X 1-1/2, 170

INDEX

Index

- 50806223, RING, SNAP, 333
- 50811173, VENT, 308
- 50812429, WIRE, 14AWG–BLUE, 97, 235, 395
- 50813567, PIN, CYLINDER, 372
- 50813575, PLATE, LOCKING, 372
- 50814581, FITTING, HYD, 427
- 50815356, ADJ GLAND, 140
- 50815638, BOLT, 352
- 50815851, SEAL, SQ SECT, 333
- 50816271, SCREW, 333
- 50816289, PIN, 333
- 50816420, NUT, 222
- 50816446, NUT, WING, 222
- 50816479, CUP ASSY, 222
- 50816487, CLAMP, 222
- 50816503, INLET, AIR, 222
- 50816511, CLAMP, 222
- 50816529, BODY ASSY–AIR CLEANER, 222
- 50816537, ACCESS COVER, 222
- 50817089, PINS, 121
- 50820935, MOTOR, HYDRAULIC, 168
- 50822097, SLEEVE, WEAR, 115
- 50829480, VALVE, CHECK, 235
- 50829605, VALVE, BALL–1/2, 78, 182, 193, 273
- 50903236, BREATHER, 308
- 50905181, CLAMP, HOSE, 187
- 50906379, TUBE, 320
- 50932268, FITTING, HYD, 367
- 50943240, NUT, 320
- 50998103, PLUG, 170
- 51024792, BLOWER MOUNT, 402
- 51024842, HOSE, DROPOUT, 402
- 51076156, O–RING, 350
- 51076164, O–RING, 350
- 51076172, O–RING, 350
- 51076271, BOLT KIT, 350
- 51234375, CONNECTOR, 200
- 51792323, CAP, RADIATOR, 184
- 51858124, WRAP, HOSE, SPIRAL CUT, 344
- 51941979, UNIT, TANK FILL, 235
- 51942860, SCREEN ASSEMBLY, 235
- 51942878, HEAD ASSEMBLY, 235
- 52086188, WASHER, ISOLATOR, CAB, 83
- 52142031, MUFFLER, FILTER, 450, 451
- 52146784, SEAL, OIL, 115
- 52154499, GASKET, 324
- 52154515, SEAL, SHAFT, 324
- 52154531, GASKET, RETAINING, 324
- 52154622, WASHER, NYLITE, 324, 326, 330
- 52154937, O–RING, 326
- 52154952, GASKET, 324
- 52154994, O–RING, 121
- 52155033, GASKET, HOUSING, 324
- 52155041, BEARING, 121
- 52155140, RING, RETAINING, 126
- 52155157, RING, RETAINING, 126
- 52155165, RING, RETAINING, 126
- 52155256, SCREW, 328
- 52155306, PLUG, 328
- 52155314, O–RING, 328
- 52155322, COVER, 328
- 52155330, COVER, CONTROL, 328
- 52155348, PIN, 328
- 52155363, SEAL, 328
- 52155371, BALL, 328
- 52155454, PIN, 326
- 52155660, SPRING GUIDE, PISTON SEAL, 100, 296
- 52155686, CONE, 100, 296
- 52155751, RING, RETAINING, 324
- 52155843, RING, RETAINING, 121
- 52162138, MANIFOLD, 259
- 52163474, GEROTOR ASSY, 324
- 52164282, SEAL, OIL, 115
- 52172111, FILTER, OIL, 344
- 52172723, VALVE, MANUAL SHUTOFF, 278
- 52175023, CLAMP, EXHAUST–TURBO, 205
- 52175809, BOX, 1/2, STONCO, 451
- 52179504, BEARING, BALL, 404
- 52180957, GREASE, 116

Index

- 52183233, FILTER, OIL–ENGINE, 192
- 52185832, SWITCH, PUSH BUTTON, 106, 227, 450
- 52187465, FITTING, HYD, 97, 98, 344
- 52187804, SLINGER, 115
- 52188851, FLANGE, MOUNTING, 170
- 52188885, RACE, BEARING, 170
- 52188893, KEY, WOODRUFF, 170
- 52188901, SHAFT, OUTPUT, 170
- 52188927, HOUSING, 1/2 NPT PORTS, 170
- 52188935, DRIVE SHAFT, 170
- 52188943, SPACER PLATE, 170
- 52188950, GEROTOR SET, 170
- 52188968, CAP, END, 170
- 52188976, SEAL KIT, 170
- 52198173, HOSE ASSY, 428
- 52198439, HOSE ASSY, 260
- 52201662, SHAFT, 324
- 52201696, BARRL/SLEEVE, 121, 324
- 52201712, FACEPLATE, BARREL–13/32, 121, 324
- 52201738, SERVO PLATE, 328
- 52201746, SHAFT LINK, 326
- 52201761, SEAL, SHEAR, 326, 330
- 52201779, WASHER, 326, 330
- 52201803, RING, RETAINING, 326, 330
- 52201811, PIPE PLUG, 326, 330
- 52201845, PLATE, PORT–RH 13/32, 324
- 52203668, PLATE, CREEP, 121
- 52203718, CRADLE, 328
- 52203767, O–RING, 328
- 52204856, WASHER, THRUST, 121, 324
- 52204864, RING, RETAINING, 126, 324
- 52204872, RING, RETAINING, 126, 324
- 52206547, VALVE, BUTTERFLY, 264
- 52208162, LINK, 258
- 52209913, ADAPTER, SAE, 344
- 52209939, BEARING, 116
- 52210317, SHIM SET, 117
- 52210986, VALVE, NEEDLE, 259
- 52215613, SCREW, 121
- 52215696, O–RING, 121
- 52218690, PISTON/SHOE ASSEMBLY, 324
- 52223088, HOSE, WATER–M05 BULK, 97, 286
- 52223807, DECAL, HYDRAULIC OIL, 309
- 52223872, SHIM, 181
- 52225547, HOSE ASSY, 358
- 52226115, KIT, SPLIT FLANGE, 286
- 52226149, FITTING, HYD, 450
- 52226164, FITTING, HYD, 243, 344
- 52226453, HOSE ASSY, 428
- 52226479, HOSE ASSY, 429
- 52227154, BRACKET, 317
- 52227352, MOTOR, HYDRAULIC, 402
- 52227733, LINKAGE, 258
- 52228145, FITTING, HYD, 302
- 52228244, HOSE ASSY, 361
- 52231412, CAP, 404
- 52231560, VALVE, CHECK, 404
- 52231586, SERVICE KIT, 404
- 52232428, SWITCH, PRESSURE, 396
- 52233145, VALVE BLOCK, 324
- 52234655, HEAD ASSEMBLY, 352
- 52234705, WINDOW ASSY, 352
- 52234713, WINDOW ASSY, 352
- 52234747, RING, 352
- 52235363, BRACKET, OIL, 192
- 52236551, GASKET, 1, 200, 202, 395
- 52236569, GASKET, 3/4, 202
- 52236577, GASKET, SEALING, 200
- 52236932, VALVE, PRESSURE–REMOTE, 96, 294
- 52237179, WASHER, 118
- 52240348, NUT, SEALING, 202
- 52240355, NUT, SEALING, 202, 395
- 52240959, PLATE, TAPPED, 451
- 52241031, HOSE ASSY, 358
- 52243789, PLATE, MTG, 413
- 52245065, PUMP, HYDRAULIC, 316
- 52246154, CLAMP, 187
- 52246519, CABLE, GROUND–1/0 X 36, 200

INDEX

Index

INDEX

- 52246774, FUEL, DIESEL, 235
- 52247657, PLATE, COVER, 264
- 52248150, HOUSING, UPPER SEAL, 115
- 52248176, SWIVEL, 115
- 52249588, KNOB, CONTROL, 100, 296
- 52249604, PISTON, 100, 296
- 52249620, SLEEVE, 100, 296
- 52249638, SPRING, 100, 296
- 52249646, BALL, 100, 296
- 52251881, ADAPTER, 302
- 52253176, GAUGE, SIGHT, 116
- 52255734, BOX, ELEC, 202
- 52263035, U-BOLT, 235
- 52263183, ELEMENT, FILTER-MAIN HYD, 474
- 52263209, ELEMENT, FILTER-10MICRON, 352
- 52263787, GASKET, 264
- 52264652, RETAINER, TRACK, 14
- 52264926, BOLT 12MM, 258
- 52265311, INDICATOR, RESTRICTION, 219
- 52266731, PIN, COTTER, 235
- 52279338, FUSE, 437
- 54407309, DRIVE SHAFT & BEARING, 324
- 54407317, BEARING, 324
- 54407390, SCREW, 326, 330
- 54407416, O-RING, 326, 330
- 54407457, WASHER, THRUST, 326, 330
- 54407473, INDICATOR, 330
- 54407481, WASHER, THRUST, 326, 330
- 54407499, COVER, 326
- 54407580, SCREW, ADJ, 326
- 54407606, PIN, 326
- 54407630, SPOOL, CENT LUBE GROOVES, 326
- 54408059, PLUG, 121
- 54408299, RING, RETAINING, 126
- 54408331, SCREW, 328
- 54408349, SCREW, 328
- 54408356, SCREW, 328
- 54408364, CONTROL CHAMBER, 328
- 54408372, PLATE, SEAL VANE, 328
- 54408380, SEAL VANE, 328
- 54408398, SPACER, VANE, 328
- 54408406, ROCKER AND PLUG, 328
- 54409123, SERVO SHAFT ASSY, 330
- 54413000, GAUGE, PRESSURE W/SNUBBER, 96
- 54413646, RETAINER PISTON & SHOE, 121
- 54440466, HOOK-SWIVEL, 5 TON, 165
- 54440474, HOOK & LATCH ASM, 5 TON, 165
- 54440490, LATCH ASM, 165
- 54471321, PORT BLOCK, W/O SHUTTLE, 121
- 54471768, GASKET, 121
- 54471792, STOP, BARREL, 121
- 54471917, CAM, MOTOR, 121
- 54472105, PIN, DOWELL, 121
- 54472113, HOUSING, 121
- 54472121, SCREW, SOCKET HD CAP, 121
- 54472139, SCREW, HEX HD CAP, 121
- 54472147, KIT, SEAL M6F, 121
- 54472170, KIT, RETAINING RING, 121
- 54472469, RING, RETAINING, 126
- 54494018, PLATE, PORT, FRONT, 333
- 54494026, PLATE, PORT, REAR, 333
- 54495585, RING, CAM, 333
- 54513858, SHAFT, SPLINED #5, 333
- 54533120, KIT, ARCTIC SEAL, 129, 367
- 54565569, SCREW, CAP, HEX, 273
- 54573704, WASHER, BEVEL, SQ, PLATED, 192
- 54594577, SENSOR, LOW COOLANT, 192
- 54640040, DECAL, XHP605 OVAL, 274
- 56001118, BEARING, MOTOR, 170
- 56244783, DUST COLLECTOR-3SB/TIMER, 400
- 56245442, ANGLE, MOUNT TOWER PIPING, 266
- 56246747, NOZZLE, SPRAY, 450
- 56246770, BRACKET, NOZZLE AUTOGRSR, 450
- 56256522, ELBOW, 3, 90DEG, COOLANT, 187
- 56257553, BRACKET-ELEC BOX, 8X6, 395
- 56263452, CONNECTOR, CORD GRIP, 451
- 56265317, KIT, SEAL UPGRADE, 96

Index

- 56280852, CLAMP, CONSTANT TORQUE, 211
- 56762248, CONNECTOR, SPLICE, 79, 395
- 56783020, KIT, SPLIT FLANGE, 303
- 56784267, ADHESIVE, 117, 151, 200
- 56789571, YOKE, CLEVIS, 102
- 56789589, PIN, CLEVIS, 102
- 56790330, ANGLE, 383
- 56793599, CLAMP, CABLE–3/4, 151
- 56795198, VALVE, CHECK, 342
- 56795214, GAUGE, PRESSURE–0–600 PSI, 96
- 56799125, VENT, FILTER, 446
- 56799844, HOSE HUMP, 219
- 56801053, LINK, 8
- 56805138, COLLAR, SET, 104
- 56805237, YOKE, CLEVIS, 104
- 56810195, PIN, CLEVIS, 104
- 56815111, THIMBLE, 165
- 56822919, LEVEL, 97
- 56883572, KIT, SPLIT FLANGE, 302, 316
- 56883614, O–RING, 290
- 56883713, GRIP, 104
- 56891500, SPACER, 20
- 56897317, STUD, 208
- 56898778, ADAPTER, 317
- 56899669, SHROUD, INLET, 219, 222
- 56901440, NIPPLE, KING, 308, 316
- 56901853, BAR, FLAT, 13, 151, 152
- 56903586, CUP, DUST, 219
- 56906936, LAMP, 97
- 56921406, TERMINAL, 16–14, 8 RING, 236
- 56921430, TERMINAL, 12–10, 1/4 RING, 200, 396
- 56921448, TERMINAL, 12–10, 3/8 RING, 200
- 56922206, FITTING, HYD, 136, 343
- 56923030, FILTER, 308
- 56927445, VALVE, CHECK, 344
- 56930308, TERMINAL, 383
- 56932080, FLANGE, 316
- 56932387, MOUNT, 142
- 56932395, MOUNT, 142
- 56932510, PIN ASSY, 142
- 56933690, WIRE ELEC, 437, 451
- 56934185, VALVE, IMPULSE, 402
- 56935406, SCREW TPG, 97
- 56937790, FITTING, FLANGED, 302
- 56938319, MOUNT, 158
- 56938335, EYE, ROD, 129, 367
- 56940927, ROD, ALL THD, 151
- 56942030, WRENCH, PIPE–48 6 CAP, 142
- 56943756, KIT, SEAL, 356
- 56945512, ELEMENT ASSY, 308
- 56947518, FITTING, HYD, 429
- 56947674, HOSE ASSY, 361
- 56947708, HOSE ASSY, 302
- 56947971, HINGE, 108
- 56948649, BAR ROUND, 142
- 56948938, LEVER, 102
- 56949084, WIRE, GROUND, 200
- 56949092, BRACKET, 102
- 56949191, FITTING, HYD, 302, 317
- 56949365, SPACER, 142
- 56949399, HOSE ASSY, 135, 294
- 56949407, HOSE ASSY, 97
- 56949431, HOSE ASSY, 343, 344
- 56949449, HOSE ASSY, 400
- 56949456, HOSE ASSY, 432
- 56949514, FITTING, HYD, 273
- 56950157, HOSE HYD, 342
- 56950504, HOSE ASSY, F12X032J– –/J–, 428
- 56950579, KIT, SPLIT FLANGE, 361
- 56951148, BRACKET, 258
- 56951700, TUBE, 115, 317
- 56951858, TERMINAL, AWG 8, 3/16”RING, 395
- 56952757, FITTING, HYD, 344
- 56952963, BRACKET, 302
- 56953045, GASKET, 168
- 56953573, FITTING, HYD, 427
- 56953896, HOSE ASSY, 364
- 56954043, HOSE ASSY, 135, 160
- 56954068, HOSE ASSY, 343

INDEX

Index

INDEX

- 56954183, HOSE ASSY, 372
- 56954225, HOSE ASSY, 302
- 56954233, HOSE ASSY, 193
- 56954357, HOSE ASSY, 342
- 56954761, END, ROD, 135
- 56955115, HOSE ASSY, 235
- 56955586, SUPPORT, 135
- 56955974, HOSE ASSY, 292, 302
- 56955982, HOSE ASSY, 96, 292
- 56956006, HOSE ASSY, 96, 160
- 56956113, HOSE ASSY, 302
- 56956121, HOSE ASSY, 302
- 56956691, HOSE ASSY, 343
- 56956964, HOSE ASSY, 343
- 56956972, HOSE ASSY, 135, 160
- 56957053, SUPPORT, CYLINDER, 135
- 56957228, ROD, 374
- 56957236, LINK, 374
- 56957244, HANDLE ASSY, 374
- 56957384, PIN, 135
- 56957392, PIN, 135
- 56957400, PIN, 135
- 56957574, PIN, 135
- 56957657, HOSE ASSY, 429
- 56958127, CABLE, 104
- 56958135, CONTROL, 104
- 56958523, CLAMP, HOSE, 400
- 56958598, EYE, 472
- 56958663, HOSE ASSY, 428
- 56958689, HOSE ASSY, 96, 97, 292
- 56958697, HOSE ASSY, 343
- 56958879, PAD, RUBBER, 96
- 56958945, ELEMENT ASSY, 402
- 56959828, HOSE ASSY, 372
- 56959836, HOSE ASSY, 142
- 56959919, HOSE ASSY, 428
- 56960826, HOSE ASSY, 428
- 56961329, HOSE ASSY, 428
- 56961337, HOSE ASSY, 286
- 56961766, HOSE ASSY, 160
- 56961774, HOSE ASSY, 96, 97, 260
- 56961790, HOSE ASSY, 97
- 56961824, HOSE ASSY, 358
- 56961840, HOSE ASSY, 160, 343
- 56962293, VALVE, RELIEF, 356
- 56963531, O-RING, 160
- 56964141, HOSE ASSY, 358
- 56964158, HOSE ASSY, 428
- 56964166, HOSE ASSY, 429
- 56964190, HOSE ASSY, 428
- 56964224, HOSE ASSY, 428, 429, 451
- 56964232, HOSE ASSY, 344
- 56966211, HOSE ASSY, 450, 451
- 56966302, HOSE ASSY, 429
- 56966898, HOSE ASSY, 428
- 56966955, HOSE ASSY, 294
- 56968084, HOSE ASSY, 135, 136, 160, 292
- 56968399, SPACER, 142
- 56968464, KIT, SEAL, 135
- 56969280, HOSE ASSY, 342
- 56970601, BRACKET, 342
- 56971526, HOSE ASSY, 342
- 56971922, ROD, ALL THD, 151
- 56971930, HOSE ASSY, 292
- 56972391, WASHER, SPHERICAL, 151
- 56972680, HOSE ASSY, 428, 429
- 56973621, HOSE ASSY, 428
- 56974140, HOSE ASSY, 273
- 56974249, HOSE ASSY, 342
- 56974496, HOSE ASSY, 165
- 56974678, HOSE ASSY, 160
- 56974751, HOSE ASSY, 259
- 56974827, VALVE, FOOT, 292
- 56974876, ANGLE, 288
- 56975766, BRACKET, 348
- 56975980, HOSE ASSY, 450
- 56980303, ORIFICE, .125, 372
- 56981095, VALVE, FLOW CONTROL, 400
- 56983430, HOSE ASSY, 302, 429
- 56985971, ELEMENT, WATER FILTER, 192

Index

- 56986599, WASHER, 316
56986656, VALVE, CHECK, 358
56986821, ADAPTER, 361
56987456, GROMMET, RUBBER, 102
56987548, BRACKET, 104
56987571, ROD, LINKAGE, 104
56987589, ROD, LINKAGE, 104
56987613, HANDLE ASSY, 104
56987712, BAR, TAPPED, 78, 230
56987787, BAR, ROUND, 138
56987803, BAR ROUND, 450
56988728, COVER, FTG/90514L, 317
56988827, HOSE ASSY, 302, 342, 361
56988850, HOSE ASSY, 117
56989890, CARTRIDGE, 3000 PSI, 356
56991961, HOSE ASSY, 302
56991987, HOSE ASSY, 342
56992001, HOSE ASSY, 361
56992050, HOSE ASSY, 292, 343
56992100, HOSE ASSY, 400
56992118, HOSE ASSY, 342
56992126, HOSE ASSY, 342
56992134, HOSE ASSY, 429
56992191, CONNECTOR, 200
56992522, HOSE ASSY, 343
56993678, SWITCH, KEY, 106
56993694, TACHOMETER, 96
56994536, HOSE ASSY, 142
56994544, HOSE ASSY, 344
56994569, HOSE ASSY, 408
56994585, HOSE ASSY, 97
56994593, HOSE ASSY, 408
56994932, FAN WHEEL-20, 402
56996275, BAR, W/HOLE, 400
56996499, ELBOW, RUBBER, 219
56997992, ELBOW, MOD, 344
56998503, NUT, LOCK, 144
56999170, CYLINDER, HYDRAULIC, 160
56999360, WIRE LINK-9, 200
57000150, PIN, TIE DOWN, 160
57000176, STOP, PIN, TWR, 160
57002222, HOSE ASSY, 344
57003386, HOUSING, BLOWER, 402
57003790, VALVE, SOLENOID, 402
57004053, HOSE ASSY, 230
57004186, SUPPORT, 308
57004319, PIN, SHEAVE, 151
57004327, PIN, SHEAVE, 158
57004335, FILTER ASSY, 308
57004343, COVER, 308
57004525, LINK, HANDLE, 104
57004533, HANDLE ASSY, 96
57004541, GAUGE, LEVEL, 308
57004590, PANEL, COVER, 374
57005399, BUSHING, FLG, 104
57005654, HOSE ASSY, 135, 294
57005951, HOSE ASSY, 400
57006538, HOSE ASSY, 286
57007429, COVER, RECPT-BATTERY CONN,
175
57007502, HOSE ASSY, 302
57007833, CONTROL UNIT, 102
57008203, VALVE, HYDRAULIC-6 SPOOL, 354
57008542, HOSE ASSY, 292
57010134, HOSE ASSY, 345
57010142, HOSE ASSY, 428, 429
57011611, LUG, BATTERY, 175
57012510, INSERT, PINNING, 161, 367
57012528, GUIDE, HOSE, 161
57013823, PIN, HITCH, 142
57014417, PLATE, 451
57014649, SECTION, VALVE, 356
57014672, ANGLE, 395
57014763, CABLE, CONTROL-ASSY, 96
57015760, HOSE ASSY, 260
57015828, HOSE ASSY, 259
57015851, CROSSHEAD, 62
57015992, HOSE ASSY, 400
57017857, HOSE ASSY, 259
57018681, HOSE ASSY, 243

Index

- 57019853, PLATE, 219
- 57020398, HOSE ASSY, 142, 408
- 57020851, HOSE ASSY, 358
- 57025926, HOSE ASSY, 432
- 57025991, HOSE ASSY, 160, 364
- 57026395, BEARING, BARREL, 324
- 57026403, RING, RETAINING, 324
- 57026411, RING, RETAINING, 324
- 57026429, RING, RETAINING, 324
- 57026478, PLATE, CREEP, 324
- 57029266, ANGLE, W/HOLE, 288
- 57029415, SHEET, STL, 288
- 57029423, BAR, FLAT, 288
- 57029431, SHEET, STL, 288
- 57029704, PLATE, 472
- 57032872, ADAPTER, DRILL ROD, 146
- 57032997, KIT, SEAL, 333
- 57036030, PUMP, HYDRAULIC-DOUBLE, 316
- 57036881, BAR, COPPER, 396
- 57037566, ANGLE, W/HOLE, 108
- 57037624, COVER, 108
- 57037632, SHEET, 14 GA, 108
- 57037640, PLATE, MOUNTING, 108
- 57037657, PLATE, 108
- 57037665, ANGLE, 108
- 57037673, SUPPORT, COVER, 108
- 57037681, PLATE, MOUNTING, 108
- 57037699, BAR, 108
- 57038366, ANGLE, 432
- 57038424, HOSE ASSY, 400
- 57039315, LIFTING EYE, 472
- 57039323, PLATE W/HOLE, 472
- 57039745, HOSE ASSY, 364
- 57039950, PROCEDURE, 472
- 57041550, HOSE ASSY, 292
- 57041873, BRACKET, FLTR, 344
- 57042947, HOSE ASSY, 342
- 57044521, HOSE ASSY, 97
- 57044620, HOSE ASSY, 342
- 57044729, HOSE ASSY, 98
- 57044737, HOSE ASSY, 429
- 57045494, CAP, 333
- 57047847, RUNG LADDER, 90
- 57050718, BRACKET, 258
- 57051401, ADAPTER, 117
- 57052631, SERVO OUTPUT, 324
- 57052714, BLOCK, GUIDE, 158
- 57052813, PILLOW BLOCK, 156
- 57053548, CAM ASM (10), 333
- 57053555, KIT, SHAFT, 333
- 57057416, HOSE, ASSY, 259
- 57057598, SHEAVE, FAB., 151, 158
- 57057606, SHEAVE, 151, 158
- 57058109, HOSE ASSY, 260
- 57058117, HOSE ASSY, 259, 260
- 57058448, PIPE, 2.5 NPT, 235
- 57063877, ELEMENT, RETENTION, 402
- 57064065, VANE HOLD DOWN SPRING, 328
- 57065260, HOSE, HYD-A10 BULK, 78
- 57068587, PIPE, 90
- 57068595, WIRE ROPE, 90
- 57070757, INJECTOR, SL1/2 BANK, 427
- 57070765, INJECTOR, SL1/3 BANK, 427
- 57070849, CAP, COVER, 429
- 57071755, TUBE, SQUARE, 205
- 57072423, ADAPTER, 286
- 57073637, TERMINAL, 396
- 57074239, HOSE ASSY, 428
- 57077927, HOSE ASSY, 243
- 57079550, REGULATOR, AIR-RELIEVING, 450
- 57080251, FITTING, HYD, 243
- 57082018, NIPPLE, HOSE, 78
- 57082455, FILTER & REGULATOR, 402
- 57082463, ELEMENT, FILTER, 402
- 57082703, VALVE, BALL, 160
- 57082737, KIT, O-RING, 160
- 57083156, CLAMP ASSY, 3/4 PIPE, 303, 428
- 57083479, BUSHING, ROD CHUCK-STEEL, 129

Index

- 57083883, MANIFOLD, HYD, 427
- 57083941, ANGLE, W/HOLE, 427
- 57083958, ANGLE W/HOLE, 427
- 57083982, PUMP, GREASE–MANUAL, 427
- 57084055, BREAKER, CIRCUIT–15 AMP, 78, 106, 383
- 57085383, VALVE, RELIEF, 258
- 57088403, DROPOUT CONE, 402
- 57088536, TOP PLATE, 402
- 57092579, GREASE, EPO, 428
- 57092728, CLAMP ASSY, 1–1/4 PIPE, 303
- 57093080, MARKER, WIRE, 383, 396
- 57093775, PLUG, MINI, 309
- 57094674, JAW, HOOK, 142
- 57094682, JAW, HEEL, 142
- 57095036, CUSHION, SUB–UPPER, 148
- 57095044, CUSHION, SUB–LOWER, 148
- 57095051, SEAL KIT, FLOATING SUB, 148
- 57095069, HOSE ASSY, 259, 260
- 57095077, HOSE ASSY, 259
- 57095093, HOSE ASSY, 259
- 57095119, HOSE ASSY, 260
- 57095515, CLAMP, DRIER AIR COND., 79
- 57095853, MOUNT, CYLINDER, 227
- 57097081, HOSE ASSY, 259
- 57097446, PLUG, MODIFIED, 358
- 57097909, HOSE ASSY, 268
- 57097941, BRACKET, 78
- 57099046, BAR–W/HOLES, 376
- 57100091, BLOCK, VALVE–BUTTERFLY, 260
- 57101032, PUMP, HYDRAULIC, 316
- 57101040, ALTERATION–PUMP INSTR., 316
- 57101263, HOSE ASSY, 235
- 57104895, COVER, NUT, 326
- 57104929, NUT, JAM, 326
- 57104937, NUT, JAM, 326
- 57106429, VALVE, DIVERTER, 348
- 57106460, VALVE, 4–WAY, 350
- 57106965, SUBPLATE, 350
- 57107906, O–RING, 350
- 57107914, KIT, SEAL, 350
- 57110579, HOSE ASSY, 259
- 57112872, COVER, VALVE BANK, 108
- 57112963, GAUGE, PRESSURE, 402, 450
- 57112971, GAUGE, PRESSURE–2.5 IN, 273
- 57113177, BATTERY, 12V–8DW/ELECTROL, 175
- 57113367, VALVE, BY PASS, 352
- 57115503, KNOB, TRANS. SHFTCONTROL, 104
- 57115727, BACK UP RING, 66
- 57115818, SEAL, BACK–UP RING, 66, 67
- 57115834, ROD SEAL PACKING, 66
- 57116758, ADAPTER, JACK–LONG, 312
- 57116766, ADAPTER, JACK–SHORT, 312
- 57116899, HOSE ASSY, 312
- 57116915, HOSE ASSY, 312
- 57117327, KIT, CAB DUST CURTAIN, 374
- 57117418, HOUSING, UPPER–3SB, 402
- 57117426, HOUSING, LOWER–3SB, 402
- 57117764, MOTOR, HYDRAULIC, 115
- 57117772, BEARING, MOTOR SHAFT, 121
- 57117780, SEAL, SHAFT, 121
- 57118713, VALVE ASSY–DIVERTER, 342
- 57118879, INCLINOMETER–0–20 DEG., 367
- 57119521, WINCH HYD.–8000LB, 168
- 57123283, CAM STROKER ASSY, 324
- 57124612, PIN, 117
- 57128449, HOSE ASSY, 259
- 57130577, HOLDER, FUSE, 437
- 57135261, HOSE ASSY, 117
- 57135279, BEARING, BRONZE, 129
- 57135287, BEARING, BRONZE, 129
- 57135501, PRIMER, GREY EPOXY, 476
- 57135675, PLATE, COVER–BUSHING, 129
- 57135956, CYLINDER, HYDRAULIC, 129, 367
- 57135980, PILLOW BLOCK, SPLIT, 156
- 57136012, TUBE, TRANSFER–HYDRAULIC, 302
- 57136020, PIPE–.75, 302
- 57136319, PLATE–W/HOLES, 151
- 57136418, CAGE, SHEAVE–PULLDOWN, 158

INDEX

Index

INDEX

- 57136426, FEED CYLINDER ASSY, 151
- 57136442, TROUGH, HOSE-TOWER, 151
- 57136459, CATALYST, PRIMER, 476
- 57136582, WINCH, ASSM, 11 DRUM, 165
- 57136624, CENTRALIZER, 138
- 57136640, BUSHING, SPLIT-DHD360, 138
- 57136806, HOSE ASSY, 342
- 57137895, HOSE ASSY, 302
- 57137903, HOSE ASSY, 303
- 57137986, HOSE, AIR-U48 BULK, 247
- 57139081, PIN, SHEAVE-WINCH, 165
- 57139131, MOUNT, FLEX-BOLTSANDWICH, 200
- 57139206, KIT, SEAL, 129, 367
- 57140329, DECAL, WARNING-FALL PWR HD, 470
- 57140337, DECAL, WARNING-ROTATING PT, 470
- 57140345, DECAL, WARNING-ROTAT.PARTS, 470
- 57140352, DECAL
WARNING-HIGH PRESS, 274
WARNING-HIGH PRESS., 470
- 57140360, DECAL, WARNING-FALL DERRIC, 470
- 57140394, DECAL, WARNING-COM-BUST.GAS, 470
- 57140402, DECAL, WARNING-HOT FLUID, 470
- 57140410, DECAL, WARNING-POWER HEAD, 470
- 57140428, DECAL, WARNING-HIGH PRESS, 470
- 57140444, DECAL, ENG.FAILURE COOLSY, 470
- 57140469, DECAL, WARNING-ROT.BLADE, 181, 470
- 57140477, DECAL, CAUTION-EXCESS OIL, 470
- 57141079, BRAKE, DISC, 129
- 57141608, PIPE-1.25IN SCH160X168IN, 302
- 57141939, FASTENER, 1/4-20 TEENUT, 200
- 57142085, BUSHING, CENT-5 ROD, 138
- 57142515, VALVE, RELIEF-VENTED, 361
- 57142804, PIN, W/HOLES, 129
- 57143497, BAR, RD 9/16 DIA, X11, 104
- 57143505, COVER, BATTERY, 175
- 57143778, GUIDE, FINISHEDPOWERHEAD, 117
- 57143786, PLATE, SUPPORT DM30, 130
- 57143828, PIN, POST CAR-SW CYL DM30, 367
- 57143836, TUBING, MECHANICAL, 130, 367
- 57144453, TOWER, WELDMENT, 151
- 57144933, GUIDE, PIVOT ARM, 135
- 57144941, BLOCK, STOP-POWERHEAD, LH, 152
- 57145138, BLOCK, STOP-POWERHEAD, RH, 152
- 57145963, PIN, CAROUSEL SWG.CYLNDR, 129, 367
- 57146748, DECAL, MACHINE-DM30, 463
- 57146755, DECAL, MACHINE-DM30, 463
- 57147282, LAMP, FLOOD-70W HALOGEN, 383, 472
- 57147290, LAMP, SPOT-70W/24VHALOGEN, 383
- 57148934, KNOB, BLACK, 374
- 57149031, POWERHEAD MACHINING, 115
- 57149049, CAST HOUSING MACHINING, 124
- 57149056, CAST COVER PLATEMACHINNG, 124
- 57149080, SHIM, 117
- 57149098, ANCHOR, CABLE, 117
- 57149171, SPACER, 117
- 57150278, CAM ASSEMBLY, 333
- 57150617, CHECK VALVE, 328
- 57151144, COVER, 330
- 57153090, KIT-SHIM, 324
- 57153108, SHEAR SEAL, 326, 330
- 57153579, REPAIR KIT, MAIN RELIEF, 356
- 57153728, SEAL KIT, 356
- 57154866, GASKET, DRILL ROD 5 DIA., 138
- 57155210, HOOD & BRACKET-DUST, 408
- 57155483, CURTAINS, DUST HOOD, 408
- 57155491, CURTAINS, DUST HOOD, 408
- 57155509, RETAINER, PLATE-DUST HOOD, 408
- 57155988, CYL, WRENCH 760-80, 142

Index

- 57156465, DECAL, NOTICE–HYD.FAILURE, 470
- 57156507, RAIL, SAFETY, 151
- 57156549, KIT, WRNCH CYL SEAL 760–8, 144
- 57157422, HOSE ASSY, 367
- 57157885, HOUSING, 4X6 LIGHT, 383
- 57157893, LAMP, TRAP–70W HALOGEN, 383
- 57158040, KIT, PIN, 354, 356, 374
- 57159113, GEAR, INTERMEDIATE, 115
- 57159121, SPACER, INTERMEDIATEGEAR, 115
- 57159139, KEY, INTERMEDIATE SHAFT, 115
- 57160954, SOCKET ASM, CLEVIS 3/4, 151
- 57160962, CLEVIS PIN W/COTTER PIN, 152
- 57160970, PLATE, 168
- 57163339, VALVE, PILOT, 259
- 57163420, O–RING, 132, 144, 370
- 57163438, CROWN SEAL, 132, 370
- 57163453, U–CUP, 132, 144, 370
- 57163511, O–RING, 132, 144, 370
- 57163529, RING, BACK UP, 132, 144, 370
- 57163537, WEAR RING, 144
- 57164592, RETAINER, SEAL, 121
- 57165987, PLATE, 152
- 57165995, PLATE, 152
- 57168031, VALVE, CHECK–VENTABLE, 97
- 57168403, WIPER, PIPE 5 DIA., 138
- 57168916, VARNISH, INSULATING, 396, 437, 476
- 57169112, KIT, ROD CHANGER 4–5 DIA, 130
- 57169393, ARM, ROD CHANGER, 129
- 57169401, SPINDLE, ROD CHGR–4 RODS, 129
- 57169419, INDEXER, 4 ROD CHANGER, 129
- 57169435, PLATE, SWING CYL. 4 ROD, 367
- 57169989, VALVE, SELECTOR– 4 WAY, 96
- 57170110, PINION, INPUT, 116
- 57170706, BRACKET, 4 ROD INDEXER, 130
- 57170821, VALVE, TEMPERATUREBYPASS, 243
- 57170839, ELEMENT, 243
- 57170896, SUPPORT, COMPRESSOR, 264
- 57171332, ROD, ALL THD., 135
- 57171514, HOSE ASSY, 303
- 57171522, HOSE ASSY, 303
- 57172793, POST, DUST COLLECTOR, 400
- 57172967, TUBING–7.5OD X .38W X 2, 400
- 57173056, DUCT INLET, 402
- 57173064, HUB, 406
- 57173080, BLOWER WHEEL BLADES, 406
- 57173106, PLATE, BOTTOM BLWR WHEEL, 406
- 57173114, BLOWER WHEEL TOP PLATE, 406
- 57173510, BUSHING, 402
- 57176380, REST, TOWER, 64
- 57176851, SUPPORT, DRILL RODS, 129
- 57179046, DECAL, NOTICE–CAROUSEL INX, 470
- 57179061, DECAL, 6 SPOOL VALVE, 374
- 57179608, SWITCH, SPST/ON–OFF, 383, 437
- 57180184, BUSHING, CENTER, 13
- 57180325, ROD TUBE, 67
- 57180358, BLOCK, IMPACT–4ROD CHGR., 129
- 57181125, TUBE ASSY., 67
- 57181240, LOCKNUT, 67
- 57181265, PISTON SPACER, 67
- 57181273, WEAR RING, 66
- 57181307, HOLD DOWN–VANE, 328
- 57181372, PLATE, PORT, 121
- 57182875, VALVE BLOCK, 67
- 57183014, SEAL GP., 38, 44
- 57183329, CAP, SWIVEL, 115
- 57183576, BLOCK, STOP SUPPORT, 129
- 57183592, BACK–UP RING, 66
- 57183600, BACK–UP RING, 66, 67
- 57184517, CLEVIS, INDEX CYL. DM30, 129
- 57184806, SUPPORT, CAROUSEL LOCK, 130
- 57184814, BLOCK, STOP–CAROUSEL, 130
- 57184822, STOP, CAROUSEL–4 ROD, 130
- 57185217, PRESSURE PLATE, 333
- 57185738, MANIFOLD, HYD. RETURN, 308
- 57185811, PLATE, CAROUSEL LOCK, 130
- 57188112, PIN, END YOKE, 13

INDEX

Index

INDEX

- 57188120, PIN, CENTER YOKE, 13
- 57189458, GUSSET, FRAME MAIN, 4
- 57191017, SHAFT, INTERMEDIATE, 115
- 57191025, CAP, BEARING, 116
- 57191033, PLATE, END, 118
- 57191991, END CAP, 333
- 57192007, HOUSING, 333
- 57192015, MOUNTING CAP, 333
- 57192023, CAPSCREW, 333
- 57192098, VANE, 333
- 57192106, VANE PIN, 333
- 57192122, P1 ROTOR ASSY., 333
- 57192130, RING, BACK UP, 333
- 57192148, SQUARE SECTION GASKET, 333
- 57192163, P2 ROTOR ASSY., 333
- 57192197, O-RING, 333
- 57197113, BRACKET, HOSE, 116
- 57198178, SADDLE, MOUNTING, 3R, 402
- 57201840, HOSE ASSY, 450
- 57205007, VALVE, COUNTERBALANCE, 67
- 57208415, HOSE ASSY., 243
- 57213399, HOSE, RADIATOR, 187
- 57213936, BLOCK, FLANGE, 316
- 57214470, STEP, CAB, 83
- 57214488, PLATE, SUPPORT, 90
- 57220337, SEAL, BACKUP, 160
- 57220345, O-RING, 160
- 57220980, PLUG OSCILLATION SHAFT, 4
- 57221855, MOUNTING RAIL (DIN), 202
- 57224156, PLUG, PORT, 67
- 57224586, CYLINDER
HYD- 4 X 3 X 48, 64
HYDRAULIC, 62
- 57224677, CYLINDER, HYDRAULIC, 158
- 57227787, CROSS KIT, 192
- 57229957, HOSE ASSY, 312
- 57236705, SWITCH, BATTERY SELECTOR, 175
- 57237364, DECAL, CONSOLEBOTTOM-
REAR, 98
- 57237372, DECAL, CONSOLE, TOP-REAR, 97
- 57237380, FITTING, MALE-FEMALE NPT, 97
- 57239428, ASSY TOOL & INSTRUCT KIT, 67
- 57239444, INSTL INSTR-SEAL, 66, 67
- 57239451, TOOL, 4" BORE SIZING, 67
- 57239717, SCREW, SET, 326
- 57239725, NUT, ACORN, 326
- 57240566, SPRING, 326
- 57240574, PLUG, 326
- 57240749, SCREW, MOTOR, 328
- 57240756, SCREW, SET, 328, 330
- 57240764, PLATE, MOTOR, 328
- 57240806, SHAFT, 121
- 57240814, SEAL KIT- VALVE, 67
- 57243719, SHIM, POWERHEAD- SPURGEAR,
118
- 57244352, VALVE, PUMP RELIEF, 344
- 57244832, O-RING, 66, 67
- 57244840, AQ SEAL ASSY, 66, 67
- 57244857, SLYDRING, 66, 67
- 57244865, STEP SEAL, 66, 67
- 57244873, SLYDRING, 66, 67
- 57244881, STEPSEAL, 66, 67
- 57244899, EXCLUDER, 66, 67
- 57244907, SET SCREW, 1/4-28UNF-2, 67
- 57244915, PORT PLUG, 67
- 57244949, HEAD, 4 X 3, 67
- 57244956, PISTON, 67
- 57244964, ROD-TUBE, 67
- 57244972, DRILL PLUG, 67
- 57244980, PLATE, MTG, 344
- 57245110, INSTRUCTIONS, KIT, 66
- 57245870, ADAPTERFRT.ENG.CAT3406TA, 192
- 57248411, SEAL KIT, 66
- 57248429, SEAL KIT, FIELD SERVICE, 66
- 57249500, PORT PLUG, 144
- 57250185, HOSE ASSY, 259
- 57252249, STOP, YOKE, 14
- 57264731, BAR, 165
- 57266181, LIGHT, INDICATOR, 413
- 57267577, WASHER, 129
- 57273591, GUARD, DRILLING LIGHT, 383

Index

- 57276578, WRENCH, PIPE–ALTERATION, 142
57284671, TIMER, DC ELECTRIC, 402
57291049, RESTRICTOR, JIC/JIC .062, 364, 367
57291288, WASHER, LOCK–TONGUED, 115
57291304, NUT, ADJUSTING, 115
57293656, HOSE ASSY, 235
57294829, FILTER, FUEL SECONDARY, 192
57294936, VALVE, RELIEF, 258
57297137, LIGHT, LED INDICATOR, 437
57300329, O–RING, 121
57300816, DISC SPRING, 121
57300824, THRUST WASHER, 121
57301012, SEAL KIT – VALVE CART., 344
57301855, VALVE, MEASURED SHOT, 227
57301863, ATOMIZER–STARTING FLUID, 227
57303794, SEAL KIT, 344
57305948, PIN–PUMP, 326
57307373, PISTON–5 ODX31/2APIREGPN, 148
57307431, SEAL KIT, CYLINDER, 160
57307720, GASKET, SQ.SECTION, 333
57307886, SEAL KIT, PUMP, 444
57308041, BRACKET–CARRIER ROLLER, 46,
48
57309791, BUSHING, YOKE END, 14
57310831, DECAL, WARNING–DON'T ALTER,
470
57311086, DECAL, DANGER–HAZ. VOLT., 470
57312563, VALVE, SOLENOID–3WAY/2POS,
450
57314023, MANUAL, SAFETY–DM25/30, 470
57315269, HOLDER, SAFETY MANUAL, 470
57318040, DECAL, WARNING–NO CLIMBNG,
470
57318743, WASHER, FLAT–HARDENED, 316,
317
57325409, HOSE ASSY, 260
57325599, VALVE, SHUTTLE CART, 344
57325607, VALVE, RELIEF CART., 344
57326282, BAR, 9/16 DIA X 8 LG, 104
57328676, FITTING, TEST, 316, 342
57336067, PACKING, SWIVEL–30XV, 115
57336430, POWERLUBER, AUTO–GREAS-
ING, 450
57337271, HOSE ASSY, 243
57338121, TUBE, AIR–7 X 65, 219
57341083, DIAPHRAGM, YOKE ASSY, 456
57341091, SEAT BLOCK W/WHT NYLON, 456
57341133, YOKE, 456
57341141, SCREW, BONNET, 456
57341158, GASKET, TEFLON YOKE, 456
57341166, NOZZLE, W/3/16 ORIFICE, 456
57341174, SPRING, REAR +500 LB PRES, 456
57341182, SCREW, YOKE CLAMP, 456
57341190, GUIDE, YOKE, 456
57341208, SCREEN, FILTER, 456
57341216, FILTER, SINTERED, 456
57341224, BUTTON, SPRING, 456
57341240, SPRING, COMPRESSION125LB, 456
57341265, PLATE, DIAPHRAGM, 456
57341273, DIAPHRAGM, STAINLESS STL, 456
57341281, GASKET, DIAPHRAGM, 456
57341299, NUT, DIAPHRAGM PLATE, 456
57341307, SCREW, ADJUSTING –SLOT, 456
57341315, CAP, PROTECTION, 456
57341356, BODY, 1 INLET, 3 OUTLETS, 456
57341380, BONNET, SCREW, 456
57341398, BACK CAP, 456
57341406, GASKET, BACK CAP, 456
57343139, DECAL, NOTICE–PARKING BRAK,
470
57345480, ARM, SUPPORT–ANGLE DRILL,
135
57345506, HOLDER, ANGLE–DRILLROD, 135
57345514, PIN, ROD END–CLAMP CYL., 135
57345522, CYLINDER, HYDRAULIC, 135
57345530, PIN, BASE END–CLAMP CYL., 135
57345548, CLEVIS, CYL–PISTON END, 135
57345555, SPACER, 135
57345878, DECAL, NOTICE, 470
57347379, CAP, SPINDLE–SPUR HEAD, 115
57347700, EYE, ANCHOR CABLE, 151
57349193, KIT, SEAL CYLINDER HYD., 135

Index

INDEX

- 57350076, MANIFOLD, HYD. ORING THDS, 342
- 57350084, MANIFOLD, HYD-ORING THDS, 372
- 57350092, MANIFOLD, HYDRAULIC-ORING, 342
- 57351074, CABLE, PUMP – 112 LG, 102
- 57352973, PUMP, DHD LUBRICATOR, 442
- 57353021, SWITCH, FLUID FLOW, 442
- 57353245, TANK, 7-GAL DHD LUBRICATOR, 442
- 57353369, LUBRICATOR ASSY-7GAL DHD, 432
- 57354342, TIMER, DHD LUBRICATOR, 442
- 57355075, WASHER-PLATED, 12, 13, 22, 28
- 57356479, BOLT, 22
- 57356552, SEAL-LIP TYPE, 36, 42
- 57356578, RING, 36, 42
- 57356586, RING, 36, 42
- 57356594, O RING-SEAL, 36, 42
- 57356768, PLUG-PIPE, 30, 38, 44
- 57356776, BOLT, 13, 28
- 57356875, BOLT-SOCKETHEAD, 30
- 57356883, STOPPER-RUBBER, 32
- 57356891, PLUG-CLEAR, 32
- 57356990, NUT-TRACK, 18
- 57357097, WASHER, 16
- 57357485, HOSE ASSY, 361
- 57357683, BOLT, 12
- 57358145, CABLE, HOSE RESTRAINT, 116, 266, 270
- 57358830, CONDUIT, 3/8 NYLON, 227, 383, 442
- 57358855, PUSHBUTTON, 2-POSITION, 106
- 57359192, GAUGE, 5 TANK SIDE LEVEL, 446
- 57361495, DECAL-JACK UP INDICATOR, 413
- 57361982, DECAL, DHD LUBE SETTINGS, 437
- 57361990, NAMEPLATE, DHD CONTROL, 437
- 57363806, SPINDLE SUB-FLOATING, 5, 148
- 57363988, RING, BACK UP, 132, 370
- 57364010, LED, 24V AC/DC RED, 106
- 57364358, COIL, CONDENSER, 78
- 57364366, DRIER, RECEIVER, 78
- 57364473, REFRIGERANT, R134A, 79
- 57366387, ALARM, BACKUP-12 TO36VDC, 395
- 57366395, ALARM KIT, BACKUP, 395
- 57367088, CYLINDER, HYDRAULIC, 135
- 57367310, BOLT, ADAPTER, 320
- 57368052, ADAPTER, MOTOR, 116
- 57368524, DRIVE SHAFT, 192
- 57369613, ADAPTER, HYD, 118
- 57371163, SPACER, SWIVEL PACKING, 118
- 57376832, GUIDE SLIDE – R.H., 117
- 57377202, BACK-UP, 160
- 57379166, NAMEPLATE, ISOLATIONSWTCH, 175
- 57379992, BRACKET, BATT.SELECTSWTC, 175
- 57383747, PLATE-BRKT BAT SELECT, 175
- 57386427, GUIDE, BLOCK-LONG R.H., 117
- 57391047, VALVE, MIN.PRESSURE, 273
- 57391559, CONNECTOR, MALE, 286
- 57392441, NAMEPLATE, DATALINK CONN, 97
- 57397218, SHAFT, AXLE B4 & 320L, 4
- 57398174, PLUG, WIRE ROPE SOCKET, 152
- 57398182, SLEEVE, WIRE ROPE SOCKET, 152
- 57400459, HOSE, SUCTION WITHSPRING, 400
- 57403164, BUSHING, SHEAVE SAE660, 151, 158
- 57404147, FLANGE HALF, SIZE 16-CD62, 290
- 57404311, DECAL & MANUAL SET-DM25/3, 470
- 57406829, NAMEPLATE, THD-GREASER, 450
- 57408346, PLUG, PIPE-3 RUBBER, 446
- 57408353, PLUG, MAGNETIC 1 NPT, 446
- 57408767, ADAPTER, SAE 8 STRAIGHT, 442
- 57408775, VALVE, CHECK, 442
- 57409104, SENSOR, 2WIRE-TEMPERTURE, 97
- 57409443, FLANGE, STRAIGHT – SAE, 316
- 57412710, CABLE, STARTER JUMPER, 200
- 57414112, HOSE ASSY, 342
- 57415325, VALVE SECTION, 356
- 57415382, ROD & PISTON ASSY-CYL., 140
- 57416943, RETAINER, 121

Index

- 57416950, O RING, 121
- 57417339, SERVO–CONT.COVER GASKET, 326, 330
- 57419939, CAM RING, 333
- 57420838, MANIFOLD, DRILL SAEPORTS, 342
- 57424392, HANDRAIL ASSY–30 CNTDIST, 8, 151
- 57425357, BUSHING, BEARING BLOCK, 6
- 57428104, LUBRICATOR TANK SUB–ASM, 437
- 57428914, SWITCH, SPST REED, 442
- 57429748, HOLDER, LOCKING END, 202
- 57431223, PLUNGER, TEFLON, 444
- 57434110, COUPLING, QUICKDISCONNECT, 280
- 57435588, DECAL, ROTATION TORQUE, 294
- 57436024, FAN BLADE–54IN. 8 BLADE, 181
- 57438285, FINAL DRIVE, 12
- 57438301, ROLLER ARRANGEMENT, 12
- 57438319, TRACK GROUP, 12
- 57438327, GUARD GROUP, TRACK MOTOR, 12
- 57438335, GUARD GROUP, TRACK GUIDE, 12
- 57438343, GUARD GROUP, SPROCKET, 12
- 57438350, GUARD GROUP, FRONT, 12
- 57438681, HOSE ASSY, 345
- 57439267, CLAMP, CONSTANT TORQUE, 219
- 57440554, CLAMP, CONSTANT TORQUE, 219
- 57442477, REGULATOR, PRESSURE, 280
- 57442535, ELBOW, FLEX–W/FLANGE, 205
- 57443954, KIT, LIGHT GAUGE–24VDC, 106
- 57443962, GASKET, SENDER, 236
- 57446734, GAUGE, WATER TEMP, 106
- 57451890, COMPRESSOR, W/CLUTCHR134A, 79
- 57451924, BELT, VEE, 79
- 57456444, BOLT, 12, 13
- 57456469, BOLT, 12
- 57456543, COVER, 34, 40
- 57456600, BOLT, 16, 34, 40
- 57456733, SEAL, 38, 44
- 57456741, PIN, 38, 44
- 57456758, SHAFT, 38, 44
- 57456774, ROLLER GROUP, CARRIER, 28
- 57456790, BOLT, 13, 28
- 57456808, SHAFT, 30
- 57456824, ROLLER ASSEMBLY, 30
- 57456857, RETAINER, 30
- 57456865, SEAL, 30
- 57456873, COVER, 30
- 57456881, COLLAR, 32
- 57456899, ROLLER ASSEMBLY, 32
- 57456923, SEAL, 32
- 57456931, SHAFT, 32
- 57456949, PIN, 32
- 57456956, RING, 32
- 57456964, LINK ASSY, TRACK, 18
- 57456972, BOLT, TRACK, 18
- 57456998, LINK, LH, 20
- 57457004, COTTER, 20
- 57457012, LINK, MASTER–LH, 20
- 57457038, LINK, MASTER–RH, 20
- 57457046, PIN, MASTER, 20
- 57457053, LINK, RH, 20
- 57457061, PIN, 20
- 57457079, WASHER, 20
- 57457103, COVER ASSEMBLY, 16
- 57457111, COVER ASSEMBLY, 16
- 57457137, GUARD ASSEMBLY, 12
- 57457145, GUARD ASSEMBLY, 12
- 57469538, HOSE ASSY, 286
- 57472698, COOLER, FUEL, QSK19ENGINES, 230
- 57473514, BRIDGE, UK–10, INSULATED, 202
- 57475873, TUBE, SUCTION–FUEL, 235
- 57480386, SERVO, PUMP–INPUT, MANUAL, 324
- 57480808, HOSE ASSY, 361
- 57480980, BUSHING, TAPER–1.75 BORE, 181
- 57481178, HOSE ASSY, 442
- 57481236, HANDRAIL ASSY–80 CNTDIST, 8
- 57481483, ANGLE, MOUNTING–CHECKVLV, 361

INDEX

Index

- 57481525, MOUNTING, CONDENSER, 78
- 57482002, PLUG, METRIC–M18X1.5, 286
- 57482580, TEE–JIC RUN/ORING, 361
- 57487043, O–RING, 160
- 57488942, CYLINDER, HYDRAULIC, 372
- 57491078, BRACKET, COOLER MTG., 230
- 57492043, BEARING, BLOCK ASSY DM30, 4
- 57492050, BEARING, LOWER–TOWER PIV-
OT, 6
- 57493868, THROTTLE, ELECTRONIC–CAT,
106
- 57494767, BEARING, UPPER–TOWER PIVOT,
6
- 57494775, SUPPORT, TOWER WELDMENT, 4
- 57495095, HOSE ASSY, 342, 343
- 57497687, NAMEPLATE, MODEL I.D., 463
- 57499196, ANGLE, 361
- 57503591, SUPPORT LEG – COOLER, 181
- 57507659, PLATE, MOUNTING – FILTER, 219
- 57511222, SEAL KIT, CYLINDER, 372
- 57511503, FLUID CAP GASKET, 454
- 57511511, QUAD RING, 454
- 57511529, QUAD RING RETAINER, 454
- 57511537, SHAKEPROOF WASHER, 454
- 57511545, PACKING CUP, LEATHER, 454
- 57511552, COPPER GASKET, 454
- 57511560, DISC STRAINER, 454
- 57511578, PACKING, LEATHER, 454
- 57511586, PACKING GLAND, 454
- 57511594, PACKING SPRING, 454
- 57511602, SPRING, 454
- 57511859, NAMEPLATE–FILTER, 463
- 57512006, SEAL KIT, 408
- 57512865, PISTON BODY, BRASS, 454
- 57512873, NEEDLE, W/BUSHING, 454
- 57514804, TIMER BOX, BARE, 402
- 57514846, KIT–REPAIR, 273
- 57514903, SPRING, RETAINER, 121
- 57523847, PIPE, AIR ELBOW – 2NPT, 266
- 57523862, BRACKET, TOWER AIR PIPNG, 266
- 57523870, MANIFOLD, AIR/HYD., 266
- 57523920, PIPE, TRANSFER AIR, DM30, 270
- 57530917, REGULATOR ASSY, UL–88, 258
- 57531220, VALVE, HYDRAULIC–6 SPOOL, 374
- 57531626, CYLINDER, HYDRAULIC, 408
- 57532178, VALVE, BALL–2 NPT, 432
- 57532343, SECTION, VALVE– V–20, 374
- 57533614, FLOAT, LIFE CELL, 235
- 57533622, HANDRAIL ASSY–20 CNTDIST, 8
- 57534281, GAUGE, FUEL–24VDC, 106
- 57534299, SENDER, FUEL– W/FLOAT, 235
- 57534315, PANEL, ONE GAUGE, 106
- 57538167, UNDERCARRIAGE, 320LW/Y&A, 12
- 57538183, HOSE ASSY, 286
- 57538191, HOSE ASSY, 286
- 57545196, CONNECTOR, 22
- 57545204, SEAL, 22
- 57546038, MANIFOLD, 278
- 57546053, PIPE, INLET 3”, 273
- 57546061, CLAMP, HOSE, 247
- 57546160, GASKET, COMP DISCHARGE, 273
- 57546301, GEAR, OUTPUT, 115
- 57546319, SPACER, FINAL DRIVE, 118
- 57546327, KEY, CUSTOM, 115
- 57546335, COLLAR, RETAINING, 118
- 57546343, SPINDLE – FINAL DRIVE, 115
- 57546384, SHIM, FINAL DRIVE, 118
- 57547499, TANK, SURGE, 184
- 57547580, GUAGE, SIGHT, 184
- 57547606, CLAMP, LOOP, 184
- 57548034, BRACKET, THREAD GREASER, 450
- 57549941, BOX, ELEC ASSY–8X6X3.5, 396
- 57552275, CHECK VALVE, .25NPT, 432
- 57552481, RING, SNAP, 24
- 57552549, RING, O, 24
- 57552606, SPINDLE, 24
- 57552614, COUPLER, 24
- 57552622, PLUG, CAP, 24
- 57552721, O–RING, 24
- 57552747, PLUG, SCREW, 25

Index

| | |
|-----------------------------------|---------------------------------------|
| 57552754, RING, SEAL, 25 | 57553794, PLANET GEAR, 25 |
| 57552820, SLEEVE, LOCATING, 25 | 57553802, PLANET BEARING, 25 |
| 57552887, O-RING, 25 | 57553810, RING, SNAP, 25 |
| 57552895, PLUG, SCREW, 25 | 57553828, RING, SNAP, 25 |
| 57552929, ADAPTER, 25 | 57553836, LOCATING RING, 25 |
| 57552945, RING, RETAINING, 24 | 57553844, COVER, 25 |
| 57552952, ADAPTER, 25 | 57553851, SHAFT, SUN GEAR, 25 |
| 57553000, NUT, SHAFT, 24 | 57553869, SLEEVE, SHIFT, 25 |
| 57553158, RING, SEAL, 24 | 57553877, BOLT, SOCKET HEAD, 25 |
| 57553174, SEAL, FACE, 24 | 57553885, BOLT, HEX HEAD, 25 |
| 57553182, BEARING, TAP ROLLER, 24 | 57553893, BOLT, HEX HEAD, 25 |
| 57553190, PIN, DOWEL, 24 | 57553901, BOLT, HEX HEAD, 25 |
| 57553208, RING, O, 24 | 57553919, BEARING, BALL, 25 |
| 57553216, BOLT, HEX HEAD, 24 | 57553927, RING, SNAP, 25 |
| 57553323, RING, SNAP, 24 | 57553935, MOTOR, HYDRAULIC, 25 |
| 57553364, PISTON, 24 | 57553943, RING, SEAL, 25 |
| 57553372, PLATE, BACK-UP, 24 | 57559387, BRACKET, GREASE FITTING, 13 |
| 57553513, WASHER, THRUST, 25 | 57560682, SPRING, 444 |
| 57553539, RING, SNAP, 24 | 57562829, SHIM, FINAL DRIVE, 118 |
| 57553547, KIT, DISC (BRAKE), 24 | 57563389, VALVE, FILL, 36, 42 |
| 57553596, KIT, SEAL (BRAKE), 24 | 57563678, DRIVE GROUP, W/MOT, 22 |
| 57553604, GEAR, RING, 24 | 57563686, SEAL GROUP, 30 |
| 57553612, COVER, RING GEAR, 24 | 57564171, GUARD GROUP-TCK MOT, 16 |
| 57553620, CARRIER, PLANET, 24 | 57564189, BUSHING, MASTER, 20 |
| 57553638, SET, PLANET GEAR, 24 | 57564197, BUSHING, 20 |
| 57553646, GEAR, SUN, 24 | 57564205, SHOE, TRACK, 18 |
| 57553653, CARRIER, PLANET, 24 | 57564270, SEAL, O-RING, 22 |
| 57553661, PLANET GEAR, 24 | 57564288, CONNECTOR, 22 |
| 57553679, GEAR, SUN, 24 | 57565616, ROLLER GROUP-SFLG, 28 |
| 57553687, PLANET BEARING, 24 | 57565624, SEAL GROUP, 32 |
| 57553695, PLANET BEARING, 24 | 57565632, GUARD ASSY, TCK GDE, 12 |
| 57553703, LOCATING RING, 24 | 57565640, SPROCKET GROUP, 12 |
| 57553711, RING, SNAP, 24 | 57565657, SPROCKET, TRACK, 12 |
| 57553729, RING, SNAP, 24 | 57565665, FRONT IDLER GROUP, 12 |
| 57553737, RING, SNAP, 24 | 57565673, IDLER GROUP, FRONT, 12 |
| 57553745, RING, SNAP, 24 | 57565681, RECOIL GROUP, 12 |
| 57553752, RING, SNAP, 24 | 57565699, PLATE ASSY, 12 |
| 57553760, BOLT, HEX HEAD, 24 | 57565707, RECOIL GROUP, 12 |
| 57553778, GEAR, SUN, 25 | 57565715, RECOIL GROUP, 34, 40 |
| 57553786, CARRIER, PLANET, 25 | 57565723, ROD, 36, 42 |

Index

- 57565731, RING, BACKUP, 36, 42
- 57565749, SEAL, O-RING, 36, 42
- 57565756, CYLINDER, 36, 42
- 57565764, PISTON ASSY, 36, 42
- 57565772, PLATE, 34, 40
- 57565780, SPRING, 34, 40
- 57565798, WASHER, 34, 40
- 57565806, NUT, HEX, 34, 40
- 57565814, STRIP, 34, 40
- 57565822, BOLT, 34, 40
- 57565830, SUPPORT, 34, 40
- 57565848, BOLT, 12
- 57565855, IDLER GROUP, 12
- 57565863, IDLER ASSY, 38, 44
- 57565871, BEARING, 38, 44
- 57565889, IDLER GROUP-FRONT, 12
- 57565897, RECOIL GROUP, 12
- 57565905, FRAME ASSY, RH, 13
- 57565913, SUPPORT ASSY, IDLER, 46, 48
- 57565921, SUPPPORT ASSY, MOTOR, 46
- 57565939, FRAME ASSY, RH, 46
- 57565947, PLATE, 46, 48
- 57565954, BLOCK, 46, 48
- 57565962, FRAME ASSY, LH, 13
- 57565970, SUPPORT ASSY, MOTOR, 48
- 57565988, FRAME ASSY, LH, 48
- 57568487, VALVE, RELIEF (ATM), 117
- 57569758, ELEMENT, SEPARATOR, 273
- 57569923, BLOCK, FLANGE 2"NPT, 273
- 57570202, TANK, SEPARATOR HP 20", 273
- 57572398, GEAR, 320
- 57572406, GEAR, 320
- 57578023, HOUSING, LOWER SEAL, 115
- 57578718, INSULATION, WRAP, 211
- 57580516, CONNECTOR, CHR9 AIR, 211
- 57584195, MANIFOLD, LWR HP DM4550/L, 273
- 57584310, FOOT, RECEIVER TANK HP, 273
- 57595639, CONNECTOR, COMMUNICATION, 192
- 57615247, BAR, FLAT, 168
- 57620833, CYLINDER, INDEXING, DM30, 129
- 57623043, LATCH, SEAT BASE, 86
- 57623050, SEAT, T4BH CAB, 86
- 57623084, DOOR, PULL, 86
- 57623241, HOLDER, CUP-T4BH CAB, 87
- 57632655, TACHOMETER, MLINK ANALOG, 106
- 57632697, MODULE, MURPHY LNK DISPLY, 106
- 57632747, GAUGE, WATER TEMP M-LINK, 106
- 57632754, GAUGE, OIL PRESS M-LINK, 106
- 57632788, HEADER BOARD, M-LINK, 395
- 57633778, ELBOW, COOLER IN/OUT, CAC, 211
- 57637894, STEM W/ ORIFICE, 274
- 57637902, ORIFICE, MINIMUM PRESSURE, 274
- 57639890, ENGINE, BARE, 525-CAT, 192
- 57640088, HARNESS, POWER, 395
- 57640096, HARNESS, MDDM TO HEADER, 395
- 57640104, HARNESS, HEADER TO GAUGES, 396
- 57643116, MOUNT, FUEL COOLER
LH, 78
RH, 230
- 57643132, MOUNT, FUEL COOLER
LH, 230
RH, 78
- 57643157, MOUNT, REAR ENGINE, C16, 192
- 57643199, MOUNT, FRONT ENGINE-C16, 192
- 57643652, SUPPORT, CAC PIPING, 211
- 57651234, DRIVE, PUMP-3 HOLE, 316
- 57651242, CONNECTOR, 97
- 57651259, TERMINAL, 97
- 57651267, CAP, PROTECTIVE, 97
- 57652935, PIPE, 187
- 57652943, PIPE, INLET ENGINE, 187
- 57652950, TUBE, RADIATOR, 187
- 57652968, TUBE, RADIATOR, 187
- 57652976, ELBOW, ENG INLET CAT, 211
- 57652984, PIPE, ENG OUTLET, CAC, 211
- 57652992, PIPE, ENGINE OUTLET, 211
- 57653008, SUPPORT, PIPING, 211

Index

- 57653016, SUPPORT, PIPING, 211
- 57653057, TUBE, COMP INLET, 219
- 57653065, TUBE, 219
- 57656118, HARNESS, ECM CAT, 396
- 57656159, HARNESS, ENG C16 2 STRTR, 200
- 57656647, SILENCER, 6"W/INSULAITON, 205
- 57657660, MOTOR, HYDRAULIC FAN, 181
- 57657744, BRACKET, PLATE, 214
- 57657751, PAD, ANTI-VIBRATION, 214
- 57658981, PISTON, 372
- 57660730, BRACKET, ARM, 214
- 57661738, PLUG, ELECTRIC 3-WAY, 396
- 57661779, BRACKET, SILENCER SUPPORT, 205
- 57661829, FITTING, METRIC, 187
- 57662736, HOSE ASSEMBLY, 361
- 57662744, REGULATOR, 12V, 396
- 57664526, GUSSET, 219
- 57664534, SUPPORT, AIR CLEANER, 219
- 57664559, ANGLE, PLATE, 219
- 57664575, TANK, FUEL 230GL CAP DM30, 235
- 57664666, LADDER ASSEMBLY, 8
- 57664674, HANDRAIL ASSEMBLY, 8
- 57665945, DECAL, IR LOGO, RED, 463
- 57666059, PLATFORM, TOWER, 151
- 57666083, GUARD, DRIVESHAFT-C15, 192
- 57666109, HOSE, ASSM, 06X312"LG, R134, 78
- 57666117, HOSE, ASSM, 06X108"LG, R134, 78
- 57666547, PANEL, CONTROL, LOWER, 96
- 57666554, PANEL, ENGINE ELEC QSX, 106
- 57666562, DECAL, UPPER PANEL QSX, 106
- 57666570, PANEL, ELEC ENG CAT, 96
- 57667818, DECAL, PANEL LOWER, 96
- 57667834, GUARD, WELDMENT A/C CAT, 79
- 57667891, HARNESS, CONSOLE CAT, 395
- 57667990, CORE, COC AKG TIER 2, HP, 184
- 57668006, CORE, RAD AKG TIER 2, HP, 184
- 57668014, CORE, HOC AKG TIER 2, HP, 184
- 57668022, CORE, CAC AKG TIER 2, HP, 184
- 57668055, SUPPORT, COMPR, A/C-C15, 79
- 57668170, PIN, FUEL TANK SUPPORT, 235
- 57668238, COVER, HOSE & FOOT VALVE, 286
- 57668261, CABINET, CONSOLE, 96
- 57668279, BRACKET, COOLER INLET, 181
- 57668733, MANIFOLD, UPPER, DM30HP, 273
- 57670895, PIPE, DISCHARGE, 247
- 57670903, BRACKET, SUPPORT, 247
- 57671729, ANGLE, 247
- 57676108, CABINET, CONSOLE-DM30, 96
- 57677122, BOX, ELECTRIC ASM, 200
- 57684029, ANGLE, W/HOLES, 136
- 57684888, TERMINAL, BLOCK, 202
- 57684979, MARKER, TERMINAL, 202
- 57687170, DECAL, UNDERCARRIAGE, 14
- 57690463, DOOR ASSY, NONDRILL SIDE, 86
- 57690471, LATCH ASSY, RIGHT HAND, 86
- 57690489, ROD, LINKAGE, 86
- 57690497, ROD, LINKAGE, 86
- 57694101, ROD, LINKAGE, 86
- 57694119, ROD, LINKAGE, 86
- 57694127, STRAP, DOOR RESTRAINT 9", 86
- 57694135, PIN, 86
- 57694143, RUBBER, WINDOW, 86
- 57694150, GLASS, NON-DRILL SIDE DR, 86
- 57694168, BULB, RUBBER, PSA BACKED, 86
- 57694176, HINGE, NON-DRILL SIDE, L, 86
- 57694184, DOOR ASSEMBLY, DRILL SIDE, 86
- 57694192, KIT, LATCH, R.H., 86
- 57694200, RUBBER, WINDOW, 86
- 57694218, GLASS, DRILL SIDE DOOR, 86
- 57694226, BULB, RUBBER, PSA BACKED, 86
- 57694234, HINGE, DRILL SIDE, RT DOOR, 86
- 57694242, MAT, FLOOR, 86
- 57694259, RUBBER, WINDOW, NON-DRILL, 86
- 57694267, GLASS, NON-DRILL SIDE, FRT, 86
- 57694275, RUBBER, WINDOW, DRILL SIDE, 86
- 57694283, GLASS, DRILL SIDE FRONT, 86
- 57694291, RUBBER, WINDOW, UPPER FRT, 86
- 57694309, GLASS, UPPER FRONT, 86
- 57694317, GLASS, LOWER FRONT, 86

INDEX

Index

INDEX

- 57694325, RUBBER, WINDOW, REAR, 86
- 57694333, GLASS, REAR, 86
- 57694341, RUBBER, WINDOW, LOWER FRT, 86
- 57694358, RUBBER, DOOR, NON-DRILL, 86
- 57694366, RUBBER, DOOR, DRILL SIDE, 87
- 57694374, A/C & HEATER UNIT, 87
- 57694382, LIGHT, DOME, 24V, 87
- 57694390, POCKET, MAGAZINE, 87
- 57700452, ROLL PIN, IDLER, 50, 56
- 57704124, BLANKET, EXHAUST ELBOW, 205
- 57704900, ROLLER-TRACK, 13
- 57704918, ROLLER-CARRIER, 13
- 57704926, CHAIN TRACK ASM, W/SHOE, 13
- 57704942, CHAIN TRACK, LESS SHOES, 13, 52
- 57704967, IDLER, ASM, W/BACKET, 13
- 57706095, ELBOW, SILENCER, 205
- 57708810, PIN, MASTER, CHAIN, 54, 58
- 57708828, LINK, CHAIN, RH, 54, 58
- 57708836, LINK, CHAIN, LH, 54, 58
- 57708851, BUSHING, CHAIN-TRACK, 54, 58
- 57708869, PIN, CHAIN-TRACK, 54, 58
- 57708877, WASHER, SEAL-TRACK, 54, 58
- 57708885, BUSHING, MASTER-CHAIN, 54, 58
- 57708893, BOLT, TRACK-SHOE, 13, 52
- 57708901, NUT, TRACK-SHOE, 13, 52
- 57708919, SHOE, TRACK, 52
- 57708927, IDLER, FRONT-BARE, 50, 56
- 57708950, O-RING, IDLER, 50, 56
- 57708968, BRACKET, IDLER, 50, 56
- 57708976, SEAL, GROUP-IDLER, 50, 56
- 57709271, VALVE, COUNTERBALANCE, SGL, 302
- 57709313, BAR W/HOLES, 302
- 57714719, HOSE ASSEMBLY, 361
- 57715088, SEAL, DUST, 5 SPOOL VALVE, 376
- 57715096, SEAL, DUST, 6 SPOOL VALVE, 376
- 57718090, HEAD, CYLINDER, 160
- 57722738, VALVE, SEQUENCE, SUN, 135
- 57724619, LADDER, W/HANDRAIL, FOLD, 8
- 57725301, SPROCKET, CAT FRAME (AMK), 13
- 57725400, VENT, FILTER, 444
- 57725418, KIT, UPGRADE (A)CAT/IRGT, 13
- 57725426, KIT, UPGRADE (B)CAT/IRGT, 13
- 57725574, SHROUD, 184
- 57732182, KIT, SEAL, CYL, HYDRAULIC, 129
- 57735524, END, PLATE TERMINAL, 202
- 57736597, TANK, HYDRAULIC-96GLS, 308
- 57736746, PLATE, SEPARATOR, 184
- 57736753, FRAME, 184
- 57736779, GUARD, WIRE TRASH (HALF), 184
- 57736803, MOUNT, MOTOR, ASSM, 184
- 57736829, CLAMP, RUBBER 1.25 OD, 184
- 57736837, GUARD, FINGER 56" SYM, 184
- 57736845, BRACKET, MOTOR, 184
- 57736860, COOLER, T2, 525-600HP, ASSM, 181
- 57736878, SHROUD, ROLLED RING, 184
- 57737934, OIL, REFRIGERANT, R134A, 78
- 57740094, BRACKET, RAD PIPE, DM30, 187
- 57740110, CABLE, BATTERY, POS, 4/0, 175
- 57740128, CABLE ASSY, NEG, 4/0AWG, 175
- 57740136, CABLE ASSY, POS, 4/0AWG, 175
- 57740144, WIRING, ENGINE CAT-2STRT, 192
- 57741829, SWITCH, LP-R134A, 79
- 57741837, SWITCH, HP-R134A, 79
- 57743825, HOSE, ASSM, LR134A, 78
- 57746232, YOKE, OSCILLATION, 92 IN, 13
- 57747370, BRACKET, AMOT, 243
- 57749145, RECEPTACLE ASSEMBLY, 175
- 57750465, COVER, INLET-6 SPOOL VLV, 356
- 57750473, VALVE, DETENT:4WAY 3P, 356
- 57750481, COVER, OUTLET: 6 SP VLV, 356
- 57750523, WASHER, THRUST CAROUSEL, 129
- 57752776, CAB BARE, TIER2, DM30, 83
- 57755266, LUBRICANT, MOLYCOTE G-N, 118, 316
- 57756553, KIT, SHAFT(SHAFT, BRG, KEY), 181
- 57756561, KIT, SEAL, 181
- 57758658, STARTING KIT, ETHER, 227
- 57758674, HARNESS, MAINBOX, DUST COL, 396
- 57758971, RETAINER, HEXAGON, 454

Index

- 57758989, CAP, AIR, BRASS, 454
57760183, ANGLE, W/HOLES, 367
57762569, ANGLE, W/HOLES, 395
57762577, ANGLE, W/HOLES, 395
57762916, O’RING, #6, R134A, 78
57769390, BREATHER, VENT, DHD PUMP, 444
57769937, LAMP, PANEL, 97
57769945, LAMP, PANEL, 24V, ASSM, 97
57771388, HOSE, ASSM, 08, R134A, 156LG, 78
58034133, PIPE, 235
58038910, WASHER, BELLEVILLE, 151
58044561, HOSE HUMP, REDUCING, 219
58044744, BAND, MOUNTING, 219
58045188, NIPPLE, 309
58060187, CLAMP, CABLE–5/16, 165
58081662, HOSE ASSY, 429
58143348, WIRE ROPE–3/4 BULK, 151
58143439, HOSE ASSY, 187, 294
58144585, HOSE ASSY, 450
58146622, HOSE ASSY, 429
58146903, CLAMP, HOSE, 342, 345
58150103, CORD, 14/2, 79, 235, 400, 451
58159088, INSULATOR, HEAT SHRINK., 175
58166091, PLUG, HOLE, 96
58167842, FITTING, HYD, 136
58170440, HOSE ASSY, 344
58170465, HOSE ASSY, 428
58173097, CLAMP, HOSE, 187
58173360, ELBOW, RUBBER–45 DEG, 219
58182486, HOSE ASSY, 342
58182791, HOSE ASSY, 364
58202557, HOSE ASSY, 230
58206087, PLUG, HOLE, 106
58206954, HOSE ASSY, 243
58207325, HOSE ASSY, 343
58207333, HOSE ASSY, 160
58207598, PLUG, HOLE, 106
58209610, ROD WIPER, 66
58211798, DETENT KIT, 356
58214453, ADAPTER, 317
58220773, PAINT, BLACK, 476
58229915, SEAL, OIL, 115
58231887, BOX, BATTERY, 175
58233693, WASHER, CINCH, 181
58242090, TUBE HYD, 428
59101451, BUSHING, TRANSMISSION MTG, 83
59322677, WIPER, 132, 144, 160, 370
59383463, STUD, ADAPTER, 320
59514976, PLUG, MAGNETIC, 320
59515007, DIPSTICK, 320
59516096, SLEEVE, SPLINE, 320
59551127, HOUSING, GEARBOX, 320
59551242, BUSHING, REDUCER, 320
59551259, PLUG, OIL LEVEL, 320
59551267, PLUG, 320
59551275, ELBOW, 320
59572917, ADAPTER, SAE B, 320
59595629, O–RING, 320
59621078, FITTING, HYD–LONG 90 DEG, 344
59677831, BREATHER, 320
59681999, SEAL KIT, 374
59713438, COUPLING, MIN, 117
59752063, U–CUP, 144
59956466, RELAY, SOLENOID–24VMARINE,
200
855017P0841–1, CONNECTOR, TAP TYPE, 437
855017P0872, BULB, 24V.D.C., DUAL, 97
85597904, FITTING, HYD, 429
85771715, CABLE, 18/2, 395
92473297, CANNISTER, 227
95000477, O’RING, 243
95002143, PLUG, PIPE–SQ HEAD, 78, 192, 446
95003463, TEE, PIPE, 235
95011094, COUPLING, 78, 317
95013702, CAPSCREW, HEX SOCKET HEAD,
117, 192, 316
95013728, CAPSCREW, 316
95013785, SCREW, CAP–5/8–11 X1–1/2, 117
95017984, O–RING, 100, 296
95022281, O–RING, 243

Index

INDEX

- 95022372, O-RING, 273
- 95033585, PLUG, PIPE, SQ HEAD, SOLID, 260, 427
- 95033593, PLUG, PIPE, SQ HEAD, SOLID, 117, 258, 259, 273
- 95033601, PLUG, PIPE, SQ HEAD, 427
- 95033619, PLUG, PIPE-1/2 SQ HEAD, 181
- 95033932, PIN, ROLL, 258
- 95033965, PIN, ROLL, 262
- 95035465, SCREW, CAP, HEX, 427
- 95037255, BOLT, EYE, 274
- 95037446, BUSHING, PIPE, 429
- 95037784, BUSHING, 98
- 95037917, BUSHING, 308
- 95038030, BUSHING, PIPE-REDUCING, 450, 451
- 95038147, BUSHING, 227
- 95038634, COUPLING, PIPE-1/8 NPT, 260
- 95040952, ELBOW, STREET, 90DEG, 116
- 95040978, ELBOW, STREET, 316
- 95043162, WASHER, LOCK-7/8, 273
- 95045324, O-RING, 317
- 95053054, SCREW, CAP-1/2-13 X 3, 116, 258, 274
- 95055067, SCREW CAP AH, 243
- 95055232, SCREW, CAP-5/8-11 X1-1/4, 116
- 95055315, SCREW, CAP-3/8-16 X 2-1/4, 348
- 95055349, SCREW, CAP, AH, 192
- 95063475, TEE, 235
- 95064192, SCREW, DRIVE-#6 X 1/4, 14
- 95064697, WASHER, FLAT 1/2, 117, 181, 243, 273, 342, 343
- 95067609, SCREW, CAP-1/4-20 X 3/4, 102
- 95069035, NIPPLE, 429
- 95070603, O-RING, 352
- 95072971, VALVE, 442
- 95076709, NUT, HEX MACHINE-NO.4-40, 96
- 95076717, NUT, MACHINE-HEX, 96
- 95076725, NUT, MACHINE, HEX, 367
- 95077319, NUT, HEX, STOP, 181
- 95077590, NUT, HEX, STOP, 192, 317
- 95077608, NUT, HEX STOP-3/4-10, 192
- 95080149, LOCKNUT 68A4C10, 62
- 95081667, WASHER, FLAT, WIDE, 317, 428
- 95081857, SUB 95937413, LOCKWASHER, 446
- 95084109, NIPPLE, PIPE, 274, 280
- 95084125, NIPPLE, PIPE, 446
- 95086310, O-RING, 317
- 95086518, O-RING, 117
- 95086567, O-RING, 316
- 95086625, O-RING, 118, 316
- 95086641, O-RING, 317
- 95086724, O-RING, 116
- 95093399, PIN, COTTER-3/16 X 2, 129
- 95094280, WASHER, FLAT-1-1/4, 62, 130, 367
- 95094314, WASHER, FLAT, WIDE, 181, 192
- 95097291, NIPPLE, PIPE, EXTRA STRONG, 432
- 95097333, NIPPLE, PIPE, EXTRA STRONG, 274
- 95097689, O-RING, 118, 326, 330
- 95097929, O-RING, 118
- 95098356, NUT, HEX JAM-3/8-24, 104
- 95101762, CAPSCREW, HEX HEAD, 118
- 95103727, SUB95934543-CAPSCREW, HEX, 446
- 95104121, SCREW, CAP-1/2UNCX 3/4, 428
- 95104147, SCREW, CAP, HEX, 78, 79, 273, 343, 432
- 95104204, SCREW, CAP, HEX, 116
- 95104659, SCREW, CAP-3/4-10 X2-3/4, 192, 273
- 95105052, SCREW, CAP, HEX, 129
- 95110458, FITTING, HYD, 274
- 95111043, SCREW MACH, 235
- 95159232, KEY, SQUARE-ROUND ENDS, 129
- 95200093, WASHER, FLAT, 181, 192
- 95200663, BEARING, 320
- 95201299, FITTING, 140
- 95201331, NUT, HEX JAM, 243, 258
- 95201547, FITTING, LUBE, 13, 62, 129, 428
- 95208682, FITTING, HYD, 243
- 95208971, FITTING, LUBE-90 DEG, 116, 130
- 95208997, SCREW, CAP-1/4-28 X 3/4, 118
- 95209086, FITTING, HYD, 235, 427, 429

Index

- 95209094, FITTING, HYD, 96, 97, 160, 292, 316, 317, 344, 358
- 95209409, WASHER, LOCK-1/2, 181, 273, 274
- 95209425, WASHER, LOCK-5/8, 316
- 95209870, O-RING, 442
- 95209888, O-RING, HYD, 312
- 95210852, PIN, COTTER, 129, 367
- 95211900, PIN, COTTER, 102, 104
- 95213401, WASHER, LOCK, EXT TOOTH, 258
- 95214037, BEARING, 116
- 95214524, GASKET RING, 264
- 95215257, CAPSCREW, HEX, 192
- 95219713, CONNECTOR, MALE, 37 DEG., 136, 160, 259, 308
- 95219721, CONNECTOR, MALE, 37 DEG., 165, 258, 259, 280, 400
- 95219739, ADAPTER, 442
- 95219747, CONNECTOR, MALE, 37 DEG, 118, 303, 308, 427
- 95219754, FITTING, HYD, 427
- 95219762, ADAPTER, 308, 344, 361, 428
- 95219770, FITTING, HYD, 344
- 95219853, ELBOW, 90 DEG MALE, 243, 308
- 95220844, CLAMP, HOSE, 78, 187
- 95221065, TEE, MALE RUN, 258
- 95223376, RING, RETAINING, 129, 367
- 95223475, RING, RETAINING, 320
- 95225116, GASKET RING, 247
- 95239216, JOINT, WIRE, 10, CLEAR, 442
- 95239927, PIN, DOWEL, 124
- 95243093, NIPPLE, PIPE, EXTRA STRONG, 116
- 95245049, CONDUIT, FLEX-1/2SEALTITE, 451
- 95245221, CONNECTOR, STRAIGHT-1/2, 413
- 95245767, WASHER, BEVEL, 317
- 95245775, WASHER, BEVEL-3/4, 192
- 95246724, FITTING, RELIEF, HYD, 116
- 95249587, PLUG, PIPE, SQ HEAD, 116
- 95249694, PLUG, PIPE, SQ HEAD, 116
- 95256749, CLAMP-3/4, 395
- 95257325, CAP, 37 DEG FLARED, 182, 400
- 95257333, CAP, JIC-4, 259
- 95257341, CAP, JIC-6, 260, 268, 280, 286
- 95257374, NUT, TUBE-16, 427
- 95257481, SLEEVE, TUBE, 428
- 95260691, SCREW, MACHINE-1/4-20X3/4, 96, 104
- 95263380, FITTING, HYD-NPT/JIC, 358
- 95264891, ELBOW, 90DEG-EXT/INT NPT, 274
- 95264909, ELBOW, 90DEG-EXT/INT NPT, 78, 117, 278
- 95264941, TEE, MALE RUN, NPTF, 181
- 95264958, TEE, MALE RUN, NPTF, 117
- 95264966, FITTING, HYD, 259, 400
- 95264974, FITTING, HYD, 78, 427
- 95267191, PLUG, PIPE-3/4 CSUNK, 308
- 95270815, SCREW, CAP, 115
- 95273736, FLANGE, 3/4NPT W/PILOT, 446
- 95278925, ADAPTER, 45 DEG-JIC/JIC, 303
- 95278958, FITTING, HYD, 160, 292
- 95278966, FITTING, HYD, 142
- 95279055, FITTING, HYD, 260
- 95279071, FITTING, HYD, 187, 259
- 95279097, FITTING, HYD, 142, 182
- 95279113, FITTING HYD, 429
- 95279139, FITTING, HYD, 243
- 95279329, CONNECTOR, MALE, 37 DEG, 428
- 95279378, FITTING, HYD, 193, 235, 429
- 95279402, ELBOW, 90DEG MALE 37DGFL, 260, 427
- 95279410, FITTING HYD, 361
- 95279436, FITTING, HYD, 193, 428
- 95279451, ELBOW, 90 DEG MALE, 97, 260, 317
- 95279477, FITTING, HYD, 243
- 95279493, ELBOW, 90 DEG MALE, 258, 259, 268, 292, 308, 400
- 95279519, FITTING, HYD, 427, 428
- 95279527, ELBOW, 90 DEG MALE, 280
- 95279535, ELBOW, 90 DEG MALE, 165, 258, 400, 429
- 95279543, FITTING, HYD, 235, 343
- 95279865, PIPE, MALE, 344
- 95279881, FITTING, HYD, 428
- 95279998, ELBOW, 90 DEG STREET, 117

Index

INDEX

- 95280095, TEE, FEMALE, NPTF, 361
- 95280160, FITTING, HYD, 317
- 95280186, ELBOW, 90 DEG STRT THRD, 317, 343
- 95280194, ELBOW, 90 DEG STRT THRD, 117, 302, 317, 342, 361
- 95280541, FITTING, HYD, 343
- 95282422, ADAPTER, 260, 292, 450
- 95285946, FITTING, HYD, 374
- 95286514, CONNECTOR, FEMALE, 37 DEG, 96
- 95286555, FITTING HYD, 344
- 95287157, PIN, DOWEL, 124
- 95293320, FITTING, HYD, 302
- 95293403, ELBOW, 90 DEG MALE, 97, 259, 260, 274, 442, 450
- 95293460, CAPSCREW, HEX SOCKET, 117
- 95294344, VALVE, 266
- 95297602, CAPSCREW (6R8), 317
- 95298170, NIPPLE, PIPE, 273
- 95301842, CLAMP, HOSE, 383
- 95301859, CLAMP, HOSE, 200, 450
- 95301875, CLAMP, HOSE, 181, 427, 428
- 95301883, CLAMP, HOSE, 187
- 95302113, FITTING, HYD, 118, 450
- 95302121, FITTING, HYD, 165
- 95302238, ELBOW, 292
- 95302733, FITTING, 259, 280, 427
- 95303335, ELBOW, 90 DEG STRT THRD, 235, 442
- 95303368, CONNECTOR, STRT THRD, 342
- 95313359, HOSE, AIR-BULK, 309
- 95313961, HOSE, AIR-R32 BULK, 116
- 95315214, NIPPLE, NPTF DRYSEAL, 182, 400
- 95315222, FITTING, HYD, 78, 278
- 95315404, NUT, HEX JAM, 442
- 95316956, FITTING, HYD, 361
- 95316972, CONNECTOR, MALE, 37 DEG, 135, 258, 259, 400
- 95318440, CONNECTOR, 3/4 45 DEG, 202
- 95318457, CONNECTOR, 3/4, 90 DEG, 202
- 95322871, CLAMP, HOSE, 266
- 95323341, ELBOWST-90DEG, EXT/EXTNPT, 78
- 95323358, FITTING, STR-EXT NPT RUN, 78, 192, 400
- 95323465, PLUG, HEX HEAD, STRT THRD, 116, 118, 258, 278, 343
- 95324083, FLANGE, 1 NPT, 446
- 95324273, FITTING, HYD, 308
- 95328753, ADAPTER, 302
- 95329249, TERMINAL, 383
16-14, 6 FORK, 396, 437
- 95329256, TERMINAL, 16-14, 8 FORK, 396
- 95329975, ELBOW, 90 DEG STRT THRD, 136, 160, 260, 343, 344
- 95329983, CONNECTOR, STRAIGHT THRD, 273, 278, 302, 303, 316, 348, 354, 361
- 95330023, FITTING, HYD, 235
- 95330692, ELBOW, 90 DEG STRT THRD, 278, 344
- 95332599, ADAPTER, 302, 429
- 95333209, CONDUIT, FLEX-1/2, 413
- 95335154, U-BOLT, 1/4ROD X 1 PIPE, 450
- 95335980, ELBOW, 90 DEG, MALE, 309, 432
- 95338018, FITTING, HYD, 117
- 95338372, FITTING, HYD, 259, 432
- 95338406, FITTING, HYD, 98, 260, 316
- 95340758, PIN, DRIV-LOK, 129
- 95341053, FITTING, HYD, 78
- 95341079, TEE, MALE RUN, NPTF, 259
- 95341665, ELBOW, 90 DEG STRT THRD, 294, 345
- 95343596, PLUG, HEX HEAD, O-RING, 361
- 95351904, CLAMP, HOSE, 187, 268, 395
- 95352738, NIPPLE, NPTF DRYSEAL, 258, 427
- 95353942, U-BOLT, 1.5 PIPE-3/8THD, 450
- 95356853, ELBOW, 90 DEG STRT THRD, 367
- 95356903, CONNECTOR, STRT THRD, 343, 354
- 95356960, CONNECTOR, STRT THRD, 278
- 95357570, CONNECTOR, STRT THRD, 230
- 95359329, TERMINAL, 12-10, 1/2 RING, 200
- 95359410, ELBOW, 45DEG, STRT THRD, 374
- 95359600, TERMINAL, 396
- 95361390, CONNECTOR, 1/2 90 DEG, 451

Index

- 95363339, ADAPTER, 45DEG–ORING/JIC, 136
95364964, ADAPTER, 97, 260
95364972, FITTING, HYD, 96, 97, 160, 260, 286, 292, 294
95365078, CONNECTOR, STRT THRD, 136, 160, 258, 358
95365086, CONNECTOR, STRT THRD, 358
95365094, ELBOW, 90DEG, STRT THRD, 348, 358
95365169, ADAPTER, 90 DEG, 292
95365177, FITTING, HYD, 243
95366019, FITTING, HYD, 354
95368890, ELBOW, 90 DEG, STRT THRD, 343
95371217, CONNECTOR, STRT THRD, 361
95371225, ADAPTER, STR–20–24S, 274
95371233, FITTING, HYD, 344
95371258, FITTING, HYD, 343
95372173, FITTING, HYD, 372
95373841, TERMINAL, 16–14, 1/4”RING, 396
95376133, ADAPTER, 90DEG–O–RING/JIC, 316
95376141, ELBOW, 90DEG STRT THRD, 361
95377156, NIPPLE, NPTF DRYSEAL, 135, 432
95378907, CROSS, FEMALE PIPE, 280
95379640, SCREW, CAP–1–1/4–7 X2–1/2, 62
95381158, CONNECTOR, MALE, 37 DEG, 97, 260
95381380, FITTING, HYD, 142
95381828, U–BOLT, ROUND BEND, 361
95387346, ADAPTER, 243
95392312, FITTING, HYD, 273
95395737, NIPPLE, NPTF DRYSEAL, 427
95397394, FITTING, HYD, 374
95401089, FITTING–90 DEG, NPT/JIC, 160
95402806, CONNECTOR, STRT THRD, 286
95402830, CONNECTOR, STRT THRD, 316, 354
95403325, FITTING, HYD, 317
95403580, TEE, 97
95412623, SCREW, 175
95415667, FITTING, HYD, 160, 286
95419073, TEE, NPT/JIC, 358
95419594, CONNECTOR, STRT THRD, 117, 451
95423075, FITTING HYD, 428
95424370, ELBOW–90DEG, EXT/INT NPT, 259
95431284, FITTING, HYD–ORING/JIC, 136, 344
95431292, ELBOW, 90 DEG STRT THRD, 243
95433884, FITTING, HYD, 427
95434551, BEARING, ROLLER, 115
95434569, BEARING, ROLLER, 115
95434874, BEARING, BALL, 116
95446530, COUPLING, 446
95451134, CLAMP, HOSE, 302
95457586, CLAMP, HOSE, 181
95473443, FITTING, HYD, 292
95475869, SCREW, MACHINE, 96
95478509, CLAMP, HOSE, 193
95479739, REDUCER, SAE/ORING 16–8, 354
95479861, FITTING–STR EXT NPT, 361
95480109, FITTING, HYD–90DEGO–RING, 259, 372
95482451, CONNECTOR, 1 45 DEG, 202, 395
95484408, TERMINAL, 396
95488268, SUB 95104691, 156
95488284, FLANGE, 302
95644126, SCREW CAP, 317
95651683, ELBOW, 90DEG, FORGED STL, 116, 273
95652178, FITTING, HYD, 97
95652947, TEE, JIC, 268
95653317, PLUG, HEX HEAD, 235, 247
95653614, ADAPTER–90DEG, ORING/JIC, 96, 294, 345
95654216, CLAMP, HOSE, 4
95654448, ELBOW, 90DEG MALE, NPTF, 258
95655064, ADAPTER, FEMALE, STRT THRD, 98, 258, 259, 358
95655072, FITTING, HYD, 278
95666996, PLUG, HEX HEAD, STRT THRD, 181, 247, 343, 345
95670535, ADAPTER, FEMALE, STRT THRD, 258, 432
95671269, ELBOW 560A10C060X, 302
95676417, FITTING HYD–90, 317

INDEX

Index

INDEX

- 95678041, FITTING, HYD, 243
- 95679593, FITTING, HYD, 450
- 95702619, ADAPTER, 117, 278
- 95711156, BEARING, SPHERICAL, ROLLER, 116
- 95715751, RIVET, DOME HEAD, 202
- 95715942, SCREW, CAP-5/8-11 X1-1/2, 117
- 95731014, FITTING, HYD, 273
- 95735346, FITTING, HYD, 316, 342, 348
- 95746194, PLUG, ORING-SAE 32, 235
- 95746418, WASHER, LOCK-1/4 CAD PLT, 374
- 95748562, FITTING, HYD, 235, 273
- 95748802, TIE, CABLE, 200, 227, 396, 442
- 95754867, FITTING, HYD, 343
- 95775623, FITTING, HYD, 142, 273, 278, 344
- 95780599, ADAPTER, 344
- 95789780, FITTING, HYD, 308
- 95829263, TEE, STRAIGHT THRD RUN, 317
- 95829362, FITTING, HYD, 343
- 95843371, TERMINAL, 22-18-8 FORK, 396, 442
- 95862876, NUT, HEX, FINISHED, 258
- 95868030, O RING, 66, 67
- 95868048, O RING, 66, 67
- 95868055, O RING, 66, 67
- 95880811, SCREW, CAP-1/2-13 X1-3/4, 117
- 95891008, SCREW, CAP-5/8-11 X2-3/4, 117
- 95917613, SCREW, FLAT HD-1/4-20X1.5, 96, 395
- 95919841, CAPSCREW/35A2A329Z1HR, 274
- 95920286, CAPSCREW, HEXHEAD, PLATED, 62
- 95920351, CAPSCREW, HEX HEAD, 62, 64
- 95920674, SCREW, CAP, HEX, 79, 193, 200, 343, 344, 450
- 95920682, SCREW, CAP, HEX, 78, 400, 427
- 95920708, SCREW, CAP, HEX, 181, 192, 342
- 95920724, SCREW, CAP-1/4-20 X1-1/2, 236
- 95920856, CAPSCREW, 316
- 95922183, WASHER, FLAT, 96, 200, 374, 396
- 95922225, WASHER
FLAT, 395
FLAT-5/16, 118
- 95922233, WASHER, FLAT, WIDE, 78, 192, 200, 260, 344, 450
- 95922365, WASHER, FLAT, 104, 395
- 95922415, WASHER, FLAT, PLAIN, 116
- 95922548, LOCKWASHER, 96
- 95922555, WASHER, LOCK, 367
- 95922563, WASHER, LOCK-NO.10(REG), 235
- 95922639, LOCKWASHER, HELICAL SPRNG, 192
- 95922894, NUT, HEX, FINISHED, 8, 79, 193, 260, 348, 361, 400, 427, 450
- 95922902, NUT, HEX, FINISHED, PLATED, 181, 243, 262, 274, 317, 344, 428
- 95922910, NUT, HEX, PLATED, 181
- 95922928, NUT, HEX, FINISHED, 273, 427
- 95923298, NUT, ELASTIC LOCK-1/4-20, 450
- 95923371, NUT, FLEX LOCK-5/16-18, 118
- 95928958, SCREW, CAP, HEX, 124
- 95928974, SCREW, CAP, HEX, 342
- 95928982, SCREW, CAP-1/4-20 X 3/4, 97, 200, 227, 395
- 95929089, SCREW, CAP, HEX, 316
- 95929147, SCREW, CAP, HEX, 316
- 95929766, LOCKWASHER-NO. 4 REGULAR, 96
- 95929782, NUT, HEX, FINISHED, 200, 374, 395
- 95930723, SCREW, CAP, HEX, 192
- 95931564, NUT, HEX, FINISHED, 79, 96, 104, 130, 200, 227, 235, 236, 258, 343, 367, 395
- 95933248, SCREW, ROUND HD, 96
- 95934154, SCREW, CAP, HEX, 181, 317
- 95934170, SCREW, CAP, HEX, 116
- 95934303, WASHER, LOCK, PLATED, 200, 374, 395
- 95934451, SCREW, CAP, HEXHEAD, PLATED, 116, 181, 317
- 95934469, SCREW, CAP, HEX, 124
- 95934550, SCREW, CAP, HEX, 361
- 95934568, SCREW, CAP, HEX, 259, 367
- 95934584, SCREW, CAP-3/8-16 X1-1/2, 8
- 95934592, SCREW, CAP, HEX, 427

Index

- 95934659, SCREW, CAP, HEX, 129, 427
95934691, WASHER, LOCK, HELICAL, 14, 273, 427
95934717, LOCKWASHER, SPRING, PLATED, 62, 130
95934733, WASHER, LOCK, 78, 79, 116, 124, 129, 181, 192, 243, 258, 317, 342, 343, 428, 432
95934741, WASHER, LOCK HELICAL, 116, 181, 192, 274, 316
95934766, WASHER, LOCK, HELICAL, 79, 96, 104, 118, 130, 200, 227, 235, 236, 258, 259, 343, 367, 376, 395, 450, 451
95934774, SCREW, CAP, 451
95934816, SCREW, CAP, HEX, 79, 376
95934857, SCREW, CAP, HEX, 450
95935201, SCREW, CAP, HEX, 181, 193
95935235, SCREW, CAP-5/16-18X1-1/2, 118
95937413, WASHER, LOCK, HELICAL, 8, 79, 193, 260, 342, 348, 361, 400, 427, 450
95938544, SCREW, CAP, 200
95939948, WASHER, LOCK, HELICAL SPRG, 428
95941084, NUT, HEX, FINISHED, PLATED, 62
95942918, SCREW, ROUND HD, 367
95952354, SCREW, CAP, HEX, 192, 316
95958591, SCREW, ROUNDDHD-1/4-20X3/8, 374
95958831, NUT, HEX-LOCK, 3/8-16UNC, 200
95958914, SCREW, CAP, HEX, 258
95958948, SCREW, CAP-5/16-18 X 3, 117, 374
95959011, SCREW, CAP, 260
95959136, WASHER, LOCK, 102
95972246, WASHER, FLAT, PLATED, 192, 273
96704150, WASHER/10M5LC20AM4HR, 83
97113575, HOSE ASSEMBLY, 345
97113583, HOSE ASSY, 364
98632888, SEAL, HOLE, 396, 451
- A**
- A0022, ANGLE A36, 395
A0444, BAR FLAT 1018 CR, 13
A0459, BAR FLAT A36, 344
A1564, TUBE RD 1026 DOM, 13
- F**
- F04X000J--/J--, FC310-04 HOSE INDICATOR, 450
- T**
- TEST1, TEST ITEM, 316



Atlas Copco Drilling Solutions, Inc.

P.O.Box 462288, 2100 North First Street
Garland, Texas 75046-2288
www.atlascopco.com/drillingsolutions

A Company Within the Atlas Copco Group

Phone: +1 972-496-7400
Fax: +1 972-496-7425
info.acds@atlascopco.com