

Parts Manual



See "General Information"
for New Parts Manual
Features.

385C FS Excavator

MMA1-Up (Machine)
RHX1-Up (Engine)

Powered By C-18 Engine
This Parts Manual is also Available in .PDF Format on Compact
Disc(CD-ROM)-Caterpillar Form No.SERP4207

Product and Dealer Information

Note: For product identification plate locations, see the section "Product Identification Information" in the Operation and Maintenance Manual.

Delivery Date: _____

Product Information

Model: _____

Product Identification Number: _____

Engine Serial Number: _____

Transmission Serial Number: _____

Generator Serial Number: _____

Attachment Serial Numbers: _____

Attachment Information: _____

Customer Equipment Number: _____

Dealer Equipment Number: _____

Dealer Information

Name: _____ Branch: _____

Address: _____

Dealer Contact

Phone Number

Hours

Sales: _____

Parts: _____

Service: _____

MEMORANDA

TABLE OF CONTENTS

Name	Page	Name	Page
GENERAL INFORMATION	A5	ROCKER ARM GP	97
REPAIR ALTERNATIVES	A8	SEAL GP-CRANKSHAFT	104
SUPPLEMENTAL COOLANT ADDITIVES	A9	SUPPORT GP-ENGINE	105
MAINTENANCE PARTS	A10	LUBRICATION SYSTEM	109
INDEX	A14	BASE GP-OIL FILTER	109
MACHINE ARRANGEMENT	1	BREATHER GP	110
CHASSIS AR	1	FASTENER GP-OIL PUMP MOUNTING	111
GENERAL AR	1	FILLER GP-ENGINE OIL	112
SHOVEL AR-FRONT	2	FILTER GP-ENGINE OIL	114
ENGINE ARRANGEMENT	3	FUMES DISPOSAL GP	117
CONVERSION AR	3	GAUGE AS-OIL LEVEL (DIPSTICK)	118
ENGINE AR	6	GAUGE GP-OIL LEVEL (DIPSTICK)	119
ENGINE AR-COMPLETE	7	GUIDE GP-OIL LEVEL GAUGE	120
ENGINE AR-CORE	11	LINES GP-ENGINE OIL	122
INSTALLATION AR-ENGINE	13	LINES GP-ENGINE OIL DRAIN	126
BASIC ENGINE	14	LINES GP-TURBOCHARGER OIL	127
ADAPTER GP-PUMP DRIVE	14	MOUNTING GP-OIL LEVEL GAUGE	129
BASE GP-VALVE COVER & INJ HARN	15	OIL CHANGE GP-HIGH SPEED	130
CAMSHAFT GP	18	PUMP GP-ENGINE OIL	132
COVER GP-CYLINDER BLOCK	19	VALVE GP-FLUID SAMPLING	133
COVER GP-FRONT HOUSING	22	COOLING SYSTEM	134
COVER GP-VALVE MECHANISM	24	FAN GP-SUCTION	134
CRANKSHAFT GP	28	FITTING GP-RADIATOR VENT	140
CYLINDER BLOCK AS	29	LINES GP-TURBOCHARGER WATER	141
CYLINDER BLOCK GP	34	LINES GP-WATER	143
CYLINDER HEAD AS	40	PUMP GP-WATER	147
CYLINDER HEAD GP	46	RADIATOR & AFTERCOOLER GP	159
DAMPER & PULLEY GP	52	RADIATOR GP	164
DRIVE GP-FAN	53	SCREEN GP-RADIATOR	168
FASTENER GP-FRONT HOUSING	55	AIR INLET AND EXHAUST SYSTEM	170
FASTENER GP-VALVE MECHANISM	57	AIR CLEANER GP	170
FLYWHEEL GP	58	EXTENSION GP-EXHAUST	174
GEAR GP-CAMSHAFT	59	LINES GP-AIR	175
GEAR GP-FRONT	60	LINES GP-MUFFLER DRAIN	182
GEAR GP-REAR	63	MANIFOLD GP-EXHAUST	183
HOUSING GP-FLYWHEEL	67	MUFFLER GP	184
HOUSING GP-FRONT	68	TURBOCHARGER GP	198
LIFTING GP-ENGINE	71	FUEL SYSTEM	204
MECHANISM GP-FUEL PUMP & VALVE	73	ADAPTER GP-FAST FILL FUEL	204
MOUNTING GP-ALTERNATOR & COMPR	78	COOLER GP-FUEL	206
MOUNTING GP-ENGINE	80	FASTENER GP-FUEL LINES	208
PAN GP-OIL	84	FILTER GP-FUEL	209
PISTON & ROD GP	90	FILTER GP-WATER SEP & FUEL	216
PLUG GP-CYLINDER BLOCK	92	GAUGE GP-SIGHT	217
PLUG GP-CYLINDER HEAD	94	LINES GP-FUEL	218
PULLEY GP	96	MANIFOLD GP-FUEL	228
		PUMP & MOTOR GP-REFUELING	229
		PUMP AR-FUEL TRANSFER	230
		PUMP GP-FUEL INJECTION	231
		PUMP GP-FUEL PRIMING	233
		PUMP GP-FUEL TRANSFER	234

TABLE OF CONTENTS

Name	Page	Name	Page
REGULATOR GP-FUEL PRESSURE	241	VALVE GP-ETHER STARTING	382
TANK & MTG GP-FUEL	242	WIRING GP-AUX START	
TANK GP-FUEL	243	RECEPTACLE	383
VALVE GP-CHECK	245	WIRING GP-CAB	385
VALVE GP-FUEL BYPASS	246	WIRING GP-COMMUNICATION	389
ELECTRICAL AND STARTING SYSTEM	247	WIRING GP-CONSOLE	393
ALARM GP	247	WIRING GP-CONTROL	402
ALARM GP-TRAVEL	248	WIRING GP-CONVERTER	403
ALTERNATOR GP-CHARGING	249	WIRING GP-ENGINE	407
BATTERY & WIRING GP	252	WIRING GP-FAN	409
BLOCK GP-JUNCTION	291	WIRING GP-PLATFORM	410
CONNECTION GP-ELECTRICAL	292	WIRING GP-REFUELING PUMP	416
CONTROL & MTG		POWER TRAIN	418
GP-COMMUNICATION	293	DRIVE GP-FINAL	418
CONTROL & MTG GP-ENGINE ELEK	299	FINAL DRIVE GP	420
CONTROL & MTG GP-IMPLEMENT	301	POWER TRAIN AR	421
CONTROL GP-COMMUNICATION	302	SPROCKET GP	422
CONTROL GP-UNPROGRAMMED	303	FRAME AND BODY	423
ELECTRICAL AR	306	BOX & MTG GP-STORAGE	423
ELECTRONICS GP-		BOX GP-BATTERY	425
COMMUNICATION	306	BOX GP-STORAGE	430
ELECTRONICS GP-MACHINE	306	COUNTERWEIGHT & MOUNTING GP	434
ELECTRONICS GP-MONITOR	307	COUNTERWEIGHT GP	435
HARNESS AS-WIRING	307	COVER AS-SOUND SUPPRESSION	438
INSTALLATION AR-COMMUNICATION	307	COVER GP-CONTROL VALVE	440
LAMP GP-FLOOD	309	DOOR AS-ACCESS	442
LIGHTING GP-CHASSIS	312	DOOR GP-ACCESS	444
LIGHTING GP-FLOOD	313	FRAME GP-CAB RISER	448
MOUNTING GP-CONTROL	315	FRAME GP-UPPER	450
MOUNTING GP-SENSOR	316	GEAR & BEARING GP-SWING	452
PANEL GP-CIRCUIT BREAKER	317	GUARD AR	460
PANEL GP-CONTROL	324	GUARD GP-BOTTOM	461
PANEL GP-SWITCH	325	GUARD GP-LIGHTING	463
PLUG GP-CONNECTOR	329	GUARD GP-SWING MOTOR	465
SENSOR AS-PRESSURE	330	GUARD GP-SWIVEL	466
SENSOR GP-ENGINE	331	HANDRAIL GP	468
SENSOR GP-FUEL LEVEL	335	HOOD & GUARD GP	472
SENSOR GP-LIQUID LEVEL	336	HOOD AS	503
SENSOR GP-PRESSURE	337	HOOD GP	505
SENSOR GP-SPEED	343	HOOD GP-ENGINE	507
SENSOR GP-TEMPERATURE	349	LINES GP-LUBRICATION	515
SOLENOID GP	353	LUBRICATION GP-ELECTRIC	519
STARTING AID GP-ETHER	354	MOTOR GP-LUBRICATION	520
STARTING AR-COLD WEATHER	360	PANEL GP-SOUND SUPPRESSION	521
STARTING MOTOR GP-ELECTRIC	361	PUMP & LINES GP-AUTOMATIC LUBE	530
SWITCH GP-DISCONNECT	370	PUMP GP-LUBRICATION	531
SWITCH GP-MAGNETIC	372	REEL GP-HOSE	534
SWITCH GP-POSITION	373	SHEET AS-SOUND SUPPRESSION	536
SWITCH GP-PRESSURE	374	SUPPORT AS-SOUND	
SWITCH GP-PUSH BUTTON	375	SUPPRESSION	549
SWITCH GP-REFUELING	377	SUPPORT AS-ENCLOSURE	550
SWITCH GP-ROTARY	378	SUPPORT GP-HOOD	553
SWITCH GP-START	380	WALKWAY GP	560
SWITCH GP-TOGGLE	381		

TABLE OF CONTENTS

Name	Page	Name	Page
UNDERCARRIAGE	562	LINES GP-PUMP	758
ADJUSTMENT GP-HYDRAULIC TRACK	562	LINES GP-RETURN & FILTER	770
FRAME AR-UNDERCARRIAGE	564	LINES GP-SWING MOTOR	785
FRAME GP-UNDERCARRIAGE	565	LINES GP-TRAVEL MOTOR	788
GUARD GP-TRACK GUIDE	569	MANIFOLD & VALVE GP	792
GUARD GP-TRAVEL MOTOR	577	MOTOR & MTG GP-HYDRAULIC FAN	798
IDLER GP-FRONT	578	MOTOR & MTG GP-SWING	799
LINK AS-TRACK	588	MOTOR & MTG GP-TRAVEL	803
ROLLER AR-TRACK & CARRIER	590	MOTOR GP-PISTON	804
ROLLER GP-TRACK CARRIER	593	MOTOR GP-SWING	813
ROLLER GP-TRACK-DOUBLE FLANGE	595	MOTOR GP-TRAVEL	817
ROLLER GP-TRACK-SINGLE FLANGE	596	MOUNTING GP-CYLINDER	819
SPRING GP-RECOIL	597	MOUNTING GP-MAIN CONTROL VALVE	821
TRACK GP	600	PUMP & MTG GP-HYDRAULIC	822
HYDRAULIC SYSTEM	603	PUMP & MTG GP-MAIN HYDRAULIC	826
ACCUMULATOR & MTG GP-HYDRAULIC	603	PUMP GP-GEAR	830
ACCUMULATOR GP-HYDRAULIC	604	PUMP GP-MAIN HYDRAULIC	832
ACTUATOR GP	607	PUMP GP-PISTON	836
ACTUATOR GP-PUMP	608	ROTATING GP-MOTOR	842
BASE GP-OIL FILTER	610	ROTATING GP-PUMP	843
CONTROL AR-AUXILIARY	612	ROTOR GP-SWIVEL	847
CONTROL AR-FAN	613	SCREEN GP-HYDRAULIC	849
COOLER & MTG GP-HYDRAULIC OIL	614	SWIVEL GP	850
COOLER GP-HYDRAULIC OIL	618	TANK & FILTER GP-HYDRAULIC	851
COUPLING GP-FLEXIBLE	619	TANK & MTG GP-HYDRAULIC	855
COUPLING GP-PUMP	623	VALVE GP-CHECK	856
CYLINDER & SEAL GP-BOOM	627	VALVE GP-CONTROL	863
CYLINDER & SEAL GP-BUCKET	628	VALVE GP-LOAD CONTROL	885
CYLINDER & SEAL GP-MASTER	630	VALVE GP-MAIN CONTROL	887
CYLINDER & SEAL GP-STICK	631	VALVE GP-MANIFOLD & REDUCING	889
CYLINDER GP-BOOM	632	VALVE GP-PRESSURE REDUCING	891
CYLINDER GP-BUCKET	634	VALVE GP-PUMP CONTROL	892
CYLINDER GP-MASTER	638	VALVE GP-RELIEF	903
CYLINDER GP-STICK	640	VALVE GP-SHUTTLE	910
DRIVE GP-PUMP	642	VALVE GP-SOLENOID	914
DRIVE GP-SWING	643	VALVE GP-SWING CUSHION	919
FASTENER GP-SWING & FINAL DR	653	VALVE GP-TRAVEL COUNTERBALANCE	920
FILTER & LINES GP-HYDRAULIC	655	IMPLEMENTS	921
FILTER GP-OIL	666	BOOM GP	921
FITTING GP-HYDRAULIC	677	FITTING GP-GREASE	923
GAUGE GP-SIGHT	678	LINES GP-GREASE	924
GUARD AR-CYLINDER	679	STICK GP	936
GUARD GP-CYLINDER	680	WORK TOOLS	937
HEAD GP-PUMP	687	ADJUSTER GP-BUCKET	937
HYDRAULIC AR	689	BOWL GP	939
LINES GP-BUCKET	690	BUCKET & ADJUSTER GP	941
LINES GP-FRONT	698	BUCKET AR-EXCAVATION	951
LINES GP-FRONT SHOVEL	701	BUCKET AR-FRONT SHOVEL	952
LINES GP-HYDRAULIC FAN	705	BUCKET AR-ROCK	955
LINES GP-MOTOR	709	BUCKET AS-EXCAVATION	957
LINES GP-PILOT	719	BUCKET AS-EXTREME EXCAVATION	961

TABLE OF CONTENTS

Name	Page	Name	Page
BUCKET AS-EXTREME SERVICE ROCK	964	MONITOR & MTG GP-OPERATOR	1153
BUCKET AS-GENERAL PURPOSE	965	MOUNTING GP-ANTENNA	1154
BUCKET AS-HEAVY DUTY ROCK	966	MOUNTING GP-CAB	1156
BUCKET AS-ROCK	969	MOUNTING GP-PLATFORM	1157
BUCKET GP-FRONT SHOVEL	975	MOUNTING GP-RADIO	1159
BUCKET GP-HEAVY DUTY ROCK	1007	OPERATOR AR	1160
BUCKET GP-ROCK	1008	PARTS AR-CAB	1161
PROTECTOR GP-SIDE BAR	1010	PEDAL AR-THIRD	1162
TIP GP-ABRASION	1011	PLATFORM GP	1163
TIP GP-BUCKET	1015	PLATFORM GP-OPERATOR	1165
TIP GP-EXTRA-DUTY	1016	RADIO GP	1169
TIP GP-GENERAL PURPOSE	1017	RADIO GP-COMMUNICATION	1171
TIP GP-LONG	1019	RISER AR-CAB	1171
TIP GP-PENETRATION	1021	RISER GP-CAB	1172
TIP GP-PENETRATION PLUS	1024	SCREEN GP-SUN	1174
OPERATOR STATION	1027	SEAT & MOUNTING GP	1175
ADJUSTER GP-SEAT	1027	SEAT BELT GP	1184
AIR CONDITIONER & MOUNTING GP	1028	SEAT GP	1190
AIR CONDITIONER AR	1034	SEAT GP-SUSPENSION	1195
AIR CONDITIONER GP	1035	SERVICE GP-MONITOR	1203
ARMREST GP	1043	SUPPORT GP-SEAT	1204
CAB AR	1047	SUSPENSION GP-SEAT	1206
CAB GP	1052	TRIM GP-CAB	1215
COIL GP-EVAPORATOR	1062	VISOR GP-CAB	1224
COMPRESSOR & MTG GP-REFRIG	1064	WASHER GP-WINDOW	1225
COMPRESSOR GP-REFRIGERANT	1067	WINDOW GP-CAB	1226
CONDENSER & MTG GP- REFRIGERANT	1068	WINDOW GP-DOOR	1229
CONDENSER GP-REFRIGERANT	1069	WIPER & WINDOW AR-CAB	1232
CONSOLE GP-OPERATOR	1070	WIPER GP-WINDOW	1233
CONTROL & MTG GP-JOYSTICK	1082	SERVICE EQUIPMENT AND SUPPLIES	1235
CONTROL & MTG GP-PEDAL	1087	FILM GP	1235
CONTROL GP-HANDLE	1090	PLATE & FILM GP	1238
CONTROL GP-HEAT & AIR COND	1098	PLATE GP-ENGINE IDENTIFICATION	1249
CONTROL GP-HYDRAULIC PEDAL	1099	PART NUMBER INDEX	B1
CONTROL GP-PEDAL	1101		
CONTROL GP-TRAVEL	1104		
CONTROL GP-UNPRGMED MONITOR	1106		
COVER GP-CAB	1107		
COVER GP-STORAGE	1110		
DOOR & MTG GP-CAB	1111		
DOOR GP-CAB	1112		
DUCT GP-CAB AIR	1124		
GUARD AR-OVERHEAD	1126		
GUARD GP-FRONT WINDOW	1127		
GUARD GP-OVERHEAD	1128		
GUARD GP-WINDOW	1130		
HORN GP-ELECTRIC	1136		
INSTALLATION GP-RADIO	1138		
KIT-SEAT SUSPENSION	1145		
LEVER GP-AIR & TEMP CONTROL	1147		
LINES GP-AIR CONDITIONER	1148		
MIRROR GP-REAR VIEW	1151		

GENERAL INFORMATION

1. MACHINE IDENTIFICATION

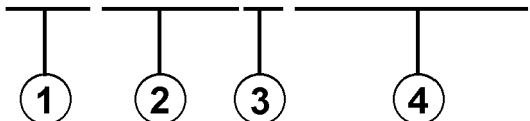
Caterpillar machines are identified by Product Identification Numbers (PIN). Some components included in a machine may be identified by Serial Numbers (S/N). Typical components that will be serialized include engines, transmissions, bulldozers, and rippers. The machine and engine are further identified by arrangement numbers and in some cases modification numbers. These numbers are shown on the product identification plate(s) and on the master plate in the operator's compartment.

Caterpillar dealers need all of these numbers to determine accurate parts identification.

New Feature

Effective First Quarter 2001 the Caterpillar Product Identification Number (PIN) changed from 8 to 17 characters. In an effort to provide uniform equipment identification, Caterpillar and other construction equipment manufacturers are moving to comply with the latest version of the product identification numbering standard. Non-road machine PINs are defined by ISO 10261. The new PIN format will apply to all Caterpillar machines and generator sets. The PIN plates and frame marking will display the 17 character PIN. The new format will look like the following:

* **C A T 0 7 8 9 B G 6 S L 1 2 3 4 5** *



1 2 3 4

Where:

1. Caterpillar's World Manufacturing Code (characters 1-3)
2. Machine Descriptor (characters 4-8)
3. Check Character (character 9)
4. Machine Indicator Section (MIS) or Product Sequence Number (characters 10-17). These were previously referred to as the Serial Number.

Machines and generator sets produced before First Quarter 2001 will maintain their 8 character PIN format.

Components such as engines, transmissions, axles, etc. and work tools will continue to use an 8 character Serial Number (S/N).

2. ORDERING PARTS

WARNING

When replacement parts are required for this product Caterpillar recommends using Caterpillar replacement parts or parts with equivalent specifications including, but not limited to, physical dimensions, type, strength and material.

Failure to heed this warning can lead to premature failures, product damage, personal injury or death.

Quality Caterpillar replacement parts are available from Caterpillar dealers throughout the world. Their parts inventories are up to date and include all parts normally required to protect your investment in Caterpillar machines. Dealers may offer repair kits or remanufactured parts to allow selection of the most effective repair alternative for a particular situation. When ordering parts, your order should specify the quantity, part number, part name, and the serial number/product identification number of the machine for which the parts are needed.

3. PARTS MANUAL ORGANIZATION

Product information in this manual is presented as "information elements" that represent all of the components for the specific model. Engine Arrangement and Seat Group are examples of information elements. The information elements are organized alphabetically by part name and secondarily by part number within each major section of the manual.

4. TABLE OF CONTENTS

A table of contents (TOC) is found at the beginning of the manual. The TOC lists each section of the manual with a complete list of all information elements organized as they appear in the manual. Page numbers are provided for quick reference to detailed parts identification illustrations and serviceable consist lists.

5. MAINTENANCE PARTS INDEX

The Maintenance Parts Index, located near the beginning of the manual, references most frequently used maintenance part numbers, providing description, quantity, usage and page number. This information is organized alphabetically by part description.

GENERAL INFORMATION

6. INDEX

The index located near the front of the manual is an alphabetical listing of all information elements included in the manual. Page numbers are provided for quick reference to detailed parts identification illustrations and serviceable consist lists.

7. PART NUMBER INDEX

A numerical index listing all part numbers and the corresponding page number(s) appears at the back of the manual.

8. CAPTIONS

Captions located at the beginning of each information element identify the part number and part name along with additional descriptive information. PIN and S/N information found in each caption should be used to select correct information for a specific machine. Field replacement options, identification of optional attachment components, and where used ("part of") information is also provided.

The first line of a caption is shown in larger type font to indicate the beginning of an information element. Captions for additional pages that may be required to illustrate an information element will be shown in standard type font and will include the term (*contd.*).

9. NON-SERVICED PARTS

In some instances it is necessary to display non-serviced parts that are a link to a lower level serviceable consist lists. These non-serviced part numbers are shown in *italic* type indicating that they are not available.

10. PARTS LIST REFERENCE NUMBERS

Numbers shown in the Ref No column correspond to numbers used in the associated graphic(s). An alphabetic suffix may be added to a reference number to identify lower level consist items. Numbers shown in the Graphic Ref column refer to the graphic number identifier displayed in the lower left corner of each illustration. The Graphic Ref number may be used in combination with the item Ref No to determine the correct part number. There may be intentional omission of a Ref No in a consist list as information is updated to reflect the latest serviceable part numbers.

11. INDENTED PART NAMES

When a part name is indented in a parts list, it is part of (included in) the group or assembly under which it is indented.

12. ILLUSTRATION REFERENCE LETTERS

When necessary, illustrations contain reference letters (A, B, C etc.) that are intended to track lines and harnesses from one point to another. They are also used to show where to reconnect illustrations that have been separated.

13. ABBREVIATIONS AND SYMBOLS

O.D. – Outside Diameter
I.D. – Inside Diameter
A – Not Part Of This Group
B – Use As Required
C – Change From Previous Type
D – Order By The Meter
E – Order By The Centimeter
F – Not Shown
G – Order By The Inch
I – Refer To Hydraulic Information System
M – Metric Part
R – Remfg Part May Be Available
Y – Separate Illustration
Z – Not Serviced Separately



New Feature

14. DESCRIPTION OF TYPE CHANGES

Type - A type is defined as any configuration change that requires an additional Information Element for an Arrangement, Group, or Assembly. If serial number breaks for types are not available, a type # (Type 1, Type 2, etc.) will be displayed in the caption. These "type" changes are identified with a "C" note (change from previous type) in the Parts List. Only the "types" that apply to this Parts Manual will be included. Additional types may exist causing "C" notes to appear on an Information Element when no other types are shown.

15.<END>

This symbol indicates the end of an information element.

NOTE:

Continuing improvement and advancement of product design may cause changes to your machine which may not be included in this publication. Whenever a question arises regarding your caterpillar product or this publication, please consult your caterpillar dealer for the latest available information.

GENERAL INFORMATION

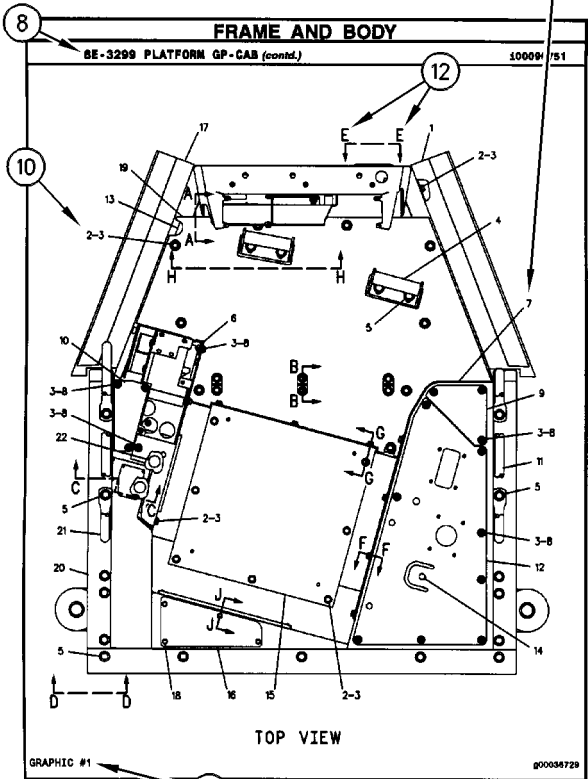
8 FRAME AND BODY							1
8E-3299 PLATFORM GP-CAB							100090781
PIN 38K1-99999							SEE PAGE
NOTE NO.	REF	GRAPHIC	PART NUMBER	QTY	PART NAME	PRODUCT LEVEL	
			ST-2883	1	PLATE AS		
			BE-2992	25	BOLT (3/8-16X.750IN)		
			WF-1078	41	WASHER-HARD (2MM THK)		
			WF-1444	2	SUPPORT AS-FOOT		
			WF-2229	19	BOLT (1/2-13X1IN)		
			WF-2229	19	WASHER-HARD (4MM THK)		
			BE-8126	1	COVER AS-LH		
			WF-2978	2	NUT-WELD (3/8-16 THD)		
			1P-8189	1	CLIP		
			7L-2411	4	COVER		
			6J-8488	19	SCREW-HEAD (3/8-16X.875IN)		
			4474	1	COVER		
			BE-2972	1	GASKET		
			BE-2980	1	GASKET		
			ST-2826	1	HANDHOLD		
			BE-2978	1	COVER AS		
			WF-2978	8	NUT-WELD (3/8-16 THD)		
			BE-2978	1	GASKET		
			7T-8121	1	FLOORPLATE AS		
			1F-8728	4	NUT-WELD (1/2-13 THD)		
			7F-8047	1	PLUG-BUTTON		
			7T-8126	1	PLATE AS		
			WF-2978	5	NUT-WELD (3/8-16 THD)		
			7T-8266	1	COVER		
			7T-8779	1	GASKET		
			ST-2981	1	PLATE AS		
			ST-2984	4	BOLT (1/4-20X.825IN)		
			WF-2978	2	WASHER-HARD (2MM THK)		
			81-8484	1	FLOOR MAT		
			BE-8946	1	MODULE AS-OPERATOR		
			ST-2984	1	HANDHOLD		
			WF-8871	2	PLUG		
			ST-2984	4	BOLT (1/4-20X.825IN)		
			ST-2986	4	WASHER-HARD (2MM THK)		
			WF-2978	17	BOLT (3/8-16X.750IN)		
			WF-1078	21	WASHER-HARD (2MM THK)		
			7T-8126	1	SEAL		
			7L-8278	2	BOLT (3/4-10X5IN)		
			7L-8278	2	WASHER-HARD (2MM THK)		
			ST-2482	2	PLATE		
			ST-2890	1	PLATE AS		
			7L-8868	8	BRACER		
			ST-2981	1	SEAL		
			7L-8917	1	GASKET		
			7L-8916	1	COVER AS		
			WF-2278	2	WASHER		
			WF-8028	2	SCREW-KNURLED		
			WF-8429	1	COVER		
			BE-8987	1	COVER		
			WF-3951	8	SCREW-SOCKET HEAD		
			WF-3142	8	MOUNTING		
			WF-8927	2	PLATE		
			7L-8989	2	BOLT (7/8-9X5IN)		
			7L-8972	2	WASHER-HARD		
			4L-8484	4	BOLT (3/8-16X1.0IN)		
			ST-6788	1	COVER		

12 FRAME AND BODY 1 of 4 SELP 170-01

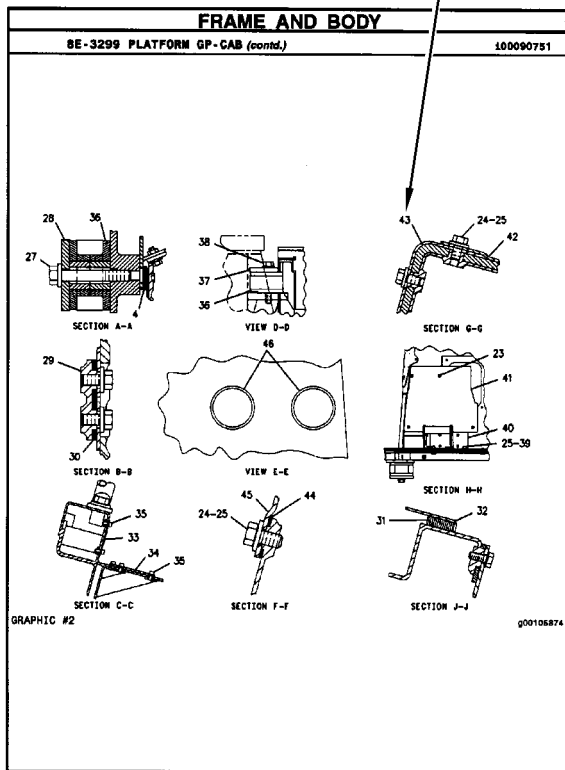
FRAME AND BODY							100090781
8E-3299 PLATFORM GP-CAB (contd.)							SEE PAGE
NOTE NO.	REF	GRAPHIC	PART NUMBER	QTY	PART NAME	PRODUCT LEVEL	
			BE-2816	1	COVER		
			7T-8124	1	PLATE		
			7T-8128	1	GASKET		
			7L-8724	1	GASKET		
			7L-8723	1	COVER		
			WF-1969	2	PLUG-BUTTON		

M-METRIC PART

SELPA570-01 2 of 4 FRAME AND BODY 13



14 FRAME AND BODY 3 of 4 SELPA570-01



SELPA570-01 4 of 4 FRAME AND BODY 16

REPAIR ALTERNATIVES

REMANUFACTURED COMPONENTS

As an option when making repairs consider Caterpillar Remanufactured Components. Components that are available through the Caterpillar Remanufactured Program are identified three ways in the parts book:

- with the letter R in the note field of the parts list
- with an R* at the beginning of the first line of the caption
- with an *R at the end of the first line of the caption

Typical components included in the Remanufacturing Program include:

ALTERNATORS
CONNECTING RODS
CRANKSHAFTS - UNDERSIZE
CRANKSHAFTS - UPGRADE TO NEW
CYLINDER HEADS
ELECTRONIC CONTROL MODULES (ECM)
ELECTRONIC SENSORS
FUEL INJECTORS
FUEL NOZZLES
FUEL PUMPS
GOVERNORS
OIL PUMPS
PISTONS
SHORT BLOCKS
STARTERS
TURBOCHARGERS - COMPLETE
TURBOCHARGER CARTRIDGES
WATER PUMPS

Caterpillar Remanufactured engines for many engine arrangements are also available.

SUPPLEMENTAL COOLANT ADDITIVES

CUSTOMER BENEFITS:

Protects against cavitation, foam, erosion, corrosion, and scale buildup in cooling systems.

- Provides measured coolant conditioner.

DESCRIPTION:

Additives deplete from the coolant with normal operation. For this reason, Supplemental Coolant Additives (SCA) must be added to all heavy duty coolants at regular intervals. In addition, when not using a fully formulated, pre-charged antifreeze, like Caterpillar's DEAC, an initial charge of SCA must be added to the cooling system. The amount of SCA added to the system is dependent on the capacity of the system.

The SCA for initial fill is provided as a liquid. SCA's for maintenance intervals are available in liquid form and as a spin-on element. (No Spin-on available for 3600 Family of Engines)

NOTE:

The amount of SCA added at initial fill is not the same as the amount added at maintenance intervals.

The coolant additive elements can be used with any ethylene or propylene glycol type antifreeze which meets ASTM D4985 or ASTM D5345 Specifications.

NOTE:

For use with standard heavy duty coolant only, not for use with Extended Life Coolant.

PARTS NEEDED:

Cooling System Capacity		Liquid SCA at Initial Fill	Liquid SCA at Maintenance*	Spin-on SCA Maintenance Element*
Liters	Gallons			
22-30	(6-8)	3P-2044 (1)	6V-3542 (1)	111-2370 (1)
30-38	(8-10)	3P-2044 (1) 6V-3542 (1)	111-2372 (1)	111-2369 (1)
38-49	(10-13)	3P-2044 (1) 8T-1589 (1)	111-2372 (1)	111-2369 (1)
49-64	(13-17)	3P-2044 (2)	8T-1589 (1)	9N-3368 (1)
64-83	(17-22)	3P-2044 (2) 8T-1589 (1)	111-2372 (1) 6V-3542 (1)	111-2371 (1)
83-114	(22-30)	3P-2044 (3) 8T-1589 (1)	3P-2044 (1)	9N-3718 (1)
114-163	(30-43)	3P-2044 (5)	3P-2044 (1) 6V-3542 (1)	111-2371 (2)
163-242	(43-64)	3P-2044 (8)	3P-2044 (2)	9N-3718 (2)

* Normal maintenance period is 250 hrs. See your Operation and Maintenance Manual for complete coolant maintenance instructions.

() Indicates quantity required.

MAINTENANCE PARTS

DESCRIPTION	PART NUMBER	QTY	WHERE USED	PAGE
AIR INLET AND EXHAUST SYSTEM				
FILTER ELEMENT AS-AIR (PRIMARY) (STANDARD EFFICIENCY)	106-3969	1	AIR CLEANER GP	172
		1	AIR CLEANER GP	173
FILTER ELEMENT AS-AIR (PRIMARY) (ULTRA HIGH EFFICIENCY)	132-7168	1	AIR CLEANER GP	172
		1	AIR CLEANER GP	173
FILTER ELEMENT AS-AIR (SECONDARY)	106-3973	1	AIR CLEANER GP	172
		1	AIR CLEANER GP	173
BASIC ENGINE				
BELT-SERPENTINE	243-1276	1	PULLEY GP	96
PLUG-DRAIN (ENGINE OIL PAN)	109-5839	1	PAN GP-OIL	84
		1	PAN GP-OIL	88
PLUG-DRAIN (ENGINE OIL)	109-5839	1	PAN GP-OIL	86
PLUG-O-RING	9S-4185	1	HOUSING GP-FLYWHEEL	67
SEAL-VALVE COVER	242-9537	1	COVER GP-VALVE MECHANISM	25
		1	COVER GP-VALVE MECHANISM	26
COOLING SYSTEM				
CAP AS (COOLANT FILL)	204-0920	1	RADIATOR & AFTERCOOLER GP	160
		1	RADIATOR & AFTERCOOLER GP	162
CAP AS (COOLANT OVERFLOW)	171-3370	1	RADIATOR & AFTERCOOLER GP	160
		1	RADIATOR & AFTERCOOLER GP	162
CAP-RADIATOR	099-0001	1	RADIATOR GP	164
		1	RADIATOR GP	167
GASKET-REGULATOR (HOUSING)	139-3550	1	LINES GP-WATER	143
		1	LINES GP-WATER	145
HOSE-RADIATOR	171-9016	1	RADIATOR & AFTERCOOLER GP	160
		1	RADIATOR & AFTERCOOLER GP	162
	230-2800	1	RADIATOR & AFTERCOOLER GP	160
		1	RADIATOR & AFTERCOOLER GP	162
PLUG-O-RING	9S-4185	1	LINES GP-WATER	143
		1	LINES GP-WATER	145
REGULATOR-TEMPERATURE (92-DEG C) (COOLANT)	248-5513	2	LINES GP-WATER	143
		2	LINES GP-WATER	145
SCREEN AS-RADIATOR	230-2831	1	SCREEN GP-RADIATOR	168
SCREEN AS-RADIATOR (DOOR FRONT, LH)	281-3564	1	SCREEN GP-RADIATOR	169
SCREEN AS-RADIATOR (DOOR FRONT, RH)	281-3565	1	SCREEN GP-RADIATOR	169
SCREEN AS-RADIATOR (DOOR REAR, LH)	281-3567	1	SCREEN GP-RADIATOR	169
SCREEN AS-RADIATOR (DOOR REAR, RH)	281-3566	1	SCREEN GP-RADIATOR	169
SCREEN AS-RADIATOR (UPPER)	230-2831	1	SCREEN GP-RADIATOR	169

MAINTENANCE PARTS

DESCRIPTION	PART NUMBER	QTY	WHERE USED	PAGE
ELECTRICAL AND STARTING SYSTEM				
BATTERY (12-VOLT, 1400-CCA)	153-5710	2	BATTERY & WIRING GP	252
		2	BATTERY & WIRING GP	254
		2	BATTERY & WIRING GP	266
		2	BATTERY & WIRING GP	278
CIRCUIT BREAKER AS (80-AMPERE) (MAIN)	171-2210	1	PANEL GP-CIRCUIT BREAKER	318
FUSE (10-AMPERE)	113-8490	20	PANEL GP-CIRCUIT BREAKER	317
FUSE (15-AMPERE)	113-8491	8	PANEL GP-CIRCUIT BREAKER	317
FUSE (30-AMPERE)	124-3548	1	PANEL GP-CIRCUIT BREAKER	318
FUSE (5-AMPERE)	141-2759	9	PANEL GP-CIRCUIT BREAKER	317
KEY (BATTERY DISCONNECT)	8H-5306	1	SWITCH GP-DISCONNECT	370
		1	SWITCH GP-DISCONNECT	371
LAMP (24-VOLT)	6C-9122	2	WIRING GP-CAB	385
LAMP (24-VOLT) (DOME LIGHT)	6C-9122	2	WIRING GP-CAB	387
LAMP AS (24-VOLT, 3-WATT)	170-9324	1	PANEL GP-SWITCH	325
		1	PANEL GP-SWITCH	327
LAMP-HALOGEN (24-VOLT, 70-WATT)	9X-3463	1	LAMP GP-FLOOD	309
		1	LAMP GP-FLOOD	310
		1	LAMP GP-FLOOD	311
ENGINE ARRANGEMENT				
SEAT BELT GP (RETRACTABLE, 43-MM)	305-0467	1	CONVERSION AR	3
		1	CONVERSION AR	4
		1	CONVERSION AR	5
SEAT BELT GP (RETRACTABLE, 46-MM)	240-5037	1	CONVERSION AR	3
		1	CONVERSION AR	4
		1	CONVERSION AR	5
FRAME AND BODY				
FUSE (10-AMPERE)	3K-8782	1	PUMP GP-LUBRICATION	533
FUEL SYSTEM				
CAP AS-FILLER (FUEL TANK)	7X-7700	1	TANK GP-FUEL	243
FILTER AS-WATER SEP & FUEL	326-1641	1	FILTER GP-FUEL	209
FILTER-FUEL (ADVANCED EFFICIENCY)	1R-0755	1	FILTER GP-FUEL	210
		1	FILTER GP-FUEL	212
		1	FILTER GP-FUEL	214
GASKET	9Y-8389	1	PUMP GP-FUEL PRIMING	233
PLUG-O-RING	9S-4185	2	FILTER GP-FUEL	210
		1	FILTER GP-FUEL	212
		1	FILTER GP-FUEL	214
		2	LINES GP-FUEL	218
		2	LINES GP-FUEL	224
		2	LINES GP-FUEL	226
SEAL-RING (FUEL AND WATER SEP FILTER)	220-8678	1	FILTER GP-FUEL	209
STRAINER AS-FUEL	176-0490	1	PUMP GP-FUEL TRANSFER	235
	229-1860	1	PUMP GP-FUEL TRANSFER	237
		1	PUMP GP-FUEL TRANSFER	239
STRAINER AS-FUEL (FLOAT GAUGE)	303-9933	1	TANK GP-FUEL	243

MAINTENANCE PARTS

DESCRIPTION	PART NUMBER	QTY	WHERE USED	PAGE
HYDRAULIC SYSTEM				
BREATHER (SWING DRIVE)	114-8234	1	DRIVE GP-SWING	643
		1	DRIVE GP-SWING	647
	4H-6112	1	DRIVE GP-SWING	645
		1	DRIVE GP-SWING	649
BREATHER AS (SWING DRIVE)	227-6221	1	DRIVE GP-SWING	645
		1	DRIVE GP-SWING	649
	231-6864	1	DRIVE GP-SWING	647
BREATHER GP (HYDRAULIC TANK)	212-5467	1	TANK & FILTER GP-HYDRAULIC	851
FILTER (EDGE)	119-2265	1	VALVE GP-MAIN CONTROL	887
FILTER ELEMENT AS-OIL (ULTRA HIGH EFFICIENCY) (HYDRAULIC RETURN)	179-9806	1	FILTER GP-OIL	668
FILTER ELEMENT-OIL (HYDRAULIC)	143-8086	1	FILTER GP-OIL	670
FILTER ELEMENT-OIL (ULTRA HIGH EFFICIENCY) (HYDRAULIC)	146-9290	1	FILTER GP-OIL	676
FILTER-OIL (ADVANCED EFFICIENCY)	185-0337	1	LINES GP-PILOT	726
FILTER-OIL (ADVANCED EFFICIENCY) (HYDRAULIC)	185-0337	1	FILTER GP-OIL	667
	4T-6788	1	FILTER GP-OIL	666
PLUG-O-RING	9S-4185	1	LINES GP-PILOT	722
		1	LINES GP-PILOT	728
		1	LINES GP-PILOT	736
		1	LINES GP-PILOT	743
		1	LINES GP-PILOT	751
		1	LINES GP-PUMP	758
		1	LINES GP-PUMP	762
		1	LINES GP-PUMP	766
		1	MANIFOLD & VALVE GP	792
		1	MANIFOLD & VALVE GP	794
		1	VALVE GP-CHECK	857
		1	VALVE GP-MAIN CONTROL	887
PLUG-OIL DRAIN (HYDRAULIC TANK)	6I-0723	1	TANK & FILTER GP-HYDRAULIC	851
SCREEN AS	209-6014	1	SCREEN GP-HYDRAULIC	849
LUBRICATION SYSTEM				
BREATHER AS (CRANKCASE)	162-2266	1	BREATHER GP	110
CAP AS-ENGINE OIL FILLER	163-9361	1	FILLER GP-ENGINE OIL	112
FILTER AS-ENGINE OIL (STANDARD EFFICIENCY)	1R-0716	1	FILTER GP-ENGINE OIL	115
FILTER-ENGINE OIL (ADVANCED EFFICIENCY)	1R-1808	1	FILTER GP-ENGINE OIL	116

MAINTENANCE PARTS

DESCRIPTION	PART NUMBER	QTY	WHERE USED	PAGE
OPERATOR STATION				
BLADE AS-WIPER (600-MM) (LOWER)	6V - 6864	1	WIPER GP-WINDOW	1233
BLADE AS-WIPER (700-MM) (UPPER)	6V - 7419	1	WIPER GP-WINDOW	1233
FILTER ELEMENT-CAB AIR	245 - 7823	1	AIR CONDITIONER GP	1035
		1	AIR CONDITIONER GP	1038
		1	AIR CONDITIONER GP	1041
	4I - 1278	1	CAB GP	1052
		1	CAB GP	1055
		1	CAB GP	1058
FILTER GP-AIR (AIR CONDITIONER)	293 - 1137	1	AIR CONDITIONER GP	1035
FUSE (5-AMPERE)	141 - 2759	1	INSTALLATION GP-RADIO	1140
		1	INSTALLATION GP-RADIO	1142
RECEIVER-REFRIGERANT DRYER	176 - 1902	1	LINES GP-AIR CONDITIONER	1148
SEAT BELT GP (RETRACTABLE, 43-MM)	327 - 6541	1	SEAT BELT GP	1189
SEAT BELT GP (RETRACTABLE, 46-MM)	273 - 5446	1	SEAT BELT GP	1185
SEAT BELT GP (RETRACTABLE, 76-MM)	235 - 9020	1	SEAT BELT GP	1186
		1	SEAT BELT GP	1188

INDEX

Name	Page	Name	Page
A			
ACCUMULATOR & MTG GP-HYDRAULIC	603	BATTERY & WIRING GP-COLD WEATHER	290
ACCUMULATOR GP-HYDRAULIC	604	BATTERY (12-VOLT, 1400-CCA)	252
	605		254
	606		266
ACTUATOR GP	607		278
ACTUATOR GP-PUMP	608	BELT-SERPENTINE	96
	609	BLADE AS-WIPER (600-MM) (LOWER)	1233
ADAPTER GP-FAST FILL FUEL	204	BLADE AS-WIPER (700-MM) (UPPER)	1233
ADAPTER GP-PUMP DRIVE	14	BLOCK GP-JUNCTION (BATTERY)	291
ADJUSTER GP-BUCKET-		BLOCK GP-JUNCTION-BATTERY	291
UB/WB/HB/JB-FAMILY	937	BOOM GP	921
	938	BOWL GP	939
ADJUSTER GP-SEAT	1206		940
ADJUSTER GP-SEAT (UPPER SLIDE)	1207	BOX & MTG GP-STORAGE	423
	1209	BOX GP-BATTERY	428
ADJUSTER GP-SEAT-LOWER SLIDE	1027		429
ADJUSTMENT GP-HYDRAULIC TRACK	562	BOX GP-BATTERY-COLD WEATHER	425
	563		426
AFTERCOOLER AS	164		427
AIR CLEANER GP	170	BOX GP-STORAGE	430
	171		432
	172	BRACKET GP-MOUNTING	
	173	(SUSPENSION SEAT)	1206
AIR CONDITIONER & MOUNTING GP	1028		1207
	1030		1209
	1032	BREATHER (SWING DRIVE)	643
AIR CONDITIONER AR	1034		645
AIR CONDITIONER GP	1035		647
	1038		649
	1041	BREATHER AS (CRANKCASE)	110
ALARM GP (BACKUP)	248	BREATHER AS (SWING DRIVE)	645
ALARM GP-FAULT	247		647
ALARM GP-TRAVEL-BACKUP	248		649
ALTERNATOR GP-CHARGING	249	BREATHER GP (HYDRAULIC TANK)	851
	251	BREATHER GP-CRANKCASE	110
ARMREST GP-LH	1044	BUCKET & ADJUSTER GP-	
	1046	EXCAVATION, HB-FAMILY	948
ARMREST GP-RH	1043		949
	1045	BUCKET & ADJUSTER GP-	
ATOMIZER AS-ETHER	357	EXCAVATION, JB-FAMILY	941
ATOMIZER GP-ETHER	354	BUCKET & ADJUSTER GP-	
		EXTREME EXCAVATION, JB-FAMILY	941
			948
		BUCKET & ADJUSTER GP-	
		EXTREME SERVICE ROCK, JB-FAMILY	951
		BUCKET & ADJUSTER GP-	
		HEAVY-DUTY ROCK, JB-FAMILY	944
			945
			950
		BUCKET & ADJUSTER GP-JB-FAMILY	951
		BUCKET & ADJUSTER GP-QUICK COUPLER	946
			947
		BUCKET & ADJUSTER GP-	
		ROCK, JB-FAMILY	942
			942
B			
BASE GP-OIL FILTER-ENGINE	109		
BASE GP-OIL FILTER-HYDRAULIC	610		
	611		
BASE GP-VALVE COVER & INJ HARN	15		
	16		
	17		
BATTERY & WIRING GP	254		
	266		
	278		

INDEX

Name	Page	Name	Page
	943	BUCKET GP-FRONT SHOVEL-	
BUCKET AR-EXCAVATION-JB-FAMILY	951	ROCK, C-FAMILY	989
BUCKET AR-FRONT SHOVEL-HEAVY-DUTY ...	952		991
	953		1001
BUCKET AR-FRONT SHOVEL-			1003
HEAVY-DUTY ROCK	952		1005
	953	BUCKET GP-HEAVY DUTY ROCK-	
BUCKET AR-FRONT SHOVEL-		QUICK COUPLER	1007
HEAVY-DUTY ROCK, C-FAMILY	954	BUCKET GP-ROCK-QUICK COUPLER	1008
BUCKET AR-FRONT SHOVEL-ROCK	952		1009
BUCKET AR-FRONT SHOVEL-			
ROCK, C-FAMILY	954		
	955		
BUCKET AR-FRONT SHOVEL-			
ROCK, SPILL PLATE	953		
BUCKET AR-FRONT SHOVEL-			
ROCK, SPILL PLATE, C-FAMILY	955		
BUCKET AR-ROCK-JB-FAMILY	955		
	956		
BUCKET AS-EXCAVATION-HB-FAMILY	958		
	959		
	960		
BUCKET AS-EXCAVATION-JB FAMILY	957		
BUCKET AS-EXTREME EXCAVATION-			
JB-FAMILY	961		
	962		
	963		
BUCKET AS-EXTREME SERVICE ROCK-			
JB-FAMILY	964		
BUCKET AS-GENERAL PURPOSE-			
JB-FAMILY	965		
BUCKET AS-HEAVY DUTY ROCK-			
JB-FAMILY	966		
	967		
	968		
BUCKET AS-ROCK-JB-FAMILY	969		
	970		
	971		
	972		
BUCKET AS-ROCK-QUICK COUPLER	973		
	974		
BUCKET GP-FRONT SHOVEL-HEAVY-DUTY ...	975		
BUCKET GP-FRONT SHOVEL-			
HEAVY-DUTY ROCK	979		
	981		
BUCKET GP-FRONT SHOVEL-			
HEAVY-DUTY ROCK, C-FAMILY	993		
	995		
	997		
	999		
BUCKET GP-FRONT SHOVEL-			
HEAVY-DUTY, C-FAMILY	985		
	987		
BUCKET GP-FRONT SHOVEL-ROCK	977		
	983		

C

CAB AR	1047
	1049
	1050
CAB GP-EXTERIOR	1052
	1055
	1058
CAMSHAFT GP	18
CAP AS (COOLANT FILL)	160
	162
CAP AS (COOLANT OVERFLOW)	160
	162
CAP AS-ENGINE OIL FILLER	112
CAP AS-FILLER (FUEL TANK)	243
CAP-RADIATOR	164
	167
CHASSIS AR	1
CIRCUIT BREAKER AS (80-AMPERE) (MAIN) ...	318
COIL AS (24-VOLT)	1064
COIL GP-EVAPORATOR	1062
COMPRESSOR & MTG GP-REFRIG	1064
	1065
	1066
COMPRESSOR GP-REFRIGERANT	1067
CONDENSER & MTG GP-REFRIGERANT	1068
CONDENSER GP-REFRIGERANT	1069
CONNECTION GP-ELECTRICAL	292
CONSOLE GP-OPERATOR	1070
	1072
CONSOLE GP-OPERATOR-LH	1074
	1080
CONSOLE GP-OPERATOR-RH	1076
	1078
CONTROL & MTG GP-COMMUNICATION-	
PRODUCT LINK	293
	295
CONTROL & MTG GP-COMMUNICATION-	
PRODUCT LINK 121SR	296
CONTROL & MTG GP-COMMUNICATION-	
PRODUCT LINK 321SR	298
CONTROL & MTG GP-ENGINE ELEK	299
	300
CONTROL & MTG GP-IMPLEMENT	301

INDEX

Name	Page	Name	Page
CONTROL & MTG GP-JOYSTICK-1-SWITCH . . .	1082		5
CONTROL & MTG GP-JOYSTICK- 3-BUTTON, TRIGGER SWITCH	1085	CONVERTER-POWER (24-VOLT TO 12-VOLT)	1138
	1086		1142
CONTROL & MTG GP-JOYSTICK- WITH THUMB SWITCHES	1083	COOLER & MTG GP-HYDRAULIC OIL	614
	1084		616
CONTROL & MTG GP-PEDAL-LH	1088	COOLER GP-FUEL	206
	1089	COOLER GP-HYDRAULIC OIL	618
CONTROL & MTG GP-PEDAL-TRAVEL	1087	CORE AS (ENGINE OIL COOLER)	143
CONTROL AR-AUXILIARY- 1-SWITCH, JOYSTICK	612		145
CONTROL AR-AUXILIARY- 4-SWITCH, JOYSTICK	612	CORE AS-FUEL COOLER	206
CONTROL AR-AUXILIARY- JOYSTICK, THUMB SWITCH	613	CORE AS-HEATER	1035
CONTROL AR-AUXILIARY-PEDAL, LH	612		1038
CONTROL AR-FAN-REVERSING	613		1041
CONTROL GP-COMMUNICATION- PRODUCT LINK 201	302	CORE AS-OIL COOLER (HYDRAULIC)	618
CONTROL GP-ENGINE ELECTRONIC	299	COUNTERWEIGHT & MOUNTING GP	434
CONTROL GP-HANDLE-JOYSTICK, LH	1090	COUNTERWEIGHT GP	435
	1093		436
	1094	COUPLING GP-FLEXIBLE	619
	1096		620
CONTROL GP-HANDLE-JOYSTICK, RH	1091		621
	1092	COUPLING GP-PUMP	623
	1095		624
CONTROL GP-HANDLE-LH	1097		625
CONTROL GP-HEAT & AIR COND-AIR INLET . . .	1098		626
CONTROL GP-HYDRAULIC PEDAL- STRAIGHT TRAVEL	1099	COVER AS-SOUND SUPPRESSION- ENGINE	438
	1100		439
CONTROL GP-JOYSTICK (POSITION SENSOR)	1082	COVER GP-CAB-EXTERIOR, LH	1108
	1084	COVER GP-CAB-REAR	1107
	1086	COVER GP-CONSOLE	1222
CONTROL GP-PEDAL-ELECTRIC	1102	COVER GP-CONTROL VALVE	440
	1103		441
CONTROL GP-PEDAL-TRAVEL	1101	COVER GP-CYLINDER BLOCK	19
CONTROL GP-TRAVEL-LEVERS, PEDALS	1104		20
CONTROL GP-UNPRGMED MONITOR	1106		21
	1153	COVER GP-FRONT HOUSING	22
	1203		23
CONTROL GP-UNPROGRAMMED	303	COVER GP-STORAGE-CAB, REAR	1110
	304	COVER GP-VALVE MECHANISM	24
CONTROL GP-UNPROGRAMMED (ENGINE) . . .	300		25
CONTROL GP-UNPROGRAMMED (PRODUCT LINK 300)	305		26
CONTROL GP-UNPROGRAMMED- PRODUCT LINK 300	305	CRANKSHAFT GP	28
CONTROL GP-WIPER	385	CYLINDER & SEAL GP-BOOM	627
	387	CYLINDER & SEAL GP-BUCKET	628
CONVERSION AR	3		629
	4	CYLINDER & SEAL GP-MASTER	630
		CYLINDER & SEAL GP-STICK	631
		CYLINDER BLOCK AS	29
			30
			31
			32

INDEX

Name	Page	Name	Page
FILM-INSTRUCTION (REFUELING PUMP)	235		115
	237		116
	239	FILTER GP-FUEL	210
FILM-INSTRUCTION (TRAVEL CONTROLS)	1162		212
FILM-WARNING			214
(FRONT GUARD, READ OMM)	1130	FILTER GP-FUEL-	
	1132	WITH WATER SEPARATOR	209
	1134	FILTER GP-OIL-FINE FILTRATION	676
FILM-WARNING		FILTER GP-OIL-HYDRAULIC	666
(NO WELD, NO DRILL, READ OMM)	1128		667
FILM-WARNING			670
(PRODUCT LINK RADIO, INTL)	295		672
	296		674
	302	FILTER GP-OIL-HYDRAULIC RETURN	668
FILM-WARNING		FILTER GP-WATER SEP & FUEL	216
(PRODUCT LINK RADIO, U.S.)	293	FILTER-ENGINE OIL	
	295	(ADVANCED EFFICIENCY)	116
	296	FILTER-FUEL (ADVANCED EFFICIENCY)	210
	302		212
FILM-WARNING (TOP GUARD, READ OMM)	1128		214
FILTER & LINES GP-HYDRAULIC-		FILTER-OIL (ADVANCED EFFICIENCY)	726
FINE FILTRATION	655	FILTER-OIL (ADVANCED EFFICIENCY)	
	656	(HYDRAULIC)	666
	658		667
	660	FINAL DRIVE GP	418
	662	FINAL DRIVE GP-WITH MOTOR	420
	664	FITTING GP-GREASE	923
FILTER (EDGE)	887	FITTING GP-HYDRAULIC-	
FILTER AS-ENGINE OIL		HIGH PRESSURE CUTOFF, ON	677
(STANDARD EFFICIENCY)	115	FITTING GP-RADIATOR VENT	140
FILTER AS-WATER SEP & FUEL	209	FLOOR MAT	1157
FILTER ELEMENT AS-AIR (PRIMARY)		FLYWHEEL GP	58
(STANDARD EFFICIENCY)	172	FRAME AR-UNDERCARRIAGE	564
	173	FRAME GP-CAB RISER	448
FILTER ELEMENT AS-AIR (PRIMARY)		FRAME GP-UNDERCARRIAGE	565
(ULTRA HIGH EFFICIENCY)	172		567
	173	FRAME GP-UPPER	450
FILTER ELEMENT AS-AIR (SECONDARY)	172	FUMES DISPOSAL GP	117
	173	FUSE (10-AMPERE)	317
FILTER ELEMENT AS-OIL			533
(ULTRA HIGH EFFICIENCY)		FUSE (15-AMPERE)	317
(HYDRAULIC RETURN)	668	FUSE (30-AMPERE)	318
FILTER ELEMENT-CAB AIR	1035	FUSE (5-AMPERE)	317
	1038		1140
	1041		1142
	1052		
	1055		
	1058		
FILTER ELEMENT-OIL (HYDRAULIC)	670		
FILTER ELEMENT-OIL			
(ULTRA HIGH EFFICIENCY) (HYDRAULIC)	676		
FILTER GP-AIR (AIR CONDITIONER)	1035		
	1038		
	1041		
FILTER GP-ENGINE OIL	114		

G

GASKET	233
GASKET-REGULATOR (HOUSING)	143
	145
GAUGE AS-OIL LEVEL (DIPSTICK) (ENGINE)	7
	9
GAUGE AS-OIL LEVEL (DIPSTICK)-ENGINE	118
GAUGE GP-OIL LEVEL (DIPSTICK)	119

INDEX

Name	Page	Name	Page
GAUGE GP-SIGHT-FUEL LEVEL	217	HANDRAIL GP-FRONT, UPPER	468
GAUGE GP-SIGHT-HYDRAULIC OIL LEVEL ...	678	HARNESS AS-BOX	317
GAUGE-OIL LEVEL (SWING DRIVE)	643	HARNESS AS-CAB	385
	645		387
	647	HARNESS AS-CHASSIS	255
	649		256
GEAR & BEARING GP-SWING	452		267
	454		268
	456		280
	457		413
	458	HARNESS AS-CONSOLE	396
	459	HARNESS AS-CONSOLE	
GEAR GP-CAMSHAFT	59	(BACKUP, JOYSTICK)	394
GEAR GP-FRONT	60		398
GEAR GP-REAR	63		400
	65	HARNESS AS-CONSOLE (RH)	325
GENERAL AR	1		327
GUARD AR	460	HARNESS AS-CONTROL	389
GUARD AR-CYLINDER	679		391
GUARD AR-OVERHEAD	1126		402
GUARD AR-OVERHEAD-WINDOW	1126	HARNESS AS-CONTROL (PRODUCT LINK) ...	389
GUARD GP-BOTTOM	461	HARNESS AS-CONTROL	
GUARD GP-CYLINDER-BOOM	685	(SERVICE CONNECTOR)	389
	686		391
GUARD GP-CYLINDER-MASTER	680	HARNESS AS-ENGINE	255
	681		267
	682		279
GUARD GP-CYLINDER-STICK	683		407
	684	HARNESS AS-ENGINE	
GUARD GP-FRONT WINDOW	1127	(INJECTOR, VARIABLE VALVE)	15
GUARD GP-LIGHTING	463	HARNESS AS-ENGINE (UNIT INJECTOR)	16
GUARD GP-OVERHEAD	1128	HARNESS AS-HEATER & AIR COND	1035
	1129		1038
GUARD GP-SWING MOTOR	465		1041
GUARD GP-SWIVEL	466	HARNESS AS-HEATER & AIR COND	
	467	(AIR CONDITIONER, LOW SIDE)	1028
GUARD GP-TRACK GUIDE-CENTER	569		1030
	572		1032
GUARD GP-TRACK GUIDE-		HARNESS AS-HEATER & AIR COND	
FRONT, CENTER, REAR	570	(CONTROL PANEL SWITCHES)	324
	574		1028
GUARD GP-TRACK GUIDE-FULL LENGTH	571		1030
	576		1032
GUARD GP-TRAVEL MOTOR	577	HARNESS AS-HYDRAULIC TANK	255
GUARD GP-WINDOW	1126		267
	1130		279
	1132	HARNESS AS-LIGHTING	255
	1134		267
GUIDE GP-OIL LEVEL GAUGE	120		279
	121	HARNESS AS-LIGHTING (CAB GUARD)	314
		HARNESS AS-PLATFORM	405
		HARNESS AS-PUMP	255
			267
			279
HANDRAIL GP-CAB	470	HARNESS AS-PUMP (REFUELING)	416
	471		

H

INDEX

Name	Page	Name	Page
HARNESS AS-RADIO	1138 1140 1142	IDLER GP-FRONT-RH	586
HARNESS AS-SWITCH	375	INDICATOR AS (HYDRAULIC RETURN FILTER)	672
HARNESS AS-SWITCH (REFUELING PUMP, STOP)	376	INDICATOR AS-AIR FILTER CHANGE (AIR RESTRICTION)	172 173
HARNESS AS-VALVE (MAIN CONTROL)	254 266 278	INJECTOR GP-FUEL	231
HARNESS AS-WIRING	346	INSTALLATION AR-COMMUNICATION- PRODUCT LINK	307
HARNESS AS-WIRING (HORN)	1136 1137	INSTALLATION AR-COMMUNICATION- PRODUCT LINK 121S	308
HARNESS AS-WIRING (REVERSIBLE FAN)	409	INSTALLATION AR-COMMUNICATION- PRODUCT LINK 300	308
HARNESS AS-WIRING- POWER CONVERTER	307	INSTALLATION AR-COMMUNICATION- PRODUCT LINK 321SR	308
HEAD GP-MOTOR	817	INSTALLATION AR-ENGINE	13
HEAD GP-PUMP	687	INSTALLATION GP-RADIO	1138 1140 1142 1144
HOOD & GUARD GP-COVERS, DOORS	472 479	<h2 style="margin: 0;">K</h2>	
HOOD & GUARD GP-ENGINE HOOD	486 489 492	KEY (BATTERY DISCONNECT)	370 371
HOOD & GUARD GP-HIGH AMBIENT	501	KIT-SEAL (STICK CYLINDER)	640
HOOD & GUARD GP-PUMP COMPARTMENT ...	495 498	KIT-SEAT SUSPENSION-AIR	1146
HOOD AS	503	KIT-SEAT SUSPENSION-MECHANICAL	1145
HOOD GP-RADIATOR	505	<h2 style="margin: 0;">L</h2>	
HOOD GP-ENGINE	507 509 512 514	LAMP (24-VOLT)	385
HOOD GP-ENGINE-RADIATOR	511	LAMP (24-VOLT) (DOME LIGHT)	387
HORN GP-ELECTRIC	1136 1137	LAMP AS (24-VOLT, 3-WATT)	325 327
HOSE GP-AIR CONDITIONER	1148	LAMP GP-FLOOD-CAB	311
HOSE-RADIATOR	160 162	LAMP GP-FLOOD-FRONT CHASSIS, LH	309
HOUSING GP-FLYWHEEL	67	LAMP GP-FLOOD-FRONT, RH	310
HOUSING GP-FRONT	68 70	LAMP-HALOGEN (24-VOLT, 70-WATT)	309 310 311
HYDRAULIC AR	689	LEVER GP-AIR & TEMP CONTROL	1058 1147
<h2 style="margin: 0;">I</h2>		LIFTING GP-ENGINE	71 72
IDLER GP-FRONT	578 579 580 581 582 583 584 585	LIGHTING GP-CHASSIS-FRONT	312
IDLER GP-FRONT-LH	587	LIGHTING GP-FLOOD-CAB	313
		LIGHTING GP-FLOOD-CAB GUARD	314
		LINES GP-AIR	180 181
		LINES GP-AIR- AFTERCOOLER TO TURBOCHARGER	177
		LINES GP-AIR- AIR CLEANER, ALT, TURBOCHARGER	178
		LINES GP-AIR CONDITIONER	1148

INDEX

Name	Page	Name	Page
LINES GP-AIR-TURBOCHARGER OUTLET	175		794
	176	MANIFOLD & VALVE GP-SWING	796
LINES GP-BUCKET-BOTTOM DUMP	690	MANIFOLD GP-EXHAUST	183
	692	MANIFOLD GP-FUEL	222
	694		228
	696	MECHANISM GP-FUEL PUMP & VALVE	73
LINES GP-ENGINE OIL	122		74
	124		75
LINES GP-ENGINE OIL DRAIN	126		76
LINES GP-FRONT	698		77
LINES GP-FRONT SHOVEL	701	MIRROR GP-REAR VIEW	1151
LINES GP-FUEL	218		1152
	220	MONITOR & MTG GP-OPERATOR	1153
	222	MOTOR & MTG GP-HYDRAULIC FAN-	
	224	REVERSING	798
	226	MOTOR & MTG GP-SWING-FRONT	801
LINES GP-GREASE	924		802
	926	MOTOR & MTG GP-SWING-REAR	799
	928		800
LINES GP-GREASE-		MOTOR & MTG GP-TRAVEL	803
AUTOMATIC LUBRICATION	930	MOTOR GP-LUBRICATION	520
LINES GP-HYDRAULIC FAN-		MOTOR GP-PISTON-FAN	810
SEPARATED COOLING SYSTEM	705	MOTOR GP-PISTON-HYDRAULIC FAN	806
LINES GP-LUBRICATION-GREASE	515	MOTOR GP-PISTON-	
LINES GP-MOTOR-REVERSING FAN	709	REVERSING HYDRAULIC FAN	804
	713	MOTOR GP-PISTON-SWING	808
	716		811
LINES GP-MUFFLER DRAIN	182	MOTOR GP-SWING-FRONT	814
LINES GP-PILOT	720		816
	726	MOTOR GP-SWING-REAR	813
	734		815
	741	MOTOR GP-TRAVEL	817
	749	MOUNTING GP-ALTERNATOR & COMPR	78
LINES GP-PILOT-DUPLICATED SIGNAL	719		79
LINES GP-PUMP	758	MOUNTING GP-ANTENNA-PRODUCT LINK	1154
	762	MOUNTING GP-CAB-REAR	1156
	766	MOUNTING GP-CONTROL-PRODUCT LINK	315
LINES GP-RETURN & FILTER	770	MOUNTING GP-CYLINDER-BOTTOM DUMP	819
	775	MOUNTING GP-CYLINDER-BUCKET	820
	780	MOUNTING GP-ENGINE	80
LINES GP-SWING MOTOR	785		82
LINES GP-TRAVEL MOTOR	788	MOUNTING GP-MAIN CONTROL VALVE	821
LINES GP-TURBOCHARGER OIL	127	MOUNTING GP-OIL LEVEL GAUGE	129
	128	MOUNTING GP-PLATFORM	1157
LINES GP-TURBOCHARGER WATER	141	MOUNTING GP-RADIO	1159
LINES GP-WATER	143	MOUNTING GP-SENSOR-	
	145	ATMOSPHERIC, ENGINE OIL	316
LINK AS-TRACK	588	MUFFLER GP	184
LOCK GP	507		188
LUBRICATION GP-ELECTRIC	519		190
			192
			195

M

MANIFOLD & VALVE GP-	
MAIN CONTROL VALVE	792

INDEX

Name	Page	Name	Page
O			991
OIL CHANGE GP-HIGH SPEED	130		995
OPERATOR AR	1160		999
P			1003
PADLOCK GP	242		1005
	423		1007
	425	PLATE-WARNING	1008
	426	(HIGH PRESSURE CYLINDER)	1009
	427		562
	486	PLATFORM GP	563
	489	PLATFORM GP-OPERATOR	1163
	492		1165
	1163		1166
PAN GP-OIL-ENGINE	84	PLUG GP-CONNECTOR-	1167
	86	ENGINE HARNESS, PROTECTIVE COVER ...	1168
	88	PLUG GP-CYLINDER BLOCK	329
PANEL GP-CIRCUIT BREAKER	317		92
PANEL GP-CONTROL-AIR CONDITIONER	324		93
PANEL GP-SOUND SUPPRESSION	523	PLUG GP-CYLINDER HEAD	94
	524		95
	526	PLUG-DRAIN (ENGINE OIL PAN)	84
	527		88
	528	PLUG-DRAIN (ENGINE OIL)	86
PANEL GP-SOUND SUPPRESSION-		PLUG-O-RING	67
ENGINE, REAR	525		143
PANEL GP-SOUND SUPPRESSION-			145
FRONT HOUSING	529		210
PANEL GP-SOUND SUPPRESSION-			212
PUMP COMPARTMENT	521		214
PANEL GP-SWITCH-ENGINE SPEED, START ...	325		218
	327		224
PARTS AR-CAB-HANDRAIL, FLOODLIGHT ...	1161		226
PEDAL AR-THIRD-STRAIGHT TRAVEL	1162		722
PISTON & ROD GP	90		728
	91		736
PLATE & FILM GP	1239		743
	1244		751
PLATE & FILM GP-			758
BIODEGRADABLE HYDRAULIC OIL	1238		762
PLATE GP-ENGINE IDENTIFICATION	1249		766
PLATE-IDENTIFICATION (CAT)	941		792
	942		794
	943		857
	944	PLUG-OIL DRAIN (HYDRAULIC TANK)	887
	945		851
	946	POWER TRAIN AR	421
	947	PROTECTOR GP-SIDE BAR-BUCKET	1010
	948	PULLEY GP	96
	949	PUMP & LINES GP-AUTOMATIC LUBE	530
	950	PUMP & MOTOR GP-REFUELING	229
	951	PUMP & MTG GP-HYDRAULIC-	
	987	SWING, FAN, PILOT	822
			824

INDEX

Name	Page	Name	Page
PUMP & MTG GP-MAIN HYDRAULIC	826	RELAY (24-VOLT) (BOOM LAMP 1).....	317
	828	RELAY (24-VOLT) (BOOM LAMP 2).....	317
PUMP AR-FUEL TRANSFER-REFUELING	230	RELAY (24-VOLT) (CAB FLOODLIGHT).....	317
PUMP GP-ENGINE OIL	132	RELAY (24-VOLT) (CHASSIS FLOODLIGHT)....	317
PUMP GP-FUEL INJECTION	231	RELAY (24-VOLT) (ETHER).....	317
	232	RELAY (24-VOLT) (HORN).....	317
PUMP GP-FUEL PRIMING-MANUAL	233	RELAY (24-VOLT) (HYDRAULIC LOCK).....	317
PUMP GP-FUEL TRANSFER.....	234	RELAY (24-VOLT) (NEUTRAL START).....	317
PUMP GP-FUEL TRANSFER-REFUELING	235	RELAY (24-VOLT)	
	237	(REFUELING PUMP, START).....	416
	239	RELAY (24-VOLT) (REFUELING PUMP, STOP)...	416
PUMP GP-GEAR.....	831	RELAY (BLOWER).....	1098
PUMP GP-GEAR-PILOT	830	RELAY (COMPRESSOR CLUTCH).....	1098
PUMP GP-LUBRICATION	531	RISER AR-CAB	1171
	532	RISER GP-CAB	1172
	533	ROCKER ARM GP	97
PUMP GP-MAIN HYDRAULIC	832		99
	834		100
PUMP GP-PISTON-FAN MOTOR	836		101
PUMP GP-PISTON-SWING.....	838		102
	840		103
PUMP GP-WATER.....	147	ROLLER AR-TRACK & CARRIER	590
	148		591
	149		592
	150	ROLLER GP-TRACK CARRIER	593
	151		594
	152	ROLLER GP-TRACK-DOUBLE FLANGE	595
	153	ROLLER GP-TRACK-SINGLE FLANGE	596
	154	ROTATING GP-MOTOR	842
	155	ROTATING GP-PUMP	843
	156		844
	157		845
	158		846
		ROTOR GP-SWIVEL	847
			848
R			
RADIATOR & AFTERCOOLER GP	159		
	160		
	162		
RADIATOR GP	164		
	166		
	167		
RADIO GP	1169		
RADIO GP-AM/FM	1170		
RADIO GP-COMMUNICATION-			
PRODUCT LINK 121SR.....	1171		
RECEIVER-REFRIGERANT DRYER.....	1148		
REEL GP-HOSE-GREASE	534		
REGULATOR AS-VOLTAGE (24-VOLT)			
(ALTERNATOR).....	249		
REGULATOR GP-FUEL PRESSURE	241		
REGULATOR-TEMPERATURE (92-DEG C)			
(COOLANT).....	143		
	145		
RELAY (24-VOLT) (AUTOLUBE).....	317		
S			
		SCREEN AS	849
		SCREEN AS-RADIATOR.....	168
		SCREEN AS-RADIATOR (DOOR FRONT, LH)...	169
		SCREEN AS-RADIATOR (DOOR FRONT, RH)...	169
		SCREEN AS-RADIATOR (DOOR REAR, LH)....	169
		SCREEN AS-RADIATOR (DOOR REAR, RH)....	169
		SCREEN AS-RADIATOR (UPPER).....	169
		SCREEN GP-HYDRAULIC-TANK	849
		SCREEN GP-RADIATOR	168
		SCREEN GP-RADIATOR-REVERSING FAN	169
		SCREEN GP-SUN	1174
		SEAL GP-CRANKSHAFT	104
		SEAL-RING (FUEL AND WATER SEP FILTER)...	209
		SEAL-VALVE COVER	25
			26
		SEAT & MOUNTING GP-	
		AIR SUSP, HIGH BACK, WITH HTR.....	1178

INDEX

Name	Page	Name	Page
SEAT & MOUNTING GP-AIR SUSPENSION	1177	SENSOR AS-PRESSURE	
	1182	(OVERLOAD WARNING)	330
SEAT & MOUNTING GP-HIGH BACK, TILT	1176	SENSOR AS-PRESSURE (SWING PUMP)	721
	1181		727
SEAT & MOUNTING GP-			735
HIGH BACK, WITH HEATER	1183		742
SEAT & MOUNTING GP-LOW BACK, TILT	1175		750
	1180	SENSOR AS-TEMPERATURE (AIR)	1098
SEAT BELT GP (RETRACTABLE, 43-MM)	3	SENSOR AS-TEMPERATURE	
	4	(AMBIENT AIR TEMP)	1035
	5		1038
	1189		1041
SEAT BELT GP (RETRACTABLE, 46-MM)	3	SENSOR AS-TEMPERATURE (COOLANT)	1035
	4		1038
	5		1041
	1185	SENSOR GP-ENGINE	8
SEAT BELT GP (RETRACTABLE, 76-MM)	1186		9
	1188		331
SEAT BELT GP-RETRACTABLE, 43-MM	1189		333
SEAT BELT GP-RETRACTABLE, 46-MM	1185	SENSOR GP-FUEL LEVEL-WATER IN FUEL	335
	1187	SENSOR GP-LIQUID LEVEL	336
SEAT BELT GP-RETRACTABLE, 76-MM	1184	SENSOR GP-LIQUID LEVEL	
	1186	(WATER IN FUEL)	335
	1188	SENSOR GP-POSITION (JOYSTICK)	1083
SEAT GP (HIGH BACK, TILT)	1200		1085
	1201	SENSOR GP-PRESSURE	337
SEAT GP (HIGH BACK, WITH HEATER)	1202		338
SEAT GP-HIGH BACK, TILT	1191		339
	1193		340
SEAT GP-HIGH BACK, WITH HEATER	1192		341
	1194		342
SEAT GP-LOW BACK, TILT	1190	SENSOR GP-PRESSURE (ATMOSPHERIC)	331
SEAT GP-SUSPENSION-			333
AIR SUSP, HIGH BACK, WITH HTR	1198	SENSOR GP-PRESSURE (ENGINE OIL)	331
SEAT GP-SUSPENSION-AIR SUSPENSION	1201		333
SEAT GP-SUSPENSION-		SENSOR GP-PRESSURE (FUEL)	210
AIR, HIGH BACK, TILT	1197		212
SEAT GP-SUSPENSION-HIGH BACK, TILT	1196		214
	1200	SENSOR GP-PRESSURE	
SEAT GP-SUSPENSION-		(INTAKE AIR MANIFOLD)	331
HIGH BACK, WITH HEATER	1202		333
SEAT GP-SUSPENSION-LOW BACK, TILT	1195	SENSOR GP-SPEED	343
	1199		345
SENDER AS-TEMPERATURE			346
(HYDRAULIC OIL)	851		347
SENSOR AS-LIQUID LEVEL			348
(WATER IN FUEL)	336	SENSOR GP-SPEED (ENGINE)	343
SENSOR AS-PRESSURE	330	SENSOR GP-SPEED (TIMING) (CAMSHAFT) . . .	331
SENSOR AS-PRESSURE (GREASE)	515	SENSOR GP-SPEED (TIMING, CAMSHAFT)	333
SENSOR AS-PRESSURE (MAIN PUMP)	721	SENSOR GP-TEMPERATURE	349
	727		350
	735		351
	742		352
	750	SENSOR GP-TEMPERATURE (FUEL)	210
			212

INDEX

Name	Page	Name	Page
	214	STRAINER AS-FUEL (FLOAT GAUGE)	243
	349	SUN VISOR	1224
SENSOR GP-TEMPERATURE (INTAKE AIR MANIFOLD)	331	SUPPORT AS-ENCLOSURE	550
SENSOR GP-TEMPERATURE (WATER/COOLANT)	331		551
SENSOR-FUEL LEVEL	243		552
SENSOR-TEMPERATURE (AMBIENT AIR)	1028	SUPPORT AS-SOUND SUPPRESSION	549
	1030	SUPPORT GP-ENGINE	105
	1032		106
SERVICE GP-MONITOR	1203		107
SHEET AS-SOUND SUPPRESSION	536		108
	538	SUPPORT GP-HOOD	553
	539		557
	540		558
	541	SUPPORT GP-SEAT	1204
	542		1205
	543	SUSPENSION GP-SEAT	1199
	544	SUSPENSION GP-SEAT (AIR)	1201
	545		1202
	546	SUSPENSION GP-SEAT (MECHANICAL)	1200
	547	SUSPENSION GP-SEAT-AIR	1207
	548		1209
			1211
SHEET AS-SOUND SUPPRESSION- RADIATOR	537		1212
SHOVEL AR-FRONT-WITH GUARDS	2		1214
SOFTWARE GP-COMMUNICATION (PRODUCT LINK 121SR)	1171	SUSPENSION GP-SEAT-MECHANICAL	1206
SOFTWARE GP-COMMUNICATION (PRODUCT LINK 300)	306		1210
SOFTWARE GP-COMMUNICATION (PRODUCT LINK)	302		1213
SOFTWARE GP-MACHINE	306	SWITCH (LIQUID LEVEL) (FUEL)	377
SOFTWARE GP-MONITOR	307	SWITCH AS (REFUELING PUMP, START)	375
	1203	SWITCH AS-LIMIT (NEUTRAL START)	373
SOFTWARE GP-MONITOR (PRODUCT LINK)	302	SWITCH AS-LIQUID LEVEL (ENGINE OIL)	84
SOLENOID AS-STARTING MOTOR (24-VOLT)	363		86
	366		88
SOLENOID GP	353	SWITCH AS-LIQUID LEVEL (FUEL TANK SHUTOFF)	239
SPRING GP-RECOIL	597	SWITCH AS-LIQUID LEVEL (LOW HYDRAULIC OIL)	851
	598	SWITCH AS-MAGNETIC (24-VOLT) (MAIN RELAY)	317
	599	SWITCH AS-MAGNETIC (24-VOLT) (REFUELING POWER RELAY)	416
SPROCKET GP	422	SWITCH AS-PRESSURE	1148
STARTING AID GP-ETHER	354	SWITCH AS-PUSH BUTTON (HORN)	1090
	357	SWITCH AS-PUSH BUTTON (MANUAL LOW IDLE)	1091
STARTING AR-COLD WEATHER	360	SWITCH AS-ROCKER (AUTOMATIC LUBRICATION)	515
STARTING MOTOR GP-ELECTRIC	361	SWITCH AS-ROCKER (HEATED SEAT)	1178
	362		1183
	365	SWITCH AS-ROCKER (RADIO MUTE)	1138
	368		1140
	369		1142
STICK GP	936	SWITCH AS-TOGGLE (AUTO/MANUAL ENG SPEED CONTROL)	398
STRAINER AS-FUEL	235		400
	237		
	239		

INDEX

Name	Page	Name	Page
SWITCH AS-TOGGLE (BACKUP BOOM)	394	TIP GP-GENERAL PURPOSE-K-170	1018
	396	TIP GP-LONG-J-700	1019
SWITCH AS-TOGGLE (BACKUP GOVERNOR)	398	TIP GP-LONG-J-700, HEAVY-DUTY	1020
SWITCH AS-TOGGLE (BACKUP TRAVEL, LH) . . .	394	TIP GP-PENETRATION-J-700	1021
	396	TIP GP-PENETRATION-K-150	1022
SWITCH AS-TOGGLE (BACKUP TRAVEL, RH)	398	TIP GP-PENETRATION-K-170	1023
	400	TIP GP-PENETRATION PLUS-J-700	1024
SWITCH AS-TOGGLE (THROTTLE BACKUP) . . .	400	TIP GP-PENETRATION PLUS-K-150	1025
SWITCH GP-DISCONNECT (BATTERY)	252	TIP GP-PENETRATION PLUS-K-170	1026
SWITCH GP-DISCONNECT-BATTERY	370	TRACK GP-2-REQUIRED	600
	371		601
SWITCH GP-MAGNETIC-START RELAY	372	TRIM GP-CAB-INTERIOR, FRONT	1218
SWITCH GP-POSITION- HYDRAULIC LOCKOUT	373		1220
SWITCH GP-PRESSURE	374		1222
SWITCH GP-PUSH BUTTON (REFUELING PUMP, STOP)	376	TRIM GP-CAB-INTERIOR, REAR	1215
SWITCH GP-PUSH BUTTON- REFUELING PUMP, START	375	TURBOCHARGER GP	198
SWITCH GP-PUSH BUTTON- REFUELING PUMP, STOP	376		199
SWITCH GP-PUSHBUTTON (REFUELING PUMP, START)	375		200
SWITCH GP-REFUELING- FUEL TANK SHUTOFF	377		201
SWITCH GP-ROTARY- THROTTLE POSITION	378		202
	379		203
SWITCH GP-START-ENGINE, KEY	380	V	
SWITCH GP-TOGGLE (SECONDARY SHUTDOWN)	254	VALVE GP (FLOW COMPENSATOR)	869
	266		874
	278	VALVE GP-CHECK	856
SWITCH GP-TOGGLE- SECONDARY SHUTDOWN	381		857
SWITCH-PUSH BUTTON (REFUELING PUMP, STOP)	376		858
SWITCH-TOGGLE (LUBRICATION MOTOR) . . .	533		859
SWIVEL GP	850		861
		VALVE GP-CHECK-FUEL	245
T		VALVE GP-CONTROL	891
TANK & FILTER GP-HYDRAULIC	851	VALVE GP-CONTROL (TRAVEL, RH, LH)	869
TANK & MTG GP-FUEL	242	VALVE GP-CONTROL-LH	874
TANK & MTG GP-HYDRAULIC	855	VALVE GP-CONTROL-NEUTRAL BYPASS	863
TANK GP-FUEL	243		864
TIP GP-ABRASION-J-700	1011		867
TIP GP-ABRASION-J-700, HEAVY-DUTY	1012		882
TIP GP-ABRASION-K-150, HEAVY-DUTY	1013	VALVE GP-CONTROL-REVERSE FLOW FAN . . .	866
TIP GP-ABRASION-K-170, HEAVY-DUTY	1014	VALVE GP-CONTROL-REVERSIBLE FAN	881
TIP GP-BUCKET-K-150, HEAVY-DUTY	1015		884
TIP GP-EXTRA-DUTY-K-170	1016	VALVE GP-CONTROL-RH	869
TIP GP-GENERAL PURPOSE-K-150	1017	VALVE GP-CONTROL-SWING	879
		VALVE GP-ETHER STARTING	382
		VALVE GP-FLUID SAMPLING	133
		VALVE GP-FUEL BYPASS-FILTER	246
		VALVE GP-LOAD CONTROL	885
		VALVE GP-MAIN CONTROL	887
		VALVE GP-MANIFOLD & REDUCING	889
		VALVE GP-PRESSURE REDUCING	891
		VALVE GP-PRESSURE REDUCING (PARKING BRAKE RELEASE)	817
		VALVE GP-PUMP CONTROL- FLOW COMPENSATOR	895

INDEX

Name	Page	Name	Page
	899	W	
VALVE GP-PUMP CONTROL- PRESSURE AND FLOW COMPENSATOR	901 902	WALKWAY GP	560
VALVE GP-PUMP CONTROL- PRESSURE COMPENSATOR	892 897	WASHER GP-WINDOW	1225
VALVE GP-PUMP CONTROL- PRESSURE, FLOW COMPENSATOR	894	WINDOW GP-CAB-HIGH RESISTANT GLASS . . .	1228
VALVE GP-RELIEF	903 904 905 906 907	WINDOW GP-CAB- REAR, SIDE, TOP WINDOWS	1226 1227
VALVE GP-RELIEF (LINE)	817 866 881	WINDOW GP-DOOR	1229 1230
VALVE GP-RELIEF (LINE) (REVERSIBLE FAN)	884	WIPER & WINDOW AR-CAB- HIGH RESISTANT GLASS	1232
VALVE GP-SHUTOFF	224 226	WIPER GP-WINDOW- FRONT WINDOW, 1-PIECE	1233
VALVE GP-SHUTTLE	910 911 912 913	WIRING GP-AUX START RECEPTACLE- JUMP START	383 385 387
VALVE GP-SOLENOID	889 914 915 916 917 918	WIRING GP-CAB-CONSOLE SWITCHES, RH . . .	385 387
VALVE GP-SOLENOID (24-VOLT) (24 VDC)	885	WIRING GP-COMMUNICATION- PRODUCT LINK 121S	391
VALVE GP-SOLENOID (24-VOLT) (HIGH, LOW RELIEF)	887	WIRING GP-COMMUNICATION- PRODUCT LINK 300	389
VALVE GP-SOLENOID (24-VOLT) (NEUTRAL BYPASS)	864 867 882	WIRING GP-CONSOLE	393
VALVE GP-SOLENOID (PRESSURE COMPENSATOR, FAN PUMP)	897	WIRING GP-CONSOLE-LH	394 396
VALVE GP-SOLENOID (REVERSING FAN)	709 713 716	WIRING GP-CONSOLE-RH	398 400
VALVE GP-SOLENOID (SWING PARKING BRAKE)	813 815	WIRING GP-CONTROL-PRODUCT LINK	402
VALVE GP-SWING CUSHION- ANTI-REACTION, FINE SWING	919	WIRING GP-CONVERTER	403 404 405 406
VALVE GP-TRAVEL COUNTERBALANCE	920	WIRING GP-ENGINE	407
VISOR GP-CAB	1224	WIRING GP-FAN-REVERSING	409
		WIRING GP-PLATFORM	410 413
		WIRING GP-REFUELING PUMP	416

MEMORANDA

MACHINE ARRANGEMENT

228-8154 CHASSIS AR

S/N: MMA1-UP

PART OF 228-8153 GENERAL AR

SMCS-7000

i03023673

NOTE	PART NUMBER	QTY	PART NAME						SEE PAGE
			1	2	3	4	5	6 (PRODUCT LEVEL)	
Y	238-2205	1	BATTERY & WIRING GP						290
Y	256-1931	1	BOX & MTG GP-STORAGE						423
Y	247-5172	1	CONTROL & MTG GP-IMPLEMENT						301
Y	205-6829	1	COOLER GP-FUEL						206
Y	250-5061	1	COUNTERWEIGHT & MOUNTING GP						434
Y	199-0072	1	COVER GP-CONTROL VALVE						440
Y	235-7814	1	FRAME GP-UPPER						450
Y	223-2939	1	GUARD GP-BOTTOM						461
Y	223-2951	1	HANDRAIL GP						468
Y	223-2940	1	SUPPORT GP-HOOD						553
Y	223-2941	1	HOOD & GUARD GP (COVERS, DOORS)						472
Y	223-2942	1	HOOD & GUARD GP (ENGINE HOOD)						486
Y	236-3725	1	HOOD & GUARD GP (PUMP COMPARTMENT)						495
Y	150-7033	1	LIGHTING GP-CHASSIS						312
Y	223-2949	1	LINES GP-FUEL						218
			S/N: MMA1-258						
Y	307-8136	1	LINES GP-FUEL						224
			S/N: MMA259-UP						
Y	223-3074	1	MIRROR GP-REAR VIEW						1151
Y	245-7811	1	MOUNTING GP-PLATFORM						1157
Y	225-5752	1	OPERATOR AR						1160
Y	228-8156	1	PLATE & FILM GP (LUBRICANT)						1239
Y	223-2943	1	PLATFORM GP (OPERATOR)						1163
Y	184-8528	1	TANK & MTG GP-FUEL						242
Y	223-3086	1	WALKWAY GP						560
Y	251-0575	1	HORN GP-ELECTRIC						1136
			S/N: MMA1-245						
Y	267-7860	1	HORN GP-ELECTRIC						1137
			S/N: MMA246-UP						

Y-SEPARATE ILLUSTRATION

<END>

228-8153 GENERAL AR

S/N: MMA1-UP

SMCS-7000

i02567021

NOTE	PART NUMBER	QTY	PART NAME						SEE PAGE
			1	2	3	4	5	6 (PRODUCT LEVEL)	
Y	228-8154	1	CHASSIS AR						1
Y	260-2097	1	ELECTRICAL AR						306
Y	255-2882	1	ENGINE AR						6
Y	232-4126	1	HYDRAULIC AR						689
Y	222-8318	1	INSTALLATION AR-ENGINE						13
Y	227-6149	1	POWER TRAIN AR						421
Y	245-5559	1	FRAME AR-UNDERCARRIAGE						564

Y-SEPARATE ILLUSTRATION

<END>

MACHINE ARRANGEMENT

265-7177 SHOVEL AR-FRONT-WITH GUARDS

S/N: MMA1-UP

PART OF 265-7172, 265-7175, 265-7176 CONVERSION AR
AN ATTACHMENT

SMCS-6500, 6501, 6502

i02658932

NOTE	PART NUMBER	QTY	PART NAME						SEE PAGE
			1	2	3	4	5	6 (PRODUCT LEVEL)	
Y	184-5557	1	BOOM GP						921
Y	185-0164	2	CYLINDER & SEAL GP-BOOM						627
Y	105-7484	2	CYLINDER & SEAL GP-BUCKET						628
Y	4I-5692	1	CYLINDER & SEAL GP-MASTER (BOOM)						630
Y	4I-7735	1	CYLINDER & SEAL GP-STICK						631
Y	275-0723	1	FITTING GP-GREASE						923
Y	253-8453	1	GUARD AR (SWING MOTOR)						460
Y	250-0712	1	GUARD AR-OVERHEAD						1126
Y	254-1982	1	GUARD GP-OVERHEAD						1129
Y	184-9171	1	LINES GP-FRONT SHOVEL						701
Y	9U-1327	1	LINES GP-GREASE						924
Y	230-0590	1	RISER AR-CAB						1171
Y	184-5559	1	STICK GP						936

Y-SEPARATE ILLUSTRATION

<END>

ENGINE ARRANGEMENT

265-7172 CONVERSION AR

S/N: MMA1-UP

EAME MARKET

AN ATTACHMENT

SMCS-1000

i03624459

NOTE	PART NUMBER	QTY	PART NAME						SEE PAGE
			1	2	3	4	5	6 (PRODUCT LEVEL)	
Y	237-2167	1	CAB AR						1047
Y	263-3764	1	CONTROL AR-AUXILIARY (JOYSTICK, THUMB SWITCH)						613
Y	225-4839	1	LINES GP-PILOT						719
Y	251-0542	1	PANEL GP-SWITCH (ENGINE SPEED, START)						325
Y	249-7107	1	PARTS AR-CAB (HANDRAIL, FLOODLIGHT)						1161
Y	240-5037	1	SEAT BELT GP (RETRACTABLE, 46-MM)						1185
			-OR-						
Y	305-0467	1	SEAT BELT GP (RETRACTABLE, 43-MM)						1189
Y	239-6472	1	SENSOR GP-FUEL LEVEL						335
Y	265-7177	1	SHOVEL AR-FRONT						2
Y	263-8848	1	WIPER & WINDOW AR-CAB (HIGH RESISTANT GLASS)						1232

Y-SEPARATE ILLUSTRATION

ENGINE ARRANGEMENT

265-7175 CONVERSION AR

S/N: MMA1-UP
LACD MARKET
AN ATTACHMENT

SMCS-1000

i03624460

NOTE	PART NUMBER	QTY	PART NAME						SEE PAGE
			1	2	3	4	5	6 (PRODUCT LEVEL)	
Y	231-1771	1	ALARM GP-TRAVEL (BACKUP)						248
Y	237-3564	1	CAB AR						1049
Y	263-3764	1	CONTROL AR-AUXILIARY (JOYSTICK, THUMB SWITCH)						613
Y	234-6500	1	COVER GP-STORAGE (CAB, REAR)						1110
Y	303-2727	1	INSTALLATION AR-COMMUNICATION (PRODUCT LINK 321SR)						308
Y	251-0538	1	RADIO GP (AM, FM)						1169
			-OR-						
Y	275-9858	1	INSTALLATION GP-RADIO (AM, FM)						1144
Y	251-0542	1	PANEL GP-SWITCH (ENGINE SPEED, START)						325
Y	240-5037	1	SEAT BELT GP (RETRACTABLE, 46-MM)						1185
			-OR-						
Y	305-0467	1	SEAT BELT GP (RETRACTABLE, 43-MM)						1189
Y	240-5003	1	SEAT & MOUNTING GP (HIGH BACK, TILT)						1176
			-OR-						
Y	327-6501	1	SEAT & MOUNTING GP (HIGH BACK, TILT) (HIGH BACK, TILT)						1181
Y	239-6472	1	SENSOR GP-FUEL LEVEL						335
Y	265-7177	1	SHOVEL AR-FRONT						2
Y	249-7107	1	PARTS AR-CAB (HANDRAIL, FLOODLIGHT)						1161
Y	263-8848	1	WIPER & WINDOW AR-CAB (HIGH RESISTANT GLASS)						1232

Y-SEPARATE ILLUSTRATION

ENGINE ARRANGEMENT

265-7176 CONVERSION AR

S/N: MMA1-UP

APD MARKET

AN ATTACHMENT

SMCS-1000

i03624461

NOTE	PART NUMBER	QTY	PART NAME						SEE PAGE
			1	2	3	4	5	6 (PRODUCT LEVEL)	
Y	231-1771	1	ALARM GP-TRAVEL (BACKUP)						248
Y	237-3564	1	CAB AR						1049
Y	263-3764	1	CONTROL AR-AUXILIARY (JOYSTICK, THUMB SWITCH)						613
Y	251-0542	1	PANEL GP-SWITCH (ENGINE SPEED, START)						325
Y	249-7107	1	PARTS AR-CAB (HANDRAIL, FLOODLIGHT)						1161
Y	240-5037	1	SEAT BELT GP (RETRACTABLE, 46-MM)						1185
			-OR-						
Y	305-0467	1	SEAT BELT GP (RETRACTABLE, 43-MM)						1189
Y	265-7177	1	SHOVEL AR-FRONT						2
Y	263-8848	1	WIPER & WINDOW AR-CAB (HIGH RESISTANT GLASS)						1232

Y-SEPARATE ILLUSTRATION

ENGINE ARRANGEMENT

255-2882 ENGINE AR

S/N: MMA1-UP

PART OF 228-8153 GENERAL AR

SMCS-1000

i03649761

NOTE	PART NUMBER	QTY	PART NAME						SEE PAGE
			1	2	3	4	5	6 (PRODUCT LEVEL)	
Y	257-4960	1	ENGINE AR-COMplete						7
			S/N: MMA1-252						
CY	286-9798	1	ENGINE AR-COMplete						9
			S/N: MMA253-UP						
Y	222-8255	1	MUFFLER GP						184
C-CHANGE FROM PREVIOUS TYPE Y-SEPARATE ILLUSTRATION									

ENGINE ARRANGEMENT

257-4960 ENGINE AR-COMPLETE

S/N: RHX1-3017

PART OF 255-2882 ENGINE AR

FIELD REPLACEMENT ORDER 286-9798—PAGE 9

SMCS-1000

i02574727

NOTE	PART NUMBER	QTY	PART NAME						SEE PAGE
			1	2	3	4	5	6 (PRODUCT LEVEL)	
Y	235-2471	1	ALTERNATOR GP-CHARGING						251
Y	235-5805	1	SUPPORT GP-ENGINE						107
Y	275-6470	1	COMPRESSOR & MTG GP-REFRIG						1065
Y	126-7631	1	CONNECTION GP-ELECTRICAL						292
Y	229-5509	1	CONTROL & MTG GP-ENGINE ELEK						299
Y	107-6736	1	COVER GP-CYLINDER BLOCK (TURBOCHARGER DRAIN COVER)						19
Y	229-5519	1	COVER GP-CYLINDER BLOCK						20
Y	120-9847	1	COVER GP-FRONT HOUSING						22
Y	159-6159	1	COVER GP-FRONT HOUSING (CAM, IDLER GEAR)						23
Y	246-5628	1	COVER GP-VALVE MECHANISM						27
Y	212-2113	1	DAMPER & PULLEY GP						52
Y	6I-3638	1	DRIVE GP-PUMP						642
Y	241-5933	1	ENGINE AR-CORE						11
			S/N: RHX1-1614, 2218-3017						
Y	280-2166	1	ENGINE AR-CORE						12
			S/N: RHX1615-2217						
Y	4P-6846	1	FASTENER GP-FRONT HOUSING						55
Y	221-1428	1	FASTENER GP-FRONT HOUSING						56
Y	4N-2481	1	FASTENER GP-OIL PUMP MOUNTING						111
Y	246-9906	1	FILLER GP-ENGINE OIL						112
Y	231-2215	1	FILTER GP-ENGINE OIL						115
Y	246-2659	1	FILTER GP-FUEL						210
Y	235-6472	1	FITTING GP-RADIATOR VENT						140
Y	194-7097	1	FLYWHEEL GP						58
Y	241-6326	1	FUMES DISPOSAL GP						117
Y	190-2471	1	GAUGE GP-OIL LEVEL (DIPSTICK) (ENGINE)						119
			S/N: RHX1-2154						
Y	275-6596	1	GAUGE AS-OIL LEVEL (DIPSTICK) (ENGINE)						118
			S/N: RHX2155-3017						
Y	4P-9823	1	GEAR GP-REAR						63
Y	190-2472	1	GUIDE GP-OIL LEVEL GAUGE						120
Y	7E-8996	1	HOUSING GP-FLYWHEEL						67
Y	241-0164	1	HOUSING GP-FRONT						68
Y	111-2088	1	LIFTING GP-ENGINE (REAR)						71
Y	112-2418	1	LIFTING GP-ENGINE (FRONT)						72
Y	126-0081	1	LINES GP-AIR (TURBOCHARGER OUTLET)						175
Y	263-1129	1	LINES GP-AIR						180
Y	160-6894	1	LINES GP-ENGINE OIL						122
Y	246-4785	1	LINES GP-FUEL						220
Y	220-3490	1	LINES GP-TURBOCHARGER OIL						127
Y	220-3493	1	LINES GP-TURBOCHARGER WATER						141
Y	228-4224	1	LINES GP-WATER						143
Y	220-6372	1	MANIFOLD GP-EXHAUST						183
Y	273-1682	1	STARTING MOTOR GP-ELECTRIC (24-VOLT)						368
Y	227-3503	1	MOUNTING GP-ALTERNATOR & COMPR						78
Y	170-3562	1	MOUNTING GP-OIL LEVEL GAUGE						129
Y	197-7415	1	MOUNTING GP-SENSOR (ATMOSPHERIC, ENGINE OIL)						316
Y	270-7278	1	PAN GP-OIL						86
			S/N: RHX1080-2154						
Y	271-5761	1	PAN GP-OIL						88
			S/N: RHX2155-3017						
Y	238-6802	1	PANEL GP-SOUND SUPPRESSION (LH)						525
Y	246-5984	1	PANEL GP-SOUND SUPPRESSION (FRONT HOUSING)						529

ENGINE ARRANGEMENT

257-4960 ENGINE AR-COMPLETE (contd.)

i02574727

NOTE	PART NUMBER	QTY	PART NAME						SEE PAGE
			1	2	3	4	5	6 (PRODUCT LEVEL)	
Y	224-3979	1	PLATE GP-ENGINE IDENTIFICATION (C18 ACERT)						1249
			S/N: RHX1-2217						
Y	235-8200	1	PLUG GP-CONNECTOR (ENGINE HARNESS, PROT COVER)						329
Y	229-6709	1	PLUG GP-CYLINDER BLOCK (OIL GALLERY)						92
Y	230-4646	1	PLUG GP-CYLINDER HEAD						94
Y	221-3705	1	PULLEY GP						96
YR	198-1508	1	PUMP GP-ENGINE OIL						132
Y	100-4265	1	PUMP GP-FUEL TRANSFER						234
Y	224-3239	1	PUMP GP-WATER						148
Y	231-1973	1	SENSOR GP-ENGINE						331
Y	171-8963	1	SENSOR GP-SPEED						343
Y	7E-4876	1	SUPPORT GP-ENGINE						105
Y	220-6060	1	TURBOCHARGER GP						198
Y	235-5942	1	VALVE GP-FLUID SAMPLING						133
Y	220-3464	1	WIRING GP-ENGINE						407
	268-3700	1	ELECTRONICS GP-ENGINE RATINGS						
PLEASE USE THE GASKET KIT LINK IN SIS OR CONTACT YOUR LOCAL DEALER FOR THE LATEST GASKET KIT INFORMATION									

R-REMG PART MAY BE AVAILABLE
Y-SEPARATE ILLUSTRATION

ENGINE ARRANGEMENT

286-9798 ENGINE AR-COMPLETE

S/N: RHX1-UP

PART OF 255-2882 ENGINE AR

FIELD REPLACEMENT FOR 257-4960-PAGE 7

SMCS-1000

i03620820

NOTE	PART NUMBER	QTY	PART NAME						SEE PAGE
			1	2	3	4	5	6 (PRODUCT LEVEL)	
Y	235-2471	1	ALTERNATOR GP-CHARGING						251
Y	275-6470	1	COMPRESSOR & MTG GP-REFRIG						1065
Y	126-7631	1	CONNECTION GP-ELECTRICAL						292
Y	229-5509	1	CONTROL & MTG GP-ENGINE ELEK						299
Y	107-6736	1	COVER GP-CYLINDER BLOCK (TURBOCHARGER DRAIN COVER)						19
Y	229-5519	1	COVER GP-CYLINDER BLOCK						20
Y	120-9847	1	COVER GP-FRONT HOUSING						22
Y	159-6159	1	COVER GP-FRONT HOUSING (CAM, IDLER GEAR)						23
Y	246-5628	1	COVER GP-VALVE MECHANISM						27
Y	212-2113	1	DAMPER & PULLEY GP						52
Y	6I-3638	1	DRIVE GP-PUMP						642
Y	241-5933	1	ENGINE AR-CORE						11
Y	4P-6846	1	FASTENER GP-FRONT HOUSING						55
Y	221-1428	1	FASTENER GP-FRONT HOUSING						56
Y	4N-2481	1	FASTENER GP-OIL PUMP MOUNTING						111
Y	246-9906	1	FILLER GP-ENGINE OIL						112
Y	231-2215	1	FILTER GP-ENGINE OIL						115
Y	246-2659	1	FILTER GP-FUEL						210
Y	194-7097	1	FLYWHEEL GP						58
Y	241-6326	1	FUMES DISPOSAL GP						117
Y	275-6596	1	GAUGE AS-OIL LEVEL (DIPSTICK) (ENGINE)						118
Y	4P-9823	1	GEAR GP-REAR						63
Y	190-2472	1	GUIDE GP-OIL LEVEL GAUGE						120
Y	7E-8996	1	HOUSING GP-FLYWHEEL						67
Y	241-0164	1	HOUSING GP-FRONT						68
Y	111-2088	1	LIFTING GP-ENGINE (REAR)						71
Y	112-2418	1	LIFTING GP-ENGINE (FRONT)						72
Y	126-0081	1	LINES GP-AIR (TURBOCHARGER OUTLET)						175
Y	263-1129	1	LINES GP-AIR						180
Y	160-6894	1	LINES GP-ENGINE OIL						122
Y	246-4785	1	LINES GP-FUEL						220
Y	220-3490	1	LINES GP-TURBOCHARGER OIL						127
Y	220-3493	1	LINES GP-TURBOCHARGER WATER						141
Y	228-4224	1	LINES GP-WATER						143
Y	220-6372	1	MANIFOLD GP-EXHAUST						183
Y	227-3503	1	MOUNTING GP-ALTERNATOR & COMPR						78
Y	170-3562	1	MOUNTING GP-OIL LEVEL GAUGE						129
Y	197-7415	1	MOUNTING GP-SENSOR (ATMOSPHERIC, ENGINE OIL)						316
Y	271-5761	1	PAN GP-OIL						88
Y	238-6802	1	PANEL GP-SOUND SUPPRESSION						525
Y	246-5984	1	PANEL GP-SOUND SUPPRESSION						529
Y	235-8200	1	PLUG GP-CONNECTOR (ENGINE HARNESS, PROT COVER)						329
Y	229-6709	1	PLUG GP-CYLINDER BLOCK (OIL GALLERY)						92
Y	282-3645	1	PLUG GP-CYLINDER HEAD						95
Y	221-3705	1	PULLEY GP						96
YR	198-1508	1	PUMP GP-ENGINE OIL						132
Y	100-4265	1	PUMP GP-FUEL TRANSFER						234
Y	224-3239	1	PUMP GP-WATER						148
			S/N: RHX1-7952						
Y	280-8039	1	PUMP GP-WATER						157
			S/N: RHX7953-UP						
Y	231-1973	1	SENSOR GP-ENGINE						331
Y	171-8963	1	SENSOR GP-SPEED						343

ENGINE ARRANGEMENT

286-9798 ENGINE AR-COMPLETE (contd.)

i03620820

NOTE	PART NUMBER	QTY	PART NAME						SEE PAGE
			1	2	3	4	5	6 (PRODUCT LEVEL)	
Y	273-1682	1	STARTING MOTOR GP-ELECTRIC (24-VOLT)						368
			S/N: RHX1-7952						
Y	331-6081	1	STARTING MOTOR GP-ELECTRIC						369
			S/N: RHX7953-UP						
Y	235-5805	1	SUPPORT GP-ENGINE						107
			S/N: RHX1-7952						
Y	227-9495	1	SUPPORT GP-ENGINE (BRACE)						106
			S/N: RHX7953-UP						
Y	290-9021	1	SUPPORT GP-ENGINE						108
Y	220-6060	1	TURBOCHARGER GP						198
Y	235-5942	1	VALVE GP-FLUID SAMPLING						133
Y	220-3464	1	WIRING GP-ENGINE						407
	268-3700	1	ELECTRONICS GP-ENGINE RATINGS						

PLEASE USE THE GASKET KIT LINK IN SIS OR
CONTACT YOUR LOCAL DEALER FOR THE LATEST
GASKET KIT INFORMATION

R-REMG PART MAY BE AVAILABLE
Y-SEPARATE ILLUSTRATION

ENGINE ARRANGEMENT

241-5933 ENGINE AR-CORE

S/N: RHX1-1883, 1889-2154, 2218-UP
PART OF 257-4960, 286-9798 ENGINE AR-COMplete

SMCS-1000

i03046307

NOTE	PART NUMBER	QTY	PART NAME						SEE PAGE
			1	2	3	4	5	6 (PRODUCT LEVEL)	
Y	234-5005	1	BASE GP-VALVE COVER & INJ HARN						15
			S/N: RHX1-1883						
Y	278-5662	1	BASE GP-VALVE COVER & INJ HARN						16
			S/N: RHX1889-2154, 2218-UP						
Y	234-7935	1	CAMSHAFT GP						18
Y	223-9732	1	CRANKSHAFT GP						28
Y	261-0191	1	CYLINDER BLOCK GP						34
Y	235-2974	1	CYLINDER HEAD GP						48
			S/N: RHX1-1883, 1889-2154, 2218-4126						
Y	274-1953	1	CYLINDER HEAD GP						50
			S/N: RHX4127-UP						
Y	109-1657	1	FASTENER GP-VALVE MECHANISM						57
Y	207-0449	1	GEAR GP-FRONT						60
Y	220-1441	6	PISTON & ROD GP						90
Y	235-1402	6	PUMP GP-FUEL INJECTION						231
Y	148-7482	1	MECHANISM GP-FUEL PUMP & VALVE						73
			S/N: RHX1-1883, 1889-2154						
Y	190-0009	1	MECHANISM GP-FUEL PUMP & VALVE						75
			S/N: RHX2218-UP						

Y-SEPARATE ILLUSTRATION

ENGINE ARRANGEMENT

280-2166 ENGINE AR-CORE

S/N: RHX1615-2217

ADEM 4, WITHOUT BRAKE, TIER 3

PART OF 257-4960 ENGINE AR-COMPLETE

SMCS-1000

i02431071

NOTE	PART NUMBER	QTY	PART NAME						SEE PAGE
			1	2	3	4	5	6 (PRODUCT LEVEL)	
Y	234-5005	1	BASE GP-VALVE COVER & INJ HARN						15
Y	234-7935	1	CAMSHAFT GP						18
Y	223-9732	1	CRANKSHAFT GP						28
Y	261-0191	1	CYLINDER BLOCK GP						34
Y	235-2974	1	CYLINDER HEAD GP						48
Y	109-1657	1	FASTENER GP-VALVE MECHANISM						57
Y	207-0449	1	GEAR GP-FRONT						60
Y	280-2167	1	MECHANISM GP-FUEL PUMP & VALVE						77
Y	220-1441	6	PISTON & ROD GP						90
Y	235-1402	6	PUMP GP-FUEL INJECTION						231

Y-SEPARATE ILLUSTRATION

ENGINE ARRANGEMENT

222-8318 INSTALLATION AR-ENGINE

S/N: MMA1-UP

PART OF 228-8153 GENERAL AR

SMCS-1000

i03649754

NOTE	PART NUMBER	QTY	PART NAME						SEE PAGE
			1	2	3	4	5	6 (PRODUCT LEVEL)	
Y	233-1186	1	AIR CLEANER GP						170
Y	229-9014	1	CONDENSER & MTG GP-REFRIGERANT						1068
Y	210-8156	1	COOLER & MTG GP-HYDRAULIC OIL						614
Y	222-8334	1	EXTENSION GP-EXHAUST						174
Y	230-2799	1	FAN GP-SUCTION						134
Y	222-8323	1	FASTENER GP-FUEL LINES						208
Y	210-8155	1	LINES GP-AIR (AFTERCOOLER TO TURBOCHARGER)						177
Y	222-8319	1	LINES GP-AIR (AIR CLEANER, ALT, TURBOCHARGER)						178
Y	151-6662	1	LINES GP-ENGINE OIL DRAIN						126
Y	222-8321	1	LINES GP-MUFFLER DRAIN						182
Y	151-6660	1	MOUNTING GP-ENGINE						80
			S/N: MMA1-251						
Y	287-0203	1	MOUNTING GP-ENGINE						82
			S/N: MMA252-UP						
Y	230-2825	1	RADIATOR & AFTERCOOLER GP						160
Y-SEPARATE ILLUSTRATION									

BASIC ENGINE

133-9907 ADAPTER GP-PUMP DRIVE

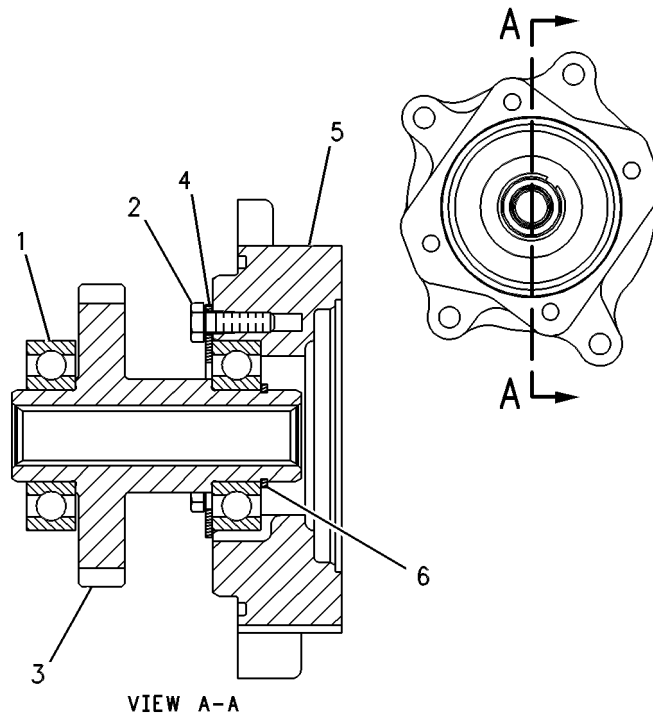
S/N: RHX1-UP

PART OF 6I-3638 DRIVE GP-PUMP

SMCS-1313, 3108

i01514868

NOTE	REF NO	GRAPHIC REF	PART NUMBER	QTY	PART NAME						SEE PAGE
					1	2	3	4	5	6 (PRODUCT LEVEL)	
	1	1	1B-3867	2	BALL BEARING						
	2	1	4F-7957	3	BOLT (1/4-20X0.875 IN)						
	3	1	6I-4575	1	GEAR (34 TEETH)						
	4	1	9X-2038	3	WASHER (7X19X2MM THK)						
	5	1	133-9906	1	ADAPTER						
	6	1	1H-8647	1	RING-SNAP						



GRAPHIC #1

<END>

g00263602

BASIC ENGINE

234-5005 BASE GP-VALVE COVER & INJ HARN

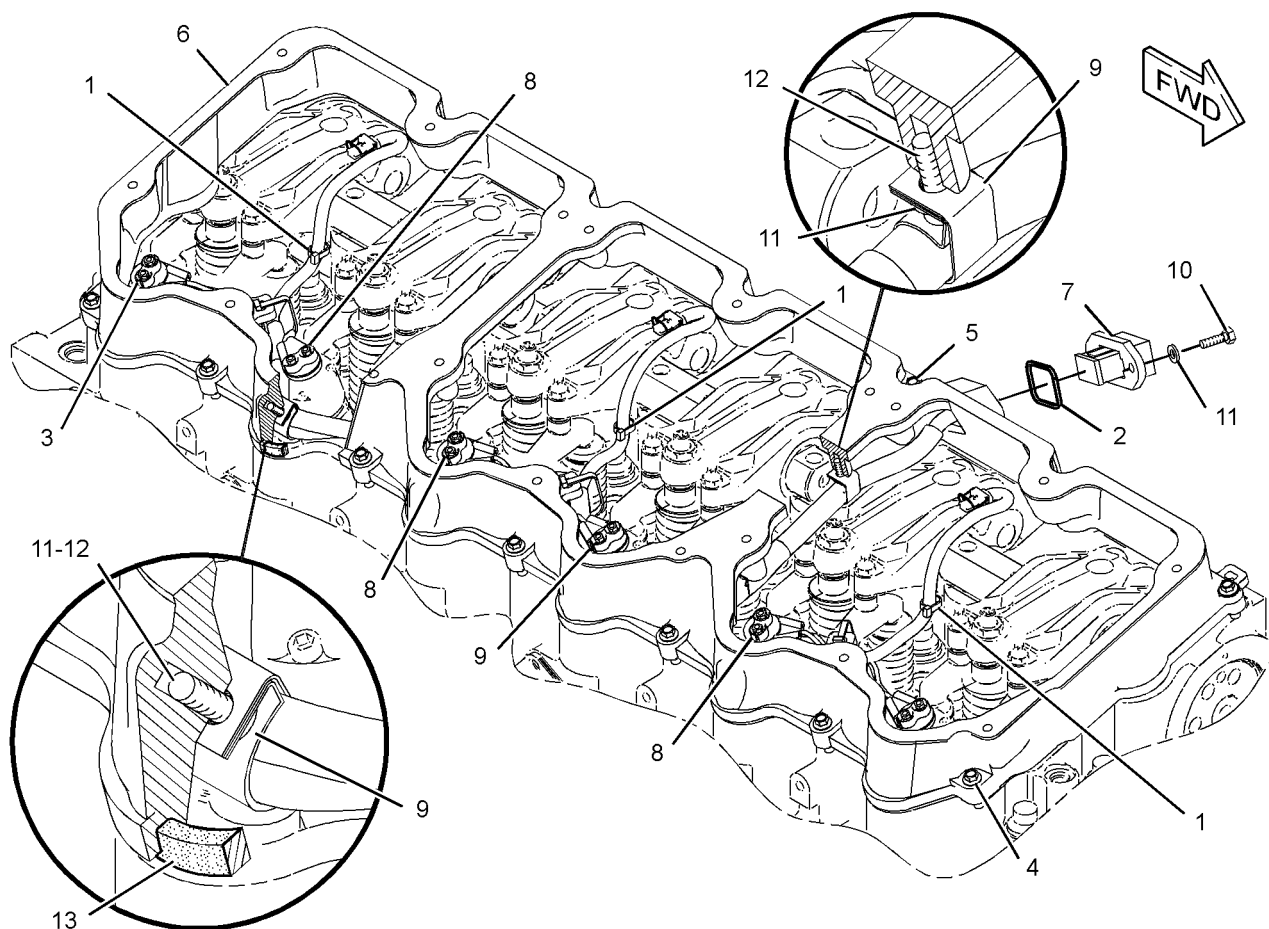
S/N: RHX1-2217

PART OF 241-5933, 280-2166 ENGINE AR-CORE

SMCS-1120, 1408

i03603680

NOTE	REF NO	GRAPHIC REF	PART NUMBER	QTY	PART NAME						SEE PAGE
					1	2	3	4	5	6 (PRODUCT LEVEL)	
	1	1	123-3202	3	STRAP - CABLE						
	2	1	6V-0128	1	SEAL - CONNECTOR						
	3	1	7E-6508	6	CAP AS						
	4	1	9L-8925	14	BOLT (5/16-18X1.25-IN)						
	5	1	122-1472	1	BOLT (5/16-18X2.36-IN)						
	6	1	177-4152	1	BASE-VALVE MECHANISM COVER						
	7	1	234-5002	1	HARNES AS-ENGINE (INJECTOR, VARIABLE VALVE)						
		1	103-8134	1	KIT-RECEPTACLE (12-PIN)						
	8	1	100-5218	3	CLIP						
	9	1	100-5219	3	CLIP						
	10	1	4F-7957	2	BOLT (1/4-20X0.875-IN)						
	11	1	5P-0537	8	WASHER-HARD (7.2X14.5X2-MM THK)						
	12	1	8H-3127	6	BOLT (1/4-20X0.75-IN)						
	13	1	5P-5678	1	SEAL						



GRAPHIC #1

<END>

g01677199

BASIC ENGINE

278-5662 BASE GP-VALVE COVER & INJ HARN

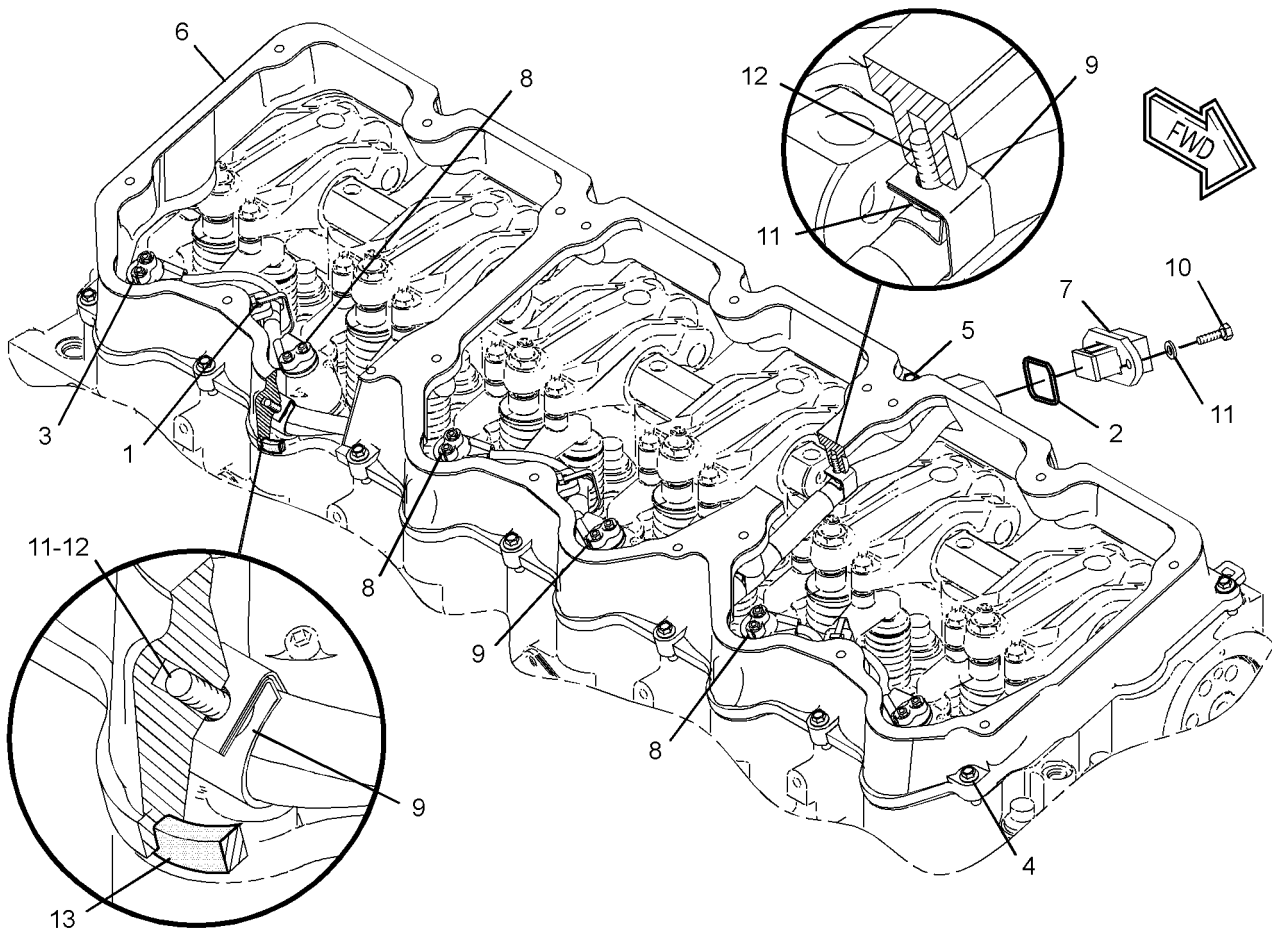
S/N: RHX1889-2154, 2218-5201
PART OF 241-5933 ENGINE AR-CORE

SMCS-1120, 1408

i02645160

NOTE	REF NO	GRAPHIC REF	PART NUMBER	QTY	PART NAME						SEE PAGE
					1	2	3	4	5	6 (PRODUCT LEVEL)	
	1	1	123-3202	3	STRAP-CABLE						
	2	1	6V-0128	1	SEAL-CONNECTOR						
	3	1	7E-6508	6	CAP AS						
	4	1	9L-8925	14	BOLT (5/16-18X1.25-IN)						
	5	1	122-1472	1	BOLT (5/16-18X2.36-IN)						
	6	1	177-4152	1	BASE-VALVE MECHANISM COVER						
	7	1	278-5657	1	HARNASS AS-ENGINE (UNIT INJECTOR)						
		1	103-8134	1	KIT-RECEPTACLE (12-PIN)						
	8	1	100-5218	3	CLIP						
	9	1	100-5219	3	CLIP						
	10	1	4F-7957	2	BOLT (1/4-20X0.875-IN)						
	11	1	5P-0537	8	WASHER-HARD (7.2X14.5X2-MM THK)						
	12	1	8H-3127	6	BOLT (1/4-20X0.75-IN)						
D	13	1	5P-5678		SEAL (2.9-M)						

D-ORDER BY THE METER



GRAPHIC #1

<END>

g01213201

BASIC ENGINE

278-5662 BASE GP-VALVE COVER & INJ HARN

S/N: RHX5202-UP

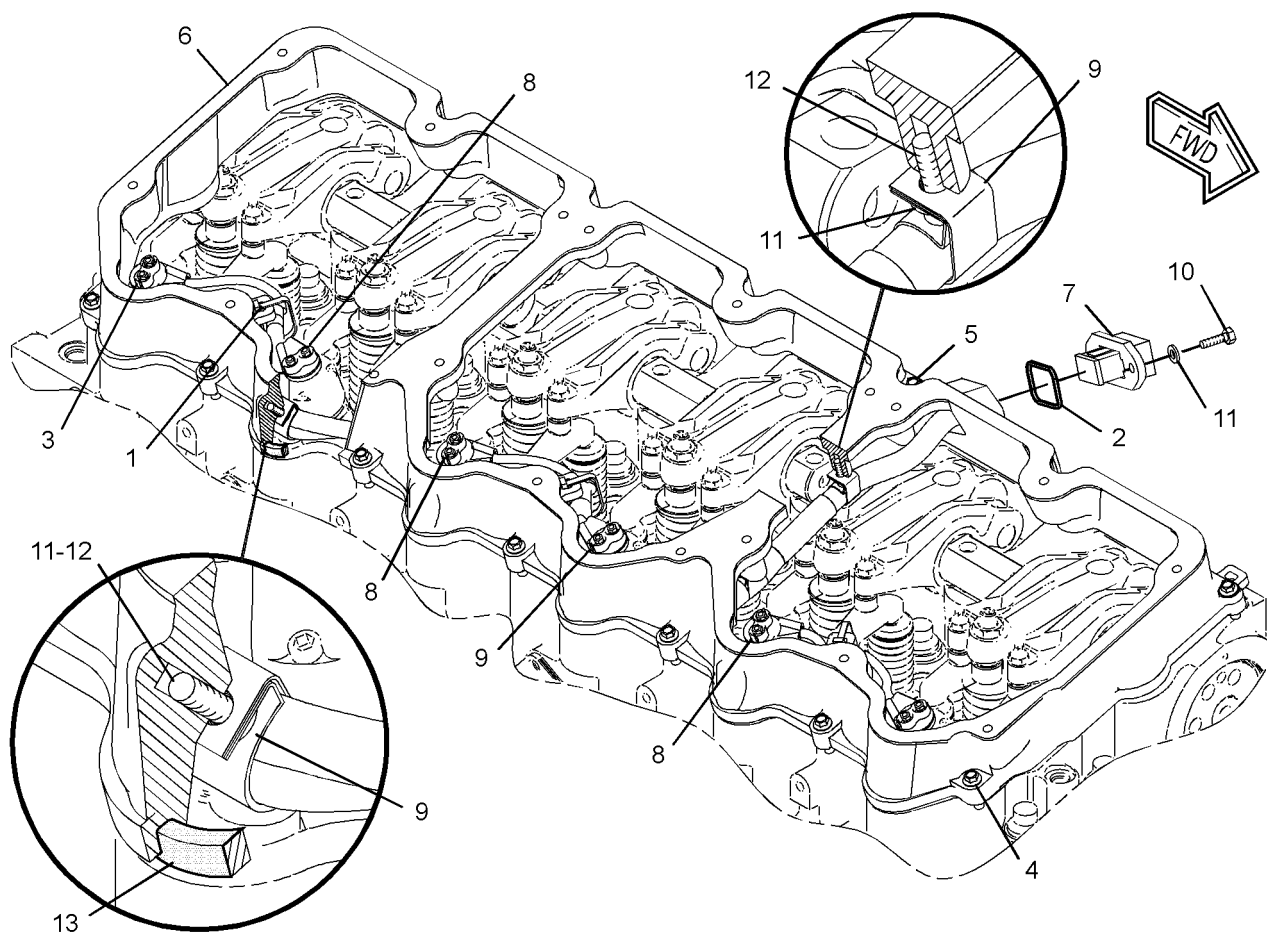
PART OF 241-5933 ENGINE AR-CORE

SMCS-1120, 1408

i03649103

NOTE	REF NO	GRAPHIC REF	PART NUMBER	QTY	PART NAME						SEE PAGE
					1	2	3	4	5	6 (PRODUCT LEVEL)	
	1	1	123-3202	3	STRAP-CABLE						
	2	1	6V-0128	1	SEAL-CONNECTOR						
	3	1	7E-6508	6	CAP AS						
	4	1	9L-8925	14	BOLT (5/16-18X1.25-IN)						
	5	1	122-1472	1	BOLT (5/16-18X2.36-IN)						
C	6	1	289-8215	1	BASE-VALVE MECHANISM COVER						
	7	1	343-9866	1	HARNES AS-ENGINE (UNIT INJECTOR)						
		1	103-8134	1	KIT-RECEPTACLE (12-PIN) (INCLUDES RECEPTACLE AS & WEDGE)						
	8	1	100-5218	3	CLIP						
	9	1	100-5219	3	CLIP						
	10	1	4F-7957	2	BOLT (1/4-20X0.875-IN)						
	11	1	5P-0537	8	WASHER-HARD (7.2X14.5X2-MM THK)						
	12	1	8H-3127	6	BOLT (1/4-20X0.75-IN)						
C	13	1	272-0390	1	SEAL						

C-CHANGE FROM PREVIOUS TYPE



GRAPHIC #1

<END>

g01213201

BASIC ENGINE

234-7935 CAMSHAFT GP

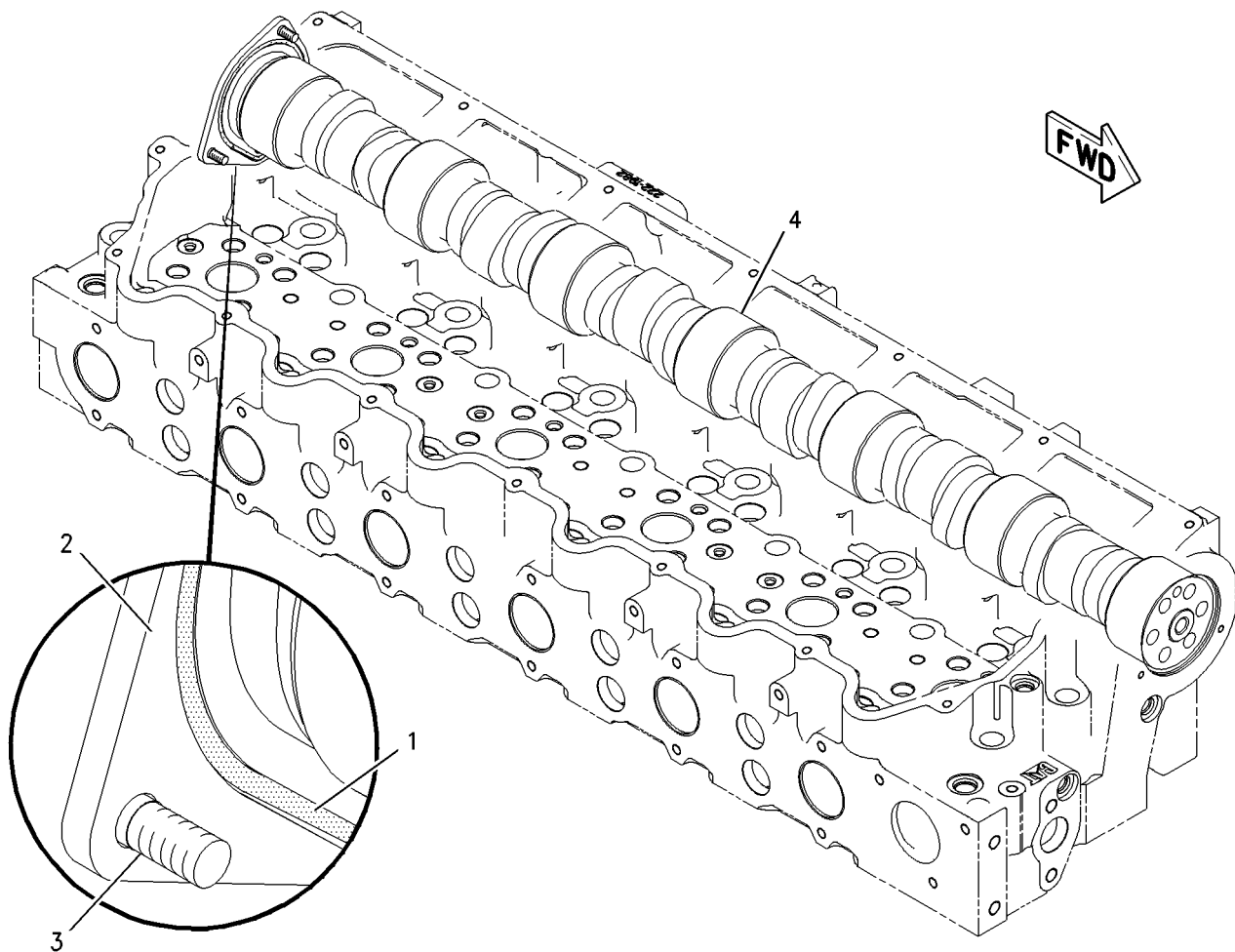
S/N: RHX1-UP

PART OF 241-5933, 280-2166 ENGINE AR-CORE

SMCS-1210

i02097890

NOTE	REF NO	GRAPHIC REF	PART NUMBER	QTY	PART NAME						SEE PAGE
					1	2	3	4	5	6 (PRODUCT LEVEL)	
1	1	1	6V-1197	1	SEAL-O-RING						
2	1	1	102-9089	1	COVER						
3	1	1	119-0036	3	SCREW-FLAT HEAD						
4	1	1	234-7900	1	CAMSHAFT						



GRAPHIC #1

<END>

g01002422

BASIC ENGINE

107-6736 COVER GP-CYLINDER BLOCK

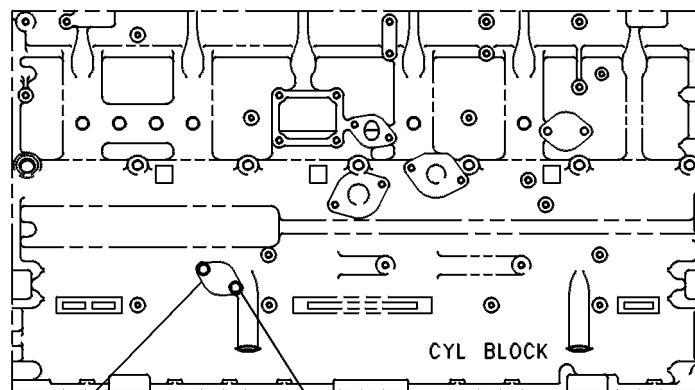
S/N: RHX1-UP

PART OF 257-4960, 286-9798 ENGINE AR-COMPLETE

SMCS-1201

i01516054

NOTE	REF NO	GRAPHIC REF	PART NUMBER	QTY	PART NAME						SEE PAGE
					1	2	3	4	5	6 (PRODUCT LEVEL)	
1	1	1	0S-1594	2	BOLT (3/8-16X1 IN)						
2	1	1	5M-2894	2	WASHER-HARD (10.2X18.5X2.5MM THK)						
3	1	1	4W-9890	1	COVER						
4	1	1	4N-0699	1	GASKET						



4-3 1-2

LEFT SIDE VIEW

GRAPHIC #1

<END>

g00244599

BASIC ENGINE

229-5519 COVER GP-CYLINDER BLOCK

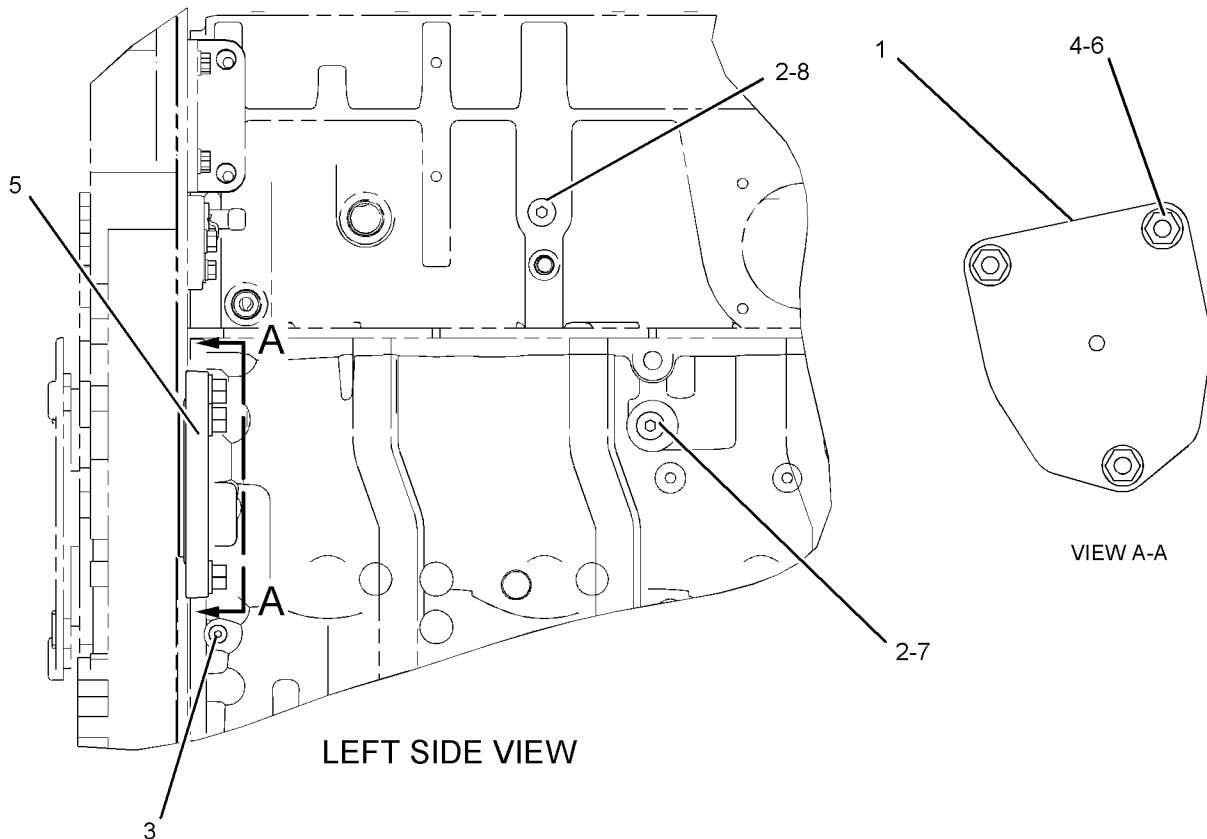
S/N: RHX1-900

PART OF 257-4960, 286-9798 ENGINE AR-COMplete

SMCS-1201

i02137532

NOTE	REF NO	GRAPHIC REF	PART NUMBER	QTY	PART NAME						SEE PAGE
					1	2	3	4	5	6 (PRODUCT LEVEL)	
	1	1	230-1117	1	COVER						
	2	1	9S-8005	2	PLUG-O-RING						
	3	1	183-3409	1	PLUG AS						
		1	9S-8002	1	PLUG-O-RING						
		1	033-5853	1	SEAL-O-RING						
	4	1	1F-7958	3	NUT-FULL (1/2-13-THD)						
	5	1	5F-3999	1	SEAL-O-RING						
	6	1	5P-8245	3	WASHER-HARD (13.5X25.5X3-MM THK)						
	7	1	6V-6609	1	SEAL-O-RING						
	8	1	8L-2786	1	SEAL-O-RING						



GRAPHIC #1

<END>

g01086238

BASIC ENGINE

229-5519 COVER GP-CYLINDER BLOCK

S/N: RHX901-UP

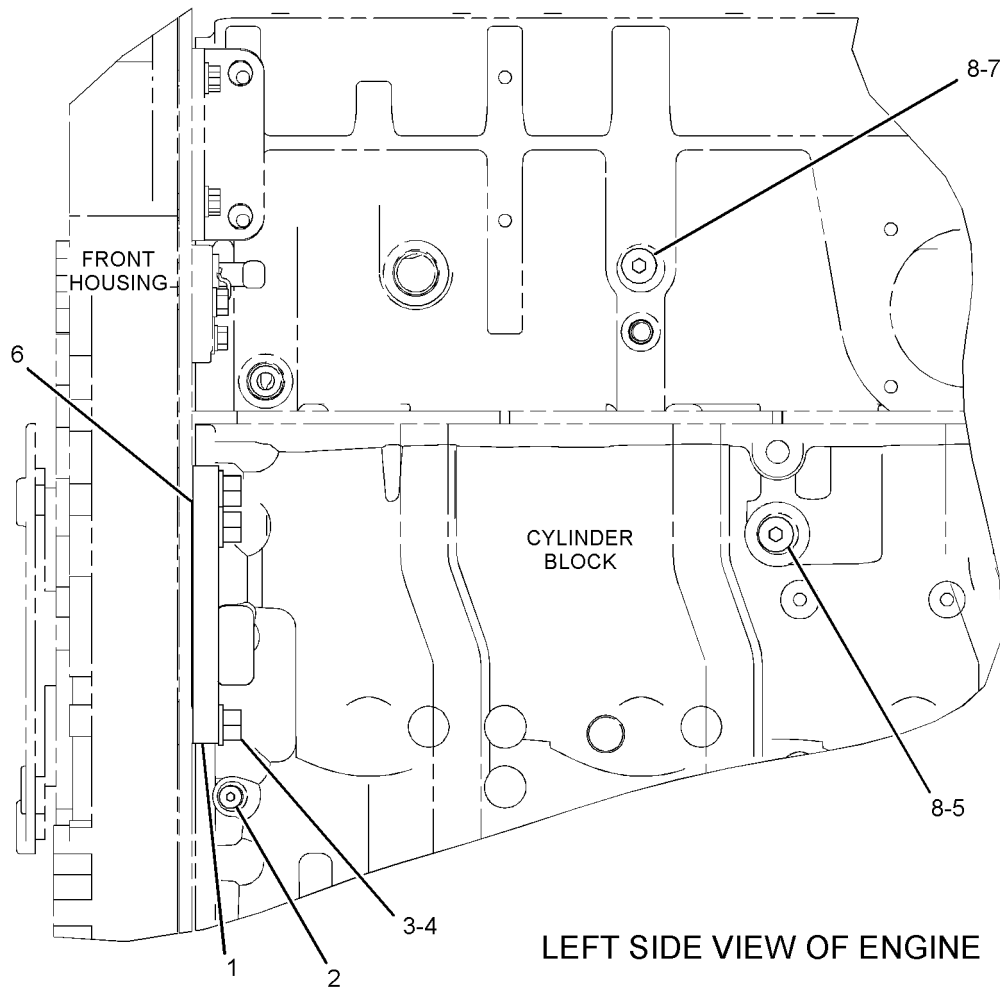
PART OF 257-4960, 286-9798 ENGINE AR-COMplete

SMCS-1201

i02627613

NOTE	REF NO	GRAPHIC REF	PART NUMBER	QTY	PART NAME						SEE PAGE
					1	2	3	4	5	6 (PRODUCT LEVEL)	
C	1	1	285-0823	1	COVER						
	2	1	<i>183-3409</i>	1	PLUG AS						
		1	9S-8002	1	PLUG-O-RING						
		1	033-5853	1	SEAL-O-RING						
	3	1	1F-7958	3	NUT-FULL (1/2-13-THD)						
4	1	5P-8245	3	WASHER-HARD (13.5X25.5X3-MM THK)							
5	1	6V-6609	1	SEAL-O-RING							
C	6	1	7J-6285	1	SEAL-O-RING						
	7	1	8L-2786	1	SEAL-O-RING						
	8	1	9S-8005	2	PLUG-O-RING						

C-CHANGE FROM PREVIOUS TYPE



LEFT SIDE VIEW OF ENGINE

GRAPHIC #1

<END>

g01324911

BASIC ENGINE

120-9847 COVER GP-FRONT HOUSING

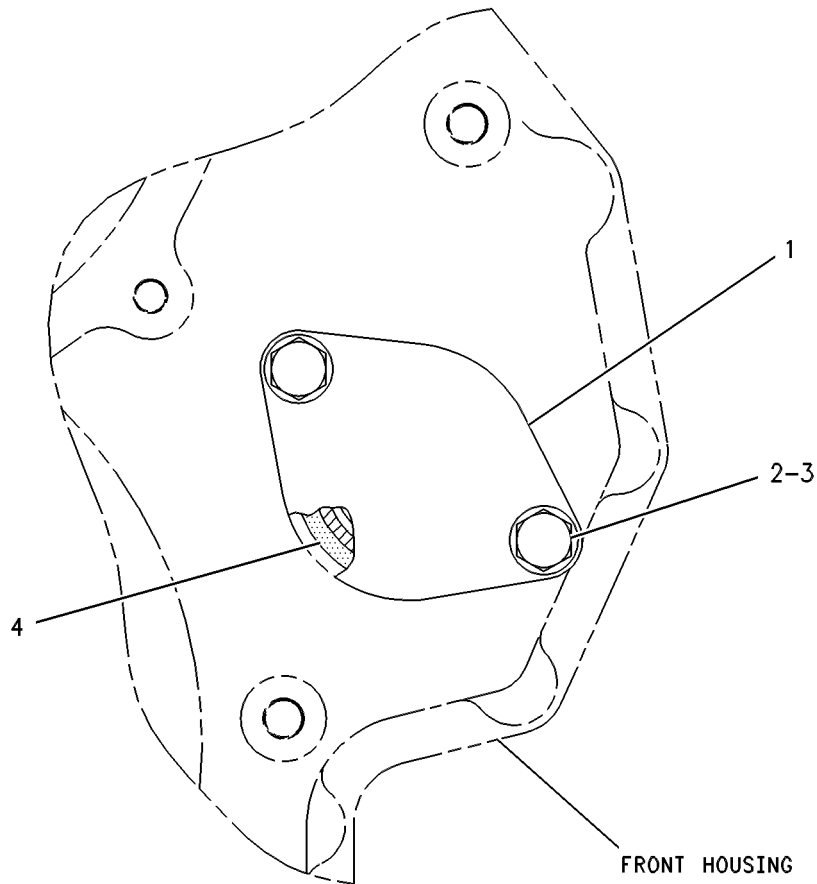
S/N: RHX1-UP

PART OF 257-4960, 286-9798 ENGINE AR-COMPLETE

SMCS-1150

i02099526

NOTE	REF NO	GRAPHIC REF	PART NUMBER	QTY	PART NAME						SEE PAGE
					1	2	3	4	5	6 (PRODUCT LEVEL)	
	1	1	7C-1445	1	COVER						
	2	1	2B-2695	2	BOLT (5/16-18X0.875-IN)						
	3	1	9M-1974	2	WASHER-HARD (8.8X16X2-MM THK)						
	4	1	061-9455	1	SEAL-O-RING						



GRAPHIC #1

<END>

g00252251

BASIC ENGINE

159-6159 COVER GP-FRONT HOUSING

S/N: RHX1-UP

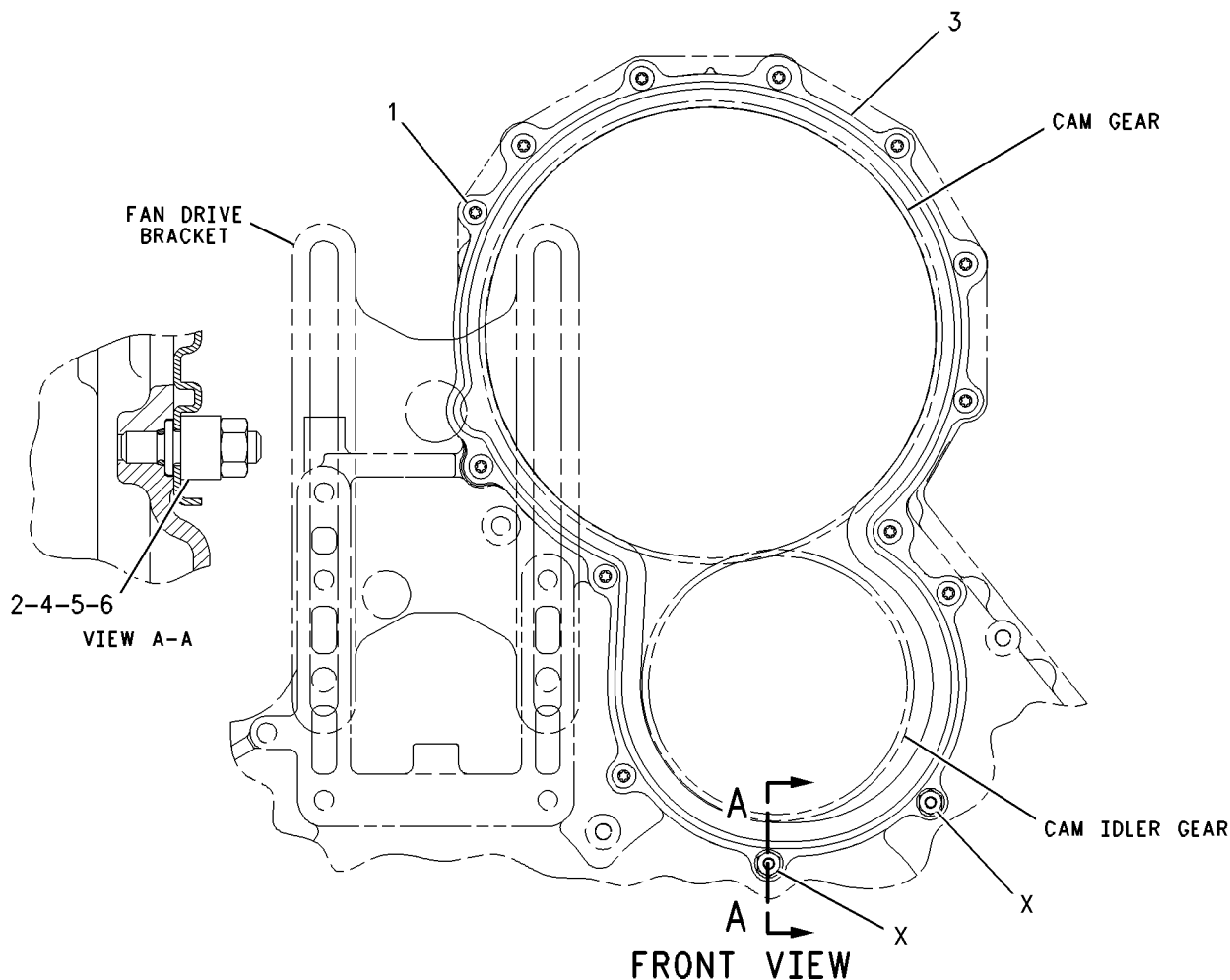
CAM AND IDLER GEAR ACCESS

PART OF 257-4960, 286-9798 ENGINE AR-COMPLETE

SMCS-1150

i02592960

NOTE	REF NO	GRAPHIC REF	PART NUMBER	QTY	PART NAME						SEE PAGE
					1	2	3	4	5	6 (PRODUCT LEVEL)	
	1	1	297-1813	12	SCREW-HEAD						
	2	1	175-1367	2	SPACER (8.8X16X10-MM THK) (MARKED X)						
	3	1	209-3569	1	COVER GP-FRONT HOUSING						
		1	160-7271	1	SEAL						
	4	1	031-4155	2	LOCKNUT (5/16-18-THD) (MARKED X)						
	5	1	175-1366	2	STUD (MARKED X)						
	6	1	163-4565	2	SEAL-O-RING (MARKED X)						



GRAPHIC #1

<END>

g00631258

BASIC ENGINE

225-1147 COVER GP-VALVE MECHANISM

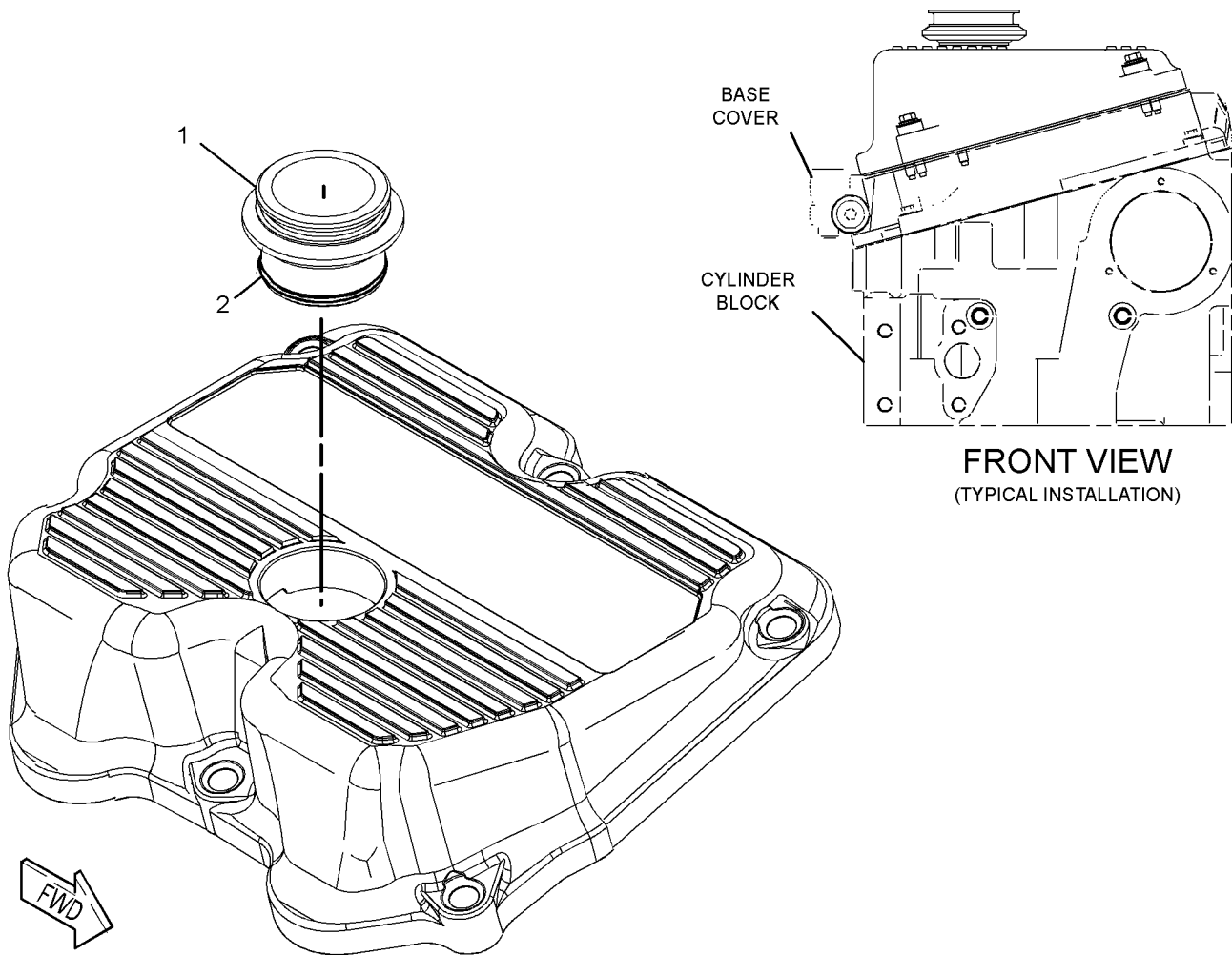
S/N: RHX1-UP

PART OF 236-2230 COVER GP-VALVE MECHANISM

SMCS-1107

i02487151

NOTE	REF NO	GRAPHIC REF	PART NUMBER	QTY	PART NAME						SEE PAGE
					1	2	3	4	5	6 (PRODUCT LEVEL)	
	1	1	7C-6514	1	ADAPTER						
	2	1	272-2583	1	SEAL-O-RING						



GRAPHIC #1

<END>

g01242213

BASIC ENGINE

225-1148 COVER GP-VALVE MECHANISM

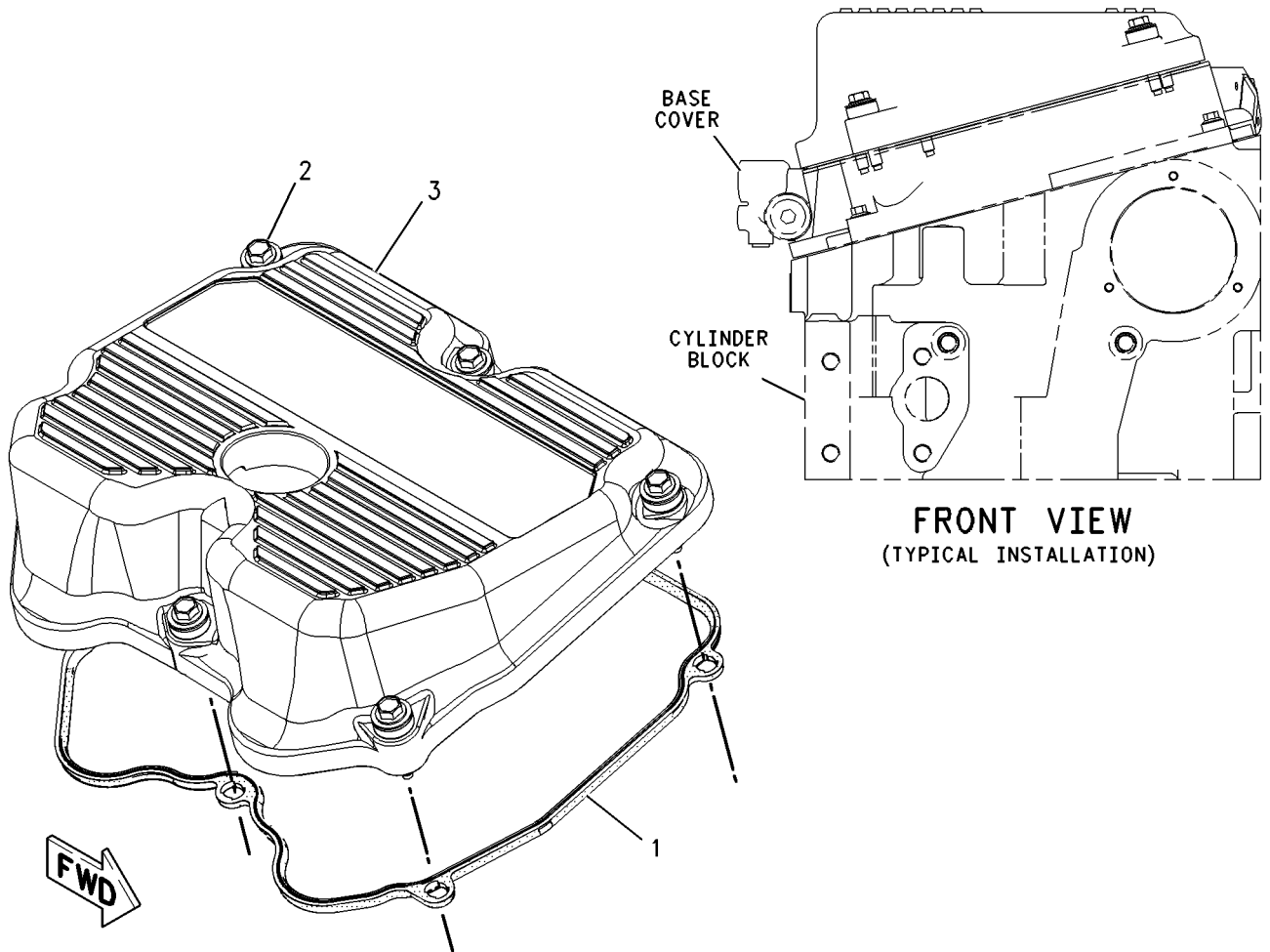
S/N: RHX1-UP

PART OF 246-5628 COVER GP-VALVE MECHANISM

SMCS-1107

i02957500

NOTE	REF NO	GRAPHIC REF	PART NUMBER	QTY	PART NAME						SEE PAGE
					1	2	3	4	5	6 (PRODUCT LEVEL)	
	1	1	242-9537	1	SEAL-VALVE COVER						
	2	1	243-1159	6	FASTENER AS						
					(EACH INCLUDES)						
		1	149-7378	1	GROMMET						
	3	1	225-1144	1	COVER-VALVE						



GRAPHIC #1

<END>

g00991113

BASIC ENGINE

236-2230 COVER GP-VALVE MECHANISM

S/N: RHX1-UP

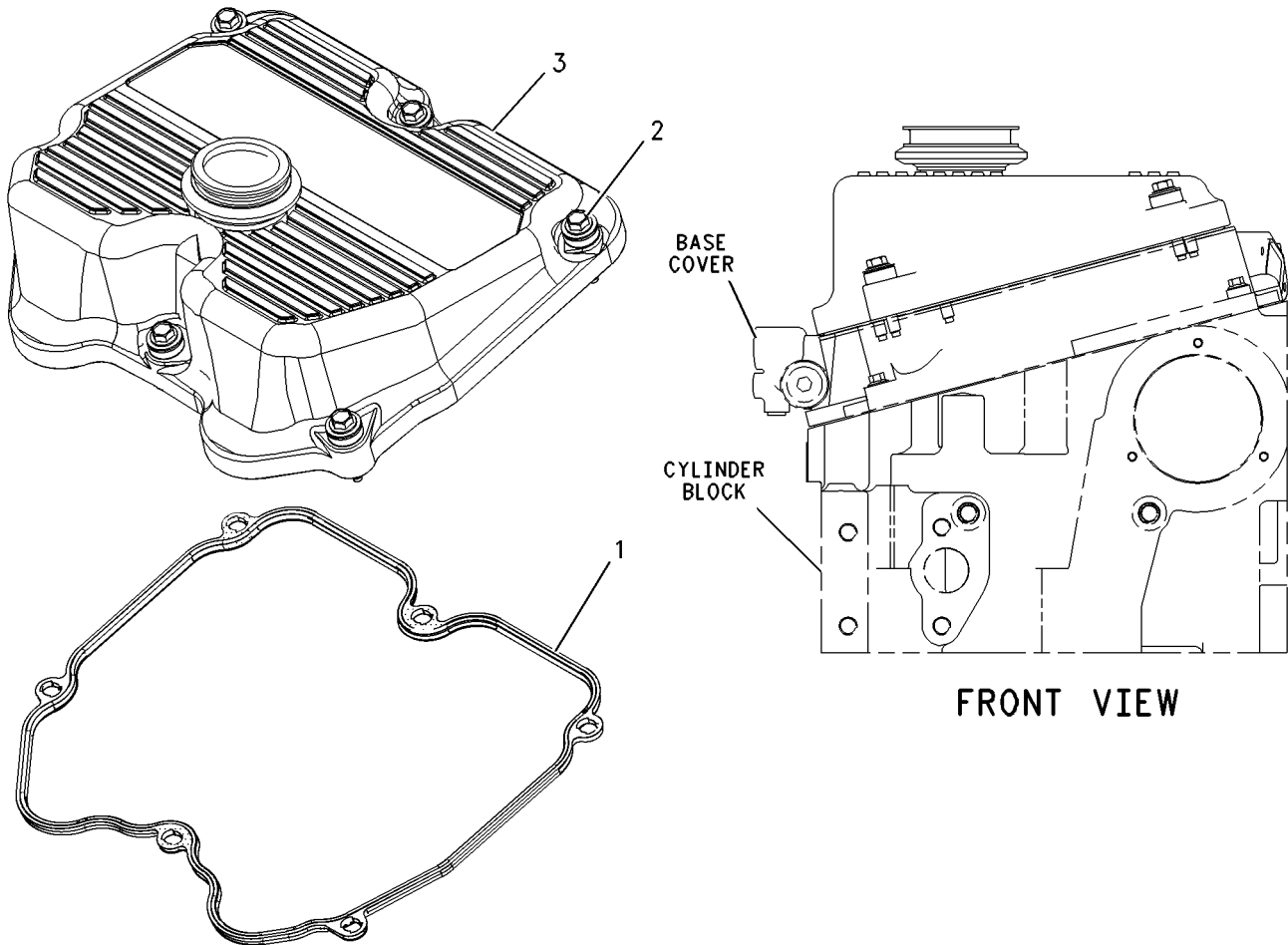
PART OF 246-5628 COVER GP-VALVE MECHANISM

SMCS-1107

i02957496

NOTE	REF NO	GRAPHIC REF	PART NUMBER	QTY	PART NAME						SEE PAGE
					1	2	3	4	5	6 (PRODUCT LEVEL)	
	1	1	242-9537	1	SEAL-VALVE COVER						
	2	1	243-1159	6	FASTENER AS (EACH INCLUDES)						
		1	149-7378	1	GROMMET						
Y	3	1	225-1147	1	COVER GP-VALVE MECHANISM						24

Y-SEPARATE ILLUSTRATION



FRONT VIEW

GRAPHIC #1

<END>

g00990932

BASIC ENGINE

246-5628 COVER GP-VALVE MECHANISM

S/N: RHX1-UP

DOES NOT HAVE AN OIL FILL

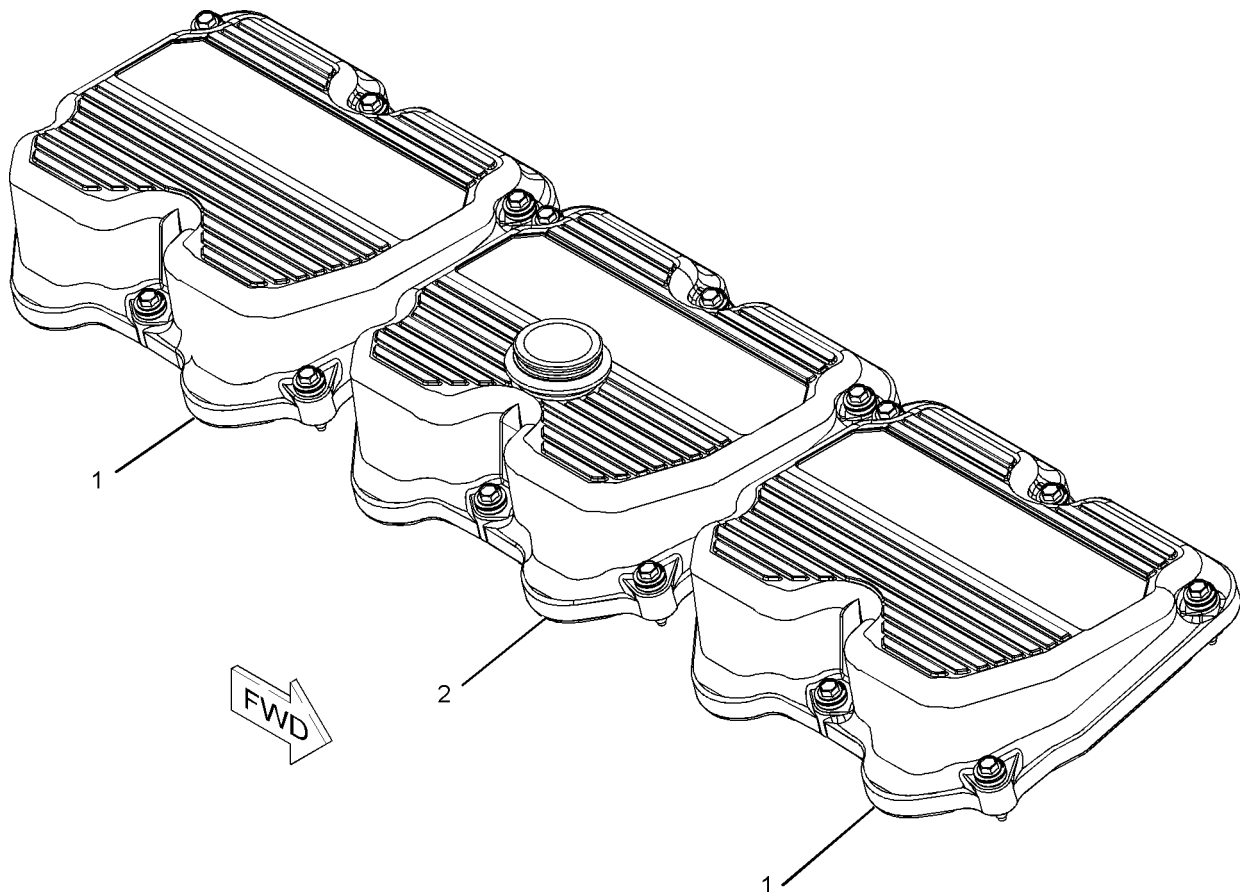
PART OF 257-4960, 286-9798 ENGINE AR-COMLETE

SMCS-1107

i02100119

NOTE	REF NO	GRAPHIC REF	PART NUMBER	QTY	PART NAME						SEE PAGE
					1	2	3	4	5	6 (PRODUCT LEVEL)	
Y	1	1	225-1148	2	COVER GP-VALVE MECHANISM						25
Y	2	1	236-2230	1	COVER GP-VALVE MECHANISM						26

Y-SEPARATE ILLUSTRATION



GRAPHIC #1

<END>

g01070635

BASIC ENGINE

223-9732 CRANKSHAFT GP

S/N: RHX1-UP

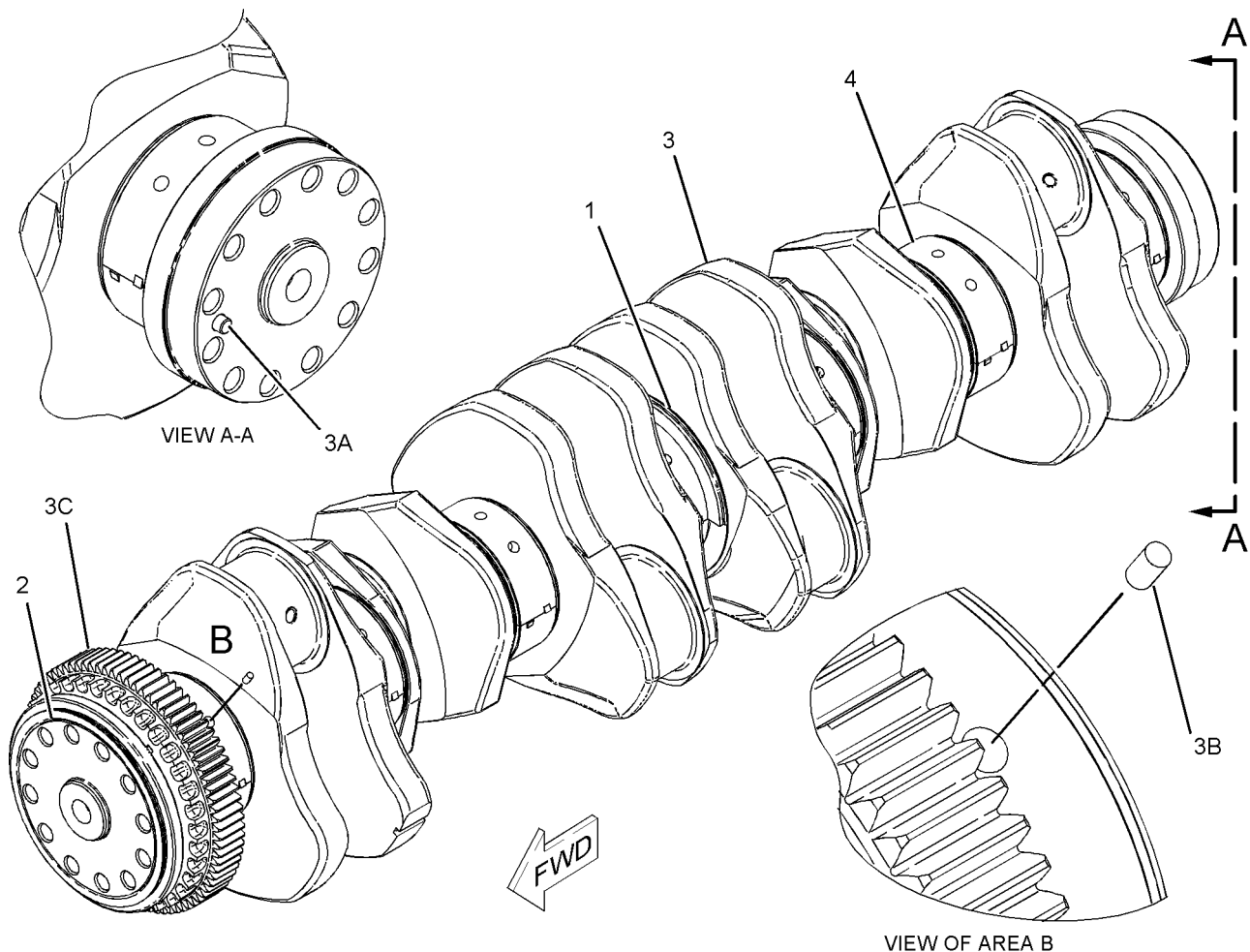
PART OF 241-5933, 280-2166 ENGINE AR-CORE

SMCS-1202

i03593392

NOTE	REF NO	GRAPHIC REF	PART NUMBER	QTY	PART NAME	1 2 3 4 5 6 (PRODUCT LEVEL)						SEE PAGE
J	1	1	253-1752	2	PLATE-THRUST							
Y	2	1	<i>319-7401</i>	1	SEAL GP-CRANKSHAFT (FRONT)							104
R	3	1	189-4918	1	CRANKSHAFT AS							
	3A	1	4N-0684	1	DOWEL							
	3B	1	7S-5005	1	DOWEL							
	3C	1	187-8981	1	GEAR-CRANKSHAFT (80-TEETH)							
J	4	1	317-8766	7	BEARING-MAIN (STANDARD)							
AB		1	4W-5698		BEARING-MAIN (0.63-MM US)							
AB		1	4W-5699		BEARING-MAIN (1.27-MM US)							
AB		1	4W-5700		BEARING-MAIN (0.63-MM OS)							
AB		1	4W-5701		BEARING-MAIN (0.63-MM US - 0.63-MM OS)							
AVAILABLE REPAIR KIT(S):												
AJ			243-6718		KIT-CRANKSHAFT BEARING (STANDARD)							
						(INCLUDES A COMPLETE SET OF MAIN BEARINGS AND THRUST PLATES)						

A-NOT PART OF THIS GROUP
 B-USE AS REQUIRED
 J-KIT MARKED J INCLUDES PARTS MARKED J
 R-REMG PART MAY BE AVAILABLE
 Y-SEPARATE ILLUSTRATION



GRAPHIC #1

<END>

g01070662

BASIC ENGINE

229-8568 CYLINDER BLOCK AS

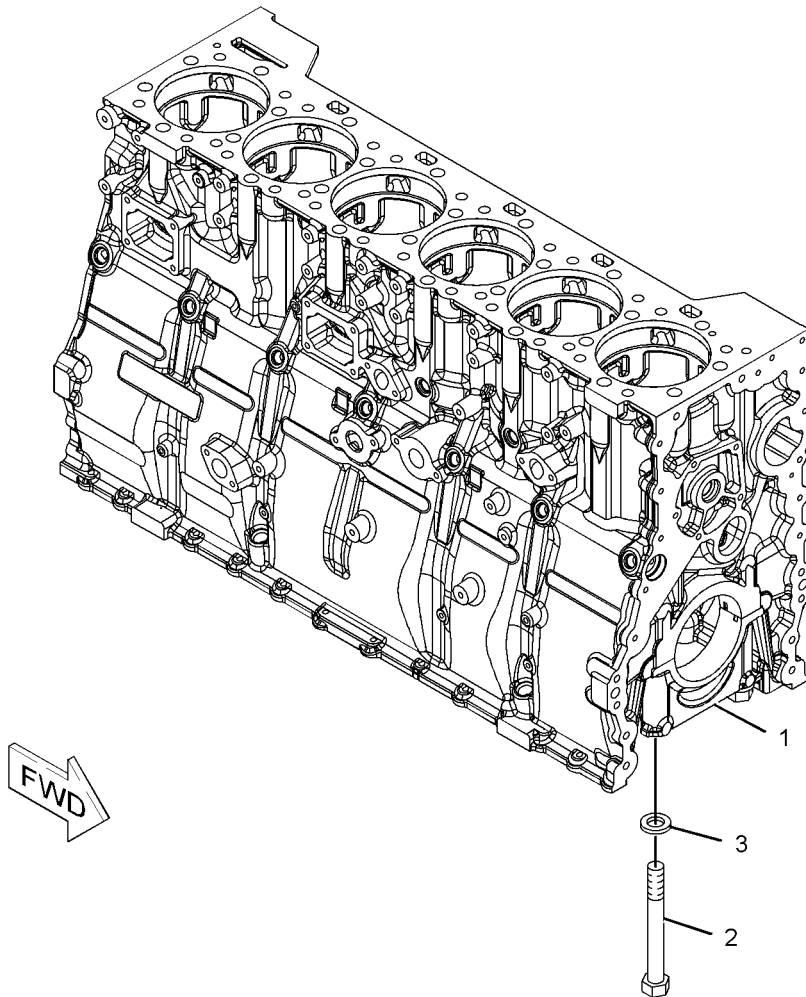
S/N: RHX1-UP

PART OF 261-0052 CYLINDER BLOCK AS

SMCS-1201

i02225258

NOTE	REF NO	GRAPHIC REF	PART NUMBER	QTY	PART NAME						SEE PAGE
					1	2	3	4	5	6 (PRODUCT LEVEL)	
	1	1	167-8081	7	CAP-CRANKSHAFT BEARING						
	2	1	167-8083	14	BOLT (7/8-14X7.5-IN)						
	3	1	9H-1031	14	WASHER-HARD (24X41.5X6-MM THK)						



GRAPHIC #1

<END>

g01122669

BASIC ENGINE

261-0052 CYLINDER BLOCK AS

S/N: RHX1-UP

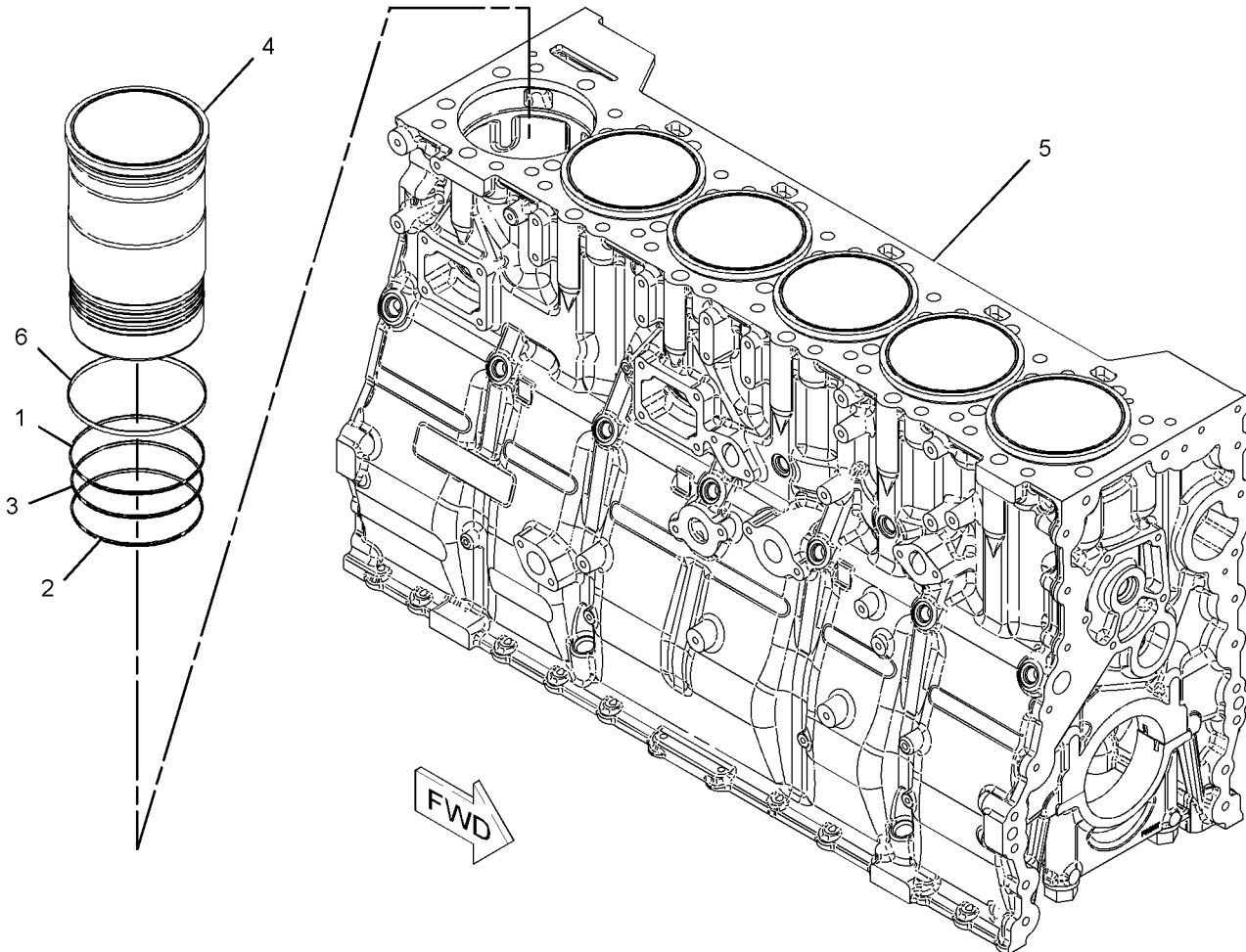
PART OF 261-0191 CYLINDER BLOCK GP

SMCS-1201

i02225260

NOTE	REF NO	GRAPHIC REF	PART NUMBER	QTY	PART NAME						SEE PAGE
					1	2	3	4	5	6 (PRODUCT LEVEL)	
	1	1	155-0809	6	SEAL-LINER						
	2	1	155-0810	6	SEAL-LINER						
	3	1	155-2793	6	SEAL-LINER						
	4	1	253-8766	6	LINER-CYLINDER						
Y	5	1	229-8568	1	CYLINDER BLOCK AS						29
	6	1	9L-5854	6	BAND-FILLER (130.2-MM ID)						

Y-SEPARATE ILLUSTRATION



GRAPHIC #1

<END>

g01122528

BASIC ENGINE

267-4631 CYLINDER BLOCK AS*R

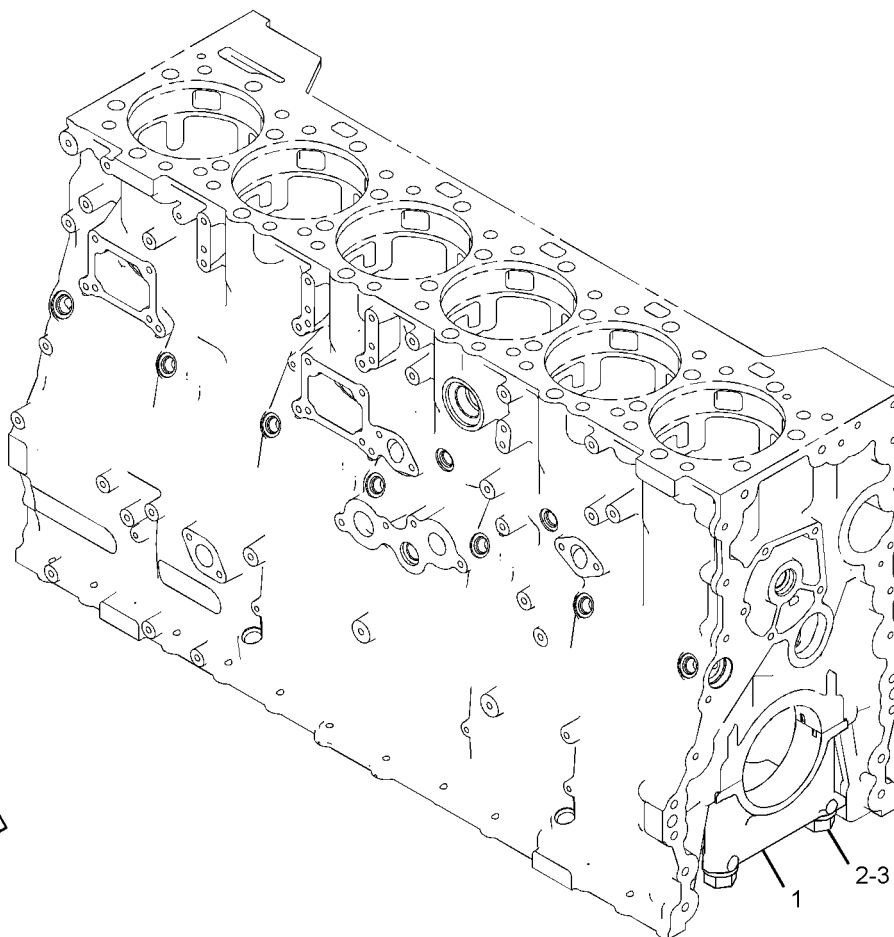
S/N: RHX2218-UP

PART OF 301-3018, 323-8451 CYLINDER BLOCK AS

SMCS-1201

i03625755

NOTE	REF NO	GRAPHIC REF	PART NUMBER	QTY	PART NAME						SEE PAGE
					1	2	3	4	5	6 (PRODUCT LEVEL)	
1	1	1	167-8081	7	CAP-CRANKSHAFT BEARING						
2	1	1	3P-1323	14	BOLT-BEARING CAP (7/8-14X7.75-IN)						
3	1	1	9H-1031	14	WASHER-HARD (24X41.5X6-MM THK)						



GRAPHIC #1

<END>

g01177294

BASIC ENGINE

301-3018 CYLINDER BLOCK AS

S/N: RHX2218-5238

PART OF 261-0191 CYLINDER BLOCK GP

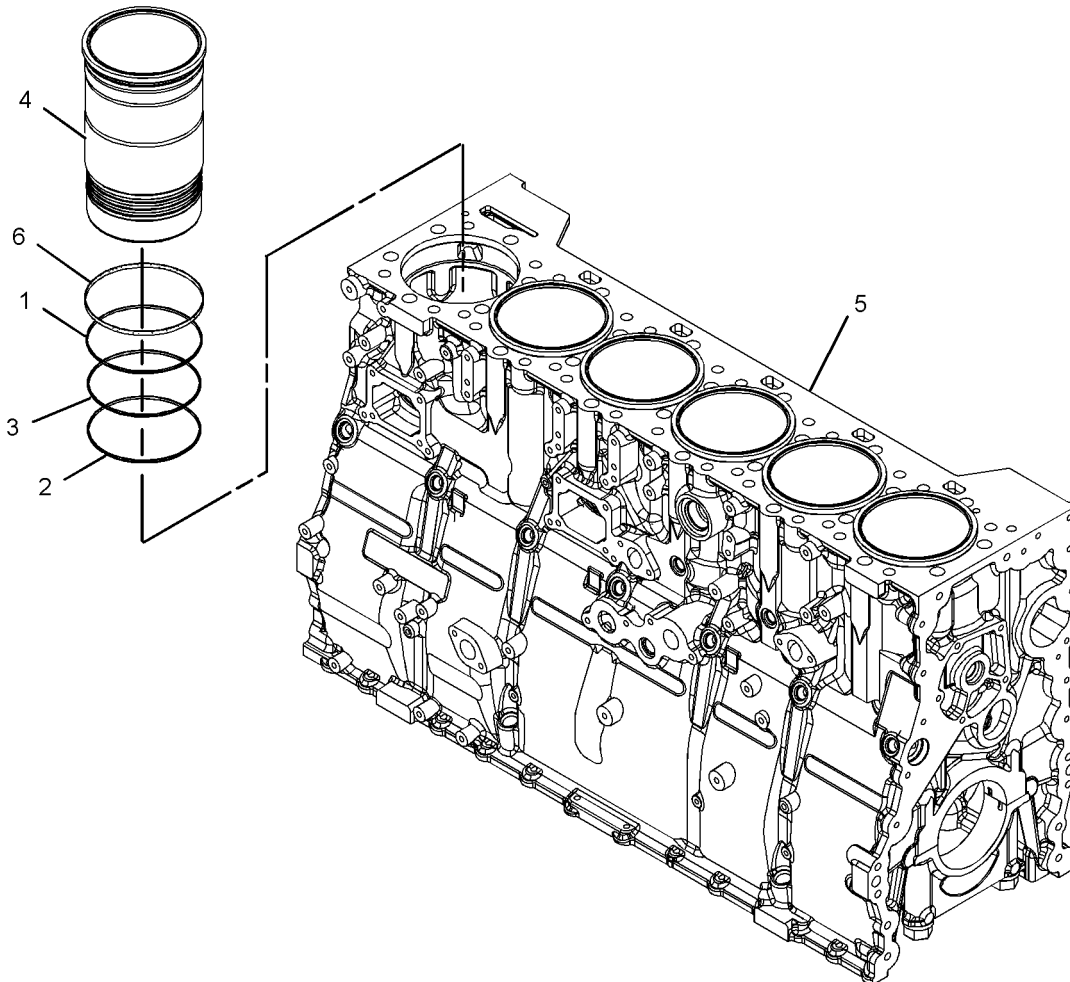
FIELD REPLACEMENT ORDER 323-8451-PAGE 33

SMCS-1201

i02680501

NOTE	REF NO	GRAPHIC REF	PART NUMBER	QTY	PART NAME						SEE PAGE
					1	2	3	4	5	6 (PRODUCT LEVEL)	
	1	1	155-0809	6	SEAL-LINER						
	2	1	155-0810	6	SEAL-LINER						
	3	1	155-2793	6	SEAL-LINER						
	4	1	253-8766	6	LINER-CYLINDER						
Y	5	1	267-4631	1	CYLINDER BLOCK AS						31
	6	1	9L-5854	6	BAND-FILLER (130.2-MM ID)						

Y-SEPARATE ILLUSTRATION



GRAPHIC #1

<END>

g01347377

BASIC ENGINE

323-8451 CYLINDER BLOCK AS

S/N: RHX5239-UP

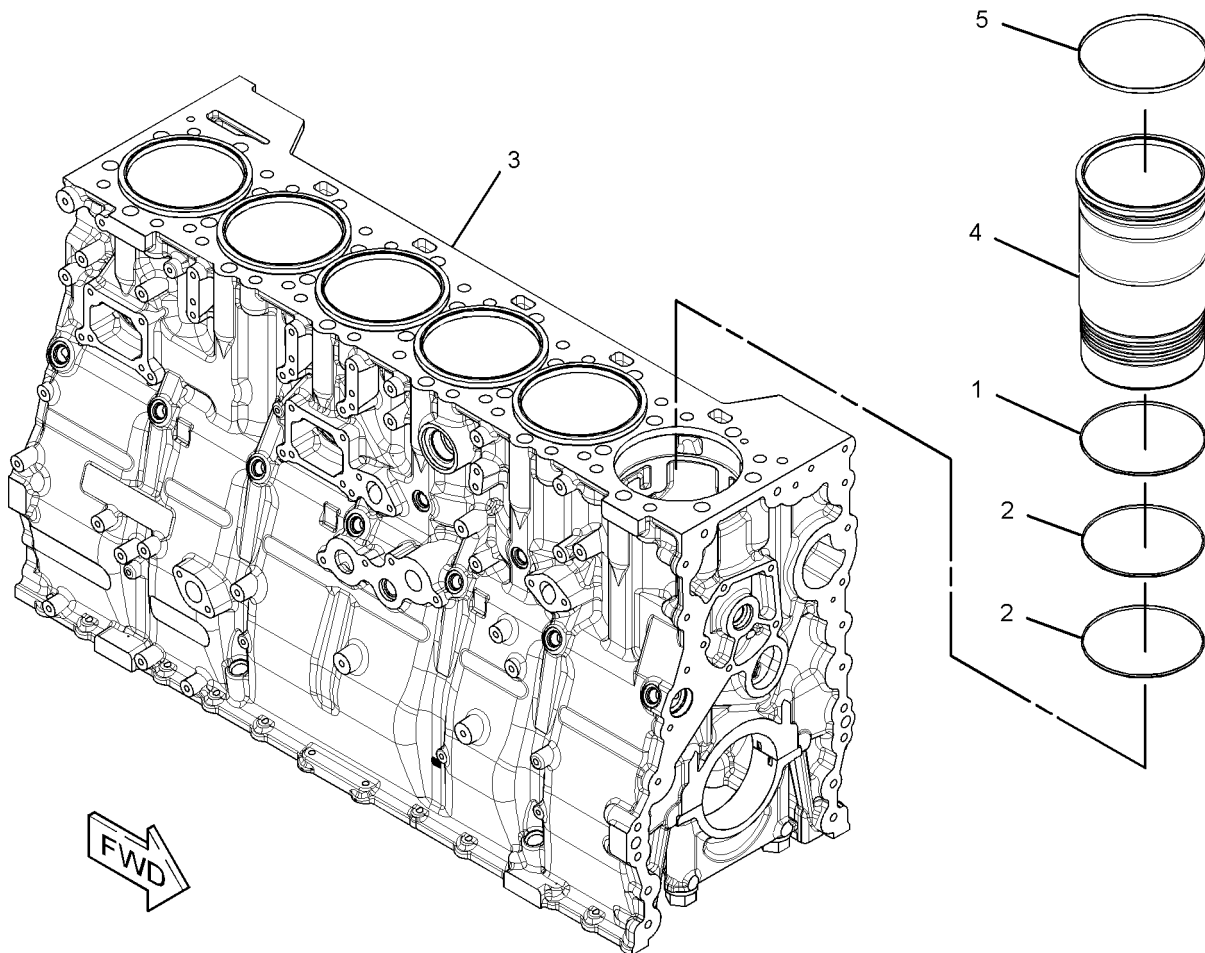
PART OF 261-0191 CYLINDER BLOCK GP
FIELD REPLACEMENT FOR 301-3018—PAGE 32

SMCS-1201

i03148603

NOTE	REF NO	GRAPHIC REF	PART NUMBER	QTY	PART NAME						SEE PAGE
					1	2	3	4	5	6 (PRODUCT LEVEL)	
	1	1	155-0809	6	SEAL-LINER						
	2	1	155-2793	12	SEAL-LINER						
Y	3	1	267-4631	1	CYLINDER BLOCK AS						31
	4	1	322-1126	6	LINER-CYLINDER						
	5	1	9L-5854	6	BAND-FILLER (130.2-MM ID)						

Y-SEPARATE ILLUSTRATION



GRAPHIC #1

<END>

g01620021

BASIC ENGINE

261-0191 CYLINDER BLOCK GP

S/N: RHX1-4917

PART OF 241-5933, 280-2166 ENGINE AR-CORE

SMCS-1201

i02413201

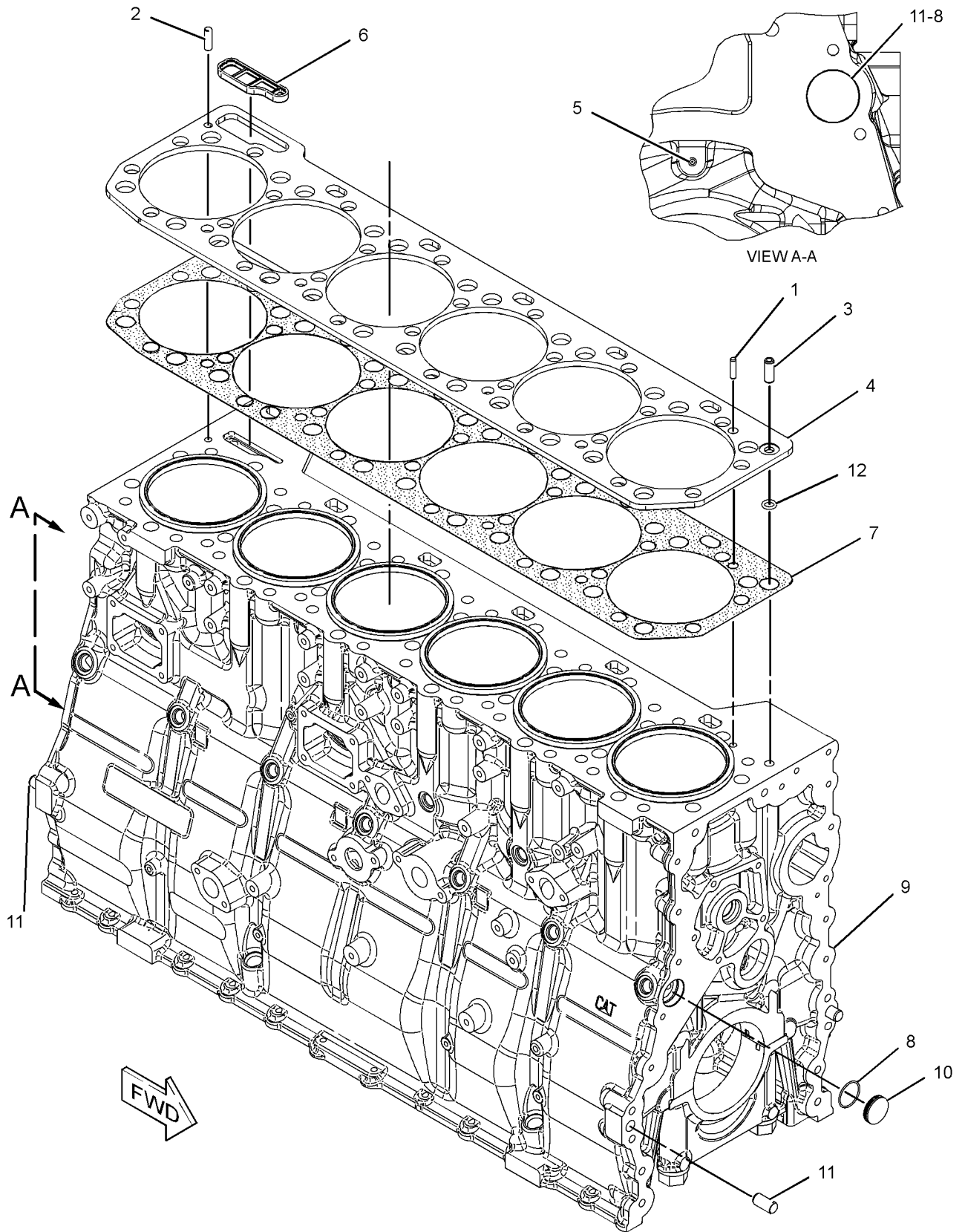
NOTE	REF NO	GRAPHIC REF	PART NUMBER	QTY	PART NAME						SEE PAGE
					1	2	3	4	5	6 (PRODUCT LEVEL)	
	1	1	1S-9540	1	DOWEL						
	2	1	4N-1650	1	DOWEL						
	3	1	6I-1055	1	DOWEL						
	4	1	6I-4421	1	PLATE-SPACER						
	5	1	8S-9094	1	PLUG-ORIFICE						
	6	1	142-2329	1	SEAL						
	7	1	227-1204	1	GASKET						
	8	1	250-0466	2	SEAL-O-RING						
Y	9	1	261-0052	1	CYLINDER BLOCK AS						30
	10	1	100-7399	2	PLUG						
	11	1	4N-0683	4	DOWEL						
	12	1	5P-0840	1	SEAL-O-RING						

Y-SEPARATE ILLUSTRATION

BASIC ENGINE

261-0191 CYLINDER BLOCK GP (contd.)

i02413201



GRAPHIC #1

<END>

g01215447

BASIC ENGINE

261-0191 CYLINDER BLOCK GP

S/N: RHX4918-5238

PART OF 241-5933 ENGINE AR-CORE

SMCS-1201

i03596341

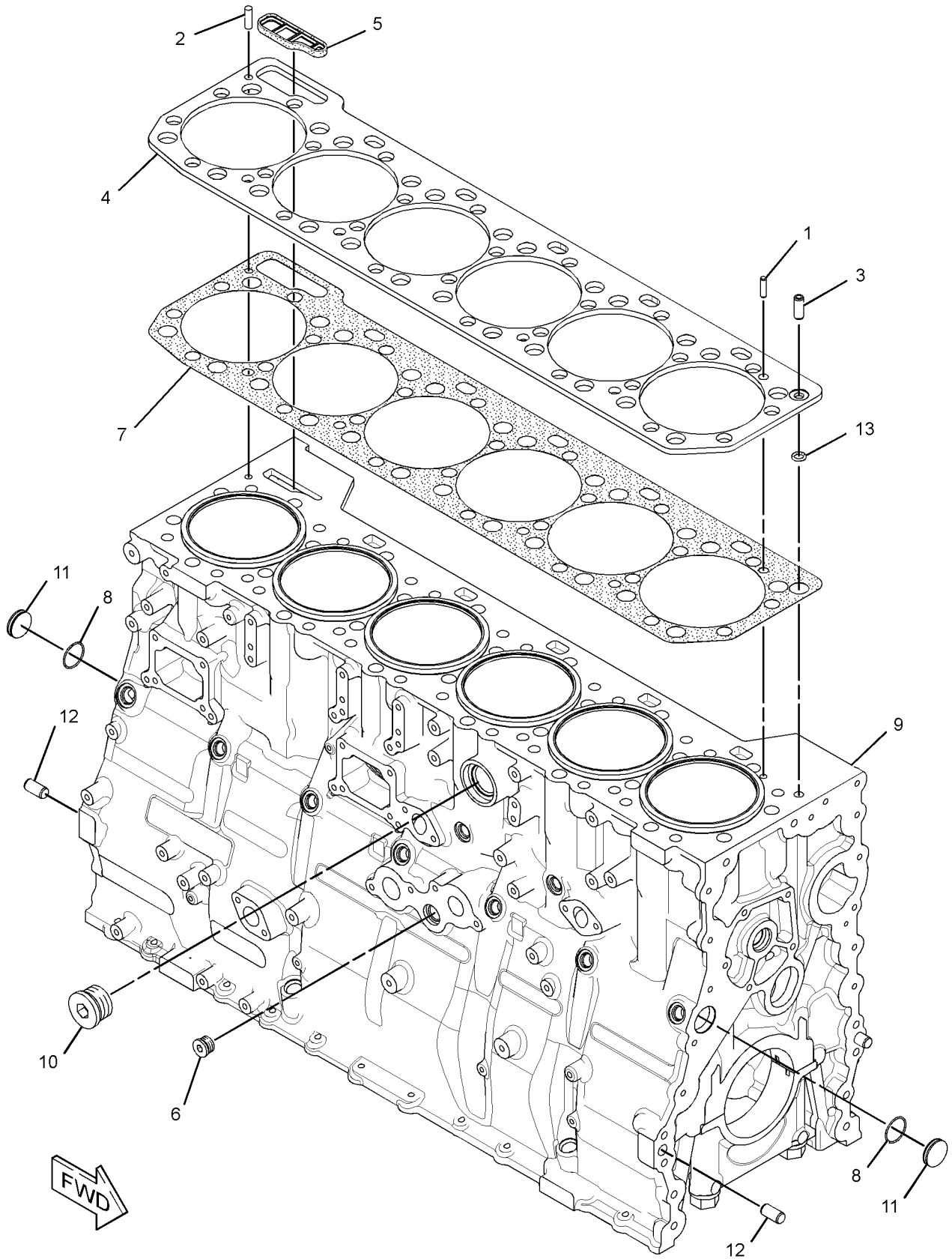
NOTE	REF NO	GRAPHIC REF	PART NUMBER	QTY	PART NAME						SEE PAGE
					1	2	3	4	5	6 (PRODUCT LEVEL)	
	1	1	1S-9540	1	DOWEL						
	2	1	4N-1650	1	DOWEL						
	3	1	6I-1055	1	DOWEL						
	4	1	6I-4421	1	PLATE-SPACER						
	5	1	142-2329	1	SEAL						
	6	1	<i>201-4340</i>	1	PLUG AS						
		1	6V-4589	1	SEAL-O-RING						
		1	9S-8006	1	PLUG-O-RING						
	7	1	227-1204	1	GASKET						
	8	1	250-0466	2	SEAL-O-RING						
CY	9	1	<i>301-3018</i>	1	CYLINDER BLOCK AS						32
CY	10	1	<i>305-9196</i>	1	PLUG GP-CYLINDER BLOCK						93
	11	1	100-7399	2	PLUG						
	12	1	4N-0683	4	DOWEL						
	13	1	5P-0840	1	SEAL-O-RING						

C-CHANGE FROM PREVIOUS TYPE
Y-SEPARATE ILLUSTRATION

BASIC ENGINE

261-0191 CYLINDER BLOCK GP (contd.)

i03596341



GRAPHIC #1

<END>

g01347328

BASIC ENGINE

261-0191 CYLINDER BLOCK GP

S/N: RHX5239-UP

PART OF 241-5933 ENGINE AR-CORE

SMCS-1201

i03596340

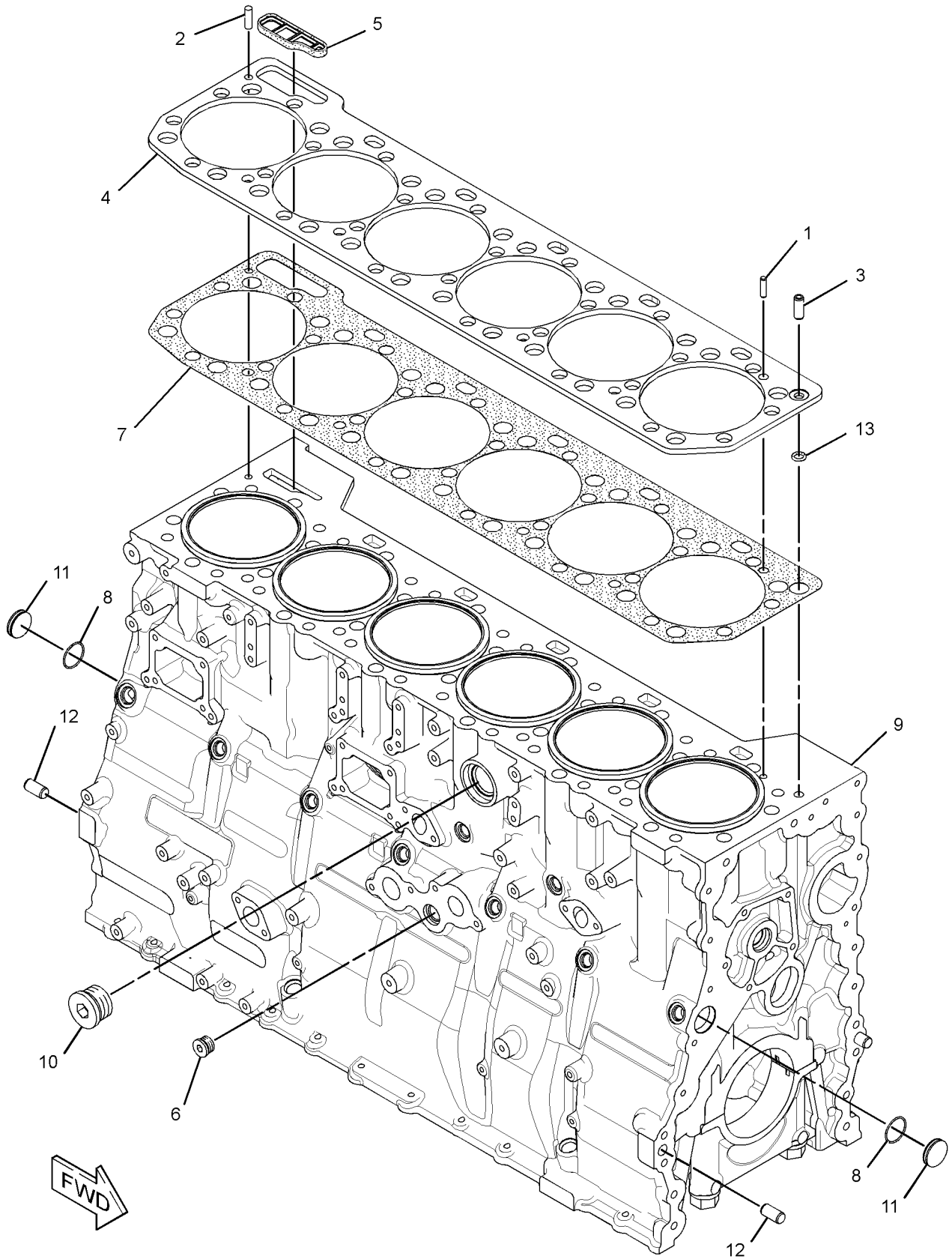
NOTE	REF NO	GRAPHIC REF	PART NUMBER	QTY	PART NAME						SEE PAGE
					1	2	3	4	5	6 (PRODUCT LEVEL)	
	1	1	1S-9540	1	DOWEL						
	2	1	4N-1650	1	DOWEL						
	3	1	6I-1055	1	DOWEL						
	4	1	6I-4421	1	PLATE-SPACER						
	5	1	142-2329	1	SEAL						
C	6	1	<i>201-4340</i>	1	PLUG AS						
		1	6V-4589	1	SEAL-O-RING						
		1	9S-8006	1	PLUG-O-RING						
	7	1	227-1204	1	GASKET						
	8	1	250-0466	2	SEAL-O-RING						
CY	9	1	<i>323-8451</i>	1	CYLINDER BLOCK AS						33
CY	10	1	<i>305-9196</i>	1	PLUG GP-CYLINDER BLOCK						93
	11	1	100-7399	2	PLUG						
	12	1	4N-0683	4	DOWEL						
	13	1	5P-0840	1	SEAL-O-RING						

C-CHANGE FROM PREVIOUS TYPE
Y-SEPARATE ILLUSTRATION

BASIC ENGINE

261-0191 CYLINDER BLOCK GP (contd.)

i03596340



GRAPHIC #1

<END>

g01347328

BASIC ENGINE

223-7263 CYLINDER HEAD AS

S/N: RHX1-UP

WITH PREFINISHED VALVE SEAT INSERTS

PART OF 243-6741 CYLINDER HEAD AS, 223-9250, 267-2060 CYLINDER HEAD GP

SMCS-1100

i03645107

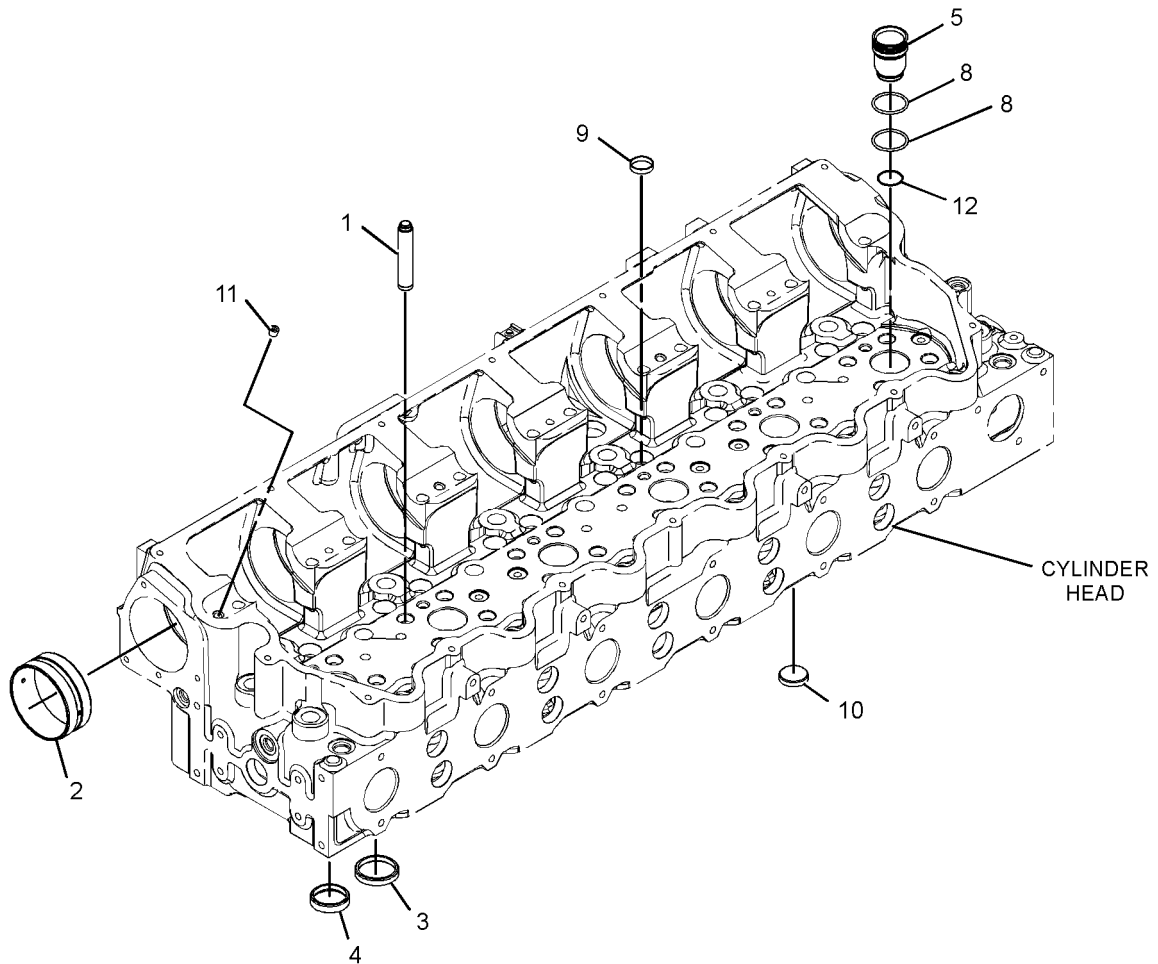
NOTE	REF NO	GRAPHIC REF	PART NUMBER	QTY	PART NAME						SEE PAGE
					1	2	3	4	5	6 (PRODUCT LEVEL)	
	1	1	122-7375	24	GUIDE-VALVE (STANDARD)						
AB		1	122-0447		GUIDE-VALVE (0.51-MM OS)						
AB		1	122-8612		GUIDE-VALVE (0.13-MM OS)						
	2	1	216-5582	7	BEARING-SLEEVE (STANDARD)						
AB		1	217-0751		BEARING-SLEEVE (0.254-MM OS)						
AB		1	217-0752		BEARING-SLEEVE (0.762-MM OS)						
AB		1	261-3429		BEARING-SLEEVE (1.778-MM OS)						
AB		1	261-3430		BEARING-SLEEVE (1.27-MM OS)						
	3	1	224-3983	12	INSERT-SEAT (INLET) (STANDARD)						
		1	314-3063		INSERT-VALVE SEAT (0.55 MM US THK)						
		1	314-3064		INSERT-VALVE SEAT (INLET 0.13 OS OD)						
		1	314-3065		INSERT-VALVE SEAT (0.13 MM OS OD, 0.55 MM US THK)						
		1	314-3066		INSERT-VALVE SEAT (INLET 0.26 OS OD)						
		1	314-3067		INSERT-VALVE SEAT (0.26 MM OS OD, 0.55 MM US THK)						
		1	314-3068		INSERT-VALVE SEAT (INLET 0.51 OS OD)						
		1	314-3069		INSERT-VALVE SEAT (0.51 MM OS OD, 0.55 MM US THK)						
	4	1	226-5561	12	INSERT-VALVE (EXHAUST) (STANDARD)						
AB		1	288-4883		INSERT-VALVE (EXHAUST 0.51 OS OD)						
AB		1	288-4884		INSERT-VALVE (EXHAUST 0.76 OS OD)						
	5	1	263-4920	6	SLEEVE-INJECTOR (INLET)						
	8	1	166-2904	12	SEAL-O-RING						
	9	1	3B-0623	17	PLUG-CUP						
	10	1	3B-0645	20	PLUG-CUP						
	11	1	8T-6757	3	PLUG-PIPE						
	12	1	9X-7430	6	SEAL-O-RING						

A-NOT PART OF THIS GROUP
B-USE AS REQUIRED

BASIC ENGINE

223-7263 CYLINDER HEAD AS (contd.)

i03645107



GRAPHIC #1

<END>

g01370336

BASIC ENGINE

243-0943 CYLINDER HEAD AS

S/N: RHX1-UP

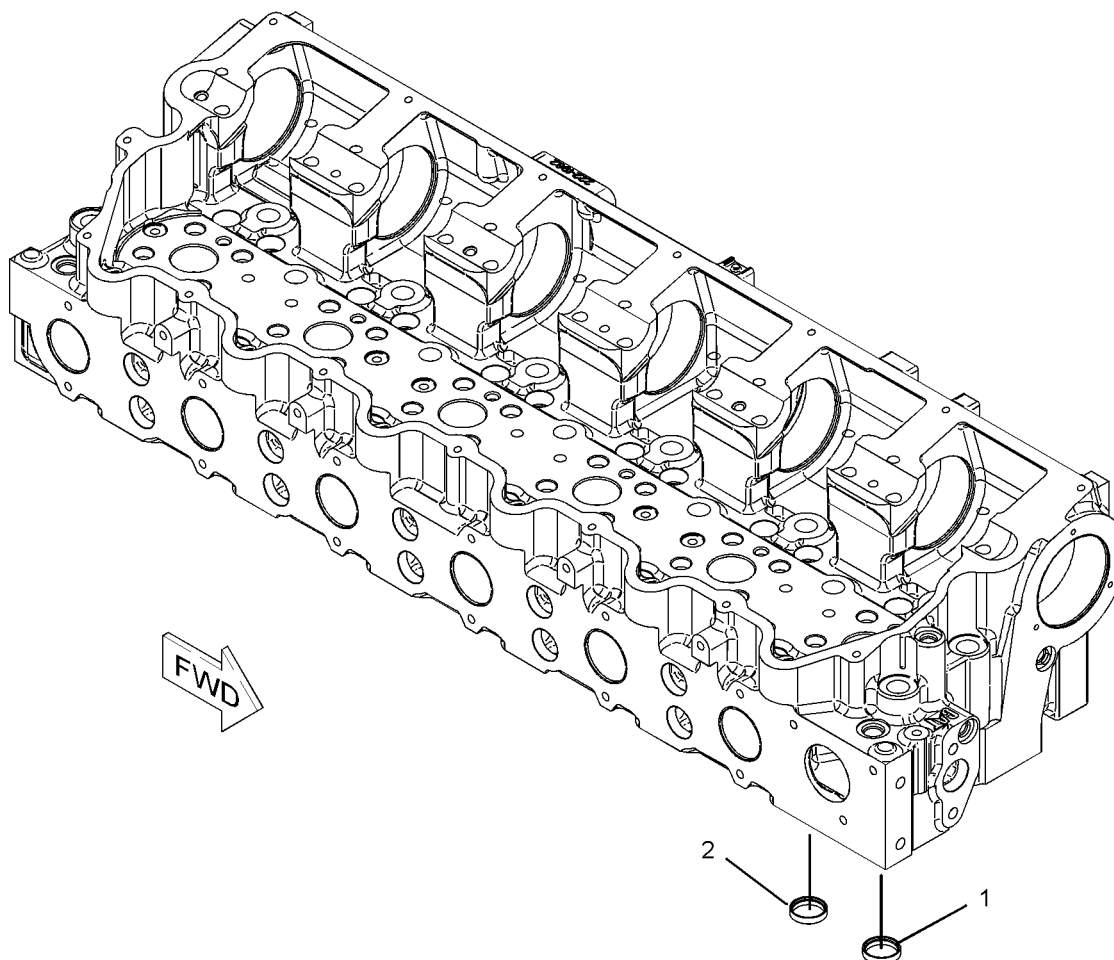
PART OF 243-6741 CYLINDER HEAD AS

SMCS-1100

i02097979

NOTE	REF NO	GRAPHIC REF	PART NUMBER	QTY	PART NAME						SEE PAGE
					1	2	3	4	5	6 (PRODUCT LEVEL)	
	1	1	152-7582	12	INSERT-VALVE SEAT (EXHAUST) (STANDARD)						
AB		1	167-0642		INSERT-VALVE SEAT (EXHAUST 0.76-MM OS OD)						
AB		1	170-4737		INSERT-VALVE SEAT (EXHAUST 0.51-MM OS OD)						
	2	1	175-3617	12	INSERT-VALVE SEAT (INLET) (STANDARD)						
AB		1	167-0643		INSERT-VALVE SEAT (INLET 0.76-MM OS OD)						
AB		1	170-4738		INSERT-VALVE SEAT (INLET 0.51-MM OS OD)						

A-NOT PART OF THIS GROUP
B-USE AS REQUIRED



GRAPHIC #1

<END>

g01028691

BASIC ENGINE

243-6741 CYLINDER HEAD AS

S/N: RHX1-1594

WITH MACHINE IN PLACE VALVE SEAT INSERTS

PART OF 223-9250 CYLINDER HEAD GP

SMCS-1100

i02444848

NOTE	REF NO	GRAPHIC REF	PART NUMBER	QTY	PART NAME						SEE PAGE
					1	2	3	4	5	6 (PRODUCT LEVEL)	
	1	2	122-7375	24	GUIDE-VALVE (STANDARD)						
AB		2	122-0447		GUIDE-VALVE (0.51-MM OS)						
AB		2	122-8612		GUIDE-VALVE (0.13-MM OS)						
	2	1	216-5582	7	BEARING-SLEEVE (STANDARD)						
AB		1	217-0751		BEARING-SLEEVE (0.254-MM OS)						
AB		1	217-0752		BEARING-SLEEVE (0.762-MM OS)						
	3	2	227-4239	6	SLEEVE-INJECTOR						
Y	4	1	243-0943	1	CYLINDER HEAD AS						42
					-OR-						
Y		1	223-7263	1	CYLINDER HEAD AS						40
	5	2	166-2903	6	SEAL-O-RING						
	6	2	166-2904	6	SEAL-O-RING						
	7	1	3B-0623	17	PLUG-CUP						
	8	1,2	3B-0645	20	PLUG-CUP						
	9	2	8T-6757	3	PLUG-PIPE						
	10	2	9X-7430	6	SEAL-O-RING						

A-NOT PART OF THIS GROUP

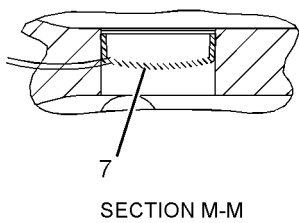
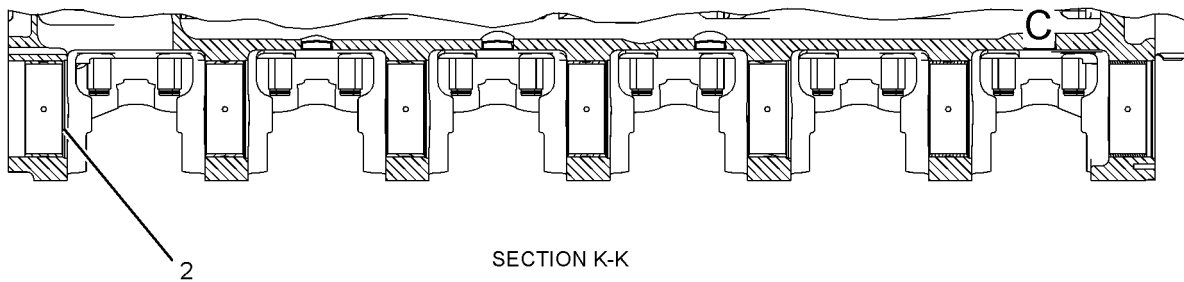
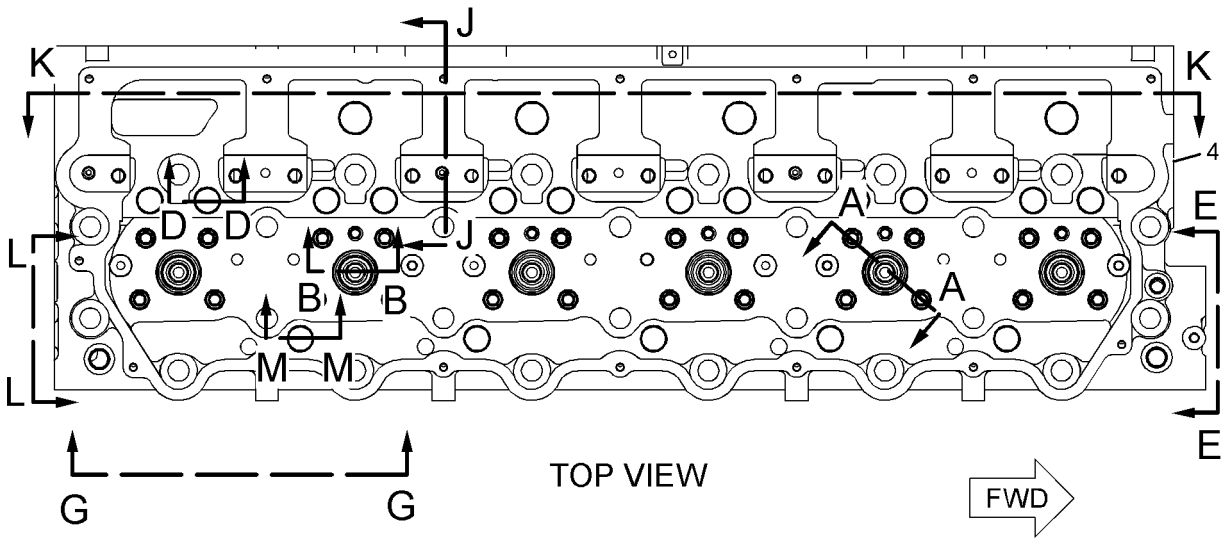
B-USE AS REQUIRED

Y-SEPARATE ILLUSTRATION

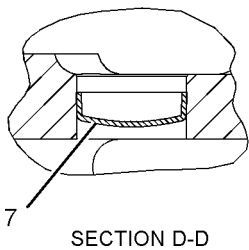
BASIC ENGINE

243-6741 CYLINDER HEAD AS (contd.)

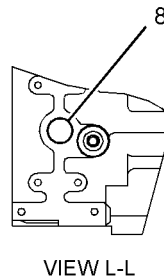
i02444848



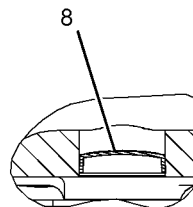
SECTION M-M



SECTION D-D



VIEW L-L



VIEW OF AREA C

REFER TO ALL ILLUSTRATIONS OF THIS GROUP FOR AUXILIARY VIEWS

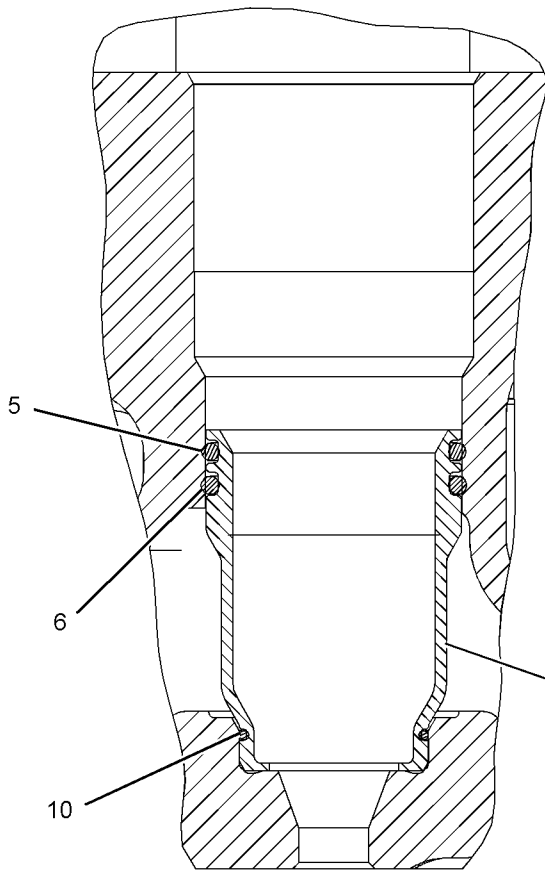
GRAPHIC #1

g01221315

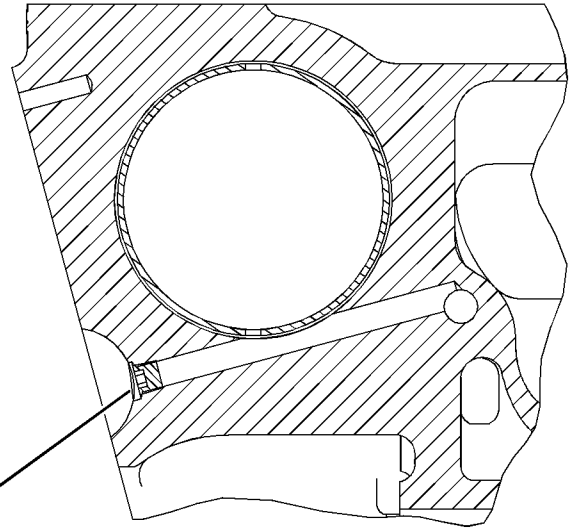
BASIC ENGINE

243-6741 CYLINDER HEAD AS (contd.)

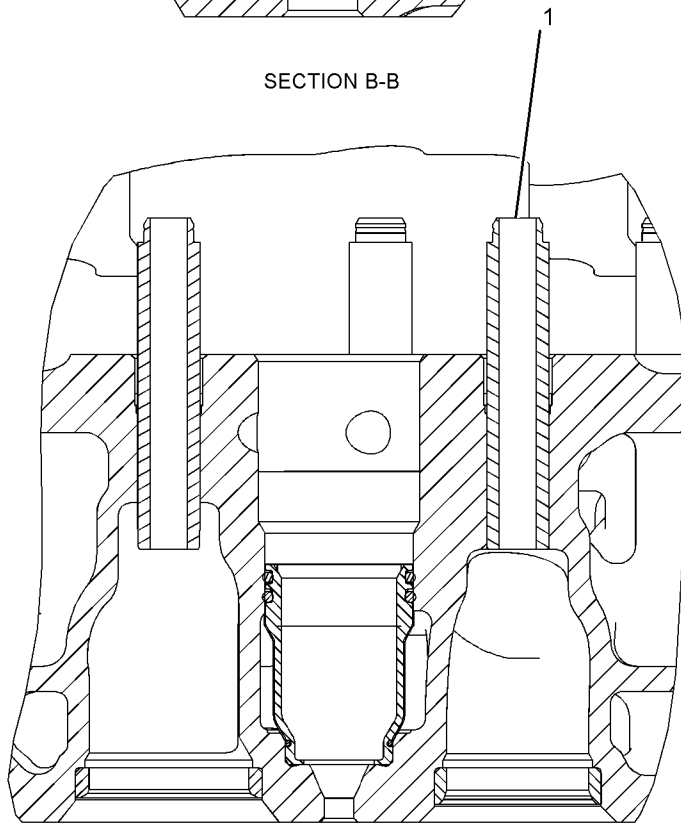
i02444848



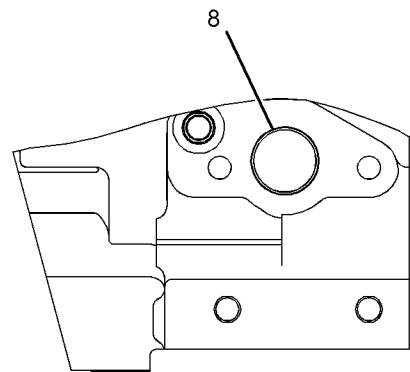
SECTION B-B



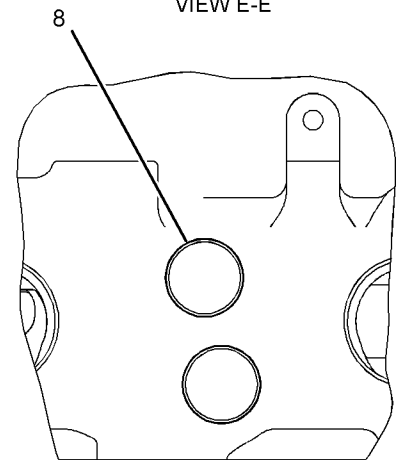
SECTION J-J



SECTION A-A



VIEW E-E



VIEW G-G

GRAPHIC #2

<END>

g01029134

BASIC ENGINE

223-9250 CYLINDER HEAD GP*R

S/N: RHX1-1594

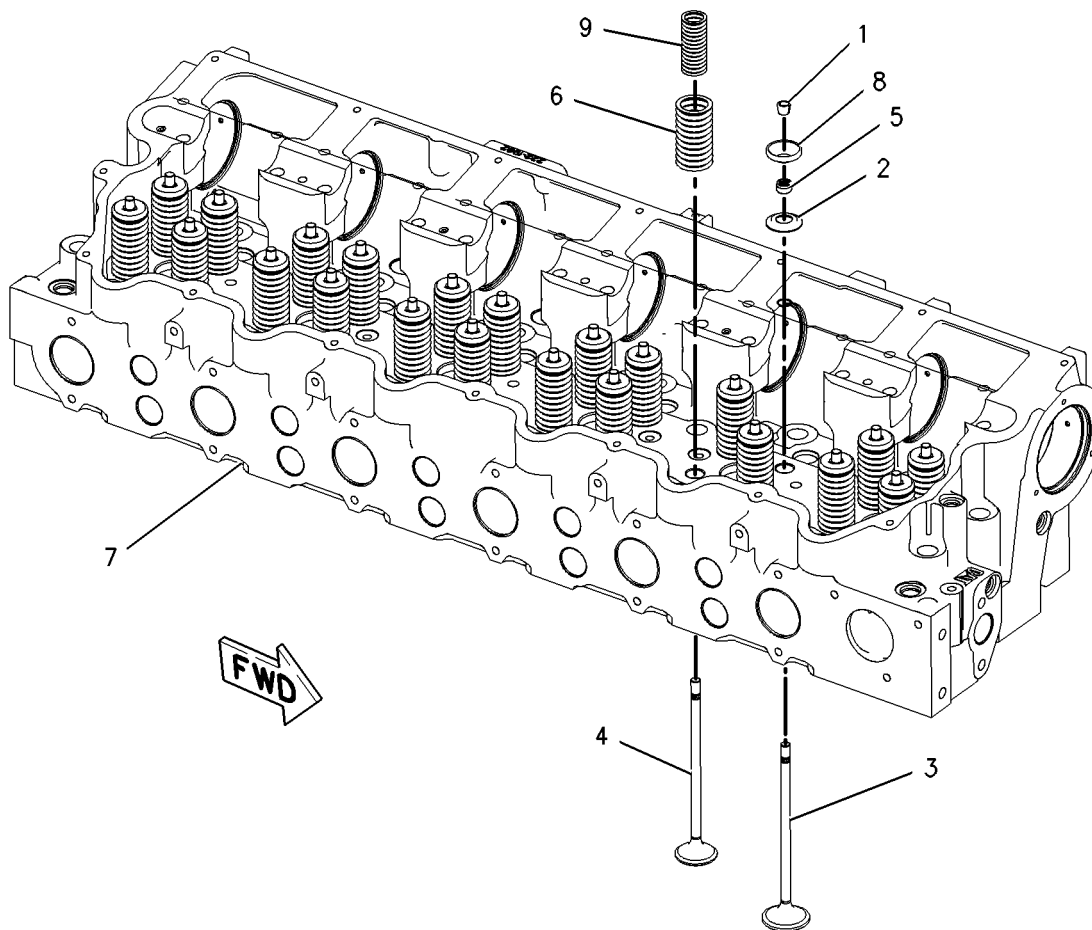
PART OF 235-2974 CYLINDER HEAD GP

SMCS-1100

i02453772

NOTE	REF NO	GRAPHIC REF	PART NUMBER	QTY	PART NAME						SEE PAGE
					1	2	3	4	5	6 (PRODUCT LEVEL)	
	1	1	2A-4429	48	LOCK-RETAINER						
	2	1	6I-0928	24	WASHER-SPECIAL						
	3	1	153-7023	12	VALVE-INLET						
	4	1	153-7024	12	VALVE-EXHAUST						
	5	1	163-2478	24	SEAL-VALVE STEM						
	6	1	211-3123	24	SPRING-VALVE (OUTER)						
CY	7	1	243-6741	1	CYLINDER HEAD AS						43
	8	1	186-2001	24	ROTOCOIL AS						
	9	1	211-3122	24	SPRING-VALVE (INNER)						

C-CHANGE FROM PREVIOUS TYPE
Y-SEPARATE ILLUSTRATION



GRAPHIC #1

<END>

g00955632

BASIC ENGINE

223-9250 CYLINDER HEAD GP*R

S/N: RHX1595-UP

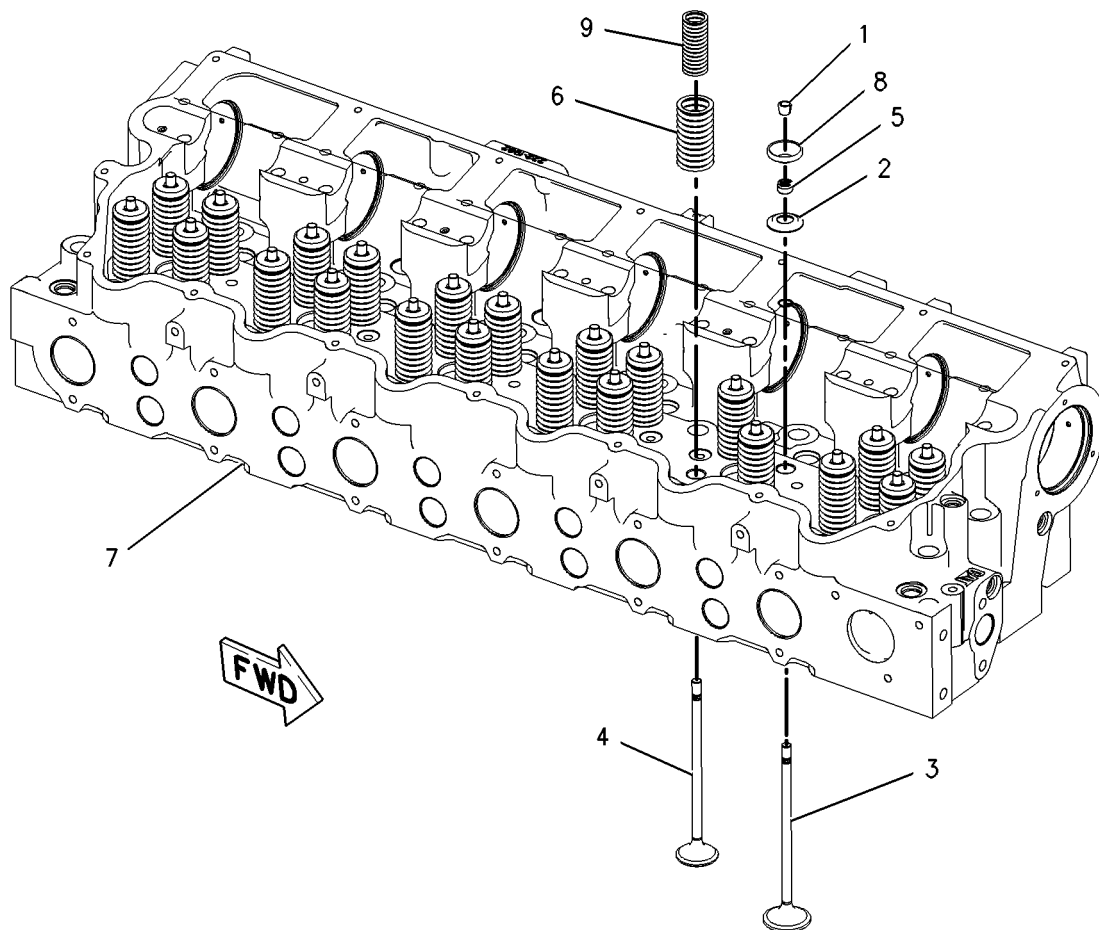
PART OF 235-2974 CYLINDER HEAD GP

SMCS-1100

i02847392

NOTE	REF NO	GRAPHIC REF	PART NUMBER	QTY	PART NAME						SEE PAGE
					1	2	3	4	5	6 (PRODUCT LEVEL)	
	1	1	2A-4429	48	LOCK-RETAINER						
	2	1	6I-0928	24	WASHER-SPECIAL						
	3	1	153-7023	12	VALVE-INLET						
	4	1	153-7024	12	VALVE-EXHAUST						
	5	1	163-2478	24	SEAL-VALVE STEM						
	6	1	247-9908	24	SPRING-VALVE (OUTER)						
Y	7	1	223-7263	1	CYLINDER HEAD AS						40
	8	1	186-2001	24	ROTOCOIL AS						
	9	1	211-3122	24	SPRING-VALVE (INNER)						

Y-SEPARATE ILLUSTRATION



GRAPHIC #1

<END>

g00955632

BASIC ENGINE

235-2974 CYLINDER HEAD GP

S/N: RHX1-4126

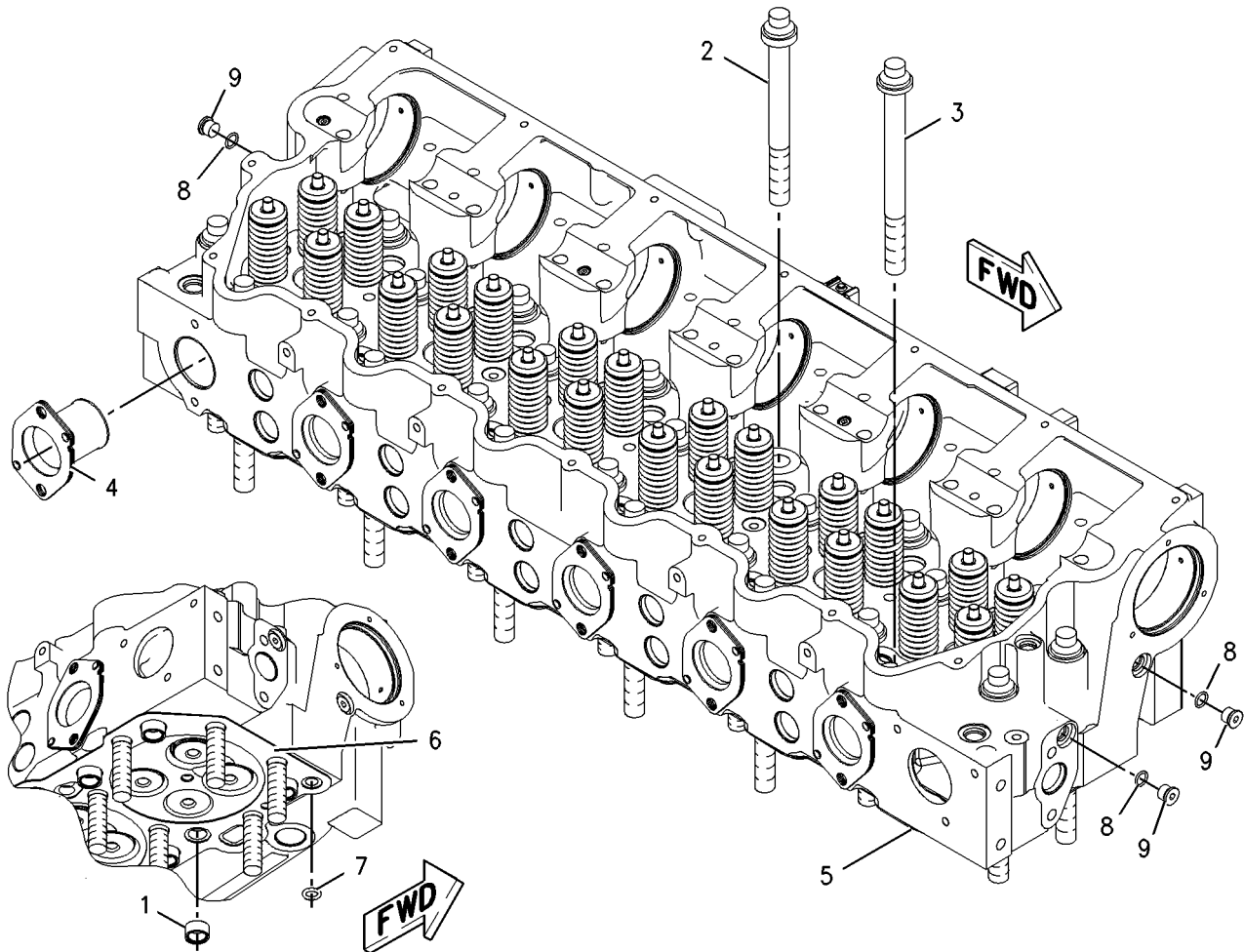
PART OF 241-5933, 280-2166 ENGINE AR-CORE

SMCS-1100

i02485441

NOTE	REF NO	GRAPHIC REF	PART NUMBER	QTY	PART NAME						SEE PAGE
					1	2	3	4	5	6 (PRODUCT LEVEL)	
	1	1	3E-6772	24	SEAL						
	2	1	6I-4025	16	FASTENER GP-CYLINDER HEAD						
		1	5H-1504	1	WASHER-HARD (20X33.5X5-MM THK)						
		1	124-1855	1	BOLT-12 POINT HEAD (3/4-16X7.638-IN)						
	3	1	106-5673	10	FASTENER GP-CYLINDER HEAD						
		1	5H-1504	1	WASHER-HARD (20X33.5X5-MM THK)						
		1	124-1854	1	BOLT-12 POINT HEAD (3/4-16X8.5-IN)						
	4	1	281-8261	6	SLEEVE AS-EXHAUST						
YR	5	1	223-9250	1	CYLINDER HEAD GP						46
	6	1	224-5122	1	GASKET						
	7	1	5P-0840	1	SEAL-O-RING						
	8	1	6V-5049	3	SEAL-O-RING						
	9	1	9S-8004	3	PLUG-O-RING						

R-REMFG PART MAY BE AVAILABLE
Y-SEPARATE ILLUSTRATION



GRAPHIC #1

<END>

g01002373

BASIC ENGINE

267-2060 CYLINDER HEAD GP*R

S/N: RHX4127-UP

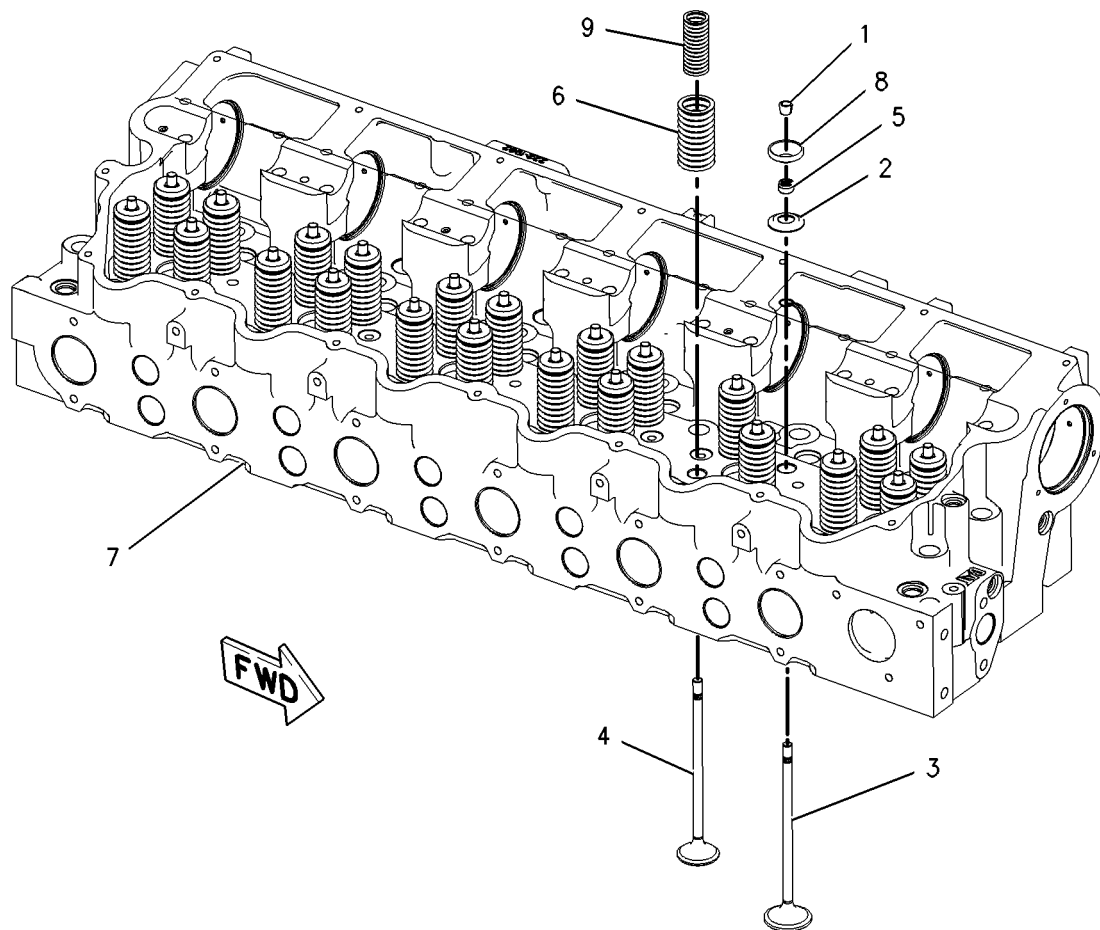
PART OF 274-1953 CYLINDER HEAD GP

SMCS-1100

i03645794

NOTE	REF NO	GRAPHIC REF	PART NUMBER	QTY	PART NAME						SEE PAGE
					1	2	3	4	5	6 (PRODUCT LEVEL)	
	1	1	2A-4429	48	LOCK-RETAINER						
	2	1	6I-0928	24	WASHER-SPECIAL						
	3	1	236-5605	12	VALVE-INLET						
	4	1	153-7024	12	VALVE-EXHAUST						
	5	1	163-2478	24	SEAL-VALVE STEM						
	6	1	211-3123	24	SPRING-VALVE (OUTER)						
CY	7	1	223-7263	1	CYLINDER HEAD AS						40
	8	1	186-2001	24	ROTOCOIL AS						
	9	1	211-3122	24	SPRING-VALVE (INNER)						

C-CHANGE FROM PREVIOUS TYPE
Y-SEPARATE ILLUSTRATION



GRAPHIC #1

<END>

g00955632

BASIC ENGINE

274-1953 CYLINDER HEAD GP

S/N: RHX4127-UP

PART OF 241-5933 ENGINE AR-CORE

SMCS-1100

i02717328

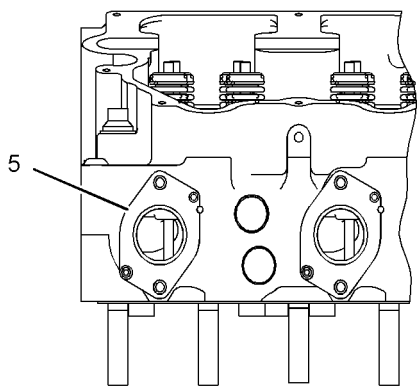
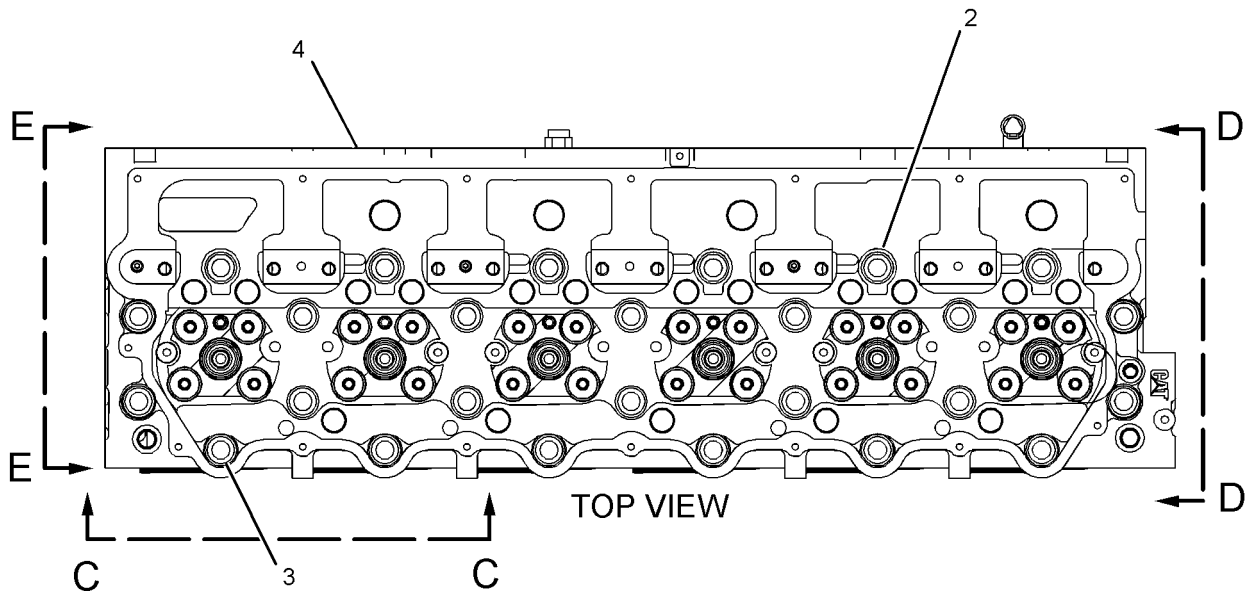
NOTE	REF NO	GRAPHIC REF	PART NUMBER	QTY	PART NAME						SEE PAGE
					1	2	3	4	5	6 (PRODUCT LEVEL)	
	1	1	3E-6772	24	SEAL						
	2	1	<i>6I-4025</i>	16	FASTENER GP-CYLINDER HEAD						
					(EACH INCLUDES)						
		1	5H-1504	1	WASHER-HARD (20X33.5X5-MM THK)						
		1	124-1855	1	BOLT-12 POINT HEAD (3/4-16X7.638-IN)						
	3	1	<i>106-5673</i>	10	FASTENER GP-CYLINDER HEAD						
					(EACH INCLUDES)						
		1	5H-1504	1	WASHER-HARD (20X33.5X5-MM THK)						
		1	124-1854	1	BOLT-12 POINT HEAD (3/4-16X8.5-IN)						
YR	4	1	<i>267-2060</i>	1	CYLINDER HEAD GP						49
	5	1	281-8261	6	SLEEVE AS-EXHAUST						
	6	1	224-5122	1	GASKET						
	7	1	5P-0840	1	SEAL-O-RING						
	8	1	6V-5049	3	SEAL-O-RING						
	9	1	9S-8004	3	PLUG-O-RING						

R-REMG PART MAY BE AVAILABLE
Y-SEPARATE ILLUSTRATION

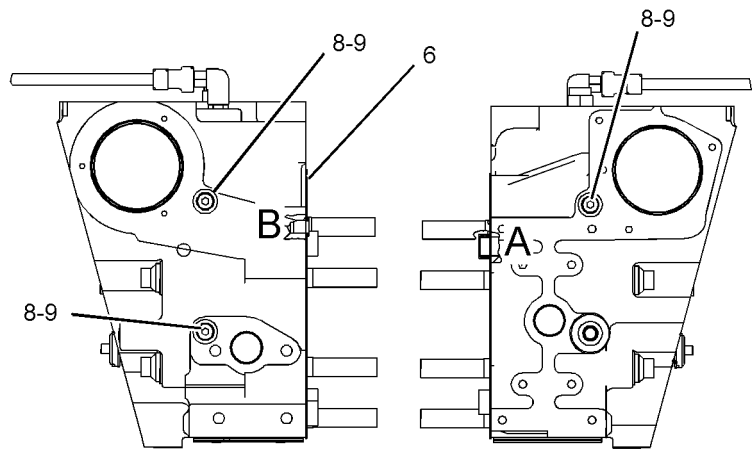
BASIC ENGINE

274-1953 CYLINDER HEAD GP (contd.)

i02717328

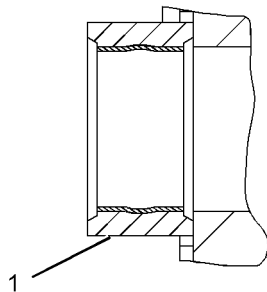


VIEW C-C

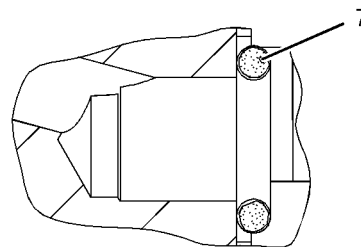


VIEW D-D

VIEW E-E



VIEW OF AREA A



VIEW OF AREA B

GRAPHIC #1

<END>

g01178061

BASIC ENGINE

212-2113 DAMPER & PULLEY GP

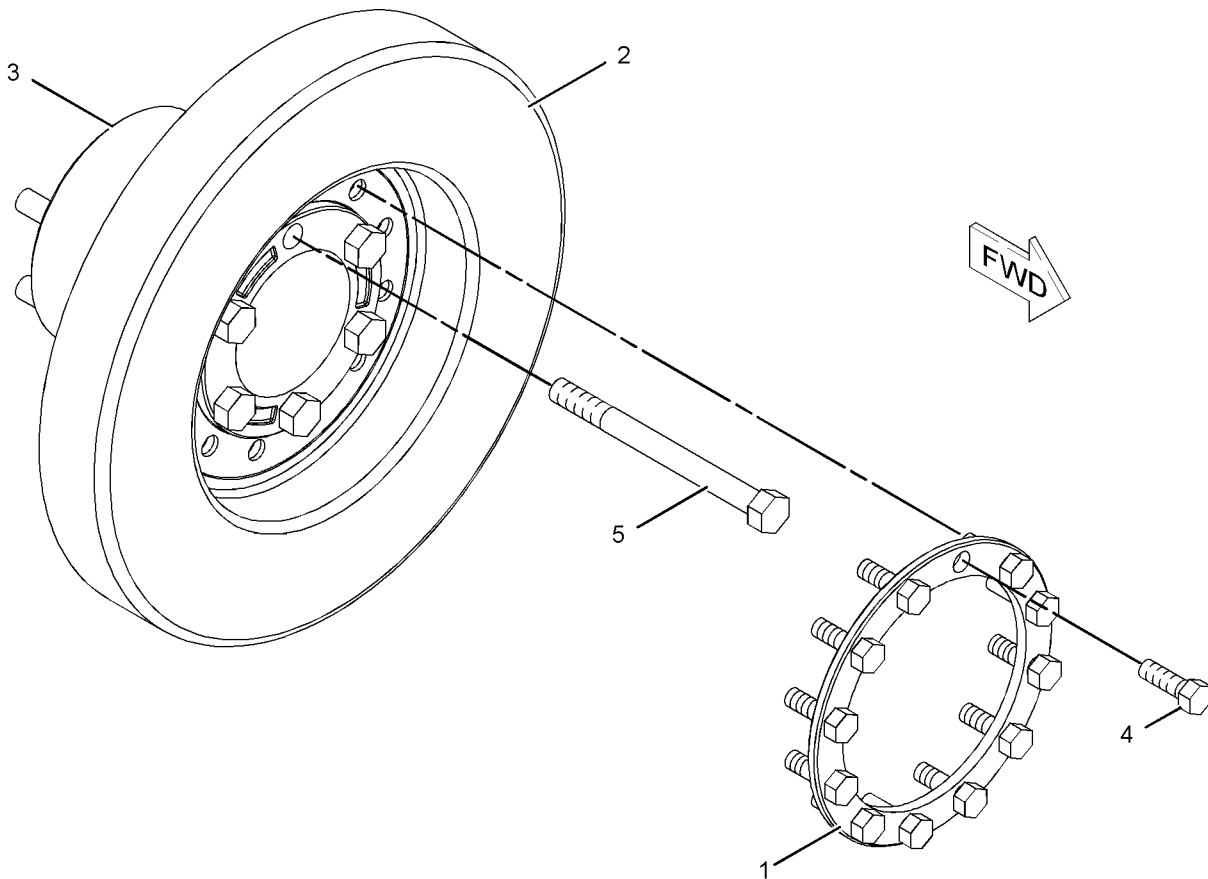
S/N: RHX1-UP
8 GROOVE, 241.3MM DIAMETER PULLEY
PART OF 257-4960, 286-9798 ENGINE AR-COMPLETE

SMCS-1205

i03191284

NOTE	REF NO	GRAPHIC REF	PART NUMBER	QTY	PART NAME						SEE PAGE
					1	2	3	4	5	6 (PRODUCT LEVEL)	
	1	1	6N-7654	1	SPACER (6.312X8.18X0.312-IN THK)						
R	2	1	167-8130	1	DAMPER AS						
	3	1	212-2086	1	PULLEY-CRANKSHAFT (8 GROOVES)						
	4	1	0S-1585	12	BOLT (1/2-13X1.5-IN)						
	5	1	1B-3623	6	BOLT (5/8-18X7-IN)						

R-REMG PART MAY BE AVAILABLE



GRAPHIC #1

<END>

g01033610

BASIC ENGINE

200-3313 DRIVE GP-FAN

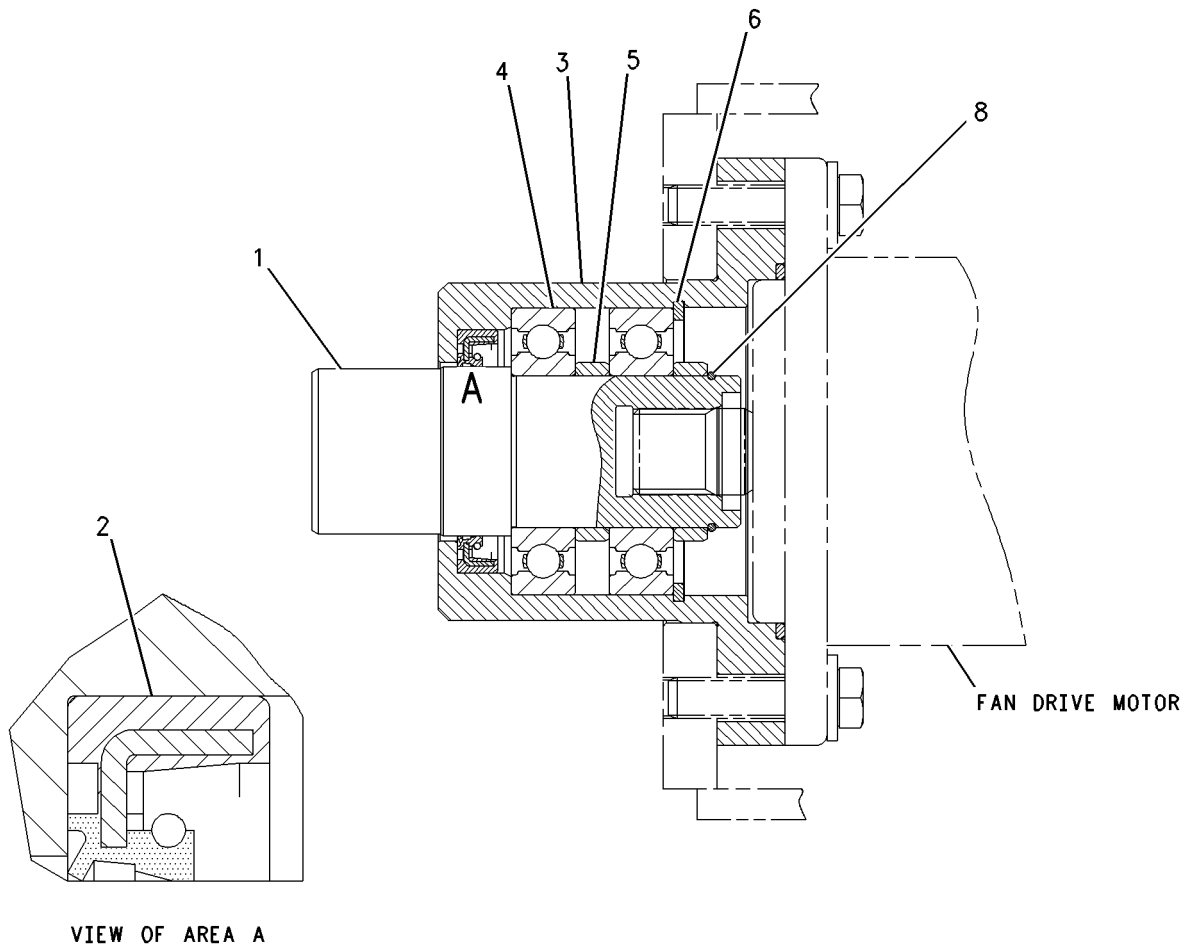
S/N: MMA1-UP

PART OF 210-8156 COOLER & MTG GP-HYDRAULIC OIL, 230-2799 FAN GP-SUCTION
FIELD REPLACEMENT ORDER 295-9637-PAGE 54

SMCS-1359

i01689460

NOTE	REF NO	GRAPHIC REF	PART NUMBER	QTY	PART NAME						SEE PAGE
					1	2	3	4	5	6 (PRODUCT LEVEL)	
	1	1	150-5870	1	SHAFT						
	2	1	137-3751	1	SEAL-LIP TYPE						
	3	1	200-3311	1	HOUSING						
	4	1	4B-3665	2	BALL BEARING						
	5	1	137-3749	2	SPACER						
	6	1	6V-5590	1	RING-RETAINING						
	8	1	095-7424	1	RING-RETAINING						



GRAPHIC #1

<END>

g00875209

BASIC ENGINE

295-9637 DRIVE GP-FAN

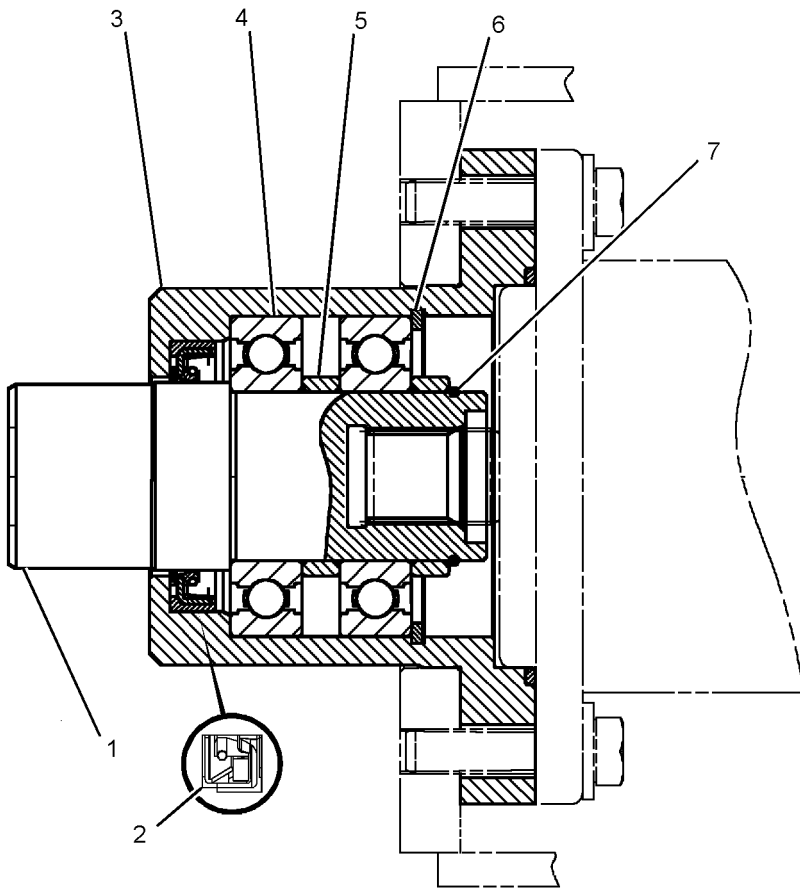
S/N: MMA256-UP

PART OF 210-8156 COOLER & MTG GP-HYDRAULIC OIL
FIELD REPLACEMENT FOR 200-3313—PAGE 53

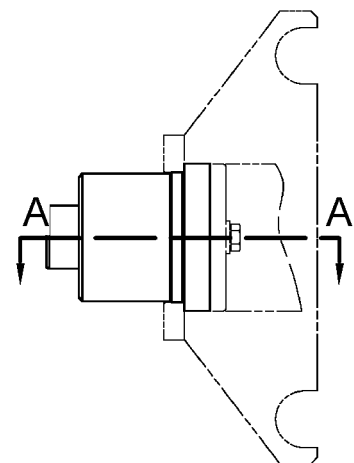
SMCS-1359

i03368580

NOTE	REF NO	GRAPHIC REF	PART NUMBER	QTY	PART NAME						SEE PAGE
					1	2	3	4	5	6 (PRODUCT LEVEL)	
	1	1	150-5870	1	SHAFT						
	2	1	129-7925	1	SEAL-LIP TYPE						
	3	1	200-3311	1	HOUSING						
	4	1	4B-3665	2	BALL BEARING						
	5	1	137-3749	2	SPACER (45X53X10-MM THK)						
	6	1	6V-5590	1	RING-RETAINING						
	7	1	095-7424	1	RING-RETAINING						



SECTION A-A



RIGHT SIDE VIEW

GRAPHIC #1

<END>

g01743213

BASIC ENGINE

4P-6846 FASTENER GP-FRONT HOUSING

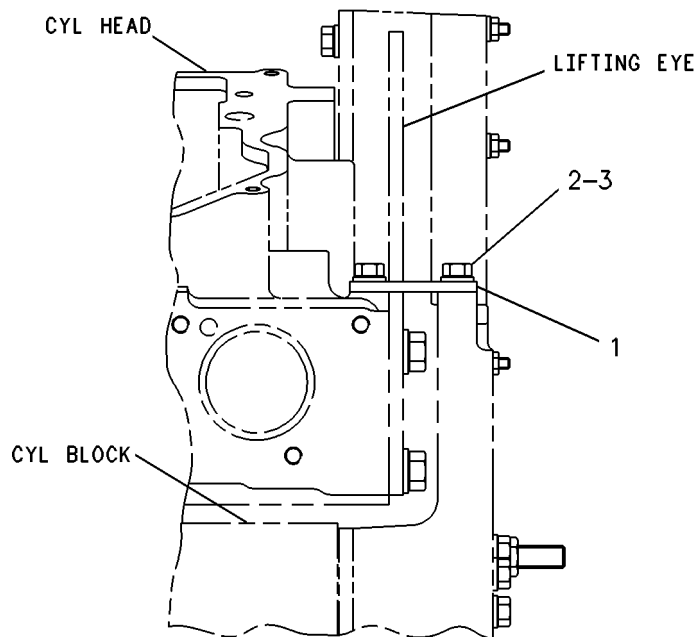
S/N: RHX1-UP

PART OF 257-4960, 286-9798 ENGINE AR-COMplete

SMCS-1162

i01494962

NOTE	REF NO	GRAPHIC REF	PART NUMBER	QTY	PART NAME						SEE PAGE
					1	2	3	4	5	6 (PRODUCT LEVEL)	
	1	1	7N-0452	1	PLATE						
	2	1	0S-1594	2	BOLT (3/8-16X1-IN)						
	3	1	5M-2894	2	WASHER-HARD (10.2X18.5X2.5-MM THK)						



RIGHT SIDE VIEW

GRAPHIC #1

<END>

g00231021

BASIC ENGINE

221-1428 FASTENER GP-FRONT HOUSING

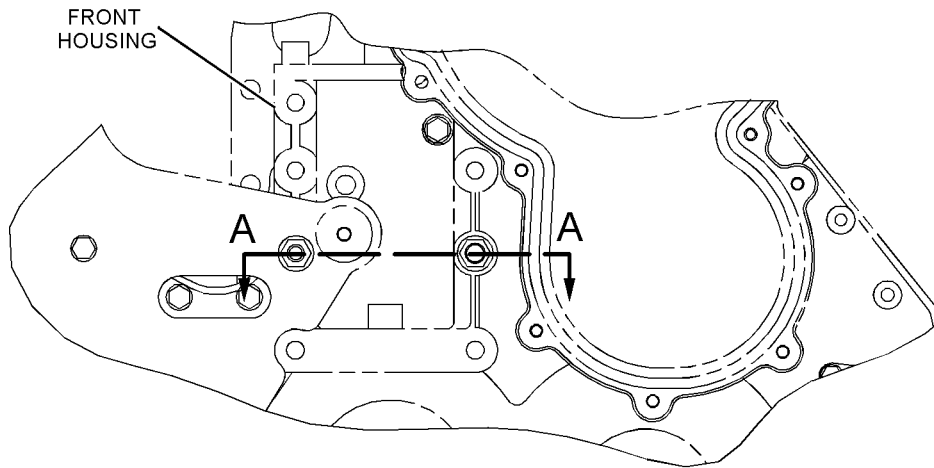
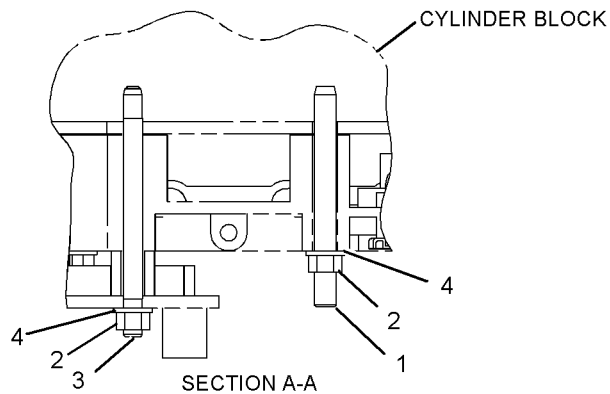
S/N: RHX1-UP

PART OF 257-4960, 286-9798 ENGINE AR-COMplete

SMCS-1162

i02103151

NOTE	REF NO	GRAPHIC REF	PART NUMBER	QTY	PART NAME						SEE PAGE
					1	2	3	4	5	6 (PRODUCT LEVEL)	
	1	1	149-5268	1	STUD-TAPERLOCK						
	2	1	1F-7958	2	NUT-FULL (1/2-13-THD)						
	3	1	4M-8547	1	STUD-TAPERLOCK						
	4	1	5P-8245	2	WASHER-HARD (13.5X25.5X3-MM THK)						



GRAPHIC #1

g01021070

BASIC ENGINE

109-1657 FASTENER GP-VALVE MECHANISM

S/N: RHX1-UP

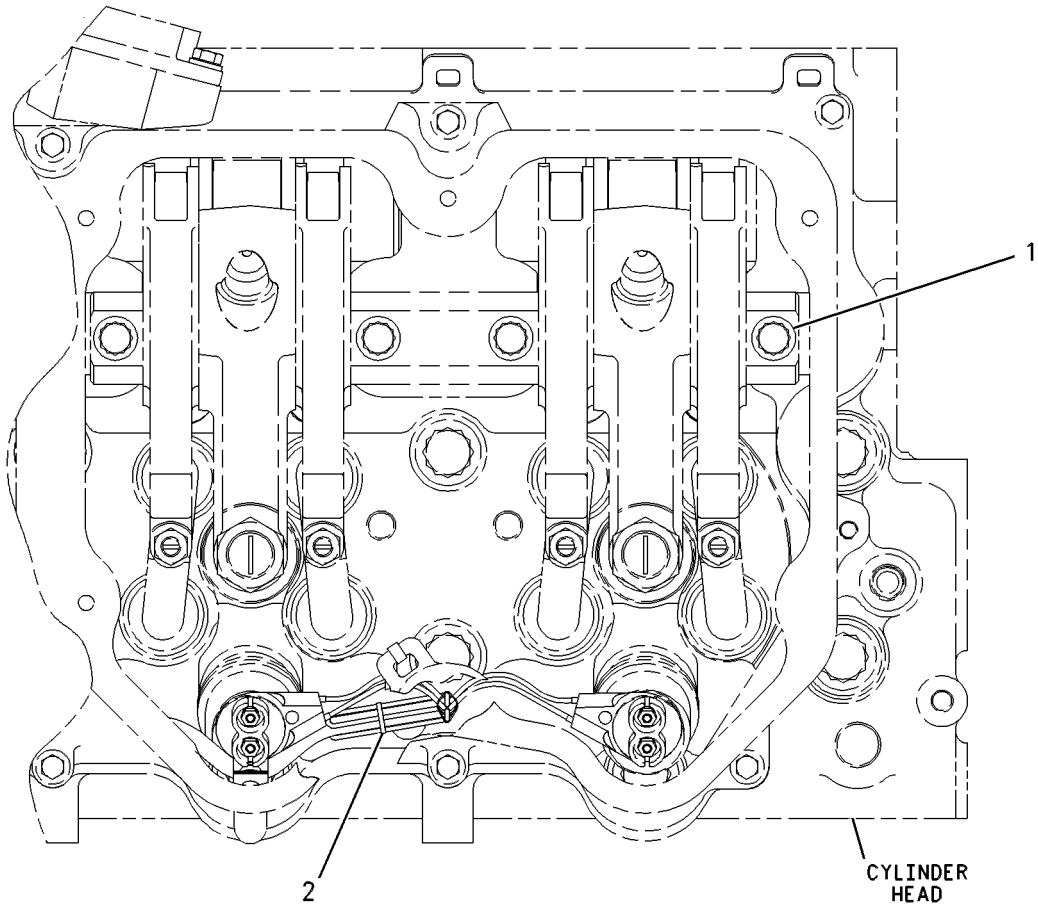
PART OF 241-5933, 280-2166 ENGINE AR-CORE

CANNOT BE USED WITH JAKE BRAKE

SMCS-1107

i01503034

NOTE	REF NO	GRAPHIC REF	PART NUMBER	QTY	PART NAME						SEE PAGE
					1	2	3	4	5	6 (PRODUCT LEVEL)	
	1	1	5J-5794	12	BOLT (1/2-13X3.5-IN)						
	2	1	8L-8413	6	STRAP-CABLE						



TOP VIEW

GRAPHIC #1

<END>

g00571205

BASIC ENGINE

194-7097 FLYWHEEL GP

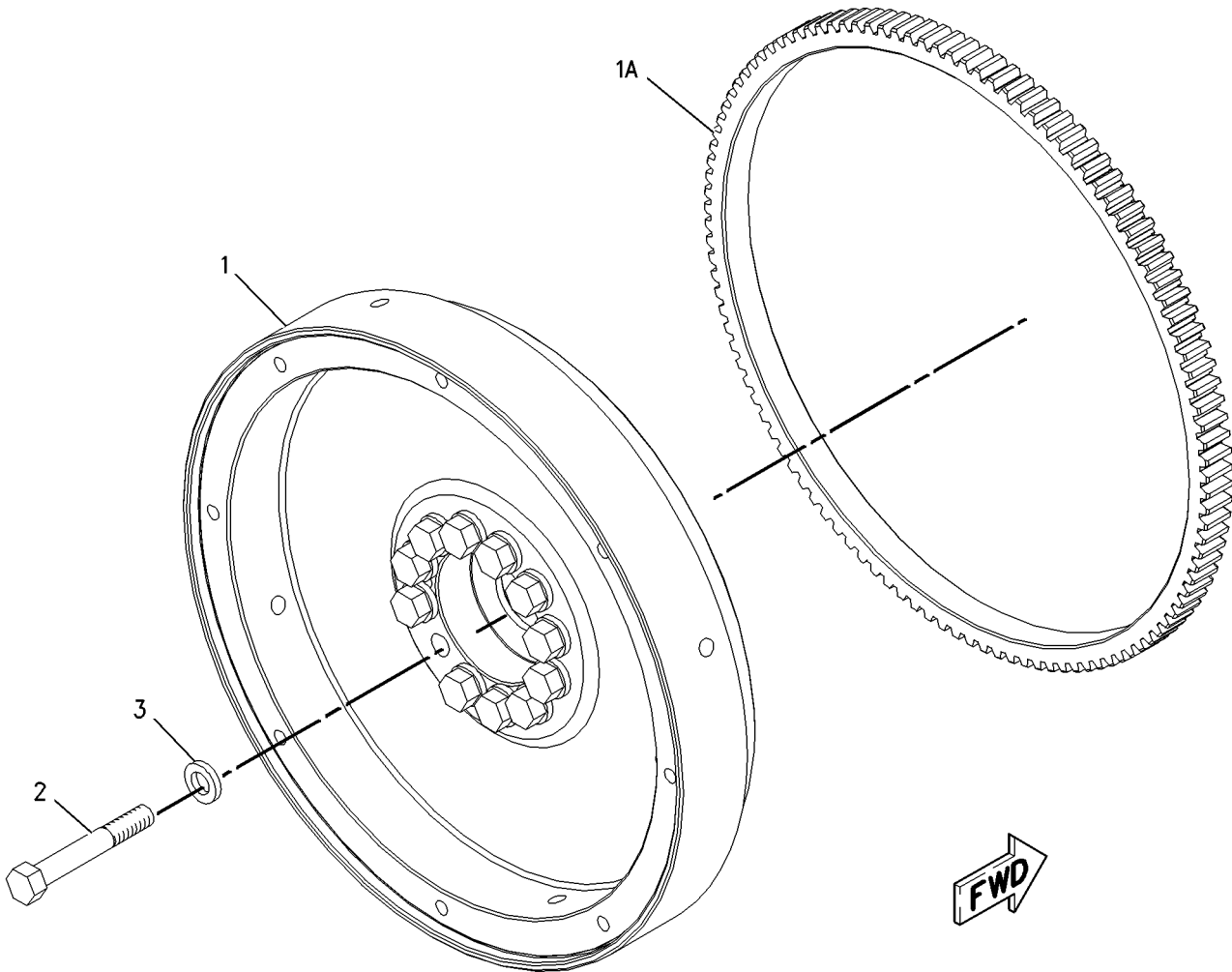
S/N: RHX1-UP

PART OF 257-4960, 286-9798 ENGINE AR-COMplete

SMCS-1156

i01518226

NOTE	REF NO	GRAPHIC REF	PART NUMBER	QTY	PART NAME						SEE PAGE
					1	2	3	4	5	6 (PRODUCT LEVEL)	
	1	1	195-0313	1	FLYWHEEL AS						
	1A	1	4N-2514	1	GEAR (113 TEETH)						
	2	1	0V-0523	12	BOLT (5/8-18X4.25IN)						
	3	1	4D-3704	12	WASHER-HARD (17X30X5MM THK)						



GRAPHIC #1

<END>

g00788986

BASIC ENGINE

204-9316 GEAR GP-CAMSHAFT

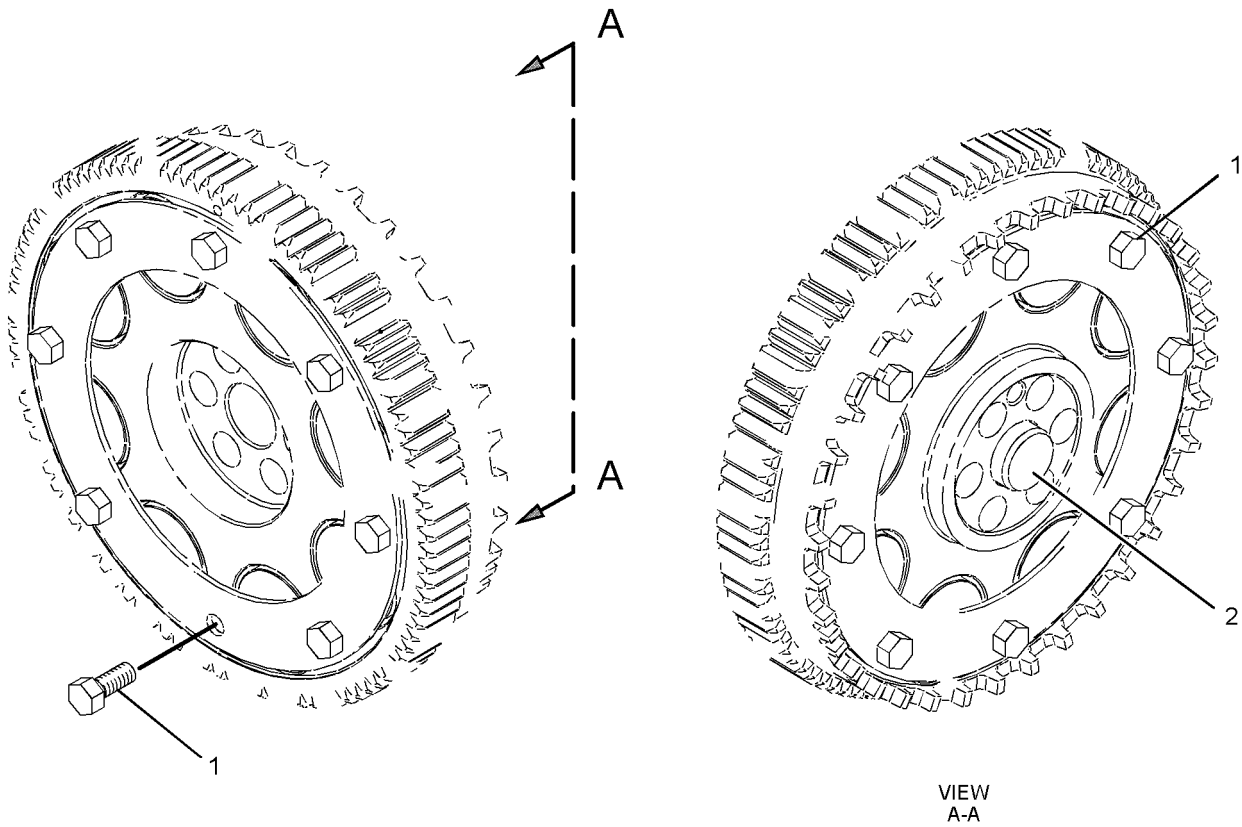
S/N: RHX1-UP

PART OF 207-0449 GEAR GP-FRONT

SMCS-1206, 1212

i02677335

NOTE	REF NO	GRAPHIC REF	PART NUMBER	QTY	PART NAME						SEE PAGE
					1	2	3	4	5	6 (PRODUCT LEVEL)	
	1	1	9X-8872	16	BOLT-LOCKING (3/8-16X0.875-IN)						
	2	1	103-0126	1	DOWEL						



GRAPHIC #1

<END>

g01345309

BASIC ENGINE

207-0449 GEAR GP-FRONT

S/N: RHX1-UP

PART OF 241-5933, 280-2166 ENGINE AR-CORE

SMCS-1151, 1162, 1206

i02957508

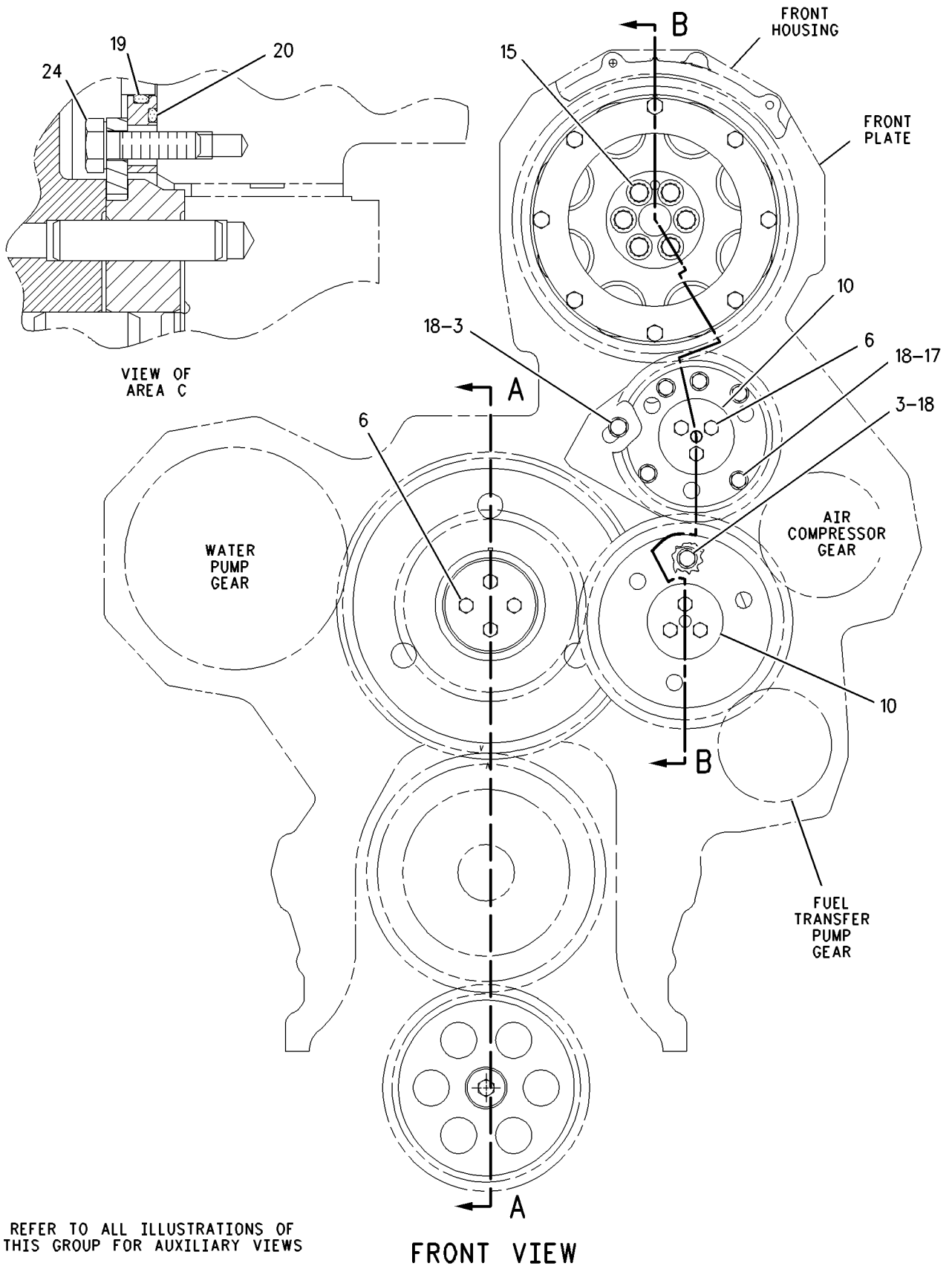
NOTE	REF NO	GRAPHIC REF	PART NUMBER	QTY	PART NAME						SEE PAGE
					1	2	3	4	5	6 (PRODUCT LEVEL)	
	1	2	0S-1571	1	BOLT (3/8-16X1.75-IN)						
	2	2	2J-3118	5	BOLT-LOCKING (3/8-16X1.25-IN)						
	3	1	5P-4142	2	BOLT-LOCKING (3/8-16X1.5-IN)						
	4	2	1B-8705	1	KEY-WOODRUFF						
	5	2	1P-7346	1	WASHER-HARD (10.2X35X6-MM THK)						
	6	1	126-1756	10	BOLT-LOCKING (5/16-18X0.875-IN)						
	7	2	112-9217	1	PLATE-THRUST						
	8	2	130-4701	1	GEAR AS (56-TEETH)						
		2	130-4698	1	BEARING-SLEEVE						
	9	2	151-5966	1	SHAFT AS-STUB						
		2	6I-3623	1	DOWEL						
	10	1	6I-3624	2	PLATE-THRUST						
	11	2	6I-3625	1	GEAR AS (71-TEETH)						
		2	101-8468	1	BEARING-SLEEVE						
Y	12	2	204-9316	1	GEAR GP-CAMSHAFT (96-TEETH)						59
	13	2	197-4971	1	SHAFT-STUB						
	14	2	158-3416	1	SHAFT-STUB						
	15	1	031-3185	6	BOLT-12 POINT HEAD (5/8-11X3-IN)						
	16	2	149-9110	1	GEAR-OIL PUMP DRIVE (69-TEETH)						
	17	1,2	9S-8752	10	NUT-FULL (3/8-16-THD)						
	18	1,2	9X-6458	12	WASHER-HARD (10.2X22.5X3-MM THK)						
	19	1	117-8801	1	SEAL-O-RING						
	20	1	5E-8771	1	SEAL-O-RING						
	21	2	159-1533	1	PLATE-SEALING						
	22	2	159-8524	1	ADAPTER AS						
		2	6V-3677	1	DOWEL						
	23	2	102-5861	1	PLATE-THRUST						
	24	1	107-0583	3	BOLT-LOCKING (1/4-20X0.87-IN)						
	25	2	187-8979	1	GEAR AS (105, 63-TEETH)						
		2	1B-8705	1	KEY-WOODRUFF						
		2	6I-4582	1	GEAR (63-TEETH) (SMALL CLUSTER)						
		2	128-2661	1	BEARING-SLEEVE						
		2	187-8980	1	GEAR (105-TEETH) (LARGE CLUSTER)						

Y-SEPARATE ILLUSTRATION

BASIC ENGINE

207-0449 GEAR GP-FRONT (contd.)

i02957508



REFER TO ALL ILLUSTRATIONS OF THIS GROUP FOR AUXILIARY VIEWS

FRONT VIEW

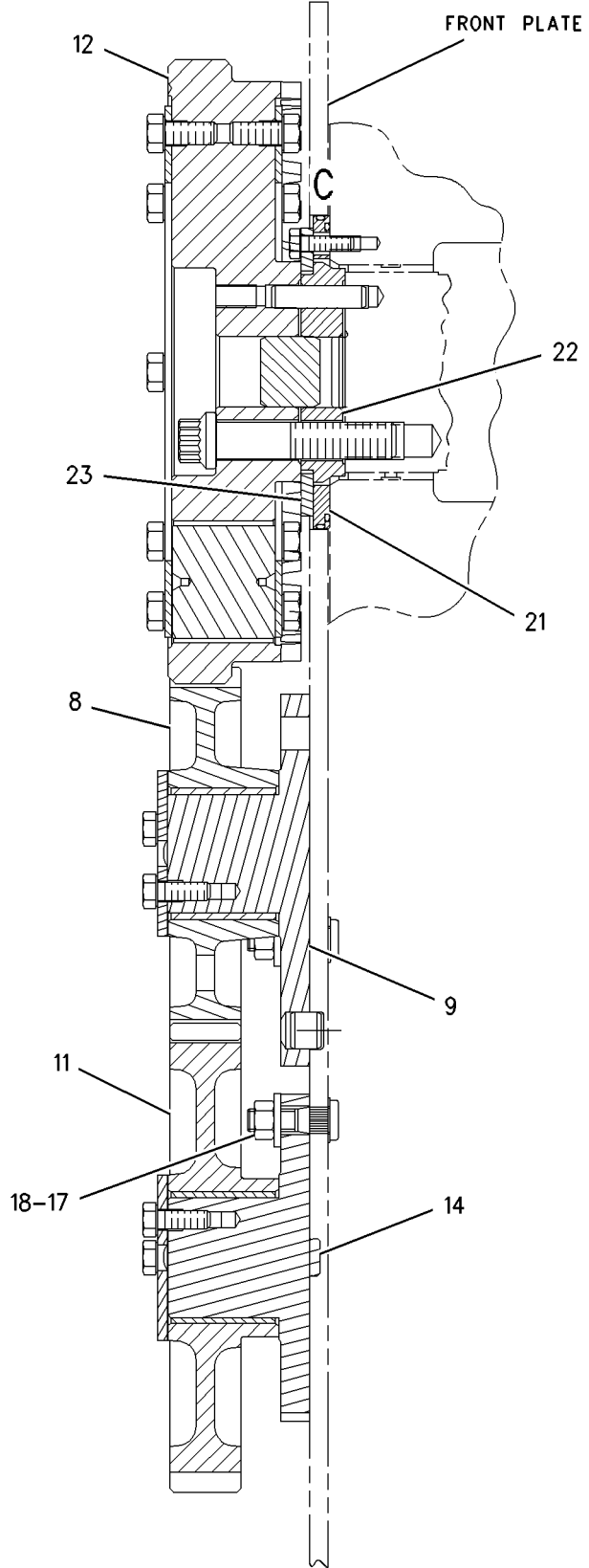
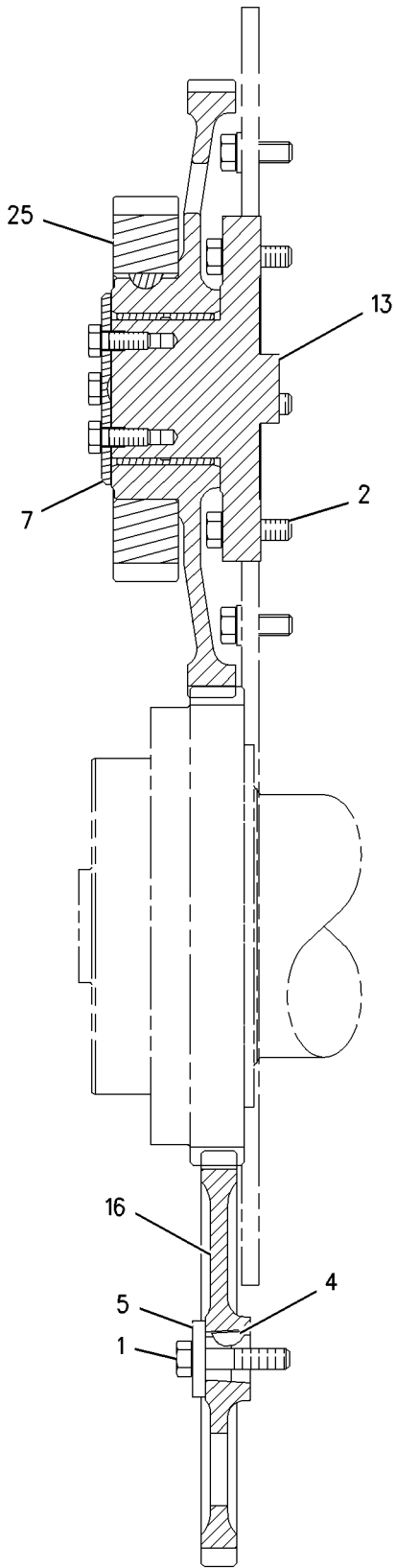
GRAPHIC #1

g00809001

BASIC ENGINE

207-0449 GEAR GP-FRONT (contd.)

i02957508



GRAPHIC #2

<END>

g00809003

BASIC ENGINE

4P-9823 GEAR GP-REAR

S/N: RHX1-1593

PART OF 257-4960 ENGINE AR-COMPLETE

SMCS-1204

i01673359

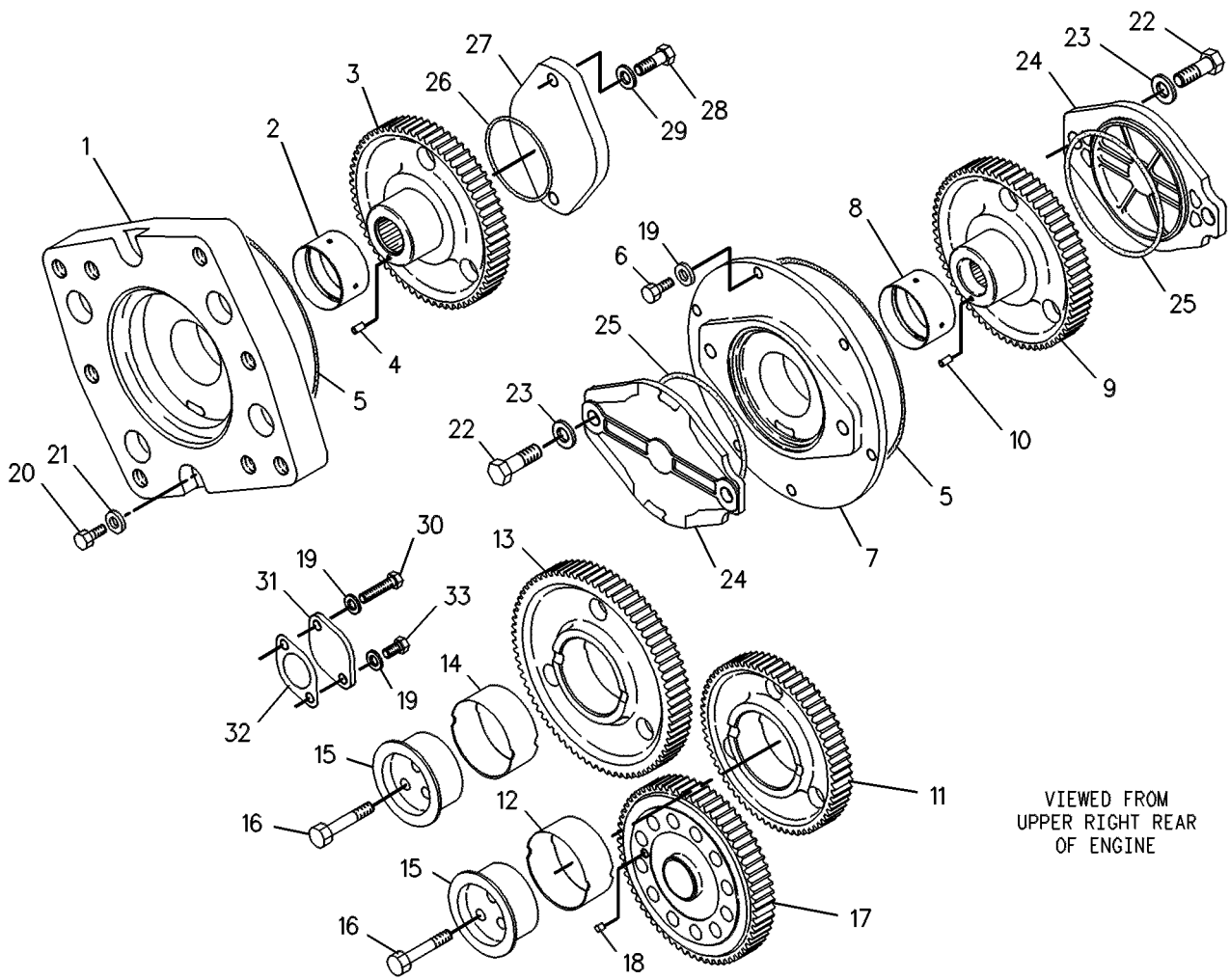
NOTE	REF NO	GRAPHIC REF	PART NUMBER	QTY	PART NAME						SEE PAGE
					1	2	3	4	5	6 (PRODUCT LEVEL)	
C	1	1	187-8230	1	ADAPTER AS						
	2	1	160-8184	1	BEARING-SLEEVE						
C	3	1	187-8202	1	GEAR AS-DRIVE (64-TEETH)						
	4	1	4F-6024	1	PIN						
	5	1	4N-1230	2	SEAL-O-RING						
	6	1	1A-2029	6	BOLT (3/8-16X1.125-IN)						
C	7	1	187-8229	1	ADAPTER AS						
	8	1	160-8184	1	BEARING-SLEEVE						
C	9	1	187-8194	1	GEAR AS-DRIVE (64-TEETH)						
	10	1	4F-6024	1	PIN						
	11	1	2W-0494	1	GEAR AS-IDLER (64-TEETH)						
	12	1	1W-4738	1	BEARING-SLEEVE						
	13	1	2W-0493	1	GEAR AS-IDLER (74-TEETH)						
	14	1	1W-4738	1	BEARING-SLEEVE						
	15	1	1W-4746	2	RETAINER-GEAR						
	16	1	1A-1460	6	BOLT (1/2-13X2-IN)						
	17	1	2W-0496	1	GEAR AS-CRANKSHAFT (68-TEETH)						
	18	1	4N-0684	1	DOWEL						
	19	1	5M-2894	8	WASHER-HARD (10.2X18.5X2.5-MM THK)						
	20	1	0T-0768	6	BOLT (7/16-14X1.75-IN)						
	21	1	5P-8244	6	WASHER-HARD (12X22.5X2.5-MM THK)						
	22	1	4B-4043	4	BOLT (5/8-11X1.375-IN)						
	23	1	5P-8247	4	WASHER-HARD (17X32X3.5-MM THK)						
	24	1	7N-8374	2	COVER-PUMP						
	25	1	5F-3106	2	SEAL-O-RING						
	26	1	4M-0189	1	SEAL-O-RING						
	27	1	116-3046	1	COVER						
	28	1	0S-1585	2	BOLT (1/2-13X1.5-IN)						
	29	1	5P-8245	2	WASHER-HARD (13.5X25.5X3-MM THK)						
	30	1	0S-1619	1	BOLT (3/8-16X3-IN)						
	31	1	2P-2772	1	COVER						
	32	1	4N-0933	1	GASKET						
	33	1	0S-1594	1	BOLT (3/8-16X1-IN)						

C-CHANGE FROM PREVIOUS TYPE

BASIC ENGINE

4P-9823 GEAR GP-REAR (contd.)

i01673359



VIEWED FROM
UPPER RIGHT REAR
OF ENGINE

GRAPHIC #1

<END>

g00239603

BASIC ENGINE

4P-9823 GEAR GP-REAR

S/N: RHX1594-UP

PART OF 257-4960, 286-9798 ENGINE AR-COMplete

SMCS-1204

i03504600

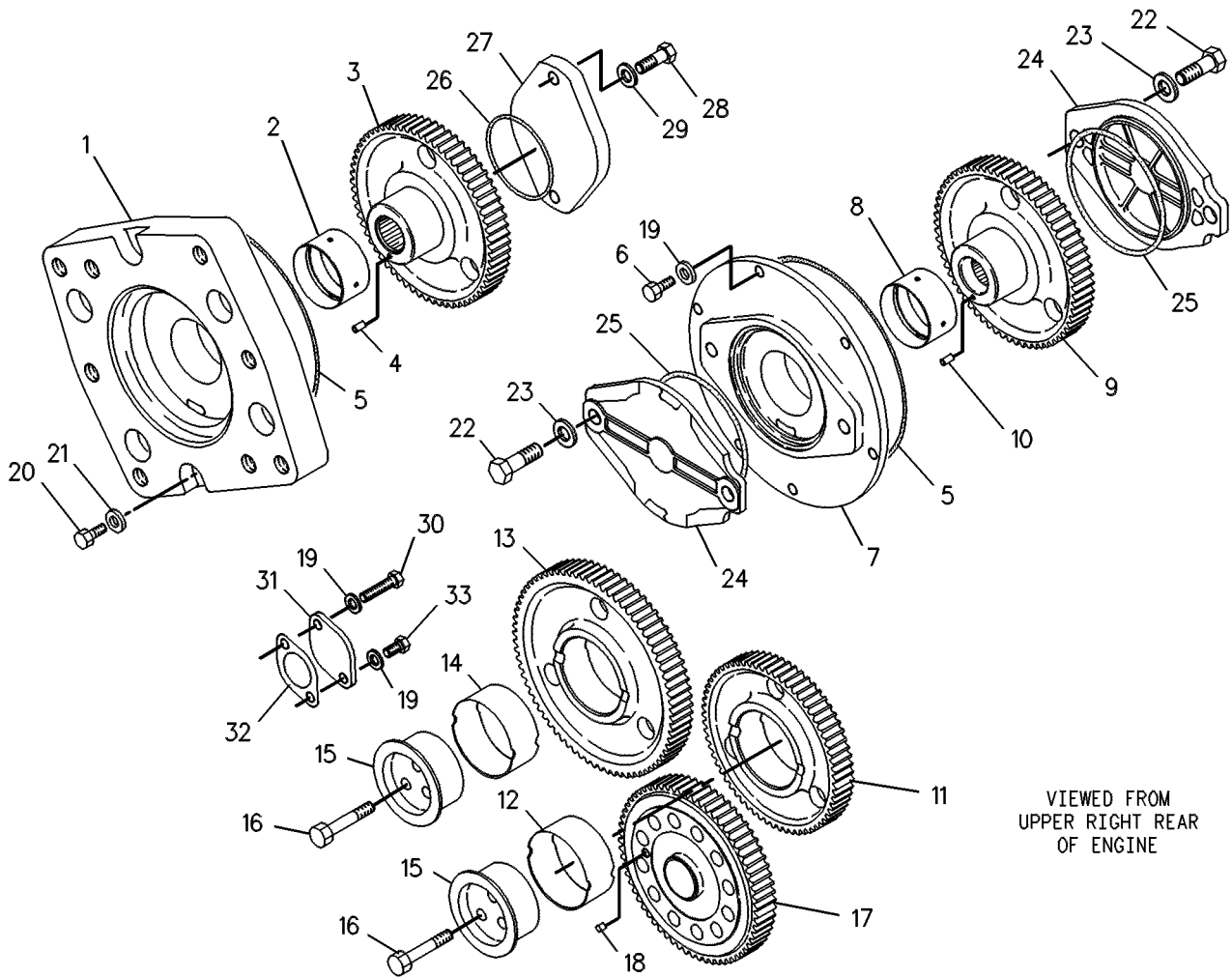
NOTE	REF NO	GRAPHIC REF	PART NUMBER	QTY	PART NAME						SEE PAGE
					1	2	3	4	5	6 (PRODUCT LEVEL)	
	1	1	187-8230	1	ADAPTER AS						
	2	1	160-8184	1	BEARING-SLEEVE						
	3	1	187-8202	1	GEAR AS-DRIVE (64-TEETH)						
	4	1	4F-6024	1	PIN						
	5	1	4N-1230	2	SEAL-O-RING						
	6	1	1A-2029	6	BOLT (3/8-16X1.125-IN)						
	7	1	187-8229	1	ADAPTER AS						
	8	1	160-8184	1	BEARING-SLEEVE						
	9	1	187-8194	1	GEAR AS-DRIVE (64-TEETH)						
	10	1	4F-6024	1	PIN						
	11	1	2W-0494	1	GEAR AS-IDLER (64-TEETH)						
	12	1	1W-4738	1	BEARING-SLEEVE						
	13	1	2W-0493	1	GEAR AS-IDLER (74-TEETH)						
	14	1	1W-4738	1	BEARING-SLEEVE						
	15	1	1W-4746	2	RETAINER-GEAR						
	16	1	1A-1460	6	BOLT (1/2-13X2-IN)						
	17	1	2W-0496	1	GEAR AS-CRANKSHAFT (68-TEETH)						
	18	1	4N-0684	1	DOWEL						
	19	1	5M-2894	8	WASHER-HARD (10.2X18.5X2.5-MM THK)						
	20	1	0T-0768	6	BOLT (7/16-14X1.75-IN)						
	21	1	5P-8244	6	WASHER-HARD (12X22.5X2.5-MM THK)						
	22	1	4B-4043	4	BOLT (5/8-11X1.375-IN)						
	23	1	5P-8247	4	WASHER-HARD (17X32X3.5-MM THK)						
	24	1	7N-8374	2	COVER-PUMP						
	25	1	5F-3106	2	SEAL-O-RING						
	26	1	4M-0189	1	SEAL-O-RING						
C	27	1	175-3721	1	COVER						
C	28	1	0S-1621	2	BOLT (1/2-13X1-IN)						
	29	1	5P-8245	2	WASHER-HARD (13.5X25.5X3-MM THK)						
	30	1	0S-1619	1	BOLT (3/8-16X3-IN)						
	31	1	2P-2772	1	COVER						
	32	1	234-8937	1	SEAL-INTEGRAL						
	33	1	0S-1594	1	BOLT (3/8-16X1-IN)						

C-CHANGE FROM PREVIOUS TYPE

BASIC ENGINE

4P-9823 GEAR GP-REAR (contd.)

i03504600



VIEWED FROM
UPPER RIGHT REAR
OF ENGINE

GRAPHIC #1

<END>

g00239603

BASIC ENGINE

7E-8996 HOUSING GP-FLYWHEEL

S/N: RHX1-UP

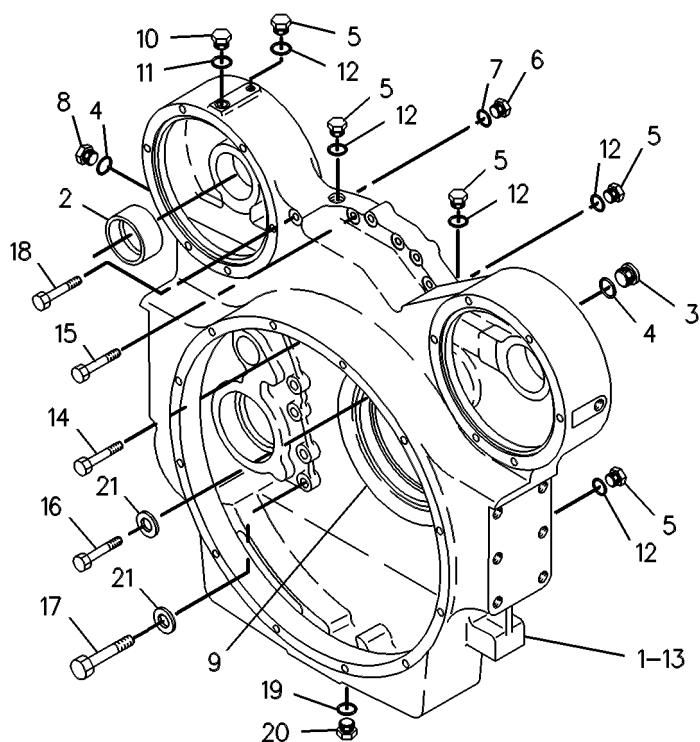
PART OF 257-4960, 286-9798 ENGINE AR-COMplete

SMCS-1157

i01097936

NOTE	REF NO	GRAPHIC REF	PART NUMBER	QTY	PART NAME						SEE PAGE
					1	2	3	4	5	6 (PRODUCT LEVEL)	
	1	1	108-5914	1	HOUSING AS						
	2	1	8M-9315	2	BEARING-SLEEVE						
	3	1	9S-8005	2	PLUG-O-RING						
	4	1	8L-2786	3	SEAL-O-RING						
	5	1	3K-8460	5	PLUG						
	6	1	9S-4191	1	PLUG-O-RING						
	7	1	6V-5049	1	SEAL-O-RING						
	8	1	9S-4185	1	PLUG-O-RING						
	9	1	1W-3136	1	BAFFLE						
	10	1	9S-4182	1	PLUG-O-RING						
	11	1	6V-5048	1	SEAL-O-RING						
	12	1	5P-7814	5	SEAL-O-RING						
B	13	1	1U-8846		SEALANT-GASKET						
	14	1	165-3930	6	BOLT (3/8-16X1.625-IN)						
	15	1	165-3932	6	BOLT (3/8-16X2-IN)						
	16	1	5J-5793	1	BOLT-12 POINT HEAD (1/2-13X1.75-IN)						
	17	1	9K-7290	8	BOLT-12 POINT HEAD (1/2-13X1.5-IN)						
	18	1	165-3936	1	BOLT (3/8-16X4.5-IN)						
	19	1	8L-2786	1	SEAL-O-RING						
	20	1	9S-4185	1	PLUG-O-RING						
	21	1	5P-8245	9	WASHER-HARD (13.5X25.5X3-MM THK)						

B-USE AS REQUIRED



GRAPHIC #1

<END>

g00252411

BASIC ENGINE

241-0164 HOUSING GP-FRONT

S/N: RHX1-UP

PART OF 257-4960, 286-9798 ENGINE AR-COMPLETE

SMCS-1151, 1162, 1206

i03191289

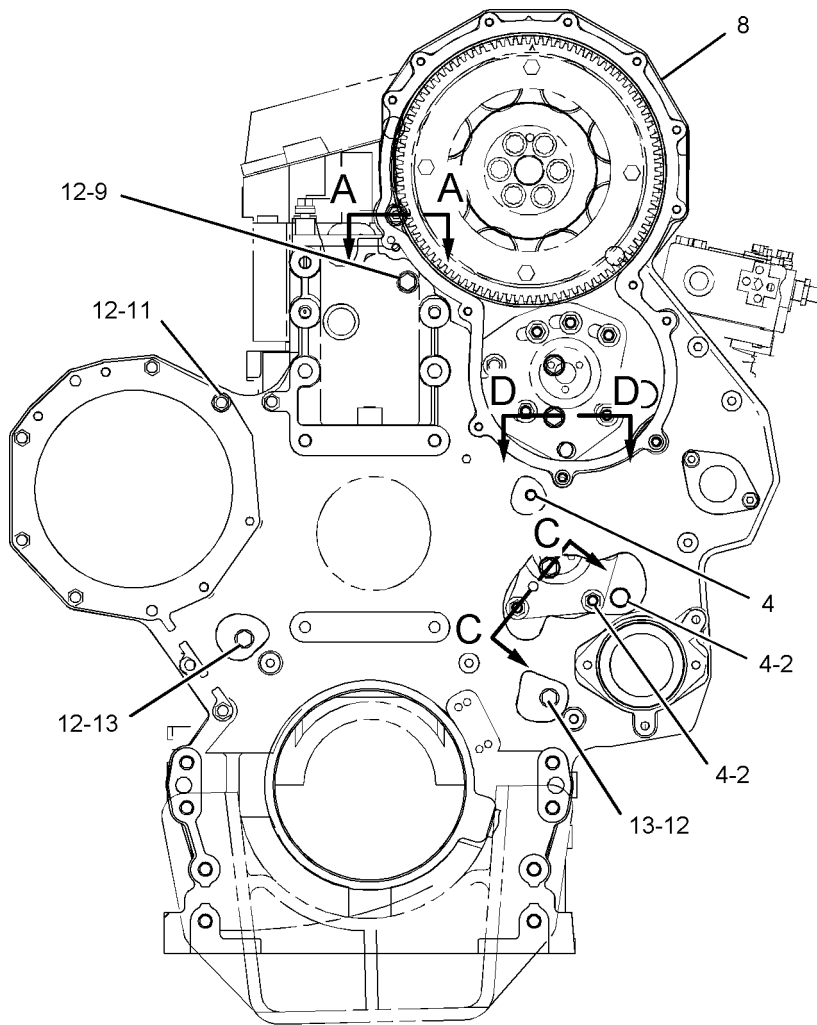
NOTE	REF NO	GRAPHIC REF	PART NUMBER	QTY	PART NAME						SEE PAGE
					1	2	3	4	5	6 (PRODUCT LEVEL)	
	1	1	120-9243	2	STUD-SPECIAL (BRAKE)						
	2	1	126-1757	9	WASHER (10.85X19.3X1.27-MM THK)						
	3	1	129-5427	2	WASHER-SPECIAL (SEALING)						
	4	1	129-5428	12	STUD (BRAKE)						
	5	1	155-9524	1	SEAL-INTEGRAL						
	6	1	166-9144	1	GASKET						
	7	1	223-0533	1	PLATE						
Y	8	1	241-0478	1	HOUSING GP-FRONT						70
	9	1	0L-2070	1	BOLT (3/8-16X2.25-IN)						
	10	1	0S-1588	10	BOLT (3/8-16X1.25-IN)						
	11	1	0T-0055	1	BOLT (3/8-16X4.25-IN)						
	12	1	5M-2894	21	WASHER-HARD (10.2X18.5X2.5-MM THK)						
	13	1	5P-4255	8	BOLT-LOCKING (3/8-16X1-IN)						
	14	1	9S-8752	1	NUT-FULL (3/8-16-THD)						

Y-SEPARATE ILLUSTRATION

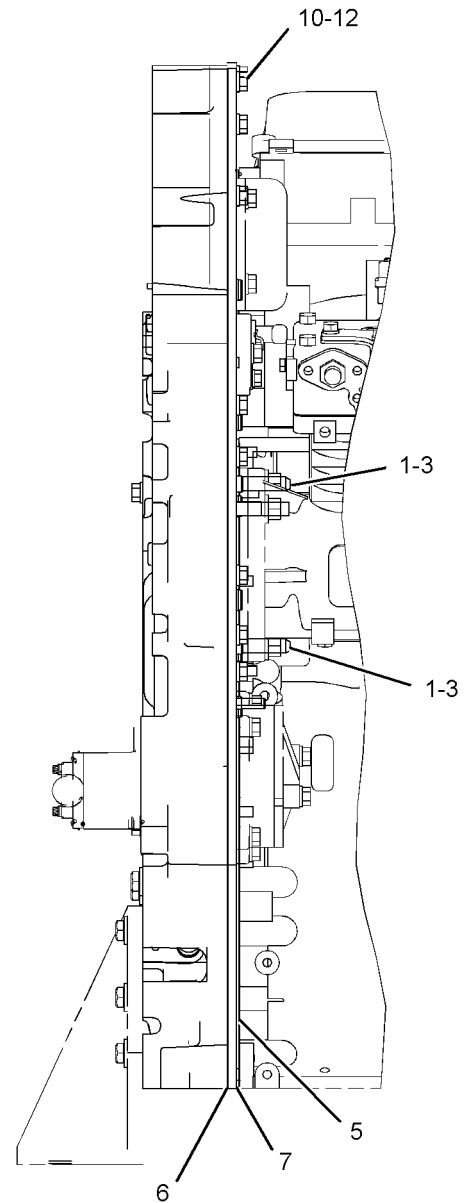
BASIC ENGINE

241-0164 HOUSING GP-FRONT (contd.)

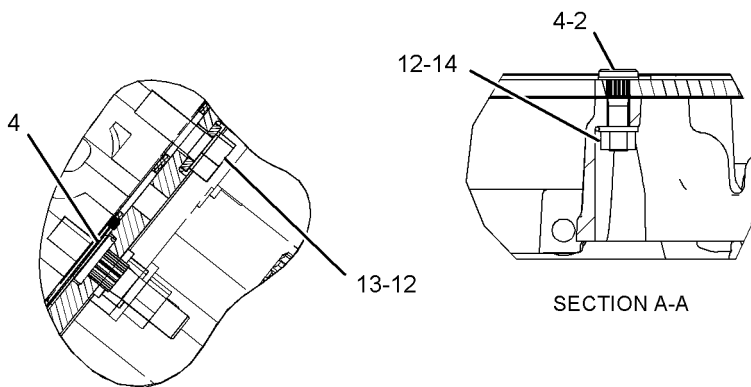
i03191289



FRONT VIEW

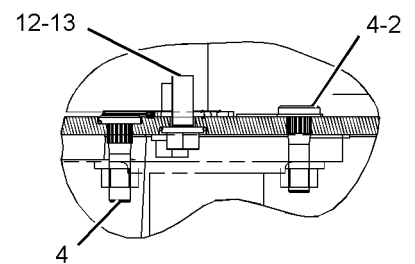


LEFT SIDE VIEW



SECTION C-C

SECTION A-A



SECTION D-D

GRAPHIC #1

<END>

g01071892

BASIC ENGINE

241-0478 HOUSING GP-FRONT

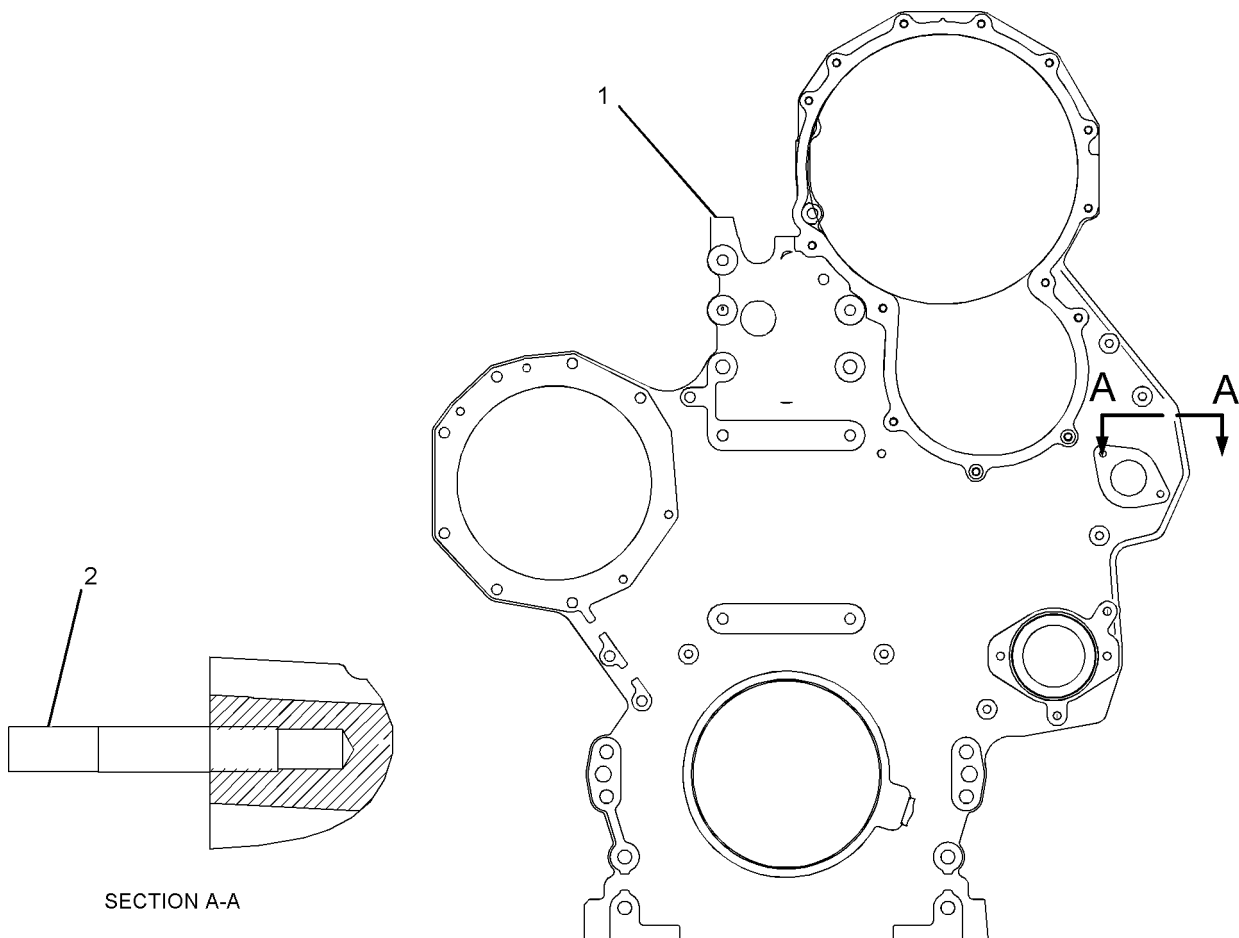
S/N: RHX1-UP

PART OF 241-0164 HOUSING GP-FRONT

SMCS-1151, 1162, 1206

i02100846

NOTE	REF NO	GRAPHIC REF	PART NUMBER	QTY	PART NAME						SEE PAGE
					1	2	3	4	5	6 (PRODUCT LEVEL)	
	1	1	187-5420	1	HOUSING-FRONT						
	2	1	3E-8044	1	STUD (1/2-13X2.95-IN)						



SECTION A-A

GRAPHIC #1

<END>

g01071877

BASIC ENGINE

111-2088 LIFTING GP-ENGINE

S/N: RHX1-UP

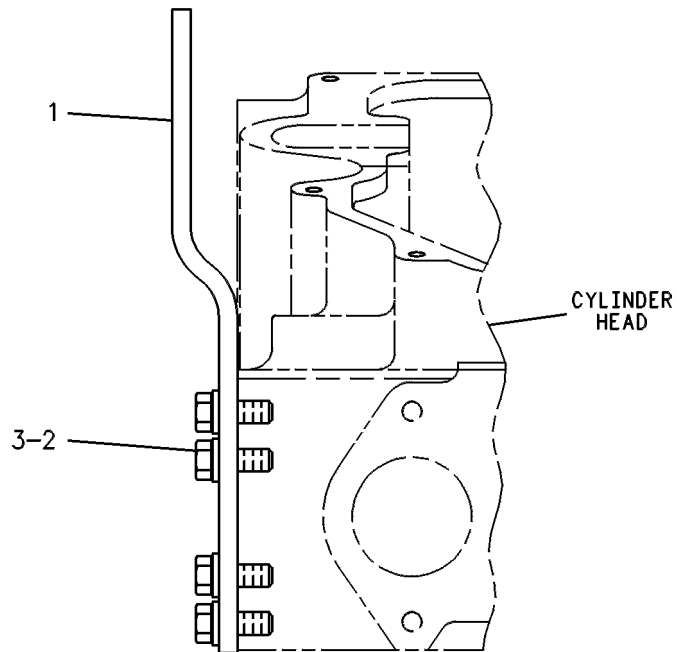
REAR, LOW PROFILE LIFTING EYE

PART OF 257-4960, 286-9798 ENGINE AR-COMplete

SMCS-1122

i01503053

NOTE	REF NO	GRAPHIC REF	PART NUMBER	QTY	PART NAME						SEE PAGE
					1	2	3	4	5	6 (PRODUCT LEVEL)	
	1	1	109-9985	1	EYE-LIFTING						
	2	1	0S-1594	8	BOLT (3/8-16X1 IN)						
	3	1	5M-2894	8	WASHER-HARD (10.2X18.5X2.5MM THK)						



GRAPHIC #1

<END>

g00238183

BASIC ENGINE

112-2418 LIFTING GP-ENGINE

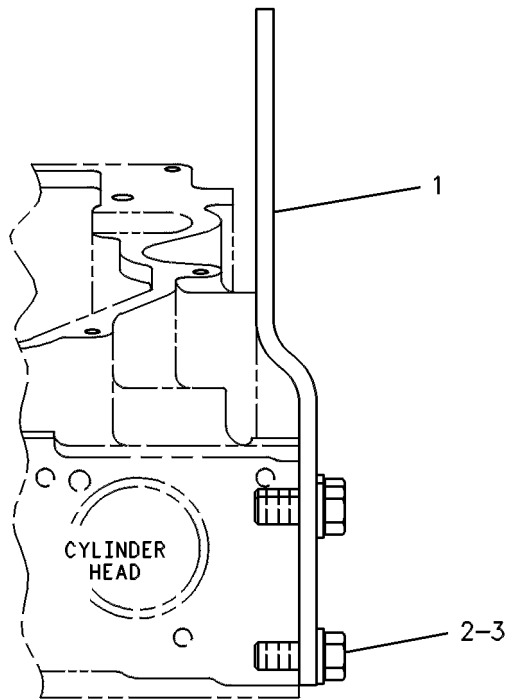
S/N: RHX1-UP

PART OF 257-4960, 286-9798 ENGINE AR-COMplete

SMCS-1122

i01516137

NOTE	REF NO	GRAPHIC REF	PART NUMBER	QTY	PART NAME						SEE PAGE
					1	2	3	4	5	6 (PRODUCT LEVEL)	
1	1	1	104-8586	1	EYE-LIFTING						
2	1		0S-1595	4	BOLT (1/2-13X1.25-IN)						
3	1		5P-8245	4	WASHER-HARD (13.5X25.5X3-MM THK)						



GRAPHIC #1

<END>

g00238168

BASIC ENGINE

148-7482 MECHANISM GP-FUEL PUMP & VALVE

S/N: RHX1-1614

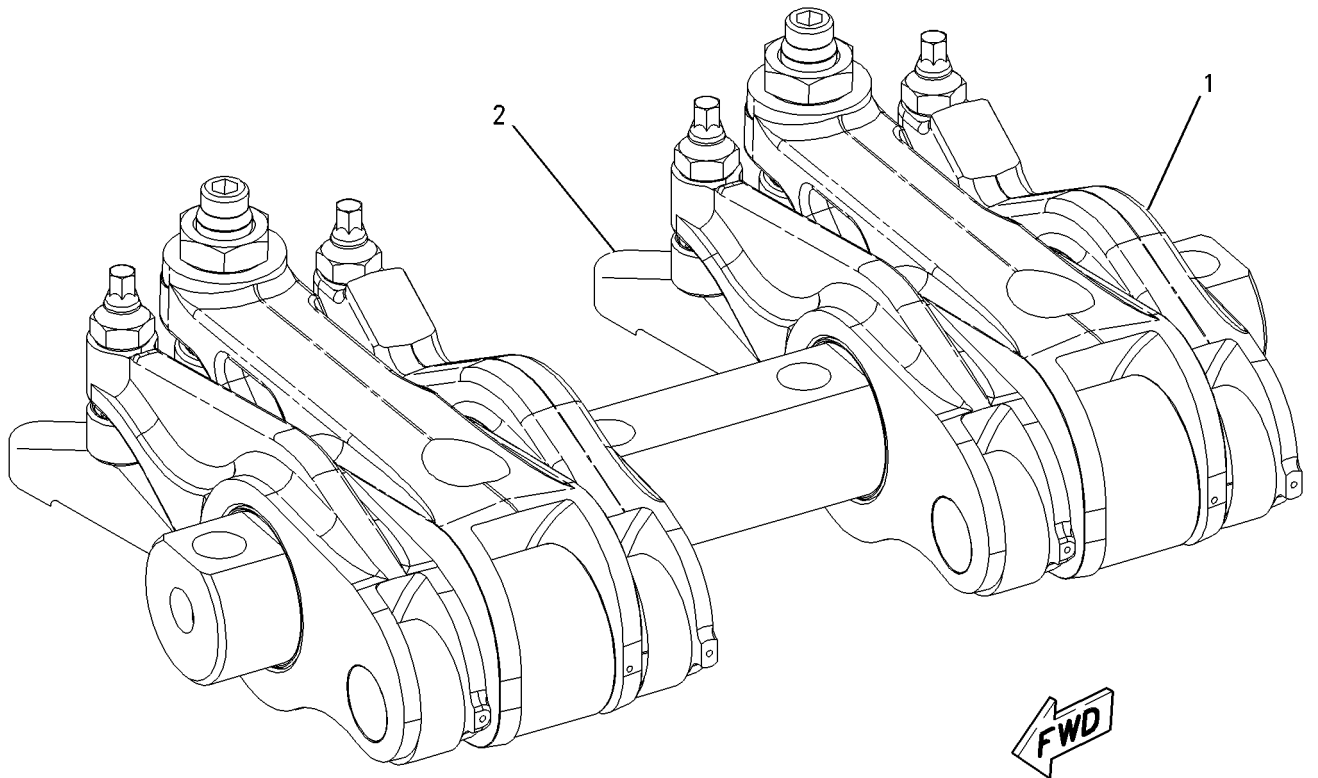
PART OF 241-5933 ENGINE AR-CORE

SMCS-1102

i02098615

NOTE	REF NO	GRAPHIC REF	PART NUMBER	QTY	PART NAME						SEE PAGE
					1	2	3	4	5	6 (PRODUCT LEVEL)	
CY	1	1	198-9898	3	ROCKER ARM GP						97
	2	1	6I-1458	12	BRIDGE-VALVE						

C-CHANGE FROM PREVIOUS TYPE
Y-SEPARATE ILLUSTRATION



GRAPHIC #1

<END>

g00905240

BASIC ENGINE

148-7482 MECHANISM GP-FUEL PUMP & VALVE

S/N: RHX1889-2154

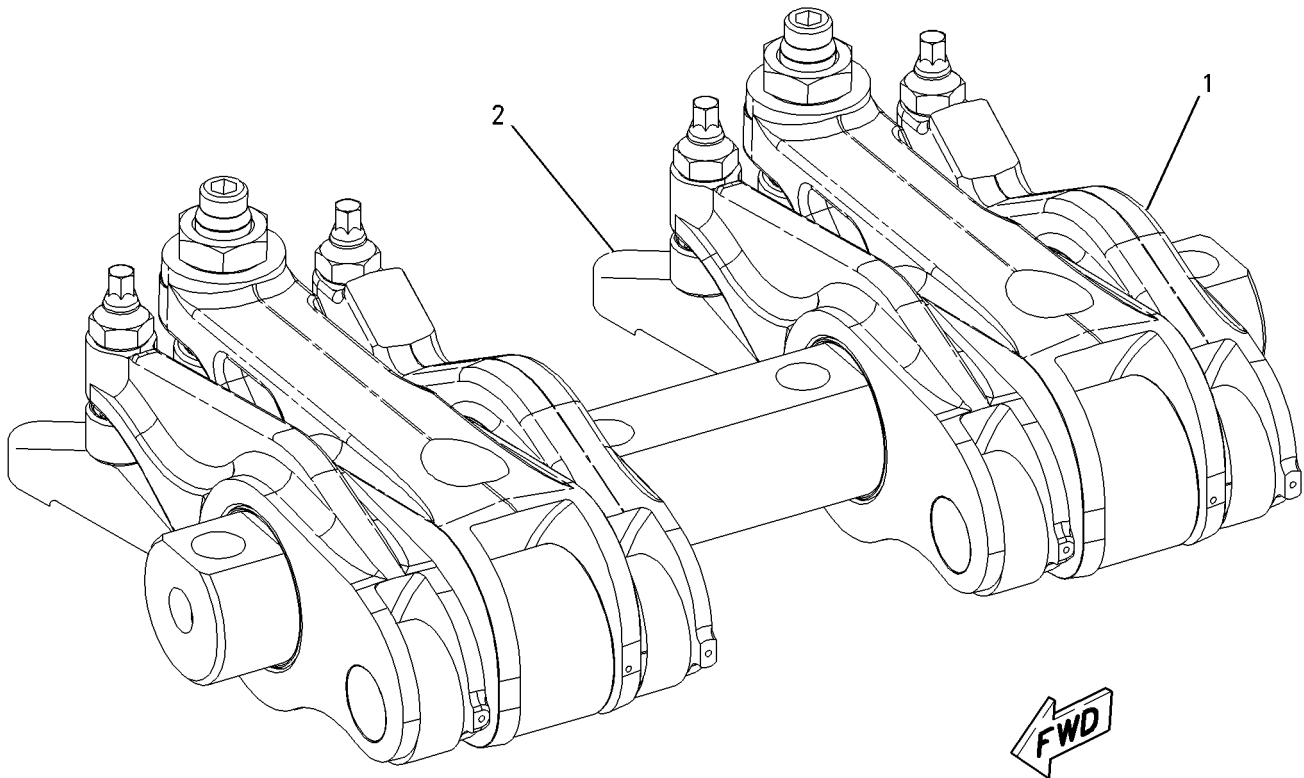
PART OF 241-5933 ENGINE AR-CORE

SMCS-1102

i02473405

NOTE	REF NO	GRAPHIC REF	PART NUMBER	QTY	PART NAME						SEE PAGE
					1	2	3	4	5	6 (PRODUCT LEVEL)	
CY	1	1	278-1931	3	ROCKER ARM GP						100
	2	1	6I-1458	12	BRIDGE-VALVE						

C-CHANGE FROM PREVIOUS TYPE
Y-SEPARATE ILLUSTRATION



GRAPHIC #1

<END>

g00905240

BASIC ENGINE

190-0009 MECHANISM GP-FUEL PUMP & VALVE

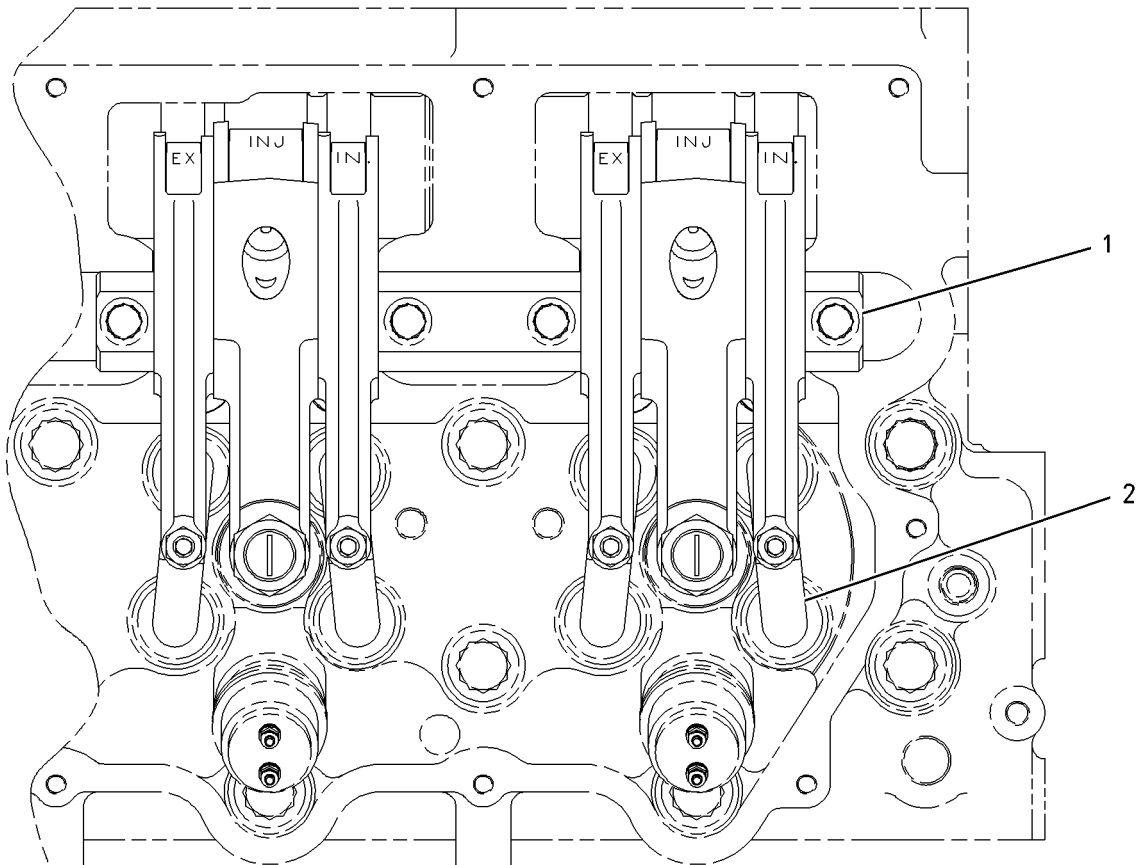
S/N: RHX2218-UP
PART OF 241-5933 ENGINE AR-CORE
TYPE 1

SMCS-1102

i02488060

NOTE	REF NO	GRAPHIC REF	PART NUMBER	QTY	PART NAME						SEE PAGE
					1	2	3	4	5	6 (PRODUCT LEVEL)	
Y	1	1	278-1929	3	ROCKER ARM GP						99
	2	1	6I-1458	12	BRIDGE-VALVE						

Y-SEPARATE ILLUSTRATION



TOP VIEW

GRAPHIC #1

<END>

g00814910

BASIC ENGINE

190-0009 MECHANISM GP-FUEL PUMP & VALVE

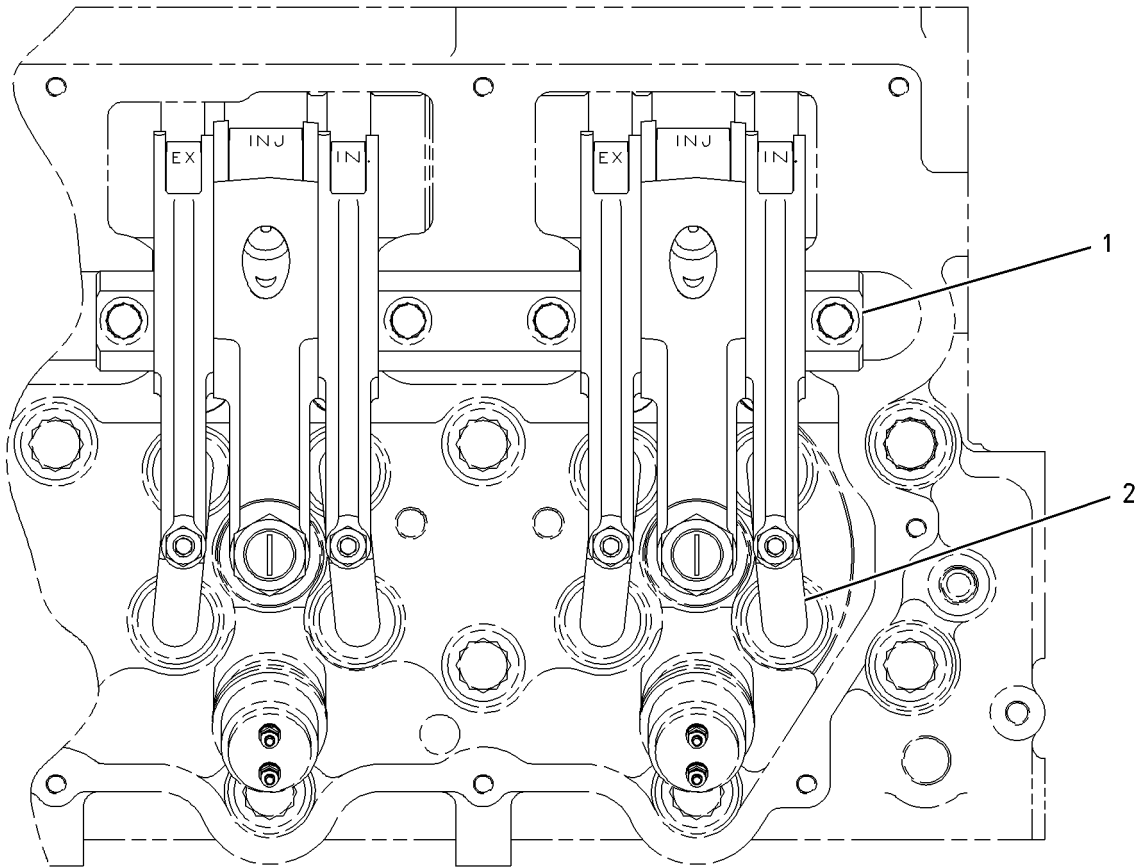
S/N: RHX2218-UP
PART OF 241-5933 ENGINE AR-CORE
TYPE 2

SMCS-1102

i03325322

NOTE	REF NO	GRAPHIC REF	PART NUMBER	QTY	PART NAME						SEE PAGE
					1	2	3	4	5	6 (PRODUCT LEVEL)	
CY	1	1	328-4236	3	ROCKER ARM GP						102
	2	1	6I-1458	12	BRIDGE-VALVE						

C-CHANGE FROM PREVIOUS TYPE
Y-SEPARATE ILLUSTRATION



TOP VIEW

GRAPHIC #1

<END>

g00814910

BASIC ENGINE

280-2167 MECHANISM GP-FUEL PUMP & VALVE

S/N: RHX1615-2217

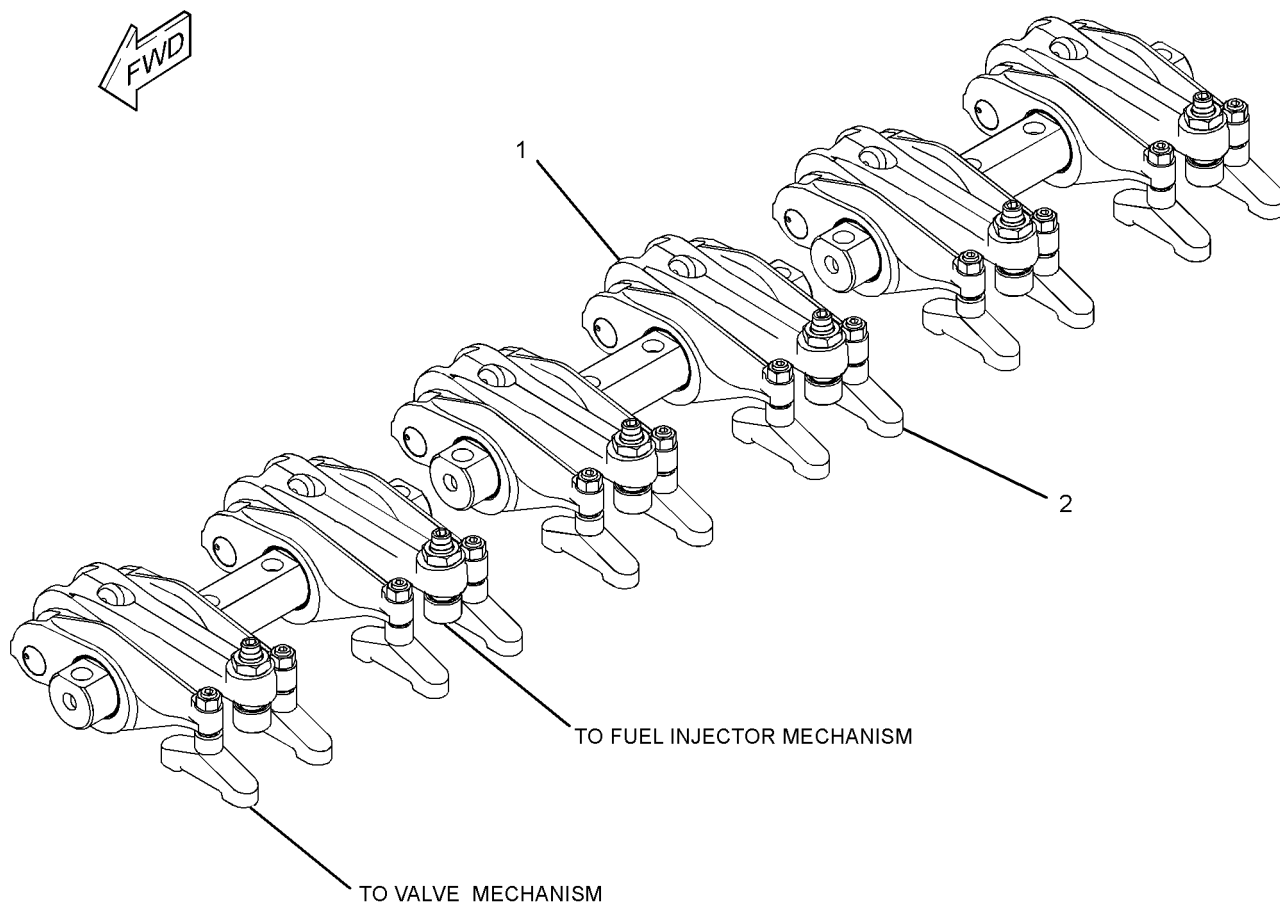
PART OF 280-2166 ENGINE AR-CORE

SMCS-1102

i02431089

NOTE	REF NO	GRAPHIC REF	PART NUMBER	QTY	PART NAME						SEE PAGE
					1	2	3	4	5	6 (PRODUCT LEVEL)	
Y	1	1	278-1929	3	ROCKER ARM GP						99
	2	1	6I-1458	12	BRIDGE-VALVE						

Y-SEPARATE ILLUSTRATION



GRAPHIC #1

<END>

g01222680

BASIC ENGINE

227-3503 MOUNTING GP-ALTERNATOR & COMPR

S/N: RHX1-2620

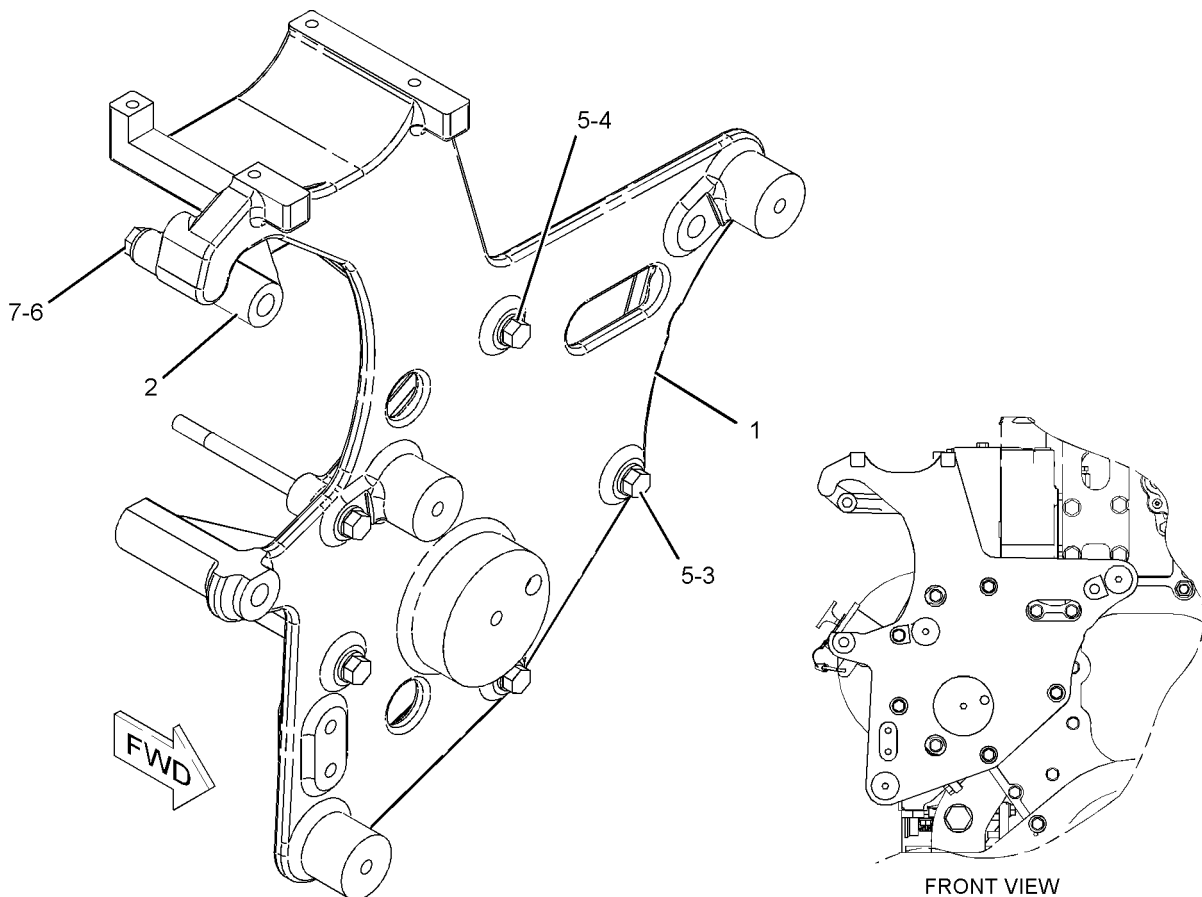
PART OF 257-4960, 286-9798 ENGINE AR-COMplete

SMCS-1405, 1802

i02103185

NOTE	REF NO	GRAPHIC REF	PART NUMBER	QTY	PART NAME						SEE PAGE
					1	2	3	4	5	6 (PRODUCT LEVEL)	
	1	1	238-5436	1	BRACKET						
	2	1	238-8643	1	BRACKET						
	3	1	0L-2070	1	BOLT (3/8-16X2.25-IN)						
	4	1	5F-4899	4	BOLT (3/8-16X5.5-IN)						
	5	1	5M-2894	5	WASHER-HARD (10.2X18.5X2.5-MM THK)						
	6	1	8T-4121	3	WASHER-HARD (11X21X2.5-MM THK)						
M	7	1	8T-4196	3	BOLT (M10X1.5X35-MM)						

M-METRIC PART



GRAPHIC #1

<END>

FRONT VIEW

g01071765

BASIC ENGINE

227-3503 MOUNTING GP-ALTERNATOR & COMPR

S/N: RHX2621-UP

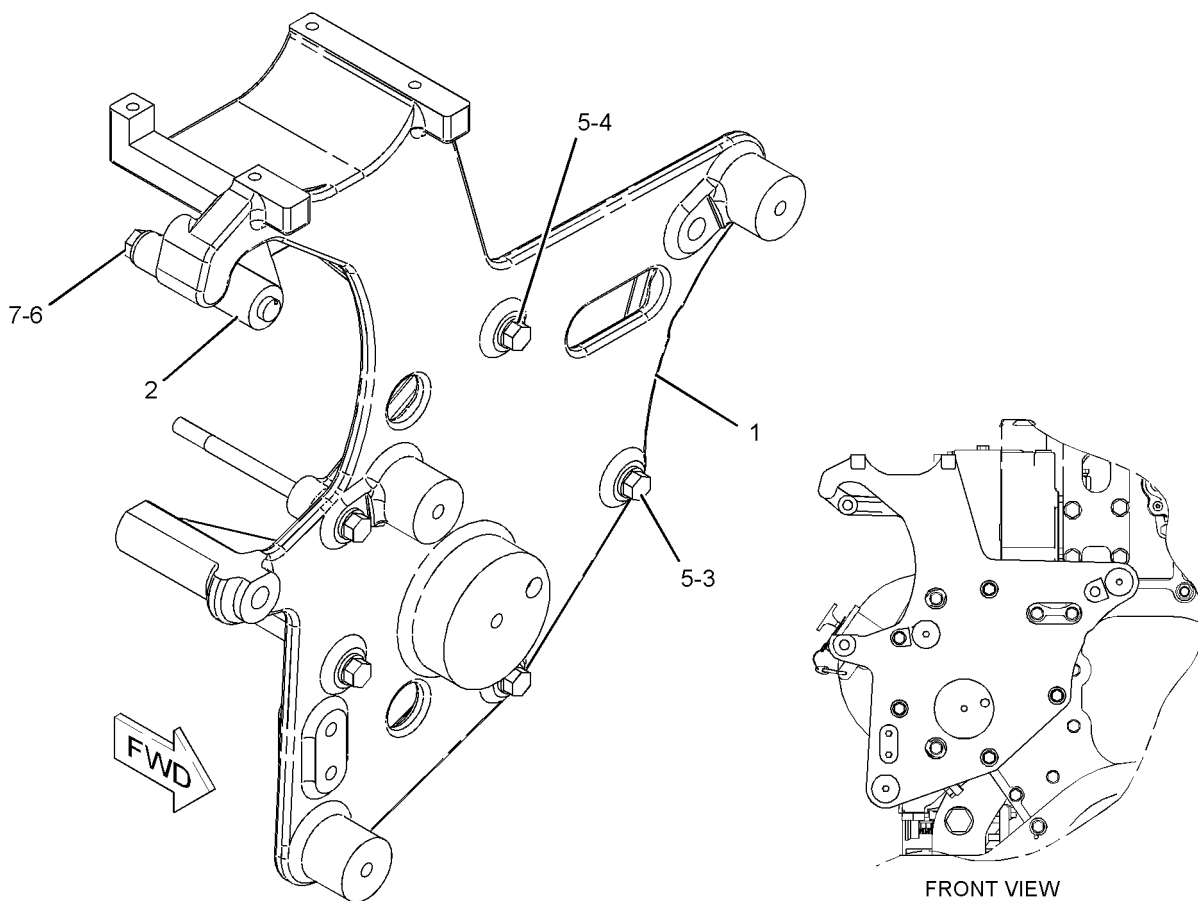
PART OF 257-4960, 286-9798 ENGINE AR-COMplete

SMCS-1405, 1802

i02520789

NOTE	REF NO	GRAPHIC REF	PART NUMBER	QTY	PART NAME						SEE PAGE
					1	2	3	4	5	6 (PRODUCT LEVEL)	
	1	1	238-5436	1	BRACKET						
	2	1	238-8643	1	BRACKET						
	3	1	0L-2070	1	BOLT (3/8-16X2.25-IN)						
	4	1	5F-4899	4	BOLT (3/8-16X5.5-IN)						
	5	1	5M-2894	5	WASHER-HARD (10.2X18.5X2.5-MM THK)						
	6	1	8T-4121	3	WASHER-HARD (11X21X2.5-MM THK)						
CM	7	1	8T-4186	3	BOLT (M10X1.5X40-MM)						

C-CHANGE FROM PREVIOUS TYPE
M-METRIC PART



GRAPHIC #1

<END>

g01309366

BASIC ENGINE

151-6660 MOUNTING GP-ENGINE

S/N: MMA1-251

PART OF 222-8318 INSTALLATION AR-ENGINE

SMCS-1152

i03650883

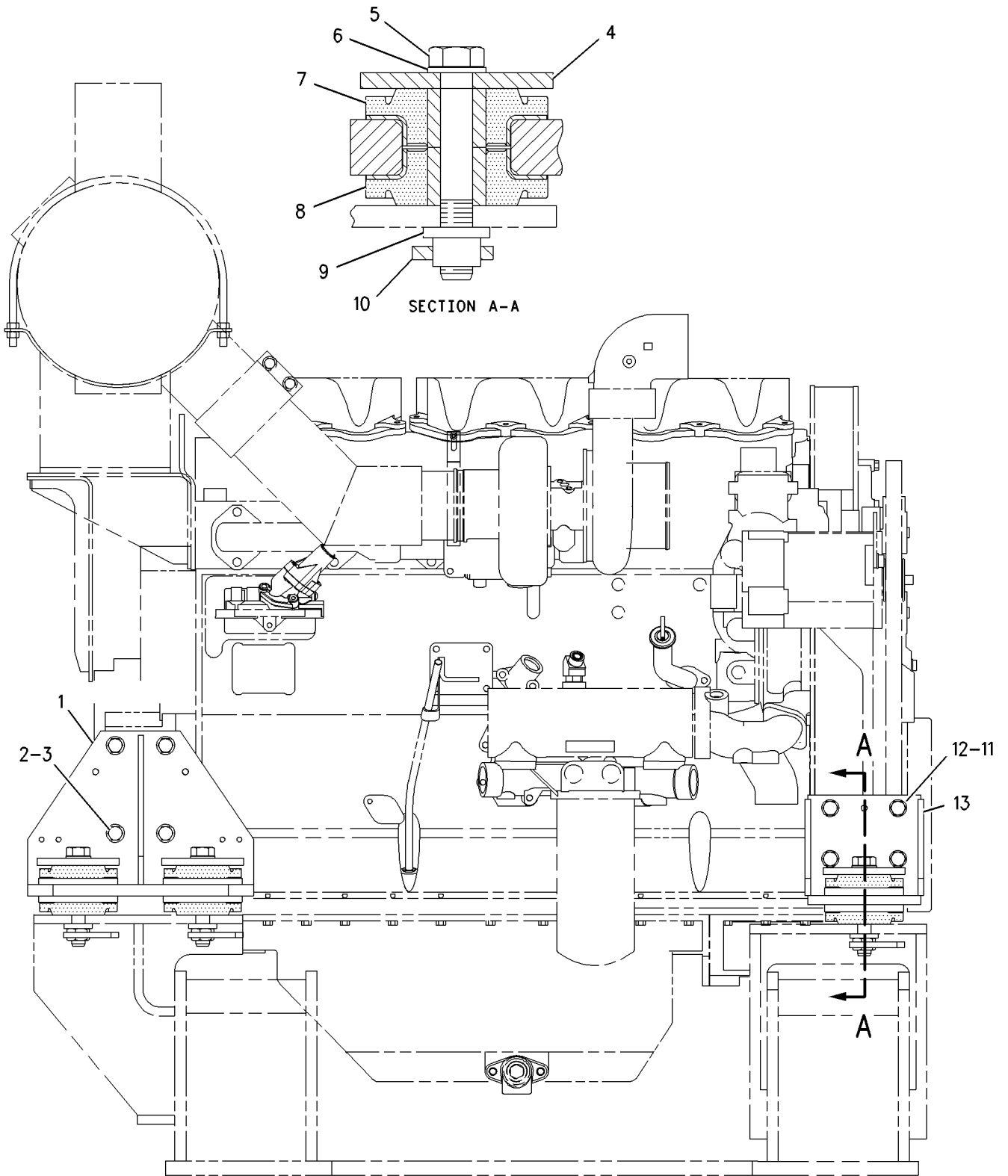
NOTE	REF NO	GRAPHIC REF	PART NUMBER	QTY	PART NAME						SEE PAGE
					1	2	3	4	5	6 (PRODUCT LEVEL)	
	1	1	171-9057	2	BRACKET AS						
	2	1	8C-6362	8	BOLT (5/8-11X2.75-IN)						
	3	1	8T-4122	8	WASHER-HARD (17X32X3.5-MM THK)						
	4	1	9W-7388	6	WASHER (26X144X12-MM THK)						
M	5	1	7X-2567	6	BOLT (M24X3X160-MM)						
	6	1	8T-4167	6	WASHER-HARD (26X44X4-MM THK)						
	7	1	147-6983	6	MOUNT-FLEXIBLE						
	8	1	147-6982	6	MOUNT-FLEXIBLE						
	9	1	8T-1482	6	WASHER-HARD (26X50X8-MM THK)						
M	10	1	139-8873	6	SUPPORT AS						
M	11	1	7X-2553	8	BOLT (M16X2X40-MM)						
	12	1	9X-8257	8	WASHER (17.5X30X3.5-MM THK)						
	13	1	171-9054	2	BRACKET AS						

M-METRIC PART

BASIC ENGINE

151-6660 MOUNTING GP-ENGINE (contd.)

i03650883



RIGHT SIDE VIEW

GRAPHIC #1

<END>

g00892255

BASIC ENGINE

287-0203 MOUNTING GP-ENGINE

S/N: MMA252-UP

PART OF 222-8318 INSTALLATION AR-ENGINE

SMCS-1152

i02861954

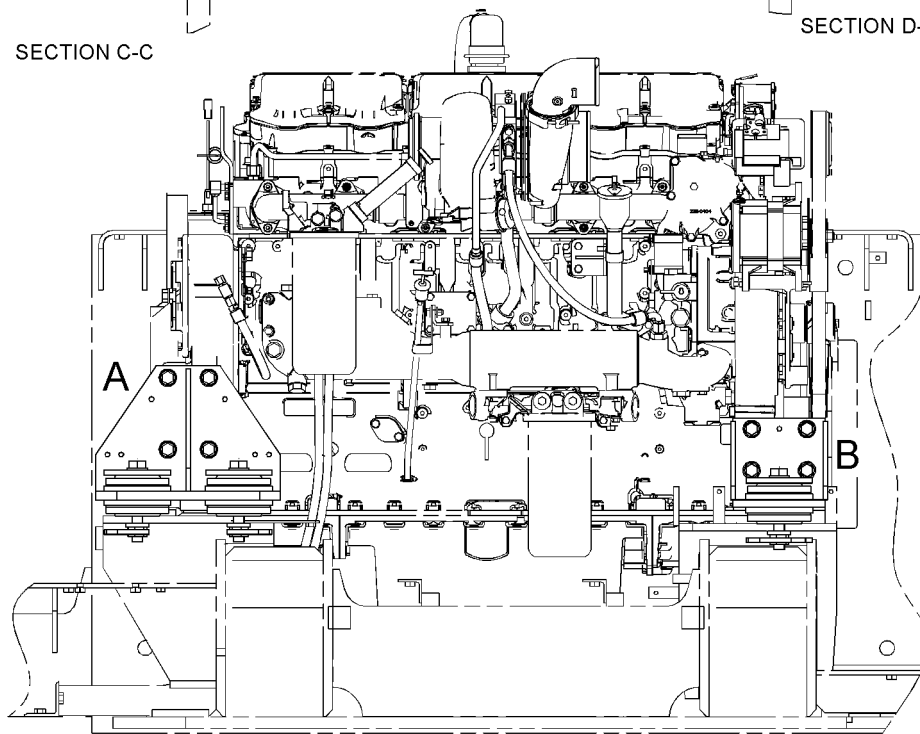
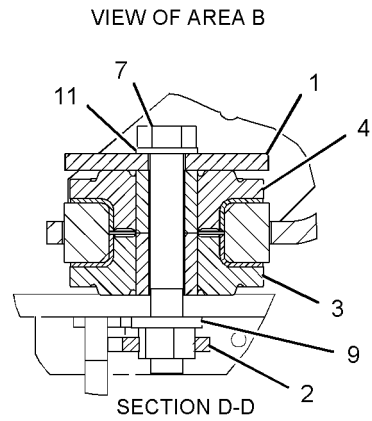
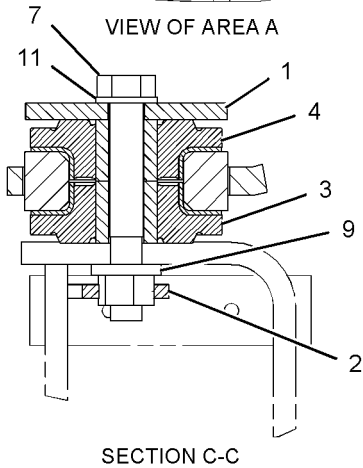
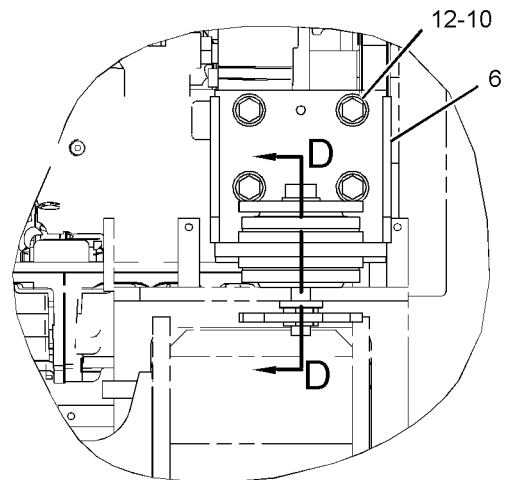
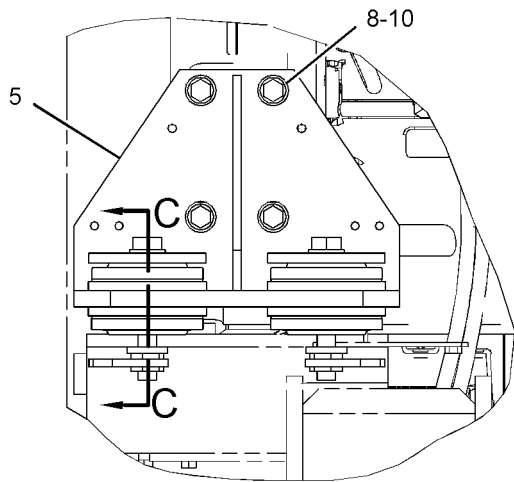
NOTE	REF NO	GRAPHIC REF	PART NUMBER	QTY	PART NAME						SEE PAGE
					1	2	3	4	5	6 (PRODUCT LEVEL)	
	1	1	9W-7388	6	WASHER (26X144X12-MM THK)						
M	2	1	139-8873	6	SUPPORT AS						
	3	1	147-6982	6	MOUNT-FLEXIBLE						
	4	1	147-6983	6	MOUNT-FLEXIBLE						
	5	1	171-9057	2	BRACKET AS						
	6	1	287-0204	2	BRACKET AS						
M	7	1	7X-2567	6	BOLT (M24X3X160-MM)						
	8	1	8C-6362	8	BOLT (5/8-11X2.75-IN)						
	9	1	8T-1482	6	WASHER-HARD (26X50X8-MM THK)						
	10	1	8T-4122	16	WASHER-HARD (17X32X3.5-MM THK)						
	11	1	8T-4167	6	WASHER-HARD (26X44X4-MM THK)						
	12	1	8T-9393	8	BOLT (5/8-11X1.5-IN)						

M-METRIC PART

BASIC ENGINE

287-0203 MOUNTING GP-ENGINE (contd.)

i02861954



FRONT VIEW

GRAPHIC #1

<END>

g01436431

BASIC ENGINE

220-0293 PAN GP-OIL-ENGINE

S/N: RHX1-1079

PART OF 257-4960 ENGINE AR-COMPLETE

SMCS-1302

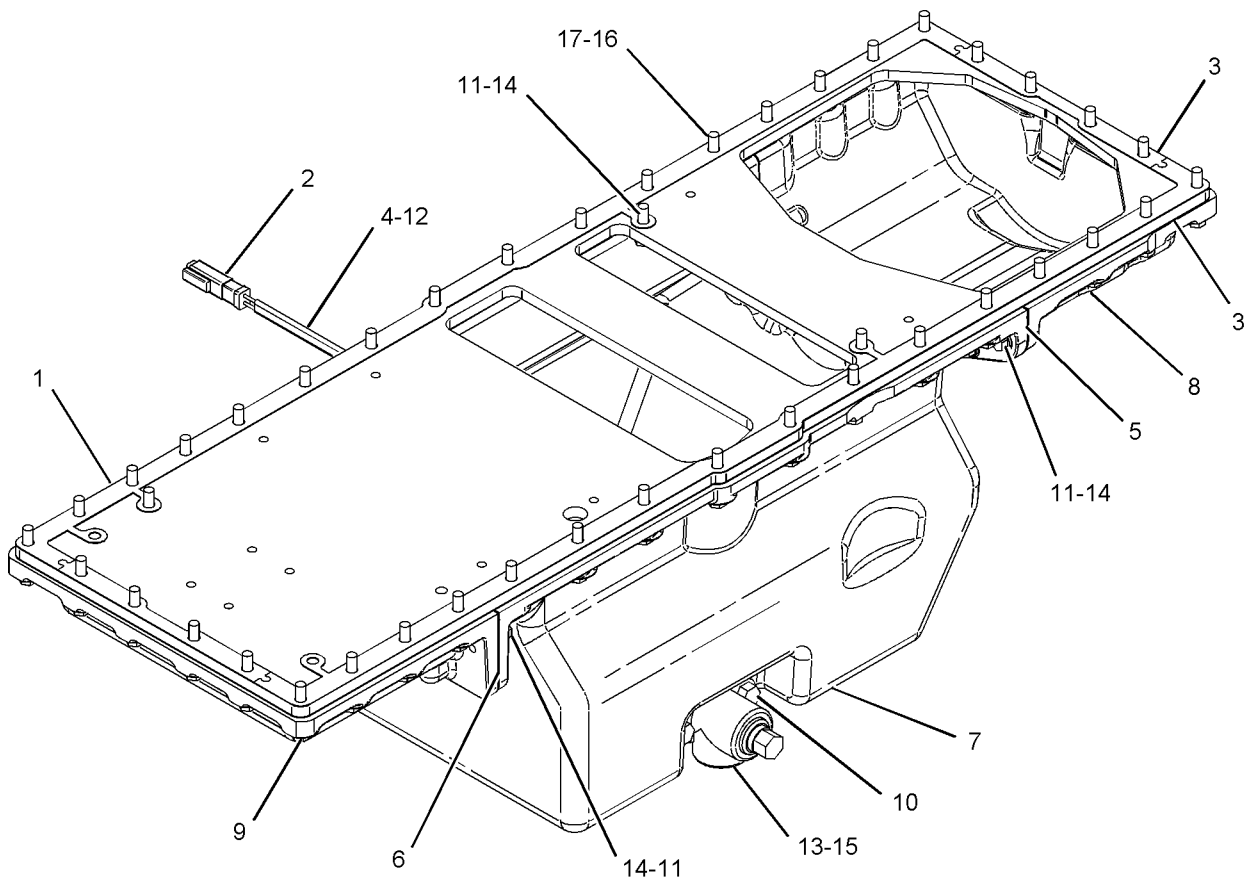
i03200382

NOTE	REF NO	GRAPHIC REF	PART NUMBER	QTY	PART NAME						SEE PAGE
					1	2	3	4	5	6 (PRODUCT LEVEL)	
1	1	1	7E-4661	1	PLATE (OIL PAN)						
2	1	1	136-4303	1	PLUG AS-CONNECTOR (2-PIN)						
		1	8T-8737	2	PLUG-SEAL						
		1	155-2261	1	WEDGE-PLUG LOCK (2-PIN)						
		1	155-2270	1	KIT-CONNECTING PLUG (2-PIN)						
					(INCLUDES PLUG AS AND WEDGE)						
3	1	1	188-0210	2	GASKET (ENGINE OIL PAN)						
4	1	1	213-0677	1	SWITCH AS-LIQUID LEVEL (ENGINE OIL)						
		1	102-8802	1	KIT-RECEPTACLE (2-PIN)						
					(INCLUDES RECEPTACLE AS AND WEDGE)						
		1	3E-3365	1	WEDGE-RECEPTACLE LOCK (2-PIN)						
		1	9X-3401	1	PIN-CONNECTOR (16-GA TO 18-GA)						
5	1	1	217-6415	1	SEAL-INTEGRAL						
6	1	1	219-0614	1	SEAL-INTEGRAL						
7	1	1	220-0294	1	PAN-OIL						
8	1	1	220-3333	1	PAN-FRONT OIL						
9	1	1	220-3334	1	PAN-OIL						
10	1	1	0S-1587	2	BOLT (1/2-13X1.75-IN)						
11	1	1	0S-1588	18	BOLT (3/8-16X1.25-IN)						
12	1	1	3D-2824	1	SEAL-O-RING						
13	1	1	4P-0519	1	ADAPTER AS-DRAIN						
		1	109-5839	1	PLUG-DRAIN (ENGINE OIL PAN)						
		1	109-5840	1	ADAPTER-PLUG						
14	1	1	5M-2894	18	WASHER-HARD (10.2X18.5X2.5-MM THK)						
15	1	1	6V-3830	1	SEAL-O-RING						
16	1	1	8T-2501	40	BOLT (3/8-16X2-IN)						
17	1	1	8T-4896	40	WASHER-HARD (10.2X18.5X2.5-MM THK)						

BASIC ENGINE

220-0293 PAN GP-OIL (contd.)

i03200382



GRAPHIC #1

<END>

g01072205

BASIC ENGINE

270-7278 PAN GP-OIL-ENGINE

S/N: RHX1080-2154

PART OF 257-4960 ENGINE AR-COMPLETE

SMCS-1302

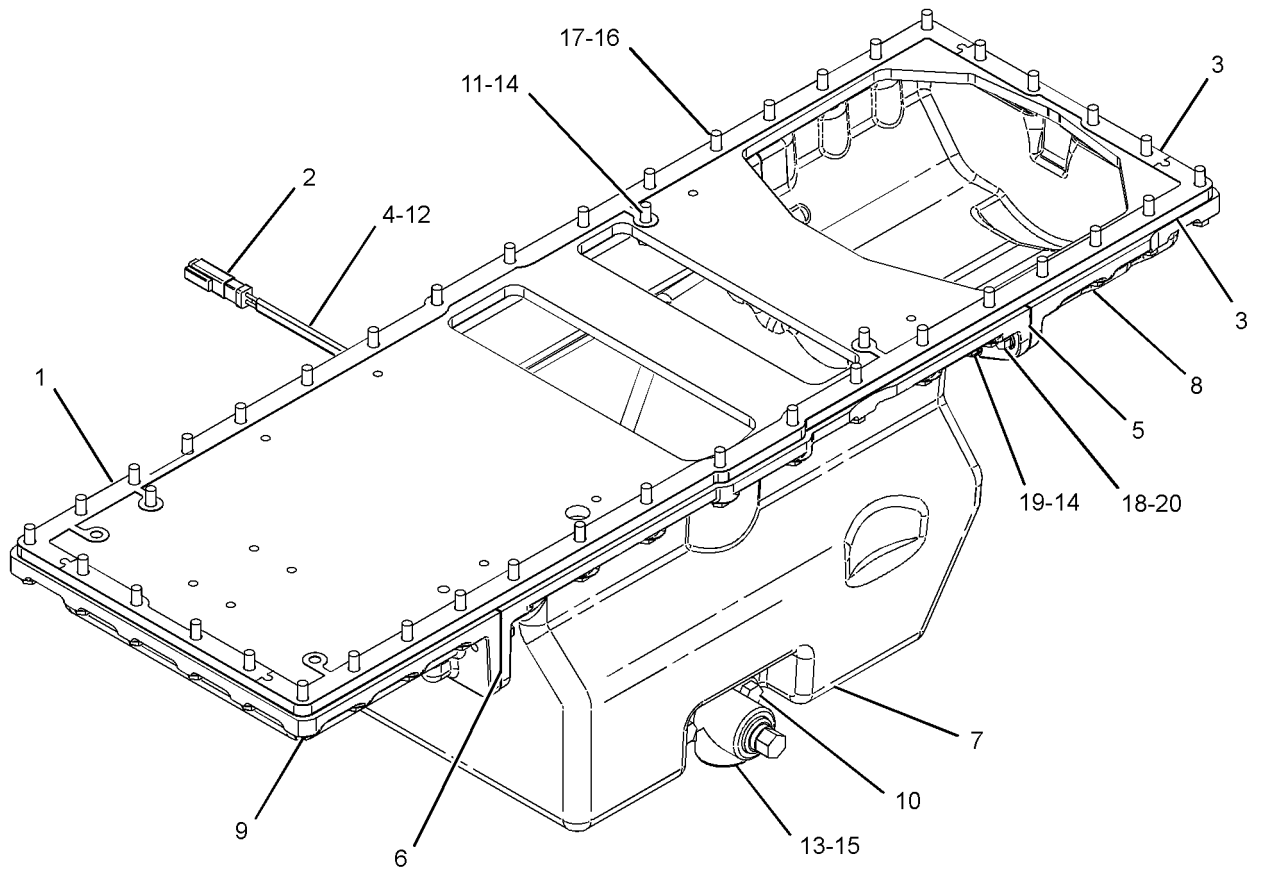
i03200491

NOTE	REF NO	GRAPHIC REF	PART NUMBER	QTY	PART NAME						SEE PAGE
					1	2	3	4	5	6 (PRODUCT LEVEL)	
	1	1	7E-4661	1	PLATE						
	2	1	136-4303	1	PLUG AS-CONNECTOR (2-PIN)						
		1	155-2270	1	KIT-CONNECTING PLUG (2-PIN) (INCLUDES PLUG AS AND WEDGE)						
		1	8T-8737	2	PLUG-SEAL						
3	1	1	188-0210	2	GASKET						
4	1	1	213-0677	1	SWITCH AS-LIQUID LEVEL (ENGINE OIL)						
		1	102-8802	1	KIT-RECEPTACLE (2-PIN) (INCLUDES RECEPTACLE AS AND WEDGE)						
		1	144-1636	2	PIN-CONNECTOR (14-GA TO 18-GA) (EACH INCLUDES)						
		1	9X-3401	1	PIN-CONNECTOR (16-GA TO 18-GA) -OR-						
		1	126-1767	1	PIN-CONNECTOR (14-GA)						
5	1	1	217-6415	1	SEAL-INTEGRAL						
6	1	1	219-0614	1	SEAL-INTEGRAL						
7	1	1	270-7104	1	PAN-OIL						
8	1	1	270-7105	1	PAN-FRONT OIL						
9	1	1	270-7106	1	PAN-OIL						
10	1	1	0S-1587	2	BOLT (1/2-13X1.75-IN)						
11	1	1	0S-1588	3	BOLT (3/8-16X1.25-IN)						
12	1	1	3D-2824	1	SEAL-O-RING						
13	1	1	4P-0519	1	ADAPTER AS-DRAIN						
		1	109-5839	1	PLUG-DRAIN (ENGINE OIL)						
14	1	1	5M-2894	14	WASHER-HARD (10.2X18.5X2.5-MM THK)						
15	1	1	6V-3830	1	SEAL-O-RING						
16	1	1	8T-2501	40	BOLT (3/8-16X2-IN)						
17	1	1	8T-4896	40	WASHER-HARD (10.2X18.5X2.5-MM THK)						
18	1	1	1B-7182	4	BOLT (5/16-18X1.25-IN)						
19	1	1	3B-1915	11	BOLT (3/8-16X1.375-IN)						
20	1	1	9M-1974	4	WASHER-HARD (8.8X16X2-MM THK)						

BASIC ENGINE

270-7278 PAN GP-OIL (contd.)

i03200491



GRAPHIC #1

<END>

g01161470

BASIC ENGINE

271-5761 PAN GP-OIL-ENGINE

S/N: RHX1-UP

PART OF 257-4960, 286-9798 ENGINE AR-COMPLETE

SMCS-1302

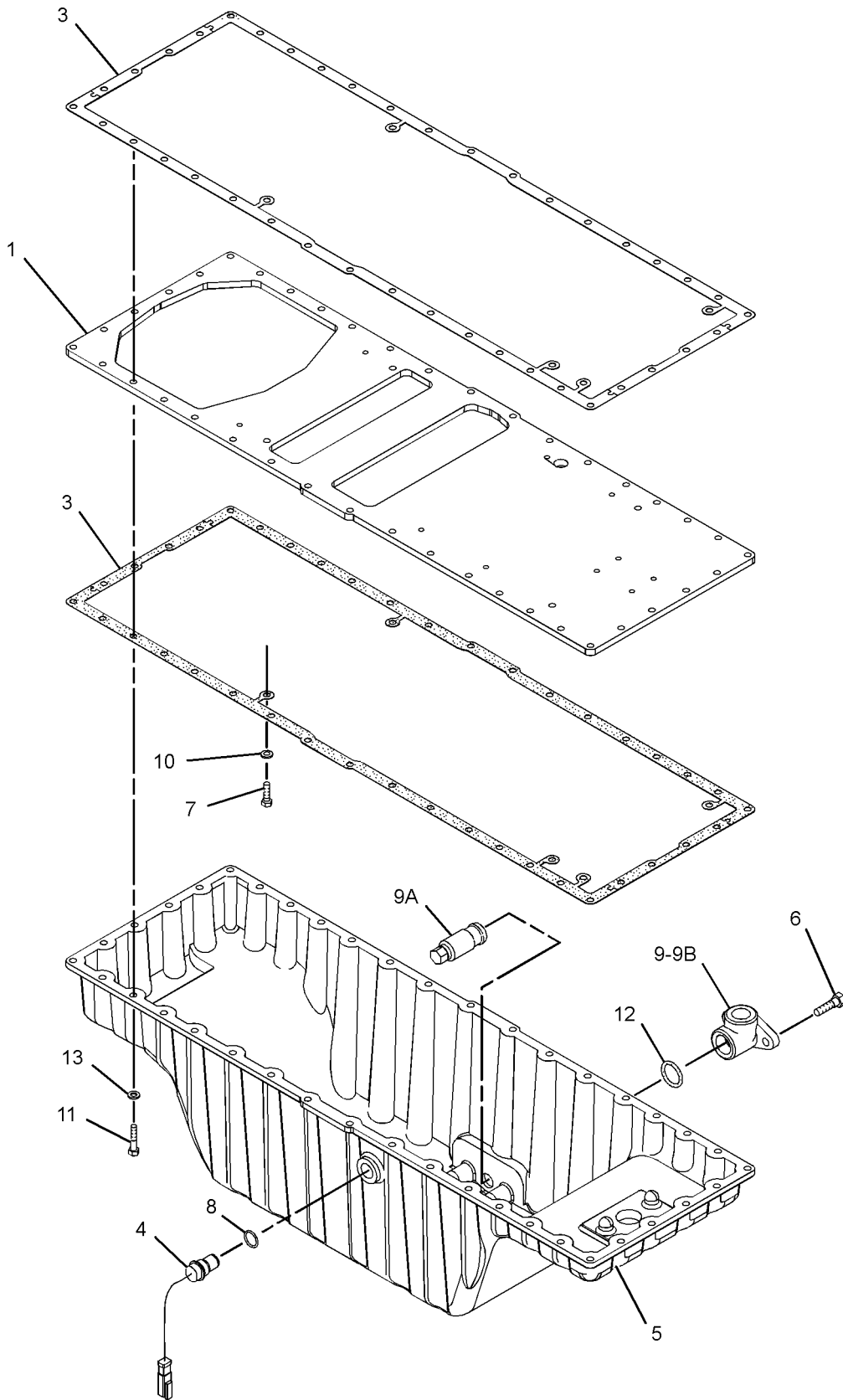
i02771318

NOTE	REF NO	GRAPHIC REF	PART NUMBER	QTY	PART NAME						SEE PAGE
					1	2	3	4	5	6 (PRODUCT LEVEL)	
	1	1	7E-4661	1	PLATE						
	3	1	188-0210	2	GASKET						
	4	1	213-0677	1	SWITCH AS-LIQUID LEVEL (ENGINE OIL)						
		1	102-8802	1	KIT-RECEPTACLE (2-PIN)						
	5	1	271-4068	1	PAN-OIL						
	6	1	0S-1587	2	BOLT (1/2-13X1.75-IN)						
	7	1	0S-1588	3	BOLT (3/8-16X1.25-IN)						
	8	1	3D-2824	1	SEAL-O-RING						
	9	1	4P-0519	1	ADAPTER AS-DRAIN						
	9A	1	109-5839	1	PLUG-DRAIN (ENGINE OIL PAN)						
	9B	1	109-5840	1	ADAPTER-PLUG						
	10	1	5M-2894	3	WASHER-HARD (10.2X18.5X2.5-MM THK)						
	11	1	5S-7383	40	BOLT (3/8-16X1.75-IN)						
	12	1	6V-3830	1	SEAL-O-RING						
	13	1	8T-4896	40	WASHER-HARD (10.2X18.5X2.5-MM THK)						

BASIC ENGINE

271-5761 PAN GP-OIL (contd.)

i02771318



GRAPHIC #1

<END>

g01385787

BASIC ENGINE

220-1441 PISTON & ROD GP

S/N: RHX1-625

COMBUSTION RATIO 18:1

PART OF 241-5933 ENGINE AR-CORE

SMCS-1225

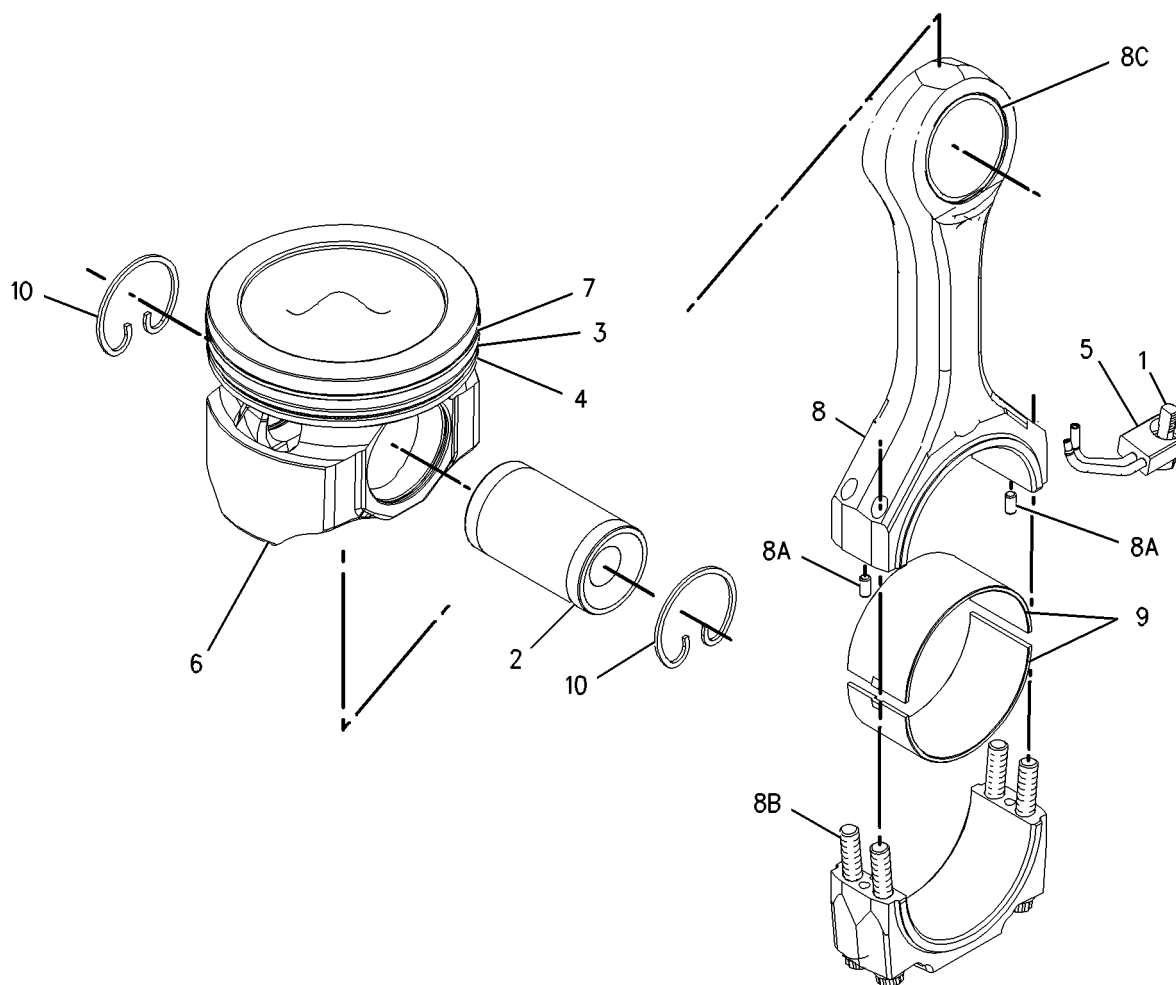
i02097814

NOTE	REF NO	GRAPHIC REF	PART NUMBER	QTY	PART NAME						SEE PAGE
					1	2	3	4	5	6 (PRODUCT LEVEL)	
	1	1	151-5925	1	BOLT (7/16-14-2A THD)						
	2	1	180-7350	1	PIN-PISTON						
	3	1	187-1503	1	RING-PISTON (INTERMEDIATE)						
	4	1	197-9296	1	RING-PISTON (OIL CONTROL)						
	5	1	197-9360	1	TUBE AS (OIL JET)						
	6	1	223-9158	1	BODY AS-PISTON						
	7	1	223-9159	1	RING-PISTON-TOP						
R	8	1	224-3245	1	ROD AS						
	8A	1	7N-2043	2	DOWEL						
	8B	1	213-3217	4	BOLT (MJ11X1.25X84-MM)						
	8C	1	229-6259	1	BEARING						
	9	1	224-3246	1	BEARING-CONNECTING ROD (STANDARD)						
AB		1	232-3235		BEARING-CONNECTING ROD (0.64-MM US)						
AB		1	232-3236		BEARING-CONNECTING ROD (1.27-MM US)						
	10	1	230-2569	2	RETAINER-PIN						

A-NOT PART OF THIS GROUP

B-USE AS REQUIRED

R-REMG PART MAY BE AVAILABLE



GRAPHIC #1

<END>

g01002106

BASIC ENGINE

220-1441 PISTON & ROD GP

S/N: RHX626-UP

COMBUSTION RATIO 18:1

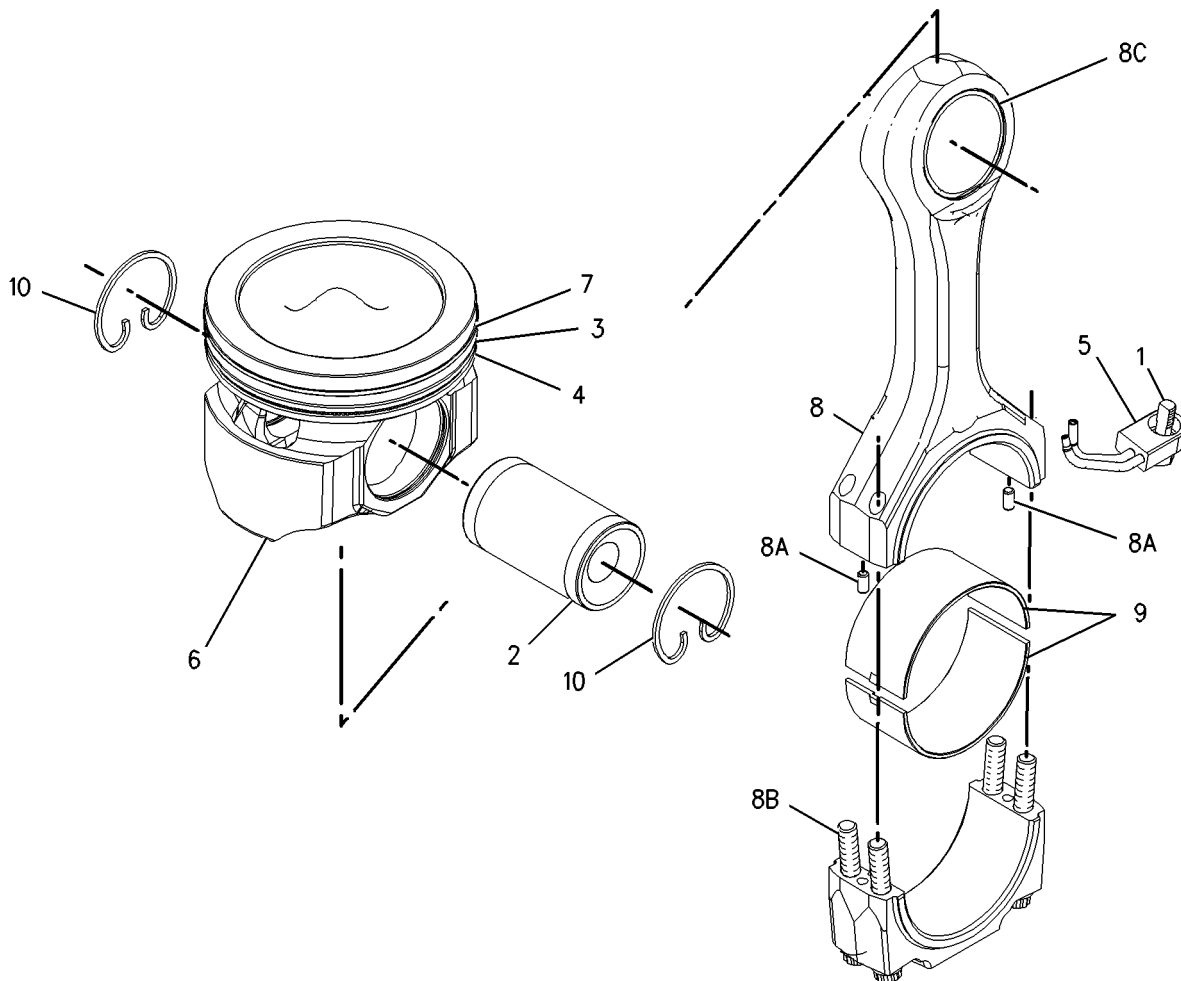
PART OF 241-5933, 280-2166 ENGINE AR-CORE

SMCS-1225

i03595723

NOTE	REF NO	GRAPHIC REF	PART NUMBER	QTY	PART NAME						SEE PAGE
					1	2	3	4	5	6 (PRODUCT LEVEL)	
	1	1	151-5925	1	BOLT (7/16-14-THD)						
	2	1	318-3150	1	PIN-PISTON						
	3	1	238-2707	1	RING-PISTON (INTERMEDIATE)						
	4	1	246-5659	1	RING-PISTON (OIL CONTROL)						
	5	1	274-8359	1	TUBE AS						
R	6	1	329-4511	1	BODY AS-PISTON						
	7	1	223-9159	1	RING-PISTON-TOP						
R	8	1	224-3245	1	ROD AS						
	8A	1	219-4458	2	PIN-DOWEL						
	8B	1	213-3217	4	BOLT (M11X1.25X84-MM)						
	8C	1	229-6259	1	BEARING						
	9	1	224-3246	1	BEARING-CONNECTING ROD (STANDARD)						
AB		1	232-3235		BEARING-CONNECTING ROD (0.64-MM US)						
AB		1	232-3236		BEARING-CONNECTING ROD (1.27-MM US)						
	10	1	230-2569	2	RETAINER-PIN						

A-NOT PART OF THIS GROUP
 B-USE AS REQUIRED
 R-REMG PART MAY BE AVAILABLE



GRAPHIC #1

<END>

g01002106

BASIC ENGINE

229-6709 PLUG GP-CYLINDER BLOCK

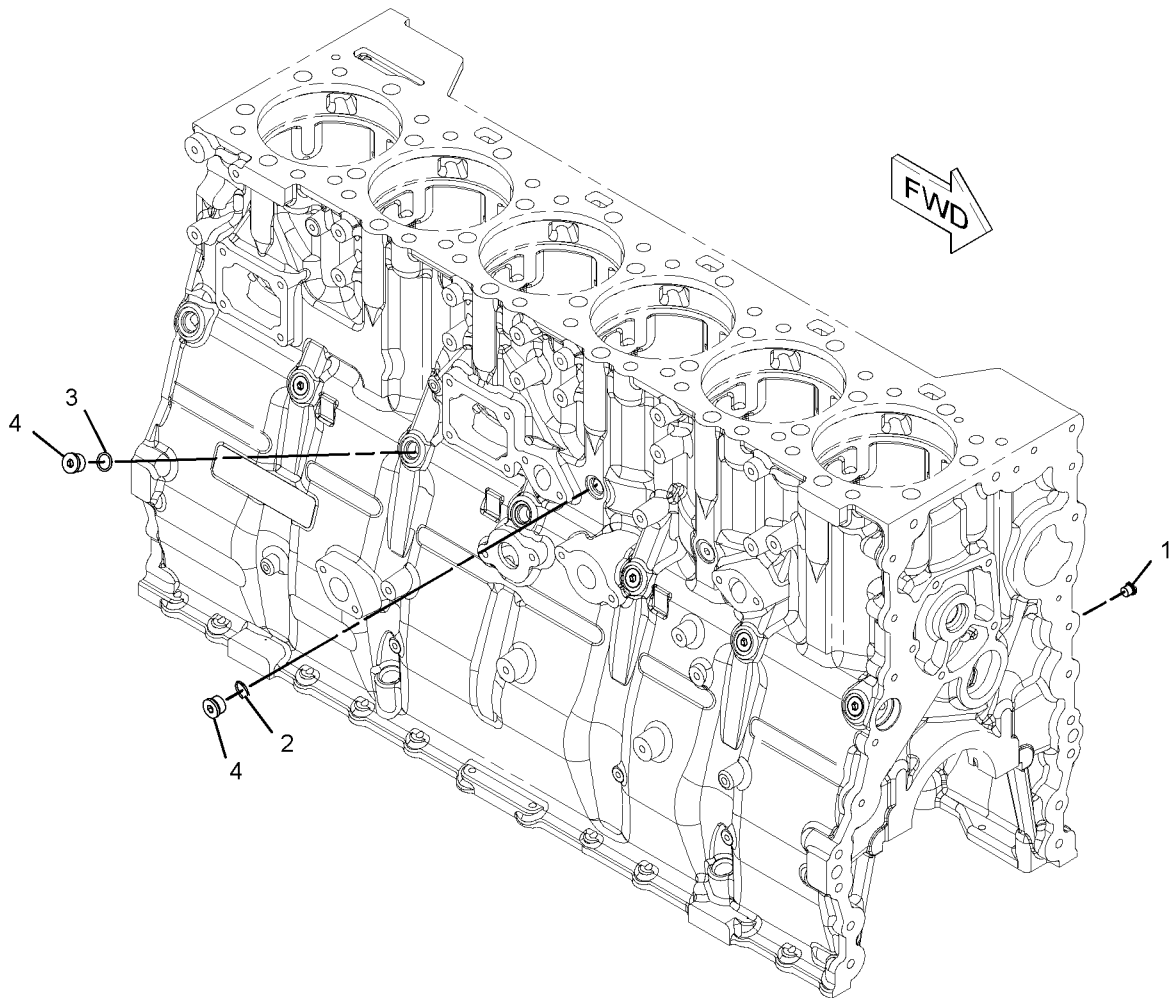
S/N: RHX1-UP

PART OF 257-4960, 286-9798 ENGINE AR-COMplete

SMCS-1201

i02103141

NOTE	REF NO	GRAPHIC REF	PART NUMBER	QTY	PART NAME						SEE PAGE
					1	2	3	4	5	6 (PRODUCT LEVEL)	
	1	1	183-3409	1	PLUG AS						
		1	9S-8002	1	PLUG-O-RING						
		1	033-5853	1	SEAL-O-RING						
	2	1	6V-6609	2	SEAL-O-RING						
	3	1	8L-2786	5	SEAL-O-RING						
	4	1	9S-8005	7	PLUG-O-RING						



GRAPHIC #1

<END>

g01038550

BASIC ENGINE

305-9196 PLUG GP-CYLINDER BLOCK

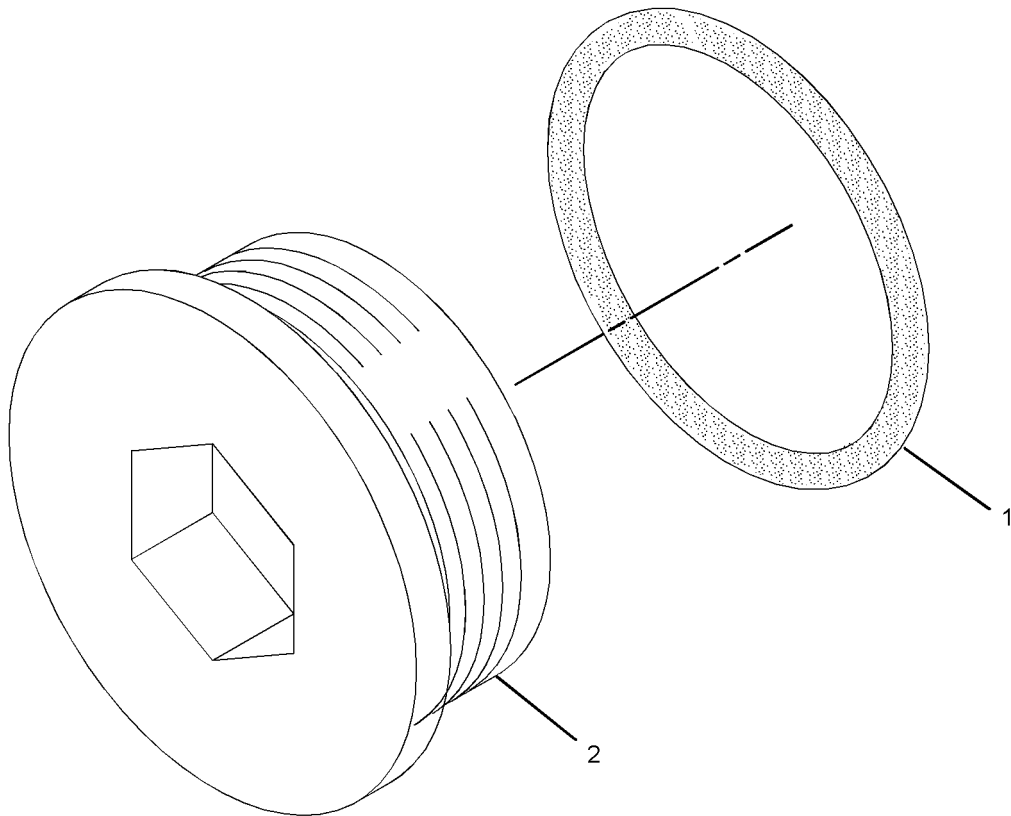
S/N: RHX1-UP

PART OF 261-0191 CYLINDER BLOCK GP

SMCS-1201

i02680408

NOTE	REF NO	GRAPHIC REF	PART NUMBER	QTY	PART NAME						SEE PAGE
					1	2	3	4	5	6 (PRODUCT LEVEL)	
	1	1	6V-5065	1	SEAL-O-RING						
	2	1	9S-8010	1	PLUG						



GRAPHIC #1

<END>

g01347363

BASIC ENGINE

230-4646 PLUG GP-CYLINDER HEAD

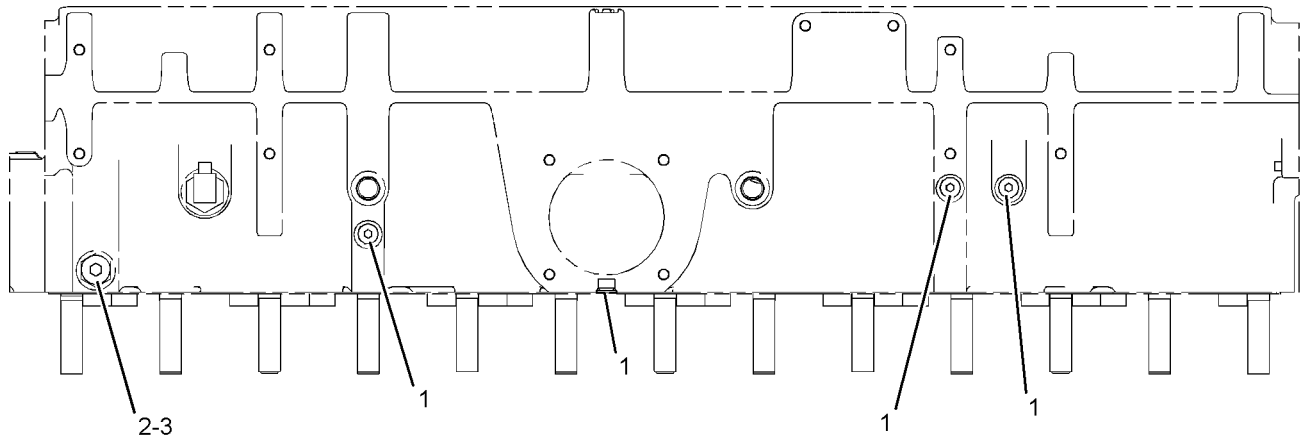
S/N: RHX1-5375

PART OF 257-4960 ENGINE AR-COMPLETE

SMCS-1100

i02103138

NOTE	REF NO	GRAPHIC REF	PART NUMBER	QTY	PART NAME						SEE PAGE
					1	2	3	4	5	6 (PRODUCT LEVEL)	
	1	1	183-3408	4	PLUG AS						
					(EACH INCLUDES)						
		1	6V-5049	1	SEAL-O-RING						
		1	9S-8004	1	PLUG-O-RING						
	2	1	6V-3251	1	SEAL-O-RING						
	3	1	9S-8006	1	PLUG-O-RING						



LEFT SIDE VIEW
<END>

GRAPHIC #1

g01072214

BASIC ENGINE

282-3645 PLUG GP-CYLINDER HEAD

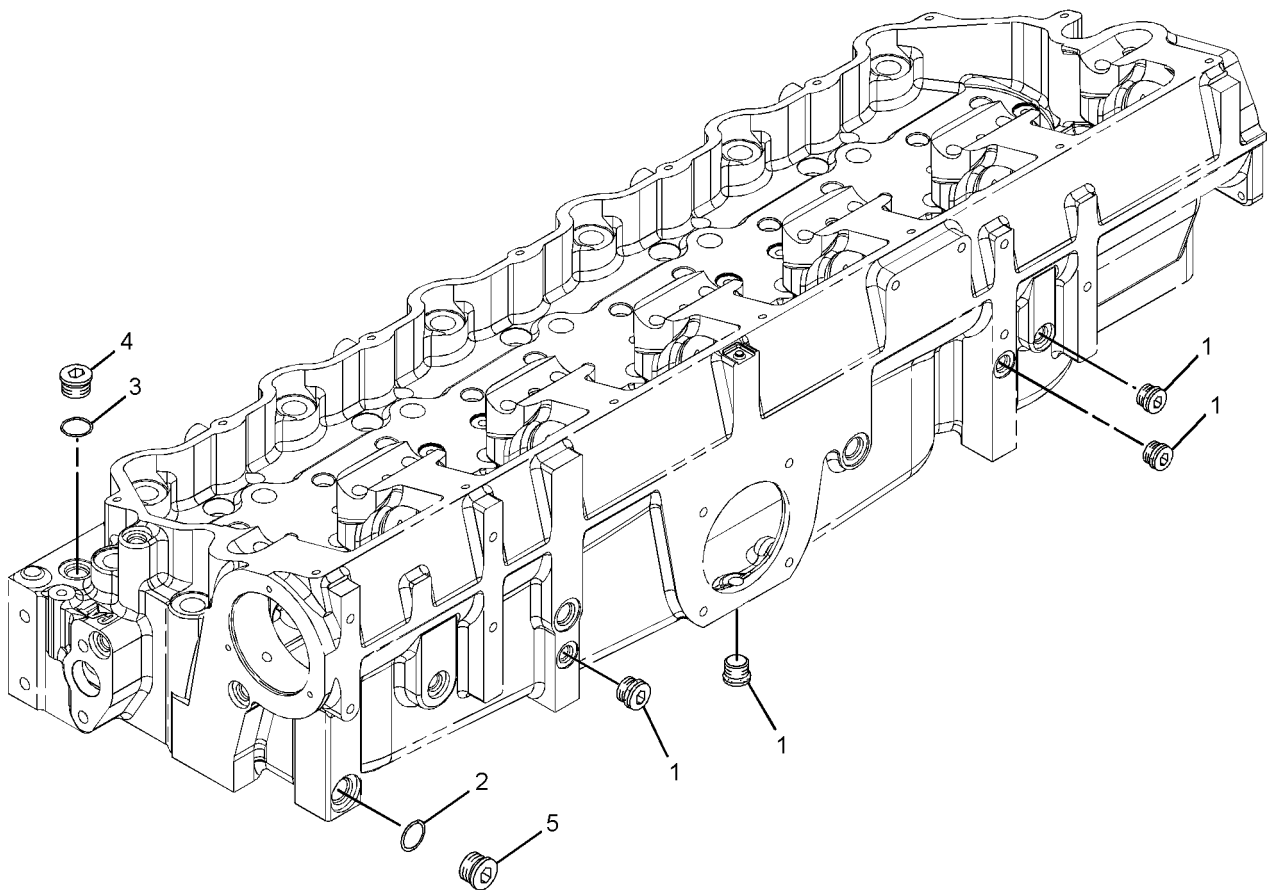
S/N: RHX1-UP

PART OF 257-4960, 286-9798 ENGINE AR-COMPLETE

SMCS-1100

i02518021

NOTE	REF NO	GRAPHIC REF	PART NUMBER	QTY	PART NAME						SEE PAGE
					1	2	3	4	5	6 (PRODUCT LEVEL)	
	1	1	183-3408	4	PLUG AS						
					(EACH INCLUDES)						
		1	6V-5049	1	SEAL-O-RING						
		1	9S-8004	1	PLUG-O-RING						
	2	1	6V-3251	1	SEAL-O-RING						
	3	1	6V-6609	1	SEAL-O-RING						
	4	1	9S-8005	1	PLUG-O-RING						
	5	1	9S-8006	1	PLUG-O-RING						



GRAPHIC #1

<END>

g01311024

BASIC ENGINE

221-3705 PULLEY GP

S/N: RHX1-UP

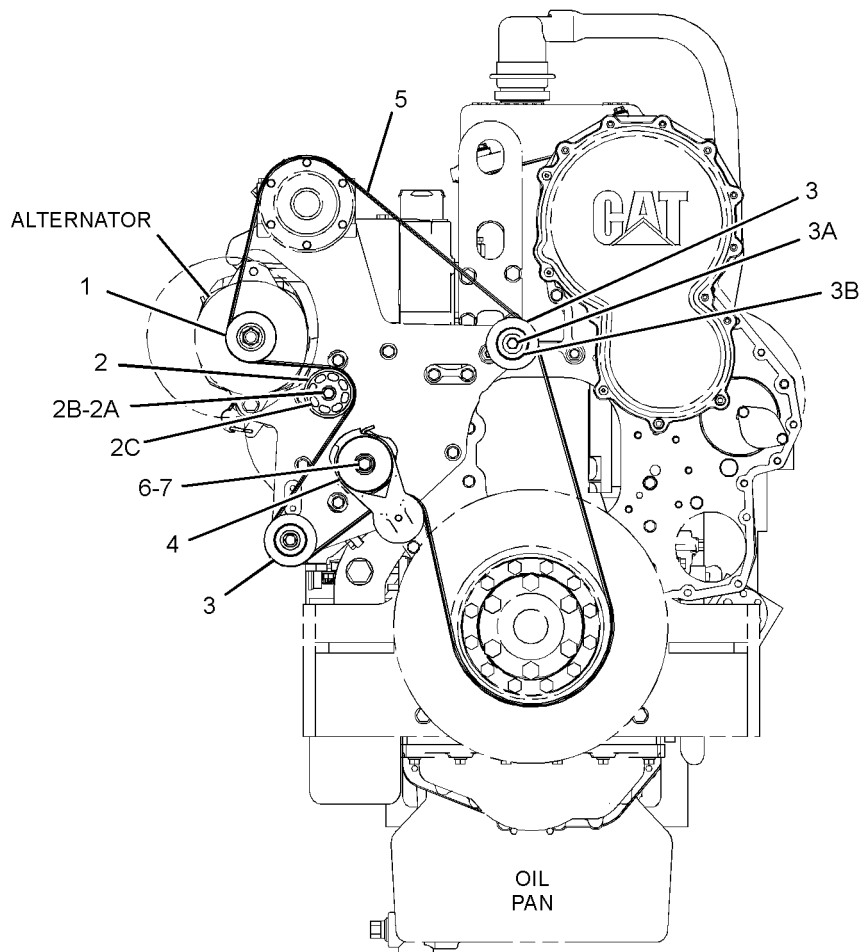
PART OF 257-4960, 286-9798 ENGINE AR-COMplete

SMCS-1205, 1207, 1358, 1384, 1425

i02881499

NOTE	REF NO	GRAPHIC REF	PART NUMBER	QTY	PART NAME						SEE PAGE
					1	2	3	4	5	6 (PRODUCT LEVEL)	
	1	1	123-0791	1	PULLEY (8-GROOVE)						
	2	1	133-7023	1	PULLEY AS-IDLER						
	2A	1	151-2898	1	SPACER (10.4X38.1X20-MM THK)						
M	2B	1	151-2900	1	BOLT (M10X1.5X54.25-MM)						
	2C	1	166-6358	1	COVER-DUST						
	3	1	289-6304	2	PULLEY AS-IDLER (EACH INCLUDES)						
M	3A	1	151-2900	1	BOLT (M10X1.5X54.25-MM)						
	3B	1	166-6358	1	COVER-DUST						
	4	1	200-2279	1	BELT TENSIONER						
	5	1	243-1276	1	BELT-SERPENTINE						
	6	1	8T-4121	1	WASHER-HARD (11X21X2.5-MM THK)						
M	7	1	8T-4172	1	BOLT (M10X1.5X80-MM)						

M-METRIC PART



FRONT VIEW OF ENGINE

GRAPHIC #1

<END>

g01435857

BASIC ENGINE

198-9898 ROCKER ARM GP

S/N: RHX1-1612

PART OF 148-7482 MECHANISM GP-FUEL PUMP & VALVE

SMCS-1123

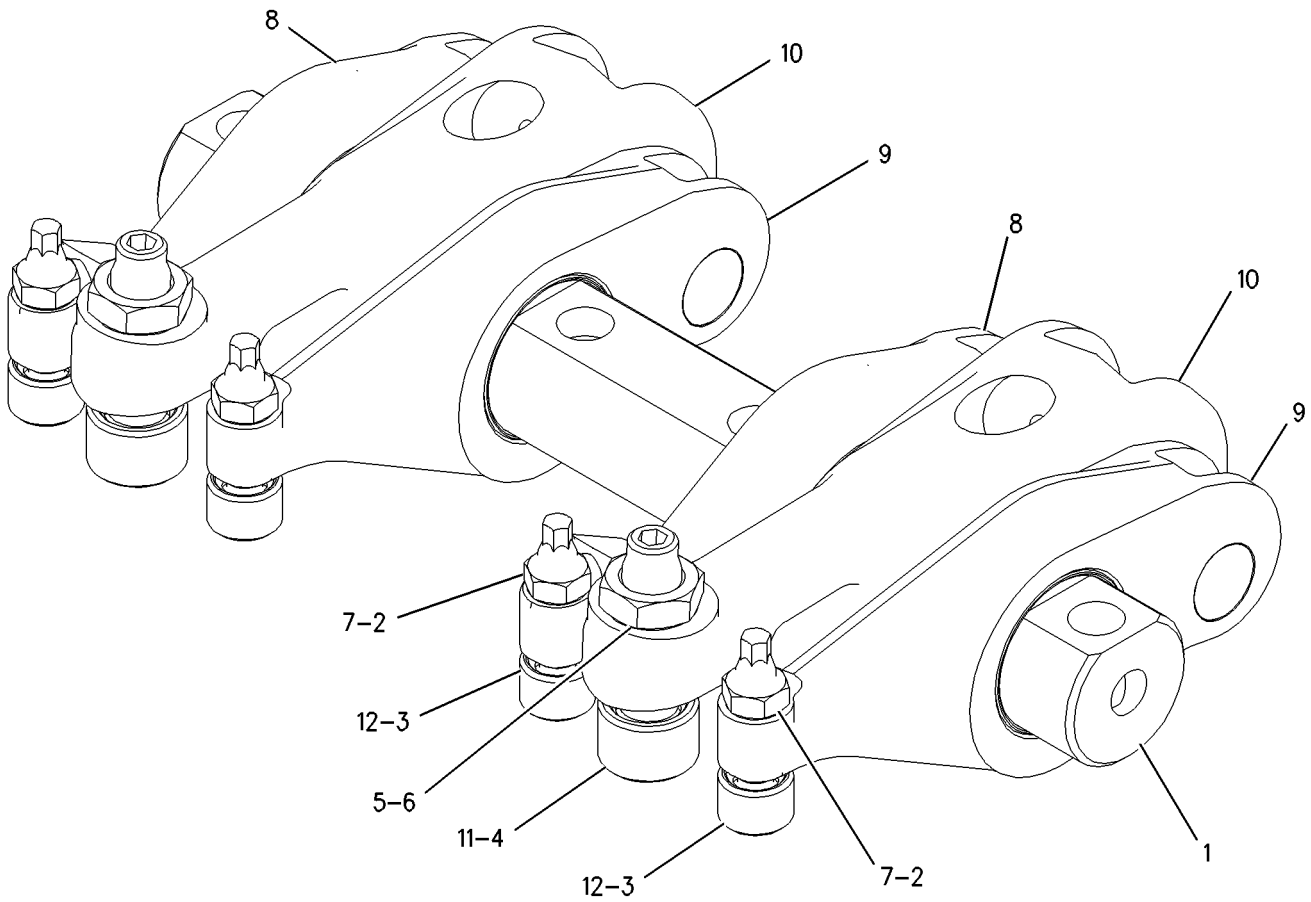
i02588255

NOTE	REF NO	GRAPHIC REF	PART NUMBER	QTY	PART NAME						SEE PAGE
					1	2	3	4	5	6 (PRODUCT LEVEL)	
	1	1	6I-0901	1	SHAFT AS-ROCKER ARM						
		1	4B-9782	2	BALL						
	2	1	276-5317	4	NUT (3/8-24-THD)						
	3	1	258-8721	4	BUTTON						
W	4	1	192-4151	2	BUTTON (24MM ID)						
					-OR-						
J		1	4P-7371	2	INSERT (14.75MM ID)						
W	5	1	196-5069	2	SCREW-ARM ADJUSTMENT (9/16-18 THD)						
					-OR-						
J		1	4P-4278	2	SCREW-UNIT INJ ADJUSTMENT (7/8-18 THD)						
W	6	1	196-5070	2	NUT-JAM (9/16-18-THD)						
					-OR-						
J		1	4P-4279	2	NUT-JAM (7/8-18 THD)						
	7	1	232-0253	4	SCREW-ARM ADJUSTMENT						
R	8	1	203-8822	2	ROCKER ARM AS (EXHAUST VALVE ROCKER)						
R	9	1	203-8824	2	ROCKER ARM AS (INLET VALVE ROCKER)						
R	10	1	207-5248	2	ROCKER ARM AS (UNIT INJECTOR ROCKER)						
W	11	1	061-8639	2	SEAL-O-RING (15.54MM ID)						
					-OR-						
J		1	032-9313	2	SEAL-O-RING (12.37MM ID)						
	12	1	8L-2777	4	SEAL-O-RING (10.77MM ID)						
J-PARTS MARKED J MUST BE USED TOGETHER ON OLDER ROCKER ARM ASSEMBLIES R-REMG PART MAY BE AVAILABLE W-PARTS MARKED W MUST BE USED TOGETHER ON NEWER ROCKER ARM ASSEMBLIES											

BASIC ENGINE

198-9898 ROCKER ARM GP (contd.)

i02588255



GRAPHIC #1

<END>

g00905507

BASIC ENGINE

278-1929 ROCKER ARM GP

S/N: RHX1615-UP

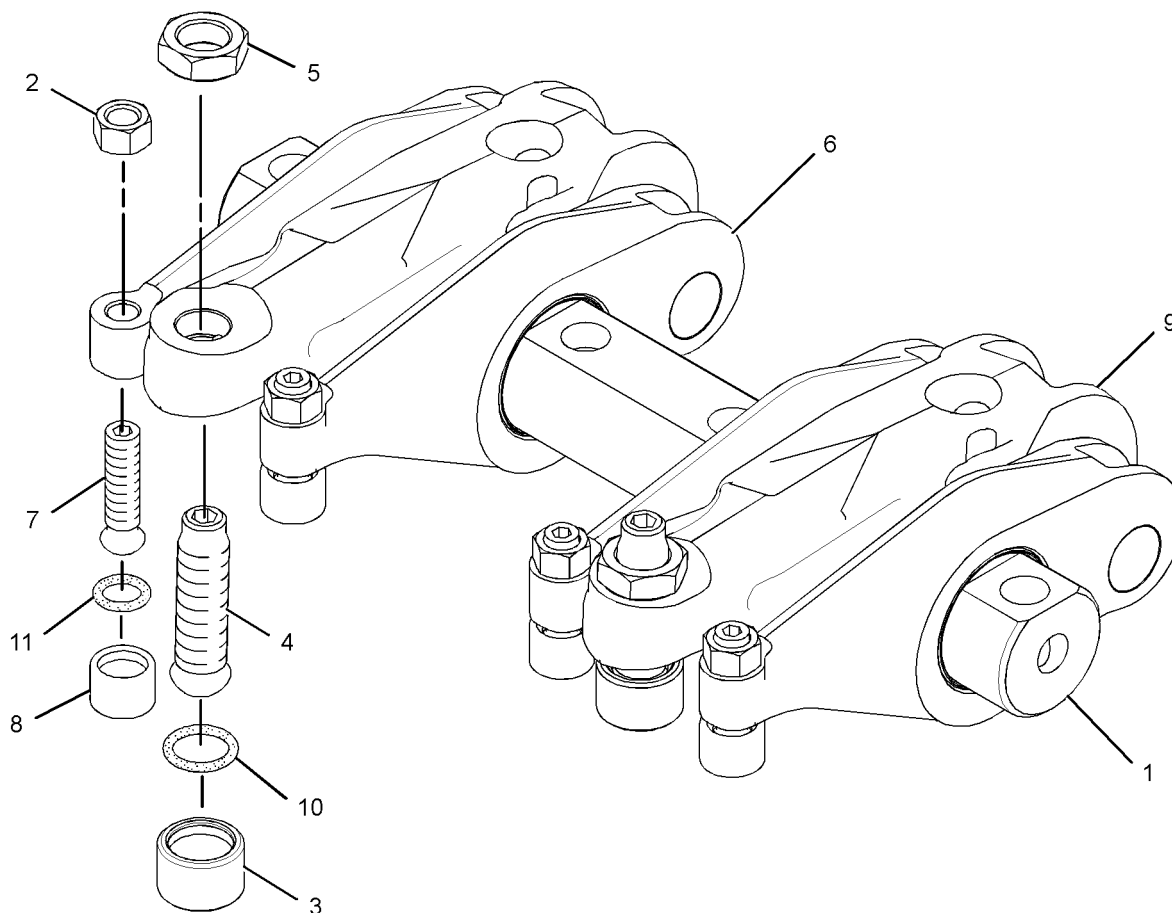
PART OF 190-0009, 280-2167 MECHANISM GP-FUEL PUMP & VALVE

SMCS-1123

i03253117

NOTE	REF NO	GRAPHIC REF	PART NUMBER	QTY	PART NAME						SEE PAGE
					1	2	3	4	5	6 (PRODUCT LEVEL)	
	1	1	307-8322	1	SHAFT AS-ROCKER ARM						
		1	4B-9782	2	BALL						
	2	1	276-5317	4	NUT (3/8-24-THD)						
	3	1	192-4151	2	BUTTON						
	4	1	196-5069	2	SCREW-ARM ADJUSTMENT						
	5	1	196-5070	2	NUT-JAM (9/16-18-THD)						
R	6	1	203-8824	4	ROCKER ARM AS						
	7	1	274-4491	4	SCREW-ARM ADJUSTMENT (3/8-24X1.20-IN)						
	8	1	258-8721	4	BUTTON						
R	9	1	278-1365	2	ROCKER ARM AS (UNIT INJECTOR ROCKER)						
	10	1	061-8639	2	SEAL-O-RING						
	11	1	8L-2777	4	SEAL-O-RING						

R-REMG PART MAY BE AVAILABLE



GRAPHIC #1

<END>

g01653913

BASIC ENGINE

278-1931 ROCKER ARM GP

S/N: RHX1889-2154

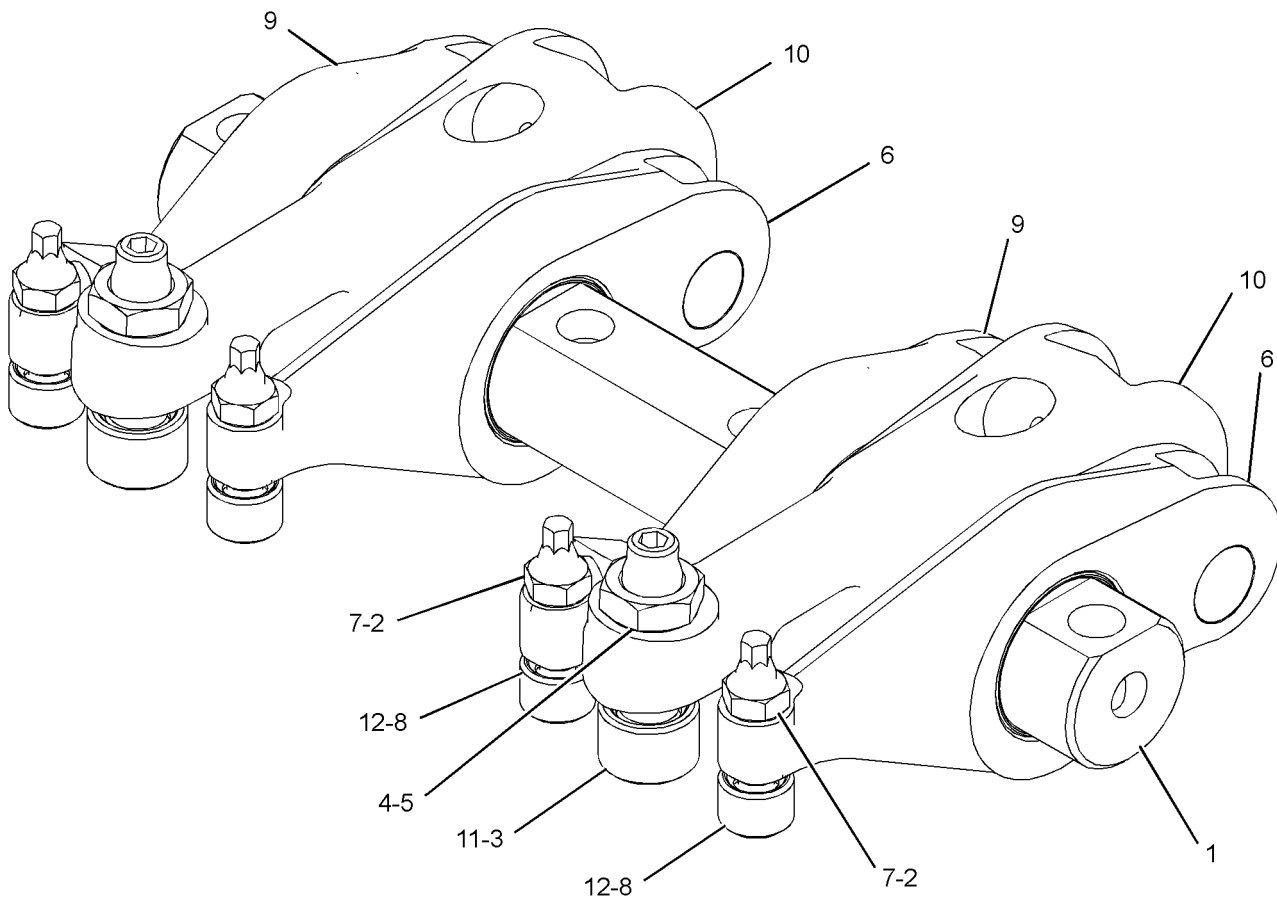
PART OF 148-7482 MECHANISM GP-FUEL PUMP & VALVE

SMCS-1123

i03212242

NOTE	REF NO	GRAPHIC REF	PART NUMBER	QTY	PART NAME						SEE PAGE
					1	2	3	4	5	6 (PRODUCT LEVEL)	
	1	1	307-8322	1	SHAFT AS-ROCKER ARM						
		1	4B-9782	2	BALL						
	2	1	276-5317	4	NUT (3/8-24-THD)						
	3	1	192-4151	2	BUTTON						
	4	1	196-5069	2	SCREW-ARM ADJUSTMENT						
	5	1	196-5070	2	NUT-JAM (9/16-18-THD)						
R	6	1	203-8824	2	ROCKER ARM AS (INLET VALVE ROCKER)						
	7	1	274-4491	4	SCREW-ARM ADJUSTMENT (3/8-24X1.20-IN)						
	8	1	258-8721	4	BUTTON						
R	9	1	254-6081	2	ROCKER ARM AS (EXHAUST VALVE ROCKER)						
R	10	1	278-1365	2	ROCKER ARM AS (UNIT INJECTOR ROCKER)						
	11	1	061-8639	2	SEAL-O-RING						
	12	1	8L-2777	4	SEAL-O-RING						

R-REMG PART MAY BE AVAILABLE



GRAPHIC #1

<END>

g01234257

BASIC ENGINE

320-2796 ROCKER ARM GP

S/N: RHX2218-UP

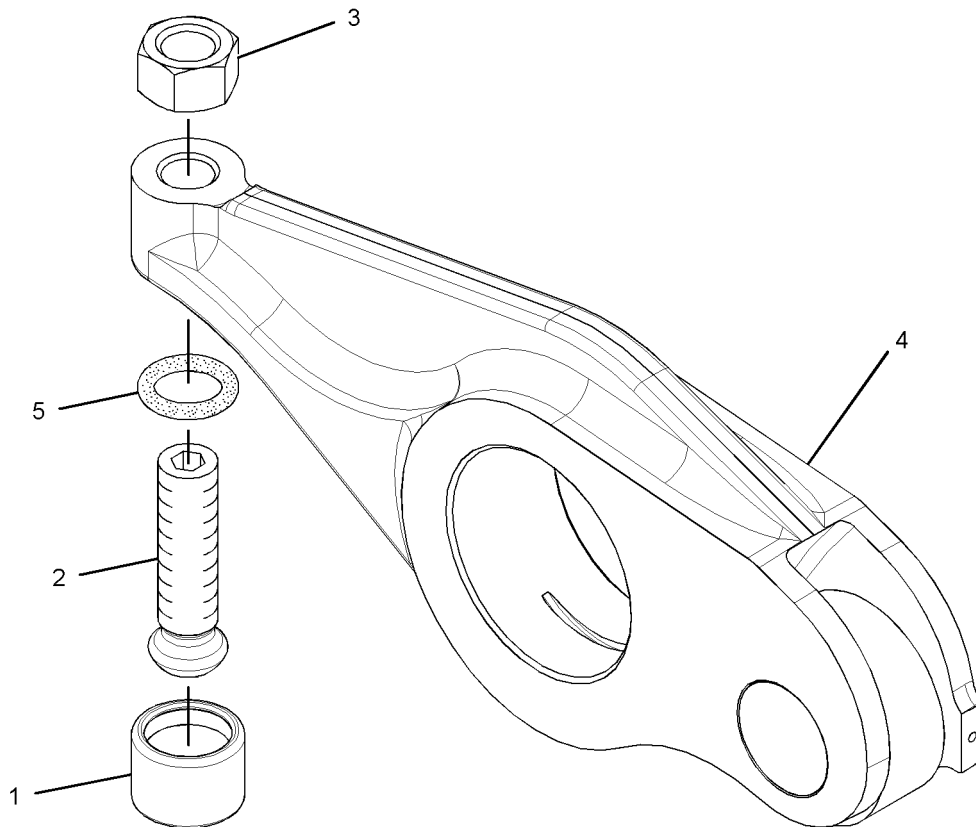
PART OF 328-4236 ROCKER ARM GP

SMCS-1123

i03326363

NOTE	REF NO	GRAPHIC REF	PART NUMBER	QTY	PART NAME						SEE PAGE
					1	2	3	4	5	6 (PRODUCT LEVEL)	
	1	1	258-8721	1	BUTTON						
	2	1	274-4491	1	SCREW-ARM ADJUSTMENT (3/8-24X1.20-IN)						
	3	1	276-5317	1	NUT (3/8-24-THD)						
R	4	1	320-2797	1	ROCKER ARM AS						
	5	1	8L-2777	1	SEAL-O-RING						

R-REMG PART MAY BE AVAILABLE



GRAPHIC #1

<END>

g01526902

BASIC ENGINE

328-4236 ROCKER ARM GP

S/N: RHX2218-UP

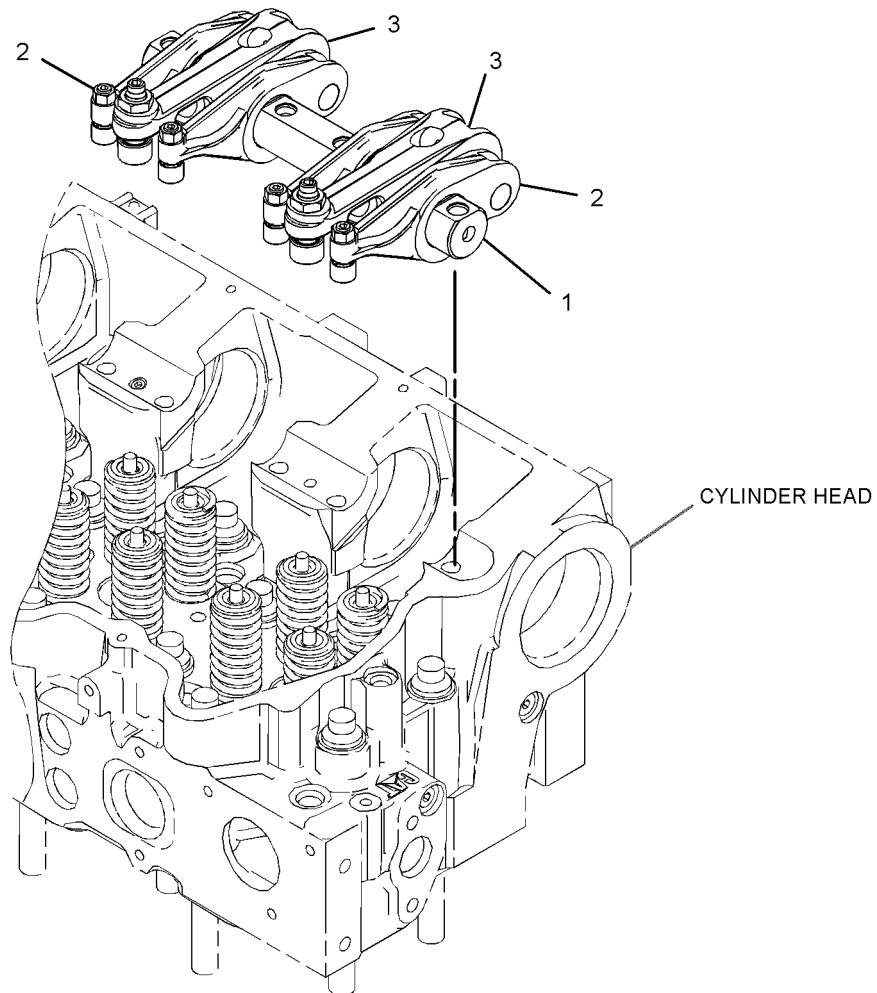
PART OF 190-0009 MECHANISM GP-FUEL PUMP & VALVE

SMCS-1123

i03325913

NOTE	REF NO	GRAPHIC REF	PART NUMBER	QTY	PART NAME						SEE PAGE
					1	2	3	4	5	6 (PRODUCT LEVEL)	
	1	1	307-8322	1	SHAFT AS-ROCKER ARM						
		1	4B-9782	2	BALL						
Y	2	1	320-2796	4	ROCKER ARM GP						101
Y	3	1	328-4238	2	ROCKER ARM GP						103

Y-SEPARATE ILLUSTRATION



GRAPHIC #1

<END>

g01705875

BASIC ENGINE

328-4238 ROCKER ARM GP

S/N: RHX2218-UP

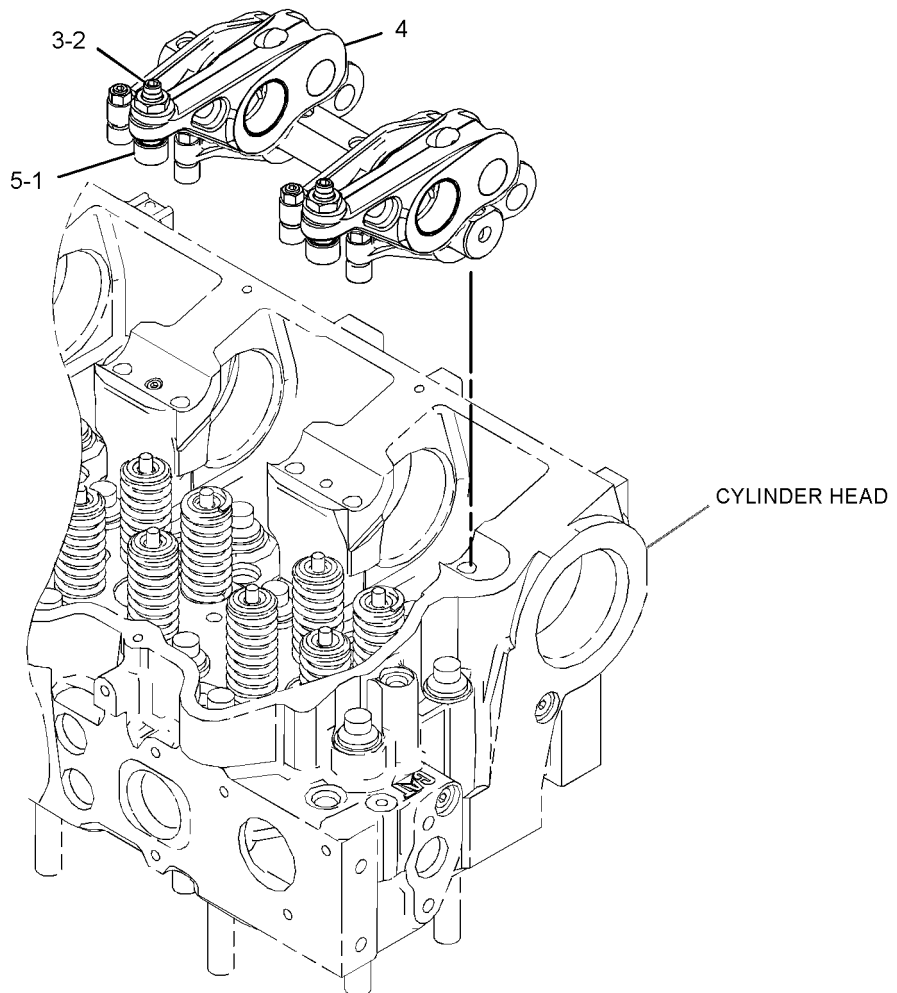
PART OF 328-4236 ROCKER ARM GP

SMCS-1123

i03326323

NOTE	REF NO	GRAPHIC REF	PART NUMBER	QTY	PART NAME						SEE PAGE
					1	2	3	4	5	6 (PRODUCT LEVEL)	
	1	1	192-4151	1	BUTTON						
	2	1	196-5069	1	SCREW-ARM ADJUSTMENT						
	3	1	196-5070	1	NUT-JAM (9/16-18-THD)						
R	4	1	278-1365	1	ROCKER ARM AS						
	5	1	061-8639	1	SEAL-O-RING						

R-REMG PART MAY BE AVAILABLE



GRAPHIC #1

<END>

g01707153

BASIC ENGINE

319-7401 SEAL GP-CRANKSHAFT

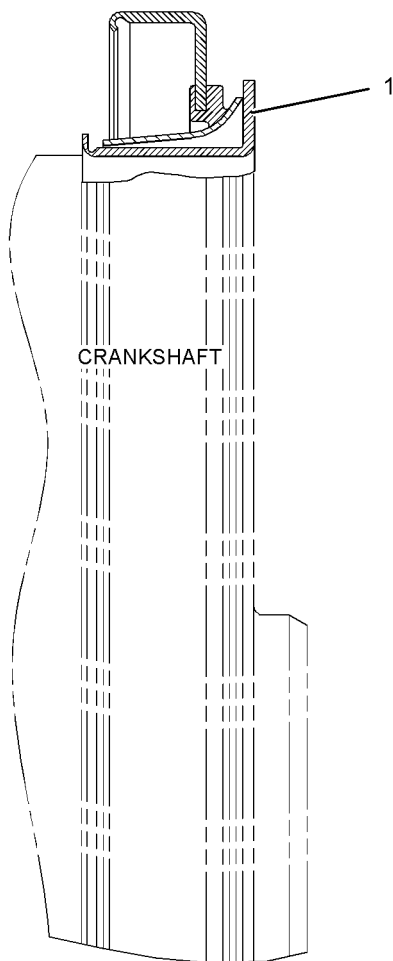
S/N: RHX1-UP

PART OF 223-9732 CRANKSHAFT GP

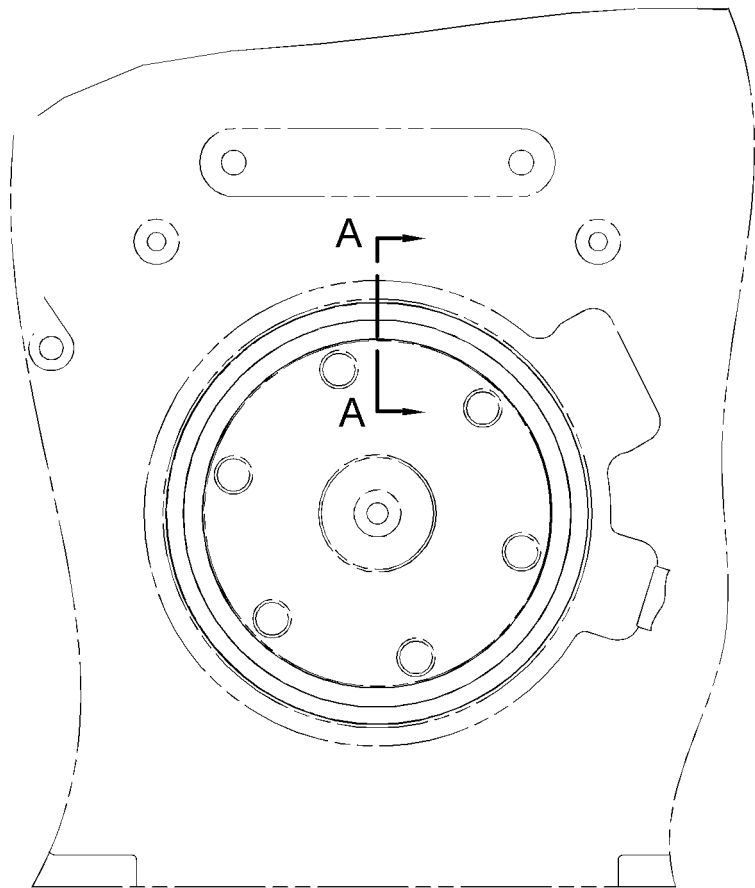
SMCS-1160, 1161

i03191287

NOTE	REF NO	GRAPHIC REF	PART NUMBER	QTY	PART NAME						SEE PAGE
					1	2	3	4	5	6 (PRODUCT LEVEL)	
	1	1	142-5867	1	SEAL - CRANKSHAFT (FRONT)						



SECTION A-A



FRONT VIEW OF ENGINE

GRAPHIC #1

<END>

g01516169

BASIC ENGINE

7E-4876 SUPPORT GP-ENGINE

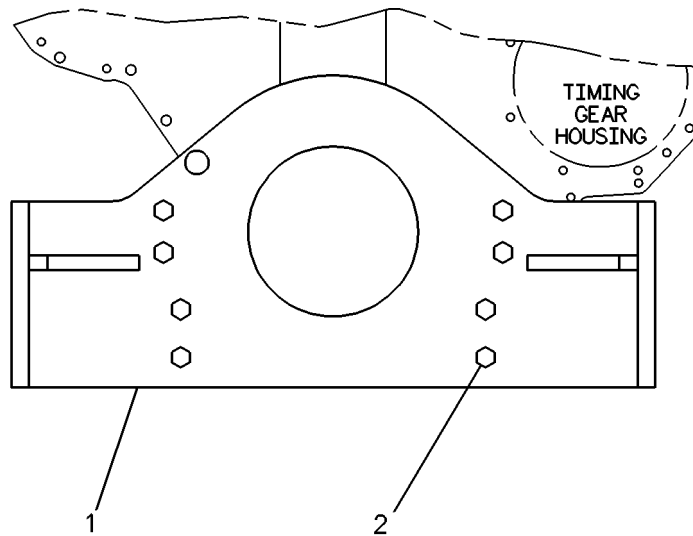
S/N: RHX1-UP

PART OF 257-4960 ENGINE AR-COMplete

SMCS-1152, 1153, 1154

i00621681

NOTE	REF NO	GRAPHIC REF	PART NUMBER	QTY	PART NAME						SEE PAGE
					1	2	3	4	5	6 (PRODUCT LEVEL)	
	1	1	7E-4875	1	SUPPORT AS						
	2	1	6F-5282	8	BOLT (1/2-13X5.25IN)						
		1	2M-0849	8	WASHER (5MM THK)						



GRAPHIC #1

<END>

g00220050

BASIC ENGINE

227-9495 SUPPORT GP-ENGINE

S/N: RHX7953-UP

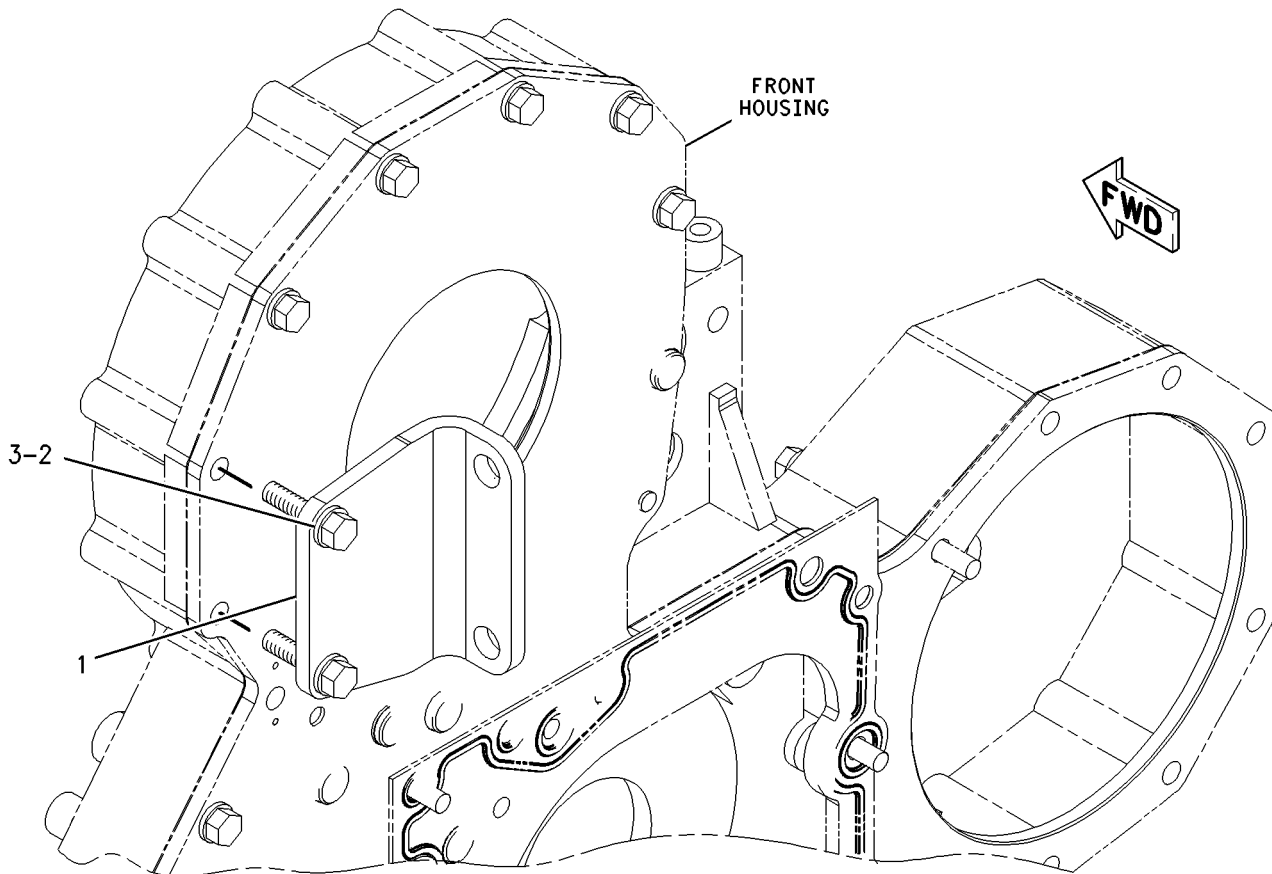
FRONT PLATE TO CYLINDER HEAD

PART OF 286-9798 ENGINE AR-COMplete

SMCS-1152, 1153, 1154

i03449243

NOTE	REF NO	GRAPHIC REF	PART NUMBER	QTY	PART NAME						SEE PAGE
					1	2	3	4	5	6 (PRODUCT LEVEL)	
	1	1	6I-3968	1	BRACKET-SUPPORT						
	2	1	0S-1591	2	BOLT (3/8-16X1.5-IN)						
	3	1	5M-2894	2	WASHER-HARD (10.2X18.5X2.5-MM THK)						



GRAPHIC #1

<END>

g00999807

BASIC ENGINE

235-5805 SUPPORT GP-ENGINE

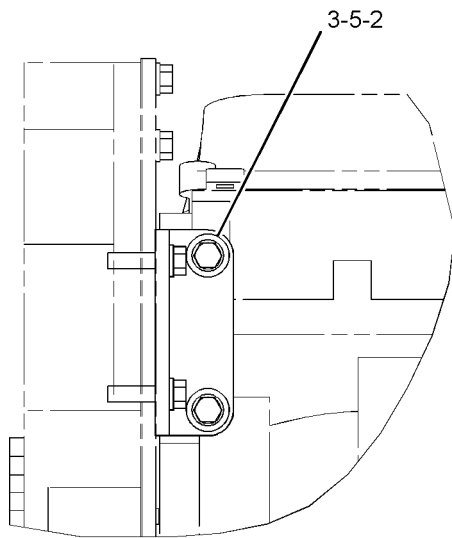
S/N: RHX1-UP

PART OF 257-4960, 286-9798 ENGINE AR-COMplete

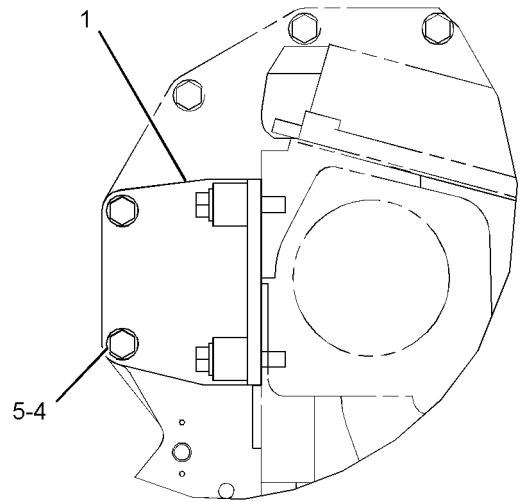
SMCS-1152, 1153, 1154

i02103096

NOTE	REF NO	GRAPHIC REF	PART NUMBER	QTY	PART NAME						SEE PAGE
					1	2	3	4	5	6 (PRODUCT LEVEL)	
	1	1	6I-3968	1	BRACKET-SUPPORT						
	2	1	101-3120	2	SPACER (10.5X25X20-MM THK)						
	3	1	0S-1571	2	BOLT (3/8-16X1.75-IN)						
	4	1	0S-1591	2	BOLT (3/8-16X1.5-IN)						
	5	1	5M-2894	4	WASHER-HARD (10.2X18.5X2.5-MM THK)						



LEFT SIDE VIEW



REAR VIEW

GRAPHIC #1

<END>

g01071857

BASIC ENGINE

290-9021 SUPPORT GP-ENGINE

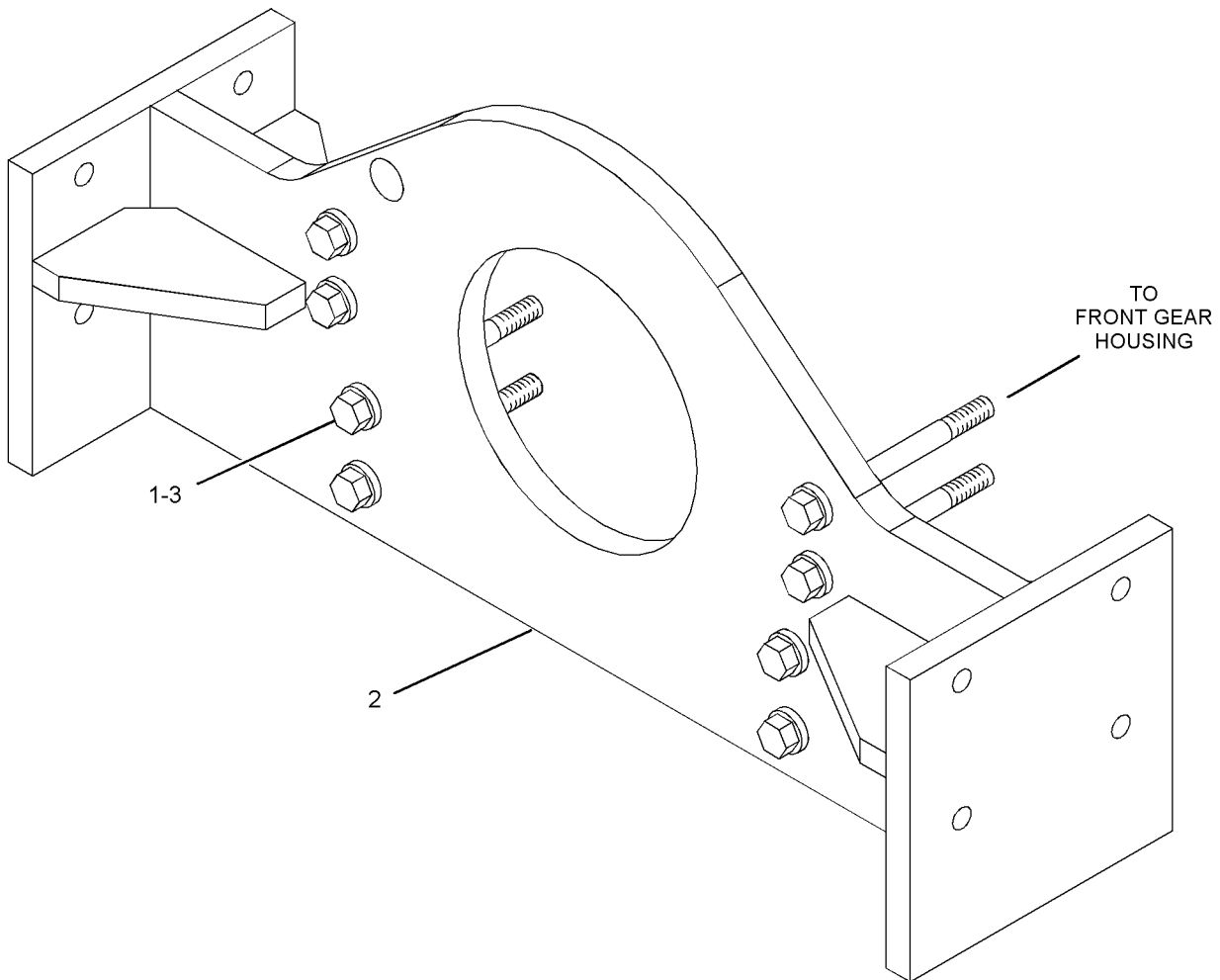
S/N: RHX1-UP

PART OF 286-9798 ENGINE AR-COMplete

SMCS-1152, 1153, 1154

i02598570

NOTE	REF NO	GRAPHIC REF	PART NUMBER	QTY	PART NAME						SEE PAGE
					1	2	3	4	5	6 (PRODUCT LEVEL)	
	1	1	6F-5282	8	BOLT (1/2-13X5.25-IN)						
	2	1	290-9020	1	SUPPORT AS						
	3	1	2M-0849	8	WASHER-HARD (13.5X25.5X5-MM THK)						



GRAPHIC #1

<END>

g01301875

LUBRICATION SYSTEM

200-0655 BASE GP-OIL FILTER-ENGINE

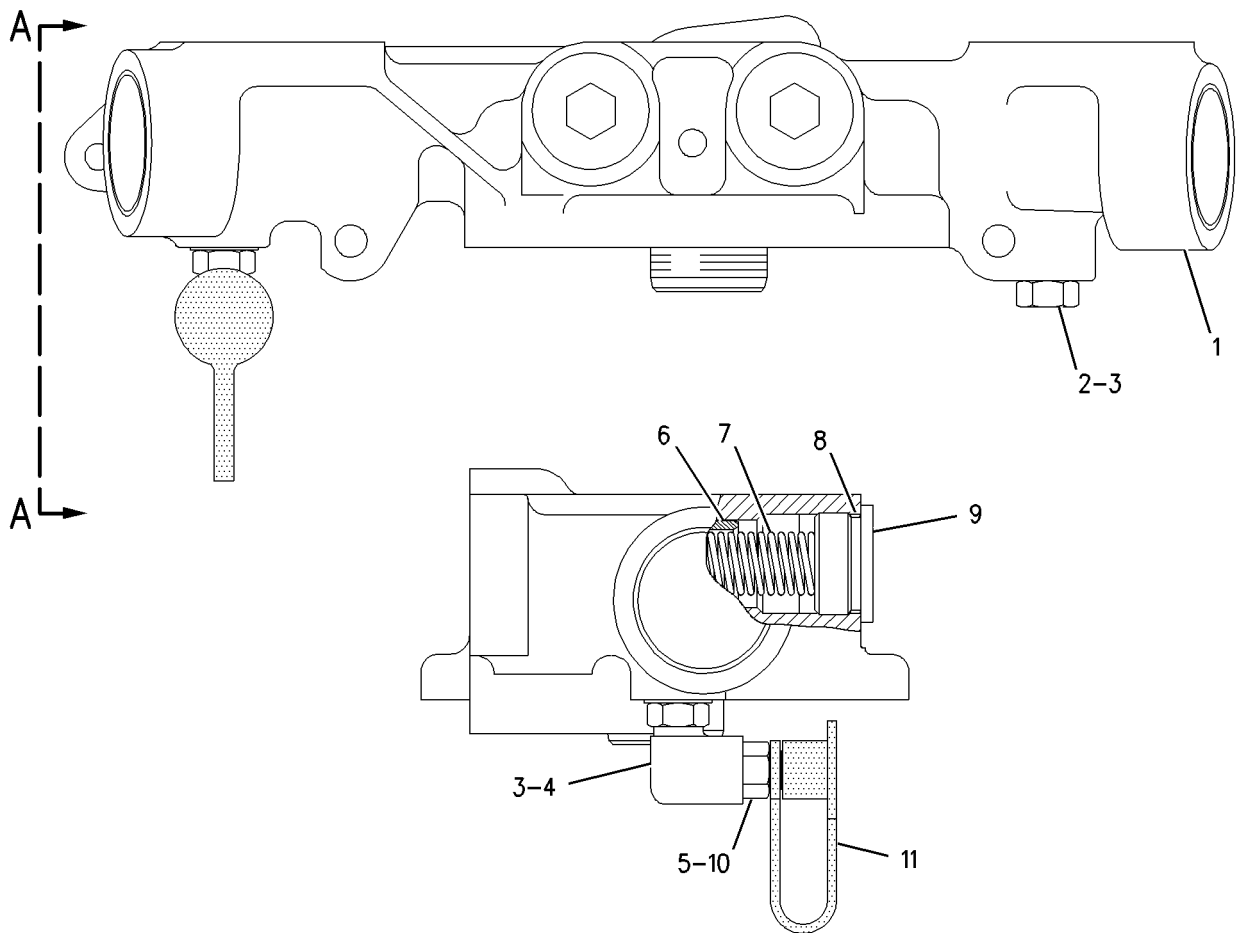
S/N: RHX1-UP

PART OF 231-2214 FILTER GP-ENGINE OIL

SMCS-1306

i03596369

NOTE	REF NO	GRAPHIC REF	PART NUMBER	QTY	PART NAME						SEE PAGE
					1	2	3	4	5	6 (PRODUCT LEVEL)	
	1	1	176-1363	1	BASE GP-OIL FILTER						
		1	2P-4304	1	STUD-HOLLOW						
		1	9L-7657	2	PLUG-CUP						
2		1	9S-4191	1	PLUG-O-RING						
3		1	6V-5049	2	SEAL-O-RING						
4		1	8C-6712	1	ELBOW						
5		1	8C-3446	1	VALVE-FLUID SAMPLING (ENGINE OIL)						
6		1	1P-1367	2	PLUNGER						
7		1	4N-8150	2	SPRING						
8		1	5P-7701	2	SEAL-O-RING						
9		1	9S-9334	2	PLUG-O-RING						
10		1	3J-7354	1	SEAL-O-RING						
11		1	8C-3445	1	CAP-DUST						



VIEW A-A

GRAPHIC #1

<END>

g00788118

LUBRICATION SYSTEM

234-2916 BREATHER GP-CRANKCASE

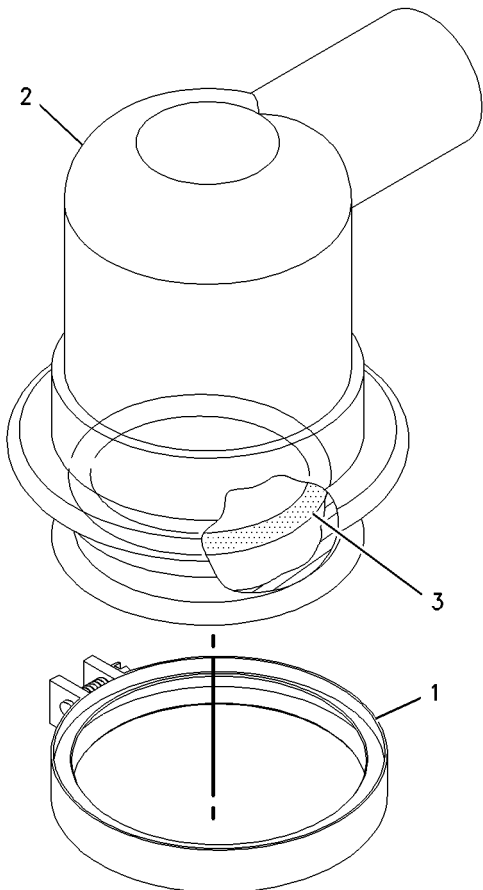
S/N: RHX1-UP

PART OF 241-6326 FUMES DISPOSAL GP

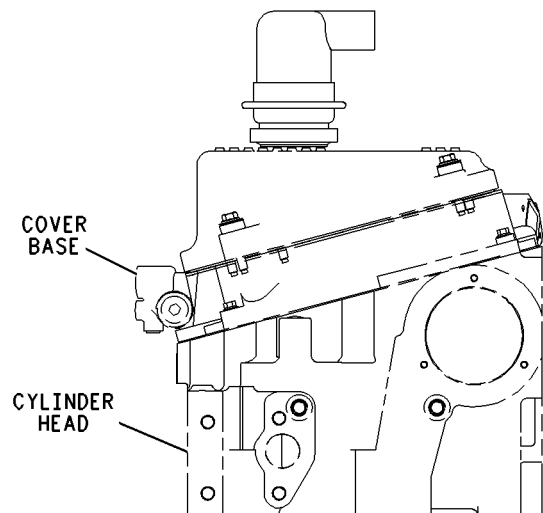
SMCS-1317

i02099573

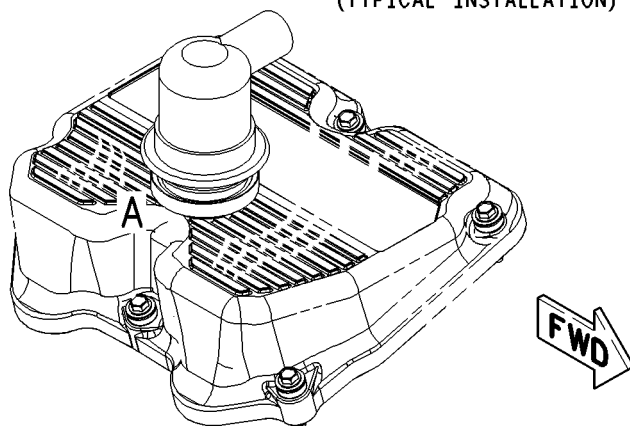
NOTE	REF NO	GRAPHIC REF	PART NUMBER	QTY	PART NAME						SEE PAGE
					1	2	3	4	5	6 (PRODUCT LEVEL)	
1	1	1	2N-8109	1	CLAMP (V-BAND)						
2	1	1	162-2266	1	BREATHER AS (CRANKCASE)						
3	1	1	4F-7390	1	SEAL-O-RING						



EXPLODED VIEW
OF AREA A



FRONT VIEW
(TYPICAL INSTALLATION)



GRAPHIC #1

<END>

g00990942

LUBRICATION SYSTEM

4N-2481 FASTENER GP-OIL PUMP MOUNTING

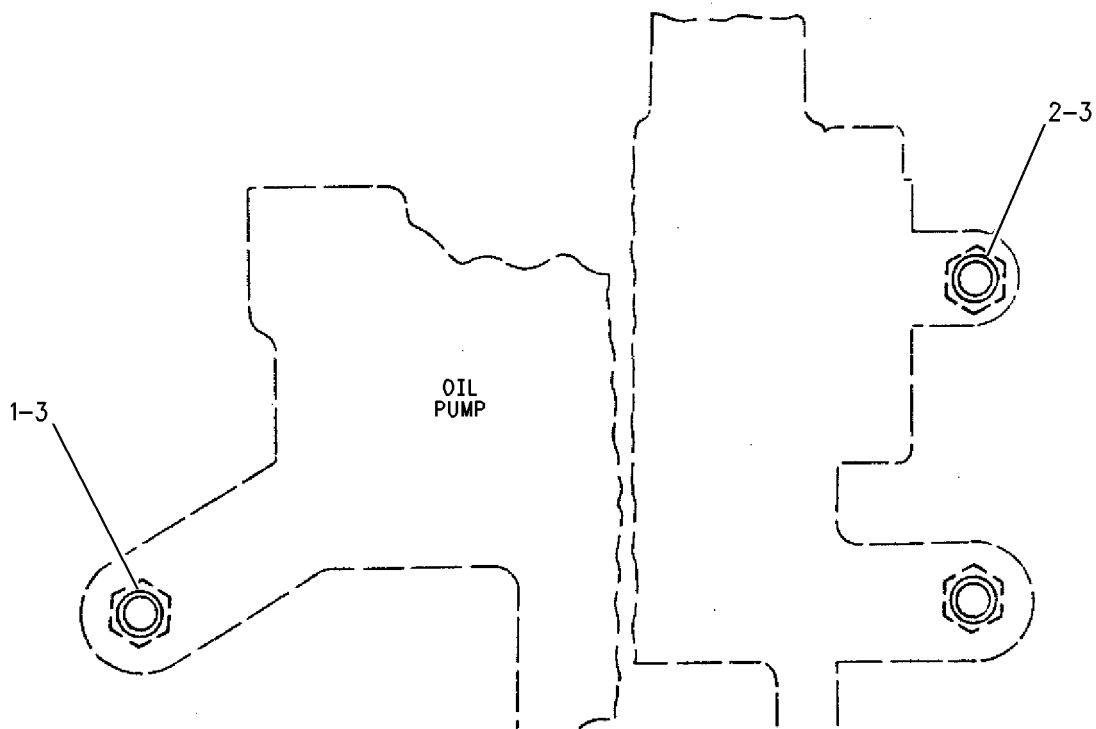
S/N: RHX1-UP

PART OF 257-4960, 286-9798 ENGINE AR-COMplete

SMCS-1304

i01742917

NOTE	REF NO	GRAPHIC REF	PART NUMBER	QTY	PART NAME						SEE PAGE
					1	2	3	4	5	6 (PRODUCT LEVEL)	
	1	1	0L-1143	2	BOLT (3/8-16X2.50 IN)						
	2	1	0S-1590	1	BOLT (3/8-16X2 IN)						
	3	1	5M-2894	3	WASHER-HARD (10.2X18.5X2.5MM THK)						



GRAPHIC #1

<END>

g00892415

LUBRICATION SYSTEM

246-9906 FILLER GP-ENGINE OIL

S/N: RHX1-UP

FRONT, RIGHT HAND CYLINDER BLOCK

PART OF 257-4960, 286-9798 ENGINE AR-COMPLETE

SMCS-1316

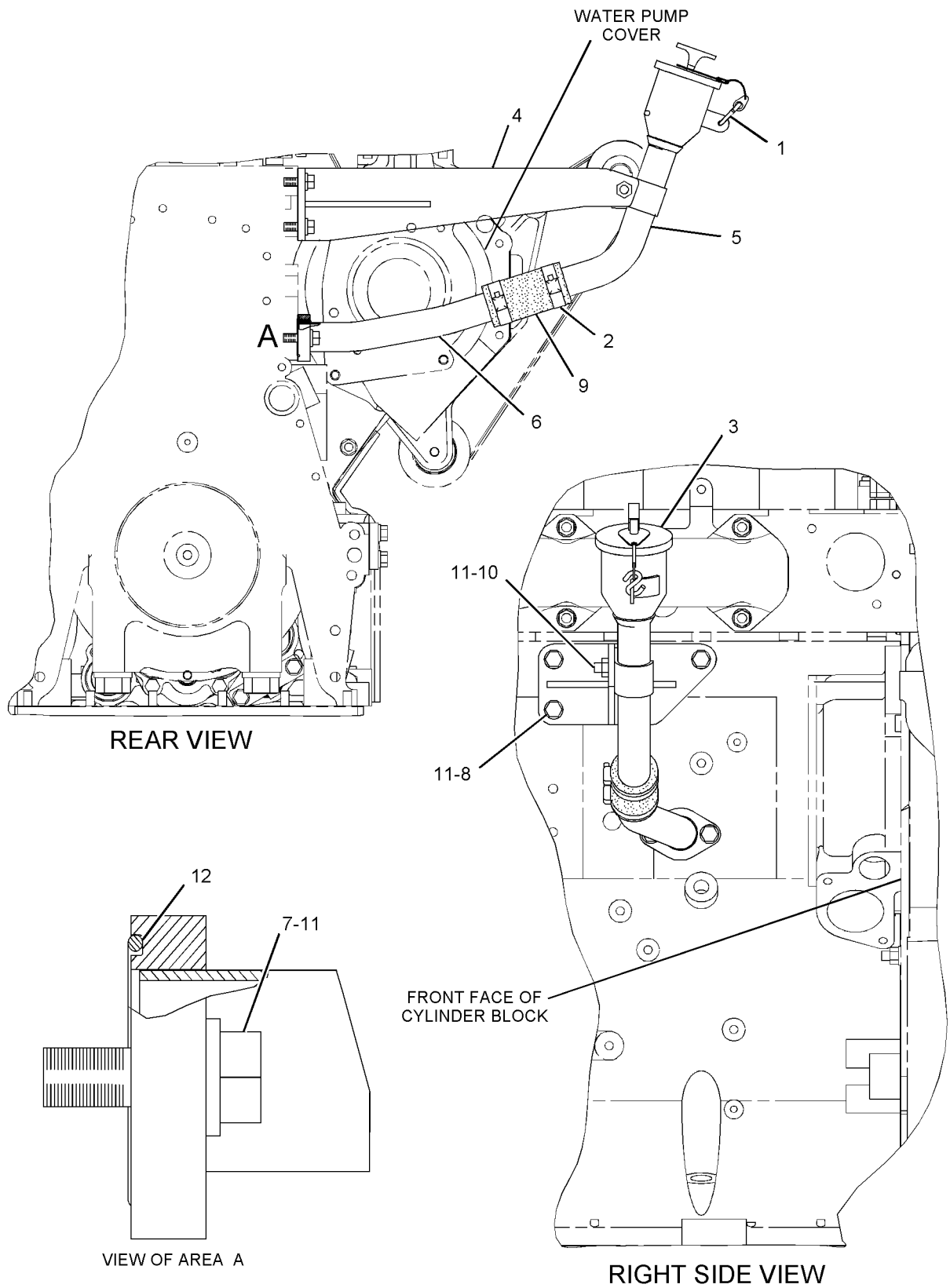
i03191290

NOTE	REF NO	GRAPHIC REF	PART NUMBER	QTY	PART NAME						SEE PAGE
					1	2	3	4	5	6 (PRODUCT LEVEL)	
1	1	1	3F-6156	1	HOOK						
2	1	1	9M-2904	2	CLAMP-HOSE						
3	1	1	163-9361	1	CAP AS-ENGINE OIL FILLER						
4	1	1	246-1235	1	BRACKET AS						
		1	1F-0750	1	NUT-WELD (3/8-16-THD)						
5	1	1	261-4176	1	TUBE AS						
6	1	1	261-4178	1	TUBE AS						
7	1	1	0S-1588	2	BOLT (3/8-16X1.25-IN)						
8	1	1	0S-1594	3	BOLT (3/8-16X1-IN)						
9	1	1	4K-8380	1	HOSE						
10	1	1	4L-6454	1	BOLT (3/8-16X1-IN)						
11	1	1	5M-2894	6	WASHER-HARD (10.2X18.5X2.5-MM THK)						
12	1	1	8C-0624	1	SEAL-O-RING						

LUBRICATION SYSTEM

246-9906 FILLER GP-ENGINE OIL (contd.)

i03191290



GRAPHIC #1

<END>

g01121791

LUBRICATION SYSTEM

231-2214 FILTER GP-ENGINE OIL

S/N: RHX1-UP

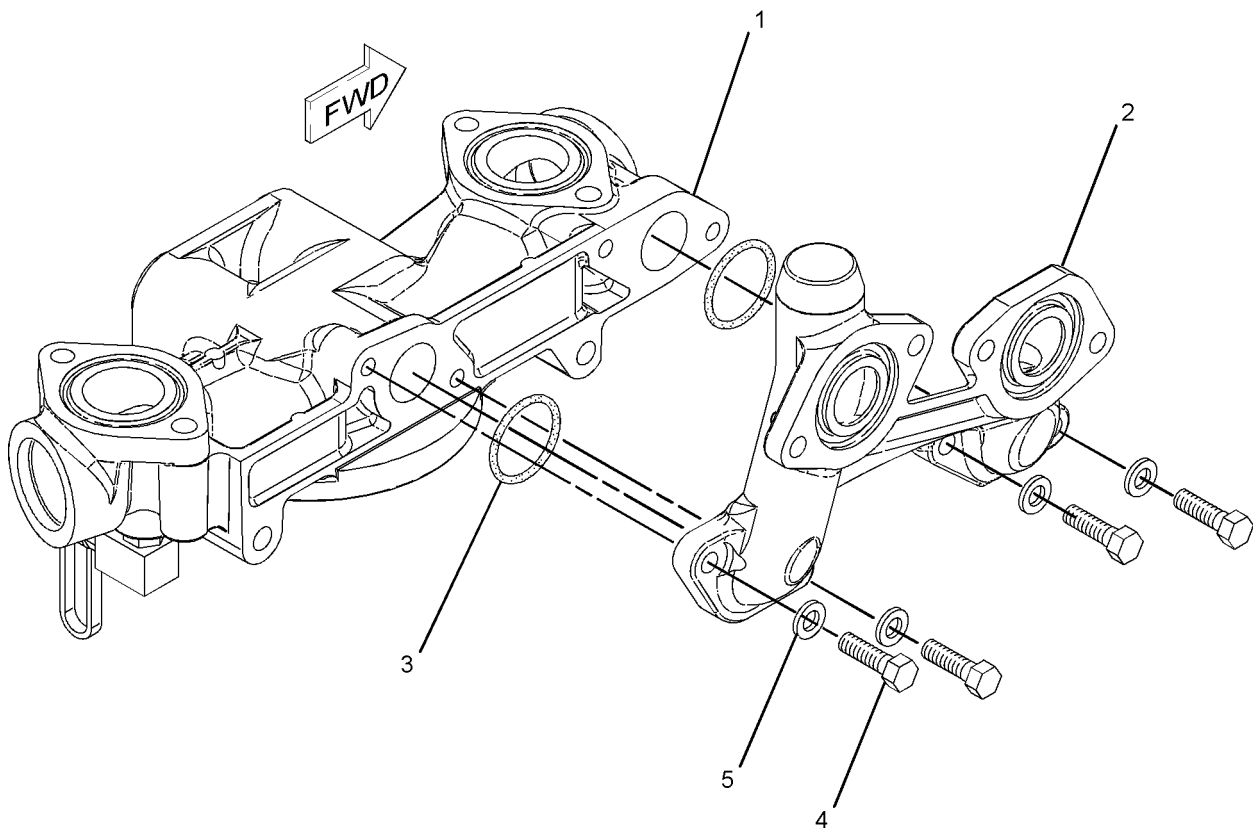
PART OF 231-2215 FILTER GP-ENGINE OIL

SMCS-1308

i02497556

NOTE	REF NO	GRAPHIC REF	PART NUMBER	QTY	PART NAME						SEE PAGE
					1	2	3	4	5	6 (PRODUCT LEVEL)	
Y	1	1	200-0655	1	BASE GP-OIL FILTER (ENGINE)						109
	2	1	200-4246	1	ELBOW						
	3	1	061-7540	2	SEAL-O-RING						
	4	1	0S-1588	4	BOLT (3/8-16X1.25-IN)						
	5	1	5M-2894	4	WASHER-HARD (10.2X18.5X2.5-MM THK)						

Y-SEPARATE ILLUSTRATION



GRAPHIC #1

<END>

g01071812

LUBRICATION SYSTEM

231-2215 FILTER GP-ENGINE OIL

S/N: RHX1-1260

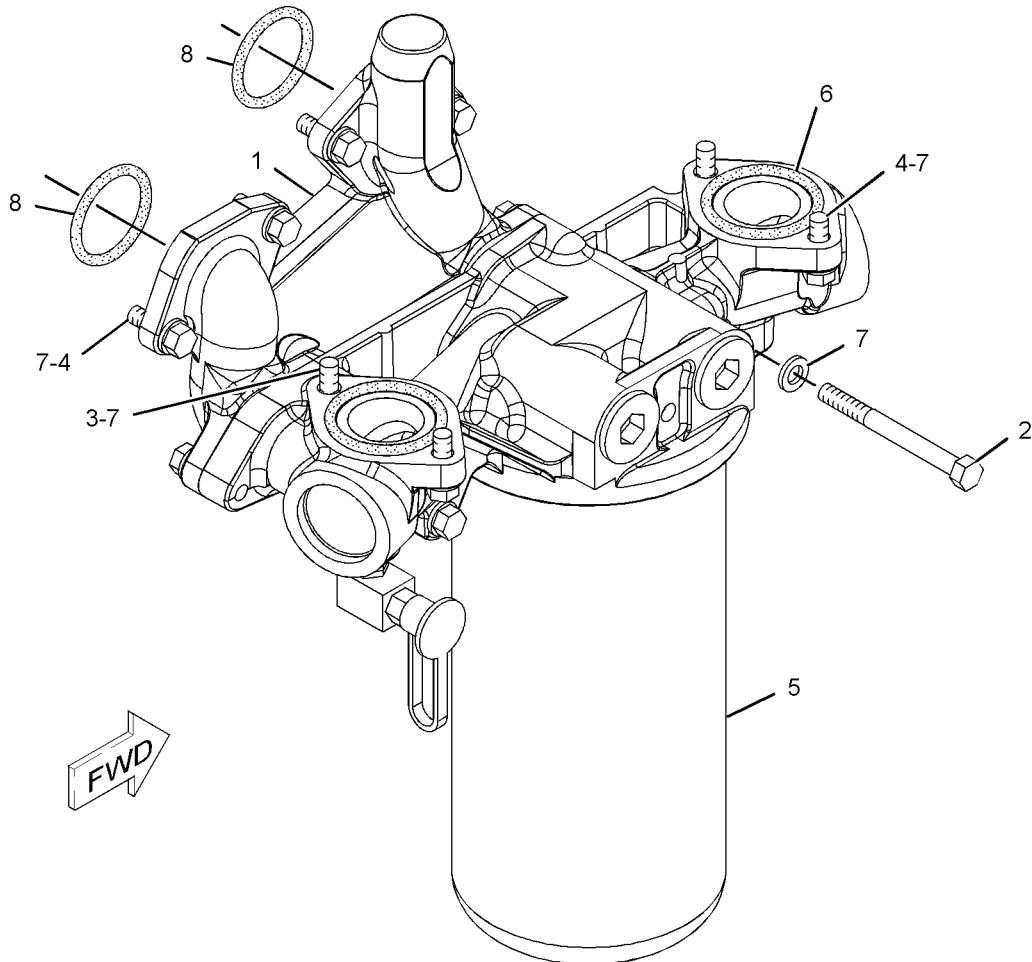
PART OF 257-4960 ENGINE AR-COMplete

SMCS-1308

i02306003

NOTE	REF NO	GRAPHIC REF	PART NUMBER	QTY	PART NAME						SEE PAGE
					1	2	3	4	5	6 (PRODUCT LEVEL)	
Y	1	1	231-2214	1	FILTER GP-ENGINE OIL						114
	2	1	OS-1608	2	BOLT (3/8-16X3.75-IN)						
	3	1	OS-1619	2	BOLT (3/8-16X3-IN)						
	4	1	1A-2029	6	BOLT (3/8-16X1.125-IN)						
	5	1	1R-0716	1	FILTER AS-ENGINE OIL (STANDARD EFFICIENCY)						
	6	1	3P-0650	2	SEAL-O-RING						
	7	1	5M-2894	10	WASHER-HARD (10.2X18.5X2.5-MM THK)						
	8	1	8C-5230	2	SEAL-O-RING						

Y-SEPARATE ILLUSTRATION



GRAPHIC #1

g01071814

LUBRICATION SYSTEM

231-2215 FILTER GP-ENGINE OIL

S/N: RHX1261-UP

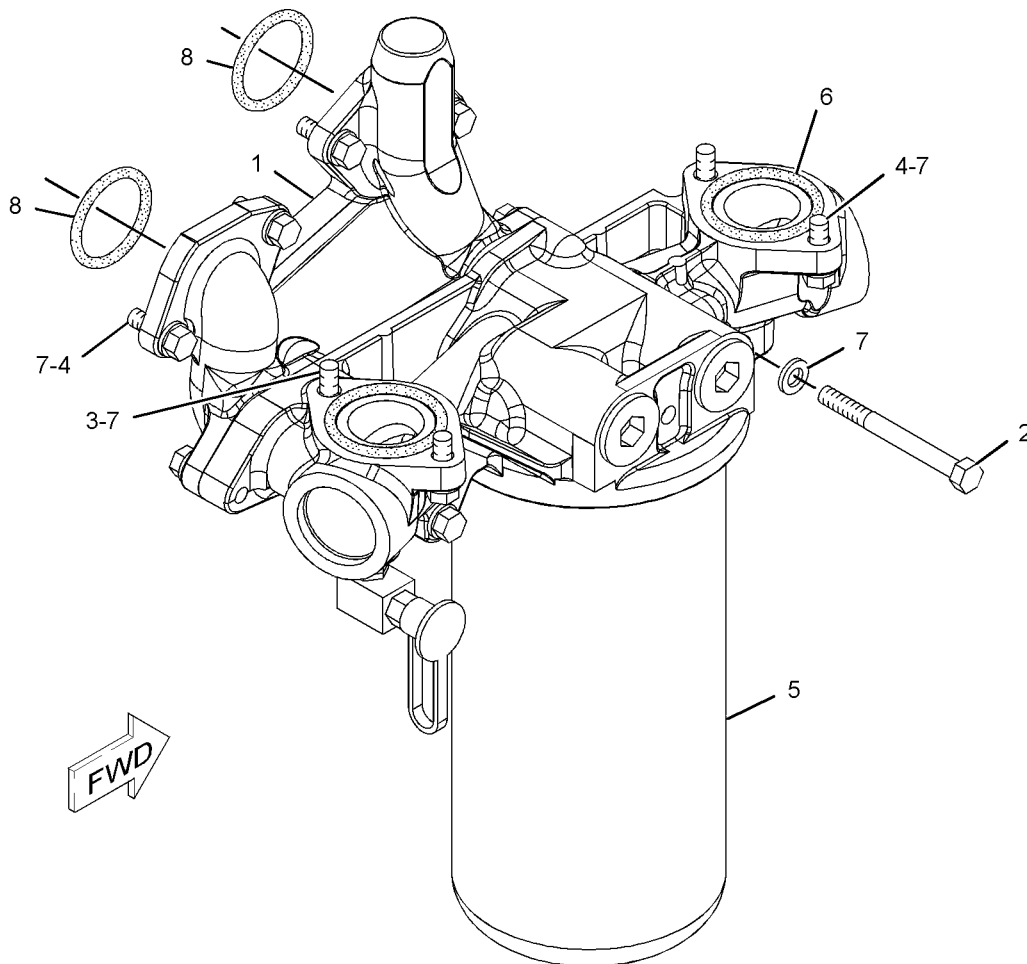
PART OF 257-4960, 286-9798 ENGINE AR-COMplete

SMCS-1308

i02386939

NOTE	REF NO	GRAPHIC REF	PART NUMBER	QTY	PART NAME						SEE PAGE
					1	2	3	4	5	6 (PRODUCT LEVEL)	
Y	1	1	231-2214	1	FILTER GP-ENGINE OIL						114
	2	1	0S-1608	2	BOLT (3/8-16X3.75-IN)						
	3	1	0S-1619	2	BOLT (3/8-16X3-IN)						
	4	1	1A-2029	6	BOLT (3/8-16X1.125-IN)						
C	5	1	1R-1808	1	FILTER-ENGINE OIL (ADVANCED EFFICIENCY)						
	6	1	3P-0650	2	SEAL-O-RING						
	7	1	5M-2894	10	WASHER-HARD (10.2X18.5X2.5-MM THK)						
	8	1	8C-5230	2	SEAL-O-RING						

C-CHANGE FROM PREVIOUS TYPE
Y-SEPARATE ILLUSTRATION



GRAPHIC #1

<END>

g01071814

LUBRICATION SYSTEM

241-6326 FUMES DISPOSAL GP

S/N: RHX1-UP

MID CANISTER

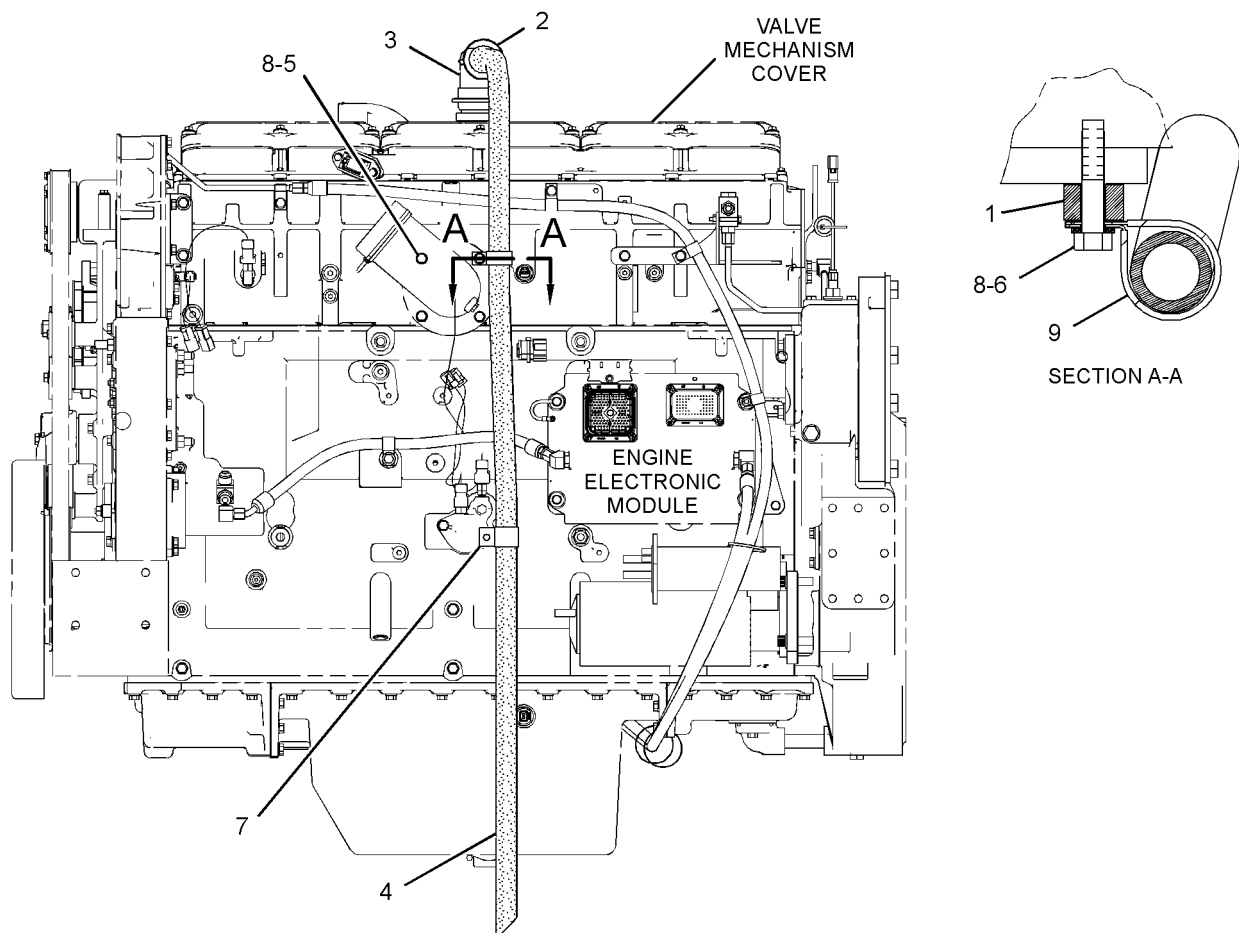
PART OF 257-4960, 286-9798 ENGINE AR-COMplete

SMCS-1317

i03457641

NOTE	REF NO	GRAPHIC REF	PART NUMBER	QTY	PART NAME						SEE PAGE
					1	2	3	4	5	6 (PRODUCT LEVEL)	
	1	1	9G-8140	1	SPACER (10.5X25X15-MM THK)						
	2	1	034-1432	1	STRAP-CABLE						
Y	3	1	234-2916	1	BREATHER GP (CRANKCASE)						110
	4	1	236-9863	1	HOSE-DISPOSAL (FUMES)						
	5	1	0S-1588	2	BOLT (3/8-16X1.25-IN)						
	6	1	0S-1590	1	BOLT (3/8-16X2-IN)						
	7	1	4D-7388	1	CLIP						
	8	1	5M-2894	3	WASHER-HARD (10.2X18.5X2.5-MM THK)						
	9	1	7D-7233	1	CLIP						

Y-SEPARATE ILLUSTRATION



LEFT SIDE VIEW OF ENGINE

GRAPHIC #1

<END>

g01811953

LUBRICATION SYSTEM

275-6596 GAUGE AS-OIL LEVEL (DIPSTICK)-ENGINE

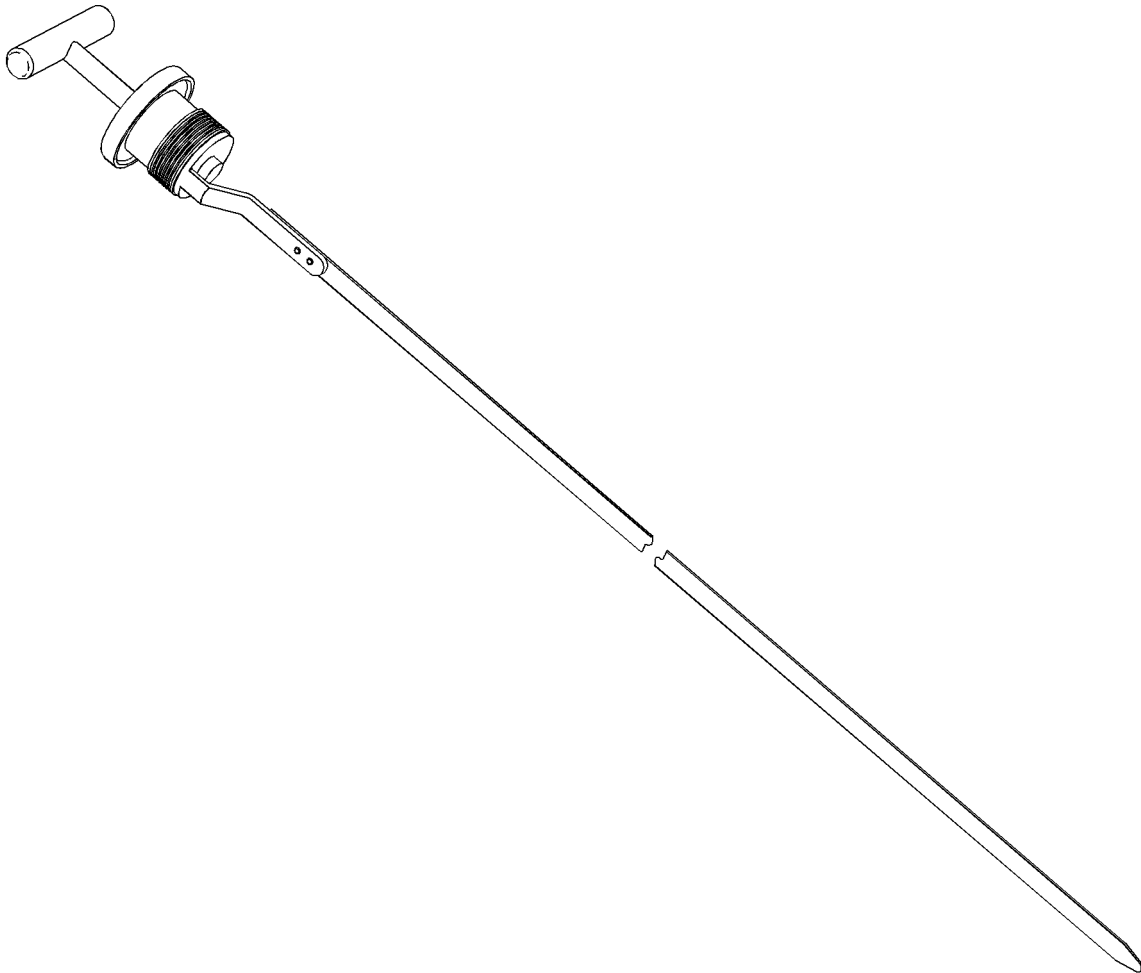
S/N: RHX1-UP

PART OF 257-4960, 286-9798 ENGINE AR-COMplete

SMCS-1326

i02472385

NOTE	REF NO	GRAPHIC REF	PART NUMBER	QTY	PART NAME						SEE PAGE
					1	2	3	4	5	6 (PRODUCT LEVEL)	
(NO SERVICED PARTS)											



GRAPHIC #1

<END>

g01234193

LUBRICATION SYSTEM

190-2471 GAUGE GP-OIL LEVEL (DIPSTICK)

S/N: RHX1-2154

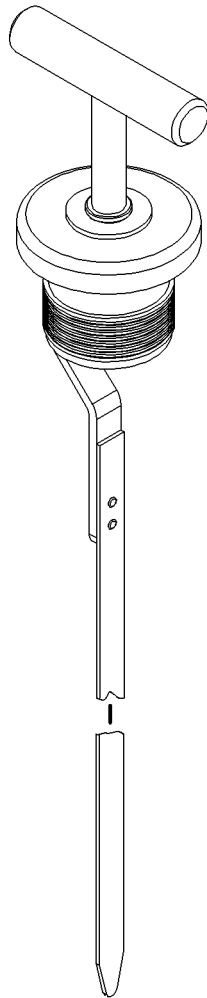
ENGINE

PART OF 257-4960 ENGINE AR-COMplete

SMCS-1326

i01521378

NOTE	REF NO	GRAPHIC REF	PART NUMBER	QTY	PART NAME						SEE PAGE
					1	2	3	4	5	6 (PRODUCT LEVEL)	
(NO SERVICED PARTS)											



GRAPHIC #1

<END>

g00790495

LUBRICATION SYSTEM

190-2472 GUIDE GP-OIL LEVEL GAUGE

S/N: RHX1-1590

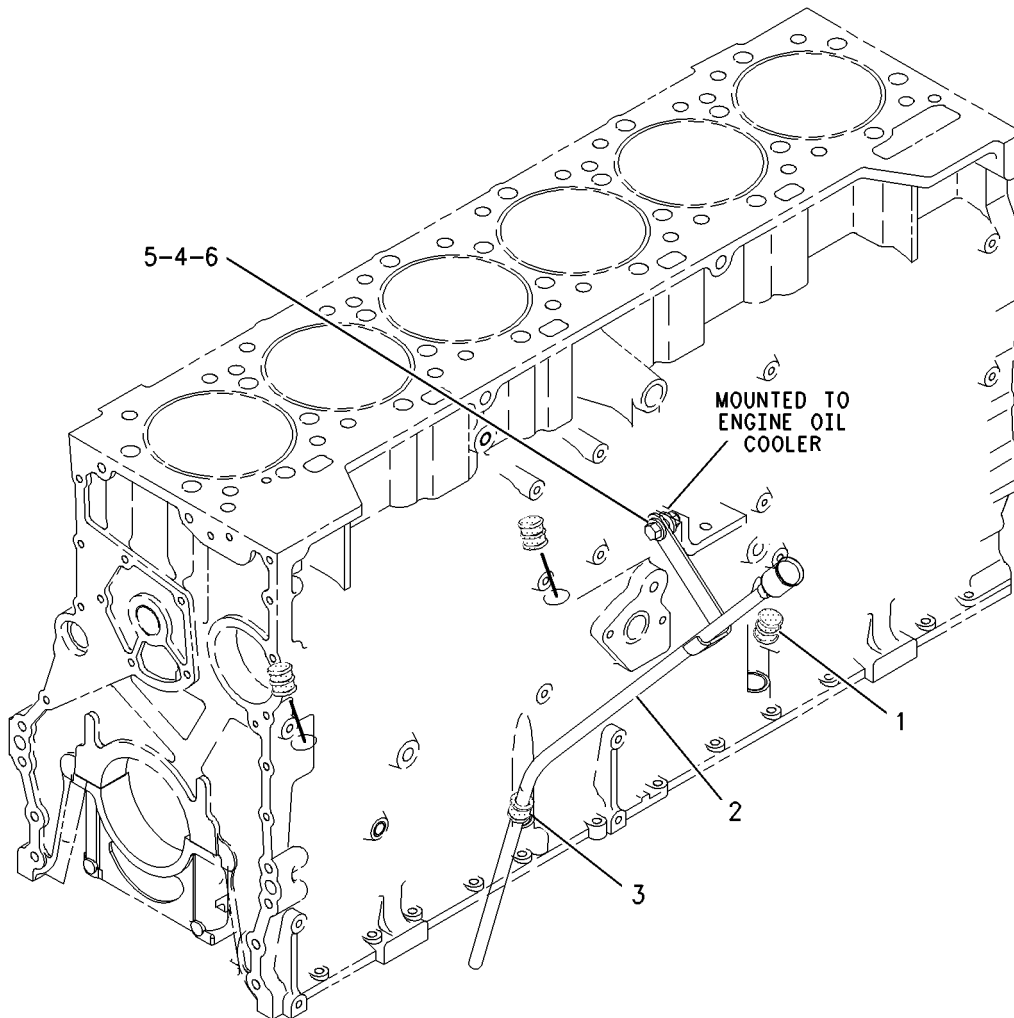
PART OF 257-4960 ENGINE AR-COMplete

SMCS-1326

i01518162

NOTE	REF NO	GRAPHIC REF	PART NUMBER	QTY	PART NAME						SEE PAGE
					1	2	3	4	5	6 (PRODUCT LEVEL)	
J	1	1	165-6170	3	PLUG						
	2	1	190-2470	1	TUBE AS-GUIDE						
	3	1	118-5068	1	SEAL-O-RING						
	4	1	1A-2029	1	BOLT (3/8-16X1.125-IN)						
	5	1	9S-8752	1	NUT-FULL (3/8-16-THD)						
	6	1	9X-6458	2	WASHER-HARD (10.2X22.5X3-MM THK)						

J-USE TO PLUG OPTIONAL DIPSTICK LOCATIONS



GRAPHIC #1

<END>

g00788902

LUBRICATION SYSTEM

190-2472 GUIDE GP-OIL LEVEL GAUGE

S/N: RHX1591-UP

PART OF 257-4960, 286-9798 ENGINE AR-COMplete

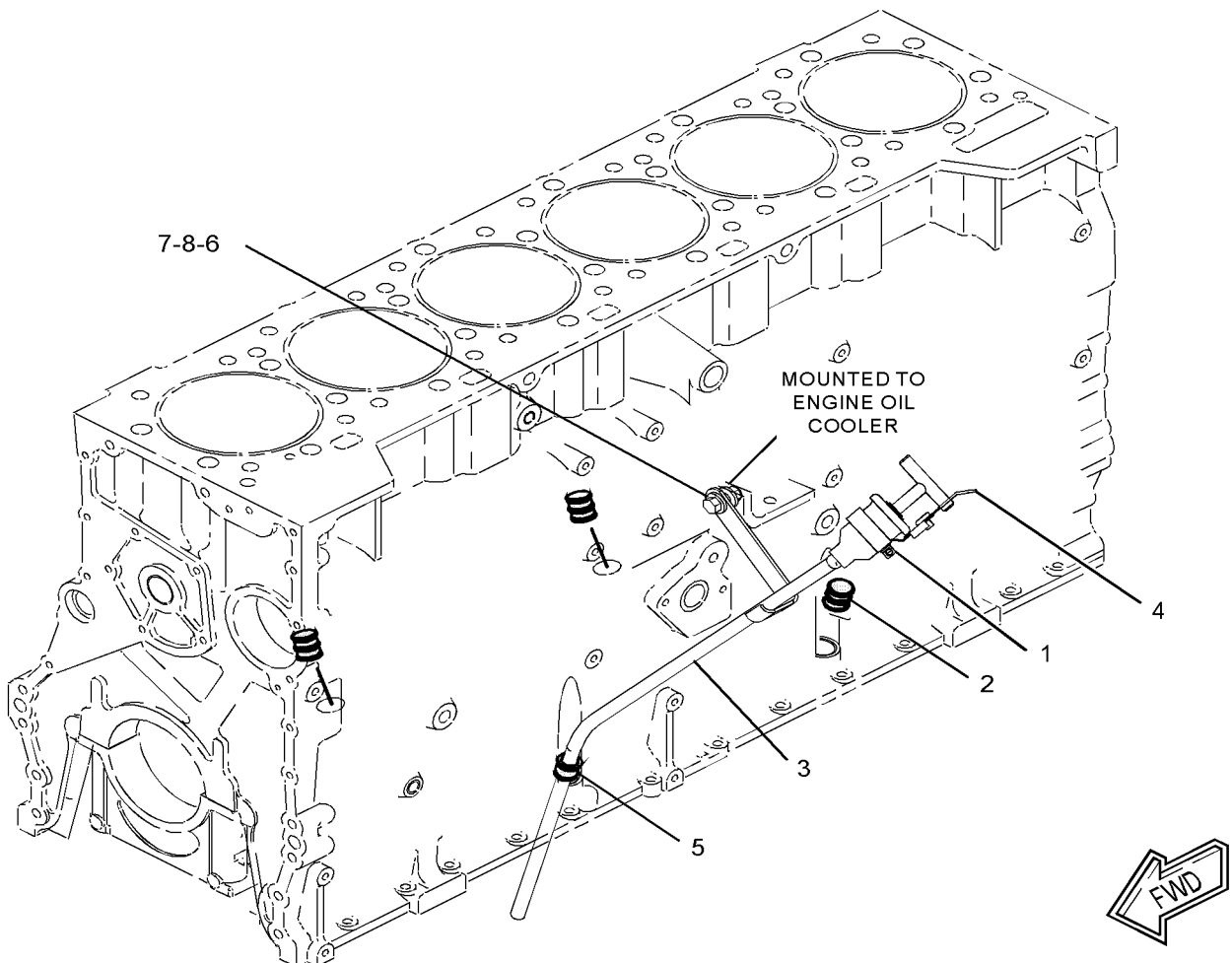
SMCS-1326

i02410090

NOTE	REF NO	GRAPHIC REF	PART NUMBER	QTY	PART NAME						SEE PAGE
					1	2	3	4	5	6 (PRODUCT LEVEL)	
C	1	1	3E-7445	1	CLAMP-HOSE						
J	2	1	165-6170	3	PLUG						
	3	1	190-2470	1	TUBE AS-GUIDE						
C	4		264-4501	1	LOCK AS						
	5	1	118-5068	1	SEAL-O-RING						
	6	1	1A-2029	1	BOLT (3/8-16X1.125-IN)						
	7	1	9S-8752	1	NUT-FULL (3/8-16-THD)						
	8	1	9X-6458	2	WASHER-HARD (10.2X22.5X3-MM THK)						

C-CHANGE FROM PREVIOUS TYPE

J-USE TO PLUG OPTIONAL DIPSTICK LOCATIONS



GRAPHIC #1

<END>

g01219914

LUBRICATION SYSTEM

160-6894 LINES GP-ENGINE OIL

S/N: RHX1-6619

PART OF 257-4960, 286-9798 ENGINE AR-COMPLETE

SMCS-1307

i02957550

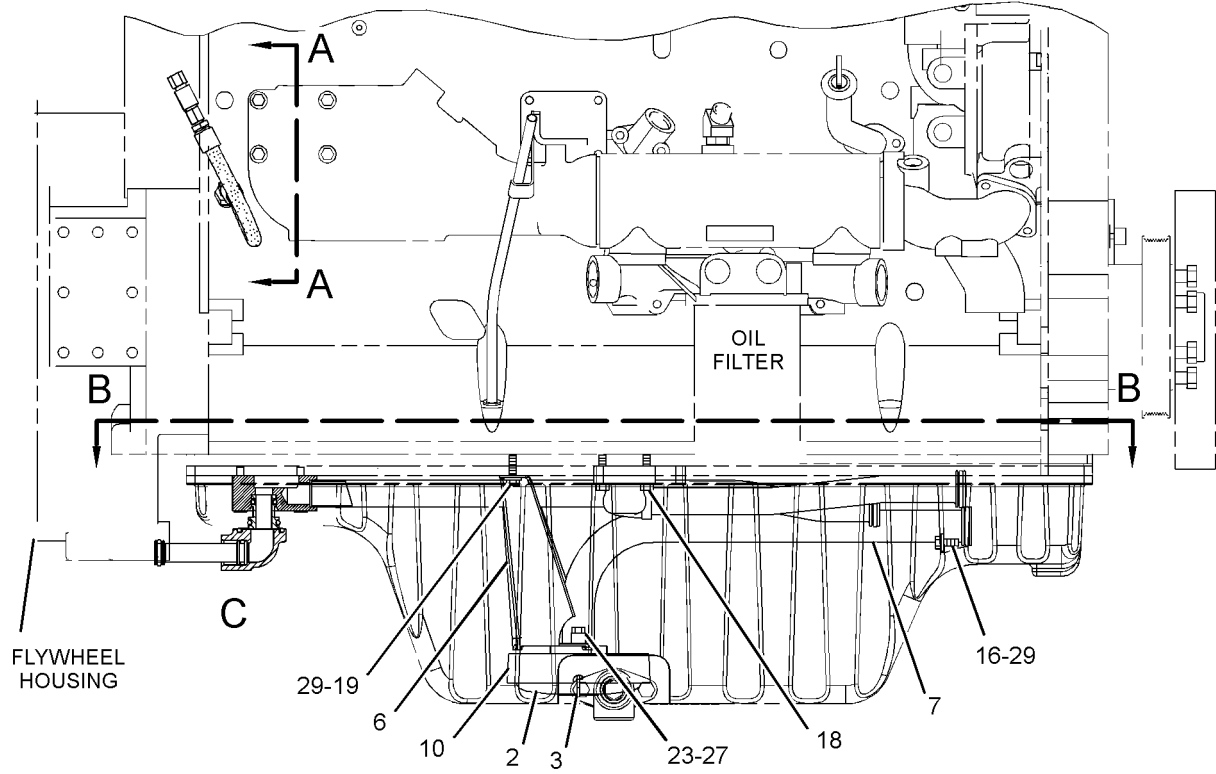
NOTE	REF NO	GRAPHIC REF	PART NUMBER	QTY	PART NAME						SEE PAGE
					1	2	3	4	5	6 (PRODUCT LEVEL)	
	1	1	3T-6471	1	SCREEN AS						
		1	3T-6469	1	WASHER (19X26X1.6-MM THK)						
	2	1	4N-0913	1	SCREEN AS-SUCTION						
	3	1	4N-0914	1	CLIP						
	4	1	4N-8410	1	TUBE-COOLER BYPASS						
	5	1	4P-7373	1	TUBE AS						
	6	1	4P-9131	1	SUPPORT-BELL						
	7	1	7E-4508	1	TUBE AS						
	8	1	7E-4509	1	TUBE AS						
	9	1	7E-5142	1	CONNECTOR						
	10	1	8N-2104	1	BELL AS-SUCTION						
		1	1F-0750	2	NUT-WELD (3/8-16-THD)						
	12	1	9Y-5373	1	ELBOW						
I	13	1	172-8827	1	HOSE AS						
	14	1	030-7955	1	TEE-FLARED						
	15	1	030-8194	1	CONNECTOR						
	16	1	0L-1351	3	BOLT (3/8-16X0.875-IN)						
	17	1	0S-1590	4	BOLT (3/8-16X2-IN)						
	18	1	0S-1591	2	BOLT (3/8-16X1.5-IN)						
	19	1	109-0072	1	SEAL-O-RING						
	20	1	109-0076	1	SEAL-O-RING						
	21	1	109-0078	2	SEAL-O-RING						
	22	1	114-2687	3	SEAL-O-RING						
	23	1	5P-4142	2	BOLT-LOCKING (3/8-16X1.5-IN)						
	24	1	2M-9780	1	SEAL-O-RING						
	25	1	3B-1915	2	BOLT (3/8-16X1.375-IN)						
	26	1	3J-1907	1	SEAL-O-RING						
	27	1	127-5447	2	SPACER (10.5X20X12-MM THK)						
	28	1	6V-5134	1	SEAL-O-RING						
	29	1	9X-6458	3	WASHER-HARD (10.2X22.5X3-MM THK)						

I-REFER TO HYDRAULIC INFORMATION SYSTEM

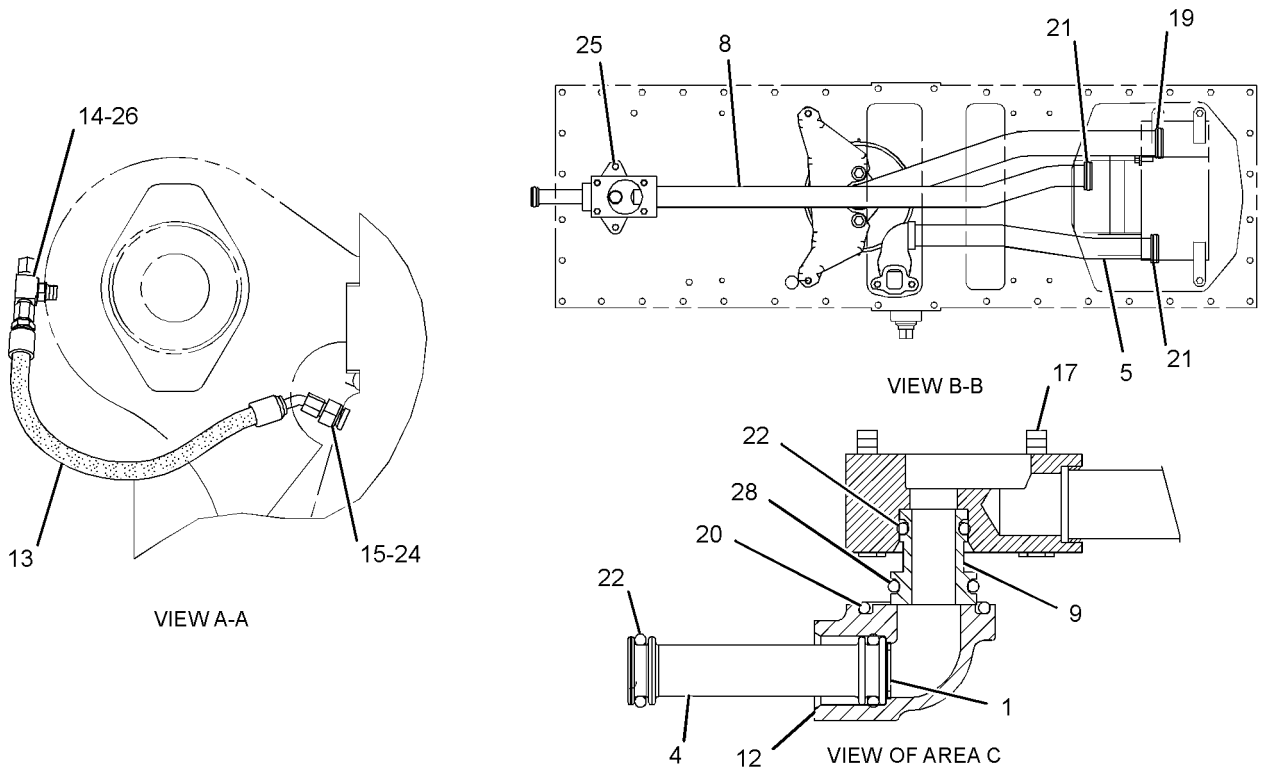
LUBRICATION SYSTEM

160-6894 LINES GP-ENGINE OIL (contd.)

i02957550



RIGHT SIDE VIEW OF ENGINE



GRAPHIC #1

<END>

g01435753

LUBRICATION SYSTEM

160-6894 LINES GP-ENGINE OIL

S/N: RHX6620-UP

PART OF 286-9798 ENGINE AR-COMplete

SMCS-1307

i03596362

NOTE	REF NO	GRAPHIC REF	PART NUMBER	QTY	PART NAME						SEE PAGE
					1	2	3	4	5	6 (PRODUCT LEVEL)	
	1	1	3T-6471	1	SCREEN AS						
		1	3T-6469	1	WASHER (19X26X1.6-MM THK)						
	2	1	4N-8410	1	TUBE-COOLER BYPASS						
	3	1	4P-7373	1	TUBE AS						
	4	1	7E-4509	1	TUBE AS						
	5	1	7E-5142	1	CONNECTOR						
	7	1	9Y-5373	1	ELBOW						
I	8	1	172-8827	1	HOSE AS						
C	9	1	292-9782	1	BRACKET						
C	10	1	292-9783	1	TUBE AS						
	11	1	030-7955	1	TEE-FLARED						
	12	1	030-8194	1	CONNECTOR						
	13	1	0L-1351	1	BOLT (3/8-16X0.875-IN)						
	14	1	0S-1588	2	BOLT (3/8-16X1.25-IN)						
	15	1	0S-1590	4	BOLT (3/8-16X2-IN)						
	16	1	0S-1591	2	BOLT (3/8-16X1.5-IN)						
	17	1	109-0072	1	SEAL-O-RING						
	18	1	109-0076	1	SEAL-O-RING						
	19	1	109-0078	2	SEAL-O-RING						
	20	1	114-2687	3	SEAL-O-RING						
C	21	1	2K-4973	2	LOCKNUT (3/8-16-THD)						
	22	1	2M-9780	1	SEAL-O-RING						
	23	1	3B-1915	2	BOLT (3/8-16X1.375-IN)						
	24	1	3J-1907	1	SEAL-O-RING						
	25	1	6V-5134	1	SEAL-O-RING						
C	26	1	9X-6458	5	WASHER-HARD (10.2X22.5X3-MM THK)						

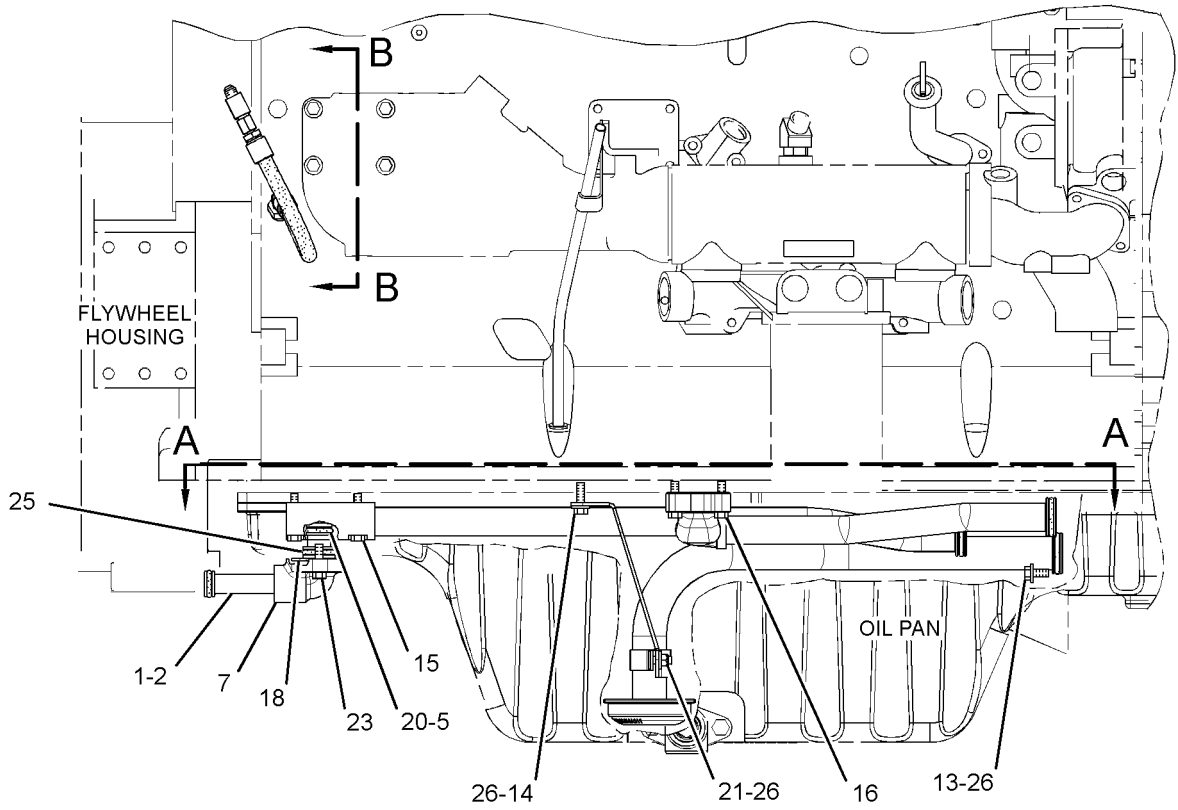
C-CHANGE FROM PREVIOUS TYPE

I-REFER TO HYDRAULIC INFORMATION SYSTEM

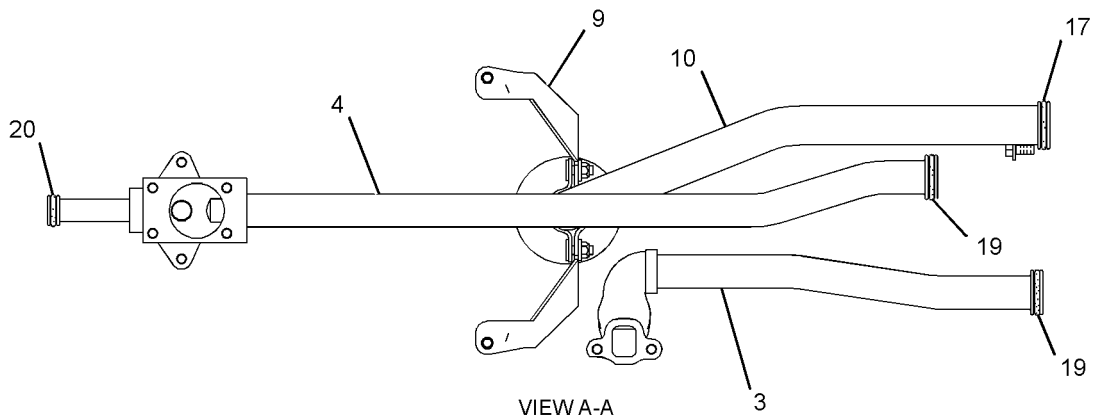
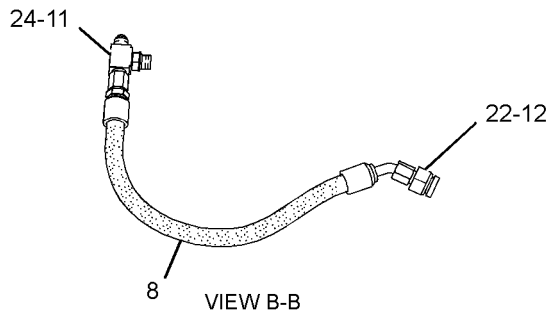
LUBRICATION SYSTEM

160-6894 LINES GP-ENGINE OIL (contd.)

i03596362



RIGHT SIDE VIEW OF ENGINE



GRAPHIC #1

<END>

g01699361

LUBRICATION SYSTEM

151-6662 LINES GP-ENGINE OIL DRAIN

S/N: MMA1-UP

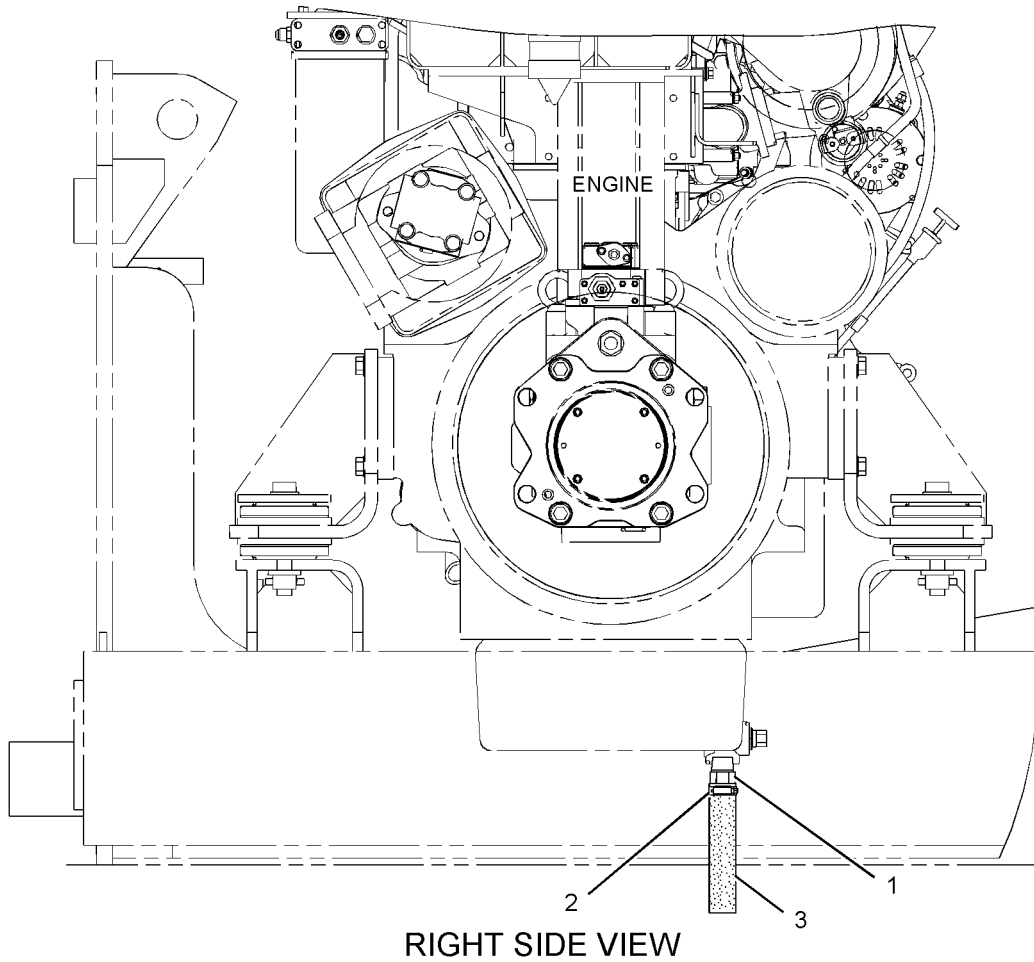
PART OF 222-8318 INSTALLATION AR-ENGINE

SMCS-1307

i02951725

NOTE	REF NO	GRAPHIC REF	PART NUMBER	QTY	PART NAME						SEE PAGE
					1	2	3	4	5	6 (PRODUCT LEVEL)	
	1	1	005-4273	1	CONNECTOR-HOSE						
	2	1	095-1390	1	CLAMP-HOSE						
E	3	1	5P-2094		HOSE (20-CM)						

E-ORDER BY THE CENTIMETER



GRAPHIC #1

<END>

g01109818

LUBRICATION SYSTEM

220-3490 LINES GP-TURBOCHARGER OIL

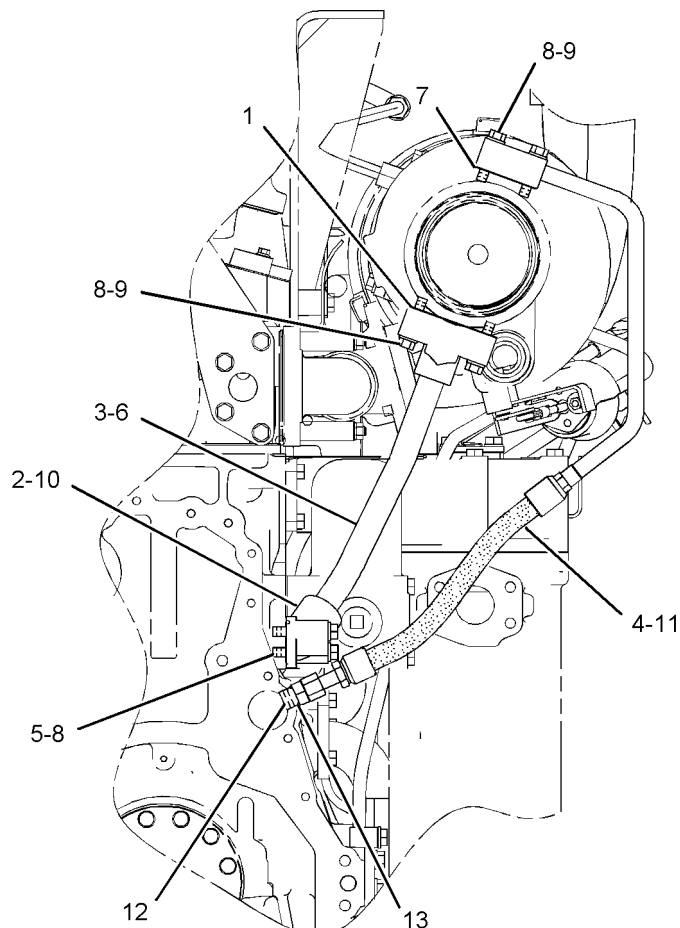
S/N: RHX1-2620

PART OF 257-4960, 286-9798 ENGINE AR-COMLETE

SMCS-1052

i02103207

NOTE	REF NO	GRAPHIC REF	PART NUMBER	QTY	PART NAME						SEE PAGE
					1	2	3	4	5	6 (PRODUCT LEVEL)	
	1	1	7N-7559	1	GASKET						
	2	1	106-3544	1	ELBOW						
	3	1	225-8569	1	TUBE AS						
	4	1	242-3375	1	HOSE AS						
	5	1	0L-2070	2	BOLT (3/8-16X2.25-IN)						
	6	1	114-2687	1	SEAL-O-RING						
	7	1	4H-9541	1	GASKET						
	8	1	5M-2894	6	WASHER-HARD (10.2X18.5X2.5-MM THK)						
	9	1	5S-7383	4	BOLT (3/8-16X1.75-IN)						
	10	1	6V-5266	1	SEAL-O-RING						
	11	1	6V-8397	1	SEAL-O-RING						
	12	1	6V-8634	1	CONNECTOR (SEAL)						
	13	1	8L-2786	1	SEAL-O-RING						



REAR VIEW
<END>

GRAPHIC #1

g01071754

LUBRICATION SYSTEM

220-3490 LINES GP-TURBOCHARGER OIL

S/N: RHX2621-UP

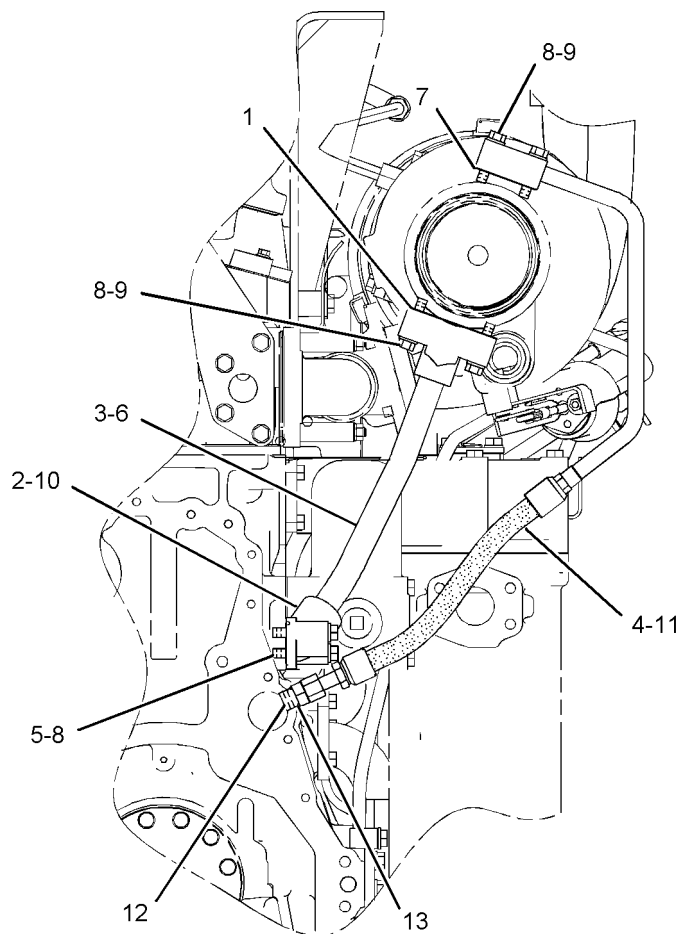
PART OF 257-4960, 286-9798 ENGINE AR-COMplete

SMCS-1052

i02518495

NOTE	REF NO	GRAPHIC REF	PART NUMBER	QTY	PART NAME						SEE PAGE
					1	2	3	4	5	6 (PRODUCT LEVEL)	
	1	1	7N-7559	1	GASKET						
	2	1	106-3544	1	ELBOW						
	3	1	225-8569	1	TUBE AS						
	4	1	242-3375	1	HOSE AS						
	5	1	0L-2070	2	BOLT (3/8-16X2.25-IN)						
	6	1	114-2687	1	SEAL-O-RING						
C	7	1	4P-4460	1	GASKET						
	8	1	5M-2894	6	WASHER-HARD (10.2X18.5X2.5-MM THK)						
	9	1	5S-7383	4	BOLT (3/8-16X1.75-IN)						
	10	1	6V-5266	1	SEAL-O-RING						
	11	1	6V-8397	1	SEAL-O-RING						
	12	1	6V-8634	1	CONNECTOR						
	13	1	8L-2786	1	SEAL-O-RING						

C-CHANGE FROM PREVIOUS TYPE



REAR VIEW
<END>

GRAPHIC #1

g01071754

LUBRICATION SYSTEM

170-3562 MOUNTING GP-OIL LEVEL GAUGE

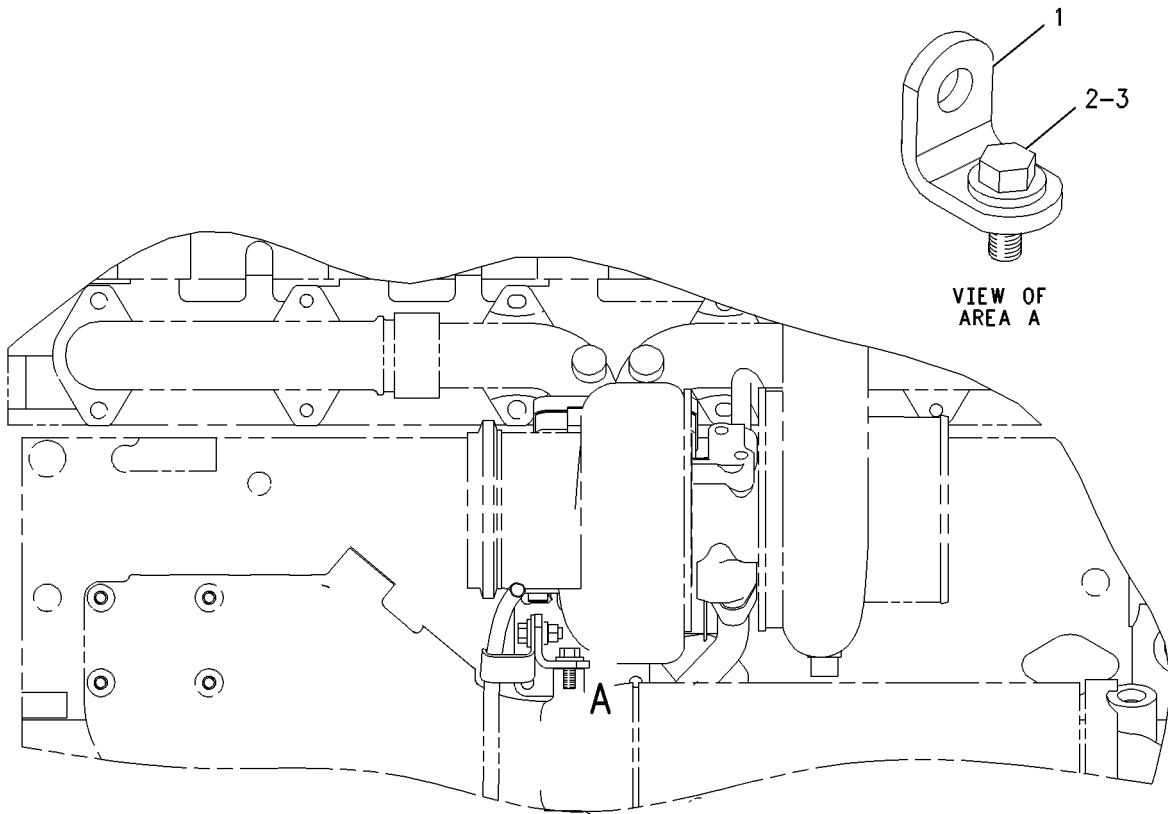
S/N: RHX1-UP

PART OF 257-4960, 286-9798 ENGINE AR-COMplete

SMCS-1326

i01516693

NOTE	REF NO	GRAPHIC REF	PART NUMBER	QTY	PART NAME						SEE PAGE
					1	2	3	4	5	6 (PRODUCT LEVEL)	
1	1	1	2W-2021	1	BRACKET						
2	1	1	0S-1594	1	BOLT (3/8-16X1 IN)						
3	1	1	9X-6458	1	WASHER-HARD (10.2X22.5X3MM THK)						



RIGHT SIDE VIEW

GRAPHIC #1

<END>

g00601288

LUBRICATION SYSTEM

201-3825 OIL CHANGE GP-HIGH SPEED

S/N: MMA1-UP
AN ATTACHMENT

SMCS-1325

i03539804

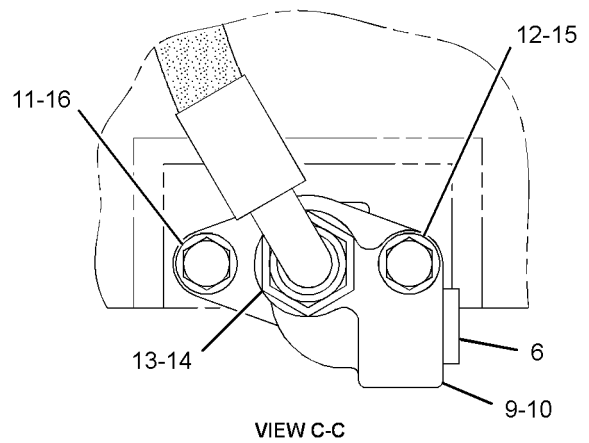
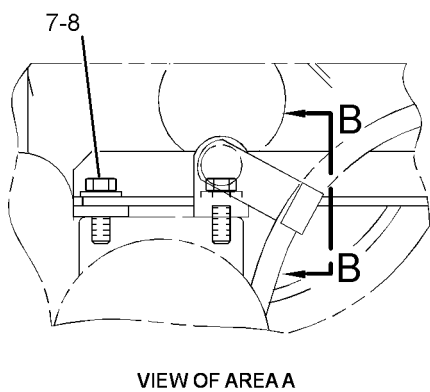
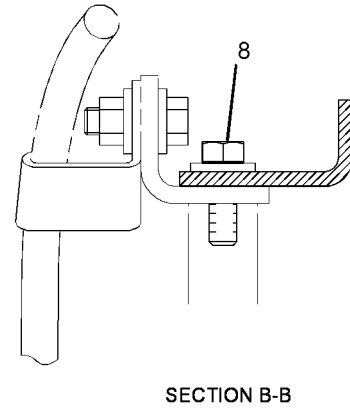
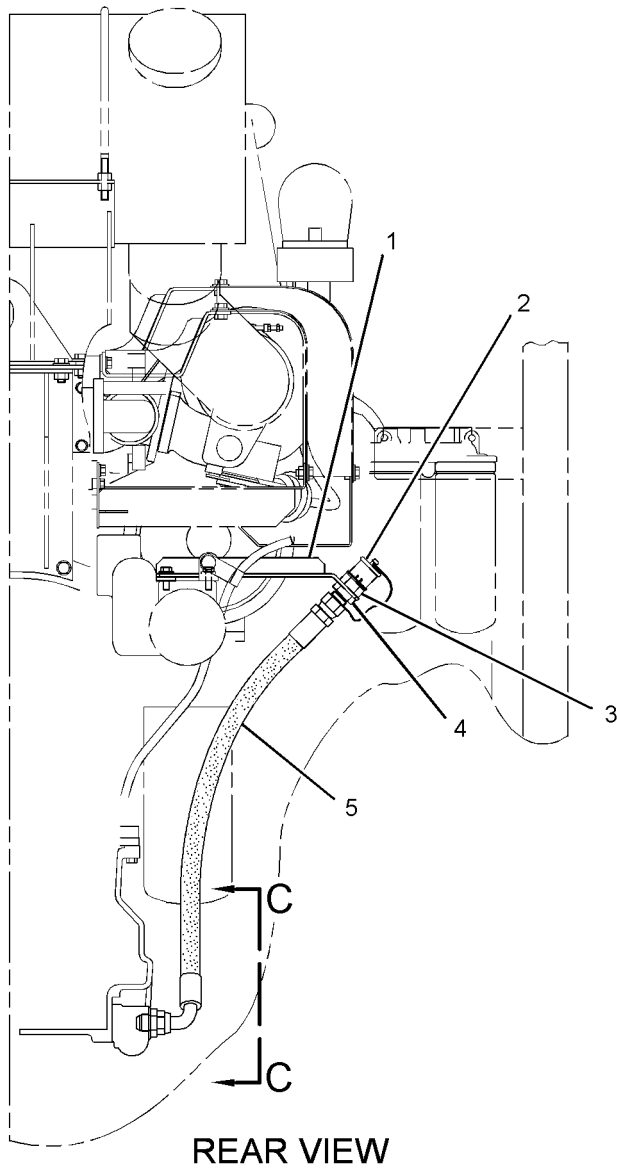
NOTE	REF NO	GRAPHIC REF	PART NUMBER	QTY	PART NAME						SEE PAGE
					1	2	3	4	5	6 (PRODUCT LEVEL)	
	1	1	201-3826	1	SUPPORT AS						
	2	1	9S-9272	1	CAP AS						
	3	1	1P-7919	1	COUPLER-MALE						
	4	1	6K-8420	1	LOCKNUT (1-1/16-12-THD)						
I	5	1	031-4564	1	HOSE AS						
	6	1	3B-0551	1	PLUG-PIPE						
	7	1	5P-1075	1	WASHER-HARD (10.2X22.5X3-MM THK)						
	8	1	8T-2502	2	BOLT (3/8-16X1.125-IN)						
	9	1	6V-3830	1	SEAL-O-RING						
	10	1	310-9508	1	ADAPTER						
	11	1	8T-4835	1	BOLT (1/2-13X2-IN)						
	12	1	8T-4223	1	WASHER-HARD (13.5X25.5X3-MM THK)						
	13	1	8B-3410	1	GASKET						
	14	1	222-8210	1	CONNECTOR						
	15	1	8T-8920	1	BOLT (1/2-13X3.25-IN)						
	16	1	145-5181	1	SPACER (13.5X25X12-MM THK)						

I-REFER TO HYDRAULIC INFORMATION SYSTEM

LUBRICATION SYSTEM

201-3825 OIL CHANGE GP-HIGH SPEED (contd.)

i03539804



GRAPHIC #1

<END>

g01869685

LUBRICATION SYSTEM

198-1508 PUMP GP-ENGINE OIL*R

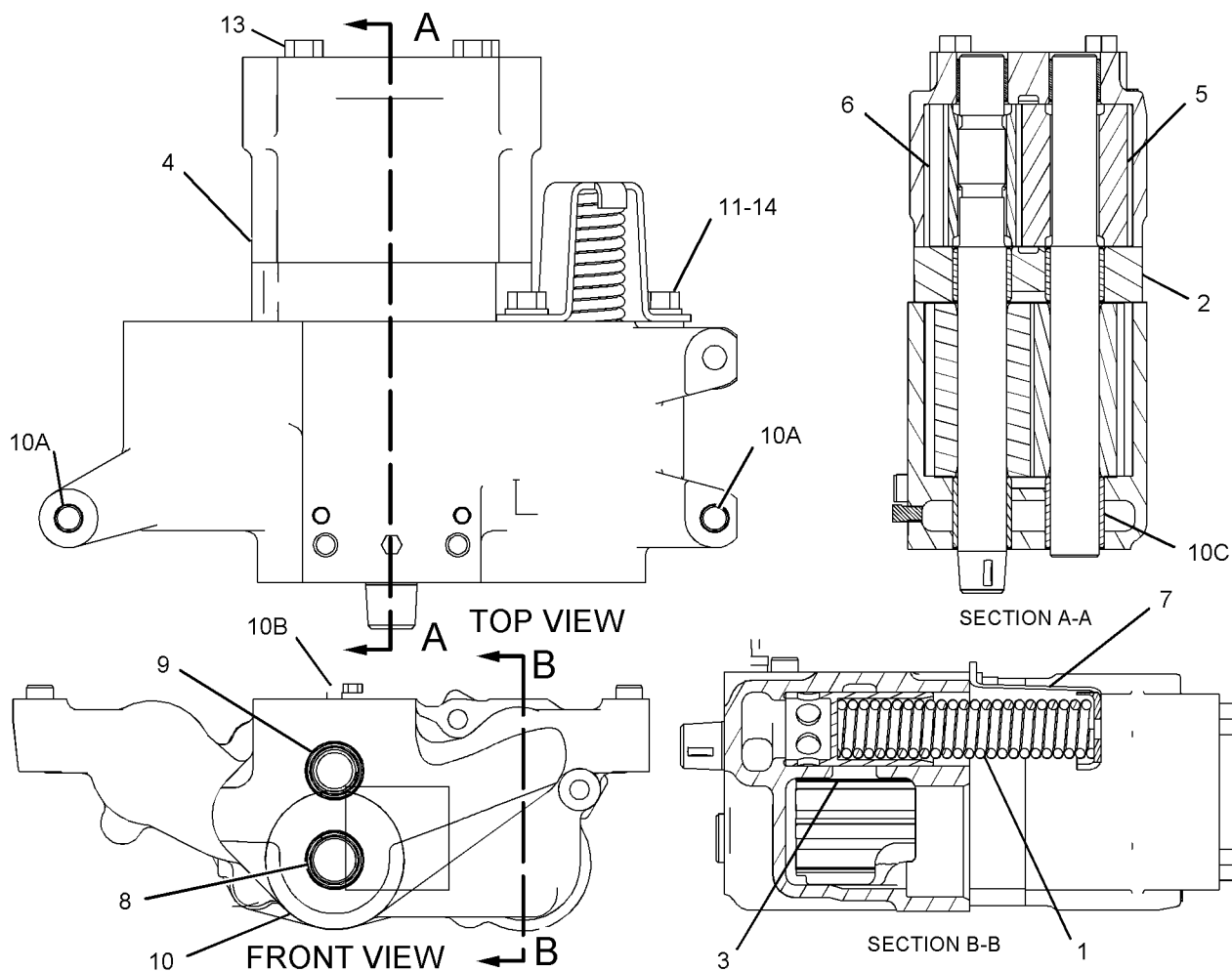
S/N: RHX1-UP

PART OF 257-4960, 286-9798 ENGINE AR-COMplete

SMCS-1304, 1315

i03645793

NOTE	REF NO	GRAPHIC REF	PART NUMBER	QTY	PART NAME						SEE PAGE
					1	2	3	4	5	6 (PRODUCT LEVEL)	
	1	1	2S-2760	1	SPRING						
	2	1	4N-5339	1	SPACER AS-OIL PUMP						
		1	7N-2155	2	BEARING-SLEEVE						
	3	1	6N-1931	1	PLUNGER						
	4	1	6N-2343	1	BODY AS-PUMP						
	5	1	7W-6528	1	GEAR-PUMP (8-TEETH)						
	6	1	7W-7141	1	GEAR-PUMP (8-TEETH)						
	7	1	9Y-1792	1	RETAINER						
	8	1	145-8503	1	SHAFT AS-IDLER						
	9	1	202-3572	1	SHAFT AS-DRIVE						
	10	1	235-1587	1	BODY AS						
	10A	1	8M-8489	2	DOWEL						
	10B	1	2S-7905	1	PLUG-PIPE						
	10C	1	7N-2156	2	BEARING-SLEEVE						
	11	1	1M-0644	2	BOLT (3/8-16X2.25-IN)						
	13	1	5F-4899	4	BOLT (3/8-16X5.5-IN)						
	14	1	5M-2894	2	WASHER-HARD (10.2X18.5X2.5-MM THK)						



GRAPHIC #1

<END>

g01066706

LUBRICATION SYSTEM

235-5942 VALVE GP-FLUID SAMPLING

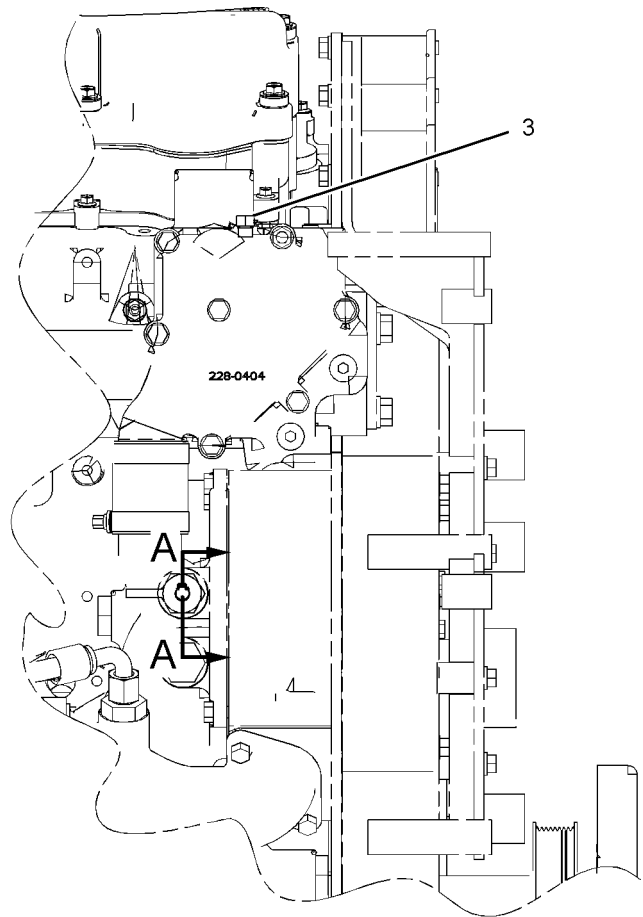
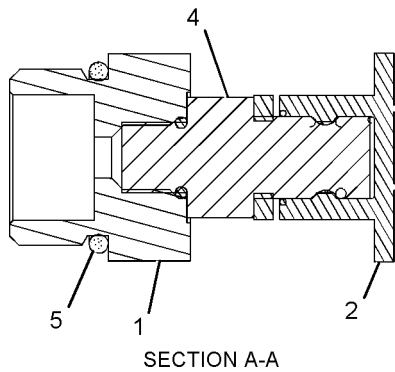
S/N: RHX1-UP

PART OF 257-4960, 286-9798 ENGINE AR-COMplete

SMCS-7542

i03643885

NOTE	REF NO	GRAPHIC REF	PART NUMBER	QTY	PART NAME						SEE PAGE
					1	2	3	4	5	6 (PRODUCT LEVEL)	
	1	1	6P-4975	1	ADAPTER						
	2	1	157-0670	1	CAP-DUST						
	3	1	155-3624	1	PLUG AS						
		1	3J-7354	1	SEAL-O-RING						
		1	9S-4182	1	PLUG-O-RING						
4	1	1	217-9060	1	VALVE AS-FLUID SAMPLING (ENGINE OIL)						
		1	3J-7354	1	SEAL-O-RING						
		1	154-9023	1	VALVE-SAMPLING						
5	1	1	3D-2824	1	SEAL-O-RING						



GRAPHIC #1

<END>

g01071771

COOLING SYSTEM

230-2799 FAN GP-SUCTION

S/N: MMA1-253

PART OF 222-8318 INSTALLATION AR-ENGINE

SMCS-1356

i02978361

NOTE	REF NO	GRAPHIC REF	PART NUMBER	QTY	PART NAME						SEE PAGE
					1	2	3	4	5	6 (PRODUCT LEVEL)	
M	1	1	8T-7338	8	BOLT (M16X2X45-MM)						
	2	1	139-8878	1	SPIDER AS (8-BLADE)						
	3	1	162-6356	2	GUARD AS						
	4	1	162-6357	2	PLATE						
	5	2	171-8983	1	SUPPORT AS-FAN (LH)						
	6	2	171-8989	1	SUPPORT AS-FAN (RH)						
	7	1	171-8991	1	SUPPORT AS-FAN (LH)						
	8	1	171-8995	1	SUPPORT AS-FAN (RH)						
Y	9	2	200-3313	1	DRIVE GP-FAN						53
YR	10	1	247-8978	1	MOTOR GP-PISTON (FAN)						810
	11	2	230-2802	1	SUPPORT AS						
	12	2	230-2805	1	ADAPTER-FAN						
M	13	1	136-4182	2	BOLT (M16X2X100-MM)						
	14	2	4M-0189	1	SEAL-O-RING						
	15	1	5P-1076	6	WASHER-HARD (13.5X30X4-MM THK)						
	16	1	7X-0515	22	WASHER-HARD (17X35X5-MM THK)						
	17	1	7X-7729	20	WASHER (11X25X3-MM THK)						
	18	2	8T-4121	8	WASHER-HARD (11X21X2.5-MM THK)						
M	19	1	8T-4132	6	NUT (M16X2-THD)						
M	20	1	8T-4133	2	NUT (M10X1.5-THD)						
M	21	1	8T-4137	6	BOLT (M10X1.5X20-MM)						
M	22	2	8T-4139	3	BOLT (M12X1.75X30-MM)						
M	23	1	8T-4140	4	BOLT (M16X2X60-MM)						
M	24	1	8T-4183	6	BOLT (M12X1.75X40-MM)						
M	25	1	8T-4186	2	BOLT (M10X1.5X40-MM)						
M	26	2	8T-4194	2	BOLT (M12X1.75X50-MM)						
M	27	1	8T-4195	10	BOLT (M10X1.5X30-MM)						
M	28	2	8T-4196	8	BOLT (M10X1.5X35-MM)						
	29	2	8T-4223	5	WASHER-HARD (13.5X25.5X3-MM THK)						
M	30	1	8T-4779	6	BOLT (M16X2X35-MM)						

M-METRIC PART

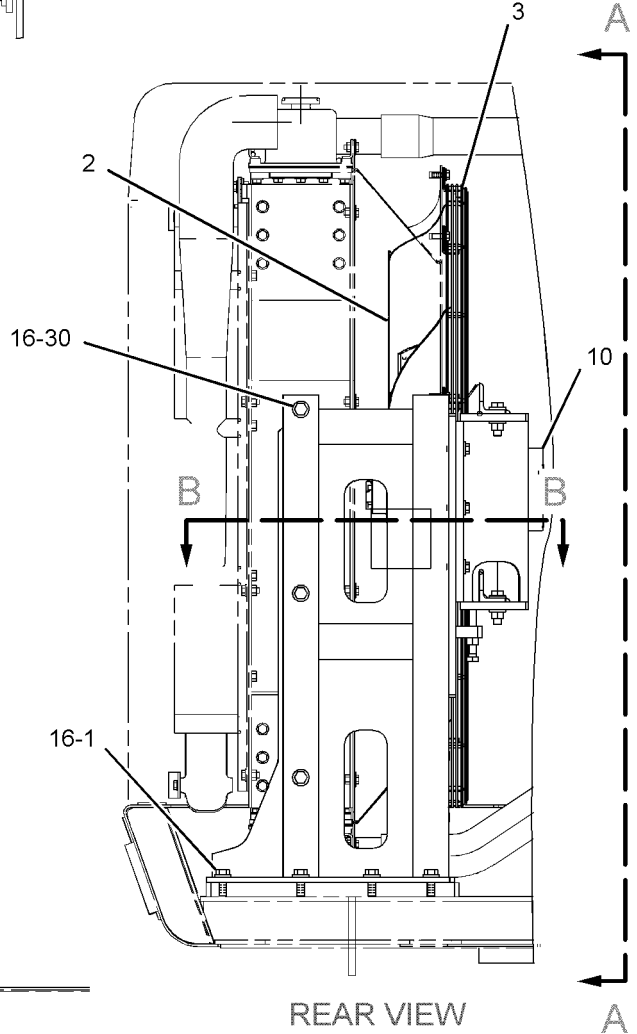
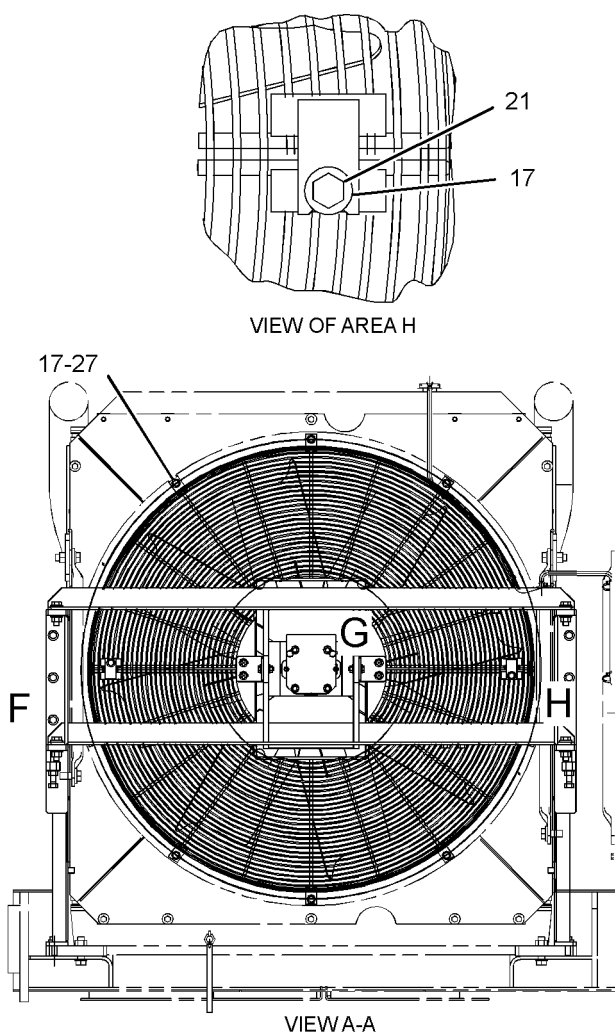
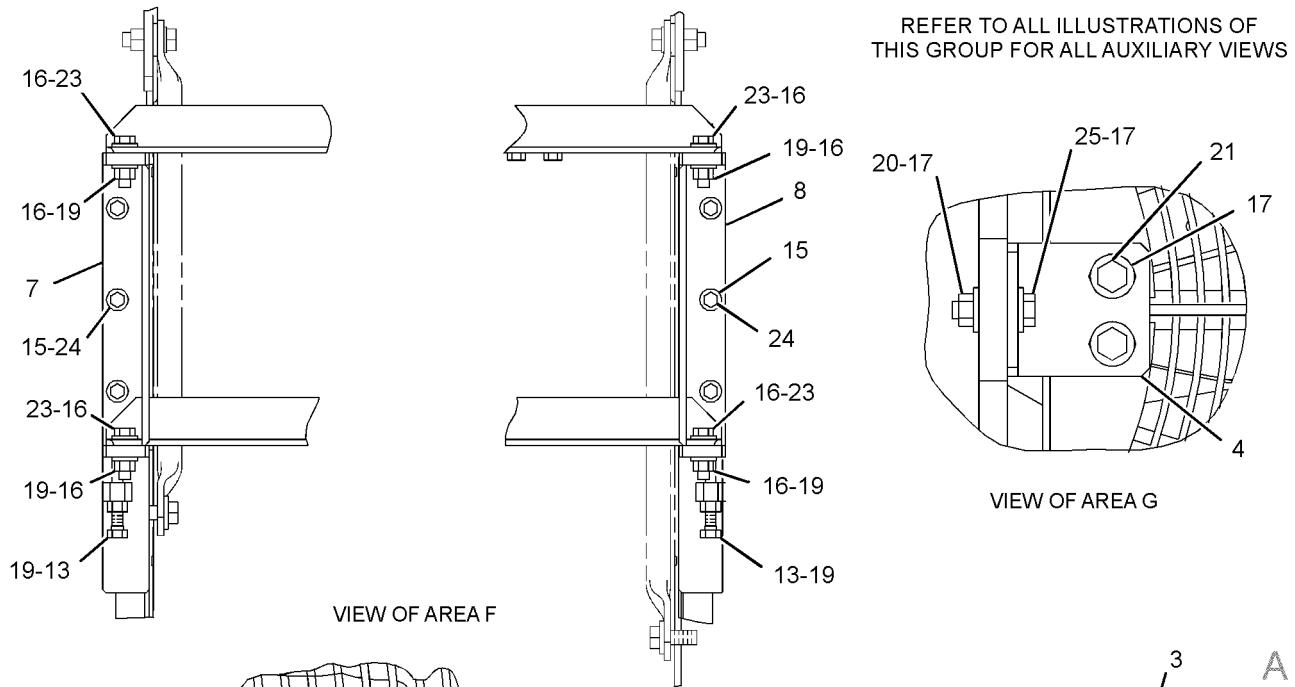
R-REMG PART MAY BE AVAILABLE

Y-SEPARATE ILLUSTRATION

COOLING SYSTEM

230-2799 FAN GP-SUCTION (contd.)

i02978361



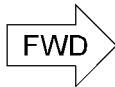
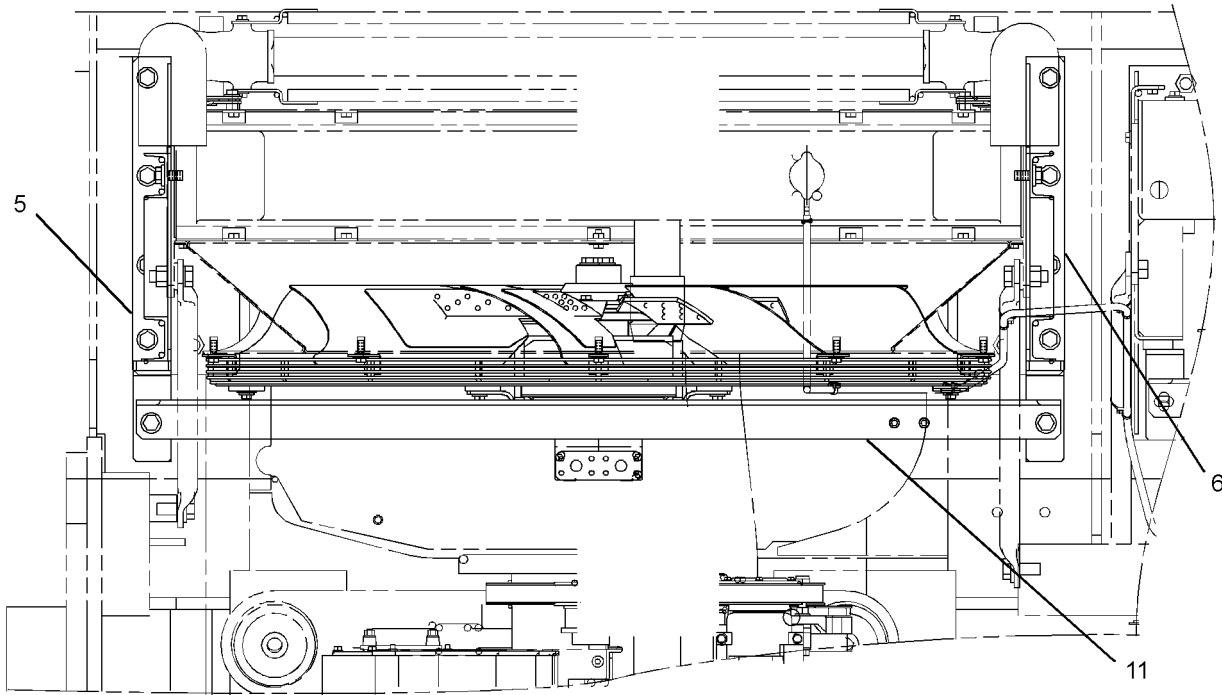
GRAPHIC #1

g01533280

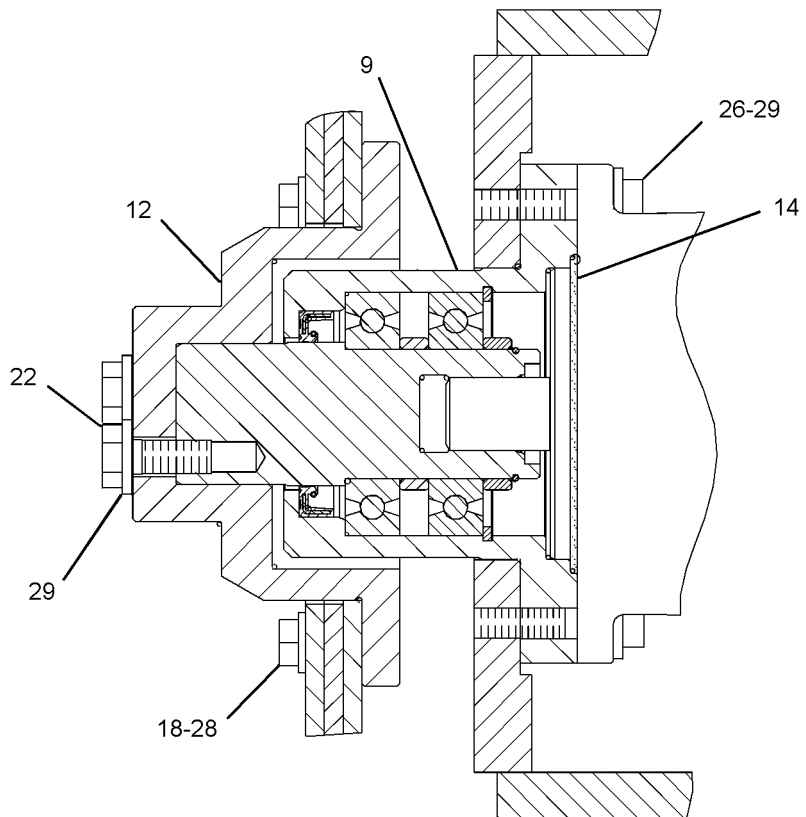
COOLING SYSTEM

230-2799 FAN GP-SUCTION (contd.)

i02978361



TOP VIEW



SECTION B-B

GRAPHIC #2

<END>

g01533281

COOLING SYSTEM

230-2799 FAN GP-SUCTION

S/N: MMA254-UP

PART OF 222-8318 INSTALLATION AR-ENGINE

SMCS-1356

i03543280

NOTE	REF NO	GRAPHIC REF	PART NUMBER	QTY	PART NAME						SEE PAGE
					1	2	3	4	5	6 (PRODUCT LEVEL)	
M	1	1	8T-7338	8	BOLT (M16X2X45-MM)						
	2	1	139-8878	1	SPIDER AS (8-BLADE)						
	3	1	162-6356	2	GUARD AS						
	4	1	162-6357	2	PLATE						
C	5	2	281-3614	1	SUPPORT AS-FAN (LH)						
C	6	2	281-3615	1	SUPPORT AS-FAN (RH)						
	7	1	171-8991	1	SUPPORT AS-FAN (LH)						
	8	1	171-8995	1	SUPPORT AS-FAN (RH)						
Y	9	2	200-3313	1	DRIVE GP-FAN						53
YR	10	1	247-8978	1	MOTOR GP-PISTON (FAN)						810
	11	2	230-2802	1	SUPPORT AS						
	12	2	230-2805	1	ADAPTER-FAN						
M	13	1	136-4182	2	BOLT (M16X2X100-MM)						
	14	2	4M-0189	1	SEAL-O-RING						
	15	1	5P-1076	6	WASHER-HARD (13.5X30X4-MM THK)						
C	16	1	7X-0515	8	WASHER-HARD (17X35X5-MM THK)						
	17	1	7X-7729	20	WASHER (11X25X3-MM THK)						
	18	2	8T-4121	8	WASHER-HARD (11X21X2.5-MM THK)						
M	19	1	8T-4132	6	NUT (M16X2-THD)						
M	20	1	8T-4133	2	NUT (M10X1.5-THD)						
M	21	1	8T-4137	6	BOLT (M10X1.5X20-MM)						
M	22	2	8T-4139	3	BOLT (M12X1.75X30-MM)						
M	23	1	8T-4140	4	BOLT (M16X2X60-MM)						
M	24	1	8T-4183	6	BOLT (M12X1.75X40-MM)						
M	25	1	8T-4186	2	BOLT (M10X1.5X40-MM)						
M	26	2	8T-4194	2	BOLT (M12X1.75X50-MM)						
M	27	1	8T-4195	10	BOLT (M10X1.5X30-MM)						
M	28	2	8T-4196	8	BOLT (M10X1.5X35-MM)						
	29	2	8T-4223	5	WASHER-HARD (13.5X25.5X3-MM THK)						
CM	30	1	7X-2553	6	BOLT (M16X2X40-MM)						
C	31	1	7X-0595	14	WASHER-HARD (17X30X8-MM THK)						

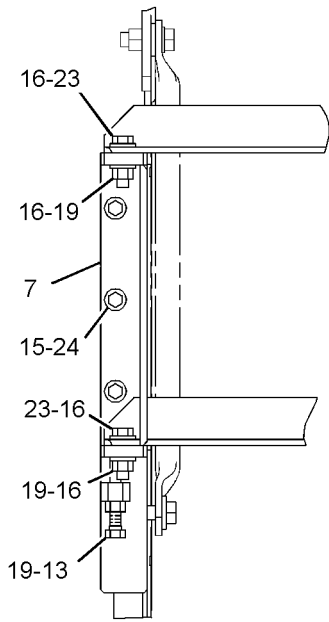
C-CHANGE FROM PREVIOUS TYPE
M-METRIC PART
R-REMG PART MAY BE AVAILABLE
Y-SEPARATE ILLUSTRATION

COOLING SYSTEM

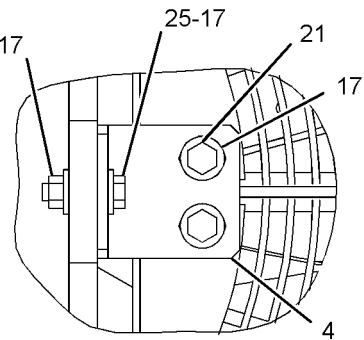
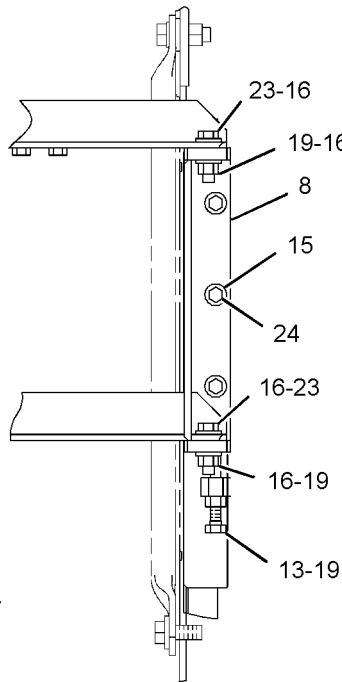
230-2799 FAN GP-SUCTION (contd.)

i03543280

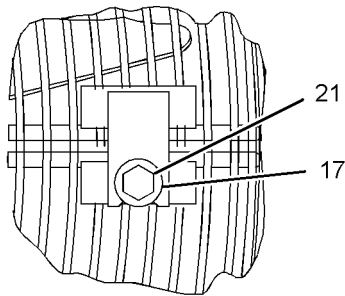
REFER TO ALL ILLUSTRATIONS OF THIS GROUP FOR ALL AUXILIARY VIEWS



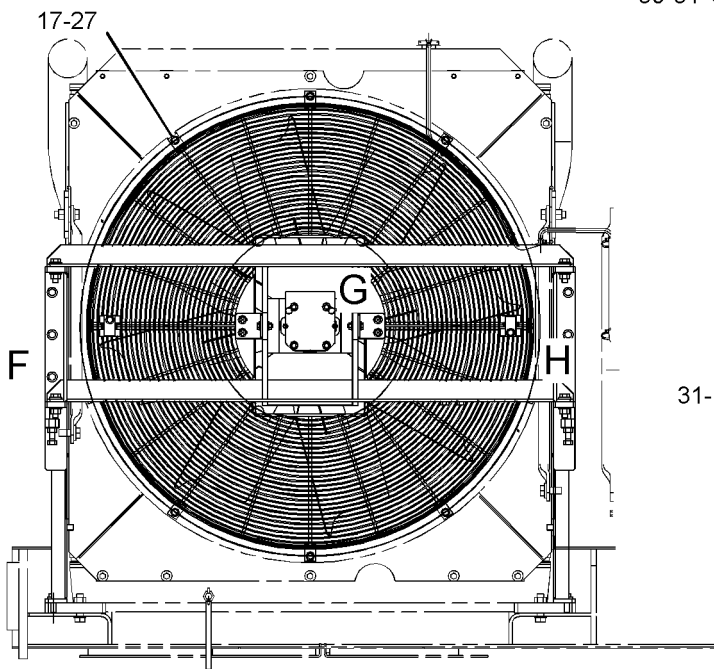
VIEW OF AREA F



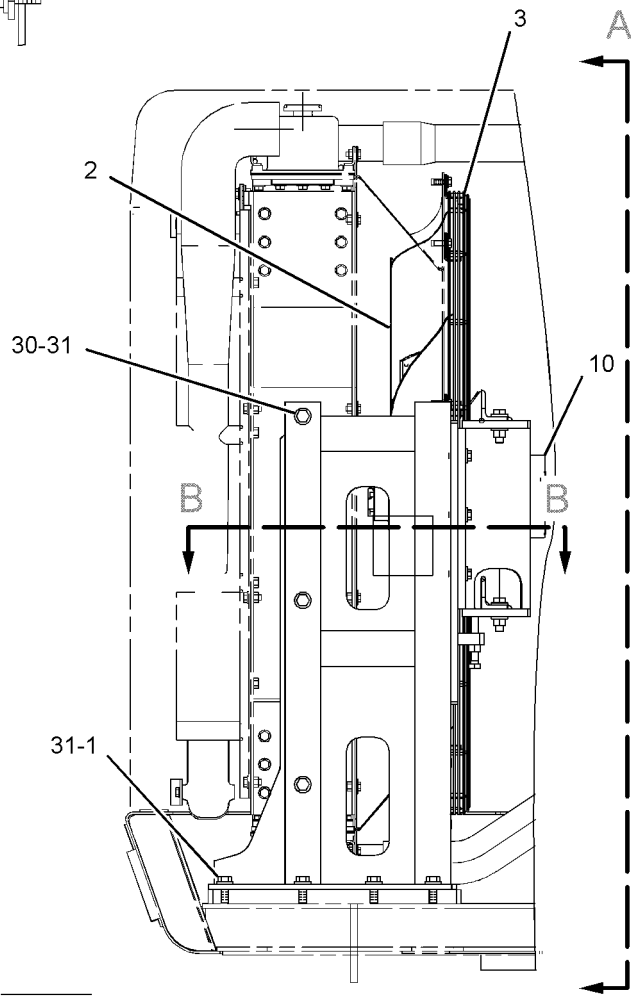
VIEW OF AREA G



VIEW OF AREA H



VIEW A-A



REAR VIEW

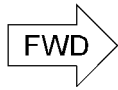
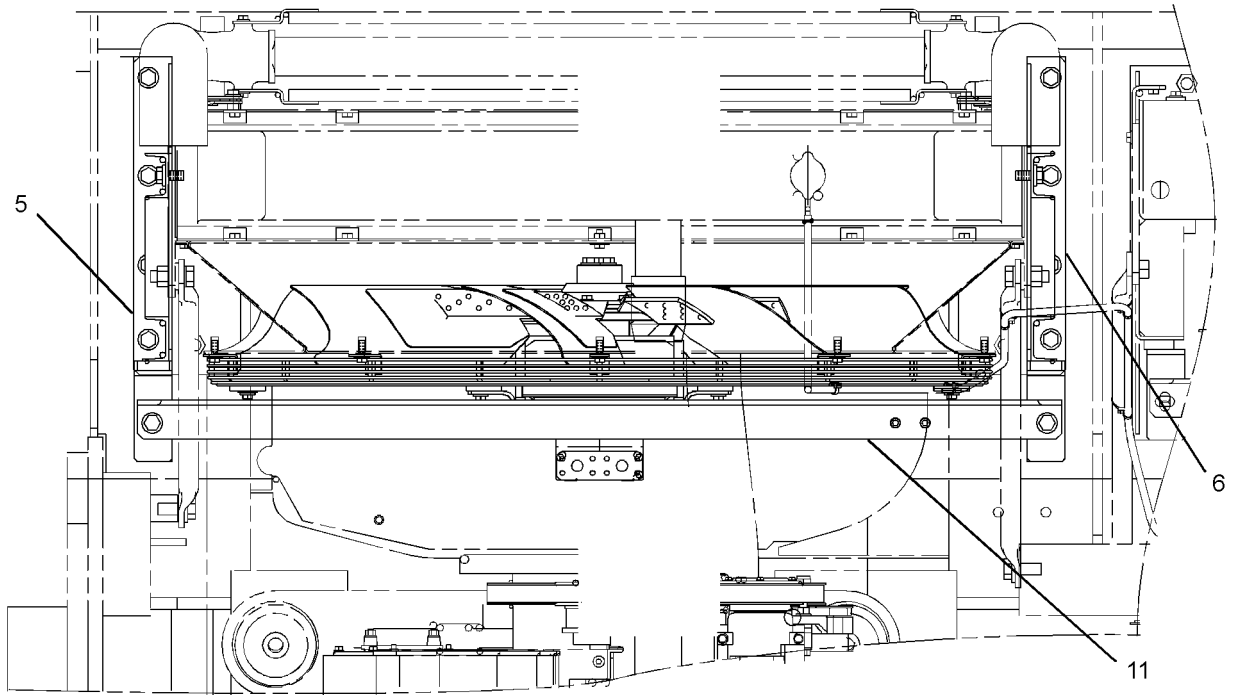
GRAPHIC #1

g01741754

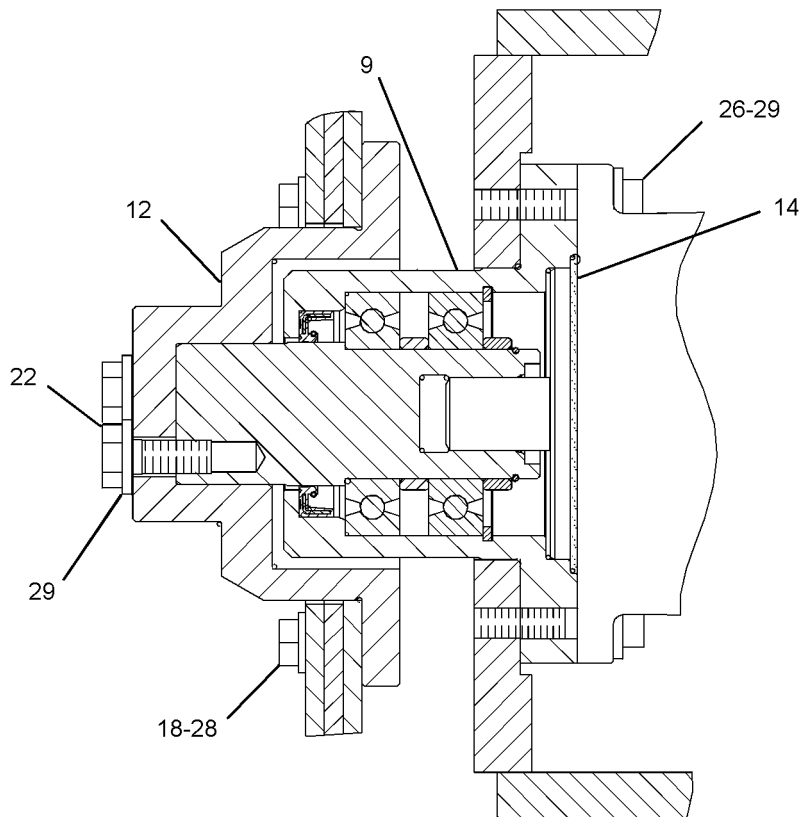
COOLING SYSTEM

230-2799 FAN GP-SUCTION (contd.)

i03543280



TOP VIEW



SECTION B-B

GRAPHIC #2

<END>

g01533281

COOLING SYSTEM

235-6472 FITTING GP-RADIATOR VENT

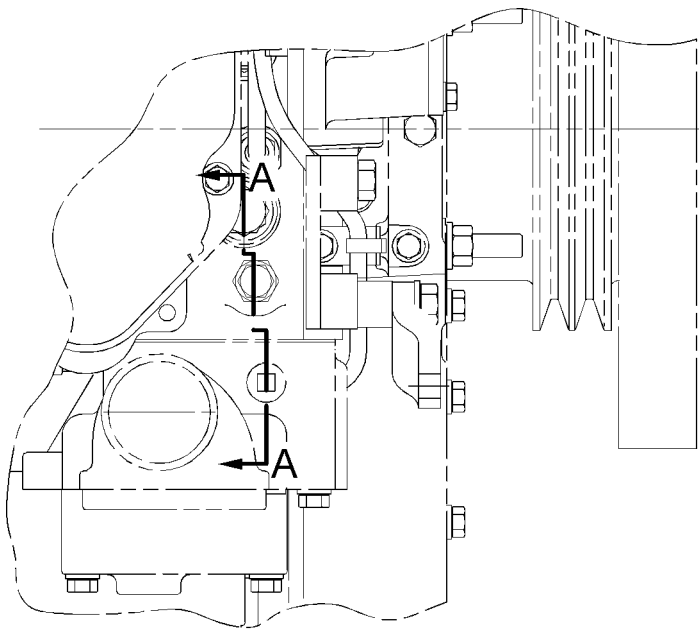
S/N: RHX1-5375

PART OF 257-4960 ENGINE AR-COMplete

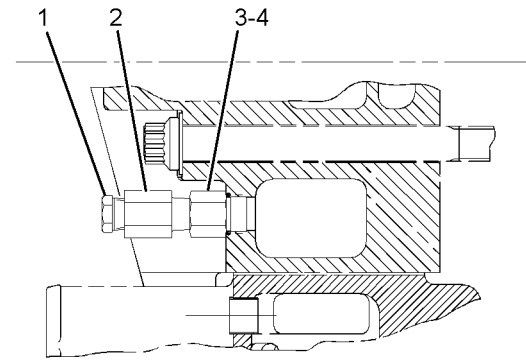
SMCS-1353

i02103146

NOTE	REF NO	GRAPHIC REF	PART NUMBER	QTY	PART NAME						SEE PAGE
					1	2	3	4	5	6 (PRODUCT LEVEL)	
	1	1	8T-6767	1	PLUG-PIPE						
	2	1	7E-4039	1	ORIFICE						
	3	1	5P-1838	1	ADAPTER						
	4	1	6V-6609	1	SEAL-O-RING						



TOP VIEW



VIEW A-A

GRAPHIC #1

<END>

g01072241

COOLING SYSTEM

220-3493 LINES GP-TURBOCHARGER WATER

S/N: RHX1-UP

CENTER SECTION

PART OF 257-4960, 286-9798 ENGINE AR-COMPLETE

SMCS-1052

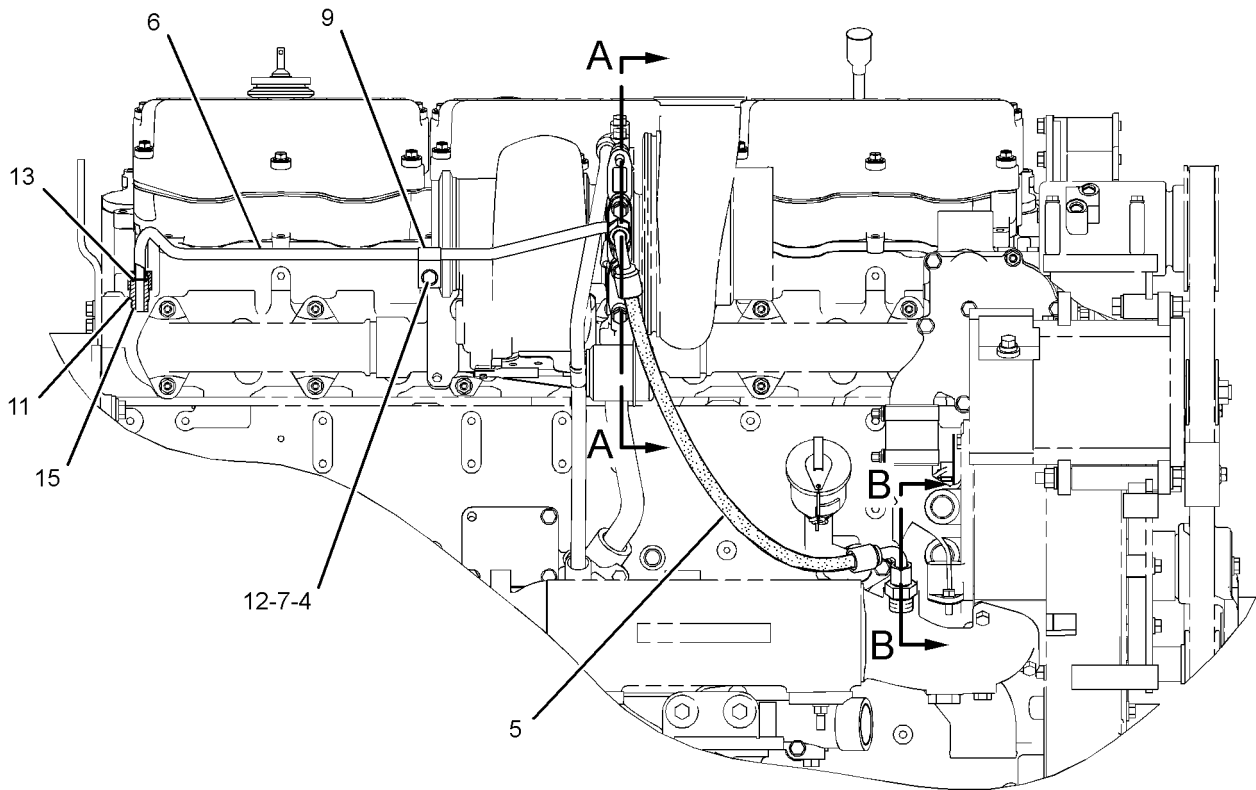
i03637240

NOTE	REF NO	GRAPHIC REF	PART NUMBER	QTY	PART NAME						SEE PAGE
					1	2	3	4	5	6 (PRODUCT LEVEL)	
	1	1	241-3283	4	GASKET						
	2	1	7N-7878	2	PLATE-COVER						
	3	1	8N-0788	1	COVER						
	4	1	6Y-1352	1	SPACER (10.5X20X27-MM THK)						
	5	1	335-4198	1	HOSE AS						
	6	1	220-3496	1	TUBE AS (DRAIN) (53-CM)						
	7	1	0S-1571	1	BOLT (3/8-16X1.75-IN)						
	8	1	0S-1591	8	BOLT (3/8-16X1.5-IN)						
	9	1	1B-3057	1	CLIP						
	10	1	3D-2824	1	SEAL-O-RING						
	11	1	3K-0360	1	SEAL-O-RING						
	12	1	5M-2894	1	WASHER-HARD (10.2X18.5X2.5-MM THK)						
	13	1	6V-8398	3	SEAL-O-RING						
	14	1	6V-8633	1	CONNECTOR						
	15	1	6V-8639	1	CONNECTOR						
	16	1	8C-6871	1	CONNECTOR						
	17	1	1L-5081	8	SPACER (0.41X0.75X0.56-IN THK)						

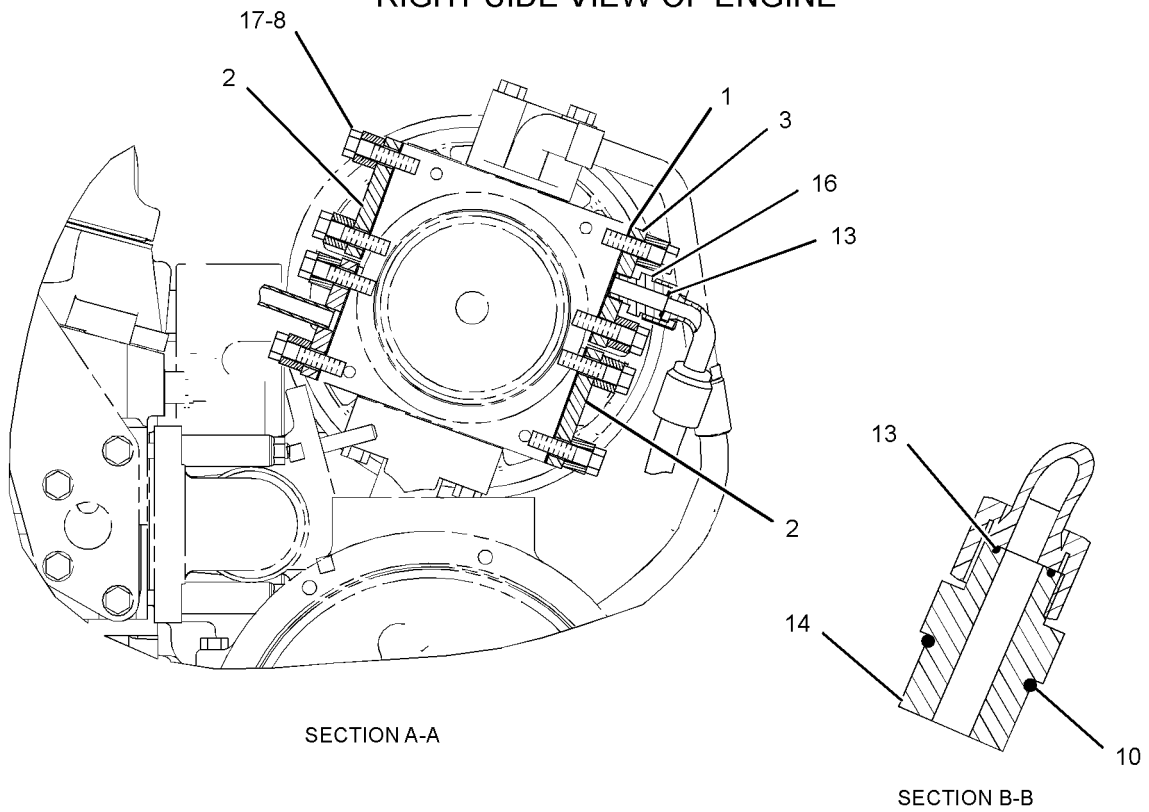
COOLING SYSTEM

220-3493 LINES GP-TURBOCHARGER WATER (contd.)

i03637240



RIGHT SIDE VIEW OF ENGINE



SECTION A-A

SECTION B-B

GRAPHIC #1

<END>

g01445821

COOLING SYSTEM

228-4224 LINES GP-WATER

S/N: RHX1-2431

PART OF 257-4960, 286-9798 ENGINE AR-COMPLETE

SMCS-1355, 1380

i02491451

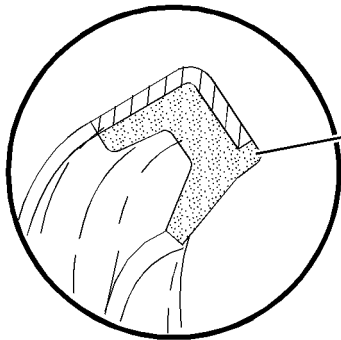
NOTE	REF NO	GRAPHIC REF	PART NUMBER	QTY	PART NAME						SEE PAGE
					1	2	3	4	5	6 (PRODUCT LEVEL)	
	1	1	3S-9643	2	SEAL-LIP TYPE (TEMPERATURE REGULATOR HOUSING)						
	2	1	4N-1156	1	GASKET-REGULATOR COVER (TEMPERATURE REGULATOR HOUSING)						
	3	1	248-5513	2	REGULATOR-TEMPERATURE (92-DEG C) (COOLANT)						
	4	1	8T-6703	2	CLAMP-HOSE						
	5	1	125-0434	1	SEAL-INTEGRAL						
	6	1	126-4935	2	SEAL-INTEGRAL						
	7	1	139-3550	1	GASKET-REGULATOR (HOUSING)						
	8	1	145-3849	1	COVER						
	9	1	197-8006	1	SEAL-O-RING						
	10	1	223-4746	1	BONNET-OUTLET						
R	11	1	223-7962	1	CORE AS (ENGINE OIL COOLER)						
	12	1	223-9257	1	HOSE						
	13	1	228-0404	1	HOUSING-REGULATOR						
	14	1	229-2282	1	BONNET-OIL COOLER						
	15	1	239-6304	1	MANIFOLD-HOUSING						
	16	1	244-6835	1	COVER-WATER PUMP						
	17	1	0L-1352	2	BOLT (3/8-16X3.25-IN)						
	19	1	0S-1594	10	BOLT (3/8-16X1-IN)						
	20	1	0T-0065	3	BOLT (3/8-16X3.5-IN)						
	21	1	109-0077	2	SEAL-O-RING						
	22	1	143-9393	1	STUD						
	23	1	147-0323	2	STUD (3/8-16X3.25-IN)						
	24	1	<i>148-8407</i>	2	PLUG AS (EACH INCLUDES)						
		1	3J-1907	1	SEAL-O-RING						
		1	9S-4191	1	PLUG-O-RING						
	25	1	<i>148-8408</i>	8	PLUG AS (EACH INCLUDES)						
		1	3D-2824	1	SEAL-O-RING						
		1	9S-4183	1	PLUG-O-RING						
	26	1	<i>148-8411</i>	2	PLUG AS (EACH INCLUDES)						
		1	3K-0360	1	SEAL-O-RING						
		1	9S-4185	1	PLUG-O-RING						
	27	1	<i>207-7899</i>	2	PLUG AS (EACH INCLUDES)						
		1	4K-1388	1	SEAL-O-RING						
		1	9S-4188	1	PLUG						
	28	1	2M-9780	2	SEAL-O-RING						
	29	1	3K-0360	4	SEAL-O-RING						
	30	1	4F-0411	3	BOLT (3/8-16X6.5-IN)						
	31	1	5M-2894	11	WASHER-HARD (10.2X18.5X2.5-MM THK)						
	33	1	9S-4190	2	PLUG-O-RING						
	34	1	9S-8005	4	PLUG-O-RING						
	35	1	<i>183-7263</i>	1	PLUG AS						
		1	9S-8002	1	PLUG-O-RING						
		1	3J-7354	1	SEAL-O-RING						

R-REMG PART MAY BE AVAILABLE

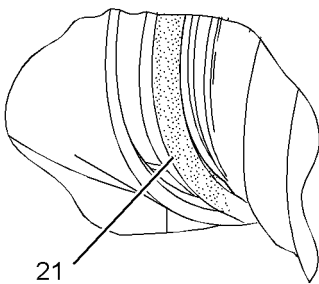
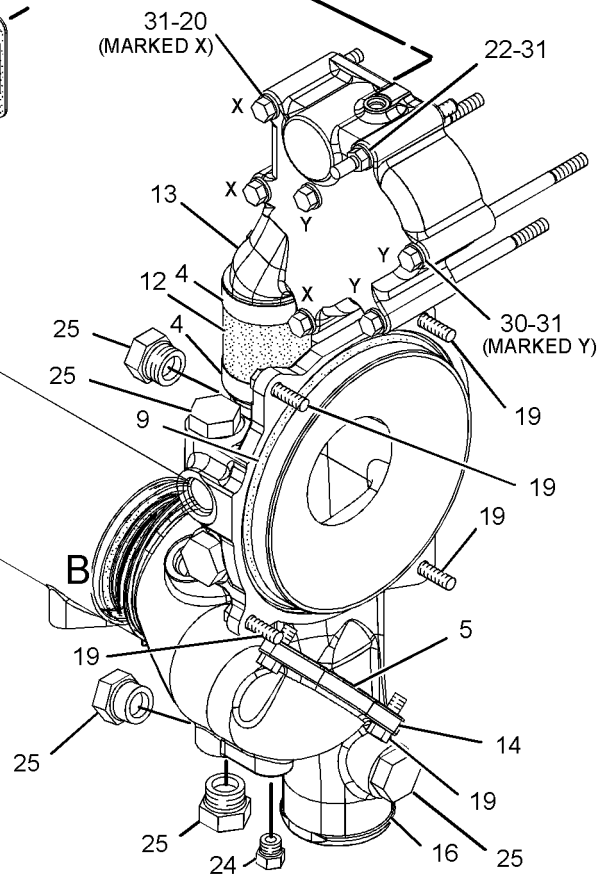
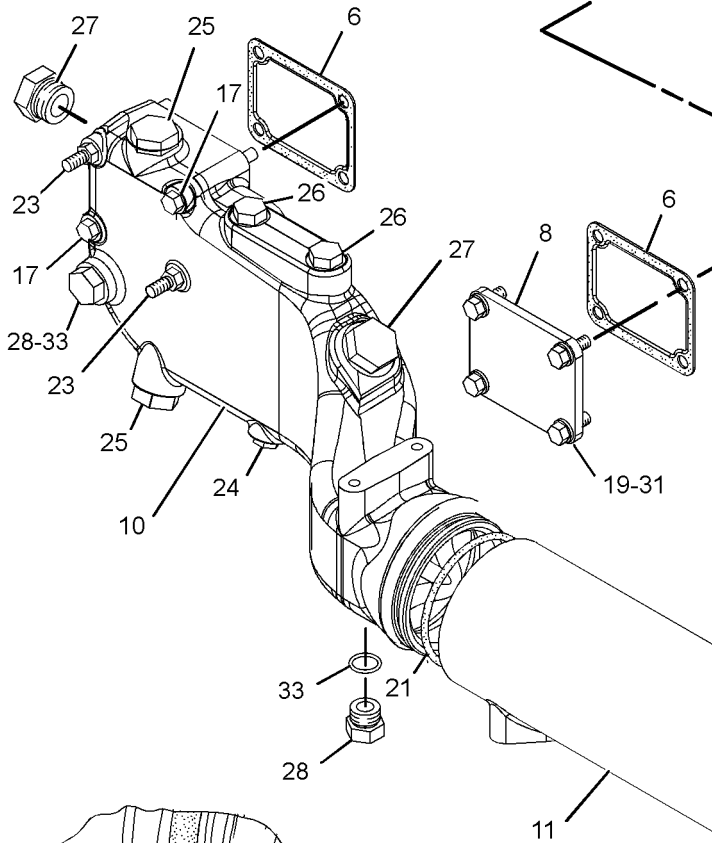
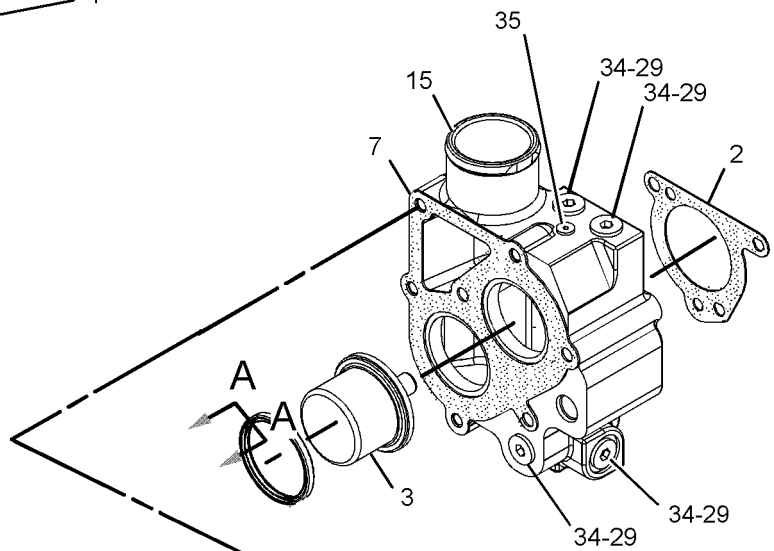
COOLING SYSTEM

228-4224 LINES GP-WATER (contd.)

i02491451



SECTION A-A



VIEW OF AREA B



GRAPHIC #1

<END>

g01245421

COOLING SYSTEM

228-4224 LINES GP-WATER

S/N: RHX2432-UP

PART OF 257-4960, 286-9798 ENGINE AR-COMPLETE

SMCS-1355, 1380

i03339380

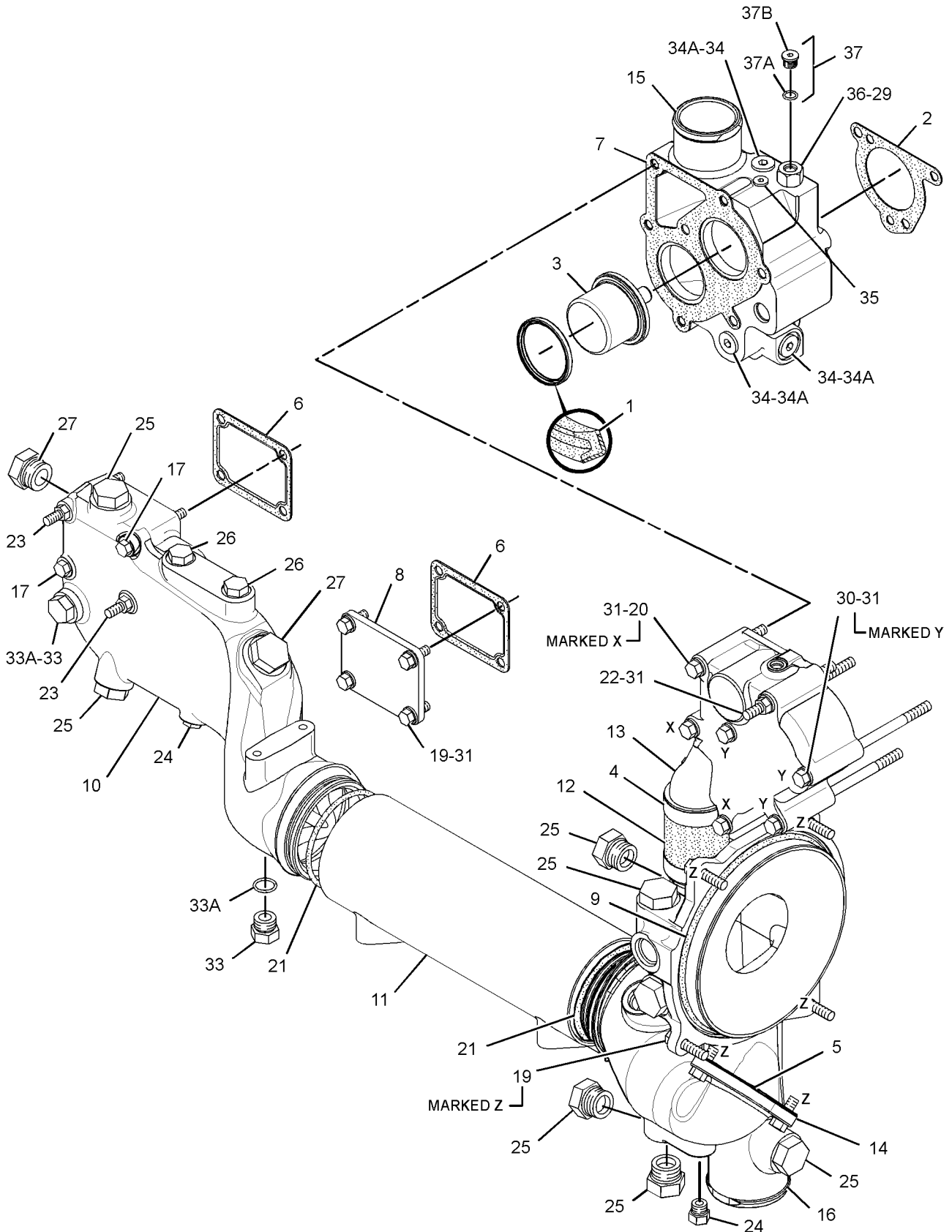
NOTE	REF NO	GRAPHIC REF	PART NUMBER	QTY	PART NAME						SEE PAGE
					1	2	3	4	5	6 (PRODUCT LEVEL)	
	1	1	3S-9643	2	SEAL-LIP TYPE (TEMPERATURE REGULATOR HOUSING)						
	2	1	4N-1156	1	GASKET-REGULATOR COVER (TEMPERATURE REGULATOR HOUSING)						
	3	1	248-5513	2	REGULATOR-TEMPERATURE (92-DEG C) (COOLANT)						
	4	1	8T-6703	2	CLAMP-HOSE						
	5	1	125-0434	1	SEAL-INTEGRAL						
	6	1	126-4935	2	SEAL-INTEGRAL						
	7	1	139-3550	1	GASKET-REGULATOR (HOUSING)						
	8	1	145-3849	1	COVER						
	9	1	197-8006	1	SEAL-O-RING						
	10	1	223-4746	1	BONNET-OUTLET						
R	11	1	223-7962	1	CORE AS (ENGINE OIL COOLER)						
	12	1	223-9257	1	HOSE						
	13	1	329-9776	1	HOUSING-REGULATOR						
	14	1	229-2282	1	BONNET-OIL COOLER						
	15	1	239-6304	1	MANIFOLD-HOUSING						
	16	1	244-6835	1	COVER-WATER PUMP						
	17	1	0L-1352	2	BOLT (3/8-16X3.25-IN)						
	19	1	0S-1594	10	BOLT (3/8-16X1-IN)						
	20	1	0T-0065	3	BOLT (3/8-16X3.5-IN)						
	21	1	109-0077	2	SEAL-O-RING						
	22	1	143-9393	1	STUD						
	23	1	147-0323	2	STUD (3/8-16X3.25-IN)						
	24	1	148-8407	2	PLUG AS (EACH INCLUDES)						
		1	3J-1907	1	SEAL-O-RING						
		1	9S-4191	1	PLUG-O-RING						
	25	1	148-8408	8	PLUG AS (EACH INCLUDES)						
		1	3D-2824	1	SEAL-O-RING						
		1	9S-4183	1	PLUG-O-RING						
	26	1	148-8411	2	PLUG AS (EACH INCLUDES)						
		1	3K-0360	1	SEAL-O-RING						
		1	9S-4185	1	PLUG-O-RING						
	27	1	207-7899	2	PLUG AS (EACH INCLUDES)						
		1	4K-1388	1	SEAL-O-RING						
		1	9S-4188	1	PLUG						
	29	1	3K-0360	1	SEAL-O-RING						
	30	1	4F-0411	3	BOLT (3/8-16X6.5-IN)						
	31	1	5M-2894	11	WASHER-HARD (10.2X18.5X2.5-MM THK)						
	33	1	148-8410	2	PLUG AS (EACH INCLUDES)						
		1	9S-4190	1	PLUG-O-RING						
	33A	1	2M-9780	1	SEAL-O-RING						
C	34	1	148-8395	3	PLUG AS (EACH INCLUDES)						
		1	9S-8005	1	PLUG-O-RING						
	34A	1	3K-0360	1	SEAL-O-RING						
	35	1	183-7263	1	PLUG AS						
		1	9S-8002	1	PLUG-O-RING						
		1	3J-7354	1	SEAL-O-RING						
C	36	1	268-1616	1	ADAPTER						
C	37	1	3J-3679	1	PLUG AS						
	37A	1	1J-9671	1	SEAL-O-RING						
	37B	1	0S-8002	1	PLUG						

COOLING SYSTEM

228-4224 LINES GP-WATER (contd.)

i03339380

C-CHANGE FROM PREVIOUS TYPE
R-REMG PART MAY BE AVAILABLE



GRAPHIC #1

<END>

g01435829

COOLING SYSTEM

224-3238 PUMP GP-WATER*R

S/N: RHX1-729

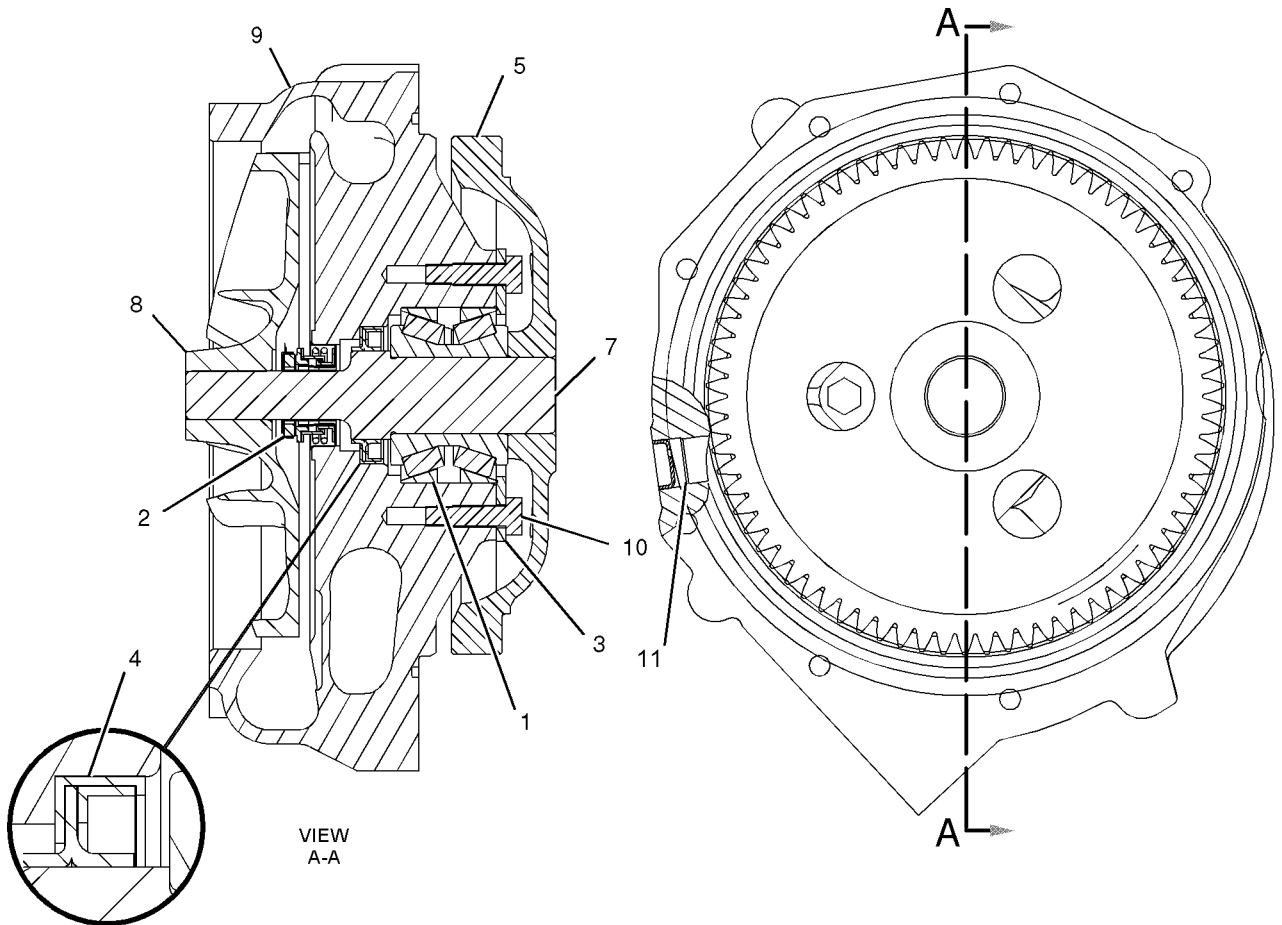
PART OF 224-3239 PUMP GP-WATER

SMCS-1361

i02492640

NOTE	REF NO	GRAPHIC REF	PART NUMBER	QTY	PART NAME						SEE PAGE
					1	2	3	4	5	6 (PRODUCT LEVEL)	
W	1	1	108-7930	1	BEARING AS-ROLLER						
W	2	1	128-0317	1	SEAL GP (WATER PUMP)						
W	3	1	136-1107	1	RETAINER						
W	4	1	153-1256	1	SEAL-LIP TYPE						
	5	1	195-0319	1	GEAR (74-TEETH)						
W	7	1	224-3235	1	SHAFT-WATER PUMP						
	8	1	224-3236	1	IMPELLER-PUMP						
	9	1	224-3237	1	HOUSING						
	10	1	1B-7182	4	BOLT (5/16-18X1.25-IN)						
W	11	1	111-2721	1	PLUG-FELT (WATER PUMP)						
AVAILABLE REPAIR KIT(S) :											
W			253-3438	1	KIT-WATER PUMP						

W-KIT MARKED W INCLUDES PARTS MARKED W



VIEW
A-A

GRAPHIC #1

<END>

g01035316

COOLING SYSTEM

224-3239 PUMP GP-WATER

S/N: RHX1-805

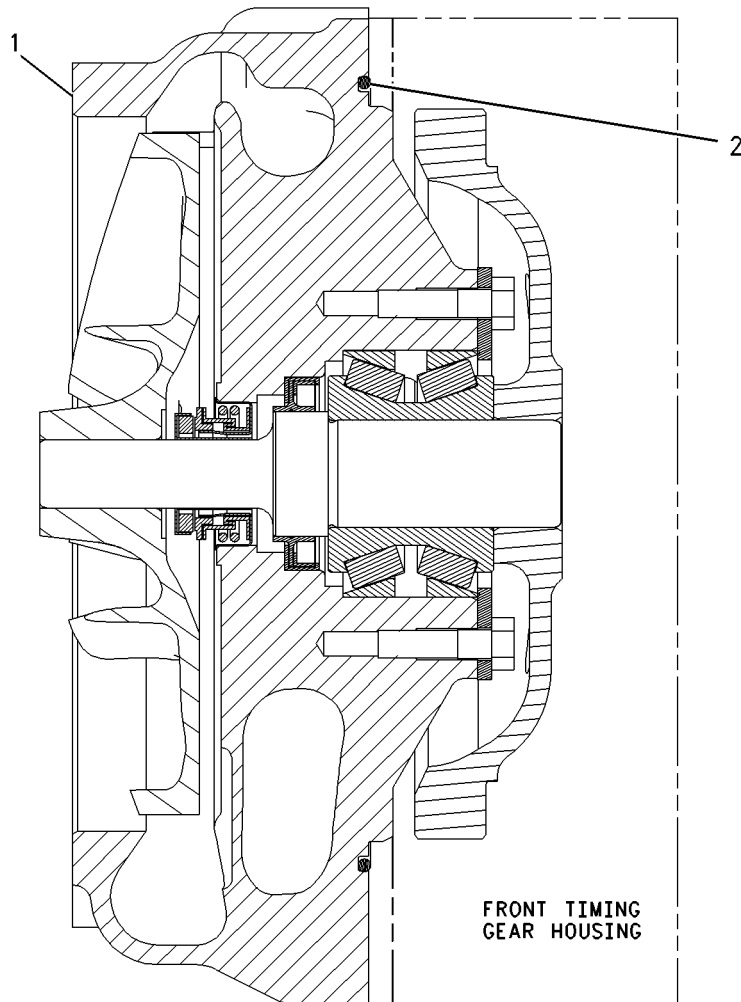
PART OF 286-9798 ENGINE AR-COMplete

SMCS-1361

i02103134

NOTE	REF NO	GRAPHIC REF	PART NUMBER	QTY	PART NAME						SEE PAGE
					1	2	3	4	5	6 (PRODUCT LEVEL)	
Y	1	1	224-3238	1	PUMP GP-WATER						147
	2	1	156-5198	1	SEAL-O-RING						

Y-SEPARATE ILLUSTRATION



GRAPHIC #1

<END>

g00953977

COOLING SYSTEM

224-3239 PUMP GP-WATER

S/N: RHX806-2957

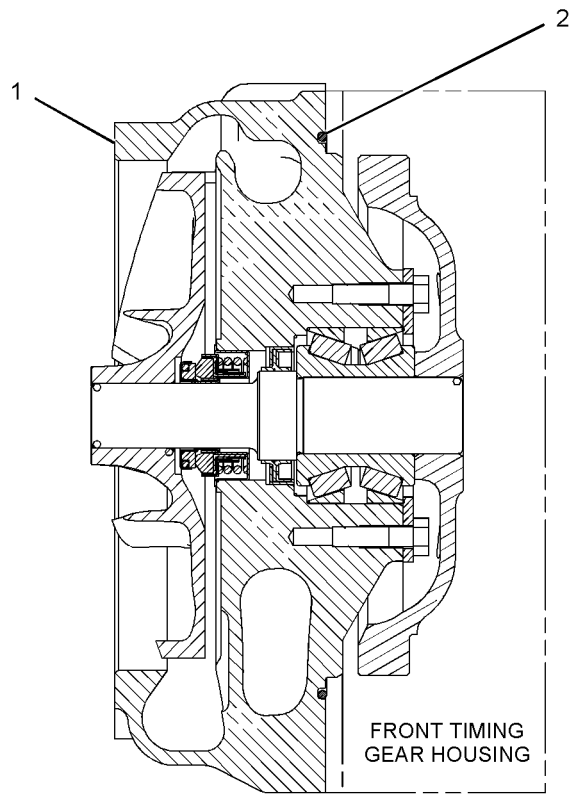
PART OF 257-4960, 286-9798 ENGINE AR-COMplete

SMCS-1361

i02291608

NOTE	REF NO	GRAPHIC REF	PART NUMBER	QTY	PART NAME						SEE PAGE
					1	2	3	4	5	6 (PRODUCT LEVEL)	
CY	1	1	246-3132	1	PUMP GP-WATER						153
	2	1	156-5198	1	SEAL-O-RING						

C-CHANGE FROM PREVIOUS TYPE
Y-SEPARATE ILLUSTRATION



GRAPHIC #1

<END>

g01147605

COOLING SYSTEM

224-3239 PUMP GP-WATER

S/N: RHX2958-4189

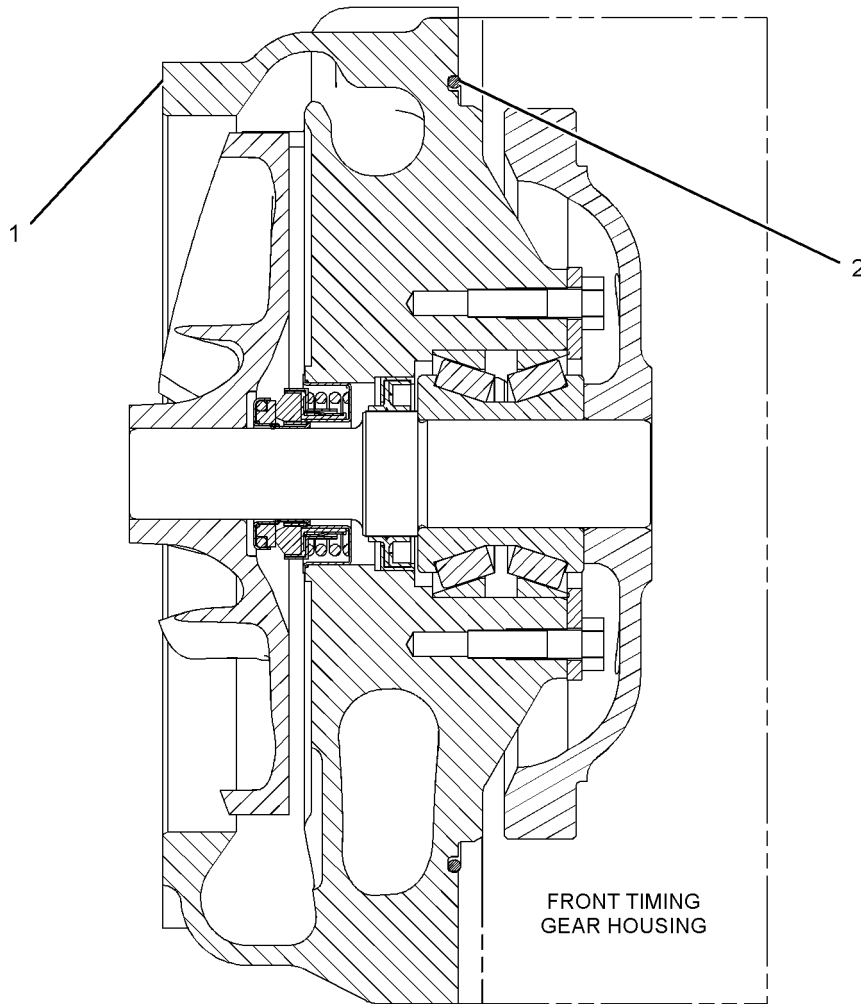
PART OF 257-4960, 286-9798 ENGINE AR-COMplete

SMCS-1361

i02639950

NOTE	REF NO	GRAPHIC REF	PART NUMBER	QTY	PART NAME						SEE PAGE
					1	2	3	4	5	6 (PRODUCT LEVEL)	
CY	1	1	276-4755	1	PUMP GP-WATER						155
	2	1	122-3772	1	SEAL-O-RING						

C-CHANGE FROM PREVIOUS TYPE
Y-SEPARATE ILLUSTRATION



GRAPHIC #1

<END>

g01276374

COOLING SYSTEM

224-3239 PUMP GP-WATER

S/N: RHX4190-6971

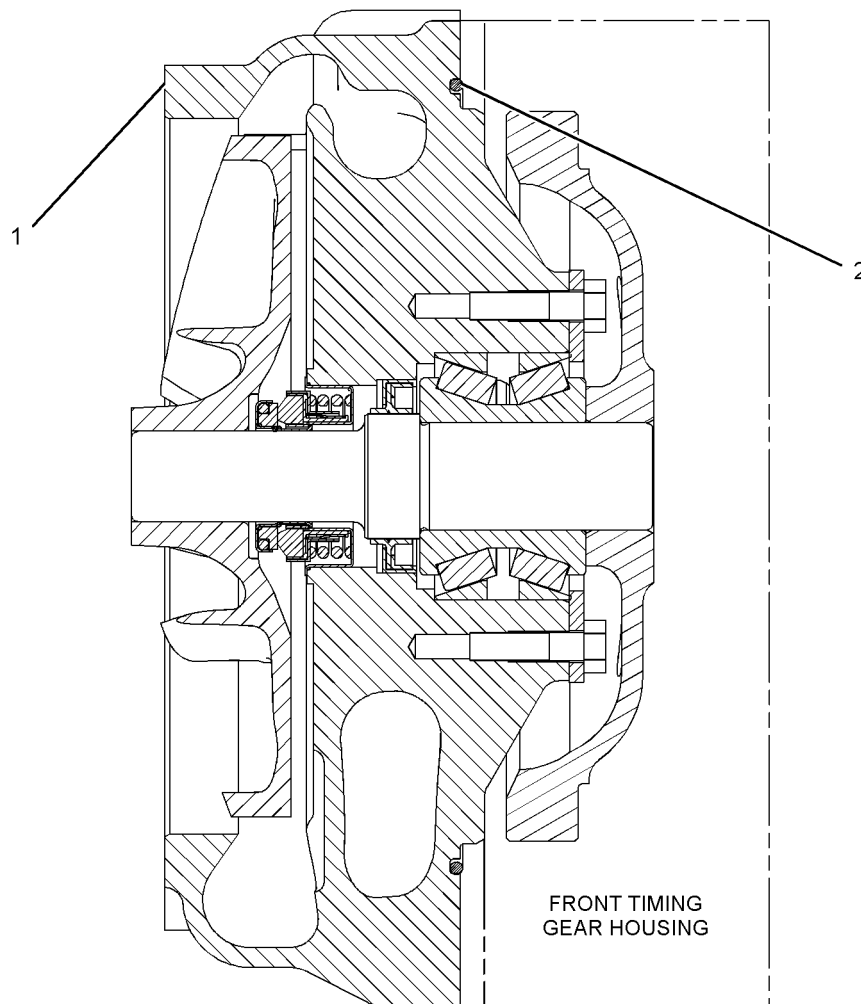
PART OF 286-9798 ENGINE AR-COMplete

SMCS-1361

i02667315

NOTE	REF NO	GRAPHIC REF	PART NUMBER	QTY	PART NAME						SEE PAGE
					1	2	3	4	5	6 (PRODUCT LEVEL)	
CYR	1	1	280-7374	1	PUMP GP-WATER						156
	2	1	122-3772	1	SEAL-O-RING						

C-CHANGE FROM PREVIOUS TYPE
 R-REMG PART MAY BE AVAILABLE
 Y-SEPARATE ILLUSTRATION



GRAPHIC #1

<END>

g01276374

COOLING SYSTEM

224-3239 PUMP GP-WATER

S/N: RHX6972-7952

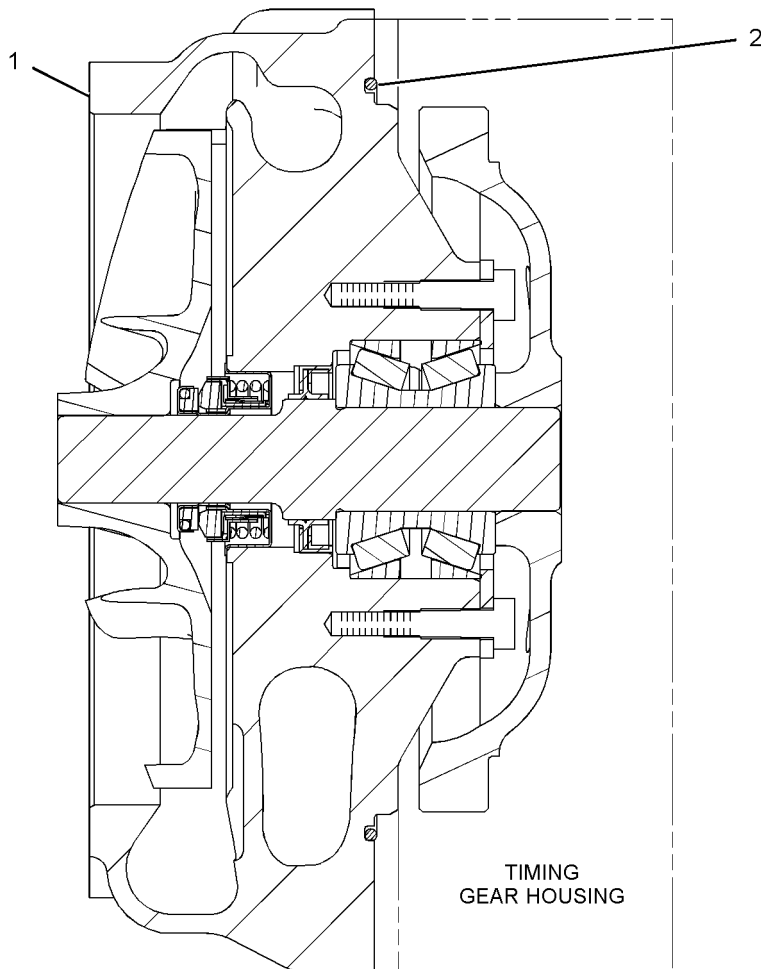
PART OF 286-9798 ENGINE AR-COMplete

SMCS-1361

i02833182

NOTE	REF NO	GRAPHIC REF	PART NUMBER	QTY	PART NAME						SEE PAGE
					1	2	3	4	5	6 (PRODUCT LEVEL)	
CY	1	1	314-5155	1	PUMP GP-WATER						158
	2	1	122-3772	1	SEAL-O-RING						

C-CHANGE FROM PREVIOUS TYPE
Y-SEPARATE ILLUSTRATION



GRAPHIC #1

<END>

g01413586

COOLING SYSTEM

246-3132 PUMP GP-WATER*R

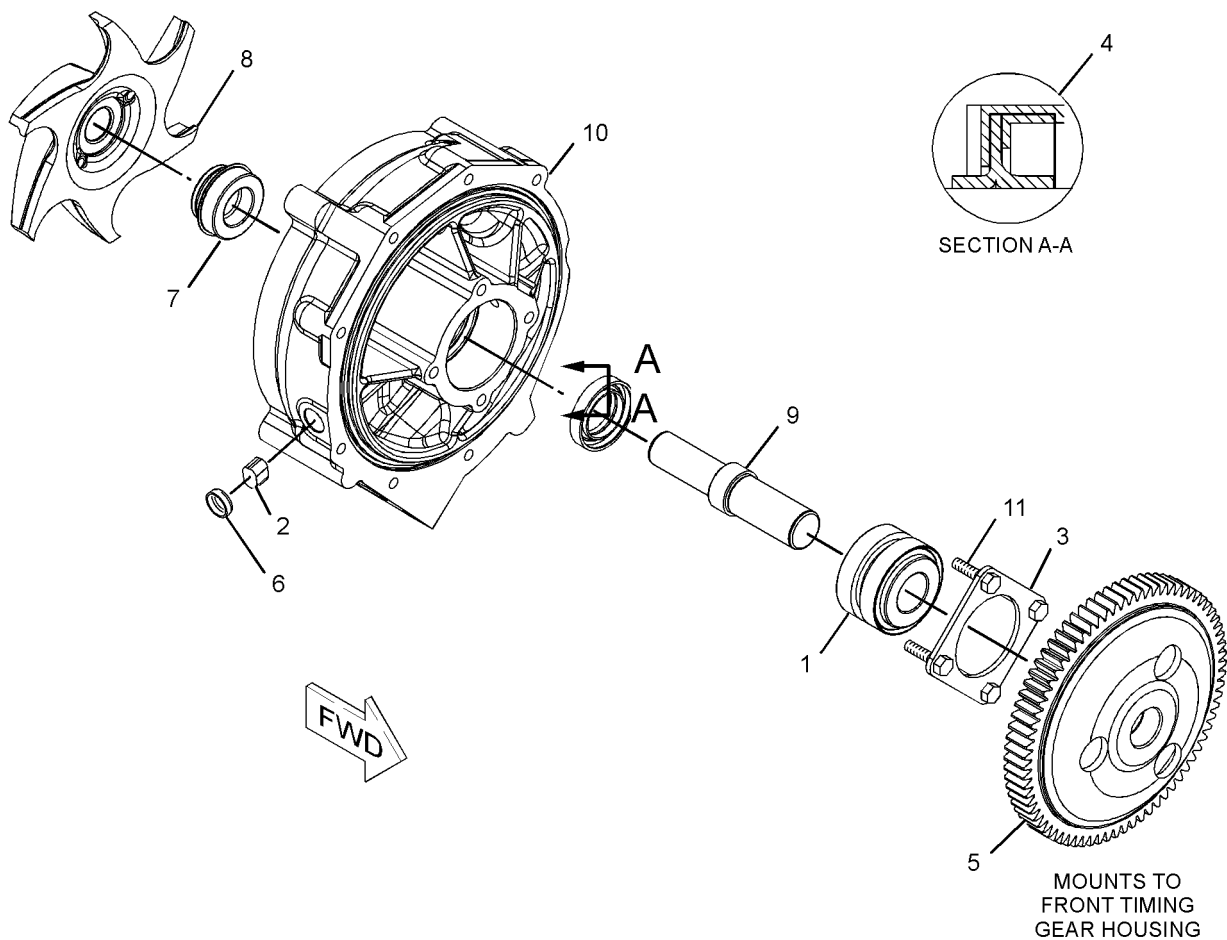
S/N: RHX1-2957

PART OF 224-3239, 258-0840 PUMP GP-WATER

SMCS-1361

i02323049

NOTE	REF NO	GRAPHIC REF	PART NUMBER	QTY	PART NAME						SEE PAGE
					1	2	3	4	5	6 (PRODUCT LEVEL)	
W	1	1	108-7930	1	BEARING AS-ROLLER						
W	2	1	111-2721	1	PLUG-FELT (WATER PUMP)						
W	3	1	136-1107	1	RETAINER						
W	4	1	153-1256	1	SEAL-LIP TYPE						
	5	1	195-0319	1	GEAR (74-TEETH)						
	6	1	203-3831	1	PLUG-CUP						
W	7	1	244-1645	1	SEAL GP (WATER PUMP)						
	8	1	246-3129	1	IMPELLER-PUMP						
W	9	1	246-3130	1	SHAFT-WATER PUMP						
	10	1	246-3131	1	HOUSING						
	11	1	1B-7182	4	BOLT (5/16-18X1.25-IN)						
AVAILABLE REPAIR KIT(S):											
W			267-2839	1	KIT-GASKET						
W-KIT MARKED W INCLUDES PARTS MARKED W											



GRAPHIC #1

<END>

g01161048

COOLING SYSTEM

258-0840 PUMP GP-WATER

S/N: RHX1-805

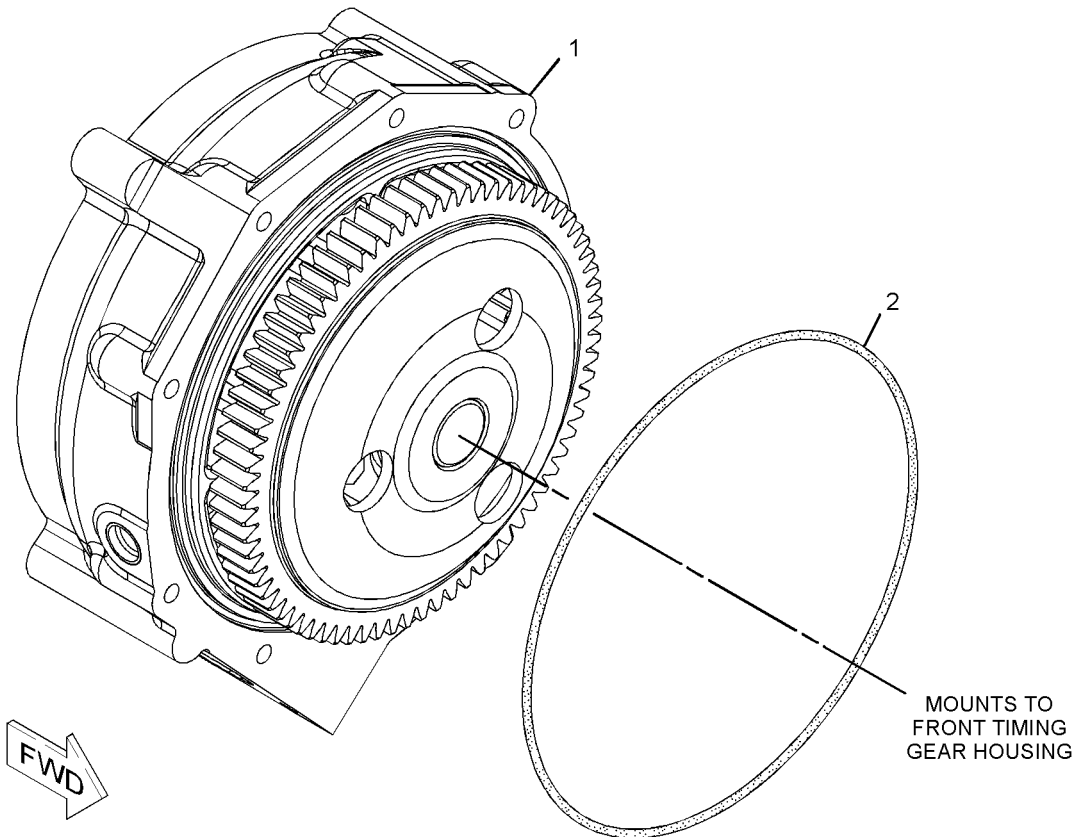
PART OF 257-4960 ENGINE AR-COMPLETE

SMCS-1361

i02199733

NOTE	REF NO	GRAPHIC REF	PART NUMBER	QTY	PART NAME						SEE PAGE	
					1	2	3	4	5	6 (PRODUCT LEVEL)		
Y	1	1	246-3132	1	PUMP	GP-WATER						153
	2	1	156-5198	1	SEAL-O-RING							

Y-SEPARATE ILLUSTRATION



GRAPHIC #1

<END>

g01113228

COOLING SYSTEM

276-4755 PUMP GP-WATER

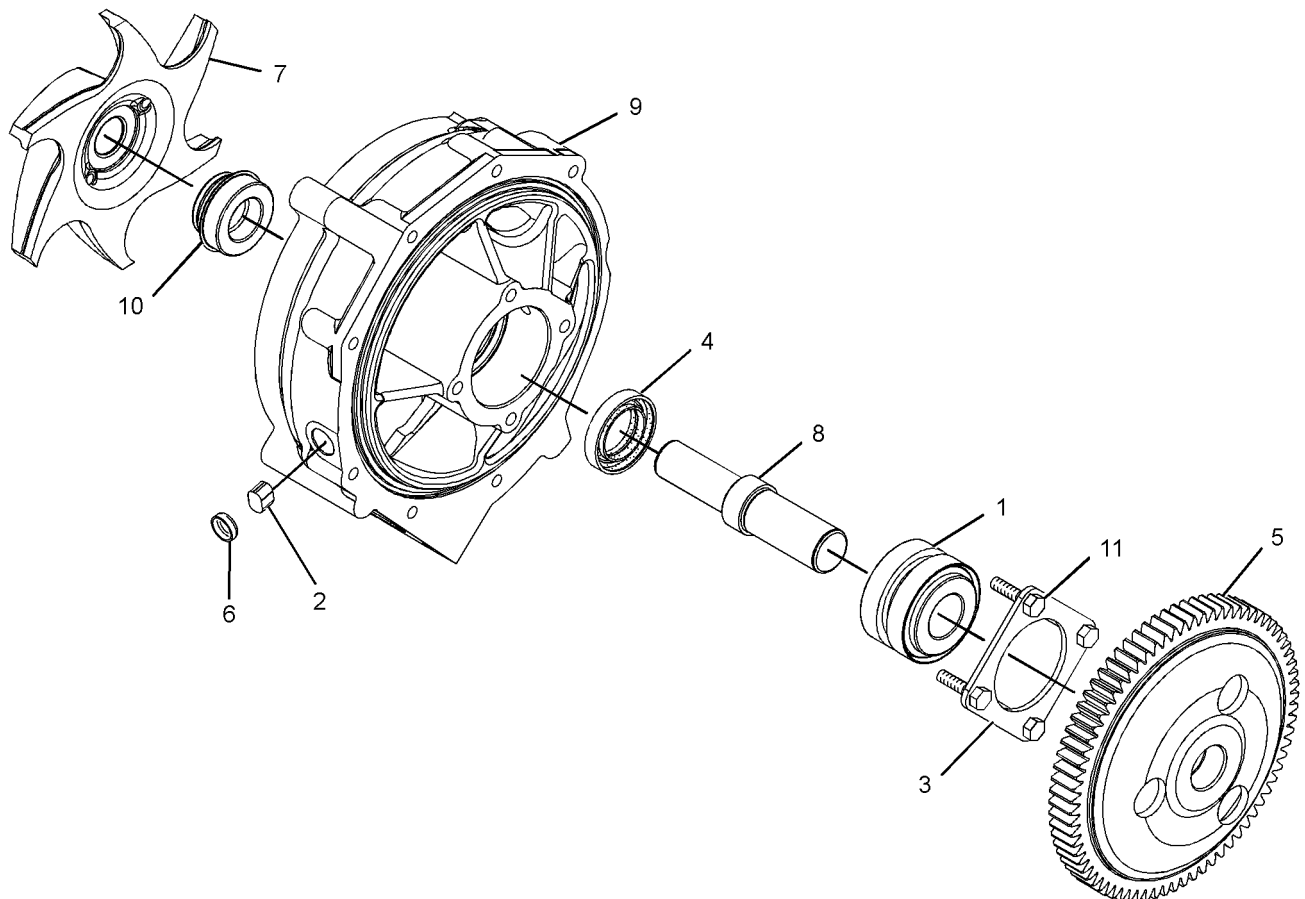
S/N: RHX2958-4189

PART OF 224-3239 PUMP GP-WATER

SMCS-1361

i02957606

NOTE	REF NO	GRAPHIC REF	PART NUMBER	QTY	PART NAME						SEE PAGE
					1	2	3	4	5	6 (PRODUCT LEVEL)	
	1	1	108-7930	1	BEARING AS-ROLLER						
	2	1	111-2721	1	PLUG-FELT						
	3	1	136-1107	1	RETAINER						
	4	1	153-1256	1	SEAL-LIP TYPE						
	5	1	195-0319	1	GEAR (74-TEETH)						
	6	1	203-3831	1	PLUG-CUP						
	7	1	246-3129	1	IMPELLER-PUMP						
	8	1	246-3130	1	SHAFT-WATER PUMP						
	9	1	246-3131	1	HOUSING						
	10	1	276-4756	1	SEAL GP (WATER PUMP)						
	11	1	1B-7182	4	BOLT (5/16-18X1.25-IN)						



GRAPHIC #1

<END>

g01295788

COOLING SYSTEM

280-7374 PUMP GP-WATER*R

S/N: RHX4190-6971

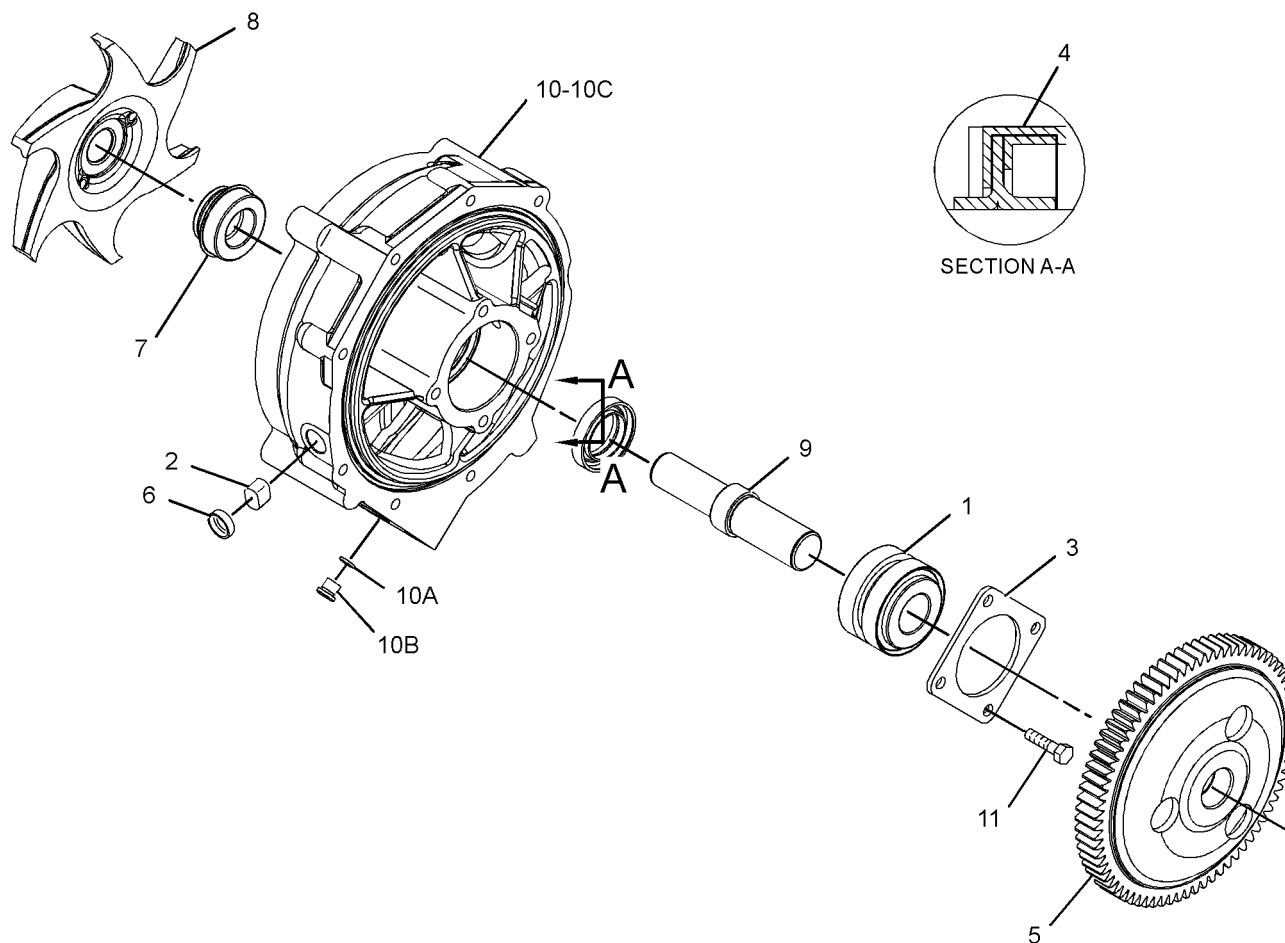
PART OF 224-3239 PUMP GP-WATER

SMCS-1361

i02833156

NOTE	REF NO	GRAPHIC REF	PART NUMBER	QTY	PART NAME						SEE PAGE
					1	2	3	4	5	6 (PRODUCT LEVEL)	
W	1	1	108-7930	1	BEARING AS-ROLLER						
W	2	1	111-2721	1	PLUG-FELT (WATER PUMP)						
W	3	1	136-1107	1	RETAINER						
W	4	1	153-1256	1	SEAL-LIP TYPE						
	5	1	195-0319	1	GEAR (74-TEETH)						
	6	1	203-3831	1	PLUG-CUP						
W	7	1	276-4756	1	SEAL GP (WATER PUMP)						
	8	1	246-3129	1	IMPELLER-PUMP						
W	9	1	246-3130	1	SHAFT-WATER PUMP						
	10	1	317-1547	1	HOUSING AS-PUMP						
	10A	1	6V-5048	1	SEAL-O-RING						
	10B	1	9S-8002	1	PLUG-O-RING						
	10C	1	280-7373	1	HOUSING						
	11	1	1B-7182	4	BOLT (5/16-18X1.25-IN)						
AVAILABLE REPAIR KIT(S) :											
W			267-2839	1	KIT-GASKET						

W-KIT MARKED W INCLUDES PARTS MARKED W



GRAPHIC #1

<END>

g01340744

COOLING SYSTEM

280-8039 PUMP GP-WATER

S/N: RHX7953-UP

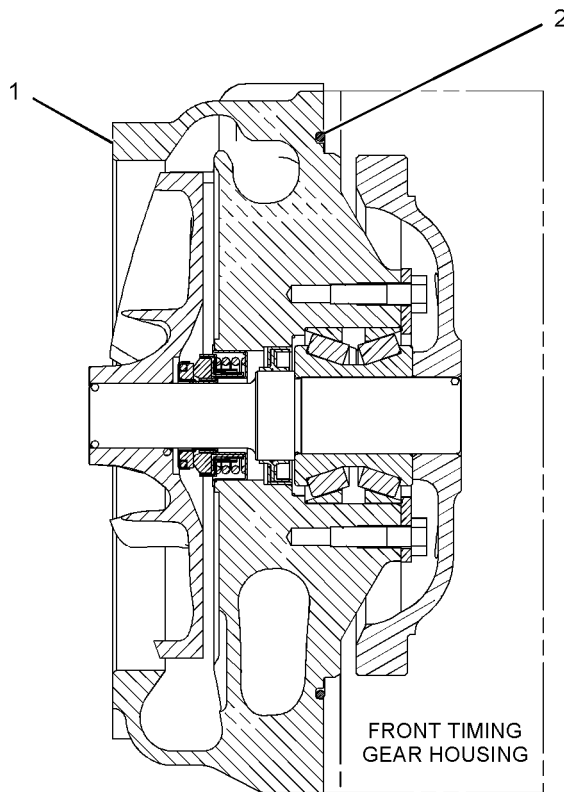
PART OF 286-9798 ENGINE AR-COMPLETE

SMCS-1361

i03586682

NOTE	REF NO	GRAPHIC REF	PART NUMBER	QTY	PART NAME						SEE PAGE	
					1	2	3	4	5	6 (PRODUCT LEVEL)		
YR	1	1	314-5155	1	PUMP	GP-WATER						158
	2	1	122-3772	1	SEAL-O-RING	(WATER PUMP)						

R-REMG PART MAY BE AVAILABLE
Y-SEPARATE ILLUSTRATION



GRAPHIC #1

<END>

g01147605

COOLING SYSTEM

314-5155 PUMP GP-WATER*R

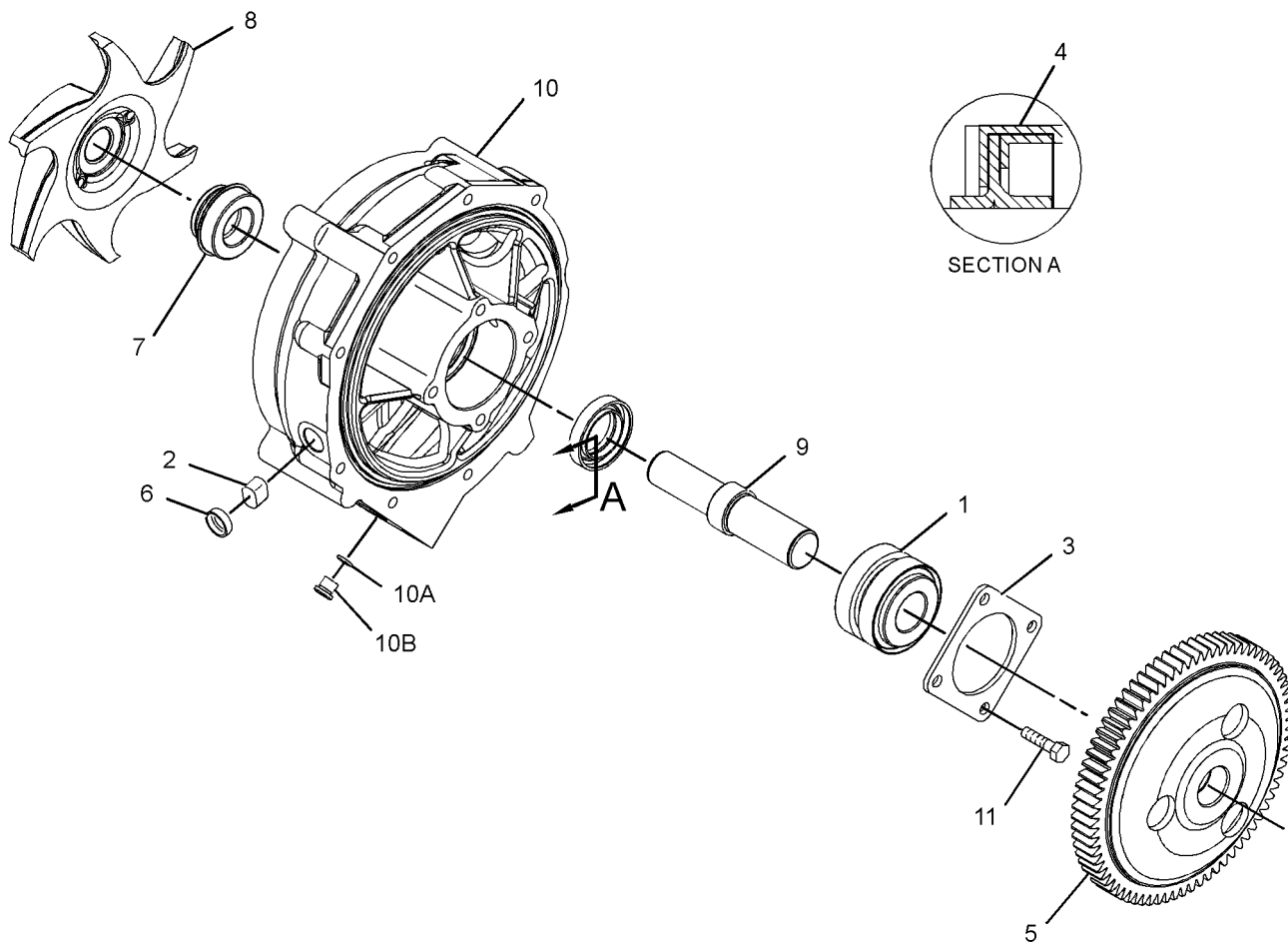
S/N: RHX6972-UP

PART OF 224-3239, 280-8039 PUMP GP-WATER

SMCS-1361

i03497275

NOTE	REF NO	GRAPHIC REF	PART NUMBER	QTY	PART NAME						SEE PAGE
					1	2	3	4	5	6 (PRODUCT LEVEL)	
	1	1	108-7930	1	BEARING AS-ROLLER						
	2	1	315-6645	1	PLUG-FELT						
	3	1	136-1107	1	RETAINER						
	4	1	153-1256	1	SEAL-LIP TYPE						
	5	1	195-0319	1	GEAR (74-TEETH)						
	6	1	203-3831	1	PLUG-CUP						
	7	1	276-4756	1	SEAL GP						
	8	1	246-3129	1	IMPELLER-PUMP						
	9	1	246-3130	1	SHAFT-WATER PUMP						
	10	1	303-8698	1	HOUSING AS-PUMP						
	10A	1	6V-5048	1	SEAL-O-RING						
	10B	1	9S-8002	1	PLUG-O-RING						
	11	1	1B-7182	4	BOLT (5/16-18X1.25-IN)						



GRAPHIC #1

<END>

g01414102

COOLING SYSTEM

210-8025 RADIATOR & AFTERCOOLER GP

S/N: MMA1-UP

PART OF 230-2825 RADIATOR & AFTERCOOLER GP

SMCS-1063, 1353

i02163168

NOTE	PART NUMBER	QTY	PART NAME						SEE PAGE
			1	2	3	4	5	6 (PRODUCT LEVEL)	
Y	210-7989	1	RADIATOR GP						164
			-OR-						
Y	210-8026	1	RADIATOR GP						166
Y-SEPARATE ILLUSTRATION									

<END>

COOLING SYSTEM

230-2825 RADIATOR & AFTERCOOLER GP

S/N: MMA1-247

PART OF 222-8318 INSTALLATION AR-ENGINE

SMCS-1063, 1353

i03530980

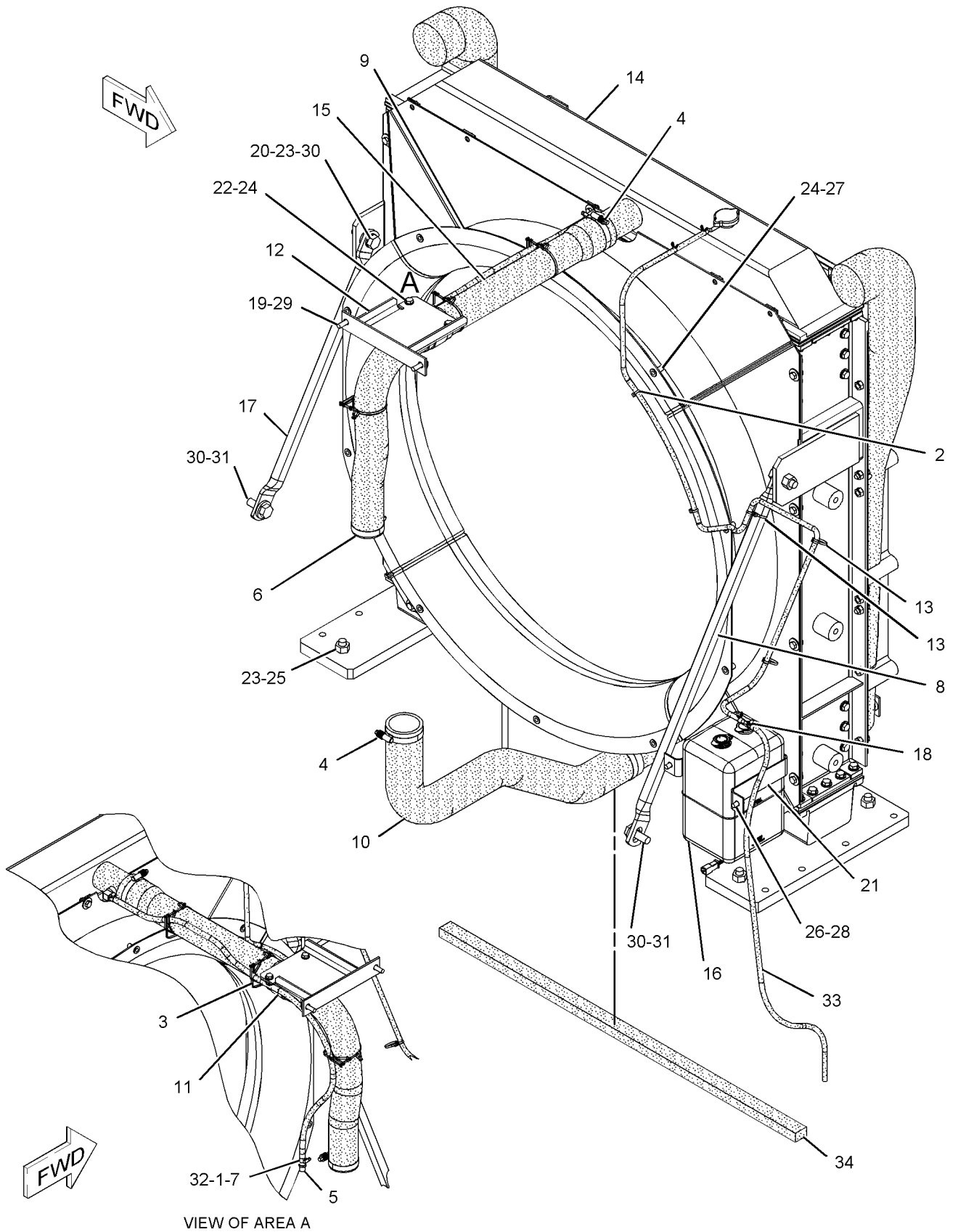
NOTE	REF NO	GRAPHIC REF	PART NUMBER	QTY	PART NAME						SEE PAGE
					1	2	3	4	5	6 (PRODUCT LEVEL)	
	1	1	5P-4961	2	CLAMP-HOSE						
	2	1	7I-2673	2	STRAP-CABLE						
	3	1	7K-1181	3	STRAP-CABLE						
	4	1	8T-4985	3	CLAMP-HOSE						
	5	1	102-5758	1	END-HOSE						
	6	1	144-0367	1	CLAMP-HOSE						
	7	1	160-5945	1	ELBOW						
	8	1	171-9003	1	BRACE						
	9	1	171-9004	1	SHROUD AS						
	10	1	171-9016	1	HOSE-RADIATOR						
	11	1	196-8102	1	BAND AS						
	12	1	196-8104	1	SUPPORT AS						
	13	1	204-1611	3	STRAP-CABLE						
Y	14	1	210-8025	1	RADIATOR & AFTERCOOLER GP						159
	15	1	230-2800	1	HOSE-RADIATOR						
	16	1	245-9206	1	TANK AS-EXPANSION (INCLUDES COOLANT LEVEL SWITCH)						
		1	171-3370	1	CAP AS (COOLANT OVERFLOW)						
		1	204-0920	1	CAP AS (COOLANT FILL)						
	17	1	245-9309	1	BRACE						
	18	1	1P-4278	1	CLAMP-HOSE						
	19	1	5P-1076	2	WASHER-HARD (13.5X30X4-MM THK)						
M	20	1	7X-2563	2	BOLT (M20X2.5X60-MM)						
	21	1	7Y-1241	1	BAND						
	22	1	8T-4121	2	WASHER-HARD (11X21X2.5-MM THK)						
	23	1	8T-4123	6	WASHER (22X35X3.5-MM THK)						
M	24	1	8T-4136	16	BOLT (M10X1.5X25-MM)						
M	25	1	8T-4141	4	BOLT (M20X2.5X70-MM)						
M	26	1	8T-4179	2	BOLT (M12X1.75X20-MM)						
	27	1	8T-4222	14	WASHER-PLATED (11X32X2.5-MM THK)						
	28	1	8T-4223	2	WASHER-HARD (13.5X25.5X3-MM THK)						
M	29	1	8T-4956	2	BOLT (M12X1.75X35-MM)						
	30	1	8T-5439	4	WASHER-HARD (21.5X45X6-MM THK)						
M	31	1	8T-6430	2	BOLT (M20X2.5X50-MM)						
E	32	1	5P-1420		HOSE (140-CM)						
E	33	1	7Y-1976		HOSE-WATER (110-CM)						
D	34	1	5P-6882		SEAL (1.3-M)						

D-ORDER BY THE METER
E-ORDER BY THE CENTIMETER
M-METRIC PART
Y-SEPARATE ILLUSTRATION

COOLING SYSTEM

230-2825 RADIATOR & AFTERCooler GP (contd.)

i03530980



GRAPHIC #1

<END>

g01133085

COOLING SYSTEM

230-2825 RADIATOR & AFTERCooler GP

S/N: MMA248-UP

PART OF 222-8318 INSTALLATION AR-ENGINE

SMCS-1063, 1353

i02696516

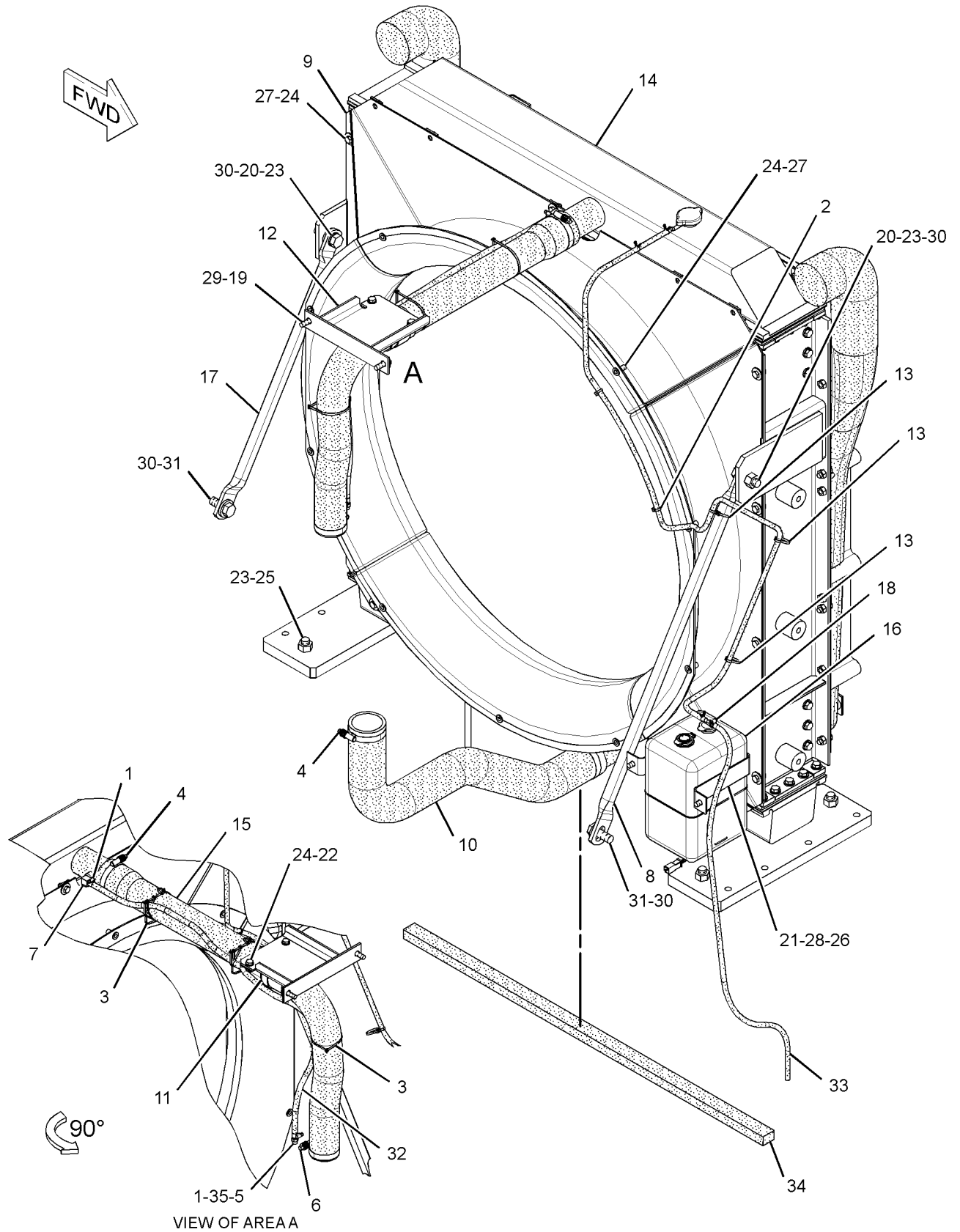
NOTE	REF NO	GRAPHIC REF	PART NUMBER	QTY	PART NAME						SEE PAGE
					1	2	3	4	5	6 (PRODUCT LEVEL)	
	1	1	5P-4961	2	CLAMP-HOSE						
	2	1	7I-2673	2	STRAP-CABLE						
	3	1	7K-1181	3	STRAP-CABLE						
	4	1	8T-4985	3	CLAMP-HOSE						
C	5	1	151-1975	1	CONNECTOR						
	6	1	144-0367	1	CLAMP-HOSE						
	7	1	160-5945	1	ELBOW						
	8	1	171-9003	1	BRACE						
	9	1	171-9004	1	SHROUD AS						
	10	1	171-9016	1	HOSE-RADIATOR						
	11	1	196-8102	1	BAND AS						
	12	1	196-8104	1	SUPPORT AS						
	13	1	204-1611	3	STRAP-CABLE						
Y	14	1	210-8025	1	RADIATOR & AFTERCooler GP						159
	15	1	230-2800	1	HOSE-RADIATOR						
	16	1	245-9206	1	TANK AS-EXPANSION (INCLUDES COOLANT LEVEL SWITCH)						
		1	171-3370	1	CAP AS (COOLANT OVERFLOW)						
		1	204-0920	1	CAP AS (COOLANT FILL)						
	17	1	245-9309	1	BRACE						
	18	1	1P-4278	1	CLAMP-HOSE						
	19	1	5P-1076	2	WASHER-HARD (13.5X30X4-MM THK)						
M	20	1	7X-2563	2	BOLT (M20X2.5X60-MM)						
	21	1	7Y-1241	1	BAND						
	22	1	8T-4121	2	WASHER-HARD (11X21X2.5-MM THK)						
	23	1	8T-4123	6	WASHER (22X35X3.5-MM THK)						
M	24	1	8T-4136	16	BOLT (M10X1.5X25-MM)						
M	25	1	8T-4141	4	BOLT (M20X2.5X70-MM)						
M	26	1	8T-4179	2	BOLT (M12X1.75X20-MM)						
	27	1	8T-4222	14	WASHER-PLATED (11X32X2.5-MM THK)						
	28	1	8T-4223	2	WASHER-HARD (13.5X25.5X3-MM THK)						
M	29	1	8T-4956	2	BOLT (M12X1.75X35-MM)						
	30	1	8T-5439	4	WASHER-HARD (21.5X45X6-MM THK)						
M	31	1	8T-6430	2	BOLT (M20X2.5X50-MM)						
CE	32	1	5P-1420		HOSE (130-CM)						
E	33	1	7Y-1976		HOSE-WATER (110-CM)						
BD	34	1	5P-6882		SEAL (1.3-M)						
C	35	1	1J-9671	1	SEAL-O-RING						

B-USE AS REQUIRED
 C-CHANGE FROM PREVIOUS TYPE
 D-ORDER BY THE METER
 E-ORDER BY THE CENTIMETER
 M-METRIC PART
 Y-SEPARATE ILLUSTRATION

COOLING SYSTEM

230-2825 RADIATOR & AFTERCooler GP (contd.)

i02696516



GRAPHIC #1

<END>

g01370936

COOLING SYSTEM

210-7989 RADIATOR GP

S/N: MMA1-UP

PART OF 210-8025 RADIATOR & AFTERCooler GP

SMCS-1353

i02429331

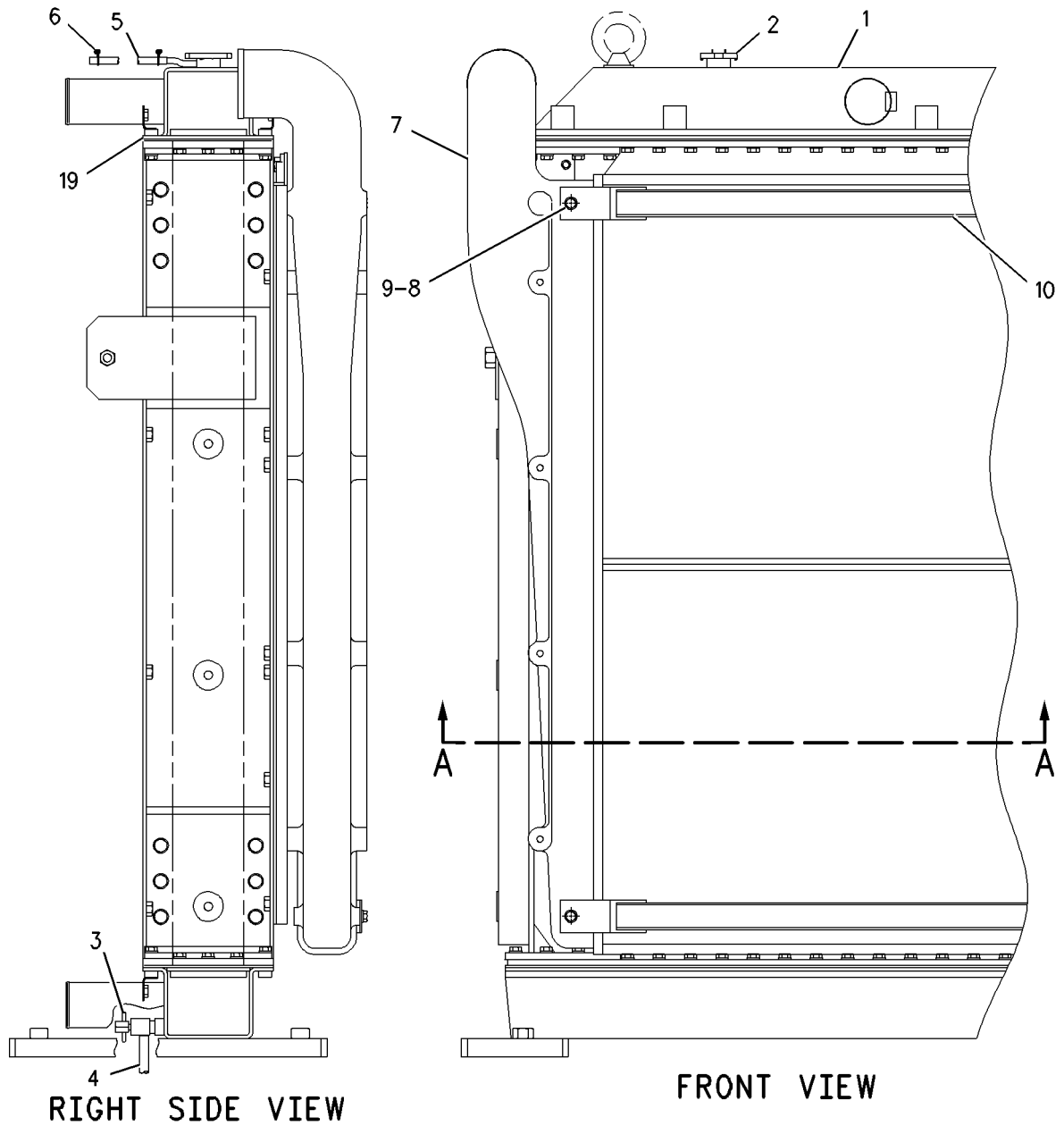
NOTE	REF NO	GRAPHIC REF	PART NUMBER	QTY	PART NAME						SEE PAGE
					1	2	3	4	5	6 (PRODUCT LEVEL)	
	1	1	210-8030	1	RADIATOR AS						
	2	1	099-0001	1	CAP-RADIATOR						
	3	1	210-7994	1	DRAIN AS						
	4	1	210-7995	1	HOSE-WATER						
E	5	1	7Y-1976		HOSE-WATER (190-CM)						
	6	1	096-4035	2	CLIP						
	7	1	196-8085	1	AFTERCooler AS						
M	8	1	8T-4136	6	BOLT (M10X1.5X25-MM)						
	9	1	8T-4121	6	WASHER-HARD (11X21X2.5-MM THK)						
	10	1	196-8090	3	PLATE						
	11	1	210-7993	1	PLATE						
	12	1	210-7992	1	PLATE						
M	13	1	8T-4139	8	BOLT (M12X1.75X30-MM)						
	14	1	8T-4223	16	WASHER-HARD (13.5X25.5X3-MM THK)						
M	15	1	8T-4192	4	BOLT (M12X1.75X25-MM)						
M	16	1	8T-4956	4	BOLT (M12X1.75X35-MM)						
	17	1	196-8088	4	SEAL						
	18	1	196-8089	4	BOSS						
	19	1	210-8078	2	GASKET						

E-ORDER BY THE CENTIMETER
M-METRIC PART

COOLING SYSTEM

210-7989 RADIATOR GP (contd.)

i02429331



RIGHT SIDE VIEW

FRONT VIEW

SECTION A-A

GRAPHIC #1

<END>

g00941311

COOLING SYSTEM

210-8026 RADIATOR GP

S/N: MMA1-UP

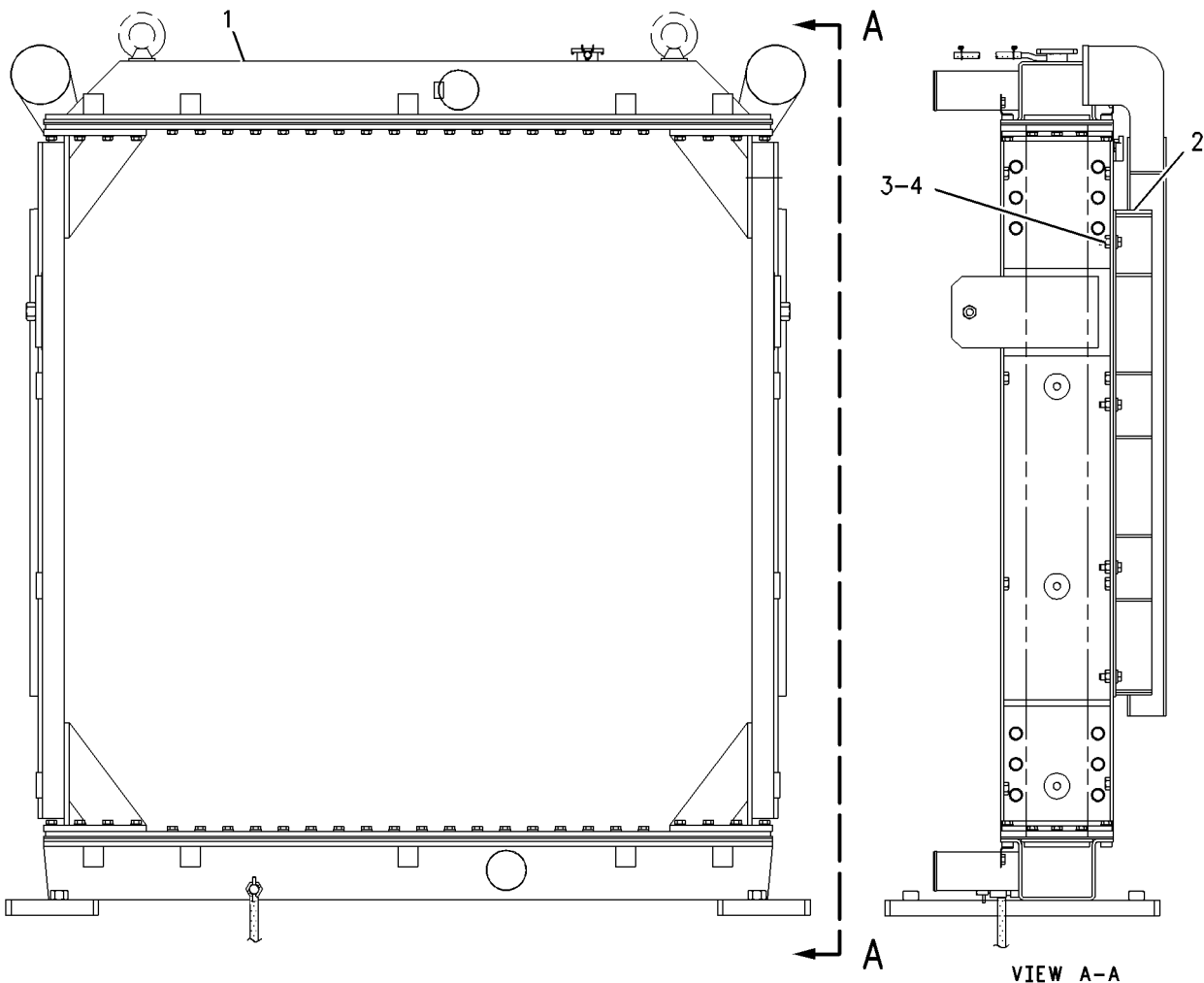
PART OF 210-8025 RADIATOR & AFTERCooler GP

SMCS-1353

i02163397

NOTE	REF NO	GRAPHIC REF	PART NUMBER	QTY	PART NAME						SEE PAGE
					1	2	3	4	5	6 (PRODUCT LEVEL)	
Y	1	1	210-8027	1	RADIATOR GP						167
	2	1	195-0980	1	CORE AS						
M	3	1	8T-4956	8	BOLT (M12X1.75X35-MM)						
	4	1	8T-4223	8	WASHER-HARD (13.5X25.5X3-MM THK)						

M-METRIC PART
Y-SEPARATE ILLUSTRATION



GRAPHIC #1

<END>

g00942342

COOLING SYSTEM

210-8027 RADIATOR GP

S/N: MMA1-UP

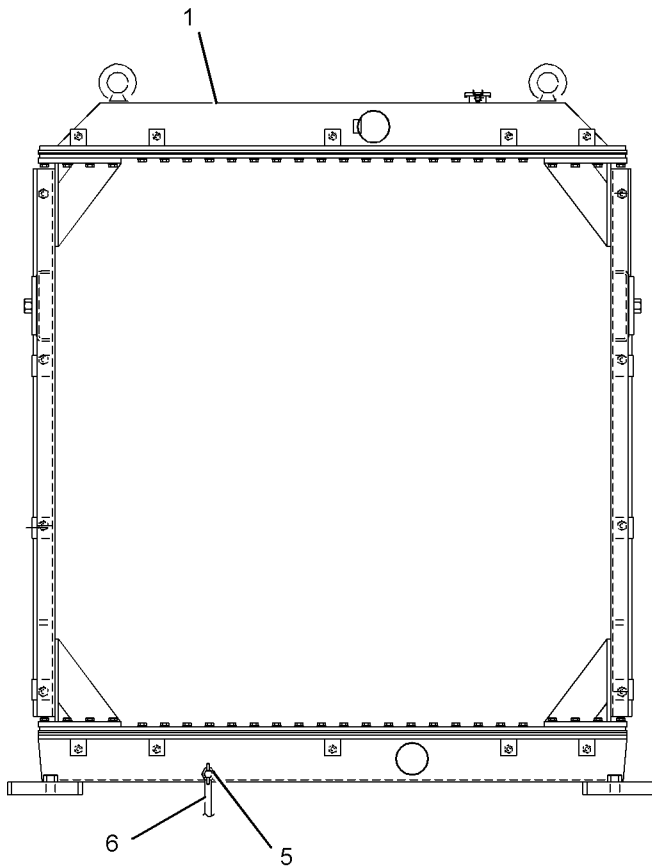
PART OF 210-8026 RADIATOR GP

SMCS-1353

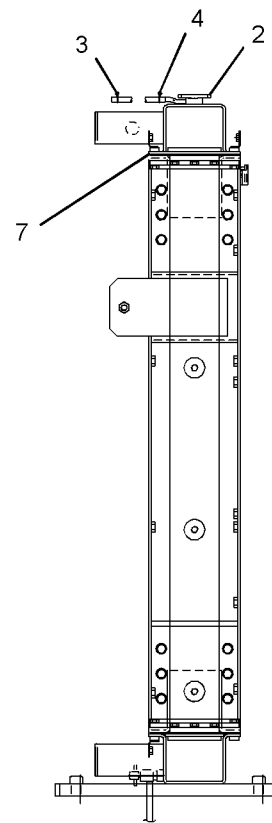
i02284253

NOTE	REF NO	GRAPHIC REF	PART NUMBER	QTY	PART NAME						SEE PAGE
					1	2	3	4	5	6 (PRODUCT LEVEL)	
	1	1	210-8030	1	RADIATOR AS						
	2	1	099-0001	1	CAP-RADIATOR						
E	3	1	7Y-1976		HOSE-WATER (190-CM)						
	4	1	096-4035	2	CLIP						
	5	1	210-7994	1	DRAIN AS						
	6	1	210-7995	1	HOSE-WATER						
	7	1	210-8078	2	GASKET						

E-ORDER BY THE CENTIMETER



REAR VIEW



RIGHT SIDE VIEW

GRAPHIC #1

<END>

g01097592

COOLING SYSTEM

230-2826 SCREEN GP-RADIATOR

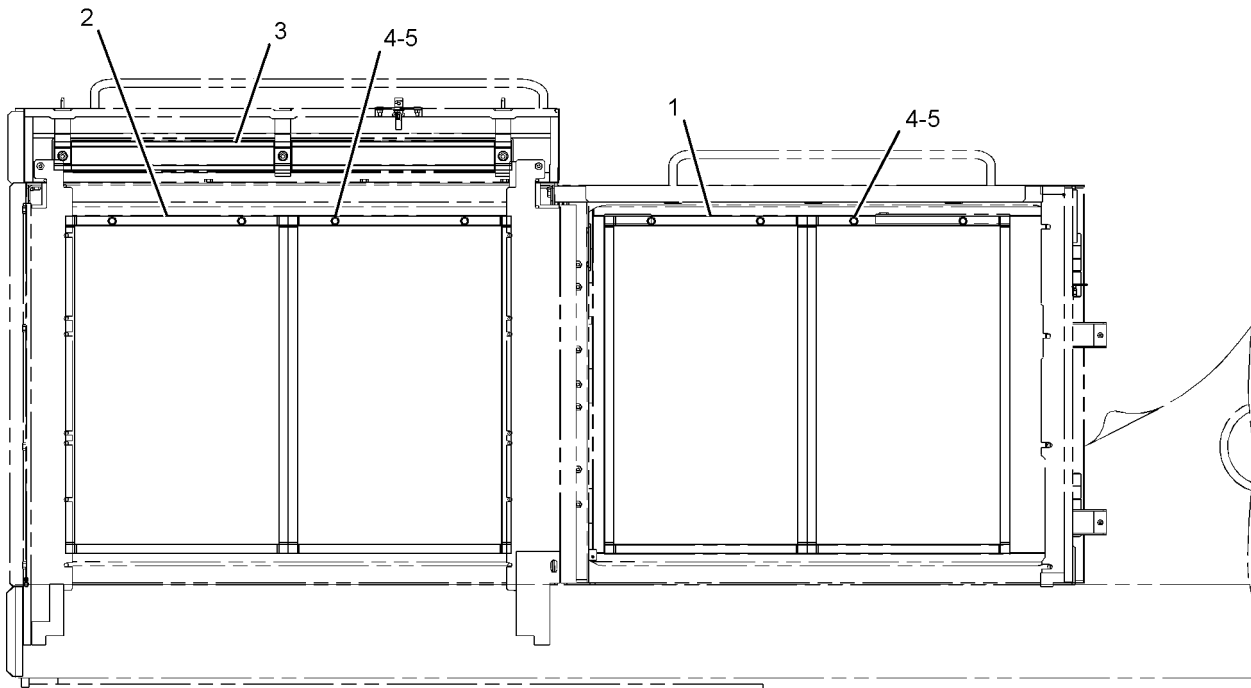
S/N: MMA1-UP
AN ATTACHMENT

SMCS-7272

i02497553

NOTE	REF NO	GRAPHIC REF	PART NUMBER	QTY	PART NAME						SEE PAGE
					1	2	3	4	5	6 (PRODUCT LEVEL)	
	1	1	230-2812	2	SCREEN AS-RADIATOR						
	2	1	230-2813	2	SCREEN AS-RADIATOR						
	3	1	230-2831	1	SCREEN AS-RADIATOR						
M	4	1	8T-4192	8	BOLT (M12X1.75X25-MM)						
	5	1	8T-4223	8	WASHER-HARD (13.5X25.5X3-MM THK)						

M-METRIC PART



RIGHT SIDE VIEW
<END>

GRAPHIC #1

g01083705

COOLING SYSTEM

245-9239 SCREEN GP-RADIATOR-REVERSING FAN

S/N: MMA1-UP

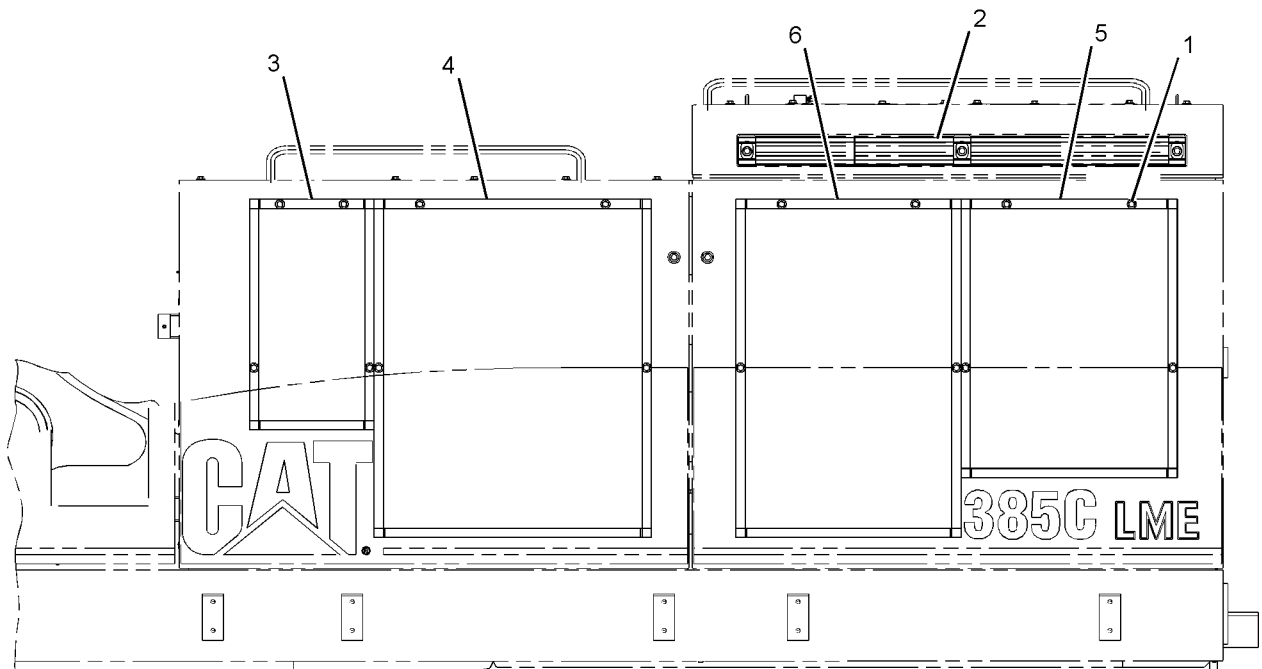
PART OF 245-5552 CONTROL AR-FAN
AN ATTACHMENT

SMCS-7272

i03064345

NOTE	REF NO	GRAPHIC REF	PART NUMBER	QTY	PART NAME						SEE PAGE
					1	2	3	4	5	6 (PRODUCT LEVEL)	
M	1	1	135-8573	16	BOLT AS						
	2	1	230-2831	1	SCREEN AS-RADIATOR (UPPER)						
	3	1	281-3564	1	SCREEN AS-RADIATOR (DOOR FRONT, LH)						
	4	1	281-3565	1	SCREEN AS-RADIATOR (DOOR FRONT, RH)						
	5	1	281-3566	1	SCREEN AS-RADIATOR (DOOR REAR, RH)						
	6	1	281-3567	1	SCREEN AS-RADIATOR (DOOR REAR, LH)						

M-METRIC PART



LEFT SIDE VIEW
<END>

GRAPHIC #1

g01086892

AIR INLET AND EXHAUST SYSTEM

233-1186 AIR CLEANER GP

S/N: MMA1-254

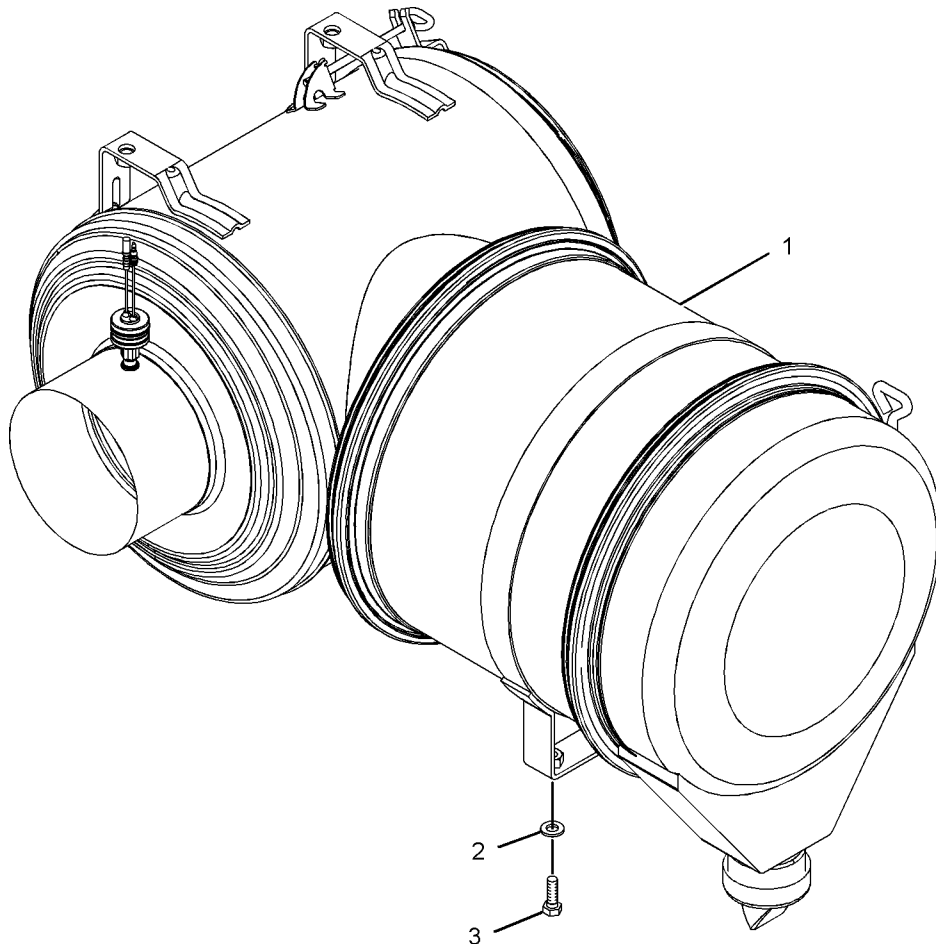
PART OF 222-8318 INSTALLATION AR-ENGINE

SMCS-1051, 1054

i02136058

NOTE	REF NO	GRAPHIC REF	PART NUMBER	QTY	PART NAME						SEE PAGE
					1	2	3	4	5	6 (PRODUCT LEVEL)	
Y	1	1	233-1187	1	AIR CLEANER GP						172
	2	1	8T-4223	4	WASHER-HARD (13.5X25.5X3-MM THK)						
M	3	1	8T-4956	4	BOLT (M12X1.75X35-MM)						

M-METRIC PART
Y-SEPARATE ILLUSTRATION



GRAPHIC #1

<END>

g01087231

AIR INLET AND EXHAUST SYSTEM

233-1186 AIR CLEANER GP

S/N: MMA255-UP

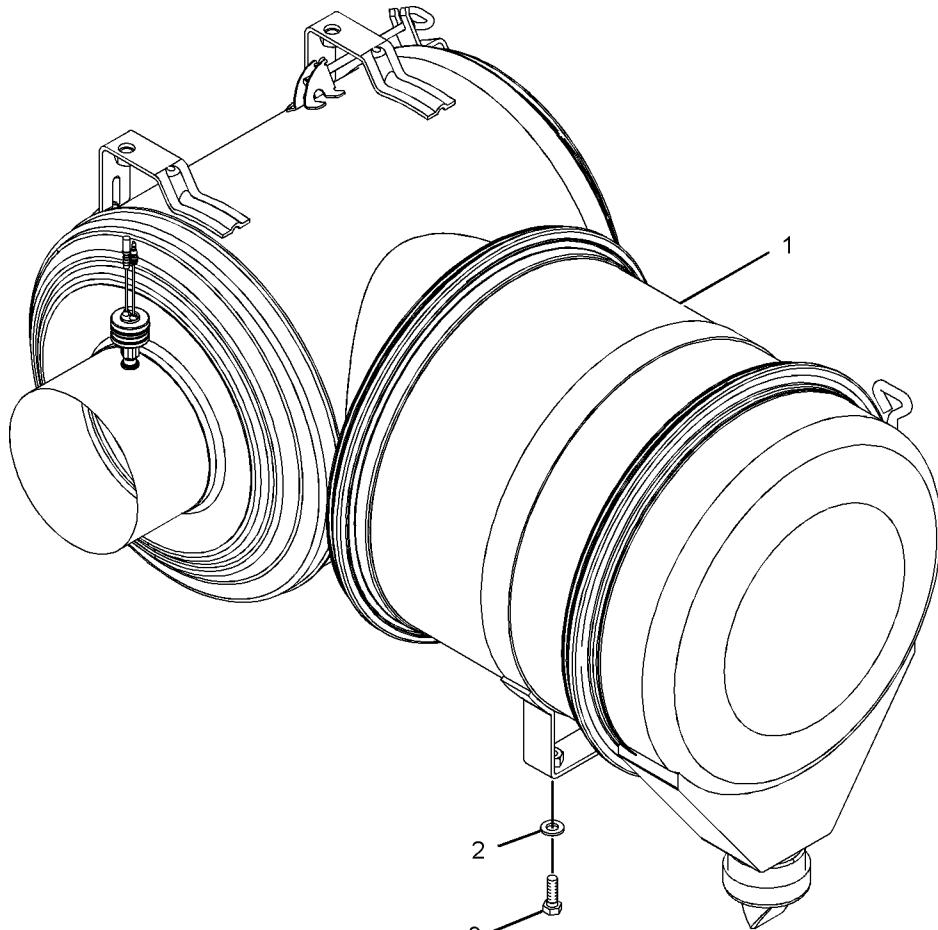
PART OF 222-8318 INSTALLATION AR-ENGINE

SMCS-1051, 1054

i03135599

NOTE	REF NO	GRAPHIC REF	PART NUMBER	QTY	PART NAME						SEE PAGE
					1	2	3	4	5	6 (PRODUCT LEVEL)	
CY	1	1	310-9590	1	AIR CLEANER GP						173
	2	1	8T-4223	4	WASHER-HARD (13.5X25.5X3-MM THK)						
M	3	1	8T-4956	4	BOLT (M12X1.75X35-MM)						

C-CHANGE FROM PREVIOUS TYPE
M-METRIC PART
Y-SEPARATE ILLUSTRATION



GRAPHIC #1

<END>

g01087231

AIR INLET AND EXHAUST SYSTEM

233-1187 AIR CLEANER GP

S/N: MMA1-254

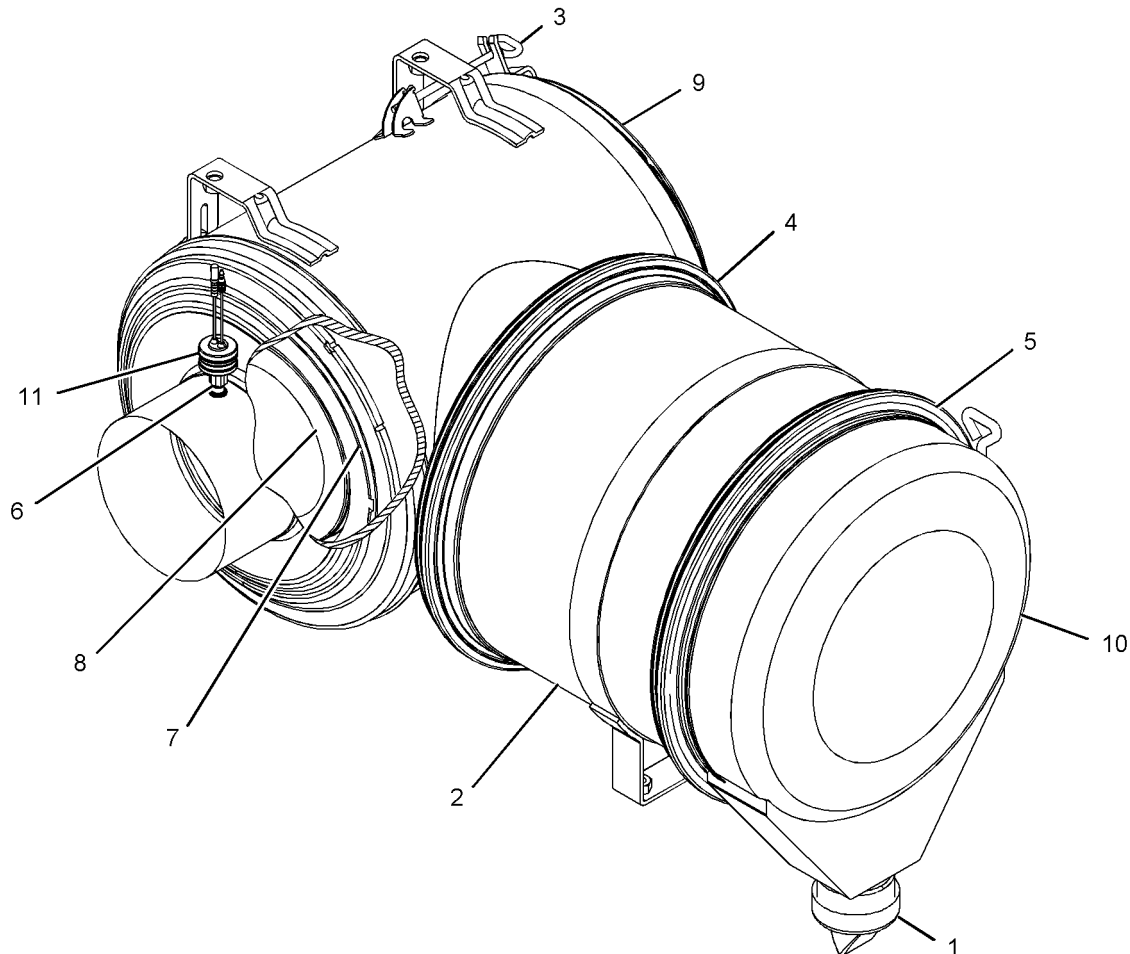
PART OF 233-1186 AIR CLEANER GP

SMCS-1051, 1054

i03530989

NOTE	REF NO	GRAPHIC REF	PART NUMBER	QTY	PART NAME						SEE PAGE
					1	2	3	4	5	6 (PRODUCT LEVEL)	
	1	1	1S-5485	1	VALVE-AIR CLEANER DUST						
	2	1	3R-5818	1	BODY AS						
	3	1	4S-6818	2	ROD AS						
	4	1	6L-3314	1	CLAMP AS						
		1	6L-3362	1	SCREW-MACHINE (3/8-16X2.75-IN)						
		1	6L-3363	1	NUT-SCREW (SQUARE)						
	5	1	6L-3316	1	CLAMP AS						
		1	6L-3364	1	NUT-SQUARE						
		1	6L-3365	1	BOLT-SPECIAL						
	6	1	7W-0629	1	ADAPTER AS-FILTER						
	7	1	106-3969	1	FILTER ELEMENT AS-AIR (PRIMARY) (STANDARD EFFICIENCY)						
					-OR-						
		1	132-7168	1	FILTER ELEMENT AS-AIR (PRIMARY) (ULTRA HIGH EFFICIENCY)						
	8	1	106-3973	1	FILTER ELEMENT AS-AIR (SECONDARY)						
	9	1	111-4376	1	COVER AS						
E		1	7X-2634		SEAL (130-CM)						
	10	1	131-4770	1	CUP AS						
	11	1	162-6208	1	INDICATOR AS-AIR FILTER CHANGE (AIR RESTRICTION)						

E-ORDER BY THE CENTIMETER



GRAPHIC #1

<END>

g01087370

AIR INLET AND EXHAUST SYSTEM

310-9590 AIR CLEANER GP

S/N: MMA255-UP

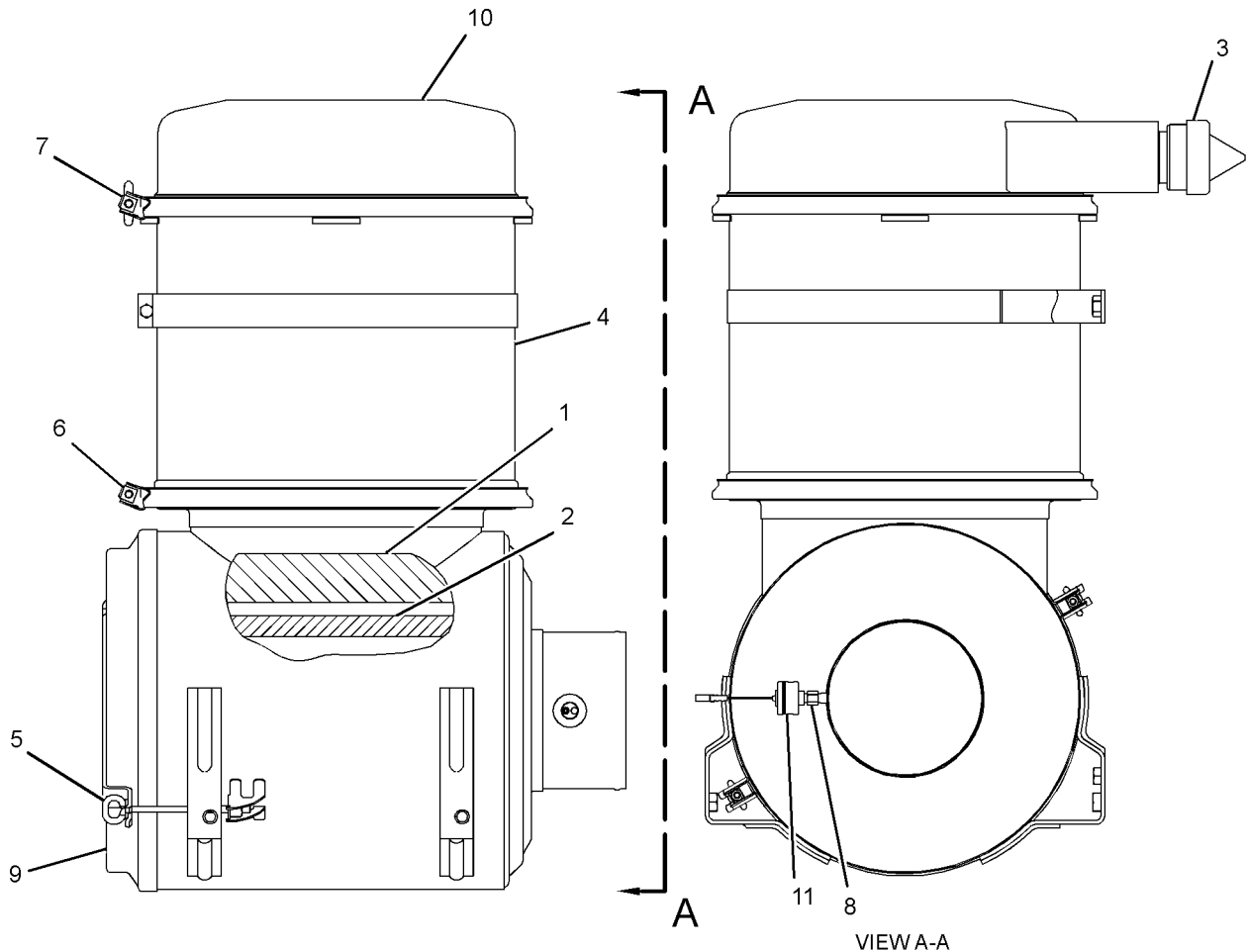
PART OF 233-1186 AIR CLEANER GP

SMCS-1051, 1054

i03135671

NOTE	REF NO	GRAPHIC REF	PART NUMBER	QTY	PART NAME						SEE PAGE
					1	2	3	4	5	6 (PRODUCT LEVEL)	
	1	1	106-3969	1	FILTER ELEMENT AS-AIR (PRIMARY) (STANDARD EFFICIENCY)						
					-OR-						
		1	132-7168	1	FILTER ELEMENT AS-AIR (PRIMARY) (ULTRA HIGH EFFICIENCY)						
	2	1	106-3973	1	FILTER ELEMENT AS-AIR (SECONDARY)						
	3	1	1S-5485	1	VALVE-AIR CLEANER DUST						
	4	1	3R-5818	1	BODY AS						
	5	1	4S-6818	2	ROD AS						
	6	1	6L-3314	1	CLAMP AS						
	7	1	6L-3316	1	CLAMP AS						
	8	1	7W-0629	1	ADAPTER AS-FILTER						
	9	1	310-9602	1	COVER AS						
E		1	7X-2634		SEAL (130-CM)						
	10	1	131-4770	1	CUP AS						
	11	1	162-6208	1	INDICATOR AS-AIR FILTER CHANGE (AIR RESTRICTION)						

E-ORDER BY THE CENTIMETER



GRAPHIC #1

<END>

g01621864

AIR INLET AND EXHAUST SYSTEM

222-8334 EXTENSION GP-EXHAUST

S/N: MMA1-UP

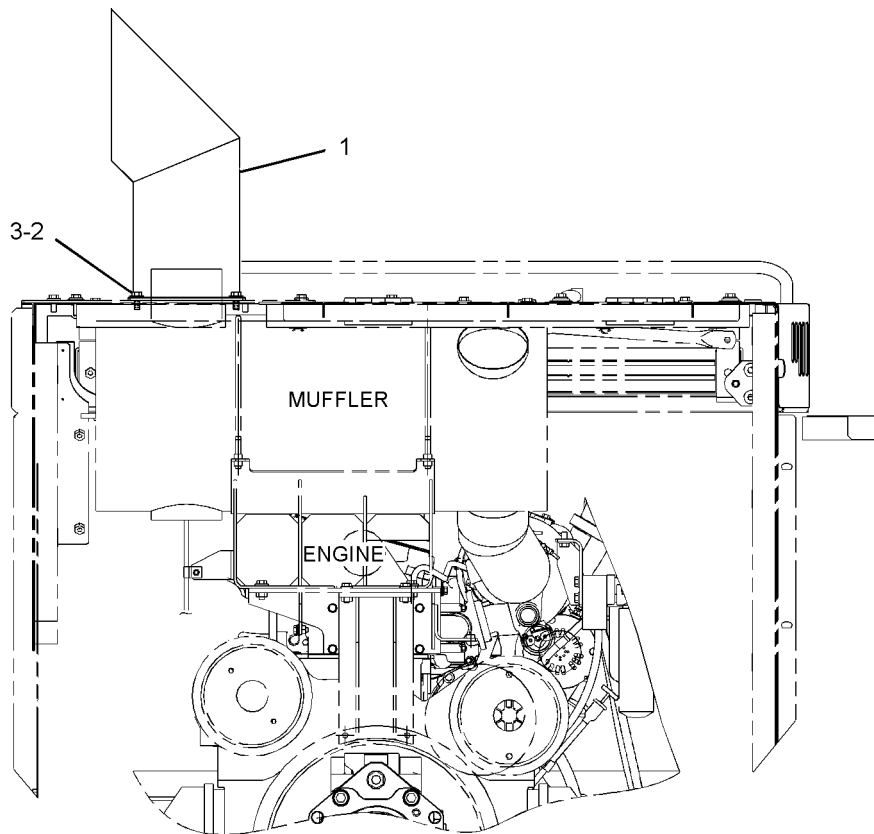
PART OF 222-8318 INSTALLATION AR-ENGINE

SMCS-1061

i02214567

NOTE	REF NO	GRAPHIC REF	PART NUMBER	QTY	PART NAME						SEE PAGE
					1	2	3	4	5	6 (PRODUCT LEVEL)	
	1	1	255-2901	1	TUBE AS						
	2	1	5P-1076	4	WASHER-HARD (13.5X30X4-MM THK)						
M	3	1	8T-4139	4	BOLT (M12X1.75X30-MM)						

M-METRIC PART



RIGHT SIDE VIEW
<END>

GRAPHIC #1

g01072395

AIR INLET AND EXHAUST SYSTEM

126-0081 LINES GP-AIR-TURBOCHARGER OUTLET

S/N: RHX1-530

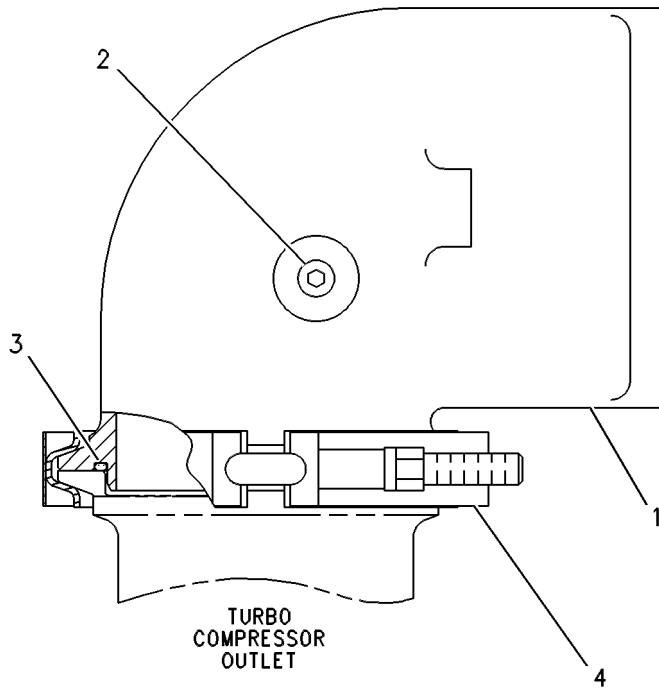
90-DEG OUTLET ELBOW

PART OF 257-4960, 286-9798 ENGINE AR-COMPLETE

SMCS-1071

i00830228

NOTE	REF NO	GRAPHIC REF	PART NUMBER	QTY	PART NAME						SEE PAGE
					1	2	3	4	5	6 (PRODUCT LEVEL)	
	1	1	124-2708	1	ELBOW						
	2	1	8T-6757	1	PLUG-PIPE						
	3	1	8C-3089	1	SEAL-O-RING						
	4	1	127-0929	1	CLAMP						



GRAPHIC #1

<END>

g00251431

AIR INLET AND EXHAUST SYSTEM

126-0081 LINES GP-AIR-TURBOCHARGER OUTLET

S/N: RHX531-UP

90-DEG OUTLET ELBOW

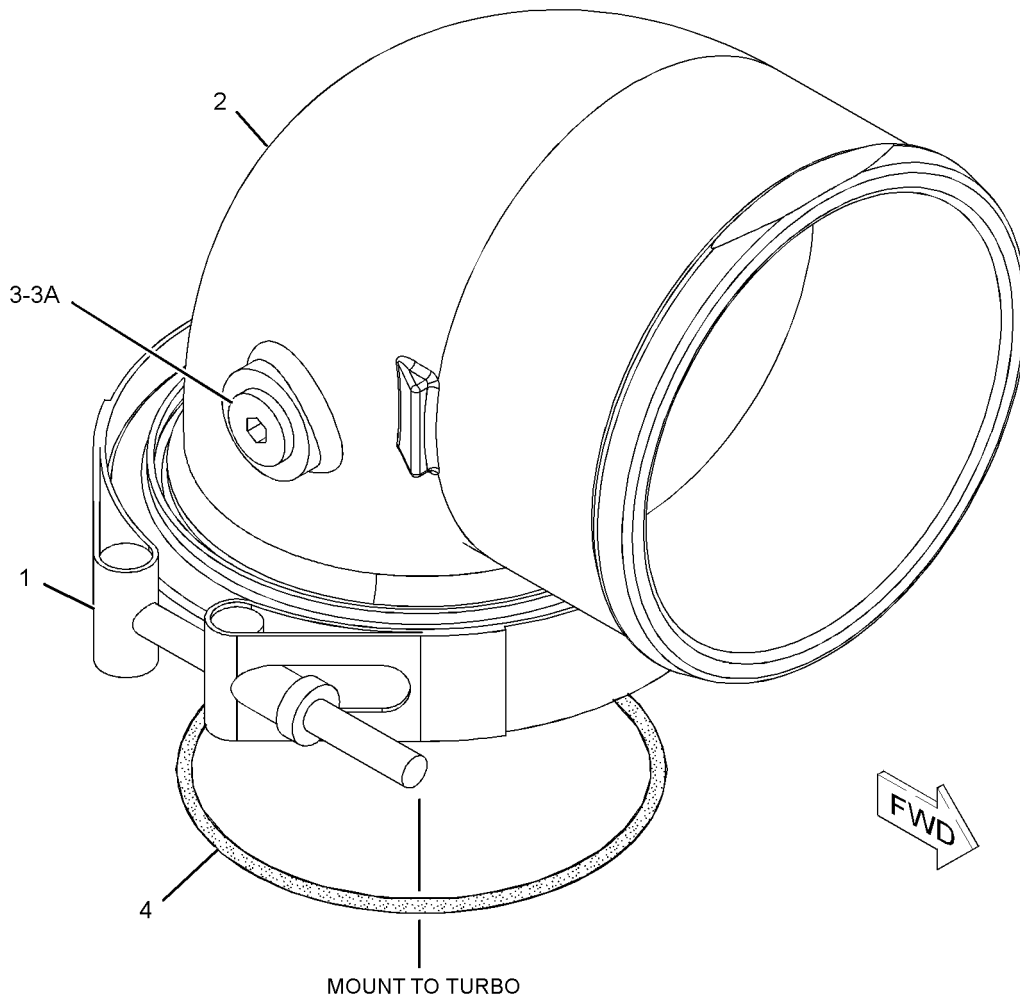
PART OF 257-4960, 286-9798 ENGINE AR-COMplete

SMCS-1071

i02356414

NOTE	REF NO	GRAPHIC REF	PART NUMBER	QTY	PART NAME						SEE PAGE
					1	2	3	4	5	6 (PRODUCT LEVEL)	
	1	1	127-0929	1	CLAMP						
C	2	1	217-8946	1	ELBOW						
C	3	1	183-3409	1	PLUG AS						
	3A	1	033-5853	1	SEAL-O-RING						
		1	9S-8002	1	PLUG-O-RING						
	4	1	8C-3089	1	SEAL-O-RING						

C-CHANGE FROM PREVIOUS TYPE



GRAPHIC #1

<END>

g01154678

AIR INLET AND EXHAUST SYSTEM

210-8155 LINES GP-AIR-AFTERCOOLER TO TURBOCHARGER

S/N: MMA1-UP

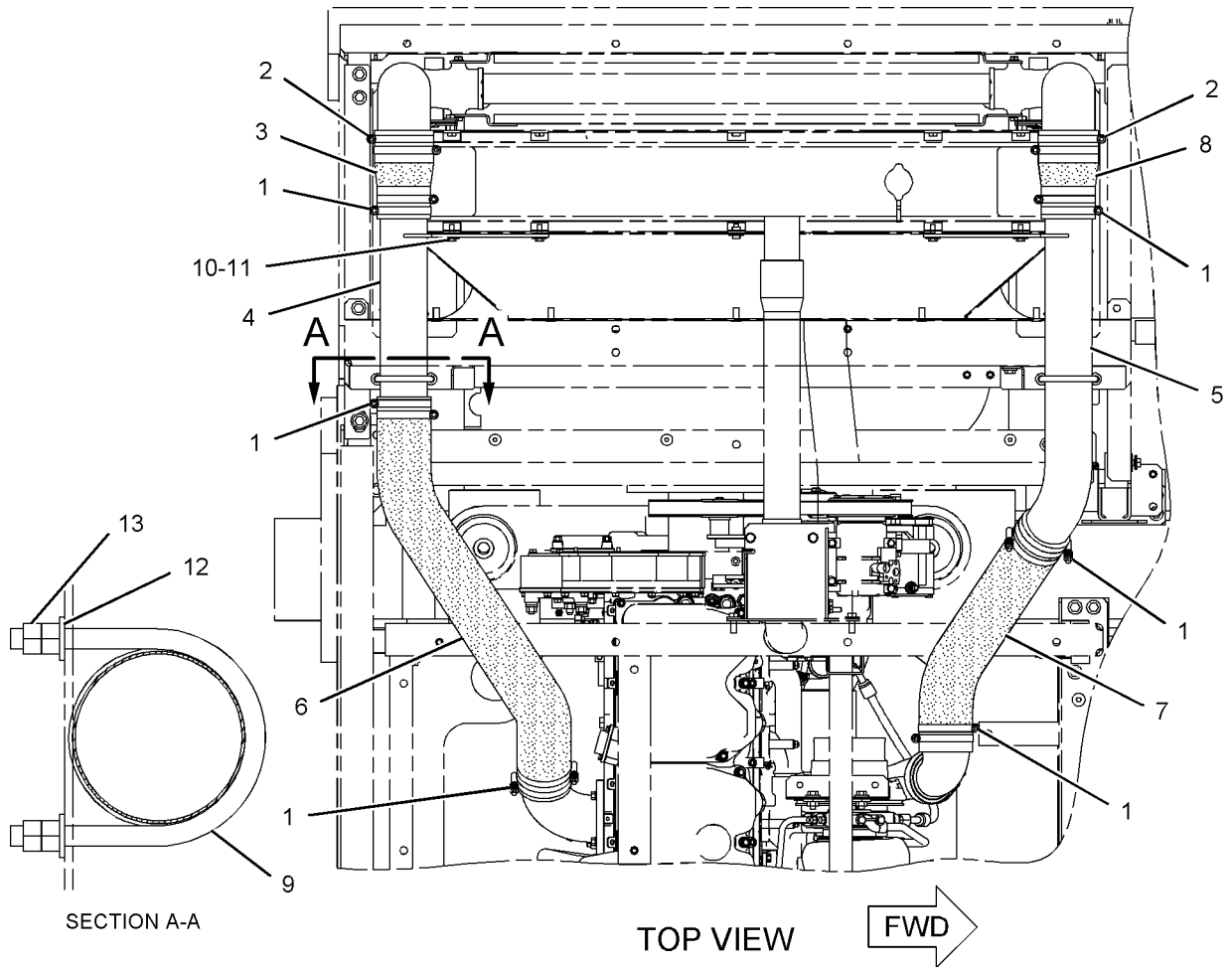
PART OF 222-8318 INSTALLATION AR-ENGINE

SMCS-1071

i02136677

NOTE	REF NO	GRAPHIC REF	PART NUMBER	QTY	PART NAME						SEE PAGE
					1	2	3	4	5	6 (PRODUCT LEVEL)	
	1	1	8T-4986	12	CLAMP-HOSE						
	2	1	9X-6654	4	CLAMP-HOSE						
	3	1	210-8165	1	HOSE						
	4	1	230-2806	1	TUBE AS						
	5	1	230-2808	1	TUBE AS						
	6	1	230-2810	1	HOSE						
	7	1	230-2811	1	HOSE						
	8	1	230-2895	1	HOSE						
	9	1	147-7142	2	U-BOLT						
M	10	1	8T-4195	4	BOLT (M10X1.5X30-MM)						
	11	1	8T-4222	4	WASHER-PLATED (11X32X2.5-MM THK)						
	12	1	8T-4223	4	WASHER-HARD (13.5X25.5X3-MM THK)						
M	13	1	8T-4244	8	NUT (M12X1.75-THD)						

M-METRIC PART



GRAPHIC #1

<END>

g01086133

AIR INLET AND EXHAUST SYSTEM

222-8319 LINES GP-AIR-AIR CLEANER, ALT, TURBOCHARGER

S/N: MMA1-UP

PART OF 222-8318 INSTALLATION AR-ENGINE

SMCS-1071

i03548620

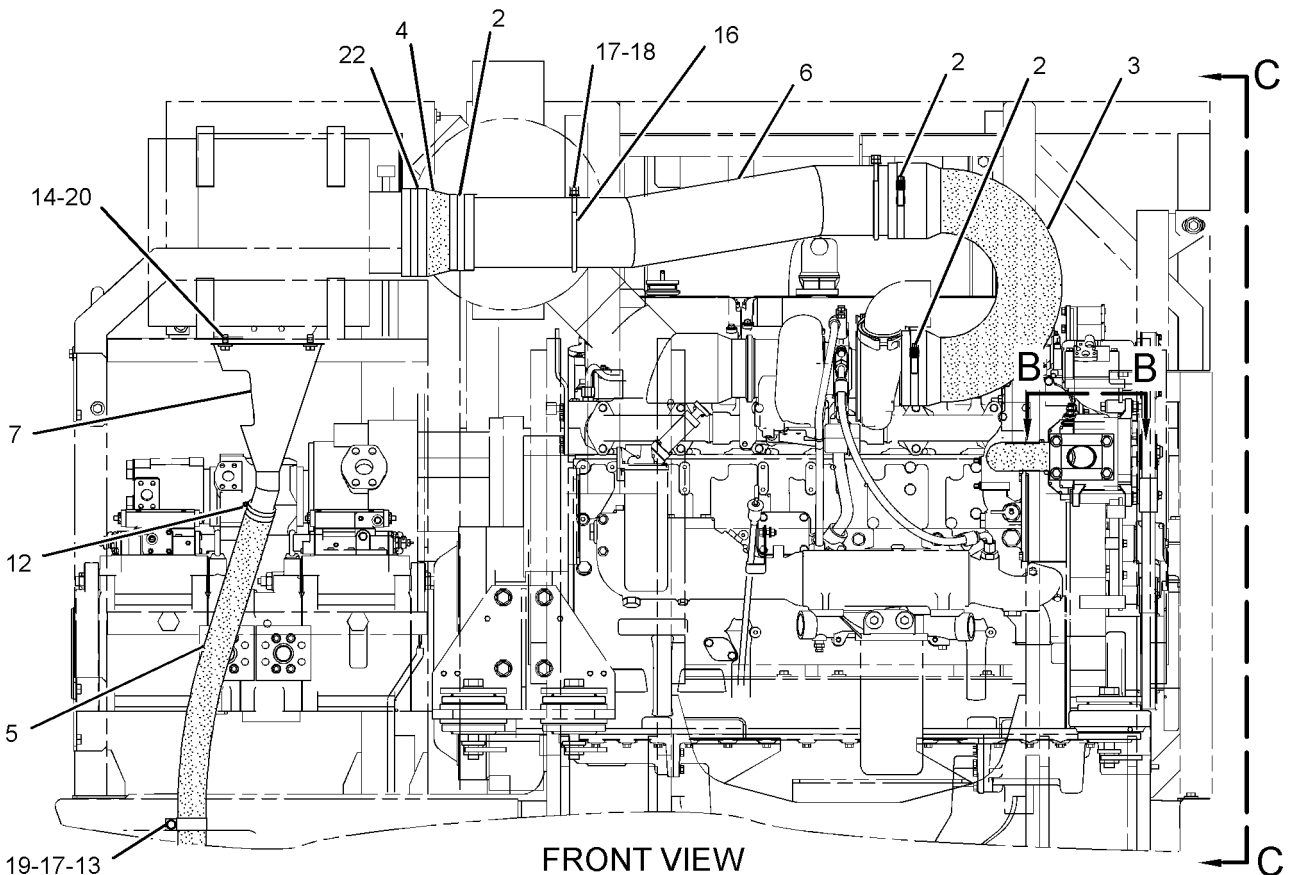
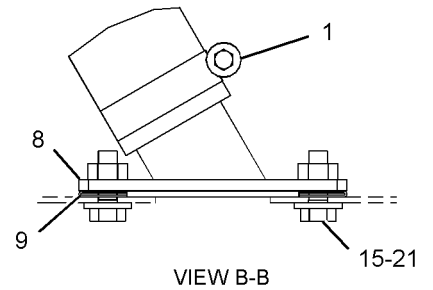
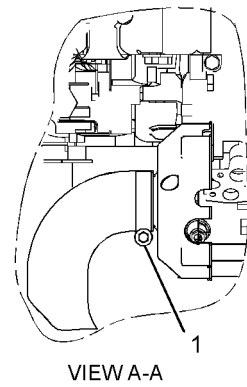
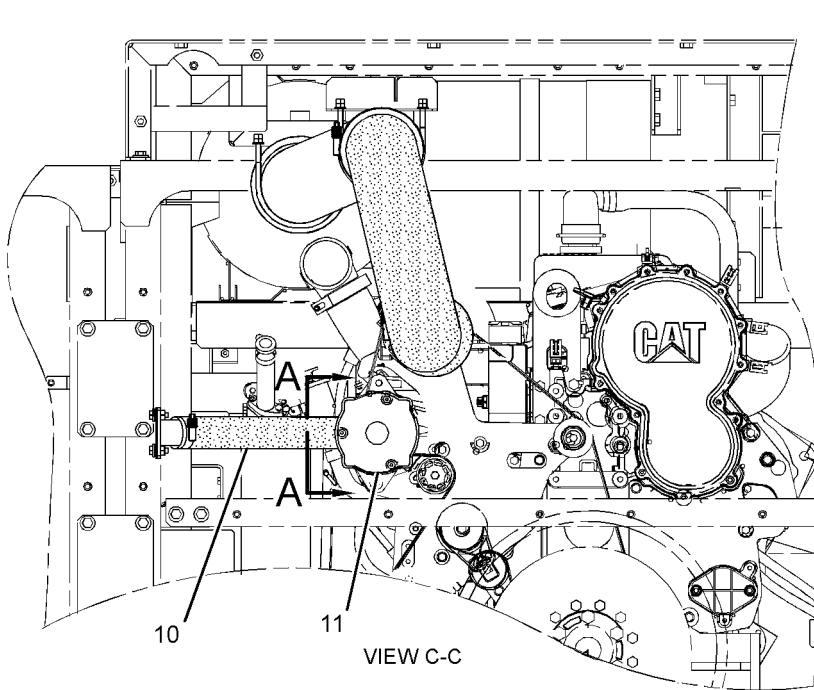
NOTE	REF NO	GRAPHIC REF	PART NUMBER	QTY	PART NAME						SEE PAGE
					1	2	3	4	5	6 (PRODUCT LEVEL)	
	1	1	8T-4984	2	CLAMP-HOSE						
	2	1	8T-4988	3	CLAMP-HOSE						
	3	1	171-9017	1	HOSE						
	4	1	171-9018	1	HOSE						
	5	1	201-3738	1	HOSE						
	6	1	233-1143	1	TUBE AS						
	7	1	233-1192	1	PLATE AS						
	8	1	239-6639	1	TUBE AS						
	9	1	239-6640	1	SCREEN AS						
	10	1	239-6641	1	HOSE						
	11	1	239-7853	1	GUARD						
	12	1	095-1392	1	CLAMP-HOSE						
	13	1	104-3173	1	CLIP						
	14	1	5P-1076	4	WASHER-HARD (13.5X30X4-MM THK)						
	15	1	7X-7729	4	WASHER (11X25X3-MM THK)						
	16	1	7Y-1275	2	U-BOLT						
	17	1	8T-4121	5	WASHER-HARD (11X21X2.5-MM THK)						
M	18	1	8T-4133	8	NUT (M10X1.5-THD)						
M	19	1	8T-4136	1	BOLT (M10X1.5X25-MM)						
M	20	1	8T-4192	4	BOLT (M12X1.75X25-MM)						
M	21	1	8T-4195	4	BOLT (M10X1.5X30-MM)						
	22	1	8T-4989	1	CLAMP-HOSE						

M-METRIC PART

AIR INLET AND EXHAUST SYSTEM

222-8319 LINES GP-AIR (contd.)

i03548620



FRONT VIEW

<END>

GRAPHIC #1

g01225398

AIR INLET AND EXHAUST SYSTEM

263-1129 LINES GP-AIR

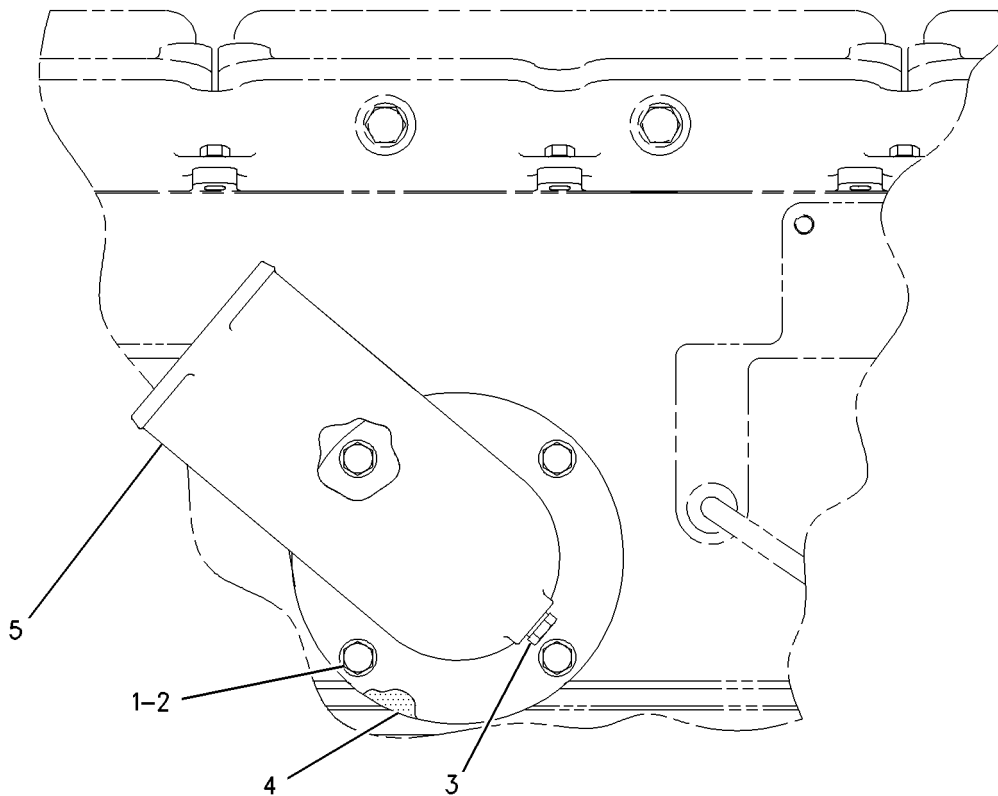
S/N: RHX1-3880

PART OF 257-4960, 286-9798 ENGINE AR-COMplete

SMCS-1071

i02218905

NOTE	REF NO	GRAPHIC REF	PART NUMBER	QTY	PART NAME						SEE PAGE
					1	2	3	4	5	6 (PRODUCT LEVEL)	
1	1	1	0S-1588	2	BOLT (3/8-16X1.25-IN)						
2	1	1	5M-2894	2	WASHER-HARD (10.2X18.5X2.5-MM THK)						
3	1	1	8T-6765	1	PLUG-PIPE						
4	1	1	101-3125	1	GASKET (AIR INLET MANIFOLD)						
5	1	1	125-5032	1	ELBOW						



LEFT SIDE VIEW

GRAPHIC #1

<END>

g01120263

AIR INLET AND EXHAUST SYSTEM

263-1129 LINES GP-AIR

S/N: RHX3881-UP

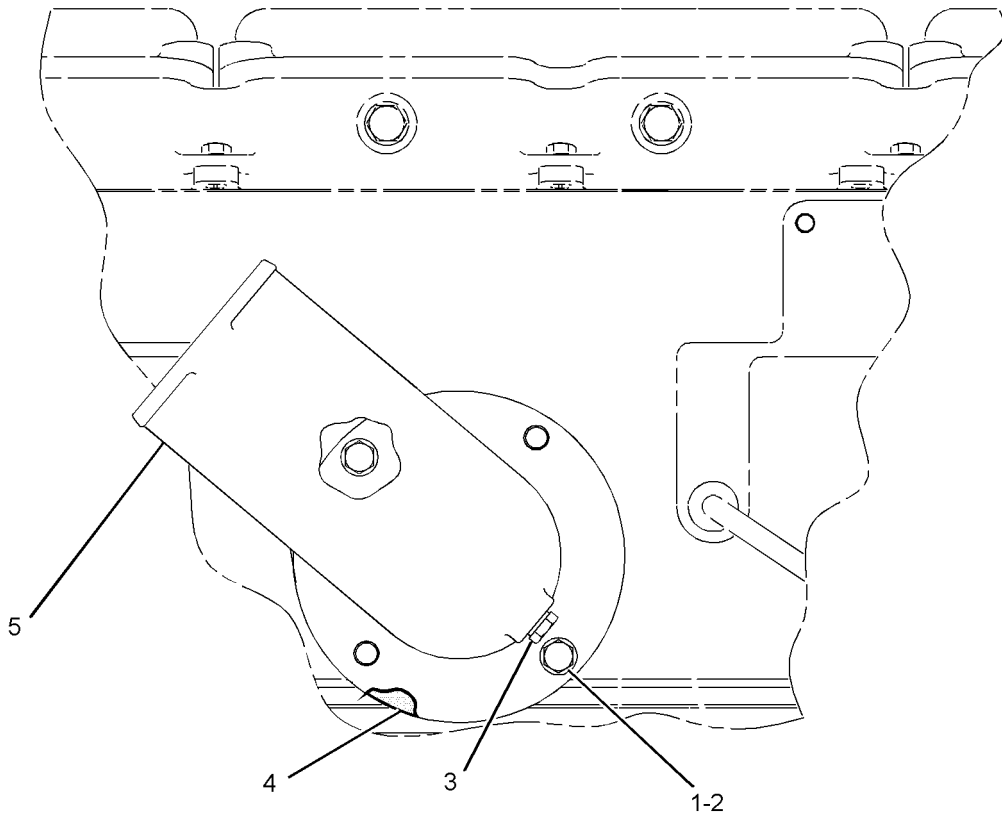
PART OF 286-9798 ENGINE AR-COMPLETE

SMCS-1071

i02593495

NOTE	REF NO	GRAPHIC REF	PART NUMBER	QTY	PART NAME						SEE PAGE
					1	2	3	4	5	6 (PRODUCT LEVEL)	
C	1	1	0S-1588	1	BOLT (3/8-16X1.25-IN)						
C	2	1	5M-2894	1	WASHER-HARD (10.2X18.5X2.5-MM THK)						
	3	1	8T-6765	1	PLUG-PIPE						
	4	1	101-3125	1	GASKET (AIR INLET MANIFOLD)						
	5	1	125-5032	1	ELBOW						

C-CHANGE FROM PREVIOUS TYPE



LEFT
SIDE
VIEW

GRAPHIC #1

<END>

g01298049

AIR INLET AND EXHAUST SYSTEM

222-8321 LINES GP-MUFFLER DRAIN

S/N: MMA1-UP

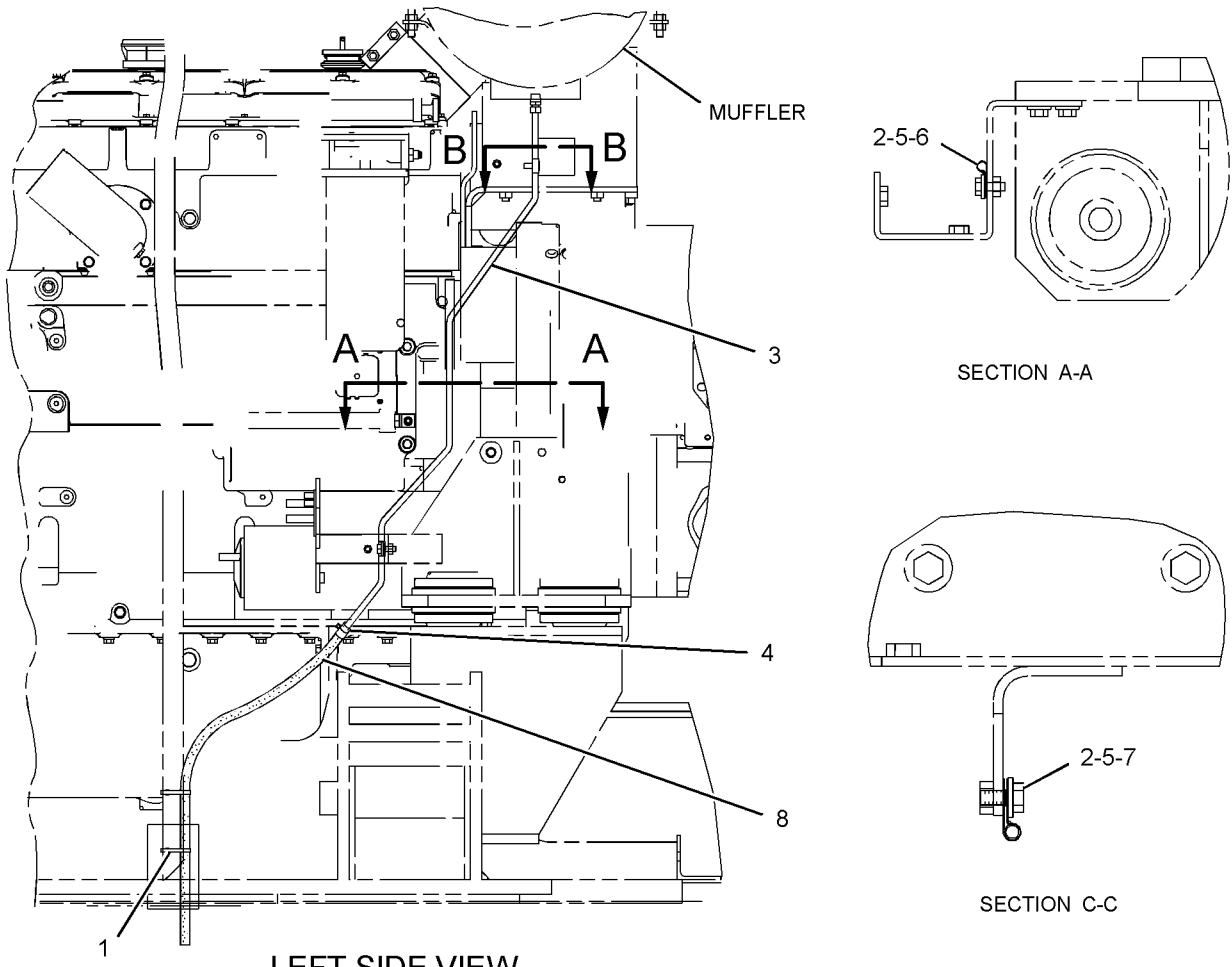
PART OF 222-8318 INSTALLATION AR-ENGINE

SMCS-1062

i02136717

NOTE	REF NO	GRAPHIC REF	PART NUMBER	QTY	PART NAME						SEE PAGE
					1	2	3	4	5	6 (PRODUCT LEVEL)	
	1	1	7K-1181	2	STRAP - CABLE						
	2	1	151-6641	2	CLIP						
	3	1	239-6638	1	TUBE AS						
	4	1	5P-4961	1	CLAMP - HOSE						
	5	1	7X-7729	2	WASHER (11X25X3-MM THK)						
M	6	1	8T-4136	1	BOLT (M10X1.5X25-MM)						
M	7	1	8T-4137	1	BOLT (M10X1.5X20-MM)						
E	8	1	5P-1442		HOSE (72-CM)						

E-ORDER BY THE CENTIMETER
M-METRIC PART



LEFT SIDE VIEW

GRAPHIC #1

<END>

g01086717

AIR INLET AND EXHAUST SYSTEM

220-6372 MANIFOLD GP-EXHAUST

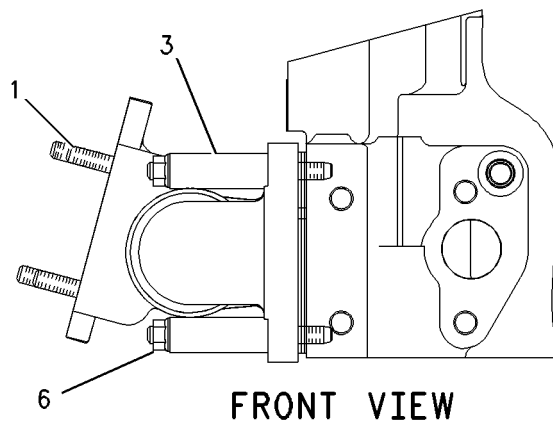
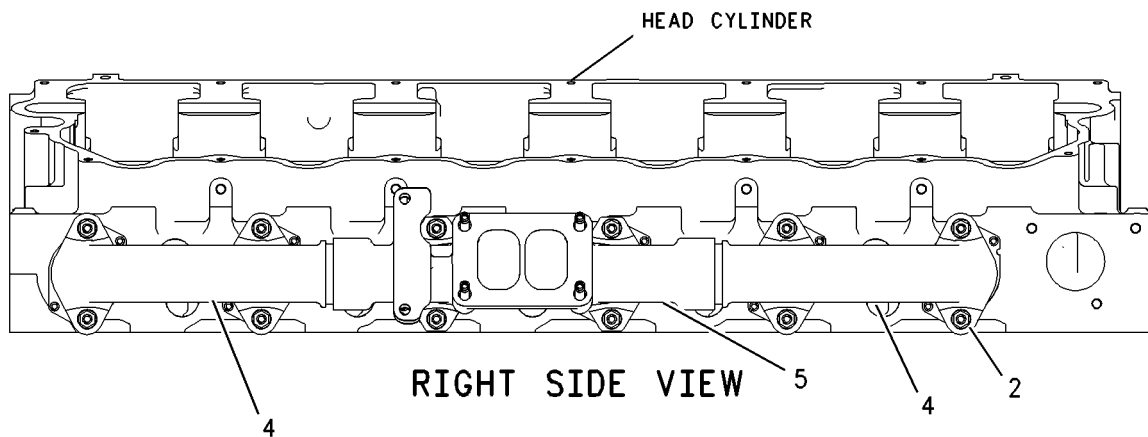
S/N: RHX1-UP

PART OF 257-4960, 286-9798 ENGINE AR-COMplete

SMCS-1059

i02869543

NOTE	REF NO	GRAPHIC REF	PART NUMBER	QTY	PART NAME						SEE PAGE
					1	2	3	4	5	6 (PRODUCT LEVEL)	
	1	1	238-4665	4	STUD-TAPERLOCK (3/8-16-THD) (HIGH TEMPERATURE)						
	2	1	106-1792	12	STUD-TAPERLOCK (3/8-16X4-IN) (HIGH TEMPERATURE)						
	3	1	108-3612	12	SPACER (11.13X19.05X53-MM THK)						
	4	1	133-3359	2	MANIFOLD-EXHAUST (END)						
	5	1	221-1426	1	MANIFOLD-EXHAUST (CENTER)						
	6	1	168-7800	12	LOCKNUT (3/8-16-THD)						



GRAPHIC #1

<END>

g01002978

AIR INLET AND EXHAUST SYSTEM

222-8255 MUFFLER GP

S/N: MMA1-249

PART OF 255-2882 ENGINE AR

SMCS-1062

i03650885

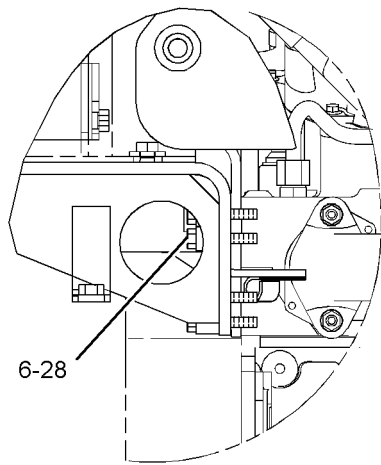
NOTE	REF NO	GRAPHIC REF	PART NUMBER	QTY	PART NAME						SEE PAGE
					1	2	3	4	5	6 (PRODUCT LEVEL)	
	1	1	4W-9160	1	CLAMP-V BAND						
	2	3	6W-2928	1	BOSS						
	3	1	7Y-1729	1	GASKET						
	4	1	149-4741	2	WASHER (13.5X25.5X3-MM THK)						
	5	1	171-9049	1	BRACKET AS						
	6	1	205-6716	7	SPACER (10.5X20X19-MM THK)						
	7	3	217-5449	2	SPACER (10.5X20X29-MM THK)						
	8	1	233-1177	1	BRACKET AS						
	9	1	233-1184	1	BRACKET AS						
	10	1	233-1188	2	U-BOLT						
	11	3	233-1189	1	MUFFLER AS						
	12	1	233-1190	1	TUBE AS						
	13	2	239-6444	1	PLATE						
	14	2	239-6446	1	PLATE						
	15	2	239-6473	1	PLATE						
	16	3	255-2918	1	SUPPORT AS						
	17	1	255-2968	1	CLAMP AS						
	18	2	266-6234	1	PLATE AS						
	19	3	266-6236	1	COVER AS						
	20	2	091-9035	1	SPACER (11X25X20-MM THK)						
M	21	1	149-0206	2	NUT-HEX (M12X1.75-THD)						
M	22	1	268-4770	2	BOLT (M12X1.75X60-MM)						
	23	2,3	4L-9337	3	BOLT (3/8-16X1.5-IN)						
	24	1	5P-1076	4	WASHER-HARD (13.5X30X4-MM THK)						
	25	3	5P-4116	5	WASHER-HARD (8.8X20.5X2-MM THK)						
	26	3	6K-8178	1	CLIP						
	27	3	7X-0289	3	BOLT (3/8-16X1.875-IN)						
	28	1	8T-2501	7	BOLT (3/8-16X2-IN)						
	29	3	8T-4121	1	WASHER-HARD (11X21X2.5-MM THK)						
M	30	3	8T-4136	1	BOLT (M10X1.5X25-MM)						
M	31	2,3	8T-4189	9	BOLT (M8X1.25X20-MM)						
	32	1	8T-4223	2	WASHER-HARD (13.5X25.5X3-MM THK)						
	33	2,3	8T-4224	8	WASHER-HARD (8.8X16X2-MM THK)						
M	34	1	8T-4244	8	NUT (M12X1.75-THD)						
	35	2,3	8T-4896	4	WASHER-HARD (10.2X18.5X2.5-MM THK)						
M	36	2,3	8T-4908	4	BOLT (M8X1.25X25-MM)						
M	37	1	8T-4956	6	BOLT (M12X1.75X35-MM)						

M-METRIC PART

AIR INLET AND EXHAUST SYSTEM

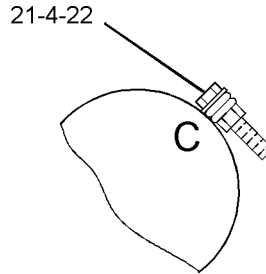
222-8255 MUFFLER GP (contd.)

i03650885



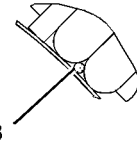
6-28

VIEW OF AREA A



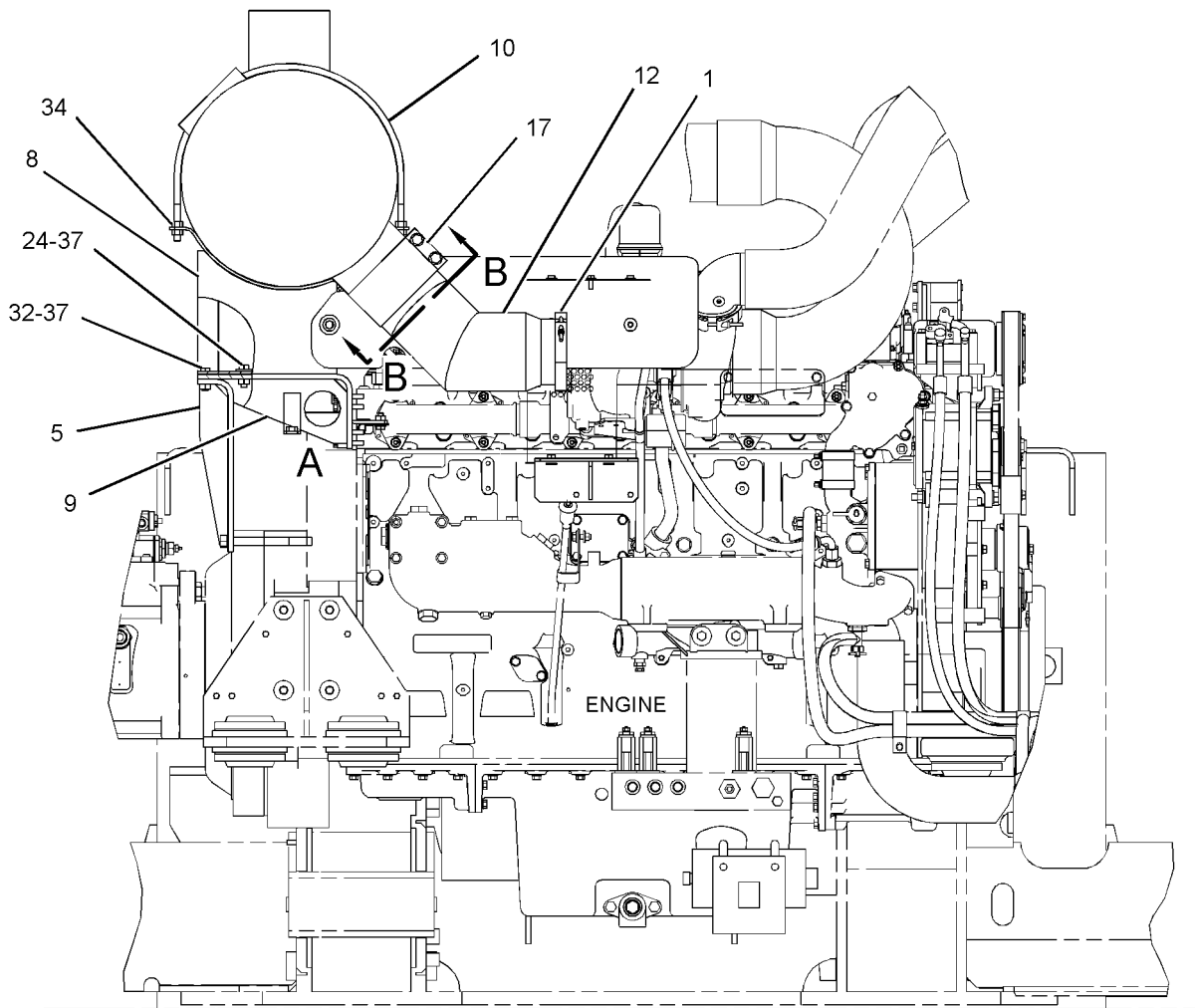
21-4-22

SECTION B-B



3

VIEW OF AREA C



ENGINE

TOP OF SWING
ARM BEARING

FRONT SIDE VIEW

GRAPHIC #1

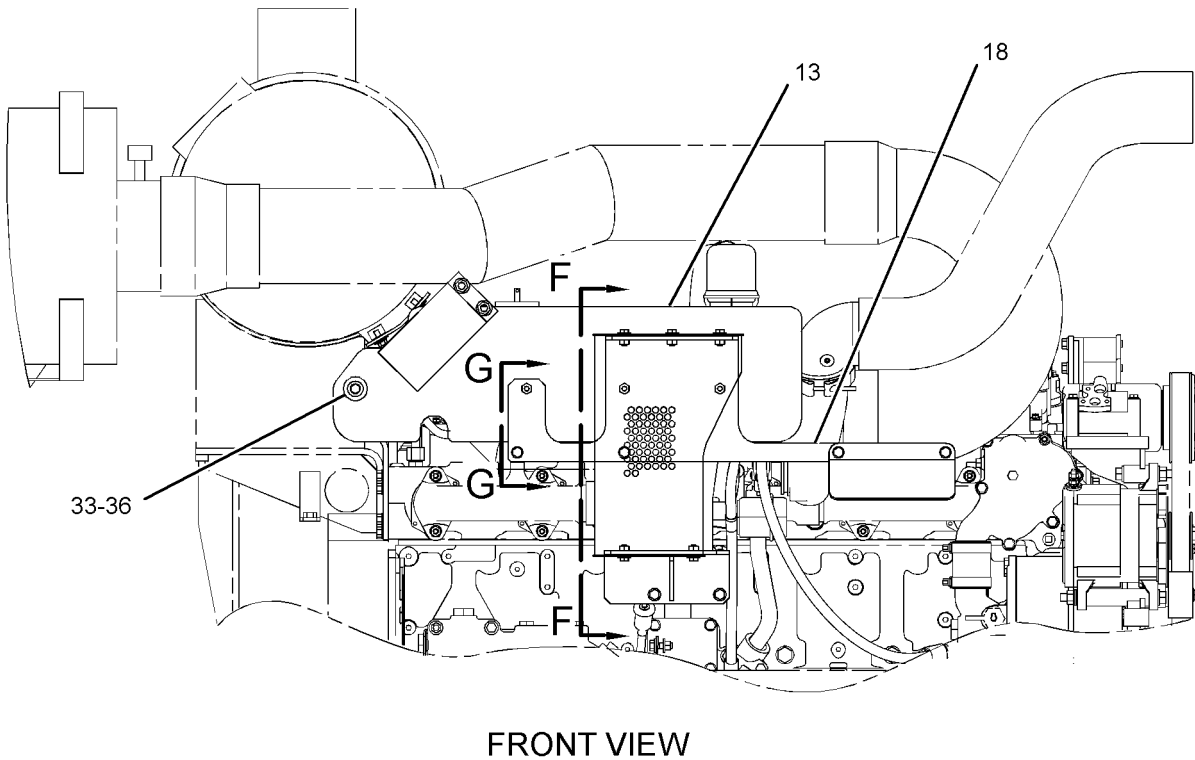
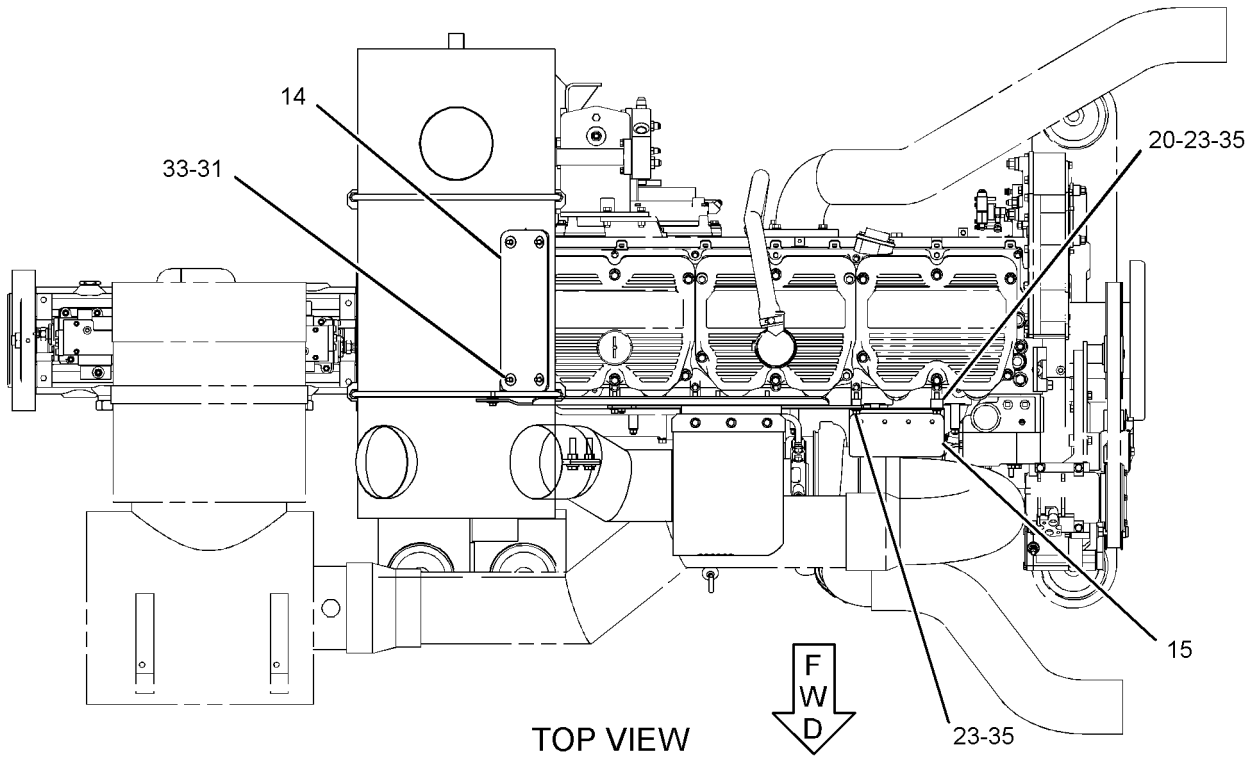
g01869003

AIR INLET AND EXHAUST SYSTEM

222-8255 MUFFLER GP (contd.)

i03650885

REFER TO ALL ILLUSTRATIONS OF THIS GROUP FOR AUXILIARY VIEWS



GRAPHIC #2

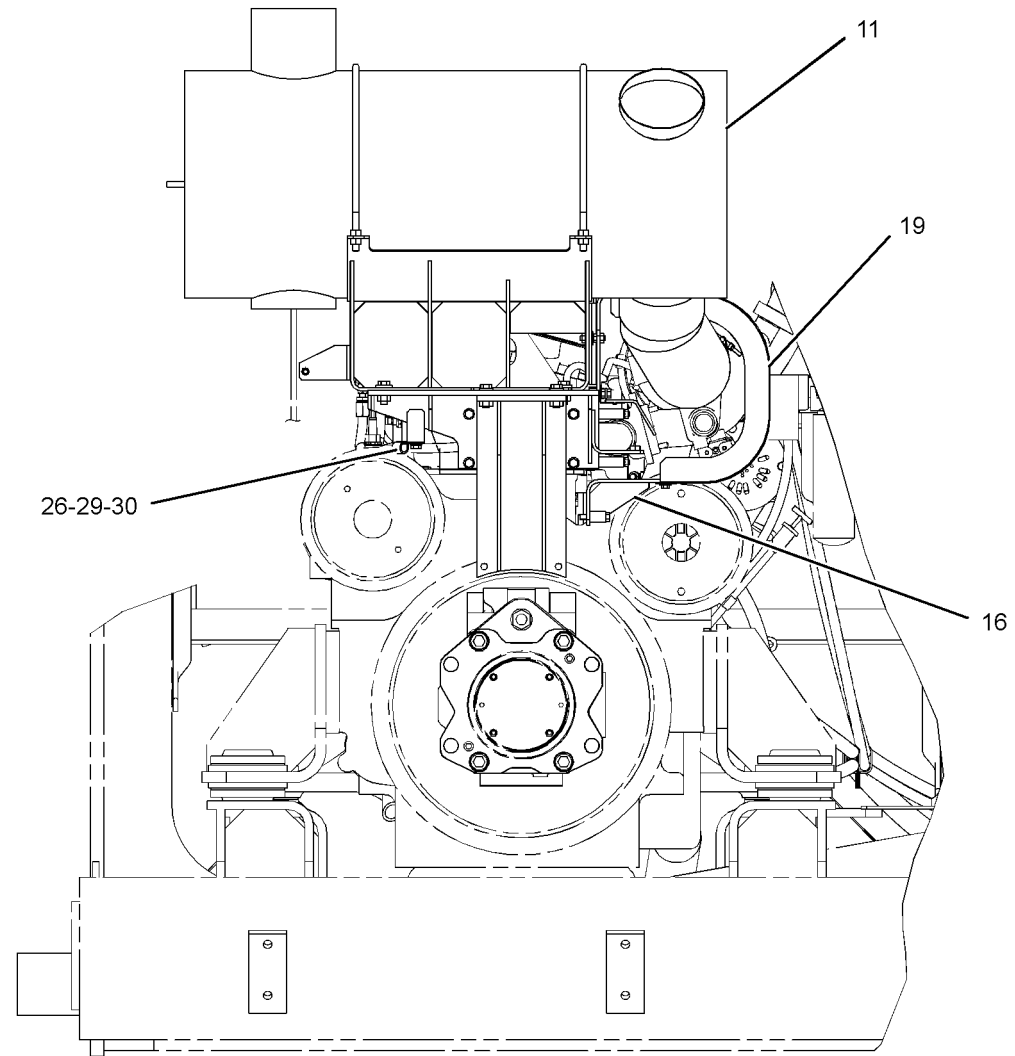
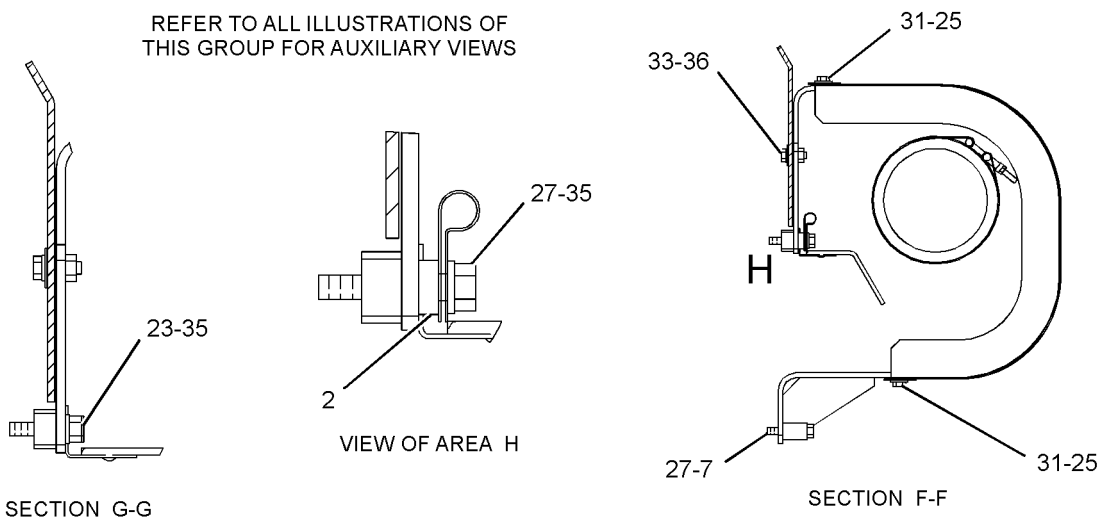
g01234068

AIR INLET AND EXHAUST SYSTEM

222-8255 MUFFLER GP (contd.)

i03650885

REFER TO ALL ILLUSTRATIONS OF THIS GROUP FOR AUXILIARY VIEWS



GRAPHIC #3

<END>

g01869013

AIR INLET AND EXHAUST SYSTEM

222-8255 MUFFLER GP

S/N: MMA250-253

PART OF 255-2882 ENGINE AR

SMCS-1062

i02702385

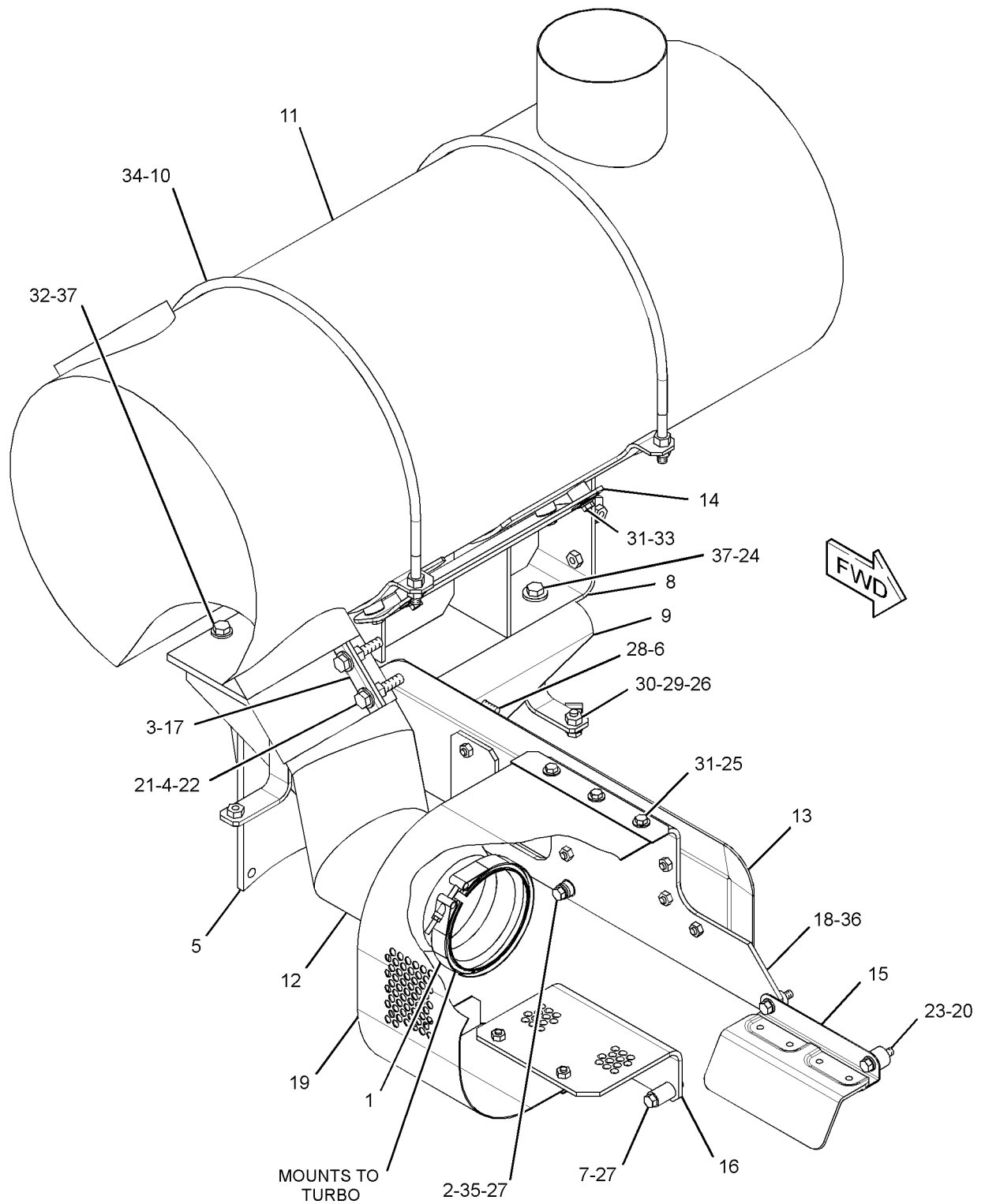
NOTE	REF NO	GRAPHIC REF	PART NUMBER	QTY	PART NAME						SEE PAGE
					1	2	3	4	5	6 (PRODUCT LEVEL)	
	1	1	4W-9160	1	CLAMP-V BAND						
	2	1	6W-2928	1	BOSS						
	3	1	7Y-1729	1	GASKET						
	4	1	149-4741	2	WASHER (13.5X25.5X3-MM THK)						
	5	1	171-9049	1	BRACKET AS						
	6	1	205-6716	7	SPACER (10.5X20X19-MM THK)						
	7	1	217-5449	2	SPACER (10.5X20X29-MM THK)						
	8	1	233-1177	1	BRACKET AS						
	9	1	233-1184	1	BRACKET AS						
	10	1	233-1188	2	U-BOLT						
	11	1	233-1189	1	MUFFLER AS						
	12	1	233-1190	1	TUBE AS						
C	13	1	279-7788	1	PLATE						
	14	1	239-6446	1	PLATE						
	15	1	239-6473	1	PLATE						
	16	1	255-2918	1	SUPPORT AS						
	17	1	255-2968	1	CLAMP AS						
C	18	1	279-7791	1	PLATE AS						
	19	1	266-6236	1	COVER AS						
	20	1	091-9035	1	SPACER (11X25X20-MM THK)						
M	21	1	149-0206	2	NUT-HEX (M12X1.75-THD)						
M	22	1	268-4770	2	BOLT (M12X1.75X60-MM)						
	23	1	4L-9337	3	BOLT (3/8-16X1.5-IN)						
	24	1	5P-1076	4	WASHER-HARD (13.5X30X4-MM THK)						
	25	1	5P-4116	5	WASHER-HARD (8.8X20.5X2-MM THK)						
	26	1	6K-8178	1	CLIP						
	27	1	7X-0289	3	BOLT (3/8-16X1.875-IN)						
	28	1	8T-2501	7	BOLT (3/8-16X2-IN)						
	29	1	8T-4121	1	WASHER-HARD (11X21X2.5-MM THK)						
M	30	1	8T-4136	1	BOLT (M10X1.5X25-MM)						
M	31	1	8T-4189	9	BOLT (M8X1.25X20-MM)						
	32	1	8T-4223	2	WASHER-HARD (13.5X25.5X3-MM THK)						
C	33	1	8T-4224	12	WASHER-HARD (8.8X16X2-MM THK)						
M	34	1	8T-4244	8	NUT (M12X1.75-THD)						
	35	1	8T-4896	4	WASHER-HARD (10.2X18.5X2.5-MM THK)						
CM	36	1	8T-4908	8	BOLT (M8X1.25X25-MM)						
M	37	1	8T-4956	6	BOLT (M12X1.75X35-MM)						

C-CHANGE FROM PREVIOUS TYPE
M-METRIC PART

AIR INLET AND EXHAUST SYSTEM

222-8255 MUFFLER GP (contd.)

i02702385



GRAPHIC #1

<END>

g01366929

AIR INLET AND EXHAUST SYSTEM

222-8255 MUFFLER GP

S/N: MMA254-258

PART OF 255-2882 ENGINE AR

SMCS-1062

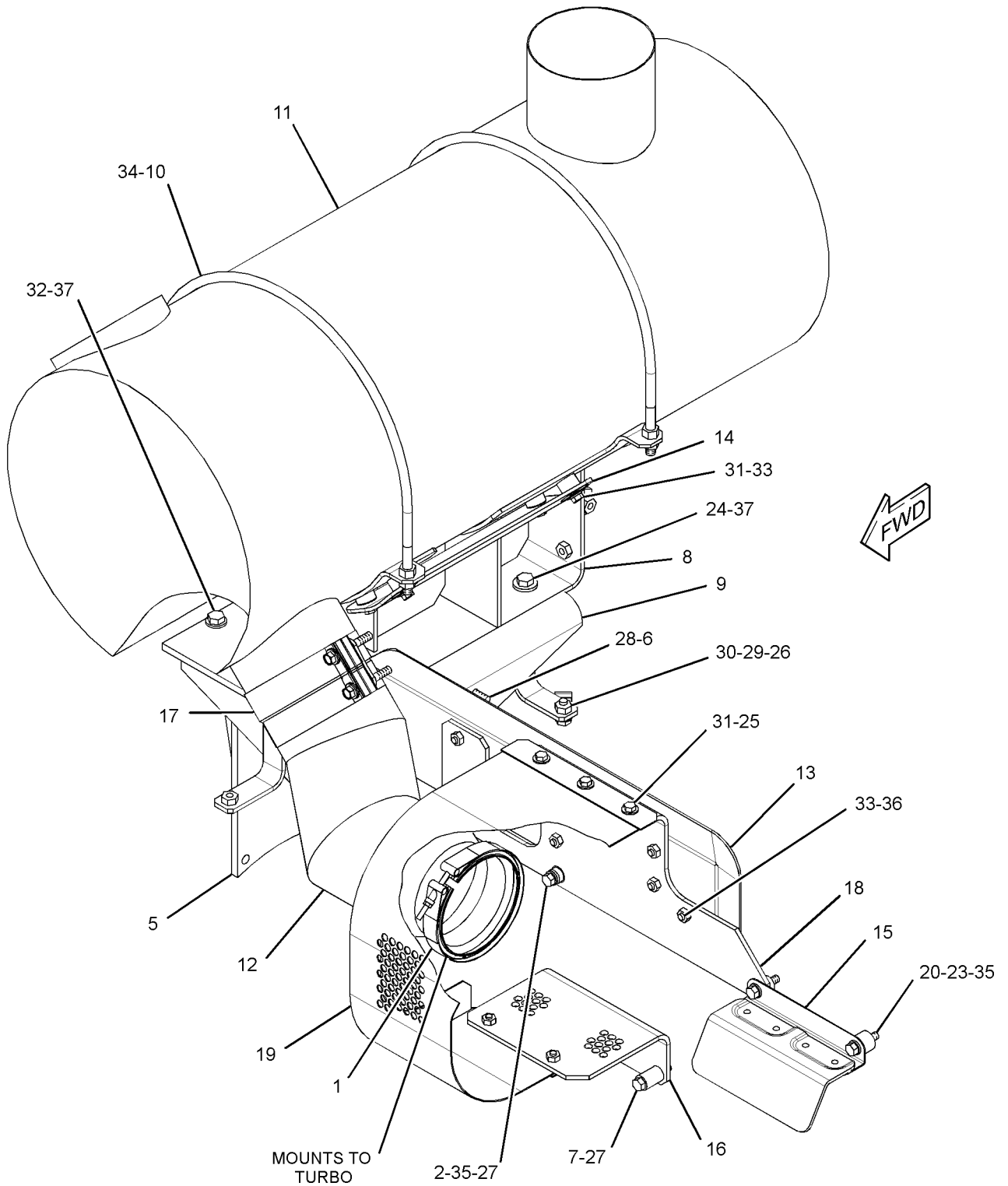
i03087882

NOTE	REF NO	GRAPHIC REF	PART NUMBER	QTY	PART NAME						SEE PAGE
					1	2	3	4	5	6 (PRODUCT LEVEL)	
	1	1	4W-9160	1	CLAMP-V BAND						
	2	1	6W-2928	1	BOSS						
	5	1	171-9049	1	BRACKET AS						
	6	1	205-6716	7	SPACER (10.5X20X19-MM THK)						
	7	1	217-5449	2	SPACER (10.5X20X29-MM THK)						
	8	1	233-1177	1	BRACKET AS						
	9	1	233-1184	1	BRACKET AS						
	10	1	233-1188	2	U-BOLT						
	11	1	233-1189	1	MUFFLER AS						
	12	1	233-1190	1	TUBE AS						
	13	1	279-7788	1	PLATE						
	14	1	239-6446	1	PLATE						
	15	1	239-6473	1	PLATE						
	16	1	255-2918	1	SUPPORT AS						
C	17	1	289-2492	1	CLAMP-MUFFLER						
	18	1	279-7791	1	PLATE AS						
	19	1	266-6236	1	COVER AS						
	20	1	091-9035	1	SPACER (11X25X20-MM THK)						
	23	1	4L-9337	3	BOLT (3/8-16X1.5-IN)						
	24	1	5P-1076	4	WASHER-HARD (13.5X30X4-MM THK)						
	25	1	5P-4116	5	WASHER-HARD (8.8X20.5X2-MM THK)						
	26	1	6K-8178	1	CLIP						
	27	1	7X-0289	3	BOLT (3/8-16X1.875-IN)						
	28	1	8T-2501	7	BOLT (3/8-16X2-IN)						
	29	1	8T-4121	1	WASHER-HARD (11X21X2.5-MM THK)						
M	30	1	8T-4136	1	BOLT (M10X1.5X25-MM)						
M	31	1	8T-4189	9	BOLT (M8X1.25X20-MM)						
	32	1	8T-4223	2	WASHER-HARD (13.5X25.5X3-MM THK)						
	33	1	8T-4224	12	WASHER-HARD (8.8X16X2-MM THK)						
M	34	1	8T-4244	8	NUT (M12X1.75-THD)						
	35	1	8T-4896	4	WASHER-HARD (10.2X18.5X2.5-MM THK)						
M	36	1	8T-4908	8	BOLT (M8X1.25X25-MM)						
M	37	1	8T-4956	6	BOLT (M12X1.75X35-MM)						
C-CHANGE FROM PREVIOUS TYPE											
M-METRIC PART											

AIR INLET AND EXHAUST SYSTEM

222-8255 MUFFLER GP (contd.)

i03087882



GRAPHIC #1

<END>

g01579125

AIR INLET AND EXHAUST SYSTEM

222-8255 MUFFLER GP

S/N: MMA259-268

PART OF 255-2882 ENGINE AR

SMCS-1062

i03242687

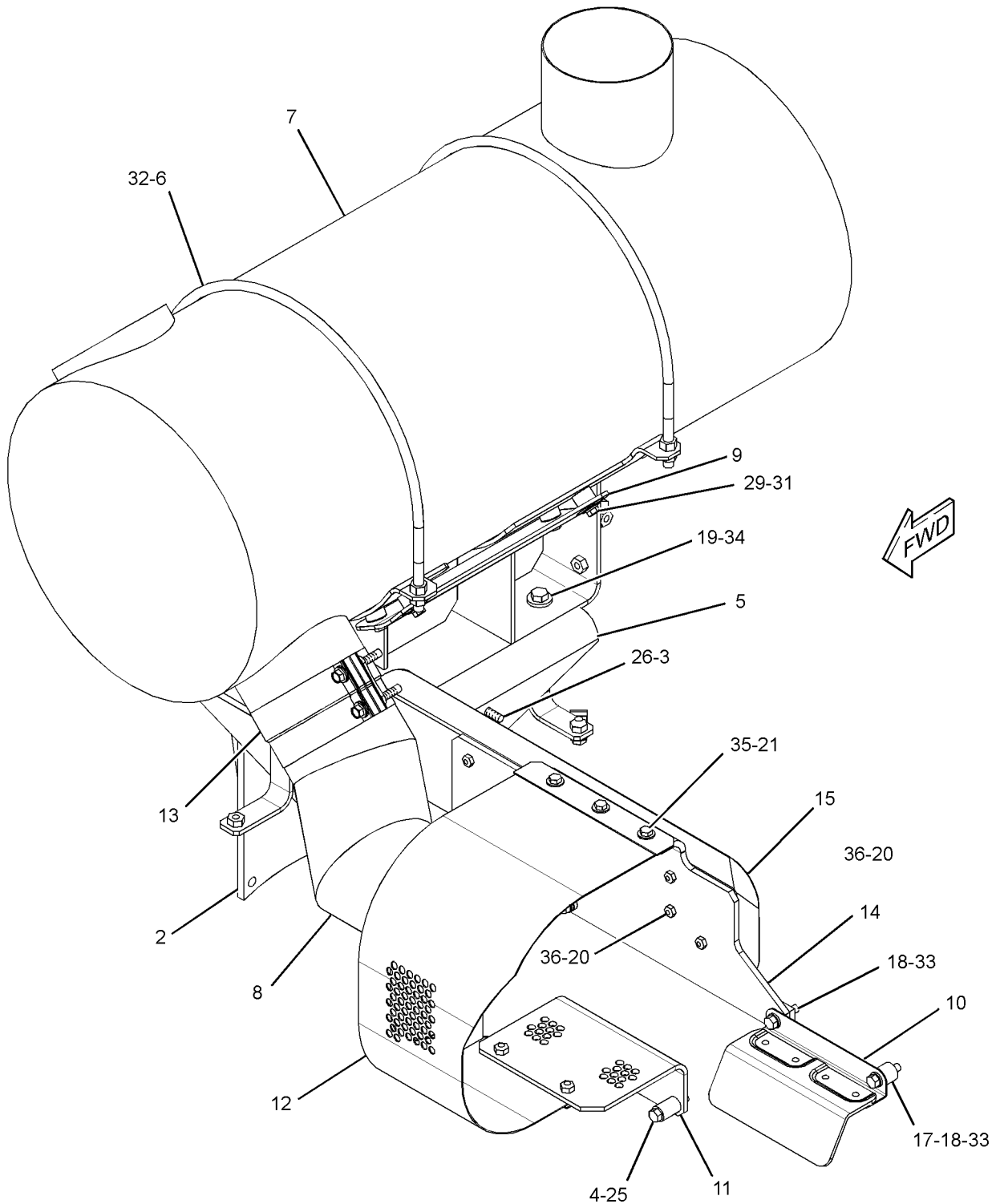
NOTE	REF NO	GRAPHIC REF	PART NUMBER	QTY	PART NAME						SEE PAGE
					1	2	3	4	5	6 (PRODUCT LEVEL)	
	1	2	4W-9160	1	CLAMP-V BAND						
	2	1	171-9049	1	BRACKET AS						
	3	1	205-6716	7	SPACER (10.5X20X19-MM THK)						
	4	1	217-5449	2	SPACER (10.5X20X29-MM THK)						
	5	1	233-1184	1	BRACKET AS						
	6	1	233-1188	2	U-BOLT						
	7	1	233-1189	1	MUFFLER AS						
	8	1	233-1190	1	TUBE AS						
	9	1	239-6446	1	PLATE						
	10	1	239-6473	1	PLATE						
	11	1	255-2918	1	SUPPORT AS						
	12	1	266-6236	1	COVER AS						
	13	1	289-2492	1	CLAMP-MUFFLER						
	14	1	310-9760	1	PLATE AS						
	15	1	310-9504	1	PLATE						
	16	2	310-9513	1	BRACKET AS						
C	17	1	8X-1386	1	SPACER (12.2X23X22-MM THK)						
C	18	1,2	4L-9337	3	BOLT (3/8-16X1.5-IN)						
	19	1	5P-1076	4	WASHER-HARD (13.5X30X4-MM THK)						
	20	2	5P-4115	8	WASHER-HARD (7.2X19X2-MM THK)						
	21	1,2	5P-4116	5	WASHER-HARD (8.8X20.5X2-MM THK)						
	22	2	6K-8178	1	CLIP						
CM	23	2	6V-7357	1	BOLT (M6X1X25-MM)						
	25	1,2	7X-0289	3	BOLT (3/8-16X1.875-IN)						
	26	1	8T-2501	7	BOLT (3/8-16X2-IN)						
	27	2	8T-4121	1	WASHER-HARD (11X21X2.5-MM THK)						
M	28	2	8T-4136	1	BOLT (M10X1.5X25-MM)						
CM	29	1,2	8T-4189	6	BOLT (M8X1.25X20-MM)						
	30	2	8T-4223	2	WASHER-HARD (13.5X25.5X3-MM THK)						
	31	1	8T-4224	4	WASHER-HARD (8.8X16X2-MM THK)						
M	32	1	8T-4244	8	NUT (M12X1.75-THD)						
	33	1,2	8T-4896	4	WASHER-HARD (10.2X18.5X2.5-MM THK)						
M	34	1,2	8T-4956	6	BOLT (M12X1.75X35-MM)						
CM	35	1	8T-4908	3	BOLT (M8X1.25X25-MM)						
CM	36	1	8T-4138	7	BOLT (M6X1X20-MM)						
C	37	1,2	5I-8748	1	SPACER (11X18X5-MM THK)						

C-CHANGE FROM PREVIOUS TYPE
M-METRIC PART

AIR INLET AND EXHAUST SYSTEM

222-8255 MUFFLER GP (contd.)

i03242687



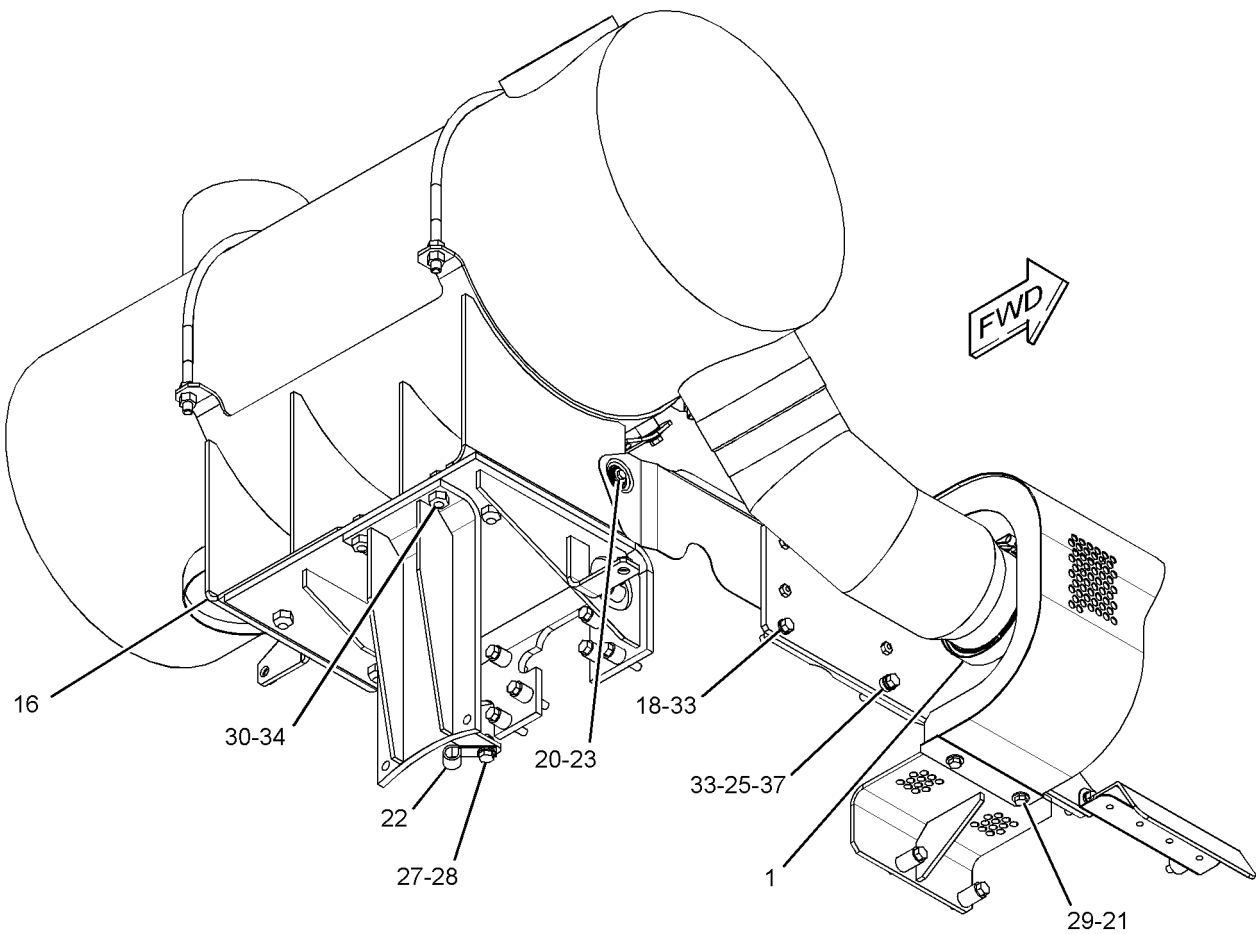
GRAPHIC #1

g01656373

AIR INLET AND EXHAUST SYSTEM

222-8255 MUFFLER GP (contd.)

i03242687



GRAPHIC #2

<END>

g01656534

AIR INLET AND EXHAUST SYSTEM

222-8255 MUFFLER GP

S/N: MMA269-UP

PART OF 255-2882 ENGINE AR

SMCS-1062

i03502802

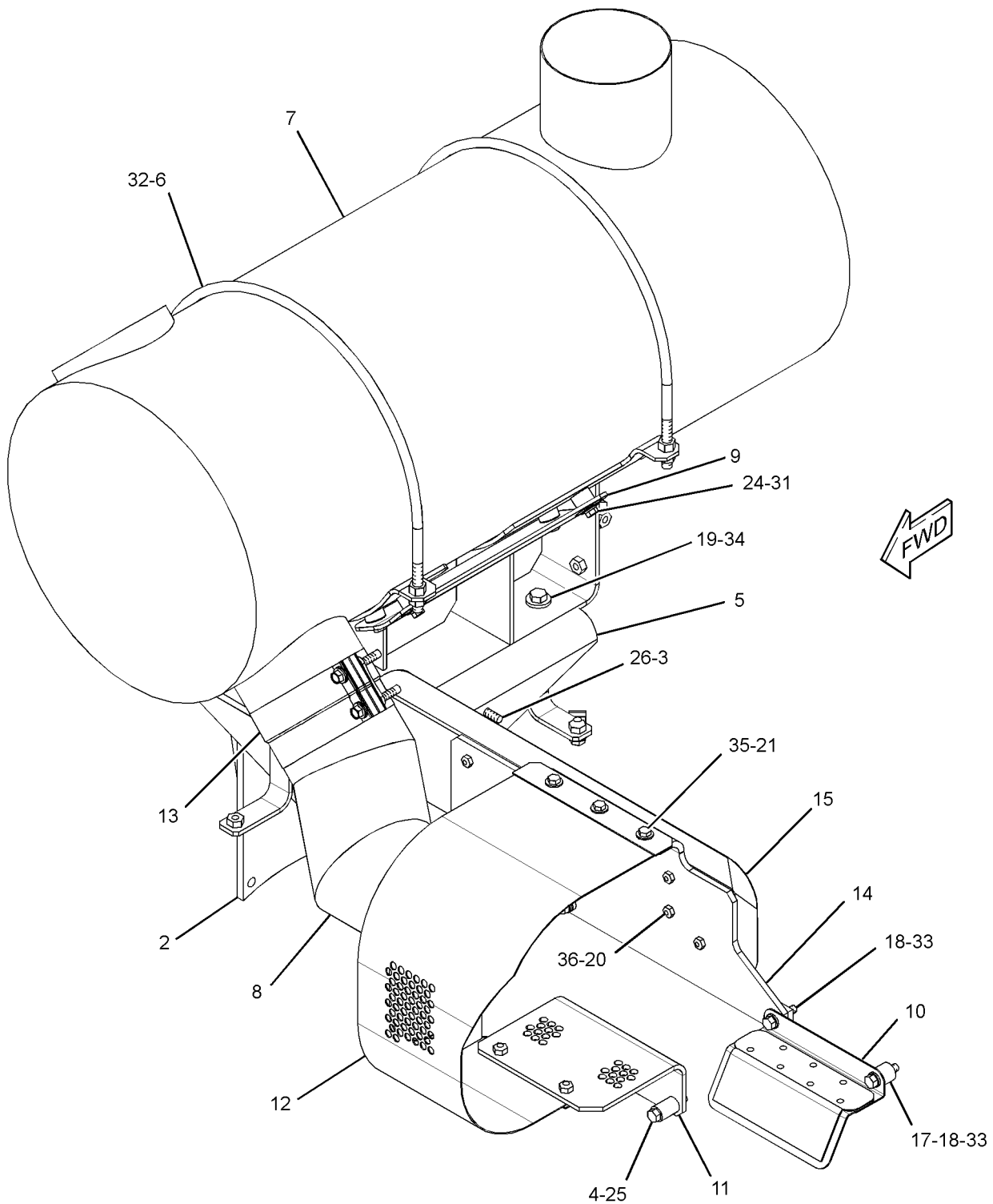
NOTE	REF NO	GRAPHIC REF	PART NUMBER	QTY	PART NAME						SEE PAGE
					1	2	3	4	5	6 (PRODUCT LEVEL)	
	1	2	4W-9160	1	CLAMP-V BAND						
	2	1	171-9049	1	BRACKET AS						
	3	1	205-6716	7	SPACER (10.5X20X19-MM THK)						
	4	1	217-5449	2	SPACER (10.5X20X29-MM THK)						
	5	1	233-1184	1	BRACKET AS						
	6	1	233-1188	2	U-BOLT						
	7	1	233-1189	1	MUFFLER AS						
	8	1	233-1190	1	TUBE AS						
C	9	1	324-4085	1	PLATE						
C	10	1	324-4084	1	PLATE						
	11	1	255-2918	1	SUPPORT AS						
C	12	1	324-4098	1	COVER AS						
	13	1	289-2492	1	CLAMP-MUFFLER						
	14	1	310-9760	1	PLATE AS						
	15	1	310-9504	1	PLATE						
C	16	2	324-4100	1	BRACKET AS						
	17	1	8X-1386	1	SPACER (12.2X23X22-MM THK)						
	18	1,2	4L-9337	3	BOLT (3/8-16X1.5-IN)						
	19	1	5P-1076	4	WASHER-HARD (13.5X30X4-MM THK)						
	20	1,2	5P-4115	8	WASHER-HARD (7.2X19X2-MM THK)						
	21	1,2	5P-4116	5	WASHER-HARD (8.8X20.5X2-MM THK)						
	22	2	6K-8178	1	CLIP						
M	23	2	6V-7357	1	BOLT (M6X1X25-MM)						
CM	24	1	5C-9553	4	BOLT (M6X1X16-MM)						
	25	1,2	7X-0289	3	BOLT (3/8-16X1.875-IN)						
	26	1	8T-2501	7	BOLT (3/8-16X2-IN)						
	27	2	8T-4121	1	WASHER-HARD (11X21X2.5-MM THK)						
M	28	2	8T-4136	1	BOLT (M10X1.5X25-MM)						
CM	29	2	8T-4189	2	BOLT (M8X1.25X20-MM)						
	30	2	8T-4223	2	WASHER-HARD (13.5X25.5X3-MM THK)						
C	31	1	9X-8256	4	WASHER (6.6X12X2-MM THK)						
M	32	1	8T-4244	8	NUT (M12X1.75-THD)						
	33	1,2	8T-4896	4	WASHER-HARD (10.2X18.5X2.5-MM THK)						
M	34	1,2	8T-4956	6	BOLT (M12X1.75X35-MM)						
M	35	1	8T-4908	3	BOLT (M8X1.25X25-MM)						
M	36	1	8T-4138	7	BOLT (M6X1X20-MM)						
	37	2	5I-8748	1	SPACER (11X18X5-MM THK)						

C-CHANGE FROM PREVIOUS TYPE
M-METRIC PART

AIR INLET AND EXHAUST SYSTEM

222-8255 MUFFLER GP (contd.)

i03502802



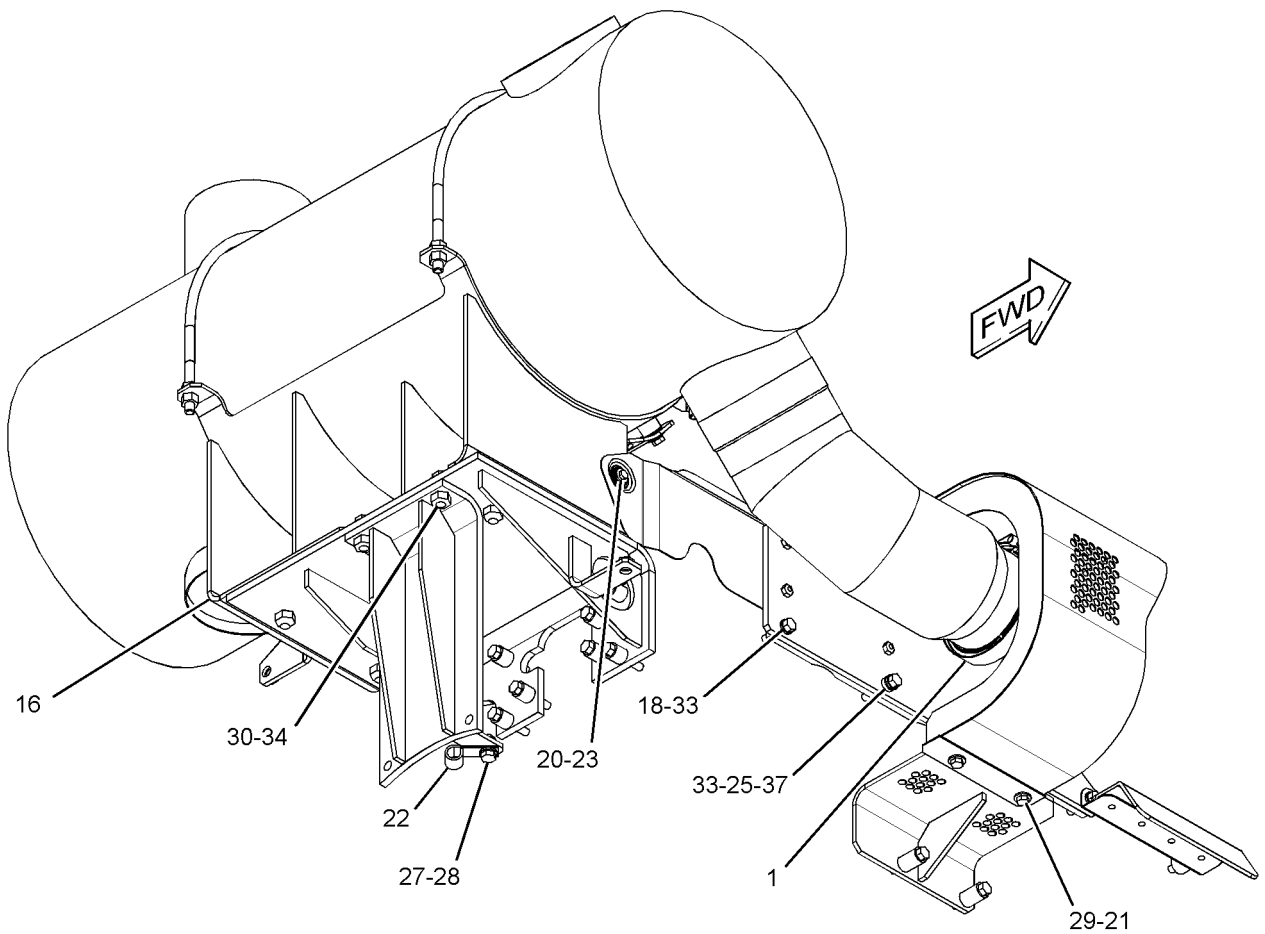
GRAPHIC #1

g01843979

AIR INLET AND EXHAUST SYSTEM

222-8255 MUFFLER GP (contd.)

i03502802



GRAPHIC #2

<END>

g01656534

AIR INLET AND EXHAUST SYSTEM

220-6060 TURBOCHARGER GP

S/N: RHX1-1304

WATER COOLED CENTER SECTION

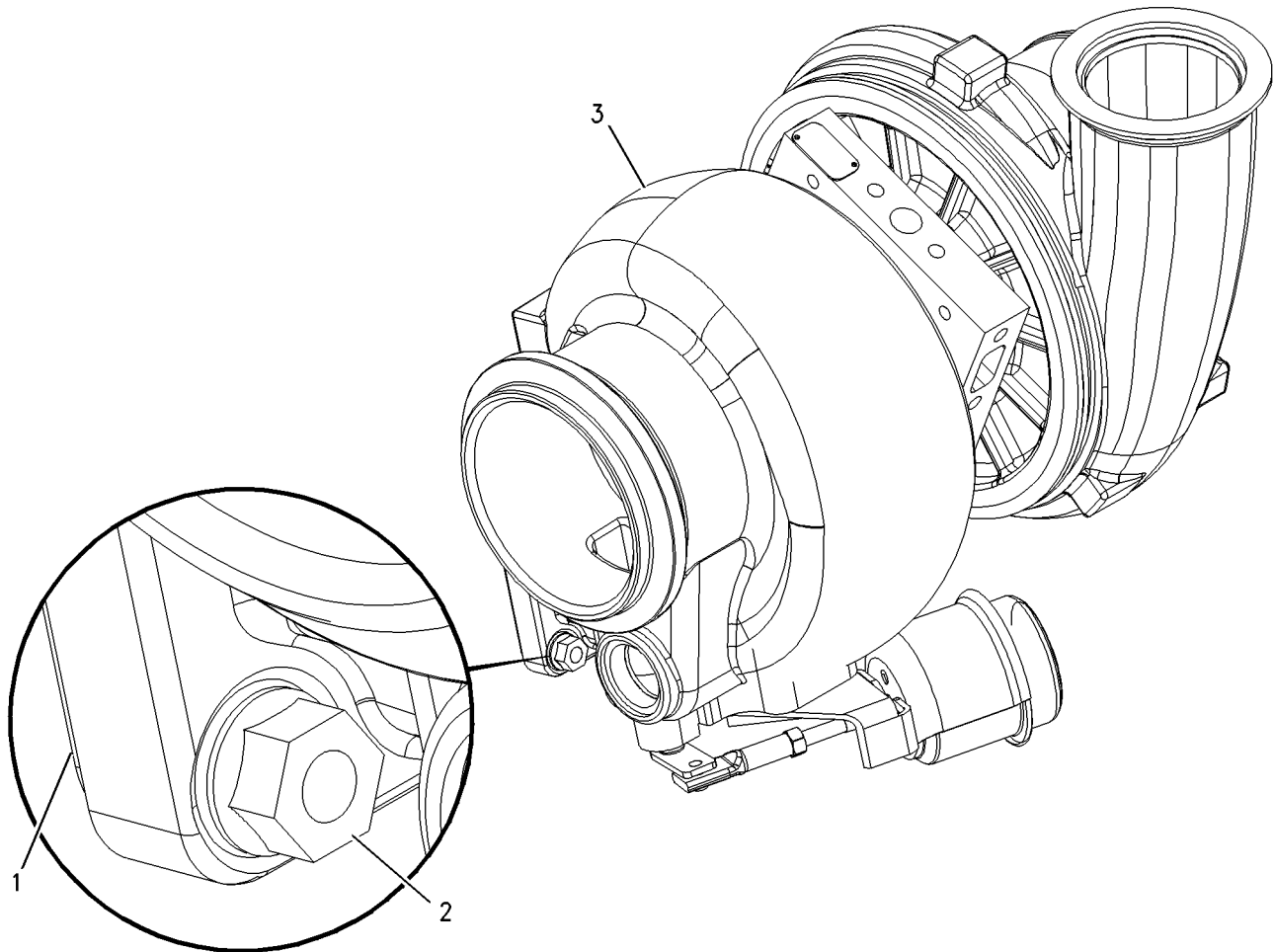
PART OF 257-4960, 286-9798 ENGINE AR-COMPLETE
FOR USE WITH ACERT LOW HORSE POWER APPLICATION

SMCS-1052, 1053

i02230009

NOTE	REF NO	GRAPHIC REF	PART NUMBER	QTY	PART NAME						SEE PAGE
					1	2	3	4	5	6 (PRODUCT LEVEL)	
	1	1	1S-4295	1	GASKET (TURBOCHARGER)						
	2	1	168-7800	4	LOCKNUT (3/8-16-THD)						
Y	3	1	264-4493	1	TURBOCHARGER GP						201

Y-SEPARATE ILLUSTRATION



GRAPHIC #1

<END>

g01002430

AIR INLET AND EXHAUST SYSTEM

220-6060 TURBOCHARGER GP

S/N: RHX1306-5308

WATER COOLED CENTER SECTION

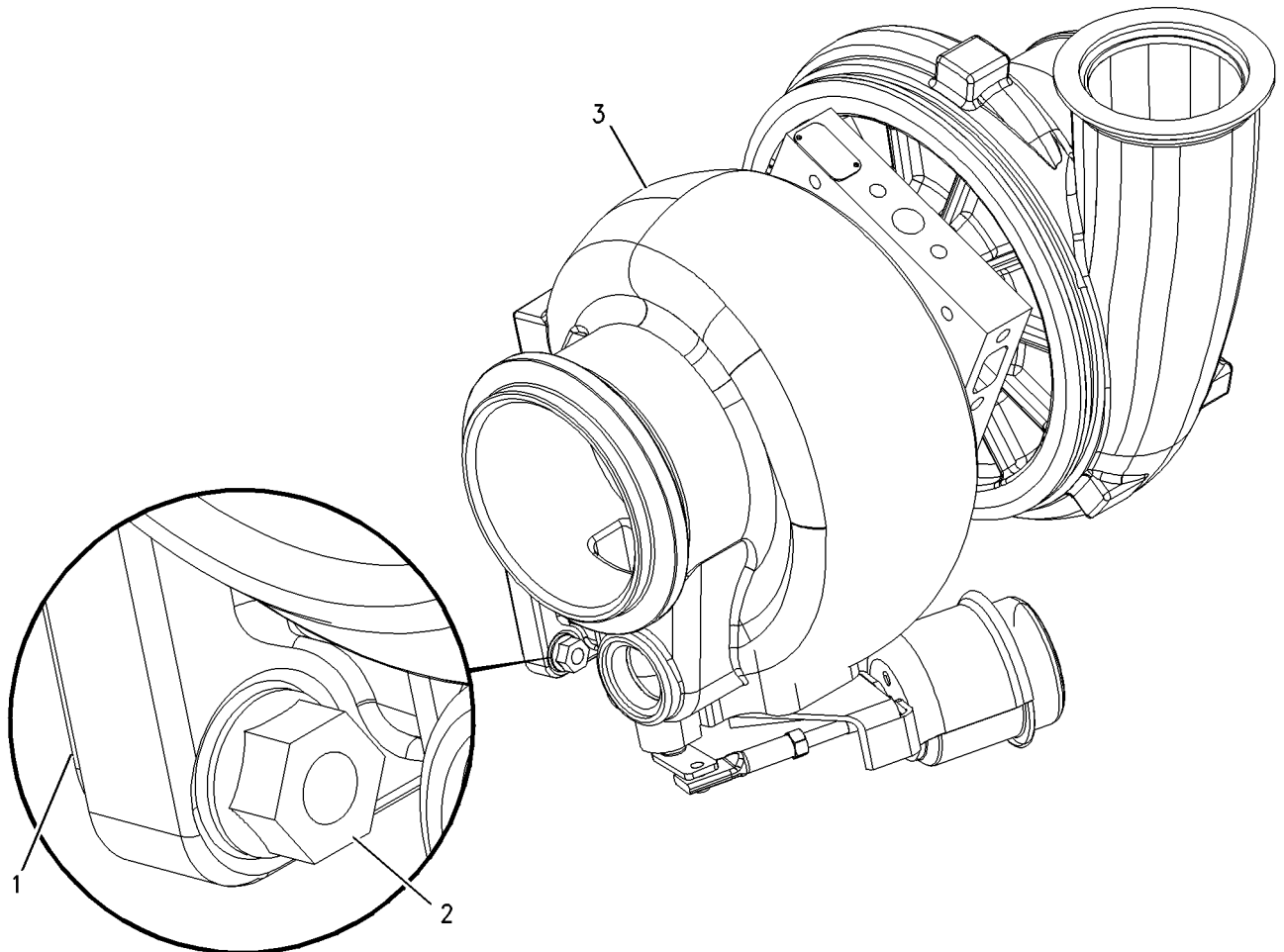
PART OF 257-4960, 286-9798 ENGINE AR-COMplete
FOR USE WITH ACERT LOW HORSE POWER APPLICATION

SMCS-1052, 1053

i02386931

NOTE	REF NO	GRAPHIC REF	PART NUMBER	QTY	PART NAME						SEE PAGE
					1	2	3	4	5	6 (PRODUCT LEVEL)	
	1	1	1S-4295	1	GASKET (TURBOCHARGER)						
	2	1	168-7800	4	LOCKNUT (3/8-16 THD)						
CY	3	1	265-4538	1	TURBOCHARGER GP						202

C-CHANGE FROM PREVIOUS TYPE
Y-SEPARATE ILLUSTRATION



GRAPHIC #1

<END>

g01002430

AIR INLET AND EXHAUST SYSTEM

220-6060 TURBOCHARGER GP

S/N: RHX5309-UP

WATER COOLED CENTER SECTION

PART OF 286-9798 ENGINE AR-COMplete

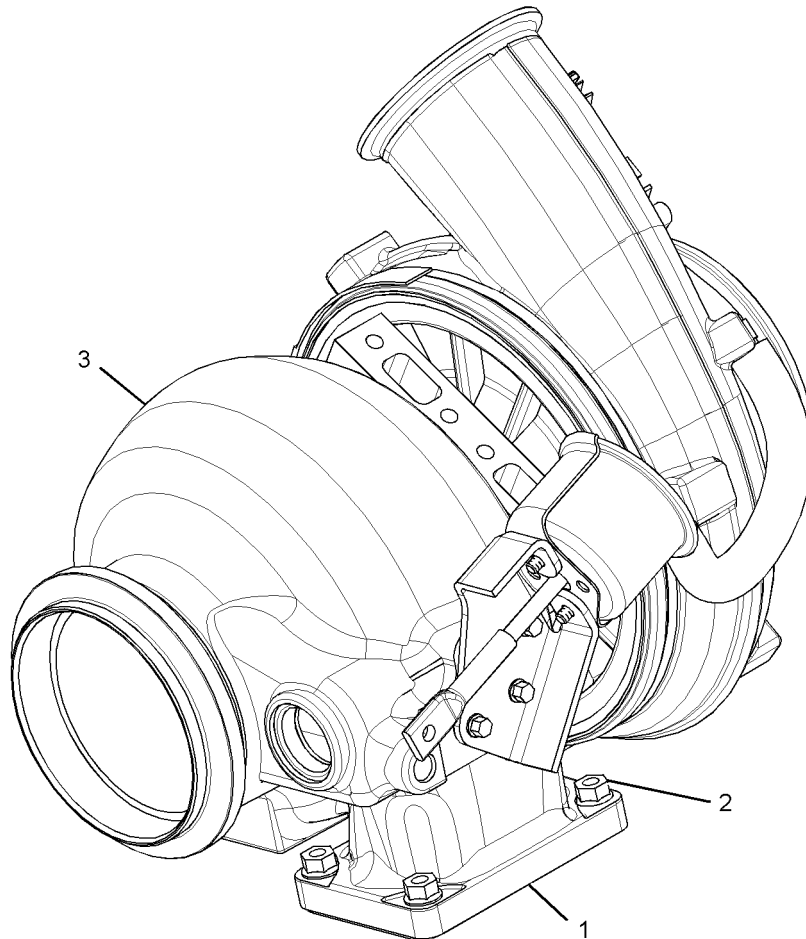
FOR USE WITH ACERT LOW HORSE POWER APPLICATION

SMCS-1052, 1053

i03302740

NOTE	REF NO	GRAPHIC REF	PART NUMBER	QTY	PART NAME						SEE PAGE
					1	2	3	4	5	6 (PRODUCT LEVEL)	
	1	1	1S-4295	1	GASKET (TURBOCHARGER)						
	2	1	168-7800	4	LOCKNUT (3/8-16-THD)						
CYR	3	1	296-7635	1	TURBOCHARGER GP						203

C-CHANGE FROM PREVIOUS TYPE
R-REMG PART MAY BE AVAILABLE
Y-SEPARATE ILLUSTRATION



GRAPHIC #1

<END>

g01697714

AIR INLET AND EXHAUST SYSTEM

264-4493 TURBOCHARGER GP*R

S/N: RHX1-1304

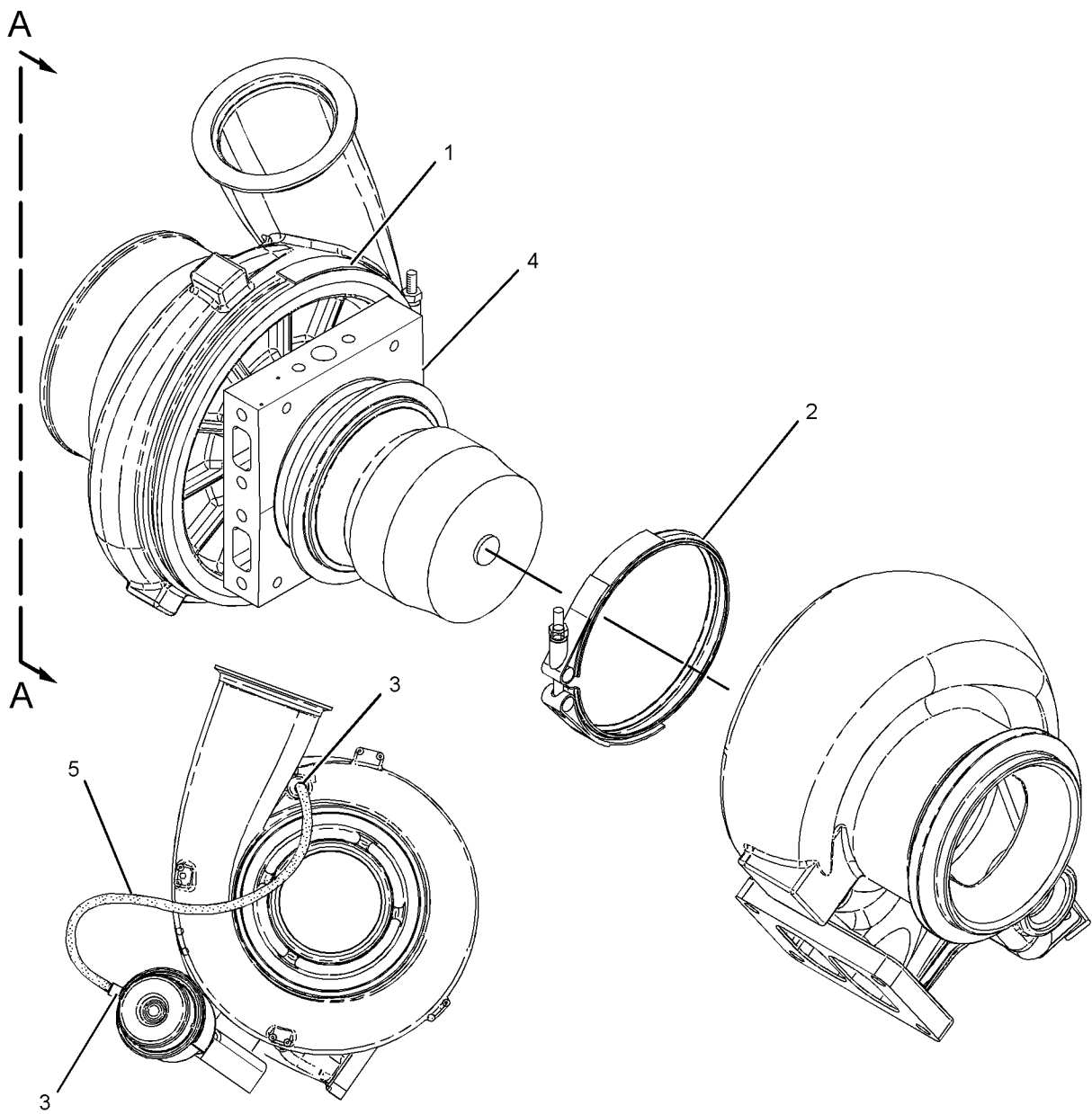
PART OF 220-6060 TURBOCHARGER GP

SMCS-1052, 1053

i02230015

NOTE	REF NO	GRAPHIC REF	PART NUMBER	QTY	PART NAME						SEE PAGE
					1	2	3	4	5	6 (PRODUCT LEVEL)	
	1	1	7W-2297	1	CLAMP AS (COMPRESSOR)						
	2	1	9N-2038	1	CLAMP AS-TURBINE						
	3	1	161-6963	2	CLAMP						
R	4	1	241-9429	1	CARTRIDGE GP-TURBOCHARGER						
E	5	1	242-3360		HOSE (54-CM)						

E-ORDER BY THE CENTIMETER
R-REMG PART MAY BE AVAILABLE



GRAPHIC #1

VIEW A-A

<END>

g01125123

AIR INLET AND EXHAUST SYSTEM

265-4538 TURBOCHARGER GP

S/N: RHX1305-5308

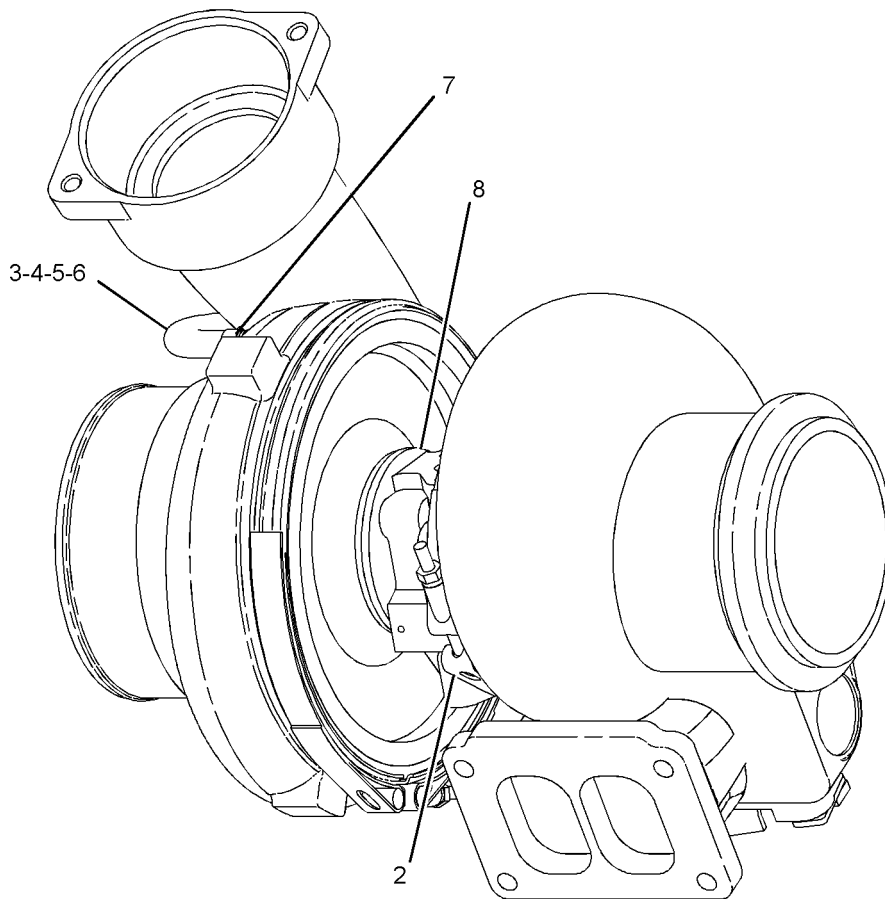
PART OF 220-6060 TURBOCHARGER GP

SMCS-1052, 1053

i02386933

NOTE	REF NO	GRAPHIC REF	PART NUMBER	QTY	PART NAME						SEE PAGE
					1	2	3	4	5	6 (PRODUCT LEVEL)	
	2	1	9N-2038	1	CLAMP AS-TURBINE						
	3	1	115-7087	1	BOLT (M6X0.04X10.4-MM)						
	4	1	161-6958	1	CLIP-HOSE						
E	5	1	242-3360		HOSE (49-CM)						
E	6	1	258-4524		SLEEVE (49-CM)						
	7	1	161-6963	2	CLAMP						
	8	1	262-6754	1	CARTRIDGE GP-TURBOCHARGER						

E-ORDER BY THE CENTIMETER



GRAPHIC #1

<END>

g01193365

AIR INLET AND EXHAUST SYSTEM

296-7635 TURBOCHARGER GP

S/N: RHX5309-UP

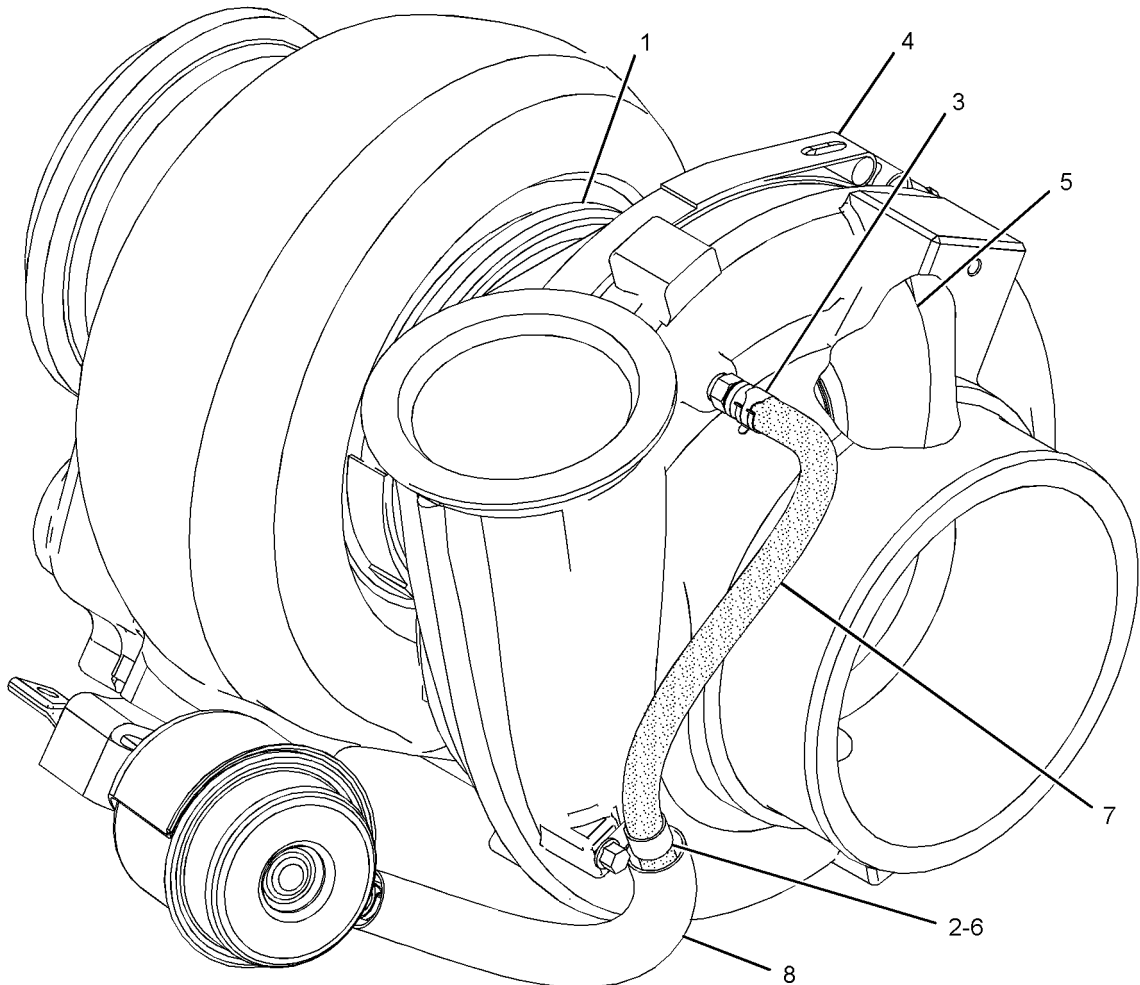
PART OF 220-6060 TURBOCHARGER GP

SMCS-1052, 1053

i02902548

NOTE	REF NO	GRAPHIC REF	PART NUMBER	QTY	PART NAME						SEE PAGE
					1	2	3	4	5	6 (PRODUCT LEVEL)	
	1	1	9N-2038	1	CLAMP AS-TURBINE						
		1	7M-9918	1	LOCKNUT (1/4-28-THD)						
	2	1	161-6958	1	CLIP-HOSE						
	3	1	161-6963	2	CLAMP						
	4	1	268-2960	1	CLAMP AS (COMPRESSOR)						
		1	7M-9918	1	LOCKNUT (1/4-28-THD)						
	5	1	302-1410	1	CARTRIDGE GP-TURBOCHARGER						
	6	1	115-7087	1	BOLT (M6X0.04X10.4-MM)						
E	7	1	242-3360		HOSE (40-CM)						
E	8	1	258-4524		SLEEVE (19-CM)						

E-ORDER BY THE CENTIMETER



GRAPHIC #1

<END>

g01445457

FUEL SYSTEM

220-2422 ADAPTER GP-FAST FILL FUEL

S/N: MMA1-UP
AN ATTACHMENT

SMCS-1710

i02492639

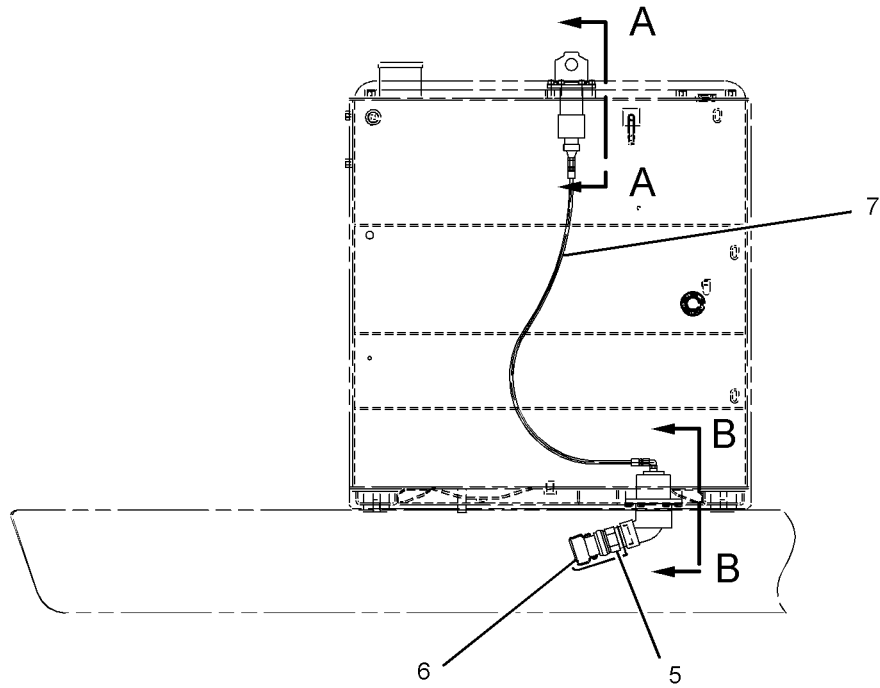
NOTE	REF NO	GRAPHIC REF	PART NUMBER	QTY	PART NAME						SEE PAGE
					1	2	3	4	5	6 (PRODUCT LEVEL)	
	1	1	188-5095	1	VENT AS						
	2	1	221-7693	1	VALVE (FAST FILL FUEL)						
	3	1	5P-2618	1	CONNECTOR						
	4	1	8K-0968	1	ELBOW						
	5	1	217-5703	1	RECEIVER (FAST FILL FUEL)						
	6	1	9D-0630	1	CAP-DUST						
	7	1	220-2421	1	HOSE AS						
	8	1	1H-8128	1	SEAL-O-RING						
	9	1	5H-6734	1	SEAL-O-RING						
	10	1	1J-9671	2	SEAL-O-RING						
	11	1	8T-4121	12	WASHER-HARD (11X21X2.5-MM THK)						
M	12	1	105-3484	6	BOLT-SOCKET HEAD (M10X1.5X25-MM)						
M	13	1	8T-4136	6	BOLT (M10X1.5X25-MM)						
	14	1	193-1598	1	ELBOW						
M	15	1	8T-4648	4	BOLT (M12X1.75X70-MM)						
	16	1	8T-4223	4	WASHER-HARD (13.5X25.5X3-MM THK)						
	17	1	4J-0527	1	SEAL-O-RING						

M-METRIC PART

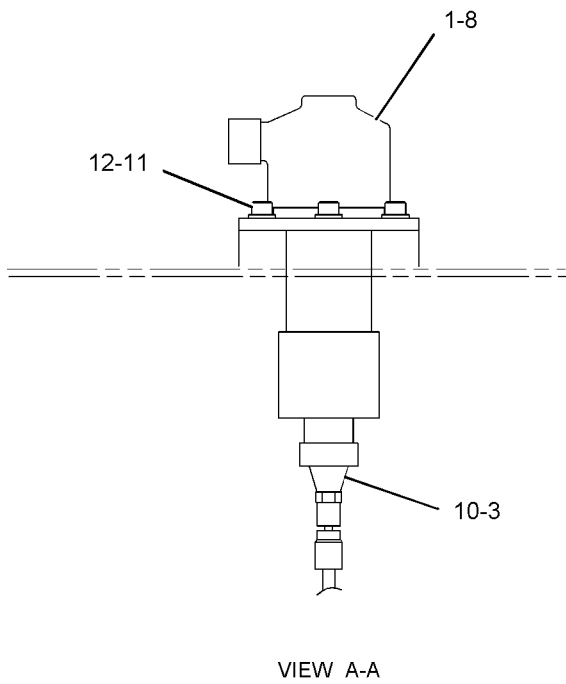
FUEL SYSTEM

220-2422 ADAPTER GP-FAST FILL FUEL (contd.)

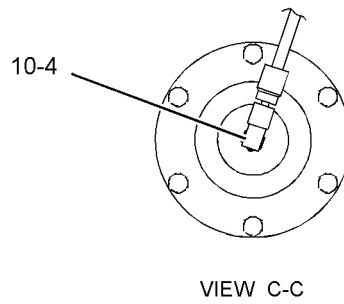
i02492639



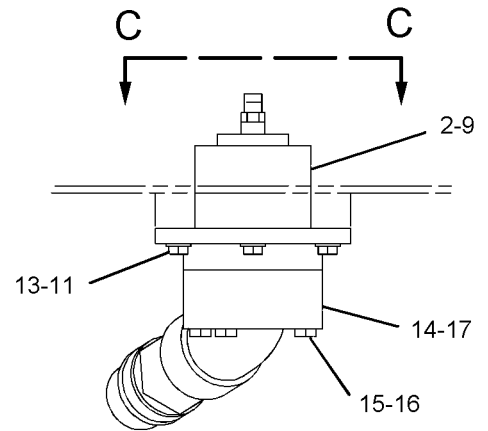
LEFT SIDE VIEW



VIEW A-A



VIEW C-C



VIEW B-B

GRAPHIC #1

<END>

g01130300

FUEL SYSTEM

205-6829 COOLER GP-FUEL

S/N: MMA1-UP

PART OF 228-8154 CHASSIS AR

SMCS-1712

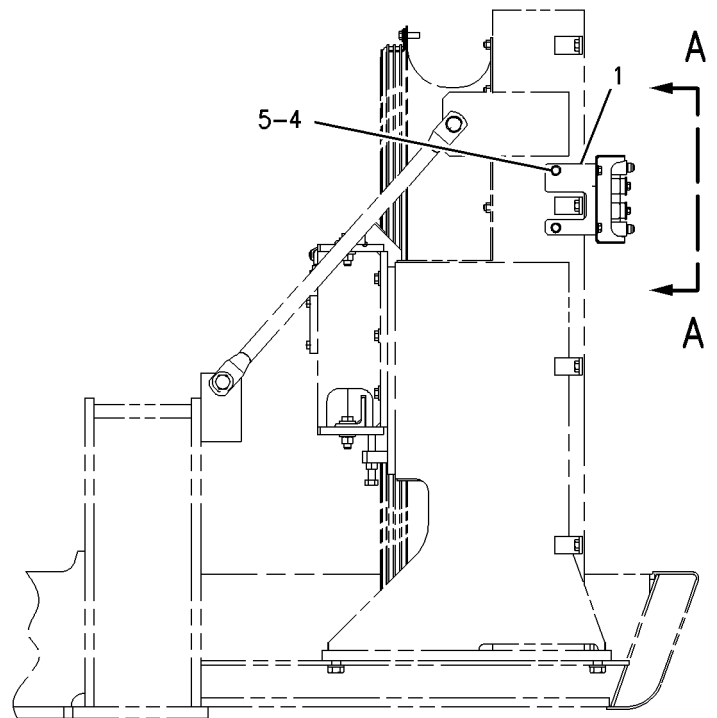
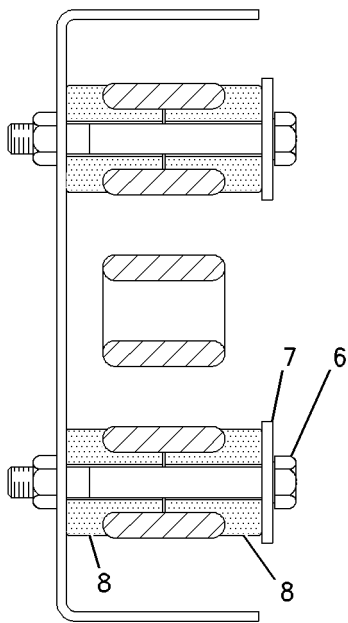
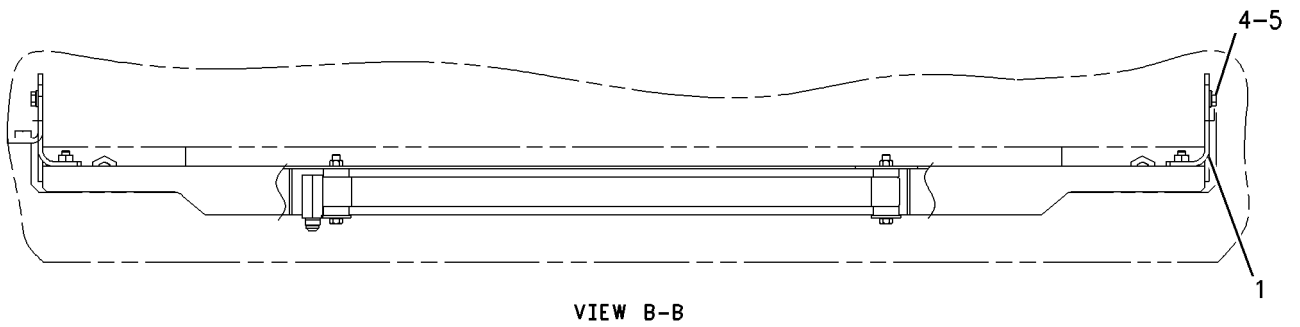
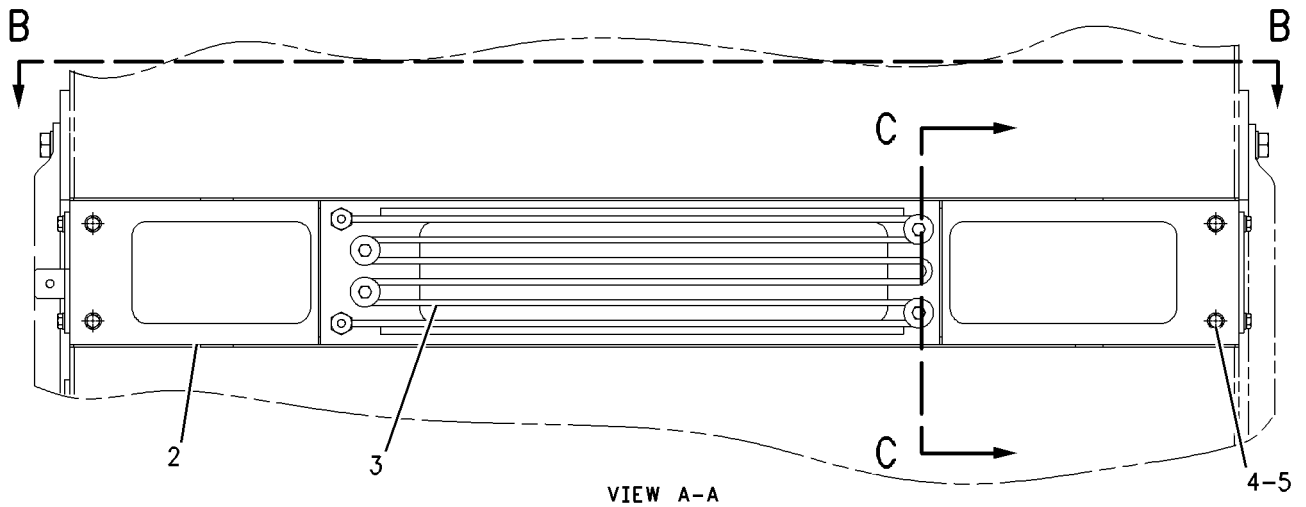
i02230615

NOTE	REF NO	GRAPHIC REF	PART NUMBER	QTY	PART NAME						SEE PAGE
					1	2	3	4	5	6 (PRODUCT LEVEL)	
	1	1	205-6833	2	SUPPORT AS						
	2	1	205-6830	1	SUPPORT AS						
	3	1	129-5429	1	CORE AS-FUEL COOLER						
M	4	1	8T-4136	8	BOLT (M10X1.5X25-MM)						
	5	1	8T-4121	8	WASHER-HARD (11X21X2.5-MM THK)						
	6	1	8T-8915	4	BOLT (3/8-16X3.25-IN)						
	7	1	134-3196	4	WASHER (10.2X39.6X2.3-MM THK)						
	8	1	141-1060	8	MOUNT-ISOLATION						
M-METRIC PART											

FUEL SYSTEM

205-6829 COOLER GP-FUEL (contd.)

i02230615



GRAPHIC #1

<END>

g00892390

FUEL SYSTEM

222-8323 FASTENER GP-FUEL LINES

S/N: MMA1-UP

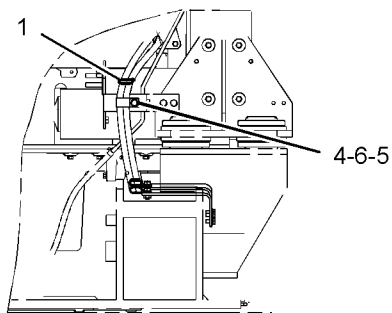
PART OF 222-8318 INSTALLATION AR-ENGINE

SMCS-1252, 1274

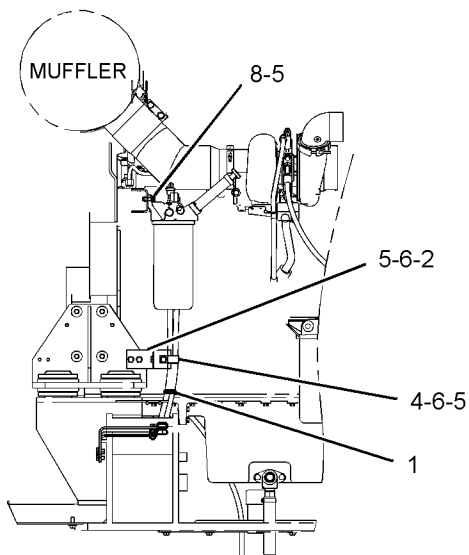
i02235770

NOTE	REF NO	GRAPHIC REF	PART NUMBER	QTY	PART NAME						SEE PAGE
					1	2	3	4	5	6 (PRODUCT LEVEL)	
	1	1	3S-2093	2	STRAP-CABLE						
	2	1	171-9075	1	SUPPORT AS						
	3	1	171-9079	2	SUPPORT AS						
	4	1	4D-7733	4	CLIP						
	5	1	8T-4121	12	WASHER-HARD (11X21X2.5-MM THK)						
M	6	1	8T-4136	6	BOLT (M10X1.5X25-MM)						
M	7	1	8T-4137	4	BOLT (M10X1.5X20-MM)						
M	8	1	8T-4196	2	BOLT (M10X1.5X35-MM)						

M-METRIC PART

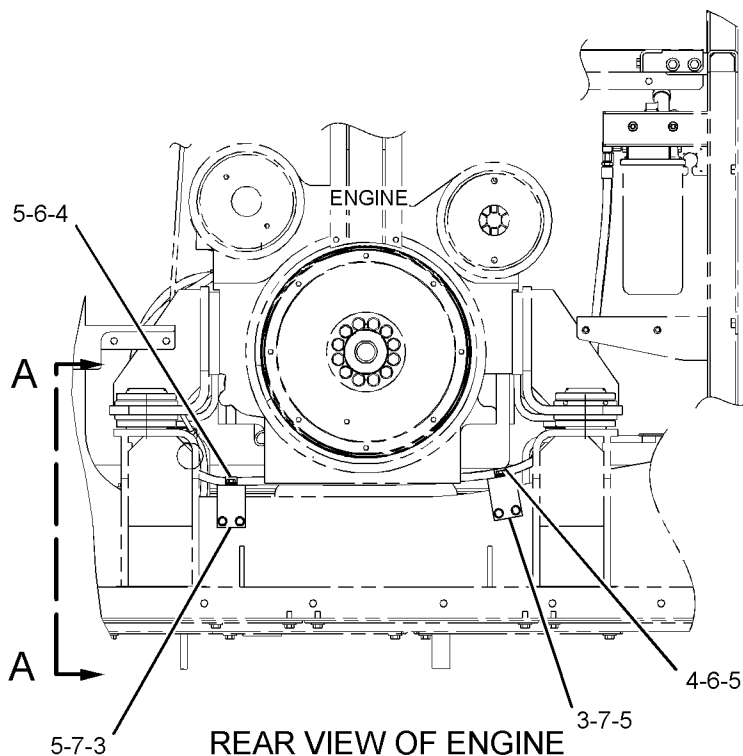


VIEW A-A



RIGHT SIDE VIEW

GRAPHIC #1



REAR VIEW OF ENGINE

<END>

g01129399

FUEL SYSTEM

225-4152 FILTER GP-FUEL-WITH WATER SEPARATOR

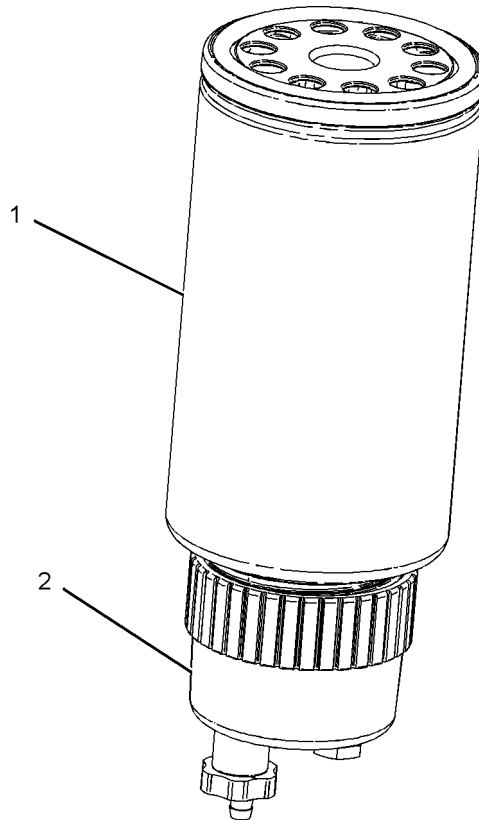
S/N: MMA1-UP

PART OF 225-4153 FILTER GP-WATER SEP & FUEL

SMCS-1261

i03531000

NOTE	REF NO	GRAPHIC REF	PART NUMBER	QTY	PART NAME						SEE PAGE
					1	2	3	4	5	6 (PRODUCT LEVEL)	
	1	1	326-1641	1	FILTER AS-WATER SEP & FUEL						
		1	220-8678	1	SEAL-RING (FUEL AND WATER SEP FILTER)						
	2	1	270-5320	1	BOWL AS						



GRAPHIC #1

<END>

g01076481

FUEL SYSTEM

246-2659 FILTER GP-FUEL

S/N: RHX1-997

REMOTE

PART OF 257-4960 ENGINE AR-COMPLETE

SMCS-1261

i02254176

NOTE	REF NO	GRAPHIC REF	PART NUMBER	QTY	PART NAME						SEE PAGE
					1	2	3	4	5	6 (PRODUCT LEVEL)	
	1	1	130-9811	1	SENSOR GP-TEMPERATURE (FUEL)						
Y	2	1	139-6873	1	VALVE GP-FUEL BYPASS (FILTER)						246
Y	3	1	258-0883	1	SWITCH GP-PRESSURE (FUEL)						374
	4	1	237-9311	1	BASE AS						
		1	9S-4167	1	STUD-HOLLOW (1-14X1.47-IN)						
Y	5	1	239-2396	1	SENSOR GP-PRESSURE (FUEL)						340
	6	1	030-8188	1	CONNECTOR						
	7	1	134-6852	1	CONNECTOR						
Y	8	1	183-2824	1	PUMP GP-FUEL PRIMING (MANUAL)						233
	9	1	1R-0755	1	FILTER-FUEL (ADVANCED EFFICIENCY)						
M	10	1	6V-3822	2	BOLT (M10X1.5X35-MM)						
	11	1	6V-4589	1	SEAL-O-RING						
	12	1	005-4362	1	ELBOW						
	13	1	6V-5839	2	WASHER (11X21X2.5-MM THK)						
	14	1	8L-2786	7	SEAL-O-RING						
	15	1	8T-1715	1	ADAPTER						
	16	1	9S-4185	2	PLUG-O-RING						
	17	1	6N-1127	1	SHIELD						
	18	1	7F-9090	2	SCREW-DRIVE (NO 8X0.375-IN)						

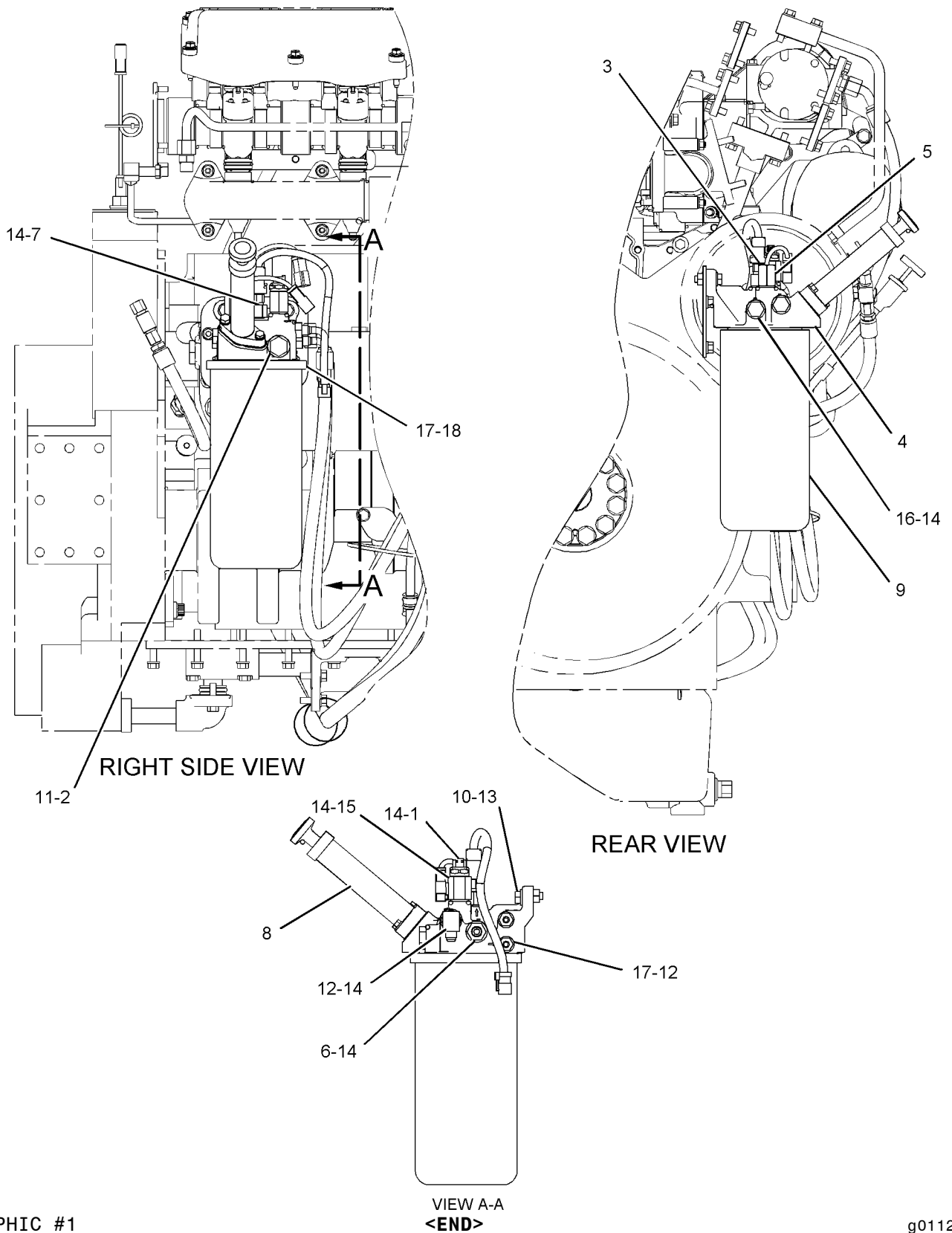
M-METRIC PART

Y-SEPARATE ILLUSTRATION

FUEL SYSTEM

246-2659 FILTER GP-FUEL (contd.)

i02254176



GRAPHIC #1

VIEW A-A
<END>

g01120752

FUEL SYSTEM

246-2659 FILTER GP-FUEL

S/N: RHX998-7078

REMOTE

PART OF 257-4960, 286-9798 ENGINE AR-COMPLETE

SMCS-1261

i02503821

NOTE	REF NO	GRAPHIC REF	PART NUMBER	QTY	PART NAME						SEE PAGE
					1	2	3	4	5	6 (PRODUCT LEVEL)	
	1	1	130-9811	1	SENSOR GP-TEMPERATURE (FUEL)						
Y	2	1	139-6873	1	VALVE GP-FUEL BYPASS (FILTER)						246
Y	3	1	258-0883	1	SWITCH GP-PRESSURE (FUEL)						374
	4	1	237-9311	1	BASE AS						
		1	9S-4167	1	STUD-HOLLOW (1-14X1.47-IN)						
Y	5	1	239-2396	1	SENSOR GP-PRESSURE (FUEL)						340
	6	1	030-8188	1	CONNECTOR						
	7	1	134-6852	1	CONNECTOR						
Y	8	1	183-2824	1	PUMP GP-FUEL PRIMING (MANUAL)						233
	9	1	1R-0755	1	FILTER-FUEL (ADVANCED EFFICIENCY)						
M	10	1	6V-3822	2	BOLT (M10X1.5X35-MM)						
	11	1	6V-4589	1	SEAL-O-RING						
	12	1	005-4362	1	ELBOW						
	13	1	6V-5839	2	WASHER (11X21X2.5-MM THK)						
	14	1	8L-2786	7	SEAL-O-RING						
	15	1	5P-6944	1	ADAPTER						
	16	1	9S-4185	1	PLUG-O-RING						
	17	1	6N-1127	1	SHIELD						
	18	1	7F-9090	2	SCREW-DRIVE (NO 8X0.375-IN)						
	19	1	8T-0119	1	ELBOW						
	20	1	6V-0852	1	CAP-DUST						
	21	1	6V-3965	1	FITTING (QUICK DISCONNECT)						
	22	1	6V-5049	1	SEAL-O-RING						

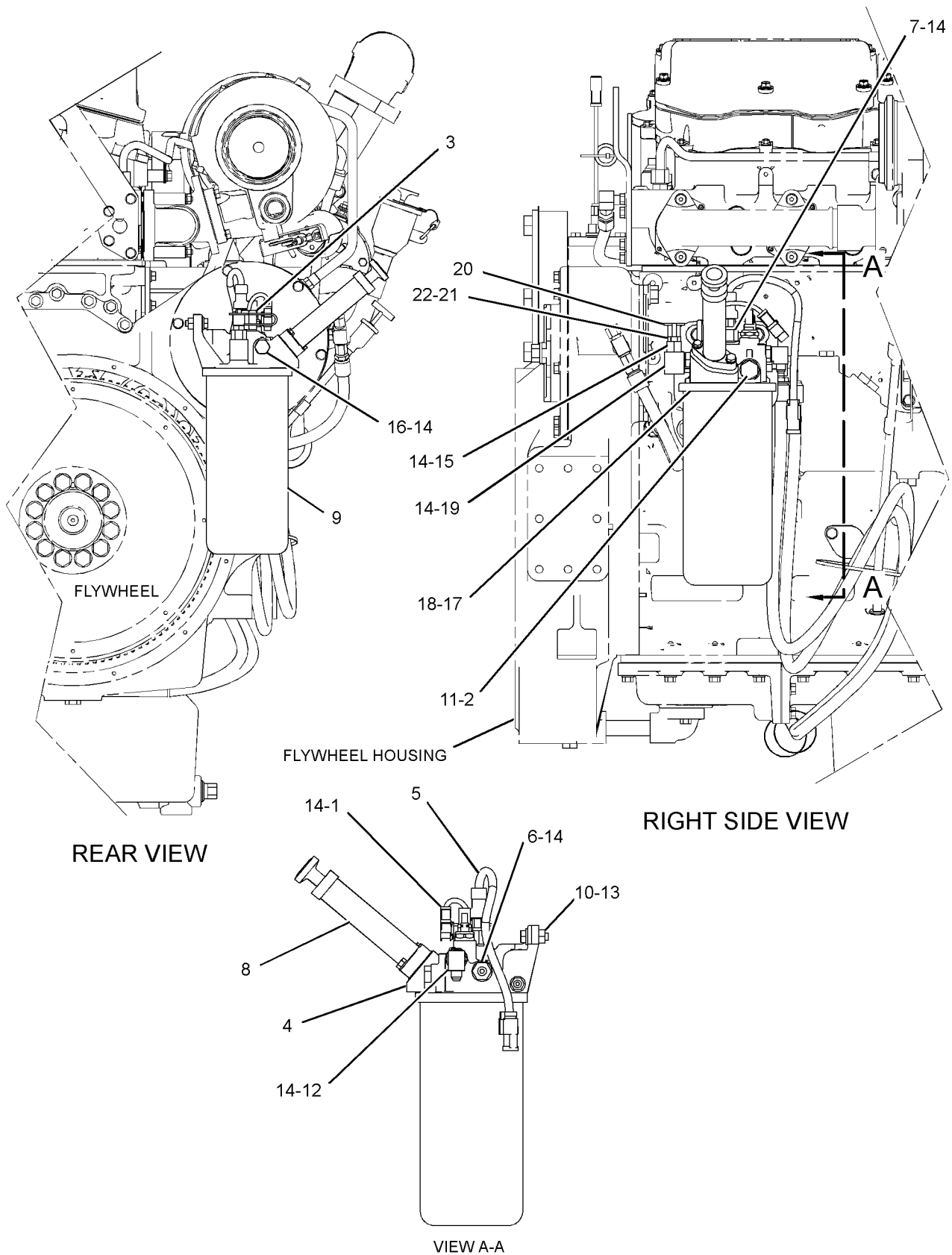
M-METRIC PART

Y-SEPARATE ILLUSTRATION

FUEL SYSTEM

246-2659 FILTER GP-FUEL (contd.)

i02503821



GRAPHIC #1

VIEW A-A
<END>

g01203495

FUEL SYSTEM

246-2659 FILTER GP-FUEL

S/N: RHX7079-UP

REMOTE

PART OF 286-9798 ENGINE AR-COMplete

SMCS-1261

i03338583

NOTE	REF NO	GRAPHIC REF	PART NUMBER	QTY	PART NAME						SEE PAGE
					1	2	3	4	5	6 (PRODUCT LEVEL)	
C	1	1	264-4297	1	SENSOR GP-TEMPERATURE (FUEL)						
		1	137-6645	1	PAD						
Y	2	1	139-6873	1	VALVE GP-FUEL BYPASS (FILTER)						246
Y	3	1	258-0883	1	SWITCH GP-PRESSURE (FUEL)						374
	4	1	237-9311	1	BASE AS						
		1	237-9323	1	STUD						
Y	5	1	239-2396	1	SENSOR GP-PRESSURE (FUEL)						340
	6	1	030-8188	1	CONNECTOR						
	7	1	134-6852	1	CONNECTOR						
Y	8	1	183-2824	1	PUMP GP-FUEL PRIMING (MANUAL)						233
	9	1	1R-0755	1	FILTER-FUEL (ADVANCED EFFICIENCY)						
M	10	1	6V-3822	2	BOLT (M10X1.5X35-MM)						
	11	1	6V-4589	1	SEAL-O-RING						
	12	1	005-4362	1	ELBOW						
	13	1	6V-5839	2	WASHER (11X21X2.5-MM THK)						
	14	1	8L-2786	7	SEAL-O-RING						
	15	1	5P-6944	1	ADAPTER						
	16	1	9S-4185	1	PLUG-O-RING						
	17	1	6N-1127	1	SHIELD						
	18	1	7F-9090	2	SCREW-DRIVE (NO 8X0.375-IN)						
	19	1	8T-0119	1	ELBOW						
	20	1	6V-0852	1	CAP-DUST						
	21	1	6V-3965	1	FITTING (QUICK DISCONNECT)						
	22	1	214-7568	1	SEAL-O-RING						

C-CHANGE FROM PREVIOUS TYPE

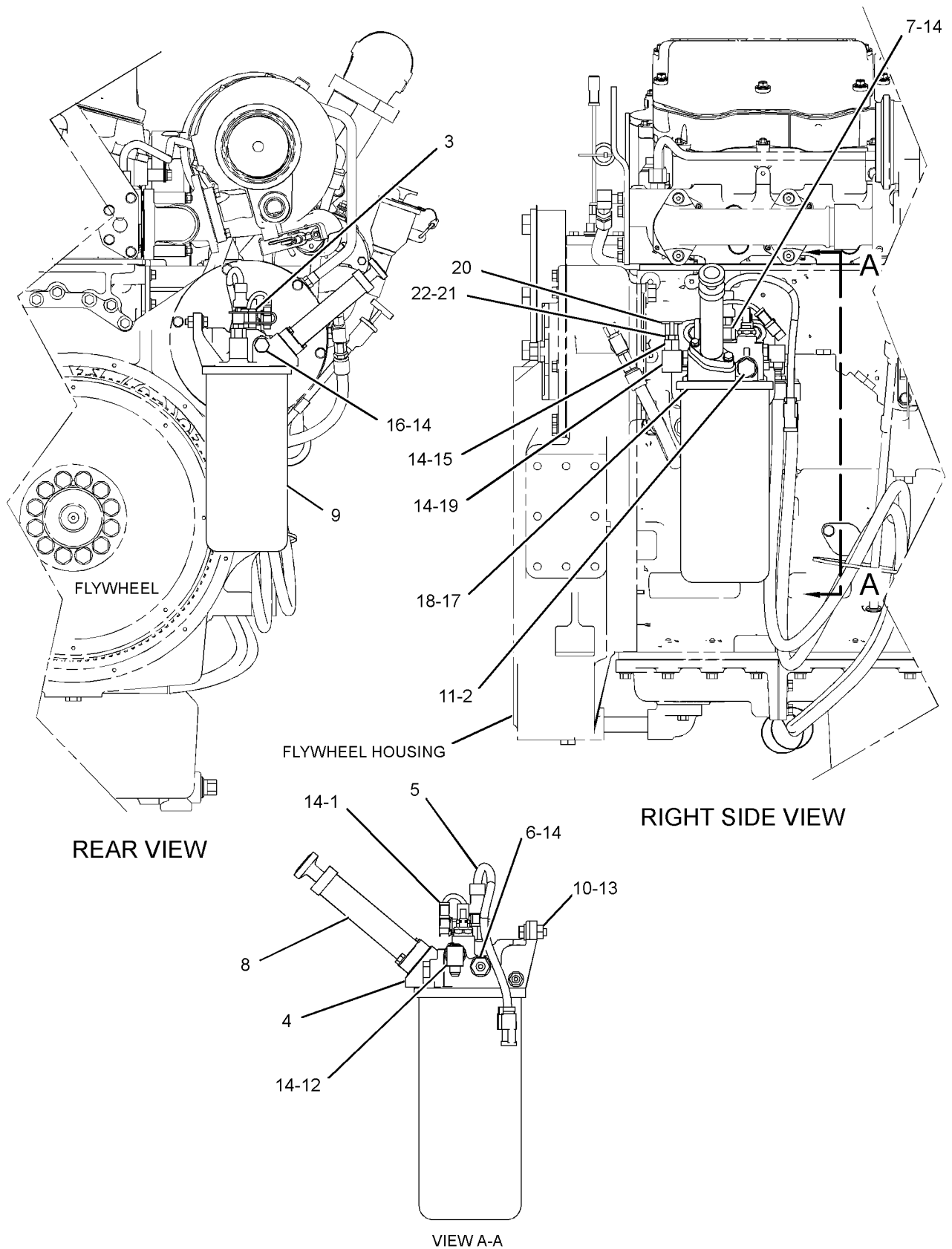
M-METRIC PART

Y-SEPARATE ILLUSTRATION

FUEL SYSTEM

246-2659 FILTER GP-FUEL (contd.)

i03338583



GRAPHIC #1

VIEW A-A
<END>

g01203495

FUEL SYSTEM

225-4153 FILTER GP-WATER SEP & FUEL

S/N: MMA1-UP

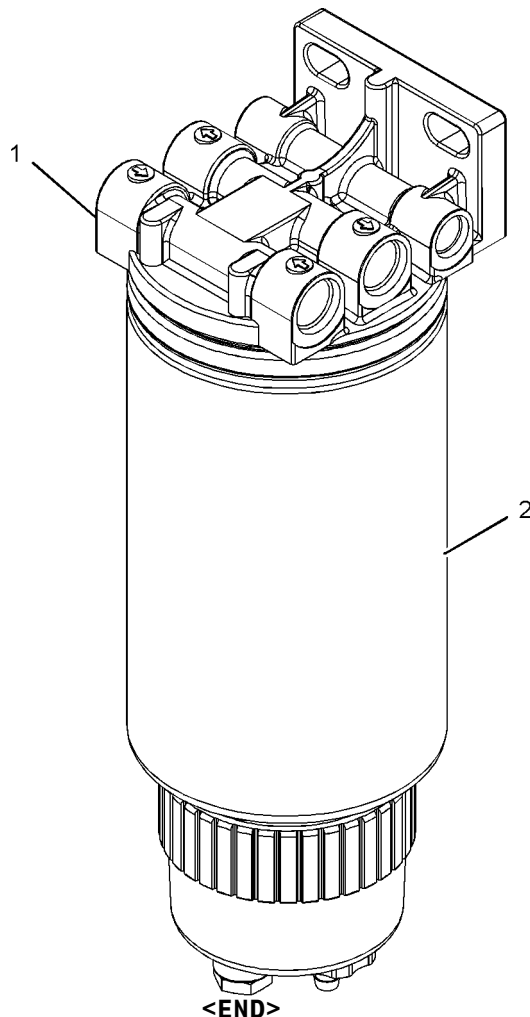
PART OF 223-2949, 307-8136 LINES GP-FUEL

SMCS-1261, 1263

i02435025

NOTE	REF NO	GRAPHIC REF	PART NUMBER	QTY	PART NAME						SEE PAGE
					1	2	3	4	5	6 (PRODUCT LEVEL)	
	1	1	195-1068	1	BASE AS-FUEL FILTER						
		1	9S-4167	1	STUD-HOLLOW						
Y	2	1	225-4152	1	FILTER GP-FUEL						209

Y-SEPARATE ILLUSTRATION



GRAPHIC #1

<END>

g01079672

FUEL SYSTEM

223-3095 GAUGE GP-SIGHT-FUEL LEVEL

S/N: MMA1-UP

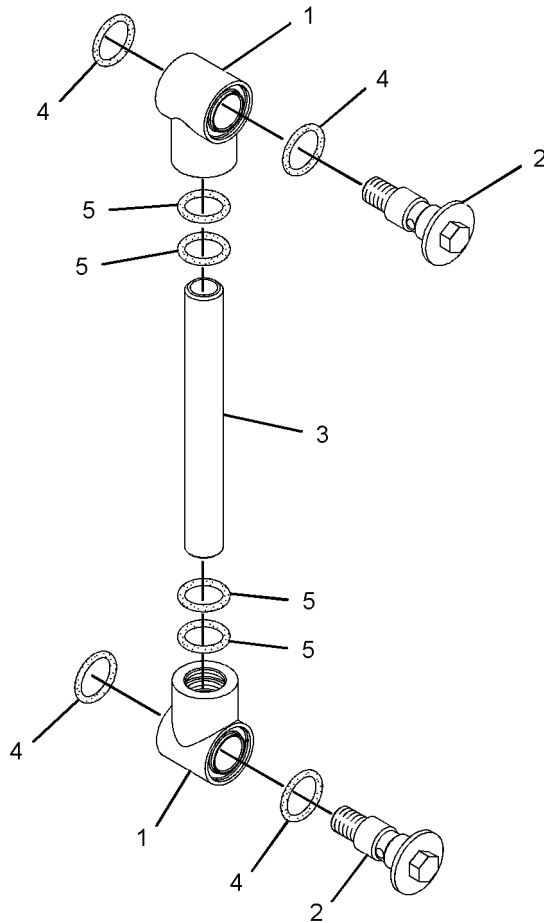
PART OF 237-8771 TANK GP-FUEL

SMCS-7479

i02300428

NOTE	REF NO	GRAPHIC REF	PART NUMBER	QTY	PART NAME						SEE PAGE
					1	2	3	4	5	6 (PRODUCT LEVEL)	
	1	1	236-3258	2	BLOCK						
M	2	1	236-3259	2	BOLT-SPECIAL						
	3	1	237-8526	1	TUBE						
	4	1	095-1519	4	SEAL-O-RING						
	5	1	6F-4855	4	SEAL-O-RING						

M-METRIC PART



GRAPHIC #1

<END>

g01091508

FUEL SYSTEM

223-2949 LINES GP-FUEL

S/N: MMA1-258

PART OF 228-8154 CHASSIS AR

SMCS-1274

i03626409

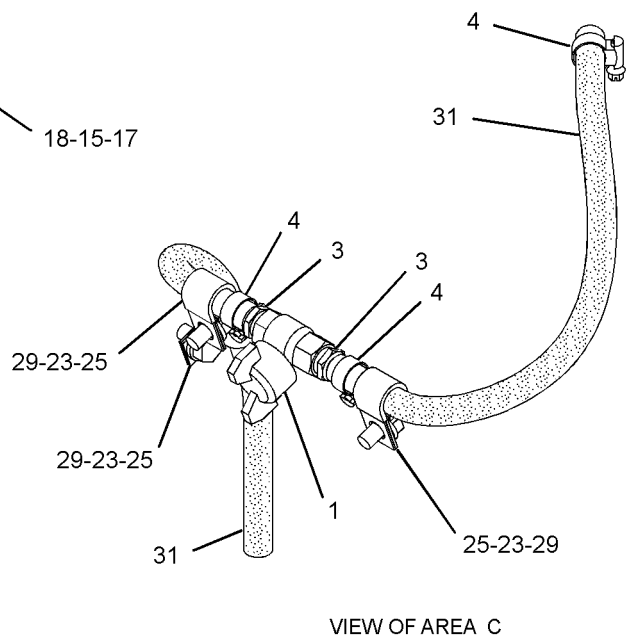
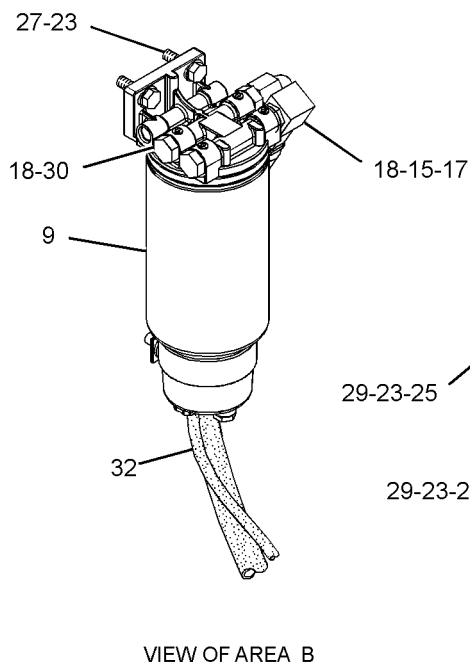
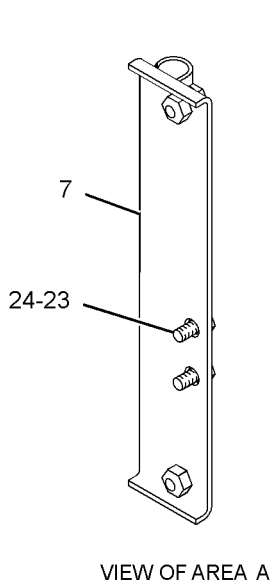
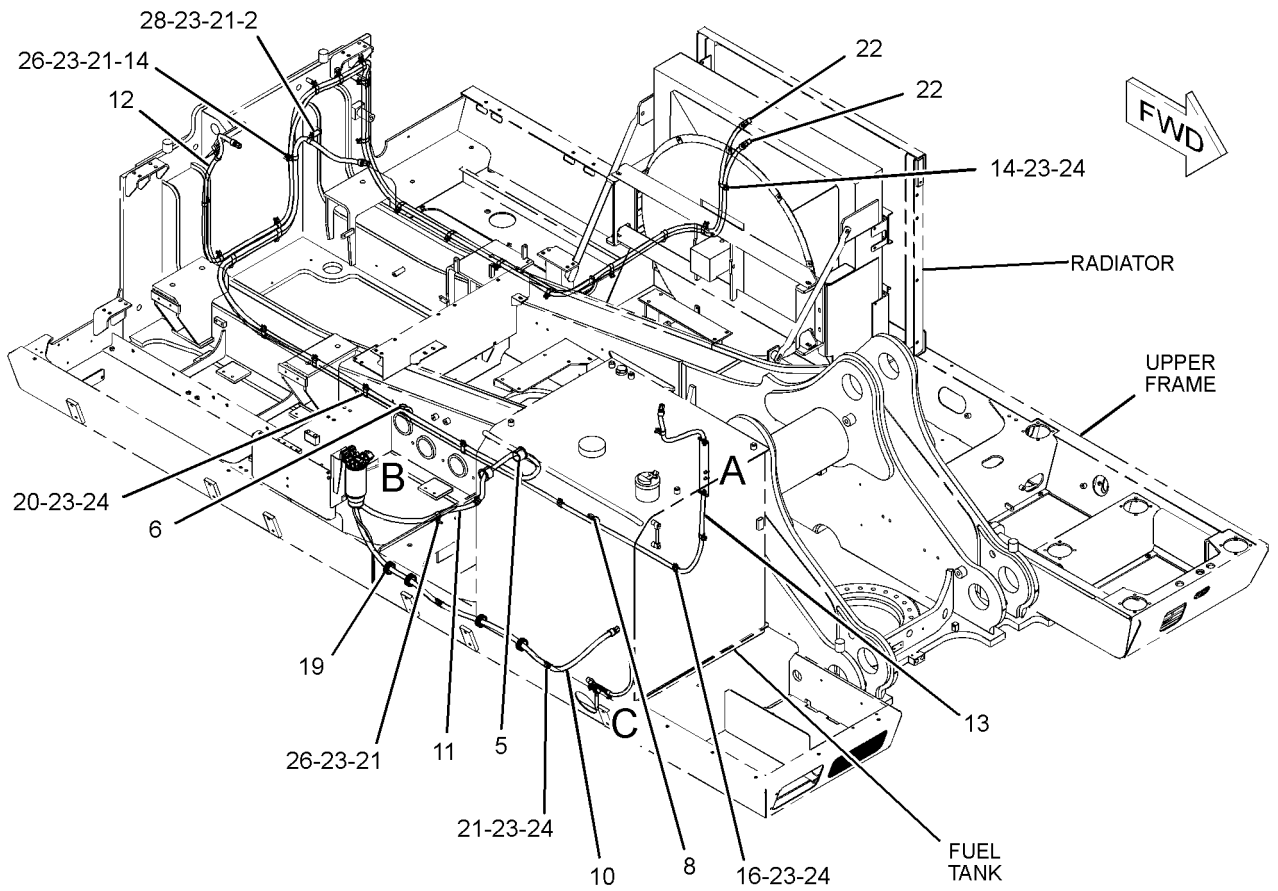
NOTE	REF NO	GRAPHIC REF	PART NUMBER	QTY	PART NAME						SEE PAGE
					1	2	3	4	5	6 (PRODUCT LEVEL)	
	1	1	4I-0379	1	VALVE-MANUAL (FUEL, WATER SEPARATOR)						
	2	1	4I-7889	1	SPACER (11X25X45-MM THK)						
	3	1	003-7764	2	END-HOSE						
	4	1	095-1386	3	CLAMP-HOSE						
	5	1	170-3026	2	GROMMET						
	6	1	184-8347	1	GUARD						
	7	1	203-5105	1	SHEET AS						
	8	1	208-4360	1	GUARD						
Y	9	1	225-4153	1	FILTER GP-WATER SEP & FUEL						216
I	10	1	236-9249	1	HOSE AS						
I	11	1	236-9250	1	HOSE AS						
I	12	1	236-9252	1	HOSE AS						
I	13	1	236-9253	1	HOSE AS						
	14	1	6D-4247	14	CLIP						
	15	1	1P-7625	1	ELBOW						
	16	1	6D-4244	10	CLIP						
	17	1	2P-7636	1	CONNECTOR						
	18	1	3K-0360	4	SEAL-O-RING						
	19	1	5I-3876	4	GROMMET						
	20	1	6D-1641	8	CLIP						
	21	1	6D-4636	6	CLIP						
	22	1	8M-0547	2	ELBOW-FLARED (SWIVEL)						
	23	1	8T-4121	44	WASHER-HARD (11X21X2.5-MM THK)						
M	24	1	8T-4137	35	BOLT (M10X1.5X20-MM)						
M	25	1	8T-4191	3	BOLT (M10X1.5X16-MM)						
M	26	1	8T-4195	3	BOLT (M10X1.5X30-MM)						
M	27	1	8T-4196	2	BOLT (M10X1.5X35-MM)						
M	28	1	8T-5005	1	BOLT (M10X1.5X70-MM)						
	29	1	9M-8406	3	CLIP						
	30	1	9S-4185	2	PLUG-O-RING						
E	31	1	5P-1442		HOSE (38-CM EACH)						
	32	1	264-9971	1	HOSE						

E-ORDER BY THE CENTIMETER
 I-REFER TO HYDRAULIC INFORMATION SYSTEM
 M-METRIC PART
 Y-SEPARATE ILLUSTRATION

FUEL SYSTEM

223-2949 LINES GP-FUEL (contd.)

i03626409



GRAPHIC #1

<END>

g01513827

FUEL SYSTEM

246-4785 LINES GP-FUEL

S/N: RHX1-8180

PART OF 257-4960, 286-9798 ENGINE AR-COMplete

SMCS-1274

i03126542

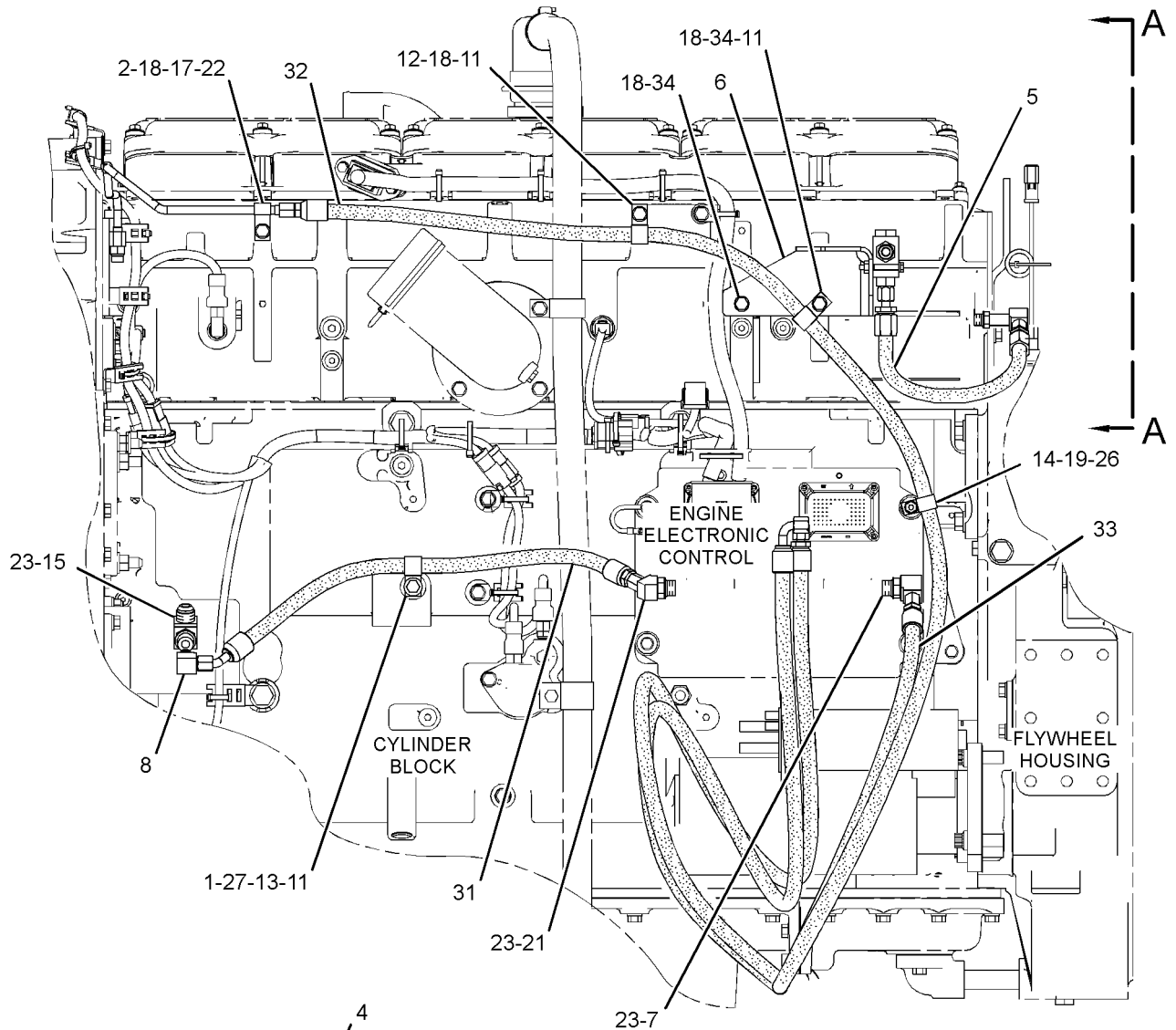
NOTE	REF NO	GRAPHIC REF	PART NUMBER	QTY	PART NAME						SEE PAGE
					1	2	3	4	5	6 (PRODUCT LEVEL)	
	1	1	1M-3381	1	SPACER (0.438X0.75X1-IN THK)						
	2	1	129-8087	1	SPACER (13.9X17.1X14-MM THK)						
Y	3	1	235-6387	1	REGULATOR GP-FUEL PRESSURE						241
	4	1	244-7592	1	TUBE AS						
I	5	1	254-3435	1	HOSE AS						
	6	1	261-8279	1	BRACKET AS						
M		1	6V-9632	2	NUT-WELD (M6X1-THD)						
	7	1	005-4362	1	ELBOW						
	8	1	191-7805	1	ELBOW AS						
		1	6V-5049	1	SEAL-O-RING						
		1	030-7947	1	ELBOW						
	9	1	030-8156	1	ELBOW						
	10	1	030-8188	1	CONNECTOR						
	11	1	067-2551	3	CLIP						
	12	1	0S-0509	1	BOLT (3/8-16X0.75-IN)						
	13	1	0S-1571	1	BOLT (3/8-16X1.75-IN)						
	14	1	134-3988	1	CLIP						
	15	1	1P-7625	1	ELBOW						
	16	1	186-1667	1	CONNECTOR AS						
		1	2R-6806	1	CONNECTOR-O-RING						
		1	6V-5049	1	SEAL-O-RING						
	17	1	3B-1915	1	BOLT (3/8-16X1.375-IN)						
	18	1	5M-2894	4	WASHER-HARD (10.2X18.5X2.5-MM THK)						
	19	1	5S-0003	1	NUT (5/16-18-THD)						
	20	1	6V-5049	1	SEAL-O-RING						
	21	1	7D-9984	1	ELBOW						
	22	1	6V-3265	2	CLIP						
	23	1	8L-2786	5	SEAL-O-RING						
	24	1	8M-0505	1	CONNECTOR						
M	25	1	8T-0275	2	BOLT (M6X1X50-MM)						
	26	1	9M-1974	1	WASHER-HARD (8.8X16X2-MM THK)						
	27	1	9X-6458	1	WASHER-HARD (10.2X22.5X3-MM THK)						
	28	1	9X-8267	2	WASHER (6.6X12X2-MM THK)						
JI	31	1	235-2470	1	HOSE AS						
JI	32	1	245-7511	1	HOSE AS						
JI	33	1	245-7560	1	HOSE AS						
	34	1	0S-1594	2	BOLT (3/8-16X1-IN)						

I-REFER TO HYDRAULIC INFORMATION SYSTEM
 J-FUEL LINES NOT TO BE STRAPPED TO ENGINE HARNESS
 M-METRIC PART
 Y-SEPARATE ILLUSTRATION

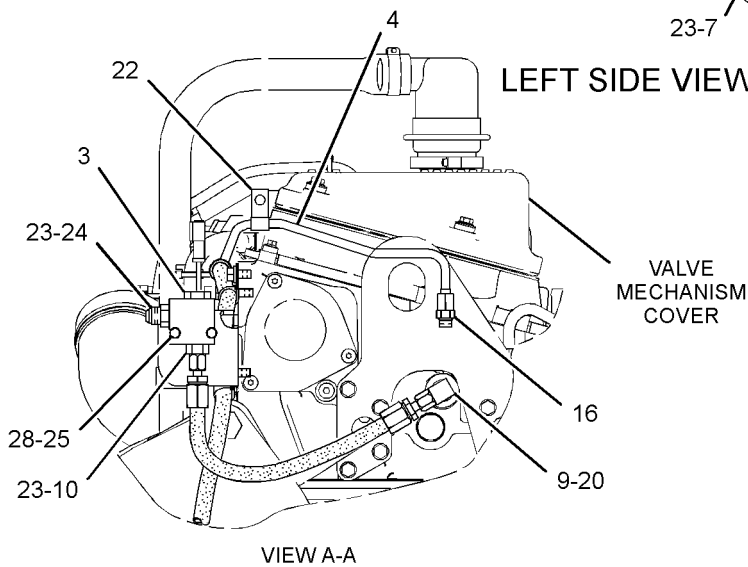
FUEL SYSTEM

246-4785 LINES GP-FUEL (contd.)

i03126542



LEFT SIDE VIEW OF ENGINE



GRAPHIC #1

<END>

g01637125

FUEL SYSTEM

246-4785 LINES GP-FUEL

S/N: RHX8181-UP

PART OF 286-9798 ENGINE AR-COMplete

SMCS-1274

i03641990

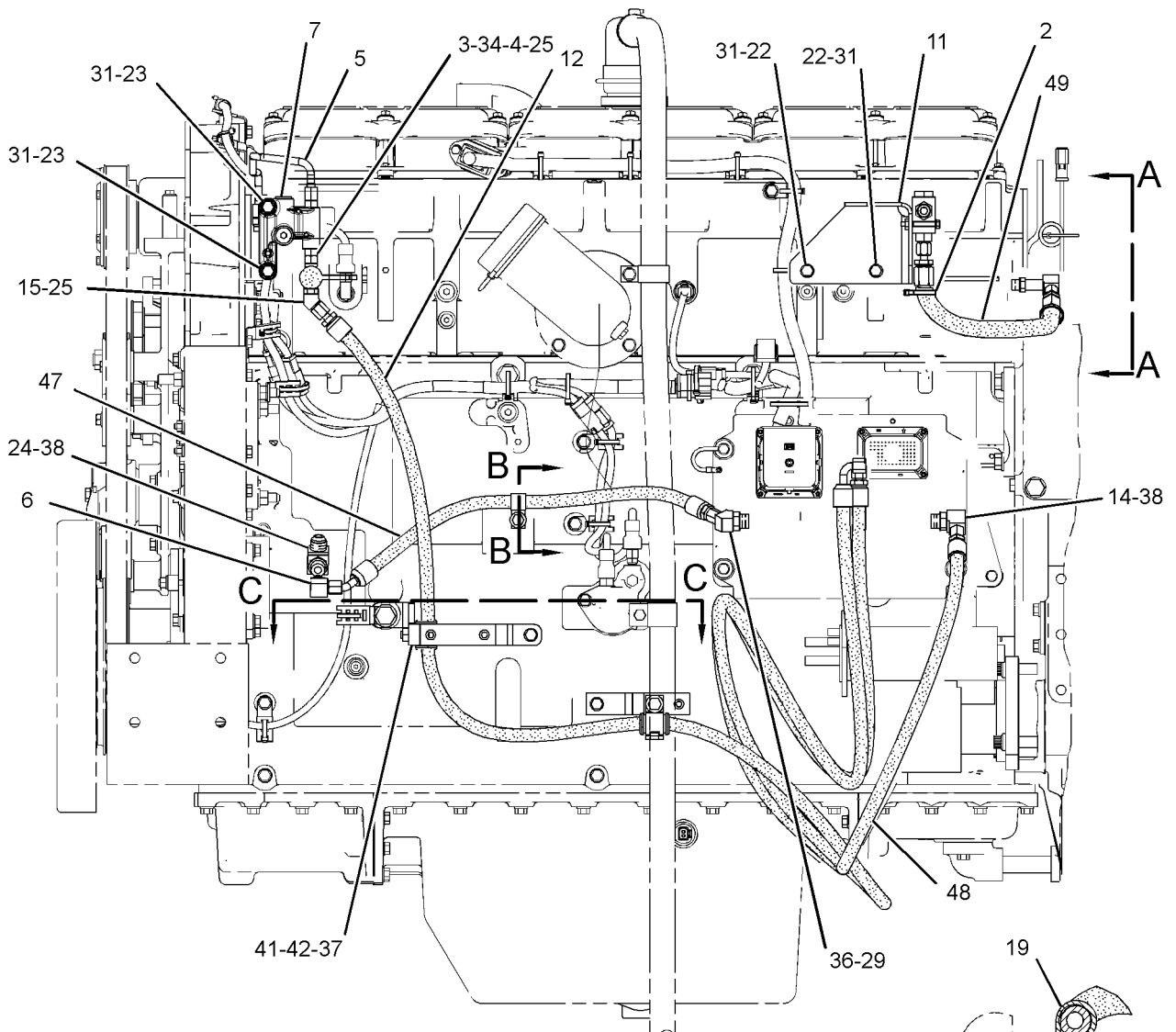
NOTE	REF NO	GRAPHIC REF	PART NUMBER	QTY	PART NAME						SEE PAGE
					1	2	3	4	5	6 (PRODUCT LEVEL)	
	1	1	1M-3381	1	SPACER (0.438X0.75X1-IN THK)						
C	2	1	3S-2093	3	STRAP-CABLE						
C	3	1	5I-3190	1	FITTING						
C	4	1	6V-0852	1	CAP-DUST						
C	5	1	168-8974	1	TUBE AS (FUEL SUPPLY)						
	6	1	191-7805	1	ELBOW AS						
		1	214-7568	1	SEAL-O-RING						
CY	7	1	193-7404	1	MANIFOLD GP-FUEL						228
C	8	1	204-1807	1	BRACKET AS						
M		1	8T-3490	2	NUT-WELD (M10X1.5-THD)						
Y	9	1	235-6387	1	REGULATOR GP-FUEL PRESSURE						241
I	10	1	237-2706	1	HOSE AS						
	11	1	347-9361	1	BRACKET AS						
M		1	6V-9632	2	NUT-WELD (M6X1-THD)						
CI	12	1	335-4225	1	HOSE AS						
C	13	1	341-0826	1	BRACKET AS						
M		1	8T-3490	3	NUT-WELD (M10X1.5-THD)						
	14	1	005-4362	1	ELBOW						
	15	1	030-7942	1	ELBOW						
	16	1	030-8156	1	ELBOW						
	17	1	030-8188	1	CONNECTOR						
C	18	1	033-6042	1	SEAL-O-RING						
	19	1	067-2551	1	CLIP						
	20	1	0L-1571	1	BOLT						
C	21	1	0S-1591	1	BOLT (3/8-16X1.5-IN)						
	22	1	0S-1594	3	BOLT (3/8-16X1-IN)						
C	23	1	0S-1619	2	BOLT (3/8-16X3-IN)						
	24	1	1P-7625	1	ELBOW						
C	25	1	214-7568	3	SEAL-O-RING						
C	26	1	2L-1701	1	BOLT (5/8-18X1.5-IN)						
C	27	1	2R-6806	1	CONNECTOR-O-RING						
C	28	1	3E-4353	3	WASHER-HARD (11X25X3-MM THK)						
C	29	1	3K-0360	1	SEAL-O-RING						
C	30	1	4P-7582	1	CLIP						
C	31	1	5M-2894	6	WASHER-HARD (10.2X18.5X2.5-MM THK)						
C	32	1	5P-8247	1	WASHER-HARD (17X32X3.5-MM THK)						
M	33	1	6V-1820	1	BOLT (M10X1.5X30-MM)						
C	34	1	6V-3965	1	FITTING (QUICK DISCONNECT)						
CM	35	1	6V-4248	1	BOLT (M10X1.5X25-MM)						
	36	1	7D-9984	1	ELBOW						
C	37	1	7V-6571	2	GROMMET						
	38	1	8L-2786	4	SEAL-O-RING						
	39	1	8M-0505	1	CONNECTOR						
M	40	1	8T-0275	2	BOLT (M6X1X50-MM)						
C	41	1	8T-1889	2	CLIP (SLOT)						
C	42	1	8T-1890	2	CLIP (TAB)						
	43	1	9X-6458	1	WASHER-HARD (10.2X22.5X3-MM THK)						
	44	1	9X-8267	2	WASHER (6.6X12X2-MM THK)						
I	47	1	235-2470	1	HOSE AS						
I	48	1	245-7560	1	HOSE AS						
E	49	1	8C-5064		CONDUIT-FLEXIBLE (33-CM)						

C-CHANGE FROM PREVIOUS TYPE
 E-ORDER BY THE CENTIMETER
 I-REFER TO HYDRAULIC INFORMATION SYSTEM
 M-METRIC PART
 Y-SEPARATE ILLUSTRATION

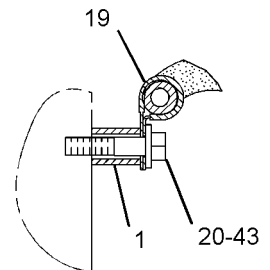
FUEL SYSTEM

246-4785 LINES GP-FUEL (contd.)

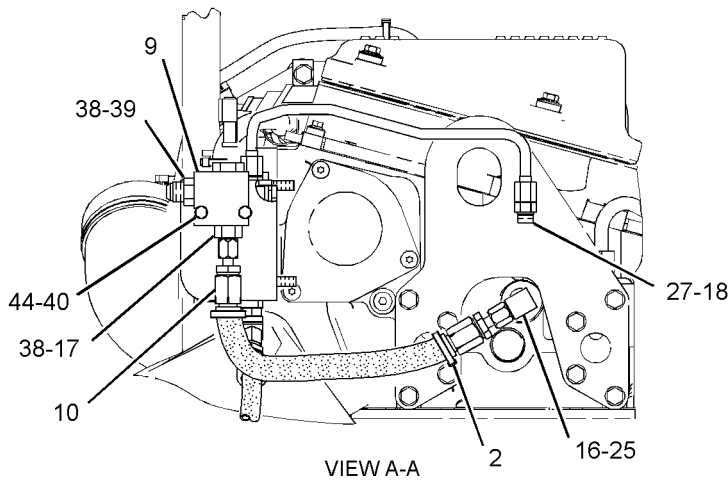
i03641990



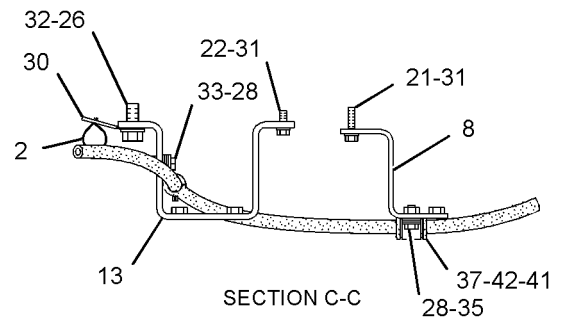
LEFT SIDE VIEW OF ENGINE



SECTION B-B



VIEW A-A



SECTION C-C

GRAPHIC #1

<END>

g01954858

FUEL SYSTEM

307-8136 LINES GP-FUEL

S/N: MMA259-268

PART OF 228-8154 CHASSIS AR

SMCS-1274

i03626405

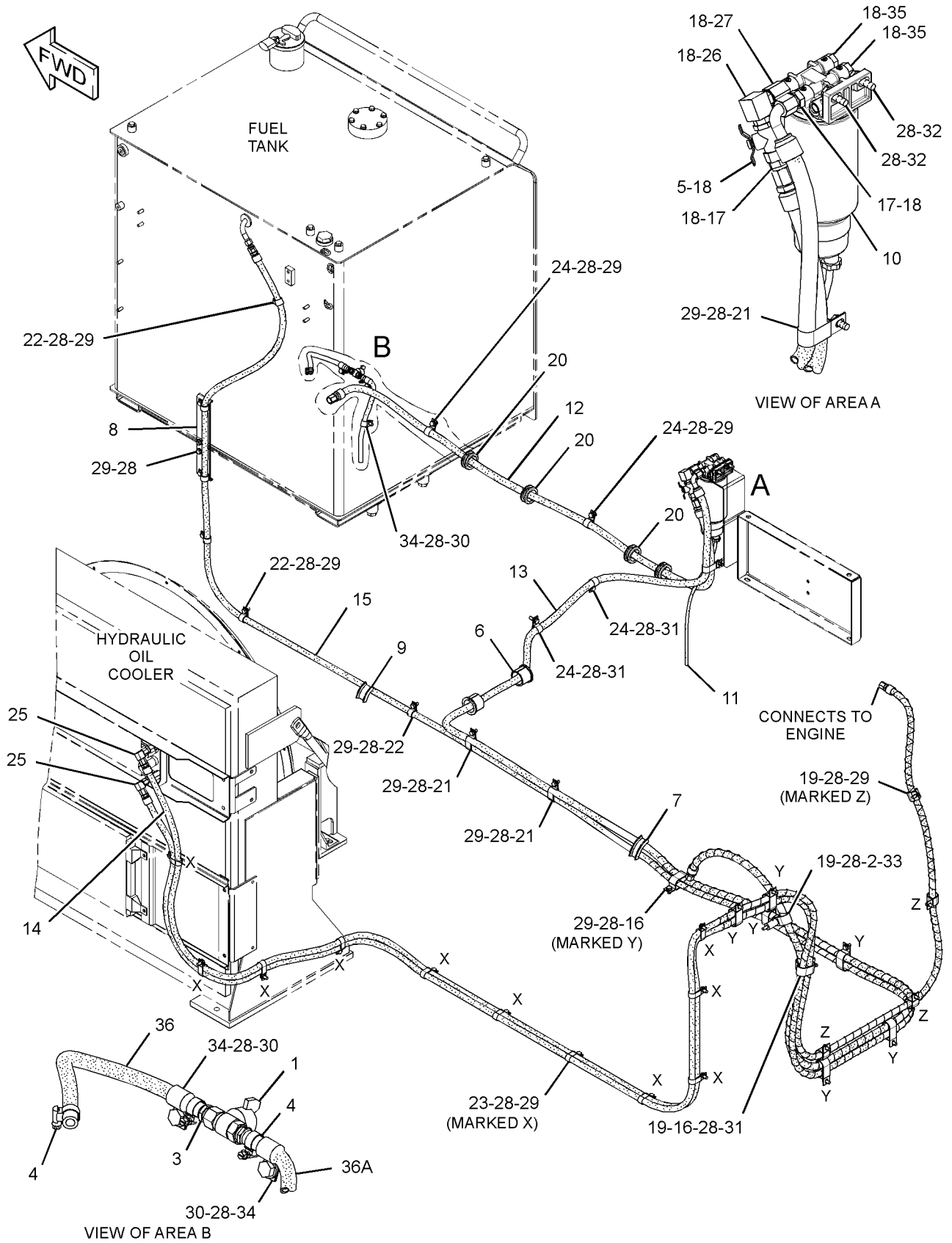
NOTE	REF NO	GRAPHIC REF	PART NUMBER	QTY	PART NAME						SEE PAGE
					1	2	3	4	5	6 (PRODUCT LEVEL)	
	1	1	4I-0379	1	VALVE-MANUAL (DRAIN, FUEL TANK)						
	2	1	4I-7889	1	SPACER (11X25X45-MM THK)						
	3	1	003-7764	2	END-HOSE						
	4	1	095-1386	3	CLAMP-HOSE						
	5	1	156-2525	1	VALVE GP-SHUTOFF						
	6	1	170-3026	2	GROMMET						
	7	1	184-8347	1	GUARD						
	8	1	203-5105	1	SHEET AS						
	9	1	208-4360	1	GUARD						
Y	10	1	225-4153	1	FILTER GP-WATER SEP & FUEL						216
	11	1	264-9971	1	HOSE						
I	12	1	307-8139	1	HOSE AS						
I	13	1	307-8140	1	HOSE AS						
I	14	1	307-8143	1	HOSE AS						
I	15	1	307-8144	1	HOSE AS						
	16	1	228-2775	8	CLIP						
	17	1	2P-7636	2	CONNECTOR						
	18	1	3K-0360	7	SEAL-O-RING						
	19	1	4D-7388	6	CLIP						
	20	1	5I-3876	4	GROMMET						
	21	1	6D-1641	3	CLIP						
	22	1	6D-4244	6	CLIP						
	23	1	6D-4247	11	CLIP						
	24	1	6D-4636	4	CLIP						
	25	1	8M-0547	2	ELBOW-FLARED (SWIVEL)						
	26	1	8T-0119	1	ELBOW						
	27	1	8T-1715	1	ADAPTER						
	28	1	8T-4121	44	WASHER-HARD (11X21X2.5-MM THK)						
M	29	1	8T-4137	35	BOLT (M10X1.5X20-MM)						
M	30	1	8T-4191	3	BOLT (M10X1.5X16-MM)						
M	31	1	8T-4195	3	BOLT (M10X1.5X30-MM)						
M	32	1	8T-4196	2	BOLT (M10X1.5X35-MM)						
M	33	1	8T-5005	1	BOLT (M10X1.5X70-MM)						
	34	1	9M-8406	3	CLIP						
	35	1	9S-4185	2	PLUG-O-RING						
E	36	1	5P-1442		HOSE (38-CM)						
E	36A	1	5P-1442		HOSE (38-CM)						

E-ORDER BY THE CENTIMETER
 I-REFER TO HYDRAULIC INFORMATION SYSTEM
 M-METRIC PART
 Y-SEPARATE ILLUSTRATION

FUEL SYSTEM

307-8136 LINES GP-FUEL (contd.)

i03626405



GRAPHIC #1

<END>

g01679473

FUEL SYSTEM

307-8136 LINES GP-FUEL

S/N: MMA269-UP

PART OF 228-8154 CHASSIS AR

SMCS-1274

i03502901

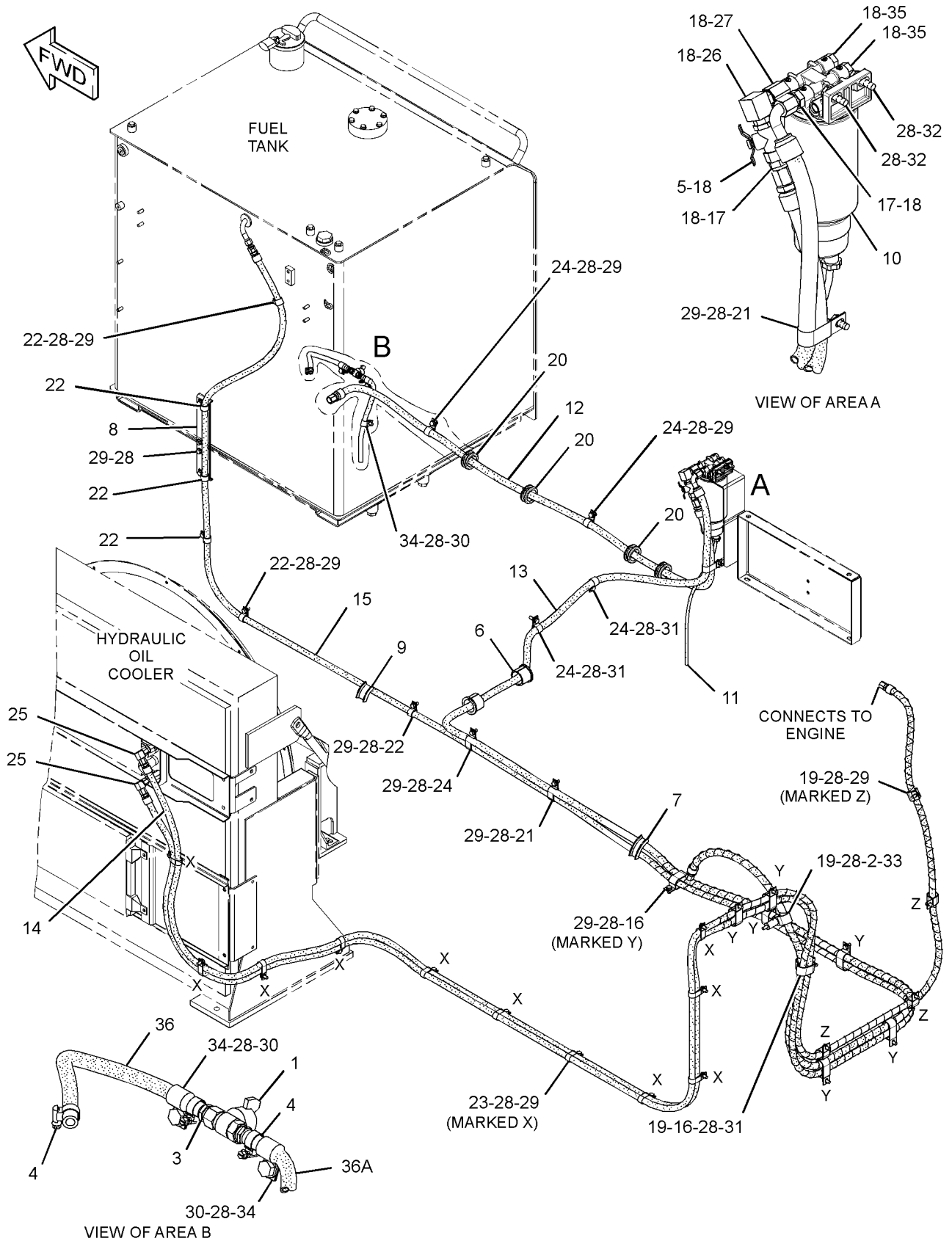
NOTE	REF NO	GRAPHIC REF	PART NUMBER	QTY	PART NAME						SEE PAGE
					1	2	3	4	5	6 (PRODUCT LEVEL)	
	1	1	4I-0379	1	VALVE-MANUAL (DRAIN, FUEL TANK)						
	2	1	4I-7889	1	SPACER (11X25X45-MM THK)						
	3	1	003-7764	2	END-HOSE						
	4	1	095-1386	3	CLAMP-HOSE						
	5	1	156-2525	1	VALVE GP-SHUTOFF						
	6	1	170-3026	2	GROMMET						
	7	1	184-8347	1	GUARD						
	8	1	203-5105	1	SHEET AS						
	9	1	208-4360	1	GUARD						
Y	10	1	225-4153	1	FILTER GP-WATER SEP & FUEL						216
	11	1	264-9971	1	HOSE						
I	12	1	307-8139	1	HOSE AS						
CI	13	1	333-5297	1	HOSE AS						
I	14	1	307-8143	1	HOSE AS						
CI	15	1	333-5298	1	HOSE AS						
	16	1	228-2775	8	CLIP						
	17	1	2P-7636	2	CONNECTOR						
	18	1	3K-0360	7	SEAL-O-RING						
	19	1	4D-7388	6	CLIP						
	20	1	5I-3876	4	GROMMET						
C	21	1	6D-1641	2	CLIP						
C	22	1	6D-4244	7	CLIP						
	23	1	6D-4247	11	CLIP						
C	24	1	6D-4636	5	CLIP						
	25	1	8M-0547	2	ELBOW-FLARED (SWIVEL)						
	26	1	8T-0119	1	ELBOW						
	27	1	8T-1715	1	ADAPTER						
C	28	1	8T-4121	45	WASHER-HARD (11X21X2.5-MM THK)						
CM	29	1	8T-4137	36	BOLT (M10X1.5X20-MM)						
M	30	1	8T-4191	3	BOLT (M10X1.5X16-MM)						
M	31	1	8T-4195	3	BOLT (M10X1.5X30-MM)						
M	32	1	8T-4196	2	BOLT (M10X1.5X35-MM)						
M	33	1	8T-5005	1	BOLT (M10X1.5X70-MM)						
	34	1	9M-8406	3	CLIP						
	35	1	9S-4185	2	PLUG-O-RING						
E	36	1	5P-1442		HOSE (38-CM)						
E	36A	1	5P-1442		HOSE (38-CM)						

C-CHANGE FROM PREVIOUS TYPE
 E-ORDER BY THE CENTIMETER
 I-REFER TO HYDRAULIC INFORMATION SYSTEM
 M-METRIC PART
 Y-SEPARATE ILLUSTRATION

FUEL SYSTEM

307-8136 LINES GP-FUEL (contd.)

i03502901



GRAPHIC #1

<END>

g01839794

FUEL SYSTEM

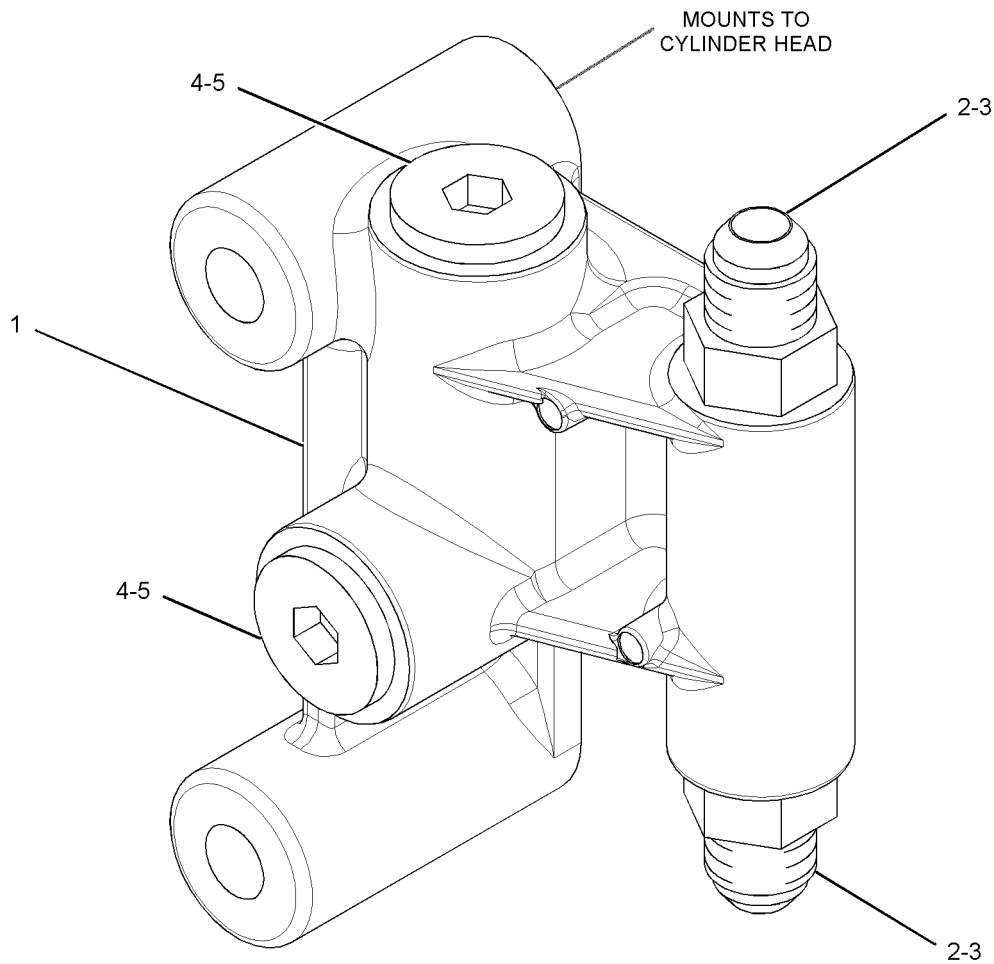
193-7404 MANIFOLD GP-FUEL

S/N: RHX8181-UP
PART OF 246-4785 LINES GP-FUEL

SMCS-1274

i03383901

NOTE	REF NO	GRAPHIC REF	PART NUMBER	QTY	PART NAME						SEE PAGE
					1	2	3	4	5	6 (PRODUCT LEVEL)	
	1	1	168-0300	1	MANIFOLD						
	2	1	033-6042	2	SEAL-O-RING						
	3	1	2R-6806	2	CONNECTOR-O-RING						
	4	1	6V-6609	2	SEAL-O-RING						
	5	1	9S-8005	2	PLUG-O-RING						



GRAPHIC #1

<END>

g01750177

FUEL SYSTEM

165-4962 PUMP & MOTOR GP-REFUELING

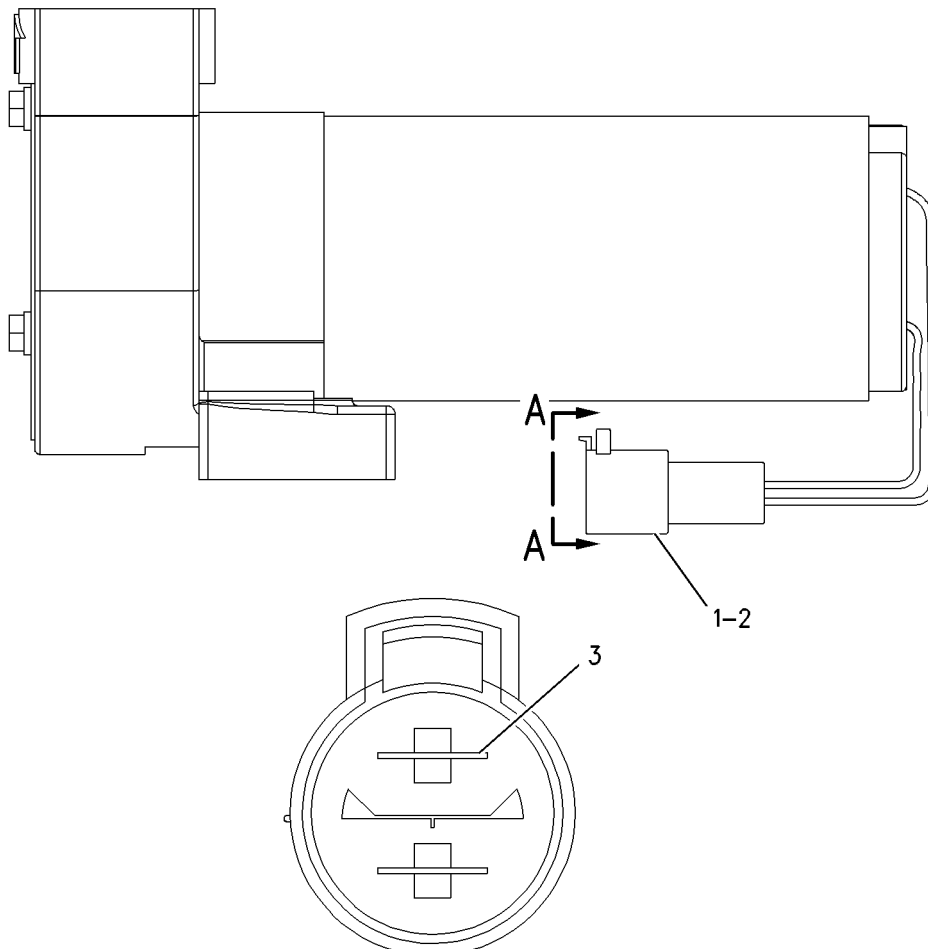
S/N: MMA1-UP

PART OF 245-5555 PUMP GP-FUEL TRANSFER
AN ATTACHMENT

SMCS-1295

i01251933

NOTE	REF NO	GRAPHIC REF	PART NUMBER	QTY	PART NAME						SEE PAGE
					1	2	3	4	5	6 (PRODUCT LEVEL)	
	1	1	121-1038	1	HOUSING-RECEPTACLE						
	2	1	116-0128	1	SEAL						
	3	1	121-1039	2	TERMINAL (MALE)						



VIEW A-A

<END>

GRAPHIC #1

g00676516

FUEL SYSTEM

228-8218 PUMP AR-FUEL TRANSFER-REFUELING

S/N: MMA1-UP

CANNOT BE USED WITH 152-9604-PAGE 519
AN ATTACHMENT

SMCS-1256

i02226296

NOTE	PART NUMBER	QTY	PART NAME						SEE PAGE
			1	2	3	4	5	6 (PRODUCT LEVEL)	
Y	245-5555	1	PUMP	GP-FUEL	TRANSFER				235
Y	238-1636	1	WIRING	GP-REFUELING	PUMP				416

Y-SEPARATE ILLUSTRATION

<END>

FUEL SYSTEM

235-1402 PUMP GP-FUEL INJECTION

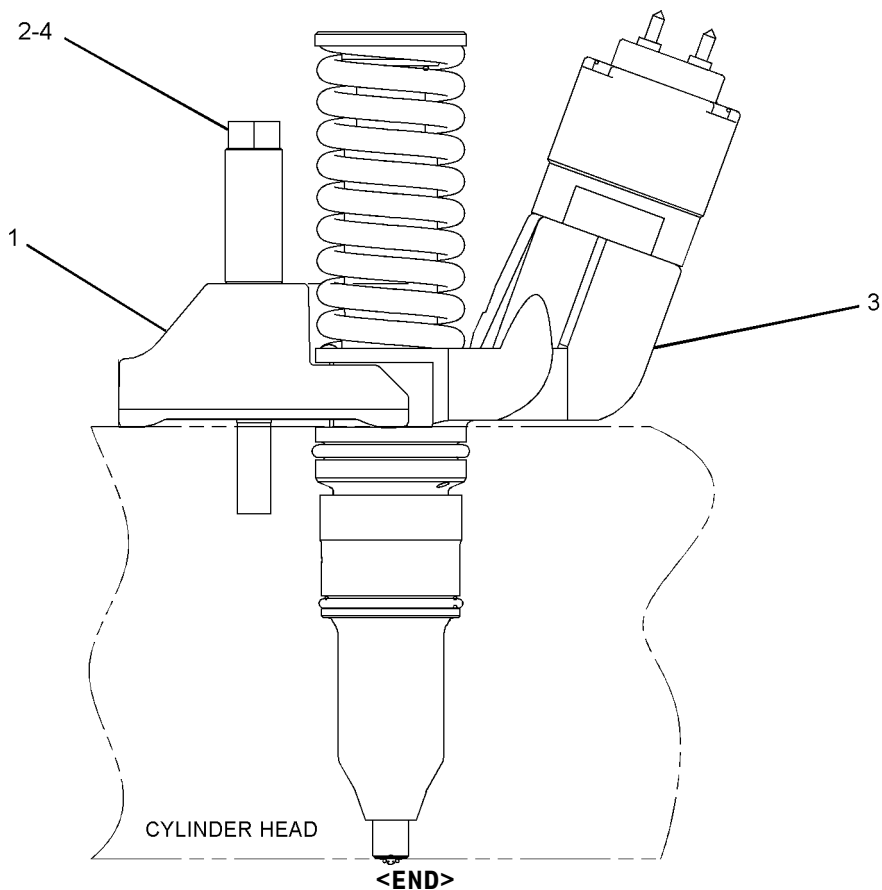
S/N: RHX1-625

PART OF 241-5933 ENGINE AR-CORE

SMCS-1251, 1290

i02097918

NOTE	REF NO	GRAPHIC REF	PART NUMBER	QTY	PART NAME						SEE PAGE
					1	2	3	4	5	6 (PRODUCT LEVEL)	
	1	1	6I-0213	1	CLAMP						
	2	1	100-5072	1	SPACER (9.8X15.85X37.6-MM THK)						
	3	1	244-7716	1	INJECTOR GP-FUEL						
		1	230-3728	1	SEAL-O-RING (32.99MM ID)						
		1	230-3775	1	SEAL-O-RING (36.09MM ID)						
		1	9X-7317	1	SEAL-O-RING (9.6MM ID)						
4	1	1	8S-9191	1	BOLT (3/8-16X4-IN)						



GRAPHIC #1

g01058299

FUEL SYSTEM

235-1402 PUMP GP-FUEL INJECTION

S/N: RHX626-UP

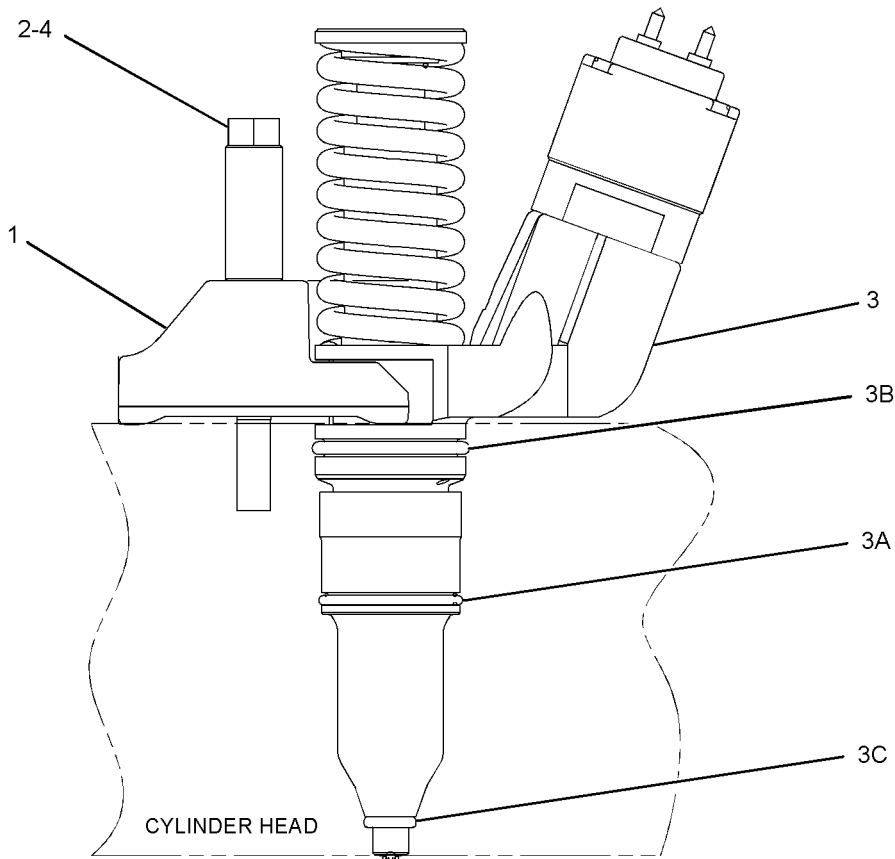
PART OF 241-5933, 280-2166 ENGINE AR-CORE

SMCS-1251, 1290

i02199972

NOTE	REF NO	GRAPHIC REF	PART NUMBER	QTY	PART NAME						SEE PAGE
					1	2	3	4	5	6 (PRODUCT LEVEL)	
	1	1	6I-0213	1	CLAMP						
	2	1	100-5072	1	SPACER (9.8X15.85X37.6-MM THK)						
R	3	1	253-0616	1	INJECTOR GP-FUEL						
	3A	1	230-3728	1	SEAL-O-RING (32.99MM ID)						
	3B	1	230-3775	1	SEAL-O-RING (36.09MM ID)						
	3C	1	9X-7317	1	SEAL-O-RING (9.6MM ID)						
	4	1	8S-9191	1	BOLT (3/8-16X4-IN)						

R-REMFG PART MAY BE AVAILABLE



GRAPHIC #1

<END>

g01111489

FUEL SYSTEM

183-2824 PUMP GP-FUEL PRIMING-MANUAL

S/N: RHX1-UP

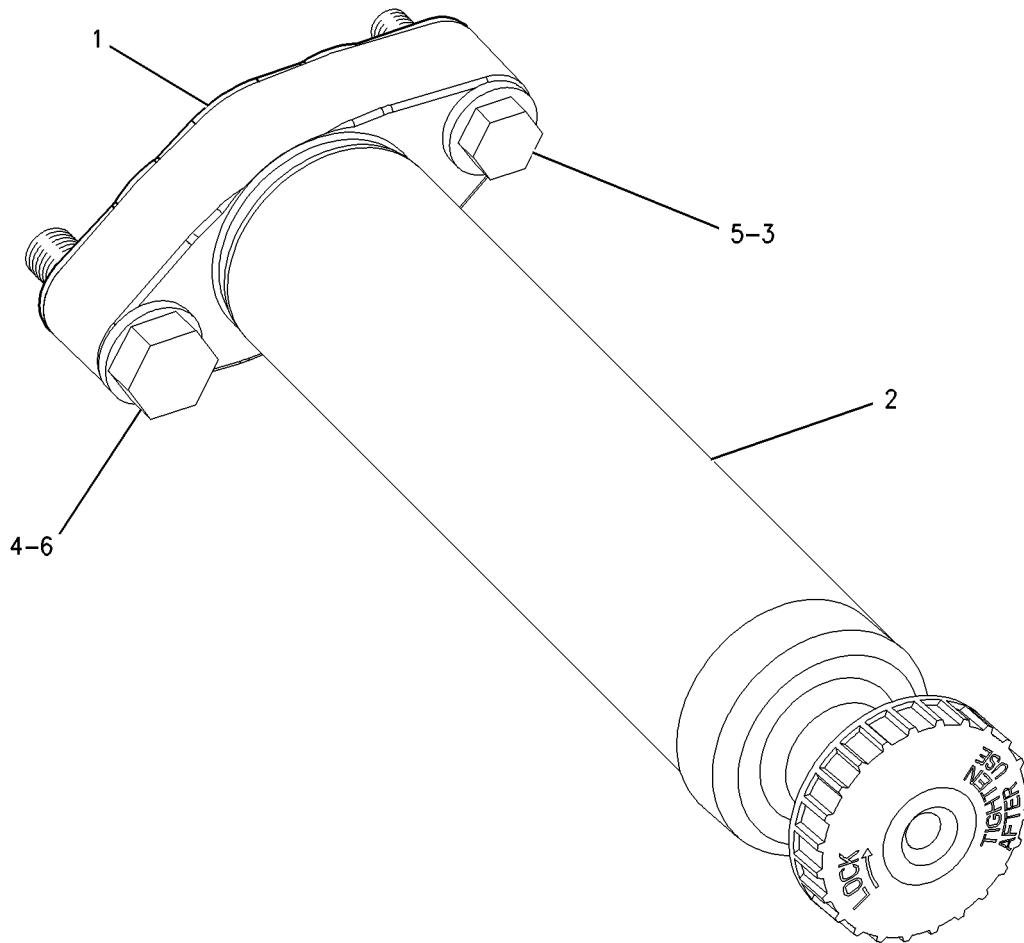
PART OF 246-2659 FILTER GP-FUEL

SMCS-1258

i03626035

NOTE	REF NO	GRAPHIC REF	PART NUMBER	QTY	PART NAME						SEE PAGE
					1	2	3	4	5	6 (PRODUCT LEVEL)	
	1	1	9Y-8389	1	GASKET						
	2	1	183-2823	1	PUMP AS-FUEL PRIMING						
	3	1	8T-4205	1	WASHER-HARD (7.2X14.5X2-MM THK)						
	4	1	8T-4224	1	WASHER-HARD (8.8X16X2-MM THK)						
M	5	1	8T-4971	1	BOLT (M6X1X30-MM)						
M	6	1	8T-7547	1	BOLT (M8X1.25X30-MM)						

M-METRIC PART



GRAPHIC #1

<END>

g00671515

FUEL SYSTEM

100-4265 PUMP GP-FUEL TRANSFER

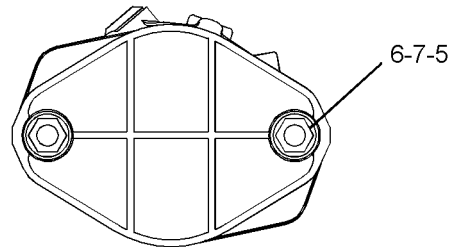
S/N: RHX1-UP

PART OF 257-4960, 286-9798 ENGINE AR-COMPLETE

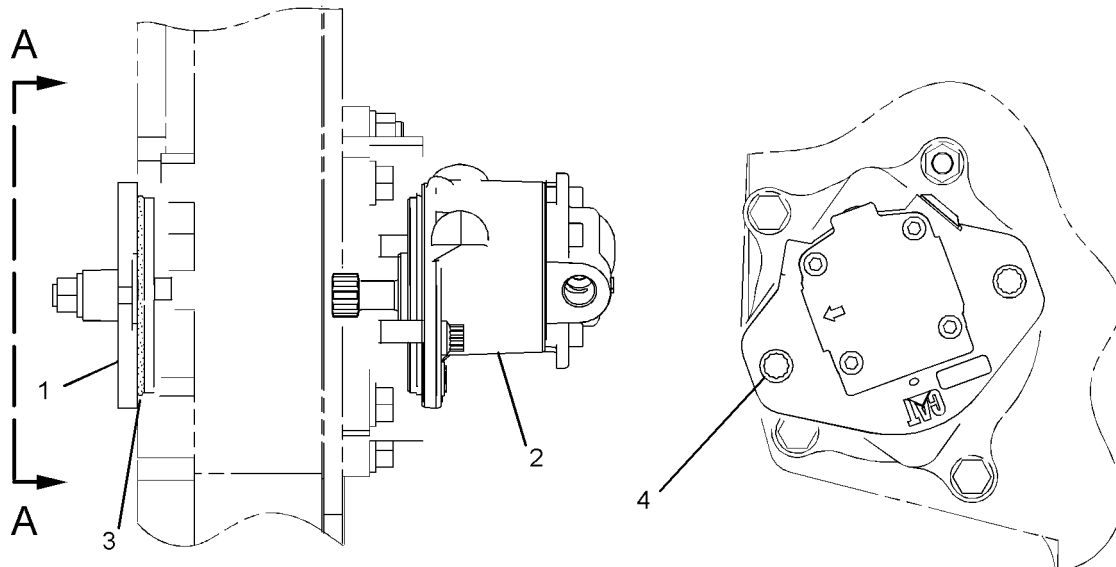
SMCS-1256

i02881501

NOTE	REF NO	GRAPHIC REF	PART NUMBER	QTY	PART NAME						SEE PAGE
					1	2	3	4	5	6 (PRODUCT LEVEL)	
1	1	1	103-4672	1	COVER (HYDRAULIC PUMP DRIVE)						
2	1	1	316-6864	1	PUMP GP-FUEL TRANSFER						
3	1	1	107-5769	2	SEAL-O-RING						
4	1	1	1T-0765	2	BOLT (3/8-16X1-IN)						
5	1	1	5M-2894	2	WASHER-HARD (10.2X18.5X2.5-MM THK)						
6	1	1	6H-0406	2	STUD-TAPERLOCK (3/8-16X1.968-IN)						
7	1	1	9S-8752	2	NUT-FULL (3/8-16-THD)						



VIEW A-A



LEFT SIDE VIEW

REAR VIEW

GRAPHIC #1

<END>

g01261844

FUEL SYSTEM

245-5555 PUMP GP-FUEL TRANSFER-REFUELING

S/N: MMA1-UP

PART OF 228-8218 PUMP AR-FUEL TRANSFER

AN ATTACHMENT

TYPE 1

SMCS-1256

i03559180

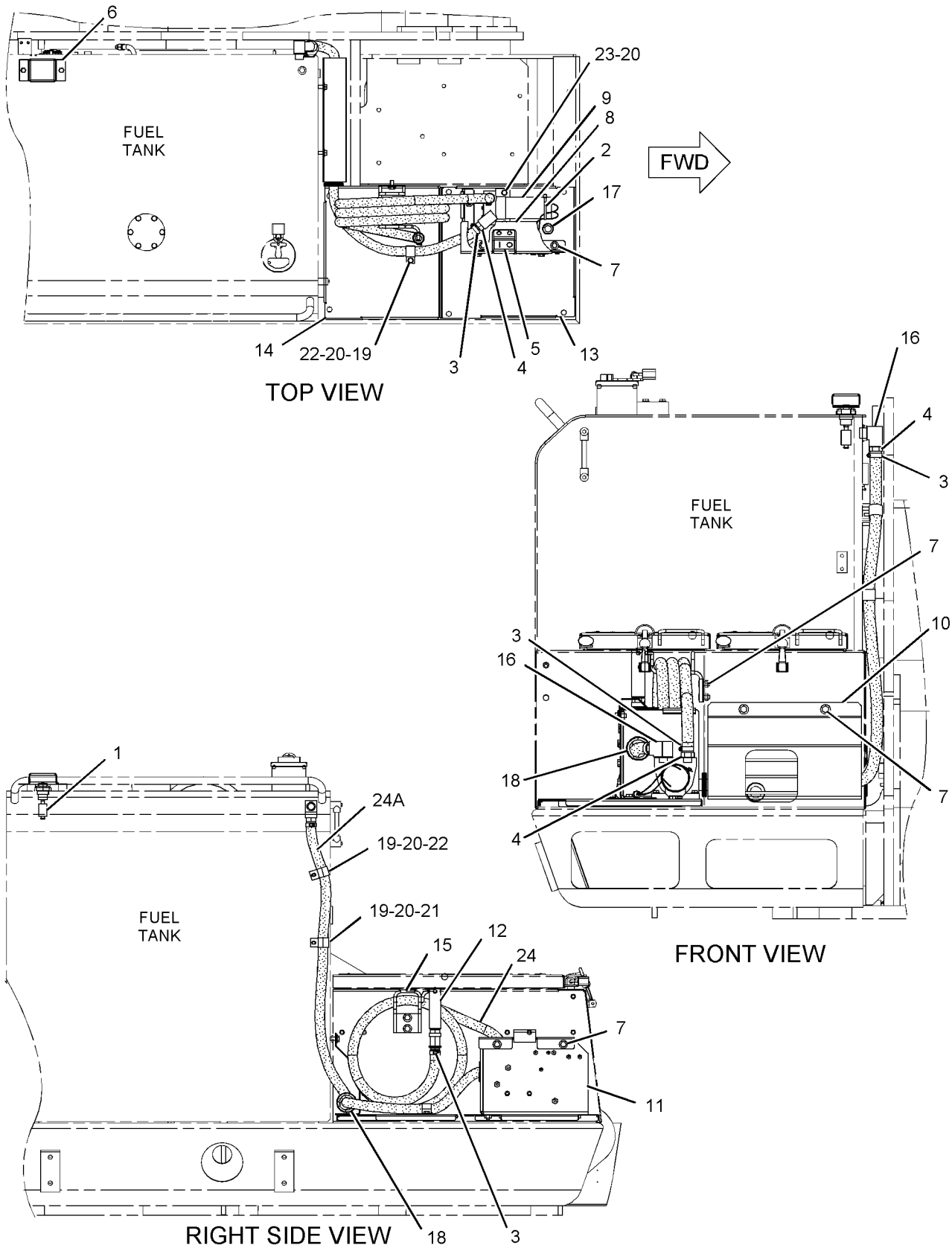
NOTE	REF NO	GRAPHIC REF	PART NUMBER	QTY	PART NAME						SEE PAGE
					1	2	3	4	5	6 (PRODUCT LEVEL)	
Y	1	1	5C-6108	1	SWITCH GP-REFUELING (FUEL TANK SHUTOFF)						377
	2	1	7K-1181	1	STRAP-CABLE						
	3	1	9M-7958	4	CLAMP-HOSE						
	4	1	105-6701	3	CONNECTOR-HOSE						
	5	1	120-5114	1	FILM-INSTRUCTION (REFUELING PUMP)						
	6	1	122-4021	1	COVER						
M	7	1	135-8573	9	BOLT AS						
	8	1	152-9560	1	SHEET						
Y	9	1	165-4962	1	PUMP & MOTOR GP-REFUELING						229
	10	1	176-0433	1	COVER						
	11	1	176-0436	1	SHEET AS						
D		1	5P-9205		SEAL (0.1-M)						
	12	1	176-0490	1	STRAINER AS-FUEL						
	13	1	221-2683	1	SHEET AS						
	14	1	221-2685	1	SHEET AS						
	15	1	228-8255	1	BRACKET AS						
	16	1	006-5707	2	ELBOW-PIPE						
	17	1	2D-0388	1	GROMMET						
	18	1	2S-1647	2	GROMMET						
	19	1	4D-7388	3	CLIP						
	20	1	8T-4121	5	WASHER-HARD (11X21X2.5-MM THK)						
M	21	1	8T-4133	1	NUT (M10X1.5-THD)						
M	22	1	8T-4137	2	BOLT (M10X1.5X20-MM)						
M	23	1	8T-4186	2	BOLT (M10X1.5X40-MM)						
E	24	1	103-2556		HOSE (400-CM)						
E	24A	1	103-2556		HOSE (270-CM)						

D-ORDER BY THE METER
 E-ORDER BY THE CENTIMETER
 M-METRIC PART
 Y-SEPARATE ILLUSTRATION

FUEL SYSTEM

245-5555 PUMP GP-FUEL TRANSFER (contd.)

i03559180



GRAPHIC #1

<END>

g01130793

FUEL SYSTEM

245-5555 PUMP GP-FUEL TRANSFER-REFUELING

S/N: MMA1-UP

PART OF 228-8218 PUMP AR-FUEL TRANSFER

AN ATTACHMENT

TYPE 2

SMCS-1256

i03559182

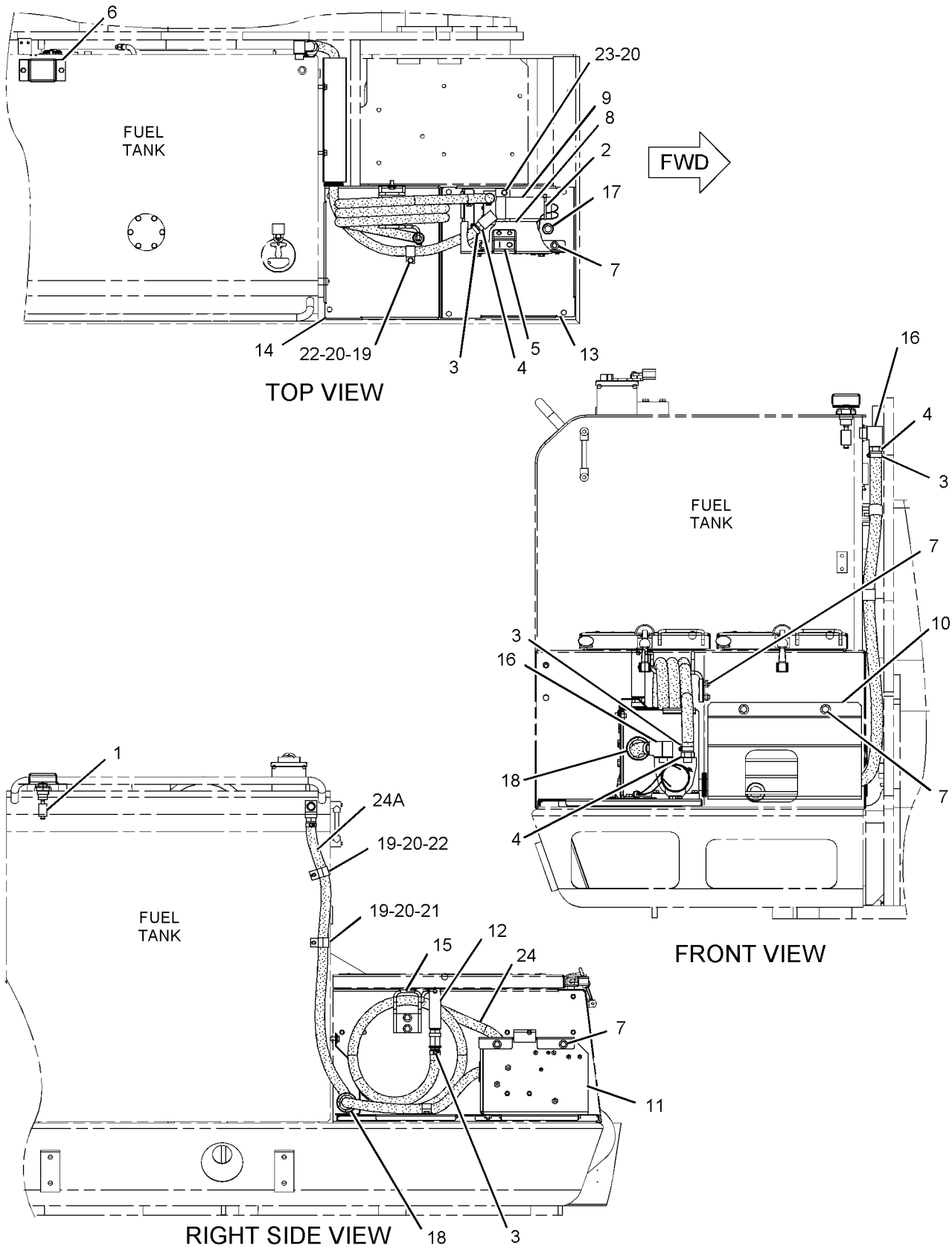
NOTE	REF NO	GRAPHIC REF	PART NUMBER	QTY	PART NAME						SEE PAGE
					1	2	3	4	5	6 (PRODUCT LEVEL)	
Y	1	1	5C-6108	1	SWITCH GP-REFUELING (FUEL TANK SHUTOFF)						377
	2	1	7K-1181	1	STRAP-CABLE						
	3	1	9M-7958	4	CLAMP-HOSE						
C	4	1	229-1861	3	CONNECTOR-HOSE						
	5	1	120-5114	1	FILM-INSTRUCTION (REFUELING PUMP)						
	6	1	122-4021	1	COVER						
M	7	1	135-8573	9	BOLT AS						
	8	1	152-9560	1	SHEET						
Y	9	1	165-4962	1	PUMP & MOTOR GP-REFUELING						229
	10	1	176-0433	1	COVER						
	11	1	176-0436	1	SHEET AS						
D		1	5P-9205		SEAL (0.1-M)						
C	12	1	229-1860	1	STRAINER AS-FUEL						
	13	1	221-2683	1	SHEET AS						
	14	1	221-2685	1	SHEET AS						
	15	1	228-8255	1	BRACKET AS						
	16	1	006-5707	2	ELBOW-PIPE						
	17	1	2D-0388	1	GROMMET						
	18	1	2S-1647	2	GROMMET						
C	19	1	139-1398	3	CLIP						
	20	1	8T-4121	5	WASHER-HARD (11X21X2.5-MM THK)						
M	21	1	8T-4133	1	NUT (M10X1.5-THD)						
M	22	1	8T-4137	2	BOLT (M10X1.5X20-MM)						
M	23	1	8T-4186	2	BOLT (M10X1.5X40-MM)						
CE	24	1	229-1857		HOSE (400-CM)						
CE	24A	1	229-1857		HOSE (270-CM)						

C-CHANGE FROM PREVIOUS TYPE
D-ORDER BY THE METER
E-ORDER BY THE CENTIMETER
M-METRIC PART
Y-SEPARATE ILLUSTRATION

FUEL SYSTEM

245-5555 PUMP GP-FUEL TRANSFER (contd.)

i03559182



GRAPHIC #1

<END>

g01130793

FUEL SYSTEM

245-5555 PUMP GP-FUEL TRANSFER-REFUELING

S/N: MMA1-UP

PART OF 228-8218 PUMP AR-FUEL TRANSFER

AN ATTACHMENT

TYPE 3

SMCS-1256

i03559181

NOTE	REF NO	GRAPHIC REF	PART NUMBER	QTY	PART NAME						SEE PAGE
					1	2	3	4	5	6 (PRODUCT LEVEL)	
C	1	1	312-2645	1	SWITCH AS-LIQUID LEVEL (FUEL TANK SHUTOFF)						
		1	2S-4078	1	SEAL-O-RING						
		1	186-3735	2	PIN-CONNECTOR (16-GA TO 18-GA)						
		1	243-4505	1	RECEPTACLE AS-CONNECTOR (2-PIN)						
	2	1	7K-1181	1	STRAP-CABLE						
	3	1	9M-7958	4	CLAMP-HOSE						
	4	1	229-1861	3	CONNECTOR-HOSE						
	5	1	120-5114	1	FILM-INSTRUCTION (REFUELING PUMP)						
	6	1	122-4021	1	COVER						
M	7	1	135-8573	9	BOLT AS						
	8	1	152-9560	1	SHEET						
Y	9	1	165-4962	1	PUMP & MOTOR GP-REFUELING						229
	10	1	176-0433	1	COVER						
	11	1	176-0436	1	SHEET AS						
D		1	5P-9205		SEAL (0.1-M)						
	12	1	229-1860	1	STRAINER AS-FUEL						
	13	1	221-2683	1	SHEET AS						
	14	1	221-2685	1	SHEET AS						
	15	1	228-8255	1	BRACKET AS						
	16	1	006-5707	2	ELBOW-PIPE						
	17	1	2D-0388	1	GROMMET						
	18	1	2S-1647	2	GROMMET						
	19	1	139-1398	3	CLIP						
	20	1	8T-4121	5	WASHER-HARD (11X21X2.5-MM THK)						
M	21	1	8T-4133	1	NUT (M10X1.5-THD)						
M	22	1	8T-4137	2	BOLT (M10X1.5X20-MM)						
M	23	1	8T-4186	2	BOLT (M10X1.5X40-MM)						
E	24	1	229-1857		HOSE (400-CM)						
E	24A	1	229-1857		HOSE (270-CM)						

C-CHANGE FROM PREVIOUS TYPE

D-ORDER BY THE METER

E-ORDER BY THE CENTIMETER

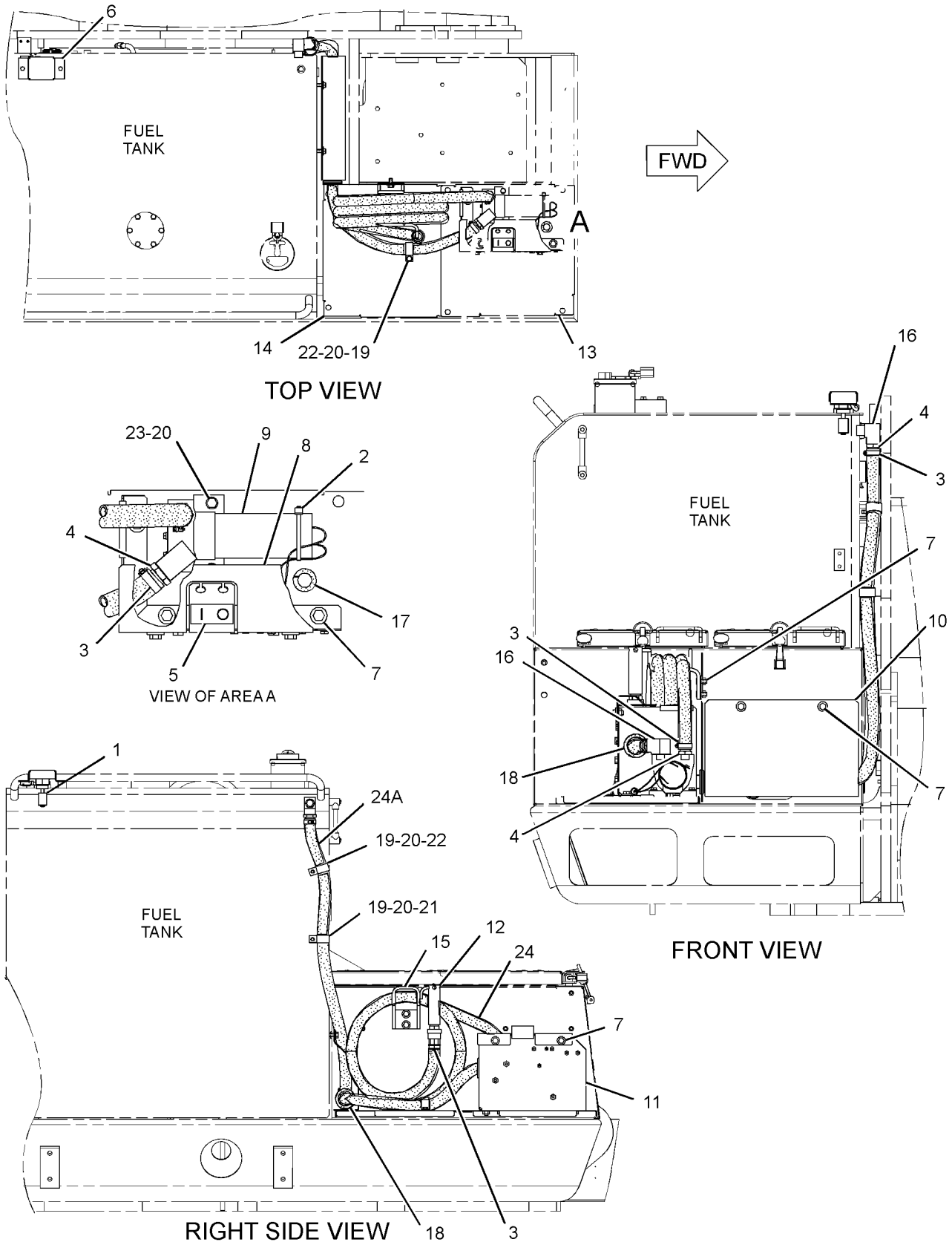
M-METRIC PART

Y-SEPARATE ILLUSTRATION

FUEL SYSTEM

245-5555 PUMP GP-FUEL TRANSFER (contd.)

i03559181



GRAPHIC #1

<END>

g01741493

FUEL SYSTEM

235-6387 REGULATOR GP-FUEL PRESSURE

S/N: RHX1-UP

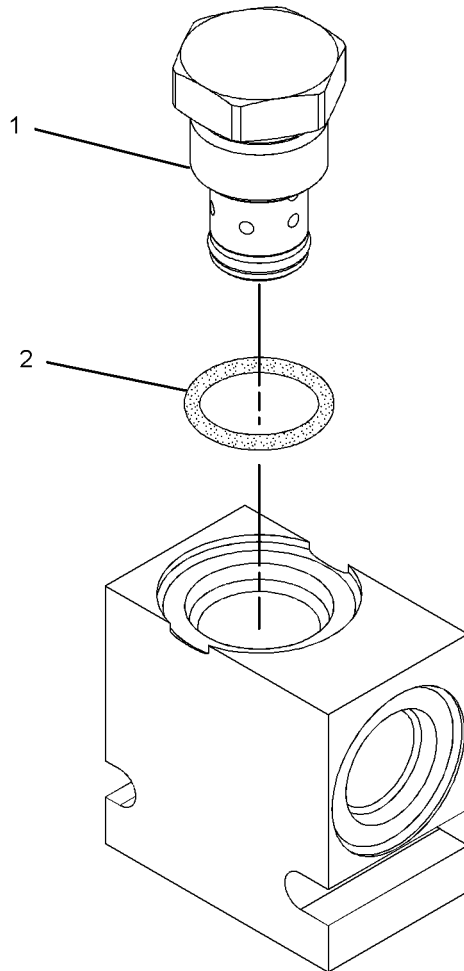
PART OF 246-4785 LINES GP-FUEL

SMCS-1715

i02449291

NOTE	REF NO	GRAPHIC REF	PART NUMBER	QTY	PART NAME						SEE PAGE
					1	2	3	4	5	6 (PRODUCT LEVEL)	
Y	1	1	281-2725	1	VALVE GP-CHECK (FUEL)						245
	2	1	6V-4589	1	SEAL-O-RING						

Y-SEPARATE ILLUSTRATION



GRAPHIC #1

<END>

g01126512

FUEL SYSTEM

184-8528 TANK & MTG GP-FUEL

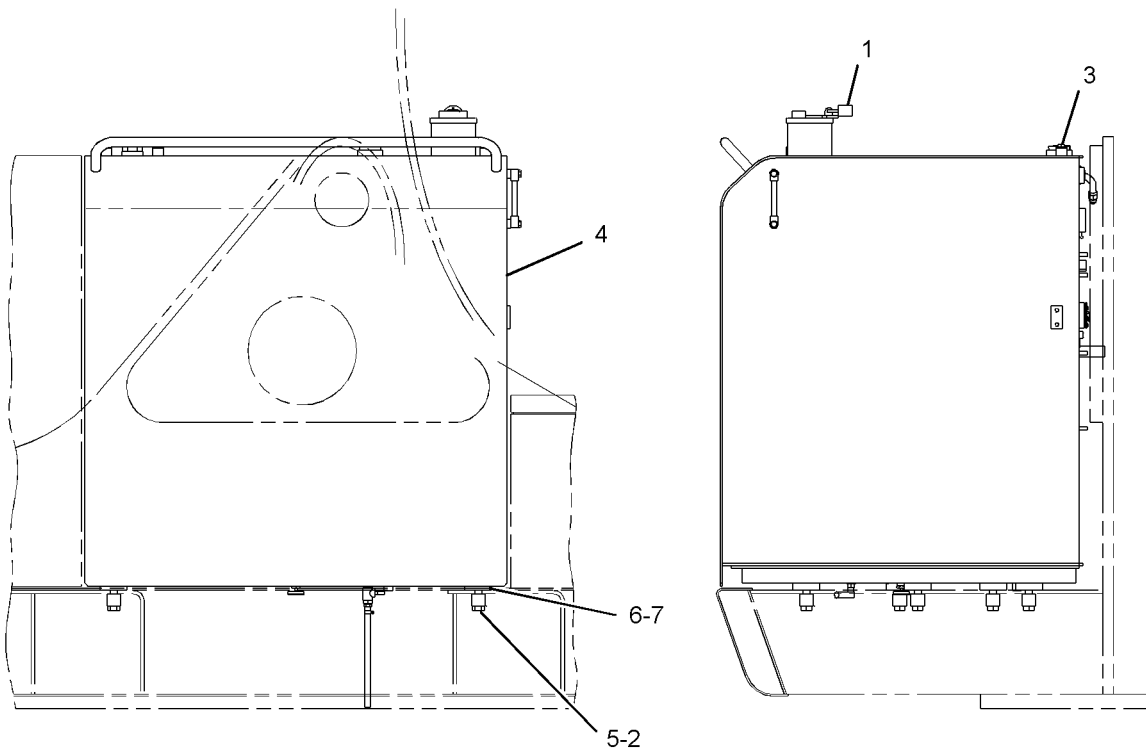
S/N: MMA1-UP
1240-L (328-US GAL)
PART OF 228-8154 CHASSIS AR

SMCS-1273

i02728668

NOTE	REF NO	GRAPHIC REF	PART NUMBER	QTY	PART NAME						SEE PAGE
					1	2	3	4	5	6 (PRODUCT LEVEL)	
	1	1	246-2641	1	PADLOCK GP						
		1	5P-8500	1	KEY						
	2	1	9S-8178	6	SPACER (0.891X1.625X1.5-IN THK)						
M	3	1	135-8572	2	BOLT AS						
CY	4	1	237-8771	1	TANK GP-FUEL						243
M	5	1	8T-4187	6	BOLT (M20X2.5X80-MM)						
B	6	1	093-0407	6	SHIM (0.4-MM THK)						
B	7	1	093-0408	6	SHIM (1-MM THK)						

B-USE AS REQUIRED
C-CHANGE FROM PREVIOUS TYPE
M-METRIC PART
Y-SEPARATE ILLUSTRATION



RIGHT SIDE VIEW

FRONT VIEW

GRAPHIC #1

<END>

g01106198

FUEL SYSTEM

237-8771 TANK GP-FUEL

S/N: MMA1-UP

1240-L (328-US GAL)

PART OF 184-8528 TANK & MTG GP-FUEL

SMCS-1273

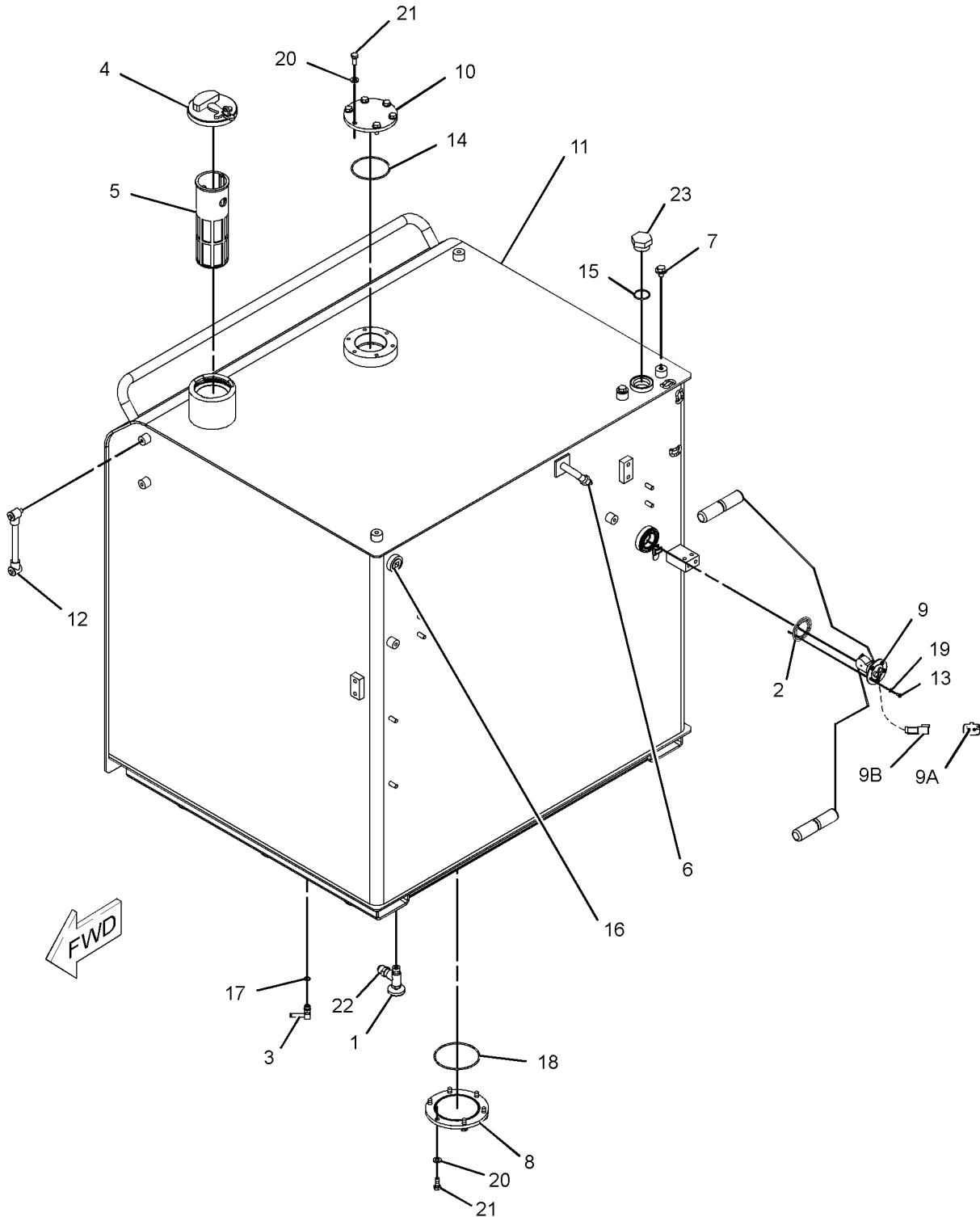
i03531020

NOTE	REF NO	GRAPHIC REF	PART NUMBER	QTY	PART NAME						SEE PAGE
					1	2	3	4	5	6 (PRODUCT LEVEL)	
	1	1	3E-2306	1	VALVE AS (FUEL DRAIN)						
	2	1	4I-0378	1	GASKET-RUBBER						
	3	1	5P-4924	1	ELBOW						
	4	1	7X-7700	1	CAP AS-FILLER (FUEL TANK)						
		1	9X-2205	1	KIT-CAP FILTER (FUEL TANK)						
		1	9X-8600	1	SEAL-O-RING						
J	5	1	303-9933	1	STRAINER AS-FUEL (FLOAT GAUGE)						
	6	1	061-9413	1	CONNECTOR						
M	7	1	135-8572	2	BOLT AS						
	8	1	164-3417	1	COVER						
	9	1	183-1065	1	SENSOR-FUEL LEVEL						
	9A	1	9X-3401	2	PIN-CONNECTOR (16-GA TO 18-GA)						
	9B	1	102-8802	1	KIT-RECEPTACLE (2-PIN)						
					(KIT INCLUDES RECEPTACLE AS & WEDGE)						
	10	1	187-1679	1	COVER						
Z	11	1		1	TANK AS-FUEL						
Y	12	1	223-3095	1	GAUGE GP-SIGHT (FUEL LEVEL)						217
M	13	1	095-0736	5	SCREW-MACHINE (M5X0.8X10-MM)						
	14	1	1H-8128	1	SEAL-O-RING						
	15	1	2S-4078	1	SEAL-O-RING						
	16	1	3B-0551	1	PLUG-PIPE						
	17	1	3J-1907	1	SEAL-O-RING						
	18	1	5H-6734	1	SEAL-O-RING						
	19	1	8T-0328	5	WASHER-HARD (5.5X10X1-MM THK)						
	20	1	8T-4121	12	WASHER-HARD (11X21X2.5-MM THK)						
M	21	1	8T-4136	12	BOLT (M10X1.5X25-MM)						
	22	1	9M-6522	1	CONNECTOR						
	23	1	9S-6130	1	PLUG						
					AVAILABLE REPAIR KIT(S):						
J			303-9937	1	KIT-GAUGE (FUEL STRAINER)						
					(INCLUDES STOPPER & GAUGE FLOAT)						
J-KIT MARKED J SERVICES PART(S) MARKED J M-METRIC PART Y-SEPARATE ILLUSTRATION Z-NOT SERVICED SEPARATELY											

FUEL SYSTEM

237-8771 TANK GP-FUEL (contd.)

i03531020



GRAPHIC #1

<END>

g01155992

FUEL SYSTEM

281-2725 VALVE GP-CHECK-FUEL

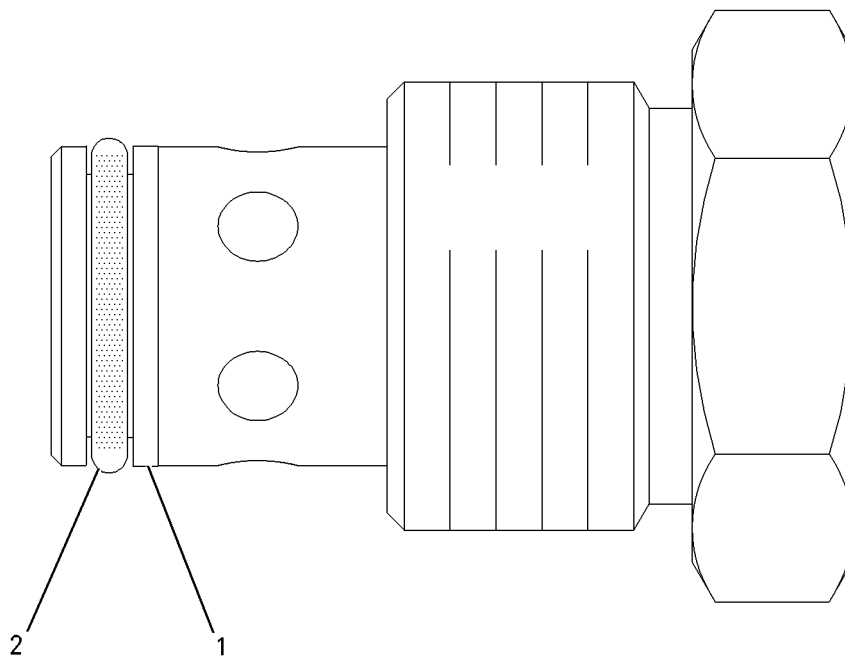
S/N: RHX1-UP

PART OF 235-6387 REGULATOR GP-FUEL PRESSURE

SMCS-1251

i02447467

NOTE	REF NO	GRAPHIC REF	PART NUMBER	QTY	PART NAME						SEE PAGE
					1	2	3	4	5	6 (PRODUCT LEVEL)	
	1	1	6V-6923	1	RING-BACKUP						
	2	1	033-6033	1	SEAL-O-RING						



GRAPHIC #1

<END>

g00864141

FUEL SYSTEM

139-6873 VALVE GP-FUEL BYPASS-FILTER

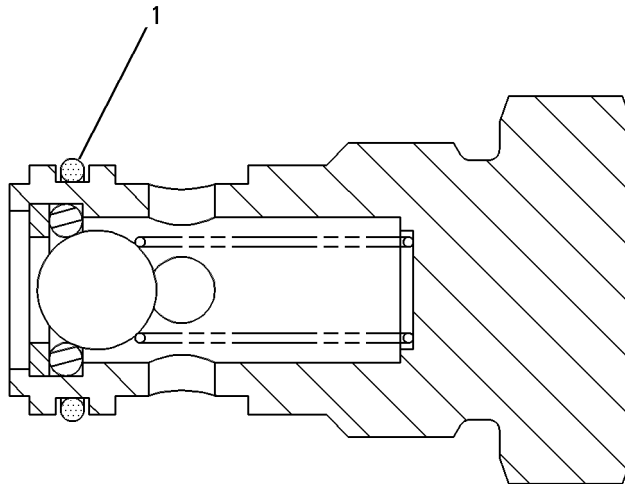
S/N: RHX1-UP

PART OF 246-2659 FILTER GP-FUEL

SMCS-1250, 1261, 1715

i02100587

NOTE	REF NO	GRAPHIC REF	PART NUMBER	QTY	PART NAME						SEE PAGE
					1	2	3	4	5	6 (PRODUCT LEVEL)	
	1	1	9X-7737	1	SEAL-O-RING						



GRAPHIC #1

<END>

g00266124

ELECTRICAL AND STARTING SYSTEM

132-1829 ALARM GP-FAULT

S/N: MMA1-UP

24-VOLT

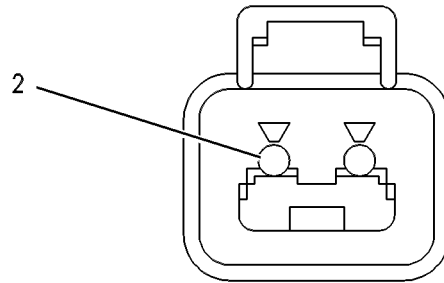
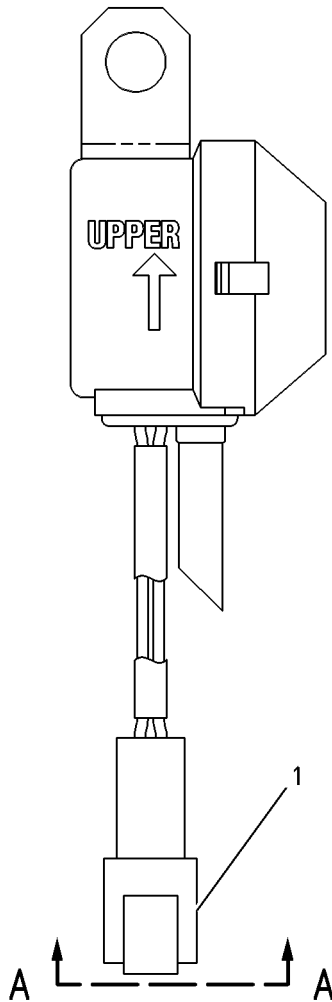
PART OF 227-7132 WIRING GP-CAB

ALSO AN ATTACHMENT

SMCS-7400, 7402, 7407

i01454019

NOTE	REF NO	GRAPHIC REF	PART NUMBER	QTY	PART NAME						SEE PAGE
					1	2	3	4	5	6 (PRODUCT LEVEL)	
	1	1	102-8802	1	KIT-RECEPTACLE (2-PIN)						
					(INCLUDES RECEPTACLE AS & WEDGE)						
	2	1	186-3735	2	PIN-CONNECTOR (16-GA TO 18-GA)						



VIEW A-A

GRAPHIC #1

<END>

g00272185

ELECTRICAL AND STARTING SYSTEM

231-1771 ALARM GP-TRAVEL-BACKUP

S/N: MMA1-UP

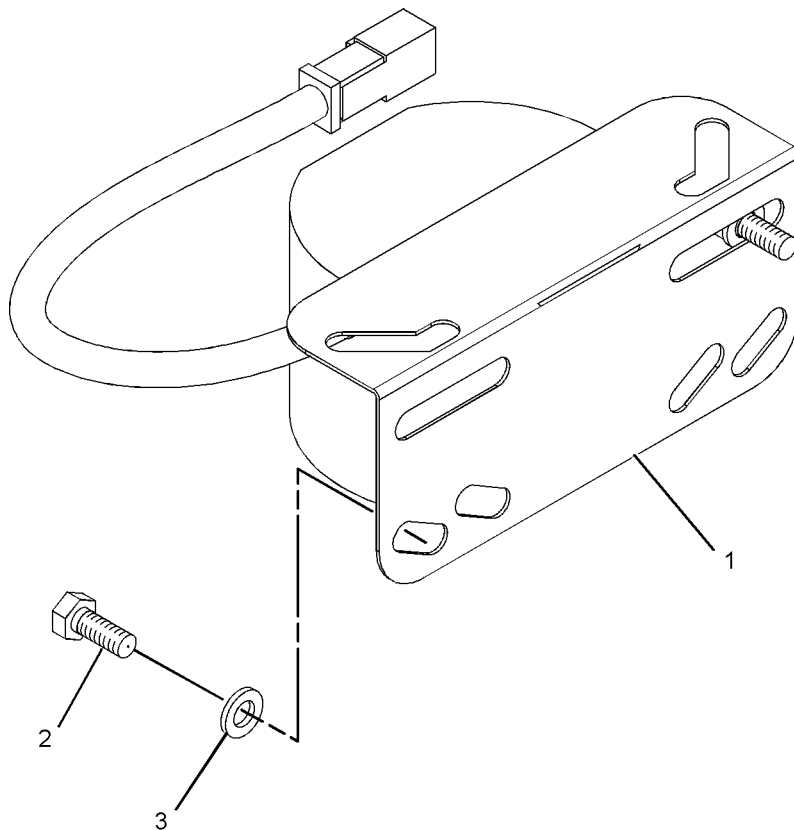
PART OF 265-7175, 265-7176 CONVERSION AR
AN ATTACHMENT

SMCS-7429

i03267821

NOTE	REF NO	GRAPHIC REF	PART NUMBER	QTY	PART NAME						SEE PAGE
					1	2	3	4	5	6 (PRODUCT LEVEL)	
	1	1	213-9100	1	ALARM GP (BACKUP)						
		1	102-8802	1	KIT-RECEPTACLE (2-PIN) (INCLUDES RECEPTACLE AS & WEDGE)						
		1	186-3735	2	PIN-CONNECTOR (16-GA TO 18-GA)						
E		1	9X-1813		SLEEVE (29-CM)						
M	2	1	8T-4189	2	BOLT (M8X1.25X20-MM)						
	3	1	5P-4116	2	WASHER-HARD (8.8X20.5X2-MM THK)						

E-ORDER BY THE CENTIMETER
M-METRIC PART



GRAPHIC #1

<END>

g01071794

ELECTRICAL AND STARTING SYSTEM

177-9953 ALTERNATOR GP-CHARGING*R

S/N: RHX1-UP

24-VOLT, 80-AMPERE

PART OF 235-2471 ALTERNATOR GP-CHARGING

SMCS-1405

i02703713

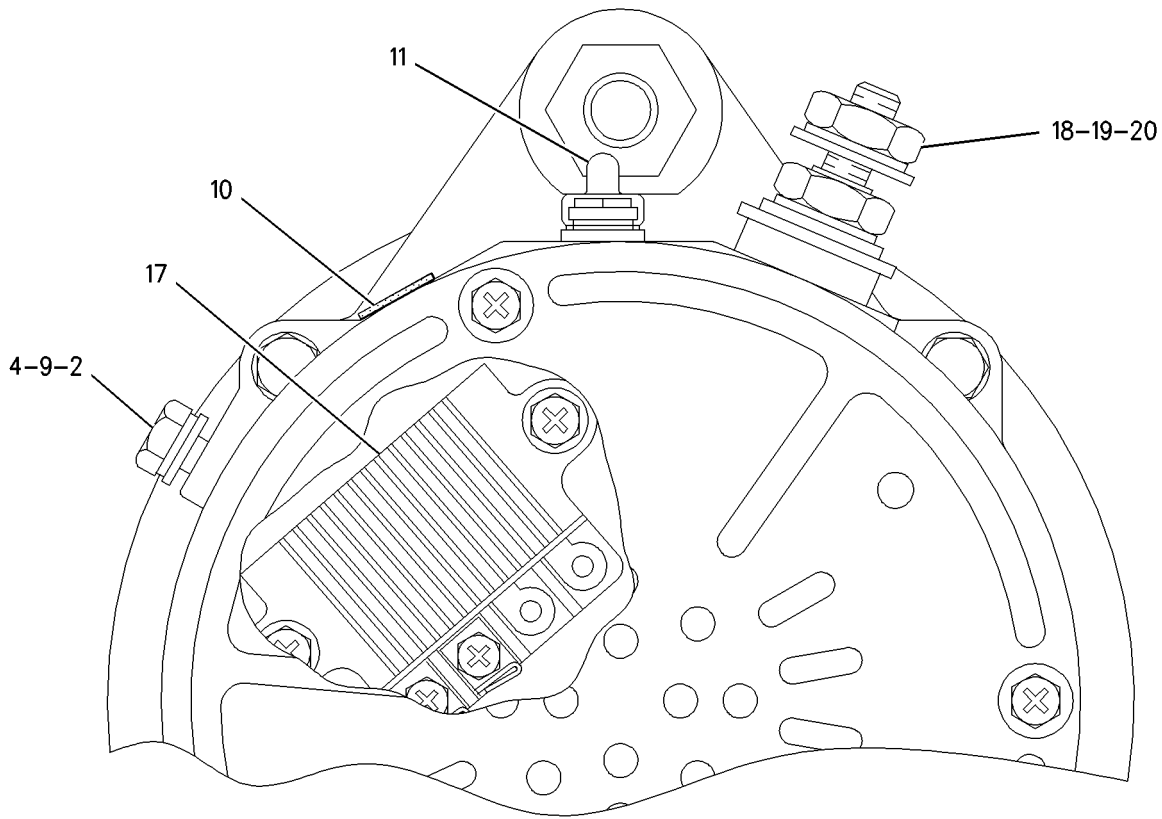
NOTE	REF NO	GRAPHIC REF	PART NUMBER	QTY	PART NAME						SEE PAGE
					1	2	3	4	5	6 (PRODUCT LEVEL)	
	1	1	185-2653	1	FRAME						
	2	1	5S-7349	1	BOLT (1/4-20X0.5-IN)						
	3	1	185-2639	1	FAN AS						
	4	1	1H-3244	1	LOCKWASHER						
	5	1	185-2645	1	FRAME						
	6	1	2K-4821	1	LOCKNUT (5/8-18-THD)						
	7	1	5P-8247	1	WASHER-HARD (17X32X3.5-MM THK)						
	8	1	185-2651	1	COVER						
	9	1	8T-4205	1	WASHER-HARD (7.2X14.5X2-MM THK)						
	10	1	185-2647	1	GROMMET						
	11	1	9L-6770	1	CAP-DUST						
	12	1	185-2643	1	STATOR AS						
	13	1	185-2638	2	COLLAR						
	14	1	185-2654	1	PLATE						
	15	1	185-2650	1	ROTOR AS						
	16	1	185-2644	1	COIL AS						
	17	1	185-2648	1	REGULATOR AS-VOLTAGE (24-VOLT) (ALTERNATOR)						
J	18	1	6V-8189	1	NUT (5/16-18-THD)						
J	19	1	8T-4224	1	WASHER-HARD (8.8X16X2-MM THK)						
J	20	1	3F-9556	1	LOCKWASHER						
					AVAILABLE REPAIR KIT(S):						
J			199-7891		KIT-TERMINAL (ALTERNATOR) (INCLUDES INSULATORS, WASHERS, NUT, STEP NUT)						
			185-2655		KIT-BEARING (ALTERNATOR) (INCLUDES 2 BEARINGS)						
			199-8436		KIT-TERMINAL (ALTERNATOR) (INCLUDES HOLDER AS, PLATE, INSULATOR, PIN, BOLT, GROMMET, NUT)						
			185-2658		KIT-HARDWARE (ALTERNATOR) (INCLUDES BOLTS)						

J-KIT MARKED J AVAILABLE FOR PARTS MARKED J

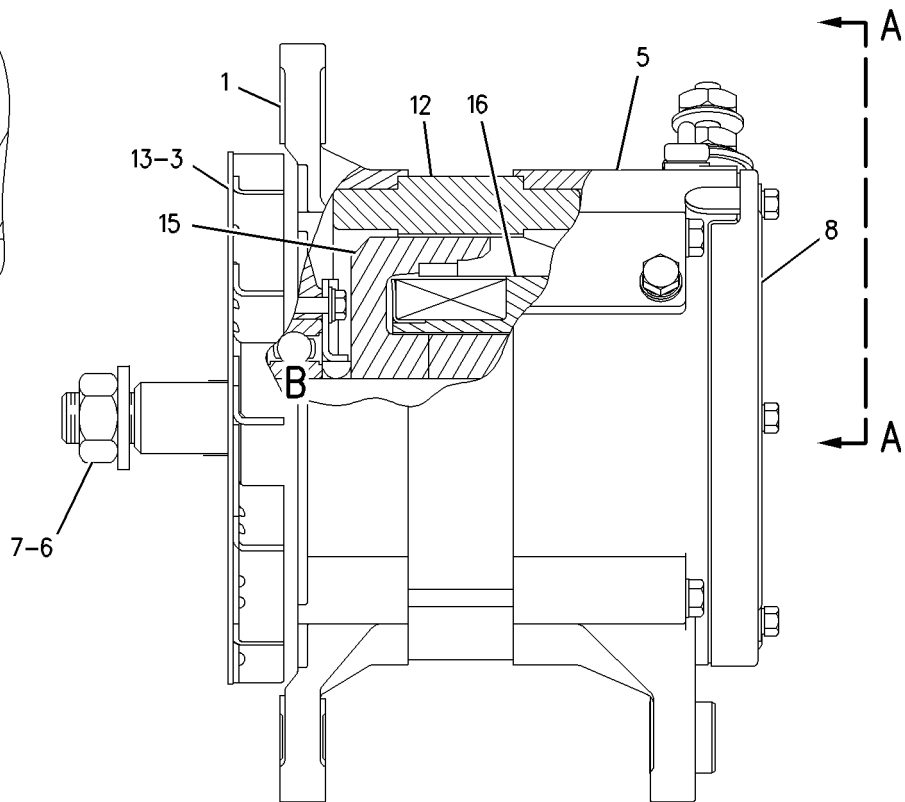
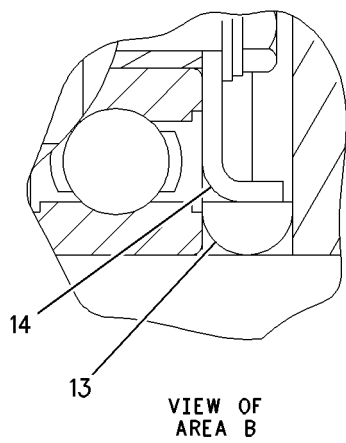
ELECTRICAL AND STARTING SYSTEM

177-9953 ALTERNATOR GP-CHARGING (contd.)

i02703713



VIEW A-A



<END>

GRAPHIC #1

g00795850

ELECTRICAL AND STARTING SYSTEM

235-2471 ALTERNATOR GP-CHARGING

S/N: RHX1-UP

24-VOLT, 80-AMPERE

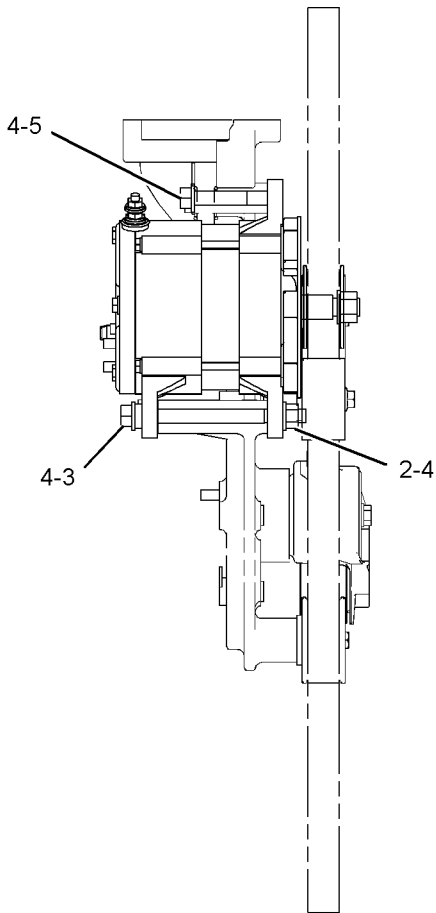
PART OF 257-4960, 286-9798 ENGINE AR-COMplete

SMCS-1405

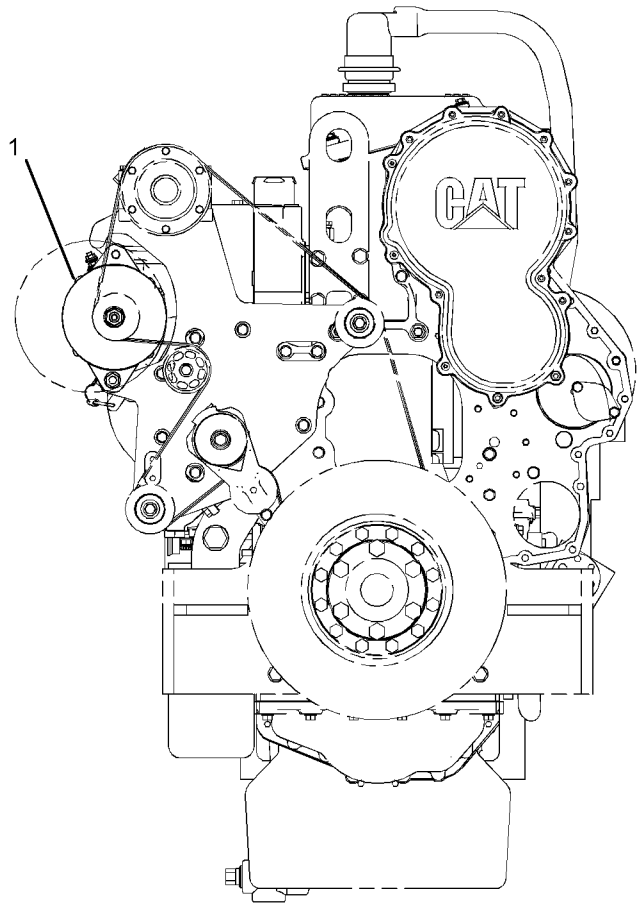
i02097510

NOTE	REF NO	GRAPHIC REF	PART NUMBER	QTY	PART NAME						SEE PAGE
					1	2	3	4	5	6 (PRODUCT LEVEL)	
YR	1	1	177-9953	1	ALTERNATOR GP-CHARGING (24-VOLT, 80-AMPERE)						249
	2	1	6V-8188	1	NUT (1/2-13-THD)						
	3	1	7X-0339	1	BOLT (1/2-13X6.25-IN)						
	4	1	8T-4223	3	WASHER-HARD (13.5X25.5X3-MM THK)						
	5	1	8T-8920	1	BOLT (1/2-13X3.25-IN)						

R-REMG PART MAY BE AVAILABLE
Y-SEPARATE ILLUSTRATION



RIGHT SIDE VIEW



FRONT VIEW

GRAPHIC #1

<END>

g01070125

ELECTRICAL AND STARTING SYSTEM

234-1020 BATTERY & WIRING GP-COLD WEATHER

S/N: MMA1-UP

PART OF 257-4493 STARTING AR-COLD WEATHER
AN ATTACHMENT

SMCS-1401, 1402, 1408

i03650887

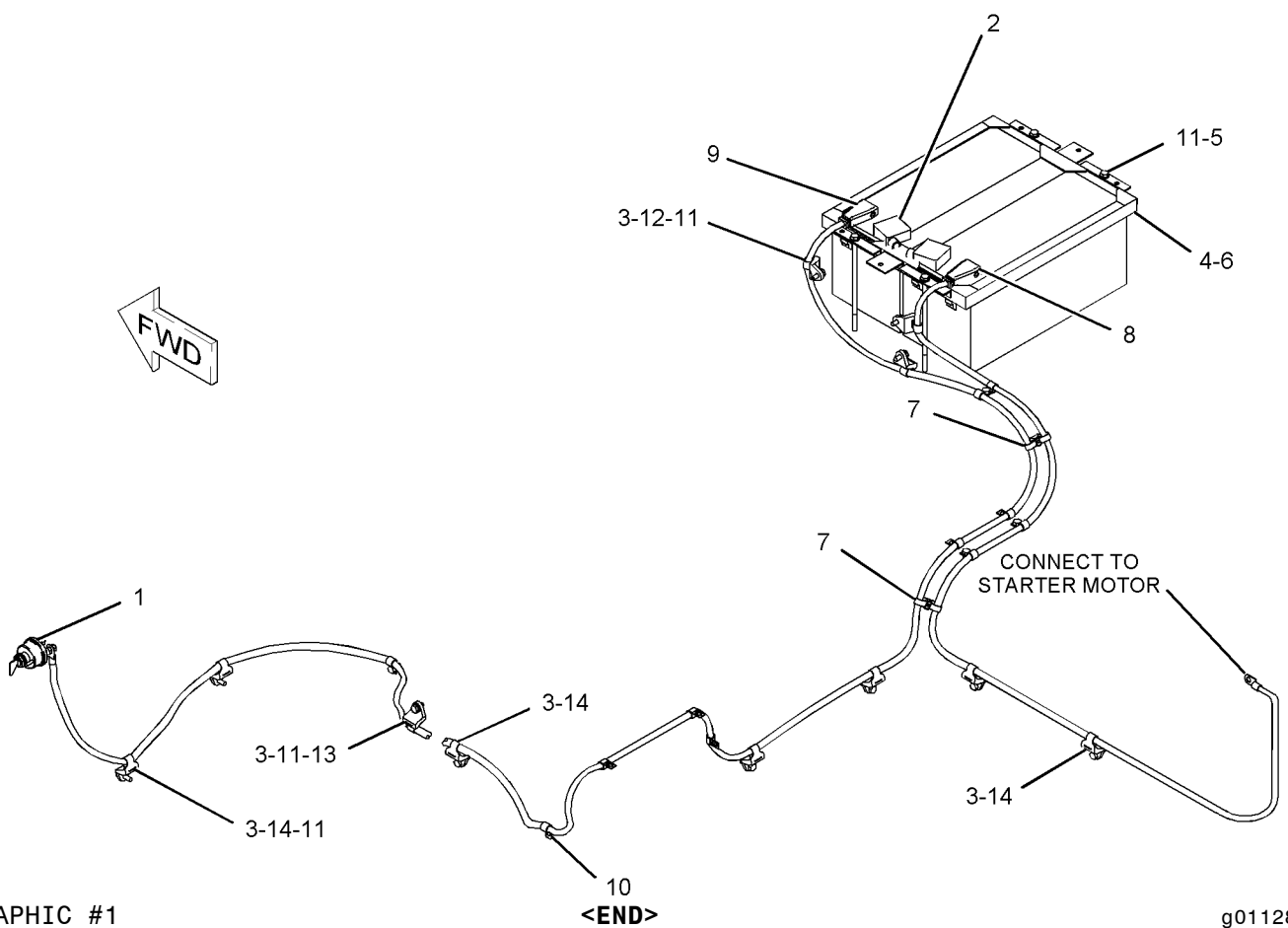
NOTE	REF NO	GRAPHIC REF	PART NUMBER	QTY	PART NAME						SEE PAGE
					1	2	3	4	5	6 (PRODUCT LEVEL)	
Y	1	1	7N-0719	1	SWITCH GP-DISCONNECT (BATTERY)						371
	2	1	8V-0622	1	CABLE AS						
		1	8T-9757	1	TERMINAL AS-BATTERY (NEGATIVE)						
		1	8C-5917	1	TERMINAL AS-BATTERY (POSITIVE)						
					(EACH TERMINAL AS INCLUDES)						
		1	1M-6119	1	BOLT (5/16-18X1.375-IN)						
		1	1M-6120	1	NUT (5/16-18-THD)						
E	1	1	5P-0761	1	CABLE (00-GA, RED) (14-CM)						
		1	9G-0003	1	COVER-TERMINAL (BLACK)						
		1	8L-8413	1	STRAP-CABLE						
		1	9G-0004	1	COVER-TERMINAL (RED)						
		1	8L-8413	1	STRAP-CABLE						
	3	1	111-4837	13	CLIP						
	4	1	153-5710	2	BATTERY (12-VOLT, 1400-CCA)						
M	5	1	157-4822	4	BOLT (M10X1.5X250-MM)						
	6	1	198-7070	1	SUPPORT AS						
	7	1	204-1673	3	STRAP-CABLE						
	8	1	238-1488	1	CABLE AS						
		1	1S-7251	1	TERMINAL-CABLE (00-GA, 1/2-IN BOLT)						
E	1	1	5P-0761	1	CABLE (00-GA, RED) (282-CM)						
		1	8N-1725	1	COVER-TERMINAL (RED)						
		1	8L-8413	1	STRAP-CABLE						
		1	3S-6049	1	TERMINAL AS-BATTERY (POSITIVE)						
		1	1M-6119	1	BOLT (5/16-18X1.375-IN)						
		1	1M-6120	1	NUT (5/16-18-THD)						
9	1	1	238-1489	1	CABLE AS						
			1S-7252	1	TERMINAL-CABLE (00-GA, 3/8-IN BOLT)						
E	1	1	5P-0747	1	CABLE (00-GA, BLACK) (642-CM)						
		1	7N-5274	1	COVER-TERMINAL (BLACK)						
		1	8L-8413	1	STRAP-CABLE						
		1	3S-6050	1	TERMINAL AS-BATTERY (NEGATIVE)						
		1	1M-6119	1	BOLT (5/16-18X1.375-IN)						
		1	1M-6120	1	NUT (5/16-18-THD)						
	10	1	4K-8864	11	CLIP						
	11	1	8T-4121	14	WASHER-HARD (11X21X2.5-MM THK)						
M	12	1	8T-4136	3	BOLT (M10X1.5X25-MM)						
M	13	1	8T-4137	5	BOLT (M10X1.5X20-MM)						
M	14	1	8T-4195	9	BOLT (M10X1.5X30-MM)						

E-ORDER BY THE CENTIMETER
M-METRIC PART
Y-SEPARATE ILLUSTRATION

ELECTRICAL AND STARTING SYSTEM

234-1020 BATTERY & WIRING GP (contd.)

i03650887



ELECTRICAL AND STARTING SYSTEM

238-2194 BATTERY & WIRING GP

S/N: MMA1-247

PART OF 238-2205 BATTERY & WIRING GP

SMCS-1401, 1402, 1408

i03573161

NOTE	REF NO	GRAPHIC REF	PART NUMBER	QTY	PART NAME						SEE PAGE
					1	2	3	4	5	6 (PRODUCT LEVEL)	
	1	5	2G-8767	2	WASHER (10.5X60X3-MM THK)						
	2	1,2,3, 4,5,6, 7,8	3S-2093	49	STRAP-CABLE						
M	3	2	4I-5049	2	NUT-SPACER (M6X1-THD)						
	4	1,2,3, 5,6,7	7K-1181	7	STRAP-CABLE						
	5	2	8D-0482	1	GROMMET						
	6	2	8V-0622	1	CABLE AS						
E		2	5P-0761		CABLE (00-GA, RED) (14-CM)						
		2	8C-5917	1	TERMINAL AS-BATTERY (POSITIVE)						
		2	8T-9757	1	TERMINAL AS-BATTERY (NEGATIVE)						
					(EACH TERMINAL AS INCLUDES)						
		2	1M-6119	1	BOLT (5/16-18X1.375-IN)						
		2	1M-6120	1	NUT (5/16-18-THD)						
		2	9G-0003	1	COVER-TERMINAL (BLACK)						
		2	9G-0004	1	COVER-TERMINAL (RED)						
	7	1,2	096-0679	2	GROMMET						
	8	3	096-5863	1	GROMMET						
	9	1,4,5, 7,8	111-4836	13	CLIP						
	10	2,3,4, 5,6,7, 8	111-4837	49	CLIP						
	11	2,3,6	111-4838	19	CLIP						
	12	2,3,6	111-4839	19	STRAP						
	13	1,3,4, 5,6,7, 8	116-0118	21	CLIP						
	14	2	124-9108	2	ROD						
	15	2	140-0860	1	STRAP AS-GROUND						
	16	3	153-2447	2	BRACKET AS						
	17	4	153-2451	1	BRACKET AS						
	18	4	153-2475	1	BRACKET AS						
	19	2	153-5710	2	BATTERY (12-VOLT, 1400-CCA)						
M	20	2	157-4822	2	BOLT (M10X1.5X250-MM)						
	21	2	161-3115	1	COVER						
	22	2	161-3117	2	KNOB AS						
M		2	7X-2533	1	BOLT (M6X1X35-MM)						
		2	161-3116	1	KNOB						
	23	6	167-3593	1	STRAP						
Y	24	1	170-2512	1	SWITCH GP-TOGGLE (SECONDARY SHUTDOWN)						381
	25	6	170-6977	1	BRACKET AS						
	26	5	170-9328	1	STRAP AS-GROUND						
	27	5	193-3476	1	BRACKET AS						
	28	2	198-7070	1	SUPPORT AS						
	29	1	204-1611	3	STRAP-CABLE						
	30	1	204-1771	1	PLATE						
	31	1	204-1795	1	BRACKET AS						
	32	5	204-1807	1	BRACKET AS						
Y	33	2	224-2861	1	PANEL GP-CIRCUIT BREAKER						317
	34	4	231-1811	1	HARNESS AS-VALVE (MAIN CONTROL)						
		4	102-8802	3	KIT-RECEPTACLE (2-PIN)						
					(INCLUDES RECEPTACLE AS & WEDGE)						
		4	3S-2093	18	STRAP-CABLE						
		4	126-1771	1	CAP-DUST						

ELECTRICAL AND STARTING SYSTEM

238-2194 BATTERY & WIRING GP (contd.)

i03573161

NOTE	REF NO	GRAPHIC REF	PART NUMBER	QTY	PART NAME						SEE PAGE
					1	2	3	4	5	6 (PRODUCT LEVEL)	
		4	155-2270	25	KIT-CONNECTING PLUG (2-PIN) (INCLUDES PLUG AS, WEDGE, & INTERFACE SEAL)						
		4	160-7690	1	PLUG AS-CONNECTOR (70-PIN)						
		4	159-9322	1	SEAL-O-RING						
		4	230-4009	1	PLUG AS-CONNECTOR (12-PIN)						
		4	230-4011	1	PLUG AS-CONNECTOR (2-PIN)						
		4	230-4013	3	PLUG AS-CONNECTOR (3-PIN)						
		4	243-4505	1	RECEPTACLE AS-CONNECTOR (2-PIN)						
		4	243-4506	3	RECEPTACLE AS-CONNECTOR (3-PIN)						
		4	243-4510	1	RECEPTACLE AS-CONNECTOR (12-PIN)						
	35	5	231-1812	1	HARNESS AS-ENGINE						
		5	102-8806	2	KIT-RECEPTACLE (8-PIN) (INCLUDES RECEPTACLE AS & WEDGE)						
		5	126-1771	1	CAP-DUST						
		5	127-5483	1	PLUG AS-CONNECTOR (1-PIN)						
		5	127-5486	1	RECEPTACLE AS-CONNECTOR (1-PIN)						
		5	155-2270	2	KIT-CONNECTING PLUG (2-PIN) (INCLUDES PLUG AS, WEDGE & INTERFACE SEAL)						
		5	160-7689	1	PLUG AS-CONNECTOR (70-PIN)						
		5	159-9322	1	SEAL-O-RING						
		5	230-4009	1	PLUG AS-CONNECTOR (12-PIN)						
		5	243-4510	1	RECEPTACLE AS-CONNECTOR (12-PIN)						
	36	8	234-1015	1	HARNESS AS-HYDRAULIC TANK						
		8	102-8804	1	KIT-RECEPTACLE (4-PIN) (INCLUDES RECEPTACLE AS & WEDGE)						
		8	155-2270	2	KIT-CONNECTING PLUG (2-PIN)						
		8	155-2271	1	KIT-CONNECTING PLUG (4-PIN) (EACH PLUG KIT INCLUDES PLUG AS, WEDGE & INTERFACE SEAL)						
		8	243-4508	1	RECEPTACLE AS-CONNECTOR (6-PIN)						
	37	2	234-1182	1	CABLE AS						
E		2	5P-0761		CABLE (00-GA, RED) (601-CM)						
		2	1S-7251	1	TERMINAL-CABLE (00-GA, 1/2-IN BOLT)						
		2	8N-0869	1	COVER-TERMINAL (RED) (STARTING MOTOR)						
		2	8N-1725	1	COVER-TERMINAL (RED) (BATTERY)						
		2	8L-8413	1	STRAP-CABLE						
		2	3S-6049	1	TERMINAL AS-BATTERY (POSITIVE)						
		2	1M-6119	1	BOLT (5/16-18X1.375-IN)						
		2	1M-6120	1	NUT (5/16-18-THD)						
	38	2	234-1190	1	BRACKET						
	39	2	234-1200	1	CABLE AS						
E		2	5P-0747		CABLE (00-GA, BLACK) (40-CM)						
		2	1S-7252	1	TERMINAL-CABLE (00-GA, 3/8-IN BOLT)						
		2	7N-5274	1	COVER-TERMINAL (BLACK) (BATTERY)						
		2	8L-8413	1	STRAP-CABLE						
		2	9G-8909	1	COVER-TERMINAL (BLACK) (DISCONNECT SWITCH)						
		2	3S-6050	1	TERMINAL AS-BATTERY (NEGATIVE)						
		2	1M-6119	1	BOLT (5/16-18X1.375-IN)						
		2	1M-6120	1	NUT (5/16-18-THD)						
	40	5	238-1507	1	BRACKET AS						
	41	5	238-2393	1	HARNESS AS-LIGHTING						
		5	230-4013	1	PLUG AS-CONNECTOR (3-PIN)						
		5	243-4506	1	RECEPTACLE AS-CONNECTOR (3-PIN)						
	42	7	238-2420	1	HARNESS AS-PUMP						
		7	243-4506	1	RECEPTACLE AS-CONNECTOR (3-PIN)						
	43	4	238-2474	4	BRACKET AS						
	44	5	251-0524	1	SUPPORT AS						
	45	6	259-4910	1	HARNESS AS-CHASSIS						
		6	102-8802	1	KIT-RECEPTACLE (2-PIN)						

ELECTRICAL AND STARTING SYSTEM

238-2194 BATTERY & WIRING GP (contd.)

i03573161

NOTE	REF NO	GRAPHIC REF	PART NUMBER	QTY	PART NAME						SEE PAGE
					1	2	3	4	5	6 (PRODUCT LEVEL)	
		6	102-8803	2	KIT-RECEPTACLE (3-PIN) (EACH RECEPTACLE KIT INCLUDES RECEPTACLE AS & WEDGE)						
		6	9X-4813	1	RECEPTACLE AS-CONNECTOR (3-PIN)						
		6	100-5805	1	CAP-RECEPTACLE						
		6	121-1038	2	HOUSING-RECEPTACLE						
		6	155-2260	3	KIT-CONNECTING PLUG (3-PIN)						
		6	155-2270	6	KIT-CONNECTING PLUG (2-PIN) (EACH PLUG KIT INCLUDES PLUG AS, WEDGE & INTERFACE SEAL)						
		6	230-4009	1	PLUG AS-CONNECTOR (12-PIN)						
		6	230-4011	2	PLUG AS-CONNECTOR (2-PIN)						
		6	230-4013	2	PLUG AS-CONNECTOR (3-PIN)						
		6	230-5010	2	PLUG AS-CONNECTOR (6-PIN)						
		6	243-4505	1	RECEPTACLE AS-CONNECTOR (2-PIN)						
		6	243-4506	1	RECEPTACLE AS-CONNECTOR (3-PIN)						
		6	243-4508	1	RECEPTACLE AS-CONNECTOR (6-PIN)						
		6	243-4510	1	RECEPTACLE AS-CONNECTOR (12-PIN)						
46	3		259-4911	1	HARNESS AS-CHASSIS						
	3		102-8802	1	KIT-RECEPTACLE (2-PIN)						
	3		102-8803	1	KIT-RECEPTACLE (3-PIN) (INCLUDES RECEPTACLE AS AND WEDGE)						
	3		8C-6354	1	CAP-RECEPTACLE						
	3		8T-8827	1	BOOT (RED)						
	3		9W-1951	1	RECEPTACLE-CONNECTOR (9-PIN)						
	3		116-0126	1	HOUSING-PLUG						
	3		126-1771	1	CAP-DUST						
	3		127-5484	1	RECEPTACLE AS-CONNECTOR (1-PIN)						
	3		127-5485	1	PLUG AS-CONNECTOR (1-PIN)						
	3		155-2270	3	KIT-CONNECTING PLUG (2-PIN) (INCLUDES PLUG AS, WEDGE & INTERFACE SEAL)						
	3		160-7689	1	PLUG AS-CONNECTOR (70-PIN)						
	3		159-9322	1	SEAL-O-RING						
	3		174-3016	1	PLUG AS-CONNECTOR (3-PIN)						
	3		230-4009	4	PLUG AS-CONNECTOR (12-PIN)						
	3		230-4011	1	PLUG AS-CONNECTOR (2-PIN)						
	3		230-5008	1	PLUG AS-CONNECTOR (4-PIN)						
	3		230-5010	2	PLUG AS-CONNECTOR (6-PIN)						
	3		243-4505	1	RECEPTACLE AS-CONNECTOR (2-PIN)						
	3		243-4508	2	RECEPTACLE AS-CONNECTOR (6-PIN)						
	3		243-4510	5	RECEPTACLE AS-CONNECTOR (12-PIN)						
	3		163-6637	1	RECEPTACLE AS-CONNECTOR (54-PIN, BLACK)						
	47	6	096-5962	4	WASHER-HARD (3.4X7X0.8-MM THK)						
	48	1	3E-5169	1	GUARD-SWITCH						
M	49	6	3E-8048	4	SCREW-MACHINE (M3X0.5X6-MM)						
	50	7	4I-5426	1	GROMMET						
	51	3,6	4K-8864	4	CLIP						
	52	7	4P-7428	1	CLIP						
	53	2,6	4P-7581	2	CLIP						
M	54	2	5C-7261	2	NUT (M8X1.25-THD)						
M	55	2	5C-7883	4	BOLT-SOCKET HEAD (M6X1X16-MM)						
	56	5	5M-3062	1	BOLT (3/8-16X0.75-IN)						
	57	2	5P-1075	2	WASHER-HARD (10.2X22.5X3-MM THK)						
	58	3,4,7	5P-4116	8	WASHER-HARD (8.8X20.5X2-MM THK)						
	59	5	6G-2256	2	CLAMP						
	60	5	6G-2263	2	SPACER (10.5X19X28.5-MM THK)						
M	61	1	7X-2621	2	BOLT (M10X1.5X12-MM)						
	62	5	8T-2501	1	BOLT (3/8-16X2-IN)						

ELECTRICAL AND STARTING SYSTEM

238-2194 BATTERY & WIRING GP (contd.)

i03573161

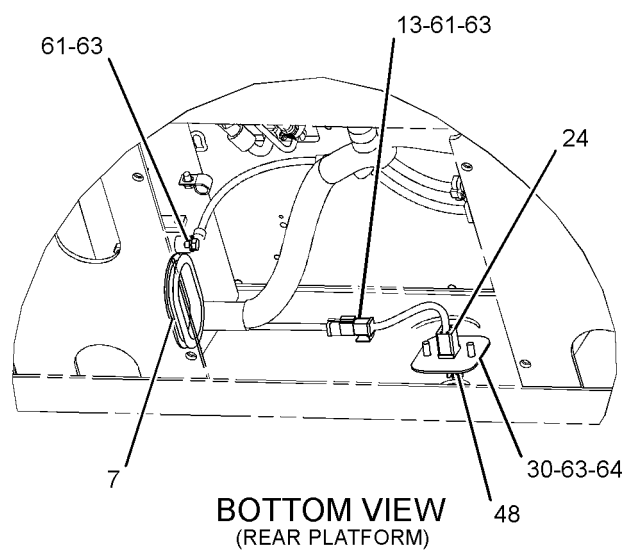
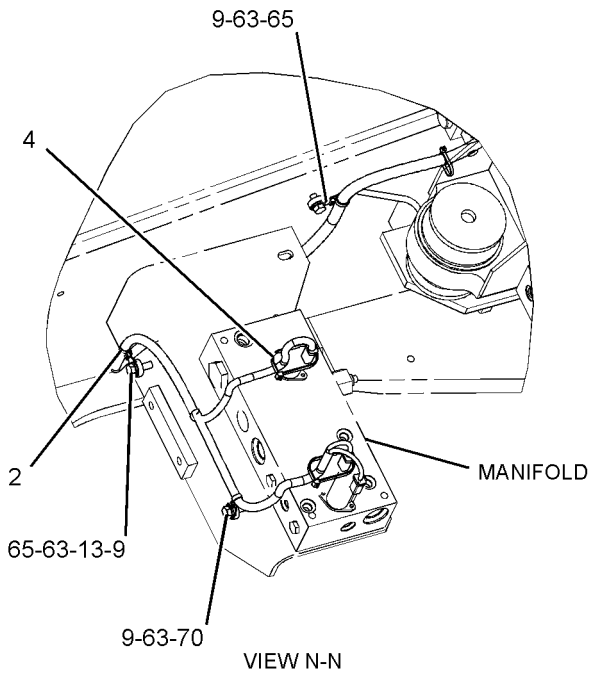
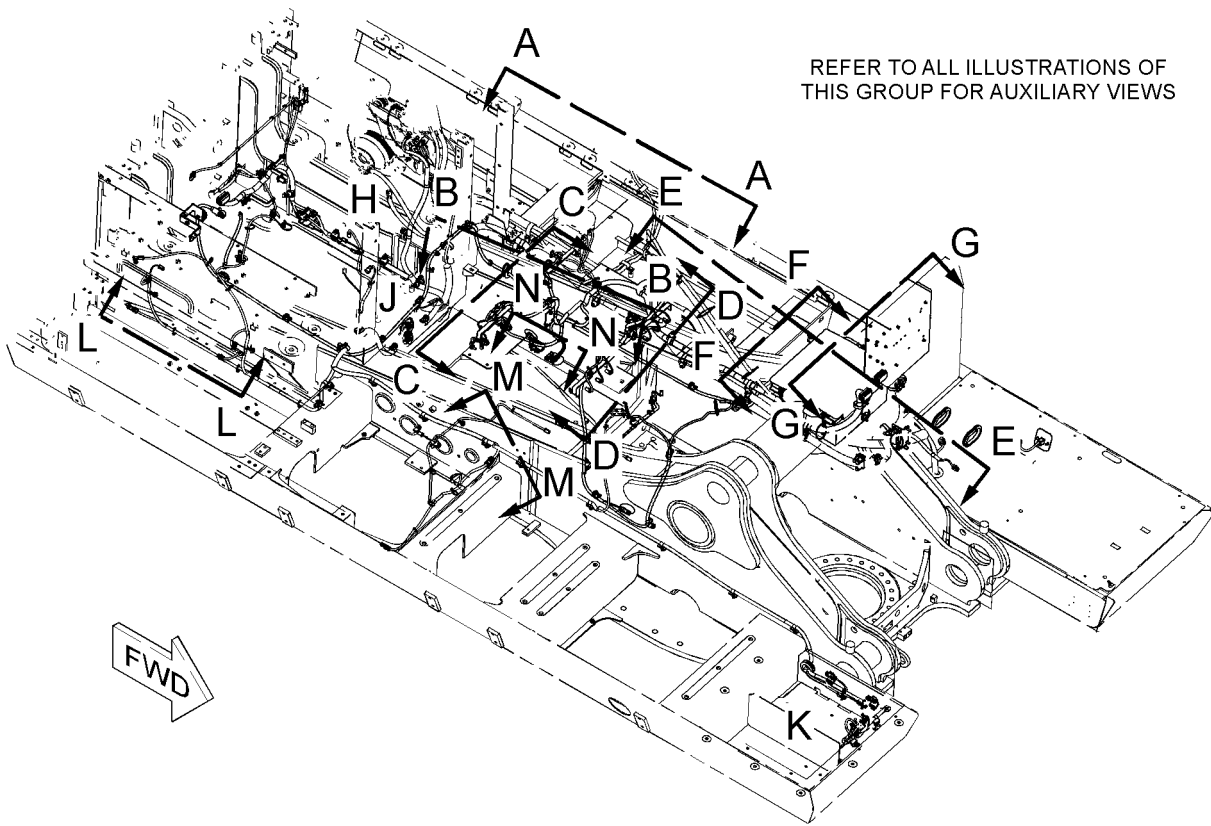
NOTE	REF NO	GRAPHIC REF	PART NUMBER	QTY	PART NAME						SEE PAGE
					1	2	3	4	5	6 (PRODUCT LEVEL)	
	63	1,2,3, 4,5,6, 7,8	8T-4121	108	WASHER-HARD (11X21X2.5-MM THK)						
M	64	1,4,6, 7	8T-4136	9	BOLT (M10X1.5X25-MM)						
M	65	1,2,3, 4,5,6, 7,8	8T-4137	65	BOLT (M10X1.5X20-MM)						
M	66	1	8T-4179	1	BOLT (M12X1.75X20-MM)						
M	67	5	8T-4185	2	BOLT (M10X1.5X50-MM)						
M	68	4	8T-4189	4	BOLT (M8X1.25X20-MM)						
M	69	2,3,4, 5,6,8	8T-4191	18	BOLT (M10X1.5X16-MM)						
M	70	1,2	8T-4195	10	BOLT (M10X1.5X30-MM)						
M	71	4,7	8T-4199	9	BOLT (M8X1.25X12-MM)						
	72	1	8T-4223	1	WASHER-HARD (13.5X25.5X3-MM THK)						
	73	4	8T-4224	5	WASHER-HARD (8.8X16X2-MM THK)						
	74	5	8T-4896	1	WASHER-HARD (10.2X18.5X2.5-MM THK)						
	75	2	9X-8256	4	WASHER (6.6X12X2-MM THK)						

E-ORDER BY THE CENTIMETER
M-METRIC PART
Y-SEPARATE ILLUSTRATION

ELECTRICAL AND STARTING SYSTEM

238-2194 BATTERY & WIRING GP (contd.)

i03573161



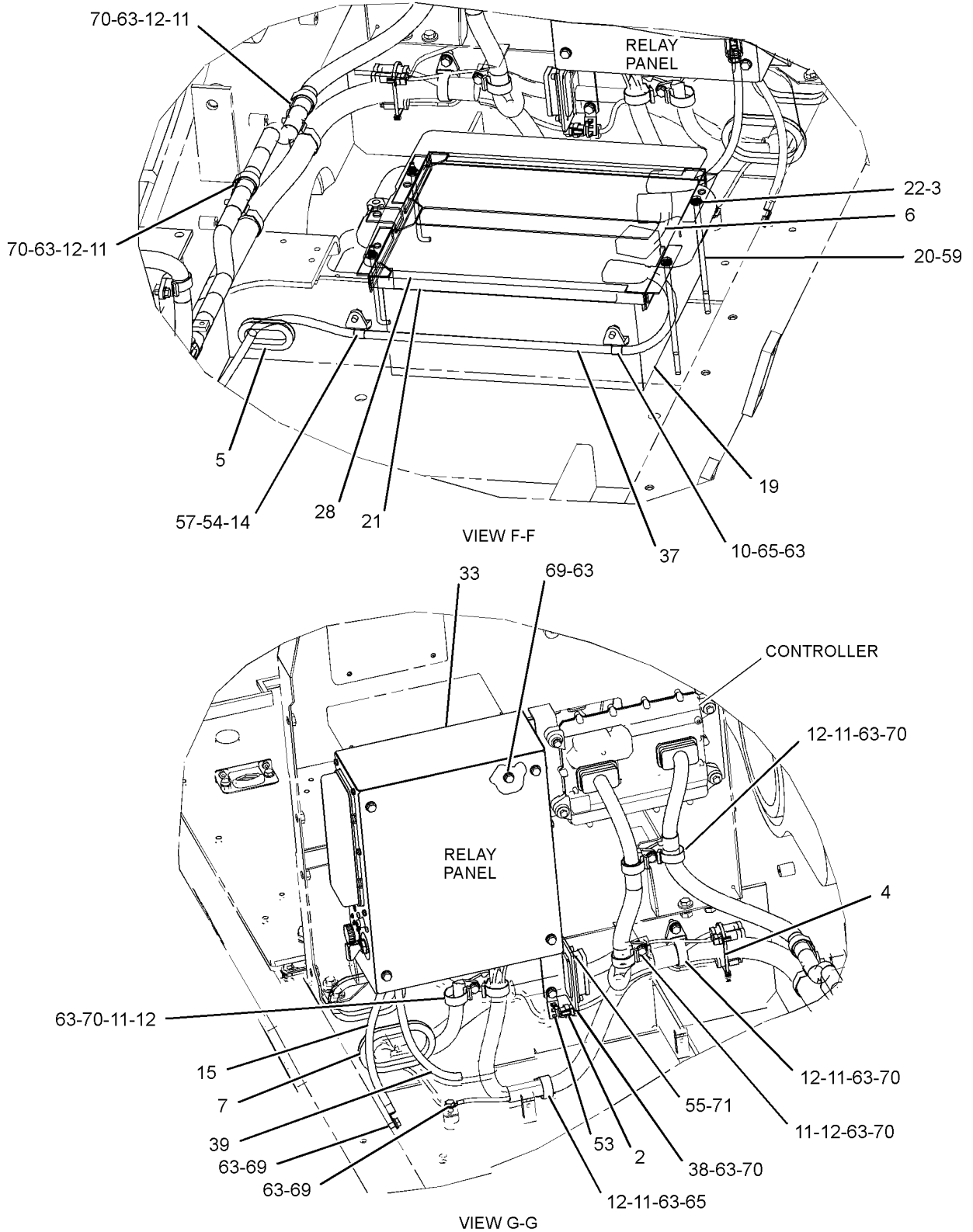
GRAPHIC #1

g01290194

ELECTRICAL AND STARTING SYSTEM

238-2194 BATTERY & WIRING GP (contd.)

i03573161



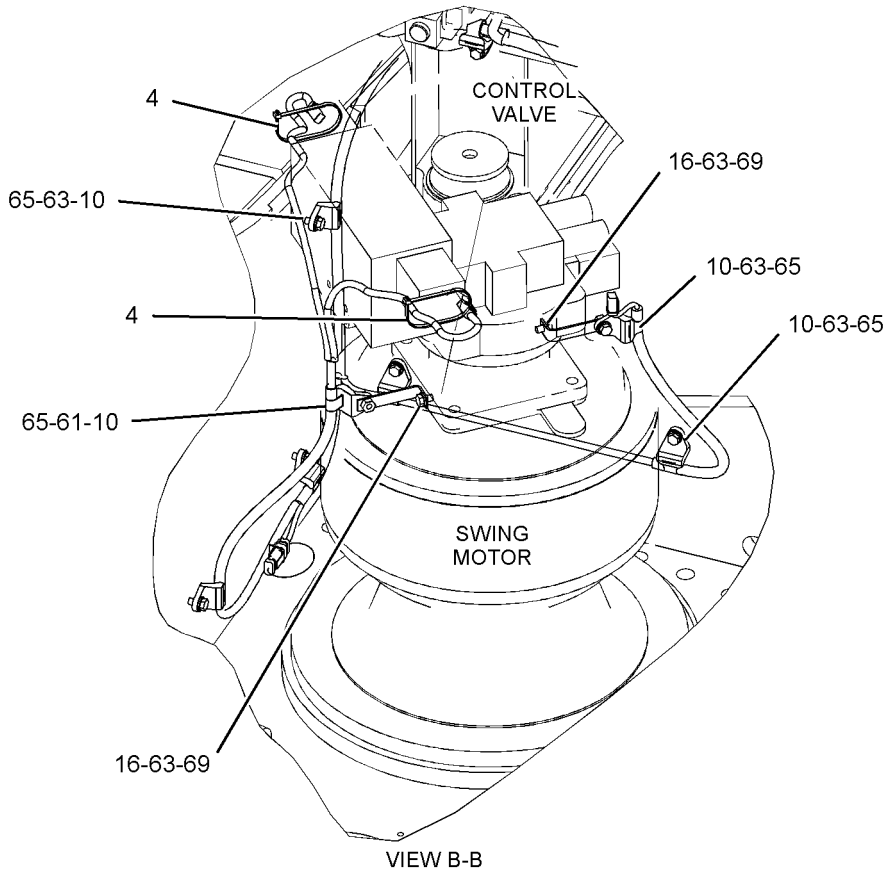
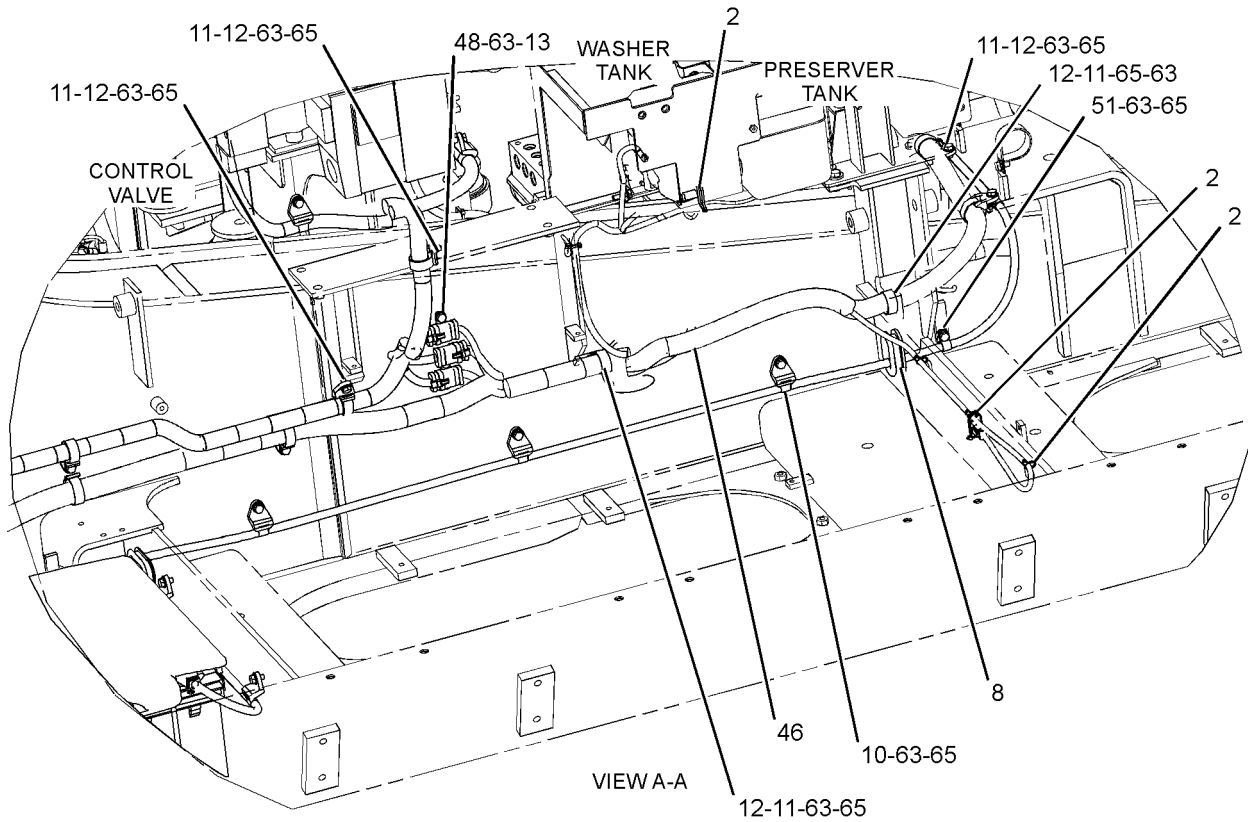
GRAPHIC #2

g01290208

ELECTRICAL AND STARTING SYSTEM

238-2194 BATTERY & WIRING GP (contd.)

i03573161



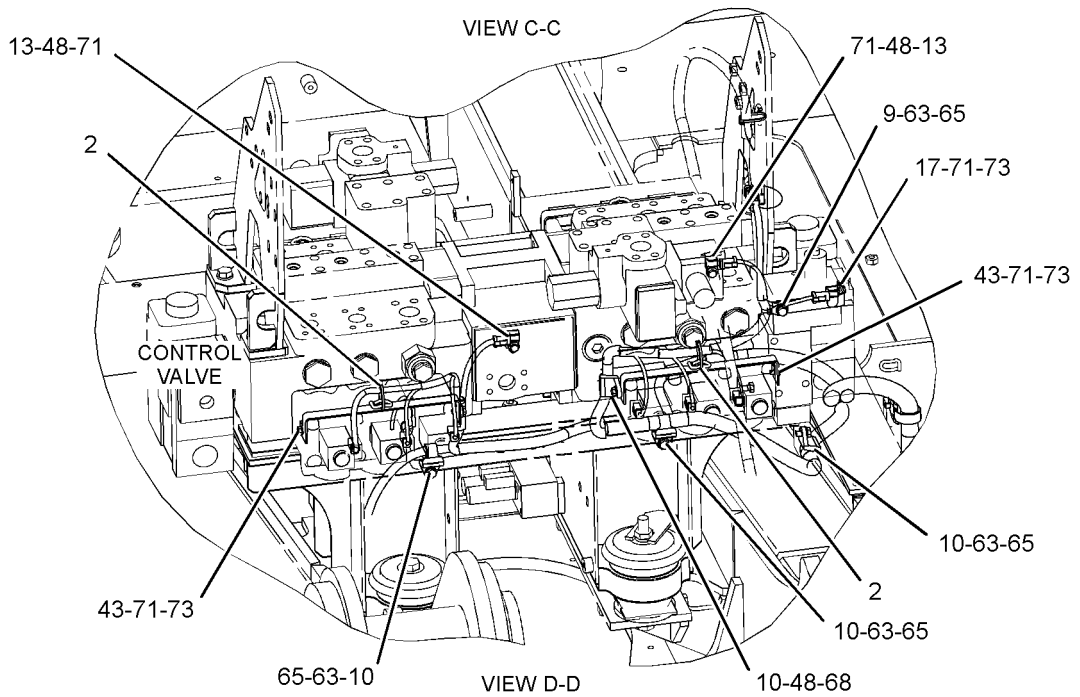
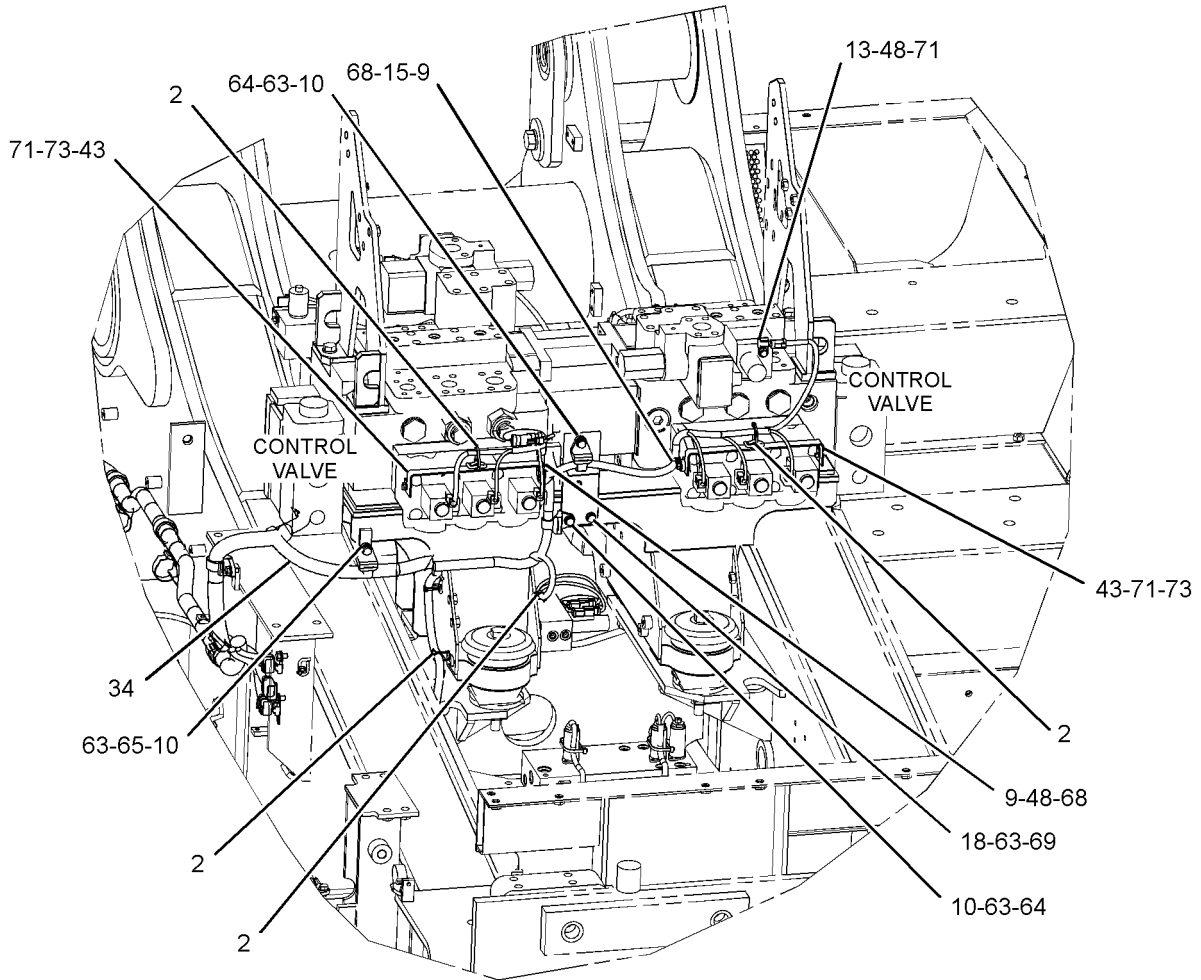
GRAPHIC #3

g01290312

ELECTRICAL AND STARTING SYSTEM

238-2194 BATTERY & WIRING GP (contd.)

i03573161



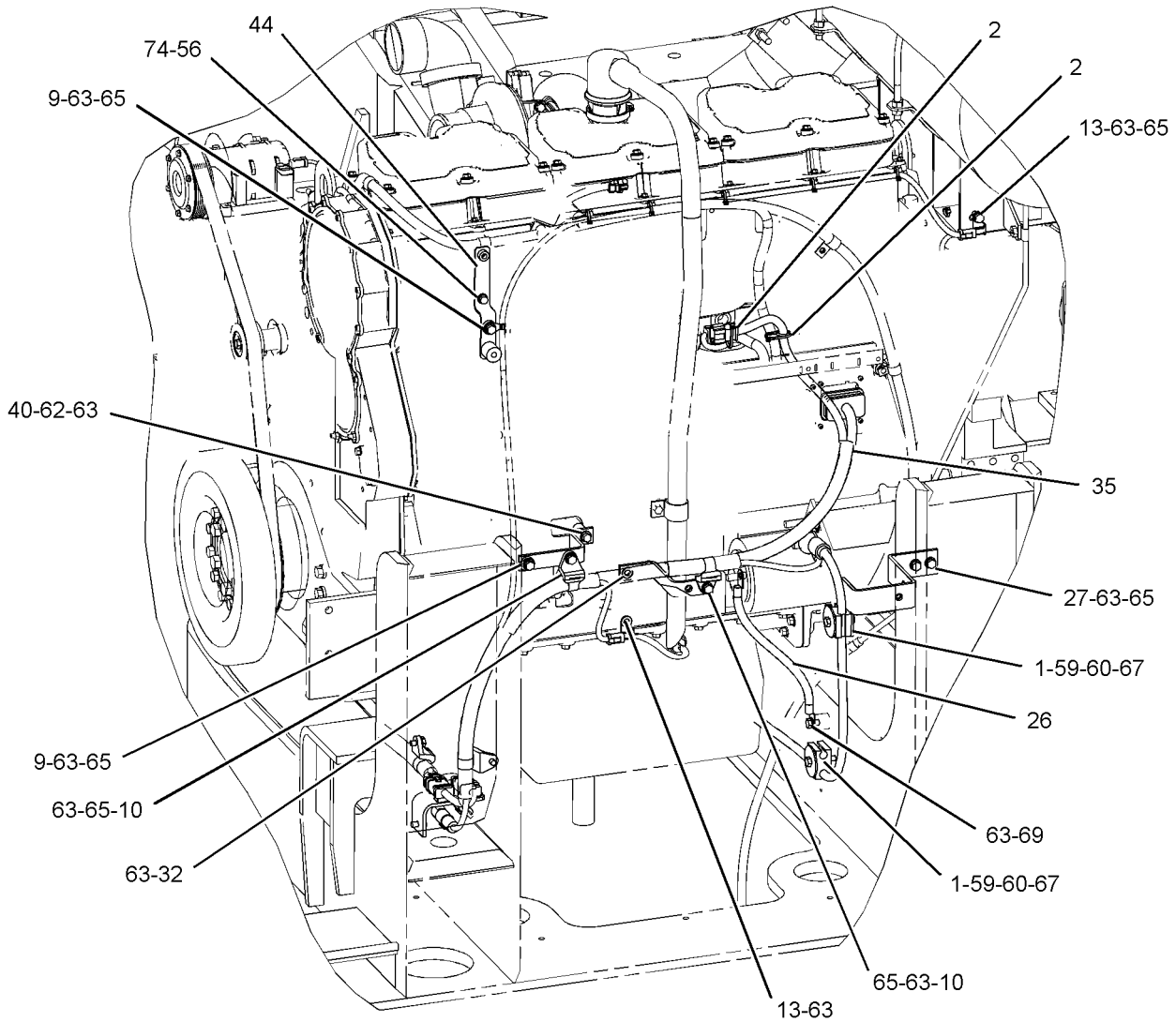
GRAPHIC #4

g01290324

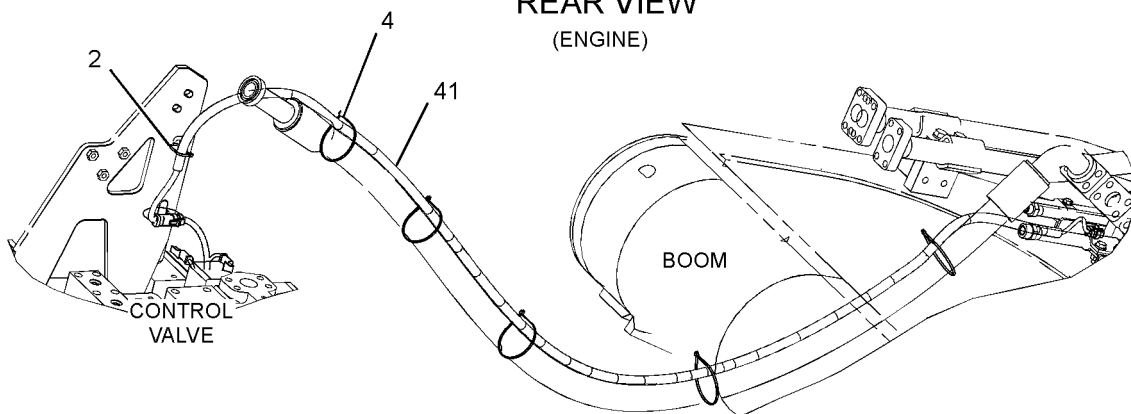
ELECTRICAL AND STARTING SYSTEM

238-2194 BATTERY & WIRING GP (contd.)

i03573161



REAR VIEW
(ENGINE)



VIEW E-E

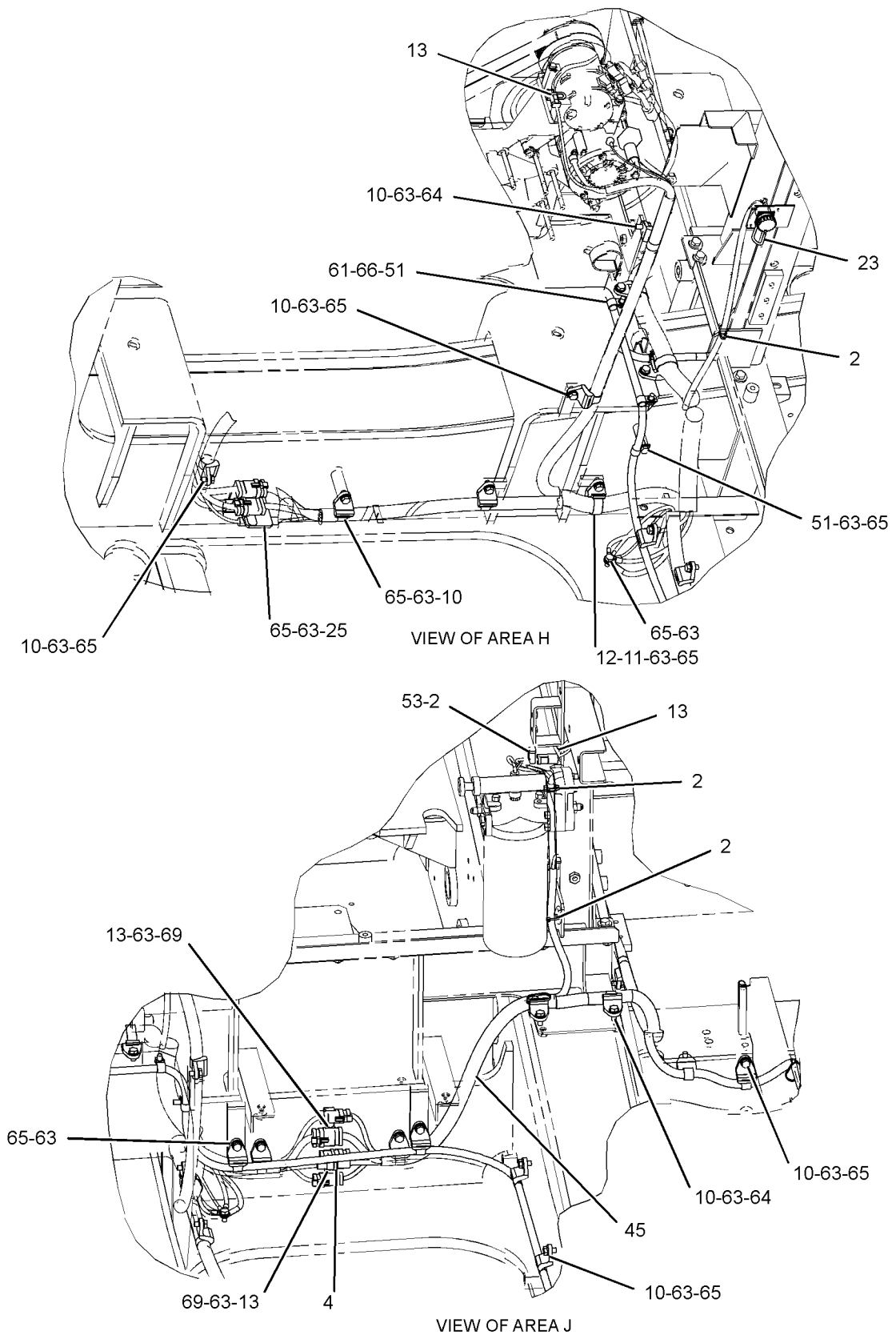
GRAPHIC #5

g01290340

ELECTRICAL AND STARTING SYSTEM

238-2194 BATTERY & WIRING GP (contd.)

i03573161



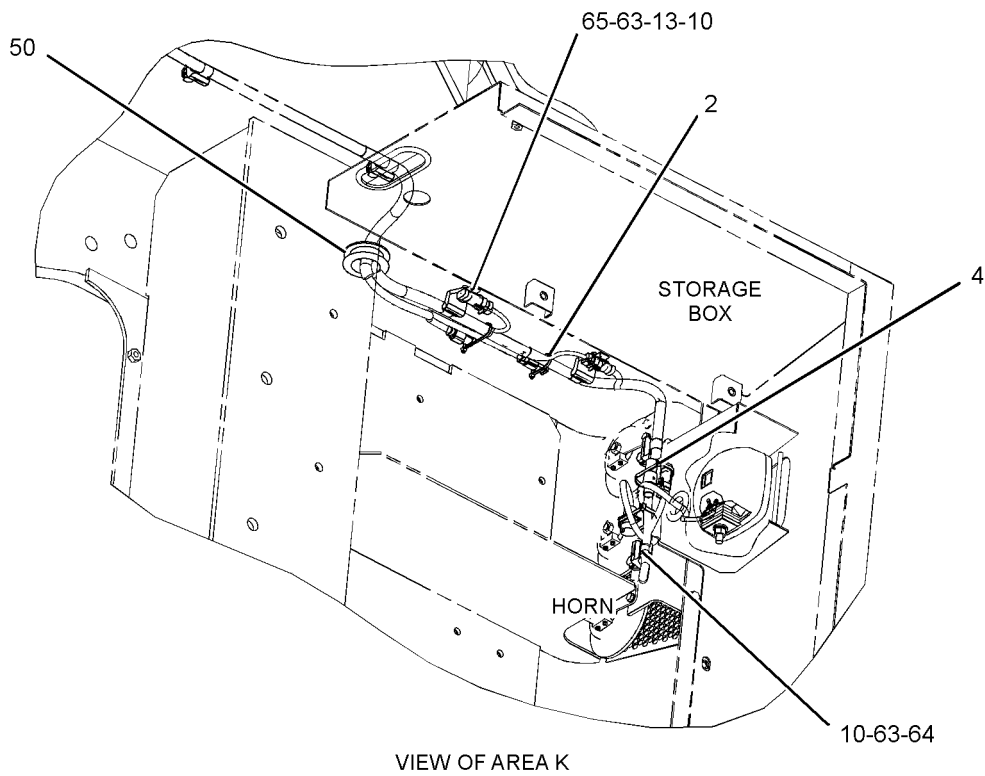
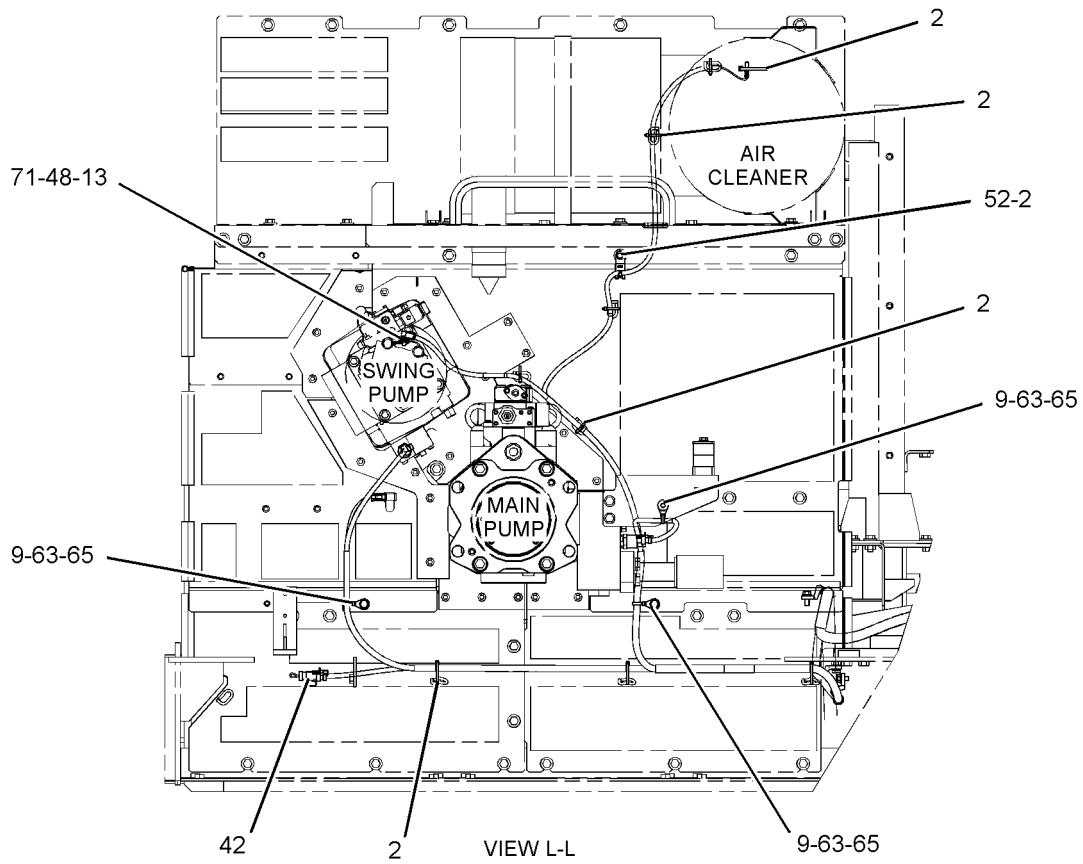
GRAPHIC #6

g01290356

ELECTRICAL AND STARTING SYSTEM

238-2194 BATTERY & WIRING GP (contd.)

i03573161



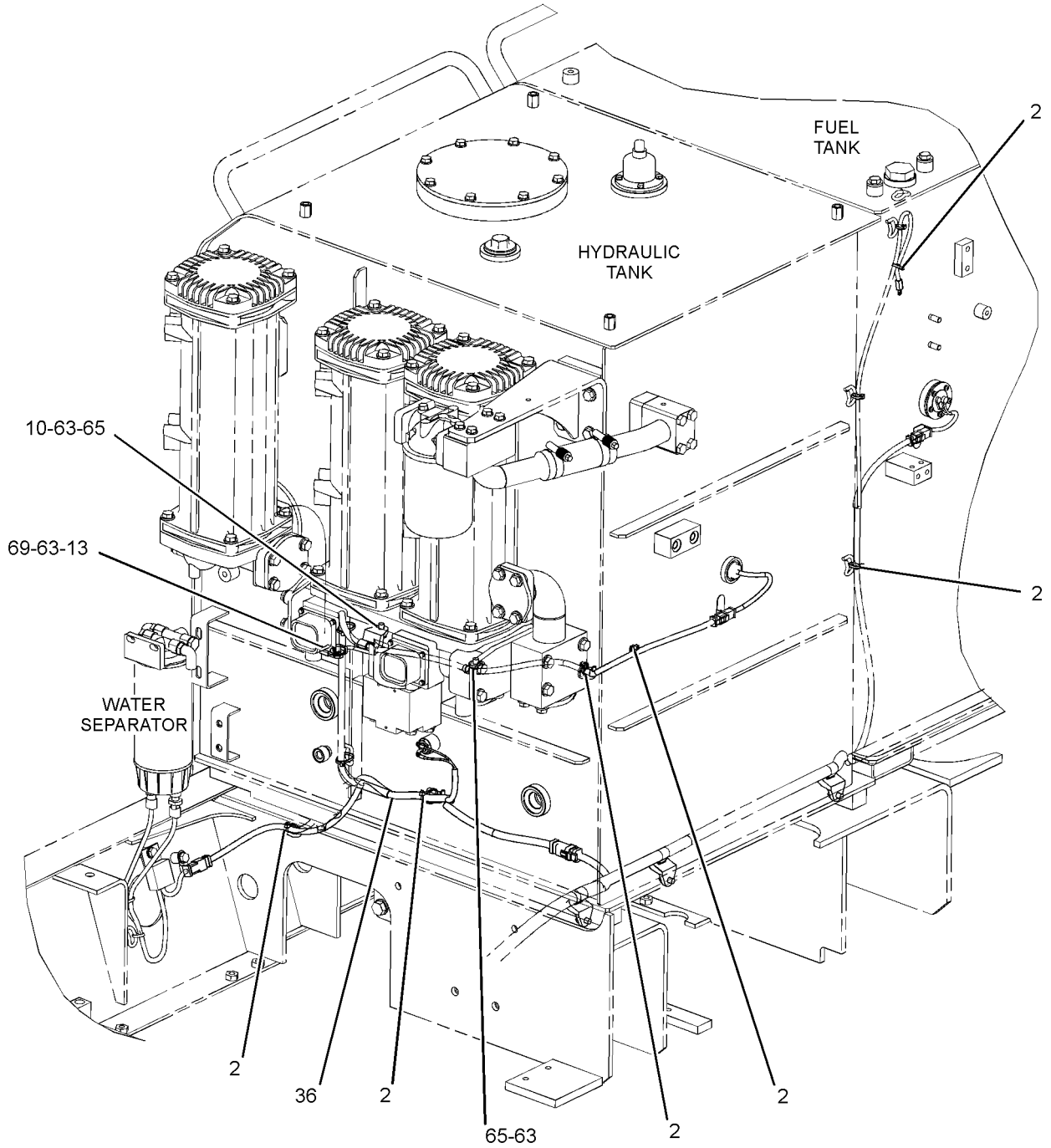
GRAPHIC #7

g01290360

ELECTRICAL AND STARTING SYSTEM

238-2194 BATTERY & WIRING GP (contd.)

i03573161



VIEW M-M

GRAPHIC #8

<END>

g01290366

ELECTRICAL AND STARTING SYSTEM

238-2194 BATTERY & WIRING GP

S/N: MMA248-267

PART OF 238-2205 BATTERY & WIRING GP

SMCS-1401, 1402, 1408

i03573162

NOTE	REF NO	GRAPHIC REF	PART NUMBER	QTY	PART NAME						SEE PAGE
					1	2	3	4	5	6 (PRODUCT LEVEL)	
	1	5	2G-8767	2	WASHER (10.5X60X3-MM THK)						
	2	1,2,3, 4,5,6, 7,8	3S-2093	49	STRAP-CABLE						
M	3	2	4I-5049	2	NUT-SPACER (M6X1-THD)						
	4	1,2,3, 5,6,7	7K-1181	7	STRAP-CABLE						
	5	2	8D-0482	1	GROMMET						
	6	2	8V-0622	1	CABLE AS						
E		2	5P-0761		CABLE (00-GA, RED) (14-CM)						
		2	8C-5917	1	TERMINAL AS-BATTERY (POSITIVE)						
		2	8T-9757	1	TERMINAL AS-BATTERY (NEGATIVE)						
					(EACH TERMINAL AS INCLUDES)						
		2	1M-6119	1	BOLT (5/16-18X1.375-IN)						
		2	1M-6120	1	NUT (5/16-18-THD)						
		2	9G-0003	1	COVER-TERMINAL (BLACK)						
		2	9G-0004	1	COVER-TERMINAL (RED)						
	7	1,2	096-0679	2	GROMMET						
	8	3	096-5863	1	GROMMET						
	9	1,4,5, 7,8	111-4836	13	CLIP						
	10	2,3,4, 5,6,7, 8	111-4837	49	CLIP						
	11	2,3,6	111-4838	19	CLIP						
	12	2,3,6	111-4839	19	STRAP						
	13	1,3,4, 5,6,7, 8	116-0118	21	CLIP						
	14	2	124-9108	2	ROD						
	15	2	140-0860	1	STRAP AS-GROUND						
	16	3	153-2447	2	BRACKET AS						
	17	4	153-2451	1	BRACKET AS						
	18	4	153-2475	1	BRACKET AS						
	19	2	153-5710	2	BATTERY (12-VOLT, 1400-CCA)						
M	20	2	157-4822	2	BOLT (M10X1.5X250-MM)						
	21	2	161-3115	1	COVER						
	22	2	161-3117	2	KNOB AS						
M		2	7X-2533	1	BOLT (M6X1X35-MM)						
		2	161-3116	1	KNOB						
	23	6	167-3593	1	STRAP						
Y	24	1	170-2512	1	SWITCH GP-TOGGLE (SECONDARY SHUTDOWN)						381
	25	6	170-6977	1	BRACKET AS						
	26	5	170-9328	1	STRAP AS-GROUND						
	27	5	193-3476	1	BRACKET AS						
	28	2	198-7070	1	SUPPORT AS						
	29	1	204-1611	3	STRAP-CABLE						
	30	1	204-1771	1	PLATE						
	31	1	204-1795	1	BRACKET AS						
	32	5	204-1807	1	BRACKET AS						
Y	33	2	224-2861	1	PANEL GP-CIRCUIT BREAKER						317
	34	4	231-1811	1	HARNESS AS-VALVE (MAIN CONTROL)						
		4	102-8802	3	KIT-RECEPTACLE (2-PIN) (INCLUDES RECEPTACLE AS & WEDGE)						
		4	3S-2093	18	STRAP-CABLE						
		4	126-1771	1	CAP-DUST						

ELECTRICAL AND STARTING SYSTEM

238-2194 BATTERY & WIRING GP (contd.)

i03573162

NOTE	REF NO	GRAPHIC REF	PART NUMBER	QTY	PART NAME						SEE PAGE
					1	2	3	4	5	6 (PRODUCT LEVEL)	
		4	155-2270	25	KIT-CONNECTING PLUG (2-PIN) (INCLUDES PLUG AS, WEDGE, & INTERFACE SEAL)						
		4	160-7690	1	PLUG AS-CONNECTOR (70-PIN)						
		4	159-9322	1	SEAL-O-RING						
		4	230-4009	1	PLUG AS-CONNECTOR (12-PIN)						
		4	230-4011	1	PLUG AS-CONNECTOR (2-PIN)						
		4	230-4013	3	PLUG AS-CONNECTOR (3-PIN)						
		4	243-4505	1	RECEPTACLE AS-CONNECTOR (2-PIN)						
		4	243-4506	3	RECEPTACLE AS-CONNECTOR (3-PIN)						
		4	243-4510	1	RECEPTACLE AS-CONNECTOR (12-PIN)						
	35	5	231-1812	1	HARNESS AS-ENGINE						
		5	102-8806	2	KIT-RECEPTACLE (8-PIN) (INCLUDES RECEPTACLE AS & WEDGE)						
		5	126-1771	1	CAP-DUST						
		5	127-5483	1	PLUG AS-CONNECTOR (1-PIN)						
		5	127-5486	1	RECEPTACLE AS-CONNECTOR (1-PIN)						
		5	155-2270	2	KIT-CONNECTING PLUG (2-PIN) (INCLUDES PLUG AS, WEDGE & INTERFACE SEAL)						
		5	160-7689	1	PLUG AS-CONNECTOR (70-PIN)						
		5	159-9322	1	SEAL-O-RING						
		5	230-4009	1	PLUG AS-CONNECTOR (12-PIN)						
		5	243-4510	1	RECEPTACLE AS-CONNECTOR (12-PIN)						
	36	8	234-1015	1	HARNESS AS-HYDRAULIC TANK						
		8	102-8804	1	KIT-RECEPTACLE (4-PIN) (INCLUDES RECEPTACLE AS & WEDGE)						
		8	155-2270	2	KIT-CONNECTING PLUG (2-PIN)						
		8	155-2271	1	KIT-CONNECTING PLUG (4-PIN) (EACH PLUG KIT INCLUDES PLUG AS, WEDGE & INTERFACE SEAL)						
		8	243-4508	1	RECEPTACLE AS-CONNECTOR (6-PIN)						
	37	2	234-1182	1	CABLE AS						
E		2	5P-0761		CABLE (00-GA, RED) (601-CM)						
		2	1S-7251	1	TERMINAL-CABLE (00-GA, 1/2-IN BOLT)						
		2	8N-0869	1	COVER-TERMINAL (RED) (STARTING MOTOR)						
		2	8N-1725	1	COVER-TERMINAL (RED) (BATTERY)						
		2	8L-8413	1	STRAP-CABLE						
		2	3S-6049	1	TERMINAL AS-BATTERY (POSITIVE)						
		2	1M-6119	1	BOLT (5/16-18X1.375-IN)						
		2	1M-6120	1	NUT (5/16-18-THD)						
	38	2	234-1190	1	BRACKET						
	39	2	234-1200	1	CABLE AS						
E		2	5P-0747		CABLE (00-GA, BLACK) (40-CM)						
		2	1S-7252	1	TERMINAL-CABLE (00-GA, 3/8-IN BOLT)						
		2	7N-5274	1	COVER-TERMINAL (BLACK) (BATTERY)						
		2	8L-8413	1	STRAP-CABLE						
		2	9G-8909	1	COVER-TERMINAL (BLACK) (DISCONNECT SWITCH)						
		2	3S-6050	1	TERMINAL AS-BATTERY (NEGATIVE)						
		2	1M-6119	1	BOLT (5/16-18X1.375-IN)						
		2	1M-6120	1	NUT (5/16-18-THD)						
	40	5	238-1507	1	BRACKET AS						
	41	5	238-2393	1	HARNESS AS-LIGHTING						
		5	230-4013	1	PLUG AS-CONNECTOR (3-PIN)						
		5	243-4506	1	RECEPTACLE AS-CONNECTOR (3-PIN)						
	42	7	238-2420	1	HARNESS AS-PUMP						
		7	243-4506	1	RECEPTACLE AS-CONNECTOR (3-PIN)						
	43	4	238-2474	4	BRACKET AS						
	44	5	251-0524	1	SUPPORT AS						
	45	6	259-4910	1	HARNESS AS-CHASSIS						
		6	102-8802	1	KIT-RECEPTACLE (2-PIN)						

ELECTRICAL AND STARTING SYSTEM

238-2194 BATTERY & WIRING GP (contd.)

i03573162

NOTE	REF NO	GRAPHIC REF	PART NUMBER	QTY	PART NAME						SEE PAGE
					1	2	3	4	5	6 (PRODUCT LEVEL)	
		6	102-8803	2	KIT-RECEPTACLE (3-PIN) (EACH RECEPTACLE KIT INCLUDES RECEPTACLE AS & WEDGE)						
		6	9X-4813	1	RECEPTACLE AS-CONNECTOR (3-PIN)						
		6	100-5805	1	CAP-RECEPTACLE						
		6	121-1038	2	HOUSING-RECEPTACLE						
		6	155-2260	3	KIT-CONNECTING PLUG (3-PIN)						
		6	155-2270	6	KIT-CONNECTING PLUG (2-PIN) (EACH PLUG KIT INCLUDES PLUG AS, WEDGE & INTERFACE SEAL)						
		6	230-4009	1	PLUG AS-CONNECTOR (12-PIN)						
		6	230-4011	2	PLUG AS-CONNECTOR (2-PIN)						
		6	230-4013	2	PLUG AS-CONNECTOR (3-PIN)						
		6	230-5010	2	PLUG AS-CONNECTOR (6-PIN)						
		6	243-4505	1	RECEPTACLE AS-CONNECTOR (2-PIN)						
		6	243-4506	1	RECEPTACLE AS-CONNECTOR (3-PIN)						
		6	243-4508	1	RECEPTACLE AS-CONNECTOR (6-PIN)						
		6	243-4510	1	RECEPTACLE AS-CONNECTOR (12-PIN)						
C	46	3	275-6733	1	HARNES AS-CHASSIS						
		3	102-8802	1	KIT-RECEPTACLE (2-PIN) (INCLUDES RECEPTACLE AS AND WEDGE)						
		3	102-8803	1	KIT-RECEPTACLE (3-PIN) (INCLUDES RECEPTACLE AS AND WEDGE)						
		3	8C-6354	1	CAP-RECEPTACLE						
		3	8T-8827	1	BOOT (RED)						
		3	9W-1951	1	RECEPTACLE-CONNECTOR (9-PIN)						
		3	116-0126	1	HOUSING-PLUG						
		3	127-5484	1	RECEPTACLE AS-CONNECTOR (1-PIN)						
		3	127-5485	1	PLUG AS-CONNECTOR (1-PIN)						
		3	155-2270	4	KIT-CONNECTING PLUG (2-PIN) (INCLUDES PLUG AS, WEDGE & INTERFACE SEAL)						
		3	160-7689	1	PLUG AS-CONNECTOR (70-PIN)						
		3	159-9322	1	SEAL-O-RING						
		3	174-3016	1	PLUG AS-CONNECTOR (3-PIN)						
		3	230-4009	4	PLUG AS-CONNECTOR (12-PIN)						
		3	230-4011	2	PLUG AS-CONNECTOR (2-PIN)						
		3	230-5008	1	PLUG AS-CONNECTOR (4-PIN)						
		3	230-5010	2	PLUG AS-CONNECTOR (6-PIN)						
		3	243-4505	1	RECEPTACLE AS-CONNECTOR (2-PIN)						
		3	243-4508	2	RECEPTACLE AS-CONNECTOR (6-PIN)						
		3	243-4510	5	RECEPTACLE AS-CONNECTOR (12-PIN)						
		3	163-6637	1	RECEPTACLE AS-CONNECTOR (54-PIN, BLACK)						
		3	3S-2093	11	STRAP-CABLE						
		3	3T-4688	2	TERMINAL (4-GA)						
		3	9X-0196	1	TERMINAL AS						
		3	8N-1545	1	SOCKET-CONNECTOR (8-GA)						
		3	8N-1548	1	PIN-CONNECTOR						
		3	8T-8737	59	PLUG-SEAL						
		3	110-8769	1	WIRE AS						
		3	116-0128	1	SEAL						
		3	116-0255	2	TERMINAL (FEMALE)						
		3	9W-0852	11	PIN-CONNECTOR (14-GA)						
E		3	119-3662		TUBE-HEAT SHRINK (10.85-MM DIA) (20-CM)						
E		3	125-7874		TUBE-HEAT SHRINK (5.72-MM DIA) (25-CM)						
E		3	125-7875		TUBE-HEAT SHRINK (7.44-MM DIA) (10-CM)						
		3	9X-3402	72	SOCKET-CONNECTOR (16-GA TO 18-GA)						
		3	9X-3401	95	PIN-CONNECTOR (16-GA TO 18-GA)						
					-OR-						
		3	126-1767	95	PIN-CONNECTOR (14-GA)						
	47	6	096-5962	4	WASHER-HARD (3.4X7X0.8-MM THK)						

ELECTRICAL AND STARTING SYSTEM

238-2194 BATTERY & WIRING GP (contd.)

i03573162

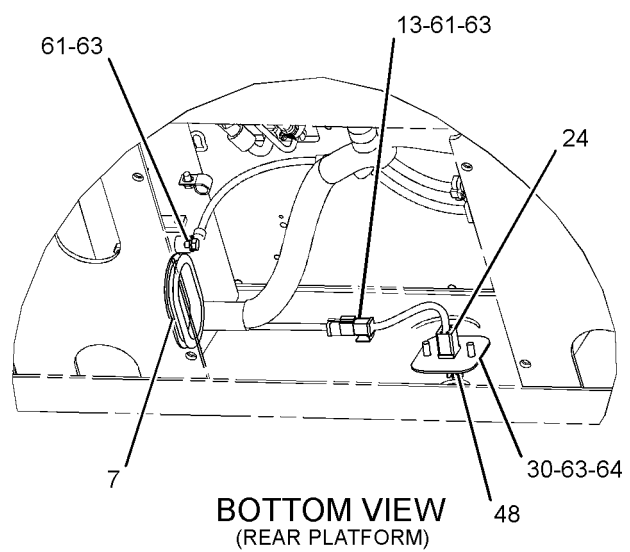
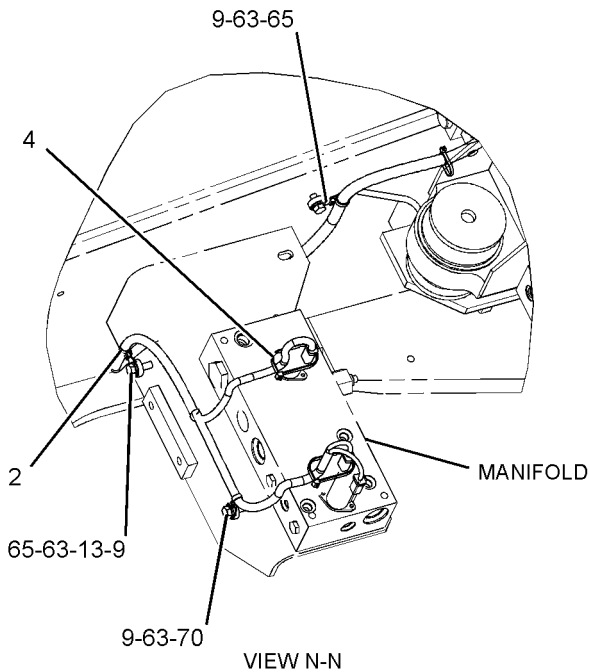
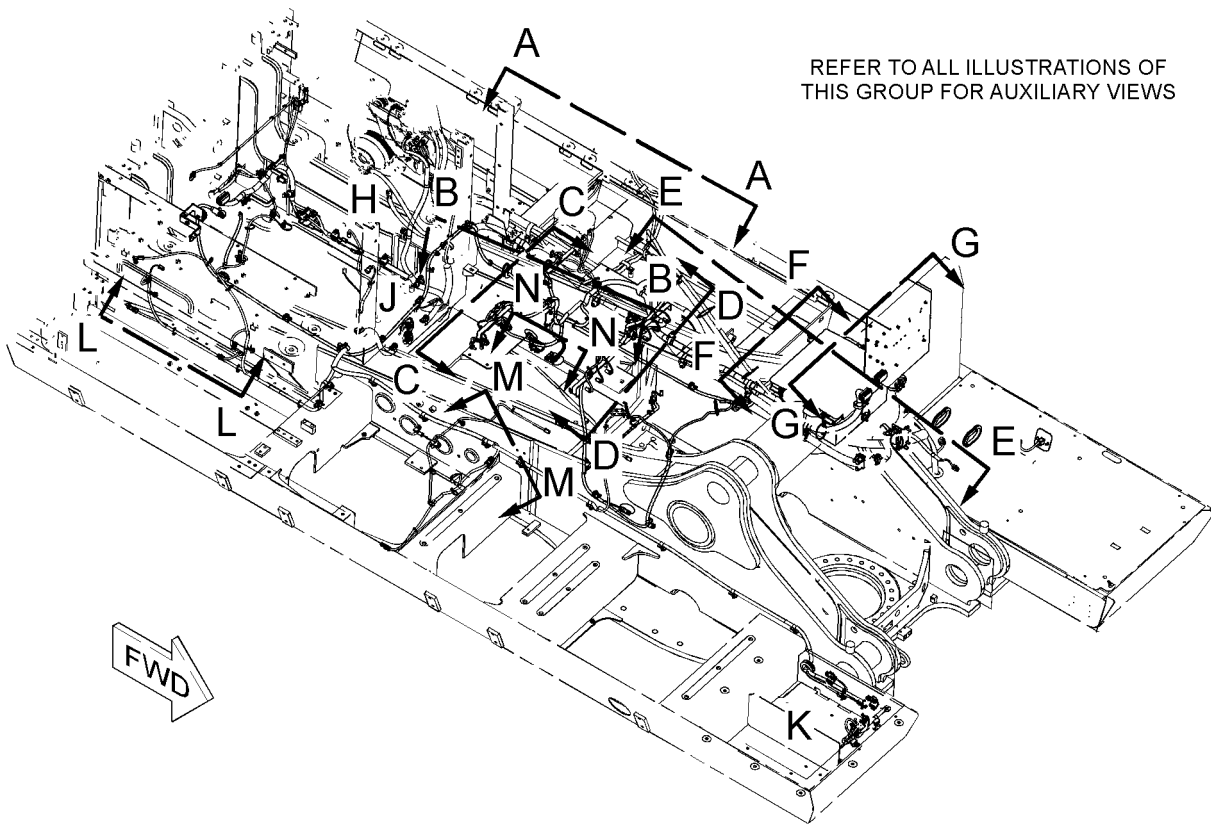
NOTE	REF NO	GRAPHIC REF	PART NUMBER	QTY	PART NAME						SEE PAGE
					1	2	3	4	5	6 (PRODUCT LEVEL)	
	48	1	3E-5169	1	GUARD-SWITCH						
M	49	6	3E-8048	4	SCREW-MACHINE (M3X0.5X6-MM)						
	50	7	4I-5426	1	GROMMET						
	51	3, 6	4K-8864	4	CLIP						
	52	7	4P-7428	1	CLIP						
	53	2, 6	4P-7581	2	CLIP						
M	54	2	5C-7261	2	NUT (M8X1.25-THD)						
M	55	2	5C-7883	4	BOLT-SOCKET HEAD (M6X1X16-MM)						
	56	5	5M-3062	1	BOLT (3/8-16X0.75-IN)						
	57	2	5P-1075	2	WASHER-HARD (10.2X22.5X3-MM THK)						
	58	3, 4, 7	5P-4116	8	WASHER-HARD (8.8X20.5X2-MM THK)						
	59	5	6G-2256	2	CLAMP						
	60	5	6G-2263	2	SPACER (10.5X19X28.5-MM THK)						
M	61	1	7X-2621	2	BOLT (M10X1.5X12-MM)						
	62	5	8T-2501	1	BOLT (3/8-16X2-IN)						
	63	1, 2, 3, 4, 5, 6, 7, 8	8T-4121	108	WASHER-HARD (11X21X2.5-MM THK)						
M	64	1, 4, 6, 7	8T-4136	9	BOLT (M10X1.5X25-MM)						
M	65	1, 2, 3, 4, 5, 6, 7, 8	8T-4137	65	BOLT (M10X1.5X20-MM)						
M	66	1	8T-4179	1	BOLT (M12X1.75X20-MM)						
M	67	5	8T-4185	2	BOLT (M10X1.5X50-MM)						
M	68	4	8T-4189	4	BOLT (M8X1.25X20-MM)						
M	69	2, 3, 4, 5, 6, 8	8T-4191	18	BOLT (M10X1.5X16-MM)						
M	70	1, 2	8T-4195	10	BOLT (M10X1.5X30-MM)						
M	71	4, 7	8T-4199	9	BOLT (M8X1.25X12-MM)						
	72	1	8T-4223	1	WASHER-HARD (13.5X25.5X3-MM THK)						
	73	4	8T-4224	5	WASHER-HARD (8.8X16X2-MM THK)						
	74	5	8T-4896	1	WASHER-HARD (10.2X18.5X2.5-MM THK)						
	75	2	9X-8256	4	WASHER (6.6X12X2-MM THK)						

C-CHANGE FROM PREVIOUS TYPE
 E-ORDER BY THE CENTIMETER
 M-METRIC PART
 Y-SEPARATE ILLUSTRATION

ELECTRICAL AND STARTING SYSTEM

238-2194 BATTERY & WIRING GP (contd.)

i03573162



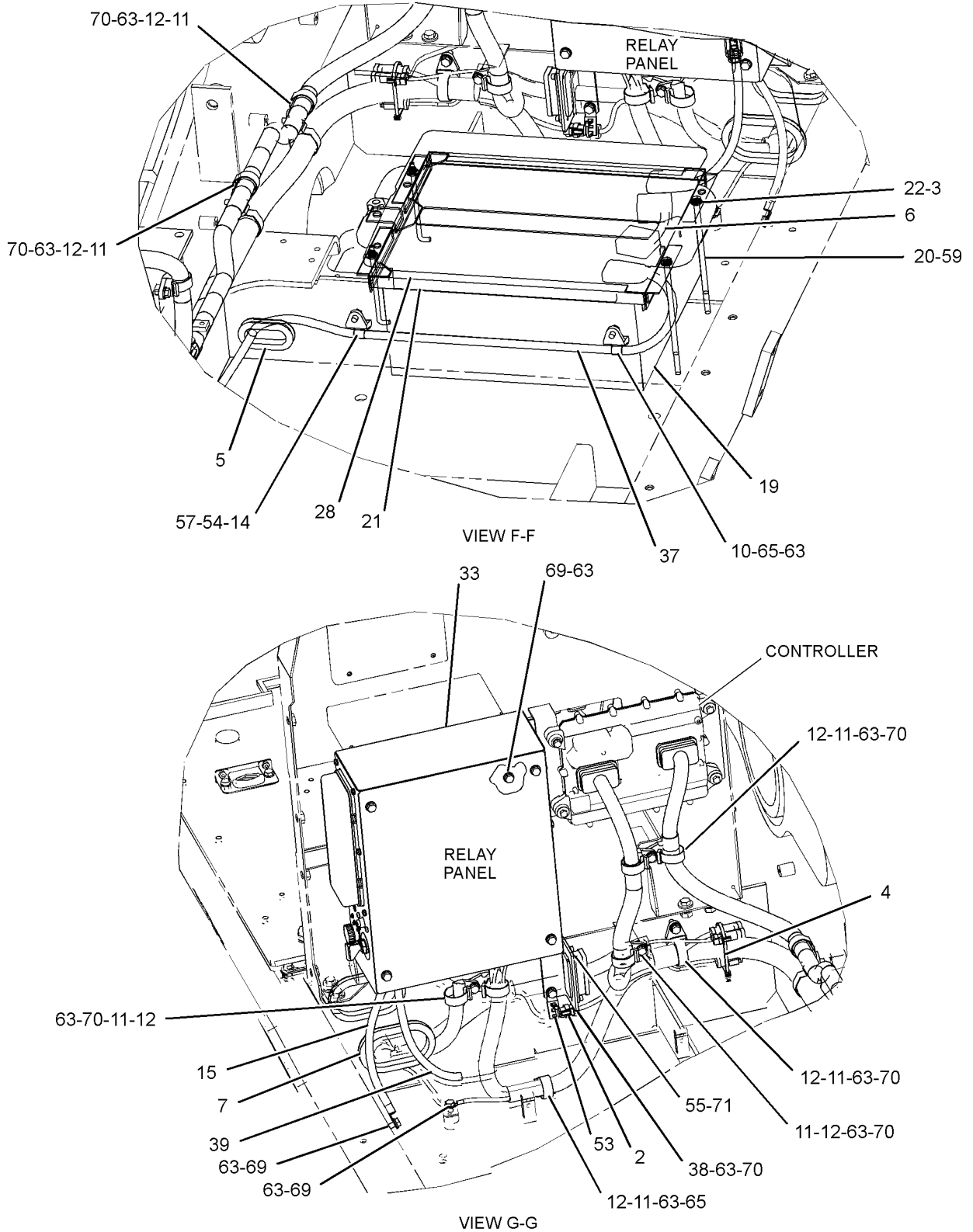
GRAPHIC #1

g01290194

ELECTRICAL AND STARTING SYSTEM

238-2194 BATTERY & WIRING GP (contd.)

i03573162



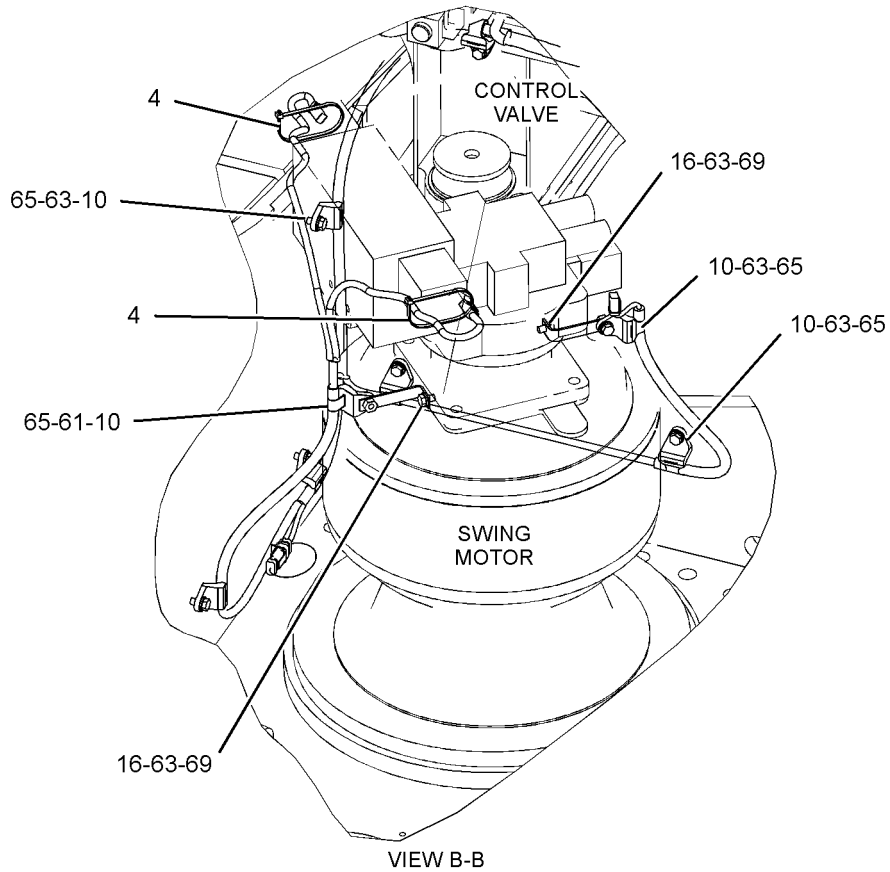
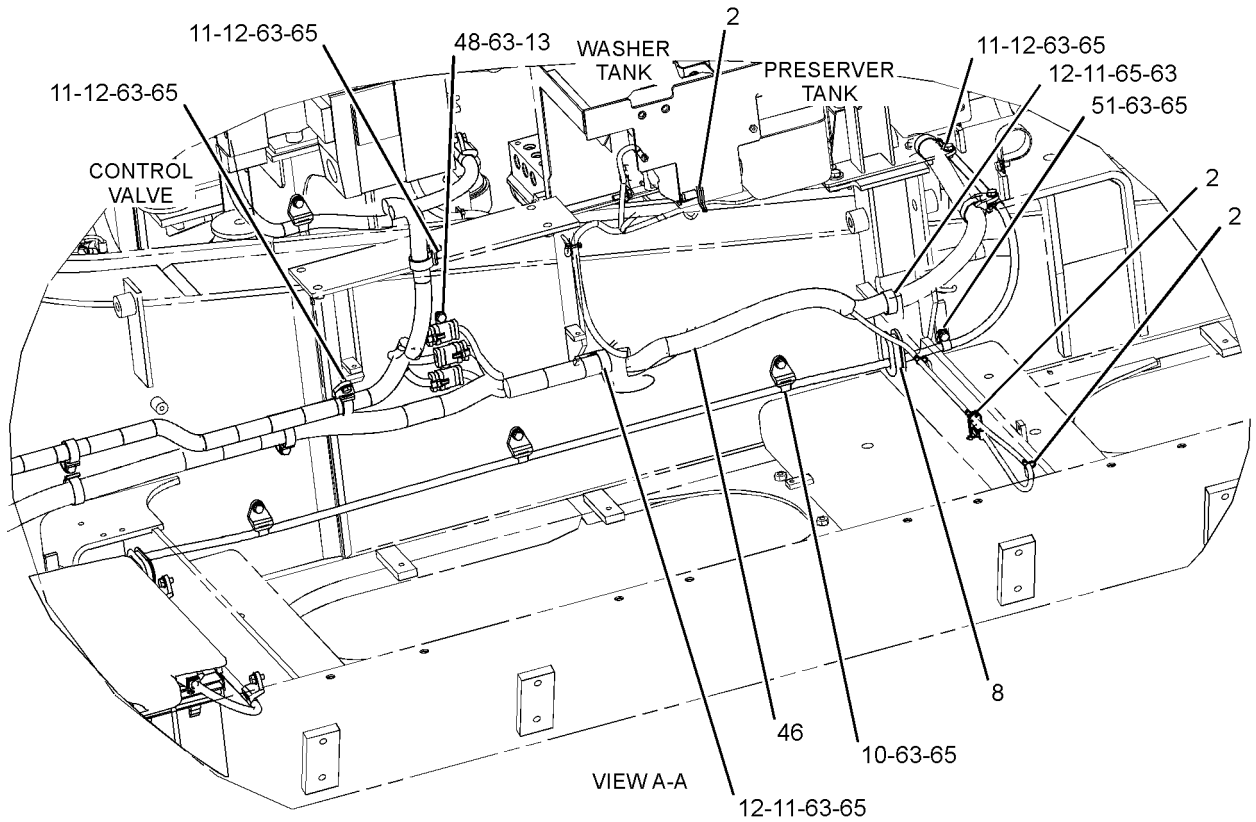
GRAPHIC #2

g01290208

ELECTRICAL AND STARTING SYSTEM

238-2194 BATTERY & WIRING GP (contd.)

i03573162



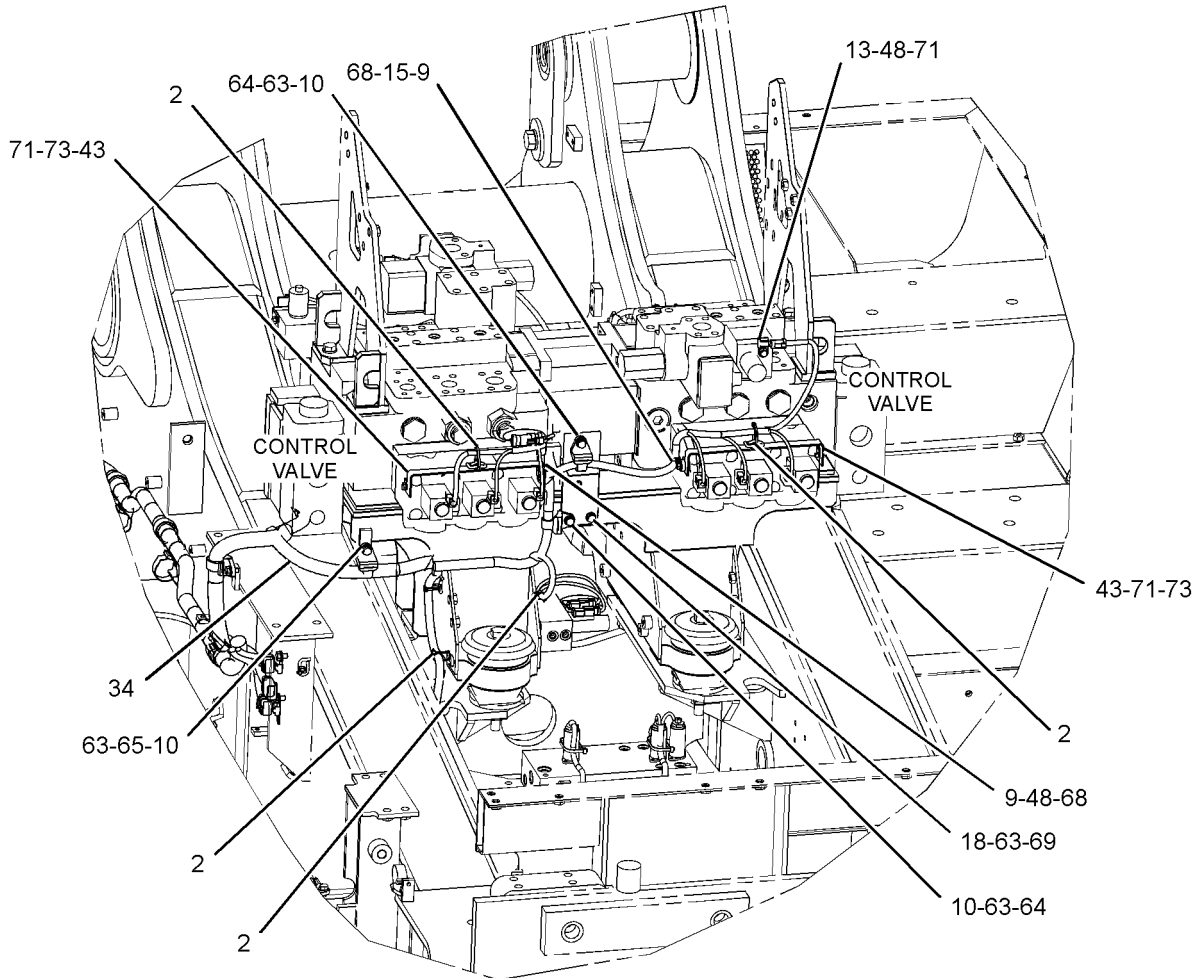
GRAPHIC #3

g01290312

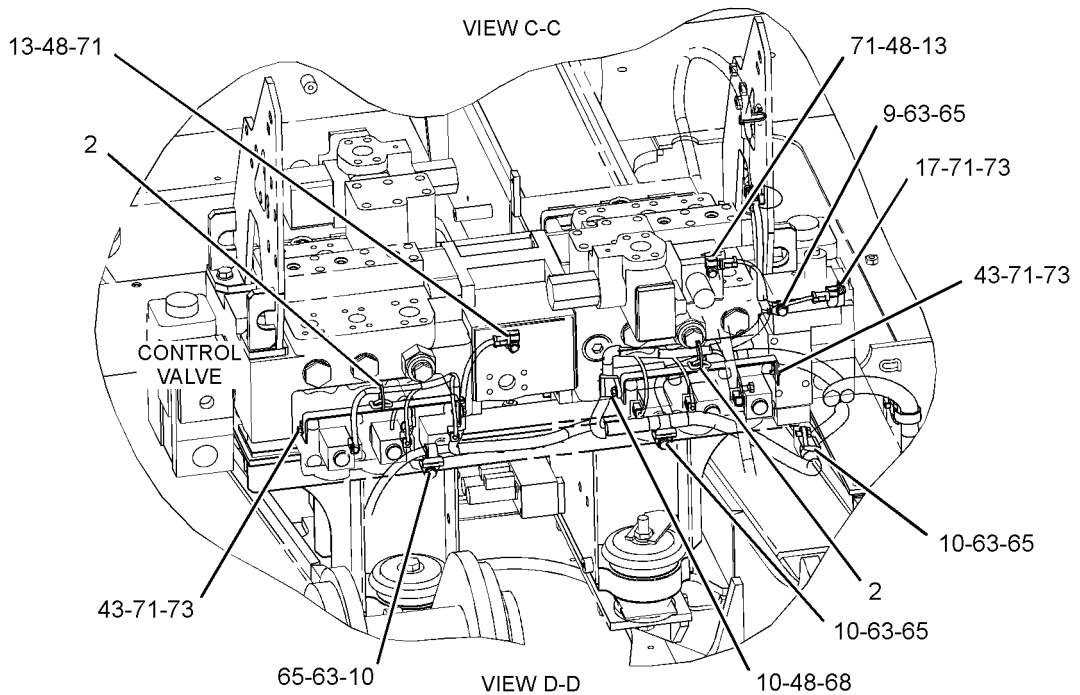
ELECTRICAL AND STARTING SYSTEM

238-2194 BATTERY & WIRING GP (contd.)

i03573162



VIEW C-C



VIEW D-D

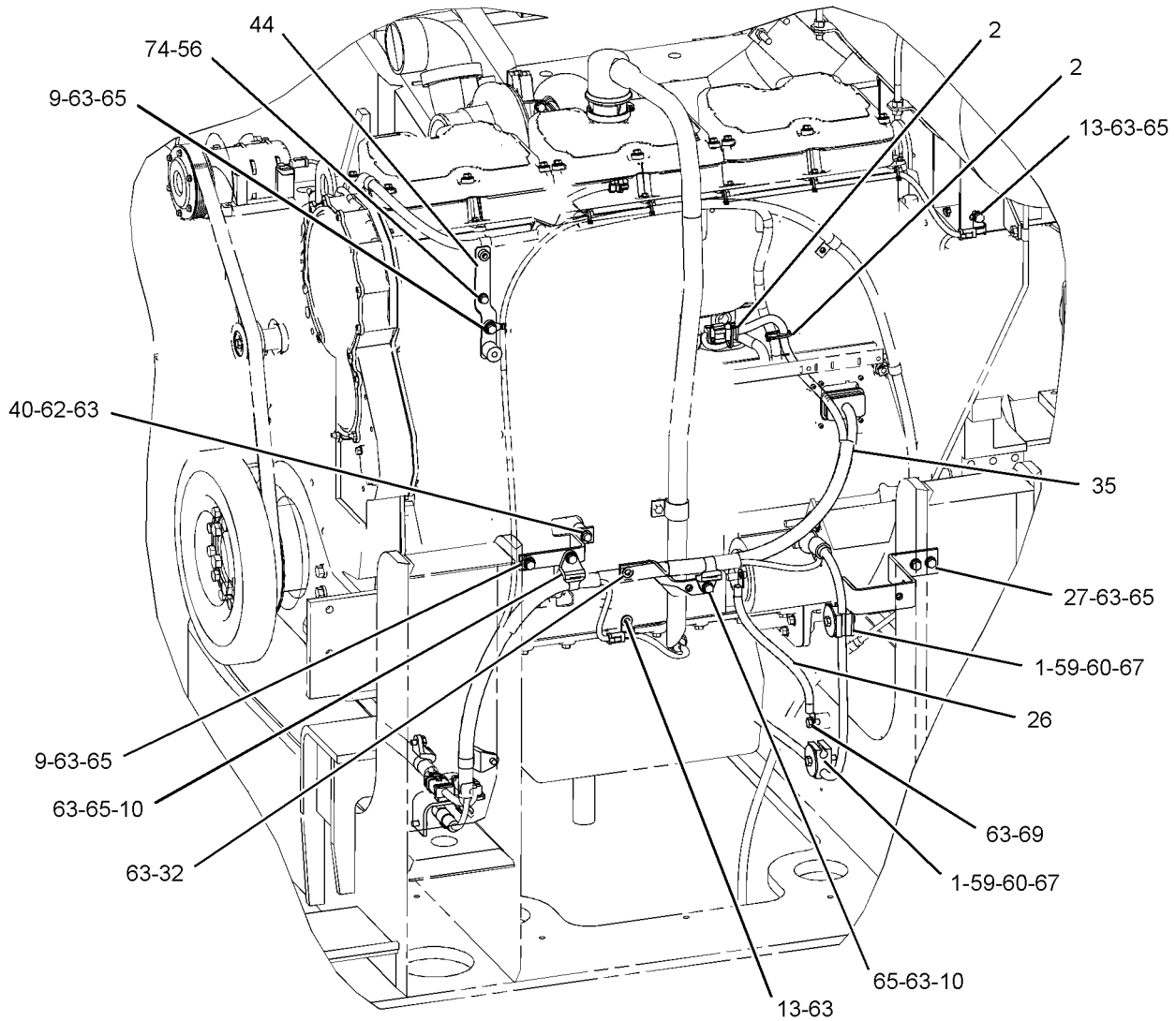
GRAPHIC #4

g01290324

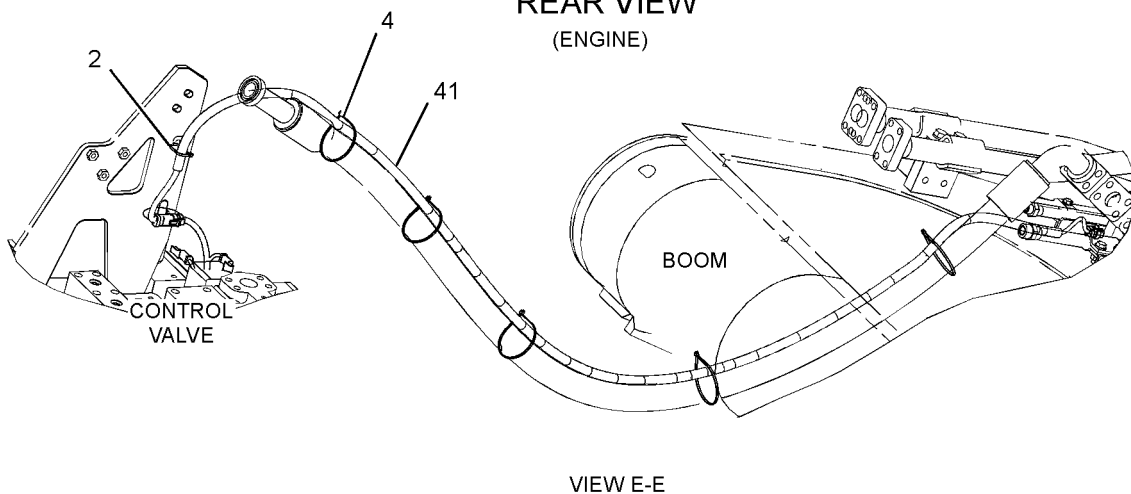
ELECTRICAL AND STARTING SYSTEM

238-2194 BATTERY & WIRING GP (contd.)

i03573162



REAR VIEW
(ENGINE)



VIEW E-E

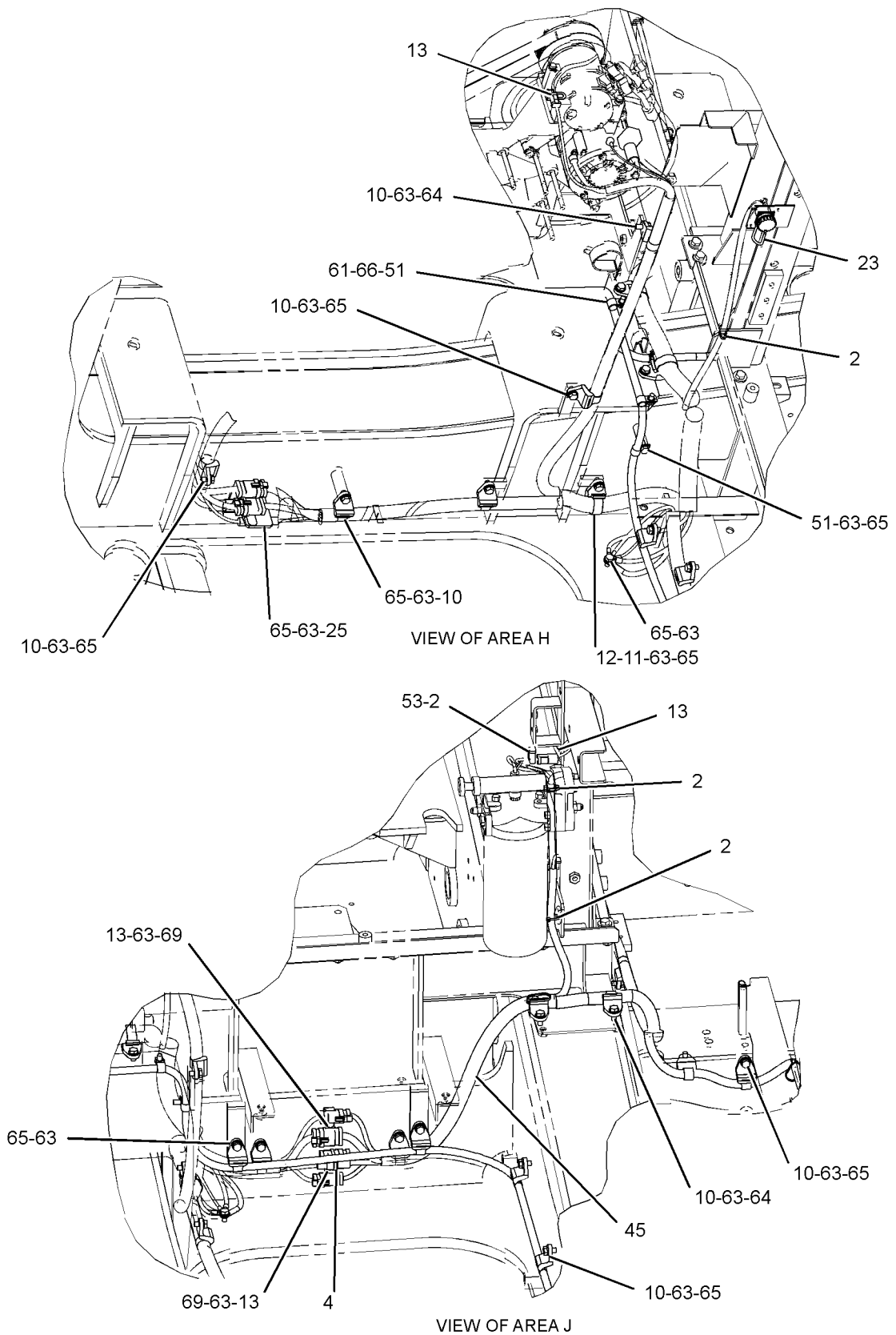
GRAPHIC #5

g01290340

ELECTRICAL AND STARTING SYSTEM

238-2194 BATTERY & WIRING GP (contd.)

i03573162



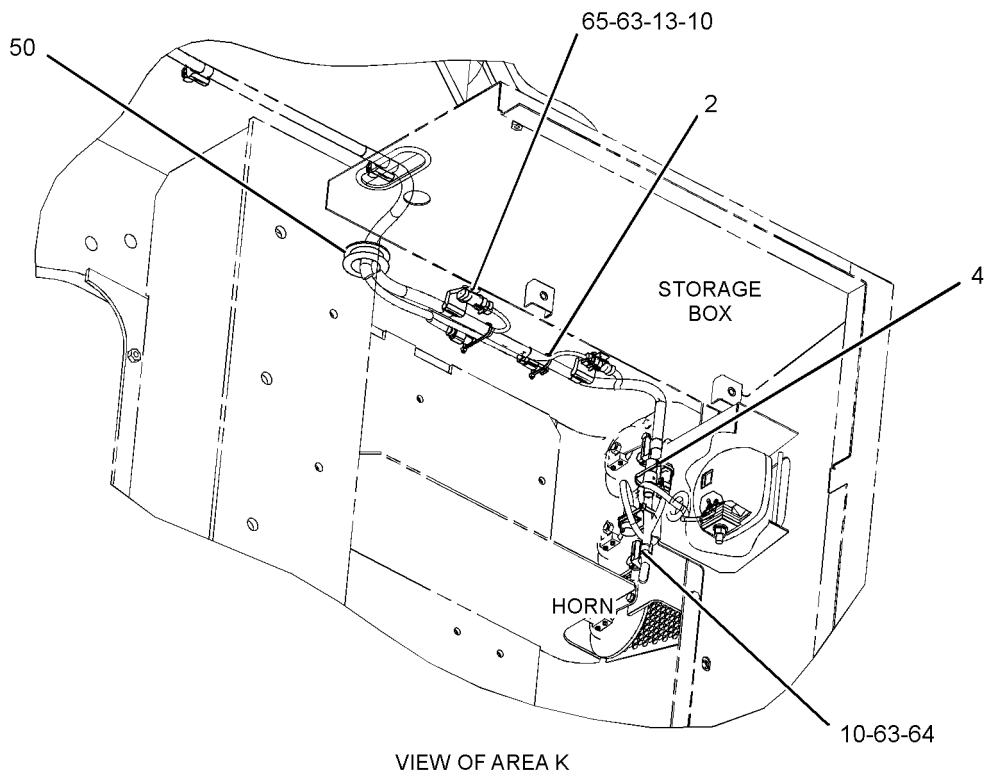
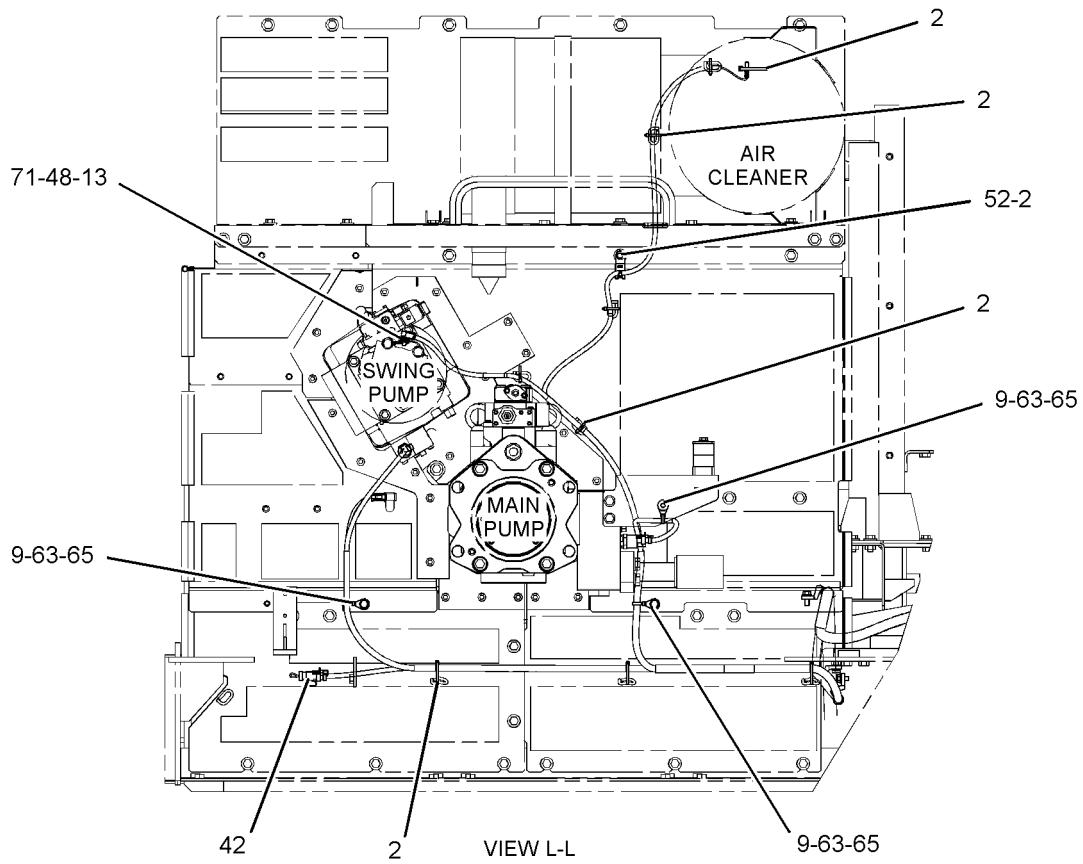
GRAPHIC #6

g01290356

ELECTRICAL AND STARTING SYSTEM

238-2194 BATTERY & WIRING GP (contd.)

i03573162



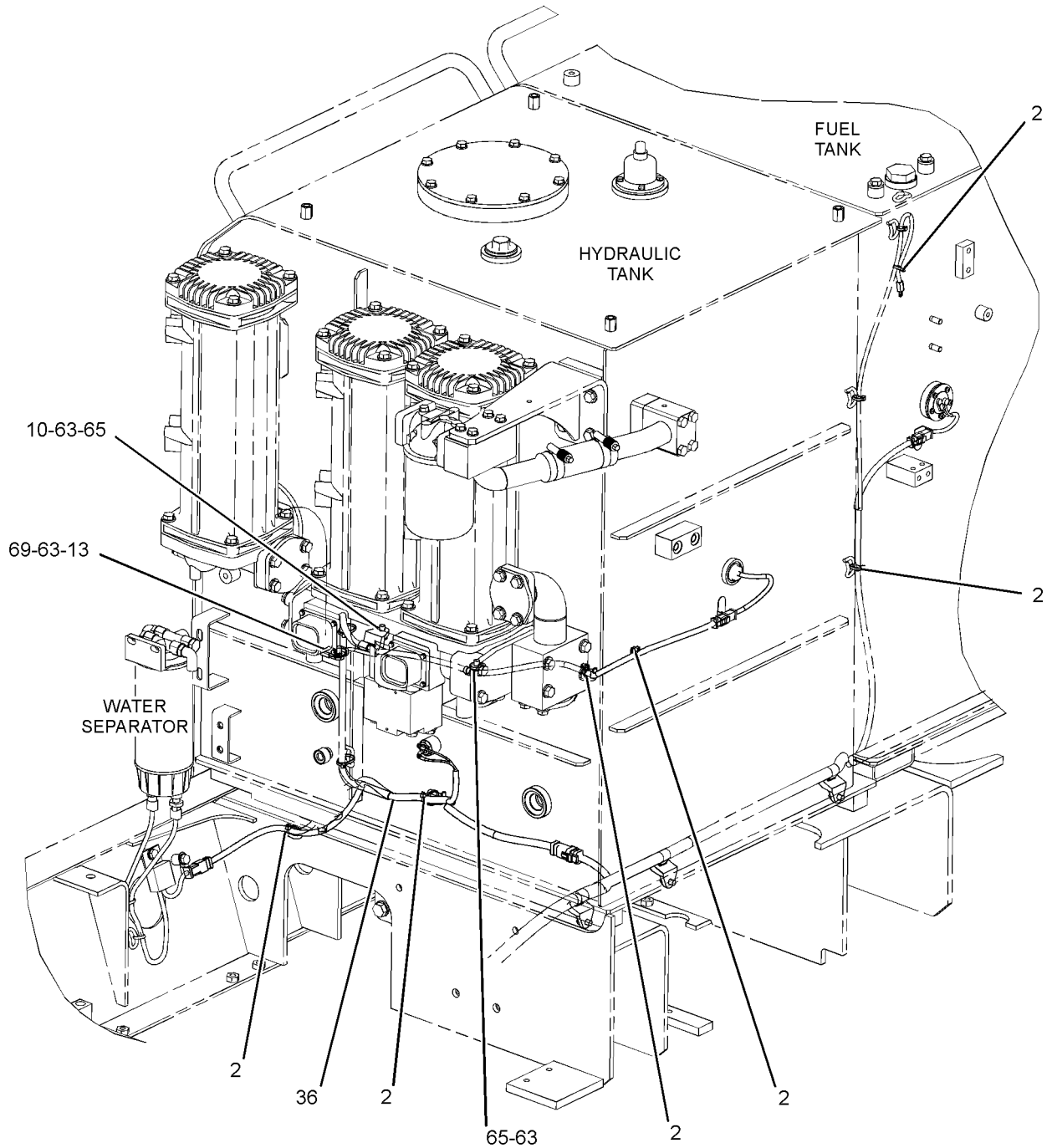
GRAPHIC #7

g01290360

ELECTRICAL AND STARTING SYSTEM

238-2194 BATTERY & WIRING GP (contd.)

i03573162



VIEW M-M

GRAPHIC #8

<END>

g01290366

ELECTRICAL AND STARTING SYSTEM

238-2194 BATTERY & WIRING GP

S/N: MMA268-UP

PART OF 238-2205 BATTERY & WIRING GP

SMCS-1401, 1402, 1408

i03573163

NOTE	REF NO	GRAPHIC REF	PART NUMBER	QTY	PART NAME						SEE PAGE
					1	2	3	4	5	6 (PRODUCT LEVEL)	
	1	5	2G-8767	2	WASHER (10.5X60X3-MM THK)						
	2	1,2,3, 4,5,6, 7,8	3S-2093	49	STRAP-CABLE						
M	3	2	4I-5049	2	NUT-SPACER (M6X1-THD)						
	4	1,2,3, 5,6,7	7K-1181	7	STRAP-CABLE						
	5	2	8D-0482	1	GROMMET						
	6	2	8V-0622	1	CABLE AS						
E		2	5P-0761		CABLE (00-GA, RED) (14-CM)						
		2	8C-5917	1	TERMINAL AS-BATTERY (POSITIVE)						
		2	8T-9757	1	TERMINAL AS-BATTERY (NEGATIVE)						
					(EACH TERMINAL AS INCLUDES)						
		2	1M-6119	1	BOLT (5/16-18X1.375-IN)						
		2	1M-6120	1	NUT (5/16-18-THD)						
		2	9G-0003	1	COVER-TERMINAL (BLACK)						
		2	9G-0004	1	COVER-TERMINAL (RED)						
	7	1,2	096-0679	2	GROMMET						
	8	3	096-5863	1	GROMMET						
	9	1,4,5, 7,8	111-4836	13	CLIP						
	10	2,3,4, 5,6,7, 8	111-4837	49	CLIP						
	11	2,3,6	111-4838	19	CLIP						
	12	2,3,6	111-4839	19	STRAP						
	13	1,3,4, 5,6,7, 8	116-0118	21	CLIP						
	14	2	124-9108	2	ROD						
	15	2	140-0860	1	STRAP AS-GROUND						
	16	3	153-2447	2	BRACKET AS						
	17	4	153-2451	1	BRACKET AS						
	18	4	153-2475	1	BRACKET AS						
	19	2	153-5710	2	BATTERY (12-VOLT, 1400-CCA)						
M	20	2	157-4822	2	BOLT (M10X1.5X250-MM)						
	21	2	161-3115	1	COVER						
	22	2	161-3117	2	KNOB AS						
M		2	7X-2533	1	BOLT (M6X1X35-MM)						
		2	161-3116	1	KNOB						
	23	6	167-3593	1	STRAP						
Y	24	1	170-2512	1	SWITCH GP-TOGGLE (SECONDARY SHUTDOWN)						381
	25	6	170-6977	1	BRACKET AS						
	26	5	170-9328	1	STRAP AS-GROUND						
	27	5	193-3476	1	BRACKET AS						
	28	2	198-7070	1	SUPPORT AS						
	29	1	204-1611	3	STRAP-CABLE						
	30	1	204-1771	1	PLATE						
	31	1	204-1795	1	BRACKET AS						
	32	5	204-1807	1	BRACKET AS						
Y	33	2	224-2861	1	PANEL GP-CIRCUIT BREAKER						317
	34	4	231-1811	1	HARNESS AS-VALVE (MAIN CONTROL)						
		4	102-8802	3	KIT-RECEPTACLE (2-PIN)						
					(INCLUDES RECEPTACLE AS & WEDGE)						
		4	3S-2093	18	STRAP-CABLE						
		4	126-1771	1	CAP-DUST						

ELECTRICAL AND STARTING SYSTEM

238-2194 BATTERY & WIRING GP (contd.)

i03573163

NOTE	REF NO	GRAPHIC REF	PART NUMBER	QTY	PART NAME						SEE PAGE
					1	2	3	4	5	6 (PRODUCT LEVEL)	
		4	155-2270	25	KIT-CONNECTING PLUG (2-PIN) (INCLUDES PLUG AS, WEDGE, & INTERFACE SEAL)						
		4	160-7690	1	PLUG AS-CONNECTOR (70-PIN)						
		4	159-9322	1	SEAL-O-RING						
		4	230-4009	1	PLUG AS-CONNECTOR (12-PIN)						
		4	230-4011	1	PLUG AS-CONNECTOR (2-PIN)						
		4	230-4013	3	PLUG AS-CONNECTOR (3-PIN)						
		4	243-4505	1	RECEPTACLE AS-CONNECTOR (2-PIN)						
		4	243-4506	3	RECEPTACLE AS-CONNECTOR (3-PIN)						
		4	243-4510	1	RECEPTACLE AS-CONNECTOR (12-PIN)						
	35	5	231-1812	1	HARNESS AS-ENGINE						
		5	102-8806	2	KIT-RECEPTACLE (8-PIN) (INCLUDES RECEPTACLE AS & WEDGE)						
		5	126-1771	1	CAP-DUST						
		5	127-5483	1	PLUG AS-CONNECTOR (1-PIN)						
		5	127-5486	1	RECEPTACLE AS-CONNECTOR (1-PIN)						
		5	155-2270	2	KIT-CONNECTING PLUG (2-PIN) (INCLUDES PLUG AS, WEDGE & INTERFACE SEAL)						
		5	160-7689	1	PLUG AS-CONNECTOR (70-PIN)						
		5	159-9322	1	SEAL-O-RING						
		5	230-4009	1	PLUG AS-CONNECTOR (12-PIN)						
		5	243-4510	1	RECEPTACLE AS-CONNECTOR (12-PIN)						
	36	8	234-1015	1	HARNESS AS-HYDRAULIC TANK						
		8	102-8804	1	KIT-RECEPTACLE (4-PIN) (INCLUDES RECEPTACLE AS & WEDGE)						
		8	155-2270	2	KIT-CONNECTING PLUG (2-PIN)						
		8	155-2271	1	KIT-CONNECTING PLUG (4-PIN) (EACH PLUG KIT INCLUDES PLUG AS, WEDGE & INTERFACE SEAL)						
		8	243-4508	1	RECEPTACLE AS-CONNECTOR (6-PIN)						
	37	2	234-1182	1	CABLE AS						
E		2	5P-0761		CABLE (00-GA, RED) (601-CM)						
		2	1S-7251	1	TERMINAL-CABLE (00-GA, 1/2-IN BOLT)						
		2	8N-0869	1	COVER-TERMINAL (RED) (STARTING MOTOR)						
		2	8N-1725	1	COVER-TERMINAL (RED) (BATTERY)						
		2	8L-8413	1	STRAP-CABLE						
		2	3S-6049	1	TERMINAL AS-BATTERY (POSITIVE)						
		2	1M-6119	1	BOLT (5/16-18X1.375-IN)						
		2	1M-6120	1	NUT (5/16-18-THD)						
	38	2	234-1190	1	BRACKET						
	39	2	234-1200	1	CABLE AS						
E		2	5P-0747		CABLE (00-GA, BLACK) (40-CM)						
		2	1S-7252	1	TERMINAL-CABLE (00-GA, 3/8-IN BOLT)						
		2	7N-5274	1	COVER-TERMINAL (BLACK) (BATTERY)						
		2	8L-8413	1	STRAP-CABLE						
		2	9G-8909	1	COVER-TERMINAL (BLACK) (DISCONNECT SWITCH)						
		2	3S-6050	1	TERMINAL AS-BATTERY (NEGATIVE)						
		2	1M-6119	1	BOLT (5/16-18X1.375-IN)						
		2	1M-6120	1	NUT (5/16-18-THD)						
	40	5	238-1507	1	BRACKET AS						
	41	5	238-2393	1	HARNESS AS-LIGHTING						
		5	230-4013	1	PLUG AS-CONNECTOR (3-PIN)						
		5	243-4506	1	RECEPTACLE AS-CONNECTOR (3-PIN)						
	42	7	238-2420	1	HARNESS AS-PUMP						
		7	243-4506	1	RECEPTACLE AS-CONNECTOR (3-PIN)						
	43	4	238-2474	4	BRACKET AS						
	44	5	251-0524	1	SUPPORT AS						
C	45	6	327-9960	1	HARNESS AS-CHASSIS						
E		6	125-7874		TUBE-HEAT SHRINK (5.72-MM DIA) (15-CM)						

ELECTRICAL AND STARTING SYSTEM

238-2194 BATTERY & WIRING GP (contd.)

i03573163

NOTE	REF NO	GRAPHIC REF	PART NUMBER	QTY	PART NAME						SEE PAGE	
					1	2	3	4	5	6 (PRODUCT LEVEL)		
E		6	125-7875		TUBE-HEAT SHRINK (7.44-MM DIA) (10-CM)							
		6	9X-3402	35	SOCKET-CONNECTOR (16-GA TO 18-GA)							
					-OR-							
		6	126-1768	35	SOCKET-CONNECTOR (14-GA)							
		6	9X-3401	3	PIN-CONNECTOR (16-GA TO 18-GA)							
					-OR-							
		6	126-1767	3	PIN-CONNECTOR (14-GA)							
		6	163-6773	2	PLUG-SEAL							
		6	3E-3371	1	WEDGE-RECEPTACLE LOCK (3-PIN)							
		6	3S-2093	6	STRAP-CABLE							
		6	7Y-3963	1	TERMINAL (RECEPTACLE)							
		6	7Y-3965	1	TUBE (RECEPTACLE TERMINAL)							
		6	8T-8737	17	PLUG-SEAL							
		6	9W-0852	7	PIN-CONNECTOR (14-GA)							
		6	116-0126	1	HOUSING-PLUG							
		6	116-0128	3	SEAL							
		6	116-0255	2	TERMINAL (FEMALE)							
	E		6	119-3662		TUBE-HEAT SHRINK (10.85-MM DIA) (13-CM)						
			6	121-1039	2	TERMINAL (MALE)						
			6	102-8802	1	KIT-RECEPTACLE (2-PIN)						
		6	102-8803	2	KIT-RECEPTACLE (3-PIN)							
					(EACH RECEPTACLE KIT INCLUDES RECEPTACLE AS & WEDGE)							
		6	9X-4813	1	RECEPTACLE AS-CONNECTOR (3-PIN)							
		6	100-5805	1	CAP-RECEPTACLE							
		6	121-1038	2	HOUSING-RECEPTACLE							
		6	155-2260	3	KIT-CONNECTING PLUG (3-PIN)							
		6	155-2270	6	KIT-CONNECTING PLUG (2-PIN)							
					(EACH PLUG KIT INCLUDES PLUG AS, WEDGE & INTERFACE SEAL)							
		6	230-4009	1	PLUG AS-CONNECTOR (12-PIN)							
		6	230-4011	3	PLUG AS-CONNECTOR (2-PIN)							
		6	230-4013	2	PLUG AS-CONNECTOR (3-PIN)							
		6	230-5010	2	PLUG AS-CONNECTOR (6-PIN)							
		6	243-4505	1	RECEPTACLE AS-CONNECTOR (2-PIN)							
		6	243-4506	1	RECEPTACLE AS-CONNECTOR (3-PIN)							
		6	243-4508	1	RECEPTACLE AS-CONNECTOR (6-PIN)							
		6	243-4510	1	RECEPTACLE AS-CONNECTOR (12-PIN)							
46			3	275-6733	1	HARNESS AS-CHASSIS						
			3	102-8802	1	KIT-RECEPTACLE (2-PIN)						
						(INCLUDES RECEPTACLE AS AND WEDGE)						
			3	102-8803	1	KIT-RECEPTACLE (3-PIN)						
						(INCLUDES RECEPTACLE AS AND WEDGE)						
			3	8C-6354	1	CAP-RECEPTACLE						
			3	8T-8827	1	BOOT (RED)						
			3	9W-1951	1	RECEPTACLE-CONNECTOR (9-PIN)						
			3	116-0126	1	HOUSING-PLUG						
			3	127-5484	1	RECEPTACLE AS-CONNECTOR (1-PIN)						
			3	127-5485	1	PLUG AS-CONNECTOR (1-PIN)						
		3	155-2270	4	KIT-CONNECTING PLUG (2-PIN)							
					(INCLUDES PLUG AS, WEDGE & INTERFACE SEAL)							
		3	160-7689	1	PLUG AS-CONNECTOR (70-PIN)							
		3	159-9322	1	SEAL-O-RING							
		3	174-3016	1	PLUG AS-CONNECTOR (3-PIN)							
		3	230-4009	4	PLUG AS-CONNECTOR (12-PIN)							
		3	230-4011	2	PLUG AS-CONNECTOR (2-PIN)							
		3	230-5008	1	PLUG AS-CONNECTOR (4-PIN)							
		3	230-5010	2	PLUG AS-CONNECTOR (6-PIN)							
		3	243-4505	1	RECEPTACLE AS-CONNECTOR (2-PIN)							
		3	243-4508	2	RECEPTACLE AS-CONNECTOR (6-PIN)							

ELECTRICAL AND STARTING SYSTEM

238-2194 BATTERY & WIRING GP (contd.)

i03573163

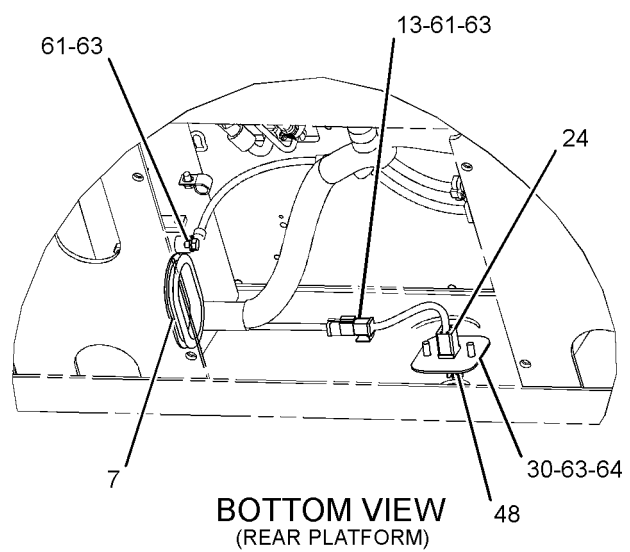
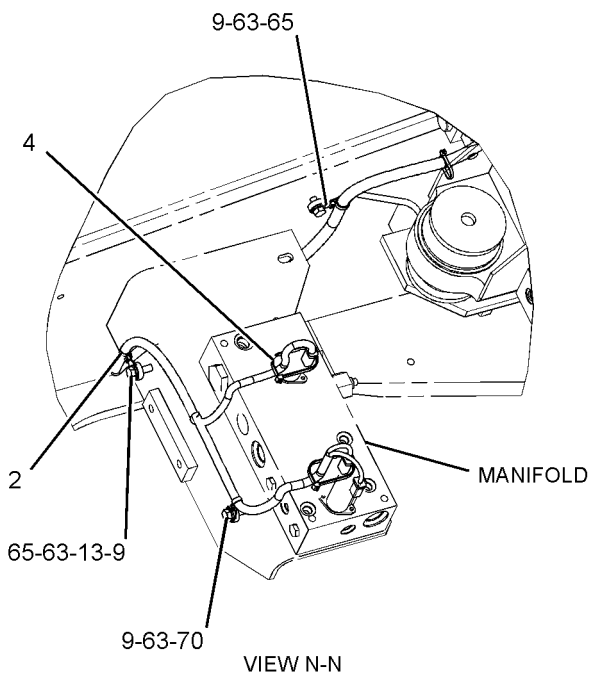
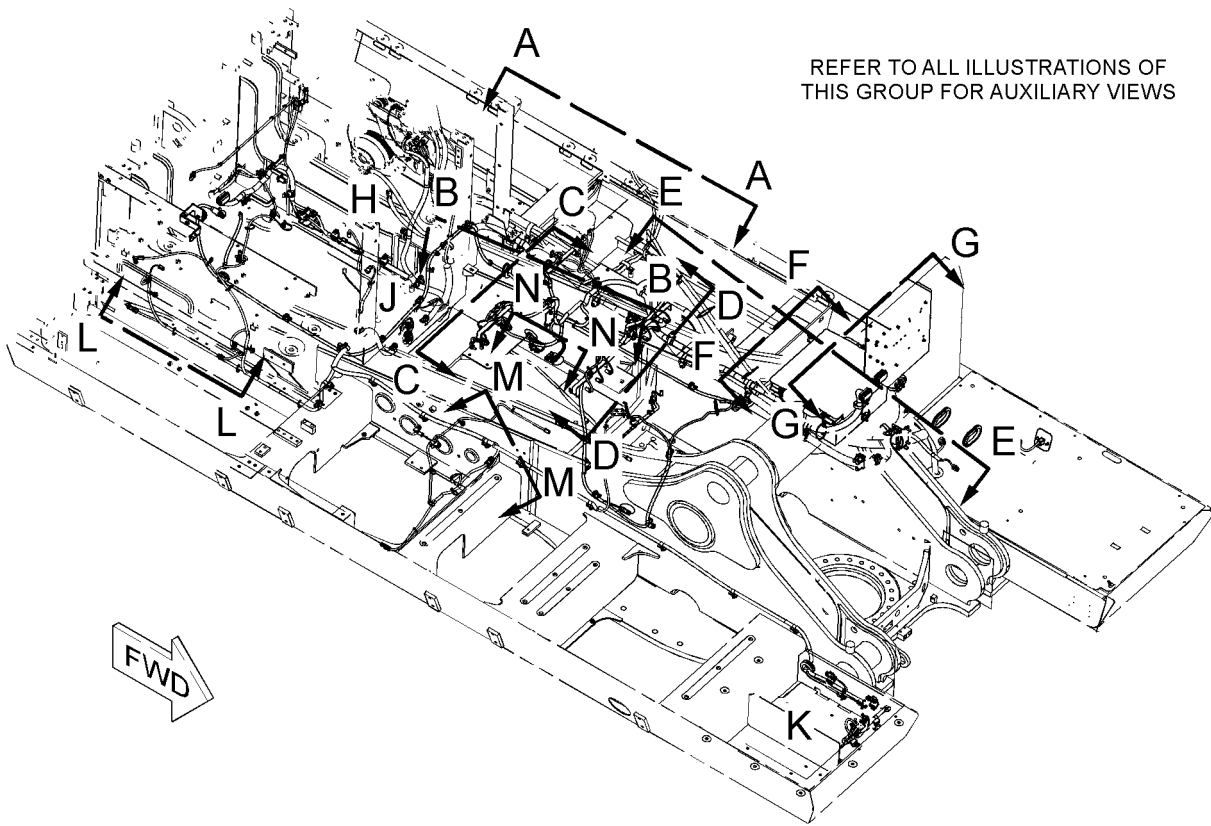
NOTE	REF NO	GRAPHIC REF	PART NUMBER	QTY	PART NAME						SEE PAGE
					1	2	3	4	5	6 (PRODUCT LEVEL)	
		3	243-4510	5	RECEPTACLE AS-CONNECTOR (12-PIN)						
		3	163-6637	1	RECEPTACLE AS-CONNECTOR (54-PIN, BLACK)						
		3	3S-2093	11	STRAP-CABLE						
		3	3T-4688	2	TERMINAL (4-GA)						
		3	9X-0196	1	TERMINAL AS						
		3	8N-1545	1	SOCKET-CONNECTOR (8-GA)						
		3	8N-1548	1	PIN-CONNECTOR						
		3	8T-8737	59	PLUG-SEAL						
		3	110-8769	1	WIRE AS						
		3	116-0128	1	SEAL						
		3	116-0255	2	TERMINAL (FEMALE)						
		3	9W-0852	11	PIN-CONNECTOR (14-GA)						
E		3	119-3662		TUBE-HEAT SHRINK (10.85-MM DIA) (20-CM)						
E		3	125-7874		TUBE-HEAT SHRINK (5.72-MM DIA) (25-CM)						
E		3	125-7875		TUBE-HEAT SHRINK (7.44-MM DIA) (10-CM)						
		3	9X-3402	72	SOCKET-CONNECTOR (16-GA TO 18-GA)						
		3	9X-3401	95	PIN-CONNECTOR (16-GA TO 18-GA)						
					-OR-						
		3	126-1767	95	PIN-CONNECTOR (14-GA)						
	47	6	096-5962	4	WASHER-HARD (3.4X7X0.8-MM THK)						
	48	1	3E-5169	1	GUARD-SWITCH						
M	49	6	3E-8048	4	SCREW-MACHINE (M3X0.5X6-MM)						
	50	7	4I-5426	1	GROMMET						
	51	3,6	4K-8864	4	CLIP						
	52	7	4P-7428	1	CLIP						
	53	2,6	4P-7581	2	CLIP						
M	54	2	5C-7261	2	NUT (M8X1.25-THD)						
M	55	2	5C-7883	4	BOLT-SOCKET HEAD (M6X1X16-MM)						
	56	5	5M-3062	1	BOLT (3/8-16X0.75-IN)						
	57	2	5P-1075	2	WASHER-HARD (10.2X22.5X3-MM THK)						
	58	3,4,7	5P-4116	8	WASHER-HARD (8.8X20.5X2-MM THK)						
	59	5	6G-2256	2	CLAMP						
	60	5	6G-2263	2	SPACER (10.5X19X28.5-MM THK)						
M	61	1	7X-2621	2	BOLT (M10X1.5X12-MM)						
	62	5	8T-2501	1	BOLT (3/8-16X2-IN)						
	63	1,2,3, 4,5,6, 7,8	8T-4121	108	WASHER-HARD (11X21X2.5-MM THK)						
M	64	1,4,6, 7	8T-4136	9	BOLT (M10X1.5X25-MM)						
M	65	1,2,3, 4,5,6, 7,8	8T-4137	65	BOLT (M10X1.5X20-MM)						
M	66	1	8T-4179	1	BOLT (M12X1.75X20-MM)						
M	67	5	8T-4185	2	BOLT (M10X1.5X50-MM)						
M	68	4	8T-4189	4	BOLT (M8X1.25X20-MM)						
M	69	2,3,4, 5,6,8	8T-4191	18	BOLT (M10X1.5X16-MM)						
M	70	1,2	8T-4195	10	BOLT (M10X1.5X30-MM)						
M	71	4,7	8T-4199	9	BOLT (M8X1.25X12-MM)						
	72	1	8T-4223	1	WASHER-HARD (13.5X25.5X3-MM THK)						
	73	4	8T-4224	5	WASHER-HARD (8.8X16X2-MM THK)						
	74	5	8T-4896	1	WASHER-HARD (10.2X18.5X2.5-MM THK)						
	75	2	9X-8256	4	WASHER (6.6X12X2-MM THK)						

C-CHANGE FROM PREVIOUS TYPE
 E-ORDER BY THE CENTIMETER
 M-METRIC PART
 Y-SEPARATE ILLUSTRATION

ELECTRICAL AND STARTING SYSTEM

238-2194 BATTERY & WIRING GP (contd.)

i03573163



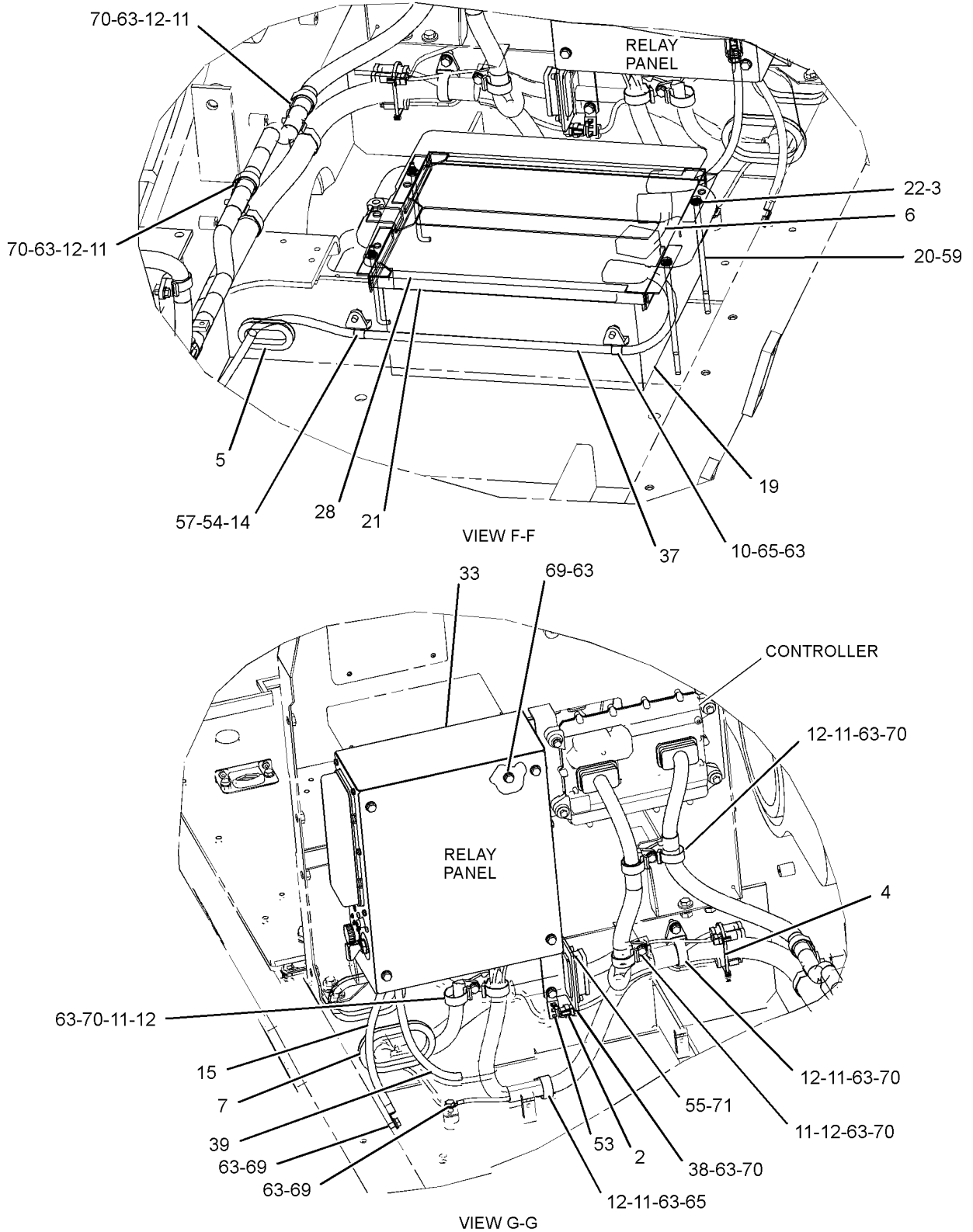
GRAPHIC #1

g01290194

ELECTRICAL AND STARTING SYSTEM

238-2194 BATTERY & WIRING GP (contd.)

i03573163



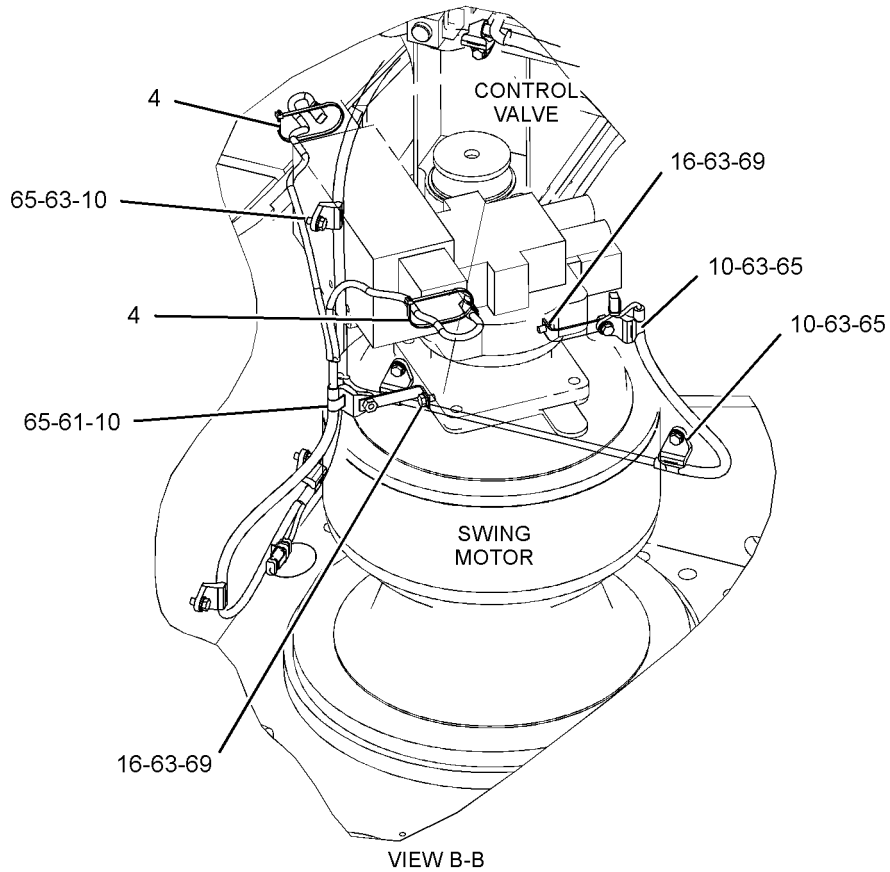
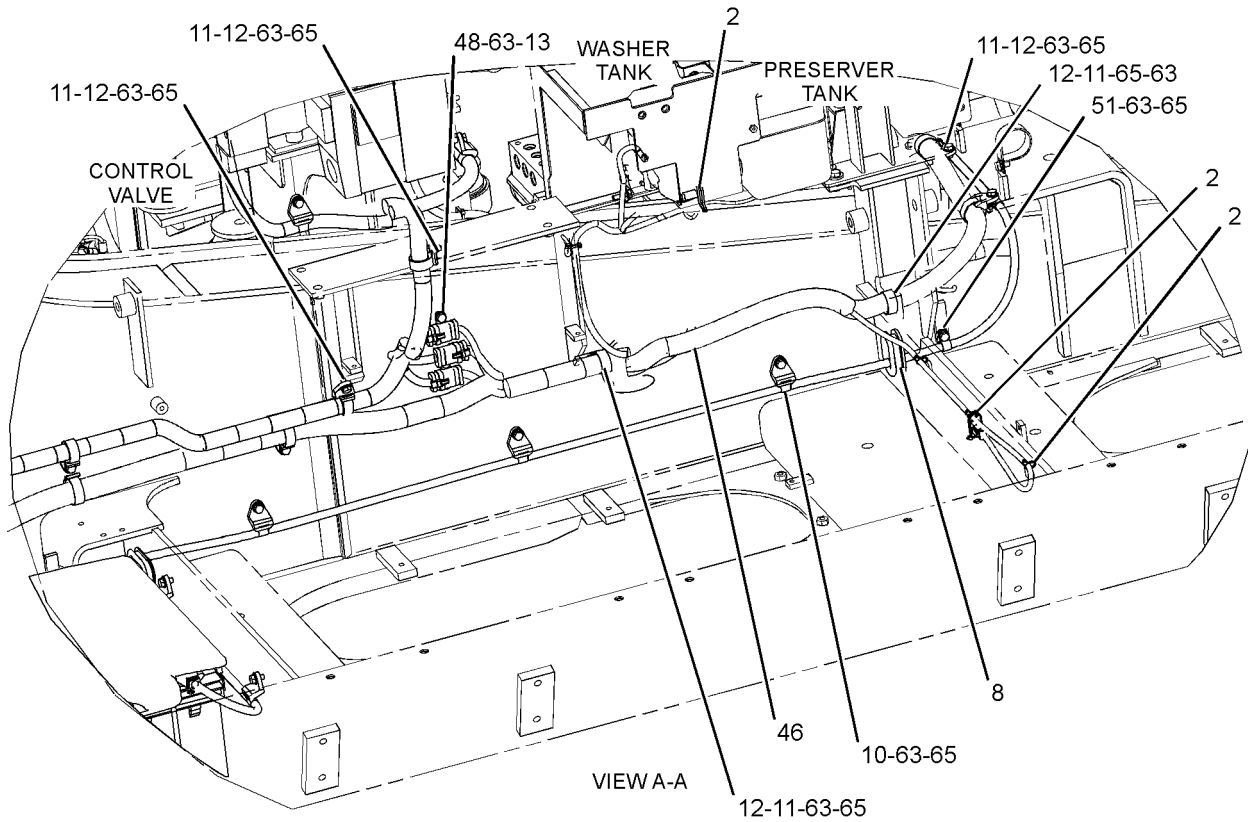
GRAPHIC #2

g01290208

ELECTRICAL AND STARTING SYSTEM

238-2194 BATTERY & WIRING GP (contd.)

i03573163



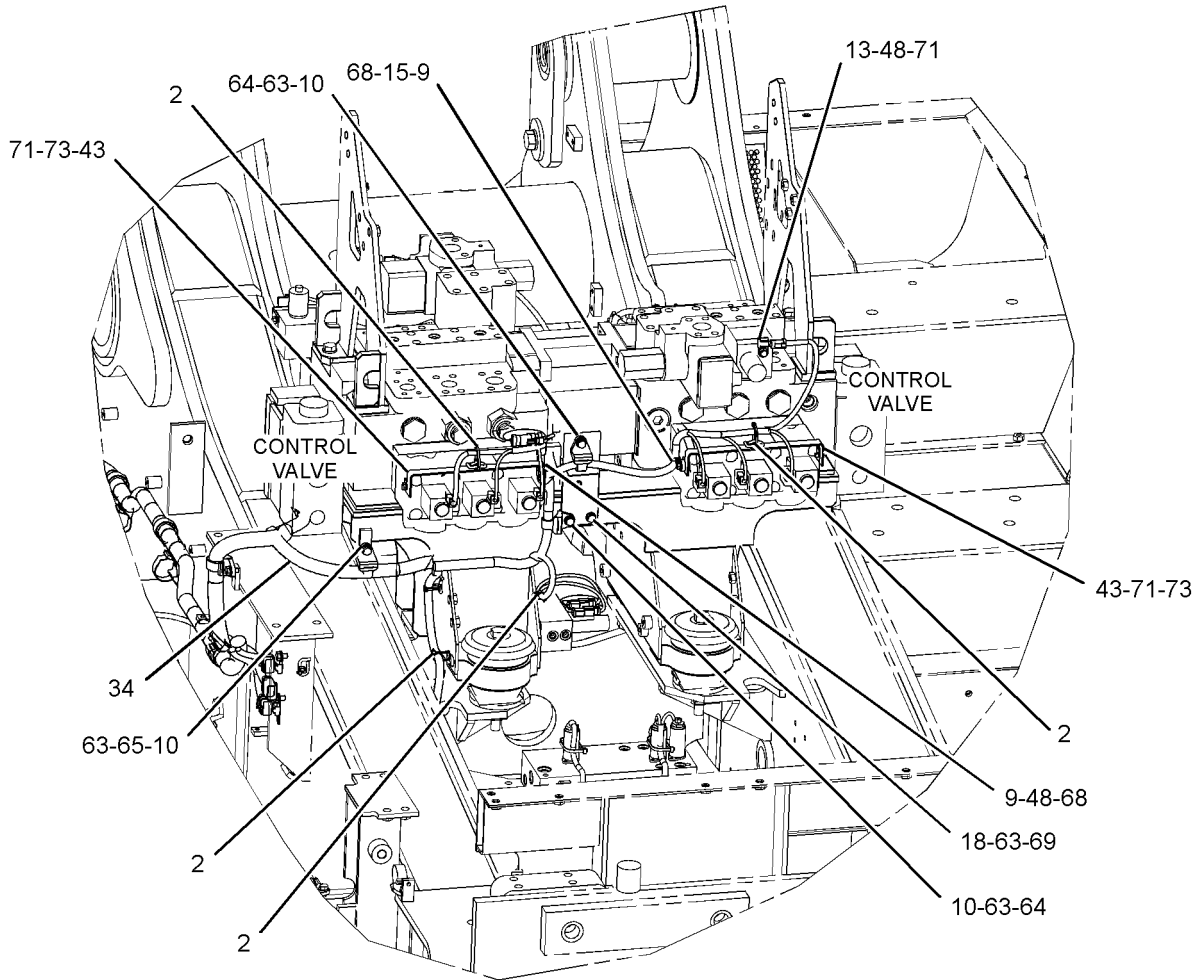
GRAPHIC #3

g01290312

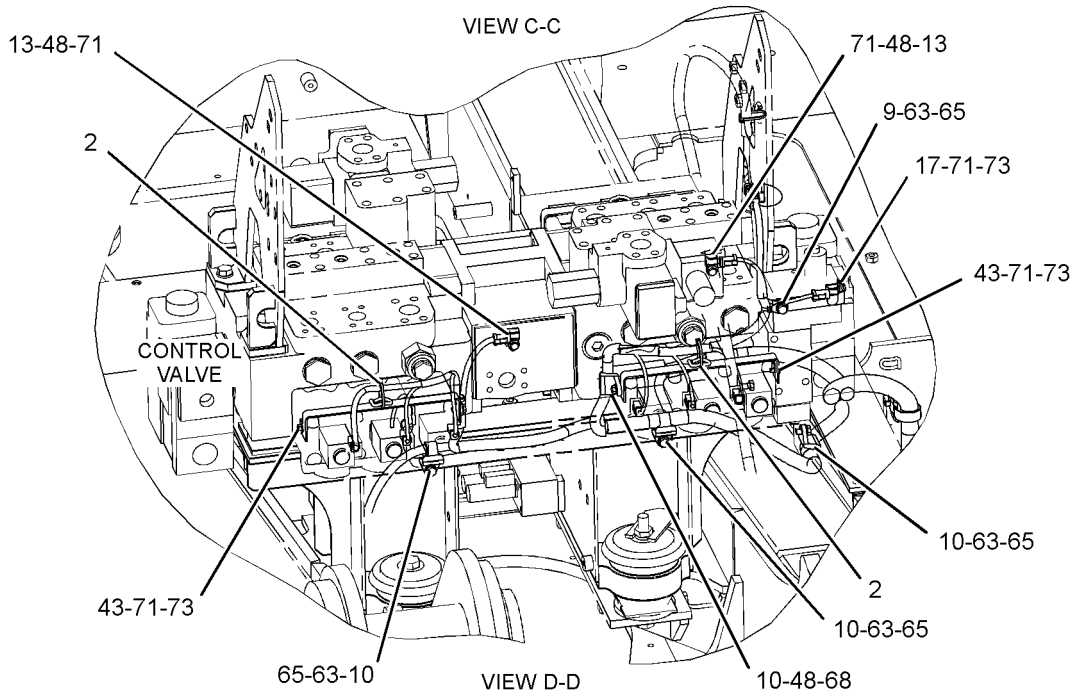
ELECTRICAL AND STARTING SYSTEM

238-2194 BATTERY & WIRING GP (contd.)

i03573163



VIEW C-C



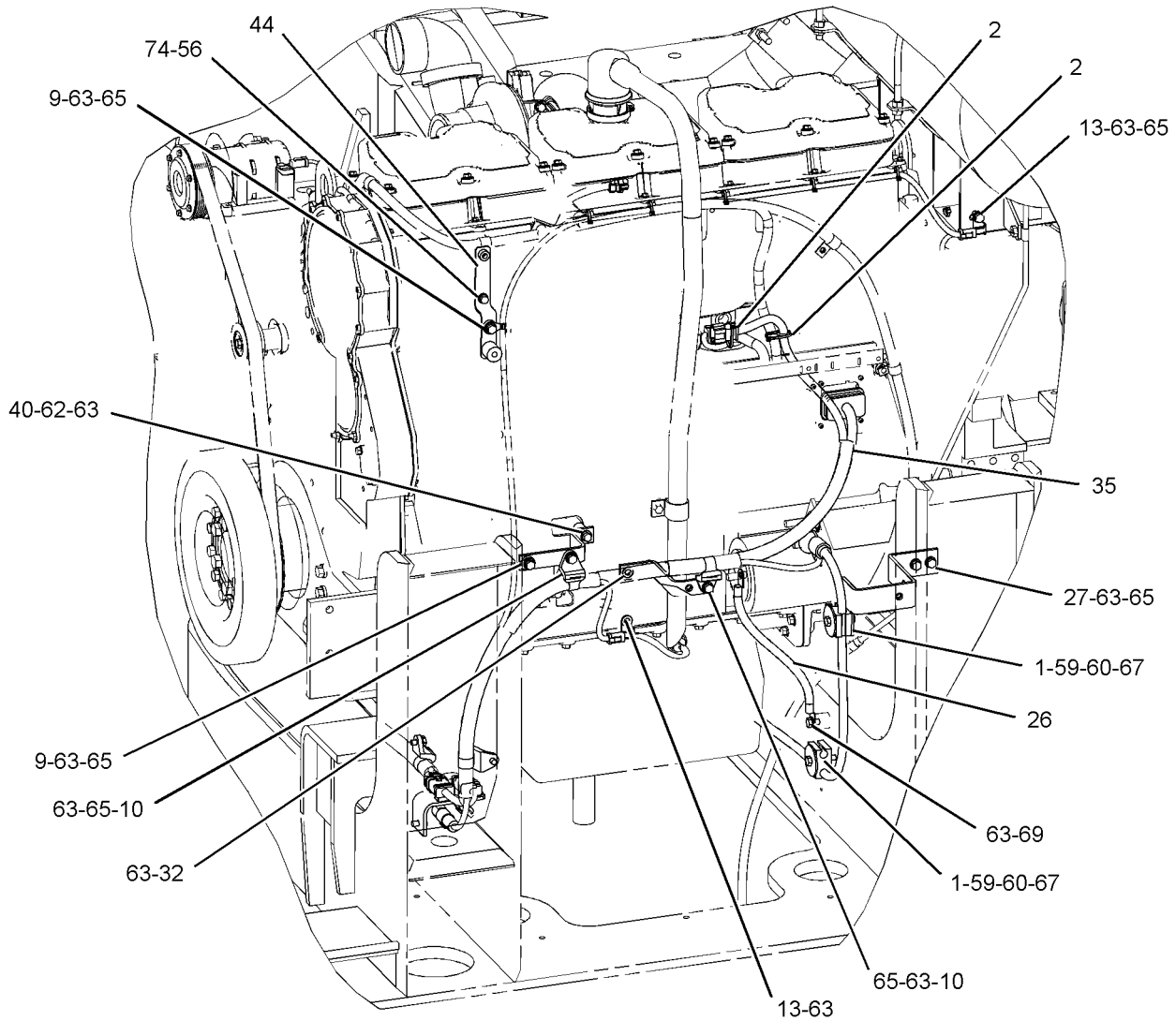
GRAPHIC #4

g01290324

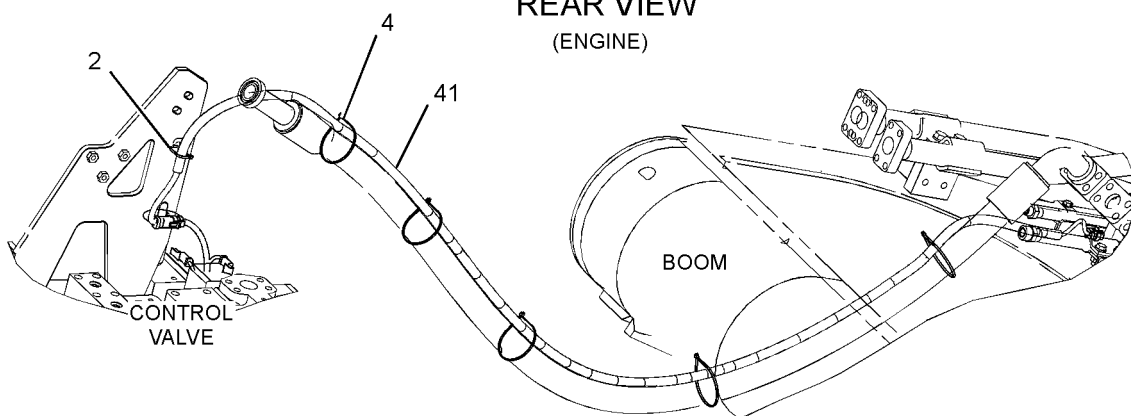
ELECTRICAL AND STARTING SYSTEM

238-2194 BATTERY & WIRING GP (contd.)

i03573163



REAR VIEW
(ENGINE)



VIEW E-E

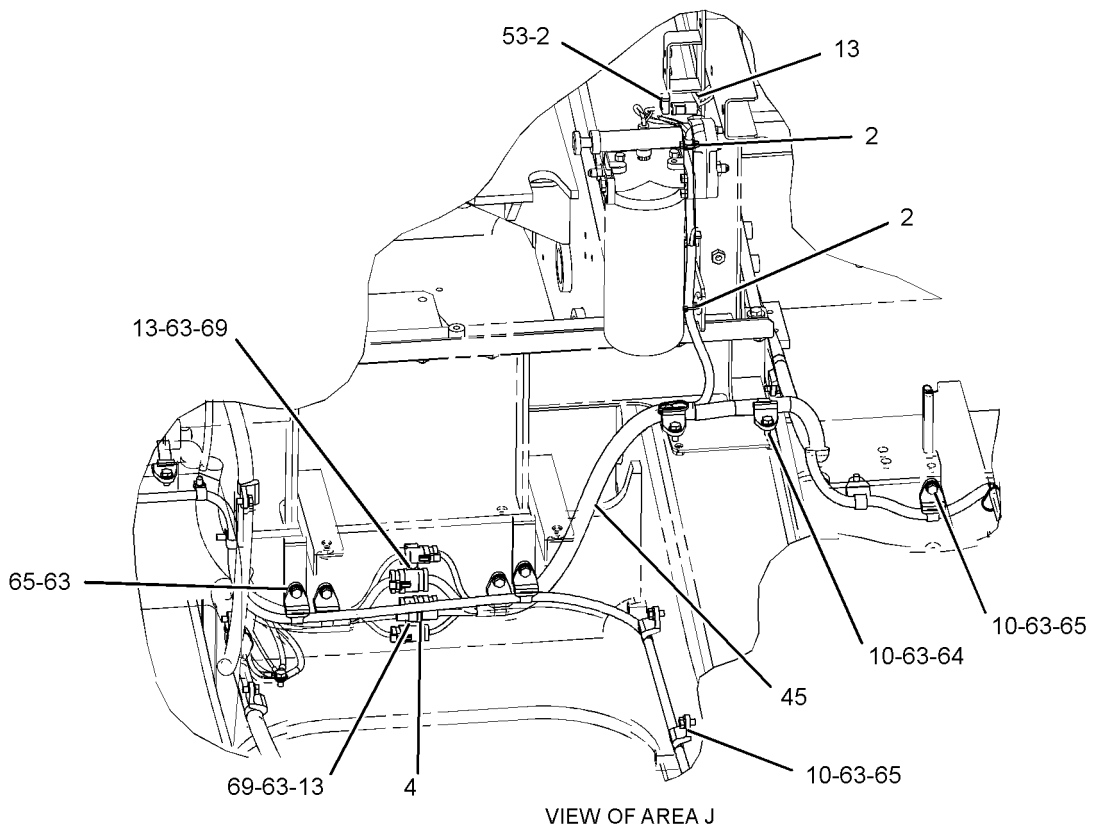
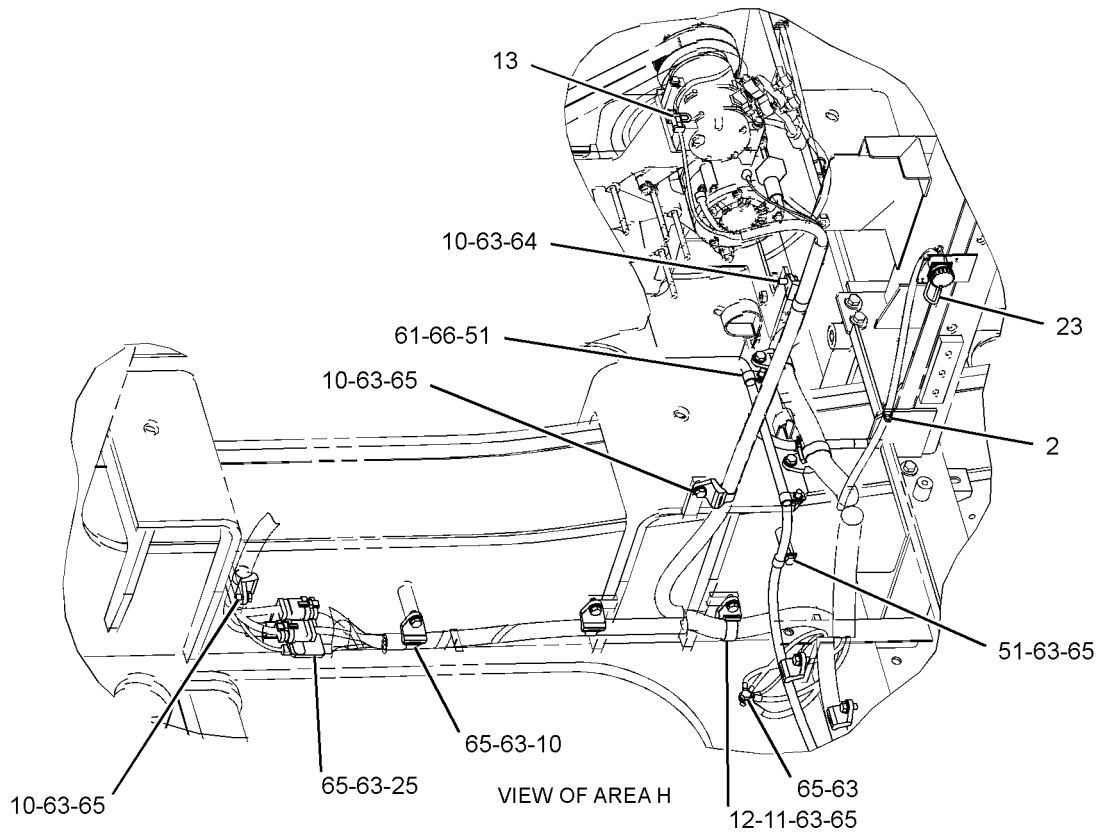
GRAPHIC #5

g01290340

ELECTRICAL AND STARTING SYSTEM

238-2194 BATTERY & WIRING GP (contd.)

i03573163



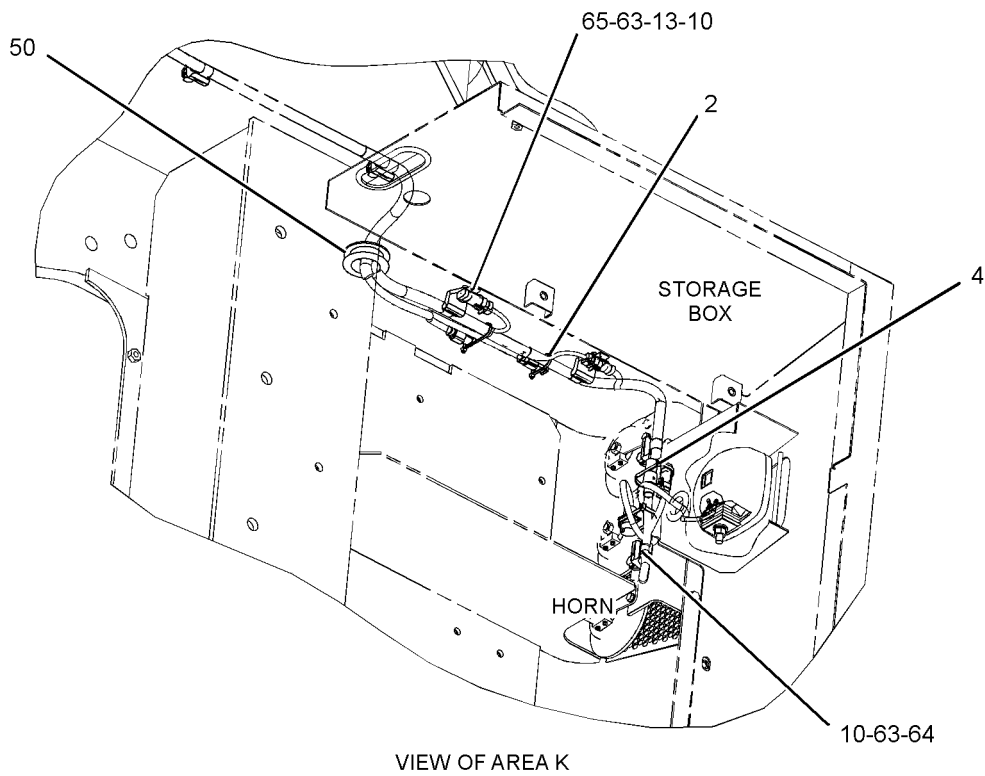
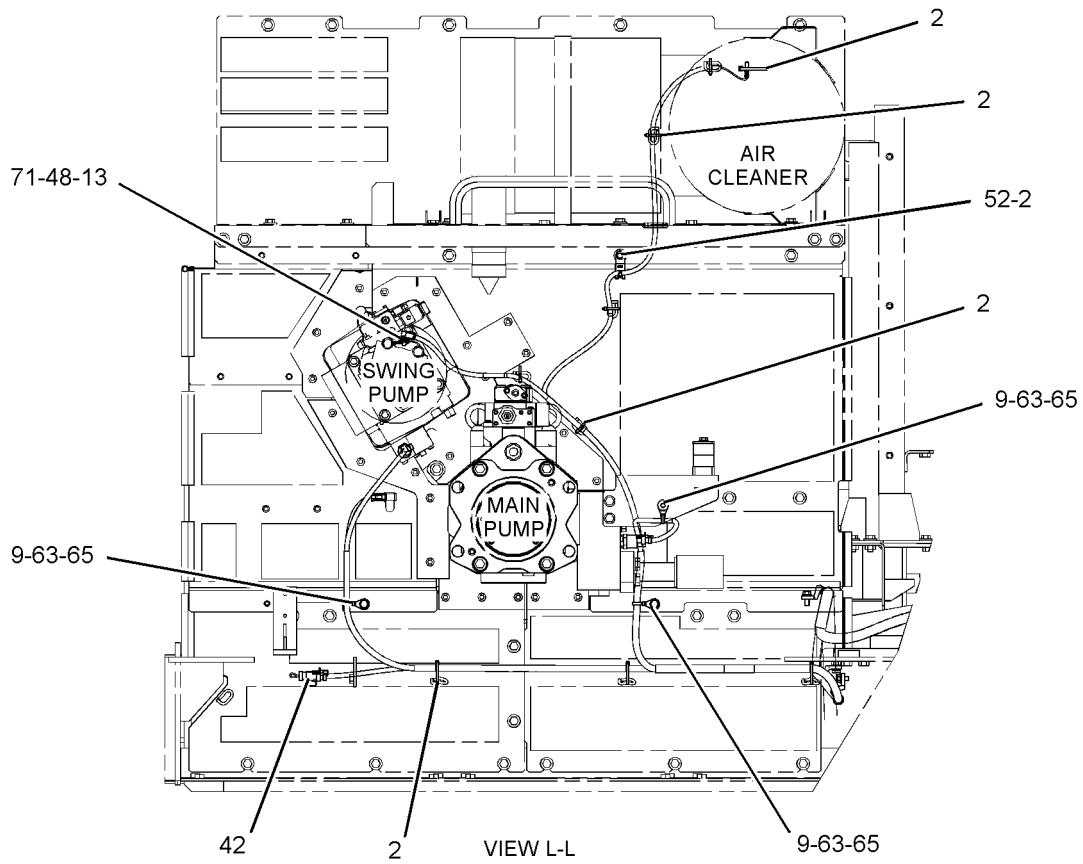
GRAPHIC #6

g01290356

ELECTRICAL AND STARTING SYSTEM

238-2194 BATTERY & WIRING GP (contd.)

i03573163



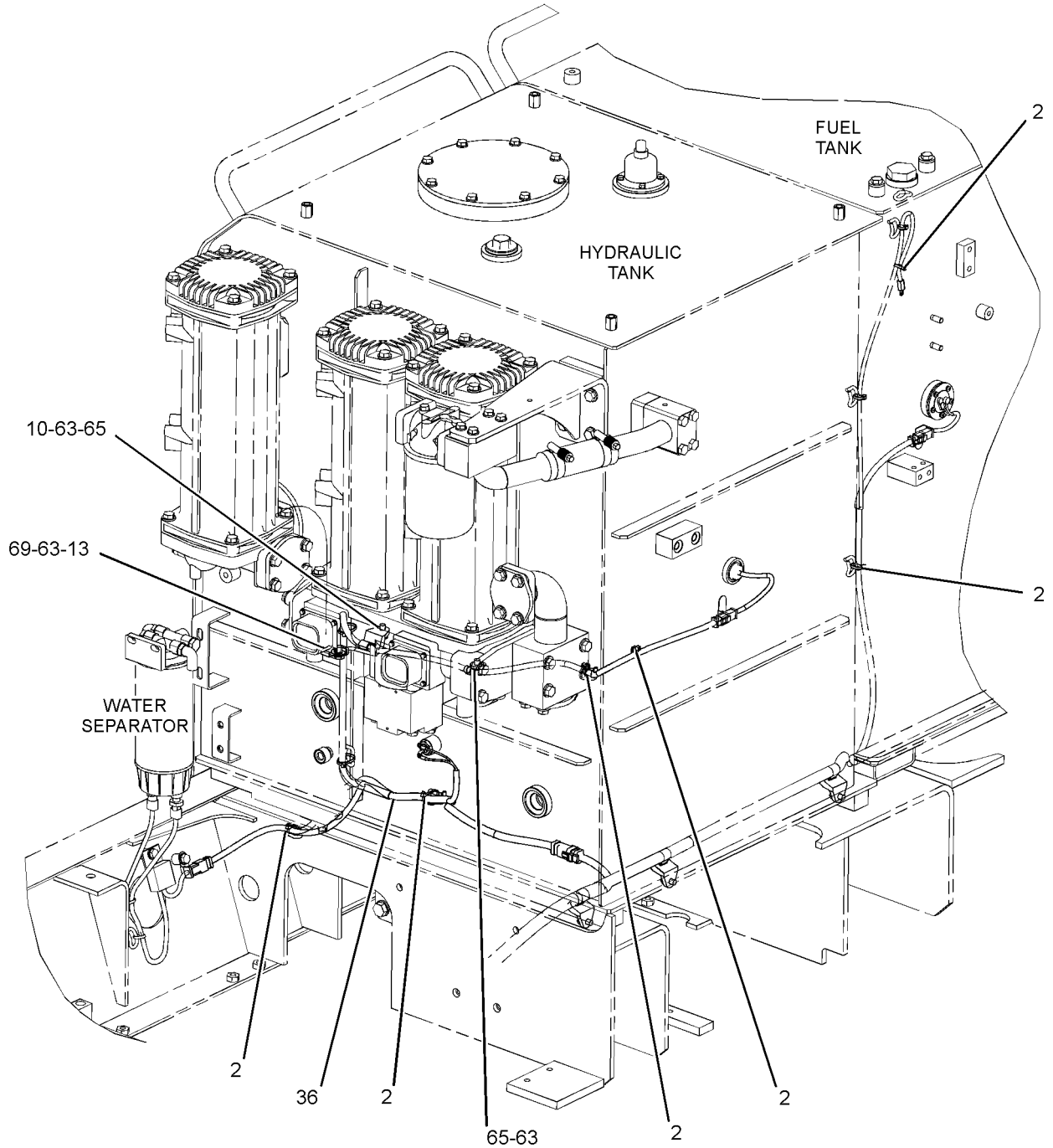
GRAPHIC #7

g01290360

ELECTRICAL AND STARTING SYSTEM

238-2194 BATTERY & WIRING GP (contd.)

i03573163



VIEW M-M

GRAPHIC #8

<END>

g01290366

ELECTRICAL AND STARTING SYSTEM

238-2205 BATTERY & WIRING GP

S/N: MMA1-UP

PART OF 228-8154 CHASSIS AR

SMCS-1401, 1402, 1408

i02226303

NOTE	PART NUMBER	QTY	PART NAME						SEE PAGE
			1	2	3	4	5	6 (PRODUCT LEVEL)	
Y	238-2194	1	BATTERY & WIRING GP						254
Y	238-2206	1	WIRING GP-PLATFORM						410

Y-SEPARATE ILLUSTRATION

<END>

ELECTRICAL AND STARTING SYSTEM

9W-0742 BLOCK GP-JUNCTION-BATTERY

S/N: MMA1-UP

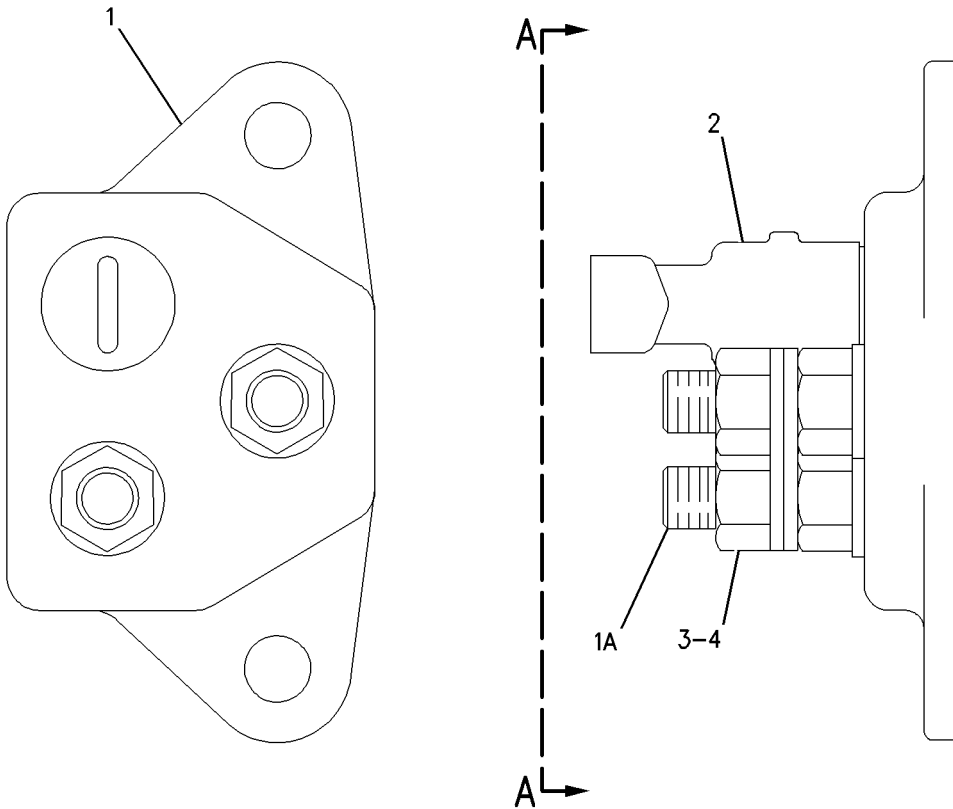
PART OF 234-1019 WIRING GP-AUX START RECEPTACLE
AN ATTACHMENT

SMCS-7426

i01863967

NOTE	REF NO	GRAPHIC REF	PART NUMBER	QTY	PART NAME						SEE PAGE
					1	2	3	4	5	6 (PRODUCT LEVEL)	
	1	1	8C-6358	1	BLOCK GP-JUNCTION (BATTERY)						
	1A	1	8T-3519	3	BOLT-BRONZE (1/2-13X2-IN)						
BD	2	1	6V-2722		TUBE-HEAT SHRINK						
	3	1	7F-0560	6	WASHER (0.516X0.938X0.101-IN THK)						
	4	1	8T-3518	6	NUT-FULL (1/2-13-THD)						

B-USE AS REQUIRED
D-ORDER BY THE METER



VIEW A-A

GRAPHIC #1

<END>

g00650721

ELECTRICAL AND STARTING SYSTEM

126-7631 CONNECTION GP-ELECTRICAL

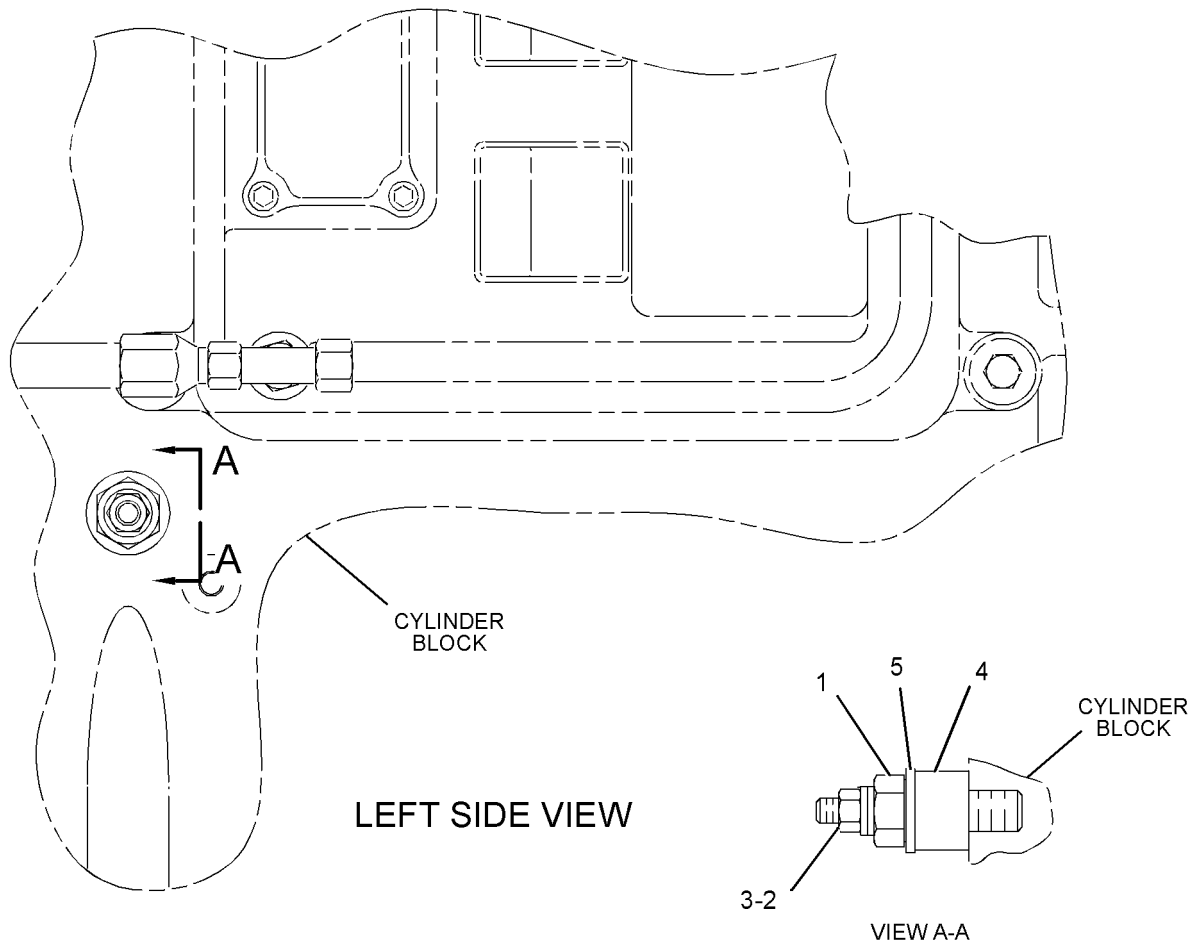
S/N: RHX1-UP

PART OF 257-4960, 286-9798 ENGINE AR-COMplete
FOR USE WITH BLOCK SOUND PANEL

SMCS-1408, 7553

i02936513

NOTE	REF NO	GRAPHIC REF	PART NUMBER	QTY	PART NAME						SEE PAGE
					1	2	3	4	5	6 (PRODUCT LEVEL)	
1	1	1	126-8449	1	STUD						
2	1	1	8T-4896	2	WASHER-HARD (10.2X18.5X2.5-MM THK)						
3	1	1	6V-8801	1	NUT (3/8-16-THD)						
4	1	1	9M-7783	1	SPACER (0.65X1.188X0.81-IN THK)						
5	1	1	5P-8247	1	WASHER-HARD (17X32X3.5-MM THK)						



GRAPHIC #1

<END>

g01380369

ELECTRICAL AND STARTING SYSTEM

227-7587 CONTROL & MTG GP-COMMUNICATION- PRODUCT LINK

S/N: MMA1-UP

PART OF 228-8157 INSTALLATION AR-COMMUNICATION
AN ATTACHMENT

SMCS-7606

i03581186

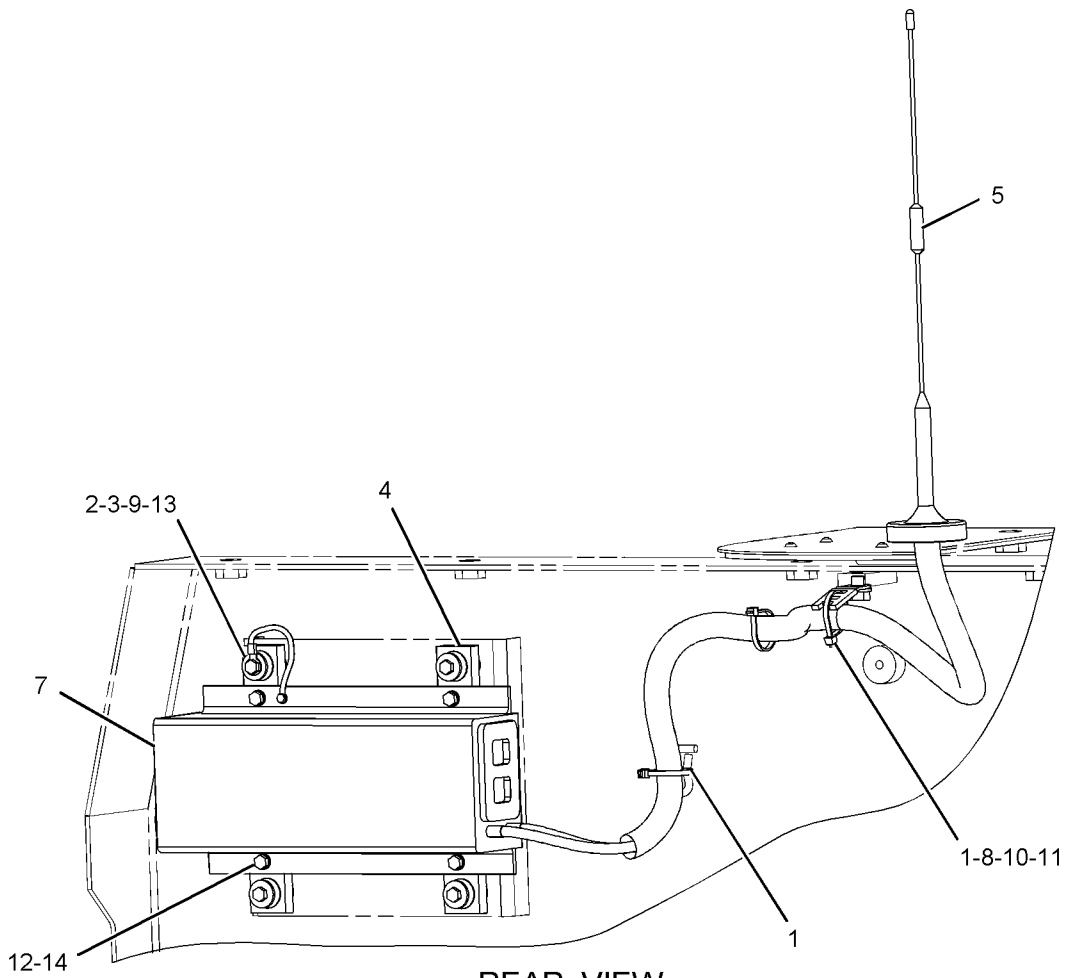
NOTE	REF NO	GRAPHIC REF	PART NUMBER	QTY	PART NAME						SEE PAGE
					1	2	3	4	5	6 (PRODUCT LEVEL)	
	1	1	3S-2093	3	STRAP-CABLE						
	2	1	8C-5607	8	MOUNT-ISOLATION						
	3	1	8C-5608	4	SPACER (6.5X9.5X25.4-MM THK)						
	4	1	170-9198	2	PLATE						
	5	1	207-6797	1	ANTENNA AS (FLEXIBLE)						
		1	172-6755	1	ANTENNA						
Y	7	1	242-7205	1	CONTROL GP-COMMUNICATION (PRODUCT LINK 201)						302
	8	1	4P-7581	1	CLIP						
M	9	1	8T-2947	4	BOLT (M6X1X45-MM)						
M	10	1	7X-2621	1	BOLT (M10X1.5X12-MM)						
	11	1	8T-4121	1	WASHER-HARD (11X21X2.5-MM THK)						
M	12	1	8T-4171	4	BOLT (M6X1X12-MM)						
	13	1	9X-6165	8	WASHER (6.5X22X2.5-MM THK)						
	14	1	9X-8256	4	WASHER (6.6X12X2-MM THK)						
F			230-1340	1	FILM-WARNING (PRODUCT LINK RADIO, U.S.) (ON FRONT DOOR JAM 1000-MM ABOVE CAB FLOOR)						

F-NOT SHOWN
M-METRIC PART
Y-SEPARATE ILLUSTRATION

ELECTRICAL AND STARTING SYSTEM

227-7587 CONTROL & MTG GP-COMMUNICATION (contd.)

i03581186



REAR VIEW
<END>

GRAPHIC #1

g01073370

ELECTRICAL AND STARTING SYSTEM

260-2174 CONTROL & MTG GP-COMMUNICATION- PRODUCT LINK

S/N: MMA1-UP

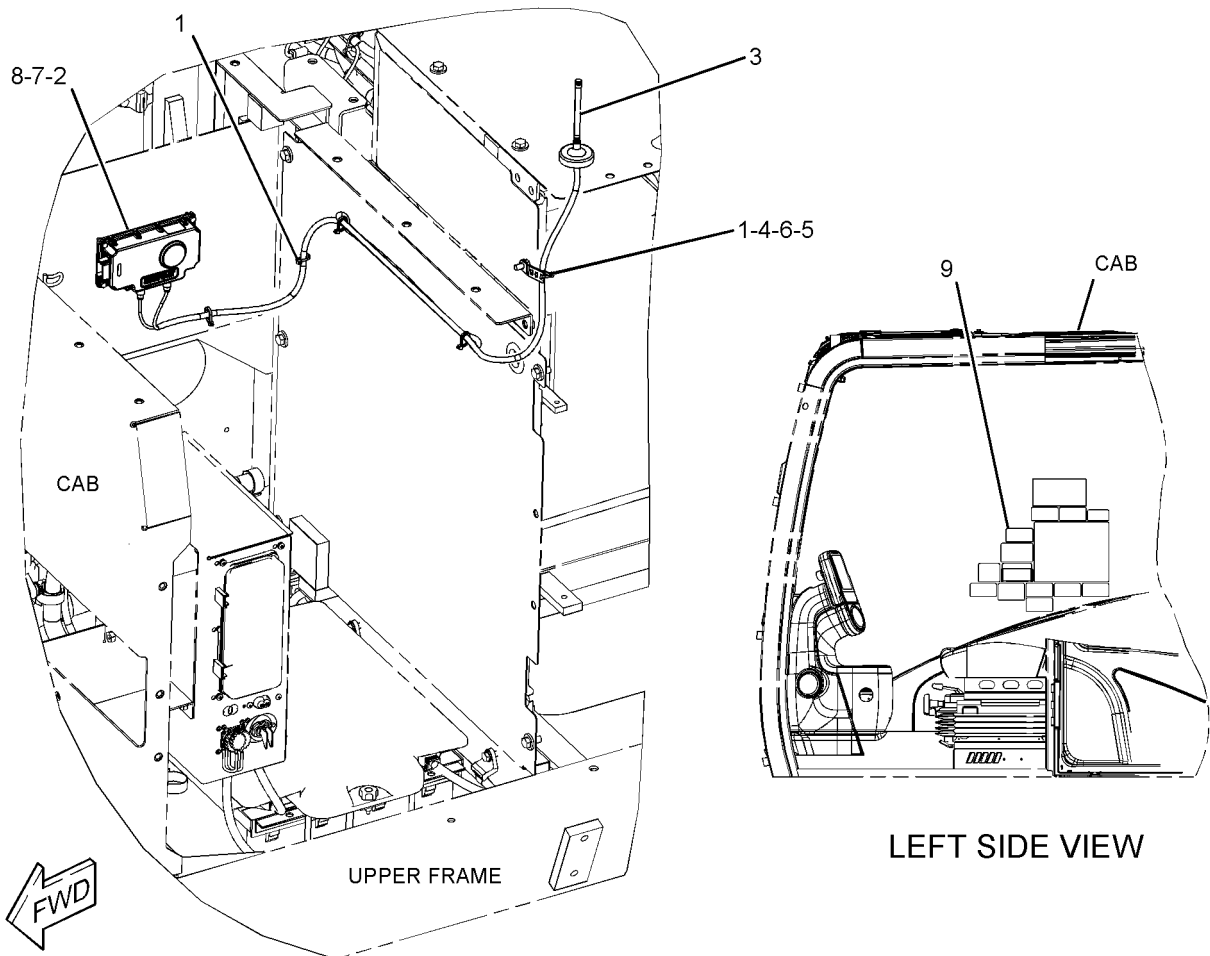
PART OF 257-4490, 257-4510 INSTALLATION AR-COMMUNICATION
AN ATTACHMENT

SMCS-7606

i03498766

NOTE	REF NO	GRAPHIC REF	PART NUMBER	QTY	PART NAME						SEE PAGE
					1	2	3	4	5	6 (PRODUCT LEVEL)	
	1	1	3S-2093	5	STRAP-CABLE						
Y	2	1	263-9088	1	RADIO GP-COMMUNICATION (PRODUCT LINK 121SR)						1171
	3	1	266-2861	1	ANTENNA AS (PRODUCT LINK)						
	4	1	4P-7581	1	CLIP						
	5	1	8T-4121	1	WASHER-HARD (11X21X2.5-MM THK)						
M	6	1	8T-4137	1	BOLT (M10X1.5X20-MM)						
M	7	1	8T-4138	4	BOLT (M6X1X20-MM)						
	8	1	9X-8256	4	WASHER (6.6X12X2-MM THK)						
	9	1	230-1341	1	FILM-WARNING (PRODUCT LINK RADIO, INTL)						
					-OR-						
			230-1340	1	FILM-WARNING (PRODUCT LINK RADIO, U.S.) (LOCATED ON FRONT DOOR JAM)						

M-METRIC PART
Y-SEPARATE ILLUSTRATION



GRAPHIC #1

<END>

g01379827

ELECTRICAL AND STARTING SYSTEM

309-5845 CONTROL & MTG GP-COMMUNICATION- PRODUCT LINK 121SR

S/N: MMA1-UP

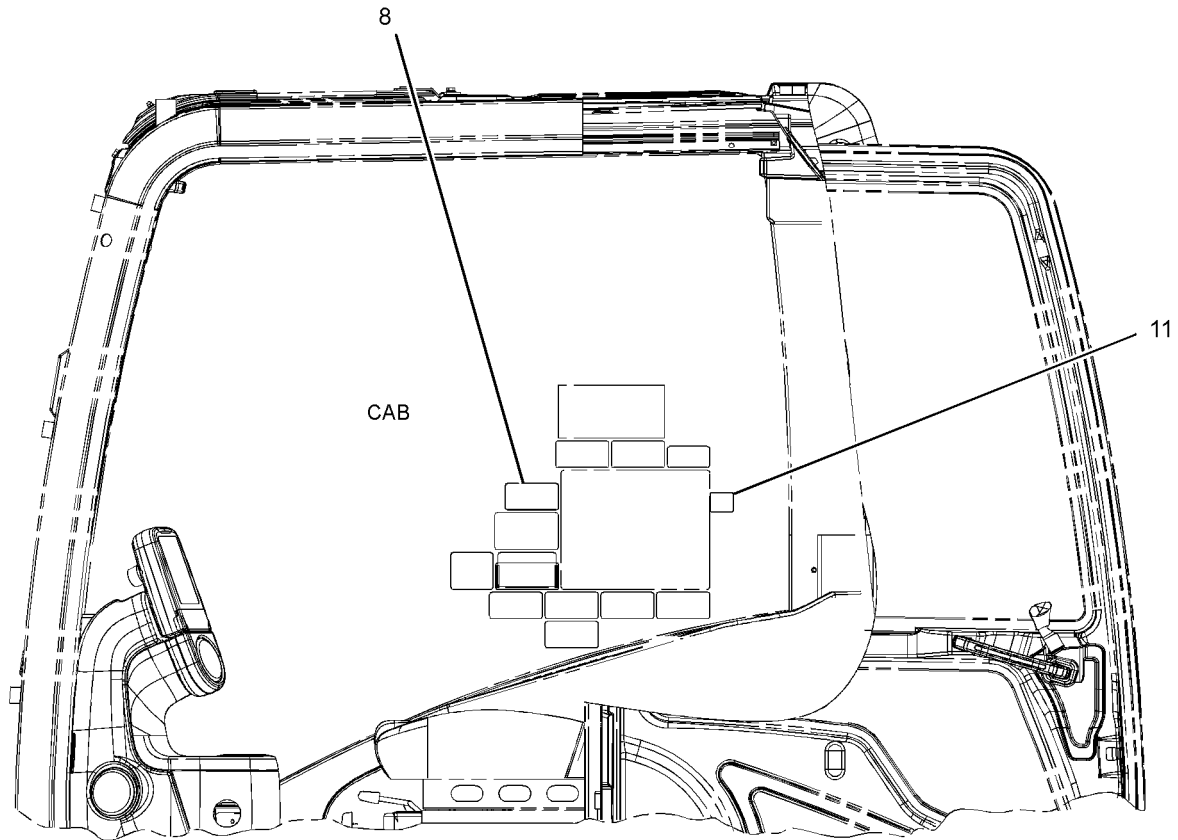
PART OF 303-2727 INSTALLATION AR-COMMUNICATION
AN ATTACHMENT

SMCS-7606

i03330481

NOTE	REF NO	GRAPHIC REF	PART NUMBER	QTY	PART NAME						SEE PAGE
					1	2	3	4	5	6 (PRODUCT LEVEL)	
	1	2	3S-2093	11	STRAP-CABLE						
Y	2	2	263-9088	1	RADIO GP-COMMUNICATION (PRODUCT LINK 121SR)						1171
	3	2	111-4836	1	CLIP						
	4	2	8T-4121	1	WASHER-HARD (11X21X2.5-MM THK)						
M	5	2	8T-4137	1	BOLT (M10X1.5X20-MM)						
M	6	2	8T-4138	4	BOLT (M6X1X20-MM)						
	7	2	9X-8256	4	WASHER (6.6X12X2-MM THK)						
	8	1	230-1340	1	FILM-WARNING (PRODUCT LINK RADIO, U.S.)						
					-OR-						
		1	230-1341	1	FILM-WARNING (PRODUCT LINK RADIO, INTL)						
B	10	2	091-9035	1	SPACER (11X25X20-MM THK)						
	11	1	307-0047	1	FILM-INFORMATION (PRODUCT LINK, READ OMM)						

B-USE AS REQUIRED
M-METRIC PART
Y-SEPARATE ILLUSTRATION



LEFT SIDE VIEW

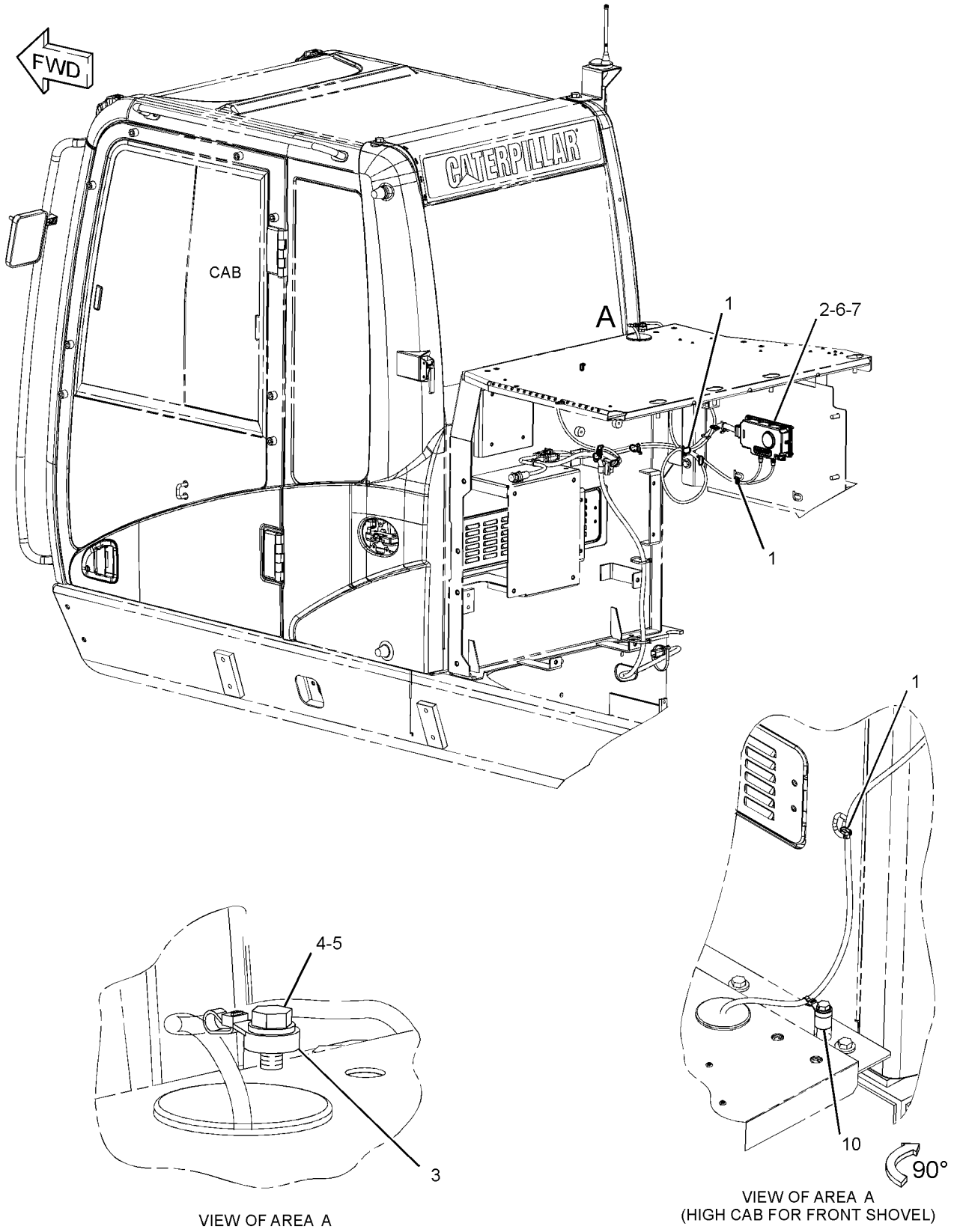
GRAPHIC #1

g01773274

ELECTRICAL AND STARTING SYSTEM

309-5845 CONTROL & MTG GP-COMMUNICATION (contd.)

i03330481



GRAPHIC #2

<END>

g01785654

ELECTRICAL AND STARTING SYSTEM

309-5846 CONTROL & MTG GP-COMMUNICATION- PRODUCT LINK 321SR

S/N: MMA1-UP

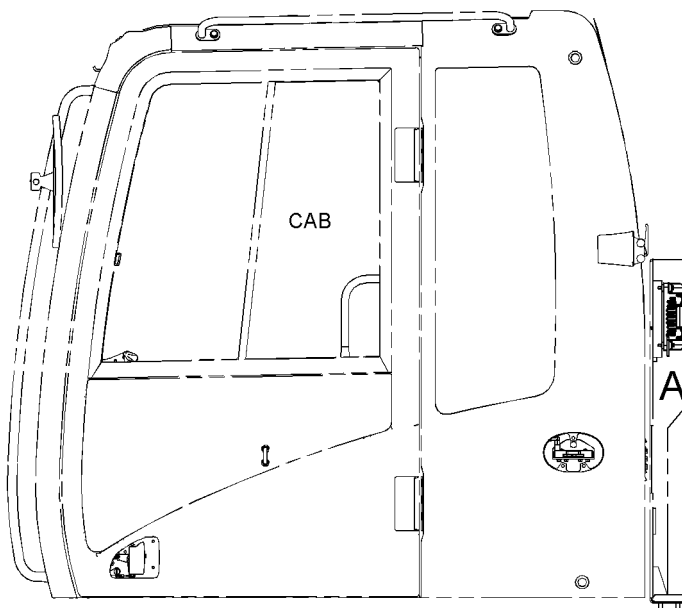
PART OF 303-2727 INSTALLATION AR-COMMUNICATION
AN ATTACHMENT

SMCS-7606

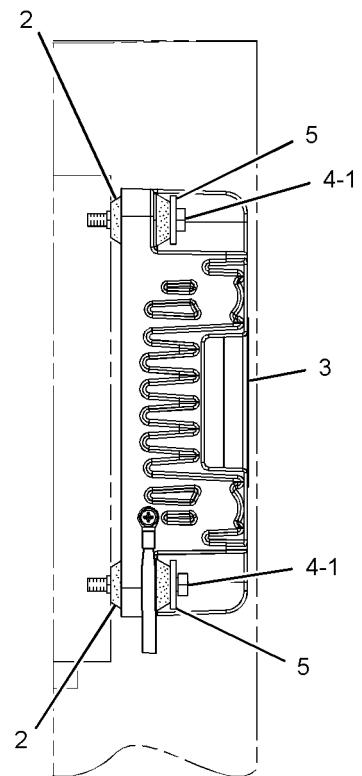
i02984062

NOTE	REF NO	GRAPHIC REF	PART NUMBER	QTY	PART NAME						SEE PAGE
					1	2	3	4	5	6 (PRODUCT LEVEL)	
	1	1	8C-5608	4	SPACER (6.5X9.5X25.4-MM THK)						
	2	1	9X-9896	8	MOUNT (ISOLATION)						
Y	3	1	262-1421	1	ELECTRONICS GP-COMMUNICATION (PRODUCT LINK 300)						306
M	4	1	8C-8451	4	BOLT (M6X1X40-MM)						
	5	1	9X-6165	4	WASHER (6.5X22X2.5-MM THK)						

M-METRIC PART
Y-SEPARATE ILLUSTRATION



LEFT SIDE VIEW



GRAPHIC #1

<END>

g01515283

ELECTRICAL AND STARTING SYSTEM

229-5509 CONTROL & MTG GP-ENGINE ELEK

S/N: RHX1-3011

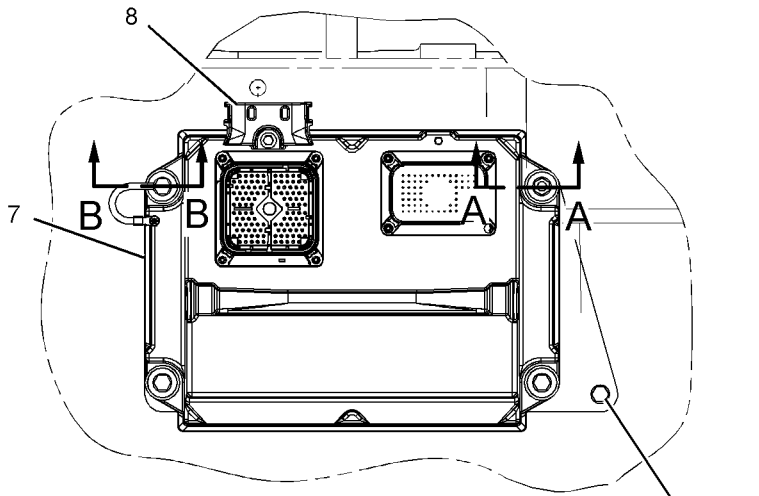
ADEM-IV, FUEL COOLED

PART OF 257-4960 ENGINE AR-COMPLETE

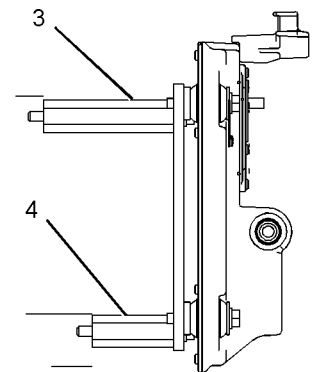
SMCS-1901

i02097636

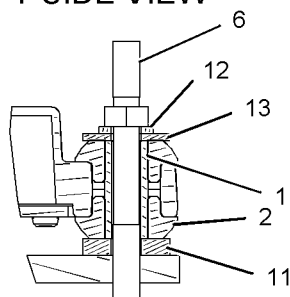
NOTE	REF NO	GRAPHIC REF	PART NUMBER	QTY	PART NAME						SEE PAGE
					1	2	3	4	5	6 (PRODUCT LEVEL)	
1	1	1	6I-1418	4	SPACER (8.2X12.7X28.7-MM THK)						
2	1	1	8T-9655	8	MOUNT-ISOLATION						
3	1	1	155-0696	1	SUPPORT AS						
		1	5L-3708	1	STUD-TAPERLOCK						
4	1	1	155-0698	1	SUPPORT AS						
		1	5L-3708	1	STUD-TAPERLOCK						
6	1	1	161-7419	1	STUD						
7	1	1	226-7475	1	CONTROL GP-ENGINE ELECTRONIC						
8	1	1	233-0891	1	BRACKET AS						
9	1	1	2B-2694	3	BOLT (5/16-18X2-IN)						
10	1	1	4B-3388	3	BOLT (5/16-18X1.125-IN)						
11	1	1	7X-0613	4	WASHER-HARD (8.8X25.5X5-MM THK)						
12	1	1	9M-1974	7	WASHER-HARD (8.8X16X2-MM THK)						
13	1	1	9N-0869	4	WASHER-HARD (8.8X25.5X2-MM THK)						



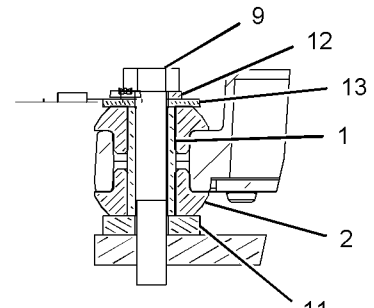
LEFT SIDE VIEW



FRONT VIEW



SECTION A-A



SECTION B-B

GRAPHIC #1

<END>

g01069931

ELECTRICAL AND STARTING SYSTEM

229-5509 CONTROL & MTG GP-ENGINE ELEK

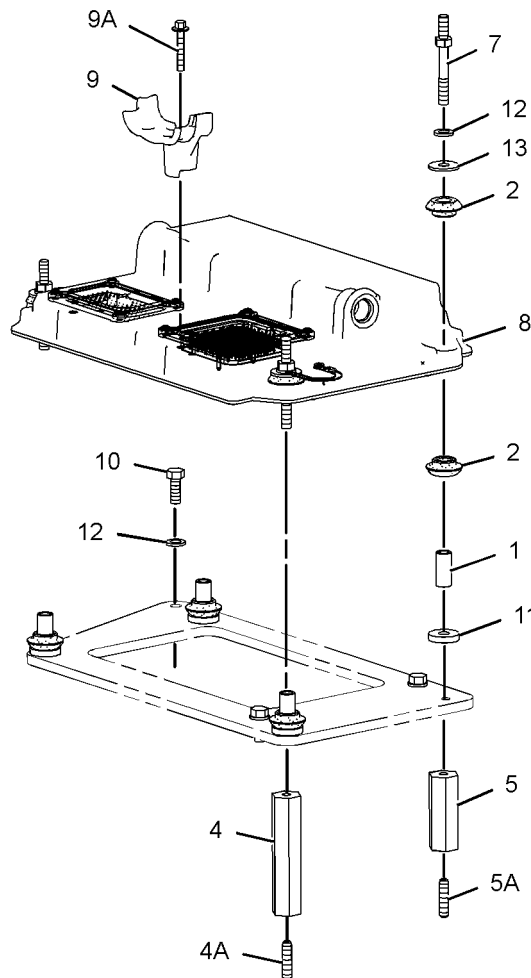
S/N: RHX3012-UP
ADEM-IV, FUEL COOLED
PART OF 286-9798 ENGINE AR-COMplete

SMCS-1901

i03191281

NOTE	REF NO	GRAPHIC REF	PART NUMBER	QTY	PART NAME						SEE PAGE
					1	2	3	4	5	6 (PRODUCT LEVEL)	
	1	1	6I-1418	4	SPACER (8.2X12.7X28.7-MM THK)						
	2	1	8T-9655	8	MOUNT-ISOLATION						
	4	1	155-0696	1	SUPPORT AS						
	4A	1	5L-3708	1	STUD-TAPERLOCK						
	5	1	155-0698	1	SUPPORT AS						
	5A	1	5L-3708	1	STUD-TAPERLOCK						
	7	1	161-7419	4	STUD						
CR	8	1	262-2879	1	CONTROL GP-UNPROGRAMMED (ENGINE)						
	9	1	233-0891	1	BRACKET AS						
M	9A	1	232-1693	1	BOLT-FLANGE HEAD (M6X1X35-MM)						
	10	1	2B-2695	3	BOLT (5/16-18X0.875-IN)						
	11	1	7X-0613	4	WASHER-HARD (8.8X25.5X5-MM THK)						
	12	1	9M-1974	7	WASHER-HARD (8.8X16X2-MM THK)						
	13	1	9N-0869	4	WASHER-HARD (8.8X25.5X2-MM THK)						

C-CHANGE FROM PREVIOUS TYPE
M-METRIC PART
R-REMG PART MAY BE AVAILABLE



GRAPHIC #1

<END>

g01386928

ELECTRICAL AND STARTING SYSTEM

247-5172 CONTROL & MTG GP-IMPLEMENT

S/N: MMA1-UP

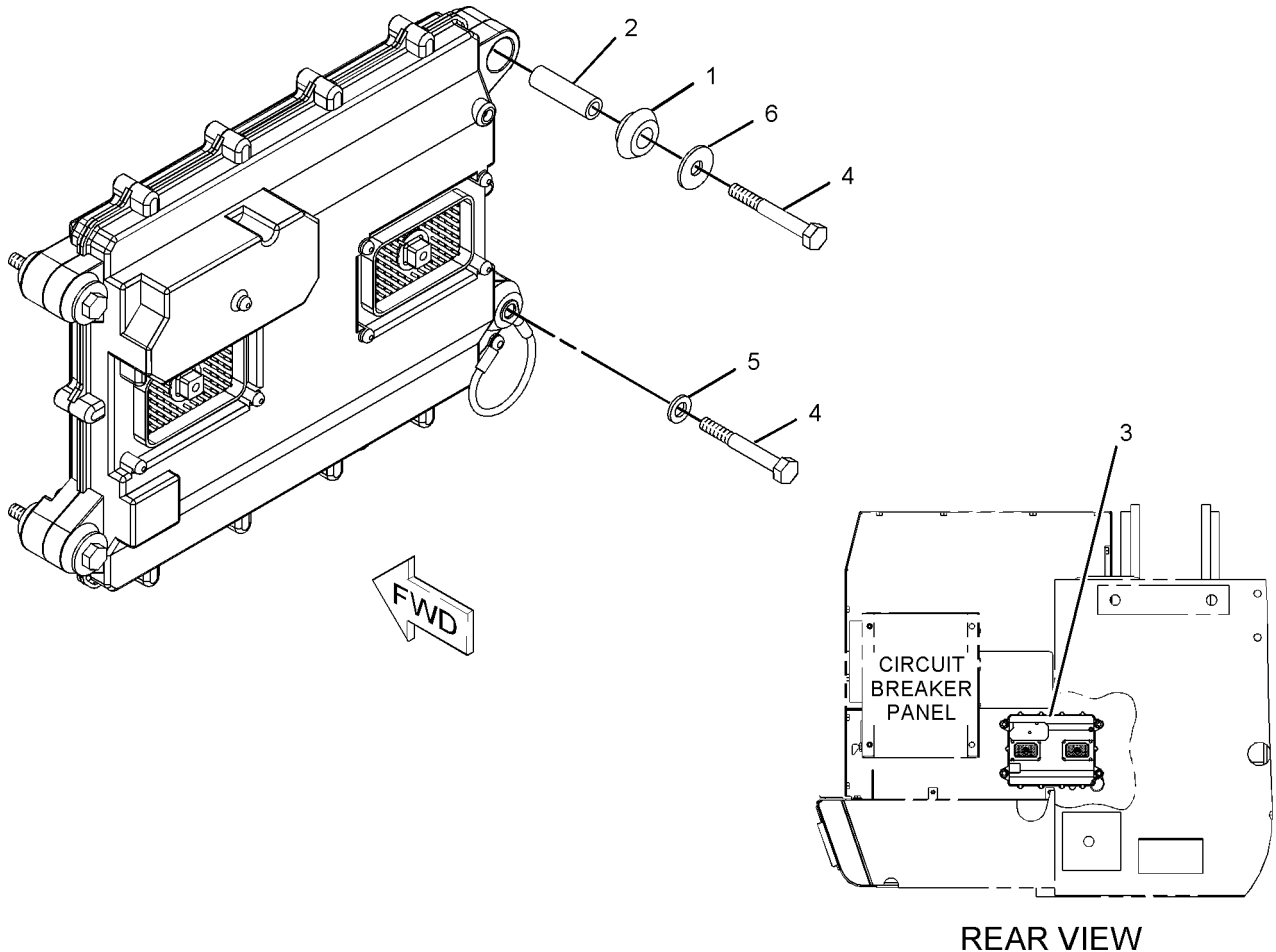
PART OF 228-8154 CHASSIS AR

SMCS-5700, 5701

i02211334

NOTE	REF NO	GRAPHIC REF	PART NUMBER	QTY	PART NAME						SEE PAGE
					1	2	3	4	5	6 (PRODUCT LEVEL)	
	1	1	8T-9655	8	MOUNT-ISOLATION						
	2	1	145-0487	4	SPACER (8.2X12.7X43.6-MM)						
Y	3	1	<i>151-2099</i>	1	CONTROL GP-UNPROGRAMMED						303
M	4	1	8T-6869	4	BOLT (M8X1.25X60-MM)						
	5	1	8T-4224	1	WASHER-HARD (8.8X16X2-MM THK)						
	6	1	7X-0579	3	WASHER-HARD (8.8X25.5X2-MM THK)						

M-METRIC PART
Y-SEPARATE ILLUSTRATION



GRAPHIC #1

<END>

g01079615

ELECTRICAL AND STARTING SYSTEM

242-7205 CONTROL GP-COMMUNICATION-PRODUCT LINK 201

S/N: MMA1-UP

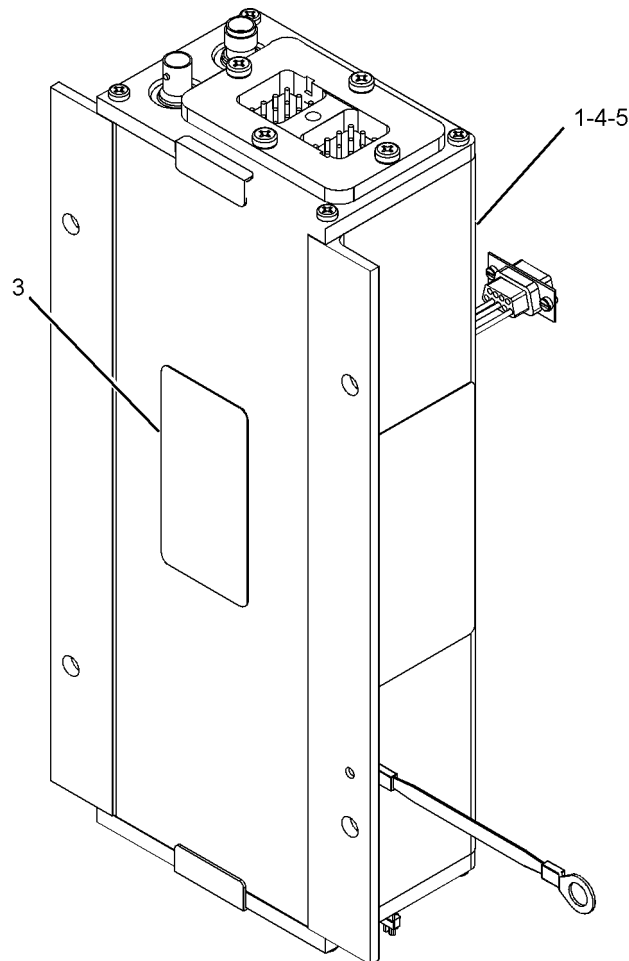
PART OF 227-7587 CONTROL & MTG GP-COMMUNICATION
AN ATTACHMENT

SMCS-7606, 7610, 7620

i03028742

NOTE	REF NO	GRAPHIC REF	PART NUMBER	QTY	PART NAME						SEE PAGE
					1	2	3	4	5	6 (PRODUCT LEVEL)	
Y	1	1	168-7314	1	CONTROL GP-UNPROGRAMMED (PRODUCT LINK 201)						304
	3	1	231-1403	1	FILM-INFORMATION (PRODUCT LINK)						
	4	1	254-9114	1	SOFTWARE GP-COMMUNICATION (PRODUCT LINK)						
	5	1	254-9115	1	SOFTWARE GP-MONITOR (PRODUCT LINK)						
FJ			230-1340	1	FILM-WARNING (PRODUCT LINK RADIO, U.S.)						
FJ			230-1341	1	FILM-WARNING (PRODUCT LINK RADIO, INTL)						

F-NOT SHOWN
J-SHIPPED LOOSE IN PACKAGE
Y-SEPARATE ILLUSTRATION



GRAPHIC #1

<END>

g01069139

ELECTRICAL AND STARTING SYSTEM

151-2099 CONTROL GP-UNPROGRAMMED

S/N: MMA1-UP

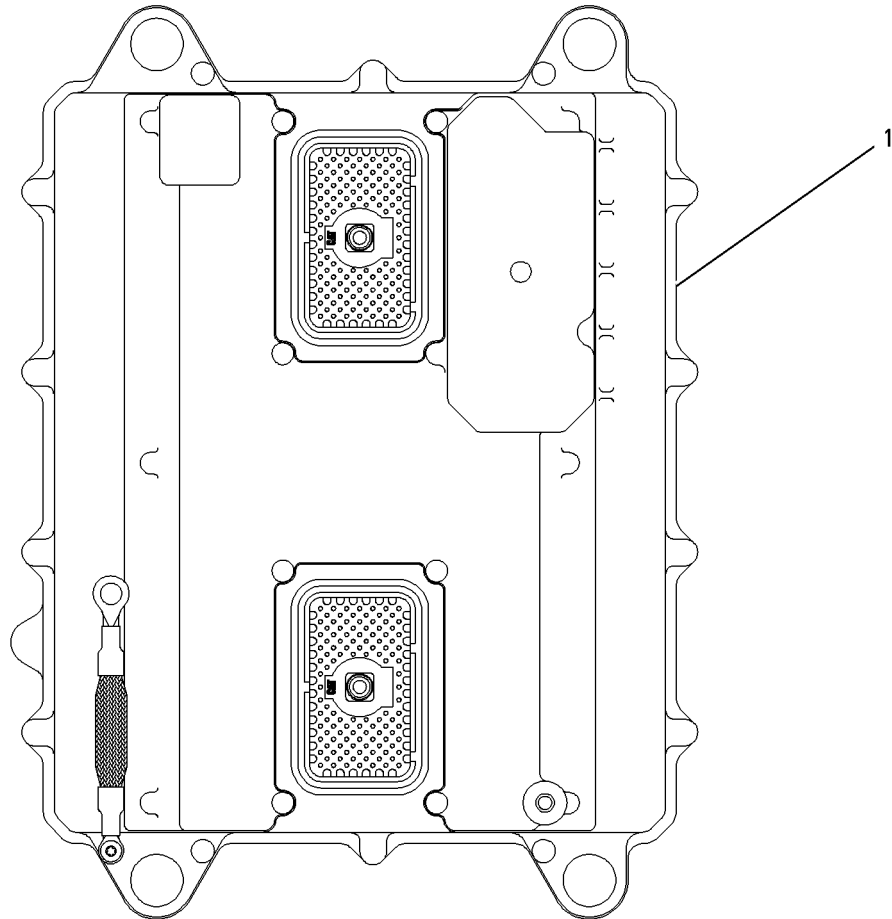
PART OF 247-5172 CONTROL & MTG GP-IMPLEMENT

SMCS-7610

i01524666

NOTE	REF NO	GRAPHIC REF	PART NUMBER	QTY	PART NAME						SEE PAGE
					1	2	3	4	5	6 (PRODUCT LEVEL)	
R	1	1	151-2106	1	CONTROL GP-UNPROGRAMMED						
		1	7X-6315	1	STRAP AS-GROUND						
		1	134-4126	1	WASHER (4.52X8.28X0.76-MM THK)						
		1	184-2472	1	SCREW-PAN HEAD (NO 8-32X9.52-MM)						

R-REMG PART MAY BE AVAILABLE



GRAPHIC #1

<END>

g00777262

ELECTRICAL AND STARTING SYSTEM

168-7314 CONTROL GP-UNPROGRAMMED

S/N: MMA1-UP

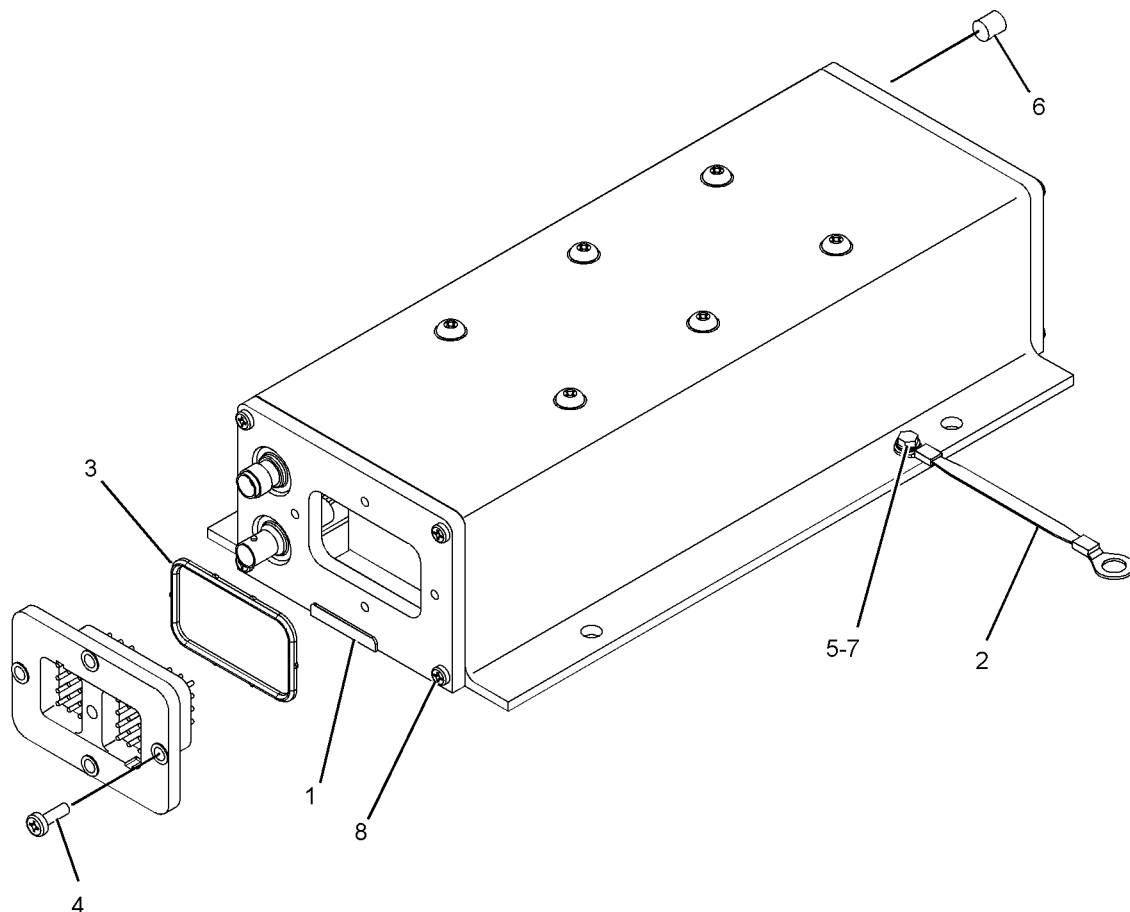
PART OF 242-7205 CONTROL GP-COMMUNICATION
AN ATTACHMENT

SMCS-7610

i03066336

NOTE	REF NO	GRAPHIC REF	PART NUMBER	QTY	PART NAME						SEE PAGE
					1	2	3	4	5	6 (PRODUCT LEVEL)	
	1	1	7T-7370	2	SEAL-SECURITY						
	2	1	7X-6315	1	STRAP AS-GROUND						
		1	2L-8078	1	TERMINAL-RING (14-GA TO 16-GA, 5/16-IN SCREW)						
	3	1	9X-1365	1	SEAL-CONNECTOR						
	4	1	178-3339	4	SCREW (8-32X0.5-IN)						
	5	1	3B-4501	1	LOCKWASHER						
	6	1	4D-0514	1	PLUG-PIPE						
M	7	1	6V-6718	1	SCREW-SELF-TAPPING (8-32X0.25-IN)						
	8	1	9X-6257	8	SCREW-MACHINE (6-32X0.625-IN)						

M-METRIC PART



GRAPHIC #1

<END>

g01015086

ELECTRICAL AND STARTING SYSTEM

239-9954 CONTROL GP-UNPROGRAMMED-PRODUCT LINK 300

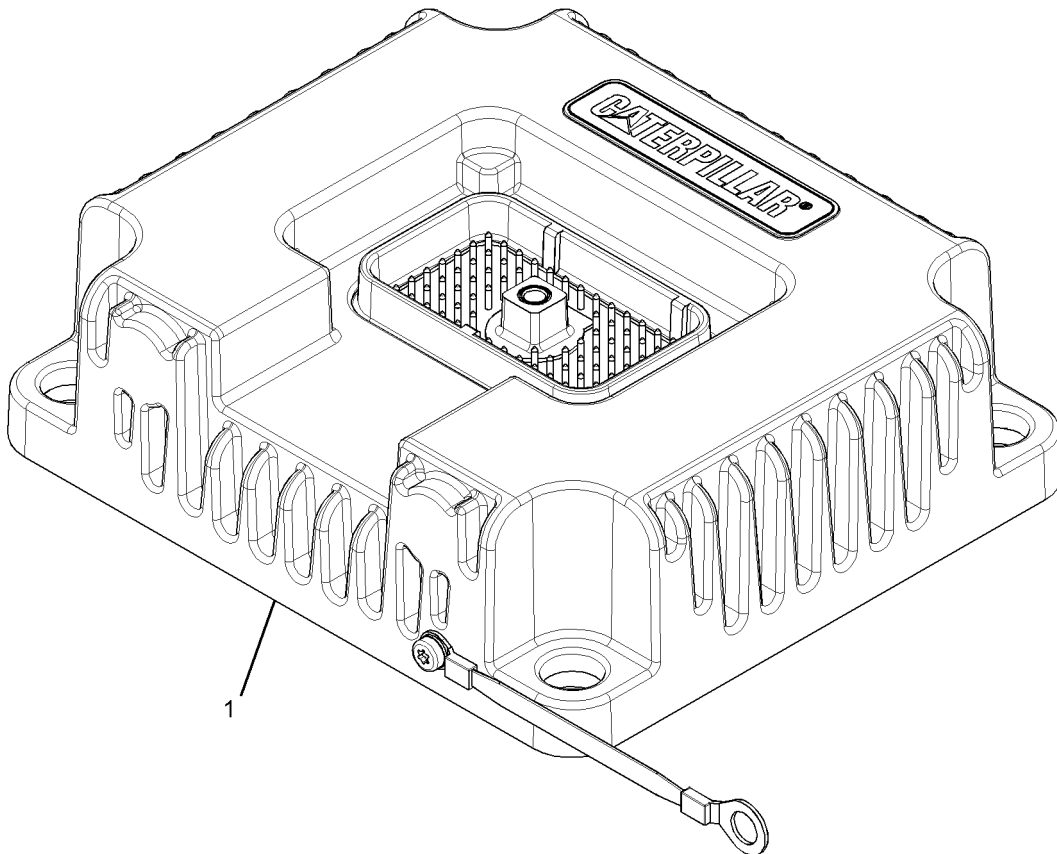
S/N: MMA1-UP

PART OF 260-2067 MOUNTING GP-CONTROL
AN ATTACHMENT

SMCS-7610

i02786138

NOTE	REF NO	GRAPHIC REF	PART NUMBER	QTY	PART NAME						SEE PAGE
					1	2	3	4	5	6 (PRODUCT LEVEL)	
	1	1	285-1133	1	CONTROL GP-UNPROGRAMMED (PRODUCT LINK 300)						
		1	7X-6315	1	STRAP AS-GROUND						
		1	126-7574	1	SCREW-PAN HEAD (8-32X9.52-MM)						
		1	134-4126	1	WASHER (4.52X8.28X0.76-MM THK)						



GRAPHIC #1

<END>

g01394157

ELECTRICAL AND STARTING SYSTEM

260-2097 ELECTRICAL AR

S/N: MMA1-UP

PART OF 228-8153 GENERAL AR

SMCS-1408

i02232195

NOTE	PART NUMBER	QTY	PART NAME						SEE PAGE
			1	2	3	4	5	6 (PRODUCT LEVEL)	
Y	260-2098	1	ELECTRONICS GP-MACHINE						306
Y	221-8861	1	ELECTRONICS GP-MONITOR						307

Y-SEPARATE ILLUSTRATION

<END>

262-1421 ELECTRONICS GP-COMMUNICATION- PRODUCT LINK 300

S/N: MMA1-UP

PART OF 309-5846 CONTROL & MTG GP-COMMUNICATION
AN ATTACHMENT

SMCS-7606, 7610, 7620

i03183442

NOTE	PART NUMBER	QTY	PART NAME						SEE PAGE
			1	2	3	4	5	6 (PRODUCT LEVEL)	
	330-3409	1	SOFTWARE GP-COMMUNICATION (PRODUCT LINK 300)						
			-OR-						
	330-3410	1	SERVICE GP-COMMUNICATION (PRODUCT LINK 300)						
			(OPTIONAL SERVICE REPLACEMENT) (INCLUDES CONTROL GP & SOFTWARE)						

<END>

262-2043 ELECTRONICS GP-COMMUNICATION- PRODUCT LINK 300

S/N: MMA1-UP

PART OF 257-4490 INSTALLATION AR-COMMUNICATION
AN ATTACHMENT

SMCS-7606, 7610, 7620

i03451252

NOTE	PART NUMBER	QTY	PART NAME						SEE PAGE
			1	2	3	4	5	6 (PRODUCT LEVEL)	
	330-3409	1	SOFTWARE GP-COMMUNICATION (PRODUCT LINK 300)						
			-OR-						
	330-3410	1	SERVICE GP-COMMUNICATION (PRODUCT LINK 300)						
			(OPTIONAL SERVICE REPLACEMENT) (INCLUDES CONTROL GP & SOFTWARE)						

<END>

260-2098 ELECTRONICS GP-MACHINE

S/N: MMA1-UP

PART OF 260-2097 ELECTRICAL AR

SMCS-7610, 7620

i03553403

NOTE	PART NUMBER	QTY	PART NAME						SEE PAGE
			1	2	3	4	5	6 (PRODUCT LEVEL)	
	338-6829	1	SOFTWARE GP-MACHINE						
			-OR-						
	338-6830	1	SERVICE GP-MACHINE						
			(OPTIONAL SERVICE REPLACEMENT) (INCLUDES CONTROL GP & SOFTWARE)						

<END>

ELECTRICAL AND STARTING SYSTEM

221-8861 ELECTRONICS GP-MONITOR

S/N: MMA1-UP

PART OF 260-2097 ELECTRICAL AR

SMCS-7490, 7601, 7610, 7620

i03649396

NOTE	PART NUMBER	QTY	PART NAME						SEE PAGE
			1	2	3	4	5	6 (PRODUCT LEVEL)	
	338-6920	1	SOFTWARE GP-MONITOR						
			-OR-						
Y	338-6921	1	SERVICE GP-MONITOR						1203
			(OPTIONAL SERVICE REPLACEMENT) (INCLUDES CONTROL GP & SOFTWARE)						
Y-SEPARATE ILLUSTRATION									
<END>									

335-2081 HARNESS AS-WIRING-POWER CONVERTER

S/N: MMA1-UP

FOR USE WITH 131-0327 CONVERTER AS, 283-2783 CONVERTER-POWER
FIELD INSTALLATION

SMCS-1408

i03483783

NOTE	PART NUMBER	QTY	PART NAME						SEE PAGE
			1	2	3	4	5	6 (PRODUCT LEVEL)	
	102-8806	1	KIT-RECEPTACLE (8-PIN)						
			(INCLUDES RECEPTACLE AS AND WEDGE)						
	186-3735	6	PIN-CONNECTOR (16-GA TO 18-GA)						
	230-5010	1	PLUG AS-CONNECTOR (6-PIN)						
	264-7032	1	SEAL-CONNECTOR						
	8T-8737	2	PLUG-SEAL						
	186-3736	5	SOCKET-CONNECTOR (16-GA TO 18-GA)						
	9W-0844	1	SOCKET-CONNECTOR (14-GA)						
	3E-3389	1	WEDGE-RECEPTACLE LOCK						
D	5P-5677		WIRE (18-GA, BLACK) (1.0-M)						
D	5P-5623		WIRE-ELECTRICAL (16-GA, BLACK) (0.2-M)						
D-ORDER BY THE METER									
<END>									

228-8157 INSTALLATION AR-COMMUNICATION-PRODUCT LINK

S/N: MMA1-UP

REPLACED BY 257-4490-PAGE 308
AN ATTACHMENT

SMCS-7606

i02103306

NOTE	PART NUMBER	QTY	PART NAME						SEE PAGE
			1	2	3	4	5	6 (PRODUCT LEVEL)	
Y	227-7587	1	CONTROL & MTG GP-COMMUNICATION						293
Y	238-1510	1	WIRING GP-CONTROL (PRODUCT LINK)						402
Y-SEPARATE ILLUSTRATION									
<END>									

ELECTRICAL AND STARTING SYSTEM

257-4490 INSTALLATION AR-COMMUNICATION- PRODUCT LINK 300

S/N: MMA1-UP
AN ATTACHMENT

SMCS-7606

i03130030

NOTE	PART NUMBER	QTY	PART NAME						SEE PAGE
			1	2	3	4	5	6 (PRODUCT LEVEL)	
Y	260-2174	1	CONTROL & MTG GP-COMMUNICATION (PRODUCT LINK)						295
Y	262-2043	1	ELECTRONICS GP-COMMUNICATION (PRODUCT LINK 300)						306
Y	260-2067	1	MOUNTING GP-CONTROL (PRODUCT LINK)						315
Y	259-4973	1	WIRING GP-COMMUNICATION (PRODUCT LINK 300)						389

Y-SEPARATE ILLUSTRATION

<END>

257-4510 INSTALLATION AR-COMMUNICATION- PRODUCT LINK 121S

S/N: MMA1-UP
AN ATTACHMENT

SMCS-7606

i02364661

NOTE	PART NUMBER	QTY	PART NAME						SEE PAGE
			1	2	3	4	5	6 (PRODUCT LEVEL)	
Y	260-2174	1	CONTROL & MTG GP-COMMUNICATION (PRODUCT LINK)						295
Y	259-4974	1	WIRING GP-COMMUNICATION (PRODUCT LINK 121S)						391

Y-SEPARATE ILLUSTRATION

<END>

303-2727 INSTALLATION AR-COMMUNICATION- PRODUCT LINK 321SR

S/N: MMA1-UP
PART OF 265-7175 CONVERSION AR
AN ATTACHMENT

SMCS-7606

i02984057

NOTE	PART NUMBER	QTY	PART NAME						SEE PAGE
			1	2	3	4	5	6 (PRODUCT LEVEL)	
Y	309-5845	1	CONTROL & MTG GP-COMMUNICATION (PRODUCT LINK 121SR)						296
Y	309-5846	1	CONTROL & MTG GP-COMMUNICATION (PRODUCT LINK 321SR)						298
Y	309-5852	1	MOUNTING GP-ANTENNA (PRODUCT LINK)						1154
Y	259-4973	1	WIRING GP-COMMUNICATION (PRODUCT LINK 300)						389

Y-SEPARATE ILLUSTRATION

<END>

ELECTRICAL AND STARTING SYSTEM

153-2521 LAMP GP-FLOOD-FRONT CHASSIS, LH

S/N: MMA1-UP

24-VOLT

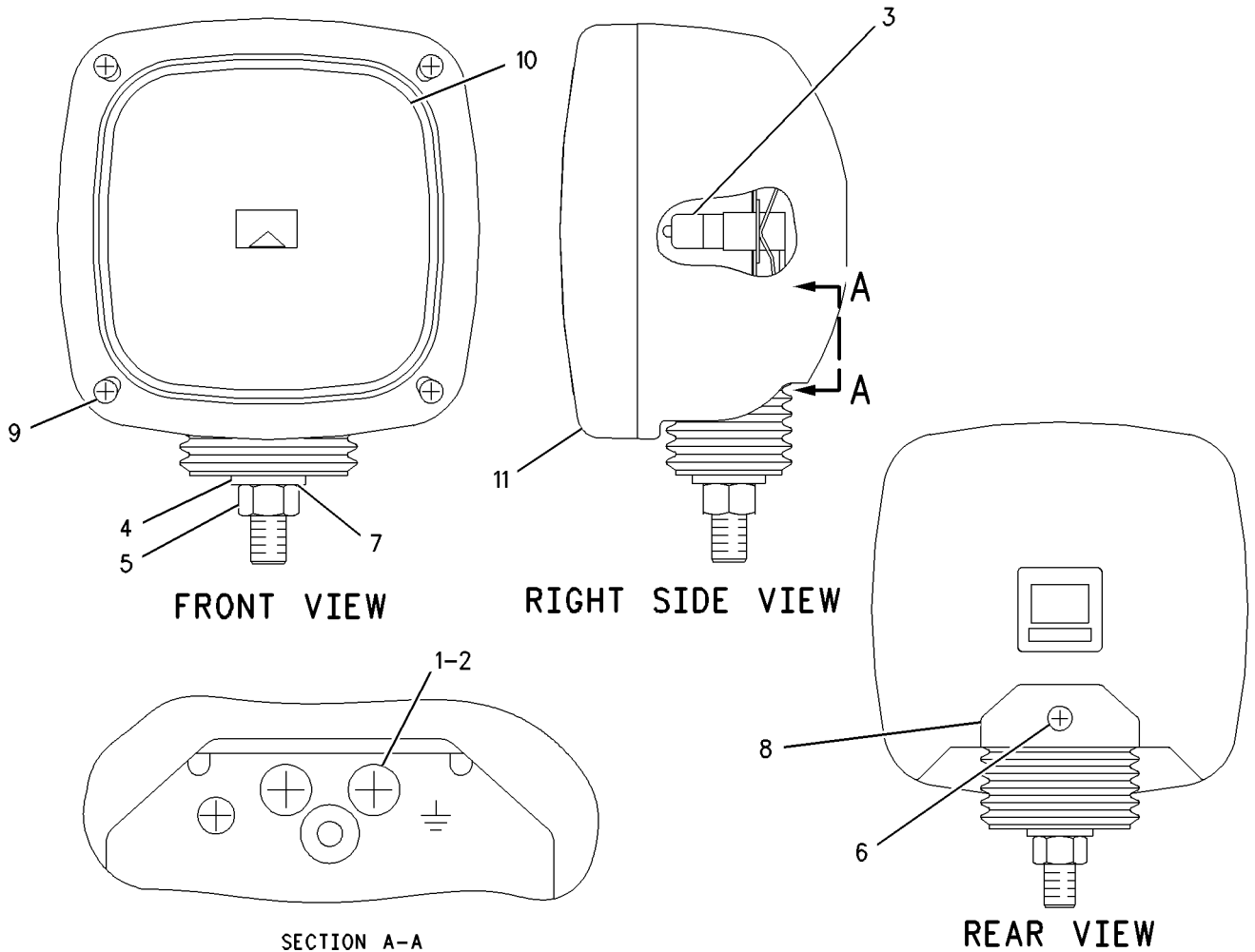
PART OF 150-7033 LIGHTING GP-CHASSIS

SMCS-1434

i03626397

NOTE	REF NO	GRAPHIC REF	PART NUMBER	QTY	PART NAME						SEE PAGE
					1	2	3	4	5	6 (PRODUCT LEVEL)	
M	1	1	6V-5210	2	SCREW-MACHINE (M4X0.7X10-MM)						
	2	1	3B-4501	2	LOCKWASHER						
	3	1	9X-3463	1	LAMP-HALOGEN (24-VOLT, 70-WATT)						
	4	1	8T-4223	1	WASHER-HARD (13.5X25.5X3-MM THK)						
M	5	1	8T-4244	1	NUT (M12X1.75-THD)						
M	6	1	174-7791	1	SCREW-TAPPING						
	7	1	5C-2889	1	LOCKWASHER						
	8	1	170-6993	1	COVER						
M	9	1	180-3861	4	SCREW-TAPPING						
	10	1	170-9417	1	LENS AS (FLOOD)						
	11	1	170-9418	1	BAND						

M-METRIC PART



GRAPHIC #1

<END>

g00646000

ELECTRICAL AND STARTING SYSTEM

153-2523 LAMP GP-FLOOD-FRONT, RH

S/N: MMA1-UP

24-VOLT

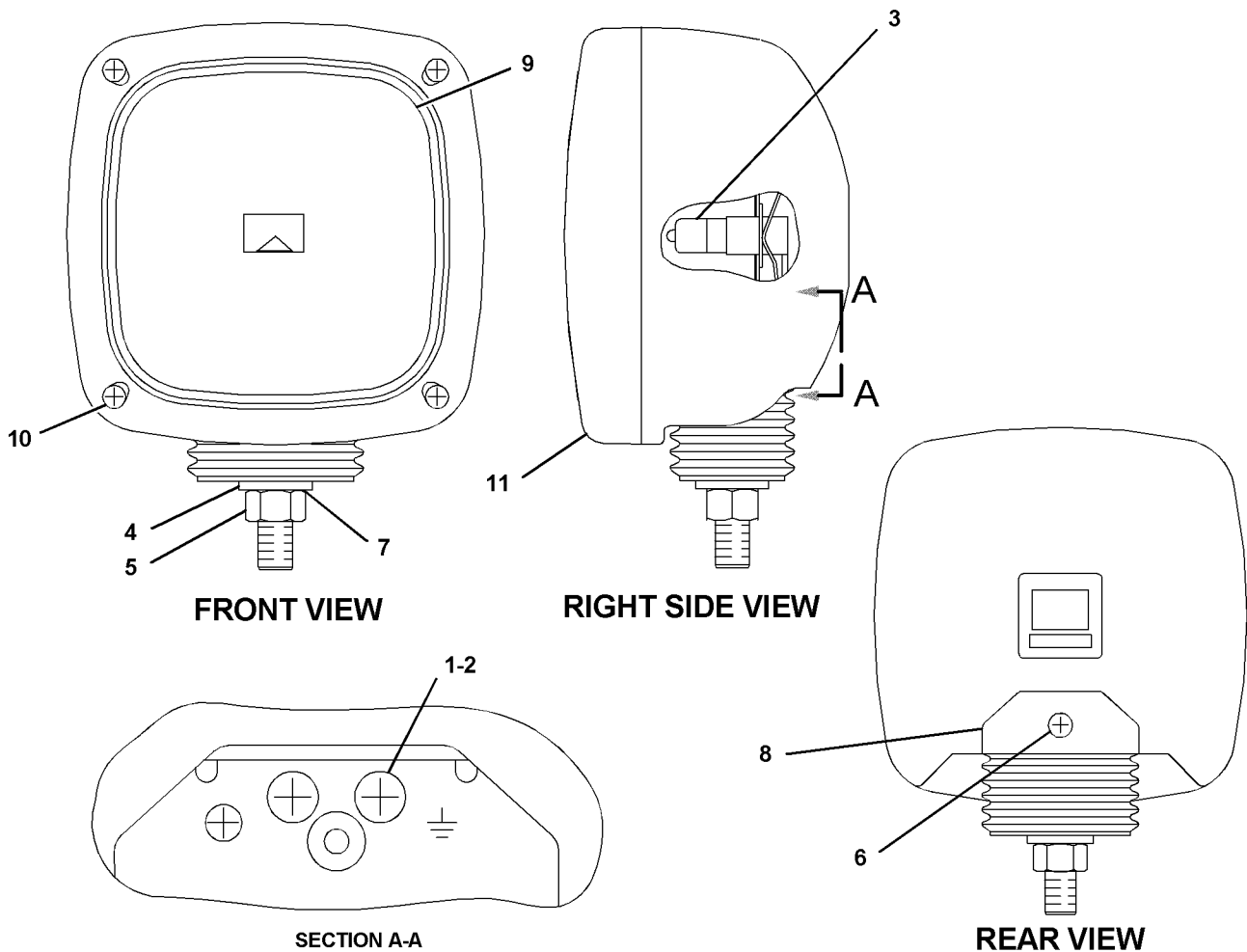
PART OF 150-7033 LIGHTING GP-CHASSIS

SMCS-1434

i02635978

NOTE	REF NO	GRAPHIC REF	PART NUMBER	QTY	PART NAME						SEE PAGE
					1	2	3	4	5	6 (PRODUCT LEVEL)	
M	1	1	6V-5210	2	SCREW-MACHINE (M4X0.7X10-MM)						
	2	1	3B-4501	2	LOCKWASHER						
	3	1	9X-3463	1	LAMP-HALOGEN (24-VOLT, 70-WATT)						
	4	1	8T-4223	1	WASHER-HARD (13.5X25.5X3-MM THK)						
M	5	1	8T-4244	1	NUT (M12X1.75-THD)						
M	6	1	174-7791	1	SCREW-TAPPING						
	7	1	5C-2889	1	LOCKWASHER						
	8	1	170-6993	1	COVER						
	9	1	170-9417	1	LENS AS (FLOOD)						
M	10	1	180-3861	4	SCREW-TAPPING						
	11	1	170-9418	1	BAND						

M-METRIC PART



GRAPHIC #1

<END>

g01084899

ELECTRICAL AND STARTING SYSTEM

167-3441 LAMP GP-FLOOD-CAB

S/N: MMA1-UP

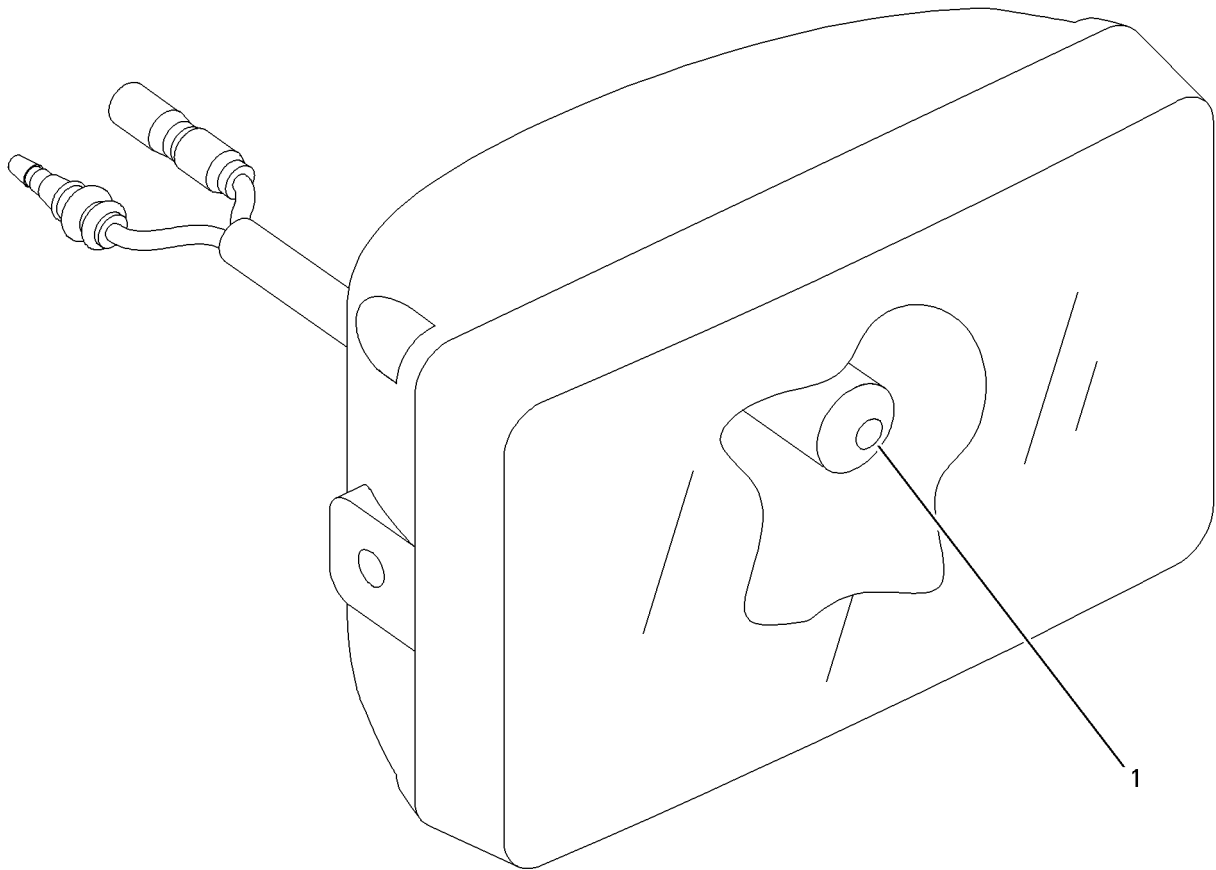
24-VOLT

PART OF 252-1241, 252-1242 LIGHTING GP-FLOOD
AN ATTACHMENT

SMCS-1434

i02635981

NOTE	REF NO	GRAPHIC REF	PART NUMBER	QTY	PART NAME						SEE PAGE
					1	2	3	4	5	6 (PRODUCT LEVEL)	
	1	1	9X-3463	1	LAMP-HALOGEN (24-VOLT, 70-WATT)						



GRAPHIC #1

<END>

g00692317

ELECTRICAL AND STARTING SYSTEM

150-7033 LIGHTING GP-CHASSIS-FRONT

S/N: MMA1-UP

24-VOLT

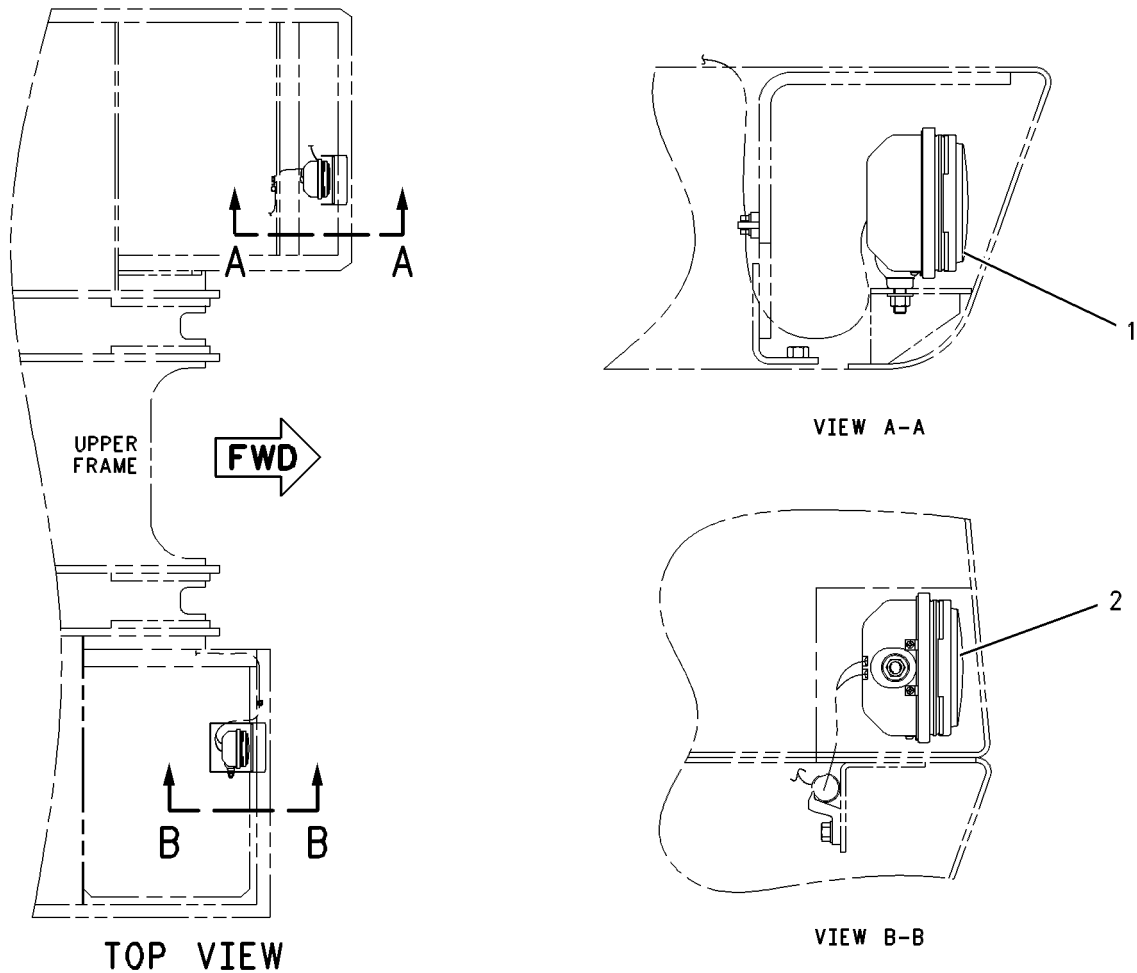
PART OF 228-8154 CHASSIS AR

SMCS-1429

i03626167

NOTE	REF NO	GRAPHIC REF	PART NUMBER	QTY	PART NAME						SEE PAGE
					1	2	3	4	5	6 (PRODUCT LEVEL)	
Y	1	1	153-2521	1	LAMP GP-FLOOD (24-VOLT) (LH)						309
Y	2	1	153-2523	1	LAMP GP-FLOOD (24-VOLT) (RH)						310

Y-SEPARATE ILLUSTRATION



GRAPHIC #1

<END>

g00530517

ELECTRICAL AND STARTING SYSTEM

252-1241 LIGHTING GP-FLOOD-CAB

S/N: MMA1-UP

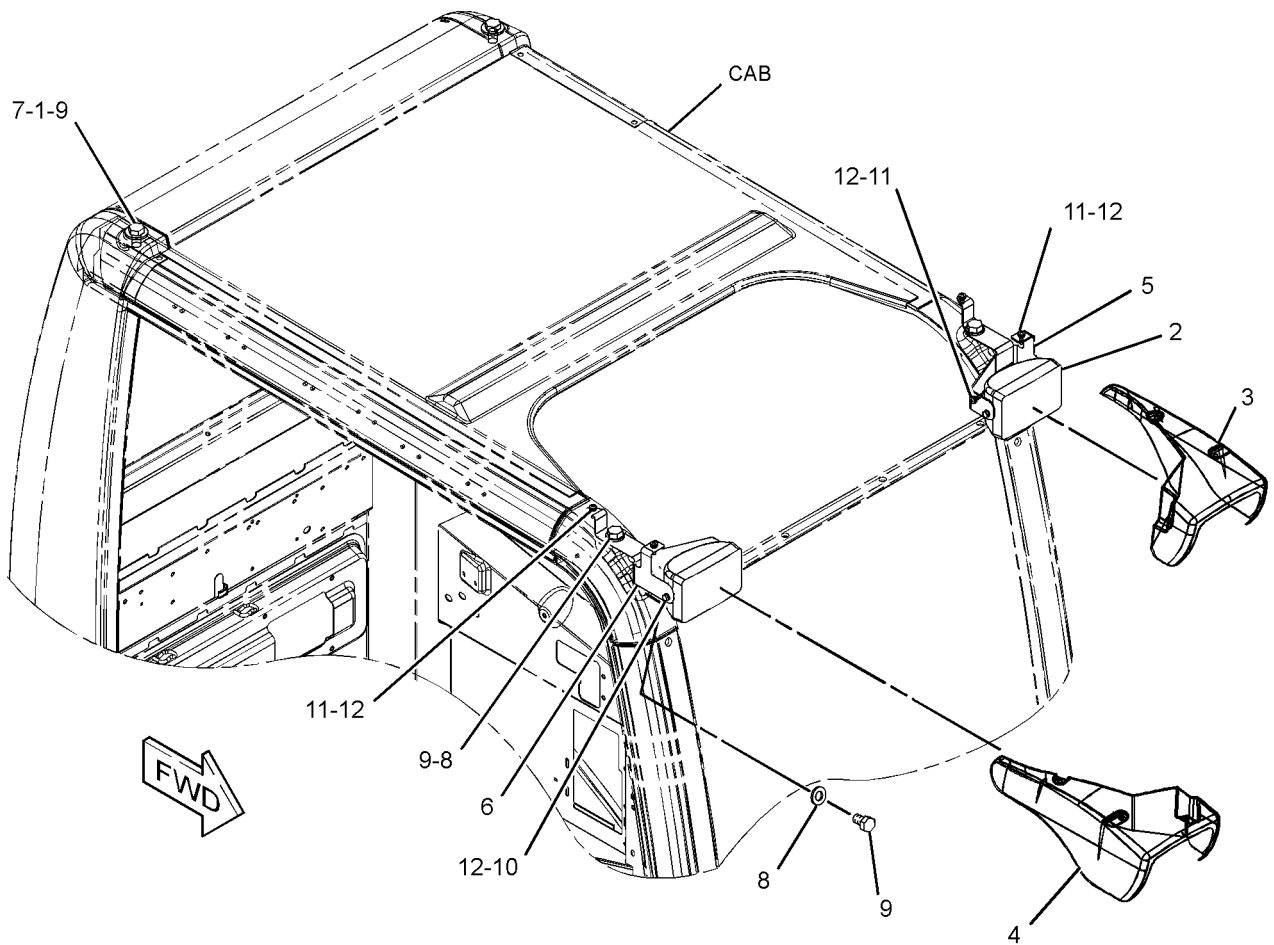
PART OF 249-7107 PARTS AR-CAB
AN ATTACHMENT

SMCS-1434

i03496020

NOTE	REF NO	GRAPHIC REF	PART NUMBER	QTY	PART NAME						SEE PAGE
					1	2	3	4	5	6 (PRODUCT LEVEL)	
	1	1	120-5737	2	WASHER (17.5X40X4-MM THK)						
Y	2	1	167-3441	2	LAMP GP-FLOOD (24-VOLT) (CAB GUARD)						311
	3	1	217-2543	1	COVER (LH)						
	4	1	217-2544	1	COVER (RH)						
	5	1	255-9075	1	BRACKET AS (LH)						
M		1	180-1718	3	NUT (M6X1-THD)						
	6	1	255-9074	1	BRACKET AS (RH)						
M		1	180-1718	3	NUT (M6X1-THD)						
	7	1	120-5738	2	WASHER-RUBBER (14.5X40X2-MM THK)						
	8	1	8T-4122	4	WASHER-HARD (17X32X3.5-MM THK)						
M	9	1	8T-4190	6	BOLT (M16X2X25-MM)						
M	10	1	8T-4970	4	BOLT (M6X1X14-MM)						
M	11	1	095-0742	6	SCREW-MACHINE (M6X1X16-MM)						
	12	1	9X-8256	10	WASHER (6.6X12X2-MM THK)						

M-METRIC PART
Y-SEPARATE ILLUSTRATION



GRAPHIC #1

<END>

g01214088

ELECTRICAL AND STARTING SYSTEM

252-1242 LIGHTING GP-FLOOD-CAB GUARD

S/N: MMA1-UP

PART OF 249-7109, 250-0712 GUARD AR-OVERHEAD
AN ATTACHMENT

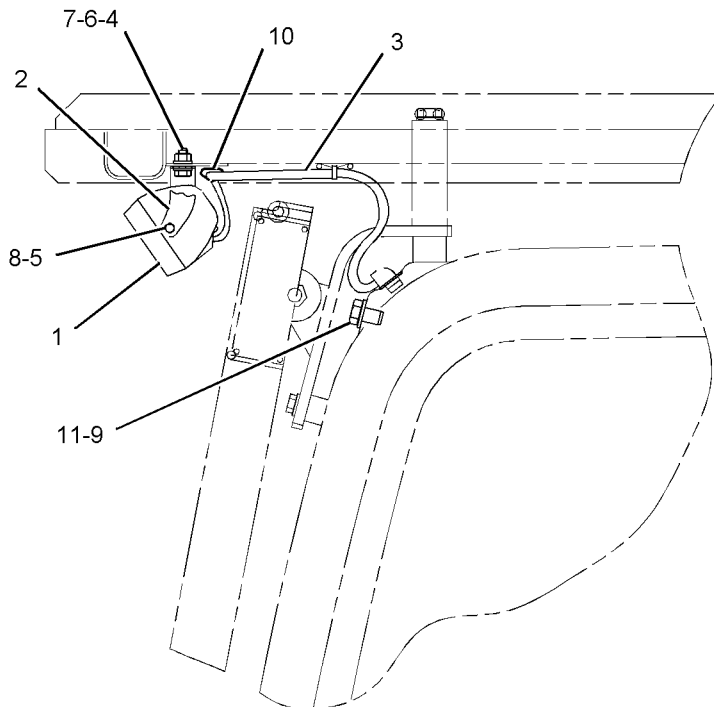
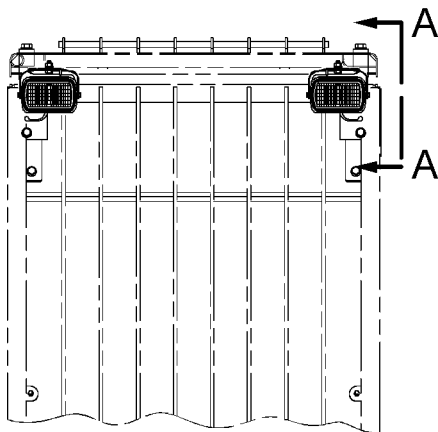
SMCS-1434

i02941465

NOTE	REF NO	GRAPHIC REF	PART NUMBER	QTY	PART NAME						SEE PAGE
					1	2	3	4	5	6 (PRODUCT LEVEL)	
Y	1	1	167-3441	2	LAMP GP-FLOOD (24-VOLT) (CAB)						311
	2	1	198-1659	2	SUPPORT						
	3	1	198-6223	2	HARNESS AS-LIGHTING (CAB GUARD)						
M	4	1	8T-4136	2	BOLT (M10X1.5X25-MM)						
M	5	1	8T-4970	4	BOLT (M6X1X14-MM)						
M	6	1	8T-4133	2	NUT (M10X1.5-THD)						
	7	1	8T-4121	4	WASHER-HARD (11X21X2.5-MM THK)						
	8	1	9X-8256	4	WASHER (6.6X12X2-MM THK)						
M	9	1	142-8545	2	BOLT (M16X2X20-MM)						
	10	1	7K-1181	4	STRAP-CABLE						
	11	1	9H-1024	2	WASHER-HARD (17X30X6-MM THK)						

M-METRIC PART

Y-SEPARATE ILLUSTRATION



GRAPHIC #1

<END>

g01087554

ELECTRICAL AND STARTING SYSTEM

260-2067 MOUNTING GP-CONTROL-PRODUCT LINK

S/N: MMA1-UP

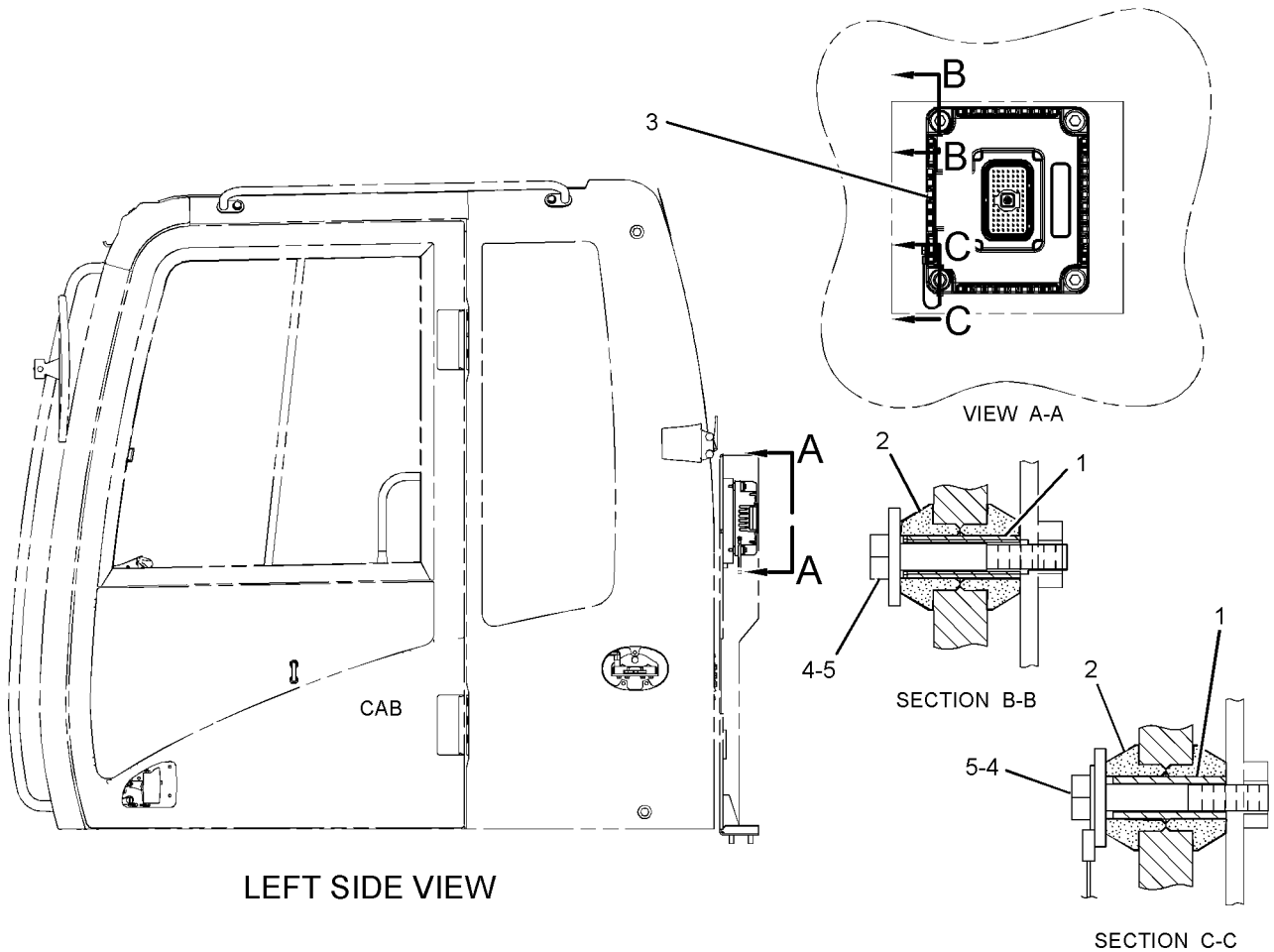
PART OF 257-4490 INSTALLATION AR-COMMUNICATION
AN ATTACHMENT

SMCS-1901

i03493522

NOTE	REF NO	GRAPHIC REF	PART NUMBER	QTY	PART NAME						SEE PAGE
					1	2	3	4	5	6 (PRODUCT LEVEL)	
	1	1	8C-5608	4	SPACER (6.5X9.5X25.4-MM THK)						
	2	1	9X-9896	8	MOUNT (ISOLATION)						
Y	3	1	239-9954	1	CONTROL GP-UNPROGRAMMED (PRODUCT LINK 300)						305
M	4	1	8C-8451	4	BOLT (M6X1X40-MM)						
	5	1	9X-6165	4	WASHER (6.5X22X2.5-MM THK)						

M-METRIC PART
Y-SEPARATE ILLUSTRATION



GRAPHIC #1

<END>

g01182057

ELECTRICAL AND STARTING SYSTEM

197-7415 MOUNTING GP-SENSOR-ATMOSPHERIC, ENGINE OIL

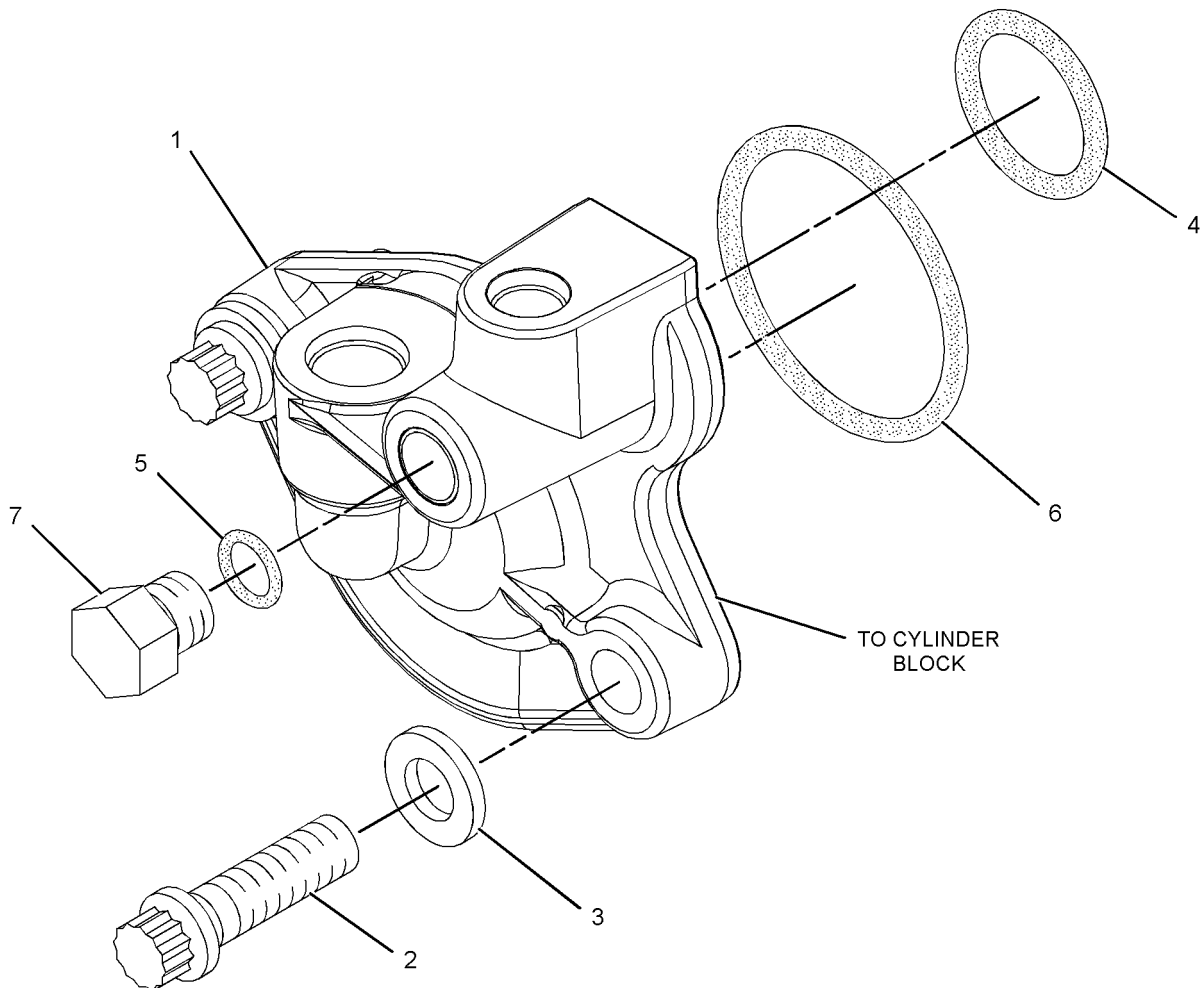
S/N: RHX1-UP

PART OF 257-4960, 286-9798 ENGINE AR-COMplete

SMCS-1439, 1923, 1924

i02667189

NOTE	REF NO	GRAPHIC REF	PART NUMBER	QTY	PART NAME						SEE PAGE
					1	2	3	4	5	6	
	1	1	166-6693	1	ADAPTER						
	2	1	1T-0720	2	BOLT-12 POINT HEAD (3/8-16X1.25-IN)						
	3	1	5M-2894	2	WASHER-HARD (10.2X18.5X2.5-MM THK)						
	4	1	6V-3683	1	SEAL-O-RING						
	5	1	6V-5048	1	SEAL-O-RING						
	6	1	8J-4351	1	SEAL-O-RING						
	7	1	9S-4182	1	PLUG-O-RING						



GRAPHIC #1

<END>

g01341504

ELECTRICAL AND STARTING SYSTEM

224-2861 PANEL GP-CIRCUIT BREAKER

S/N: MMA1-UP

PART OF 238-2194 BATTERY & WIRING GP

SMCS-1417

i03587298

NOTE	REF NO	GRAPHIC REF	PART NUMBER	QTY	PART NAME						SEE PAGE
					1	2	3	4	5	6 (PRODUCT LEVEL)	
	1	1	3E-8320	1	PLATE-INSTRUCTION (BATTERY)						
	2	2,3,4	3S-2093	9	STRAP-CABLE						
Y	3	1	7N-0718	1	SWITCH GP-DISCONNECT (BATTERY)						370
	4	2	7Y-5499	1	BLOCK AS-TERMINAL						
	5	2	126-2941	1	RESISTOR AS						
	6	3	105-9982	1	CLIP						
	7	4	105-9983	1	CLIP						
	8	2	105-9986	2	CLIP						
	9	5	113-8490	20	FUSE (10-AMPERE)						
	10	5	113-8491	8	FUSE (15-AMPERE)						
Y	11	4	125-1302	1	SWITCH GP-MAGNETIC (24-VOLT) (START RELAY)						372
	12	4	136-4055	1	STRIP						
	13	5	141-2759	9	FUSE (5-AMPERE)						
	14	4	145-3084	1	RESISTOR AS						
	15	3	149-5050	1	RELAY (24-VOLT) (AUTOLUBE)						
	16	4	151-9360	2	RESISTOR AS						
					(EACH INCLUDES)						
		4	102-8802	1	KIT-RECEPTACLE (2-PIN)						
					(INCLUDES RECEPTACLE AS & WEDGE)						
		4	9W-0852	2	PIN-CONNECTOR (14-GA)						
17	5	161-3128	1	RELAY (24-VOLT) (CHASSIS FLOODLIGHT)							
17A	5	161-3128	1	RELAY (24-VOLT) (CAB FLOODLIGHT)							
17B	5	161-3128	1	RELAY (24-VOLT) (HYDRAULIC LOCK)							
17C	5	161-3128	1	RELAY (24-VOLT) (ETHER)							
17D	5	161-3128	1	RELAY (24-VOLT) (BOOM LAMP 1)							
17E	5	161-3128	1	RELAY (24-VOLT) (BOOM LAMP 2)							
17F	5	161-3128	1	RELAY (24-VOLT) (NEUTRAL START)							
17G	5	161-3128	1	RELAY (24-VOLT) (HORN)							
18	3	163-6703	1	TIMER AS-OFF DELAY							
		3	102-8804	1	KIT-RECEPTACLE (4-PIN)						
					(INCLUDES RECEPTACLE AS & WEDGE)						
		3	186-3735	2	PIN-CONNECTOR (16-GA TO 18-GA)						
19	3	163-6758	1	WIRE AS							
20	1	167-3593	1	STRAP							
21	5	170-6888	1	PULLER-FUSE							
22	3	213-0772	1	SWITCH AS-MAGNETIC (24-VOLT) (MAIN RELAY)							
23	3	224-2862	1	HARNESS AS-BOX							
		3	102-8803	1	KIT-RECEPTACLE (3-PIN)						
					(INCLUDES RECEPTACLE AS & WEDGE)						
		3	121-1022	7	DIODE						
		3	155-2260	1	KIT-CONNECTING PLUG (3-PIN)						
		3	155-2270	4	KIT-CONNECTING PLUG (2-PIN)						
		3	155-2271	1	KIT-CONNECTING PLUG (4-PIN)						
					(EACH PLUG KIT INCLUDES PLUG AS, WEDGE & INTERFACE SEAL)						
		3	183-1000	1	PANEL GP-FUSE						
24	1	224-2863	1	BRACKET AS							
25	2	234-1193	1	WIRE AS							
26	2	234-1194	1	WIRE AS							
27	3	234-1195	1	WIRE AS							
28	3	234-1196	1	WIRE AS							
29	2	234-1197	1	WIRE AS							
30	2	234-1198	1	WIRE AS							
31	2	234-1199	1	WIRE AS							
32	1	238-2526	1	COVER							
M	33	4	095-0735	16	SCREW-MACHINE (M5X0.8X8-MM)						

ELECTRICAL AND STARTING SYSTEM

224-2861 PANEL GP-CIRCUIT BREAKER (contd.)

i03587298

NOTE	REF NO	GRAPHIC REF	PART NUMBER	QTY	PART NAME						SEE PAGE
					1	2	3	4	5	6 (PRODUCT LEVEL)	
M	34	3	096-4833	2	BOLT-SOCKET HEAD (M5X0.8X20-MM)						
	35	5	096-5962	4	WASHER-HARD (3.4X7X0.8-MM THK)						
	36	1,2,3,4	096-6166	8	WASHER-HARD (4.5X9X1-MM THK)						
	37	1	111-4874	1	COVER						
	38	5	124-3548	1	FUSE (30-AMPERE)						
	39	1	171-2210	1	CIRCUIT BREAKER AS (80-AMPERE) (MAIN)						
		1	6V-8187	2	NUT (1/4-28-THD)						
		1	8T-4205	2	WASHER-HARD (7.2X14.5X2-MM THK)						
		1	253-2111	2	LOCKWASHER						
M	40	5	3E-8048	4	SCREW-MACHINE (M3X0.5X6-MM)						
	41	1	6V-5645	2	SCREW-MACHINE (10-32X0.87-IN)						
M	42	2,3,4	7X-2619	5	BOLT (M6X1X10-MM)						
M	43	1,2,3,4	8C-7581	8	SCREW-MACHINE (M4X0.7X8-MM)						
	44	1,2,4	8T-0328	20	WASHER-HARD (5.5X10X1-MM THK)						
	45	1	8T-4121	4	WASHER-HARD (11X21X2.5-MM THK)						
M	46	4	8T-4171	6	BOLT (M6X1X12-MM)						
M	47	1	8T-4191	4	BOLT (M10X1.5X16-MM)						
M	48	3	8T-4970	2	BOLT (M6X1X14-MM)						
M	49	2,3	8T-6411	13	SCREW-MACHINE (M6X1X12-MM)						
	50	2,3,4	9X-8256	28	WASHER (6.6X12X2-MM THK)						

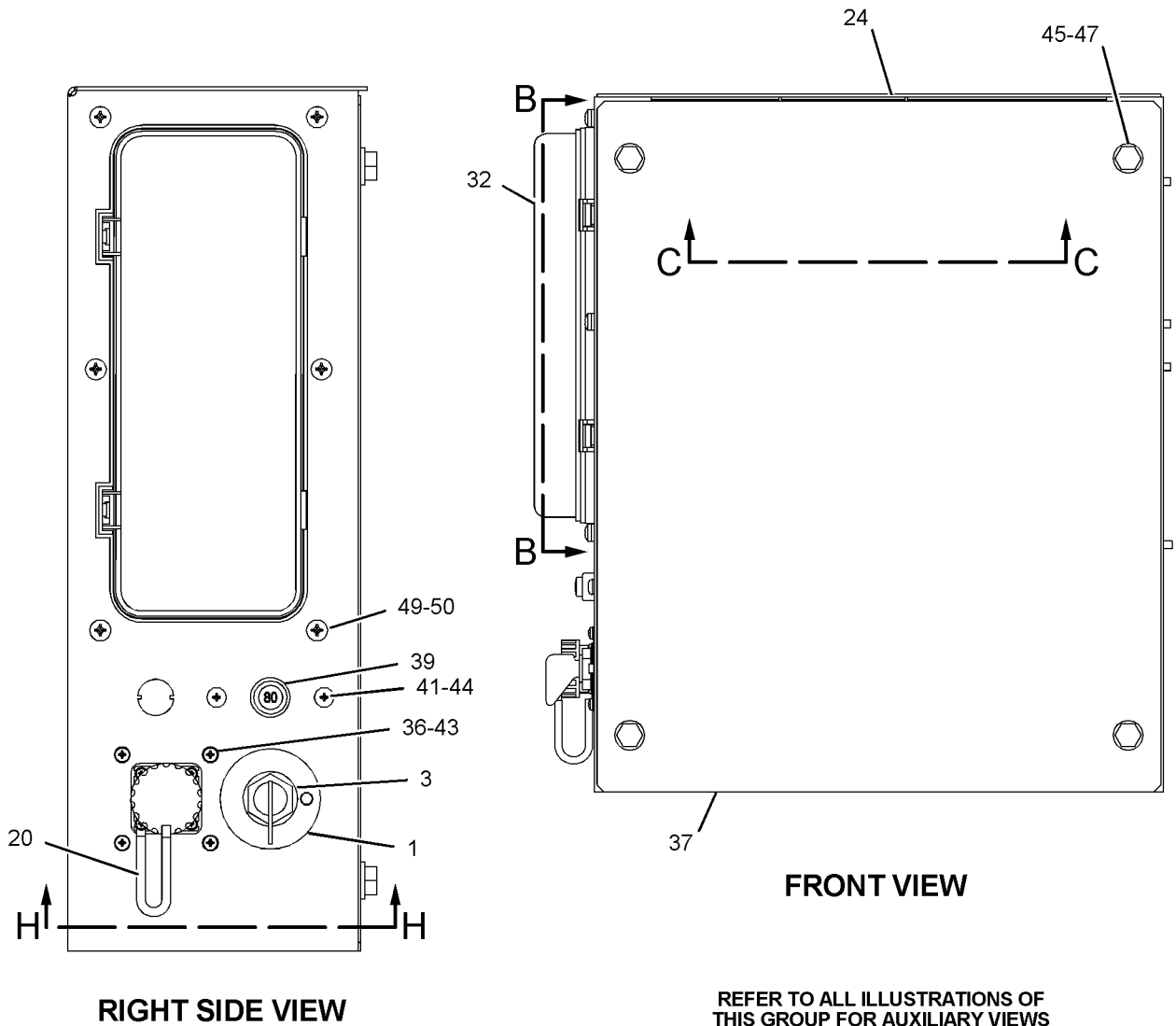
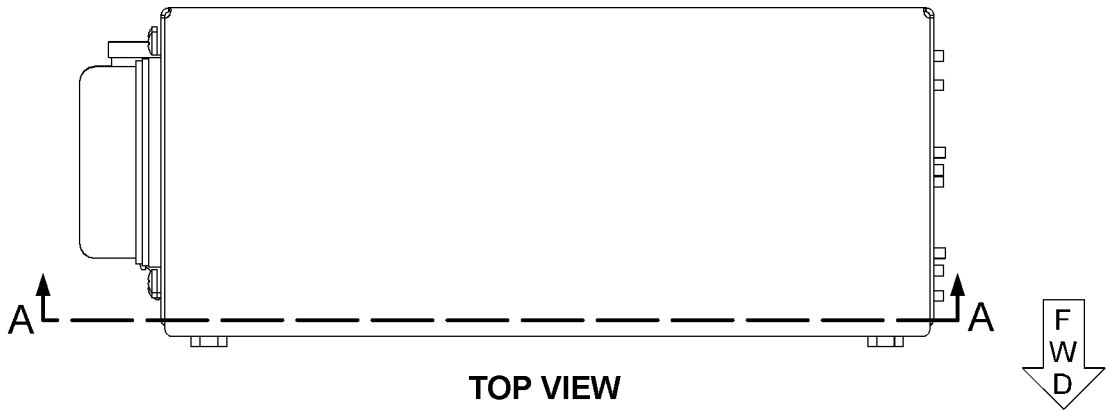
M-METRIC PART

Y-SEPARATE ILLUSTRATION

ELECTRICAL AND STARTING SYSTEM

224-2861 PANEL GP-CIRCUIT BREAKER (contd.)

i03587298



GRAPHIC #1

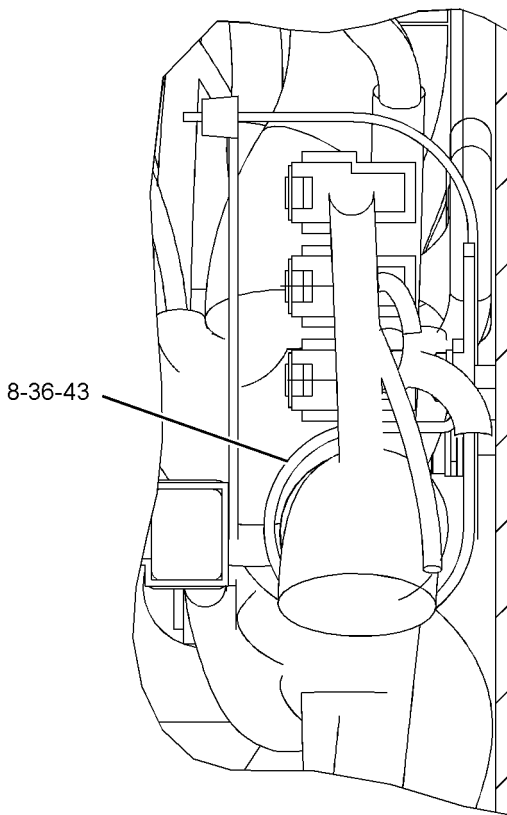
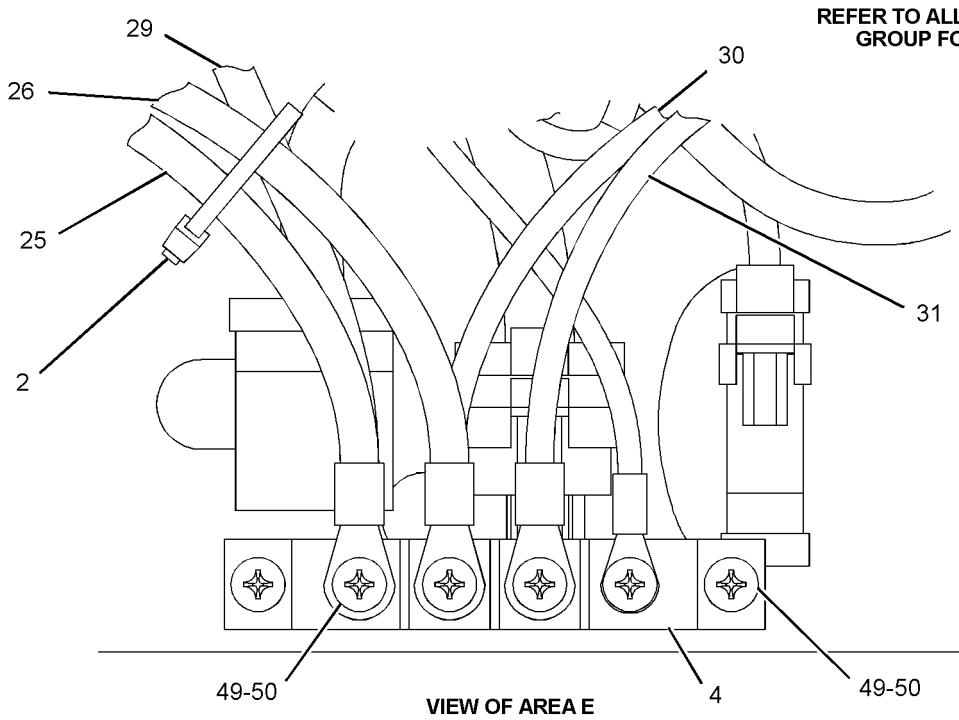
REFER TO ALL ILLUSTRATIONS OF THIS GROUP FOR AUXILIARY VIEWS

g01122839

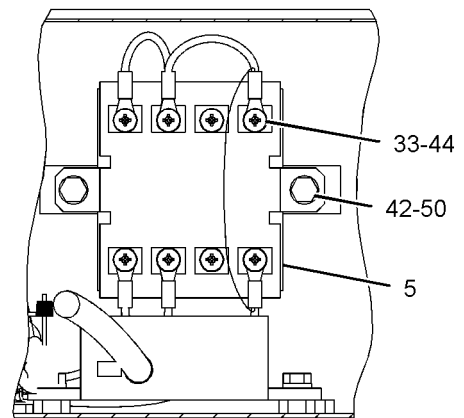
ELECTRICAL AND STARTING SYSTEM

224-2861 PANEL GP-CIRCUIT BREAKER (contd.)

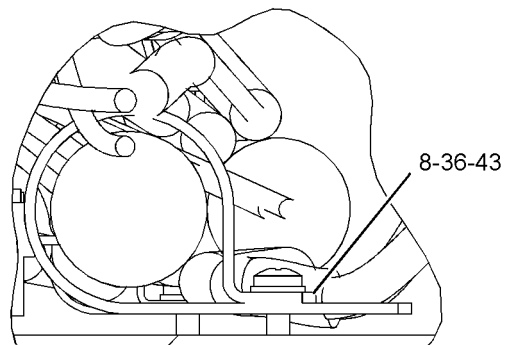
i03587298



SECTION M-M



SECTION C-C



SECTION P-P

GRAPHIC #2

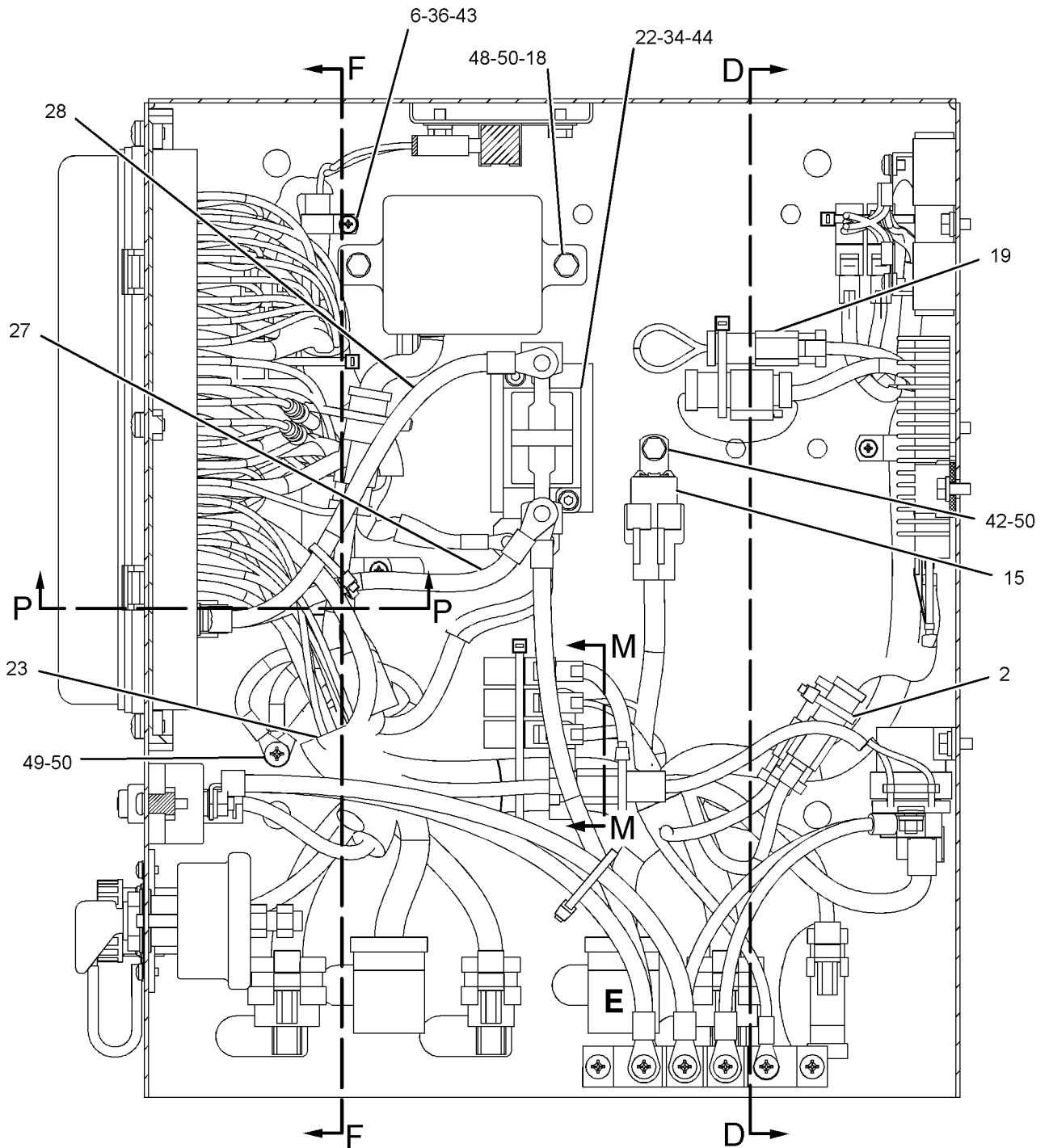
g01122840

ELECTRICAL AND STARTING SYSTEM

224-2861 PANEL GP-CIRCUIT BREAKER (contd.)

i03587298

REFER TO ALL ILLUSTRATIONS OF THIS GROUP FOR AUXILIARY VIEWS



SECTION A-A

GRAPHIC #3

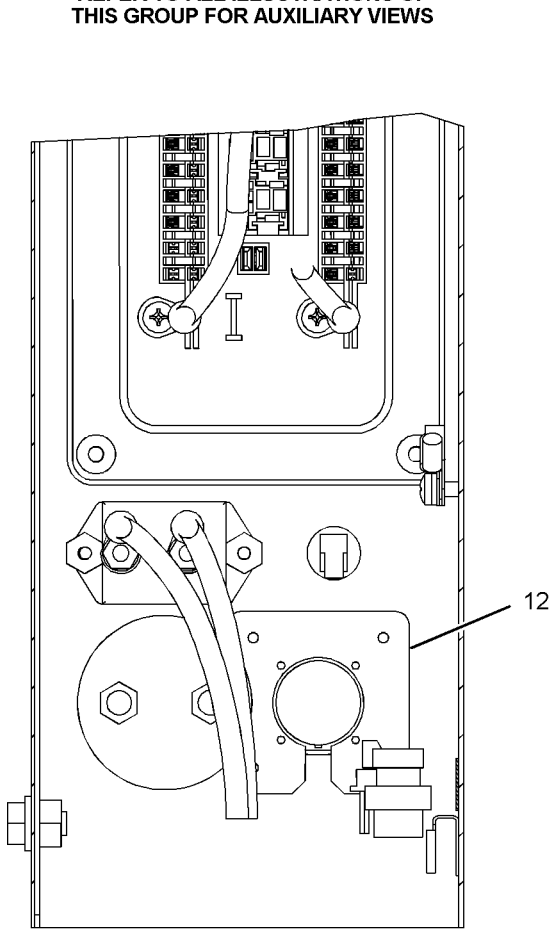
g01122841

ELECTRICAL AND STARTING SYSTEM

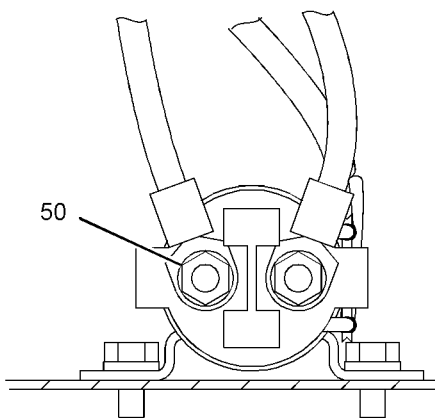
224-2861 PANEL GP-CIRCUIT BREAKER (contd.)

i03587298

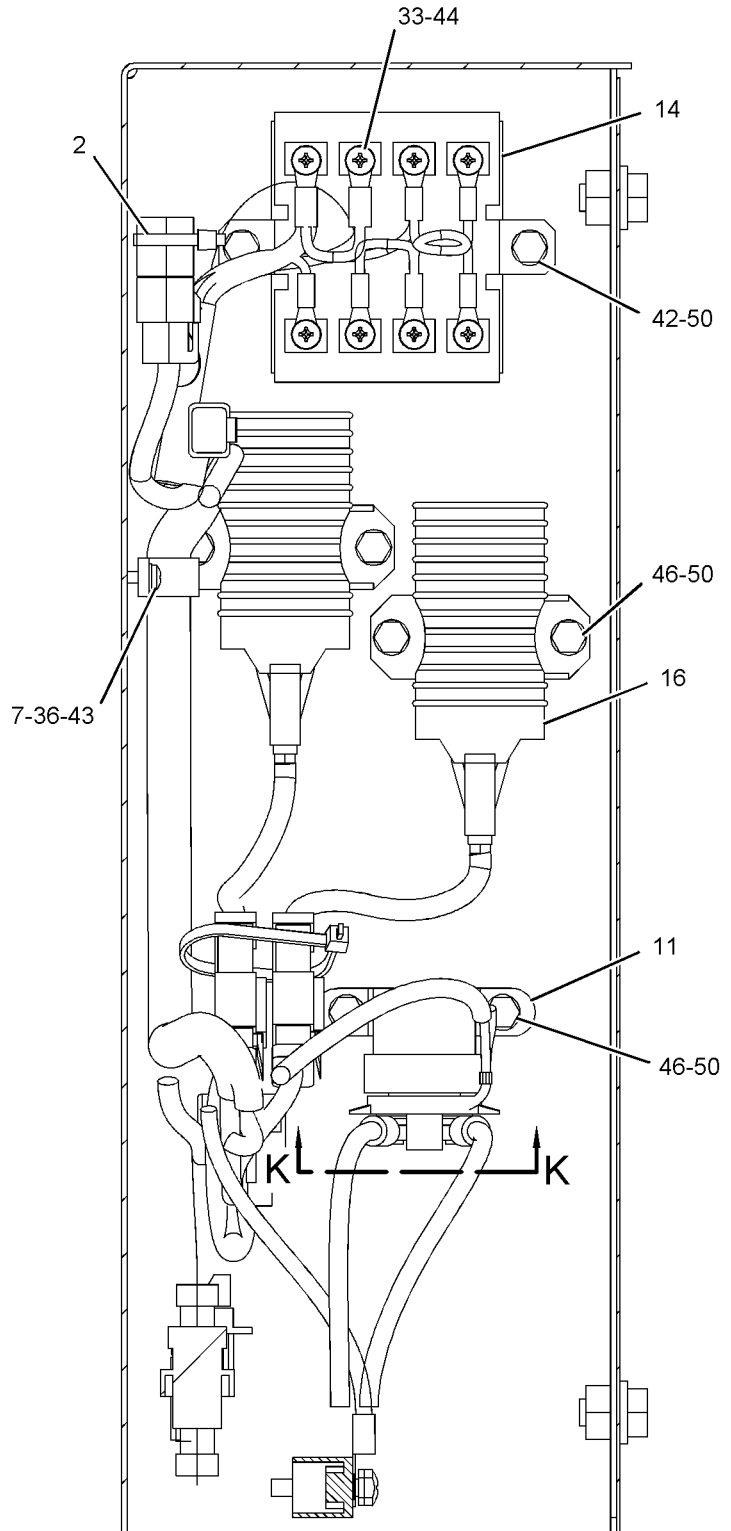
REFER TO ALL ILLUSTRATIONS OF THIS GROUP FOR AUXILIARY VIEWS



SECTION F-F



SECTION K-K



SECTION D-D

GRAPHIC #4

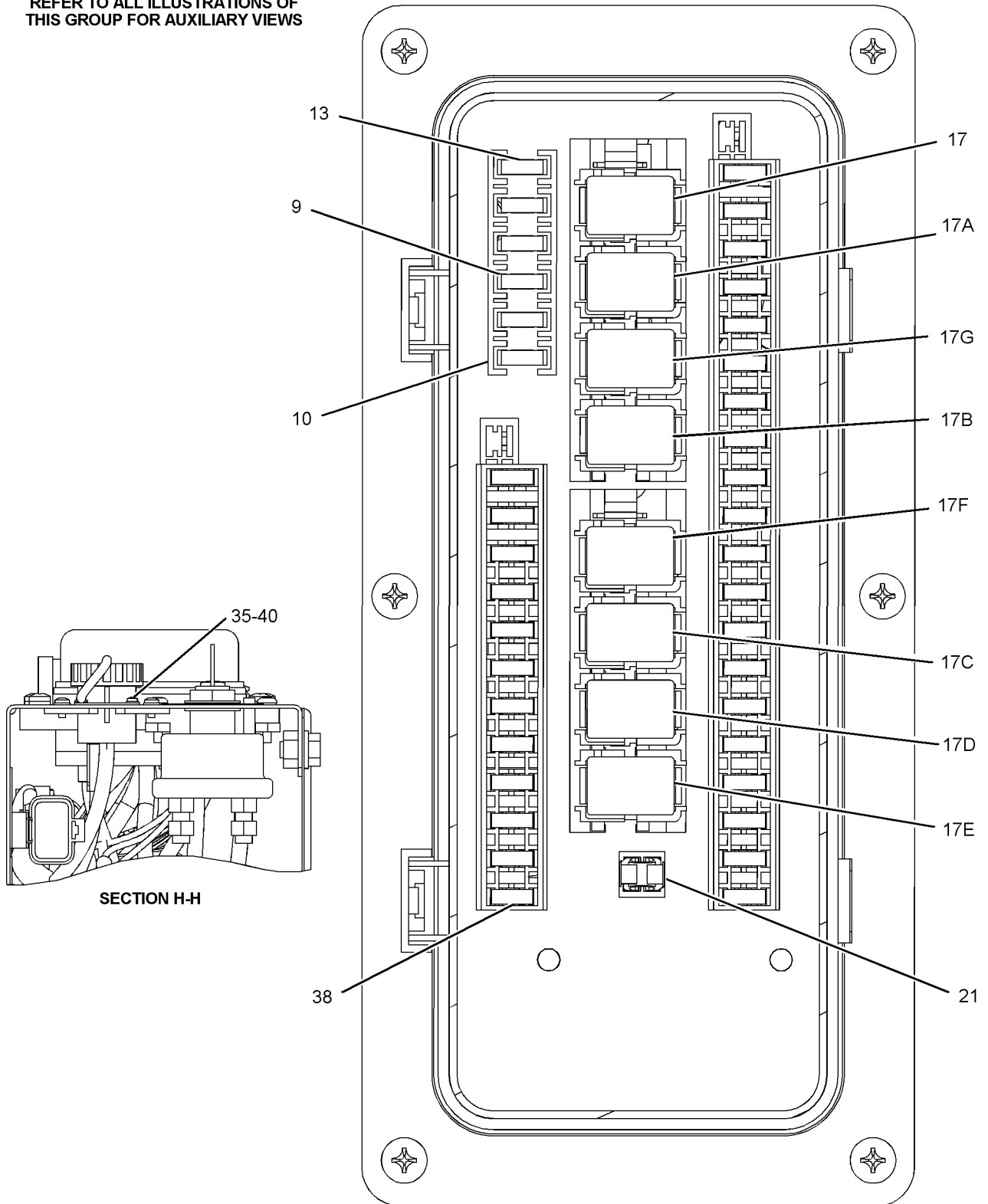
g01122842

ELECTRICAL AND STARTING SYSTEM

224-2861 PANEL GP-CIRCUIT BREAKER (contd.)

i03587298

REFER TO ALL ILLUSTRATIONS OF THIS GROUP FOR AUXILIARY VIEWS



GRAPHIC #5

<END>

g01122843

ELECTRICAL AND STARTING SYSTEM

249-7110 PANEL GP-CONTROL-AIR CONDITIONER

S/N: MMA1-UP

PART OF 237-3564 CAB AR
AN ATTACHMENT

SMCS-7337, 7451

i02102304

NOTE	PART NUMBER	QTY	PART NAME						SEE PAGE
			1	2	3	4	5	6 (PRODUCT LEVEL)	
M	096-5969	2	BOLT-SOCKET HEAD (M5X0.8X25-MM)						
M	099-2374	1	BOLT-SOCKET HEAD (M5X0.8X12-MM)						
	235-8873	1	HARNESS AS-HEATER & AIR COND (CONTROL PANEL SWITCHES)						
	235-8872	1	PANEL AS-CONTROL						
	3S-2093	2	STRAP-CABLE						
	8T-0328	2	WASHER-HARD (5.5X10X1-MM THK)						
M-METRIC PART									

<END>

ELECTRICAL AND STARTING SYSTEM

251-0542 PANEL GP-SWITCH-ENGINE SPEED, START

S/N: MMA1-UP

PART OF 265-7172, 265-7175, 265-7176 CONVERSION AR

AN ATTACHMENT

TYPE 1

SMCS-1408, 1429, 7332, 7451

i03639931

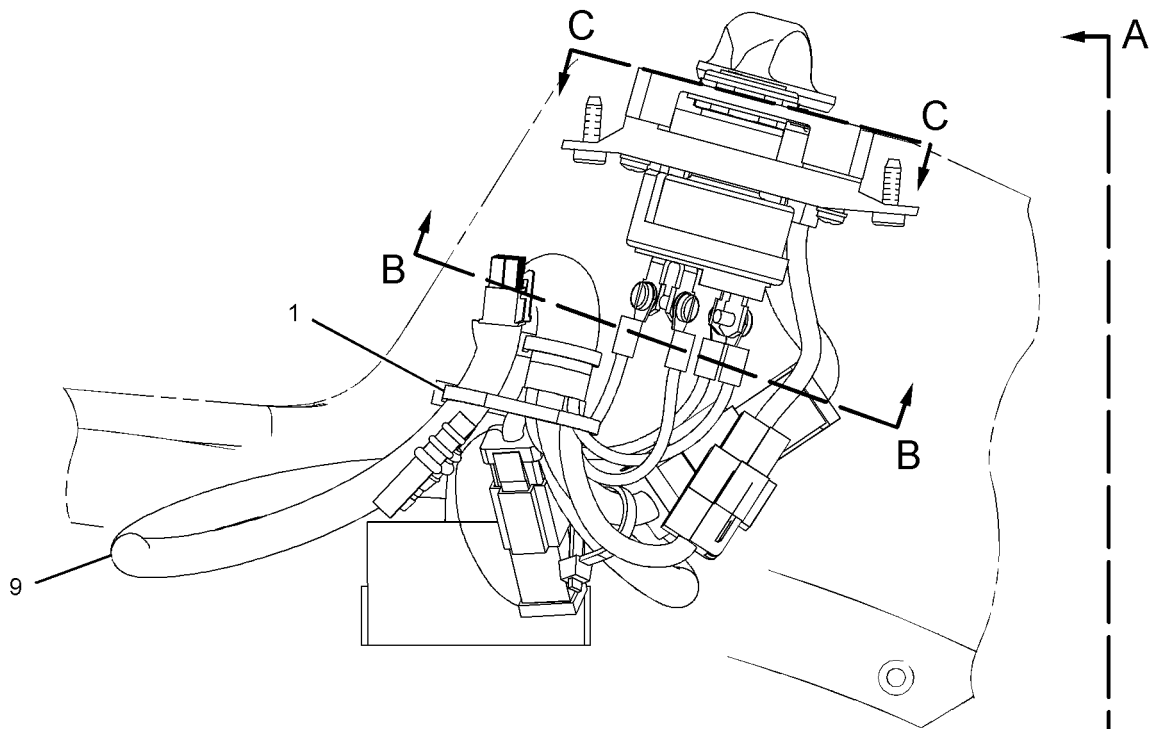
NOTE	REF NO	GRAPHIC REF	PART NUMBER	QTY	PART NAME						SEE PAGE
					1	2	3	4	5	6 (PRODUCT LEVEL)	
	1	1	3S-2093	4	STRAP-CABLE						
Y	2	1	9G-7641	1	SWITCH GP-START (ENGINE, KEY)						380
Y	3	1	106-0107	1	SWITCH GP-ROTARY (THROTTLE POSITION)						378
	4	1	170-9324	1	LAMP AS (24-VOLT, 3-WATT)						
	5	1	185-9208	1	KNOB AS (THROTTLE POSITION)						
	6	1	234-1156	1	COVER						
	7	1	234-1158	1	COVER						
	8	1	267-7976	1	PANEL						
	9	1	251-0543	1	HARNESS AS-CONSOLE (RH)						
		1	102-8802	1	KIT-RECEPTACLE (2-PIN)						
					(INCLUDES RECEPTACLE AS & WEDGE)						
		1	3S-2093	3	STRAP-CABLE						
		1	7Y-3951	2	TERMINAL (FEMALE)						
		1	7Y-3952	1	CONNECTOR-PLUG						
		1	7Y-3962	1	TERMINAL (CONNECTOR)						
		1	7Y-3963	1	TERMINAL (RECEPTACLE)						
		1	8T-8737	3	PLUG-SEAL						
		1	121-1168	1	CONNECTOR-RECEPTACLE						
		1	121-1173	14	TERMINAL (MALE)						
		1	9X-3402	7	SOCKET-CONNECTOR (16-GA TO 18-GA)						
					-OR-						
		1	126-1768	7	SOCKET-CONNECTOR (14-GA)						
		1	2L-8075	4	TERMINAL (14-GA TO 16-GA, NO. 8 SCREW)						
		1	153-2540	10	TERMINAL						
		1	153-2541	1	CONNECTOR-PLUG						
		1	155-2270	1	KIT-CONNECTING PLUG (2-PIN)						
		1	155-2274	1	KIT-CONNECTING PLUG (6-PIN)						
					(EACH PLUG KIT INCLUDES PLUG AS, WEDGE, & INTERFACE SEAL)						
		1	238-2366	7	TERMINAL (MALE)						
	10	1	096-6166	4	WASHER-HARD (4.5X9X1-MM THK)						
	11	1	119-5026	4	SCREW-PAN HEAD (10-16X0.63-IN)						
M	12	1	6V-9491	4	SCREW-MACHINE (M4X0.7X20-MM)						

M-METRIC PART
Y-SEPARATE ILLUSTRATION

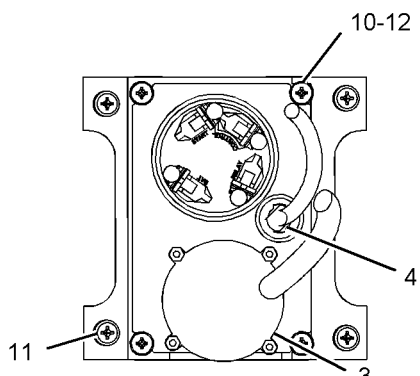
ELECTRICAL AND STARTING SYSTEM

251-0542 PANEL GP-SWITCH (contd.)

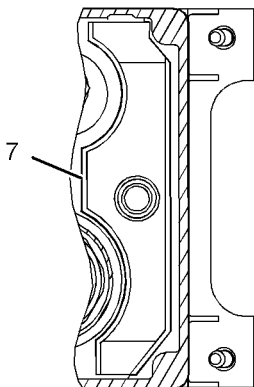
i03639931



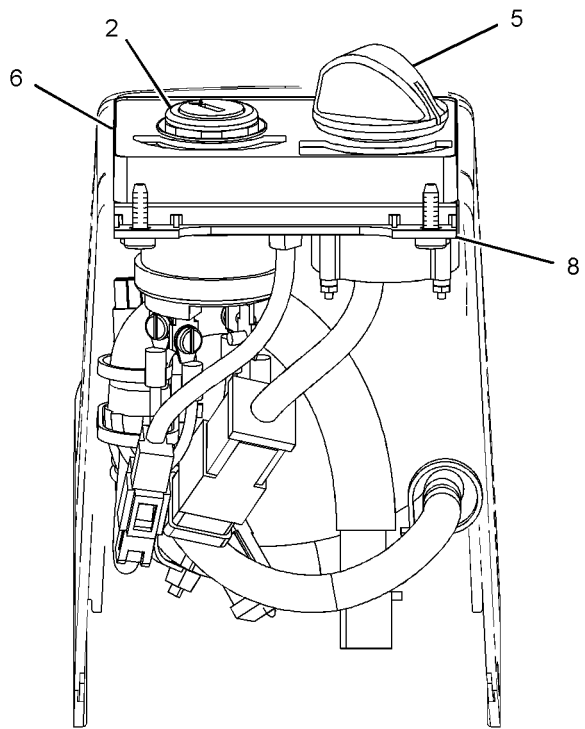
RIGHT SIDE VIEW



SECTION B-B



VIEW C-C



VIEW A-A

ELECTRICAL AND STARTING SYSTEM

251-0542 PANEL GP-SWITCH-ENGINE SPEED, START

S/N: MMA1-UP

PART OF 265-7172, 265-7175, 265-7176 CONVERSION AR

AN ATTACHMENT

TYPE 2

SMCS-1408, 1429, 7332, 7451

i03631049

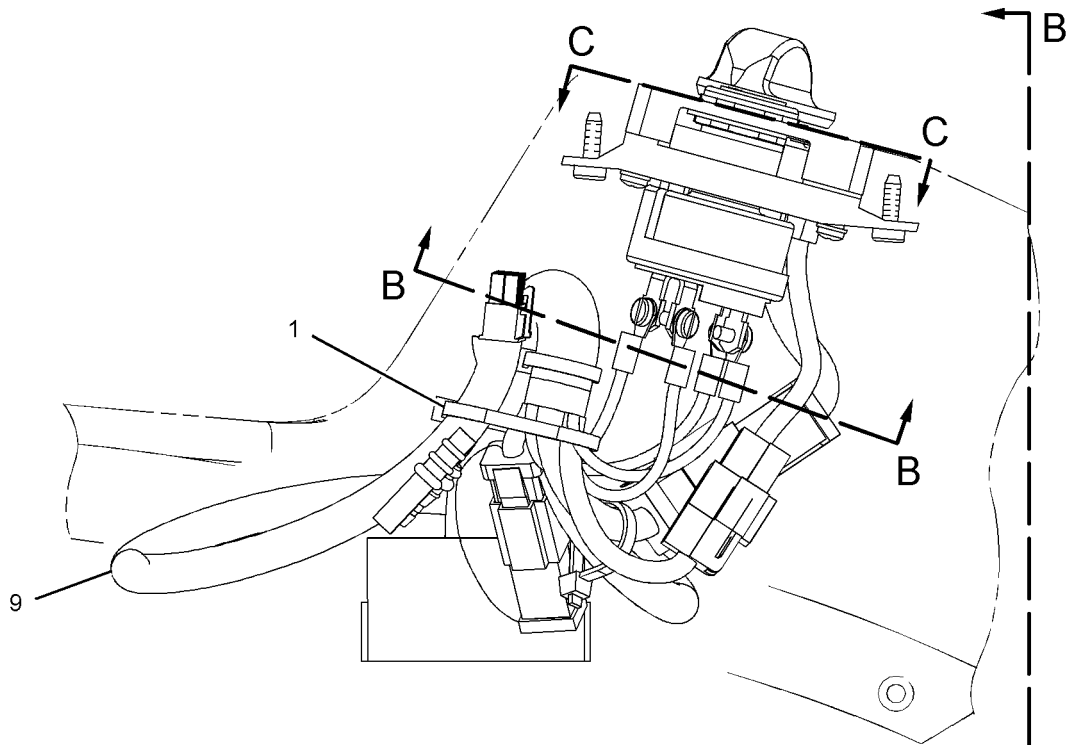
NOTE	REF NO	GRAPHIC REF	PART NUMBER	QTY	PART NAME						SEE PAGE
					1	2	3	4	5	6 (PRODUCT LEVEL)	
	1	1	3S-2093	4	STRAP-CABLE						
Y	2	1	9G-7641	1	SWITCH GP-START (ENGINE, KEY)						380
CY	3	1	319-4420	1	SWITCH GP-ROTARY (THROTTLE POSITION)						379
	4	1	170-9324	1	LAMP AS (24-VOLT, 3-WATT)						
	5	1	185-9208	1	KNOB AS (THROTTLE POSITION)						
	6	1	234-1156	1	COVER						
	7	1	234-1158	1	COVER						
	8	1	267-7976	1	PANEL						
C	9	1	328-0021	1	HARNESS AS-CONSOLE (RH)						
		1	102-8802	1	KIT-RECEPTACLE (2-PIN)						
					(INCLUDES RECEPTACLE AS & WEDGE)						
		1	3S-2093	3	STRAP-CABLE						
		1	7Y-3951	2	TERMINAL (FEMALE)						
		1	7Y-3952	1	CONNECTOR-PLUG						
		1	7Y-3962	1	TERMINAL (CONNECTOR)						
		1	7Y-3963	1	TERMINAL (RECEPTACLE)						
		1	8T-8737	3	PLUG-SEAL						
		1	121-1168	1	CONNECTOR-RECEPTACLE						
		1	121-1173	14	TERMINAL						
		1	9X-3402	7	SOCKET-CONNECTOR (16-GA TO 18-GA)						
					-OR-						
		1	126-1768	7	SOCKET-CONNECTOR (14-GA)						
		1	2L-8075	4	TERMINAL (14-GA TO 16-GA, NO. 8 SCREW)						
		1	153-2540	10	TERMINAL						
		1	153-2541	1	CONNECTOR-PLUG						
		1	155-2270	1	KIT-CONNECTING PLUG (2-PIN)						
					(INCLUDES PLUG AS, WEDGE, & INTERFACE SEAL)						
		1	230-5010	1	PLUG AS-CONNECTOR (6-PIN)						
		1	238-2366	7	TERMINAL						
	10	1	096-6166	4	WASHER-HARD (4.5X9X1-MM THK)						
	11	1	119-5026	4	SCREW-PAN HEAD (10-16X0.63-IN)						
M	12	1	6V-9491	4	SCREW-MACHINE (M4X0.7X20-MM)						

C-CHANGE FROM PREVIOUS TYPE
M-METRIC PART
Y-SEPARATE ILLUSTRATION

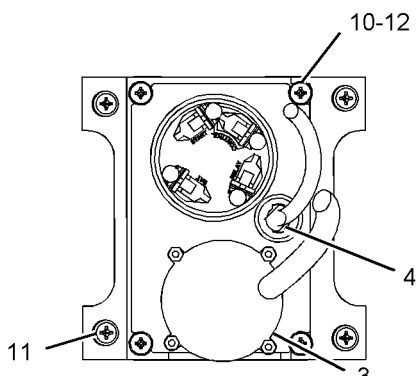
ELECTRICAL AND STARTING SYSTEM

251-0542 PANEL GP-SWITCH (contd.)

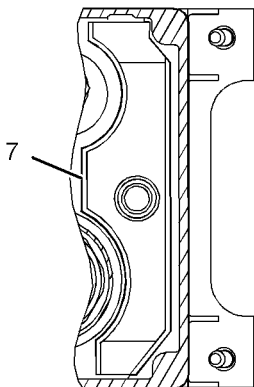
i03631049



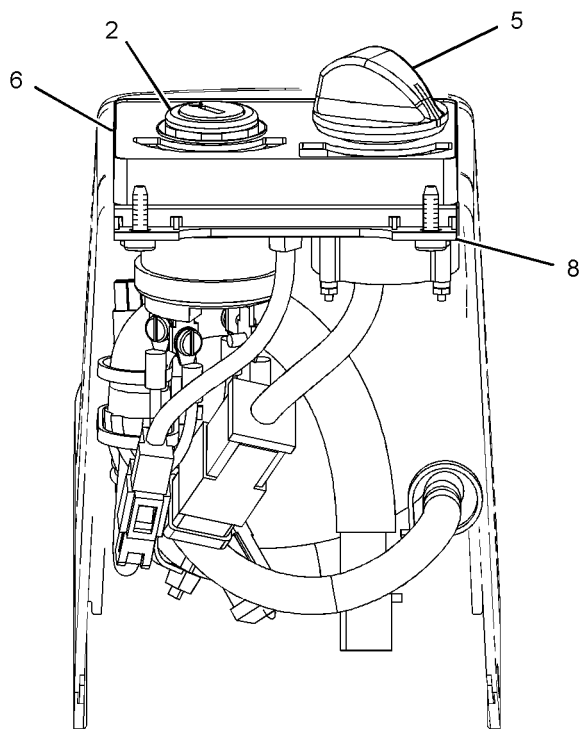
RIGHT SIDE VIEW



SECTION B-B



VIEW C-C



VIEW B-B

GRAPHIC #1

<END>

g01112022

ELECTRICAL AND STARTING SYSTEM

235-8200 PLUG GP-CONNECTOR- ENGINE HARNESS, PROTECTIVE COVER

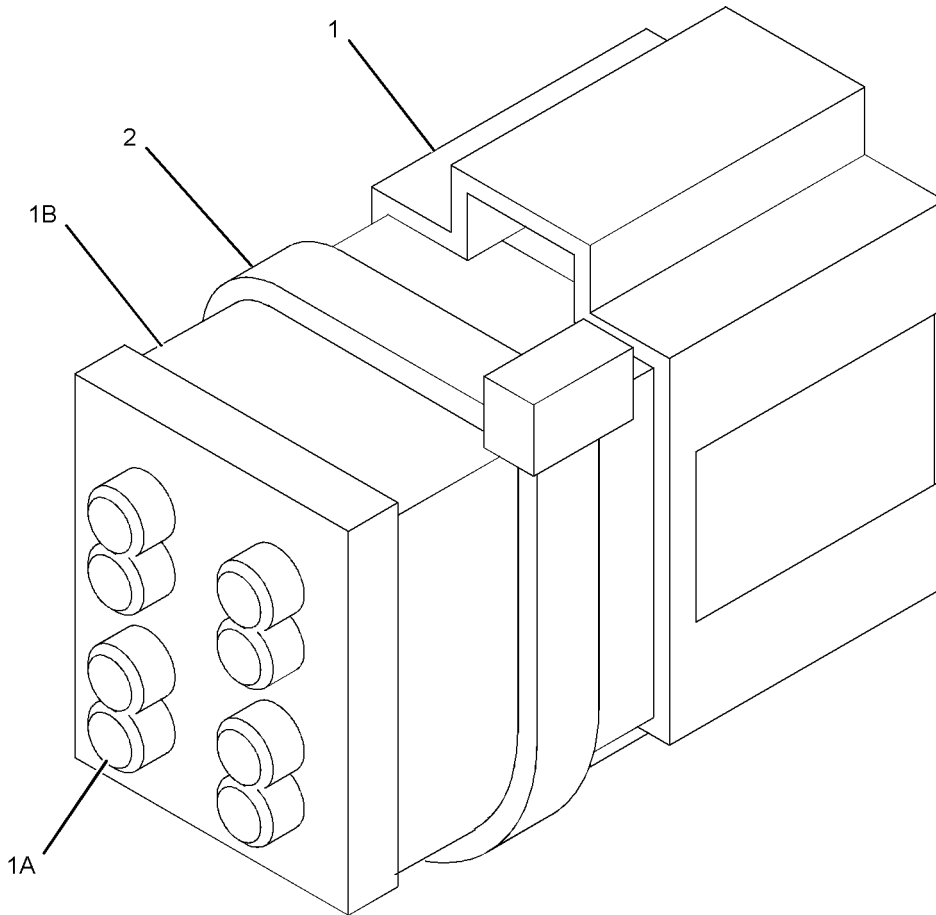
S/N: RHX1-UP

PART OF 257-4960, 286-9798 ENGINE AR-COMplete

SMCS-1403, 1408

i02951918

NOTE	REF NO	GRAPHIC REF	PART NUMBER	QTY	PART NAME						SEE PAGE
					1	2	3	4	5	6 (PRODUCT LEVEL)	
	1	1	246-9353	1	PLUG AS						
	1A	1	8T-8737	8	PLUG-SEAL						
	1B	1	102-8806	1	KIT-RECEPTACLE (8-PIN) (INCLUDES RECEPTACLE AS & WEDGE)						
	2	1	3S-2093	1	STRAP-CABLE						



GRAPHIC #1

<END>

g01105455

ELECTRICAL AND STARTING SYSTEM

260-2192 SENSOR AS-PRESSURE

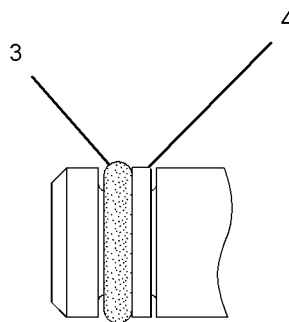
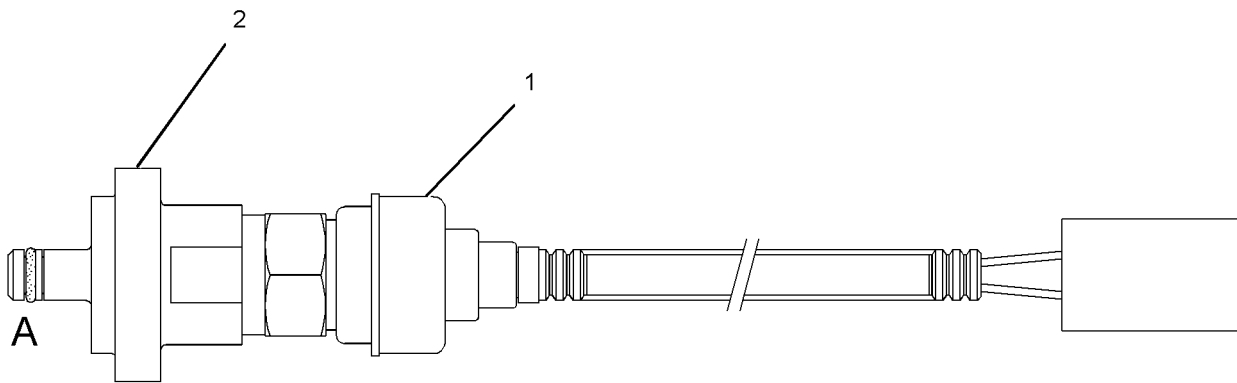
S/N: MMA246

PART OF 227-0371 LINES GP-PILOT

SMCS-1408

i03611080

NOTE	REF NO	GRAPHIC REF	PART NUMBER	QTY	PART NAME						SEE PAGE
					1	2	3	4	5	6 (PRODUCT LEVEL)	
1	1	1	221-8859	1	SENSOR AS-PRESSURE (OVERLOAD WARNING)						
		1	102-8803	1	KIT-RECEPTACLE (3-PIN) (INCLUDES RECEPTACLE AS & WEDGE)						
		1	3K-0360	1	SEAL-O-RING						
		1	144-1636	3	PIN-CONNECTOR (14-GA TO 18-GA)						
		1	171-0596	1	RECEPTACLE AS						
2	1	1	259-7729	1	ADAPTER						
3	1	1	260-2191	1	SEAL-O-RING						
4	1	1	095-1777	1	RING-BACKUP						



VIEW OF AREA A

GRAPHIC #1

<END>

g01177827

ELECTRICAL AND STARTING SYSTEM

231-1973 SENSOR GP-ENGINE

S/N: RHX1-1584

PART OF 257-4960, 286-9798 ENGINE AR-COMplete

SMCS-1000, 1906, 1907, 1924, 7422

i02103129

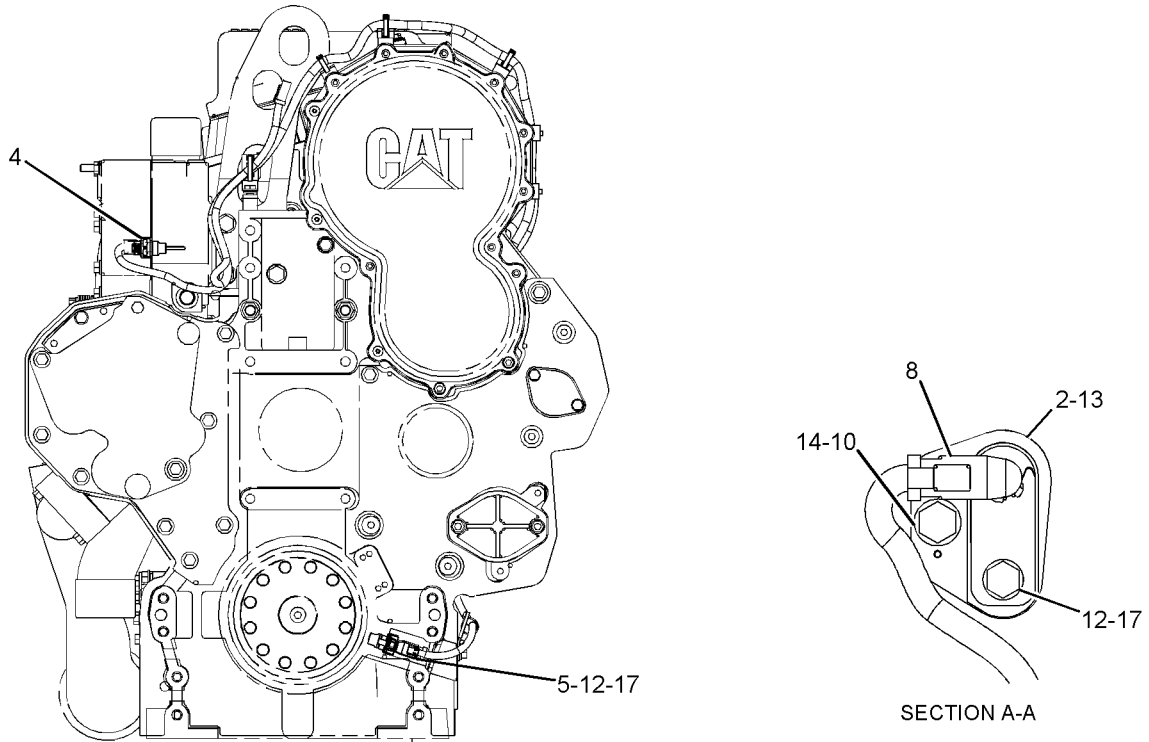
NOTE	REF NO	GRAPHIC REF	PART NUMBER	QTY	PART NAME						SEE PAGE
					1	2	3	4	5	6 (PRODUCT LEVEL)	
	1	1	9X-0262	1	ADAPTER						
	2	1	132-9770	1	SPACER AS						
		1	1W-6448	2	DOWEL						
Y	3	1	<i>197-8391</i>	1	SENSOR GP-TEMPERATURE (INTAKE AIR MANIFOLD)						349
Y	4	1	<i>197-8392</i>	1	SENSOR GP-TEMPERATURE (WATER/COOLANT)						350
Y	5	1	<i>214-2484</i>	1	SENSOR GP-SPEED (TIMING) (CRANKSHAFT)						347
Y	6	1	<i>239-2395</i>	1	SENSOR GP-PRESSURE (ATMOSPHERIC)						339
Y	7	1	<i>239-2396</i>	1	SENSOR GP-PRESSURE (ENGINE OIL)						340
Y	8	1	<i>239-5928</i>	1	SENSOR GP-SPEED (TIMING) (CAMSHAFT)						348
	9	1	241-6186	1	ELBOW						
	10	1	0S-1591	1	BOLT (3/8-16X1.5-IN)						
Y	11	1	<i>239-5674</i>	1	SENSOR GP-PRESSURE (INTAKE AIR MANIFOLD)						342
	12	1	2H-3755	2	BOLT (5/16-18X0.43-IN)						
	13	1	3P-1155	1	SEAL-O-RING						
	14	1	5M-2894	1	WASHER-HARD (10.2X18.5X2.5-MM THK)						
	15	1	6V-5048	1	SEAL-O-RING						
	16	1	6V-5049	1	SEAL-O-RING						
	17	1	9M-1974	2	WASHER-HARD (8.8X16X2-MM THK)						

Y-SEPARATE ILLUSTRATION

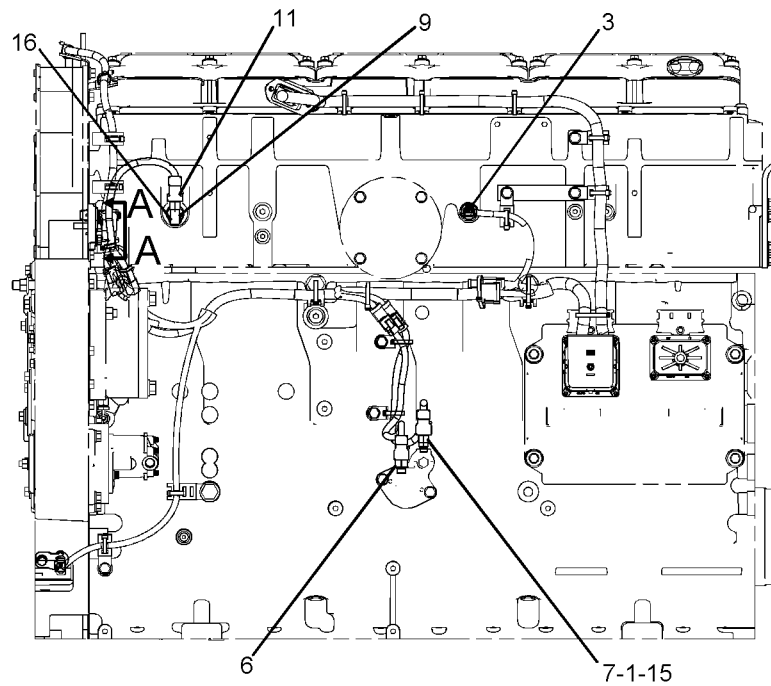
ELECTRICAL AND STARTING SYSTEM

231-1973 SENSOR GP-ENGINE (contd.)

i02103129



FRONT VIEW



LEFT SIDE VIEW

<END>

GRAPHIC #1

g01055021

ELECTRICAL AND STARTING SYSTEM

231-1973 SENSOR GP-ENGINE

S/N: RHX1585-UP

PART OF 257-4960, 286-9798 ENGINE AR-COMplete

SMCS-1000, 1906, 1907, 1924, 7422

i02379233

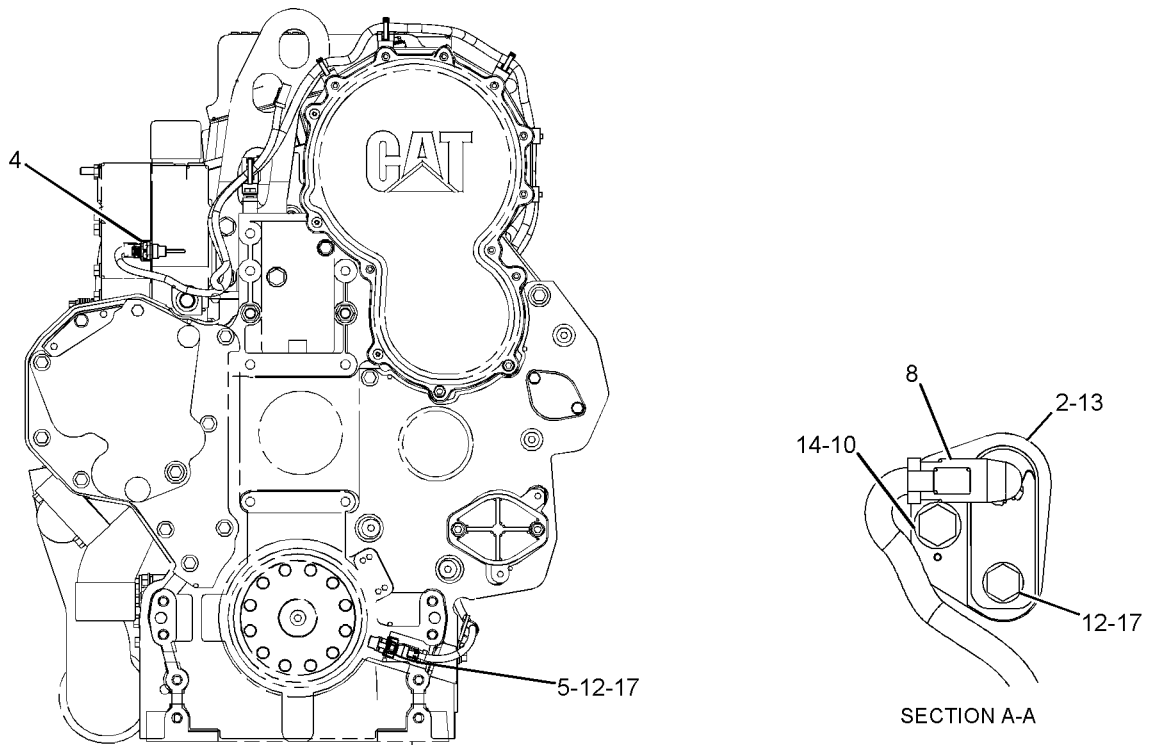
NOTE	REF NO	GRAPHIC REF	PART NUMBER	QTY	PART NAME						SEE PAGE
					1	2	3	4	5	6 (PRODUCT LEVEL)	
	1	1	9X-0262	1	ADAPTER						
	2	1	132-9770	1	SPACER AS						
		1	1W-6448	2	DOWEL						
Y	3	1	274-7395	1	SENSOR GP-TEMPERATURE (INTAKE AIR MANIFOLD)						351
Y	4	1	274-7396	1	SENSOR GP-TEMPERATURE (WATER, COOLANT)						352
Y	5	1	214-2484	1	SENSOR GP-SPEED (TIMING, CRANKSHAFT)						347
Y	6	1	239-2395	1	SENSOR GP-PRESSURE (ATMOSPHERIC)						339
Y	7	1	239-2396	1	SENSOR GP-PRESSURE (ENGINE OIL)						340
Y	8	1	239-5928	1	SENSOR GP-SPEED (TIMING, CAMSHAFT)						348
	9	1	241-6186	1	ELBOW						
	10	1	0S-1591	1	BOLT (3/8-16X1.5-IN)						
Y	11	1	239-5674	1	SENSOR GP-PRESSURE (INTAKE AIR MANIFOLD)						342
	12	1	2H-3755	2	BOLT (5/16-18X0.43-IN)						
	13	1	3P-1155	1	SEAL-O-RING						
	14	1	5M-2894	1	WASHER-HARD (10.2X18.5X2.5-MM THK)						
	15	1	6V-5048	1	SEAL-O-RING						
	16	1	6V-5049	1	SEAL-O-RING						
	17	1	9M-1974	2	WASHER-HARD (8.8X16X2-MM THK)						

Y-SEPARATE ILLUSTRATION

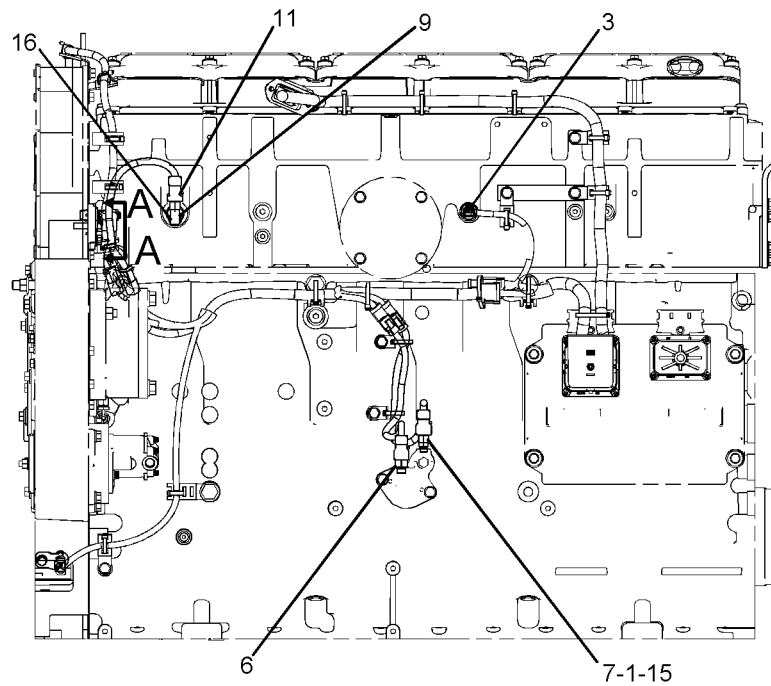
ELECTRICAL AND STARTING SYSTEM

231-1973 SENSOR GP-ENGINE (contd.)

i02379233



FRONT VIEW



LEFT SIDE VIEW

<END>

GRAPHIC #1

g01055021

ELECTRICAL AND STARTING SYSTEM

239-6472 SENSOR GP-FUEL LEVEL-WATER IN FUEL

S/N: MMA1-UP

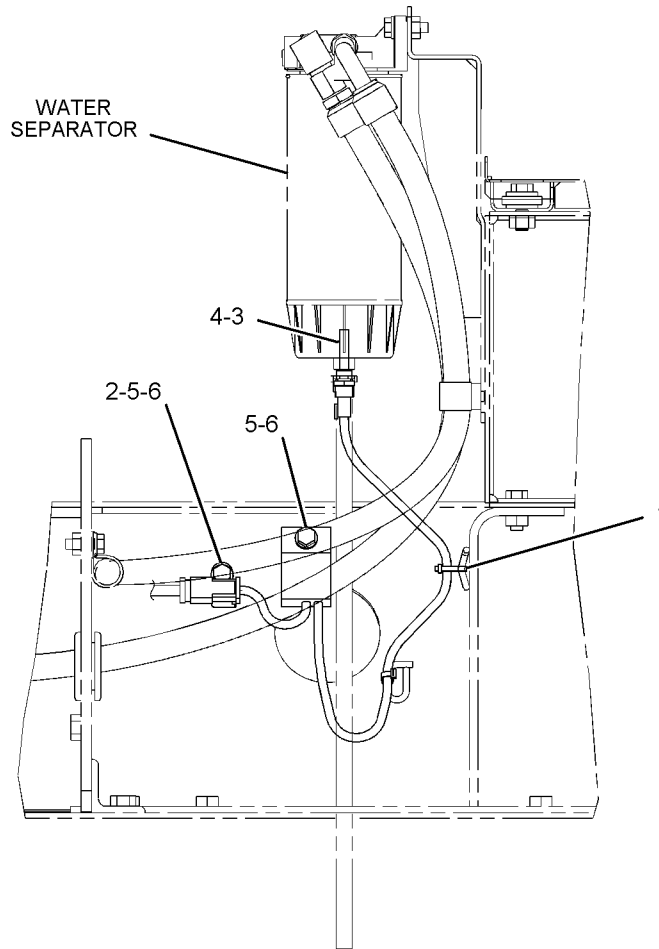
PART OF 265-7172, 265-7175 CONVERSION AR
AN ATTACHMENT

SMCS-7422, 7481

i02115206

NOTE	REF NO	GRAPHIC REF	PART NUMBER	QTY	PART NAME						SEE PAGE
					1	2	3	4	5	6 (PRODUCT LEVEL)	
	1	1	096-0061	2	STRAP - CABLE						
	2	1	116-0118	1	CLIP						
Y	3	1	178-2345	1	SENSOR GP-LIQUID LEVEL (WATER IN FUEL)						336
	4	1	6V-5049	1	SEAL-O-RING						
	5	1	8T-4121	2	WASHER-HARD (11X21X2.5-MM THK)						
M	6	1	8T-4137	2	BOLT (M10X1.5X20-MM)						

M-METRIC PART
Y-SEPARATE ILLUSTRATION



LEFT SIDE VIEW

<END>

GRAPHIC #1

g01085473

ELECTRICAL AND STARTING SYSTEM

178-2345 SENSOR GP-LIQUID LEVEL

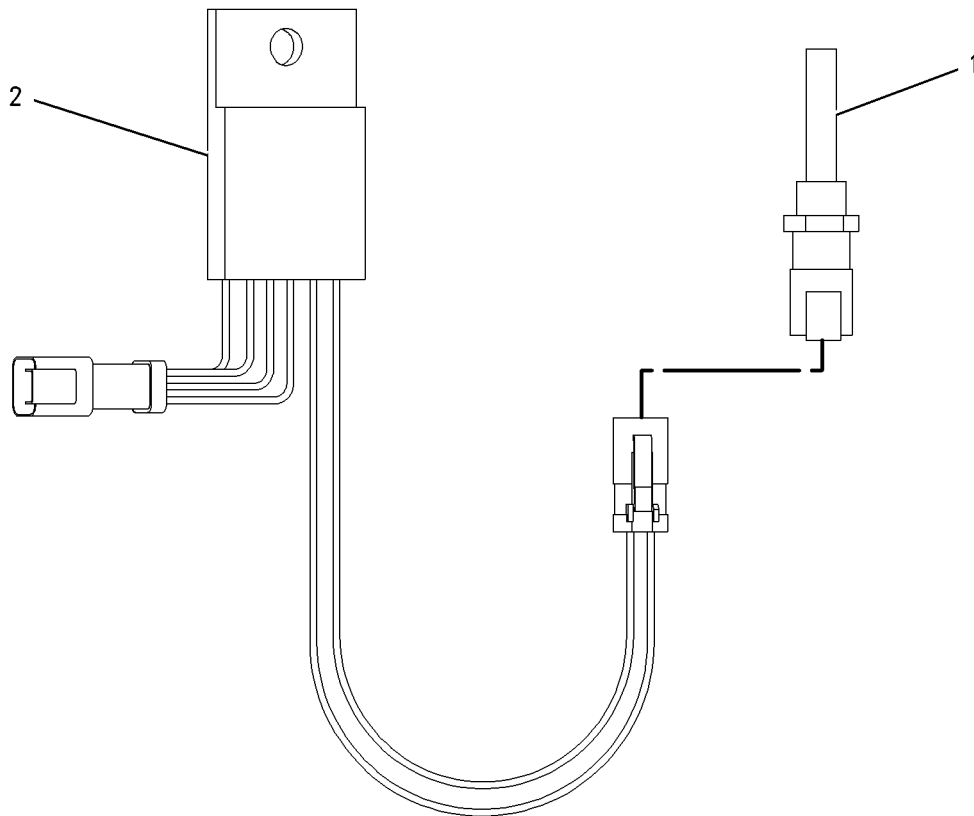
S/N: MMA1-UP

PART OF 239-6472 SENSOR GP-FUEL LEVEL
AN ATTACHMENT

SMCS-7422

i03202240

NOTE	REF NO	GRAPHIC REF	PART NUMBER	QTY	PART NAME						SEE PAGE
					1	2	3	4	5	6 (PRODUCT LEVEL)	
1	1	1	178-2334	1	PROBE AS-LIQUID LEVEL (WATER IN FUEL)						
		1	3J-1907	1	SEAL-O-RING						
2	1	1	178-2335	1	SENSOR AS-LIQUID LEVEL (WATER IN FUEL)						
		1	102-8804	1	KIT-RECEPTACLE (4-PIN) (INCLUDES RECEPTACLE AS & WEDGE)						
		1	155-2270	1	KIT-CONNECTING PLUG (2-PIN) (INCLUDES PLUG AS, WEDGE & INTERFACE SEAL)						
	1		186-3735	4	PIN-CONNECTOR (16-GA TO 18-GA)						
	1		186-3736	2	SOCKET-CONNECTOR (16-GA TO 18-GA)						



GRAPHIC #1

<END>

g00816289

ELECTRICAL AND STARTING SYSTEM

194-6722 SENSOR GP-PRESSURE

S/N: RHX1-UP

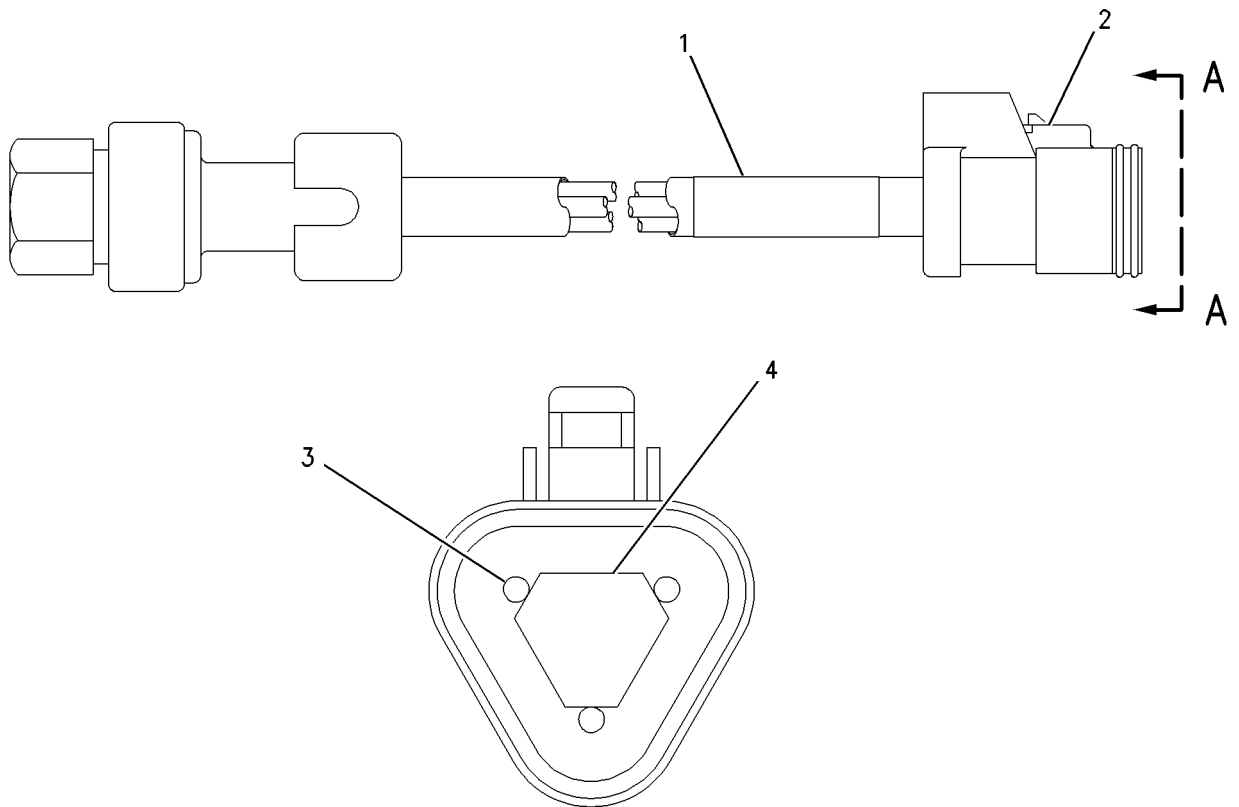
PART OF 239-2395 SENSOR GP-PRESSURE

SMCS-1439, 1916, 1917, 1923, 1924

i03579871

NOTE	REF NO	GRAPHIC REF	PART NUMBER	QTY	PART NAME						SEE PAGE
					1	2	3	4	5	6 (PRODUCT LEVEL)	
E	1	1	9X-1813		SLEEVE (34-CM)						
	2	1	155-2260	1	KIT-CONNECTING PLUG (3-PIN) (INCLUDES PLUG AS & WEDGE)						
	3	1	<i>180-9340</i>	3	SOCKET-CONNECTOR (14-GA TO 18-GA)						
	4	1	3E-3368	1	WEDGE-PLUG LOCK (3-PIN)						

E-ORDER BY THE CENTIMETER



VIEW A-A

GRAPHIC #1

<END>

g00851220

ELECTRICAL AND STARTING SYSTEM

194-6725 SENSOR GP-PRESSURE

S/N: RHX1-UP

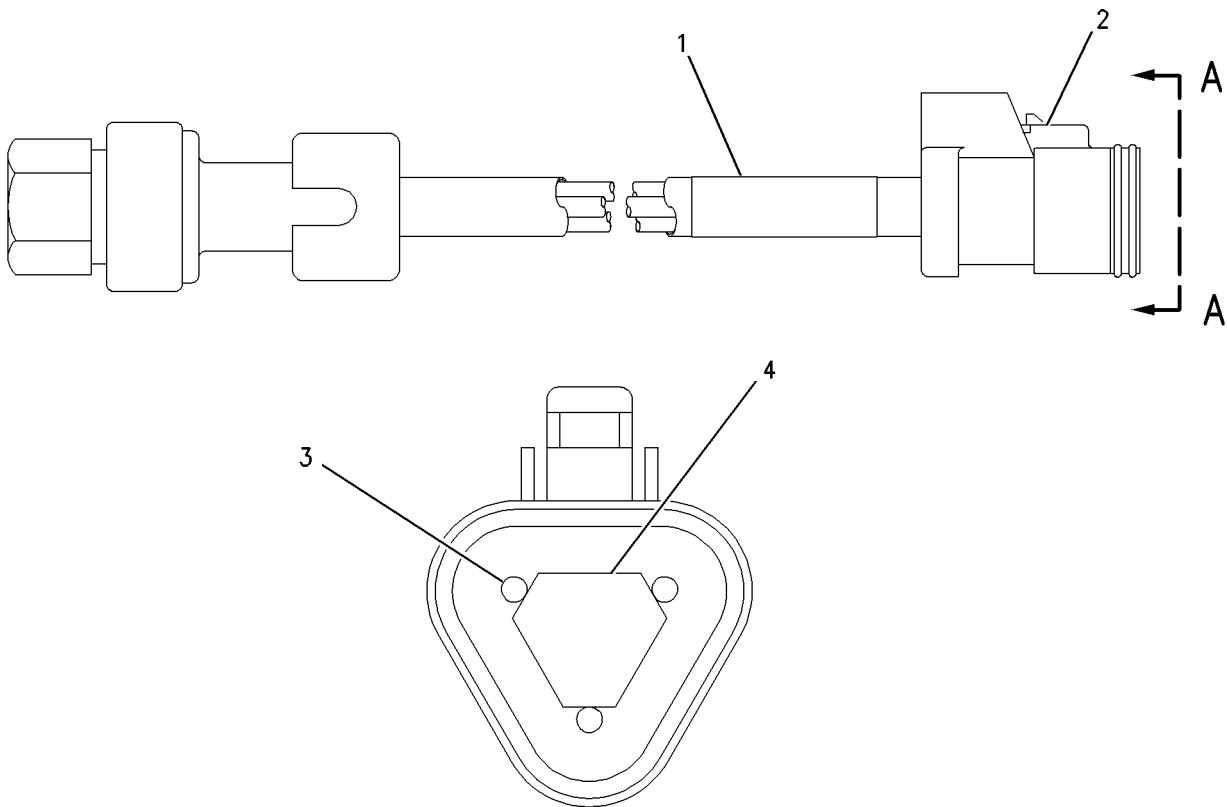
PART OF 239-2396 SENSOR GP-PRESSURE

SMCS-1439, 1916, 1917, 1923, 1924

i03579874

NOTE	REF NO	GRAPHIC REF	PART NUMBER	QTY	PART NAME						SEE PAGE
					1	2	3	4	5	6 (PRODUCT LEVEL)	
E	1	1	9X-1813		SLEEVE (34-CM)						
	2	1	155-2260	1	KIT-CONNECTING PLUG (3-PIN) (INCLUDES PLUG AS & WEDGE)						
	3	1	180-9340	3	SOCKET-CONNECTOR (14-GA TO 18-GA)						
	4	1	3E-3368	1	WEDGE-PLUG LOCK (3-PIN)						

E-ORDER BY THE CENTIMETER



VIEW A-A

GRAPHIC #1

<END>

g00851220

ELECTRICAL AND STARTING SYSTEM

239-2395 SENSOR GP-PRESSURE

S/N: RHX1-UP

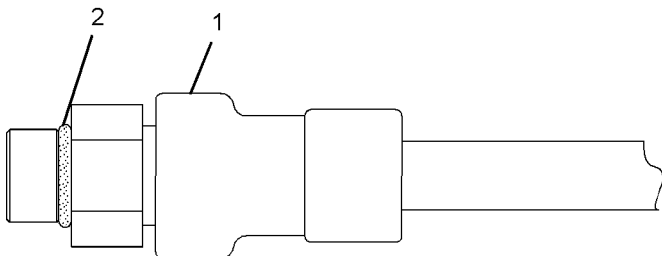
PART OF 231-1973 SENSOR GP-ENGINE

SMCS-1439, 1916, 1917, 1923, 1924

i02799352

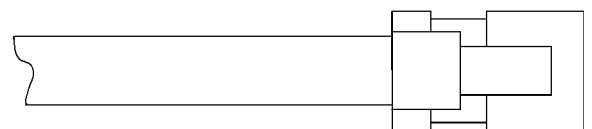
NOTE	REF NO	GRAPHIC REF	PART NUMBER	QTY	PART NAME						SEE PAGE
					1	2	3	4	5	6 (PRODUCT LEVEL)	
Y	1	1	194-6722	1	SENSOR GP-PRESSURE						337
	2	1	6V-5049	1	SEAL-O-RING						

Y-SEPARATE ILLUSTRATION



GRAPHIC #1

<END>



g01019702

ELECTRICAL AND STARTING SYSTEM

239-2396 SENSOR GP-PRESSURE

S/N: RHX1-UP

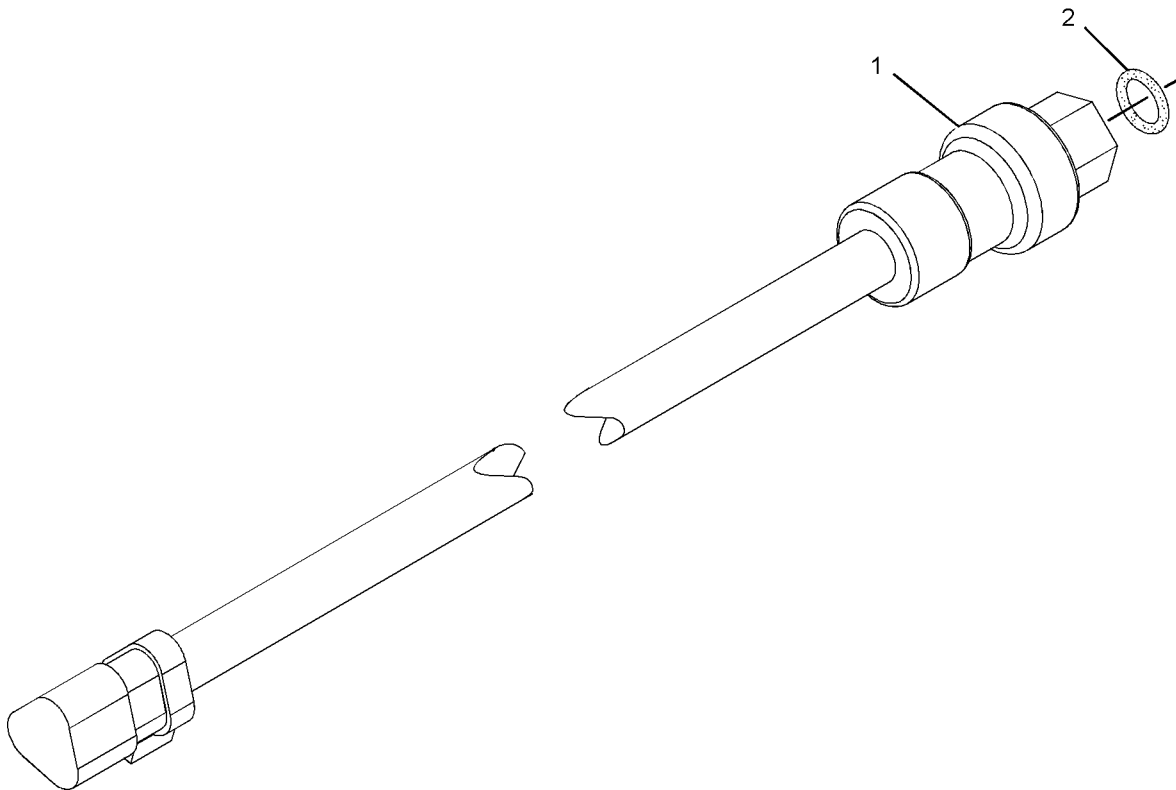
PART OF 246-2659 FILTER GP-FUEL, 231-1973 SENSOR GP-ENGINE

SMCS-1439, 1916, 1917, 1923, 1924

i02799351

NOTE	REF NO	GRAPHIC REF	PART NUMBER	QTY	PART NAME						SEE PAGE
					1	2	3	4	5	6 (PRODUCT LEVEL)	
Y	1	1	194-6725	1	SENSOR GP-PRESSURE						338
	2	1	6V-5048	1	SEAL-O-RING						

Y-SEPARATE ILLUSTRATION



GRAPHIC #1

<END>

g01057563

ELECTRICAL AND STARTING SYSTEM

239-3478 SENSOR GP-PRESSURE

S/N: RHX1-UP

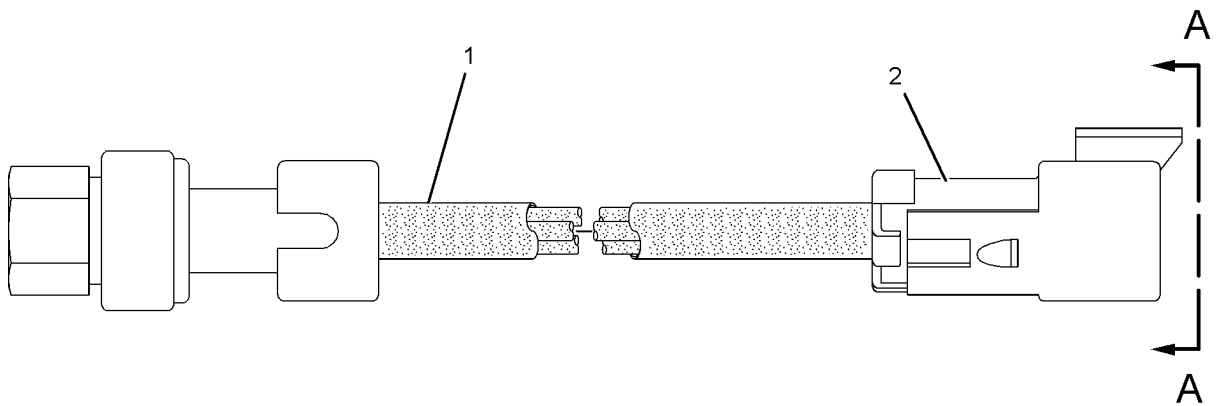
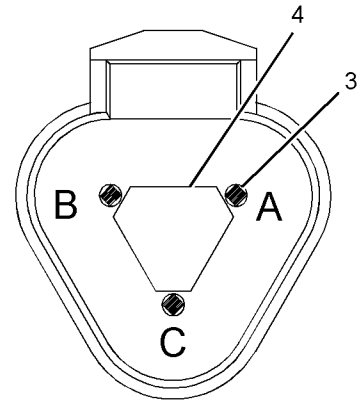
PART OF 239-5674 SENSOR GP-PRESSURE

SMCS-1439, 1916, 1917, 1923, 1924

i03330528

NOTE	REF NO	GRAPHIC REF	PART NUMBER	QTY	PART NAME						SEE PAGE
					1	2	3	4	5	6 (PRODUCT LEVEL)	
BE	1	1	9X-1813		SLEEVE (34-CM)						
	2	1	102-8803	1	KIT-RECEPTACLE (3-PIN) (INCLUDES RECEPTACLE AS & WEDGE)						
	3	1	180-9339	3	PIN-CONNECTOR (14-GA TO 18-GA)						
	4	1	3E-3371	1	WEDGE-RECEPTACLE LOCK (3-PIN)						

B-USE AS REQUIRED
E-ORDER BY THE CENTIMETER



GRAPHIC #1

<END>

g01019421

ELECTRICAL AND STARTING SYSTEM

239-5674 SENSOR GP-PRESSURE

S/N: RHX1-UP

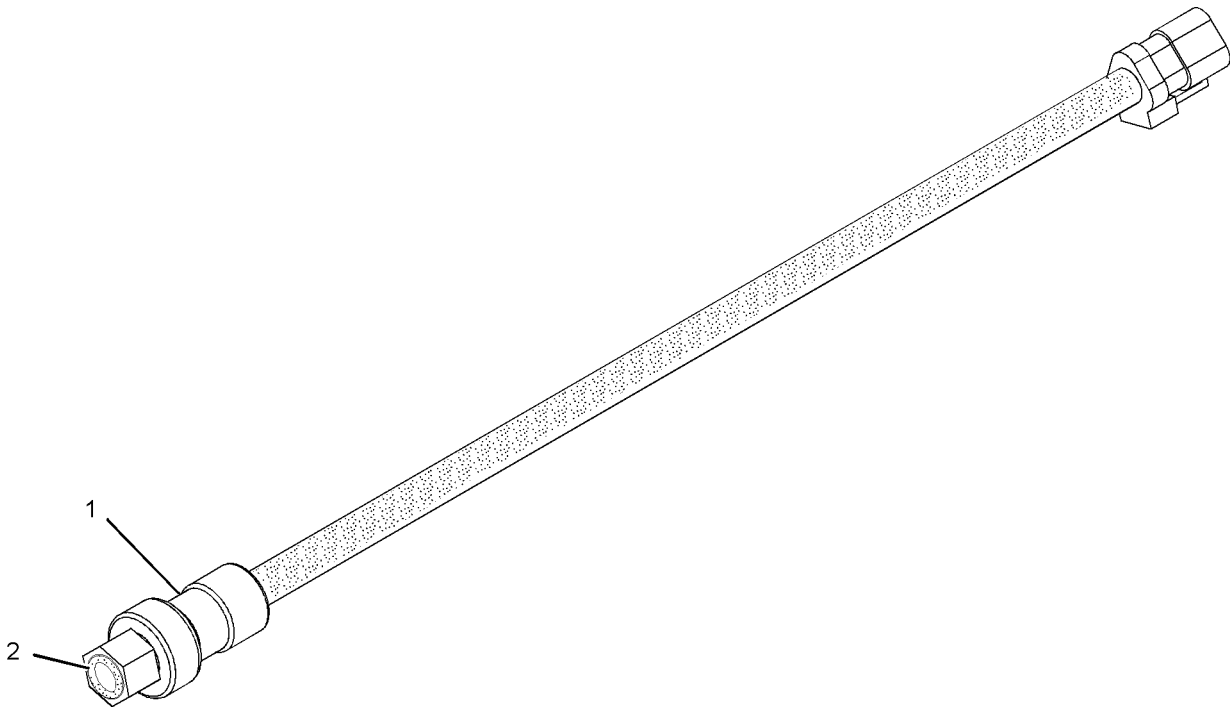
PART OF 231-1973 SENSOR GP-ENGINE

SMCS-1439, 1916, 1917, 1923, 1924

i02438890

NOTE	REF NO	GRAPHIC REF	PART NUMBER	QTY	PART NAME						SEE PAGE
					1	2	3	4	5	6 (PRODUCT LEVEL)	
Y	1	1	239-3478	1	SENSOR GP-PRESSURE						341
	2	1	6V-5048	1	SEAL-O-RING						

Y-SEPARATE ILLUSTRATION



GRAPHIC #1

<END>

g01019323

ELECTRICAL AND STARTING SYSTEM

171-8963 SENSOR GP-SPEED

S/N: RHX1-UP

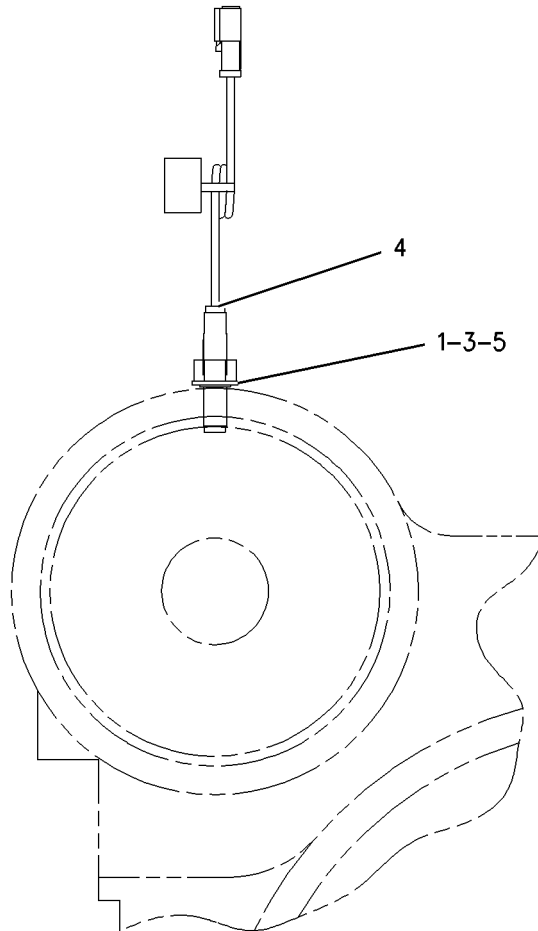
PART OF 257-4960, 286-9798 ENGINE AR-COMplete

SMCS-1907, 1912, 4803, 7493

i01833134

NOTE	REF NO	GRAPHIC REF	PART NUMBER	QTY	PART NAME						SEE PAGE
					1	2	3	4	5	6 (PRODUCT LEVEL)	
	1	1	1V-6341	1	SEAL						
	3	1	6B-6683	1	NUT (5/8-18-THD)						
Y	4	1	189-5746	1	SENSOR GP-SPEED (ENGINE)						345
	5	1	5P-8247	1	WASHER-HARD (17X32X3.5-MM THK)						

Y-SEPARATE ILLUSTRATION



REAR VIEW

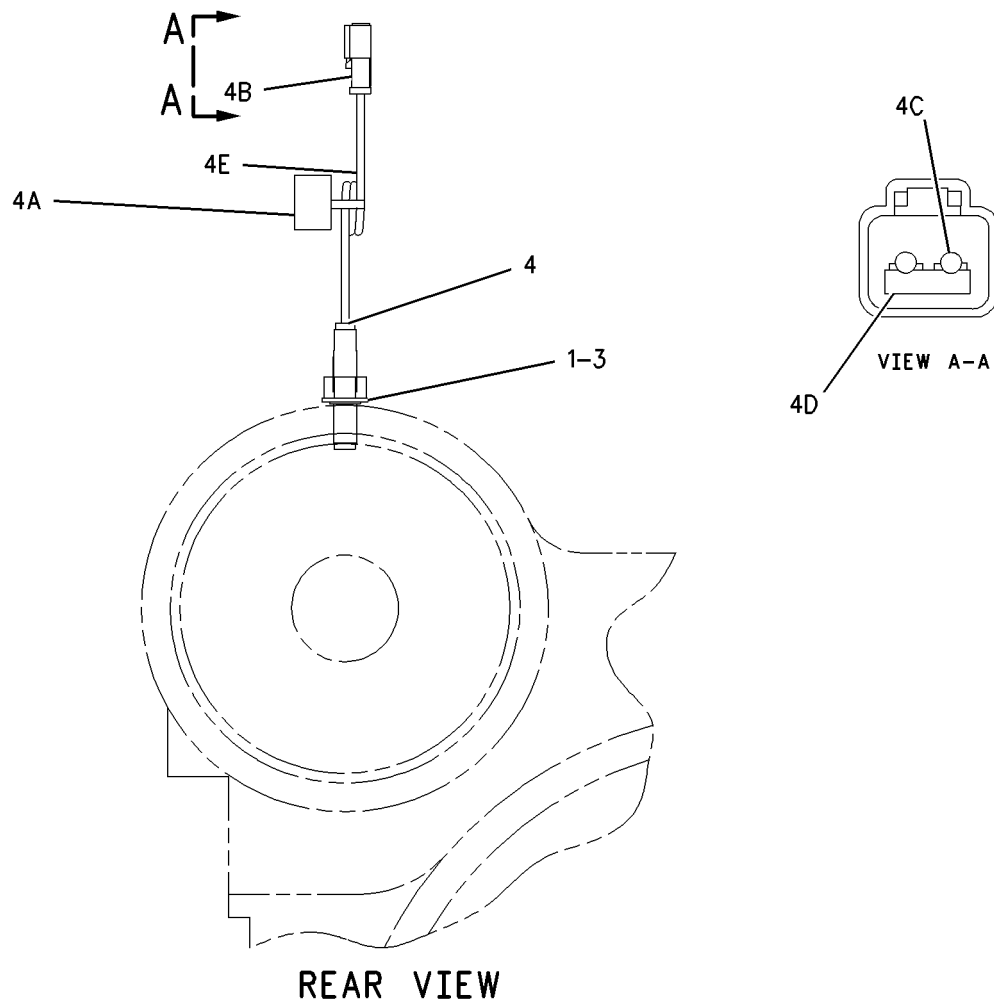
GRAPHIC #1

g00936444

ELECTRICAL AND STARTING SYSTEM

171-8963 SENSOR GP-SPEED (contd.)

i01833134



GRAPHIC #2

<END>

g00790511

ELECTRICAL AND STARTING SYSTEM

189-5746 SENSOR GP-SPEED

S/N: RHX1-UP

MAGNETIC (LOW OUTPUT)

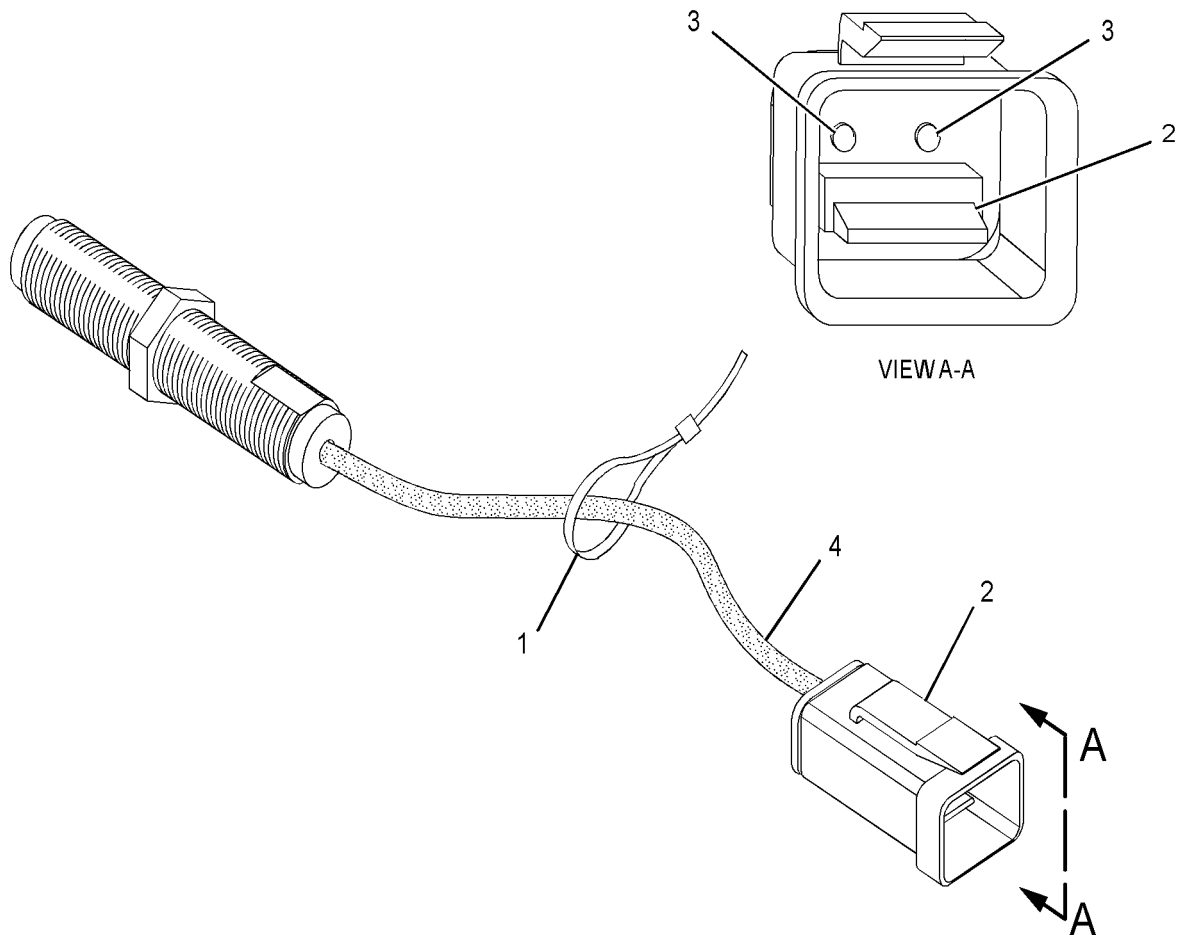
PART OF 171-8963 SENSOR GP-SPEED

SMCS-1907, 1912, 4803, 7493

i03286575

NOTE	REF NO	GRAPHIC REF	PART NUMBER	QTY	PART NAME						SEE PAGE
					1	2	3	4	5	6 (PRODUCT LEVEL)	
	1	1	171-5349	1	STRAP-MARKER						
	2	1	102-8802	1	KIT-RECEPTACLE (2-PIN) (INCLUDES RECEPTACLE AS & WEDGE)						
	3	1	9X-3401	2	PIN-CONNECTOR (16-GA TO 18-GA) -OR-						
		1	126-1767	2	PIN-CONNECTOR (14-GA)						
E	4	1	9X-1386		SLEEVE (14-CM)						

E-ORDER BY THE CENTIMETER



GRAPHIC #1

<END>

g01353977

ELECTRICAL AND STARTING SYSTEM

201-6617 SENSOR GP-SPEED

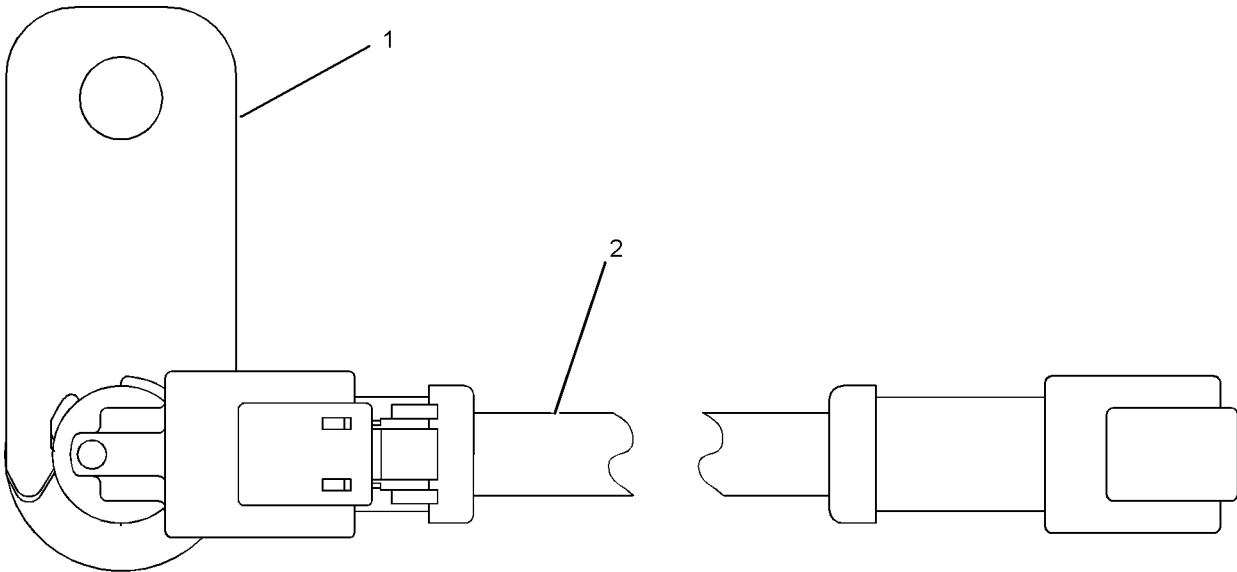
S/N: RHX1-UP

PART OF 239-5928 SENSOR GP-SPEED

SMCS-1907, 1912, 4803, 7493

i02103122

NOTE	REF NO	GRAPHIC REF	PART NUMBER	QTY	PART NAME						SEE PAGE
					1	2	3	4	5	6 (PRODUCT LEVEL)	
	1	1	133-0261	1	BRACKET						
	2	1	189-0852	1	HARNESS AS-WIRING						
		1	102-8802	1	KIT-RECEPTACLE (2-PIN)						
					(INCLUDES RECEPTACLE AS AND WEDGE)						
		1	155-2270	1	KIT-CONNECTING PLUG (2-PIN)						
					(INCLUDES PLUG AS AND WEDGE)						



GRAPHIC #1

<END>

g01071396

ELECTRICAL AND STARTING SYSTEM

214-2484 SENSOR GP-SPEED

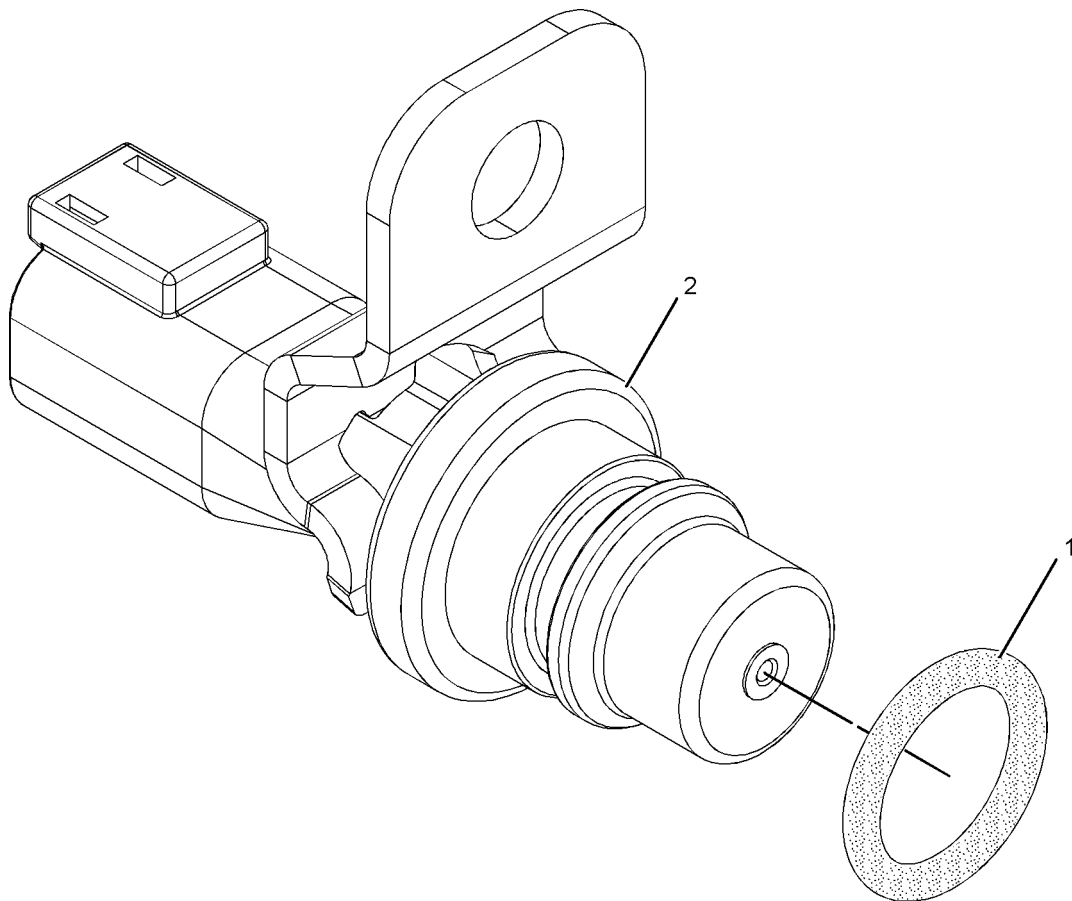
S/N: RHX1-UP

PART OF 231-1973 SENSOR GP-ENGINE

SMCS-1907, 1912, 4803, 7493

i03319929

NOTE	REF NO	GRAPHIC REF	PART NUMBER	QTY	PART NAME						SEE PAGE
					1	2	3	4	5	6 (PRODUCT LEVEL)	
	1	1	228-4947	1	SEAL-O-RING						
	2	1	191-8303	1	SENSOR GP-SPEED						
		1	137-6645	1	PAD (CONNECTOR)						



GRAPHIC #1

<END>

g01021497

ELECTRICAL AND STARTING SYSTEM

239-5928 SENSOR GP-SPEED

S/N: RHX1-UP

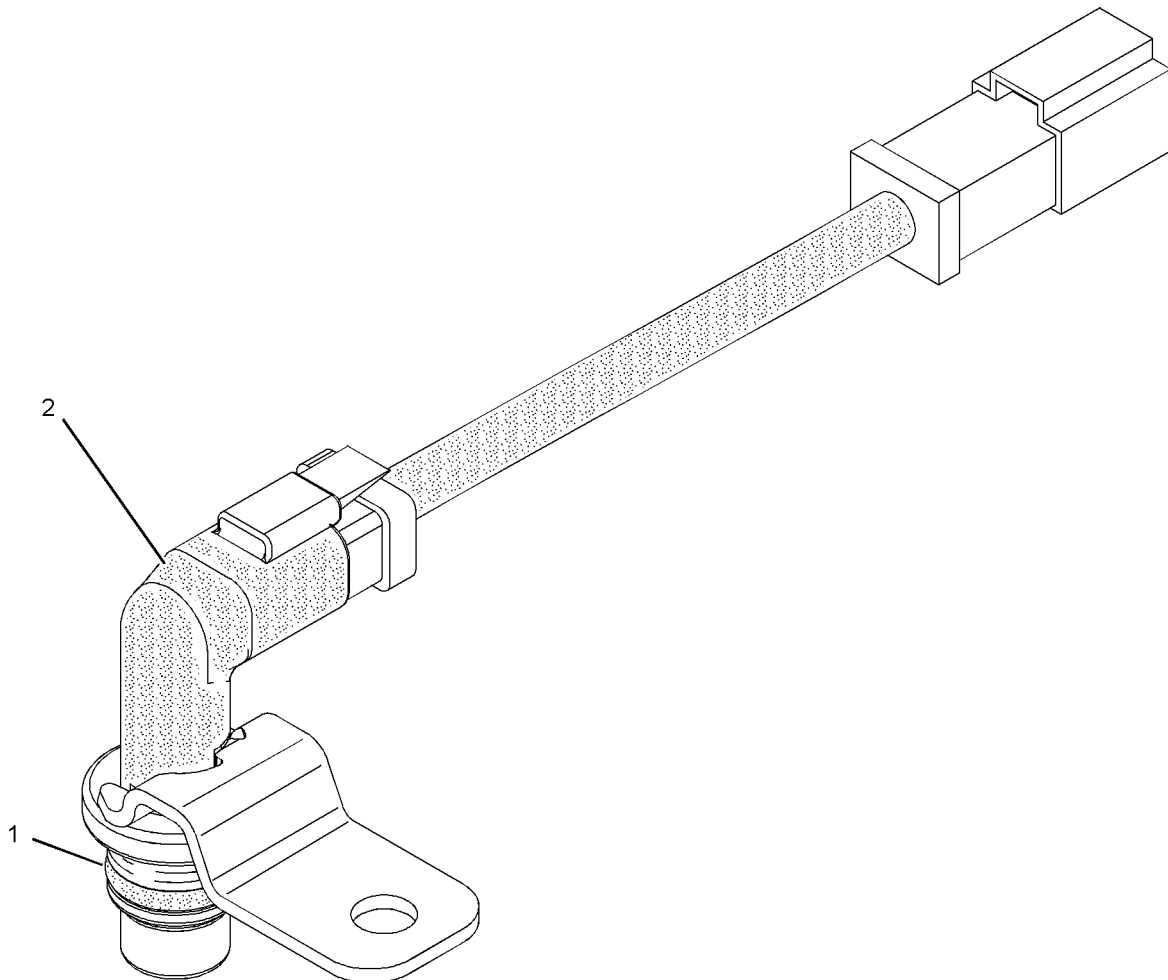
PART OF 231-1973 SENSOR GP-ENGINE

SMCS-1907, 1912, 4803, 7493

i02799357

NOTE	REF NO	GRAPHIC REF	PART NUMBER	QTY	PART NAME						SEE PAGE
					1	2	3	4	5	6 (PRODUCT LEVEL)	
	1	1	228-4947	1	SEAL-O-RING						
Y	2	1	201-6617	1	SENSOR GP-SPEED						346

Y-SEPARATE ILLUSTRATION



GRAPHIC #1

<END>

g01019337

ELECTRICAL AND STARTING SYSTEM

197-8391 SENSOR GP-TEMPERATURE

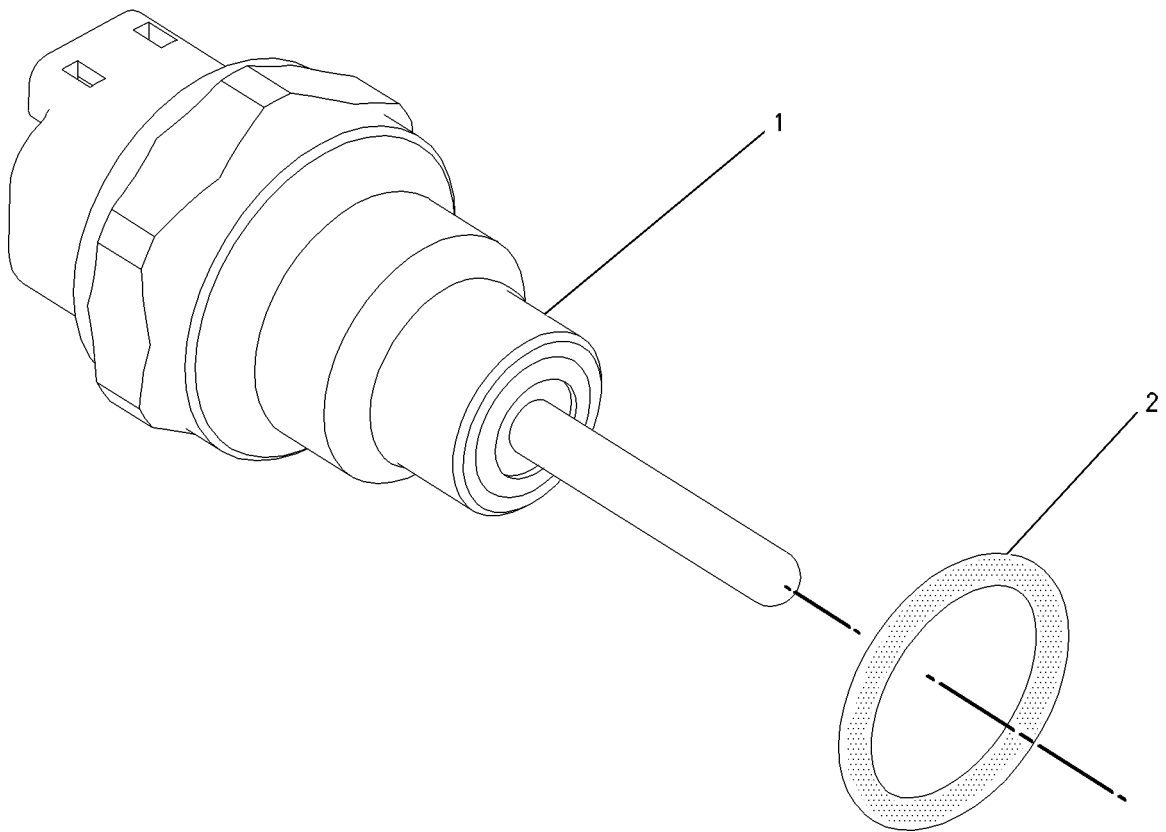
S/N: RHX1-1584

PART OF 231-1973 SENSOR GP-ENGINE

SMCS-1906, 1921, 1922, 1928, 1929, 3290, 7344

i03631293

NOTE	REF NO	GRAPHIC REF	PART NUMBER	QTY	PART NAME						SEE PAGE
					1	2	3	4	5	6 (PRODUCT LEVEL)	
	1	1	130-9811	1	SENSOR GP-TEMPERATURE (FUEL)						
		1	137-6645	1	PAD						
	2	1	8L-2786	1	SEAL-O-RING						



GRAPHIC #1

<END>

g00856011

ELECTRICAL AND STARTING SYSTEM

197-8392 SENSOR GP-TEMPERATURE

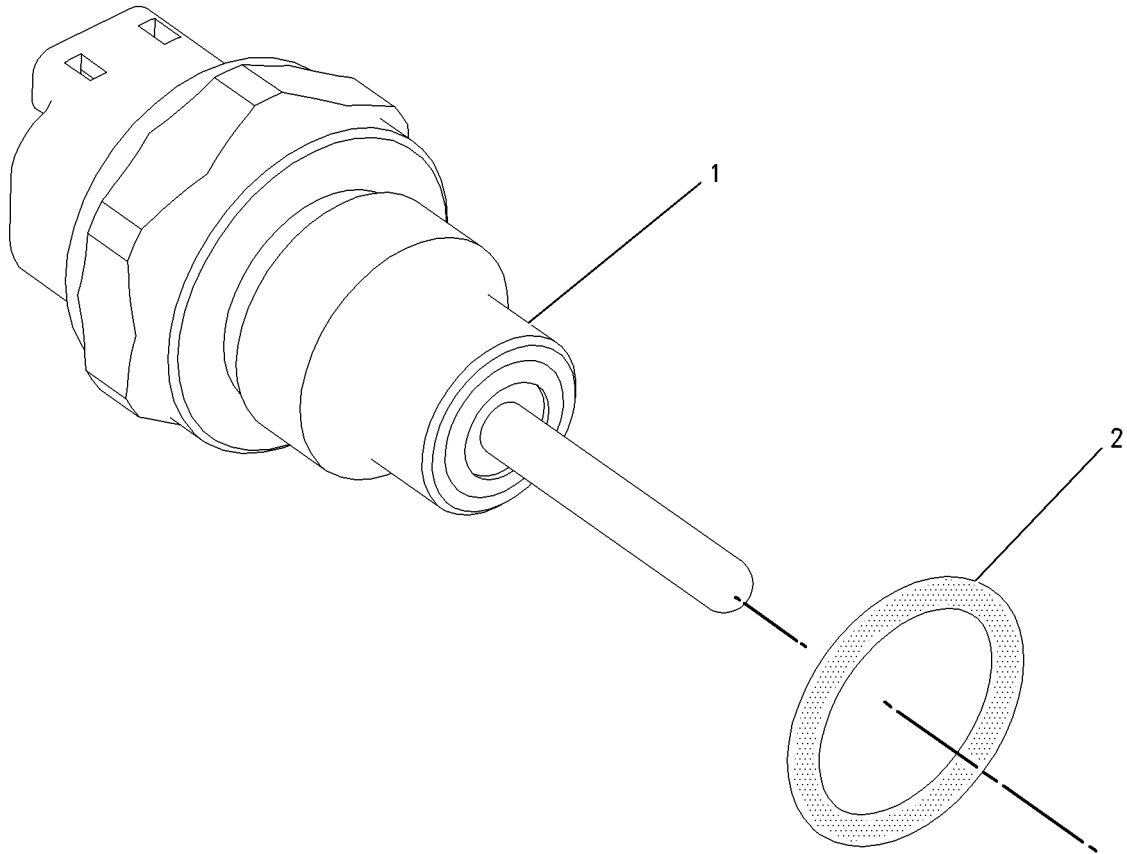
S/N: RHX1-1584

PART OF 231-1973 SENSOR GP-ENGINE

SMCS-1906, 1921, 1922, 1928, 1929, 3290, 7344

i02266451

NOTE	REF NO	GRAPHIC REF	PART NUMBER	QTY	PART NAME						SEE PAGE
					1	2	3	4	5	6 (PRODUCT LEVEL)	
	1	1	130-9811	1	SENSOR GP-TEMPERATURE						
	2	1	6V-6609	1	SEAL-O-RING						



GRAPHIC #1

<END>

g00856005

ELECTRICAL AND STARTING SYSTEM

274-7395 SENSOR GP-TEMPERATURE

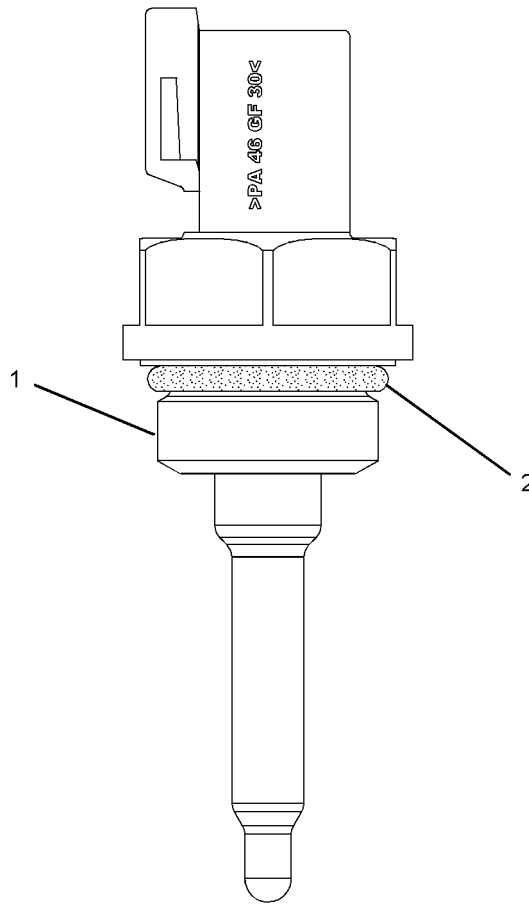
S/N: RHX1585-UP

PART OF 231-1973 SENSOR GP-ENGINE

SMCS-1906, 1921, 1922, 1928, 1929, 3290, 7344

i02515124

NOTE	REF NO	GRAPHIC REF	PART NUMBER	QTY	PART NAME						SEE PAGE
					1	2	3	4	5	6 (PRODUCT LEVEL)	
	1		264-4297	1	SENSOR GP-TEMPERATURE						
	2	1	8L-2786	1	SEAL-O-RING						



GRAPHIC #1

<END>

g01193032

ELECTRICAL AND STARTING SYSTEM

274-7396 SENSOR GP-TEMPERATURE

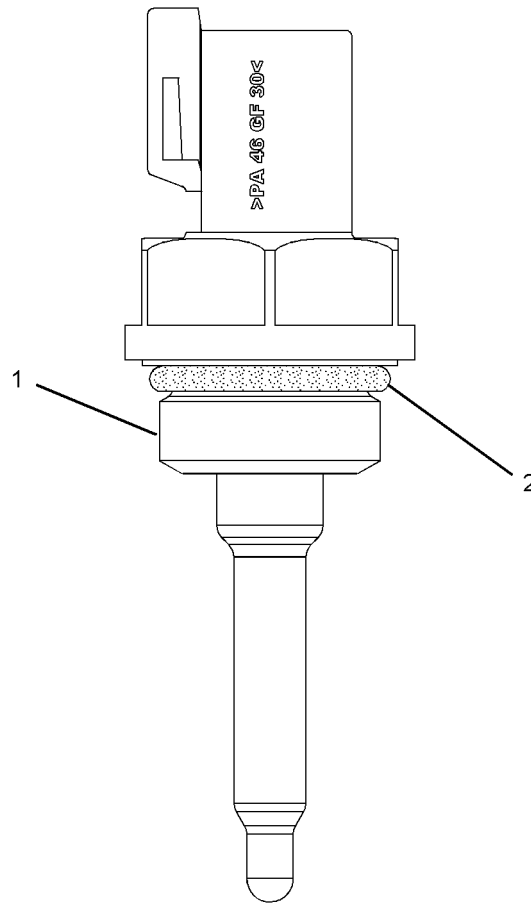
S/N: RHX1585-UP

PART OF 231-1973 SENSOR GP-ENGINE

SMCS-1906, 1921, 1922, 1928, 1929, 3290, 7344

i02515155

NOTE	REF NO	GRAPHIC REF	PART NUMBER	QTY	PART NAME						SEE PAGE
					1	2	3	4	5	6 (PRODUCT LEVEL)	
	1	1	264-4297	1	SENSOR GP-TEMPERATURE						
	2	1	6V-6609	1	SEAL-O-RING						



GRAPHIC #1

<END>

g01193032

ELECTRICAL AND STARTING SYSTEM

156-2829 SOLENOID GP

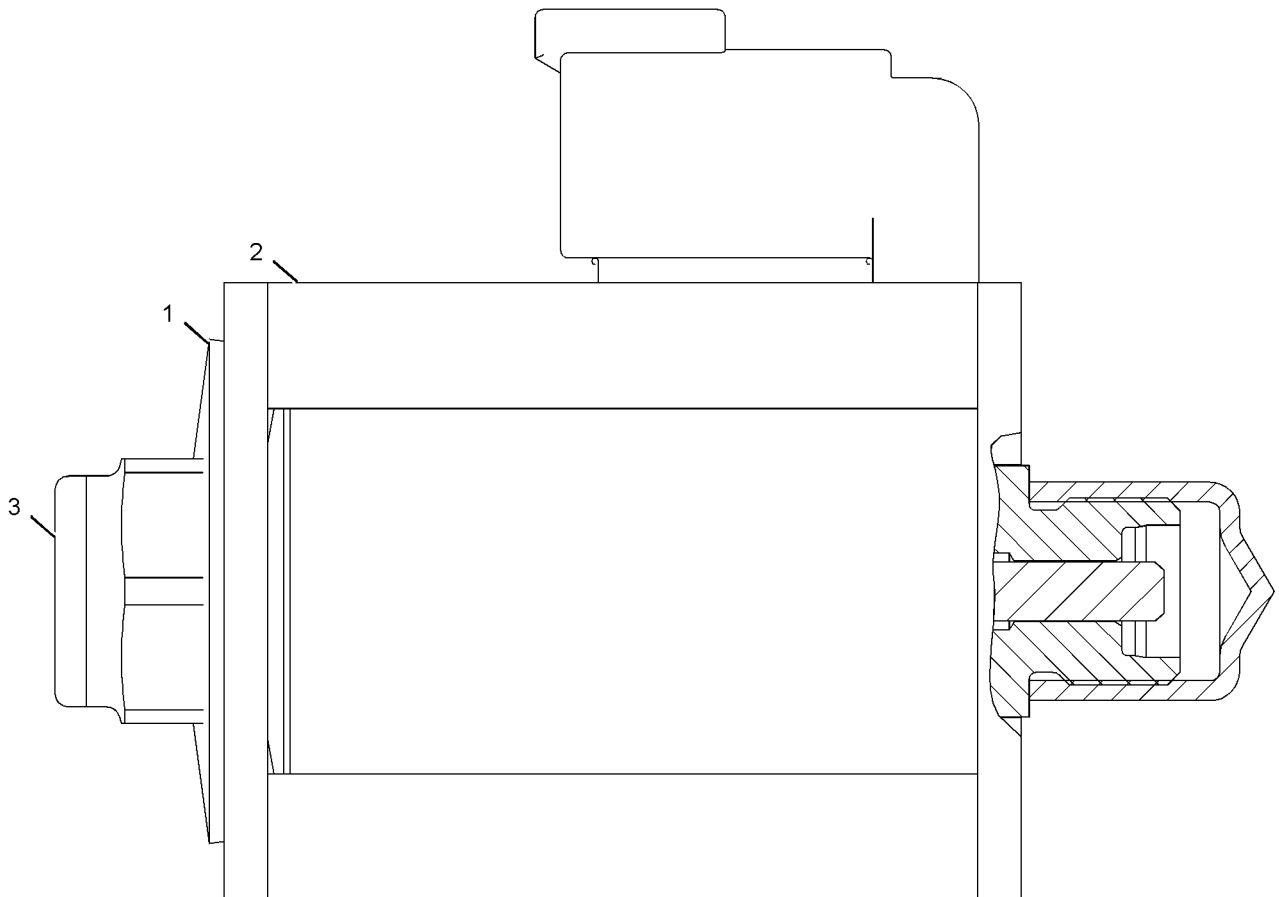
S/N: MMA1-UP

PART OF 194-0946, 194-0947, 224-6809 MANIFOLD & VALVE GP

SMCS-1426, 1467, 7499

i03491580

NOTE	REF NO	GRAPHIC REF	PART NUMBER	QTY	PART NAME						SEE PAGE
					1	2	3	4	5	6 (PRODUCT LEVEL)	
	1	1	146-3728	1	WASHER-SPRING						
	2	1	148-2350	1	COIL AS						
	3	1	154-4133	1	CARTRIDGE AS						
		1	214-7568	2	SEAL-O-RING						



GRAPHIC #1

<END>

g01118096

ELECTRICAL AND STARTING SYSTEM

222-8324 STARTING AID GP-ETHER

S/N: MMA1-UP

PART OF 257-4493 STARTING AR-COLD WEATHER

AN ATTACHMENT

TYPE 1

SMCS-1456

i03611881

NOTE	REF NO	GRAPHIC REF	PART NUMBER	QTY	PART NAME						SEE PAGE
					1	2	3	4	5	6 (PRODUCT LEVEL)	
	1	1	3S-2093	2	STRAP-CABLE						
	2	1	5P-6312	2	UNION						
	3	1	5P-6313	5	NUT (5/16-24-THD)						
	4	1,2	5P-6314	5	SLEEVE						
	5	1,2	7N-0140	1	TUBE AS-COIL						
	6	2	7N-2059	1	CLAMP AS (CYLINDER)						
	7	2	7X-6101	1	ATOMIZER GP-ETHER						
		2	236-4545	1	NUT-SLEEVE (5/16-24-THD)						
	8	1	205-6824	1	PLATE AS						
	9	1	230-1434	1	FITTING AS						
		1	236-4545	1	NUT-SLEEVE (5/16-24-THD)						
	10	1	233-1250	1	TUBE						
	11	1	233-1251	1	TUBE						
Y	12	1	239-1134	1	VALVE GP-ETHER STARTING (24-VOLT)						382
	13	2	239-6663	1	TUBE						
	14	1	239-6673	1	TUBE						
	15	1,2	1B-3581	2	CLIP						
	16	1	2B-2404	1	CLIP						
	17	1,2	3D-5102	7	GROMMET						
	18	2	4M-5317	1	BUSHING-REDUCING						
	19	1	5K-0430	4	CLIP						
	20	1	5P-1076	1	WASHER-HARD (13.5X30X4-MM THK)						
	21	1	6P-1306	1	GROMMET						
M	22	1,2	7X-2548	2	BOLT (M12X1.75X16-MM)						
	23	1	8T-4121	3	WASHER-HARD (11X21X2.5-MM THK)						
M	24	1	8T-4136	2	BOLT (M10X1.5X25-MM)						
M	25	1	8T-4179	1	BOLT (M12X1.75X20-MM)						
M	26	2	8T-4189	4	BOLT (M8X1.25X20-MM)						
M	27	1	8T-4191	1	BOLT (M10X1.5X16-MM)						
	28	1,2	8T-4223	4	WASHER-HARD (13.5X25.5X3-MM THK)						
	29	2	8T-4224	4	WASHER-HARD (8.8X16X2-MM THK)						
M	30	1	8T-4244	1	NUT (M12X1.75-THD)						
M	31	1	8T-4956	1	BOLT (M12X1.75X35-MM)						
A			7N-0296	1	CYLINDER AS-ETHER (PROCURE FROM YOUR LOCAL CATERPILLAR DEALER)						

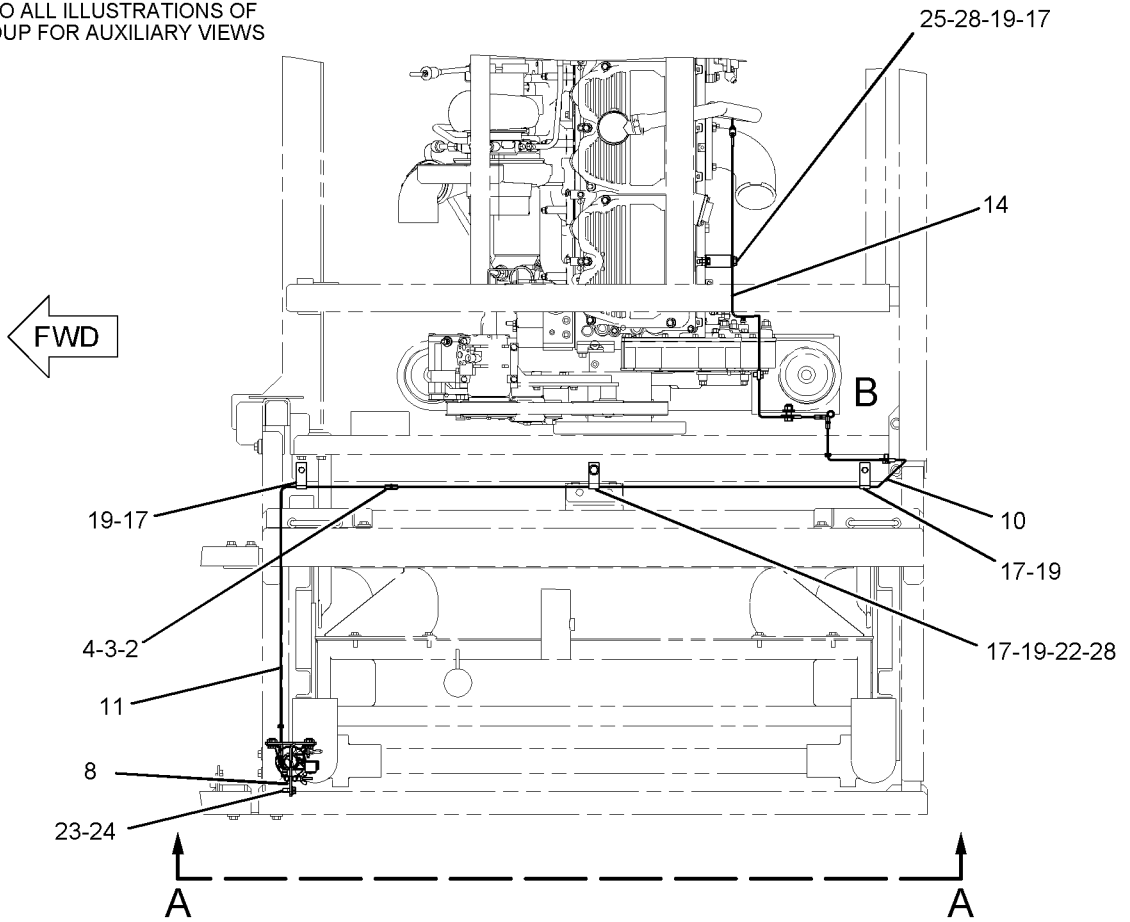
A-NOT PART OF THIS GROUP
M-METRIC PART
Y-SEPARATE ILLUSTRATION

ELECTRICAL AND STARTING SYSTEM

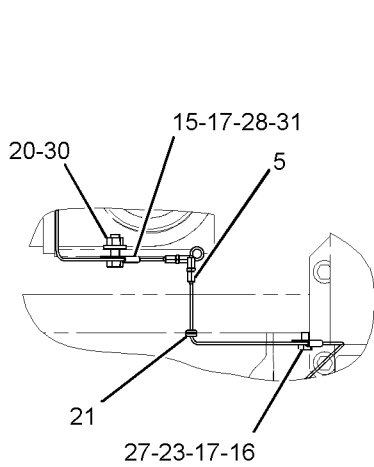
222-8324 STARTING AID GP-ETHER (contd.)

i03611881

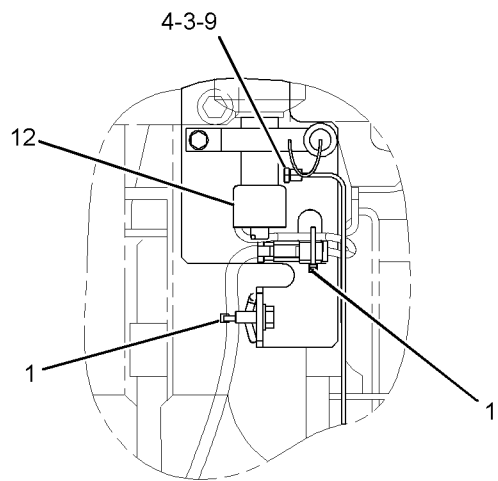
REFER TO ALL ILLUSTRATIONS OF THIS GROUP FOR AUXILIARY VIEWS



TOP VIEW



VIEW OF AREA B



VIEW OF AREA C

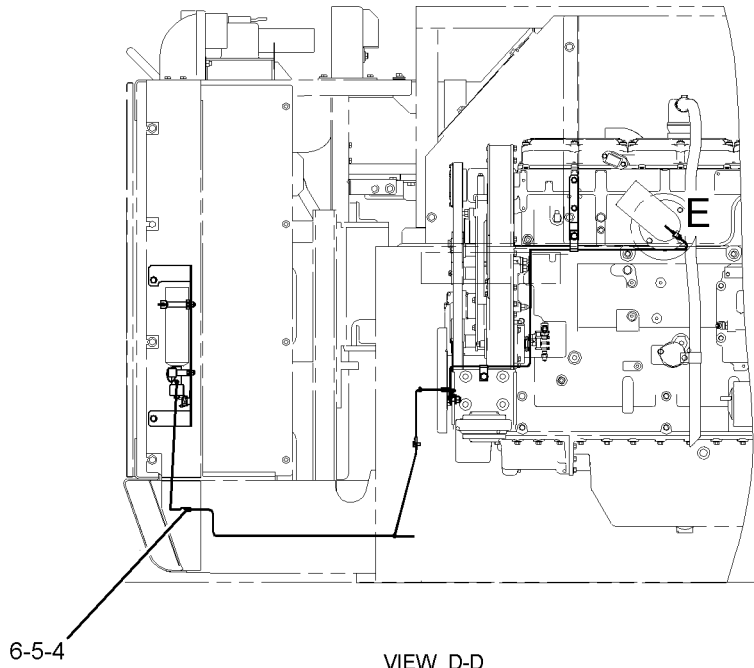
GRAPHIC #1

g01133057

ELECTRICAL AND STARTING SYSTEM

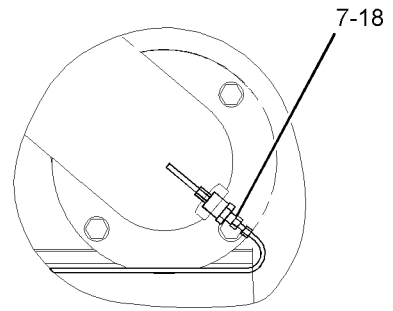
222-8324 STARTING AID GP-ETHER (contd.)

i03611881

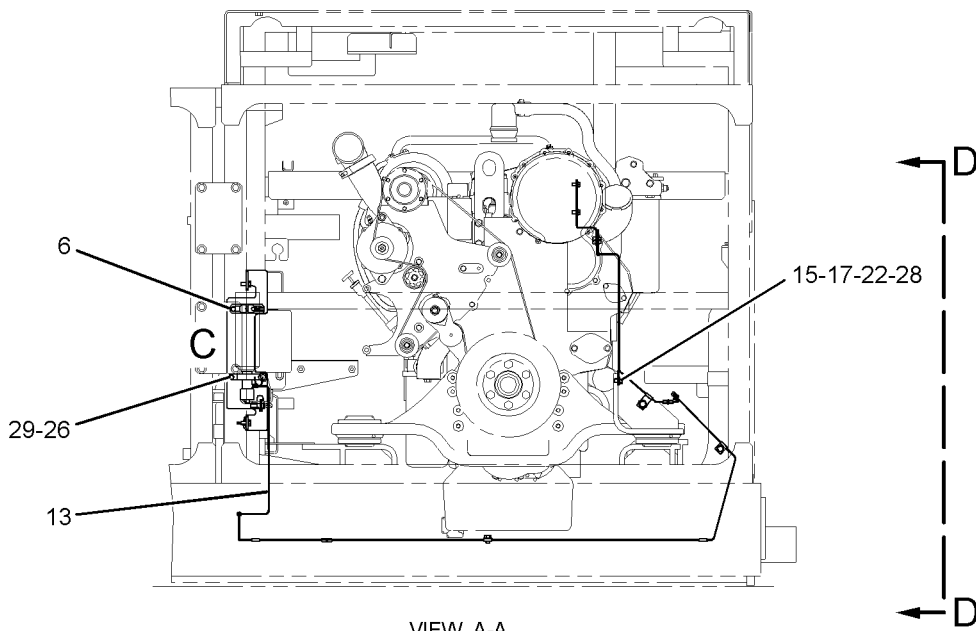


VIEW D-D

REFER TO ALL ILLUSTRATIONS OF THIS GROUP FOR AUXILIARY VIEWS



VIEW OF AREA E



VIEW A-A
<END>

GRAPHIC #2

g01133059

ELECTRICAL AND STARTING SYSTEM

222-8324 STARTING AID GP-ETHER

S/N: MMA1-UP

PART OF 257-4493 STARTING AR-COLD WEATHER

AN ATTACHMENT

TYPE 2

SMCS-1456

i03177973

NOTE	REF NO	GRAPHIC REF	PART NUMBER	QTY	PART NAME						SEE PAGE
					1	2	3	4	5	6 (PRODUCT LEVEL)	
	1	1	3S-2093	2	STRAP-CABLE						
	2	1,2	5P-6312	2	UNION						
	3	1,2	5P-6313	5	NUT (5/16-24-THD)						
	4	1,2	5P-6314	5	SLEEVE						
	5	1	7N-0140	1	TUBE AS-COIL						
	6	2	7N-2059	1	CLAMP AS (CYLINDER)						
C	7	2	280-2562	1	ATOMIZER AS-ETHER						
		2	236-4545	1	NUT-SLEEVE (5/16-24-THD)						
	8	1	205-6824	1	PLATE AS						
	9	1	230-1434	1	FITTING AS						
		1	236-4545	1	NUT-SLEEVE (5/16-24-THD)						
	10	1	233-1250	1	TUBE						
	11	1	233-1251	1	TUBE						
Y	12	1	239-1134	1	VALVE GP-ETHER STARTING (24-VOLT)						382
	13	2	239-6663	1	TUBE						
	14	1	239-6673	1	TUBE						
	15	1,2	1B-3581	2	CLIP						
	16	1	2B-2404	1	CLIP						
	17	1,2	3D-5102	7	GROMMET						
C	18	2	3B-6768	1	BUSHING-REDUCER						
	19	1	5K-0430	4	CLIP						
	20	1	5P-1076	1	WASHER-HARD (13.5X30X4-MM THK)						
	21	1	6P-1306	1	GROMMET						
M	22	1,2	7X-2548	2	BOLT (M12X1.75X16-MM)						
	23	1	8T-4121	3	WASHER-HARD (11X21X2.5-MM THK)						
M	24	1	8T-4136	2	BOLT (M10X1.5X25-MM)						
M	25	1	8T-4179	1	BOLT (M12X1.75X20-MM)						
M	26	2	8T-4189	4	BOLT (M8X1.25X20-MM)						
M	27	1	8T-4191	1	BOLT (M10X1.5X16-MM)						
	28	1,2	8T-4223	4	WASHER-HARD (13.5X25.5X3-MM THK)						
	29	2	8T-4224	4	WASHER-HARD (8.8X16X2-MM THK)						
M	30	1	8T-4244	1	NUT (M12X1.75-THD)						
M	31	1	8T-4956	1	BOLT (M12X1.75X35-MM)						
A			7N-0296	1	CYLINDER AS-ETHER (PROCURE FROM YOUR LOCAL CATERPILLAR DEALER)						

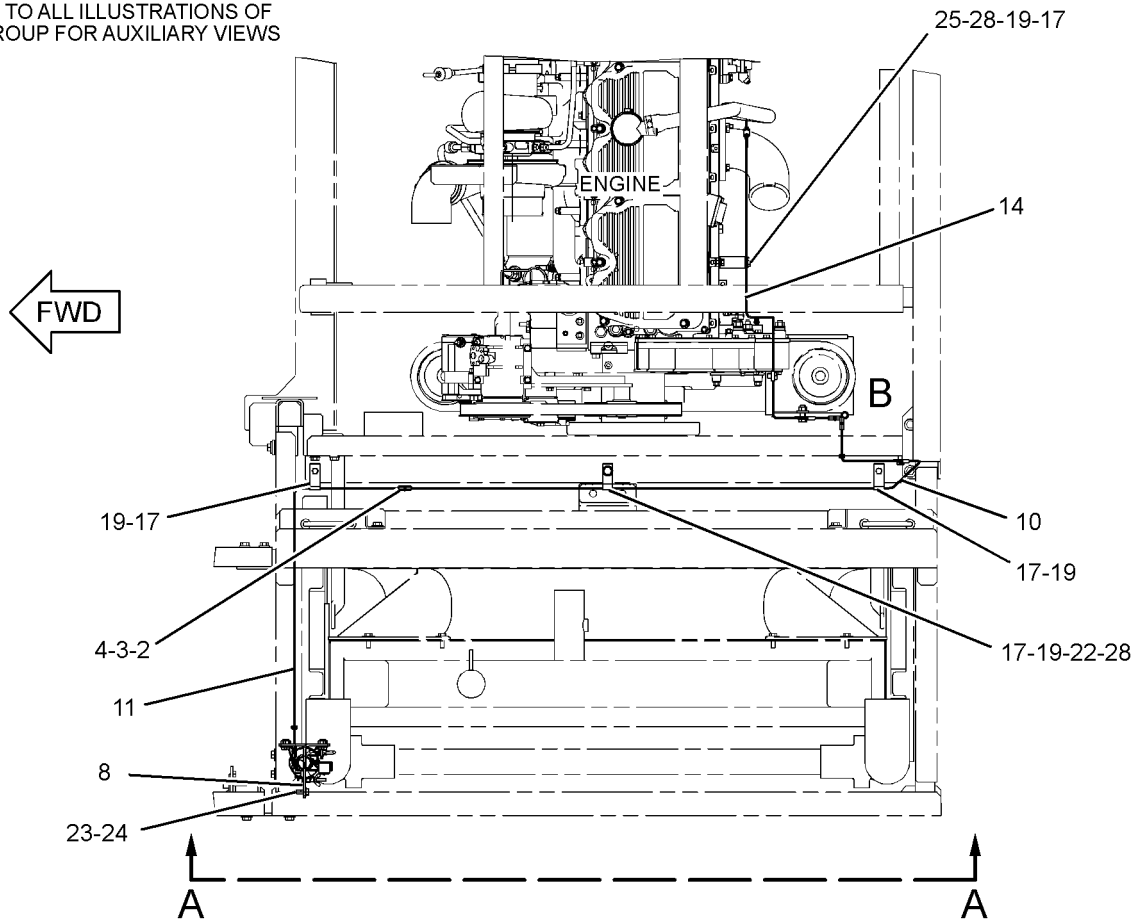
A-NOT PART OF THIS GROUP
 C-CHANGE FROM PREVIOUS TYPE
 M-METRIC PART
 Y-SEPARATE ILLUSTRATION

ELECTRICAL AND STARTING SYSTEM

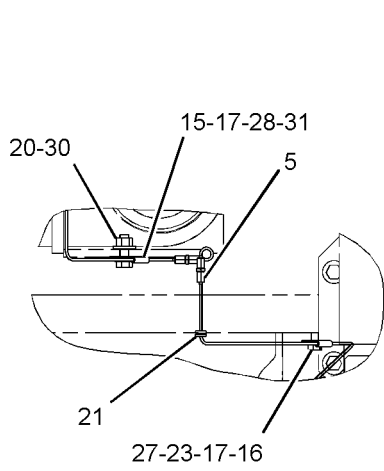
222-8324 STARTING AID GP-ETHER (contd.)

i03177973

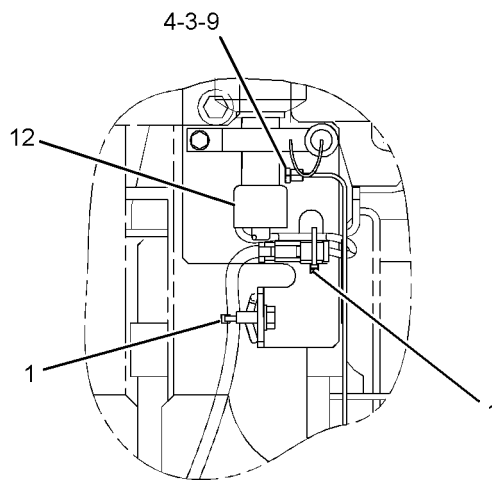
REFER TO ALL ILLUSTRATIONS OF THIS GROUP FOR AUXILIARY VIEWS



TOP VIEW



VIEW OF AREA B



VIEW OF AREA C

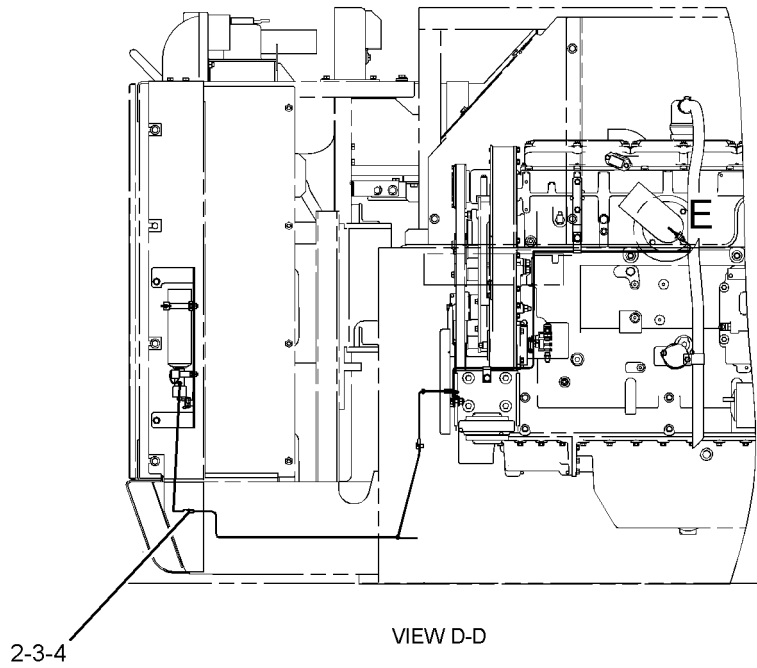
GRAPHIC #1

g01681762

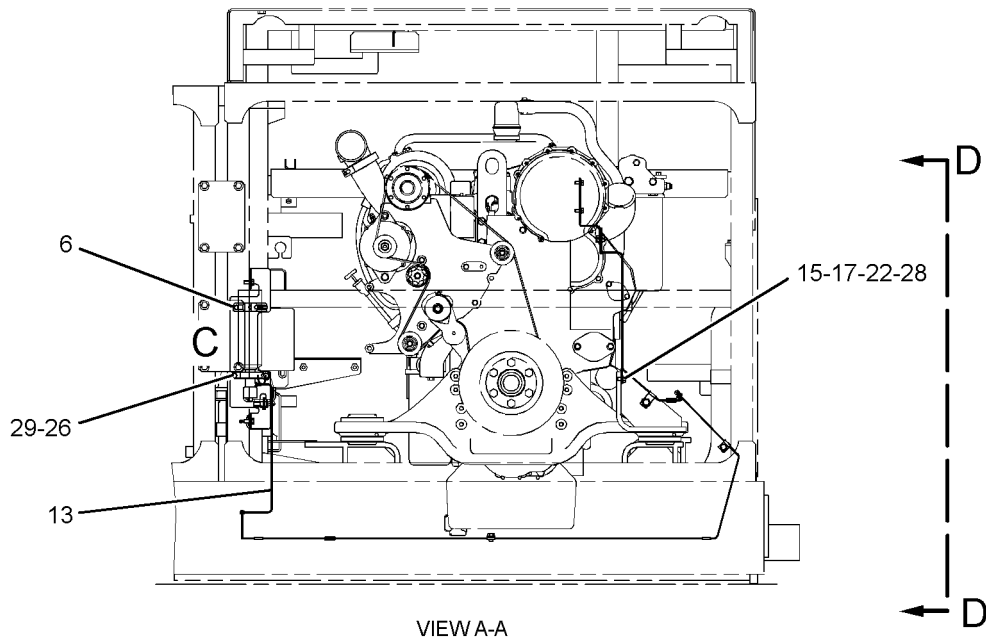
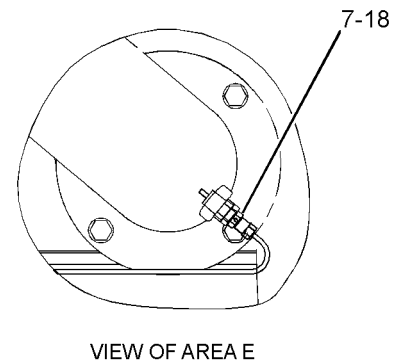
ELECTRICAL AND STARTING SYSTEM

222-8324 STARTING AID GP-ETHER (contd.)

i03177973



REFER TO ALL ILLUSTRATIONS OF THIS GROUP FOR AUXILIARY VIEWS



GRAPHIC #2

<END>

g01681766

ELECTRICAL AND STARTING SYSTEM

257-4493 STARTING AR-COLD WEATHER

S/N: MMA1-UP
AN ATTACHMENT

SMCS-1450

i02226254

NOTE	PART NUMBER	QTY	PART NAME						SEE PAGE
			1	2	3	4	5	6 (PRODUCT LEVEL)	
Y	234-1020	1	BATTERY & WIRING GP (COLD WEATHER)						252
Y	236-9617	1	BOX GP-BATTERY						425
Y	222-8324	1	STARTING AID GP-ETHER						354

Y-SEPARATE ILLUSTRATION

<END>

ELECTRICAL AND STARTING SYSTEM

105-4729 STARTING MOTOR GP-ELECTRIC

S/N: RHX1-1274

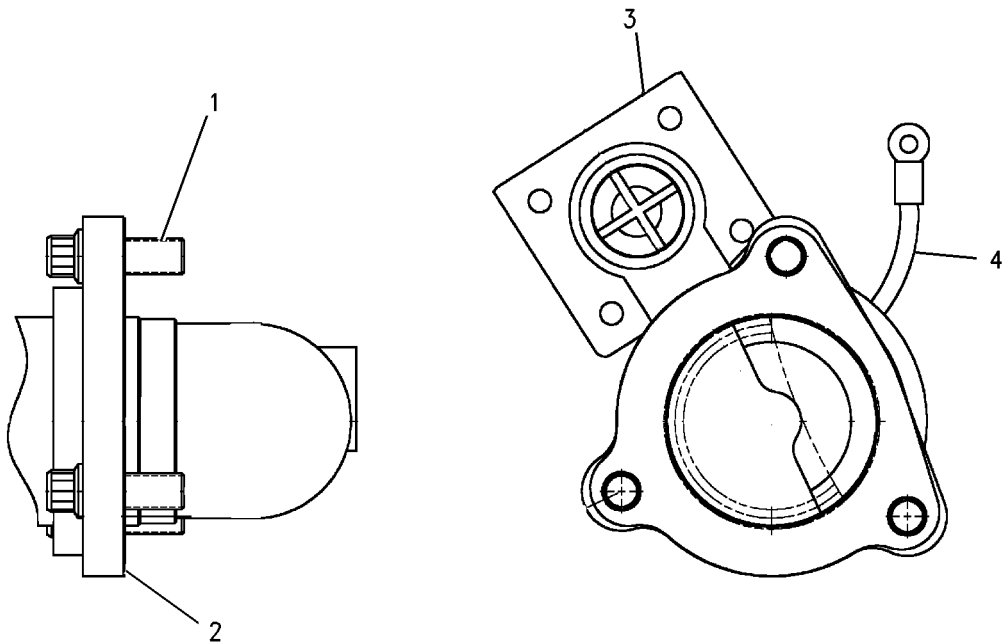
PART OF 257-4960 ENGINE AR-COMplete

SMCS-1453

i01972233

NOTE	REF NO	GRAPHIC REF	PART NUMBER	QTY	PART NAME						SEE PAGE
					1	2	3	4	5	6 (PRODUCT LEVEL)	
	1	1	8S-2332	3	BOLT-12 POINT HEAD (5/8-11X1.75 IN)						
	2	1	4N-1059	1	GASKET						
YR	3	1	237-1962	1	STARTING MOTOR GP-ELECTRIC						362
	4	1	105-4728	1	WIRE AS						

R-REMG PART MAY BE AVAILABLE
Y-SEPARATE ILLUSTRATION



GRAPHIC #1

<END>

g00658745

ELECTRICAL AND STARTING SYSTEM

237-1962 STARTING MOTOR GP-ELECTRIC*R

S/N: RHX1-1274

24-VOLT

PART OF 105-4729 STARTING MOTOR GP-ELECTRIC

SMCS-1453

i03630205

NOTE	REF NO	GRAPHIC REF	PART NUMBER	QTY	PART NAME						SEE PAGE
					1	2	3	4	5	6 (PRODUCT LEVEL)	
	1	1	7M-0326	1	CONNECTOR						
	2	1	9H-3757	2	WASHER (0.516X1X0.094-IN THK)						
	3	1	1S-7446	3	SCREW-MACHINE (8-32X0.437-IN)						
	4	1	8C-9660	3	WASHER (4.6X7.9X0.8-MM THK)						
	5	1	9S-2544	9	SCREW-HEX HEAD (8-32X11.13-MM)						
	6	1	7M-0327	1	WASHER-THRUST (17.4X25.4X1.6-MM THK)						
	7	1	3T-3418	1	FRAME AS-END						
		1	3T-3423	1	CUP						
		1	3T-3424	1	PLUG-FELT						
		1	9G-4101	1	BUSHING-END						
8	1	1	3T-9525	1	PLATE AS-BRUSH						
8A	1	1	6T-0371	1	INSULATOR						
8B	1	1	5P-6298	12	SCREW-MACHINE (10-32X0.5-IN)						
		1	9F-5599	12	LOCKWASHER						
8C	1	1	7F-3525	6	WASHER-BUSHING (0.207X0.39X0.09-IN THK)						
8D	1	1	6T-0372	1	PLATE						
8E	1	1	3T-4709	3	PLATE						
8F	1	1	2L-6679	3	PLATE-INSULATOR						
8G	1	1	3T-4710	3	PLATE						
8H	1	1	6T-0363	6	HOLDER AS-BRUSH (STARTING MOTOR)						
					(EACH INCLUDES)						
8J	1	1	3T-9494	1	SPRING						
9	1	1	1T-0808	2	WASHER (0.516X0.812X0.09-IN THK)						
10	1	1	3T-3422	1	WIRE AS (STARTING MOTOR)						
11	1	1	2J-8163	2	SEAL-O-RING						
12	1	1	7X-3373	1	BOLT (5/16-18X0.88-IN)						
13	1	1	3T-3434	6	PLUG						
14	1	1	5J-5314	5	BOLT (5/16-18X1.5-IN)						
15	1	1	3L-3380	1	BUSHING-TERMINAL						
16	1	1	036-9821	1	WASHER						
17	1	1	4M-1828	1	RETAINER-SPRING						
18	1	1	306-3998	1	BOOT-RUBBER						
19	1	1	9M-7609	1	SPRING (SHIFT LEVER)						
20	1	1	4M-1827	1	RETAINER-SPRING						
21	1	1	8C-3089	1	SEAL-O-RING						
22	1	1	4M-1853	1	LEVER AS-SHIFT						
23	1	1	5M-3034	1	LOCKNUT (5/16-24-THD)						
24	1	1	7L-2894	4	GASKET						
25	1	1	4M-1831	4	PLUG-LEVER HOUSING						
26	1	1	4M-1854	1	SHAFT-LEVER						
27	1	1	1H-1023	1	SEAL-O-RING						
28	1	1	2D-6392	1	SEAL-O-RING						
29	1	1	7T-3974	1	HOUSING AS-DRIVE						
30	1	1	6N-3826	1	DRIVE AS-MOTOR						
31	1	1	2H-3429	2	RING-RETAINING						
32	1	1	6V-1322	4	BOLT (1/4-20X0.375-IN)						
33	1	1	8T-4205	4	WASHER-HARD (7.2X14.5X2-MM THK)						
34	1	1	6N-3279	1	INSULATOR						
35	1	1	0S-1597	13	BOLT (1/4-28X1-IN)						
36	1	1	1M-9971	1	SPACER (0.835X1.72X0.188-IN THK)						
37	1	1	1H-2629	3	STRIP-INSULATION						
38	1	1	7M-0324	1	COIL AS-FIELD						
39	1	1	3R-8797	12	SCREW & WASHER AS (3/8-24X0.72-IN)						
40	1	1	7F-3488	6	SHOE-POLE						
41	1	1	7M-8651	1	ARMATURE AS						

ELECTRICAL AND STARTING SYSTEM

237-1962 STARTING MOTOR GP-ELECTRIC (contd.)

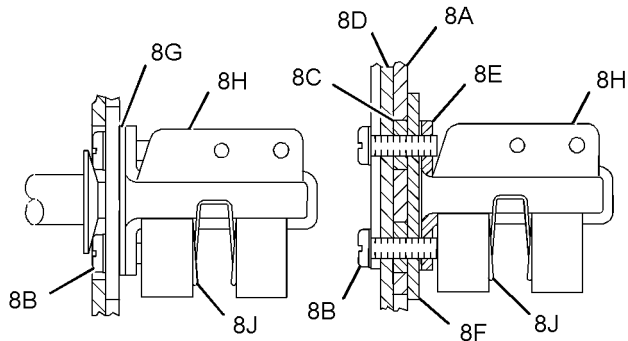
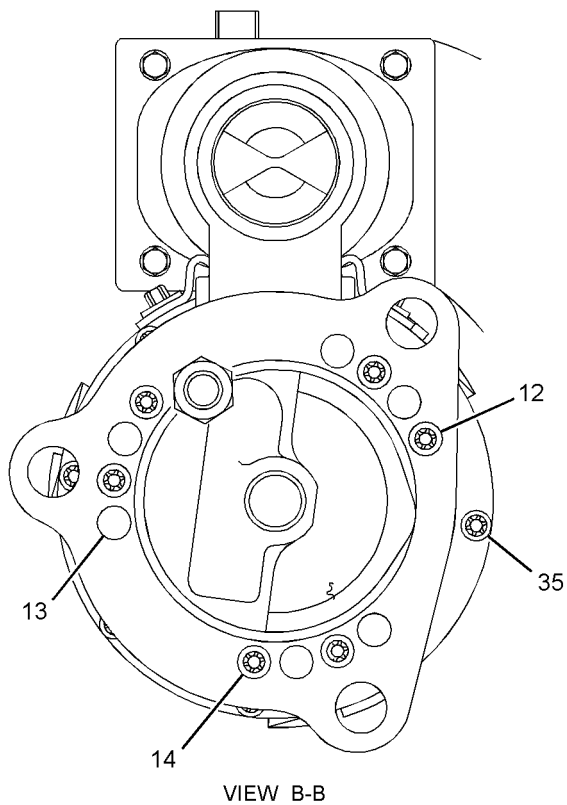
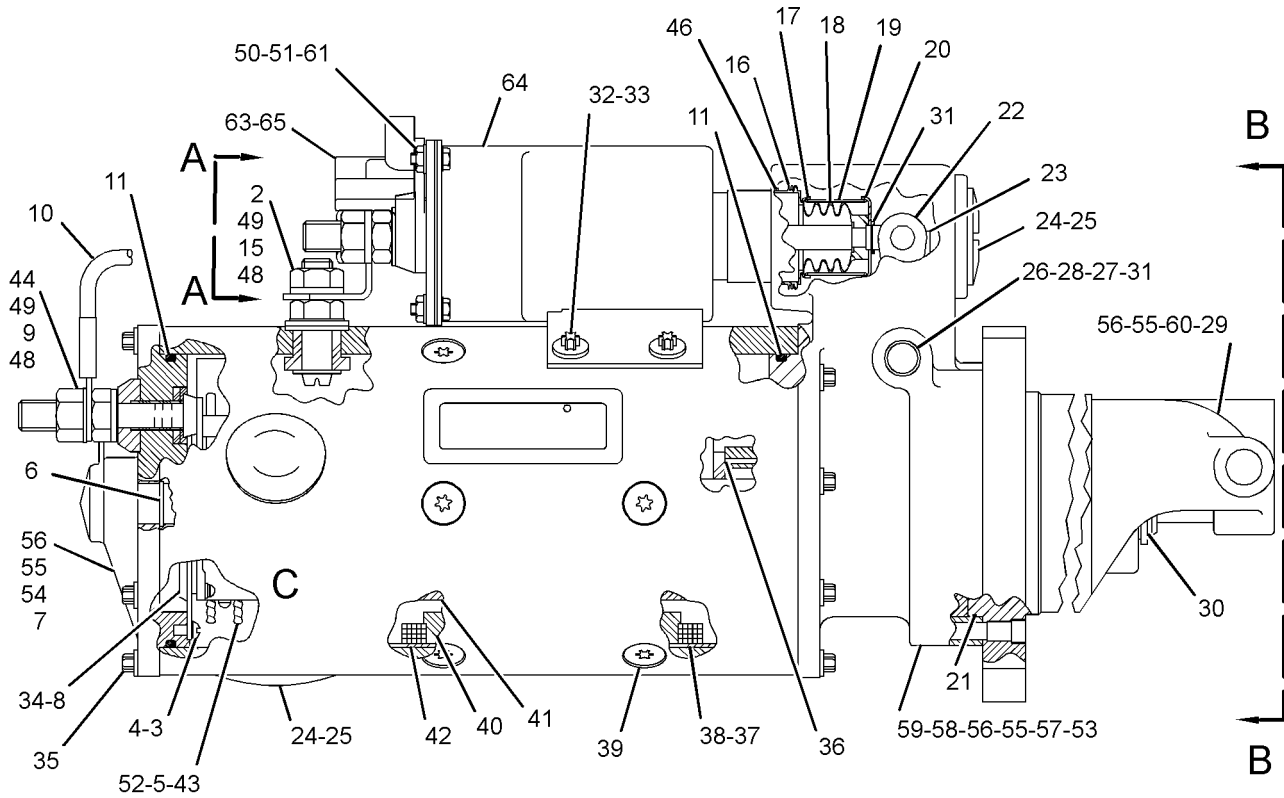
i03630205

NOTE	REF NO	GRAPHIC REF	PART NUMBER	QTY	PART NAME						SEE PAGE
					1	2	3	4	5	6 (PRODUCT LEVEL)	
	42	1	7M-0325	1	INSULATOR						
	43	1	3T-9524	6	BRUSH AS						
	44	1	3N-3763	1	KIT-TERMINAL (STARTING MOTOR) (INCLUDES BUSHINGS & WASHERS)						
	45	1	125-6537	1	INSULATOR						
	46	1	3R-8801	1	CLAMP						
	47	1	8F-1434	2	LOCKWASHER						
	48	1	6V-8188	6	NUT (1/2-13-THD)						
	49	1	7X-0562	6	WASHER-HARD (13.5X19X0.8-MM THK)						
	50	1	4B-2049	6	NUT (10-32-THD)						
	51	1	8T-0328	10	WASHER-HARD (5.5X10X1-MM THK)						
	52	1	3T-9494	6	SPRING (STARTING MOTOR)						
	53	1	3E-7771	1	HOUSING AS (STARTING MOTOR)						
	54	1	9G-4101	1	BUSHING-END						
	55	1	3T-3424	3	PLUG-FELT						
	56	1	3T-3423	3	CUP						
	57	1	1M-9968	1	BUSHING						
	58	1	2F-6678	1	SEAL-LIP TYPE						
	59	1	4L-2729	1	WASHER (0.844X1.9X0.188-IN THK)						
	60	1	4M-1896	1	BUSHING-TERMINAL						
	61	1	045-4065	4	SCREW-MACHINE (10-32X0.75-IN)						
	62	1	125-6535	1	COVER-STARTING MOTOR						
	63	1	7T-9123	1	GASKET-PLATE						
	64	1	318-2082	1	SOLENOID AS-STARTING MOTOR (24-VOLT)						
	65	1	125-6536	1	TERMINAL AS						

ELECTRICAL AND STARTING SYSTEM

237-1962 STARTING MOTOR GP-ELECTRIC (contd.)

i03630205



GRAPHIC #1

<END>

g01453239

ELECTRICAL AND STARTING SYSTEM

272-7123 STARTING MOTOR GP-ELECTRIC

S/N: RHX1275-UP

24 VOLT

PART OF 273-1682, 331-6081 STARTING MOTOR GP-ELECTRIC

SMCS-1453

i02968255

NOTE	REF NO	GRAPHIC REF	PART NUMBER	QTY	PART NAME						SEE PAGE
					1	2	3	4	5	6 (PRODUCT LEVEL)	
	1	1	7M-0326	1	CONNECTOR						
	2	1	9H-3757	2	WASHER (0.516X1X0.094-IN THK)						
	3	1	1S-7446	3	SCREW-MACHINE (8-32X0.437-IN)						
	4	1	8C-9660	3	WASHER (4.6X7.9X0.8-MM THK)						
	5	1	9S-2544	9	SCREW-HEX HEAD (8-32X11.13-MM)						
	6	1	7M-0327	1	WASHER-THRUST (17.4X25.4X1.6-MM THK)						
	7	1	3T-3418	1	FRAME AS-END						
		1	3T-3423	1	CUP						
		1	3T-3424	1	PLUG-FELT						
		1	9G-4101	1	BUSHING-END						
	8	1	3T-9525	1	PLATE AS-BRUSH						
	8A	1	6T-0371	1	INSULATOR						
	8B	1	5P-6298	12	SCREW-MACHINE (10-32X0.5-IN)						
		1	9F-5599	12	LOCKWASHER						
	8C	1	7F-3525	6	WASHER-BUSHING (0.207X0.39X0.09-IN THK)						
	8D	1	6T-0372	1	PLATE						
	8E	1	3T-4709	3	PLATE						
	8F	1	2L-6679	3	PLATE-INSULATOR						
	8G	1	3T-4710	3	PLATE						
	8H	1	6T-0363	6	HOLDER AS-BRUSH (EACH INCLUDES)						
	8J	1	3T-9494	1	SPRING						
	9	1	7F-3491	2	WASHER (0.516X1X0.094-IN THK)						
	10	1	3T-3422	1	WIRE AS						
	11	1	2J-8163	2	SEAL-O-RING						
	12	1	7X-3373	1	BOLT (5/16-18X0.88-IN)						
	13	1	5J-5314	5	BOLT (5/16-18X1.5-IN)						
	14	1	3L-3380	1	BUSHING-TERMINAL						
	15	1	036-9821	1	WASHER						
	16	1	4M-1828	1	RETAINER-SPRING						
	17	1	306-3998	1	BOOT-RUBBER						
	18	1	9M-7609	1	SPRING (SHIFT LEVER)						
	19	1	4M-1827	1	RETAINER-SPRING						
	20	1	8C-3089	1	SEAL-O-RING						
	21	1	4M-1853	1	LEVER AS-SHIFT						
	22	1	5M-3034	1	LOCKNUT (5/16-24-THD)						
	23	1	7L-2894	4	GASKET						
	24	1	4M-1831	4	PLUG-LEVER HOUSING						
	25	1	4M-1854	1	SHAFT-LEVER						
	26	1	1H-1023	1	SEAL-O-RING						
	27	1	2D-6392	1	SEAL-O-RING						
	28	1	272-7152	1	HOUSING AS-DRIVE						
	29	1	6N-3826	1	DRIVE AS-MOTOR						
	30	1	2H-3429	2	RING-RETAINING						
	31	1	6V-1322	4	BOLT (1/4-20X0.375-IN)						
	32	1	8T-4205	4	WASHER-HARD (7.2X14.5X2-MM THK)						
	33	1	6N-3279	1	INSULATOR						
	34	1	036-9823	13	BOLT (1/4-28X1-IN)						
	35	1	1M-9971	1	SPACER (0.835X1.72X0.188-IN THK)						
	36	1	1H-2629	3	STRIP-INSULATION						
	37	1	7M-0324	1	COIL AS-FIELD						
	38	1	3R-8797	12	SCREW & WASHER AS (3/8-24X0.72-IN)						
	39	1	7F-3488	6	SHOE-POLE						
	40	1	7M-8651	1	ARMATURE AS						
	41	1	7M-0325	1	INSULATOR						

ELECTRICAL AND STARTING SYSTEM

272-7123 STARTING MOTOR GP-ELECTRIC (contd.)

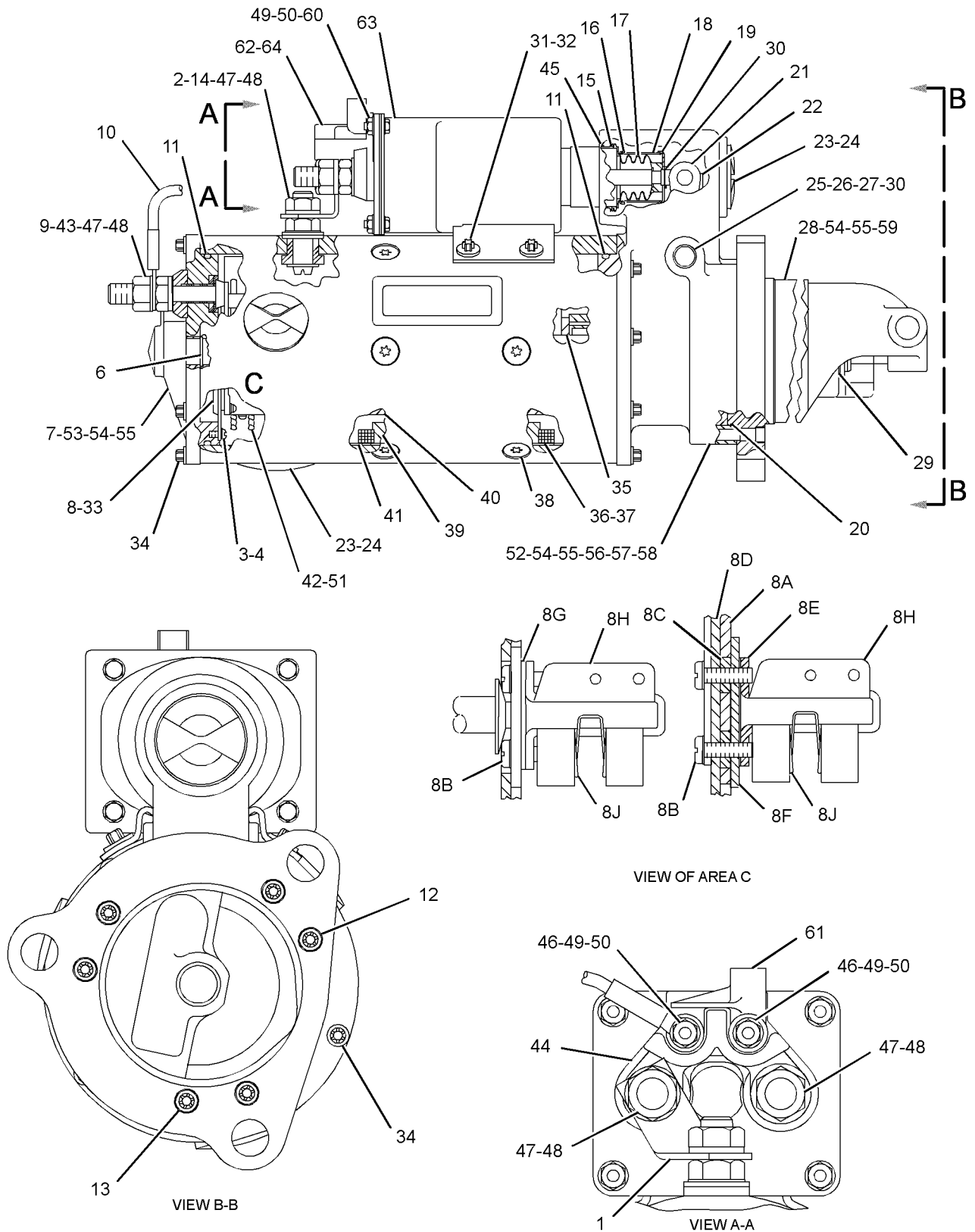
i02968255

NOTE	REF NO	GRAPHIC REF	PART NUMBER	QTY	PART NAME						SEE PAGE
					1	2	3	4	5	6 (PRODUCT LEVEL)	
	42	1	3T-9524	6	BRUSH AS						
	43	1	3N-3763	1	KIT-TERMINAL (STARTING MOTOR) (INCLUDES INSULATOR, BUSHINGS, AND WASHER)						
	44	1	125-6537	1	INSULATOR						
	45	1	3R-8801	1	CLAMP						
	46	1	8F-1434	2	LOCKWASHER						
	47	1	6V-8188	6	NUT (1/2-13-THD)						
	48	1	7X-0562	6	WASHER-HARD (13.5X19X0.8-MM THK)						
	49	1	4B-2049	6	NUT (10-32-THD)						
	50	1	8T-0328	10	WASHER-HARD (5.5X10X1-MM THK)						
	51	1	3T-9494	6	SPRING						
	52	1	3E-7771	1	HOUSING AS (STARTING MOTOR)						
	53	1	9G-4101	1	BUSHING-END						
	54	1	3T-3424	3	PLUG-FELT						
	55	1	3T-3423	3	CUP						
	56	1	1M-9968	1	BUSHING						
	57	1	2F-6678	1	SEAL-LIP TYPE						
	58	1	4L-2729	1	WASHER (0.844X1.9X0.188-IN THK)						
	59	1	4M-1896	1	BUSHING-TERMINAL						
	60	1	045-4065	4	SCREW-MACHINE (10-32X0.75-IN)						
	61	1	125-6535	1	COVER-STARTING MOTOR						
	62	1	7T-9123	1	GASKET-PLATE						
	63	1	318-2082	1	SOLENOID AS-STARTING MOTOR (24-VOLT)						
	64	1	125-6536	1	TERMINAL AS						

ELECTRICAL AND STARTING SYSTEM

272-7123 STARTING MOTOR GP-ELECTRIC (contd.)

i02968255



GRAPHIC #1

<END>

g01181840

ELECTRICAL AND STARTING SYSTEM

273-1682 STARTING MOTOR GP-ELECTRIC

S/N: RHX1-UP

24 VOLT

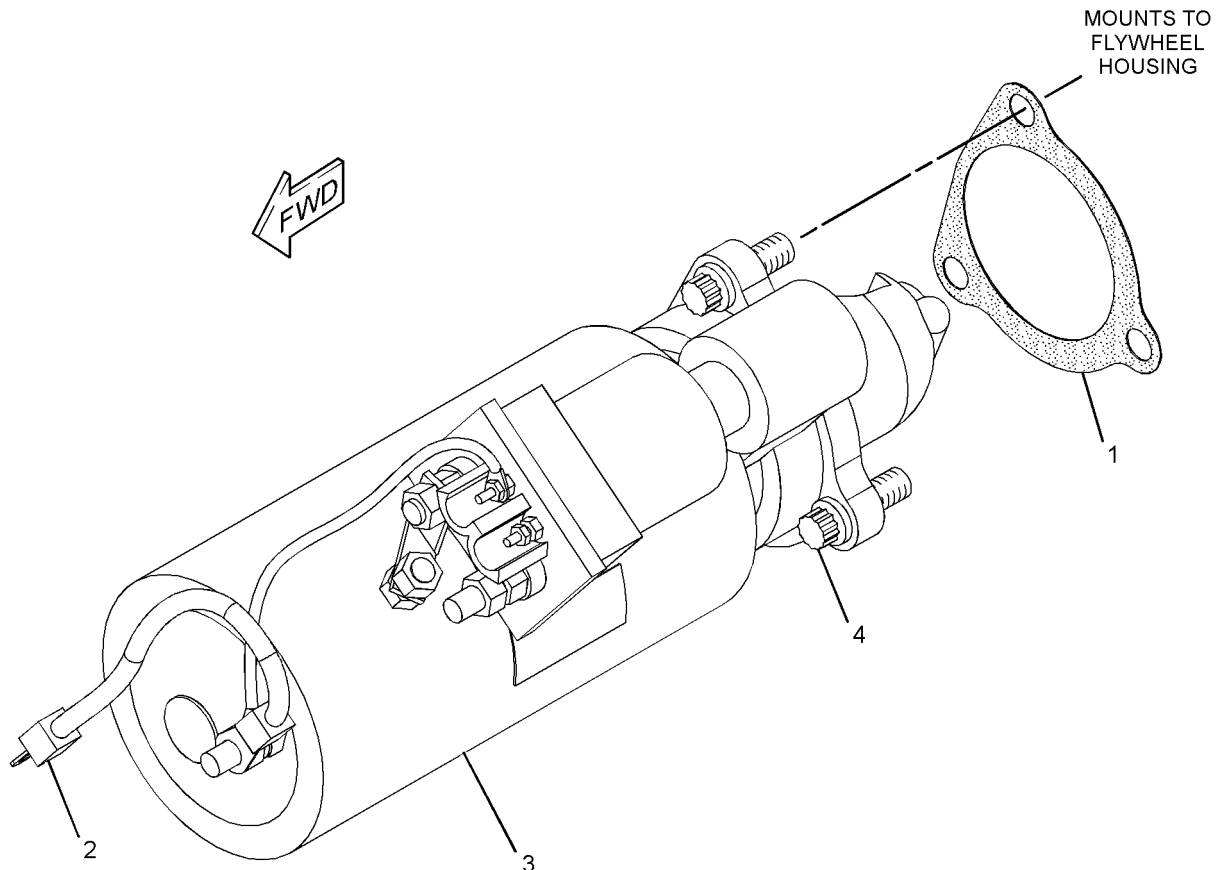
PART OF 257-4960, 286-9798 ENGINE AR-COMplete

SMCS-1453

i02960322

NOTE	REF NO	GRAPHIC REF	PART NUMBER	QTY	PART NAME						SEE PAGE
					1	2	3	4	5	6 (PRODUCT LEVEL)	
	1	1	4N-1059	1	GASKET						
	2	1	8Y-9603	1	CABLE AS-STARTING MOTOR (GROUND)						
Y	3	1	272-7123	1	STARTING MOTOR GP-ELECTRIC (24-VOLT)						365
	4	1	8S-2332	3	BOLT-12 POINT HEAD (5/8-11X1.75-IN)						

Y-SEPARATE ILLUSTRATION



GRAPHIC #1

<END>

g01194860

ELECTRICAL AND STARTING SYSTEM

331-6081 STARTING MOTOR GP-ELECTRIC

S/N: RHX7953-UP

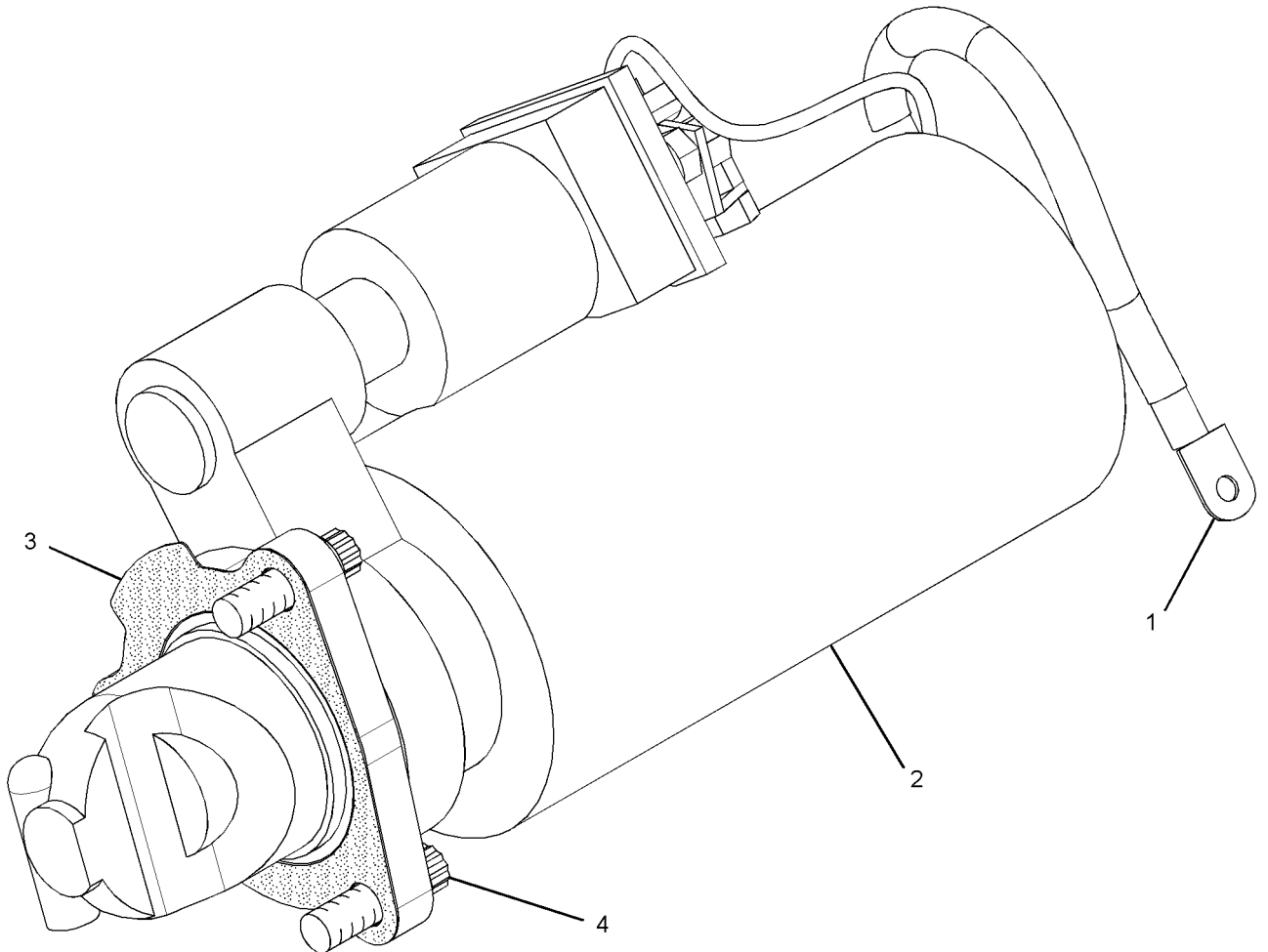
PART OF 286-9798 ENGINE AR-COMPLETE

SMCS-1453

i03449263

NOTE	REF NO	GRAPHIC REF	PART NUMBER	QTY	PART NAME						SEE PAGE
					1	2	3	4	5	6 (PRODUCT LEVEL)	
	1	1	8Y-9603	1	CABLE AS-STARTING MOTOR						
		1	1S-7251	1	TERMINAL-CABLE (00-GA, 1/2-IN BOLT)						
		1	1S-7252	1	TERMINAL-CABLE (00-GA, 3/8-IN BOLT)						
E		1	5P-0747		CABLE (00-GA, BLACK) (28-CM)						
Y	2	1	272-7123	1	STARTING MOTOR GP-ELECTRIC (24-VOLT)						365
	3	1	303-2004	1	GASKET						
	4	1	8S-2332	3	BOLT-12 POINT HEAD (5/8-11X1.75-IN)						

E-ORDER BY THE CENTIMETER
Y-SEPARATE ILLUSTRATION



GRAPHIC #1

<END>

g01797093

ELECTRICAL AND STARTING SYSTEM

7N-0718 SWITCH GP-DISCONNECT-BATTERY

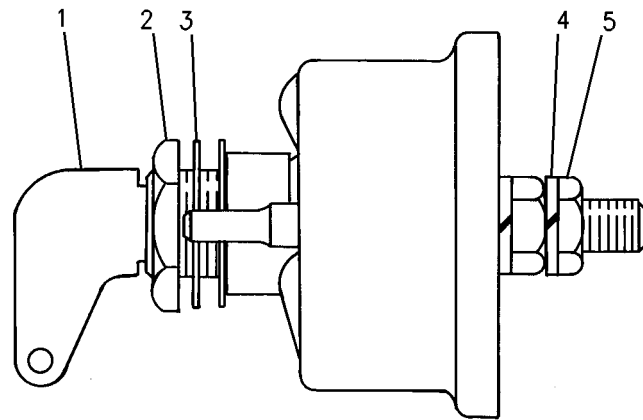
S/N: MMA1-UP

PART OF 224-2861 PANEL GP-CIRCUIT BREAKER

SMCS-1411

i02481739

NOTE	REF NO	GRAPHIC REF	PART NUMBER	QTY	PART NAME						SEE PAGE
					1	2	3	4	5	6 (PRODUCT LEVEL)	
	1	1	8H-5306	1	KEY (BATTERY DISCONNECT)						
	2	1	8H-5303	1	NUT (3/4-16-THD)						
	3	1	2H-3922	2	LOCKWASHER						
	4	1	9F-5644	2	LOCKWASHER						
	5	1	6F-7045	2	NUT-FULL (3/8-24-THD)						



GRAPHIC #1

<END>

g00699216

ELECTRICAL AND STARTING SYSTEM

7N-0719 SWITCH GP-DISCONNECT-BATTERY

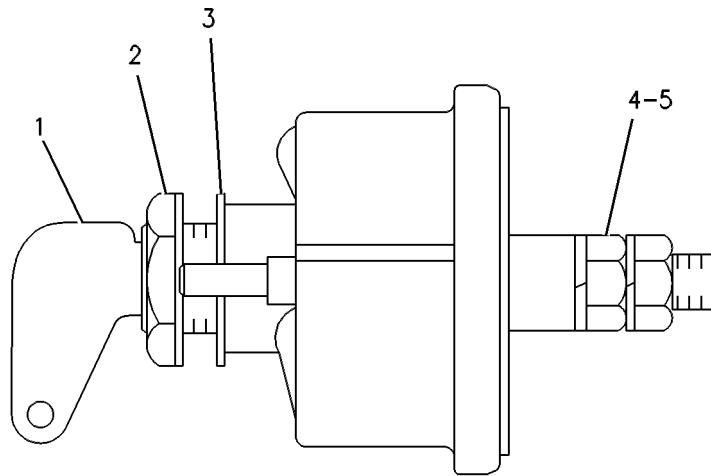
S/N: MMA1-UP

PART OF 234-1020 BATTERY & WIRING GP
AN ATTACHMENT

SMCS-1411

i02490079

NOTE	REF NO	GRAPHIC REF	PART NUMBER	QTY	PART NAME						SEE PAGE
					1	2	3	4	5	6 (PRODUCT LEVEL)	
	1	1	8H-5306	1	KEY (BATTERY DISCONNECT)						
	2	1	8H-5303	1	NUT (3/4-16-THD)						
	3	1	2H-3922	2	LOCKWASHER						
	4	1	9F-5644	2	LOCKWASHER						
	5	1	6F-7045	2	NUT-FULL (3/8-24-THD)						



GRAPHIC #1

<END>

g00272142

ELECTRICAL AND STARTING SYSTEM

125-1302 SWITCH GP-MAGNETIC-START RELAY

S/N: MMA1-UP

24-VOLT

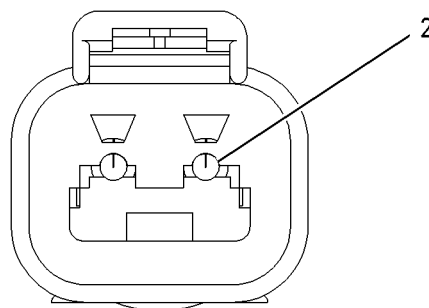
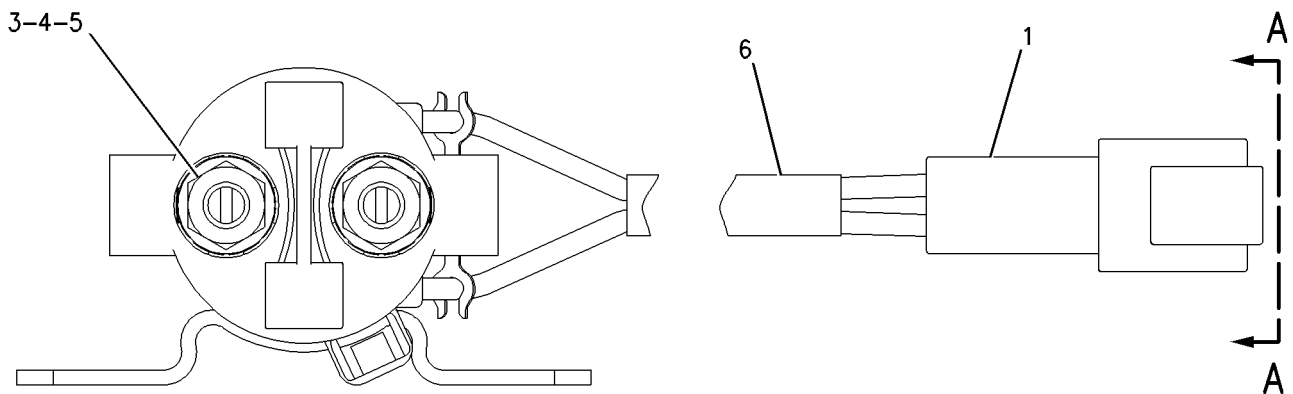
PART OF 224-2861 PANEL GP-CIRCUIT BREAKER

SMCS-7499

i03276825

NOTE	REF NO	GRAPHIC REF	PART NUMBER	QTY	PART NAME						SEE PAGE
					1	2	3	4	5	6 (PRODUCT LEVEL)	
	1	1	102-8802	1	KIT-RECEPTACLE (2-PIN)						
					(INCLUDES RECEPTACLE AS & WEDGE)						
	2	1	186-3735	2	PIN-CONNECTOR (16-GA TO 18-GA)						
	3	1	1H-3338	2	LOCKWASHER (EXTERNAL TOOTH)						
	4	1	012-0380	2	LOCKWASHER						
M	5	1	5C-2890	2	NUT (M6X1-THD)						
E	6	1	9X-1813		SLEEVE (16-CM)						

E-ORDER BY THE CENTIMETER
M-METRIC PART



VIEW A-A

GRAPHIC #1

<END>

g00988004

ELECTRICAL AND STARTING SYSTEM

234-6613 SWITCH GP-POSITION-HYDRAULIC LOCKOUT

S/N: MMA1-UP

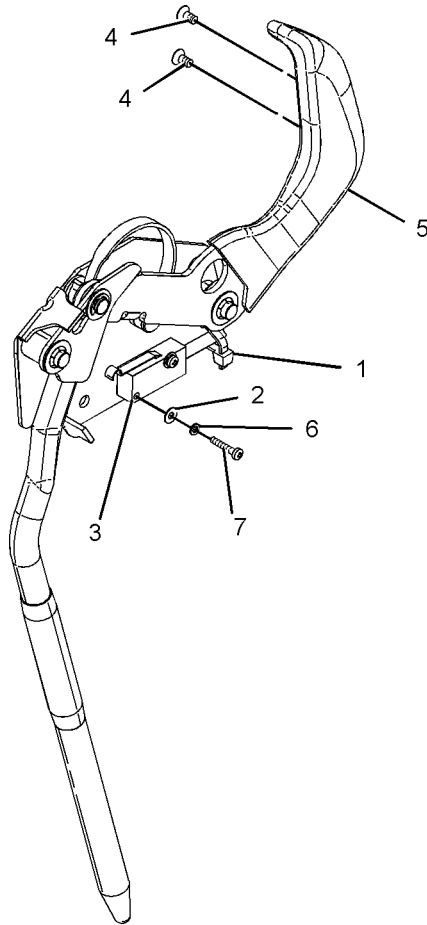
PART OF 245-7923, 259-7349 CONSOLE GP-OPERATOR

SMCS-1408, 1435

i03496041

NOTE	REF NO	GRAPHIC REF	PART NUMBER	QTY	PART NAME						SEE PAGE
					1	2	3	4	5	6 (PRODUCT LEVEL)	
	1	1	3S-2093	1	STRAP-CABLE						
	2	1	4I-3038	2	WASHER (3.3X8X0.5-MM THK)						
	3	1	111-4799	1	SWITCH AS-LIMIT (NEUTRAL START)						
		1	102-8803	1	KIT-RECEPTACLE (3-PIN) (INCLUDES RECEPTACLE AS & WEDGE)						
		1	186-3735	3	PIN-CONNECTOR (16-GA TO 18-GA)						
D		1	5P-5998		TUBE (0.3-M)						
M	4	1	185-8286	2	SCREW-MACHINE (M4X0.7X8-MM)						
	5	1	234-6615	1	KNOB						
	6	1	087-4683	2	LOCKWASHER						
M	7	1	120-9027	2	SCREW-PAN HEAD (M3X0.5X16-MM)						

D-ORDER BY THE METER
M-METRIC PART



GRAPHIC #1

<END>

g01076610

ELECTRICAL AND STARTING SYSTEM

258-0883 SWITCH GP-PRESSURE

S/N: RHX1-UP

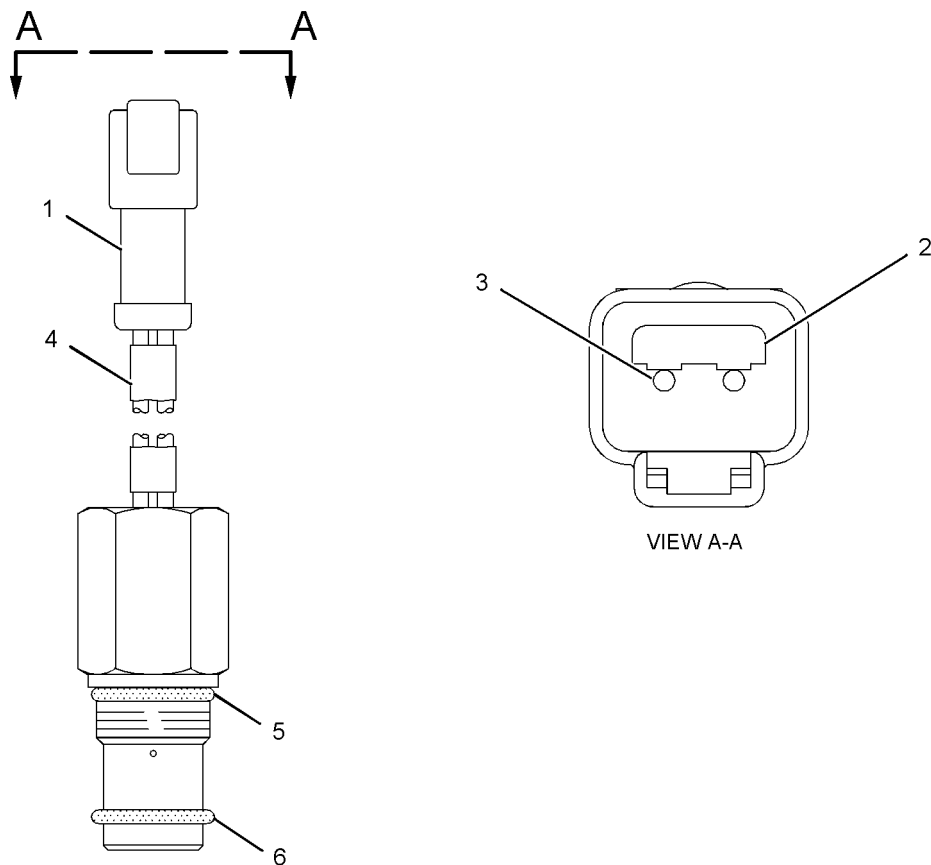
PART OF 246-2659 FILTER GP-FUEL

SMCS-1435

i03276828

NOTE	REF NO	GRAPHIC REF	PART NUMBER	QTY	PART NAME						SEE PAGE
					1	2	3	4	5	6 (PRODUCT LEVEL)	
	1	1	102-8802	1	KIT-RECEPTACLE (2-PIN)						
					(INCLUDES RECEPTACLE AS AND WEDGE)						
	2	1	3E-3365	1	WEDGE-RECEPTACLE LOCK (2-PIN)						
	3	1	186-3735	2	PIN-CONNECTOR (16-GA TO 18-GA)						
E	4	1	9X-1813		SLEEVE (14-CM)						
	5	1	6V-4589	1	SEAL-O-RING						
	6	1	7L-9061	1	SEAL-O-RING						

E-ORDER BY THE CENTIMETER



GRAPHIC #1

<END>

g01072091

ELECTRICAL AND STARTING SYSTEM

238-1594 SWITCH GP-PUSH BUTTON-REFUELING PUMP, START

S/N: MMA1-UP

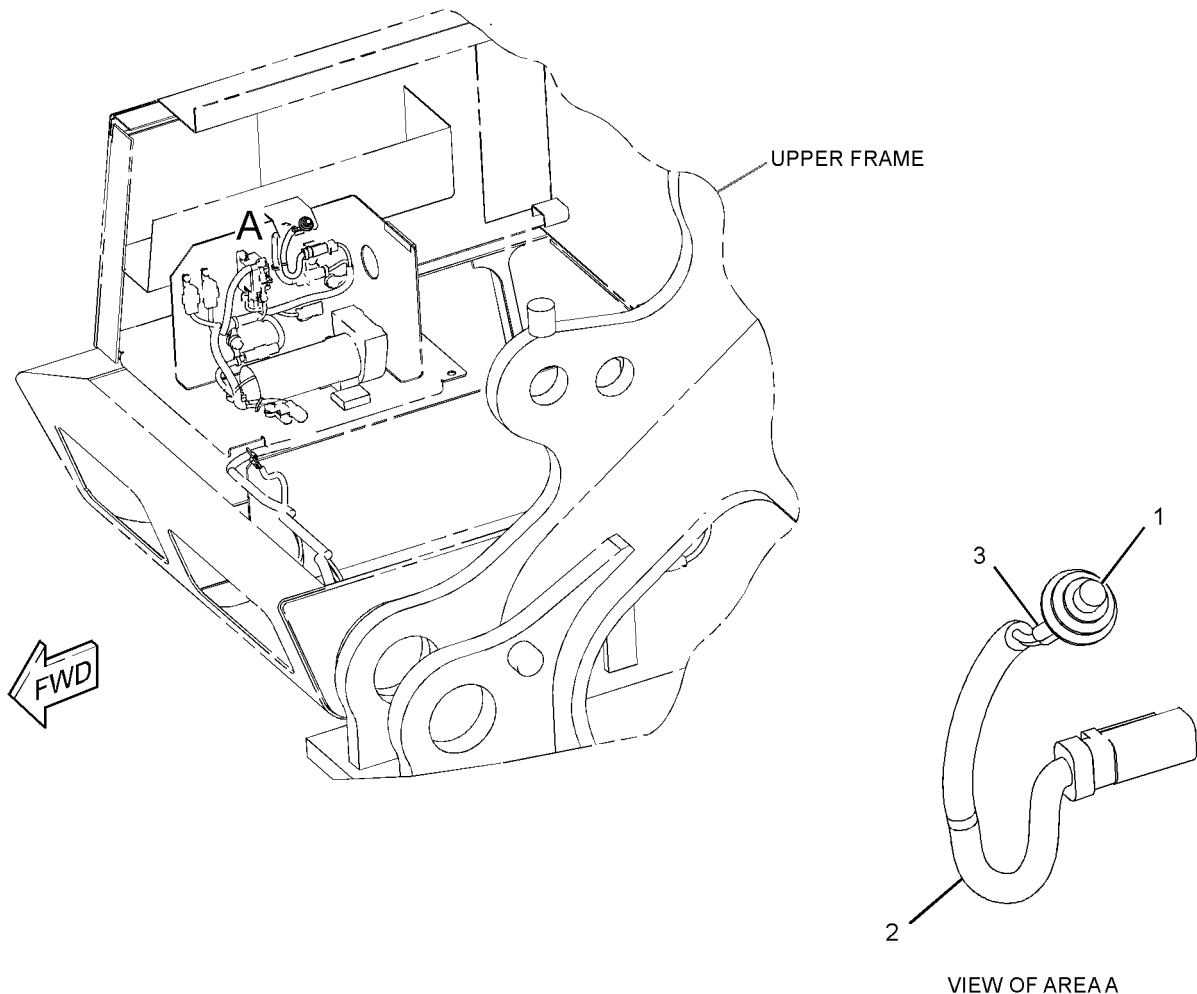
PART OF 238-1636 WIRING GP-REFUELING PUMP
AN ATTACHMENT

SMCS-1435, 7332

i03631719

NOTE	REF NO	GRAPHIC REF	PART NUMBER	QTY	PART NAME						SEE PAGE
					1	2	3	4	5	6 (PRODUCT LEVEL)	
	1	1	6T-9442	1	SWITCH GP-PUSHBUTTON (REFUELING PUMP, START)						
		1	1S-0812	2	SCREW-TAPPING						
		1	3K-0835	1	NUT (5/8-24-THD)						
		1	6F-0253	1	LOCKWASHER						
		1	8T-8748	1	ADAPTER-MOUNT						
		1	9W-0625	1	SWITCH AS (REFUELING PUMP, START)						
2	1	1	238-1595	1	HARNESS AS-SWITCH						
		1	186-3735	2	PIN-CONNECTOR (16-GA TO 18-GA)						
		1	243-4505	1	RECEPTACLE AS-CONNECTOR (2-PIN)						
BCE	3	1	125-7875		TUBE-HEAT SHRINK (7.44-MM DIA)						

B-USE AS REQUIRED
C-CHANGE FROM PREVIOUS TYPE
E-ORDER BY THE CENTIMETER



GRAPHIC #1

<END>

VIEW OF AREA A

g01560235

ELECTRICAL AND STARTING SYSTEM

238-1596 SWITCH GP-PUSH BUTTON-REFUELING PUMP, STOP

S/N: MMA1-UP

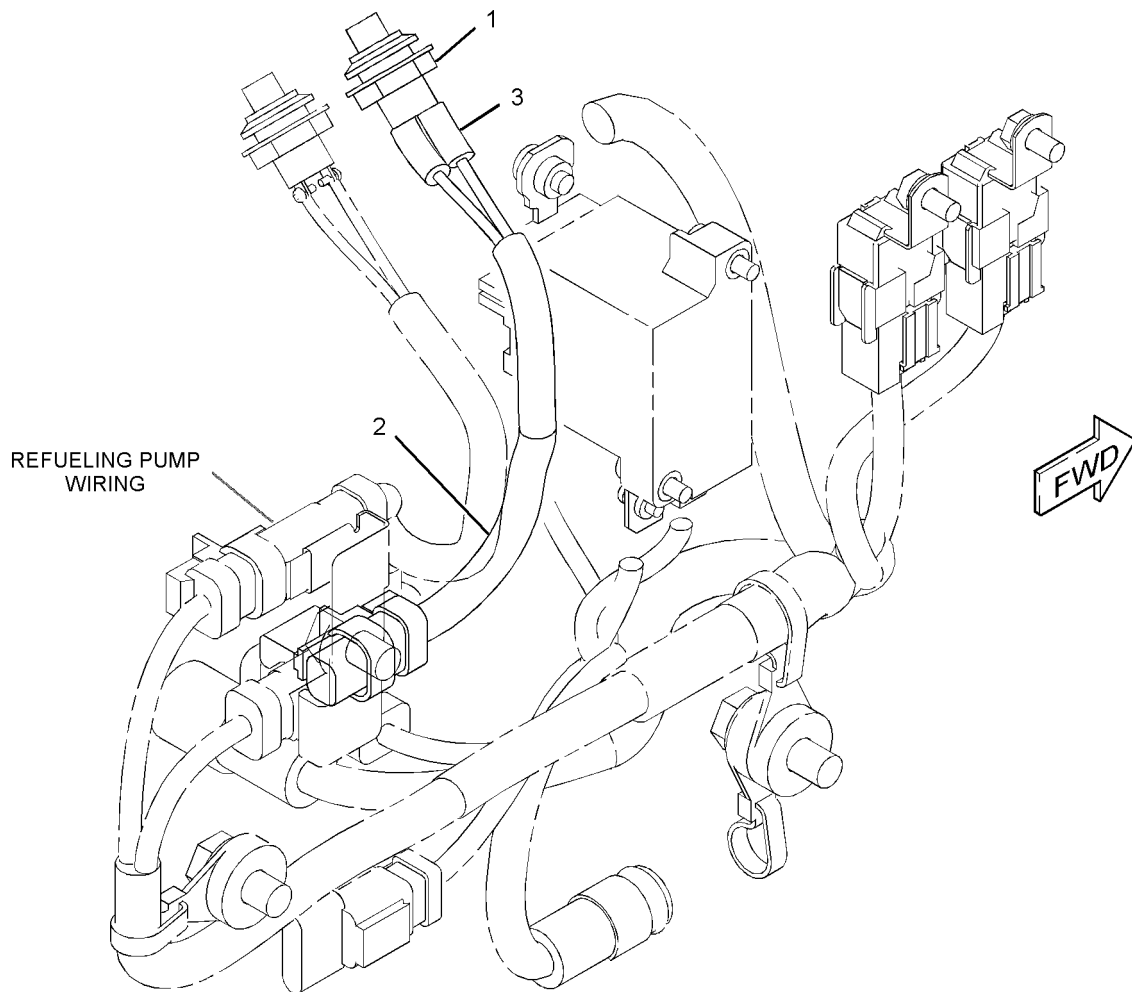
PART OF 238-1636 WIRING GP-REFUELING PUMP
AN ATTACHMENT

SMCS-1435, 7332

i03631723

NOTE	REF NO	GRAPHIC REF	PART NUMBER	QTY	PART NAME						SEE PAGE
					1	2	3	4	5	6 (PRODUCT LEVEL)	
	1	1	9X-4184	1	SWITCH GP-PUSH BUTTON (REFUELING PUMP, STOP)						
		1	1S-0812	2	SCREW-TAPPING						
		1	3E-7389	1	SWITCH-PUSH BUTTON (REFUELING PUMP, STOP)						
		1	3K-0835	1	NUT (5/8-24-THD)						
		1	6F-0253	1	LOCKWASHER						
		1	8T-8748	1	ADAPTER-MOUNT						
	2	1	238-1597	1	HARNESS AS-SWITCH (REFUELING PUMP, STOP)						
		1	8T-8730	2	SOCKET-CONNECTOR (16-GA TO 18-GA)						
		1	230-4011	1	PLUG AS-CONNECTOR (2-PIN)						
		1	264-7029	1	SEAL-CONNECTOR						
BE	3	1	125-7875		TUBE-HEAT SHRINK (7.44-MM DIA)						

B-USE AS REQUIRED
E-ORDER BY THE CENTIMETER



GRAPHIC #1

<END>

g01560319

ELECTRICAL AND STARTING SYSTEM

5C-6108 SWITCH GP-REFUELING-FUEL TANK SHUTOFF

S/N: MMA1-UP

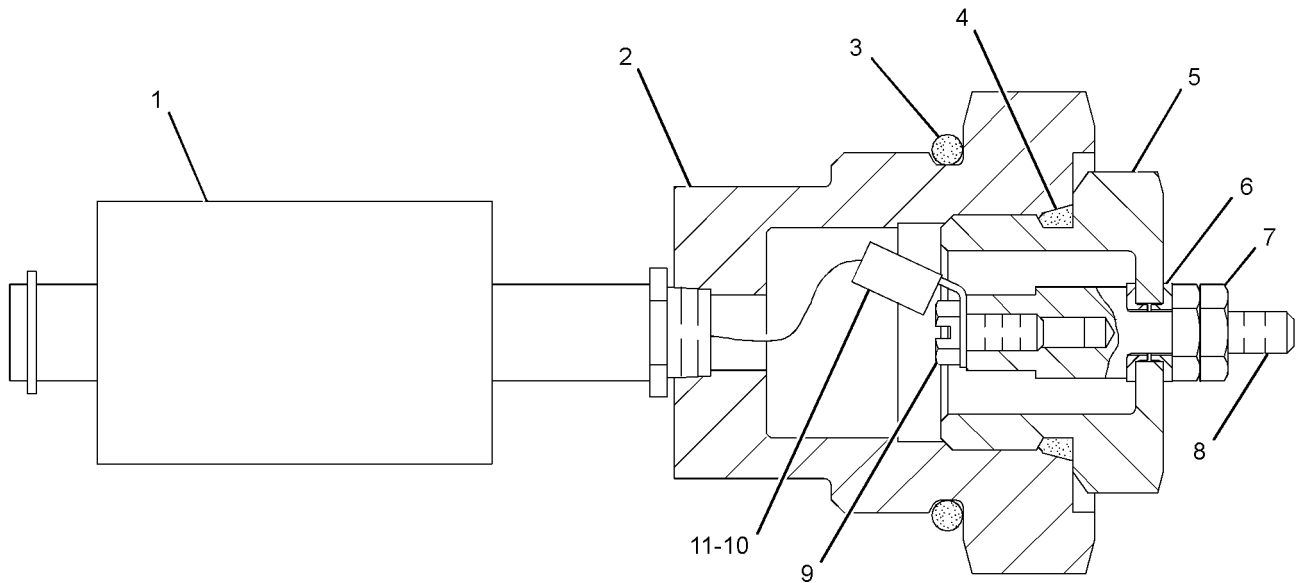
PART OF 245-5555 PUMP GP-FUEL TRANSFER
AN ATTACHMENT

SMCS-1295

i03036919

NOTE	REF NO	GRAPHIC REF	PART NUMBER	QTY	PART NAME						SEE PAGE
					1	2	3	4	5	6 (PRODUCT LEVEL)	
	1	1	8J-9236	1	SWITCH (LIQUID LEVEL) (FUEL)						
	2	1	5C-6074	1	FITTING						
	3	1	2S-4078	1	SEAL-O-RING						
	4	1	3D-2824	1	SEAL-O-RING						
	5	1	8S-1815	1	PLUG						
	6	1	8S-1814	2	INSULATOR						
	7	1	4B-2049	2	NUT (10-32-THD)						
	8	1	8S-1812	1	TERMINAL						
	9	1	9B-4499	1	SCREW-MACHINE (8-36X0.375-IN)						
	10	1	7N-9194	1	TERMINAL						
E	11	1	7X-3159		TUBE-HEAT SHRINK (3-CM)						

E-ORDER BY THE CENTIMETER



GRAPHIC #1

<END>

g01420403

ELECTRICAL AND STARTING SYSTEM

106-0107 SWITCH GP-ROTARY-THROTTLE POSITION

S/N: MMA1-UP

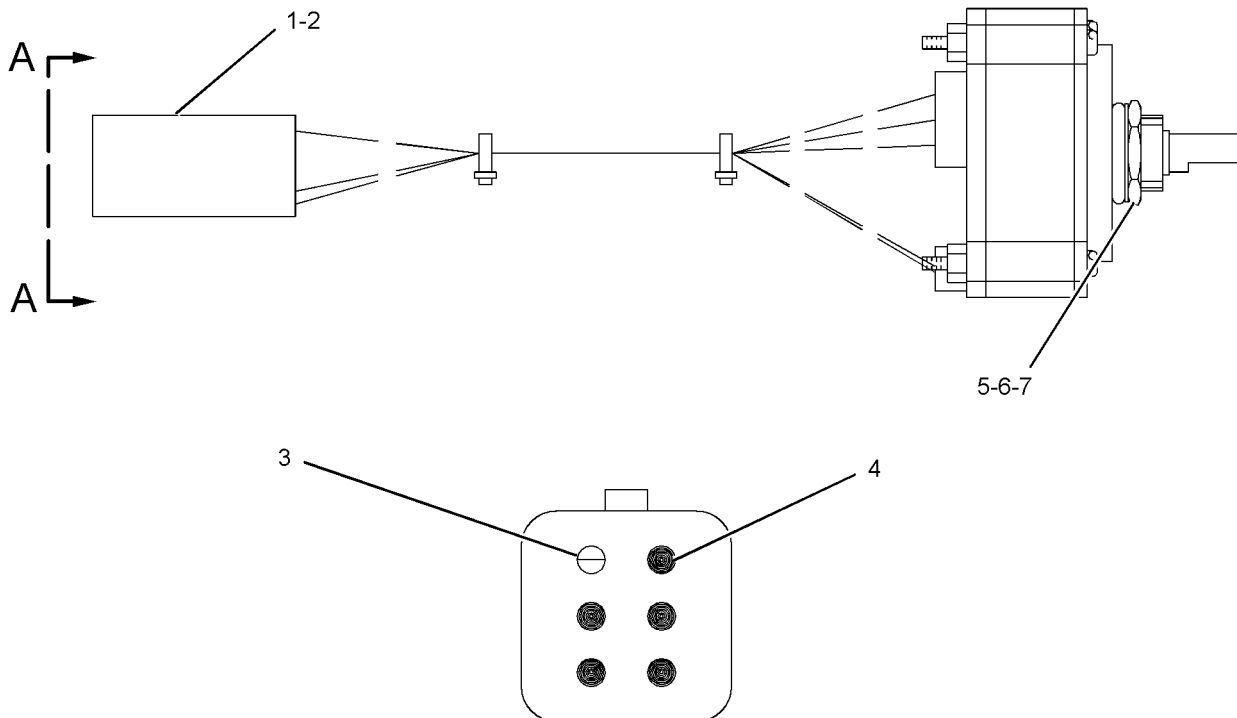
PART OF 251-0542 PANEL GP-SWITCH
AN ATTACHMENT

SMCS-7332

i03611905

NOTE	REF NO	GRAPHIC REF	PART NUMBER	QTY	PART NAME						SEE PAGE
					1	2	3	4	5	6 (PRODUCT LEVEL)	
	1	1	102-8805	1	KIT-RECEPTACLE (6-PIN)						
					INCLUDES RECEPTACLE AS & WEDGE						
	2	1	3E-3383	1	WEDGE-RECEPTACLE LOCK (6-PIN)						
	3	1	8T-8737	1	PLUG-SEAL						
	4	1	9X-3401	5	PIN-CONNECTOR (16-GA TO 18-GA)						
					-OR-						
		1	126-1767	5	PIN-CONNECTOR (14-GA)						
M	5	1	7Y-5458	1	NUT (M12X1-THD)						
	6	1	7Y-5464	1	WASHER (12.2X15.4X0.5-MM THK)						
	7	1	106-0210	1	SEAL						

M-METRIC PART



VIEW A-A
<END>

GRAPHIC #1

g01098706

ELECTRICAL AND STARTING SYSTEM

319-4420 SWITCH GP-ROTARY-THROTTLE POSITION

S/N: MMA1-UP

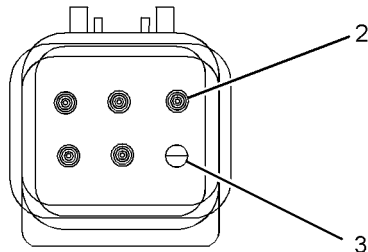
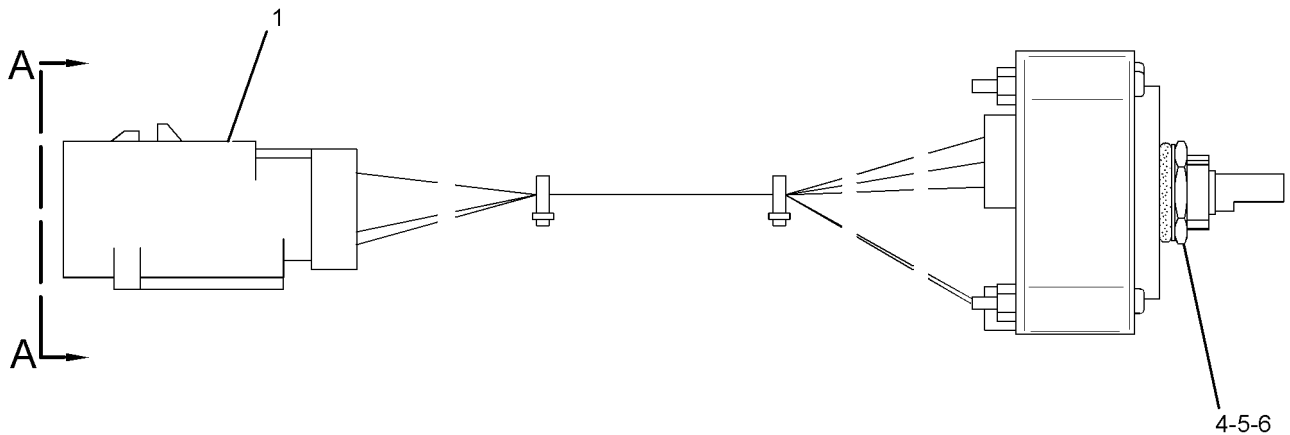
PART OF 251-0542 PANEL GP-SWITCH
AN ATTACHMENT

SMCS-7332

i03401061

NOTE	REF NO	GRAPHIC REF	PART NUMBER	QTY	PART NAME						SEE PAGE
					1	2	3	4	5	6 (PRODUCT LEVEL)	
	1	1	243-4508	1	RECEPTACLE AS-CONNECTOR (6-PIN)						
	2	1	9X-3401	5	PIN-CONNECTOR (16-GA TO 18-GA)						
					-OR-						
		1	126-1767	5	PIN-CONNECTOR (14-GA)						
	3	1	8T-8737	1	PLUG-SEAL						
M	4	1	7Y-5458	1	NUT (M12X1-THD)						
	5	1	7Y-5464	1	WASHER (12.2X15.4X0.5-MM THK)						
	6	1	106-0210	1	SEAL						

M-METRIC PART



VIEW A-A

GRAPHIC #1

<END>

g01588034

ELECTRICAL AND STARTING SYSTEM

9G-7641 SWITCH GP-START-ENGINE, KEY

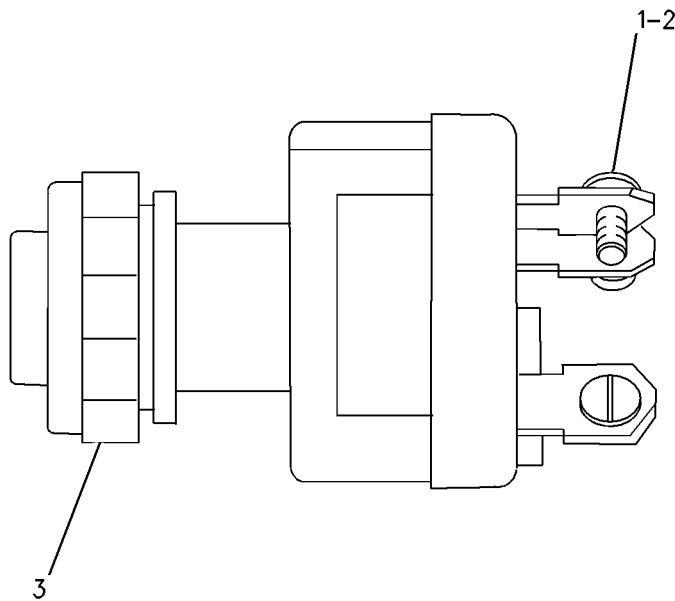
S/N: MMA1-UP

PART OF 251-0542 PANEL GP-SWITCH
AN ATTACHMENT

SMCS-1416

i01943219

NOTE	REF NO	GRAPHIC REF	PART NUMBER	QTY	PART NAME						SEE PAGE
					1	2	3	4	5	6 (PRODUCT LEVEL)	
	1	1	6V-8362	4	SCREW-MACHINE (8-32X0.31-IN)						
	2	1	9B-7233	4	LOCKWASHER						
	3	1	7T-6799	1	NUT-MOUNTING (1-32-THD)						
AF			5P-8500	1	KEY (IGNITION)						
A-NOT PART OF THIS GROUP											
F-NOT SHOWN											



GRAPHIC #1

<END>

g00699802

ELECTRICAL AND STARTING SYSTEM

170-2512 SWITCH GP-TOGGLE-SECONDARY SHUTDOWN

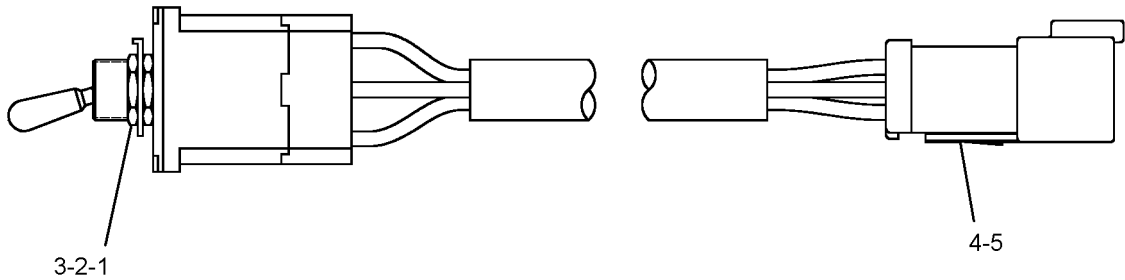
S/N: MMA1-UP

PART OF 238-2194 BATTERY & WIRING GP

SMCS-7332

i03493400

NOTE	REF NO	GRAPHIC REF	PART NUMBER	QTY	PART NAME						SEE PAGE
					1	2	3	4	5	6 (PRODUCT LEVEL)	
	1	1	6T-3631	2	NUT-HEX (15/32-32-THD)						
	2	1	6T-3632	1	LOCKWASHER						
	3	1	6T-3633	1	RING-LOCKING						
	4	1	102-8805	1	KIT-RECEPTACLE (6-PIN) (INCLUDES RECEPTACLE AS & WEDGE)						
	5	1	186-3735	6	PIN-CONNECTOR (16-GA TO 18-GA)						



GRAPHIC #1

<END>

g01814901

ELECTRICAL AND STARTING SYSTEM

239-1134 VALVE GP-ETHER STARTING

S/N: MMA1-UP

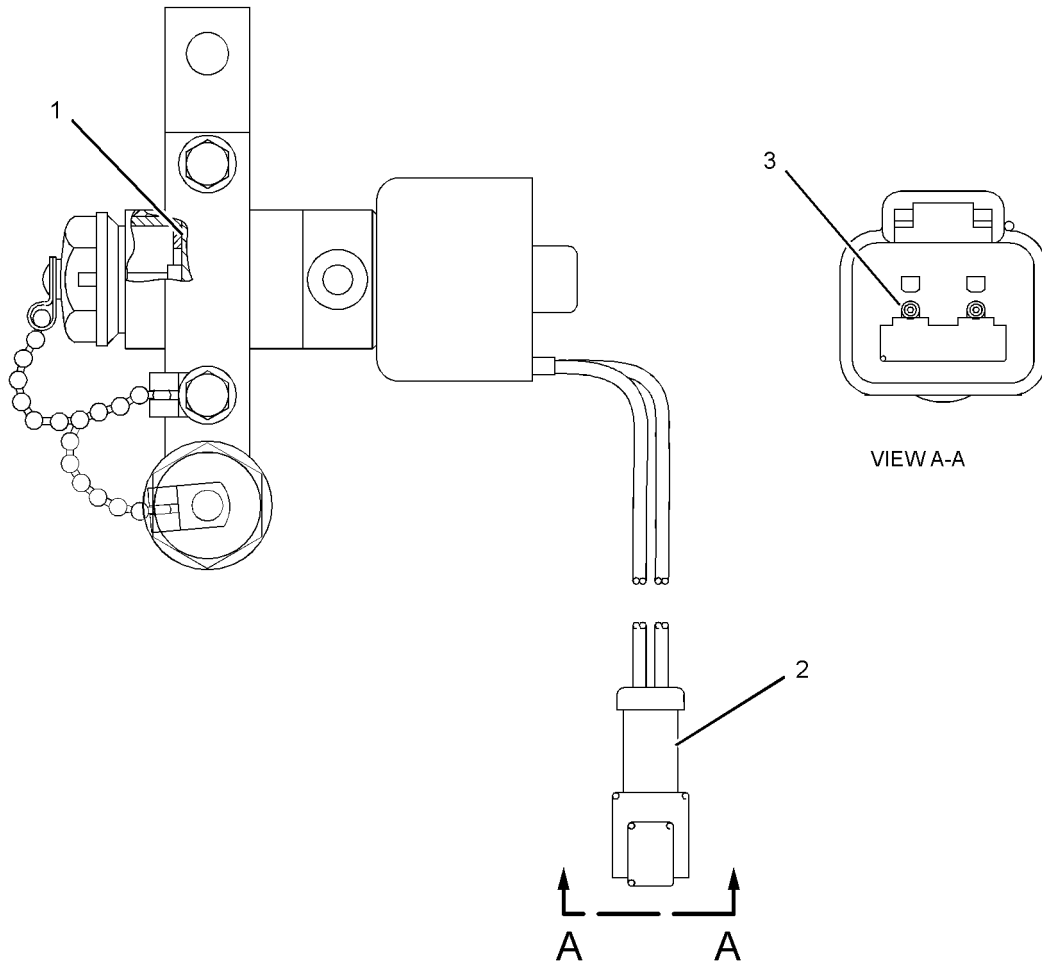
24-VOLT

PART OF 222-8324 STARTING AID GP-ETHER
AN ATTACHMENT

SMCS-1456

i02743312

NOTE	REF NO	GRAPHIC REF	PART NUMBER	QTY	PART NAME						SEE PAGE
					1	2	3	4	5	6 (PRODUCT LEVEL)	
1	1	1	7N-9801	1	GASKET						
2	1	1	102-8802	1	KIT-RECEPTACLE (2-PIN) (INCLUDES RECEPTACLE AS & WEDGE)						
3	1	1	186-3735	2	PIN-CONNECTOR (16-GA TO 18-GA)						



GRAPHIC #1

<END>

g01375620

ELECTRICAL AND STARTING SYSTEM

234-1019 WIRING GP-AUX START RECEPTACLE-JUMP START

S/N: MMA1-UP
AN ATTACHMENT

SMCS-1408, 1463

i03581260

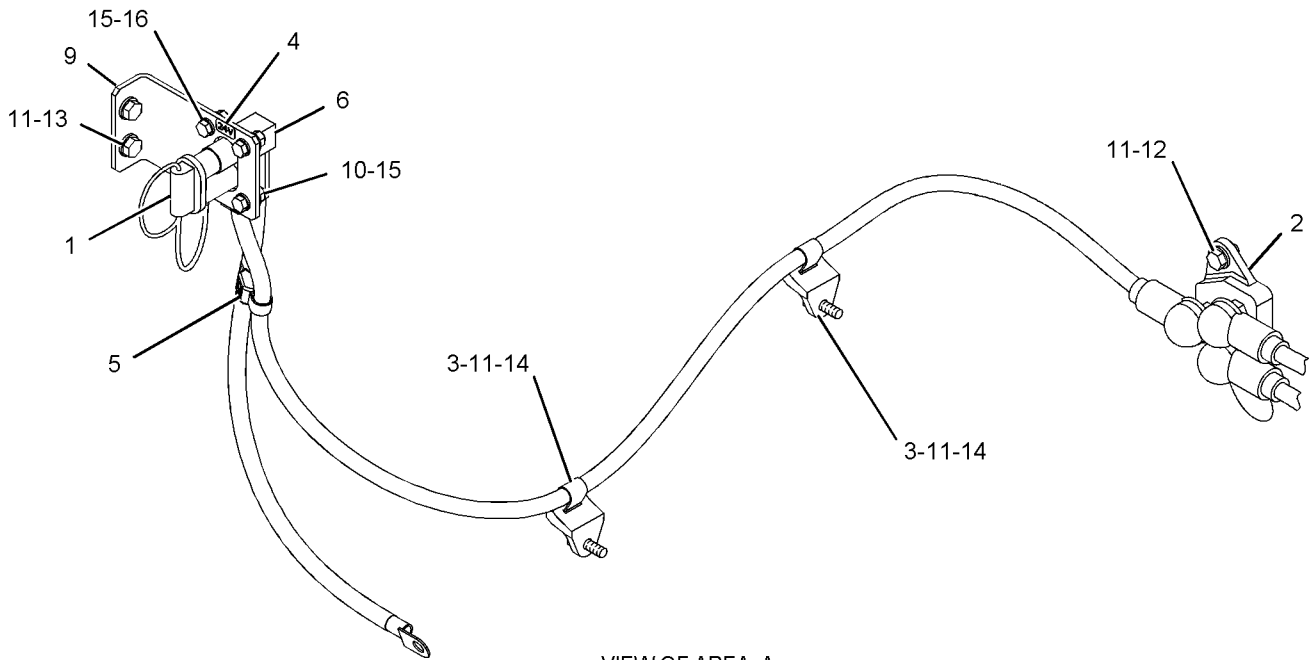
NOTE	REF NO	GRAPHIC REF	PART NUMBER	QTY	PART NAME						SEE PAGE
					1	2	3	4	5	6 (PRODUCT LEVEL)	
	1	1	8S-2634	1	COVER AS						
		1	2P-2975	2	SEAL-O-RING						
Y	2	1	<i>9W-0742</i>	1	BLOCK GP-JUNCTION (BATTERY)						291
	3	1	111-4837	11	CLIP						
	4	1	146-6747	1	FILM-INFORMATION (24-VOLT)						
	5	1	204-1673	1	STRAP-CABLE						
	6	1	209-1317	1	RECEPTACLE AS						
		1	1S-7251	2	TERMINAL-CABLE (00-GA, 1/2-IN BOLT)						
BD		1	6V-2722		TUBE-HEAT SHRINK						
	7	1	238-1491	1	CABLE AS						
E		1	5P-0761		CABLE (00-GA, RED) (126-CM)						
		1	1S-7251	1	TERMINAL-CABLE (00-GA, 1/2-IN BOLT)						
		1	8N-0869	1	COVER-TERMINAL (RED) (STARTING MOTOR)						
		1	8N-1725	1	COVER-TERMINAL (RED) (BATTERY)						
		1	8L-8413	1	STRAP-CABLE						
		1	3S-6049	1	TERMINAL AS-BATTERY (POSITIVE)						
		1	1M-6119	1	BOLT (5/16-18X1.375-IN)						
		1	1M-6120	1	NUT (5/16-18-THD)						
	8	1	238-1492	1	CABLE AS						
E		1	5P-0761		CABLE (00-GA, RED) (536-CM)						
		1	1S-7251	2	TERMINAL-CABLE (00-GA, 1/2-IN BOLT)						
		1	8N-0869	2	COVER-TERMINAL (RED)						
	9	1	238-1499	1	BRACKET						
M	10	1	5C-7261	4	NUT (M8X1.25-THD)						
	11	1	8T-4121	6	WASHER-HARD (11X21X2.5-MM THK)						
M	12	1	8T-4137	2	BOLT (M10X1.5X20-MM)						
M	13	1	8T-4191	2	BOLT (M10X1.5X16-MM)						
M	14	1	8T-4195	2	BOLT (M10X1.5X30-MM)						
	15	1	8T-4224	8	WASHER-HARD (8.8X16X2-MM THK)						
M	16	1	8T-4908	4	BOLT (M8X1.25X25-MM)						

B-USE AS REQUIRED
D-ORDER BY THE METER
E-ORDER BY THE CENTIMETER
M-METRIC PART
Y-SEPARATE ILLUSTRATION

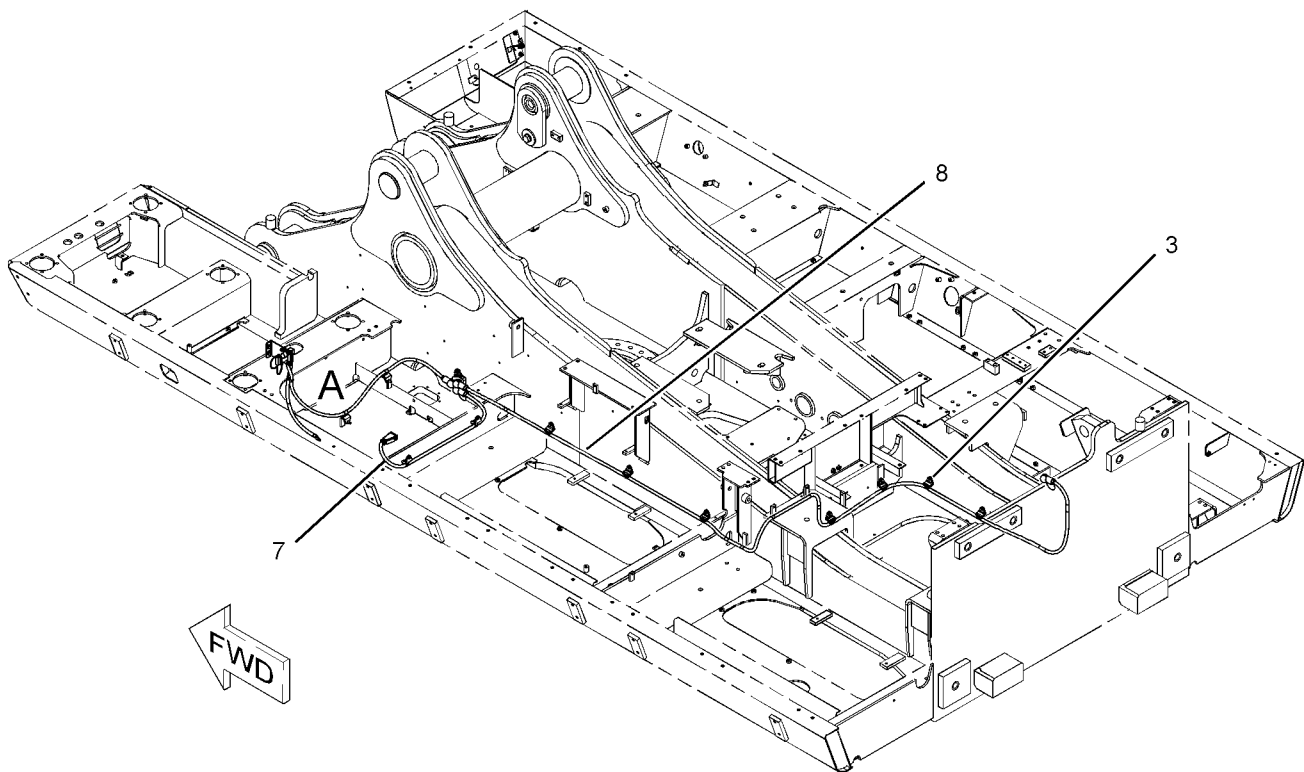
ELECTRICAL AND STARTING SYSTEM

234-1019 WIRING GP-AUX START RECEPTACLE (contd.)

i03581260



VIEW OF AREA A



GRAPHIC #1

<END>

g01086084

ELECTRICAL AND STARTING SYSTEM

227-7132 WIRING GP-CAB-CONSOLE SWITCHES, RH

S/N: MMA1-245

PART OF 237-3564 CAB AR, 225-5752 OPERATOR AR

ALSO AN ATTACHMENT

SMCS-1408, 7301

i02951728

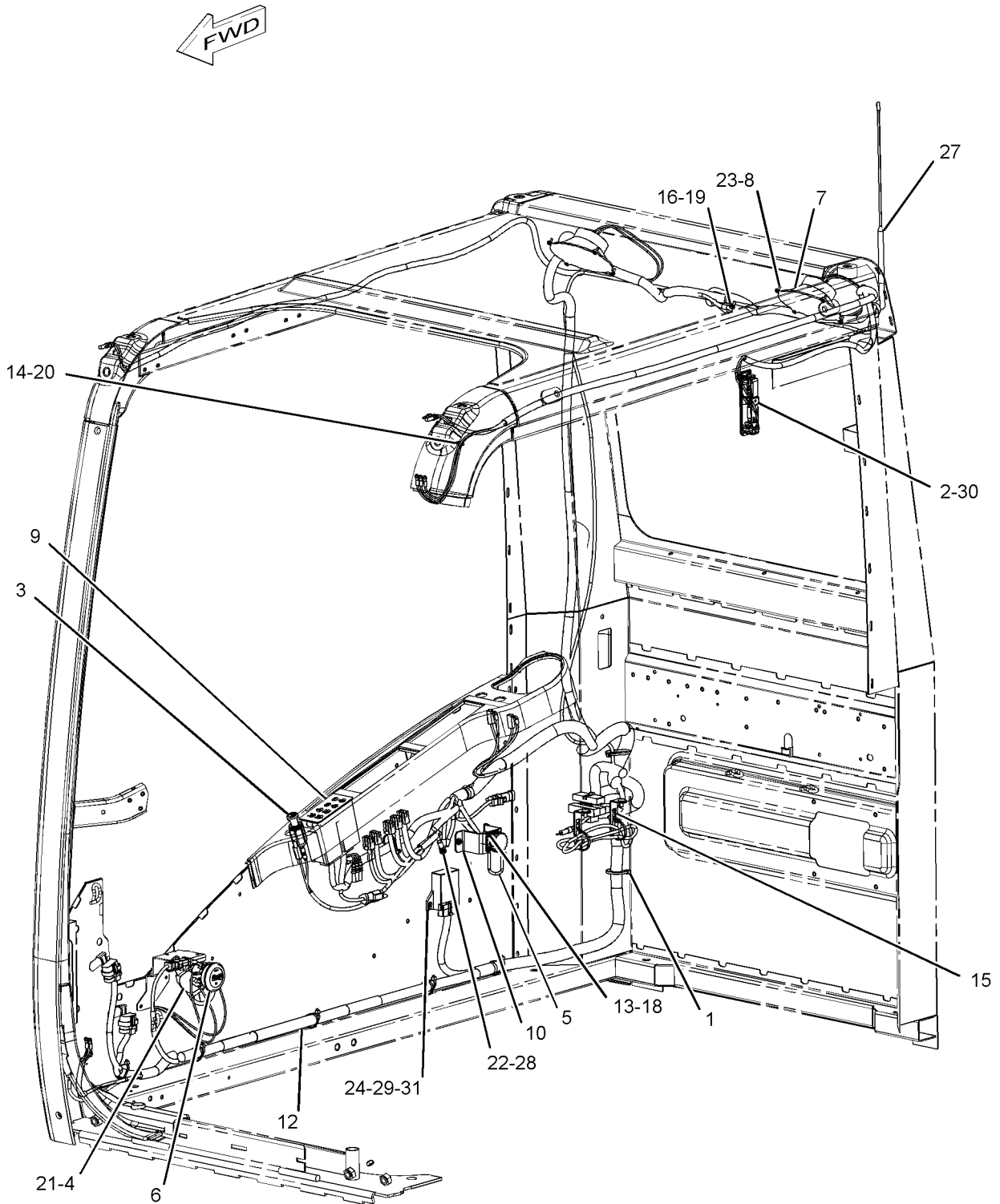
NOTE	REF NO	GRAPHIC REF	PART NUMBER	QTY	PART NAME						SEE PAGE
					1	2	3	4	5	6 (PRODUCT LEVEL)	
	1	1	3S-2093	10	STRAP-CABLE						
	2	1	6C-9121	1	BRACKET AS-LAMP						
	3	1	9W-0335	1	LIGHTER AS-CIGAR (24-VOLT)						
					-OR-						
			238-2318	1	LIGHTER AS-CIGAR (24-VOLT)						
Y	4	1	132-1829	1	ALARM GP (24-VOLT)						247
	5	1	167-3593	1	STRAP						
	6	1	205-7700	1	KIT-SERVICE METER (INCLUDES METER, FILM & CLIP)						
	7	1	214-8889	2	SPEAKER						
	8	1	220-6420	8	SCREW						
	9	1	227-7576	1	PANEL-SWITCH						
	10	1	234-1097	1	BRACKET						
	12	1	251-0597	1	HARNESS AS-CAB						
		1	3S-2093	82	STRAP-CABLE						
		1	8C-6354	1	CAP-RECEPTACLE						
		1	8T-8737	8	PLUG-SEAL						
		1	102-8803	1	KIT-RECEPTACLE (3-PIN) (INCLUDES RECEPTACLE AS & WEDGE)						
		1	155-2270	1	KIT-CONNECTING PLUG (2-PIN) (INCLUDES PLUG AS, WEDGE & INTERFACE SEAL)						
		1	174-3016	1	PLUG AS-CONNECTOR (3-PIN)						
		1	230-4009	1	PLUG AS-CONNECTOR (12-PIN)						
		1	230-4011	1	PLUG AS-CONNECTOR (2-PIN)						
		1	239-7356	1	PLUG AS-CONNECTOR (12-PIN)						
		1	243-4505	1	RECEPTACLE AS-CONNECTOR (2-PIN)						
	13	1	096-5962	3	WASHER-HARD (3.4X7X0.8-MM THK)						
	14	1	096-6166	1	WASHER-HARD (4.5X9X1-MM THK)						
	15	1	132-5789	2	CLIP						
M	16	1	6V-9673	1	SCREW-MACHINE (M5X0.8X12-MM)						
M	18	1	8C-6365	3	BOLT-SOCKET HEAD						
	19	1	8T-0328	1	WASHER-HARD (5.5X10X1-MM THK)						
M	20	1	8T-0337	1	SCREW-MACHINE (M4X0.7X12-MM)						
M	21	1	9X-2042	3	SCREW-TRUSS HEAD (M6X1X12-MM)						
	22	1	9X-8256	3	WASHER (6.6X12X2-MM THK)						
	23	1	120-4779	8	HOOK						
	24	1	188-7681	1	CONTROL GP-WIPER						
	27	1	259-5022	1	ANTENNA AS						
M	28	1	6C-9058	3	SCREW (M6X1X12-MM)						
	29	1	6C-9081	2	LOCKWASHER						
	30	1	6C-9122	2	LAMP (24-VOLT)						
M	31	1	6C-9198	2	BOLT (M5X0.8X15-MM)						

M-METRIC PART
Y-SEPARATE ILLUSTRATION

ELECTRICAL AND STARTING SYSTEM

227-7132 WIRING GP-CAB (contd.)

i02951728



GRAPHIC #1

<END>

g01149768

ELECTRICAL AND STARTING SYSTEM

227-7132 WIRING GP-CAB-CONSOLE SWITCHES, RH

S/N: MMA246-UP

PART OF 237-2167, 237-3564 CAB AR, 225-5752 OPERATOR AR
ALSO AN ATTACHMENT

SMCS-1408, 7301

i03330522

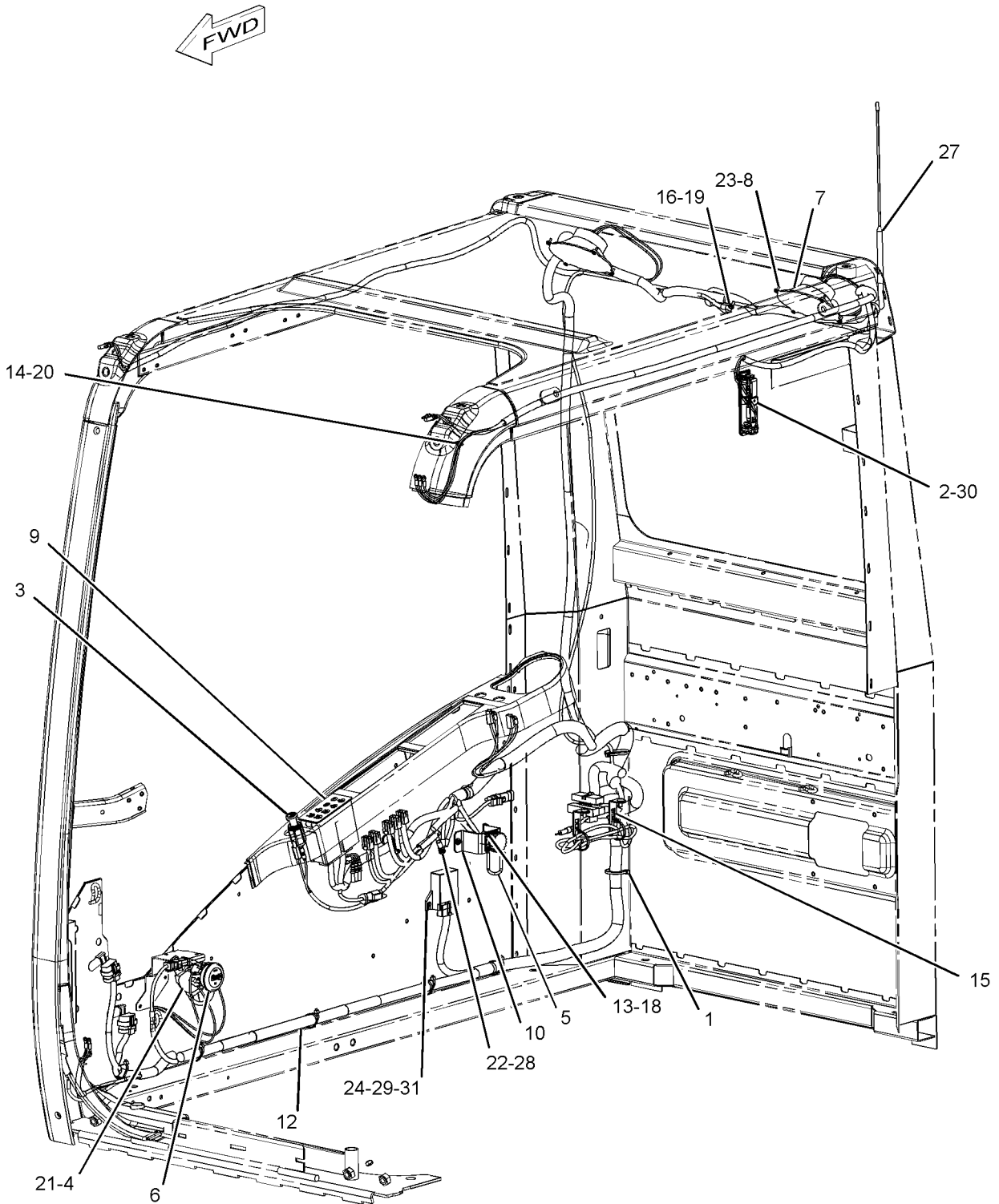
NOTE	REF NO	GRAPHIC REF	PART NUMBER	QTY	PART NAME						SEE PAGE
					1	2	3	4	5	6 (PRODUCT LEVEL)	
	1	1	3S-2093	9	STRAP-CABLE						
	2	1	6C-9121	1	BRACKET AS-LAMP						
	3	1	9W-0335	1	LIGHTER AS-CIGAR (24-VOLT)						
					-OR-						
		1	238-2318	1	LIGHTER AS-CIGAR (24-VOLT)						
Y	4	1	132-1829	1	ALARM GP (24-VOLT)						247
	5	1	167-3593	1	STRAP						
C	6	1	268-1964	1	KIT-SERVICE METER (INCLUDES METER, FILM & CLIP)						
	7	1	214-8889	2	SPEAKER						
	8	1	220-6420	8	SCREW						
	9	1	227-7576	1	PANEL-SWITCH						
	10	1	234-1097	1	BRACKET						
C	12	1	267-7682	1	HARNESS AS-CAB						
	13	1	096-5962	3	WASHER-HARD (3.4X7X0.8-MM THK)						
	14	1	096-6166	1	WASHER-HARD (4.5X9X1-MM THK)						
	15	1	132-5789	1	CLIP						
M	16	1	6V-9673	1	SCREW-MACHINE (M5X0.8X12-MM)						
M	18	1	150-6256	3	BOLT-SOCKET HEAD (M3X0.5X12-MM)						
	19	1	8T-0328	1	WASHER-HARD (5.5X10X1-MM THK)						
M	20	1	8T-0337	1	SCREW-MACHINE (M4X0.7X12-MM)						
M	21	1	9X-2042	2	SCREW-TRUSS HEAD (M6X1X12-MM)						
	22	1	9X-8256	3	WASHER (6.6X12X2-MM THK)						
	23	1	120-4779	8	HOOK						
	24	1	328-0651	1	CONTROL GP-WIPER						
	27	1	259-5022	1	ANTENNA AS						
		1	259-5081	1	ROD						
		1	259-5082	1	CABLE AS						
M	28	1	6C-9058	3	SCREW (M6X1X12-MM)						
	29	1	6C-9081	2	LOCKWASHER						
	30	1	6C-9122	2	LAMP (24-VOLT) (DOME LIGHT)						
M	31	1	6C-9198	2	BOLT (M5X0.8X15-MM)						

C-CHANGE FROM PREVIOUS TYPE
M-METRIC PART
Y-SEPARATE ILLUSTRATION

ELECTRICAL AND STARTING SYSTEM

227-7132 WIRING GP-CAB (contd.)

i03330522



GRAPHIC #1

<END>

g01149768

ELECTRICAL AND STARTING SYSTEM

259-4973 WIRING GP-COMMUNICATION-PRODUCT LINK 300

S/N: MMA1-UP

PART OF 257-4490, 303-2727 INSTALLATION AR-COMMUNICATION
AN ATTACHMENT

SMCS-1408

i02364960

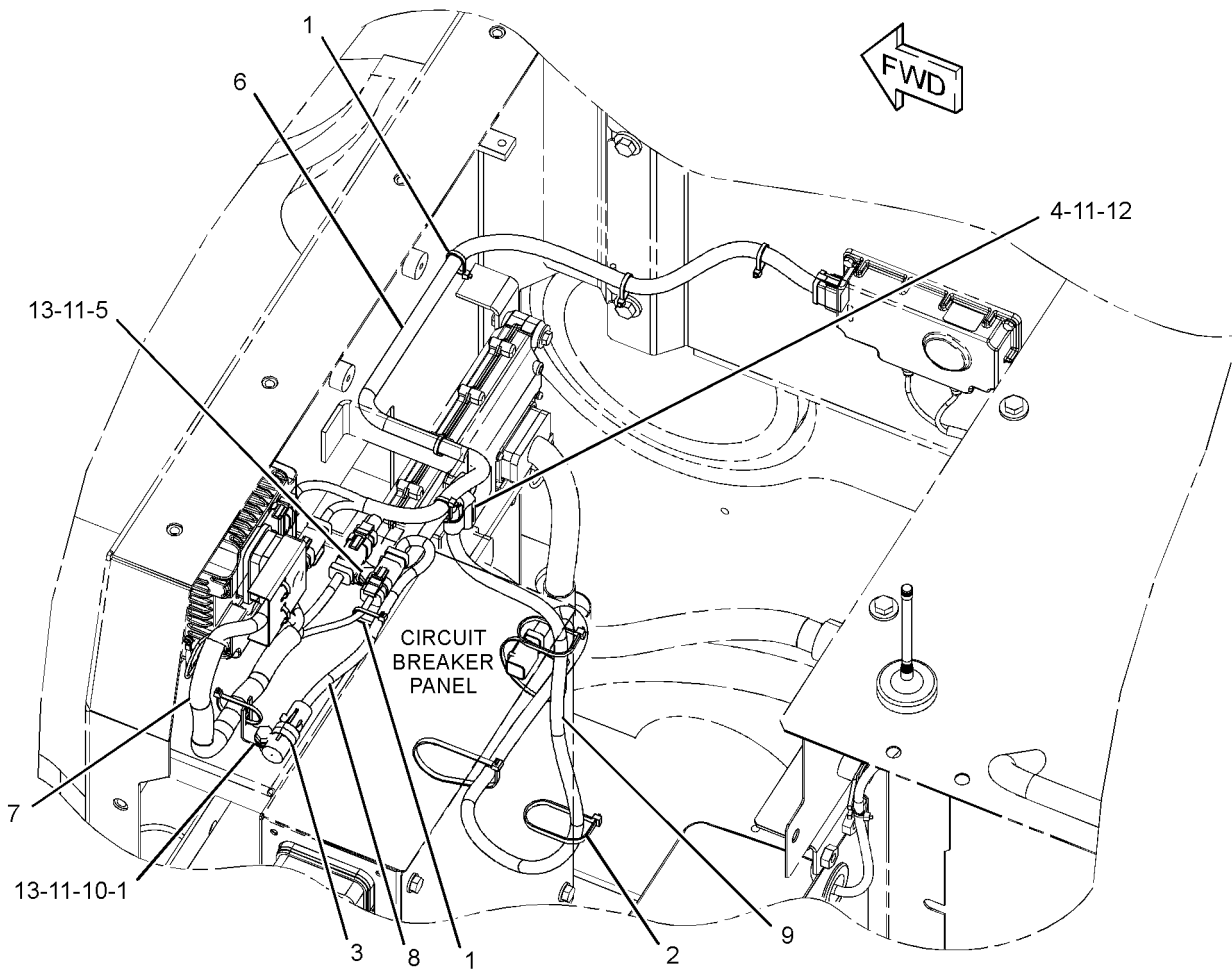
NOTE	REF NO	GRAPHIC REF	PART NUMBER	QTY	PART NAME						SEE PAGE
					1	2	3	4	5	6 (PRODUCT LEVEL)	
	1	1	3S-2093	7	STRAP-CABLE						
	2	1	7K-1181	4	STRAP-CABLE						
	3	1	9X-3495	1	CLIP AS						
	4	1	111-4837	1	CLIP						
	5	1	116-0118	4	CLIP						
	6	1	259-4975	1	HARNESS AS-CONTROL						
		1	155-2255	1	KIT-CONNECTING PLUG (12-PIN)						
					INCLUDES PLUG AS, WEDGE & INTERFACE SEAL						
		1	230-5010	1	PLUG AS-CONNECTOR (6-PIN)						
		1	243-4508	1	RECEPTACLE AS-CONNECTOR (6-PIN)						
	7	1	259-5009	1	HARNESS AS-CONTROL (PRODUCT LINK)						
		1	160-7690	1	PLUG AS-CONNECTOR (70-PIN)						
		1	230-5010	2	PLUG AS-CONNECTOR (6-PIN)						
		1	243-4508	2	RECEPTACLE AS-CONNECTOR (6-PIN)						
	8	1	259-5010	1	HARNESS AS-CONTROL (SERVICE CONNECTOR)						
		1	243-4508	1	RECEPTACLE AS-CONNECTOR (6-PIN)						
	9	1	259-5011	1	HARNESS AS-CONTROL						
		1	230-5010	1	PLUG AS-CONNECTOR (6-PIN)						
		1	243-4508	1	RECEPTACLE AS-CONNECTOR (6-PIN)						
	10	1	132-5789	1	CLIP						
	11	1	8T-4121	4	WASHER-HARD (11X21X2.5-MM THK)						
M	12	1	8T-4136	1	BOLT (M10X1.5X25-MM)						
M	13	1	8T-4137	3	BOLT (M10X1.5X20-MM)						

M-METRIC PART

ELECTRICAL AND STARTING SYSTEM

259-4973 WIRING GP-COMMUNICATION (contd.)

i02364960



GRAPHIC #1

<END>

g01184386

ELECTRICAL AND STARTING SYSTEM

259-4974 WIRING GP-COMMUNICATION-PRODUCT LINK 121S

S/N: MMA1-UP

PART OF 257-4510 INSTALLATION AR-COMMUNICATION
AN ATTACHMENT

SMCS-1408

i02364694

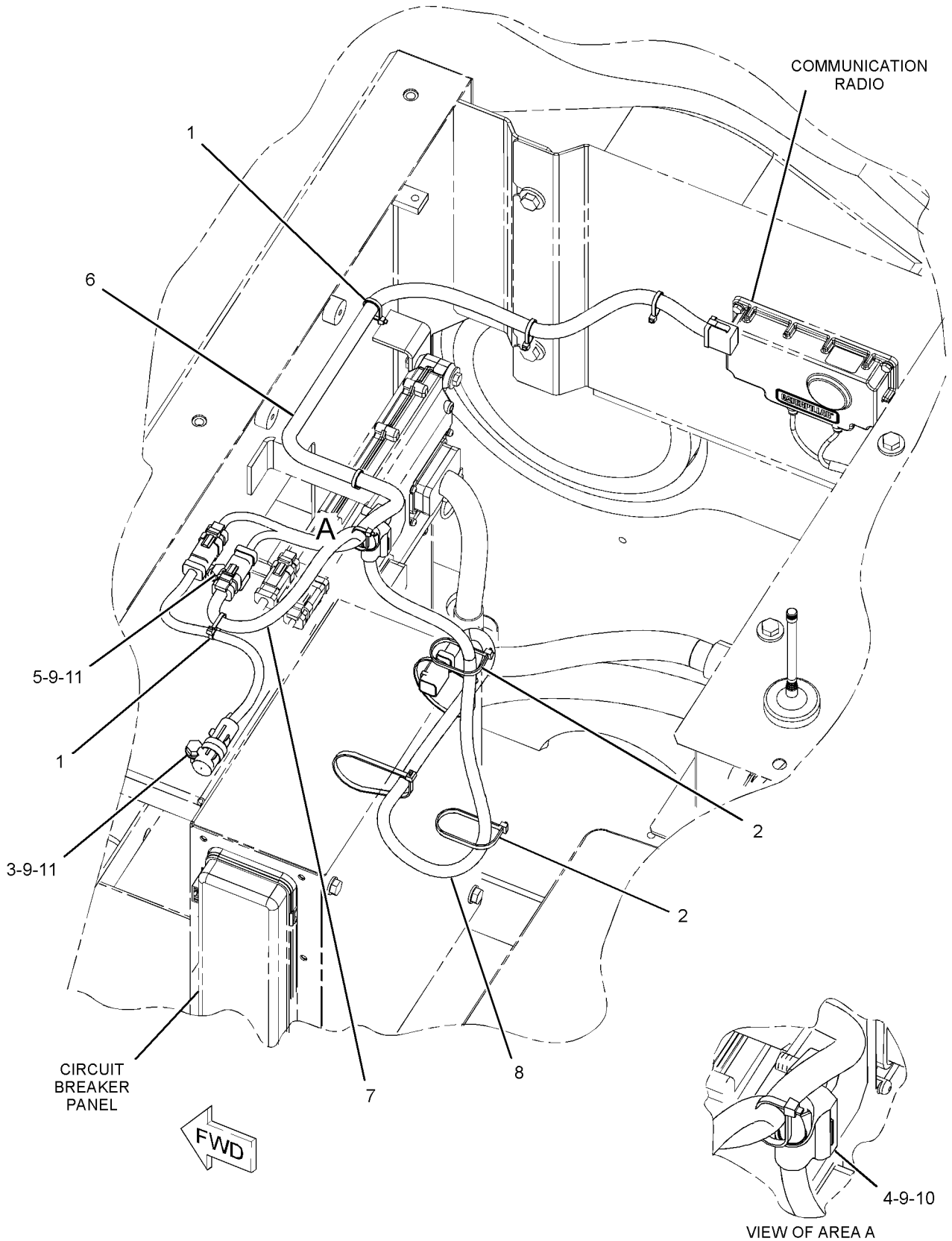
NOTE	REF NO	GRAPHIC REF	PART NUMBER	QTY	PART NAME						SEE PAGE
					1	2	3	4	5	6 (PRODUCT LEVEL)	
	1	1	3S-2093	6	STRAP-CABLE						
	2	1	7K-1181	4	STRAP-CABLE						
	3	1	9X-3495	1	CLIP AS						
	4	1	111-4837	1	CLIP						
	5	1	116-0118	2	CLIP						
	6	1	259-4975	1	HARNESS AS-CONTROL						
		1	155-2255	1	KIT-CONNECTING PLUG (12-PIN) (INCLUDES PLUG AS, WEDGE & INTERFACE SEAL)						
		1	230-5010	1	PLUG AS-CONNECTOR (6-PIN)						
		1	243-4508	1	RECEPTACLE AS-CONNECTOR (6-PIN)						
	7	1	259-5010	1	HARNESS AS-CONTROL (SERVICE CONNECTOR)						
		1	243-4508	1	RECEPTACLE AS-CONNECTOR (6-PIN)						
	8	1	259-5011	1	HARNESS AS-CONTROL						
		1	230-5010	1	PLUG AS-CONNECTOR (6-PIN)						
		1	243-4508	1	RECEPTACLE AS-CONNECTOR (6-PIN)						
	9	1	8T-4121	3	WASHER-HARD (11X21X2.5-MM THK)						
M	10	1	8T-4136	1	BOLT (M10X1.5X25-MM)						
M	11	1	8T-4137	2	BOLT (M10X1.5X20-MM)						

M-METRIC PART

ELECTRICAL AND STARTING SYSTEM

259-4974 WIRING GP-COMMUNICATION (contd.)

i02364694



GRAPHIC #1

<END>

g01184111

ELECTRICAL AND STARTING SYSTEM

227-7129 WIRING GP-CONSOLE

S/N: MMA1-UP

PART OF 225-5752 OPERATOR AR

SMCS-1408

i02628739

NOTE	PART NUMBER	QTY	PART NAME						SEE PAGE
			1	2	3	4	5	6 (PRODUCT LEVEL)	
Y	227-7130	1	WIRING GP-CONSOLE (LH)						394
Y	227-7131	1	WIRING GP-CONSOLE (RH)						398

Y-SEPARATE ILLUSTRATION

<END>

ELECTRICAL AND STARTING SYSTEM

227-7130 WIRING GP-CONSOLE-LH

S/N: MMA1-244

PART OF 227-7129 WIRING GP-CONSOLE

SMCS-1408

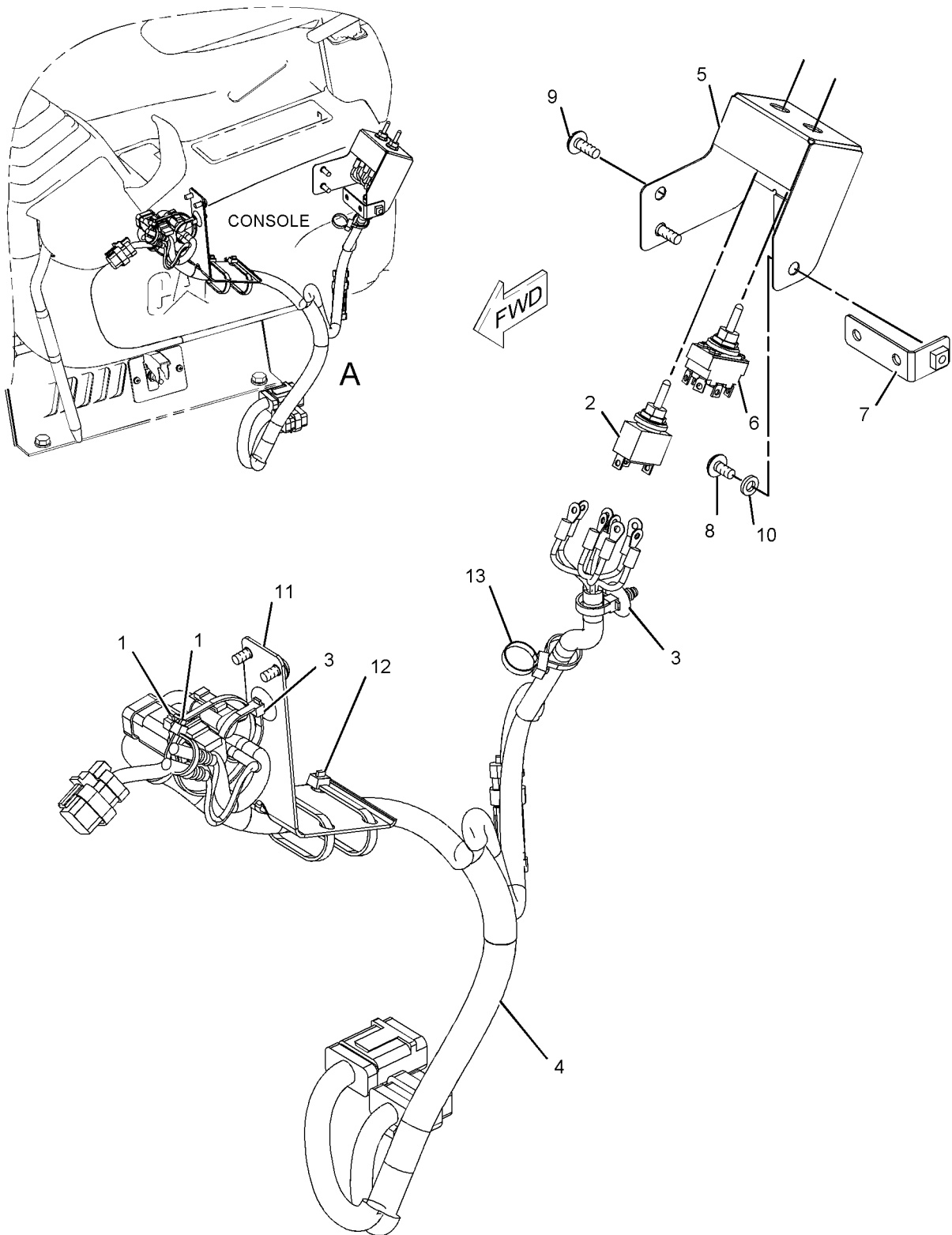
i02224544

NOTE	REF NO	GRAPHIC REF	PART NUMBER	QTY	PART NAME						SEE PAGE
					1	2	3	4	5	6 (PRODUCT LEVEL)	
	1	1	3S-2093	2	STRAP-CABLE						
	2	1	163-6711	1	SWITCH AS-TOGGLE (BACKUP TRAVEL, LH)						
	3	1	163-6795	3	STRAP-CABLE						
	4	1	251-0600	1	HARNESS AS-CONSOLE (BACKUP, JOYSTICK)						
		1	155-2260	1	KIT-CONNECTING PLUG (3-PIN) (INCLUDES PLUG AS, WEDGE & INTERFACE SEAL)						
	5	1	234-1112	1	BRACKET						
	6	1	234-1155	1	SWITCH AS-TOGGLE (BACKUP BOOM)						
	7	1	238-1641	1	BRACKET AS						
M	8	1	9X-2042	3	SCREW-TRUSS HEAD (M6X1X12-MM)						
M	9	1	9X-2044	2	SCREW-TRUSS HEAD (M6X1X16-MM)						
	10	1	9X-8256	1	WASHER (6.6X12X2-MM THK)						
	11	1	251-0605	1	BRACKET						
	12	1	7K-1181	2	STRAP-CABLE						
	13	1	7I-2673	1	STRAP-CABLE						
M-METRIC PART											

ELECTRICAL AND STARTING SYSTEM

227-7130 WIRING GP-CONSOLE (contd.)

i02224544



VIEW OF AREA A
(EXPLODED)

GRAPHIC #1

<END>

g01124524

ELECTRICAL AND STARTING SYSTEM

227-7130 WIRING GP-CONSOLE-LH

S/N: MMA245-UP

PART OF 227-7129 WIRING GP-CONSOLE

SMCS-1408

i02567049

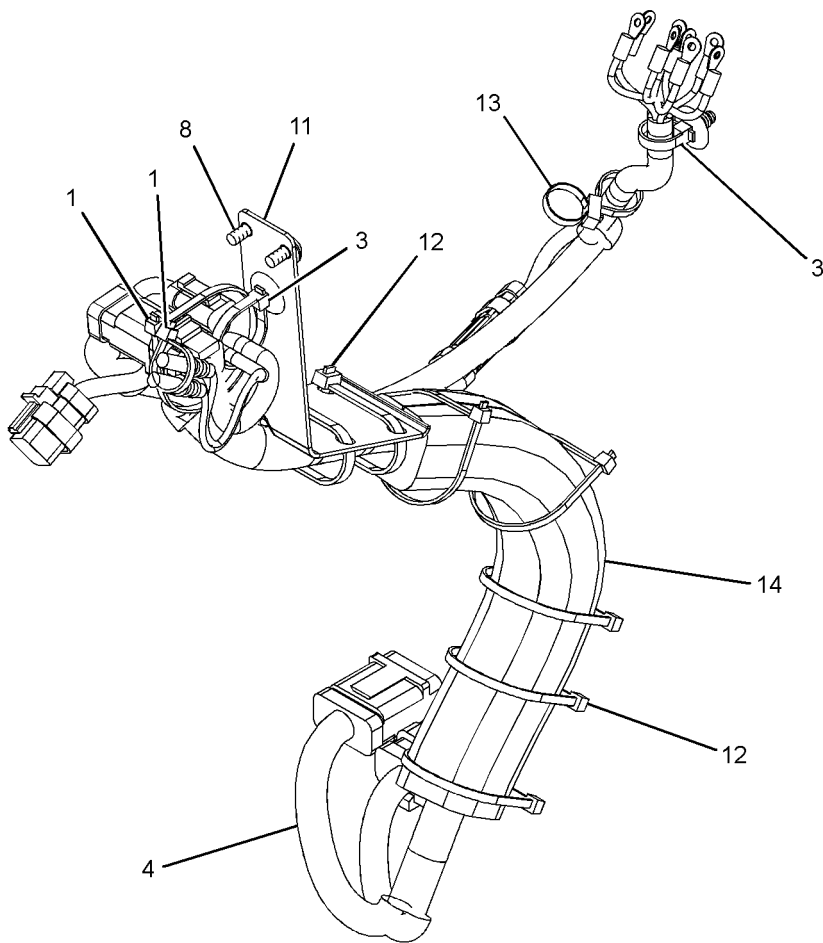
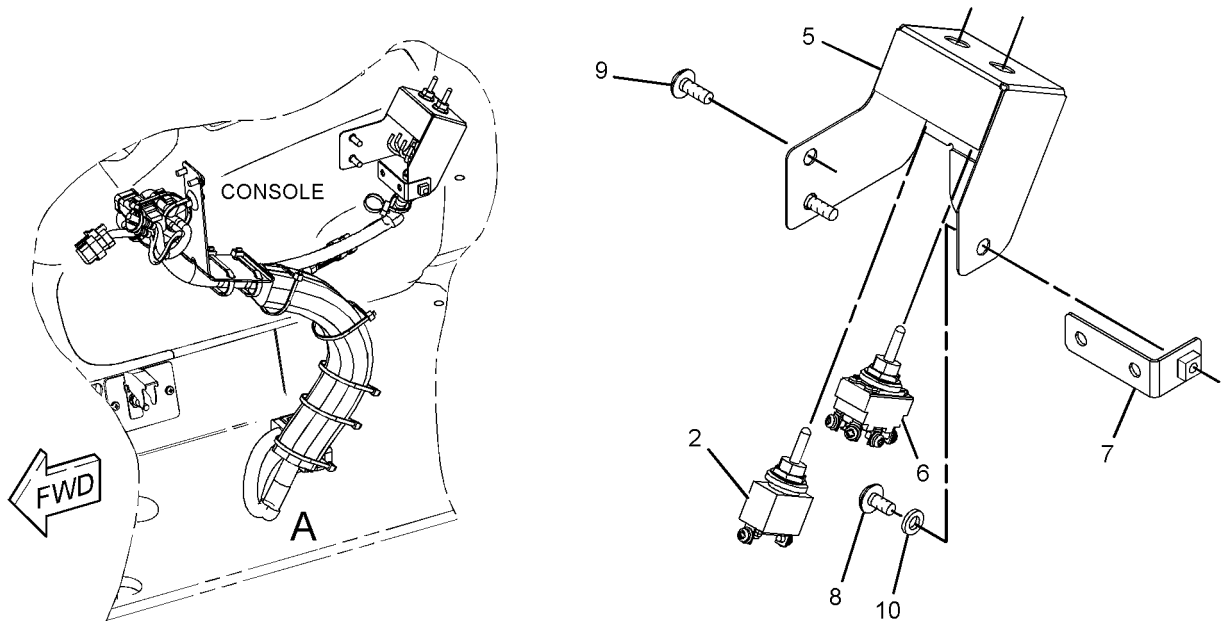
NOTE	REF NO	GRAPHIC REF	PART NUMBER	QTY	PART NAME						SEE PAGE
					1	2	3	4	5	6 (PRODUCT LEVEL)	
	1	1	3S-2093	2	STRAP-CABLE						
	2	1	163-6711	1	SWITCH AS-TOGGLE (BACKUP TRAVEL, LH)						
	3	1	163-6795	3	STRAP-CABLE						
C	4	1	259-5098	1	HARNESS AS-CONSOLE						
		1	3S-2093	7	STRAP-CABLE						
E		1	125-7874		TUBE-HEAT SHRINK (5.72-MM DIA) (10-CM)						
E		1	125-7875		TUBE-HEAT SHRINK (7.44-MM DIA) (5-CM)						
		1	155-2260	1	KIT-CONNECTING PLUG (3-PIN) (INCLUDES PLUG AS, WEDGE, & INTERFACE SEAL)						
		1	230-4009	1	PLUG AS-CONNECTOR (12-PIN)						
		1	230-4011	1	PLUG AS-CONNECTOR (2-PIN)						
		1	230-5010	1	PLUG AS-CONNECTOR (6-PIN)						
		1	239-7352	1	PLUG AS-CONNECTOR (6-PIN)						
		1	243-4505	1	RECEPTACLE AS-CONNECTOR (2-PIN)						
		1	243-4510	1	RECEPTACLE AS-CONNECTOR (12-PIN)						
		1	247-2693	1	RECEPTACLE AS-CONNECTOR (6-PIN)						
	5	1	234-1112	1	BRACKET						
	6	1	234-1155	1	SWITCH AS-TOGGLE (BACKUP BOOM)						
	7	1	238-1641	1	BRACKET AS						
M	8	1	9X-2042	3	SCREW-TRUSS HEAD (M6X1X12-MM)						
M	9	1	9X-2044	2	SCREW-TRUSS HEAD (M6X1X16-MM)						
	10	1	9X-8256	1	WASHER (6.6X12X2-MM THK)						
	11	1	251-0605	1	BRACKET						
C	12	1	7K-1181	7	STRAP-CABLE						
	13	1	7I-2673	1	STRAP-CABLE						
C	14	1	176-1913	1	GUARD						

C-CHANGE FROM PREVIOUS TYPE
E-ORDER BY THE CENTIMETER
M-METRIC PART

ELECTRICAL AND STARTING SYSTEM

227-7130 WIRING GP-CONSOLE (contd.)

i02567049



VIEW OF AREA A
(EXPLODED)

GRAPHIC #1

<END>

g01293141

ELECTRICAL AND STARTING SYSTEM

227-7131 WIRING GP-CONSOLE-RH

S/N: MMA1-249

PART OF 227-7129 WIRING GP-CONSOLE

SMCS-1408

i02224604

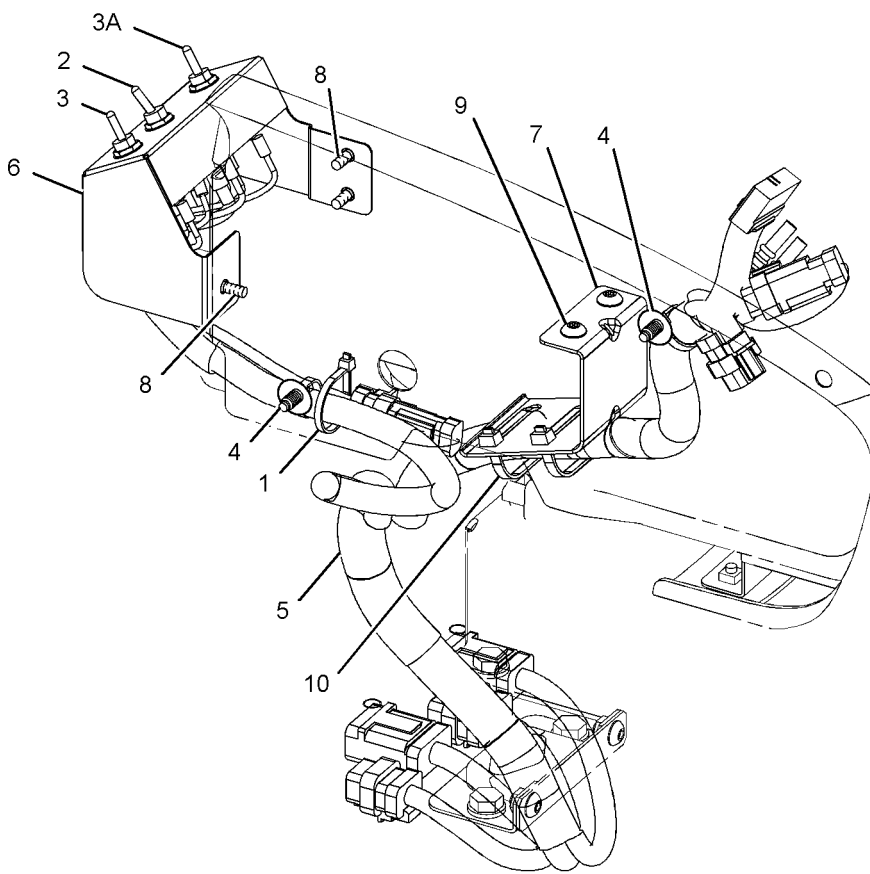
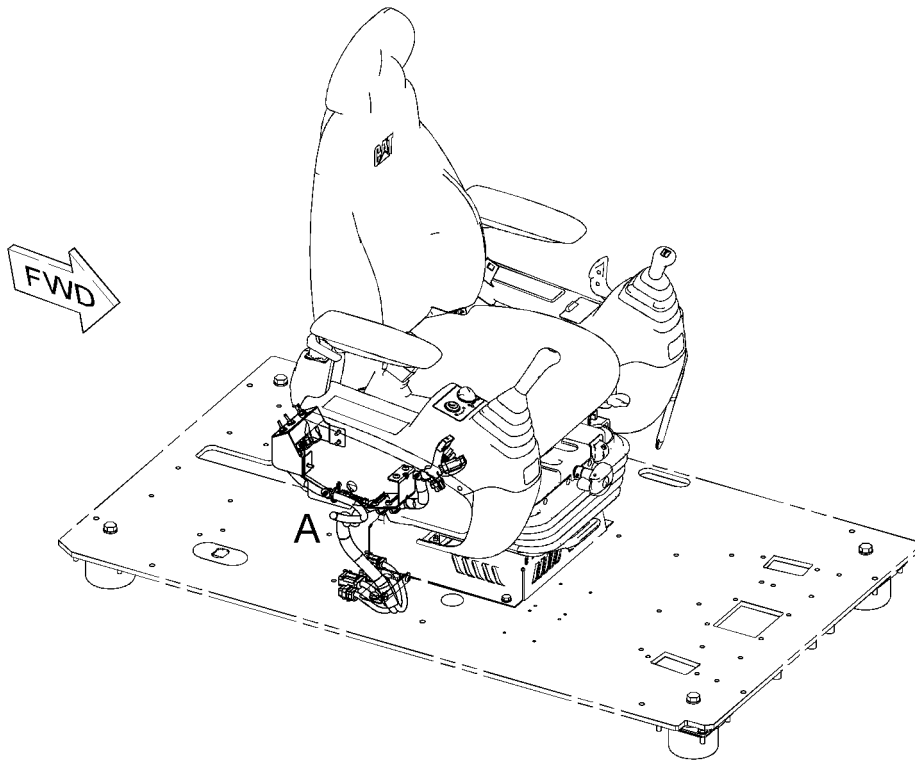
NOTE	REF NO	GRAPHIC REF	PART NUMBER	QTY	PART NAME						SEE PAGE
					1	2	3	4	5	6 (PRODUCT LEVEL)	
	1	1	3S-2093	1	STRAP-CABLE						
	2	1	163-6710	1	SWITCH AS-TOGGLE (AUTO/MANUAL ENG SPEED CONTROL)						
	3	1	163-6711	1	SWITCH AS-TOGGLE (BACKUP TRAVEL, RH)						
	3A	1	163-6711	1	SWITCH AS-TOGGLE (BACKUP GOVERNOR)						
	4	1	163-6795	3	STRAP-CABLE						
	5	1	251-0601	1	HARNESS AS-CONSOLE (BACKUP, JOYSTICK)						
		1	230-4009	1	PLUG AS-CONNECTOR (12-PIN)						
		1	230-4011	1	PLUG AS-CONNECTOR (2-PIN)						
		1	230-5010	1	PLUG AS-CONNECTOR (6-PIN)						
		1	231-2295	1	PLUG AS-CONNECTOR (8-PIN)						
		1	239-7352	1	PLUG AS-CONNECTOR (6-PIN)						
		1	243-4505	1	RECEPTACLE AS-CONNECTOR (2-PIN)						
		1	243-4509	1	RECEPTACLE AS-CONNECTOR (8-PIN)						
		1	243-4510	1	RECEPTACLE AS-CONNECTOR (12-PIN)						
		1	247-2693	1	RECEPTACLE AS-CONNECTOR (6-PIN)						
	6	1	251-0602	1	BRACKET						
	7	1	251-0606	1	BRACKET AS						
M	8	1	9X-2043	3	SCREW-TRUSS HEAD (M6X1X14-MM)						
M	9	1	9X-2042	2	SCREW-TRUSS HEAD (M6X1X12-MM)						
	10	1	7K-1181	2	STRAP-CABLE						

M-METRIC PART

ELECTRICAL AND STARTING SYSTEM

227-7131 WIRING GP-CONSOLE (contd.)

i02224604



VIEW OF AREA A

GRAPHIC #1

<END>

g01123530

ELECTRICAL AND STARTING SYSTEM

227-7131 WIRING GP-CONSOLE-RH

S/N: MMA250-UP

PART OF 227-7129 WIRING GP-CONSOLE

SMCS-1408

i02986848

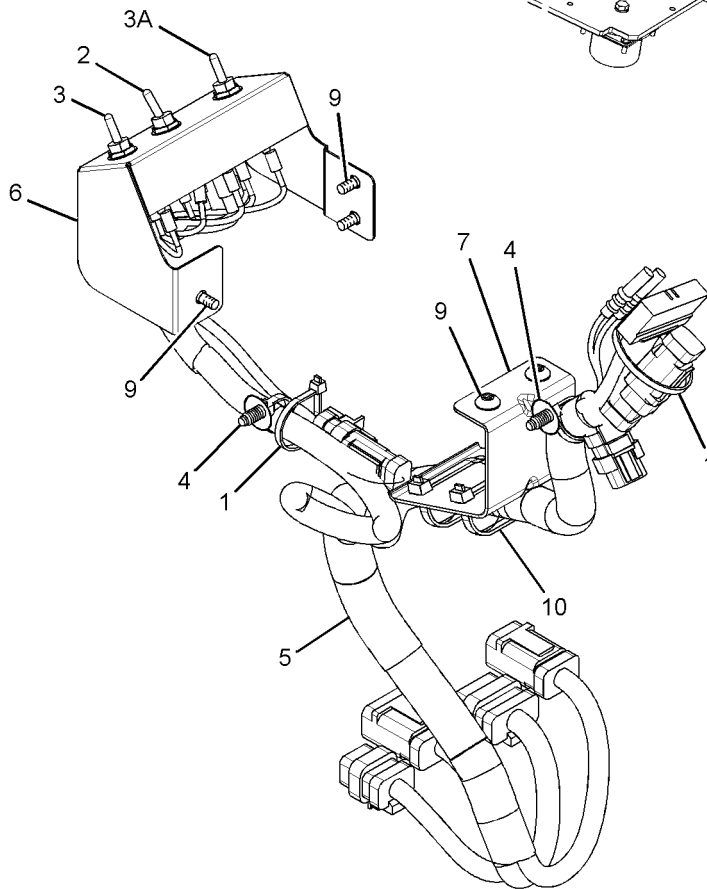
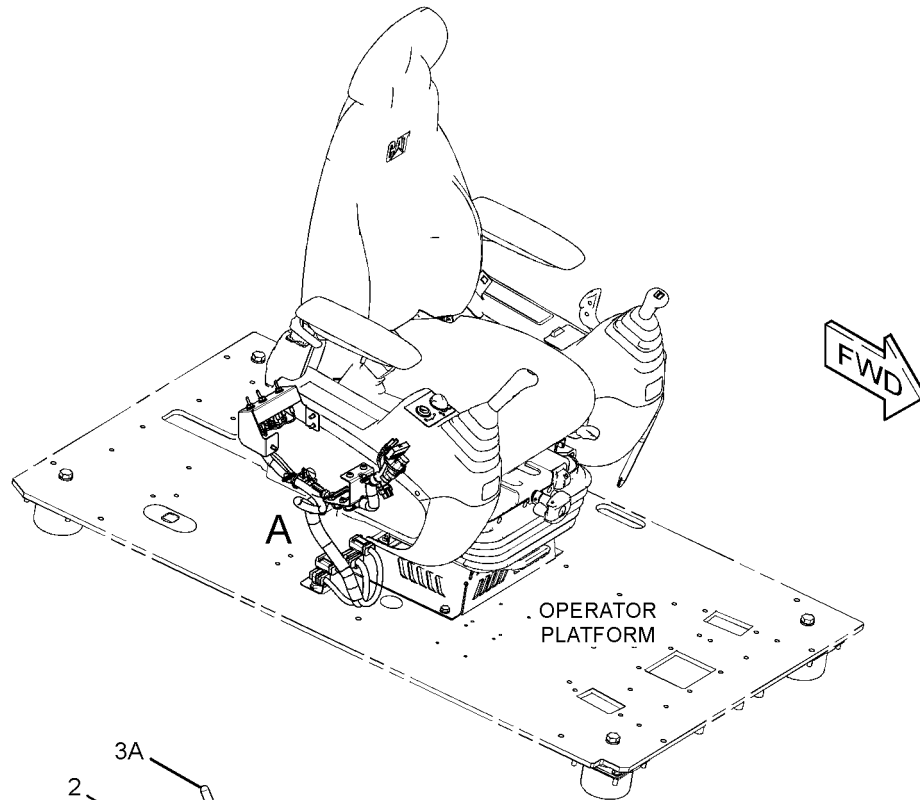
NOTE	REF NO	GRAPHIC REF	PART NUMBER	QTY	PART NAME						SEE PAGE	
					1	2	3	4	5	6 (PRODUCT LEVEL)		
C	1	1	3S-2093	2	STRAP-CABLE							
	2	1	283-3074	1	SWITCH AS-TOGGLE (AUTO/MANUAL ENG SPEED CONTROL)							
	3	1	163-6711	1	SWITCH AS-TOGGLE (BACKUP TRAVEL, RH)							
	3A	1	163-6711	1	SWITCH AS-TOGGLE (THROTTLE BACKUP)							
	4	1	163-6795	3	STRAP-CABLE							
	5	1	251-0601	1	HARNESS AS-CONSOLE (BACKUP, JOYSTICK)							
	6	1	251-0602	1	BRACKET							
	7	1	251-0606	1	BRACKET AS							
	CM	9	1	9X-2042	5	SCREW-TRUSS HEAD (M6X1X12-MM)						
		10	1	7K-1181	2	STRAP-CABLE						

C-CHANGE FROM PREVIOUS TYPE
M-METRIC PART

ELECTRICAL AND STARTING SYSTEM

227-7131 WIRING GP-CONSOLE (contd.)

i02986848



VIEW OF AREA A

GRAPHIC #1

<END>

g01381224

ELECTRICAL AND STARTING SYSTEM

238-1510 WIRING GP-CONTROL-PRODUCT LINK

S/N: MMA1-UP

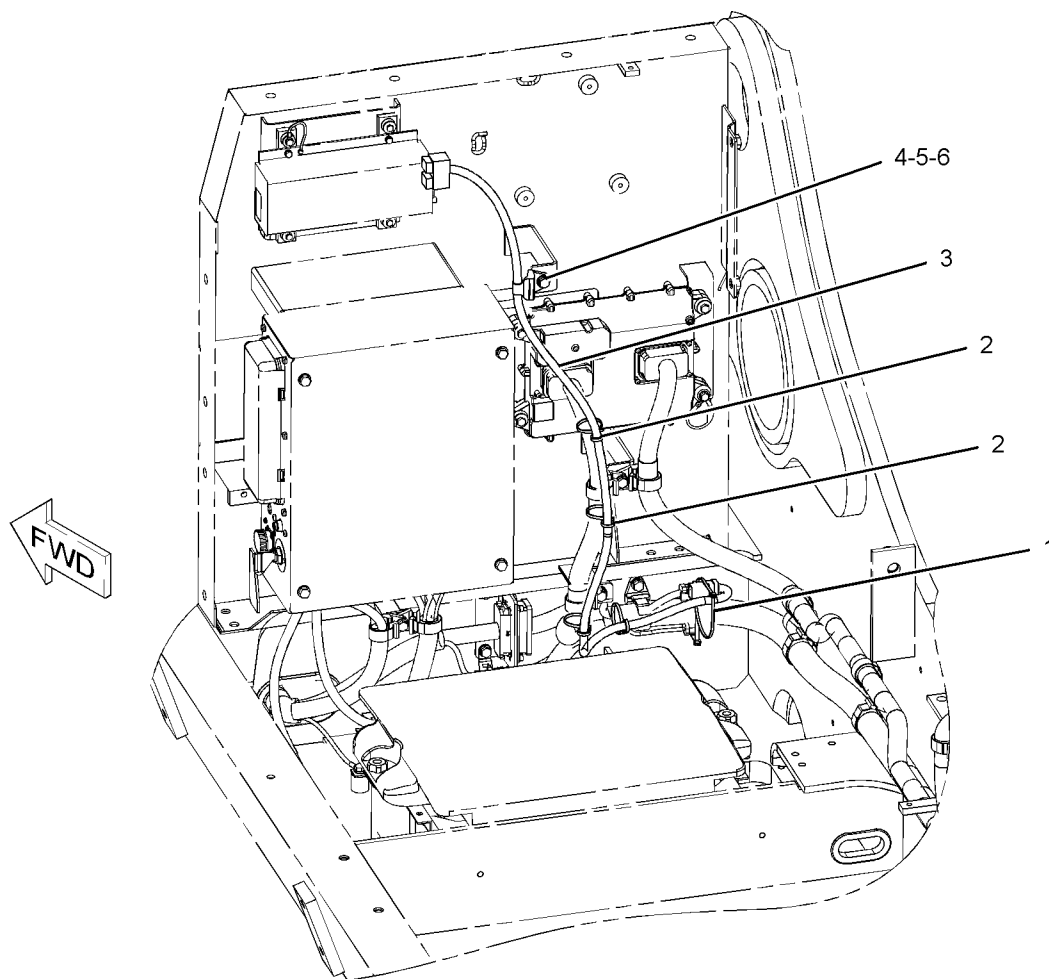
PART OF 228-8157 INSTALLATION AR-COMMUNICATION
AN ATTACHMENT

SMCS-1408

i02951738

NOTE	REF NO	GRAPHIC REF	PART NUMBER	QTY	PART NAME						SEE PAGE
					1	2	3	4	5	6 (PRODUCT LEVEL)	
	1	1	7K-1181	1	STRAP-CABLE						
	2	1	204-1611	4	STRAP-CABLE						
	3	1	238-2439	1	HARNESS AS-CONTROL						
		1	243-4509	1	RECEPTACLE AS-CONNECTOR (8-PIN)						
		1	7X-6222	1	PLUG AS-CONNECTOR (24-PIN)						
		1	3E-4367	1	RING-RETAINING						
M		1	3E-8558	1	BOLT (M5X0.8X39.37-MM)						
		1	9X-3265	2	SEAL-CONNECTOR (24-PIN)						
	4	1	111-4837	1	CLIP						
	5	1	8T-4121	1	WASHER-HARD (11X21X2.5-MM THK)						
M	6	1	8T-4136	1	BOLT (M10X1.5X25-MM)						

M-METRIC PART



GRAPHIC #1

<END>

g01086164

ELECTRICAL AND STARTING SYSTEM

231-1766 WIRING GP-CONVERTER

S/N: MMA1-UP

12-VOLT, 7-AMPERE POWER SUPPLY

CANNOT BE USED WITH 231-1767-PAGE 405

AN ATTACHMENT

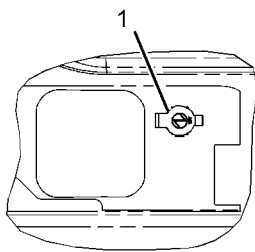
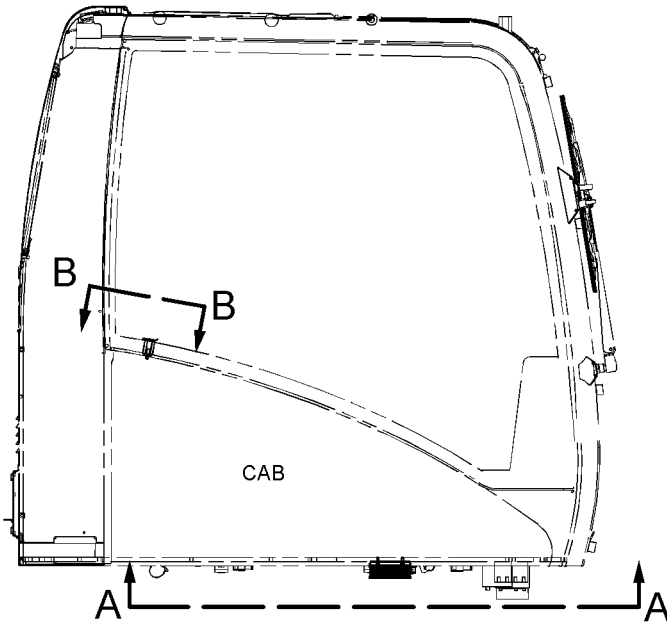
TYPE 1

SMCS-1421

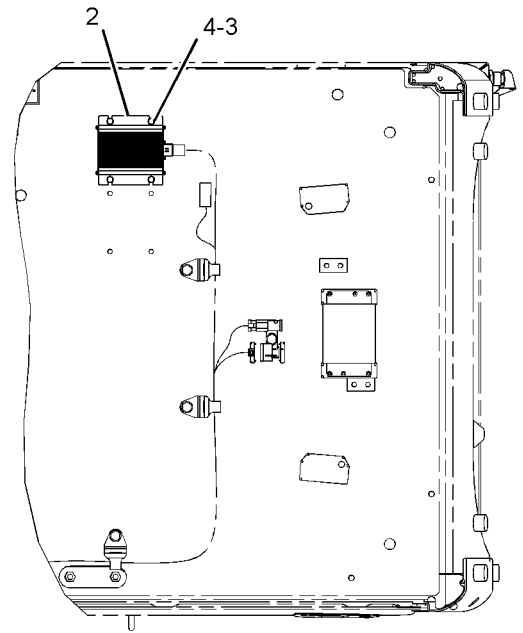
i02213973

NOTE	REF NO	GRAPHIC REF	PART NUMBER	QTY	PART NAME						SEE PAGE
					1	2	3	4	5	6 (PRODUCT LEVEL)	
	1	1	121-0987	1	SOCKET (12-VOLT, 7-AMPERE)						
	2	1	234-1004	1	CONVERTER-POWER						
M	3	1	5C-9553	4	BOLT (M6X1X16-MM)						
	4	1	9X-8256	4	WASHER (6.6X12X2-MM THK)						

M-METRIC PART



VIEW B-B



VIEW A-A

GRAPHIC #1

<END>

g01129903

ELECTRICAL AND STARTING SYSTEM

231-1766 WIRING GP-CONVERTER

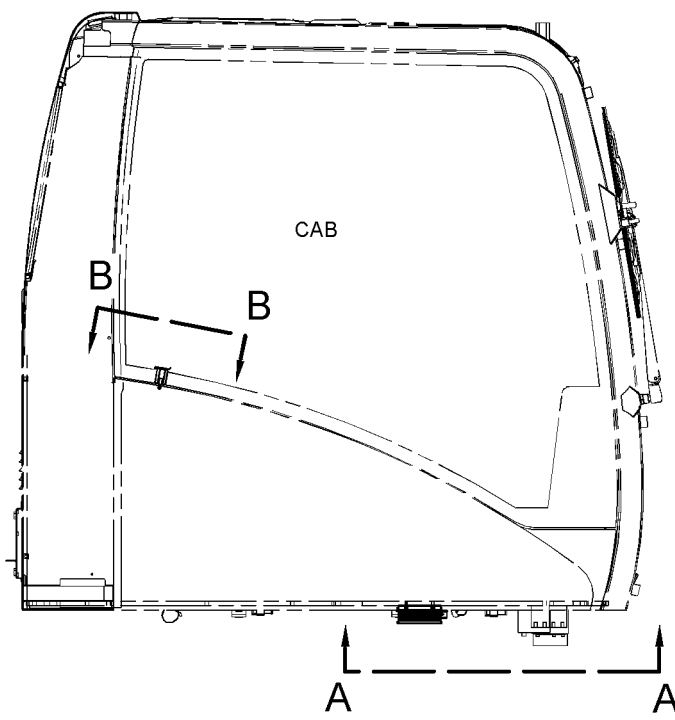
S/N: MMA1-UP
 12-VOLT, 7-AMPERE POWER SUPPLY
 CANNOT BE USED WITH 231-1767-PAGE 405
 AN ATTACHMENT
 TYPE 2

SMCS-1421

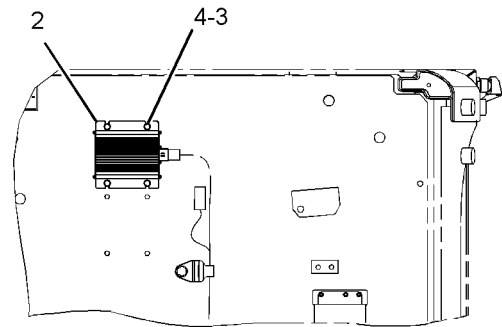
i02672608

NOTE	REF NO	GRAPHIC REF	PART NUMBER	QTY	PART NAME						SEE PAGE
					1	2	3	4	5	6 (PRODUCT LEVEL)	
	1	1	121-0987	1	SOCKET (12-VOLT, 7-AMPERE)						
C	2	1	283-2783	1	CONVERTER-POWER (24-VOLT TO 12-VOLT)						
M	3	1	5C-9553	4	BOLT (M6X1X16-MM)						
	4	1	9X-8256	4	WASHER (6.6X12X2-MM THK)						

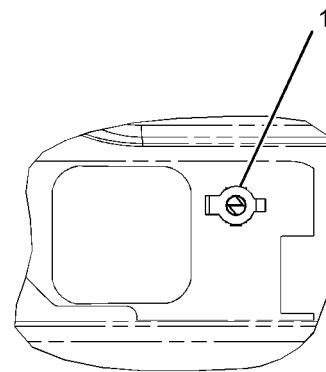
C-CHANGE FROM PREVIOUS TYPE
 M-METRIC PART



RIGHT SIDE VIEW



VIEW A-A



VIEW B-B

GRAPHIC #1

<END>

g01355577

ELECTRICAL AND STARTING SYSTEM

231-1767 WIRING GP-CONVERTER

S/N: MMA1-UP

12-VOLT, 7-AMPERE (X2) POWER SUPPLY
CANNOT BE USED WITH 231-1766-PAGE 403
AN ATTACHMENT
TYPE 1

SMCS-1421

i02435057

NOTE	PART NUMBER	QTY	PART NAME						SEE PAGE
			1	2	3	4	5	6 (PRODUCT LEVEL)	
M	5C-9553	8	BOLT (M6X1X16-MM)						
	249-6335	2	CONVERTER-POWER (24-VOLT TO 12-VOLT)						
	249-6336	2	HARNESS AS-PLATFORM (EACH INCLUDES)						
	155-2274	1	KIT-CONNECTING PLUG (6-PIN) (INCLUDES PLUG AS, WEDGE & INTERFACE SEAL)						
	230-5011	1	RECEPTACLE AS-CONNECTOR (6-PIN)						
	121-0987	2	SOCKET (12-VOLT, 7-AMPERE)						
	9X-8256	8	WASHER (6.6X12X2-MM THK)						
M-METRIC PART									

<END>

ELECTRICAL AND STARTING SYSTEM

231-1767 WIRING GP-CONVERTER

S/N: MMA1-UP

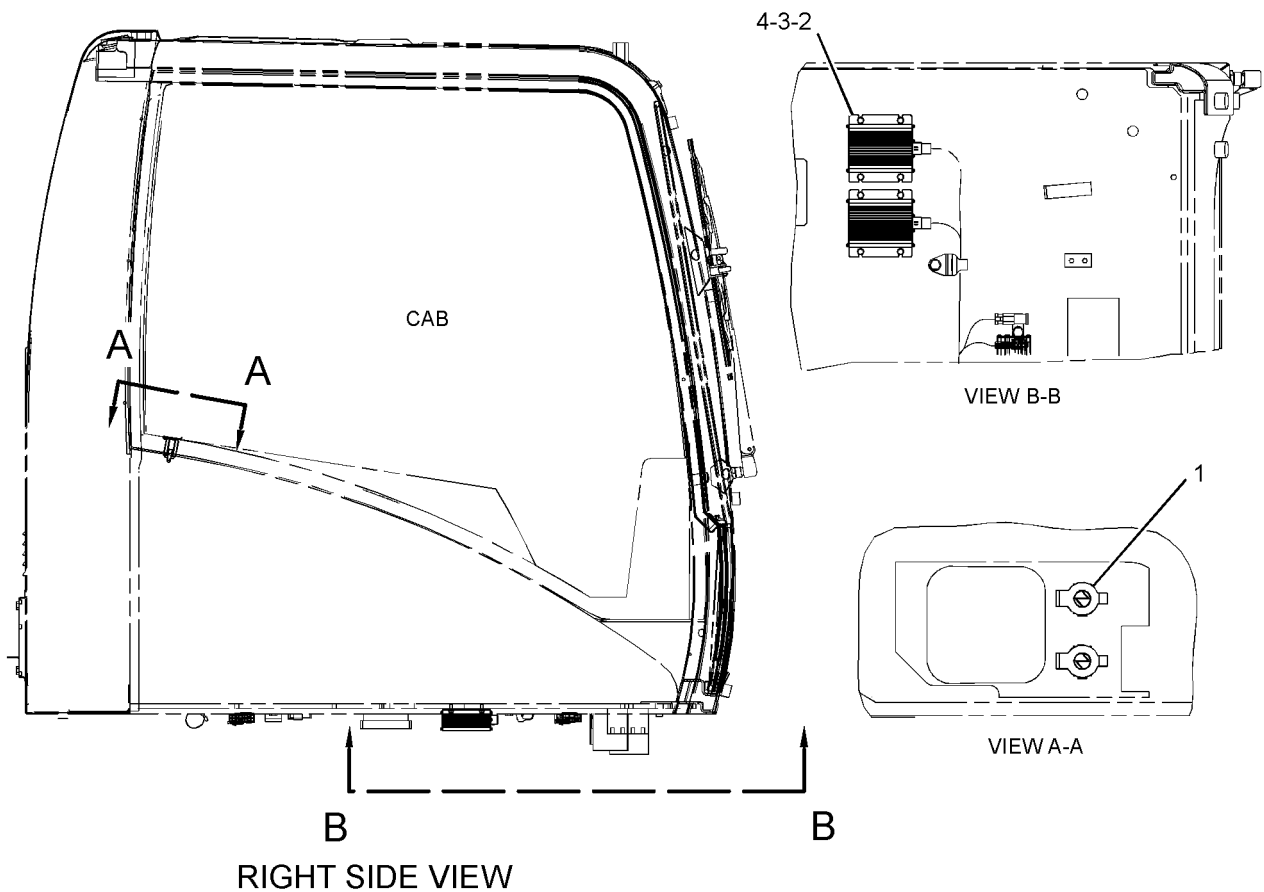
12-VOLT, 7-AMPERE (X2) POWER SUPPLY
 CANNOT BE USED WITH 231-1766—PAGE 403
 AN ATTACHMENT
 TYPE 2

SMCS-1421

i02672607

NOTE	REF NO	GRAPHIC REF	PART NUMBER	QTY	PART NAME						SEE PAGE
					1	2	3	4	5	6 (PRODUCT LEVEL)	
	1	1	121-0987	2	SOCKET (12-VOLT, 7-AMPERE)						
C	2	1	283-2783	2	CONVERTER-POWER (24-VOLT TO 12-VOLT)						
M	3	1	5C-9553	8	BOLT (M6X1X16-MM)						
	4	1	9X-8256	8	WASHER (6.6X12X2-MM THK)						

C-CHANGE FROM PREVIOUS TYPE
 M-METRIC PART



GRAPHIC #1

<END>

g01355574

ELECTRICAL AND STARTING SYSTEM

220-3464 WIRING GP-ENGINE

S/N: RHX1-UP

PART OF 257-4960, 286-9798 ENGINE AR-COMPLETE

SMCS-1408

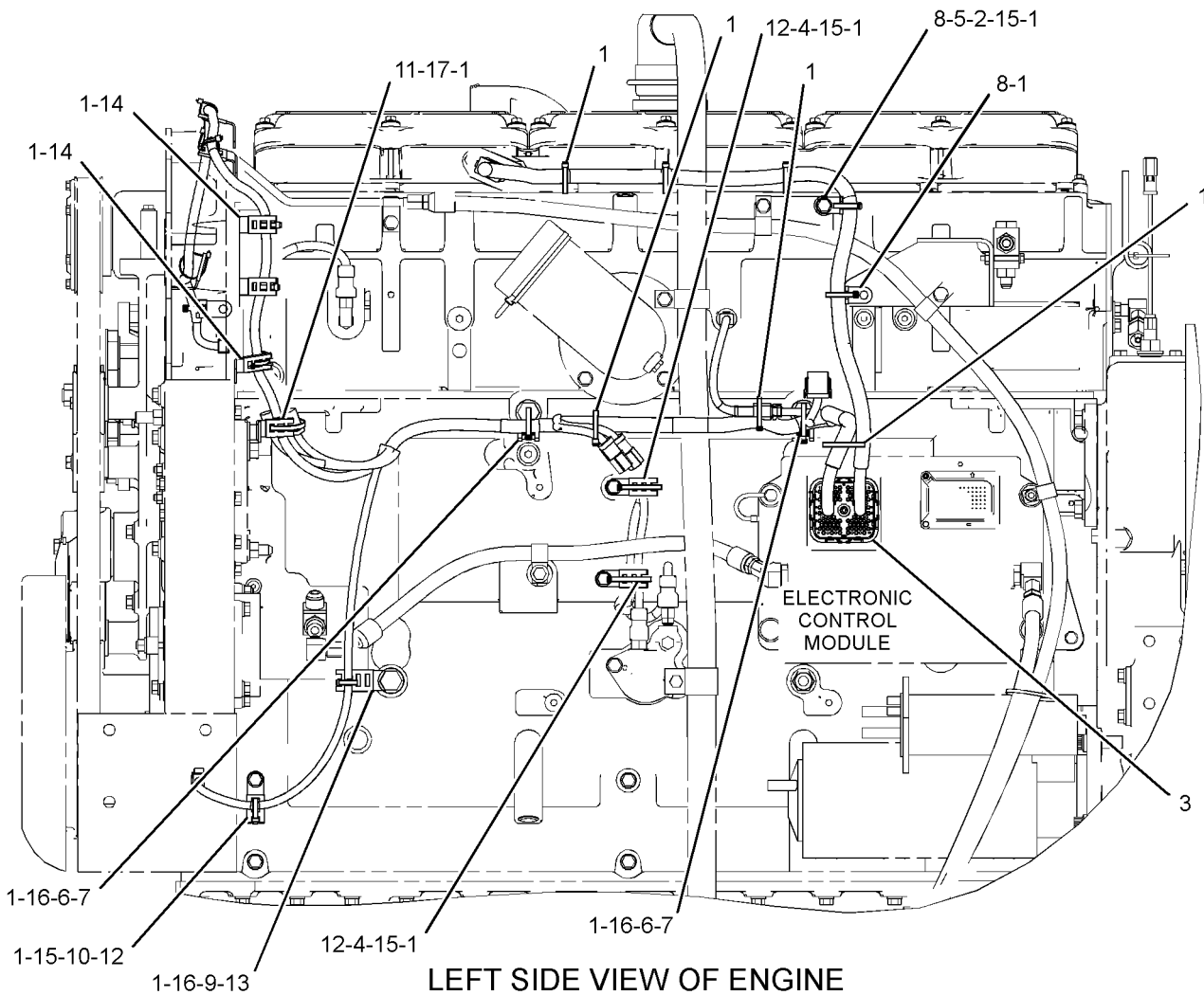
i03574773

NOTE	REF NO	GRAPHIC REF	PART NUMBER	QTY	PART NAME						SEE PAGE
					1	2	3	4	5	6 (PRODUCT LEVEL)	
	1	1	3S-2093	23	STRAP-CABLE						
	2	1	101-3120	1	SPACER (10.5X25X20-MM THK)						
	3	1	239-5929	1	HARNESS AS-ENGINE						
		1	102-8802	1	KIT-RECEPTACLE (2-PIN) (INCLUDES RECEPTACLE AS & WEDGE)						
		1	102-8803	1	KIT-RECEPTACLE (3-PIN) (INCLUDES RECEPTACLE AS & WEDGE)						
		1	8T-8737	80	PLUG-SEAL						
		1	155-2255	1	KIT-CONNECTING PLUG (12-PIN) (INCLUDES PLUG AS & WEDGE)						
		1	155-2265	1	KIT-CONNECTING PLUG (8-PIN) (INCLUDES PLUG AS & WEDGE)						
		1	155-2260	1	KIT-CONNECTING PLUG (3-PIN) (INCLUDES PLUG AS & WEDGE)						
		1	155-2270	1	KIT-CONNECTING PLUG (2-PIN) (INCLUDES PLUG AS & WEDGE)						
		1	227-4002	1	PLUG AS-CONNECTOR (108-PIN)						
	4	1	0S-0509	2	BOLT (3/8-16X0.75-IN)						
	5	1	0S-1571	1	BOLT (3/8-16X1.75-IN)						
	6	1	0S-1576	2	BOLT (5/8-18X2-IN)						
	7	1	104-6202	2	CLIP						
	8	1	132-5789	2	CLIP						
	9	1	1A-4273	1	BOLT (5/8-18X1.25-IN)						
	10	1	3B-1915	1	BOLT (3/8-16X1.375-IN)						
	11	1	4P-7429	1	CLIP						
	12	1	4P-7581	3	CLIP						
	13	1	4P-7582	1	CLIP						
	14	1	4P-8134	8	CLIP						
	15	1	5M-2894	4	WASHER-HARD (10.2X18.5X2.5-MM THK)						
	16	1	5P-8247	3	WASHER-HARD (17X32X3.5-MM THK)						
	17	1	8T-4223	1	WASHER-HARD (13.5X25.5X3-MM THK)						

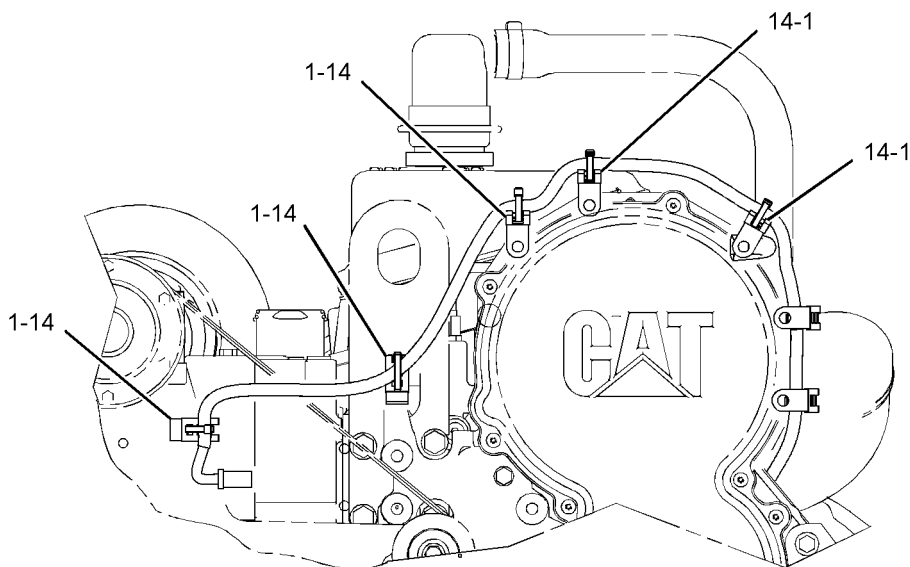
ELECTRICAL AND STARTING SYSTEM

220-3464 WIRING GP-ENGINE (contd.)

i03574773



LEFT SIDE VIEW OF ENGINE



FRONT VIEW OF ENGINE

GRAPHIC #1

<END>

g01839873

ELECTRICAL AND STARTING SYSTEM

259-4916 WIRING GP-FAN-REVERSING

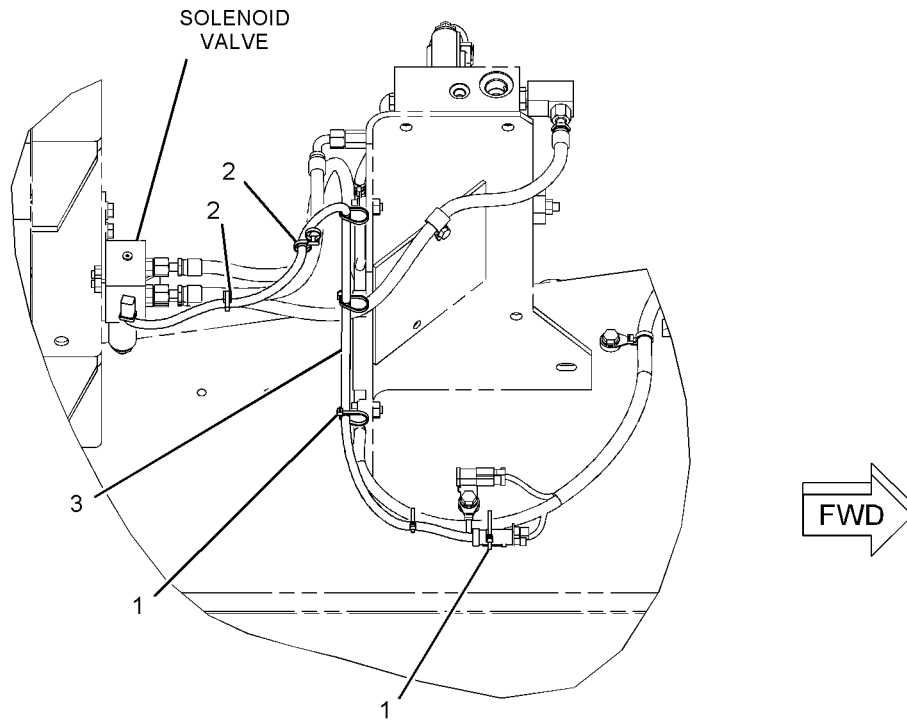
S/N: MMA1-UP

PART OF 245-5552 CONTROL AR-FAN
AN ATTACHMENT

SMCS-1408

i02227894

NOTE	REF NO	GRAPHIC REF	PART NUMBER	QTY	PART NAME						SEE PAGE
					1	2	3	4	5	6 (PRODUCT LEVEL)	
	1	1	3S-2093	5	STRAP-CABLE						
	2	1	7I-2673	2	STRAP-CABLE						
	3	1	259-4917	1	HARNESS AS-WIRING (REVERSIBLE FAN)						
		1	155-2270	1	KIT-CONNECTING PLUG (2-PIN)						



GRAPHIC #1

<END>

g01129030

ELECTRICAL AND STARTING SYSTEM

238-2206 WIRING GP-PLATFORM

S/N: MMA1-249

PART OF 238-2205 BATTERY & WIRING GP

SMCS-1408

i02227478

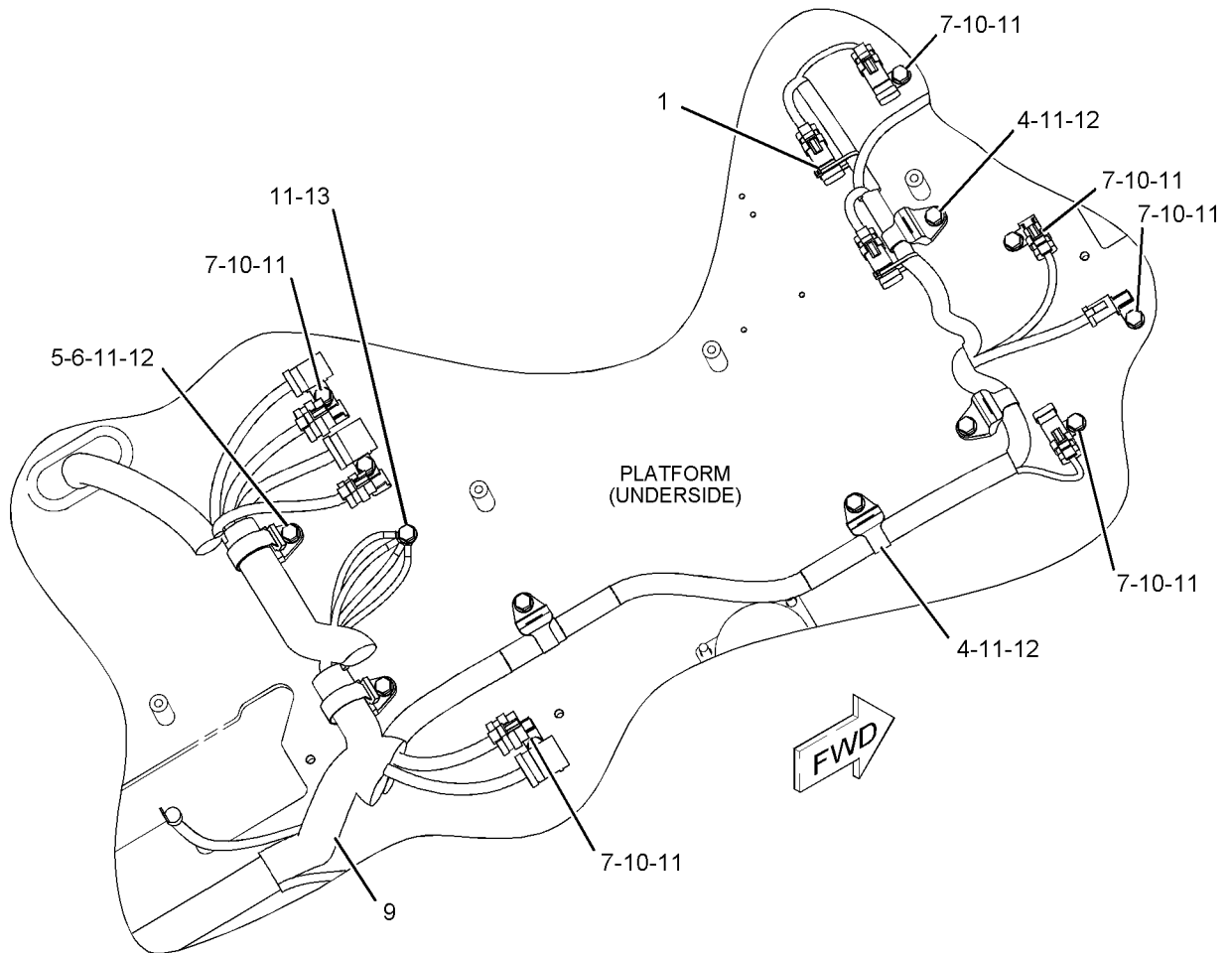
NOTE	REF NO	GRAPHIC REF	PART NUMBER	QTY	PART NAME						SEE PAGE
					1	2	3	4	5	6 (PRODUCT LEVEL)	
	1	1	3S-2093	2	STRAP-CABLE						
	2	2	7G-1060	2	STRAP AS-GROUND						
	3	2	111-4836	2	CLIP						
	4	1	111-4837	4	CLIP						
	5	1,2	111-4838	4	CLIP						
	6	1,2	111-4839	4	STRAP						
	7	1	116-0118	10	CLIP						
	8	2	135-8965	1	GROMMET						
	9	1	238-1500	1	HARNESS AS-CHASSIS						
		1	8T-8737	49	PLUG-SEAL						
		1	155-2271	2	KIT-CONNECTING PLUG (4-PIN) (EACH INCLUDES PLUG AS, WEDGE & INTERFACE SEAL)						
		1	155-2274	1	KIT-CONNECTING PLUG (6-PIN) (INCLUDES PLUG AS, WEDGE & INTERFACE SEAL)						
		1	230-4009	4	PLUG AS-CONNECTOR (12-PIN)						
		1	230-5010	5	PLUG AS-CONNECTOR (6-PIN)						
		1	231-2295	1	PLUG AS-CONNECTOR (8-PIN)						
		1	243-4507	1	RECEPTACLE AS-CONNECTOR (4-PIN)						
		1	243-4508	4	RECEPTACLE AS-CONNECTOR (6-PIN)						
		1	243-4509	2	RECEPTACLE AS-CONNECTOR (8-PIN)						
		1	243-4510	3	RECEPTACLE AS-CONNECTOR (12-PIN)						
M	10	1,2	7X-2621	10	BOLT (M10X1.5X12-MM)						
	11	1,2	8T-4121	21	WASHER-HARD (11X21X2.5-MM THK)						
M	12	1,2	8T-4137	10	BOLT (M10X1.5X20-MM)						
M	13	1	8T-4191	1	BOLT (M10X1.5X16-MM)						

M-METRIC PART

ELECTRICAL AND STARTING SYSTEM

238-2206 WIRING GP-PLATFORM (contd.)

i02227478



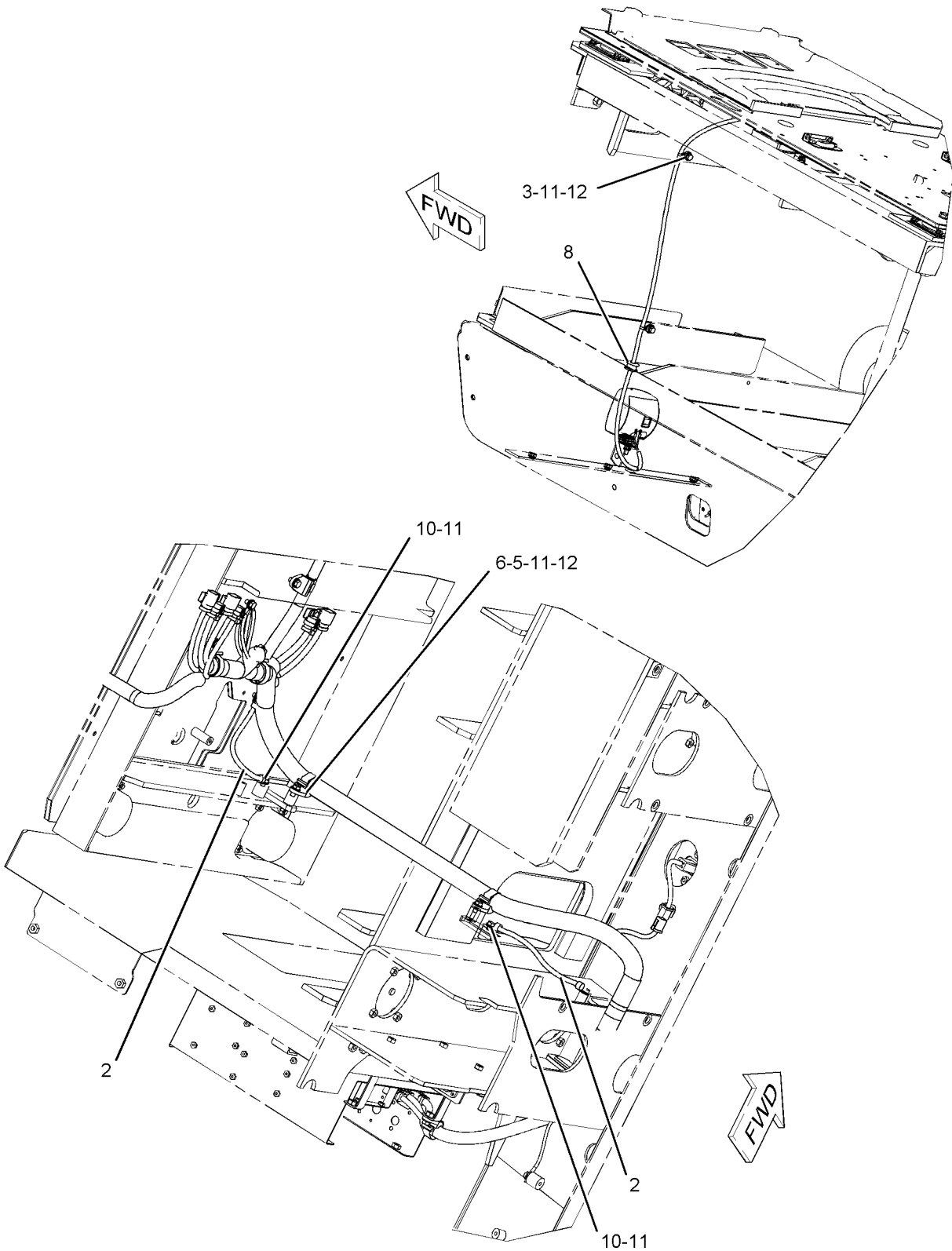
GRAPHIC #1

g01131119

ELECTRICAL AND STARTING SYSTEM

238-2206 WIRING GP-PLATFORM (contd.)

i02227478



GRAPHIC #2

<END>

g01131168

ELECTRICAL AND STARTING SYSTEM

238-2206 WIRING GP-PLATFORM

S/N: MMA250-UP

PART OF 238-2205 BATTERY & WIRING GP

SMCS-1408

i02674211

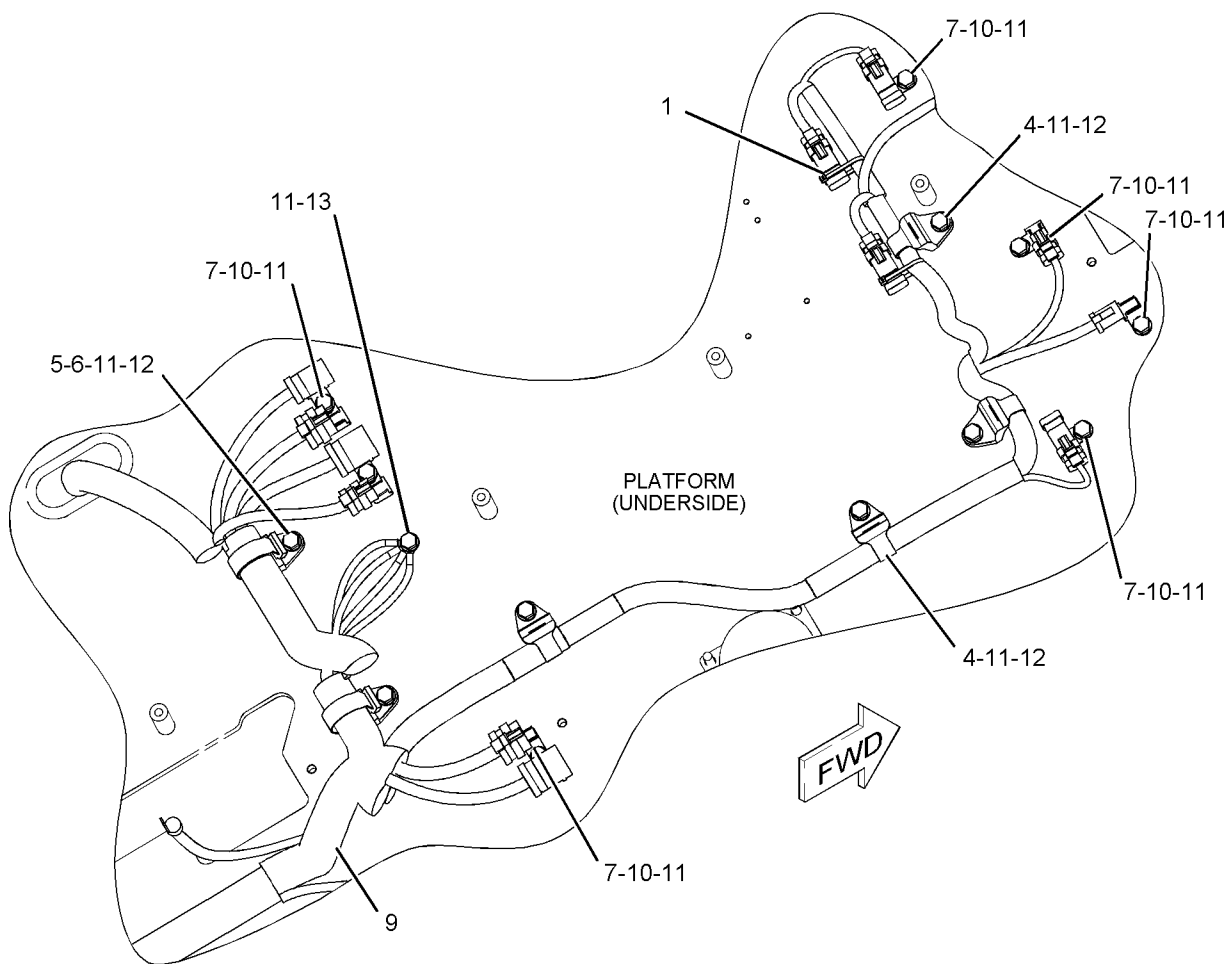
NOTE	REF NO	GRAPHIC REF	PART NUMBER	QTY	PART NAME						SEE PAGE
					1	2	3	4	5	6 (PRODUCT LEVEL)	
	1	1	3S-2093	2	STRAP-CABLE						
	2	2	7G-1060	2	STRAP AS-GROUND						
	3	2	111-4836	2	CLIP						
	4	1	111-4837	4	CLIP						
	5	1,2	111-4838	4	CLIP						
	6	1,2	111-4839	4	STRAP						
	7	1	116-0118	10	CLIP						
	8	2	135-8965	1	GROMMET						
C	9	1	283-2722	1	HARNESS AS-CHASSIS						
		1	155-2271	1	KIT-CONNECTING PLUG (4-PIN)						
		1	155-2274	1	KIT-CONNECTING PLUG (6-PIN)						
					(EACH PLUG KIT INCLUDES PLUG AS, WEDGE & INTERFACE SEAL)						
		1	153-2620	1	PLUG AS-CONNECTOR (54-PIN, BLACK)						
		1	230-4009	4	PLUG AS-CONNECTOR (12-PIN)						
		1	230-5010	2	PLUG AS-CONNECTOR (6-PIN)						
		1	231-2295	1	PLUG AS-CONNECTOR (8-PIN)						
		1	239-7352	3	PLUG AS-CONNECTOR (6-PIN)						
		1	243-4507	1	RECEPTACLE AS-CONNECTOR (4-PIN)						
		1	243-4508	2	RECEPTACLE AS-CONNECTOR (6-PIN)						
		1	243-4509	2	RECEPTACLE AS-CONNECTOR (8-PIN)						
		1	243-4510	3	RECEPTACLE AS-CONNECTOR (12-PIN)						
		1	247-2693	2	RECEPTACLE AS-CONNECTOR (6-PIN)						
		1	102-7964	1	CONNECTOR-PLUG						
		1	121-1168	1	CONNECTOR-RECEPTACLE						
E		1	119-3662		TUBE-HEAT SHRINK (10.85-MM DIA) (13-CM)						
E		1	125-7874		TUBE-HEAT SHRINK (5.72-MM DIA) (20-CM)						
E		1	125-7875		TUBE-HEAT SHRINK (7.44-MM DIA) (45-CM)						
M	10	1,2	7X-2621	10	BOLT (M10X1.5X12-MM)						
	11	1,2	8T-4121	21	WASHER-HARD (11X21X2.5-MM THK)						
M	12	1,2	8T-4137	10	BOLT (M10X1.5X20-MM)						
M	13	1	8T-4191	1	BOLT (M10X1.5X16-MM)						

C-CHANGE FROM PREVIOUS TYPE
 E-ORDER BY THE CENTIMETER
 M-METRIC PART

ELECTRICAL AND STARTING SYSTEM

238-2206 WIRING GP-PLATFORM (contd.)

i02674211



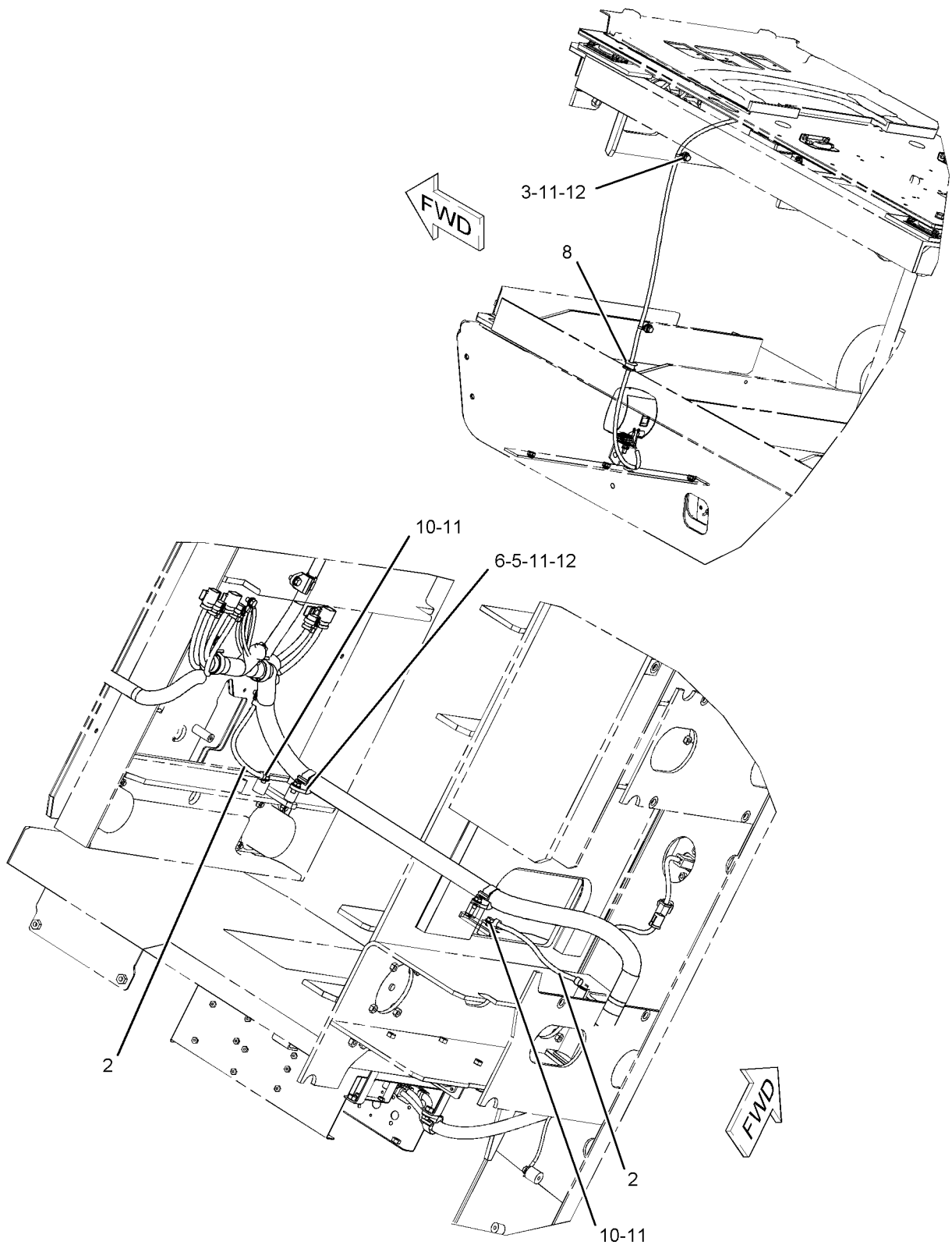
GRAPHIC #1

g01131119

ELECTRICAL AND STARTING SYSTEM

238-2206 WIRING GP-PLATFORM (contd.)

i02674211



GRAPHIC #2

<END>

g01131168

ELECTRICAL AND STARTING SYSTEM

238-1636 WIRING GP-REFUELING PUMP

S/N: MMA1-UP

PART OF 228-8218 PUMP AR-FUEL TRANSFER
AN ATTACHMENT

SMCS-1408

i03330544

NOTE	REF NO	GRAPHIC REF	PART NUMBER	QTY	PART NAME						SEE PAGE
					1	2	3	4	5	6 (PRODUCT LEVEL)	
	1	1	3S-2093	3	STRAP-CABLE						
	2	1	111-4836	3	CLIP						
	3	1	116-0118	3	CLIP						
	4	1	149-5050	1	RELAY (24-VOLT) (REFUELING PUMP, START)						
	4A	1	149-5050	1	RELAY (24-VOLT) (REFUELING PUMP, STOP)						
	5	1	213-0772	1	SWITCH AS-MAGNETIC (24-VOLT) (REFUELING POWER RELAY)						
Y	6	1	238-1594	1	SWITCH GP-PUSH BUTTON (REFUELING PUMP, START)						375
Y	7	1	238-1596	1	SWITCH GP-PUSH BUTTON (REFUELING PUMP, STOP)						376
	8	1	238-1637	1	HARNESS AS-PUMP (REFUELING)						
		1	3S-2093	2	STRAP-CABLE						
		1	102-8802	1	KIT-RECEPTACLE (2-PIN) (INCLUDES RECEPTACLE AS & WEDGE)						
		1	155-2270	1	KIT-CONNECTING PLUG (2-PIN) (INCLUDES PLUG AS, WEDGE & INTERFACE SEAL)						
		1	197-4385	1	DIODE						
		1	230-4011	1	PLUG AS-CONNECTOR (2-PIN)						
		1	243-4505	2	RECEPTACLE AS-CONNECTOR (2-PIN)						
	9	1	8T-0328	2	WASHER-HARD (5.5X10X1-MM THK)						
	10	1	8T-4121	4	WASHER-HARD (11X21X2.5-MM THK)						
M	11	1	8T-4127	2	SCREW-MACHINE (M5X0.8X20-MM)						
M	12	1	8T-4137	1	BOLT (M10X1.5X20-MM)						
M	13	1	8T-4171	2	BOLT (M6X1X12-MM)						
M	14	1	8T-4191	2	BOLT (M10X1.5X16-MM)						
M	15	1	8T-4195	1	BOLT (M10X1.5X30-MM)						
	16	1	9X-8256	2	WASHER (6.6X12X2-MM THK)						

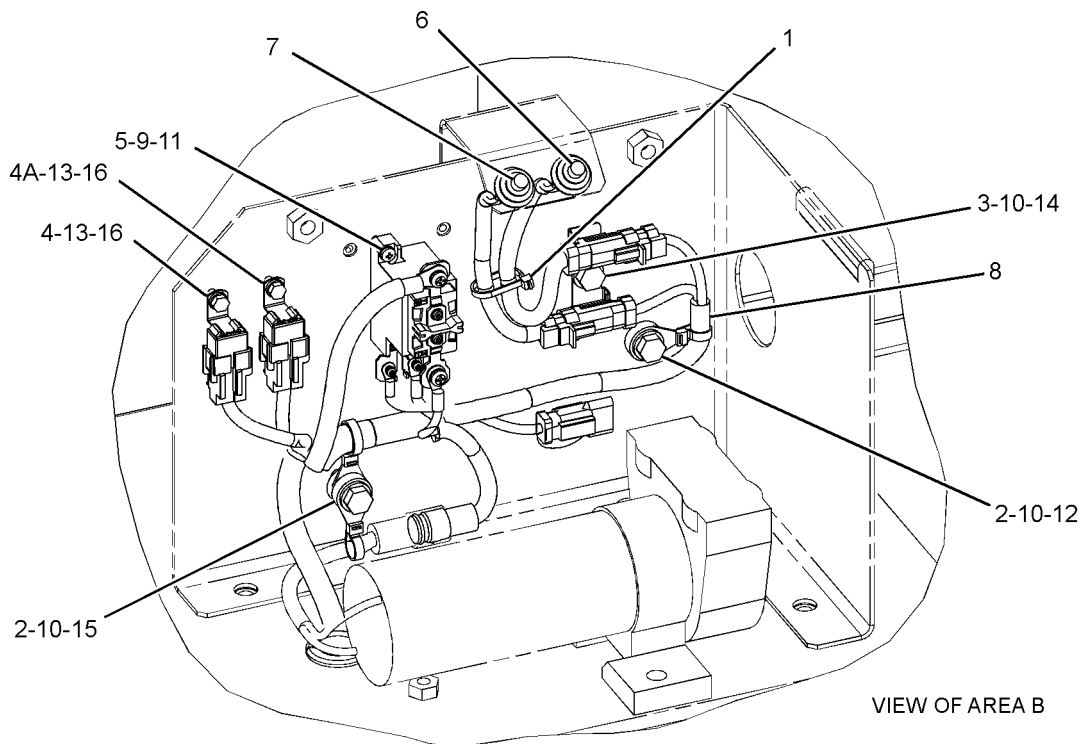
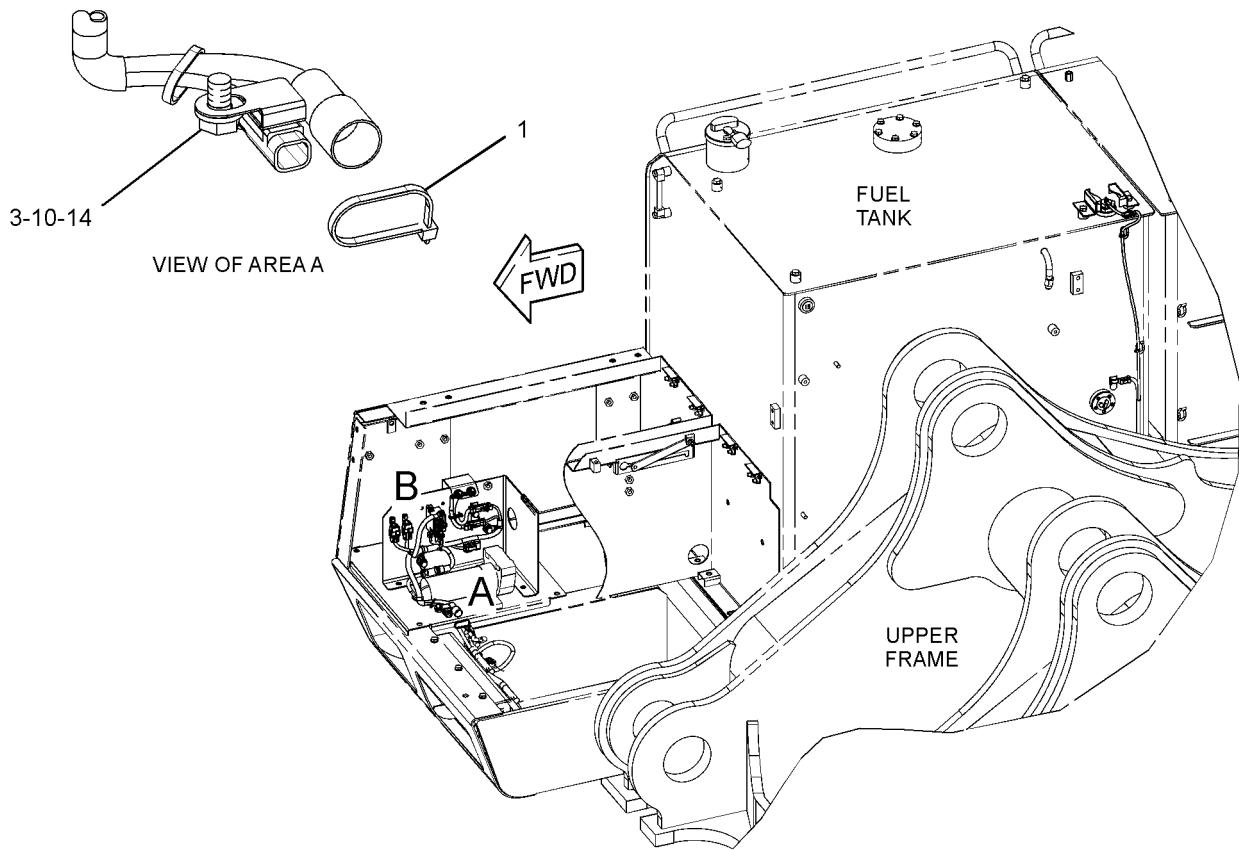
M-METRIC PART

Y-SEPARATE ILLUSTRATION

ELECTRICAL AND STARTING SYSTEM

238-1636 WIRING GP-REFUELING PUMP (contd.)

i03330544



GRAPHIC #1

<END>

g01712239

POWER TRAIN

199-4661 DRIVE GP-FINAL-WITHOUT MOTOR

S/N: MMA1-UP

PART OF 199-4662 DRIVE GP-FINAL

SMCS-4050

i02305305

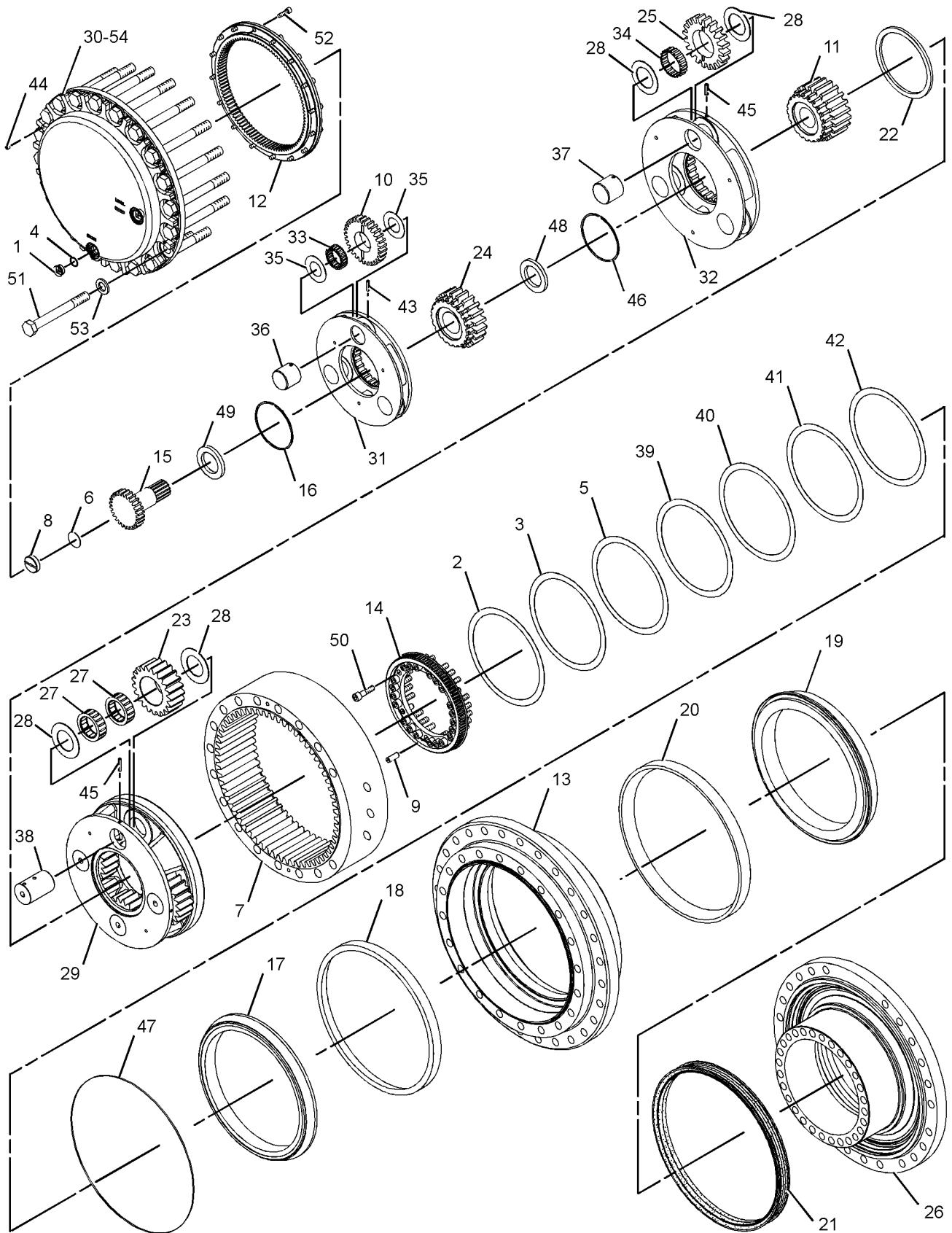
NOTE	REF NO	GRAPHIC REF	PART NUMBER	QTY	PART NAME						SEE PAGE
					1	2	3	4	5	6 (PRODUCT LEVEL)	
	1	1	3E-2338	2	PLUG-PIPE						
B	2	1	6I-6373	1	SHIM (1.2-MM THK)						
B	3	1	6I-6375	1	SHIM (1.4-MM THK)						
	4	1	7M-8485	2	SEAL-O-RING						
B	5	1	7Y-0807	1	SHIM (1.6-MM THK)						
B	6	1	7Y-0808	1	SHIM (1.6-MM THK)						
	7	1	7Y-1090	1	GEAR-RING (66-TEETH)						
	8	1	7Y-1493	1	SPACER (8.7X50X14-MM THK)						
	9	1	114-1541	6	PIN-DOWEL						
	10	1	148-4575	3	GEAR-PLANETARY (31-TEETH)						
	11	1	148-4579	1	GEAR-SUN (22-TEETH)						
	12	1	148-4580	1	GEAR-RING (101-TEETH)						
	13	1	148-4582	1	HOUSING						
	14	1	148-4585	1	GEAR-COUPLING (95-TEETH)						
	15	1	148-4616	1	GEAR-SUN (37-TEETH)						
	16	1	148-4617	1	RING-RETAINING						
	17	1	163-6082	1	CONE						
	18	1	163-6083	1	CUP						
	19	1	171-8706	1	CONE						
	20	1	171-8707	1	CUP						
	21	1	188-2103	1	SEAL GP						
	22	1	191-2508	1	SPACER						
	23	1	199-4533	4	GEAR-PLANETARY (21-TEETH)						
	24	1	199-4545	1	GEAR-SUN (21 TEETH)						
	25	1	199-4546	3	GEAR-PLANETARY (22 TEETH)						
	26	1	199-4553	1	HOUSING-MOTOR						
	27	1	199-4609	8	BEARING AS						
	28	1	199-4611	14	WASHER						
	29	1	199-4650	1	CARRIER-PLANETARY						
	30	1	199-4663	1	COVER-HOUSING						
	31	1	199-4665	1	CARRIER-PLANETARY						
	32	1	199-4666	1	CARRIER-PLANETARY						
	33	1	199-4669	3	BEARING AS						
	34	1	199-4670	3	BEARING AS						
	35	1	199-4671	6	WASHER						
	36	1	199-4688	3	SHAFT-PLANETARY						
	37	1	199-4689	3	SHAFT-PLANETARY						
	38	1	199-4690	4	SHAFT-PLANETARY						
B	39	1	227-6177	1	SHIM						
B	40	1	227-6178	1	SHIM						
B	41	1	227-6179	1	SHIM						
B	42	1	227-6180	1	SHIM						
	43	1	095-0891	3	PIN-SPRING						
M	44	1	096-3216	2	SETSCREW-SOCKET (M12X1.75X12-MM)						
	45	1	099-5194	7	PIN-SPRING						
	46	1	5P-4981	1	RING-RETAINING						
	47	1	7Y-0640	1	SEAL-O-RING						
	48	1	7Y-0795	1	SPACER (115X145.1X25.5-MM THK)						
	49	1	7Y-1492	1	SPACER (67X101.1X10-MM THK)						
M	50	1	7Y-5215	22	BOLT-SOCKET HEAD (M24X3X90-MM)						
M	51	1	7Y-5231	20	BOLT (M30X3.5X260-MM)						
M	52	1	8T-0273	16	BOLT-SOCKET HEAD (M12X1.75X40-MM)						
	53	1	9X-8258	20	WASHER (33X56X6-MM THK)						
B	54	1	1U-8846		SEALANT-GASKET						

B-USE AS REQUIRED
M-METRIC PART

POWER TRAIN

199-4661 DRIVE GP-FINAL (contd.)

i02305305



GRAPHIC #1

<END>

g01156518

POWER TRAIN

199-4662 FINAL DRIVE GP-WITH MOTOR

S/N: MMA1-UP

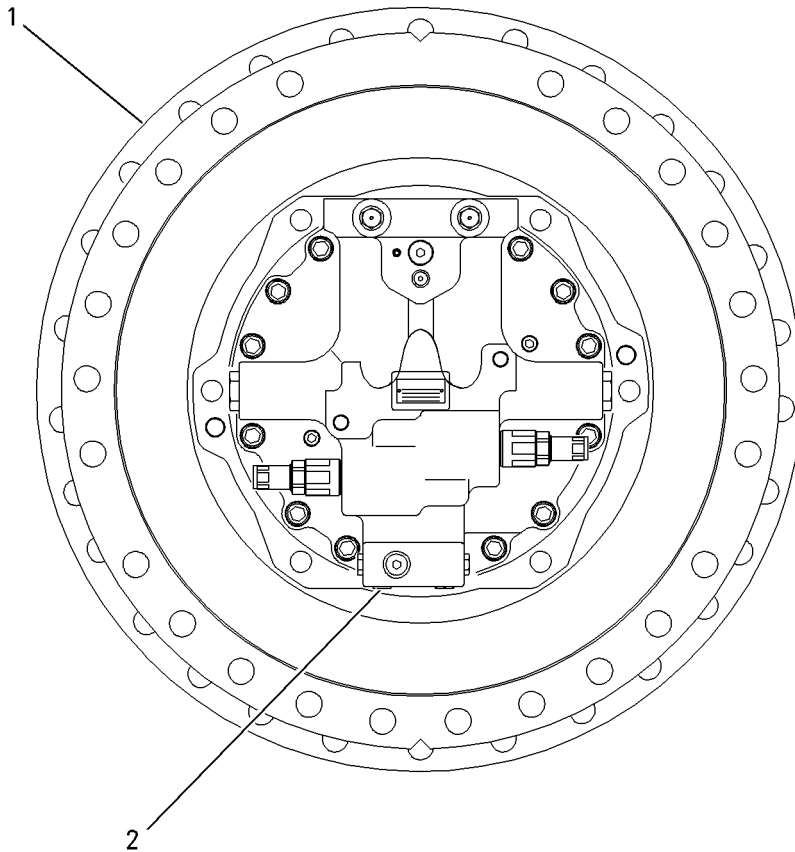
PART OF 227-6149 POWER TRAIN AR

SMCS-4050

i02629048

NOTE	REF NO	GRAPHIC REF	PART NUMBER	QTY	PART NAME						SEE PAGE
					1	2	3	4	5	6 (PRODUCT LEVEL)	
Y	1	1	199-4661	1	FINAL DRIVE GP (WITHOUT MOTOR)						418
Y	2	1	155-9198	1	MOTOR & MTG GP-TRAVEL						803

Y-SEPARATE ILLUSTRATION



GRAPHIC #1

<END>

g00892571

POWER TRAIN

227-6149 POWER TRAIN AR

S/N: MMA1-UP

PART OF 228-8153 GENERAL AR

SMCS-3000, 4000

i02158473

NOTE	PART NUMBER	QTY	PART NAME						SEE PAGE
			1	2	3	4	5	6 (PRODUCT LEVEL)	
Y	227-6130	1	DRIVE GP-SWING (WITH MOTOR, REAR)						651
Y	227-6131	1	DRIVE GP-SWING (WITH MOTOR, FRONT)						652
Y	191-2573	1	FASTENER GP-SWING & FINAL DR						653
Y	199-4662	2	FINAL DRIVE GP						420
Y	145-3014	2	SPROCKET GP						422

Y-SEPARATE ILLUSTRATION

<END>

POWER TRAIN

145-3014 SPROCKET GP

S/N: MMA1-UP

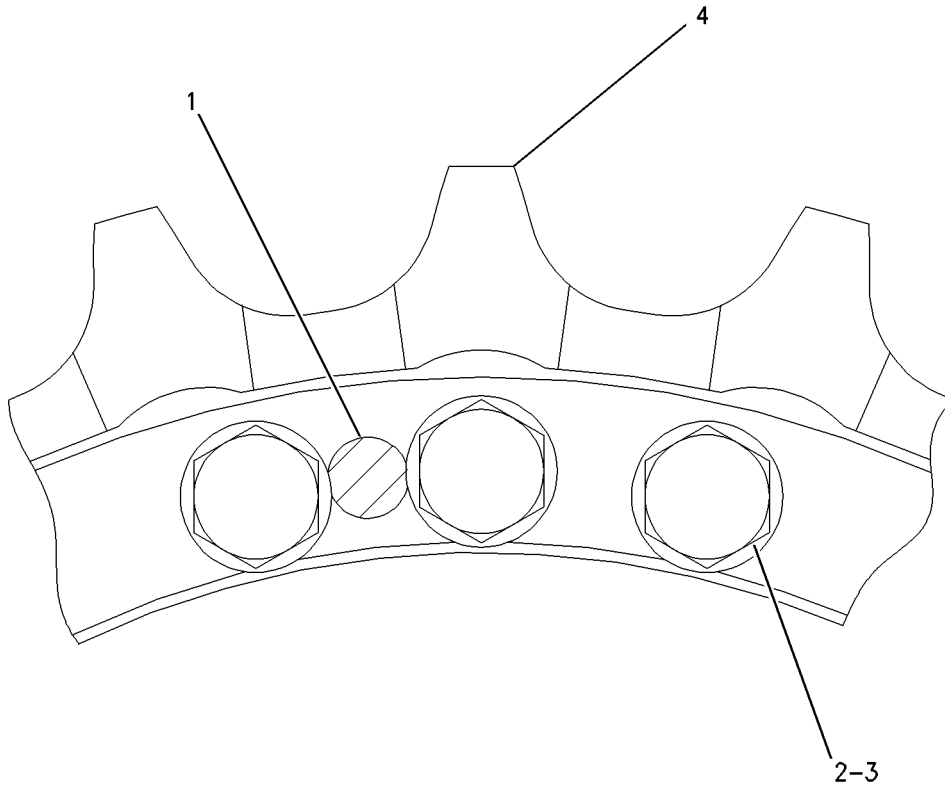
PART OF 227-6149 POWER TRAIN AR

SMCS-4164

i01632844

NOTE	REF NO	GRAPHIC REF	PART NUMBER	QTY	PART NAME						SEE PAGE
					1	2	3	4	5	6 (PRODUCT LEVEL)	
	1	1	2B-7558	2	CORK						
M	2	1	145-2970	28	BOLT						
	3	1	199-4501	28	SPACER (31.5X56X5-MM THK)						
	4	1	201-1704	1	SPROCKET						

M-METRIC PART



GRAPHIC #1

<END>

g00792573

FRAME AND BODY

256-1931 BOX & MTG GP-STORAGE

S/N: MMA1-UP

PART OF 228-8154 CHASSIS AR

SMCS-7268

i02226307

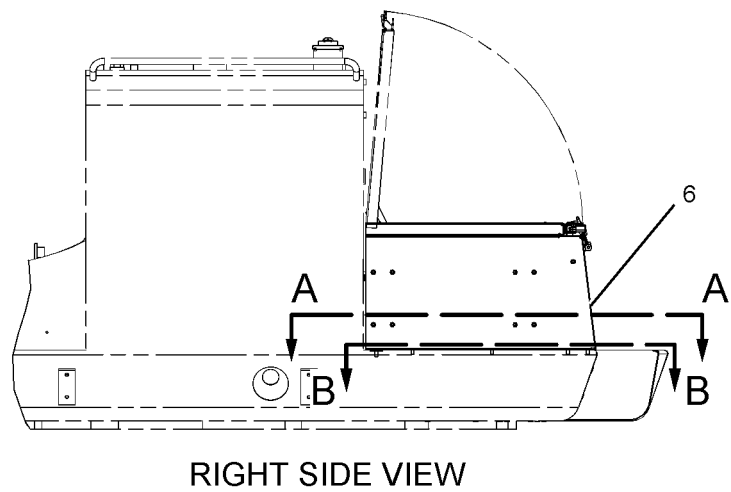
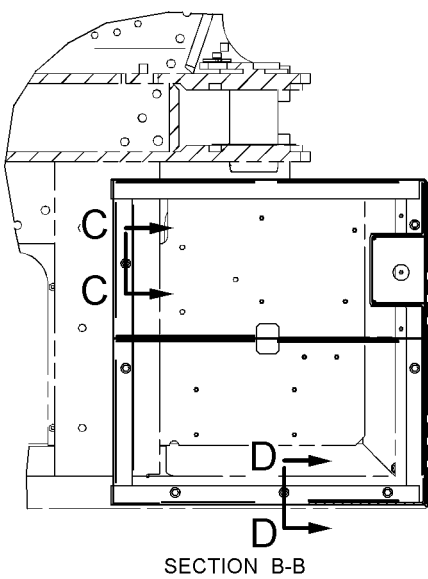
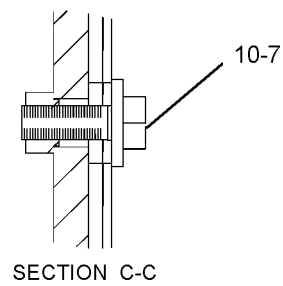
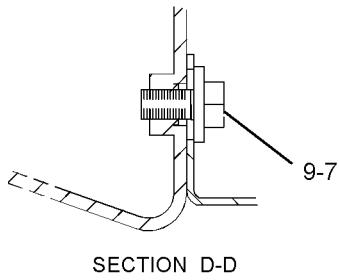
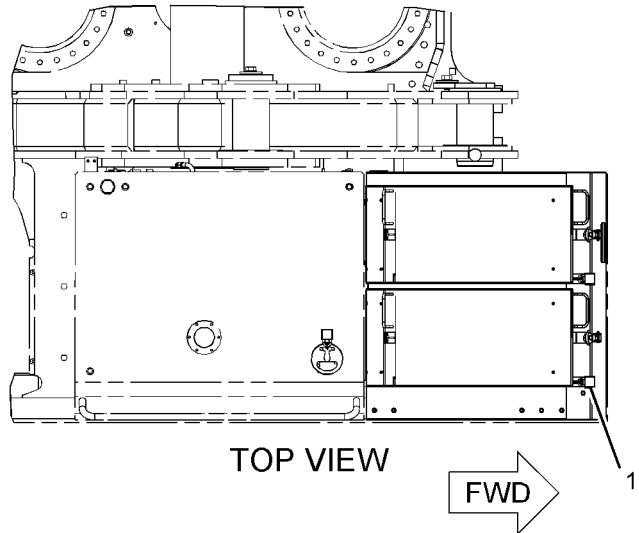
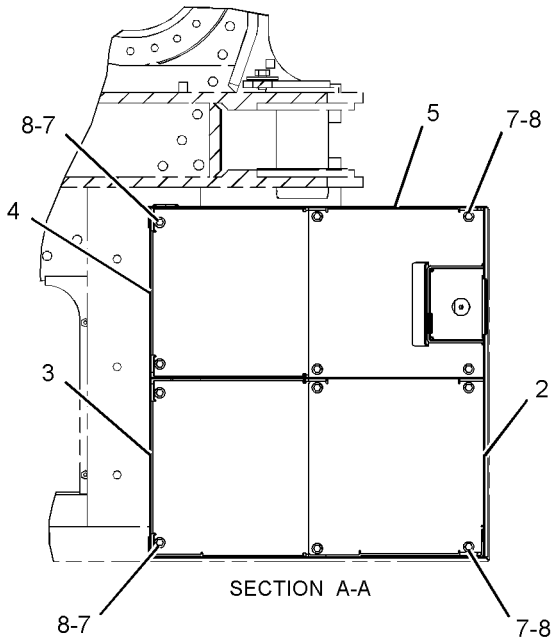
NOTE	REF NO	GRAPHIC REF	PART NUMBER	QTY	PART NAME						SEE PAGE
					1	2	3	4	5	6 (PRODUCT LEVEL)	
	1	1	246-2641	2	PADLOCK GP						
					(EACH INCLUDES)						
A		1	5P-8500	1	KEY						
	2	1	221-2687	1	SHEET						
	3	1	221-2688	1	SHEET						
	4	1	221-2689	1	SHEET						
	5	1	221-2690	1	SHEET AS						
Y	6	1	256-1932	1	BOX GP-STORAGE						430
	7	1	5P-1076	19	WASHER-HARD (13.5X30X4-MM THK)						
M	8	1	8T-4139	12	BOLT (M12X1.75X30-MM)						
M	9	1	8T-4192	5	BOLT (M12X1.75X25-MM)						
M	10	1	8T-4956	2	BOLT (M12X1.75X35-MM)						

A-NOT PART OF THIS GROUP
M-METRIC PART
Y-SEPARATE ILLUSTRATION

FRAME AND BODY

256-1931 BOX & MTG GP-STORAGE (contd.)

i02226307



GRAPHIC #1

<END>

g01129325

FRAME AND BODY

236-9617 BOX GP-BATTERY-COLD WEATHER

S/N: MMA1-UP

PART OF 257-4493 STARTING AR-COLD WEATHER

AN ATTACHMENT

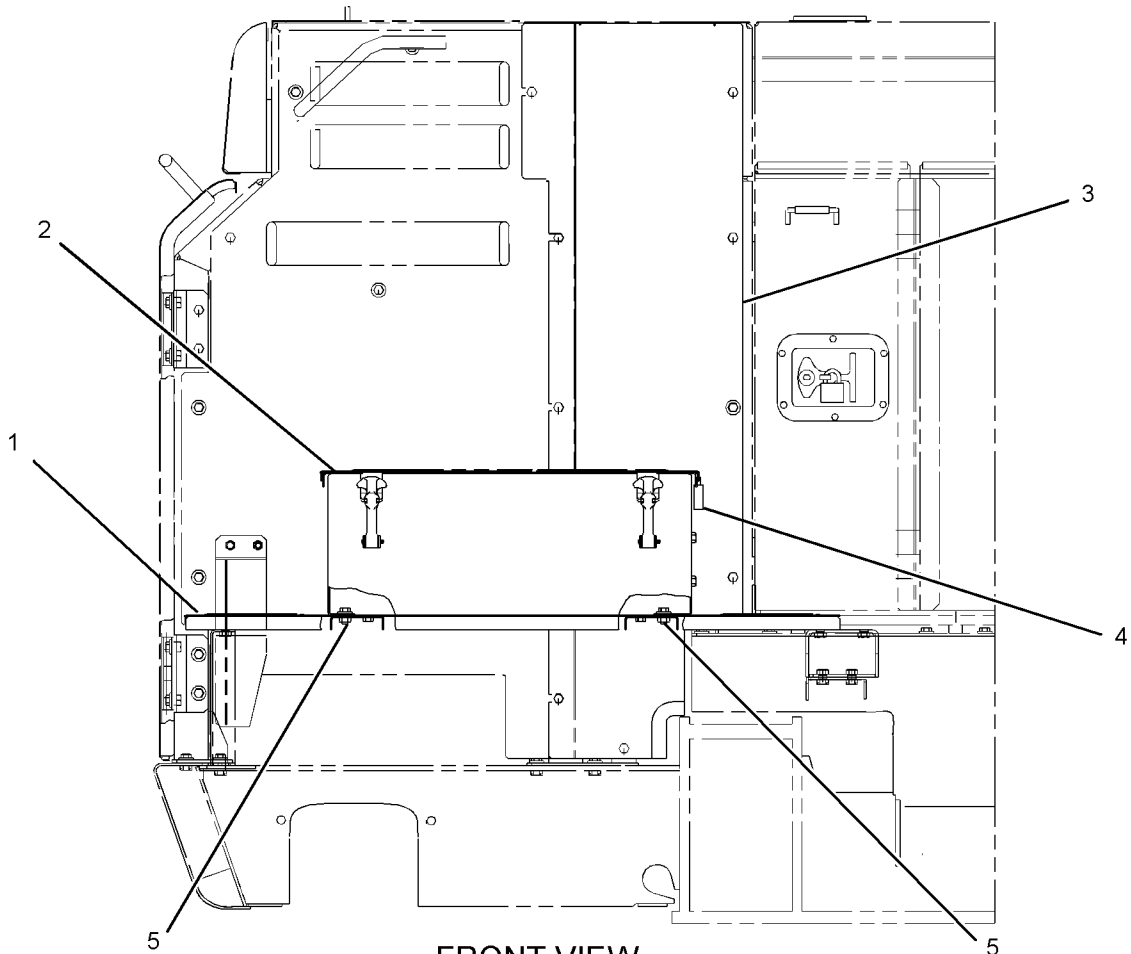
TYPE 1

SMCS-7257

i03531300

NOTE	REF NO	GRAPHIC REF	PART NUMBER	QTY	PART NAME						SEE PAGE
					1	2	3	4	5	6 (PRODUCT LEVEL)	
	1	1	236-9624	1	COVER AS						
Y	2	1	236-9626	1	BOX GP-BATTERY						428
	3	1	177-5715	1	SHEET AS-SOUND SUPPRESSION						
		1	2S-1647	1	GROMMET						
		1	4I-7924	4	WASHER (4.5X40X1.2-MM THK)						
D		1	5P-8309		SEAL (0.2-M)						
		1	6P-2216	4	CAP						
		1	177-5716	1	INSULATION						
	4	1	246-2641	1	PADLOCK GP						
		1	5P-8500	1	KEY						
M	5	1	135-8573	4	BOLT AS (M12X1.75X25-MM)						

D-ORDER BY THE METER
M-METRIC PART
Y-SEPARATE ILLUSTRATION



FRONT VIEW
<END>

GRAPHIC #1

g01091167

FRAME AND BODY

236-9617 BOX GP-BATTERY-COLD WEATHER

S/N: MMA1-UP

PART OF 257-4493 STARTING AR-COLD WEATHER

AN ATTACHMENT

TYPE 2

SMCS-7257

i02997514

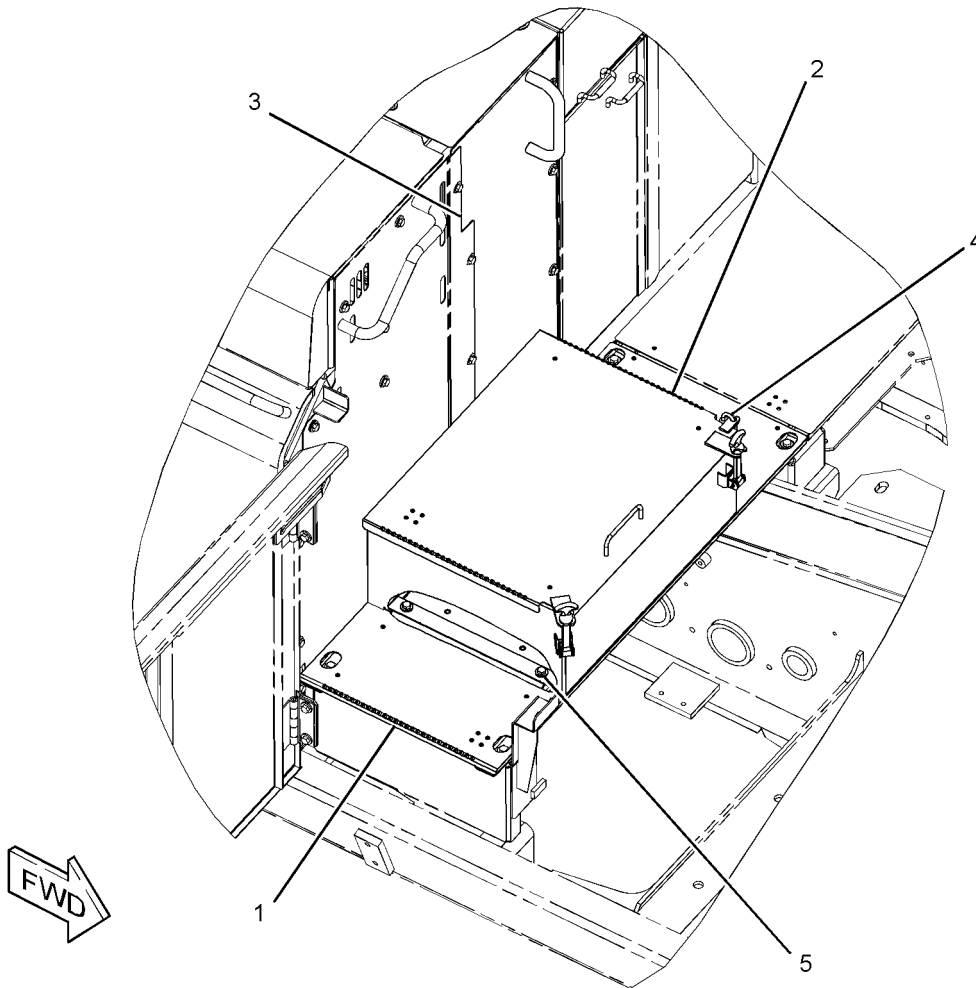
NOTE	REF NO	GRAPHIC REF	PART NUMBER	QTY	PART NAME						SEE PAGE
					1	2	3	4	5	6 (PRODUCT LEVEL)	
	1	1	236-9624	1	COVER AS						
Y	2	1	236-9626	1	BOX GP-BATTERY						428
C	3	1	307-8096	1	SHEET AS						
		1	2S-1647	1	GROMMET						
		1	4I-7924	4	WASHER (4.5X40X1.2-MM THK)						
D		1	5P-8309		SEAL (0.2-M)						
		1	6P-2216	4	CAP						
		1	177-5716	1	INSULATION						
	4	1	246-2641	1	PADLOCK GP						
		1	5P-8500	1	KEY						
M	5	1	135-8573	4	BOLT AS (M12X1.75X25-MM)						

C-CHANGE FROM PREVIOUS TYPE

D-ORDER BY THE METER

M-METRIC PART

Y-SEPARATE ILLUSTRATION



GRAPHIC #1

<END>

g01524404

FRAME AND BODY

236-9617 BOX GP-BATTERY-COLD WEATHER

S/N: MMA1-UP

PART OF 257-4493 STARTING AR-COLD WEATHER

AN ATTACHMENT

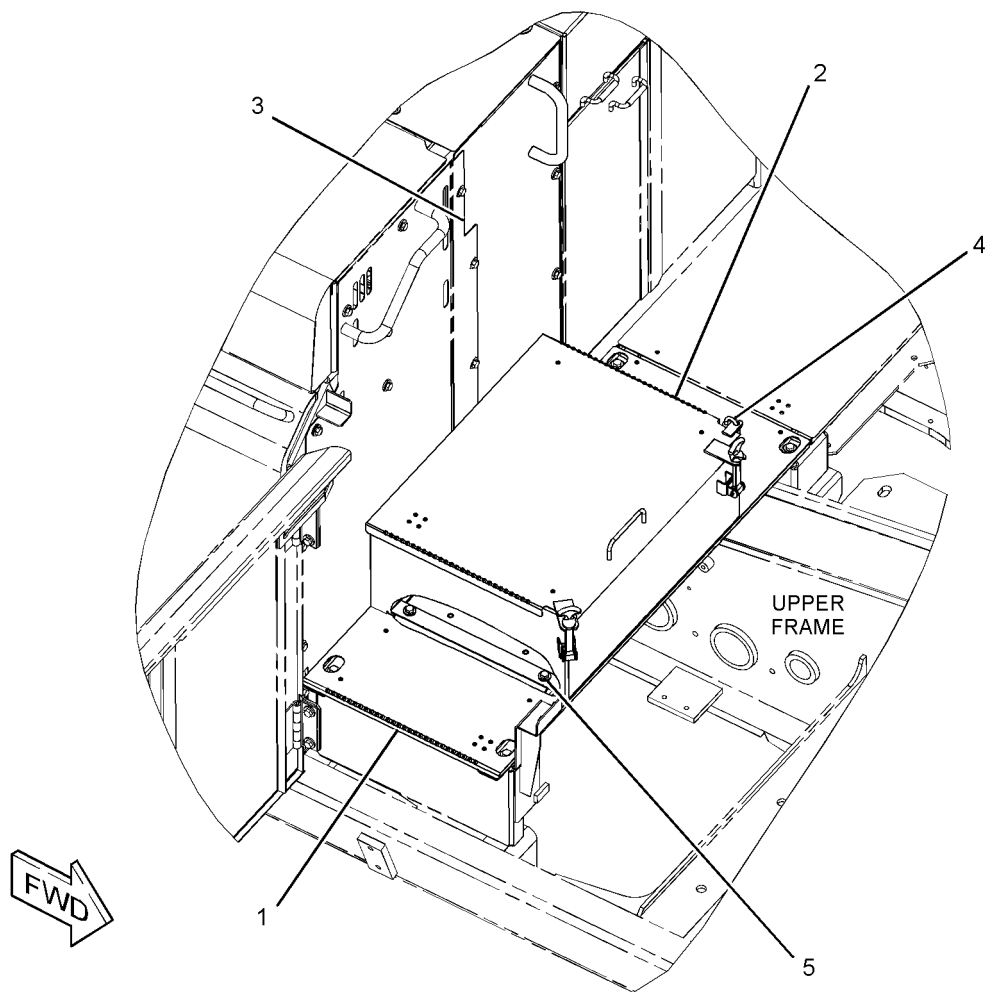
TYPE 3

SMCS-7257

i03429961

NOTE	REF NO	GRAPHIC REF	PART NUMBER	QTY	PART NAME						SEE PAGE
					1	2	3	4	5	6 (PRODUCT LEVEL)	
	1	1	236-9624	1	COVER AS						
CY	2	1	336-1665	1	BOX GP-BATTERY						429
	3	1	307-8096	1	SHEET AS						
			1	2S-1647	1	GROMMET					
		1	4I-7924	4	WASHER (4.5X40X1.2-MM THK)						
D		1	5P-8309		SEAL (0.2-M)						
		1	6P-2216	4	CAP						
		1	177-5716	1	INSULATION						
	4	1	246-2641	1	PADLOCK GP						
		1	5P-8500	1	KEY						
M	5	1	135-8573	4	BOLT AS (M12X1.75X25-MM)						

C-CHANGE FROM PREVIOUS TYPE
D-ORDER BY THE METER
M-METRIC PART
Y-SEPARATE ILLUSTRATION



GRAPHIC #1

<END>

g01785553

FRAME AND BODY

236-9626 BOX GP-BATTERY

S/N: MMA1-UP

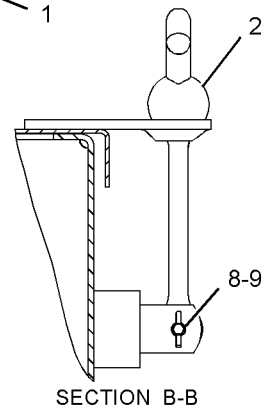
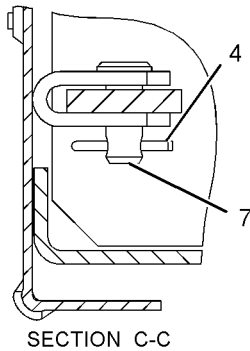
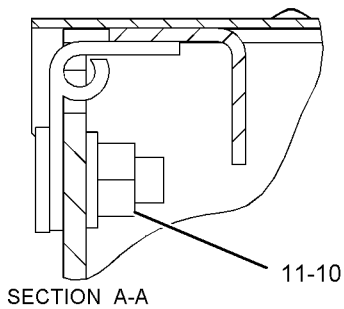
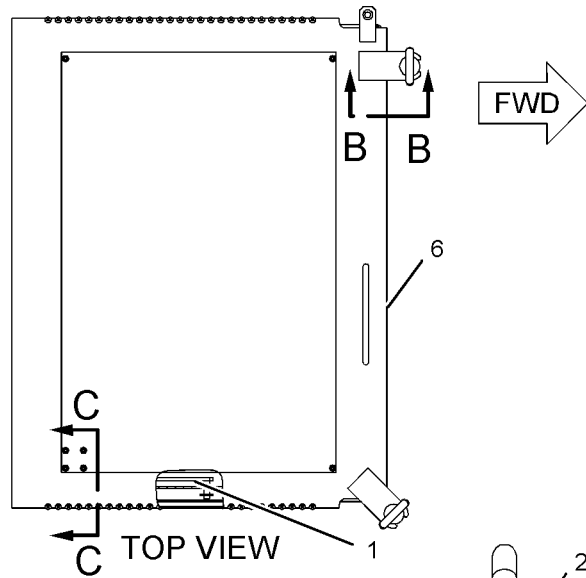
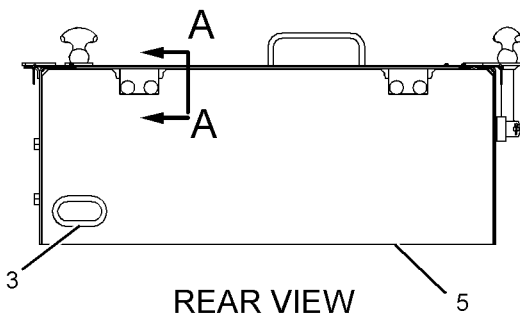
PART OF 236-9617 BOX GP-BATTERY
AN ATTACHMENT

SMCS-7257

i02140734

NOTE	REF NO	GRAPHIC REF	PART NUMBER	QTY	PART NAME						SEE PAGE
					1	2	3	4	5	6 (PRODUCT LEVEL)	
	1	1	4I-2187	1	SUPPORT AS						
	2	1	9M-3835	2	LATCH-RUBBER						
	3	1	093-2064	1	GROMMET						
	4	1	095-0843	1	PIN-COTTER						
	5	1	214-8038	1	BOX AS						
	6	1	236-9627	1	COVER AS						
	7	1	096-3780	1	PIN-CLEVIS						
	8	1	2M-5795	2	PIN-CLEVIS						
	9	1	3B-4607	2	PIN-COTTER						
	10	1	8T-4121	4	WASHER-HARD (11X21X2.5-MM THK)						
M	11	1	8T-4133	4	NUT (M10X1.5-THD)						

M-METRIC PART



GRAPHIC #1

<END>

g01092742

FRAME AND BODY

336-1665 BOX GP-BATTERY

S/N: MMA1-UP

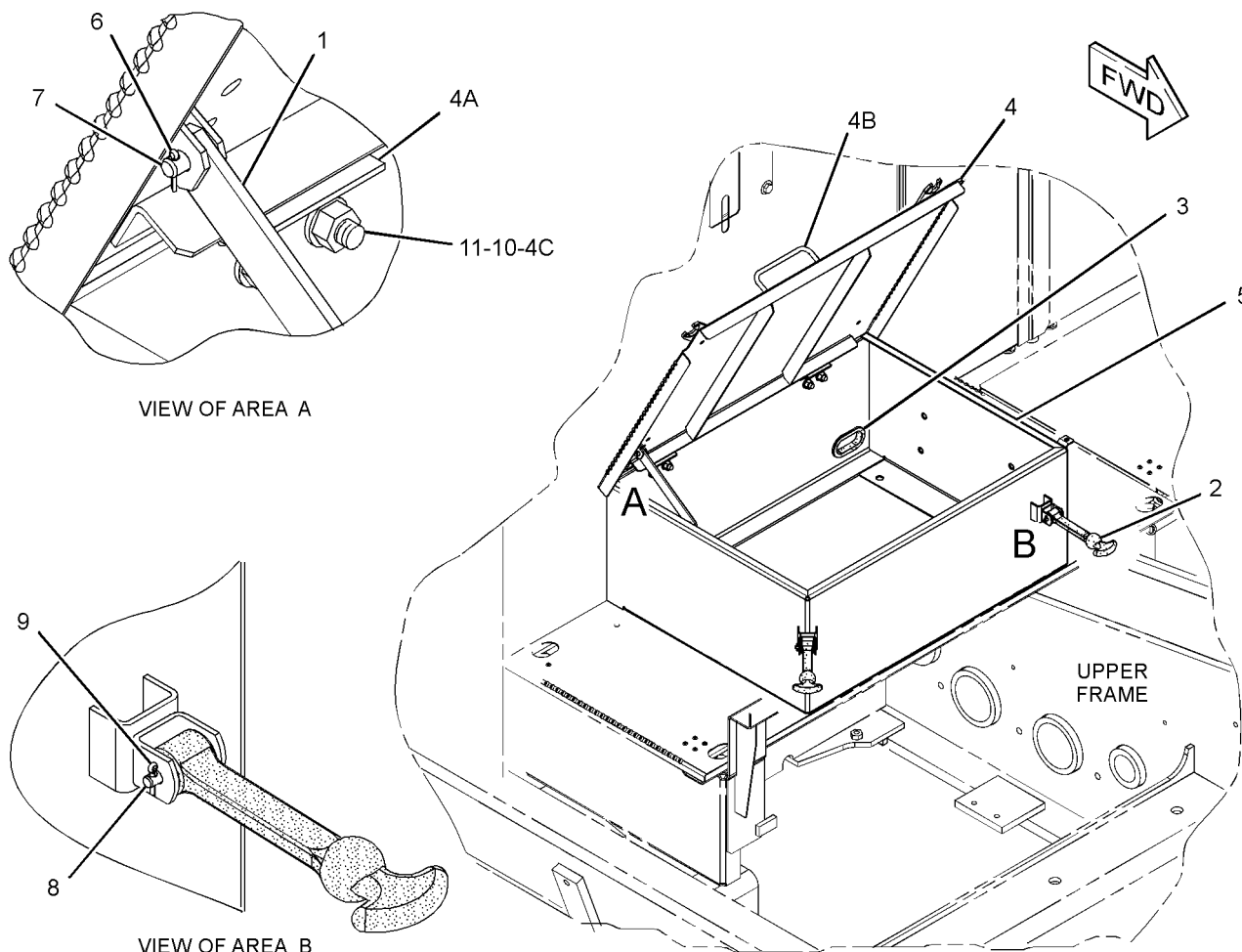
PART OF 236-9617 BOX GP-BATTERY
AN ATTACHMENT

SMCS-7257

i03429981

NOTE	REF NO	GRAPHIC REF	PART NUMBER	QTY	PART NAME						SEE PAGE
					1	2	3	4	5	6 (PRODUCT LEVEL)	
	1	1	4I-2187	1	SUPPORT AS						
		1	4B-4278	1	WASHER (10.2X20.5X1.6-MM THK)						
	2	1	9M-3835	2	LATCH-RUBBER						
	3	1	093-2064	1	GROMMET						
	4	1	336-1666	1	COVER AS-ACCESS						
	4A	1	3D-9143	2	HINGE-BUTT						
	4B	1	7Y-2812	1	HANDLE						
M	4C	1	8T-5413	4	STUD-WELD (M10X1.5X25-MM OAL)						
	5	1	336-1667	1	BOX AS-BATTERY						
		1	6S-6652	1	PLATE						
	6	1	095-0843	1	PIN-COTTER						
	7	1	096-3780	1	PIN-CLEVIS						
	8	1	2M-5795	2	PIN-CLEVIS						
	9	1	3B-4607	2	PIN-COTTER						
	10	1	8T-4121	4	WASHER-HARD (11X21X2.5-MM THK)						
M	11	1	8T-4133	4	NUT (M10X1.5-THD)						

M-METRIC PART



GRAPHIC #1

<END>

g01790033

FRAME AND BODY

256-1932 BOX GP-STORAGE

S/N: MMA1-244

PART OF 256-1931 BOX & MTG GP-STORAGE

SMCS-7268

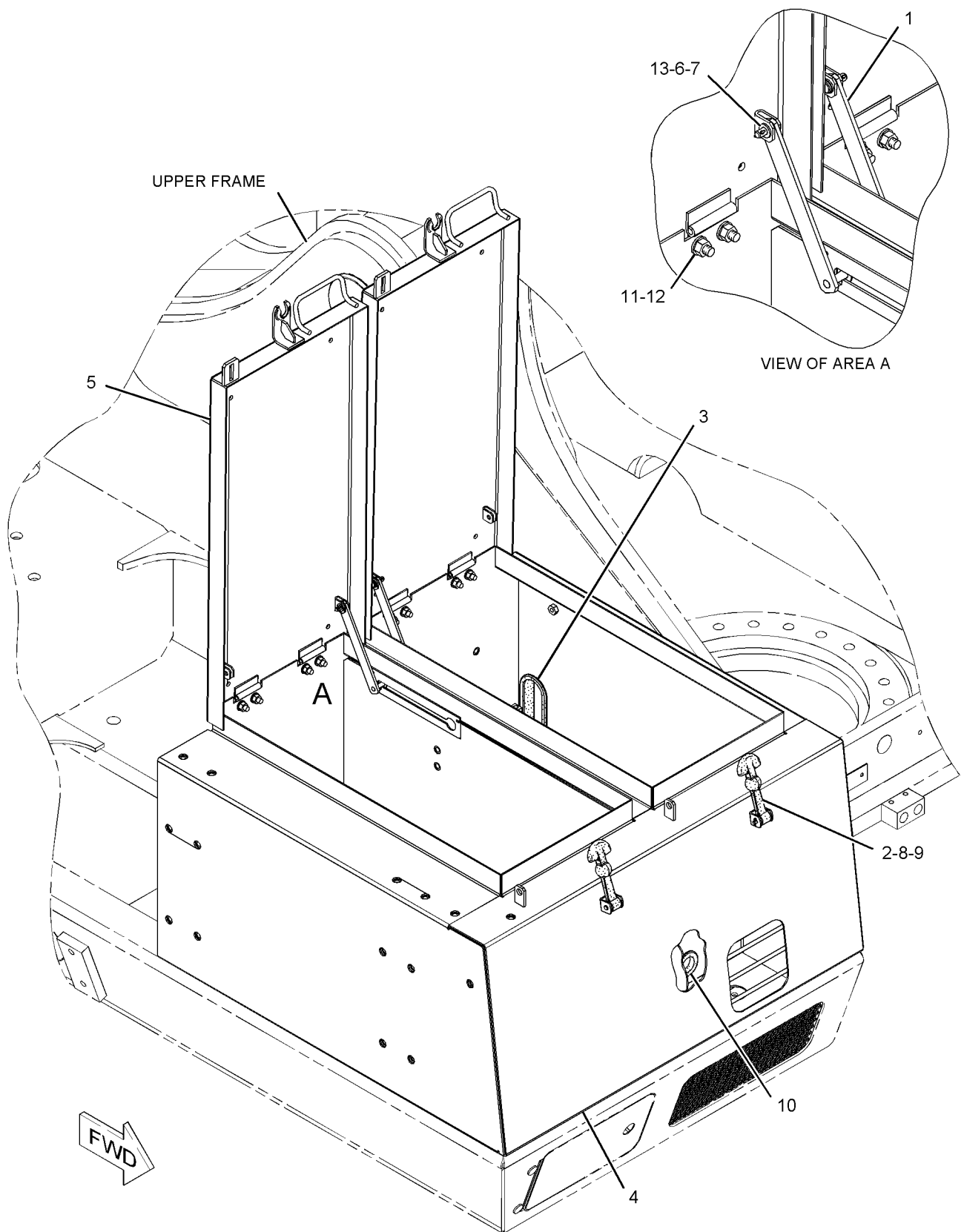
i02227485

NOTE	REF NO	GRAPHIC REF	PART NUMBER	QTY	PART NAME						SEE PAGE
					1	2	3	4	5	6 (PRODUCT LEVEL)	
	1	1	4I-2187	2	SUPPORT AS						
					(EACH INCLUDES)						
		1	4B-4278	1	WASHER (10.2X20.5X1.6-MM THK)						
	2	1	9M-3835	2	LATCH-RUBBER						
	3	1	177-5632	1	GROMMET						
	4	1	256-1933	1	BOX AS						
	5	1	259-3505	2	DOOR AS						
					(EACH INCLUDES)						
		1	3D-9143	2	HINGE-BUTT						
	6	1	095-0843	2	PIN-COTTER						
	7	1	095-1314	2	PIN-CLEVIS						
	8	1	2M-5795	2	PIN-CLEVIS						
	9	1	3B-4607	2	PIN-COTTER						
	10	1	7Y-3281	1	GROMMET						
	11	1	8T-4121	8	WASHER-HARD (11X21X2.5-MM THK)						
M	12	1	8T-4133	8	NUT (M10X1.5-THD)						
	13	1	8T-4224	4	WASHER-HARD (8.8X16X2-MM THK)						
M-METRIC PART											

FRAME AND BODY

256-1932 BOX GP-STORAGE (contd.)

i02227485



GRAPHIC #1

<END>

g01131898

FRAME AND BODY

256-1932 BOX GP-STORAGE

S/N: MMA245-UP

PART OF 256-1931 BOX & MTG GP-STORAGE

SMCS-7268

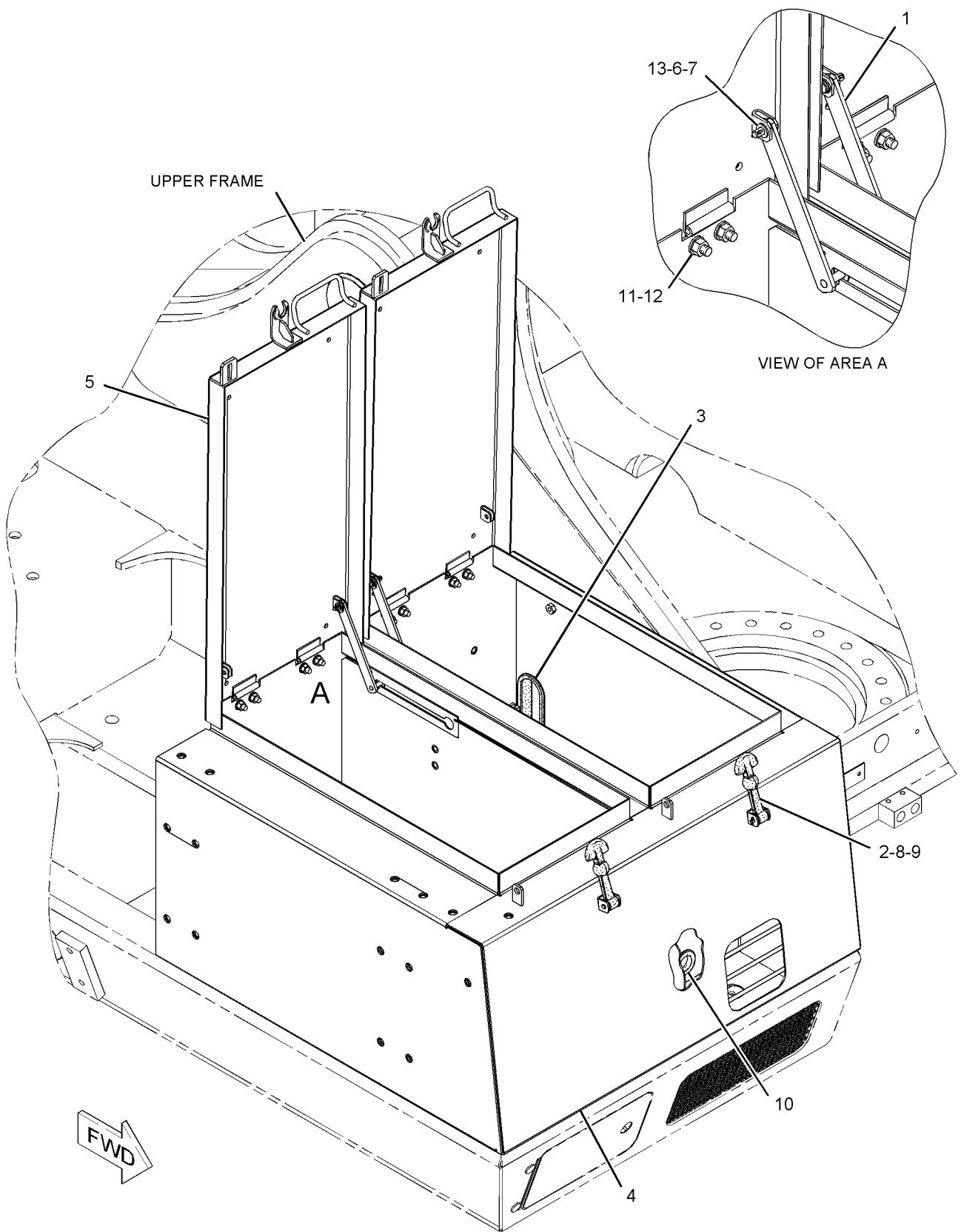
i03624343

NOTE	REF NO	GRAPHIC REF	PART NUMBER	QTY	PART NAME						SEE PAGE
					1	2	3	4	5	6 (PRODUCT LEVEL)	
	1	1	4I-2187	2	SUPPORT AS						
					(EACH INCLUDES)						
		1	4B-4278	1	WASHER (10.2X20.5X1.6-MM THK)						
	2	1	9M-3835	2	LATCH-RUBBER						
	3	1	177-5632	1	GROMMET						
C	4	1	262-2611	1	BOX AS-STORAGE						
	5	1	259-3505	2	DOOR AS						
					(EACH INCLUDES)						
		1	3D-9143	2	HINGE-BUTT						
	6	1	095-0843	2	PIN-COTTER						
	7	1	095-1314	2	PIN-CLEVIS						
	8	1	2M-5795	2	PIN-CLEVIS						
	9	1	3B-4607	2	PIN-COTTER						
	10	1	7Y-3281	1	GROMMET						
	11	1	8T-4121	8	WASHER-HARD (11X21X2.5-MM THK)						
M	12	1	8T-4133	8	NUT (M10X1.5-THD)						
	13	1	8T-4224	4	WASHER-HARD (8.8X16X2-MM THK)						
C-CHANGE FROM PREVIOUS TYPE											
M-METRIC PART											

FRAME AND BODY

256-1932 BOX GP-STORAGE (contd.)

i03624343



GRAPHIC #1

<END>

g01131898

FRAME AND BODY

250-5061 COUNTERWEIGHT & MOUNTING GP

S/N: MMA1-UP

11645-KG (25619-LB)

PART OF 228-8154 CHASSIS AR

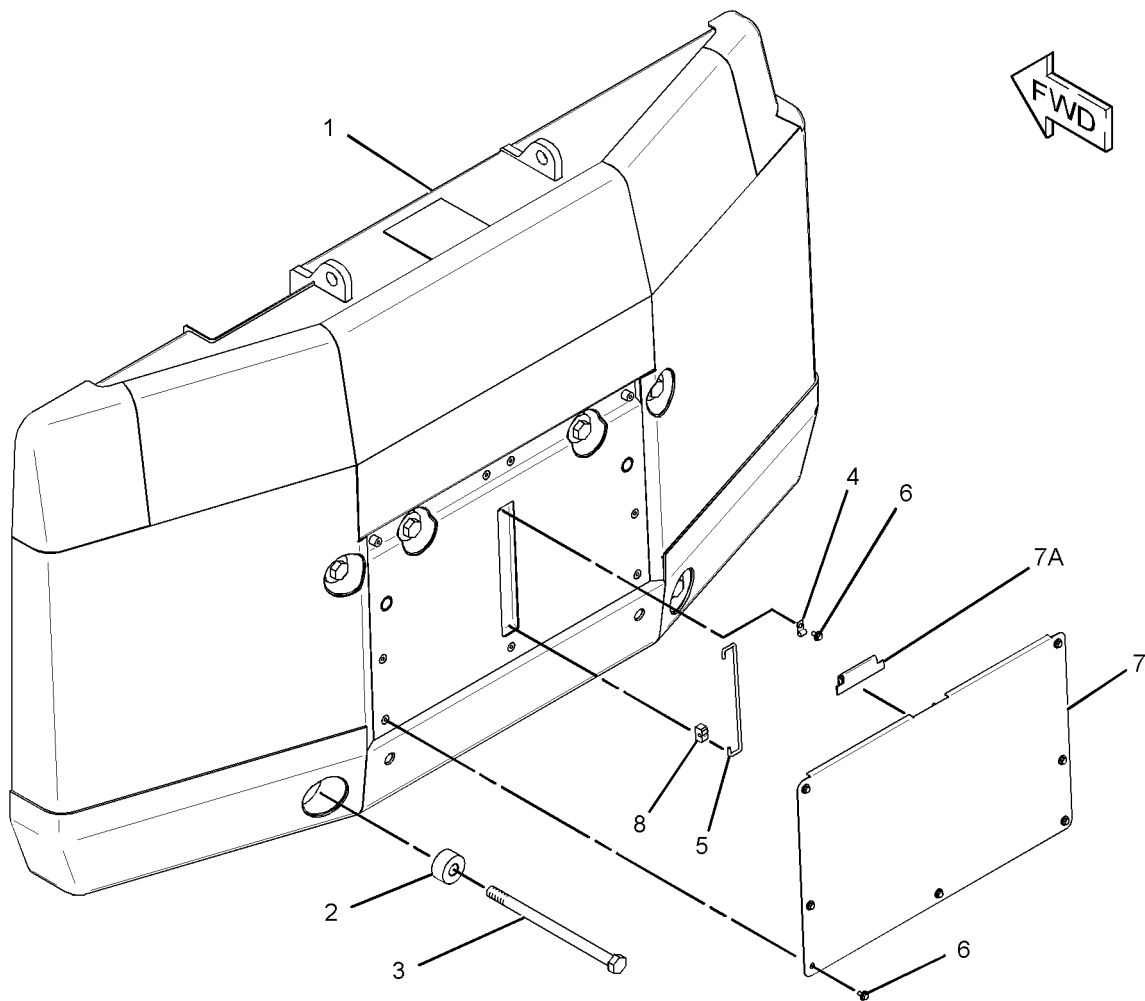
SMCS-7056

i03348087

NOTE	REF NO	GRAPHIC REF	PART NUMBER	QTY	PART NAME						SEE PAGE
					1	2	3	4	5	6 (PRODUCT LEVEL)	
Y	1	1	250-5062	1	COUNTERWEIGHT GP						435
	2	1	170-2977	6	SPACER (39X100X50-MM THK)						
M	3	1	190-6820	6	BOLT (M36X4X560-MM)						
	4	1	3D-9428	1	CLIP						
	5	1	259-6227	1	ROD						
M	6	1	135-8573	10	BOLT AS						
	7	1	259-3525	1	COVER AS-ACCESS						
	7A	1	259-3680	1	HINGE						
	8	1	259-3943	1	RETAINER-ROD (RUBBER)						

M-METRIC PART

Y-SEPARATE ILLUSTRATION



GRAPHIC #1

<END>

g01731656

FRAME AND BODY

250-5062 COUNTERWEIGHT GP

S/N: MMA1-UP

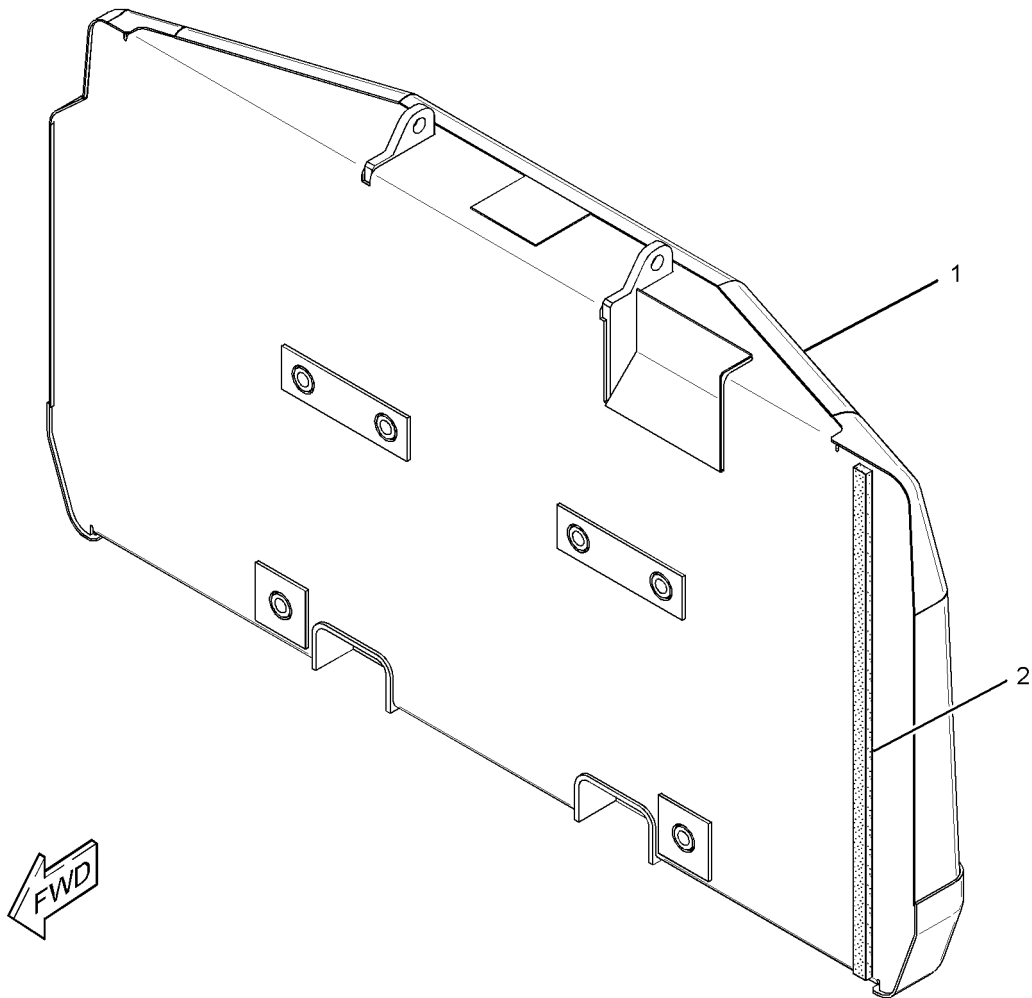
11600-KG (25574-LB)

PART OF 250-5061 COUNTERWEIGHT & MOUNTING GP

SMCS-7056

i03348088

NOTE	REF NO	GRAPHIC REF	PART NUMBER	QTY	PART NAME						SEE PAGE
					1	2	3	4	5	6 (PRODUCT LEVEL)	
	1	1	250-5063	1	COUNTERWEIGHT AS						
	2	1	203-5209	1	LINER						



GRAPHIC #1

<END>

g01732073

FRAME AND BODY

278-3622 COUNTERWEIGHT GP

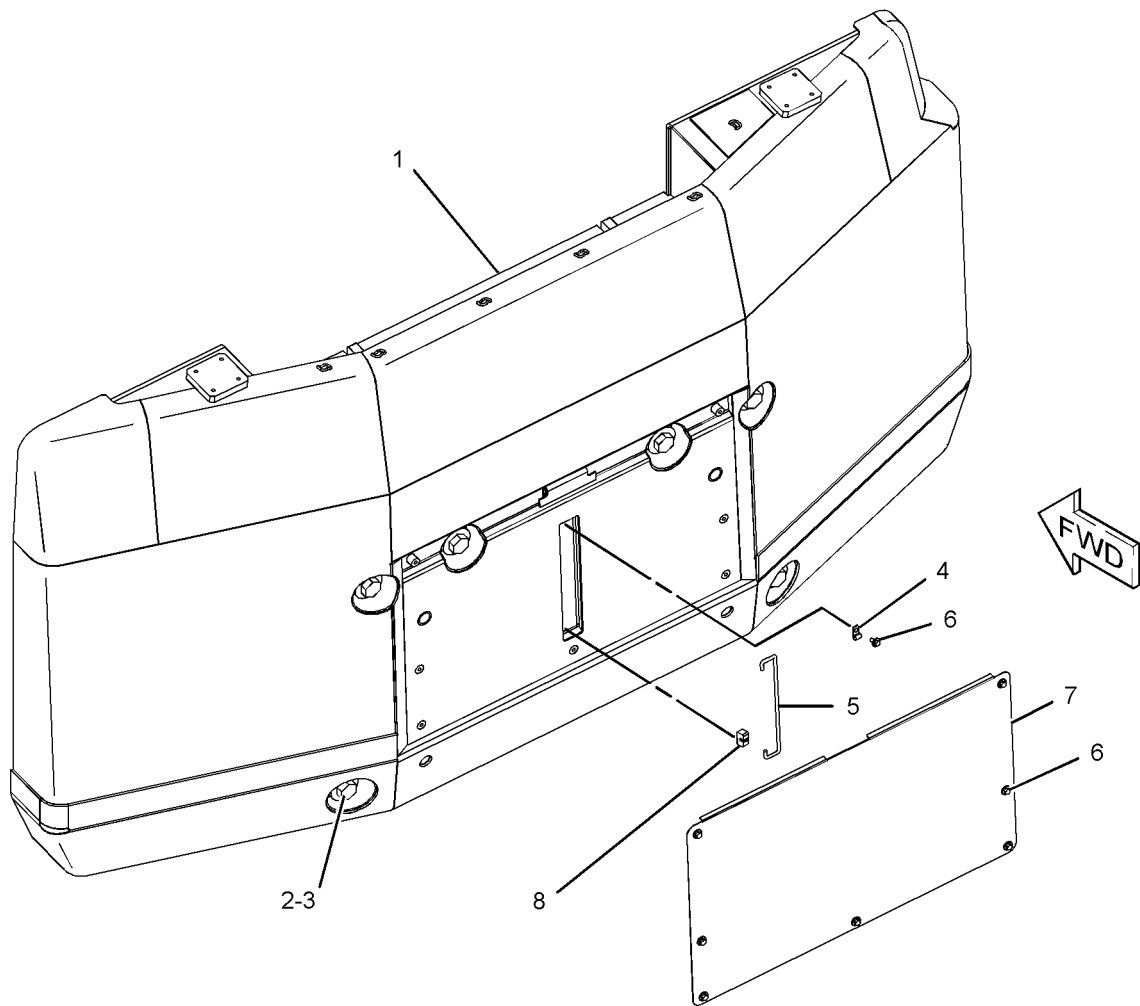
S/N: MMA1-UP
11600-KG (25574-LB)
AN ATTACHMENT

SMCS-7056

i02846749

NOTE	REF NO	GRAPHIC REF	PART NUMBER	QTY	PART NAME						SEE PAGE
					1	2	3	4	5	6 (PRODUCT LEVEL)	
Y	1	1	278-3631	1	COUNTERWEIGHT GP						437
	2	1	170-2977	6	SPACER (39X100X50-MM THK)						
M	3	1	190-6820	6	BOLT (M36X4X560-MM)						
	4	1	3D-9428	1	CLIP						
	5	1	259-6227	1	ROD						
M	6	1	135-8573	10	BOLT AS						
	7	1	259-3525	1	COVER AS-ACCESS						
		1	259-3680	1	HINGE						
	8	1	259-3943	1	RETAINER-ROD (RUBBER)						

M-METRIC PART
Y-SEPARATE ILLUSTRATION



GRAPHIC #1

<END>

g01419176

FRAME AND BODY

278-3631 COUNTERWEIGHT GP

S/N: MMA1-UP

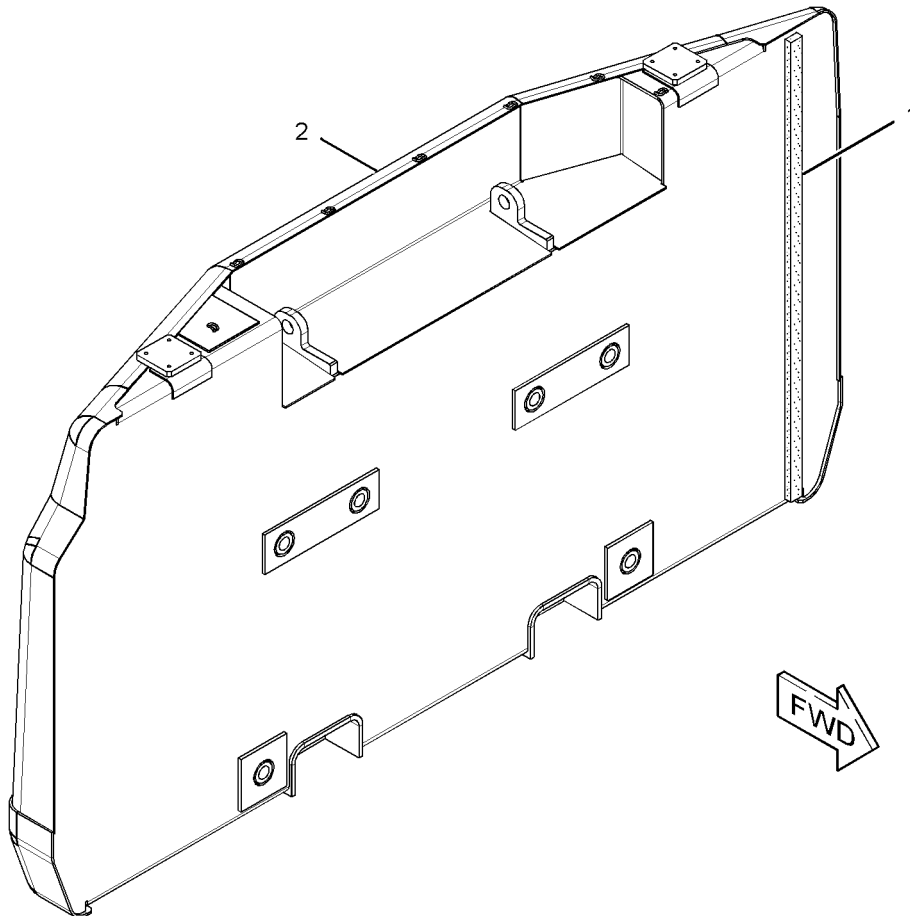
11607-KG (25582-LB)

PART OF 278-3622 COUNTERWEIGHT GP
AN ATTACHMENT

SMCS-7056

i02589567

NOTE	REF NO	GRAPHIC REF	PART NUMBER	QTY	PART NAME						SEE PAGE
					1	2	3	4	5	6 (PRODUCT LEVEL)	
	1	1	203-5209	1	LINER						
	2	1	273-7927	1	COUNTERWEIGHT AS						



GRAPHIC #1

<END>

g01359534

FRAME AND BODY

236-9403 COVER AS-SOUND SUPPRESSION-ENGINE

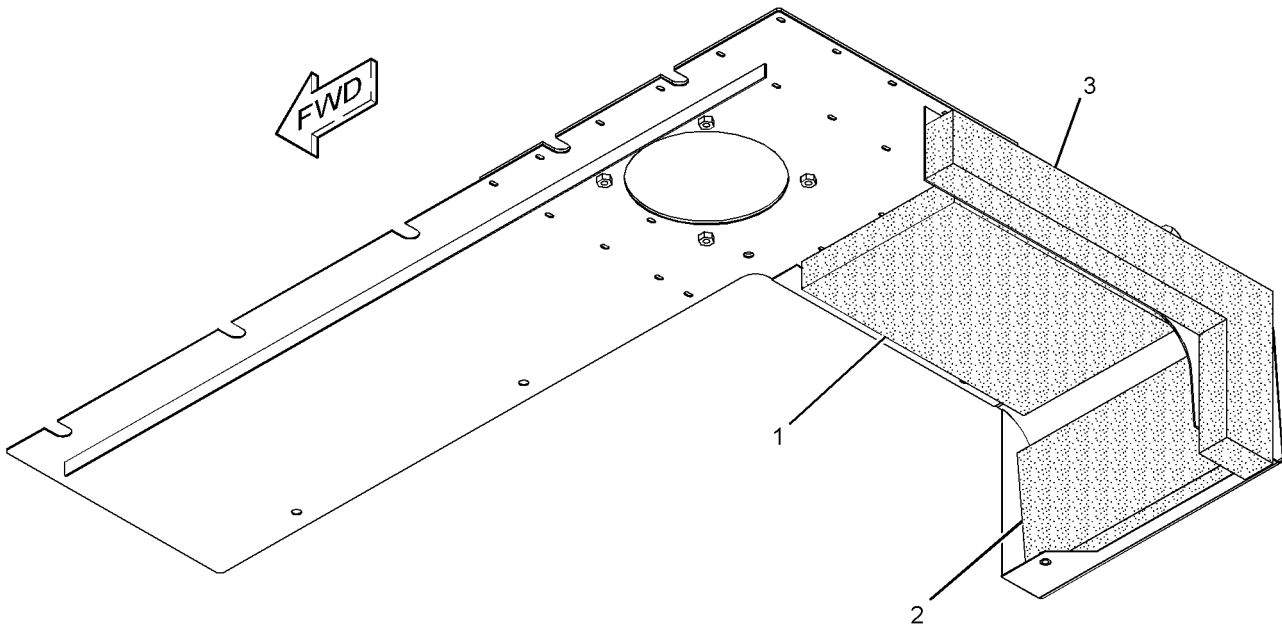
S/N: MMA1-258

PART OF 236-3725 HOOD & GUARD GP

SMCS-7253, 7263, 7276, 795C

i02856502

NOTE	REF NO	GRAPHIC REF	PART NUMBER	QTY	PART NAME						SEE PAGE
					1	2	3	4	5	6 (PRODUCT LEVEL)	
	1	1	177-5654	1	INSULATION						
	2	1	177-5655	1	INSULATION						
	3	1	244-8155	1	LINER						



GRAPHIC #1

<END>

g01423463

FRAME AND BODY

307-7890 COVER AS-SOUND SUPPRESSION-ENGINE

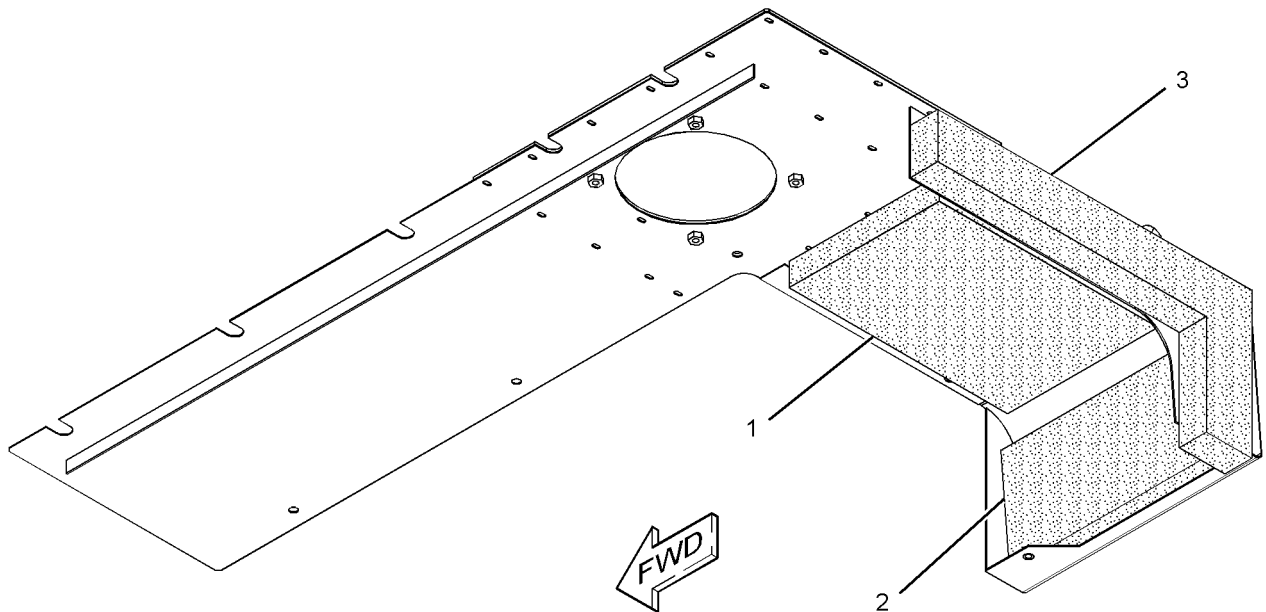
S/N: MMA259-UP

PART OF 236-3725 HOOD & GUARD GP

SMCS-7253, 7263, 7276, 795C

i03079419

NOTE	REF NO	GRAPHIC REF	PART NUMBER	QTY	PART NAME						SEE PAGE
					1	2	3	4	5	6 (PRODUCT LEVEL)	
	1	1	177-5654	1	INSULATION						
	2	1	177-5655	1	INSULATION						
	3	1	244-8155	1	LINER						



GRAPHIC #1

<END>

g01575173

FRAME AND BODY

199-0072 COVER GP-CONTROL VALVE

S/N: MMA1-245

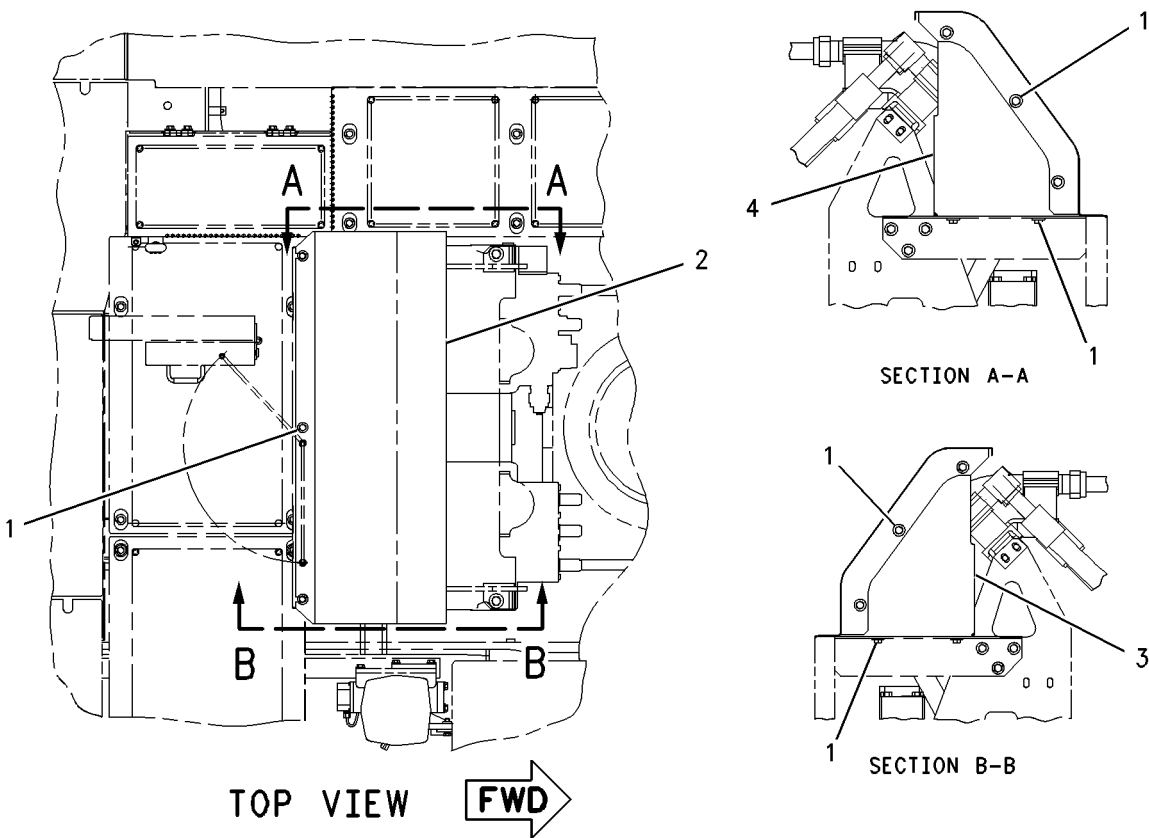
PART OF 228-8154 CHASSIS AR

SMCS-7150

i01743505

NOTE	REF NO	GRAPHIC REF	PART NUMBER	QTY	PART NAME						SEE PAGE
					1	2	3	4	5	6 (PRODUCT LEVEL)	
M	1	1	135-8573	11	BOLT AS (M12X1.75X25-MM)						
(EACH INCLUDES)											
M		1	8T-4192	1	BOLT (M12X1.75X25-MM)						
		1	5P-1076	1	WASHER-HARD (13.5X30X4-MM THK)						
	2	1	199-0342	1	COVER AS						
	3	1	199-0346	1	SHEET AS						
	4	1	199-0349	1	SHEET AS						

M-METRIC PART



GRAPHIC #1

<END>

g00804188

FRAME AND BODY

199-0072 COVER GP-CONTROL VALVE

S/N: MMA246-UP

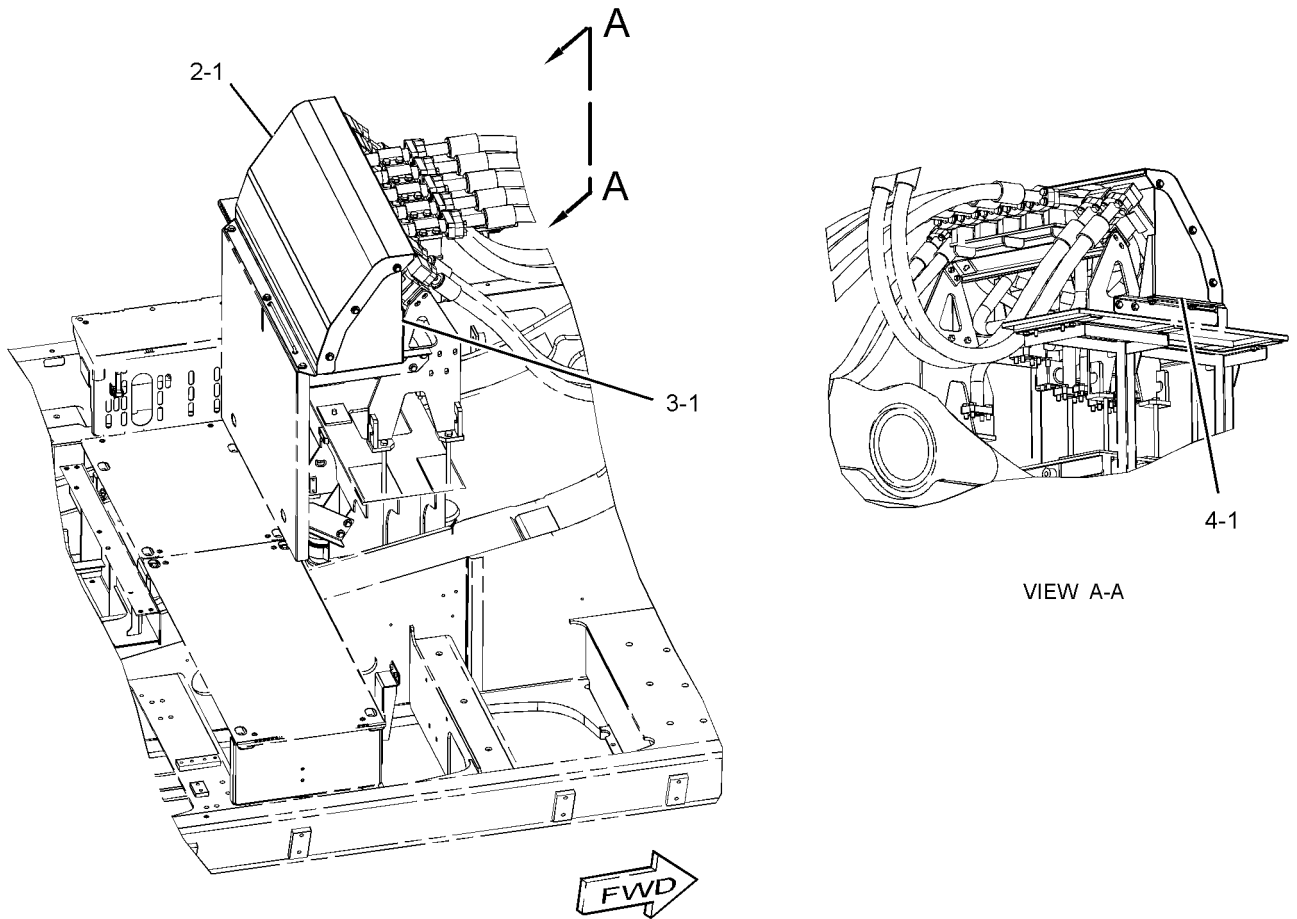
PART OF 228-8154 CHASSIS AR

SMCS-7150

i02442481

NOTE	REF NO	GRAPHIC REF	PART NUMBER	QTY	PART NAME						SEE PAGE
					1	2	3	4	5	6 (PRODUCT LEVEL)	
M	1	1	135-8573	11	BOLT AS (M12X1.75X25-MM)						
C	2	1	259-3733	1	COVER AS						
C	3	1	259-3737	1	SHEET AS						
C	4	1	259-3740	1	SHEET AS						

C-CHANGE FROM PREVIOUS TYPE
M-METRIC PART



GRAPHIC #1

<END>

g01232552

FRAME AND BODY

203-5096 DOOR AS-ACCESS-ENGINE COMPARTMENT

S/N: MMA1-UP

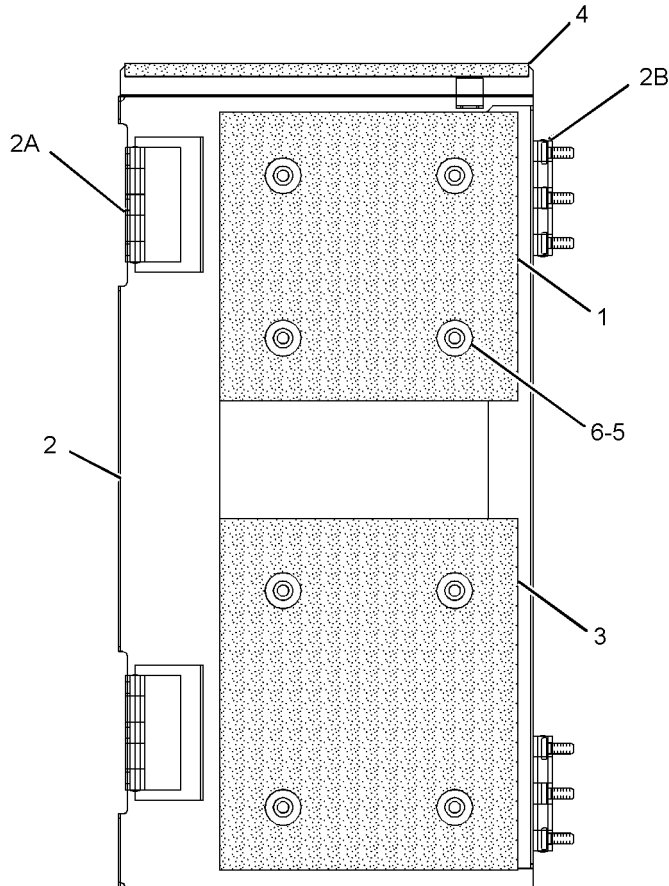
PART OF 223-2941 HOOD & GUARD GP

SMCS-7273

i02396010

NOTE	REF NO	GRAPHIC REF	PART NUMBER	QTY	PART NAME						SEE PAGE
					1	2	3	4	5	6 (PRODUCT LEVEL)	
	1	1	203-5097	1	INSULATION						
	2	1	203-5099	1	DOOR AS						
	2A	1	4I-7949	2	HINGE						
	2B	1	4I-7948	2	HINGE AS						
	3	1	203-5098	1	INSULATION						
D	4	1	101-9848		SEAL (0.45-M)						
	5	1	6P-2216	8	CAP						
	6	1	4I-7924	8	WASHER (4.5X40X1.2-MM THK)						

D-ORDER BY THE METER



REAR VIEW

GRAPHIC #1

<END>

g01312861

FRAME AND BODY

303-9677 DOOR AS-ACCESS-PUMP COMPARTMENT

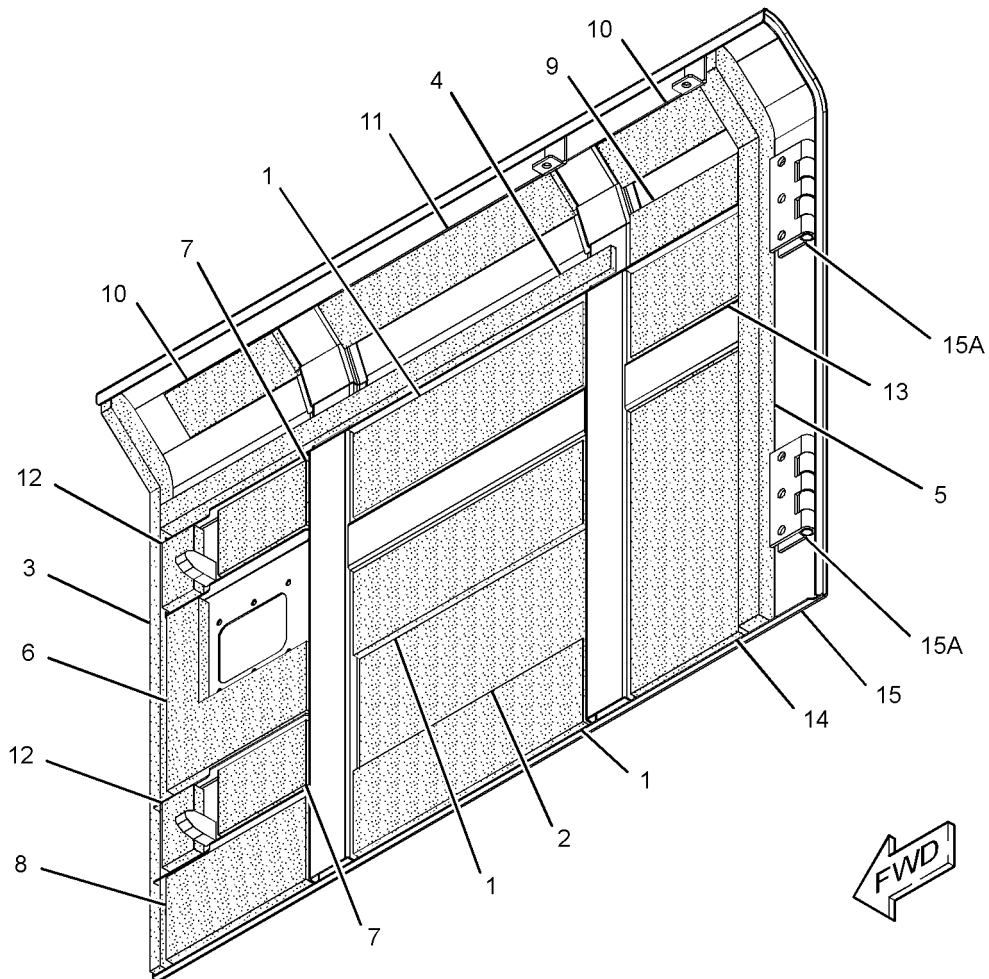
S/N: MMA259-UP

PART OF 236-3725 HOOD & GUARD GP

SMCS-7273

i03079378

NOTE	REF NO	GRAPHIC REF	PART NUMBER	QTY	PART NAME						SEE PAGE
					1	2	3	4	5	6 (PRODUCT LEVEL)	
	1	1	177-5582	3	INSULATION						
	2	1	177-5583	1	INSULATION						
	3	1	177-5586	1	LINER						
	4	1	177-5587	1	LINER						
	5	1	244-8027	1	LINER						
	6	1	244-8028	1	INSULATION						
	7	1	244-8029	2	INSULATION						
	8	1	244-8031	1	INSULATION						
	9	1	244-8032	1	INSULATION						
	10	1	244-8033	2	INSULATION						
	11	1	244-8034	1	INSULATION						
	12	1	244-8035	2	INSULATION						
	13	1	244-8176	1	INSULATION						
	14	1	244-8177	1	INSULATION						
	15	1	303-9678	1	DOOR AS-ACCESS						
	15A	1	105-6855	2	HINGE						



GRAPHIC #1

<END>

g01574134

FRAME AND BODY

236-9318 DOOR GP-ACCESS-PUMP COMPARTMENT

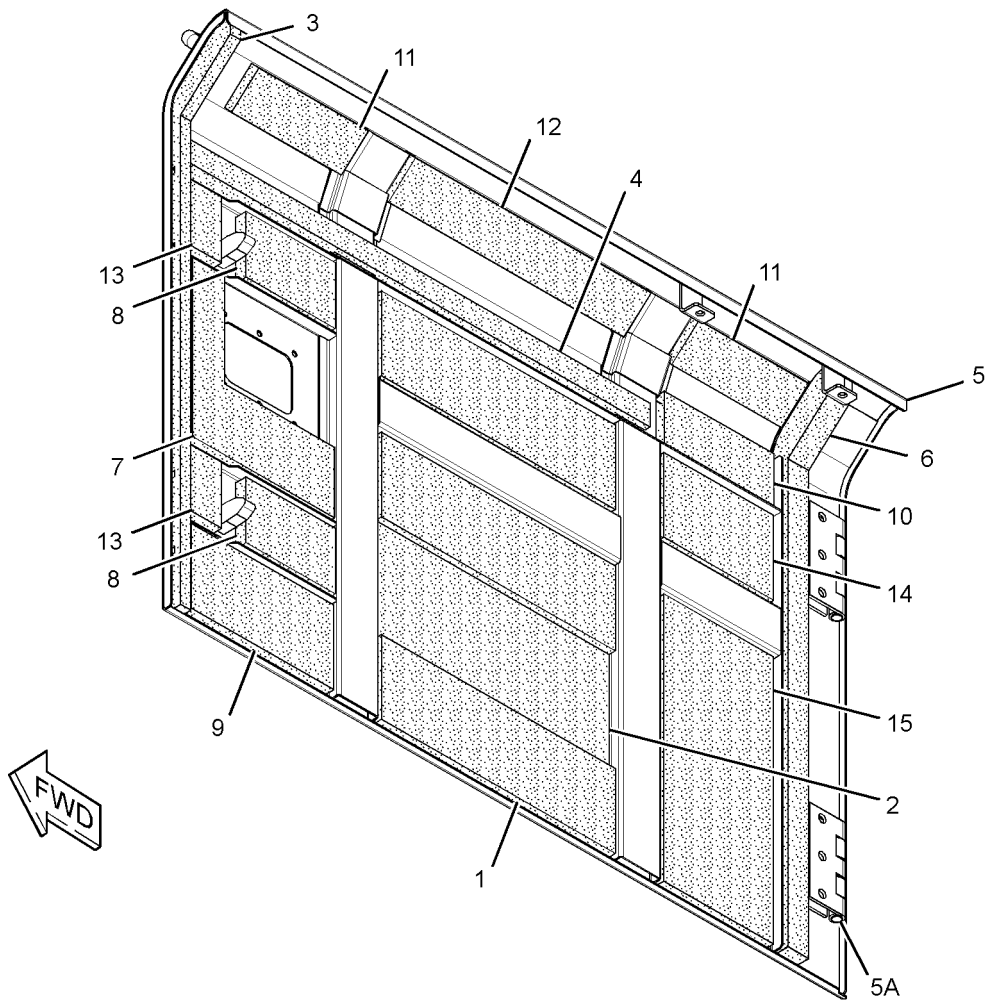
S/N: MMA1-258

PART OF 236-3725 HOOD & GUARD GP

SMCS-7273

i03063113

NOTE	REF NO	GRAPHIC REF	PART NUMBER	QTY	PART NAME						SEE PAGE
					1	2	3	4	5	6 (PRODUCT LEVEL)	
1	1	1	177-5582	3	INSULATION						
2	1	1	177-5583	1	INSULATION						
3	1	1	177-5586	1	LINER						
4	1	1	177-5587	1	LINER						
5	1	1	236-9319	1	DOOR AS						
5A	1	1	105-6855	2	HINGE						
6	1	1	244-8027	1	LINER						
7	1	1	244-8028	1	INSULATION						
8	1	1	244-8029	2	INSULATION						
9	1	1	244-8031	1	INSULATION						
10	1	1	244-8032	1	INSULATION						
11	1	1	244-8033	2	INSULATION						
12	1	1	244-8034	1	INSULATION						
13	1	1	244-8035	2	INSULATION						
14	1	1	244-8176	1	INSULATION						
15	1	1	244-8177	1	INSULATION						



GRAPHIC #1

<END>

g01555654

FRAME AND BODY

236-9345 DOOR GP-ACCESS-ENGINE COMPARTMENT

S/N: MMA1-UP

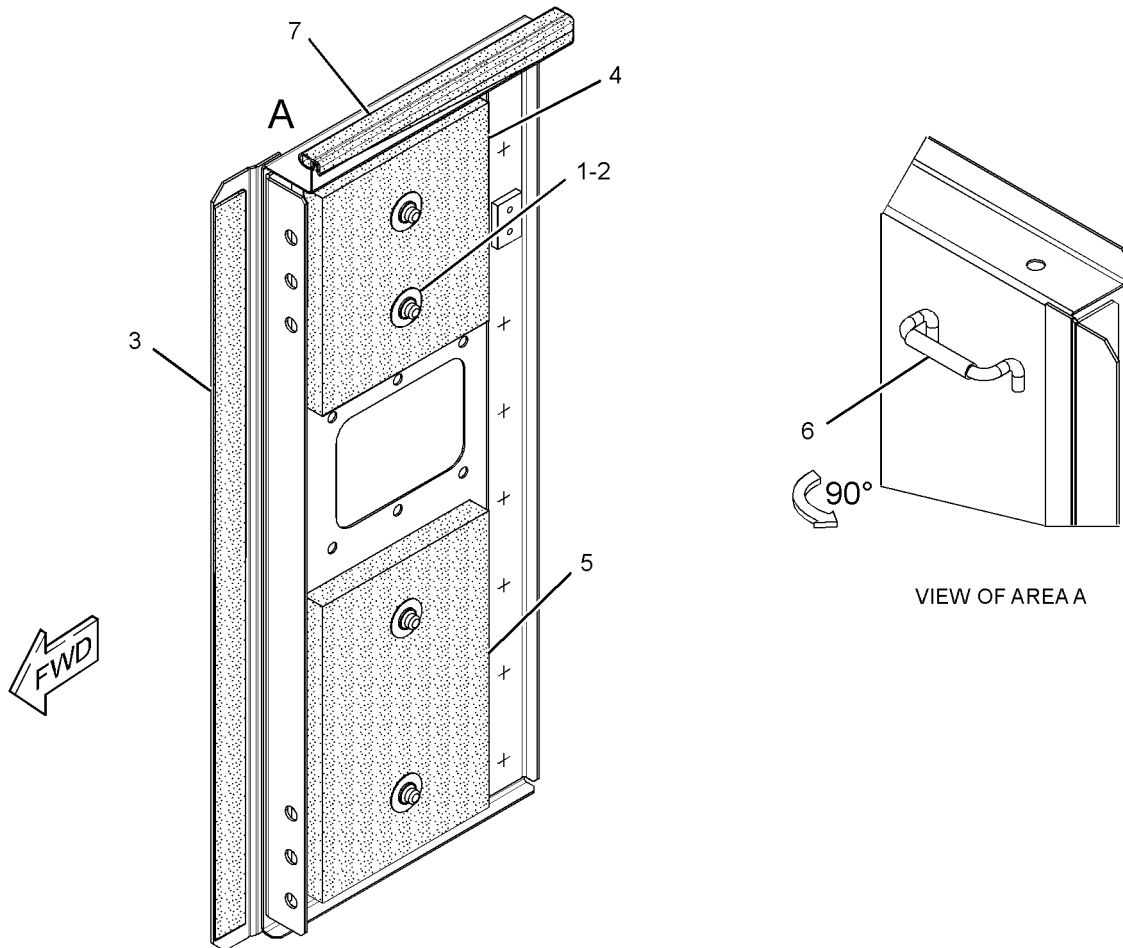
PART OF 223-2941 HOOD & GUARD GP

SMCS-7273

i03627043

NOTE	REF NO	GRAPHIC REF	PART NUMBER	QTY	PART NAME						SEE PAGE
					1	2	3	4	5	6 (PRODUCT LEVEL)	
	1	1	4I-7924	4	WASHER (4.5X40X1.2-MM THK)						
	2	1	6P-2216	4	CAP						
	3	1	184-8258	1	SHEET-RUBBER						
	4	1	203-5161	1	INSULATION						
	5	1	203-5162	1	INSULATION						
	6	1	146-4936	1	HANDLE AS						
D	7	1	101-9848		SEAL (0.4-M)						

D-ORDER BY THE METER



GRAPHIC #1

<END>

g01943295

FRAME AND BODY

248-9358 DOOR GP-ACCESS-HYDRAULIC OIL COOLER, RADIATOR

S/N: MMA1-UP

PART OF 245-5552 CONTROL AR-FAN

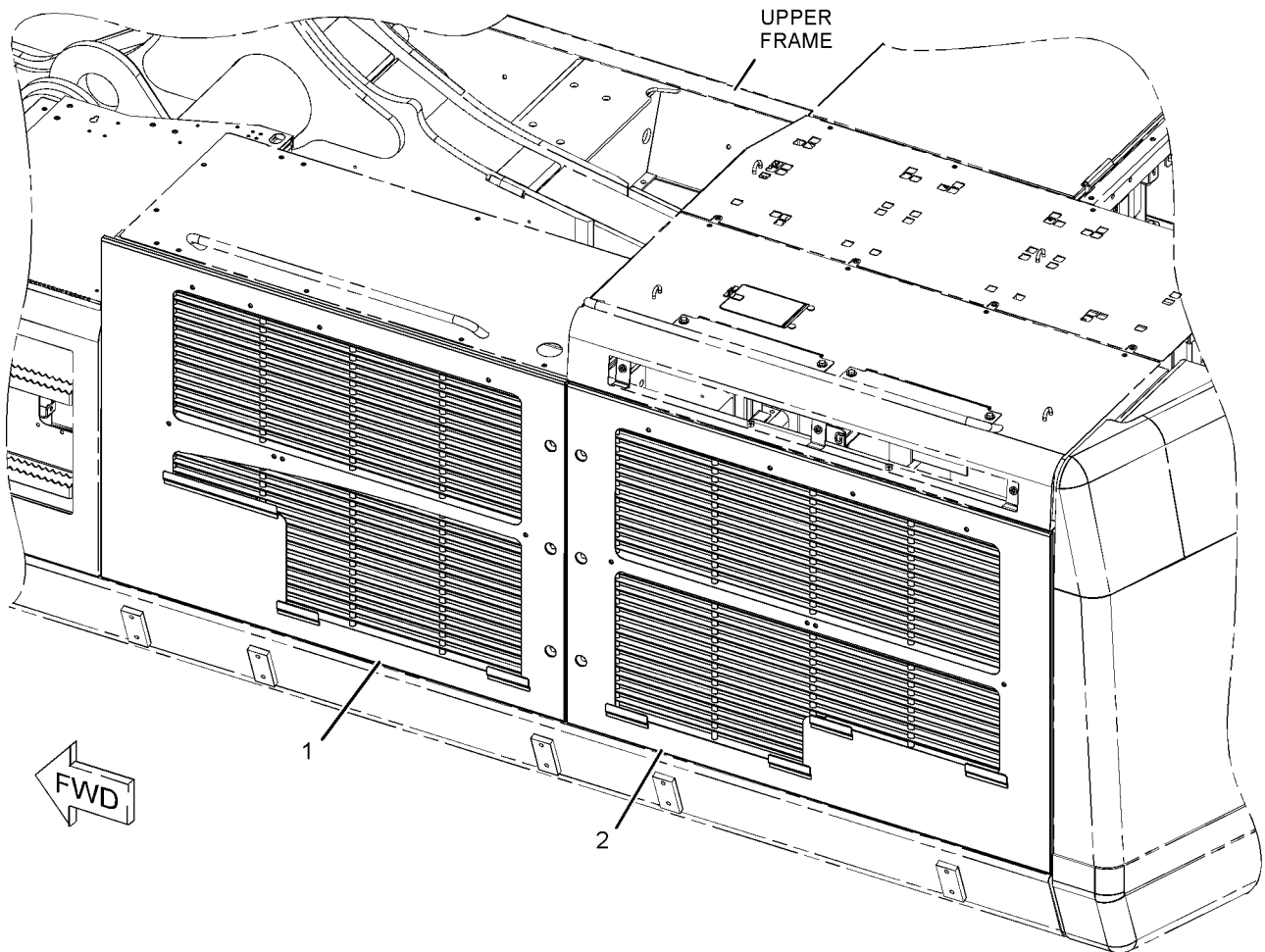
AN ATTACHMENT

TYPE 1

SMCS-7273

i03650892

NOTE	REF NO	GRAPHIC REF	PART NUMBER	QTY	PART NAME						SEE PAGE
					1	2	3	4	5	6 (PRODUCT LEVEL)	
1	1	1	248-9359	1	DOOR AS (FUEL CLR, HYD CLR, RFGT COND)						
2	1	1	248-9360	1	DOOR AS (RADIATOR)						
					(EACH DOOR AS INCLUDES)						
		1	105-6855	2	HINGE						



GRAPHIC #1

<END>

g01074153

FRAME AND BODY

248-9358 DOOR GP-ACCESS-HYDRAULIC OIL COOLER, RADIATOR

S/N: MMA1-UP

PART OF 245-5552 CONTROL AR-FAN

AN ATTACHMENT

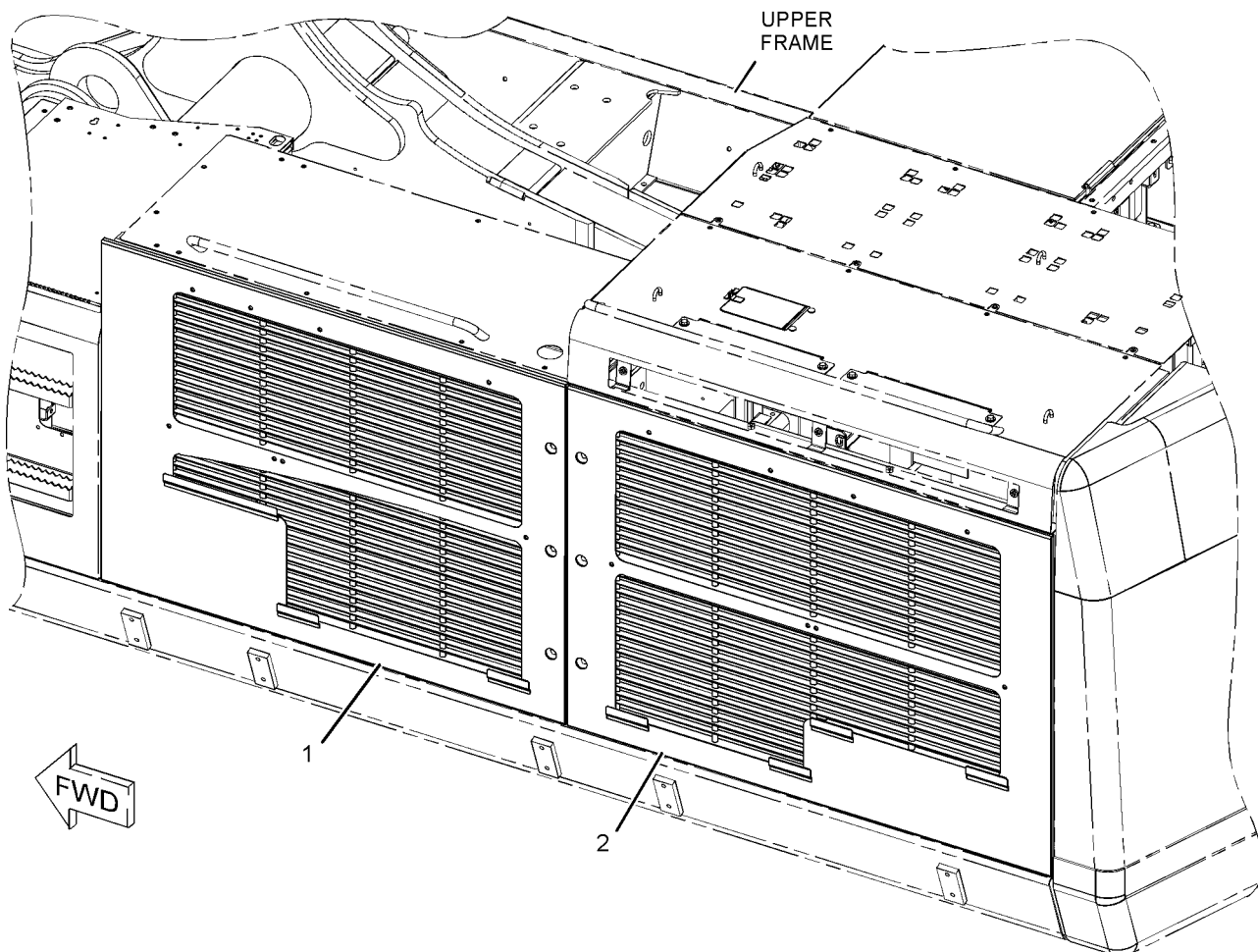
TYPE 2

SMCS-7273

i03584002

NOTE	REF NO	GRAPHIC REF	PART NUMBER	QTY	PART NAME						SEE PAGE
					1	2	3	4	5	6 (PRODUCT LEVEL)	
C	1	1	339-7476	1	DOOR AS-ACCESS (FUEL CLR, HYD CLR, RFGT COND)						
C	2	1	339-7477	1	DOOR AS-ACCESS (RADIATOR)						
					(EACH DOOR AS-ACCESS INCLUDES)						
		1	105-6855	2	HINGE						

C-CHANGE FROM PREVIOUS TYPE



GRAPHIC #1

<END>

g01074153

FRAME AND BODY

237-3125 FRAME GP-CAB RISER

S/N: MMA1-UP

PART OF 230-0591 RISER GP-CAB
AN ATTACHMENT

SMCS-7260

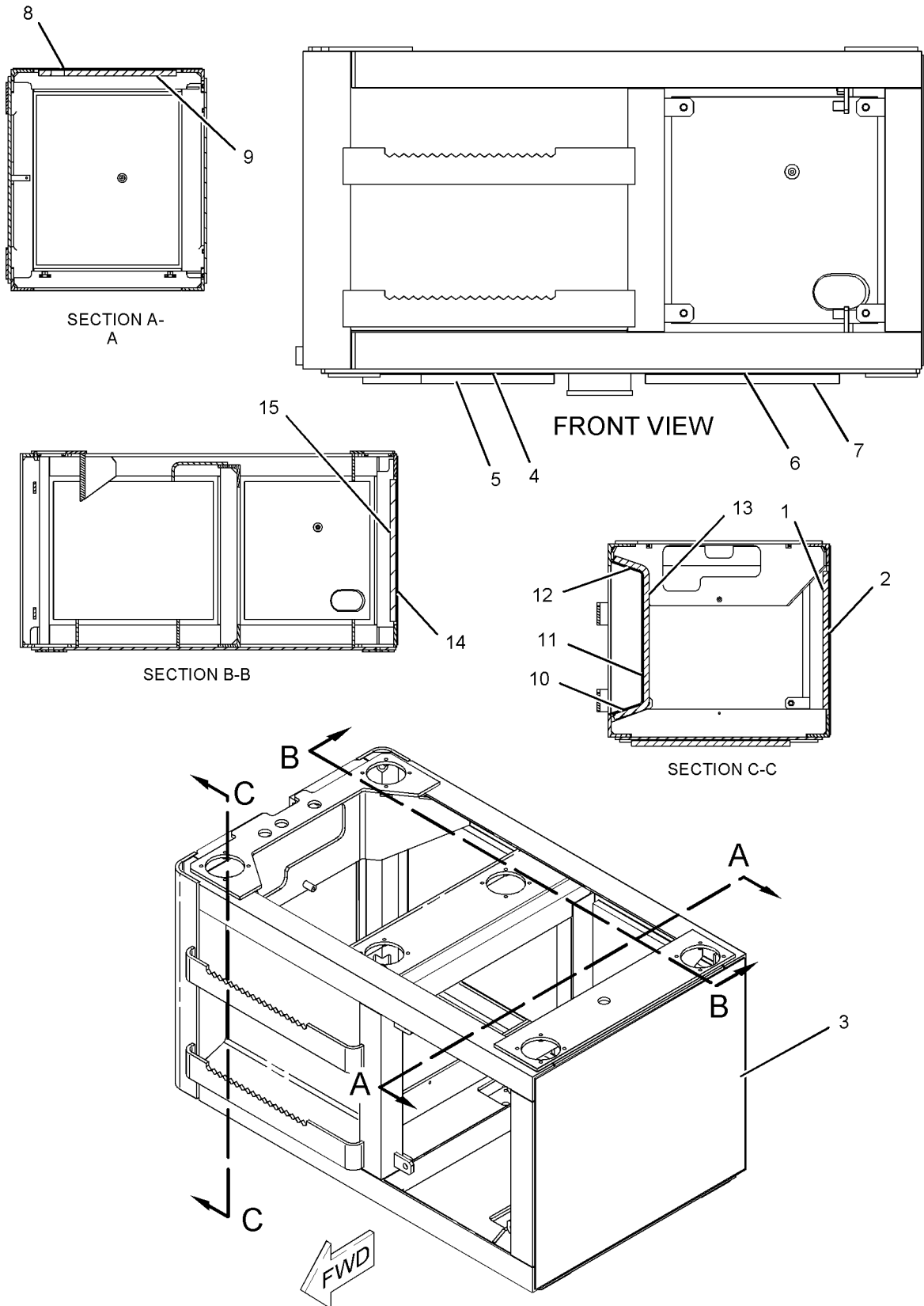
i02158798

NOTE	REF NO	GRAPHIC REF	PART NUMBER	QTY	PART NAME						SEE PAGE
					1	2	3	4	5	6 (PRODUCT LEVEL)	
1	1	1	188-0032	1	LINER						
2	1	1	188-0033	1	LINER						
3	1	1	237-3126	1	FRAME AS-RISER						
4	1	1	237-3144	1	LINER						
5	1	1	237-3145	1	LINER						
6	1	1	237-3146	1	LINER						
7	1	1	237-3147	1	LINER						
8	1	1	237-3148	1	LINER						
9	1	1	237-3149	1	LINER						
10	1	1	237-3150	1	LINER						
11	1	1	237-3151	1	LINER						
12	1	1	237-3152	1	LINER						
13	1	1	237-3153	1	LINER						
14	1	1	237-3305	1	LINER						
15	1	1	237-3306	1	LINER						

FRAME AND BODY

237-3125 FRAME GP-CAB RISER (contd.)

i02158798



GRAPHIC #1

<END>

g01096196

FRAME AND BODY

235-7814 FRAME GP-UPPER

S/N: MMA1-UP

PART OF 228-8154 CHASSIS AR

SMCS-7051

i03574774

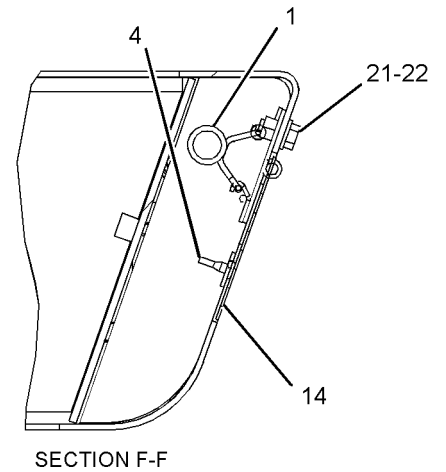
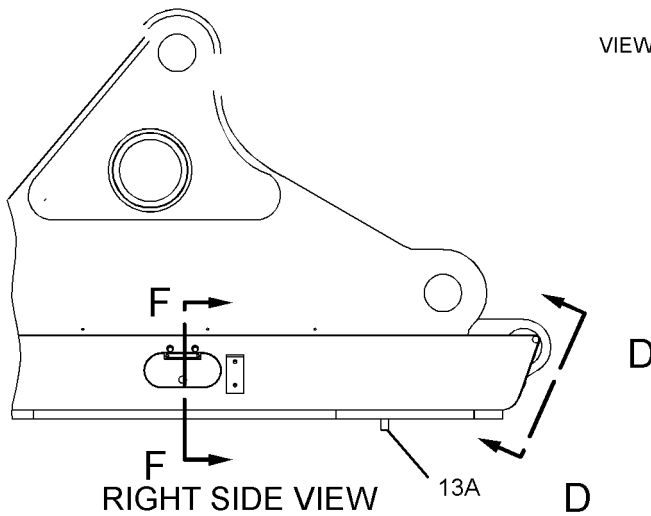
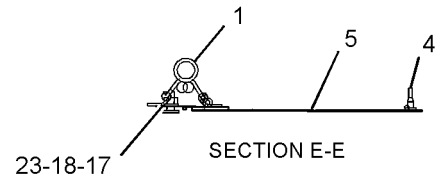
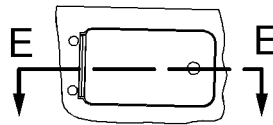
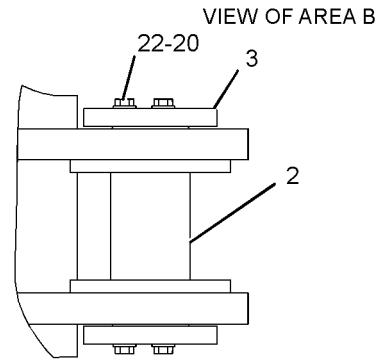
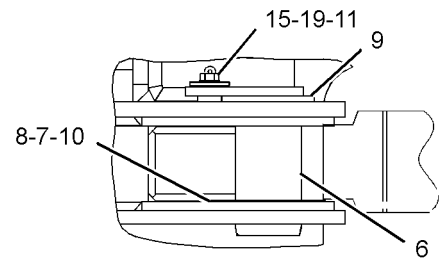
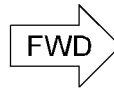
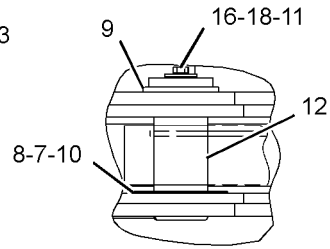
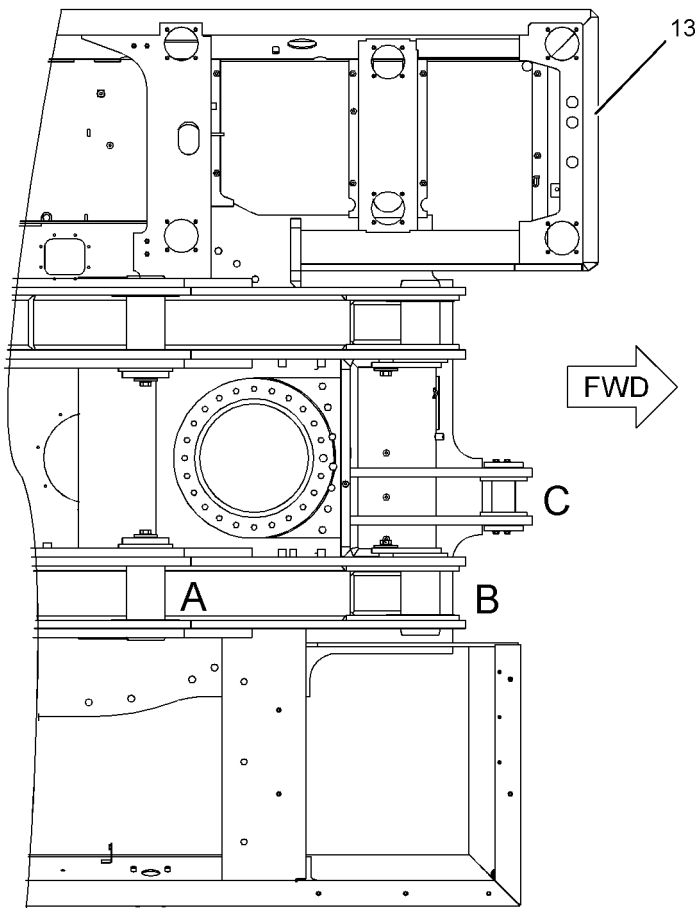
NOTE	REF NO	GRAPHIC REF	PART NUMBER	QTY	PART NAME						SEE PAGE
					1	2	3	4	5	6 (PRODUCT LEVEL)	
	1	1	1K-8850	2	SPRING						
	2	1	4E-8726	1	PIN						
	3	1	4E-8730	2	PLATE						
	4	1	5V-3854	2	BUMPER						
	5	1	087-3765	1	DOOR AS						
		1	4K-8501	2	CLIP						
		1	9V-3659	1	HINGE						
	6	1	115-2670	2	PIN AS						
B	7	1	123-5362	4	SHIM (1-MM THK)						
B	8	1	123-5364	4	SHIM (2-MM THK)						
	9	1	123-5574	4	SPACER (153X210X14-MM THK)						
B	10	1	174-8354	8	SHIM (0.5-MM THK)						
	11	1	201-2771	4	WASHER (26X90X8-MM THK)						
	12	1	234-3974	2	PIN AS						
	13	1	235-7815	1	FRAME AS-UPPER						
	13A	1	148-8500	1	BLOCK						
	14	1	254-2869	1	DOOR AS						
		1	4K-8501	2	CLIP						
		1	254-2870	1	HINGE AS						
M	15	1	7X-2573	2	BOLT (M24X3X40-MM)						
M	16	1	7X-2574	2	BOLT (M24X3X45-MM)						
	17	1	8T-4121	2	WASHER-HARD (11X21X2.5-MM THK)						
M	18	1	8T-4133	2	NUT (M10X1.5-THD)						
	19	1	8T-4167	4	WASHER-HARD (26X44X4-MM THK)						
M	20	1	8T-4183	6	BOLT (M12X1.75X40-MM)						
M	21	1	8T-4192	2	BOLT (M12X1.75X25-MM)						
	22	1	8T-4223	8	WASHER-HARD (13.5X25.5X3-MM THK)						
M	23	1	8T-5413	2	STUD-WELD (M10X1.5X25-MM OAL)						

B-USE AS REQUIRED
M-METRIC PART

FRAME AND BODY

235-7814 FRAME GP-UPPER (contd.)

i03574774



GRAPHIC #1

<END>

g01903993

FRAME AND BODY

148-4650 GEAR & BEARING GP-SWING

S/N: MMA1-245

PART OF 245-5559 FRAME AR-UNDERCARRIAGE

SMCS-7063

i02434649

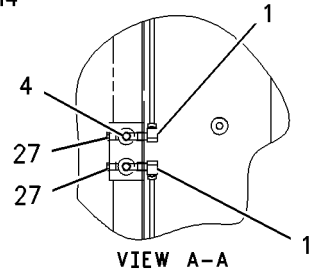
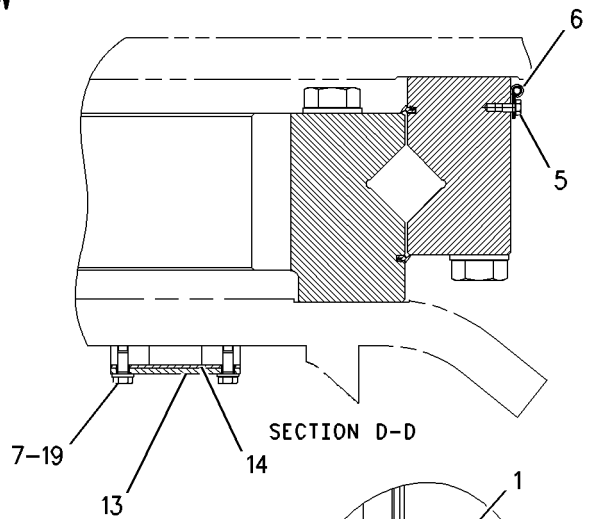
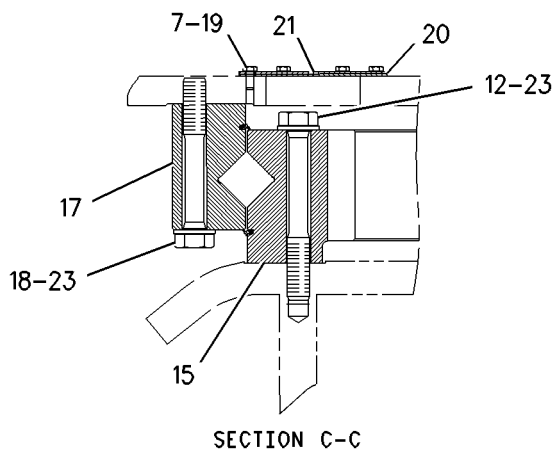
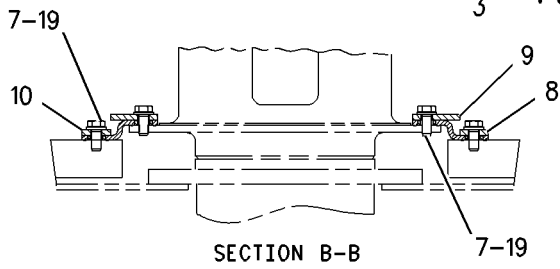
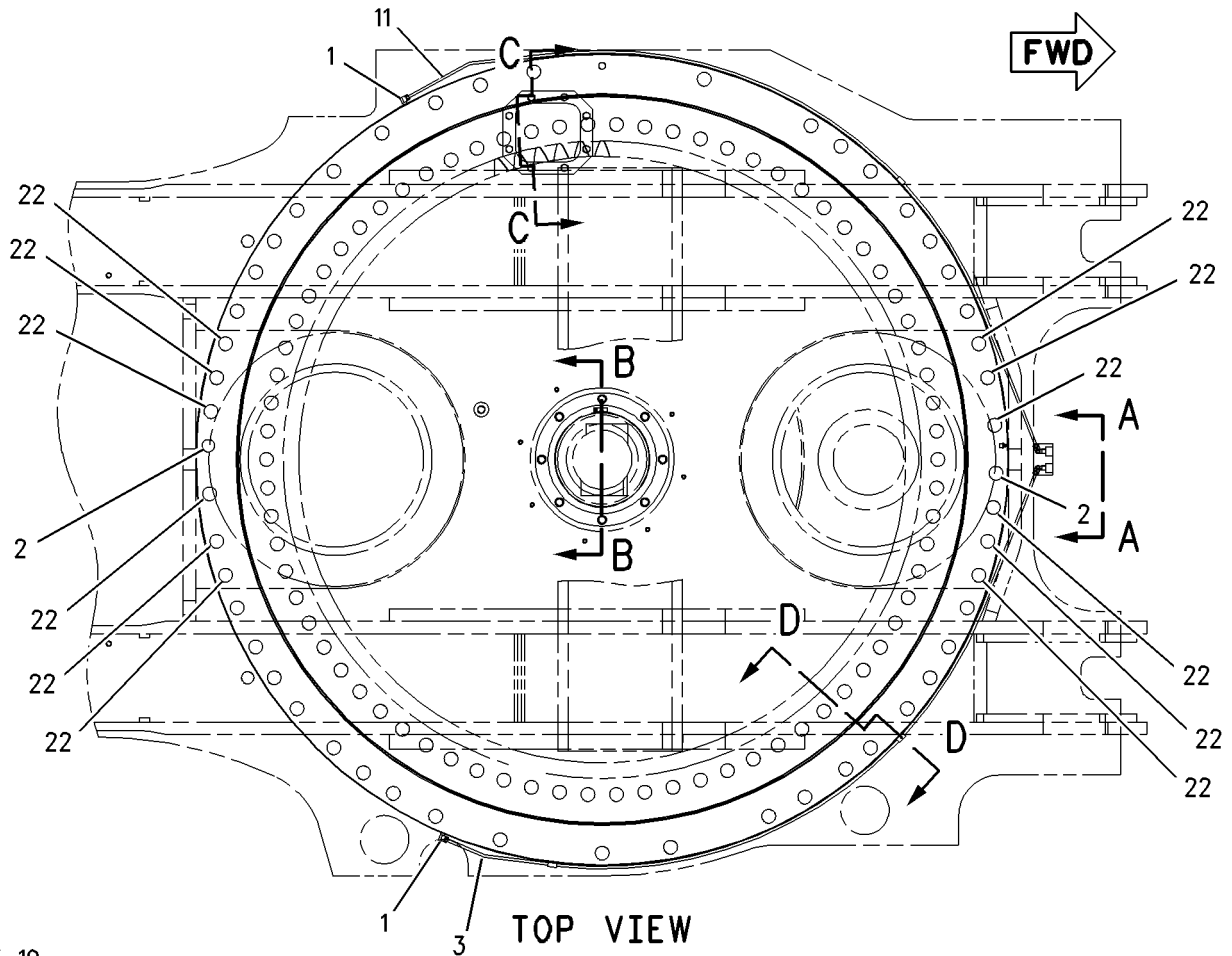
NOTE	REF NO	GRAPHIC REF	PART NUMBER	QTY	PART NAME						SEE PAGE
					1	2	3	4	5	6 (PRODUCT LEVEL)	
	1	1	5K-9243	4	ELBOW-FLARED						
	2	1	7Y-1095	2	DOWEL						
	3	1	199-4498	1	TUBE AS (RH)						
	4	1	3B-8489	2	FITTING-GREASE						
M	5	1	8T-4199	4	BOLT (M8X1.25X12-MM)						
	6	1	4N-9170	4	CLIP						
	7	1	8T-4121	28	WASHER-HARD (11X21X2.5-MM THK)						
	8	1	7Y-1106	1	BOOT						
	9	1	7Y-1107	1	RETAINER						
	10	1	7Y-1108	1	RETAINER						
	11	1	199-4499	1	TUBE AS (LH)						
	12	1	199-4502	74	BOLT (M30X3.5X235-MM)						
	13	1	7Y-1648	1	STRIP						
	14	1	7Y-1647	1	GASKET						
B	15	1	1U-8846		SEALANT-GASKET						
Y	17	1	199-4491	1	GEAR & BEARING GP-SWING						456
	18	1	207-4918	48	BOLT (M30X3.5X210-MM)						
M	19	1	8T-4136	28	BOLT (M10X1.5X25-MM)						
	20	1	7Y-1110	1	GASKET						
	21	1	7Y-1109	1	STRIP						
	22	1	6I-6563	12	CORK						
	23	1	199-4501	122	SPACER (31.5X56X5-MM THK)						
	27	1	8T-6757	2	PLUG-PIPE						

B-USE AS REQUIRED
M-METRIC PART
Y-SEPARATE ILLUSTRATION

FRAME AND BODY

148-4650 GEAR & BEARING GP-SWING (contd.)

i02434649



GRAPHIC #1

<END>

g00775966

FRAME AND BODY

148-4650 GEAR & BEARING GP-SWING

S/N: MMA246-UP

PART OF 245-5559 FRAME AR-UNDERCARRIAGE

SMCS-7063

i02442443

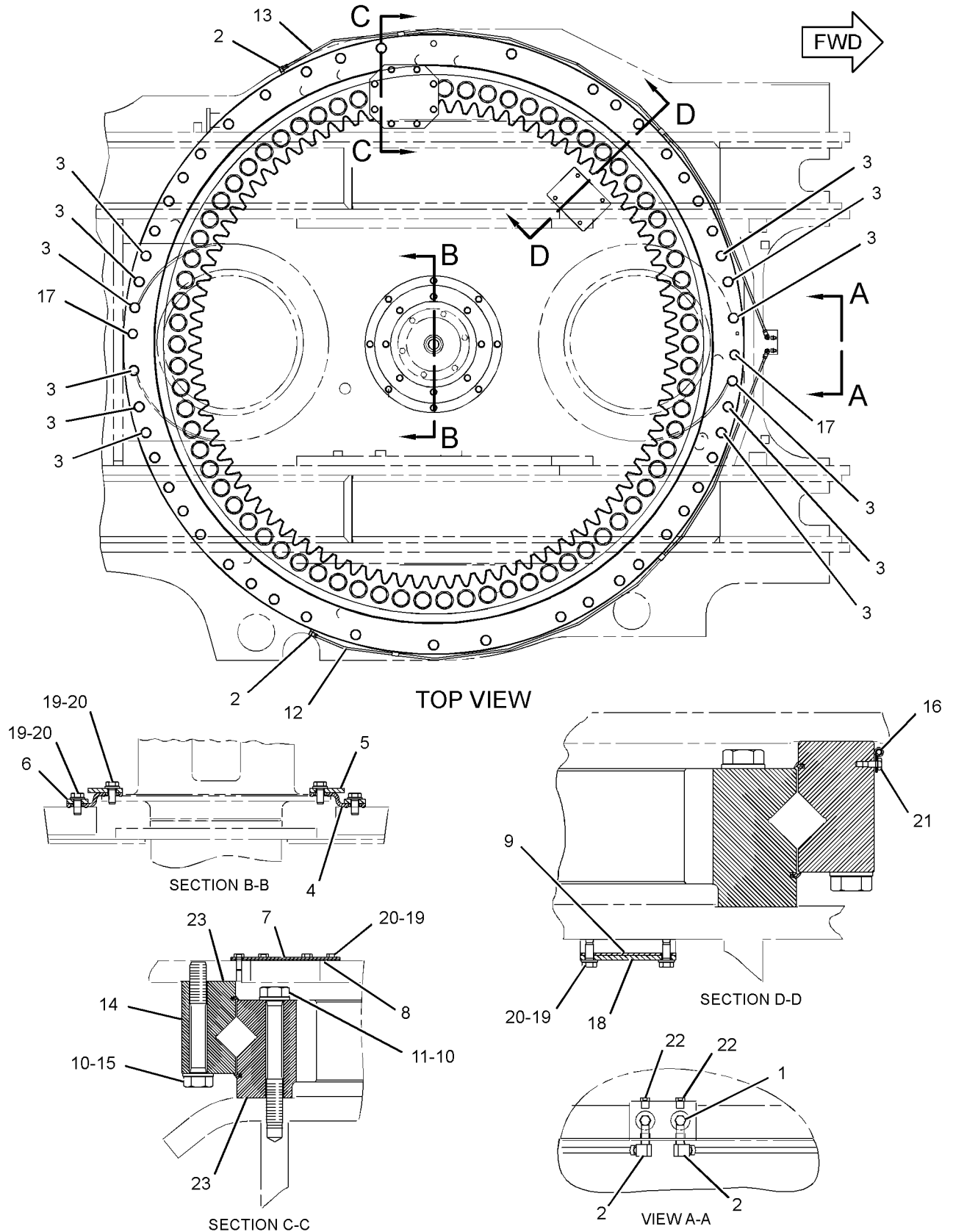
NOTE	REF NO	GRAPHIC REF	PART NUMBER	QTY	PART NAME						SEE PAGE
					1	2	3	4	5	6 (PRODUCT LEVEL)	
	1	1	3B-8489	2	FITTING-GREASE						
	2	1	5K-9243	4	ELBOW-FLARED						
	3	1	6I-6563	12	CORK						
	4	1	7Y-1106	1	BOOT						
	5	1	7Y-1107	1	RETAINER						
	6	1	7Y-1108	1	RETAINER						
	7	1	7Y-1109	1	STRIP						
	8	1	7Y-1110	1	GASKET						
	9	1	7Y-1647	1	GASKET						
	10	1	199-4501	122	SPACER (31.5X56X5-MM THK)						
	11	1	199-4502	74	BOLT (M30X3.5X235-MM)						
	12	1	199-4554	1	TUBE AS (RH)						
	13	1	199-4555	1	TUBE AS (LH)						
CY	14	1	227-6098	1	GEAR & BEARING GP-SWING						458
	15	1	207-4918	48	BOLT (M30X3.5X210-MM)						
	16	1	4N-9170	4	CLIP						
	17	1	7Y-1095	2	DOWEL						
	18	1	7Y-1648	1	STRIP						
	19	1	8T-4121	28	WASHER-HARD (11X21X2.5-MM THK)						
M	20	1	8T-4136	28	BOLT (M10X1.5X25-MM)						
M	21	1	8T-4199	4	BOLT (M8X1.25X12-MM)						
	22	1	8T-6757	2	PLUG-PIPE						
B	23	1	1U-8846		SEALANT-GASKET						

B-USE AS REQUIRED
 C-CHANGE FROM PREVIOUS TYPE
 M-METRIC PART
 Y-SEPARATE ILLUSTRATION

FRAME AND BODY

148-4650 GEAR & BEARING GP-SWING (contd.)

i02442443



GRAPHIC #1

<END>

g01232739

FRAME AND BODY

199-4491 GEAR & BEARING GP-SWING

S/N: MMA1-245

PART OF 148-4650 GEAR & BEARING GP-SWING

REPLACED BY 227-6098-PAGE 458

SMCS-7063

i03587360

NOTE	PART NUMBER	QTY	PART NAME						SEE PAGE
			1	2	3	4	5	6 (PRODUCT LEVEL)	
Y	199-4492	1	GEAR & BEARING GP-SWING (84-BEARING)						457
			-OR-						
	199-4493	1	GEAR & BEARING GP-SWING (90-BEARING)						
	3B-8489	1	FITTING-GREASE						
E	148-4685		SEAL (1100-CM)						
E-ORDER BY THE CENTIMETER									
Y-SEPARATE ILLUSTRATION									

<END>

FRAME AND BODY

199-4492 GEAR & BEARING GP-SWING

S/N: MMA1-UP

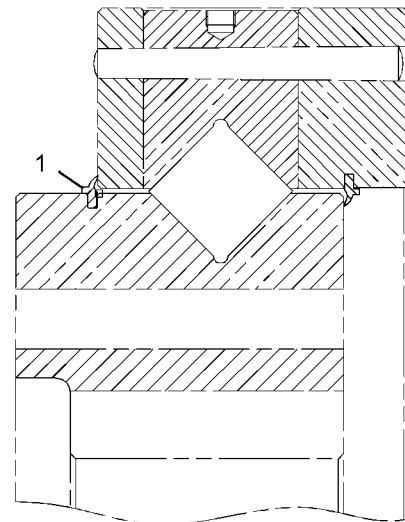
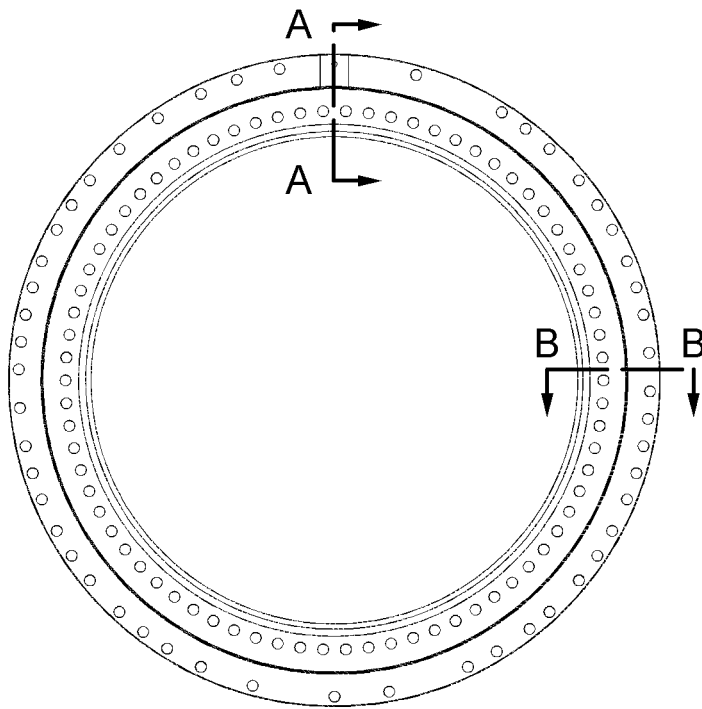
PART OF 199-4491, 227-6098 GEAR & BEARING GP-SWING

SMCS-7063

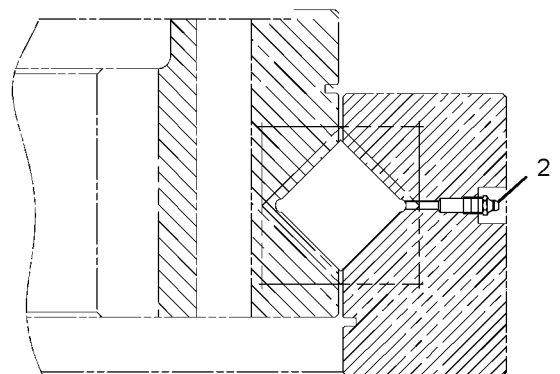
i02951745

NOTE	REF NO	GRAPHIC REF	PART NUMBER	QTY	PART NAME						SEE PAGE
					1	2	3	4	5	6 (PRODUCT LEVEL)	
BE	1	1	110-7183		SEAL						
	2	1	3B-8489	1	FITTING-GREASE						

B-USE AS REQUIRED
E-ORDER BY THE CENTIMETER



SECTION A-A



SECTION B-B

GRAPHIC #1

<END>

g01113556

FRAME AND BODY

227-6098 GEAR & BEARING GP-SWING

S/N: MMA246-UP

PART OF 148-4650 GEAR & BEARING GP-SWING

SMCS-7063

i03639920

NOTE	PART NUMBER	QTY	PART NAME						SEE PAGE
			1	2	3	4	5	6 (PRODUCT LEVEL)	
Y	227-6099	1	GEAR & BEARING GP-SWING (90-BEARING)						459
			-OR-						
Y	199-4492	1	GEAR & BEARING GP-SWING (84-BEARING)						457
Y-SEPARATE ILLUSTRATION									

<END>

FRAME AND BODY

227-6099 GEAR & BEARING GP-SWING

S/N: MMA246-UP

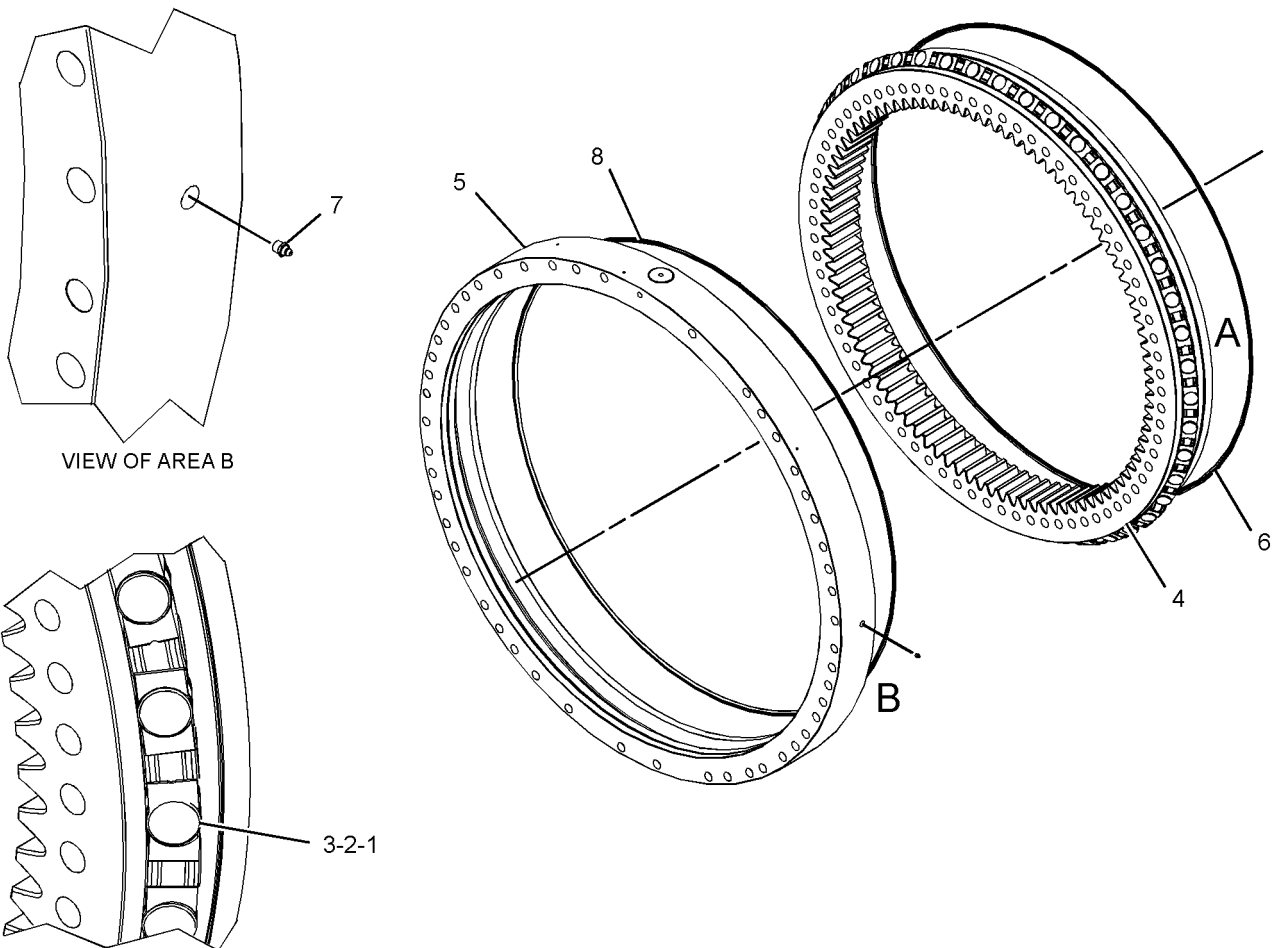
PART OF 227-6098 GEAR & BEARING GP-SWING

SMCS-7063

i02951749

NOTE	REF NO	GRAPHIC REF	PART NUMBER	QTY	PART NAME						SEE PAGE
					1	2	3	4	5	6 (PRODUCT LEVEL)	
Z	1	1		1	RACE AS-OUTER						
Z	2	1		1	RACE-BEARING						
Z	3	1		90	ROLLER						
Z	4	1		68	SEPARATOR						
Z	5	1		22	SEPARATOR						
	6	1	227-6077	1	SEAL-DUST						
	7	1	3B-8489	1	FITTING-GREASE						
E	8	1	148-4685		SEAL (537-CM)						

E-ORDER BY THE CENTIMETER
Z-NOT SERVICED SEPARATELY



GRAPHIC #1

<END>

g01232646

FRAME AND BODY

253-8453 GUARD AR

S/N: MMA1-UP

PART OF 265-7177 SHOVEL AR-FRONT
AN ATTACHMENT

SMCS-7150

i02157437

NOTE	PART NUMBER	QTY	PART NAME						SEE PAGE
			1	2	3	4	5	6 (PRODUCT LEVEL)	
Y	204-0046	1	GUARD AR-CYLINDER						679
Y	253-9707	1	GUARD GP-LIGHTING						463
Y	139-0454	1	GUARD GP-SWING MOTOR						465

Y-SEPARATE ILLUSTRATION

<END>

FRAME AND BODY

223-2939 GUARD GP-BOTTOM

S/N: MMA1-UP

PART OF 228-8154 CHASSIS AR

SMCS-7153

i02347734

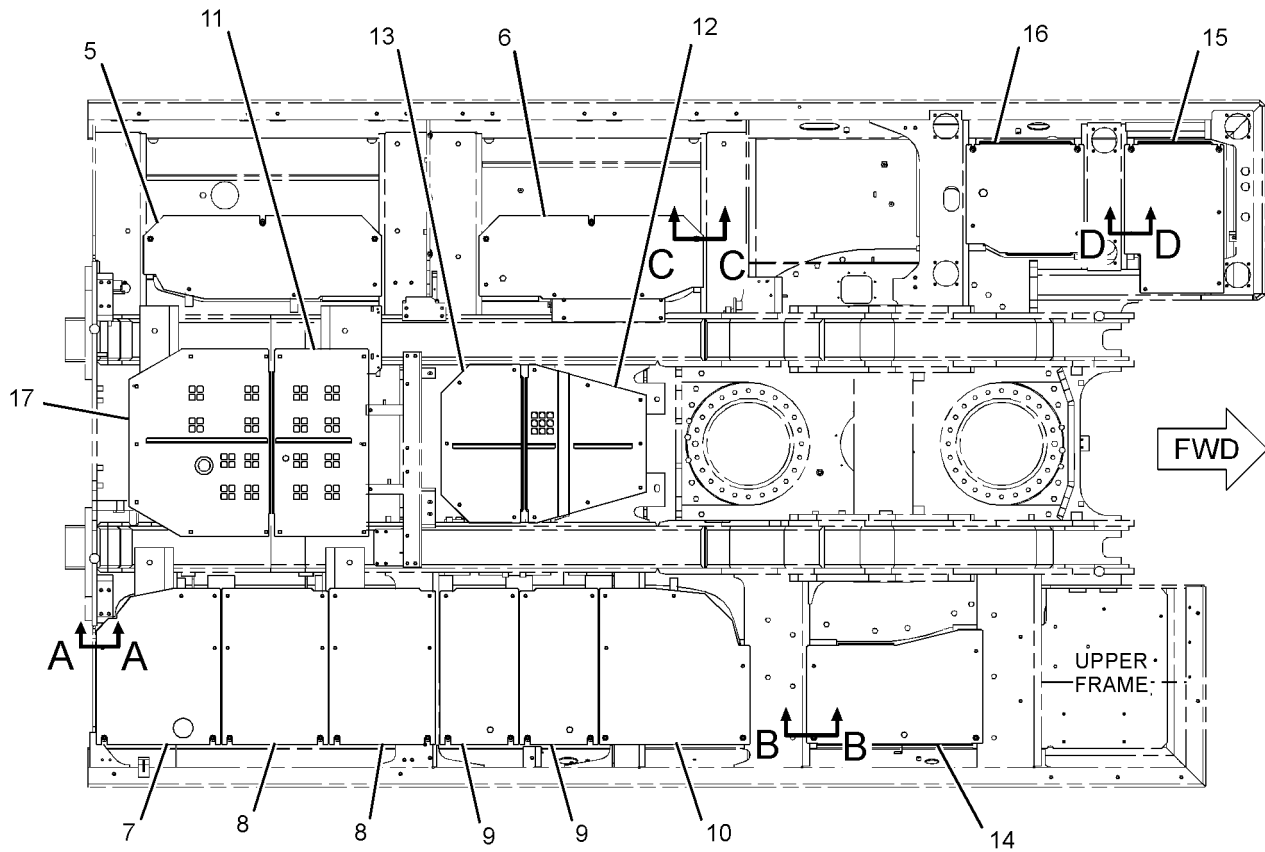
NOTE	REF NO	GRAPHIC REF	PART NUMBER	QTY	PART NAME						SEE PAGE
					1	2	3	4	5	6 (PRODUCT LEVEL)	
	1	1	7Y-2853	20	SPACER (13X38X5-MM THK)						
M	2	1	135-8575	52	BOLT AS (M12X1.75X30-MM)						
M	3	1	135-8576	10	BOLT AS-LOCKING (M12X1.75X30-MM)						
M	4	1	135-8577	20	BOLT AS						
	5	1	170-2942	1	SHEET						
	6	1	170-2943	1	SHEET						
	7	1	170-2946	1	SHEET						
	8	1	170-2947	2	SHEET						
	9	1	170-2948	2	SHEET						
	10	1	170-2949	1	SHEET						
	11	1	170-2956	1	SHEET AS						
	12	1	193-9419	1	SHEET AS						
	13	1	193-9421	1	SHEET AS						
	14	1	236-9610	1	SHEET						
	15	1	236-9611	1	SHEET						
	16	1	236-9612	1	SHEET						
	17	1	250-5093	1	SHEET AS						
	18	1	7Y-2854	2	SPACER (24X38X3-MM THK)						

M-METRIC PART

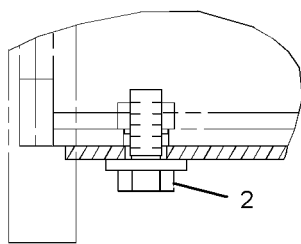
FRAME AND BODY

223-2939 GUARD GP-BOTTOM (contd.)

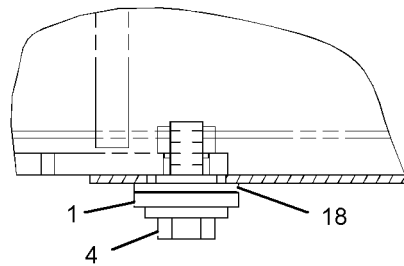
i02347734



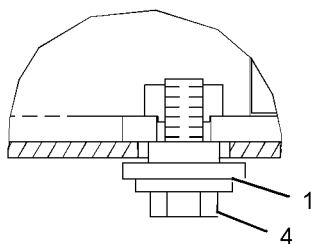
TOP VIEW



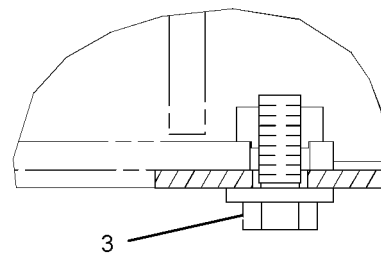
SECTION A-A



SECTION B-B



SECTION C-C



SECTION D-D

GRAPHIC #1

<END>

g01194062

FRAME AND BODY

253-9707 GUARD GP-LIGHTING

S/N: MMA1-UP

PART OF 253-8453 GUARD AR
AN ATTACHMENT

SMCS-715L

i02225974

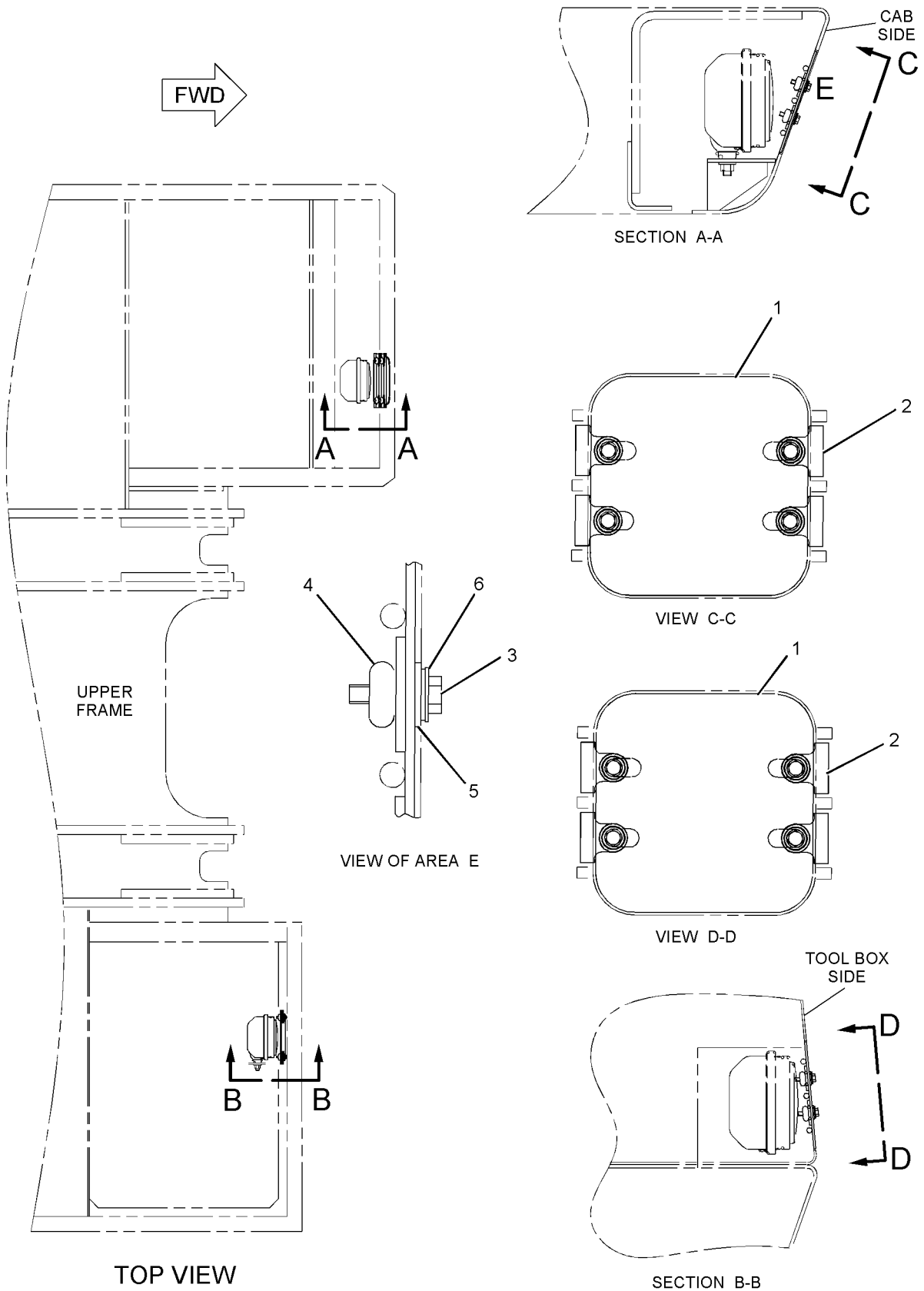
NOTE	REF NO	GRAPHIC REF	PART NUMBER	QTY	PART NAME						SEE PAGE
					1	2	3	4	5	6 (PRODUCT LEVEL)	
	1	1	205-0481	2	GLASS						
	2	1	205-0482	8	PLATE						
M	3	1	6V-7357	8	BOLT (M6X1X25-MM)						
M	4	1	146-0218	8	NUT (M6X1-THD)						
	5	1	7X-0599	8	WASHER-HARD (13X20X2-MM THK)						
	6	1	9X-2026	8	WASHER (6.5X17X1-MM THK)						

M-METRIC PART

FRAME AND BODY

253-9707 GUARD GP-LIGHTING (contd.)

i02225974



GRAPHIC #1

<END>

g01126597

FRAME AND BODY

139-0454 GUARD GP-SWING MOTOR

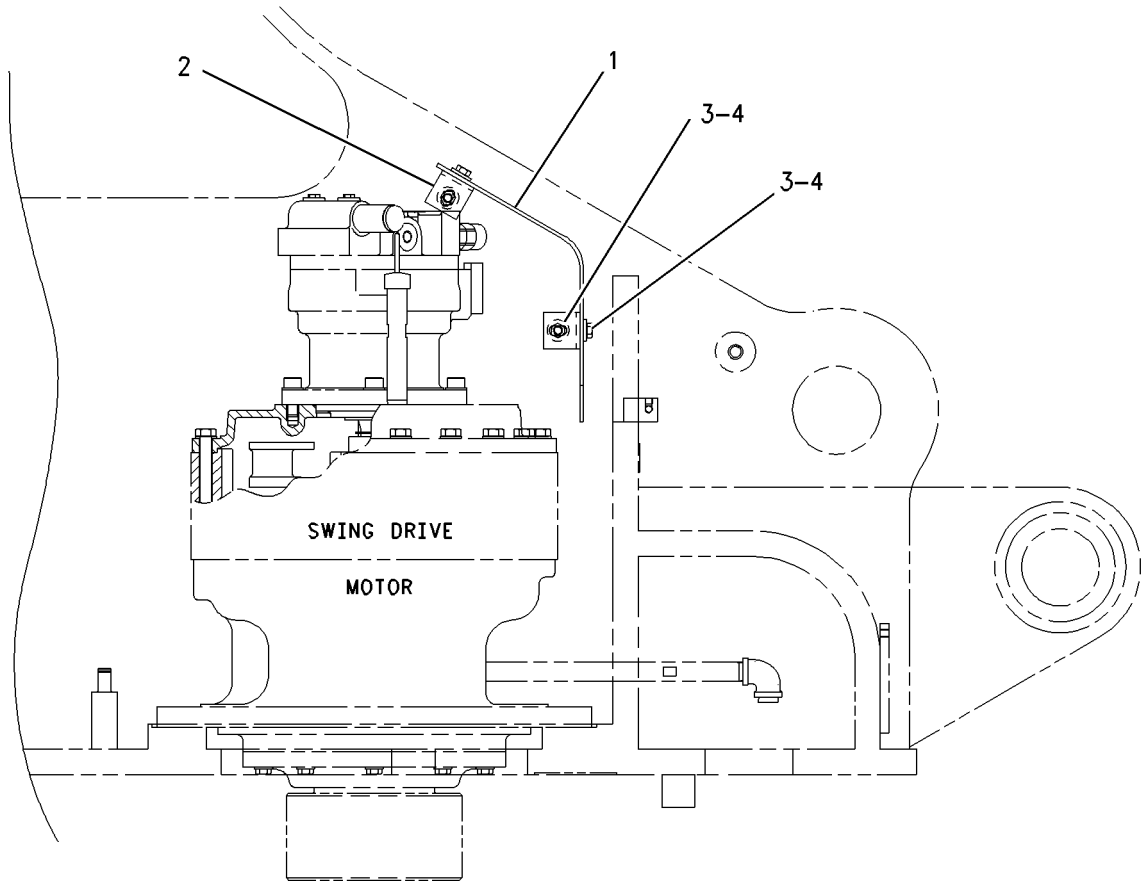
S/N: MMA1-UP
PART OF 253-8453 GUARD AR
AN ATTACHMENT

SMCS-5058

i01771993

NOTE	REF NO	GRAPHIC REF	PART NUMBER	QTY	PART NAME						SEE PAGE
					1	2	3	4	5	6 (PRODUCT LEVEL)	
	1	1	217-8157	1	GUARD						
	2	1	139-0457	4	BRACKET AS						
M	3	1	8T-4139	8	BOLT (M12X1.75X30MM)						
	4	1	5P-1076	8	WASHER-HARD (13.5X30X4MM THK)						

M-METRIC PART



LEFT SIDE VIEW

GRAPHIC #1

<END>

g00892575

FRAME AND BODY

172-2954 GUARD GP-SWIVEL

S/N: MMA1-252

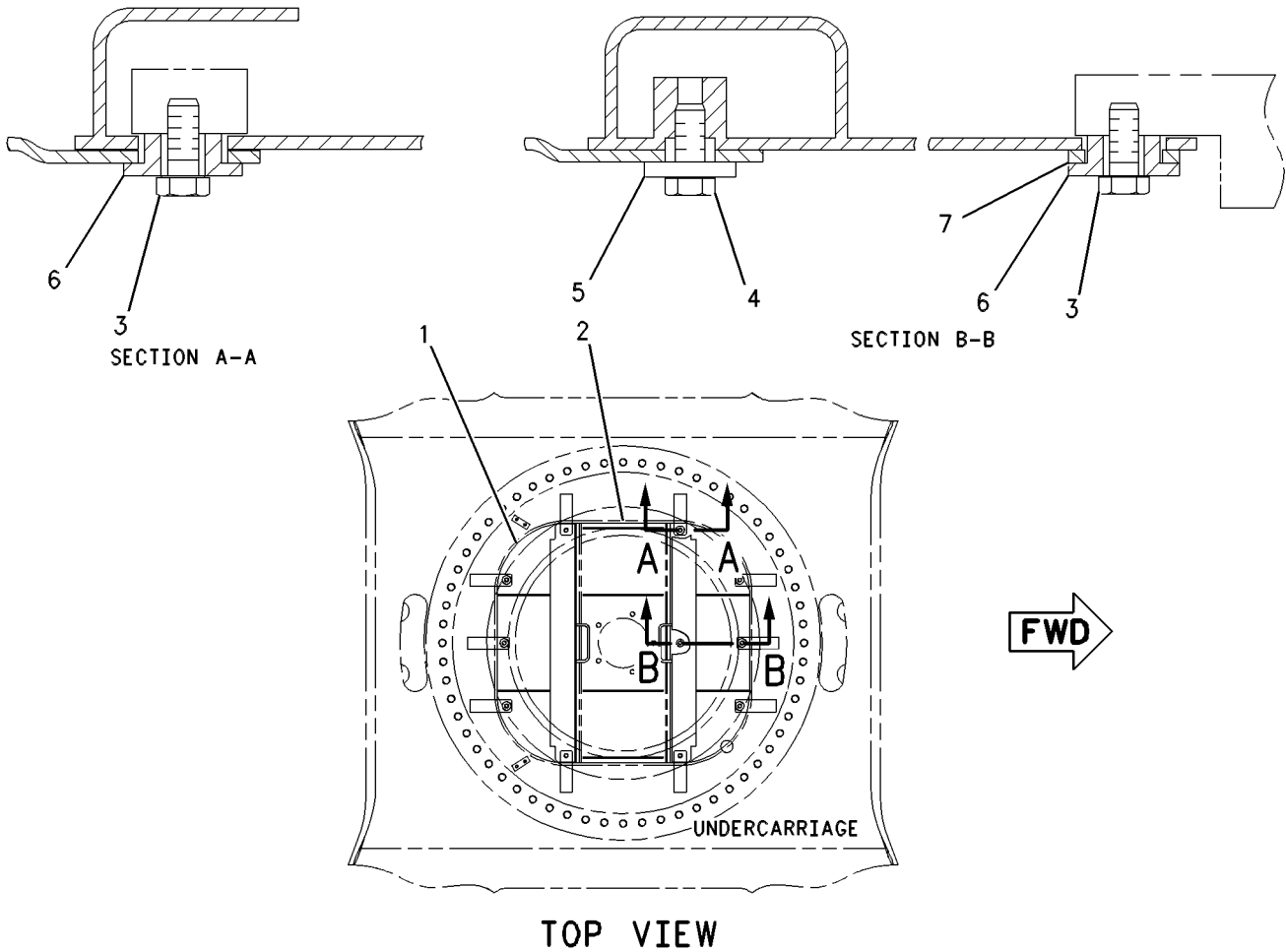
PART OF 245-5559 FRAME AR-UNDERCARRIAGE

SMCS-7183

i03493580

NOTE	REF NO	GRAPHIC REF	PART NUMBER	QTY	PART NAME						SEE PAGE
					1	2	3	4	5	6 (PRODUCT LEVEL)	
	1	1	172-2955	2	COVER AS						
					(EACH INCLUDES)						
		1	7Y-2812	1	HANDLE						
	2	1	103-5240	1	COVER AS						
M	3	1	7X-2553	10	BOLT (M16X2X40-MM)						
M	4	1	100-3866	2	BOLT-SELF-LOCKING (M16X2X40-MM)						
	5	1	3E-9411	2	WASHER-HARD (17.5X38X6-MM THK)						
	6	1	103-5241	10	SPACER						
	7	1	103-5242	6	SPACER (32X46X5.5-MM THK)						

M-METRIC PART



GRAPHIC #1

<END>

g00583262

FRAME AND BODY

284-7282 GUARD GP-SWIVEL

S/N: MMA253-UP

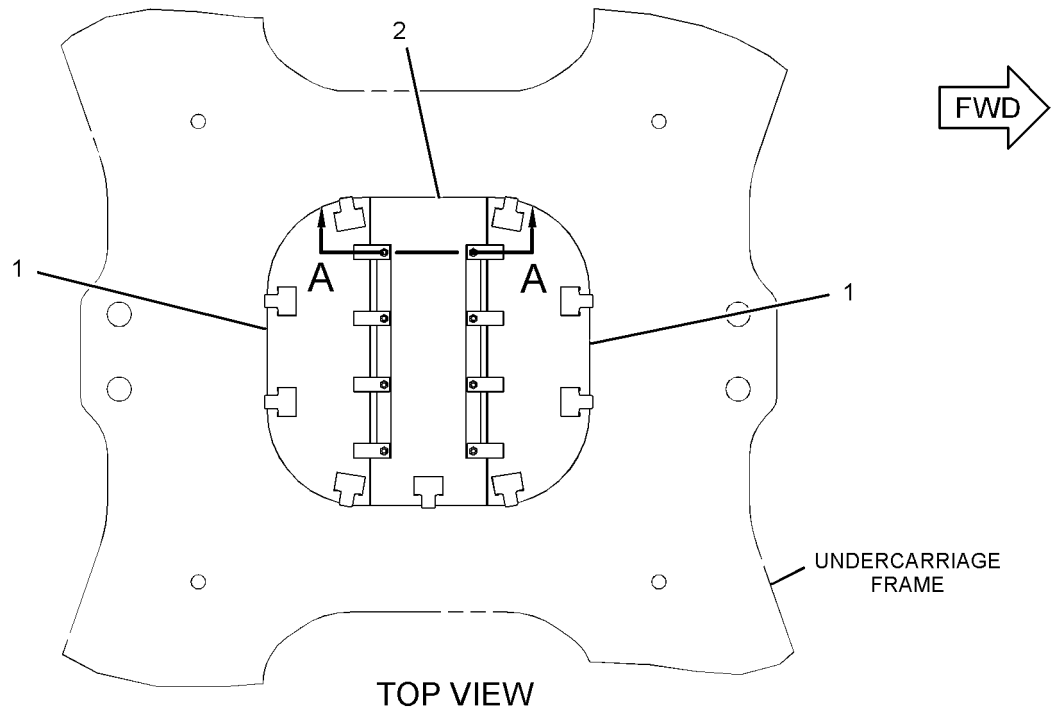
PART OF 245-5559 FRAME AR-UNDERCARRIAGE

SMCS-7183

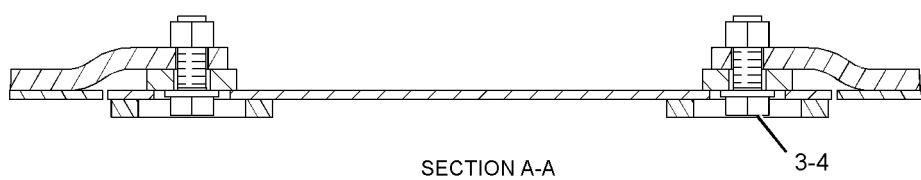
i02657175

NOTE	REF NO	GRAPHIC REF	PART NUMBER	QTY	PART NAME						SEE PAGE
					1	2	3	4	5	6 (PRODUCT LEVEL)	
	1	1	284-7283	2	COVER AS						
					(EACH INCLUDES)						
M		1	8T-4132	4	NUT (M16X2-THD)						
	2	1	284-7284	1	COVER AS						
M	3	1	100-4982	8	BOLT-Self-LOCKING (M16X2X45-MM)						
	4	1	9X-8257	8	WASHER (17.5X30X3.5-MM THK)						

M-METRIC PART



TOP VIEW



SECTION A-A
<END>

GRAPHIC #1

g01347879

FRAME AND BODY

223-2951 HANDRAIL GP-FRONT, UPPER

S/N: MMA1-UP

PART OF 228-8154 CHASSIS AR

SMCS-7256

i02116200

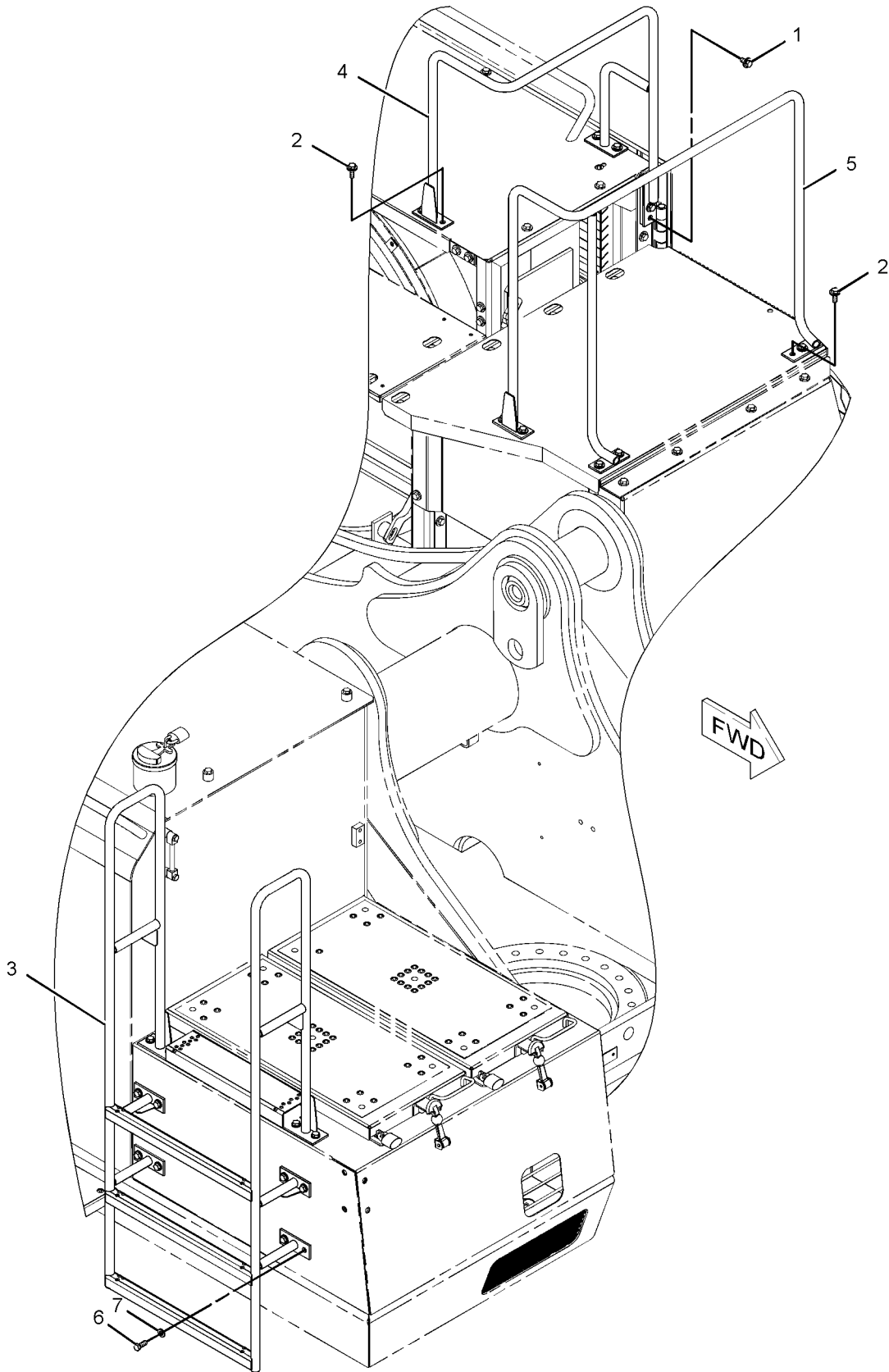
NOTE	REF NO	GRAPHIC REF	PART NUMBER	QTY	PART NAME						SEE PAGE
					1	2	3	4	5	6 (PRODUCT LEVEL)	
M	1	1	135-8573	2	BOLT AS (M12X1.75X25-MM)						
M	2	1	135-8577	10	BOLT AS						
	3	1	148-4977	1	HANDRAIL AS						
	4	1	236-9605	1	HANDRAIL AS						
	5	1	241-1920	1	HANDRAIL AS						
M	6	1	8T-4139	12	BOLT (M12X1.75X30-MM)						
	7	1	8T-4223	12	WASHER-HARD (13.5X25.5X3-MM THK)						

M-METRIC PART

FRAME AND BODY

223-2951 HANDRAIL GP (contd.)

i02116200



GRAPHIC #1

<END>

g01083787

FRAME AND BODY

249-7108 HANDRAIL GP-CAB

S/N: MMA1-UP

PART OF 249-7109 GUARD AR-OVERHEAD, 249-7107 PARTS AR-CAB
AN ATTACHMENT

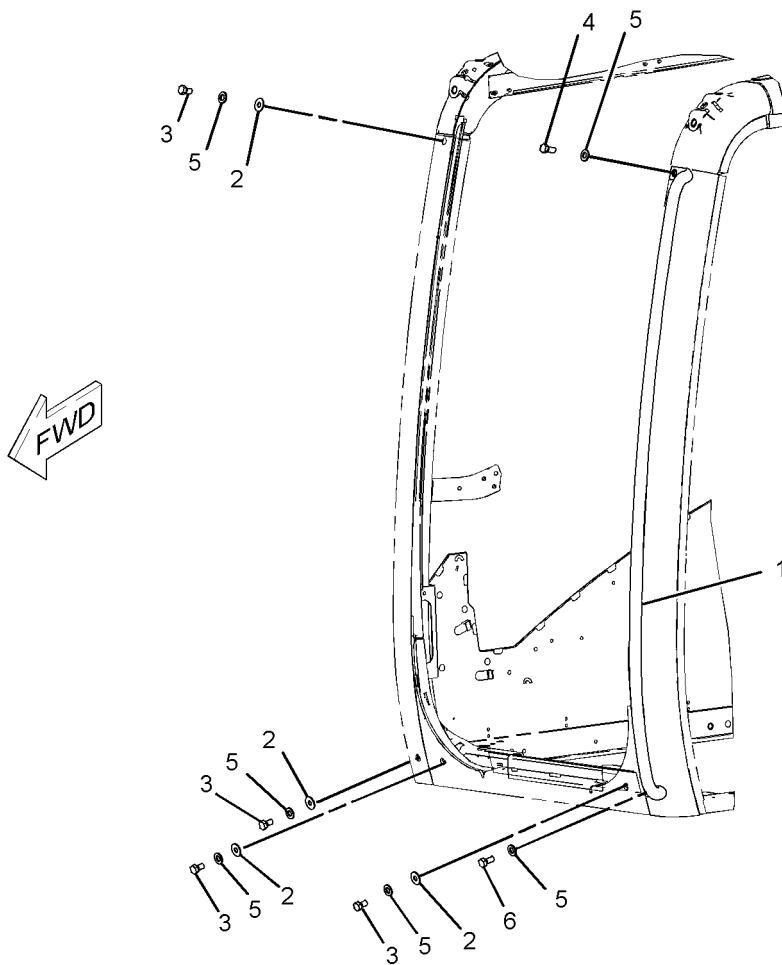
TYPE 1

SMCS-7256

i02495037

NOTE	REF NO	GRAPHIC REF	PART NUMBER	QTY	PART NAME						SEE PAGE
					1	2	3	4	5	6 (PRODUCT LEVEL)	
	1	1	167-4098	1	HANDLE						
	2	1	229-8062	4	SEAL						
M	3	1	8T-4179	4	BOLT (M12X1.75X20-MM)						
M	4	1	8T-4192	1	BOLT (M12X1.75X25-MM)						
	5	1	8T-4223	6	WASHER-HARD (13.5X25.5X3-MM THK)						
M	6	1	8T-4956	1	BOLT (M12X1.75X35-MM)						
(USE WITH CAB AS WITHOUT WELDED BOSSES)											
-OR-											
M		1	8T-4192	1	BOLT (M12X1.75X25-MM)						
(USE WITH CAB AS WITH WELDED BOSSES)											

M-METRIC PART



GRAPHIC #1

<END>

g01250327

FRAME AND BODY

249-7108 HANDRAIL GP-CAB

S/N: MMA1-UP

PART OF 249-7109 GUARD AR-OVERHEAD, 249-7107 PARTS AR-CAB
AN ATTACHMENT

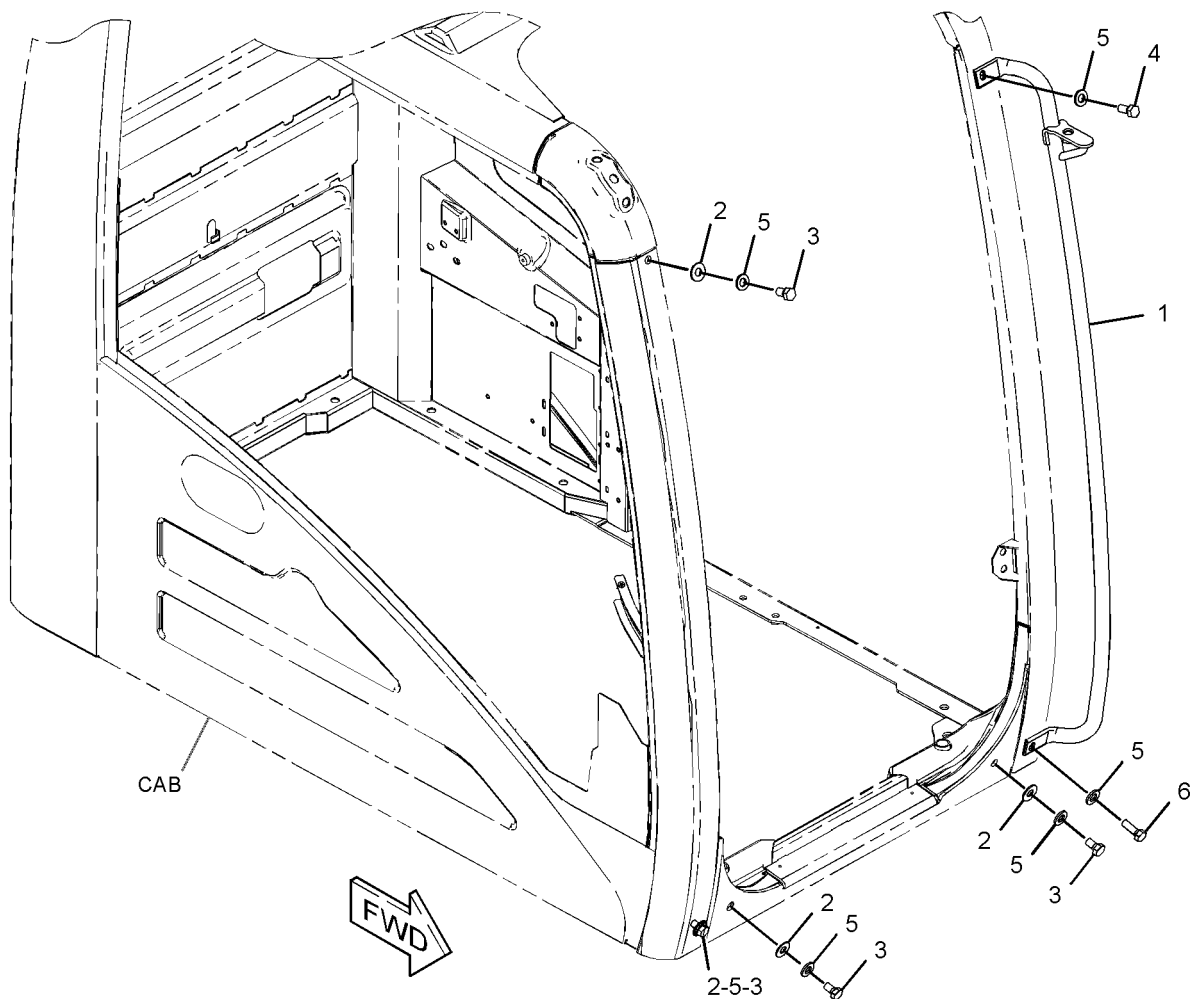
TYPE 2

SMCS-7256

i03179229

NOTE	REF NO	GRAPHIC REF	PART NUMBER	QTY	PART NAME						SEE PAGE
					1	2	3	4	5	6 (PRODUCT LEVEL)	
C	1	1	331-7263	1	HANDRAIL AS						
	2	1	229-8062	4	SEAL						
M	3	1	8T-4179	4	BOLT (M12X1.75X20-MM)						
M	4	1	8T-4192	1	BOLT (M12X1.75X25-MM)						
	5	1	8T-4223	6	WASHER-HARD (13.5X25.5X3-MM THK)						
M	6	1	8T-4956	1	BOLT (M12X1.75X35-MM)						
					(USE WITH CAB AS WITHOUT WELDED BOSSES)						
					-OR-						
M		1	8T-4192	1	BOLT (M12X1.75X25-MM)						
					(USE WITH CAB AS WITH WELDED BOSSES)						

C-CHANGE FROM PREVIOUS TYPE
M-METRIC PART



GRAPHIC #1

<END>

g01625684

FRAME AND BODY

223-2941 HOOD & GUARD GP-COVERS, DOORS

S/N: MMA1-258

PART OF 228-8154 CHASSIS AR

SMCS-7251, 7276

i03266401

NOTE	REF NO	GRAPHIC REF	PART NUMBER	QTY	PART NAME						SEE PAGE
					1	2	3	4	5	6 (PRODUCT LEVEL)	
	1	1,3	4I-2599	4	SOCKET						
	2	1	4I-8019	1	SUPPORT						
B	3	3	6I-5976	2	SHIM (1-MM THK)						
B	4	3	6I-5977	2	SHIM (2-MM THK)						
	5	4	6V-6777	1	LATCH AS-DOOR						
	6	1	7I-1418	1	SUPPORT AS						
	7	3	8T-4157	1	STRIKER AS						
		3	8T-4158	1	WASHER-SPECIAL (CONICAL)						
	8	4	9D-1058	1	SPRING						
	9	4	096-2320	1	KNOB						
	10	3	105-6836	2	SUPPORT AS						
					(EACH INCLUDES)						
		3	105-6837	1	ANGLE						
		3	105-6838	1	LINER						
	11	1,2	122-4120	2	ROD						
M	12	1	135-8572	6	BOLT AS (M12X1.75X20-MM)						
M	13	1,2,4,5	135-8573	58	BOLT AS (M12X1.75X25-MM)						
M	14	1,2,4,5	135-8575	45	BOLT AS (M12X1.75X30-MM)						
M	15	4	135-8577	4	BOLT AS (M12X1.75X35-MM)						
	16	1	146-4952	1	STOP						
Y	17	2	175-0786	1	SHEET AS-SOUND SUPPRESSION						536
	18	4	175-0994	1	SHEET AS						
BD		4	5P-8309		SEAL						
		4	4I-7924	4	WASHER (4.5X40X1.2-MM THK)						
		4	6P-2216	4	CAP						
		4	175-0995	1	INSULATION						
	19	4	177-5701	1	ROD						
	20	4	190-7001	1	SUPPORT AS						
Y	21	1	203-5096	1	DOOR AS-ACCESS (ENGINE COMPARTMENT)						442
	22	2	208-4452	1	COVER AS						
		2	175-1024	1	LINER						
	23	1,3	214-8310	4	PLATE						
Y	24	1	218-7758	1	SHEET AS-SOUND SUPPRESSION						537
Y	25	2	218-7761	1	SHEET AS-SOUND SUPPRESSION						538
	26	5	236-9283	1	PANEL GP-SOUND SUPPRESSION						
		5	4I-7924	4	WASHER (4.5X40X1.2-MM THK)						
		5	6P-2216	4	CAP						
		5	250-5132	2	INSULATION						
Y	27	5	236-9286	1	PANEL GP-SOUND SUPPRESSION						523
Y	28	5	236-9293	1	PANEL GP-SOUND SUPPRESSION						524
	29	4	236-9322	1	DOOR AS						
		4	165-3010	2	HINGE						
	30	2	236-9324	1	DOOR AS						
		2	165-3010	2	HINGE						
	31	2	236-9334	1	DOOR AS						
		2	105-6855	2	HINGE						
	32	1	236-9341	1	DOOR AS						
		1	105-6855	2	HINGE						
Y	33	4	236-9345	1	DOOR GP-ACCESS (ENGINE COMPARTMENT)						445
	34	1,3	236-9349	4	SHEET AS						
	35	5	237-8843	1	PANEL GP-SOUND SUPPRESSION						
BD		5	5P-8309		SEAL						
		5	4I-7924	4	WASHER (4.5X40X1.2-MM THK)						
		5	6P-2216	4	CAP						

FRAME AND BODY

223-2941 HOOD & GUARD GP (contd.)

i03266401

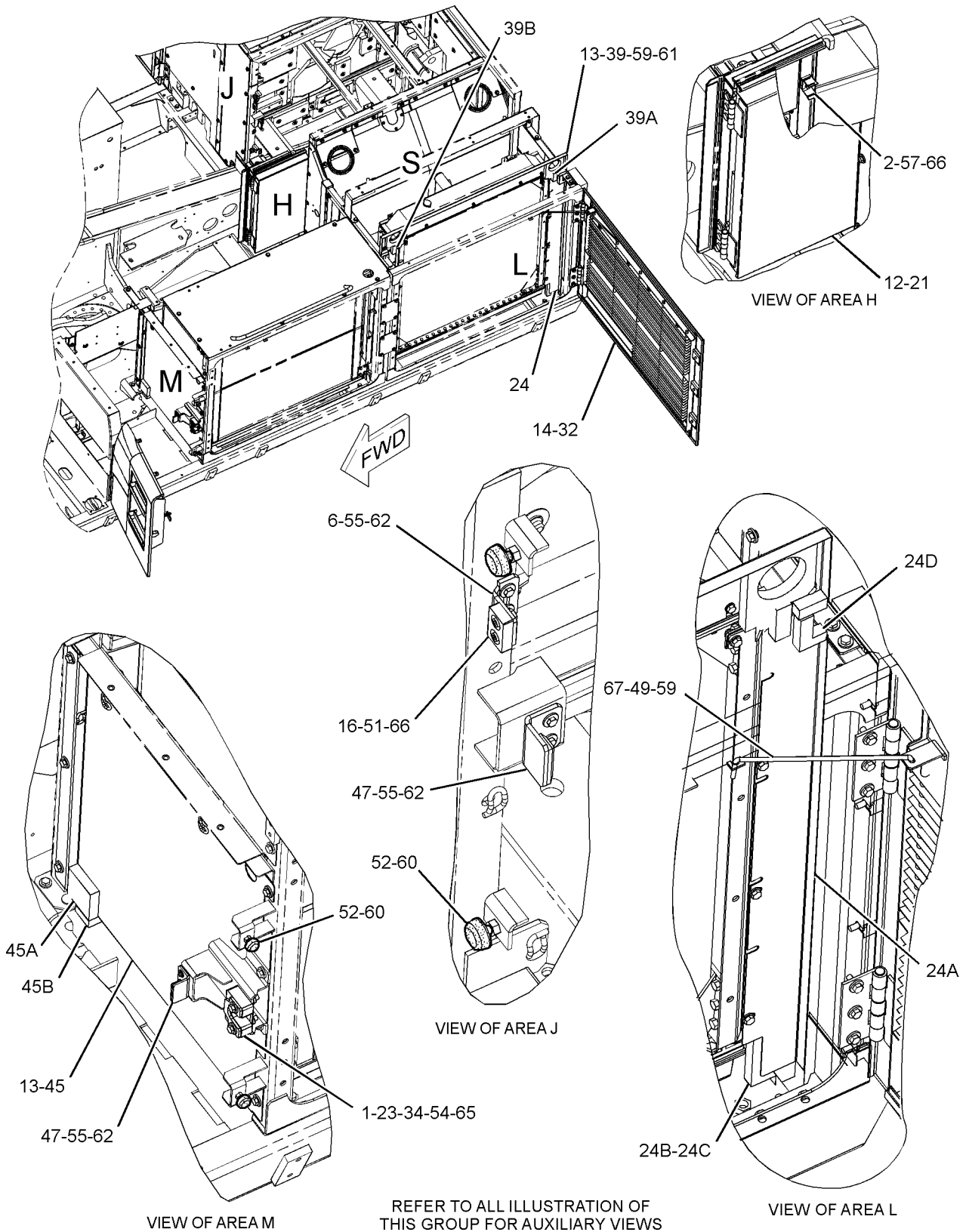
NOTE	REF NO	GRAPHIC REF	PART NUMBER	QTY	PART NAME						SEE PAGE
					1	2	3	4	5	6 (PRODUCT LEVEL)	
		5	244-8167	1	INSULATION						
	36	5	237-8845	1	PANEL GP-SOUND SUPPRESSION						
		5	4I-7924	6	WASHER (4.5X40X1.2-MM THK)						
		5	6P-2216	6	CAP						
		5	244-8168	1	INSULATION						
	37	5	244-8002	1	COVER AS						
	38	5	244-8004	1	SHEET						
Y	39	1	244-8005	1	PANEL GP-SOUND SUPPRESSION						527
	40	5	244-8036	1	SHEET AS						
BD		5	5P-8309		SEAL						
BD		5	101-9848		SEAL						
	41	5	244-8049	1	SHEET AS						
	42	4	244-8091	1	ROD AS						
Y	43	4	250-5118	1	SHEET AS-SOUND SUPPRESSION						547
	44	4	250-5119	1	SHEET AS						
		4	250-5114	1	LINER						
Y	45	1	250-5120	1	SUPPORT AS-ENCLOSURE						551
J	46	4	307-7655	2	LOCK AS						
	47	1,3	256-1730	3	SHEET AS						
	48	4	095-0843	1	PIN-COTTER						
	49	1,2,4	3B-4618	5	PIN-COTTER						
M	50	4	099-0492	4	LOCKNUT (M6X1-THD)						
M	51	1	105-3487	2	BOLT-SOCKET HEAD (M6X1X20-MM)						
	52	1,3	4I-1205	6	BUMPER						
M	53	4	5C-7261	12	NUT (M8X1.25-THD)						
	54	1,3,4	5P-1076	14	WASHER-HARD (13.5X30X4-MM THK)						
	55	1,3,4	5P-4115	12	WASHER-HARD (7.2X19X2-MM THK)						
M	56	4	7X-2533	4	BOLT (M6X1X35-MM)						
M	57	1	7X-2619	2	BOLT (M6X1X10-MM)						
	58	3	7X-7729	4	WASHER (11X25X3-MM THK)						
	59	1,2,4	8T-4121	10	WASHER-HARD (11X21X2.5-MM THK)						
M	60	1,3	8T-4133	6	NUT (M10X1.5-THD)						
M	61	1,3	8T-4137	9	BOLT (M10X1.5X20-MM)						
M	62	1,3	8T-4138	8	BOLT (M6X1X20-MM)						
	63	4	8T-4224	12	WASHER-HARD (8.8X16X2-MM THK)						
M	64	4	8T-4244	6	NUT (M12X1.75-THD)						
M	65	1,3	8T-4648	6	BOLT (M12X1.75X70-MM)						
	66	1,4	9X-8256	5	WASHER (6.6X12X2-MM THK)						
	67	1	283-4046	1	ROD						
M	68	3	8T-4910	2	BOLT (M12X1.75X60-MM)						

B-USE AS REQUIRED
D-ORDER BY THE METER
J-REQUIRES CORPORATE KEY
M-METRIC PART
Y-SEPARATE ILLUSTRATION

FRAME AND BODY

223-2941 HOOD & GUARD GP (contd.)

i03266401



REFER TO ALL ILLUSTRATION OF THIS GROUP FOR AUXILIARY VIEWS

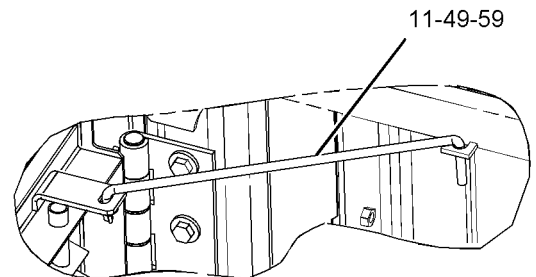
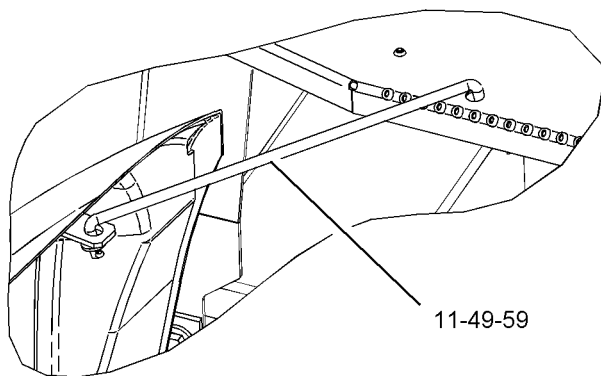
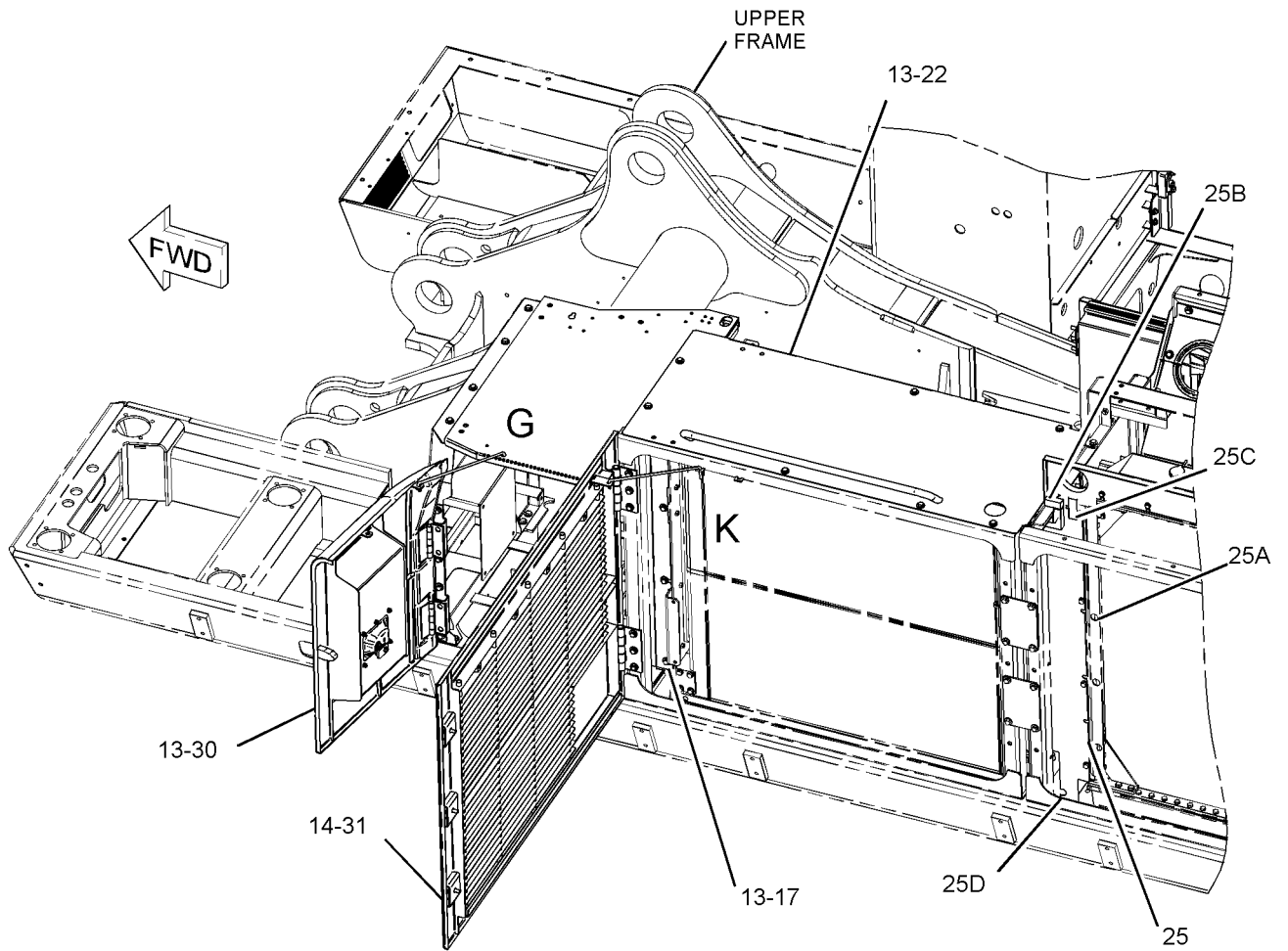
GRAPHIC #1

g01352765

FRAME AND BODY

223-2941 HOOD & GUARD GP (contd.)

i03266401



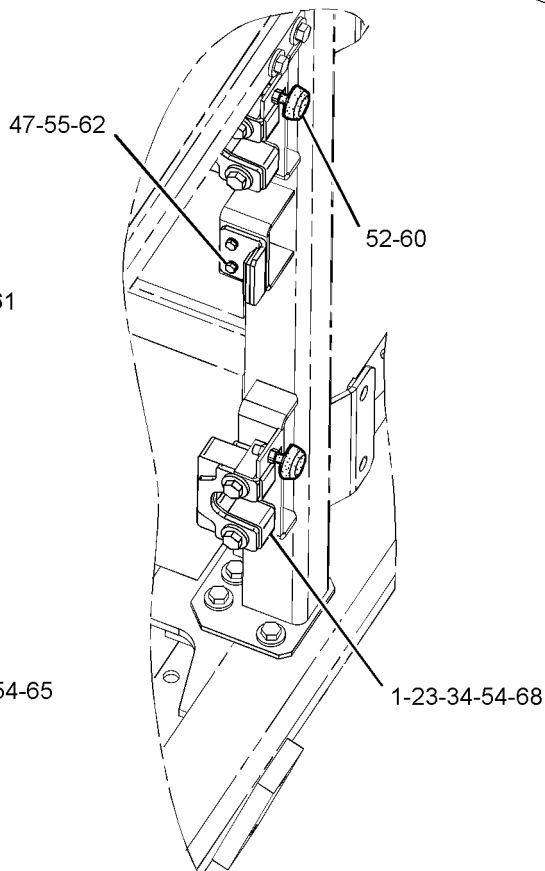
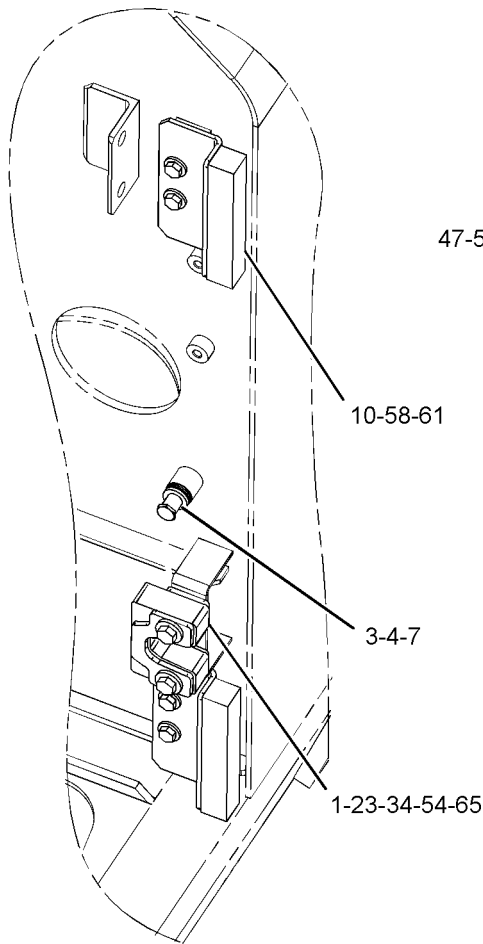
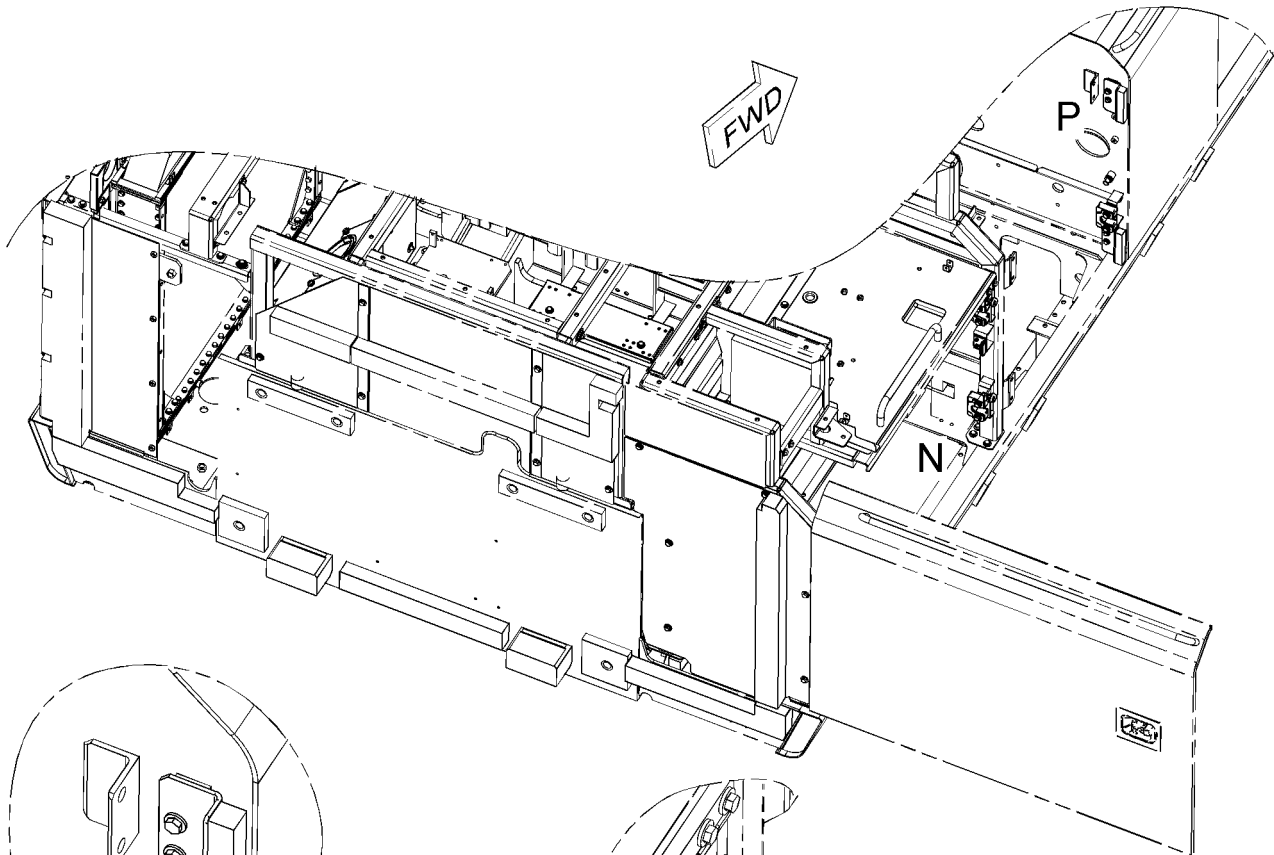
GRAPHIC #2

g01132936

FRAME AND BODY

223-2941 HOOD & GUARD GP (contd.)

i03266401



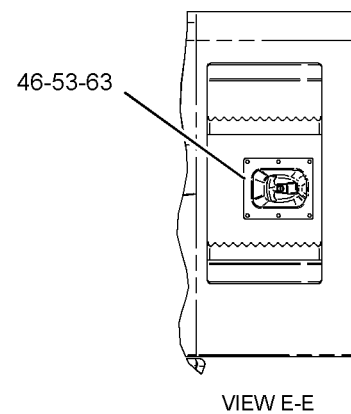
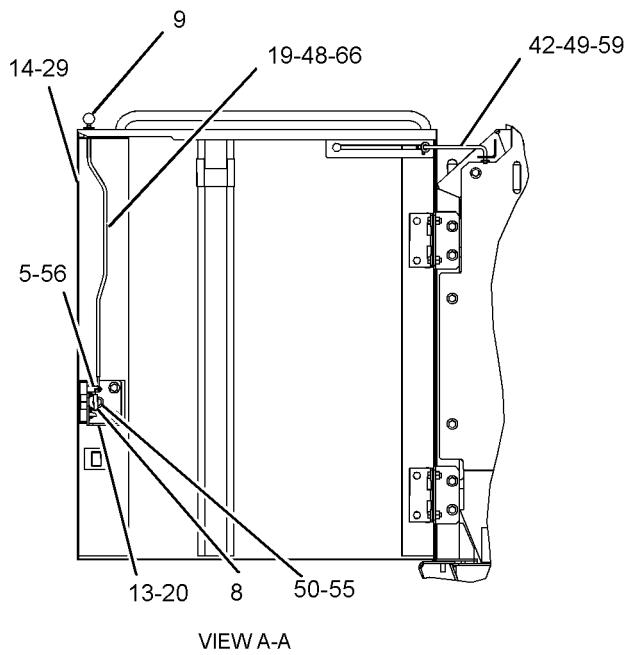
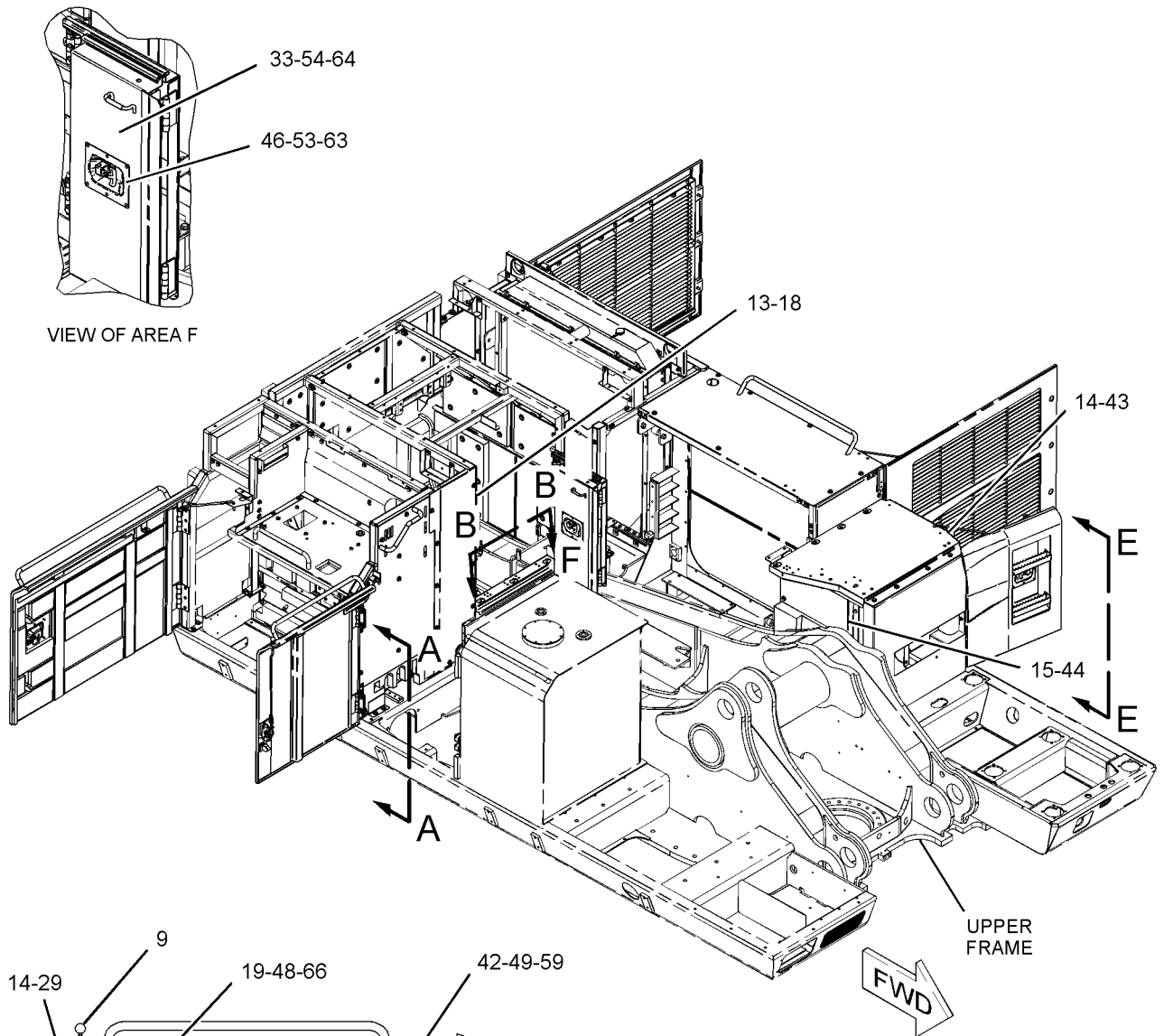
GRAPHIC #3

g01543850

FRAME AND BODY

223-2941 HOOD & GUARD GP (contd.)

i03266401



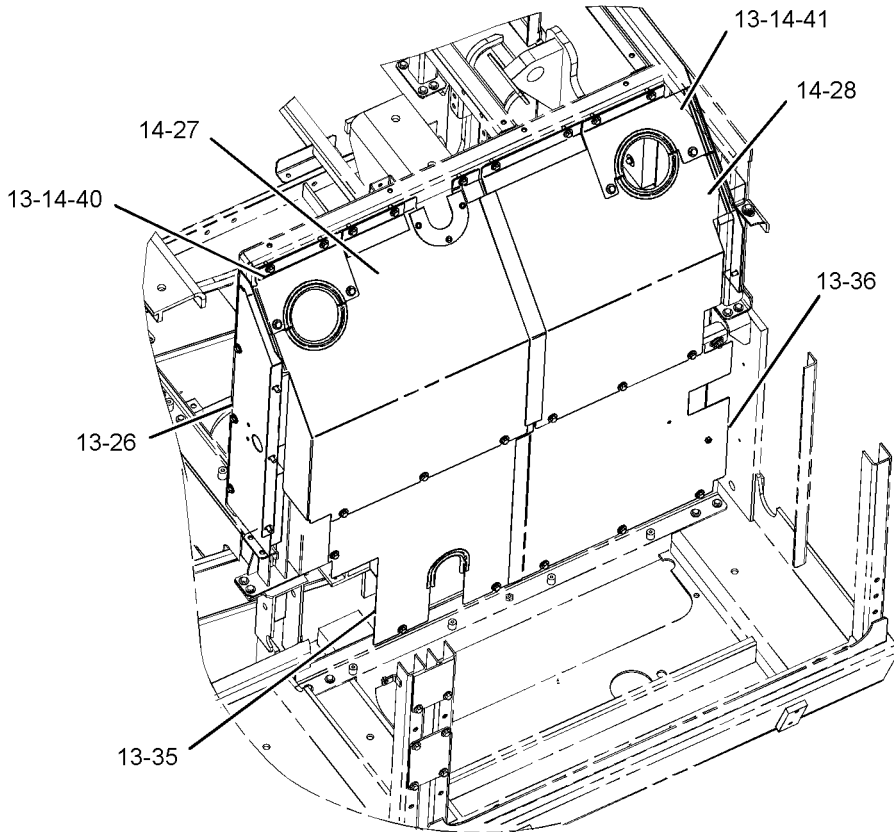
GRAPHIC #4

g01132933

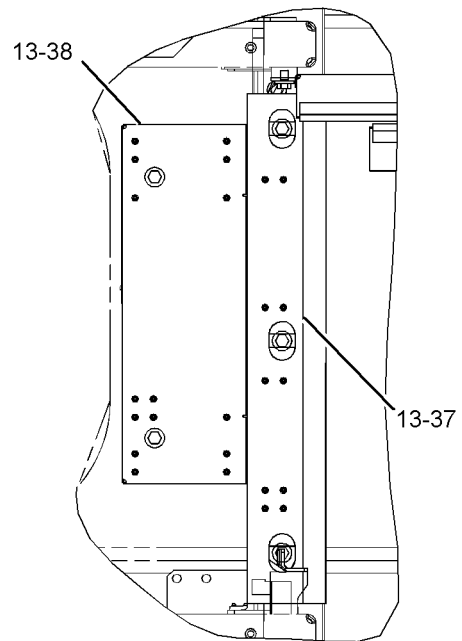
FRAME AND BODY

223-2941 HOOD & GUARD GP (contd.)

i03266401



VIEW OF AREA S



VIEW B-B

GRAPHIC #5

<END>

g01132934

FRAME AND BODY

223-2941 HOOD & GUARD GP-COVERS, DOORS

S/N: MMA259-UP

PART OF 228-8154 CHASSIS AR

SMCS-7251, 7276

i03266403

NOTE	REF NO	GRAPHIC REF	PART NUMBER	QTY	PART NAME						SEE PAGE
					1	2	3	4	5	6 (PRODUCT LEVEL)	
	1	1,3	4I-2599	4	SOCKET						
	2	1	4I-8019	1	SUPPORT						
B	3	3	6I-5976	2	SHIM (1-MM THK)						
B	4	3	6I-5977	2	SHIM (2-MM THK)						
	5	4	6V-6777	1	LATCH AS-DOOR						
	6	1	7I-1418	1	SUPPORT AS						
	7	3	8T-4157	1	STRIKER AS						
		3	8T-4158	1	WASHER-SPECIAL (CONICAL)						
	8	4	9D-1058	1	SPRING						
	9	4	096-2320	1	KNOB						
	10	3	105-6836	2	SUPPORT AS						
					(EACH INCLUDES)						
		3	105-6837	1	ANGLE						
		3	105-6838	1	LINER						
	11	1,2	122-4120	2	ROD						
M	12	1	135-8572	6	BOLT AS (M12X1.75X20-MM)						
M	13	1,2,4,5	135-8573	58	BOLT AS (M12X1.75X25-MM)						
M	14	1,2,4,5	135-8575	45	BOLT AS (M12X1.75X30-MM)						
M	15	4	135-8577	4	BOLT AS (M12X1.75X35-MM)						
	16	1	146-4952	1	STOP						
Y	17	2	175-0786	1	SHEET AS-SOUND SUPPRESSION						536
C	18	4	307-7881	1	SHEET AS						
D		4	5P-8309		SEAL (0.2-M)						
		4	4I-7924	4	WASHER (4.5X40X1.2-MM THK)						
		4	6P-2216	4	CAP						
		4	175-0995	1	INSULATION						
	19	4	177-5701	1	ROD						
	20	4	190-7001	1	SUPPORT AS						
Y	21	1	203-5096	1	DOOR AS-ACCESS (ENGINE COMPARTMENT)						442
	22	2	208-4452	1	COVER AS						
		2	175-1024	1	LINER						
	23	1,3	214-8310	4	PLATE						
Y	24	1	218-7758	1	SHEET AS-SOUND SUPPRESSION						537
Y	25	2	218-7761	1	SHEET AS-SOUND SUPPRESSION						538
	26	5	236-9283	1	PANEL GP-SOUND SUPPRESSION						
		5	4I-7924	4	WASHER (4.5X40X1.2-MM THK)						
		5	6P-2216	4	CAP						
		5	250-5132	2	INSULATION						
Y	27	5	236-9286	1	PANEL GP-SOUND SUPPRESSION						523
Y	28	5	236-9293	1	PANEL GP-SOUND SUPPRESSION						524
	29	4	303-9676	1	DOOR AS-ACCESS						
		4	165-3010	2	HINGE						
	30	2	303-9672	1	DOOR AS						
		2	165-3010	2	HINGE						
	31	2	303-9673	1	DOOR AS-ACCESS						
		2	105-6855	2	HINGE						
	32	1	303-9674	1	DOOR AS-ACCESS						
		1	105-6855	2	HINGE						
Y	33	4	236-9345	1	DOOR GP-ACCESS (ENGINE COMPARTMENT)						445
	34	1,3	236-9349	4	SHEET AS						
	35	5	237-8843	1	PANEL GP-SOUND SUPPRESSION						
D		5	5P-8309		SEAL (0.4-M)						
		5	4I-7924	4	WASHER (4.5X40X1.2-MM THK)						
		5	6P-2216	4	CAP						

FRAME AND BODY

223-2941 HOOD & GUARD GP (contd.)

i03266403

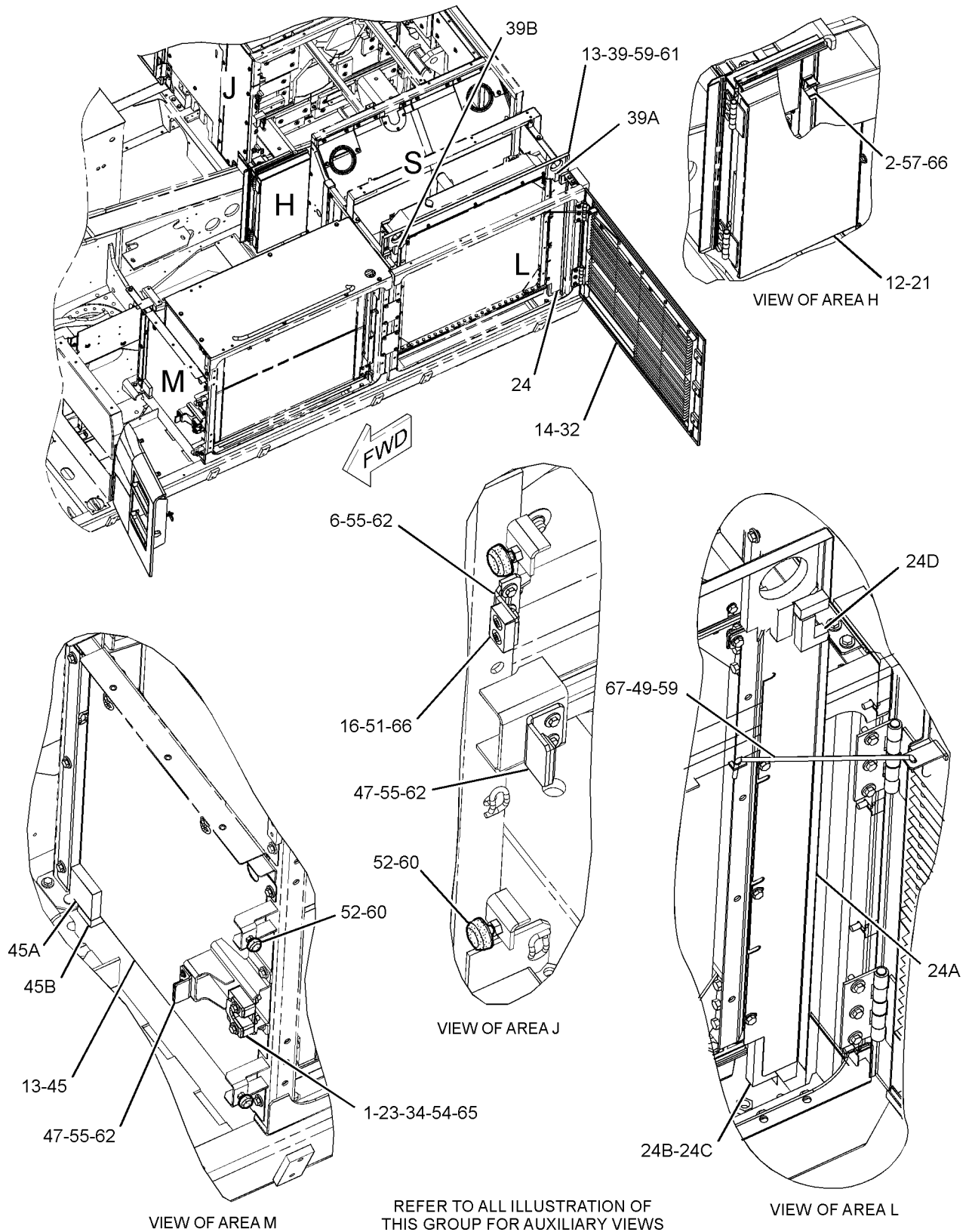
NOTE	REF NO	GRAPHIC REF	PART NUMBER	QTY	PART NAME						SEE PAGE
					1	2	3	4	5	6 (PRODUCT LEVEL)	
		5	244-8167	1	INSULATION						
	36	5	237-8845	1	PANEL GP-SOUND SUPPRESSION						
		5	4I-7924	6	WASHER (4.5X40X1.2-MM THK)						
		5	6P-2216	6	CAP						
		5	244-8168	1	INSULATION						
	37	5	244-8002	1	COVER AS						
	38	5	244-8004	1	SHEET						
Y	39	1	244-8005	1	PANEL GP-SOUND SUPPRESSION						527
	40	5	244-8036	1	SHEET AS						
D		5	5P-8309		SEAL (0.4-M)						
D		5	101-9848		SEAL (0.2-M)						
	41	5	244-8049	1	SHEET AS						
	42	4	244-8091	1	ROD AS						
Y	43	4	250-5118	1	SHEET AS-SOUND SUPPRESSION						547
	44	4	250-5119	1	SHEET AS						
		4	250-5114	1	LINER						
Y	45	1	250-5120	1	SUPPORT AS-ENCLOSURE						551
J	46	4	307-7655	2	LOCK AS						
	47	1,3	256-1730	3	SHEET AS						
	48	4	095-0843	1	PIN-COTTER						
	49	1,2,4	3B-4618	5	PIN-COTTER						
M	50	4	099-0492	4	LOCKNUT (M6X1-THD)						
M	51	1	105-3487	2	BOLT-SOCKET HEAD (M6X1X20-MM)						
	52	1,3	4I-1205	6	BUMPER						
M	53	4	5C-7261	12	NUT (M8X1.25-THD)						
	54	1,3,4	5P-1076	14	WASHER-HARD (13.5X30X4-MM THK)						
	55	1,3,4	5P-4115	12	WASHER-HARD (7.2X19X2-MM THK)						
M	56	4	7X-2533	4	BOLT (M6X1X35-MM)						
M	57	1	7X-2619	2	BOLT (M6X1X10-MM)						
	58	3	7X-7729	4	WASHER (11X25X3-MM THK)						
	59	1,2,4	8T-4121	10	WASHER-HARD (11X21X2.5-MM THK)						
M	60	1,3	8T-4133	6	NUT (M10X1.5-THD)						
M	61	1,3	8T-4137	9	BOLT (M10X1.5X20-MM)						
M	62	1,3	8T-4138	8	BOLT (M6X1X20-MM)						
	63	4	8T-4224	12	WASHER-HARD (8.8X16X2-MM THK)						
M	64	4	8T-4244	6	NUT (M12X1.75-THD)						
M	65	1,3	8T-4648	6	BOLT (M12X1.75X70-MM)						
	66	1,4	9X-8256	5	WASHER (6.6X12X2-MM THK)						
	67	1	283-4046	1	ROD						
M	68	3	8T-4910	2	BOLT (M12X1.75X60-MM)						

B-USE AS REQUIRED
 C-CHANGE FROM PREVIOUS TYPE
 D-ORDER BY THE METER
 J-REQUIRES CORPORATE KEY
 M-METRIC PART
 Y-SEPARATE ILLUSTRATION

FRAME AND BODY

223-2941 HOOD & GUARD GP (contd.)

i03266403



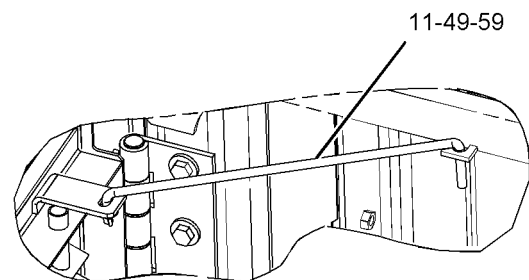
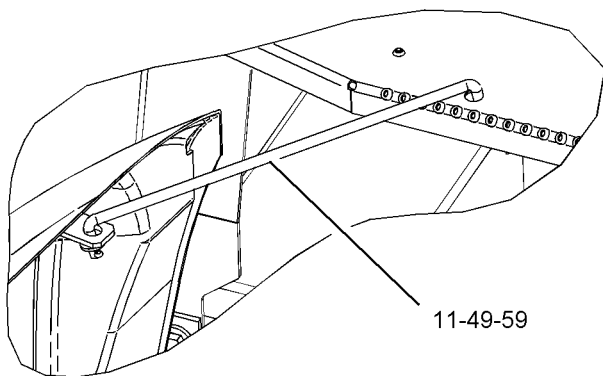
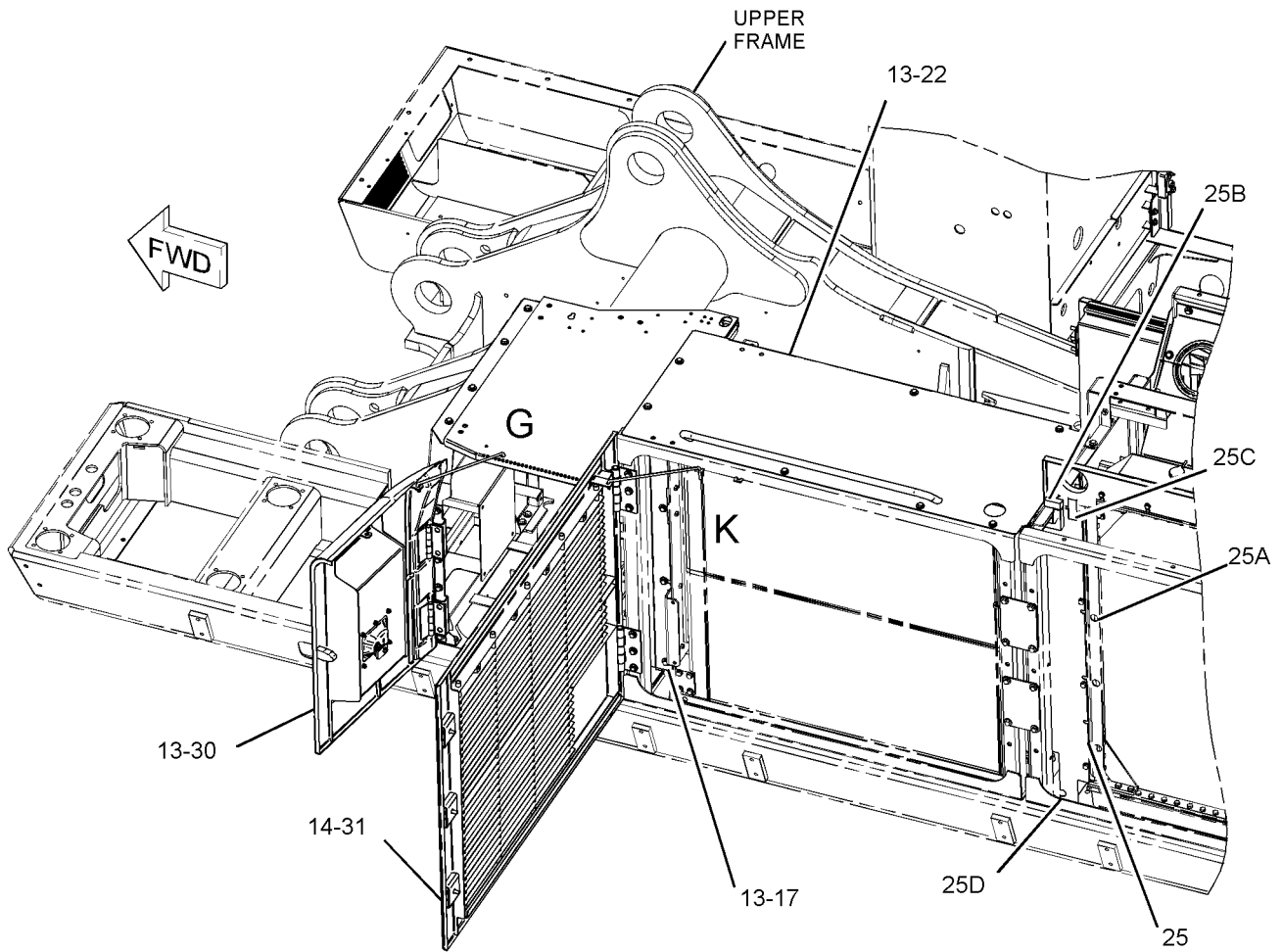
GRAPHIC #1

g01352765

FRAME AND BODY

223-2941 HOOD & GUARD GP (contd.)

i03266403



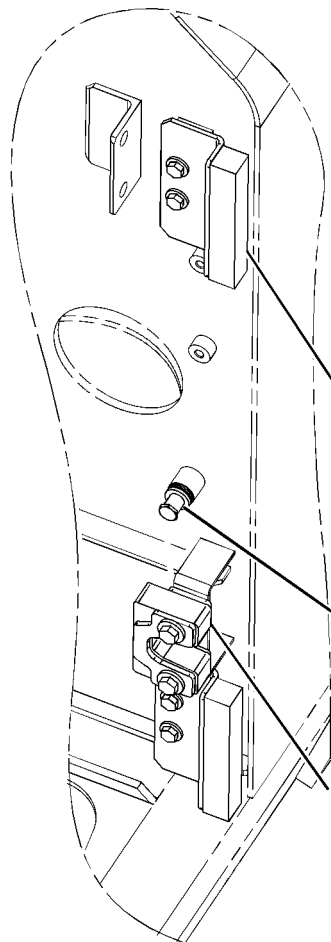
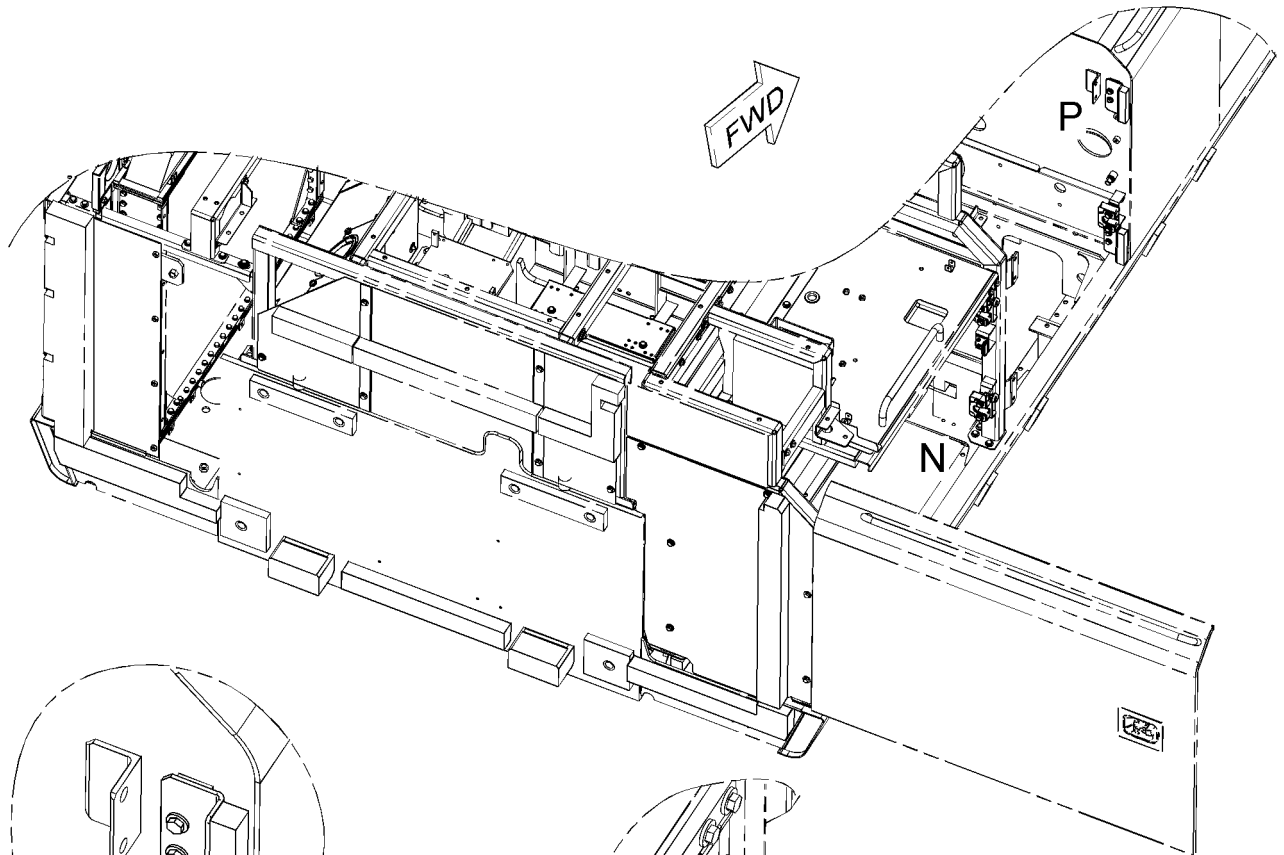
GRAPHIC #2

g01132936

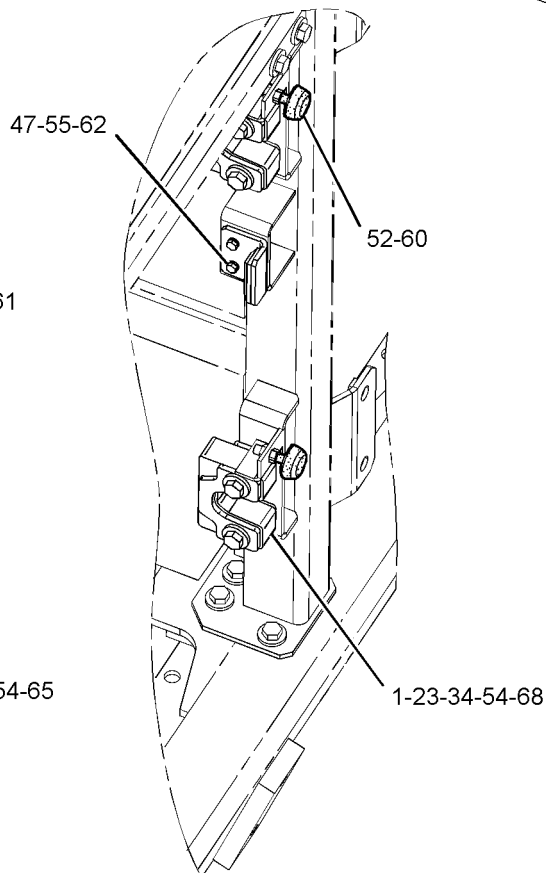
FRAME AND BODY

223-2941 HOOD & GUARD GP (contd.)

i03266403



VIEW OF AREA P



VIEW OF AREA N

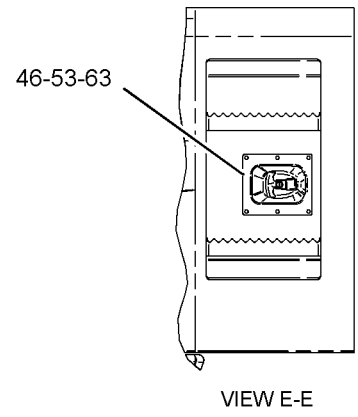
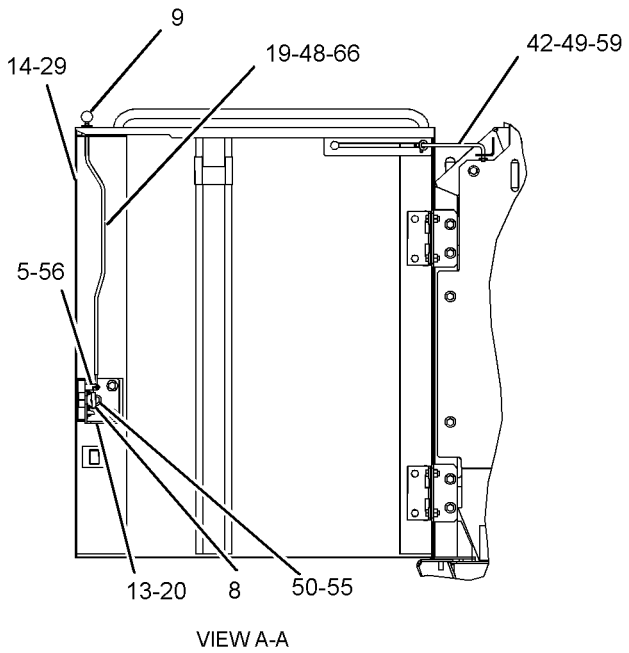
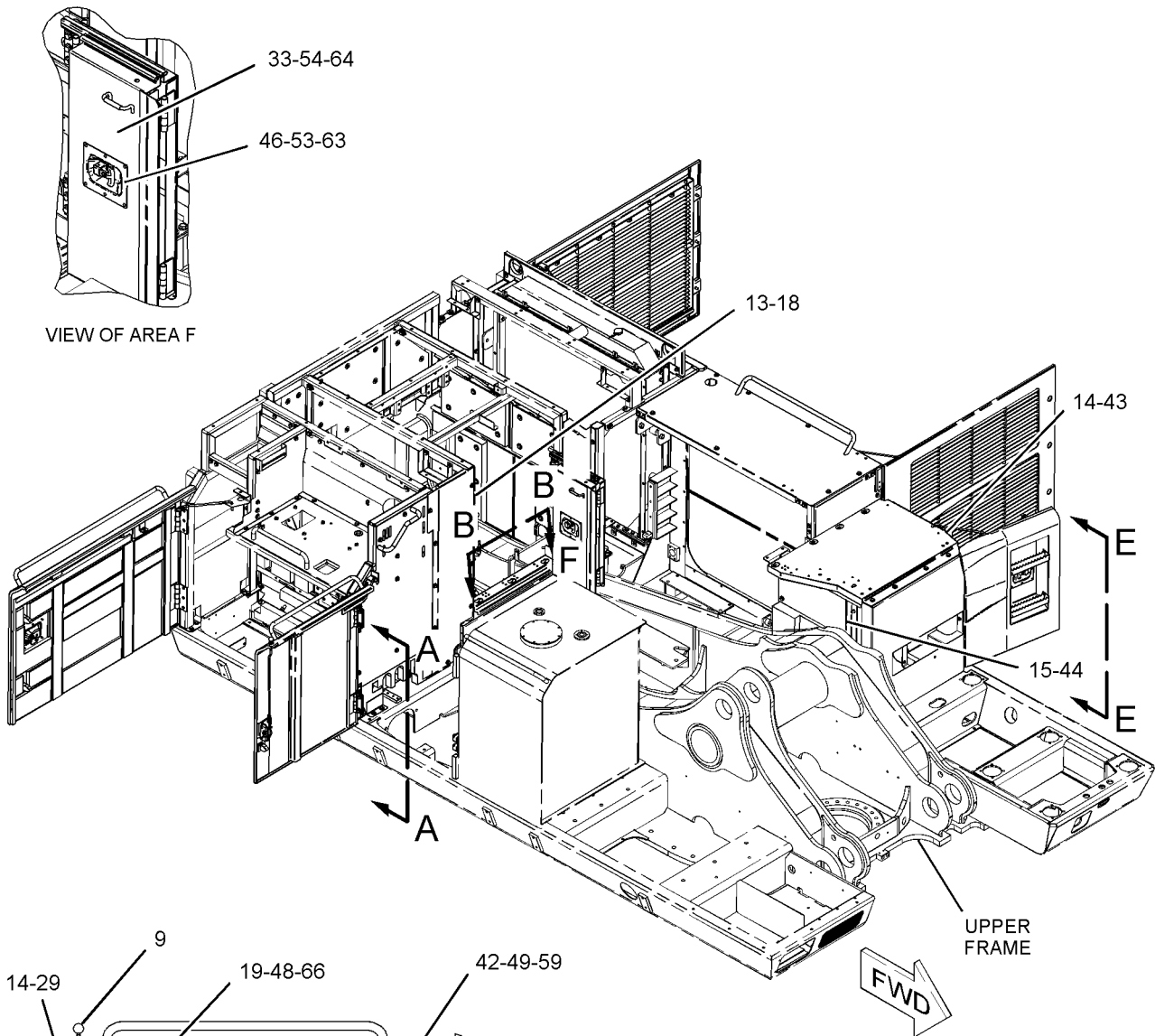
GRAPHIC #3

g01543850

FRAME AND BODY

223-2941 HOOD & GUARD GP (contd.)

i03266403



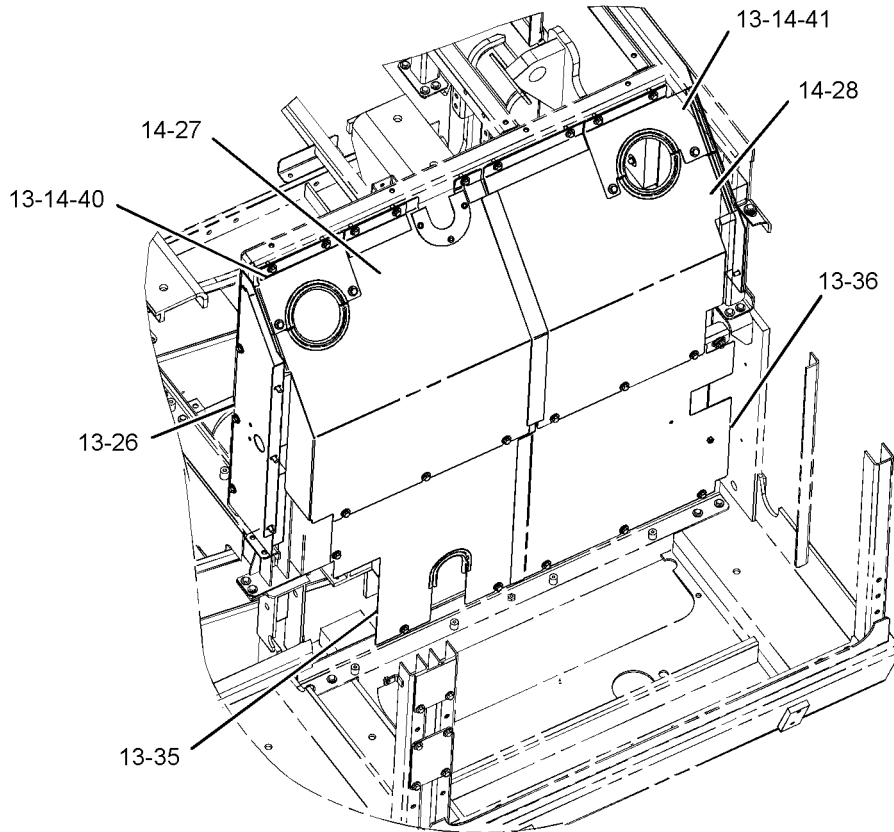
GRAPHIC #4

g01132933

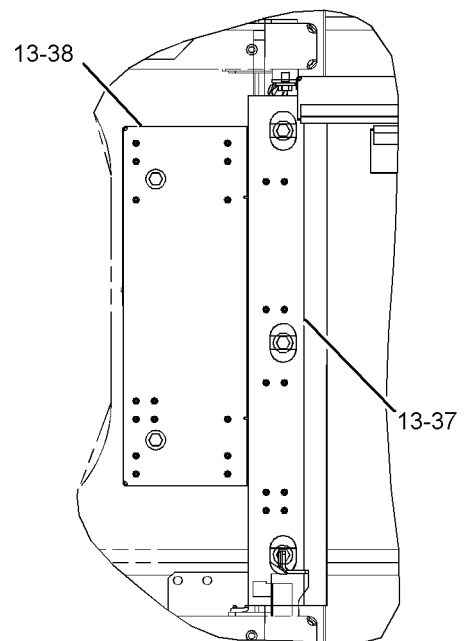
FRAME AND BODY

223-2941 HOOD & GUARD GP (contd.)

i03266403



VIEW OF AREA S



VIEW B-B

GRAPHIC #5

<END>

g01132934

FRAME AND BODY

223-2942 HOOD & GUARD GP-ENGINE HOOD

S/N: MMA1-258

PART OF 228-8154 CHASSIS AR

SMCS-7251, 7276

i03581760

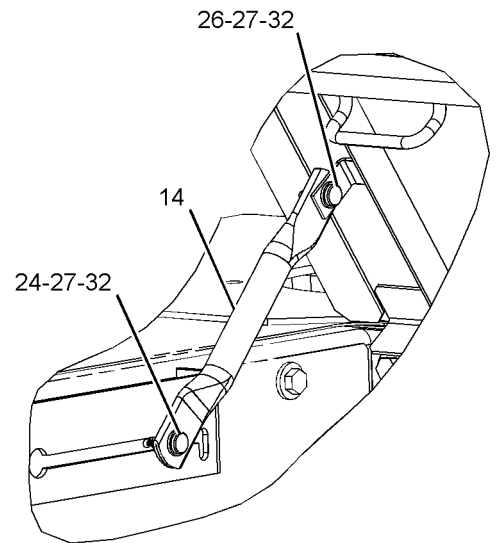
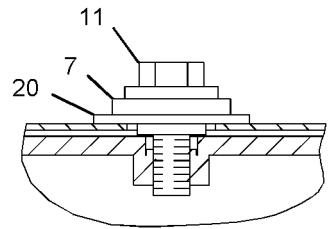
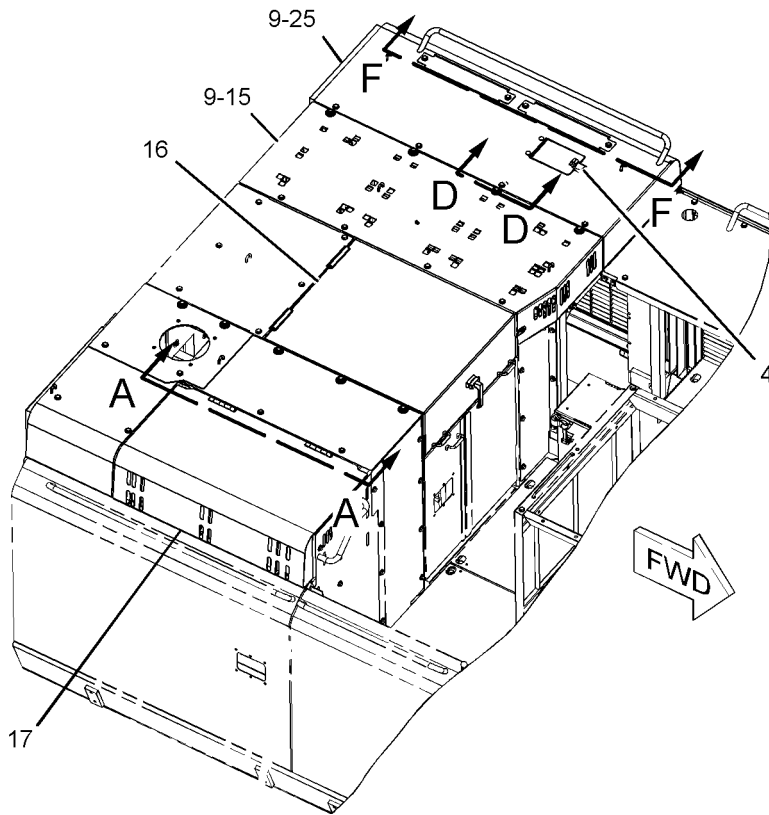
NOTE	REF NO	GRAPHIC REF	PART NUMBER	QTY	PART NAME 1 2 3 4 5 6 (PRODUCT LEVEL)	SEE PAGE
B	2	1	4I-8594	6	SHIM (0.5-MM THK)	
B	3	1	4I-8595	6	SHIM (0.2-MM THK)	
	4	1	246-2641	1	PADLOCK GP	
		1	5P-8500	1	KEY	
M	5	1	7I-1639	2	PIN	
	6	1	7I-1640	2	BRACKET AS	
	7	1	7Y-2853	4	SPACER (13X38X5-MM THK)	
	8	1	9M-3835	2	LATCH-RUBBER	
M	9	1	135-8573	8	BOLT AS (M12X1.75X25-MM)	
M	10	1,2	135-8575	20	BOLT AS (M12X1.75X30-MM)	
M	11	1	135-8577	4	BOLT AS	
	13	1	141-6460	1	SUPPORT	
	14	1	177-5575	1	SUPPORT	
	15	1	177-5647	1	SHEET AS	
Y	16	1	177-5663	1	HOOD GP-ENGINE	507
	17	1	177-5673	1	COVER AS	
		1	177-5674	2	LINER	
	18	2	177-5683	1	GRILL AS	
	20	1	190-6999	4	SPACER (24X50X3-MM THK)	
	21	2	190-7014	4	SUPPORT AS	
	22	2	190-7017	1	SPRING	
	23	2	190-7018	1	SPRING	
	24	1	095-1320	1	PIN-CLEVIS	
Y	25	1	236-9596	1	HOOD GP (RADIATOR)	505
	26	1	095-1319	3	PIN-CLEVIS	
	27	1	3B-4618	4	PIN-COTTER	
	28	1	2M-5795	2	PIN-CLEVIS	
	29	1	3B-4607	2	PIN-COTTER	
	30	1,2	5P-1076	10	WASHER-HARD (13.5X30X4-MM THK)	
M	31	2	7X-2549	4	BOLT (M12X1.75X100-MM)	
	32	1	8T-4121	12	WASHER-HARD (11X21X2.5-MM THK)	
M	33	2	8T-4244	4	NUT (M12X1.75-THD)	

B-USE AS REQUIRED
M-METRIC PART
Y-SEPARATE ILLUSTRATION

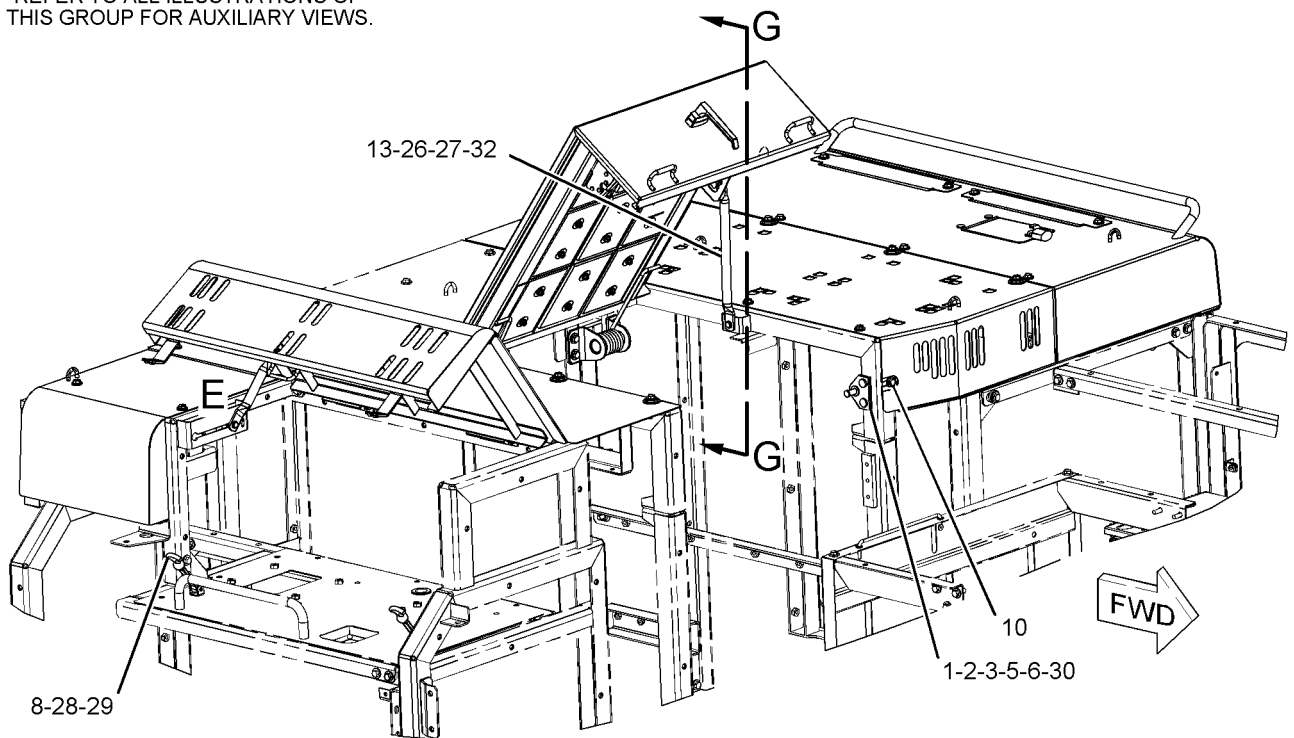
FRAME AND BODY

223-2942 HOOD & GUARD GP (contd.)

i03581760



REFER TO ALL ILLUSTRATIONS OF THIS GROUP FOR AUXILIARY VIEWS.



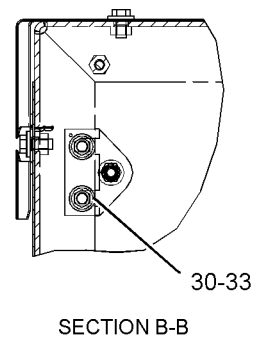
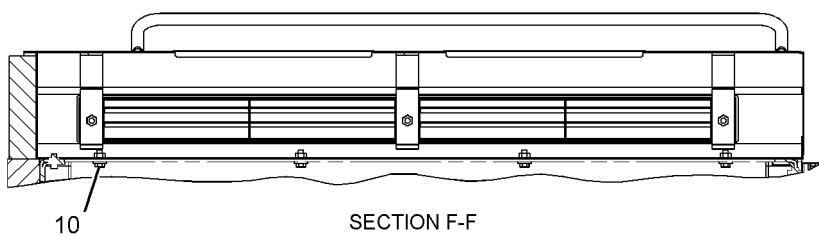
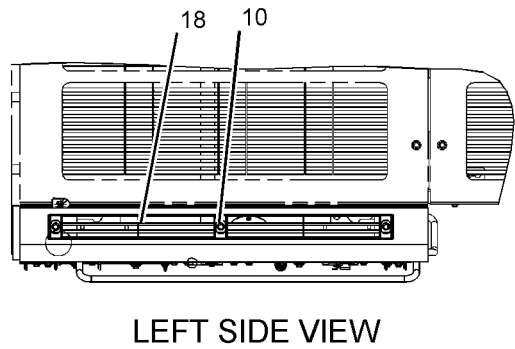
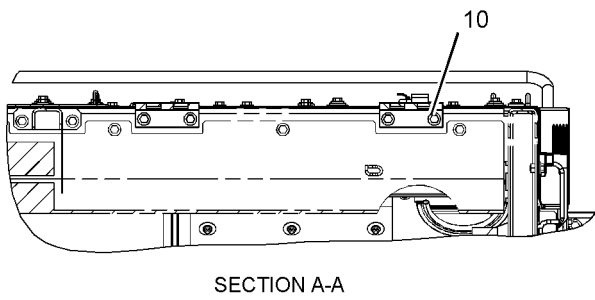
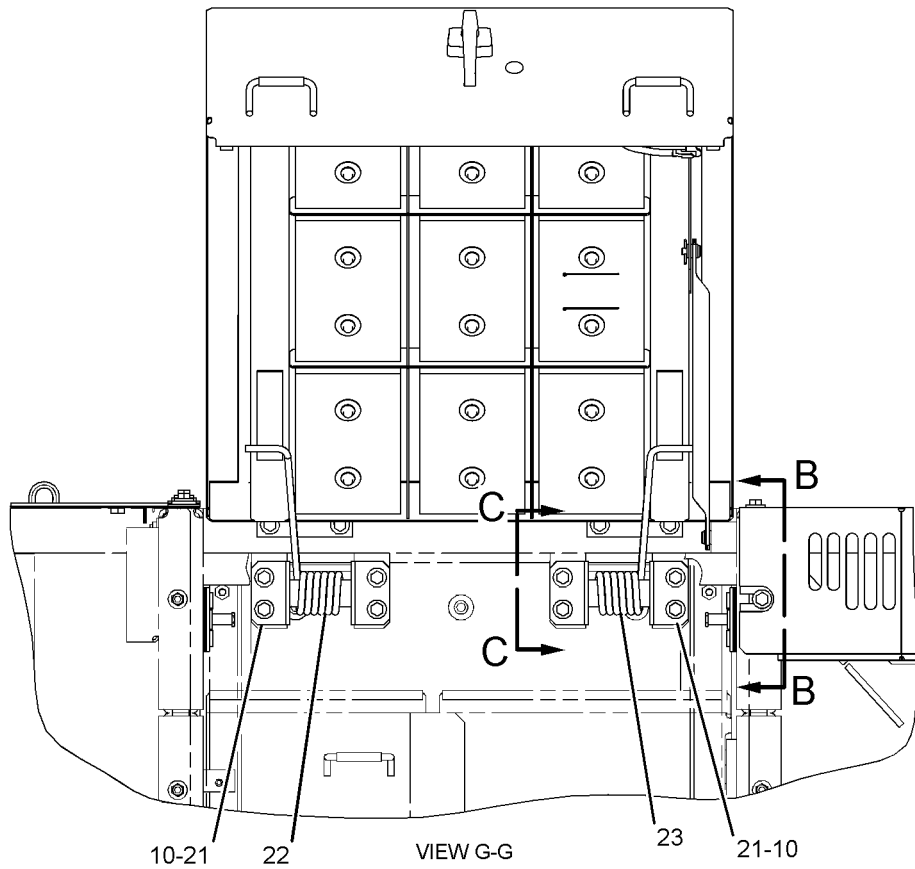
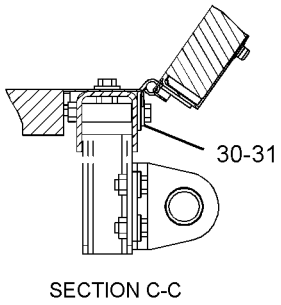
GRAPHIC #1

g01115951

FRAME AND BODY

223-2942 HOOD & GUARD GP (contd.)

i03581760



GRAPHIC #2

<END>

g01115952

FRAME AND BODY

223-2942 HOOD & GUARD GP-ENGINE HOOD

S/N: MMA259

PART OF 228-8154 CHASSIS AR

SMCS-7251, 7276

i03493602

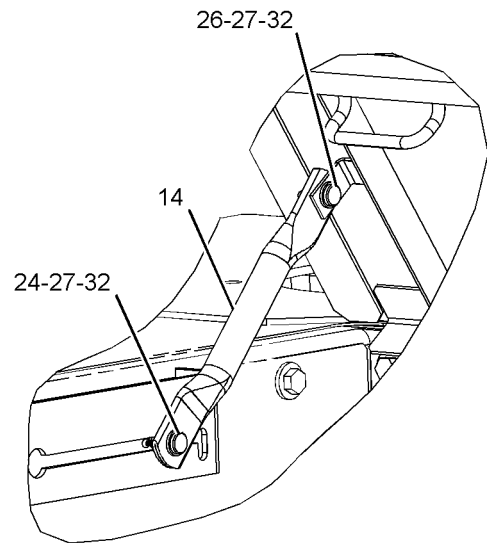
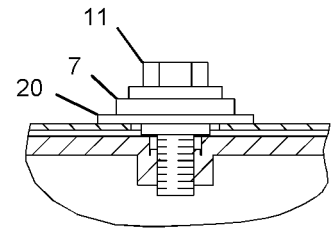
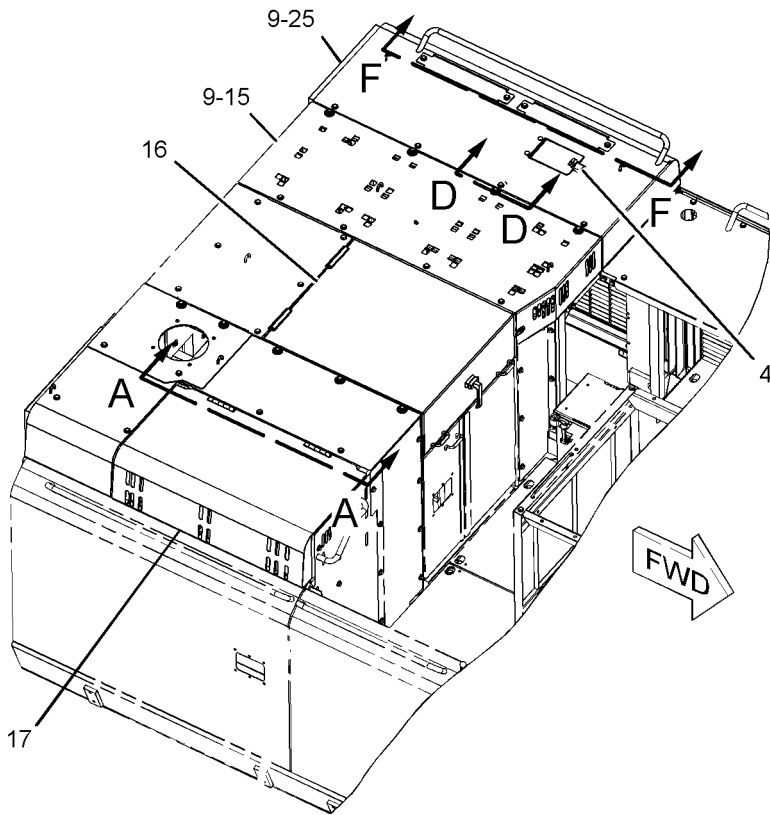
NOTE	REF NO	GRAPHIC REF	PART NUMBER	QTY	PART NAME						SEE PAGE
					1	2	3	4	5	6 (PRODUCT LEVEL)	
B	1	1	4I-8578	6	SHIM (1-MM THK)						
B	2	1	4I-8594	6	SHIM (0.5-MM THK)						
B	3	1	4I-8595	6	SHIM (0.2-MM THK)						
	4	1	246-2641	1	PADLOCK GP						
		1	5P-8500		KEY						
M	5	1	7I-1639	2	PIN						
	6	1	7I-1640	2	BRACKET AS						
	7	1	7Y-2853	4	SPACER (13X38X5-MM THK)						
	8	1	9M-3835	2	LATCH-RUBBER						
M	9	1	135-8573	8	BOLT AS (M12X1.75X25-MM)						
M	10	1,2	135-8575	20	BOLT AS (M12X1.75X30-MM)						
M	11	1	135-8577	4	BOLT AS						
C	13	1	307-7830	1	SUPPORT AS						
	14	1	177-5575	1	SUPPORT						
C	15	1	307-7894	1	SHEET AS						
CY	16	1	307-7902	1	HOOD GP-ENGINE						512
C	17	1	307-7900	1	COVER AS						
		1	177-5674	1	LINER						
C	18	2	307-7895	1	GRILL AS						
	20	1	190-6999	4	SPACER (24X50X3-MM THK)						
	21	2	190-7014	4	SUPPORT AS						
	22	2	190-7017	1	SPRING						
	23	2	190-7018	1	SPRING						
	24	1	095-1320	1	PIN-CLEVIS						
CY	25	1	307-7892	1	HOOD GP-ENGINE						511
	26	1	095-1319	3	PIN-CLEVIS						
	27	1	3B-4618	4	PIN-COTTER						
	28	1	2M-5795	2	PIN-CLEVIS						
	29	1	3B-4607	2	PIN-COTTER						
	30	1,2	5P-1076	10	WASHER-HARD (13.5X30X4-MM THK)						
M	31	2	7X-2549	4	BOLT (M12X1.75X100-MM)						
	32	1	8T-4121	12	WASHER-HARD (11X21X2.5-MM THK)						
M	33	2	8T-4244	4	NUT (M12X1.75-THD)						

B-USE AS REQUIRED
 C-CHANGE FROM PREVIOUS TYPE
 M-METRIC PART
 Y-SEPARATE ILLUSTRATION

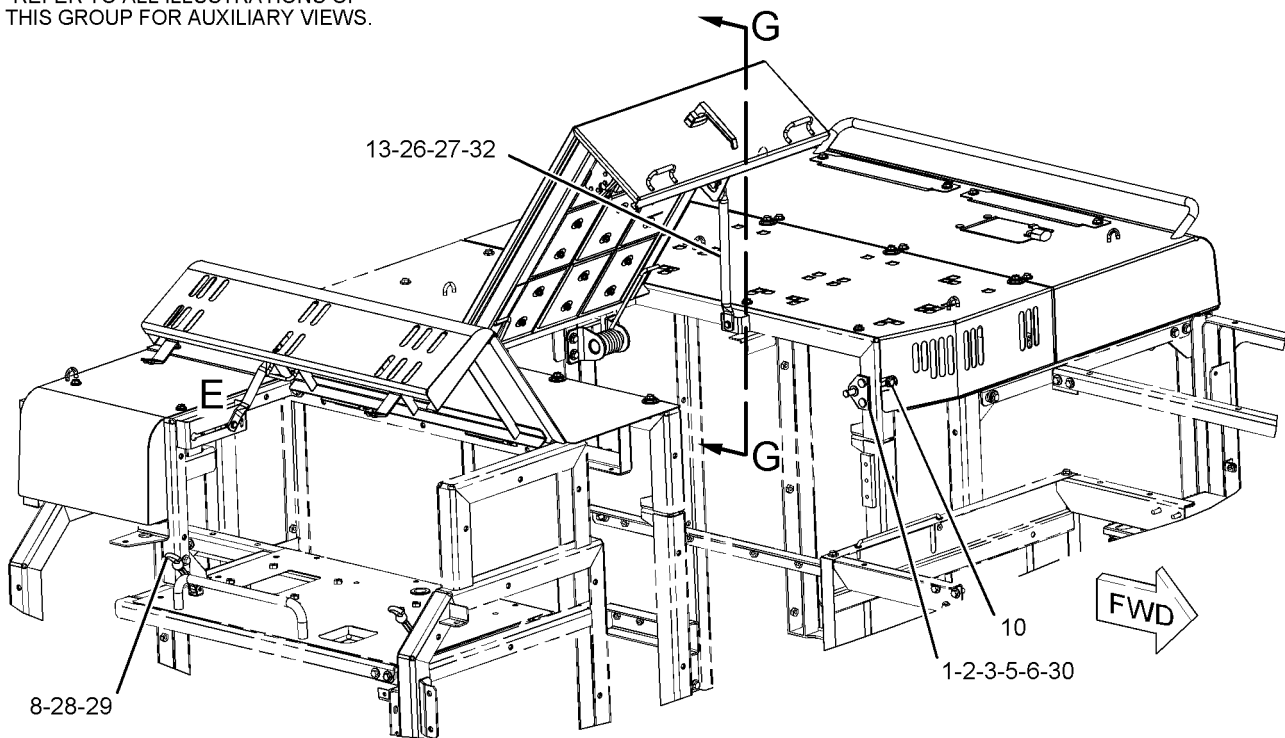
FRAME AND BODY

223-2942 HOOD & GUARD GP (contd.)

i03493602



REFER TO ALL ILLUSTRATIONS OF THIS GROUP FOR AUXILIARY VIEWS.



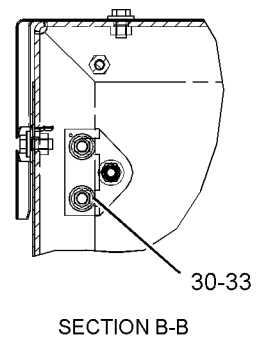
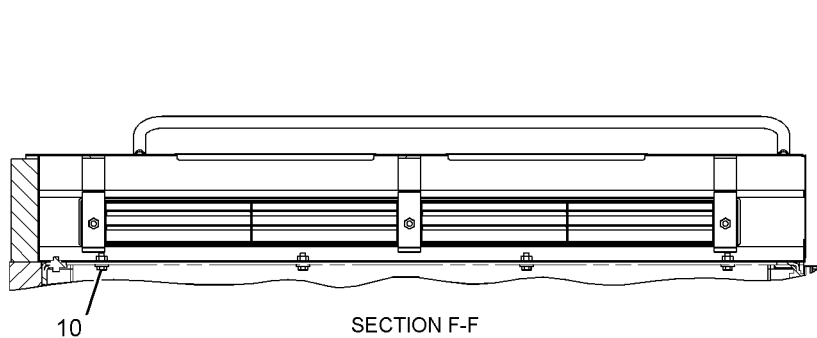
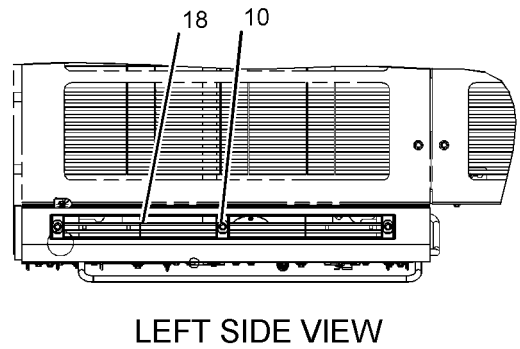
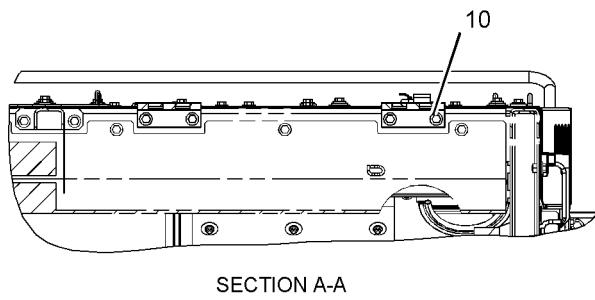
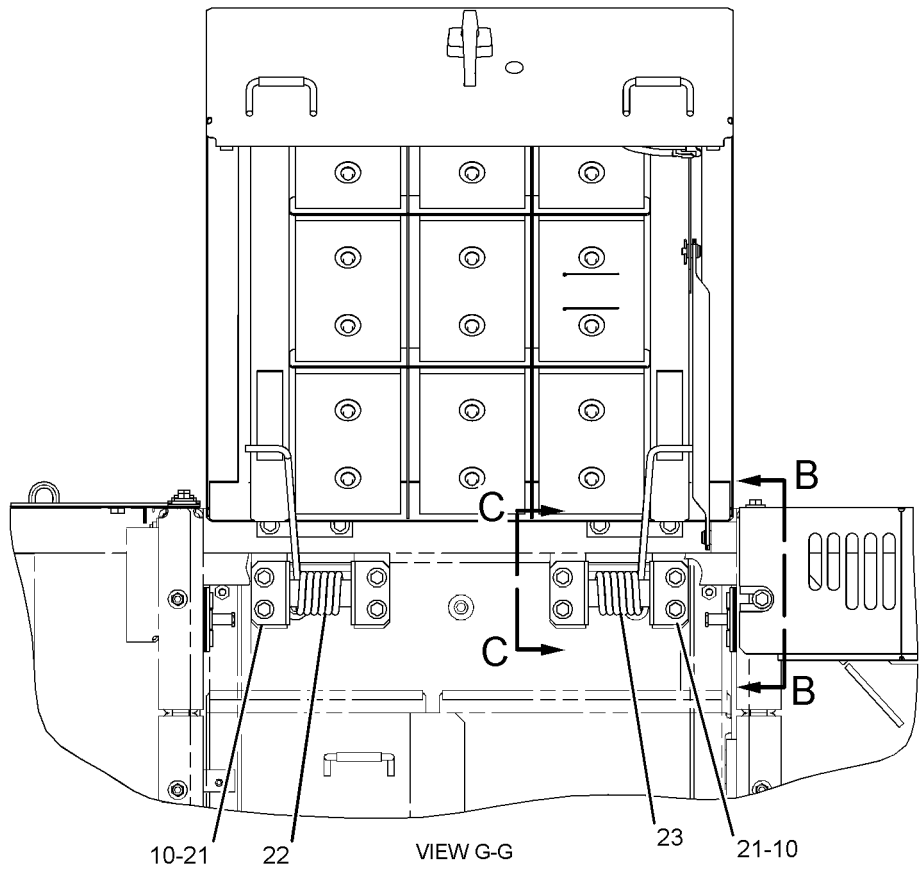
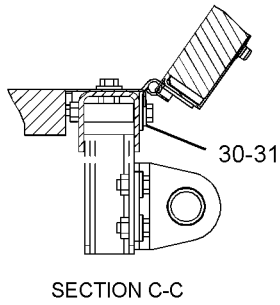
GRAPHIC #1

g01115951

FRAME AND BODY

223-2942 HOOD & GUARD GP (contd.)

i03493602



GRAPHIC #2

<END>

g01115952

FRAME AND BODY

223-2942 HOOD & GUARD GP-ENGINE HOOD

S/N: MMA260-UP

PART OF 228-8154 CHASSIS AR

SMCS-7251, 7276

i03645031

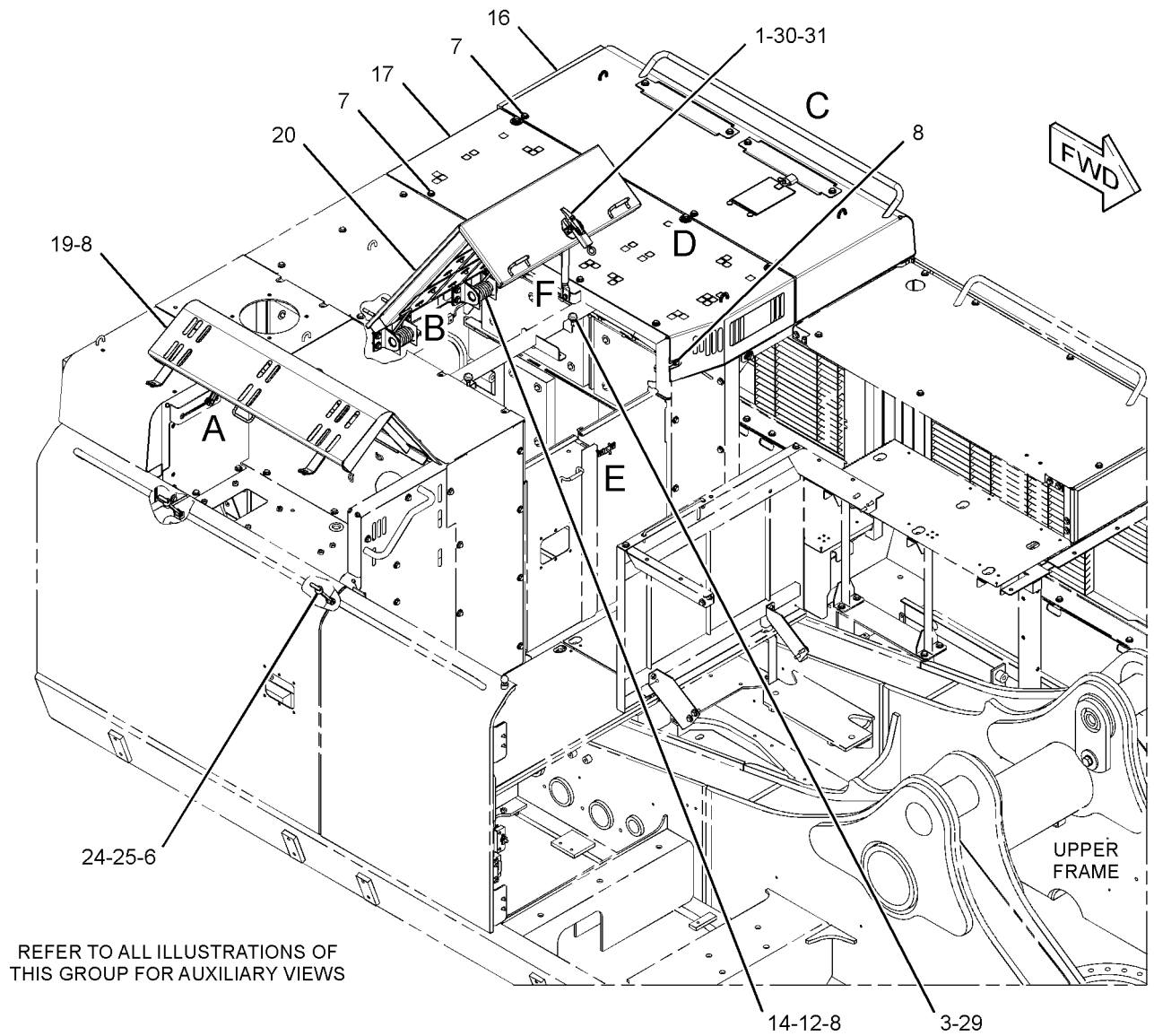
NOTE	REF NO	GRAPHIC REF	PART NUMBER	QTY	PART NAME						SEE PAGE
					1	2	3	4	5	6 (PRODUCT LEVEL)	
C	1	1	4I-0117	1	FASTENER						
C	2	2	4I-0118	1	HOOK AS						
C	3	1	4I-1205	2	BUMPER						
	4	2	246-2641	1	PADLOCK GP						
		2	5P-8500		KEY						
	5	1	7Y-2853	4	SPACER (13X38X5-MM THK)						
	6	1	9M-3835	2	LATCH-RUBBER						
M	7	1	135-8573	8	BOLT AS (M12X1.75X25-MM)						
M	8	1,2	135-8575	20	BOLT AS (M12X1.75X30-MM)						
M	9	1	135-8577	4	BOLT AS (M12X1.75X35-MM)						
	10	2	177-5575	1	SUPPORT						
	11	1	190-6999	4	SPACER (24X50X3-MM THK)						
	12	1	190-7014	4	SUPPORT AS						
	13	1	190-7017	1	SPRING						
	14	1	190-7018	1	SPRING						
	15	2	307-7830	1	SUPPORT AS						
Y	16	1	307-7892	1	HOOD GP-ENGINE						511
	17	1	307-7894	1	SHEET AS						
	18	2	307-7895	1	GRILL AS						
	19	1	307-7900	1	COVER AS						
		1	177-5674	1	LINER						
CY	20	1	307-8017	1	HOOD GP-ENGINE						514
	21	2	095-1319	3	PIN-CLEVIS						
	22	2	095-1320	1	PIN-CLEVIS						
	23	2	3B-4618	4	PIN-COTTER						
	24	1	2M-5795	2	PIN-CLEVIS						
	25	1	3B-4607	2	PIN-COTTER						
C	26	1	5P-1076	4	WASHER-HARD (13.5X30X4-MM THK)						
M	27	1	7X-2549	4	BOLT (M12X1.75X100-MM)						
	28	2	8T-4121	12	WASHER-HARD (11X21X2.5-MM THK)						
CM	29	1	8T-4133	2	NUT (M10X1.5-THD)						
C	30	1,2	8T-4224	4	WASHER-HARD (8.8X16X2-MM THK)						
CM	31	1,2	8T-4908	4	BOLT (M8X1.25X25-MM)						

C-CHANGE FROM PREVIOUS TYPE
M-METRIC PART
Y-SEPARATE ILLUSTRATION

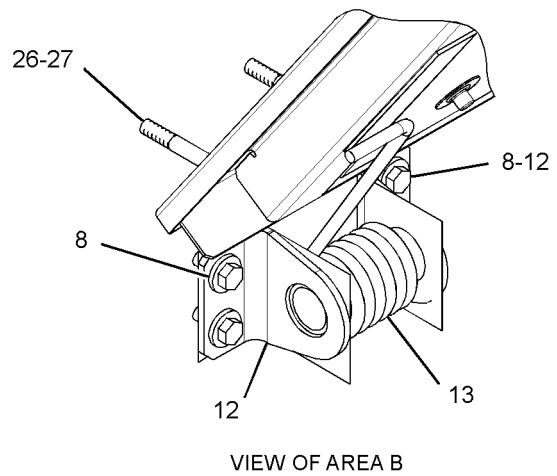
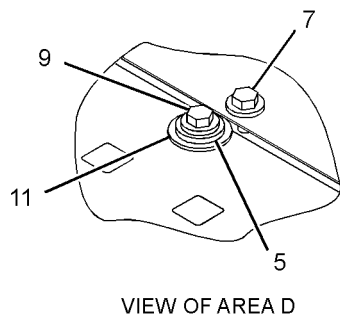
FRAME AND BODY

223-2942 HOOD & GUARD GP (contd.)

i03645031



REFER TO ALL ILLUSTRATIONS OF THIS GROUP FOR AUXILIARY VIEWS



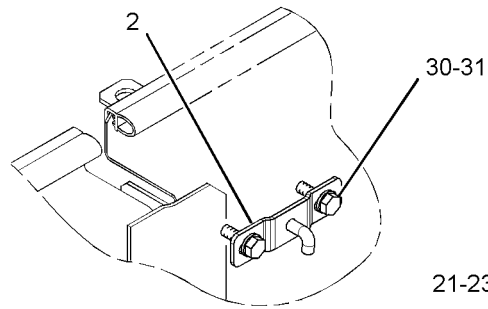
GRAPHIC #1

g01955510

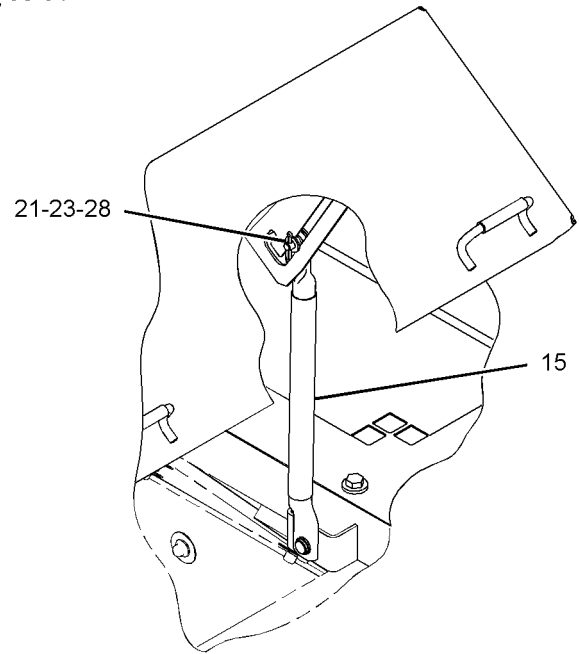
FRAME AND BODY

223-2942 HOOD & GUARD GP (contd.)

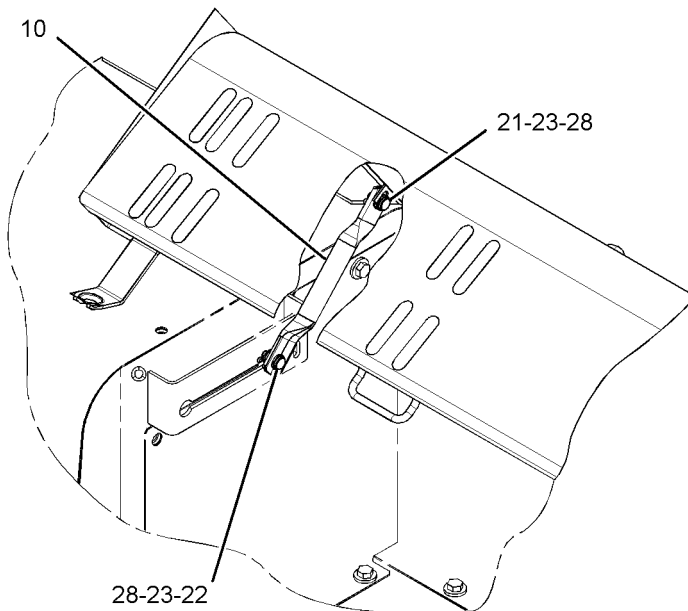
i03645031



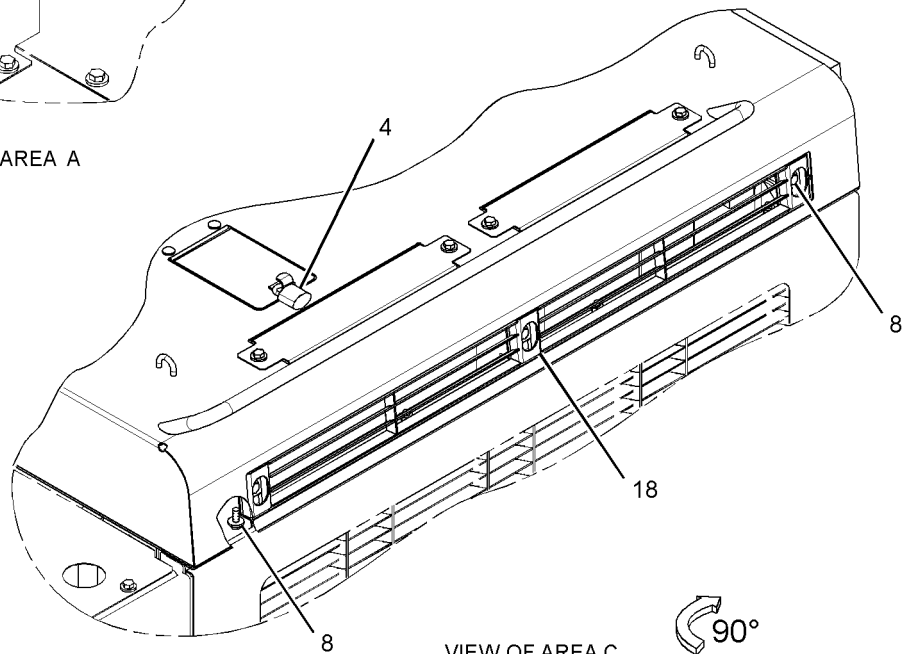
VIEW OF AREA E



VIEW OF AREA F



VIEW OF AREA A



VIEW OF AREA C

GRAPHIC #2

<END>

g01955511

FRAME AND BODY

236-3725 HOOD & GUARD GP-PUMP COMPARTMENT

S/N: MMA1-258

PART OF 228-8154 CHASSIS AR

SMCS-7251, 7276

i02847413

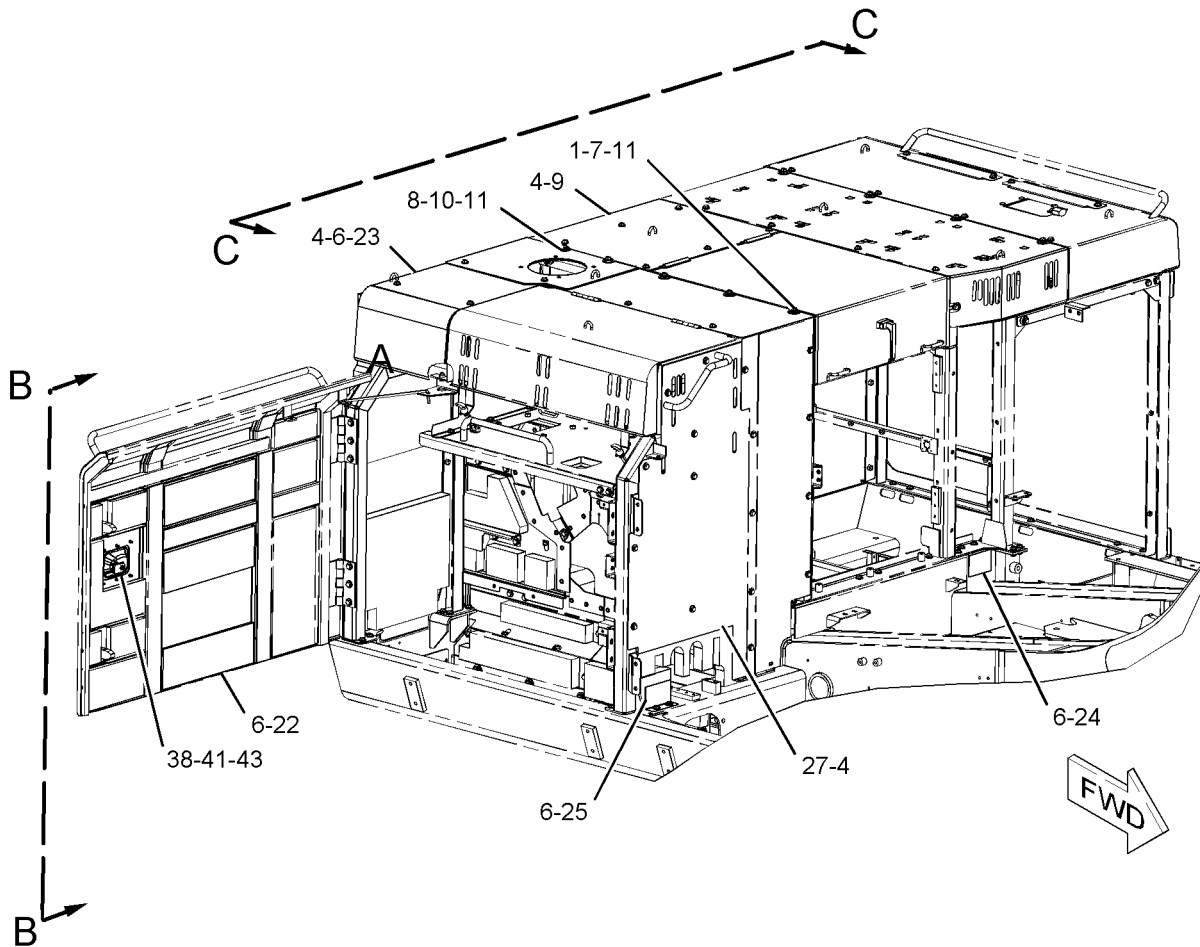
NOTE	REF NO	GRAPHIC REF	PART NUMBER	QTY	PART NAME						SEE PAGE
					1	2	3	4	5	6 (PRODUCT LEVEL)	
	1	1,2	7Y-2853	9	SPACER (13X38X5-MM THK)						
	2	1	122-4120	1	ROD						
M	3	2	135-8572	3	BOLT AS (M12X1.75X20-MM)						
M	4	1,2	135-8573	54	BOLT AS (M12X1.75X25-MM)						
M	5	2	135-8574	10	BOLT AS (M12X1.75X25-MM)						
M	6	1,2	135-8575	19	BOLT AS (M12X1.75X30-MM)						
M	7	1,2	135-8577	16	BOLT AS (M12X1.75X35-MM)						
M	8	1	135-8578	2	BOLT AS (M12X1.75X40-MM)						
	9	1	177-5597	1	SHEET AS						
		1	4I-7924	6	WASHER (4.5X40X1.2-MM THK)						
		1	6P-2216	6	CAP						
		1	177-5598	1	INSULATION						
	10	1	190-6919	2	SPACER (24X38X16.5-MM THK)						
	11	1,2	190-6999	11	SPACER (24X50X3-MM THK)						
B	12	2	208-4149	1	SHIM (0.2-MM THK)						
B	13	2	208-4150	2	SHIM (1-MM THK)						
B	14	2	208-4151	2	SHIM (0.5-MM THK)						
B	15	2	208-4152	2	SHIM (0.2-MM THK)						
B	16	2	208-4153	1	SHIM (0.5-MM THK)						
B	17	2	208-4154	2	SHIM (1-MM THK)						
Y	18	2	236-9255	1	SHEET AS-SOUND SUPPRESSION						539
Y	19	2	236-9266	1	PANEL GP-SOUND SUPPRESSION						521
Y	20	2	236-9270	1	SHEET AS-SOUND SUPPRESSION						540
Y	21	2	236-9276	1	SHEET AS-SOUND SUPPRESSION						541
Y	22	1	236-9318	1	DOOR GP-ACCESS (PUMP COMPARTMENT)						444
Y	23	1	236-9403	1	COVER AS-SOUND SUPPRESSION (ENGINE)						438
	24	1	244-7972	1	SHEET AS						
		1	244-7973	1	LINER						
	25	1	244-7976	1	SHEET AS						
		1	244-7977	1	LINER						
Y	26	2	244-7998	1	PANEL GP-SOUND SUPPRESSION						526
Y	27	1	244-8008	1	SHEET AS-SOUND SUPPRESSION						542
Y	28	2	244-8011	1	SHEET AS-SOUND SUPPRESSION						543
	29	2	244-8065	1	SUPPORT AS						
		2	244-8062	1	INSULATION						
	30	2	244-8072	1	SHEET AS						
		2	244-8073	1	INSULATION						
	31	2	244-8088	1	LINER						
	32	2	244-8089	1	LINER						
	33	2	244-8090	1	LINER						
Y	34	2	244-8093	1	SHEET AS-SOUND SUPPRESSION						544
Y	35	2	244-8095	1	SHEET AS-SOUND SUPPRESSION						545
Y	36	2	244-8104	1	SHEET AS-SOUND SUPPRESSION						546
Y	37	2	244-8108	1	PANEL GP-SOUND SUPPRESSION						528
J	38	1	307-7655	1	LOCK AS						
	39	2	259-3727	1	SHEET AS						
BD		2	5P-8309		SEAL						
		2	244-7997	1	LINER						
	40	1	3B-4618	1	PIN-COTTER						
M	41	1	5C-7261	6	NUT (M8X1.25-THD)						
	42	1	8T-4121	1	WASHER-HARD (11X21X2.5-MM THK)						
	43	1	8T-4224	6	WASHER-HARD (8.8X16X2-MM THK)						

B-USE AS REQUIRED
D-ORDER BY THE METER
J-REQUIRES CORPORATE KEY
M-METRIC PART
Y-SEPARATE ILLUSTRATION

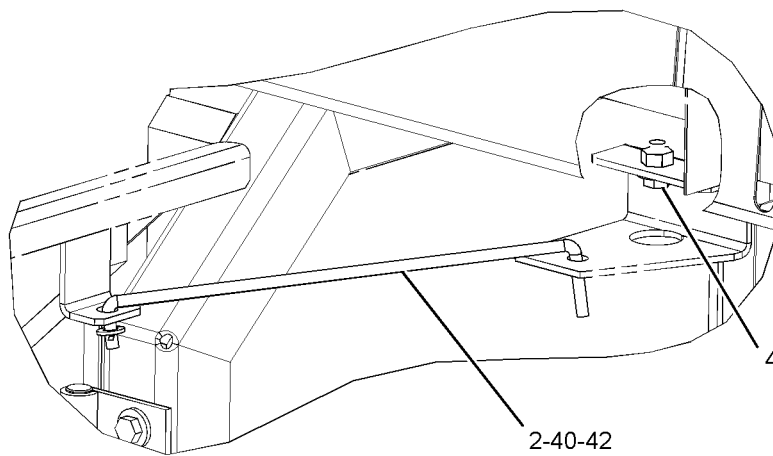
FRAME AND BODY

236-3725 HOOD & GUARD GP (contd.)

i02847413



REFER TO ALL ILLUSTRATION OF THIS GROUP FOR AUXILIARY VIEWS



VIEW OF AREA A

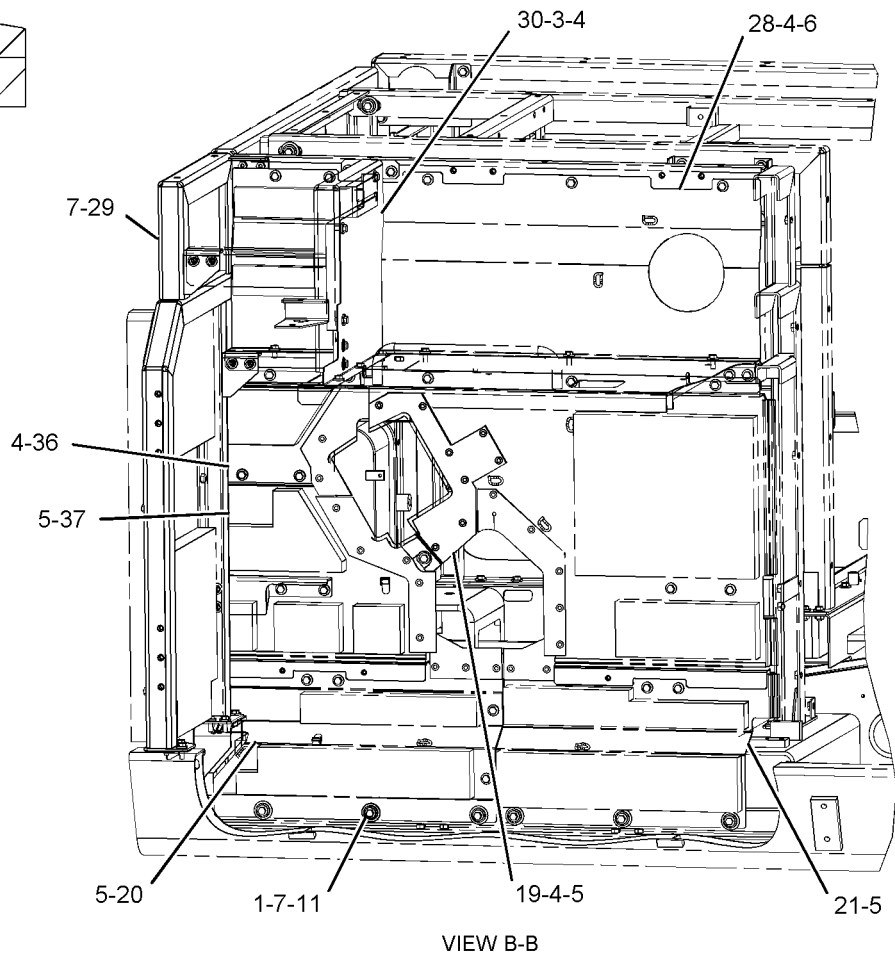
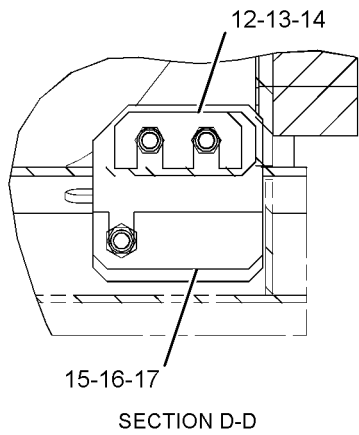
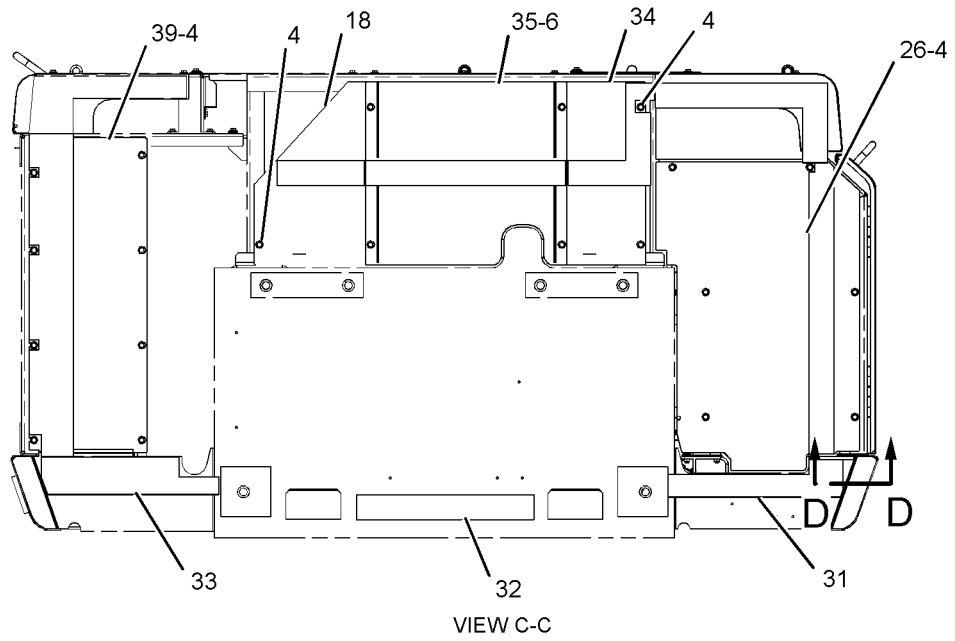
GRAPHIC #1

g01133569

FRAME AND BODY

236-3725 HOOD & GUARD GP (contd.)

i02847413



GRAPHIC #2

<END>

g01128598

FRAME AND BODY

236-3725 HOOD & GUARD GP-PUMP COMPARTMENT

S/N: MMA259-UP

PART OF 228-8154 CHASSIS AR

SMCS-7251, 7276

i03643769

NOTE	REF NO	GRAPHIC REF	PART NUMBER	QTY	PART NAME	SEE PAGE
	1	1,2	7Y-2853	9	SPACER (13X38X5-MM THK)	
	2	2	283-4046	1	ROD	
CM	3	1,2	135-8573	44	BOLT AS (M12X1.75X25-MM)	
M	4	1	135-8574	10	BOLT AS (M12X1.75X25-MM)	
CM	5	1,2	135-8575	16	BOLT AS (M12X1.75X30-MM)	
CM	6	1,2	135-8577	9	BOLT AS (M12X1.75X35-MM)	
M	7	2	135-8578	2	BOLT AS (M12X1.75X40-MM)	
	8	2	190-6919	2	SPACER (24X38X16.5-MM THK)	
	9	1,2	190-6999	11	SPACER (24X50X3-MM THK)	
Y	10	2	236-9255	1	SHEET AS-SOUND SUPPRESSION	539
Y	11	1	236-9266	1	PANEL GP-SOUND SUPPRESSION	521
Y	12	1	236-9270	1	SHEET AS-SOUND SUPPRESSION	540
Y	13	1	236-9276	1	SHEET AS-SOUND SUPPRESSION	541
	14	2	244-7972	1	SHEET AS	
		2	244-7973	1	LINER	
	15	2	244-7976	1	SHEET AS	
		2	244-7977	1	LINER	
Y	16	2	244-7998	1	PANEL GP-SOUND SUPPRESSION	526
	17	2	244-8088	1	LINER	
	18	2	244-8089	1	LINER	
	19	2	244-8090	1	LINER	
Y	20	2	244-8093	1	SHEET AS-SOUND SUPPRESSION	544
Y	21	2	244-8095	1	SHEET AS-SOUND SUPPRESSION	545
Y	22	1	244-8104	1	SHEET AS-SOUND SUPPRESSION	546
Y	23	1	244-8108	1	PANEL GP-SOUND SUPPRESSION	528
	24	2	259-3727	1	SHEET AS	
D		2	5P-8309		SEAL (0.3-M)	
		2	244-7997	1	LINER	
CY	25	1	303-9677	1	DOOR AS-ACCESS (PUMP COMPARTMENT)	443
J	26	1	307-7655	1	LOCK AS	
CY	27	1	307-7883	1	SHEET AS-SOUND SUPPRESSION	548
C	28	1	307-7888	1	SHEET AS	
		1	4I-7924	6	WASHER (4.5X40X1.2-MM THK)	
		1	6P-2216	6	CAP	
		1	177-5598	1	INSULATION	
CY	29	1	307-7890	1	COVER AS-SOUND SUPPRESSION (ENGINE)	439
	30	2	3B-4618	1	PIN-COTTER	
M	31	1	5C-7261	6	NUT (M8X1.25-THD)	
	32	2	8T-4121	1	WASHER-HARD (11X21X2.5-MM THK)	
	33	1	8T-4224	6	WASHER-HARD (8.8X16X2-MM THK)	

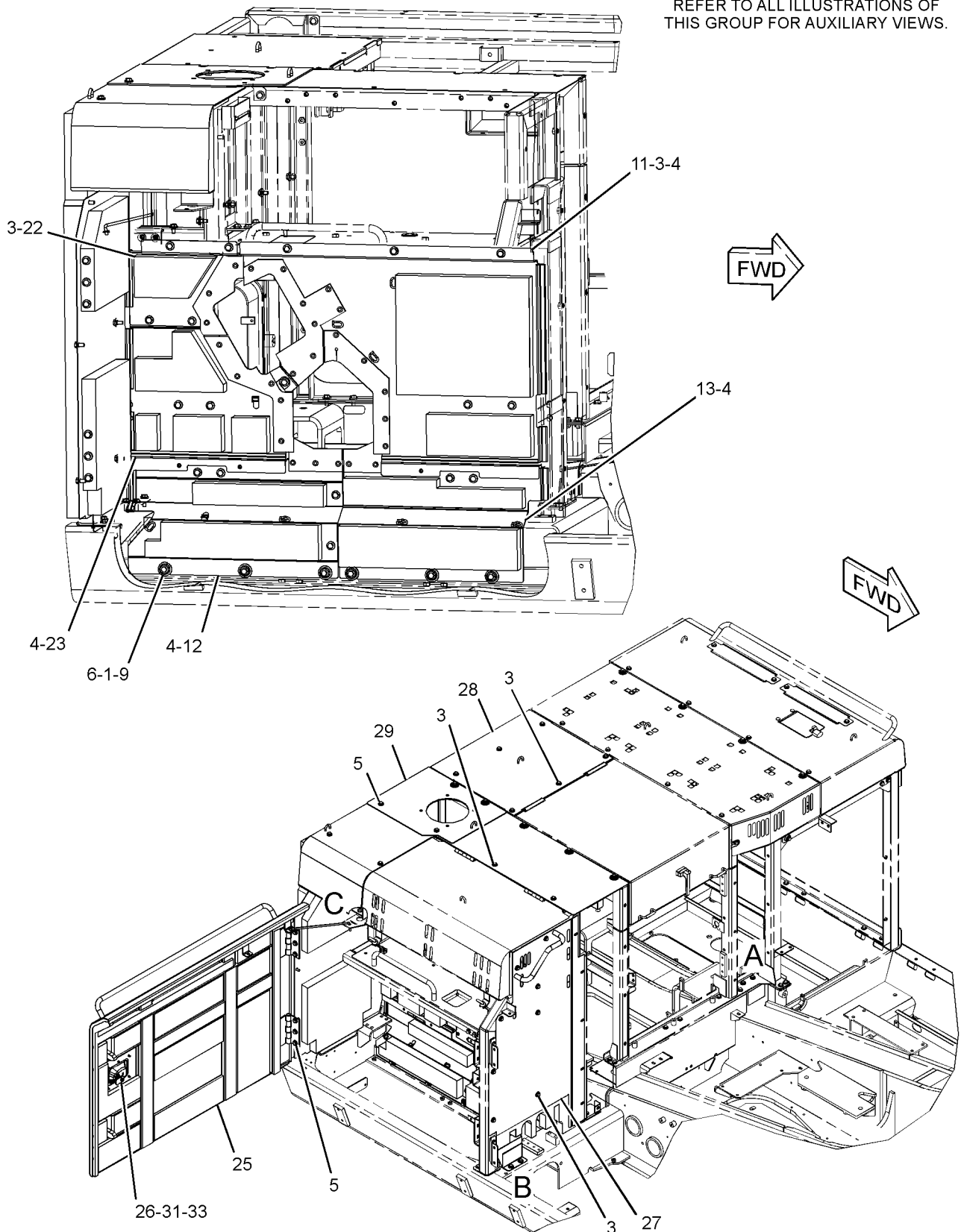
C-CHANGE FROM PREVIOUS TYPE
D-ORDER BY THE METER
J-REQUIRES CORPORATE KEY
M-METRIC PART
Y-SEPARATE ILLUSTRATION

FRAME AND BODY

236-3725 HOOD & GUARD GP (contd.)

i03643769

REFER TO ALL ILLUSTRATIONS OF THIS GROUP FOR AUXILIARY VIEWS.



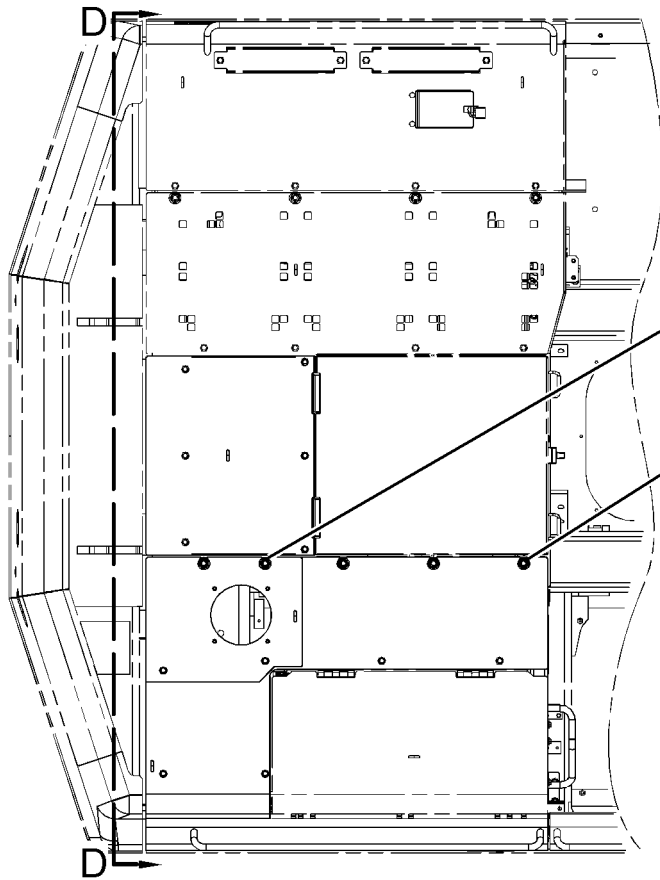
GRAPHIC #1

g01583294

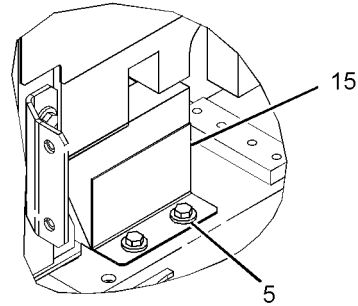
FRAME AND BODY

236-3725 HOOD & GUARD GP (contd.)

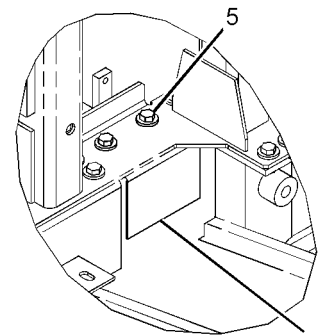
i03643769



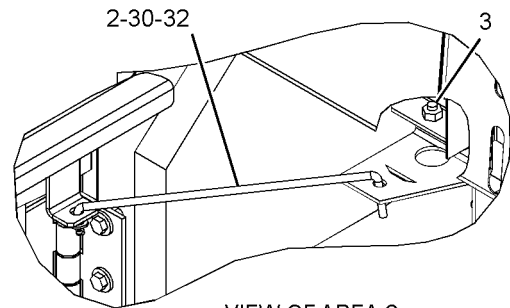
TOP VIEW 



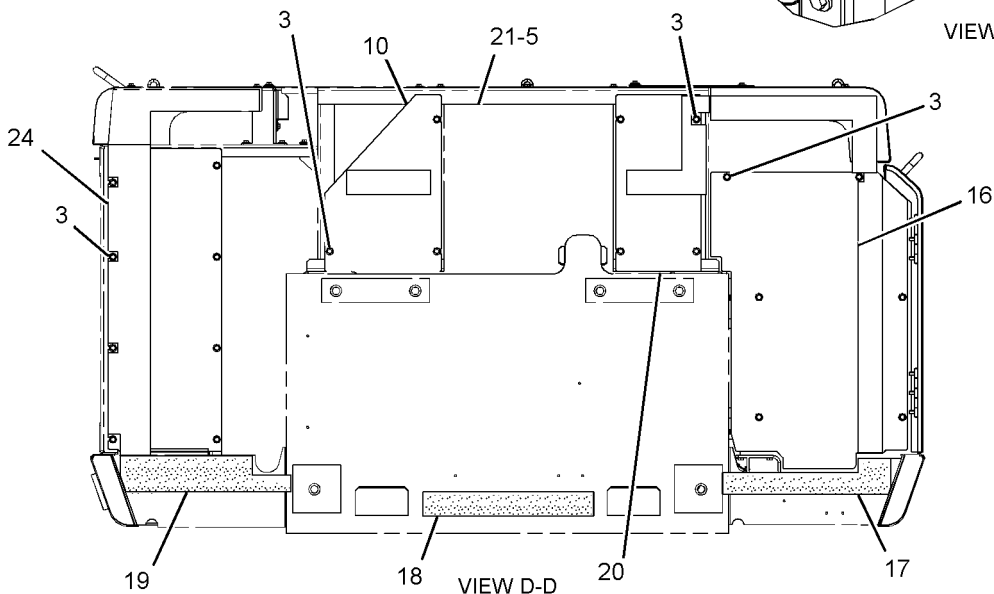
VIEW OF AREA B



VIEW OF AREA A



VIEW OF AREA C



GRAPHIC #2

<END>

g01583333

FRAME AND BODY

285-7945 HOOD & GUARD GP-HIGH AMBIENT

S/N: MMA1-UP

FOR USE WITH 265-7172-PAGE 3

AN ATTACHMENT

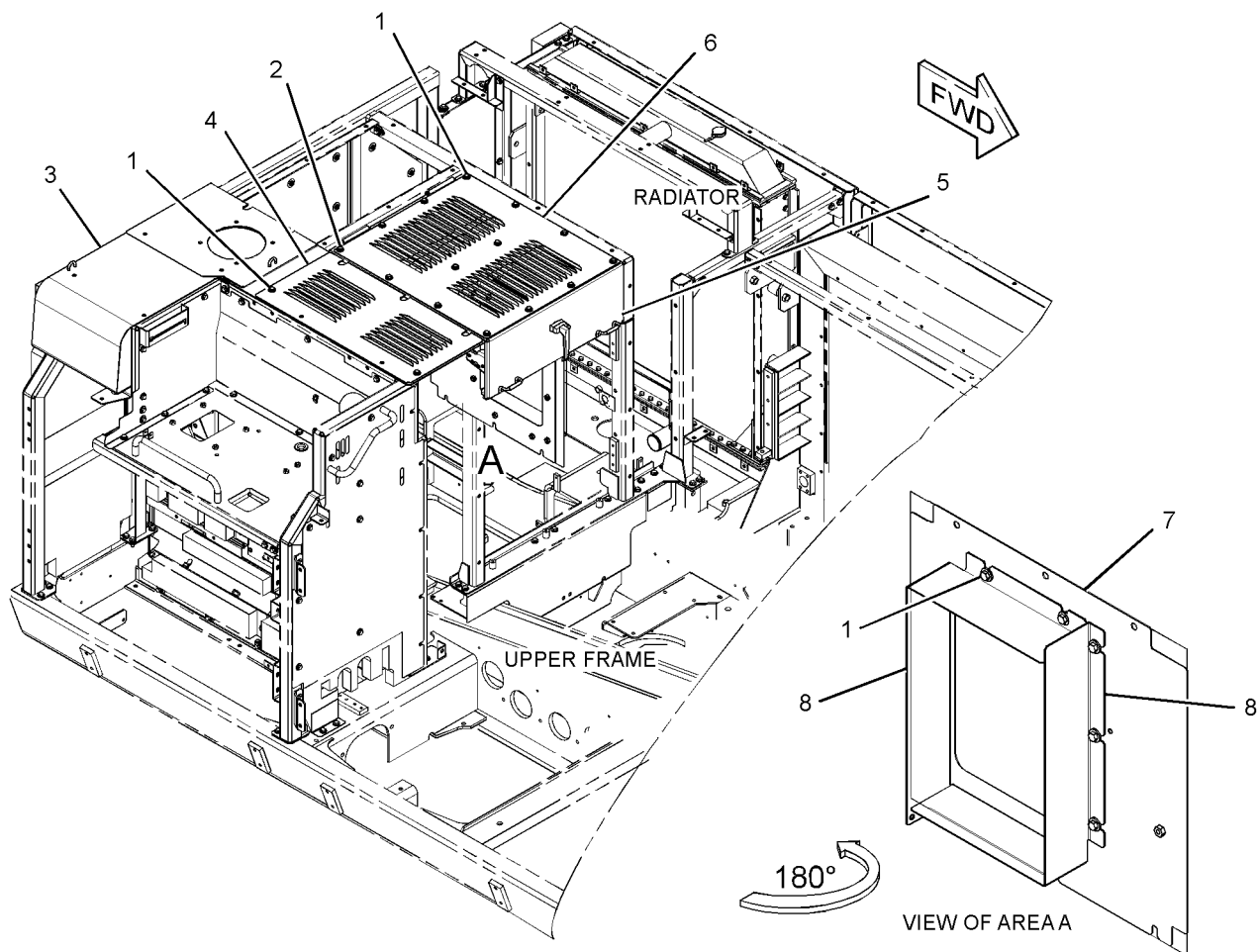
TYPE 1

SMCS-7251, 7276

i02726467

NOTE	REF NO	GRAPHIC REF	PART NUMBER	QTY	PART NAME						SEE PAGE
					1	2	3	4	5	6 (PRODUCT LEVEL)	
M	1	1	135-8572	22	BOLT AS						
M	2	1	135-8573	4	BOLT AS						
Y	3	1	276-9214	1	HOOD AS						503
	4	1	276-9217	1	COVER						
Y	5	1	276-9218	1	HOOD GP-ENGINE						509
	6	1	276-9221	1	COVER						
	7	1	284-0057	1	SHEET AS						
	8	1	284-0062	2	SHEET						

M-METRIC PART
Y-SEPARATE ILLUSTRATION



GRAPHIC #1

<END>

g01406176

FRAME AND BODY

285-7945 HOOD & GUARD GP-HIGH AMBIENT

S/N: MMA1-UP

FOR USE WITH 265-7172-PAGE 3

AN ATTACHMENT

TYPE 2

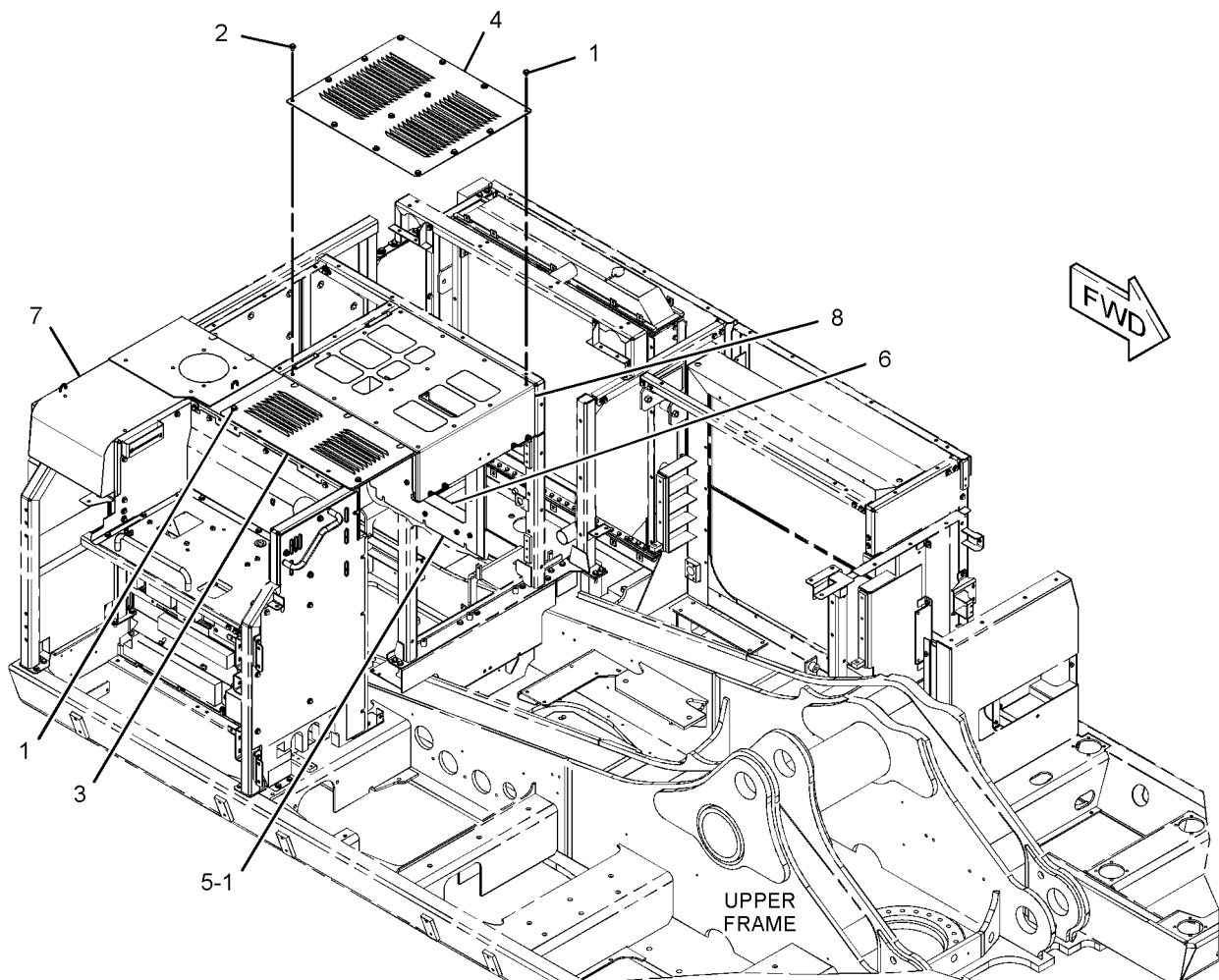
SMCS-7251, 7276

i03144562

NOTE	REF NO	GRAPHIC REF	PART NUMBER	QTY	PART NAME						SEE PAGE
					1	2	3	4	5	6 (PRODUCT LEVEL)	
M	1	1	135-8572	22	BOLT AS						
M	2	1	135-8573	4	BOLT AS						
	3	1	276-9217	1	COVER						
	4	1	276-9221	1	COVER						
	5	1	284-0057	1	SHEET AS						
	6	1	284-0062	1	SHEET						
Y	7	1	313-8284	1	HOOD AS						504
	8	1	313-8286	1	HOOD AS						
		1	146-4936	2	HANDLE AS						
		1	165-3010	2	HINGE						

M-METRIC PART

Y-SEPARATE ILLUSTRATION



GRAPHIC #1

<END>

g01705077

FRAME AND BODY

276-9214 HOOD AS

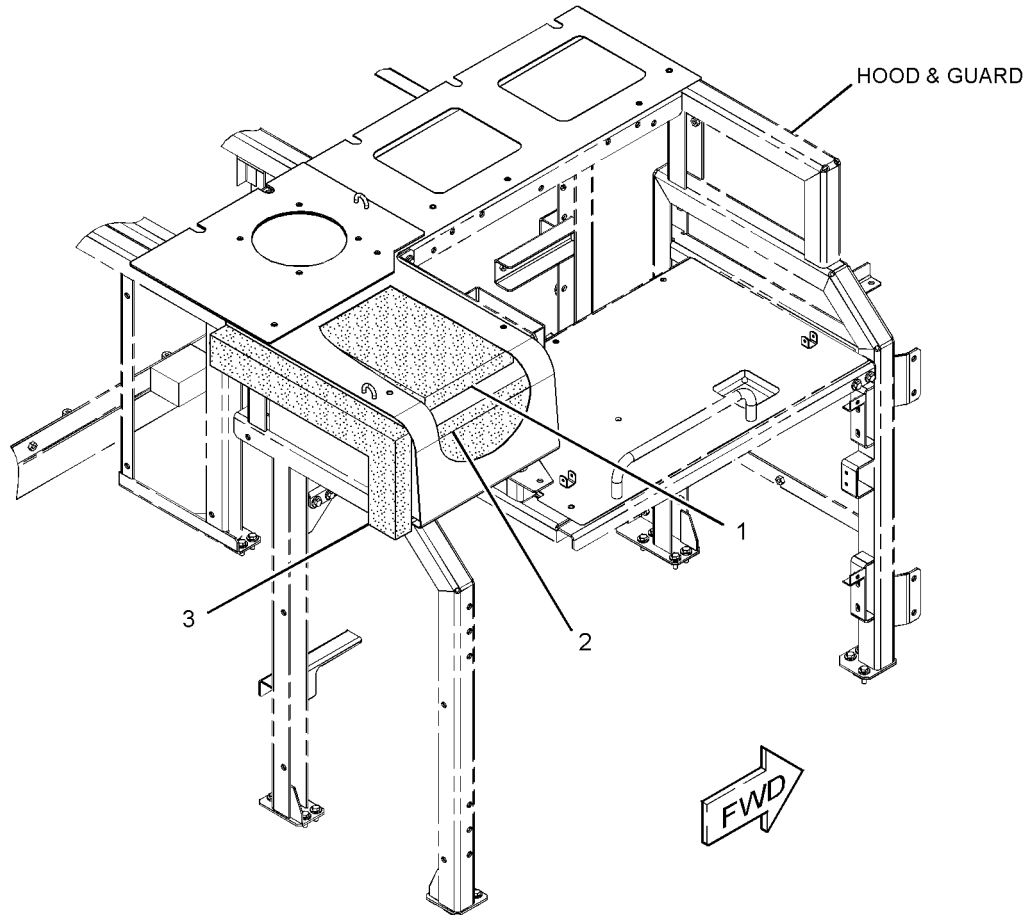
S/N: MMA1-UP

PART OF 285-7945 HOOD & GUARD GP
AN ATTACHMENT

SMCS-7251

i02726480

NOTE	REF NO	GRAPHIC REF	PART NUMBER	QTY	PART NAME						SEE PAGE
					1	2	3	4	5	6 (PRODUCT LEVEL)	
	1	1	177-5654	1	INSULATION						
	2	1	177-5655	1	INSULATION						
	3	1	244-8155	1	LINER						



GRAPHIC #1

<END>

g01384477

FRAME AND BODY

313-8284 HOOD AS

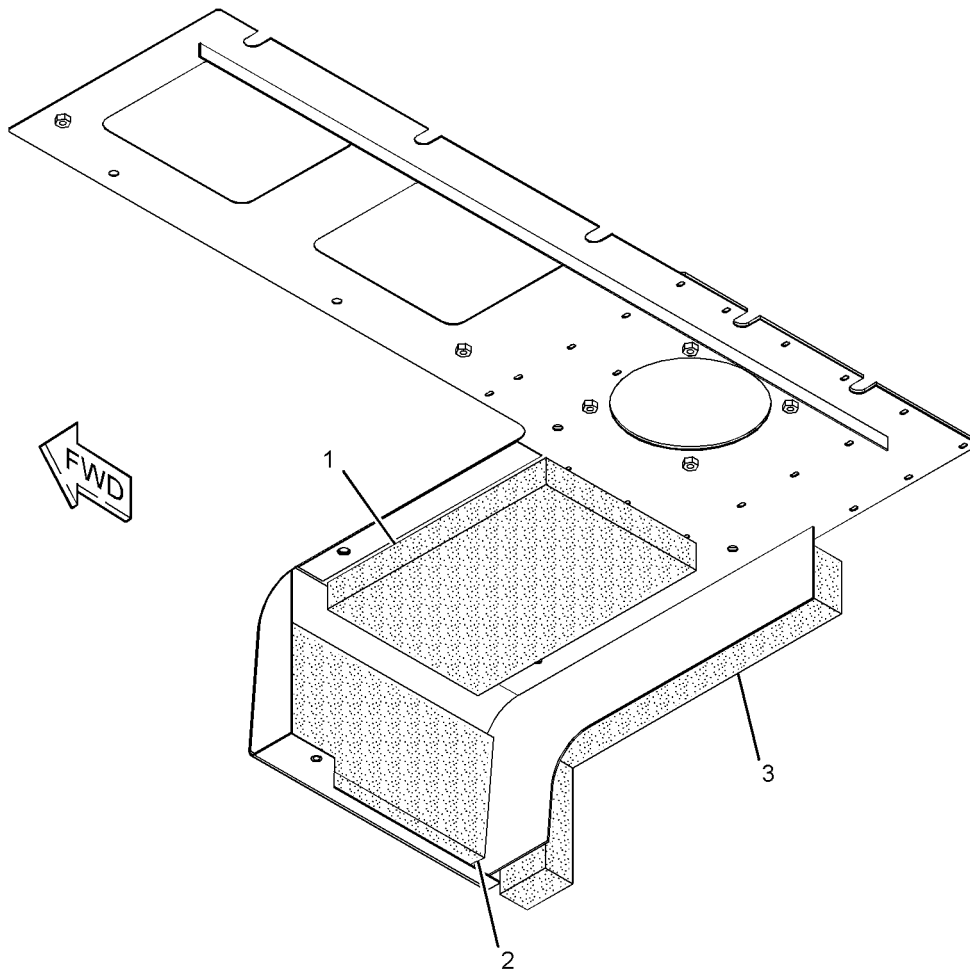
S/N: MMA1-UP

PART OF 285-7945 HOOD & GUARD GP
AN ATTACHMENT

SMCS-7251

i03144568

NOTE	REF NO	GRAPHIC REF	PART NUMBER	QTY	PART NAME						SEE PAGE
					1	2	3	4	5	6 (PRODUCT LEVEL)	
	1	1	177-5654	1	INSULATION						
	2	1	177-5655	1	INSULATION						
	3	1	244-8155	1	LINER						



GRAPHIC #1

<END>

g01708523

FRAME AND BODY

236-9596 HOOD GP-RADIATOR

S/N: MMA1-258

PART OF 223-2942 HOOD & GUARD GP

SMCS-7251

i02230621

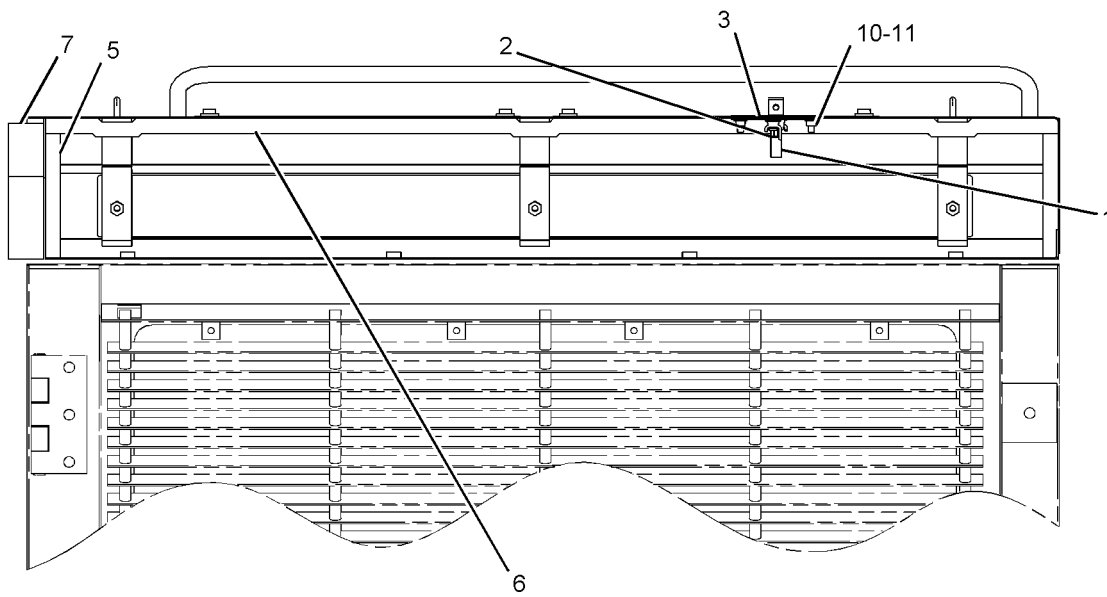
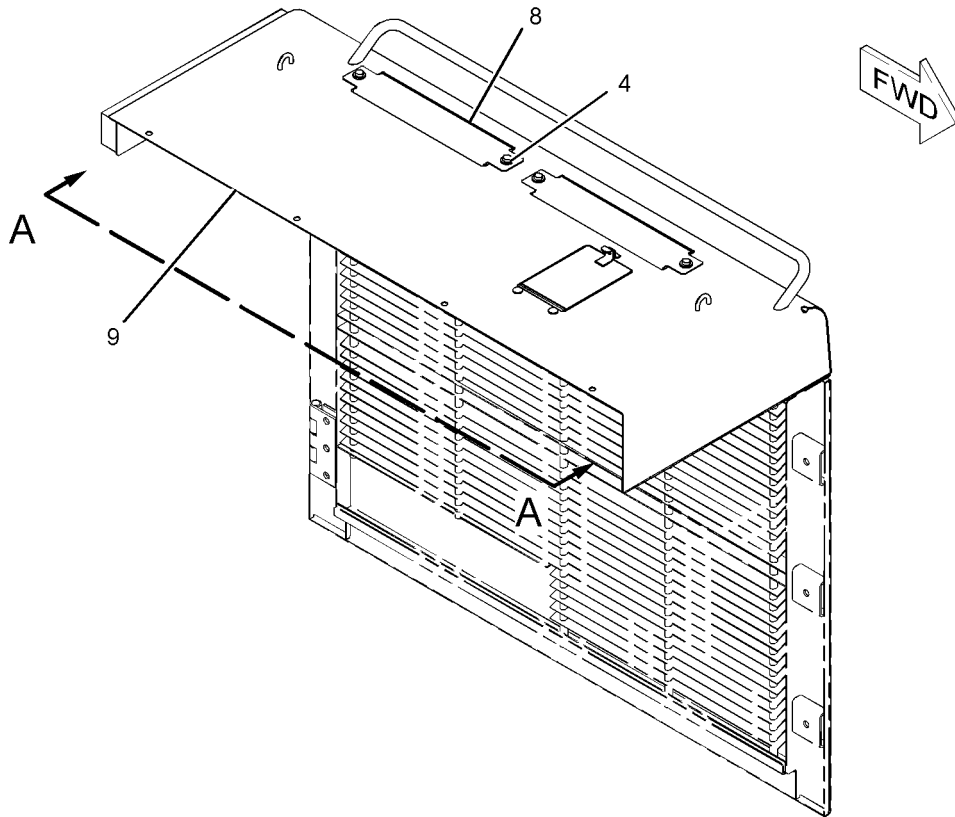
NOTE	REF NO	GRAPHIC REF	PART NUMBER	QTY	PART NAME						SEE PAGE
					1	2	3	4	5	6 (PRODUCT LEVEL)	
	1	1	1K-8850	1	SPRING						
	2	1	5V-3854	1	BUMPER						
	3	1	7Y-8876	1	DOOR AS						
		1	9V-3659	1	HINGE						
M	4	1	135-8573	4	BOLT AS						
	5	1	177-5637	2	LINER						
	6	1	244-8158	1	LINER						
	7	1	244-8159	2	SHEET						
	8	1	244-8160	1	LINER						
	9	1	259-3656	1	HOOD AS						
	10	1	8T-4121	2	WASHER-HARD (11X21X2.5-MM THK)						
M	11	1	8T-4133	2	NUT (M10X1.5-THD)						

M-METRIC PART

FRAME AND BODY

236-9596 HOOD GP (contd.)

i02230621



VIEW A-A

GRAPHIC #1

<END>

g01128725

FRAME AND BODY

177-5663 HOOD GP-ENGINE

S/N: MMA1-258

PART OF 223-2942 HOOD & GUARD GP

SMCS-7251

i02997541

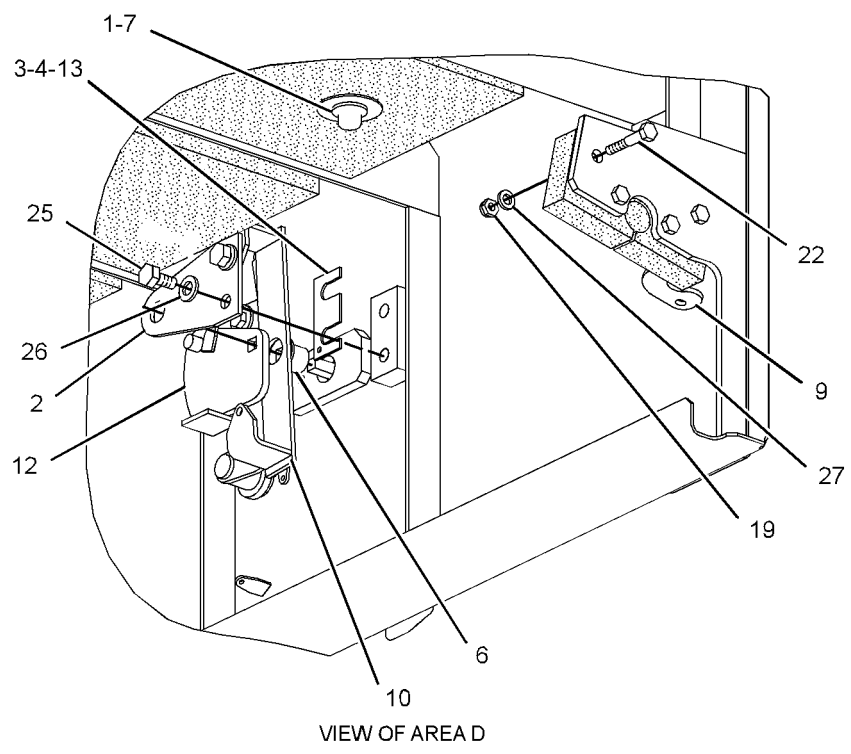
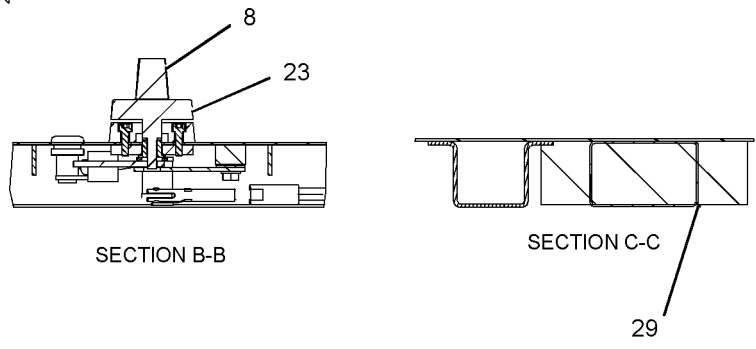
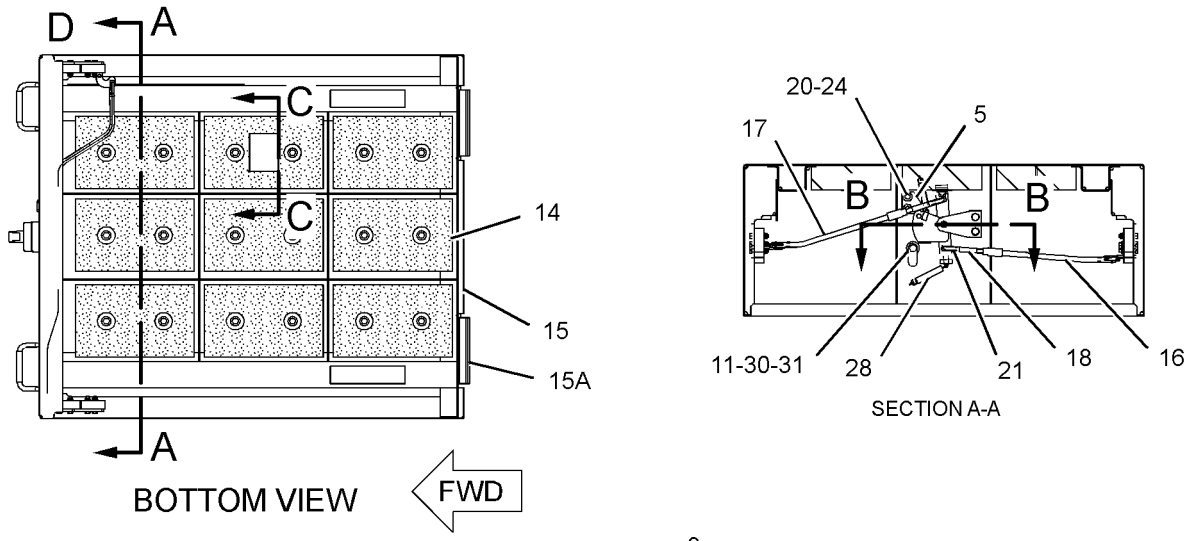
NOTE	REF NO	GRAPHIC REF	PART NUMBER	QTY	PART NAME						SEE PAGE
					1	2	3	4	5	6 (PRODUCT LEVEL)	
	1	1	4I-7924	18	WASHER (4.5X40X1.2-MM THK)						
	2	1	4I-7973	1	STRIP						
B	3	1	4I-8268	1	SHIM (0.2-MM THK)						
B	4	1	4I-8269	2	SHIM (0.5-MM THK)						
	5	1	4I-8587	1	PLATE						
	6	1	5G-0811	1	BUSHING-TERMINAL						
	7	1	6P-2216	18	CAP						
	8	1	6V-2331	1	HANDLE AS-OUTSIDE						
		1	6V-6887	1	KEEPER						
	9	1	6V-3354	2	LATCH AS-DOOR						
	10	1	7Y-3610	1	LEVER AS						
	11	1	8T-2888	1	LOCK GP						
	12	1	122-5260	1	LEVER AS						
B	13	1	135-8888	1	SHIM (1.6-MM THK)						
	14	1	177-5664	9	INSULATION						
	15	1	177-5666	1	HOOD AS						
	15A	1	165-3010	2	HINGE						
	16	1	177-5695	1	ROD AS						
	17	1	177-5697	1	ROD AS						
	18	1	177-5699	2	ROD						
M	19	1	099-0492	8	LOCKNUT (M6X1-THD)						
	20	1	5P-4115	2	WASHER-HARD (7.2X19X2-MM THK)						
	21	1	6V-7636	4	PIN AS-SPRING						
M	22	1	7X-2533	8	BOLT (M6X1X35-MM)						
M	23	1	8T-0269	2	BOLT-SOCKET HEAD (M6X1X20-MM)						
M	24	1	8T-4171	2	BOLT (M6X1X12-MM)						
M	25	1	8T-4200	2	BOLT (M8X1.25X16-MM)						
	26	1	8T-4224	2	WASHER-HARD (8.8X16X2-MM THK)						
	27	1	9X-8256	8	WASHER (6.6X12X2-MM THK)						
	28	1	9D-1058	2	SPRING						
D	29	1	5P-6027		LOCKWIRE (0.35-M EACH)						
	30	1	301-9823	1	RING						
	31	1	6V-8823	2	WASHER-HARD (19.25X27X2-MM THK)						

B-USE AS REQUIRED
D-ORDER BY THE METER
M-METRIC PART

FRAME AND BODY

177-5663 HOOD GP-ENGINE (contd.)

i02997541



GRAPHIC #1

<END>

g01428472

FRAME AND BODY

276-9218 HOOD GP-ENGINE

S/N: MMA1-UP

PART OF 285-7945 HOOD & GUARD GP
AN ATTACHMENT

SMCS-7251

i02726486

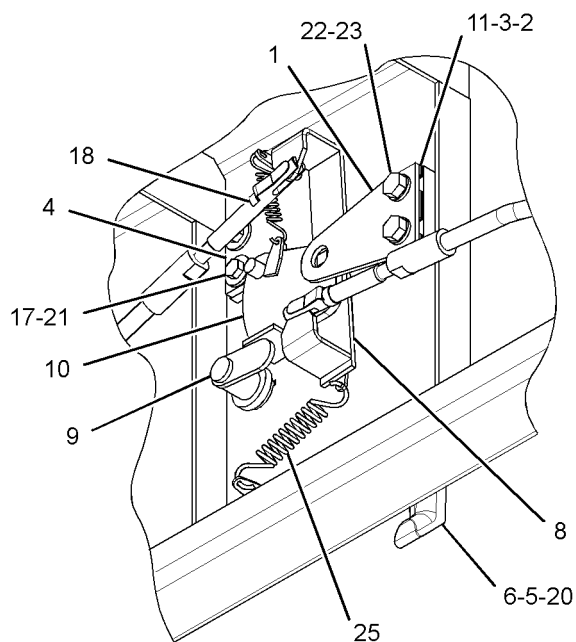
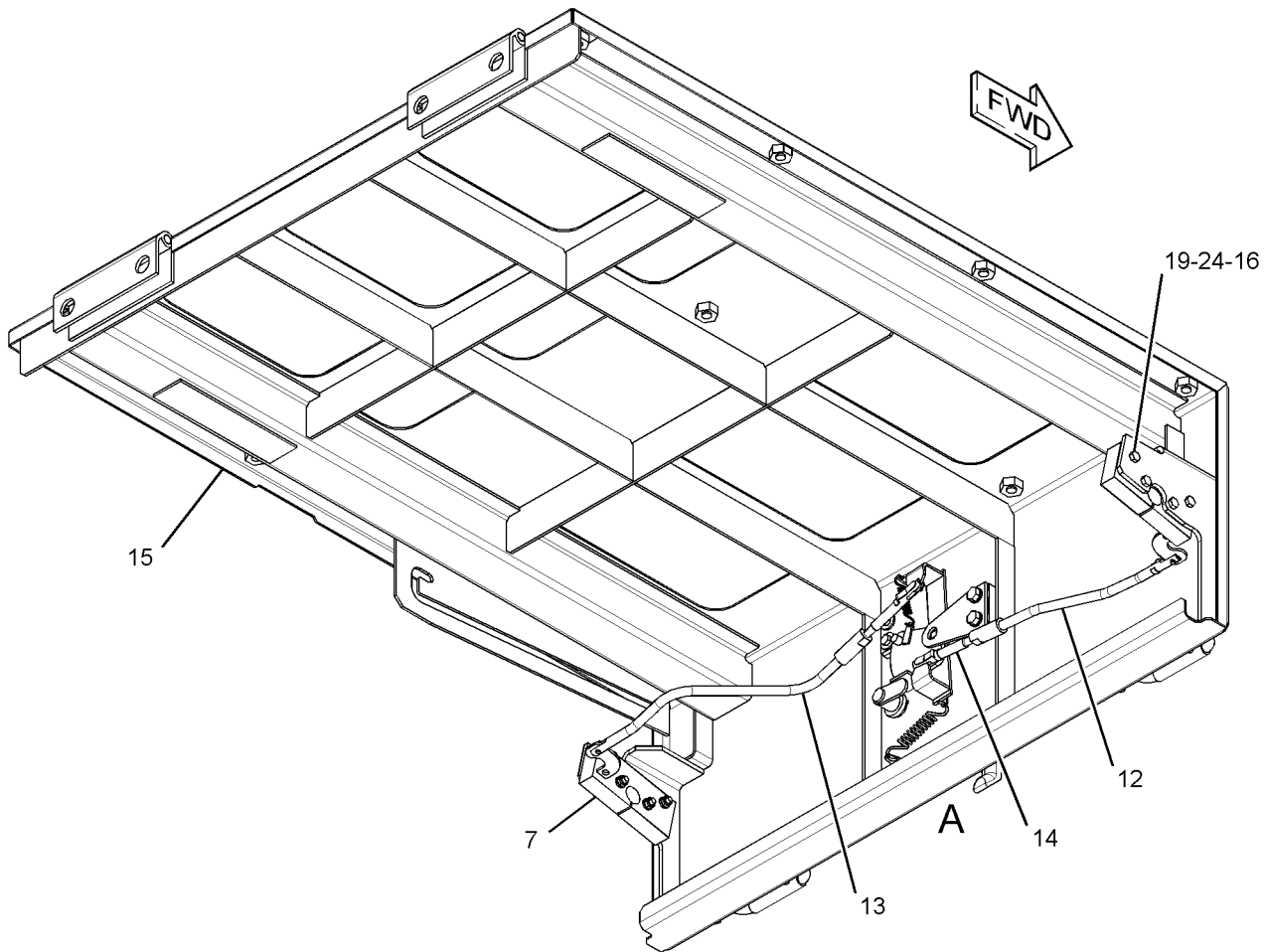
NOTE	REF NO	GRAPHIC REF	PART NUMBER	QTY	PART NAME						SEE PAGE
					1	2	3	4	5	6 (PRODUCT LEVEL)	
	1	1	4I-7973	1	STRIP						
B	2	1	4I-8268	1	SHIM (0.2-MM THK)						
B	3	1	4I-8269	2	SHIM (0.5-MM THK)						
	4	1	4I-8587	1	PLATE						
	5	1	5G-0811	1	BUSHING-TERMINAL						
	6	1	6V-2331	1	HANDLE AS-OUTSIDE						
		1	6V-6887	1	KEEPER						
	7	1	6V-3354	2	LATCH AS-DOOR						
	8	1	7Y-3610	1	LEVER AS						
	9	1	8T-2888	1	LOCK GP						
		1	226-0294	1	LOCK AS						
		1	226-0338	1	CAM						
	10	1	122-5260	1	LEVER AS						
B	11	1	135-8888	1	SHIM (1.6-MM THK)						
	12	1	177-5695	1	ROD AS						
	13	1	177-5697	1	ROD AS						
	14	1	177-5699	2	ROD						
	15	1	276-9219	1	HOOD AS						
M	16	1	099-0492	8	LOCKNUT (M6X1-THD)						
	17	1	5P-4115	2	WASHER-HARD (7.2X19X2-MM THK)						
	18	1	6V-7636	4	PIN AS-SPRING						
M	19	1	7X-2533	8	BOLT (M6X1X35-MM)						
M	20	1	8T-0269	2	BOLT-SOCKET HEAD (M6X1X20-MM)						
M	21	1	8T-4171	2	BOLT (M6X1X12-MM)						
M	22	1	8T-4200	2	BOLT (M8X1.25X16-MM)						
	23	1	8T-4224	2	WASHER-HARD (8.8X16X2-MM THK)						
	24	1	9X-8256	8	WASHER (6.6X12X2-MM THK)						
	25	1	9D-1058	2	SPRING						

B-USE AS REQUIRED
M-METRIC PART

FRAME AND BODY

276-9218 HOOD GP-ENGINE (contd.)

i02726486



VIEW OF AREA A

GRAPHIC #1

<END>

g01376460

FRAME AND BODY

307-7892 HOOD GP-ENGINE-RADIATOR

S/N: MMA259-UP

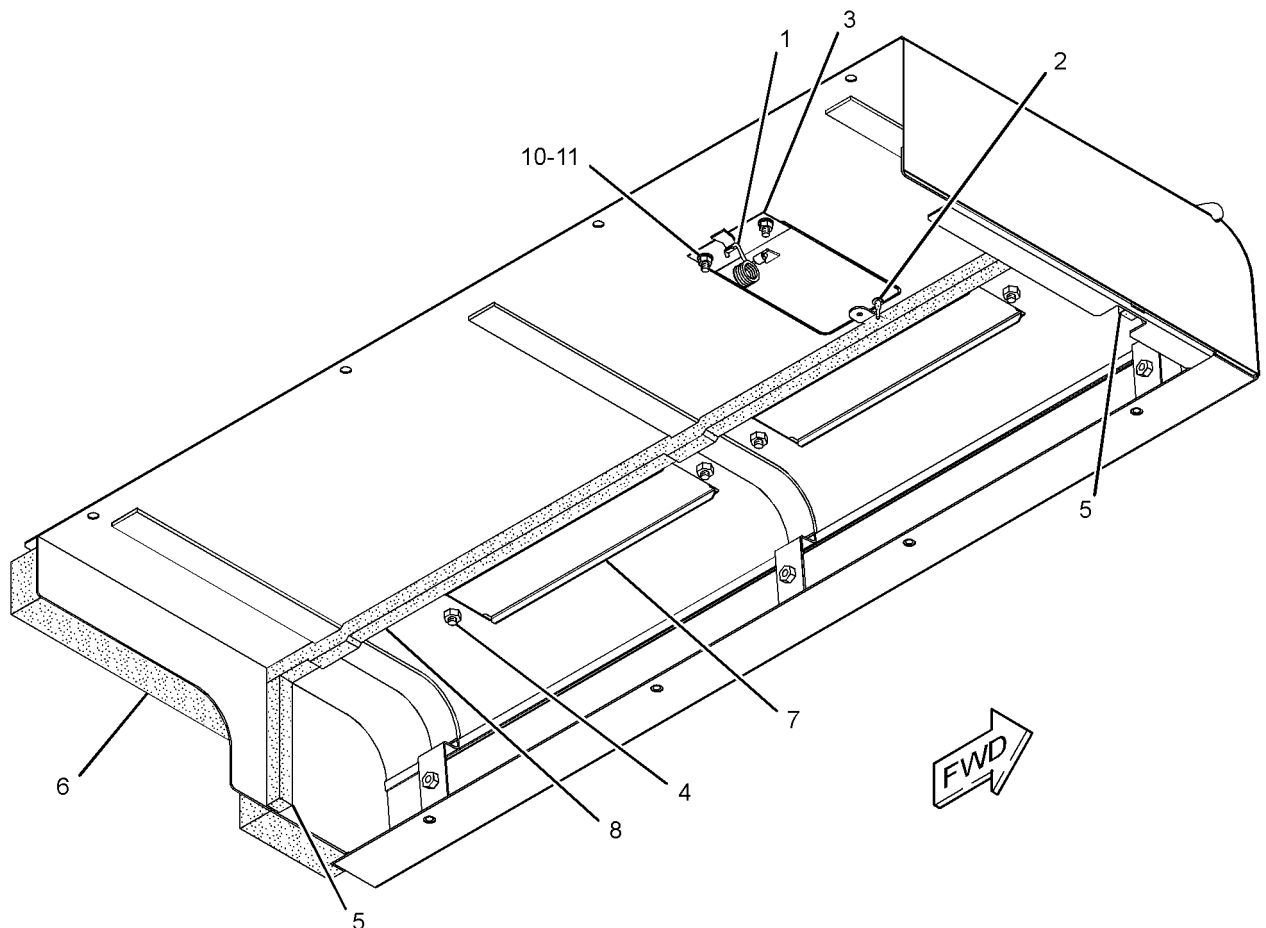
PART OF 223-2942 HOOD & GUARD GP

SMCS-7251

i03037363

NOTE	REF NO	GRAPHIC REF	PART NUMBER	QTY	PART NAME						SEE PAGE
					1	2	3	4	5	6 (PRODUCT LEVEL)	
	1	1	1K-8850	1	SPRING						
	2	1	5V-3854	1	BUMPER						
	3	1	7Y-8876	1	DOOR AS						
		1	9V-3659	1	HINGE						
M	4	1	135-8573	4	BOLT AS						
	5	1	177-5637	2	LINER						
	6	1	244-8158	1	LINER						
	7	1	244-8159	2	SHEET						
	8	1	244-8160	1	LINER						
	10	1	8T-4121	2	WASHER-HARD (11X21X2.5-MM THK)						
M	11	1	8T-4133	2	NUT (M10X1.5-THD)						

M-METRIC PART



GRAPHIC #1

<END>

g01567273

FRAME AND BODY

307-7902 HOOD GP-ENGINE

S/N: MMA259

PART OF 223-2942 HOOD & GUARD GP

SMCS-7251

i03037364

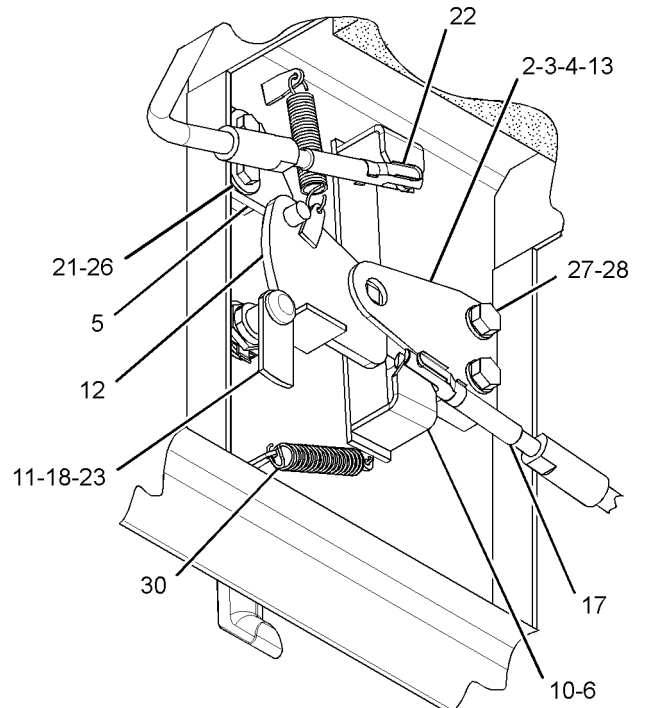
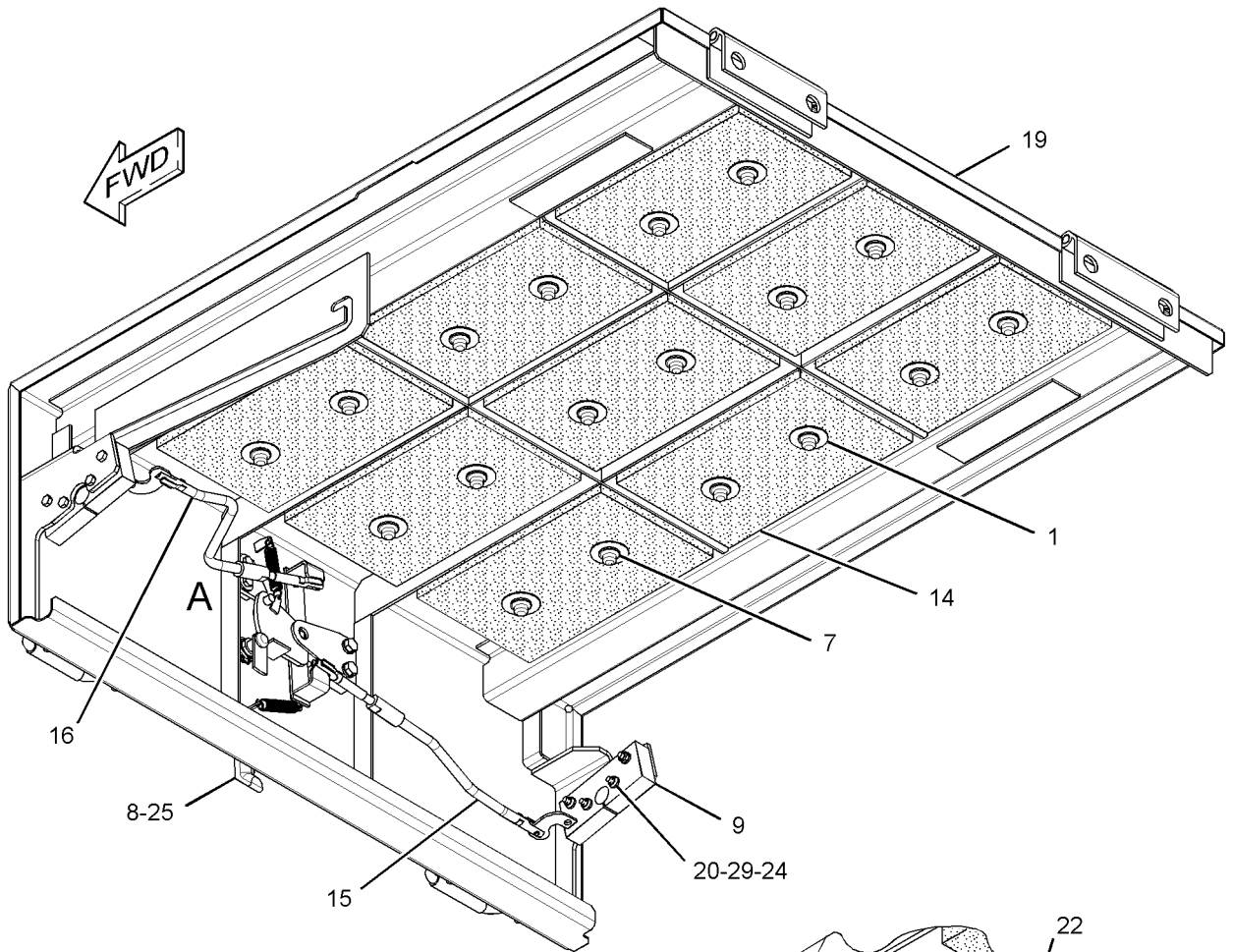
NOTE	REF NO	GRAPHIC REF	PART NUMBER	QTY	PART NAME						SEE PAGE
					1	2	3	4	5	6 (PRODUCT LEVEL)	
	1	1	4I-7924	18	WASHER (4.5X40X1.2-MM THK)						
	2	1	4I-7973	1	STRIP						
B	3	1	4I-8268	1	SHIM (0.2-MM THK)						
B	4	1	4I-8269	2	SHIM (0.5-MM THK)						
	5	1	4I-8587	1	PLATE						
	6	1	5G-0811	1	BUSHING-TERMINAL						
	7	1	6P-2216	18	CAP						
	8	1	6V-2331	1	HANDLE AS-OUTSIDE						
		1	6V-6887	1	KEEPER						
	9	1	6V-3354	2	LATCH AS-DOOR						
	10	1	7Y-3610	1	LEVER AS						
	11	1	8T-2888	1	LOCK GP						
		1	226-0294	1	LOCK AS						
		1	226-0338	1	CAM						
	12	1	122-5260	1	LEVER AS						
B	13	1	135-8888	1	SHIM (1.6-MM THK)						
	14	1	177-5664	9	INSULATION						
	15	1	177-5695	1	ROD AS						
	16	1	177-5697	1	ROD AS						
	17	1	177-5699	2	ROD						
	18	1	301-9823	1	RING						
	19	1	307-7898	1	HOOD AS						
		1	146-4936	2	HANDLE AS						
		1	165-3010	2	HINGE						
M	20	1	099-0492	8	LOCKNUT (M6X1-THD)						
	21	1	5P-4115	2	WASHER-HARD (7.2X19X2-MM THK)						
	22	1	6V-7636	4	PIN AS-SPRING						
	23	1	6V-8823	2	WASHER-HARD (19.25X27X2-MM THK)						
M	24	1	7X-2533	8	BOLT (M6X1X35-MM)						
M	25	1	8T-0269	2	BOLT-SOCKET HEAD (M6X1X20-MM)						
M	26	1	8T-4171	2	BOLT (M6X1X12-MM)						
M	27	1	8T-4200	2	BOLT (M8X1.25X16-MM)						
	28	1	8T-4224	2	WASHER-HARD (8.8X16X2-MM THK)						
	29	1	9X-8256	8	WASHER (6.6X12X2-MM THK)						
	30	1	9D-1058	2	SPRING						

B-USE AS REQUIRED
M-METRIC PART

FRAME AND BODY

307-7902 HOOD GP-ENGINE (contd.)

i03037364



VIEW OF AREA A

GRAPHIC #1

<END>

g01567934

FRAME AND BODY

307-8017 HOOD GP-ENGINE

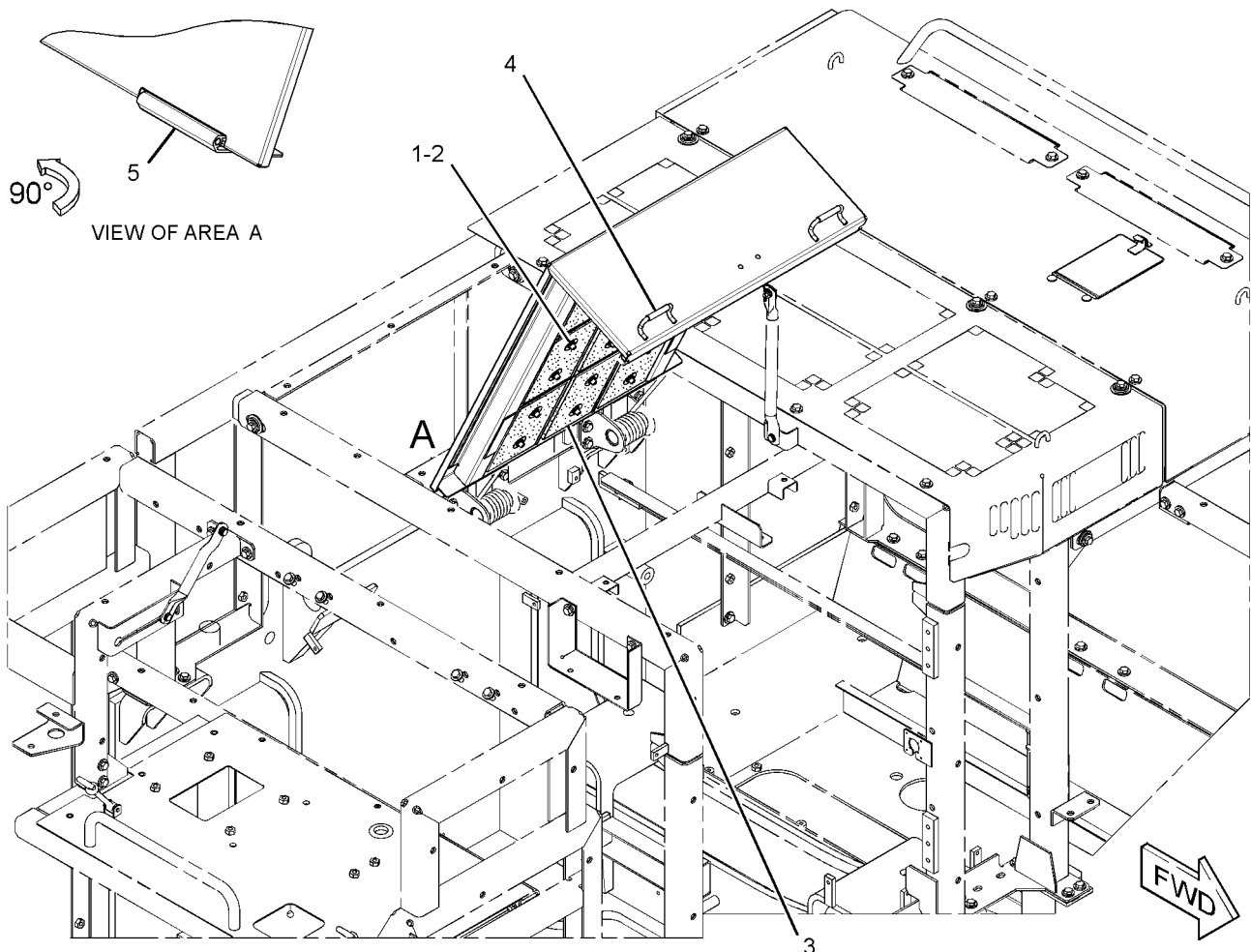
S/N: MMA260-UP

PART OF 223-2942 HOOD & GUARD GP

SMCS-7251

i03645032

NOTE	REF NO	GRAPHIC REF	PART NUMBER	QTY	PART NAME						SEE PAGE
					1	2	3	4	5	6 (PRODUCT LEVEL)	
	1	1	4I-7924	18	WASHER (4.5X40X1.2-MM THK)						
	2	1	6P-2216	18	CAP						
	3	1	177-5664	9	INSULATION						
	4	1	146-4936	2	HANDLE AS						
	5	1	165-3010	2	HINGE						



GRAPHIC #1

<END>

g01955721

FRAME AND BODY

245-5641 LINES GP-LUBRICATION-GREASE

S/N: MMA1-UP

PART OF 228-8252 PUMP & LINES GP-AUTOMATIC LUBE
AN ATTACHMENT

SMCS-7510

i02442438

NOTE	REF NO	GRAPHIC REF	PART NUMBER	QTY	PART NAME						SEE PAGE
					1	2	3	4	5	6 (PRODUCT LEVEL)	
	1	2	6K-0806	6	STRAP-CABLE						
	2	1,2	108-6709	14	CONNECTOR						
	3	2	108-6710	4	CONNECTOR						
	4	2	108-6711	2	SLEEVE						
	5	2	108-6712	2	CONNECTOR						
	6	2	108-6713	2	SLEEVE						
M	7	2	108-6714	2	NUT (M10X1-THD)						
	8	2	109-8708	2	CLAMP						
	9	2	118-6049	12	PLUG						
	10	2	118-6051	2	NUT (M10X1-THD)						
	11	2	118-6052	2	SLEEVE						
	12	2	126-5188	2	ELBOW						
	13	1	144-9315	2	HOSE AS						
	14	1	149-6586	1	HOSE AS						
	15	1	149-6591	1	SUPPORT AS						
	16	1	151-0607	1	HOSE AS						
	17	2	151-3146	1	TUBE						
	18	2	151-3147	1	TUBE						
	19	2	156-0749	1	VALVE						
	20	2	156-0760	2	CONNECTOR AS						
Y	21	1	202-2917	1	PUMP GP-LUBRICATION						532
	22	2	202-2922	1	TUBE						
	23	2	202-2923	1	TUBE						
	24	1	202-2926	1	PLATE AS						
	25	2	202-2958	2	STRAP						
	26	2	202-2959	2	STRAP						
	27	1	228-8159	1	HOSE AS						
	28	1	228-8160	1	HOSE AS						
	29	1	228-8161	1	HOSE AS						
	30	2	228-8162	1	HOSE AS						
	31	1	238-2218	1	SWITCH AS-ROCKER (AUTOMATIC LUBRICATION)						
		1	167-3542	1	CONNECTOR-RECEPTACLE						
		1	167-3543	4	TERMINAL (MALE)						
	32	1	245-5595	1	BLOCK						
	33	1	245-5596	1	HOSE AS						
	34	1	245-5647	1	PLATE AS						
	35	1	247-5177	1	SENSOR AS-PRESSURE (GREASE)						
		1	3K-0360	1	SEAL-O-RING						
		1	243-4506	1	RECEPTACLE AS-CONNECTOR (3-PIN)						
		1	9X-3401	3	PIN-CONNECTOR (16-GA TO 18-GA)						
					-OR-						
		1	126-1767	3	PIN-CONNECTOR (14-GA)						
	36	1	4D-6466	2	CLIP						
M	37	1	5C-7261	2	NUT (M8X1.25-THD)						
	38	1	5P-1076	5	WASHER-HARD (13.5X30X4-MM THK)						
	39	2	5P-9297	2	CLIP						
	40	2	6D-3479	2	CLIP						
	41	2	6K-6967	1	ADAPTER-PIPE						
	42	2	7S-4244	2	CLIP						
	43	2	7Y-3281	1	GROMMET						
	44	2	8M-2772	4	CLIP						
	45	1,2	8T-4121	17	WASHER-HARD (11X21X2.5-MM THK)						
M	46	2	8T-4133	4	NUT (M10X1.5-THD)						
M	47	1,2	8T-4137	9	BOLT (M10X1.5X20-MM)						
M	48	1	8T-4139	4	BOLT (M12X1.75X30-MM)						

FRAME AND BODY

245-5641 LINES GP-LUBRICATION (contd.)

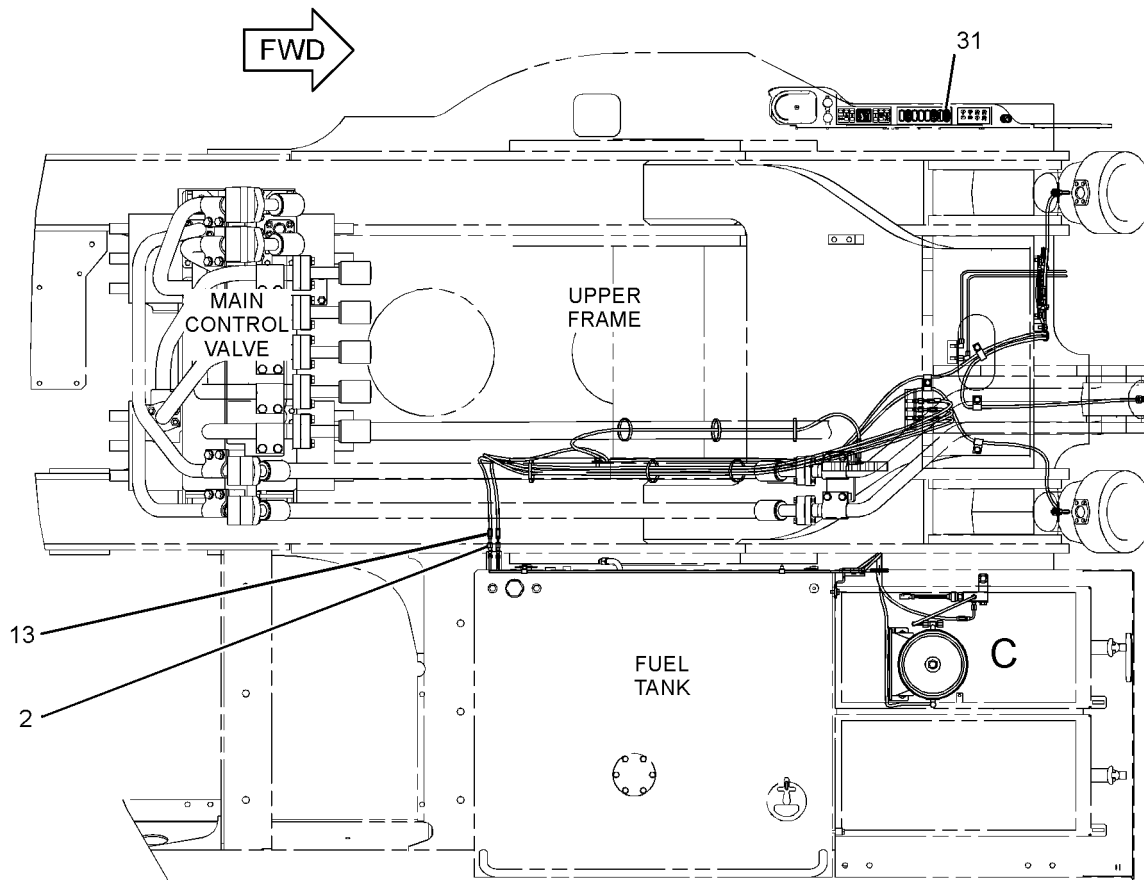
i02442438

NOTE	REF NO	GRAPHIC REF	PART NUMBER	QTY	PART NAME						SEE PAGE
					1	2	3	4	5	6 (PRODUCT LEVEL)	
M	49	2	8T-4191	4	BOLT (M10X1.5X16-MM)						
M	50	1	8T-4194	1	BOLT (M12X1.75X50-MM)						
	51	1	8T-4224	2	WASHER-HARD (8.8X16X2-MM THK)						
	52	1	8T-6757	1	PLUG-PIPE						
M	53	1	8T-7547	2	BOLT (M8X1.25X30-MM)						
M-METRIC PART											
Y-SEPARATE ILLUSTRATION											

FRAME AND BODY

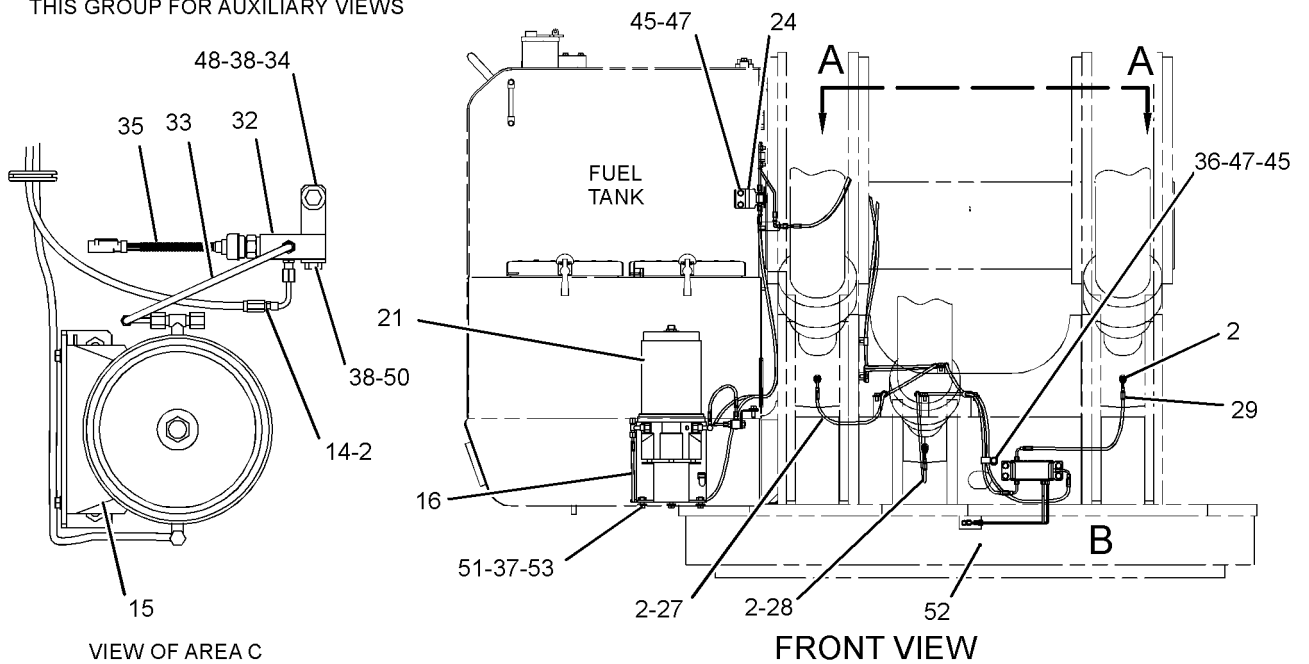
245-5641 LINES GP-LUBRICATION (contd.)

i02442438



TOP VIEW

REFER TO ALL ILLUSTRATIONS OF THIS GROUP FOR AUXILIARY VIEWS



FRONT VIEW

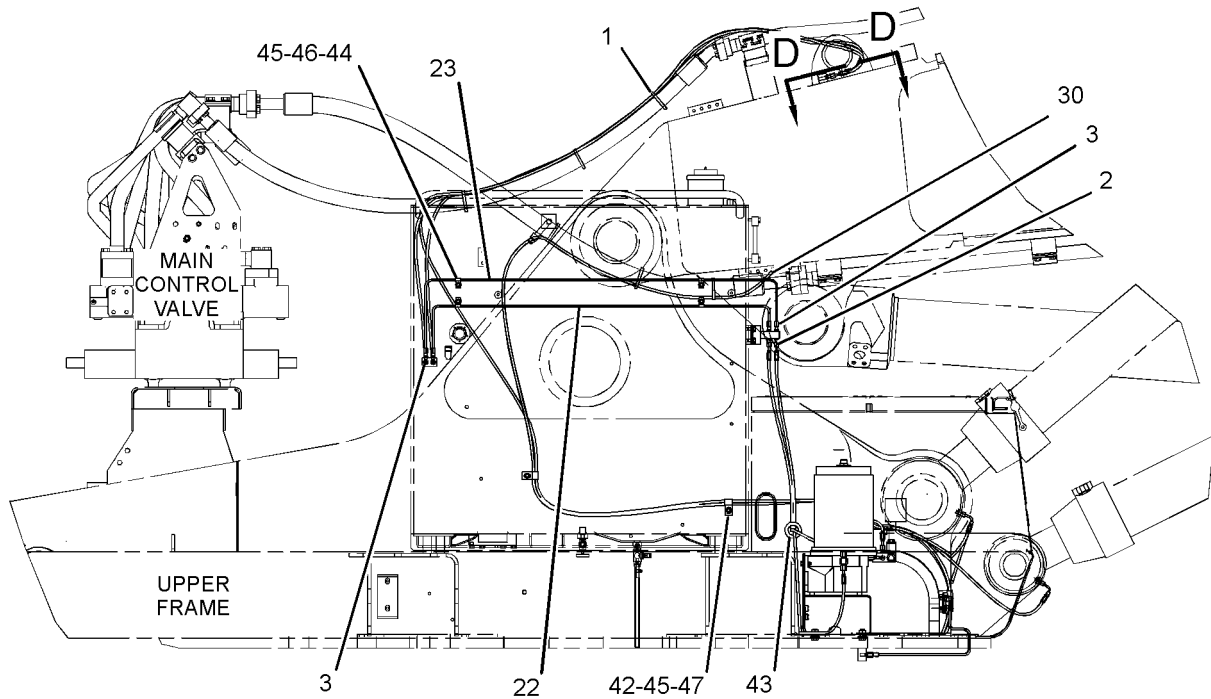
GRAPHIC #1

g01235598

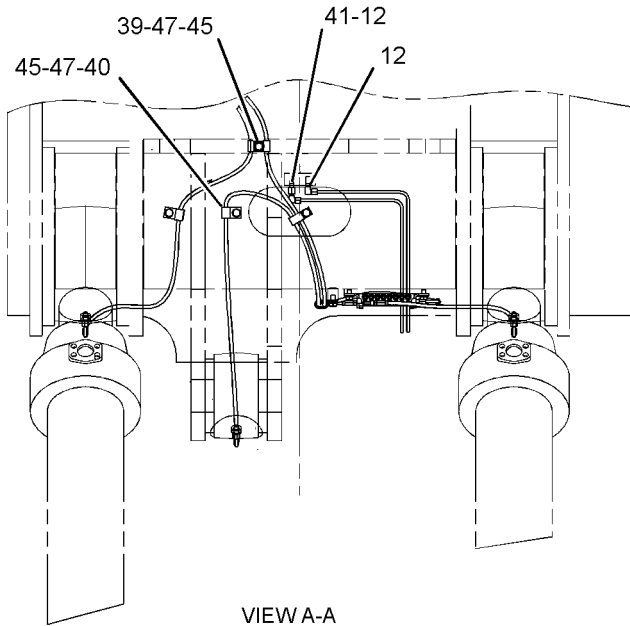
FRAME AND BODY

245-5641 LINES GP-LUBRICATION (contd.)

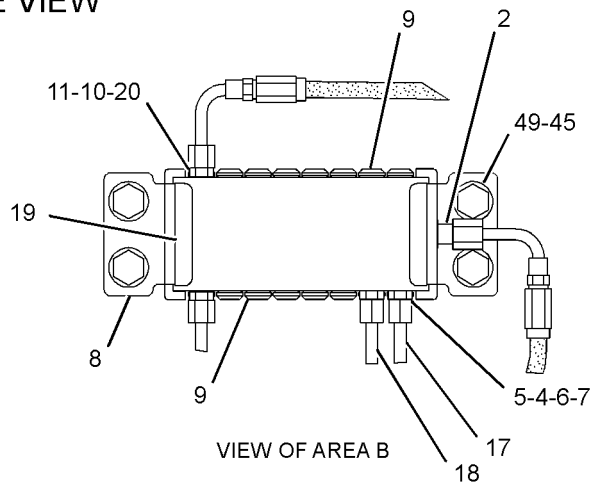
i02442438



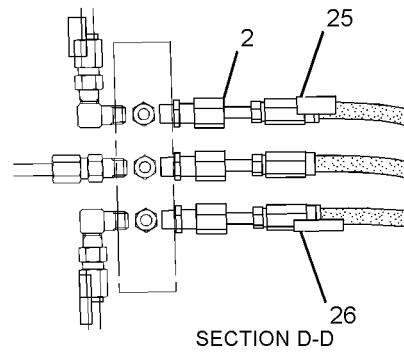
RIGHT SIDE VIEW



VIEW A-A



VIEW OF AREA B



SECTION D-D

GRAPHIC #2

<END>

g01235599

FRAME AND BODY

152-9604 LUBRICATION GP-ELECTRIC

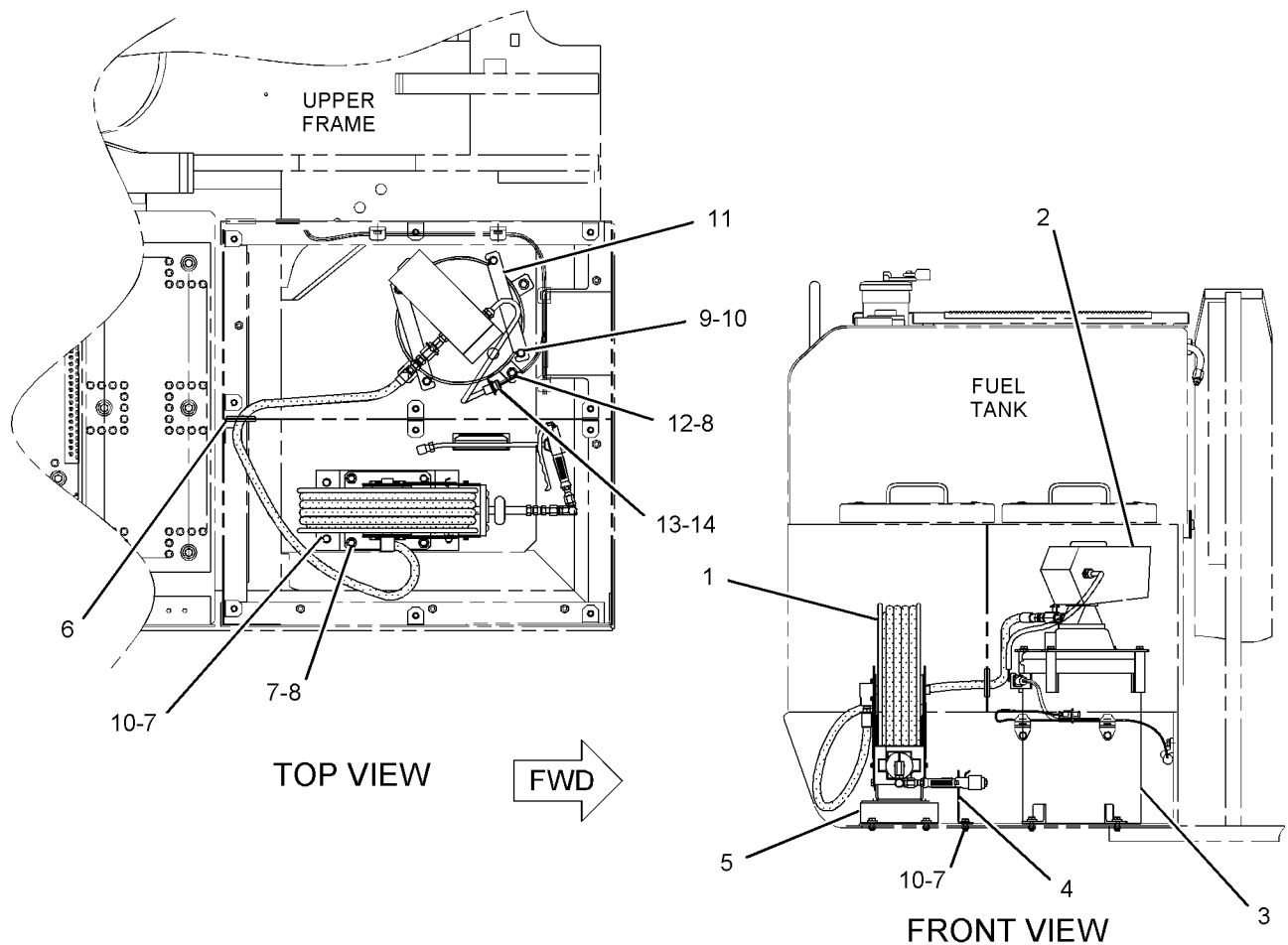
S/N: MMA1-UP
AN ATTACHMENT

SMCS-7510, 7540

i02107450

NOTE	REF NO	GRAPHIC REF	PART NUMBER	QTY	PART NAME						SEE PAGE
					1	2	3	4	5	6 (PRODUCT LEVEL)	
Y	1	1	152-9610	1	REEL GP-HOSE (GREASE)						534
Y	2	1	202-2977	1	PUMP GP-LUBRICATION						533
	3	1	202-2964	1	PLATE AS						
	4	1	152-9605	1	SUPPORT AS						
	5	1	152-9616	1	SUPPORT AS						
	6	1	2S-1647	1	GROMMET						
M	7	1	8T-4136	10	BOLT (M10X1.5X25-MM)						
	8	1	093-0386	8	WASHER-PLATED (11X25X4.5-MM THK)						
M	9	1	8T-4137	4	BOLT (M10X1.5X20-MM)						
	10	1	8T-4121	10	WASHER-HARD (11X21X2.5-MM THK)						
	11	1	152-9617	2	STRIP						
M	12	1	8T-4195	4	BOLT (M10X1.5X30-MM)						
M	13	1	3E-8048	4	SCREW-MACHINE (M3X0.5X6-MM)						
	14	1	096-5962	4	WASHER-HARD (3.4X7X0.8-MM THK)						

M-METRIC PART
Y-SEPARATE ILLUSTRATION



GRAPHIC #1

<END>

g01095227

FRAME AND BODY

105-6988 MOTOR GP-LUBRICATION

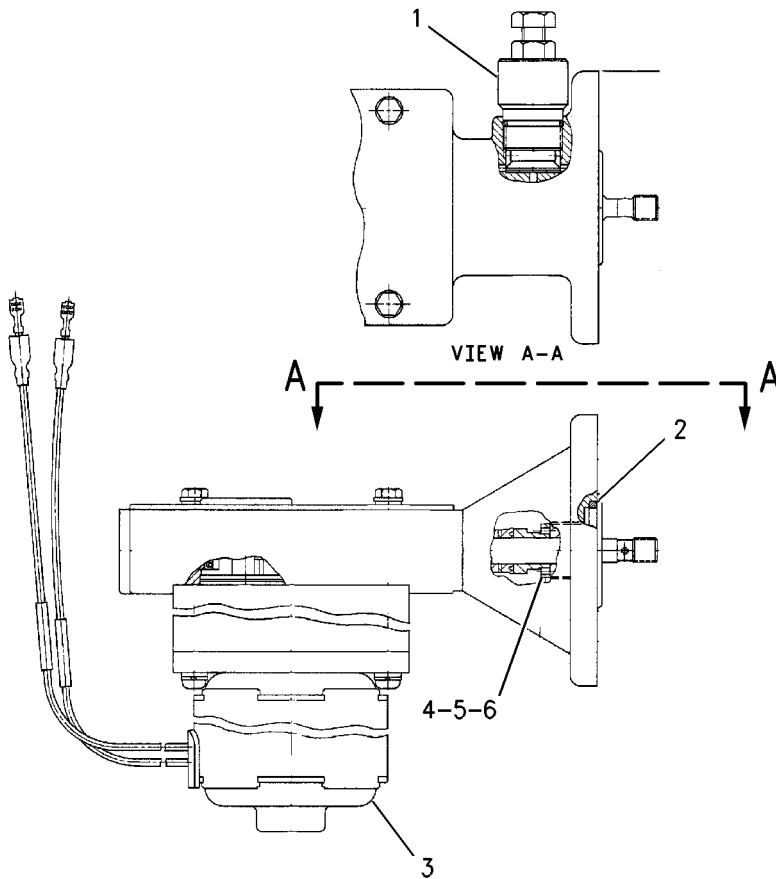
S/N: MMA1-UP

PART OF 202-2977 PUMP GP-LUBRICATION
AN ATTACHMENT

SMCS-1300, 5927

i03612569

NOTE	REF NO	GRAPHIC REF	PART NUMBER	QTY	PART NAME						SEE PAGE
					1	2	3	4	5	6 (PRODUCT LEVEL)	
1	1	1	105-6990	1	VALVE AS-LUBRICATION						
		1	112-0540	1	SHEET						
2	1	1	095-1603	1	SEAL-O-RING						
3	1	1	105-6989	1	MOTOR AS-LUBRICATION						
4	1	1	118-6083	1	RETAINER						
5	1	1	118-6084	1	SEAL-U-CUP						
6	1	1	118-6085	1	RING						



GRAPHIC #1

<END>

g00853748

FRAME AND BODY

236-9266 PANEL GP-SOUND SUPPRESSION-PUMP COMPARTMENT

S/N: MMA1-UP

PART OF 236-3725 HOOD & GUARD GP

SMCS-1801, 7076, 7261

i03493625

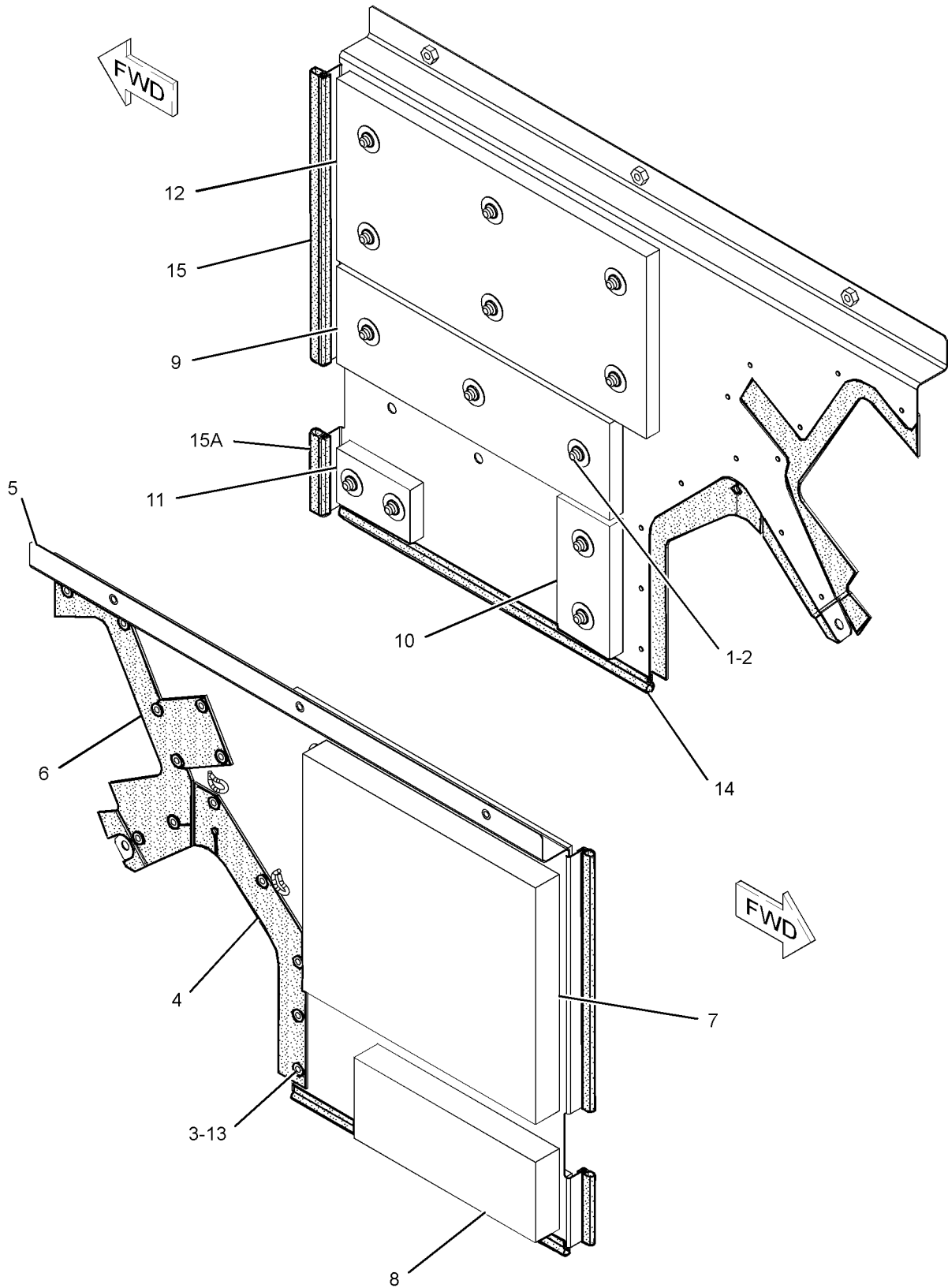
NOTE	REF NO	GRAPHIC REF	PART NUMBER	QTY	PART NAME						SEE PAGE
					1	2	3	4	5	6 (PRODUCT LEVEL)	
	1	1	4I-7924	13	WASHER (4.5X40X1.2-MM THK)						
	2	1	6P-2216	13	CAP						
	3	1	9M-5732	13	RIVET-POP						
	4	1	236-9267	1	SHEET-RUBBER						
Z	5	1		1	SHEET AS						
	6	1	244-8082	1	SHEET-RUBBER						
	7	1	244-8083	1	INSULATION						
	8	1	244-8084	1	INSULATION						
	9	1	244-8085	1	INSULATION						
	10	1	244-8086	1	INSULATION						
	11	1	244-8087	1	INSULATION						
	12	1	244-8166	1	INSULATION						
	13	1	9M-2307	13	WASHER (5.2X19X2-MM THK)						
D	14	1	5P-8309		SEAL (0.6-M)						
D	15	1	101-9848		SEAL (0.5-M)						
D	15A	1	101-9848		SEAL (0.2-M)						

D-ORDER BY THE METER
Z-NOT SERVICED SEPARATELY

FRAME AND BODY

236-9266 PANEL GP-SOUND SUPPRESSION (contd.)

i03493625



GRAPHIC #1

<END>

g01830475

FRAME AND BODY

236-9286 PANEL GP-SOUND SUPPRESSION

S/N: MMA1-UP

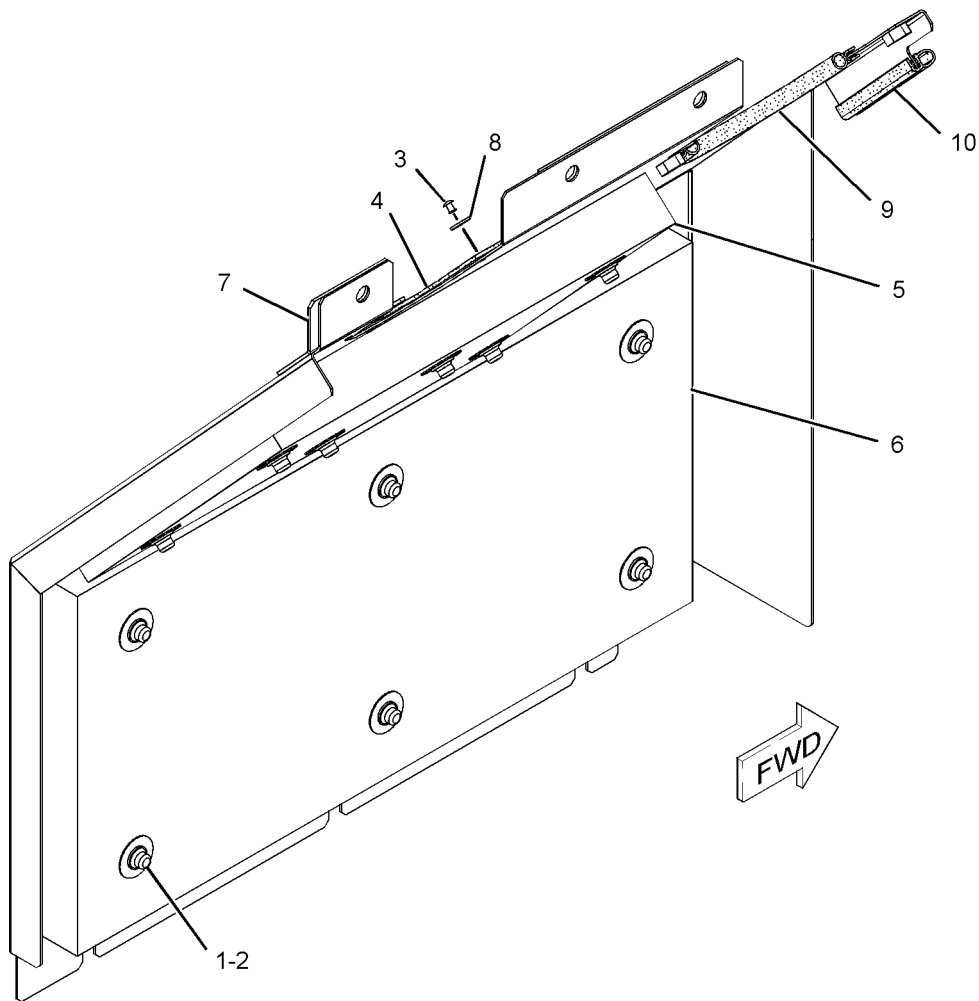
PART OF 223-2941 HOOD & GUARD GP

SMCS-1801, 7076, 7261

i03493700

NOTE	REF NO	GRAPHIC REF	PART NUMBER	QTY	PART NAME						SEE PAGE
					1	2	3	4	5	6 (PRODUCT LEVEL)	
	1	1	4I-7924	12	WASHER (4.5X40X1.2-MM THK)						
	2	1	6P-2216	12	CAP						
	3	1	9M-5732	3	RIVET-POP						
	4	1	190-7006	1	SHEET-RUBBER						
	5	1	236-9287	1	INSULATION						
	6	1	236-9288	1	INSULATION						
Z	7	1		1	SHEET AS						
	8	1	9M-2307	3	WASHER (5.2X19X2-MM THK)						
D	9	1	5P-8309		SEAL (0.31-M)						
D	10	1	101-9848		SEAL (0.13-M)						

D-ORDER BY THE METER
Z-NOT SERVICED SEPARATELY



GRAPHIC #1

<END>

g01128992

FRAME AND BODY

236-9293 PANEL GP-SOUND SUPPRESSION

S/N: MMA1-UP

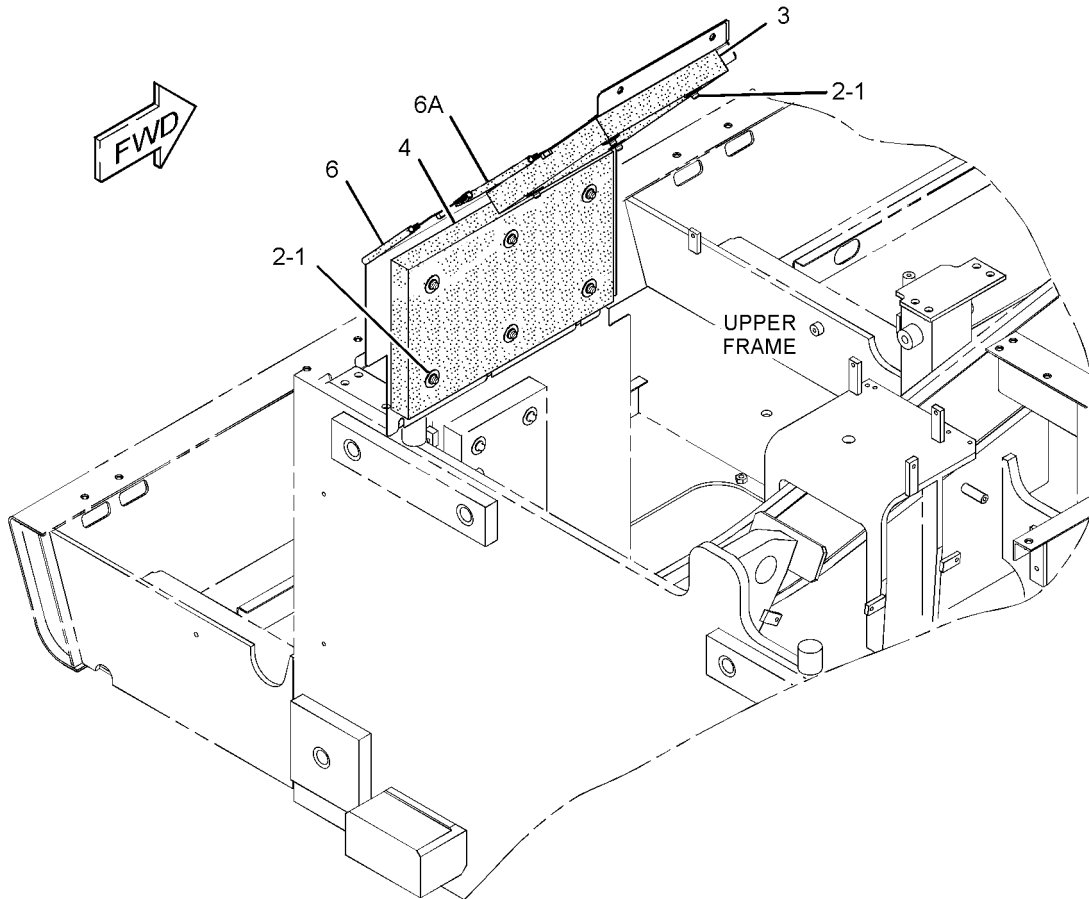
PART OF 223-2941 HOOD & GUARD GP

SMCS-1801, 7076, 7261

i02856528

NOTE	REF NO	GRAPHIC REF	PART NUMBER	QTY	PART NAME						SEE PAGE
					1	2	3	4	5	6 (PRODUCT LEVEL)	
	1	1	4I-7924	10	WASHER (4.5X40X1.2-MM THK)						
	2	1	6P-2216	10	CAP						
	3	1	236-9294	1	INSULATION						
	4	1	236-9295	1	INSULATION						
D	6	1	5P-8309		SEAL (0.2-M)						
D	6A	1	5P-8309		SEAL (0.35-M)						

D-ORDER BY THE METER



GRAPHIC #1

<END>

g01426305

FRAME AND BODY

238-6802 PANEL GP-SOUND SUPPRESSION-ENGINE, REAR

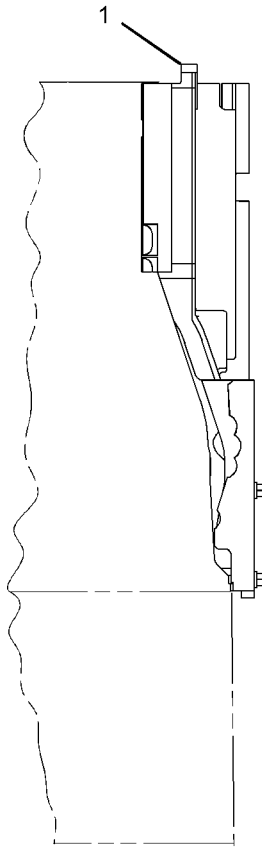
S/N: RHX1-UP

PART OF 257-4960, 286-9798 ENGINE AR-COMPLETE

SMCS-1801, 7076, 7261

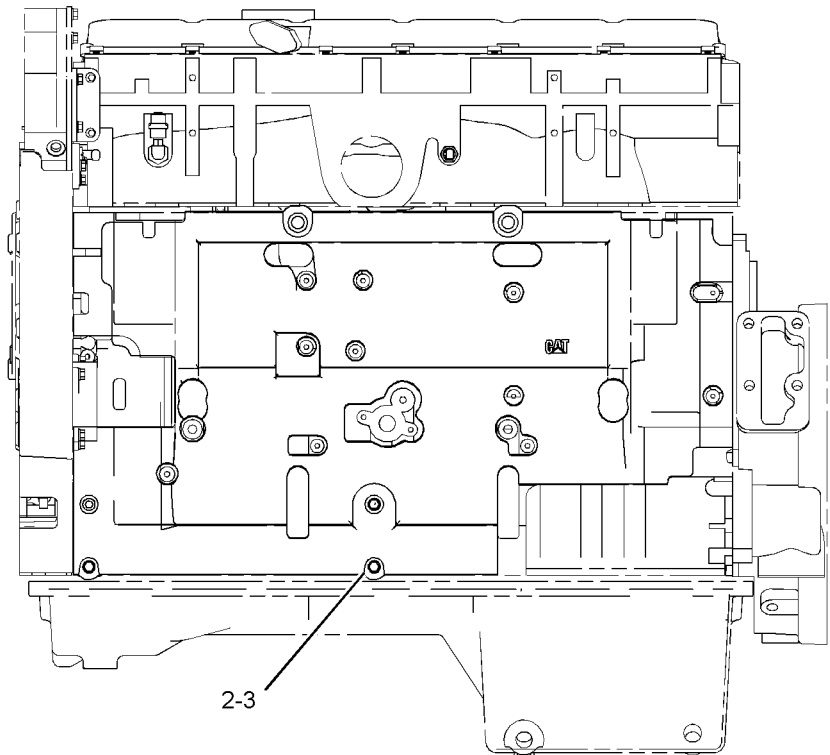
i02100292

NOTE	REF NO	GRAPHIC REF	PART NUMBER	QTY	PART NAME						SEE PAGE
					1	2	3	4	5	6 (PRODUCT LEVEL)	
	1	1	238-6801	1	PANEL AS-SOUND SUPPRESSION						
	2	1	0S-1588	3	BOLT (3/8-16X1.25-IN)						
	3	1	5M-2894	3	WASHER-HARD (10.2X18.5X2.5-MM THK)						



FRONT VIEW

GRAPHIC #1



LEFT SIDE VIEW

<END>

g01070865

FRAME AND BODY

244-7998 PANEL GP-SOUND SUPPRESSION

S/N: MMA1-UP

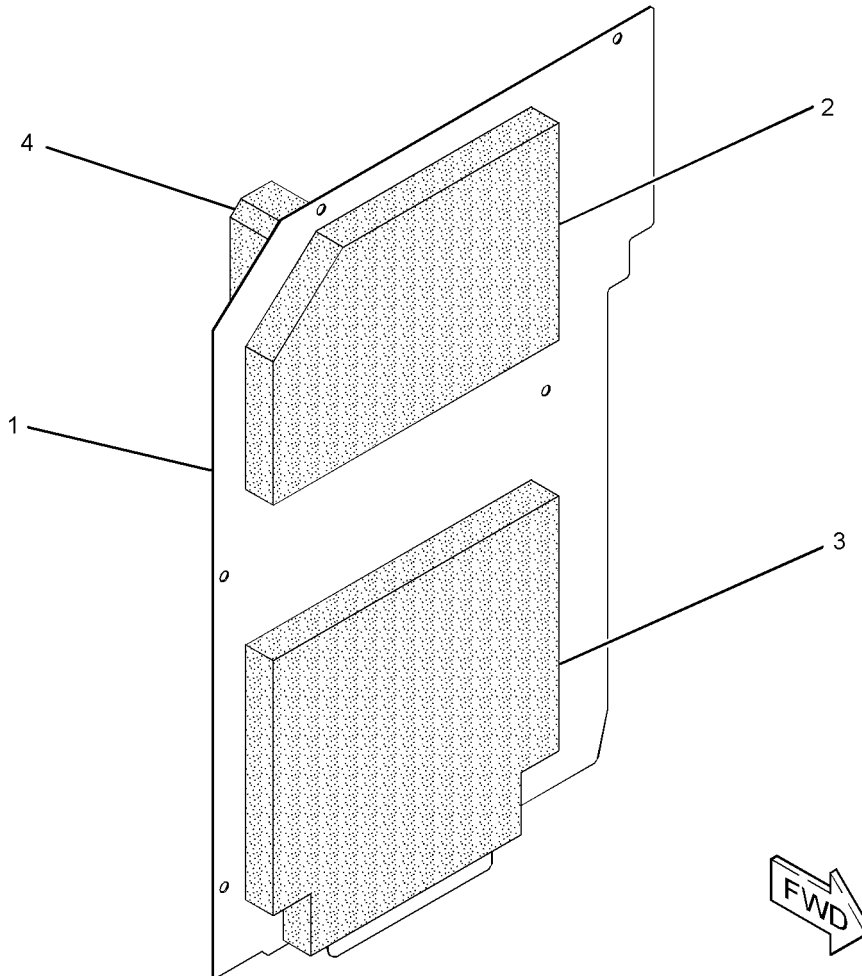
PART OF 236-3725 HOOD & GUARD GP

SMCS-1801, 7076, 7261

i02634837

NOTE	REF NO	GRAPHIC REF	PART NUMBER	QTY	PART NAME						SEE PAGE
					1	2	3	4	5	6 (PRODUCT LEVEL)	
Z	1	1		1	SHEET						
	2	1	244-7999	1	INSULATION						
	3	1	244-8000	1	INSULATION						
	4	1	244-8001	1	LINER						

Z-NOT SERVICED SEPARATELY



GRAPHIC #1

<END>

g01322548

FRAME AND BODY

244-8005 PANEL GP-SOUND SUPPRESSION

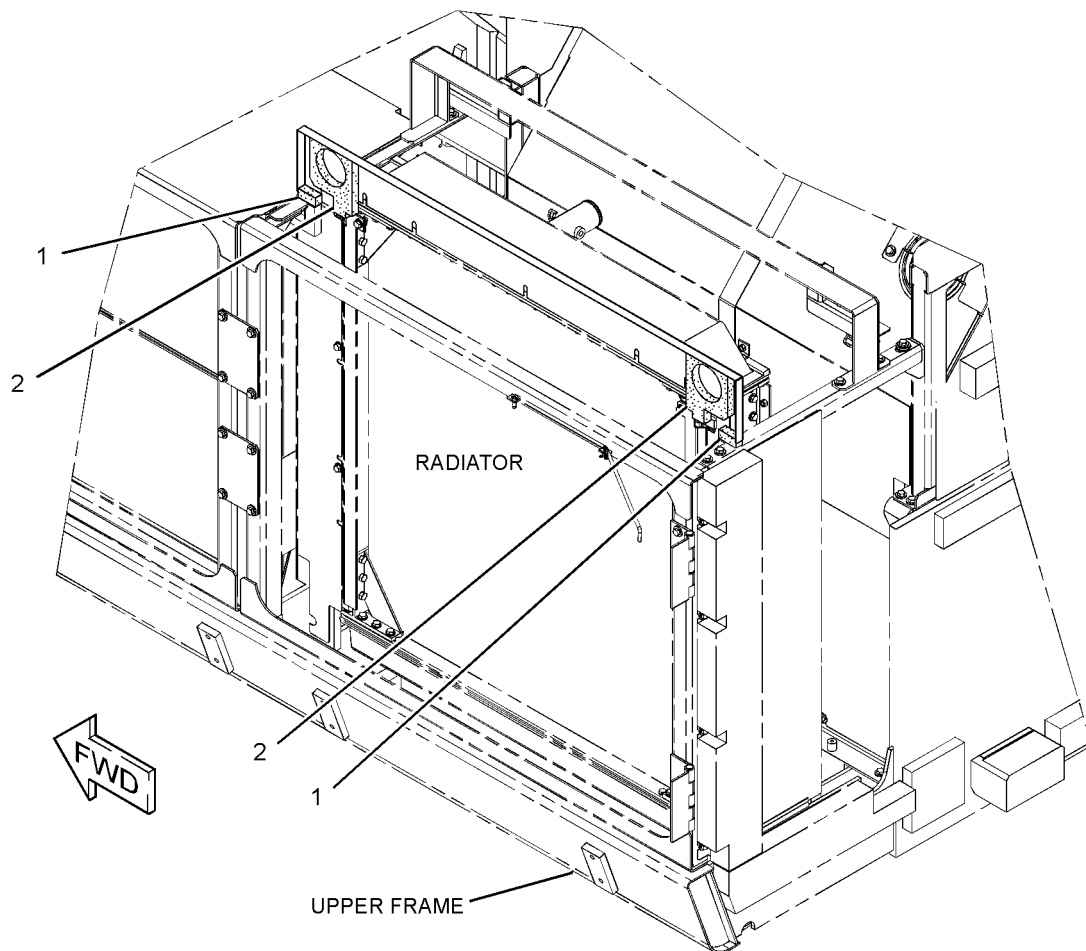
S/N: MMA1-UP

PART OF 223-2941 HOOD & GUARD GP

SMCS-1801, 7076, 7261

i02578021

NOTE	REF NO	GRAPHIC REF	PART NUMBER	QTY	PART NAME						SEE PAGE
					1	2	3	4	5	6 (PRODUCT LEVEL)	
	1		165-2827	2	LINER						
	2		244-8006	2	LINER						



GRAPHIC #1

<END>

g01357212

FRAME AND BODY

244-8108 PANEL GP-SOUND SUPPRESSION

S/N: MMA1-UP

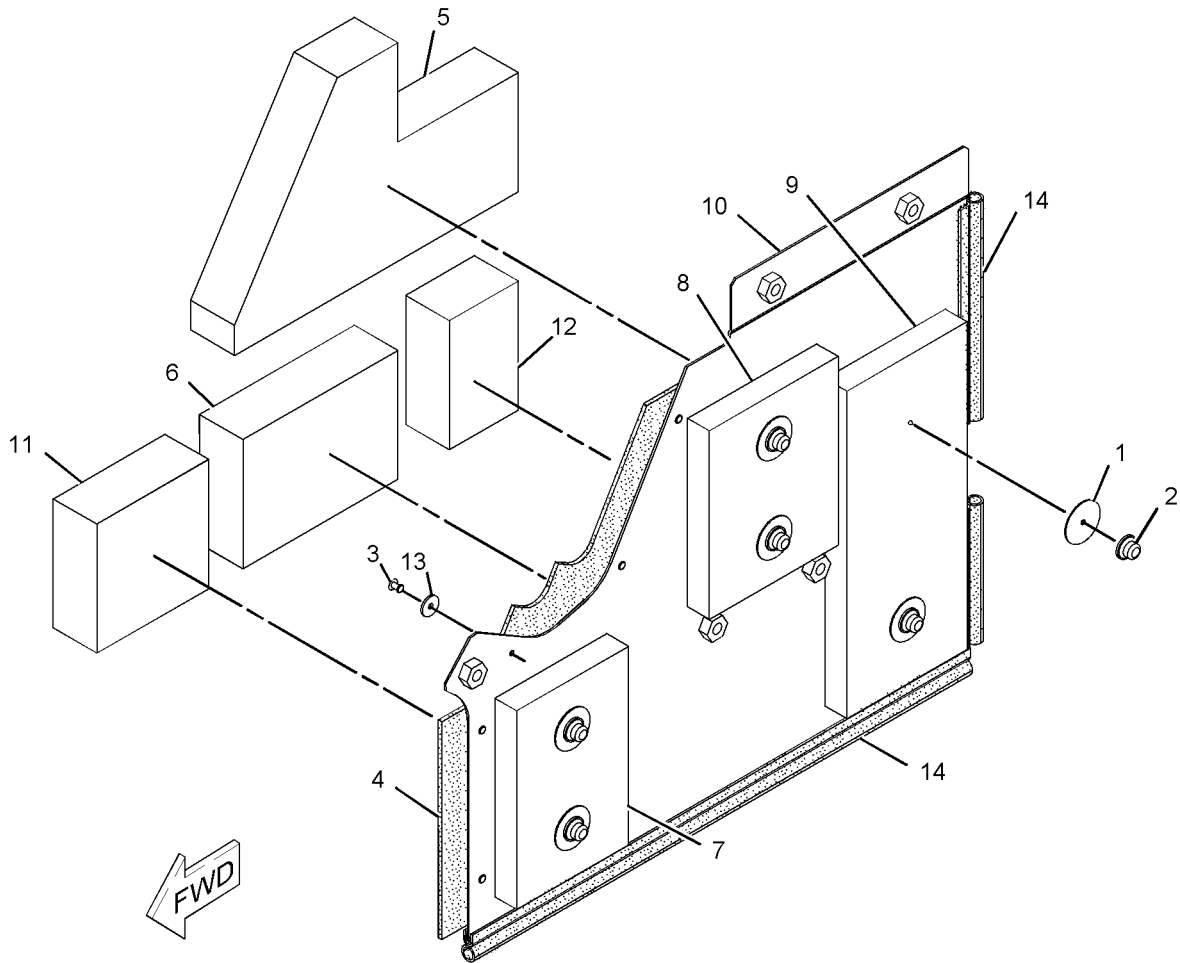
PART OF 236-3725 HOOD & GUARD GP

SMCS-1801, 7076, 7261

i03494061

NOTE	REF NO	GRAPHIC REF	PART NUMBER	QTY	PART NAME						SEE PAGE
					1	2	3	4	5	6 (PRODUCT LEVEL)	
	1	1	4I-7924	6	WASHER (4.5X40X1.2-MM THK)						
	2	1	6P-2216	6	CAP						
	3	1	9M-5732	5	RIVET-POP						
	4	1	237-8523	1	SHEET-RUBBER						
	5	1	244-8066	1	INSULATION						
	6	1	244-8067	1	INSULATION						
	7	1	244-8068	1	INSULATION						
	8	1	244-8069	1	INSULATION						
	9	1	244-8070	1	INSULATION						
Z	10	1		1	SHEET AS						
	11	1	244-8170	1	INSULATION						
	12	1	244-8171	1	INSULATION						
	13	1	9M-2307	5	WASHER (5.2X19X2-MM THK)						
BD	14	1	5P-8309		SEAL						

B-USE AS REQUIRED
D-ORDER BY THE METER
Z-NOT SERVICED SEPARATELY



GRAPHIC #1

<END>

g01128747

FRAME AND BODY

246-5984 PANEL GP-SOUND SUPPRESSION-FRONT HOUSING

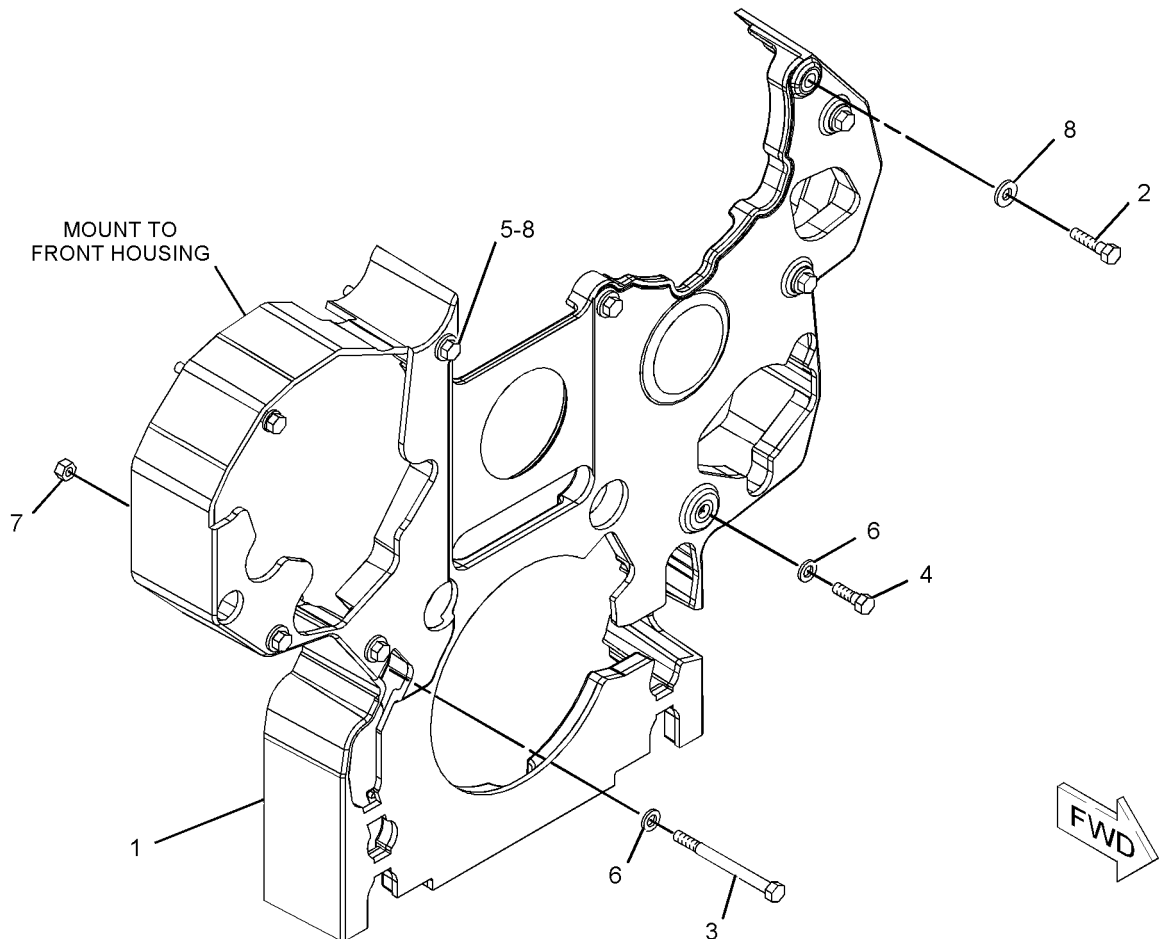
S/N: RHX1-UP

PART OF 257-4960, 286-9798 ENGINE AR-COMPLETE

SMCS-1801, 7076, 7261

i02219315

NOTE	REF NO	GRAPHIC REF	PART NUMBER	QTY	PART NAME						SEE PAGE
					1	2	3	4	5	6 (PRODUCT LEVEL)	
	1	1	237-4332	1	COVER AS						
	2	1	0S-1591	3	BOLT (3/8-16X1.5-IN)						
	3	1	0T-0055	3	BOLT (3/8-16X4.25-IN)						
	4	1	1A-2029	2	BOLT (3/8-16X1.125-IN)						
	5	1	1A-5964	2	BOLT (3/8-16X4.5-IN)						
	6	1	5M-2894	4	WASHER-HARD (10.2X18.5X2.5-MM THK)						
	7	1	9S-8752	1	NUT-FULL (3/8-16-THD)						
	8	1	9X-6458	7	WASHER-HARD (10.2X22.5X3-MM THK)						



GRAPHIC #1

<END>

g01126959

FRAME AND BODY

228-8252 PUMP & LINES GP-AUTOMATIC LUBE

S/N: MMA1-UP
AN ATTACHMENT

SMCS-7510, 7516, 7540

i02444293

NOTE	PART NUMBER	QTY	PART NAME						SEE PAGE
			1	2	3	4	5	6 (PRODUCT LEVEL)	
Y	254-2868	1	LINES GP-GREASE						930
Y	245-5641	1	LINES GP-LUBRICATION (GREASE)						515

Y-SEPARATE ILLUSTRATION

<END>

FRAME AND BODY

105-6991 PUMP GP-LUBRICATION

S/N: MMA1-UP

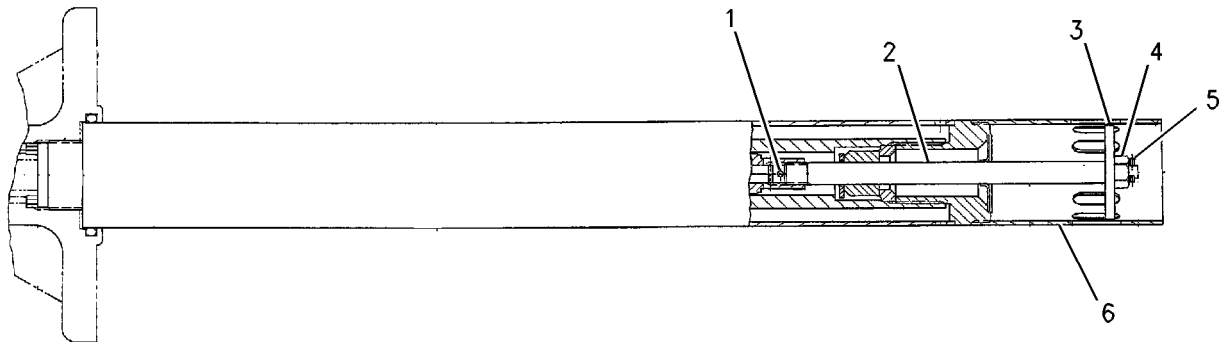
PART OF 202-2977 PUMP GP-LUBRICATION
AN ATTACHMENT

SMCS-7516, 7540

i02182886

NOTE	REF NO	GRAPHIC REF	PART NUMBER	QTY	PART NAME						SEE PAGE
					1	2	3	4	5	6 (PRODUCT LEVEL)	
	1	1	108-6640	1	PIN-SPRING						
	2	1	105-6992	1	ROD						
	3	1	105-6993	1	WASHER						
M	4	1	5C-2890	1	NUT (M6X1-THD)						
	5	1	095-0840	1	PIN-COTTER						
	6	1	112-0541	1	TUBE						

M-METRIC PART



GRAPHIC #1

<END>

g00853746

FRAME AND BODY

202-2917 PUMP GP-LUBRICATION

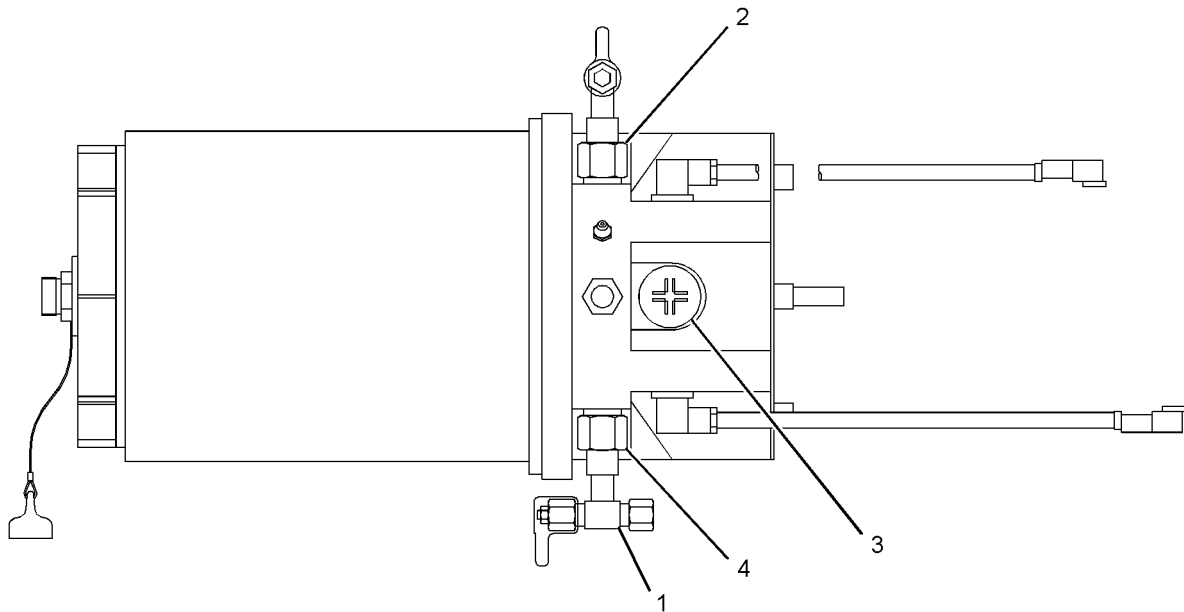
S/N: MMA1-UP

PART OF 245-5641 LINES GP-LUBRICATION
AN ATTACHMENT

SMCS-7516, 7540

i02443446

NOTE	REF NO	GRAPHIC REF	PART NUMBER	QTY	PART NAME						SEE PAGE
					1	2	3	4	5	6 (PRODUCT LEVEL)	
	1	1	137-1003	1	VALVE AS						
	2	1	137-1004	1	ELEMENT AS (AUTOMATIC LUBRICATION)						
	3	1	137-1005	1	CAP AS						
	4	1	176-0448	1	ELEMENT AS (AUTOMATIC LUBRICATION)						



GRAPHIC #1

<END>

g01235620

FRAME AND BODY

202-2977 PUMP GP-LUBRICATION

S/N: MMA1-UP

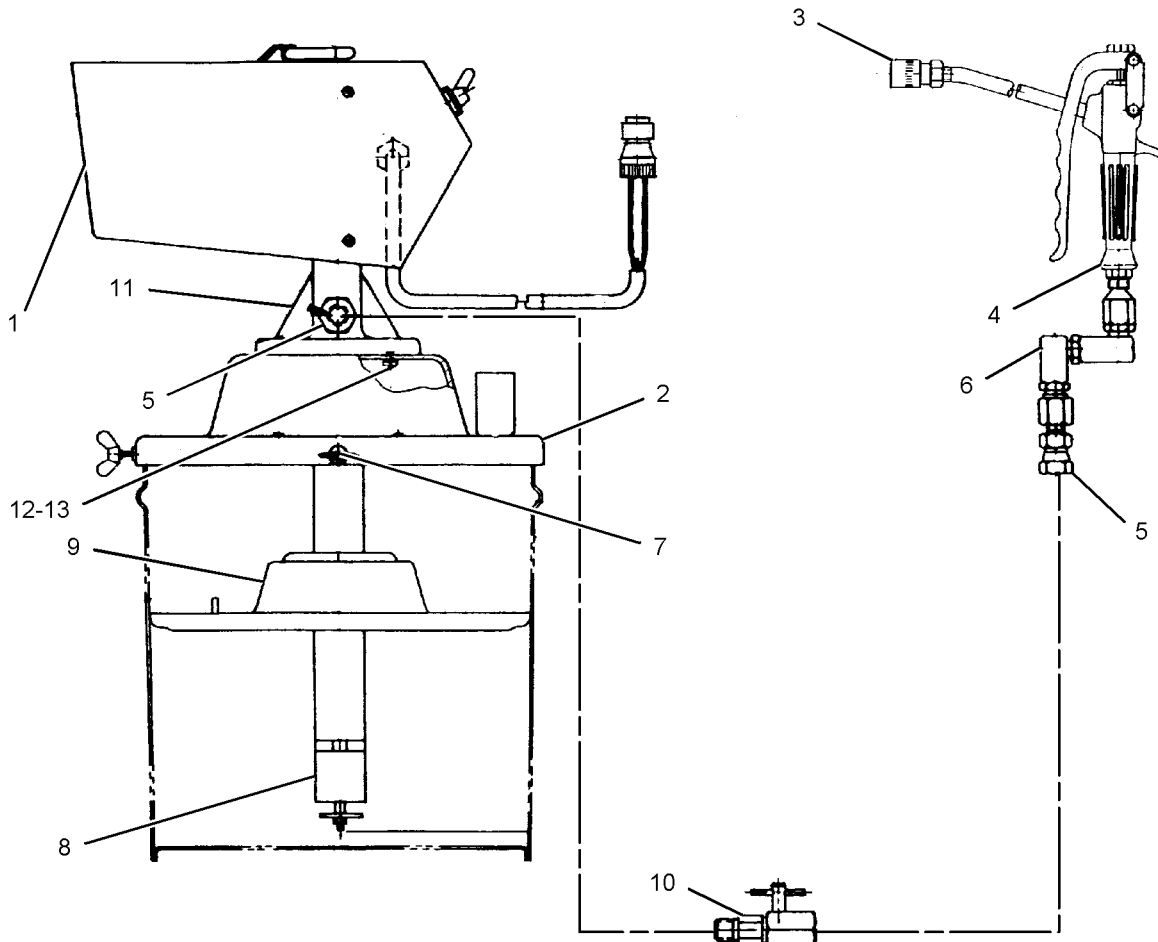
PART OF 152-9604 LUBRICATION GP-ELECTRIC
AN ATTACHMENT

SMCS-7516, 7540

i02628744

NOTE	REF NO	GRAPHIC REF	PART NUMBER	QTY	PART NAME						SEE PAGE
					1	2	3	4	5	6 (PRODUCT LEVEL)	
	1	1	202-2978	1	COVER AS						
		1	3K-8782	1	FUSE (10-AMPERE)						
		1	105-6999	1	WIRE AS (MOTOR SWITCH)						
		1	108-6642	1	SWITCH-TOGGLE (LUBRICATION MOTOR)						
	2	1	108-6635	1	COVER						
	3	1	105-6997	1	NOZZLE AS						
	4	1	105-6995	1	GREASE GUN GP						
	5	1	108-6671	2	CONNECTOR						
	6	1	105-6996	1	SWIVEL JOINT AS						
M	7	1	108-6638	3	BOLT-WING						
Y	8	1	105-6991	1	PUMP GP-LUBRICATION						531
	9	1	108-6636	1	COVER AS						
		1	112-0542	1	PACKING (35.5-MM ID)						
		1	112-0543	1	PACKING (290-MM OD)						
	10	1	105-6994	1	VALVE AS (MANUAL)						
Y	11	1	105-6988	1	MOTOR GP-LUBRICATION						520
M	12	1	8T-6412	3	SCREW-MACHINE (M6X1X20-MM)						
	13	1	9X-8256	3	WASHER (6.6X12X2-MM THK)						

M-METRIC PART
Y-SEPARATE ILLUSTRATION



GRAPHIC #1

<END>

g01100727

FRAME AND BODY

152-9610 REEL GP-HOSE-GREASE

S/N: MMA1-UP

PART OF 152-9604 LUBRICATION GP-ELECTRIC
AN ATTACHMENT

SMCS-7510

i02637328

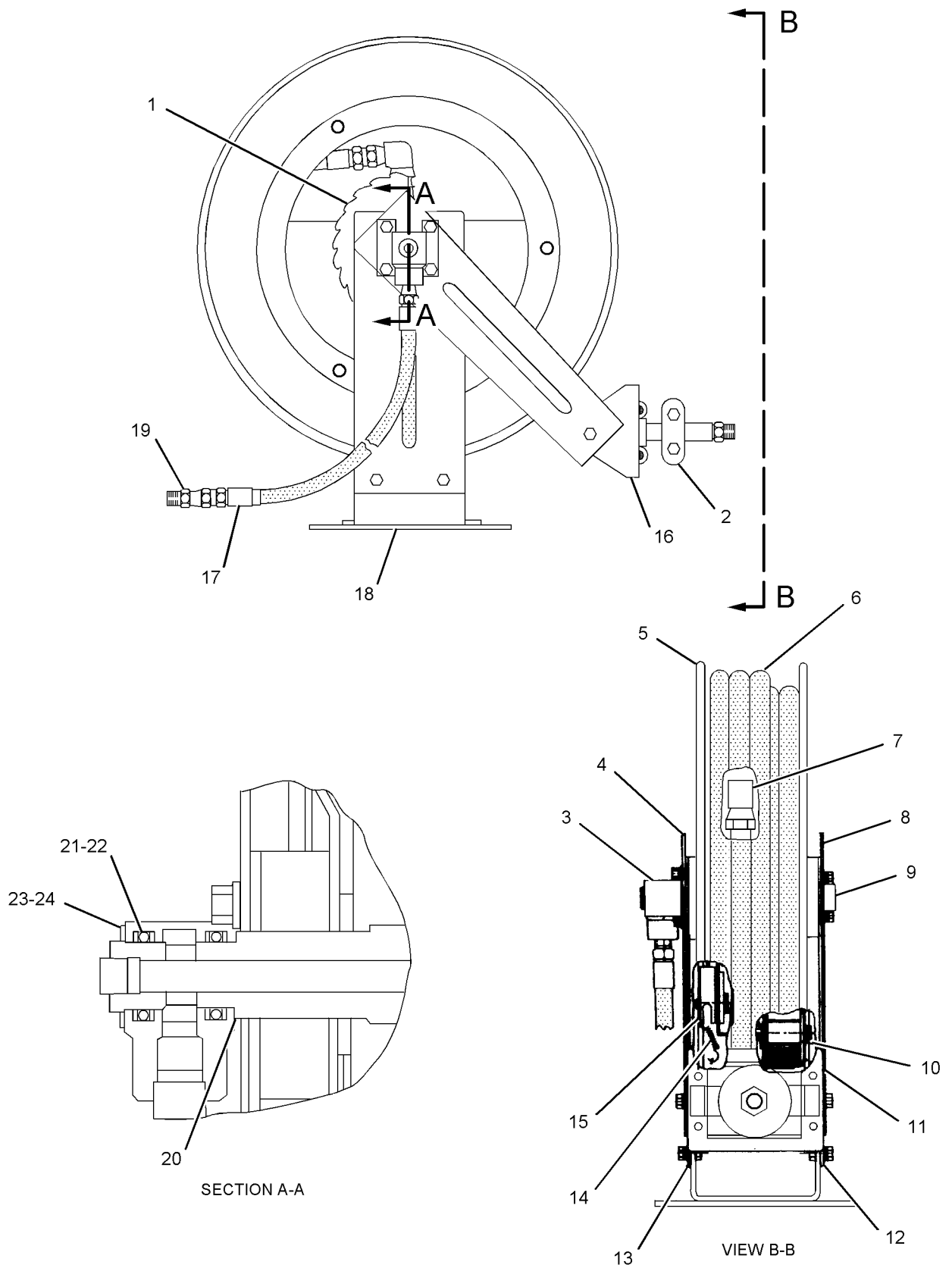
NOTE	REF NO	GRAPHIC REF	PART NUMBER	QTY	PART NAME						SEE PAGE
					1	2	3	4	5	6 (PRODUCT LEVEL)	
	1	1	105-6980	1	BEARING AS						
	2	1	105-6985	2	STOP						
	3	1	105-6981	1	SWIVEL						
	4	1	105-6979	1	SUPPORT						
	5	1	105-6976	1	WHEEL AS						
I	6	1	105-6986	1	HOSE AS						
	7	1	108-6639	1	ELBOW						
	8	1	105-6972	1	SUPPORT						
	9	1	105-6973	1	BEARING						
	10	1	105-6974	1	SPRING						
	11	1	105-6975	1	CASE-SPRING						
	12	1	105-6977	1	SUPPORT						
	13	1	105-6984	1	SUPPORT						
	14	1	105-6983	1	SPRING						
	15	1	105-6982	1	STOP						
	16	1	105-6971	1	ROLLER AS						
	17	1	180-6828	1	HOSE AS						
	18	1	112-0557	1	SUPPORT AS						
	19	1	108-6672	1	CONNECTOR						
J	20	1	200-3544	1	WASHER (28.5X34X2-MM THK)						
J	21	1	096-0034	2	SEAL-O-RING						
J	22	1	5I-4653	2	RING-BACKUP						
J	23	1	200-3545	1	WASHER (20.5X32X1.6-MM THK)						
J	24	1	095-0919	1	RING-RETAINING						
					AVAILABLE REPAIR KIT(S):						
J			200-3543	1	KIT-SEAL (MANUAL GREASE REEL)						

I-REFER TO HYDRAULIC INFORMATION SYSTEM
J-KIT MARKED J SERVICE(S) PARTS MARKED J

FRAME AND BODY

152-9610 REEL GP-HOSE (contd.)

i02637328



GRAPHIC #1

<END>

g01071159

FRAME AND BODY

175-0786 SHEET AS-SOUND SUPPRESSION

S/N: MMA1-UP

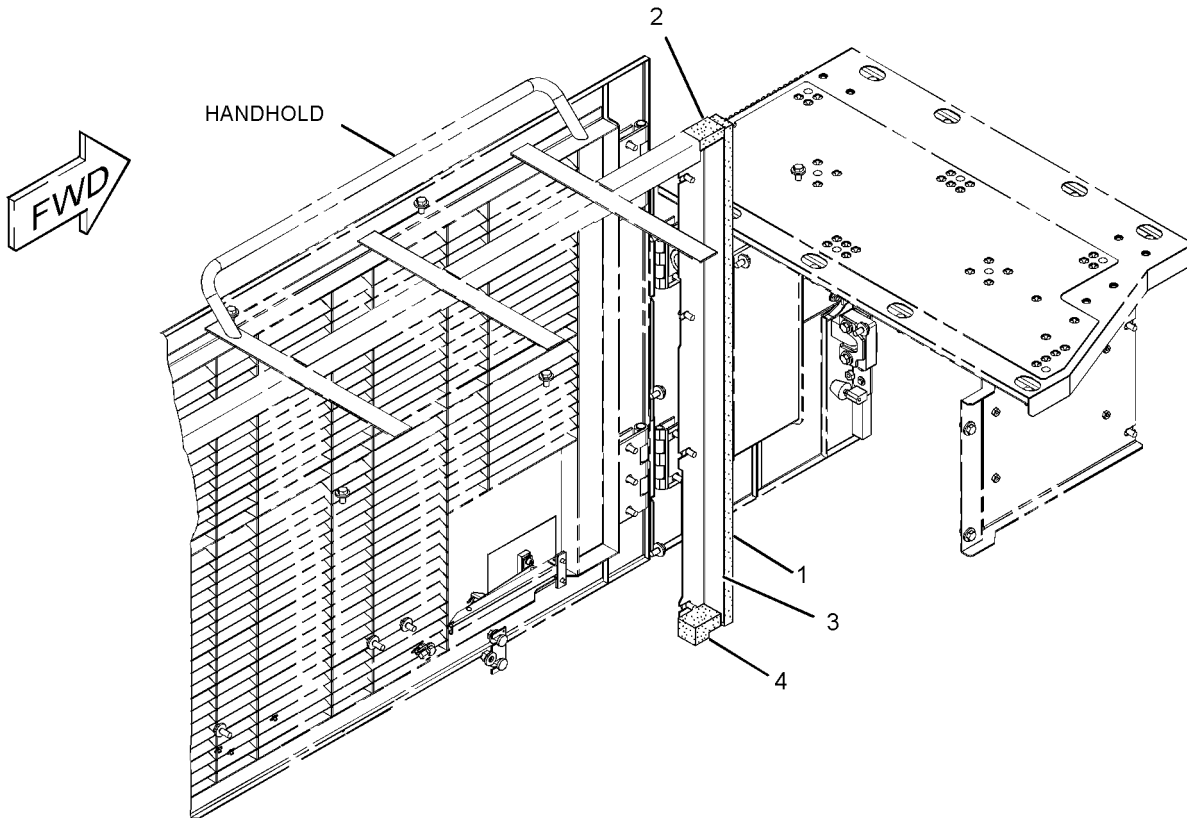
PART OF 223-2941 HOOD & GUARD GP

SMCS-1801, 7076, 7251, 7267

i02395993

NOTE	REF NO	GRAPHIC REF	PART NUMBER	QTY	PART NAME						SEE PAGE
					1	2	3	4	5	6 (PRODUCT LEVEL)	
	1	1	175-0788	1	LINER						
	2	1	175-0790	1	LINER						
Z	3	1		1	SHEET						
	4	1	175-0789	1	LINER						

Z-NOT SERVICED SEPARATELY



GRAPHIC #1

<END>

g01300938

FRAME AND BODY

218-7758 SHEET AS-SOUND SUPPRESSION-RADIATOR

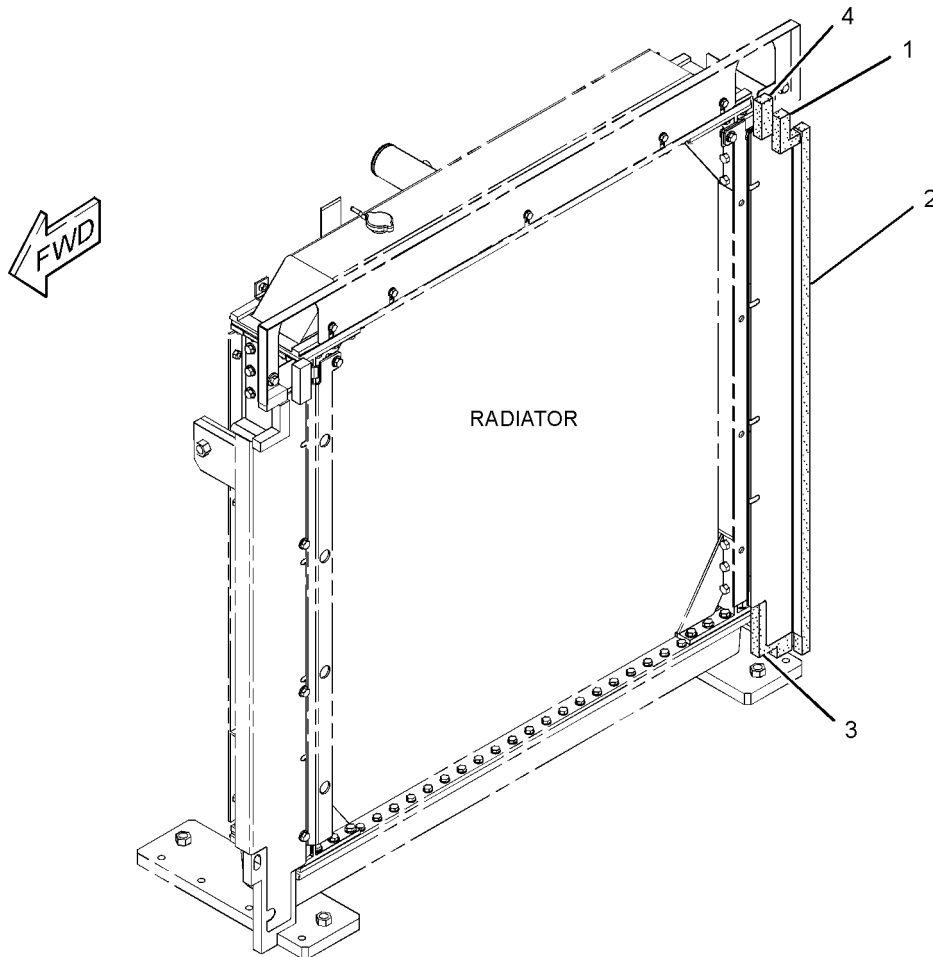
S/N: MMA1-UP

PART OF 223-2941 HOOD & GUARD GP

SMCS-1801, 7076, 7251, 7267

i02395964

NOTE	REF NO	GRAPHIC REF	PART NUMBER	QTY	PART NAME						SEE PAGE
					1	2	3	4	5	6 (PRODUCT LEVEL)	
	1	1	175-0874	1	LINER						
	2	1	138-5506	1	LINER						
	3	1	175-0962	1	LINER						
	4	1	175-0961	1	LINER						



RADIATOR

GRAPHIC #1

<END>

g01351408

FRAME AND BODY

218-7761 SHEET AS-SOUND SUPPRESSION

S/N: MMA1-UP

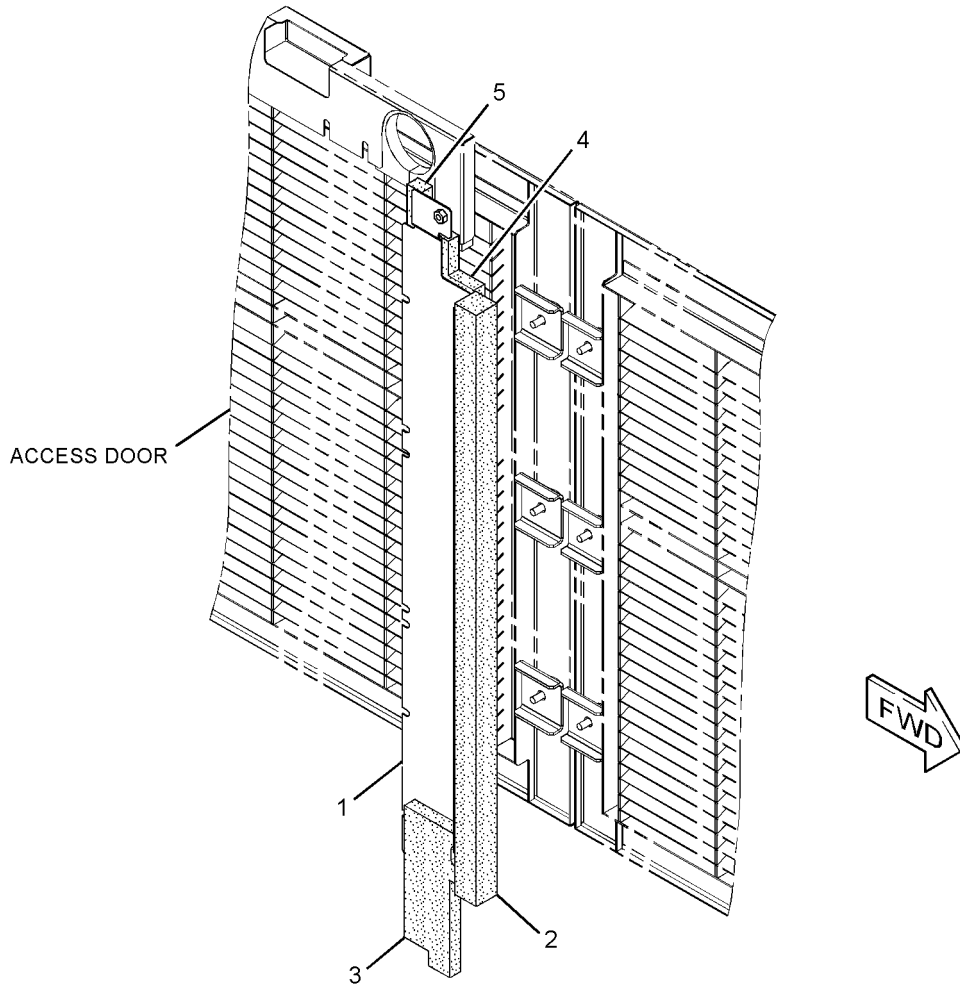
PART OF 223-2941 HOOD & GUARD GP

SMCS-1801, 7076, 7251, 7267

i02395971

NOTE	REF NO	GRAPHIC REF	PART NUMBER	QTY	PART NAME						SEE PAGE
					1	2	3	4	5	6 (PRODUCT LEVEL)	
Z	1	1		1	SHEET AS						
	2	1	175-0808	1	LINER						
	3	1	214-8031	1	LINER						
	4	1	175-0843	1	LINER						
	5	1	175-0961	1	LINER						

Z-NOT SERVICED SEPARATELY



GRAPHIC #1

<END>

g01293030

FRAME AND BODY

236-9255 SHEET AS-SOUND SUPPRESSION

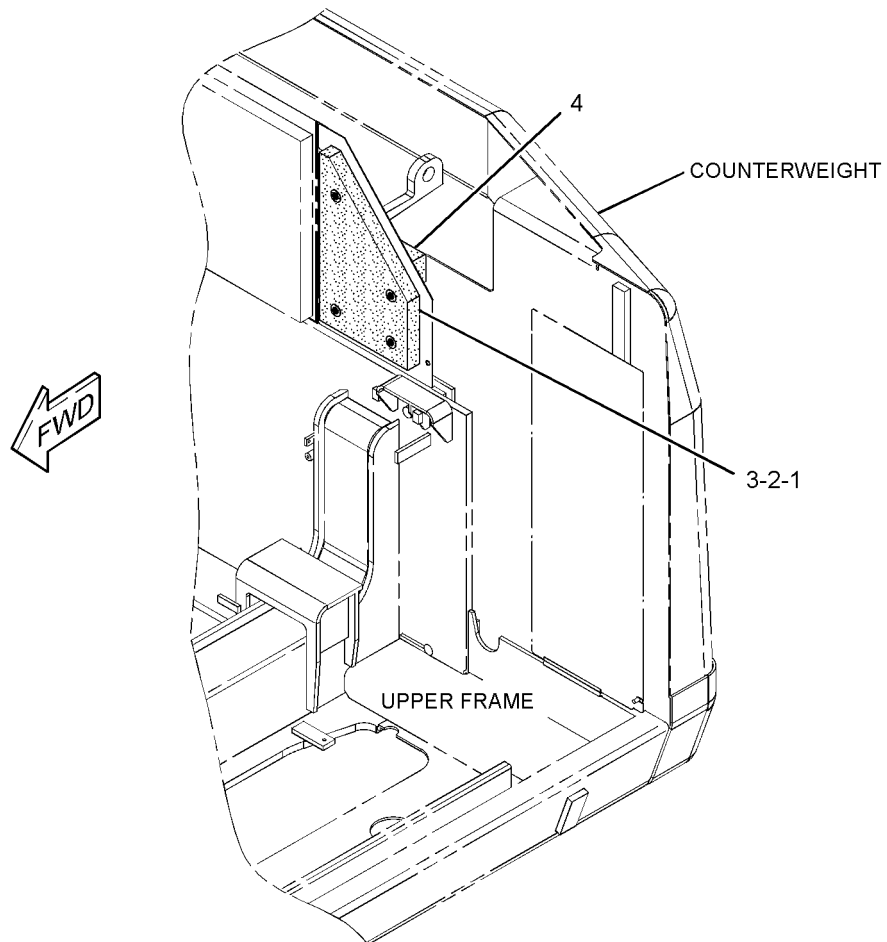
S/N: MMA1-UP

PART OF 236-3725 HOOD & GUARD GP

SMCS-1801, 7076, 7251, 7267

i02578117

NOTE	REF NO	GRAPHIC REF	PART NUMBER	QTY	PART NAME						SEE PAGE
					1	2	3	4	5	6 (PRODUCT LEVEL)	
	1	1	4I-7924	4	WASHER (4.5X40X1.2-MM THK)						
	2	1	6P-2216	4	CAP						
	3	1	236-9256	1	INSULATION						
	4	1	244-8097	1	LINER						



GRAPHIC #1

<END>

g01357216

FRAME AND BODY

236-9270 SHEET AS-SOUND SUPPRESSION

S/N: MMA1-UP

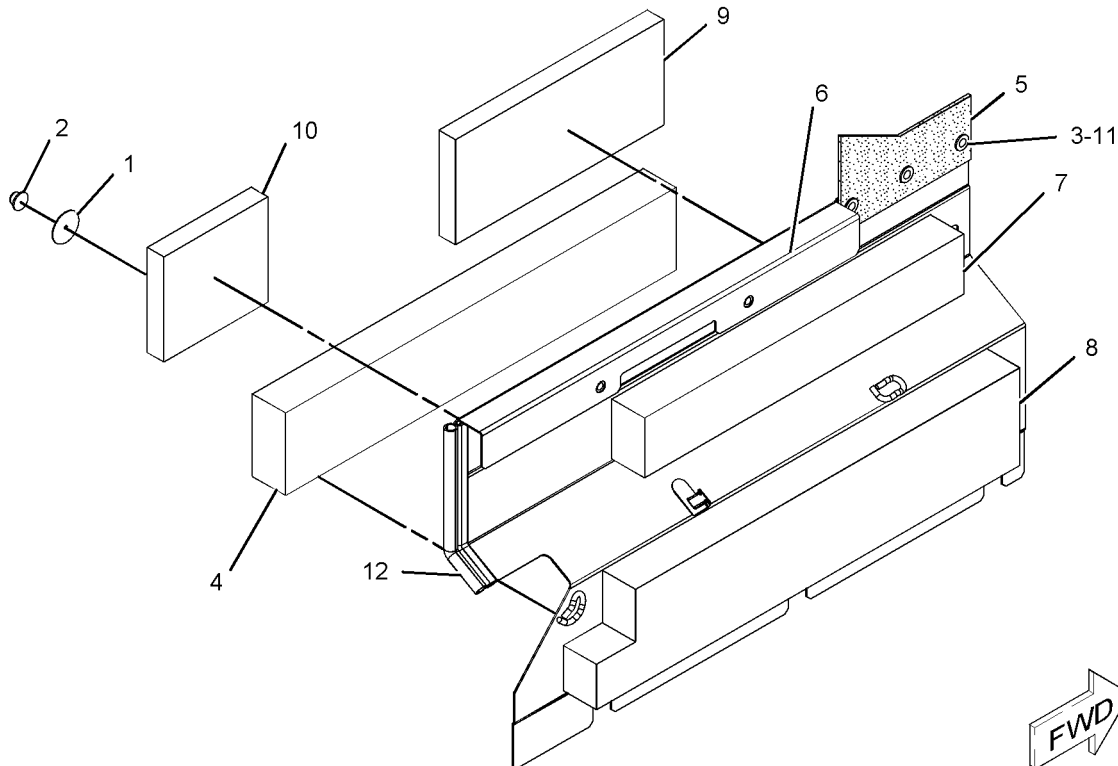
PART OF 236-3725 HOOD & GUARD GP

SMCS-1801, 7076, 7251, 7267

i03612591

NOTE	REF NO	GRAPHIC REF	PART NUMBER	QTY	PART NAME						SEE PAGE
					1	2	3	4	5	6 (PRODUCT LEVEL)	
	1	1	4I-7924	7	WASHER (4.5X40X1.2-MM THK)						
	2	1	6P-2216	7	CAP						
	3	1	9M-5732	3	RIVET-POP						
	4	1	236-9271	1	LINER						
	5	1	236-9272	1	SHEET-RUBBER						
	6	1		1	SHEET AS						
	7	1	244-8075	1	INSULATION						
	8	1	244-8076	1	INSULATION						
	9	1	244-8077	1	INSULATION						
	10	1	244-8078	1	INSULATION						
	11	1	9M-2307	3	WASHER (5.2X19X2-MM THK)						
D	12	1	5P-8309		SEAL (0.3-M)						

D-ORDER BY THE METER



GRAPHIC #1

<END>

g01128048

FRAME AND BODY

236-9276 SHEET AS-SOUND SUPPRESSION

S/N: MMA1-UP

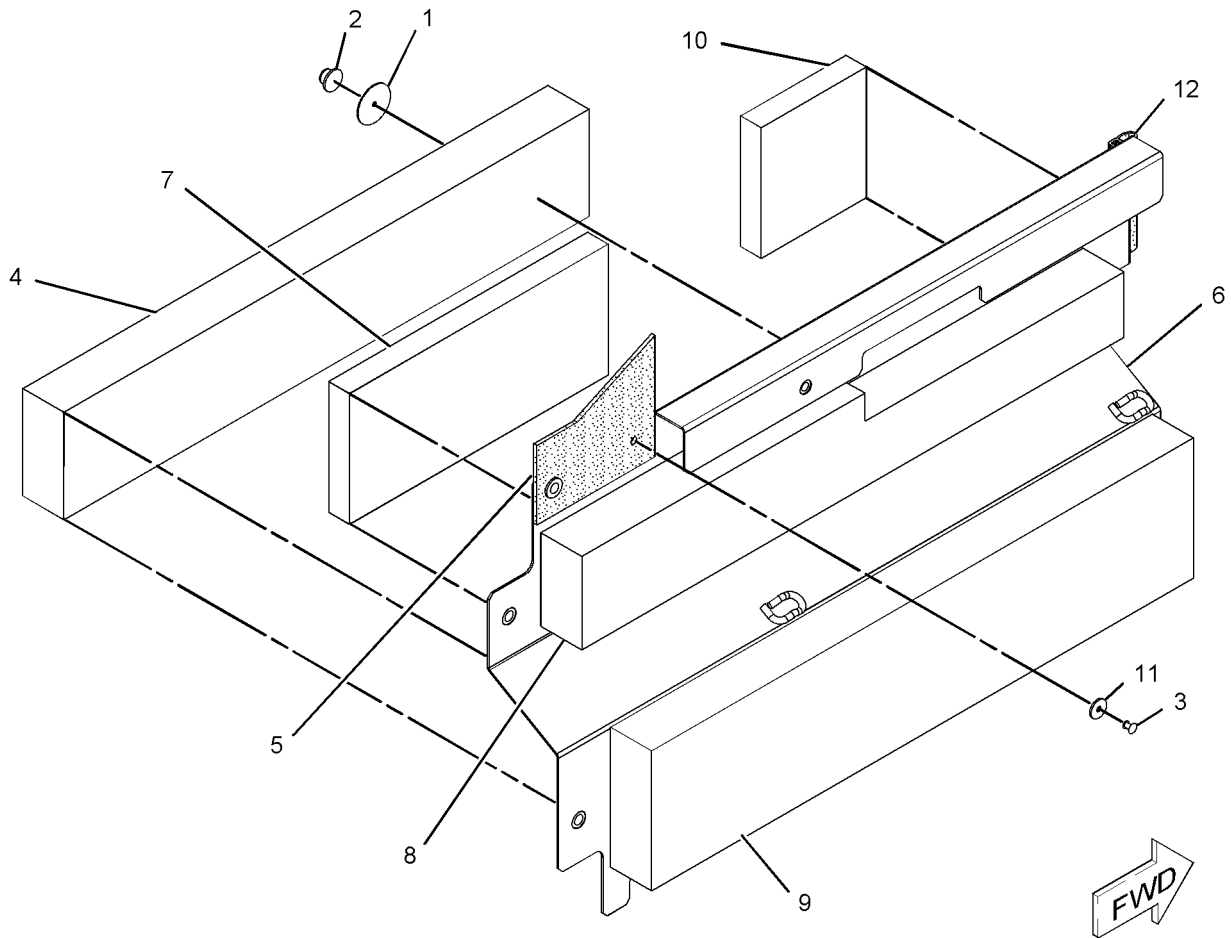
PART OF 236-3725 HOOD & GUARD GP

SMCS-1801, 7076, 7251, 7267

i03612594

NOTE	REF NO	GRAPHIC REF	PART NUMBER	QTY	PART NAME						SEE PAGE
					1	2	3	4	5	6 (PRODUCT LEVEL)	
	1	1	4I-7924	7	WASHER (4.5X40X1.2-MM THK)						
	2	1	6P-2216	7	CAP						
	3	1	9M-5732	2	RIVET-POP						
	4	1	236-9277	1	LINER						
	5	1	236-9278	1	SHEET-RUBBER						
Z	6	1		1	SHEET AS						
	7	1	244-8077	1	INSULATION						
	8	1	244-8079	1	INSULATION						
	9	1	244-8080	1	INSULATION						
	10	1	244-8081	1	INSULATION						
	11	1	9M-2307	2	WASHER (5.2X19X2-MM THK)						
D	12	1	101-9848		SEAL (0.2-M)						

D-ORDER BY THE METER
Z-NOT SERVICED SEPARATELY



GRAPHIC #1

<END>

g01128935

FRAME AND BODY

244-8008 SHEET AS-SOUND SUPPRESSION

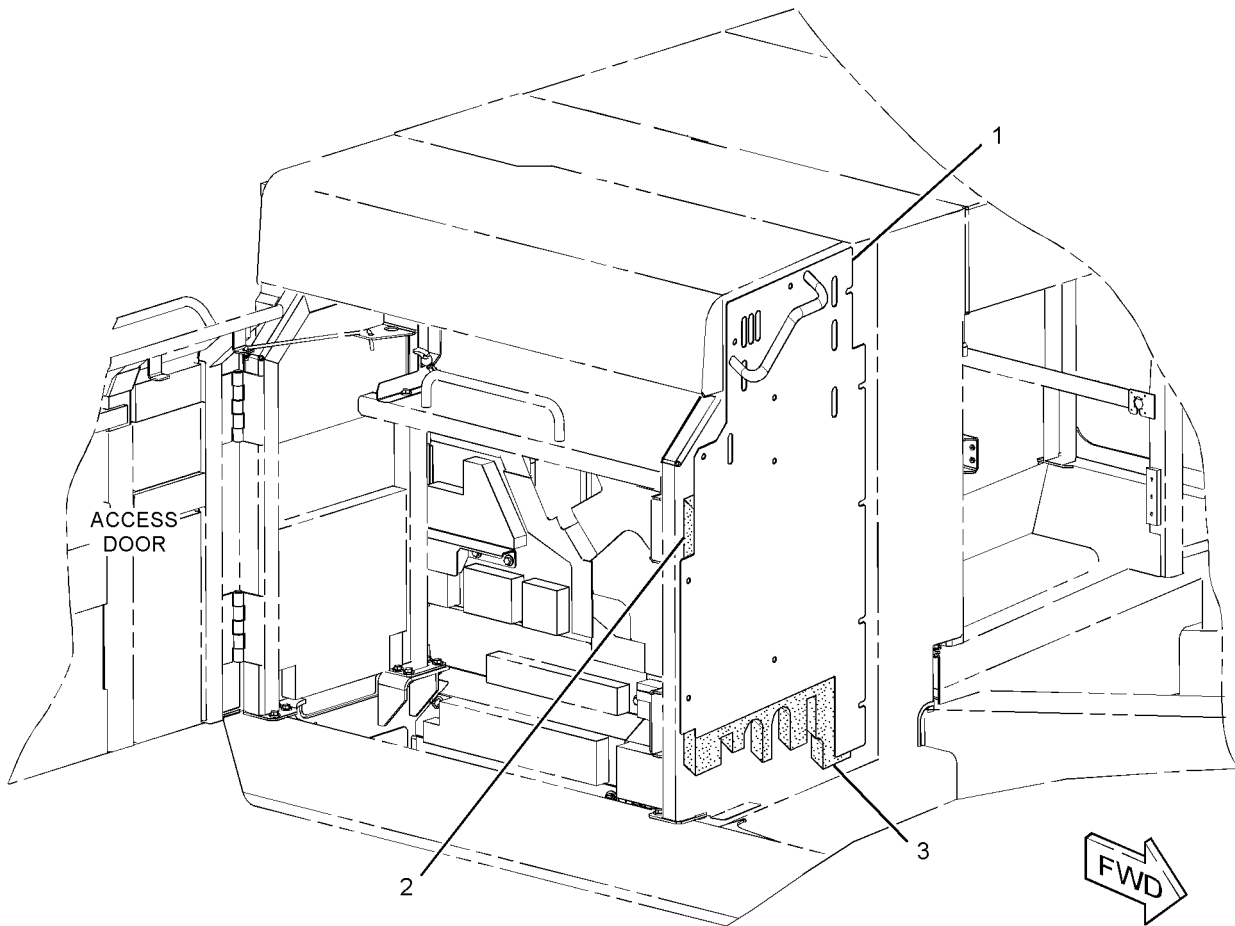
S/N: MMA1-258

PART OF 236-3725 HOOD & GUARD GP

SMCS-1801, 7076, 7251, 7267

i02578119

NOTE	REF NO	GRAPHIC REF	PART NUMBER	QTY	PART NAME						SEE PAGE
					1	2	3	4	5	6 (PRODUCT LEVEL)	
1	1	1	236-9281	1	SHEET AS						
2	1	1	244-8009	1	INSULATION						
3	1	1	244-8010	1	INSULATION						



GRAPHIC #1

<END>

g01306414

FRAME AND BODY

244-8011 SHEET AS-SOUND SUPPRESSION

S/N: MMA1-UP

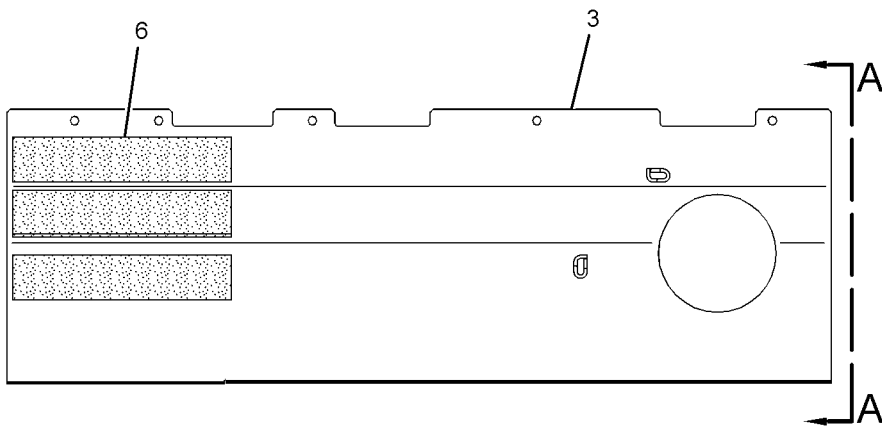
PART OF 236-3725 HOOD & GUARD GP, 303-9854 SUPPORT GP-HOOD

SMCS-1801, 7076, 7251, 7267

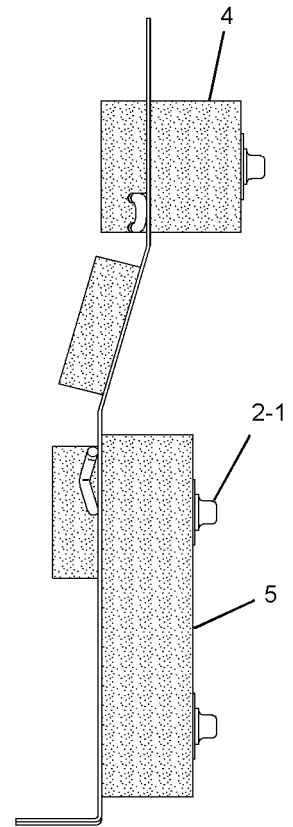
i02624950

NOTE	REF NO	GRAPHIC REF	PART NUMBER	QTY	PART NAME						SEE PAGE
					1	2	3	4	5	6 (PRODUCT LEVEL)	
	1	1	4I-7924	5	WASHER (4.5X40X1.2-MM THK)						
	2	1	6P-2216	5	CAP						
Z	3	1		1	SHEET AS						
	4	1	244-8012	1	INSULATION						
	5	1	244-8025	1	INSULATION						
	6	1	244-8026	3	INSULATION						

Z-NOT SERVICED SEPARATELY



RIGHT SIDE VIEW



VIEW A-A

GRAPHIC #1

<END>

g01316545

FRAME AND BODY

244-8093 SHEET AS-SOUND SUPPRESSION

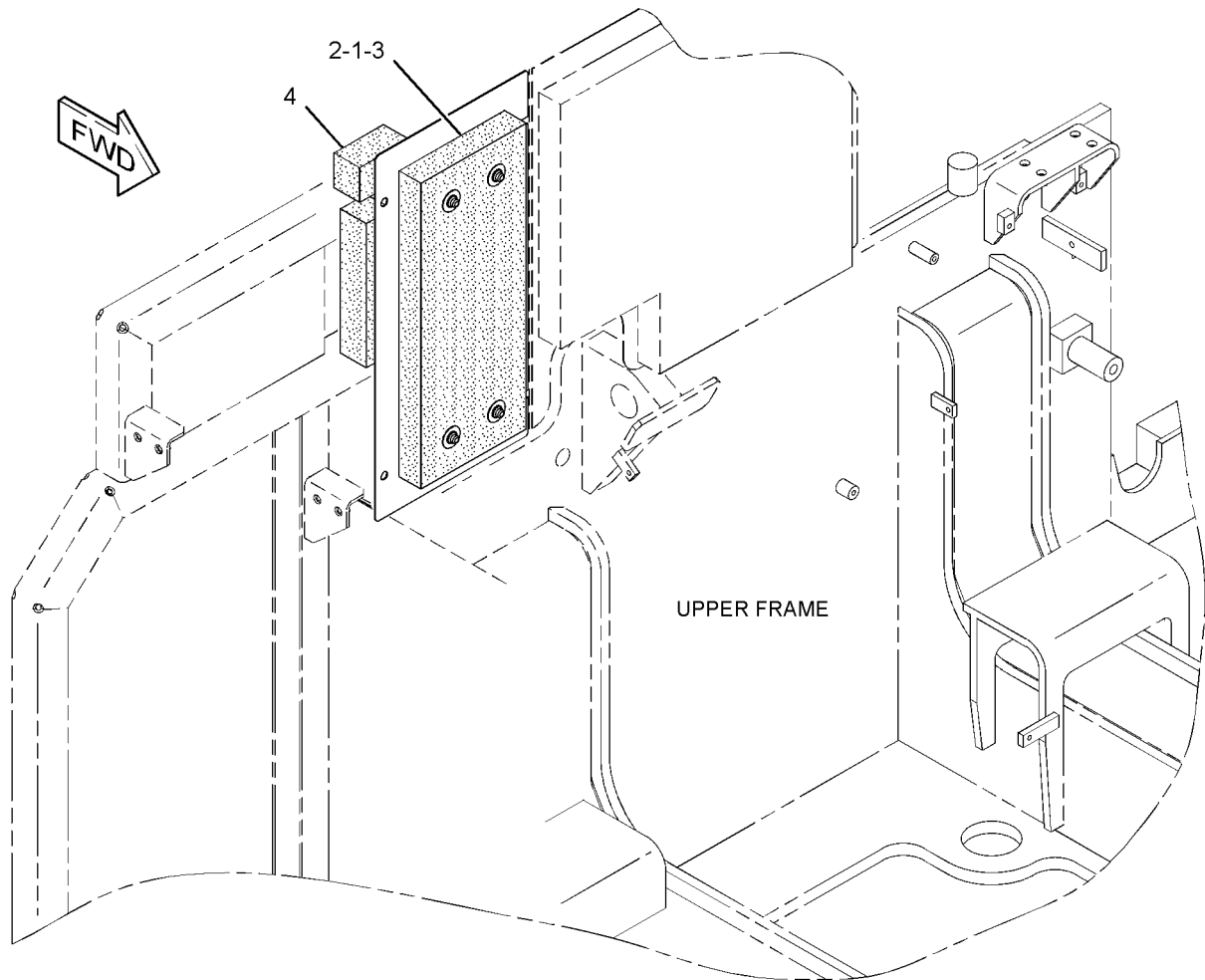
S/N: MMA1-UP

PART OF 236-3725 HOOD & GUARD GP

SMCS-1801, 7076, 7251, 7267

i02578184

NOTE	REF NO	GRAPHIC REF	PART NUMBER	QTY	PART NAME						SEE PAGE
					1	2	3	4	5	6 (PRODUCT LEVEL)	
1	1	1	4I-7924	4	WASHER (4.5X40X1.2-MM THK)						
2	1	1	6P-2216	4	CAP						
3	1	1	175-1005	1	INSULATION						
4	1	1	244-8094	1	LINER						



GRAPHIC #1

<END>

g01356676

FRAME AND BODY

244-8095 SHEET AS-SOUND SUPPRESSION

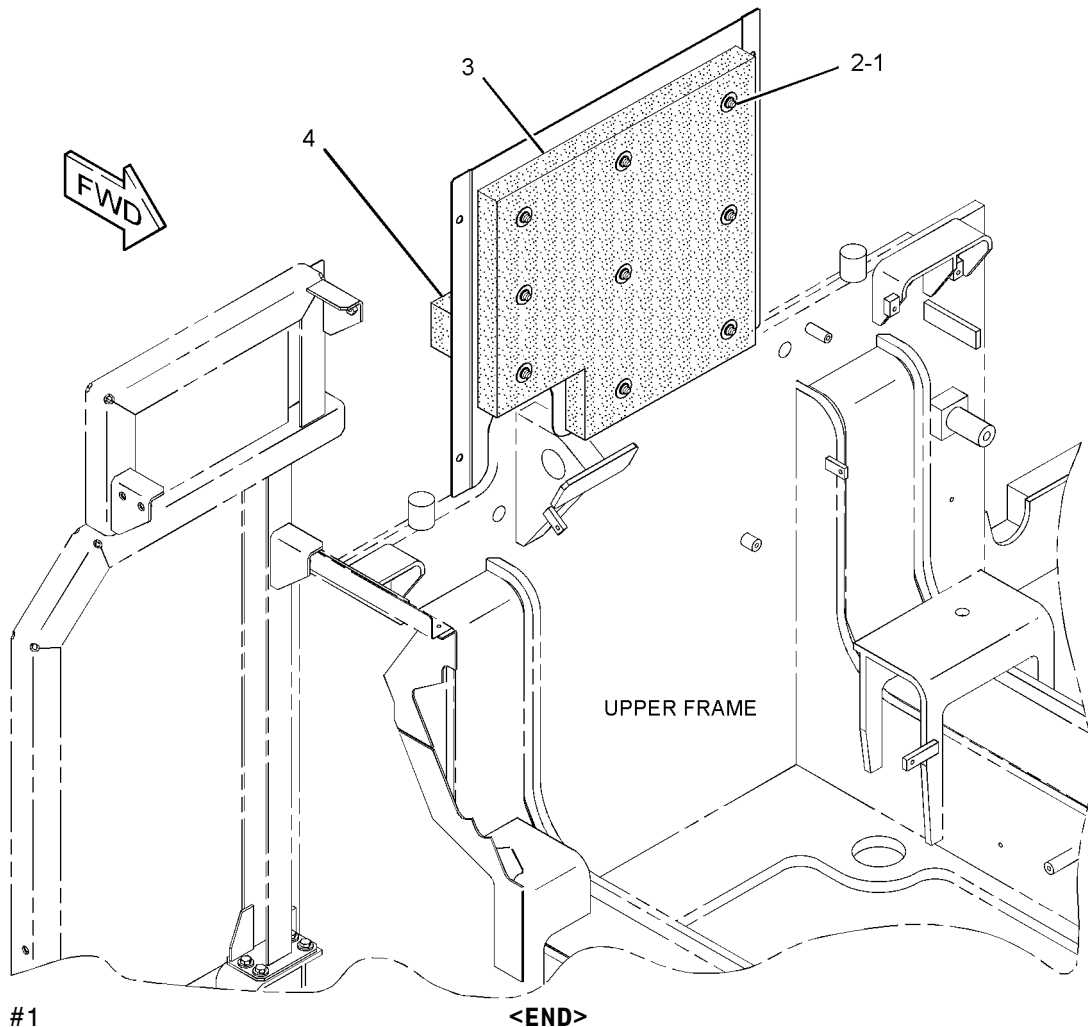
S/N: MMA1-UP

PART OF 236-3725 HOOD & GUARD GP

SMCS-1801, 7076, 7251, 7267

i02578118

NOTE	REF NO	GRAPHIC REF	PART NUMBER	QTY	PART NAME						SEE PAGE
					1	2	3	4	5	6 (PRODUCT LEVEL)	
1	1	1	4I-7924	9	WASHER (4.5X40X1.2-MM THK)						
2	1	1	6P-2216	9	CAP						
3	1	1	175-1001	1	INSULATION						
4	1	1	244-8096	1	LINER						



g01357202

FRAME AND BODY

244-8104 SHEET AS-SOUND SUPPRESSION

S/N: MMA1-UP

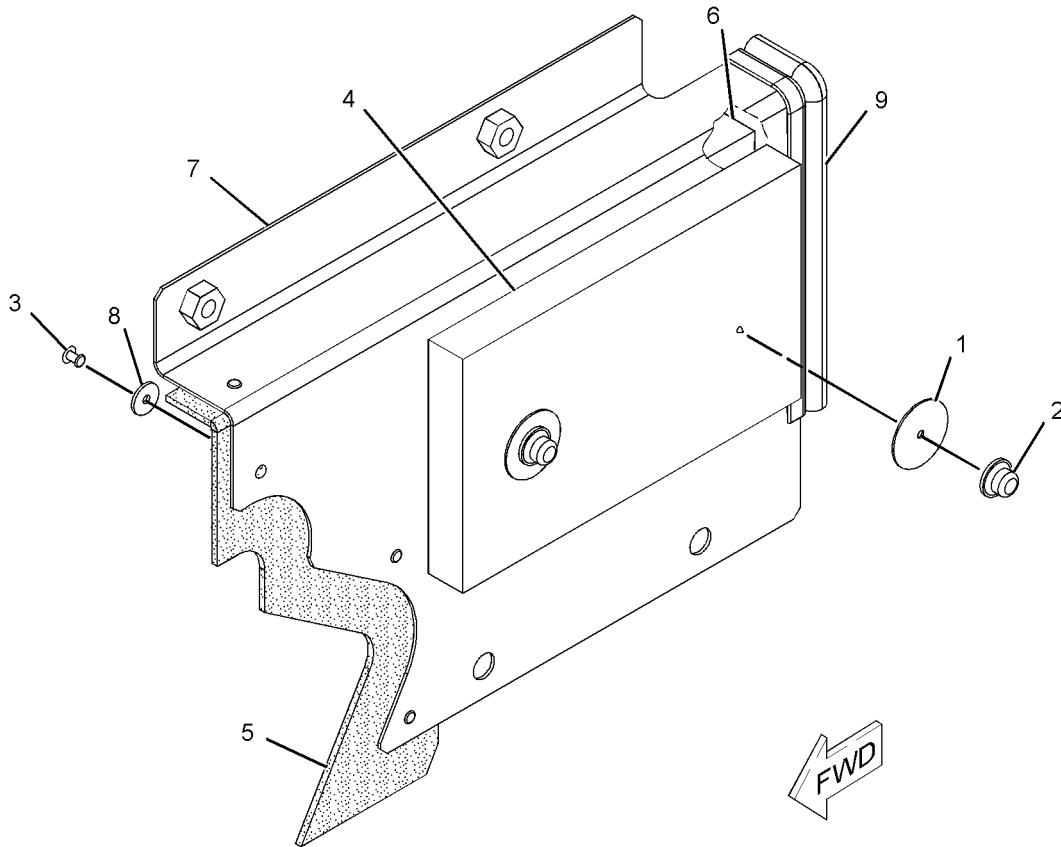
PART OF 236-3725 HOOD & GUARD GP

SMCS-1801, 7076, 7251, 7267

i03612601

NOTE	REF NO	GRAPHIC REF	PART NUMBER	QTY	PART NAME						SEE PAGE
					1	2	3	4	5	6 (PRODUCT LEVEL)	
	1	1	4I-7924	2	WASHER (4.5X40X1.2-MM THK)						
	2	1	6P-2216	2	CAP						
	3	1	9M-5732	4	RIVET-POP						
	4	1	138-5471	1	INSULATION						
	5	1	237-8519	1	SHEET-RUBBER						
	6	1	244-8071	1	INSULATION						
Z	7	1		1	SHEET AS						
	8	1	9M-2307	4	WASHER (5.2X19X2-MM THK)						
D	9	1	5P-8309		SEAL (0.3-M)						

D-ORDER BY THE METER
Z-NOT SERVICED SEPARATELY



GRAPHIC #1

<END>

g01128600

FRAME AND BODY

250-5118 SHEET AS-SOUND SUPPRESSION

S/N: MMA1-UP

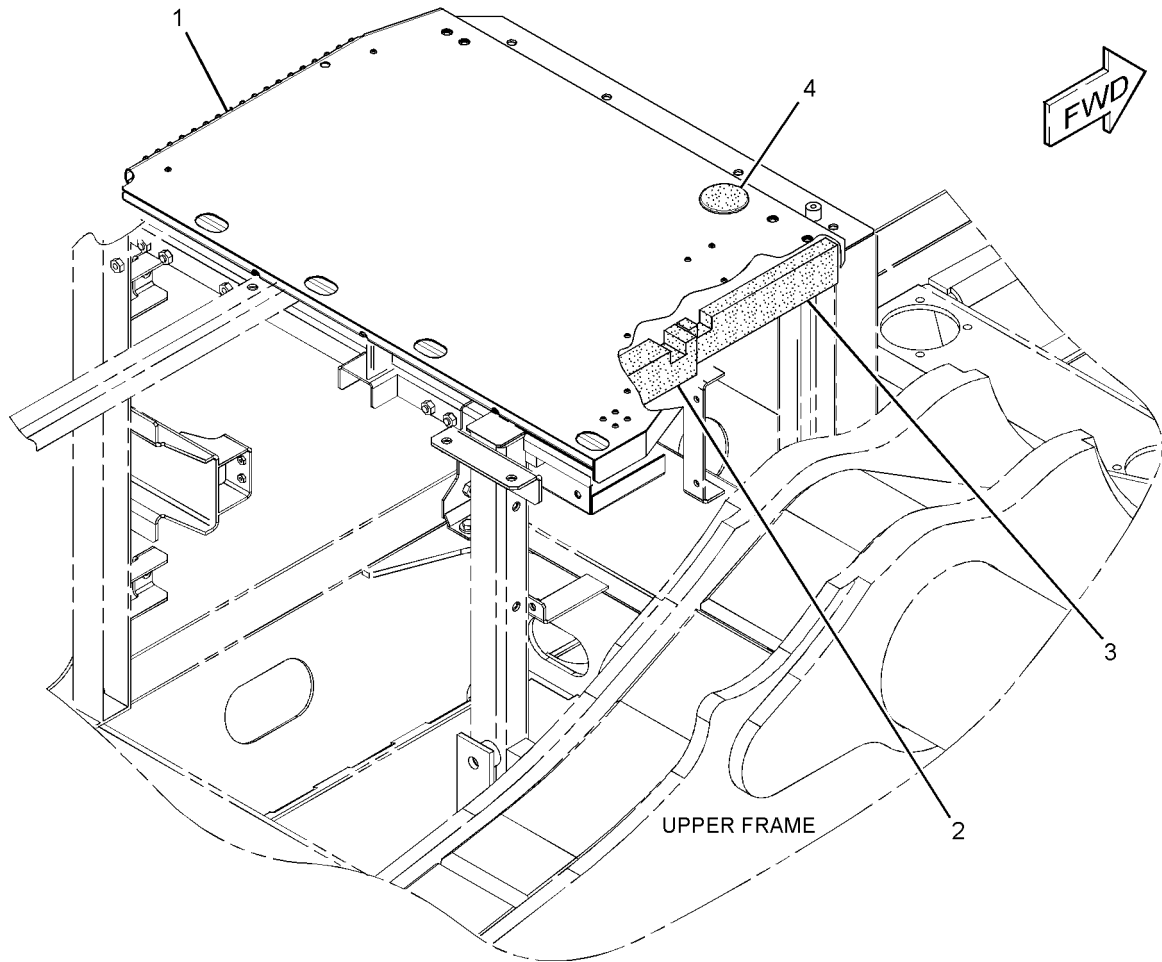
PART OF 223-2941 HOOD & GUARD GP

SMCS-1801, 7076, 7251, 7267

i02578020

NOTE	REF NO	GRAPHIC REF	PART NUMBER	QTY	PART NAME						SEE PAGE
					1	2	3	4	5	6 (PRODUCT LEVEL)	
Z	1	1		1	SHEET AS						
	2	1	250-5115	1	LINER						
	3	1	250-5116	1	LINER						
	4	1	099-4674	1	GROMMET						

Z-NOT SERVICED SEPARATELY



GRAPHIC #1

<END>

g01303816

FRAME AND BODY

307-7883 SHEET AS-SOUND SUPPRESSION

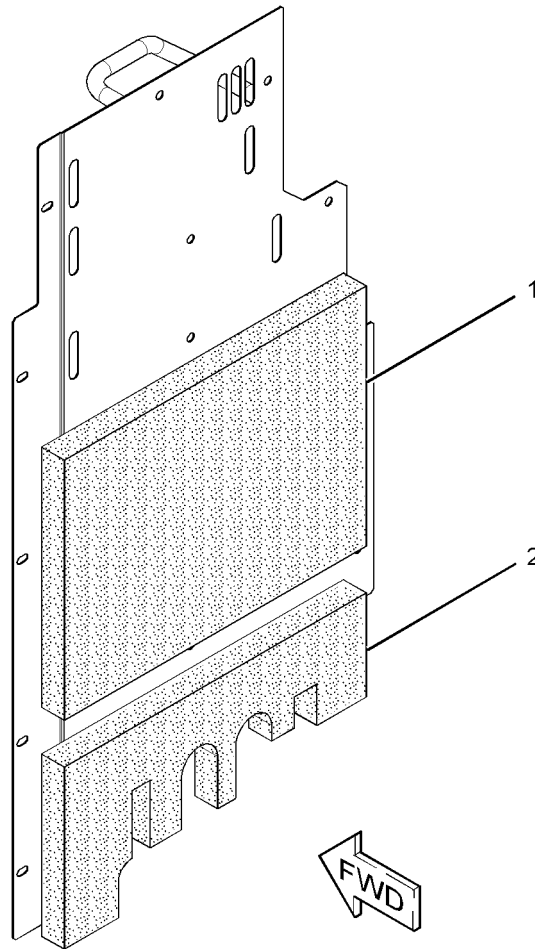
S/N: MMA259-UP

PART OF 236-3725 HOOD & GUARD GP

SMCS-1801, 7076, 7251, 7267

i03079323

NOTE	REF NO	GRAPHIC REF	PART NUMBER	QTY	PART NAME						SEE PAGE
					1	2	3	4	5	6 (PRODUCT LEVEL)	
	1	1	244-8009	1	INSULATION						
	2	1	244-8010	1	INSULATION						



GRAPHIC #1

<END>

g01574054

FRAME AND BODY

214-8014 SUPPORT AS-SOUND SUPPRESSION

S/N: MMA1-UP

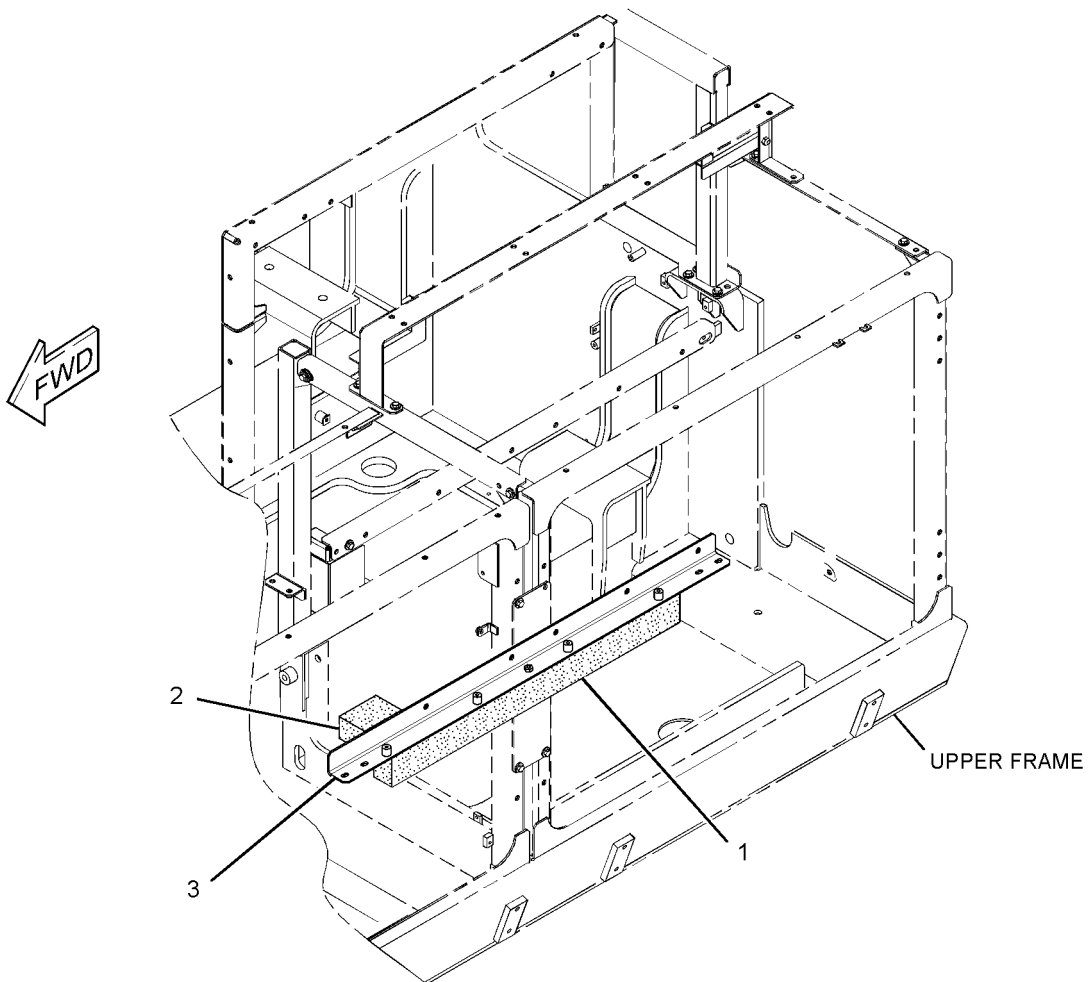
PART OF 223-2940 SUPPORT GP-HOOD

SMCS-0635, 1801, 7076, 7251, 7263, 7267, 7272, 7276

i02578022

NOTE	REF NO	GRAPHIC REF	PART NUMBER	QTY	PART NAME						SEE PAGE
					1	2	3	4	5	6 (PRODUCT LEVEL)	
	1	1	175-1013	1	LINER						
	2	1	177-5734	1	LINER						
Z	3	1		1	SUPPORT AS						

Z-NOT SERVICED SEPARATELY



GRAPHIC #1

g01303724

FRAME AND BODY

236-9353 SUPPORT AS-ENCLOSURE

S/N: MMA1-UP

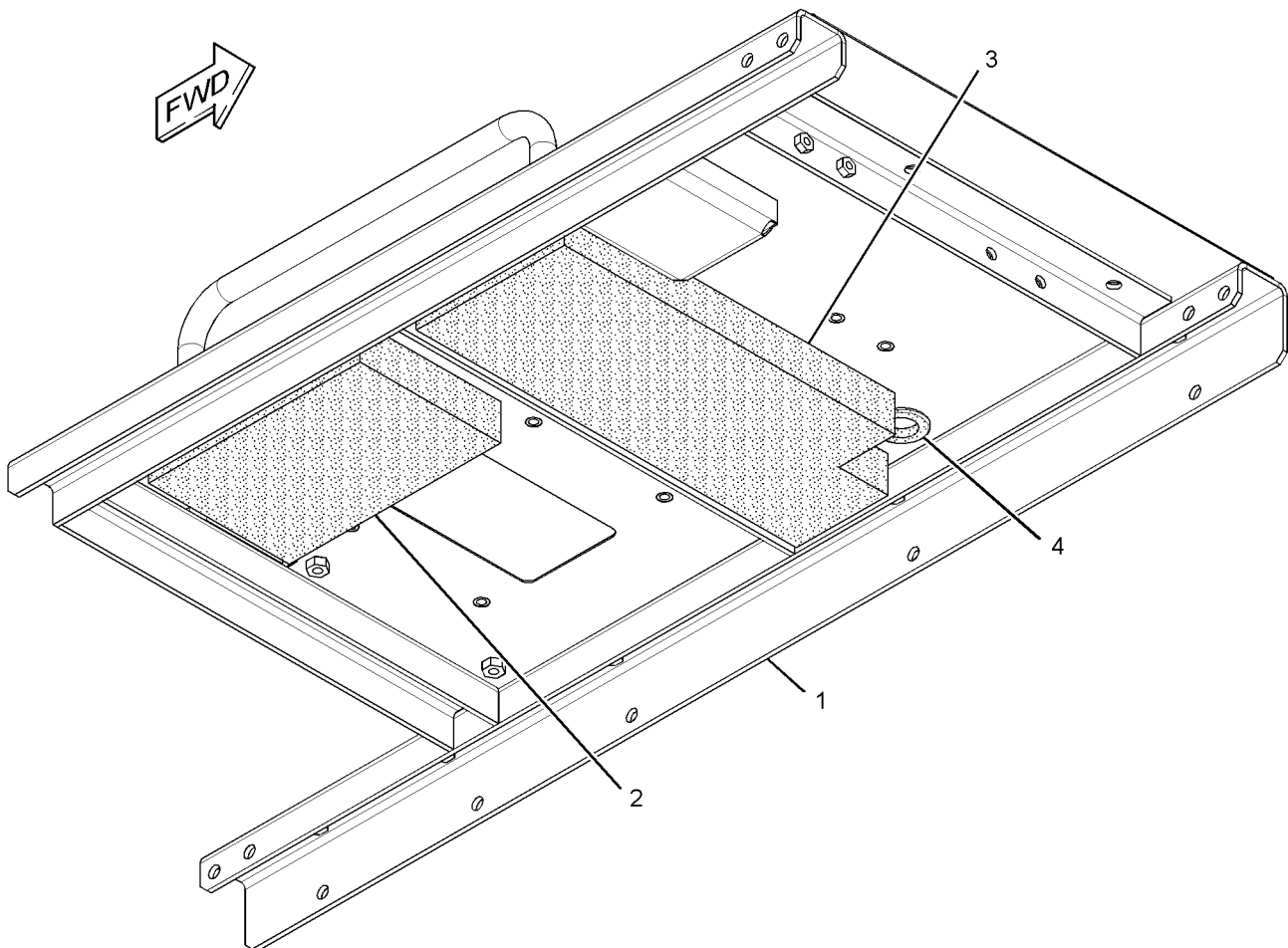
PART OF 303-9854 SUPPORT GP-HOOD

SMCS-0635, 1801, 7076, 7251, 7263, 7267, 7272, 7276

i02624910

NOTE	REF NO	GRAPHIC REF	PART NUMBER	QTY	PART NAME						SEE PAGE
					1	2	3	4	5	6 (PRODUCT LEVEL)	
Z	1	1		1	SUPPORT AS						
	2	1	244-7994	1	INSULATION						
	3	1	244-7995	1	INSULATION						
	4	1	096-3872	1	GROMMET						

Z-NOT SERVICED SEPARATELY



GRAPHIC #1

<END>

g01318568

FRAME AND BODY

250-5120 SUPPORT AS-ENCLOSURE

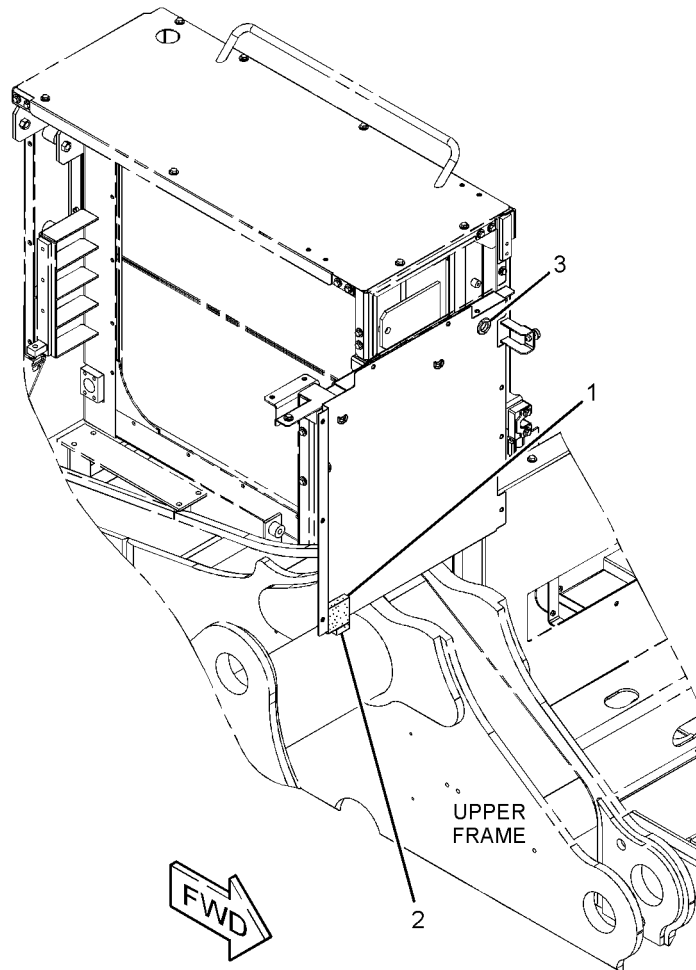
S/N: MMA1-UP

PART OF 223-2941 HOOD & GUARD GP

SMCS-0635, 1801, 7076, 7251, 7263, 7267, 7272, 7276

i02578019

NOTE	REF NO	GRAPHIC REF	PART NUMBER	QTY	PART NAME						SEE PAGE
					1	2	3	4	5	6 (PRODUCT LEVEL)	
	1	1	127-7960	1	LINER						
	2	1	250-5113	1	LINER						
	3	1	096-3872	1	GROMMET						



GRAPHIC #1

<END>

g01357548

FRAME AND BODY

250-5121 SUPPORT AS-ENCLOSURE

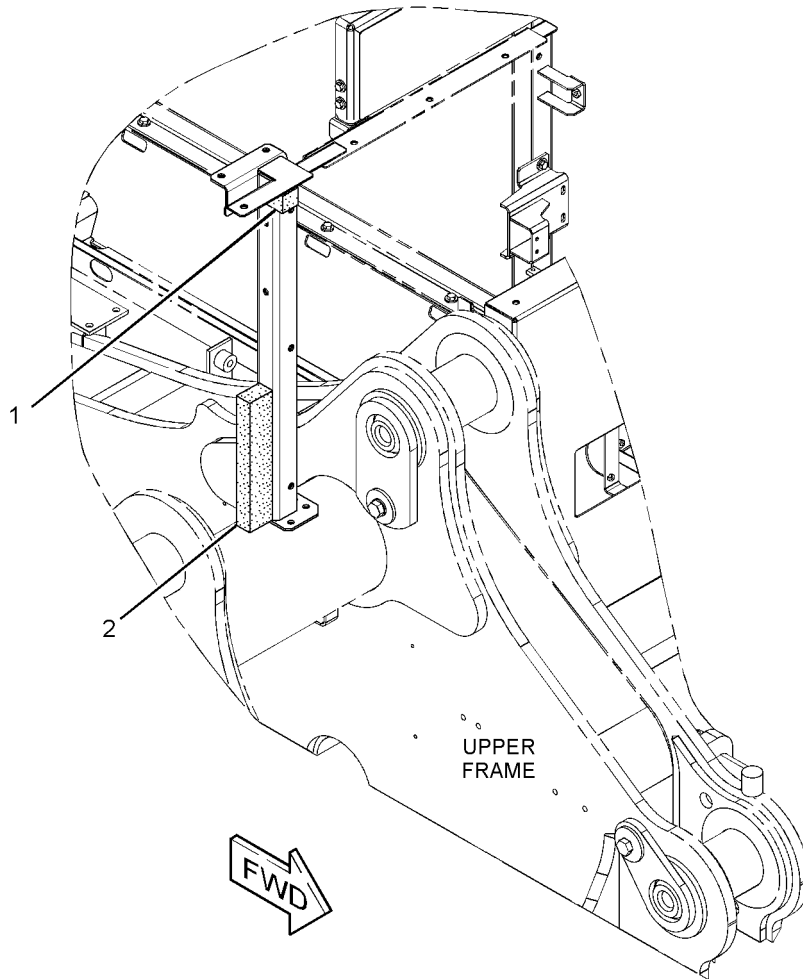
S/N: MMA1-UP

PART OF 223-2940 SUPPORT GP-HOOD

SMCS-0635, 1801, 7076, 7251, 7263, 7267, 7272, 7276

i02578024

NOTE	REF NO	GRAPHIC REF	PART NUMBER	QTY	PART NAME						SEE PAGE	
					1	2	3	4	5	6 (PRODUCT LEVEL)		
	1	1	250-5112	1	LINER							
	2	1	250-5111	1	LINER							



GRAPHIC #1

<END>

g01357529

FRAME AND BODY

223-2940 SUPPORT GP-HOOD

S/N: MMA1-UP

PART OF 228-8154 CHASSIS AR

SMCS-7251

i03643768

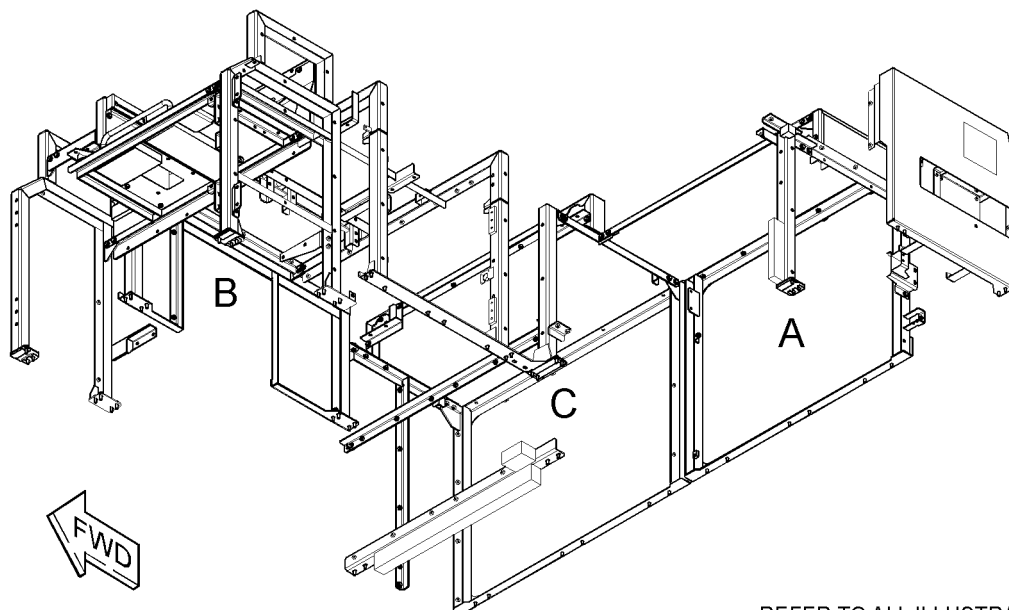
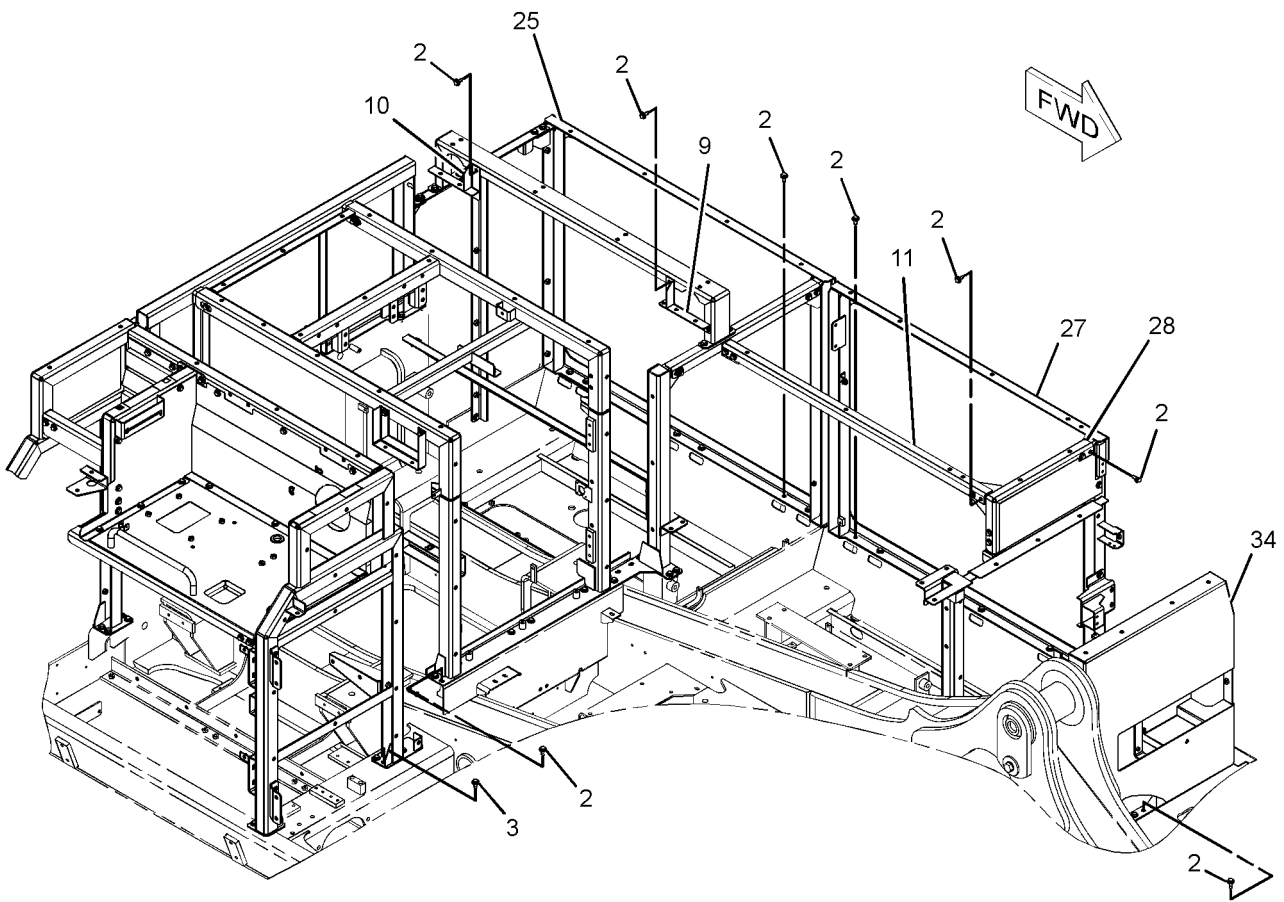
NOTE	REF NO	GRAPHIC REF	PART NUMBER	QTY	PART NAME						SEE PAGE
					1	2	3	4	5	6 (PRODUCT LEVEL)	
M	1	2,3	135-8573	9	BOLT AS (M12X1.75X25-MM)						
M	2	1,3	135-8575	56	BOLT AS (M12X1.75X30-MM)						
M	3	1,2,3	135-8577	24	BOLT AS (M12X1.75X35-MM)						
M	4	2,3	135-8578	9	BOLT AS (M12X1.75X40-MM)						
	5	3	175-0675	1	SUPPORT AS						
	6	3	175-0681	2	PLATE						
	7	3	175-0696	1	SUPPORT AS						
	8	3	175-0745	1	SUPPORT AS						
	9	1	175-0751	1	SUPPORT AS						
	10	1	175-0754	1	SUPPORT AS						
	11	1	175-0803	1	SUPPORT AS						
	12	3	190-6919	3	SPACER (24X38X16.5-MM THK)						
B	13	2	208-4148	3	SHIM (0.2-MM THK)						
B	14	2	208-4149	6	SHIM (0.2-MM THK)						
B	15	2	208-4150	6	SHIM (1-MM THK)						
B	16	2	208-4151	6	SHIM (0.5-MM THK)						
B	17	2	208-4152	3	SHIM (0.2-MM THK)						
B	18	2	208-4153	6	SHIM (0.5-MM THK)						
B	19	2	208-4154	6	SHIM (1-MM THK)						
Y	20	3	214-8014	1	SUPPORT AS-ENCLOSURE						549
B	21	2	223-3082	2	SHIM (0.5-MM THK)						
B	22	2	223-3083	1	SHIM (1-MM THK)						
B	23	2	223-3084	2	SHIM (0.5-MM THK)						
B	24	2	223-3085	1	SHIM (1-MM THK)						
	25	1	236-9382	1	SUPPORT AS						
	26	3	236-9383	1	SUPPORT AS						
	27	1	339-7281	1	SUPPORT AS						
	28	1	237-8829	1	SUPPORT AS						
	29	3	244-8162	1	SUPPORT AS						
Y	30	3	250-5121	1	SUPPORT AS-ENCLOSURE						552
	31	3	259-3722	1	SUPPORT AS						
Y	32	3	303-9613	1	SUPPORT GP-HOOD						557
Y	33	3	303-9854	1	SUPPORT GP-HOOD						558
	34	1	313-7884	1	SUPPORT AS						
	35	3	7Y-2854	3	SPACER (24X38X3-MM THK)						
	36	3	7Y-8990	3	SPACER (24X38X1.5-MM THK)						

B-USE AS REQUIRED
M-METRIC PART
Y-SEPARATE ILLUSTRATION

FRAME AND BODY

223-2940 SUPPORT GP-HOOD (contd.)

i03643768



REFER TO ALL ILLUSTRATIONS OF THIS GROUP FOR AUXILIARY VIEWS.

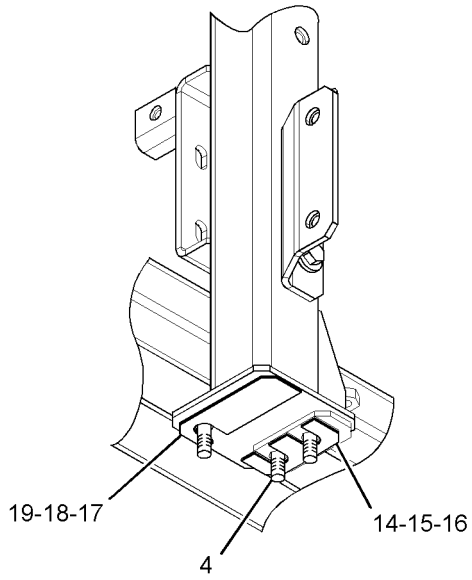
GRAPHIC #1

g01536017

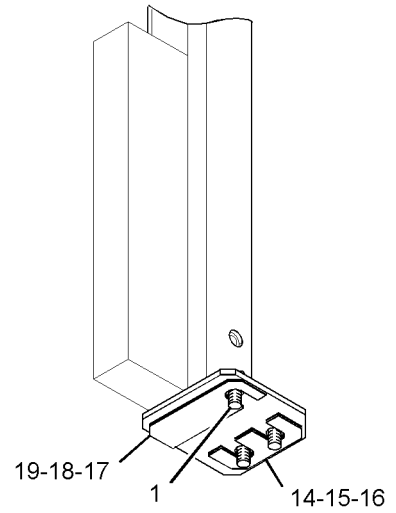
FRAME AND BODY

223-2940 SUPPORT GP-HOOD (contd.)

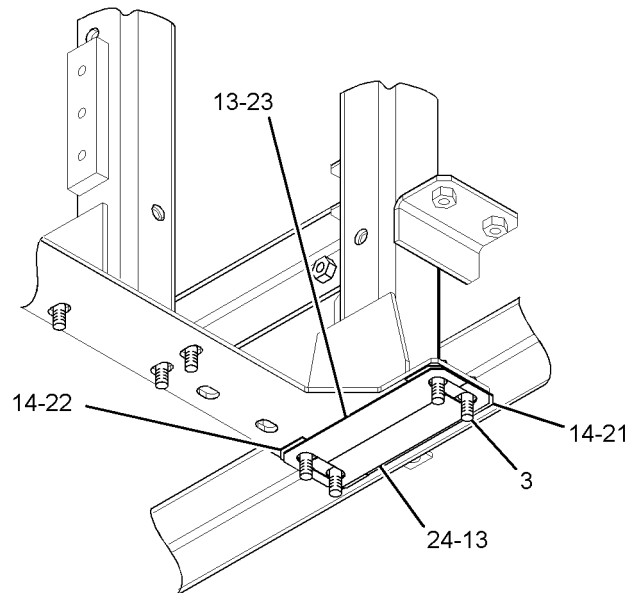
i03643768



VIEW OF AREA B



VIEW OF AREA A



VIEW OF AREA C

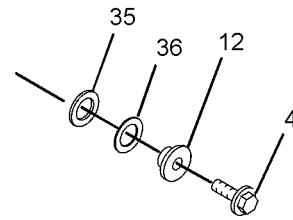
GRAPHIC #2

g01536018

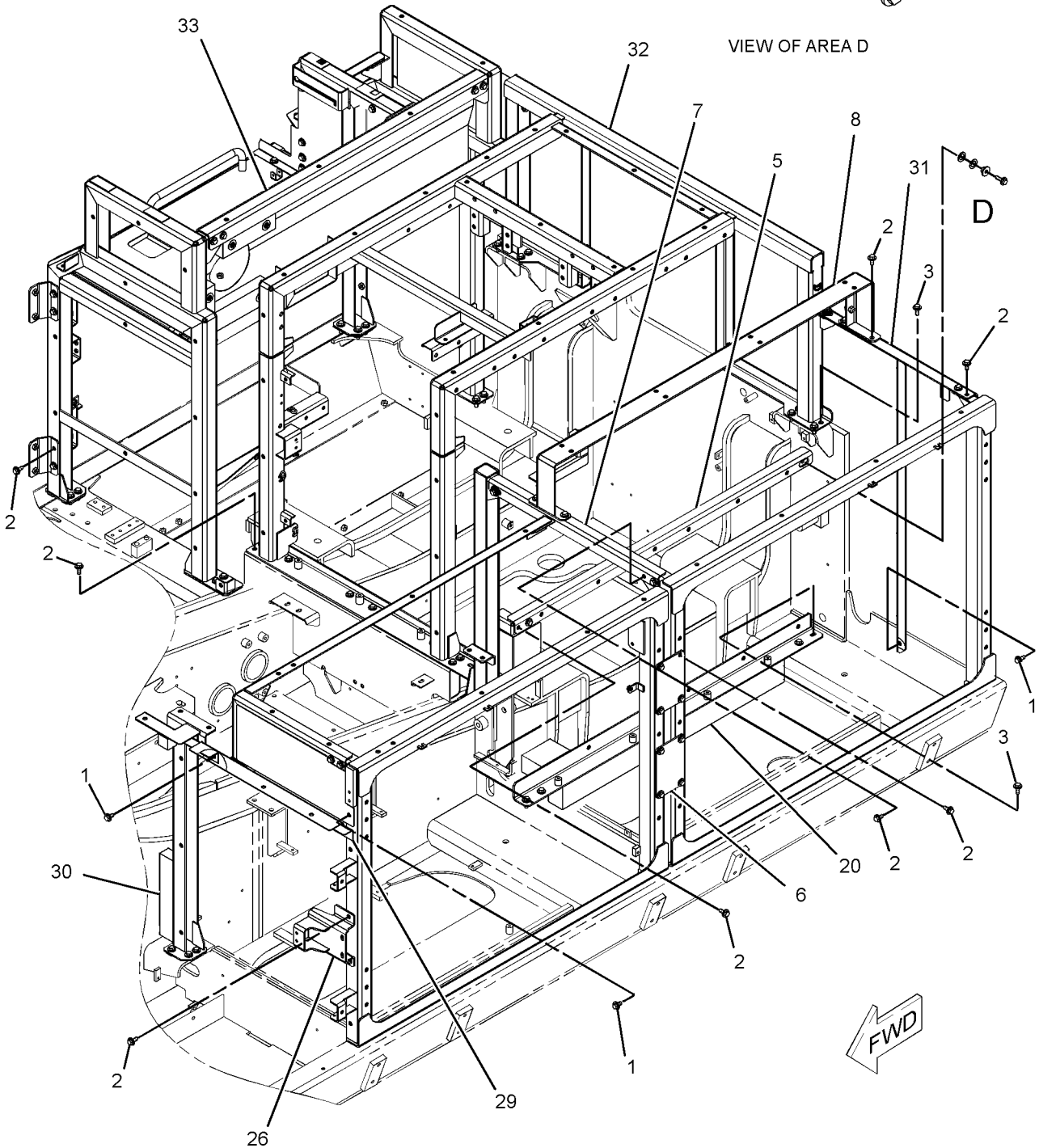
FRAME AND BODY

223-2940 SUPPORT GP-HOOD (contd.)

i03643768



VIEW OF AREA D



GRAPHIC #3

<END>

g01538717

FRAME AND BODY

303-9613 SUPPORT GP-HOOD

S/N: MMA1-UP

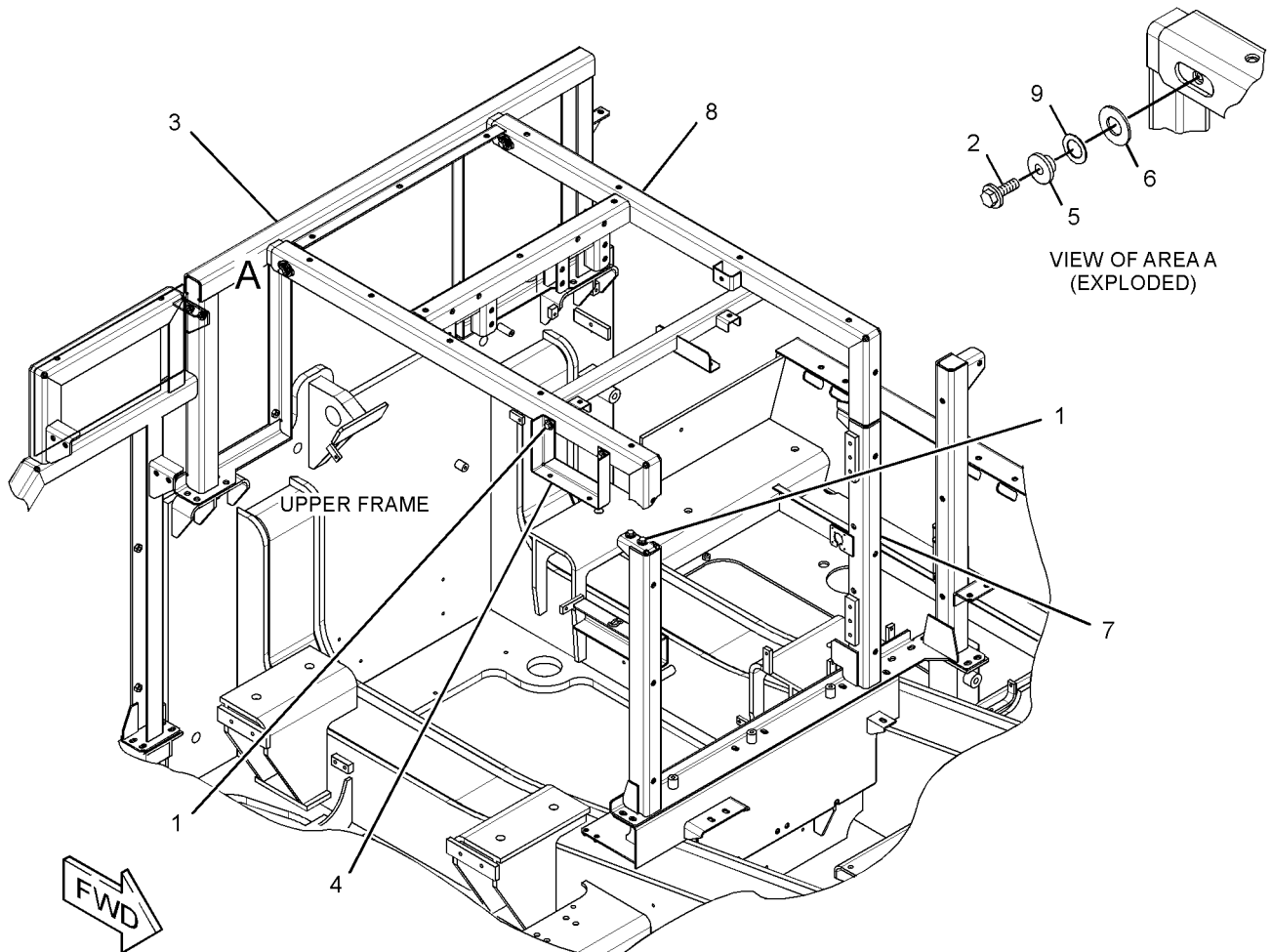
PART OF 223-2940 SUPPORT GP-HOOD

SMCS-7251

i03005705

NOTE	REF NO	GRAPHIC REF	PART NUMBER	QTY	PART NAME						SEE PAGE
					1	2	3	4	5	6 (PRODUCT LEVEL)	
M	1	1	135-8575	6	BOLT AS						
M	2	1	135-8578	2	BOLT AS (M12X1.75X40-MM)						
	3	1	175-0733	1	SUPPORT AS						
	4	1	175-0749	1	SUPPORT						
	5	1	190-6919	2	SPACER (24X38X16.5-MM THK)						
	6	1	190-6999	2	SPACER (24X50X3-MM THK)						
	7	1	236-9364	1	SUPPORT AS						
	8	1	313-7901	1	SUPPORT AS						
	9	1	7Y-8990	2	SPACER (24X38X1.5-MM THK)						

M-METRIC PART



GRAPHIC #1

<END>

g01534383

FRAME AND BODY

303-9854 SUPPORT GP-HOOD

S/N: MMA1-UP

PART OF 223-2940 SUPPORT GP-HOOD

SMCS-7251

i03580722

NOTE	REF NO	GRAPHIC REF	PART NUMBER	QTY	PART NAME						SEE PAGE
					1	2	3	4	5	6 (PRODUCT LEVEL)	
M	1	1	135-8572	3	BOLT AS						
M	2	1	135-8573	10	BOLT AS						
M	3	1	135-8575	27	BOLT AS						
	4	1	175-0673	2	SUPPORT AS						
	5	1	175-0902	1	SUPPORT AS						
	6	1	190-6993	1	SUPPORT AS						
	7	1	190-6996	1	SUPPORT AS						
Y	8	1	236-9353	1	SUPPORT AS-ENCLOSURE						550
	9	1	244-7991	1	SUPPORT AS						
		1	244-7992	1	INSULATION						
		1	268-0745	2	SHEET-RUBBER						
Y	10	1	244-8011	1	SHEET AS-SOUND SUPPRESSION						543
	11	1	339-7587	1	SUPPORT AS						
	12	1	244-8065	1	SUPPORT AS						
		1	244-8062	1	INSULATION						
	13	1	244-8072	1	SHEET AS						
		1	236-9259	1	SHEET						
		1	244-8073	1	INSULATION						

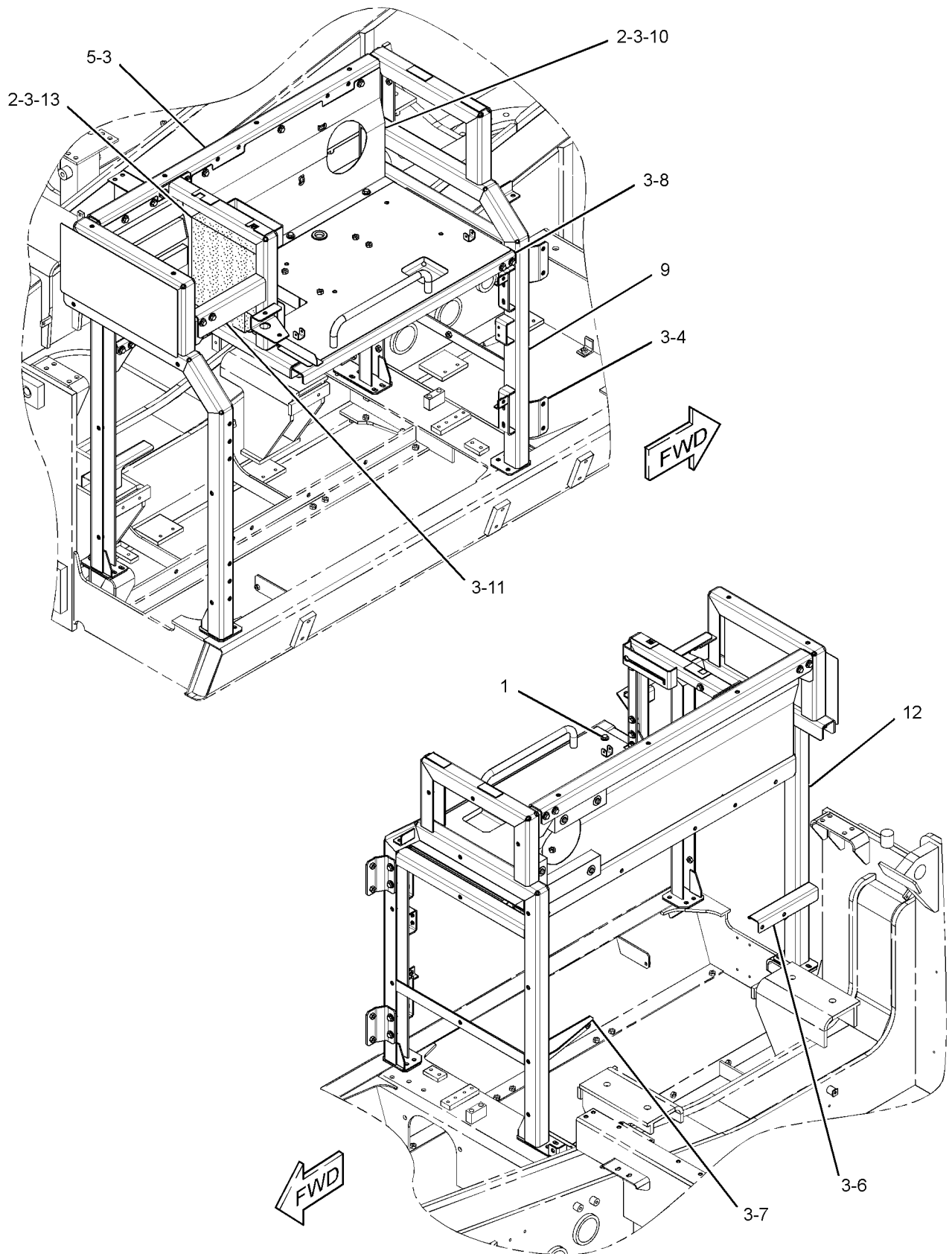
M-METRIC PART

Y-SEPARATE ILLUSTRATION

FRAME AND BODY

303-9854 SUPPORT GP-HOOD (contd.)

i03580722



GRAPHIC #1

<END>

g01535056

FRAME AND BODY

223-3086 WALKWAY GP

S/N: MMA1-UP

PART OF 228-8154 CHASSIS AR

SMCS-7255

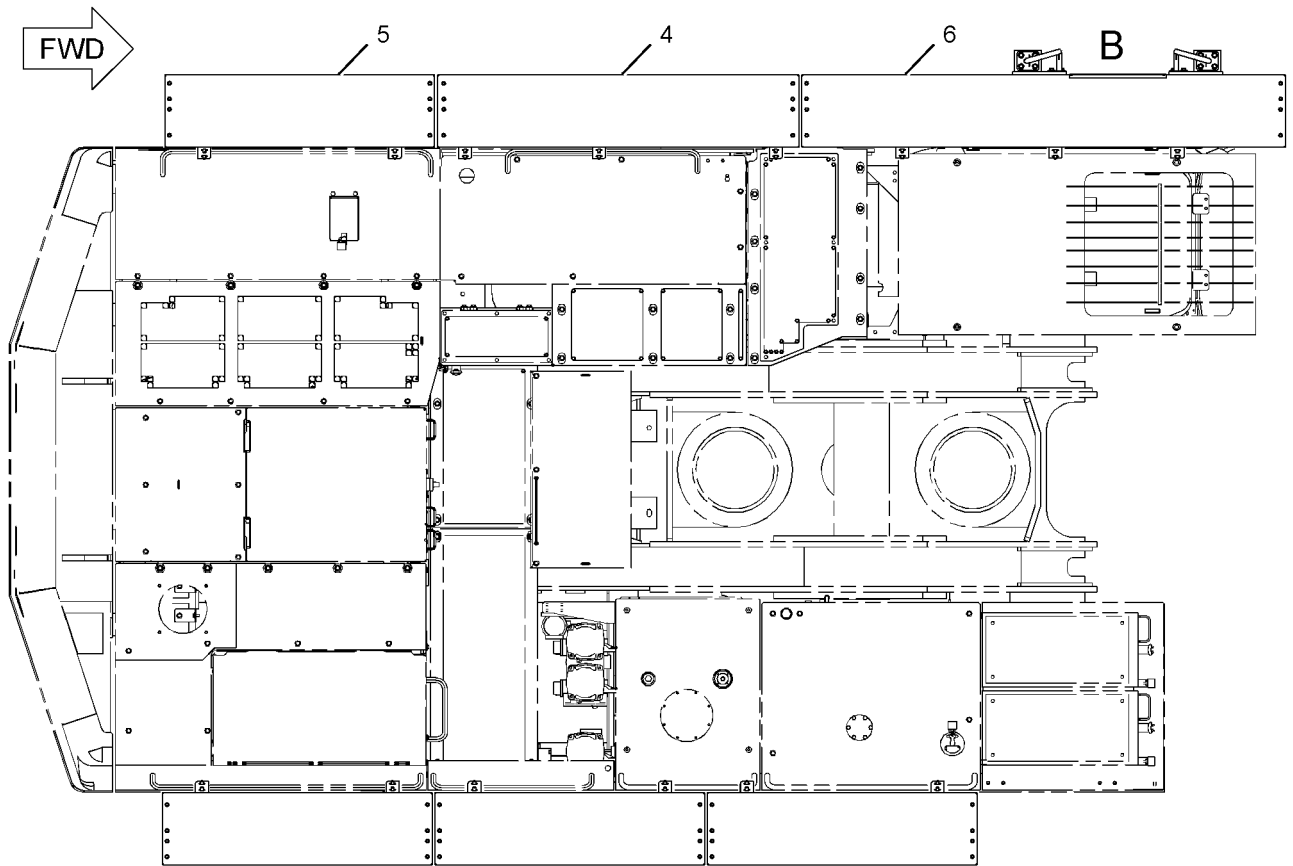
i03144806

NOTE	REF NO	GRAPHIC REF	PART NUMBER	QTY	PART NAME						SEE PAGE
					1	2	3	4	5	6 (PRODUCT LEVEL)	
M	1	1	135-8572	8	BOLT AS						
	2	1	190-6973	1	HANDRAIL AS						
	3	1	190-6974	1	HANDRAIL AS						
	4	1	273-7686	1	WALKWAY AS						
	5	1	293-7103	4	WALKWAY AS						
	6	1	298-3301	1	WALKWAY AS						
	7	1	3E-9411	28	WASHER-HARD (17.5X38X6-MM THK)						
	8	1	5P-1076	8	WASHER-HARD (13.5X30X4-MM THK)						
M	9	1	8T-4190	28	BOLT (M16X2X25-MM)						
M	10	1	8T-4194	8	BOLT (M12X1.75X50-MM)						
M-METRIC PART											

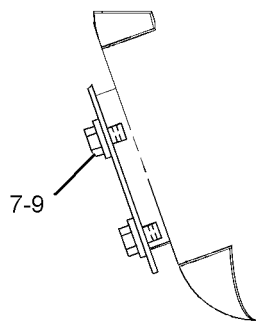
FRAME AND BODY

223-3086 WALKWAY GP (contd.)

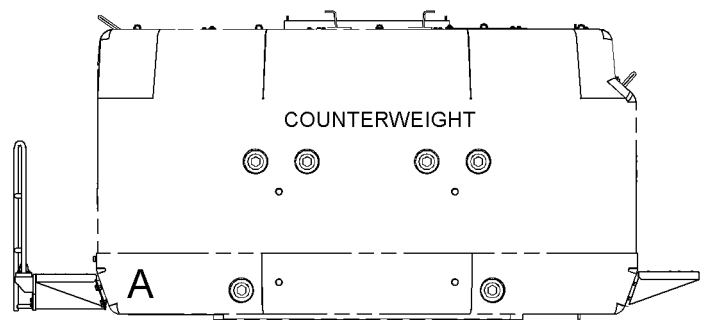
i03144806



TOP VIEW



VIEW OF AREA A



REAR VIEW



VIEW OF AREA B

GRAPHIC #1

<END>

g01671157

UNDERCARRIAGE

168-6743 ADJUSTMENT GP-HYDRAULIC TRACK

S/N: MMA1-265

PART OF 145-3008 IDLER GP-FRONT

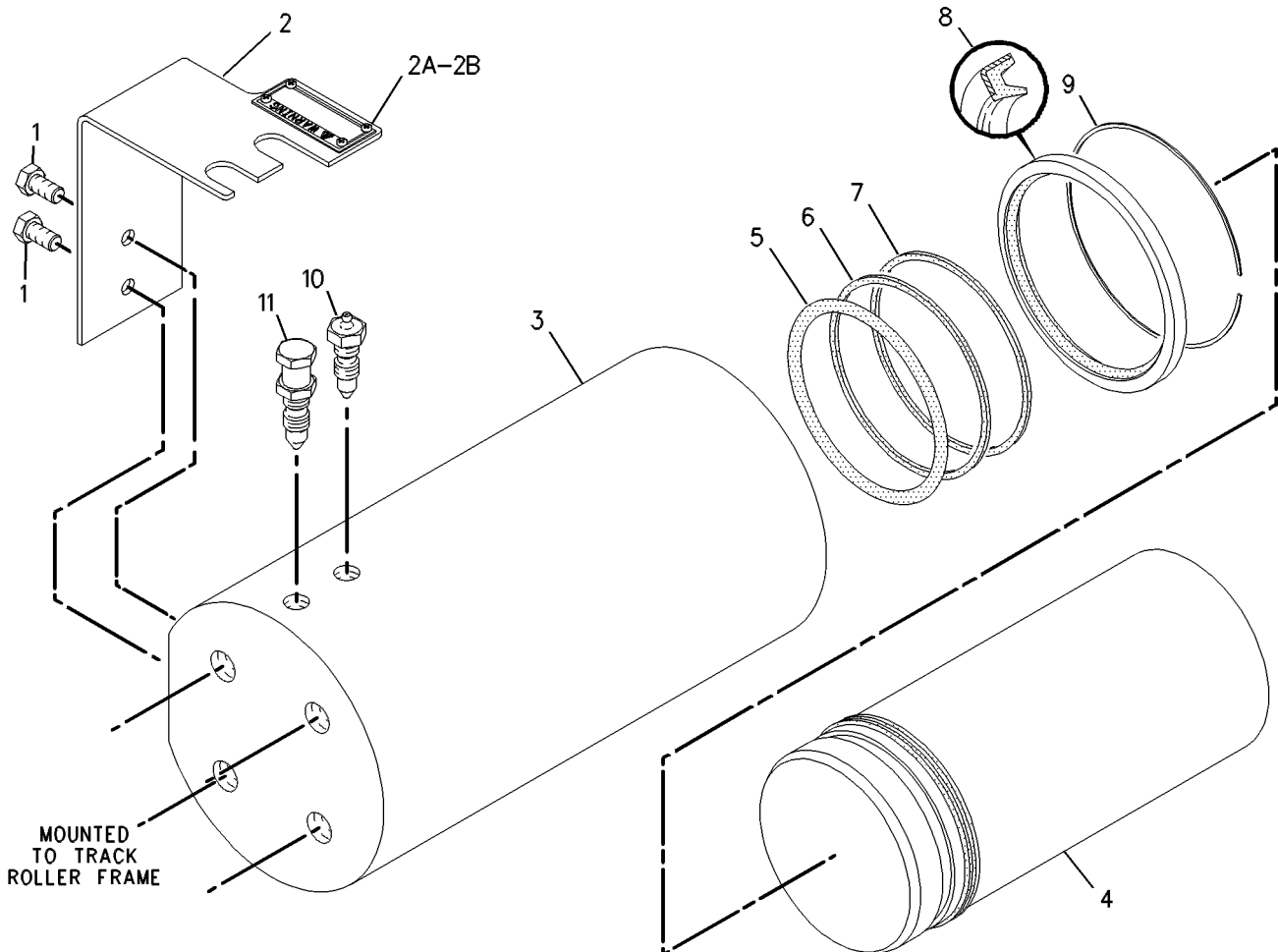
FIELD REPLACEMENT ORDER 297-9154-PAGE 563

SMCS-4157

i02551803

NOTE	REF NO	GRAPHIC REF	PART NUMBER	QTY	PART NAME						SEE PAGE
					1	2	3	4	5	6 (PRODUCT LEVEL)	
M	1	1	8T-4191	2	BOLT (M10X1.5X16-MM)						
	2	1	168-6745	1	PLATE AS						
	2A	1	4B-4158	4	SCREW-DRIVE (NO 4X0.25-IN)						
	2B	1	5P-9891	1	PLATE-WARNING (HIGH PRESSURE CYLINDER)						
	3	1	168-6744	1	CYLINDER						
	4	1	136-2442	1	PISTON						
	5	1	248-7179	2	SEAL-O-RING						
	6	1	136-2445	2	RING-BACKUP						
	7	1	7Y-4633	2	RING-BACKUP						
	8	1	136-2443	1	SEAL-LIP TYPE						
	9	1	136-2444	1	RING						
	10	1	095-2927	1	VALVE-FILL						
	11	1	2S-5926	1	VALVE-RELIEF						

M-METRIC PART



GRAPHIC #1

<END>

g00533678

UNDERCARRIAGE

297-9154 ADJUSTMENT GP-HYDRAULIC TRACK

S/N: MMA266-UP

PART OF 248-7290, 297-9123 IDLER GP-FRONT

FIELD REPLACEMENT FOR 168-6743—PAGE 562

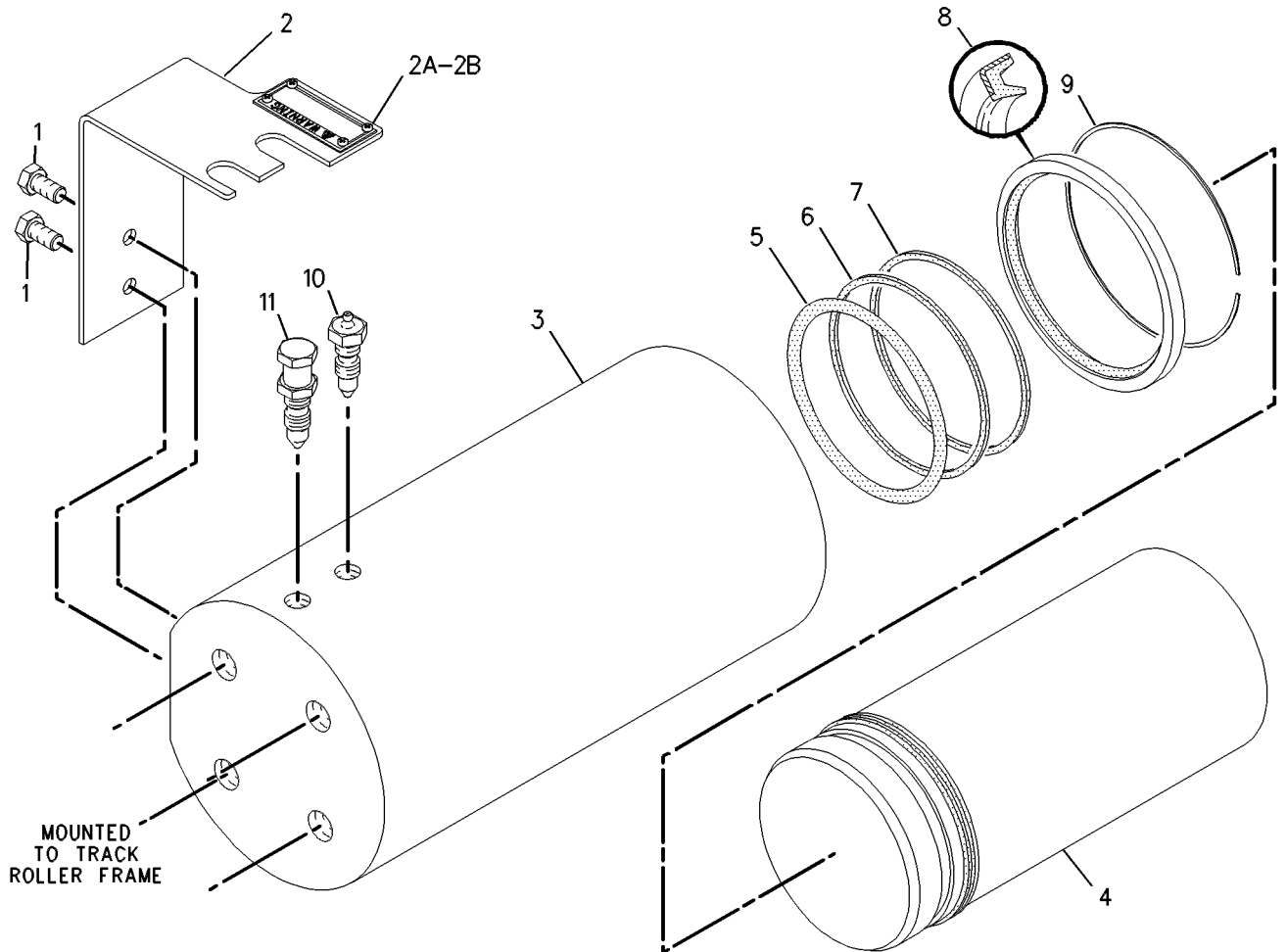
ALSO AN ATTACHMENT

SMCS-4157

i03090281

NOTE	REF NO	GRAPHIC REF	PART NUMBER	QTY	PART NAME						SEE PAGE
					1	2	3	4	5	6 (PRODUCT LEVEL)	
M	1	1	8T-4191	2	BOLT (M10X1.5X16-MM)						
	2	1	168-6745	1	PLATE AS						
	2A	1	4B-4158	4	SCREW-DRIVE (NO 4X0.25-IN)						
	2B	1	5P-9891	1	PLATE-WARNING (HIGH PRESSURE CYLINDER)						
	3	1	168-6744	1	CYLINDER						
	4	1	297-9158	1	PISTON						
	5	1	248-7179	2	SEAL-O-RING						
	6	1	136-2445	2	RING-BACKUP						
	7	1	7Y-4633	2	RING-BACKUP						
	8	1	136-2443	1	SEAL-LIP TYPE						
	9	1	136-2444	1	RING						
	10	1	095-2927	1	VALVE-FILL						
	11	1	2S-5926	1	VALVE-RELIEF						

M-METRIC PART



GRAPHIC #1

<END>

g00533678

UNDERCARRIAGE

245-5559 FRAME AR-UNDERCARRIAGE

S/N: MMA1-UP

PART OF 228-8153 GENERAL AR

SMCS-4151

i03629264

NOTE	PART NUMBER	QTY	PART NAME						SEE PAGE
			1	2	3	4	5	6 (PRODUCT LEVEL)	
Y	234-3793	1	FRAME GP-UNDERCARRIAGE						565
Y	148-4650	1	GEAR & BEARING GP-SWING						452
Y	172-2954	1	GUARD GP-SWIVEL						466
			S/N: MMA1-252						
Y	284-7282	1	GUARD GP-SWIVEL						467
			S/N: MMA253-UP						
Y	172-3001	1	GUARD GP-TRACK GUIDE						569
			S/N: MMA1-268						
Y	167-9841	1	GUARD GP-TRAVEL MOTOR						577
Y	145-3008	1	IDLER GP-FRONT						578
			S/N: MMA1-265						
Y	297-9123	1	IDLER GP-FRONT						584
			S/N: MMA266-UP						
Y	145-3012	1	ROLLER AR-TRACK & CARRIER						590
			S/N: MMA1-267						
Y	248-7286	1	ROLLER AR-TRACK & CARRIER						592
			S/N: MMA268-UP						

Y-SEPARATE ILLUSTRATION

<END>

UNDERCARRIAGE

234-3793 FRAME GP-UNDERCARRIAGE

S/N: MMA1-270

PART OF 245-5559 FRAME AR-UNDERCARRIAGE

SMCS-4150

i03612947

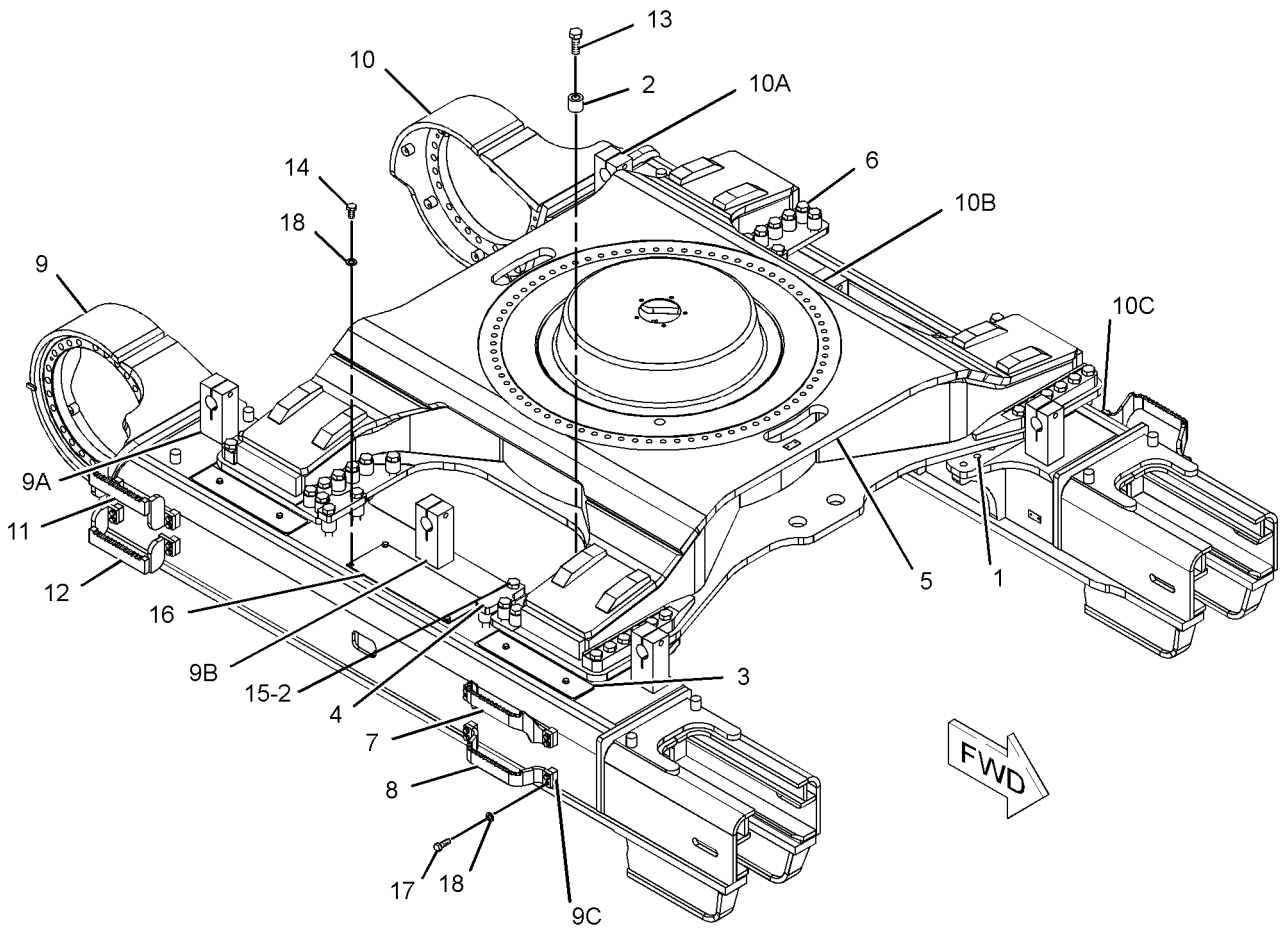
NOTE	REF NO	GRAPHIC REF	PART NUMBER	QTY	PART NAME						SEE PAGE
					1	2	3	4	5	6 (PRODUCT LEVEL)	
B	1	1	104-8147	24	PLUG						
	2	1	107-9711	36	SPACER (37X70X65-MM THK)						
	3	1	172-2871	4	PLATE						
	4	1	172-3088	4	PLATE						
	5	1	172-3089	1	FRAME AS-CARBODY						
	6	1	207-4919	44	BOLT (M36X4X180-MM)						
	7	1	234-3788	3	STEP						
	8	1	234-3789	3	STEP						
	9	1	297-7466	1	FRAME AS-TRACK ROLLER (RH)						
	9A	1	7Y-1000	2	BRACKET						
	9B	1	174-8353	1	BRACKET						
	9C	1	137-3001	8	BLOCK						
	10	1	297-7467	1	FRAME AS-TRACK ROLLER (LH)						
	10A	1	7Y-1000	2	BRACKET						
	10B	1	174-8353	1	BRACKET						
	10C	1	137-3001	8	BLOCK						
	11	1	235-7695	1	STEP AS						
	12	1	235-7696	1	STEP AS						
M	13	1	147-2001	8	BOLT (M36X4X100-MM)						
M	14	1	7X-2552	16	BOLT (M16X2X30-MM)						
M	15	1	7Y-5245	8	BOLT (M36X4X150-MM)						
	16	1	7Y-8942	2	PLATE						
M	17	1	8T-7338	32	BOLT (M16X2X45-MM)						
	18	1	9X-8257	48	WASHER (17.5X30X3.5-MM THK)						

B-USE AS REQUIRED
M-METRIC PART

UNDERCARRIAGE

234-3793 FRAME GP-UNDERCARRIAGE (contd.)

i03612947



GRAPHIC #1

<END>

g01937288

UNDERCARRIAGE

234-3793 FRAME GP-UNDERCARRIAGE

S/N: MMA271-UP

PART OF 245-5559 FRAME AR-UNDERCARRIAGE

SMCS-4150

i03639927

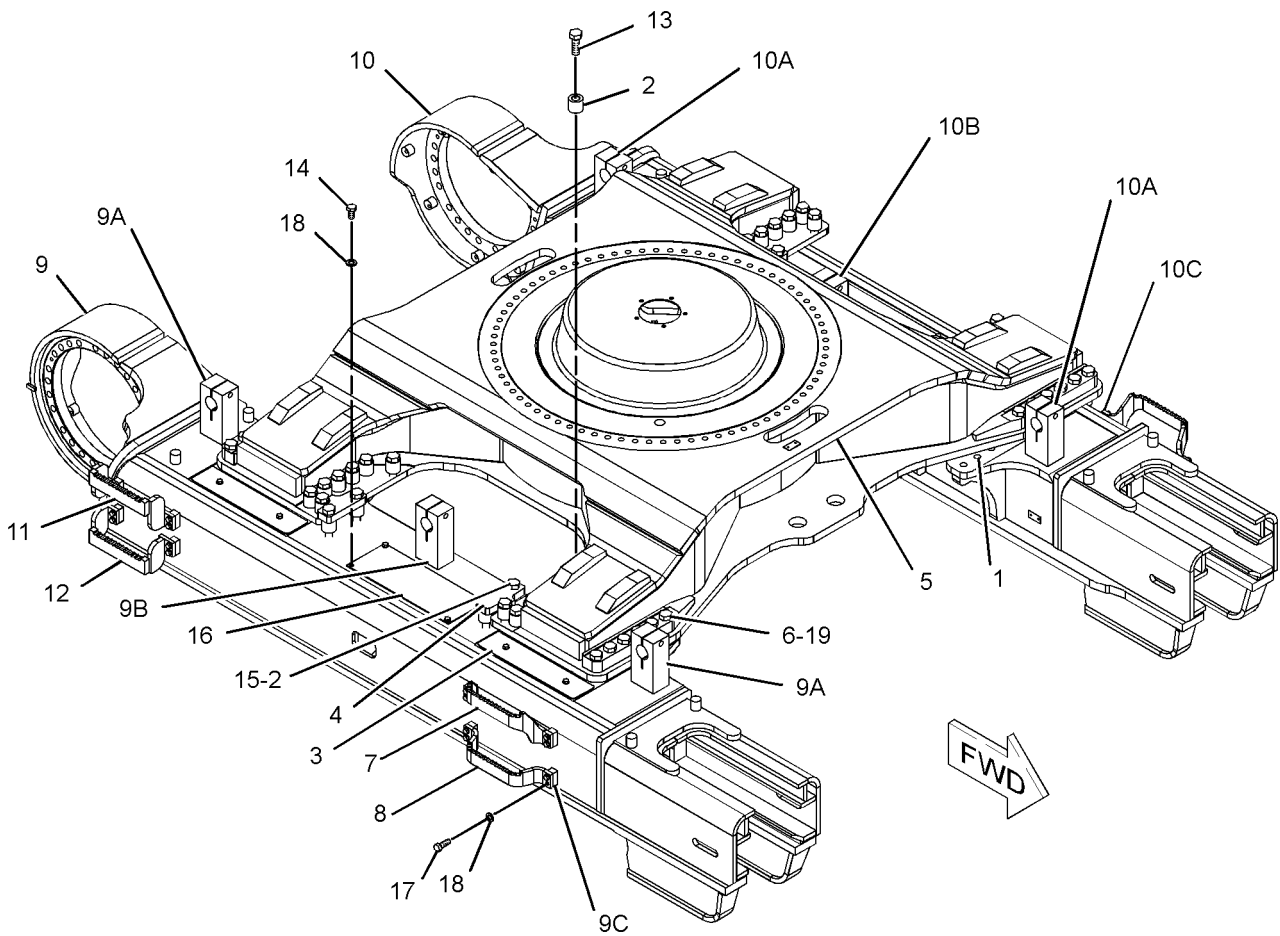
NOTE	REF NO	GRAPHIC REF	PART NUMBER	QTY	PART NAME						SEE PAGE
					1	2	3	4	5	6 (PRODUCT LEVEL)	
B	1	1	104-8147	24	PLUG						
J	2	1	107-9711	36	SPACER (37X70X65-MM THK)						
J	3	1	172-2871	4	PLATE						
	4	1	172-3088	4	PLATE						
	5	1	172-3089	1	FRAME AS-CARBODY						
J	6	1	207-4919	44	BOLT (M36X4X180-MM)						
C	7	1	336-2584	3	STEP						
	8	1	234-3789	3	STEP						
	9	1	297-7466	1	FRAME AS-TRACK ROLLER (RH)						
	9A	1	7Y-1000	2	BRACKET						
	9B	1	174-8353	1	BRACKET						
	9C	1	137-3001	8	BLOCK						
	10	1	297-7467	1	FRAME AS-TRACK ROLLER (LH)						
	10A	1	7Y-1000	2	BRACKET						
	10B	1	174-8353	1	BRACKET						
	10C	1	137-3001	8	BLOCK						
C	11	1	336-2620	1	STEP AS						
	12	1	235-7696	1	STEP AS						
M	13	1	147-2001	8	BOLT (M36X4X100-MM)						
JM	14	1	7X-2552	16	BOLT (M16X2X30-MM)						
M	15	1	7Y-5245	8	BOLT (M36X4X150-MM)						
	16	1	7Y-8942	2	PLATE						
M	17	1	8T-7338	32	BOLT (M16X2X45-MM)						
J	18	1	9X-8257	48	WASHER (17.5X30X3.5-MM THK)						
CJ	19	1	9X-8259	24	WASHER (39X66X6-MM THK)						

B-USE AS REQUIRED
 C-CHANGE FROM PREVIOUS TYPE
 J-FOR USE IN WIDE GAGE WORKING STYLE
 M-METRIC PART

UNDERCARRIAGE

234-3793 FRAME GP-UNDERCARRIAGE (contd.)

i03639927



GRAPHIC #1

<END>

g01953574

UNDERCARRIAGE

172-3001 GUARD GP-TRACK GUIDE-CENTER

S/N: MMA1-268

PART OF 245-5559 FRAME AR-UNDERCARRIAGE

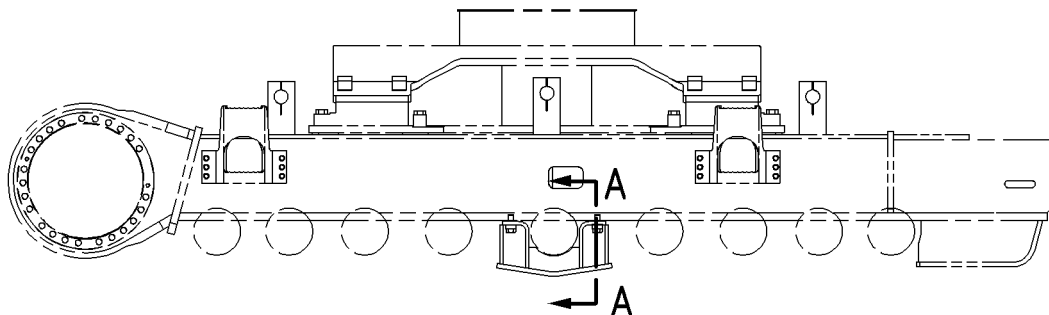
ALSO AN ATTACHMENT

SMCS-4177

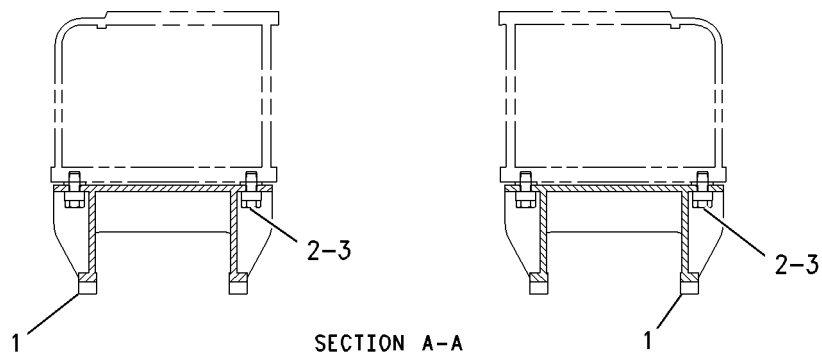
i03494084

NOTE	REF NO	GRAPHIC REF	PART NUMBER	QTY	PART NAME						SEE PAGE
					1	2	3	4	5	6 (PRODUCT LEVEL)	
	1	1	176-2108	2	GUARD AS-TRACK GUIDE						
M	2	1	8C-8723	8	BOLT (M30X3.5X80-MM)						
	3	1	148-3111	8	SPACER (30X55X24-MM)						

M-METRIC PART



RIGHT SIDE VIEW



SECTION A-A

GRAPHIC #1

<END>

g00792893

UNDERCARRIAGE

186-5655 GUARD GP-TRACK GUIDE-FRONT, CENTER, REAR

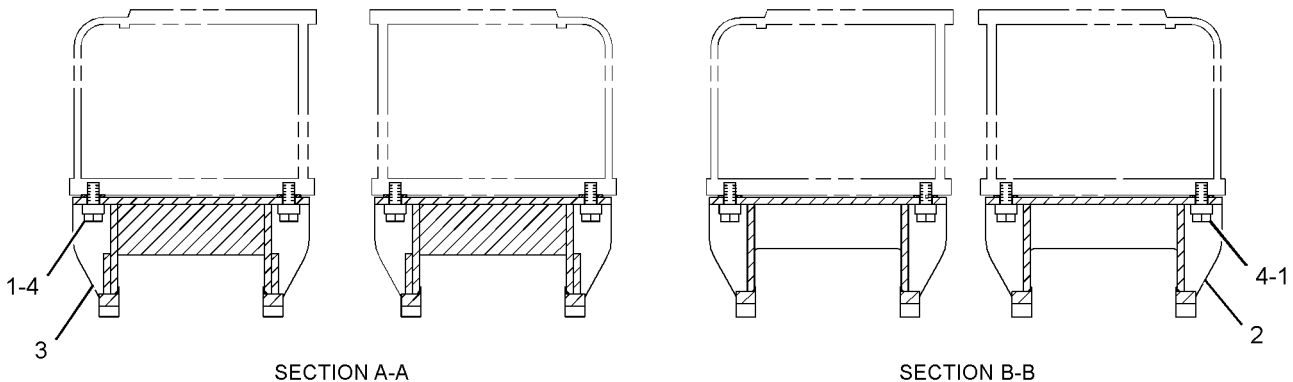
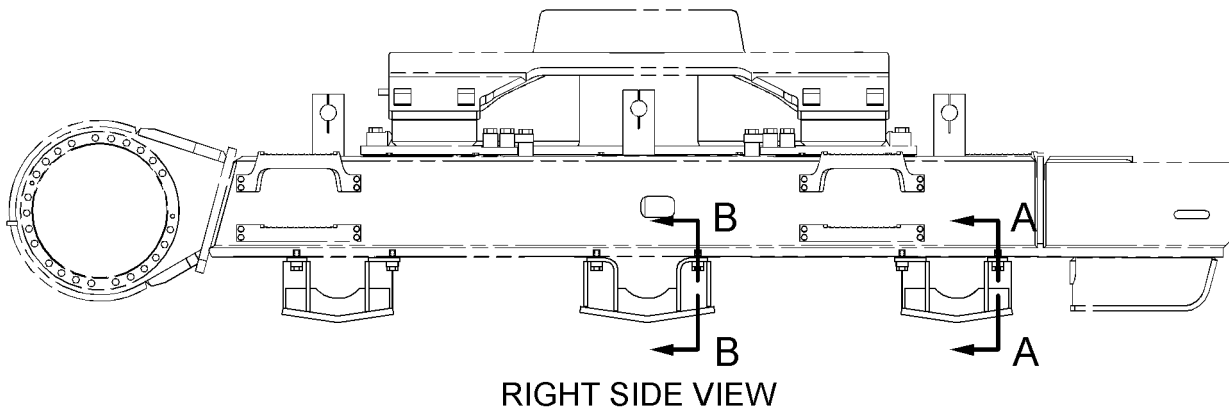
S/N: MMA1-UP
AN ATTACHMENT

SMCS-4177

i03429809

NOTE	REF NO	GRAPHIC REF	PART NUMBER	QTY	PART NAME						SEE PAGE
					1	2	3	4	5	6 (PRODUCT LEVEL)	
	1	1	148-3111	24	SPACER (30X55X24-MM)						
	2	1	176-2108	2	GUARD AS-TRACK GUIDE						
	3	1	189-3987	4	GUARD AS-TRACK GUIDE						
M	4	1	8C-8723	24	BOLT (M30X3.5X80-MM)						

QUANTITIES SHOWN ARE THOSE REQUIRED FOR BOTH LH AND RH SIDES
M-METRIC PART



GRAPHIC #1

<END>

g01785554

UNDERCARRIAGE

248-1710 GUARD GP-TRACK GUIDE-FULL LENGTH

S/N: MMA1-UP

FOR USE WITH 246-3247-PAGE 600, 246-3394-PAGE 601

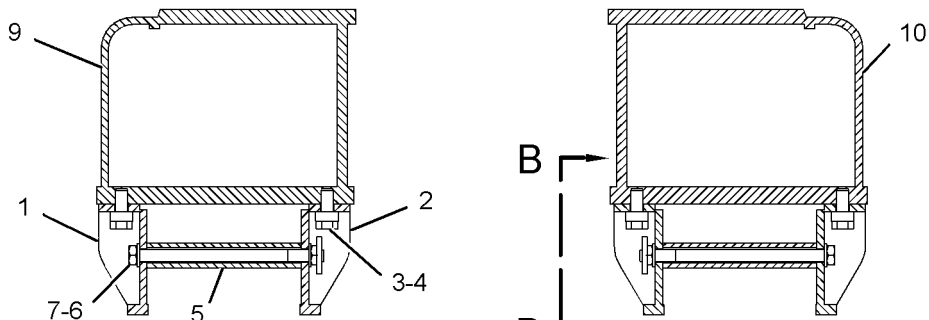
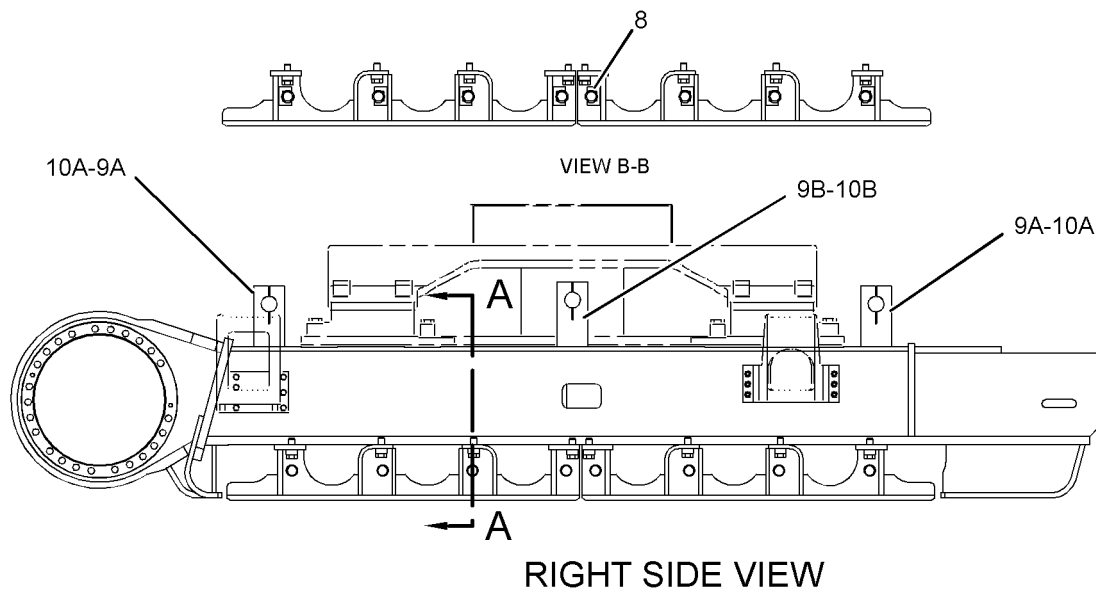
AN ATTACHMENT

SMCS-4177

i03650890

NOTE	REF NO	GRAPHIC REF	PART NUMBER	QTY	PART NAME						SEE PAGE
					1	2	3	4	5	6 (PRODUCT LEVEL)	
	1	1	174-8501	4	GUARD AS-TRACK GUIDE						
	2	1	174-8500	4	GUARD AS-TRACK GUIDE						
M	3	1	8C-8723	32	BOLT (M30X3.5X80-MM)						
	4	1	148-3111	32	SPACER (30X55X24-MM)						
	5	1	176-2146	16	PIPE						
M	6	1	176-7524	16	BOLT (M30X3.5X450-MM)						
	7	1	9X-8258	32	WASHER (33X56X6-MM THK)						
	8	1	101-2160	16	SUPPORT AS						
	9	1	297-7601	1	FRAME AS-TRACK ROLLER (RH)						
	9A	1	7Y-1000	2	BRACKET						
	9B	1	174-8353	1	BRACKET						
	10	1	297-7602	1	FRAME AS-TRACK ROLLER (LH)						
	10A	1	7Y-1000	2	BRACKET						
	10B	1	174-8353	1	BRACKET						

QUANTITIES SHOWN ARE THOSE REQUIRED FOR BOTH LH AND RH SIDES
M-METRIC PART



SECTION A-A
<END>

GRAPHIC #1

g01959314

UNDERCARRIAGE

297-7516 GUARD GP-TRACK GUIDE-CENTER

S/N: MMA1-UP
AN ATTACHMENT

SMCS-4177

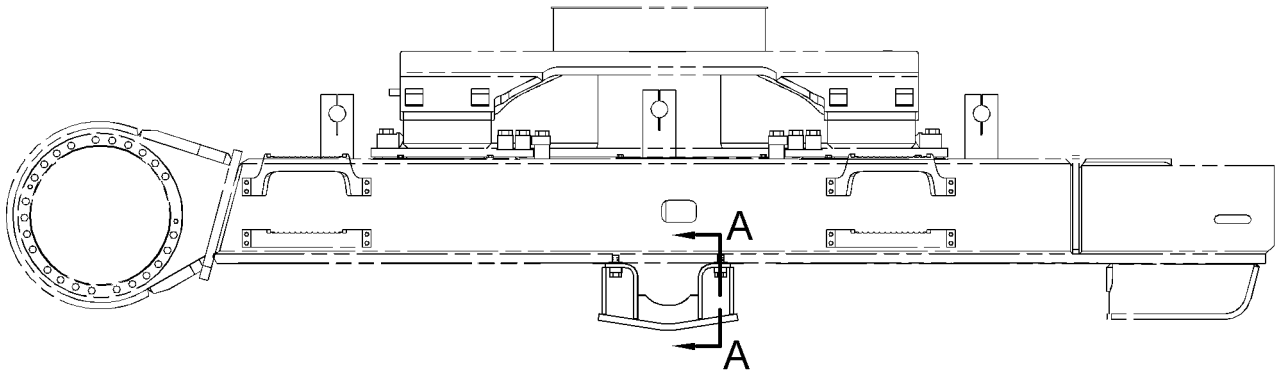
i03437585

NOTE	REF NO	GRAPHIC REF	PART NUMBER	QTY	PART NAME						SEE PAGE
					1	2	3	4	5	6 (PRODUCT LEVEL)	
	1	1	148-3111	8	SPACER (30X55X24-MM)						
	2	1	297-7517	2	GUARD AS-TRACK GUIDE						
M	3	1	8C-8723	8	BOLT (M30X3.5X80-MM)						
M-METRIC PART											

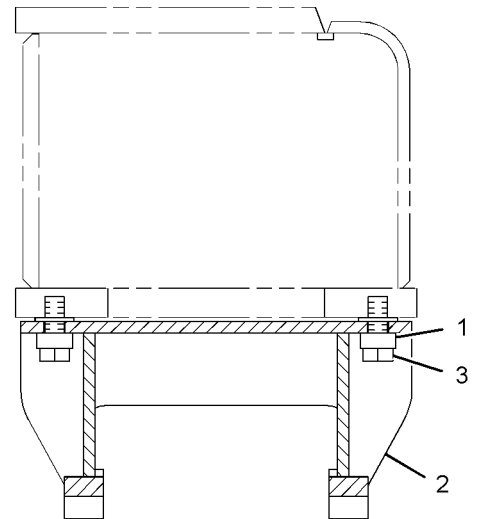
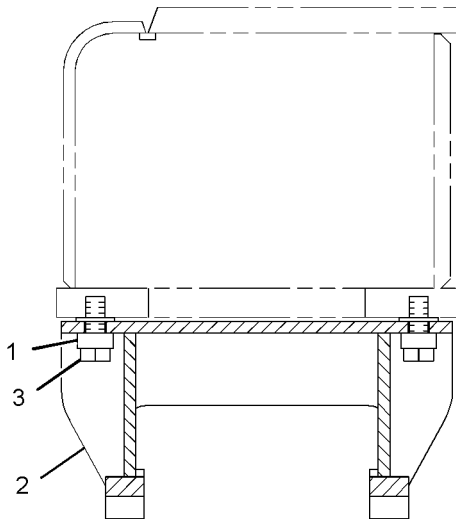
UNDERCARRIAGE

297-7516 GUARD GP-TRACK GUIDE (contd.)

i03437585



RIGHT SIDE VIEW



SECTION A-A

GRAPHIC #1

<END>

g01794529

UNDERCARRIAGE

297-7518 GUARD GP-TRACK GUIDE—FRONT, CENTER, REAR

S/N: MMA1-UP
AN ATTACHMENT

SMCS-4177

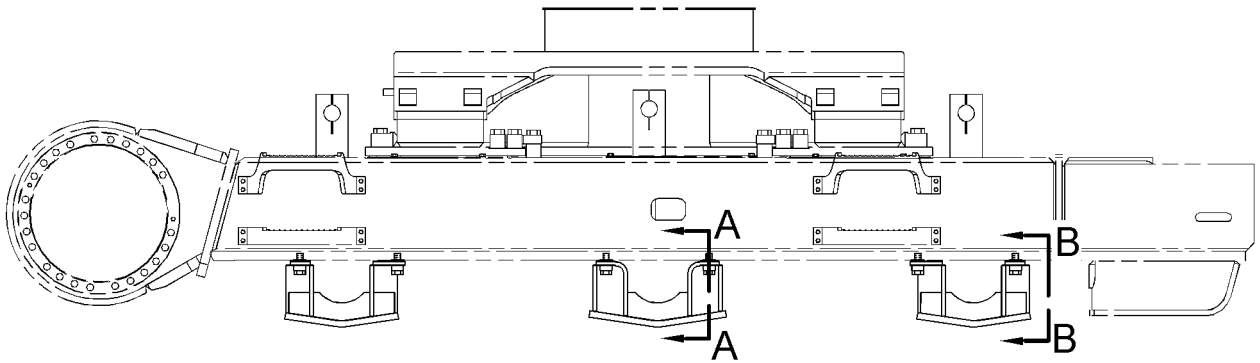
i03438006

NOTE	REF NO	GRAPHIC REF	PART NUMBER	QTY	PART NAME						SEE PAGE
					1	2	3	4	5	6 (PRODUCT LEVEL)	
	1	1	148-3111	24	SPACER (30X55X24-MM)						
	2	1	297-7517	2	GUARD AS-TRACK GUIDE						
	3	1	297-7519	4	GUARD AS-TRACK GUIDE						
M	4	1	8C-8723	24	BOLT (M30X3.5X80-MM)						
M-METRIC PART											

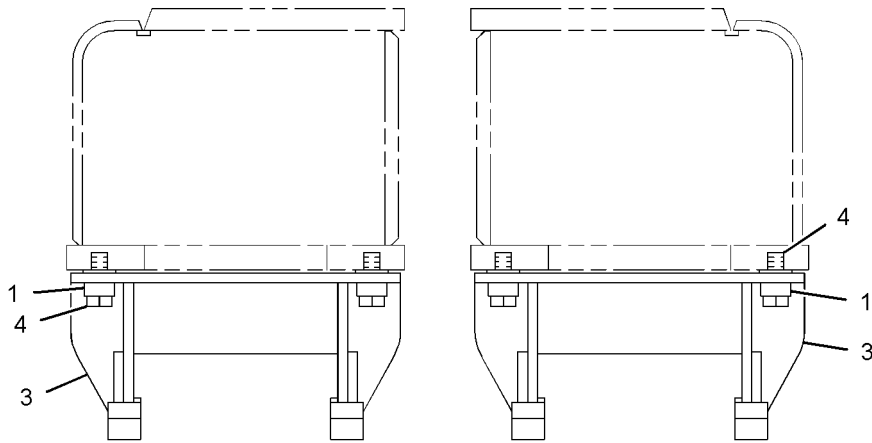
UNDERCARRIAGE

297-7518 GUARD GP-TRACK GUIDE (contd.)

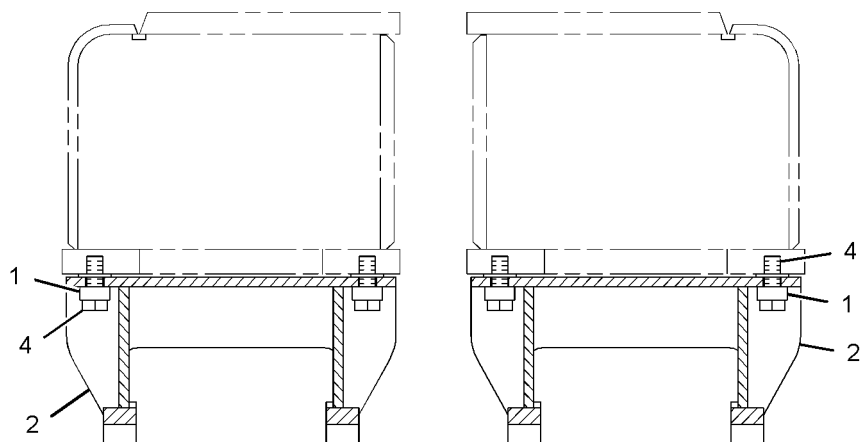
i03438006



RIGHT SIDE VIEW



VIEW B-B



SECTION A-A

GRAPHIC #1

<END>

g01794540

UNDERCARRIAGE

297-7520 GUARD GP-TRACK GUIDE-FULL LENGTH

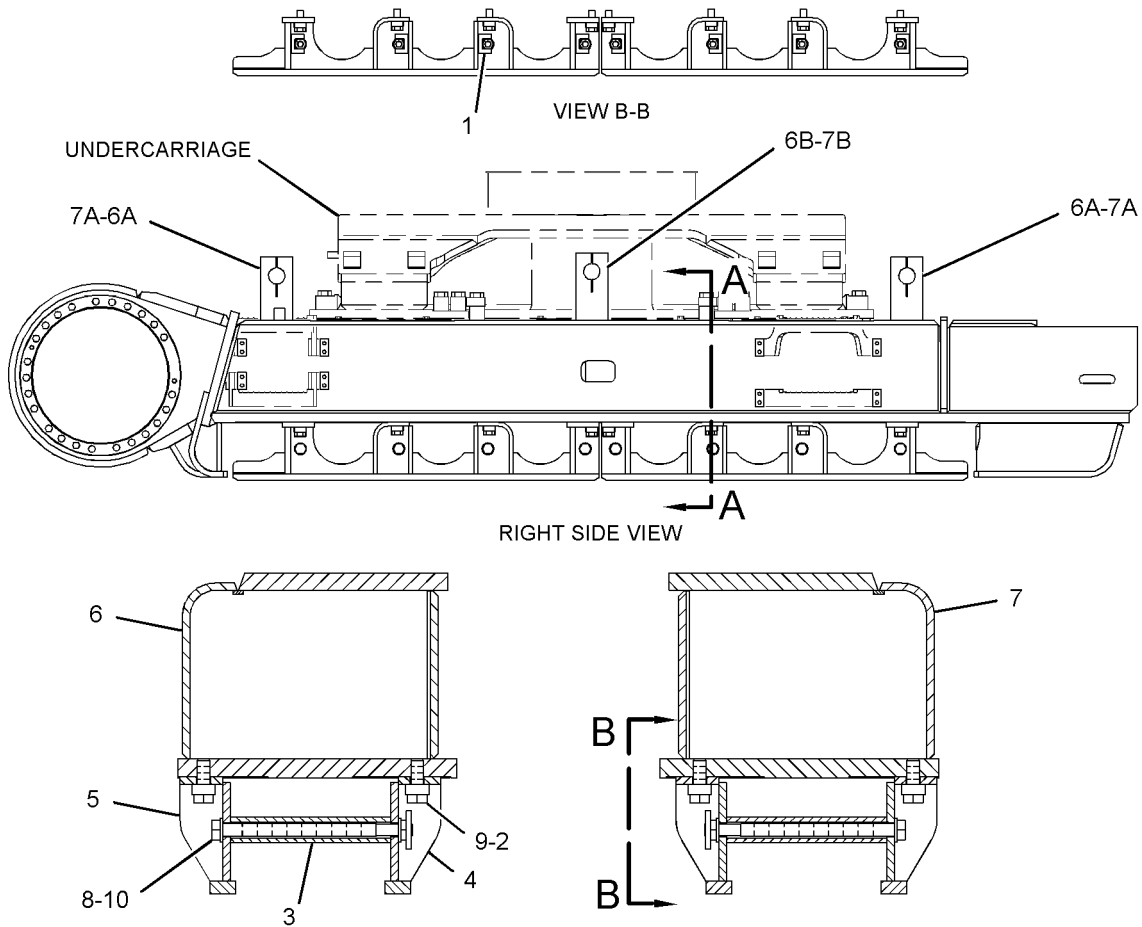
S/N: MMA1-UP
AN ATTACHMENT

SMCS-4177

i03650921

NOTE	REF NO	GRAPHIC REF	PART NUMBER	QTY	PART NAME						SEE PAGE
					1	2	3	4	5	6 (PRODUCT LEVEL)	
	1	1	101-2160	16	SUPPORT AS						
	2	1	148-3111	32	SPACER (30X55X24-MM)						
	3	1	176-2146	16	PIPE						
	4	1	297-7521	4	GUARD AS-TRACK GUIDE						
	5	1	297-7522	4	GUARD AS-TRACK GUIDE						
	6	1	297-7601	1	FRAME AS-TRACK ROLLER (RH)						
	6A	1	7Y-1000	2	BRACKET						
	6B	1	174-8353	1	BRACKET						
	7	1	297-7602	1	FRAME AS-TRACK ROLLER (LH)						
	7A	1	7Y-1000	2	BRACKET						
	7B	1	174-8353	1	BRACKET						
M	8	1	176-7524	16	BOLT (M30X3.5X450-MM)						
M	9	1	8C-8723	32	BOLT (M30X3.5X80-MM)						
	10	1	9X-8258	32	WASHER (33X56X6-MM THK)						

QUANTITIES SHOWN ARE THOSE REQUIRED FOR BOTH LH AND RH SIDES
M-METRIC PART



GRAPHIC #1

SECTION A-A
<END>

g01959315

UNDERCARRIAGE

167-9841 GUARD GP-TRAVEL MOTOR

S/N: MMA1-UP

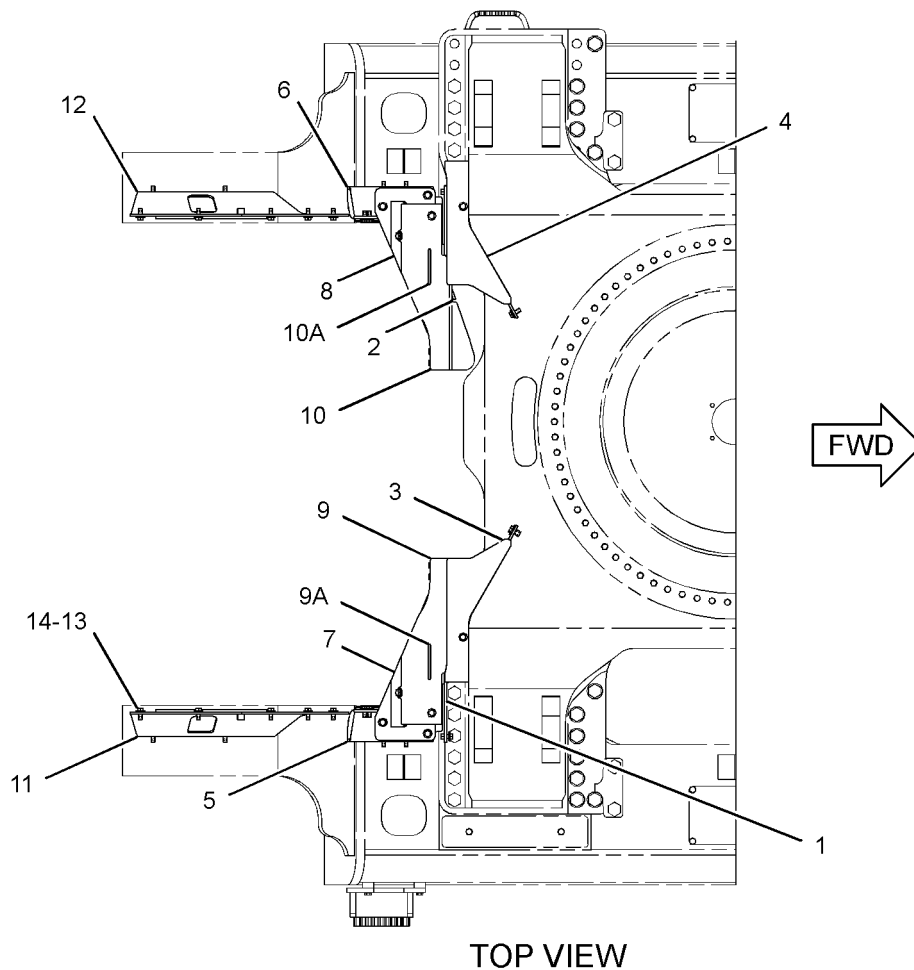
PART OF 245-5559 FRAME AR-UNDERCARRIAGE

SMCS-7163

i03386001

NOTE	REF NO	GRAPHIC REF	PART NUMBER	QTY	PART NAME						SEE PAGE
					1	2	3	4	5	6 (PRODUCT LEVEL)	
	1	1	176-2163	1	COVER AS						
	2	1	176-2164	1	COVER AS						
	3	1	176-2165	1	COVER AS						
	4	1	176-2166	1	COVER AS						
	5	1	176-2247	1	COVER AS						
	6	1	176-2248	1	COVER AS						
	7	1	176-2249	1	COVER AS						
	8	1	176-2250	1	COVER AS						
	9	1	176-2255	1	COVER AS						
	9A	1	7Y-2812	1	HANDLE						
	10	1	176-2258	1	COVER AS						
	10A	1	7Y-2812	1	HANDLE						
	11	1	254-2999	1	COVER AS						
	12	1	254-3000	1	COVER AS						
M	13	1	100-3866	48	BOLT-SELF-LOCKING (M16X2X40-MM)						
	14	1	3E-9411	48	WASHER-HARD (17.5X38X6-MM THK)						

M-METRIC PART



GRAPHIC #1

<END>

g01752594

UNDERCARRIAGE

145-3008 IDLER GP-FRONT

S/N: MMA1-265

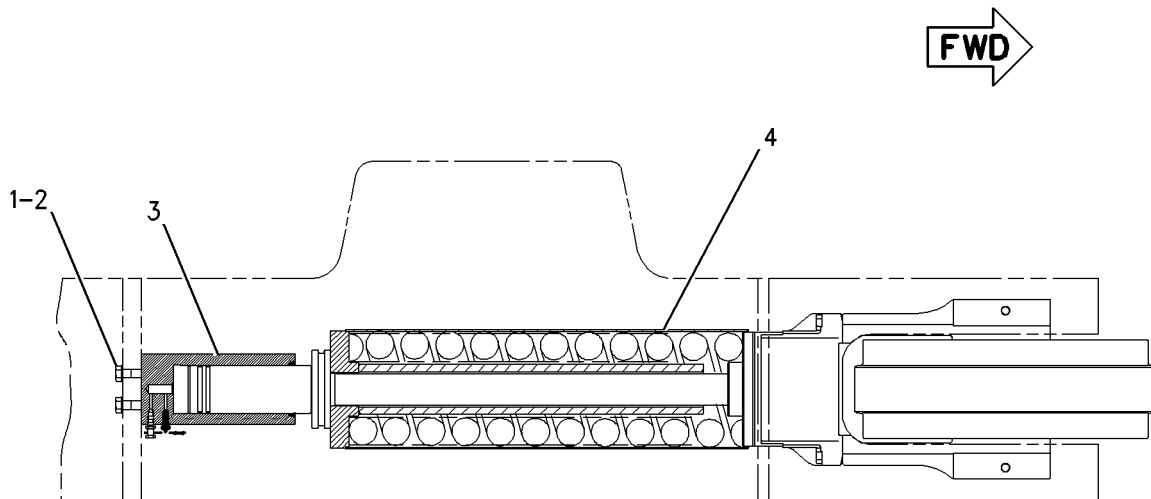
PART OF 245-5559 FRAME AR-UNDERCARRIAGE

SMCS-4159

i01743483

NOTE	REF NO	GRAPHIC REF	PART NUMBER	QTY	PART NAME						SEE PAGE
					1	2	3	4	5	6 (PRODUCT LEVEL)	
M	1	1	8T-5878	4	BOLT (M24X3X80MM)						
	2	1	8T-4167	4	WASHER-HARD (26X44X4MM THK)						
Y	3	1	168-6743	2	ADJUSTMENT GP-HYDRAULIC TRACK						562
Y	4	1	145-3009	2	IDLER GP-FRONT						579

QUANTITIES SHOWN ARE THOSE REQUIRED FOR BOTH LH AND RH SIDES
M-METRIC PART
Y-SEPARATE ILLUSTRATION



TOP VIEW

GRAPHIC #1

<END>

g00794627

UNDERCARRIAGE

145-3009 IDLER GP-FRONT

S/N: MMA1-244

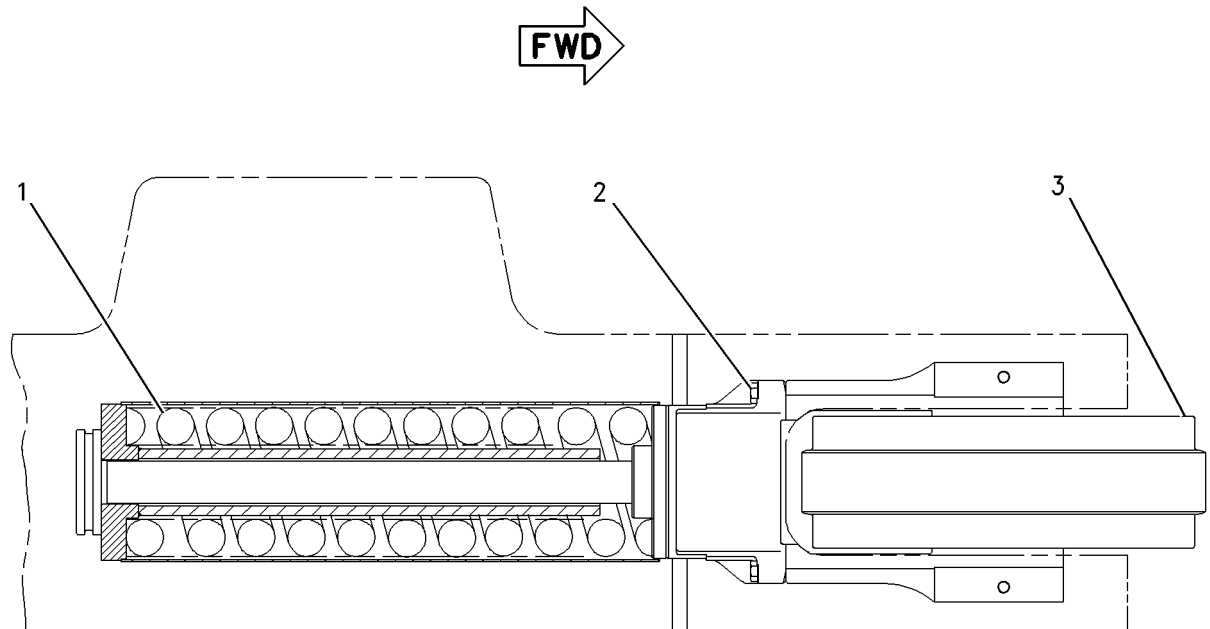
PART OF 145-3008 IDLER GP-FRONT

SMCS-4159

i03494648

NOTE	REF NO	GRAPHIC REF	PART NUMBER	QTY	PART NAME						SEE PAGE
					1	2	3	4	5	6 (PRODUCT LEVEL)	
Y	1	1	145-3011	1	SPRING GP-RECOIL						597
M	2	1	8T-5878	4	BOLT (M24X3X80-MM)						
Y	3	1	194-1157	1	IDLER GP-FRONT						581

M-METRIC PART
Y-SEPARATE ILLUSTRATION



TOP VIEW

GRAPHIC #1

<END>

g00892636

UNDERCARRIAGE

145-3009 IDLER GP-FRONT

S/N: MMA245-265

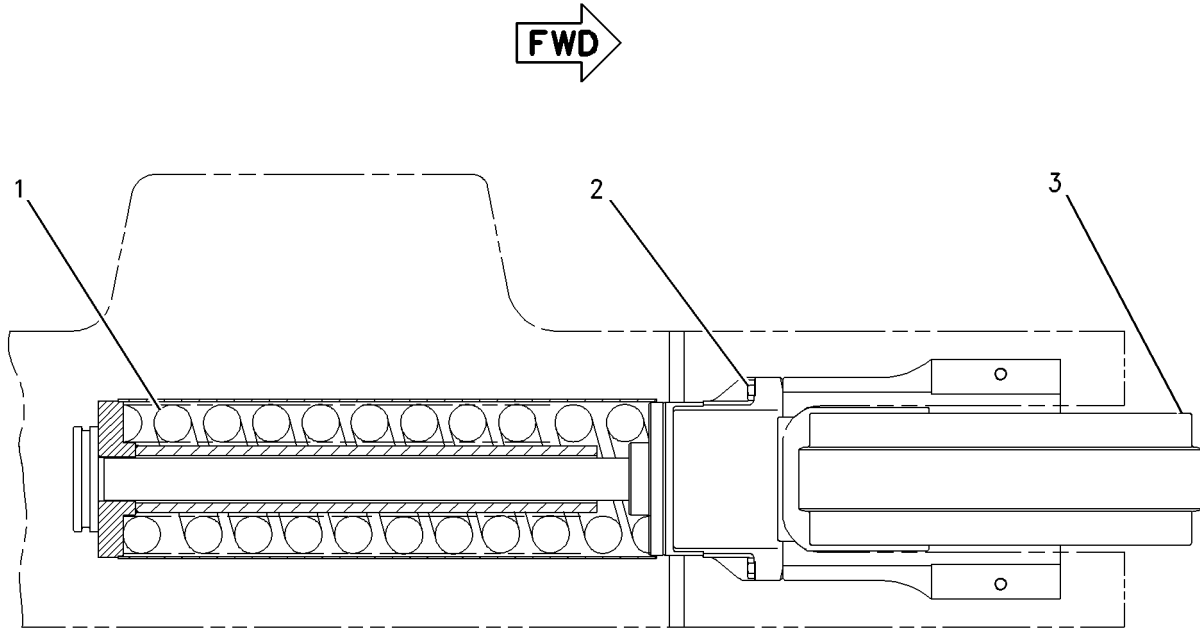
PART OF 145-3008 IDLER GP-FRONT

SMCS-4159

i02387108

NOTE	REF NO	GRAPHIC REF	PART NUMBER	QTY	PART NAME						SEE PAGE
					1	2	3	4	5	6 (PRODUCT LEVEL)	
CY	1	1	239-4379	1	SPRING GP-RECOIL						598
M	2	1	8T-5878	4	BOLT (M24X3X80-MM)						
Y	3	1	194-1157	1	IDLER GP-FRONT						581

C-CHANGE FROM PREVIOUS TYPE
M-METRIC PART
Y-SEPARATE ILLUSTRATION



TOP VIEW

GRAPHIC #1

<END>

g00892636

UNDERCARRIAGE

194-1157 IDLER GP-FRONT

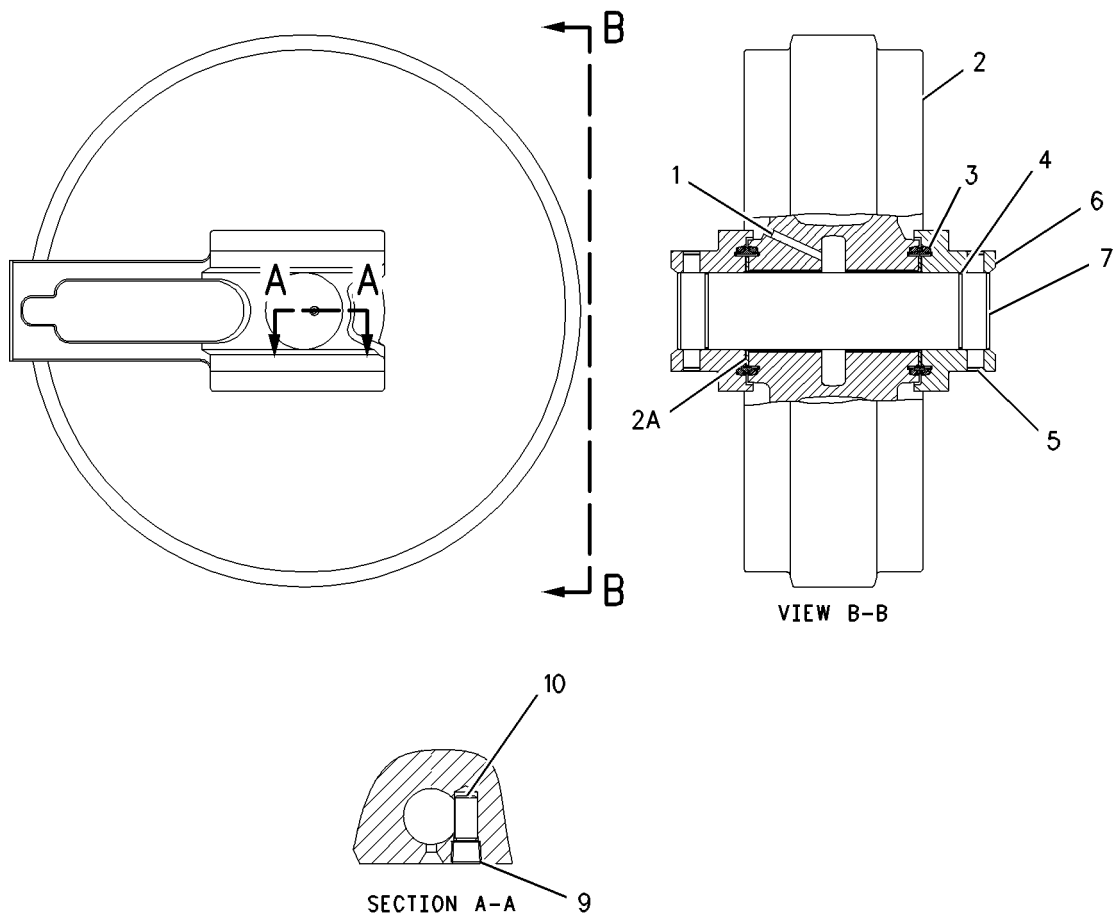
S/N: MMA1-UP

PART OF 145-3009, 297-9125 IDLER GP-FRONT

SMCS-4159

i01528437

NOTE	REF NO	GRAPHIC REF	PART NUMBER	QTY	PART NAME						SEE PAGE
					1	2	3	4	5	6 (PRODUCT LEVEL)	
	1	1	7H-3171	1	PLUG-PIPE						
	2	1	203-4862	1	IDLER AS						
	2A	1	6Y-7599	2	BEARING-IDLER						
	3	1	171-5825	2	SEAL GP-DUO-CONE						
	4	1	2H-3928	2	SEAL-O-RING						
	5	1	194-1155	2	PIN						
	6	1	194-1156	2	BEARING-IDLER						
	7	1	202-4902	1	SHAFT						
	9	1	102-0883	2	PLUG-PIPE						
	10	1	194-1162	2	DOWEL						



GRAPHIC #1

<END>

g00794616

UNDERCARRIAGE

248-7257 IDLER GP-FRONT

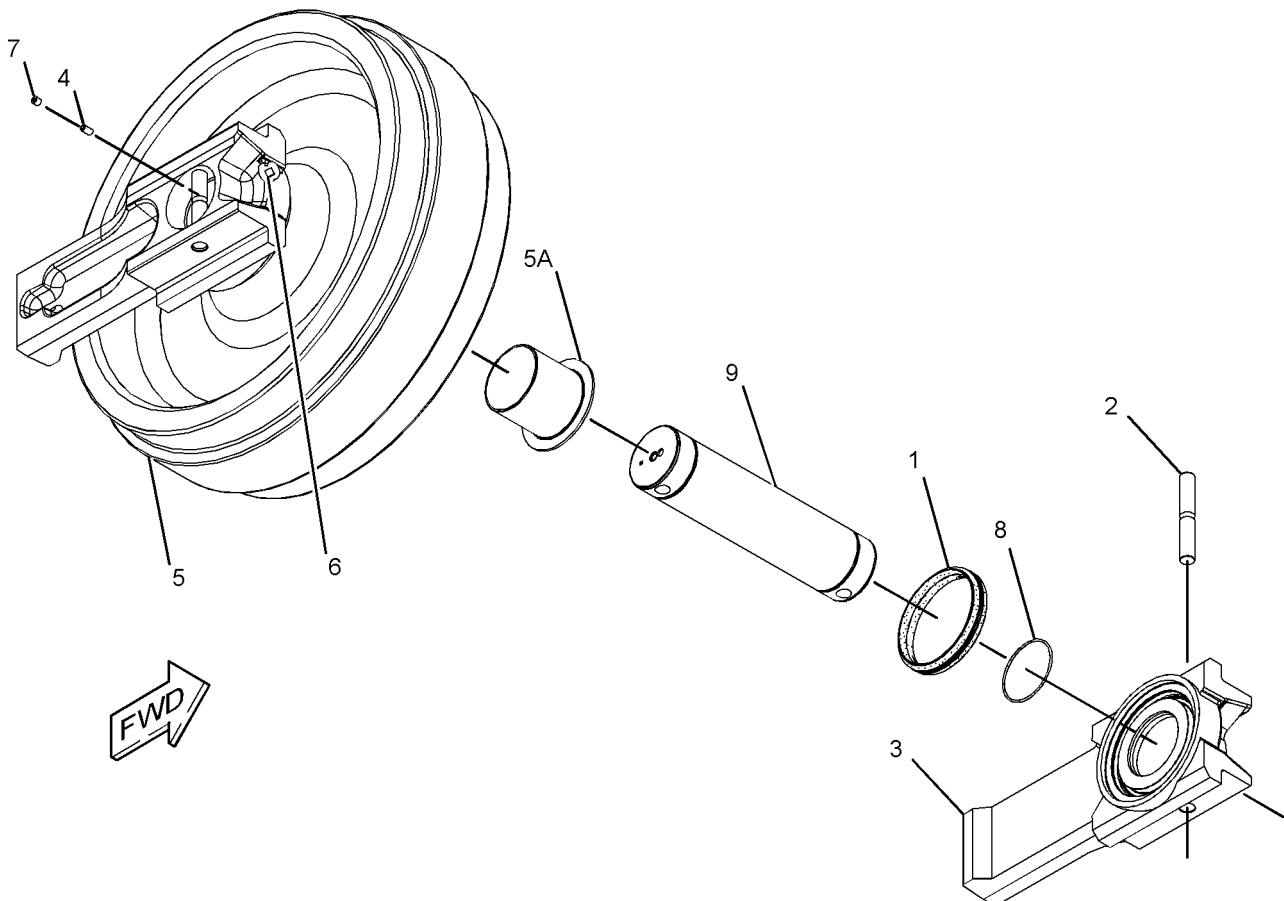
S/N: MMA1-UP

PART OF 297-9197, 297-9198 IDLER GP-FRONT
AN ATTACHMENT

SMCS-4159

i03539704

NOTE	REF NO	GRAPHIC REF	PART NUMBER	QTY	PART NAME						SEE PAGE
					1	2	3	4	5	6 (PRODUCT LEVEL)	
	1	1	171-5825	2	SEAL GP-DUO-CONE						
		1	171-5714	2	RING-TORIC						
2		1	194-1155	2	PIN						
3		1	194-1156	2	BEARING-IDLER						
4		1	194-1162	2	DOWEL						
5		1	278-7286	1	IDLER & BEARING AS						
5A		1	6Y-7599	2	BEARING-IDLER						
6		1	7H-3171	1	PLUG-PIPE						
7		1	102-0883	2	PLUG-PIPE						
8		1	2H-3928	2	SEAL-O-RING						
9		1	293-8218	1	SHAFT-IDLER						



GRAPHIC #1

<END>

g01868915

UNDERCARRIAGE

248-7290 IDLER GP-FRONT

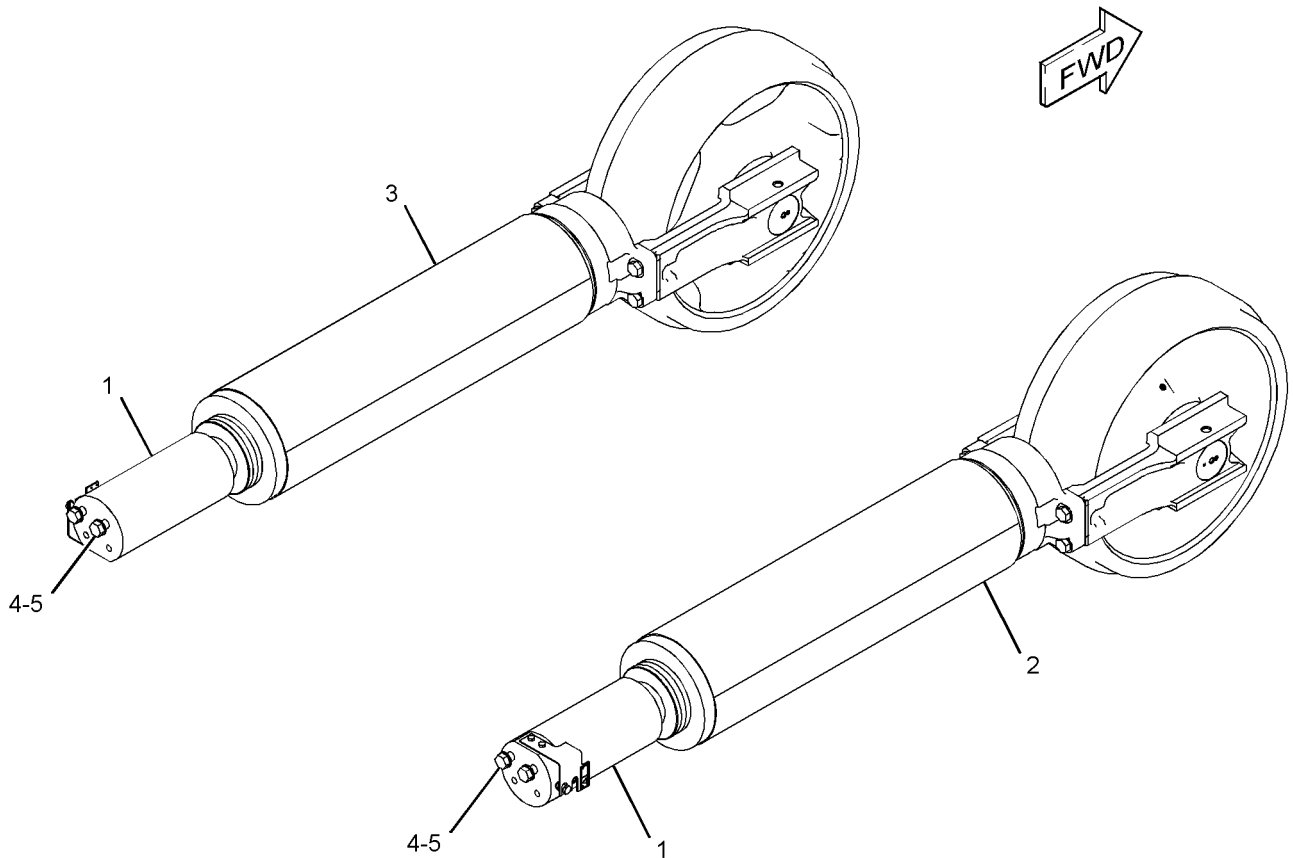
S/N: MMA1-UP
AN ATTACHMENT

SMCS-4159

i03328547

NOTE	REF NO	GRAPHIC REF	PART NUMBER	QTY	PART NAME						SEE PAGE
					1	2	3	4	5	6 (PRODUCT LEVEL)	
Y	1	1	297-9154	2	ADJUSTMENT GP-HYDRAULIC TRACK						563
Y	2	1	297-9197	1	IDLER GP-FRONT (RH)						586
Y	3	1	297-9198	1	IDLER GP-FRONT (LH)						587
	4	1	8T-4167	4	WASHER-HARD (26X44X4-MM THK)						
M	5	1	8T-5878	4	BOLT (M24X3X80-MM)						

M-METRIC PART
Y-SEPARATE ILLUSTRATION



GRAPHIC #1

<END>

g01718096

UNDERCARRIAGE

297-9123 IDLER GP-FRONT

S/N: MMA266-UP

PART OF 245-5559 FRAME AR-UNDERCARRIAGE

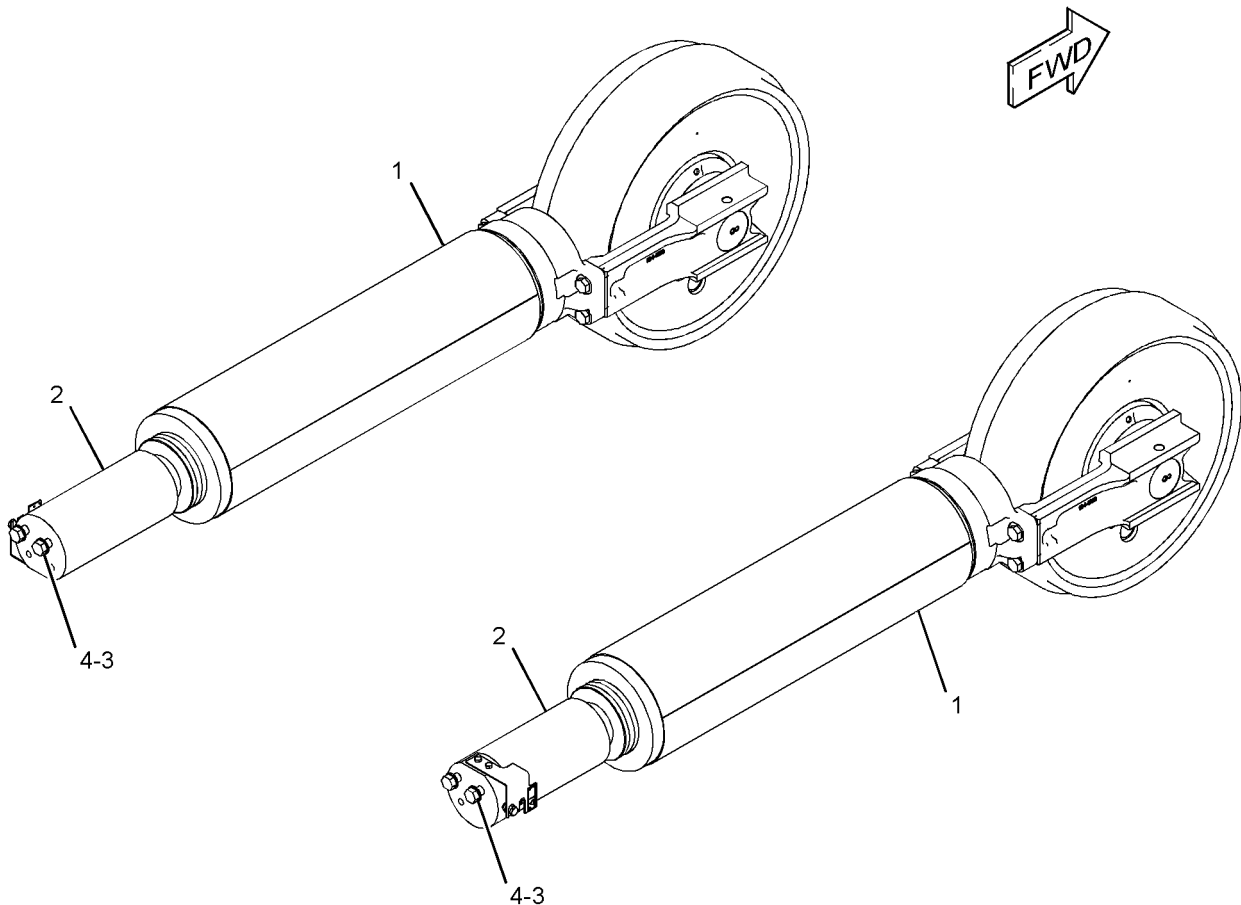
SMCS-4159

i03310381

NOTE	REF NO	GRAPHIC REF	PART NUMBER	QTY	PART NAME						SEE PAGE
					1	2	3	4	5	6 (PRODUCT LEVEL)	
Y	1	1	297-9123	2	IDLER GP-FRONT						585
Y	2	1	297-9154	2	ADJUSTMENT GP-HYDRAULIC TRACK						563
	3	1	8T-4167	4	WASHER-HARD (26X44X4-MM THK)						
M	4	1	8T-5878	4	BOLT (M24X3X80-MM)						

M-METRIC PART

Y-SEPARATE ILLUSTRATION



GRAPHIC #1

<END>

g01693835

UNDERCARRIAGE

297-9125 IDLER GP-FRONT

S/N: MMA266-UP

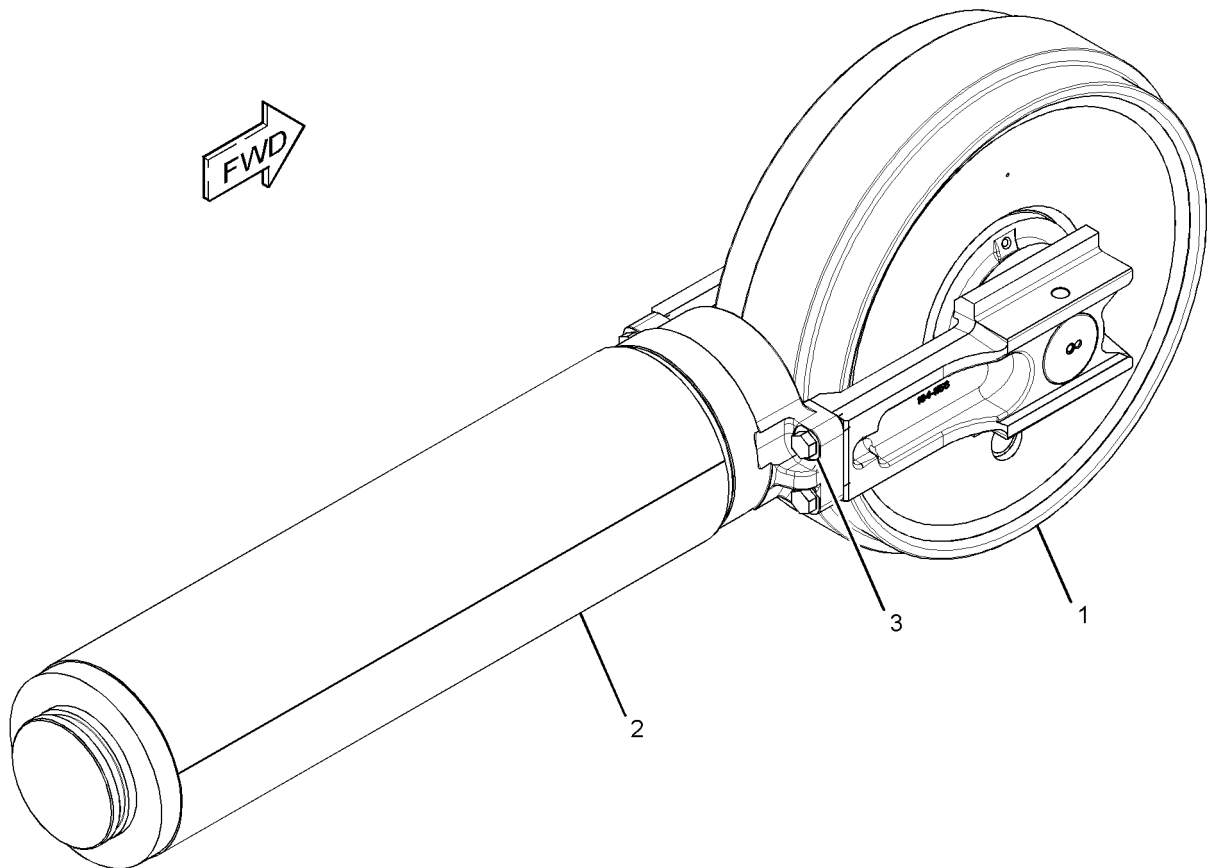
PART OF 297-9123 IDLER GP-FRONT

SMCS-4159

i03309464

NOTE	REF NO	GRAPHIC REF	PART NUMBER	QTY	PART NAME						SEE PAGE
					1	2	3	4	5	6 (PRODUCT LEVEL)	
Y	1	1	194-1157	1	IDLER GP-FRONT						581
Y	2	1	248-7308	1	SPRING GP-RECOIL						599
M	3	1	8T-5878	4	BOLT (M24X3X80-MM)						

M-METRIC PART
Y-SEPARATE ILLUSTRATION



GRAPHIC #1

<END>

g01693434

UNDERCARRIAGE

297-9197 IDLER GP-FRONT-RH

S/N: MMA1-UP

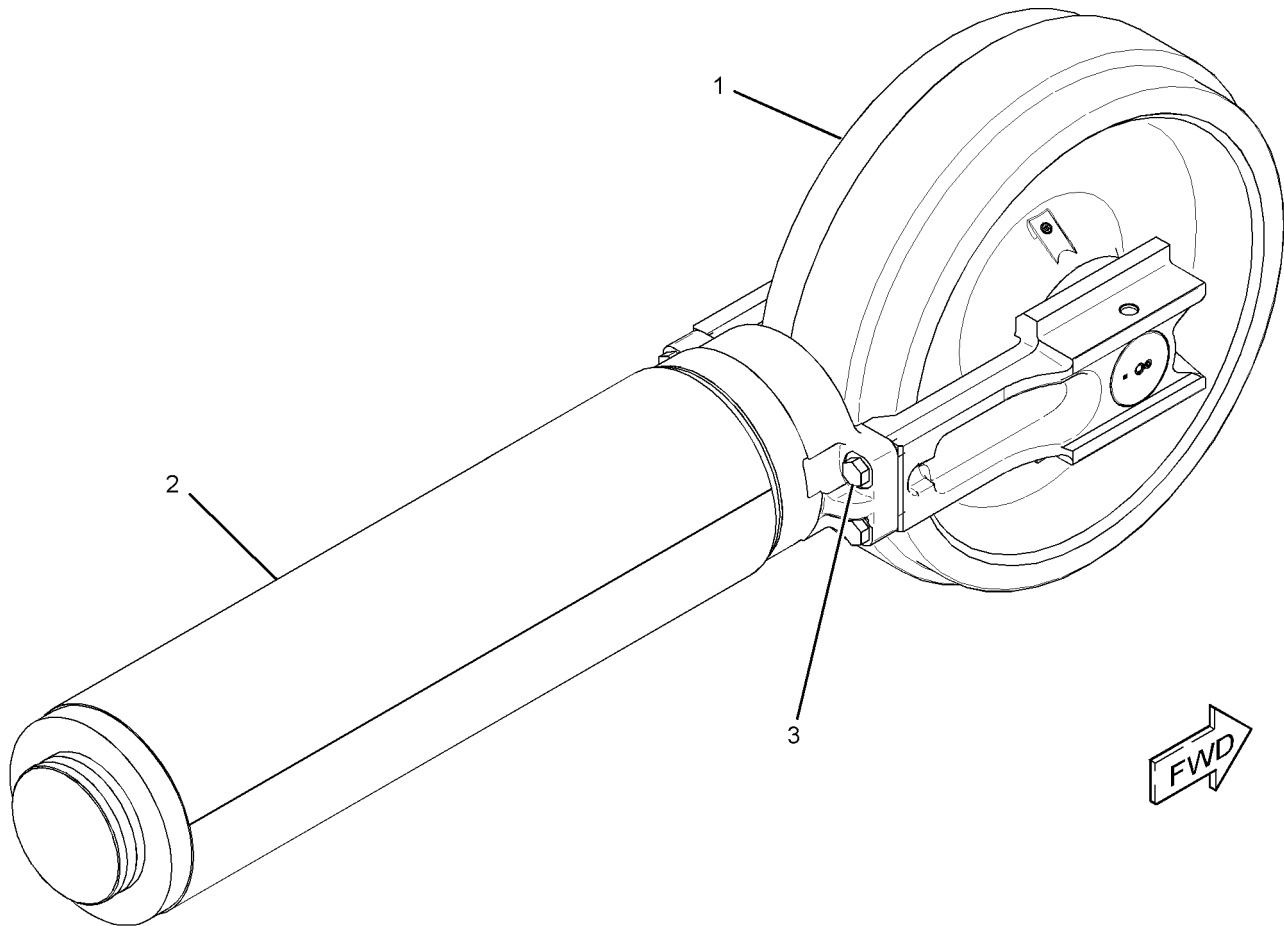
PART OF 248-7290 IDLER GP-FRONT
AN ATTACHMENT

SMCS-4159

i03328554

NOTE	REF NO	GRAPHIC REF	PART NUMBER	QTY	PART NAME						SEE PAGE
					1	2	3	4	5	6 (PRODUCT LEVEL)	
Y	1	1	248-7257	1	IDLER GP-FRONT						582
Y	2	1	248-7308	1	SPRING GP-RECOIL						599
M	3	1	8T-5878	4	BOLT (M24X3X80-MM)						

M-METRIC PART
Y-SEPARATE ILLUSTRATION



GRAPHIC #1

<END>

g01766273

UNDERCARRIAGE

297-9198 IDLER GP-FRONT-LH

S/N: MMA1-UP

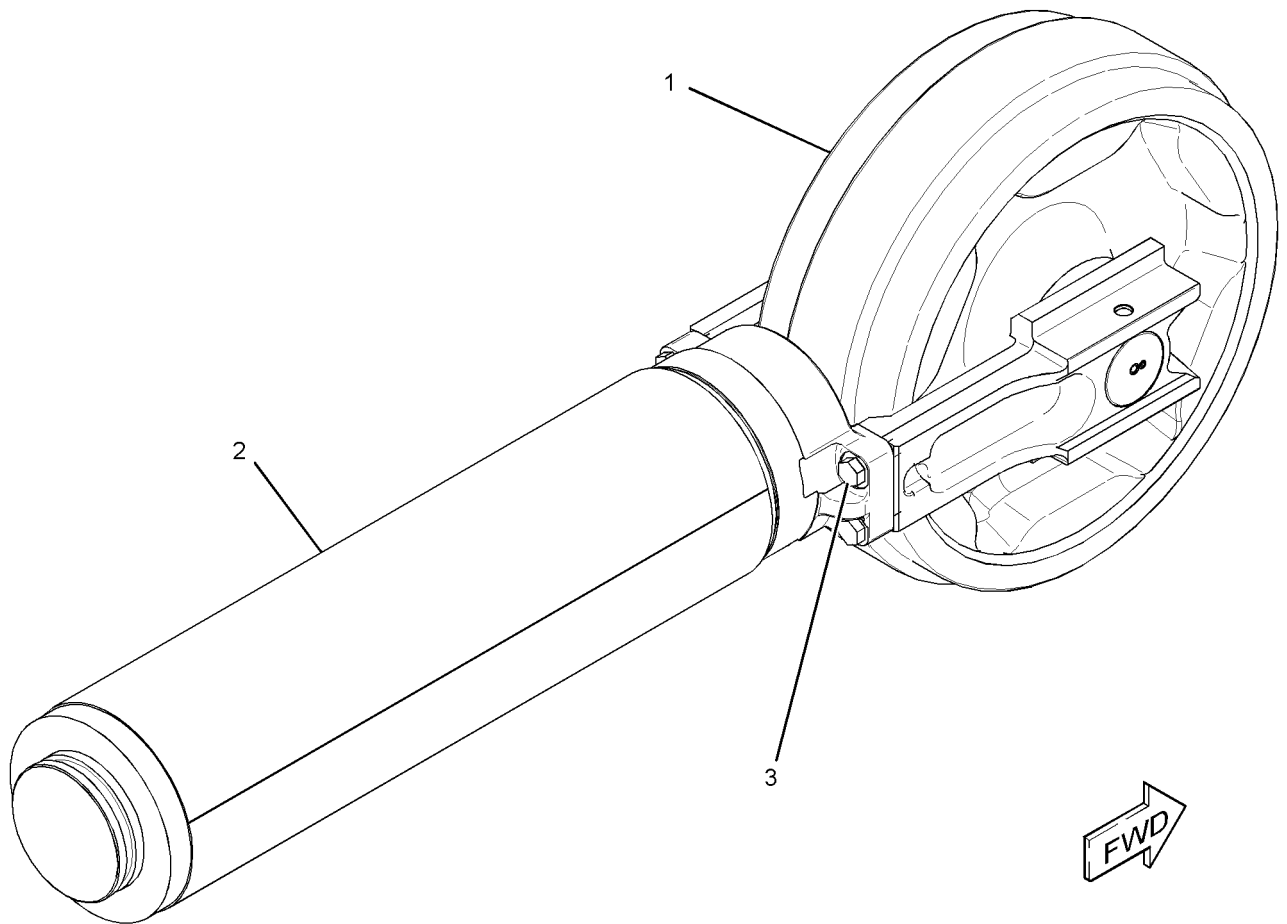
PART OF 248-7290 IDLER GP-FRONT
AN ATTACHMENT

SMCS-4159

i03352021

NOTE	REF NO	GRAPHIC REF	PART NUMBER	QTY	PART NAME						SEE PAGE
					1	2	3	4	5	6 (PRODUCT LEVEL)	
Y	1	1	248-7257	1	IDLER GP-FRONT						582
Y	2	1	248-7308	1	SPRING GP-RECOIL						599
M	3	1	8T-5878	4	BOLT (M24X3X80-MM)						

M-METRIC PART
Y-SEPARATE ILLUSTRATION



GRAPHIC #1

<END>

g01766114

UNDERCARRIAGE

246-0505 LINK AS-TRACK

S/N: MMA1-UP

GREASE LUBRICATED TRACK

PART OF 246-3247, 246-3394 TRACK GP
AN ATTACHMENT

SMCS-4169, 4171

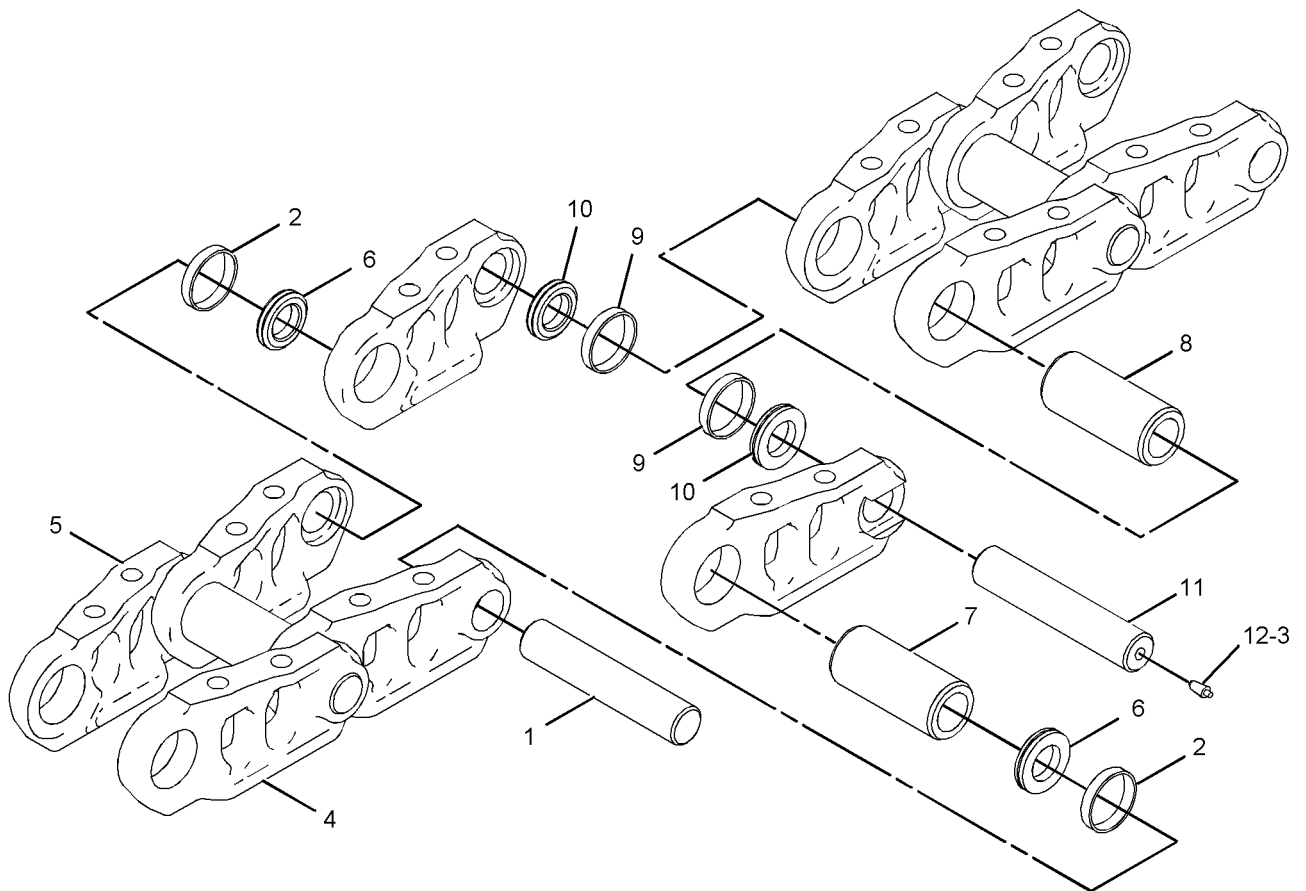
i02778566

NOTE	REF NO	GRAPHIC REF	PART NUMBER	QTY	PART NAME						SEE PAGE
					1	2	3	4	5	6 (PRODUCT LEVEL)	
	1	1	174-0219	46	PIN-TRACK						
	2	1	2P-9419	92	RING-THRUST						
	3	1	6Y-0473	1	PLUG-CLEAR						
	4	1	174-0217	47	LINK-TRACK (RH)						
	5	1	174-0218	47	LINK-TRACK (LH)						
	6	1	248-1537	92	SEAL AS						
	7	1	245-3805	46	BUSHING-TRACK						
	8	1	245-3806	1	BUSHING-MASTER						
	9	1	245-3808	2	RING-THRUST (MASTER)						
	10	1	244-8697	2	SEAL AS (MASTER)						
	11	1	253-2742	1	PIN-TRACK MASTER						
	12	1	7G-4332	1	STOPPER						

UNDERCARRIAGE

246-0505 LINK AS-TRACK (contd.)

i02778566



GRAPHIC #1

<END>

g01124539

UNDERCARRIAGE

145-3012 ROLLER AR-TRACK & CARRIER

S/N: MMA1-267

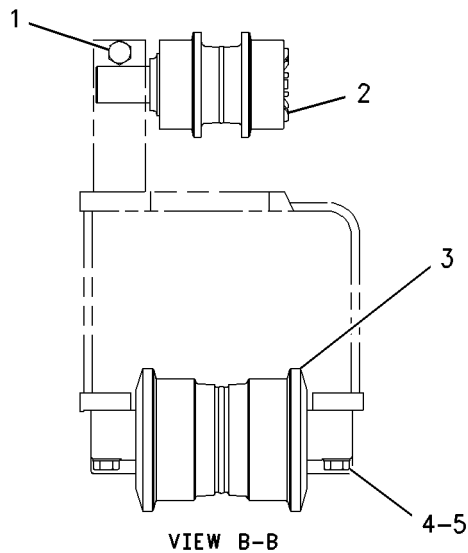
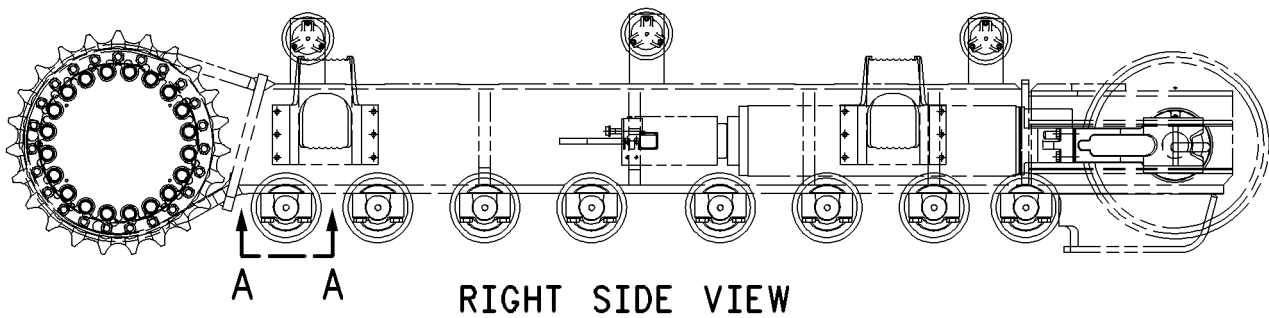
PART OF 245-5559 FRAME AR-UNDERCARRIAGE

SMCS-4154, 4180

i02227308

NOTE	REF NO	GRAPHIC REF	PART NUMBER	QTY	PART NAME						SEE PAGE
					1	2	3	4	5	6 (PRODUCT LEVEL)	
M	1	1	7X-2584	6	BOLT (M30X3.5X140-MM)						
CY	2	1	242-4066	6	ROLLER GP-TRACK CARRIER						593
Y	3	1	185-5065	16	ROLLER GP-TRACK-SINGLE FLANGE						596
	4	1	9X-8258	64	WASHER (33X56X6-MM THK)						
M	5	1	107-3953	64	BOLT (M30X3.5X150-MM)						

C-CHANGE FROM PREVIOUS TYPE
M-METRIC PART
Y-SEPARATE ILLUSTRATION



GRAPHIC #1

<END>

g00795024

UNDERCARRIAGE

179-3020 ROLLER AR-TRACK & CARRIER

S/N: MMA1-UP
AN ATTACHMENT

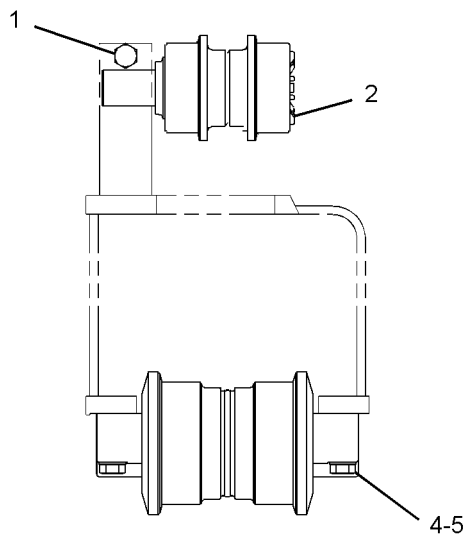
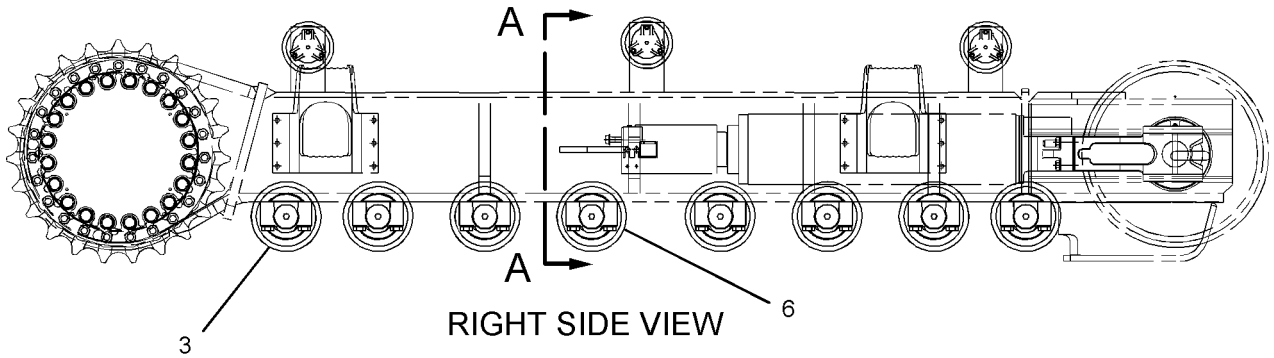
SMCS-4154, 4180

i02374466

NOTE	REF NO	GRAPHIC REF	PART NUMBER	QTY	PART NAME						SEE PAGE
					1	2	3	4	5	6 (PRODUCT LEVEL)	
M	1	1	7X-2584	6	BOLT (M30X3.5X140-MM)						
Y	2	1	242-4066	6	ROLLER GP-TRACK CARRIER						593
Y	3	1	185-5065	10	ROLLER GP-TRACK-SINGLE FLANGE						596
	4	1	9X-8258	64	WASHER (33X56X6-MM THK)						
M	5	1	107-3953	64	BOLT (M30X3.5X150-MM)						
Y	6	1	185-5102	6	ROLLER GP-TRACK-DOUBLE FLANGE						595

QUANTITIES SHOWN ARE THOSE REQUIRED FOR BOTH LH AND RH SIDES

M-METRIC PART
Y-SEPARATE ILLUSTRATION



VIEW A-A
<END>

GRAPHIC #1

g01099692

UNDERCARRIAGE

248-7286 ROLLER AR-TRACK & CARRIER

S/N: MMA268-UP

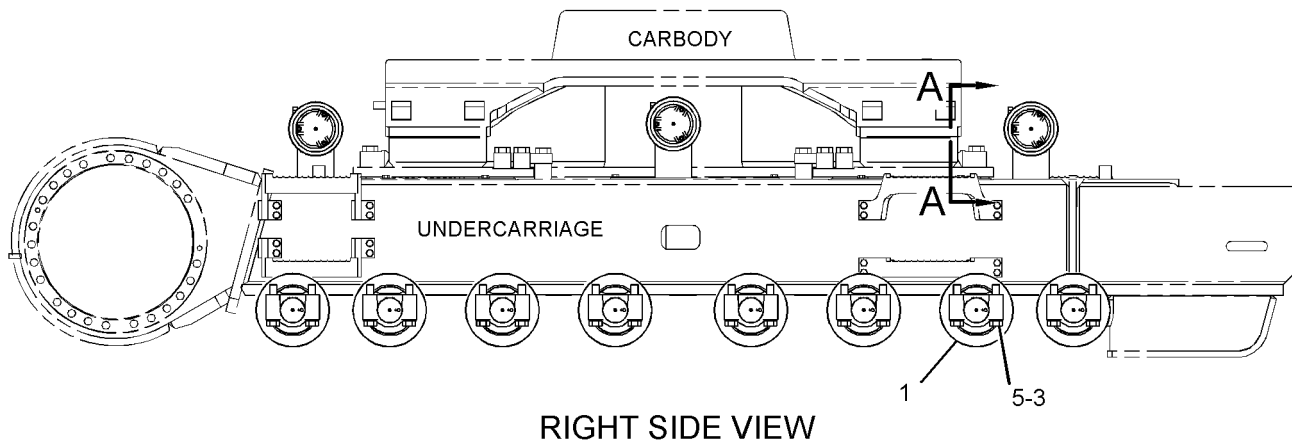
PART OF 245-5559 FRAME AR-UNDERCARRIAGE

SMCS-4154, 4180

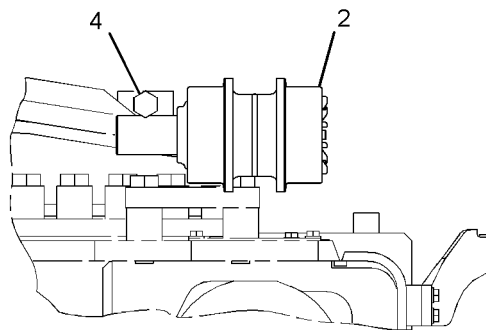
i03603622

NOTE	REF NO	GRAPHIC REF	PART NUMBER	QTY	PART NAME						SEE PAGE
					1	2	3	4	5	6 (PRODUCT LEVEL)	
Y	1	1	185-5065	16	ROLLER GP-TRACK-SINGLE FLANGE						596
Y	2	1	300-4611	6	ROLLER GP-TRACK CARRIER						594
M	3	1	107-3953	64	BOLT (M30X3.5X150-MM)						
M	4	1	7X-2584	6	BOLT (M30X3.5X140-MM)						
	5	1	9X-8258	64	WASHER (33X56X6-MM THK)						

M-METRIC PART
Y-SEPARATE ILLUSTRATION



RIGHT SIDE VIEW



VIEW A-A

<END>

GRAPHIC #1

g01936154

UNDERCARRIAGE

242-4066 ROLLER GP-TRACK CARRIER

S/N: MMA1-267

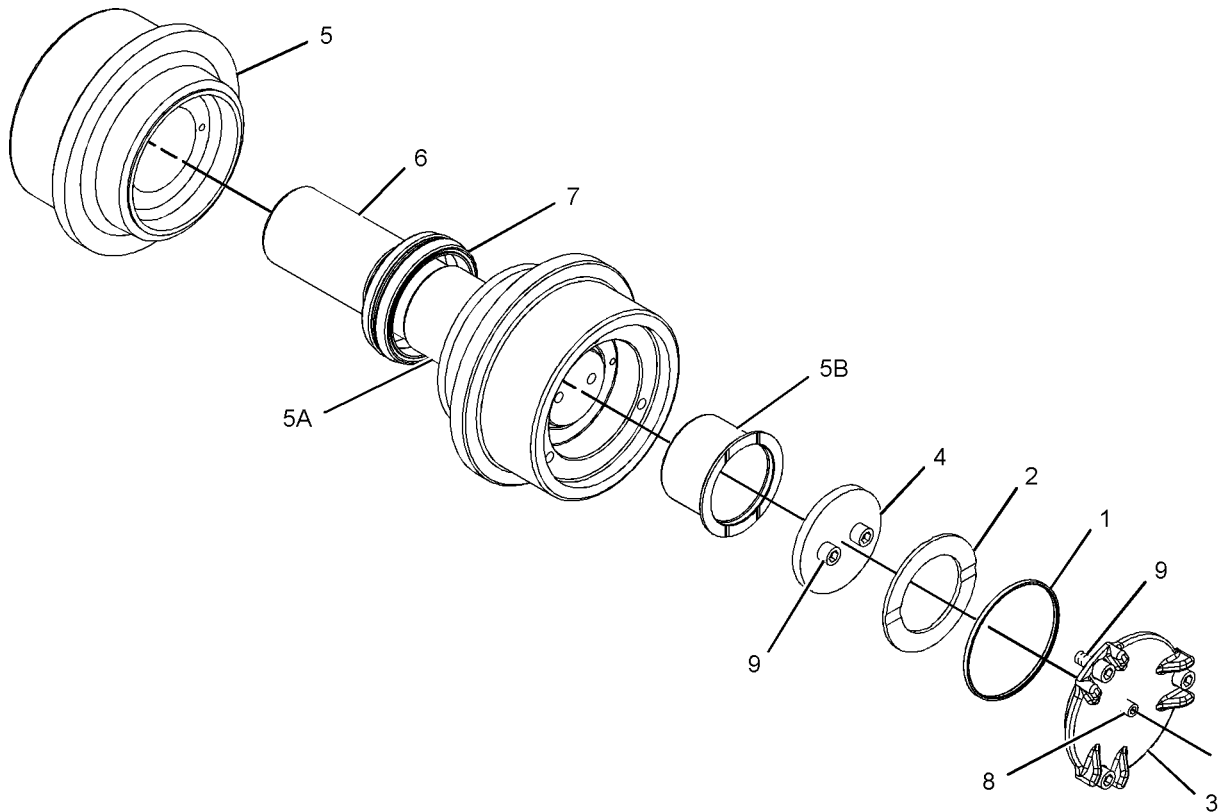
PART OF 145-3012, 179-3020 ROLLER AR-TRACK & CARRIER
ALSO AN ATTACHMENT

SMCS-4154

i03139529

NOTE	REF NO	GRAPHIC REF	PART NUMBER	QTY	PART NAME						SEE PAGE
					1	2	3	4	5	6 (PRODUCT LEVEL)	
	1	1	4H-9105	1	SEAL-O-RING						
	2	1	6Y-8176	1	WASHER-THRUST (78X116X4.5-MM THK)						
	3	1	320-2677	1	COVER						
	4	1	6Y-9339	1	RETAINER						
	5	1	242-4067	1	ROLLER & BEARING AS						
	5A	1	6Y-8171	1	BEARING-CARRIER ROLLER						
	5B	1	6Y-8172	1	BEARING-CARRIER ROLLER						
	6	1	242-4070	1	SHAFT AS						
	7	1	171-5811	1	SEAL GP-DUO-CONE						
	8	1	7H-3171	1	PLUG-PIPE						
M	9	1	8T-8441	5	BOLT-SOCKET HEAD (M12X1.75X25-MM)						

M-METRIC PART



GRAPHIC #1

<END>

g01077617

UNDERCARRIAGE

300-4611 ROLLER GP-TRACK CARRIER

S/N: MMA268-UP

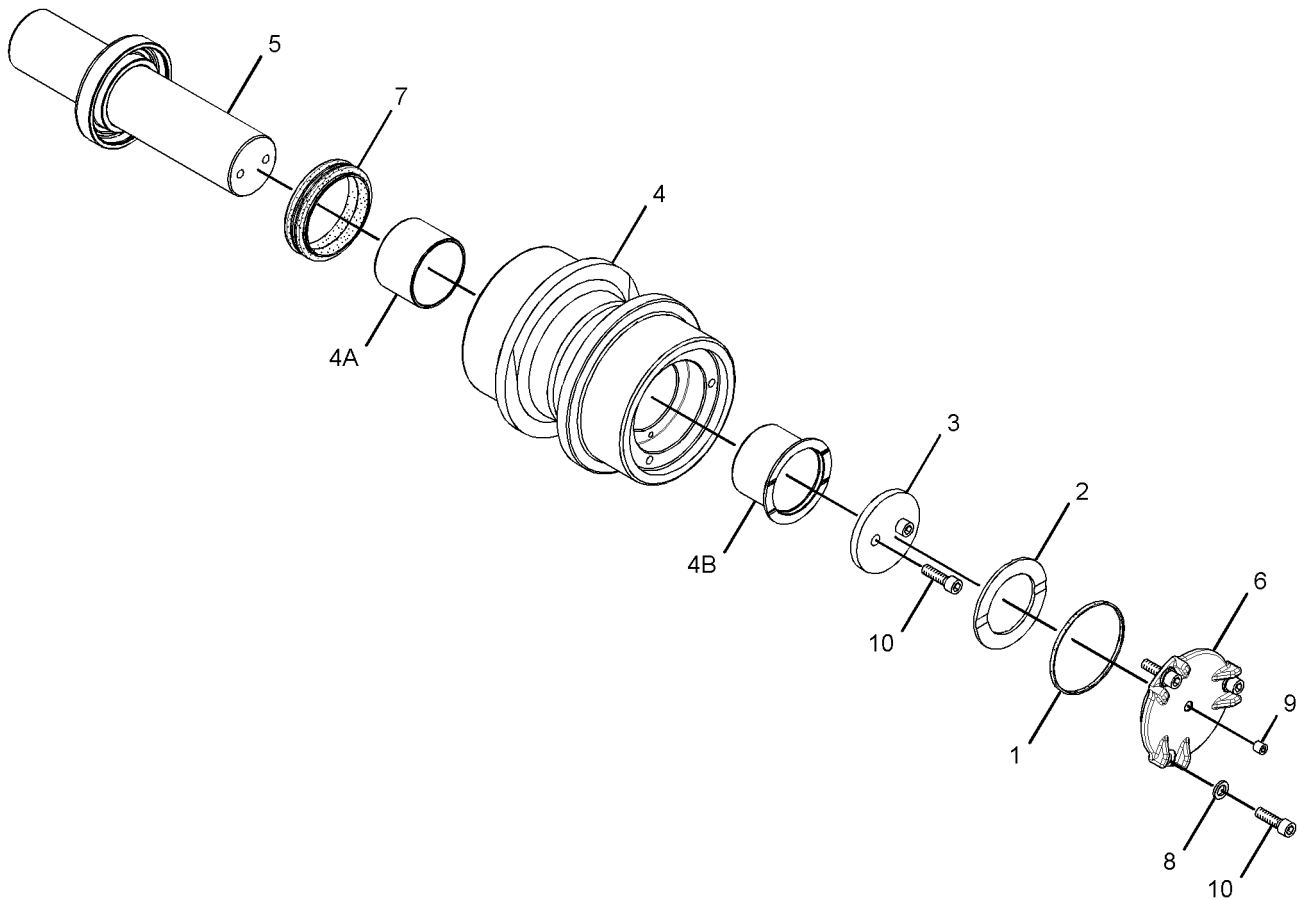
PART OF 248-7286 ROLLER AR-TRACK & CARRIER

SMCS-4154

i03465680

NOTE	REF NO	GRAPHIC REF	PART NUMBER	QTY	PART NAME						SEE PAGE
					1	2	3	4	5	6 (PRODUCT LEVEL)	
	1	1	4H-9105	1	SEAL-O-RING						
	2	1	6Y-8176	1	WASHER-THRUST (78X116X4.5-MM THK)						
	3	1	6Y-9339	1	RETAINER						
	4	1	300-4523	1	ROLLER & BEARING AS						
	4A	1	6Y-8171	1	BEARING-CARRIER ROLLER						
	4B	1	6Y-8172	1	BEARING-CARRIER ROLLER						
	5	1	300-4525	1	SHAFT AS-TRACK						
	6	1	320-2677	1	COVER						
	7	1	171-5811	1	SEAL GP-DUO-CONE						
	8	1	3H-7654	3	WASHER-HARD (13.5X22.5X3.0-MM THK)						
	9	1	7H-3171	1	PLUG-PIPE						
M	10	1	8T-0273	5	BOLT-SOCKET HEAD (M12X1.75X40-MM)						

M-METRIC PART



GRAPHIC #1

<END>

g01817557

UNDERCARRIAGE

185-5102 ROLLER GP-TRACK-DOUBLE FLANGE

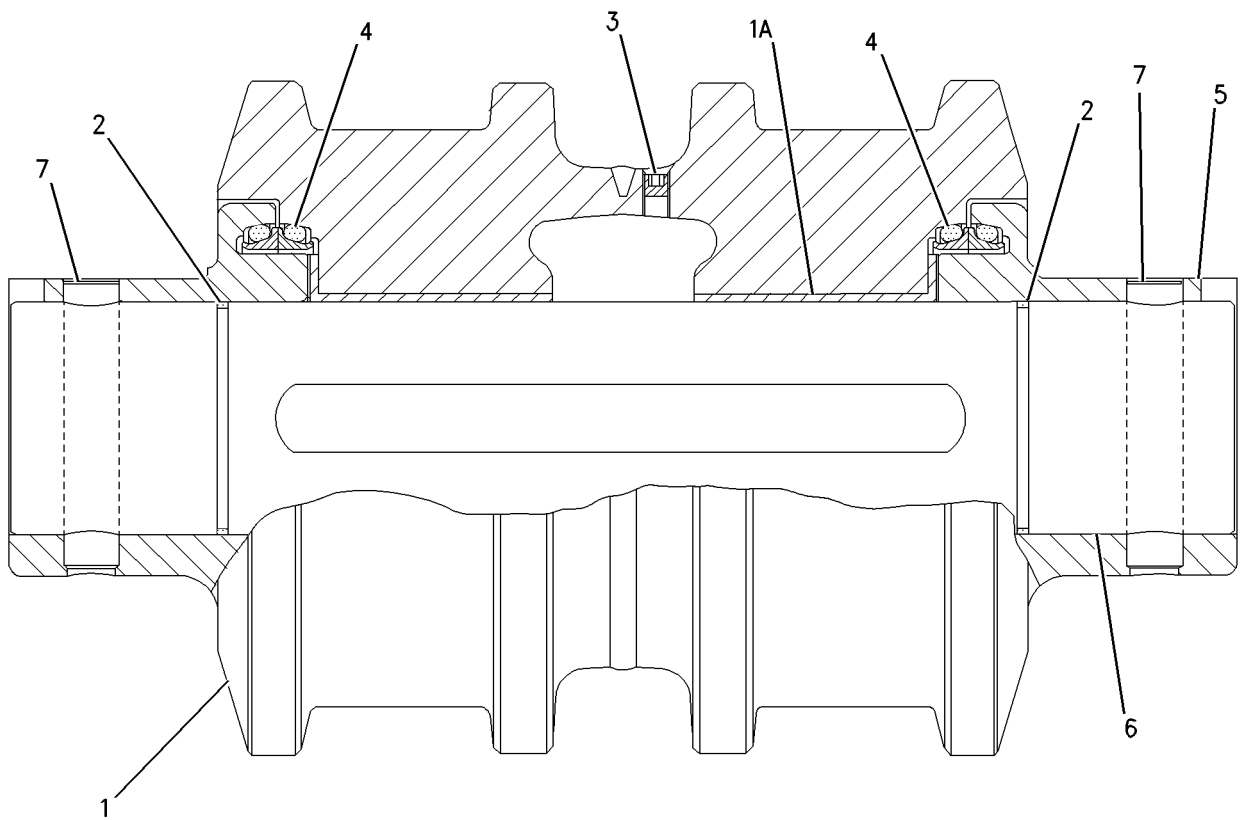
S/N: MMA1-UP

PART OF 179-3020 ROLLER AR-TRACK & CARRIER
AN ATTACHMENT

SMCS-4180

i03126136

NOTE	REF NO	GRAPHIC REF	PART NUMBER	QTY	PART NAME						SEE PAGE
					1	2	3	4	5	6 (PRODUCT LEVEL)	
	1	1	185-5106	1	ROLLER & BEARING AS						
	1A	1	6Y-8127	2	BEARING-TRACK ROLLER						
	2	1	175-7900	2	SEAL-O-RING						
	3	1	9W-2146	1	PLUG						
	4	1	176-5332	2	SEAL GP-DUO-CONE						
	5	1	178-7291	2	COLLAR-TRACK ROLLER						
	6	1	178-7292	1	SHAFT-TACK ROLLER						
	7	1	178-7540	2	DOWEL						



GRAPHIC #1

<END>

g00699177

UNDERCARRIAGE

185-5065 ROLLER GP-TRACK-SINGLE FLANGE

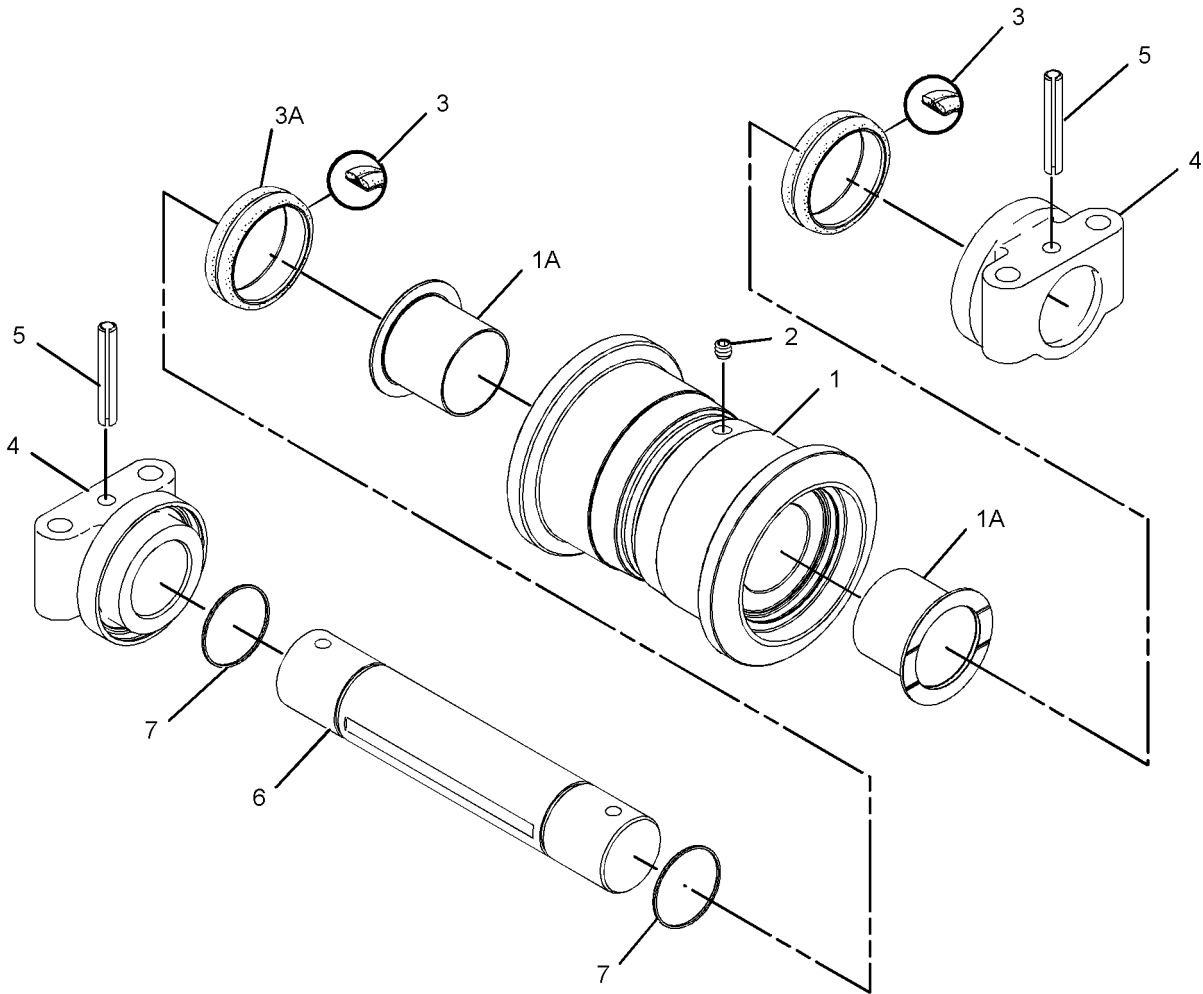
S/N: MMA1-UP

PART OF 145-3012, 179-3020, 248-7286 ROLLER AR-TRACK & CARRIER
ALSO AN ATTACHMENT

SMCS-4180

i02135475

NOTE	REF NO	GRAPHIC REF	PART NUMBER	QTY	PART NAME						SEE PAGE
					1	2	3	4	5	6 (PRODUCT LEVEL)	
	1	1	185-5093	1	ROLLER & BEARING AS						
	1A	1	6Y-8127	2	BEARING-TRACK ROLLER						
	2	1	9W-2146	1	PLUG						
	3	1	176-5332	2	SEAL GP-DUO-CONE						
	3A	1	176-5334	2	RING-TORIC						
	4	1	178-7291	2	COLLAR-TACK ROLLER						
	5	1	178-7540	2	DOWEL						
	6	1	178-7292	1	SHAFT-TACK ROLLER						
	7	1	175-7900	2	SEAL-O-RING						



GRAPHIC #1

<END>

g01088233

UNDERCARRIAGE

145-3011 SPRING GP-RECOIL

S/N: MMA1-244

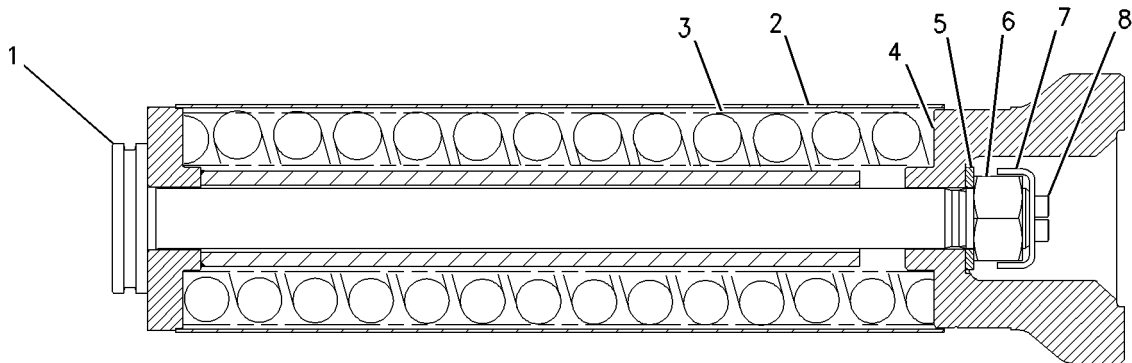
PART OF 145-3009 IDLER GP-FRONT

SMCS-4158

i01756396

NOTE	REF NO	GRAPHIC REF	PART NUMBER	QTY	PART NAME						SEE PAGE
					1	2	3	4	5	6 (PRODUCT LEVEL)	
	1	1	168-6733	1	ROD						
	2	1	168-6734	1	SUPPORT AS						
	3	1	168-6738	1	SPRING						
	4	1	168-6739	1	SUPPORT						
	5	1	168-6740	1	WASHER						
M	6	1	168-6741	1	NUT (M85X6-THD)						
	7	1	168-6742	1	PLATE						
M	8	1	8T-6594	2	BOLT-SOCKET HEAD (M16X2X35-MM)						

M-METRIC PART



GRAPHIC #1

<END>

g00898527

UNDERCARRIAGE

239-4379 SPRING GP-RECOIL

S/N: MMA245-265

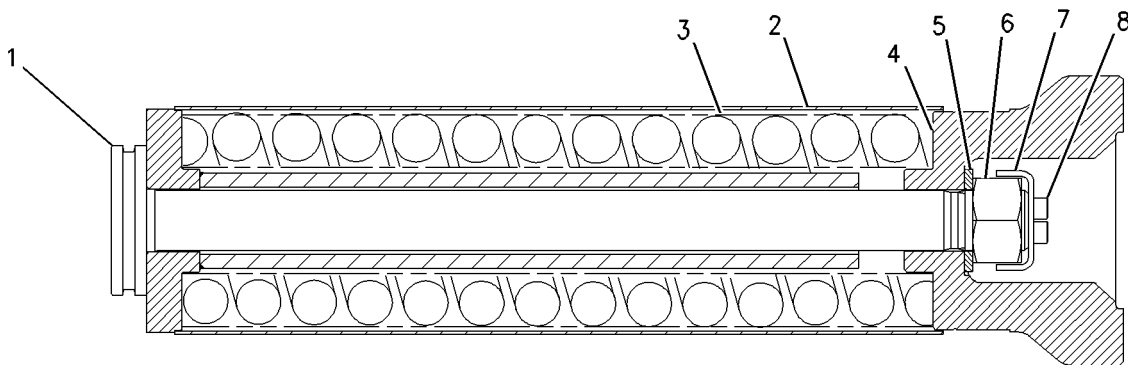
PART OF 145-3009 IDLER GP-FRONT

SMCS-4158

i02387115

NOTE	REF NO	GRAPHIC REF	PART NUMBER	QTY	PART NAME						SEE PAGE
					1	2	3	4	5	6 (PRODUCT LEVEL)	
	1	1	168-6733	1	ROD						
	2	1	168-6734	1	SUPPORT AS						
	3	1	168-6738	1	SPRING						
	4	1	239-4380	1	SUPPORT						
	5	1	168-6740	1	WASHER						
M	6	1	168-6741	1	NUT (M85X6-THD)						
	7	1	168-6742	1	PLATE						
M	8	1	8T-6594	2	BOLT-SOCKET HEAD (M16X2X35-MM)						

M-METRIC PART



GRAPHIC #1

<END>

g00898527

UNDERCARRIAGE

248-7308 SPRING GP-RECOIL

S/N: MMA266-UP

PART OF 297-9125, 297-9197, 297-9198 IDLER GP-FRONT

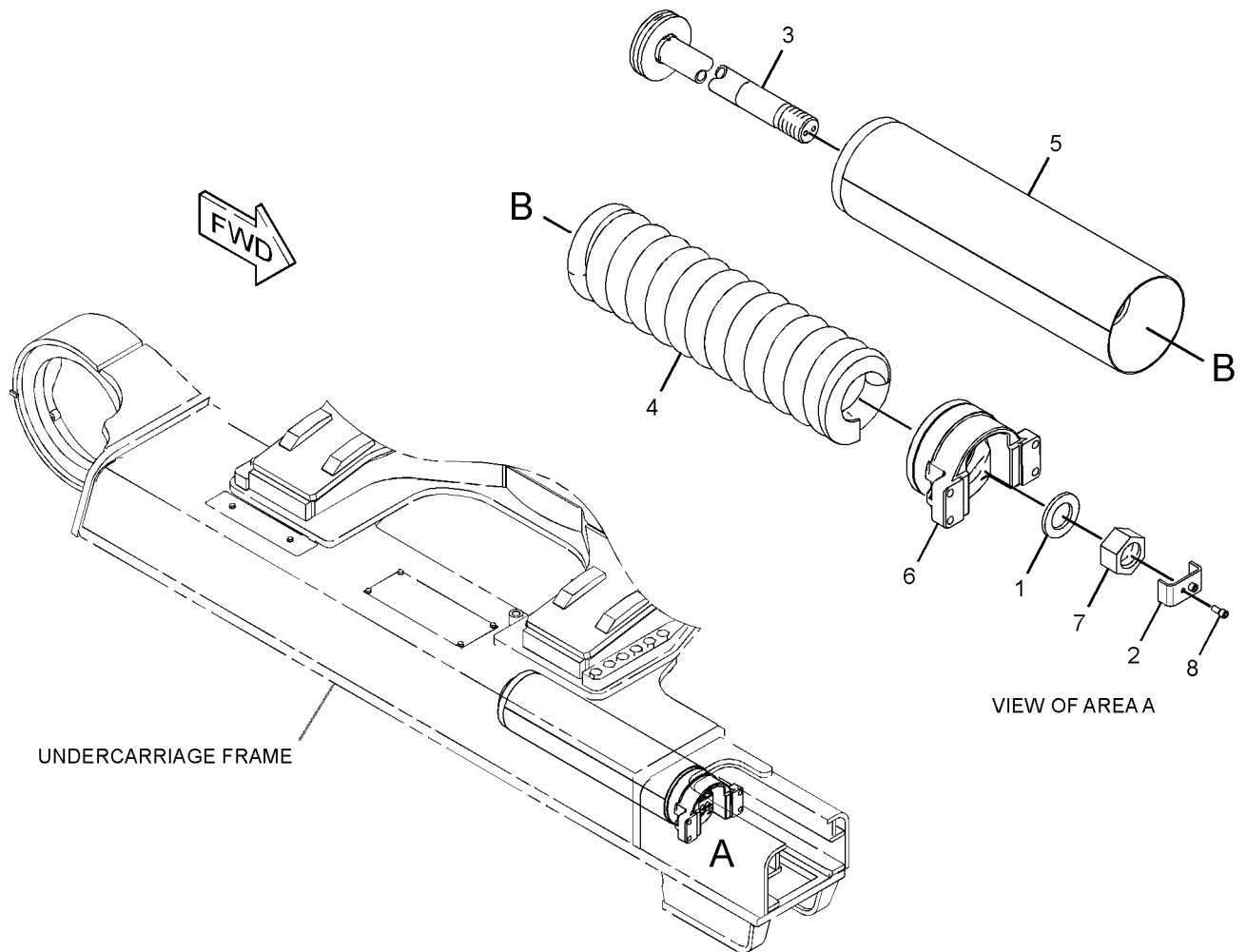
ALSO AN ATTACHMENT

SMCS-4158

i03309480

NOTE	REF NO	GRAPHIC REF	PART NUMBER	QTY	PART NAME						SEE PAGE
					1	2	3	4	5	6 (PRODUCT LEVEL)	
	1	1	168-6740	1	WASHER						
	2	1	168-6742	1	PLATE						
	3	1	248-7161	1	ROD						
	4	1	248-7163	1	SPRING						
	5	1	297-9120	1	SUPPORT AS						
	6	1	297-9121	1	SUPPORT						
M	7	1	168-6741	1	NUT (M85X6-THD)						
M	8	1	8T-6594	2	BOLT-SOCKET HEAD (M16X2X35-MM)						

M-METRIC PART



GRAPHIC #1

<END>

g01694141

UNDERCARRIAGE

246-3247 TRACK GP-2-REQUIRED

S/N: MMA1-UP

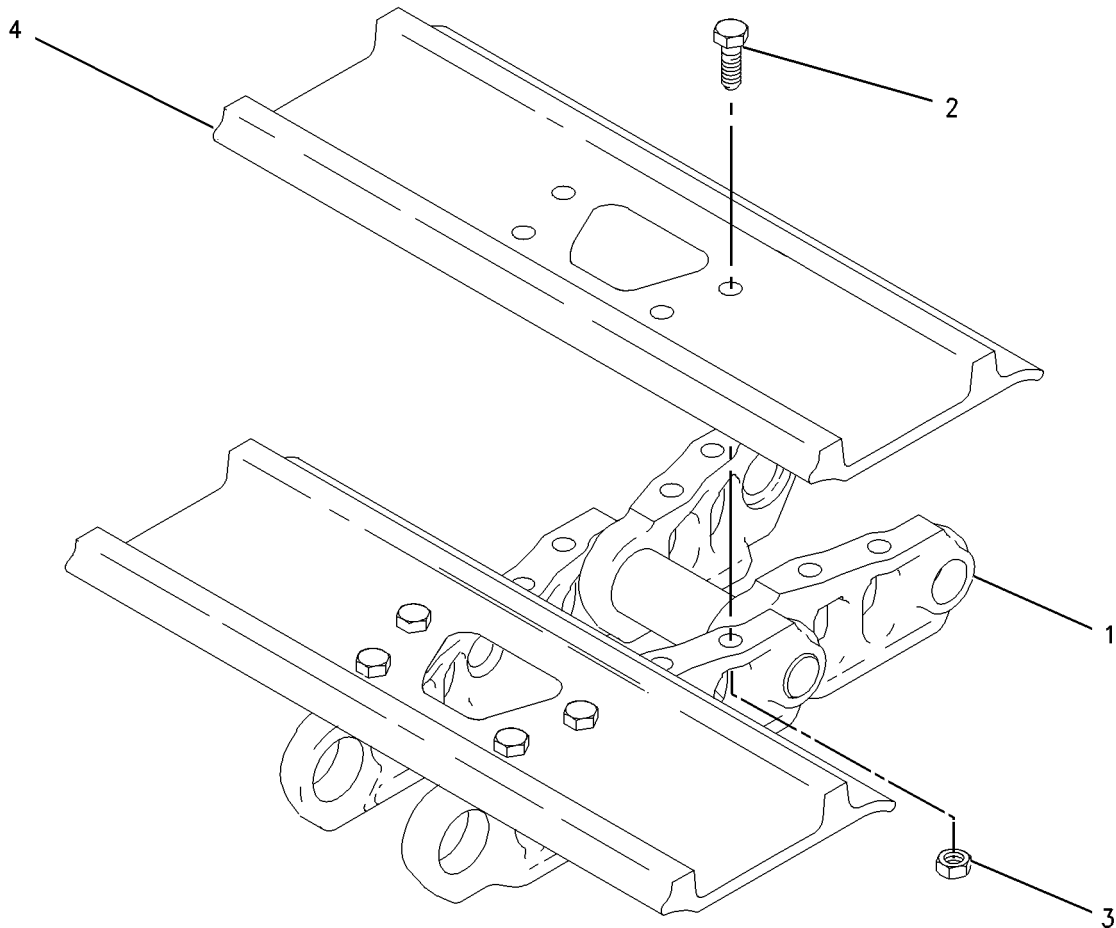
750-MM (29.5-IN) DOUBLE GROUSER SHOE. GREASE LUBRICATED TRACK
AN ATTACHMENT

SMCS-4170

i02157895

NOTE	REF NO	GRAPHIC REF	PART NUMBER	QTY	PART NAME						SEE PAGE
					1	2	3	4	5	6 (PRODUCT LEVEL)	
Y	1	1	246-0505	1	LINK AS-TRACK						588
M	2	1	174-0221	188	BOLT - TRACK						
	3	1	174-0222	188	NUT - TRACK						
	4	1	174-0225	47	SHOE - TRACK						

M-METRIC PART
Y-SEPARATE ILLUSTRATION



GRAPHIC #1

<END>

g00780302

UNDERCARRIAGE

246-3394 TRACK GP-2-REQUIRED

S/N: MMA1-UP

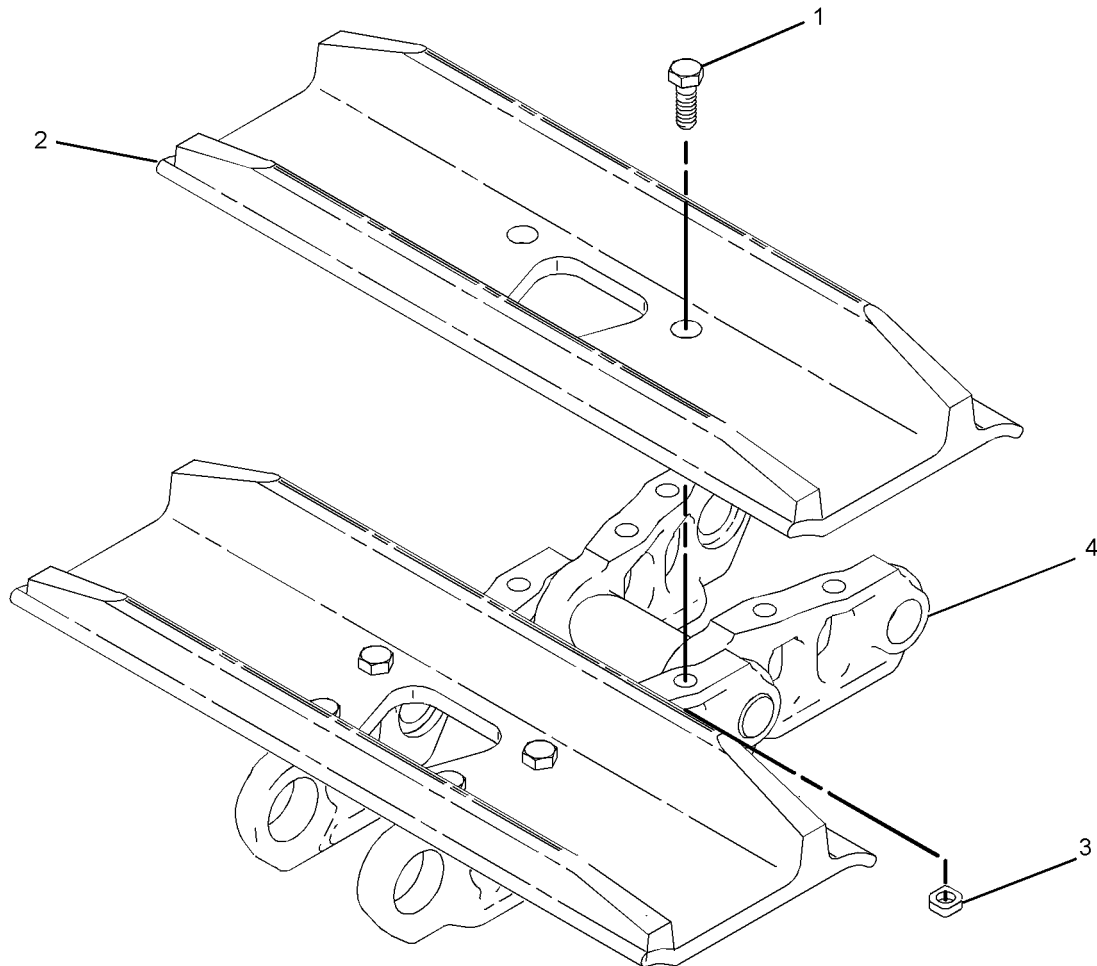
**650-MM (25.6-IN) DOUBLE GROUSER SHOE, CLIPPED, TRAPEZOID.
GREASE LUBRICATED TRACK
AN ATTACHMENT**

SMCS-4170

i02227432

NOTE	REF NO	GRAPHIC REF	PART NUMBER	QTY	PART NAME						SEE PAGE
					1	2	3	4	5	6 (PRODUCT LEVEL)	
M	1	1	174-0221	188	BOLT - TRACK						
	2	1	174-0224	47	SHOE - TRACK						
	3	1	174-0222	188	NUT - TRACK						
Y	4	1	246-0505	1	LINK AS-TRACK						588

M-METRIC PART
Y-SEPARATE ILLUSTRATION



GRAPHIC #1

<END>

g01134708

MEMORANDA

PART NUMBER INDEX

Part	Page	Part	Page	Part	Page	Part	Page
0							
OL-1143	111	OS-1619	63		875	1P-3707	887
OL-1351	122		65	1K-8850	450	1P-4278	160
	124		115		505	1P-4578	706
OL-1352	143		116		511		723
	145	OS-1621	65	1L-5081	141		729
OL-1571	222	OT-0055	68	1M-0644	132		737
OL-2070	68		529	1M-3381	220		744
	78	OT-0065	143		222		752
	79		145	1M-6119	252		771
	127	OT-0768	63		254		776
	128		65		255	1P-4582	771
OS-0509	220	OV-0523	58		266		776
	407				267		781
OS-1571	60	1			278		781
	107				279	1P-5767	698
	141			1M-6120	383		701
	220	1A-1460	63		252		758
	407		65		254		762
OS-1576	407	1A-2029	63		255		766
OS-1585	52		65		266		788
	63		115		267		887
OS-1587	84		116		278	1P-7016	758
	86		120		279		762
	88		121	1M-6718	383		766
OS-1588	68		529		910	1P-7346	60
	84	1A-4273	407		911	1P-7625	218
	86	1A-5964	529	1M-9968	912		220
	88	1B-3057	141		363		222
	112	1B-3581	354	1M-9971	366	1P-7919	130
	114		357		362	1R-0716	115
	117	1B-3623	52	1P-1367	365	1R-0755	210
	124	1B-3867	14	1P-2807	109		212
	180	1B-7182	86		1239		214
	181		147	1P-3702	1244	1R-1808	116
	525		153	1P-3703	785	1R-5318	867
OS-1590	111		155		690	1R-5396	895
	117		156		692	1R-5998	1055
	122		158		694		1058
	124	1B-8705	60		696	1R-7037	817
	642	1F-0750	112		701	1S-0812	375
OS-1591	106		122		706		376
	107	1F-7958	20		758	1S-0994	658
	122		21		762		660
	124		56	1P-3704	766		662
	141	1H-1023	362		690		664
	222		365		692		1148
	331	1H-2629	362		694	1S-4295	198
	333		365		696		199
	529	1H-3244	249		698		200
OS-1594	19	1H-3338	372		701	1S-5485	172
	55	1H-5728	792		758		173
	63		794		762	1S-7251	252
	65		794		766		255
	71		869		788		267
	112	1H-7339	874		887		279
	129	1H-8128	851	1P-3705	698		369
	143		204		701		383
	145	1H-8647	243		758	1S-7252	252
	220	1J-0708	14		762		255
	222	1J-9671	638		766		267
OS-1595	72		145		788		279
OS-1597	362		162		885		369
OS-1608	115		204	1P-3706	698	1S-7446	362
			869		701		365

PART NUMBER INDEX

Part	Page	Part	Page	Part	Page	Part	Page
1S-9540	34	2D-6392	362		859		828
	36		365		861		
	38		870		864		
1S-9593	917		875		869	3	
1T-0720	316	2D-6648	792		874		
1T-0765	234		794		879	3B-0551	130
1T-0808	362	2F-6678	363		882		243
1U-8846	67		366		885	3B-0623	40
	418	2G-8767	254		889		43
	452		266	2N-8109	110	3B-0645	40
	454		278	2P-2772	63		43
	643	2H-3429	362		65	3B-1915	86
	645		365	2P-2975	383		122
	647	2H-3755	331		906		124
	649		333		907		220
	653	2H-3922	370	2P-4304	109		407
	788		371	2P-7636	218	3B-4501	304
1V-6341	343	2H-3928	581		224		309
1W-3136	67		582		226		310
1W-4738	63	2H-3934	758	2P-9419	588	3B-4607	428
	65		762	2R-6806	220		429
1W-4746	63		766		222		430
	65	2H-3935	838		228		432
1W-6448	331		840	2S-1647	235		486
	333	2J-3118	60		237		489
1W-6523	870	2J-8163	362		239		492
			365		425		1163
2		2K-4821	249		426	3B-4618	473
		2K-4973	124		427		480
		2K-8199	858		519		486
2A-4429	46	2L-1701	222		1218		489
	47	2L-6679	362		1220		492
	49		365		1222		495
2B-2404	354	2L-8075	325	2S-2596	879		498
	357		327	2S-2760	132	3B-6768	357
2B-2694	299	2L-8078	304	2S-4078	239	3B-8489	452
2B-2695	22	2M-0849	105		243		454
	300		108		377		456
2B-7558	422	2M-5795	428		721		457
2B-7561	653		429		727		459
2C-9259	941		430		735		627
	942		432		742		628
	943		486		750		629
	944		489		758		630
	945		492		762		923
	946		1163		766		924
	947	2M-9780	122		771		926
	948		124		776		928
	949		143		781		930
	950		145		869		977
	951		658		874		979
	987		660		906		981
	991		662		907		983
	995		664	2S-5926	562		985
	999		705		563		989
	1003		706	2S-7905	132		993
	1005		709	2V-1065	701		997
	1007		713	2W-0493	63		1001
	1008		714		65	3C-8388	792
	1009		716	2W-0494	63		794
2D-0388	235		717		65	3D-2824	84
	237		804	2W-0496	63		86
	239		806		65		88
2D-1683	926		810	2W-2021	129		133
	930		857	2W-4332	826		141

PART NUMBER INDEX

Part	Page	Part	Page	Part	Page	Part	Page
	143	3E-7445	121		796		716
	145	3E-7771	363		808		720
	377		366		811		721
	660	3E-8020	1220		817		722
	662		1222		856		723
	664	3E-8025	895		866		726
	705	3E-8044	70		869		727
	706	3E-8048	256		874		728
	720		269		879		729
	721		281		881		734
	722		318		882		735
	726		519		884		736
	727	3E-8320	317		887		737
	728	3E-8558	402		889		741
	734	3E-9411	466		891		742
	735		560		910		743
	736		577		911		744
	741	3F-6156	112		912		749
	742	3F-9556	249		913		750
	743	3H-7654	594	3J-3679	145		751
	749	3J-1907	122		887		752
	750		124	3J-7354	109		758
	751		143		133		762
	785		145		143		766
	851		243		145		770
	869		336		672		771
	870		610		722		775
	874		611		723		776
	875		656		728		780
	905		658		729		781
	1148		660		736		792
3D-2834	870		662		737		794
3D-4245	899		664		743		851
3D-5102	354		677		744		857
	357		709		751		866
3D-9143	429		713		752		881
	430		714		792		884
	432		716		794		887
3D-9428	434		717		851		903
	436		720		869		904
3E-2306	243		721		870		1148
3E-2338	418		722		874	3K-0715	838
3E-3365	84		723		879		840
	374		726		885	3K-0835	375
	917		727		887		376
3E-3368	337		728		903	3K-4520	867
	338		729		904	3K-8460	67
3E-3371	280		734	3K-0360	141		869
	341		735		143		875
	727		736		145	3K-8782	533
	735		737		218	3K-9770	939
	742		741		222		940
	750		742		224		944
3E-3383	378		743		226		945
3E-3389	307		744		330		950
3E-4297	668		749		515		1007
3E-4353	222		750		643		1009
3E-4367	402		751		645	3L-3380	362
3E-5169	256		752		647		365
	269		758		649	3N-3763	363
	281		762		677		366
3E-6772	48		766		705	3N-3790	1239
	50		788		706		1244
3E-7389	376		792		709	3P-0650	115
3E-7424	766		794		713		116

PART NUMBER INDEX

Part	Page	Part	Page	Part	Page	Part	Page
3P-0658	826		267	4D-7388	117		977
	828		279		224		979
3P-0760	867	3S-9643	143		226		981
3P-1155	331		145		235		983
	333	3T-3418	362		720		985
	906		365		726		987
	907	3T-3422	362		734		989
3P-1323	31		365		741		991
3R-5818	172	3T-3423	362		749		993
	173		363		752		995
3R-8797	362		365		771		997
	365		366		776		999
3R-8801	363	3T-3424	362		781		1001
	366		363	4D-7733	208		1003
3S-2093	208		365	4E-1384	1052		1005
	222		366		1130	4E-9379	975
	254	3T-3434	362		1132		977
	266	3T-4688	268		1134		979
	268		281	4E-8724	921		981
	278	3T-4709	362		936		983
	280		365	4E-8726	450		985
	281	3T-4710	362		921		987
	293		365	4E-8730	450		989
	295	3T-6469	122		921		991
	296		124	4E-8732	921		993
	317	3T-6471	122	4E-8734	921		995
	324		124		936		997
	325	3T-7528	668	4E-8735	921		999
	327	3T-9494	362	4E-9373	819		1001
	329		363		820		1003
	354		365	4E-9374	939		1005
	357		366		940	4E-9380	975
	373	3T-9524	363		975		977
	385		366		977		979
	387	3T-9525	362		983		981
	389		365		985		983
	391	3V-9244	701		987		985
	394	3Y-2806	1055		989		987
	396		1058		991		989
	398				993		991
	400				995		993
	407	4			997		995
	409				999		997
	410	4B-2049	363		1001		999
	413		366		1003		1001
	416		377		1005		1003
	1028	4B-3388	299	4E-9375	819		1005
	1030	4B-3665	53		820	4E-9397	819
	1032		54	4E-9376	939		820
	1136	4B-4043	63		940	4E-9404	819
	1137		65		975	4E-9405	819
	1138	4B-4158	562		977		820
	1140		563		983	4E-9408	975
	1142	4B-4278	429		985		977
	1148		430		987		979
	1159		432		989		981
	1169	4B-9782	97		991		983
	1178		99		993		985
3S-6049	252		100		995		987
	255		102		997		989
	267	4B-9783	885		999		991
	279	4D-0514	304		1001		993
	383	4D-3118	817		1003		995
3S-6050	252	4D-3704	58		1005		997
	255	4D-6466	515	4E-9377	975		999

PART NUMBER INDEX

Part	Page	Part	Page	Part	Page	Part	Page
	1001		749		741		741
	1003	4I-1776	856		749		749
	1005	4I-2187	428	4I-7874	817	4I-9523	720
4E-9410	819		429	4I-7889	218		726
	820		430		224		734
4F-0411	143		432		226		741
	145		1163	4I-7924	425		749
4F-6024	63	4I-2599	472		426	4I-9524	720
	65		479		427		726
4F-7390	110	4I-3038	373		442		734
4F-7957	14	4I-3591	851		445		741
	15	4I-3733	885		472		749
	16	4I-3919	634		473	4I-9525	720
	17	4I-4286	1112		479		726
4F-8946	785		1114		480		734
	879		1117		495		741
4H-6112	645		1119		498		749
	649		1121		507	4I-9526	720
4H-9105	593	4I-4392	1108		512		726
	594	4I-5049	254		514		734
	687		266		521		741
4H-9541	127		278		523		749
4I-0117	492	4I-5394	851		524	4I-9527	720
4I-0118	492	4I-5426	256		528		726
4I-0378	243		269		539		734
4I-0379	218		281		540		741
	224	4I-5490	851		541		749
	226	4I-5657	889		543	4I-9528	720
4I-0769	720	4I-5692	2		544		726
	726		▶630		545		734
	734	4I-5693	630		546		741
	741		▶638	4I-7948	442		749
	749	4I-5694	638	4I-7949	442	4J-0519	905
4I-0797	720	4I-5699	638	4I-7973	507	4J-0520	723
	726	4I-5732	758		509		729
	734		762		512		737
	741		766	4I-8019	472		744
	749	4I-5734	861		479		752
4I-0806	709	4I-5795	720	4I-8135	1052	4J-0521	848
	713		726		1055		905
	716		734	4I-8268	507	4J-0522	706
	720		741		509		723
	726		749		512		729
	734	4I-5850	808	4I-8269	507		737
	741		811		509		744
	749	4I-5862	606		512		752
4I-0821	720	4I-5933	709	4I-8472	612		771
	726		713	4I-8578	486		776
	734		716		489		781
	741	4I-6003	720	4I-8587	507		851
	749		726		509		887
4I-1022	817		734		512	4J-0524	723
4I-1205	473		741	4I-8594	486		729
	480		749		489		737
	492	4I-6329	640	4I-8595	486		744
4I-1278	1052	4I-6391	709		489		752
	1055		713	4I-8915	889		771
	1058		716	4I-9521	720		776
4I-1539	606	4I-6409	638		726		781
4I-1647	788	4I-6442	640		734		851
4I-1682	788	4I-7735	2		741		859
4I-1694	720		▶631		749		861
	726	4I-7778	720	4I-9522	720	4J-0527	204
	734		726		726		758
	741		734		734		762

PART NUMBER INDEX

Part	Page	Part	Page	Part	Page	Part	Page
	766		752		86		1010
	771	4L-2729	363		88	4T-4709	1021
	776		366	4P-4278	97	4T-5076	885
	781	4L-6454	112	4P-4279	97	4T-6788	666
	851	4L-9337	184	4P-4460	128	4W-5698	28
	859		188	4P-6846	7	4W-5699	28
	861		190		9	4W-5700	28
4J-2506	879		192		►55	4W-5701	28
4J-5140	848		195	4P-7371	97	4W-9160	184
4J-5267	706		620	4P-7373	122		188
	709		621		124		190
	714	4M-0189	63	4P-7428	256		192
	717		65		269		195
	785		134		281	4W-9890	19
4J-5268	891		137	4P-7429	407		
4J-5309	867		614	4P-7581	256		
	885		616		269		
4J-5351	891	4M-1827	362		281		
4J-5573	706		365		293	5A-3604	1180
	885	4M-1828	362		295		1182
4J-6888	638		365		407		1199
4J-7533	668	4M-1831	362	4P-7582	222		1200
	796		365		407		1201
	864	4M-1853	362		723		1202
	867		365		729	5C-2874	1052
	869	4M-1854	362		737		1055
	874		365		744		1058
	879	4M-1896	363		752	5C-2889	309
	882		366	4P-8134	407		310
	885	4M-5317	354	4P-9131	122	5C-2890	372
	887		923	4P-9823	7		531
	918		924		9		897
4J-8997	867		926		►63		1052
4J-9535	792		928		►65		1055
	794	4M-8547	56	4S-1936	723		1058
	870	4N-0683	34		729		1172
	875		36		737	5C-6074	377
4J-9780	869		38		744	5C-6108	235
	874	4N-0684	28		752		237
	887		63	4S-4455	1148		►377
4K-0684	939		65	4S-6818	172	5C-7261	256
	940	4N-0699	19		173		269
4K-1388	143	4N-0913	122	4T-0925	910		281
	145	4N-0914	122		911		383
	692	4N-0933	63		912		473
	696	4N-1059	361	4T-0987	879		480
	788		368	4T-1860	870		495
	817	4N-1156	143		875		498
	866		145		887		515
	881	4N-1230	63		►910		895
	884		65	4T-4144	638		897
	905	4N-1650	34	4T-4207	875		1027
4K-8302	709		36	4T-4702	1019		1052
	714		38	4T-4703	1011		1055
	717	4N-2481	7	4T-4707	939		1058
	112		9		940		1112
4K-8380	450		►111		944		1114
4K-8501	252	4N-2514	58		945		1117
4K-8864	256	4N-5339	132		950		1119
	269	4N-8150	109		993		1121
	281	4N-8410	122		995		1129
	723		124		997		1130
	729	4N-9170	452		999		1132
	737		454		1007		1134
	744	4P-0519	84		1009		1190

PART NUMBER INDEX

Part	Page	Part	Page	Part	Page	Part	Page
	1191		1089	5K-9243	452		267
	1192		1099		454		279
	1195		1100		924		369
	1196	5I-8494	758		926	5P-0761	252
	1197		762		928		254
	1198		766		930		255
	1206	5I-8589	634	5L-3708	299		266
	1207	5I-8591	638		300		267
	1209	5I-8748	192	5L-4758	610		278
	1210		195		611		279
	1211	5I-8765	817	5L-5032	849		383
	1212	5I-8770	817	5M-2894	19	5P-0767	653
5C-7423	1112	5I-8794	895		55		1148
	1114	5I-8800	895		63	5P-0840	34
	1117	5I-8804	895		65		36
	1119	5I-8814	895		68		38
	1121	5I-8825	713		71		48
5C-7883	256		716		78		50
	269	5J-2974	891		79	5P-1075	130
	281	5J-5003	1052		84		256
5C-9553	195		1055		86		269
	403		1058		88		281
	404	5J-5004	870		106		1052
	405		875		107		1055
	406	5J-5314	362		111		1058
	1028		365		112	5P-1076	134
	1030	5J-5793	67		114		137
	1032	5J-5794	57		115		160
	1215	5K-0430	354		116		162
5D-1026	653		357		117		174
	1148	5K-5338	1148		127		178
5E-8771	60	5K-8451	1148		128		184
5F-3106	63	5K-9090	690		132		188
	65		692		141		190
5F-3999	20		694		143		192
5F-4899	78		696		145		195
	79		720		180		354
	132		721		181		357
5G-0811	507		722		220		423
	509		726		222		440
	512		727		234		465
5H-1472	817		728		316		473
	895		734		331		480
5H-1504	48		735		333		486
	50		736		407		489
5H-6734	204		741		525		492
	243		742		529		515
5I-3054	1215		743		642		560
5I-3190	222		749	5M-3034	362		614
5I-3876	218		750		365		616
	224		751	5M-3062	256		698
	226		758		269		723
5I-3978	658		762		281		729
	660		766	5M-4454	643		737
	662		770		645		744
	664		771		647		752
5I-4168	817		775		649		771
5I-4277	687		776	5M-6214	930		776
5I-4341	687		780	5P-0048	887		781
5I-4390	705		781	5P-0537	15		1151
5I-4396	709		788		16	5P-1420	160
	713	5K-9242	924		17		162
	716		926		17		162
5I-4653	534		928	5P-0597	788	5P-1442	182
5I-7090	1088		930	5P-0747	252		218
					255		224

PART NUMBER INDEX

Part	Page	Part	Page	Part	Page	Part	Page
	226		737		492	6D-4244	218
5P-1838	140		744		1163		224
5P-2094	126		752	5P-8524	1233		226
5P-2369	1148	5P-7466	706	5P-9205	235		1148
5P-2618	204	5P-7467	706		237	6D-4246	771
5P-3108	903	5P-7468	771		239		776
	904		776	5P-9297	515		781
5P-4115	192		781	5P-9891	562	6D-4247	218
	195	5P-7469	771		563		224
	473		776	5S-0003	220		226
	480		781	5S-7349	249	6D-4636	218
	507	5P-7701	109	5S-7383	88		224
	509	5P-7814	67		127		226
	512	5P-8068	851		128		706
5P-4116	184	5P-8077	698	5V-3854	450	6D-9157	638
	188		758		505	6E-0781	640
	190		762		511	6E-0787	632
	192		766				634
	195	5P-8112	706			6E-3840	846
	248		1151			6E-3869	608
	256	5P-8244	63			6E-3872	609
	269		65	6B-6683	343	6E-3873	687
	281	5P-8245	20	6C-4000	1055	6E-3874	687
5P-4142	60		21		1058	6E-3993	869
	122		56		1130		874
5P-4255	68		63	6C-8379	1130	6E-4428	911
5P-4924	243		65		1132	6E-4429	875
5P-4961	160		67		1134		►911
	162		72	6C-8382	1130	6E-5412	901
	182	5P-8247	63		1132		902
5P-4981	418		65		1134	6E-5483	858
5P-5623	307		222	6C-8584	1052	6E-5484	858
5P-5649	614		249	6C-8787	1128	6E-5534	►666
	616		292	6C-8972	1215		723
5P-5677	307		343	6C-9058	385		729
5P-5678	15		407		387		737
	16	5P-8250	634		1052		744
5P-5874	901	5P-8309	425		1055		752
5P-5998	373		426		1058		851
5P-6027	507		427	6C-9081	385	6E-6528	897
5P-6298	362		472		387	6F-0253	375
	365		473	6C-9087	1052		376
5P-6312	354		479		1055	6F-4718	758
	357		480		1058		762
5P-6313	354		495	6C-9089	1224		766
	357		498	6C-9119	1174	6F-4855	217
5P-6314	354		521	6C-9121	385		678
	357		523		387	6F-5282	105
5P-6719	891		524	6C-9122	385		108
5P-6879	1151		528		387	6F-6405	771
5P-6882	160		540	6C-9130	1224		776
	162		546	6C-9131	1215		781
5P-6944	212	5P-8361	944	6C-9149	821	6F-7045	370
	214		945	6C-9198	385		371
5P-7462	706		950		387	6G-2256	256
5P-7463	706		1007	6C-9236	1226		269
5P-7464	706		1009		1227		281
	723	5P-8500	242	6C-9237	1226	6G-2263	256
	729		380		1227		269
	737		423	6D-0692	803		281
	744		425	6D-1641	218	6H-0406	234
	752		426		224	6I-0213	231
5P-7465	706		427		226		232
	723		486		1148	6I-0723	851
	729		489	6D-3479	515	6I-0724	851

6

PART NUMBER INDEX

Part	Page	Part	Page	Part	Page	Part	Page
6I-0901	97		714	6T-3633	381		222
6I-0928	46		717	6T-9442	375		658
	47		826	6V-0128	15		660
	49		828		16		662
6I-1055	34	6K-8420	130		17		664
	36	6L-3314	172	6V-0357	885		722
	38		173	6V-0400	701		729
6I-1418	299	6L-3316	172		759		737
	300		173		763		744
6I-1458	73	6L-3362	172		767		752
	74	6L-3363	172	6V-0683	706	6V-4248	222
	75	6L-3364	172	6V-0852	212	6V-4298	672
	76	6L-3365	172		214		674
	77	6L-3616	924		222		1052
6I-3623	60		926		658		1055
6I-3624	60		928		660		1058
6I-3625	60		930		662	6V-4589	36
6I-3638	7	6N-1127	210		664		38
	9		212		723		210
	►642		214		729		212
6I-3968	106	6N-1931	132		737		214
	107	6N-2343	132		744		241
6I-4025	48	6N-3279	362		752		374
	50		365	6V-1197	18	6V-5043	826
6I-4421	34	6N-3826	362	6V-1249	723		828
	36		365		729	6V-5048	67
	38	6N-7654	52		737		156
6I-4575	14	6P-1306	354		744		158
6I-4582	60		357		752		316
6I-5298	1090	6P-2216	425	6V-1322	362		331
	1091		426		365		333
6I-5976	472		427	6V-1574	759		340
	479		442		763		342
6I-5977	472		445		767	6V-5049	48
	479		472	6V-1577	788		50
6I-6373	418		473	6V-1722	1148		67
6I-6375	418		479	6V-1820	222		94
6I-6563	452		480	6V-1876	785		95
	454		495	6V-2331	507		109
6I-6788	846		498		509		212
6I-6849	656		507		512		220
	►856		512	6V-2687	1174		331
6I-6850	856		514	6V-2722	291		333
6I-6851	856		521		383		335
6J-2680	672		523	6V-3251	94		339
	771		524		95		826
	776		528	6V-3265	220		828
	781		539		1148	6V-5065	93
	851		540		1225	6V-5134	122
6J-3134	885		541	6V-3354	507		124
6J-3913	638		543		509	6V-5204	799
6J-6478	1228		544		512		800
6K-0806	515		545	6V-3677	60		801
	930		546	6V-3683	316		802
6K-6967	515	6P-4975	133	6V-3822	210	6V-5210	309
	924	6P-8855	1148		212		310
	926	6S-6652	429		214	6V-5266	127
	928	6T-0363	362	6V-3830	84		128
	930		365		86	6V-5324	910
6K-8178	184	6T-0371	362		88		911
	188		365		130		912
	190	6T-0372	362	6V-3922	859	6V-5555	887
	192		365		861	6V-5556	908
	195	6T-3631	381	6V-3965	212		909
	709	6T-3632	381		214	6V-5590	53

PART NUMBER INDEX

Part	Page	Part	Page	Part	Page	Part	Page
	54	6V-8200	832		735		727
6V-5597	796	6V-8201	799		736		735
6V-5645	318		800		737		742
6V-5839	210		801		741		750
	212		802		742		770
	214	6V-8202	1175		743		775
6V-6609	20		1176		744		780
	21		1177		749	6V-8642	705
	92		1178		750	6V-8714	721
	95		1180		751		727
	140		1181		752		735
	228		1182		770		742
	350		1183		771		750
	352	6V-8230	1129		775	6V-8716	788
6V-6707	859	6V-8260	846		776	6V-8721	658
	861	6V-8360	939		780		660
6V-6718	304		940		781		662
6V-6777	472	6V-8362	380		914		664
	479	6V-8397	127		915		705
6V-6864	1233		128	6V-8556	658	6V-8723	677
6V-6887	507		656		660		716
	509		660		662	6V-8724	713
	512		662		664		722
6V-6923	245		677		714		728
6V-7238	643		709		717		736
	645		713	6V-8625	722		743
	647		714		728		751
	649		716		736	6V-8731	723
	1148		717		743		729
6V-7357	192		721		751		737
	195		722		771		744
	463		723		776		752
	1052		727		781	6V-8774	722
	1055		728	6V-8629	705		728
	1058		729		709		736
	1148		735		713		743
6V-7419	1233		736		716		751
6V-7609	672		737	6V-8633	141		788
6V-7636	507		742	6V-8634	127	6V-8778	771
	509		743		128		776
	512		744	6V-8635	721		781
	1052		750		727	6V-8781	709
	1055		751		735		713
	1058		752		742		716
6V-7658	610		788		750		722
	668	6V-8398	141		770		728
6V-7666	870		656		775		736
	875		658		780		743
6V-7681	822		660	6V-8636	656		751
	824		662		709	6V-8784	660
6V-7723	845		664		713		662
6V-8076	658		705		716		664
	660		706		721	6V-8801	292
	662		709		727	6V-8823	507
	664		713		735		512
6V-8077	723		716		742	6V-8941	660
	729		720		750		662
	737		721		788		713
	744		722	6V-8638	705		716
	752		723		709	6V-8942	658
6V-8187	318		726		713		664
6V-8188	251		727		716	6V-8945	706
	363		728	6V-8639	141	6V-8946	788
	366		729		705	6V-9001	713
6V-8189	249		734		721		716

PART NUMBER INDEX

Part	Page	Part	Page	Part	Page	Part	Page
	721		742		594		741
	728		743	6Y-8176	593		749
	735		749		594	7I-1418	472
	743		750	6Y-9339	593		479
	751		751		594	7I-1639	486
6V-9002	722		771				489
	728		776			7I-1640	486
	736		780				489
	743		781			7I-2272	889
	751		785				918
6V-9005	722		788	7C-1445	22		
	728	6V-9836	722	7C-4354	656	7I-2673	160
	736		728	7C-6514	24		162
	743		736	7D-7233	117		394
	751		743	7D-9984	220		396
6V-9007	705		751		222		409
	721	6V-9839	713	7E-4039	140		1178
	727		716	7E-4508	122		1202
	735	6V-9840	771	7E-4509	122		1207
	742		776		124		1209
	750		781	7E-4661	84		1214
	785	6V-9846	771		86	7I-7120	861
6V-9008	690		776	7E-4875	88	7I-7400	821
	692		781	7E-4876	105	7I-7446	895
	694		788		8	7I-7447	895
	696	6V-9850	722	7E-5142	▶105	7I-7448	895
6V-9182	705		728		122	7I-7449	895
6V-9491	325		736	7E-6508	124	7I-7453	895
	327		743		15	7I-7457	895
6V-9509	771		751		16	7I-7458	895
	776	6V-9853	706	7E-8996	17	7I-7462	892
	781	6V-9854	770		7	7I-7463	892
6V-9512	758		775		9	7I-7469	892
	762		780	7F-0560	▶67	7I-7470	895
	766	6V-9873	656	7F-3488	291	7I-7473	895
6V-9632	220	6V-9875	721		362	7I-7475	892
	222		727	7F-3491	365	7I-7476	892
6V-9673	385		735	7F-3525	365	7I-7611	643
	387		742		365		645
	1228		750	7F-9090	210		647
6V-9746	643	6V-9877	771		212	7I-7619	643
	645		776		214		645
	647		781	7G-1060	410		647
	649	6W-2928	184		413		649
	658		188	7G-4332	588	7I-7684	643
	660		190	7G-5984	785		645
	662	6Y-0473	588	7G-5985	785		647
	664	6Y-0570	680	7H-3171	581		649
	705		681		582	7I-8084	817
	706		682		593		834
	709		683		594		895
	713		684	7I-0011	698	7I-8133	606
	714		685	7I-0070	821	7I-8135	606
	716		686	7I-0071	821	7I-8164	834
	717	6Y-1352	141	7I-0072	821	7I-8177	834
	720	6Y-6354	▶1019	7I-0075	859	7I-8252	720
	721	6Y-6355	▶1011	7I-0964	920		726
	722	6Y-6356	▶1021	7I-0965	920		734
	726	6Y-7599	581	7I-0966	908		741
	727		582		909		749
	728	6Y-8127	595	7I-0985	821	7J-6285	21
	734		596	7I-1090	705	7J-7837	858
	735	6Y-8171	593	7I-1244	720	7J-8611	924
	736		594		726		926
	741	6Y-8172	593		734		928

7

PART NUMBER INDEX

Part	Page	Part	Page	Part	Page	Part	Page
	930		694		979		664
7J-9108	705		696		981		826
	706		705		983		828
	709		720		985	7X-2546	870
	713		721		989		875
	716		722		993	7X-2548	354
7J-9250	634		723		997		357
7J-9933	908		726		1001	7X-2549	486
	909		727	7T-6799	380		489
7K-1181	160		728	7T-7370	304		492
	162		729	7T-9123	363		771
	182		734		366		776
	235		735	7V-6571	222		781
	237		736	7W-0629	172		851
	239		737		173		864
	254		741	7W-2297	201		867
	266		742	7W-6528	132		882
	278		743	7W-7141	132		885
	314		744	7X-0289	184	7X-2550	771
	389		749		188		776
	391		750		190		781
	394		751		192		851
	396		752		195	7X-2552	565
	398		770	7X-0314	826		567
	400		771		828		789
	402		775	7X-0316	826		1128
	656		776		828	7X-2553	80
	658		780	7X-0339	251		137
	660		781	7X-0349	620		466
	662		788		621		701
	664		879	7X-0515	134		759
	706		889		137		763
	709	7M-8651	362		614		767
	713		365		616		821
	716	7M-9918	203	7X-0562	363		885
	720	7N-0140	354		366		1157
	726		357	7X-0579	301		1165
	734	7N-0296	354	7X-0595	137		1166
	741		357	7X-0599	463	7X-2555	682
	749	7N-0452	55	7X-0613	299		684
	753	7N-0718	317		300		686
	770		▶370	7X-0794	901		870
	775	7N-0719	252	7X-1443	852		875
	780		▶371	7X-2475	759		1172
	788	7N-2043	90		763	7X-2556	701
	926	7N-2059	354		767	7X-2557	848
	1138		357		1128		885
	1140	7N-2155	132	7X-2533	254	7X-2559	701
	1142	7N-2156	132		266	7X-2563	160
	1169	7N-5274	252		278		162
			255		473		614
7L-2894	362		267		480		616
	365		279		507		819
7L-9061	374		127		509		820
7M-0324	362	7N-7559	128		512		822
	365		141		814		824
7M-0325	363	7N-7878	63		816		937
	365	7N-8374	65		1068		938
7M-0326	362		377	7X-2536	1088	7X-2567	80
	365	7N-9194	382		1089		82
7M-0327	362	7N-9801	515		1099	7X-2570	821
	365	7S-4244	28		1100	7X-2573	450
	418	7S-5005	28		658	7X-2574	450
7M-8485	658	7T-3974	362	7X-2537	660	7X-2576	921
	690	7T-5947	975		662		936
	692		977				

PART NUMBER INDEX

Part	Page	Part	Page	Part	Page	Part	Page
7X-2577	826		454	7Y-4154	775		1092
	828	7Y-1109	452		780		1093
7X-2582	653		454	7Y-4224	885		1094
7X-2584	590	7Y-1110	452	7Y-4269	808		1095
	591		454		811		1096
	592	7Y-1241	160	7Y-4274	834	7Y-8876	505
7X-2619	318		162	7Y-4277	808		511
	473	7Y-1275	178		811	7Y-8942	565
	480	7Y-1492	418	7Y-4622	636		567
7X-2621	256	7Y-1493	418	7Y-4633	562	7Y-8990	553
	269	7Y-1647	452		563		557
	281		454	7Y-4796	851	7Y-9267	921
	293	7Y-1648	452	7Y-4826	850	7Y-9269	921
	410		454	7Y-4827	▶847		936
	413	7Y-1729	184		850	7Y-9900	921
7X-2622	821		188	7Y-4828	847		
7X-2634	172	7Y-1976	160	7Y-4830	847		
	173		162		▶848		
7X-3159	377		164	7Y-4832	848		
7X-3373	362		167	7Y-4836	848	8B-3410	130
	365	7Y-2397	636	7Y-4837	850	8C-0572	1052
7X-4803	629	7Y-2812	429	7Y-4843	850		1055
	630		466	7Y-5009	889		1058
	354		577	7Y-5010	866	8C-0620	763
7X-6101	354				881	8C-0624	112
7X-6222	402	7Y-2814	1163		884	8C-3089	175
7X-6315	303	7Y-2853	461		866		176
	304		486	7Y-5011	881		362
	305		489		884		365
7X-7644	1239		492		884	8C-3110	804
	1244		495	7Y-5102	636		806
7X-7700	243		498		638		831
7X-7729	134		1163	7Y-5215	418		834
	137	7Y-2854	461		636	8C-3347	834
	178		553	7Y-5227	1128	8C-3445	109
	182		1163	7Y-5231	418	8C-3446	109
	473	7Y-3281	430	7Y-5239	632		723
	480		432	7Y-5241	803		729
	614		515	7Y-5245	565		737
	616	7Y-3474	1225		567		744
	867		1233	7Y-5247	771		752
	1028	7Y-3477	▶937		776	8C-3451	723
	1030		941		781		729
	1032		942	7Y-5250	771		737
	1226		943		776		744
7Y-0623	1130		944		781		752
	1132		945	7Y-5267	810	8C-5064	222
	1134		948	7Y-5272	610	8C-5230	115
7Y-0640	418		949		611		116
7Y-0795	418		950	7Y-5456	1148	8C-5607	293
7Y-0807	418		951	7Y-5458	378	8C-5608	293
7Y-0808	418	7Y-3610	507		379		298
7Y-0839	821		509	7Y-5464	378		315
7Y-1000	565		512		379	8C-5723	690
	567	7Y-3951	325	7Y-5499	317		692
	571		327	7Y-7394	1145		694
	576	7Y-3952	325		1146	8C-5899	895
7Y-1090	418		327		1213	8C-5917	252
7Y-1095	452	7Y-3962	325		1214		254
	454		327	7Y-7828	937		266
	653	7Y-3963	280		938		278
7Y-1106	452		325	7Y-7829	937	8C-6354	256
	454		327		938		268
7Y-1107	452	7Y-3965	280	7Y-7830	937		280
	454	7Y-4038	701		938		385
7Y-1108	452	7Y-4039	701	7Y-8463	1082	8C-6358	291

PART NUMBER INDEX

Part	Page	Part	Page	Part	Page	Part	Page
8C-6362	80	8J-1751	885		960		509
	82	8J-1752	885		961		512
8C-6365	385	8J-4351	316		962		895
8C-6712	109	8J-4376	903		963		1152
8C-6871	141		904		964		1215
8C-6965	892	8J-8343	796		965	8T-0273	418
8C-7562	1052	8J-9236	377		966		594
8C-7581	318	8K-0968	204		967	8T-0275	220
	1056	8L-2777	97		968		222
	1058		99		969	8T-0288	916
	1136		100		970	8T-0328	243
	1137		101		971		318
8C-8400	785	8L-2786	20		972		324
8C-8451	298		21		973		363
	315		67		974		366
8C-8723	569		92		975		385
	570		127		977		387
	571		128		983		416
	572		210		985		672
	574		212		989		674
	576		214		993		1028
8C-9182	640		220		997		1030
8C-9660	362		222		1001		1032
	365		349		1007		1170
	1136		351		1008	8T-0337	385
	1137	8L-8413	57		1009		387
8C-9987	917		252	8S-0934	1184		1205
8D-0482	254		255		1187		1228
	266		267	8S-1812	377	8T-0341	1052
	278		279	8S-1814	377	8T-0348	817
8E-4708	939		383	8S-1815	377		887
	940	8M-0505	220	8S-2332	361	8T-0439	687
	944		222		368		759
	945	8M-0547	218		369		763
	950		224	8S-2634	383		767
	993		226	8S-4723	1184	8T-0706	789
	995	8M-2772	515		1187	8T-1158	834
	997		924	8S-4724	1184		892
	999		926		1187		895
	1007		928	8S-6214	905	8T-1482	80
	1009		930	8S-9094	34		82
	1010	8M-2773	1148	8S-9191	231	8T-1576	705
8F-1434	363	8M-4228	634		232		709
	366	8M-8489	132	8T-0077	723		713
8F-5900	808	8M-9315	67		729		716
	811	8N-0788	141		737	8T-1683	709
8H-0878	1136	8N-0869	255		744		713
	1137		267		752		716
8H-3127	15		279	8T-0078	706	8T-1685	658
	16		383	8T-0114	1088	8T-1687	706
	17	8N-1545	268		1089	8T-1715	210
8H-5303	370		281		1099		224
	371	8N-1548	268		1100		226
8H-5306	370		281	8T-0119	212	8T-1718	706
	371	8N-1725	252		214		709
8J-0426	723		255		224		714
	729		267		226		717
	737		279	8T-0211	670	8T-1789	634
	744		383	8T-0249	723	8T-1889	222
	752	8N-2104	122		729	8T-1890	222
8J-1665	634	8P-9770	939		737	8T-1905	722
8J-1666	634		940		744		728
8J-1699	870		957		752		736
	875		958	8T-0266	1062		743
8J-1717	638		959	8T-0269	507		751

PART NUMBER INDEX

Part	Page	Part	Page	Part	Page	Part	Page
8T-2393	759		357		1068		505
	763		383		1070		511
	767		389		1072		515
8T-2501	84		391		1087		614
	86		402		1088		616
	184		410		1089		656
	188		413		1099		771
	190		416		1100		776
	192		428		1104		781
	195		429		1136		849
	256		430		1137		889
	269		432		1148		892
	281		450		1151		930
8T-2502	130		452		1157		1052
8T-2561	1052		454		1165		1055
8T-2888	507		473		1172		1058
	509		480		1204	8T-4136	160
	512		486		1205		162
8T-2920	706		489		1215		164
8T-2947	293		492		1225		178
8T-3490	222		495		1233		182
8T-3518	291		498	8T-4122	80		184
8T-3519	291		505		82		188
8T-3597	788		511		313		190
8T-3647	1064		515	8T-4123	160		192
	1065		519		162		195
	1066		614		614		204
8T-3957	836		616		616		206
8T-3998	792		618		819		208
	794		653		820		243
8T-4121	78		656		822		252
	79		658		824		257
	96		660		921		269
	134		662		936		281
	137		664		937		314
	160		706		938		354
	162		710	8T-4127	416		357
	164		714	8T-4131	834		389
	178		723	8T-4132	134		391
	184		729		137		402
	188		737		467		452
	190		744		614		454
	192		752		616		519
	195		753		701		614
	204		759		771		616
	206		763		776		723
	208		767		781		729
	218		771		859		737
	224		776		861		744
	226		781		895		752
	235		785	8T-4133	134		771
	237		789		137		776
	239		826		178		781
	243		828		235		789
	252		851		237		826
	257		924		239		828
	269		926		314		850
	281		928		428		864
	293		930		429		882
	295	1028			430		1028
	296	1030			432		1030
	314	1032			450		1032
	318	1052			473		1052
	335	1055			480		1055
	354	1058			492		1058

PART NUMBER INDEX

Part	Page	Part	Page	Part	Page	Part	Page
	1068		1225		999		752
	1087		1226		1001		1156
	1088		1233		1003	8T-4182	1172
	1089	8T-4138	192		1005	8T-4183	134
	1099		195		1130		137
	1100		295		1132		450
	1104		296		1134		614
	1127		473	8T-4140	134		616
	1136		480		137		643
	1137		851		614		645
	1148		1082		616		647
	1215		1083		698		649
8T-4137	134		1084		759		672
	137		1085		763		680
	182		1086		767		683
	208		1148		1172		684
	218		1154	8T-4141	160		685
	224		1225		162		686
	226	8T-4139	134	8T-4149	722		698
	235		137		728		706
	237		164		736		723
	239		174		743		729
	252		423		751		737
	257		465	8T-4157	472		744
	269		468		479		752
	281		515	8T-4158	472		759
	295		614		479		763
	296		616	8T-4167	80		767
	335		658		82		771
	383		660		450		776
	389		662		578		781
	391		664		583		789
	410		685		584		851
	413		686		826		921
	416		690		828		975
	473		692		921		977
	480		694		936		979
	515		696	8T-4171	293		981
	519		701		318		983
	614		706		416		985
	616		717		507		987
	656		759		509		989
	658		763		512		991
	660		767		1069		993
	662		771		1138		995
	664		776		1140		997
	706		781		1142		999
	723		785	8T-4172	96		1001
	729		819	8T-4173	698		1003
	737		820	8T-4175	698		1005
	744		822	8T-4178	785		1134
	752		824	8T-4179	160		1151
	753		851		162	8T-4184	701
	771		975		257		706
	776		977		269		759
	781		979		281		763
	851		981		354		767
	930		983		357		789
	1028		985		470		859
	1030		987		471		861
	1032		989		653	8T-4185	257
	1058		991		723		269
	1070		993		729		281
	1072		995		737		867
	1148		997		744	8T-4186	79

PART NUMBER INDEX

Part	Page	Part	Page	Part	Page	Part	Page
	134		178		658	8T-4222	160
	137		423		660		162
	235		440		662		177
	237		450		664		614
	239		470		710		616
	614		471		714	8T-4223	130
	616		656		759		134
8T-4187	242		706		763		137
	855		723		767		160
8T-4189	184		729		851		162
	188		737		859		164
	190		744		861		166
	192		752		1151		168
	195		759		1157		170
	248		763		1165		171
	257		767	8T-4196	78		177
	269		771		134		184
	281		776		137		188
	354		781		208		190
	357		1215		218		192
	710	8T-4193	701		224		195
	714		759		226		204
	717		763		614		251
	1129		767		616		257
	1136		887		706		269
	1137		1058		723		281
	1148	8T-4194	134		729		309
8T-4190	313		137		737		310
	560		516		744		354
	1154		560		752		357
8T-4191	218		614		759		407
	224		616		763		450
	226		672		767		468
	257		674		771		470
	269		680		776		471
	281		681		781		614
	318		682		1127		616
	354		683		1172		643
	357		684	8T-4198	771		645
	383		698		776		647
	410		701		781		649
	413		759		796		653
	416		763		867		656
	516		767	8T-4199	257		658
	562		789		269		660
	563		851		281		662
	723		887		452		664
	729	8T-4195	134		454		672
	737		137	8T-4200	507		674
	744		177		509		680
	752		178		512		681
	924		218		723		682
	926		224		729		683
	928		226		737		684
	930		252		744		685
	1088		257		752		686
	1089		269		1052		690
	1099		281		1055		692
	1100		383		1058		694
	1104		416		1148		696
	1148		519	8T-4205	233		698
	1204		614		249		701
	1205		616		318		706
8T-4192	164		618		362		717
	168		656		365		723

PART NUMBER INDEX

Part	Page	Part	Page	Part	Page	Part	Page
	729		660		723		706
	737		662		729		723
	744		664		737		729
	752		710		744		737
	759		714		752		744
	763		717	8T-4779	134		752
	767		723	8T-4835	130		759
	771		729		623		763
	776		737		624		767
	781		744	8T-4896	84		771
	785		752		86		776
	789		826		88		781
	822		828		184		789
	824		851		188		822
	836		1027		190		824
	851		1064		192		851
	887		1065		195		859
	921		1066		257		861
	975		1088		269	8T-4970	313
	977		1089		281		314
	979		1099		292		318
	981		1100	8T-4897	1130	8T-4971	233
	983		1114	8T-4908	184		1148
	985		1129		188		1224
	987		1130		190	8T-4984	178
	989		1132		192	8T-4985	160
	991		1134		195		162
	993		1136		383	8T-4986	177
	995		1137		492	8T-4988	178
	997		1148		723	8T-4989	178
	999		1163		729	8T-5005	218
	1001		1190	8T-4910	473		224
	1003		1191		480		226
	1005		1192		1130		706
	1127		1195		1132		723
	1130		1196		1134		729
	1132		1197		1156		737
	1134		1198	8T-4944	838		744
	1156		1206		840		752
	1215		1207	8T-4956	160		785
8T-4224	184		1209		162		867
	188		1210		164	8T-5041	680
	190		1211		166		681
	192		1212		170		683
	233	8T-4241	808		171		685
	249		811		184		851
	257	8T-4244	177		188	8T-5092	701
	269		184		190		771
	281		188		192		776
	301		190		195		781
	354		192		354	8T-5360	826
	357		195		357		828
	383		309		423	8T-5389	706
	430		310		470		709
	432		354		471		714
	473		357		672		717
	480		473		680	8T-5400	1233
	492		480		681	8T-5412	702
	495		486		682	8T-5413	429
	498		489		683		450
	507		698		684	8T-5429	705
	509		1151		685	8T-5436	785
	512	8T-4648	204		686		870
	516		473		698		875
	658		480		701	8T-5439	160

PART NUMBER INDEX

Part	Page	Part	Page	Part	Page	Part	Page
	162	8T-6868	690		327	9	
	614		692		329		
	616		694		378	9B-4499	377
8T-5878	578		696		379	9B-7233	380
	579		701		385	9D-0630	204
	580		723		407	9D-1058	472
	583		729		410		479
	584		737		1095		507
	585		744		1096		509
	586		752		1102		512
	587		772		1103	9D-1829	706
	653		776		1106	9F-5599	362
8T-6356	771		781	8T-8748	375		365
	776		1156		376	9F-5644	370
	781	8T-6869	301	8T-8827	256		371
8T-6382	821	8T-6876	658		268	9F-6936	634
8T-6383	643		660		280	9G-0003	252
	645		662	8T-8887	709		254
	647		664		714		266
	649	8T-6974	813		717		278
8T-6385	690		815		722	9G-0004	252
	692	8T-7087	772		728		254
	694		775		736		266
	696		780		743		278
8T-6411	318	8T-7338	134		751	9G-4101	362
8T-6412	533		137	8T-8915	206		363
8T-6429	920		565	8T-8917	625		365
8T-6430	160		567		626		366
	162		698	8T-8920	130	9G-7641	325
	614		759		251		327
	616		763		619		▶380
	921		767		622	9G-8140	117
	936	8T-7520	720	8T-8986	788	9G-8909	255
8T-6466	706		726	8T-9023	706		267
8T-6594	597		734	8T-9044	817		279
	598		741	8T-9389	619	9H-1024	314
	599		749		622	9H-1031	29
8T-6684	722	8T-7547	233	8T-9393	82		31
	728		516	8T-9405	899	9H-3757	362
	736		723	8T-9522	906		365
	743		729		907	9J-8126	875
	751		737	8T-9527	642	9K-7290	67
8T-6693	672		744	8T-9597	836	9L-5854	30
8T-6703	143		752	8T-9598	808		32
	145		851		811		33
8T-6757	40	8T-7934	723	8T-9655	299	9L-6770	249
	43		729		300	9L-7657	109
	175		737		301	9L-7712	885
	452		744	8T-9757	252	9L-8925	15
	454		752		254		16
	516	8T-7971	851		266		17
8T-6759	792	8T-8377	638		278	9M-1974	22
	794	8T-8380	634	8V-0622	252		86
	813	8T-8441	593		254		220
	814	8T-8442	836		266		299
	815		846		278		300
	816	8T-8729	917	8X-1386	192		331
	850	8T-8730	376		195		333
	889	8T-8737	84	8Y-6352	1218		1112
	916		86		1220		1117
	919		268		1222		1119
8T-6761	851		280	8Y-6967	1156		1121
8T-6765	180		281	8Y-9603	368	9M-2092	759
	181		307		369		763
8T-6767	140		325				767

PART NUMBER INDEX

Part	Page	Part	Page	Part	Page	Part	Page
9M-2307	521		794	9S-8001	864	9T-3853	899
	523		851		867	9T-3928	838
	528		874		869		840
	540		885		874	9T-7202	903
	541		887		879		904
	546	9S-4183	143		882	9T-8511	634
9M-2904	112		145		918	9T-9992	906
9M-3835	428		869	9S-8002	20		907
	429		874		21	9U-1094	690
	430	9S-4185	67		92		692
	432		143		143		694
	486		145		145		696
	489		210		156	9U-1327	2
	492		212		158		▶924
	1163		214		176		▶926
9M-5732	521		218		869		▶928
	523		224		874	9U-1373	▶819
	528		226		879		952
	540		722		897		953
	541		728	9S-8003	145	9U-4002	924
	546		736		887		926
9M-6522	243		743	9S-8004	48		928
9M-7609	362		751		50		930
	365		758		94	9U-4003	924
9M-7783	292		762		95		926
9M-7958	235		766		866		928
	237		792		881		931
	239		794		882	9U-4004	924
9M-8406	218		857		884		926
	224		887	9S-8005	20		928
	226	9S-4188	143		21		930
9N-0869	299		145		67	9U-4005	924
	300		692		92		926
9N-1574	864		696		95		928
	882		817		143		931
9N-1575	864	9S-4190	143		145	9U-4006	924
	882		145		228		926
9N-2038	201		859		794		928
	202		861		836		931
	203		869	9S-8006	36	9U-4007	924
9S-2544	362		874		38		926
	365		879		94		928
9S-4167	210	9S-4191	67		95		930
	212		109		804	9U-4008	924
	216		143		806		926
9S-4180	668		145		810		928
	796		677	9S-8008	870		930
	869		758		874	9U-4009	924
	874		762	9S-8010	93		926
	885		766		869		928
	887		792		874		930
9S-4181	690		794	9S-8178	242	9U-4010	924
	692		796		855		926
	694		869	9S-8752	60		928
	696		874		68		930
9S-4182	67		879		120	9U-4011	924
	133		887		121		926
	316		889		234		928
	672	9S-6130	243		529		930
	722		758		642	9U-4012	924
	728		762	9S-9272	130		926
	736		766	9S-9334	109		928
	743		771	9T-1614	879		930
	751		776	9T-1670	903	9U-4013	924
	792		781		904		926

PART NUMBER INDEX

Part	Page	Part	Page	Part	Page	Part	Page
	928		341		515		122
9U-4014	924		372		727		124
	926		374		735		129
	928	9X-2026	463		742		220
9U-4016	924		1154		750		222
9U-4018	924	9X-2027	867		1082		529
9U-4019	924	9X-2038	14		1083	9X-6579	706
	926	9X-2041	1074		1085	9X-6618	640
	928		1076		1086	9X-6654	177
	930		1078		1092	9X-7317	231
9U-4020	924		1080		1093		232
	926		1111		1095	9X-7430	40
	928		1123		1096		43
9U-4021	924	9X-2042	385		1097	9X-7680	897
	926		387		1102	9X-7737	246
	928		394		1103	9X-8256	195
	930		396	9X-3402	268		257
9U-4022	924		398		280		269
	926		400		281		281
	928		1070		325		293
9U-4023	924		1072		327		295
	926		1074	9X-3463	309		296
	928		1080		310		313
	930		1114		311		314
9U-4200	701		1218	9X-3495	389		318
9U-4209	701		1220		391		385
9U-4212	701		1222	9X-3604	636		387
9U-4213	701	9X-2043	398	9X-3610	632		394
9U-4216	701		1070	9X-4184	376		396
9U-8263	1215		1072	9X-4597	629		403
9U-8693	643	9X-2044	394	9X-4599	628		404
	645		396	9X-4600	627		405
	647		1052		628		406
	649		1055		631		416
9U-9702	1020		1058		975		473
9U-9703	1012		1112		977		480
9V-3659	450		1117		979		507
	505		1119		981		509
	511		1121		983		512
9W-0335	385		1124		985		533
	387		1215		987		852
9W-0625	375		1228		989		1028
9W-0742	▶291	9X-2045	1072		991		1030
	383		1224		993		1032
9W-0844	307	9X-2046	1072		995		1052
9W-0852	268		1153		997		1056
	280	9X-2205	243		999		1059
	281	9X-2446	1052		1001		1069
	317		1055		1003		1082
9W-1951	256		1059		1005		1083
	268	9X-2480	1052	9X-4813	256		1084
	280		1055		268		1085
9W-2146	595		1059		280		1086
	596	9X-2616	1193	9X-6032	836		1138
9W-7388	80		1194	9X-6165	293		1140
	82	9X-3265	402		298		1142
9X-0196	268	9X-3401	84		315		1148
	281		86		1068		1152
9X-0262	331		243		1154		1172
	333		268	9X-6257	304		1215
9X-1365	304		280	9X-6395	903		1225
9X-1386	345		281		904	9X-8257	80
9X-1813	248		345	9X-6458	60		467
	337		378		120		565
	338		379		121		567

PART NUMBER INDEX

Part	Page	Part	Page	Part	Page	Part	Page
	643	005-4362	210	087-4531	720		1088
	645		212		726		1089
	647		214		734		1099
	649		220		741		1100
	682		222		749	095-0736	243
	684	005-8164	869	087-4532	720		1170
	686		874		726	095-0742	313
	690	006-5707	235		734	095-0759	672
	692		237		741	095-0818	670
	694		239		749	095-0826	851
	696	008-2103	864	087-4575	605	095-0827	1069
	698		867	087-4576	605	095-0840	531
	701		882	087-4577	605	095-0843	428
	759	012-0380	372	087-4683	373		429
	763	030-4605	792	087-4772	687		430
	767		794	087-5385	632		432
	772	030-7942	222	087-5391	632		473
	775	030-7947	220	087-5393	632		480
	780	030-7955	122	087-5395	632		1163
	789		124	087-5397	632	095-0891	418
	799	030-8156	220	087-5550	636	095-0910	1154
	800		222	087-5729	770	095-0919	534
	801	030-8188	210		775	095-0929	846
	802		212		780	095-0930	817
	821		214	087-5966	924	095-0946	808
	848		220		926		811
	887		222		928	095-0948	819
	1059	030-8194	122		930		820
	1128		124	087-8906	855		975
	1130	031-3185	60	087-8907	855		987
	1132	031-4155	23	087-8909	855		991
	1134	031-4564	130	090-8865	1128		995
	1154	032-9313	97	091-9035	184		999
	1157	033-5853	20		188		1003
	1165		21		190		1005
	1166		92		296	095-0965	817
	1172		176	093-0386	519		834
9X-8258	418		897	093-0407	242	095-0966	881
	571	033-6028	836	093-0408	242	095-0967	881
	576	033-6033	245	093-1323	834	095-0968	889
	590	033-6042	222	093-1571	636	095-1274	640
	591		228	093-1730	643	095-1314	430
	592	033-6043	897		645		432
	653	034-1432	117		647	095-1319	486
9X-8259	567	036-9821	362		649		489
9X-8267	220		365	093-2064	428		492
	222	036-9823	365		429	095-1320	486
9X-8399	640	045-4065	363		1148		489
9X-8600	243		366	093-5150	643		492
9X-8872	59	061-7540	114		647	095-1386	218
9X-9896	298	061-8639	97	094-1528	643		224
	315		99		645		226
9Y-1792	132		100		647	095-1390	126
9Y-5373	122		103		649	095-1392	178
	124	061-9413	243	094-1873	856	095-1516	670
9Y-8389	233	061-9455	22	094-1902	919	095-1519	217
		067-2551	220	094-6452	892		678
			222	095-0645	901	095-1573	814
		085-7356	720		902		816
			726	095-0673	804	095-1574	813
			734		806		815
000-0232	989		741	095-0680	920		892
003-7764	218		749	095-0690	810	095-1576	919
	224		705	095-0728	1104	095-1578	817
	226	087-3591	450	095-0735	317	095-1579	920
005-4273	126	087-3765					

0

PART NUMBER INDEX

Part	Page	Part	Page	Part	Page	Part	Page
095-1582	817		649	099-0724	831	101-7400	709
	889	096-1445	670	099-0823	1056		713
095-1586	892	096-1588	636		1058		716
	914	096-1598	866	099-2374	324	101-7402	770
	915		881		1028		775
	919		884		1030		780
095-1587	864	096-2320	472		1032	101-8468	60
	882		479	099-4674	547	101-9848	442
095-1590	892	096-2617	1090	099-5194	418		445
095-1592	889		1091		643		473
095-1600	808	096-2966	892		645		480
	811	096-3021	892		647		521
095-1603	520	096-3201	636		649		523
095-1607	869	096-3216	418	099-5845	687		541
	874	096-3772	1215	099-7951	920	102-0811	899
095-1608	851	096-3780	428	099-8111	796	102-0814	913
	869		429			102-0883	581
	874		1163				582
095-1633	850	096-3872	550	1		102-1157	705
095-1635	636		551			102-5758	160
095-1681	668	096-4035	164	100-3866	466	102-5861	60
095-1687	799		167		577	102-6046	1244
	800	096-4833	318	100-4265	8	102-7964	413
	801	096-4882	1130		9	102-8802	84
	802		1132		▶234		86
095-1698	817		1134	100-4982	467		88
	908	096-4883	653	100-5072	231		243
	909	096-4885	758		232		247
	919		762	100-5218	15		248
095-1703	920		766		16		254
095-1704	920	096-5400	834		17		255
095-1716	808	096-5516	834	100-5219	15		256
	811	096-5863	254		16		266
095-1728	632		266		17		267
	850		278	100-5588	▶1020		268
095-1733	640	096-5867	831	100-5589	▶1012		278
095-1735	851	096-5962	256	100-5612	1239		280
095-1750	914		268		1244		317
	915		281	100-5805	256		325
095-1751	914		318		268		327
	915		385		280		345
095-1777	330		387	100-6211	869		346
	721		519		874		372
095-1785	892	096-5969	324	100-7399	34		374
	919	096-6166	318		36		382
095-1786	864		325		38		407
	882		327	101-2160	571		416
095-1787	834		385		576		851
	892		387	101-2842	1239		917
095-1795	834		1104		1244	102-8803	256
095-2927	562		1205	101-2846	1140		268
	563		1215	101-2862	804		280
095-6639	849		1228		806		317
095-6641	849	096-8058	838		810		330
095-7424	53		840	101-3120	107		341
	54	099-0001	164		407		373
096-0015	842		167	101-3125	180		385
096-0034	534	099-0169	758		181		407
096-0061	335		762	101-7396	705	102-8804	255
096-0679	254		766	101-7398	770		267
	266	099-0492	473		775		279
	278		480		780		317
096-1441	643		507	101-7399	709		336
	645		509		713	102-8805	378
	647		512		716		381

PART NUMBER INDEX

Part	Page	Part	Page	Part	Page	Part	Page
102-8806	255		533	108-6635	533	109-9082	939
	267	105-6989	520	108-6636	533		940
	279	105-6990	520	108-6638	533		944
	307	105-6991	▶531	108-6639	534		945
	329		533	108-6640	531		1009
102-9089	18	105-6992	531	108-6642	533	109-9985	71
103-0126	59	105-6993	531	108-6671	533	110-3184	1003
103-1303	701	105-6994	533	108-6672	534		1005
103-1311	701	105-6995	533	108-6700	931	110-3185	1003
103-2556	235	105-6996	533	108-6709	515		1005
103-4672	234	105-6997	533		926	110-4821	788
103-5240	466	105-6999	533		930	110-5525	808
103-5241	466	105-7328	895	108-6710	515		811
103-5242	466	105-7329	895		930		817
103-8089	1226	105-7331	895	108-6711	515	110-7149	643
	1227	105-7484	2		931		645
103-8134	15		▶628	108-6712	515		647
	16	105-7485	628		931		649
	17		▶634	108-6713	515	110-7183	457
103-8236	667	105-7486	634		931	110-8769	268
	726	105-7490	634	108-6714	515		281
103-8364	640	105-9982	317		931	111-0336	869
104-3173	178	105-9983	317	108-6717	930		▶912
	1148	105-9986	317	108-6725	1239	111-0337	912
104-6202	407	106-0107	325		1244	111-0343	917
104-8147	565		▶378	108-7206	705	111-0976	720
	567	106-0210	378	108-7375	720		726
104-8586	72		379		726		734
104-8762	701	106-1792	183		734		741
105-3035	806	106-2704	1169		741		749
105-3484	204	106-3544	127		749	111-2088	7
	676		128	108-7930	147		9
105-3487	473	106-3969	172		153		▶71
	480		173		155	111-2721	147
105-4728	361	106-3973	172		156		153
105-4729	▶361		173		158		155
105-6701	235	106-5673	48	109-0072	122		156
105-6836	472		50		124	111-4376	172
	479	106-8715	785	109-0076	122	111-4627	1215
105-6837	472	107-0583	60		124	111-4799	373
	479	107-3953	590	109-0077	143	111-4836	254
105-6838	472		591		145		266
	479		592	109-0078	122		278
105-6855	443	107-5769	234		124		296
	444	107-6550	892	109-1296	832		410
	446	107-6631	723	109-1657	11		413
	447		729		12		416
	472		737		▶57		1028
	479		744	109-5839	84		1030
105-6971	534		752		86		1032
105-6972	534	107-6736	7		88	111-4837	252
105-6973	534		9	109-5840	84		254
105-6974	534		▶19		88		266
105-6975	534	107-7068	866	109-8040	869		278
105-6976	534		884	109-8503	931		383
105-6977	534		889	109-8708	515		389
105-6979	534	107-9403	698		931		391
105-6980	534	107-9711	565	109-9080	944		402
105-6981	534		567		945		410
105-6982	534	108-1780	1215		1009		413
105-6983	534	108-1781	770	109-9081	939	111-4838	254
105-6984	534		775		940		266
105-6985	534		780		944		278
105-6986	534	108-3612	183		945		410
105-6988	▶520	108-5914	67		1009		413

PART NUMBER INDEX

Part	Page	Part	Page	Part	Page	Part	Page
111-4839	254	114-0763	632	▶904	118-5085	792	
	266	114-1322	643	903		794	
	278		645	904	118-5086	792	
	410		647	903		794	
	413		649	904	118-5087	792	
111-4874	318	114-1541	418	838		794	
111-5754	903	114-2687	122	840	118-6049	515	
	904		124	1104		931	
111-6752	720		127	679	118-6050	931	
	726		128	▶680	118-6051	515	
	734	114-3925	701	▶681		931	
	741	114-6658	1215	▶682	118-6052	515	
	749	114-8234	643	680		931	
111-7421	759		647	681	118-6083	520	
	770	114-8944	819	682	118-6084	520	
	775		820	680	118-6085	520	
111-9916	889	115-1624	1130	681	119-0036	18	
	▶914		1132	682	119-1667	690	
	866		1134	680		692	
111-9959	884	115-2670	450	680		694	
	▶892	115-5637	903	681		696	
	894		904	680	119-2265	887	
111-9997	817	115-7087	202	681	119-2652	770	
	895		203	680		775	
111-9998	892	115-8645	721	681		780	
111-9999	895		727	682	119-3662	268	
112-0000	895		735	680		280	
112-0001	892		742	683		281	
112-0003	895		750	684		413	
112-0540	520		254	685	119-5026	325	
112-0541	531	116-0118	266	686		327	
112-0542	533		278	680		1159	
112-0543	533		335	681		1169	
112-0545	1239		389	682	119-5362	857	
	1244		391	683		889	
112-0557	534		410	684	119-5364	857	
112-2418	7		413	685		889	
	9		416	686	119-5365	857	
	▶72		256	685		889	
112-4629	902	116-0126	268	686	119-8338	1112	
112-4630	838		280	685		1114	
	840		229	685		1117	
112-4717	899	116-0128	268	679		1119	
112-9217	60		280	▶683		1121	
113-4708	1011		281	▶684	120-4394	687	
	1012		268	683		901	
	1019	116-0255	280	684		902	
	1020		281	683	120-4779	385	
	1021		63	684		387	
	1024	116-3046	785	683	120-5114	235	
113-4709	1011	116-3420	▶919	684		237	
	1012		640	683		239	
	1019	116-3516	640	683	120-5737	313	
	1020	116-3518	640	683	120-5738	313	
	1021	116-3519	640	684	120-9027	373	
	1024	116-7460	950	1092	120-9243	68	
113-5950	627		1007	1093	120-9847	7	
	921	116-7461	950	1094		9	
113-6518	758		1007	1095		▶22	
	762	116-7462	950	1096	121-0987	403	
	766		1007	60		404	
113-8490	317	117-0775	906	836		405	
113-8491	317		907	636		406	
114-0550	919	117-5269	887	120	121-1022	317	
114-0623	914		▶903	121	121-1038	229	
	915	117-5270	887				

PART NUMBER INDEX

Part	Page	Part	Page	Part	Page	Part	Page
	256		495		987		1095
	268	122-5260	507		991		1096
	280		509	124-9108	254		1097
121-1039	229		512		266		1101
	280	122-6566	975		278		1102
121-1168	325		977	125-0434	143		1103
	327		979		145	126-1768	280
	413		981	125-0800	939		325
121-1173	325		983		940		327
	327		985		944	126-1771	254
121-1491	889		987		945		255
	►915		989		950		256
	916		991		993		266
	918		993		995		267
121-1509	636		995		997		278
121-1512	►629		997		999		279
	952		999		1007	126-2941	317
	953		1001		1009	126-4935	143
	954		1003		1010		145
	955		1005	125-1302	317	126-5164	931
121-1518	629	122-6567	819		►372	126-5188	515
	►636		820	125-5032	180		930
121-1519	636	122-7375	40		181	126-5199	930
121-1523	636		43	125-6535	363	126-7574	305
121-1525	636	122-8612	40		366	126-7631	7
121-1574	636		43	125-6536	363		9
121-1592	638	122-8705	653		366		►292
121-1593	638	122-9608	1104	125-6537	363	126-8449	292
121-1594	638	122-9609	1104		366	127-0929	175
121-1595	638	122-9610	1104	125-7874	268		176
121-1596	638	122-9657	1148		279	127-5250	1162
121-1597	638	123-0791	96		281	127-5447	122
121-1598	638	123-2003	672		396	127-5483	255
121-1599	638		674		413		267
121-1600	634	123-2139	808	125-7875	268		279
121-1601	634		811		280	127-5484	256
121-1602	634	123-3202	15		281		268
121-1603	634		16		375		280
121-1604	634		17		376	127-5485	256
121-1605	634	123-5362	450		396		268
121-1606	634	123-5364	450		413		280
121-1607	634	123-5574	450	126-0081	7	127-5486	255
121-1865	1088	123-9701	819		9		267
	1089		820		►175		279
121-4012	1171	123-9702	819		►176	127-7960	551
121-7098	1148		820	126-1756	60	127-9485	804
121-7136	1062	124-0909	698	126-1757	68		806
	1148	124-0988	720	126-1767	86	128-0317	147
121-7137	1148		726		268	128-2135	1074
121-7138	1062		734		280		1076
	1148		741		281		1078
122-0447	40		749		345		1080
	43	124-1854	48		378		1156
122-1472	15		50		379		1215
	16	124-1855	48		515		1218
	17		50		727		1220
122-3772	150	124-2456	1239		735		1222
	151		1244		742	128-2136	1218
	152	124-2708	175		750	128-2173	1088
	157	124-3548	318		1082		1089
122-4021	235	124-4009	1090		1083		1099
	237		1091		1085		1100
	239	124-4010	1090		1086	128-2661	60
122-4120	472		1091		1092	128-4940	690
	479	124-8378	985		1093		692

PART NUMBER INDEX

Part	Page	Part	Page	Part	Page	Part	Page
	694	133-7023	96		498	137-3625	668
	696	133-9353	690		553	137-3626	610
128-5855	701		692		557		611
128-5856	701		694		558		668
128-7514	698		696		1151	137-3628	610
128-8981	840	133-9906	14		1163		611
128-9170	643	133-9907	▶14	135-8576	461		668
	645		642	135-8577	461	137-3630	610
	647	134-3196	206		468	137-3631	610
	649	134-3988	220		472		611
128-9262	640	134-4126	303		479	137-3632	610
129-3178	1224		305		486	137-3639	916
129-3181	709	134-6146	1239		489	137-3713	813
	713	134-6852	210		492		815
	716		212		495		▶916
129-5167	1055		214		498	137-3716	814
	1058	134-7258	1239		553		816
129-5427	68		1244		1163	137-3749	53
129-5428	68	134-7489	897	135-8578	495		54
129-5429	206	135-2274	1099		498	137-3751	53
129-7813	851		1100		553	137-6645	214
129-7815	672	135-8572	242		557		347
129-7925	54		243	135-8888	507		349
129-8034	672		472		509	138-5312	698
	674		479		512	138-5471	546
129-8053	▶610		495	135-8965	410	138-5506	537
	672		501		413	138-5708	758
129-8055	672		502	135-8966	1166		762
129-8056	672		558		1167		766
129-8087	220		560		1168	138-5709	758
130-0270	1148	135-8573	169	135-9991	838		762
130-4698	60		235		840		766
130-4701	60		237	136-0155	953	138-6780	913
130-5300	1065		239		954	139-0454	460
	1066		425	136-0207	720		▶465
130-9811	210		426		726	139-0457	465
	212		427		734	139-1398	237
	349		434		741		239
	350		436		749	139-3550	143
131-4770	172		440	136-1107	147		145
	173		441		153	139-6039	1215
132-1829	▶247		468		155	139-6873	210
	385		472		156		212
	387		479		158		214
132-4099	1239		486	136-2442	562		▶246
132-4100	1239		489	136-2443	562	139-7100	1111
132-5789	385		492		563		▶1112
	387		495	136-2444	562		▶1114
	389		498		563	139-8733	614
	407		501	136-2445	562		616
132-6482	930		502		563	139-8873	80
132-6483	930		505	136-4055	317		82
132-6484	930		511	136-4182	134	139-8877	614
132-6485	930		553		137		616
132-7168	172		558		614	139-8878	134
	173		1163		616		137
132-9770	331	135-8574	495	136-4303	84	140-0736	720
	333		498		86		726
133-0261	346	135-8575	461	137-1003	532		734
133-3234	1052		472	137-1004	532		741
	1056		479	137-1005	532		749
	1059		486	137-3001	565		▶889
133-3359	183		489		567	140-0741	889
133-5514	1226		492	137-3623	668	140-0742	889
	1227		495	137-3624	668	140-0860	254

PART NUMBER INDEX

Part	Page	Part	Page	Part	Page	Part	Page
	266		▶422	148-3111	569		766
	278	145-3084	317		570	148-4977	468
141-0633	701	145-3169	838		571	148-5055	705
141-1060	206		840		572	148-7482	11
141-1293	770	145-3171	838		574		▶73
	775		840		576		▶74
	780	145-3697	1226	148-4575	418	148-8315	705
141-2759	317		1227	148-4579	418	148-8317	721
	1140	145-3849	143	148-4580	418		727
	1142		145	148-4582	418		735
141-3636	926	145-5181	130	148-4585	418		742
141-5497	796	145-7181	869	148-4598	▶643		750
141-5498	796		874		▶645	148-8323	721
141-6460	486		▶885		652		727
141-6518	1130	145-8503	132	148-4600	643		735
	1132	145-8747	874		645		742
	1134	145-9529	885		647		750
141-6603	1229	146-0182	869		649	148-8330	696
142-0038	696	146-0218	463	148-4601	643	148-8335	721
142-0844	879		1224		645		727
142-2329	34	146-1519	924		647		735
	36		928		649		742
	38	146-1520	924	148-4602	643		750
142-5546	1104		928		645		770
142-5867	104	146-3493	902		647		775
142-8545	314	146-3728	353		649		780
143-8086	670	146-4936	445	148-4603	643	148-8336	656
143-8137	632		502		645		709
143-8138	632		512		647		713
143-9393	143		514		649		716
	145	146-4952	472	148-4604	643		721
143-9397	1154		479		645		727
143-9536	1239	146-6747	383		647		735
	1244		1239		649		742
144-0195	1225		1244	148-4607	643		750
	1233	146-9290	676		645		788
144-0367	160	147-0323	143		647	148-8339	788
	162		145		649	148-8340	705
	780	147-2001	565	148-4608	643		721
144-1636	86		567		645		727
	330	147-2286	867		647		735
	1084	147-4921	1206		649		742
	1106		1207	148-4609	643		750
144-7087	▶863		1209		645		770
	874	147-4960	1166		647		775
144-7088	867		1167		649		780
144-7092	867		1168	148-4611	643	148-8345	705
144-7093	867	147-5787	632		645		709
144-7113	869	147-6603	910		647		713
	874		911		649		716
	▶905		912	148-4616	418	148-8347	705
144-7281	885	147-6604	910	148-4617	418		721
144-9315	515		911	148-4626	▶647		727
145-0487	301		912		▶649		735
145-2970	422	147-6605	910		651		742
145-3008	564		911	148-4650	▶452		750
	▶578		912		▶454		785
145-3009	578	147-6982	80		564	148-8352	770
	▶579		82	148-4685	456		775
	▶580	147-6983	80		459		780
145-3011	579		82	148-4787	770	148-8353	713
	▶597	147-7142	177		775		716
145-3012	564	148-0767	869		780		721
	▶590		874	148-4964	758		727
145-3014	421	148-2350	353		762		735

PART NUMBER INDEX

Part	Page	Part	Page	Part	Page	Part	Page
	742		794		736	151-4604	930
	750	148-8405	869		743	151-4612	931
148-8354	721	148-8407	143		751	151-4613	931
	728		145		788	151-4614	931
	736		677	148-8442	658	151-5925	90
	743		758	148-8449	713		91
	751		762		716	151-5966	60
148-8355	722		766	148-8500	450	151-6641	182
	728		792	149-0206	184	151-6646	▶623
	736		794		188		▶624
	743		796	149-4741	184		828
	751		869		188	151-6660	13
148-8357	690		874	149-5050	317		▶80
	692		879		416	151-6662	13
	694		887	149-5268	56		▶126
	696	148-8408	143	149-6586	515	151-6703	1112
148-8359	770		145	149-6591	515		1117
	775		869	149-6812	785		1119
	780		874	149-7378	25	151-6704	1112
148-8360	705	148-8409	870		26		1117
148-8362	722		874	149-9110	60		1119
	728	148-8410	145	150-3035	706	151-6777	1111
	736		869		709		1123
	743		874		714	151-6790	1226
	751		879		717		1227
148-8364	722	148-8411	143	150-3036	722	151-6792	1112
	728		145		728		1117
	736		722		736		▶1229
	743		728		743	151-9360	317
	751		736		751	151-9497	1112
	771		743	150-3071	706		1114
	776		751	150-3072	771		1117
	781		758		776		1119
148-8365	658		762		781		1121
	660		766	150-3073	758	152-5550	905
	662		792		762	152-7582	42
	664		794		766	152-7784	983
148-8367	722		887	150-4033	771		985
	728	148-8417	660		776		987
	736		662		781		989
	743		713		788		991
	751		716	150-4043	656		993
148-8372	658	148-8418	658	150-4049	722		995
	660		664		728		997
	662	148-8422	771		736		999
	664		776		743		1001
	705		781		751		1003
148-8374	677	148-8429	771	150-5870	53		1005
	716		776		54	152-9254	720
148-8378	713		781	150-6256	387		727
	722	148-8433	722	150-7033	1		734
	728		728		▶312		741
	736		736	151-0189	931		749
	743		743	151-0192	931	152-9521	770
	751		751	151-0607	515		775
148-8381	705	148-8435	709	151-1975	162		780
148-8383	709		713	151-2099	301	152-9522	770
	713		716		▶303		775
	716		722	151-2106	303		780
148-8388	705		728	151-2898	96	152-9560	235
	709		736	151-2900	96		237
	713		743	151-3146	515		239
	716		751	151-3147	515	152-9604	▶519
148-8392	706	148-8439	722	151-4601	930	152-9605	519
148-8395	145		728	151-4603	930	152-9610	519

PART NUMBER INDEX

Part	Page	Part	Page	Part	Page	Part	Page
	▶534		794	155-9116	843		1121
152-9616	519	155-2255	389	155-9117	843	156-6642	1147
152-9617	519		391	155-9118	843	156-6643	1108
152-9649	1239		407	155-9119	843	156-6644	1108
153-1256	147	155-2260	256	155-9125	836	156-6645	1112
	153		268	155-9131	836		1114
	155		280	155-9134	836		1117
	156		317	155-9135	836		1119
	158		337		▶843		1121
153-1731	937		338	155-9136	843	157-0670	133
153-2447	254		394	155-9137	843	157-4822	252
	266		396	155-9139	607		254
	278		407	155-9141	607		266
153-2451	254	155-2261	84	155-9142	607		278
	266	155-2265	407	155-9143	607	157-9925	975
	278	155-2270	84	155-9149	843	158-1113	796
153-2475	254		86	155-9157	640	158-3416	60
	266		255	155-9198	420	158-3960	937
	278		256		▶803		938
153-2521	▶309		267	155-9200	788	158-6564	796
	312		268		▶920	158-7864	1236
153-2523	▶310		279	155-9205	826	158-8261	861
	312		280		828	158-8262	859
153-2540	325		317		▶832	158-8263	859
	327		325	155-9222	822		861
153-2541	325		327		824	158-8936	831
	327		336		▶830	158-8937	831
153-2620	413		346	155-9224	830	158-8938	831
153-5187	889		385		▶831	158-8939	831
153-5710	252		407	155-9235	▶849	158-8940	831
	254		409		851	158-8964	808
	266		416	155-9236	849		811
	278	155-2271	255	155-9524	68	158-8965	808
153-6236	788		267	156-0619	850		811
153-6244	706		279	156-0622	788	158-8966	808
	709		317		▶850		811
	714		410	156-0749	515	158-8967	808
	717		413	156-0760	515		811
153-6249	709	155-2274	325		931	158-8968	808
	714		405	156-2525	224		811
	717		410		226	158-8969	808
	722		413	156-2829	▶353		811
	728	155-2793	30		792	158-8970	808
	736		32		794		811
	743		33		796	158-8971	808
	751	155-3624	133	156-5198	148		811
153-7023	46		722		149	158-8973	808
	47		728		154		811
153-7024	46		736	156-6471	1112	158-8976	808
	47		743		1114		811
	49		751		1121	158-8977	808
153-8723	1088		792	156-6512	1099	158-8978	808
	1089		794		1100		811
154-4133	353		851	156-6598	1112	158-8979	808
154-9023	133		874		1114		811
155-0696	299		885		1117	158-8981	808
	300		887		1119		811
155-0698	299	155-4038	676		1121	158-8982	808
	300	155-4039	676	156-6599	1052		811
155-0809	30	155-4041	676		1055	158-9009	808
	32	155-4846	885		1058		811
	33		▶906	156-6600	1112	158-9103	▶608
155-0810	30	155-6654	842		1114		838
	32	155-9112	843		1117		840
155-2251	792	155-9115	843		1119	158-9104	▶609

PART NUMBER INDEX

Part	Page	Part	Page	Part	Page	Part	Page
	838		1119	163-6710	398		744
	840		1121	163-6711	394		752
158-9105	838	161-3650	1112		396	164-5594	690
	840		1114		398		692
	▶913		1117		400		694
159-1533	60		1119	163-6758	317	164-5598	723
159-6159	7		1121	163-6773	280		729
	9	161-3660	1052	163-6795	394		737
	▶23	161-3663	1112		396		744
159-7784	672		1114		398		752
159-8524	60		1117		400	164-5606	706
159-9322	255		1119	163-9361	112	164-5608	706
	256		1121	164-0514	1112	164-5615	788
	267	161-3665	1112		1114	164-5616	758
	268		1114		1117		762
	279		1117		1119		766
	280		1119		1121		771
160-3771	917		1121	164-0515	1112		776
160-4138	▶603	161-3685	1052		1114		781
	720	161-3697	1052		1117	164-5628	723
	726		1055		1119		729
	734		1058		1121		737
	741	161-3699	1112	164-0519	1112		744
	749		1114		1114		752
160-5945	160		1117		1117	164-5639	720
	162		1119		1119		726
160-6894	7		1121		1121		734
	9	161-3893	930	164-0528	1052		741
	▶122	161-6876	603		1055		749
	▶124	161-6879	603		1058	164-6858	771
160-7271	23	161-6880	603		▶1147		776
160-7689	255	161-6958	202	164-0535	▶1127		781
	256		203	164-0646	1218	164-6874	720
	267	161-6963	201		1220		726
	268		202		1222		734
	279		203	164-0655	1218		741
	280	161-6987	1154		1220		749
160-7690	255	161-7204	867		1222	164-8166	844
	267	161-7419	299	164-0664	1147	164-8474	1156
	279		300	164-3417	243		1218
	389	161-7611	808	164-4180	690		1220
160-8184	63		811		692		1222
	65	162-0177	882		694	164-8908	723
160-8734	869	162-0349	1166		696		729
	874		1167	164-5547	720		737
	▶907		1168		726		744
160-8758	834	162-2266	110		734		752
160-9136	931	162-6208	172		741	165-2827	527
160-9137	930		173		749	165-3010	472
161-0062	930	162-6356	134	164-5567	722		479
161-0063	930		137		729		502
161-1309	603	162-6357	134		736		507
161-3115	254		137		744		512
	266		614		752		514
	278		616	164-5572	722	165-3350	788
161-3116	254	163-2478	46		729	165-3930	67
	266		47		737	165-3932	67
	278		49		744	165-3936	67
161-3117	254	163-4565	23		752	165-4931	723
	266	163-6082	418	164-5574	660		729
	278	163-6083	418		662		737
161-3128	317	163-6637	256		664		744
161-3639	1112		268	164-5590	723		752
	1114		281		729	165-4962	▶229
	1117	163-6703	317		737		235

PART NUMBER INDEX

Part	Page	Part	Page	Part	Page	Part	Page
	237		317	168-7940	842	170-9918	822
	239		385	168-7941	842		824
165-5623	887		387	168-7942	842		▶836
165-6170	120	167-4067	1227	168-7944	842	170-9985	808
	121	167-4098	470	168-8672	954		811
165-9287	636	167-4142	1226	168-8974	222	170-9986	808
165-9296	640		1227	168-9688	720		811
165-9354	846	167-4154	1052		726	170-9996	808
165-9357	846	167-4183	1228		734		811
165-9358	▶844	167-4195	1224		741	171-0596	330
	846	167-4196	1224		749		727
165-9359	844	167-4197	1224	169-3530	1238		735
165-9360	844	167-7038	1117	170-2414	905		742
165-9361	844		1119	170-2415	905		750
165-9362	844	167-7039	1112	170-2512	254	171-1704	939
165-9363	844		1114		266		940
165-9367	687		1117		278	171-1705	939
165-9395	608		1119		▶381		940
165-9396	608		1121	170-2942	461		975
165-9397	608	167-7042	1215	170-2943	461		977
165-9398	608	167-8081	29	170-2946	461		983
165-9399	608		31	170-2947	461	171-1706	939
165-9400	608	167-8083	29	170-2948	461		940
165-9401	609	167-8130	52	170-2949	461		975
165-9402	609	167-9841	564	170-2956	461		977
165-9403	609		▶577	170-2977	434		983
165-9404	609	168-0300	228		436	171-1709	1024
165-9405	609	168-0765	908	170-3026	218	171-2210	318
165-9406	913		909		224	171-3370	160
166-2903	43	168-3378	845		226		162
166-2904	40	168-3379	845	170-3562	7	171-3396	1163
	43	168-3382	845		9	171-3684	917
166-6358	96	168-3385	845		▶129	171-3685	864
166-6693	316	168-5102	905	170-4737	42		867
166-9144	68	168-5103	905	170-4738	42		882
166-9390	977	168-5191	905	170-6888	317		885
	979	168-6733	597	170-6977	254		887
	981		598		266		▶917
	983	168-6734	597		278	171-5349	345
	985		598	170-6993	309	171-5714	582
	989	168-6738	597		310	171-5811	593
	993		598	170-9198	293		594
	997	168-6739	597	170-9324	325	171-5825	581
	1001	168-6740	597		327		582
167-0642	42		598	170-9328	254	171-6728	723
167-0643	42		599		266		729
167-2491	632	168-6741	597		278		737
167-3441	▶311		598	170-9417	309		744
	313		599		310		752
	314	168-6742	597	170-9418	309	171-7325	1043
167-3542	515		598		310		1044
	1138		599	170-9498	1104		1045
	1140	168-6743	▶562	170-9499	1104		1046
	1142		578	170-9817	901		1074
	1178	168-6744	562		902		1080
	1183		563	170-9820	899		1218
167-3543	515	168-6745	562	170-9822	899		1220
	1138		563	170-9845	636		1222
	1140	168-7314	302	170-9850	632	171-7426	1052
	1142		▶304	170-9853	640		1055
	1178	168-7319	810	170-9900	838		1058
	1183	168-7800	183		840	171-8706	418
167-3593	254		198	170-9901	846	171-8707	418
	266		199	170-9903	687	171-8963	8
	278		200	170-9906	899		9

PART NUMBER INDEX

Part	Page	Part	Page	Part	Page	Part	Page
	▶343	173-3510	672	175-0673	558	176-1942	1108
171-8983	134		674	175-0675	553	176-1964	▶1117
171-8989	134	173-3513	668	175-0681	553		▶1119
171-8991	134	173-3515	668	175-0689	1163		▶1121
	137	173-3516	668	175-0691	1163		1123
	614	173-3517	668	175-0696	553	176-1995	1225
	616	173-3518	672	175-0733	557	176-1996	1124
171-8995	134	173-3529	668	175-0745	553	176-2108	569
	137	173-3993	864	175-0749	557		570
	614		867	175-0751	553	176-2146	571
	616		869	175-0754	553		576
171-9002	614		874	175-0786	472	176-2163	577
	616		879		479	176-2164	577
171-9003	160		882		▶536	176-2165	577
	162	173-4012	796	175-0788	536	176-2166	577
	614	173-4929	770	175-0789	536	176-2247	577
	616		775	175-0790	536	176-2248	577
171-9004	160		780	175-0803	553	176-2249	577
	162	173-4939	770	175-0808	538	176-2250	577
171-9005	614		775	175-0843	538	176-2255	577
	616		780	175-0874	537	176-2258	577
171-9016	160	173-4945	758	175-0902	558	176-4347	821
	162		762	175-0961	537	176-4414	720
171-9017	178	173-4946	788		538		726
171-9018	178	173-4947	788	175-0962	537		734
171-9049	184	173-4955	758	175-0964	1163		741
	188		762	175-0966	1163		749
	190		766	175-0968	1163	176-4459	720
	192	173-4960	758	175-0970	1163	176-4769	720
	195	173-4974	758	175-0994	472		726
171-9054	80		762	175-0995	472		734
171-9057	80		766		479	176-4819	788
	82	173-4979	770	175-1001	545	176-5332	595
171-9075	208		775	175-1005	544		596
171-9079	208		780	175-1013	549	176-5334	596
171-9413	643	173-4991	770	175-1024	472	176-6417	1052
	645		775		479		1055
	647		780	175-1366	23		1058
	649	173-5120	788	175-1367	23	176-6418	1052
172-2871	565	173-5130	705	175-3617	42		1055
	567	173-5135	705	175-3721	65		1058
172-2954	▶466	173-5150	788	175-7900	595	176-6420	1052
	564	174-0217	588		596		1055
172-2955	466	174-0218	588	176-0433	235		1058
172-2997	632	174-0219	588		237	176-7524	571
172-3001	564	174-0221	600		239		576
	▶569		601	176-0436	235	177-0359	838
172-3088	565	174-0222	600		237		840
	567		601		239	177-0796	975
172-3089	565	174-0224	601	176-0448	532		977
	567	174-0225	600	176-0490	235		979
172-6755	293	174-3016	256	176-1363	109		981
172-8827	122		268	176-1902	1148		983
	124		280	176-1913	396		985
173-3366	640		385	176-1931	1225		987
173-3414	640	174-3877	670	176-1937	1052		989
173-3429	705	174-7791	309		1055		991
	▶857		310		1058		993
173-3430	857	174-8353	565	176-1938	1052		995
173-3503	▶611		567		1055		997
	674		571		1058		999
173-3505	611		576	176-1939	1052		1001
173-3506	611	174-8354	450		1055		1003
173-3507	672	174-8500	571		1058		1005
	674	174-8501	571	176-1941	1147	177-1403	792

PART NUMBER INDEX

Part	Page	Part	Page	Part	Page	Part	Page
	794	177-5715	425	184-5558	921	185-0305	836
177-1405	792	177-5716	425	184-5559	2	185-0325	808
	794		426		▶936		811
177-2547	808		427	184-5561	936	185-0336	▶667
	811	177-5734	549	184-7621	1047		720
177-2549	815	177-7747	899		1049		726
	816	177-9953	▶249		1050		734
	▶908		251		▶1174		741
177-2550	808	178-2334	336	184-8258	445		749
	811	178-2335	336	184-8347	218	185-0337	667
177-2553	668	178-2345	335		224		726
177-2619	610		▶336		226	185-0373	859
	611	178-3339	304	184-8528	1		861
177-4152	15	178-5530	1074		▶242	185-0391	859
	16	178-5659	1191	184-9167	689		861
177-5536	1163		1192		▶698	185-2271	706
177-5575	486		1193	184-9171	2	185-2638	249
	489		1194		▶701	185-2639	249
	492	178-7291	595	184-9173	▶690	185-2643	249
177-5582	443		596		▶692	185-2644	249
	444	178-7292	595		952	185-2645	249
177-5583	443		596		953	185-2647	249
	444	178-7540	595	185-0164	2	185-2648	249
177-5586	443		596		▶627	185-2650	249
	444	179-3020	▶591	185-0165	627	185-2651	249
177-5587	443	179-5857	905		▶632	185-2653	249
	444	179-9806	668	185-0205	670	185-2654	249
177-5597	495	180-1718	313	185-0206	670	185-2655	249
177-5598	495		1215	185-0208	670	185-2658	249
	498	180-3861	309	185-0209	670	185-5065	590
177-5632	430		310	185-0210	670		591
	432	180-6828	534	185-0211	670		592
177-5637	505	180-7350	90	185-0212	670		▶596
	511	180-9339	341	185-0213	670	185-5093	596
177-5647	486	180-9340	337	185-0216	670	185-5102	591
177-5654	438		338	185-0242	804		▶595
	439	180-9417	1052		806	185-5106	595
	503		1055	185-0248	804	185-8280	1147
	504		1058		806	185-8281	1147
177-5655	438	180-9418	1052	185-0250	842	185-8284	1076
	439		1055	185-0253	842		1078
	503		1058	185-0263	804	185-8286	373
	504	183-1000	317		806		1043
177-5663	486	183-1065	243	185-0265	804		1044
	▶507	183-2823	233	185-0266	804		1045
177-5664	507	183-2824	210		806		1046
	512		212		▶842	185-8300	1035
	514		214	185-0267	804		1038
177-5666	507		▶233		806		1041
177-5673	486	183-3408	94	185-0268	804		1098
177-5674	486		95	185-0270	804	185-8302	1035
	489	183-3409	20	185-0271	804		1038
	492		21	185-0273	842		1041
177-5683	486		92	185-0276	810	185-9208	325
177-5695	507		176	185-0277	810		327
	509	183-7262	869	185-0278	810	186-1667	220
	512		874	185-0280	810	186-2001	46
177-5697	507	183-7263	143	185-0287	845		47
	509		145	185-0289	845		49
	512		869	185-0292	845	186-3735	239
177-5699	507		874	185-0295	810		247
	509		879	185-0296	810		248
	512	184-2472	303	185-0297	810		307
177-5701	472	184-5557	2	185-0299	836		317
	479		▶921	185-0303	836		336

PART NUMBER INDEX

Part	Page	Part	Page	Part	Page	Part	Page
	372		981		1121		649
	373		983	189-2768	1047	191-2513	643
	374		985		1049		645
	375		987		▶1111		647
	381		989	189-2784	1148		649
	382		991	189-2793	1050	191-2514	643
186-3736	307		993		▶1123		645
	336		995	189-2796	1123		647
186-5655	▶570		997	189-3987	570		649
186-5672	930		999	189-4717	804	191-2524	643
186-5673	930		1001		806		645
186-5674	930		1003	189-4918	28		647
186-5675	930		1005	189-5746	343		649
186-5676	930	188-0021	1172		▶345	191-2525	643
186-5677	931	188-0024	1172	189-6117	▶1224		645
186-5686	921	188-0025	1172	189-9763	895		647
186-5687	936	188-0032	448	190-0009	11		649
186-5688	921	188-0033	448		▶75	191-2573	421
186-5689	921	188-0040	1172		▶76		▶653
186-5690	936	188-0041	1172	190-2470	120	191-2743	1130
186-5703	921	188-0210	84		121		1132
186-5704	936		86	190-2471	7	191-2752	1130
187-1503	90		88		▶119		1132
187-1679	243	188-1035	720	190-2472	7		1134
187-5420	70		726		9	191-2753	1130
187-5762	770		734		▶120		1132
	775		741		▶121		1134
	780		749	190-5386	1239	191-2757	1228
187-6754	758	188-2103	418		1244	191-2758	1228
	762	188-2258	975	190-6064	758	191-2764	1215
	766		977		762	191-2768	1215
187-6925	720		979		766	191-5591	846
	726		981	190-6820	434	191-5592	846
	734		983		436	191-5593	▶687
	741		985	190-6919	495		838
	749		987		498		840
187-7129	701		989		553	191-5595	687
187-7130	701		991		557	191-5596	838
187-7131	701		993	190-6973	560		840
187-7132	701		995	190-6974	560	191-5597	838
187-7133	701		997	190-6993	558		840
187-7134	701		999	190-6996	558	191-5598	838
187-7148	701		1001	190-6999	486		840
187-7149	698		1003		489	191-5650	656
187-7154	701		1005		492		▶670
187-7176	698	188-3365	796		495	191-5651	670
187-7177	701	188-4075	632		498	191-5652	670
187-8001	838	188-4082	632		557	191-5653	670
	840	188-4142	▶668	190-7001	472	191-5654	817
187-8194	63		672		479	191-5655	817
	65		674	190-7006	523	191-5656	817
187-8202	63	188-4143	668	190-7014	486	191-5657	817
	65	188-5095	204		489	191-5658	817
187-8229	63	188-6280	804		492	191-5659	817
	65		810	190-7017	486	191-5662	817
187-8230	63		836		489	191-5663	817
	65	188-7681	385		492	191-5664	817
187-8979	60	188-9644	1055	190-7018	486	191-5665	817
187-8980	60		1058		489	191-5666	817
187-8981	28	189-0189	917		492	191-5667	817
187-9753	921	189-0852	346	190-7674	834	191-5668	817
	936	189-2690	1112		418	191-5669	817
	975		1114	191-2508	643	191-5670	817
	977		1117	191-2511	645	191-5671	817
	979		1119		647	191-5672	817

PART NUMBER INDEX

Part	Page	Part	Page	Part	Page	Part	Page
191-5673	817		340		9	199-4554	454
191-5675	817	194-7097	7		▶316	199-4555	454
191-5676	817		9	197-8006	143	199-4609	418
191-5677	817		▶58		145	199-4611	418
191-5678	817	194-8258	817	197-8391	331	199-4650	418
191-5704	640	194-8402	920		▶349	199-4661	▶418
191-6243	1130	194-9473	836	197-8392	331		420
	1132	195-0313	58		▶350	199-4662	▶420
	1134	195-0319	147	197-8940	705		421
191-7583	836		153		709	199-4663	418
191-7584	607		155		713	199-4665	418
191-7805	220		156		716	199-4666	418
	222		158	197-9296	90	199-4669	418
191-8303	347	195-0980	166	197-9360	90	199-4670	418
192-4151	97	195-1068	216	198-1508	8	199-4671	418
	99	195-3218	1233		9	199-4672	643
	100	195-5416	930		▶132		645
	103	195-5419	930	198-1659	314		647
192-6785	690	195-5420	931	198-1754	1228		649
	694	195-9154	958	198-3899	1027	199-4674	647
192-6815	770		959		1210		649
	775		960		1211	199-4677	653
	780	195-9155	958		1212	199-4678	643
192-7470	810		959	198-6223	314		645
193-1598	204		960	198-7070	252	199-4680	643
193-1664	891	195-9156	958		254		645
193-1665	887		959		266	199-4681	647
	▶891		960		278		649
193-2153	1128	195-9186	▶1024	198-9898	73	199-4688	418
193-3476	254	196-0590	720		▶97	199-4689	418
	266		726	199-0072	1	199-4690	418
	278		734		▶440	199-7891	249
193-7404	222		741		▶441	199-8436	249
	▶228		749	199-0117	1163		
193-9419	461	196-1666	1098	199-0342	440		
193-9421	461	196-5069	97	199-0346	440		
194-0248	770		99	199-0349	440		
	775		100	199-1996	758	200-0655	▶109
	780		103		762		114
194-0715	1130	196-5070	97		766	200-2279	96
	1132		99	199-2025	770	200-3252	798
	1134		100	199-3680	1130		▶804
194-0944	792		103		1132	200-3257	804
194-0945	794	196-6102	817		1134		806
194-0946	▶792	196-6103	817	199-4491	452	200-3269	832
	869	196-8085	164		▶456		▶834
	874	196-8088	164	199-4492	456	200-3270	832
194-0947	▶794	196-8089	164		▶457		▶894
	869	196-8090	164		458	200-3271	834
	874	196-8102	160	199-4493	456	200-3272	834
194-1155	581		162	199-4496	643	200-3273	834
	582	196-8104	160		645	200-3274	834
194-1156	581		162		647	200-3275	834
	582	196-8133	▶619		649	200-3276	834
194-1157	579		623	199-4498	452	200-3277	834
	580	196-8137	618	199-4499	452	200-3278	834
	▶581	196-8173	826	199-4501	422	200-3279	834
	585		828		452	200-3280	834
194-1162	581	197-0226	834		454	200-3281	834
	582	197-2471	806	199-4502	452	200-3282	834
194-3259	1126	197-2472	806		454	200-3283	834
	▶1128	197-2474	806	199-4533	418	200-3284	834
194-6722	▶337	197-4385	416	199-4545	418	200-3285	834
	339	197-4971	60	199-4546	418	200-3286	834
194-6725	▶338	197-7415	7	199-4553	418	200-3287	834

PART NUMBER INDEX

Part	Page	Part	Page	Part	Page	Part	Page
200-3288	834	201-9383	859		99		734
200-3289	834		861		100		741
200-3290	834	201-9384	859	204-0046	460		749
200-3291	834		861		▶679	204-8353	705
200-3292	834	201-9385	859	204-0047	679	204-8355	705
200-3294	834	201-9386	861		▶685	204-8479	721
200-3295	834	202-2917	515		▶686		727
200-3296	834		▶532	204-0048	685		735
200-3297	834	202-2922	515		686		742
200-3298	834	202-2923	515	204-0051	685		750
200-3299	895	202-2926	515		686	204-8480	721
200-3300	895	202-2928	▶1238	204-0920	160		727
200-3301	895	202-2958	515		162		735
200-3302	895	202-2959	515	204-1073	614		742
200-3311	53	202-2964	519		616		750
	54	202-2977	519	204-1611	160	204-8481	721
200-3313	▶53		▶533		162		727
	134	202-2978	533		254		735
	137	202-3572	132		266		742
	614	202-3773	851		278		750
200-3391	817	202-3862	656		402	204-8482	721
200-3543	534	202-4046	851	204-1673	252		727
200-3544	534	202-4048	851		383		735
200-3545	534	202-4902	581	204-1771	254		742
200-4246	114	202-5058	979		266		750
200-7126	858		985		278	204-8485	721
200-7127	▶858		989	204-1795	254		727
	879		993		266		735
201-1241	▶1013		997		278		742
201-1413	658		1001	204-1807	222		750
	660	202-9762	720		254	204-8487	721
201-1414	658		726		266		727
	660		734		278		735
	662		741	204-2730	894		742
201-1704	422		749		▶895		750
201-2771	450	203-3831	153	204-2733	895	204-8488	788
201-3738	178		155	204-2762	668	204-9316	▶59
201-3785	614		156	204-2763	611		60
	616		158	204-2799	806	205-0481	463
201-3825	▶130	203-3901	613	204-2855	895	205-0482	463
201-3826	130	203-4862	581	204-2856	832	205-6295	1052
201-4340	36	203-5096	▶442	204-6101	1228		1055
	38		472	204-8074	701		1058
201-4391	1112		479	204-8196	698	205-6716	184
	1114	203-5097	442	204-8197	701		188
	1117	203-5098	442	204-8198	701		190
	1119	203-5099	442	204-8199	701		192
	1121	203-5105	218	204-8200	701		195
201-4534	1130		224	204-8201	701	205-6824	354
	1132		226	204-8202	701		357
	1134	203-5161	445	204-8203	701	205-6829	1
201-4535	1130	203-5162	445	204-8206	701		▶206
	1132	203-5209	435	204-8220	690	205-6830	206
	1134		437		692	205-6833	206
201-6617	▶346	203-7266	930	204-8221	690	205-7700	385
	348	203-7267	930		692	206-9285	834
201-9299	668	203-7268	930	204-8295	851	206-9286	834
201-9381	770	203-7270	931	204-8298	770	206-9287	834
	775	203-7271	931		775	206-9289	895
	780	203-7272	930		780	206-9290	834
	▶859	203-7273	931	204-8334	770		895
201-9382	770	203-7274	931		775	206-9292	834
	775	203-8609	806		780		895
	780	203-8822	97	204-8350	720	206-9293	895
	▶861	203-8824	97		727	206-9294	895

PART NUMBER INDEX

Part	Page	Part	Page	Part	Page	Part	Page
206-9295	895		1212	210-8165	177	213-9246	897
206-9297	834	209-1317	383	210-9334	1229	213-9247	897
206-9298	895	209-2917	631	210-9335	1229	213-9248	836
206-9299	895		▶640	210-9336	1229	213-9250	836
206-9300	895	209-2918	640	210-9337	1229	214-2484	331
206-9301	895	209-2920	640	210-9338	1229		333
207-0449	11	209-3569	23	210-9434	834		▶347
	12	209-4280	1210	210-9435	834	214-7568	214
	▶60	209-4575	770	211-3122	46		222
207-4918	452		775		47		353
	454	209-5875	834		49	214-7915	1239
207-4919	565	209-5895	803	211-3123	46		1244
	567		▶817		49	214-8014	▶549
207-5248	97	209-5908	817	212-2086	52		553
207-6206	705	209-5937	836	212-2113	7	214-8031	538
207-6244	721		▶897		9	214-8038	428
	727	209-5939	897		▶52	214-8310	472
	735	209-5940	897	212-5338	656		479
	742	209-5941	897	212-5417	702	214-8889	385
	750	209-5942	897	212-5452	770		387
207-6272	770	209-5943	897		775	215-2913	1052
	775	209-5979	831		780		1055
	780	209-5980	831	212-5456	701		1058
207-6290	705	209-5981	831	212-5467	851	215-4011	851
207-6403	851	209-5982	▶607	212-5473	770	215-4360	975
207-6404	851		836		775		985
207-6418	721	209-5983	836		780		987
	727	209-5984	836	212-5503	705		991
	735	209-5985	836	212-5511	705	215-4905	▶604
	742	209-5986	836	212-5531	758		770
	750	209-6003	897		762		775
207-6463	758	209-6004	897		766		780
	762	209-6005	897	212-5595	770	215-4906	604
	766	209-6014	849		775		▶605
207-6467	758	209-6063	810		780	215-4907	604
	762	210-0834	834	212-8525	619		▶606
	766	210-0835	834		622	215-9864	640
207-6477	758	210-7989	159	212-8526	619	215-9972	640
	762		▶164		622	215-9996	632
	766	210-7992	164	212-8527	619	216-0000	640
207-6553	770	210-7993	164		622	216-0003	636
207-6797	293	210-7994	164	212-8528	619	216-0008	632
207-7899	143		167		622	216-0011	640
	145	210-7995	164	212-8529	619	216-1397	899
	692		167		622	216-1594	899
	696	210-8025	▶159	212-8530	619	216-5582	40
208-4148	553		160		622		43
208-4149	495		162	212-8531	619	217-0751	40
	553	210-8026	159		622		43
208-4150	495		▶166	213-0677	84	217-0752	40
	553	210-8027	166		86		43
208-4151	495		▶167		88	217-2543	313
	553	210-8030	164		851	217-2544	313
208-4152	495		167	213-0710	1136	217-3875	899
	553	210-8078	164		1137	217-4648	955
208-4153	495		167	213-0711	1136		956
	553	210-8081	618		1137		▶1010
208-4154	495	210-8155	13	213-0772	317	217-5449	184
	553		▶177		416		188
208-4360	218	210-8156	13	213-3217	90		190
	224		▶614		91		192
	226		▶616	213-9100	248		195
208-4452	472	210-8157	614	213-9242	897	217-5450	619
	479		616	213-9243	897		622
209-0348	1211		▶618	213-9244	897	217-5451	619

PART NUMBER INDEX

Part	Page	Part	Page	Part	Page	Part	Page
217-5703	204		1055		885	223-6665	788
217-6415	84		1058		887	223-7263	▶40
	86	220-6060	8	222-8210	130		43
217-8157	465		10	222-8255	6		47
217-8946	176		▶198		▶184		49
217-9060	133		▶199		▶188	223-7962	143
218-1038	770		▶200		▶190		145
	775	220-6372	7		▶192	223-9158	90
	780		9		▶195	223-9159	90
218-1039	770		▶183	222-8316	689		91
	775	220-6420	385		▶826	223-9250	▶46
	780		387		▶828		▶47
218-1042	770	220-8360	▶1064	222-8317	▶625		48
	775	220-8678	209		▶626	223-9257	143
	780	221-1426	183		826		145
218-1160	701	221-1428	7	222-8318	1	223-9732	11
218-2656	1233		9		▶13		12
218-2657	1233		▶56	222-8319	13		▶28
218-7758	472	221-2683	235		▶178	223-9818	1239
	479		237	222-8321	13		1244
	▶537		239		▶182	224-0554	1239
218-7761	472	221-2685	235	222-8323	13		1244
	479		237		▶208	224-2669	1215
	▶538		239	222-8324	▶354	224-2861	254
219-0305	1128	221-2687	423		▶357		266
	1130	221-2688	423		360		278
	1132	221-2689	423	222-8334	13		▶317
	1134	221-2690	423		▶174	224-2862	317
219-0614	84	221-3705	8	222-8374	▶620	224-2863	317
	86		9		625	224-2940	1136
219-4458	91		▶96	223-0486	613		1137
220-0293	▶84	221-4872	770	223-0533	68	224-3235	147
220-0294	84		775	223-2939	1	224-3236	147
220-1441	11	221-4967	770		▶461	224-3237	147
	12	221-7693	204	223-2940	1	224-3238	▶147
	▶90	221-8045	1239		▶553		148
	▶91		1244	223-2941	1	224-3239	8
220-1594	▶952	221-8813	1047		▶472		9
220-1595	952		1049		▶479		▶148
	▶975		1050	223-2942	1		▶149
220-2421	204		▶1153		▶486		▶150
220-2422	▶204	221-8818	612		▶489		▶151
220-3333	84		▶1082		▶492		▶152
220-3334	84	221-8819	▶1087	223-2943	1	224-3245	90
220-3464	8		1160		▶1163		91
	10	221-8859	330	223-2949	1	224-3246	90
	▶407		727		▶218		91
220-3490	7		735	223-2951	1	224-3979	8
	9		742		▶468		▶1249
	▶127		750	223-3074	1	224-3983	40
	▶128	221-8861	306		▶1151	224-5122	48
220-3493	7		▶307	223-3082	553		50
	9	221-8869	721	223-3083	553	224-6809	▶796
	▶141	221-8883	613	223-3084	553		879
220-3496	141		▶1083	223-3085	553	225-0312	1239
220-4079	1052		▶1084	223-3086	1		1244
	1055	221-8884	612		▶560	225-1144	25
	1058		▶1088	223-3095	▶217	225-1147	▶24
220-4080	1112		▶1089		243		26
	1114	221-8912	721	223-4746	143	225-1148	▶25
	1117	222-0225	1090		145		27
	1119		1091	223-6661	788	225-4130	1235
	1121	222-4737	796	223-6662	788	225-4131	1235
	1228		869	223-6663	788	225-4152	▶209
220-4081	1052		874	223-6664	788		216

PART NUMBER INDEX

Part	Page	Part	Page	Part	Page	Part	Page
225-4153	▶216		▶705	227-0666	721	228-2775	224
	218	227-0613	770		727		226
	224		775		735	228-2781	1239
	226		780		742		1244
225-4257	1239	227-0620	▶678		750	228-4224	7
	1244		851	227-0667	721		9
225-4614	614	227-0626	770		727		▶143
	616		775		735		▶145
	▶806		780		742	228-4947	347
225-4839	3	227-0628	770	227-0684	851		348
	▶719		775	227-1086	1128	228-7316	1239
225-5714	1148		780	227-1204	34		1244
225-5752	1	227-0630	758		36	228-8153	▶1
	▶1160		762		38	228-8154	1
225-5757	1160	227-0631	758	227-3503	7	228-8156	1
	▶1165		762		9		▶1239
	▶1166		766		▶78		▶1244
	▶1167	227-0632	758		▶79	228-8157	▶307
225-5765	▶1156		762	227-4002	407	228-8159	515
	1160		766	227-4239	43	228-8160	515
225-5773	1171	227-0633	758	227-6077	459	228-8161	515
	▶1225		762	227-6098	454	228-8162	515
225-5774	▶1148		766		▶458	228-8218	▶230
	1171	227-0634	758	227-6099	458	228-8234	▶655
225-5782	▶1162		762		▶459	228-8252	▶530
225-5783	▶1099		766	227-6130	421	228-8255	235
	▶1100	227-0635	758		▶651		237
	1162		762	227-6131	421		239
225-6287	863		766		▶652	228-9254	1239
	▶864	227-0636	758	227-6149	1		1244
225-6289	864		762		▶421	229-0887	1239
225-6291	864		766	227-6177	418		1244
225-6292	864	227-0637	758	227-6178	418	229-1021	851
225-6293	864		762	227-6179	418	229-1857	237
225-6294	864		766	227-6180	418		239
225-8569	127	227-0643	721	227-6215	645	229-1860	237
	128		727		649		239
226-0294	509		735	227-6221	645	229-1861	237
	512		742		649		239
226-0338	509		750	227-7129	▶393	229-2282	143
	512	227-0645	721		1160		145
226-5561	40		727	227-7130	393	229-3756	1174
226-7475	299		735		▶394	229-3757	1174
226-9035	1052		742		▶396	229-4818	1174
	1055		750	227-7131	393	229-5509	7
226-9124	1052	227-0646	721		▶398		9
	1055		727		▶400		▶299
227-0367	▶851		735	227-7132	▶385		▶300
	855		742		▶387	229-5519	7
227-0370	689		750		1047		9
	▶758	227-0662	721		1049		▶20
	▶762		727		1160		▶21
	▶766		735	227-7569	1083	229-5669	1249
227-0371	689		742		1085	229-6259	90
	▶720		750	227-7571	1101		91
	▶726	227-0663	721	227-7576	385	229-6709	8
	▶734		727		387		9
	▶741		735	227-7587	▶293		▶92
	▶749		742		307	229-7151	1015
227-0373	▶677		750	227-7617	1093	229-7152	1022
	719	227-0665	721	227-7625	1088	229-7153	1025
227-0374	689		727		1089	229-7156	1013
	▶855		735	227-9495	10	229-7159	1017
227-0428	781		742		▶106	229-7161	▶1015
227-0583	689		750	228-0404	143	229-7162	▶1022

PART NUMBER INDEX

Part	Page	Part	Page	Part	Page	Part	Page
229-7163	▶1025	230-2895	177		5		991
229-7166	▶1017	230-2925	618		▶248		993
229-8059	1215	230-2926	618	231-1811	254		995
229-8060	1215	230-2927	618		266		997
229-8062	470	230-3728	231		278		999
	471		232	231-1812	255		1001
229-8568	▶29	230-3775	231		267		1003
	30		232		279		1005
229-9014	13	230-4009	255	231-1973	8		1007
	▶1068		256		9		1008
229-9075	1175		267		▶331		1009
	▶1195		268		▶333	232-2171	957
229-9076	▶1190		279	231-2214	▶114		961
	1195		280		115		962
229-9077	1195		385		116		963
	1196		396	231-2215	7		964
	▶1206		398		9		965
229-9082	1034		410		▶115		966
	▶1124		413		▶116		967
229-9089	1176	230-4011	255	231-2295	398		968
	▶1196		256		410		969
229-9090	▶1191		267		413		970
	1196		268		1138		971
	1197		279		1140		972
229-9093	▶1192		280		1142		973
	1198		376	231-6864	643		974
229-9094	1191		385		647		985
	1192		396	231-6969	643		987
230-0590	2		398		647		989
	▶1171		416	232-0071	955		991
230-0591	1171		1140		956		993
	▶1172		1142		▶1016		995
230-1117	20	230-4013	255	232-0072	▶1023		997
230-1340	293		256	232-0073	951		999
	295		267		▶1026		1001
	296		268	232-0076	▶1018		1003
	302		279	232-0078	▶1014		1005
230-1341	295		280	232-0170	1014		1007
	296	230-4646	8		1016		1008
	302		▶94		1018		1009
230-1434	354	230-5008	256		1023	232-2172	957
	357		268		1026		961
230-2569	90		280	232-0171	1016		962
	91	230-5010	256	232-0172	1023		963
230-2799	13		268	232-0173	1026		964
	▶134		280	232-0179	1018		965
	▶137		307	232-0253	97		966
230-2800	160		327	232-1693	300		967
	162		389	232-2170	957		968
230-2802	134		391		961		969
	137		396		962		970
230-2805	134		398		963		971
	137		410		964		972
230-2806	177		413		965		973
230-2808	177		1138		966		974
230-2810	177		1140		967		985
230-2811	177		1142		968		987
230-2812	168	230-5011	405		969		989
230-2813	168	231-1403	302		970		991
230-2825	13	231-1766	▶403		971		993
	▶160		▶404		972		995
	▶162	231-1767	▶405		973		997
230-2826	▶168		▶406		974		999
230-2831	168	231-1768	▶1138		985		1001
	169	231-1771	4		987		1003

PART NUMBER INDEX

Part	Page	Part	Page	Part	Page	Part	Page
	1005		267		811		1080
	1007		279	234-4543	808		1218
	1008	234-1019	▶383		811		1220
	1009	234-1020	▶252	234-4624	709		1222
232-2178	1014		360		713	234-6580	1074
232-3235	90	234-1097	385		716		1076
	91		387		▶866		1078
232-3236	90	234-1112	394	234-5002	15		1080
	91		396	234-5005	11	234-6593	1107
232-4126	1	234-1124	1138		12	234-6602	1076
	▶689		1140		▶15		1078
233-0891	299		1142	234-6468	1218	234-6603	1074
	300	234-1155	394	234-6469	1218		1080
233-1143	178		396		1220	234-6604	1076
233-1152	826	234-1156	325	234-6470	1218		1078
	828		327		1220	234-6605	1074
233-1153	826	234-1158	325		1222		1080
	828		327	234-6471	1218	234-6606	▶1043
233-1154	826	234-1182	255		1220		1076
	828		267		1222	234-6607	▶1044
233-1155	826		279	234-6472	1156		1074
	828	234-1190	255		1218	234-6608	1074
233-1177	184		267	234-6473	1218		1076
	188		279		1220		1078
	190	234-1193	317		1222		1080
233-1184	184	234-1194	317	234-6474	1218	234-6609	1074
	188	234-1195	317		1220		1076
	190	234-1196	317		1222		1078
	192	234-1197	317	234-6475	1218		1080
	195	234-1198	317		1220	234-6610	1074
233-1186	13	234-1199	317	234-6476	1218		1076
	▶170	234-1200	255	234-6477	1215		1078
	▶171		267	234-6478	1218		1080
233-1187	170		279		1220	234-6611	1074
	▶172	234-1400	1249	234-6480	1218		1080
233-1188	184	234-1401	1249		1220	234-6612	1074
	188	234-2916	▶110		1222		1080
	190		117	234-6483	1218	234-6613	▶373
	192	234-3788	565		1220		1074
	195	234-3789	565		1222		1080
233-1189	184		567	234-6485	1218	234-6614	1074
	188	234-3793	564		1220		1080
	190		▶565		1222	234-6615	373
	192		▶567	234-6489	1226	234-6899	863
	195	234-3974	450		1227		▶867
233-1190	184	234-4531	▶672	234-6490	1218	234-7900	18
	188		851		1220	234-7935	11
	190	234-4534	651		1222		12
	192		▶799	234-6497	1218		▶18
	195		▶800		1220	234-8937	65
233-1192	178	234-4535	799		1222	234-9503	838
233-1250	354		▶813	234-6498	1218		840
	357	234-4536	652		1220	234-9966	1226
	354		▶801		1222	235-1402	11
233-1251	357		▶802	234-6499	1107		12
	1013	234-4537	801	234-6500	4		▶231
	1015		▶814		▶1110		▶232
	1017	234-4539	834	234-6501	▶1107	235-1587	132
	1022	234-4540	▶808		1156	235-2470	220
	1025		813	234-6502	1107		222
233-8350	758		814	234-6521	1218	235-2471	7
	762	234-4541	813		1220		9
234-1004	403		814	234-6579	1074		▶251
	1140		▶909		1076	235-2974	11
234-1015	255	234-4542	808		1078		12

PART NUMBER INDEX

Part	Page	Part	Page	Part	Page	Part	Page
	▶48	235-8875	1028	235-8998	1044	236-9287	523
235-4908	▶694		1030		1046	236-9288	523
	▶696		1032	235-9001	1215	236-9293	472
	952	235-8876	1124	235-9003	▶1034		479
	953	235-8877	1124	235-9004	▶1028		▶524
	954	235-8878	1124		▶1030	236-9294	524
	955	235-8879	1124		▶1032	236-9295	524
235-4910	977	235-8880	1069		1034	236-9318	▶444
	979	235-8881	1068	235-9005	1028		495
	981	235-8891	1148		1030	236-9319	444
	989	235-8898	▶1070		1032	236-9322	472
	993		▶1072	235-9015	1148	236-9324	472
	995		1160	235-9016	1148	236-9334	472
	997	235-8899	▶1104	235-9017	1148	236-9341	472
	999		1160	235-9020	▶1184	236-9345	▶445
	1005	235-8912	1055		1186		472
235-4932	983		1058	236-2230	▶26		479
	989	235-8914	1074		27	236-9349	472
	1001		1076	236-3210	758		479
	1003		1078		762	236-9353	▶550
	1005		1080		766		558
235-4936	694	235-8923	1218	236-3211	758	236-9364	557
235-4938	694		1220		762	236-9382	553
235-4939	983		1222		766	236-9383	553
235-4944	▶952	235-8951	1043	236-3257	678	236-9386	1163
235-4945	952		1045	236-3258	217	236-9389	1163
	▶977	235-8952	1044		678	236-9391	1163
235-4946	977		1046	236-3259	217	236-9397	1163
	983	235-8965	1074		678	236-9399	1163
235-4949	939		1080	236-3725	1	236-9401	1163
	940	235-8966	1076		▶495	236-9403	▶438
235-5805	7		1078		▶498		495
	10	235-8969	1082	236-4545	354	236-9596	486
	▶107		▶1090		357		▶505
235-5942	8	235-8970	1082	236-5605	49	236-9605	468
	10		▶1091	236-6267	1064	236-9610	461
	▶133	235-8971	1090	236-9249	218	236-9611	461
235-6387	220	235-8972	1091	236-9250	218	236-9612	461
	222	235-8975	1104	236-9252	218	236-9617	360
	▶241	235-8976	1104	236-9253	218		▶425
235-6472	7	235-8983	1160	236-9255	495		▶426
	▶140		▶1204		498		▶427
235-7695	565	235-8984	1204		▶539	236-9624	425
235-7696	565	235-8986	1070	236-9256	539		426
	567		1072	236-9259	558		427
235-7814	1	235-8988	1070	236-9266	495	236-9626	425
	▶450		1072		498		426
235-7815	450	235-8989	1070		▶521		▶428
235-8200	8		1072	236-9267	521	236-9627	428
	9	235-8990	1070	236-9270	495	236-9863	117
	▶329		1072		498	237-1962	361
235-8848	1148	235-8991	1070		▶540		▶362
235-8849	1148		1072	236-9271	540	237-2167	3
235-8862	1157	235-8992	1099	236-9272	540		▶1047
	1165		1100	236-9276	495	237-2706	222
235-8863	1166	235-8994	1070		498	237-3125	▶448
	1168		1072		▶541		1172
235-8872	324	235-8995	1043	236-9277	541	237-3126	448
235-8873	324		1044	236-9278	541	237-3144	448
	1028	235-8996	1043	236-9281	542	237-3145	448
	1030		1044	236-9283	472	237-3146	448
	1032		1045		479	237-3147	448
235-8874	1028		1046	236-9286	472	237-3148	448
	1030	235-8997	1043		479	237-3149	448
	1032		1045		▶523	237-3150	448

PART NUMBER INDEX

Part	Page	Part	Page	Part	Page	Part	Page
237-3151	448	238-2205	1		775		413
237-3152	448		▶290		780	239-7356	385
237-3153	448	238-2206	290	239-2395	331	239-7853	178
237-3154	1172		▶410		333	239-9954	▶305
237-3157	1172		▶413		▶339		315
237-3158	1172	238-2211	1178	239-2396	210	240-4999	▶1175
237-3305	448		1183		212	240-5003	4
237-3306	448	238-2216	1138		214		▶1176
237-3564	4		1140		331	240-5006	1148
	5		1142		333	240-5036	1028
	▶1049	238-2218	515		▶340		▶1035
	▶1050	238-2260	1159	239-3433	1232	240-5037	3
237-3567	1047		1169		▶1233		4
	1049	238-2318	385	239-3434	1233		5
	1050		387	239-3478	▶341		▶1185
	▶1052	238-2366	325		342	240-5039	▶1186
	▶1055		327	239-4379	580	240-5061	▶1177
	▶1058	238-2393	255		▶598	240-5062	1177
237-3568	1049		267	239-4380	598		▶1197
	1050	238-2420	255	239-5674	331	240-5063	1197
237-4332	529		267		333		1198
237-8519	546		279	239-5928	▶342		▶1207
237-8523	528		279		331		▶1209
237-8526	217	238-2439	402		333	240-5064	▶1178
237-8771	242	238-2474	255		▶348	240-5065	1178
	▶243		267	239-5929	407		▶1198
237-8829	553		279	239-6304	143	240-5067	1093
237-8843	472	238-2526	317		145	240-5074	1124
	479	238-2707	91	239-6415	620	241-0164	7
237-8845	473	238-4665	183		621		9
	480	238-5436	78	239-6416	620		▶68
237-8846	1163		79		621	241-0478	68
237-9147	689	238-6801	525	239-6417	620		▶70
	▶887	238-6802	7		621	241-1920	468
237-9311	210		9	239-6418	620	241-2781	▶869
	212		▶525		621		887
	214	238-8643	78	239-6419	620	241-2783	▶874
237-9323	214		79		621		887
238-1463	1138	239-1134	354	239-6420	620	241-3283	141
238-1488	252		357		621	241-4052	1130
238-1489	252		▶382	239-6444	184		1132
238-1491	383	239-1764	758	239-6446	184		1134
238-1492	383		762		188	241-4053	1130
238-1499	383		766		190		1132
238-1500	410	239-1768	770		192		1134
238-1507	255		775	239-6457	620	241-5933	7
	267		780	239-6472	3		9
	279	239-1772	788		4		▶11
238-1510	307	239-1773	788		▶335	241-6186	331
	▶402	239-1774	788	239-6473	184		333
238-1594	▶375	239-1776	788		188	241-6215	664
	416	239-1778	705		190	241-6326	7
238-1595	375	239-1825	655		192		9
238-1596	▶376		▶656	239-6638	182		▶117
	416	239-1880	656	239-6639	178	241-6607	▶952
238-1597	376	239-1904	698	239-6640	178	241-6608	952
238-1636	230	239-1905	698	239-6641	178		▶979
	▶416	239-1906	698	239-6663	354	241-6609	▶939
238-1637	416	239-1907	698		357		979
238-1641	394	239-1925	689	239-6673	354	241-6610	939
	396		▶788		357	241-6615	939
238-2194	▶254	239-1967	770	239-6986	1239		940
	▶266		775		1244		993
	▶278		780	239-7352	396		995
	290	239-1976	770		398		997

▶ PRIMARY REFERENCE

PART NUMBER INDEX

Part	Page	Part	Page	Part	Page	Part	Page
	999	242-6893	918		1086		558
241-6620	939	242-6902	806	243-4509	398	244-8012	543
	993	242-6903	806		402	244-8025	543
	995	242-6922	808		410	244-8026	543
241-6624	▶953		811		413	244-8027	443
241-6625	953	242-6924	689		1138		444
	▶981		▶822		1140	244-8028	443
241-6626	▶940		▶824		1142		444
	981	242-6925	866	243-4510	255	244-8029	443
241-6627	940		881		256		444
241-6635	940		884		267	244-8031	443
	997	242-7205	293		268		444
	999		▶302		279	244-8032	443
241-6640	▶953	242-8768	1206		280		444
241-6641	953		1207		281	244-8033	443
	▶983		1209		396		444
241-6642	983	242-9537	25		398	244-8034	443
	1001		26		410		444
	1003	243-0943	▶42		413	244-8035	443
241-6653	▶820		43	243-6718	28		444
	952	243-1159	25	243-6741	▶43	244-8036	473
	953		26		46		480
	954	243-1276	96	244-1645	153	244-8049	473
	955	243-4505	239	244-6835	143		480
241-8929	785		255		145	244-8062	495
	▶879		256	244-7094	1052		558
241-9429	201		267		1055	244-8065	495
242-1588	1239		268	244-7592	220		558
	1244		279	244-7716	231	244-8066	528
242-3360	201		280	244-7972	495	244-8067	528
	202		375		498	244-8068	528
	203		385	244-7973	495	244-8069	528
242-3374	806		396		498	244-8070	528
242-3375	127		398	244-7976	495	244-8071	546
	128		416		498	244-8072	495
242-4066	590		1067	244-7977	495		558
	591		1136		498	244-8073	495
	▶593		1137	244-7991	558		558
242-4067	593		1138	244-7992	558	244-8075	540
242-4070	593		1140	244-7994	550	244-8076	540
242-6092	1239		1142	244-7995	550	244-8077	540
	1244	243-4506	255	244-7997	495		541
242-6845	806		256		498	244-8078	540
242-6878	▶674		267	244-7998	495	244-8079	541
	851		268		498	244-8080	541
242-6879	709		279		▶526	244-8081	541
	▶881		280	244-7999	526	244-8082	521
242-6880	709		515	244-8000	526	244-8083	521
	713	243-4507	410	244-8001	526	244-8084	521
	716		413	244-8002	473	244-8085	521
	▶918	243-4508	255		480	244-8086	521
242-6882	672		256	244-8004	473	244-8087	521
	674		267		480	244-8088	495
242-6883	672		268	244-8005	473		498
	674		279		480	244-8089	495
242-6889	881		280		▶527		498
242-6890	866		379	244-8006	527	244-8090	495
	881		389	244-8008	495		498
	884		391		▶542	244-8091	473
242-6891	866		410	244-8009	542		480
	881		413		548	244-8093	495
	884		1082	244-8010	542		498
242-6892	866		1083		548		▶544
	881		1084	244-8011	495	244-8094	544
	884		1085		▶543	244-8095	495

PART NUMBER INDEX

Part	Page	Part	Page	Part	Page	Part	Page
	498		▶239	245-7830	1035	245-7895	1145
	▶545	245-5559	1		1038		1146
244-8096	545		▶564		1041		1206
244-8097	539	245-5591	1239	245-7831	1035		1207
244-8104	495		1244		1038		1209
	498	245-5595	515		1041	245-7896	▶1027
	▶546	245-5596	515	245-7832	1035		1206
244-8108	495	245-5641	▶515		1038		1207
	498		530		1041		1209
	▶528	245-5647	515	245-7833	1035	245-7897	1027
244-8155	438	245-7511	220		1038		1206
	439	245-7560	220		1041		1207
	503		222	245-7834	1035		1209
	504	245-7749	1068		1038		1210
244-8158	505		▶1069		1041		1211
	511	245-7750	1069	245-7835	1035		1212
244-8159	505	245-7751	1069		1038	245-7898	1027
	511	245-7776	1148		1041		1190
244-8160	505	245-7779	1064	245-7836	1035		1191
	511	245-7790	1074		1038		1192
244-8162	553		1076		1041		1210
244-8166	521		1078		▶1062		1211
244-8167	473		1080	245-7837	1062		1212
	480	245-7791	1124	245-7838	1035	245-7899	1206
244-8168	473	245-7792	1124		1038		1207
	480	245-7793	1124		1041		1209
244-8170	528	245-7811	1	245-7839	1035		1210
244-8171	528		▶1157		1038		1211
244-8176	443	245-7813	1098		1041		1212
	444	245-7814	1098	245-7842	1090	245-7905	1062
244-8177	443	245-7815	1098	245-7844	1091	245-7923	1070
	444	245-7816	1098	245-7846	1035		▶1074
244-8697	588	245-7817	1035		1038	245-7924	1070
245-3805	588		1038		1041		▶1076
245-3806	588		1041		▶1098	245-7925	1074
245-3808	588	245-7818	1035	245-7847	1035		1080
245-4980	721		1038		1038	245-7926	1076
	727		1041		1041		1078
	735	245-7819	1035	245-7850	1148	245-7929	1107
	742		1038	245-7851	1148	245-7941	1166
	750		1041	245-7856	1035		1167
245-4983	721	245-7820	1035		1038		1168
	727		1038		1041	245-7948	1074
	735		1041	245-7872	1124		1076
	742	245-7823	1035	245-7873	1124		1078
	750		1038	245-7883	1190		1080
245-5253	758		1041	245-7884	1191	245-9206	160
	762	245-7824	1035	245-7885	1192		162
245-5267	821		1038	245-7886	1027	245-9239	▶169
245-5309	689		1041	245-7887	1190		613
	▶821	245-7825	1035		1191	245-9309	160
245-5456	1239		1038		1192		162
	1244		1041	245-7888	1190	246-0505	▶588
245-5458	1239	245-7826	1035		1191		600
	1244		1038		1192		601
245-5482	1239		1041	245-7889	1206	246-1235	112
245-5483	1239	245-7827	1035		1207	246-2641	242
245-5490	1239		1038		1209		423
	1244		1041	245-7890	1206		425
245-5495	1239	245-7828	1035		1207		426
	1244		1038		1209		427
245-5552	▶613		1041	245-7892	1206		486
245-5555	230	245-7829	1035		▶1210		489
	▶235		1038	245-7893	1207		492
	▶237		1041		▶1211		1163

PART NUMBER INDEX

Part	Page	Part	Page	Part	Page	Part	Page
246-2659	7	247-5276	1088	249-2664	1047		▶1169
	9		1099		1049	251-0539	1170
	▶210		▶1102		1050	251-0542	3
	▶212	247-6801	1052		▶1218		4
	▶214		1055		▶1220		5
246-3129	153		1058		▶1222		▶325
	155	247-6812	1215	249-2665	1047		▶327
	156	247-6852	1215		▶1227	251-0543	325
	158	247-6857	1215	249-6335	405	251-0575	1
246-3130	153	247-8762	▶899	249-6336	405		▶1136
	155		901	249-7107	3	251-0576	1136
	156		902		4	251-0597	385
	158	247-8764	899		5	251-0600	394
246-3131	153	247-8765	899		▶1161	251-0601	398
	155	247-8766	899	249-7108	▶470		400
246-3132	149	247-8833	613		▶471	251-0602	398
	▶153		▶798		1126		400
	154	247-8846	838		1161	251-0605	394
246-3247	▶600		▶901	249-7109	▶1126		396
246-3394	▶601	247-8978	134	249-7110	▶324	251-0606	398
246-4785	7		137		1049		400
	9		▶810	249-7887	1126	251-0910	964
	▶220	247-9908	47	250-0466	34		969
	▶222	248-1537	588		36		970
246-5628	7	248-1710	▶571		38		971
	9	248-5513	143	250-0712	2		972
	▶27		145		▶1126		973
246-5659	91	248-6496	1049	250-0729	658		974
246-5984	7		1050		660		1008
	9		▶1226		662	251-0911	966
	▶529	248-6875	869		664		967
246-9353	329		874		▶676		968
246-9906	7	248-7161	599	250-2941	869		1007
	9	248-7163	599	250-2942	869		1009
	▶112	248-7179	562		874	251-0917	970
247-2693	396		563	250-5061	1		974
	398	248-7257	▶582		▶434	251-0920	964
	413		586	250-5062	434		971
	1092		587		▶435		1008
	1093	248-7286	564	250-5063	435	251-0941	970
	1095		▶592	250-5093	461		974
	1096	248-7290	▶583	250-5111	552	251-0942	964
	1097	248-7308	585	250-5112	552		971
	1101		586	250-5113	551		1008
	1102		587	250-5114	473	251-0999	961
	1103		▶599		480		967
247-2694	1106	248-7988	1233	250-5115	547		971
247-2695	1106	248-9358	▶446	250-5116	547	251-1000	974
247-4574	869		▶447	250-5118	473		1009
	874		613		480	251-1044	957
247-4577	869	248-9359	446		▶547		962
	874	248-9360	446	250-5119	473	251-1047	961
247-4579	869	248-9466	613		480	251-1085	970
247-4585	869		▶709	250-5120	473		974
	874		▶713		480	252-1230	1052
247-5112	1102		▶716		▶551		1055
	1103	248-9495	709	250-5121	▶552		1058
247-5172	1		713		553	252-1234	1052
	▶301		716	250-5132	472		1055
247-5177	515	249-0530	▶1108		479		1058
247-5190	612		1160	250-6967	676	252-1235	1226
	▶1085	249-2663	1047	251-0524	255	252-1241	▶313
	▶1086		1049		267		1161
247-5275	1087		1050		279	252-1242	▶314
	▶1101		▶1215	251-0538	4		1126

PART NUMBER INDEX

Part	Page	Part	Page	Part	Page	Part	Page
252-1243	1215		▶463		101	259-7202	1080
252-6101	636	254-1946	1129	258-9892	1064	259-7243	1065
253-0616	232	254-1982	2		1065		▶1067
253-0861	1239		▶1129		1066	259-7285	1067
	1244	254-2868	530	259-0784	822	259-7346	▶1045
253-1248	696		▶930		▶838		1078
253-1249	696	254-2869	450	259-0816	810	259-7347	▶1046
253-1752	28	254-2870	450		▶845		1080
253-2111	318	254-2999	577	259-0817	845	259-7348	1072
253-2278	969	254-3000	577	259-0882	844		▶1078
	973	254-3435	220	259-0883	846	259-7349	1072
253-2279	969	254-6081	100	259-0884	846		▶1080
	973	254-9114	302	259-0891	902	259-7353	1218
253-2280	969	254-9115	302	259-0895	846		1220
	973	255-1950	762	259-0899	838		1222
253-2281	964		766		840	259-7729	330
	971	255-2882	1		▶846	260-1089	▶941
	1008		▶6	259-3505	430		951
253-2288	973	255-2901	174		432	260-1090	▶941
	1007	255-2918	184	259-3525	434	260-1091	▶941
253-2289	1008		188		436	260-1092	▶942
253-2449	1239		190	259-3656	505		955
	1244		192	259-3680	434	260-1093	▶942
253-2455	968		195		436		956
	969	255-2968	184	259-3722	553	260-1094	▶942
253-2460	972		188	259-3727	495	260-1095	▶943
253-2462	972	255-6679	967		498	260-1096	▶944
253-2464	972	255-6680	967	259-3733	441	260-1097	▶945
253-2465	966	255-6681	967	259-3737	441	260-1098	▶946
	970	255-9074	313	259-3740	441	260-1099	▶947
253-2480	957	255-9075	313	259-3859	1163	260-1100	▶1008
	962	256-1033	958	259-3943	434	260-1101	▶1007
	972		959		436	260-1102	▶1009
253-2742	588		960	259-4910	255	260-1114	941
253-3048	957	256-1730	473		267		▶957
	965		480	259-4911	256	260-1115	941
253-3049	961	256-1931	1	259-4914	1159		▶961
	962		▶423		1169	260-1116	941
	963	256-1932	423	259-4916	▶409		▶962
253-3137	961		▶430		613	260-1117	942
253-3138	957		▶432	259-4917	409		▶969
253-3139	968	256-1933	430	259-4973	308	260-1118	942
	1007	256-2062	962		▶389		▶970
253-3140	966	256-2063	962	259-4974	308	260-1119	942
	1009	257-1110	1157		▶391		▶971
253-3141	961	257-4490	▶308	259-4975	389	260-1120	943
253-3142	957	257-4493	▶360		391		▶972
253-3143	968	257-4510	▶308	259-5009	389	260-1121	944
	1007	257-4599	613	259-5010	389		▶966
253-3144	966		▶1235		391	260-1122	945
	1009	257-4615	1244	259-5011	389		▶967
253-3145	968	257-4960	6		391	260-1123	946
	1007		▶7	259-5022	385		▶973
253-3146	966	257-7284	863		387	260-1124	947
	1009		▶882	259-5081	387		▶974
253-3438	147	258-0840	▶154	259-5082	387	260-1258	957
253-8453	2	258-0883	210	259-5098	396		962
	▶460		212	259-5255	▶1140	260-1259	961
253-8766	30		214		▶1142	260-1264	966
	32		▶374	259-5256	1140		1009
253-9224	1126	258-4524	202		1142	260-1265	967
	▶1130		203	259-5285	1142	260-1266	968
	▶1132	258-8721	97		434		1007
	▶1134		99	259-6227	436	260-2067	308
253-9707	460		100				▶315

PART NUMBER INDEX

Part	Page	Part	Page	Part	Page	Part	Page
260-2097	1	262-0662	1127	264-7033	1142		991
	▶306	262-1421	298	264-9971	218	267-5392	987
260-2098	▶306		▶306		224		991
260-2109	1083	262-2043	▶306		226	267-5394	▶954
	1084		308	264-9982	1067	267-5395	954
	▶1092	262-2292	1151	264-9983	1067		▶989
260-2110	1083	262-2293	1151	264-9984	1067		▶991
	1084	262-2356	1151	265-4538	199	267-5396	989
	▶1093	262-2357	1151		▶202		1001
	▶1094	262-2611	432	265-7172	▶3		1003
260-2111	1092	262-2879	300	265-7175	▶4	267-5402	989
	1093	262-3663	1215	265-7176	▶5		993
	1094	262-6754	202	265-7177	▶2		997
	1095	262-7933	▶1228		3		1001
	1096		1232		4		1003
260-2127	1085	262-7934	1228		5		1005
	1086	262-7935	1228	265-7642	▶948	267-5404	995
	▶1095	262-7954	1055	265-7643	▶948		999
260-2128	1085		1058	265-7671	▶948	267-5405	995
	1086	262-7956	1055	266-0545	1128		999
	▶1096		1058	266-0546	1130	267-5406	995
260-2174	▶295	262-7957	1055		1132		999
	308		1058		1134	267-5407	995
260-2191	330	262-7961	1228	266-1033	788		999
260-2192	▶330	262-7962	1228	266-1034	789	267-5408	▶954
	727	263-0788	1053	266-2861	295	267-5409	954
260-2649	1052		1056	266-5431	1239		▶993
	1056		1059		1244		▶995
	1059	263-1129	7	266-6234	184	267-5410	993
260-7948	689		9	266-6236	184		995
	▶785		▶180		188	267-5417	▶954
260-7949	689		▶181		190	267-5418	954
	▶770	263-3657	681		192		▶997
	▶775		682	266-6305	▶621		▶999
	▶780	263-3659	681		626	267-5419	997
260-7950	785		682	266-6343	621		999
260-7951	785	263-3755	▶612	266-6513	▶949	267-5425	▶955
260-8159	821	263-3762	▶612	266-6515	▶950	267-5426	955
260-8160	821	263-3763	▶612	266-6563	948		▶1001
260-8202	655	263-3764	3		▶958		▶1003
	▶658		4	266-6566	949	267-5427	▶955
	▶660		5		▶959	267-5428	955
	▶662		▶613	266-6567	948		▶1005
	▶664	263-4816	612		▶960	267-5429	1005
260-8248	658	263-4818	612	266-6570	959	267-6785	645
260-8251	658	263-4920	40	266-6571	958		649
	660	263-7922	1165	266-6572	960	267-6787	653
	662		▶1168	266-6573	959	267-7682	387
	664	263-8848	3	266-6574	958	267-7860	1
260-8273	726		4	266-6575	960		▶1137
	734		5	266-7953	824	267-7861	1137
	741		▶1232		▶840	267-7976	325
	749	263-9088	295	267-2060	▶49		327
261-0052	▶30		296		50	268-0745	558
	34		▶1171	267-2839	153	268-1352	1215
261-0191	11	264-4297	214		156	268-1353	1215
	12		351	267-4631	▶31	268-1616	145
	▶34		352		32	268-1964	387
	▶36	264-4493	198		33	268-2960	203
	▶38		▶201	267-5384	▶953	268-3700	8
261-3429	40	264-4501	121	267-5385	953		10
261-3430	40	264-7029	376		▶985	268-4770	184
261-4176	112		1142		▶987		188
261-4178	112	264-7032	307	267-5386	985	269-3775	682
261-8279	220		1142		987	269-3777	682

PART NUMBER INDEX

Part	Page	Part	Page	Part	Page	Part	Page
	684		101		190		564
	686	274-5048	1167	279-7791	188	284-7283	467
269-9741	788	274-7395	333		190	284-7284	467
270-3712	950		▶351	279-8094	975	284-8185	926
	▶968	274-7396	333		987	285-0823	21
270-3713	948		▶352		991	285-1133	305
	▶963	274-8359	91		995	285-7945	▶501
270-3715	963	275-0723	2		999		▶502
270-5320	209		▶923		1003	286-8861	1114
270-5620	1082	275-1734	660		1005		1119
	1084		662	279-8095	975		1121
	1086		664		987		▶1230
270-7104	86	275-1748	766		991	286-8862	1230
270-7105	86	275-6470	7		995	286-8863	1230
270-7106	86		9		999	286-8864	1230
270-7278	7		▶1065		1003	286-8866	1230
	▶86		▶1066		1005	286-8867	1230
270-8223	963	275-6596	7	280-2166	7	286-8868	1230
270-8224	963		9		▶12	286-8869	1230
270-8225	963		▶118	280-2167	12	286-8870	1230
270-8227	963	275-6733	268		▶77	286-8871	1230
270-8233	959		280	280-2562	357	286-9798	6
270-8234	958	275-9858	4	280-2747	1055		▶9
270-8235	960		▶1144	280-7373	156	287-0203	13
270-8239	959	275-9860	1144	280-7374	151		▶82
270-8240	958		▶1159		▶156	287-0204	82
270-8241	960	276-2881	1144	280-8039	9	288-4883	40
270-8245	959		▶1170		▶157	288-4884	40
270-8246	958	276-4755	150	281-2725	241	289-2492	190
270-8247	960		▶155		▶245		192
271-4068	88	276-4756	155	281-3516	618		195
271-5761	7		156	281-3517	618	289-6304	96
	9		158	281-3564	169	289-8215	17
	▶88	276-5317	97	281-3565	169	290-9020	108
272-0390	17		99	281-3566	169	290-9021	10
272-2583	24		100	281-3567	169		▶108
272-4435	692		101	281-3614	137	292-6627	928
	696	276-9214	501	281-3615	137	292-6628	928
272-4436	702		▶503	281-8261	48	292-9782	124
272-4437	702	276-9217	501		50	292-9783	124
272-7123	▶365		502	282-0045	1220	293-1136	1028
	368	276-9218	501		1222		1030
	369		▶509	282-3645	9		1032
272-7152	365	276-9219	509		▶95	293-1137	1035
273-1682	7	276-9221	501	282-4740	938		1038
	10		502	282-4751	951		1041
	▶368	278-1365	99	282-7758	1220	293-7103	560
273-5384	1209		100		1222	293-8218	582
	▶1212		103	283-2722	413	294-0253	682
273-5386	1212	278-1929	75	283-2783	404	294-1307	1244
273-5446	1185		77		406	295-9421	▶811
	▶1187		▶99		1138		815
273-6354	1172	278-1931	74		1142		816
273-6355	1172		▶100	283-3074	400	295-9432	811
273-7686	560	278-3622	▶436	283-4046	473	295-9446	800
273-7927	437	278-3631	436		480		▶815
274-1953	11		▶437		498	295-9447	802
	▶50	278-5657	16	283-5990	866		▶816
274-2482	840	278-5662	11	284-0057	501	295-9637	▶54
	▶902		▶16		502		616
274-2553	713		▶17	284-0062	501	295-9690	817
	716	278-7286	582		502	295-9692	834
	▶884	279-3161	1045	284-4426	1055	296-4907	1167
274-4491	99		1046		1058	296-4908	1167
	100	279-7788	188	284-7282	▶467	296-7635	200

PART NUMBER INDEX

Part	Page	Part	Page	Part	Page	Part	Page
	▶203	303-2004	369	307-7900	489	314-3067	40
297-1813	23	303-2668	1244		492	314-3068	40
297-4589	1092	303-2727	4	307-7902	489	314-3069	40
297-4590	1094		▶308		▶512	314-5155	152
	▶1097	303-8698	158	307-8017	492		157
297-4595	1095	303-9613	553		▶514		▶158
	1096		▶557	307-8096	426	314-8099	766
297-7466	565	303-9672	479		427	315-5319	970
	567	303-9673	479	307-8136	1		974
297-7467	565	303-9674	479		▶224	315-6645	158
	567	303-9676	479		▶226	315-8672	1114
297-7516	▶572	303-9677	▶443	307-8139	224		1119
297-7517	572		498		226		1121
	574	303-9678	443	307-8140	224	316-6864	234
297-7518	▶574	303-9854	553	307-8143	224	316-8811	1030
297-7519	574		▶558		226		▶1038
297-7520	▶576	303-9933	243	307-8144	224	316-8845	1035
297-7521	576	303-9937	243	307-8322	99		1038
297-7522	576	305-0325	1066		100	316-8846	1035
297-7601	571	305-0330	1222		102		1038
	576	305-0331	1094	308-1249	1233		1041
297-7602	571		1096	308-3683	684	316-8847	1035
	576	305-0332	1092	308-6505	684		1038
297-9120	599		1095	308-8399	686		1041
297-9121	599	305-0333	1222	308-8402	686	316-8848	1035
297-9123	564	305-0441	1148	309-5751	1154		1038
	▶584	305-0442	1148	309-5808	1089	316-8849	1035
297-9125	584	305-0466	▶1188		1100		1038
	▶585	305-0467	3		▶1103		1041
297-9154	▶563		4	309-5845	▶296	316-8850	1035
	583		5		308		1038
	584		▶1189	309-5846	▶298	316-8916	1032
297-9158	563	305-1751	▶938		308		▶1041
297-9197	583		951	309-5852	308	316-8918	1041
	▶586	305-9196	36		▶1154	316-8920	1041
297-9198	583		38	309-8002	1244	316-8921	1041
	▶587		▶93	309-8003	1244	316-8987	1180
297-9991	965	306-3998	362	310-2393	1154		1193
298-0000	▶951		365	310-9504	192		1194
298-0001	951	306-8802	1169		195		1199
	▶965	307-0047	296	310-9508	130		1200
298-0003	965	307-5004	741	310-9513	192		1201
298-0008	965		749	310-9590	171		1202
298-0009	965	307-5110	662		▶173	317-1547	156
298-0019	965		664	310-9602	173	317-4737	698
298-3301	560	307-7655	473	310-9714	▶622	317-4738	698
298-4282	1236		480		624	317-4739	698
			495	310-9760	192	317-4740	698
			498		195	317-4741	698
		307-7830	489	312-2645	239	317-4742	698
			492	313-7884	553	317-4743	698
300-4523	594	307-7881	479	313-7901	557	317-4745	698
300-4525	594	307-7883	498	313-8284	502	317-4864	750
300-4611	592		▶548		▶504	317-8766	28
	▶594	307-7888	498	313-8286	502	318-2082	363
301-0589	1154	307-7890	▶439	313-8817	969		366
301-3018	▶32		498		973	318-3150	91
	36	307-7892	489	314-2858	972	319-4420	327
301-5241	891		492	314-2859	964		▶379
301-5242	891		▶511		971	319-7401	28
301-5243	891	307-7894	489		1008		▶104
301-9823	507		492	314-3063	40	319-9228	▶1236
	512	307-7895	489	314-3064	40	319-9778	766
302-0455	1222		492	314-3065	40	320-2677	593
302-1410	203	307-7898	512	314-3066	40		594

3

PART NUMBER INDEX

Part	Page	Part	Page	Part	Page	Part	Page
320-2796	▶101		1199	338-6829	306		
	102		1213	338-6830	306		
320-2797	101	327-6646	1145	338-6920	307		
322-1126	33		1146		1203		
323-8451	▶33	327-6647	1145	338-6921	307		
	38	327-6648	1199		▶1203		
324-4084	195		1213	339-7281	553		
324-4085	195		1214	339-7476	447		
324-4098	195	327-6649	1194	339-7477	447		
324-4100	195	327-7482	▶1106	339-7587	558		
324-6200	▶951		1153	341-0554	1058		
325-1007	951		1203	341-0826	222		
	▶964	327-7594	1106	342-9525	▶951		
326-1641	209	327-9960	279	342-9526	▶955		
326-4465	1233	328-0021	327	342-9527	▶956		
327-6500	▶1180	328-0651	387	343-9866	17		
327-6501	4	328-1908	987	347-9361	222		
	▶1181		991				
327-6502	▶1182		995				
327-6503	▶1183		999				
327-6506	1180		1003				
	▶1199		1005				
327-6507	1181	328-4236	76				
	▶1200		▶102				
327-6508	1182	328-4238	102				
	▶1201		▶103				
327-6509	1183	329-4511	91				
	▶1202	329-9776	145				
327-6511	1199	330-3408	1171				
327-6512	▶1193	330-3409	306				
	1200	330-3410	306				
	1201	331-6081	10				
327-6513	▶1194		▶369				
	1202	331-7263	471				
327-6515	1193	331-9373	1134				
	1194	331-9934	1058				
327-6520	1199	333-4157	▶1146				
	1200		1214				
	▶1213	333-4158	1146				
327-6521	1201	333-4159	1146				
	1202	333-4160	1193				
	▶1214	333-4178	1146				
327-6538	1205	333-4179	1193				
327-6540	1188		1194				
327-6541	1189	333-4180	1145				
327-6542	1160		1146				
	▶1205		1193				
327-6543	1205		1194				
327-6550	1058		1213				
	▶1152		1214				
327-6579	1114	333-4181	1145				
	1121	333-5297	226				
327-6639	1199	333-5298	226				
327-6640	1193	333-7152	664				
	1194	334-4603	1244				
327-6642	1193	335-2081	▶307				
	1194	335-4198	141				
	1199	335-4225	222				
327-6643	1193	336-1665	427				
	1194		▶429				
	1199	336-1666	429				
327-6644	1199	336-1667	429				
	1213	336-2584	567				
	1214	336-2620	567				
327-6645	▶1145	338-6290	698				



© 2009 CATERPILLAR
ALL RIGHTS
RESERVED

CAT, CATERPILLAR, THEIR RESPECTIVE LOGOS, "CATERPILLAR
YELLOW" AND THE POWER EDGE TRADE DRESS, AS WELL AS CORPORATE
AND PRODUCT IDENTITY USED HEREIN, ARE TRADEMARKS OF
CATERPILLAR AND MAY NOT BE USED WITHOUT PERMISSION.

PRINTED IN
U.S.A.

**SEBP4207 -14
VOLUME I
Pages 1-602**

385C FS Excavator

MMA1-Up

Parts Manual



See "General Information"
for New Parts Manual
Features.

385C FS Excavator

MMA1-Up (Machine)
RHX1-Up (Engine)

Powered By C-18 Engine
This Parts Manual is also Available in .PDF Format on Compact
Disc(CD-ROM)-Caterpillar Form No.SERP4207

Product and Dealer Information

Note: For product identification plate locations, see the section "Product Identification Information" in the Operation and Maintenance Manual.

Delivery Date: _____

Product Information

Model: _____

Product Identification Number: _____

Engine Serial Number: _____

Transmission Serial Number: _____

Generator Serial Number: _____

Attachment Serial Numbers: _____

Attachment Information: _____

Customer Equipment Number: _____

Dealer Equipment Number: _____

Dealer Information

Name: _____ Branch: _____

Address: _____

Dealer Contact

Phone Number

Hours

Sales: _____

Parts: _____

Service: _____

MEMORANDA

TABLE OF CONTENTS

Name	Page	Name	Page
GENERAL INFORMATION	A5	ROCKER ARM GP	97
REPAIR ALTERNATIVES	A8	SEAL GP-CRANKSHAFT	104
SUPPLEMENTAL COOLANT ADDITIVES	A9	SUPPORT GP-ENGINE	105
MAINTENANCE PARTS	A10	LUBRICATION SYSTEM	109
INDEX	A14	BASE GP-OIL FILTER	109
MACHINE ARRANGEMENT	1	BREATHER GP	110
CHASSIS AR	1	FASTENER GP-OIL PUMP MOUNTING	111
GENERAL AR	1	FILLER GP-ENGINE OIL	112
SHOVEL AR-FRONT	2	FILTER GP-ENGINE OIL	114
ENGINE ARRANGEMENT	3	FUMES DISPOSAL GP	117
CONVERSION AR	3	GAUGE AS-OIL LEVEL (DIPSTICK)	118
ENGINE AR	6	GAUGE GP-OIL LEVEL (DIPSTICK)	119
ENGINE AR-COMPLETE	7	GUIDE GP-OIL LEVEL GAUGE	120
ENGINE AR-CORE	11	LINES GP-ENGINE OIL	122
INSTALLATION AR-ENGINE	13	LINES GP-ENGINE OIL DRAIN	126
BASIC ENGINE	14	LINES GP-TURBOCHARGER OIL	127
ADAPTER GP-PUMP DRIVE	14	MOUNTING GP-OIL LEVEL GAUGE	129
BASE GP-VALVE COVER & INJ HARN	15	OIL CHANGE GP-HIGH SPEED	130
CAMSHAFT GP	18	PUMP GP-ENGINE OIL	132
COVER GP-CYLINDER BLOCK	19	VALVE GP-FLUID SAMPLING	133
COVER GP-FRONT HOUSING	22	COOLING SYSTEM	134
COVER GP-VALVE MECHANISM	24	FAN GP-SUCTION	134
CRANKSHAFT GP	28	FITTING GP-RADIATOR VENT	140
CYLINDER BLOCK AS	29	LINES GP-TURBOCHARGER WATER	141
CYLINDER BLOCK GP	34	LINES GP-WATER	143
CYLINDER HEAD AS	40	PUMP GP-WATER	147
CYLINDER HEAD GP	46	RADIATOR & AFTERCOOLER GP	159
DAMPER & PULLEY GP	52	RADIATOR GP	164
DRIVE GP-FAN	53	SCREEN GP-RADIATOR	168
FASTENER GP-FRONT HOUSING	55	AIR INLET AND EXHAUST SYSTEM	170
FASTENER GP-VALVE MECHANISM	57	AIR CLEANER GP	170
FLYWHEEL GP	58	EXTENSION GP-EXHAUST	174
GEAR GP-CAMSHAFT	59	LINES GP-AIR	175
GEAR GP-FRONT	60	LINES GP-MUFFLER DRAIN	182
GEAR GP-REAR	63	MANIFOLD GP-EXHAUST	183
HOUSING GP-FLYWHEEL	67	MUFFLER GP	184
HOUSING GP-FRONT	68	TURBOCHARGER GP	198
LIFTING GP-ENGINE	71	FUEL SYSTEM	204
MECHANISM GP-FUEL PUMP & VALVE	73	ADAPTER GP-FAST FILL FUEL	204
MOUNTING GP-ALTERNATOR & COMPR	78	COOLER GP-FUEL	206
MOUNTING GP-ENGINE	80	FASTENER GP-FUEL LINES	208
PAN GP-OIL	84	FILTER GP-FUEL	209
PISTON & ROD GP	90	FILTER GP-WATER SEP & FUEL	216
PLUG GP-CYLINDER BLOCK	92	GAUGE GP-SIGHT	217
PLUG GP-CYLINDER HEAD	94	LINES GP-FUEL	218
PULLEY GP	96	MANIFOLD GP-FUEL	228
		PUMP & MOTOR GP-REFUELING	229
		PUMP AR-FUEL TRANSFER	230
		PUMP GP-FUEL INJECTION	231
		PUMP GP-FUEL PRIMING	233
		PUMP GP-FUEL TRANSFER	234

TABLE OF CONTENTS

Name	Page	Name	Page
REGULATOR GP-FUEL PRESSURE	241	VALVE GP-ETHER STARTING	382
TANK & MTG GP-FUEL	242	WIRING GP-AUX START	
TANK GP-FUEL	243	RECEPTACLE	383
VALVE GP-CHECK	245	WIRING GP-CAB	385
VALVE GP-FUEL BYPASS	246	WIRING GP-COMMUNICATION	389
ELECTRICAL AND STARTING SYSTEM	247	WIRING GP-CONSOLE	393
ALARM GP	247	WIRING GP-CONTROL	402
ALARM GP-TRAVEL	248	WIRING GP-CONVERTER	403
ALTERNATOR GP-CHARGING	249	WIRING GP-ENGINE	407
BATTERY & WIRING GP	252	WIRING GP-FAN	409
BLOCK GP-JUNCTION	291	WIRING GP-PLATFORM	410
CONNECTION GP-ELECTRICAL	292	WIRING GP-REFUELING PUMP	416
CONTROL & MTG		POWER TRAIN	418
GP-COMMUNICATION	293	DRIVE GP-FINAL	418
CONTROL & MTG GP-ENGINE ELEK	299	FINAL DRIVE GP	420
CONTROL & MTG GP-IMPLEMENT	301	POWER TRAIN AR	421
CONTROL GP-COMMUNICATION	302	SPROCKET GP	422
CONTROL GP-UNPROGRAMMED	303	FRAME AND BODY	423
ELECTRICAL AR	306	BOX & MTG GP-STORAGE	423
ELECTRONICS GP-		BOX GP-BATTERY	425
COMMUNICATION	306	BOX GP-STORAGE	430
ELECTRONICS GP-MACHINE	306	COUNTERWEIGHT & MOUNTING GP	434
ELECTRONICS GP-MONITOR	307	COUNTERWEIGHT GP	435
HARNESS AS-WIRING	307	COVER AS-SOUND SUPPRESSION	438
INSTALLATION AR-COMMUNICATION	307	COVER GP-CONTROL VALVE	440
LAMP GP-FLOOD	309	DOOR AS-ACCESS	442
LIGHTING GP-CHASSIS	312	DOOR GP-ACCESS	444
LIGHTING GP-FLOOD	313	FRAME GP-CAB RISER	448
MOUNTING GP-CONTROL	315	FRAME GP-UPPER	450
MOUNTING GP-SENSOR	316	GEAR & BEARING GP-SWING	452
PANEL GP-CIRCUIT BREAKER	317	GUARD AR	460
PANEL GP-CONTROL	324	GUARD GP-BOTTOM	461
PANEL GP-SWITCH	325	GUARD GP-LIGHTING	463
PLUG GP-CONNECTOR	329	GUARD GP-SWING MOTOR	465
SENSOR AS-PRESSURE	330	GUARD GP-SWIVEL	466
SENSOR GP-ENGINE	331	HANDRAIL GP	468
SENSOR GP-FUEL LEVEL	335	HOOD & GUARD GP	472
SENSOR GP-LIQUID LEVEL	336	HOOD AS	503
SENSOR GP-PRESSURE	337	HOOD GP	505
SENSOR GP-SPEED	343	HOOD GP-ENGINE	507
SENSOR GP-TEMPERATURE	349	LINES GP-LUBRICATION	515
SOLENOID GP	353	LUBRICATION GP-ELECTRIC	519
STARTING AID GP-ETHER	354	MOTOR GP-LUBRICATION	520
STARTING AR-COLD WEATHER	360	PANEL GP-SOUND SUPPRESSION	521
STARTING MOTOR GP-ELECTRIC	361	PUMP & LINES GP-AUTOMATIC LUBE	530
SWITCH GP-DISCONNECT	370	PUMP GP-LUBRICATION	531
SWITCH GP-MAGNETIC	372	REEL GP-HOSE	534
SWITCH GP-POSITION	373	SHEET AS-SOUND SUPPRESSION	536
SWITCH GP-PRESSURE	374	SUPPORT AS-SOUND	
SWITCH GP-PUSH BUTTON	375	SUPPRESSION	549
SWITCH GP-REFUELING	377	SUPPORT AS-ENCLOSURE	550
SWITCH GP-ROTARY	378	SUPPORT GP-HOOD	553
SWITCH GP-START	380	WALKWAY GP	560
SWITCH GP-TOGGLE	381		

TABLE OF CONTENTS

Name	Page	Name	Page
UNDERCARRIAGE	562	LINES GP-PUMP	758
ADJUSTMENT GP-HYDRAULIC TRACK	562	LINES GP-RETURN & FILTER	770
FRAME AR-UNDERCARRIAGE	564	LINES GP-SWING MOTOR	785
FRAME GP-UNDERCARRIAGE	565	LINES GP-TRAVEL MOTOR	788
GUARD GP-TRACK GUIDE	569	MANIFOLD & VALVE GP	792
GUARD GP-TRAVEL MOTOR	577	MOTOR & MTG GP-HYDRAULIC FAN	798
IDLER GP-FRONT	578	MOTOR & MTG GP-SWING	799
LINK AS-TRACK	588	MOTOR & MTG GP-TRAVEL	803
ROLLER AR-TRACK & CARRIER	590	MOTOR GP-PISTON	804
ROLLER GP-TRACK CARRIER	593	MOTOR GP-SWING	813
ROLLER GP-TRACK-DOUBLE FLANGE	595	MOTOR GP-TRAVEL	817
ROLLER GP-TRACK-SINGLE FLANGE	596	MOUNTING GP-CYLINDER	819
SPRING GP-RECOIL	597	MOUNTING GP-MAIN CONTROL VALVE	821
TRACK GP	600	PUMP & MTG GP-HYDRAULIC	822
HYDRAULIC SYSTEM	603	PUMP & MTG GP-MAIN HYDRAULIC	826
ACCUMULATOR & MTG GP-HYDRAULIC	603	PUMP GP-GEAR	830
ACCUMULATOR GP-HYDRAULIC	604	PUMP GP-MAIN HYDRAULIC	832
ACTUATOR GP	607	PUMP GP-PISTON	836
ACTUATOR GP-PUMP	608	ROTATING GP-MOTOR	842
BASE GP-OIL FILTER	610	ROTATING GP-PUMP	843
CONTROL AR-AUXILIARY	612	ROTOR GP-SWIVEL	847
CONTROL AR-FAN	613	SCREEN GP-HYDRAULIC	849
COOLER & MTG GP-HYDRAULIC OIL	614	SWIVEL GP	850
COOLER GP-HYDRAULIC OIL	618	TANK & FILTER GP-HYDRAULIC	851
COUPLING GP-FLEXIBLE	619	TANK & MTG GP-HYDRAULIC	855
COUPLING GP-PUMP	623	VALVE GP-CHECK	856
CYLINDER & SEAL GP-BOOM	627	VALVE GP-CONTROL	863
CYLINDER & SEAL GP-BUCKET	628	VALVE GP-LOAD CONTROL	885
CYLINDER & SEAL GP-MASTER	630	VALVE GP-MAIN CONTROL	887
CYLINDER & SEAL GP-STICK	631	VALVE GP-MANIFOLD & REDUCING	889
CYLINDER GP-BOOM	632	VALVE GP-PRESSURE REDUCING	891
CYLINDER GP-BUCKET	634	VALVE GP-PUMP CONTROL	892
CYLINDER GP-MASTER	638	VALVE GP-RELIEF	903
CYLINDER GP-STICK	640	VALVE GP-SHUTTLE	910
DRIVE GP-PUMP	642	VALVE GP-SOLENOID	914
DRIVE GP-SWING	643	VALVE GP-SWING CUSHION	919
FASTENER GP-SWING & FINAL DR	653	VALVE GP-TRAVEL COUNTERBALANCE	920
FILTER & LINES GP-HYDRAULIC	655	IMPLEMENTS	921
FILTER GP-OIL	666	BOOM GP	921
FITTING GP-HYDRAULIC	677	FITTING GP-GREASE	923
GAUGE GP-SIGHT	678	LINES GP-GREASE	924
GUARD AR-CYLINDER	679	STICK GP	936
GUARD GP-CYLINDER	680	WORK TOOLS	937
HEAD GP-PUMP	687	ADJUSTER GP-BUCKET	937
HYDRAULIC AR	689	BOWL GP	939
LINES GP-BUCKET	690	BUCKET & ADJUSTER GP	941
LINES GP-FRONT	698	BUCKET AR-EXCAVATION	951
LINES GP-FRONT SHOVEL	701	BUCKET AR-FRONT SHOVEL	952
LINES GP-HYDRAULIC FAN	705	BUCKET AR-ROCK	955
LINES GP-MOTOR	709	BUCKET AS-EXCAVATION	957
LINES GP-PILOT	719	BUCKET AS-EXTREME EXCAVATION	961

TABLE OF CONTENTS

Name	Page	Name	Page
BUCKET AS-EXTREME SERVICE ROCK	964	MONITOR & MTG GP-OPERATOR	1153
BUCKET AS-GENERAL PURPOSE	965	MOUNTING GP-ANTENNA	1154
BUCKET AS-HEAVY DUTY ROCK	966	MOUNTING GP-CAB	1156
BUCKET AS-ROCK	969	MOUNTING GP-PLATFORM	1157
BUCKET GP-FRONT SHOVEL	975	MOUNTING GP-RADIO	1159
BUCKET GP-HEAVY DUTY ROCK	1007	OPERATOR AR	1160
BUCKET GP-ROCK	1008	PARTS AR-CAB	1161
PROTECTOR GP-SIDE BAR	1010	PEDAL AR-THIRD	1162
TIP GP-ABRASION	1011	PLATFORM GP	1163
TIP GP-BUCKET	1015	PLATFORM GP-OPERATOR	1165
TIP GP-EXTRA-DUTY	1016	RADIO GP	1169
TIP GP-GENERAL PURPOSE	1017	RADIO GP-COMMUNICATION	1171
TIP GP-LONG	1019	RISER AR-CAB	1171
TIP GP-PENETRATION	1021	RISER GP-CAB	1172
TIP GP-PENETRATION PLUS	1024	SCREEN GP-SUN	1174
OPERATOR STATION	1027	SEAT & MOUNTING GP	1175
ADJUSTER GP-SEAT	1027	SEAT BELT GP	1184
AIR CONDITIONER & MOUNTING GP	1028	SEAT GP	1190
AIR CONDITIONER AR	1034	SEAT GP-SUSPENSION	1195
AIR CONDITIONER GP	1035	SERVICE GP-MONITOR	1203
ARMREST GP	1043	SUPPORT GP-SEAT	1204
CAB AR	1047	SUSPENSION GP-SEAT	1206
CAB GP	1052	TRIM GP-CAB	1215
COIL GP-EVAPORATOR	1062	VISOR GP-CAB	1224
COMPRESSOR & MTG GP-REFRIG	1064	WASHER GP-WINDOW	1225
COMPRESSOR GP-REFRIGERANT	1067	WINDOW GP-CAB	1226
CONDENSER & MTG GP- REFRIGERANT	1068	WINDOW GP-DOOR	1229
CONDENSER GP-REFRIGERANT	1069	WIPER & WINDOW AR-CAB	1232
CONSOLE GP-OPERATOR	1070	WIPER GP-WINDOW	1233
CONTROL & MTG GP-JOYSTICK	1082	SERVICE EQUIPMENT AND SUPPLIES	1235
CONTROL & MTG GP-PEDAL	1087	FILM GP	1235
CONTROL GP-HANDLE	1090	PLATE & FILM GP	1238
CONTROL GP-HEAT & AIR COND	1098	PLATE GP-ENGINE IDENTIFICATION	1249
CONTROL GP-HYDRAULIC PEDAL	1099	PART NUMBER INDEX	B1
CONTROL GP-PEDAL	1101		
CONTROL GP-TRAVEL	1104		
CONTROL GP-UNPRGMED MONITOR	1106		
COVER GP-CAB	1107		
COVER GP-STORAGE	1110		
DOOR & MTG GP-CAB	1111		
DOOR GP-CAB	1112		
DUCT GP-CAB AIR	1124		
GUARD AR-OVERHEAD	1126		
GUARD GP-FRONT WINDOW	1127		
GUARD GP-OVERHEAD	1128		
GUARD GP-WINDOW	1130		
HORN GP-ELECTRIC	1136		
INSTALLATION GP-RADIO	1138		
KIT-SEAT SUSPENSION	1145		
LEVER GP-AIR & TEMP CONTROL	1147		
LINES GP-AIR CONDITIONER	1148		
MIRROR GP-REAR VIEW	1151		

HYDRAULIC SYSTEM

160-4138 ACCUMULATOR & MTG GP-HYDRAULIC

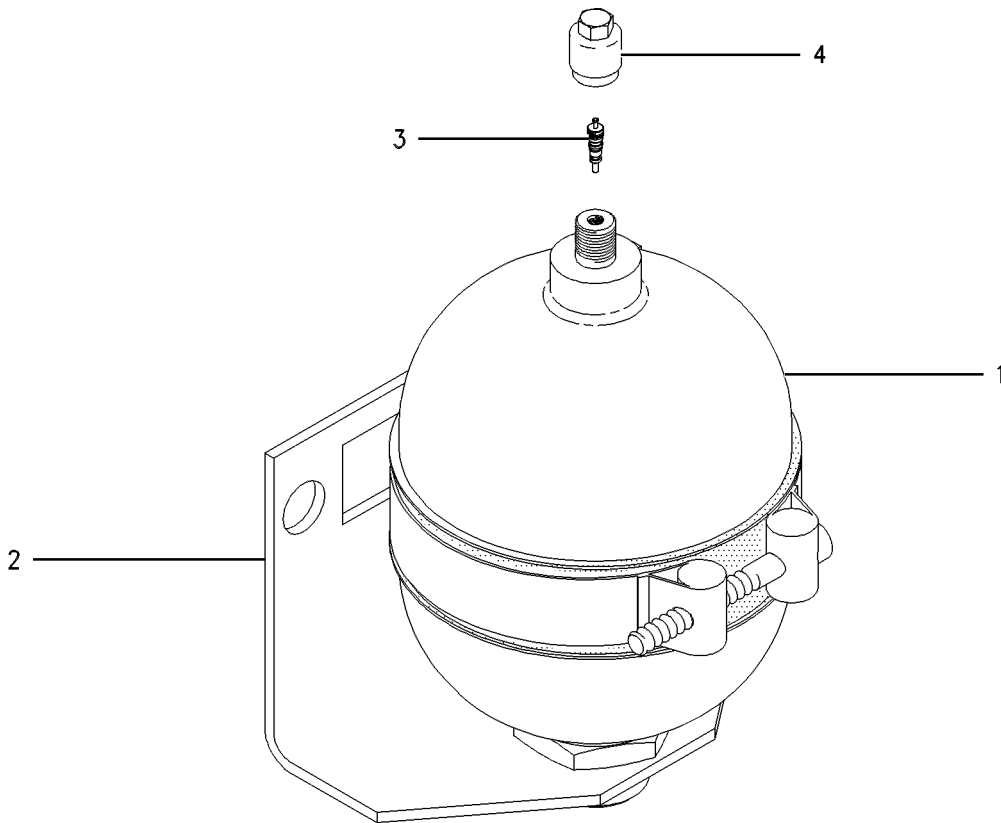
S/N: MMA1-UP

PART OF 227-0371 LINES GP-PILOT

SMCS-5077

i01089702

NOTE	REF NO	GRAPHIC REF	PART NUMBER	QTY	PART NAME						SEE PAGE
					1	2	3	4	5	6 (PRODUCT LEVEL)	
	1	1	161-6876	1	ACCUMULATOR						
	2	1	161-1309	1	SUPPORT						
	3	1	161-6880	1	CORE						
	4	1	161-6879	1	CAP						



GRAPHIC #1

<END>

g00570311

HYDRAULIC SYSTEM

215-4905 ACCUMULATOR GP-HYDRAULIC

S/N: MMA1-UP

PART OF 260-7949 LINES GP-RETURN & FILTER

SMCS-5077

i01889300

NOTE	PART NUMBER	QTY	PART NAME						SEE PAGE
			1	2	3	4	5	6 (PRODUCT LEVEL)	
Y	215-4906	1	ACCUMULATOR GP-HYDRAULIC						605
			-OR-						
Y	215-4907	1	ACCUMULATOR GP-HYDRAULIC						606
Y-SEPARATE ILLUSTRATION									

<END>

HYDRAULIC SYSTEM

215-4906 ACCUMULATOR GP-HYDRAULIC

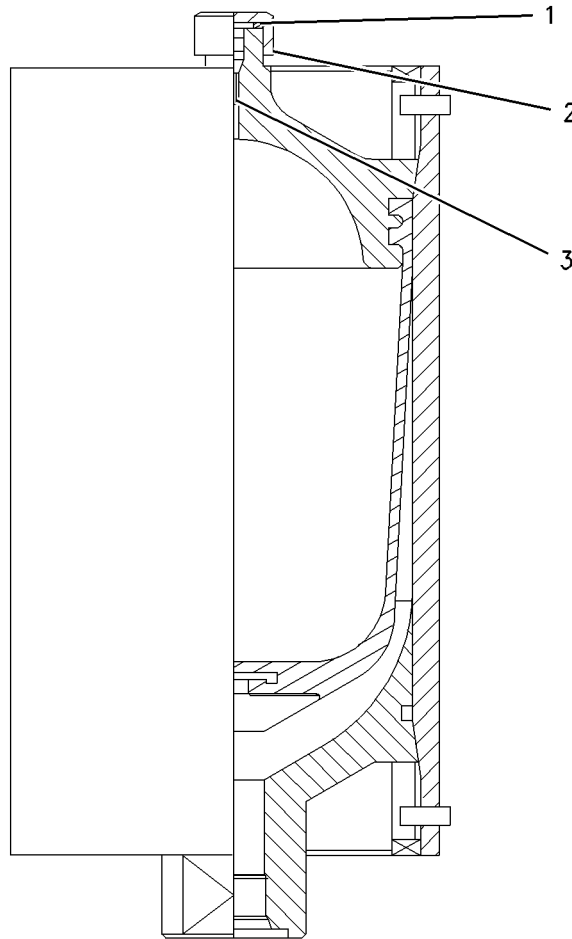
S/N: MMA1-UP

PART OF 215-4905 ACCUMULATOR GP-HYDRAULIC

SMCS-5077

i01895172

NOTE	REF NO	GRAPHIC REF	PART NUMBER	QTY	PART NAME						SEE PAGE
					1	2	3	4	5	6 (PRODUCT LEVEL)	
	1	1	087-4577	1	SEAL						
	2	1	087-4576	1	CAP						
	3	1	087-4575	1	CORE						



GRAPHIC #1

<END>

g00986138

HYDRAULIC SYSTEM

215-4907 ACCUMULATOR GP-HYDRAULIC

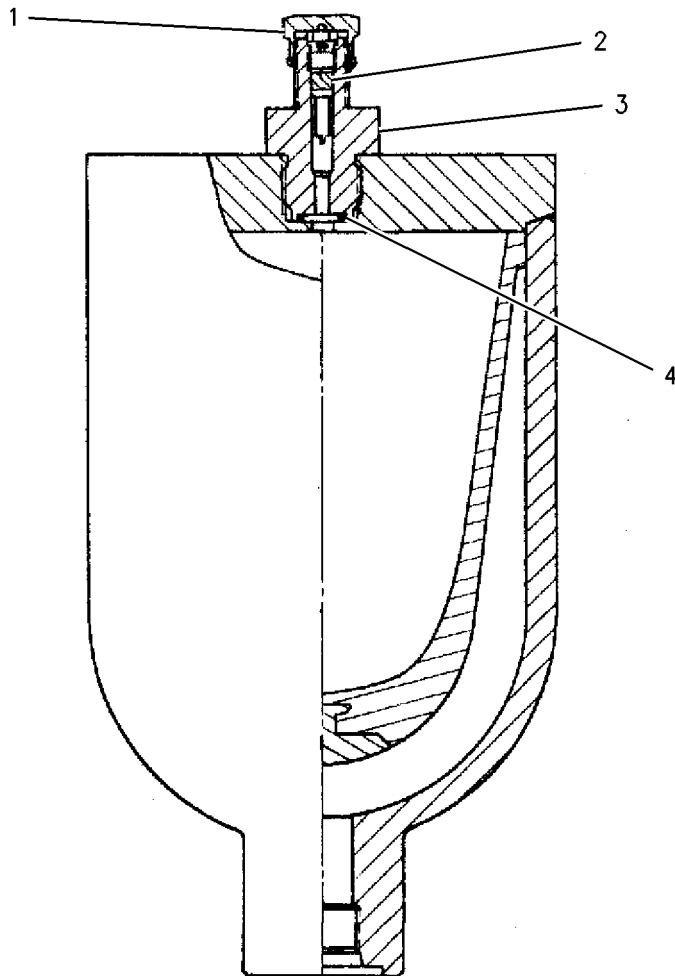
S/N: MMA1-UP

PART OF 215-4905 ACCUMULATOR GP-HYDRAULIC

SMCS-5077

i01895174

NOTE	REF NO	GRAPHIC REF	PART NUMBER	QTY	PART NAME						SEE PAGE
					1	2	3	4	5	6 (PRODUCT LEVEL)	
	1	1	4I-5862	1	CAP						
	2	1	4I-1539	1	CORE						
	3	1	7I-8133	1	BODY						
	4	1	7I-8135	1	SEAL						



GRAPHIC #1

<END>

g00986153

HYDRAULIC SYSTEM

209-5982 ACTUATOR GP

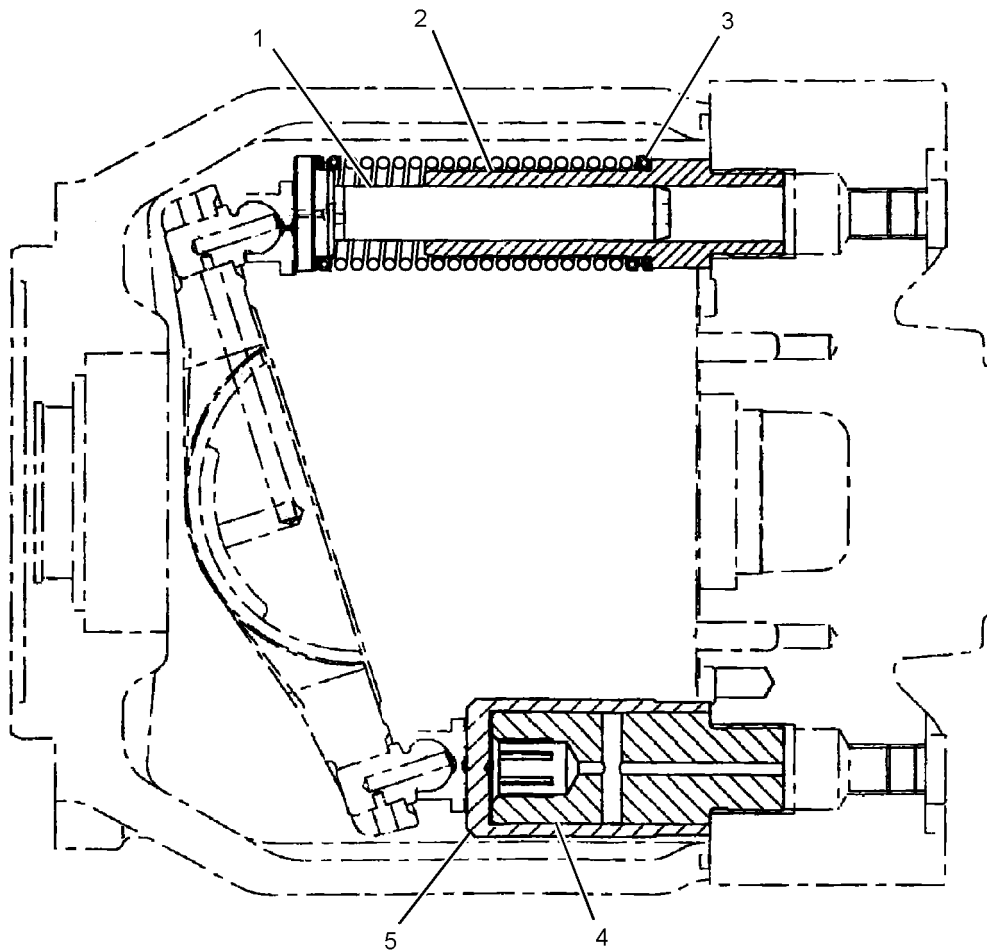
S/N: MMA1-UP

PART OF 170-9918 PUMP GP-PISTON

SMCS-5078

i02404415

NOTE	REF NO	GRAPHIC REF	PART NUMBER	QTY	PART NAME						SEE PAGE
					1	2	3	4	5	6 (PRODUCT LEVEL)	
	1	1	155-9141	1	PISTON						
	2	1	155-9142	1	GUIDE						
	3	1	155-9143	1	SPRING						
	4	1	191-7584	1	GUIDE						
	5	1	155-9139	1	PISTON						



GRAPHIC #1

<END>

g01201563

HYDRAULIC SYSTEM

158-9103 ACTUATOR GP-PUMP

S/N: MMA1-UP

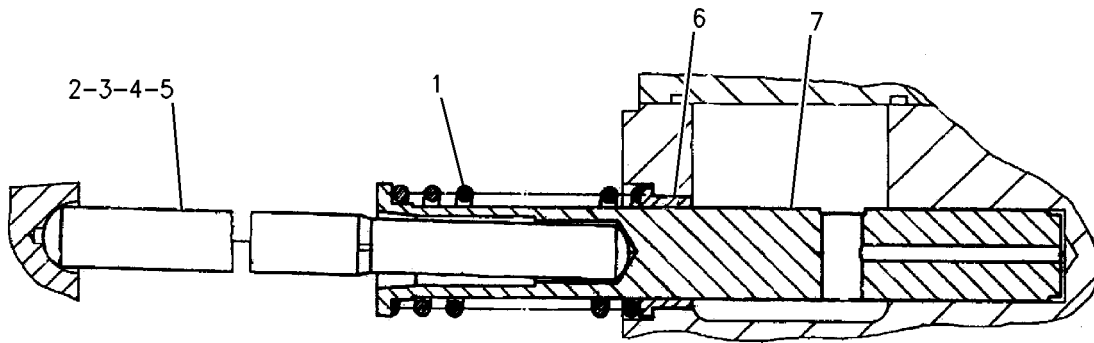
PART OF 259-0784, 266-7953 PUMP GP-PISTON

SMCS-5078

i03576423

NOTE	REF NO	GRAPHIC REF	PART NUMBER	QTY	PART NAME						SEE PAGE
					1	2	3	4	5	6 (PRODUCT LEVEL)	
	1	1	6E-3869	1	SPRING						
B	2	1	165-9396	1	ROD (159.2-MM, OAL)						
B	3	1	165-9397	1	ROD (159.4-MM, OAL)						
B	4	1	165-9398	1	ROD (159.0-MM, OAL)						
B	5	1	165-9399	1	ROD (158.8-MM, OAL)						
	6	1	165-9400	1	SEAT						
	7	1	165-9395	1	PISTON						

B-USE AS REQUIRED



GRAPHIC #1

<END>

g00703193

HYDRAULIC SYSTEM

158-9104 ACTUATOR GP-PUMP

S/N: MMA1-UP

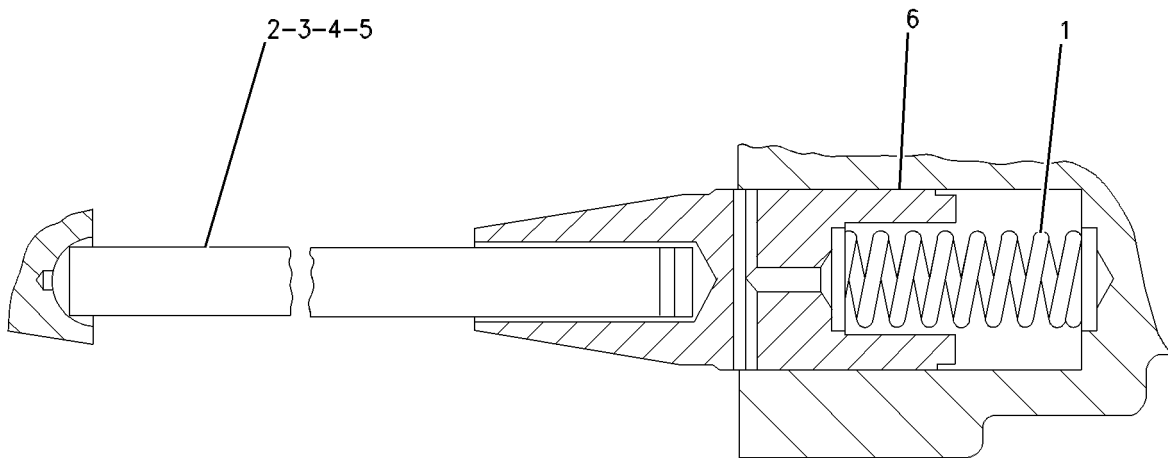
PART OF 259-0784, 266-7953 PUMP GP-PISTON

SMCS-5078

i03575745

NOTE	REF NO	GRAPHIC REF	PART NUMBER	QTY	PART NAME						SEE PAGE
					1	2	3	4	5	6 (PRODUCT LEVEL)	
	1	1	6E-3872	1	SPRING						
B	2	1	165-9402	1	ROD (152.2-MM, OAL)						
B	3	1	165-9403	1	ROD (151.8-MM, OAL)						
B	4	1	165-9404	1	ROD (152-MM, OAL)						
B	5	1	165-9405	1	ROD (152.4-MM, OAL)						
	6	1	165-9401	1	PISTON						

B-USE AS REQUIRED



GRAPHIC #1

<END>

g00652408

HYDRAULIC SYSTEM

129-8053 BASE GP-OIL FILTER-HYDRAULIC

S/N: MMA1-UP

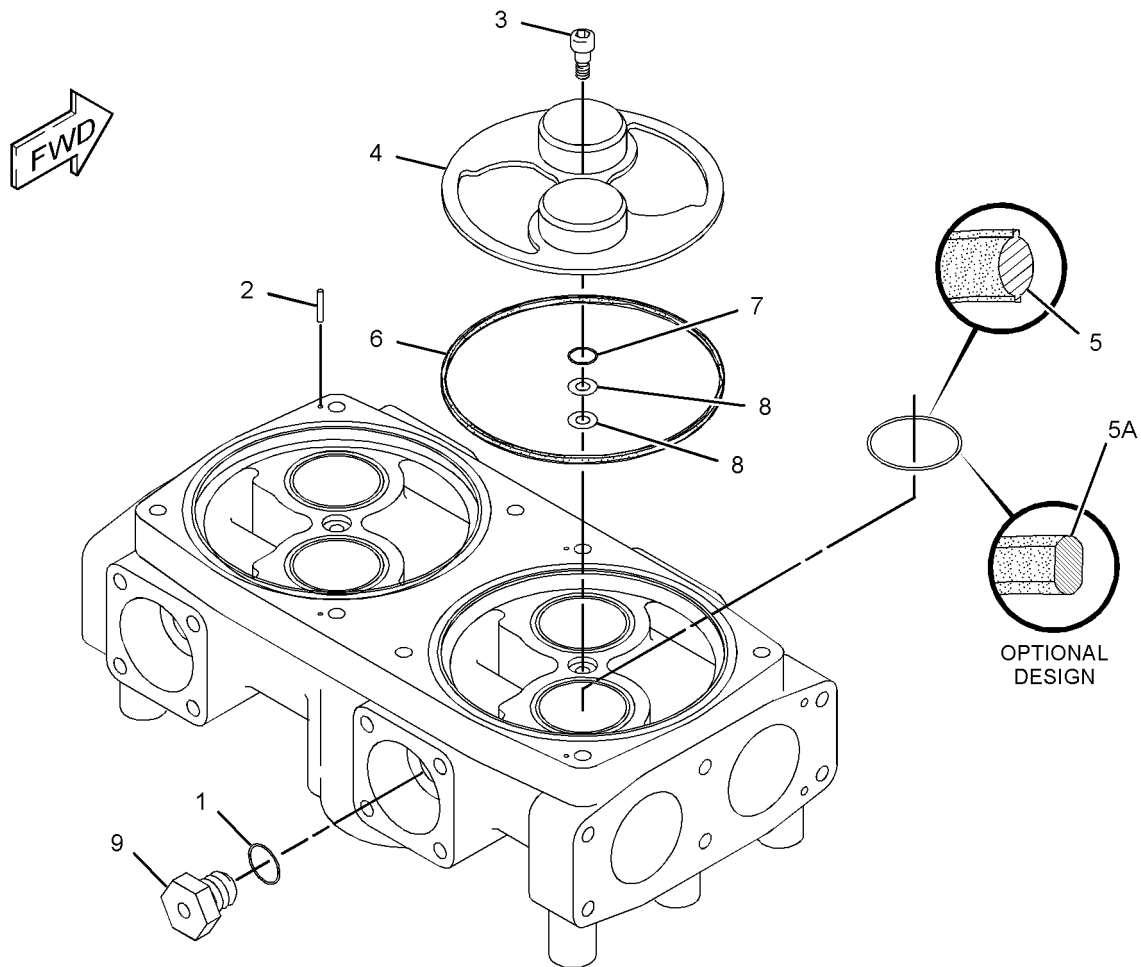
PART OF 234-4531 FILTER GP-OIL

SMCS-5068

i03529625

NOTE	REF NO	GRAPHIC REF	PART NUMBER	QTY	PART NAME						SEE PAGE
					1	2	3	4	5	6	
	1	1	3J-1907	2	SEAL-O-RING						
	2	1	7Y-5272	4	PIN-SPRING						
M	3	1	137-3626	2	BOLT-SHOULDER (M6X1X28.75-MM)						
	4	1	137-3630	2	PLATE-SLIDE						
	5	1	6V-7658	4	SEAL-O-RING						
					-OR-						
	5A	1	177-2619	4	PACKING						
	6	1	137-3631	2	PACKING						
	7	1	5L-4758	2	SEAL-O-RING						
	8	1	137-3628	2	SHIM (0.1-MM THK)						
	9	1	137-3632	2	PLUG AS						

M-METRIC PART



GRAPHIC #1

<END>

g01833730

HYDRAULIC SYSTEM

173-3503 BASE GP-OIL FILTER-HYDRAULIC

S/N: MMA1-UP

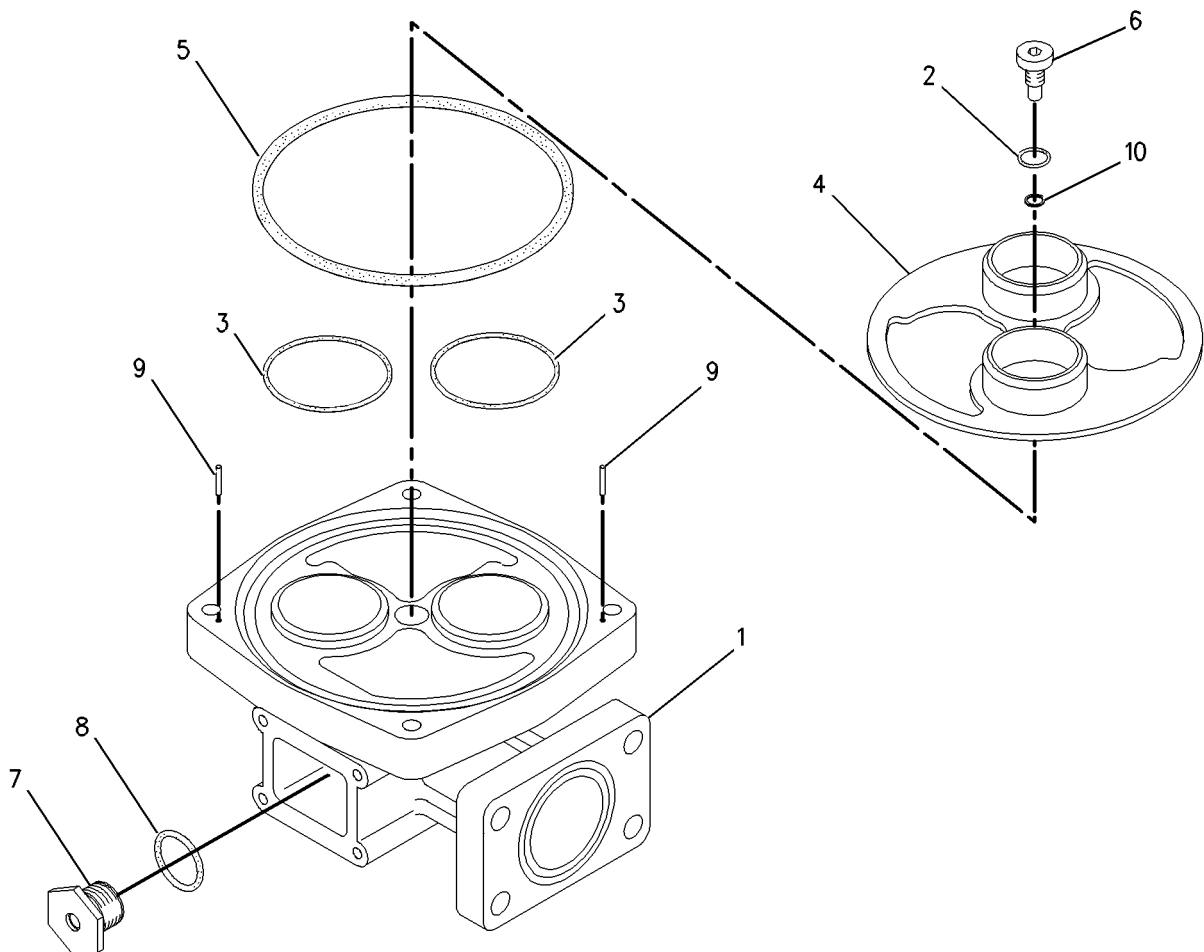
PART OF 242-6878 FILTER GP-OIL

SMCS-5068

i02553552

NOTE	REF NO	GRAPHIC REF	PART NUMBER	QTY	PART NAME						SEE PAGE
					1	2	3	4	5	6 (PRODUCT LEVEL)	
C	1	1	204-2763	1	BLOCK						
	2	1	5L-4758	1	SEAL-O-RING						
C	3	1	177-2619	2	PACKING						
	4	1	173-3505	1	PLATE-SLIDE						
	5	1	137-3631	1	PACKING						
M	6	1	137-3626	1	BOLT-SHOULDER (M6X1X28.75-MM)						
	7	1	173-3506	1	PLUG AS						
	8	1	3J-1907	1	SEAL-O-RING						
	9	1	7Y-5272	2	PIN-SPRING						
	10	1	137-3628	1	SHIM (0.1-MM THK)						

C-CHANGE FROM PREVIOUS TYPE
M-METRIC PART



GRAPHIC #1

<END>

g00669130

HYDRAULIC SYSTEM

263-3755 CONTROL AR-AUXILIARY-PEDAL, LH

S/N: MMA1-UP
AN ATTACHMENT

SMCS-5051

i02637368

NOTE	PART NUMBER	QTY	PART NAME						SEE PAGE
			1	2	3	4	5	6 (PRODUCT LEVEL)	
Y	221-8884	1	CONTROL & MTG GP-PEDAL (LH)						1088
	263-4816	1	FILM-INSTRUCTION (OPERATOR CONTROLS, READ OMM)						
Y-SEPARATE ILLUSTRATION									
<END>									

263-3762 CONTROL AR-AUXILIARY-1-SWITCH, JOYSTICK

S/N: MMA1-UP
CANNOT BE USED WITH 263-3764-PAGE 613, 263-3763-PAGE 612
AN ATTACHMENT

SMCS-5051

i02637367

NOTE	PART NUMBER	QTY	PART NAME						SEE PAGE
			1	2	3	4	5	6 (PRODUCT LEVEL)	
Y	221-8818	1	CONTROL & MTG GP-JOYSTICK (1-SWITCH)						1082
	4I-8472	1	FILM-INSTRUCTION (OPERATOR CONTROLS)						
Y-SEPARATE ILLUSTRATION									
<END>									

263-3763 CONTROL AR-AUXILIARY-4-SWITCH, JOYSTICK

S/N: MMA1-UP
AN ATTACHMENT

SMCS-5051

i02637366

NOTE	PART NUMBER	QTY	PART NAME						SEE PAGE
			1	2	3	4	5	6 (PRODUCT LEVEL)	
Y	247-5190	1	CONTROL & MTG GP-JOYSTICK (HANDLE)						1085
	263-4818	1	FILM-INFORMATION (OPERATOR CONTROLS, READ OMM)						
Y-SEPARATE ILLUSTRATION									
<END>									

HYDRAULIC SYSTEM

263-3764 CONTROL AR-AUXILIARY-JOYSTICK, THUMB SWITCH

S/N: MMA1-UP

PART OF 265-7172, 265-7175, 265-7176 CONVERSION AR
AN ATTACHMENT

SMCS-5051

i02956562

NOTE	PART NUMBER	QTY	PART NAME						SEE PAGE
			1	2	3	4	5	6 (PRODUCT LEVEL)	
Y	221-8883	1	CONTROL & MTG GP-JOYSTICK (WITH THUMB SWITCHES)						1083
B	203-3901	1	FILM-INFORMATION (OPERATOR CONTROLS, READ OMM)						
B	223-0486	1	FILM-INSTRUCTION (OPERATOR CONTROLS, AUXILIARY)						
B-USE AS REQUIRED Y-SEPARATE ILLUSTRATION									
<END>									

245-5552 CONTROL AR-FAN-REVERSING

S/N: MMA1-UP

CANNOT BE USED WITH 230-2826-PAGE 168
AN ATTACHMENT

SMCS-1386, 138R

i02582075

NOTE	PART NUMBER	QTY	PART NAME						SEE PAGE
			1	2	3	4	5	6 (PRODUCT LEVEL)	
Y	248-9358	1	DOOR GP-ACCESS						446
Y	257-4599	1	FILM GP (REVERSING FAN)						1235
Y	248-9466	1	LINES GP-MOTOR (REVERSING FAN)						709
Y	247-8833	1	MOTOR & MTG GP-HYDRAULIC FAN (REVERSING)						798
Y	245-9239	1	SCREEN GP-RADIATOR (REVERSING FAN)						169
Y	259-4916	1	WIRING GP-FAN (REVERSING)						409
Y-SEPARATE ILLUSTRATION									
<END>									

HYDRAULIC SYSTEM

210-8156 COOLER & MTG GP-HYDRAULIC OIL

S/N: MMA1-255

PART OF 222-8318 INSTALLATION AR-ENGINE

SMCS-1356, 1374, 5058

i02982789

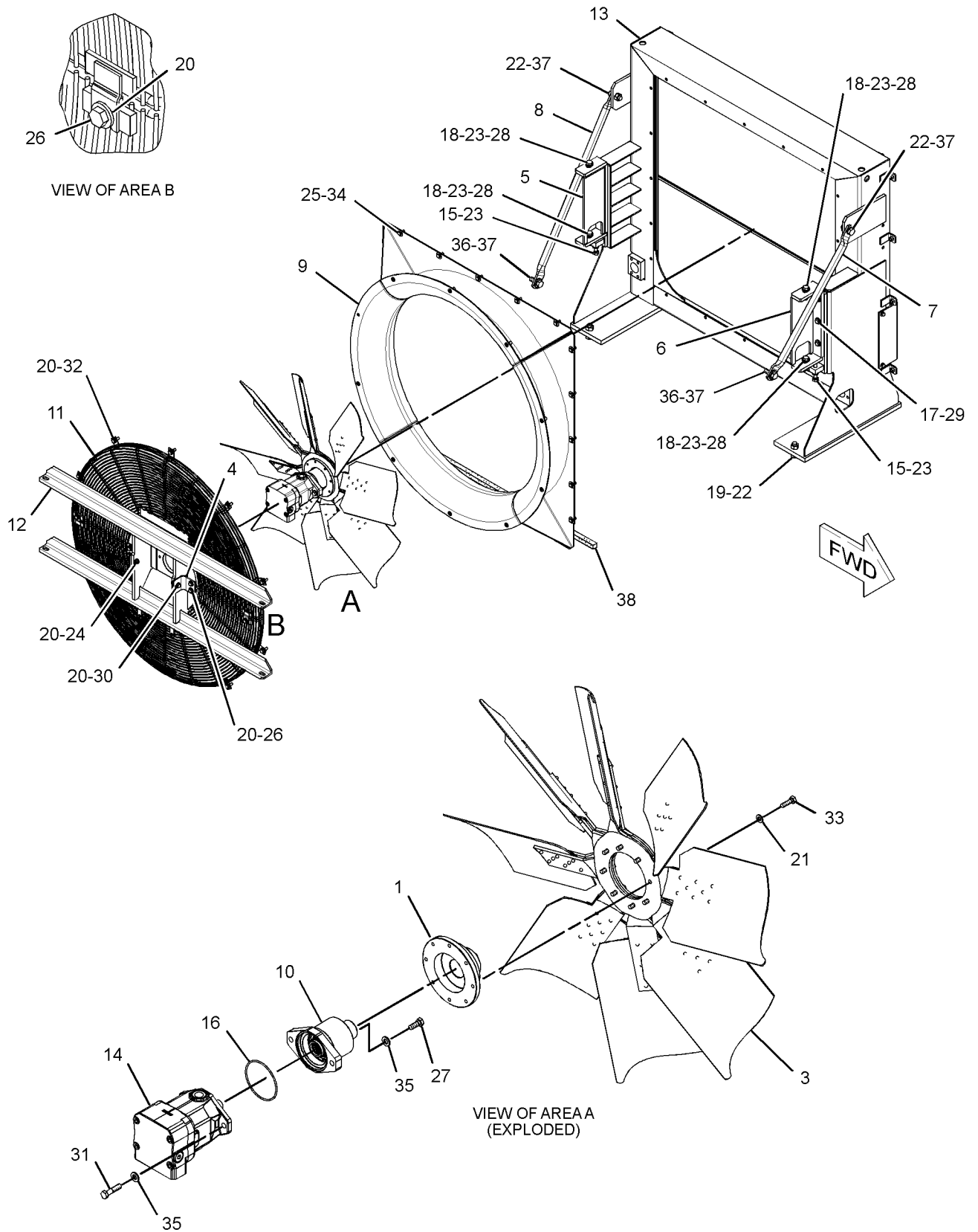
NOTE	REF NO	GRAPHIC REF	PART NUMBER	QTY	PART NAME						SEE PAGE
					1	2	3	4	5	6 (PRODUCT LEVEL)	
	1	1	139-8733	1	ADAPTER-FAN						
	3	1	139-8877	1	SPIDER AS (8-BLADE)						
	4	1	162-6357	2	PLATE						
	5	1	171-8991	1	SUPPORT AS-FAN (LH)						
	6	1	171-8995	1	SUPPORT AS-FAN (RH)						
	7	1	171-9002	1	BRACE						
	8	1	171-9003	1	BRACE						
	9	1	171-9005	1	SHROUD AS						
Y	10	1	200-3313	1	DRIVE GP-FAN						53
	11	1	201-3785	2	GUARD AS						
	12	1	204-1073	1	SUPPORT AS						
Y	13	1	210-8157	1	COOLER GP-HYDRAULIC OIL						618
YR	14	1	225-4614	1	MOTOR GP-PISTON (HYDRAULIC FAN)						806
M	15	1	136-4182	2	BOLT (M16X2X100-MM)						
	16	1	4M-0189	1	SEAL-O-RING						
	17	1	5P-1076	6	WASHER-HARD (13.5X30X4-MM THK)						
	18	1	7X-0515	8	WASHER-HARD (17X35X5-MM THK)						
M	19	1	7X-2563	4	BOLT (M20X2.5X60-MM)						
	20	1	7X-7729	20	WASHER (11X25X3-MM THK)						
	21	1	8T-4121	8	WASHER-HARD (11X21X2.5-MM THK)						
	22	1	8T-4123	6	WASHER (22X35X3.5-MM THK)						
M	23	1	8T-4132	6	NUT (M16X2-THD)						
M	24	1	8T-4133	2	NUT (M10X1.5-THD)						
M	25	1	8T-4136	20	BOLT (M10X1.5X25-MM)						
M	26	1	8T-4137	6	BOLT (M10X1.5X20-MM)						
M	27	1	8T-4139	3	BOLT (M12X1.75X30-MM)						
M	28	1	8T-4140	4	BOLT (M16X2X60-MM)						
M	29	1	8T-4183	6	BOLT (M12X1.75X40-MM)						
M	30	1	8T-4186	2	BOLT (M10X1.5X40-MM)						
M	31	1	8T-4194	2	BOLT (M12X1.75X50-MM)						
M	32	1	8T-4195	10	BOLT (M10X1.5X30-MM)						
M	33	1	8T-4196	8	BOLT (M10X1.5X35-MM)						
	34	1	8T-4222	20	WASHER-PLATED (11X32X2.5-MM THK)						
	35	1	8T-4223	5	WASHER-HARD (13.5X25.5X3-MM THK)						
	36	1	8T-5439	2	WASHER-HARD (21.5X45X6-MM THK)						
M	37	1	8T-6430	4	BOLT (M20X2.5X50-MM)						
D	38	1	5P-5649		SEAL (1.2-M)						

D-ORDER BY THE METER
M-METRIC PART
R-REMG PART MAY BE AVAILABLE
Y-SEPARATE ILLUSTRATION

HYDRAULIC SYSTEM

210-8156 COOLER & MTG GP-HYDRAULIC OIL (contd.)

i02982789



GRAPHIC #1

<END>

g01515235

HYDRAULIC SYSTEM

210-8156 COOLER & MTG GP-HYDRAULIC OIL

S/N: MMA256-UP

PART OF 222-8318 INSTALLATION AR-ENGINE

SMCS-1356, 1374, 5058

i03544881

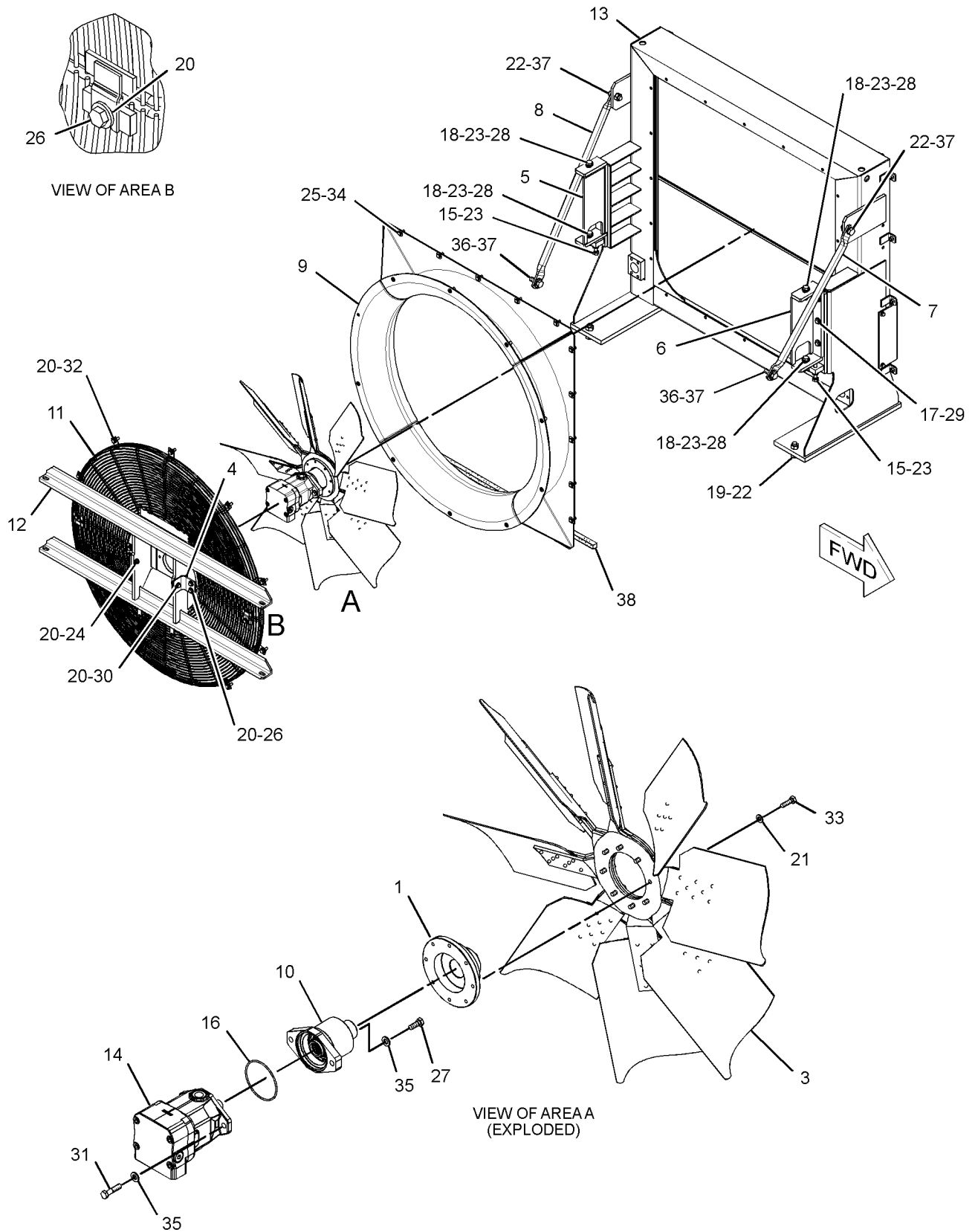
NOTE	REF NO	GRAPHIC REF	PART NUMBER	QTY	PART NAME						SEE PAGE
					1	2	3	4	5	6 (PRODUCT LEVEL)	
	1	1	139-8733	1	ADAPTER-FAN						
	3	1	139-8877	1	SPIDER AS (8-BLADE)						
	4	1	162-6357	2	PLATE						
	5	1	171-8991	1	SUPPORT AS-FAN (LH)						
	6	1	171-8995	1	SUPPORT AS-FAN (RH)						
	7	1	171-9002	1	BRACE						
	8	1	171-9003	1	BRACE						
	9	1	171-9005	1	SHROUD AS						
CY	10	1	295-9637	1	DRIVE GP-FAN						54
	11	1	201-3785	2	GUARD AS						
	12	1	204-1073	1	SUPPORT AS						
Y	13	1	210-8157	1	COOLER GP-HYDRAULIC OIL						618
YR	14	1	225-4614	1	MOTOR GP-PISTON (HYDRAULIC FAN)						806
M	15	1	136-4182	2	BOLT (M16X2X100-MM)						
	16	1	4M-0189	1	SEAL-O-RING						
	17	1	5P-1076	6	WASHER-HARD (13.5X30X4-MM THK)						
	18	1	7X-0515	8	WASHER-HARD (17X35X5-MM THK)						
M	19	1	7X-2563	4	BOLT (M20X2.5X60-MM)						
	20	1	7X-7729	20	WASHER (11X25X3-MM THK)						
	21	1	8T-4121	8	WASHER-HARD (11X21X2.5-MM THK)						
	22	1	8T-4123	6	WASHER (22X35X3.5-MM THK)						
M	23	1	8T-4132	6	NUT (M16X2-THD)						
M	24	1	8T-4133	2	NUT (M10X1.5-THD)						
M	25	1	8T-4136	20	BOLT (M10X1.5X25-MM)						
M	26	1	8T-4137	6	BOLT (M10X1.5X20-MM)						
M	27	1	8T-4139	3	BOLT (M12X1.75X30-MM)						
M	28	1	8T-4140	4	BOLT (M16X2X60-MM)						
M	29	1	8T-4183	6	BOLT (M12X1.75X40-MM)						
M	30	1	8T-4186	2	BOLT (M10X1.5X40-MM)						
M	31	1	8T-4194	2	BOLT (M12X1.75X50-MM)						
M	32	1	8T-4195	10	BOLT (M10X1.5X30-MM)						
M	33	1	8T-4196	8	BOLT (M10X1.5X35-MM)						
	34	1	8T-4222	20	WASHER-PLATED (11X32X2.5-MM THK)						
	35	1	8T-4223	5	WASHER-HARD (13.5X25.5X3-MM THK)						
	36	1	8T-5439	2	WASHER-HARD (21.5X45X6-MM THK)						
M	37	1	8T-6430	4	BOLT (M20X2.5X50-MM)						
D	38	1	5P-5649		SEAL (1.2-M)						

C-CHANGE FROM PREVIOUS TYPE
D-ORDER BY THE METER
M-METRIC PART
R-REMG PART MAY BE AVAILABLE
Y-SEPARATE ILLUSTRATION

HYDRAULIC SYSTEM

210-8156 COOLER & MTG GP-HYDRAULIC OIL (contd.)

i03544881



GRAPHIC #1

<END>

g01515235

HYDRAULIC SYSTEM

210-8157 COOLER GP-HYDRAULIC OIL

S/N: MMA1-UP

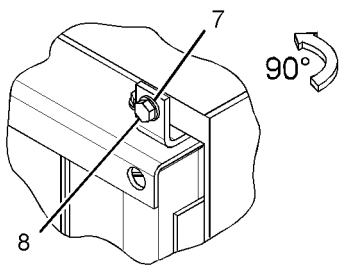
PART OF 210-8156 COOLER & MTG GP-HYDRAULIC OIL

SMCS-1374

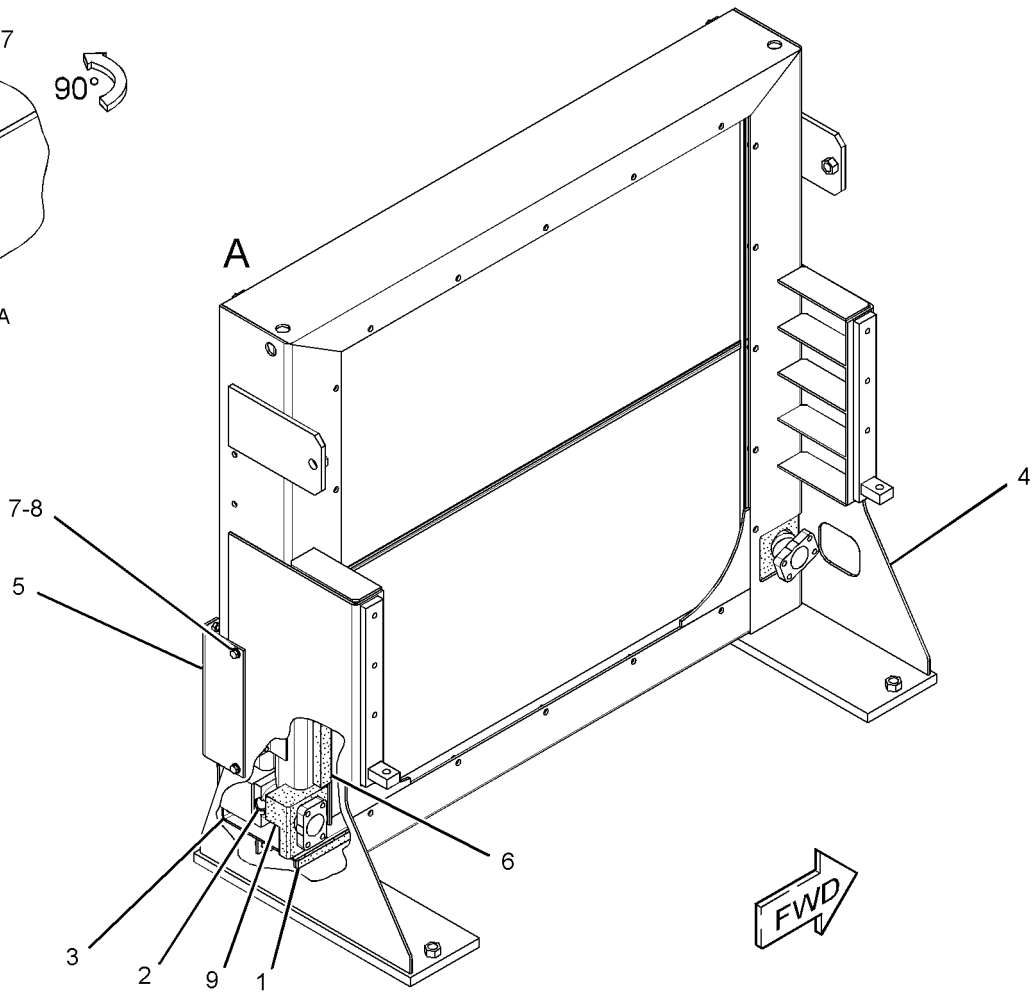
i02957730

NOTE	REF NO	GRAPHIC REF	PART NUMBER	QTY	PART NAME						SEE PAGE
					1	2	3	4	5	6 (PRODUCT LEVEL)	
	1	1	196-8137	2	SEAL						
	2	1	210-8081	2	SEAL-O-RING						
	3	1	281-3516	1	CORE AS-OIL COOLER (HYDRAULIC)						
	4	1	230-2925	1	FRAME AS						
	5	1	230-2926	2	SUPPORT AS						
	6	1	230-2927	2	SEAL						
	7	1	8T-4121	20	WASHER-HARD (11X21X2.5-MM THK)						
M	8	1	8T-4195	20	BOLT (M10X1.5X30-MM)						
	9	1	281-3517	2	SEAL						

M-METRIC PART



VIEW OF AREA A



GRAPHIC #1

<END>

g01576214

HYDRAULIC SYSTEM

196-8133 COUPLING GP-FLEXIBLE

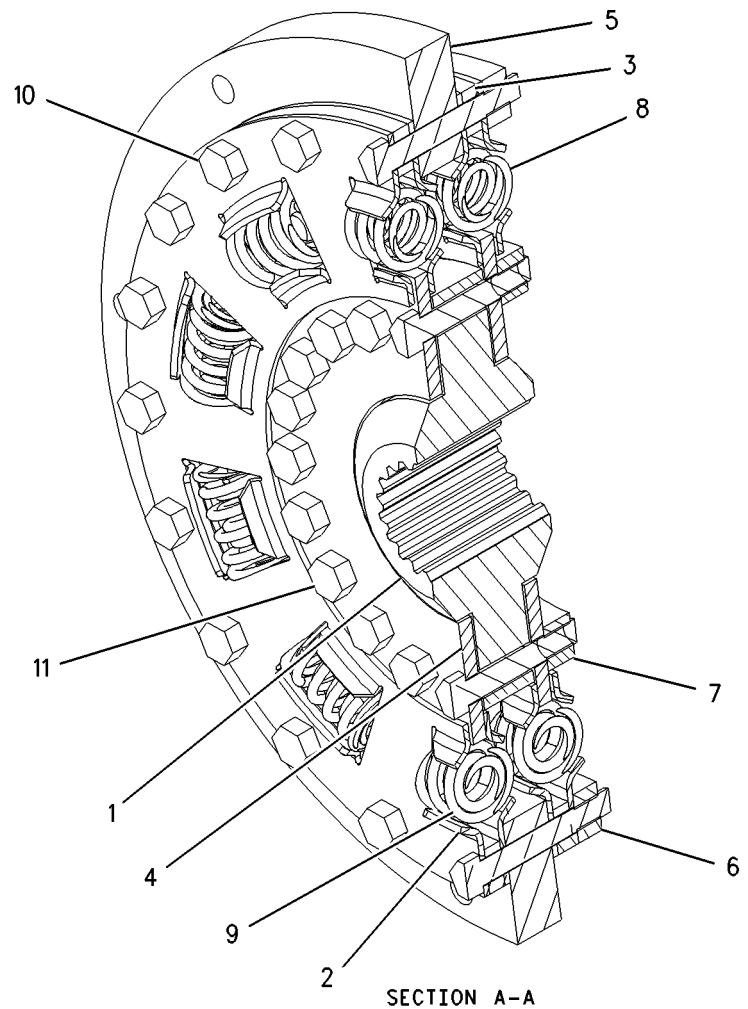
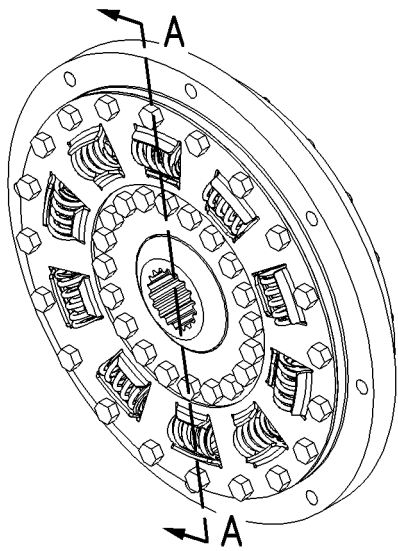
S/N: MMA253-259

PART OF 151-6646 COUPLING GP-PUMP

SMCS-3252

i01888977

NOTE	REF NO	GRAPHIC REF	PART NUMBER	QTY	PART NAME						SEE PAGE
					1	2	3	4	5	6 (PRODUCT LEVEL)	
	1	1	212-8525	1	HUB						
	2	1	212-8526	4	CAGE-SPRING						
	3	1	212-8527	2	SPACER						
	4	1	212-8528	2	PLATE						
	5	1	212-8529	1	SPACER						
	6	1	212-8530	1	SPACER						
	7	1	212-8531	1	COLLAR						
	8	1	217-5450	10	SPRING AS						
	9	1	217-5451	10	SPRING AS						
	10	1	8T-8920	20	BOLT (1/2-13X3.25 IN)						
	11	1	8T-9389	20	BOLT (1/2-13X2.75 IN)						



SECTION A-A

GRAPHIC #1

<END>

g00984297

HYDRAULIC SYSTEM

222-8374 COUPLING GP-FLEXIBLE

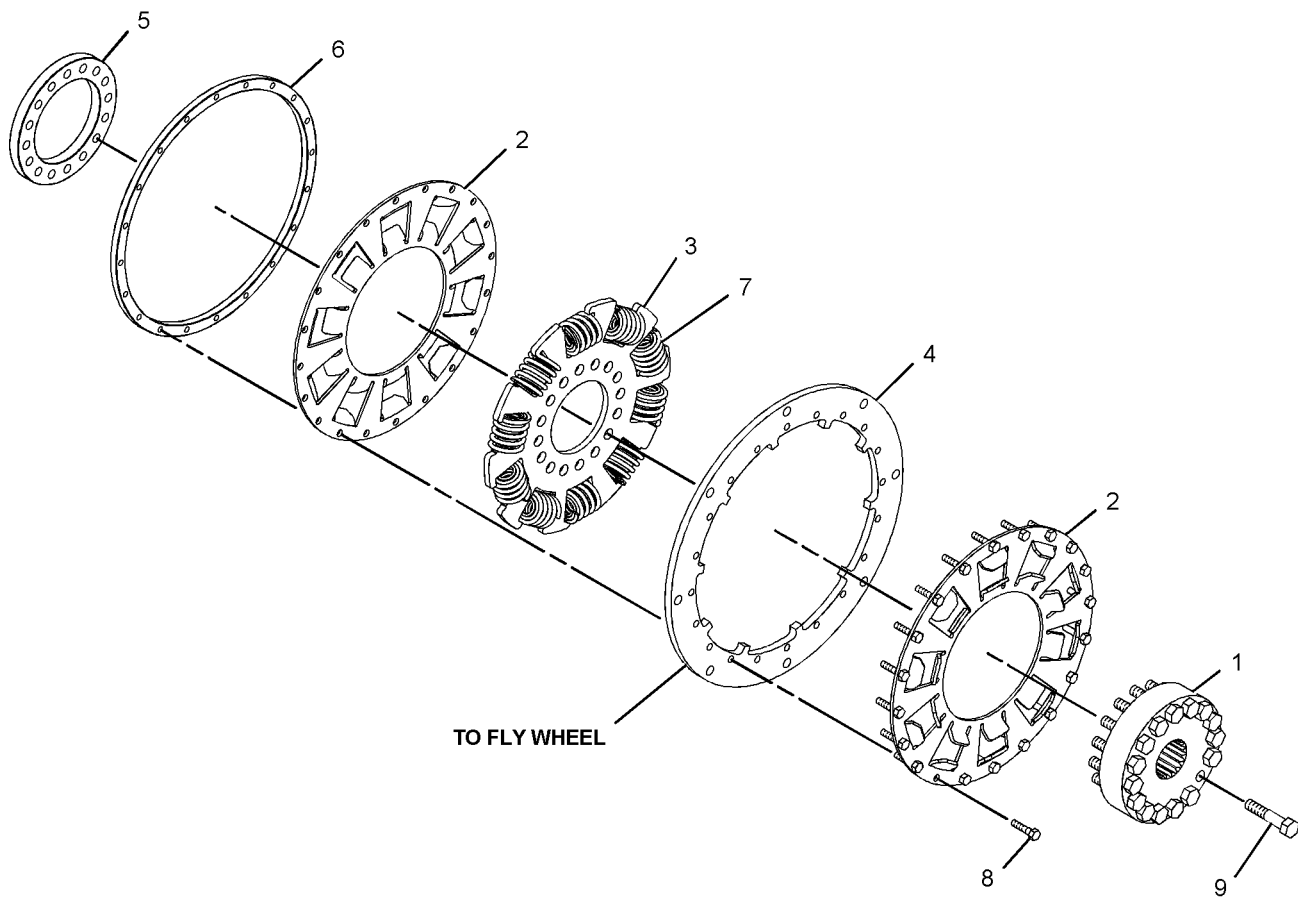
S/N: MMA1-245

PART OF 222-8317 COUPLING GP-PUMP

SMCS-3252

i02135921

NOTE	REF NO	GRAPHIC REF	PART NUMBER	QTY	PART NAME						SEE PAGE
					1	2	3	4	5	6	
	1	1	239-6415	1	HUB						
	2	1	239-6416	2	CAGE-SPRING						
	3	1	239-6417	1	PLATE						
	4	1	239-6418	1	SPACER						
	5	1	239-6419	1	COLLAR						
	6	1	239-6420	1	SPACER						
	7	1	239-6457	10	SPRING AS						
	8	1	4L-9337	20	BOLT (3/8-16X1.5-IN)						
	9	1	7X-0349	16	BOLT (5/8-11X3-IN)						



GRAPHIC #1

<END>

g01087252

HYDRAULIC SYSTEM

266-6305 COUPLING GP-FLEXIBLE

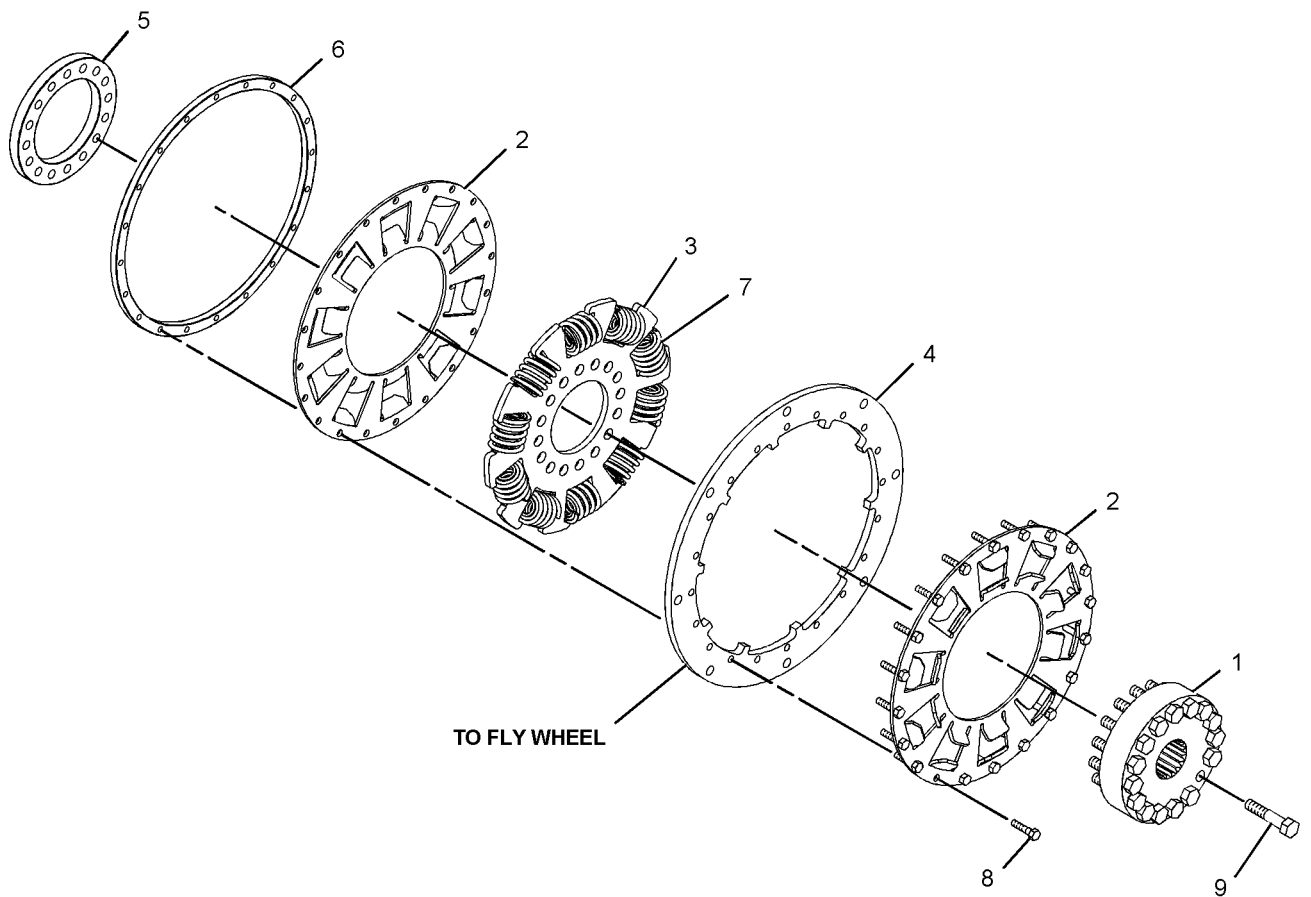
S/N: MMA246-252

PART OF 222-8317 COUPLING GP-PUMP

SMCS-3252

i02455652

NOTE	REF NO	GRAPHIC REF	PART NUMBER	QTY	PART NAME						SEE PAGE
					1	2	3	4	5	6 (PRODUCT LEVEL)	
	1	1	239-6415	1	HUB						
	2	1	239-6416	2	CAGE-SPRING						
	3	1	239-6417	1	PLATE						
	4	1	239-6418	1	SPACER						
	5	1	239-6419	1	COLLAR						
	6	1	239-6420	1	SPACER						
	7	1	266-6343	10	SPRING AS						
	8	1	4L-9337	20	BOLT (3/8-16X1.5-IN)						
	9	1	7X-0349	16	BOLT (5/8-11X3-IN)						



GRAPHIC #1

<END>

g01087252

HYDRAULIC SYSTEM

310-9714 COUPLING GP-FLEXIBLE

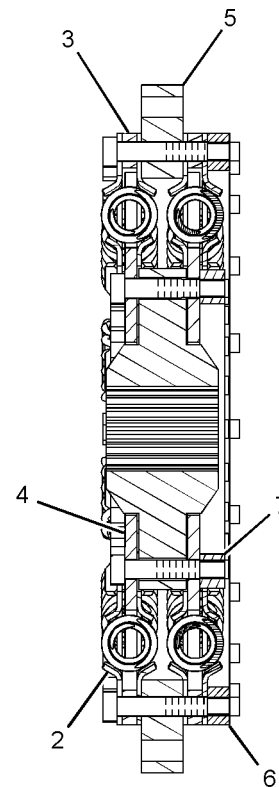
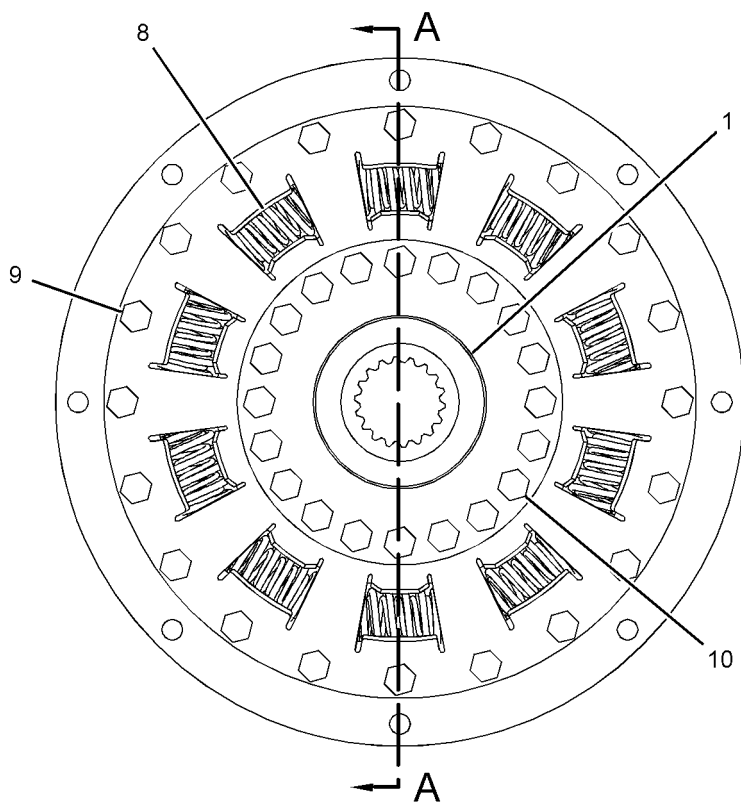
S/N: MMA260-UP

PART OF 151-6646 COUPLING GP-PUMP

SMCS-3252

i03005781

NOTE	REF NO	GRAPHIC REF	PART NUMBER	QTY	PART NAME						SEE PAGE
					1	2	3	4	5	6 (PRODUCT LEVEL)	
	1	1	212-8525	1	HUB						
	2	1	212-8526	4	CAGE-SPRING						
	3	1	212-8527	2	SPACER						
	4	1	212-8528	2	PLATE						
	5	1	212-8529	1	SPACER						
	6	1	212-8530	1	SPACER						
	7	1	212-8531	1	COLLAR						
	8	1	217-5450	20	SPRING AS						
	9	1	8T-8920	20	BOLT (1/2-13X3.25-IN)						
	10	1	8T-9389	20	BOLT (1/2-13X2.75-IN)						



SECTION A-A

GRAPHIC #1

<END>

g01523241

HYDRAULIC SYSTEM

151-6646 COUPLING GP-PUMP

S/N: MMA253-259

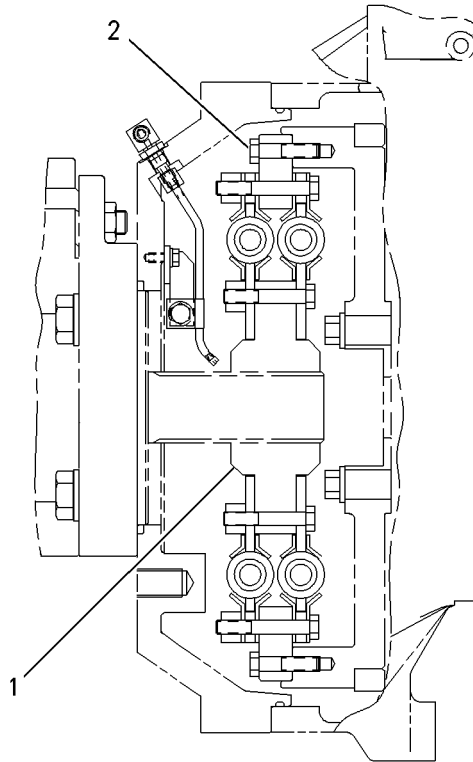
PART OF 222-8316 PUMP & MTG GP-MAIN HYDRAULIC

SMCS-5062

i02778873

NOTE	REF NO	GRAPHIC REF	PART NUMBER	QTY	PART NAME						SEE PAGE
					1	2	3	4	5	6 (PRODUCT LEVEL)	
Y	1	1	196-8133	1	COUPLING GP-FLEXIBLE						619
	2	1	8T-4835	8	BOLT (1/2-13X2-IN)						

Y-SEPARATE ILLUSTRATION



GRAPHIC #1

<END>

g00848912

HYDRAULIC SYSTEM

151-6646 COUPLING GP-PUMP

S/N: MMA260-UP

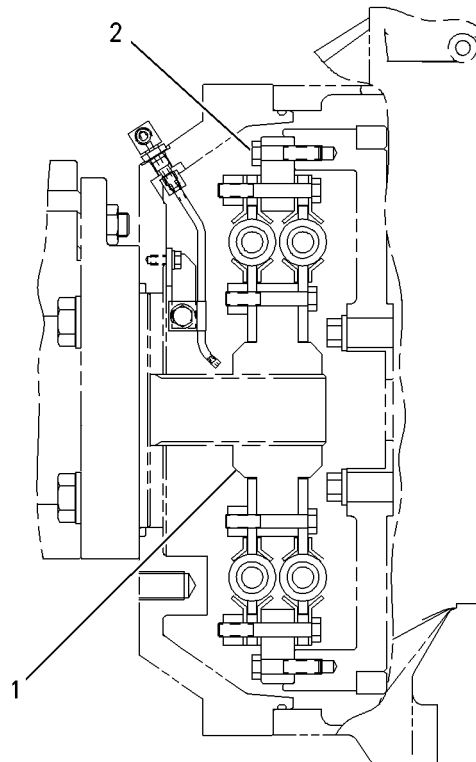
PART OF 222-8316 PUMP & MTG GP-MAIN HYDRAULIC

SMCS-5062

i03084992

NOTE	REF NO	GRAPHIC REF	PART NUMBER	QTY	PART NAME						SEE PAGE
					1	2	3	4	5	6 (PRODUCT LEVEL)	
CY	1	1	310-9714	1	COUPLING GP-FLEXIBLE						622
	2	1	8T-4835	8	BOLT (1/2-13X2-IN)						

C-CHANGE FROM PREVIOUS TYPE
Y-SEPARATE ILLUSTRATION



GRAPHIC #1

<END>

g00848912

HYDRAULIC SYSTEM

222-8317 COUPLING GP-PUMP

S/N: MMA1-245

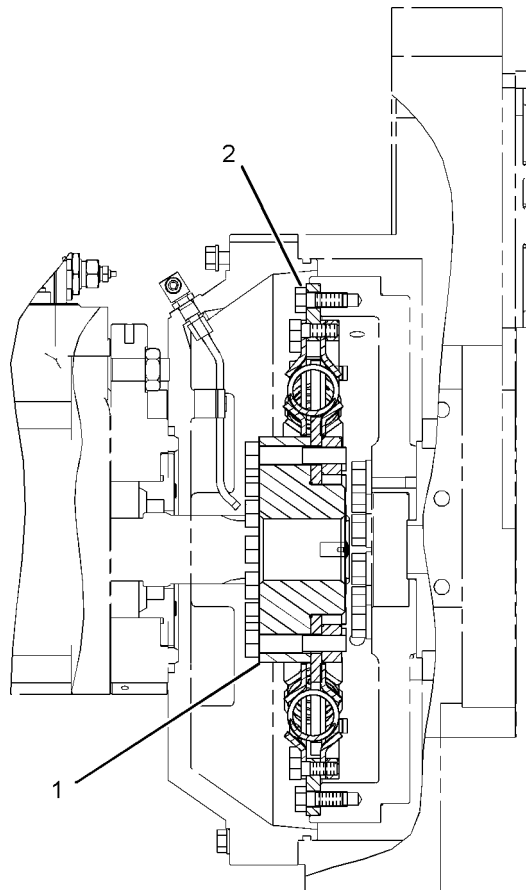
PART OF 222-8316 PUMP & MTG GP-MAIN HYDRAULIC

SMCS-5062

i02135434

NOTE	REF NO	GRAPHIC REF	PART NUMBER	QTY	PART NAME						SEE PAGE
					1	2	3	4	5	6 (PRODUCT LEVEL)	
Y	1	1	222-8374	1	COUPLING GP-FLEXIBLE						620
	2	1	8T-8917	8	BOLT (1/2-13X1.25-IN)						

Y-SEPARATE ILLUSTRATION



GRAPHIC #1

<END>

g01085474

HYDRAULIC SYSTEM

222-8317 COUPLING GP-PUMP

S/N: MMA246-252

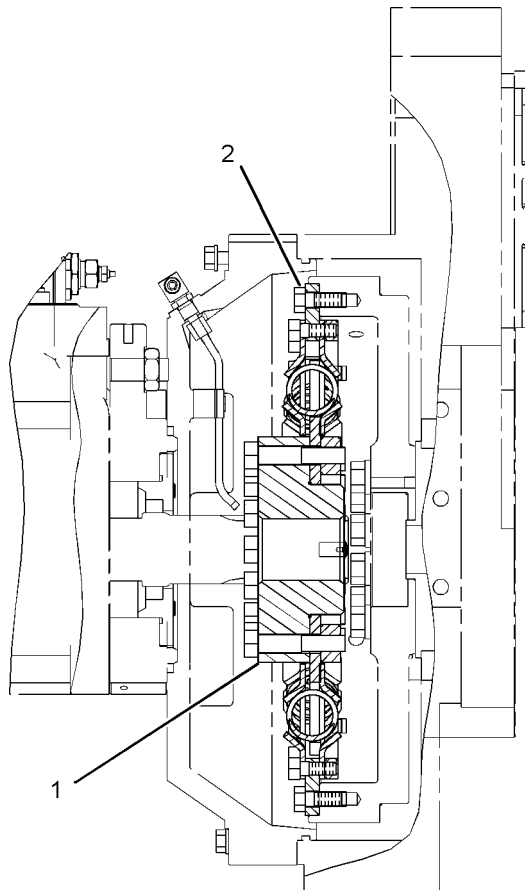
PART OF 222-8316 PUMP & MTG GP-MAIN HYDRAULIC

SMCS-5062

i02460335

NOTE	REF NO	GRAPHIC REF	PART NUMBER	QTY	PART NAME						SEE PAGE
					1	2	3	4	5	6 (PRODUCT LEVEL)	
CY	1	1	266-6305	1	COUPLING GP-FLEXIBLE						621
	2	1	8T-8917	8	BOLT (1/2-13X1.25-IN)						

C-CHANGE FROM PREVIOUS TYPE
Y-SEPARATE ILLUSTRATION



GRAPHIC #1

<END>

g01085474

HYDRAULIC SYSTEM

185-0164 CYLINDER & SEAL GP-BOOM

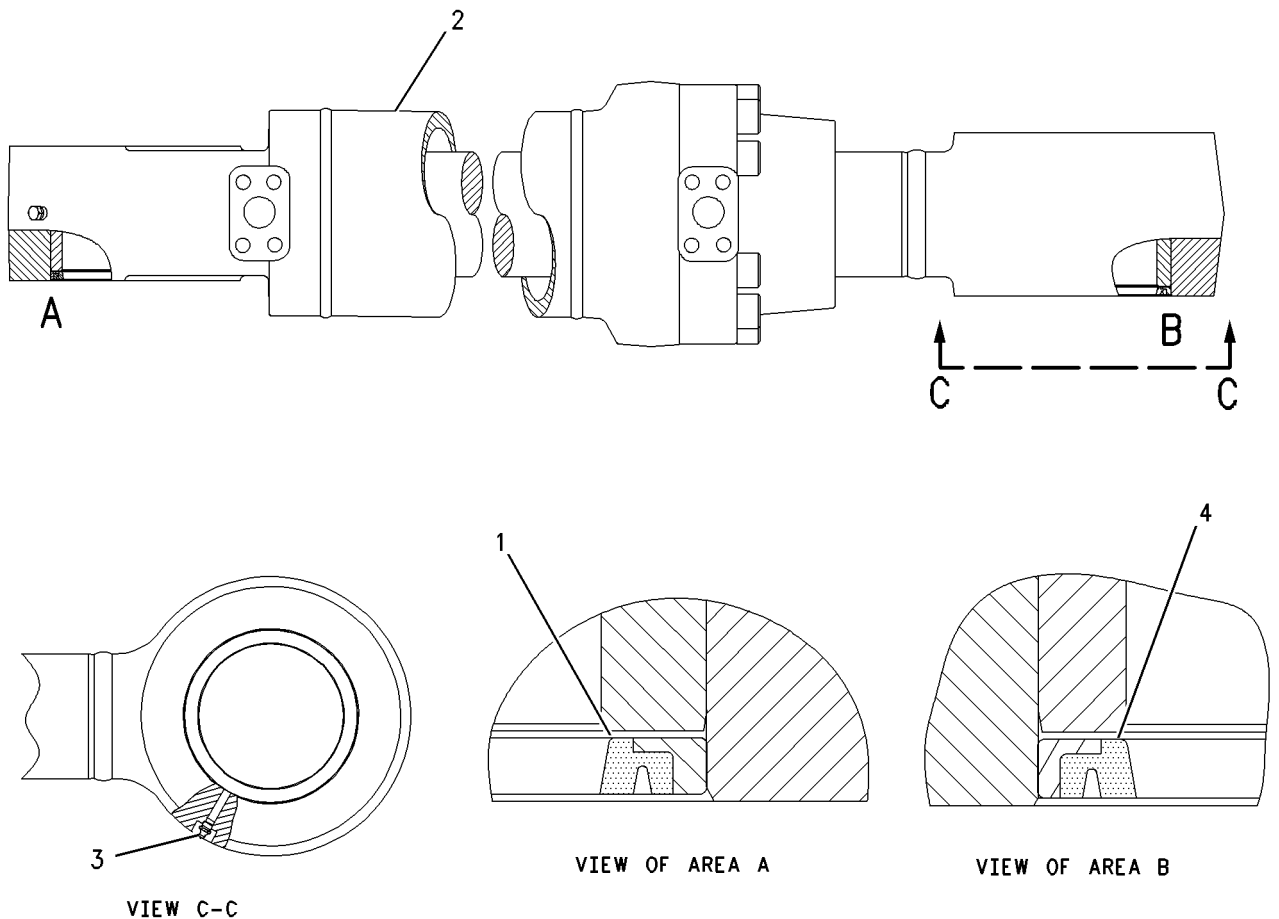
S/N: MMA1-UP
PART OF 265-7177 SHOVEL AR-FRONT
AN ATTACHMENT

SMCS-5456

i01541149

NOTE	REF NO	GRAPHIC REF	PART NUMBER	QTY	PART NAME						SEE PAGE
					1	2	3	4	5	6 (PRODUCT LEVEL)	
	1	1	9X-4600	2	SEAL-LIP TYPE						
Y	2	1	185-0165	1	CYLINDER GP-BOOM						632
	3	1	3B-8489	1	FITTING-GREASE						
	4	1	113-5950	2	SEAL-LIP TYPE						

Y-SEPARATE ILLUSTRATION



GRAPHIC #1

<END>

g00806890

HYDRAULIC SYSTEM

105-7484 CYLINDER & SEAL GP-BUCKET

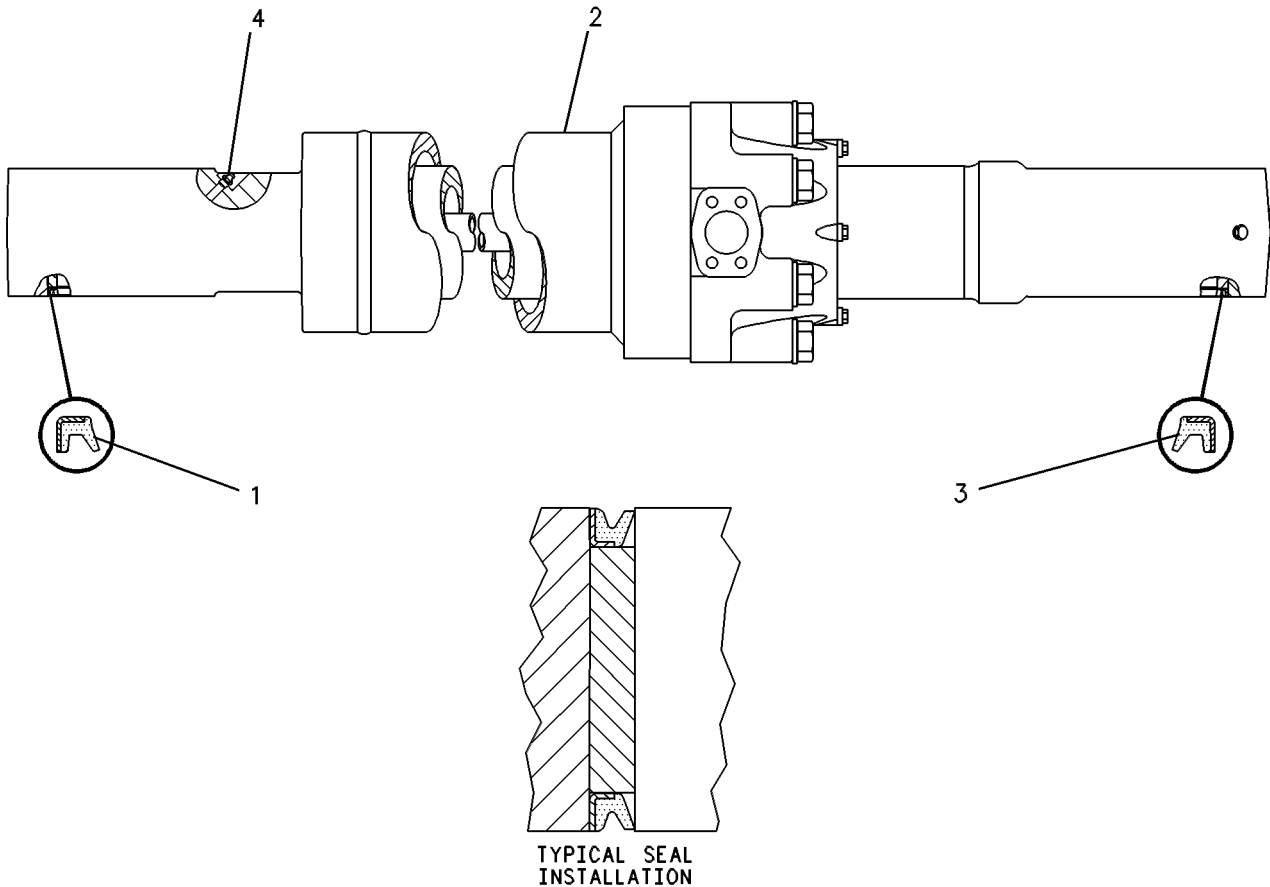
S/N: MMA1-UP
PART OF 265-7177 SHOVEL AR-FRONT
AN ATTACHMENT

SMCS-5457

i01062614

NOTE	REF NO	GRAPHIC REF	PART NUMBER	QTY	PART NAME						SEE PAGE
					1	2	3	4	5	6 (PRODUCT LEVEL)	
	1	1	9X-4599	2	SEAL-LIP TYPE						
Y	2	1	105-7485	1	CYLINDER GP-BUCKET						634
	3	1	9X-4600	2	SEAL-LIP TYPE						
	4	1	3B-8489	1	FITTING-GREASE						

Y-SEPARATE ILLUSTRATION



GRAPHIC #1

<END>

g00238622

HYDRAULIC SYSTEM

121-1512 CYLINDER & SEAL GP-BUCKET

S/N: MMA1-UP

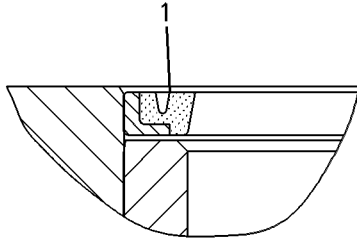
PART OF 220-1594, 235-4944, 241-6607, 241-6624, 241-6640, 267-5384,
267-5394, 267-5408, 267-5417, 267-5425, 267-5427 BUCKET AR-FRONT SHOVEL
AN ATTACHMENT

SMCS-5457

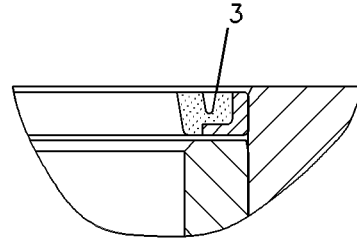
i02728671

NOTE	REF NO	GRAPHIC REF	PART NUMBER	QTY	PART NAME						SEE PAGE
					1	2	3	4	5	6 (PRODUCT LEVEL)	
	1	1	9X-4597	2	SEAL-LIP TYPE						
Y	2	1	121-1518	1	CYLINDER GP-BUCKET						636
	3	1	7X-4803	2	SEAL-LIP TYPE						
	4	1	3B-8489	2	FITTING-GREASE						

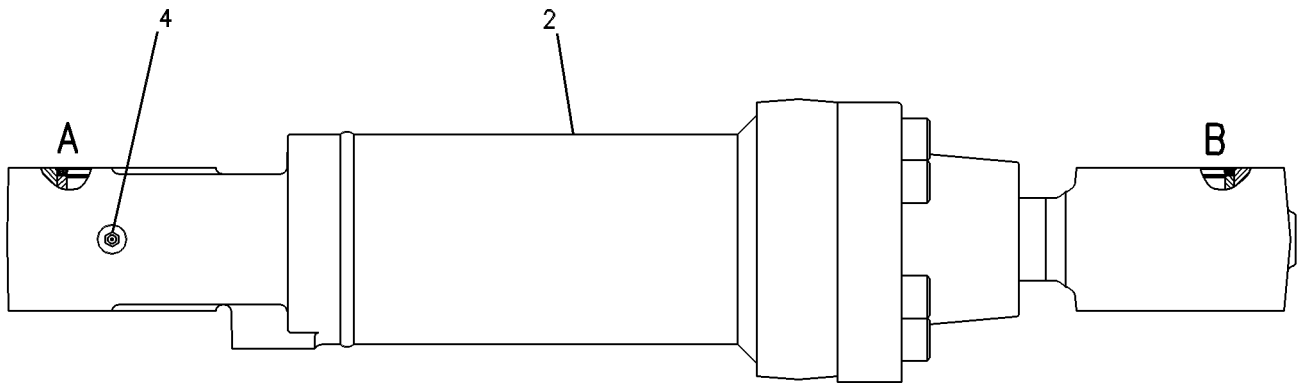
Y-SEPARATE ILLUSTRATION



VIEW OF AREA A



VIEW OF AREA B



GRAPHIC #1

<END>

g00252680

HYDRAULIC SYSTEM

4I-5692 CYLINDER & SEAL GP-MASTER

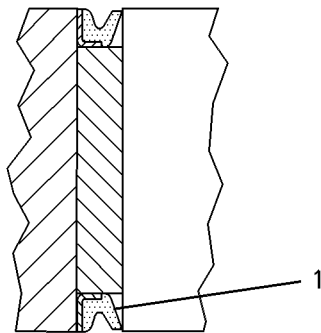
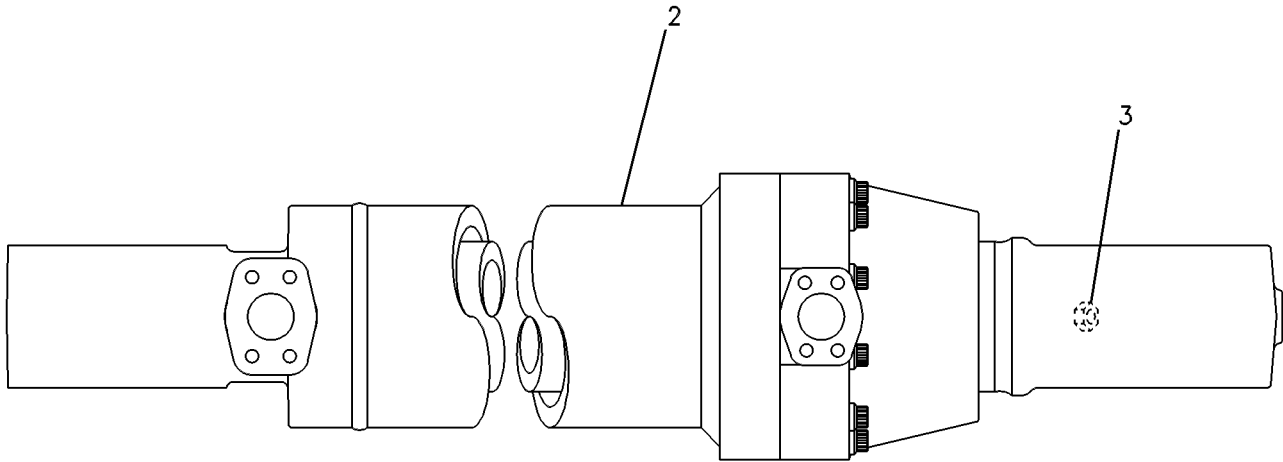
S/N: MMA1-UP
PART OF 265-7177 SHOVEL AR-FRONT
AN ATTACHMENT

SMCS-5470

i01062611

NOTE	REF NO	GRAPHIC REF	PART NUMBER	QTY	PART NAME						SEE PAGE
					1	2	3	4	5	6 (PRODUCT LEVEL)	
	1	1	7X-4803	4	SEAL-LIP TYPE						
Y	2	1	4I-5693	1	CYLINDER GP-MASTER						638
	3	1	3B-8489	1	FITTING-GREASE						

Y-SEPARATE ILLUSTRATION



TYPICAL SEAL
INSTALLATION

GRAPHIC #1

<END>

g00238594

HYDRAULIC SYSTEM

4I-7735 CYLINDER & SEAL GP-STICK

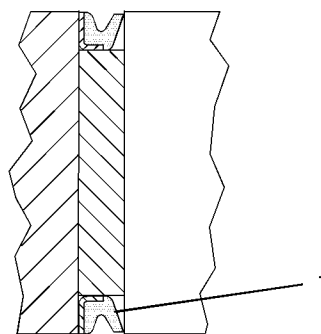
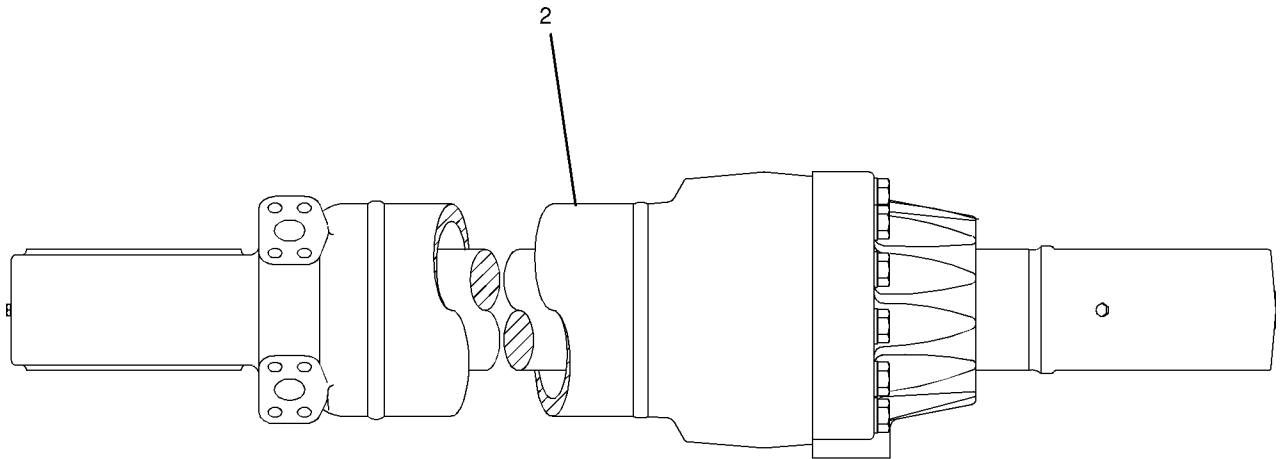
S/N: MMA1-UP
PART OF 265-7177 SHOVEL AR-FRONT
AN ATTACHMENT

SMCS-5458

i02023783

NOTE	REF NO	GRAPHIC REF	PART NUMBER	QTY	PART NAME						SEE PAGE
					1	2	3	4	5	6 (PRODUCT LEVEL)	
	1	1	9X-4600	4	SEAL-LIP TYPE						
CY	2	1	209-2917	1	CYLINDER GP-STICK						640

C-CHANGE FROM PREVIOUS TYPE
Y-SEPARATE ILLUSTRATION



TYPICAL SEAL
INSTALLATION
<END>

GRAPHIC #1

g01044901

HYDRAULIC SYSTEM

185-0165 CYLINDER GP-BOOM

S/N: MMA1-UP

180-MM (7.1-IN) BORE X 1415-MM (55.7-IN) STROKE

PART OF 185-0164 CYLINDER & SEAL GP-BOOM

AN ATTACHMENT

SMCS-5456

i03628917

NOTE	REF NO	GRAPHIC REF	PART NUMBER	QTY	PART NAME						SEE PAGE
					1	2	3	4	5	6 (PRODUCT LEVEL)	
R	1	1	188-4075	1	CYLINDER AS						
	1A	1	6E-0787	1	BEARING-SLEEVE						
M	2	1	087-5385	1	LOCKNUT						
J	3	1	143-8138	2	RING						
J	4	1	9X-3610	1	SEAL AS						
J	5	1	147-5787	1	RING						
	6	1	143-8137	1	PISTON						
J	7	1	095-1728	1	SEAL-O-RING						
J	8	1	087-5391	1	RING-BACKUP						
	9	1	087-5395	1	HEAD						
	10	1	188-4082	1	ROD AS						
	10A	1	172-2997	1	BEARING-SLEEVE						
	11	1	087-5393	1	RING-RETAINING						
	12	1	114-0763	1	BEARING-SLEEVE						
J	13	1	170-9850	1	SEAL-BUFFER						
J	14	1	216-0008	1	SEAL-U-CUP						
J	15	1	087-5397	1	RING-BACKUP						
M	16	1	167-2491	1	SEAL-WIPER						
M	17	1	7Y-5239	10	BOLT-SOCKET HEAD (M24X3X100-MM)						
AVAILABLE REPAIR KIT(S):											
J			215-9996	1	KIT-SEAL (CYLINDER) (BOOM)						

J-KIT MARKED J SERVICES PARTS MARKED J

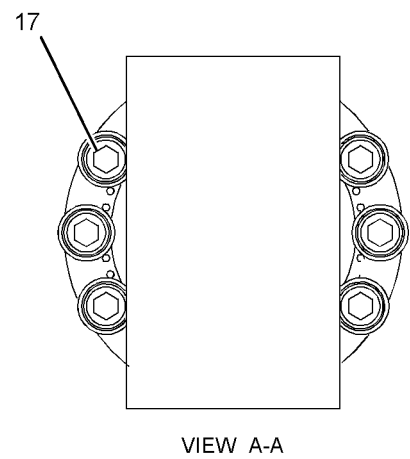
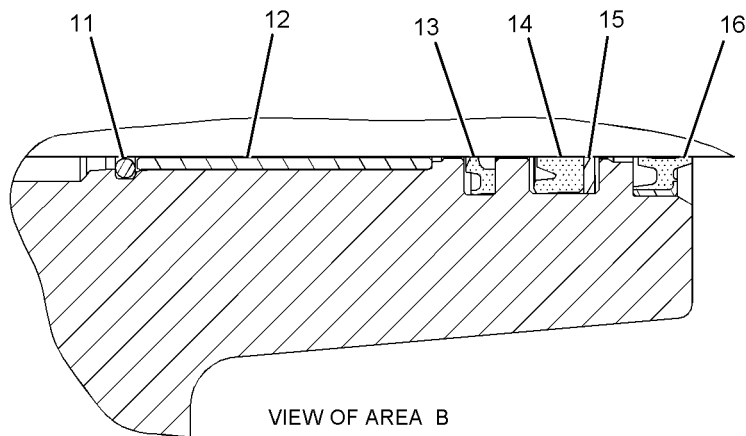
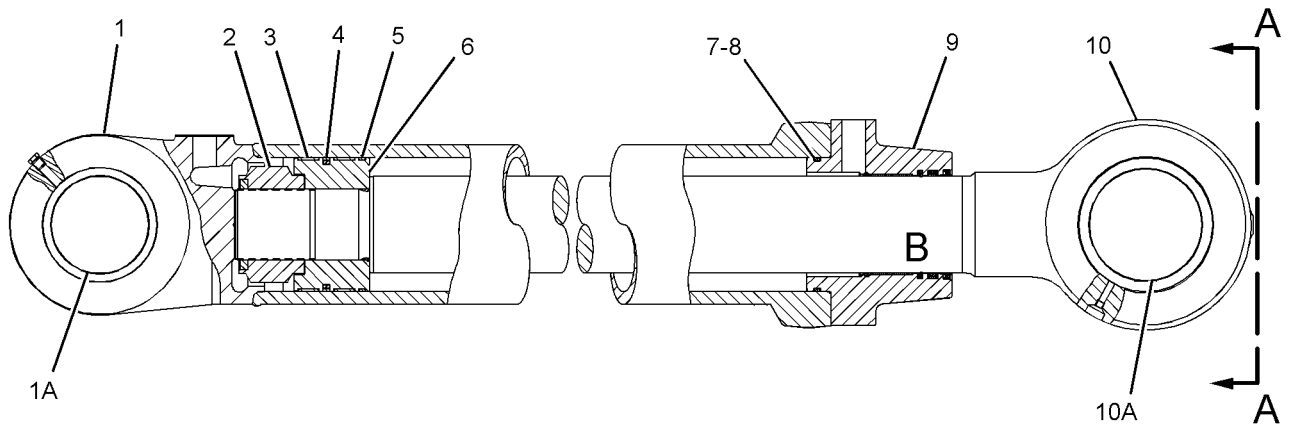
M-METRIC PART

R-REMG PART MAY BE AVAILABLE

HYDRAULIC SYSTEM

185-0165 CYLINDER GP-BOOM (contd.)

i03628917



GRAPHIC #1

<END>

g01125462

HYDRAULIC SYSTEM

105-7485 CYLINDER GP-BUCKET

S/N: MMA1-UP

178-MM (7-IN) BORE X 1810-MM (71.3-IN) STROKE

PART OF 105-7484 CYLINDER & SEAL GP-BUCKET

AN ATTACHMENT

SMCS-5457

i03624910

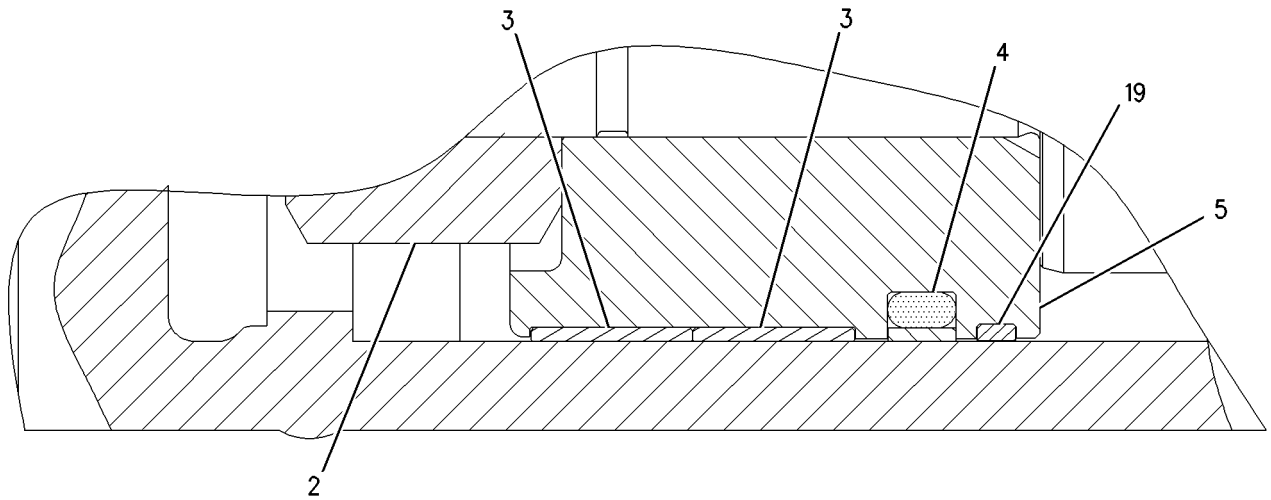
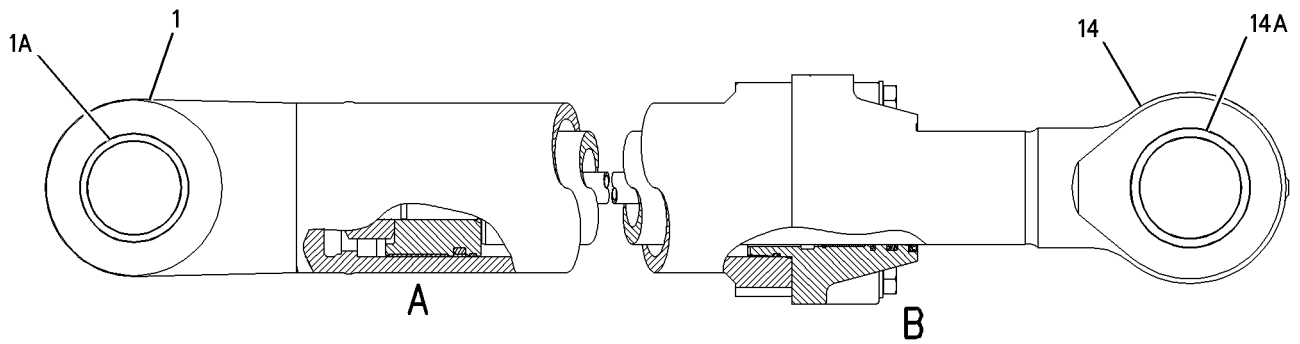
NOTE	REF NO	GRAPHIC REF	PART NUMBER	QTY	PART NAME						SEE PAGE
					1	2	3	4	5	6 (PRODUCT LEVEL)	
R	1	1	105-7486	1	CYLINDER AS						
	1A	1	9T-8511	1	BEARING-SLEEVE						
	2	1	7J-9250	1	LOCKNUT (3-1/4X12-THD)						
J	3	1	8M-4228	2	RING-WEAR						
J	4	1	8T-1789	1	SEAL AS						
	5	1	4I-3919	1	PISTON						
J	6	1	8J-1665	1	SEAL-O-RING						
J	7	1	8J-1666	1	RING-BACKUP						
J	8	1	8T-8380	1	SEAL-HEAD						
	9	1	121-1600	1	HEAD						
	10	1	121-1607	1	BEARING-SLEEVE						
J	11	1	121-1601	1	SEAL-BUFFER						
J	12	1	121-1602	1	SEAL-U-CUP						
J	13	1	121-1604	1	SEAL-LIP TYPE						
R	14	1	105-7490	1	ROD AS						
	14A	1	6E-0787	1	BEARING-SLEEVE						
	15	1	121-1606	1	RING-RETAINING						
J	16	1	121-1603	1	RING-BACKUP						
	17	1	9F-6936	8	BOLT (1-8X6-IN)						
	18	1	5P-8250	8	WASHER (28X49X5-MM THK)						
J	19	1	5I-8589	1	RING						
					AVAILABLE REPAIR KIT(S):						
J			121-1605	1	KIT-SEAL (BUCKET CYLINDER)						

J-KIT MARKED J SERVICES PARTS MARKED J
R-REMG PART MAY BE AVAILABLE

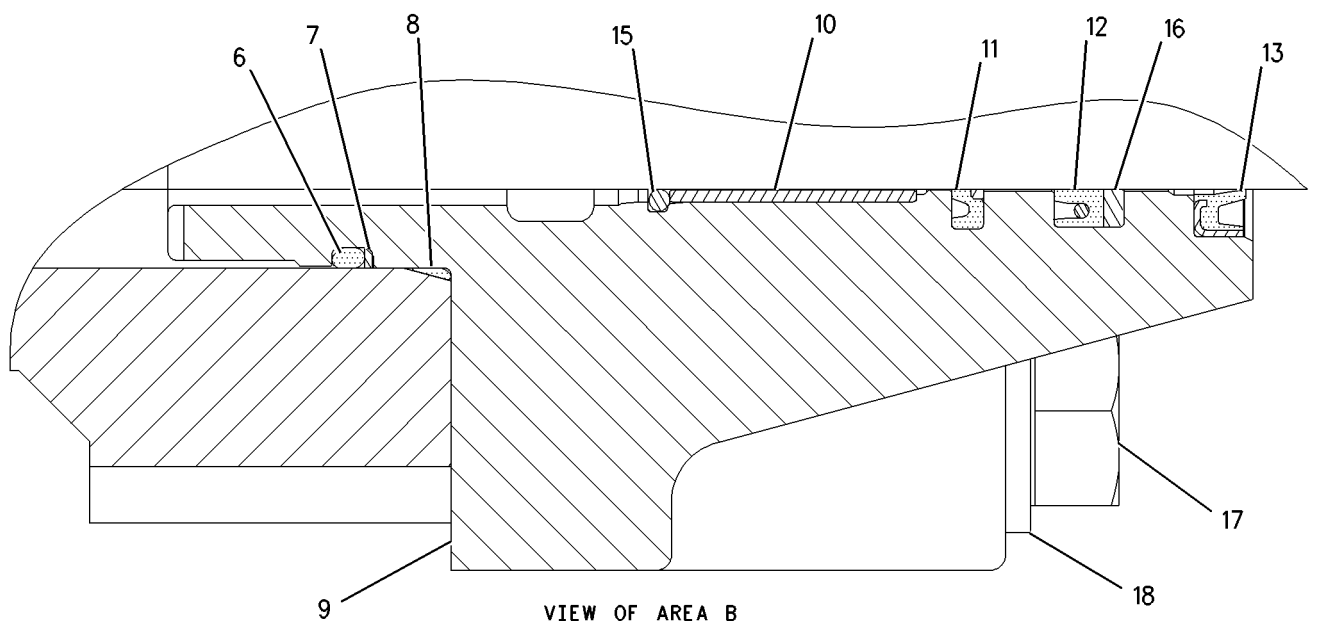
HYDRAULIC SYSTEM

105-7485 CYLINDER GP-BUCKET (contd.)

i03624910



VIEW OF AREA A



VIEW OF AREA B

GRAPHIC #1

<END>

g00894915

HYDRAULIC SYSTEM

121-1518 CYLINDER GP-BUCKET

S/N: MMA1-UP

160-MM (6.3-IN) BORE X 275-MM (10.8-IN) STROKE

PART OF 121-1512 CYLINDER & SEAL GP-BUCKET

AN ATTACHMENT

SMCS-5457

i03624911

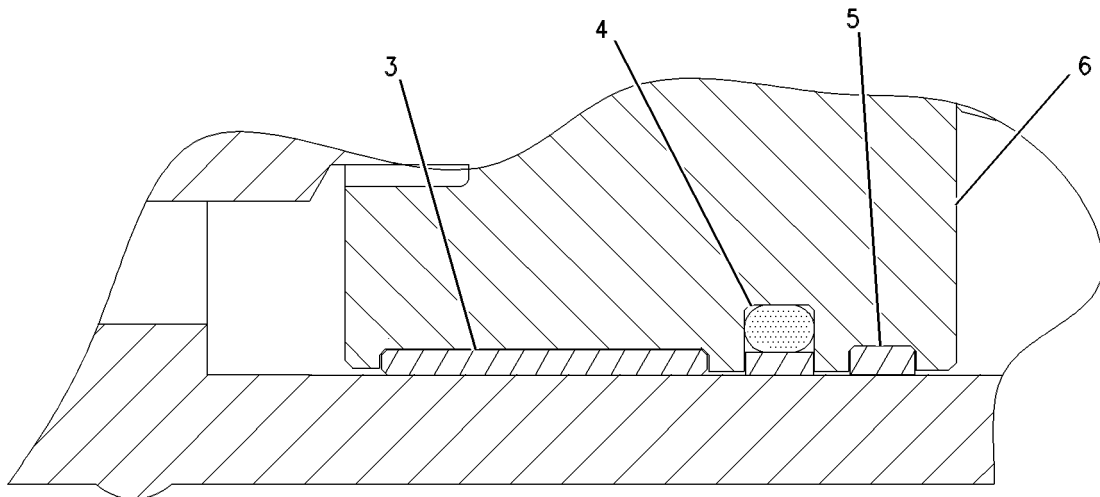
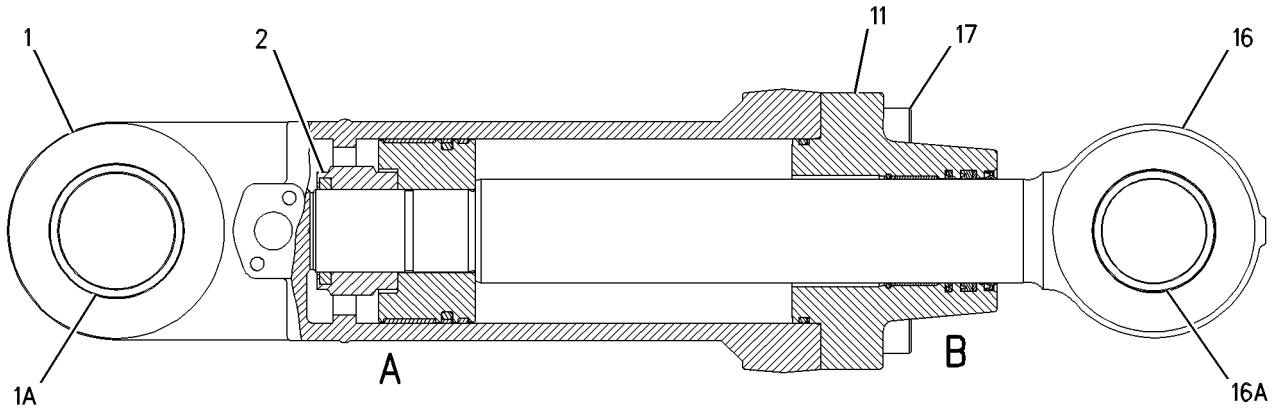
NOTE	REF NO	GRAPHIC REF	PART NUMBER	QTY	PART NAME						SEE PAGE
					1	2	3	4	5	6 (PRODUCT LEVEL)	
	1	1	121-1519	1	CYLINDER AS						
	1A	1	7Y-2397	1	BEARING-SLEEVE						
	2	1	7Y-4622	1	LOCKNUT (SPECIAL)						
J	3	1	118-3944	1	RING						
J	4	1	9X-3604	1	SEAL AS						
J	5	1	096-3201	1	RING						
	6	1	121-1525	1	PISTON						
J	7	1	095-1635	1	SEAL-O-RING						
J	8	1	087-5550	1	RING-BACKUP						
	9	1	093-1571	1	RING-RETAINING						
	10	1	121-1574	1	BEARING-SLEEVE						
	11	1	121-1509	1	HEAD						
J	12	1	170-9845	1	SEAL-BUFFER						
J	13	1	216-0003	1	SEAL-U-CUP						
J	14	1	096-1588	1	RING-BACKUP						
J	15	1	165-9287	1	SEAL-LIP TYPE						
R	16	1	121-1523	1	ROD AS						
	16A	1	7Y-5102	1	BEARING-SLEEVE						
M	17	1	7Y-5215	8	BOLT-SOCKET HEAD (M24X3X90-MM)						
AVAILABLE REPAIR KIT(S) :											
J			252-6101	1	KIT-SEAL (BUCKET CYLINDER)						

J-KIT MARKED J SERVICES PARTS MARKED J
M-METRIC PART
R-REMG PART MAY BE AVAILABLE

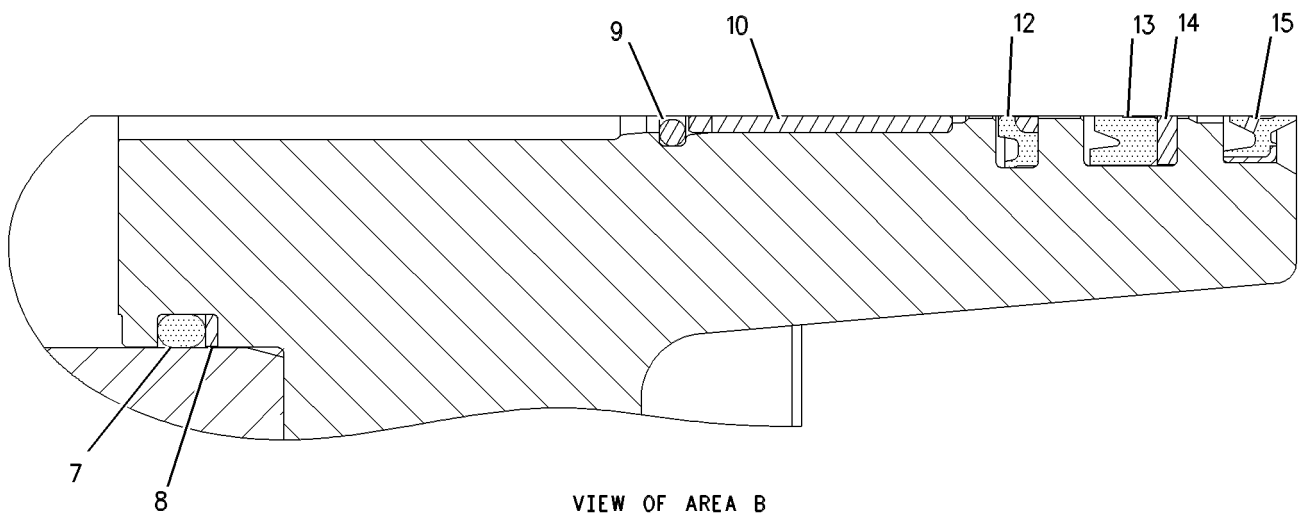
HYDRAULIC SYSTEM

121-1518 CYLINDER GP-BUCKET (contd.)

i03624911



VIEW OF AREA A



VIEW OF AREA B

GRAPHIC #1

<END>

g00644553

HYDRAULIC SYSTEM

4I-5693 CYLINDER GP-MASTER

S/N: MMA1-UP

152-MM (6-IN) BORE X 1953-MM (76.9-IN) STROKE

PART OF 4I-5692 CYLINDER & SEAL GP-MASTER

AN ATTACHMENT

SMCS-5470

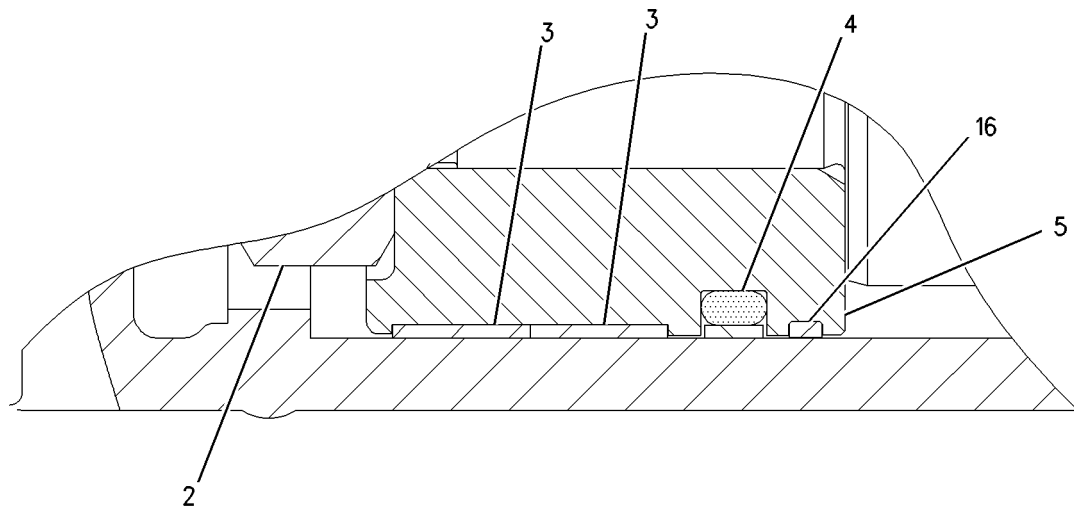
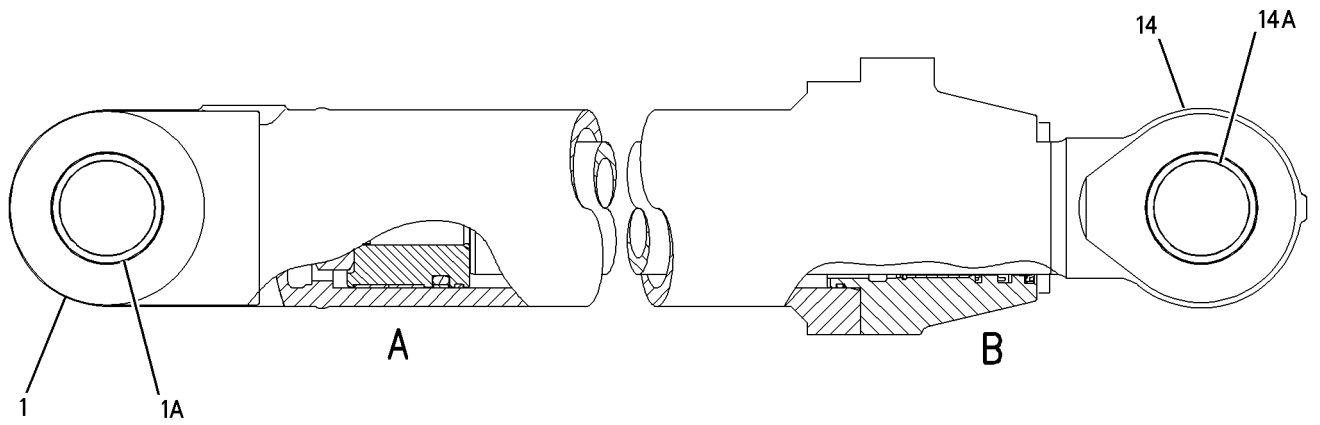
i03625810

NOTE	REF NO	GRAPHIC REF	PART NUMBER	QTY	PART NAME						SEE PAGE
					1	2	3	4	5	6 (PRODUCT LEVEL)	
	1	1	4I-5694	1	CYLINDER AS						
	1A	1	7Y-5102	1	BEARING-SLEEVE						
	2	1	4J-6888	1	LOCKNUT (2-3/4-12-THD)						
J	3	1	1J-0708	2	RING-WEAR						
J	4	1	4T-4144	1	SEAL AS						
	5	1	4I-6409	1	PISTON						
J	6	1	6D-9157	1	SEAL-O-RING						
J	7	1	8J-1717	1	RING-BACKUP						
J	8	1	8T-8377	1	SEAL-HEAD						
	9	1	121-1592	1	HEAD						
	10	1	121-1599	1	BEARING-SLEEVE						
J	11	1	121-1593	1	SEAL-BUFFER						
J	12	1	121-1594	1	SEAL-U-CUP						
J	13	1	121-1596	1	SEAL-LIP TYPE						
	14	1	4I-5699	1	ROD AS						
	14A	1	7Y-5102	1	BEARING-SLEEVE						
	15	1	6J-3913	10	BOLT-12 POINT HEAD (5/8-11X3.25-IN)						
J	16	1	5I-8591	1	RING						
	17	1	121-1598	1	RING-RETAINING						
J	18	1	121-1595	1	RING-BACKUP						
					AVAILABLE REPAIR KIT(S) :						
J			121-1597	1	KIT-SEAL (CYLINDER)						
J-KIT MARKED J SERVICES PARTS MARKED J											

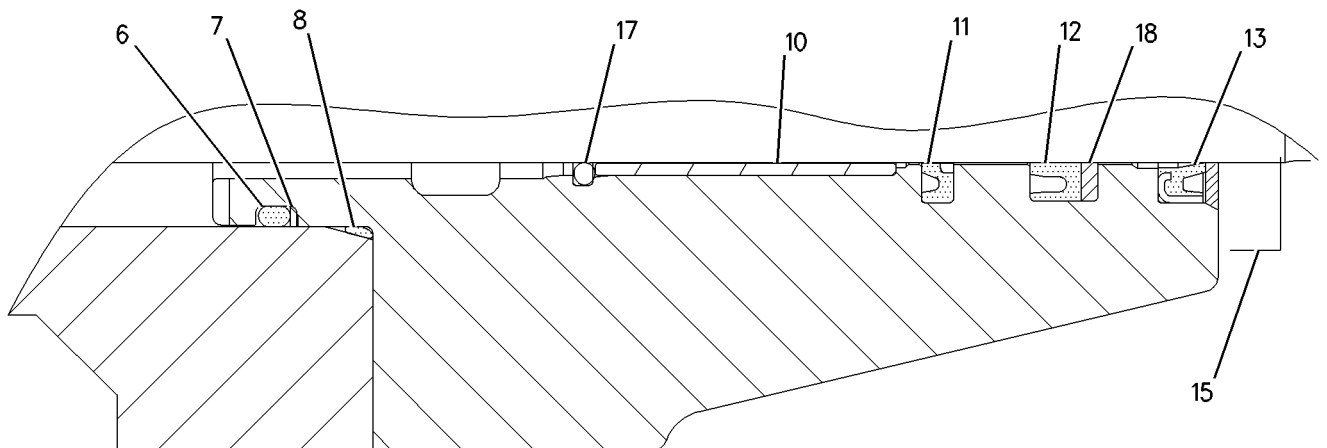
HYDRAULIC SYSTEM

4I-5693 CYLINDER GP-MASTER (contd.)

i03625810



VIEW OF AREA A



VIEW OF AREA B

GRAPHIC #1

<END>

g00894870

HYDRAULIC SYSTEM

209-2917 CYLINDER GP-STICK

S/N: MMA1-UP

220-MM (8.7-IN) BORE X 1855-MM (73-IN) STROKE

PART OF 4I-7735 CYLINDER & SEAL GP-STICK

AN ATTACHMENT

SMCS-5458

i02492585

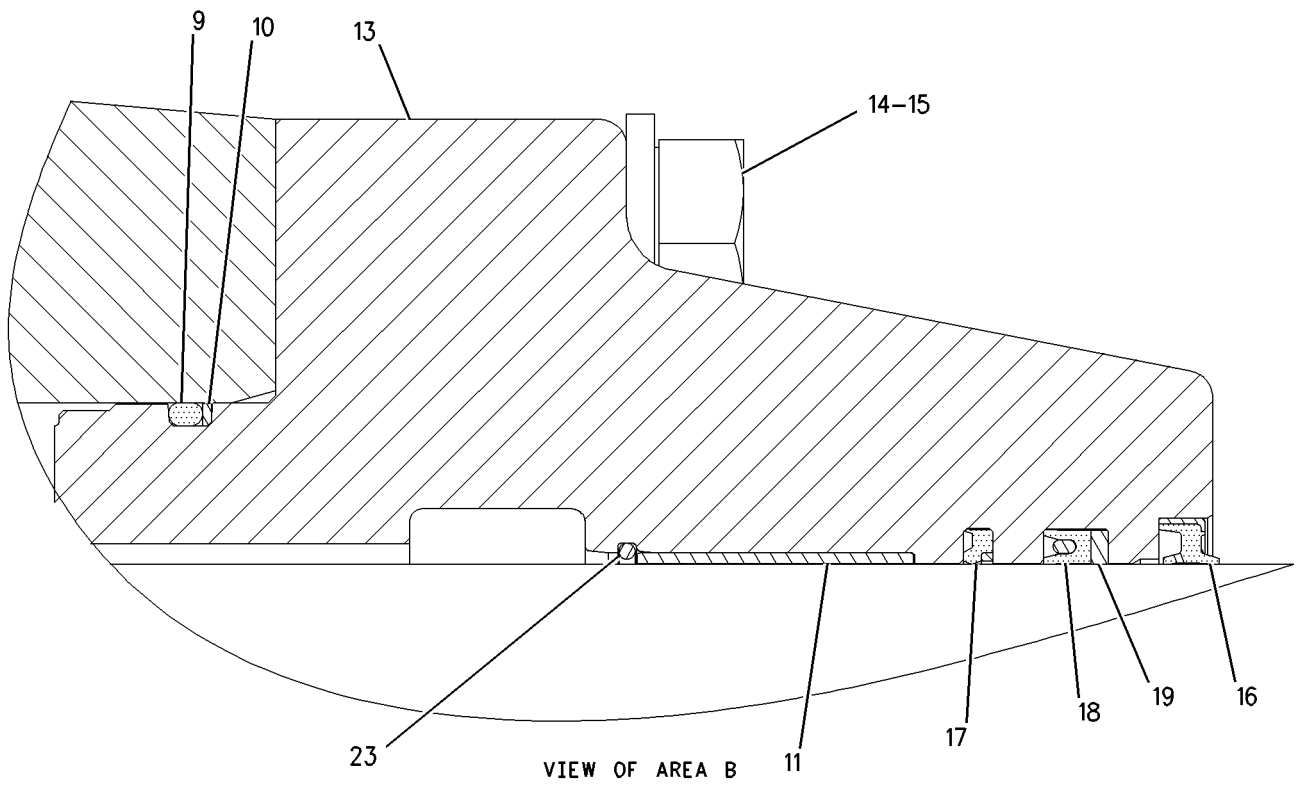
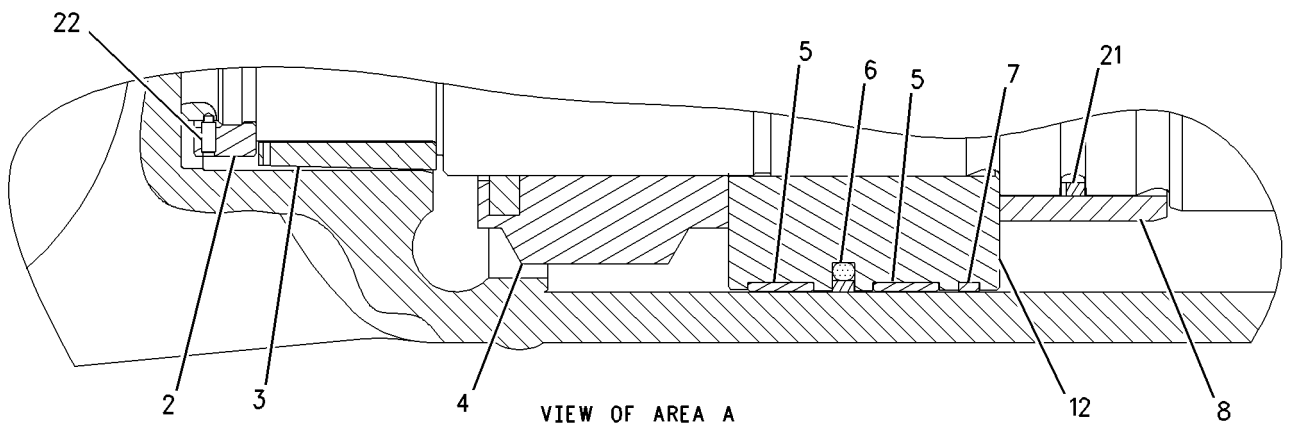
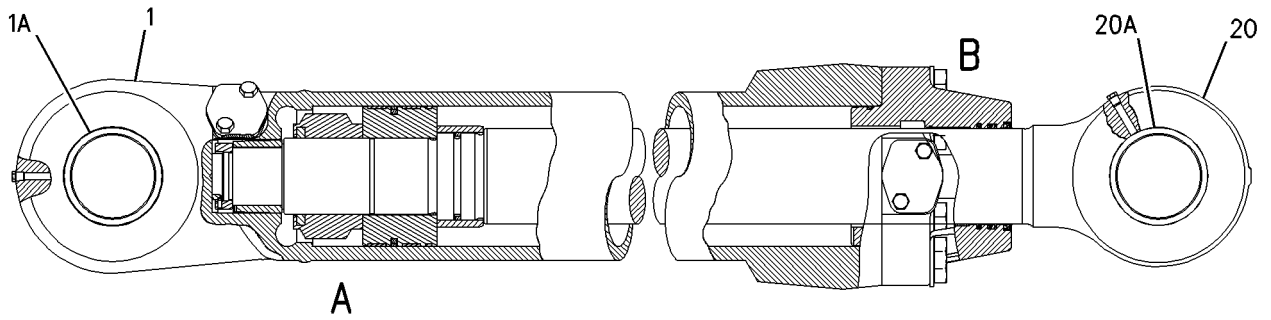
NOTE	REF NO	GRAPHIC REF	PART NUMBER	QTY	PART NAME						SEE PAGE
					1	2	3	4	5	6 (PRODUCT LEVEL)	
	1	1	209-2918	1	CYLINDER AS						
	1A	1	6E-0781	1	BEARING-SLEEVE						
	2	1	4I-6329	1	NUT						
	3	1	191-5704	1	STOP						
M	4	1	116-3516	1	LOCKNUT						
J	5	1	155-9157	2	RING						
J	6	1	8C-9182	1	SEAL AS						
J	7	1	173-3414	1	RING						
	8	1	116-3518	1	STOP						
J	9	1	095-1733	1	SEAL-O-RING						
J	10	1	4I-6442	1	RING-BACKUP						
	11	1	128-9262	1	BEARING-SLEEVE						
	12	1	215-9972	1	PISTON						
	13	1	173-3366	1	HEAD						
	14	1	9X-8399	12	WASHER (33X56X6-MM THK)						
M	15	1	9X-6618	12	BOLT (M30X3.5X130-MM)						
J	16	1	165-9296	1	SEAL-LIP TYPE						
J	17	1	170-9853	1	SEAL-BUFFER						
J	18	1	216-0011	1	SEAL-U-CUP						
J	19	1	215-9864	1	RING-BACKUP						
	20	1	209-2920	1	ROD AS						
	20A	1	6E-0781	1	BEARING-SLEEVE						
J	21	1	116-3519	1	RING-SEAL						
M	22	1	095-1274	1	SETSCREW-SOCKET						
	23	1	103-8364	1	RING-RETAINING						
					AVAILABLE REPAIR KIT(S):						
J			216-0000	1	KIT-SEAL (STICK CYLINDER)						

J-KIT MARKED J SERVICES PARTS MARKED J
M-METRIC PART

HYDRAULIC SYSTEM

209-2917 CYLINDER GP-STICK (contd.)

i02492585



GRAPHIC #1

<END>

g00849742

HYDRAULIC SYSTEM

6I-3638 DRIVE GP-PUMP

S/N: RHX1-UP

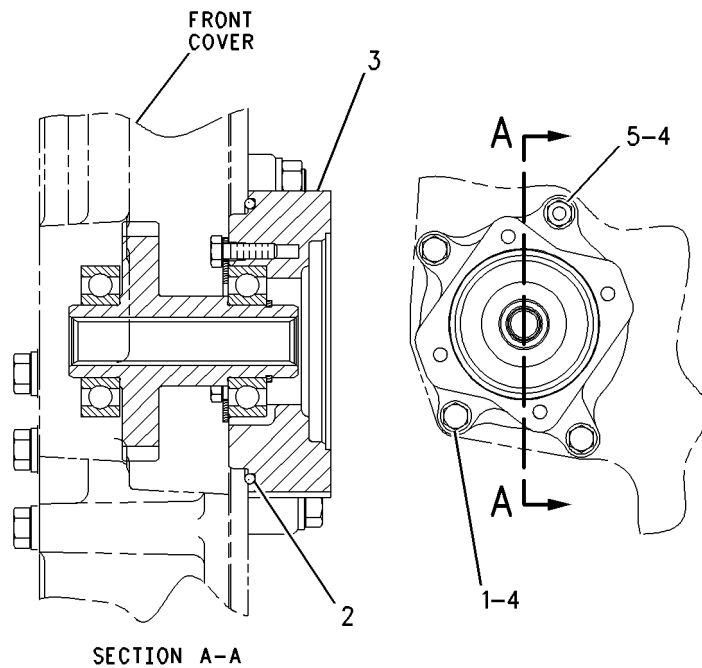
PART OF 257-4960, 286-9798 ENGINE AR-COMplete

SMCS-3108

i02936794

NOTE	REF NO	GRAPHIC REF	PART NUMBER	QTY	PART NAME						SEE PAGE
					1	2	3	4	5	6 (PRODUCT LEVEL)	
	1	1	0S-1590	3	BOLT (3/8-16X2-IN)						
	2	1	8T-9527	1	SEAL-O-RING						
YC	3	1	<i>133-9907</i>	1	ADAPTER GP-PUMP DRIVE						14
	4	1	5M-2894	4	WASHER-HARD (10.2X18.5X2.5-MM THK)						
	5	1	9S-8752	1	NUT-FULL (3/8-16-THD)						

C-CHANGE FROM PREVIOUS TYPE
Y-SEPARATE ILLUSTRATION



GRAPHIC #1

<END>

g00892672

HYDRAULIC SYSTEM

148-4598 DRIVE GP-SWING-WITHOUT MOTOR, FRONT

S/N: MMA1-246

PART OF 227-6131 DRIVE GP-SWING

SMCS-5459

i02237454

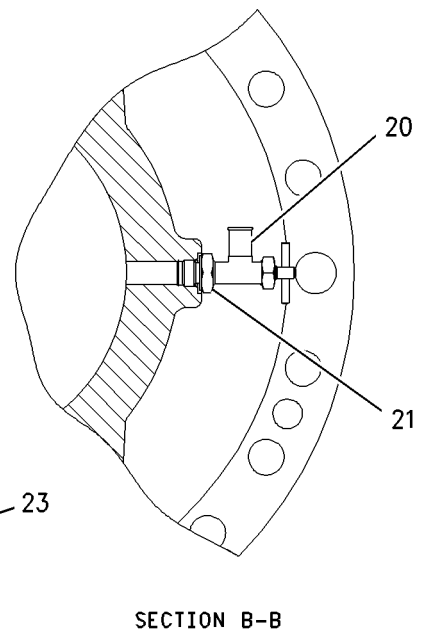
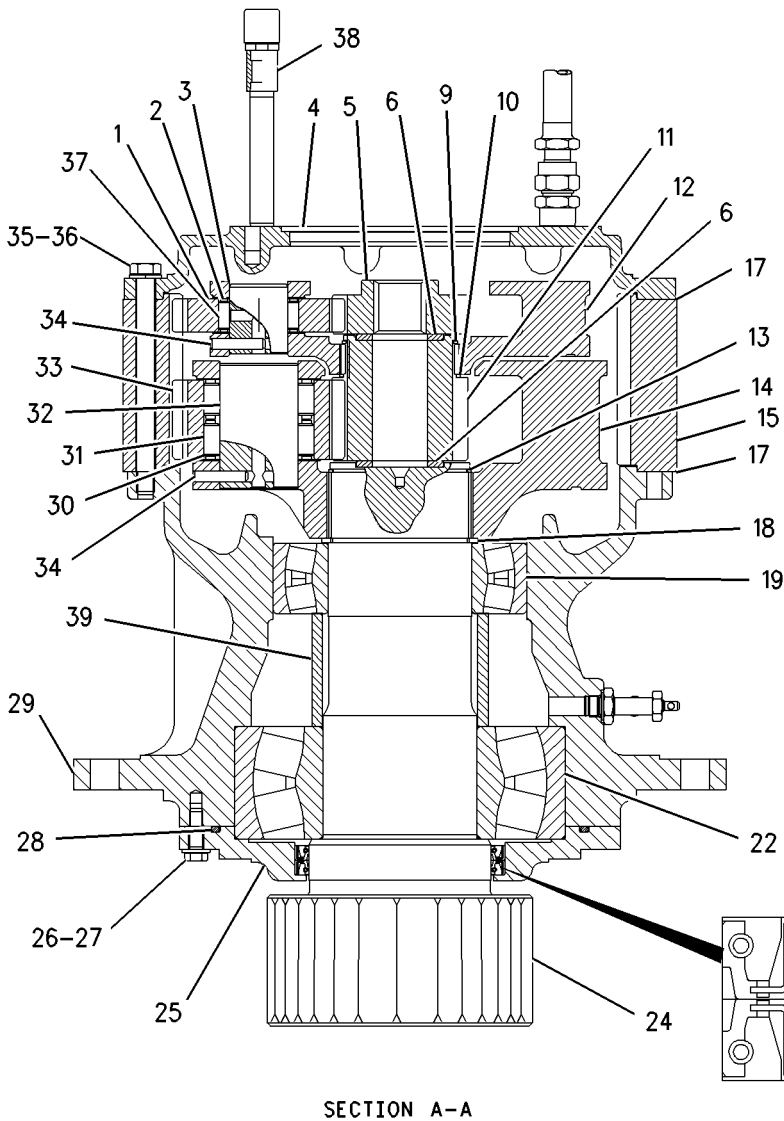
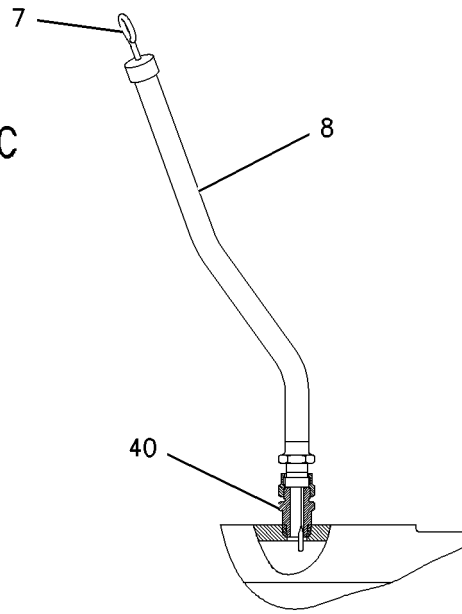
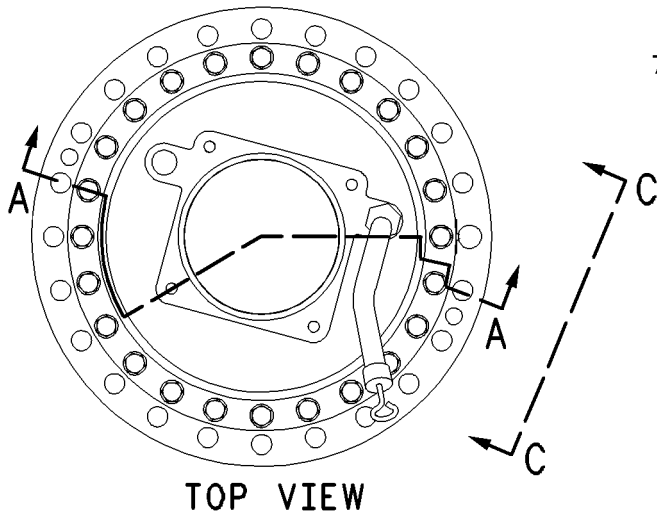
NOTE	REF NO	GRAPHIC REF	PART NUMBER	QTY	PART NAME						SEE PAGE
					1	2	3	4	5	6 (PRODUCT LEVEL)	
	1	1	148-4602	4	GEAR-PLANETARY (24-TEETH)						
M	2	1	094-1528	8	WASHER (53X84X1-MM THK)						
	3	1	148-4608	4	SHAFT-PLANETARY						
	4	1	191-2525	1	COVER-HOUSING						
	5	1	148-4600	1	GEAR-SUN (17-TEETH)						
M	6	1	7I-7684	2	SPACER (50X79.6X6-MM THK)						
	7	1	199-4680	1	GAUGE-OIL LEVEL (SWING DRIVE)						
	8	1	199-4678	1	PIPE AS						
	9	1	096-1441	1	RING-RETAINING						
	10	1	093-1730	1	RING-RETAINING						
	11	1	148-4601	1	GEAR-SUN (17-TEETH)						
	12	1	191-2511	1	CARRIER-PLANETARY						
	13	1	114-1322	1	RING-RETAINING						
	14	1	148-4607	1	CARRIER-PLANETARY						
	15	1	148-4604	1	GEAR-RING (67-TEETH)						
B	17	1	1U-8846		SEALANT-GASKET						
	18	1	110-7149	1	RING-RETAINING						
	19	1	9U-8693	1	BEARING-ROLLER						
	20	1	6V-7238	1	VALVE-SHUTOFF						
	21	1	3K-0360	1	SEAL-O-RING						
	22	1	7I-7619	1	BEARING-ROLLER						
	23	1	128-9170	2	SEAL-LIP TYPE						
	24	1	199-4496	1	SHAFT-PINION						
	25	1	7I-7611	1	CAGE						
M	26	1	8T-4183	10	BOLT (M12X1.75X40-MM)						
	27	1	8T-4223	10	WASHER-HARD (13.5X25.5X3-MM THK)						
	28	1	5M-4454	1	SEAL-O-RING						
	29	1	191-2524	1	HOUSING						
	30	1	148-4611	8	WASHER (71.3X112X1-MM THK)						
	31	1	191-2514	8	BEARING AS						
	32	1	148-4609	4	SHAFT-PLANETARY						
	33	1	148-4603	4	GEAR-PLANETARY (24-TEETH)						
	34	1	099-5194	8	PIN-SPRING						
M	35	1	8T-6383	24	BOLT (M16X2X200-MM)						
	36	1	9X-8257	24	WASHER (17.5X30X3.5-MM THK)						
	37	1	191-2513	4	BEARING AS-ROLLER						
	38	1	231-6864	1	BREATHER AS (SWING DRIVE)						
		1	093-5150	1	COUPLING-PIPE						
		1	114-8234	1	BREATHER (SWING DRIVE)						
		1	231-6969	1	NIPPLE-PIPE						
	39	1	171-9413	1	SPACER (140.5X160X103.2-MM THK)						
	40	1	199-4672	1	CONNECTOR AS						
		1	6V-9746	1	SEAL-O-RING						

B-USE AS REQUIRED
M-METRIC PART

HYDRAULIC SYSTEM

148-4598 DRIVE GP-SWING (contd.)

i02237454



GRAPHIC #1

<END>

g00898469

HYDRAULIC SYSTEM

148-4598 DRIVE GP-SWING-WITHOUT MOTOR, FRONT

S/N: MMA247-UP

PART OF 227-6131 DRIVE GP-SWING

SMCS-5459

i02956207

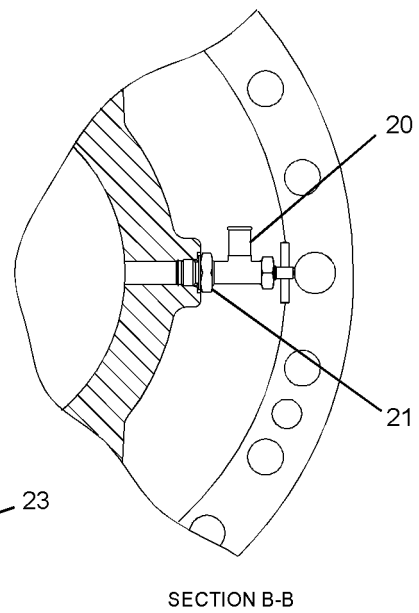
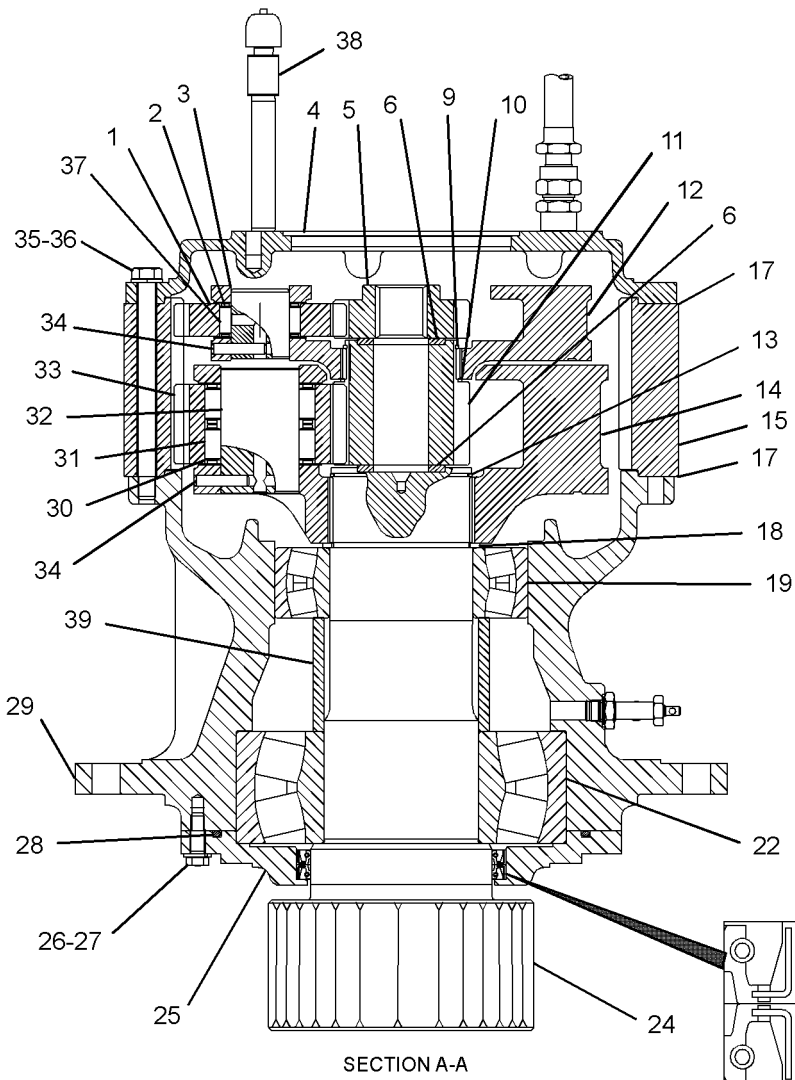
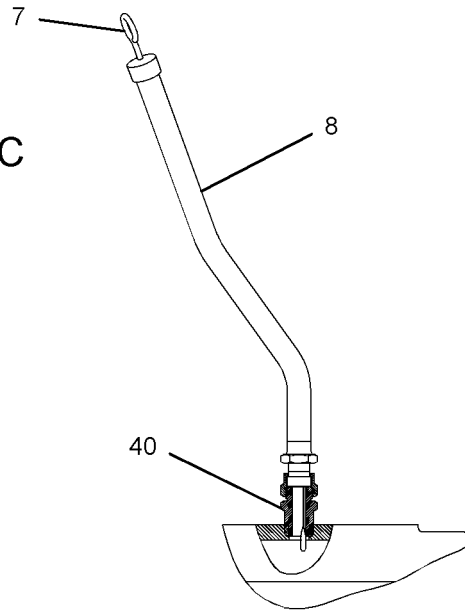
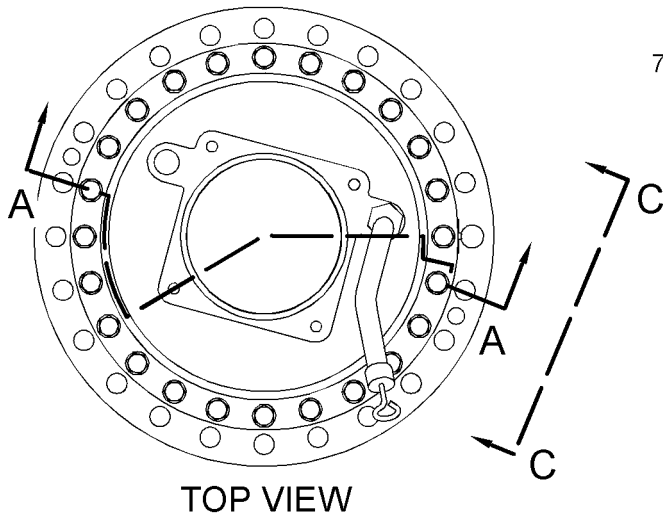
NOTE	REF NO	GRAPHIC REF	PART NUMBER	QTY	PART NAME						SEE PAGE
					1	2	3	4	5	6 (PRODUCT LEVEL)	
	1	1	148-4602	4	GEAR-PLANETARY (24-TEETH)						
M	2	1	094-1528	8	WASHER (53X84X1-MM THK)						
	3	1	148-4608	4	SHAFT-PLANETARY						
	4	1	191-2525	1	COVER-HOUSING						
	5	1	148-4600	1	GEAR-SUN (17-TEETH)						
M	6	1	7I-7684	2	SPACER (50X79.6X6-MM THK)						
	7	1	199-4680	1	GAUGE-OIL LEVEL (SWING DRIVE)						
	8	1	199-4678	1	PIPE AS						
	9	1	096-1441	1	RING-RETAINING						
	10	1	093-1730	1	RING-RETAINING						
	11	1	148-4601	1	GEAR-SUN (17-TEETH)						
	12	1	191-2511	1	CARRIER-PLANETARY						
	13	1	114-1322	1	RING-RETAINING						
	14	1	148-4607	1	CARRIER-PLANETARY						
	15	1	148-4604	1	GEAR-RING (67-TEETH)						
B	17	1	1U-8846		SEALANT-GASKET						
	18	1	110-7149	1	RING-RETAINING						
	19	1	9U-8693	1	BEARING-ROLLER						
	20	1	6V-7238	1	VALVE-SHUTOFF						
	21	1	3K-0360	1	SEAL-O-RING						
	22	1	7I-7619	1	BEARING-ROLLER						
	23	1	128-9170	2	SEAL-LIP TYPE						
	24	1	199-4496	1	SHAFT-PINION						
	25	1	7I-7611	1	CAGE						
M	26	1	8T-4183	10	BOLT (M12X1.75X40-MM)						
	27	1	8T-4223	10	WASHER-HARD (13.5X25.5X3-MM THK)						
	28	1	5M-4454	1	SEAL-O-RING						
	29	1	191-2524	1	HOUSING						
	30	1	148-4611	8	WASHER (71.3X112X1-MM THK)						
	31	1	191-2514	8	BEARING AS						
	32	1	148-4609	4	SHAFT-PLANETARY						
	33	1	148-4603	4	GEAR-PLANETARY (24-TEETH)						
	34	1	099-5194	8	PIN-SPRING						
M	35	1	8T-6383	24	BOLT (M16X2X200-MM)						
	36	1	9X-8257	24	WASHER (17.5X30X3.5-MM THK)						
	37	1	191-2513	4	BEARING AS-ROLLER						
C	38	1	227-6221	1	BREATHER AS (SWING DRIVE)						
		1	4H-6112	1	BREATHER (SWING DRIVE)						
		1	227-6215	1	BOSS						
		1	267-6785	1	PIPE						
	39	1	171-9413	1	SPACER (140.5X160X103.2-MM THK)						
	40	1	199-4672	1	CONNECTOR AS						
		1	6V-9746	1	SEAL-O-RING						

B-USE AS REQUIRED
 C-CHANGE FROM PREVIOUS TYPE
 M-METRIC PART

HYDRAULIC SYSTEM

148-4598 DRIVE GP-SWING (contd.)

i02956207



GRAPHIC #1

<END>

g01225494

HYDRAULIC SYSTEM

148-4626 DRIVE GP-SWING-WITHOUT MOTOR, REAR

S/N: MMA1-246

PART OF 227-6130 DRIVE GP-SWING

SMCS-5459

i03547663

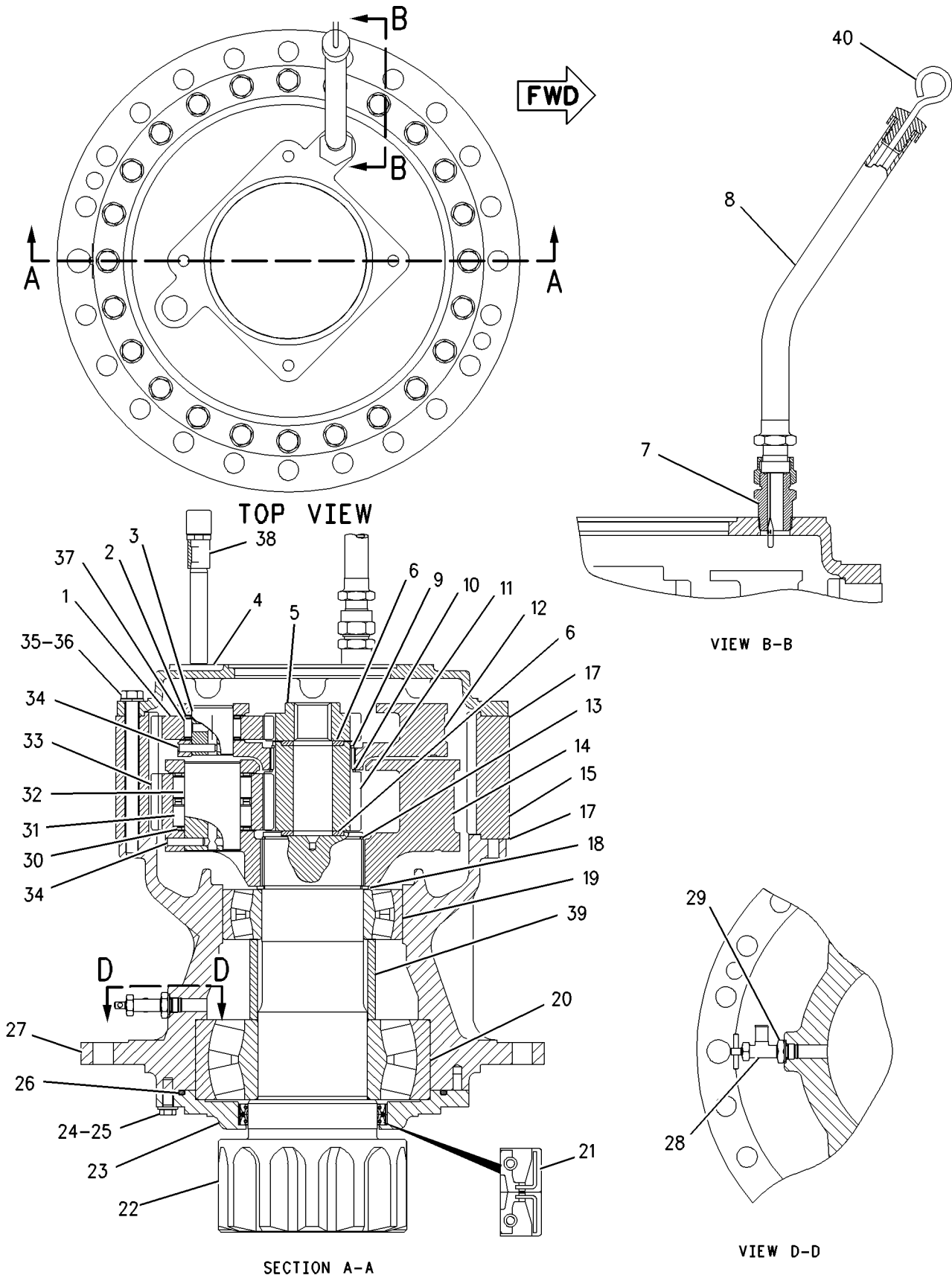
NOTE	REF NO	GRAPHIC REF	PART NUMBER	QTY	PART NAME						SEE PAGE
					1	2	3	4	5	6 (PRODUCT LEVEL)	
	1	1	148-4602	4	GEAR-PLANETARY (24-TEETH)						
M	2	1	094-1528	8	WASHER (53X84X1-MM THK)						
	3	1	148-4608	4	SHAFT-PLANETARY						
	4	1	191-2525	1	COVER-HOUSING						
	5	1	148-4600	1	GEAR-SUN (17-TEETH)						
M	6	1	7I-7684	2	SPACER (50X79.6X6-MM THK)						
	7	1	199-4672	1	CONNECTOR AS						
		1	6V-9746	1	SEAL-O-RING						
	8	1	199-4674	1	PIPE AS						
	9	1	096-1441	1	RING-RETAINING						
	10	1	093-1730	1	RING-RETAINING						
	11	1	148-4601	1	GEAR-SUN (17-TEETH)						
	12	1	191-2511	1	CARRIER-PLANETARY						
	13	1	114-1322	1	RING-RETAINING						
	14	1	148-4607	1	CARRIER-PLANETARY						
	15	1	148-4604	1	GEAR-RING (67-TEETH)						
B	17	1	1U-8846		SEALANT-GASKET						
	18	1	110-7149	1	RING-RETAINING						
	19	1	9U-8693	1	BEARING-ROLLER						
	20	1	7I-7619	1	BEARING-ROLLER						
	21	1	128-9170	2	SEAL-LIP TYPE						
	22	1	199-4496	1	SHAFT-PINION						
	23	1	7I-7611	1	CAGE						
M	24	1	8T-4183	10	BOLT (M12X1.75X40-MM)						
	25	1	8T-4223	10	WASHER-HARD (13.5X25.5X3-MM THK)						
	26	1	5M-4454	1	SEAL-O-RING						
	27	1	191-2524	1	HOUSING						
	28	1	6V-7238	1	VALVE-SHUTOFF						
	29	1	3K-0360	1	SEAL-O-RING						
	30	1	148-4611	8	WASHER (71.3X112X1-MM THK)						
	31	1	191-2514	8	BEARING AS						
	32	1	148-4609	4	SHAFT-PLANETARY						
	33	1	148-4603	4	GEAR-PLANETARY (24-TEETH)						
	34	1	099-5194	8	PIN-SPRING						
M	35	1	8T-6383	24	BOLT (M16X2X200-MM)						
	36	1	9X-8257	24	WASHER (17.5X30X3.5-MM THK)						
	37	1	191-2513	4	BEARING AS-ROLLER						
	38	1	231-6864	1	BREATHER AS (SWING DRIVE)						
		1	093-5150	1	COUPLING-PIPE						
		1	114-8234	1	BREATHER (SWING DRIVE)						
		1	231-6969		NIPPLE-PIPE						
	39	1	171-9413	1	SPACER (140.5X160X103.2-MM THK)						
	40	1	199-4681	1	GAUGE-OIL LEVEL (SWING DRIVE)						

B-USE AS REQUIRED
M-METRIC PART

HYDRAULIC SYSTEM

148-4626 DRIVE GP-SWING (contd.)

i03547663



GRAPHIC #1

<END>

g00898473

HYDRAULIC SYSTEM

148-4626 DRIVE GP-SWING-WITHOUT MOTOR, REAR

S/N: MMA247-UP

PART OF 227-6130 DRIVE GP-SWING

SMCS-5459

i03545101

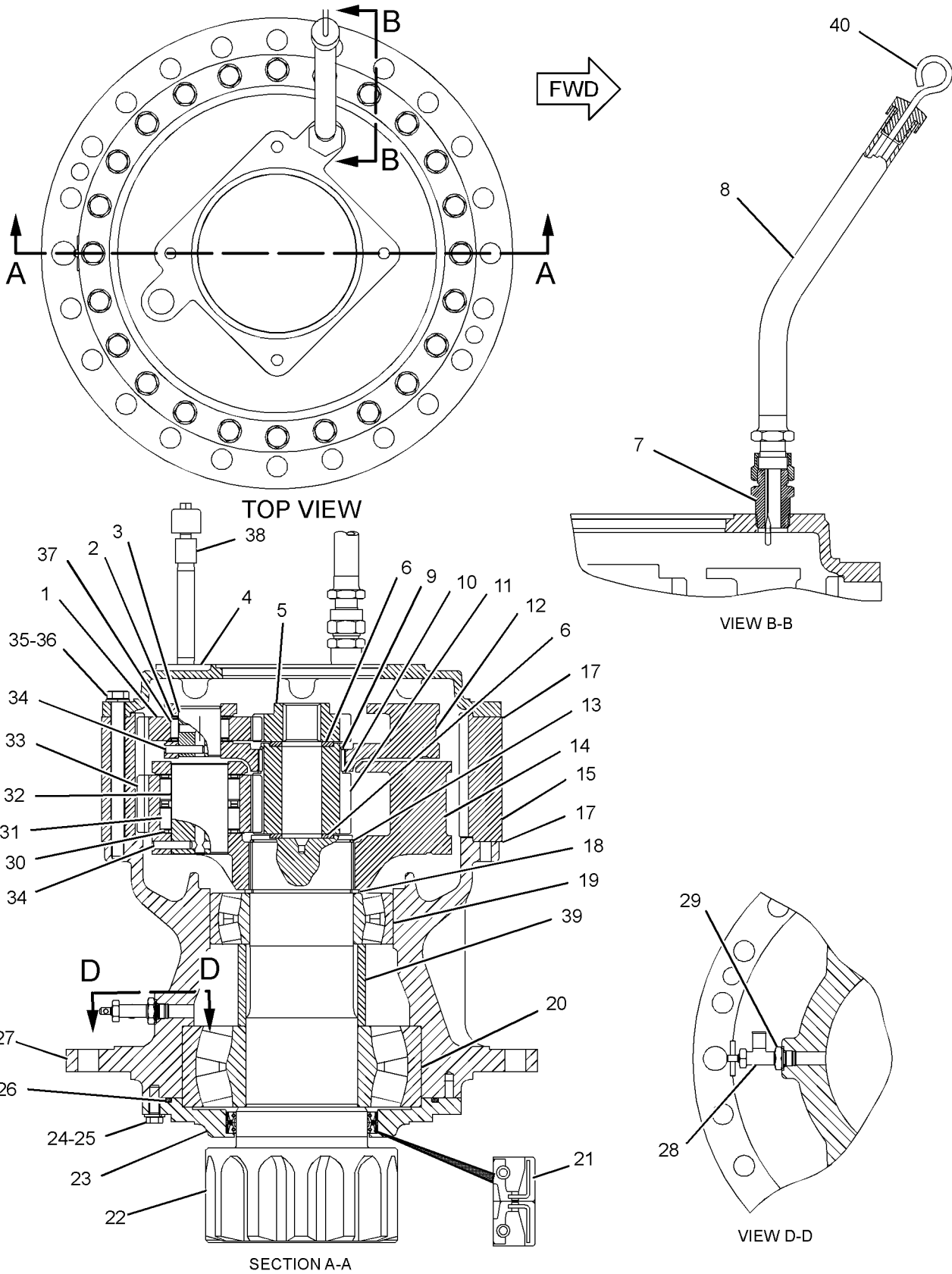
NOTE	REF NO	GRAPHIC REF	PART NUMBER	QTY	PART NAME						SEE PAGE
					1	2	3	4	5	6 (PRODUCT LEVEL)	
	1	1	148-4602	4	GEAR-PLANETARY (24-TEETH)						
M	2	1	094-1528	8	WASHER (53X84X1-MM THK)						
	3	1	148-4608	4	SHAFT-PLANETARY						
	4	1	191-2525	1	COVER-HOUSING						
	5	1	148-4600	1	GEAR-SUN (17-TEETH)						
M	6	1	7I-7684	2	SPACER (50X79.6X6-MM THK)						
	7	1	199-4672	1	CONNECTOR AS						
		1	6V-9746	1	SEAL-O-RING						
	8	1	199-4674	1	PIPE AS						
	9	1	096-1441	1	RING-RETAINING						
	10	1	093-1730	1	RING-RETAINING						
	11	1	148-4601	1	GEAR-SUN (17-TEETH)						
	12	1	191-2511	1	CARRIER-PLANETARY						
	13	1	114-1322	1	RING-RETAINING						
	14	1	148-4607	1	CARRIER-PLANETARY						
	15	1	148-4604	1	GEAR-RING (67-TEETH)						
B	17	1	1U-8846		SEALANT-GASKET						
	18	1	110-7149	1	RING-RETAINING						
	19	1	9U-8693	1	BEARING-ROLLER						
	20	1	7I-7619	1	BEARING-ROLLER						
	21	1	128-9170	2	SEAL-LIP TYPE						
	22	1	199-4496	1	SHAFT-PINION						
	23	1	7I-7611	1	CAGE						
M	24	1	8T-4183	10	BOLT (M12X1.75X40-MM)						
	25	1	8T-4223	10	WASHER-HARD (13.5X25.5X3-MM THK)						
	26	1	5M-4454	1	SEAL-O-RING						
	27	1	191-2524	1	HOUSING						
	28	1	6V-7238	1	VALVE-SHUTOFF						
	29	1	3K-0360	1	SEAL-O-RING						
	30	1	148-4611	8	WASHER (71.3X112X1-MM THK)						
	31	1	191-2514	8	BEARING AS						
	32	1	148-4609	4	SHAFT-PLANETARY						
	33	1	148-4603	4	GEAR-PLANETARY (24-TEETH)						
	34	1	099-5194	8	PIN-SPRING						
M	35	1	8T-6383	24	BOLT (M16X2X200-MM)						
	36	1	9X-8257	24	WASHER (17.5X30X3.5-MM THK)						
	37	1	191-2513	4	BEARING AS-ROLLER						
C	38	1	227-6221	1	BREATHER AS (SWING DRIVE)						
		1	4H-6112	1	BREATHER (SWING DRIVE)						
		1	227-6215	1	BOSS						
		1	267-6785		PIPE						
	39	1	171-9413	1	SPACER (140.5X160X103.2-MM THK)						
	40	1	199-4681	1	GAUGE-OIL LEVEL (SWING DRIVE)						

B-USE AS REQUIRED
 C-CHANGE FROM PREVIOUS TYPE
 M-METRIC PART

HYDRAULIC SYSTEM

148-4626 DRIVE GP-SWING (contd.)

i03545101



GRAPHIC #1

<END>

g01232553

HYDRAULIC SYSTEM

227-6130 DRIVE GP-SWING-WITH MOTOR, REAR

S/N: MMA1-UP

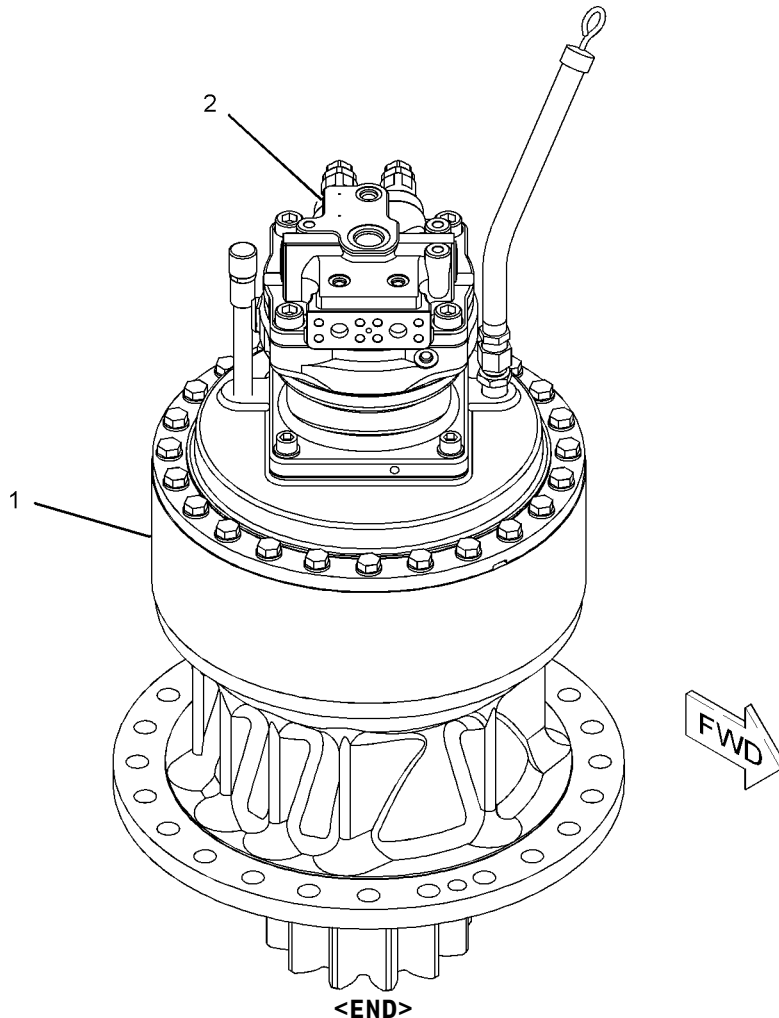
PART OF 227-6149 POWER TRAIN AR

SMCS-5459

i02157302

NOTE	REF NO	GRAPHIC REF	PART NUMBER	QTY	PART NAME						SEE PAGE
					1	2	3	4	5	6 (PRODUCT LEVEL)	
Y	1	1	148-4626	1	DRIVE GP-SWING (WITHOUT MOTOR, REAR)						647
Y	2	1	234-4534	1	MOTOR & MTG GP-SWING						799

Y-SEPARATE ILLUSTRATION



GRAPHIC #1

g01086957

HYDRAULIC SYSTEM

227-6131 DRIVE GP-SWING-WITH MOTOR, FRONT

S/N: MMA1-UP

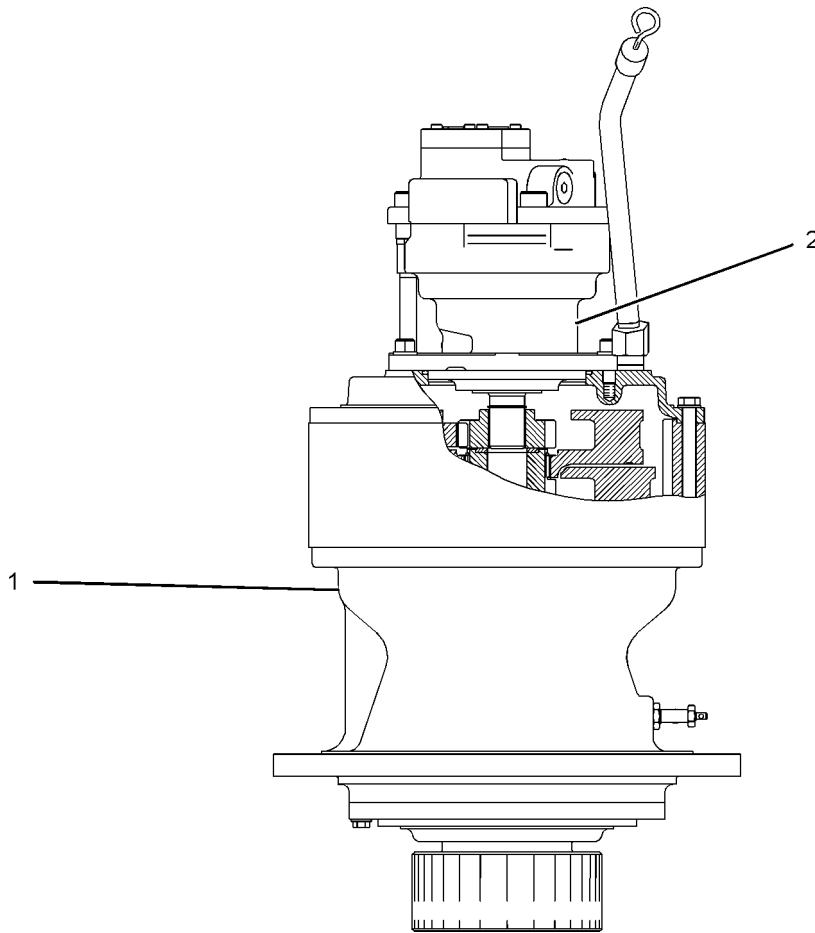
PART OF 227-6149 POWER TRAIN AR

SMCS-5459

i02124719

NOTE	REF NO	GRAPHIC REF	PART NUMBER	QTY	PART NAME						SEE PAGE
					1	2	3	4	5	6 (PRODUCT LEVEL)	
Y	1	1	148-4598	1	DRIVE GP-SWING (WITHOUT MOTOR, FRONT)						643
Y	2	1	234-4536	1	MOTOR & MTG GP-SWING						801

Y-SEPARATE ILLUSTRATION



RIGHT SIDE VIEW

<END>

GRAPHIC #1

g01086132

HYDRAULIC SYSTEM

191-2573 FASTENER GP-SWING & FINAL DR

S/N: MMA1-UP

PART OF 227-6149 POWER TRAIN AR

SMCS-4050, 5459

i02777776

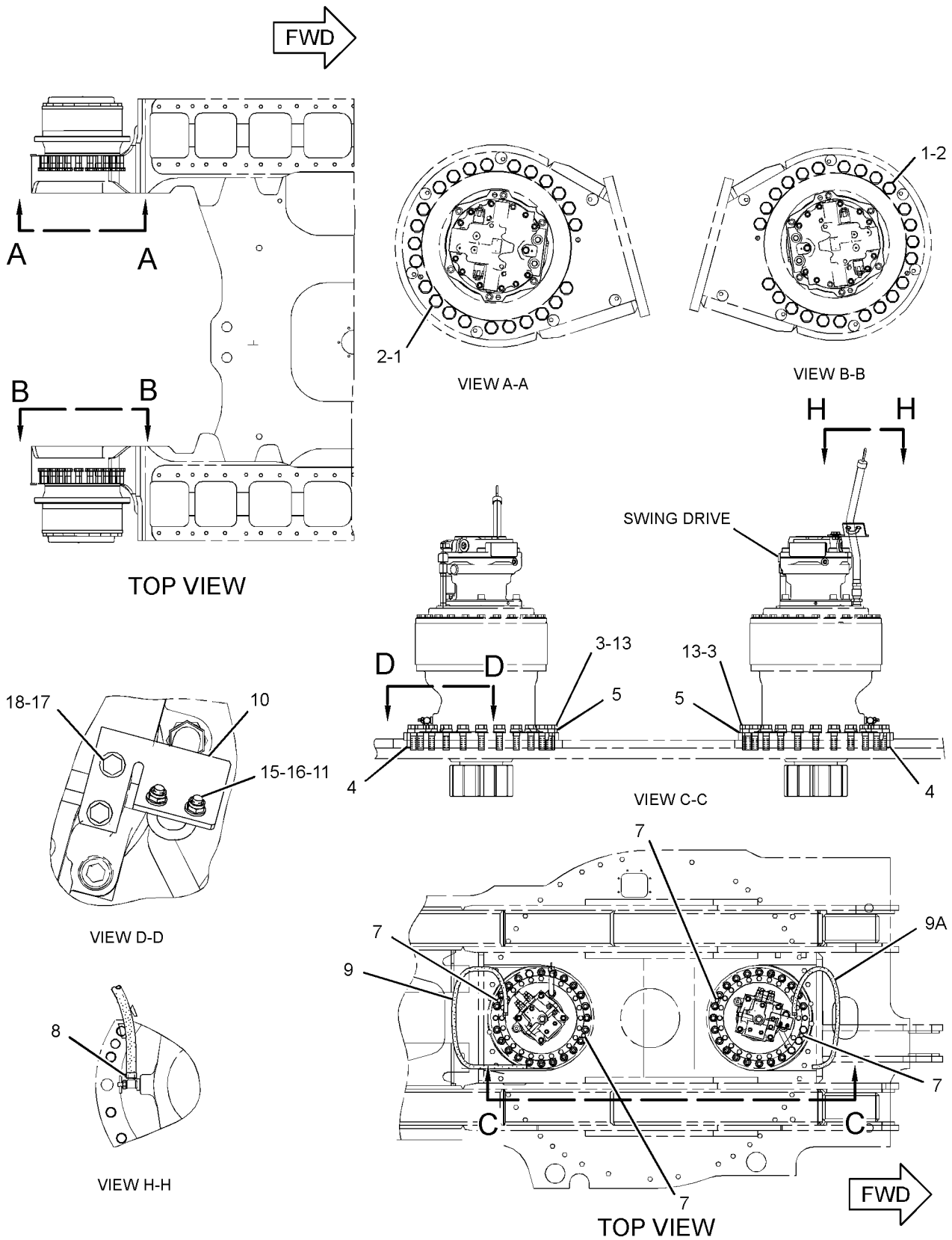
NOTE	REF NO	GRAPHIC REF	PART NUMBER	QTY	PART NAME						SEE PAGE
					1	2	3	4	5	6 (PRODUCT LEVEL)	
M	1	1	7X-2582	48	BOLT (M30X3.5X110-MM)						
	2	1	9X-8258	48	WASHER (33X56X6-MM THK)						
M	3	1	8T-5878	46	BOLT (M24X3X80-MM)						
	4	1	7Y-1095	2	DOWEL						
B	5	1	1U-8846		SEALANT-GASKET						
	7	1	2B-7561	4	CORK						
	8	1	5D-1026	2	CLAMP-HOSE						
E	9	1	5P-0767		HOSE (140-CM)						
E	9A	1	5P-0767		HOSE (100-CM)						
	10	1	199-4677	1	SUPPORT						
	11	1	8T-4121	2	WASHER-HARD (11X21X2.5-MM THK)						
	13	1	267-6787	46	SPACER (24.5X44X14-MM THK)						
	15	1	122-8705	1	U-BOLT						
M	16	1	096-4883	2	LOCKNUT (M10X1.5-THD)						
M	17	1	8T-4179	2	BOLT (M12X1.75X20-MM)						
	18	1	8T-4223	2	WASHER-HARD (13.5X25.5X3-MM THK)						

B-USE AS REQUIRED
 E-ORDER BY THE CENTIMETER
 M-METRIC PART

HYDRAULIC SYSTEM

191-2573 FASTENER GP-SWING & FINAL DR (contd.)

i02777776



GRAPHIC #1

<END>

g01407078

HYDRAULIC SYSTEM

228-8234 FILTER & LINES GP-HYDRAULIC-

FINE FILTRATION

S/N: MMA1-UP

AN ATTACHMENT

SMCS-5057, 5068

i02595317

NOTE	PART NUMBER	QTY	PART NAME						SEE PAGE
			1	2	3	4	5	6 (PRODUCT LEVEL)	
Y	239-1825	1	FILTER & LINES GP-HYDRAULIC						656
			-OR-						
Y	260-8202	1	FILTER & LINES GP-HYDRAULIC						658
Y-SEPARATE ILLUSTRATION									

<END>

HYDRAULIC SYSTEM

239-1825 FILTER & LINES GP-HYDRAULIC- FINE FILTRATION

S/N: MMA1-UP

PART OF 228-8234 FILTER & LINES GP-HYDRAULIC
AN ATTACHMENT

SMCS-5057, 5068

i03625815

NOTE	REF NO	GRAPHIC REF	PART NUMBER	QTY	PART NAME	SEE PAGE
					1 2 3 4 5 6 (PRODUCT LEVEL)	
Y	1	1	6I-6849	1	VALVE GP-CHECK (PILOT)	856
	2	1	7K-1181	2	STRAP-CABLE	
Y	3	1	191-5650	1	FILTER GP-OIL (HYDRAULIC) (FINE FILTRATION)	670
I	4	1	202-3862	1	HOSE AS	
I	5	1	212-5338	1	HOSE AS	
	6	1	239-1880	1	BRACKET AS	
	7	1	<i>148-8336</i>	2	CONNECTOR AS	
					(EACH INCLUDES)	
		1	3J-1907	1	SEAL-O-RING	
		1	6V-8397	1	SEAL-O-RING	
		1	6V-8636	1	CONNECTOR	
	8	1	<i>150-4043</i>	2	CONNECTOR AS	
					(EACH INCLUDES)	
		1	3J-1907	1	SEAL-O-RING	
		1	6V-8398	1	SEAL-O-RING	
		1	6V-9873	1	CONNECTOR	
	9	1	7C-4354	1	CLIP	
	10	1	6V-8398	1	SEAL-O-RING	
	11	1	8T-4121	5	WASHER-HARD (11X21X2.5-MM THK)	
M	12	1	8T-4133	4	NUT (M10X1.5-THD)	
M	13	1	8T-4137	1	BOLT (M10X1.5X20-MM)	
M	14	1	8T-4192	2	BOLT (M12X1.75X25-MM)	
M	15	1	8T-4195	4	BOLT (M10X1.5X30-MM)	
	16	1	8T-4223	2	WASHER-HARD (13.5X25.5X3-MM THK)	

I-REFER TO HYDRAULIC INFORMATION SYSTEM

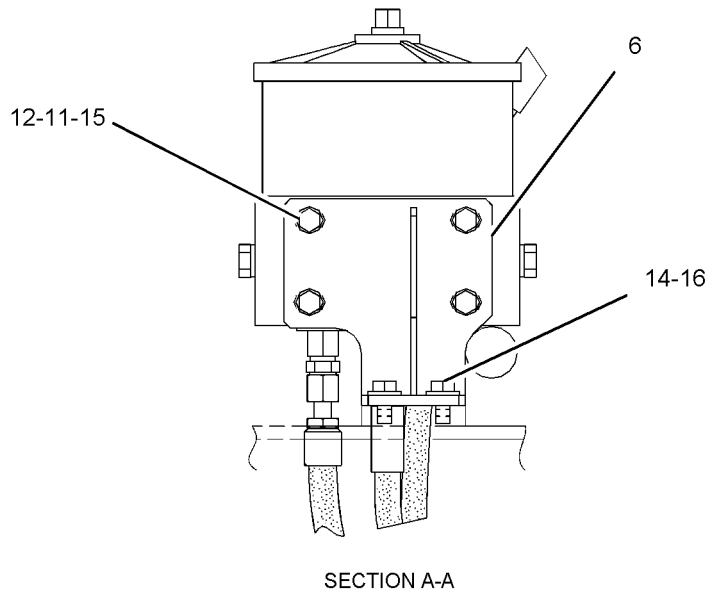
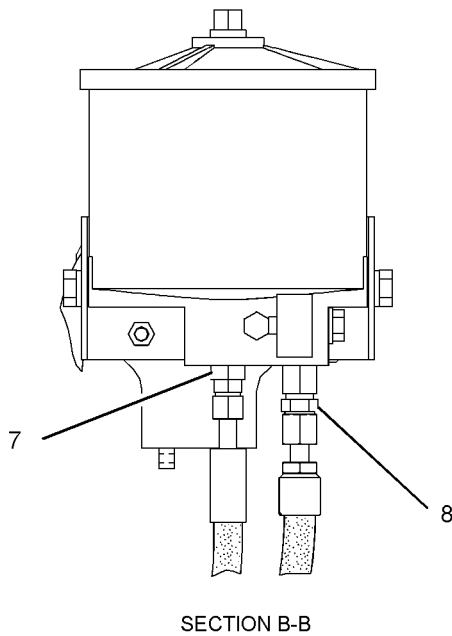
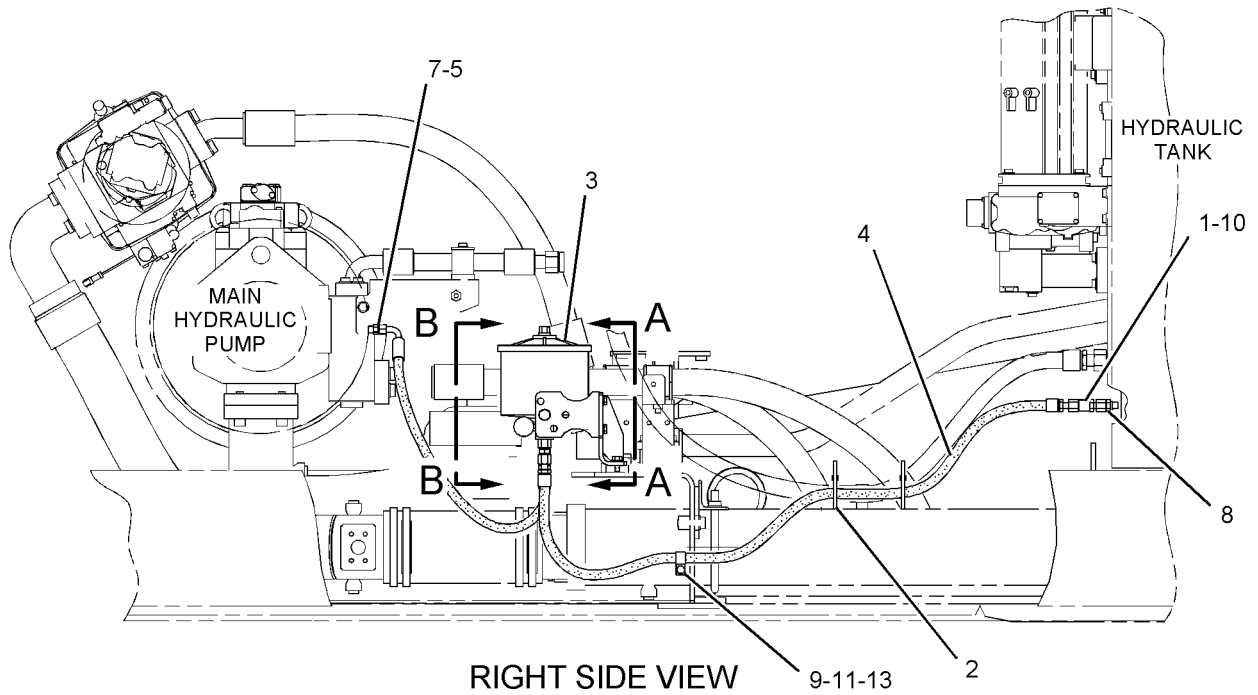
M-METRIC PART

Y-SEPARATE ILLUSTRATION

HYDRAULIC SYSTEM

239-1825 FILTER & LINES GP-HYDRAULIC (contd.)

i03625815



GRAPHIC #1

<END>

g01128360

HYDRAULIC SYSTEM

260-8202 FILTER & LINES GP-HYDRAULIC- FINE FILTRATION

S/N: MMA1-UP

PART OF 228-8234 FILTER & LINES GP-HYDRAULIC
AN ATTACHMENT
TYPE 1

SMCS-5057, 5068

i03582120

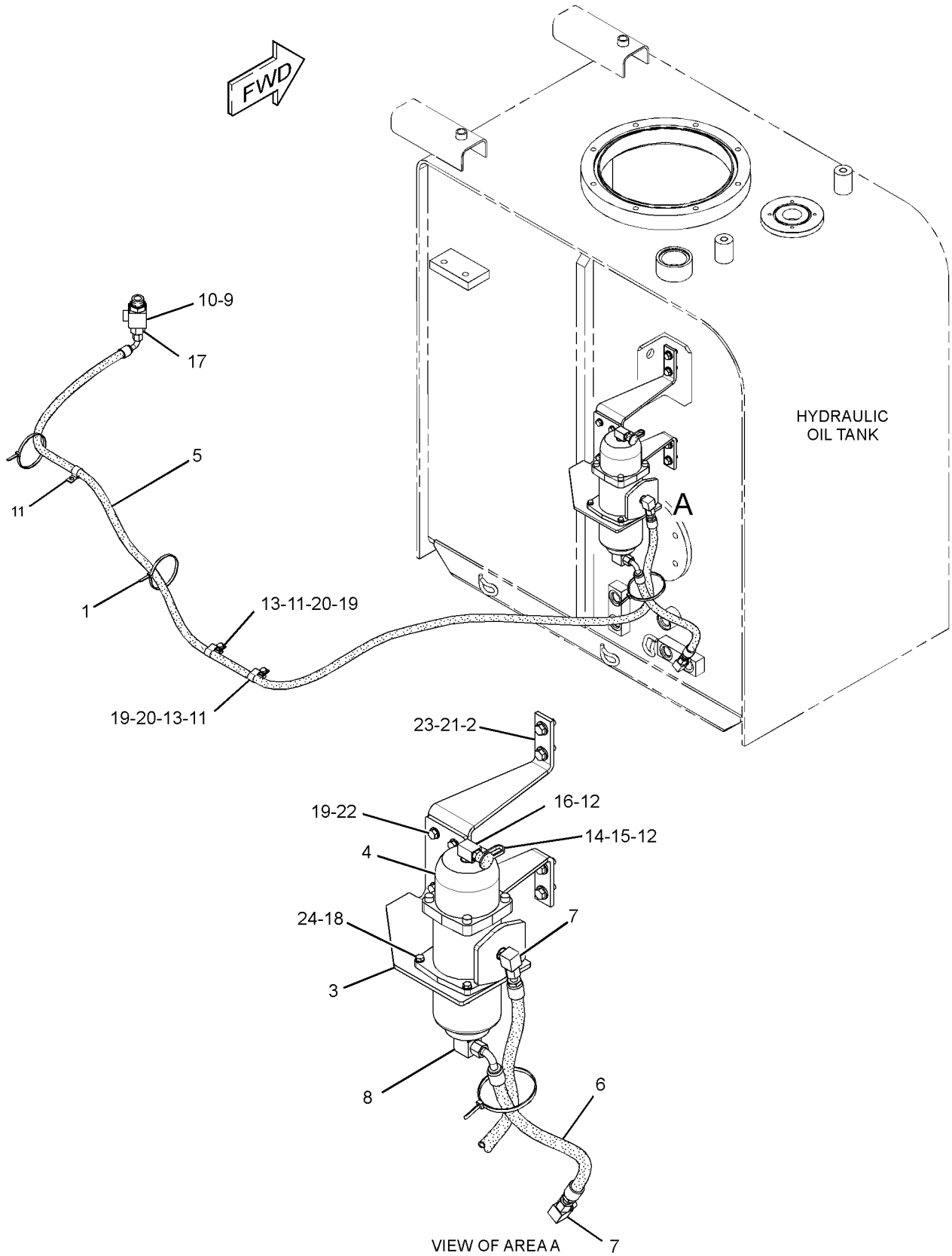
NOTE	REF NO	GRAPHIC REF	PART NUMBER	QTY	PART NAME						SEE PAGE
					1	2	3	4	5	6 (PRODUCT LEVEL)	
	1	1	7K-1181	3	STRAP-CABLE						
	2	1	201-1413	1	SUPPORT						
	3	1	201-1414	1	SUPPORT AS						
Y	4	1	250-0729	1	FILTER GP-OIL (HYDRAULIC) (FINE FILTRATION)						676
I	5	1	260-8248	1	HOSE AS						
I	6	1	260-8251	1	HOSE AS						
	7	1	148-8365	2	ELBOW AS						
					(EACH INCLUDES)						
		1	3J-1907	1	SEAL-O-RING						
		1	6V-8398	1	SEAL-O-RING						
		1	8T-6876	1	ELBOW						
8		1	148-8372	1	ELBOW AS						
		1	2M-9780	1	SEAL-O-RING						
		1	6V-8398	1	SEAL-O-RING						
		1	6V-8721	1	ELBOW						
9		1	148-8418	1	REDUCER AS						
		1	6V-8398	1	SEAL-O-RING						
		1	6V-8942	1	REDUCER-O-RING						
10		1	148-8442	1	TEE AS						
		1	6V-9746	2	SEAL-O-RING						
		1	7M-8485	1	SEAL-O-RING						
		1	8T-1685	1	TEE						
11		1	1S-0994	3	CLIP						
12		1	3J-1907	2	SEAL-O-RING						
13		1	5I-3978	2	CLIP						
14		1	6V-0852	1	CAP-DUST						
15		1	6V-3965	1	FITTING (QUICK DISCONNECT)						
16		1	6V-8076	1	ELBOW						
17		1	6V-8556	1	NUT (1-3/16-12-THD)						
M	18	1	7X-2537	4	BOLT (M8X1.25X35-MM)						
	19	1	8T-4121	6	WASHER-HARD (11X21X2.5-MM THK)						
M	20	1	8T-4137	2	BOLT (M10X1.5X20-MM)						
M	21	1	8T-4139	4	BOLT (M12X1.75X30-MM)						
M	22	1	8T-4195	4	BOLT (M10X1.5X30-MM)						
	23	1	8T-4223	4	WASHER-HARD (13.5X25.5X3-MM THK)						
	24	1	8T-4224	4	WASHER-HARD (8.8X16X2-MM THK)						

I-REFER TO HYDRAULIC INFORMATION SYSTEM
M-METRIC PART
Y-SEPARATE ILLUSTRATION

HYDRAULIC SYSTEM

260-8202 FILTER & LINES GP-HYDRAULIC (contd.)

i03582120



GRAPHIC #1

<END>

g01326549

HYDRAULIC SYSTEM

260-8202 FILTER & LINES GP-HYDRAULIC- FINE FILTRATION

S/N: MMA1-UP

PART OF 228-8234 FILTER & LINES GP-HYDRAULIC
AN ATTACHMENT
TYPE 2

SMCS-5057, 5068

i03582128

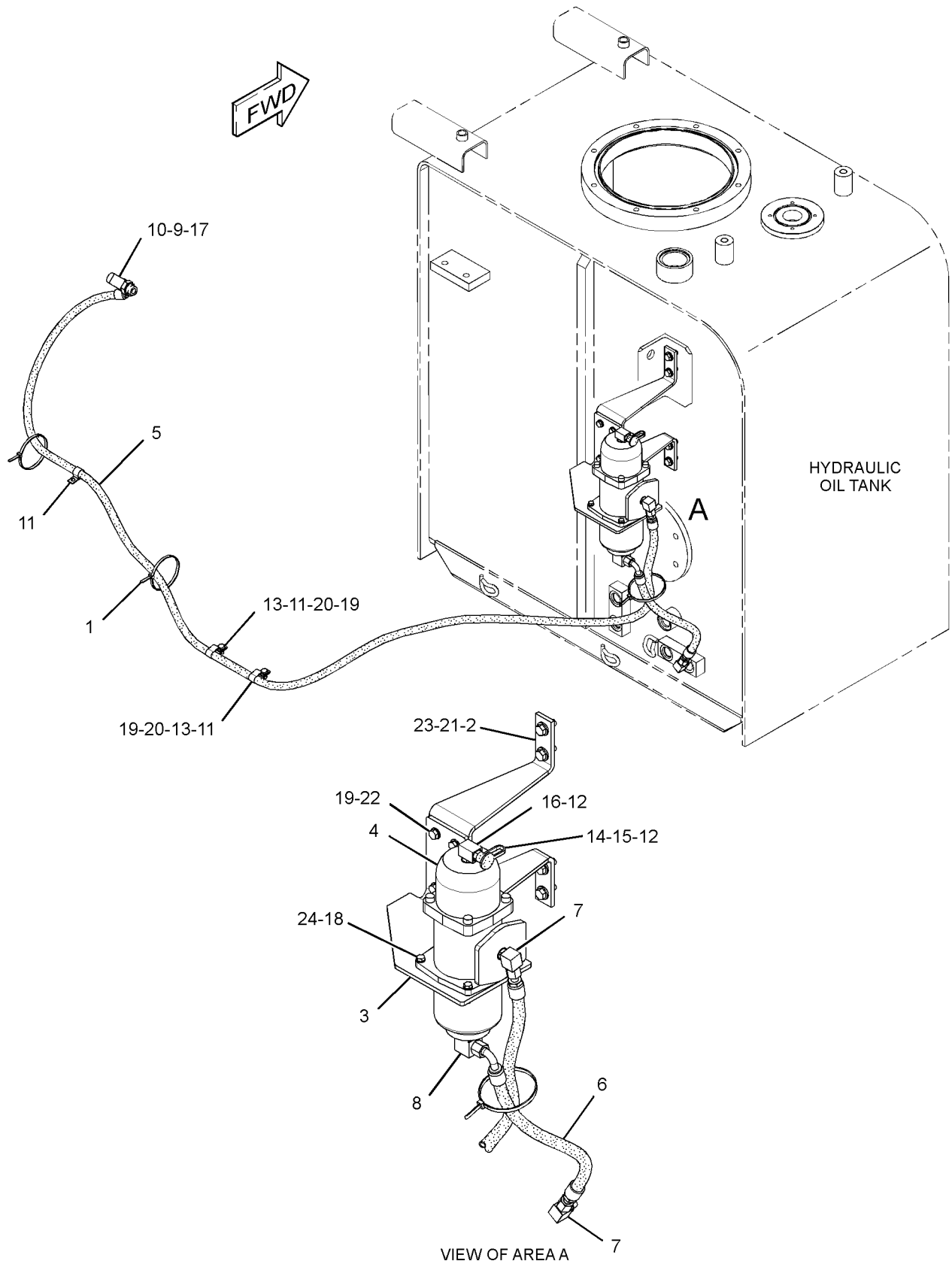
NOTE	REF NO	GRAPHIC REF	PART NUMBER	QTY	PART NAME						SEE PAGE
					1	2	3	4	5	6 (PRODUCT LEVEL)	
	1	1	7K-1181	3	STRAP-CABLE						
	2	1	201-1413	1	SUPPORT						
	3	1	201-1414	1	SUPPORT AS						
Y	4	1	250-0729	1	FILTER GP-OIL (HYDRAULIC) (FINE FILTRATION)						676
CI	5	1	275-1734	1	HOSE AS						
I	6	1	260-8251	1	HOSE AS						
	7	1	148-8365	2	ELBOW AS						
					(EACH INCLUDES)						
		1	3J-1907	1	SEAL-O-RING						
		1	6V-8398	1	SEAL-O-RING						
		1	8T-6876	1	ELBOW						
	8	1	148-8372	1	ELBOW AS						
		1	2M-9780	1	SEAL-O-RING						
		1	6V-8398	1	SEAL-O-RING						
		1	6V-8721	1	ELBOW						
C	9	1	148-8417	1	REDUCER AS						
		1	6V-8397	1	SEAL-O-RING						
		1	6V-8941	1	REDUCER						
C	10	1	164-5574	1	TEE AS						
		1	3D-2824	1	SEAL-O-RING						
		1	6V-8784	1	TEE-FACE SEAL						
		1	6V-9746	2	SEAL-O-RING						
	11	1	1S-0994	3	CLIP						
	12	1	3J-1907	2	SEAL-O-RING						
	13	1	5I-3978	2	CLIP						
	14	1	6V-0852	1	CAP-DUST						
	15	1	6V-3965	1	FITTING (QUICK DISCONNECT)						
	16	1	6V-8076	1	ELBOW						
	17	1	6V-8556	1	NUT (1-3/16-12-THD)						
M	18	1	7X-2537	4	BOLT (M8X1.25X35-MM)						
	19	1	8T-4121	6	WASHER-HARD (11X21X2.5-MM THK)						
M	20	1	8T-4137	2	BOLT (M10X1.5X20-MM)						
M	21	1	8T-4139	4	BOLT (M12X1.75X30-MM)						
M	22	1	8T-4195	4	BOLT (M10X1.5X30-MM)						
	23	1	8T-4223	4	WASHER-HARD (13.5X25.5X3-MM THK)						
	24	1	8T-4224	4	WASHER-HARD (8.8X16X2-MM THK)						

C-CHANGE FROM PREVIOUS TYPE
I-REFER TO HYDRAULIC INFORMATION SYSTEM
M-METRIC PART
Y-SEPARATE ILLUSTRATION

HYDRAULIC SYSTEM

260-8202 FILTER & LINES GP-HYDRAULIC (contd.)

i03582128



GRAPHIC #1

<END>

g01360423

HYDRAULIC SYSTEM

260-8202 FILTER & LINES GP-HYDRAULIC- FINE FILTRATION

S/N: MMA1-UP

PART OF 228-8234 FILTER & LINES GP-HYDRAULIC
AN ATTACHMENT
TYPE 3

SMCS-5057, 5068

i03582130

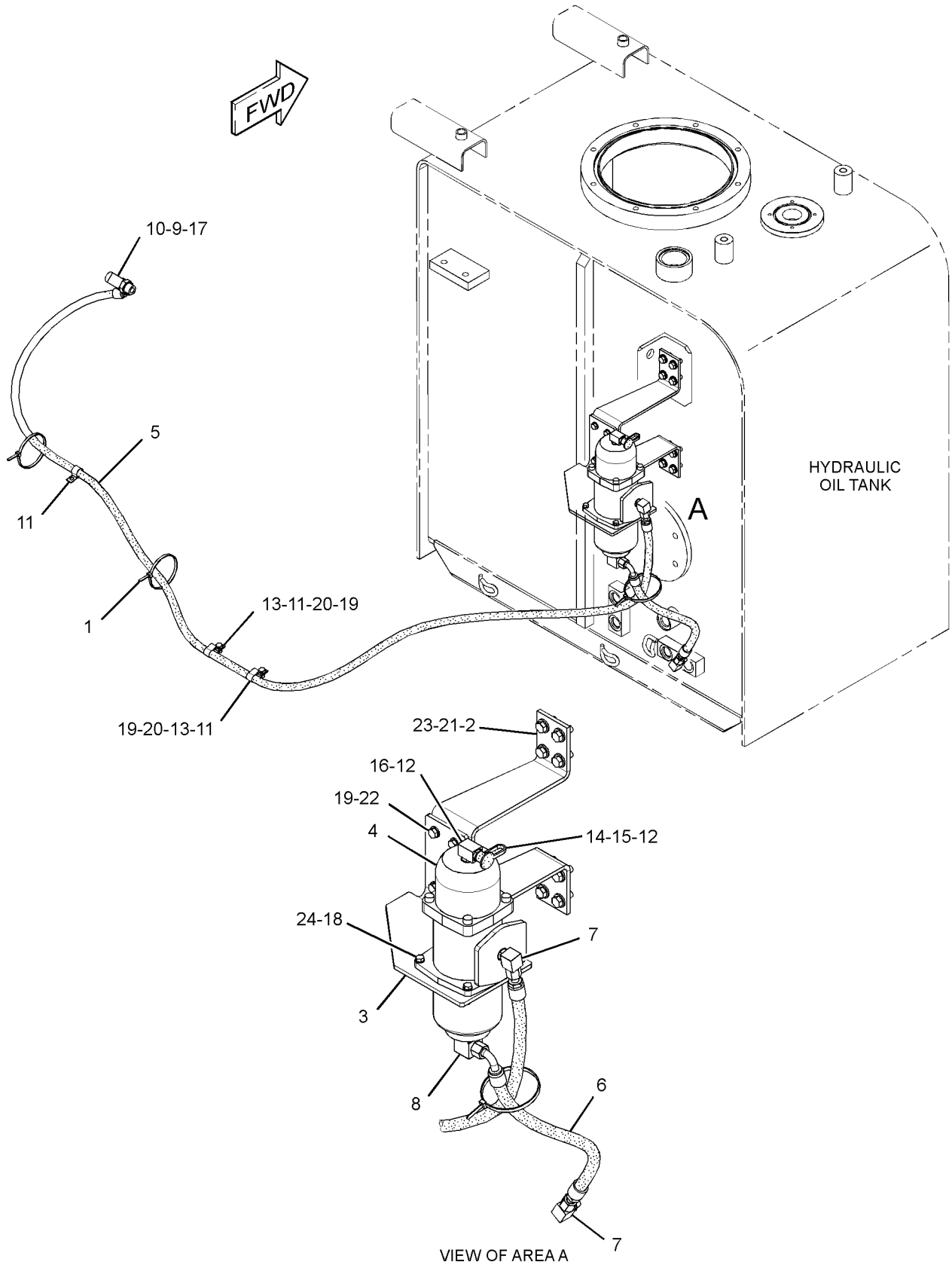
NOTE	REF NO	GRAPHIC REF	PART NUMBER	QTY	PART NAME						SEE PAGE
					1	2	3	4	5	6 (PRODUCT LEVEL)	
	1	1	7K-1181	3	STRAP-CABLE						
C	2	1	307-5110	1	SUPPORT						
	3	1	201-1414	1	SUPPORT AS						
Y	4	1	250-0729	1	FILTER GP-OIL (HYDRAULIC) (FINE FILTRATION)						676
I	5	1	275-1734	1	HOSE AS						
I	6	1	260-8251	1	HOSE AS						
	7	1	148-8365	2	ELBOW AS						
					(EACH INCLUDES)						
		1	3J-1907	1	SEAL-O-RING						
		1	6V-8398	1	SEAL-O-RING						
		1	8T-6876	1	ELBOW						
8		1	148-8372	1	ELBOW AS						
		1	2M-9780	1	SEAL-O-RING						
		1	6V-8398	1	SEAL-O-RING						
		1	6V-8721	1	ELBOW						
9		1	148-8417	1	REDUCER AS						
		1	6V-8397	1	SEAL-O-RING						
		1	6V-8941	1	REDUCER						
10		1	164-5574	1	TEE AS						
		1	3D-2824	1	SEAL-O-RING						
		1	6V-8784	1	TEE-FACE SEAL						
		1	6V-9746	2	SEAL-O-RING						
11		1	1S-0994	3	CLIP						
12		1	3J-1907	2	SEAL-O-RING						
13		1	5I-3978	2	CLIP						
14		1	6V-0852	1	CAP-DUST						
15		1	6V-3965	1	FITTING (QUICK DISCONNECT)						
16		1	6V-8076	1	ELBOW						
17		1	6V-8556	1	NUT (1-3/16-12-THD)						
M	18	1	7X-2537	4	BOLT (M8X1.25X35-MM)						
	19	1	8T-4121	6	WASHER-HARD (11X21X2.5-MM THK)						
M	20	1	8T-4137	2	BOLT (M10X1.5X20-MM)						
CM	21	1	8T-4139	8	BOLT (M12X1.75X30-MM)						
M	22	1	8T-4195	4	BOLT (M10X1.5X30-MM)						
C	23	1	8T-4223	8	WASHER-HARD (13.5X25.5X3-MM THK)						
	24	1	8T-4224	4	WASHER-HARD (8.8X16X2-MM THK)						

C-CHANGE FROM PREVIOUS TYPE
I-REFER TO HYDRAULIC INFORMATION SYSTEM
M-METRIC PART
Y-SEPARATE ILLUSTRATION

HYDRAULIC SYSTEM

260-8202 FILTER & LINES GP-HYDRAULIC (contd.)

i03582130



GRAPHIC #1

<END>

g01711495

HYDRAULIC SYSTEM

260-8202 FILTER & LINES GP-HYDRAULIC- FINE FILTRATION

S/N: MMA1-UP

PART OF 228-8234 FILTER & LINES GP-HYDRAULIC
AN ATTACHMENT
TYPE 4

SMCS-5057, 5068

i03582132

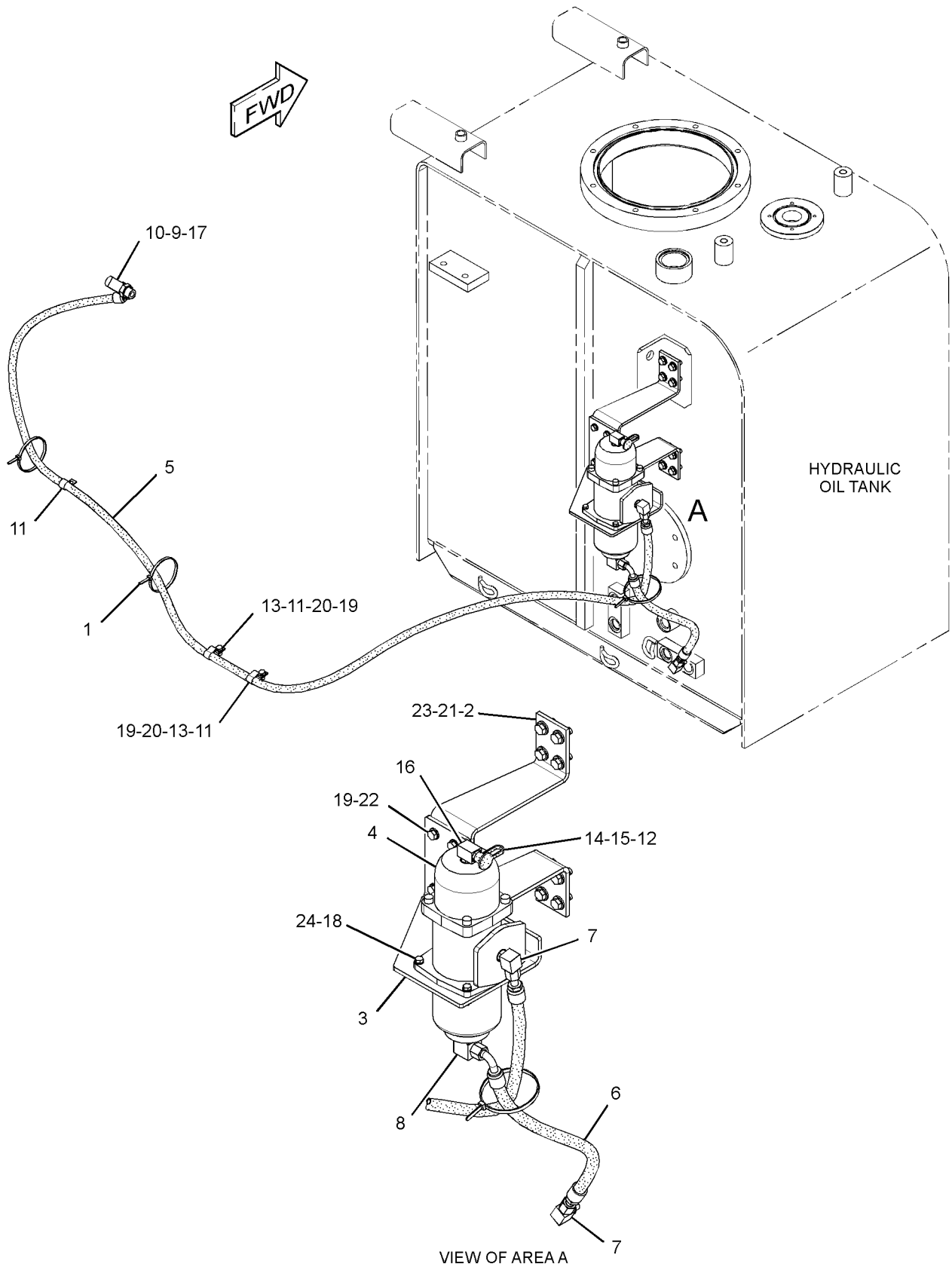
NOTE	REF NO	GRAPHIC REF	PART NUMBER	QTY	PART NAME						SEE PAGE
					1	2	3	4	5	6 (PRODUCT LEVEL)	
	1	1	7K-1181	3	STRAP-CABLE						
	2	1	307-5110	1	SUPPORT						
C	3	1	333-7152	1	SUPPORT AS						
Y	4	1	250-0729	1	FILTER GP-OIL (HYDRAULIC) (FINE FILTRATION)						676
I	5	1	275-1734	1	HOSE AS						
I	6	1	260-8251	1	HOSE AS						
	7	1	148-8365	2	ELBOW AS						
					(EACH INCLUDES)						
		1	3J-1907	1	SEAL-O-RING						
		1	6V-8398	1	SEAL-O-RING						
		1	8T-6876	1	ELBOW						
	8	1	148-8372	1	ELBOW AS						
		1	2M-9780	1	SEAL-O-RING						
		1	6V-8398	1	SEAL-O-RING						
		1	6V-8721	1	ELBOW						
C	9	1	148-8418	1	REDUCER AS						
		1	6V-8398	1	SEAL-O-RING						
		1	6V-8942	1	REDUCER-O-RING						
	10	1	164-5574	1	TEE AS						
		1	3D-2824	1	SEAL-O-RING						
		1	6V-8784	1	TEE-FACE SEAL						
		1	6V-9746	2	SEAL-O-RING						
	11	1	1S-0994	3	CLIP						
C	12	1	3J-1907	1	SEAL-O-RING						
	13	1	5I-3978	2	CLIP						
	14	1	6V-0852	1	CAP-DUST						
	15	1	6V-3965	1	FITTING (QUICK DISCONNECT)						
C	16	1	241-6215	1	ELBOW AS						
		1	3J-1907	1	SEAL-O-RING						
		1	6V-8076	1	ELBOW						
	17	1	6V-8556	1	NUT (1-3/16-12-THD)						
M	18	1	7X-2537	4	BOLT (M8X1.25X35-MM)						
	19	1	8T-4121	6	WASHER-HARD (11X21X2.5-MM THK)						
M	20	1	8T-4137	2	BOLT (M10X1.5X20-MM)						
M	21	1	8T-4139	8	BOLT (M12X1.75X30-MM)						
M	22	1	8T-4195	4	BOLT (M10X1.5X30-MM)						
	23	1	8T-4223	8	WASHER-HARD (13.5X25.5X3-MM THK)						
	24	1	8T-4224	4	WASHER-HARD (8.8X16X2-MM THK)						

C-CHANGE FROM PREVIOUS TYPE
I-REFER TO HYDRAULIC INFORMATION SYSTEM
M-METRIC PART
Y-SEPARATE ILLUSTRATION

HYDRAULIC SYSTEM

260-8202 FILTER & LINES GP-HYDRAULIC (contd.)

i03582132



GRAPHIC #1

VIEW OF AREA A
<END>

g01818430

HYDRAULIC SYSTEM

6E-5534 FILTER GP-OIL-HYDRAULIC

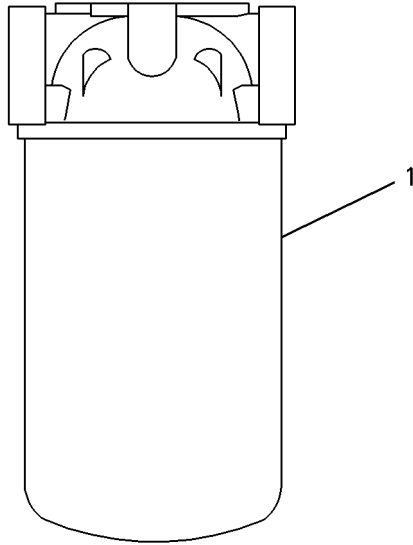
S/N: MMA1-UP

PART OF 227-0371 LINES GP-PILOT, 227-0367 TANK & FILTER GP-HYDRAULIC

SMCS-3004, 4295, 431F, 5068, 5091, 5092

i02636069

NOTE	REF NO	GRAPHIC REF	PART NUMBER	QTY	PART NAME						SEE PAGE
					1	2	3	4	5	6 (PRODUCT LEVEL)	
	1	1	4T-6788	1	FILTER-OIL (ADVANCED EFFICIENCY) (HYDRAULIC)						



GRAPHIC #1

<END>

g00233591

HYDRAULIC SYSTEM

185-0336 FILTER GP-OIL-HYDRAULIC

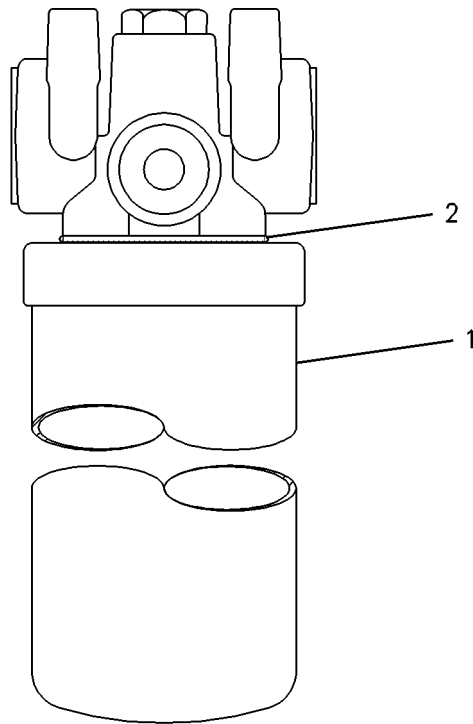
S/N: MMA1-UP

PART OF 227-0371 LINES GP-PILOT

SMCS-3004, 4295, 431F, 5068, 5091, 5092

i02636070

NOTE	REF NO	GRAPHIC REF	PART NUMBER	QTY	PART NAME						SEE PAGE
					1	2	3	4	5	6 (PRODUCT LEVEL)	
	1	1	185-0337	1	FILTER-OIL (ADVANCED EFFICIENCY) (HYDRAULIC)						
	2	1	103-8236	1	RING						



GRAPHIC #1

<END>

g00233577

HYDRAULIC SYSTEM

188-4142 FILTER GP-OIL-HYDRAULIC RETURN

S/N: MMA1-UP

PART OF 234-4531, 242-6878 FILTER GP-OIL

SMCS-3004, 4295, 431F, 5068, 5091, 5092

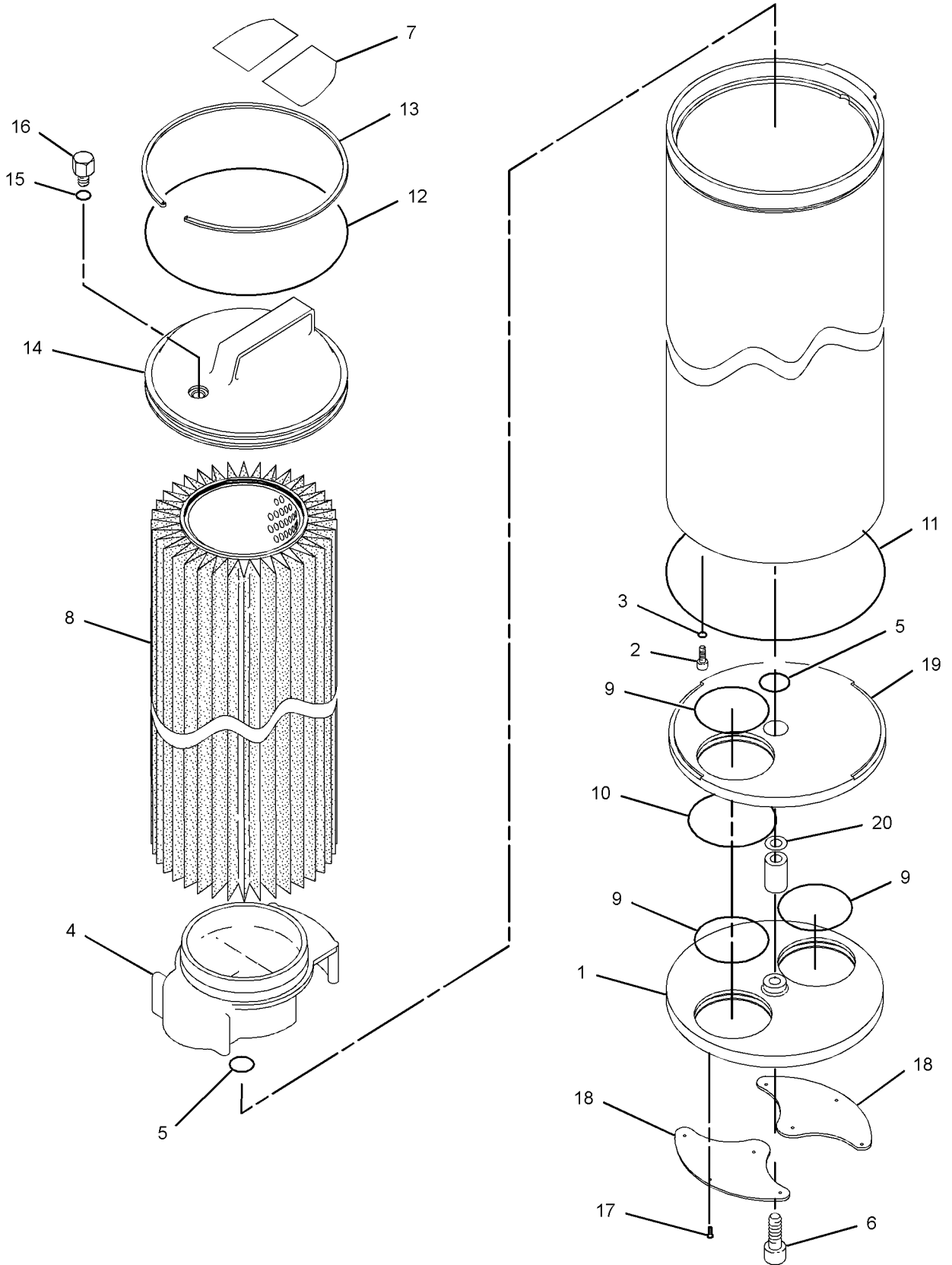
i03493360

NOTE	REF NO	GRAPHIC REF	PART NUMBER	QTY	PART NAME						SEE PAGE
					1	2	3	4	5	6 (PRODUCT LEVEL)	
	1	1	204-2762	1	PLATE						
JM	2	1	173-3529	6	BOLT (M6X1X15-MM)						
J	3	1	3T-7528	6	SEAL-O-RING						
	4	1	173-3513	1	BASE						
J	5	1	3E-4297	2	SEAL-O-RING						
M	6	1	137-3626	1	BOLT-SHOULDER (M6X1X28.75-MM)						
	7	1	188-4143	1	FILM-INSTRUCTION (HYDRAULIC OIL RETURN FILTER)						
	8	1	179-9806	1	FILTER ELEMENT AS-OIL (ULTRA HIGH EFFICIENCY) (HYDRAULIC RETURN)						
J	9	1	137-3623	4	SEAL-O-RING						
J	10	1	6V-7658	2	SEAL-O-RING						
J	11	1	177-2553	1	SEAL						
J	12	1	095-1681	1	SEAL-O-RING						
	13	1	173-3515	1	RING-RETAINING						
	14	1	173-3516	1	HANDLE						
J	15	1	4J-7533	1	SEAL-O-RING						
J	16	1	9S-4180	1	PLUG						
JM	17	1	137-3624	8	SCREW (M3X0.5X5-MM)						
J	18	1	137-3625	2	PAD						
	19	1	173-3517	1	PLATE						
J	20	1	137-3628	1	SHIM (0.1-MM THK)						
					AVAILABLE REPAIR KIT(S):						
J			201-9299	1	KIT-SERVICE (HYDRAULIC FILTER)						
J-KIT MARKED J SERVICES PARTS MARKED J M-METRIC PART											

HYDRAULIC SYSTEM

188-4142 FILTER GP-OIL (contd.)

i03493360



GRAPHIC #1

<END>

g01830153

HYDRAULIC SYSTEM

191-5650 FILTER GP-OIL-HYDRAULIC

S/N: MMA1-UP

PART OF 239-1825 FILTER & LINES GP-HYDRAULIC
AN ATTACHMENT

SMCS-3004, 4295, 431F, 5068, 5091, 5092

i03613542

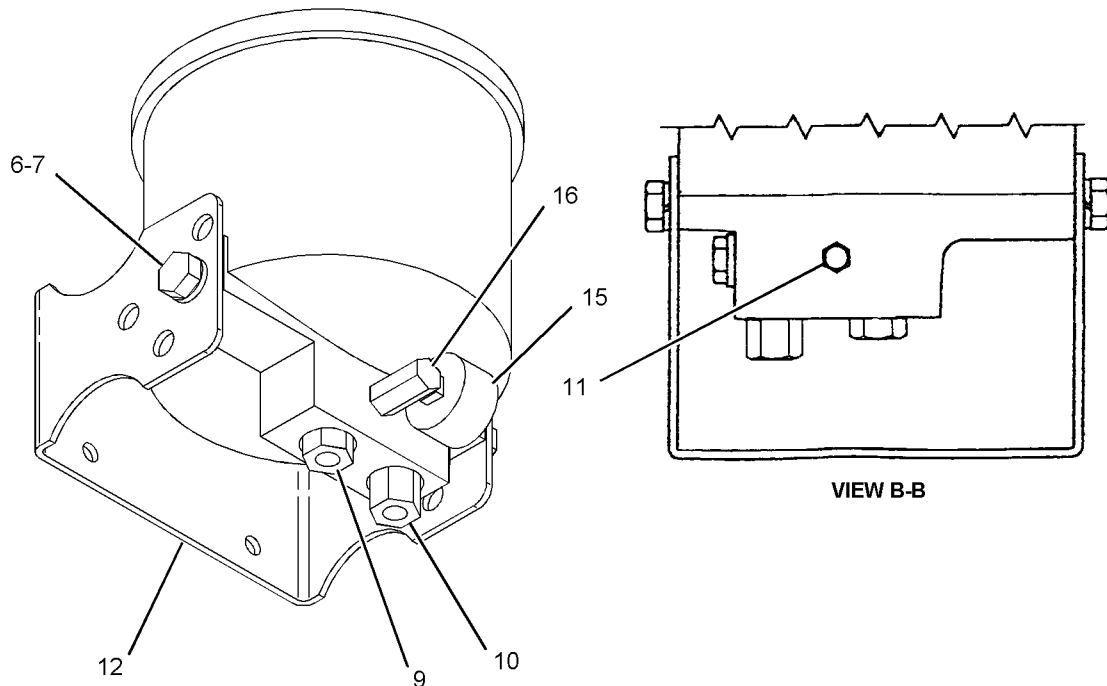
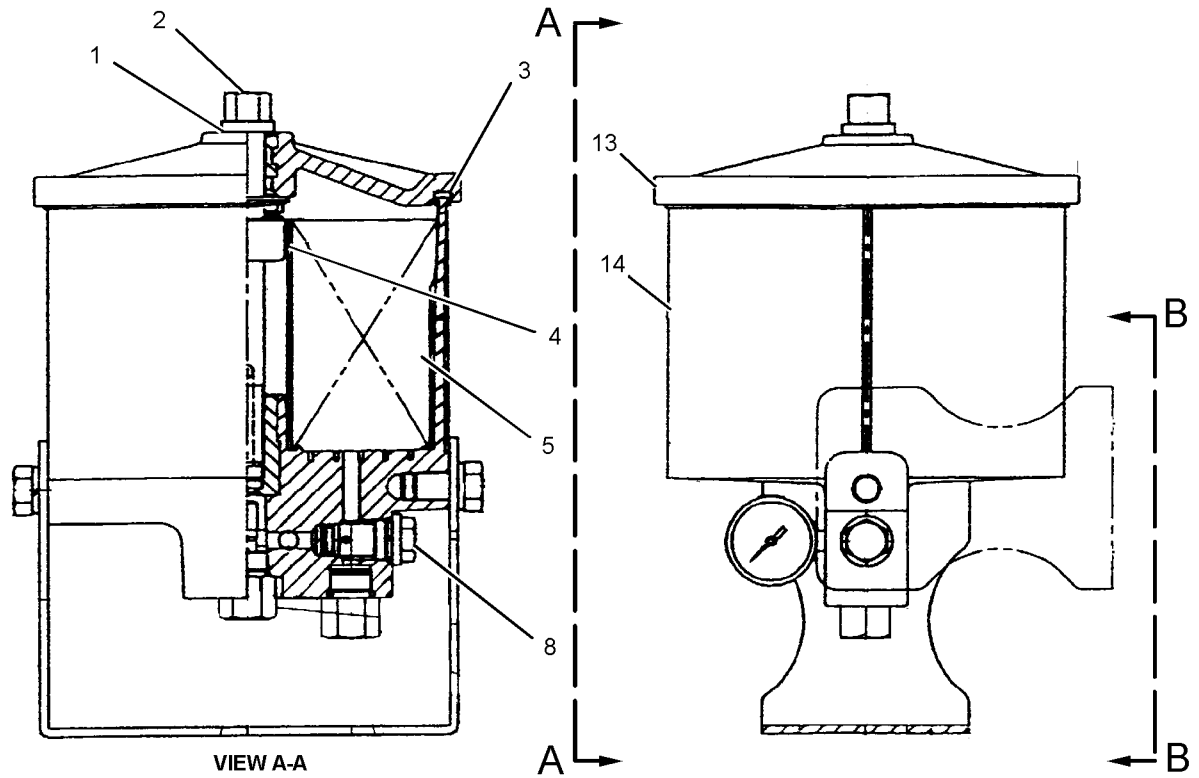
NOTE	REF NO	GRAPHIC REF	PART NUMBER	QTY	PART NAME						SEE PAGE
					1	2	3	4	5	6 (PRODUCT LEVEL)	
	1	1	185-0210	1	WASHER						
M	2	1	185-0206	1	BOLT (M16X1.5X165-MM)						
	3	1	185-0209	1	SEAL						
	4	1	185-0213	1	RETAINER						
	5	1	143-8086	1	FILTER ELEMENT-OIL (HYDRAULIC)						
	6	1	095-0818	2	WASHER (14.2X24.5X3.5-MM THK)						
M	7	1	174-3877	2	BOLT (M14X1.5X25-MM)						
	8	1	185-0208	1	VALVE GP-CHECK						
		1	8T-0211	1	SEAL-O-RING						
		1	095-1516	1	SEAL-O-RING						
	9	1	191-5652	1	VALVE GP-FLOW CONTROL						
		1	8T-0211	1	SEAL-O-RING						
	10	1	191-5653	1	ADAPTER						
		1	8T-0211	1	SEAL-O-RING						
	11	1	096-1445	1	PLUG						
	12	1	185-0211	1	BRACKET						
	13	1	185-0205	1	COVER						
	14	1	191-5651	1	HOUSING						
	15	1	185-0212	1	GAUGE						
	16	1	185-0216	1	ADAPTER						

M-METRIC PART

HYDRAULIC SYSTEM

191-5650 FILTER GP-OIL (contd.)

i03613542



GRAPHIC #1

<END>

g01081160

HYDRAULIC SYSTEM

234-4531 FILTER GP-OIL-HYDRAULIC

S/N: MMA1-UP

PART OF 227-0367 TANK & FILTER GP-HYDRAULIC

SMCS-3004, 4295, 431F, 5068, 5091, 5092

i02497558

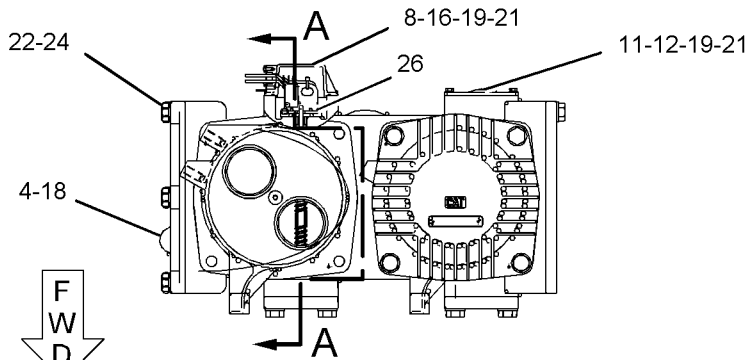
NOTE	REF NO	GRAPHIC REF	PART NUMBER	QTY	PART NAME						SEE PAGE
					1	2	3	4	5	6 (PRODUCT LEVEL)	
	1	1	129-8034	2	VALVE AS-BYPASS						
Y	2	1	129-8053	1	BASE GP-OIL FILTER (HYDRAULIC)						610
	3	1	129-8055	2	FLANGE						
	4	1	129-8056	1	COVER						
	5	1	129-7815	1	COVER						
	6	1	173-3507	2	HOUSING AS						
	7	1	173-3510	2	COVER						
	8	1	173-3518	1	INDICATOR AS (HYDRAULIC RETURN FILTER)						
Y	9	1	188-4142	2	FILTER GP-OIL (HYDRAULIC RETURN)						668
	11	1	242-6882	1	COVER						
	12	1	242-6883	1	GASKET						
M	13	1	095-0759	2	SCREW-MACHINE (M6X1X3.4-MM)						
	15	1	123-2003	4	SEAL-O-RING						
	16	1	159-7784	1	SEAL-O-RING						
	17	1	3J-7354	1	SEAL-O-RING						
	18	1	6J-2680	4	SEAL-O-RING						
M	19	1	6V-4298	8	BOLT (M5X0.8X16-MM)						
	20	1	6V-7609	2	SEAL-O-RING						
	21	1	8T-0328	8	WASHER-HARD (5.5X10X1-MM THK)						
M	22	1	8T-4183	6	BOLT (M12X1.75X40-MM)						
M	23	1	8T-4194	16	BOLT (M12X1.75X50-MM)						
	24	1	8T-4223	32	WASHER-HARD (13.5X25.5X3-MM THK)						
M	25	1	8T-4956	10	BOLT (M12X1.75X35-MM)						
M	26	1	8T-6693	4	SCREW-MACHINE (M5X0.8X16-MM)						
	27	1	9S-4182	1	PLUG-O RING						

M-METRIC PART
Y-SEPARATE ILLUSTRATION

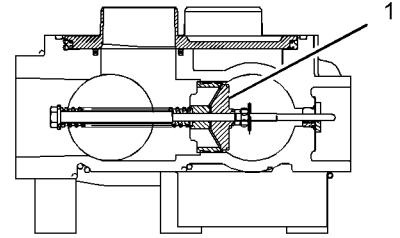
HYDRAULIC SYSTEM

234-4531 FILTER GP-OIL (contd.)

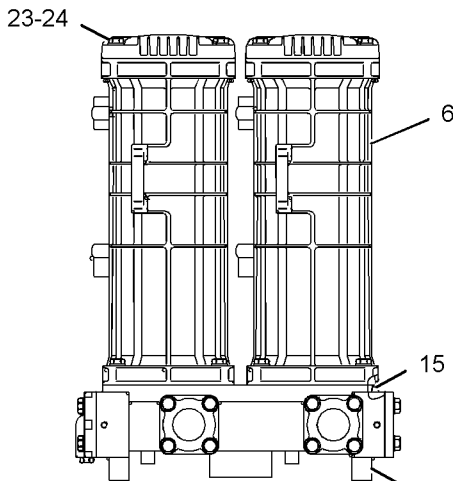
i02497558



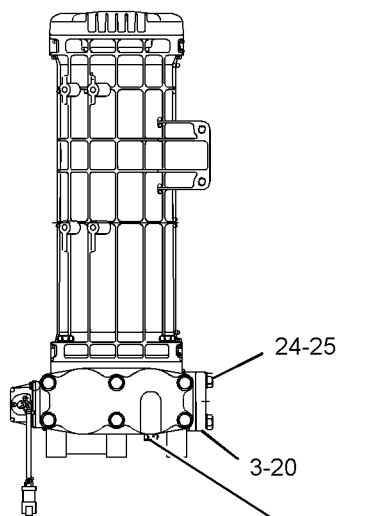
TOP VIEW



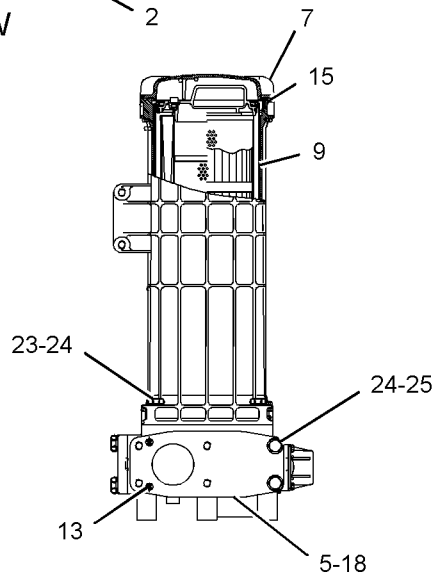
SECTION A-A



FRONT VIEW



RIGHT SIDE VIEW



LEFT SIDE VIEW

GRAPHIC #1

<END>

g01076063

HYDRAULIC SYSTEM

242-6878 FILTER GP-OIL-HYDRAULIC

S/N: MMA1-UP

PART OF 227-0367 TANK & FILTER GP-HYDRAULIC

SMCS-3004, 4295, 431F, 5068, 5091, 5092

i02110714

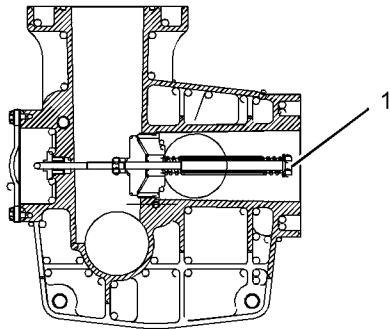
NOTE	REF NO	GRAPHIC REF	PART NUMBER	QTY	PART NAME						SEE PAGE
					1	2	3	4	5	6 (PRODUCT LEVEL)	
	1	1	129-8034	1	VALVE AS-BYPASS						
Y	2	1	173-3503	1	BASE GP-OIL FILTER (HYDRAULIC)						611
	3	1	173-3507	1	HOUSING AS						
	4	1	173-3510	1	COVER						
Y	5	1	188-4142	1	FILTER GP-OIL (HYDRAULIC RETURN)						668
	6	1	242-6882	1	COVER						
	7	1	242-6883	1	GASKET						
	10	1	123-2003	2	SEAL-O-RING						
M	11	1	6V-4298	4	BOLT (M5X0.8X16-MM)						
	12	1	8T-0328	4	WASHER-HARD (5.5X10X1-MM THK)						
M	13	1	8T-4194	8	BOLT (M12X1.75X50-MM)						
	14	1	8T-4223	8	WASHER-HARD (13.5X25.5X3-MM THK)						

M-METRIC PART
Y-SEPARATE ILLUSTRATION

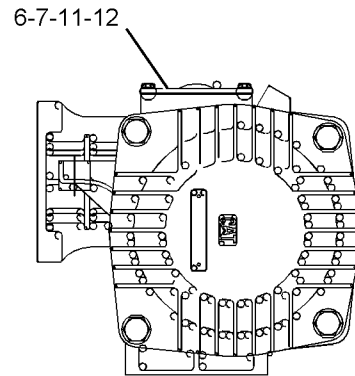
HYDRAULIC SYSTEM

242-6878 FILTER GP-OIL (contd.)

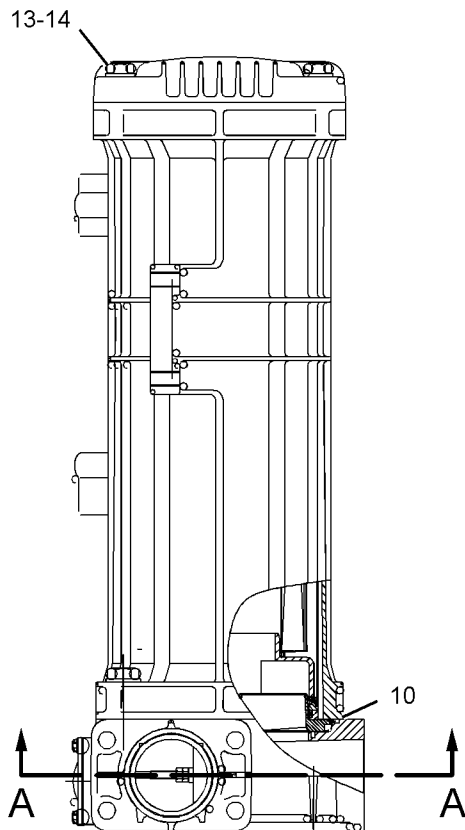
i02110714



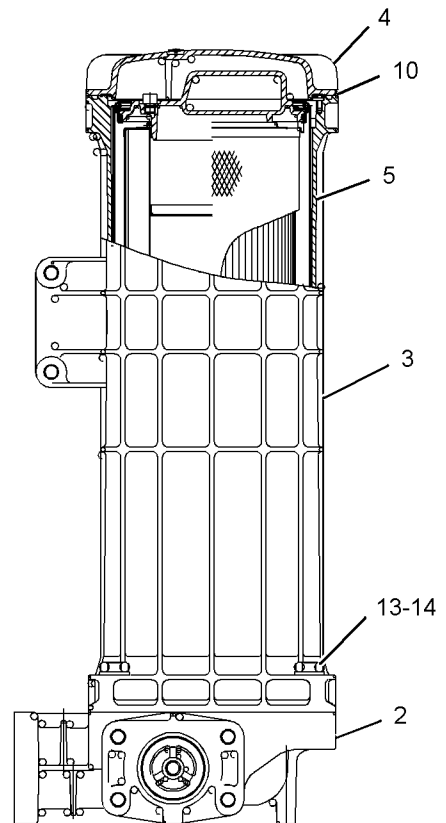
SECTION A-A



TOP VIEW



FRONT VIEW



LEFT SIDE VIEW

GRAPHIC #1

<END>

g01081939

HYDRAULIC SYSTEM

250-0729 FILTER GP-OIL-FINE FILTRATION

S/N: MMA1-UP

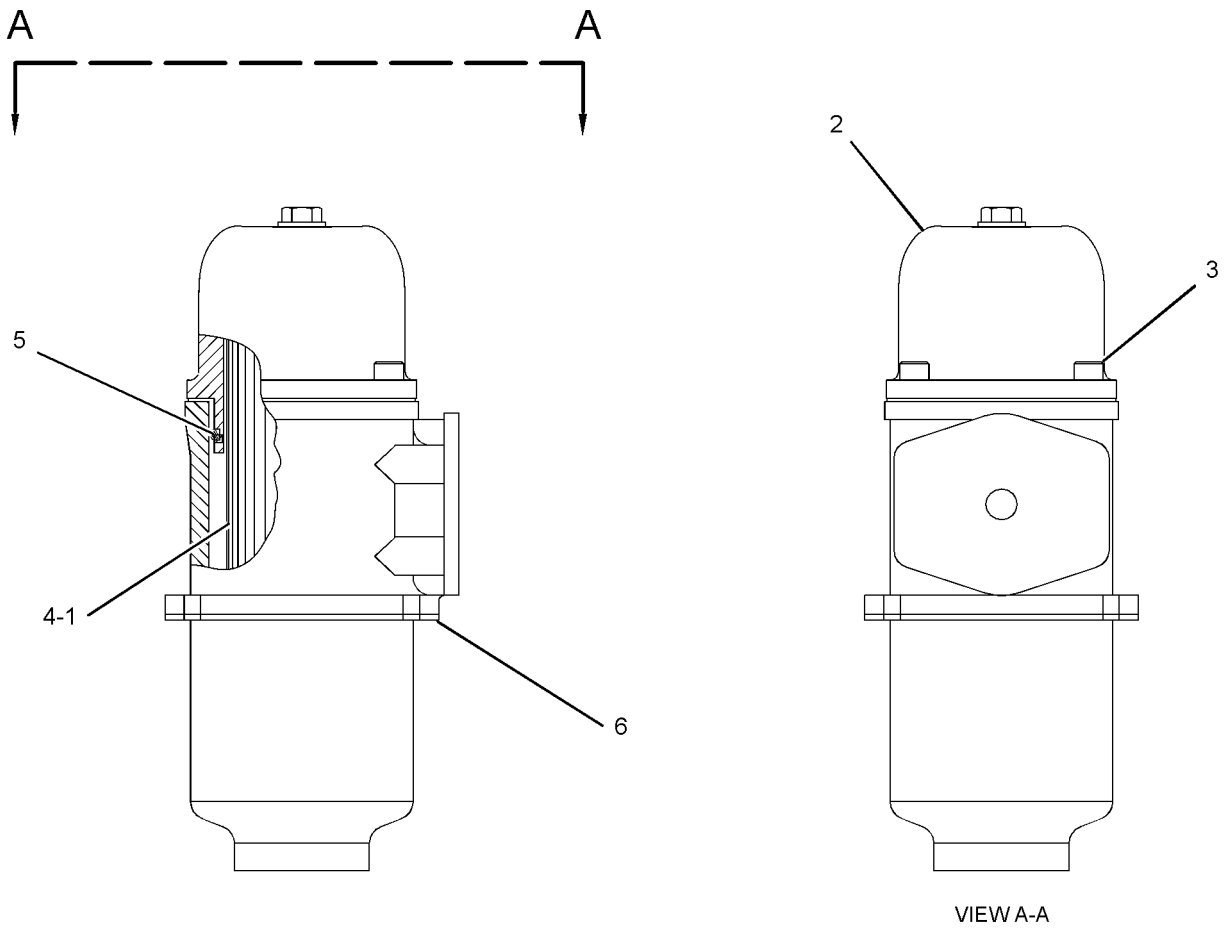
PART OF 260-8202 FILTER & LINES GP-HYDRAULIC
AN ATTACHMENT

SMCS-3004, 4295, 431F, 5068, 5091, 5092

i02956347

NOTE	REF NO	GRAPHIC REF	PART NUMBER	QTY	PART NAME						SEE PAGE
					1	2	3	4	5	6 (PRODUCT LEVEL)	
	1	1	146-9290	1	FILTER ELEMENT-OIL (ULTRA HIGH EFFICIENCY) (HYDRAULIC)						
	2	1	250-6967	1	COVER						
M	3	1	105-3484	4	BOLT-SOCKET HEAD (M10X1.5X25-MM)						
	4	1	155-4038	1	SEAL-O-RING						
	5	1	155-4039	1	SEAL-O-RING						
	6	1	155-4041	1	SEAL-O-RING						

M-METRIC PART



GRAPHIC #1

<END>

g01176490

HYDRAULIC SYSTEM

227-0373 FITTING GP-HYDRAULIC-HIGH PRESSURE CUTOFF, ON

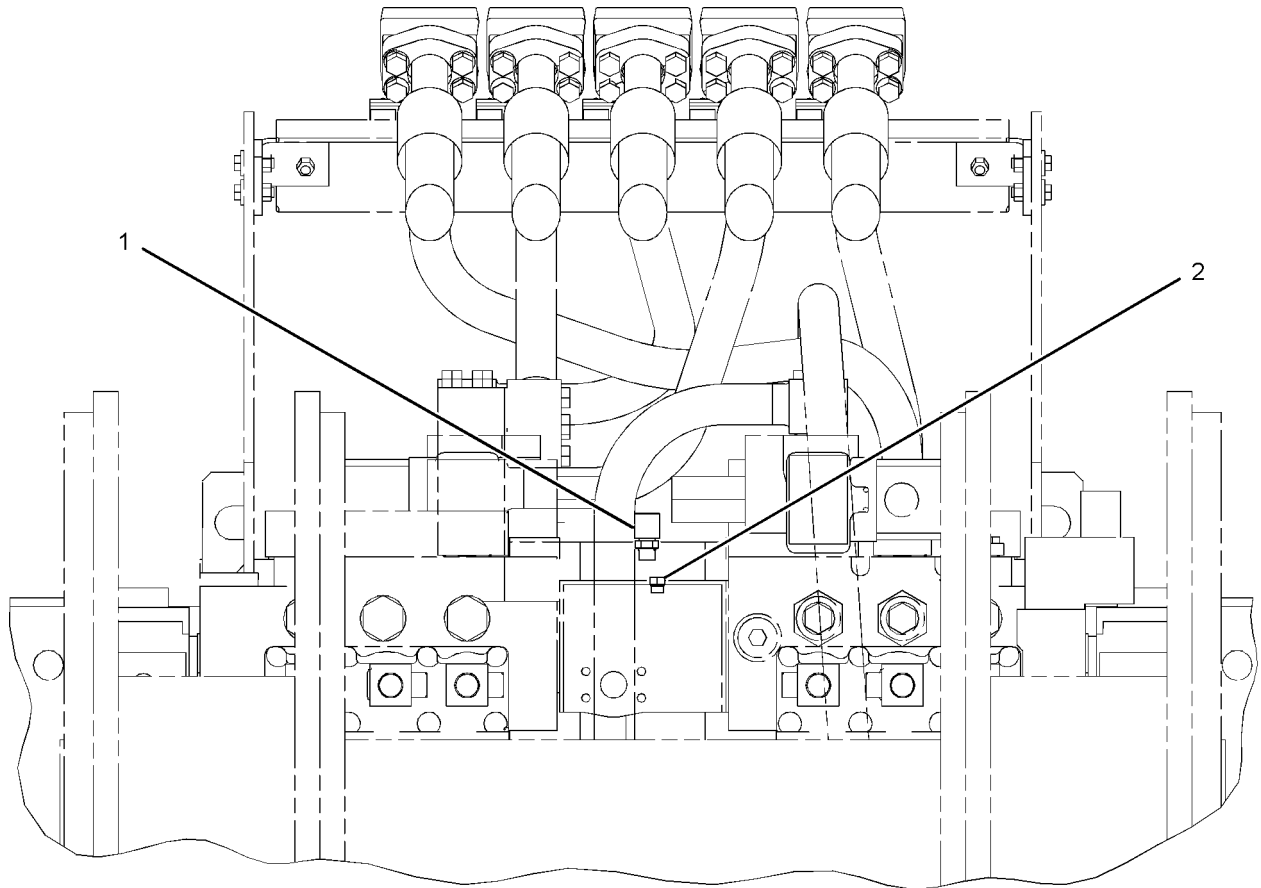
S/N: MMA1-UP

PART OF 225-4839 LINES GP-PILOT
AN ATTACHMENT

SMCS-5057, 7553

i02140664

NOTE	REF NO	GRAPHIC REF	PART NUMBER	QTY	PART NAME						SEE PAGE
					1	2	3	4	5	6 (PRODUCT LEVEL)	
	1	1	148-8374	1	ELBOW AS						
		1	3K-0360	1	SEAL-O-RING						
		1	6V-8397	1	SEAL-O-RING						
		1	6V-8723	1	ELBOW						
	2	1	148-8407	1	PLUG AS						
		1	3J-1907	1	SEAL-O-RING						
		1	9S-4191	1	PLUG-O-RING						



FRONT VIEW
<END>

GRAPHIC #1

g01087794

HYDRAULIC SYSTEM

227-0620 GAUGE GP-SIGHT-HYDRAULIC OIL LEVEL

S/N: MMA1-UP

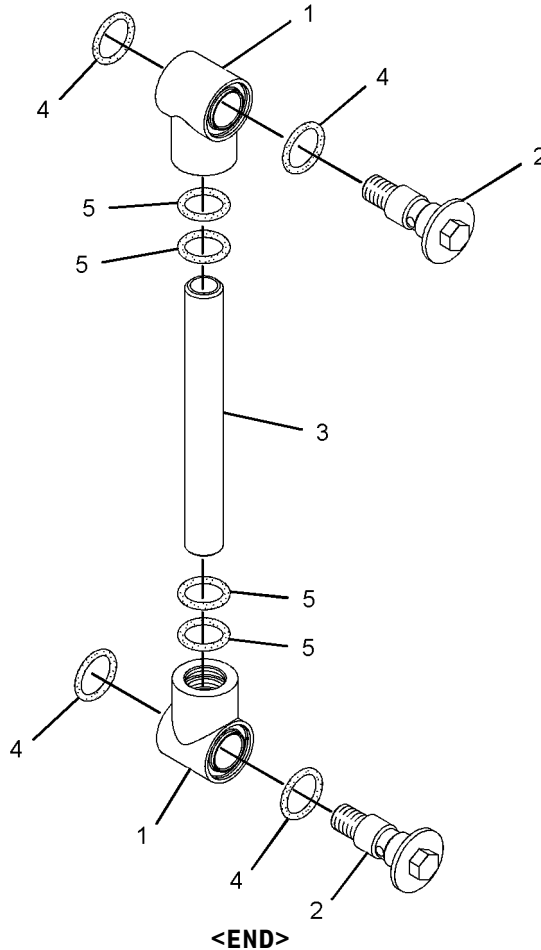
PART OF 227-0367 TANK & FILTER GP-HYDRAULIC

SMCS-7479

i02553818

NOTE	REF NO	GRAPHIC REF	PART NUMBER	QTY	PART NAME						SEE PAGE
					1	2	3	4	5	6 (PRODUCT LEVEL)	
	1	1	236-3258	2	BLOCK						
M	2	1	236-3259	2	BOLT-SPECIAL						
	3	1	236-3257	1	PIPE						
	4	1	095-1519	4	SEAL-O-RING						
	5	1	6F-4855	4	SEAL-O-RING						

M-METRIC PART



GRAPHIC #1

<END>

g01091508

HYDRAULIC SYSTEM

204-0046 GUARD AR-CYLINDER

S/N: MMA1-UP

PART OF 253-8453 GUARD AR
AN ATTACHMENT

SMCS-7562

i01544809

NOTE	PART NUMBER	QTY	PART NAME						SEE PAGE
			1	2	3	4	5	6 (PRODUCT LEVEL)	
Y	204-0047	2	GUARD GP-CYLINDER (BOOM)						685
Y	117-8060	1	GUARD GP-CYLINDER (MASTER)						680
Y	117-8097	1	GUARD GP-CYLINDER (STICK)						683

Y-SEPARATE ILLUSTRATION

<END>

HYDRAULIC SYSTEM

117-8060 GUARD GP-CYLINDER-MASTER

S/N: MMA1-UP

PART OF 204-0046 GUARD AR-CYLINDER

AN ATTACHMENT

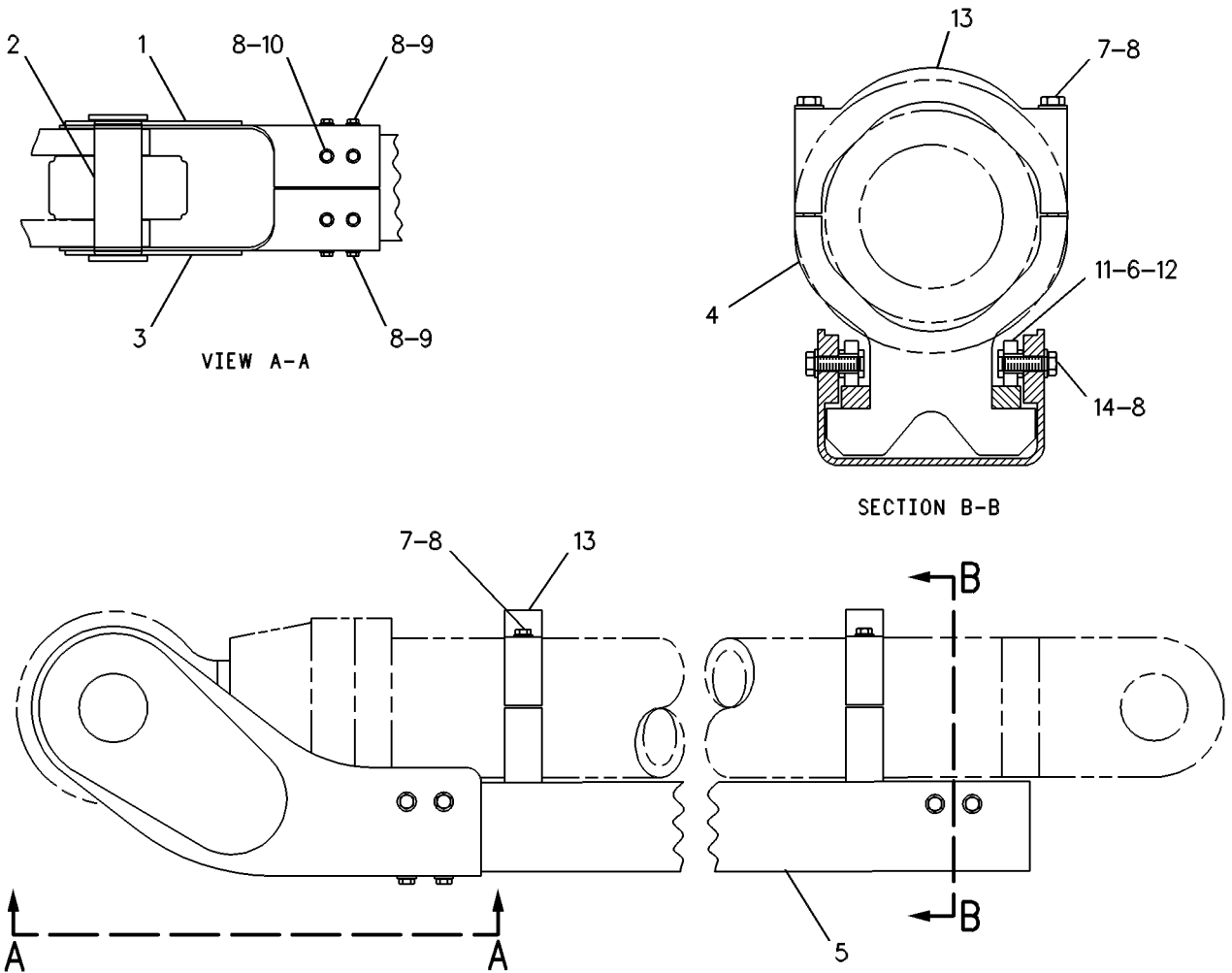
TYPE 1

SMCS-7164

i00623242

NOTE	REF NO	GRAPHIC REF	PART NUMBER	QTY	PART NAME						SEE PAGE
					1	2	3	4	5	6 (PRODUCT LEVEL)	
	1	1	117-8065	1	PLATE AS						
	2	1	117-8076	1	PIN						
	3	1	117-8061	1	PLATE AS						
	4	1	117-8072	1	SUPPORT AS						
	5	1	117-8069	1	CHANNEL AS						
	6	1	117-8077	4	SHAFT						
M	7	1	8T-5041	4	BOLT (M12X1.75X120-MM)						
	8	1	8T-4223	16	WASHER-HARD (13.5X25.5X3-MM THK)						
M	9	1	8T-4194	4	BOLT (M12X1.75X50-MM)						
M	10	1	8T-4956	4	BOLT (M12X1.75X35-MM)						
	11	1	6Y-0570	4	BEARING						
	12	1	117-8079	4	SPACER (17.5X24X5-MM THK)						
	13	1	117-8075	2	CLAMP						
M	14	1	8T-4183	4	BOLT (M12X1.75X40-MM)						

M-METRIC PART



GRAPHIC #1

<END>

g00253347

HYDRAULIC SYSTEM

117-8060 GUARD GP-CYLINDER-MASTER

S/N: MMA1-UP

PART OF 204-0046 GUARD AR-CYLINDER

AN ATTACHMENT

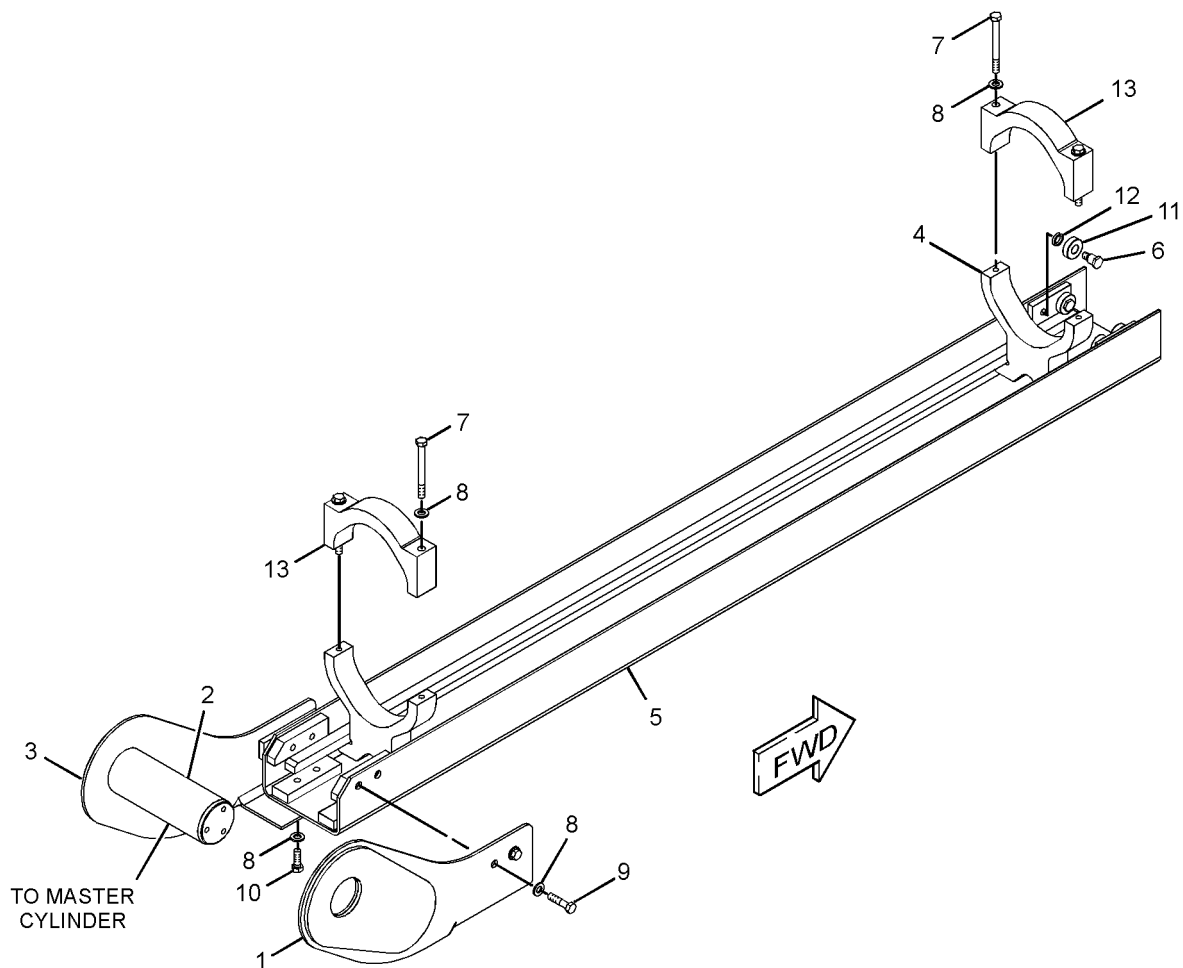
TYPE 2

SMCS-7164

i02497546

NOTE	REF NO	GRAPHIC REF	PART NUMBER	QTY	PART NAME						SEE PAGE
					1	2	3	4	5	6 (PRODUCT LEVEL)	
	1	1	117-8065	1	PLATE AS						
	2	1	117-8076	1	PIN						
	3	1	117-8061	1	PLATE AS						
	4	1	117-8072	1	SUPPORT AS						
C	5	1	263-3657	1	CHANNEL AS						
C	6	1	263-3659	4	SHAFT						
M	7	1, 1	8T-5041	4	BOLT (M12X1.75X120-MM)						
C	8	1	8T-4223	12	WASHER-HARD (13.5X25.5X3-MM THK)						
M	9	1	8T-4194	4	BOLT (M12X1.75X50-MM)						
M	10	1	8T-4956	4	BOLT (M12X1.75X35-MM)						
	11	1	6Y-0570	4	BEARING						
	12	1	117-8079	4	SPACER (17.5X24X5-MM THK)						
	13	1	117-8075	2	CLAMP						

C-CHANGE FROM PREVIOUS TYPE
M-METRIC PART



GRAPHIC #1

<END>

g01235427

HYDRAULIC SYSTEM

117-8060 GUARD GP-CYLINDER-MASTER

S/N: MMA1-UP

PART OF 204-0046 GUARD AR-CYLINDER

AN ATTACHMENT

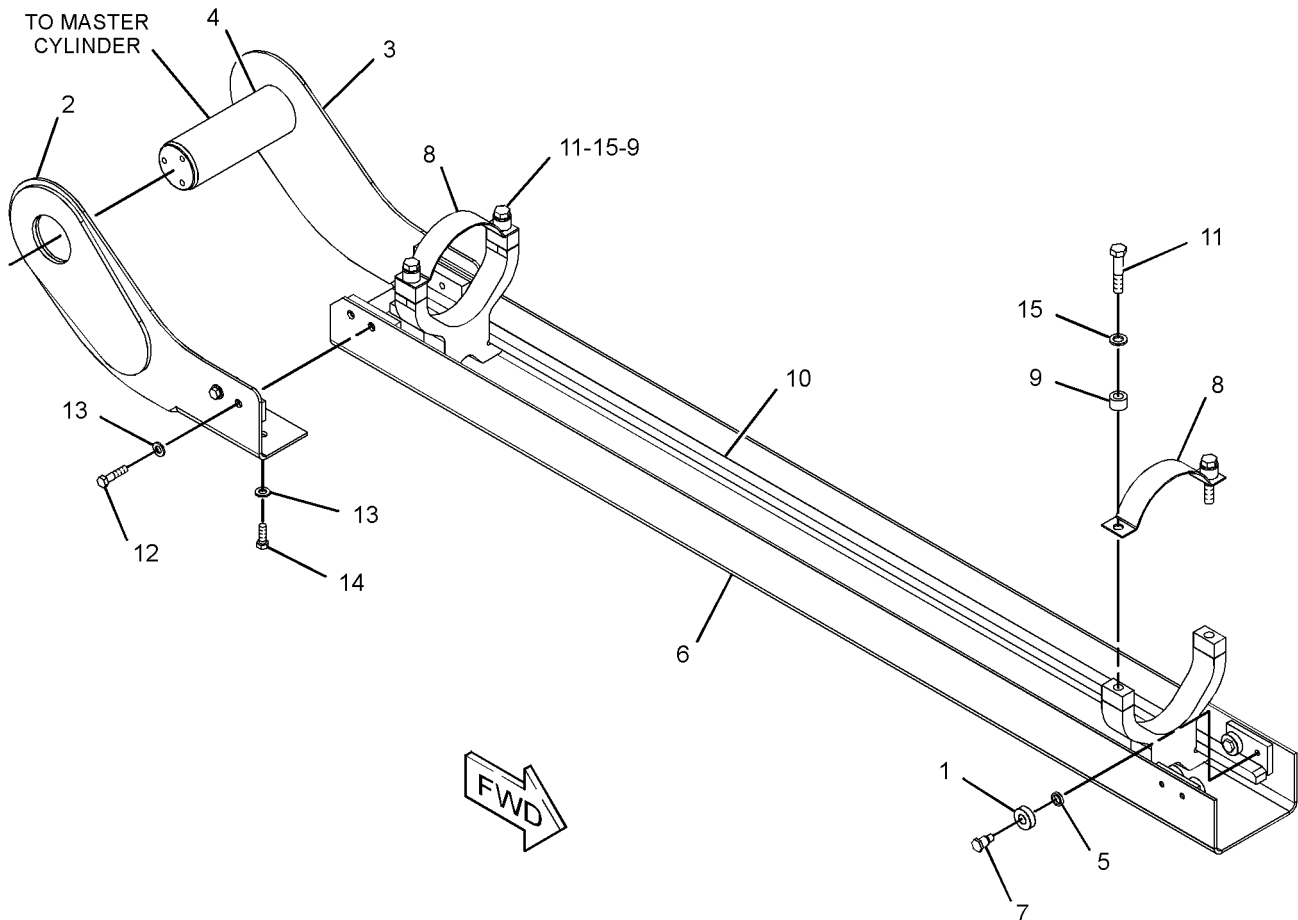
TYPE 3

SMCS-7164

i02679952

NOTE	REF NO	GRAPHIC REF	PART NUMBER	QTY	PART NAME						SEE PAGE
					1	2	3	4	5	6 (PRODUCT LEVEL)	
	1	1	6Y-0570	4	BEARING						
	2	1	117-8061	1	PLATE AS						
	3	1	117-8065	1	PLATE AS						
	4	1	117-8076	1	PIN						
	5	1	117-8079	4	SPACER (17.5X24X5-MM THK)						
	6	1	263-3657	1	CHANNEL AS						
	7	1	263-3659	4	SHAFT						
C	8	1	269-3775	2	CLAMP AS						
C	9	1	269-3777	4	SPACER (17X30X20-MM THK)						
C	10	1	294-0253	1	SUPPORT AS						
CM	11	1	7X-2555	4	BOLT (M16X2X80-MM)						
M	12	1	8T-4194	4	BOLT (M12X1.75X50-MM)						
C	13	1	8T-4223	8	WASHER-HARD (13.5X25.5X3-MM THK)						
M	14	1	8T-4956	4	BOLT (M12X1.75X35-MM)						
C	15	1	9X-8257	4	WASHER (17.5X30X3.5-MM THK)						

C-CHANGE FROM PREVIOUS TYPE
M-METRIC PART



GRAPHIC #1

<END>

g01349600

HYDRAULIC SYSTEM

117-8097 GUARD GP-CYLINDER-STICK

S/N: MMA1-UP

PART OF 204-0046 GUARD AR-CYLINDER

AN ATTACHMENT

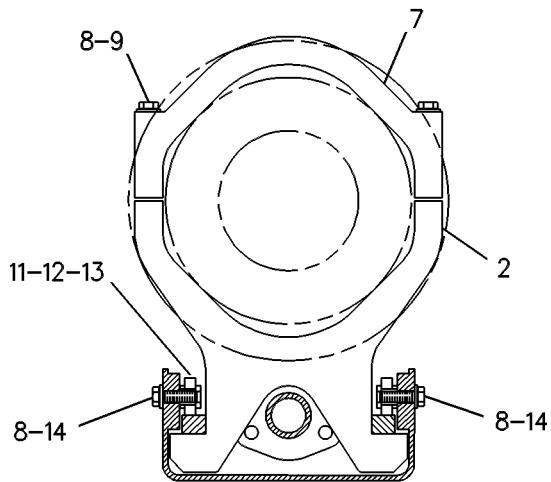
TYPE 1

SMCS-7164

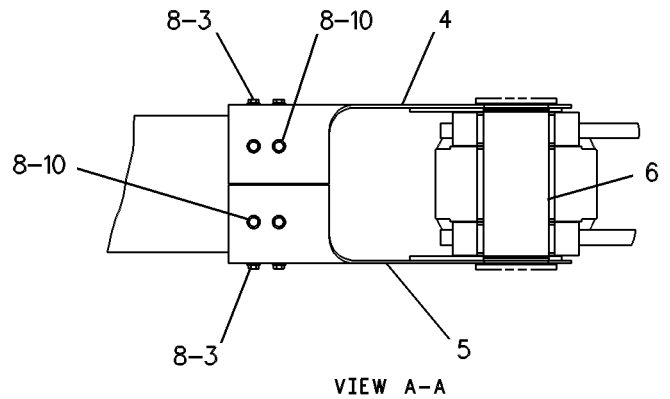
i00623247

NOTE	REF NO	GRAPHIC REF	PART NUMBER	QTY	PART NAME						SEE PAGE
					1	2	3	4	5	6 (PRODUCT LEVEL)	
	1	1	117-8103	1	CHANNEL AS						
	2	1	117-8105	1	SUPPORT AS						
M	3	1	8T-4194	4	BOLT (M12X1.75X50-MM)						
	4	1	117-8098	1	PLATE AS (LH)						
	5	1	117-8101	1	PLATE AS (RH)						
	6	1	117-8109	1	PIN						
	7	1	117-8108	2	CLAMP						
	8	1	8T-4223	16	WASHER-HARD (13.5X25.5X3-MM THK)						
M	9	1	8T-5041	4	BOLT (M12X1.75X120-MM)						
M	10	1	8T-4956	4	BOLT (M12X1.75X35-MM)						
	11	1	6Y-0570	4	BEARING						
	12	1	117-8077	4	SHAFT						
	13	1	117-8079	4	SPACER (17.5X24X5-MM THK)						
M	14	1	8T-4183	4	BOLT (M12X1.75X40-MM)						

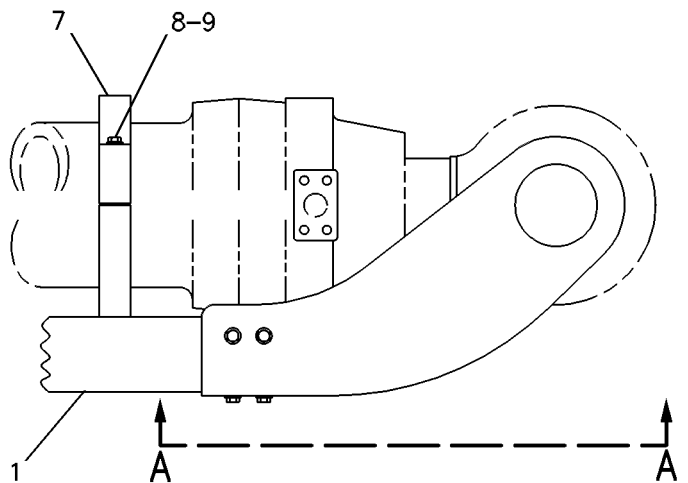
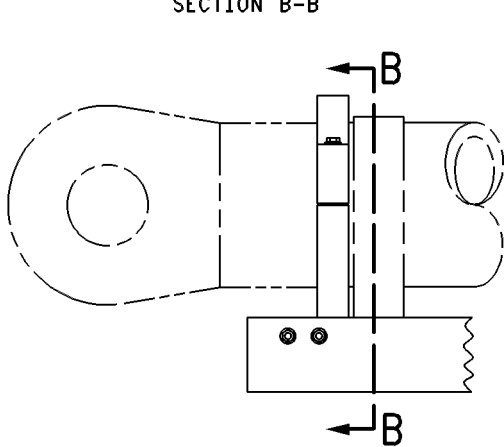
M-METRIC PART



SECTION B-B



VIEW A-A



GRAPHIC #1

<END>

g00276079

HYDRAULIC SYSTEM

117-8097 GUARD GP-CYLINDER-STICK

S/N: MMA1-UP

PART OF 204-0046 GUARD AR-CYLINDER

AN ATTACHMENT

TYPE 2

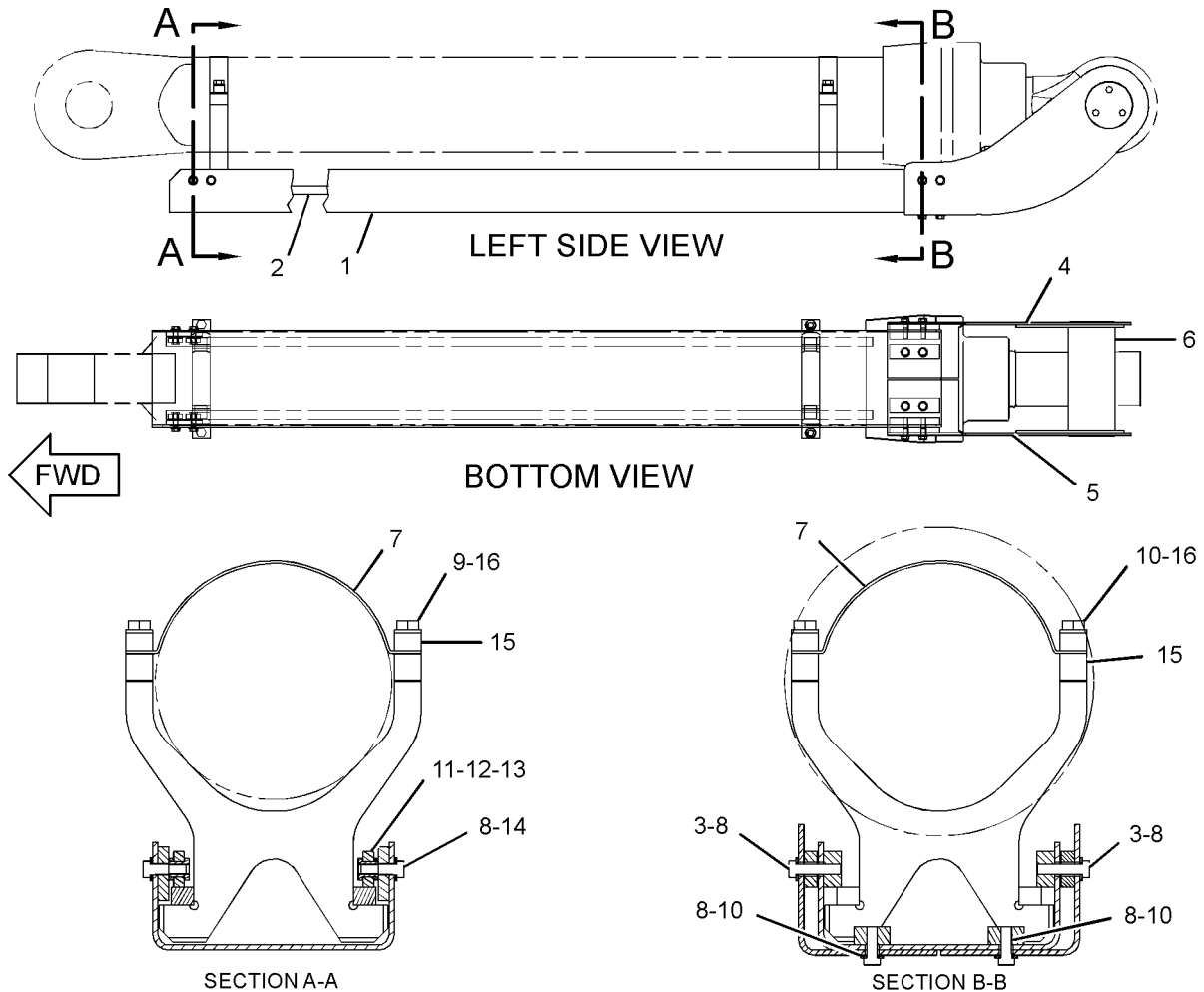
SMCS-7164

i02786357

NOTE	REF NO	GRAPHIC REF	PART NUMBER	QTY	PART NAME						SEE PAGE
					1	2	3	4	5	6 (PRODUCT LEVEL)	
	1	1	117-8103	1	CHANNEL AS						
C	2	1	308-3683	1	SUPPORT AS						
M	3	1	8T-4194	4	BOLT (M12X1.75X50-MM)						
	4	1	117-8098	1	PLATE AS (LH)						
	5	1	117-8101	1	PLATE AS (RH)						
	6	1	117-8109	1	PIN						
C	7	1	308-6505	2	CLAMP AS						
C	8	1	8T-4223	12	WASHER-HARD (13.5X25.5X3-MM THK)						
CM	9	1	7X-2555	4	BOLT (M16X2X80-MM)						
M	10	1	8T-4956	4	BOLT (M12X1.75X35-MM)						
	11	1	6Y-0570	4	BEARING						
	12	1	117-8077	4	SHAFT						
	13	1	117-8079	4	SPACER (17.5X24X5-MM THK)						
M	14	1	8T-4183	4	BOLT (M12X1.75X40-MM)						
C	15	1	269-3777	4	SPACER (17X30X20-MM THK)						
C	16	1	9X-8257	4	WASHER (17.5X30X3.5-MM THK)						

C-CHANGE FROM PREVIOUS TYPE

M-METRIC PART



GRAPHIC #1

<END>

g01392451

HYDRAULIC SYSTEM

204-0047 GUARD GP-CYLINDER-BOOM

S/N: MMA1-UP

PART OF 204-0046 GUARD AR-CYLINDER

AN ATTACHMENT

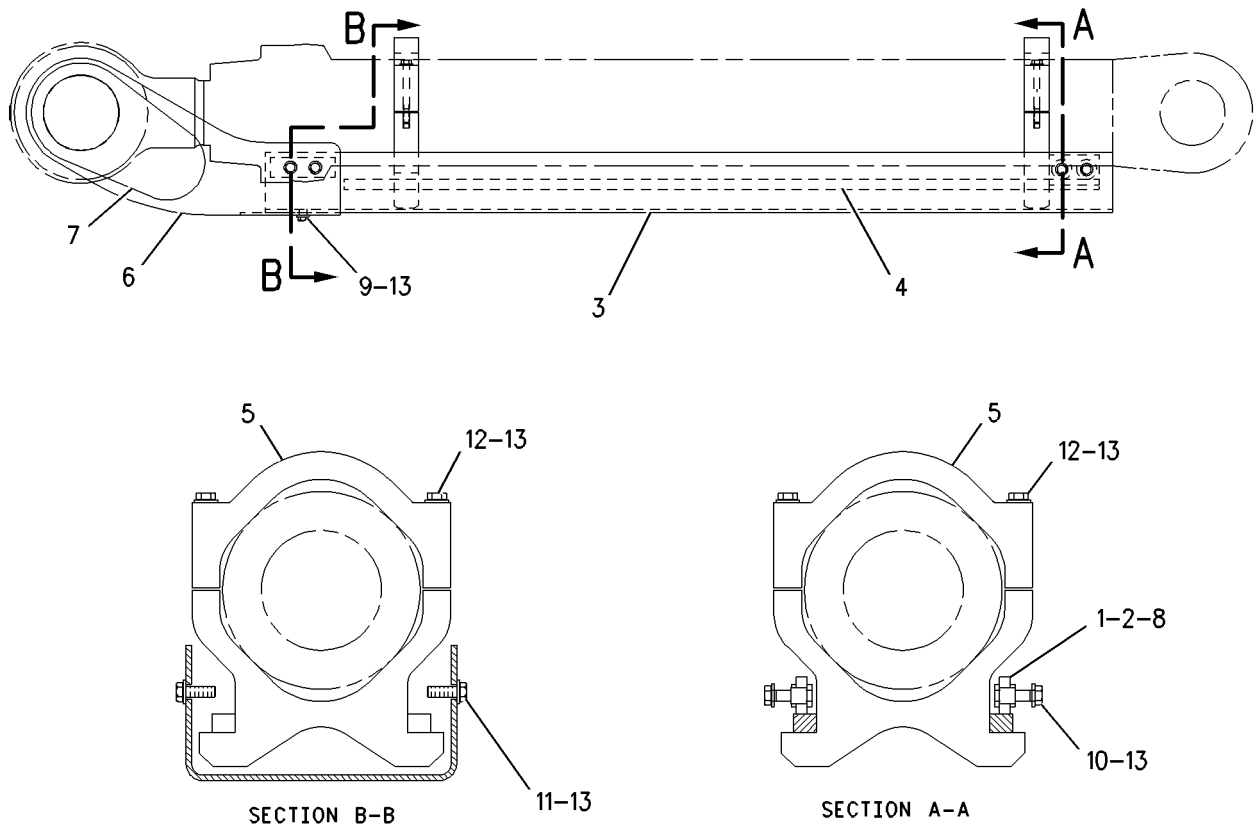
TYPE 1

SMCS-7164

i01743523

NOTE	REF NO	GRAPHIC REF	PART NUMBER	QTY	PART NAME						SEE PAGE
					1	2	3	4	5	6 (PRODUCT LEVEL)	
	1	1	117-8077	4	SHAFT						
	2	1	117-8079	4	SPACER (17.5X24X5-MM THK)						
	3	1	117-8086	1	CHANNEL AS						
	4	1	117-8091	1	SUPPORT AS						
	5	1	117-8093	2	CLAMP						
	6	1	204-0048	1	PLATE AS						
	7	1	204-0051	1	PIN AS						
	8	1	6Y-0570	4	BEARING						
M	9	1	8T-4139	2	BOLT (M12X1.75X30-MM)						
M	10	1	8T-4183	4	BOLT (M12X1.75X40-MM)						
M	11	1	8T-4956	4	BOLT (M12X1.75X35-MM)						
M	12	1	8T-5041	4	BOLT (M12X1.75X120-MM)						
	13	1	8T-4223	14	WASHER-HARD (13.5X25.5X3-MM THK)						

M-METRIC PART



GRAPHIC #1

<END>

g00802560

HYDRAULIC SYSTEM

204-0047 GUARD GP-CYLINDER-BOOM

S/N: MMA1-UP

PART OF 204-0046 GUARD AR-CYLINDER

AN ATTACHMENT

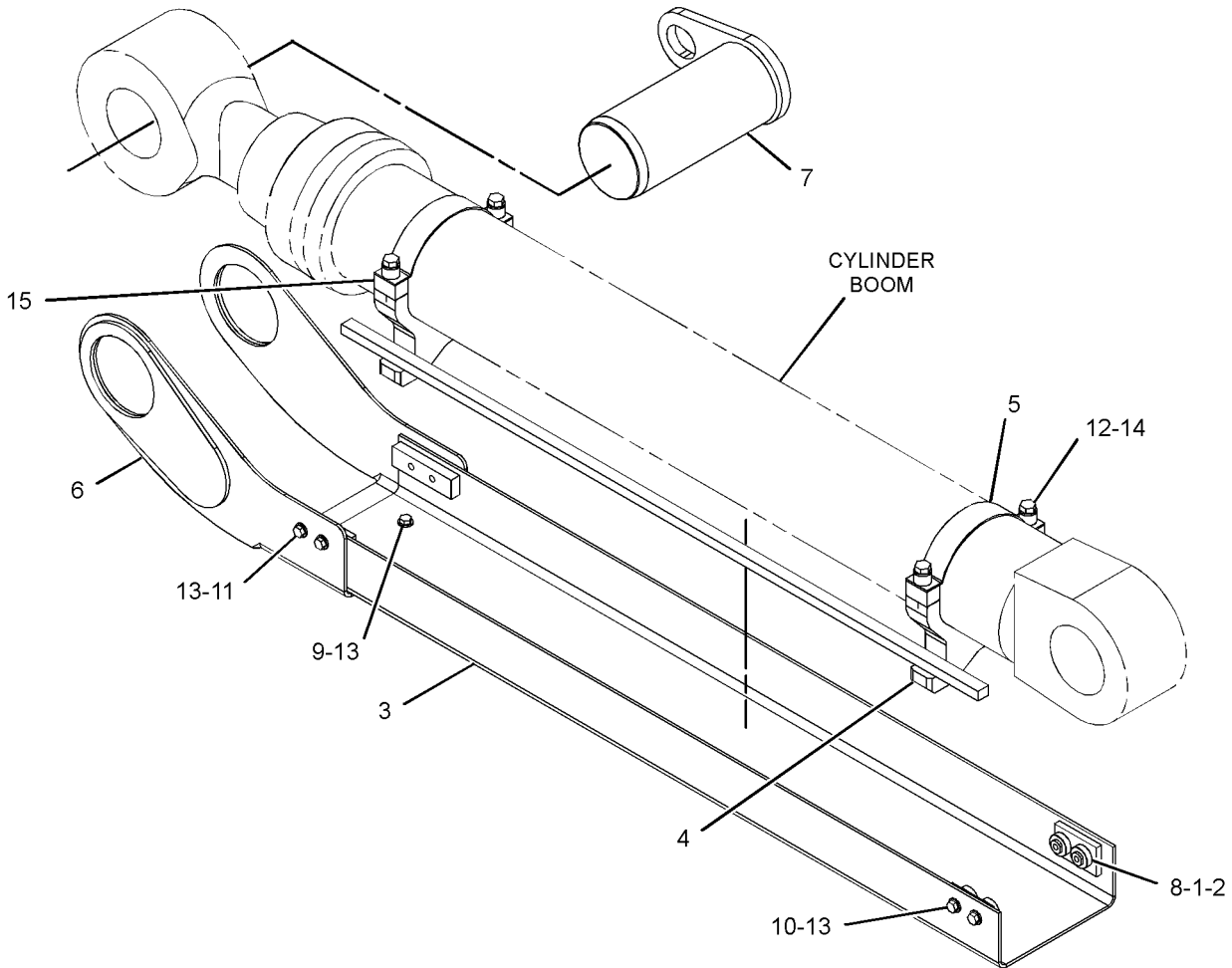
TYPE 2

SMCS-7164

i02786363

NOTE	REF NO	GRAPHIC REF	PART NUMBER	QTY	PART NAME						SEE PAGE
					1	2	3	4	5	6 (PRODUCT LEVEL)	
	1	1	117-8077	4	SHAFT						
	2	1	117-8079	4	SPACER (17.5X24X5-MM THK)						
	3	1	117-8086	1	CHANNEL AS						
C	4	1	308-8399	1	SUPPORT AS						
C	5	1	308-8402	2	CLAMP AS						
	6	1	204-0048	1	PLATE AS						
	7	1	204-0051	1	PIN AS						
	8	1	6Y-0570	4	BEARING						
M	9	1	8T-4139	2	BOLT (M12X1.75X30-MM)						
M	10	1	8T-4183	4	BOLT (M12X1.75X40-MM)						
M	11	1	8T-4956	4	BOLT (M12X1.75X35-MM)						
CM	12	1	7X-2555	4	BOLT (M16X2X80-MM)						
C	13	1	8T-4223	10	WASHER-HARD (13.5X25.5X3-MM THK)						
C	14	1	9X-8257	4	WASHER (17.5X30X3.5-MM THK)						
C	15	1	269-3777	4	SPACER (17X30X20-MM THK)						

C-CHANGE FROM PREVIOUS TYPE
M-METRIC PART



GRAPHIC #1

<END>

g01392507

HYDRAULIC SYSTEM

191-5593 HEAD GP-PUMP

S/N: MMA1-UP

PART OF 259-0784, 266-7953 PUMP GP-PISTON

SMCS-3222, 5070, 5086

i02140325

NOTE	REF NO	GRAPHIC REF	PART NUMBER	QTY	PART NAME						SEE PAGE
					1	2	3	4	5	6 (PRODUCT LEVEL)	
	1	1	087-4772	2	PLUG-O-RING						
	2	1	120-4394	8	PLUG-BREAK OFF						
	3	1	6E-3873	1	PLUG-ORIFICE						
	4	1	099-5845	2	PLUG						
Z	5	1		1	BODY						
	6	1	4H-9105	1	SEAL-O-RING						
	7	1	191-5595	1	FLANGE						
M	8	1	8T-0439	4	BOLT-SOCKET HEAD (M16X2X30-MM)						
	9	1	5I-4277	1	ORIFICE						
	10	1	5I-4341	2	DOWEL						
	11	1	170-9903	1	PIN-TAPERED						
	12	1	6E-3874	1	BEARING						
	13	1	165-9367	1	VALVE						

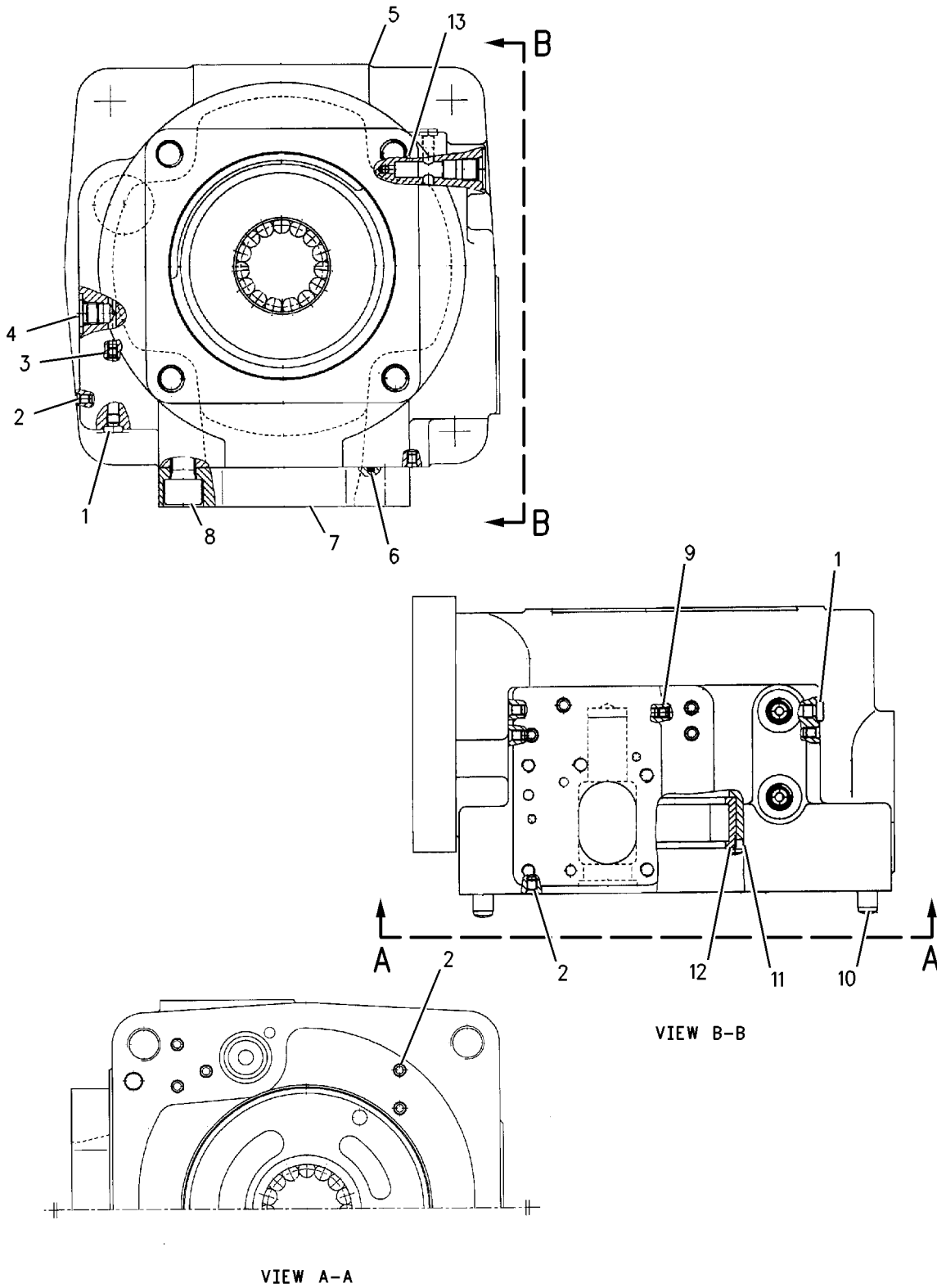
M-METRIC PART

Z-NOT SERVICED SEPARATELY

HYDRAULIC SYSTEM

191-5593 HEAD GP-PUMP (contd.)

i02140325



GRAPHIC #1

<END>

g00786733

HYDRAULIC SYSTEM

232-4126 HYDRAULIC AR

S/N: MMA1-UP

PART OF 228-8153 GENERAL AR

SMCS-5050

i02227424

NOTE	PART NUMBER	QTY	PART NAME						SEE PAGE
			1	2	3	4	5	6 (PRODUCT LEVEL)	
Y	184-9167	1	LINES GP-FRONT						698
Y	227-0583	1	LINES GP-HYDRAULIC FAN (SEPARATED COOLING SYSTEM)						705
Y	227-0371	1	LINES GP-PILOT						720
Y	227-0370	1	LINES GP-PUMP						758
Y	260-7949	1	LINES GP-RETURN & FILTER						770
Y	260-7948	1	LINES GP-SWING MOTOR						785
Y	239-1925	1	LINES GP-TRAVEL MOTOR						788
Y	245-5309	1	MOUNTING GP-MAIN CONTROL VALVE						821
Y	242-6924	1	PUMP & MTG GP-HYDRAULIC (SWING, FAN, PILOT)						822
Y	222-8316	1	PUMP & MTG GP-MAIN HYDRAULIC						826
Y	227-0374	1	TANK & MTG GP-HYDRAULIC						855
Y	237-9147	1	VALVE GP-MAIN CONTROL						887

Y-SEPARATE ILLUSTRATION

<END>

HYDRAULIC SYSTEM

184-9173 LINES GP-BUCKET-BOTTOM DUMP

S/N: MMA1-UP

PART OF 220-1594, 267-5384 BUCKET AR-FRONT SHOVEL

AN ATTACHMENT

TYPE 1

SMCS-5057

i01631556

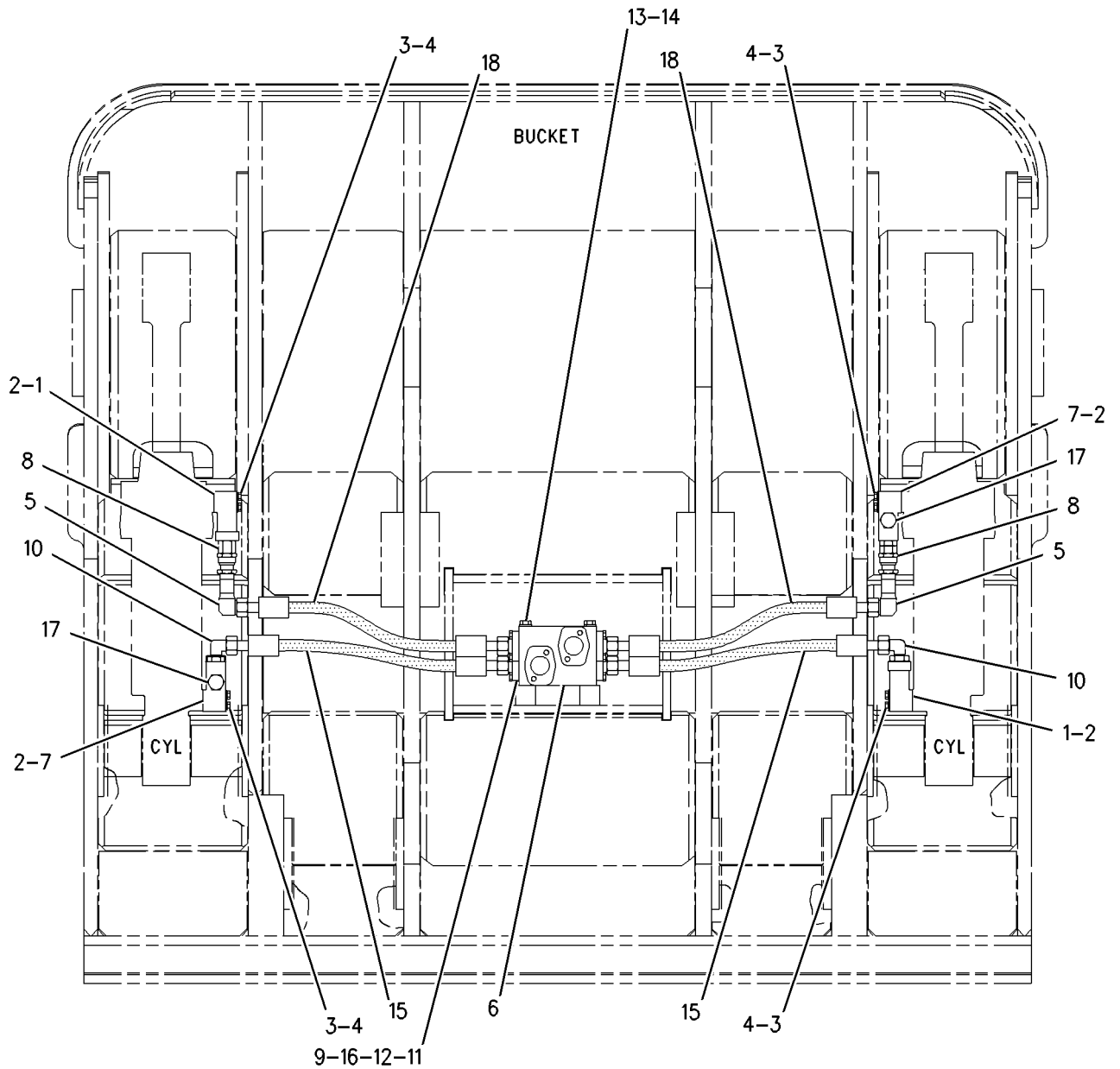
NOTE	REF NO	GRAPHIC REF	PART NUMBER	QTY	PART NAME						SEE PAGE
					1	2	3	4	5	6 (PRODUCT LEVEL)	
	1	1	9U-1094	2	ELBOW						
	2	1	1P-3704	4	SEAL-RECTANGULAR						
M	3	1	8T-6868	16	BOLT (M12X1.75X80-MM)						
	4	1	8T-4223	16	WASHER-HARD (13.5X25.5X3-MM THK)						
	5	1	119-1667	2	TUBE AS						
	6	1	192-6785	1	MANIFOLD						
	7	1	128-4940	2	ELBOW						
	8	1	164-5594	2	CONNECTOR AS						
					(EACH INCLUDES)						
		1	5K-9090	1	SEAL-O-RING						
		1	7M-8485	1	SEAL-O-RING						
		1	8C-5723	1	CONNECTOR						
	9	1	5K-9090	4	SEAL-O-RING						
	10	1	148-8357	2	ELBOW AS						
					(EACH INCLUDES)						
		1	5K-9090	1	SEAL-O-RING						
		1	6V-9008	1	ELBOW						
		1	7M-8485	1	SEAL-O-RING						
	11	1	133-9353	4	FLANGE-SPECIAL						
M	12	1	8T-4139	16	BOLT (M12X1.75X30-MM)						
M	13	1	8T-6385	4	BOLT (M16X2X180-MM)						
	14	1	9X-8257	4	WASHER (17.5X30X3.5-MM THK)						
I	15	1	204-8220	2	HOSE AS						
	16	1	1P-3703	4	SEAL-RECTANGULAR						
	17	1	164-4180	4	PLUG AS						
					(EACH INCLUDES)						
		1	7M-8485	1	SEAL-O-RING						
		1	9S-4181	1	PLUG-O-RING						
I	18	1	204-8221	2	HOSE AS						

I-REFER TO HYDRAULIC INFORMATION SYSTEM
M-METRIC PART

HYDRAULIC SYSTEM

184-9173 LINES GP-BUCKET (contd.)

i01631556



REAR VIEW

GRAPHIC #1

<END>

g00861874

HYDRAULIC SYSTEM

184-9173 LINES GP-BUCKET-BOTTOM DUMP

S/N: MMA1-UP

PART OF 220-1594, 267-5384 BUCKET AR-FRONT SHOVEL

AN ATTACHMENT

TYPE 2

SMCS-5057

i02443462

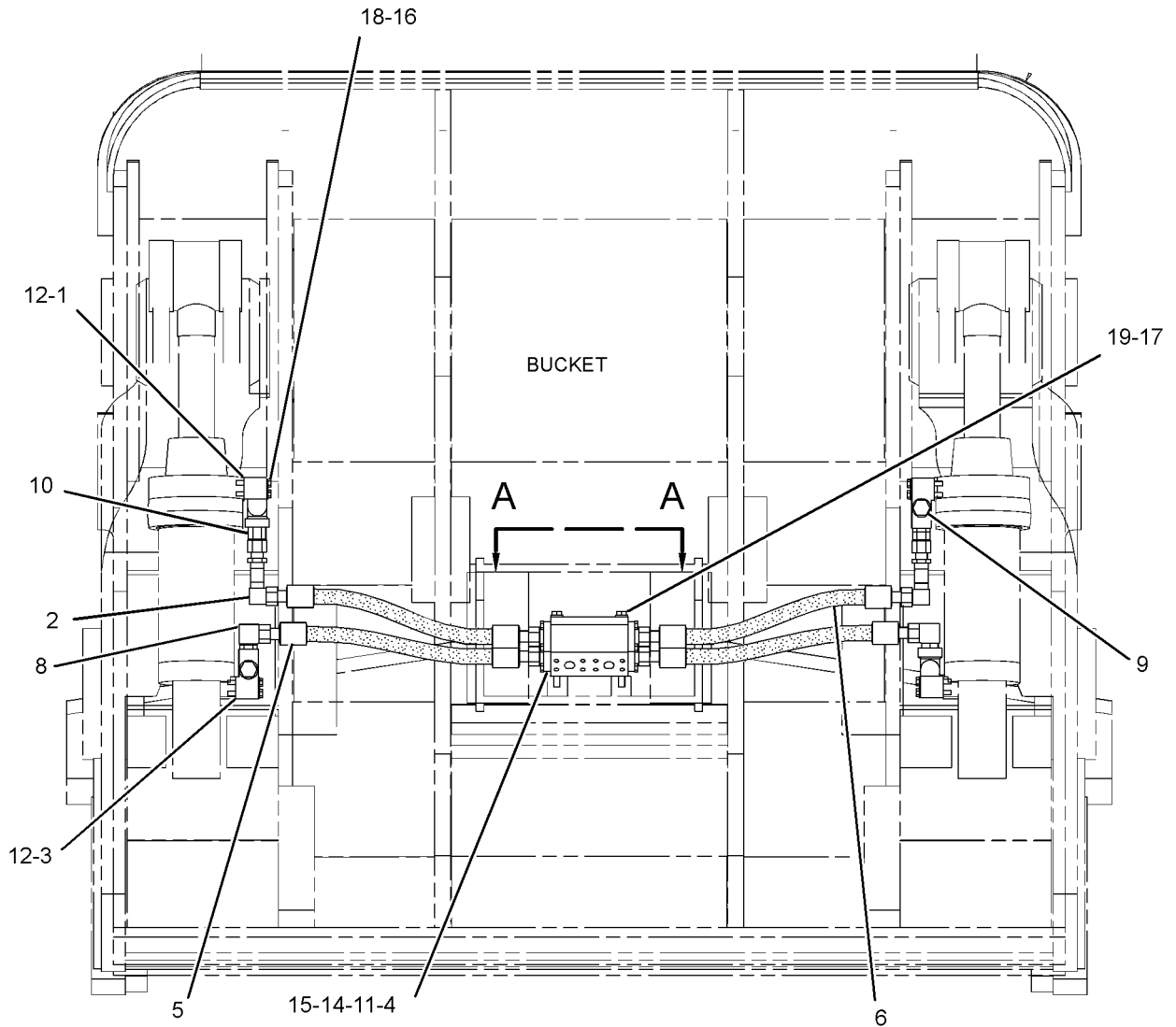
NOTE	REF NO	GRAPHIC REF	PART NUMBER	QTY	PART NAME						SEE PAGE
					1	2	3	4	5	6 (PRODUCT LEVEL)	
	1	1	9U-1094	2	ELBOW						
	2	1	119-1667	2	TUBE AS						
	3	1	128-4940	2	ELBOW						
	4	1	133-9353	4	FLANGE-SPECIAL						
I	5	1	204-8220	2	HOSE AS						
I	6	1	204-8221	2	HOSE AS						
	7	1	272-4435	1	BLOCK-MANIFOLD						
	8	1	148-8357	2	ELBOW AS						
					(EACH INCLUDES)						
		1	5K-9090	1	SEAL-O-RING						
		1	6V-9008	1	ELBOW						
		1	7M-8485	1	SEAL-O-RING						
	9	1	164-4180	4	PLUG AS						
					(EACH INCLUDES)						
		1	7M-8485	1	SEAL-O-RING						
		1	9S-4181	1	PLUG-O-RING						
	10	1	164-5594	2	CONNECTOR AS						
					(EACH INCLUDES)						
		1	5K-9090	1	SEAL-O-RING						
		1	7M-8485	1	SEAL-O-RING						
		1	8C-5723	1	CONNECTOR						
	11	1	1P-3703	4	SEAL-RECTANGULAR						
	12	1	1P-3704	4	SEAL-RECTANGULAR						
	13	1	207-7899	2	PLUG AS						
					(EACH INCLUDES)						
		1	4K-1388	1	SEAL-O-RING						
		1	9S-4188	1	PLUG						
	14	1	5K-9090	4	SEAL-O-RING						
M	15	1	8T-4139	16	BOLT (M12X1.75X30-MM)						
	16	1	8T-4223	16	WASHER-HARD (13.5X25.5X3-MM THK)						
M	17	1	8T-6385	4	BOLT (M16X2X180-MM)						
M	18	1	8T-6868	16	BOLT (M12X1.75X80-MM)						
	19	1	9X-8257	4	WASHER (17.5X30X3.5-MM THK)						

I-REFER TO HYDRAULIC INFORMATION SYSTEM
M-METRIC PART

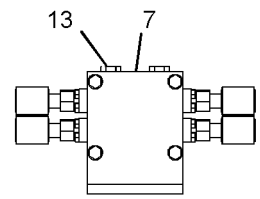
HYDRAULIC SYSTEM

184-9173 LINES GP-BUCKET (contd.)

i02443462



REAR VIEW



VIEW A-A

GRAPHIC #1

<END>

g01235003

HYDRAULIC SYSTEM

235-4908 LINES GP-BUCKET-BOTTOM DUMP

S/N: MMA1-UP

PART OF 235-4944, 241-6607, 241-6624, 241-6640, 267-5394, 267-5408,
267-5417, 267-5425 BUCKET AR-FRONT SHOVEL

AN ATTACHMENT
TYPE 1

SMCS-5057

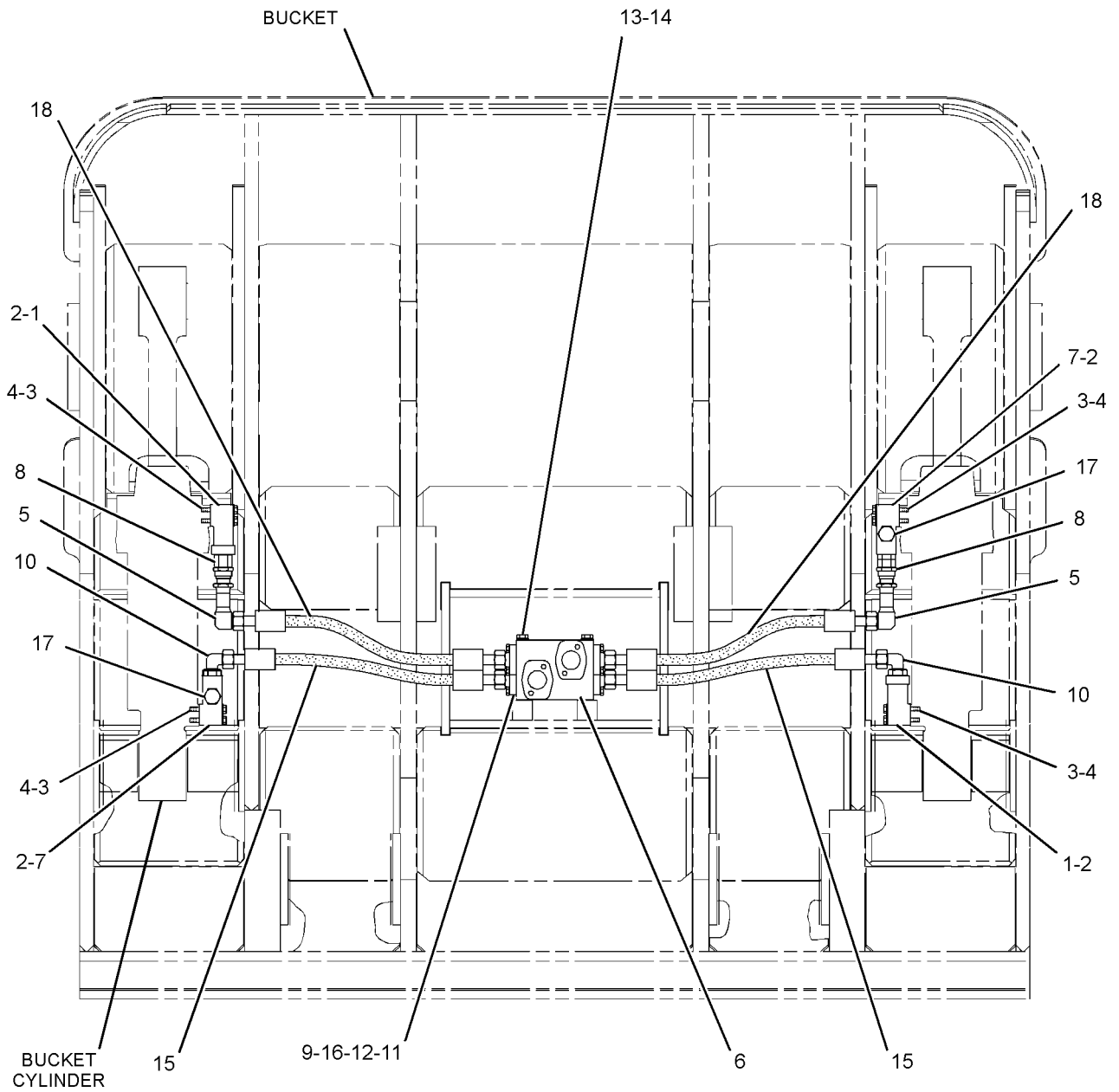
i02364702

NOTE	REF NO	GRAPHIC REF	PART NUMBER	QTY	PART NAME						SEE PAGE
					1	2	3	4	5	6 (PRODUCT LEVEL)	
	1	1	9U-1094	2	ELBOW						
	2	1	1P-3704	4	SEAL-RECTANGULAR						
M	3	1	8T-6868	16	BOLT (M12X1.75X80-MM)						
	4	1	8T-4223	16	WASHER-HARD (13.5X25.5X3-MM THK)						
	5	1	119-1667	2	TUBE AS						
	6	1	192-6785	1	MANIFOLD						
	7	1	128-4940	2	ELBOW						
	8	1	164-5594	2	CONNECTOR AS						
					(EACH INCLUDES)						
		1	5K-9090	1	SEAL-O-RING						
		1	7M-8485	1	SEAL-O-RING						
		1	8C-5723	1	CONNECTOR						
	9	1	5K-9090	4	SEAL-O-RING						
	10	1	148-8357	2	ELBOW AS						
					(EACH INCLUDES)						
		1	5K-9090	1	SEAL-O-RING						
		1	6V-9008	1	ELBOW						
		1	7M-8485	1	SEAL-O-RING						
	11	1	133-9353	4	FLANGE-SPECIAL						
M	12	1	8T-4139	16	BOLT (M12X1.75X30-MM)						
M	13	1	8T-6385	4	BOLT (M16X2X180-MM)						
	14	1	9X-8257	4	WASHER (17.5X30X3.5-MM THK)						
I	15	1	235-4936	2	HOSE AS						
	16	1	1P-3703	4	SEAL-RECTANGULAR						
	17	1	164-4180	4	PLUG AS						
					(EACH INCLUDES)						
		1	7M-8485	1	SEAL-O-RING						
		1	9S-4181	1	PLUG-O-RING						
I	18	1	235-4938	2	HOSE AS						
I-REFER TO HYDRAULIC INFORMATION SYSTEM											
M-METRIC PART											

HYDRAULIC SYSTEM

235-4908 LINES GP-BUCKET (contd.)

i02364702



REAR VIEW

GRAPHIC #1

<END>

g01183259

HYDRAULIC SYSTEM

235-4908 LINES GP-BUCKET-BOTTOM DUMP

S/N: MMA1-UP

PART OF 235-4944, 241-6607, 241-6624, 241-6640, 267-5394, 267-5408,
267-5417, 267-5425, 267-5427 BUCKET AR-FRONT SHOVEL

AN ATTACHMENT
TYPE 2

SMCS-5057

i02683743

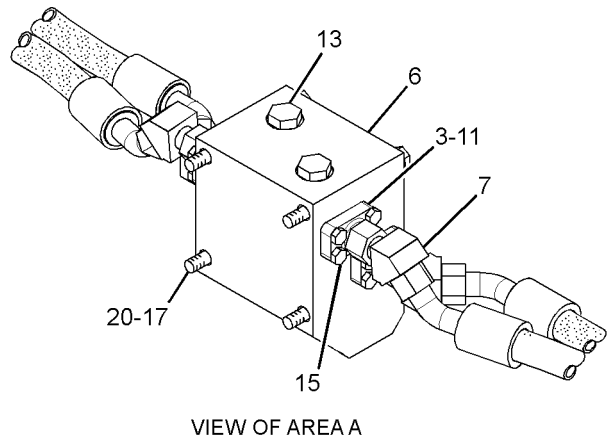
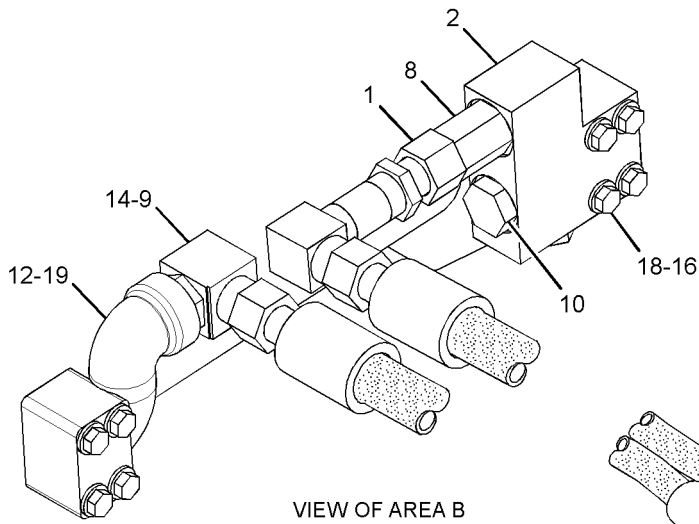
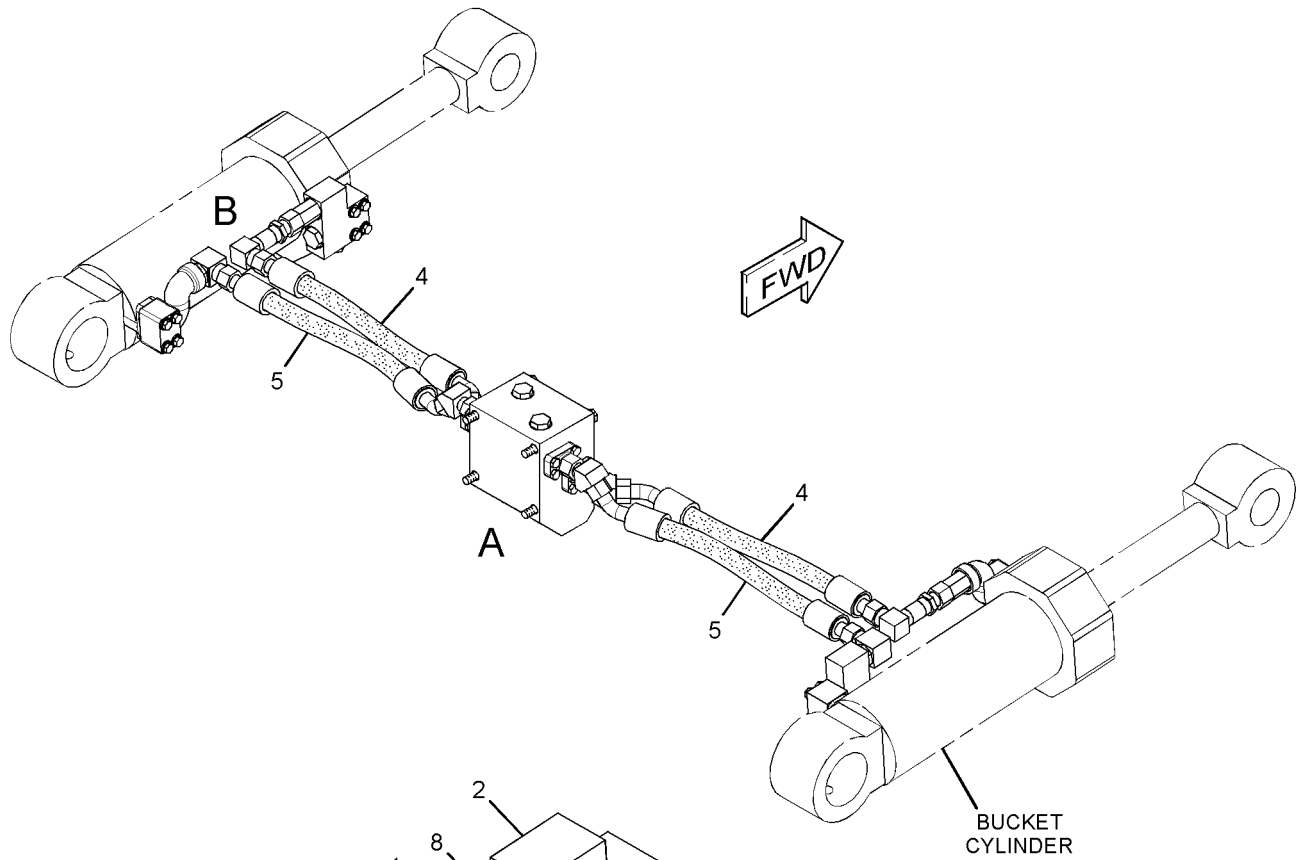
NOTE	REF NO	GRAPHIC REF	PART NUMBER	QTY	PART NAME						SEE PAGE
					1	2	3	4	5	6 (PRODUCT LEVEL)	
	1	1	119-1667	2	TUBE AS						
	2	1	128-4940	2	ELBOW						
	3	1	133-9353	4	FLANGE-SPECIAL						
CI	4	1	253-1248	2	HOSE AS						
CI	5	1	253-1249	2	HOSE AS						
C	6	1	272-4435	1	BLOCK-MANIFOLD						
C	7	1	142-0038	4	ELBOW						
C	8	1	148-8330	2	CONNECTOR AS						
					(EACH INCLUDES)						
		1	5K-9090	1	SEAL-O-RING						
		1	6V-9008	1	ELBOW						
		1	7M-8485	1	SEAL-O-RING						
	9	1	148-8357	2	ELBOW AS						
					(EACH INCLUDES)						
		1	5K-9090	1	SEAL-O-RING						
		1	6V-9008	1	ELBOW						
		1	7M-8485	1	SEAL-O-RING						
	10	1	164-4180	4	PLUG AS						
					(EACH INCLUDES)						
		1	7M-8485	1	SEAL-O-RING						
		1	9S-4181	1	PLUG-O-RING						
	11	1	1P-3703	4	SEAL-RECTANGULAR						
	12	1	1P-3704	4	SEAL-RECTANGULAR						
C	13	1	207-7899	2	PLUG AS						
					(EACH INCLUDES)						
		1	4K-1388	1	SEAL-O-RING						
		1	9S-4188	1	PLUG						
C	14	1	5K-9090	10	SEAL-O-RING						
M	15	1	8T-4139	16	BOLT (M12X1.75X30-MM)						
	16	1	8T-4223	16	WASHER-HARD (13.5X25.5X3-MM THK)						
M	17	1	8T-6385	4	BOLT (M16X2X180-MM)						
M	18	1	8T-6868	16	BOLT (M12X1.75X80-MM)						
	19	1	9U-1094	2	ELBOW						
	20	1	9X-8257	4	WASHER (17.5X30X3.5-MM THK)						

C-CHANGE FROM PREVIOUS TYPE
I-REFER TO HYDRAULIC INFORMATION SYSTEM
M-METRIC PART

HYDRAULIC SYSTEM

235-4908 LINES GP-BUCKET (contd.)

i02683743



GRAPHIC #1

<END>

g01370938

HYDRAULIC SYSTEM

184-9167 LINES GP-FRONT

S/N: MMA1-UP

PART OF 232-4126 HYDRAULIC AR

SMCS-5057

i03611060

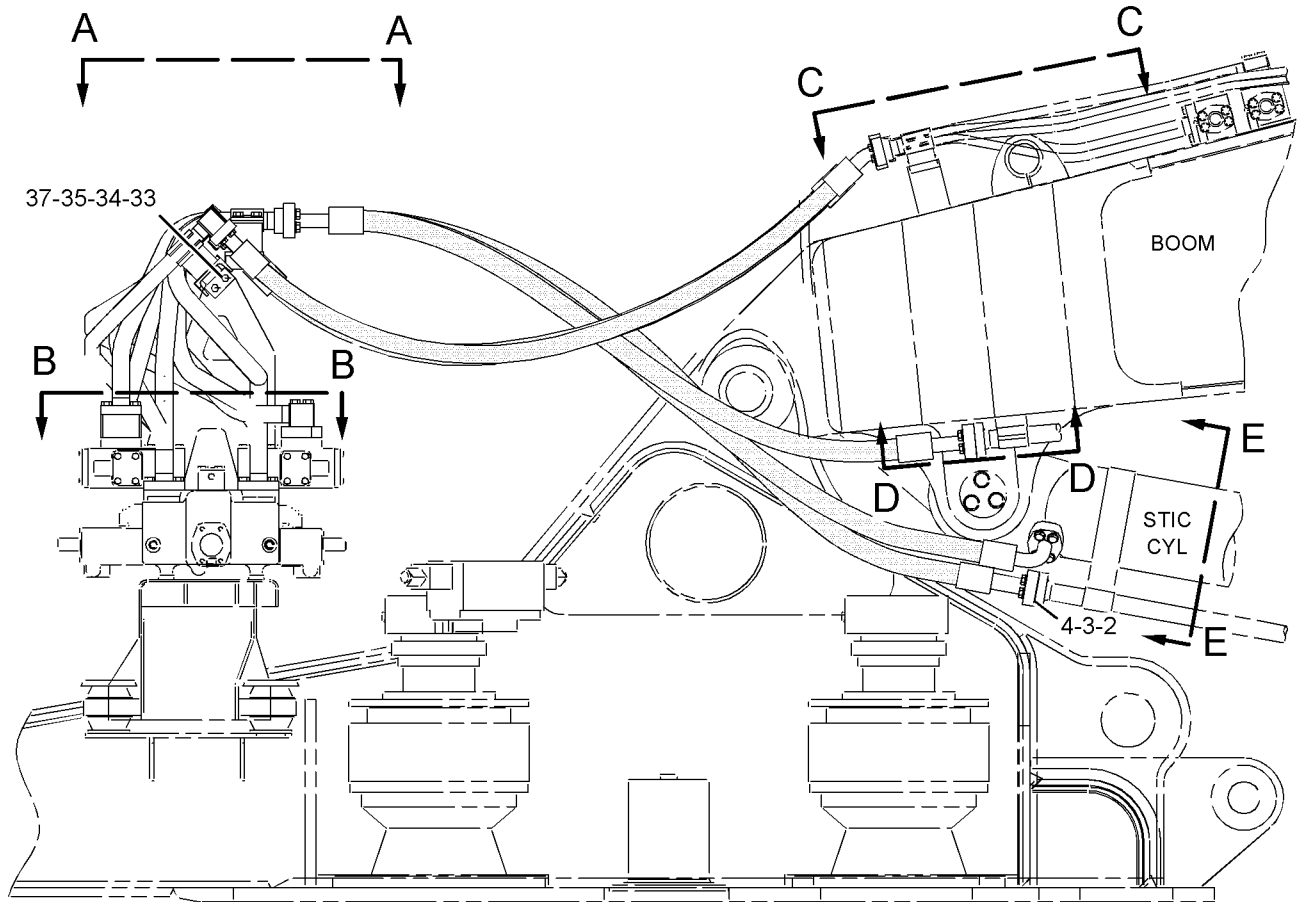
NOTE	REF NO	GRAPHIC REF	PART NUMBER	QTY	PART NAME						SEE PAGE
					1	2	3	4	5	6 (PRODUCT LEVEL)	
	1	1,2	1P-3705	16	SEAL-RECTANGULAR						
M	2	1,2	8T-4140	74	BOLT (M16X2X60-MM)						
	3	1,2	9X-8257	74	WASHER (17.5X30X3.5-MM THK)						
	4	1,2	5P-8077	28	FLANGE-HALF						
I	5	1	239-1904	2	HOSE AS						
I	6	1	239-1905	2	HOSE AS						
I	7	1	239-1906	1	HOSE AS						
I	8	1	239-1907	2	HOSE AS						
I	9	1	204-8196	2	HOSE AS						
	10	1,2	8T-4223	18	WASHER-HARD (13.5X25.5X3-MM THK)						
	11	2	138-5312	1	FLANGE						
M	12	2	107-9403	4	BOLT-SOCKET HEAD (M16X2X35-MM)						
M	13	2	8T-4175	4	BOLT (M16X2X90-MM)						
	14	1	1P-3704	4	SEAL-RECTANGULAR						
	15	1,2	1P-5767	8	FLANGE-HALF						
M	16	1,2	8T-4194	16	BOLT (M12X1.75X50-MM)						
	17	2	338-6290	1	TUBE AS						
	18	2	1P-3706	8	SEAL-RECTANGULAR						
	19	2	317-4742	1	TUBE AS						
	20	2	317-4743	1	TUBE AS						
	21	2	317-4737	1	TUBE AS						
	22	2	317-4738	1	TUBE AS						
	23	2	317-4745	1	TUBE AS						
	24	2	317-4740	1	TUBE AS						
	25	2	317-4741	1	TUBE AS						
	26	2	317-4739	1	TUBE AS						
M	27	1,2	8T-4956	10	BOLT (M12X1.75X35-MM)						
M	28	2	8T-7338	16	BOLT (M16X2X45-MM)						
M	29	2	8T-4173	4	BOLT (M16X2X110-MM)						
	30	1	124-0909	4	CLIP						
	31	1	128-7514	14	CLIP						
	32	1	187-7149	1	SUPPORT AS						
	33	1	7I-0011	1	SUPPORT						
M	34	1,2	8T-4183	4	BOLT (M12X1.75X40-MM)						
	35	1,2	5P-1076	4	WASHER-HARD (13.5X30X4-MM THK)						
	36	2	187-7176	1	SUPPORT						
M	37	1,2	8T-4244	6	NUT (M12X1.75-THD)						

I-REFER TO HYDRAULIC INFORMATION SYSTEM
M-METRIC PART

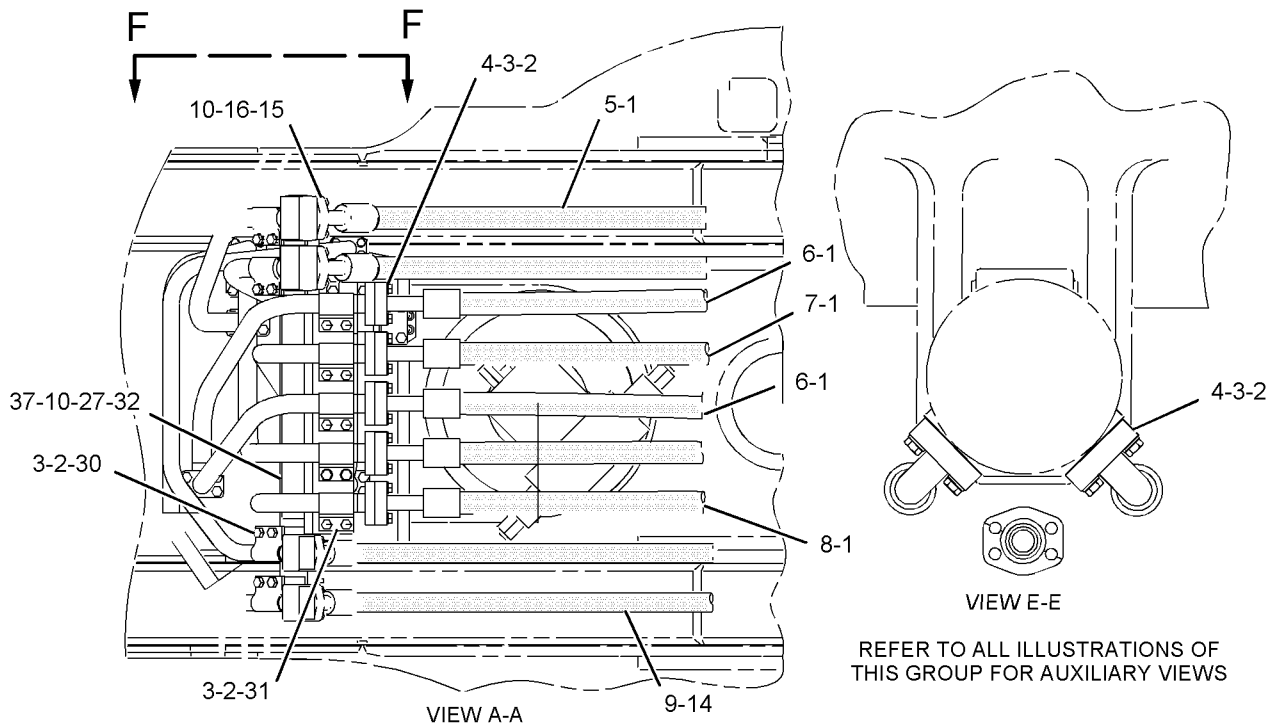
HYDRAULIC SYSTEM

184-9167 LINES GP-FRONT (contd.)

i03611060



RIGHT SIDE VIEW



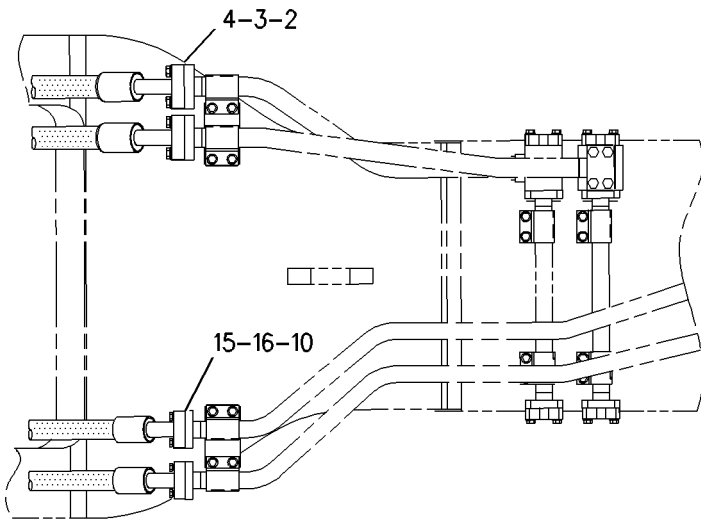
GRAPHIC #1

g01061858

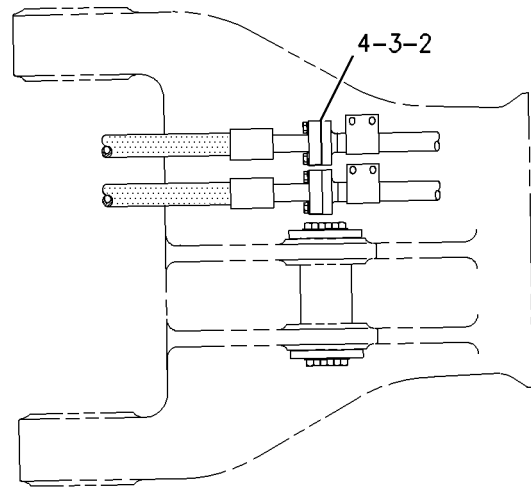
HYDRAULIC SYSTEM

184-9167 LINES GP-FRONT (contd.)

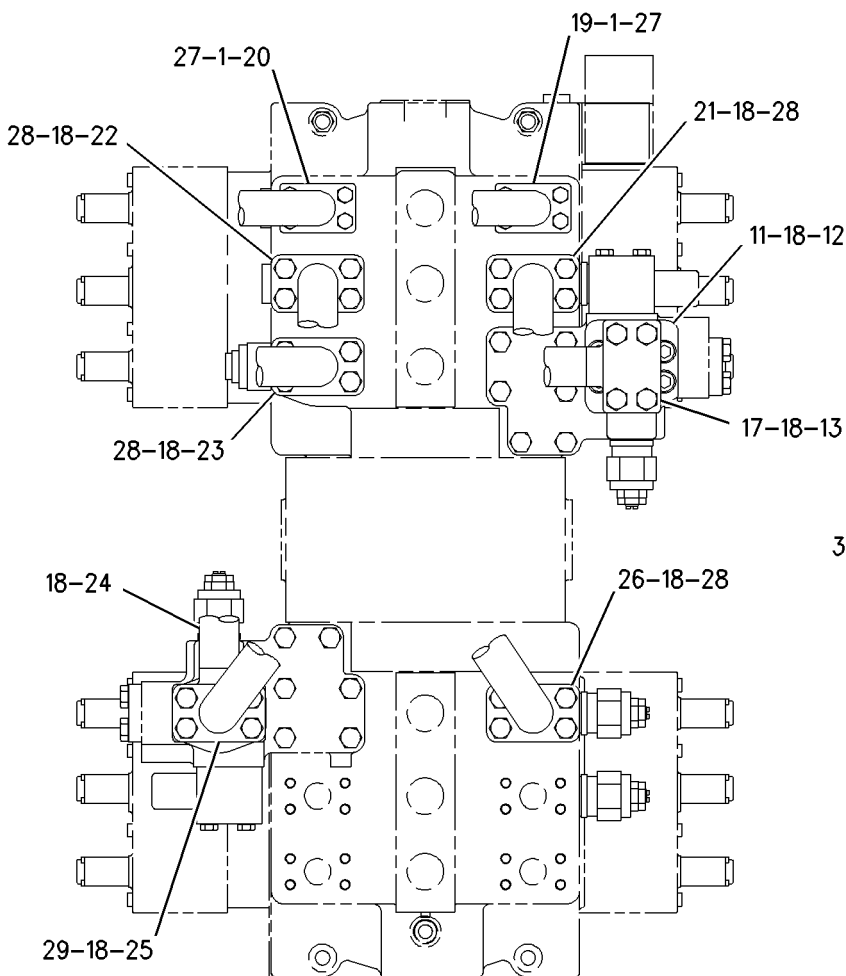
i03611060



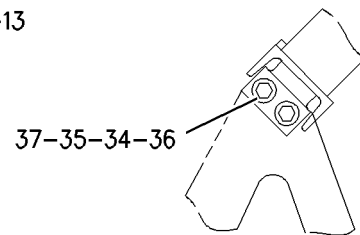
VIEW C-C



VIEW D-D



SECTION B-B



VIEW F-F

GRAPHIC #2

<END>

g00949335

HYDRAULIC SYSTEM

184-9171 LINES GP-FRONT SHOVEL

S/N: MMA1-UP

PART OF 265-7177 SHOVEL AR-FRONT
AN ATTACHMENT

SMCS-5057

i03590842

NOTE	REF NO	GRAPHIC REF	PART NUMBER	QTY	PART NAME						SEE PAGE
					1	2	3	4	5	6 (PRODUCT LEVEL)	
M	1	1,2	7X-2556	8	BOLT (M16X2X100-MM)						
	2	1,2	1P-3706	3	SEAL-RECTANGULAR						
M	3	1	8T-4132	3	NUT (M16X2-THD)						
	4	1	3V-9244	3	WASHER (16.5X50X5-MM THK)						
I	5	1	204-8198	2	HOSE AS						
	6	1,2	7Y-4038	36	CLAMP-HALF						
	7	1,2	8T-4223	164	WASHER-HARD (13.5X25.5X3-MM THK)						
M	8	1,2	8T-4139	48	BOLT (M12X1.75X30-MM)						
I	9	1	204-8197	2	HOSE AS						
	10	1	204-8206	2	CLAMP						
M	11	1,2	8T-4194	116	BOLT (M12X1.75X50-MM)						
	12	1,2	1P-5767	54	FLANGE-HALF						
	13	1,2	1P-3704	27	SEAL-RECTANGULAR						
	14	2	141-0633	1	TUBE AS						
	15	2	104-8762	1	SUPPORT AS						
	16	2	103-1311	2	SUPPORT AS						
	18	2	103-1303	4	CLAMP-HALF						
	19	2	9X-8257	19	WASHER (17.5X30X3.5-MM THK)						
M	20	2	7X-2553	8	BOLT (M16X2X40-MM)						
I	21	1	204-8202	1	HOSE AS						
I	22	1	204-8203	1	HOSE AS						
	23	1	6V-0400	2	FLANGE-HALF						
	24	1	1P-3703	1	SEAL-RECTANGULAR						
	25	2	7Y-4039	12	CLAMP-HALF						
	26	2	187-7134	1	TUBE AS						
M	27	2	7X-2559	3	BOLT (M16X2X160-MM)						
M	28	2	8T-4956	24	BOLT (M12X1.75X35-MM)						
	29	2	1P-3705	13	SEAL-RECTANGULAR						
	30	2	9U-4212	1	TUBE AS						
I	31	2	204-8201	2	HOSE AS						
	32	2	212-5456	1	TUBE AS						
	33	2	9U-4216	1	TUBE AS						
	34	2	9U-4213	1	TUBE AS						
M	35	2	8T-6868	8	BOLT (M12X1.75X80-MM)						
	36	2	9U-4209	1	MANIFOLD						
M	37	2	8T-4184	4	BOLT (M12X1.75X45-MM)						
	38	2	2V-1065	1	PLATE						
	39	2	187-7133	1	TUBE AS						
	40	2	204-8074	4	BLOCK						
	41	2	9U-4200	1	BLOCK						
M	42	2	8T-5092	8	BOLT (M12X1.75X150-MM)						
	43	2	187-7129	1	TUBE AS						
	44	2	187-7130	1	TUBE AS						
	45	2	218-1160	2	TUBE AS						
	46	2	187-7131	1	TUBE AS						
	47	1	128-5856	1	TUBE AS						
	48	1	128-5855	1	TUBE AS						
	49	2	187-7148	1	BLOCK						
	50	2	187-7132	1	TUBE AS						
M	51	2	8T-4193	12	BOLT (M16X2X50-MM)						
I	52	2	204-8200	2	HOSE AS						
I	53	2	204-8199	2	HOSE AS						
	54	2	187-7154	1	PLATE AS						
	55	2	187-7177	1	PLATE AS						
	56	2	114-3925	1	SUPPORT AS						

HYDRAULIC SYSTEM

184-9171 LINES GP-FRONT SHOVEL (contd.)

i03590842

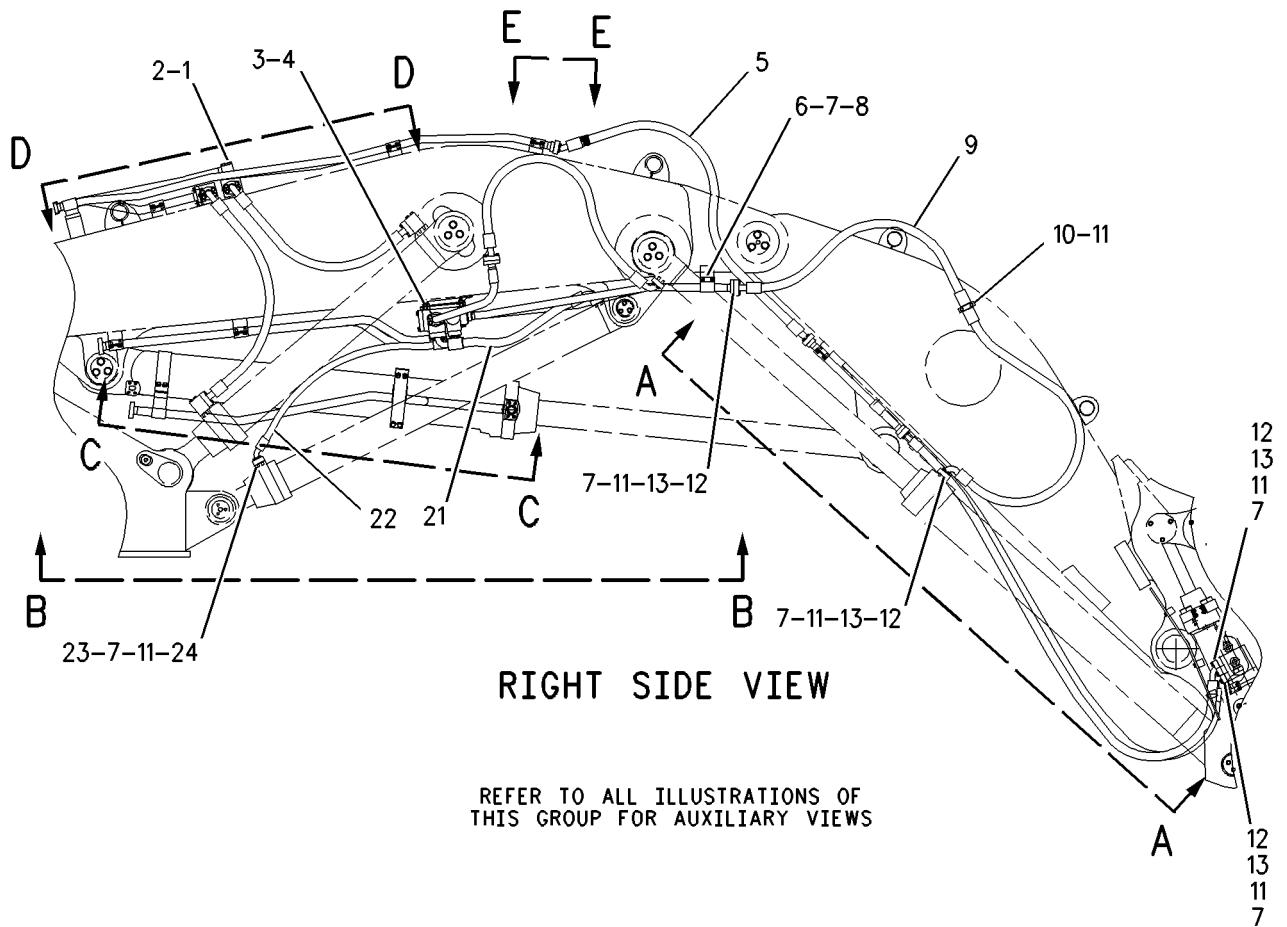
NOTE	REF NO	GRAPHIC REF	PART NUMBER	QTY	PART NAME						SEE PAGE	
					1	2	3	4	5	6 (PRODUCT LEVEL)		
I	57	1	272-4437	1	HOSE	AS						
I	58	1	272-4436	1	HOSE	AS						
	59	2	212-5417	2	BLOCK							
M	60	2	8T-5412	8	BOLT	(M12X1.75X140-MM)						

I-REFER TO HYDRAULIC INFORMATION SYSTEM
M-METRIC PART

HYDRAULIC SYSTEM

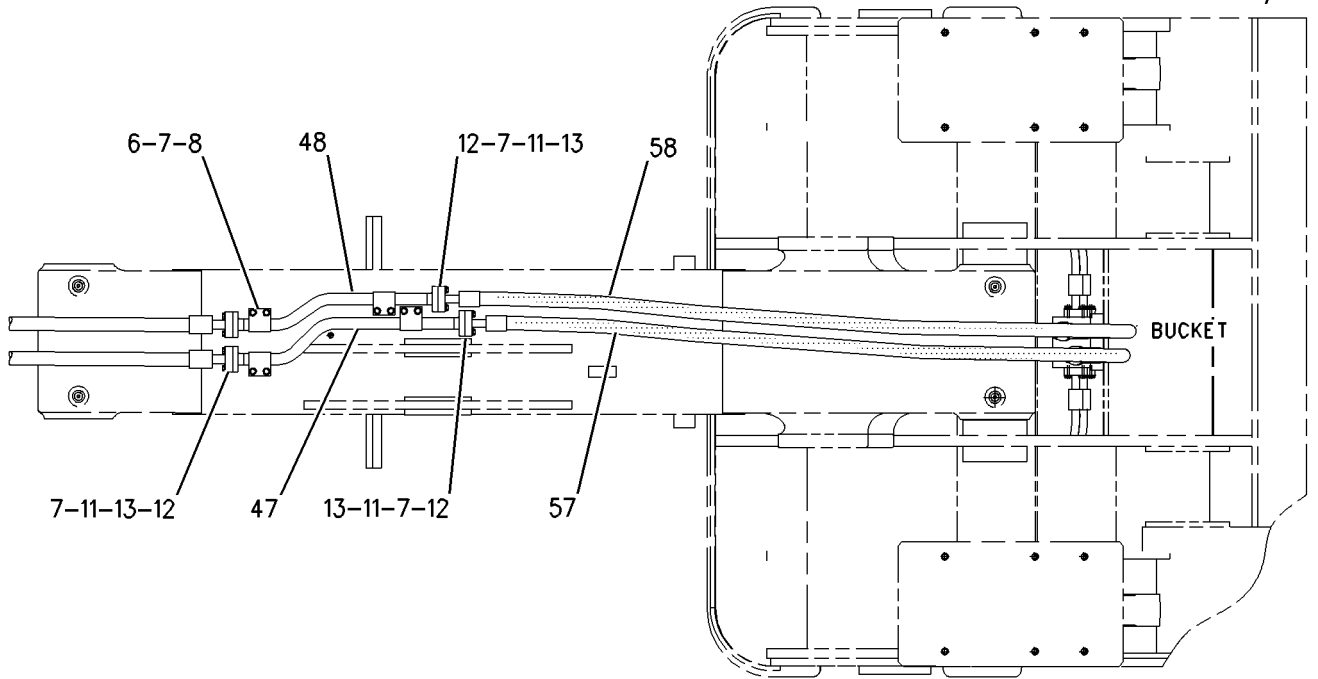
184-9171 LINES GP-FRONT SHOVEL (contd.)

i03590842



RIGHT SIDE VIEW

REFER TO ALL ILLUSTRATIONS OF THIS GROUP FOR AUXILIARY VIEWS



VIEW A-A

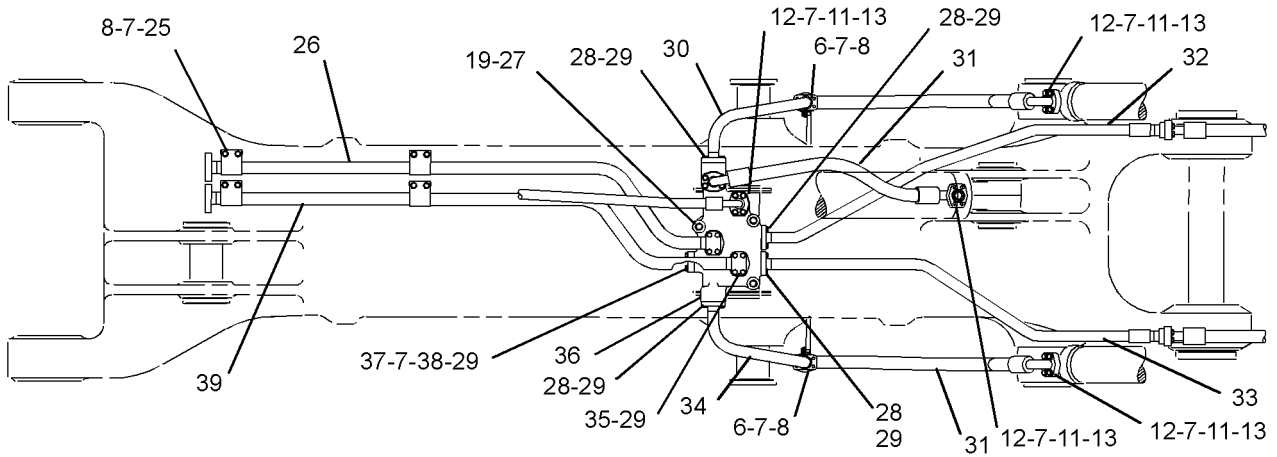
GRAPHIC #1

g00807039

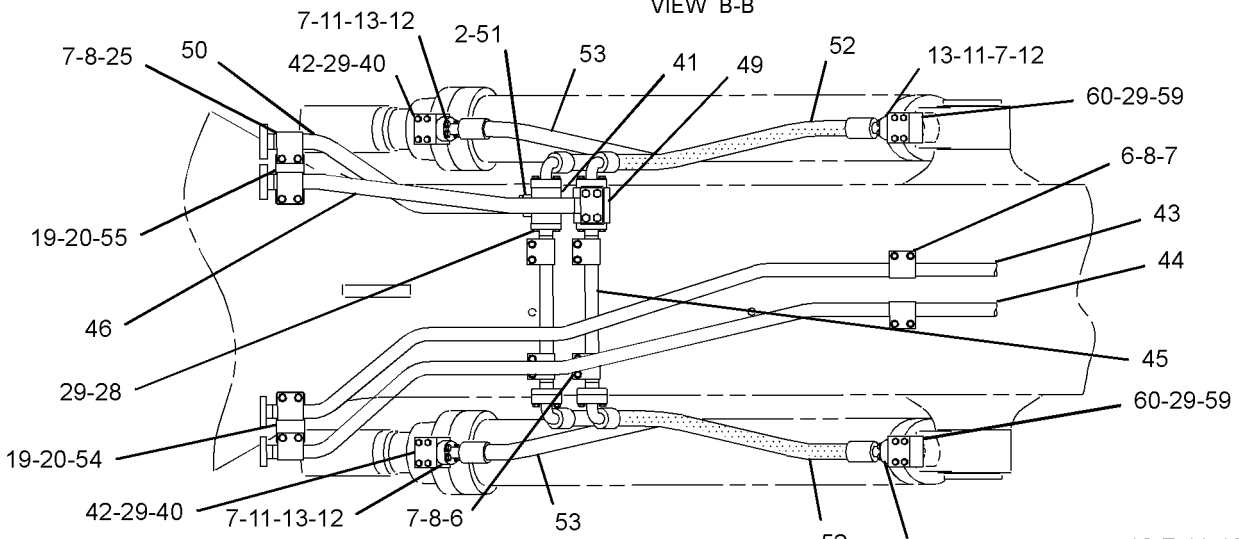
HYDRAULIC SYSTEM

184-9171 LINES GP-FRONT SHOVEL (contd.)

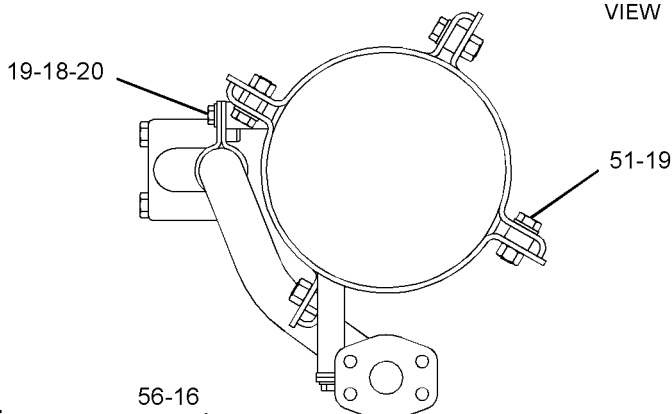
i03590842



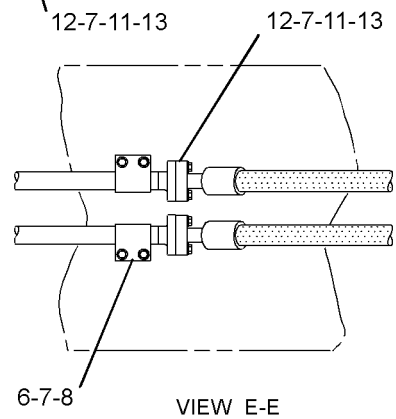
VIEW B-B



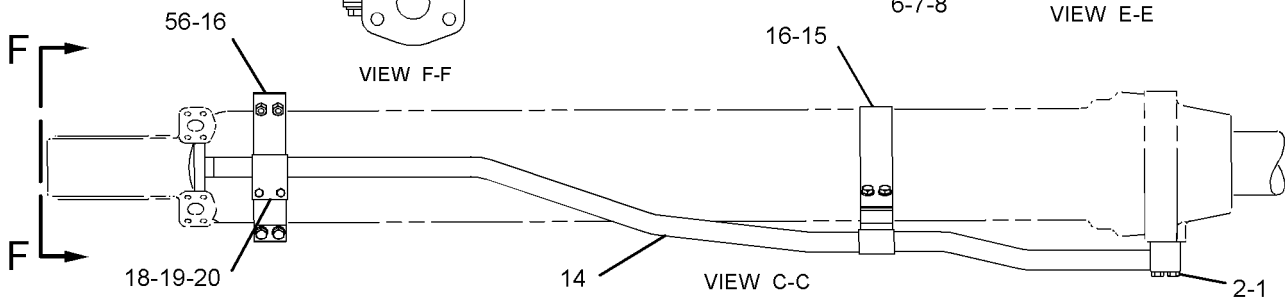
VIEW D-D



VIEW F-F



VIEW E-E



VIEW C-C

GRAPHIC #2

<END>

g01917393

HYDRAULIC SYSTEM

227-0583 LINES GP-HYDRAULIC FAN- SEPARATED COOLING SYSTEM

S/N: MMA1-UP

PART OF 232-4126 HYDRAULIC AR

SMCS-1386, 1387, 5057

i03374623

NOTE	REF NO	GRAPHIC REF	PART NUMBER	QTY	PART NAME						SEE PAGE
					1	2	3	4	5	6 (PRODUCT LEVEL)	
I	1	2	5I-4390	1	HOSE AS						
I	2	1	7I-1090	1	HOSE AS						
M	3	2	101-7396	6	BOLT-SOCKET HEAD (M10X1.5X50-MM)						
I	4	1	102-1157	1	HOSE AS						
I	5	1	108-7206	1	HOSE AS						
	6	2	148-5055	1	HOSE AS						
Y	7	2	173-3429	1	VALVE GP-CHECK (HYDRAULIC FAN MOTOR)						857
	8	2	173-5130	1	HOSE AS						
	9	1	173-5135	1	BLOCK						
	10	2	197-8940	1	CONNECTOR AS						
		2	2M-9780	1	SEAL-O-RING						
		2	7J-9108	1	SEAL-O-RING						
		2	8T-1576	1	CONNECTOR						
	11	2	204-8353	2	SUPPORT AS						
	12	1	204-8355	1	BLOCK						
I	13	1	207-6206	1	HOSE AS						
	14	2	207-6290	1	BLOCK						
I	15	2	212-5503	1	HOSE AS						
I	16	1	212-5511	1	HOSE AS						
	17	1	239-1778	1	SUPPORT AS						
	18	2	087-3591	1	SPACER (15.5X30X12-MM THK)						
	19	1	148-8315	1	CONNECTOR AS						
		1	2M-9780	1	SEAL-O-RING						
		1	6V-8642	1	CONNECTOR						
		1	7J-9108	1	SEAL-O-RING						
	20	1	148-8340	1	CONNECTOR AS						
		1	3K-0360	1	SEAL-O-RING						
		1	6V-8398	1	SEAL-O-RING						
		1	6V-8639	1	CONNECTOR						
	21	2	148-8345	2	CONNECTOR AS						
					(EACH INCLUDES)						
		2	2M-9780	1	SEAL-O-RING						
		2	6V-8398	1	SEAL-O-RING						
		2	6V-8638	1	CONNECTOR						
	22	1,2	148-8347	2	ELBOW AS						
					(EACH INCLUDES)						
		1,2	3D-2824	1	SEAL-O-RING						
		1,2	6V-9007	1	ELBOW						
		1,2	6V-9746	1	SEAL-O-RING						
	23	2	148-8360	1	ELBOW AS						
		2	6V-9182	1	ELBOW						
		2	6V-9746	1	SEAL-O-RING						
		2	7M-8485	1	SEAL-O-RING						
	24	1	148-8372	1	ELBOW AS						
		1	2M-9780	1	SEAL-O-RING						
		1	6V-8398	1	SEAL-O-RING						
		1	6V-8721	1	ELBOW						
	25	2	148-8381	1	ELBOW AS						
		2	3D-2824	1	SEAL-O-RING						
		2	6V-8398	1	SEAL-O-RING						
		2	8T-5429	1	ELBOW						
	26	2	148-8388	1	ELBOW AS						
		2	2M-9780	1	SEAL-O-RING						
		2	6V-8629	1	ELBOW						
		2	6V-9746	1	SEAL-O-RING						

HYDRAULIC SYSTEM

227-0583 LINES GP-HYDRAULIC FAN (contd.)

i03374623

NOTE	REF NO	GRAPHIC REF	PART NUMBER	QTY	PART NAME						SEE PAGE
					1	2	3	4	5	6 (PRODUCT LEVEL)	
	27	2	148-8392	1	ELBOW AS						
		2	6V-9746	1	SEAL-O-RING						
		2	6V-9853	1	ELBOW						
	28	2	150-3035	1	ELBOW AS						
		2	6V-9746	1	SEAL-O-RING						
		2	8T-1718	1	ELBOW						
	29	2	150-3071	1	REDUCER AS						
		2	6V-8945	1	REDUCER-O-RING						
		2	7J-9108	1	SEAL-O-RING						
	30	2	153-6244	1	ELBOW AS						
		2	2M-9780	1	SEAL-O-RING						
		2	6V-9746	1	SEAL-O-RING						
		2	8T-5389	1	ELBOW						
	31	2	164-5606	1	CONNECTOR AS						
		2	3D-2824	1	SEAL-O-RING						
		2	6V-9746	1	SEAL-O-RING						
		2	8T-0078	1	CONNECTOR						
	32	1	164-5608	1	CONNECTOR AS						
		1	3K-0360	1	SEAL-O-RING						
		1	6V-8398	1	SEAL-O-RING						
		1	8T-1687	1	CONNECTOR						
	33	2	185-2271	1	CONNECTOR AS						
		2	3D-2824	1	SEAL-O-RING						
		2	6V-9746	1	SEAL-O-RING						
		2	8T-9023	1	CONNECTOR-O-RING						
	34	1	1P-3703	1	SEAL-RECTANGULAR						
	35	2	1P-4578	4	FLANGE-HALF						
	36	2	4J-0522	2	SEAL-O-RING						
	37	2	4J-5267	2	SEAL-O-RING						
	38	2	4J-5573	1	SEAL-O-RING						
	39	2	5P-7462	1	CLIP (SLOT)						
	40	2	5P-7463	1	CLIP (TAB)						
	41	2	5P-7464	1	CLIP (SLOT)						
	42	2	5P-7465	1	CLIP (TAB)						
	43	1,2	5P-7466	7	CLIP (SLOT)						
	44	1,2	5P-7467	7	CLIP (TAB)						
	45	1,2	5P-8112	7	GROMMET						
	46	2	6D-4636	1	CLIP						
	47	2	6V-0683	1	GROMMET						
	48	1	7K-1181	1	STRAP-CABLE						
	49	2	8T-2920	1	GROMMET						
	50	1,2	8T-4121	15	WASHER-HARD (11X21X2.5-MM THK)						
M	51	1,2	8T-4137	3	BOLT (M10X1.5X20-MM)						
M	52	1,2	8T-4139	10	BOLT (M12X1.75X30-MM)						
M	53	1	8T-4183	1	BOLT (M12X1.75X40-MM)						
M	54	2	8T-4184	1	BOLT (M12X1.75X45-MM)						
M	55	1	8T-4192	1	BOLT (M12X1.75X25-MM)						
M	56	2	8T-4196	8	BOLT (M10X1.5X35-MM)						
	57	1,2	8T-4223	14	WASHER-HARD (13.5X25.5X3-MM THK)						
M	58	2	8T-5005	4	BOLT (M10X1.5X70-MM)						
M	59	1	8T-6466	6	BOLT (M10X1.5X60-MM)						
	60	1	9D-1829	1	CLIP						
	61	2	9X-6579	1	NUT-ORIFICE (7/16-12-THD)						
M	62	1	8T-4956	1	BOLT (M12X1.75X35-MM)						

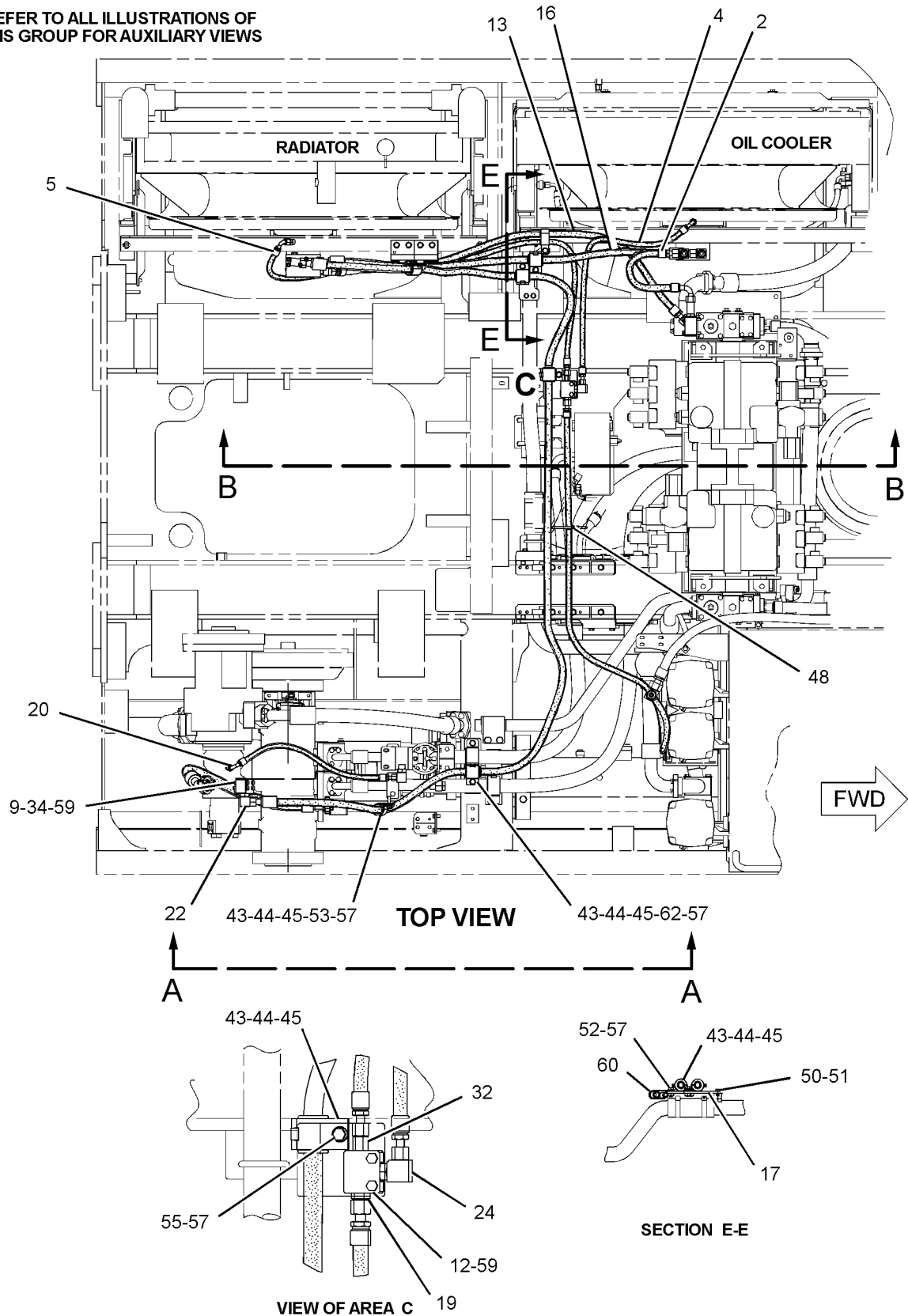
I-REFER TO HYDRAULIC INFORMATION SYSTEM
M-METRIC PART
Y-SEPARATE ILLUSTRATION

HYDRAULIC SYSTEM

227-0583 LINES GP-HYDRAULIC FAN (contd.)

i03374623

REFER TO ALL ILLUSTRATIONS OF THIS GROUP FOR AUXILIARY VIEWS



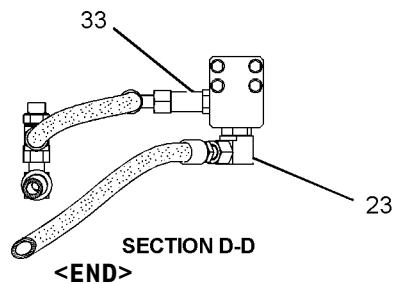
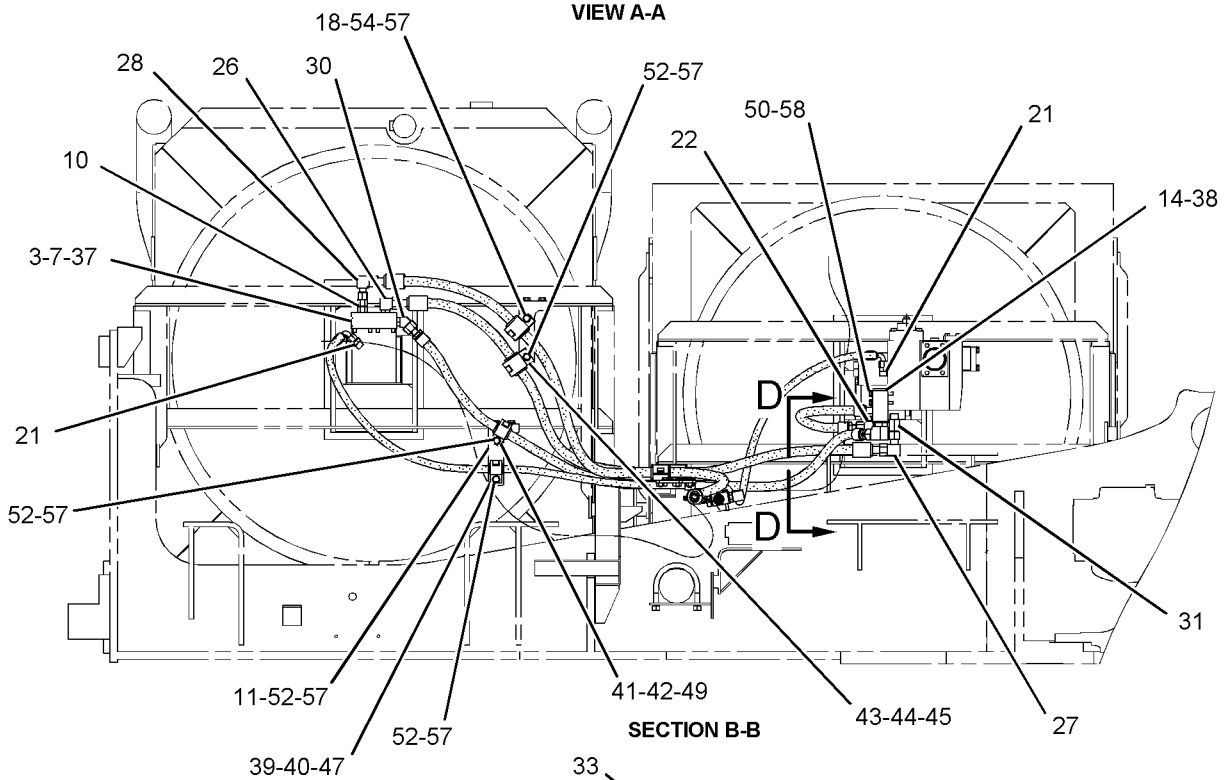
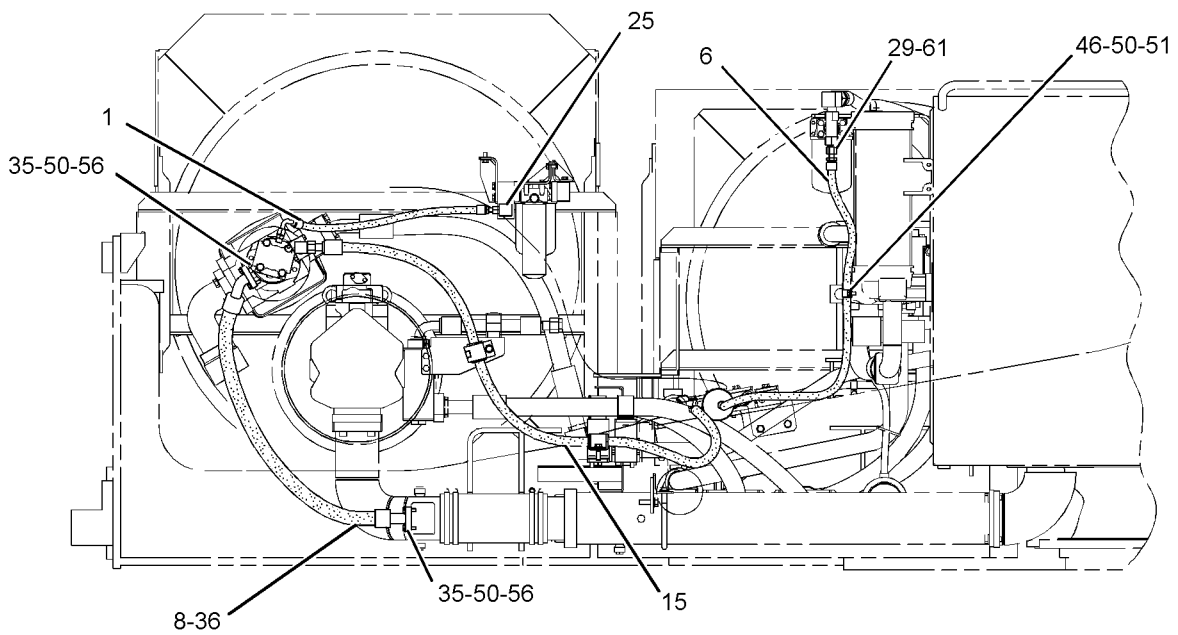
GRAPHIC #1

g01478189

HYDRAULIC SYSTEM

227-0583 LINES GP-HYDRAULIC FAN (contd.)

i03374623



GRAPHIC #2

<END>

g01087477

HYDRAULIC SYSTEM

248-9466 LINES GP-MOTOR-REVERSING FAN

S/N: MMA1-UP

PART OF 245-5552 CONTROL AR-FAN

AN ATTACHMENT

TYPE 1

SMCS-5057, 5058

i03639929

NOTE	REF NO	GRAPHIC REF	PART NUMBER	QTY	PART NAME						SEE PAGE
					1	2	3	4	5	6 (PRODUCT LEVEL)	
I	1	2	4I-0806	1	HOSE AS						
I	2	2	4I-5933	1	HOSE AS						
I	3	2	4I-6391	1	HOSE AS						
I	4	2	5I-4396	1	HOSE AS						
	5	1	7K-1181	5	STRAP-CABLE						
M	6	1	101-7399	6	BOLT-SOCKET HEAD (M10X1.5X120-MM)						
M	7	1	101-7400	6	BOLT-SOCKET HEAD (M10X1.5X110-MM)						
	8	2	197-8940	2	CONNECTOR AS						
					(EACH INCLUDES)						
		2	2M-9780	1	SEAL-O-RING						
		2	7J-9108	1	SEAL-O-RING						
		2	8T-1576	1	CONNECTOR						
Y	9	1	234-4624	1	VALVE GP-CONTROL (REVERSE FLOW FAN)						866
Y	10	1	242-6879	1	VALVE GP-CONTROL (REVERSIBLE FAN)						881
Y	11	2	242-6880	1	VALVE GP-SOLENOID (REVERSING FAN)						918
	12	2	248-9495	1	SUPPORT AS						
M	13	2	129-3181	2	BOLT-SOCKET HEAD (M10X1.5X55-MM)						
	14	2	148-8336	4	CONNECTOR AS						
					(EACH INCLUDES)						
		2	3J-1907	1	SEAL-O-RING						
		2	6V-8397	1	SEAL-O-RING						
		2	6V-8636	1	CONNECTOR						
	15	2	148-8345	1	CONNECTOR AS						
		2	2M-9780	1	SEAL-O-RING						
		2	6V-8398	1	SEAL-O-RING						
		2	6V-8638	1	CONNECTOR						
	16	2	148-8383	1	ELBOW AS						
		2	3K-0360	1	SEAL-O-RING						
		2	6V-8397	1	SEAL-O-RING						
		2	8T-1683	1	ELBOW						
	17	2	148-8388	2	ELBOW AS						
					(EACH INCLUDES)						
		2	2M-9780	1	SEAL-O-RING						
		2	6V-8629	1	ELBOW						
		2	6V-9746	1	SEAL-O-RING						
	18	2	148-8435	1	TEE AS						
		2	3J-1907	1	SEAL-O-RING						
		2	6V-8397	2	SEAL-O-RING						
		2	6V-8781	1	TEE-FACE SEAL						
	19	2	150-3035	2	ELBOW AS						
					(EACH INCLUDES)						
		2	6V-9746	1	SEAL-O-RING						
		2	8T-1718	1	ELBOW						
	20	2	153-6244	1	ELBOW AS						
		2	2M-9780	1	SEAL-O-RING						
		2	6V-9746	1	SEAL-O-RING						
		2	8T-5389	1	ELBOW						
	21	2	153-6249	1	CONNECTOR AS						
		2	3J-1907	1	SEAL-O-RING						
		2	6V-8397	1	SEAL-O-RING						
		2	8T-8887	1	CONNECTOR						
	22	1	4J-5267	4	SEAL-O-RING						
	23	1	4K-8302	1	CLIP						
	24	1,2	6K-8178	2	CLIP						

HYDRAULIC SYSTEM

248-9466 LINES GP-MOTOR (contd.)

i03639929

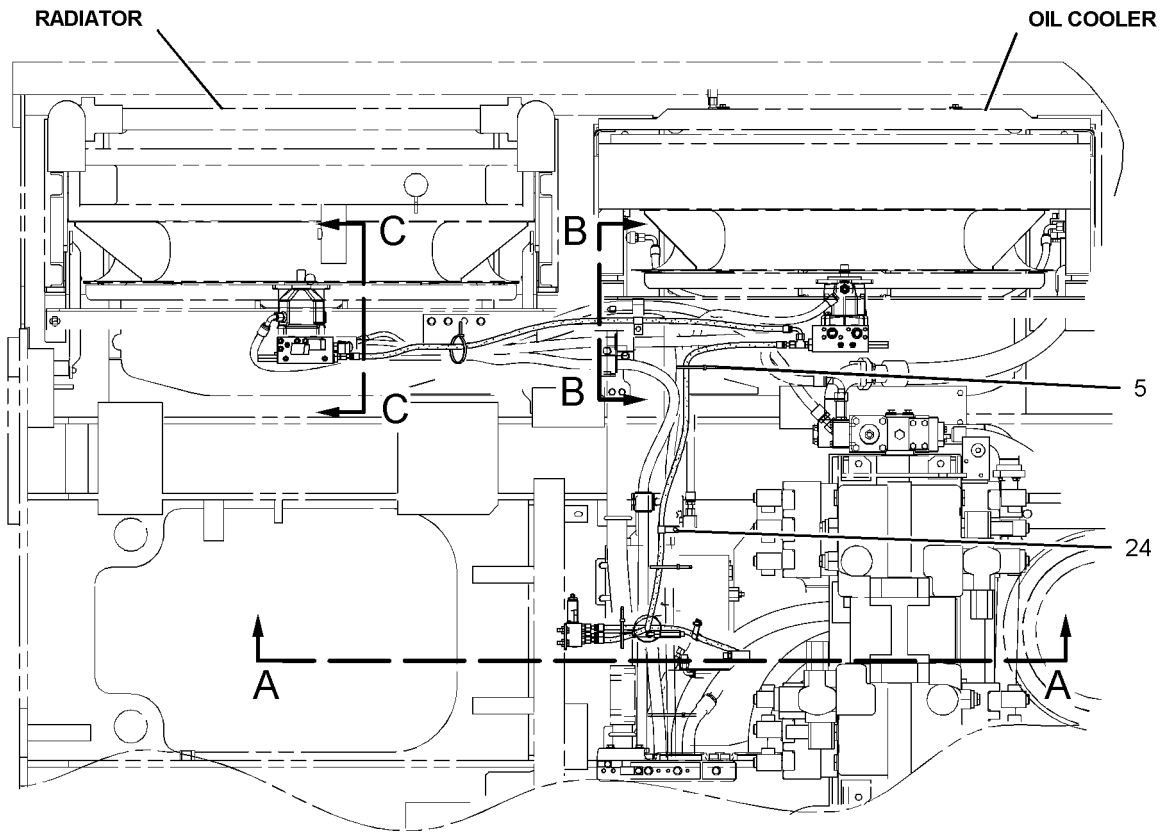
NOTE	REF NO	GRAPHIC REF	PART NUMBER	QTY	PART NAME						SEE PAGE
					1	2	3	4	5	6 (PRODUCT LEVEL)	
	25	2	8T-4121	2	WASHER-HARD (11X21X2.5-MM THK)						
M	26	2	8T-4189	1	BOLT (M8X1.25X20-MM)						
M	27	2	8T-4195	2	BOLT (M10X1.5X30-MM)						
	28	2	8T-4224	1	WASHER-HARD (8.8X16X2-MM THK)						

I-REFER TO HYDRAULIC INFORMATION SYSTEM
M-METRIC PART
Y-SEPARATE ILLUSTRATION

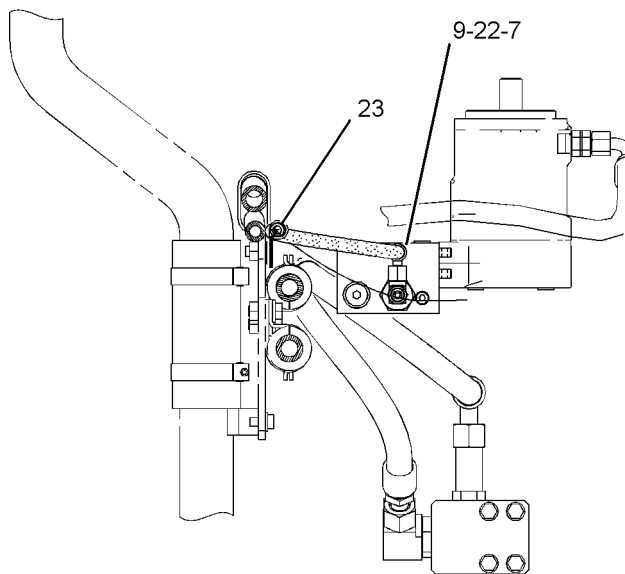
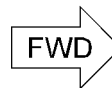
HYDRAULIC SYSTEM

248-9466 LINES GP-MOTOR (contd.)

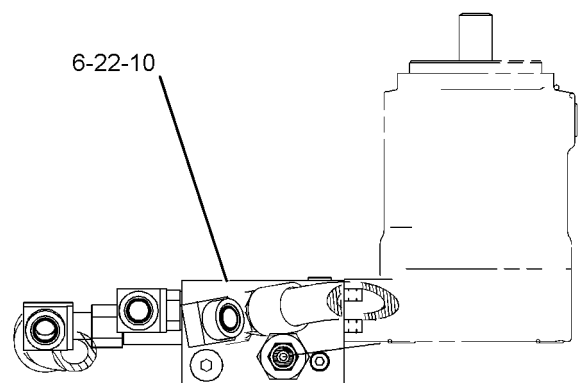
i03639929



TOP VIEW



SECTION B-B



SECTION C-C

REFER TO ALL ILLUSTRATIONS OF THIS GROUP FOR AUXILIARY VIEWS

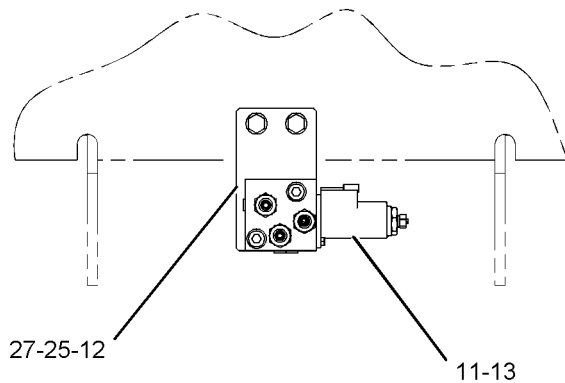
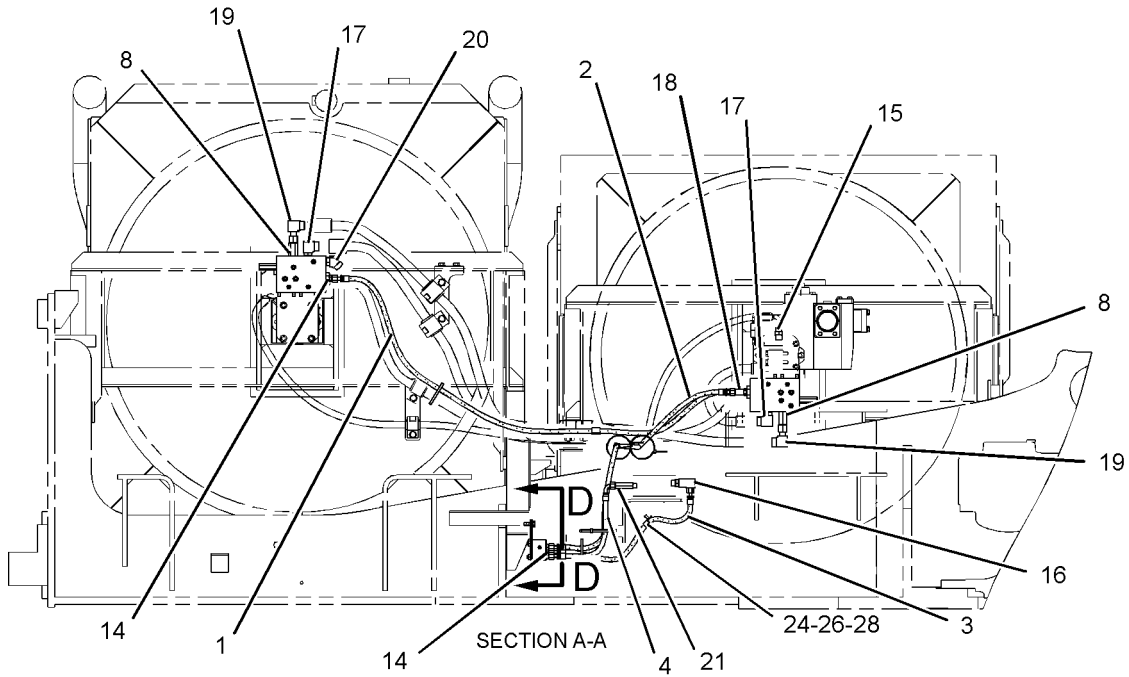
GRAPHIC #1

g01086157

HYDRAULIC SYSTEM

248-9466 LINES GP-MOTOR (contd.)

i03639929



SECTION D-D
<END>

GRAPHIC #2

g01086255

HYDRAULIC SYSTEM

248-9466 LINES GP-MOTOR-REVERSING FAN

S/N: MMA1-UP

PART OF 245-5552 CONTROL AR-FAN

AN ATTACHMENT

TYPE 2

SMCS-5057, 5058

i02960097

NOTE	REF NO	GRAPHIC REF	PART NUMBER	QTY	PART NAME						SEE PAGE
					1	2	3	4	5	6 (PRODUCT LEVEL)	
I	1	2	4I-0806	1	HOSE AS						
I	2	2	4I-5933	1	HOSE AS						
I	3	2	4I-6391	1	HOSE AS						
I	4	2	5I-4396	1	HOSE AS						
CI	5	2	5I-8825	1	HOSE AS						
C	6	1	7K-1181	6	STRAP-CABLE						
M	7	1	101-7399	6	BOLT-SOCKET HEAD (M10X1.5X120-MM)						
M	8	1	101-7400	6	BOLT-SOCKET HEAD (M10X1.5X110-MM)						
	9	2	197-8940	2	CONNECTOR AS						
					(EACH INCLUDES)						
		2	2M-9780	1	SEAL-O-RING						
		2	7J-9108	1	SEAL-O-RING						
		2	8T-1576	1	CONNECTOR						
Y	10	1	234-4624	1	VALVE GP-CONTROL (REVERSE FLOW FAN)						866
Y	11	2	242-6880	1	VALVE GP-SOLENOID (REVERSING FAN)						918
	12	2	248-9495	1	SUPPORT AS						
CY	13	1	274-2553	1	VALVE GP-CONTROL (REVERSIBLE FAN)						884
M	14	2	129-3181	2	BOLT-SOCKET HEAD (M10X1.5X55-MM)						
C	15	2	148-8336	3	CONNECTOR AS						
					(EACH INCLUDES)						
		2	3J-1907	1	SEAL-O-RING						
		2	6V-8397	1	SEAL-O-RING						
		2	6V-8636	1	CONNECTOR						
	16	2	148-8345	1	CONNECTOR AS						
		2	2M-9780	1	SEAL-O-RING						
		2	6V-8398	1	SEAL-O-RING						
		2	6V-8638	1	CONNECTOR						
C	17	2	148-8353	1	ELBOW AS						
		2	3J-1907	1	SEAL-O-RING						
		2	6V-8397	1	SEAL-O-RING						
		2	6V-9001	1	ELBOW						
C	18	2	148-8378	1	ELBOW AS						
		2	3J-1907	1	SEAL-O-RING						
		2	6V-8397	1	SEAL-O-RING						
		2	6V-8724	1	ELBOW						
	19	2	148-8383	1	ELBOW AS						
		2	3K-0360	1	SEAL-O-RING						
		2	6V-8397	1	SEAL-O-RING						
		2	8T-1683	1	ELBOW						
	20	2	148-8388	2	ELBOW AS						
					(EACH INCLUDES)						
		2	2M-9780	1	SEAL-O-RING						
		2	6V-8629	1	ELBOW						
		2	6V-9746	1	SEAL-O-RING						
C	21	2	148-8417	1	REDUCER AS						
		2	6V-8397	1	SEAL-O-RING						
		2	6V-8941	1	REDUCER						
	22	2	148-8435	1	TEE AS						
		2	3J-1907	1	SEAL-O-RING						
		2	6V-8397	2	SEAL-O-RING						
		2	6V-8781	1	TEE-FACE SEAL						
C	23	2	148-8449	1	TEE AS-SWIVEL						
		2	6V-9746	2	SEAL-O-RING						
		2	6V-9839	1	TEE-SWIVEL						

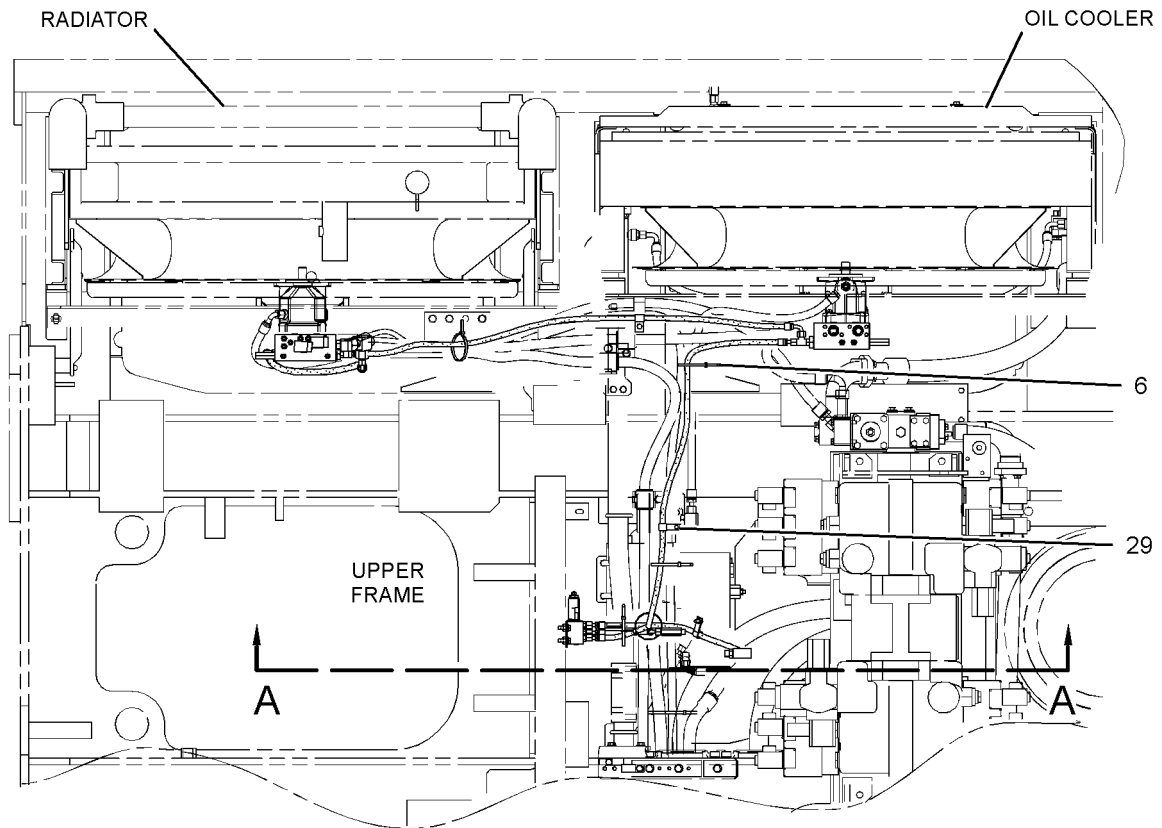
HYDRAULIC SYSTEM

248-9466 LINES GP-MOTOR (contd.)

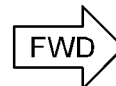
i02960097

NOTE	REF NO	GRAPHIC REF	PART NUMBER	QTY	PART NAME						SEE PAGE
					1	2	3	4	5	6 (PRODUCT LEVEL)	
	24	2	150-3035	2	ELBOW AS						
					(EACH INCLUDES)						
		2	6V-9746	1	SEAL-O-RING						
		2	8T-1718	1	ELBOW						
	25	2	153-6244	1	ELBOW AS						
		2	2M-9780	1	SEAL-O-RING						
		2	6V-9746	1	SEAL-O-RING						
		2	8T-5389	1	ELBOW						
	26	2	153-6249	1	CONNECTOR AS						
		2	3J-1907	1	SEAL-O-RING						
		2	6V-8397	1	SEAL-O-RING						
		2	8T-8887	1	CONNECTOR						
	27	1	4J-5267	4	SEAL-O-RING						
	28	1	4K-8302	1	CLIP						
	29	1,2	6K-8178	2	CLIP						
C	30	2	6V-8556	1	NUT (1-3/16-12-THD)						
	31	2	8T-4121	2	WASHER-HARD (11X21X2.5-MM THK)						
M	32	2	8T-4189	1	BOLT (M8X1.25X20-MM)						
M	33	2	8T-4195	2	BOLT (M10X1.5X30-MM)						
	34	2	8T-4224	1	WASHER-HARD (8.8X16X2-MM THK)						

C-CHANGE FROM PREVIOUS TYPE
 I-REFER TO HYDRAULIC INFORMATION SYSTEM
 M-METRIC PART
 Y-SEPARATE ILLUSTRATION



TOP VIEW



REFER TO ALL ILLUSTRATIONS OF THIS GROUP FOR AUXILIARY VIEWS

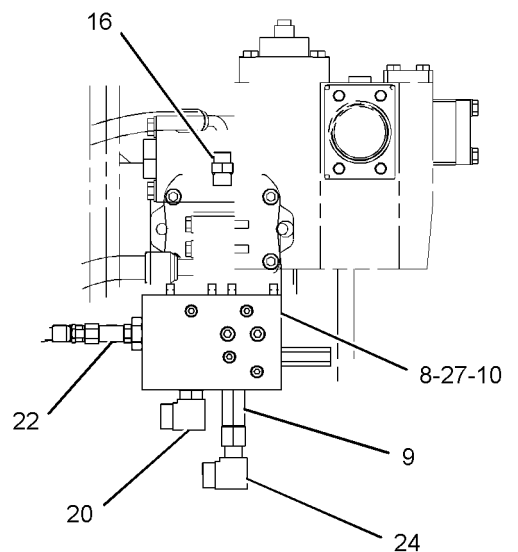
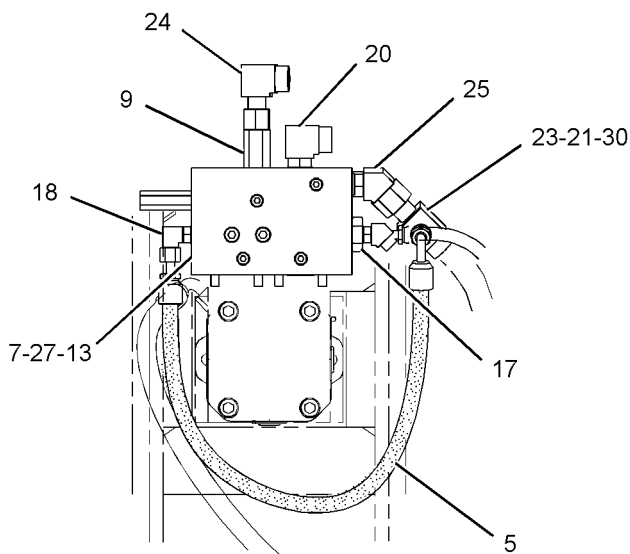
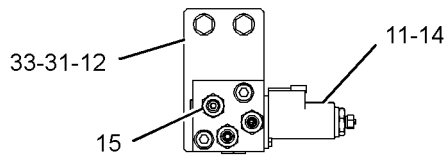
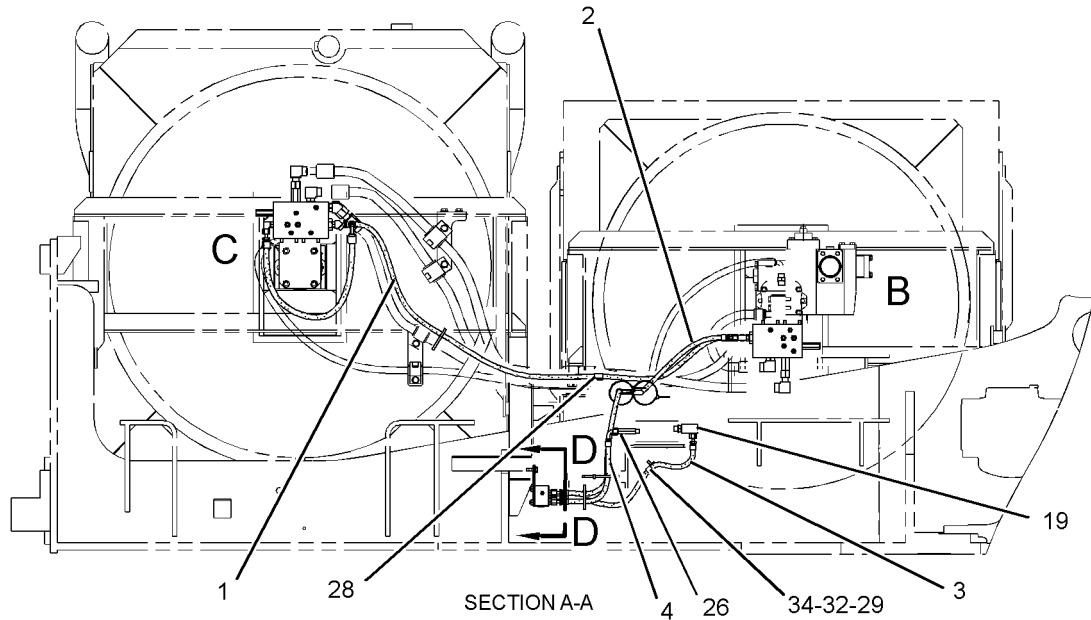
GRAPHIC #1

g01237899

HYDRAULIC SYSTEM

248-9466 LINES GP-MOTOR (contd.)

i02960097



GRAPHIC #2

<END>

g01237900

HYDRAULIC SYSTEM

248-9466 LINES GP-MOTOR-REVERSING FAN

S/N: MMA1-UP

PART OF 245-5552 CONTROL AR-FAN

AN ATTACHMENT

TYPE 3

SMCS-5057, 5058

i02659618

NOTE	REF NO	GRAPHIC REF	PART NUMBER	QTY	PART NAME						SEE PAGE
					1	2	3	4	5	6 (PRODUCT LEVEL)	
I	1	2	4I-0806	1	HOSE AS						
I	2	2	4I-5933	1	HOSE AS						
I	3	2	4I-6391	1	HOSE AS						
I	4	2	5I-4396	1	HOSE AS						
I	5	2	5I-8825	1	HOSE AS						
	6	1	7K-1181	6	STRAP-CABLE						
M	7	2	101-7399	6	BOLT-SOCKET HEAD (M10X1.5X120-MM)						
M	8	2	101-7400	6	BOLT-SOCKET HEAD (M10X1.5X110-MM)						
	9	2	197-8940	2	CONNECTOR AS						
					(EACH INCLUDES)						
		2	2M-9780	1	SEAL-O-RING						
		2	7J-9108	1	SEAL-O-RING						
		2	8T-1576	1	CONNECTOR						
Y	10	2	234-4624	1	VALVE GP-CONTROL (REVERSE FLOW FAN)						866
Y	11	2	242-6880	1	VALVE GP-SOLENOID (REVERSING FAN)						918
	12	2	248-9495	1	SUPPORT AS						
Y	13	2	274-2553	1	VALVE GP-CONTROL (REVERSIBLE FAN)						884
M	14	2	129-3181	2	BOLT-SOCKET HEAD (M10X1.5X55-MM)						
	15	2	148-8336	3	CONNECTOR AS						
					(EACH INCLUDES)						
		2	3J-1907	1	SEAL-O-RING						
		2	6V-8397	1	SEAL-O-RING						
		2	6V-8636	1	CONNECTOR						
	16	2	148-8345	1	CONNECTOR AS						
		2	2M-9780	1	SEAL-O-RING						
		2	6V-8398	1	SEAL-O-RING						
		2	6V-8638	1	CONNECTOR						
	17	2	148-8353	1	ELBOW AS						
		2	3J-1907	1	SEAL-O-RING						
		2	6V-8397	1	SEAL-O-RING						
		2	6V-9001	1	ELBOW						
C	18	2	148-8374	1	ELBOW AS						
		2	3K-0360	1	SEAL-O-RING						
		2	6V-8397	1	SEAL-O-RING						
		2	6V-8723	1	ELBOW						
	19	2	148-8383	1	ELBOW AS						
		2	3K-0360	1	SEAL-O-RING						
		2	6V-8397	1	SEAL-O-RING						
		2	8T-1683	1	ELBOW						
	20	2	148-8388	2	ELBOW AS						
					(EACH INCLUDES)						
		2	2M-9780	1	SEAL-O-RING						
		2	6V-8629	1	ELBOW						
		2	6V-9746	1	SEAL-O-RING						
	21	2	148-8417	1	REDUCER AS						
		2	6V-8397	1	SEAL-O-RING						
		2	6V-8941	1	REDUCER						
	22	2	148-8435	1	TEE AS						
		2	3J-1907	1	SEAL-O-RING						
		2	6V-8397	2	SEAL-O-RING						
		2	6V-8781	1	TEE-FACE SEAL						
	23	2	148-8449	1	TEE AS-SWIVEL						
		2	6V-9746	2	SEAL-O-RING						
		2	6V-9839	1	TEE-SWIVEL						

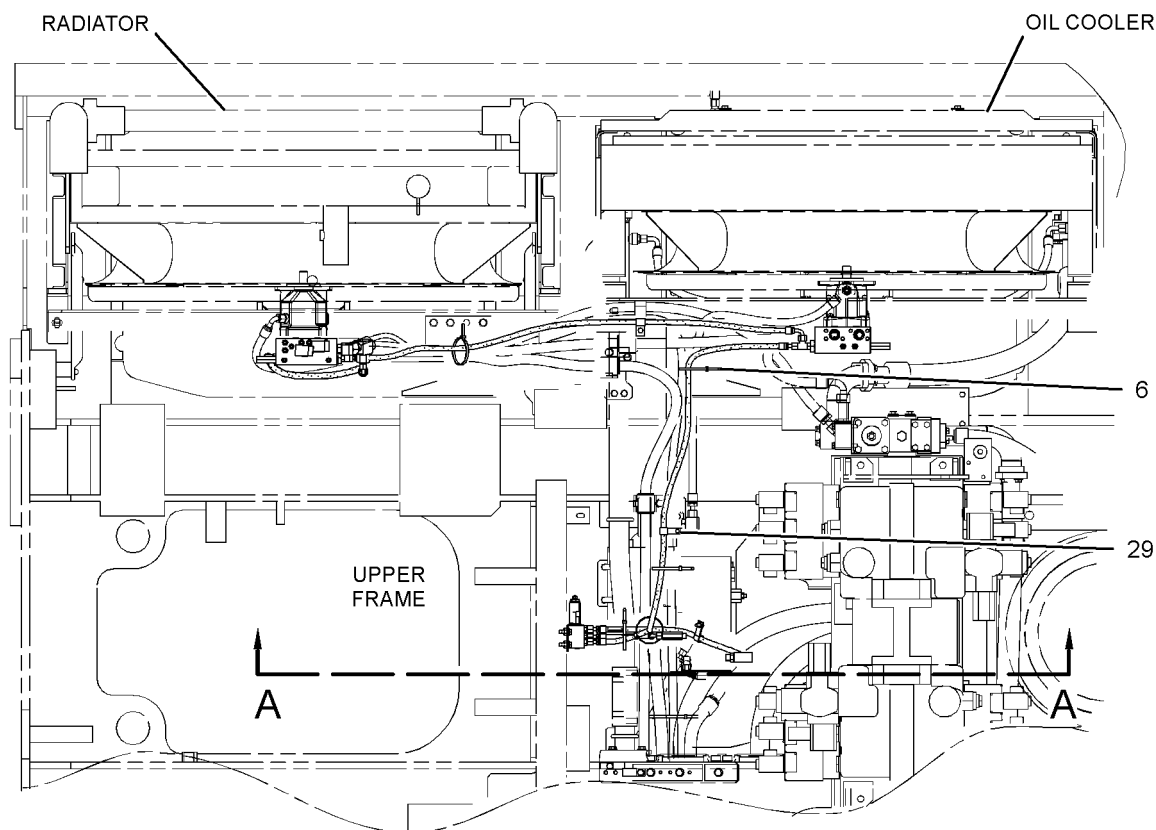
HYDRAULIC SYSTEM

248-9466 LINES GP-MOTOR (contd.)

i02659618

NOTE	REF NO	GRAPHIC REF	PART NUMBER	QTY	PART NAME						SEE PAGE
					1	2	3	4	5	6 (PRODUCT LEVEL)	
	24	2	150-3035	2	ELBOW AS						
					(EACH INCLUDES)						
		2	6V-9746	1	SEAL-O-RING						
		2	8T-1718	1	ELBOW						
	25	2	153-6244	1	ELBOW AS						
		2	2M-9780	1	SEAL-O-RING						
		2	6V-9746	1	SEAL-O-RING						
		2	8T-5389	1	ELBOW						
	26	2	153-6249	1	CONNECTOR AS						
		2	3J-1907	1	SEAL-O-RING						
		2	6V-8397	1	SEAL-O-RING						
		2	8T-8887	1	CONNECTOR						
	27	2	4J-5267	4	SEAL-O-RING						
	28	2	4K-8302	1	CLIP						
	29	2	6K-8178	2	CLIP						
	30	2	6V-8556	1	NUT (1-3/16-12-THD)						
	31	2	8T-4223	2	WASHER-HARD (13.5X25.5X3-MM THK)						
M	32	2	8T-4189	1	BOLT (M8X1.25X20-MM)						
M	33	2	8T-4139	2	BOLT (M12X1.75X30-MM)						
	34	2	8T-4224	1	WASHER-HARD (8.8X16X2-MM THK)						

C-CHANGE FROM PREVIOUS TYPE
 I-REFER TO HYDRAULIC INFORMATION SYSTEM
 M-METRIC PART
 Y-SEPARATE ILLUSTRATION



TOP VIEW

REFER TO ALL ILLUSTRATIONS OF THIS GROUP FOR AUXILIARY VIEWS



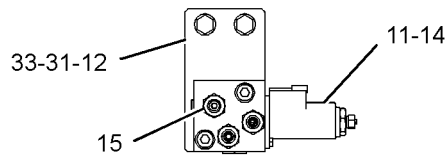
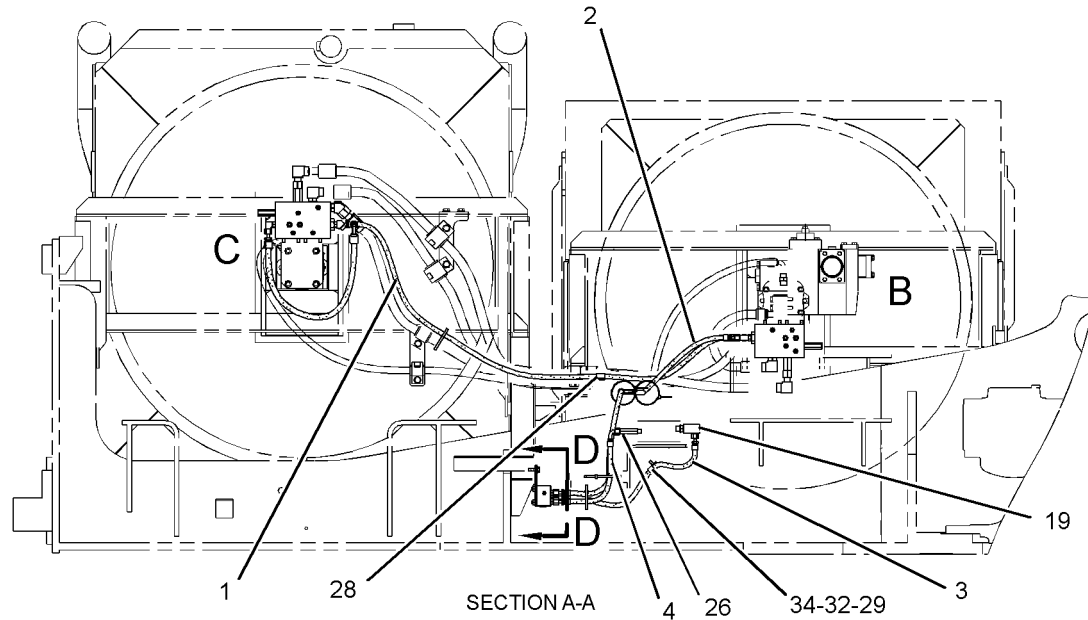
GRAPHIC #1

g01237899

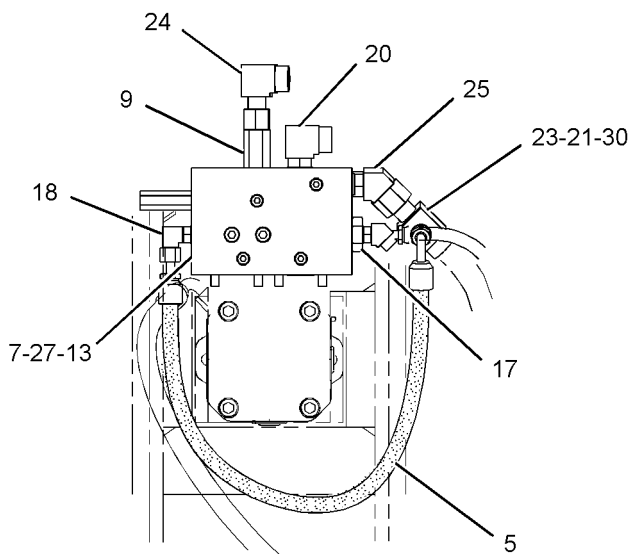
HYDRAULIC SYSTEM

248-9466 LINES GP-MOTOR (contd.)

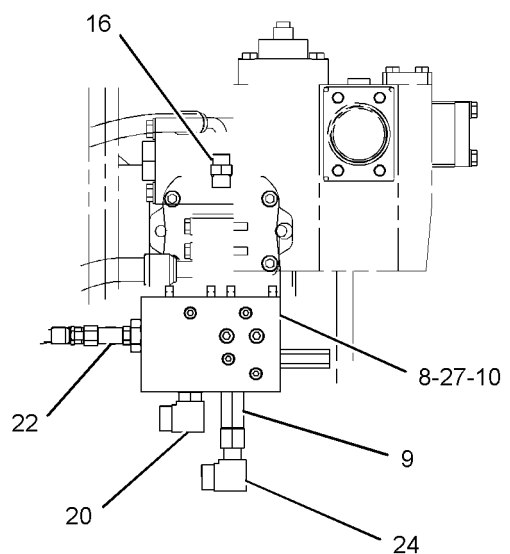
i02659618



SECTION D-D



VIEW OF AREA C



VIEW OF AREA B

GRAPHIC #2

<END>

g01237900

HYDRAULIC SYSTEM

225-4839 LINES GP-PILOT-DUPLICATED SIGNAL

S/N: MMA1-UP

HIGH PRESSURE CUTOFF, ON
PART OF 265-7172 CONVERSION AR
AN ATTACHMENT

SMCS-5057, 5059

i02127314

NOTE	PART NUMBER	QTY	PART NAME						SEE PAGE
			1	2	3	4	5	6 (PRODUCT LEVEL)	
Y	227-0373	1	FITTING GP-HYDRAULIC						677
Y-SEPARATE ILLUSTRATION									

<END>

HYDRAULIC SYSTEM

227-0371 LINES GP-PILOT

S/N: MMA1-245

PART OF 232-4126 HYDRAULIC AR

SMCS-5057, 5059

i03495304

NOTE	REF NO	GRAPHIC REF	PART NUMBER	QTY	PART NAME						SEE PAGE
					1	2	3	4	5	6 (PRODUCT LEVEL)	
I	1	2	4I-0769	1	HOSE AS						
I	2	2	4I-0797	1	HOSE AS						
I	3	2	4I-0806	1	HOSE AS						
I	4	1	4I-0821	1	HOSE AS						
I	5	2	4I-5795	1	HOSE AS						
I	6	2	4I-6003	1	HOSE AS						
I	7	2	4I-7778	1	HOSE AS						
	8	1,2	4I-9521	4	BAND-MARKER (RED, L1)						
	9	1,2	4I-9522	4	BAND-MARKER (YELLOW, L2)						
	10	2	4I-9523	6	BAND-MARKER (BLUE, L3)						
	11	2	4I-9524	4	BAND-MARKER (BROWN, L4)						
	12	2	4I-9525	2	BAND-MARKER (ORANGE, R1)						
	13	2	4I-9526	2	BAND-MARKER (WHITE, R2)						
	14	2	4I-9527	4	BAND-MARKER (GREEN, R3)						
	15	1,2	4I-9528	4	BAND-MARKER (PURPLE, R4)						
I	16	2	7I-1244	1	HOSE AS						
I	17	2	7I-8252	1	HOSE AS						
	18	2	7K-1181	12	STRAP-CABLE						
	19	2	4D-7388	3	CLIP						
I	20	2	087-4531	1	HOSE AS						
I	21	2	087-4532	2	HOSE AS						
I	22	2	108-7375	1	HOSE AS						
I	23	2	111-0976	1	HOSE AS						
I	24	2	111-6752	1	HOSE AS						
	25	2	136-0207	4	STRAP-CABLE						
Y	26	1	140-0736	1	VALVE GP-MANIFOLD & REDUCING						889
Y	27	2	160-4138	1	ACCUMULATOR & MTG GP-HYDRAULIC (CHARGED)						603
	28	1	164-5547	2	CONNECTOR AS						
					(EACH INCLUDES)						
		1	3J-1907	1	SEAL-O-RING						
		1	4I-1694	1	CONNECTOR						
	29	1,2	164-5639	2	ELBOW AS						
					(EACH INCLUDES)						
		1,2	3K-0360	1	SEAL-O-RING						
		1,2	6V-8398	1	SEAL-O-RING						
		1,2	124-0988	1	ELBOW-FILTER						
	30	2	164-6874	1	FITTING AS-ELBOW						
		2	3J-1907	1	SEAL-O-RING						
		2	085-7356	1	FITTING						
	31	1	168-9688	1	BLOCK						
	32	1	176-4414	1	BRACKET AS						
I	33	1	176-4459	1	HOSE AS						
I	34	2	176-4769	1	HOSE AS						
Y	35	1	185-0336	1	FILTER GP-OIL (HYDRAULIC)						667
I	36	1	187-6925	1	HOSE AS						
	37	2	188-1035	1	TEE AS						
		2	3D-2824	1	SEAL-O-RING						
		2	5K-9090	1	SEAL-O-RING						
		2	6V-9746	1	SEAL-O-RING						
		2	8T-7520	1	TEE						
I	38	1,2	196-0590	2	HOSE AS						
	39	2	202-9762	1	CONNECTOR AS						
		2	6V-9746	1	SEAL-O-RING						
		2	7M-8485	1	SEAL-O-RING						
		2	152-9254	1	CONNECTOR						
	40	1	204-8350	1	HOSE AS						

HYDRAULIC SYSTEM

227-0371 LINES GP-PILOT (contd.)

i03495304

NOTE	REF NO	GRAPHIC REF	PART NUMBER	QTY	PART NAME						SEE PAGE	
					1	2	3	4	5	6 (PRODUCT LEVEL)		
I	41	1	204-8479	1	HOSE	AS						
I	42	2	204-8480	1	HOSE	AS						
I	43	2	204-8481	1	HOSE	AS						
	44	1	204-8482	1	SUPPORT	AS						
	45	2	204-8485	1	SUPPORT	AS						
	46	1	204-8487	1	FLANGE							
I	47	2	207-6244	1	HOSE	AS						
I	48	1,2	207-6418	2	HOSE	AS						
	49	2	221-8869	1	SENSOR AS-PRESSURE (SWING PUMP)							
	49A	1	221-8869	1	SENSOR AS-PRESSURE (MAIN PUMP)							
					(EACH SENSOR AS INCLUDES)							
		1	095-1777	1	RING-BACKUP							
	50	1,2	221-8912	2	FLANGE							
	51	2	227-0643	4	GROMMET							
	52	2	227-0645	2	PLATE							
	53	2	227-0646	2	PLATE							
	54	2	227-0662	1	SUPPORT	AS						
	55	2	227-0663	1	SUPPORT	AS						
	56	2	227-0665	4	GROMMET							
	57	1	227-0666	1	BLOCK							
I	58	1	227-0667	1	HOSE	AS						
I	59	2	245-4980	1	HOSE	AS						
I	60	1	245-4983	1	HOSE	AS						
	61	2	115-8645	2	GUARD							
	62	1,2	148-8317	3	CONNECTOR	AS						
					(EACH INCLUDES)							
		1,2	3D-2824	1	SEAL-O-RING							
		1,2	5K-9090	1	SEAL-O-RING							
		1,2	6V-8714	1	CONNECTOR							
	63	1	148-8323	1	CONNECTOR	AS						
		1	2S-4078	1	SEAL-O-RING							
		1	5K-9090	1	SEAL-O-RING							
		1	6V-9875	1	CONNECTOR							
	64	2	148-8335	2	CONNECTOR	AS						
					(EACH INCLUDES)							
		2	5K-9090	1	SEAL-O-RING							
		2	6V-8635	1	CONNECTOR							
		2	7M-8485	1	SEAL-O-RING							
	65	1,2	148-8336	7	CONNECTOR	AS						
					(EACH INCLUDES)							
		1,2	3J-1907	1	SEAL-O-RING							
		1,2	6V-8397	1	SEAL-O-RING							
		1,2	6V-8636	1	CONNECTOR							
	66	1,2	148-8340	3	CONNECTOR	AS						
					(EACH INCLUDES)							
		1,2	3K-0360	1	SEAL-O-RING							
		1,2	6V-8398	1	SEAL-O-RING							
		1,2	6V-8639	1	CONNECTOR							
	67	2	148-8347	1	ELBOW	AS						
		2	3D-2824	1	SEAL-O-RING							
		2	6V-9007	1	ELBOW							
		2	6V-9746	1	SEAL-O-RING							
	68	2	148-8353	1	ELBOW	AS						
		2	3J-1907	1	SEAL-O-RING							
		2	6V-8397	1	SEAL-O-RING							
		2	6V-9001	1	ELBOW							
	69	2	148-8354	2	ELBOW	AS						
					(EACH INCLUDES)							
		2	3K-0360	1	SEAL-O-RING							

HYDRAULIC SYSTEM

227-0371 LINES GP-PILOT (contd.)

i03495304

NOTE	REF NO	GRAPHIC REF	PART NUMBER	QTY	PART NAME						SEE PAGE
					1	2	3	4	5	6 (PRODUCT LEVEL)	
		2	6V-8398	1	SEAL-O-RING						
		2	6V-9002	1	ELBOW						
70		1	148-8355	2	ELBOW AS						
					(EACH INCLUDES)						
		1	5K-9090	1	SEAL-O-RING						
		1	6V-9005	1	ELBOW						
		1	7M-8485	1	SEAL-O-RING						
71		1	148-8362	1	ELBOW AS						
		1	3D-2824	1	SEAL-O-RING						
		1	5K-9090	1	SEAL-O-RING						
		1	8T-6684	1	ELBOW						
72		1	148-8364	1	ELBOW AS						
		1	3K-0360	1	SEAL-O-RING						
		1	6V-8398	1	SEAL-O-RING						
		1	6V-8625	1	ELBOW						
73		2	148-8367	1	ELBOW AS						
		2	6V-8397	1	SEAL-O-RING						
		2	6V-9850	1	ELBOW						
74		1,2	148-8378	16	ELBOW AS						
					(EACH INCLUDES)						
		1,2	3J-1907	1	SEAL-O-RING						
		1,2	6V-8397	1	SEAL-O-RING						
		1,2	6V-8724	1	ELBOW						
75		1	148-8411	1	PLUG AS						
		1	3K-0360	1	SEAL-O-RING						
		1	9S-4185	1	PLUG-O-RING						
76		1	148-8433	1	TEE AS						
		1	6V-8397	2	SEAL-O-RING						
		1	6V-9836	1	TEE-SWIVEL						
77		2	148-8435	1	TEE AS						
		2	3J-1907	1	SEAL-O-RING						
		2	6V-8397	2	SEAL-O-RING						
		2	6V-8781	1	TEE-FACE SEAL						
78		2	148-8439	2	TEE AS						
					(EACH INCLUDES)						
		2	3J-1907	1	SEAL-O-RING						
		2	6V-8397	2	SEAL-O-RING						
		2	6V-8774	1	TEE						
79		1	150-3036	1	ELBOW AS						
		1	3J-1907	1	SEAL-O-RING						
		1	6V-8397	1	SEAL-O-RING						
		1	8T-1905	1	ELBOW						
80		2	150-4049	1	ELBOW AS						
		2	6V-9746	1	SEAL-O-RING						
		2	7M-8485	1	SEAL-O-RING						
		2	8T-4149	1	ELBOW						
81		2	153-6249	1	CONNECTOR AS						
		2	3J-1907	1	SEAL-O-RING						
		2	6V-8397	1	SEAL-O-RING						
		2	8T-8887	1	CONNECTOR						
82		2	155-3624	1	PLUG AS						
		2	3J-7354	1	SEAL-O-RING						
		2	9S-4182	1	PLUG-O-RING						
83		1,2	164-5567	7	COUPLER AS-QUICK DISCONNECT						
					(EACH INCLUDES)						
		1,2	3J-1907	1	SEAL-O-RING						
		1,2	6V-3965	1	FITTING (QUICK DISCONNECT)						
84		1	164-5572	1	UNION AS						
		1	6V-8398	2	SEAL-O-RING						

HYDRAULIC SYSTEM

227-0371 LINES GP-PILOT (contd.)

i03495304

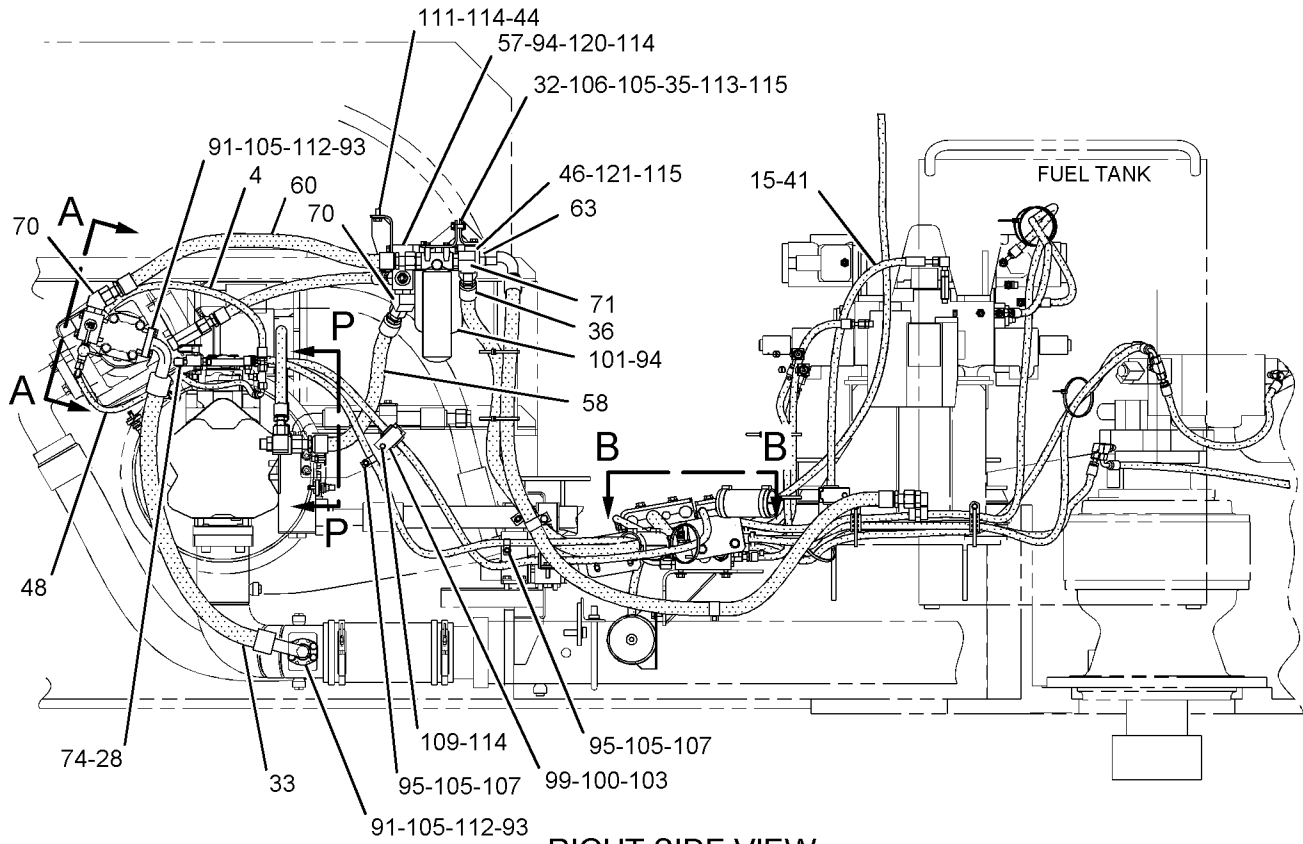
NOTE	REF NO	GRAPHIC REF	PART NUMBER	QTY	PART NAME						SEE PAGE
					1	2	3	4	5	6 (PRODUCT LEVEL)	
		1	6V-8731	1	UNION						
	85	2	164-5590	1	VALVE AS-FLUID SAMPLING (HYDRAULIC OIL)						
		2	3J-7354	1	SEAL-O-RING						
		2	8C-3446	1	VALVE-FLUID SAMPLING						
	86	2	164-5598	1	PLUG AS						
		2	7M-8485	1	SEAL-O-RING						
		2	8J-0426	1	PLUG						
	87	2	164-5628	1	CONNECTOR AS						
		2	3J-1907	1	SEAL-O-RING						
		2	6V-8397	1	SEAL-O-RING						
		2	107-6631	1	CONNECTOR-FILTER						
	88	2	164-8908	1	CONNECTOR AS						
		2	3K-0360	1	SEAL-O-RING						
		2	6V-8398	1	SEAL-O-RING						
		2	8T-0077	1	CONNECTOR						
	89	2	165-4931	1	ELBOW AS						
		2	3J-1907	1	SEAL-O-RING						
		2	6V-8077	1	ELBOW						
	90	1	171-6728	1	ELBOW AS						
		1	3K-0360	1	SEAL-O-RING						
		1	8T-0249	1	ELBOW						
	91	1	1P-4578	4	FLANGE-HALF						
	92	1	4J-0520	1	SEAL-O-RING						
	93	1	4J-0522	2	SEAL-O-RING						
	94	1	4J-0524	2	SEAL-O-RING						
	95	1,2	4K-8864	4	CLIP						
	96	2	4P-7582	3	CLIP						
	97	2	4S-1936	1	CLIP						
	98	1	5P-1076	3	WASHER-HARD (13.5X30X4-MM THK)						
	99	1,2	5P-7464	4	CLIP (SLOT)						
	100	1,2	5P-7465	4	CLIP (TAB)						
Y	101	1	6E-5534	1	FILTER GP-OIL (HYDRAULIC)						666
	102	1,2	6V-0852	7	CAP-DUST						
	103	1,2	6V-1249	4	GROMMET						
	104	2	8C-3451	1	CAP-DUST						
	105	1,2	8T-4121	23	WASHER-HARD (11X21X2.5-MM THK)						
M	106	1,2	8T-4136	6	BOLT (M10X1.5X25-MM)						
M	107	1,2	8T-4137	4	BOLT (M10X1.5X20-MM)						
M	108	2	8T-4179	5	BOLT (M12X1.75X20-MM)						
M	109	1	8T-4183	1	BOLT (M12X1.75X40-MM)						
M	110	2	8T-4191	3	BOLT (M10X1.5X16-MM)						
M	111	1,2	8T-4192	7	BOLT (M12X1.75X25-MM)						
M	112	1	8T-4196	8	BOLT (M10X1.5X35-MM)						
M	113	1	8T-4200	4	BOLT (M8X1.25X16-MM)						
	114	1,2	8T-4223	25	WASHER-HARD (13.5X25.5X3-MM THK)						
	115	1,2	8T-4224	12	WASHER-HARD (8.8X16X2-MM THK)						
M	116	2	8T-4648	2	BOLT (M12X1.75X70-MM)						
M	117	1,2	8T-4908	4	BOLT (M8X1.25X25-MM)						
M	118	2	8T-4956	5	BOLT (M12X1.75X35-MM)						
M	119	1	8T-5005	4	BOLT (M10X1.5X70-MM)						
M	120	1,2	8T-6868	8	BOLT (M12X1.75X80-MM)						
M	121	1	8T-7547	4	BOLT (M8X1.25X30-MM)						
	122	2	8T-7934	2	WASHER-HARD (11X21X5-MM THK)						

I-REFER TO HYDRAULIC INFORMATION SYSTEM
M-METRIC PART
Y-SEPARATE ILLUSTRATION

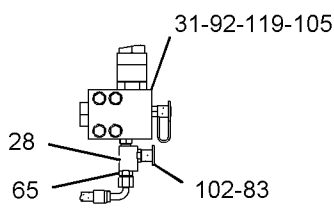
HYDRAULIC SYSTEM

227-0371 LINES GP-PILOT (contd.)

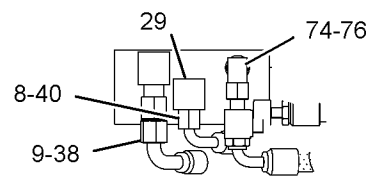
i03495304



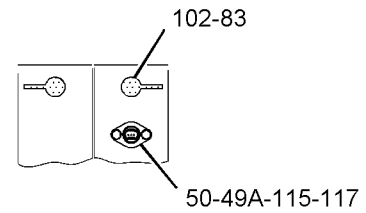
RIGHT SIDE VIEW



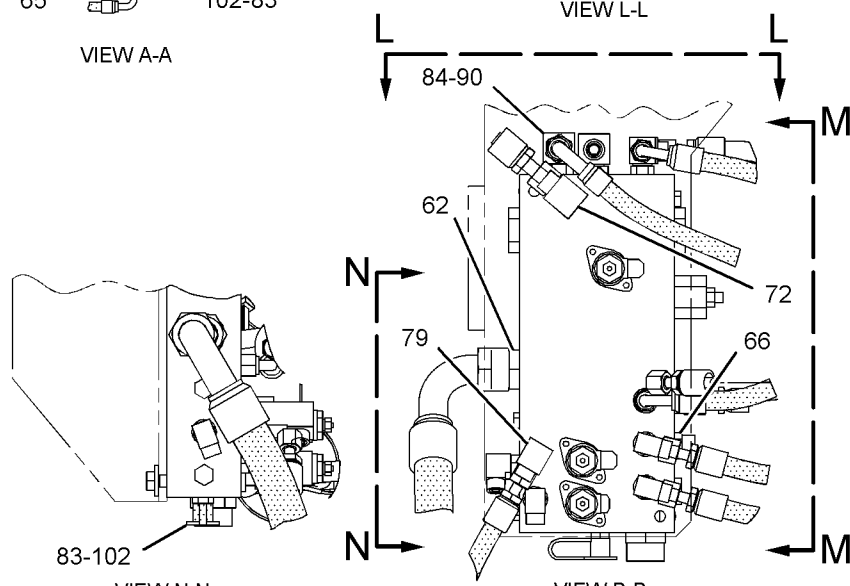
VIEW A-A



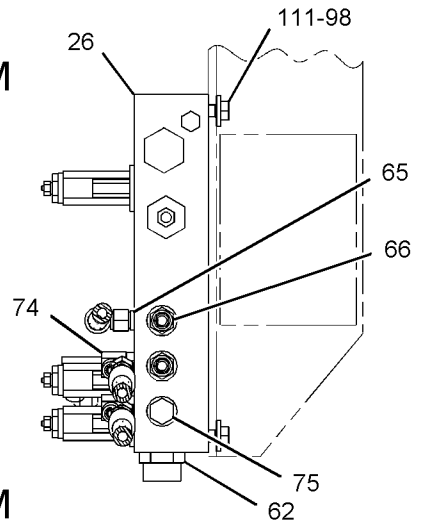
VIEW L-L



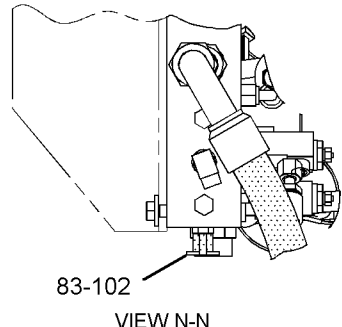
SECTION P-P



VIEW B-B



VIEW M-M



VIEW N-N

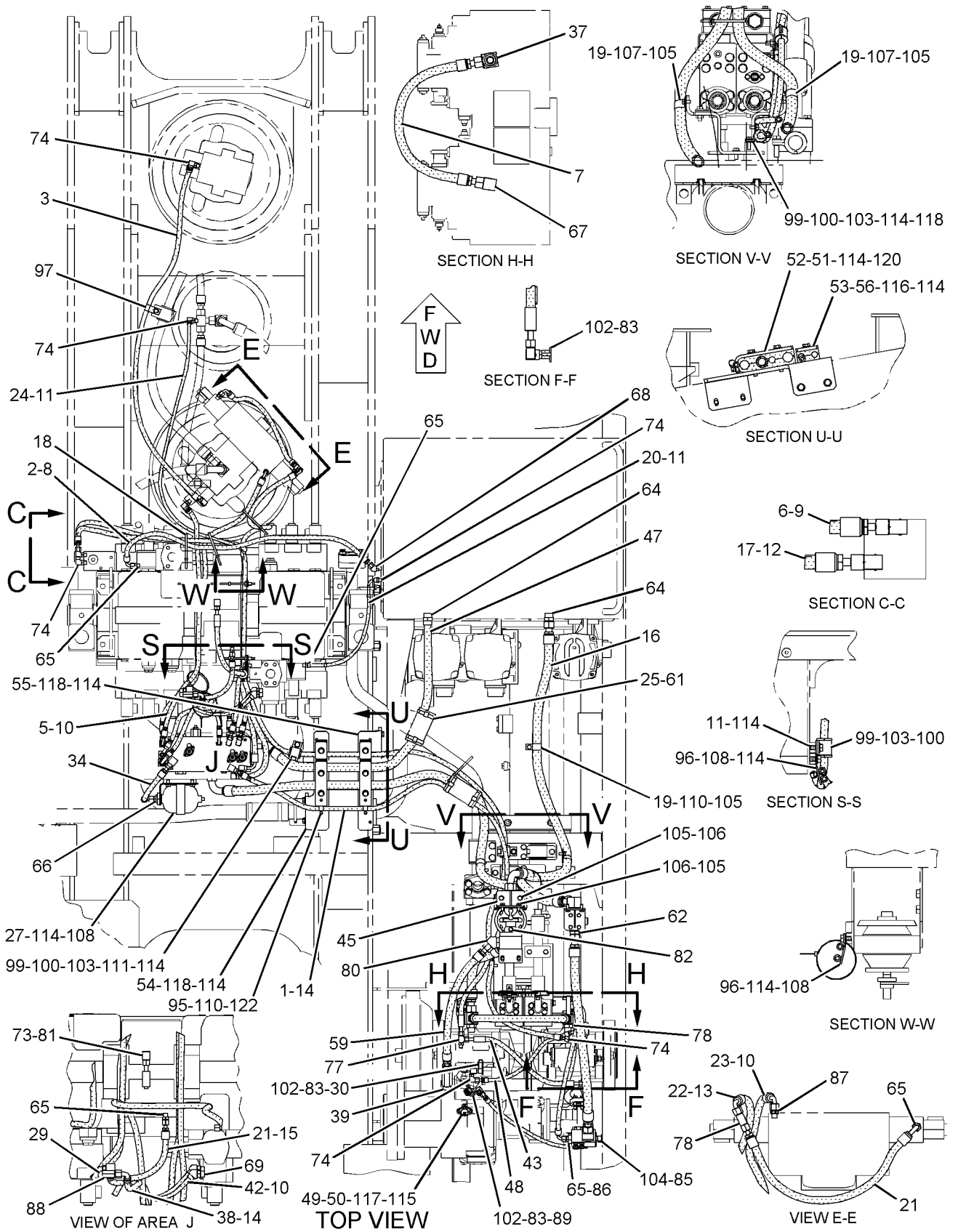
GRAPHIC #1

g01086707

HYDRAULIC SYSTEM

227-0371 LINES GP-PILOT (contd.)

i03495304



GRAPHIC #2

<END>

g01133961

HYDRAULIC SYSTEM

227-0371 LINES GP-PILOT

S/N: MMA246

PART OF 232-4126 HYDRAULIC AR

SMCS-5057, 5059

i03495322

NOTE	REF NO	GRAPHIC REF	PART NUMBER	QTY	PART NAME						SEE PAGE
					1	2	3	4	5	6 (PRODUCT LEVEL)	
I	1	1	4I-0769	1	HOSE AS						
I	2	1	4I-0797	1	HOSE AS						
I	3	1	4I-0806	1	HOSE AS						
I	4	2	4I-0821	1	HOSE AS						
I	5	1	4I-5795	1	HOSE AS						
I	6	1	4I-6003	1	HOSE AS						
I	7	3	4I-7778	1	HOSE AS						
	8	1,2	4I-9521	4	BAND-MARKER (RED, L1)						
	9	1,2	4I-9522	4	BAND-MARKER (YELLOW, L2)						
	10	1,3	4I-9523	6	BAND-MARKER (BLUE, L3)						
	11	1,3	4I-9524	4	BAND-MARKER (BROWN, L4)						
	12	1	4I-9525	2	BAND-MARKER (ORANGE, R1)						
	13	3	4I-9526	2	BAND-MARKER (WHITE, R2)						
	14	1,3	4I-9527	4	BAND-MARKER (GREEN, R3)						
	15	2,3	4I-9528	4	BAND-MARKER (PURPLE, R4)						
I	16	1	7I-1244	1	HOSE AS						
I	17	1	7I-8252	1	HOSE AS						
	18	1	7K-1181	12	STRAP-CABLE						
	19	1,3	4D-7388	3	CLIP						
I	20	1	087-4531	1	HOSE AS						
I	21	3	087-4532	2	HOSE AS						
I	22	3	108-7375	1	HOSE AS						
I	23	3	111-0976	1	HOSE AS						
I	24	1	111-6752	1	HOSE AS						
	25	1	136-0207	4	STRAP-CABLE						
Y	26	2	140-0736	1	VALVE GP-MANIFOLD & REDUCING (PILOT OIL)						889
Y	27	1	160-4138	1	ACCUMULATOR & MTG GP-HYDRAULIC (CHARGED)						603
	28	2	164-5547	2	CONNECTOR AS						
					(EACH INCLUDES)						
		2	3J-1907	1	SEAL-O-RING						
		2	4I-1694	1	CONNECTOR						
	29	2,3	164-5639	2	ELBOW AS						
					(EACH INCLUDES)						
		2,3	3K-0360	1	SEAL-O-RING						
		2,3	6V-8398	1	SEAL-O-RING						
		2,3	124-0988	1	ELBOW-FILTER						
	30	1	164-6874	1	FITTING AS-ELBOW						
		1	3J-1907	1	SEAL-O-RING						
		1	085-7356	1	FITTING						
	31	2	168-9688	1	BLOCK						
	32	2	176-4414	1	BRACKET AS						
I	33	2	260-8273	1	HOSE AS						
I	34	1	176-4769	1	HOSE AS						
Y	35	2	185-0336	1	FILTER GP-OIL (HYDRAULIC)						667
		2	103-8236	1	RING						
		2	185-0337	1	FILTER-OIL (ADVANCED EFFICIENCY)						
I	36	2	187-6925	1	HOSE AS						
	37	3	188-1035	1	TEE AS						
		3	3D-2824	1	SEAL-O-RING						
		3	5K-9090	1	SEAL-O-RING						
		3	6V-9746	1	SEAL-O-RING						
		3	8T-7520	1	TEE						
I	38	2,3	196-0590	2	HOSE AS						
	39	1	202-9762	1	CONNECTOR AS						
		1	6V-9746	1	SEAL-O-RING						
		1	7M-8485	1	SEAL-O-RING						

HYDRAULIC SYSTEM

227-0371 LINES GP-PILOT (contd.)

i03495322

NOTE	REF NO	GRAPHIC REF	PART NUMBER	QTY	PART NAME						SEE PAGE
					1	2	3	4	5	6 (PRODUCT LEVEL)	
		1	152-9254	1	CONNECTOR						
	40	2	204-8350	1	HOSE AS						
I	41	2	204-8479	1	HOSE AS						
I	42	3	204-8480	1	HOSE AS						
I	43	1	204-8481	1	HOSE AS						
	44	2	204-8482	1	SUPPORT AS						
	45	1	204-8485	1	SUPPORT AS						
	46	2	204-8487	1	FLANGE						
I	47	1	207-6244	1	HOSE AS						
I	48	1,2	207-6418	2	HOSE AS						
C	49	1	221-8859	1	SENSOR AS-PRESSURE (SWING PUMP)						
		1	3E-3371	1	WEDGE-RECEPTACLE LOCK (3-PIN)						
		1	3K-0360	1	SEAL-O-RING						
		1	9X-3401	3	PIN-CONNECTOR (16-GA TO 18-GA)						
					-OR-						
			126-1767	3	PIN-CONNECTOR (14-GA)						
		1	171-0596	1	RECEPTACLE AS						
CY	50	3	260-2192	1	SENSOR AS-PRESSURE (MAIN PUMP)						330
	51	3	227-0643	4	GROMMET						
	52	3	227-0645	2	PLATE						
	53	3	227-0646	2	PLATE						
	54	1	227-0662	1	SUPPORT AS						
	55	3	227-0663	1	SUPPORT AS						
	56	3	227-0665	4	GROMMET						
	57	2	227-0666	1	BLOCK						
I	58	2	227-0667	1	HOSE AS						
I	59	1	245-4980	1	HOSE AS						
I	60	2	245-4983	1	HOSE AS						
	61	1	115-8645	2	GUARD						
	62	1,2	148-8317	3	CONNECTOR AS						
					(EACH INCLUDES)						
		1,2	3D-2824	1	SEAL-O-RING						
		1,2	5K-9090	1	SEAL-O-RING						
		1,2	6V-8714	1	CONNECTOR						
	63	2	148-8323	1	CONNECTOR AS						
		2	2S-4078	1	SEAL-O-RING						
		2	5K-9090	1	SEAL-O-RING						
		2	6V-9875	1	CONNECTOR						
	64	1	148-8335	2	CONNECTOR AS						
					(EACH INCLUDES)						
		1	5K-9090	1	SEAL-O-RING						
		1	6V-8635	1	CONNECTOR						
		1	7M-8485	1	SEAL-O-RING						
	65	1,2,3	148-8336	7	CONNECTOR AS						
					(EACH INCLUDES)						
		1,2,3	3J-1907	1	SEAL-O-RING						
		1,2,3	6V-8397	1	SEAL-O-RING						
		1,2,3	6V-8636	1	CONNECTOR						
	66	1,2	148-8340	3	CONNECTOR AS						
					(EACH INCLUDES)						
		1,2	3K-0360	1	SEAL-O-RING						
		1,2	6V-8398	1	SEAL-O-RING						
		1,2	6V-8639	1	CONNECTOR						
	67	3	148-8347	1	ELBOW AS						
		3	3D-2824	1	SEAL-O-RING						
		3	6V-9007	1	ELBOW						
		3	6V-9746	1	SEAL-O-RING						
	68	1	148-8353	1	ELBOW AS						
		1	3J-1907	1	SEAL-O-RING						

HYDRAULIC SYSTEM

227-0371 LINES GP-PILOT (contd.)

i03495322

NOTE	REF NO	GRAPHIC REF	PART NUMBER	QTY	PART NAME						SEE PAGE
					1	2	3	4	5	6 (PRODUCT LEVEL)	
		1	6V-8397	1	SEAL-O-RING						
		1	6V-9001	1	ELBOW						
69		3	148-8354	2	ELBOW AS						
					(EACH INCLUDES)						
		3	3K-0360	1	SEAL-O-RING						
		3	6V-8398	1	SEAL-O-RING						
		3	6V-9002	1	ELBOW						
70		2	148-8355	2	ELBOW AS						
					(EACH INCLUDES)						
		2	5K-9090	1	SEAL-O-RING						
		2	6V-9005	1	ELBOW						
		2	7M-8485	1	SEAL-O-RING						
71		2	148-8362	1	ELBOW AS						
		2	3D-2824	1	SEAL-O-RING						
		2	5K-9090	1	SEAL-O-RING						
		2	8T-6684	1	ELBOW						
72		2	148-8364	1	ELBOW AS						
		2	3K-0360	1	SEAL-O-RING						
		2	6V-8398	1	SEAL-O-RING						
		2	6V-8625	1	ELBOW						
73		3	148-8367	1	ELBOW AS						
		3	6V-8397	1	SEAL-O-RING						
		3	6V-9850	1	ELBOW						
74		1,2	148-8378	16	ELBOW AS						
					(EACH INCLUDES)						
		1,2	3J-1907	1	SEAL-O-RING						
		1,2	6V-8397	1	SEAL-O-RING						
		1,2	6V-8724	1	ELBOW						
75		2	148-8411	1	PLUG AS						
		2	3K-0360	1	SEAL-O-RING						
		2	9S-4185	1	PLUG-O-RING						
76		2	148-8433	1	TEE AS						
		2	6V-8397	2	SEAL-O-RING						
		2	6V-9836	1	TEE-SWIVEL						
77		1	148-8435	1	TEE AS						
		1	3J-1907	1	SEAL-O-RING						
		1	6V-8397	2	SEAL-O-RING						
		1	6V-8781	1	TEE-FACE SEAL						
78		1,3	148-8439	2	TEE AS						
					(EACH INCLUDES)						
		1,3	3J-1907	1	SEAL-O-RING						
		1,3	6V-8397	2	SEAL-O-RING						
		1,3	6V-8774	1	TEE						
79		2	150-3036	1	ELBOW AS						
		2	3J-1907	1	SEAL-O-RING						
		2	6V-8397	1	SEAL-O-RING						
		2	8T-1905	1	ELBOW						
80		1	150-4049	1	ELBOW AS						
		1	6V-9746	1	SEAL-O-RING						
		1	7M-8485	1	SEAL-O-RING						
		1	8T-4149	1	ELBOW						
81		3	153-6249	1	CONNECTOR AS						
		3	3J-1907	1	SEAL-O-RING						
		3	6V-8397	1	SEAL-O-RING						
		3	8T-8887	1	CONNECTOR						
82		1	155-3624	1	PLUG AS						
		1	3J-7354	1	SEAL-O-RING						
		1	9S-4182	1	PLUG-O-RING						

HYDRAULIC SYSTEM

227-0371 LINES GP-PILOT (contd.)

i03495322

NOTE	REF NO	GRAPHIC REF	PART NUMBER	QTY	PART NAME	SEE PAGE
	83	1, 2, 3	164-5567	7	COUPLER AS-QUICK DISCONNECT (EACH INCLUDES)	
		1, 2, 3	3J-1907	1	SEAL-O-RING	
		1, 2, 3	6V-3965	1	FITTING (QUICK DISCONNECT)	
	84	2	164-5572	1	UNION AS	
		2	6V-8398	2	SEAL-O-RING	
		2	6V-8731	1	UNION	
	85	1	164-5590	1	VALVE AS-FLUID SAMPLING (HYDRAULIC OIL)	
		1	3J-7354	1	SEAL-O-RING	
		1	8C-3446	1	VALVE-FLUID SAMPLING	
	86	1	164-5598	1	PLUG AS	
		1	7M-8485	1	SEAL-O-RING	
		1	8J-0426	1	PLUG	
	87	3	164-5628	1	CONNECTOR AS	
		3	3J-1907	1	SEAL-O-RING	
		3	6V-8397	1	SEAL-O-RING	
		3	107-6631	1	CONNECTOR-FILTER	
	88	3	164-8908	1	CONNECTOR AS	
		3	3K-0360	1	SEAL-O-RING	
		3	6V-8398	1	SEAL-O-RING	
		3	8T-0077	1	CONNECTOR	
	89	1	165-4931	1	ELBOW AS	
		1	3J-1907	1	SEAL-O-RING	
		1	6V-8077	1	ELBOW	
	90	2	171-6728	1	ELBOW AS	
		2	3K-0360	1	SEAL-O-RING	
		2	8T-0249	1	ELBOW	
	91	2	1P-4578	4	FLANGE-HALF	
	92	2	4J-0520	1	SEAL-O-RING	
	93	2	4J-0522	2	SEAL-O-RING	
	94	2	4J-0524	2	SEAL-O-RING	
	95	1, 2	4K-8864	4	CLIP	
	96	1, 3	4P-7582	3	CLIP	
	97	1	4S-1936	1	CLIP	
	98	2	5P-1076	3	WASHER-HARD (13.5X30X4-MM THK)	
	99	1, 2, 3	5P-7464	4	CLIP (SLOT)	
	100	1, 2, 3	5P-7465	4	CLIP (TAB)	
Y	101	2	6E-5534	1	FILTER GP-OIL (HYDRAULIC)	666
	102	1, 2, 3	6V-0852	7	CAP-DUST	
	103	1, 2, 3	6V-1249	4	GROMMET	
	104	1	8C-3451	1	CAP-DUST	
	105	1, 2, 3	8T-4121	23	WASHER-HARD (11X21X2.5-MM THK)	
M	106	1, 2	8T-4136	6	BOLT (M10X1.5X25-MM)	
M	107	2, 3	8T-4137	4	BOLT (M10X1.5X20-MM)	
M	108	1, 3	8T-4179	5	BOLT (M12X1.75X20-MM)	
M	109	2	8T-4183	1	BOLT (M12X1.75X40-MM)	
M	110	1	8T-4191	3	BOLT (M10X1.5X16-MM)	
M	111	1, 2	8T-4192	7	BOLT (M12X1.75X25-MM)	
M	112	2	8T-4196	8	BOLT (M10X1.5X35-MM)	
M	113	2	8T-4200	4	BOLT (M8X1.25X16-MM)	
	114	1, 2, 3	8T-4223	25	WASHER-HARD (13.5X25.5X3-MM THK)	
C	115	2, 3	8T-4224	10	WASHER-HARD (8.8X16X2-MM THK)	
M	116	3	8T-4648	2	BOLT (M12X1.75X70-MM)	
CM	117	3	8T-4908	2	BOLT (M8X1.25X25-MM)	
M	118	1, 3	8T-4956	5	BOLT (M12X1.75X35-MM)	
M	119	2	8T-5005	4	BOLT (M10X1.5X70-MM)	
M	120	2, 3	8T-6868	8	BOLT (M12X1.75X80-MM)	
M	121	2	8T-7547	4	BOLT (M8X1.25X30-MM)	
	122	1	8T-7934	2	WASHER-HARD (11X21X5-MM THK)	

HYDRAULIC SYSTEM

227-0371 LINES GP-PILOT (contd.)

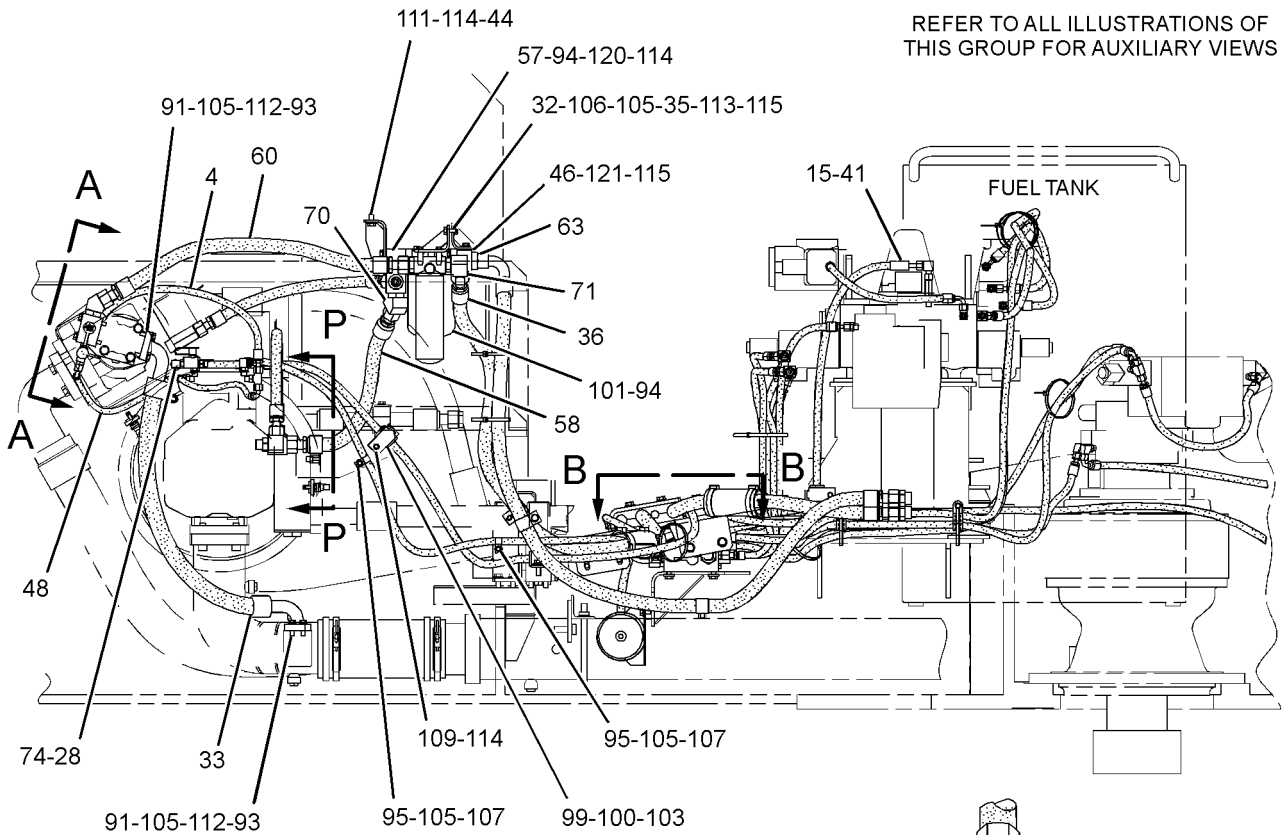
i03495322

C-CHANGE FROM PREVIOUS TYPE
I-REFER TO HYDRAULIC INFORMATION SYSTEM
M-METRIC PART
Y-SEPARATE ILLUSTRATION

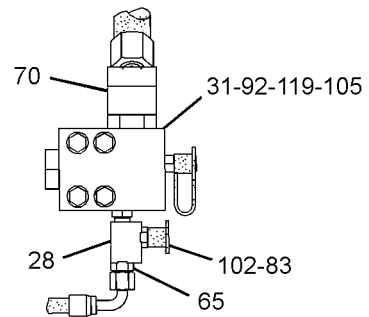
HYDRAULIC SYSTEM

227-0371 LINES GP-PILOT (contd.)

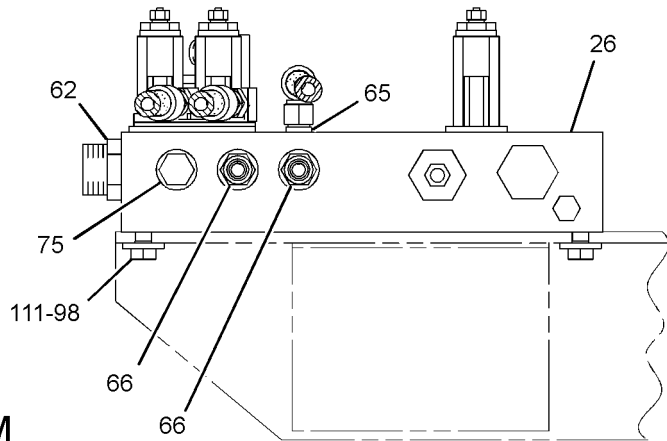
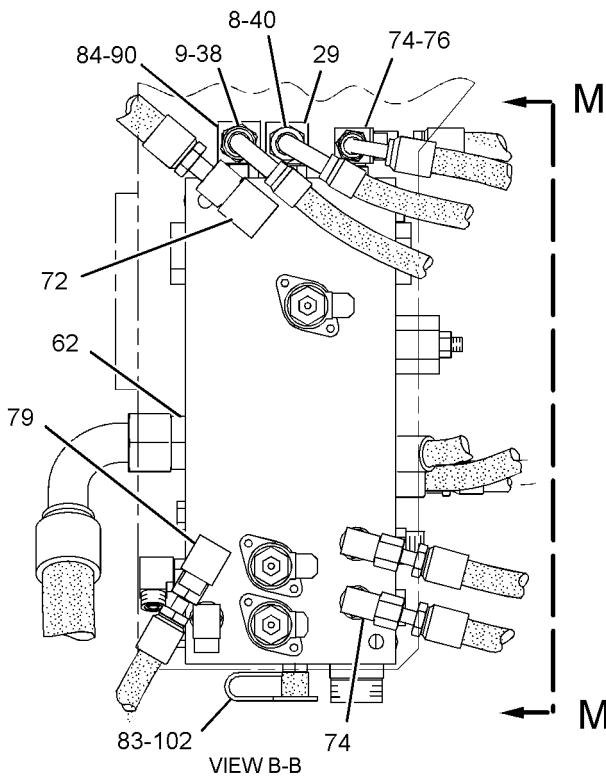
i03495322



RIGHT SIDE VIEW



VIEW A-A



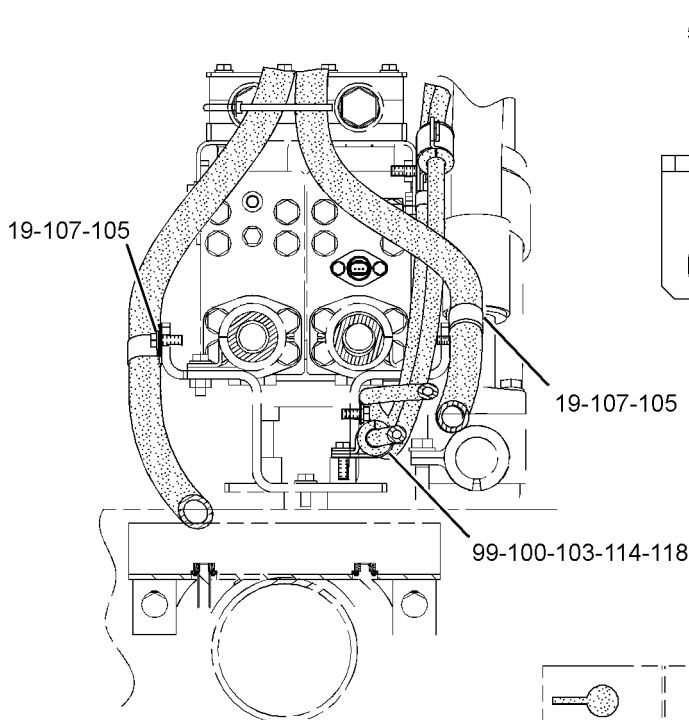
GRAPHIC #2

g01232697

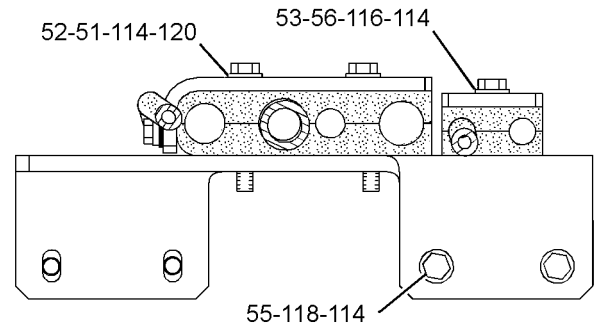
HYDRAULIC SYSTEM

227-0371 LINES GP-PILOT (contd.)

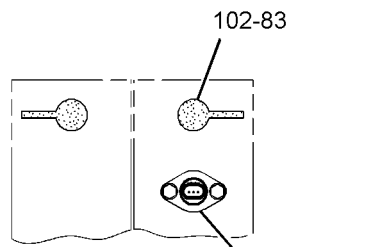
i03495322



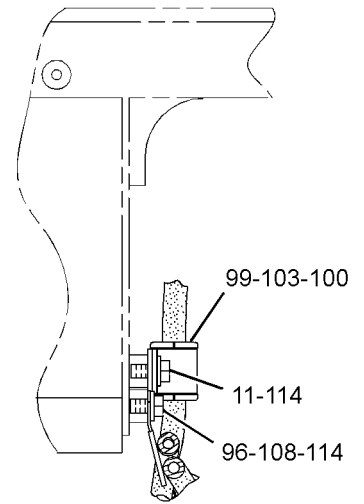
SECTION V-V



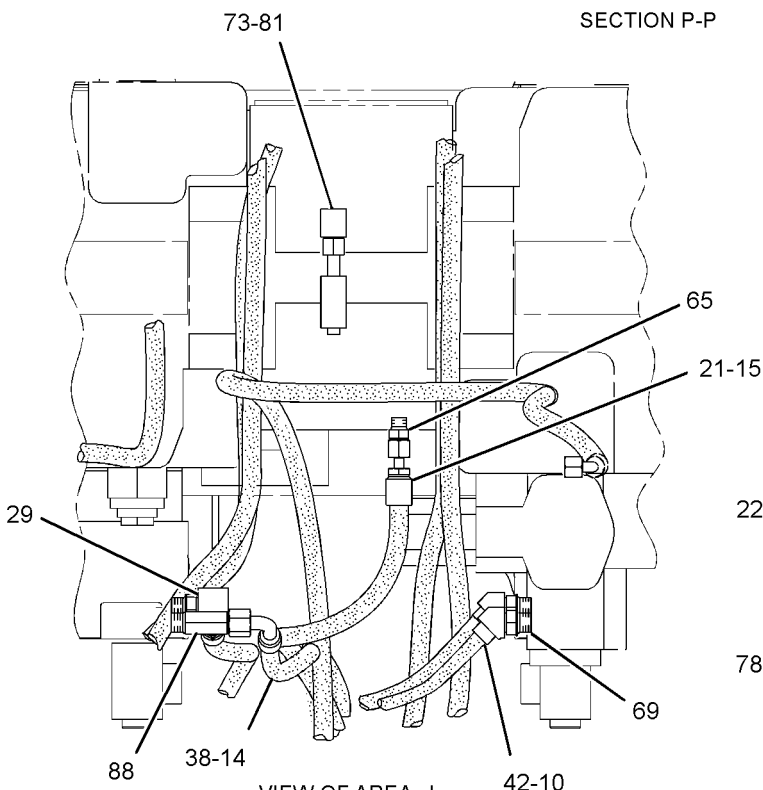
SECTION U-U



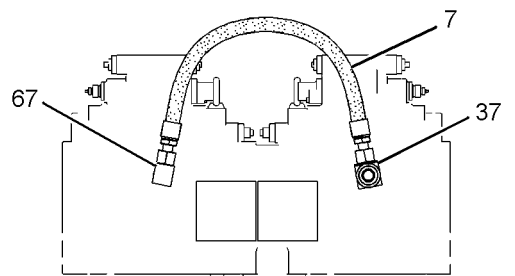
SECTION P-P



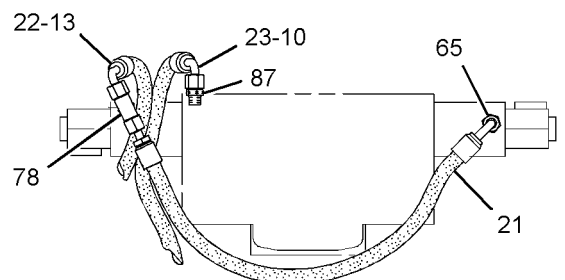
SECTION S-S



VIEW OF AREA J



SECTION H-H



VIEW E-E

GRAPHIC #3

<END>

g01231838

HYDRAULIC SYSTEM

227-0371 LINES GP-PILOT

S/N: MMA247-255

PART OF 232-4126 HYDRAULIC AR

SMCS-5057, 5059

i03625848

NOTE	REF NO	GRAPHIC REF	PART NUMBER	QTY	PART NAME						SEE PAGE
					1	2	3	4	5	6 (PRODUCT LEVEL)	
I	1	1	4I-0769	1	HOSE AS						
I	2	1	4I-0797	1	HOSE AS						
I	3	1	4I-0806	1	HOSE AS						
I	4	2	4I-0821	1	HOSE AS						
I	5	1	4I-5795	1	HOSE AS						
I	6	1	4I-6003	1	HOSE AS						
I	7	3	4I-7778	1	HOSE AS						
	8	1,2	4I-9521	4	BAND-MARKER (RED, L1)						
	9	1,2	4I-9522	4	BAND-MARKER (YELLOW, L2)						
	10	1,3	4I-9523	6	BAND-MARKER (BLUE, L3)						
	11	1,3	4I-9524	4	BAND-MARKER (BROWN, L4)						
	12	1	4I-9525	2	BAND-MARKER (ORANGE, R1)						
	13	3	4I-9526	2	BAND-MARKER (WHITE, R2)						
	14	1,3	4I-9527	4	BAND-MARKER (GREEN, R3)						
	15	2,3	4I-9528	4	BAND-MARKER (PURPLE, R4)						
I	16	1	7I-1244	1	HOSE AS						
I	17	1	7I-8252	1	HOSE AS						
	18	1	7K-1181	12	STRAP-CABLE						
	19	1,3	4D-7388	3	CLIP						
I	20	1	087-4531	1	HOSE AS						
I	21	3	087-4532	2	HOSE AS						
I	22	3	108-7375	1	HOSE AS						
I	23	3	111-0976	1	HOSE AS						
I	24	1	111-6752	1	HOSE AS						
	25	1	136-0207	4	STRAP-CABLE						
Y	26	2	140-0736	1	VALVE GP-MANIFOLD & REDUCING (PILOT OIL)						889
Y	27	1	160-4138	1	ACCUMULATOR & MTG GP-HYDRAULIC (CHARGED)						603
	28	2	164-5547	2	CONNECTOR AS						
					(EACH INCLUDES)						
		2	3J-1907	1	SEAL-O-RING						
		2	4I-1694	1	CONNECTOR						
	29	2,3	164-5639	2	ELBOW AS						
					(EACH INCLUDES)						
		2,3	3K-0360	1	SEAL-O-RING						
		2,3	6V-8398	1	SEAL-O-RING						
		2,3	124-0988	1	ELBOW-FILTER						
	30	1	164-6874	1	FITTING AS-ELBOW						
		1	3J-1907	1	SEAL-O-RING						
		1	085-7356	1	FITTING						
	31	2	168-9688	1	BLOCK						
	32	2	176-4414	1	BRACKET AS						
I	33	2	260-8273	1	HOSE AS						
I	34	1	176-4769	1	HOSE AS						
Y	35	2	185-0336	1	FILTER GP-OIL (HYDRAULIC)						667
I	36	2	187-6925	1	HOSE AS						
	37	3	188-1035	1	TEE AS						
		3	3D-2824	1	SEAL-O-RING						
		3	5K-9090	1	SEAL-O-RING						
		3	6V-9746	1	SEAL-O-RING						
		3	8T-7520	1	TEE						
I	38	2,3	196-0590	2	HOSE AS						
	39	1	202-9762	1	CONNECTOR AS						
		1	6V-9746	1	SEAL-O-RING						
		1	7M-8485	1	SEAL-O-RING						
		1	152-9254	1	CONNECTOR						
	40	2	204-8350	1	HOSE AS						

HYDRAULIC SYSTEM

227-0371 LINES GP-PILOT (contd.)

i03625848

NOTE	REF NO	GRAPHIC REF	PART NUMBER	QTY	PART NAME						SEE PAGE
					1	2	3	4	5	6 (PRODUCT LEVEL)	
I	41	2	204-8479	1	HOSE AS						
I	42	3	204-8480	1	HOSE AS						
I	43	1	204-8481	1	HOSE AS						
	44	2	204-8482	1	SUPPORT AS						
	45	1	204-8485	1	SUPPORT AS						
	46	2	204-8487	1	FLANGE						
I	47	1	207-6244	1	HOSE AS						
I	48	1,2	207-6418	2	HOSE AS						
C	49	1	221-8859	1	SENSOR AS-PRESSURE (SWING PUMP)						
C	49A	3	221-8859	1	SENSOR AS-PRESSURE (MAIN PUMP)						
		3	3E-3371	1	WEDGE-RECEPTACLE LOCK (3-PIN)						
		3	3K-0360	1	SEAL-O-RING						
		3	9X-3401	3	PIN-CONNECTOR (16-GA TO 18-GA)						
					-OR-						
		3	126-1767	3	PIN-CONNECTOR (14-GA)						
		3	171-0596	1	RECEPTACLE AS						
	51	3	227-0643	4	GROMMET						
	52	3	227-0645	2	PLATE						
	53	3	227-0646	2	PLATE						
	54	1	227-0662	1	SUPPORT AS						
	55	3	227-0663	1	SUPPORT AS						
	56	3	227-0665	4	GROMMET						
	57	2	227-0666	1	BLOCK						
I	58	2	227-0667	1	HOSE AS						
I	59	1	245-4980	1	HOSE AS						
I	60	2	245-4983	1	HOSE AS						
	61	1	115-8645	2	GUARD						
	62	1,2	148-8317	3	CONNECTOR AS						
					(EACH INCLUDES)						
		1,2	3D-2824	1	SEAL-O-RING						
		1,2	5K-9090	1	SEAL-O-RING						
		1,2	6V-8714	1	CONNECTOR						
63		2	148-8323	1	CONNECTOR AS						
		2	2S-4078	1	SEAL-O-RING						
		2	5K-9090	1	SEAL-O-RING						
		2	6V-9875	1	CONNECTOR						
64		1	148-8335	2	CONNECTOR AS						
					(EACH INCLUDES)						
		1	5K-9090	1	SEAL-O-RING						
		1	6V-8635	1	CONNECTOR						
		1	7M-8485	1	SEAL-O-RING						
65		1,2,3	148-8336	7	CONNECTOR AS						
					(EACH INCLUDES)						
		1,2,3	3J-1907	1	SEAL-O-RING						
		1,2,3	6V-8397	1	SEAL-O-RING						
		1,2,3	6V-8636	1	CONNECTOR						
66		1,2	148-8340	3	CONNECTOR AS						
					(EACH INCLUDES)						
		1,2	3K-0360	1	SEAL-O-RING						
		1,2	6V-8398	1	SEAL-O-RING						
		1,2	6V-8639	1	CONNECTOR						
67		3	148-8347	1	ELBOW AS						
		3	3D-2824	1	SEAL-O-RING						
		3	6V-9007	1	ELBOW						
		3	6V-9746	1	SEAL-O-RING						
68		1	148-8353	1	ELBOW AS						
		1	3J-1907	1	SEAL-O-RING						
		1	6V-8397	1	SEAL-O-RING						
		1	6V-9001	1	ELBOW						

HYDRAULIC SYSTEM

227-0371 LINES GP-PILOT (contd.)

i03625848

NOTE	REF NO	GRAPHIC REF	PART NUMBER	QTY	PART NAME						SEE PAGE
					1	2	3	4	5	6 (PRODUCT LEVEL)	
	69	3	148-8354	2	ELBOW AS						
					(EACH INCLUDES)						
		3	3K-0360	1	SEAL-O-RING						
		3	6V-8398	1	SEAL-O-RING						
		3	6V-9002	1	ELBOW						
	70	2	148-8355	2	ELBOW AS						
					(EACH INCLUDES)						
		2	5K-9090	1	SEAL-O-RING						
		2	6V-9005	1	ELBOW						
		2	7M-8485	1	SEAL-O-RING						
	71	2	148-8362	1	ELBOW AS						
		2	3D-2824	1	SEAL-O-RING						
		2	5K-9090	1	SEAL-O-RING						
		2	8T-6684	1	ELBOW						
	72	2	148-8364	1	ELBOW AS						
		2	3K-0360	1	SEAL-O-RING						
		2	6V-8398	1	SEAL-O-RING						
		2	6V-8625	1	ELBOW						
	73	3	148-8367	1	ELBOW AS						
		3	6V-8397	1	SEAL-O-RING						
		3	6V-9850	1	ELBOW						
	74	1,2	148-8378	16	ELBOW AS						
					(EACH INCLUDES)						
		1,2	3J-1907	1	SEAL-O-RING						
		1,2	6V-8397	1	SEAL-O-RING						
		1,2	6V-8724	1	ELBOW						
	75	2	148-8411	1	PLUG AS						
		2	3K-0360	1	SEAL-O-RING						
		2	9S-4185	1	PLUG-O-RING						
	76	2	148-8433	1	TEE AS						
		2	6V-8397	2	SEAL-O-RING						
		2	6V-9836	1	TEE-SWIVEL						
	77	1	148-8435	1	TEE AS						
		1	3J-1907	1	SEAL-O-RING						
		1	6V-8397	2	SEAL-O-RING						
		1	6V-8781	1	TEE-FACE SEAL						
	78	1,3	148-8439	2	TEE AS						
					(EACH INCLUDES)						
		1,3	3J-1907	1	SEAL-O-RING						
		1,3	6V-8397	2	SEAL-O-RING						
		1,3	6V-8774	1	TEE						
	79	2	150-3036	1	ELBOW AS						
		2	3J-1907	1	SEAL-O-RING						
		2	6V-8397	1	SEAL-O-RING						
		2	8T-1905	1	ELBOW						
	80	1	150-4049	1	ELBOW AS						
		1	6V-9746	1	SEAL-O-RING						
		1	7M-8485	1	SEAL-O-RING						
		1	8T-4149	1	ELBOW						
	81	3	153-6249	1	CONNECTOR AS						
		3	3J-1907	1	SEAL-O-RING						
		3	6V-8397	1	SEAL-O-RING						
		3	8T-8887	1	CONNECTOR						
	82	1	155-3624	1	PLUG AS						
		1	3J-7354	1	SEAL-O-RING						
		1	9S-4182	1	PLUG-O-RING						
	83	1,2,3	164-5567	7	COUPLER AS-QUICK DISCONNECT						
					(EACH INCLUDES)						
		1,2,3	3J-1907	1	SEAL-O-RING						

HYDRAULIC SYSTEM

227-0371 LINES GP-PILOT (contd.)

i03625848

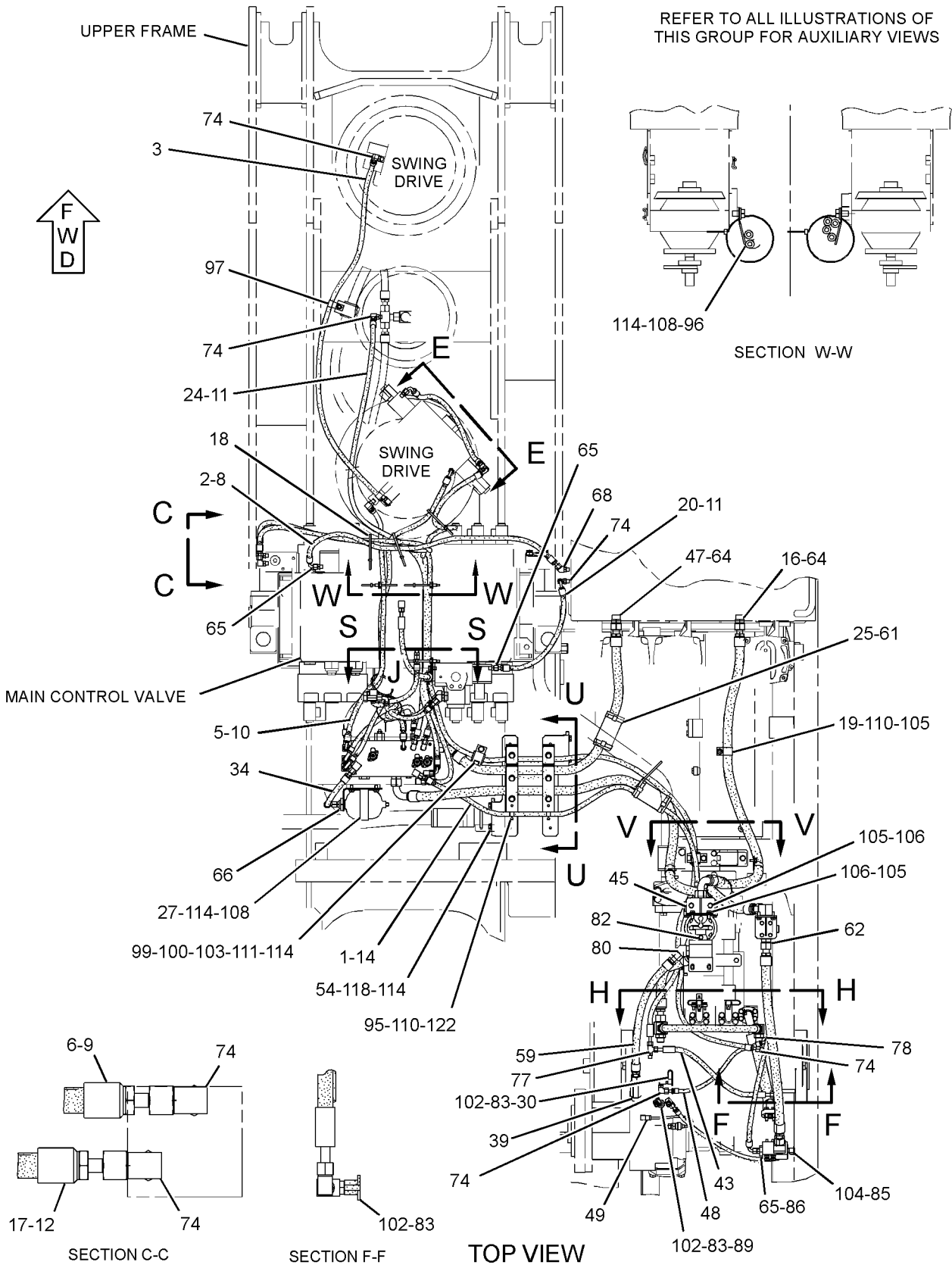
NOTE	REF NO	GRAPHIC REF	PART NUMBER	QTY	PART NAME						SEE PAGE
					1	2	3	4	5	6 (PRODUCT LEVEL)	
		1, 2, 3	6V-3965	1	FITTING (QUICK DISCONNECT)						
	84	2	164-5572	1	UNION AS						
		2	6V-8398	2	SEAL-O-RING						
		2	6V-8731	1	UNION						
	85	1	164-5590	1	VALVE AS-FLUID SAMPLING (HYDRAULIC OIL)						
		1	3J-7354	1	SEAL-O-RING						
		1	8C-3446	1	VALVE-FLUID SAMPLING						
	86	1	164-5598	1	PLUG AS						
		1	7M-8485	1	SEAL-O-RING						
		1	8J-0426	1	PLUG						
	87	3	164-5628	1	CONNECTOR AS						
		3	3J-1907	1	SEAL-O-RING						
		3	6V-8397	1	SEAL-O-RING						
		3	107-6631	1	CONNECTOR-FILTER						
	88	3	164-8908	1	CONNECTOR AS						
		3	3K-0360	1	SEAL-O-RING						
		3	6V-8398	1	SEAL-O-RING						
		3	8T-0077	1	CONNECTOR						
	89	1	165-4931	1	ELBOW AS						
		1	3J-1907	1	SEAL-O-RING						
		1	6V-8077	1	ELBOW						
	90	2	171-6728	1	ELBOW AS						
		2	3K-0360	1	SEAL-O-RING						
		2	8T-0249	1	ELBOW						
	91	2	1P-4578	4	FLANGE-HALF						
	92	2	4J-0520	1	SEAL-O-RING						
	93	2	4J-0522	2	SEAL-O-RING						
	94	2	4J-0524	2	SEAL-O-RING						
	95	1, 2	4K-8864	4	CLIP						
	96	1, 3	4P-7582	3	CLIP						
	97	1	4S-1936	1	CLIP						
	98	2	5P-1076	3	WASHER-HARD (13.5X30X4-MM THK)						
	99	1, 2, 3	5P-7464	4	CLIP (SLOT)						
	100	1, 2, 3	5P-7465	4	CLIP (TAB)						
Y	101	2	6E-5534	1	FILTER GP-OIL (HYDRAULIC)						666
	102	1, 2, 3	6V-0852	7	CAP-DUST						
	103	1, 2, 3	6V-1249	4	GROMMET						
	104	1	8C-3451	1	CAP-DUST						
	105	1, 2, 3	8T-4121	23	WASHER-HARD (11X21X2.5-MM THK)						
M	106	1, 2	8T-4136	6	BOLT (M10X1.5X25-MM)						
M	107	2, 3	8T-4137	4	BOLT (M10X1.5X20-MM)						
M	108	1, 3	8T-4179	5	BOLT (M12X1.75X20-MM)						
M	109	2	8T-4183	1	BOLT (M12X1.75X40-MM)						
M	110	1	8T-4191	3	BOLT (M10X1.5X16-MM)						
M	111	1, 2	8T-4192	7	BOLT (M12X1.75X25-MM)						
M	112	2	8T-4196	8	BOLT (M10X1.5X35-MM)						
M	113	2	8T-4200	4	BOLT (M8X1.25X16-MM)						
	114	1, 2, 3	8T-4223	25	WASHER-HARD (13.5X25.5X3-MM THK)						
C	115	2	8T-4224	8	WASHER-HARD (8.8X16X2-MM THK)						
M	116	3	8T-4648	2	BOLT (M12X1.75X70-MM)						
M	118	1, 3	8T-4956	5	BOLT (M12X1.75X35-MM)						
M	119	2	8T-5005	4	BOLT (M10X1.5X70-MM)						
M	120	2, 3	8T-6868	8	BOLT (M12X1.75X80-MM)						
M	121	2	8T-7547	4	BOLT (M8X1.25X30-MM)						
	122	1	8T-7934	2	WASHER-HARD (11X21X5-MM THK)						

C-CHANGE FROM PREVIOUS TYPE
 I-REFER TO HYDRAULIC INFORMATION SYSTEM
 M-METRIC PART
 Y-SEPARATE ILLUSTRATION

HYDRAULIC SYSTEM

227-0371 LINES GP-PILOT (contd.)

i03625848



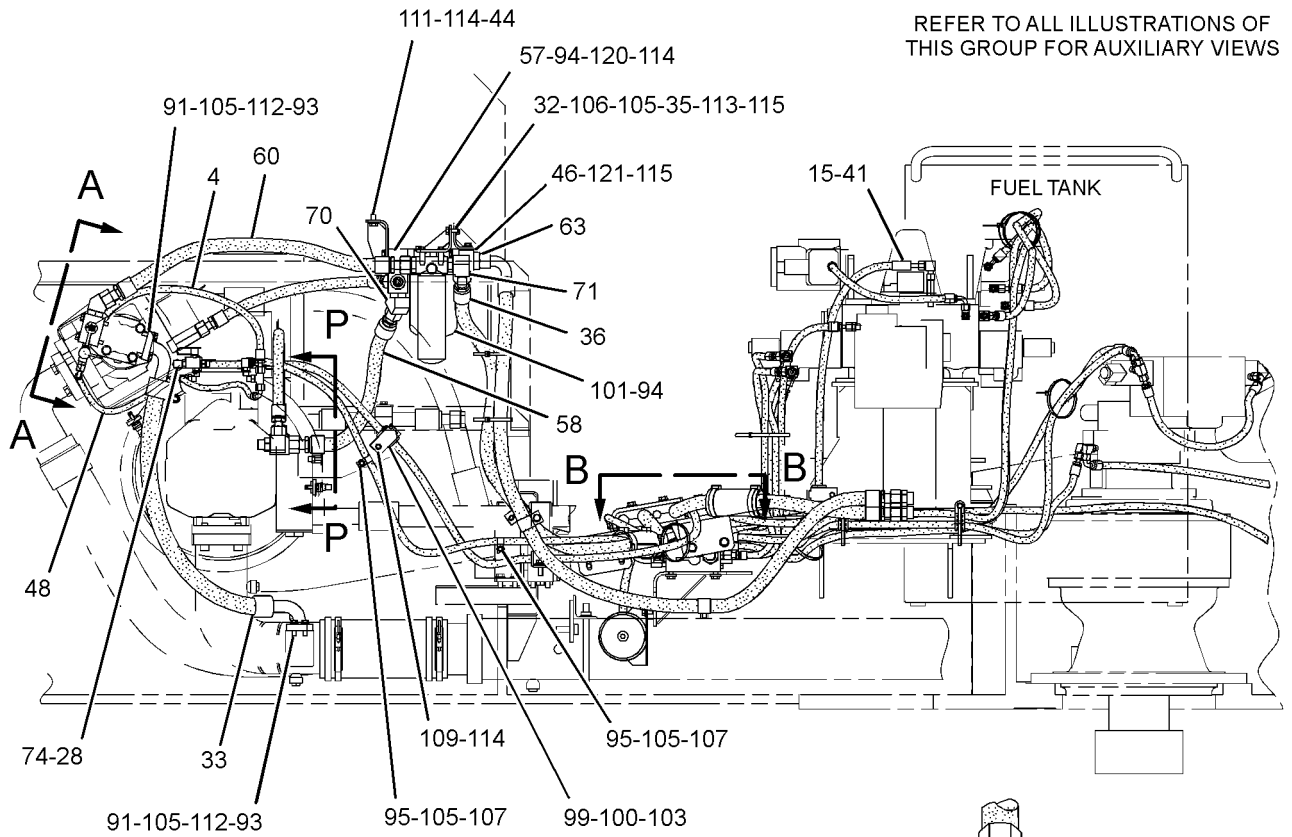
GRAPHIC #1

g01232833

HYDRAULIC SYSTEM

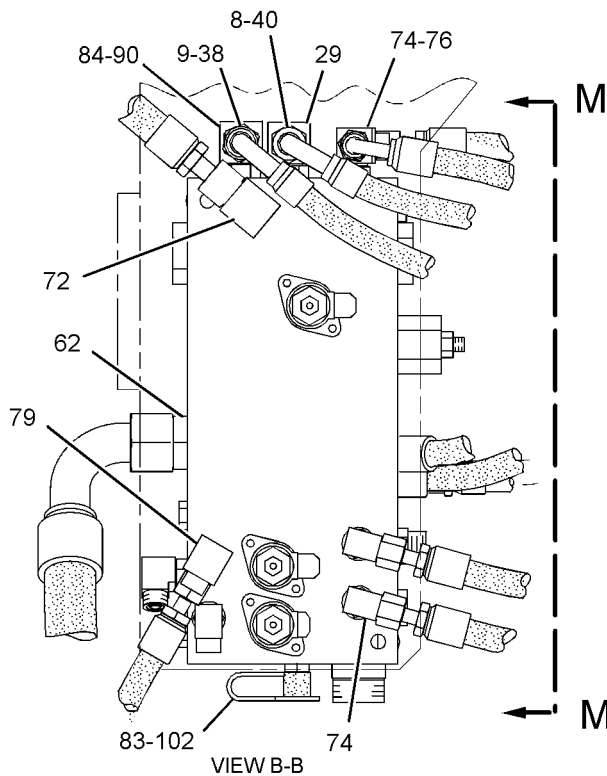
227-0371 LINES GP-PILOT (contd.)

i03625848

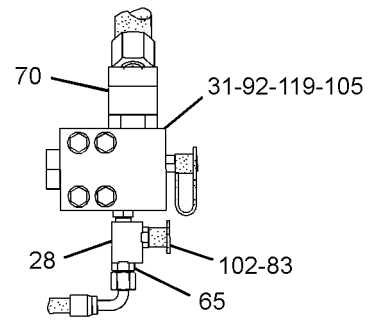


REFER TO ALL ILLUSTRATIONS OF THIS GROUP FOR AUXILIARY VIEWS

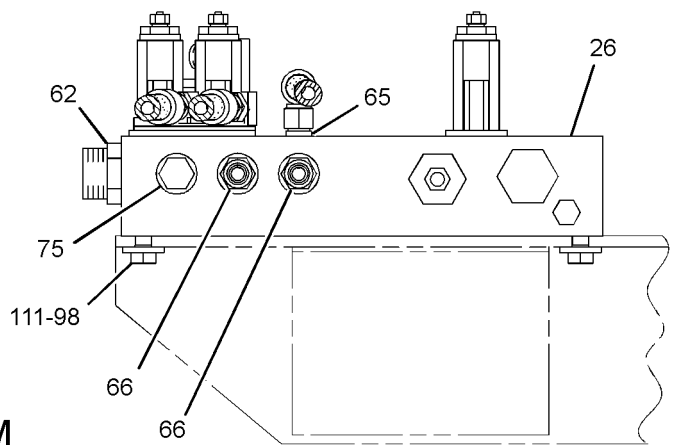
RIGHT SIDE VIEW



VIEW B-B



VIEW A-A



VIEW M-M

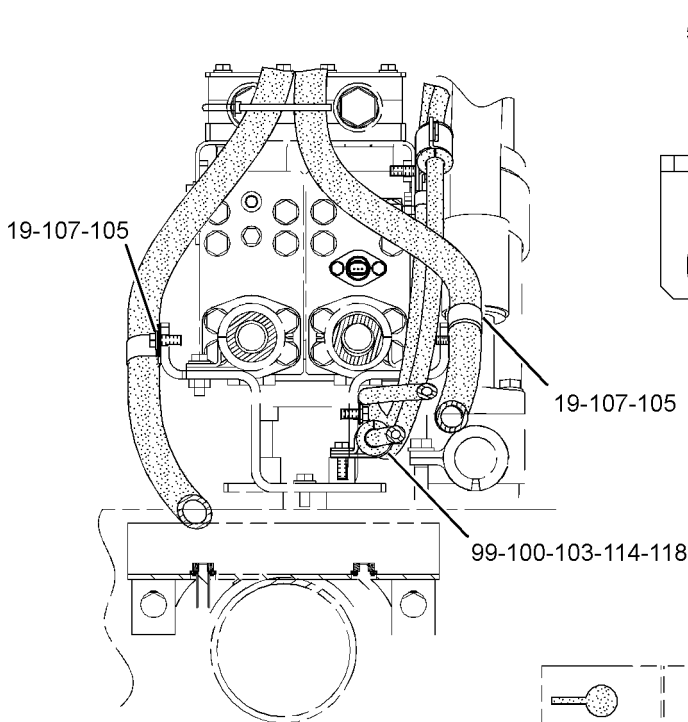
GRAPHIC #2

g01232834

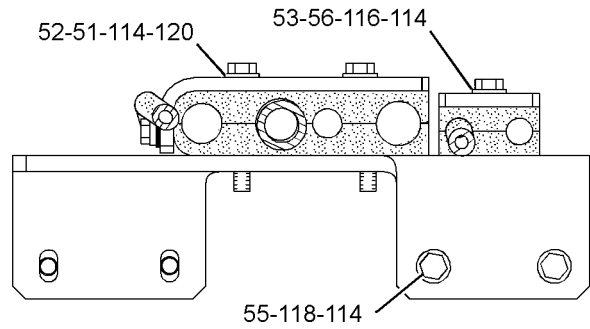
HYDRAULIC SYSTEM

227-0371 LINES GP-PILOT (contd.)

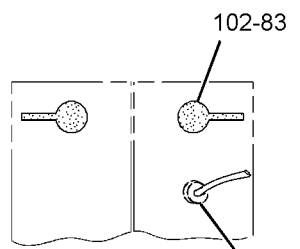
i03625848



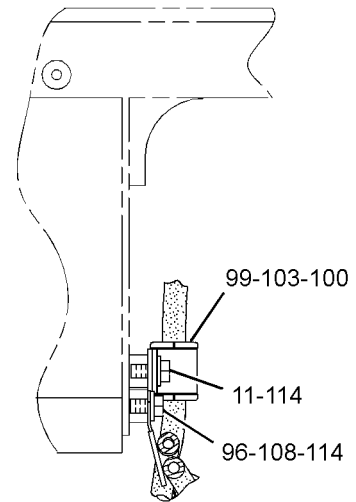
SECTION V-V



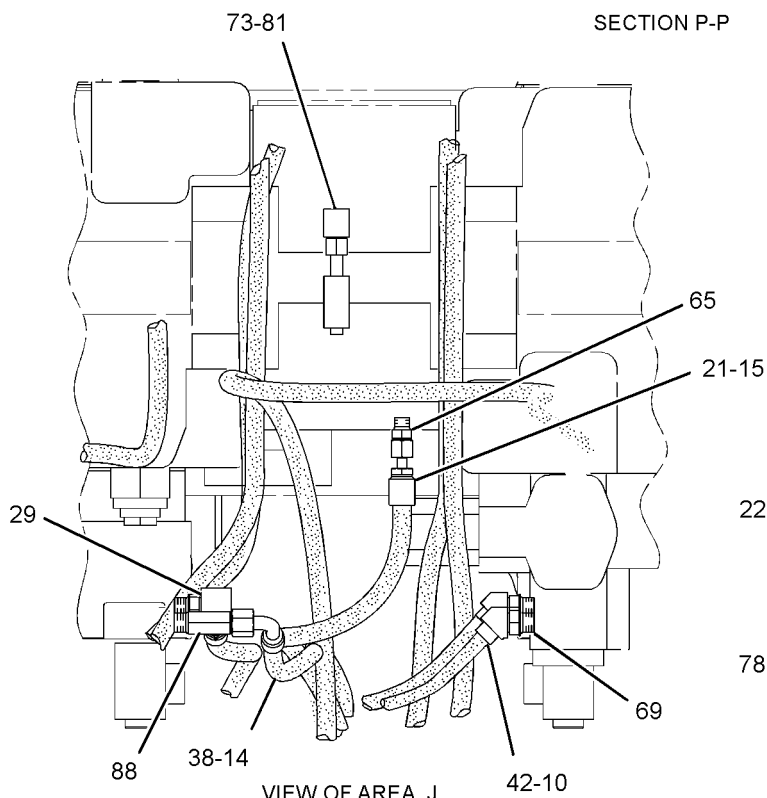
SECTION U-U



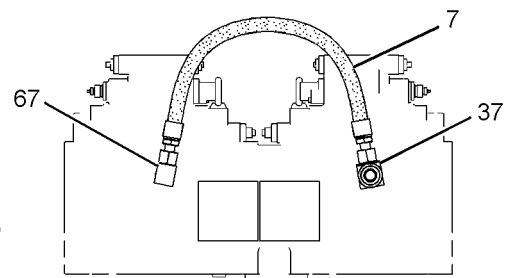
SECTION P-P



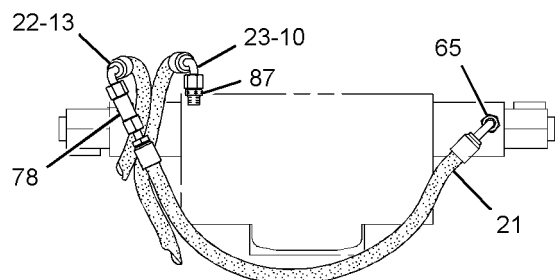
SECTION S-S



VIEW OF AREA J



SECTION H-H



VIEW E-E

GRAPHIC #3

<END>

g01234504

HYDRAULIC SYSTEM

227-0371 LINES GP-PILOT

S/N: MMA256-258

PART OF 232-4126 HYDRAULIC AR

SMCS-5057, 5059

i03341599

NOTE	REF NO	GRAPHIC REF	PART NUMBER	QTY	PART NAME						SEE PAGE
					1	2	3	4	5	6 (PRODUCT LEVEL)	
I	1	1	4I-0769	1	HOSE AS						
I	2	1	4I-0797	1	HOSE AS						
I	3	1	4I-0806	1	HOSE AS						
I	4	2	4I-0821	1	HOSE AS						
I	5	1	4I-5795	1	HOSE AS						
I	6	1	4I-6003	1	HOSE AS						
I	7	3	4I-7778	1	HOSE AS						
	8	1,2	4I-9521	4	BAND-MARKER (RED, L1)						
	9	1,2	4I-9522	4	BAND-MARKER (YELLOW, L2)						
	10	1,3	4I-9523	6	BAND-MARKER (BLUE, L3)						
	11	1	4I-9524	4	BAND-MARKER (BROWN, L4)						
	12	1	4I-9525	2	BAND-MARKER (ORANGE, R1)						
	13	3	4I-9526	2	BAND-MARKER (WHITE, R2)						
	14	1,3	4I-9527	4	BAND-MARKER (GREEN, R3)						
	15	2,3	4I-9528	4	BAND-MARKER (PURPLE, R4)						
I	16	1	7I-1244	1	HOSE AS						
I	17	1	7I-8252	1	HOSE AS						
	18	1	7K-1181	12	STRAP-CABLE						
	19	1,3	4D-7388	3	CLIP						
I	20	1	087-4531	1	HOSE AS						
I	21	3	087-4532	2	HOSE AS						
I	22	3	108-7375	1	HOSE AS						
I	23	3	111-0976	1	HOSE AS						
I	24	1	111-6752	1	HOSE AS						
	25	1	136-0207	4	STRAP-CABLE						
Y	26	2	140-0736	1	VALVE GP-MANIFOLD & REDUCING (PILOT OIL)						889
Y	27	1	160-4138	1	ACCUMULATOR & MTG GP-HYDRAULIC (CHARGED)						603
	28	2	164-5547	2	CONNECTOR AS						
					(EACH INCLUDES)						
		2	3J-1907	1	SEAL-O-RING						
		2	4I-1694	1	CONNECTOR						
	29	2,3	164-5639	2	ELBOW AS						
					(EACH INCLUDES)						
		2,3	3K-0360	1	SEAL-O-RING						
		2,3	6V-8398	1	SEAL-O-RING						
		2,3	124-0988	1	ELBOW-FILTER						
	30	1	164-6874	1	FITTING AS-ELBOW						
		1	3J-1907	1	SEAL-O-RING						
		1	085-7356	1	FITTING						
	31	2	168-9688	1	BLOCK						
	32	2	176-4414	1	BRACKET AS						
I	33	2	260-8273	1	HOSE AS						
CI	34	1	307-5004	1	HOSE AS						
Y	35	2	185-0336	1	FILTER GP-OIL (HYDRAULIC) (PILOT)						667
I	36	2	187-6925	1	HOSE AS						
	37	3	188-1035	1	TEE AS						
		3	3D-2824	1	SEAL-O-RING						
		3	5K-9090	1	SEAL-O-RING						
		3	6V-9746	1	SEAL-O-RING						
		3	8T-7520	1	TEE						
I	38	2,3	196-0590	2	HOSE AS						
	39	1	202-9762	1	CONNECTOR AS						
		1	6V-9746	1	SEAL-O-RING						
		1	7M-8485	1	SEAL-O-RING						
		1	152-9254	1	CONNECTOR						
	40	2	204-8350	1	HOSE AS						

HYDRAULIC SYSTEM

227-0371 LINES GP-PILOT (contd.)

i03341599

NOTE	REF NO	GRAPHIC REF	PART NUMBER	QTY	PART NAME						SEE PAGE
					1	2	3	4	5	6 (PRODUCT LEVEL)	
I	41	2	204-8479	1	HOSE AS						
I	42	3	204-8480	1	HOSE AS						
I	43	1	204-8481	1	HOSE AS						
	44	2	204-8482	1	SUPPORT AS						
	45	1	204-8485	1	SUPPORT AS						
	46	2	204-8487	1	FLANGE						
I	47	1	207-6244	1	HOSE AS						
I	48	1,2	207-6418	2	HOSE AS						
	49	1	221-8859	1	SENSOR AS-PRESSURE (SWING PUMP)						
	49A	3	221-8859	1	SENSOR AS-PRESSURE (MAIN PUMP)						
					(EACH SENSOR AS INCLUDES)						
		3	3E-3371	1	WEDGE-RECEPTACLE LOCK (3-PIN)						
		3	3K-0360	1	SEAL-O-RING						
		3	9X-3401	3	PIN-CONNECTOR (16-GA TO 18-GA)						
					-OR-						
		3	126-1767	3	PIN-CONNECTOR (14-GA)						
		3	171-0596	1	RECEPTACLE AS						
	51	3	227-0643	4	GROMMET						
	52	3	227-0645	2	PLATE						
	53	3	227-0646	2	PLATE						
	54	1	227-0662	1	SUPPORT AS						
	55	3	227-0663	1	SUPPORT AS						
	56	3	227-0665	4	GROMMET						
	57	2	227-0666	1	BLOCK						
I	58	2	227-0667	1	HOSE AS						
I	59	1	245-4980	1	HOSE AS						
I	60	2	245-4983	1	HOSE AS						
	61	1	115-8645	2	GUARD						
	62	1,2	148-8317	3	CONNECTOR AS						
					(EACH INCLUDES)						
		1,2	3D-2824	1	SEAL-O-RING						
		1,2	5K-9090	1	SEAL-O-RING						
		1,2	6V-8714	1	CONNECTOR						
	63	2	148-8323	1	CONNECTOR AS						
		2	2S-4078	1	SEAL-O-RING						
		2	5K-9090	1	SEAL-O-RING						
		2	6V-9875	1	CONNECTOR						
	64	1	148-8335	2	CONNECTOR AS						
					(EACH INCLUDES)						
		1	5K-9090	1	SEAL-O-RING						
		1	6V-8635	1	CONNECTOR						
		1	7M-8485	1	SEAL-O-RING						
	65	1,2,3	148-8336	7	CONNECTOR AS						
					(EACH INCLUDES)						
		1,2,3	3J-1907	1	SEAL-O-RING						
		1,2,3	6V-8397	1	SEAL-O-RING						
		1,2,3	6V-8636	1	CONNECTOR						
C	66	2	148-8340	2	CONNECTOR AS						
					(EACH INCLUDES)						
		2	3K-0360	1	SEAL-O-RING						
		2	6V-8398	1	SEAL-O-RING						
		2	6V-8639	1	CONNECTOR						
	67	3	148-8347	1	ELBOW AS						
		3	3D-2824	1	SEAL-O-RING						
		3	6V-9007	1	ELBOW						
		3	6V-9746	1	SEAL-O-RING						
	68	1	148-8353	1	ELBOW AS						
		1	3J-1907	1	SEAL-O-RING						
		1	6V-8397	1	SEAL-O-RING						

HYDRAULIC SYSTEM

227-0371 LINES GP-PILOT (contd.)

i03341599

NOTE	REF NO	GRAPHIC REF	PART NUMBER	QTY	PART NAME						SEE PAGE
					1	2	3	4	5	6 (PRODUCT LEVEL)	
		1	6V-9001	1	ELBOW						
	69	3	148-8354	2	ELBOW AS						
					(EACH INCLUDES)						
		3	3K-0360	1	SEAL-O-RING						
		3	6V-8398	1	SEAL-O-RING						
		3	6V-9002	1	ELBOW						
	70	2	148-8355	2	ELBOW AS						
					(EACH INCLUDES)						
		2	5K-9090	1	SEAL-O-RING						
		2	6V-9005	1	ELBOW						
		2	7M-8485	1	SEAL-O-RING						
	71	2	148-8362	1	ELBOW AS						
		2	3D-2824	1	SEAL-O-RING						
		2	5K-9090	1	SEAL-O-RING						
		2	8T-6684	1	ELBOW						
C	72	1,2	148-8364	2	ELBOW AS						
					(EACH INCLUDES)						
		1,2	3K-0360	1	SEAL-O-RING						
		1,2	6V-8398	1	SEAL-O-RING						
		1,2	6V-8625	1	ELBOW						
	73	3	148-8367	1	ELBOW AS						
		3	6V-8397	1	SEAL-O-RING						
		3	6V-9850	1	ELBOW						
	74	1,2	148-8378	16	ELBOW AS						
					(EACH INCLUDES)						
		1,2	3J-1907	1	SEAL-O-RING						
		1,2	6V-8397	1	SEAL-O-RING						
		1,2	6V-8724	1	ELBOW						
	75	2	148-8411	1	PLUG AS						
		2	3K-0360	1	SEAL-O-RING						
		2	9S-4185	1	PLUG-O-RING						
	76	2	148-8433	1	TEE AS						
		2	6V-8397	2	SEAL-O-RING						
		2	6V-9836	1	TEE-SWIVEL						
	77	1	148-8435	1	TEE AS						
		1	3J-1907	1	SEAL-O-RING						
		1	6V-8397	2	SEAL-O-RING						
		1	6V-8781	1	TEE-FACE SEAL						
	78	1,3	148-8439	2	TEE AS						
					(EACH INCLUDES)						
		1,3	3J-1907	1	SEAL-O-RING						
		1,3	6V-8397	2	SEAL-O-RING						
		1,3	6V-8774	1	TEE						
	79	2	150-3036	1	ELBOW AS						
		2	3J-1907	1	SEAL-O-RING						
		2	6V-8397	1	SEAL-O-RING						
		2	8T-1905	1	ELBOW						
	80	1	150-4049	1	ELBOW AS						
		1	6V-9746	1	SEAL-O-RING						
		1	7M-8485	1	SEAL-O-RING						
		1	8T-4149	1	ELBOW						
	81	3	153-6249	1	CONNECTOR AS						
		3	3J-1907	1	SEAL-O-RING						
		3	6V-8397	1	SEAL-O-RING						
		3	8T-8887	1	CONNECTOR						
	82	1	155-3624	1	PLUG AS						
		1	3J-7354	1	SEAL-O-RING						
		1	9S-4182	1	PLUG-O-RING						

HYDRAULIC SYSTEM

227-0371 LINES GP-PILOT (contd.)

i03341599

NOTE	REF NO	GRAPHIC REF	PART NUMBER	QTY	PART NAME						SEE PAGE
					1	2	3	4	5	6 (PRODUCT LEVEL)	
	83	1,2,3	164-5567	7	COUPLER AS-QUICK DISCONNECT (EACH INCLUDES)						
		1,2,3	3J-1907	1	SEAL-O-RING						
		1,2,3	6V-3965	1	FITTING (QUICK DISCONNECT)						
	84	2	164-5572	1	UNION AS						
		2	6V-8398	2	SEAL-O-RING						
		2	6V-8731	1	UNION						
	85	1	164-5590	1	VALVE AS-FLUID SAMPLING (HYDRAULIC OIL)						
		1	3J-7354	1	SEAL-O-RING						
		1	8C-3446	1	VALVE-FLUID SAMPLING						
	86	1	164-5598	1	PLUG AS						
		1	7M-8485	1	SEAL-O-RING						
		1	8J-0426	1	PLUG						
	87	3	164-5628	1	CONNECTOR AS						
		3	3J-1907	1	SEAL-O-RING						
		3	6V-8397	1	SEAL-O-RING						
		3	107-6631	1	CONNECTOR-FILTER						
	88	3	164-8908	1	CONNECTOR AS						
		3	3K-0360	1	SEAL-O-RING						
		3	6V-8398	1	SEAL-O-RING						
		3	8T-0077	1	CONNECTOR						
	89	1	165-4931	1	ELBOW AS						
		1	3J-1907	1	SEAL-O-RING						
		1	6V-8077	1	ELBOW						
	90	2	171-6728	1	ELBOW AS						
		2	3K-0360	1	SEAL-O-RING						
		2	8T-0249	1	ELBOW						
	91	2	1P-4578	4	FLANGE-HALF						
	92	2	4J-0520	1	SEAL-O-RING						
	93	2	4J-0522	2	SEAL-O-RING						
	94	2	4J-0524	2	SEAL-O-RING						
	95	1,2	4K-8864	4	CLIP						
	96	1,3	4P-7582	3	CLIP						
	97	1	4S-1936	1	CLIP						
	98	2	5P-1076	3	WASHER-HARD (13.5X30X4-MM THK)						
	99	1,2,3	5P-7464	4	CLIP (SLOT)						
	100	1,2,3	5P-7465	4	CLIP (TAB)						
Y	101	2	6E-5534	1	FILTER GP-OIL (HYDRAULIC) (CASE DRAIN)						666
	102	1,2,3	6V-0852	7	CAP-DUST						
	103	1,2,3	6V-1249	4	GROMMET						
	104	1	8C-3451	1	CAP-DUST						
	105	1,2,3	8T-4121	23	WASHER-HARD (11X21X2.5-MM THK)						
M	106	1,2	8T-4136	6	BOLT (M10X1.5X25-MM)						
M	107	2,3	8T-4137	4	BOLT (M10X1.5X20-MM)						
M	108	1,3	8T-4179	5	BOLT (M12X1.75X20-MM)						
M	109	2	8T-4183	1	BOLT (M12X1.75X40-MM)						
M	110	1	8T-4191	3	BOLT (M10X1.5X16-MM)						
M	111	1,2,3	8T-4192	7	BOLT (M12X1.75X25-MM)						
M	112	2	8T-4196	8	BOLT (M10X1.5X35-MM)						
M	113	2	8T-4200	4	BOLT (M8X1.25X16-MM)						
	114	1,2,3	8T-4223	25	WASHER-HARD (13.5X25.5X3-MM THK)						
	115	2	8T-4224	8	WASHER-HARD (8.8X16X2-MM THK)						
M	116	3	8T-4648	2	BOLT (M12X1.75X70-MM)						
M	118	1,3	8T-4956	5	BOLT (M12X1.75X35-MM)						
M	119	2	8T-5005	4	BOLT (M10X1.5X70-MM)						
M	120	2,3	8T-6868	8	BOLT (M12X1.75X80-MM)						
M	121	2	8T-7547	4	BOLT (M8X1.25X30-MM)						
	122	1	8T-7934	2	WASHER-HARD (11X21X5-MM THK)						

HYDRAULIC SYSTEM

227-0371 LINES GP-PILOT (contd.)

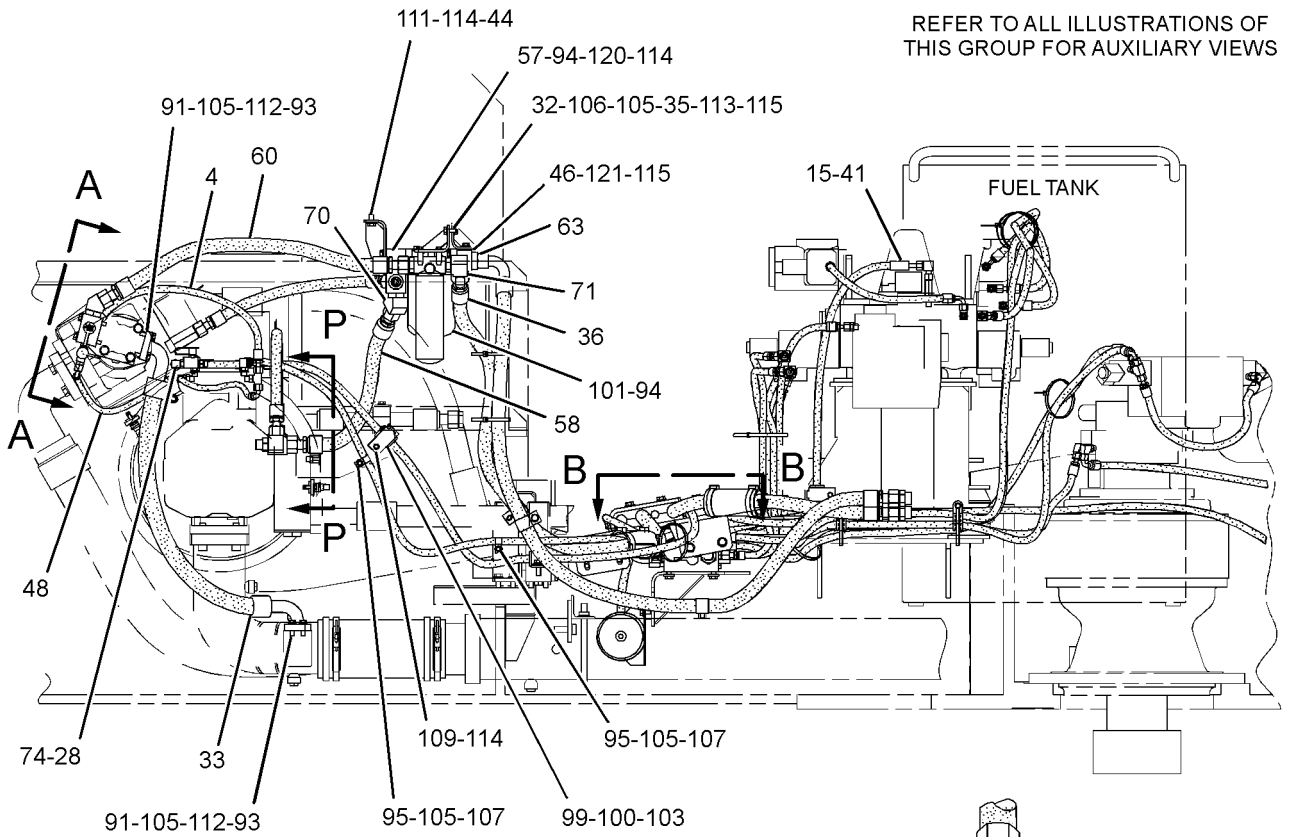
i03341599

C-CHANGE FROM PREVIOUS TYPE
I-REFER TO HYDRAULIC INFORMATION SYSTEM
M-METRIC PART
Y-SEPARATE ILLUSTRATION

HYDRAULIC SYSTEM

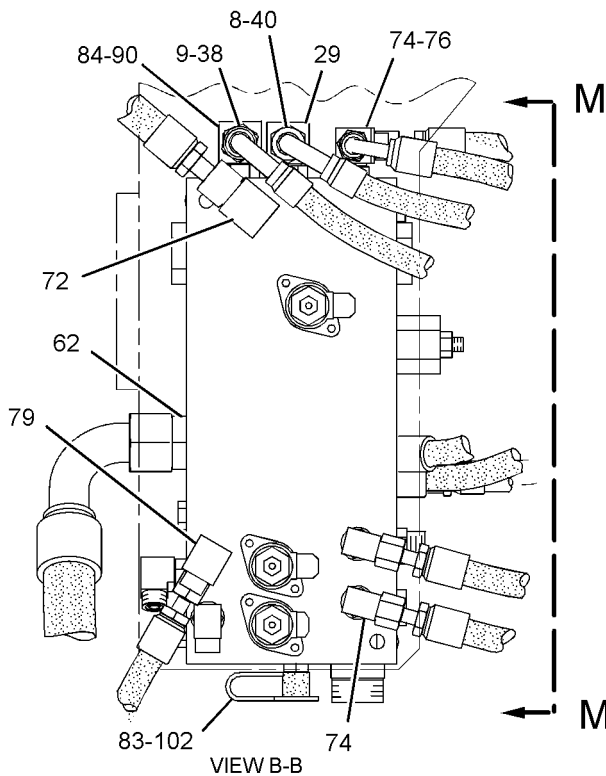
227-0371 LINES GP-PILOT (contd.)

i03341599

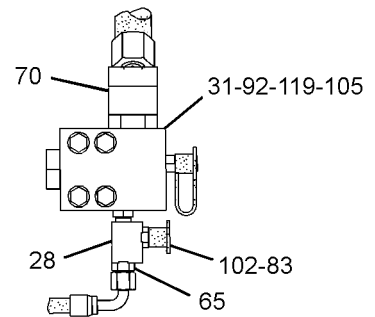


REFER TO ALL ILLUSTRATIONS OF THIS GROUP FOR AUXILIARY VIEWS

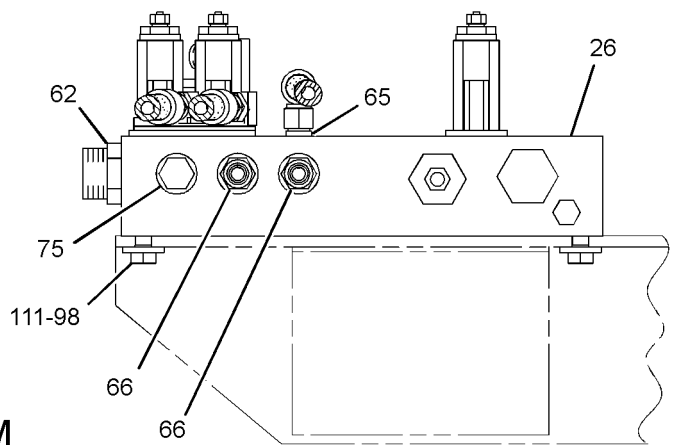
RIGHT SIDE VIEW



VIEW B-B



VIEW A-A



VIEW M-M

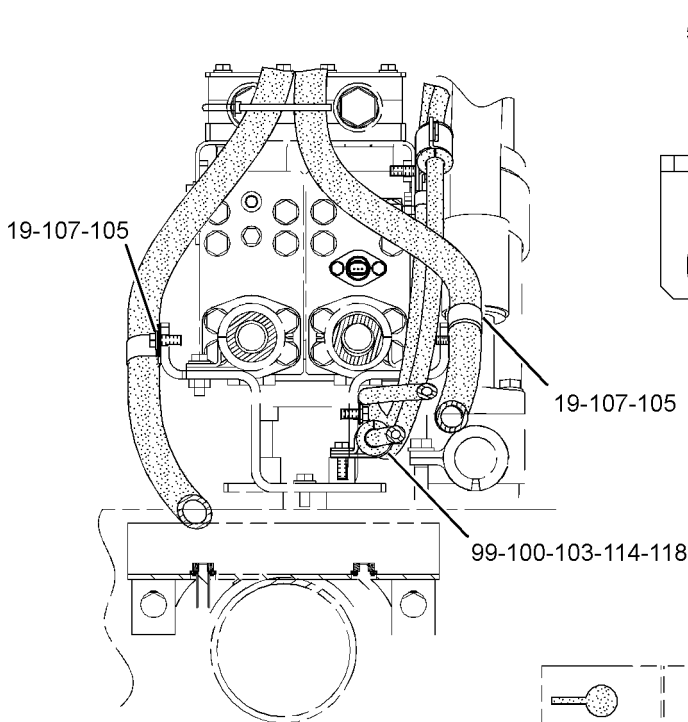
GRAPHIC #2

g01232834

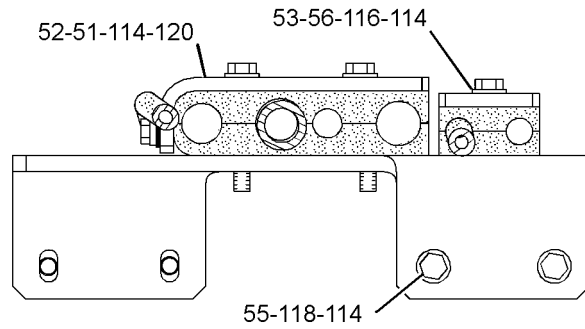
HYDRAULIC SYSTEM

227-0371 LINES GP-PILOT (contd.)

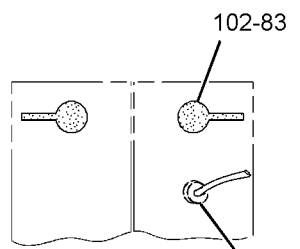
i03341599



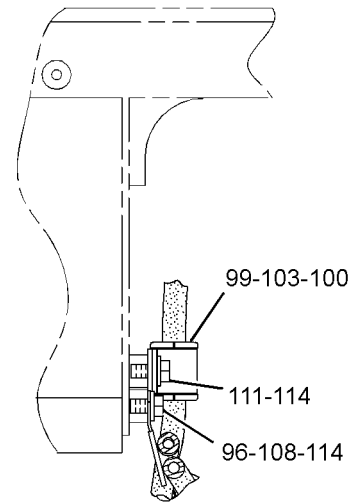
SECTION V-V



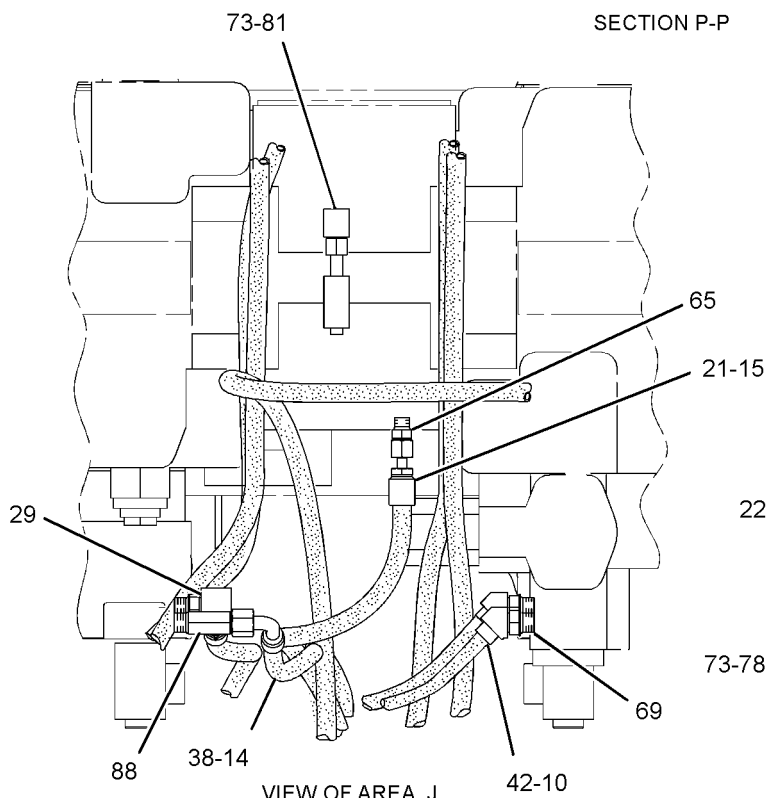
SECTION U-U



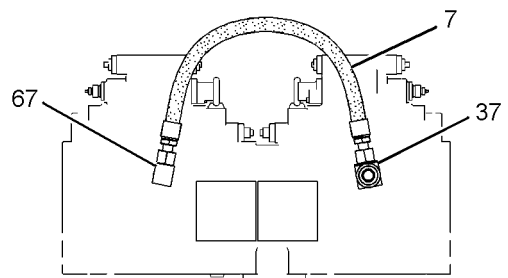
SECTION P-P



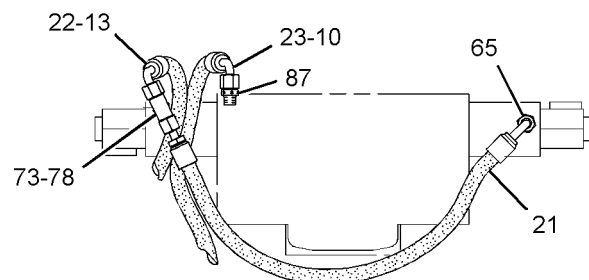
SECTION S-S



VIEW OF AREA J



SECTION H-H



VIEW E-E

GRAPHIC #3

<END>

g01731316

HYDRAULIC SYSTEM

227-0371 LINES GP-PILOT

S/N: MMA259-UP

PART OF 232-4126 HYDRAULIC AR

SMCS-5057, 5059

i03485481

NOTE	REF NO	GRAPHIC REF	PART NUMBER	QTY	PART NAME						SEE PAGE
					1	2	3	4	5	6 (PRODUCT LEVEL)	
I	1	1	4I-0769	1	HOSE AS						
I	2	1	4I-0797	1	HOSE AS						
I	3	1	4I-0806	1	HOSE AS						
I	4	2	4I-0821	1	HOSE AS						
I	5	1	4I-5795	1	HOSE AS						
I	6	1	4I-6003	1	HOSE AS						
I	7	3	4I-7778	1	HOSE AS						
	8	1,2	4I-9521	4	BAND-MARKER (RED, L1)						
	9	1,2	4I-9522	4	BAND-MARKER (YELLOW, L2)						
	10	1,3	4I-9523	6	BAND-MARKER (BLUE, L3)						
	11	1	4I-9524	4	BAND-MARKER (BROWN, L4)						
	12	1	4I-9525	2	BAND-MARKER (ORANGE, R1)						
	13	3	4I-9526	2	BAND-MARKER (WHITE, R2)						
	14	1,3	4I-9527	4	BAND-MARKER (GREEN, R3)						
	15	2,3	4I-9528	4	BAND-MARKER (PURPLE, R4)						
I	16	1	7I-1244	1	HOSE AS						
I	17	1	7I-8252	1	HOSE AS						
	18	1,4	7K-1181	13	STRAP-CABLE						
	19	1,3	4D-7388	3	CLIP						
I	20	1	087-4531	1	HOSE AS						
I	21	3	087-4532	2	HOSE AS						
I	22	3	108-7375	1	HOSE AS						
I	23	3	111-0976	1	HOSE AS						
I	24	1	111-6752	1	HOSE AS						
	25	1	136-0207	4	STRAP-CABLE						
Y	26	2	140-0736	1	VALVE GP-MANIFOLD & REDUCING (PILOT OIL)						889
Y	27	1	160-4138	1	ACCUMULATOR & MTG GP-HYDRAULIC (CHARGED)						603
	28	2	164-5547	2	CONNECTOR AS						
					(EACH INCLUDES)						
		2	3J-1907	1	SEAL-O-RING						
		2	4I-1694	1	CONNECTOR						
	29	2,3	164-5639	2	ELBOW AS						
					(EACH INCLUDES)						
		2,3	3K-0360	1	SEAL-O-RING						
		2,3	6V-8398	1	SEAL-O-RING						
		2,3	124-0988	1	ELBOW-FILTER						
	30	1	164-6874	1	FITTING AS-ELBOW						
		1	3J-1907	1	SEAL-O-RING						
		1	085-7356	1	FITTING						
	31	2	168-9688	1	BLOCK						
	32	2	176-4414	1	BRACKET AS						
I	33	2	260-8273	1	HOSE AS						
I	34	1	307-5004	1	HOSE AS						
Y	35	2	185-0336	1	FILTER GP-OIL (HYDRAULIC) (PILOT)						667
I	36	2	187-6925	1	HOSE AS						
	37	3	188-1035	1	TEE AS						
		3	3D-2824	1	SEAL-O-RING						
		3	5K-9090	1	SEAL-O-RING						
		3	6V-9746	1	SEAL-O-RING						
		3	8T-7520	1	TEE						
I	38	2,3	196-0590	2	HOSE AS						
	39	1	202-9762	1	CONNECTOR AS						
		1	6V-9746	1	SEAL-O-RING						
		1	7M-8485	1	SEAL-O-RING						
		1	152-9254	1	CONNECTOR						
	40	2	204-8350	1	HOSE AS						

HYDRAULIC SYSTEM

227-0371 LINES GP-PILOT (contd.)

i03485481

NOTE	REF NO	GRAPHIC REF	PART NUMBER	QTY	PART NAME						SEE PAGE
					1	2	3	4	5	6 (PRODUCT LEVEL)	
I	41	2	204-8479	1	HOSE AS						
I	42	3	204-8480	1	HOSE AS						
I	43	1	204-8481	1	HOSE AS						
	44	2	204-8482	1	SUPPORT AS						
	45	1	204-8485	1	SUPPORT AS						
	46	2	204-8487	1	FLANGE						
I	47	1	207-6244	1	HOSE AS						
I	48	1,2	207-6418	2	HOSE AS						
	49	1	221-8859	1	SENSOR AS-PRESSURE (SWING PUMP)						
	49A	3	221-8859	1	SENSOR AS-PRESSURE (MAIN PUMP)						
					(EACH SENSOR AS INCLUDES)						
		3	3E-3371	1	WEDGE-RECEPTACLE LOCK (3-PIN)						
		3	3K-0360	1	SEAL-O-RING						
		3	9X-3401	3	PIN-CONNECTOR (16-GA TO 18-GA)						
					-OR-						
		3	126-1767	3	PIN-CONNECTOR (14-GA)						
		3	171-0596	1	RECEPTACLE AS						
	51	3	227-0643	4	GROMMET						
	52	3	227-0645	2	PLATE						
	53	3	227-0646	2	PLATE						
	54	1	227-0662	1	SUPPORT AS						
	55	3	227-0663	1	SUPPORT AS						
	56	3	227-0665	4	GROMMET						
	57	2	227-0666	1	BLOCK						
CI	58	2	317-4864	1	HOSE AS						
I	59	1	245-4980	1	HOSE AS						
I	60	2	245-4983	1	HOSE AS						
	61	1	115-8645	2	GUARD						
	62	1,2	148-8317	3	CONNECTOR AS						
					(EACH INCLUDES)						
		1,2	3D-2824	1	SEAL-O-RING						
		1,2	5K-9090	1	SEAL-O-RING						
		1,2	6V-8714	1	CONNECTOR						
	63	2	148-8323	1	CONNECTOR AS						
		2	2S-4078	1	SEAL-O-RING						
		2	5K-9090	1	SEAL-O-RING						
		2	6V-9875	1	CONNECTOR						
	64	1	148-8335	2	CONNECTOR AS						
					(EACH INCLUDES)						
		1	5K-9090	1	SEAL-O-RING						
		1	6V-8635	1	CONNECTOR						
		1	7M-8485	1	SEAL-O-RING						
	65	1,2,3	148-8336	7	CONNECTOR AS						
					(EACH INCLUDES)						
		1,2,3	3J-1907	1	SEAL-O-RING						
		1,2,3	6V-8397	1	SEAL-O-RING						
		1,2,3	6V-8636	1	CONNECTOR						
	66	2	148-8340	2	CONNECTOR AS						
					(EACH INCLUDES)						
		2	3K-0360	1	SEAL-O-RING						
		2	6V-8398	1	SEAL-O-RING						
		2	6V-8639	1	CONNECTOR						
	67	3	148-8347	1	ELBOW AS						
		3	3D-2824	1	SEAL-O-RING						
		3	6V-9007	1	ELBOW						
		3	6V-9746	1	SEAL-O-RING						
	68	1	148-8353	1	ELBOW AS						
		1	3J-1907	1	SEAL-O-RING						
		1	6V-8397	1	SEAL-O-RING						

HYDRAULIC SYSTEM

227-0371 LINES GP-PILOT (contd.)

i03485481

NOTE	REF NO	GRAPHIC REF	PART NUMBER	QTY	PART NAME						SEE PAGE
					1	2	3	4	5	6 (PRODUCT LEVEL)	
		1	6V-9001	1	ELBOW						
69		3	148-8354	2	ELBOW AS						
					(EACH INCLUDES)						
		3	3K-0360	1	SEAL-O-RING						
		3	6V-8398	1	SEAL-O-RING						
		3	6V-9002	1	ELBOW						
70		2	148-8355	2	ELBOW AS						
					(EACH INCLUDES)						
		2	5K-9090	1	SEAL-O-RING						
		2	6V-9005	1	ELBOW						
		2	7M-8485	1	SEAL-O-RING						
71		2	148-8362	1	ELBOW AS						
		2	3D-2824	1	SEAL-O-RING						
		2	5K-9090	1	SEAL-O-RING						
		2	8T-6684	1	ELBOW						
72		1,2	148-8364	2	ELBOW AS						
					(EACH INCLUDES)						
		1,2	3K-0360	1	SEAL-O-RING						
		1,2	6V-8398	1	SEAL-O-RING						
		1,2	6V-8625	1	ELBOW						
73		3	148-8367	1	ELBOW AS						
		3	6V-8397	1	SEAL-O-RING						
		3	6V-9850	1	ELBOW						
74		1,2	148-8378	16	ELBOW AS						
					(EACH INCLUDES)						
		1,2	3J-1907	1	SEAL-O-RING						
		1,2	6V-8397	1	SEAL-O-RING						
		1,2	6V-8724	1	ELBOW						
75		2	148-8411	1	PLUG AS						
		2	3K-0360	1	SEAL-O-RING						
		2	9S-4185	1	PLUG-O-RING						
76		2	148-8433	1	TEE AS						
		2	6V-8397	2	SEAL-O-RING						
		2	6V-9836	1	TEE-SWIVEL						
77		1	148-8435	1	TEE AS						
		1	3J-1907	1	SEAL-O-RING						
		1	6V-8397	2	SEAL-O-RING						
		1	6V-8781	1	TEE-FACE SEAL						
78		2,3	148-8439	2	TEE AS						
					(EACH INCLUDES)						
		2,3	3J-1907	1	SEAL-O-RING						
		2,3	6V-8397	2	SEAL-O-RING						
		2,3	6V-8774	1	TEE						
79		2	150-3036	1	ELBOW AS						
		2	3J-1907	1	SEAL-O-RING						
		2	6V-8397	1	SEAL-O-RING						
		2	8T-1905	1	ELBOW						
80		1	150-4049	1	ELBOW AS						
		1	6V-9746	1	SEAL-O-RING						
		1	7M-8485	1	SEAL-O-RING						
		1	8T-4149	1	ELBOW						
81		3	153-6249	1	CONNECTOR AS						
		3	3J-1907	1	SEAL-O-RING						
		3	6V-8397	1	SEAL-O-RING						
		3	8T-8887	1	CONNECTOR						
82		1	155-3624	1	PLUG AS						
		1	3J-7354	1	SEAL-O-RING						
		1	9S-4182	1	PLUG-O-RING						

HYDRAULIC SYSTEM

227-0371 LINES GP-PILOT (contd.)

i03485481

NOTE	REF NO	GRAPHIC REF	PART NUMBER	QTY	PART NAME 1 2 3 4 5 6 (PRODUCT LEVEL)	SEE PAGE
	83	1, 2, 3	164-5567	7	COUPLER AS-QUICK DISCONNECT (EACH INCLUDES)	
		1, 2, 3	3J-1907	1	SEAL-O-RING	
		1, 2, 3	6V-3965	1	FITTING (QUICK DISCONNECT)	
	84	2	164-5572	1	UNION AS	
		2	6V-8398	2	SEAL-O-RING	
		2	6V-8731	1	UNION	
	85	1	164-5590	1	VALVE AS-FLUID SAMPLING (HYDRAULIC OIL)	
		1	3J-7354	1	SEAL-O-RING	
		1	8C-3446	1	VALVE-FLUID SAMPLING	
	86	1	164-5598	1	PLUG AS	
		1	7M-8485	1	SEAL-O-RING	
		1	8J-0426	1	PLUG	
	87	3	164-5628	1	CONNECTOR AS	
		3	3J-1907	1	SEAL-O-RING	
		3	6V-8397	1	SEAL-O-RING	
		3	107-6631	1	CONNECTOR-FILTER	
	88	3	164-8908	1	CONNECTOR AS	
		3	3K-0360	1	SEAL-O-RING	
		3	6V-8398	1	SEAL-O-RING	
		3	8T-0077	1	CONNECTOR	
	89	1	165-4931	1	ELBOW AS	
		1	3J-1907	1	SEAL-O-RING	
		1	6V-8077	1	ELBOW	
	90	2	171-6728	1	ELBOW AS	
		2	3K-0360	1	SEAL-O-RING	
		2	8T-0249	1	ELBOW	
	91	2	1P-4578	4	FLANGE-HALF	
	92	2	4J-0520	1	SEAL-O-RING	
	93	2	4J-0522	2	SEAL-O-RING	
	94	2	4J-0524	2	SEAL-O-RING	
	95	1, 2, 3	4K-8864	4	CLIP	
	96	1, 3	4P-7582	3	CLIP	
	97	1	4S-1936	1	CLIP	
	98	2	5P-1076	3	WASHER-HARD (13.5X30X4-MM THK)	
	99	1, 2, 3	5P-7464	4	CLIP (SLOT)	
	100	1, 2, 3	5P-7465	4	CLIP (TAB)	
Y	101	2	6E-5534	1	FILTER GP-OIL (HYDRAULIC) (CASE DRAIN)	666
	102	1, 2, 3	6V-0852	7	CAP-DUST	
	103	1, 2, 3	6V-1249	4	GROMMET	
	104	1	8C-3451	1	CAP-DUST	
	105	1, 2, 3	8T-4121	23	WASHER-HARD (11X21X2.5-MM THK)	
M	106	1, 2	8T-4136	6	BOLT (M10X1.5X25-MM)	
M	107	2, 3	8T-4137	4	BOLT (M10X1.5X20-MM)	
M	108	1, 3	8T-4179	5	BOLT (M12X1.75X20-MM)	
M	109	2	8T-4183	1	BOLT (M12X1.75X40-MM)	
M	110	1, 3	8T-4191	3	BOLT (M10X1.5X16-MM)	
M	111	1, 2, 3	8T-4192	7	BOLT (M12X1.75X25-MM)	
M	112	2	8T-4196	8	BOLT (M10X1.5X35-MM)	
M	113	2	8T-4200	4	BOLT (M8X1.25X16-MM)	
	114	1, 2, 3	8T-4223	25	WASHER-HARD (13.5X25.5X3-MM THK)	
	115	2	8T-4224	8	WASHER-HARD (8.8X16X2-MM THK)	
M	116	3	8T-4648	2	BOLT (M12X1.75X70-MM)	
M	118	1, 3	8T-4956	5	BOLT (M12X1.75X35-MM)	
M	119	2	8T-5005	4	BOLT (M10X1.5X70-MM)	
M	120	2, 3	8T-6868	8	BOLT (M12X1.75X80-MM)	
M	121	2	8T-7547	4	BOLT (M8X1.25X30-MM)	
	122	1, 3	8T-7934	2	WASHER-HARD (11X21X5-MM THK)	
J	123	4	4D-7388	1	CLIP	

HYDRAULIC SYSTEM

227-0371 LINES GP-PILOT (contd.)

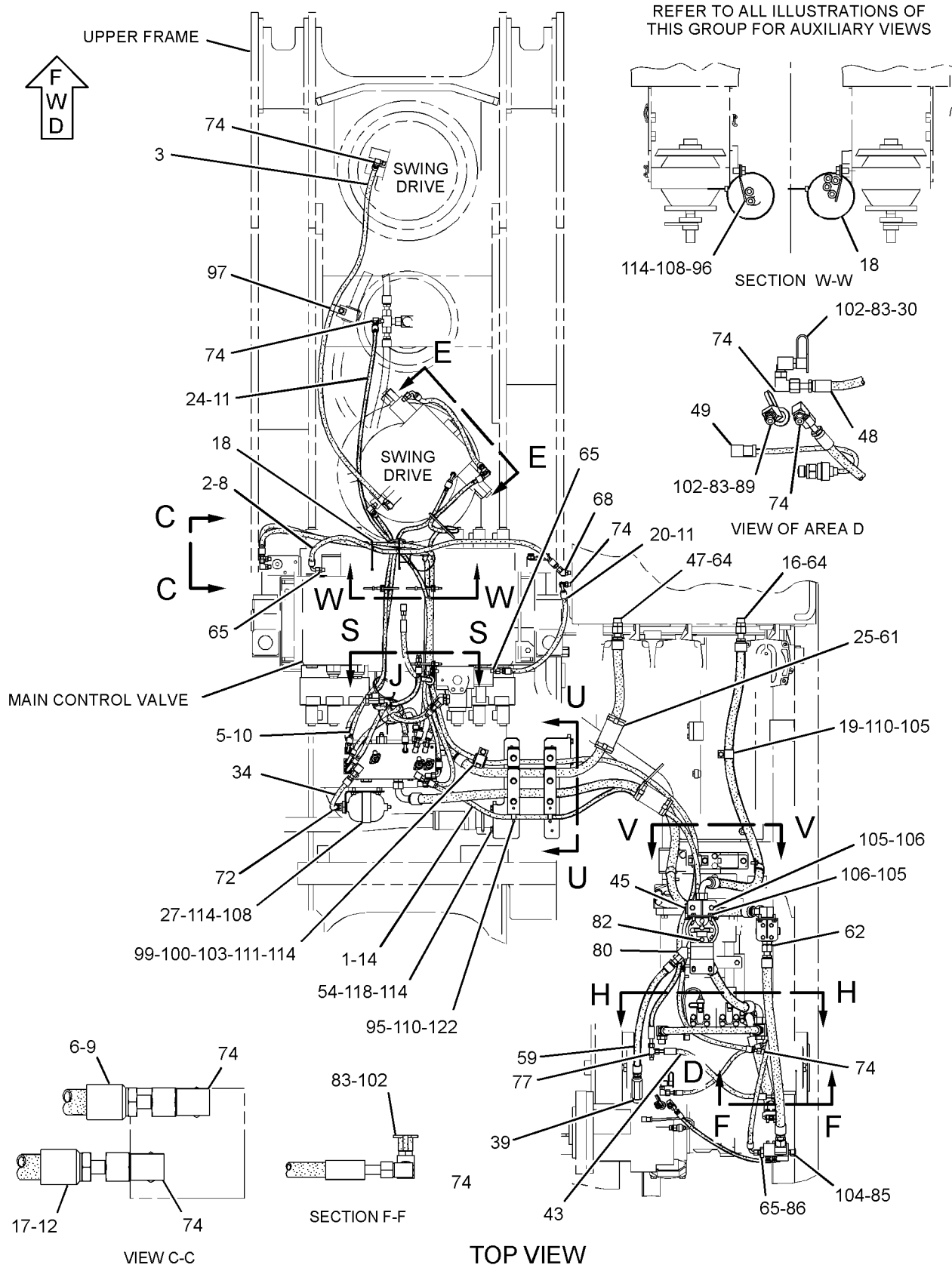
i03485481

NOTE	REF NO	GRAPHIC REF	PART NUMBER	QTY	PART NAME						SEE PAGE
					1	2	3	4	5	6 (PRODUCT LEVEL)	
J	124	4	7K-1181	2	STRAP-CABLE						
J	125	4	8T-4121	1	WASHER-HARD (11X21X2.5-MM THK)						
JM	126	4	8T-4137	1	BOLT (M10X1.5X20-MM)						
C-CHANGE FROM PREVIOUS TYPE I-REFER TO HYDRAULIC INFORMATION SYSTEM J-((USE WITH OPTIONAL DESIGN) (SEE GRAPHIC FOR OPTIONAL DESIGN) M-METRIC PART Y-SEPARATE ILLUSTRATION											

HYDRAULIC SYSTEM

227-0371 LINES GP-PILOT (contd.)

i03485481



GRAPHIC #1

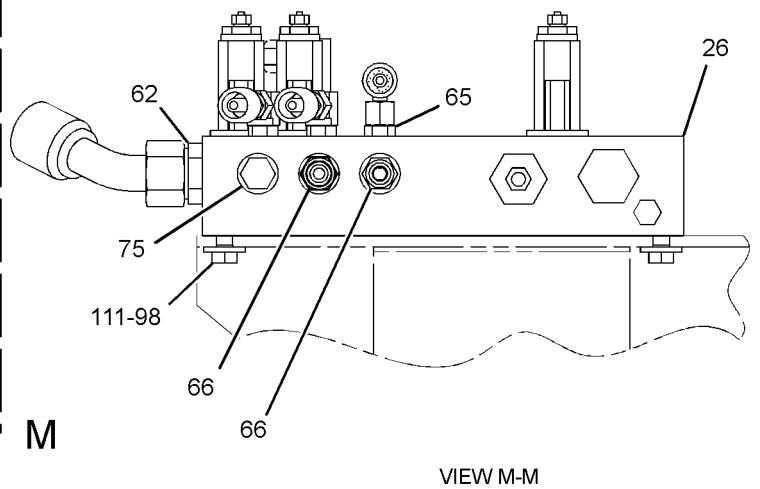
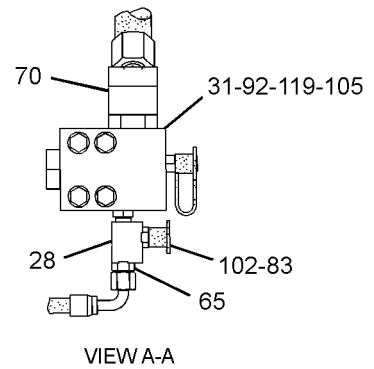
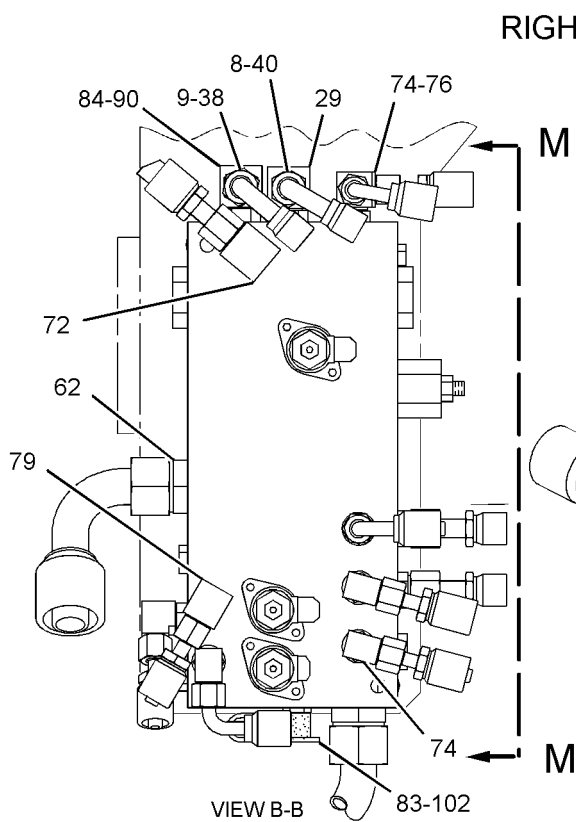
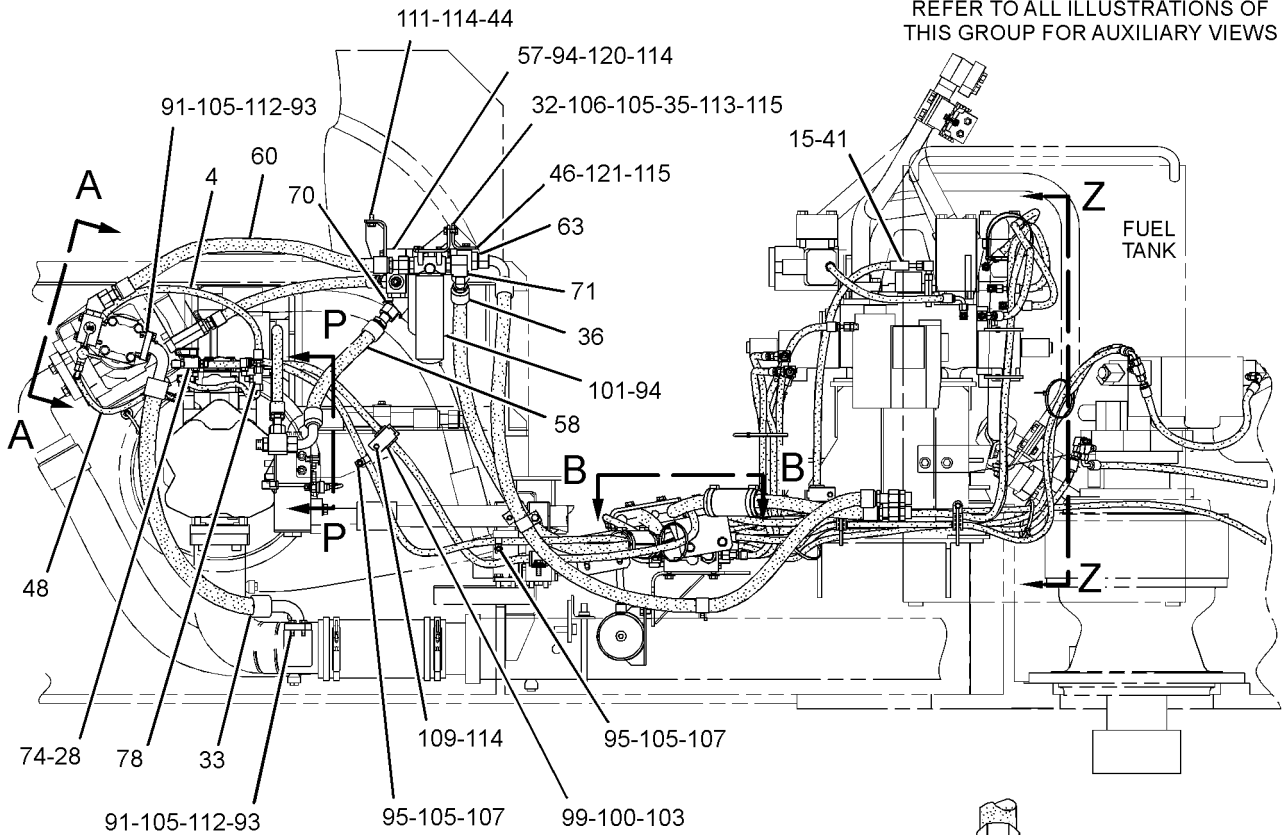
g01771316

HYDRAULIC SYSTEM

227-0371 LINES GP-PILOT (contd.)

i03485481

REFER TO ALL ILLUSTRATIONS OF THIS GROUP FOR AUXILIARY VIEWS



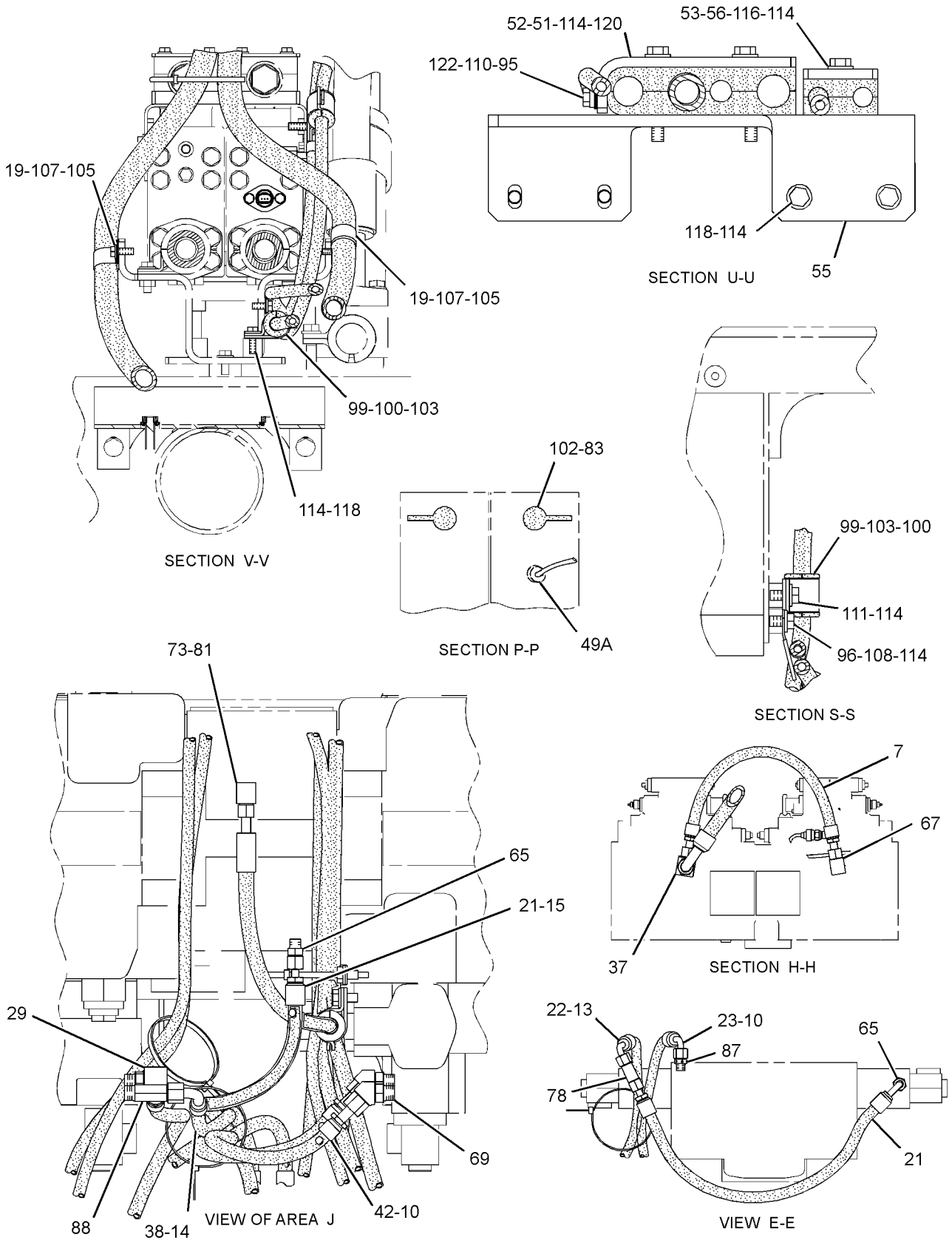
GRAPHIC #2

g01833013

HYDRAULIC SYSTEM

227-0371 LINES GP-PILOT (contd.)

i03485481



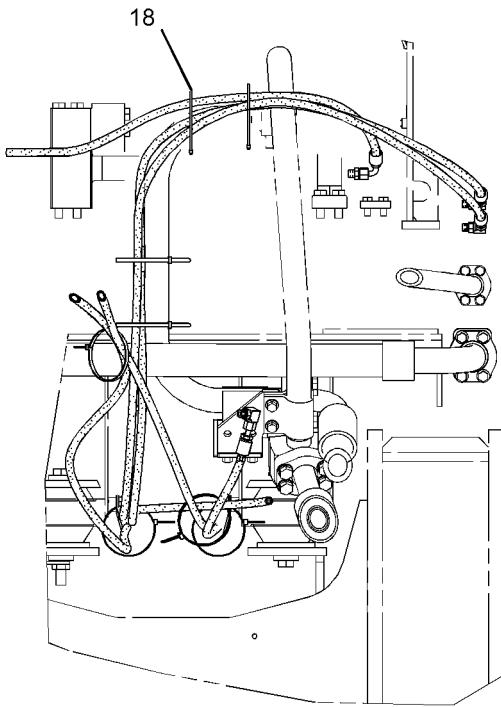
GRAPHIC #3

g01833277

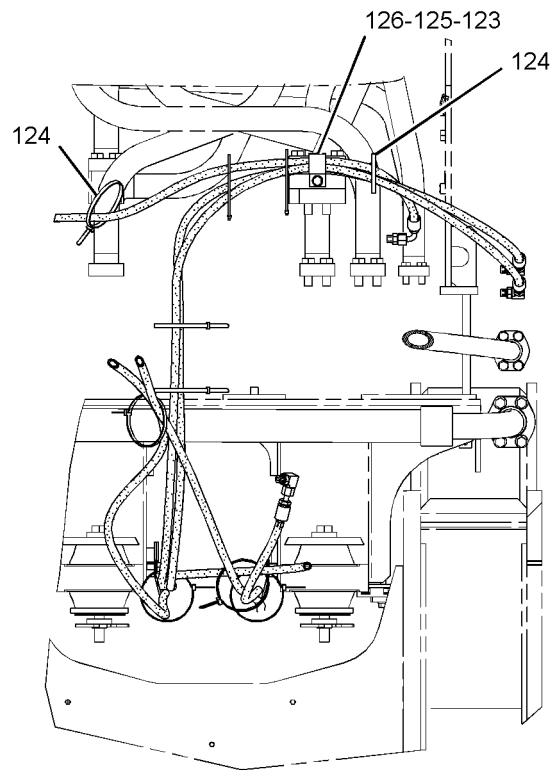
HYDRAULIC SYSTEM

227-0371 LINES GP-PILOT (contd.)

i03485481



SECTION Z-Z



SECTION Z-Z
(OPTIONAL DESIGN)

GRAPHIC #4

<END>

g01833293

HYDRAULIC SYSTEM

227-0370 LINES GP-PUMP

S/N: MMA1-245

PART OF 232-4126 HYDRAULIC AR

SMCS-5057

i02241824

NOTE	REF NO	GRAPHIC REF	PART NUMBER	QTY	PART NAME						SEE PAGE
					1	2	3	4	5	6 (PRODUCT LEVEL)	
	1	2	4I-5732	1	COVER						
	2	2	5I-8494	1	SUPPORT AS						
I	3	1	113-6518	1	HOSE AS						
	4	1	138-5708	4	CLIP-HALF						
	5	1	138-5709	2	GROMMET						
	6	1	148-4964	1	HOSE						
	7	1	173-4945	1	TUBE AS						
	8	1	173-4955	1	SUPPORT AS						
	9	1	173-4960	1	PIPE AS						
	10	1	173-4974	1	FLANGE						
	11	2	187-6754	2	PLATE						
	12	2	199-1996	4	GROMMET						
I	13	1	207-6463	1	HOSE AS						
	14	1	207-6467	1	PIPE AS						
I	15	2	207-6477	2	HOSE AS						
I	16	1	212-5531	1	HOSE AS						
	17	2	227-0630	1	BLOCK						
	18	2	227-0631	1	BLOCK						
	19	2	227-0632	4	GROMMET						
	20	1	227-0633	2	SUPPORT AS						
I	21	2	227-0634	1	HOSE AS						
I	22	2	227-0635	1	HOSE AS						
	23	2	227-0636	2	CLIP						
	24	2	227-0637	2	CLIP						
	25	2	236-3210	4	CLIP						
	26	2	236-3211	4	PLATE						
	27	2	239-1764	2	SUPPORT AS						
	28	2	245-5253	1	SUPPORT AS						
M	29	2	096-4885	2	LOCKNUT (M16X2-THD)						
M	30	1	099-0169	4	BOLT (M16X2X55-MM)						
	31	2	<i>148-8407</i>	1	PLUG AS						
		2	3J-1907	1	SEAL-O-RING						
		2	9S-4191	1	PLUG-O-RING						
	32	1,2	<i>148-8411</i>	7	PLUG AS						
					(EACH INCLUDES)						
		1,2	3K-0360	1	SEAL-O-RING						
		1,2	9S-4185	1	PLUG-O-RING						
	33	2	<i>150-3073</i>	2	PLUG AS						
					(EACH INCLUDES)						
		2	5K-9090	1	SEAL-O-RING						
		2	6V-9512	1	PLUG (1-7/16-12-THD)						
	34	2	<i>164-5616</i>	2	PLUG AS						
					(EACH INCLUDES)						
		2	2S-4078	1	SEAL-O-RING						
		2	9S-6130	1	PLUG						
	35	2	190-6064	1	U-BOLT						
	36	2	1P-3703	2	SEAL-RECTANGULAR						
	37	1,2	1P-3704	3	SEAL-RECTANGULAR						
	38	1,2	1P-3705	7	SEAL-RECTANGULAR						
	39	1	1P-5767	2	FLANGE-HALF						
	40	1,2	1P-7016	4	FLANGE-HALF						
	41	1	233-8350	4	CLAMP						
	42	1	2H-3934	2	SEAL-O-RING						
	43	2	4J-0527	1	SEAL-O-RING						
	44	1,2	5P-8077	14	FLANGE-HALF						
	45	1	6F-4718	1	SEAL-O-RING						

HYDRAULIC SYSTEM

227-0370 LINES GP - PUMP (contd.)

i02241824

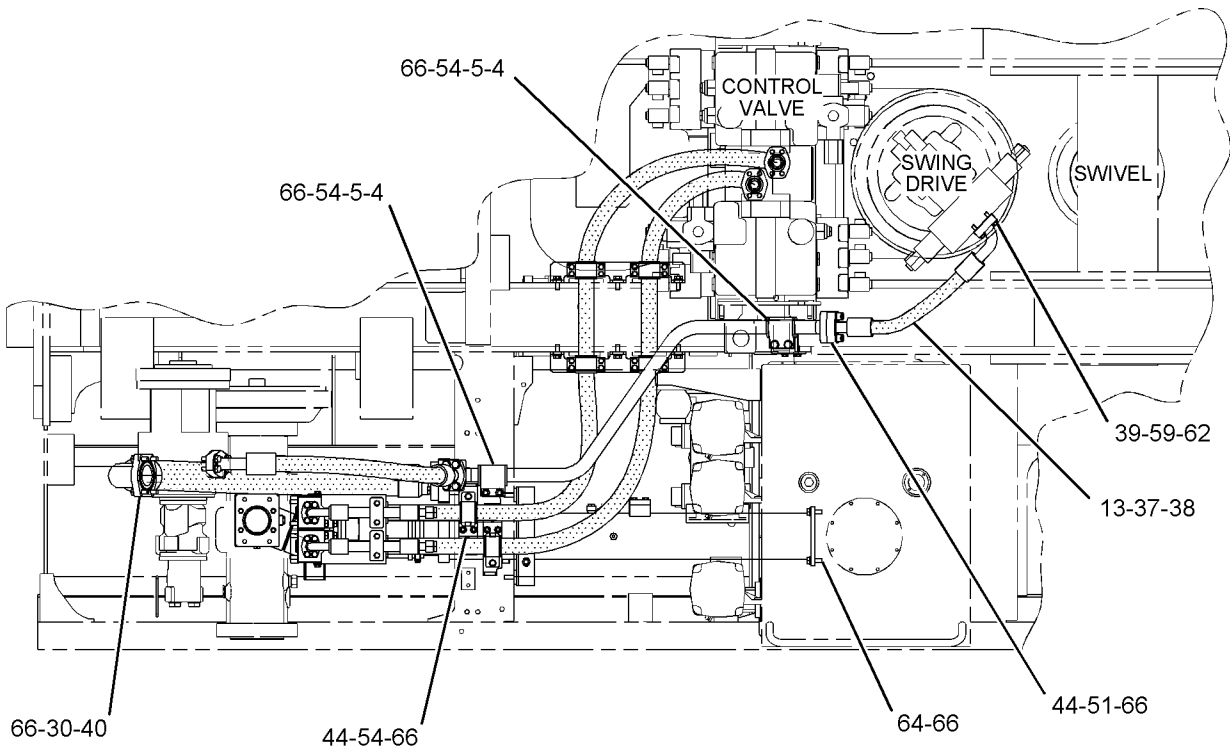
NOTE	REF NO	GRAPHIC REF	PART NUMBER	QTY	PART NAME						SEE PAGE
					1	2	3	4	5	6 (PRODUCT LEVEL)	
	46	2	6V-0400	4	FLANGE - HALF						
	47	2	6V-1574	2	GROMMET						
M	48	2	7X-2475	8	BOLT (M16X2X130-MM)						
M	49	1	7X-2553	6	BOLT (M16X2X40-MM)						
M	50	1	8T-0439	4	BOLT-SOCKET HEAD (M16X2X30-MM)						
M	51	1	8T-2393	8	BOLT-SOCKET HEAD (M16X2X60-MM)						
	52	2	8T-4121	20	WASHER-HARD (11X21X2.5-MM THK)						
M	53	1,2	8T-4139	6	BOLT (M12X1.75X30-MM)						
M	54	1,2	8T-4140	28	BOLT (M16X2X60-MM)						
M	55	2	8T-4183	2	BOLT (M12X1.75X40-MM)						
M	56	2	8T-4184	8	BOLT (M12X1.75X45-MM)						
M	57	2	8T-4192	4	BOLT (M12X1.75X25-MM)						
M	58	2	8T-4193	6	BOLT (M16X2X50-MM)						
M	59	1	8T-4194	4	BOLT (M12X1.75X50-MM)						
M	60	2	8T-4195	16	BOLT (M10X1.5X30-MM)						
M	61	2	8T-4196	4	BOLT (M10X1.5X35-MM)						
	62	1,2	8T-4223	24	WASHER-HARD (13.5X25.5X3-MM THK)						
M	63	2	8T-4956	4	BOLT (M12X1.75X35-MM)						
M	64	1	8T-7338	4	BOLT (M16X2X45-MM)						
	65	1	9M-2092	2	SEAL-O-RING						
	66	1,2	9X-8257	62	WASHER (17.5X30X3.5-MM THK)						
	67	2	111-7421	4	CAP						

I-REFER TO HYDRAULIC INFORMATION SYSTEM
M-METRIC PART

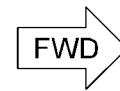
HYDRAULIC SYSTEM

227-0370 LINES GP-PUMP (contd.)

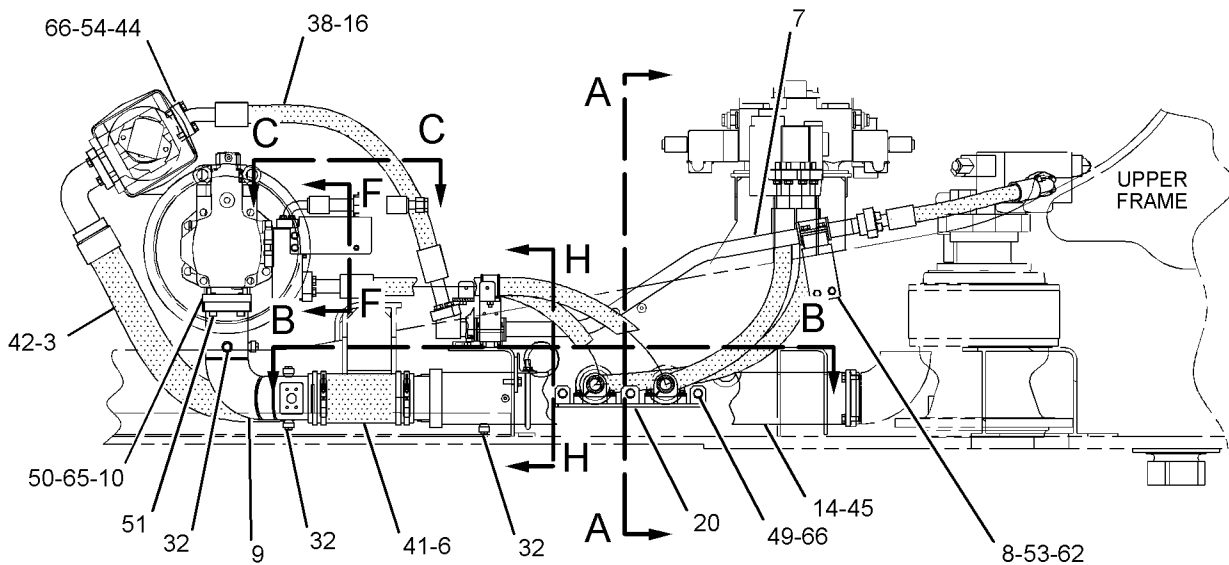
i02241824



TOP VIEW



REFER TO ALL ILLUSTRATIONS OF THIS GROUP FOR AUXILIARY VIEWS



RIGHT SIDE VIEW

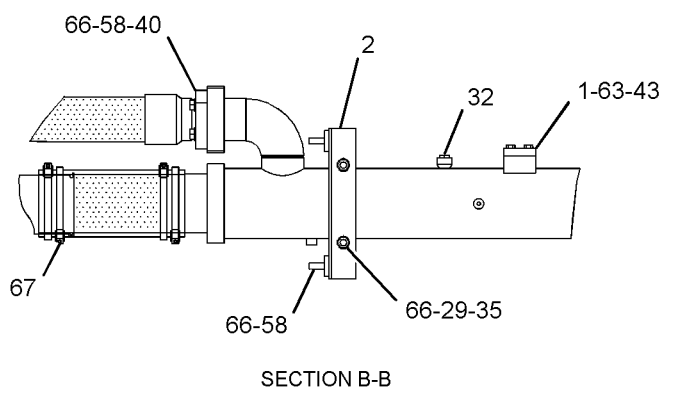
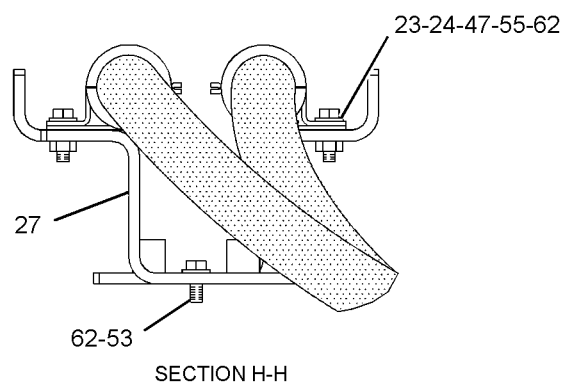
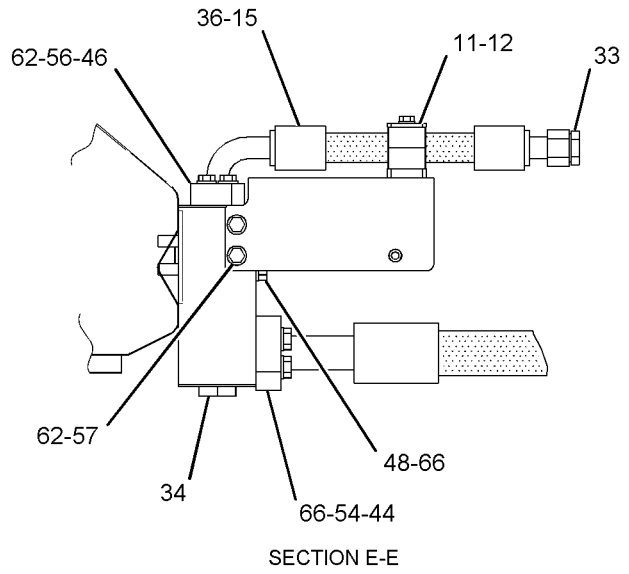
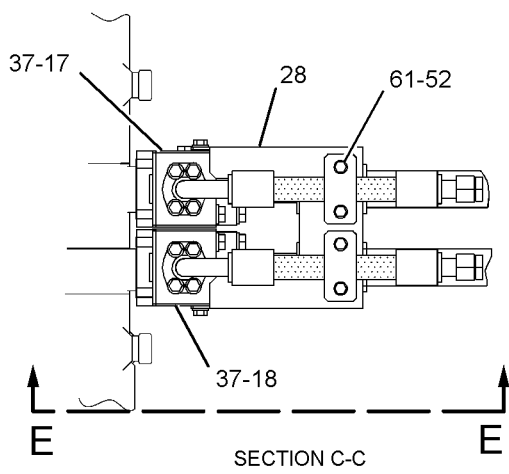
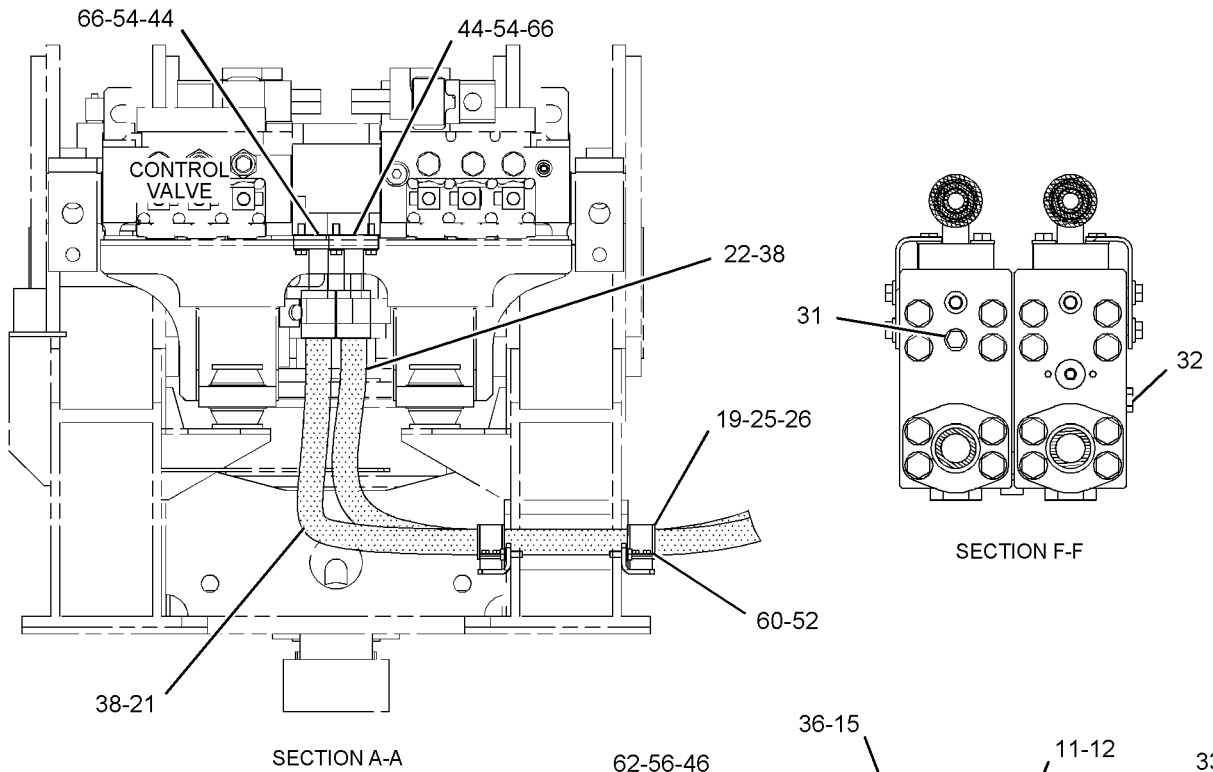
GRAPHIC #1

g01130262

HYDRAULIC SYSTEM

227-0370 LINES GP-PUMP (contd.)

i02241824



GRAPHIC #2

<END>

g01130263

HYDRAULIC SYSTEM

227-0370 LINES GP-PUMP

S/N: MMA246

PART OF 232-4126 HYDRAULIC AR

SMCS-5057

i02369232

NOTE	REF NO	GRAPHIC REF	PART NUMBER	QTY	PART NAME						SEE PAGE
					1	2	3	4	5	6 (PRODUCT LEVEL)	
	1	2	4I-5732	1	COVER						
	2	2	5I-8494	1	SUPPORT AS						
I	3	1	113-6518	1	HOSE AS						
	4	1	138-5708	4	CLIP-HALF						
	5	1	138-5709	2	GROMMET						
	6	1	148-4964	1	HOSE						
	7	1	173-4945	1	TUBE AS						
	8	1	173-4955	1	SUPPORT AS						
C	9	1	255-1950	1	TUBE AS						
	10	1	173-4974	1	FLANGE						
	11	2	187-6754	2	PLATE						
	12	2	199-1996	4	GROMMET						
I	13	1	207-6463	1	HOSE AS						
	14	1	207-6467	1	PIPE AS						
I	15	2	207-6477	2	HOSE AS						
I	16	1	212-5531	1	HOSE AS						
	17	2	227-0630	1	BLOCK						
	18	2	227-0631	1	BLOCK						
	19	2	227-0632	4	GROMMET						
	20	1	227-0633	2	SUPPORT AS						
I	21	2	227-0634	1	HOSE AS						
I	22	2	227-0635	1	HOSE AS						
	23	2	227-0636	2	CLIP						
	24	2	227-0637	2	CLIP						
	25	2	236-3210	4	CLIP						
	26	2	236-3211	4	PLATE						
	27	2	239-1764	2	SUPPORT AS						
	28	2	245-5253	1	SUPPORT AS						
M	29	2	096-4885	2	LOCKNUT (M16X2-THD)						
M	30	1	099-0169	4	BOLT (M16X2X55-MM)						
	31	2	148-8407	1	PLUG AS						
		2	3J-1907	1	SEAL-O-RING						
		2	9S-4191	1	PLUG-O-RING						
	32	1,2	148-8411	7	PLUG AS						
					(EACH INCLUDES)						
		1,2	3K-0360	1	SEAL-O-RING						
		1,2	9S-4185	1	PLUG-O-RING						
	33	2	150-3073	2	PLUG AS						
					(EACH INCLUDES)						
		2	5K-9090	1	SEAL-O-RING						
		2	6V-9512	1	PLUG (1-7/16-12-THD)						
	34	2	164-5616	2	PLUG AS						
					(EACH INCLUDES)						
		2	2S-4078	1	SEAL-O-RING						
		2	9S-6130	1	PLUG						
	35	2	190-6064	1	U-BOLT						
	36	2	1P-3703	2	SEAL-RECTANGULAR						
	37	1,2	1P-3704	3	SEAL-RECTANGULAR						
	38	1,2	1P-3705	7	SEAL-RECTANGULAR						
	39	1	1P-5767	2	FLANGE-HALF						
	40	1,2	1P-7016	4	FLANGE-HALF						
	41	1	233-8350	4	CLAMP						
	42	1	2H-3934	2	SEAL-O-RING						
	43	2	4J-0527	1	SEAL-O-RING						
	44	1,2	5P-8077	14	FLANGE-HALF						
	45	1	6F-4718	1	SEAL-O-RING						

HYDRAULIC SYSTEM

227-0370 LINES GP - PUMP (contd.)

i02369232

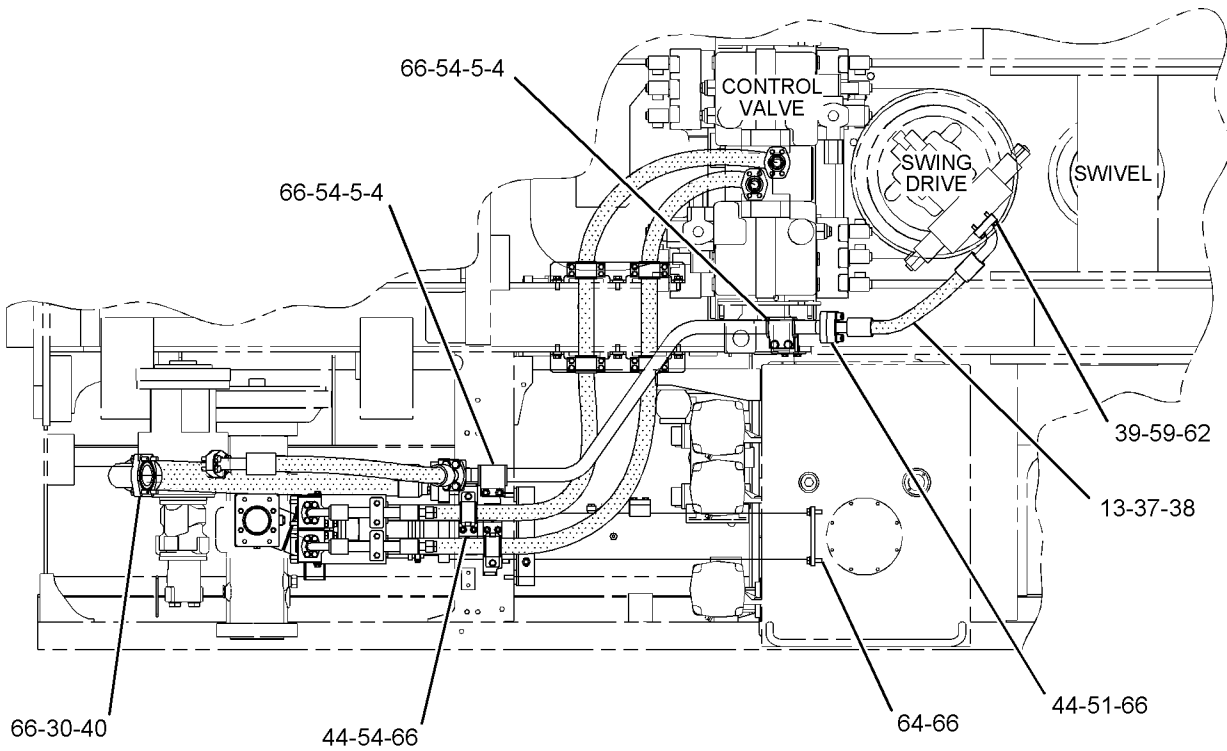
NOTE	REF NO	GRAPHIC REF	PART NUMBER	QTY	PART NAME						SEE PAGE
					1	2	3	4	5	6 (PRODUCT LEVEL)	
	46	2	6V-0400	4	FLANGE - HALF						
	47	2	6V-1574	2	GROMMET						
M	48	2	7X-2475	8	BOLT (M16X2X130-MM)						
M	49	1	7X-2553	6	BOLT (M16X2X40-MM)						
M	50	1	8T-0439	4	BOLT-SOCKET HEAD (M16X2X30-MM)						
M	51	1	8T-2393	8	BOLT-SOCKET HEAD (M16X2X60-MM)						
	52	2	8T-4121	20	WASHER-HARD (11X21X2.5-MM THK)						
M	53	1,2	8T-4139	6	BOLT (M12X1.75X30-MM)						
M	54	1,2	8T-4140	28	BOLT (M16X2X60-MM)						
M	55	2	8T-4183	2	BOLT (M12X1.75X40-MM)						
M	56	2	8T-4184	8	BOLT (M12X1.75X45-MM)						
M	57	2	8T-4192	4	BOLT (M12X1.75X25-MM)						
M	58	2	8T-4193	6	BOLT (M16X2X50-MM)						
M	59	1	8T-4194	4	BOLT (M12X1.75X50-MM)						
M	60	2	8T-4195	16	BOLT (M10X1.5X30-MM)						
M	61	2	8T-4196	4	BOLT (M10X1.5X35-MM)						
	62	1,2	8T-4223	24	WASHER-HARD (13.5X25.5X3-MM THK)						
M	63	2	8T-4956	4	BOLT (M12X1.75X35-MM)						
M	64	1	8T-7338	4	BOLT (M16X2X45-MM)						
	65	1	9M-2092	2	SEAL-O-RING						
	66	1,2	9X-8257	62	WASHER (17.5X30X3.5-MM THK)						
C	67	2	8C-0620	4	PROTECTOR-THREAD						

C-CHANGE FROM PREVIOUS TYPE
 I-REFER TO HYDRAULIC INFORMATION SYSTEM
 M-METRIC PART

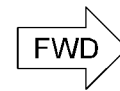
HYDRAULIC SYSTEM

227-0370 LINES GP-PUMP (contd.)

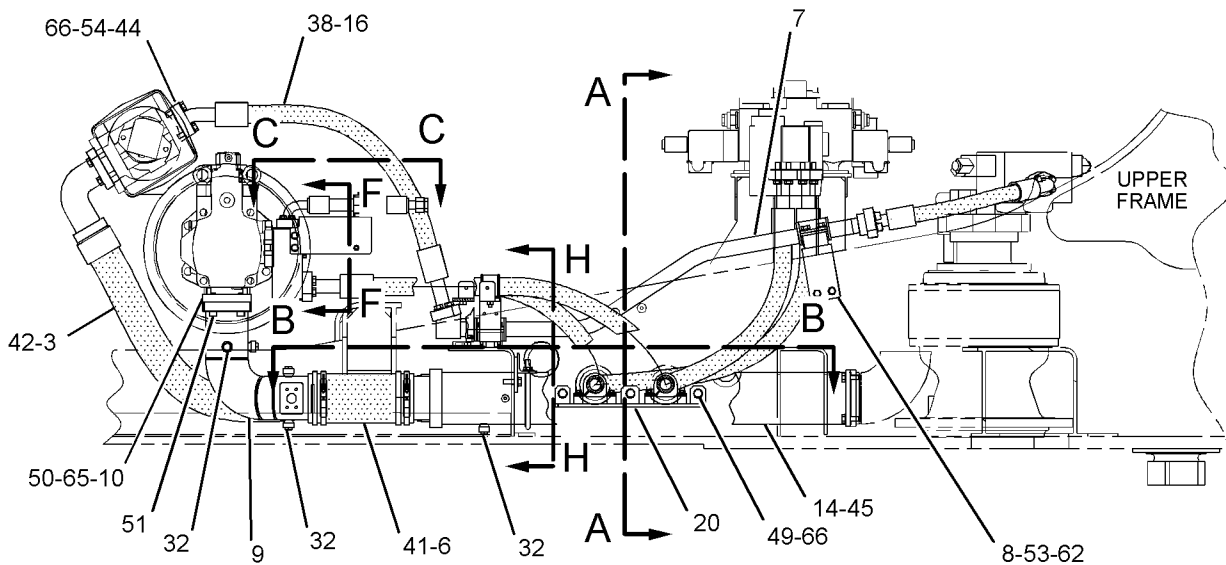
i02369232



TOP VIEW



REFER TO ALL ILLUSTRATIONS OF THIS GROUP FOR AUXILIARY VIEWS



RIGHT SIDE VIEW

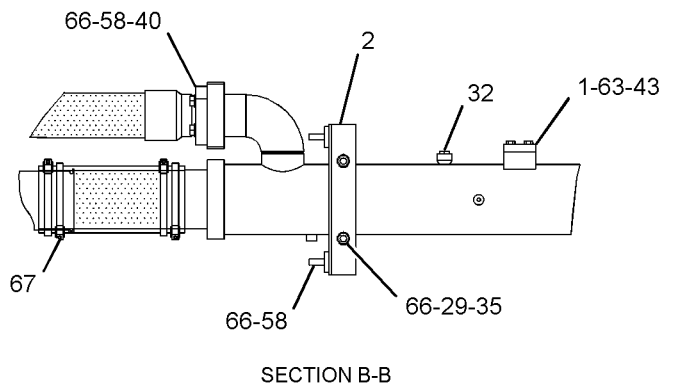
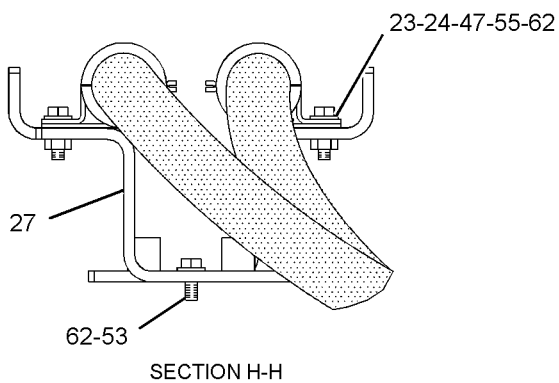
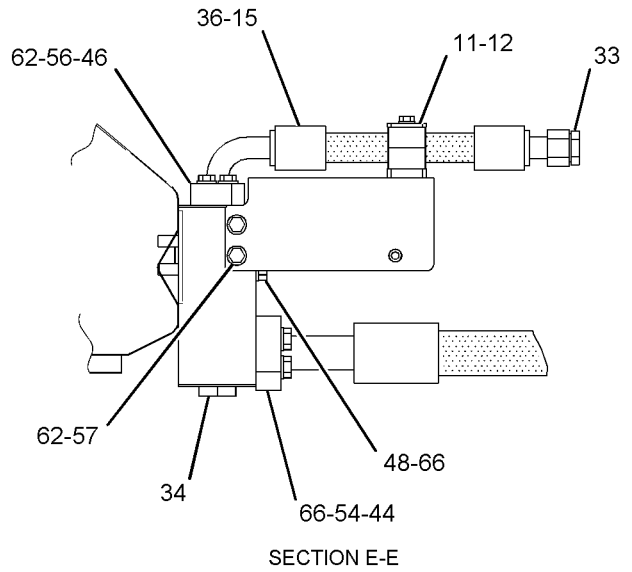
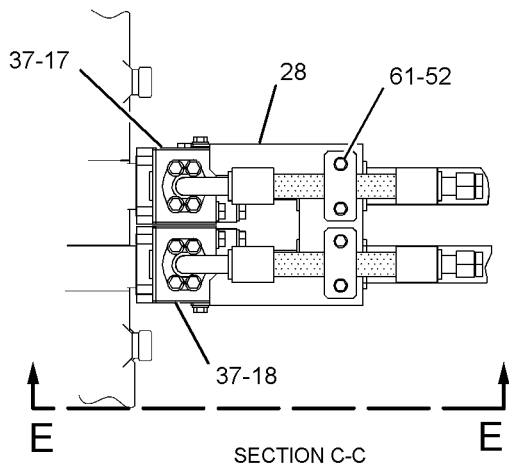
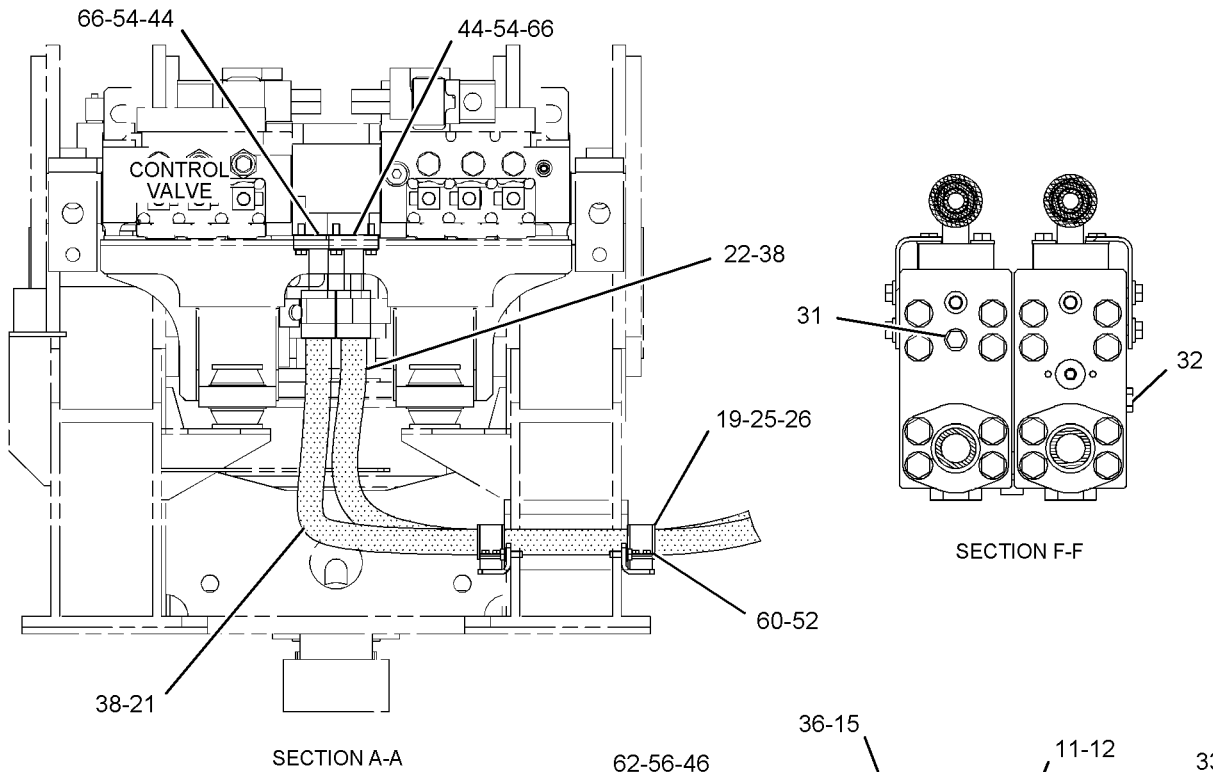
GRAPHIC #1

g01130262

HYDRAULIC SYSTEM

227-0370 LINES GP-PUMP (contd.)

i02369232



GRAPHIC #2

<END>

g01130263

HYDRAULIC SYSTEM

227-0370 LINES GP-PUMP

S/N: MMA247-UP

PART OF 232-4126 HYDRAULIC AR

SMCS-5057

i02974009

NOTE	REF NO	GRAPHIC REF	PART NUMBER	QTY	PART NAME						SEE PAGE
					1	2	3	4	5	6 (PRODUCT LEVEL)	
	1	2	4I-5732	1	COVER						
	2	2	5I-8494	1	SUPPORT AS						
I	3	1	113-6518	1	HOSE AS						
	4	1	138-5708	4	CLIP-HALF						
	5	1	138-5709	2	GROMMET						
	6	1	148-4964	1	HOSE						
	7	1	314-8099	1	TUBE AS						
	8	1	173-4955	1	SUPPORT AS						
	9	1	255-1950	1	TUBE AS						
	10	1	173-4974	1	FLANGE						
	11	2	187-6754	2	PLATE						
	12	2	199-1996	4	GROMMET						
I	13	1	207-6463	1	HOSE AS						
	14	1	207-6467	1	PIPE AS						
I	15	2	207-6477	2	HOSE AS						
I	16	1	212-5531	1	HOSE AS						
C	17	2	275-1748	1	BLOCK						
	18	2	227-0631	1	BLOCK						
	19	2	227-0632	4	GROMMET						
	20	1	227-0633	2	SUPPORT AS						
I	21	2	227-0634	1	HOSE AS						
I	22	2	227-0635	1	HOSE AS						
	23	2	227-0636	2	CLIP						
	24	2	227-0637	2	CLIP						
	25	2	236-3210	4	CLIP						
	26	2	236-3211	4	PLATE						
	27	2	239-1764	2	SUPPORT AS						
	28	2	319-9778	1	SUPPORT AS						
M	29	2	096-4885	2	LOCKNUT (M16X2-THD)						
M	30	1	099-0169	4	BOLT (M16X2X55-MM)						
	31	2	<i>148-8407</i>	1	PLUG AS						
		2	3J-1907	1	SEAL-O-RING						
		2	9S-4191	1	PLUG-O-RING						
	32	1,2	<i>148-8411</i>	7	PLUG AS						
					(EACH INCLUDES)						
		1,2	3K-0360	1	SEAL-O-RING						
		1,2	9S-4185	1	PLUG-O-RING						
	33	2	<i>150-3073</i>	2	PLUG AS						
					(EACH INCLUDES)						
		2	5K-9090	1	SEAL-O-RING						
		2	6V-9512	1	PLUG (1-7/16-12-THD)						
	34	2	<i>164-5616</i>	2	PLUG AS						
					(EACH INCLUDES)						
		2	2S-4078	1	SEAL-O-RING						
		2	9S-6130	1	PLUG						
	35	2	190-6064	1	U-BOLT						
	36	2	1P-3703	2	SEAL-RECTANGULAR						
	37	1,2	1P-3704	3	SEAL-RECTANGULAR						
	38	1,2	1P-3705	7	SEAL-RECTANGULAR						
	39	1	1P-5767	2	FLANGE-HALF						
	40	1,2	1P-7016	4	FLANGE-HALF						
	41	1	3E-7424	4	CLAMP-HOSE						
	42	1	2H-3934	2	SEAL-O-RING						
	43	2	4J-0527	1	SEAL-O-RING						
	44	1,2	5P-8077	14	FLANGE-HALF						
	45	1	6F-4718	1	SEAL-O-RING						

HYDRAULIC SYSTEM

227-0370 LINES GP - PUMP (contd.)

i02974009

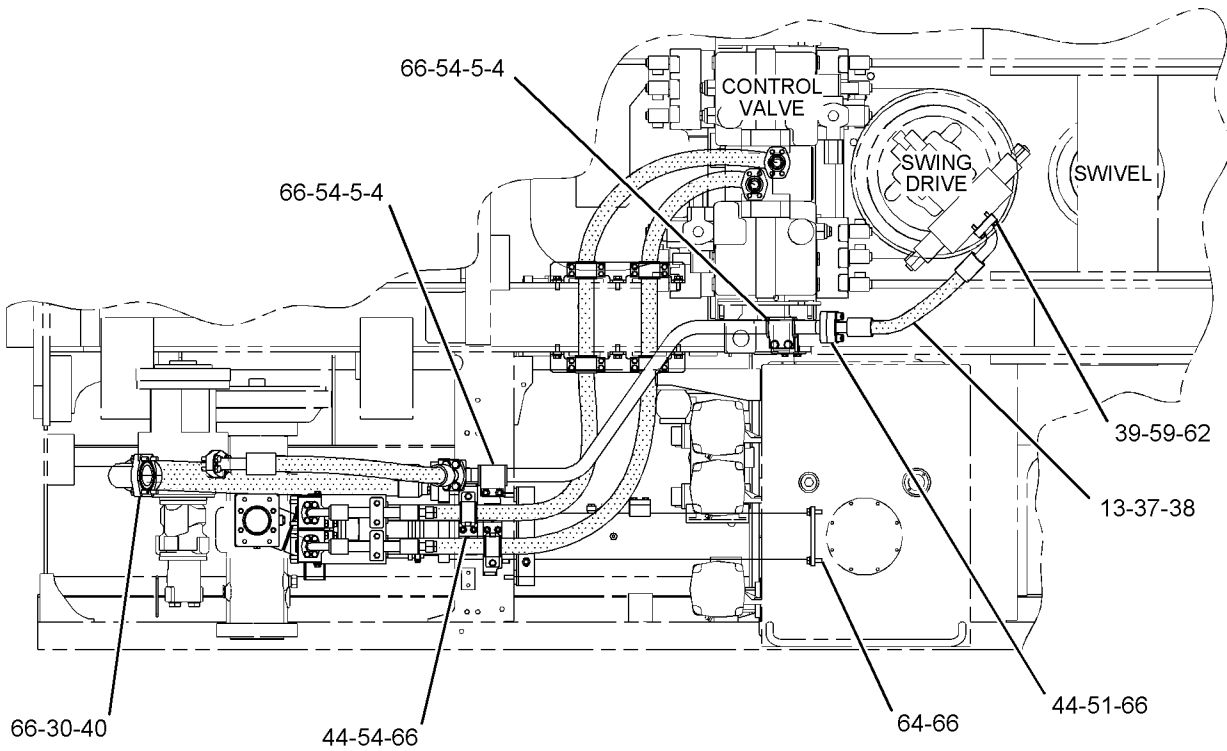
NOTE	REF NO	GRAPHIC REF	PART NUMBER	QTY	PART NAME						SEE PAGE
					1	2	3	4	5	6 (PRODUCT LEVEL)	
	46	2	6V-0400	4	FLANGE - HALF						
	47	2	6V-1574	2	GROMMET						
M	48	2	7X-2475	8	BOLT (M16X2X130-MM)						
M	49	1	7X-2553	6	BOLT (M16X2X40-MM)						
M	50	1	8T-0439	4	BOLT-SOCKET HEAD (M16X2X30-MM)						
M	51	1	8T-2393	8	BOLT-SOCKET HEAD (M16X2X60-MM)						
	52	2	8T-4121	20	WASHER-HARD (11X21X2.5-MM THK)						
M	53	1,2	8T-4139	6	BOLT (M12X1.75X30-MM)						
M	54	1,2	8T-4140	28	BOLT (M16X2X60-MM)						
M	55	2	8T-4183	2	BOLT (M12X1.75X40-MM)						
M	56	2	8T-4184	8	BOLT (M12X1.75X45-MM)						
M	57	2	8T-4192	4	BOLT (M12X1.75X25-MM)						
M	58	2	8T-4193	6	BOLT (M16X2X50-MM)						
M	59	1	8T-4194	4	BOLT (M12X1.75X50-MM)						
M	60	2	8T-4195	16	BOLT (M10X1.5X30-MM)						
M	61	2	8T-4196	4	BOLT (M10X1.5X35-MM)						
	62	1,2	8T-4223	24	WASHER-HARD (13.5X25.5X3-MM THK)						
M	63	2	8T-4956	4	BOLT (M12X1.75X35-MM)						
M	64	1	8T-7338	4	BOLT (M16X2X45-MM)						
	65	1	9M-2092	2	SEAL-O-RING						
	66	1,2	9X-8257	62	WASHER (17.5X30X3.5-MM THK)						

C-CHANGE FROM PREVIOUS TYPE
I-REFER TO HYDRAULIC INFORMATION SYSTEM
M-METRIC PART

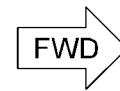
HYDRAULIC SYSTEM

227-0370 LINES GP-PUMP (contd.)

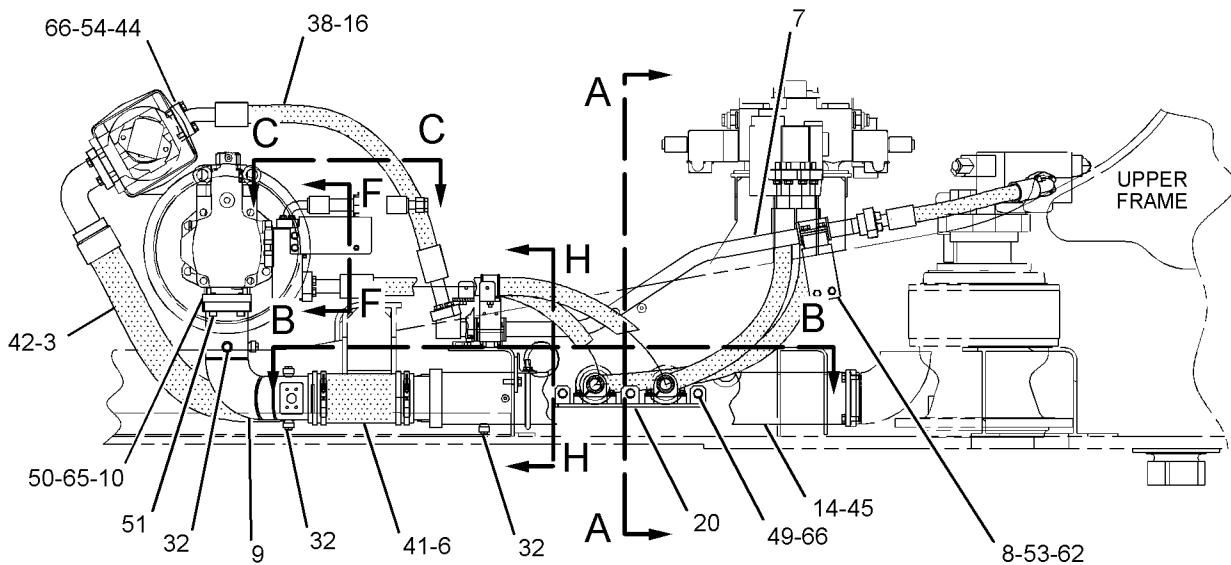
i02974009



TOP VIEW



REFER TO ALL ILLUSTRATIONS OF THIS GROUP FOR AUXILIARY VIEWS



RIGHT SIDE VIEW

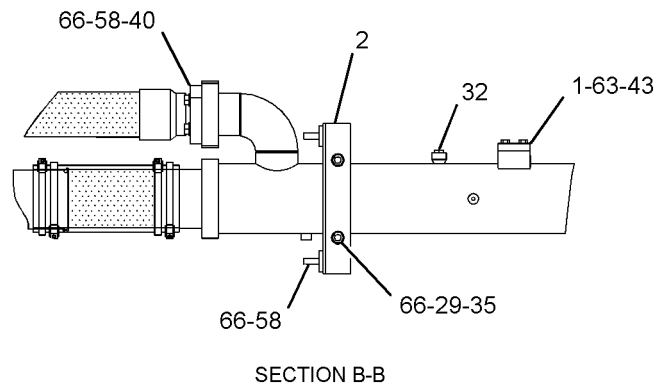
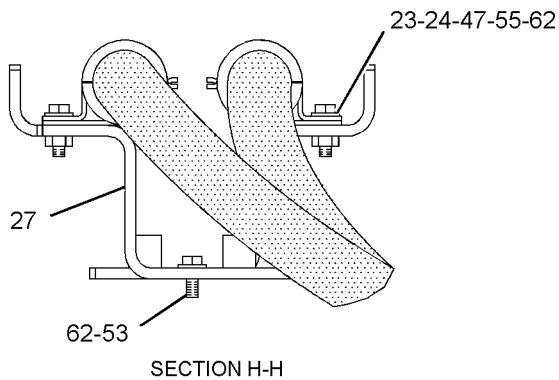
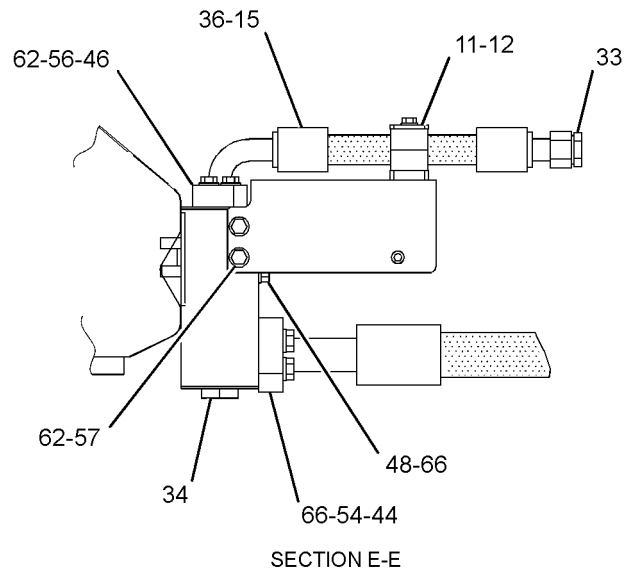
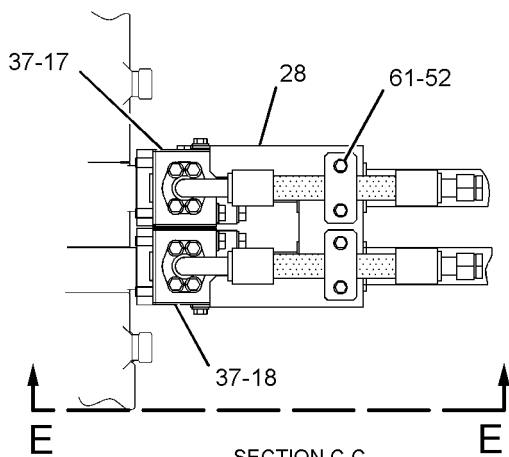
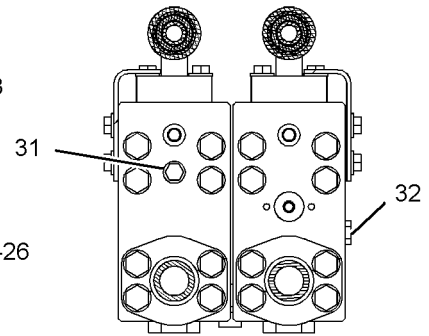
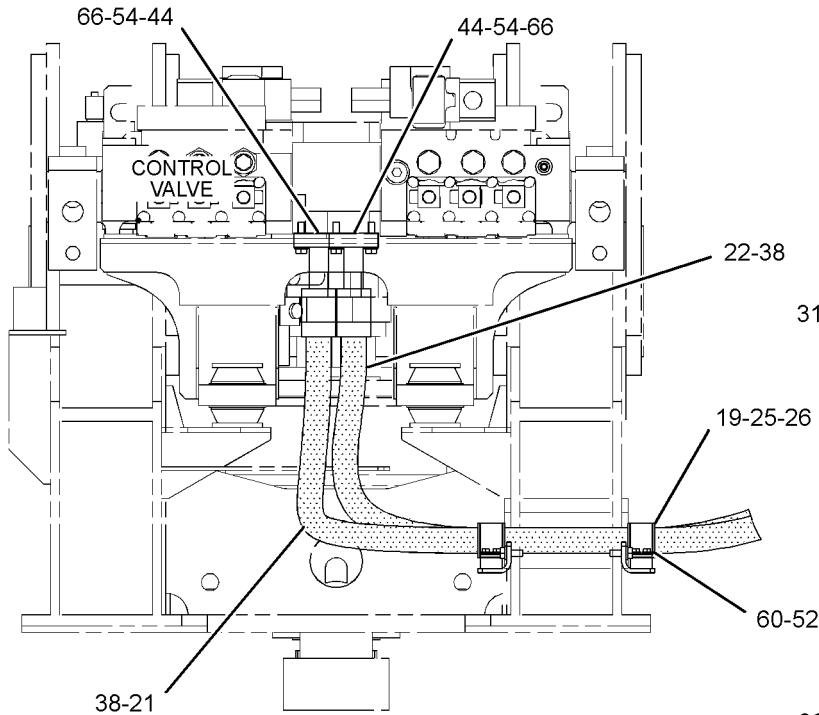
GRAPHIC #1

g01130262

HYDRAULIC SYSTEM

227-0370 LINES GP-PUMP (contd.)

i02974009



GRAPHIC #2

<END>

g01343472

HYDRAULIC SYSTEM

260-7949 LINES GP-RETURN & FILTER

S/N: MMA1-244

PART OF 232-4126 HYDRAULIC AR

SMCS-5057

i03625857

NOTE	REF NO	GRAPHIC REF	PART NUMBER	QTY	PART NAME 1 2 3 4 5 6 (PRODUCT LEVEL)	SEE PAGE
	1	2	7K-1181	1	STRAP - CABLE	
	2	1	087-5729	1	BLOCK	
M	3	2	101-7398	4	BOLT-SOCKET HEAD (M10X1.5X40-MM)	
	4	1	111-7421	4	CAP	
I	5	1	119-2652	2	HOSE AS	
I	6	2	141-1293	1	HOSE AS	
	7	2	148-4787	1	BLOCK	
	8	1,2	152-9521	2	FLANGE	
	9	1,2	152-9522	2	COVER	
	10	2	173-4929	1	PIPE AS	
	11	1,2	173-4939	2	FLANGE	
	12	1	173-4979	1	HOSE AS	
	13	1	173-4991	1	HOSE AS	
I	14	1	187-5762	1	HOSE AS	
	15	2	192-6815	1	PIPE AS	
I	16	2	194-0248	1	HOSE AS	
	17	1	199-2025	1	PIPE AS	
Y	18	2	201-9381	1	VALVE GP-CHECK (RETURN THROUGH COOLER)	859
Y	19	2	201-9382	1	VALVE GP-CHECK (RETURN)	861
I	20	2	204-8298	1	HOSE AS	
	21	1	204-8334	1	SUPPORT AS	
I	22	2	207-6272	1	HOSE AS	
	23	1	207-6553	1	FLANGE	
	24	1	209-4575	4	CLAMP	
	25	1,2	212-5452	2	HOSE AS	
	26	1	212-5473	1	BLOCK	
	27	1,2	212-5595	8	SPACER (13.5X30X6-MM THK)	
Y	28	2	215-4905	1	ACCUMULATOR GP-HYDRAULIC (CHARGED)	604
	29	2	218-1038	1	FLANGE	
	30	2	218-1039	1	SUPPORT AS	
	31	2	218-1042	1	HOSE AS	
	32	1	221-4872	2	HOSE	
	33	1	221-4967	1	HOSE AS	
	34	1	227-0613	1	TUBE AS	
	35	1	227-0626	1	TUBE AS	
	36	1	227-0628	1	TUBE AS	
	37	1	239-1768	1	SUPPORT	
	38	1	239-1967	1	SUPPORT AS	
	39	1	239-1976	1	TUBE AS	
M	40	1,2	101-7402	12	BOLT-SOCKET HEAD (M12X1.75X30-MM)	
M	41	1,2	108-1781	8	BOLT-SOCKET HEAD (M12X1.75X35-MM)	
	42	1,2	148-8335	2	CONNECTOR AS	
					(EACH INCLUDES)	
		1,2	5K-9090	1	SEAL-O-RING	
		1,2	6V-8635	1	CONNECTOR	
		1,2	7M-8485	1	SEAL-O-RING	
	43	1,2	148-8340	2	CONNECTOR AS	
					(EACH INCLUDES)	
		1,2	3K-0360	1	SEAL-O-RING	
		1,2	6V-8398	1	SEAL-O-RING	
		1,2	6V-8639	1	CONNECTOR	
	44	1	148-8352	1	ELBOW AS	
		1	5K-9090	1	SEAL-O-RING	
		1	6V-9854	1	ELBOW	
	45	1	148-8359	2	ELBOW AS	
					(EACH INCLUDES)	

HYDRAULIC SYSTEM

260-7949 LINES GP-RETURN & FILTER (contd.)

i03625857

NOTE	REF NO	GRAPHIC REF	PART NUMBER	QTY	PART NAME						SEE PAGE
					1	2	3	4	5	6 (PRODUCT LEVEL)	
		1	3K-0360	1	SEAL-O-RING						
		1	6V-9746	1	SEAL-O-RING						
		1	6V-9877	1	ELBOW						
	46	1,2	148-8364	2	ELBOW AS						
					(EACH INCLUDES)						
		1,2	3K-0360	1	SEAL-O-RING						
		1,2	6V-8398	1	SEAL-O-RING						
		1,2	6V-8625	1	ELBOW						
	47	2	148-8422	1	TEE AS						
		2	5K-9090	1	SEAL-O-RING						
		2	6V-9746	1	SEAL-O-RING						
		2	7M-8485	1	SEAL-O-RING						
		2	8T-6356	1	TEE-O-RING PORT						
	48	2	148-8429	1	TEE AS						
		2	5K-9090	2	SEAL-O-RING						
		2	6V-9840	1	TEE-SWIVEL						
	49	2	150-3072	2	PLUG AS						
					(EACH INCLUDES)						
		2	6V-8398	1	SEAL-O-RING						
		2	6V-9509	1	PLUG (13/16-16-THD)						
	50	1	150-4033	1	TEE AS						
		1	6V-9746	2	SEAL-O-RING						
		1	6V-9846	1	TEE-SWIVEL						
	51	2	164-5616	1	PLUG AS						
		2	2S-4078	1	SEAL-O-RING						
		2	9S-6130	1	PLUG						
	52	1	164-6858	1	TEE AS						
		1	5K-9090	2	SEAL-O-RING						
		1	6V-8778	1	TEE-FACE SEAL						
		1	7M-8485	1	SEAL-O-RING						
	53	1,2	1P-4578	6	FLANGE-HALF						
	54	1,2	1P-4582	16	FLANGE-HALF						
	55	2	4D-7388	2	CLIP						
	56	1,2	4J-0522	5	SEAL-O-RING						
	57	1	4J-0524	1	SEAL-O-RING						
	58	1,2	4J-0527	17	SEAL-O-RING						
	59	1	5P-1076	4	WASHER-HARD (13.5X30X4-MM THK)						
	60	1,2	5P-7468	3	CLIP (SLOT)						
	61	1,2	5P-7469	3	CLIP (TAB)						
	62	2	6D-4246	4	CLIP						
	63	2	6F-6405	2	SPACER (0.438X0.75X0.375-IN THK)						
	64	1,2	6J-2680	7	SEAL-O-RING						
M	65	1	7X-2549	4	BOLT (M12X1.75X100-MM)						
M	66	2	7X-2550	4	BOLT (M12X1.75X110-MM)						
M	67	1	7Y-5247	2	U-BOLT						
M	68	2	7Y-5250	2	U-BOLT						
	69	1,2	8T-4121	22	WASHER-HARD (11X21X2.5-MM THK)						
M	70	2	8T-4132	4	NUT (M16X2-THD)						
M	71	1	8T-4133	4	NUT (M10X1.5-THD)						
M	72	2	8T-4136	2	BOLT (M10X1.5X25-MM)						
M	73	2	8T-4137	4	BOLT (M10X1.5X20-MM)						
M	74	1	8T-4139	8	BOLT (M12X1.75X30-MM)						
M	75	1,2	8T-4183	30	BOLT (M12X1.75X40-MM)						
M	76	1	8T-4192	1	BOLT (M12X1.75X25-MM)						
M	77	1,2	8T-4196	12	BOLT (M10X1.5X35-MM)						
M	78	2	8T-4198	4	BOLT (M10X1.5X100-MM)						
	79	1,2	8T-4223	47	WASHER-HARD (13.5X25.5X3-MM THK)						
M	80	1,2	8T-4956	12	BOLT (M12X1.75X35-MM)						
M	81	1,2	8T-5092	8	BOLT (M12X1.75X150-MM)						

HYDRAULIC SYSTEM

260-7949 LINES GP-RETURN & FILTER (contd.)

i03625857

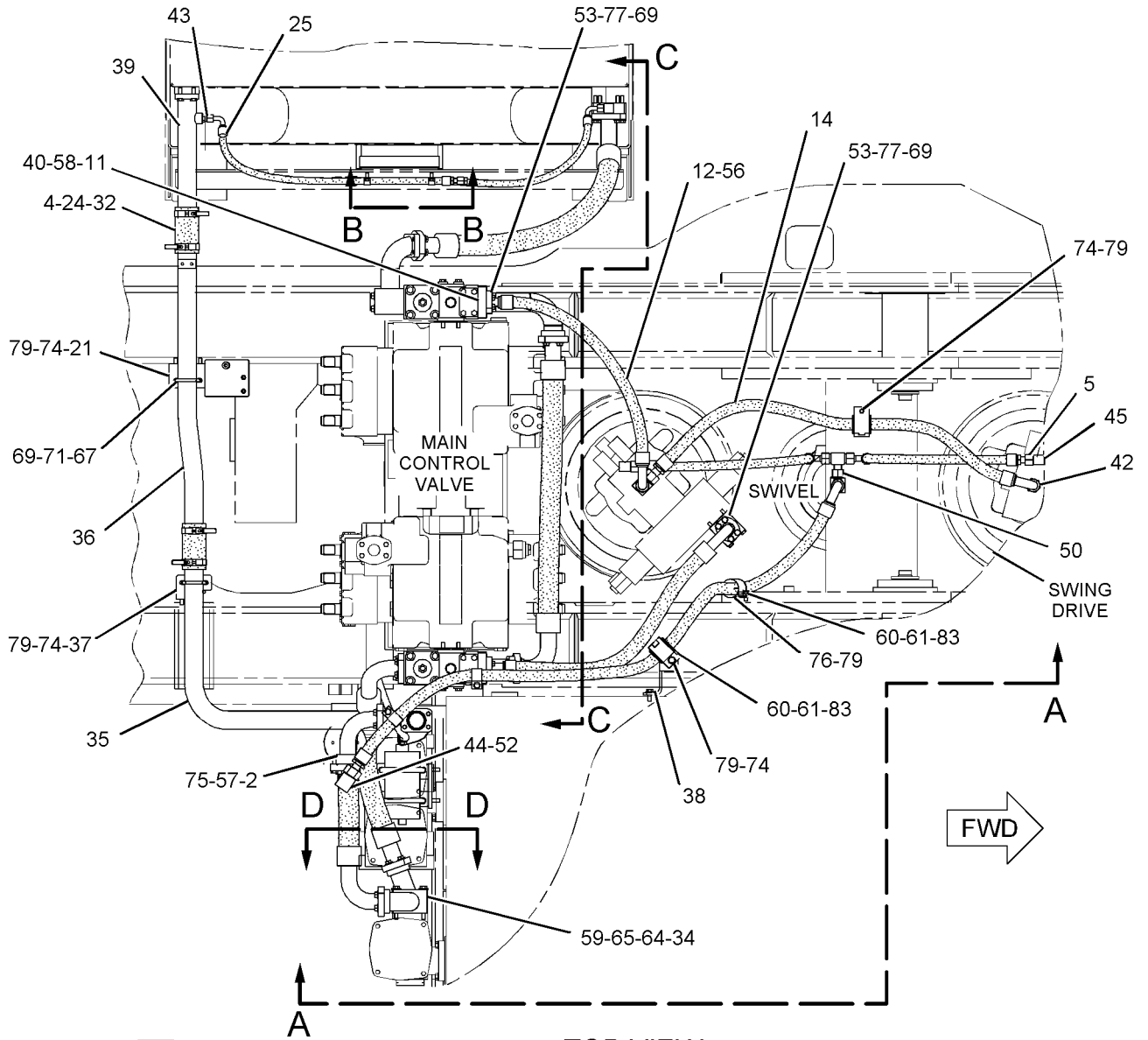
NOTE	REF NO	GRAPHIC REF	PART NUMBER	QTY	PART NAME						SEE PAGE
					1	2	3	4	5	6 (PRODUCT LEVEL)	
M	82	1	8T-6868	4	BOLT (M12X1.75X80-MM)						
	83	1,2	8T-7087	3	GROMMET						
	84	2	9X-8257	4	WASHER (17.5X30X3.5-MM THK)						

I-REFER TO HYDRAULIC INFORMATION SYSTEM
M-METRIC PART
Y-SEPARATE ILLUSTRATION

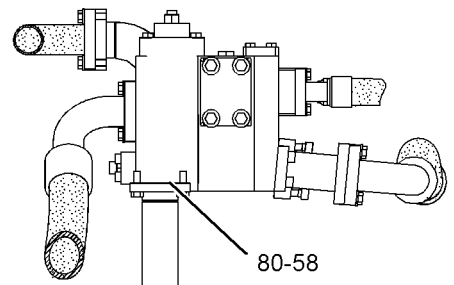
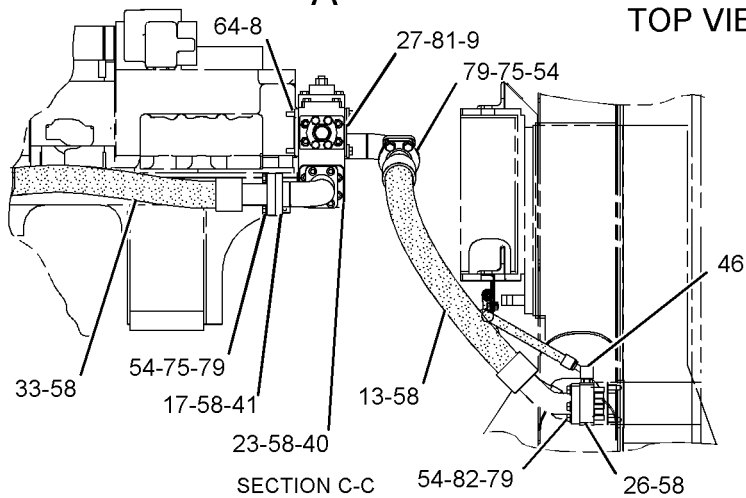
HYDRAULIC SYSTEM

260-7949 LINES GP-RETURN & FILTER (contd.)

i03625857



TOP VIEW



SECTION D-D

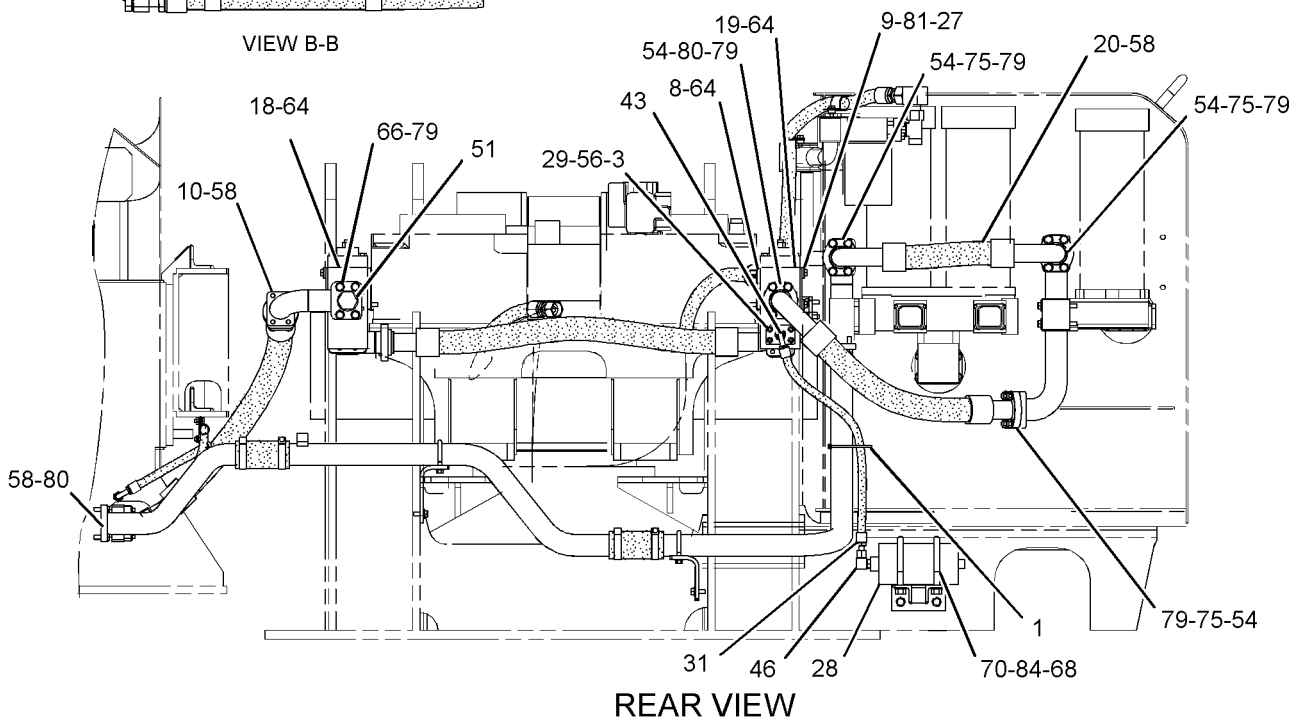
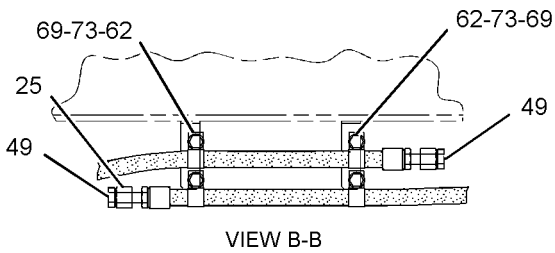
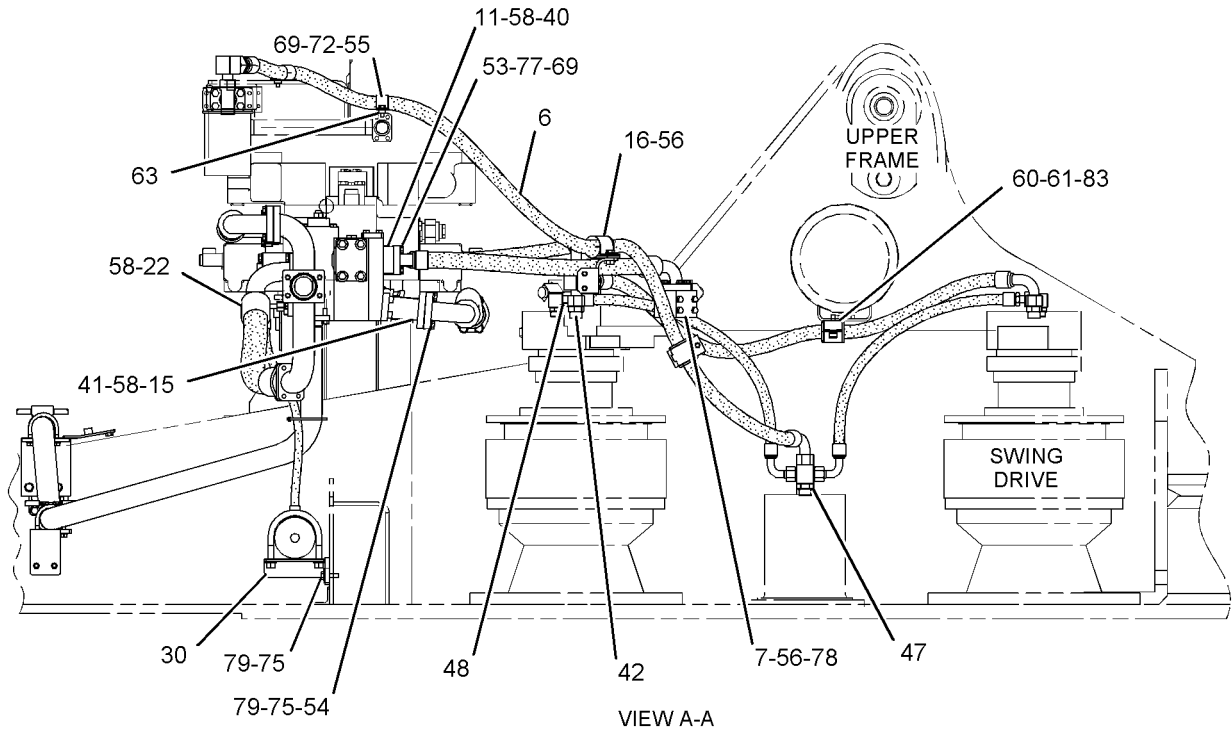
GRAPHIC #1

g01130290

HYDRAULIC SYSTEM

260-7949 LINES GP-RETURN & FILTER (contd.)

i03625857



GRAPHIC #2

<END>

g01130291

HYDRAULIC SYSTEM

260-7949 LINES GP-RETURN & FILTER

S/N: MMA246-251

PART OF 232-4126 HYDRAULIC AR

SMCS-5057

i03625860

NOTE	REF NO	GRAPHIC REF	PART NUMBER	QTY	PART NAME 1 2 3 4 5 6 (PRODUCT LEVEL)	SEE PAGE
	1	2	7K-1181	1	STRAP-CABLE	
	2	1	087-5729	1	BLOCK	
M	3	2	101-7398	4	BOLT-SOCKET HEAD (M10X1.5X40-MM)	
	4	1	111-7421	4	CAP	
I	5	1	119-2652	2	HOSE AS	
I	6	2	141-1293	1	HOSE AS	
	7	2	148-4787	1	BLOCK	
	8	1,2	152-9521	2	FLANGE	
	9	1,2	152-9522	2	COVER	
	10	2	173-4929	1	PIPE AS	
	11	1,2	173-4939	2	FLANGE	
	12	1	173-4979	1	HOSE AS	
	13	1	173-4991	1	HOSE AS	
I	14	1	187-5762	1	HOSE AS	
C	15	2	192-6815	2	PIPE AS	
I	16	2	194-0248	1	HOSE AS	
	17	2	9X-8257	4	WASHER (17.5X30X3.5-MM THK)	
Y	18	2	201-9381	1	VALVE GP-CHECK (RETURN THROUGH COOLER)	859
Y	19	2	201-9382	1	VALVE GP-CHECK (RETURN)	861
I	20	2	204-8298	1	HOSE AS	
	21	1	204-8334	1	SUPPORT AS	
I	22	2	207-6272	1	HOSE AS	
	23	1,2	8T-7087	3	GROMMET	
	24	1	209-4575	4	CLAMP	
	25	1,2	212-5452	2	HOSE AS	
	26	1	212-5473	1	BLOCK	
	27	1,2	212-5595	8	SPACER (13.5X30X6-MM THK)	
Y	28	2	215-4905	1	ACCUMULATOR GP-HYDRAULIC (CHARGED)	604
	29	2	218-1038	1	FLANGE	
	30	2	218-1039	1	SUPPORT AS	
	31	2	218-1042	1	HOSE AS	
	32	1	221-4872	2	HOSE	
CI	33	1	7Y-4154	1	HOSE AS	
	34	1	227-0613	1	TUBE AS	
	35	1	227-0626	1	TUBE AS	
	36	1	227-0628	1	TUBE AS	
	37	1	239-1768	1	SUPPORT	
	38	1	239-1967	1	SUPPORT AS	
	39	1	239-1976	1	TUBE AS	
CM	40	1,2	101-7402	8	BOLT-SOCKET HEAD (M12X1.75X30-MM)	
M	41	2	108-1781	8	BOLT-SOCKET HEAD (M12X1.75X35-MM)	
	42	1,2	148-8335	2	CONNECTOR AS (EACH INCLUDES)	
		1,2	5K-9090	1	SEAL-O-RING	
		1,2	6V-8635	1	CONNECTOR	
		1,2	7M-8485	1	SEAL-O-RING	
	43	1,2	148-8340	2	CONNECTOR AS (EACH INCLUDES)	
		1,2	3K-0360	1	SEAL-O-RING	
		1,2	6V-8398	1	SEAL-O-RING	
		1,2	6V-8639	1	CONNECTOR	
	44	1	148-8352	1	ELBOW AS	
		1	5K-9090	1	SEAL-O-RING	
		1	6V-9854	1	ELBOW	
	45	1	148-8359	2	ELBOW AS (EACH INCLUDES)	

HYDRAULIC SYSTEM

260-7949 LINES GP-RETURN & FILTER (contd.)

i03625860

NOTE	REF NO	GRAPHIC REF	PART NUMBER	QTY	PART NAME						SEE PAGE
					1	2	3	4	5	6 (PRODUCT LEVEL)	
		1	3K-0360	1	SEAL-O-RING						
		1	6V-9746	1	SEAL-O-RING						
		1	6V-9877	1	ELBOW						
	46	1,2	148-8364	2	ELBOW AS						
					(EACH INCLUDES)						
		1,2	3K-0360	1	SEAL-O-RING						
		1,2	6V-8398	1	SEAL-O-RING						
		1,2	6V-8625	1	ELBOW						
	47	2	148-8422	1	TEE AS						
		2	5K-9090	1	SEAL-O-RING						
		2	6V-9746	1	SEAL-O-RING						
		2	7M-8485	1	SEAL-O-RING						
		2	8T-6356	1	TEE-O-RING PORT						
	48	2	148-8429	1	TEE AS						
		2	5K-9090	2	SEAL-O-RING						
		2	6V-9840	1	TEE-SWIVEL						
	49	2	150-3072	2	PLUG AS						
					(EACH INCLUDES)						
		2	6V-8398	1	SEAL-O-RING						
		2	6V-9509	1	PLUG (13/16-16-THD)						
	50	1	150-4033	1	TEE AS						
		1	6V-9746	2	SEAL-O-RING						
		1	6V-9846	1	TEE-SWIVEL						
	51	2	164-5616	1	PLUG AS						
		2	2S-4078	1	SEAL-O-RING						
		2	9S-6130	1	PLUG						
	52	1	164-6858	1	TEE AS						
		1	5K-9090	2	SEAL-O-RING						
		1	6V-8778	1	TEE-FACE SEAL						
		1	7M-8485	1	SEAL-O-RING						
	53	1,2	1P-4578	6	FLANGE-HALF						
	54	1,2	1P-4582	16	FLANGE-HALF						
	55	2	4D-7388	2	CLIP						
	56	1,2	4J-0522	5	SEAL-O-RING						
	57	1	4J-0524	1	SEAL-O-RING						
C	58	1,2	4J-0527	16	SEAL-O-RING						
	59	1	5P-1076	4	WASHER-HARD (13.5X30X4-MM THK)						
	60	1,2	5P-7468	3	CLIP (SLOT)						
	61	1,2	5P-7469	3	CLIP (TAB)						
	62	2	6D-4246	4	CLIP						
	63	2	6F-6405	2	SPACER (0.438X0.75X0.375-IN THK)						
	64	1,2	6J-2680	7	SEAL-O-RING						
M	65	1	7X-2549	4	BOLT (M12X1.75X100-MM)						
M	66	2	7X-2550	4	BOLT (M12X1.75X110-MM)						
M	67	1	7Y-5247	2	U-BOLT						
M	68	2	7Y-5250	2	U-BOLT						
	69	1,2	8T-4121	22	WASHER-HARD (11X21X2.5-MM THK)						
M	70	2	8T-4132	4	NUT (M16X2-THD)						
M	71	1	8T-4133	4	NUT (M10X1.5-THD)						
M	72	2	8T-4136	2	BOLT (M10X1.5X25-MM)						
M	73	2	8T-4137	4	BOLT (M10X1.5X20-MM)						
M	74	1	8T-4139	8	BOLT (M12X1.75X30-MM)						
M	75	1,2	8T-4183	30	BOLT (M12X1.75X40-MM)						
M	76	1	8T-4192	1	BOLT (M12X1.75X25-MM)						
M	77	1,2	8T-4196	12	BOLT (M10X1.5X35-MM)						
M	78	2	8T-4198	4	BOLT (M10X1.5X100-MM)						
	79	1,2	8T-4223	47	WASHER-HARD (13.5X25.5X3-MM THK)						
M	80	1,2	8T-4956	12	BOLT (M12X1.75X35-MM)						
M	81	1,2	8T-5092	8	BOLT (M12X1.75X150-MM)						
M	82	1	8T-6868	4	BOLT (M12X1.75X80-MM)						

HYDRAULIC SYSTEM

260-7949 LINES GP-RETURN & FILTER (contd.)

i03625860

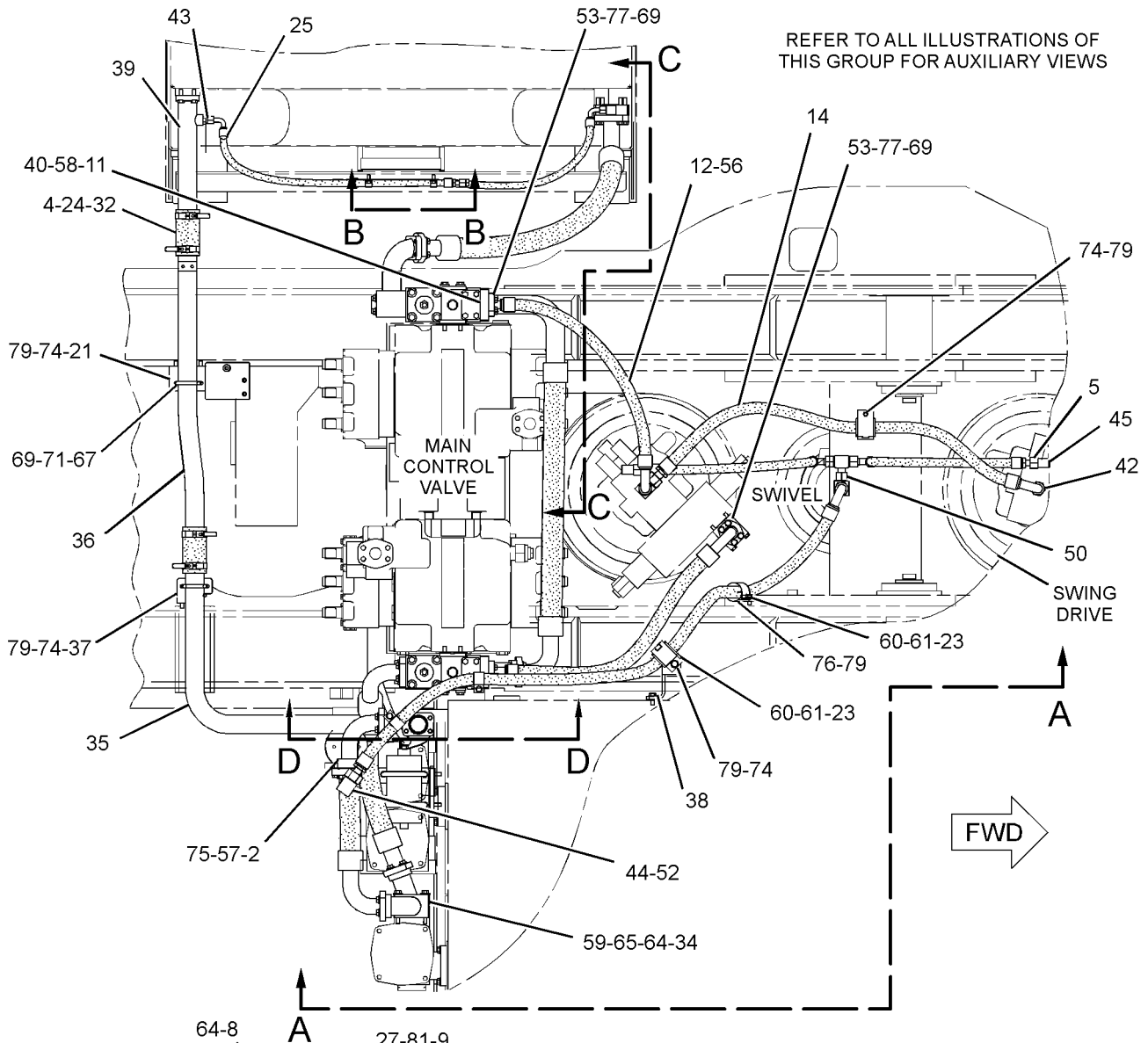
C-CHANGE FROM PREVIOUS TYPE
I-REFER TO HYDRAULIC INFORMATION SYSTEM
M-METRIC PART
Y-SEPARATE ILLUSTRATION

HYDRAULIC SYSTEM

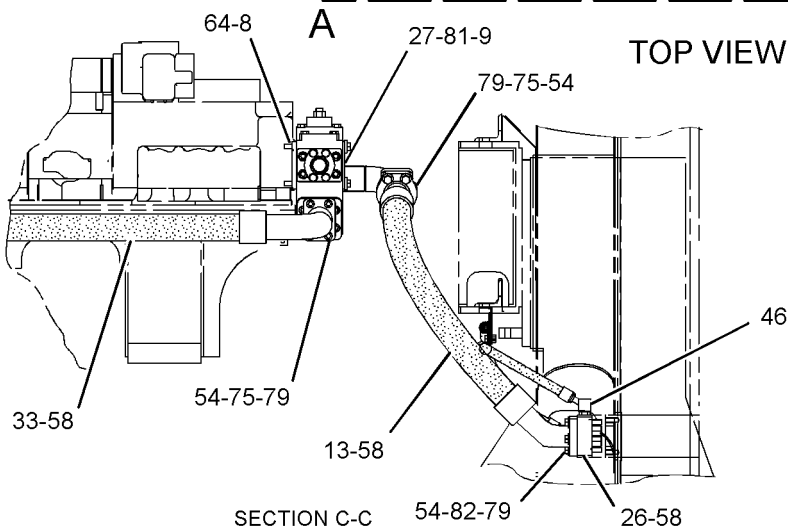
260-7949 LINES GP-RETURN & FILTER (contd.)

i03625860

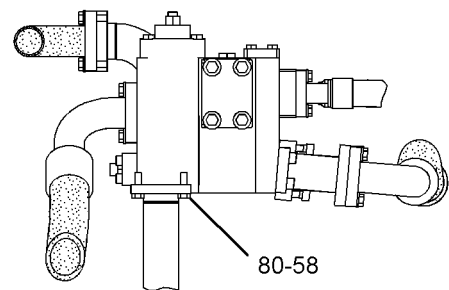
REFER TO ALL ILLUSTRATIONS OF THIS GROUP FOR AUXILIARY VIEWS



TOP VIEW



SECTION C-C



SECTION D-D

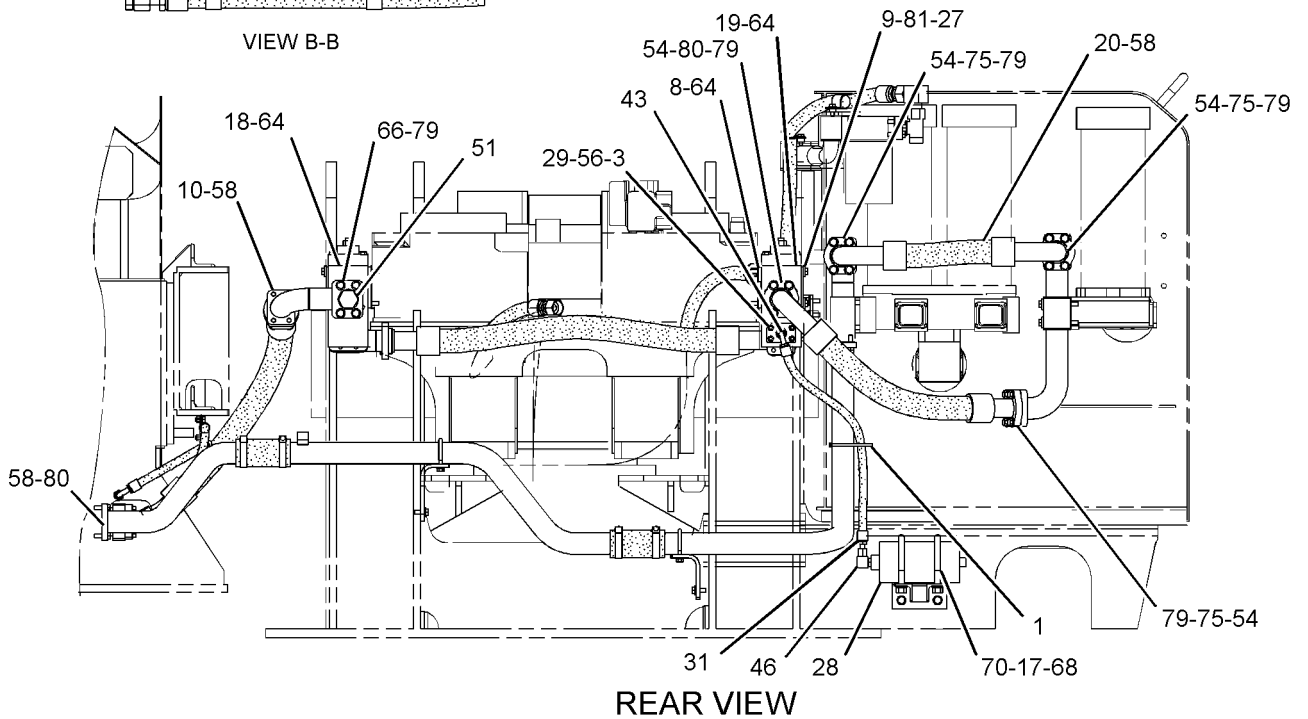
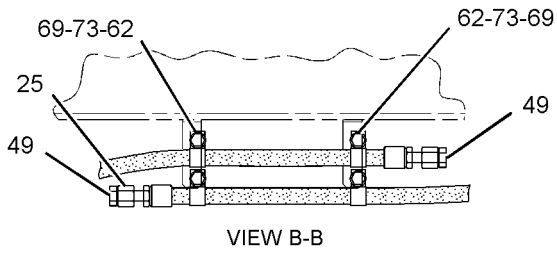
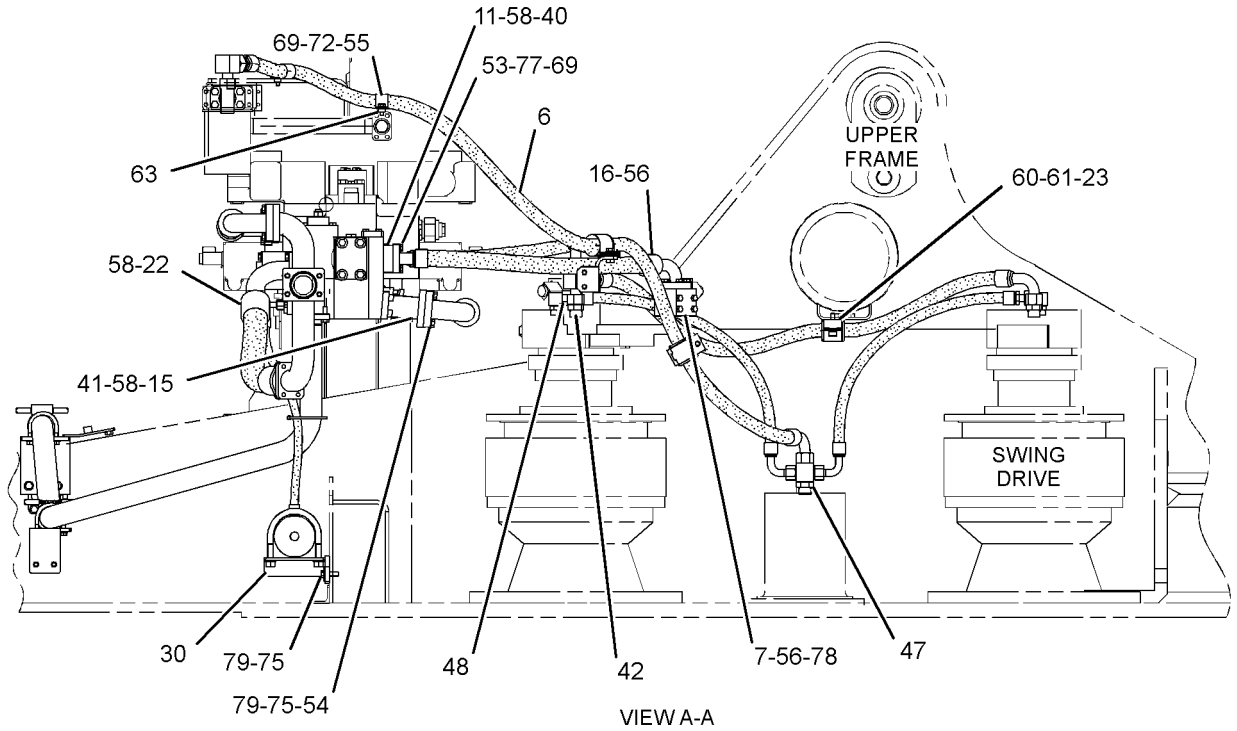
GRAPHIC #1

g01234519

HYDRAULIC SYSTEM

260-7949 LINES GP-RETURN & FILTER (contd.)

i03625860



GRAPHIC #2

<END>

g01233310

HYDRAULIC SYSTEM

260-7949 LINES GP-RETURN & FILTER

S/N: MMA252-UP

PART OF 232-4126 HYDRAULIC AR

SMCS-5057

i03625861

NOTE	REF NO	GRAPHIC REF	PART NUMBER	QTY	PART NAME 1 2 3 4 5 6 (PRODUCT LEVEL)	SEE PAGE
	1	2	7K-1181	1	STRAP-CABLE	
	2	1	087-5729	1	BLOCK	
M	3	2	101-7398	4	BOLT-SOCKET HEAD (M10X1.5X40-MM)	
I	5	1	119-2652	2	HOSE AS	
I	6	2	141-1293	1	HOSE AS	
	7	2	148-4787	1	BLOCK	
	8	1,2	152-9521	2	FLANGE	
	9	1,2	152-9522	2	COVER	
	10	2	173-4929	1	PIPE AS	
	11	1,2	173-4939	2	FLANGE	
	12	1	173-4979	1	HOSE AS	
	13	1	173-4991	1	HOSE AS	
I	14	1	187-5762	1	HOSE AS	
	15	2	192-6815	2	PIPE AS	
I	16	2	194-0248	1	HOSE AS	
	17	2	9X-8257	4	WASHER (17.5X30X3.5-MM THK)	
Y	18	2	201-9381	1	VALVE GP-CHECK (RETURN THROUGH COOLER)	859
Y	19	2	201-9382	1	VALVE GP-CHECK (RETURN)	861
I	20	2	204-8298	1	HOSE AS	
	21	1	204-8334	1	SUPPORT AS	
I	22	2	207-6272	1	HOSE AS	
	23	1,2	8T-7087	3	GROMMET	
C	24	1	144-0367	8	CLAMP-HOSE	
	25	1,2	212-5452	2	HOSE AS	
	26	1	212-5473	1	BLOCK	
	27	1,2	212-5595	8	SPACER (13.5X30X6-MM THK)	
Y	28	2	215-4905	1	ACCUMULATOR GP-HYDRAULIC (CHARGED)	604
	29	2	218-1038	1	FLANGE	
	30	2	218-1039	1	SUPPORT AS	
	31	2	218-1042	1	HOSE AS	
I	33	1	7Y-4154	1	HOSE AS	
	34	1	227-0613	1	TUBE AS	
	35	1	227-0626	1	TUBE AS	
	36	1	227-0628	1	TUBE AS	
	37	1	239-1768	1	SUPPORT	
	38	1	239-1967	1	SUPPORT AS	
	39	1	239-1976	1	TUBE AS	
M	40	1,2	101-7402	8	BOLT-SOCKET HEAD (M12X1.75X30-MM)	
M	41	2	108-1781	8	BOLT-SOCKET HEAD (M12X1.75X35-MM)	
	42	1,2	148-8335	2	CONNECTOR AS (EACH INCLUDES)	
		1,2	5K-9090	1	SEAL-O-RING	
		1,2	6V-8635	1	CONNECTOR	
		1,2	7M-8485	1	SEAL-O-RING	
	43	1,2	148-8340	2	CONNECTOR AS (EACH INCLUDES)	
		1,2	3K-0360	1	SEAL-O-RING	
		1,2	6V-8398	1	SEAL-O-RING	
		1,2	6V-8639	1	CONNECTOR	
	44	1	148-8352	1	ELBOW AS	
		1	5K-9090	1	SEAL-O-RING	
		1	6V-9854	1	ELBOW	
	45	1	148-8359	2	ELBOW AS (EACH INCLUDES)	
		1	3K-0360	1	SEAL-O-RING	
		1	6V-9746	1	SEAL-O-RING	

HYDRAULIC SYSTEM

260-7949 LINES GP-RETURN & FILTER (contd.)

i03625861

NOTE	REF NO	GRAPHIC REF	PART NUMBER	QTY	PART NAME						SEE PAGE
					1	2	3	4	5	6 (PRODUCT LEVEL)	
		1	6V-9877	1	ELBOW						
46		1,2	148-8364	2	ELBOW AS						
					(EACH INCLUDES)						
		1,2	3K-0360	1	SEAL-O-RING						
		1,2	6V-8398	1	SEAL-O-RING						
		1,2	6V-8625	1	ELBOW						
47		2	148-8422	1	TEE AS						
		2	5K-9090	1	SEAL-O-RING						
		2	6V-9746	1	SEAL-O-RING						
		2	7M-8485	1	SEAL-O-RING						
		2	8T-6356	1	TEE-O-RING PORT						
48		2	148-8429	1	TEE AS						
		2	5K-9090	2	SEAL-O-RING						
		2	6V-9840	1	TEE-SWIVEL						
49		2	150-3072	2	PLUG AS						
					(EACH INCLUDES)						
		2	6V-8398	1	SEAL-O-RING						
		2	6V-9509	1	PLUG (13/16-16-THD)						
50		1	150-4033	1	TEE AS						
		1	6V-9746	2	SEAL-O-RING						
		1	6V-9846	1	TEE-SWIVEL						
51		2	164-5616	1	PLUG AS						
		2	2S-4078	1	SEAL-O-RING						
		2	9S-6130	1	PLUG						
52		1	164-6858	1	TEE AS						
		1	5K-9090	2	SEAL-O-RING						
		1	6V-8778	1	TEE-FACE SEAL						
		1	7M-8485	1	SEAL-O-RING						
53		1,2	1P-4578	6	FLANGE-HALF						
54		1,2	1P-4582	16	FLANGE-HALF						
55		2	4D-7388	2	CLIP						
56		1,2	4J-0522	5	SEAL-O-RING						
57		1	4J-0524	1	SEAL-O-RING						
58		1,2	4J-0527	16	SEAL-O-RING						
59		1	5P-1076	4	WASHER-HARD (13.5X30X4-MM THK)						
60		1,2	5P-7468	3	CLIP (SLOT)						
61		1,2	5P-7469	3	CLIP (TAB)						
62		2	6D-4246	4	CLIP						
63		2	6F-6405	2	SPACER (0.438X0.75X0.375-IN THK)						
64		1,2	6J-2680	7	SEAL-O-RING						
M	65	1	7X-2549	4	BOLT (M12X1.75X100-MM)						
M	66	2	7X-2550	4	BOLT (M12X1.75X110-MM)						
M	67	1	7Y-5247	2	U-BOLT						
M	68	2	7Y-5250	2	U-BOLT						
	69	1,2	8T-4121	22	WASHER-HARD (11X21X2.5-MM THK)						
M	70	2	8T-4132	4	NUT (M16X2-THD)						
M	71	1	8T-4133	4	NUT (M10X1.5-THD)						
M	72	2	8T-4136	2	BOLT (M10X1.5X25-MM)						
M	73	2	8T-4137	4	BOLT (M10X1.5X20-MM)						
M	74	1	8T-4139	8	BOLT (M12X1.75X30-MM)						
M	75	1,2	8T-4183	30	BOLT (M12X1.75X40-MM)						
M	76	1	8T-4192	1	BOLT (M12X1.75X25-MM)						
M	77	1,2	8T-4196	12	BOLT (M10X1.5X35-MM)						
M	78	2	8T-4198	4	BOLT (M10X1.5X100-MM)						
	79	1,2	8T-4223	47	WASHER-HARD (13.5X25.5X3-MM THK)						
M	80	1,2	8T-4956	12	BOLT (M12X1.75X35-MM)						
M	81	1,2	8T-5092	8	BOLT (M12X1.75X150-MM)						
M	82	1	8T-6868	4	BOLT (M12X1.75X80-MM)						
C	83	1	227-0428	2	HOSE						

HYDRAULIC SYSTEM

260-7949 LINES GP-RETURN & FILTER (contd.)

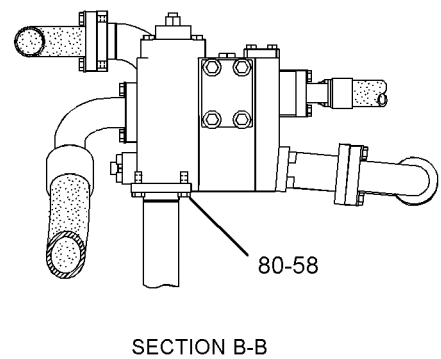
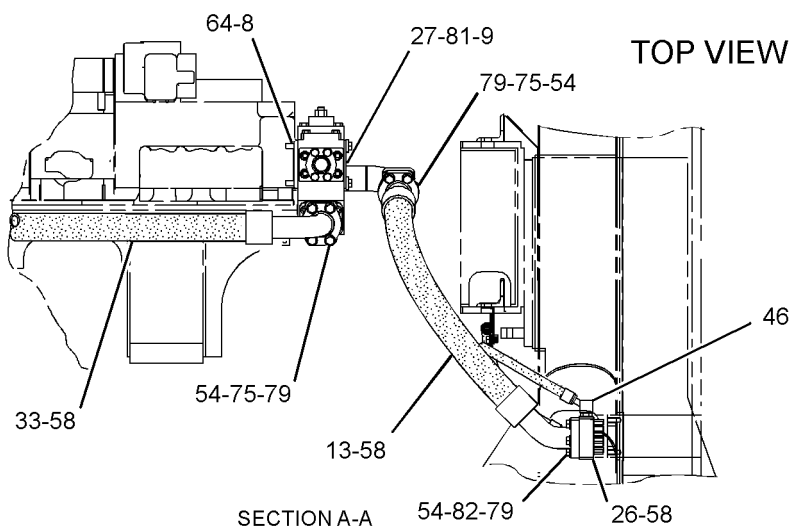
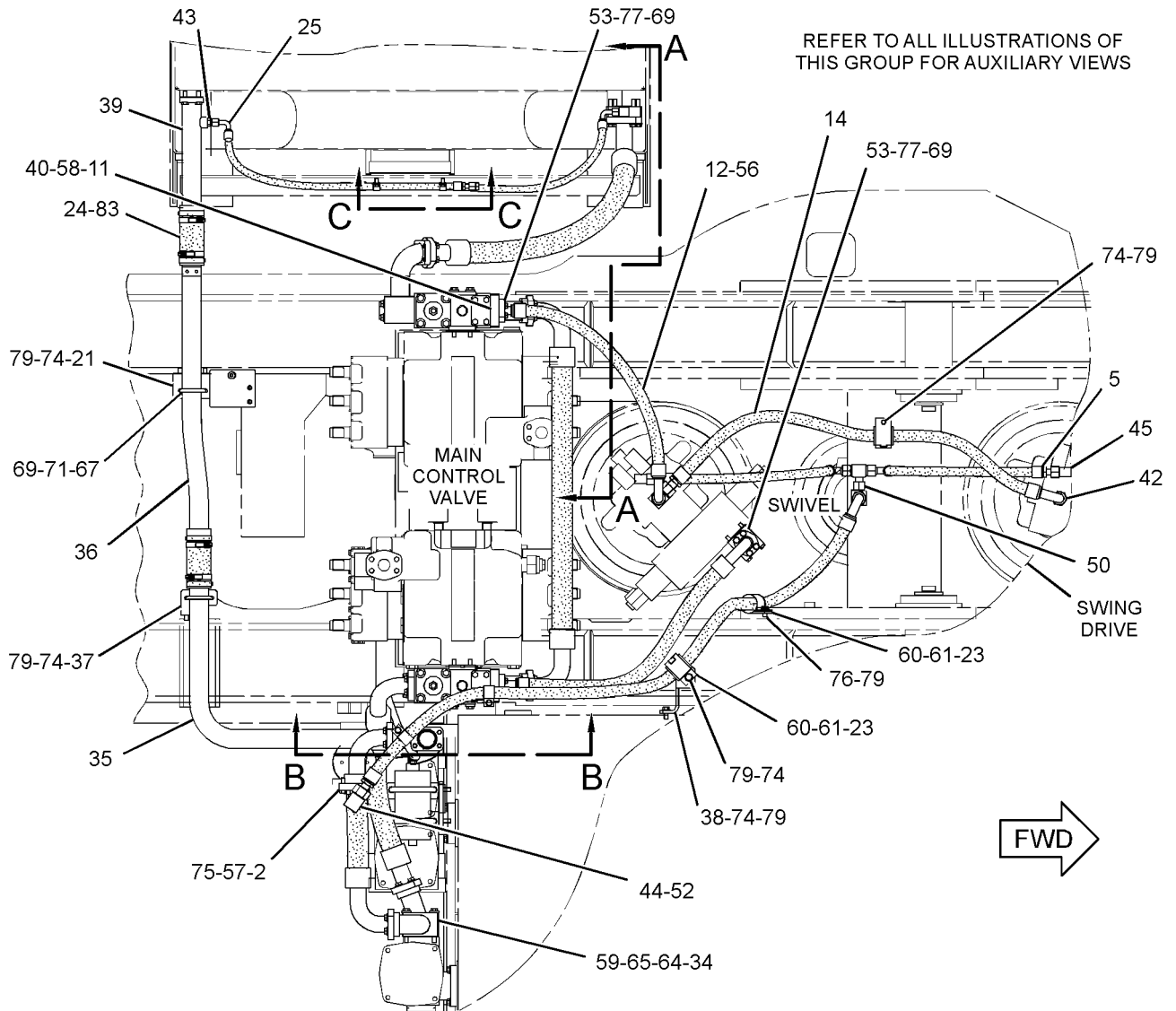
i03625861

C-CHANGE FROM PREVIOUS TYPE
I-REFER TO HYDRAULIC INFORMATION SYSTEM
M-METRIC PART
Y-SEPARATE ILLUSTRATION

HYDRAULIC SYSTEM

260-7949 LINES GP-RETURN & FILTER (contd.)

i03625861



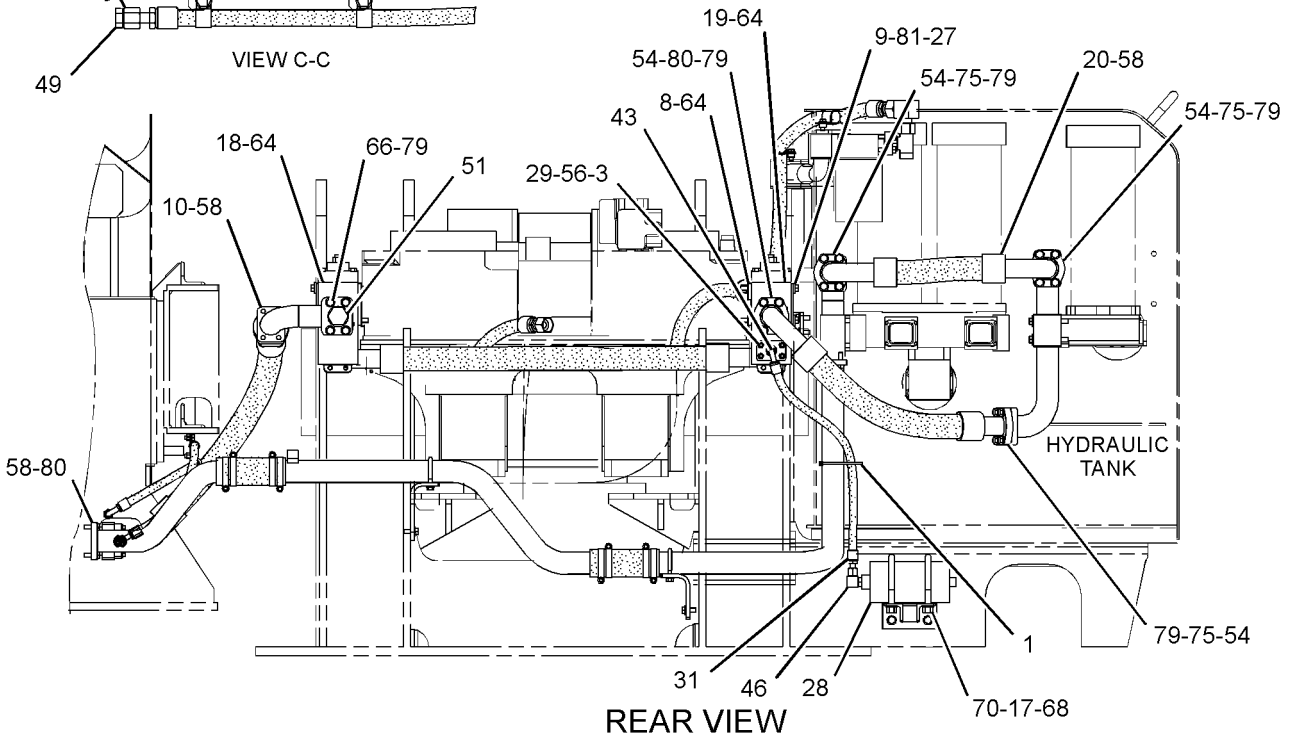
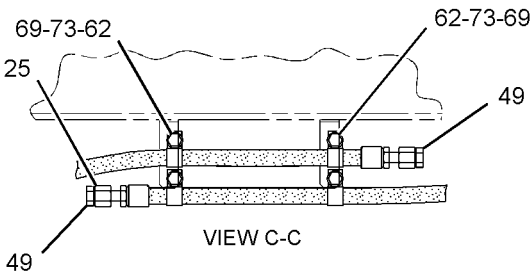
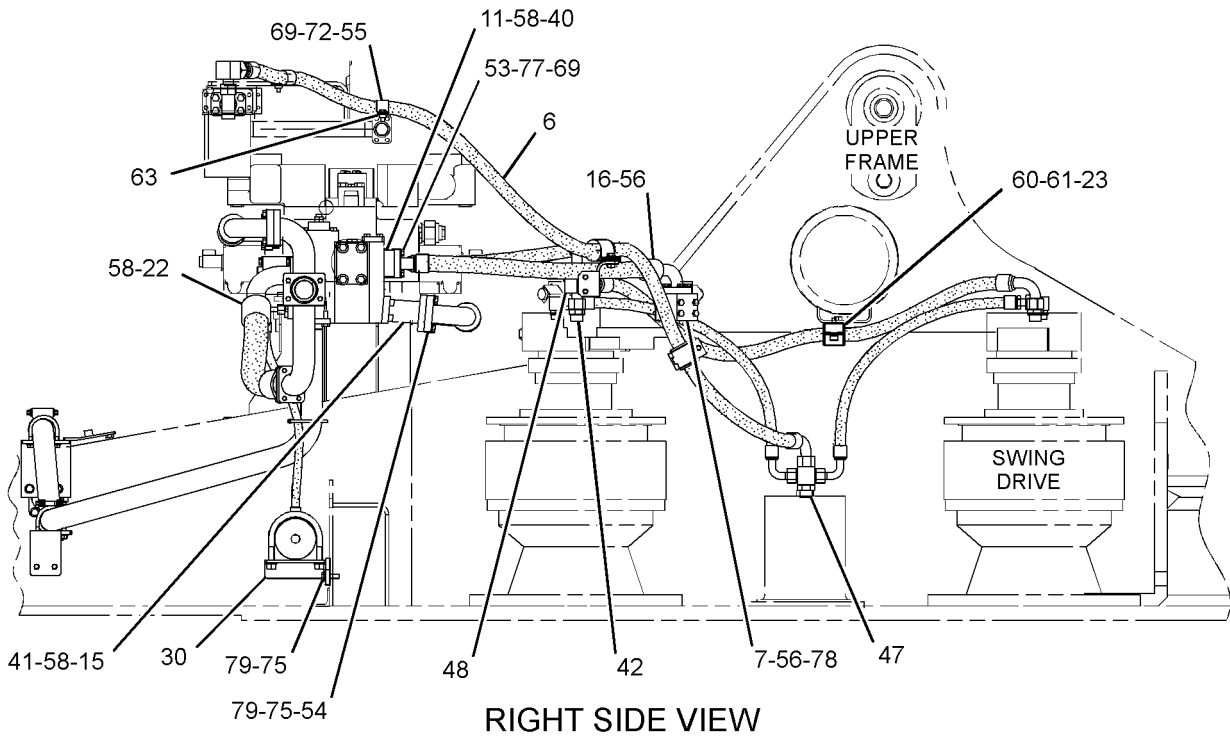
GRAPHIC #1

g01446029

HYDRAULIC SYSTEM

260-7949 LINES GP-RETURN & FILTER (contd.)

i03625861



GRAPHIC #2

<END>

g01446030

HYDRAULIC SYSTEM

260-7948 LINES GP-SWING MOTOR

S/N: MMA1-UP

PART OF 232-4126 HYDRAULIC AR

SMCS-5057

i02226594

NOTE	REF NO	GRAPHIC REF	PART NUMBER	QTY	PART NAME						SEE PAGE
					1	2	3	4	5	6 (PRODUCT LEVEL)	
	1	2	106-8715	1	ELBOW AS						
		2	3D-2824	1	SEAL-O-RING						
		2	6V-9746	1	SEAL-O-RING						
		2	8C-8400		ELBOW						
Y	2	2	116-3420	1	VALVE GP-SWING CUSHION						919
	3	2	149-6812	2	BLOCK						
Y	4	2	241-8929	1	VALVE GP-CONTROL (SWING)						879
I	5	1	260-7950	1	HOSE AS						
I	6	1	260-7951	1	HOSE AS						
	7	1,2	148-8347	3	ELBOW AS						
					(EACH INCLUDES)						
		1,2	3D-2824	1	SEAL-O-RING						
		1,2	6V-9007	1	ELBOW						
		1,2	6V-9746	1	SEAL-O-RING						
	8	2	1P-3702	2	SEAL-RECTANGULAR						
	9	2	4F-8946	2	SEAL-O-RING						
	10	2	4J-5267	2	SEAL-O-RING						
	11	2	6V-1876	1	GROMMET						
	12	2	7G-5984	1	CLIP (TAB)						
	13	2	7G-5985	1	CLIP (SLOT)						
	14	2	8T-4121	8	WASHER-HARD (11X21X2.5-MM THK)						
M	15	2	8T-4139	2	BOLT (M12X1.75X30-MM)						
M	16	2	8T-4178	6	BOLT (M10X1.5X90-MM)						
	17	2	8T-4223	2	WASHER-HARD (13.5X25.5X3-MM THK)						
M	18	2	8T-5005	8	BOLT (M10X1.5X70-MM)						
M	19	2	8T-5436	8	BOLT (M10X1.5X130-MM)						

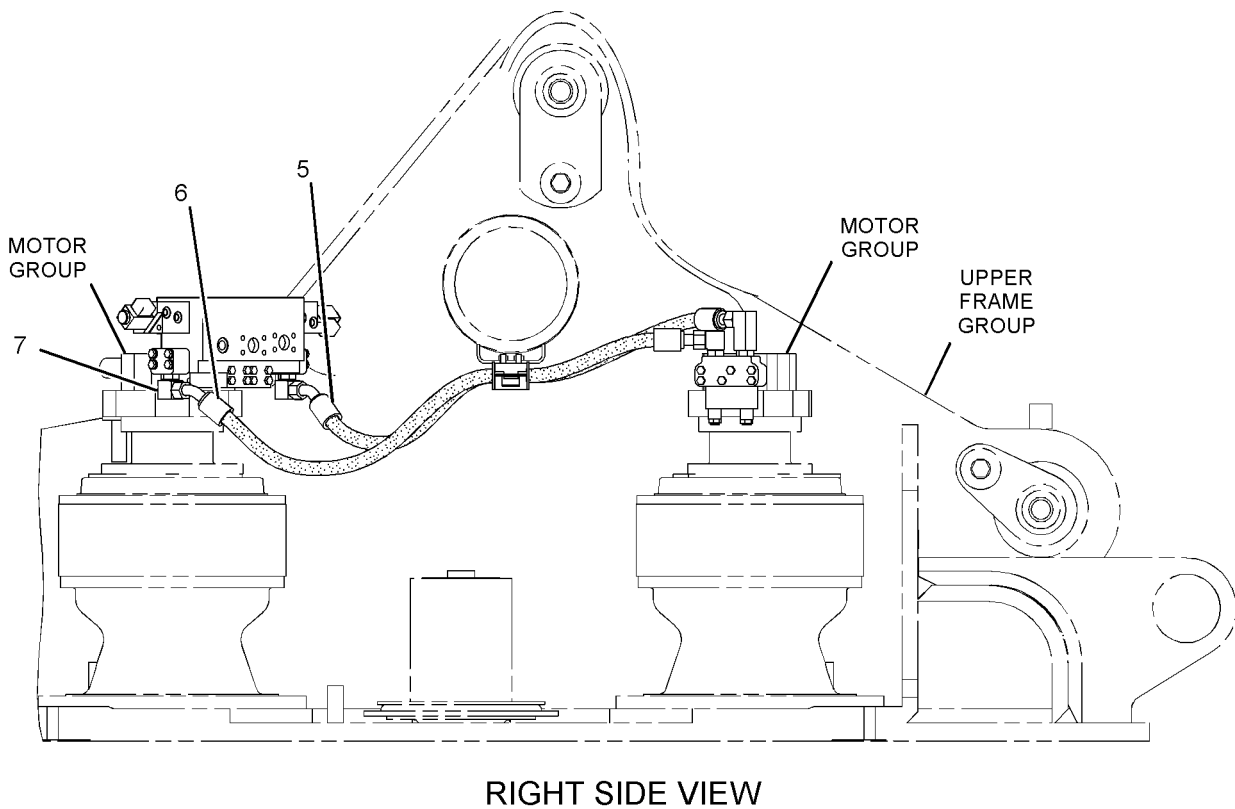
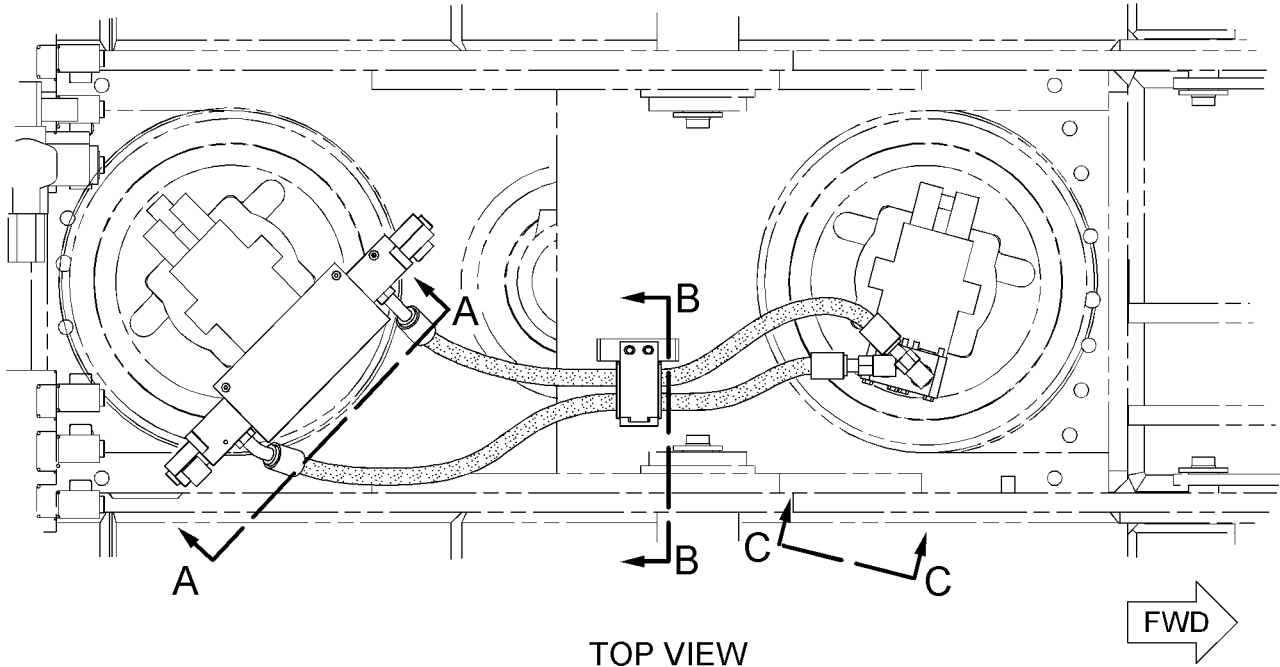
I-REFER TO HYDRAULIC INFORMATION SYSTEM
M-METRIC PART
Y-SEPARATE ILLUSTRATION

HYDRAULIC SYSTEM

260-7948 LINES GP-SWING MOTOR (contd.)

i02226594

REFER TO ALL ILLUSTRATIONS OF THIS GROUP FOR AUXILIARY VIEWS



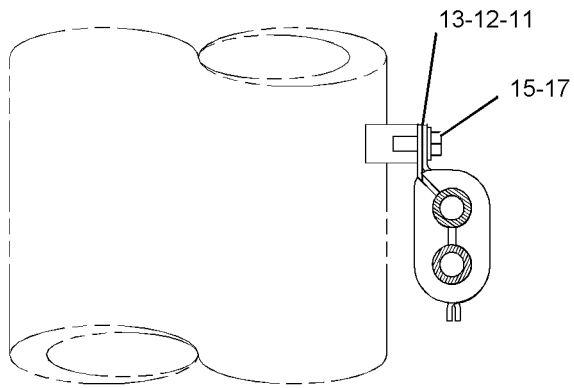
GRAPHIC #1

g01129051

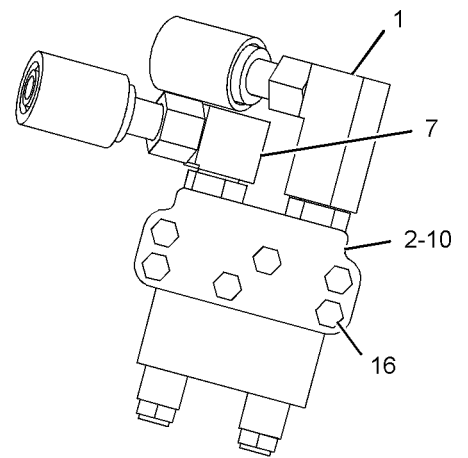
HYDRAULIC SYSTEM

260-7948 LINES GP-SWING MOTOR (contd.)

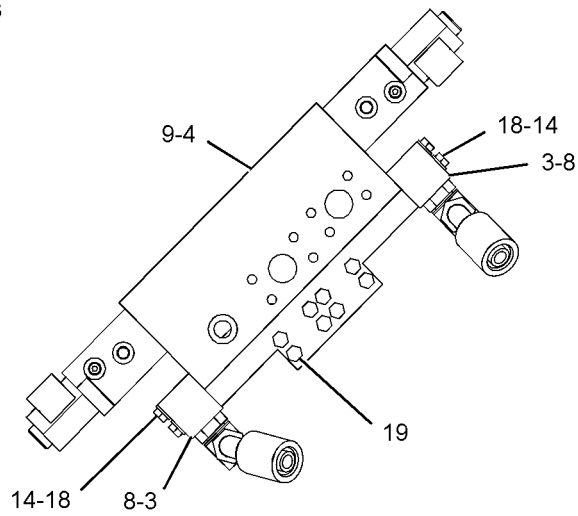
i02226594



SECTION B-B



VIEW C-C



SECTION A-A

GRAPHIC #2

<END>

g01129274

HYDRAULIC SYSTEM

239-1925 LINES GP-TRAVEL MOTOR

S/N: MMA1-UP

PART OF 232-4126 HYDRAULIC AR

SMCS-5057, 5058

i02999188

NOTE	REF NO	GRAPHIC REF	PART NUMBER	QTY	PART NAME						SEE PAGE
					1	2	3	4	5	6 (PRODUCT LEVEL)	
	1	2	4I-1647	1	SUPPORT AS						
	2	2	4I-1682	1	PLATE						
	3	1	5P-0597	4	CLAMP-HOSE						
B	4	1	1U-8846		SEALANT-GASKET						
M	5	2	110-4821	12	BOLT-SOCKET HEAD (M16X2X55-MM)						
Y	6	2	155-9200	2	VALVE GP-TRAVEL COUNTERBALANCE						920
Y	7	1	156-0622	1	SWIVEL GP						850
	8	1	165-3350	4	GUARD						
	9	2	173-4946	2	CLIP						
	10	2	173-4947	2	CLIP						
	11	2	173-5120	4	GROMMET						
	12	2	173-5150	8	CLIP						
I	13	2	266-1033	2	HOSE AS						
I	14	2	176-4819	2	HOSE AS						
	15	2	204-8488	2	GROMMET						
I	16	1	223-6661	1	HOSE AS						
I	17	1	223-6662	1	HOSE AS						
I	18	1	223-6663	1	HOSE AS						
I	19	1	223-6664	1	HOSE AS						
I	20	2	223-6665	2	HOSE AS						
	21	1	239-1772	1	TUBE AS						
	22	1	239-1773	1	TUBE AS						
	23	1	239-1774	1	TUBE AS						
	24	1	269-9741	1	TUBE AS						
	25	1	239-1776	1	SUPPORT AS						
M		1	8T-3597	1	NUT-WELD (M12X1.75-THD)						
	26	2	148-8336	2	CONNECTOR AS						
					(EACH INCLUDES)						
		2	3J-1907	1	SEAL-O-RING						
		2	6V-8397	1	SEAL-O-RING						
		2	6V-8636	1	CONNECTOR						
	27	2	148-8339	1	CONNECTOR AS						
		2	6V-8716	1	CONNECTOR						
		2	6V-9746	1	SEAL-O-RING						
		2	7M-8485	1	SEAL-O-RING						
	28	2	148-8439	1	TEE AS						
		2	3J-1907	1	SEAL-O-RING						
		2	6V-8397	2	SEAL-O-RING						
		2	6V-8774	1	TEE						
	29	2	150-4033	1	TEE AS						
		2	6V-9746	2	SEAL-O-RING						
		2	6V-9846	1	TEE-SWIVEL						
	30	2	153-6236	2	REDUCER AS						
					(EACH INCLUDES)						
		2	6V-8946	1	REDUCER						
		2	6V-9746	1	SEAL-O-RING						
	31	2	164-5615	2	ELBOW AS						
					(EACH INCLUDES)						
		2	4K-1388	1	SEAL-O-RING						
		2	5K-9090	1	SEAL-O-RING						
		2	8T-8986	1	ELBOW						
	32	1,2	1P-3704	16	SEAL-RECTANGULAR						
	33	1	1P-3705	4	SEAL-RECTANGULAR						
	34	1,2	1P-5767	32	FLANGE-HALF						
	35	2	6V-1577	2	GROMMET						
	36	2	7K-1181	10	STRAP-CABLE						

HYDRAULIC SYSTEM

239-1925 LINES GP-TRAVEL MOTOR (contd.)

i02999188

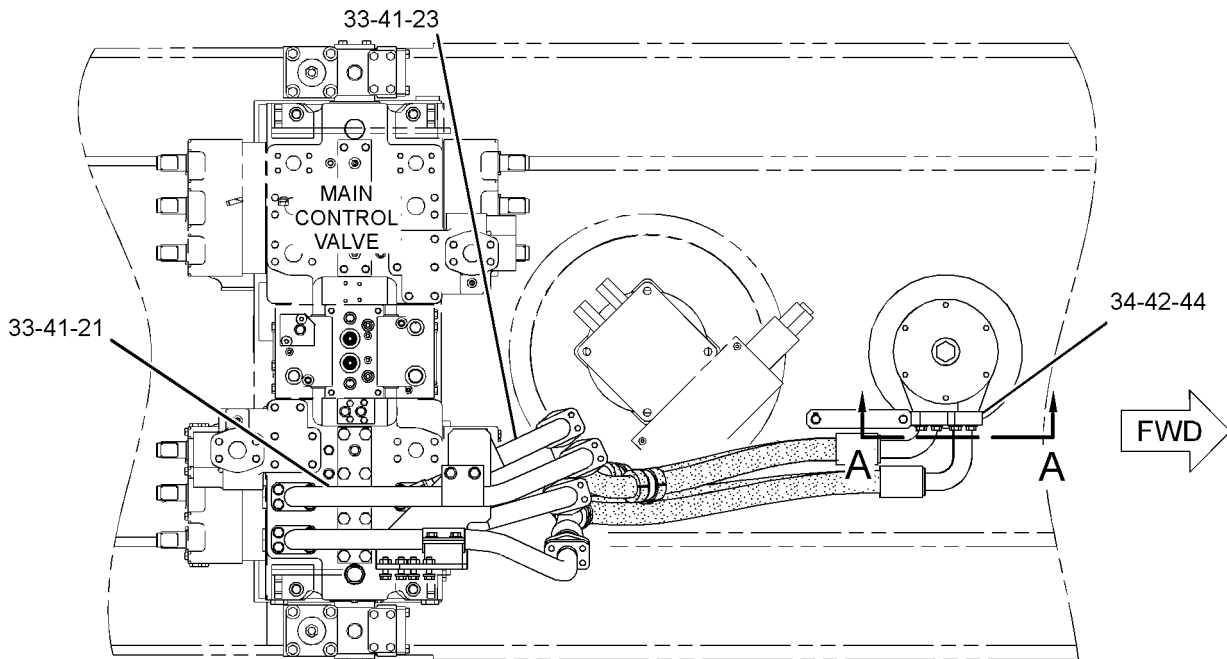
NOTE	REF NO	GRAPHIC REF	PART NUMBER	QTY	PART NAME						SEE PAGE
					1	2	3	4	5	6 (PRODUCT LEVEL)	
M	37	1	7X-2552	5	BOLT (M16X2X30-MM)						
	38	2	8T-0706	2	RING-RETAINING						
	39	2	8T-4121	8	WASHER-HARD (11X21X2.5-MM THK)						
M	40	2	8T-4136	8	BOLT (M10X1.5X25-MM)						
M	41	1	8T-4183	20	BOLT (M12X1.75X40-MM)						
M	42	1	8T-4184	16	BOLT (M12X1.75X45-MM)						
M	43	1,2	8T-4194	50	BOLT (M12X1.75X50-MM)						
	44	1,2	8T-4223	78	WASHER-HARD (13.5X25.5X3-MM THK)						
M	45	2	8T-4956	8	BOLT (M12X1.75X35-MM)						
	46	1	9X-8257	5	WASHER (17.5X30X3.5-MM THK)						
I	47	2	266-1034	2	HOSE AS						

B-USE AS REQUIRED
 I-REFER TO HYDRAULIC INFORMATION SYSTEM
 M-METRIC PART
 Y-SEPARATE ILLUSTRATION

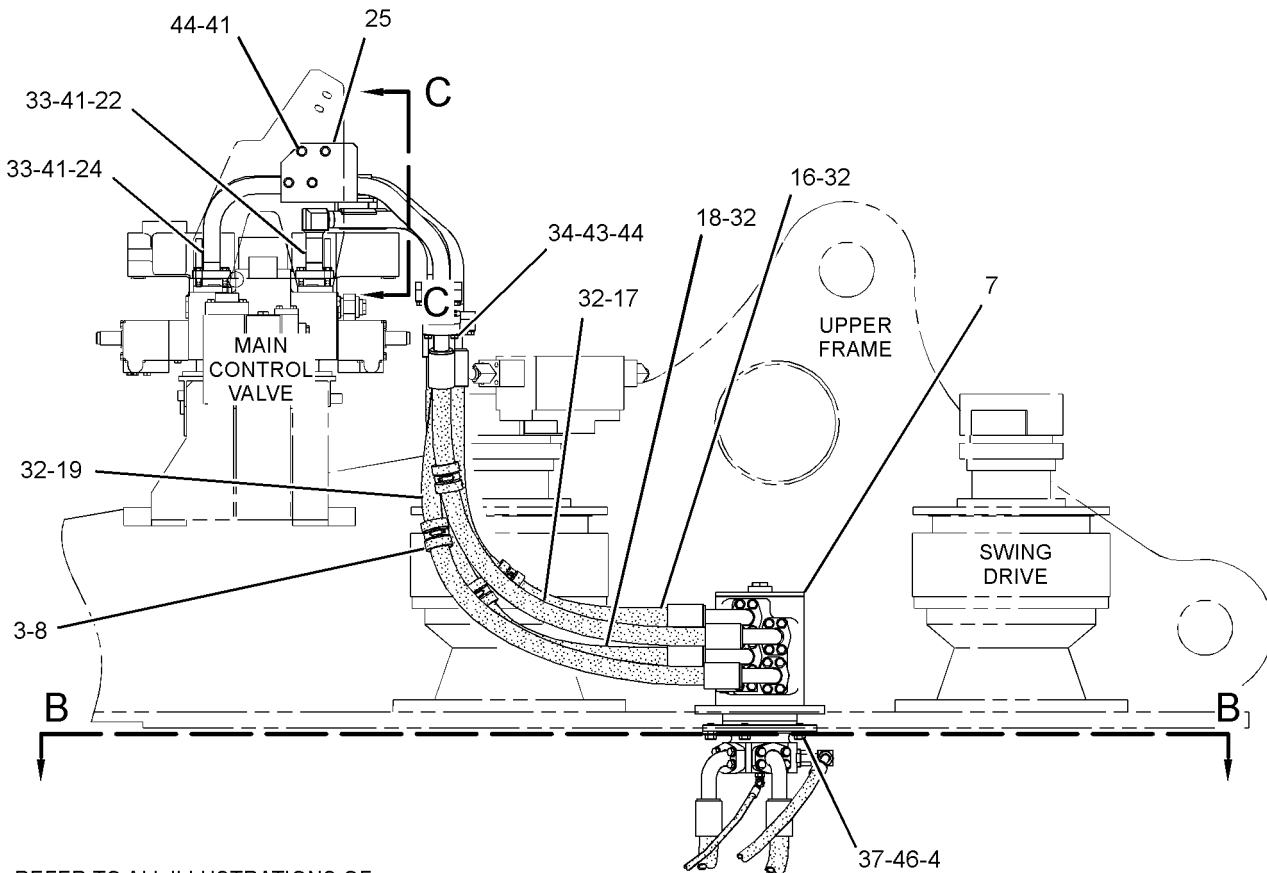
HYDRAULIC SYSTEM

239-1925 LINES GP-TRAVEL MOTOR (contd.)

i02999188



TOP VIEW



RIGHT SIDE VIEW

REFER TO ALL ILLUSTRATIONS OF THIS GROUP FOR AUXILIARY VIEWS

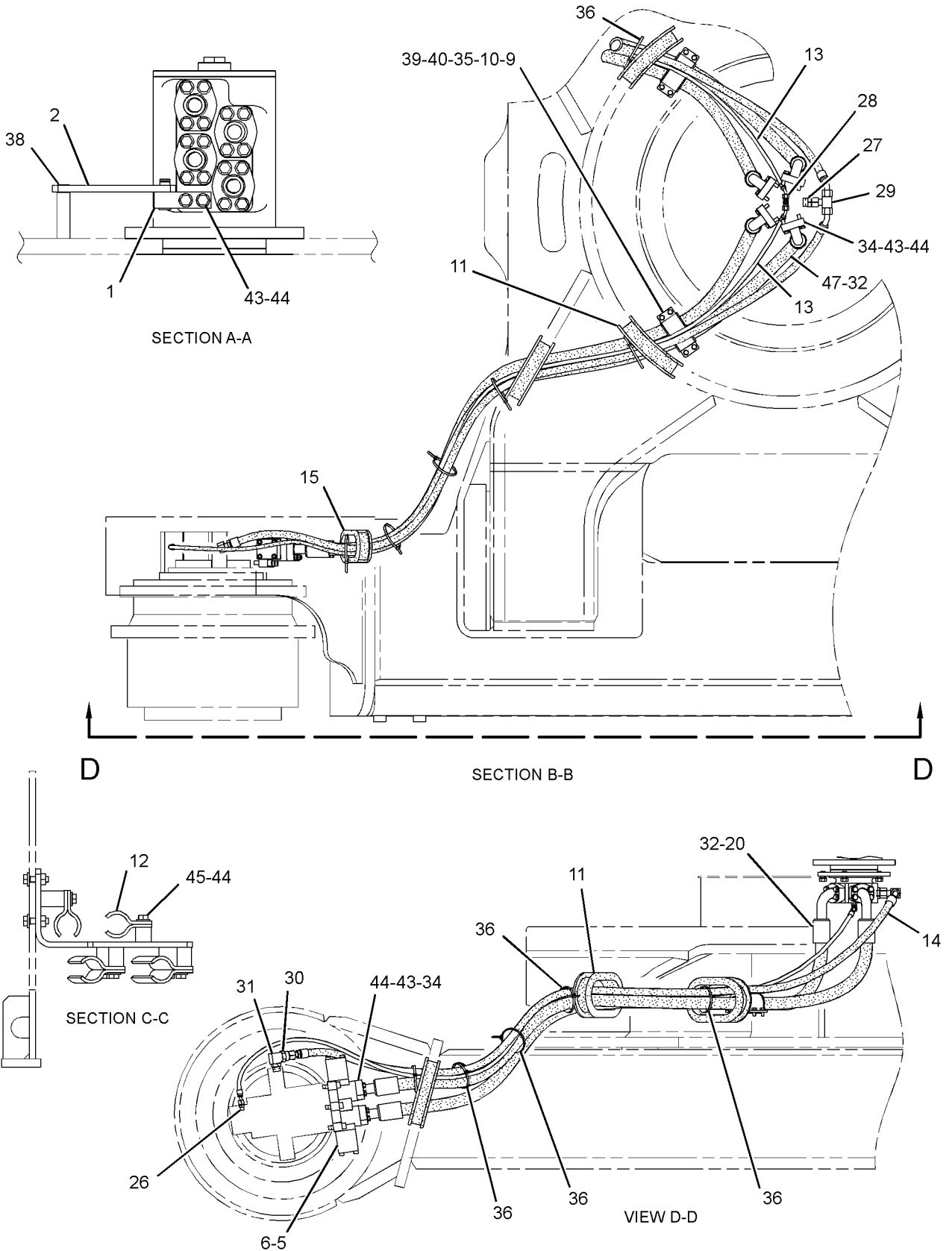
GRAPHIC #1

g01572973

HYDRAULIC SYSTEM

239-1925 LINES GP-TRAVEL MOTOR (contd.)

i02999188



GRAPHIC #2

<END>

g01572975

HYDRAULIC SYSTEM

194-0946 MANIFOLD & VALVE GP-MAIN CONTROL VALVE

S/N: MMA1-UP

PART OF 241-2781, 241-2783 VALVE GP-CONTROL

SMCS-5264, 5479

i02443464

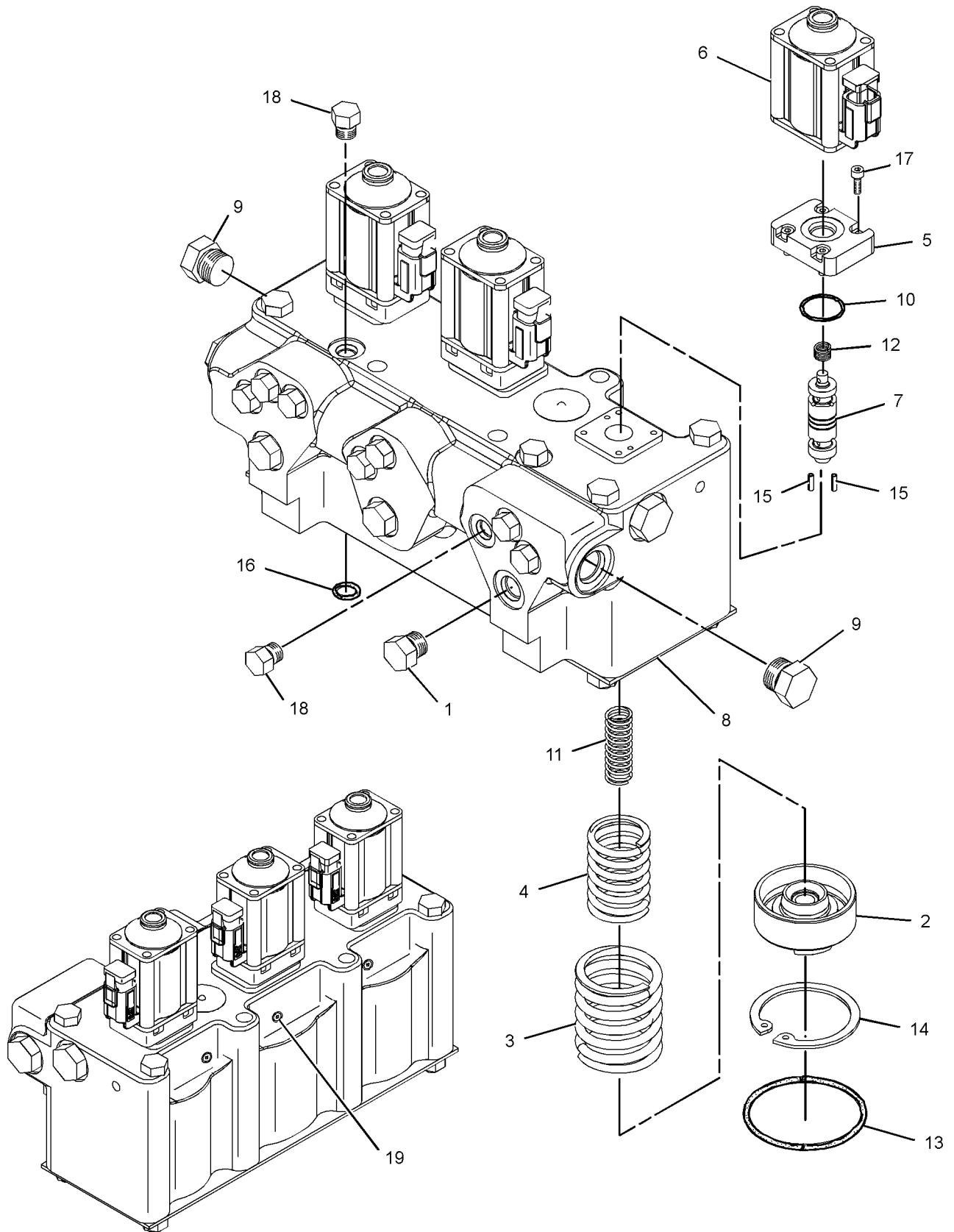
NOTE	REF NO	GRAPHIC REF	PART NUMBER	QTY	PART NAME						SEE PAGE
					1	2	3	4	5	6 (PRODUCT LEVEL)	
	1	1	148-8407	3	PLUG AS						
					(EACH INCLUDES)						
		1	3J-1907	1	SEAL-O-RING						
		1	9S-4191	1	PLUG-O-RING						
	2	1	118-5085	3	RETAINER						
	3	1	118-5086	3	SPRING						
	4	1	118-5087	3	SPRING						
	5	1	155-2251	3	PLATE						
Y	6	1	156-2829	3	SOLENOID GP						353
Z	7	1		3	SPOOL-CONTROL						
	8	1	194-0944	1	HOUSING						
	9	1	148-8411	4	PLUG AS						
					(EACH INCLUDES)						
		1	3K-0360	1	SEAL-O-RING						
		1	9S-4185	1	PLUG-O-RING						
	10	1	030-4605	3	SEAL-O-RING						
	11	1	177-1403	3	SPRING						
	12	1	177-1405	3	SPRING						
	13	1	1H-5728	3	SEAL-O-RING						
	14	1	2D-6648	3	RING-RETAINING						
	15	1	3C-8388	6	PIN-ROLL						
	16	1	4J-9535	2	SEAL-O-RING						
M	17	1	8T-3998	12	BOLT (M4X0.7X12-MM)						
	18	1	155-3624	10	PLUG AS						
					(EACH INCLUDES)						
		1	3J-7354	1	SEAL-O-RING						
		1	9S-4182	1	PLUG-O-RING						
	19	1	8T-6759	3	PLUG-PIPE						

M-METRIC PART
Y-SEPARATE ILLUSTRATION
Z-NOT SERVICED SEPARATELY

HYDRAULIC SYSTEM

194-0946 MANIFOLD & VALVE GP (contd.)

i02443464



GRAPHIC #1

<END>

g01232797

HYDRAULIC SYSTEM

194-0947 MANIFOLD & VALVE GP-MAIN CONTROL VALVE

S/N: MMA1-UP

PART OF 241-2781, 241-2783 VALVE GP-CONTROL

SMCS-5264, 5479

i02443465

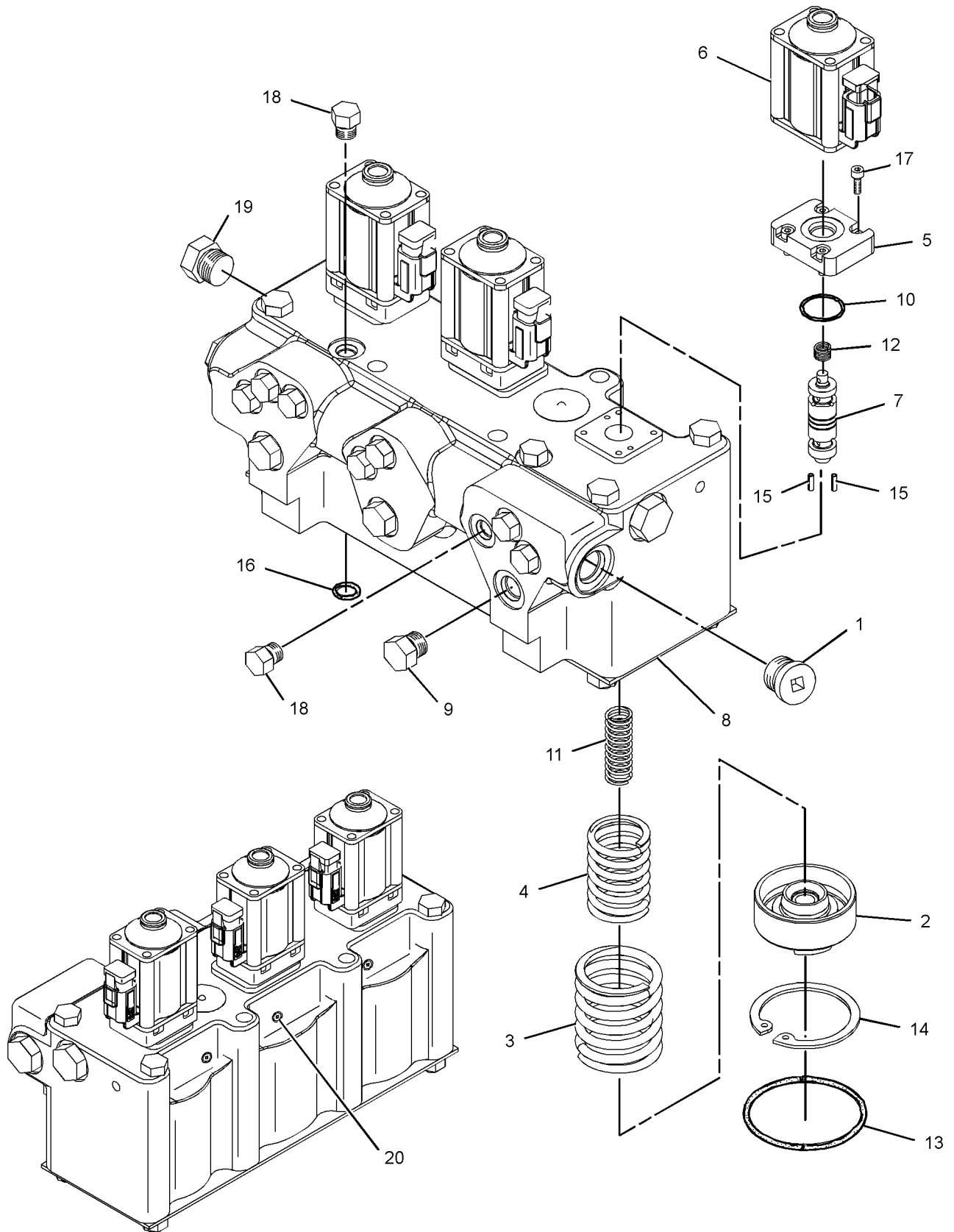
NOTE	REF NO	GRAPHIC REF	PART NUMBER	QTY	PART NAME						SEE PAGE
					1	2	3	4	5	6 (PRODUCT LEVEL)	
	1	1	148-8395	2	PLUG AS						
					(EACH INCLUDES)						
		1	3K-0360	1	SEAL-O-RING						
		1	9S-8005	1	PLUG-O-RING						
	2	1	118-5085	3	RETAINER						
	3	1	118-5086	3	SPRING						
	4	1	118-5087	3	SPRING						
	5	1	155-2251	3	PLATE						
Y	6	1	156-2829	3	SOLENOID GP						353
Z	7	1		3	SPOOL-CONTROL						
	8	1	194-0945	1	HOUSING						
	9	1	148-8407	3	PLUG AS						
					(EACH INCLUDES)						
		1	3J-1907	1	SEAL-O-RING						
		1	9S-4191	1	PLUG-O-RING						
	10	1	030-4605	3	SEAL-O-RING						
	11	1	177-1403	3	SPRING						
	12	1	177-1405	3	SPRING						
	13	1	1H-5728	3	SEAL-O-RING						
	14	1	2D-6648	3	RING-RETAINING						
	15	1	3C-8388	6	PIN-ROLL						
	16	1	4J-9535	2	SEAL-O-RING						
M	17	1	8T-3998	12	BOLT (M4X0.7X12-MM)						
	18	1	155-3624	10	PLUG AS						
					(EACH INCLUDES)						
		1	3J-7354	1	SEAL-O-RING						
		1	9S-4182	1	PLUG-O-RING						
	19	1	148-8411	2	PLUG AS						
					(EACH INCLUDES)						
		1	3K-0360	1	SEAL-O-RING						
		1	9S-4185	1	PLUG-O-RING						
	20	1	8T-6759	3	PLUG-PIPE						

M-METRIC PART
Y-SEPARATE ILLUSTRATION
Z-NOT SERVICED SEPARATELY

HYDRAULIC SYSTEM

194-0947 MANIFOLD & VALVE GP (contd.)

i02443465



GRAPHIC #1

<END>

g01233119

HYDRAULIC SYSTEM

224-6809 MANIFOLD & VALVE GP-SWING

S/N: MMA1-UP

PART OF 241-8929 VALVE GP-CONTROL

SMCS-5264, 5479

i02208733

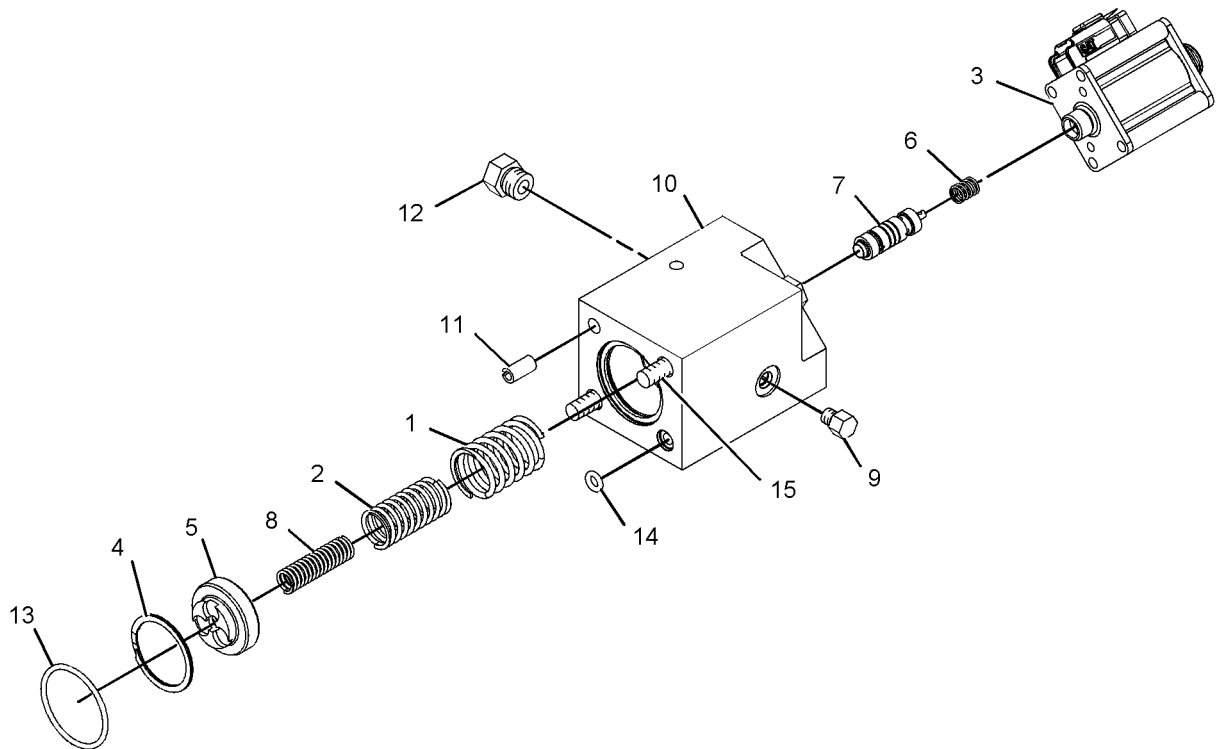
NOTE	REF NO	GRAPHIC REF	PART NUMBER	QTY	PART NAME						SEE PAGE
					1	2	3	4	5	6 (PRODUCT LEVEL)	
	1	1	141-5497	1	SPRING						
	2	1	141-5498	1	SPRING						
Y	3	1	156-2829	1	SOLENOID GP (SWING)						353
	4	1	158-1113	1	RING-RETAINING						
	5	1	158-6564	1	RETAINER						
	6	1	173-4012	1	SPRING						
Z	7	1		1	SPOOL-CONTROL						
	8	1	188-3365	1	SPRING						
	9	1	222-4737	2	PLUG AS						
					(EACH INCLUDES)						
		1	4J-7533	1	SEAL-O-RING						
		1	9S-4180	1	PLUG						
Z	10	1		1	HOUSING						
	11	1	099-8111	1	PIN-SPRING						
	12	1	148-8407	1	PLUG AS						
		1	3J-1907	1	SEAL-O-RING						
		1	9S-4191	1	PLUG-O-RING						
	13	1	6V-5597	1	SEAL-O-RING						
	14	1	8J-8343	1	SEAL-O-RING						
M	15	1	8T-4198	2	BOLT (M10X1.5X100-MM)						

M-METRIC PART
Y-SEPARATE ILLUSTRATION
Z-NOT SERVICED SEPARATELY

HYDRAULIC SYSTEM

224-6809 MANIFOLD & VALVE GP (contd.)

i02208733



GRAPHIC #1

<END>

g01117308

HYDRAULIC SYSTEM

247-8833 MOTOR & MTG GP-HYDRAULIC FAN-REVERSING

S/N: MMA1-UP

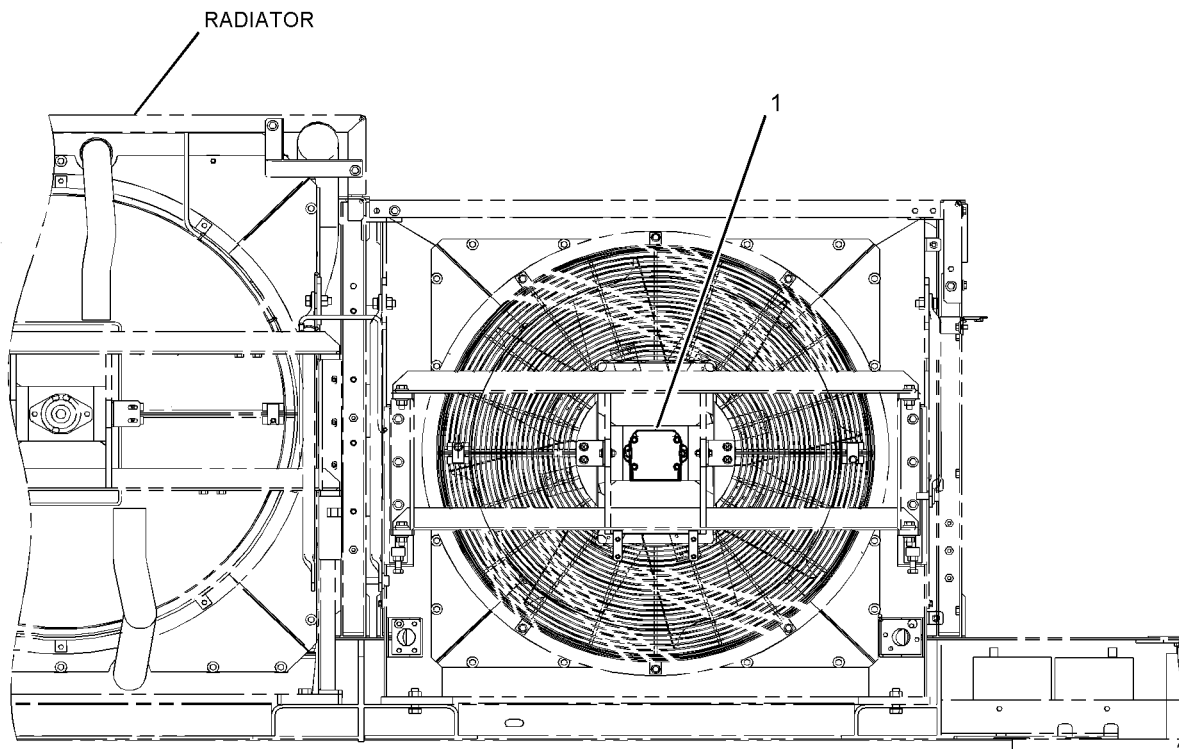
PART OF 245-5552 CONTROL AR-FAN
AN ATTACHMENT

SMCS-1386

i02104601

NOTE	REF NO	GRAPHIC REF	PART NUMBER	QTY	PART NAME						SEE PAGE
					1	2	3	4	5	6 (PRODUCT LEVEL)	
Y	1	1	200-3252	1	MOTOR GP-PISTON (HYDRAULIC FAN)						804

Y-SEPARATE ILLUSTRATION



RIGHT SIDE VIEW
<END>

GRAPHIC #1

g01074435

HYDRAULIC SYSTEM

234-4534 MOTOR & MTG GP-SWING-REAR

S/N: MMA1-253

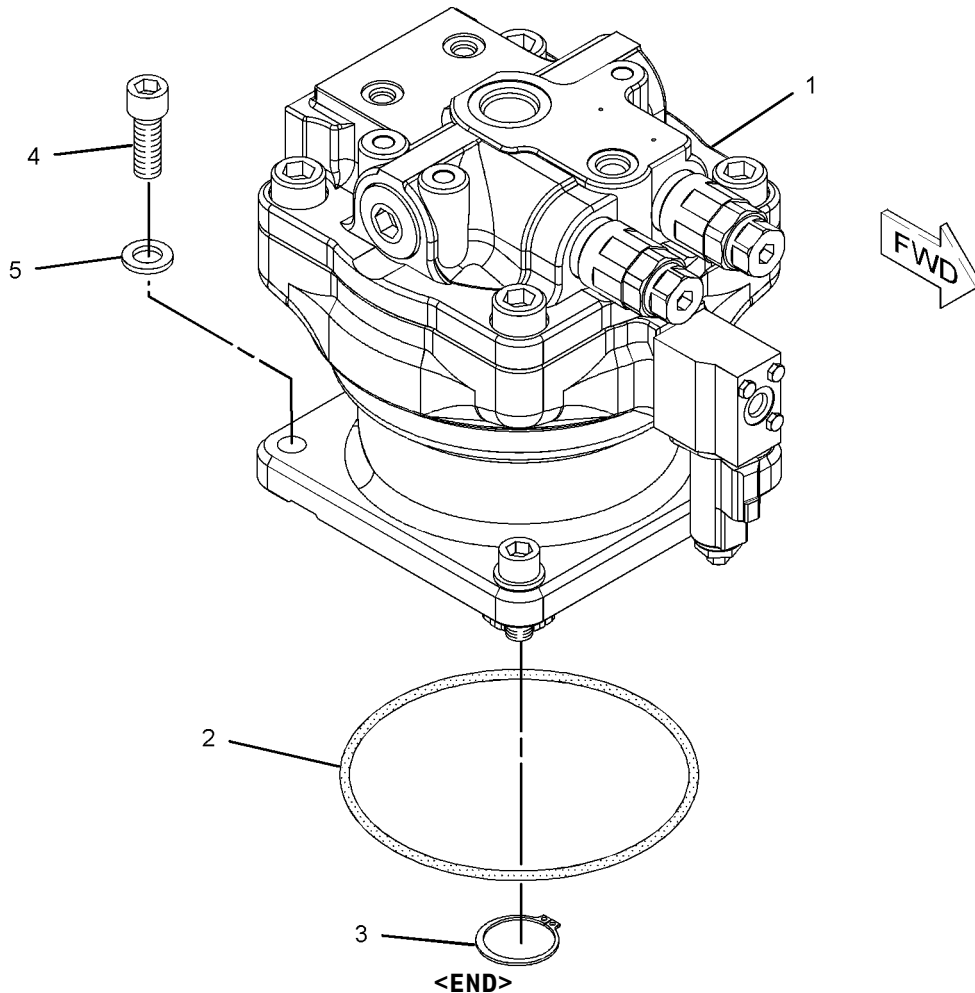
PART OF 227-6130 DRIVE GP-SWING

SMCS-5058

i02960250

NOTE	REF NO	GRAPHIC REF	PART NUMBER	QTY	PART NAME						SEE PAGE
					1	2	3	4	5	6 (PRODUCT LEVEL)	
YR	1	1	234-4535	1	MOTOR GP-SWING (REAR)						813
	2	1	095-1687	1	SEAL-O-RING						
	3	1	6V-5204	1	RING-RETAINING						
M	4	1	6V-8201	4	BOLT-SOCKET HEAD (M16X2X45-MM)						
	5	1	9X-8257	4	WASHER (17.5X30X3.5-MM THK)						

M-METRIC PART
R-REMG PART MAY BE AVAILABLE
Y-SEPARATE ILLUSTRATION



GRAPHIC #1

g01074996

HYDRAULIC SYSTEM

234-4534 MOTOR & MTG GP-SWING-REAR

S/N: MMA254-UP

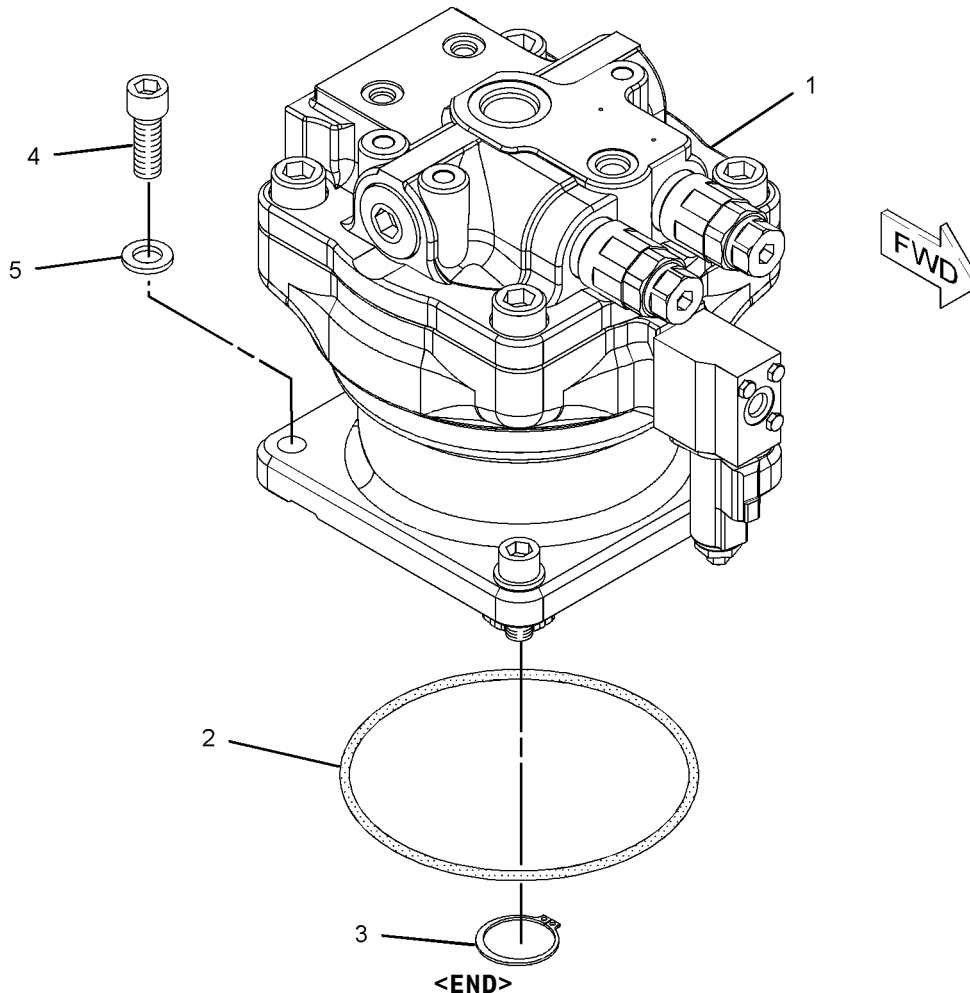
PART OF 227-6130 DRIVE GP-SWING

SMCS-5058

i02960251

NOTE	REF NO	GRAPHIC REF	PART NUMBER	QTY	PART NAME						SEE PAGE
					1	2	3	4	5	6 (PRODUCT LEVEL)	
CYR	1	1	295-9446	1	MOTOR GP-SWING (REAR)						815
	2	1	095-1687	1	SEAL-O-RING						
	3	1	6V-5204	1	RING-RETAINING						
M	4	1	6V-8201	4	BOLT-SOCKET HEAD (M16X2X45-MM)						
	5	1	9X-8257	4	WASHER (17.5X30X3.5-MM THK)						

C-CHANGE FROM PREVIOUS TYPE
M-METRIC PART
R-REMG PART MAY BE AVAILABLE
Y-SEPARATE ILLUSTRATION



GRAPHIC #1

g01074996

HYDRAULIC SYSTEM

234-4536 MOTOR & MTG GP-SWING-FRONT

S/N: MMA1-253

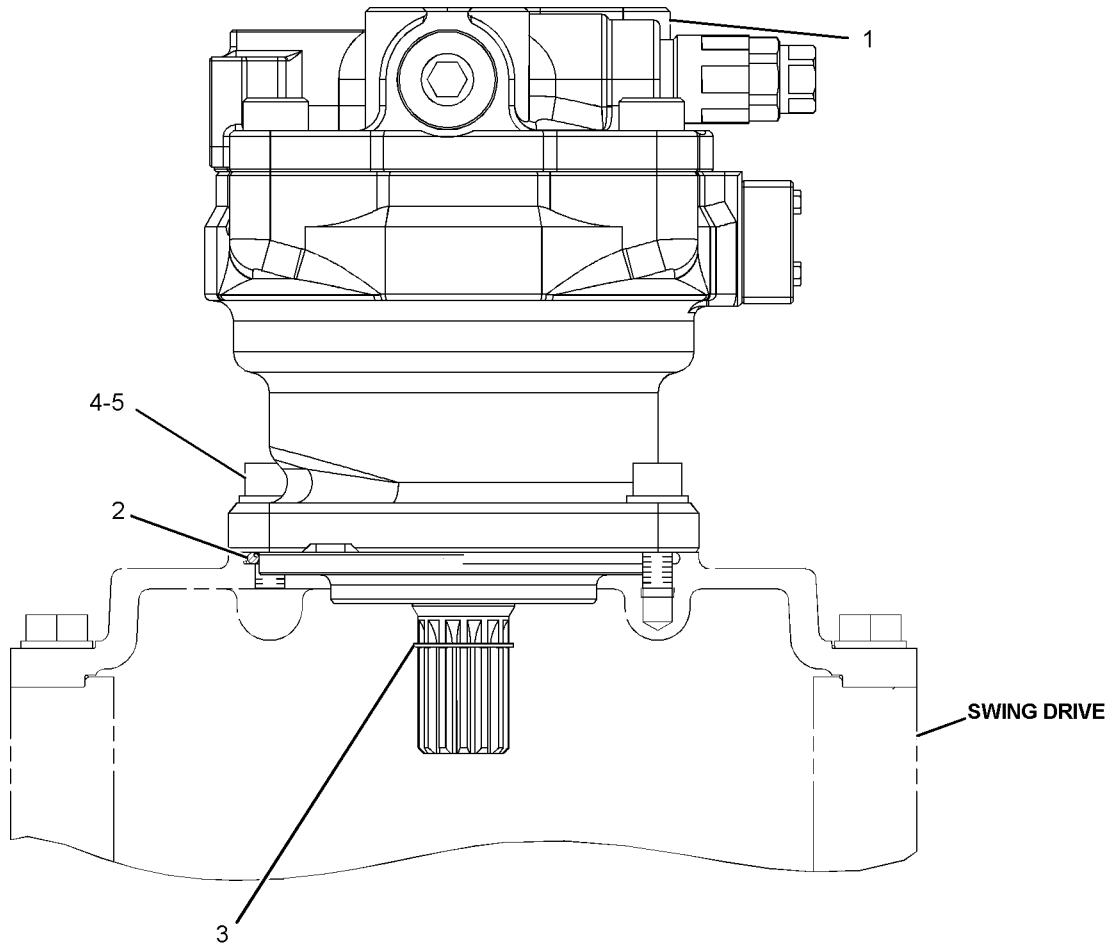
PART OF 227-6131 DRIVE GP-SWING

SMCS-5058

i02960260

NOTE	REF NO	GRAPHIC REF	PART NUMBER	QTY	PART NAME						SEE PAGE
					1	2	3	4	5	6 (PRODUCT LEVEL)	
YR	1	1	234-4537	1	MOTOR GP-SWING (FRONT)						814
	2	1	095-1687	1	SEAL-O-RING						
	3	1	6V-5204	1	RING-RETAINING						
M	4	1	6V-8201	4	BOLT-SOCKET HEAD (M16X2X45-MM)						
	5	1	9X-8257	4	WASHER (17.5X30X3.5-MM THK)						

M-METRIC PART
R-REMG PART MAY BE AVAILABLE
Y-SEPARATE ILLUSTRATION



GRAPHIC #1

<END>

g01082362

HYDRAULIC SYSTEM

234-4536 MOTOR & MTG GP-SWING-FRONT

S/N: MMA254-UP

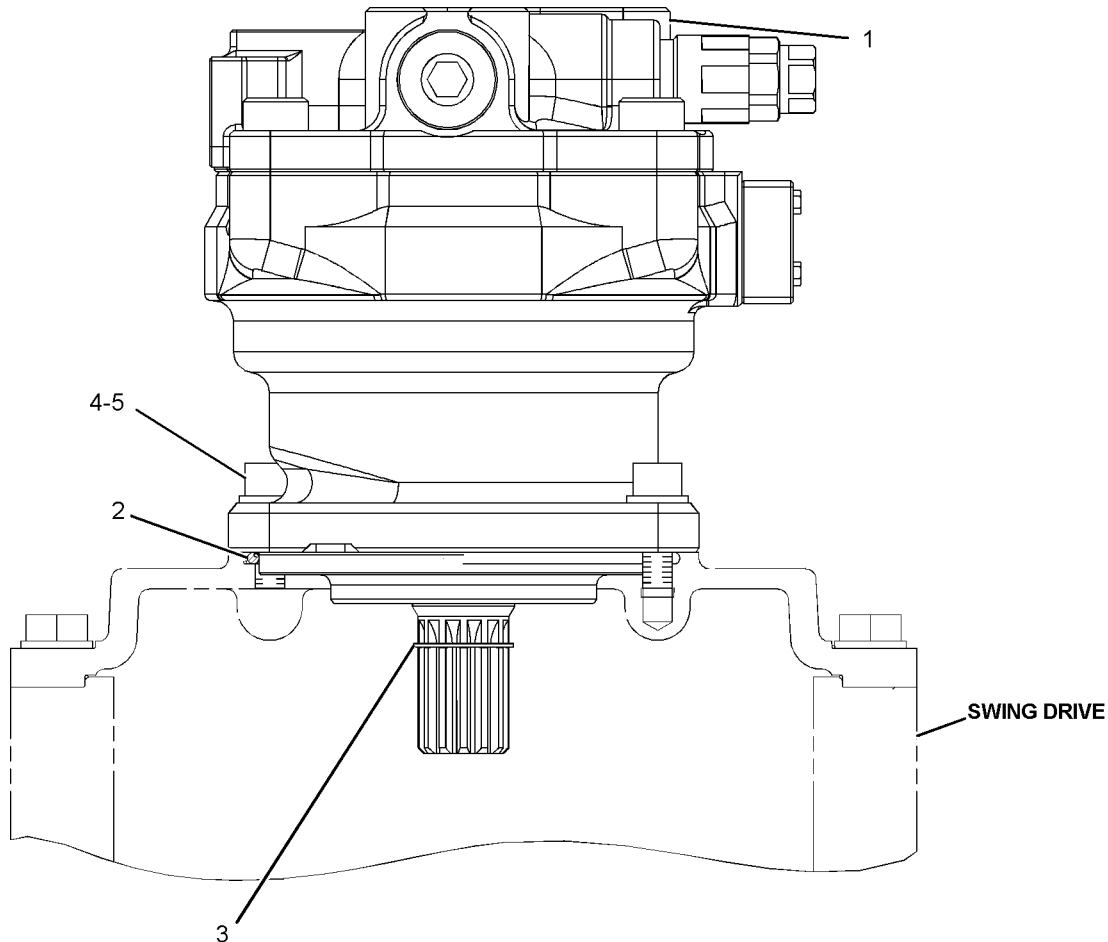
PART OF 227-6131 DRIVE GP-SWING

SMCS-5058

i02889021

NOTE	REF NO	GRAPHIC REF	PART NUMBER	QTY	PART NAME						SEE PAGE
					1	2	3	4	5	6 (PRODUCT LEVEL)	
CYR	1	1	295-9447	1	MOTOR GP-SWING (FRONT)						816
	2	1	095-1687	1	SEAL-O-RING						
	3	1	6V-5204	1	RING-RETAINING						
M	4	1	6V-8201	4	BOLT-SOCKET HEAD (M16X2X45-MM)						
	5	1	9X-8257	4	WASHER (17.5X30X3.5-MM THK)						

C-CHANGE FROM PREVIOUS TYPE
M-METRIC PART
R-REMG PART MAY BE AVAILABLE
Y-SEPARATE ILLUSTRATION



GRAPHIC #1

<END>

g01082362

HYDRAULIC SYSTEM

155-9198 MOTOR & MTG GP-TRAVEL

S/N: MMA1-UP

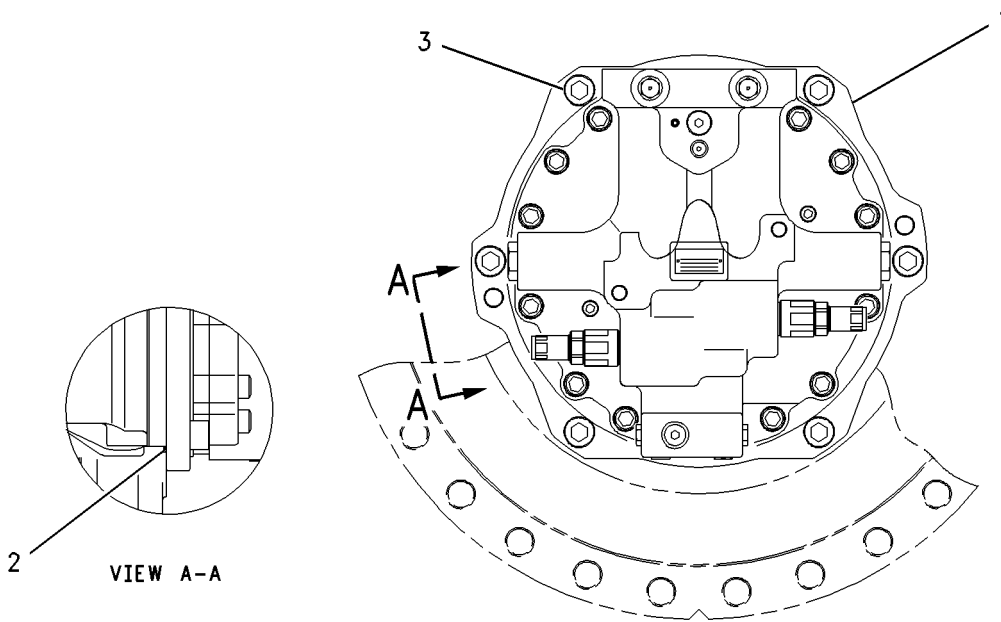
PART OF 199-4662 DRIVE GP-FINAL

SMCS-4351

i01886583

NOTE	REF NO	GRAPHIC REF	PART NUMBER	QTY	PART NAME						SEE PAGE
					1	2	3	4	5	6 (PRODUCT LEVEL)	
Y	1	1	209-5895	1	MOTOR GP-TRAVEL						817
	2	1	6D-0692	1	SEAL-O-RING						
M	3	1	7Y-5241	6	BOLT-SOCKET HEAD (M20X2.5X60-MM)						

M-METRIC PART
Y-SEPARATE ILLUSTRATION



GRAPHIC #1

<END>

g00892680

HYDRAULIC SYSTEM

200-3252 MOTOR GP-PISTON-REVERSING HYDRAULIC FAN

S/N: MMA1-UP

PART OF 247-8833 MOTOR & MTG GP-HYDRAULIC FAN
AN ATTACHMENT

SMCS-5058

i02237382

NOTE	REF NO	GRAPHIC REF	PART NUMBER	QTY	PART NAME						SEE PAGE
					1	2	3	4	5	6 (PRODUCT LEVEL)	
	1	1	185-0270	1	SHAFT						
	2	1	8C-3110	1	RING-RETAINING						
	3	1	185-0248	1	SEAL-OIL						
Y	4	1	185-0266	1	ROTATING GP-MOTOR						842
	5	1	127-9485	1	SEAL-O-RING						
	6	1	185-0268	1	COVER						
M	7	1	095-0673	4	BOLT-SOCKET HEAD (M12X1.75X60-MM)						
	8	1	188-6280	1	DOWEL						
	9	1	185-0267	1	HOUSING						
	10	1	101-2862	2	DOWEL						
	11	1	200-3257	1	SWASHPLATE						
	12	1	9S-8006	1	PLUG-O RING						
	13	1	2M-9780	1	SEAL-O-RING						
	14	1	185-0271	1	BEARING AS						
	14A	1	189-4717	1	BEARING						
	14B	1	185-0265	1	SHIM PACK (INCLUDES 14-SHIMS)						
	14C	1	185-0263	1	BEARING						
	15	1	185-0242	1	PLATE						

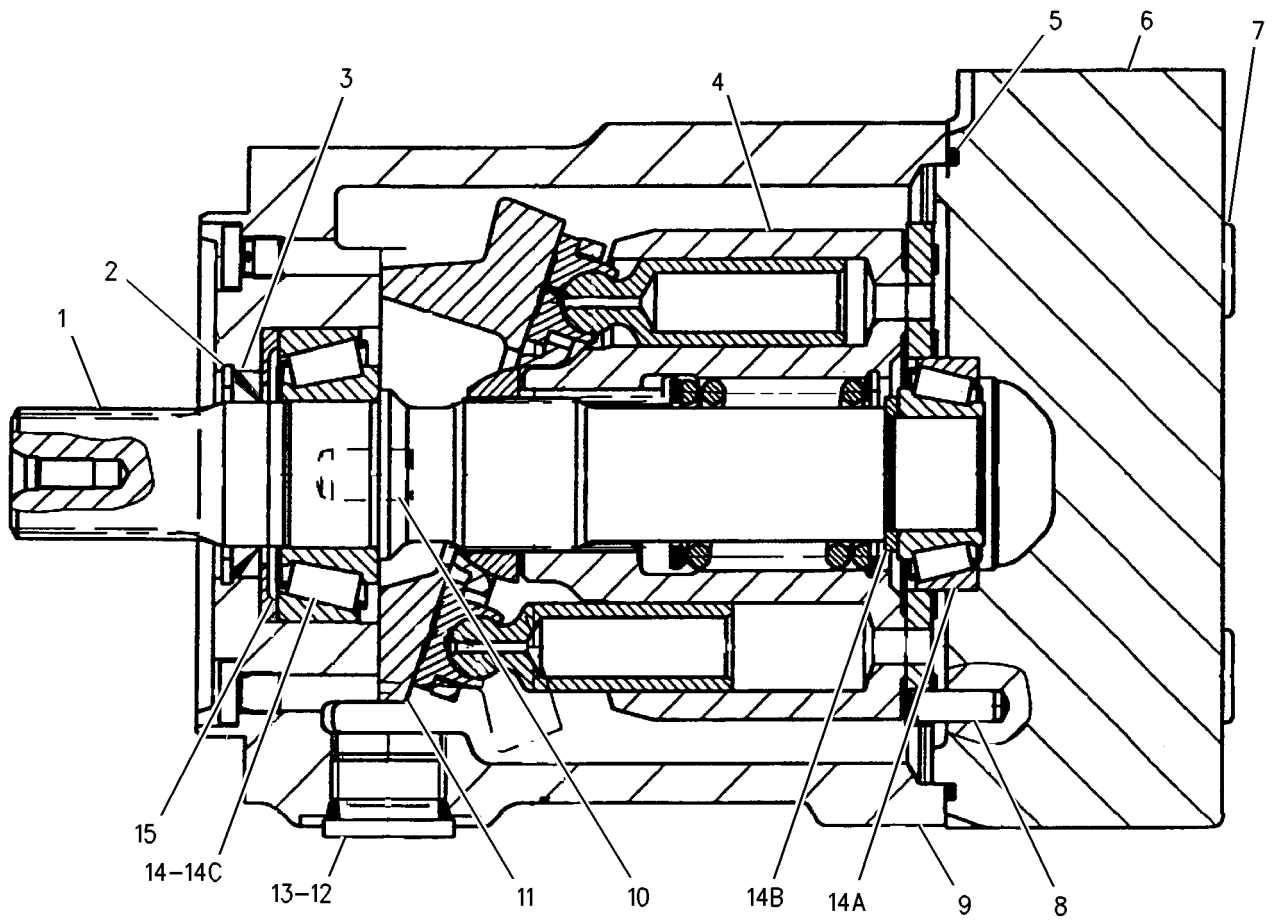
M-METRIC PART

Y-SEPARATE ILLUSTRATION

HYDRAULIC SYSTEM

200-3252 MOTOR GP-PISTON (contd.)

i02237382



GRAPHIC #1

<END>

g00789418

HYDRAULIC SYSTEM

225-4614 MOTOR GP-PISTON-HYDRAULIC FAN*R

S/N: MMA1-UP

PART OF 210-8156 COOLER & MTG GP-HYDRAULIC OIL

SMCS-5058

i03012625

NOTE	REF NO	GRAPHIC REF	PART NUMBER	QTY	PART NAME						SEE PAGE
					1	2	3	4	5	6 (PRODUCT LEVEL)	
	1	1	8C-3110	1	RING-RETAINING						
	2	1	185-0248	1	SEAL-OIL						
	3	1	185-0267	1	HOUSING						
	4	1	200-3257	1	SWASHPLATE						
Y	5	1	185-0266	1	ROTATING GP-MOTOR						842
	6	1	127-9485	1	SEAL-O-RING						
	7	1	242-6845	1	COVER						
M	8	1	095-0673	4	BOLT-SOCKET HEAD (M12X1.75X60-MM)						
	9	1	189-4717	1	BEARING						
		1	105-3035	1	CONE-BEARING						
		1	203-8609	1	CUP-BEARING						
	10	1	204-2799	1	DOWEL						
	11	1	242-6903	1	SHIM (3-MM THK)						
	12	1	101-2862	2	DOWEL						
	13	1	185-0263	1	BEARING						
	14	1	185-0242	1	PLATE						
	16	1	242-6902	1	SHAFT						
	17	1	197-2471	1	PLUG AS						
		1	197-2472	1	SEAL						
	18	1	9S-8006	1	PLUG-O-RING						
	19	1	2M-9780	1	SEAL-O-RING						
	20	1	242-3374	1	SLEEVE						
	21	1	197-2474	1	VALVE AS						

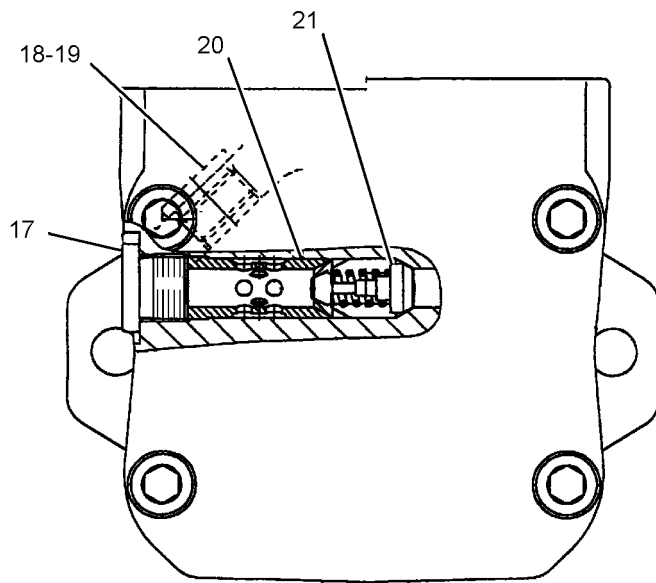
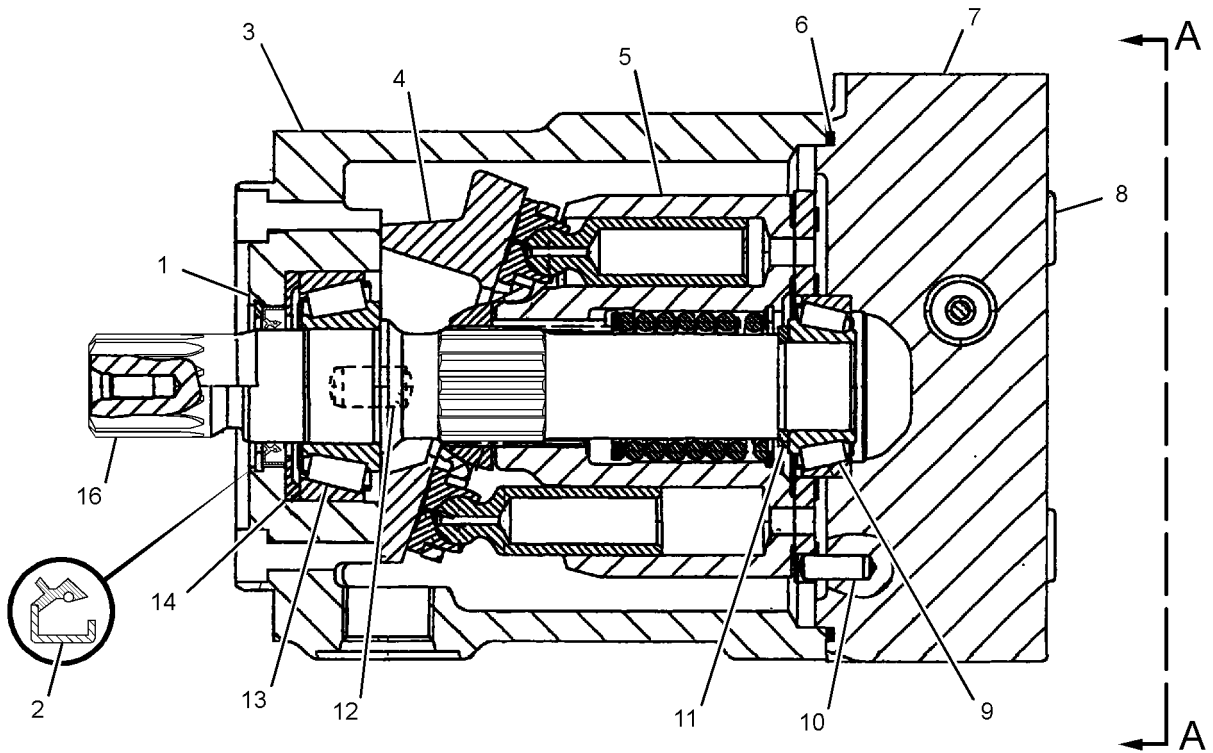
M-METRIC PART

Y-SEPARATE ILLUSTRATION

HYDRAULIC SYSTEM

225-4614 MOTOR GP-PISTON (contd.)

i03012625



GRAPHIC #1

<END>

g01527611

HYDRAULIC SYSTEM

234-4540 MOTOR GP-PISTON-SWING

S/N: MMA1-253

PART OF 234-4535, 234-4537 MOTOR GP-SWING

SMCS-5058

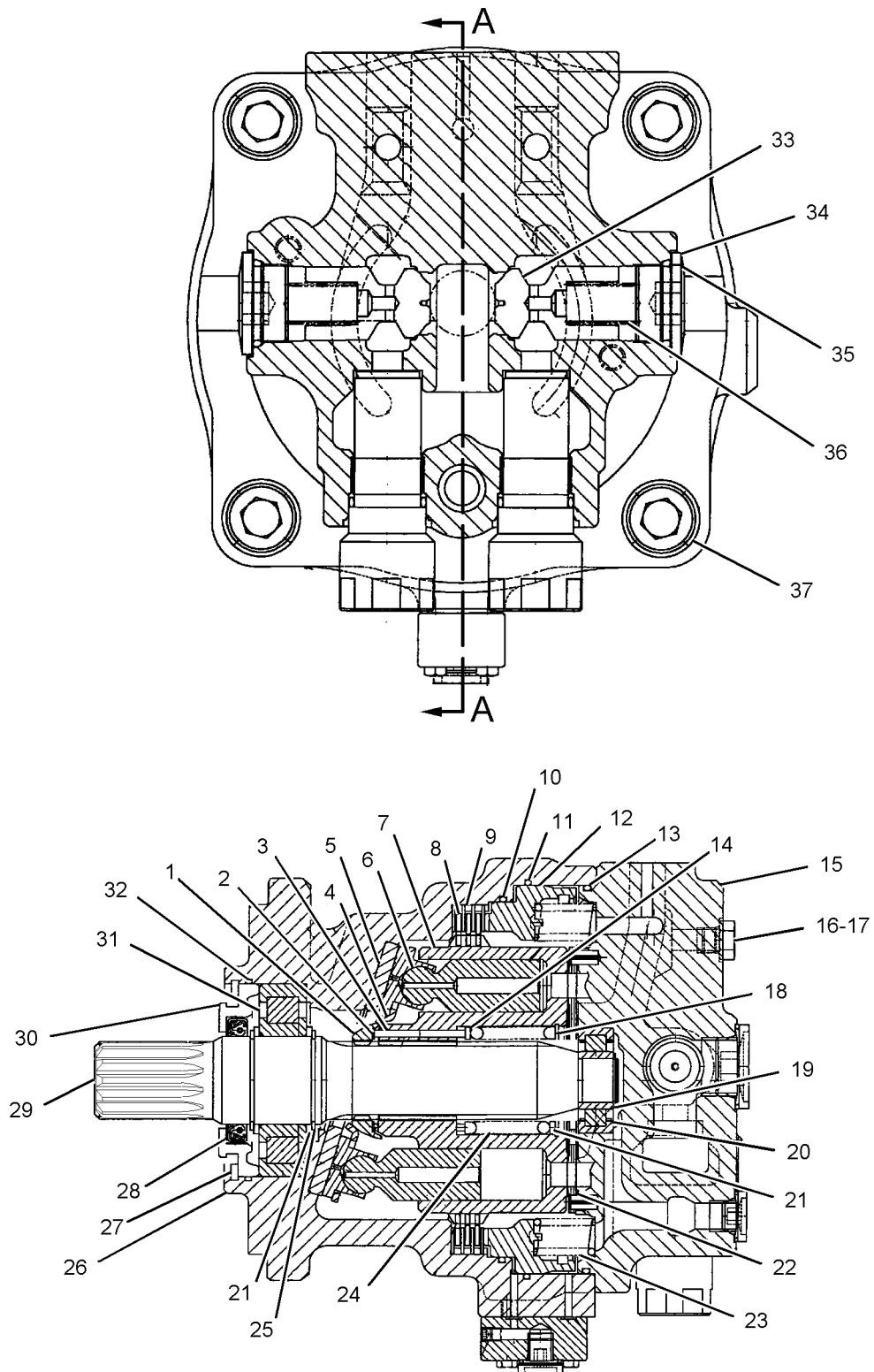
i02637455

NOTE	REF NO	GRAPHIC REF	PART NUMBER	QTY	PART NAME						SEE PAGE
					1	2	3	4	5	6 (PRODUCT LEVEL)	
	1	1	158-8967	1	BUSHING						
	2	1	158-8970	1	SPACER						
	3	1	158-8969	12	PIN						
	4	1	242-6922	1	PLATE						
	5	1	158-8973	1	PLATE						
	6	1	158-9009	1	PISTON AS						
	7	1	158-8966	1	BARREL						
	8	1	158-8981	3	PLATE-FRICTION						
	9	1	158-8982	4	PLATE-SEPARATOR						
J	10	1	7Y-4277	1	SEAL-O-RING						
J	11	1	8F-5900	1	SEAL-O-RING						
	12	1	185-0325	1	PISTON-BRAKE						
J	13	1	158-8978	1	SEAL-O-RING						
	14	1	158-8971	1	SPACER						
	15	1	177-2550	1	HEAD GP-MOTOR						
	16	1	110-5525	2	PLUG						
J	17	1	3J-1907	2	SEAL-O-RING						
	18	1	8T-9598	1	RING-RETAINING						
	19	1	4I-5850	1	RING						
	20	1	7Y-4269	1	BEARING AS-ROLLER						
	21	1	158-8965	3	SPACER						
	22	1	234-4543	1	PLATE						
	23	1	123-2139	20	SPRING						
	24	1	158-8968	1	SPRING						
	25	1	8T-4241	2	RING-RETAINING						
	26	1	234-4542	1	BODY						
	27	1	095-0946	1	RING-RETAINING						
J	28	1	158-8979	1	SEAL-OIL						
	29	1	158-8964	1	SHAFT						
	30	1	158-8976	1	RETAINER						
	31	1	158-8977	1	BEARING AS						
J	32	1	095-1716	1	SEAL-O-RING						
	33	1	170-9985	2	VALVE						
	34	1	170-9996	2	PLUG						
J	35	1	095-1600	2	SEAL-O-RING						
	36	1	170-9986	2	SPRING						
M	37	1	161-7611	4	BOLT-SOCKET HEAD						
					AVAILABLE REPAIR KIT(S) :						
J			177-2547	KIT-SEAL (SWING MOTOR)							
J-KIT MARKED J SERVICES PART(S) MARKED J											
M-METRIC PART											

HYDRAULIC SYSTEM

234-4540 MOTOR GP-PISTON (contd.)

i02637455



SECTION A-A

<END>

GRAPHIC #1

g01083731

HYDRAULIC SYSTEM

247-8978 MOTOR GP-PISTON-FAN

S/N: MMA1-UP

PART OF 230-2799 FAN GP-SUCTION

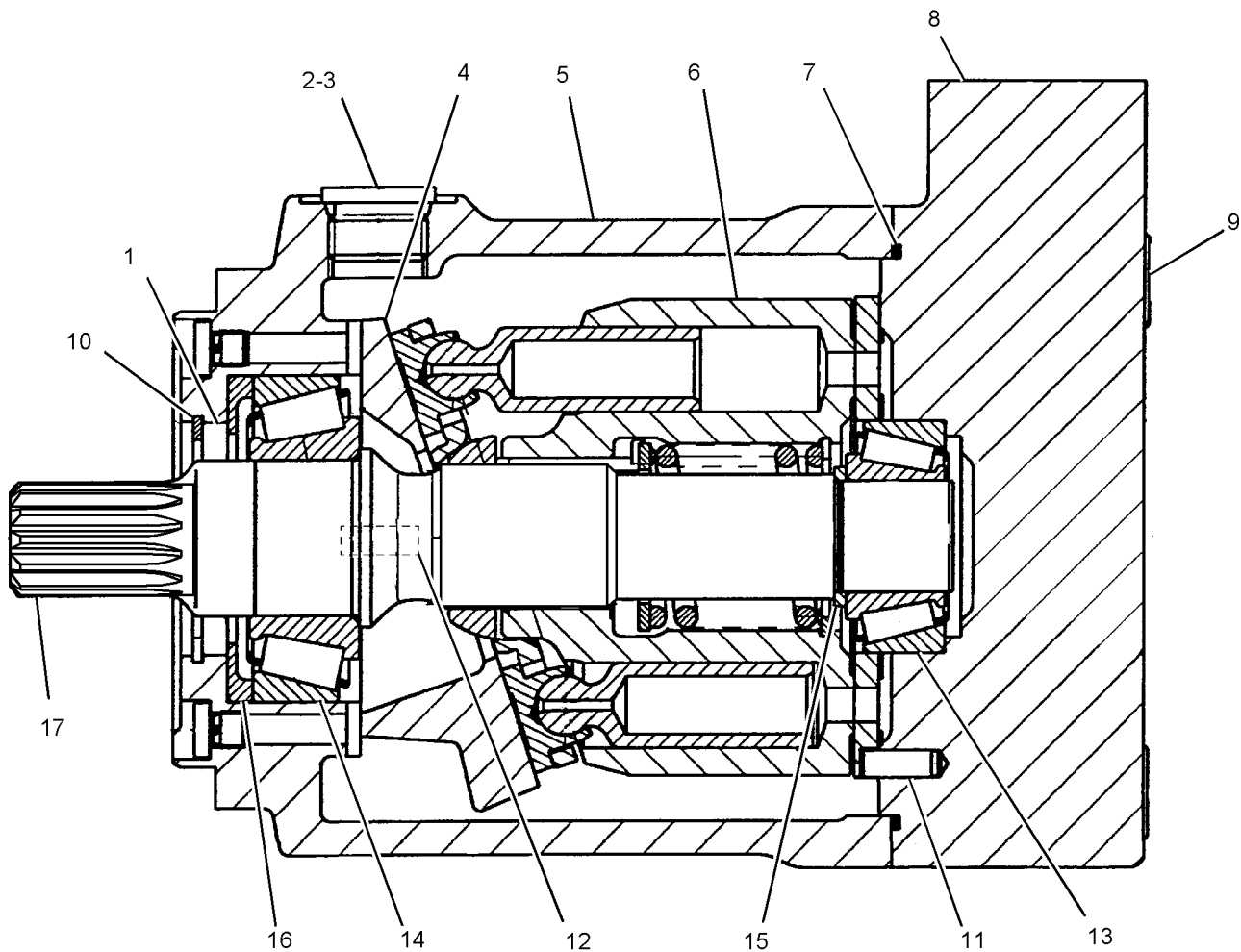
SMCS-5058

i02237598

NOTE	REF NO	GRAPHIC REF	PART NUMBER	QTY	PART NAME						SEE PAGE
					1	2	3	4	5	6 (PRODUCT LEVEL)	
	1	1	168-7319	1	SEAL-SHAFT						
	2	1	9S-8006	1	PLUG-O RING						
	3	1	2M-9780	1	SEAL-O-RING						
	4	1	185-0278	1	SWASHPLATE						
	5	1	185-0276	1	HOUSING						
Y	6	1	259-0816	1	ROTATING GP-PUMP						845
	7	1	192-7470	1	SEAL-O-RING						
	8	1	185-0277	1	COVER						
M	9	1	095-0690	4	BOLT-SOCKET HEAD (M14X2X60-MM)						
	10	1	7Y-5267	1	RING-RETAINING						
	11	1	188-6280	1	DOWEL						
	12	1	101-2862	2	DOWEL						
	13	1	185-0295	1	BEARING						
	14	1	185-0296	1	BEARING						
	15	1	185-0297	1	KIT-SHIM (INCLUDES 9-SHIMS)						
	16	1	185-0280	1	PLATE						
	17	1	209-6063	1	SHAFT						

M-METRIC PART

Y-SEPARATE ILLUSTRATION



GRAPHIC #1

<END>

g01129548

HYDRAULIC SYSTEM

295-9421 MOTOR GP-PISTON-SWING

S/N: MMA254-UP

PART OF 295-9446, 295-9447 MOTOR GP-SWING

SMCS-5058

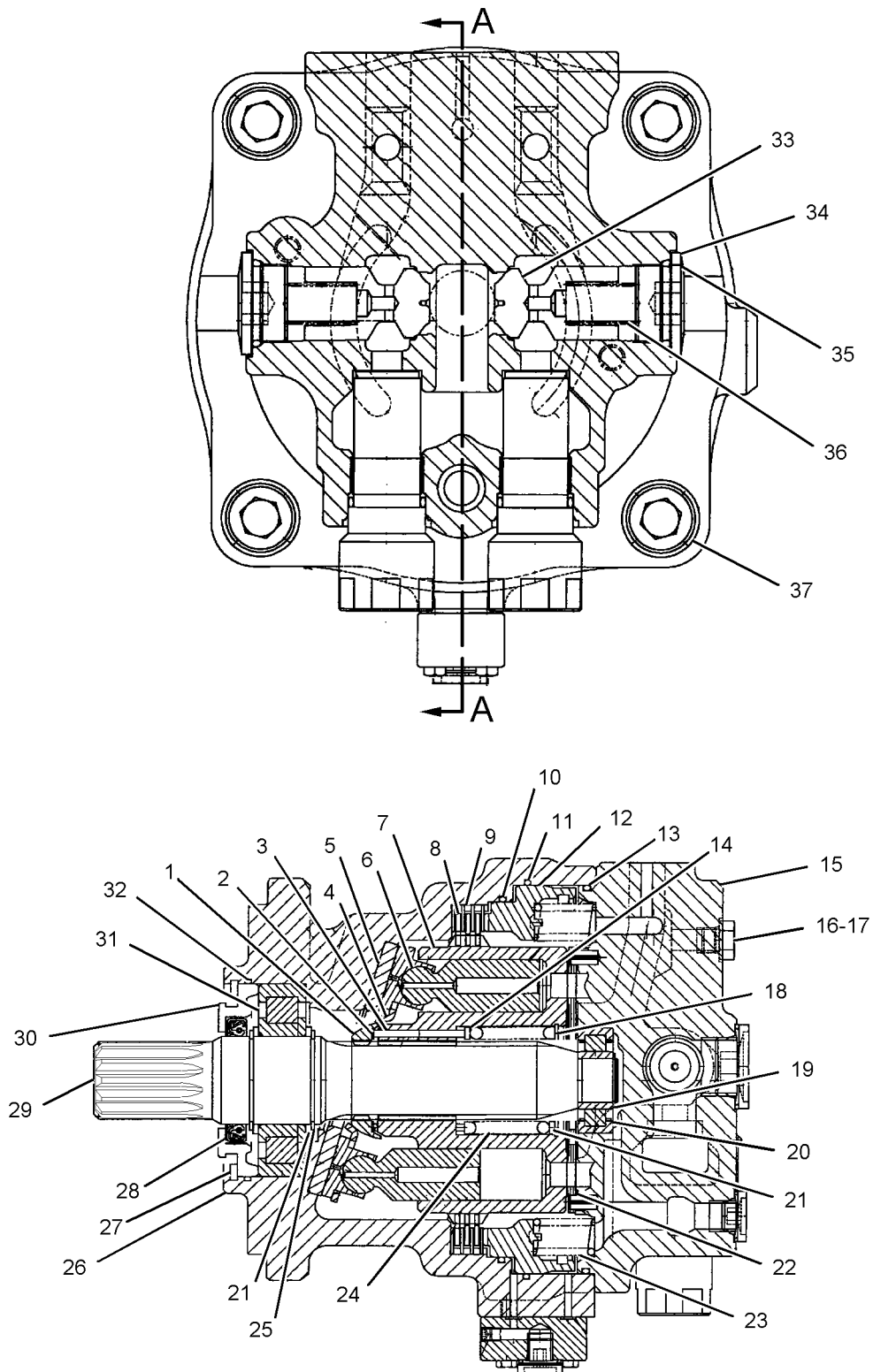
i02862048

NOTE	REF NO	GRAPHIC REF	PART NUMBER	QTY	PART NAME						SEE PAGE
					1	2	3	4	5	6 (PRODUCT LEVEL)	
	1	1	158-8967	1	BUSHING						
	2	1	158-8970	1	SPACER						
	3	1	158-8969	12	PIN						
	4	1	242-6922	1	PLATE						
	5	1	158-8973	1	PLATE						
	6	1	158-9009	1	PISTON AS						
	7	1	158-8966	1	BARREL						
	8	1	158-8981	3	PLATE-FRICTION						
	9	1	158-8982	4	PLATE-SEPARATOR						
J	10	1	7Y-4277	1	SEAL-O-RING						
J	11	1	8F-5900	1	SEAL-O-RING						
	12	1	185-0325	1	PISTON-BRAKE						
J	13	1	158-8978	1	SEAL-O-RING						
	14	1	158-8971	1	SPACER						
	15	1	177-2550	1	HEAD GP-MOTOR						
	16	1	110-5525	2	PLUG						
J	17	1	3J-1907	2	SEAL-O-RING						
	18	1	8T-9598	1	RING-RETAINING						
	19	1	4I-5850	1	RING						
	20	1	7Y-4269	1	BEARING AS-ROLLER						
	21	1	158-8965	3	SPACER						
	22	1	234-4543	1	PLATE						
	23	1	123-2139	20	SPRING						
	24	1	158-8968	1	SPRING						
	25	1	8T-4241	2	RING-RETAINING						
	26	1	234-4542	1	BODY						
	27	1	095-0946	1	RING-RETAINING						
J	28	1	158-8979	1	SEAL-OIL						
	29	1	158-8964	1	SHAFT						
	30	1	158-8976	1	RETAINER						
	31	1	295-9432	1	BEARING AS						
J	32	1	095-1716	1	SEAL-O-RING						
	33	1	170-9985	2	VALVE						
	34	1	170-9996	2	PLUG						
J	35	1	095-1600	2	SEAL-O-RING						
	36	1	170-9986	2	SPRING						
M	37	1	161-7611	4	BOLT-SOCKET HEAD						
					AVAILABLE REPAIR KIT(S) :						
J			177-2547		KIT-SEAL (SWING MOTOR)						
J-KIT MARKED J SERVICES PART(S) MARKED J											
M-METRIC PART											

HYDRAULIC SYSTEM

295-9421 MOTOR GP-PISTON (contd.)

i02862048



SECTION A-A

<END>

GRAPHIC #1

g01083731

HYDRAULIC SYSTEM

234-4535 MOTOR GP-SWING-REAR*R

S/N: MMA1-253

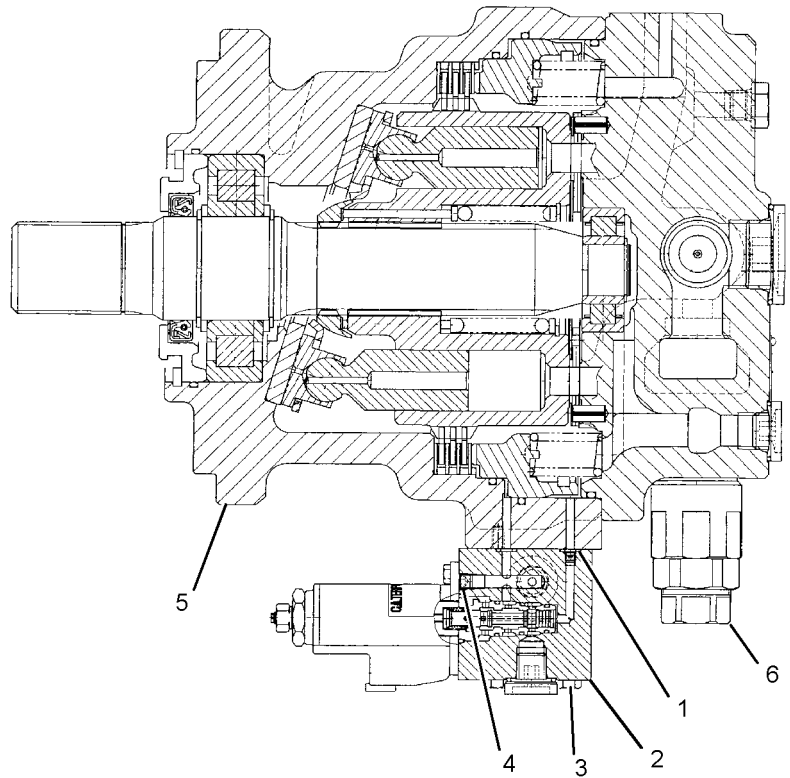
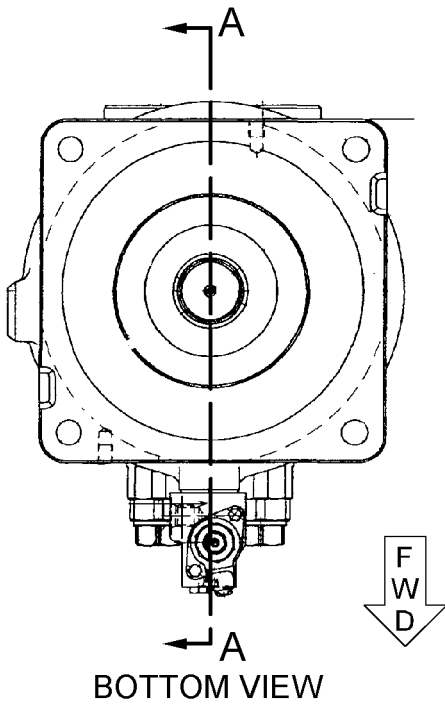
PART OF 234-4534 MOTOR & MTG GP-SWING
FIELD REPLACEMENT ORDER 295-9446-PAGE 815

SMCS-5058

i02475189

NOTE	REF NO	GRAPHIC REF	PART NUMBER	QTY	PART NAME						SEE PAGE
					1	2	3	4	5	6 (PRODUCT LEVEL)	
	1	1	095-1574	2	SEAL-O-RING						
Y	2	1	137-3713	1	VALVE GP-SOLENOID (SWING PARKING BRAKE)						916
M	3	1	8T-6974	3	BOLT (M6X1X80-MM)						
	4	1	8T-6759	1	PLUG-PIPE						
Y	5	1	<i>234-4540</i>	1	MOTOR GP-PISTON (SWING)						808
Y	6	1	234-4541	2	VALVE GP-RELIEF (SWING)						909

M-METRIC PART
Y-SEPARATE ILLUSTRATION



SECTION A-A

GRAPHIC #1

<END>

g01079031

HYDRAULIC SYSTEM

234-4537 MOTOR GP-SWING-FRONT*R

S/N: MMA1-253

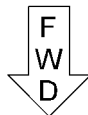
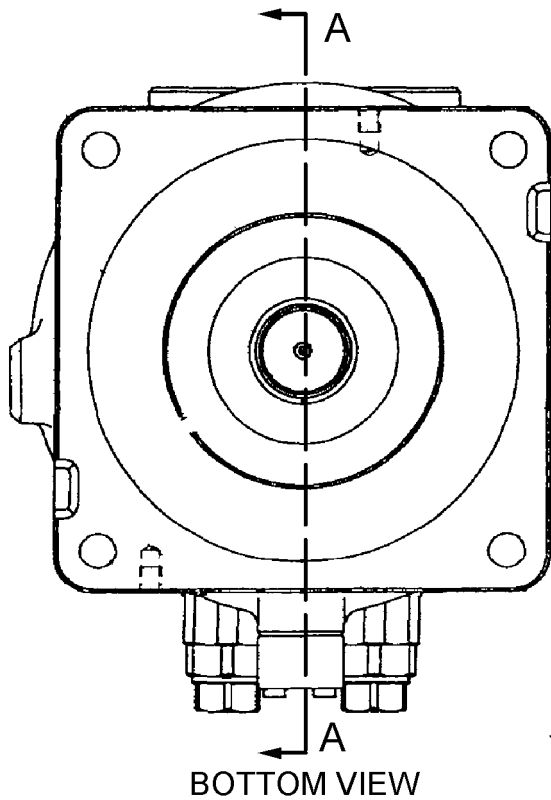
PART OF 234-4536 MOTOR & MTG GP-SWING
FIELD REPLACEMENT ORDER 295-9447-PAGE 816

SMCS-5058

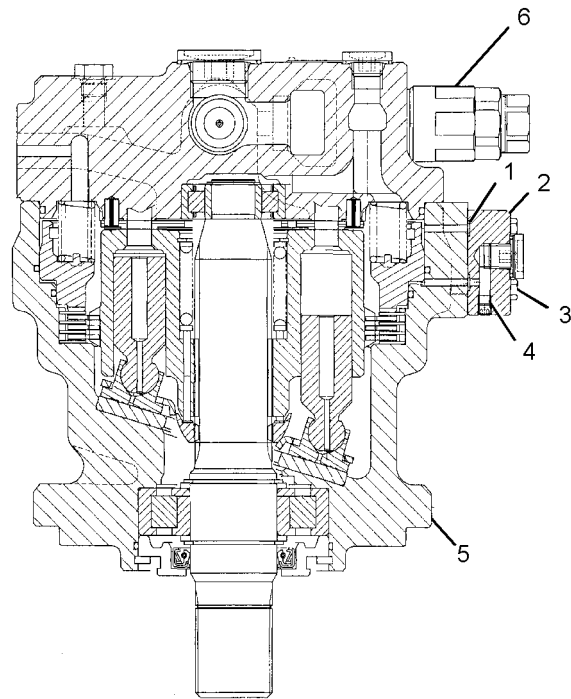
i02147760

NOTE	REF NO	GRAPHIC REF	PART NUMBER	QTY	PART NAME						SEE PAGE
					1	2	3	4	5	6 (PRODUCT LEVEL)	
	1	1	095-1573	2	SEAL-O-RING						
	2	1	137-3716	1	BODY						
M	3	1	7X-2533	3	BOLT (M6X1X35-MM)						
	4	1	8T-6759	1	PLUG-PIPE						
Y	5	1	234-4540	1	MOTOR GP-PISTON (SWING)						808
Y	6	1	234-4541	2	VALVE GP-RELIEF (SWING)						909

M-METRIC PART
Y-SEPARATE ILLUSTRATION



<END>



GRAPHIC #1

g01089894

HYDRAULIC SYSTEM

295-9446 MOTOR GP-SWING-REAR*R

S/N: MMA254-UP

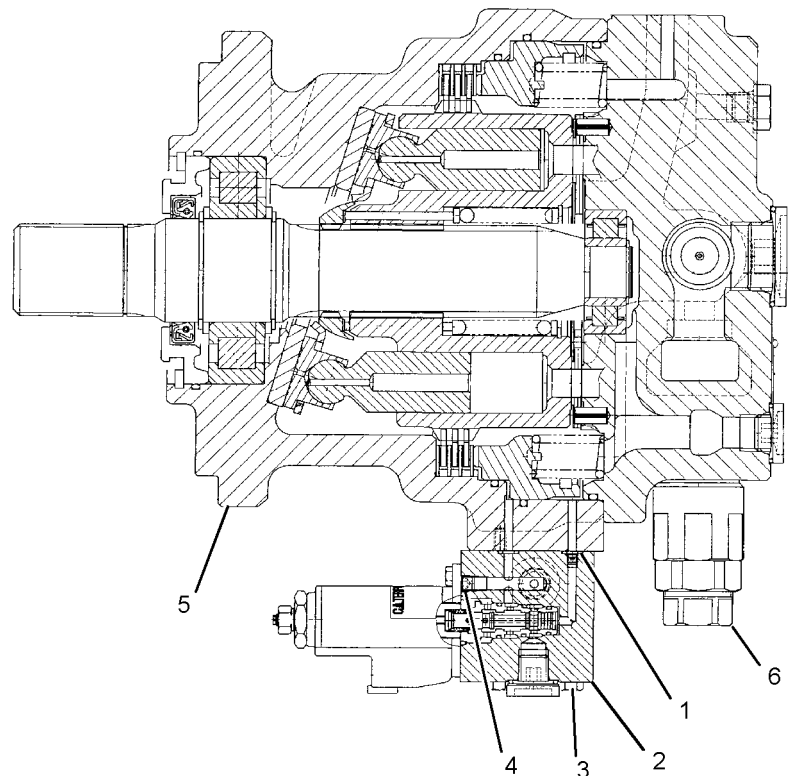
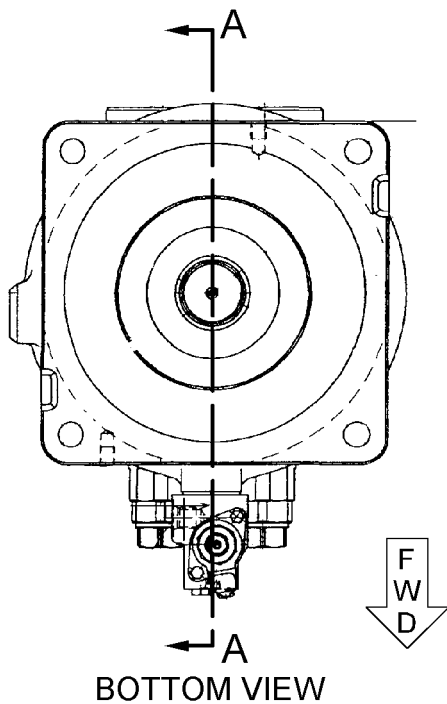
PART OF 234-4534 MOTOR & MTG GP-SWING
FIELD REPLACEMENT FOR 234-4535-PAGE 813

SMCS-5058

i02889167

NOTE	REF NO	GRAPHIC REF	PART NUMBER	QTY	PART NAME						SEE PAGE
					1	2	3	4	5	6 (PRODUCT LEVEL)	
	1	1	095-1574	2	SEAL-O-RING						
Y	2	1	137-3713	1	VALVE GP-SOLENOID (SWING PARKING BRAKE)						916
M	3	1	8T-6974	3	BOLT (M6X1X80-MM)						
	4	1	8T-6759	1	PLUG-PIPE						
Y	5	1	295-9421	1	MOTOR GP-PISTON (SWING)						811
Y	6	1	177-2549	2	VALVE GP-RELIEF (SWING)						908

M-METRIC PART
Y-SEPARATE ILLUSTRATION



SECTION A-A

GRAPHIC #1

<END>

g01079031

HYDRAULIC SYSTEM

295-9447 MOTOR GP-SWING-FRONT*R

S/N: MMA254-UP

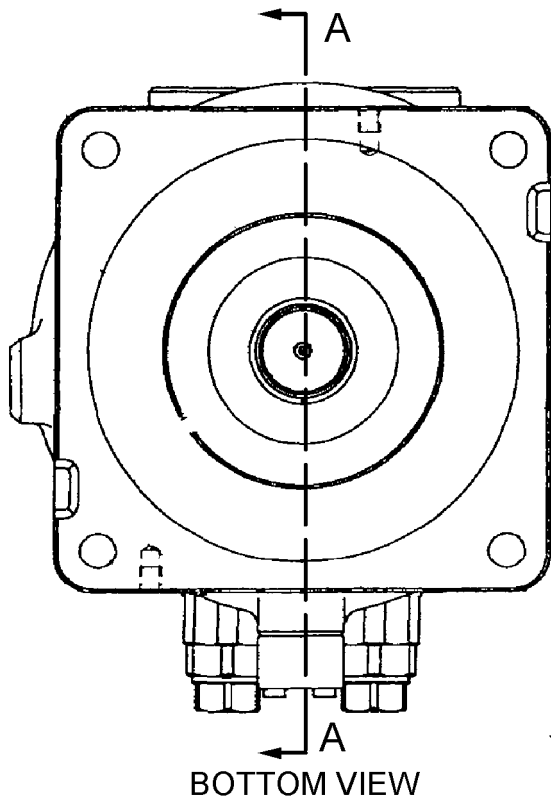
PART OF 234-4536 MOTOR & MTG GP-SWING
FIELD REPLACEMENT FOR 234-4537-PAGE 814

SMCS-5058

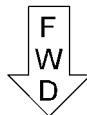
i02888873

NOTE	REF NO	GRAPHIC REF	PART NUMBER	QTY	PART NAME						SEE PAGE
					1	2	3	4	5	6 (PRODUCT LEVEL)	
	1	1	095-1573	2	SEAL-O-RING						
	2	1	137-3716	1	BODY						
M	3	1	7X-2533	3	BOLT (M6X1X35-MM)						
	4	1	8T-6759	1	PLUG-PIPE						
Y	5	1	295-9421	1	MOTOR GP-PISTON (SWING)						811
Y	6	1	177-2549	2	VALVE GP-RELIEF (SWING)						908

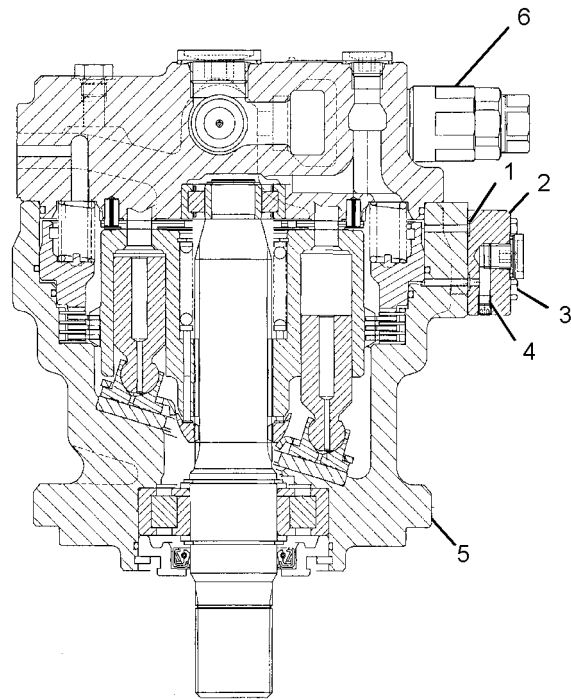
M-METRIC PART
Y-SEPARATE ILLUSTRATION



GRAPHIC #1



<END>



SECTION A-A

g01089894

HYDRAULIC SYSTEM

209-5895 MOTOR GP-TRAVEL*R

S/N: MMA1-UP

PART OF 155-9198 MOTOR & MTG GP-TRAVEL

SMCS-4351, 5058

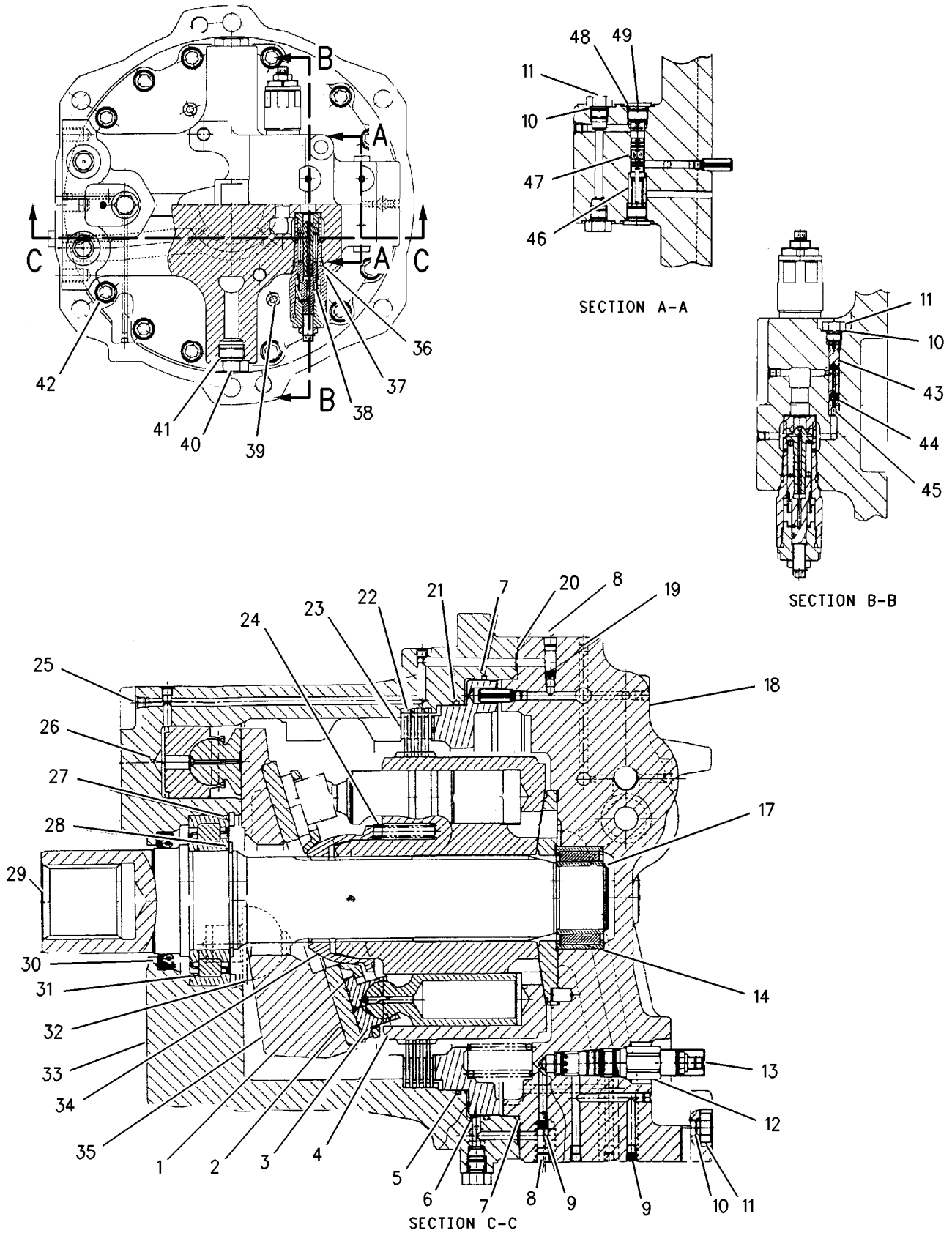
i03119904

NOTE	REF NO	GRAPHIC REF	PART NUMBER	QTY	PART NAME						SEE PAGE
					1	2	3	4	5	6 (PRODUCT LEVEL)	
	1	1	191-5658	1	PLATE						
	2	1	191-5659	1	PLATE						
	3	1	295-9690	1	PISTON AS						
	4	1	191-5675	1	BARREL AS						
	5	1	191-5671	16	SPRING						
	6	1	191-5670	1	PISTON-BRAKE						
J	7	1	196-6103	2	SEAL-O-RING						
	8	1	095-0965	2	PLUG						
	9	1	4I-1022	2	ORIFICE						
J	10	1	3J-1907	6	SEAL-O-RING						
	11	1	110-5525	6	PLUG						
	12	1	191-5662	1	VALVE GP-PRESSURE REDUCING (PARKING BRAKE RELEASE)						
	13	1	191-5663	1	COVER						
	14	1	191-5665	1	BEARING-NEEDLE						
	17	1	191-5678	1	RING-RETAINING						
	18	1	191-5676	1	HEAD GP-MOTOR						
		1	5I-4168	1	PIN						
	19	1	1R-7037	1	ORIFICE						
J	20	1	095-1578	2	SEAL-O-RING						
J	21	1	196-6102	1	SEAL-O-RING						
	22	1	191-5673	4	PLATE-FRICTION						
	23	1	191-5672	5	PLATE-SEPARATOR						
	24	1	191-5657	9	SPRING						
	25	1	7I-8084	12	PLUG						
	26	1	191-5677	1	PISTON AS						
	27	1	8T-9044	1	RING-RETAINING						
	28	1	095-0930	1	RING-RETAINING (EXTERNAL)						
	29	1	191-5655	1	SHAFT						
J	30	1	191-5666	1	SEAL-OIL						
	31	1	191-5664	1	BEARING-ROLLER						
	32	1	191-5667	2	PIVOT						
	33	1	209-5908	1	BODY						
	34	1	191-5656	1	GUIDE-BALL						
	35	1	200-3391	1	SWASHPLATE						
	36	1	095-1698	2	SEAL-O-RING						
	37	1	5I-8770	2	RING-BACKUP						
	38	1	191-5654	2	VALVE GP-RELIEF (LINE)						
	39	1	4D-3118	2	PLUG-PIPE						
	40	1	9S-4188	2	PLUG						
J	41	1	4K-1388	2	SEAL-O-RING						
M	42	1	8T-0348	12	BOLT-SOCKET HEAD (M16X2X50-MM)						
	43	1	5I-8765	1	STOP						
	44	1	5H-1472	1	BALL						
	45	1	191-5669	1	SEAT						
	46	1	4I-7874	1	SPRING						
	47	1	191-5668	1	SPOOL						
J	48	1	095-1582	2	SEAL-O-RING						
	49	1	111-9998	2	PLUG						
AVAILABLE REPAIR KIT(S) :											
J			194-8258	1	KIT-SEAL (TRAVEL MOTOR)						
J-KIT MARKED J SERVICES PARTS MARKED J M-METRIC PART											

HYDRAULIC SYSTEM

209-5895 MOTOR GP-TRAVEL (contd.)

i03119904



GRAPHIC #1

<END>

g00848608

HYDRAULIC SYSTEM

9U-1373 MOUNTING GP-CYLINDER-BOTTOM DUMP

S/N: MMA1-UP

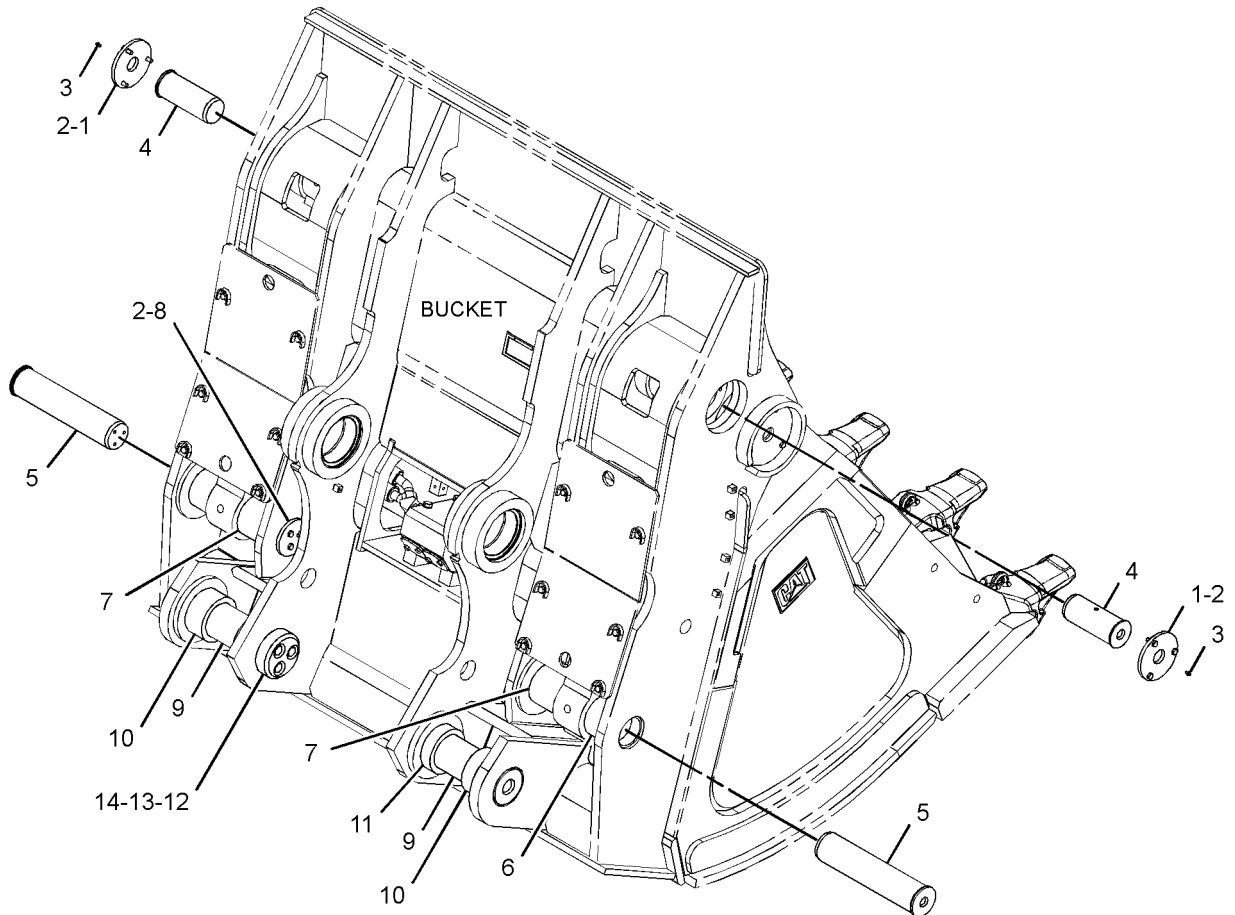
PART OF 220-1594, 267-5384 BUCKET AR-FRONT SHOVEL
AN ATTACHMENT

SMCS-5102, 6068, 7562

i02707574

NOTE	REF NO	GRAPHIC REF	PART NUMBER	QTY	PART NAME						SEE PAGE
					1	2	3	4	5	6 (PRODUCT LEVEL)	
	1	1	4E-9373	2	CAP						
M	2	1	8T-4139	12	BOLT (M12X1.75X30-MM)						
	3	1	095-0948	2	FITTING						
	4	1	4E-9375	2	PIN						
	5	1	122-6567	2	PIN						
	6	1	123-9702	2	SPACER (102X140X97-MM THK)						
	7	1	123-9701	2	SPACER (102X140X129.7-MM THK)						
	8	1	4E-9397	2	CAP						
	9	1	4E-9410	2	PIN						
	10	1	4E-9404	2	SPACER						
	11	1	4E-9405	2	SPACER (122X160X43.3-MM THK)						
	12	1	114-8944	2	PLATE						
M	13	1	7X-2563	6	BOLT (M20X2.5X60-MM)						
	14	1	8T-4123	6	WASHER (22X35X3.5-MM THK)						

M-METRIC PART



GRAPHIC #1

<END>

g01371006

HYDRAULIC SYSTEM

241-6653 MOUNTING GP-CYLINDER-BUCKET

S/N: MMA1-UP

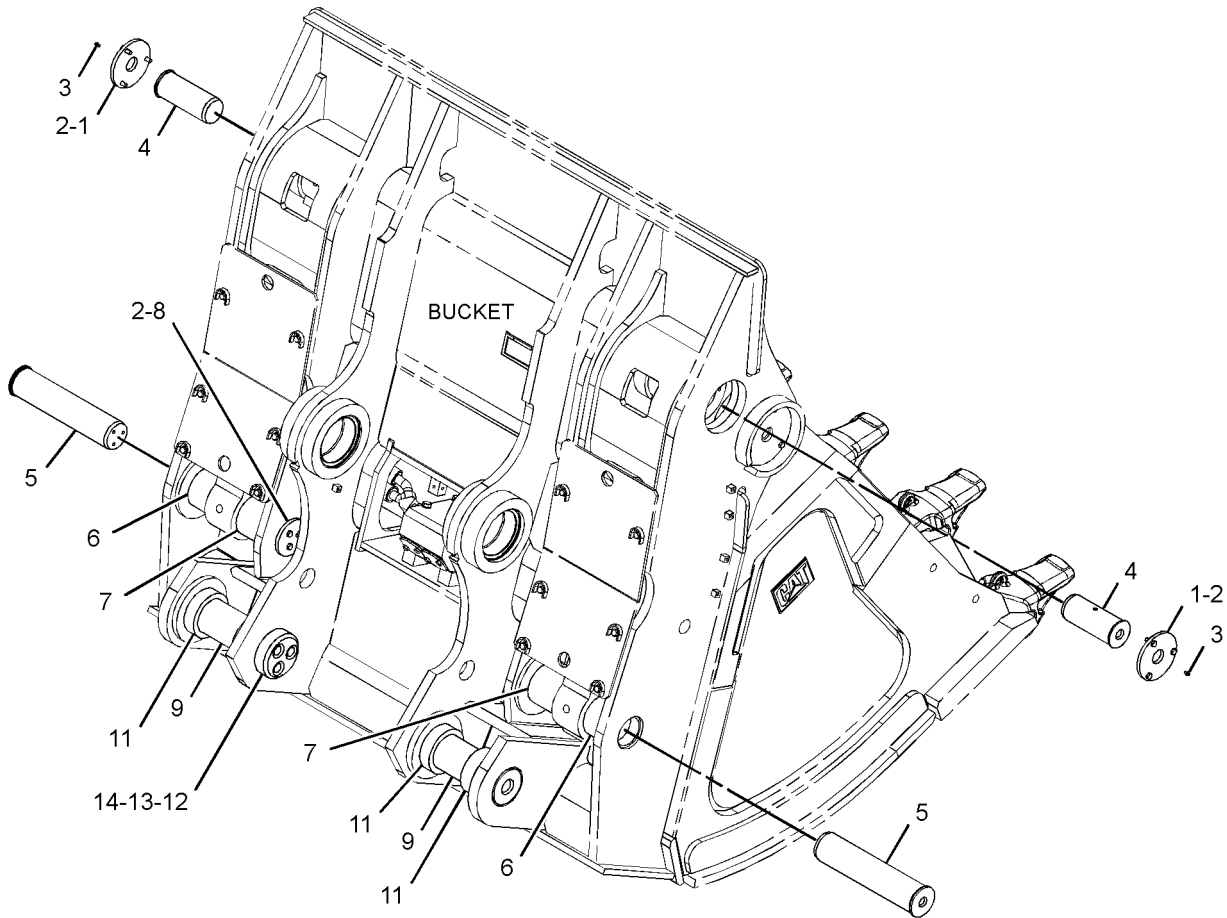
PART OF 235-4944, 241-6607, 241-6624, 241-6640, 267-5394, 267-5408,
267-5417, 267-5425, 267-5427 BUCKET AR-FRONT SHOVEL
AN ATTACHMENT

SMCS-5102, 6068, 7562

i02724725

NOTE	REF NO	GRAPHIC REF	PART NUMBER	QTY	PART NAME						SEE PAGE
					1	2	3	4	5	6 (PRODUCT LEVEL)	
	1	1	4E-9373	2	CAP						
M	2	1	8T-4139	12	BOLT (M12X1.75X30-MM)						
	3	1	095-0948	2	FITTING						
	4	1	4E-9375	2	PIN						
	5	1	122-6567	2	PIN						
	6	1	123-9702	2	SPACER (102X140X97-MM THK)						
	7	1	123-9701	2	SPACER (102X140X129.7-MM THK)						
	8	1	4E-9397	2	CAP						
	9	1	4E-9410	2	PIN						
	11	1	4E-9405	4	SPACER (122X160X43.3-MM THK)						
	12	1	114-8944	2	PLATE						
M	13	1	7X-2563	6	BOLT (M20X2.5X60-MM)						
	14	1	8T-4123	6	WASHER (22X35X3.5-MM THK)						

M-METRIC PART



GRAPHIC #1

<END>

g01371018

HYDRAULIC SYSTEM

245-5309 MOUNTING GP-MAIN CONTROL VALVE

S/N: MMA1-UP

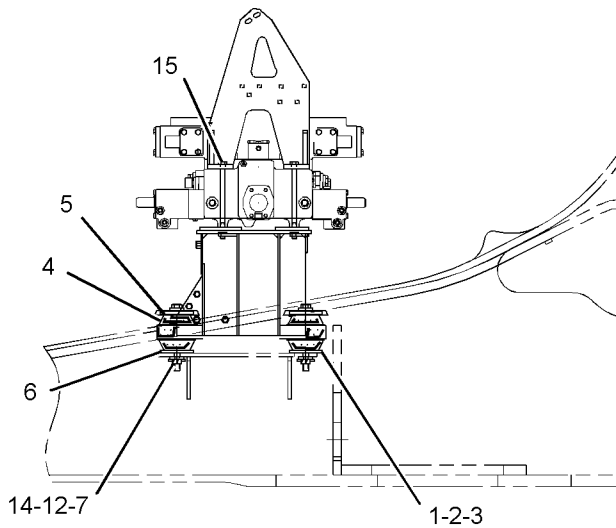
PART OF 232-4126 HYDRAULIC AR

SMCS-5051

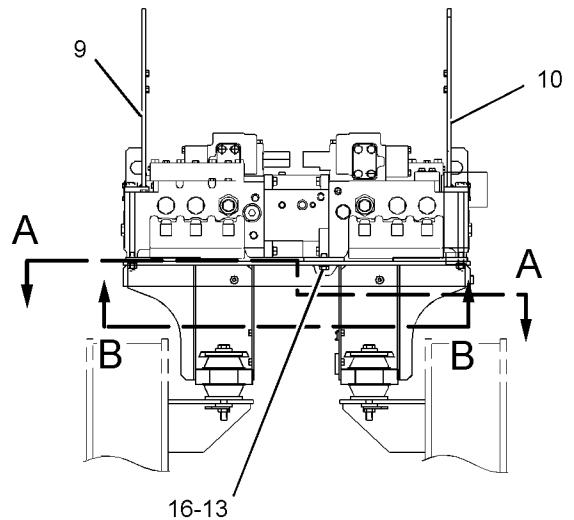
i03649775

NOTE	REF NO	GRAPHIC REF	PART NUMBER	QTY	PART NAME						SEE PAGE
					1	2	3	4	5	6 (PRODUCT LEVEL)	
B	1	1	7I-0070	12	SHIM (1.6-MM THK)						
B	2	1	7I-0071	12	SHIM (3-MM THK)						
B	3	1	7I-0072	12	SHIM (5-MM THK)						
	4	1	7I-0985	8	RUBBER						
	5	1	7I-7400	4	COVER						
	6	1	7X-2622	8	WASHER (22X115X10-MM THK)						
	7	1	7Y-0839	4	SUPPORT AS						
	8	1	176-4347	4	SUPPORT AS						
	9	1	260-8159	1	SUPPORT AS						
	10	1	260-8160	1	SUPPORT AS						
	11	1	245-5267	1	SUPPORT AS						
	12	1	6C-9149	8	WASHER (22X50X10-MM THK)						
M	13	1	7X-2553	1	BOLT (M16X2X40-MM)						
M	14	1	7X-2570	4	BOLT (M20X2.5X220-MM)						
M	15	1	8T-6382	4	BOLT (M16X2X260-MM)						
	16	1	9X-8257	1	WASHER (17.5X30X3.5-MM THK)						

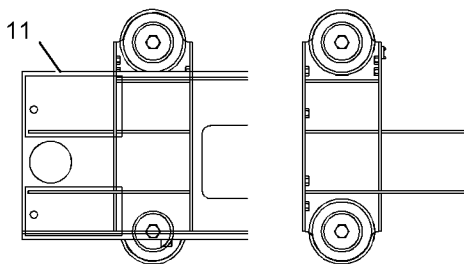
B-USE AS REQUIRED
M-METRIC PART



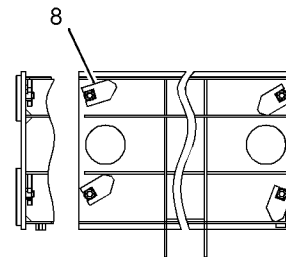
RIGHT SIDE VIEW



FRONT VIEW



SECTION A-A



SECTION B-B

GRAPHIC #1

<END>

g01095984

HYDRAULIC SYSTEM

242-6924 PUMP & MTG GP-HYDRAULIC-SWING, FAN, PILOT

S/N: MMA1-245

PART OF 232-4126 HYDRAULIC AR

SMCS-1387, 4324, 5055, 5070, 5073, 5084

i02443467

NOTE	REF NO	GRAPHIC REF	PART NUMBER	QTY	PART NAME						SEE PAGE				
					1	2	3	4	5	6 (PRODUCT LEVEL)					
Y	1	1	155-9222	1	PUMP	GP	GEAR	(PILOT)							830
YR	2	1	170-9918	1	PUMP	GP	PISTON	(FAN MOTOR)							836
Y	3	1	259-0784	1	PUMP	GP	PISTON	(SWING)							838
	4	1	6V-7681	1	SEAL	O	RING								
M	5	1	7X-2563	4	BOLT	(M20X2.5X60-MM)									
	6	1	8T-4123	4	WASHER	(22X35X3.5-MM THK)									
M	7	1	8T-4139	2	BOLT	(M12X1.75X30-MM)									
	8	1	8T-4223	4	WASHER-HARD	(13.5X25.5X3-MM THK)									
M	9	1	8T-4956	2	BOLT	(M12X1.75X35-MM)									

M-METRIC PART

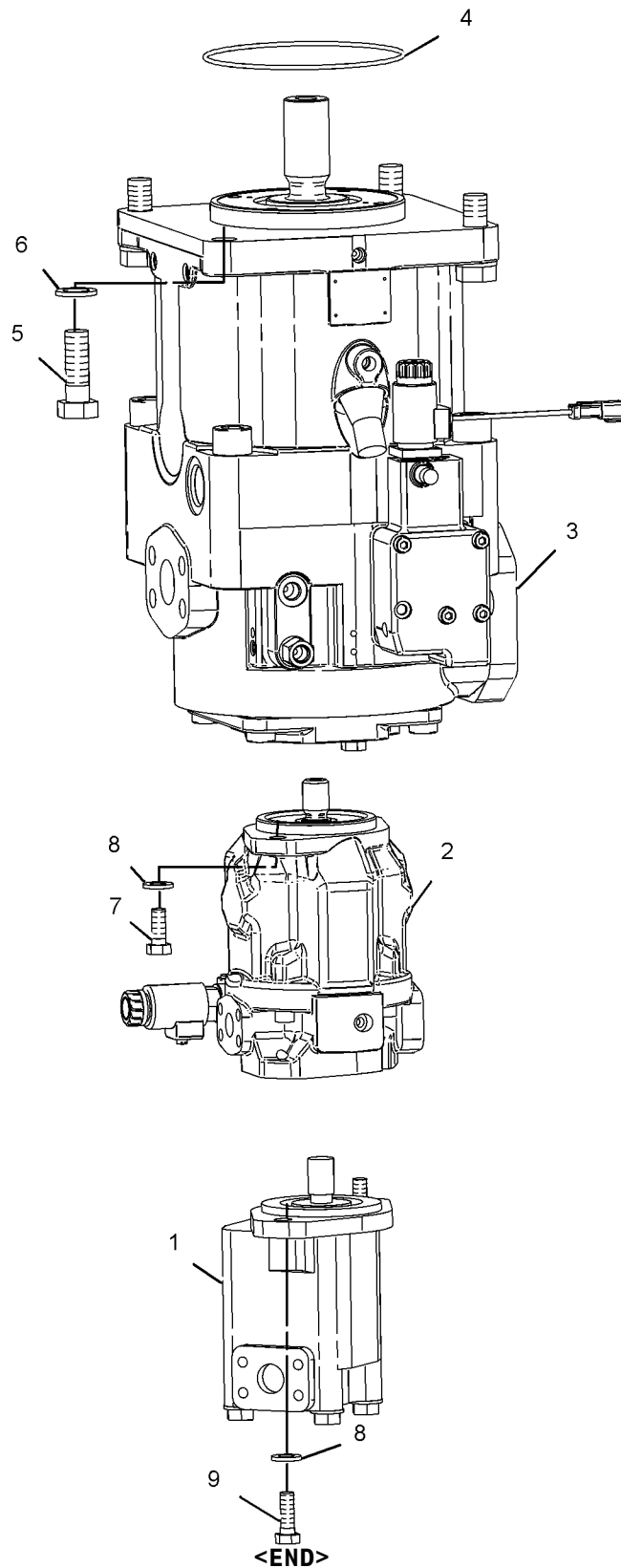
R-REMG PART MAY BE AVAILABLE

Y-SEPARATE ILLUSTRATION

HYDRAULIC SYSTEM

242-6924 PUMP & MTG GP-HYDRAULIC (contd.)

i02443467



GRAPHIC #1

g01083758

HYDRAULIC SYSTEM

242-6924 PUMP & MTG GP-HYDRAULIC-SWING, FAN, PILOT

S/N: MMA246-UP

PART OF 232-4126 HYDRAULIC AR

SMCS-1387, 4324, 5055, 5070, 5073, 5084

i03108326

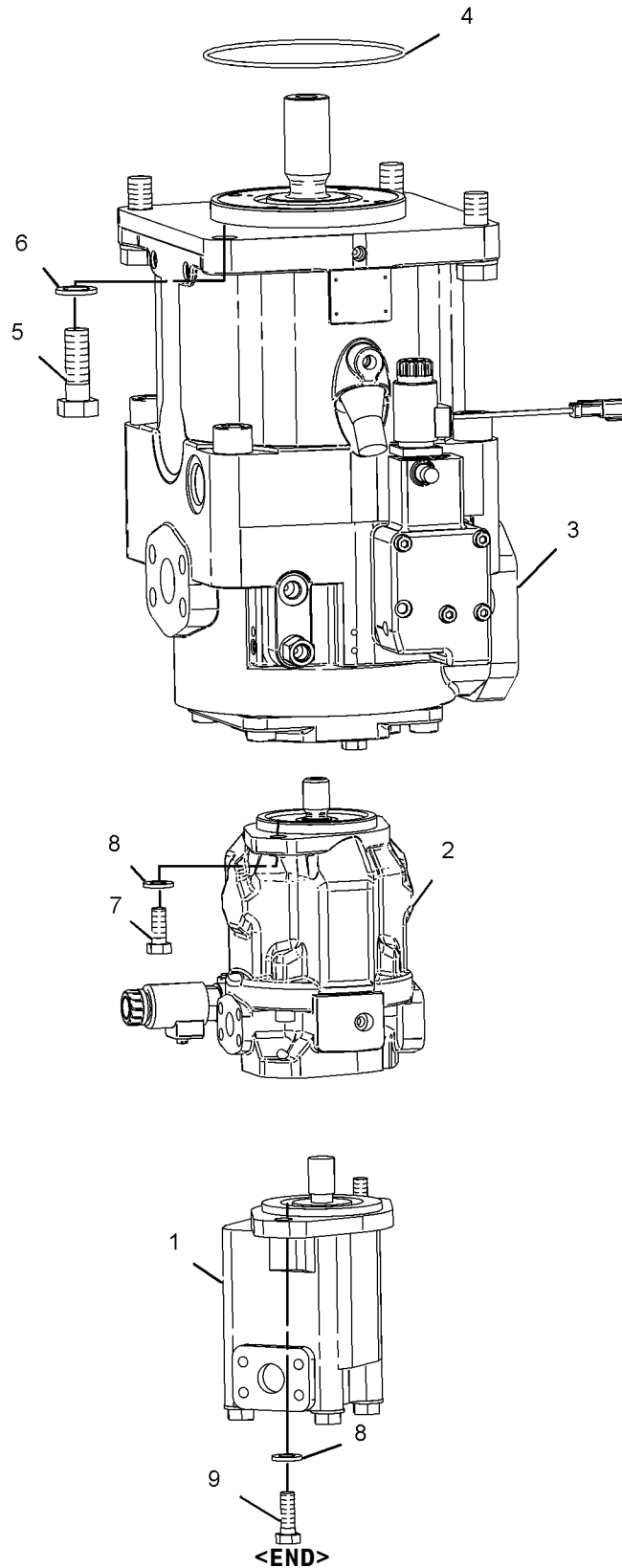
NOTE	REF NO	GRAPHIC REF	PART NUMBER	QTY	PART NAME						SEE PAGE	
					1	2	3	4	5	6 (PRODUCT LEVEL)		
Y	1	1	155-9222	1	PUMP	GP	GEAR	(PILOT)				830
YR	2	1	170-9918	1	PUMP	GP	PISTON	(FAN MOTOR)				836
CYR	3	1	266-7953	1	PUMP	GP	PISTON	(SWING)				840
	4	1	6V-7681	1	SEAL	O	RING					
M	5	1	7X-2563	4	BOLT	(M20X2.5X60	MM)					
	6	1	8T-4123	4	WASHER	(22X35X3.5	MM THK)					
M	7	1	8T-4139	2	BOLT	(M12X1.75X30	MM)					
	8	1	8T-4223	4	WASHER	HARD	(13.5X25.5X3	MM THK)				
M	9	1	8T-4956	2	BOLT	(M12X1.75X35	MM)					

C-CHANGE FROM PREVIOUS TYPE
M-METRIC PART
R-REMG PART MAY BE AVAILABLE
Y-SEPARATE ILLUSTRATION

HYDRAULIC SYSTEM

242-6924 PUMP & MTG GP-HYDRAULIC (contd.)

i03108326



GRAPHIC #1

g01083758

HYDRAULIC SYSTEM

222-8316 PUMP & MTG GP-MAIN HYDRAULIC

S/N: MMA1-252

PART OF 232-4126 HYDRAULIC AR

SMCS-5070

i02181892

NOTE	REF NO	GRAPHIC REF	PART NUMBER	QTY	PART NAME						SEE PAGE
					1	2	3	4	5	6 (PRODUCT LEVEL)	
I	1	1	2W-4332	1	HOSE AS						
YR	2	1	155-9205	1	PUMP GP-MAIN HYDRAULIC						832
	3	1	196-8173	1	ELBOW						
Y	4	1	222-8317	1	COUPLING GP-PUMP						625
	5	1	233-1152	1	COVER						
	6	1	233-1153	1	CLAMP						
	7	1	233-1154	1	PLATE						
	8	1	233-1155	1	TUBE AS						
	9	1	3P-0658	1	SEAL-O-RING						
	10	1	6V-5043	1	SEAL-O-RING						
	11	1	6V-5049	1	SEAL-O-RING						
	12	1	7X-0314	10	BOLT (7/16-14X3-IN)						
	13	1	7X-0316	2	BOLT (7/16-14X3.5-IN)						
M	14	1	7X-2537	2	BOLT (M8X1.25X35-MM)						
M	15	1	7X-2577	4	BOLT (M24X3X90-MM)						
	16	1	8T-4121	1	WASHER-HARD (11X21X2.5-MM THK)						
M	17	1	8T-4136	1	BOLT (M10X1.5X25-MM)						
	18	1	8T-4167	4	WASHER-HARD (26X44X4-MM THK)						
	19	1	8T-4224	2	WASHER-HARD (8.8X16X2-MM THK)						
	20	1	8T-5360	12	WASHER (12X22.5X2.5-MM THK)						
	21	1	6K-8178	1	CLIP						

I-REFER TO HYDRAULIC INFORMATION SYSTEM

M-METRIC PART

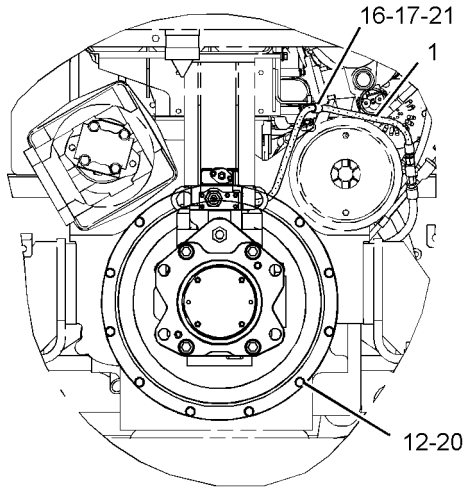
R-REMG PART MAY BE AVAILABLE

Y-SEPARATE ILLUSTRATION

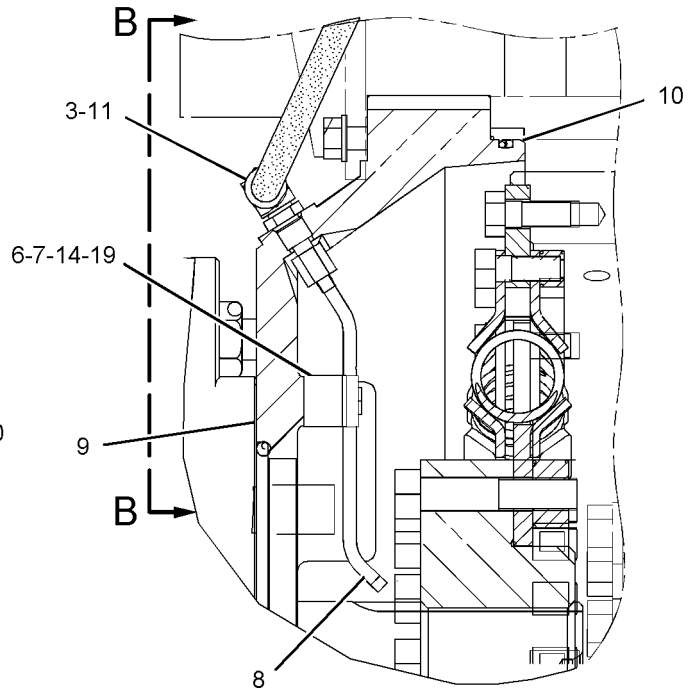
HYDRAULIC SYSTEM

222-8316 PUMP & MTG GP-MAIN HYDRAULIC (contd.)

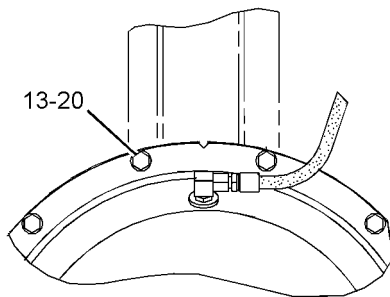
i02181892



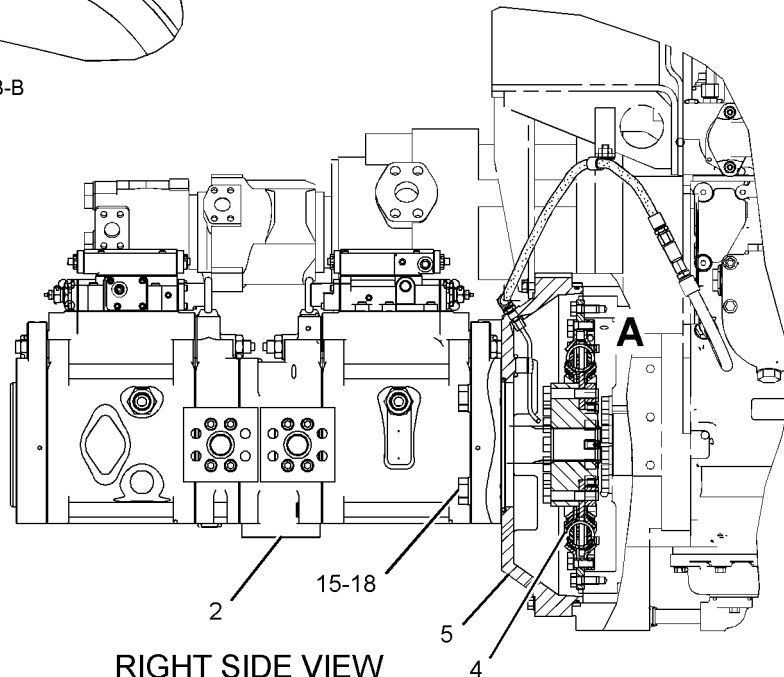
REAR VIEW



VIEW OF AREA A



VIEW B-B



RIGHT SIDE VIEW
<END>

GRAPHIC #1

g01086321

HYDRAULIC SYSTEM

222-8316 PUMP & MTG GP-MAIN HYDRAULIC

S/N: MMA253-UP

PART OF 232-4126 HYDRAULIC AR

SMCS-5070

i02778947

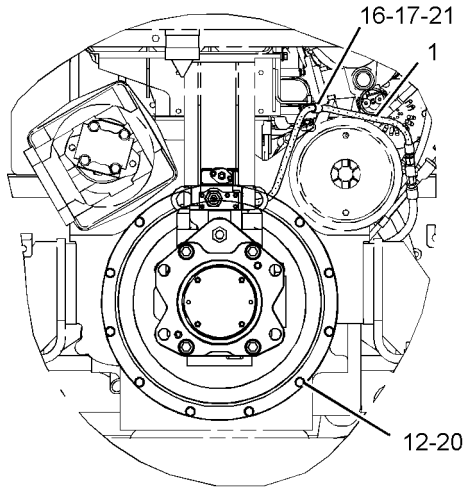
NOTE	REF NO	GRAPHIC REF	PART NUMBER	QTY	PART NAME						SEE PAGE
					1	2	3	4	5	6 (PRODUCT LEVEL)	
I	1	1	2W-4332	1	HOSE AS						
YR	2	1	155-9205	1	PUMP GP-MAIN HYDRAULIC						832
	3	1	196-8173	1	ELBOW						
CY	4	1	151-6646	1	COUPLING GP-PUMP						623
	5	1	233-1152	1	COVER						
	6	1	233-1153	1	CLAMP						
	7	1	233-1154	1	PLATE						
	8	1	233-1155	1	TUBE AS						
	9	1	3P-0658	1	SEAL-O-RING						
	10	1	6V-5043	1	SEAL-O-RING						
	11	1	6V-5049	1	SEAL-O-RING						
	12	1	7X-0314	10	BOLT (7/16-14X3-IN)						
	13	1	7X-0316	2	BOLT (7/16-14X3.5-IN)						
M	14	1	7X-2537	2	BOLT (M8X1.25X35-MM)						
M	15	1	7X-2577	4	BOLT (M24X3X90-MM)						
	16	1	8T-4121	1	WASHER-HARD (11X21X2.5-MM THK)						
M	17	1	8T-4136	1	BOLT (M10X1.5X25-MM)						
	18	1	8T-4167	4	WASHER-HARD (26X44X4-MM THK)						
	19	1	8T-4224	2	WASHER-HARD (8.8X16X2-MM THK)						
	20	1	8T-5360	12	WASHER (12X22.5X2.5-MM THK)						
	21	1	6K-8178	1	CLIP						

C-CHANGE FROM PREVIOUS TYPE
 I-REFER TO HYDRAULIC INFORMATION SYSTEM
 M-METRIC PART
 R-REMG PART MAY BE AVAILABLE
 Y-SEPARATE ILLUSTRATION

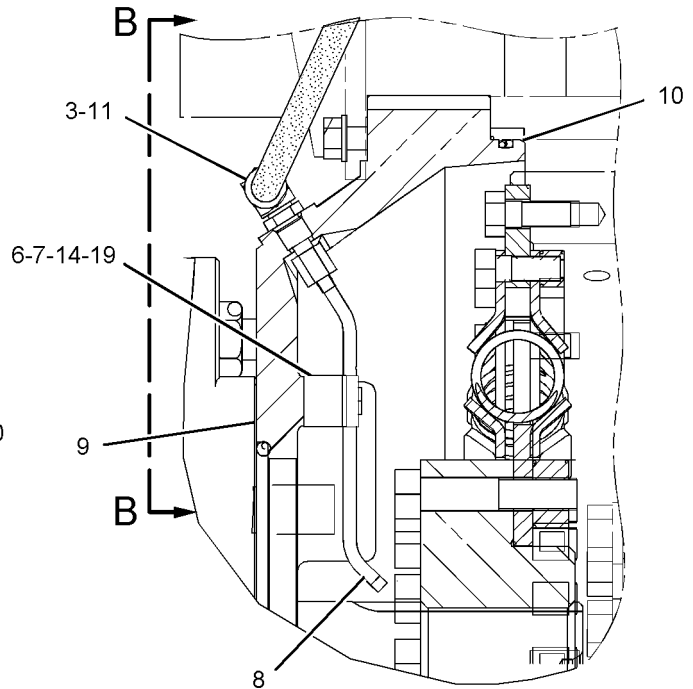
HYDRAULIC SYSTEM

222-8316 PUMP & MTG GP-MAIN HYDRAULIC (contd.)

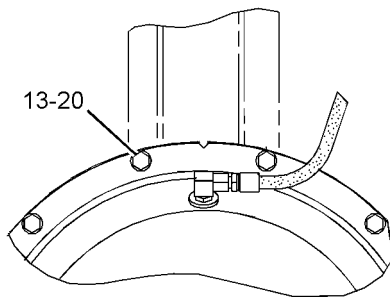
i02778947



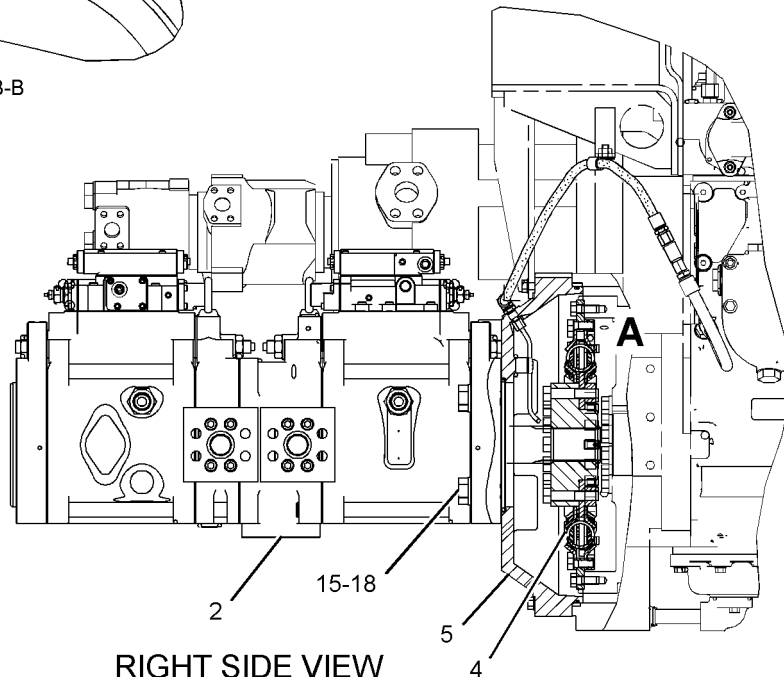
REAR VIEW



VIEW OF AREA A



VIEW B-B



RIGHT SIDE VIEW
<END>

GRAPHIC #1

g01086321

HYDRAULIC SYSTEM

155-9222 PUMP GP-GEAR-PILOT

S/N: MMA1-UP

PART OF 242-6924 PUMP & MTG GP-HYDRAULIC

SMCS-5073

i03546604

NOTE	PART NUMBER	QTY	PART NAME						SEE PAGE
			1	2	3	4	5	6 (PRODUCT LEVEL)	
Y	155-9224	1	PUMP	GP	-	GEAR		831	
Y-SEPARATE ILLUSTRATION									

<END>

HYDRAULIC SYSTEM

155-9224 PUMP GP-GEAR

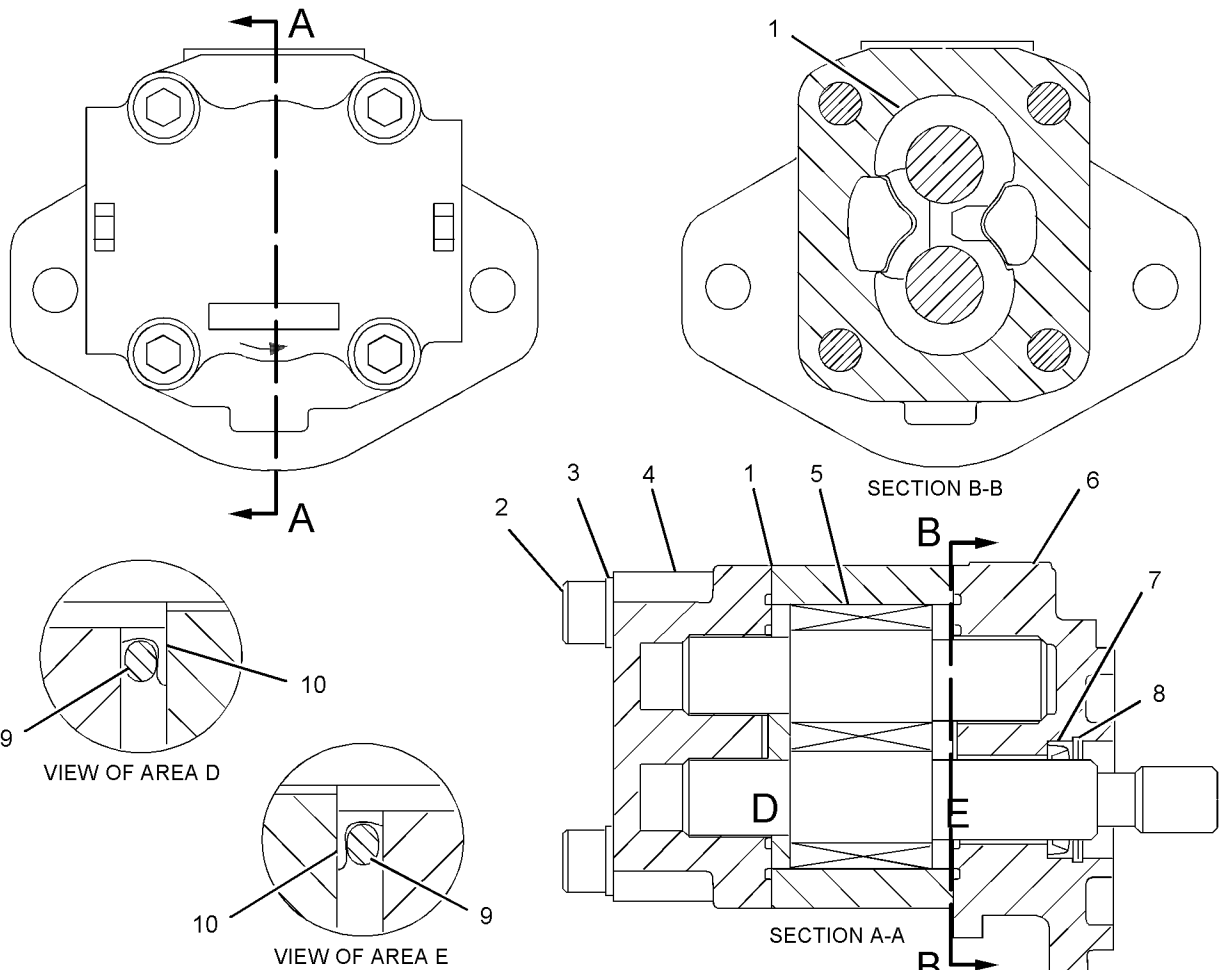
S/N: MMA1-UP

PART OF 155-9222 PUMP GP-GEAR

SMCS-5073

i03643767

NOTE	REF NO	GRAPHIC REF	PART NUMBER	QTY	PART NAME						SEE PAGE
					1	2	3	4	5	6 (PRODUCT LEVEL)	
	1	1	158-8937	2	PLATE						
M	2	1	099-0724	4	BOLT (M14X2X145-MM)						
	3	1	096-5867	4	WASHER-HARD (15X28X2.5-MM THK)						
	4	1	209-5979	1	COVER						
	5	1	209-5981	1	GEAR AS						
	6	1	158-8936	1	FLANGE						
J	7	1	158-8940	1	SEAL-LIP TYPE						
J	8	1	8C-3110	1	RING-RETAINING						
J	9	1	158-8938	2	SEAL-OIL						
J	10	1	158-8939	2	RING-BACKUP						
AVAILABLE REPAIR KIT(S) :											
J			209-5980	1	KIT-SEAL (GEAR PUMP)						
J-KIT MARKED J SERVICES PART(S) MARKED J											
M-METRIC PART											



GRAPHIC #1

<END>

g01079666

HYDRAULIC SYSTEM

155-9205 PUMP GP-MAIN HYDRAULIC*R

S/N: MMA1-UP

PART OF 222-8316 PUMP & MTG GP-MAIN HYDRAULIC

SMCS-5070

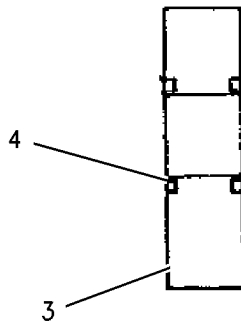
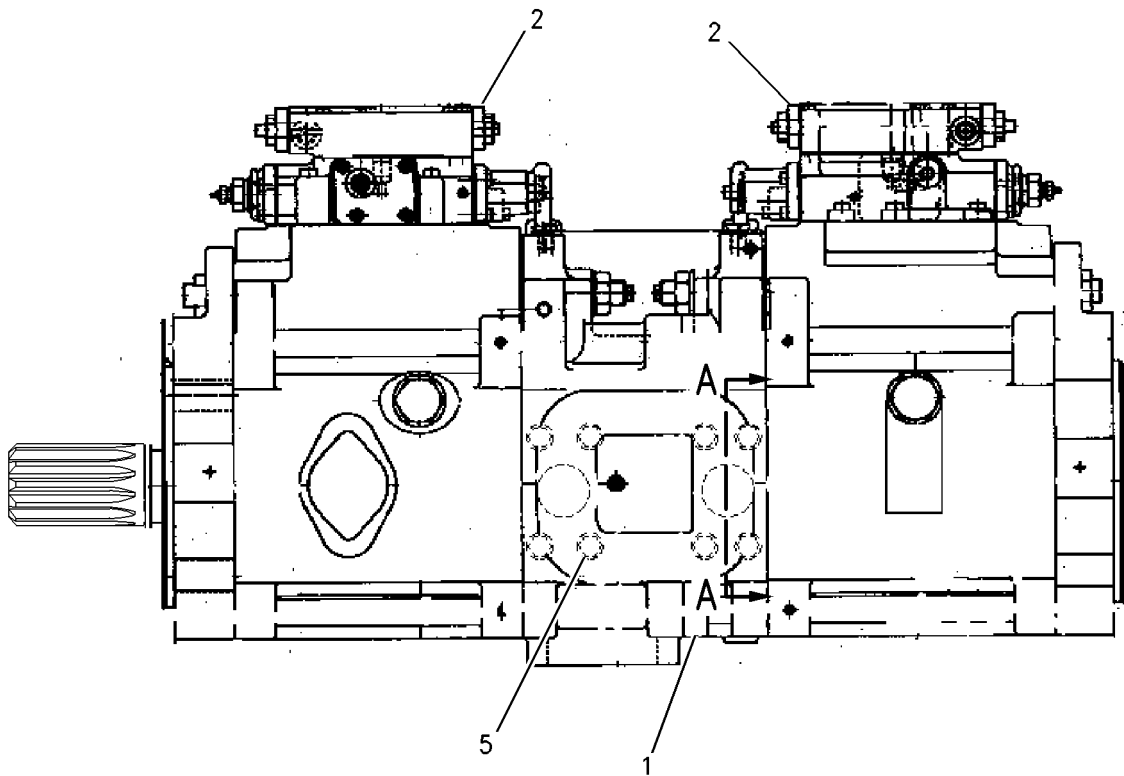
i02570147

NOTE	REF NO	GRAPHIC REF	PART NUMBER	QTY	PART NAME						SEE PAGE
					1	2	3	4	5	6 (PRODUCT LEVEL)	
Y	1	1	200-3269	1	PUMP GP-MAIN HYDRAULIC						834
Y	2	1	200-3270	2	VALVE GP-PUMP CONTROL (PRESSURE, FLOW COMPENSATOR)						894
	3	1	204-2856	2	FLANGE						
	4	1	109-1296	2	SEAL-O-RING						
M	5	1	6V-8200	8	BOLT-SOCKET HEAD (M12X1.75X35-MM)						
M-METRIC PART											
Y-SEPARATE ILLUSTRATION											

HYDRAULIC SYSTEM

155-9205 PUMP GP-MAIN HYDRAULIC (contd.)

i02570147



SECTION A-A

GRAPHIC #1

<END>

g00850491

HYDRAULIC SYSTEM

200-3269 PUMP GP-MAIN HYDRAULIC

S/N: MMA1-UP

PART OF 155-9205 PUMP GP-MAIN HYDRAULIC

SMCS-5070

i03643783

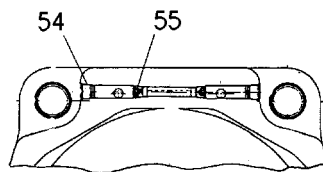
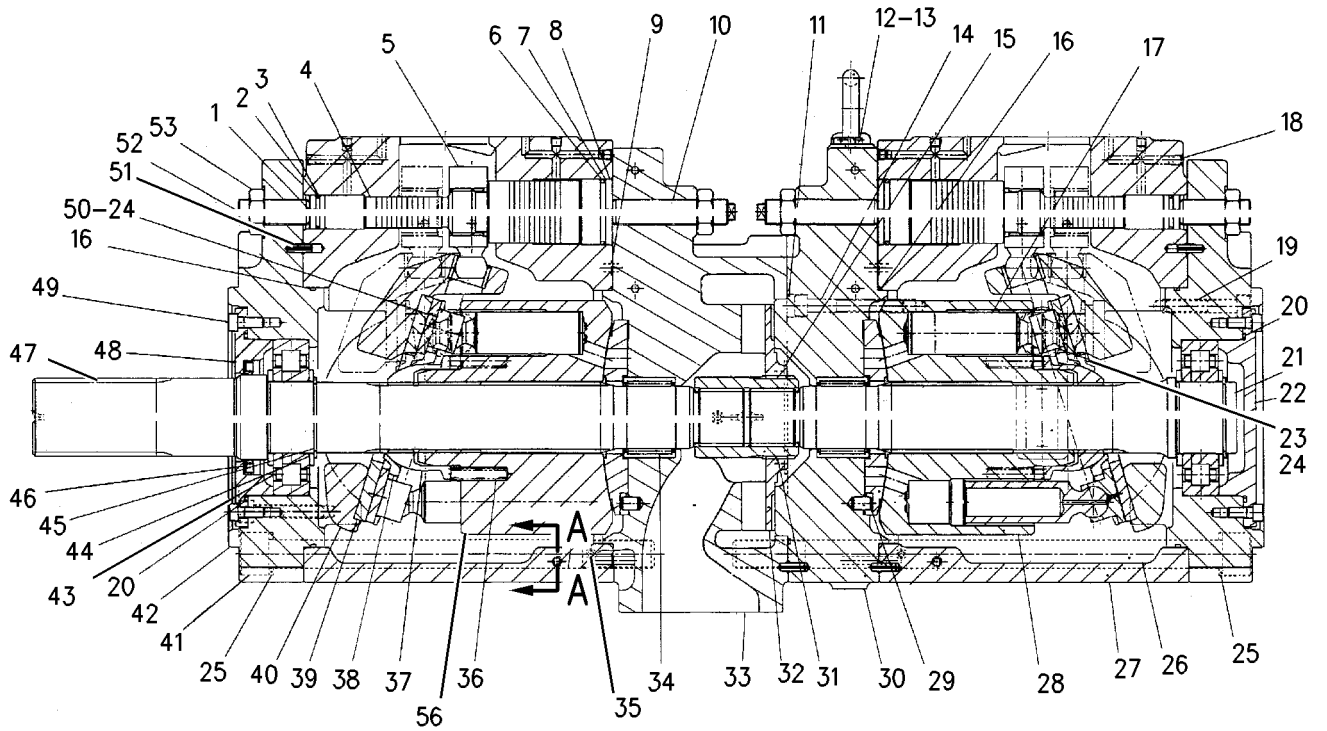
NOTE	REF NO	GRAPHIC REF	PART NUMBER	QTY	PART NAME						SEE PAGE
					1	2	3	4	5	6 (PRODUCT LEVEL)	
	1	1	200-3291	2	STOP						
	2	1	095-1787	2	RING-BACKUP						
	3	1	206-9297	2	SEAL-O-RING						
	4	1	200-3289	2	PISTON						
	5	1	200-3297	2	PIN AS						
	6	1	206-9285	2	SEAL-O-RING						
	7	1	095-1795	2	RING-BACKUP						
	8	1	200-3290	2	STOP						
	9	1	206-9290	19	SEAL-O-RING						
M	10	1	200-3292	2	SETSCREW (M20X2.5X90-MM)						
	11	1	210-0834	1	SEAL-O-RING						
	12	1	7Y-4274	2	PLUG						
	13	1	206-9292	2	SEAL-O-RING						
M	14	1	197-0226	2	BOLT-SOCKET HEAD (M10X1.5X75-MM)						
	15	1	206-9286	1	SEAL-O-RING						
	16	1	210-0835	4	SEAL-O-RING						
	17	1	295-9692	2	PISTON AS						
	18	1	7I-8084	31	PLUG						
M	19	1	160-8758	4	BOLT-SOCKET HEAD (M10X1.5X55-MM)						
	20	1	206-9287	2	SEAL-O-RING						
	21	1	200-3272	1	SHAFT						
	22	1	200-3285	1	COVER						
	23	1	7I-8177	2	ADAPTER						
	24	1	190-7674	4	SEAL-O-RING						
	25	1	200-3283	8	WASHER						
	26	1	210-9434	4	BOLT-SOCKET HEAD						
	27	1	200-3286	2	HOUSING						
	28	1	200-3294	1	BARREL AS						
	29	1	234-4539	2	DOWEL						
	30	1	200-3287	1	COVER						
	31	1	200-3273	1	COUPLING						
	32	1	200-3277	1	PLATE						
	33	1	200-3288	1	COVER						
	34	1	200-3275	2	BEARING-NEEDLE						
	35	1	209-5875	8	SCREW						
	36	1	200-3280	18	SPRING						
	37	1	200-3279	2	GUIDE						
	38	1	200-3278	2	PLATE						
	39	1	200-3281	2	PLATE						
	40	1	200-3296	2	SWASHPLATE AS						
	41	1	210-9435	4	BOLT-SOCKET HEAD						
	42	1	200-3282	2	PLATE						
	43	1	200-3274	2	BEARING-ROLLER						
	44	1	200-3276	4	SPACER						
	45	1	096-5516	2	RING-RETAINING						
	46	1	200-3298	1	SEAL						
	47	1	200-3271	1	SHAFT						
	48	1	200-3284	1	COVER						
M	49	1	8T-1158	4	BOLT-SOCKET HEAD (M8X1.25X20-MM)						
	50	1	093-1323	2	PLUG						
	51	1	8C-3347	5	PIN-ROLL						
M	52	1	096-5400	2	SETSCREW-SOCKET (M20X2.5X50-MM)						
M	53	1	8T-4131	4	NUT (M20X2.5-THD)						
	54	1	095-0965	5	PLUG						
	55	1	7I-8164	4	ORIFICE						
	56	1	200-3295	1	BARREL AS						

HYDRAULIC SYSTEM

200-3269 PUMP GP-MAIN HYDRAULIC (contd.)

i03643783

M-METRIC PART



SECTION A-A

HYDRAULIC SYSTEM

170-9918 PUMP GP-PISTON-FAN MOTOR*R

S/N: MMA1-UP

PART OF 242-6924 PUMP & MTG GP-HYDRAULIC

SMCS-5070

i03497022

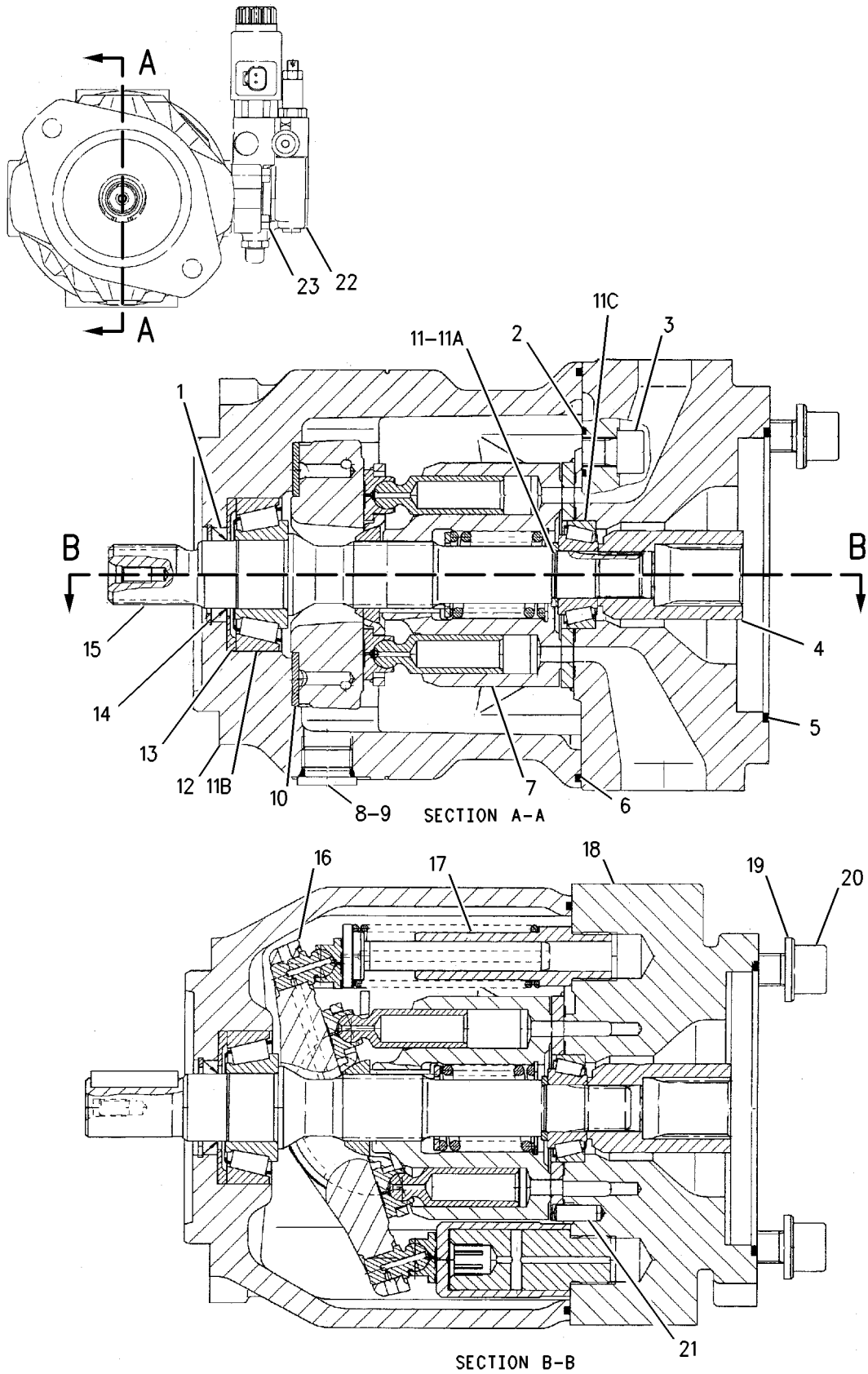
NOTE	REF NO	GRAPHIC REF	PART NUMBER	QTY	PART NAME						SEE PAGE
					1	2	3	4	5	6 (PRODUCT LEVEL)	
	1	1	185-0303	1	SEAL-OIL						
	2	1	213-9250	4	SEAL-O-RING						
M	3	1	9X-6032	4	BOLT-SOCKET HEAD (M10X1.5X30-MM)						
	4	1	209-5985	1	COUPLING						
	5	1	118-3122	1	SEAL-O-RING						
	6	1	213-9248	1	SEAL-O-RING						
Y	7	1	155-9135	1	ROTATING GP-PUMP						843
	8	1	9S-8005	1	PLUG-O-RING						
	9	1	033-6028	1	SEAL-O-RING						
	10	1	155-9134	2	PLATE						
	11	1	209-5986	1	BEARING AS						
	11A	1	185-0305	1	KIT-SHIM						
	11B	1	155-9125	1	BEARING AS-ROLLER						
	11C	1	191-7583	1	BEARING AS-ROLLER						
	12	1	185-0299	1	HOUSING						
	13	1	194-9473	1	RING						
	14	1	8T-9597	1	RING-RETAINING						
	15	1	209-5984	1	SHAFT						
	16	1	155-9131	1	SWASHPLATE						
Y	17	1	209-5982	1	ACTUATOR GP						607
	18	1	209-5983	1	COVER						
	19	1	8T-4223	2	WASHER-HARD (13.5X25.5X3-MM THK)						
M	20	1	8T-3957	2	BOLT-SOCKET HEAD (M12X1.75X30-MM)						
	21	1	188-6280	1	DOWEL						
Y	22	1	209-5937	1	VALVE GP-PUMP CONTROL (PRESSURE COMPENSATOR)						897
M	23	1	8T-8442	4	BOLT-SOCKET HEAD (M6X1X30-MM)						

M-METRIC PART
Y-SEPARATE ILLUSTRATION

HYDRAULIC SYSTEM

170-9918 PUMP GP-PISTON (contd.)

i03497022



GRAPHIC #1

<END>

g00853508

HYDRAULIC SYSTEM

259-0784 PUMP GP-PISTON-SWING

S/N: MMA1-245

PART OF 242-6924 PUMP & MTG GP-HYDRAULIC
FIELD REPLACEMENT ORDER 266-7953-PAGE 840

SMCS-5070

i02443468

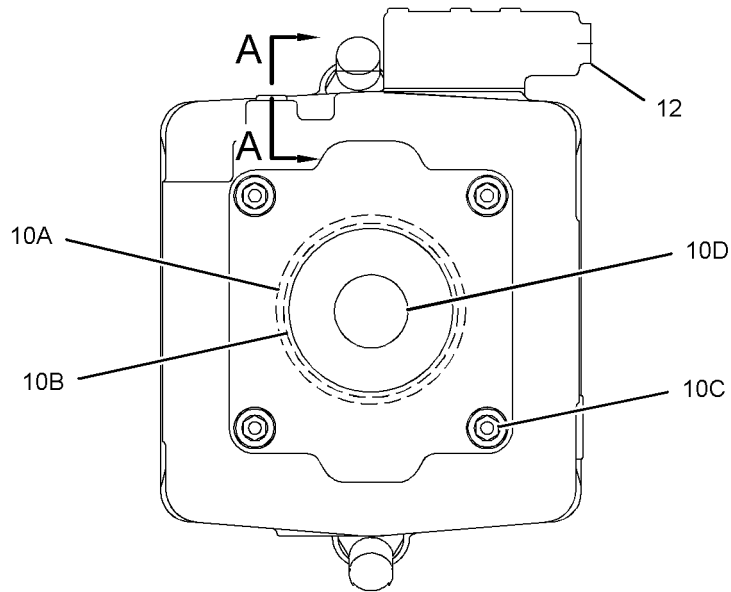
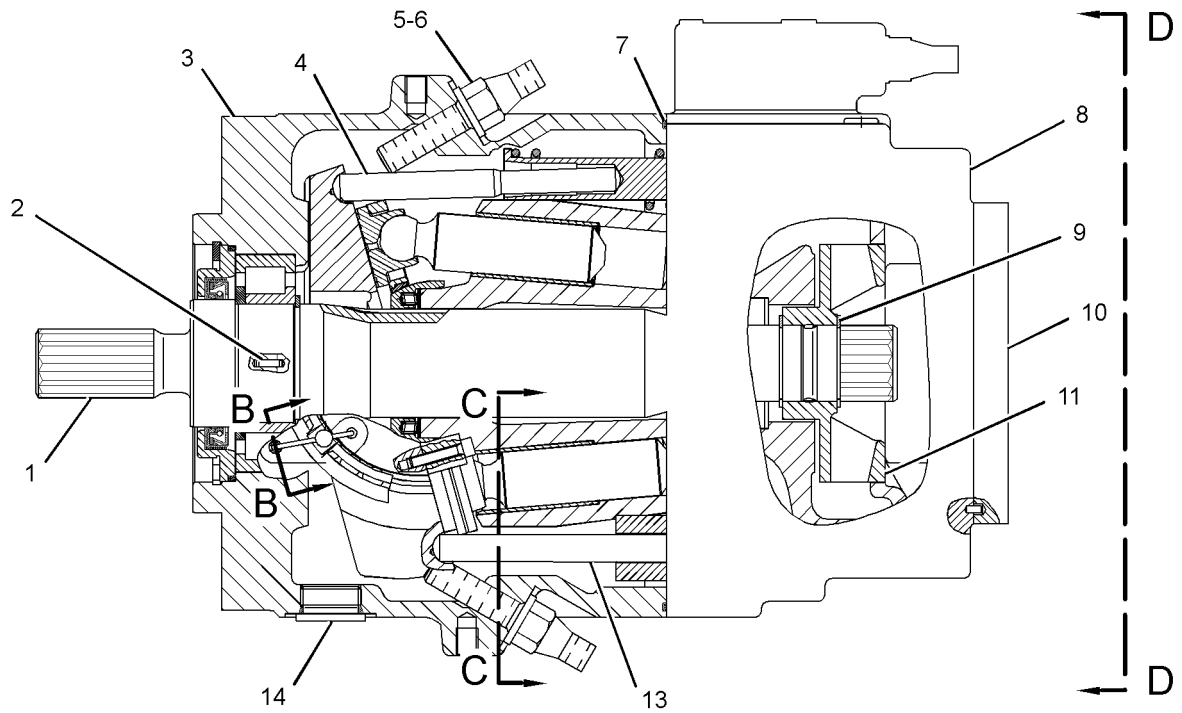
NOTE	REF NO	GRAPHIC REF	PART NUMBER	QTY	PART NAME						SEE PAGE
					1	2	3	4	5	6 (PRODUCT LEVEL)	
Y	1	1	259-0899	1	ROTATING GP-PUMP						846
	2	1	170-9900	2	PIN						
Z	3	1		1	BODY						
Y	4	1	158-9103	1	ACTUATOR GP-PUMP						608
	5	1	145-3171	2	LOCKNUT-SEAL						
	6	1	145-3169	2	PIN-THREADED						
	7	1	234-9503	1	SEAL-O-RING						
Y	8	1	191-5593	1	HEAD GP-PUMP						687
	9	1	096-8058	2	RING-RETAINING						
	10	1	191-5596	1	COVER AS						
		1	191-5597	1	FLANGE						
	10A	1	2H-3935	1	SEAL-O-RING						
	10B	1	3K-0715	1	SEAL-O-RING						
M	10C	1	8T-4944	4	BOLT-SOCKET HEAD (M16X2X40-MM)						
	10D	1	135-9991	1	COUPLING						
	11	1	191-5598	1	PLATE						
Y	12	1	247-8846	1	VALVE GP-PUMP CONTROL						901
Y	13	1	158-9104	1	ACTUATOR GP-PUMP						609
	14	1	112-4630	2	SCREW (1-5/16-THD)						
Y	15	1	158-9105	1	VALVE GP-SHUTTLE						913
	16	1	117-5716	4	PIN						
	17	1	9T-3928	4	PLUG AS						
					(EACH INCLUDES)						
		1	187-8001	1	SEAL						
M	18	1	177-0359	4	BOLT-SOCKET HEAD (M22X25X90-MM)						

M-METRIC PART
Y-SEPARATE ILLUSTRATION
Z-NOT SERVICED SEPARATELY

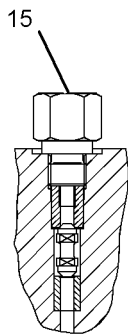
HYDRAULIC SYSTEM

259-0784 PUMP GP-PISTON (contd.)

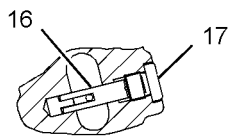
i02443468



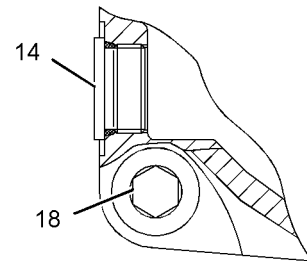
VIEW D-D



SECTION A-A



SECTION B-B



SECTION C-C

GRAPHIC #1

<END>

g01234656

HYDRAULIC SYSTEM

266-7953 PUMP GP-PISTON-SWING*R

S/N: MMA246-UP

PART OF 242-6924 PUMP & MTG GP-HYDRAULIC
FIELD REPLACEMENT FOR 259-0784-PAGE 838

SMCS-5070

i02762131

NOTE	REF NO	GRAPHIC REF	PART NUMBER	QTY	PART NAME						SEE PAGE
					1	2	3	4	5	6 (PRODUCT LEVEL)	
Y	1	1	259-0899	1	ROTATING GP-PUMP						846
	2	1	170-9900	2	PIN						
	3	1	128-8981	1	CAP						
Y	4	1	158-9103	1	ACTUATOR GP-PUMP						608
	5	1	145-3171	2	LOCKNUT-SEAL						
	6	1	145-3169	2	PIN-THREADED						
	7	1	234-9503	1	SEAL-O-RING						
Y	8	1	191-5593	1	HEAD GP-PUMP						687
	9	1	096-8058	2	RING-RETAINING						
	10	1	191-5596	1	COVER AS						
		1	2H-3935	1	SEAL-O-RING						
		1	3K-0715	1	SEAL-O-RING						
M		1	8T-4944	4	BOLT-SOCKET HEAD (M16X2X40-MM)						
		1	135-9991	1	COUPLING						
		1	191-5597	1	FLANGE						
	11	1	191-5598	1	PLATE						
Y	12	1	274-2482	1	VALVE GP-PUMP CONTROL						902
Y	13	1	158-9104	1	ACTUATOR GP-PUMP						609
	14	1	112-4630	2	SCREW (1-5/16-THD)						
Y	15	1	158-9105	1	VALVE GP-SHUTTLE						913
	16	1	117-5716	4	PIN						
	17	1	9T-3928	4	PLUG AS						
					(EACH INCLUDES)						
		1	187-8001	1	SEAL						
M	18	1	177-0359	4	BOLT-SOCKET HEAD (M22X25X90-MM)						

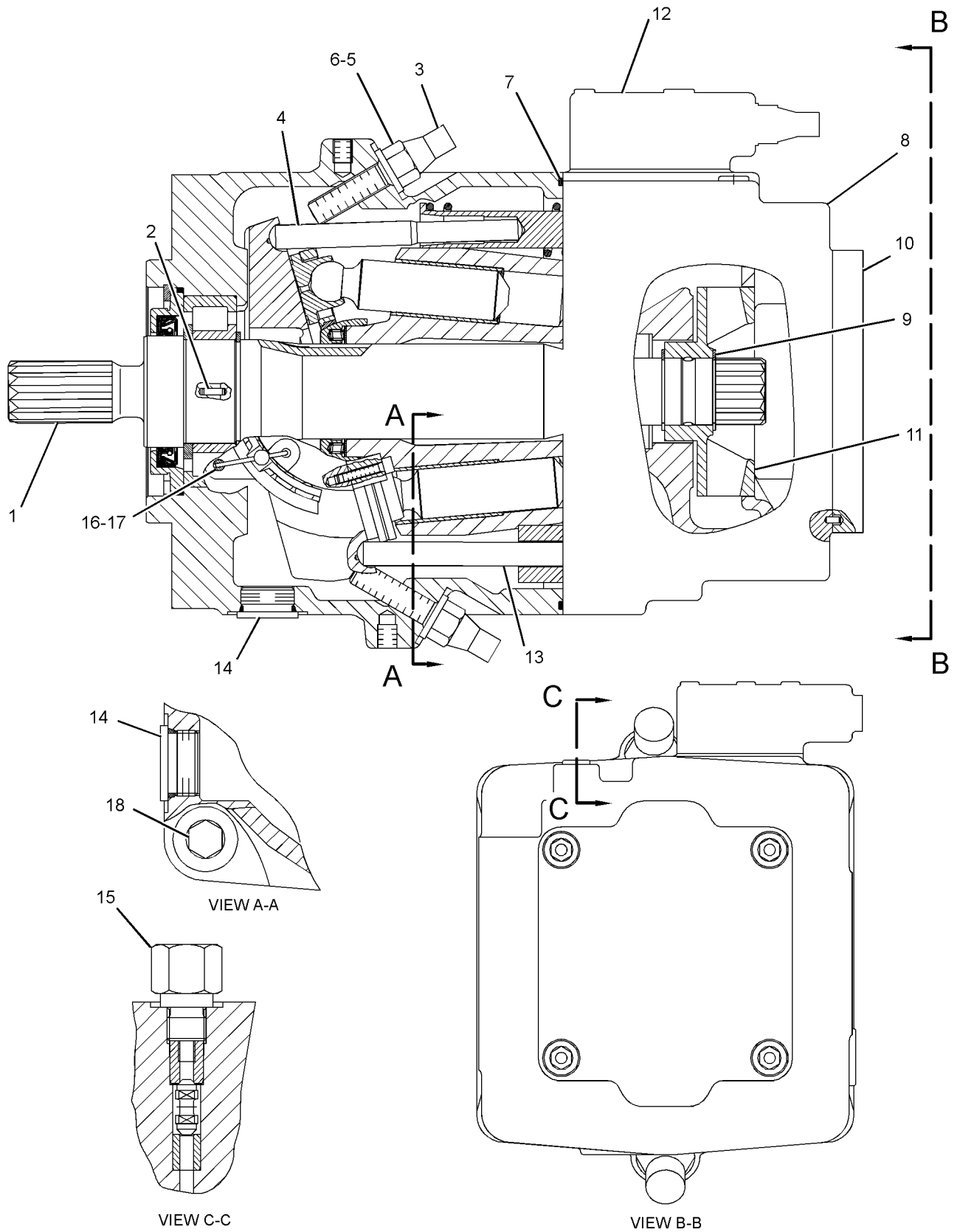
M-METRIC PART

Y-SEPARATE ILLUSTRATION

HYDRAULIC SYSTEM

266-7953 PUMP GP-PISTON (contd.)

i02762131



GRAPHIC #1

<END>

g01388148

HYDRAULIC SYSTEM

185-0266 ROTATING GP-MOTOR

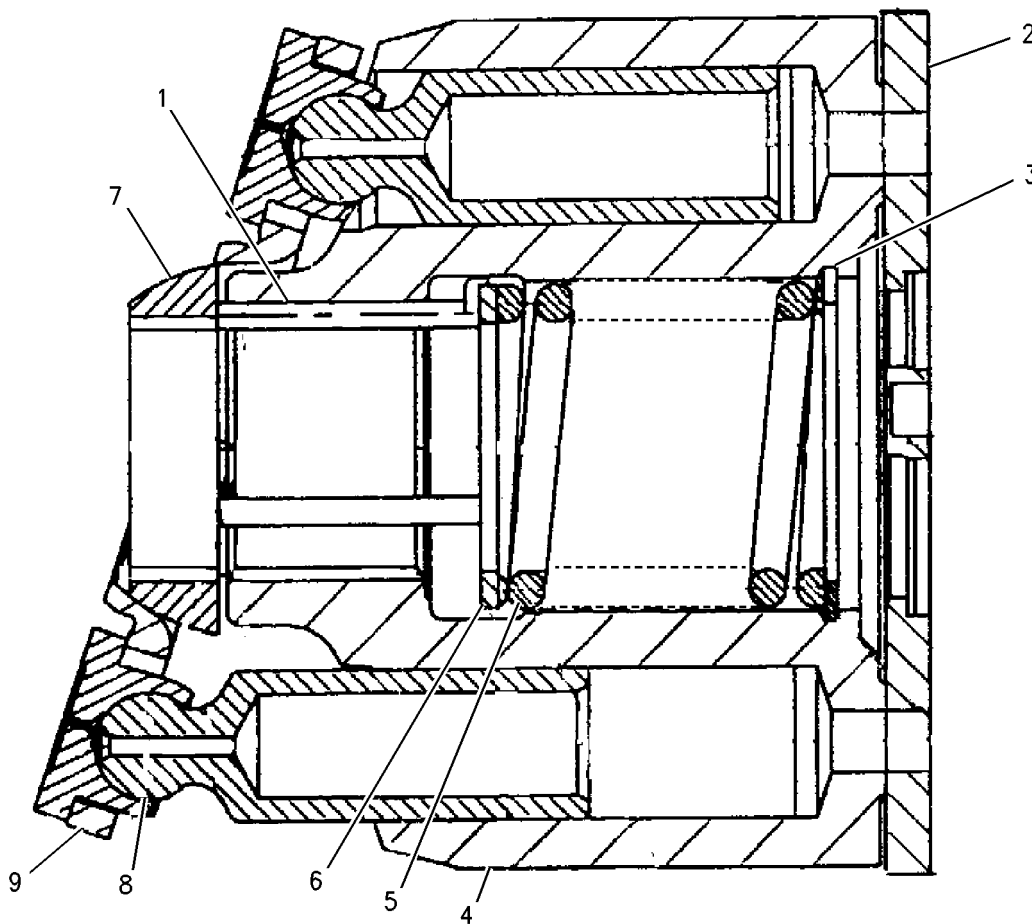
S/N: MMA1-UP

PART OF 200-3252, 225-4614 MOTOR GP-PISTON
ALSO AN ATTACHMENT

SMCS-5058

i01519067

NOTE	REF NO	GRAPHIC REF	PART NUMBER	QTY	PART NAME						SEE PAGE
					1	2	3	4	5	6 (PRODUCT LEVEL)	
	1	1	168-7940	3	PIN						
	2	1	185-0273	1	PLATE-VALVE						
	3	1	096-0015	1	RING-RETAINING						
	4	1	155-6654	1	BARREL						
	5	1	168-7941	1	SPRING						
	6	1	168-7942	1	WASHER (36.5-MM ODX2.0-MM THK)						
	7	1	185-0253	1	GUIDE-BALL						
	8	1	185-0250	1	PISTON AS						
	9	1	168-7944	1	PLATE-RETRACTION						



GRAPHIC #1

<END>

g00789456

HYDRAULIC SYSTEM

155-9135 ROTATING GP-PUMP

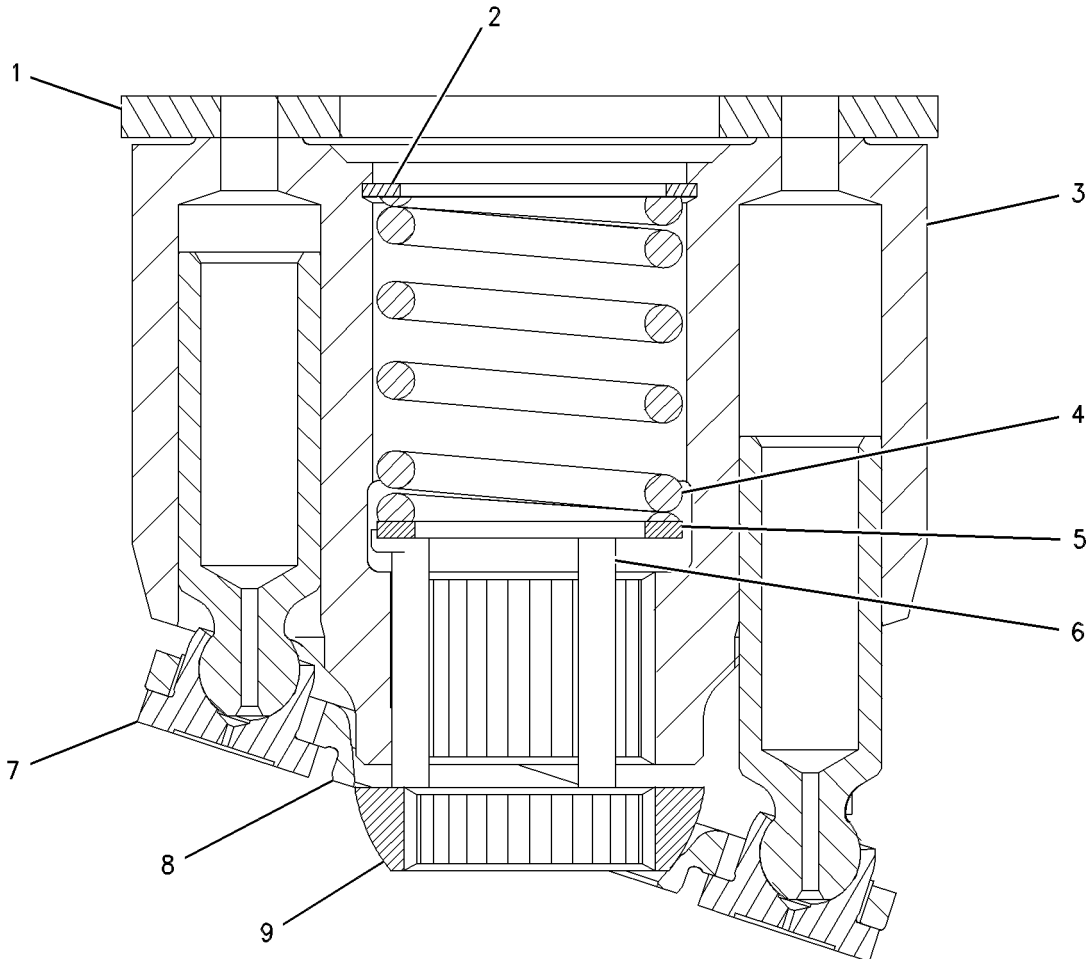
S/N: MMA1-UP

PART OF 170-9918 PUMP GP-PISTON

SMCS-5070

i00968552

NOTE	REF NO	GRAPHIC REF	PART NUMBER	QTY	PART NAME						SEE PAGE
					1	2	3	4	5	6 (PRODUCT LEVEL)	
	1	1	155-9137	1	PLATE						
	2	1	155-9149	1	RING-RETAINING						
	3	1	155-9136	1	BARREL						
	4	1	155-9117	1	SPRING						
	5	1	155-9119	1	PLATE						
	6	1	155-9118	3	PIN						
	7	1	155-9112	9	PISTON AS						
	8	1	155-9115	1	PLATE						
	9	1	155-9116	1	GUIDE-BALL						



GRAPHIC #1

<END>

g00493789

HYDRAULIC SYSTEM

165-9358 ROTATING GP-PUMP

S/N: MMA1-UP

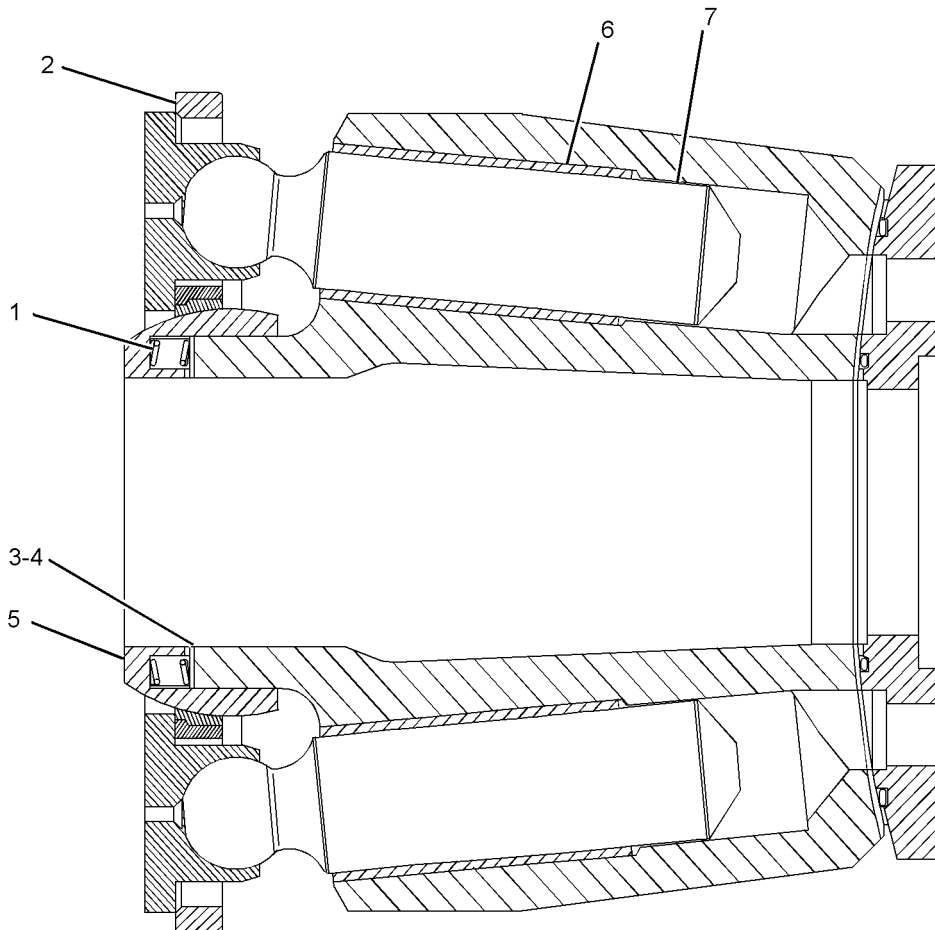
PART OF 259-0899 ROTATING GP-PUMP

SMCS-5070

i02466501

NOTE	REF NO	GRAPHIC REF	PART NUMBER	QTY	PART NAME						SEE PAGE
					1	2	3	4	5	6 (PRODUCT LEVEL)	
	1	1	165-9363	20	SPRING						
	2	1	165-9359	1	RETAINER						
B	3	1	165-9361	2	SHIM (0.5-MM THK)						
B	4	1	165-9362	2	SHIM (0.75-MM THK)						
	5	1	165-9360	1	GUIDE-BALL						
	6	1	164-8166	1	BARREL AS						
	7	1	259-0882	1	PISTON AS-PUMP						

B-USE AS REQUIRED



GRAPHIC #1

<END>

g01226990

HYDRAULIC SYSTEM

259-0816 ROTATING GP-PUMP

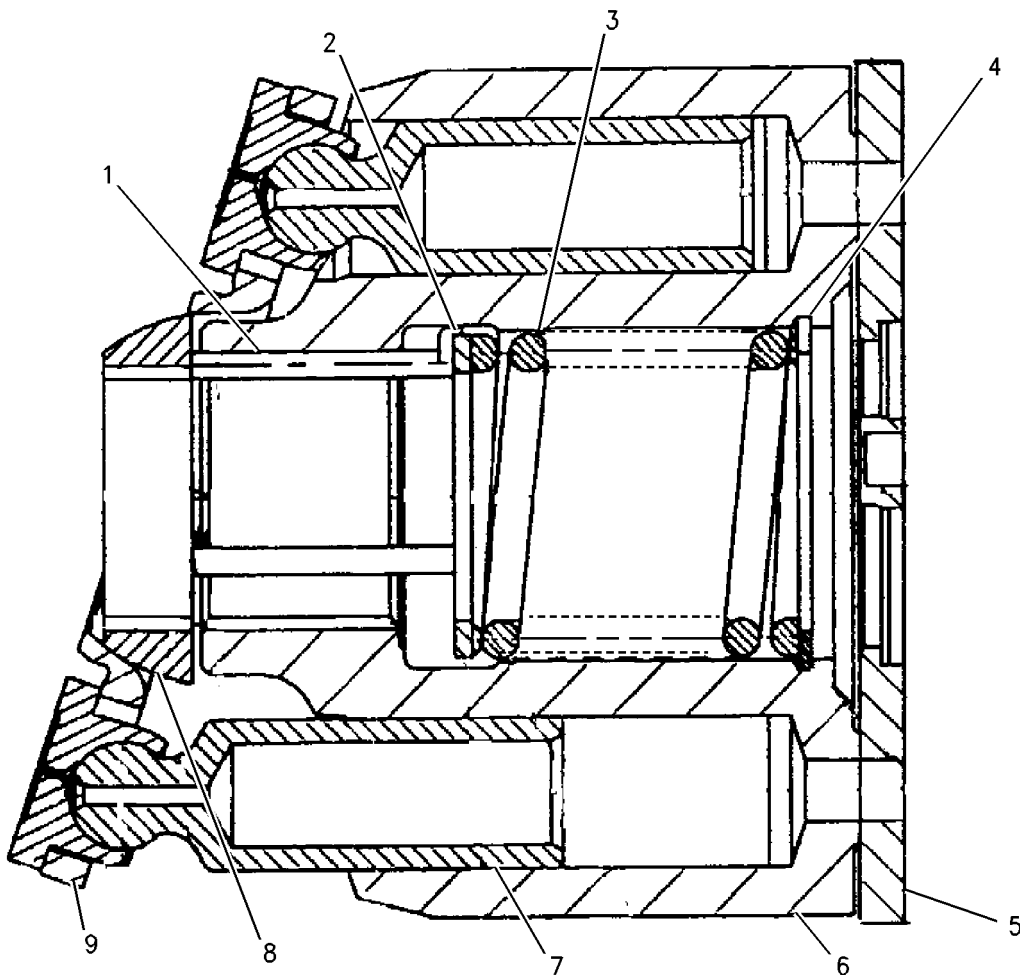
S/N: MMA1-UP

PART OF 247-8978 MOTOR GP-PISTON

SMCS-5070

i02364925

NOTE	REF NO	GRAPHIC REF	PART NUMBER	QTY	PART NAME						SEE PAGE
					1	2	3	4	5	6 (PRODUCT LEVEL)	
	1	1	168-3379	3	PIN						
	2	1	168-3382	1	WASHER (42-MM ODX2.7-MM THK)						
	3	1	185-0292	1	SPRING						
	4	1	6V-7723	1	RING-RETAINING						
	5	1	185-0287	1	PLATE-VALVE						
	6	1	185-0289	1	BARREL						
	7	1	259-0817	9	PISTON AS						
	8	1	168-3378	1	BEARING-SPHERICAL						
	9	1	168-3385	1	PLATE-RETRACTION						



GRAPHIC #1

<END>

g00790134

HYDRAULIC SYSTEM

259-0899 ROTATING GP-PUMP

S/N: MMA1-UP

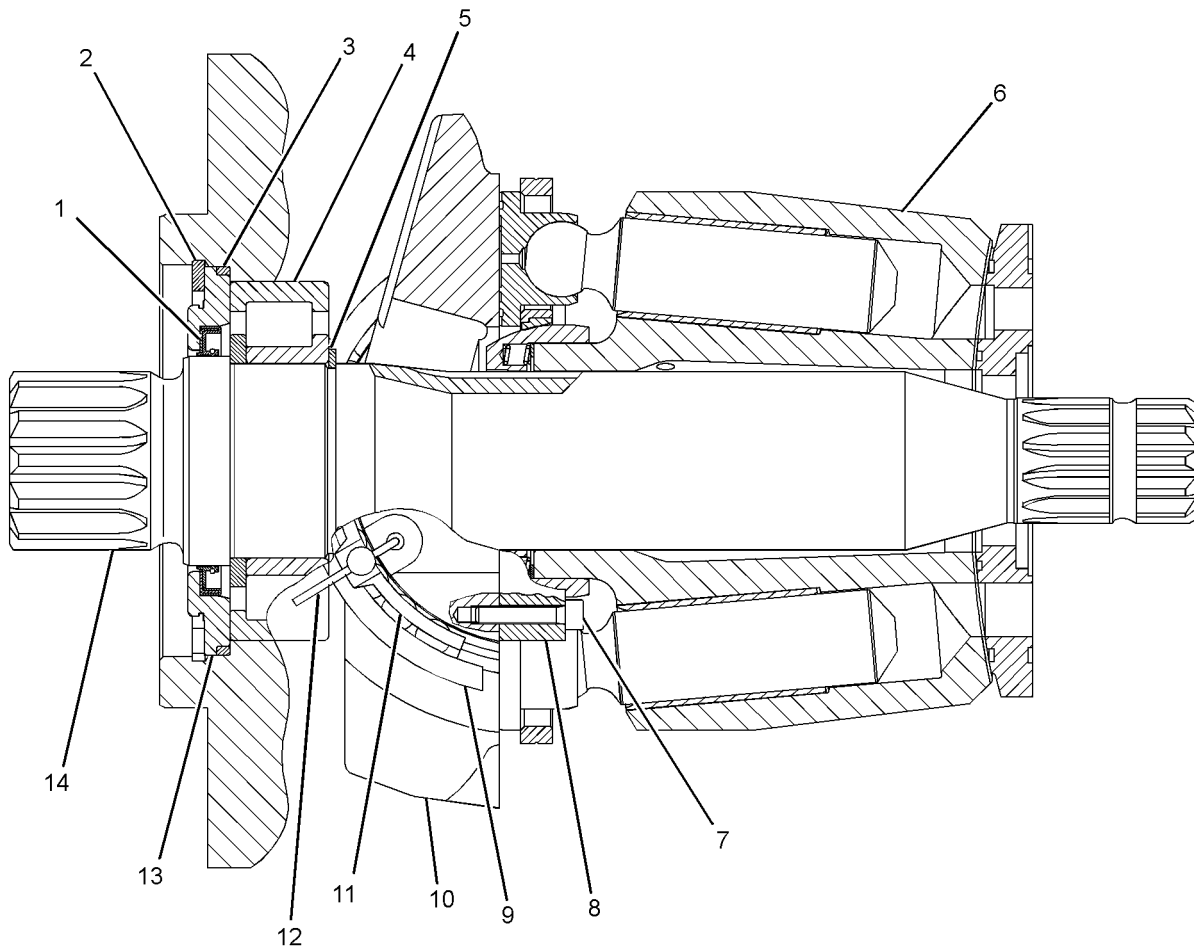
PART OF 259-0784, 266-7953 PUMP GP-PISTON

SMCS-5070

i02474439

NOTE	REF NO	GRAPHIC REF	PART NUMBER	QTY	PART NAME						SEE PAGE
					1	2	3	4	5	6 (PRODUCT LEVEL)	
	1	1	259-0884	1	SEAL - SHAFT						
	2	1	6I-6788	1	RING-RETAINING						
	3	1	6V-8260	1	SEAL-O-RING						
	4	1	170-9901	1	BEARING						
	5	1	095-0929	1	RING-RETAINING						
Y	6	1	165-9358	1	ROTATING GP-PUMP						844
M	7	1	8T-8442	4	BOLT-SOCKET HEAD (M6X1X30-MM)						
	8	1	165-9357	2	RETAINER						
	9	1	259-0895	1	BEARING						
	10	1	165-9354	1	SWASHPLATE						
	11	1	191-5592	1	BEARING AS						
	12	1	6E-3840	4	ROD						
	13	1	259-0883	1	COVER						
	14	1	191-5591	1	SHAFT						

M-METRIC PART
Y-SEPARATE ILLUSTRATION



GRAPHIC #1

<END>

g01234894

HYDRAULIC SYSTEM

7Y-4827 ROTOR GP-SWIVEL

S/N: MMA1-UP

PART OF 156-0622 SWIVEL GP

SMCS-5060

i00624190

NOTE	PART NUMBER	QTY	PART NAME						SEE PAGE
			1	2	3	4	5	6 (PRODUCT LEVEL)	
Y	7Y-4830	1	ROTOR GP-SWIVEL						848
			-OR-						
	7Y-4828	1	ROTOR (CAST)						
Y-SEPARATE ILLUSTRATION									

<END>

HYDRAULIC SYSTEM

7Y-4830 ROTOR GP-SWIVEL

S/N: MMA1-UP

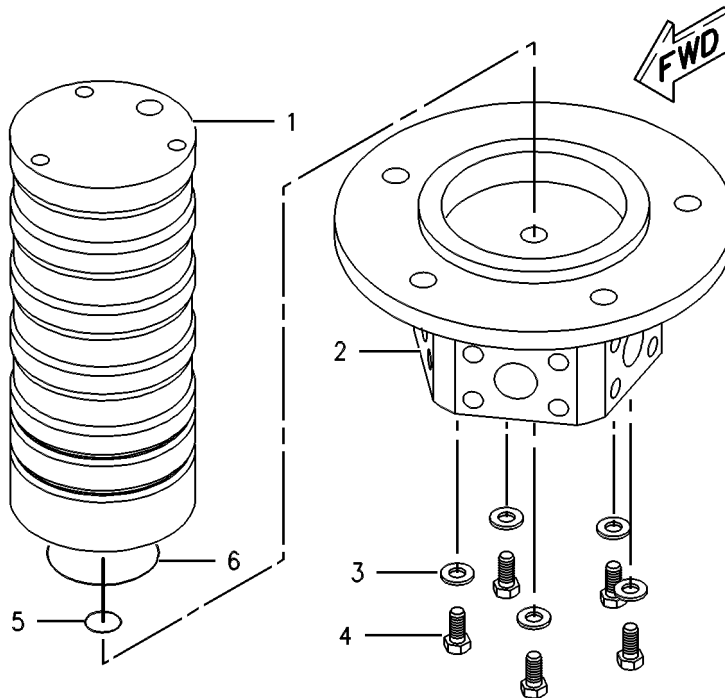
PART OF 7Y-4827 ROTOR GP-SWIVEL

SMCS-5060

i00624206

NOTE	REF NO	GRAPHIC REF	PART NUMBER	QTY	PART NAME						SEE PAGE
					1	2	3	4	5	6 (PRODUCT LEVEL)	
	1	1	7Y-4836	1	ROTOR						
	2	1	7Y-4832	1	BLOCK AS						
	3	1	9X-8257	5	WASHER (17.5X30X3.5-MM THK)						
M	4	1	7X-2557	5	BOLT (M16X2X140-MM)						
	5	1	4J-5140	1	SEAL-O-RING						
	6	1	4J-0521	5	SEAL-O-RING						

M-METRIC PART



GRAPHIC #1

<END>

g00266797

HYDRAULIC SYSTEM

155-9235 SCREEN GP-HYDRAULIC-TANK

S/N: MMA1-UP

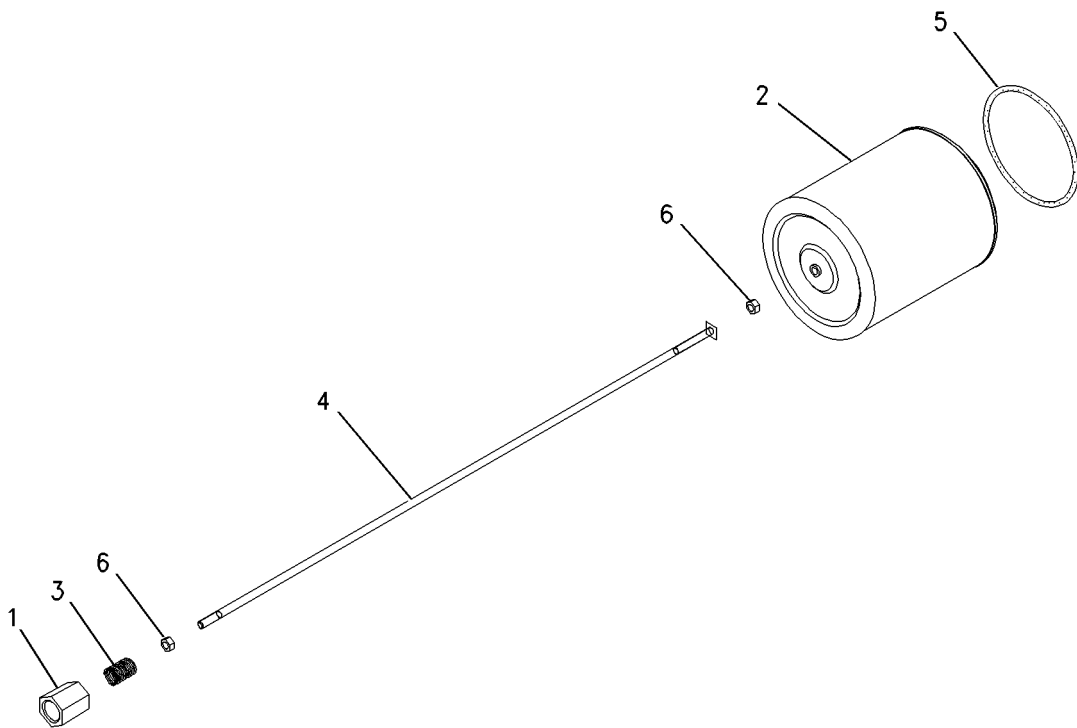
PART OF 227-0367 TANK & FILTER GP-HYDRAULIC

SMCS-5068

i01886586

NOTE	REF NO	GRAPHIC REF	PART NUMBER	QTY	PART NAME						SEE PAGE
					1	2	3	4	5	6 (PRODUCT LEVEL)	
	1	1	095-6641	1	GUIDE						
	2	1	209-6014	1	SCREEN AS						
	3	1	095-6639	1	SPRING						
	4	1	155-9236	1	ROD						
	5	1	5L-5032	1	SEAL-O-RING						
M	6	1	8T-4133	2	NUT (M10X1.5-THD)						

M-METRIC PART



GRAPHIC #1

<END>

g00979464

HYDRAULIC SYSTEM

156-0622 SWIVEL GP

S/N: MMA1-UP

PART OF 239-1925 LINES GP-TRAVEL MOTOR

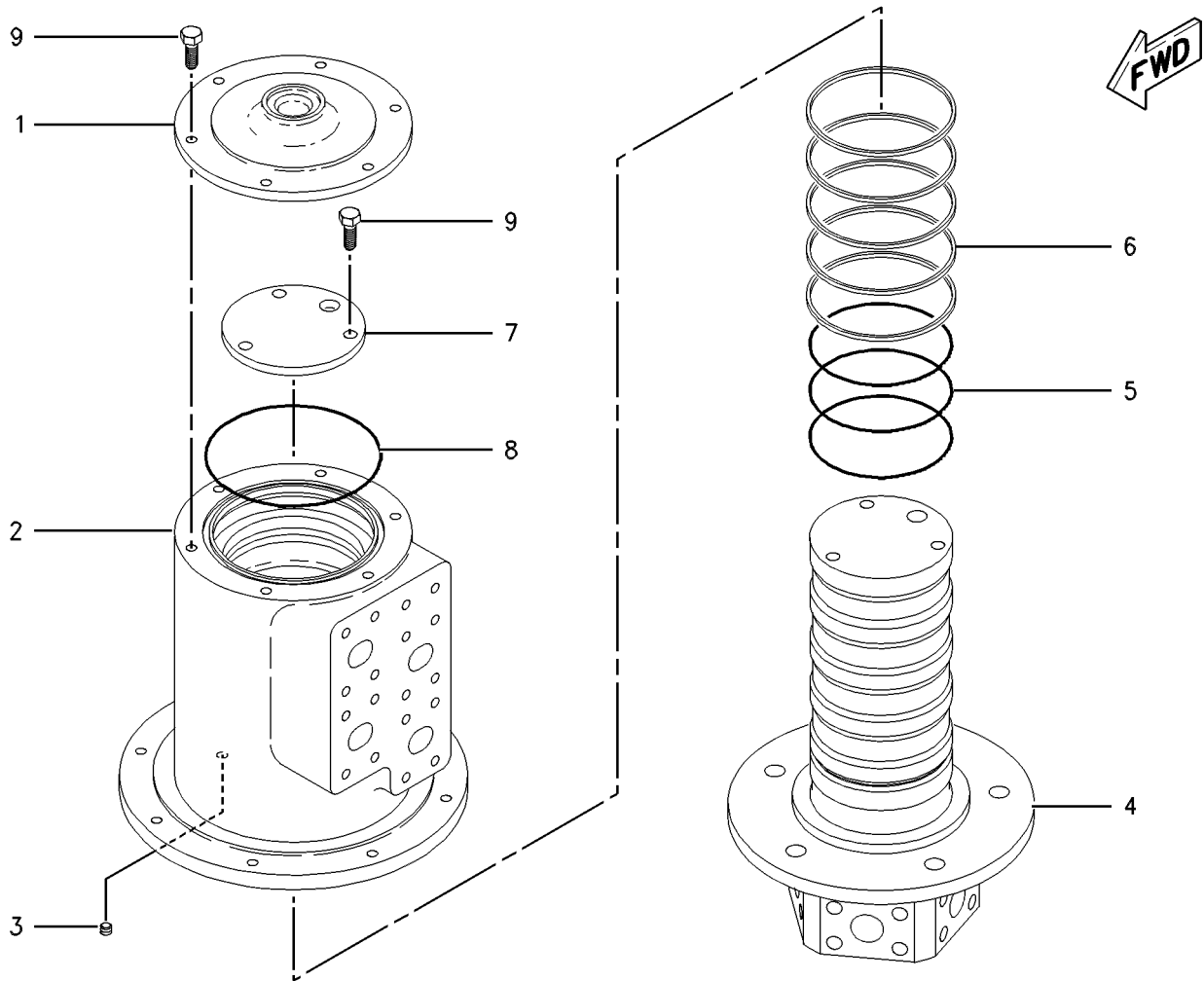
SMCS-5060

i03156801

NOTE	REF NO	GRAPHIC REF	PART NUMBER	QTY	PART NAME						SEE PAGE
					1	2	3	4	5	6 (PRODUCT LEVEL)	
	1	1	7Y-4837	1	COVER						
	2	1	7Y-4826	1	HOUSING						
	3	1	8T-6759	1	PLUG-PIPE						
Y	4	1	7Y-4827	1	ROTOR GP-SWIVEL						847
	5	1	095-1633	3	SEAL-O-RING						
	6	1	156-0619	5	SEAL						
	7	1	7Y-4843	1	RETAINER						
	8	1	095-1728	1	SEAL-O-RING						
M	9	1	8T-4136	9	BOLT (M10X1.5X25-MM)						

M-METRIC PART

Y-SEPARATE ILLUSTRATION



GRAPHIC #1

<END>

g00561581

HYDRAULIC SYSTEM

227-0367 TANK & FILTER GP-HYDRAULIC

S/N: MMA1-UP

810-L (214-US GAL)

PART OF 227-0374 TANK & MTG GP-HYDRAULIC

SMCS-5056, 5068

i03374622

NOTE	REF NO	GRAPHIC REF	PART NUMBER	QTY	PART NAME						SEE PAGE
					1	2	3	4	5	6 (PRODUCT LEVEL)	
	1	1	4I-3591	1	FLANGE AS						
	2	1	4I-5394	1	SENDER AS-TEMPERATURE (HYDRAULIC OIL)						
M		1	4I-5490	2	SCREW-MACHINE (M4X0.7X6-MM)						
		1	095-0826	2	LOCKWASHER						
	3	1	7Y-4796	1	COVER AS						
	4	1	202-3773	1	SUPPORT AS						
	5	2	202-4046	1	PIPE AS						
	6	2	202-4048	1	PIPE AS						
	7	2	204-8295	1	PIPE AS						
	8	1	212-5467	1	BREATHER GP (HYDRAULIC TANK)						
	9	2	213-0677	1	SWITCH AS-LIQUID LEVEL (LOW HYDRAULIC OIL)						
		2	102-8802	1	KIT-RECEPTACLE (2-PIN) (INCLUDES RECEPTACLE AS & WEDGE)						
	10	2	215-4011	2	CLAMP						
Y	11	1	227-0620	1	GAUGE GP-SIGHT (HYDRAULIC OIL LEVEL)						678
	13	2	227-0684	1	TUBE AS						
	14	2	229-1021	1	HOSE						
Y	15	1	234-4531	1	FILTER GP-OIL (HYDRAULIC) (RETURN)						672
Y	16	1	242-6878	1	FILTER GP-OIL (HYDRAULIC) (RETURN)						674
	17	1	207-6403	1	PLUG						
	18	1	207-6404	1	WASHER (49.5X60.5X1.5-MM THK)						
	19	1	095-1608	1	SEAL-O-RING						
	20	1	095-1735	2	SEAL-O-RING						
	21	2	129-7813	1	PLATE						
	22	1	155-3624	1	PLUG AS						
		1	3J-7354	1	SEAL-O-RING						
		1	9S-4182	1	PLUG-O-RING						
Y	23	1	155-9235	1	SCREEN GP-HYDRAULIC (TANK)						849
	24	2	1H-7339	1	SEAL-O-RING						
	25	1	8T-7971	4	WASHER-HARD (13.5X25.5X5-MM THK)						
	26	2	3D-2824	1	SEAL-O-RING						
	27	1	3K-0360	1	SEAL-O-RING						
	28	2	4J-0522	1	SEAL-O-RING						
	29	1	4J-0524	1	SEAL-O-RING						
	30	1	4J-0527	1	SEAL-O-RING						
	31	1	5P-8068	1	SEAL-O-RING						
Y	32	1	6E-5534	1	FILTER GP-OIL (HYDRAULIC) (CASE DRAIN)						666
	33	1	6I-0723	1	PLUG-OIL DRAIN (HYDRAULIC TANK)						
	34	1	6I-0724	1	ADAPTER-PLUG						
	35	1,2	6J-2680	3	SEAL-O-RING						
M	36	2	7X-2549	4	BOLT (M12X1.75X100-MM)						
M	37	2	7X-2550	8	BOLT (M12X1.75X110-MM)						
	38	1	8T-4121	20	WASHER-HARD (11X21X2.5-MM THK)						
M	39	1	8T-4137	16	BOLT (M10X1.5X20-MM)						
M	40	1	8T-4138	4	BOLT (M6X1X20-MM)						
M	41	2	8T-4139	4	BOLT (M12X1.75X30-MM)						
M	42	1,2	8T-4183	8	BOLT (M12X1.75X40-MM)						
M	43	2	8T-4194	2	BOLT (M12X1.75X50-MM)						
M	44	1	8T-4195	4	BOLT (M10X1.5X30-MM)						
	45	1,2	8T-4223	26	WASHER-HARD (13.5X25.5X3-MM THK)						
	46	2	8T-4224	4	WASHER-HARD (8.8X16X2-MM THK)						
M	47	1	8T-4956	6	BOLT (M12X1.75X35-MM)						
M	48	2	8T-5041	2	BOLT (M12X1.75X120-MM)						
	49	1	8T-6761	1	PLUG-PIPE						
M	50	2	8T-7547	4	BOLT (M8X1.25X30-MM)						

HYDRAULIC SYSTEM

227-0367 TANK & FILTER GP-HYDRAULIC (contd.)

i03374622

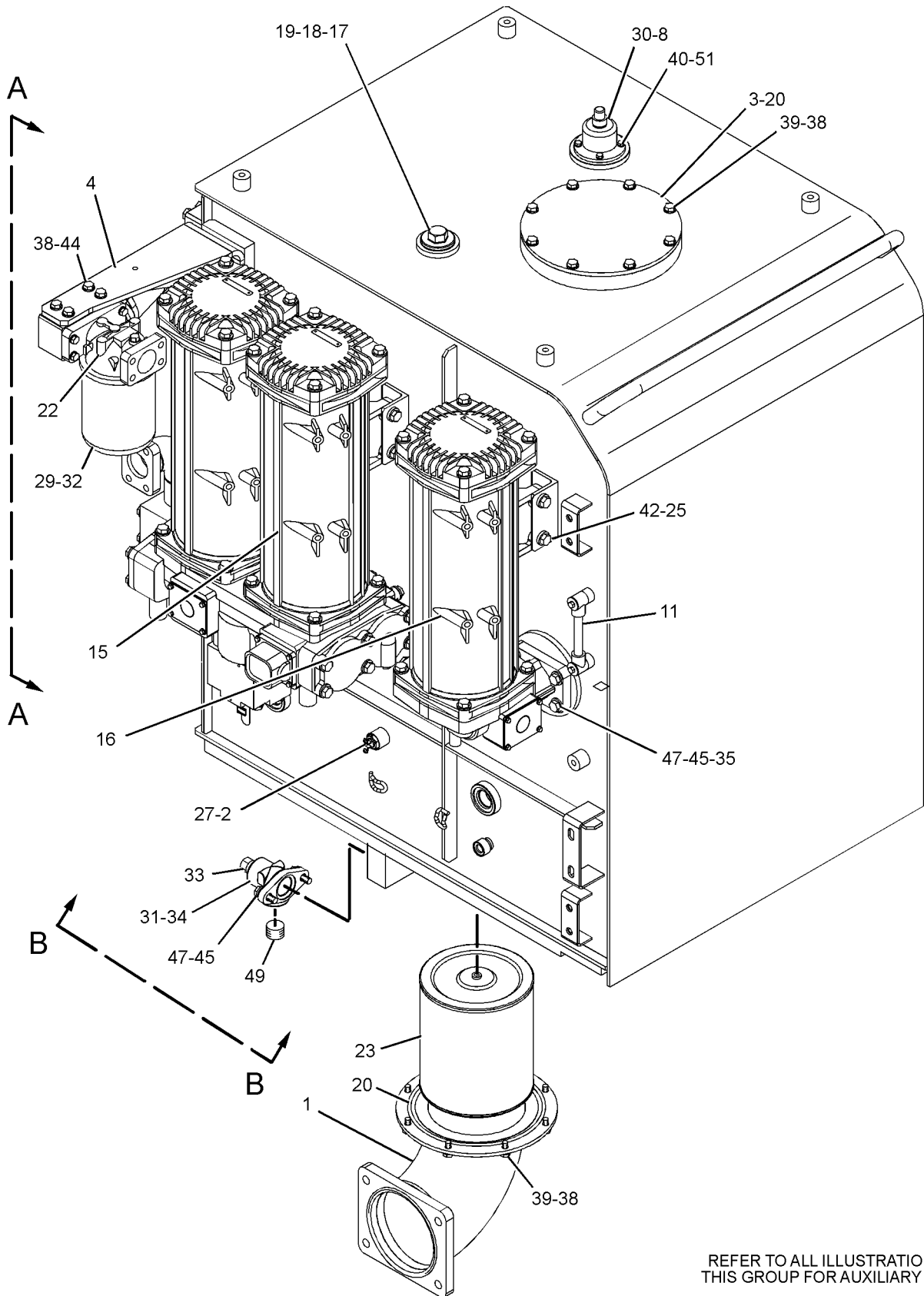
NOTE	REF NO	GRAPHIC REF	PART NUMBER	QTY	PART NAME						SEE PAGE
					1	2	3	4	5	6 (PRODUCT LEVEL)	
	51	1	9X-8256	4	WASHER (6.6X12X2-MM THK)						
	52	1	7X-1443	2	PROTECTOR						

M-METRIC PART
Y-SEPARATE ILLUSTRATION

HYDRAULIC SYSTEM

227-0367 TANK & FILTER GP-HYDRAULIC (contd.)

i03374622



REFER TO ALL ILLUSTRATIONS OF THIS GROUP FOR AUXILIARY VIEWS

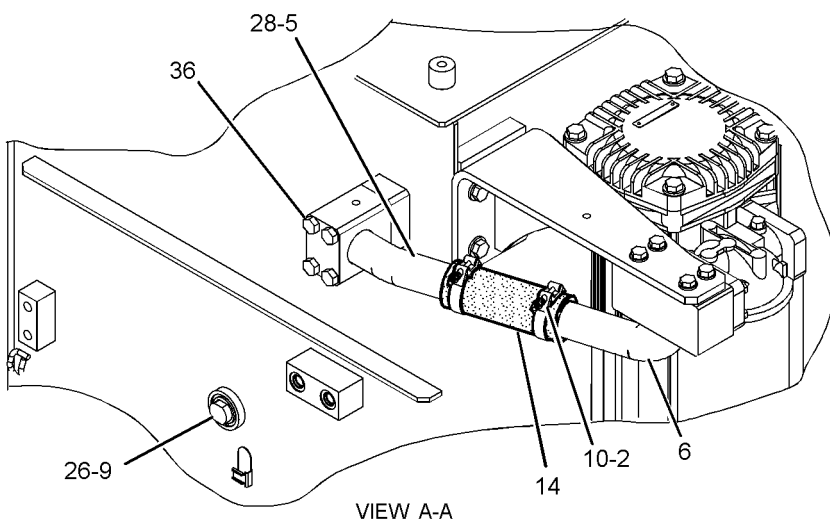
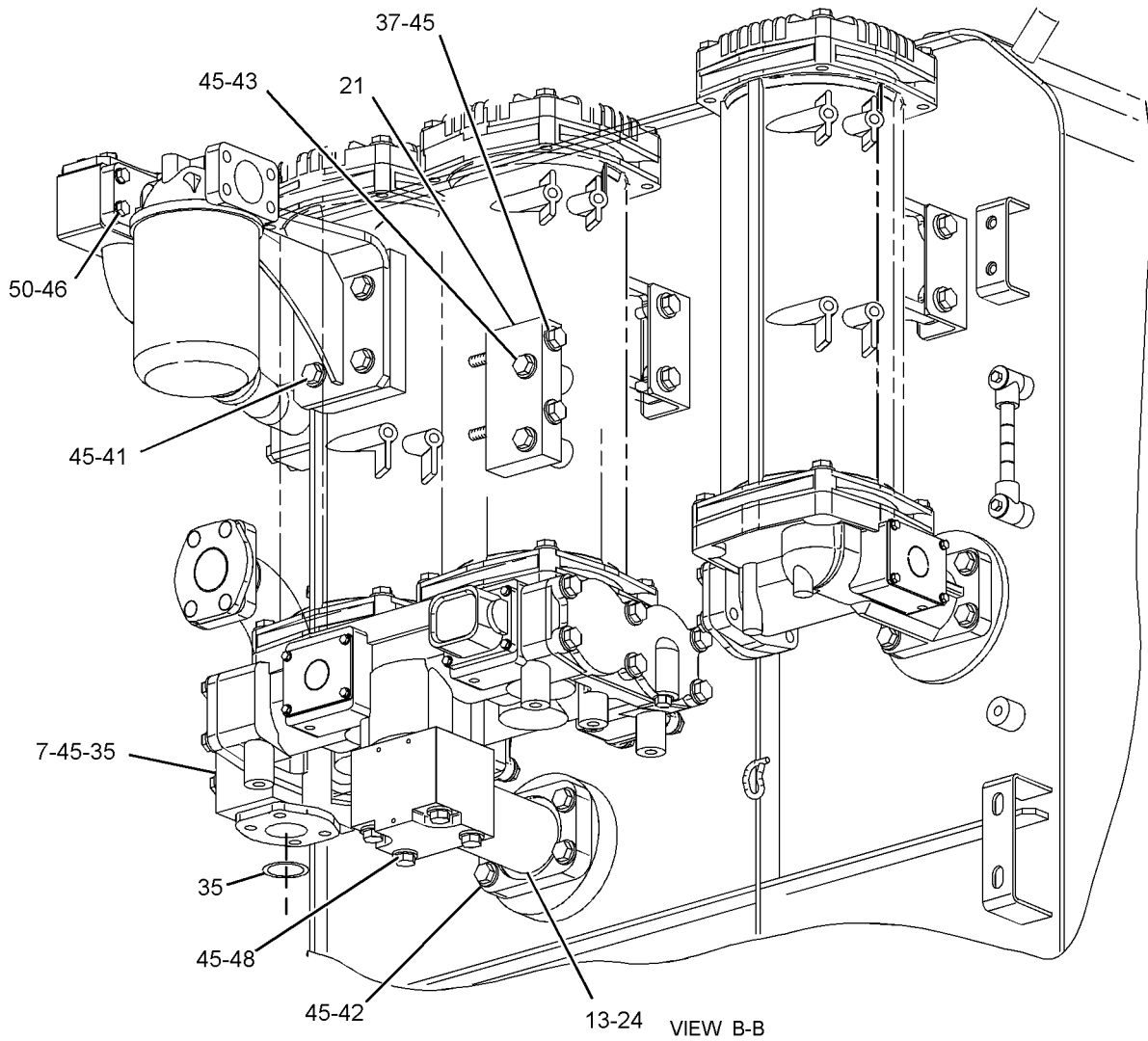
GRAPHIC #1

g01748095

HYDRAULIC SYSTEM

227-0367 TANK & FILTER GP-HYDRAULIC (contd.)

i03374622



REFER TO ALL ILLUSTRATIONS OF THIS GROUP FOR AUXILIARY VIEWS

GRAPHIC #2

<END>

g01226848

HYDRAULIC SYSTEM

227-0374 TANK & MTG GP-HYDRAULIC

S/N: MMA1-UP

810-L (214-US GAL)

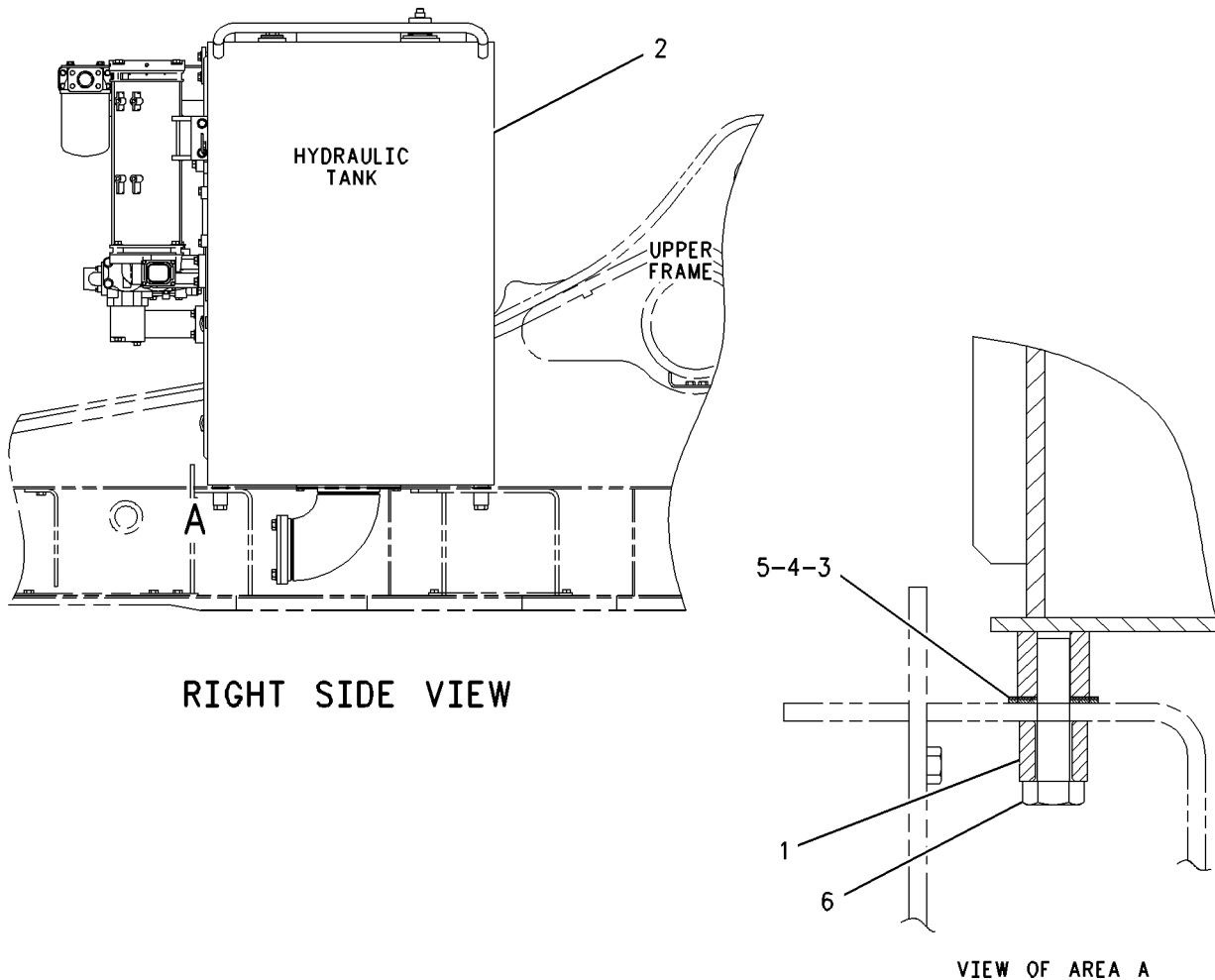
PART OF 232-4126 HYDRAULIC AR

SMCS-5056

i02124384

NOTE	REF NO	GRAPHIC REF	PART NUMBER	QTY	PART NAME						SEE PAGE
					1	2	3	4	5	6 (PRODUCT LEVEL)	
	1	1	9S-8178	6	SPACER (0.89X1.625X1.5-IN THK)						
Y	2	1	227-0367	1	TANK & FILTER GP-HYDRAULIC						851
B	3	1	087-8906	6	SHIM (2-MM THK)						
B	4	1	087-8907	6	SHIM (1-MM THK)						
B	5	1	087-8909	6	SHIM (0.4-MM THK)						
M	6	1	8T-4187	6	BOLT (M20X2.5X80-MM)						

B-USE AS REQUIRED
M-METRIC PART
Y-SEPARATE ILLUSTRATION



GRAPHIC #1

<END>

g00849161

HYDRAULIC SYSTEM

6I-6849 VALVE GP-CHECK

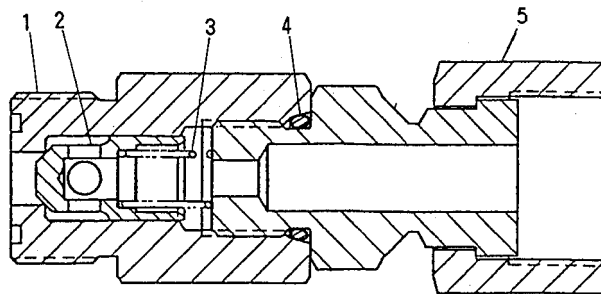
S/N: MMA1-UP

PART OF 239-1825 FILTER & LINES GP-HYDRAULIC
AN ATTACHMENT

SMCS-5067

i00621266

NOTE	REF NO	GRAPHIC REF	PART NUMBER	QTY	PART NAME						SEE PAGE
					1	2	3	4	5	6 (PRODUCT LEVEL)	
	1	1	6I-6851	1	CONNECTOR						
	2	1	6I-6850	1	VALVE						
	3	1	094-1873	1	SPRING						
	4	1	3J-1907	1	SEAL-O-RING						
	5	1	4I-1776	1	FITTING AS						



GRAPHIC #1

<END>

g00231658

HYDRAULIC SYSTEM

173-3429 VALVE GP-CHECK

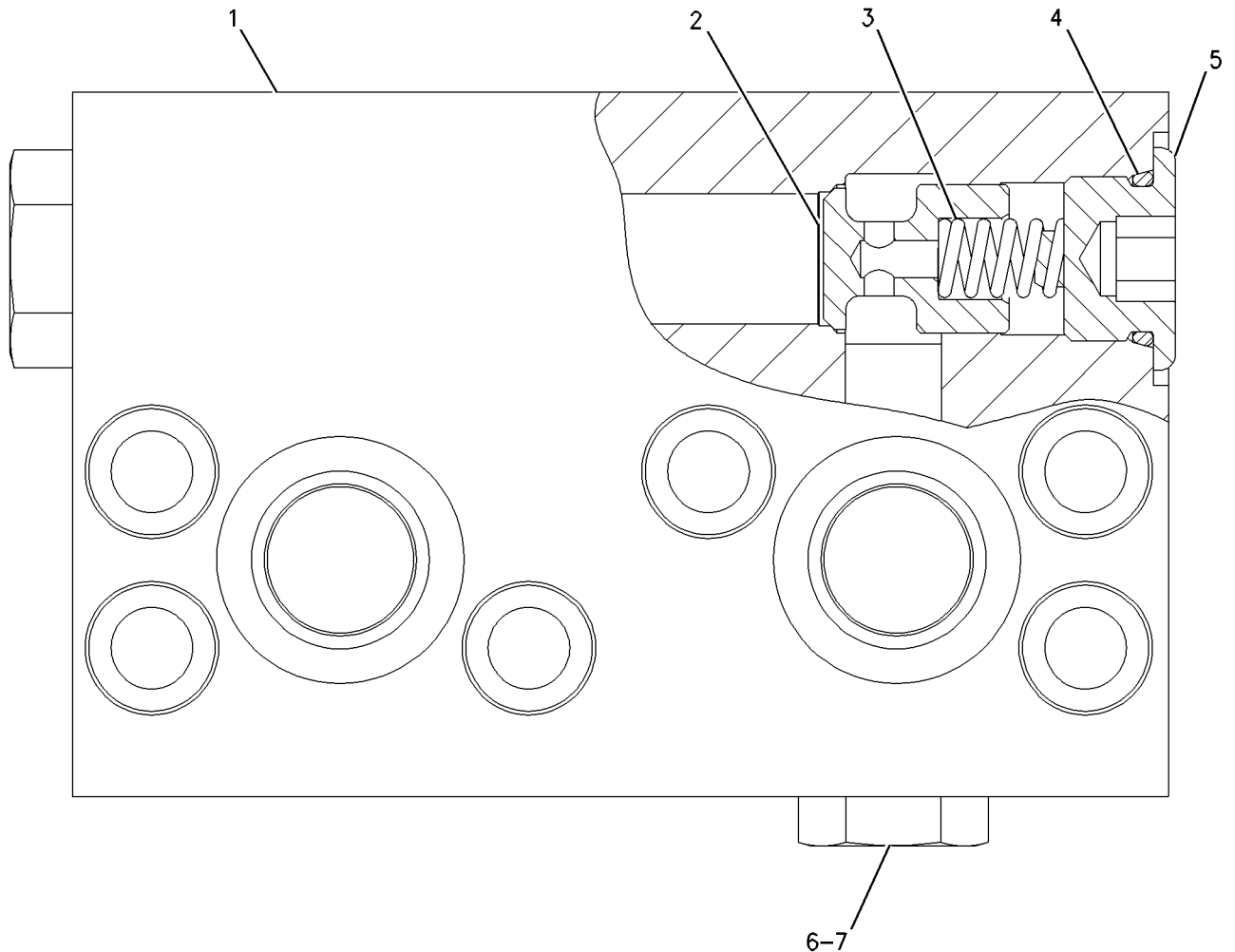
S/N: MMA1-UP

PART OF 227-0583 LINES GP-HYDRAULIC FAN

SMCS-5067

i01548167

NOTE	REF NO	GRAPHIC REF	PART NUMBER	QTY	PART NAME						SEE PAGE
					1	2	3	4	5	6 (PRODUCT LEVEL)	
	1	1	173-3430	1	BODY-VALVE						
	2	1	119-5365	1	VALVE						
	3	1	119-5362	1	SPRING						
	4	1	2M-9780	1	SEAL-O-RING						
	5	1	119-5364	1	PLUG						
	6	1	9S-4185	1	PLUG-O-RING						
	7	1	3K-0360	1	SEAL-O-RING						



GRAPHIC #1

<END>

g00782302

HYDRAULIC SYSTEM

200-7127 VALVE GP-CHECK

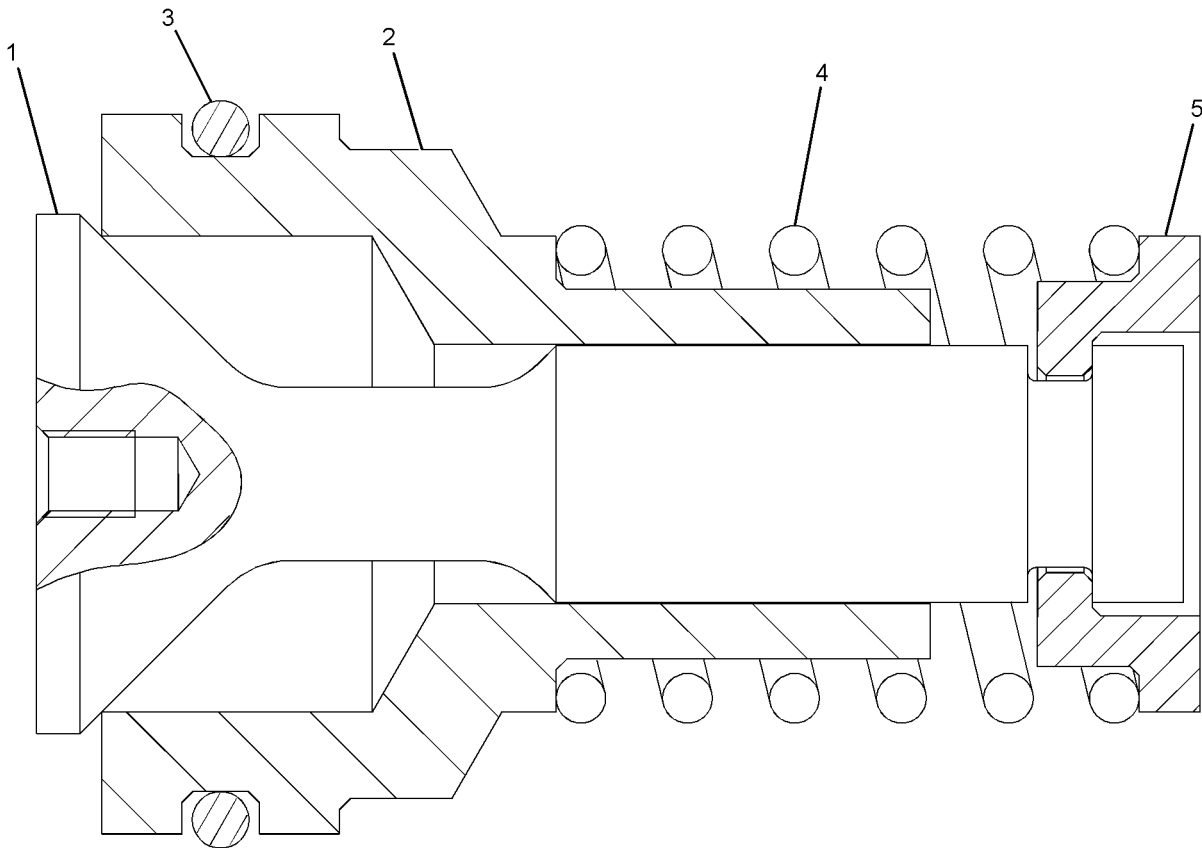
S/N: MMA1-UP

PART OF 241-8929 VALVE GP-CONTROL

SMCS-5067

i02223444

NOTE	REF NO	GRAPHIC REF	PART NUMBER	QTY	PART NAME						SEE PAGE
					1	2	3	4	5	6 (PRODUCT LEVEL)	
	1	1	6E-5484	1	VALVE						
	2	1	6E-5483	1	SEAT						
	3	1	2K-8199	1	SEAL-O-RING						
	4	1	7J-7837	1	SPRING						
	5	1	200-7126	2	RETAINER						



GRAPHIC #1

<END>

g01123108

HYDRAULIC SYSTEM

201-9381 VALVE GP-CHECK

S/N: MMA1-UP

PART OF 260-7949 LINES GP-RETURN & FILTER

SMCS-5067

i01823399

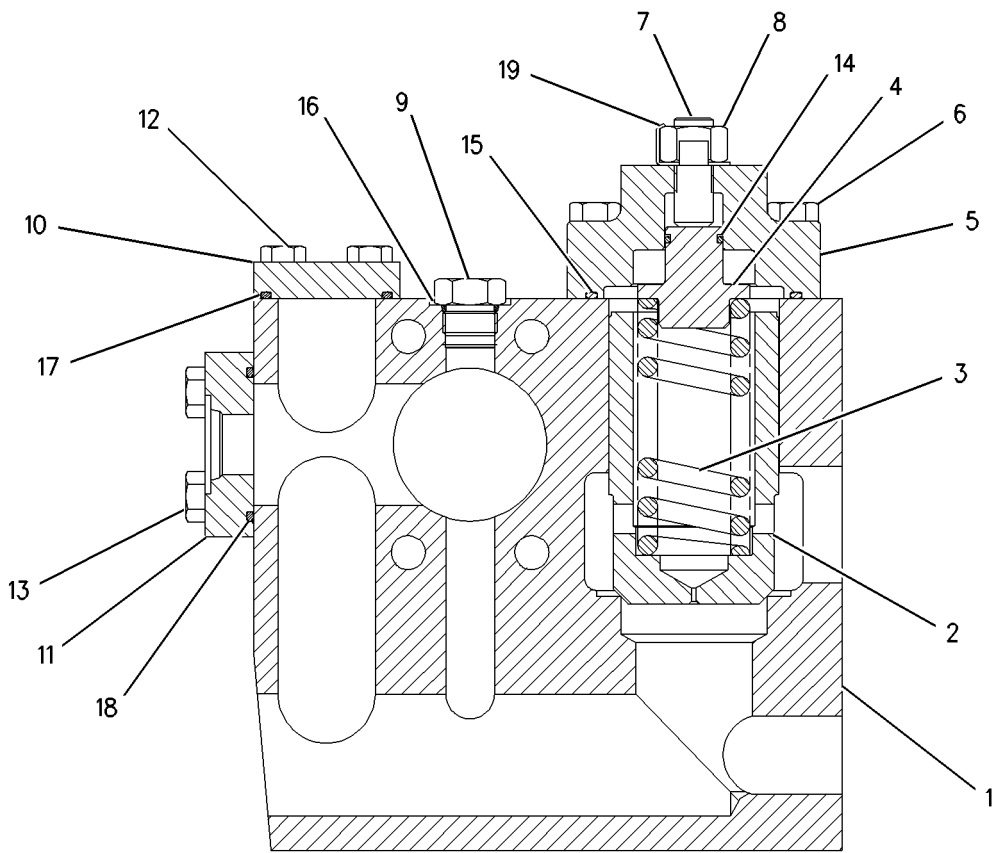
NOTE	REF NO	GRAPHIC REF	PART NUMBER	QTY	PART NAME						SEE PAGE
					1	2	3	4	5	6 (PRODUCT LEVEL)	
Z	1	1		1	BODY-VALVE						
	2	1	201-9383	1	VALVE						
	3	1	7I-0075	1	SPRING						
	4	1	201-9385	1	STOP						
	5	1	201-9384	1	FLANGE						
M	6	1	8T-4184	4	BOLT (M12X1.75X45-MM)						
M	7	1	185-0373	1	SETSCREW (SOCKET)						
M	8	1	8T-4132	1	NUT (M16X2-THD)						
	9	1	9S-4190	1	PLUG-O RING						
	10	1	158-8263	1	COVER						
	11	1	158-8262	1	FLANGE						
M	12	1	8T-4195	4	BOLT (M10X1.5X30-MM)						
M	13	1	8T-4956	4	BOLT (M12X1.75X35-MM)						
	14	1	6V-3922	1	SEAL-O-RING						
	15	1	6V-6707	1	SEAL-O-RING						
	16	1	2M-9780	1	SEAL-O-RING						
	17	1	4J-0524	1	SEAL-O-RING						
	18	1	4J-0527	1	SEAL-O-RING						
	19	1	185-0391	1	WASHER (1.2-MM THK)						

M-METRIC PART
Z-NOT SERVICED SEPARATELY

HYDRAULIC SYSTEM

201-9381 VALVE GP-CHECK (contd.)

i01823399



GRAPHIC #1

<END>

g00836141

HYDRAULIC SYSTEM

201-9382 VALVE GP-CHECK

S/N: MMA1-UP

PART OF 260-7949 LINES GP-RETURN & FILTER

SMCS-5067

i01889087

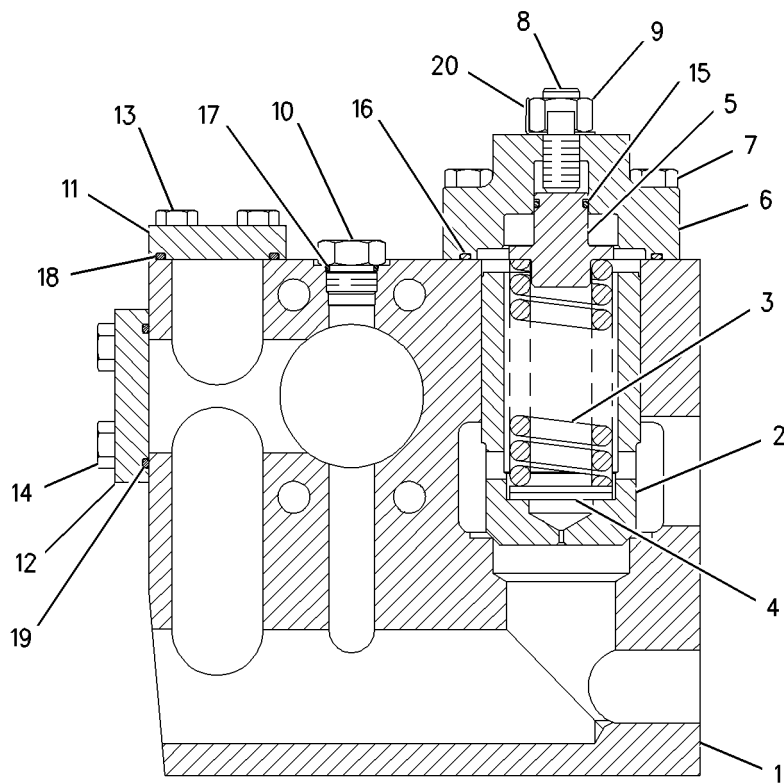
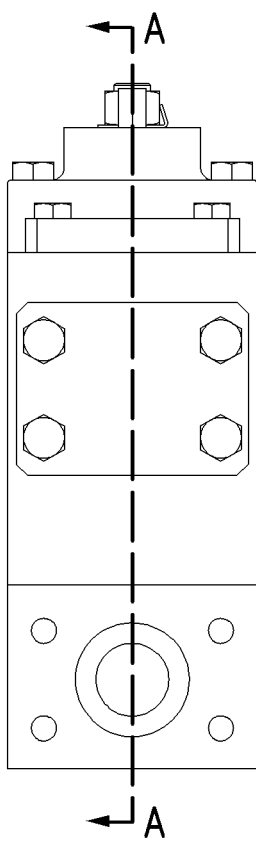
NOTE	REF NO	GRAPHIC REF	PART NUMBER	QTY	PART NAME						SEE PAGE
					1	2	3	4	5	6 (PRODUCT LEVEL)	
Z	1	1		1	BODY-VALVE						
	2	1	201-9383	1	VALVE						
	3	1	7I-7120	1	SPRING						
	4	1	4I-5734	2	SPACER (28X45X3-MM THK)						
	5	1	201-9386	1	STOP						
	6	1	201-9384	1	FLANGE						
M	7	1	8T-4184	4	BOLT (M12X1.75X45-MM)						
M	8	1	185-0373	1	SETSCREW (SOCKET)						
M	9	1	8T-4132	1	NUT (M16X2-THD)						
	10	1	9S-4190	1	PLUG-O RING						
	11	1	158-8263	1	COVER						
	12	1	158-8261	1	COVER						
M	13	1	8T-4195	4	BOLT (M10X1.5X30-MM)						
M	14	1	8T-4956	4	BOLT (M12X1.75X35-MM)						
	15	1	6V-3922	1	SEAL-O-RING						
	16	1	6V-6707	1	SEAL-O-RING						
	17	1	2M-9780	1	SEAL-O-RING						
	18	1	4J-0524	1	SEAL-O-RING						
	19	1	4J-0527	1	SEAL-O-RING						
	20	1	185-0391	1	WASHER (1.2-MM THK)						

M-METRIC PART
Z-NOT SERVICED SEPARATELY

HYDRAULIC SYSTEM

201-9382 VALVE GP-CHECK (contd.)

i01889087



SECTION A-A

GRAPHIC #1

<END>

g00839190

HYDRAULIC SYSTEM

144-7087 VALVE GP-CONTROL-NEUTRAL BYPASS

S/N: MMA1-UP

PART OF 241-2783 VALVE GP-CONTROL

SMCS-5051

i02241224

NOTE	PART NUMBER	QTY	PART NAME						SEE PAGE
			1	2	3	4	5	6 (PRODUCT LEVEL)	
Y	225-6287	1	VALVE GP-CONTROL (NEUTRAL BYPASS)						864
			-OR-						
Y	234-6899	1	VALVE GP-CONTROL (NEUTRAL BYPASS)						867
			-OR-						
Y	257-7284	1	VALVE GP-CONTROL (NEUTRAL BYPASS)						882
Y-SEPARATE ILLUSTRATION									

<END>

HYDRAULIC SYSTEM

225-6287 VALVE GP-CONTROL-NEUTRAL BYPASS

S/N: MMA1-UP

PART OF 144-7087 VALVE GP-CONTROL

SMCS-5051

i02111010

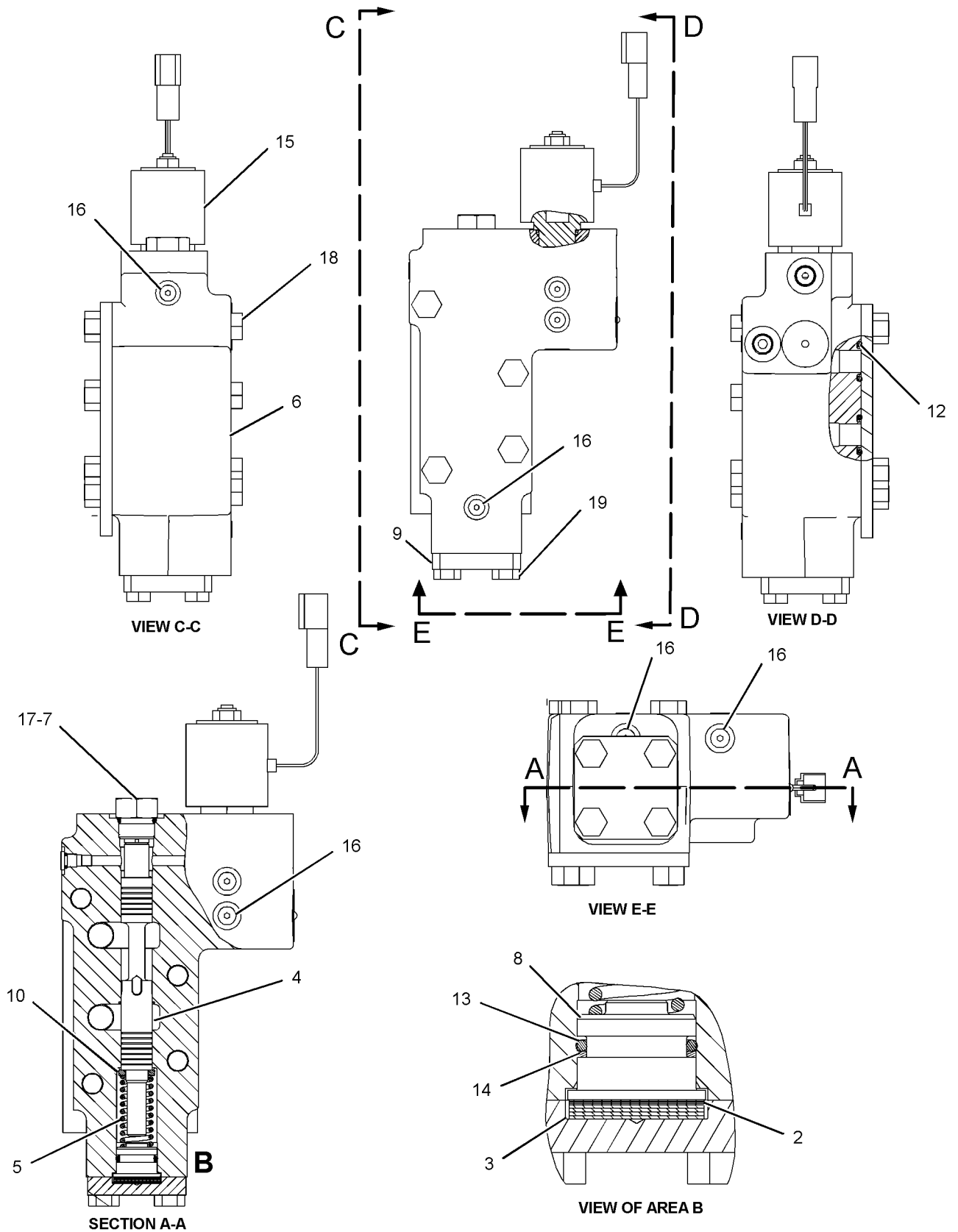
NOTE	REF NO	GRAPHIC REF	PART NUMBER	QTY	PART NAME						SEE PAGE
					1	2	3	4	5	6 (PRODUCT LEVEL)	
	2	1	9N-1574	4	SHIM (0.03-IN THK)						
	3	1	9N-1575	4	SHIM (0.03-IN THK)						
Z	4	1		1	STEM						
	5	1	225-6289	1	SPRING						
Z	6	1		1	BODY						
	7	1	225-6291	1	PLUG						
	8	1	225-6292	1	GUIDE						
	9	1	225-6293	1	COVER						
	10	1	225-6294	1	RETAINER						
	12	1	008-2103	2	SEAL-O-RING						
	13	1	095-1587	1	SEAL-O-RING						
	14	1	095-1786	1	RING-BACKUP						
Y	15	1	171-3685	1	VALVE GP-SOLENOID (24-VOLT) (NEUTRAL BYPASS)						917
	16	1	173-3993	6	PLUG AS						
					(EACH INCLUDES)						
		1	4J-7533	1	SEAL-O-RING						
		1	9S-8001	1	PLUG-O-RING						
	17	1	2M-9780	1	SEAL-O-RING						
M	18	1	7X-2549	4	BOLT (M12X1.75X100-MM)						
M	19	1	8T-4136	4	BOLT (M10X1.5X25-MM)						

M-METRIC PART
Y-SEPARATE ILLUSTRATION
Z-NOT SERVICED SEPARATELY

HYDRAULIC SYSTEM

225-6287 VALVE GP-CONTROL (contd.)

i02111010



GRAPHIC #1

<END>

g01083969

HYDRAULIC SYSTEM

234-4624 VALVE GP-CONTROL-REVERSE FLOW FAN

S/N: MMA1-UP

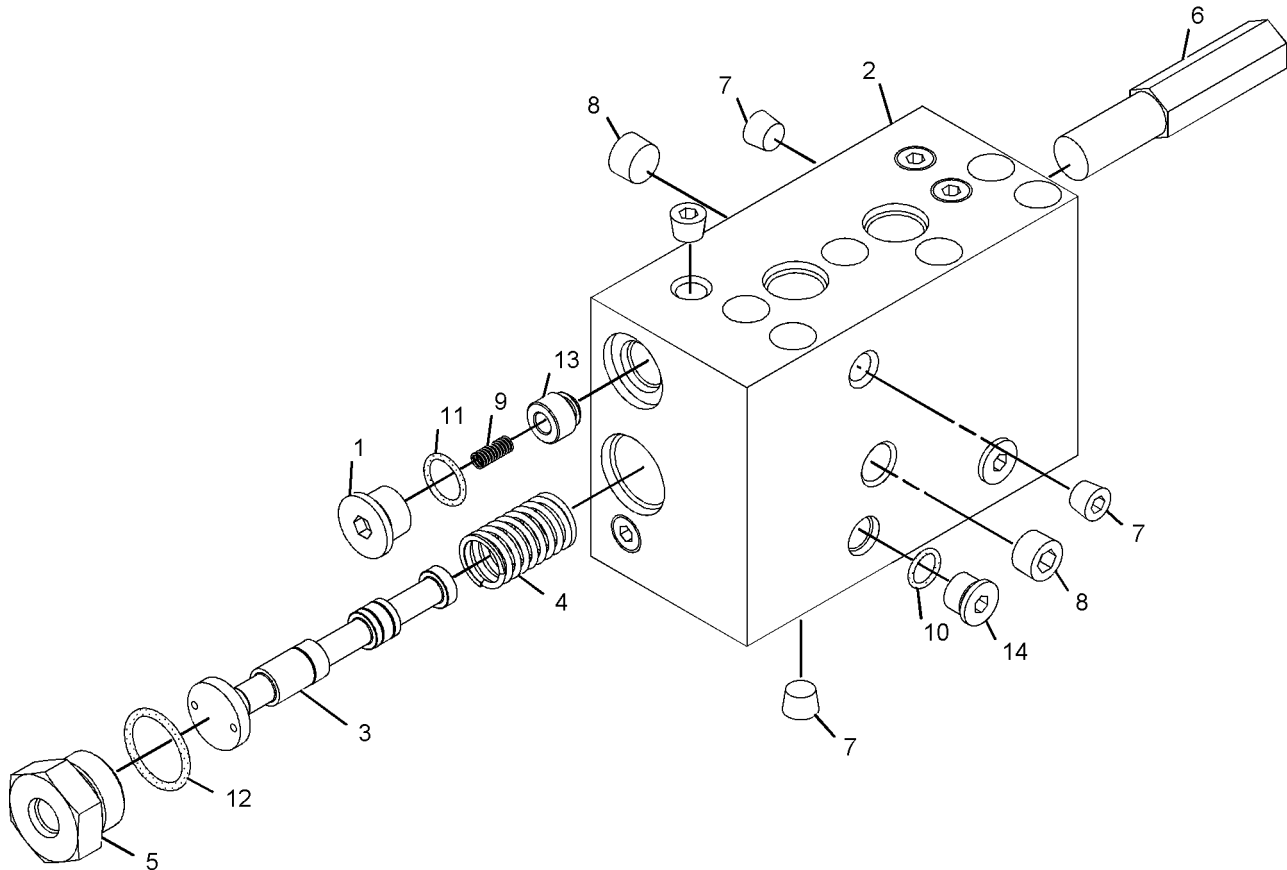
PART OF 248-9466 LINES GP-MOTOR
AN ATTACHMENT

SMCS-5051

i02637453

NOTE	REF NO	GRAPHIC REF	PART NUMBER	QTY	PART NAME						SEE PAGE
					1	2	3	4	5	6 (PRODUCT LEVEL)	
	1	1	7Y-5010	2	PLUG						
	2	1	283-5990	1	BODY AS-VALVE						
Z	3	1		1	SPOOL						
	4	1	242-6890	1	SPRING						
	5	1	242-6891	1	PLUG						
	6	1	242-6892	1	VALVE GP-RELIEF (LINE)						
		1	242-6925	1	KIT-SEAL (LINE RELIEF VALVE)						
	7	1	107-7068	11	PLUG-PIPE						
	8	1	111-9959	3	PLUG-PIPE						
	9	1	096-1598	1	SPRING						
	10	1	3J-1907	2	SEAL-O-RING						
	11	1	3K-0360	2	SEAL-O-RING						
	12	1	4K-1388	1	SEAL-O-RING						
	13	1	7Y-5011	1	VALVE						
	14	1	9S-8004	2	PLUG-O-RING						

Z-NOT SERVICED SEPARATELY



GRAPHIC #1

<END>

g01093739

HYDRAULIC SYSTEM

234-6899 VALVE GP-CONTROL-NEUTRAL BYPASS

S/N: MMA1-UP

PART OF 144-7087 VALVE GP-CONTROL

SMCS-5051

i02111004

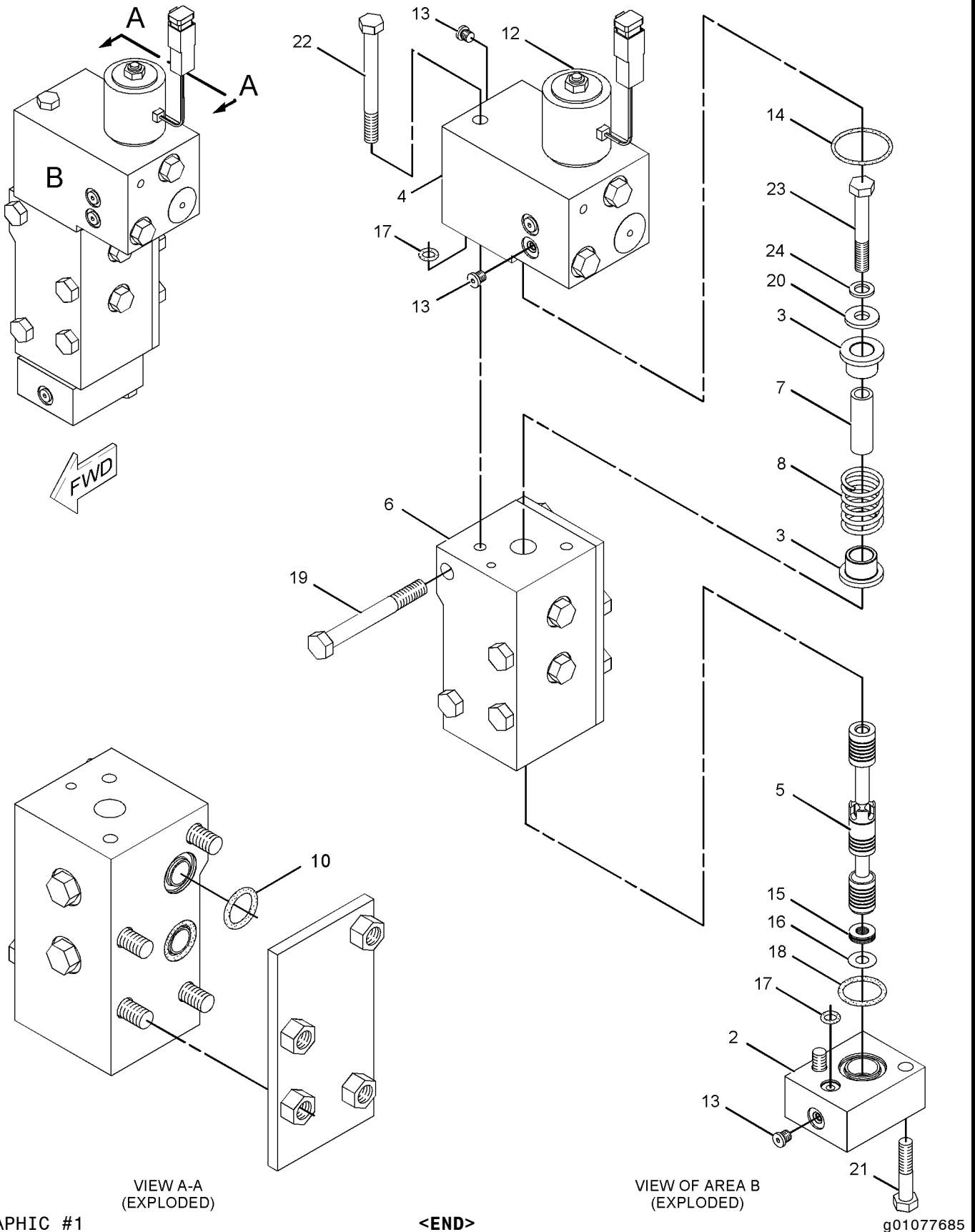
NOTE	REF NO	GRAPHIC REF	PART NUMBER	QTY	PART NAME						SEE PAGE
					1	2	3	4	5	6 (PRODUCT LEVEL)	
	2	1	144-7088	1	COVER						
	3	1	144-7092	2	RETAINER-SPRING						
	4	1	144-7093	1	HOUSING-SPRING						
Z	5	1		1	VALVE-STEM						
Z	6	1		1	BODY						
	7	1	147-2286	1	SLEEVE						
	8	1	161-7204	1	SPRING						
	10	1	008-2103	2	SEAL-O-RING						
Y	12	1	171-3685	1	VALVE GP-SOLENOID (24-VOLT) (NEUTRAL BYPASS)						917
	13	1	173-3993	5	PLUG AS						
					(EACH INCLUDES)						
		1	4J-7533	1	SEAL-O-RING						
		1	9S-8001	1	PLUG-O-RING						
	14	1	1R-5318	1	SEAL-O-RING						
	15	1	3K-4520	5	WASHER (0.377X0.75X0.048-IN THK)						
	16	1	3P-0760	8	SPACER (9.53X20.62X0.25-MM THK)						
	17	1	4J-5309	2	SEAL-O-RING						
	18	1	4J-8997	1	SEAL-O-RING						
M	19	1	7X-2549	4	BOLT (M12X1.75X100-MM)						
	20	1	7X-7729	1	WASHER (11X25X3-MM THK)						
M	21	1	8T-4185	2	BOLT (M10X1.5X50-MM)						
M	22	1	8T-4198	2	BOLT (M10X1.5X100-MM)						
M	23	1	8T-5005	1	BOLT (M10X1.5X70-MM)						
	24	1	9X-2027	1	WASHER (11X18X2-MM THK)						

M-METRIC PART
Y-SEPARATE ILLUSTRATION
Z-NOT SERVICED SEPARATELY

HYDRAULIC SYSTEM

234-6899 VALVE GP-CONTROL (contd.)

i02111004



VIEW A-A
(EXPLODED)

VIEW OF AREA B
(EXPLODED)

GRAPHIC #1

<END>

g01077685

HYDRAULIC SYSTEM

241-2781 VALVE GP-CONTROL-RH

S/N: MMA1-UP

PART OF 237-9147 VALVE GP-MAIN CONTROL

SMCS-5051

i03119960

NOTE	REF NO	GRAPHIC REF	PART NUMBER	QTY	PART NAME						SEE PAGE
					1	2	3	4	5	6 (PRODUCT LEVEL)	
	1	2	4J-9780	1	PLUG-ORIFICE						
	2	1,2	6E-3993	5	PLUG AS						
					(EACH INCLUDES)						
		1,2	2M-9780	1	SEAL-O-RING						
		1,2	2S-4078	1	SEAL-O-RING						
		1,2	148-0767	1	RING-SPLIT						
	3	3	100-6211	3	PISTON						
Y	4	1	145-7181	1	VALVE GP-LOAD CONTROL (STICK DRIFT RED, LINE RLF, LWR)						885
	5	1	146-0182	1	BLOCK-MANIFOLD						
Y	7	1	194-0946	1	MANIFOLD & VALVE GP (MAIN CONTROL VALVE)						792
Y	8	1	194-0947	1	MANIFOLD & VALVE GP (MAIN CONTROL VALVE)						794
	9	1,3	222-4737	8	PLUG AS						
					(EACH INCLUDES)						
		1,3	4J-7533	1	SEAL-O-RING						
		1,3	9S-4180	1	PLUG						
	11	2	247-4574	2	SPRING						
	12	2	247-4577	1	SPRING						
	13	2	247-4579	1	SPRING						
	14	1	247-4585	1	COVER						
	15	2	248-6875	3	RING-BACKUP						
	16	2	250-2941	2	VALVE GP-CONTROL (TRAVEL, RH, LH)						
	17	2	250-2942	1	VALVE GP (FLOW COMPENSATOR)						
	19	3	005-8164	1	PLUG						
	20	2	095-1607	3	SEAL-O-RING						
	21	2	095-1608	3	SEAL-O-RING						
	22	1	109-8040	2	PLUG-ORIFICE						
Y	23	2	111-0336	1	VALVE GP-SHUTTLE						912
Y	24	1	144-7113	1	VALVE GP-RELIEF (LOAD SENSING DIFF PRESSURE)						905
	25	3	148-8405	3	PLUG AS						
					(EACH INCLUDES)						
		3	1J-9671	1	SEAL-O-RING						
		3	3K-8460	1	PLUG						
	26	1	148-8407	6	PLUG AS						
					(EACH INCLUDES)						
		1	3J-1907	1	SEAL-O-RING						
		1	9S-4191	1	PLUG-O-RING						
	27	1	148-8408	1	PLUG AS						
		1	3D-2824	1	SEAL-O-RING						
		1	9S-4183	1	PLUG-O-RING						
	28	1,2	148-8410	2	PLUG AS						
					(EACH INCLUDES)						
		1,2	2M-9780	1	SEAL-O-RING						
		1,2	9S-4190	1	PLUG-O-RING						
Y	29	1	160-8734	1	VALVE GP-RELIEF (LINE) (STICK)						907
	30	2	173-3993	3	PLUG AS						
					(EACH INCLUDES)						
		2	4J-7533	1	SEAL-O-RING						
		2	9S-8001	1	PLUG-O-RING						
	31	1	183-7262	1	PLUG AS						
		1	2S-4078	1	SEAL-O-RING						
		1	9S-8010	1	PLUG						
	32	1	183-7263	1	PLUG AS						
		1	3J-7354	1	SEAL-O-RING						
		1	9S-8002	1	PLUG-O-RING						
	33	3	1H-5728	3	SEAL-O-RING						

HYDRAULIC SYSTEM

241-2781 VALVE GP-CONTROL (contd.)

i03119960

NOTE	REF NO	GRAPHIC REF	PART NUMBER	QTY	PART NAME						SEE PAGE
					1	2	3	4	5	6 (PRODUCT LEVEL)	
	34	1	1W-6523	4	PLUG						
	35	3	2D-6392	3	SEAL-O-RING						
	36	3	3D-2824	1	SEAL-O-RING						
	37	1	3J-7354	4	SEAL-O-RING						
	38	2	4J-9535	2	SEAL-O-RING						
Y	39	2	4T-1860	1	VALVE GP-SHUTTLE						910
	40	2	5J-5004	3	PLUG-ORIFICE						
	41	2	6V-7666	3	RING-BACKUP						
M	42	1	7X-2546	8	BOLT (M10X1.5X180-MM)						
M	43	1	7X-2555	8	BOLT (M16X2X80-MM)						
	44	2	8J-1699	2	SEAL-O-RING						
M	45	1	8T-5436	8	BOLT (M10X1.5X130-MM)						
	46	1	<i>148-8409</i>	2	PLUG AS						
					(EACH INCLUDES)						
		1	3D-2834	1	SEAL						
		1	9S-8008	1	PLUG-O-RING						

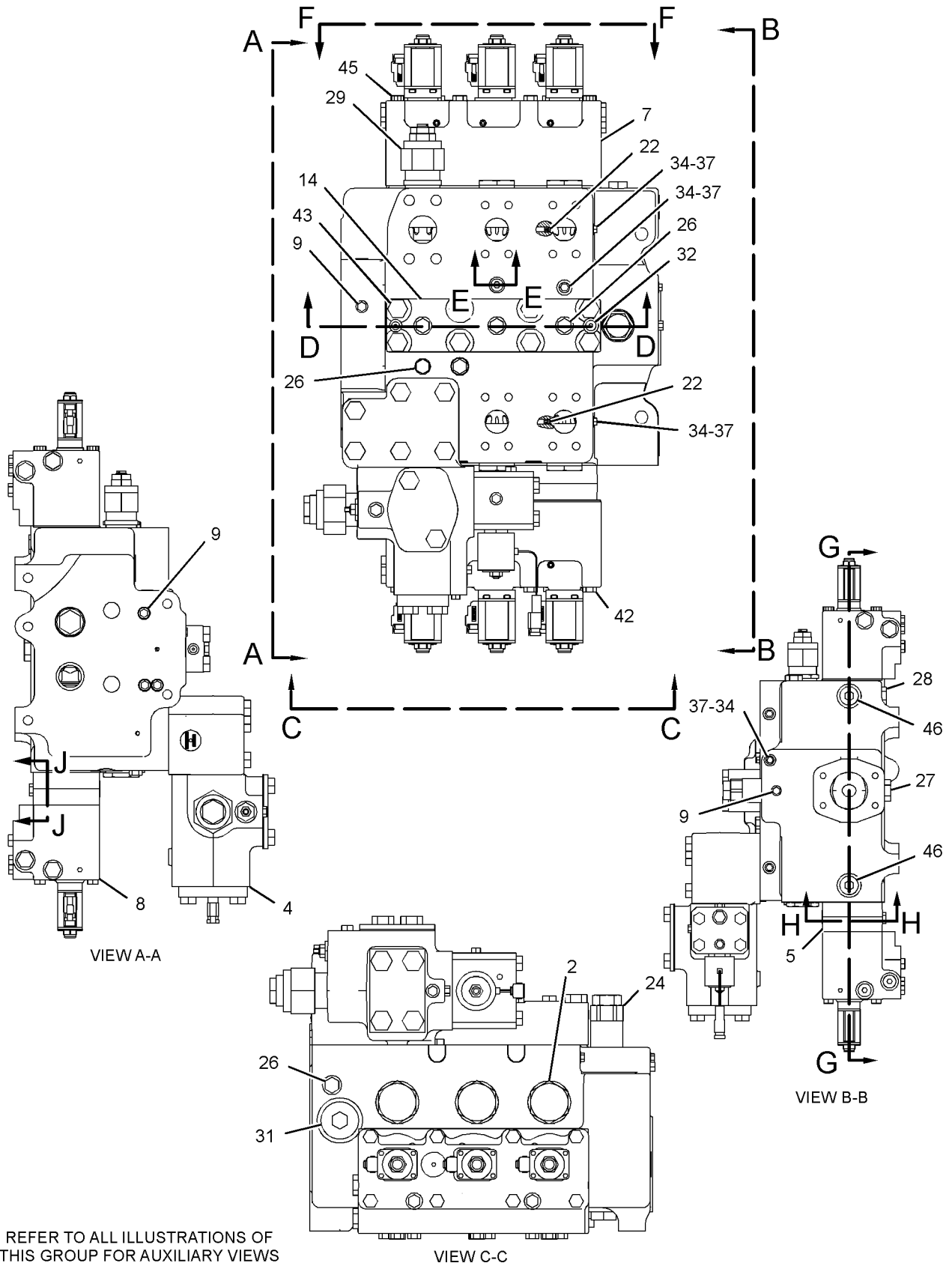
M-METRIC PART

Y-SEPARATE ILLUSTRATION

HYDRAULIC SYSTEM

241-2781 VALVE GP-CONTROL (contd.)

i03119960



REFER TO ALL ILLUSTRATIONS OF THIS GROUP FOR AUXILIARY VIEWS

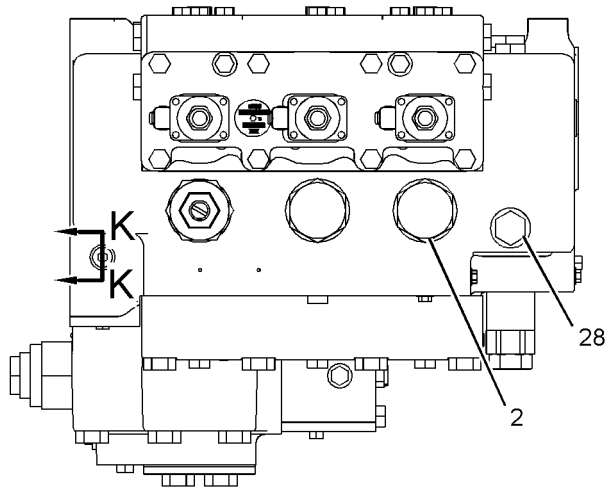
GRAPHIC #1

g01759593

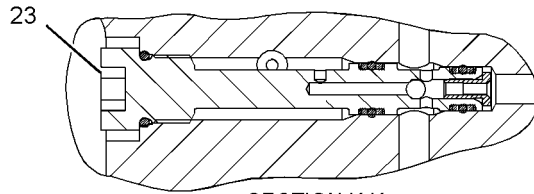
HYDRAULIC SYSTEM

241-2781 VALVE GP-CONTROL (contd.)

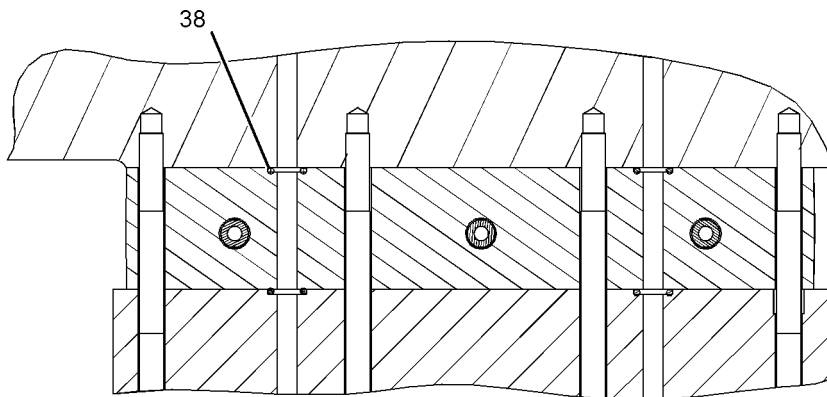
i03119960



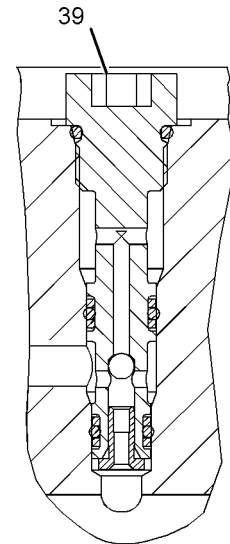
VIEW F-F



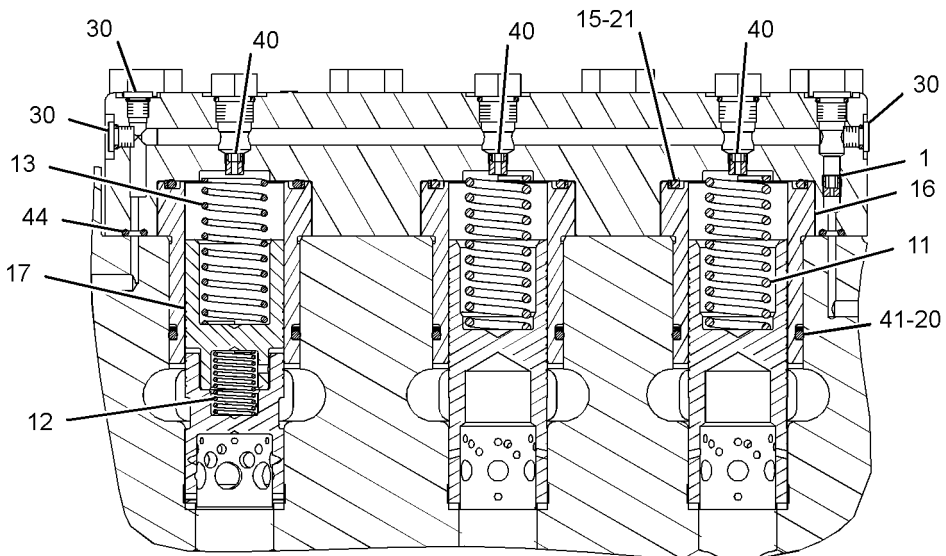
SECTION K-K



SECTION J-J



SECTION E-E



SECTION D-D

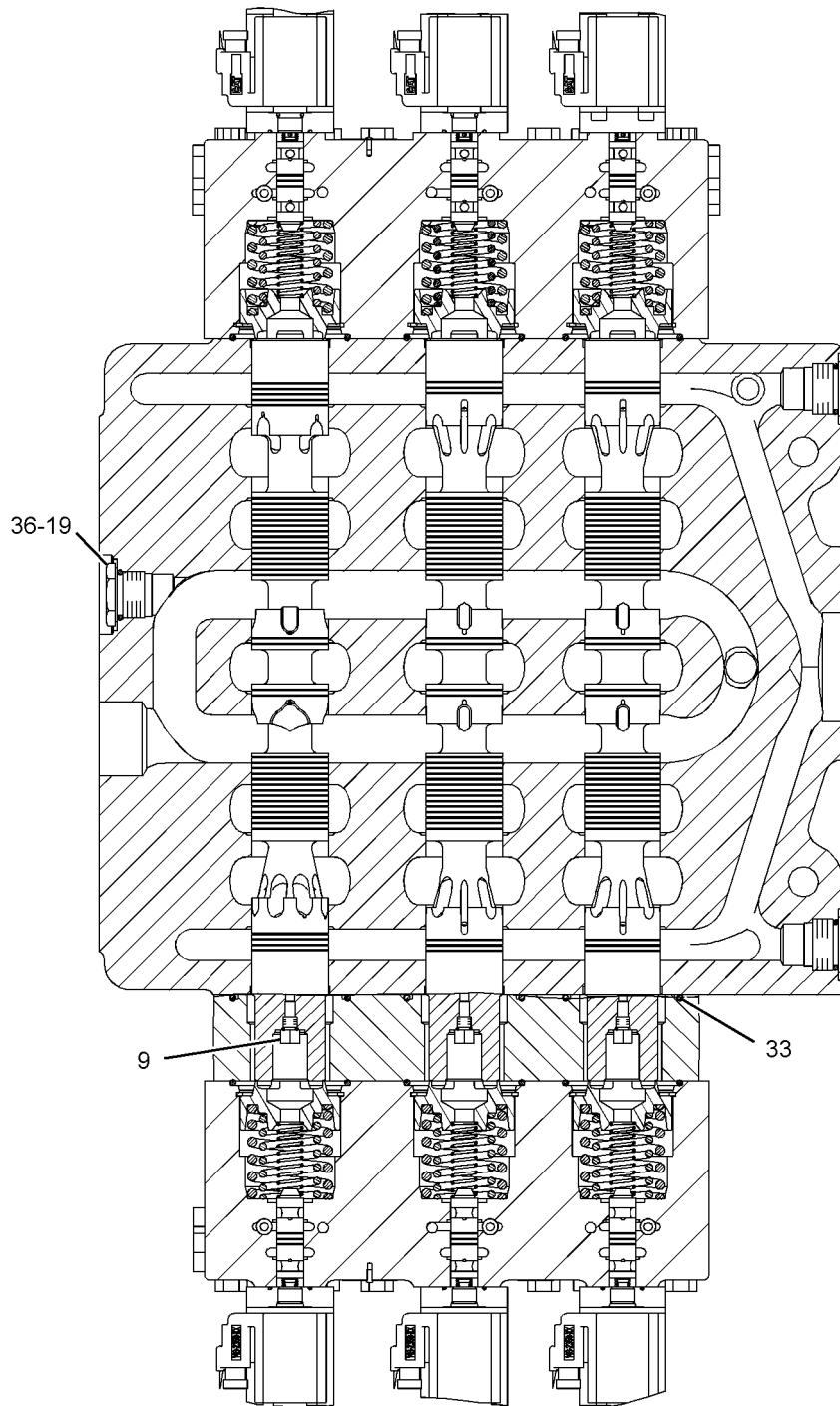
GRAPHIC #2

g01759594

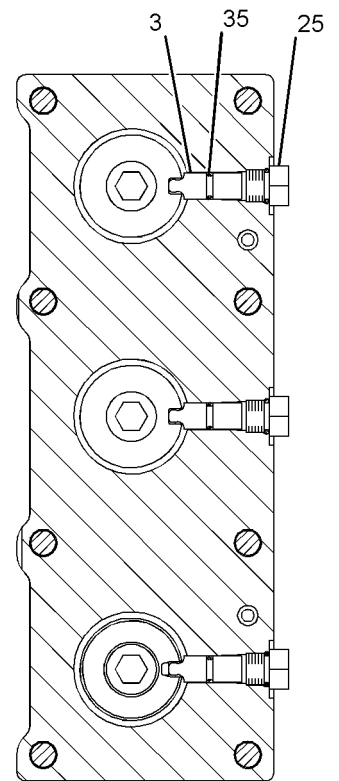
HYDRAULIC SYSTEM

241-2781 VALVE GP-CONTROL (contd.)

i03119960



SECTION G-G



SECTION H-H

GRAPHIC #3

<END>

g01759595

HYDRAULIC SYSTEM

241-2783 VALVE GP-CONTROL-LH

S/N: MMA1-UP

PART OF 237-9147 VALVE GP-MAIN CONTROL

SMCS-5051

i03119980

NOTE	REF NO	GRAPHIC REF	PART NUMBER	QTY	PART NAME						SEE PAGE
					1	2	3	4	5	6 (PRODUCT LEVEL)	
	1	3	4J-9780	1	PLUG-ORIFICE						
	2	2	6E-3993	1	PLUG AS						
		2	2M-9780	1	SEAL-O-RING						
		2	2S-4078	1	SEAL-O-RING						
		2	148-0767	1	RING-SPLIT						
	3	3	100-6211	3	PISTON						
Y	4	1	144-7087	1	VALVE GP-CONTROL (NEUTRAL BYPASS)						863
Y	5	1	145-7181	1	VALVE GP-LOAD CONTROL (BOOM DRIFT RED, LINE RLF, LWR)						885
	6	1	145-8747	1	SPACER						
	7	1	148-8409	2	PLUG AS						
					(EACH INCLUDES)						
		1	3D-2824	1	SEAL-O-RING						
		1	9S-8008	1	PLUG-O-RING						
Y	9	1	194-0946	1	MANIFOLD & VALVE GP (MAIN CONTROL VALVE)						792
Y	10	1	194-0947	1	MANIFOLD & VALVE GP (MAIN CONTROL VALVE)						794
	11	1,3	222-4737	8	PLUG AS						
					(EACH INCLUDES)						
		1,3	4J-7533	1	SEAL-O-RING						
		1,3	9S-4180	1	PLUG						
	14	3	247-4574	3	SPRING						
	15	3	247-4577	3	SPRING						
	16	1	247-4585	1	COVER						
	17	3	248-6875	3	RING-BACKUP						
	18	3	250-2942	3	VALVE GP (FLOW COMPENSATOR)						
	19	3	005-8164	1	PLUG						
	20	3	095-1607	3	SEAL-O-RING						
	21	3	095-1608	3	SEAL-O-RING						
Y	22	2	144-7113	1	VALVE GP-RELIEF (LOAD SENSING DIFF PRESSURE)						905
	23	1,2	148-8407	6	PLUG AS						
					(EACH INCLUDES)						
		1,2	3J-1907	1	SEAL-O-RING						
		1,2	9S-4191	1	PLUG-O-RING						
	24	1	148-8408	1	PLUG AS						
		1	3D-2824	1	SEAL-O-RING						
		1	9S-4183	1	PLUG-O-RING						
	25	1,2	148-8410	2	PLUG AS						
					(EACH INCLUDES)						
		1,2	2M-9780	1	SEAL-O-RING						
		1,2	9S-4190	1	PLUG-O-RING						
	26	1	155-3624	2	PLUG AS						
					(EACH INCLUDES)						
		1	3J-7354	1	SEAL-O-RING						
		1	9S-4182	1	PLUG-O-RING						
Y	27	1,2	160-8734	5	VALVE GP-RELIEF (LINE)						907
	28	3	173-3993	3	PLUG AS						
					(EACH INCLUDES)						
		3	4J-7533	1	SEAL-O-RING						
		3	9S-8001	1	PLUG-O-RING						
	29	2	183-7262	1	PLUG AS						
		2	2S-4078	1	SEAL-O-RING						
		2	9S-8010	1	PLUG						
	30	1	183-7263	1	PLUG AS						
		1	3J-7354	1	SEAL-O-RING						
		1	9S-8002	1	PLUG-O-RING						
	31	3	1H-5728	3	SEAL-O-RING						

HYDRAULIC SYSTEM

241-2783 VALVE GP-CONTROL (contd.)

i03119980

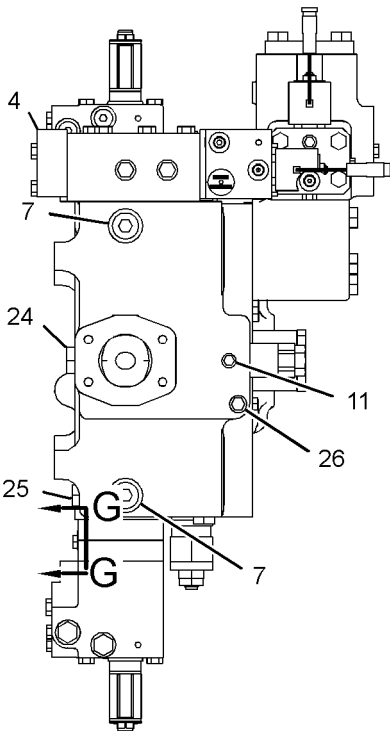
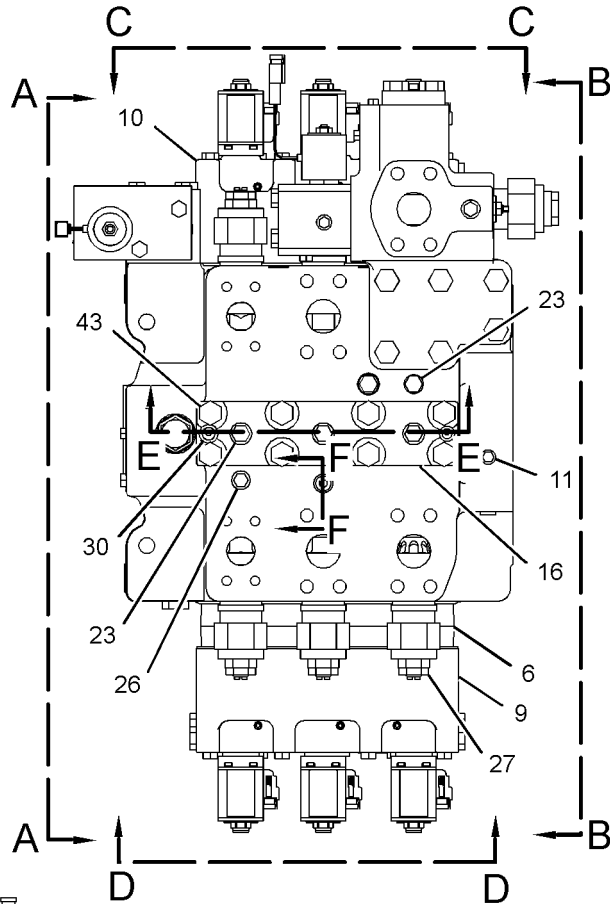
NOTE	REF NO	GRAPHIC REF	PART NUMBER	QTY	PART NAME						SEE PAGE
					1	2	3	4	5	6 (PRODUCT LEVEL)	
	32	3	1J-9671	3	SEAL-O-RING						
	33	3	2D-6392	3	SEAL-O-RING						
	34	3	3D-2824	1	SEAL-O-RING						
	35	3	3K-8460	3	PLUG						
	36	2	4J-9535	2	SEAL-O-RING						
Y	37	2	4T-1860	1	VALVE GP-SHUTTLE						910
	38	3	4T-4207	1	PLUG-ORIFICE						
	39	3	5J-5004	1	PLUG-ORIFICE						
Y	40	2	6E-4429	1	VALVE GP-SHUTTLE						911
	41	3	6V-7666	3	RING-BACKUP						
M	42	2	7X-2546	8	BOLT (M10X1.5X180-MM)						
M	43	1	7X-2555	8	BOLT (M16X2X80-MM)						
	44	3	8J-1699	2	SEAL-O-RING						
M	45	2	8T-5436	8	BOLT (M10X1.5X130-MM)						
	46	3	9J-8126	1	PLUG-ORIFICE						

M-METRIC PART
Y-SEPARATE ILLUSTRATION

HYDRAULIC SYSTEM

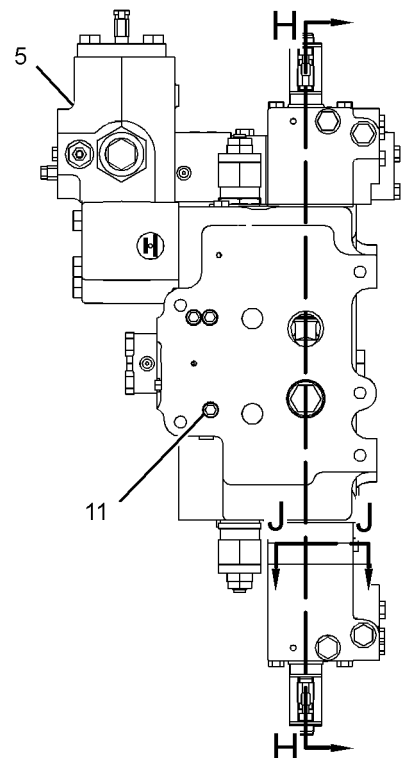
241-2783 VALVE GP-CONTROL (contd.)

i03119980



VIEW A-A

REFER TO ALL ILLUSTRATIONS OF THIS GROUP FOR AUXILIARY VIEWS



VIEW B-B

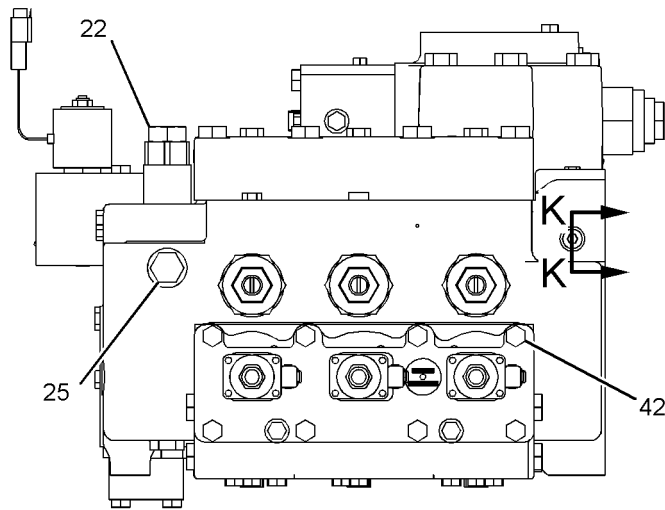
GRAPHIC #1

g01786493

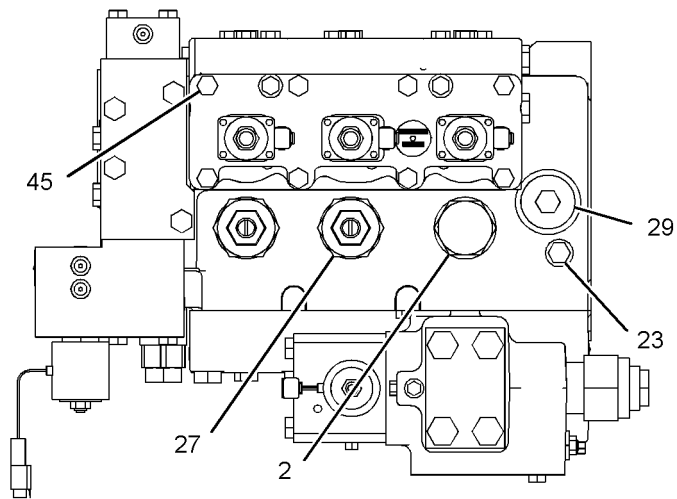
HYDRAULIC SYSTEM

241-2783 VALVE GP-CONTROL (contd.)

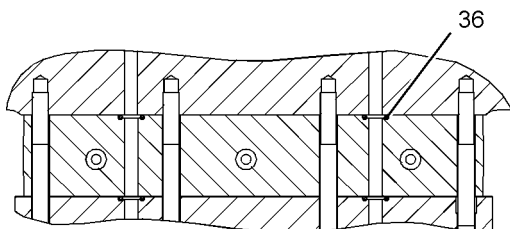
i03119980



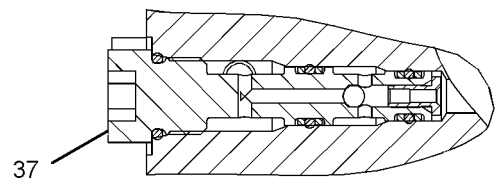
VIEW D-D



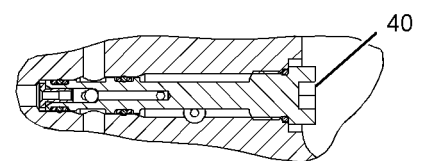
VIEW C-C



SECTION G-G



SECTION F-F



SECTION K-K

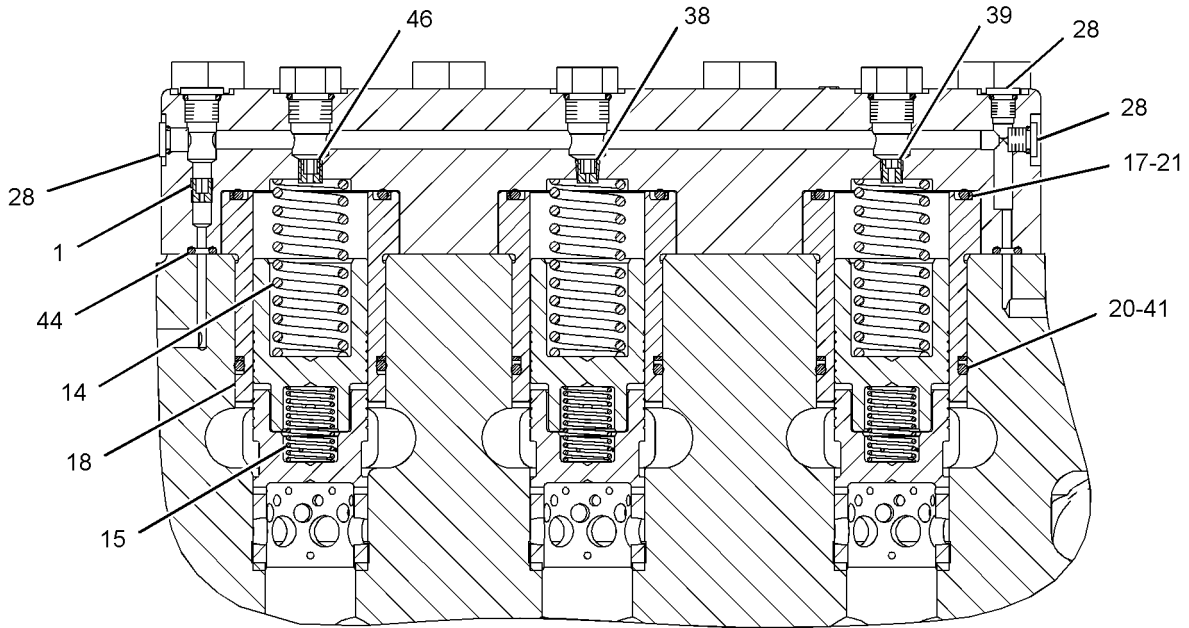
GRAPHIC #2

g01786494

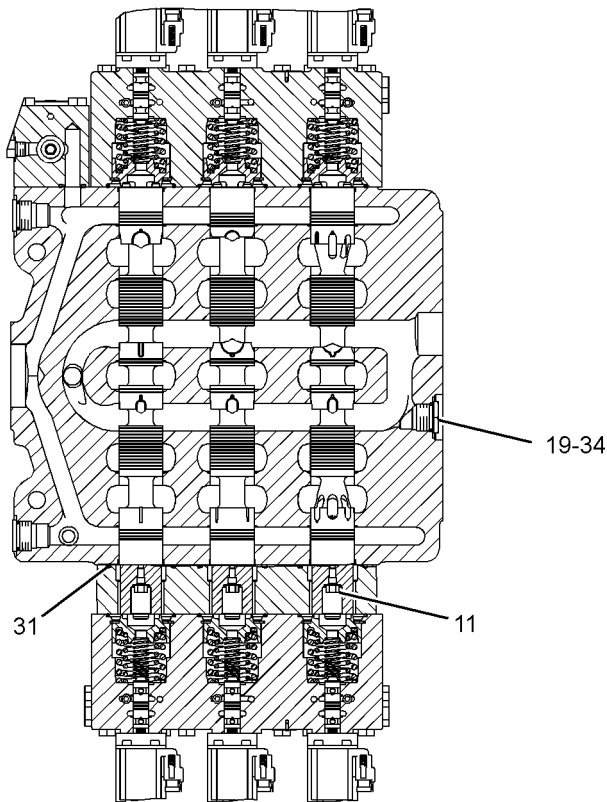
HYDRAULIC SYSTEM

241-2783 VALVE GP-CONTROL (contd.)

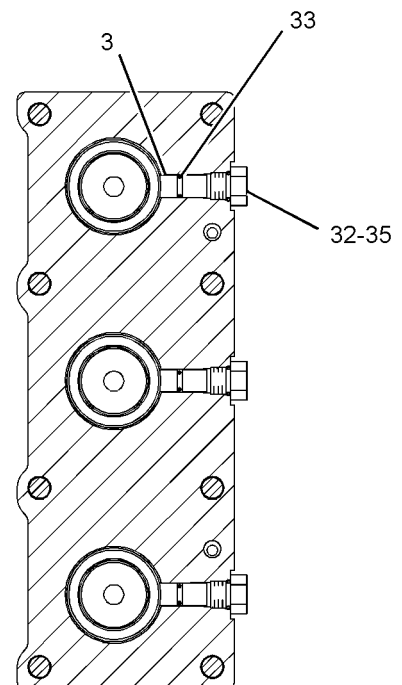
i03119980



SECTION E-E



SECTION H-H



SECTION J-J

GRAPHIC #3

<END>

g01786495

HYDRAULIC SYSTEM

241-8929 VALVE GP-CONTROL-SWING

S/N: MMA1-UP

PART OF 260-7948 LINES GP-SWING MOTOR

SMCS-5051

i02960412

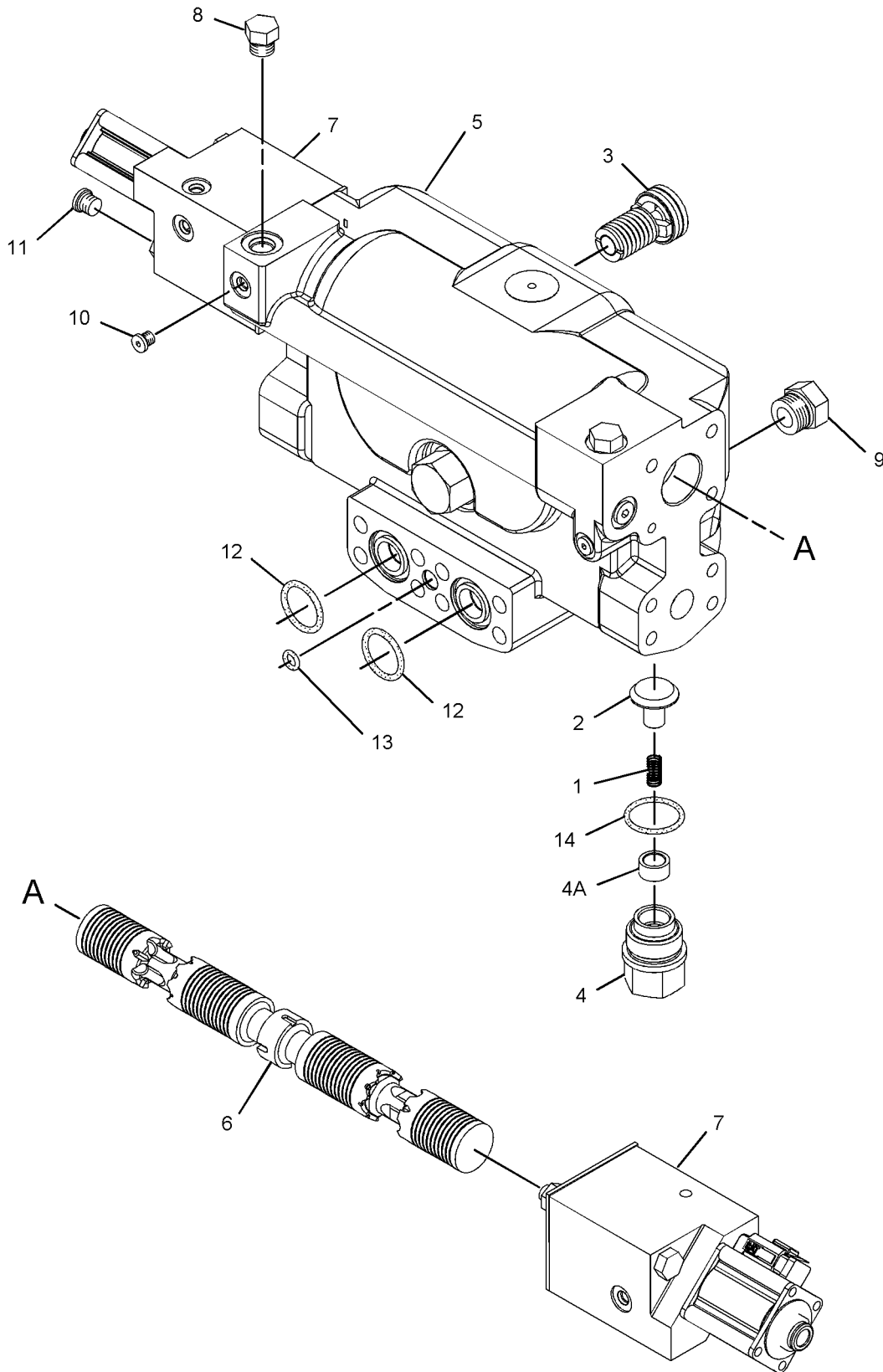
NOTE	REF NO	GRAPHIC REF	PART NUMBER	QTY	PART NAME						SEE PAGE
					1	2	3	4	5	6 (PRODUCT LEVEL)	
	1	1	2S-2596	3	SPRING						
	2	1	9T-1614	3	VALVE						
Y	3	1	200-7127	1	VALVE GP-CHECK (BACK PRESSURE)						858
	4	1	142-0844	3	PLUG AS						
					(EACH INCLUDES)						
	4A	1	4T-0987	1	BEARING-SLEEVE						
Z	5	1		1	BODY-VALVE						
Z	6	1		1	STEM-SWING						
Y	7	1	224-6809	2	MANIFOLD & VALVE GP (SWING)						796
	8	1	<i>148-8407</i>	1	PLUG AS						
		1	3J-1907	1	SEAL-O-RING						
		1	9S-4191	1	PLUG-O-RING						
	9	1	<i>148-8410</i>	1	PLUG AS						
		1	2M-9780	1	SEAL-O-RING						
		1	9S-4190	1	PLUG-O-RING						
	10	1	173-3993	2	PLUG AS						
					(EACH INCLUDES)						
		1	4J-7533	1	SEAL-O-RING						
		1	9S-8001	1	PLUG-O-RING						
	11	1	<i>183-7263</i>	2	PLUG AS						
					(EACH INCLUDES)						
		1	3J-7354	1	SEAL-O-RING						
		1	9S-8002	1	PLUG-O-RING						
	12	1	4F-8946	2	SEAL-O-RING						
	13	1	4J-2506	1	SEAL-O-RING						
	14	1	7M-8485	3	SEAL-O-RING						

Y-SEPARATE ILLUSTRATION
Z-NOT SERVICED SEPARATELY

HYDRAULIC SYSTEM

241-8929 VALVE GP-CONTROL (contd.)

i02960412



GRAPHIC #1

<END>

g01129451

HYDRAULIC SYSTEM

242-6879 VALVE GP-CONTROL-REVERSIBLE FAN

S/N: MMA1-UP

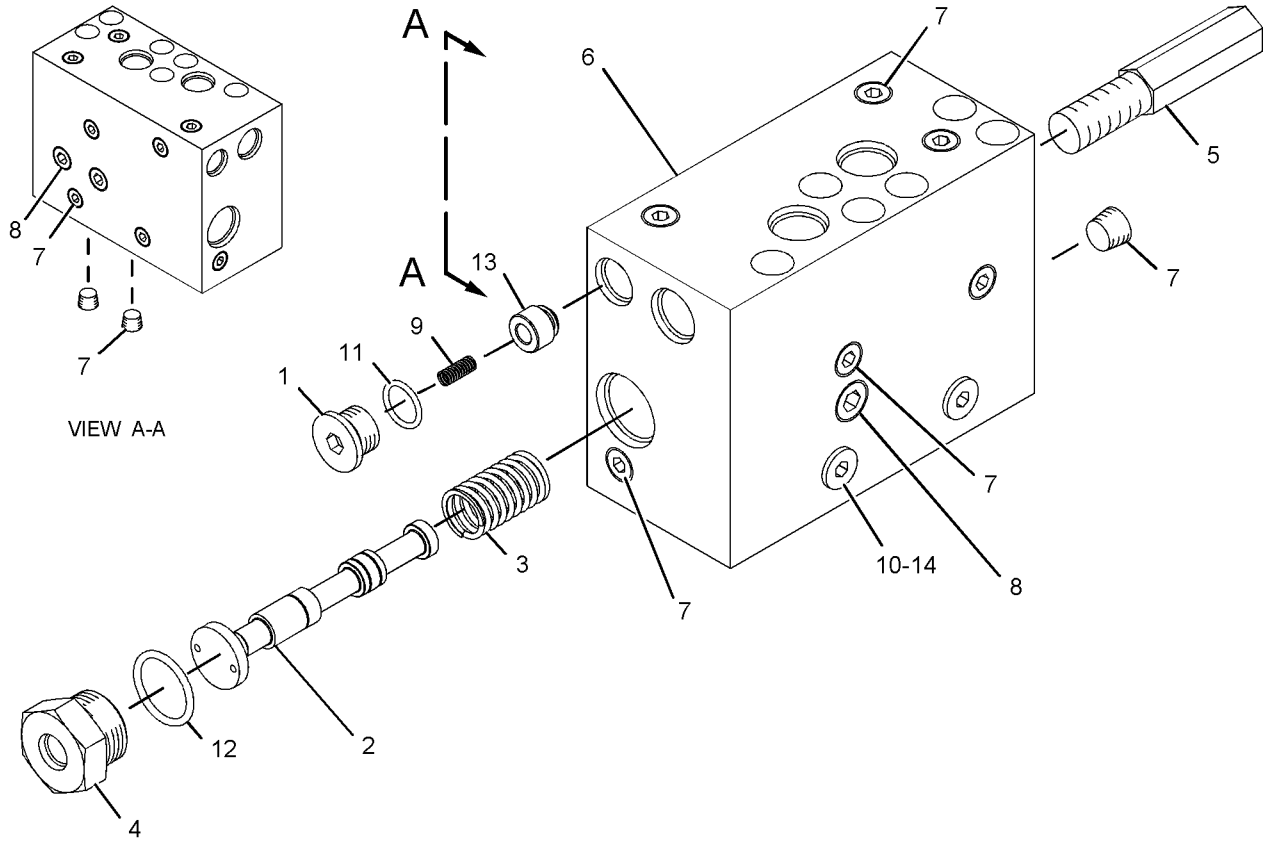
PART OF 248-9466 LINES GP-MOTOR
AN ATTACHMENT

SMCS-5051

i03625864

NOTE	REF NO	GRAPHIC REF	PART NUMBER	QTY	PART NAME						SEE PAGE
					1	2	3	4	5	6 (PRODUCT LEVEL)	
	1	1	7Y-5010	1	PLUG						
	2	1	242-6889	1	SPOOL						
	3	1	242-6890	1	SPRING						
	4	1	242-6891	1	PLUG						
J	5	1	242-6892	1	VALVE GP-RELIEF (LINE)						
Z	6	1		1	BODY-VALVE						
	7	1	095-0966	13	PLUG						
	8	1	095-0967	3	PLUG						
	9	1	096-1598	1	SPRING						
	10	1	3J-1907	2	SEAL-O-RING						
	11	1	3K-0360	1	SEAL-O-RING						
	12	1	4K-1388	1	SEAL-O-RING						
	13	1	7Y-5011	1	VALVE						
	14	1	9S-8004	2	PLUG-O-RING						
					AVAILABLE REPAIR KIT(S):						
J			242-6925	1	KIT-SEAL (LINE RELIEF VALVE) (INCLUDES O-RING SEALS, BACK-UP RING & RETAINING RING)						

J-KIT MARKED J SERVICES PART(S) MARKED J
Z-NOT SERVICED SEPARATELY



GRAPHIC #1

<END>

g01086767

HYDRAULIC SYSTEM

257-7284 VALVE GP-CONTROL-NEUTRAL BYPASS

S/N: MMA1-UP

PART OF 144-7087 VALVE GP-CONTROL

SMCS-5051

i02293810

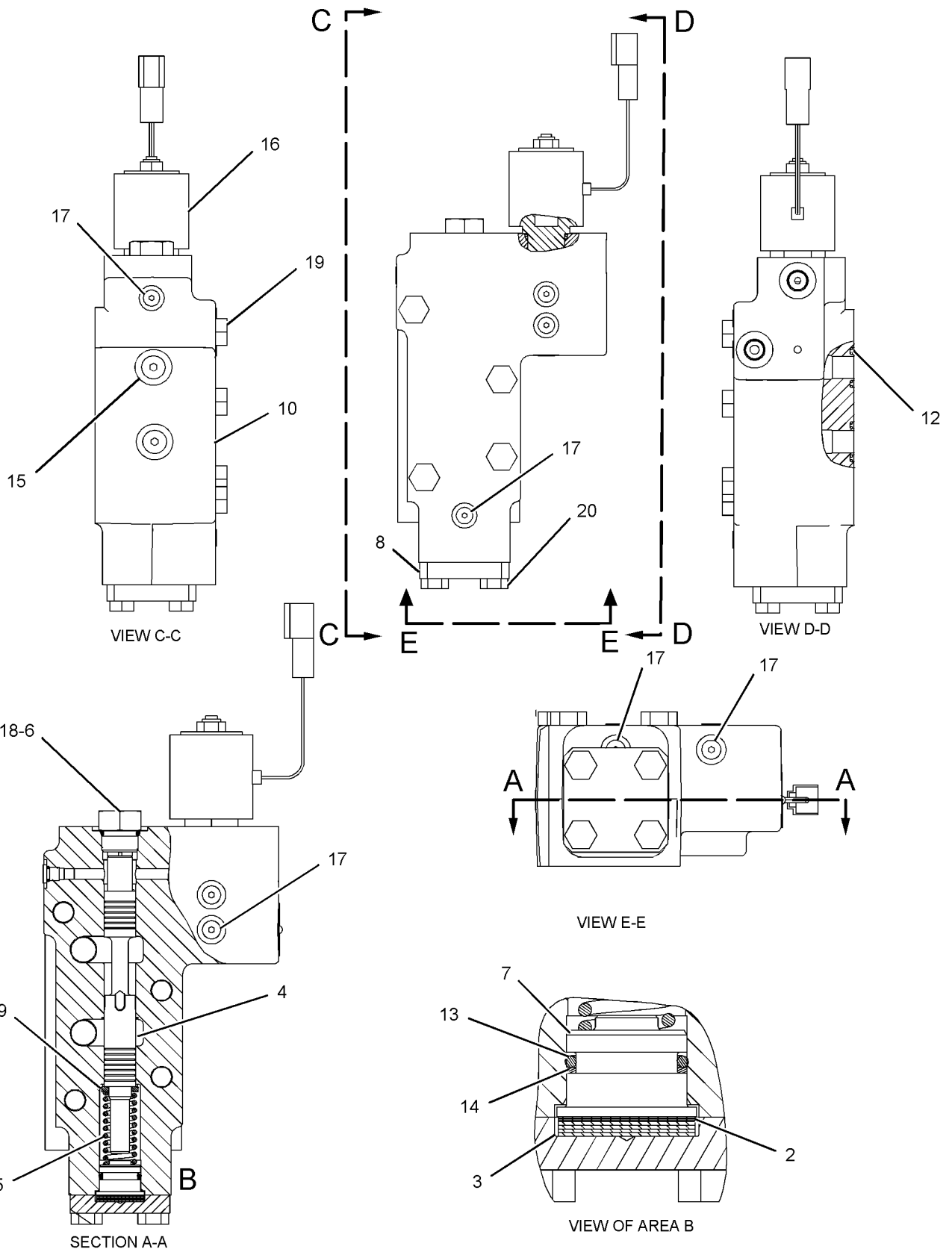
NOTE	REF NO	GRAPHIC REF	PART NUMBER	QTY	PART NAME						SEE PAGE
					1	2	3	4	5	6 (PRODUCT LEVEL)	
B	2	1	9N-1574	4	SHIM (0.03-IN THK)						
B	3	1	9N-1575	4	SHIM (0.03-IN THK)						
Z	4	1		1	STEM						
Z	5	1		1	SPRING						
Z	6	1		1	PLUG						
Z	7	1		1	GUIDE						
Z	8	1		1	COVER						
Z	9	1		1	RETAINER						
Z	10	1		1	BODY						
	12	1	008-2103	2	SEAL-O-RING						
	13	1	095-1587	1	SEAL-O-RING						
	14	1	095-1786	1	RING-BACKUP						
	15	1	162-0177	2	PLUG AS						
					(EACH INCLUDES)						
		1	3J-1907	1	SEAL-O-RING						
		1	9S-8004	1	PLUG-O-RING						
Y	16	1	171-3685	1	VALVE GP-SOLENOID (24-VOLT) (NEUTRAL BYPASS)						917
	17	1	173-3993	6	PLUG AS						
					(EACH INCLUDES)						
		1	4J-7533	1	SEAL-O-RING						
		1	9S-8001	1	PLUG-O-RING						
	18	1	2M-9780	1	SEAL-O-RING						
M	19	1	7X-2549	4	BOLT (M12X1.75X100-MM)						
M	20	1	8T-4136	4	BOLT (M10X1.5X25-MM)						

B-USE AS REQUIRED
M-METRIC PART
Y-SEPARATE ILLUSTRATION
Z-NOT SERVICED SEPARATELY

HYDRAULIC SYSTEM

257-7284 VALVE GP-CONTROL (contd.)

i02293810



GRAPHIC #1

<END>

g01129675

HYDRAULIC SYSTEM

274-2553 VALVE GP-CONTROL-REVERSIBLE FAN

S/N: MMA1-UP
PART OF 248-9466 LINES GP-MOTOR
AN ATTACHMENT

SMCS-5051

i03614943

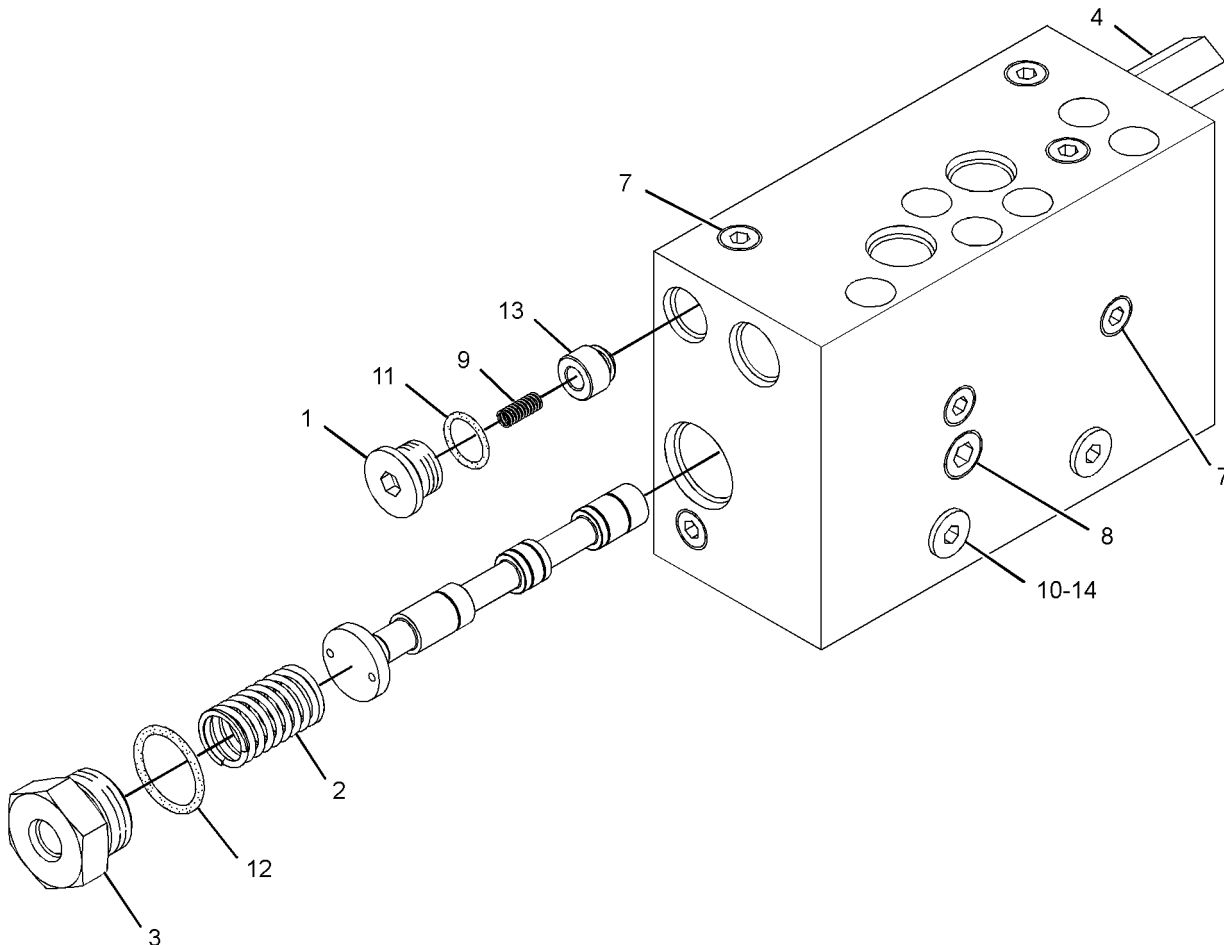
NOTE	REF NO	GRAPHIC REF	PART NUMBER	QTY	PART NAME						SEE PAGE
					1	2	3	4	5	6 (PRODUCT LEVEL)	
	1	1	7Y-5010	1	PLUG						
	2	1	242-6890	1	SPRING						
	3	1	242-6891	1	PLUG						
J	4	1	242-6892	1	VALVE GP-RELIEF (LINE) (REVERSIBLE FAN)						
	7	1	107-7068	13	PLUG-PIPE						
	8	1	111-9959	3	PLUG-PIPE						
	9	1	096-1598	1	SPRING						
	10	1	3J-1907	2	SEAL-O-RING						
	11	1	3K-0360	1	SEAL-O-RING						
	12	1	4K-1388	1	SEAL-O-RING						
	13	1	7Y-5011	1	VALVE						
	14	1	9S-8004	2	PLUG-O-RING						

PARTS SHOWN IN GRAPHIC(S) WITHOUT A REFERENCE NUMBER ARE NOT SERVICED SEPARATELY

AVAILABLE REPAIR KIT(S):

J	242-6925	1	KIT-SEAL (LINE RELIEF VALVE) (INCLUDES SEAL-O-RINGS, BACK-UP RING & RETAINING RING)
---	-----------------	---	--

J-KIT MARKED J SERVICES PART MARKED J



GRAPHIC #1

<END>

g01356804

HYDRAULIC SYSTEM

145-7181 VALVE GP-LOAD CONTROL

S/N: MMA1-UP

PART OF 241-2781, 241-2783 VALVE GP-CONTROL

SMCS-5067, 5117, 5147, 5811

i03139243

NOTE	REF NO	GRAPHIC REF	PART NUMBER	QTY	PART NAME						SEE PAGE
					1	2	3	4	5	6 (PRODUCT LEVEL)	
	1	1	155-3624	2	PLUG AS						
					(EACH INCLUDES)						
		1	3J-7354	1	SEAL-O-RING						
		1	9S-4182	1	PLUG-O-RING						
	2	1	4I-3733	1	SPRING						
	4	1	7Y-4224	1	ORIFICE						
	5	1	8J-1751	1	PLUG						
	6	1	8J-1752	1	PLUNGER						
	7	1	9L-7712	1	NUT (3/8-24-THD)						
	9	1	144-7281	1	BLOCK						
	10	1	222-4737	4	PLUG AS						
					(EACH INCLUDES)						
		1	4J-7533	1	SEAL-O-RING						
		1	9S-4180	1	PLUG						
	11	1	145-9529	1	COVER						
Y	12	1	171-3685	1	VALVE GP-SOLENOID (24-VOLT) (24 VDC)						917
Y	13	1	155-4846	1	VALVE GP-RELIEF (LINE)						906
	14	1	1P-3705	1	SEAL-RECTANGULAR						
	15	1	2M-9780	1	SEAL-O-RING						
	17	1	4B-9783	1	BALL						
	18	1	4J-5309	2	SEAL-O-RING						
	19	1	4J-5573	1	SEAL-O-RING						
	21	1	4T-5076	1	RING-BACKUP						
	22	1	6J-3134	1	SEAL-O-RING						
	23	1	6V-0357	1	SEAL-O-RING						
M	24	1	7X-2549	4	BOLT (M12X1.75X100-MM)						
M	25	1	7X-2553	4	BOLT (M16X2X40-MM)						
M	26	1	7X-2557	6	BOLT (M16X2X140-MM)						

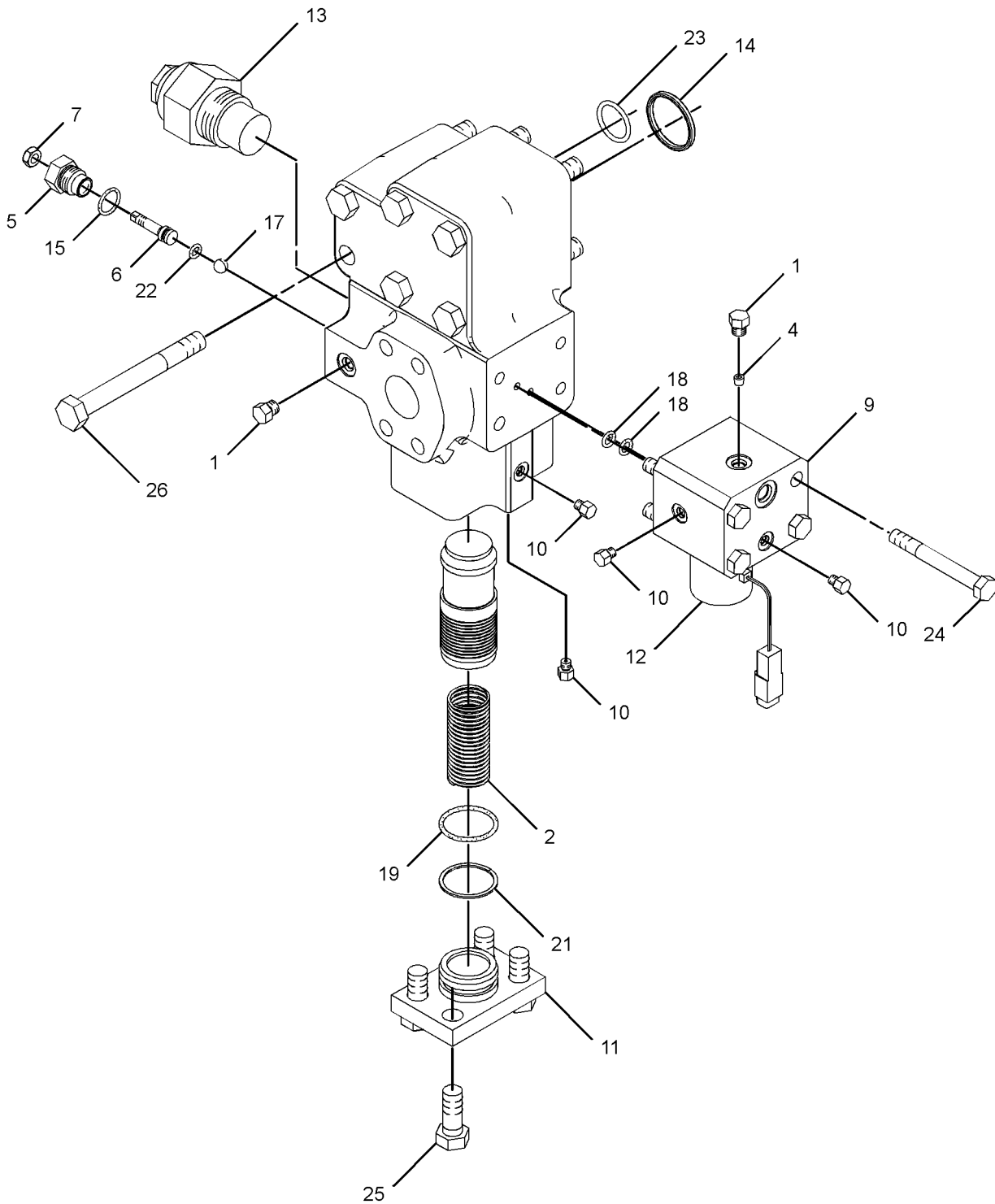
PARTS SHOWN IN GRAPHIC(S) WITHOUT A REFERENCE NUMBER ARE NOT SERVICED SEPARATELY

M-METRIC PART
Y-SEPARATE ILLUSTRATION

HYDRAULIC SYSTEM

145-7181 VALVE GP-LOAD CONTROL (contd.)

i03139243



GRAPHIC #1

<END>

g01643133

HYDRAULIC SYSTEM

237-9147 VALVE GP-MAIN CONTROL

S/N: MMA1-UP

PART OF 232-4126 HYDRAULIC AR

SMCS-5051

i03119968

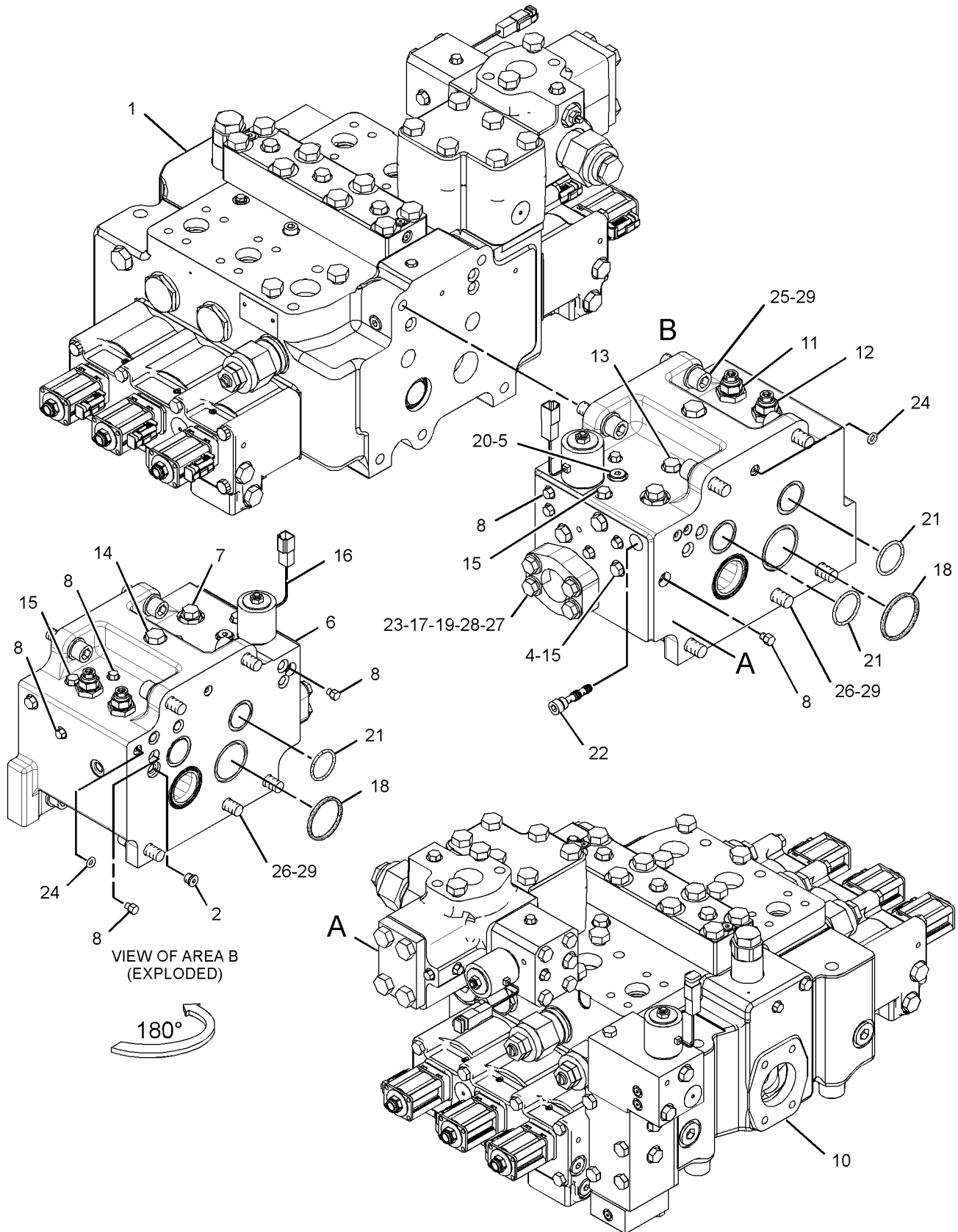
NOTE	REF NO	GRAPHIC REF	PART NUMBER	QTY	PART NAME						SEE PAGE
					1	2	3	4	5	6 (PRODUCT LEVEL)	
Y	1	1	241-2781	1	VALVE GP-CONTROL (RH)						869
	2	1	3J-3679	1	PLUG AS						
		1	1J-9671	1	SEAL-O-RING						
		1	9S-8003	1	PLUG						
	4	1	4J-9780	1	PLUG-ORIFICE						
	5	1	119-2265	1	FILTER (EDGE)						
	6	1	165-5623	1	MANIFOLD-INLET						
Y	7	1	193-1665	1	VALVE GP-PRESSURE REDUCING (SIGNAL DUPLICATION)						891
	8	1	222-4737	16	PLUG AS						
					(EACH INCLUDES)						
		1	4J-7533	1	SEAL-O-RING						
		1	9S-4180	1	PLUG						
Y	10	1	241-2783	1	VALVE GP-CONTROL (LH)						874
Y	11	1	117-5269	1	VALVE GP-RELIEF (LOW SIGNAL PRESSURE)						903
Y	12	1	117-5270	1	VALVE GP-RELIEF (HIGH SIGNAL PRESSURE)						904
	13	1	148-8407	3	PLUG AS						
					(EACH INCLUDES)						
		1	3J-1907	1	SEAL-O-RING						
		1	9S-4191	1	PLUG-O-RING						
	14	1	148-8411	1	PLUG AS						
		1	3K-0360	1	SEAL-O-RING						
		1	9S-4185	1	PLUG-O-RING						
	15	1	155-3624	4	PLUG AS						
					(EACH INCLUDES)						
		1	3J-7354	1	SEAL-O-RING						
		1	9S-4182	1	PLUG-O-RING						
Y	16	1	171-3685	1	VALVE GP-SOLENOID (24-VOLT) (HIGH, LOW RELIEF)						917
	17	1	1P-3704	1	SEAL-RECTANGULAR						
	18	1	1P-3707	4	SEAL-RECTANGULAR						
	19	1	1P-5767	2	FLANGE-HALF						
	20	1	3J-1907	1	SEAL-O-RING						
	21	1	4J-0522	4	SEAL-O-RING						
Y	22	1	4T-1860	1	VALVE GP-SHUTTLE						910
	23	1	5P-0048	1	COVER						
	24	1	6V-5555	5	SEAL-O-RING						
M	25	1	8T-0348	8	BOLT-SOCKET HEAD (M16X2X50-MM)						
M	26	1	8T-4193	2	BOLT (M16X2X50-MM)						
M	27	1	8T-4194	4	BOLT (M12X1.75X50-MM)						
	28	1	8T-4223	4	WASHER-HARD (13.5X25.5X3-MM THK)						
	29	1	9X-8257	10	WASHER (17.5X30X3.5-MM THK)						

M-METRIC PART
Y-SEPARATE ILLUSTRATION

HYDRAULIC SYSTEM

237-9147 VALVE GP-MAIN CONTROL (contd.)

i03119968



GRAPHIC #1

<END>

g01684176

HYDRAULIC SYSTEM

140-0736 VALVE GP-MANIFOLD & REDUCING

S/N: MMA1-UP

PART OF 227-0371 LINES GP-PILOT

SMCS-3206

i01823537

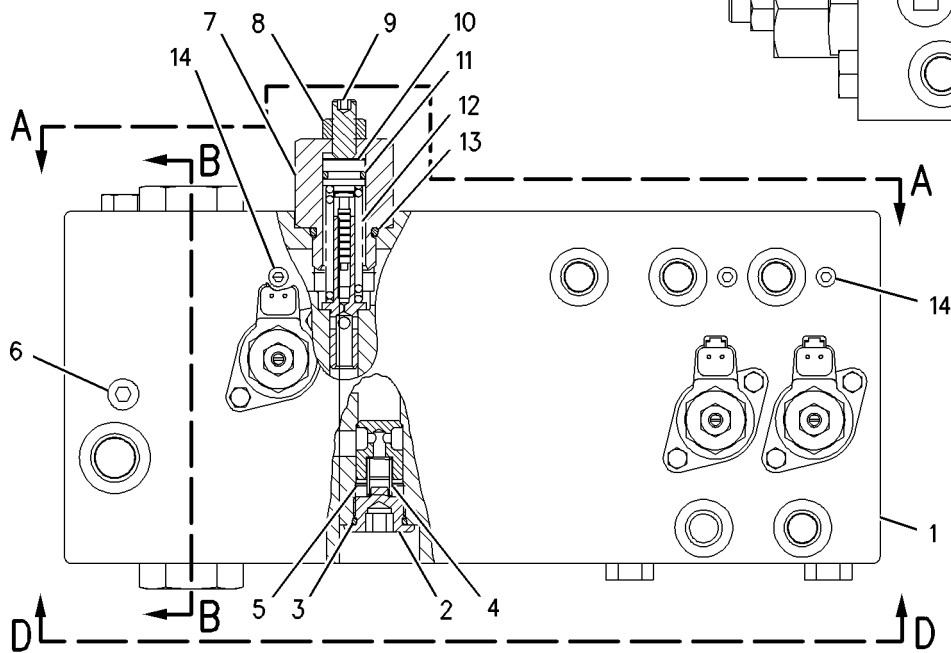
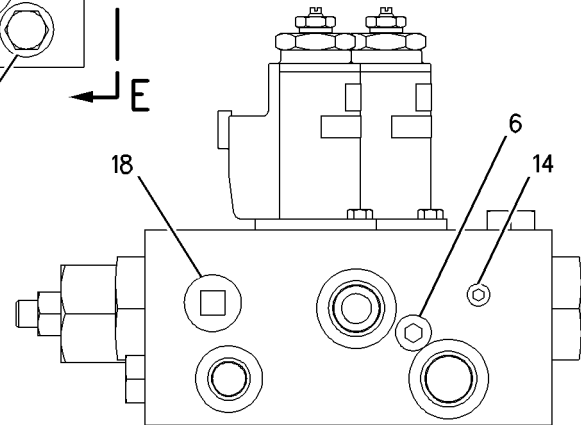
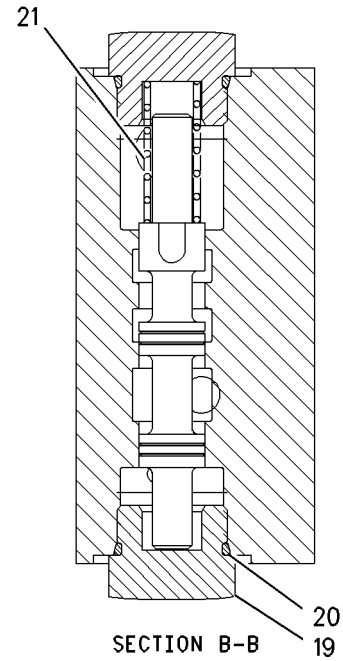
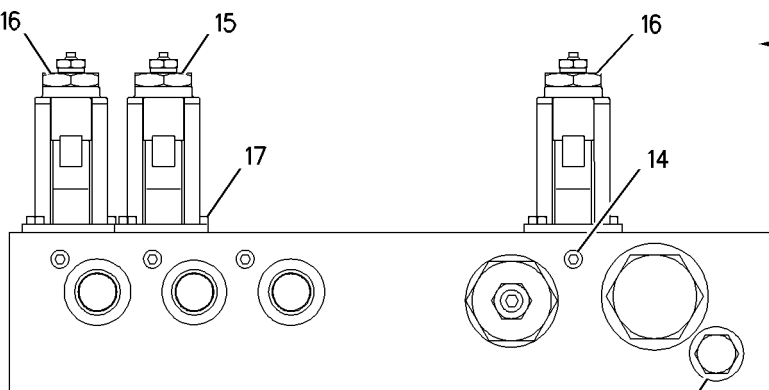
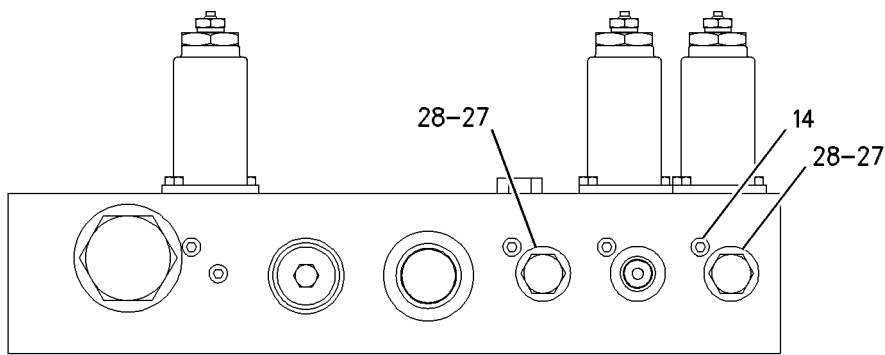
NOTE	REF NO	GRAPHIC REF	PART NUMBER	QTY	PART NAME 1 2 3 4 5 6 (PRODUCT LEVEL)	SEE PAGE
Z	1	1		1	VALVE GP-CONTROL	
	2	1	119-5364	1	PLUG	
	3	1	2M-9780	1	SEAL-O-RING	
	4	1	119-5362	1	SPRING	
	5	1	119-5365	1	VALVE	
	6	1	107-7068	2	PLUG-PIPE	
	7	1	7Y-5009	1	CARTRIDGE	
M	8	1	8T-4133	1	NUT (M10X1.5-THD)	
M	9	1	4I-8915	1	SETSCREW-SOCKET (M10X1.5X25-MM)	
	10	1	4I-5657	1	PLUG	
	11	1	095-1582	1	SEAL-O-RING	
	12	1	153-5187	1	SPRING	
	13	1	095-1592	1	SEAL-O-RING	
	14	1	8T-6759	11	PLUG-PIPE	
Y	15	1	111-9916	1	VALVE GP-SOLENOID	914
Y	16	1	121-1491	2	VALVE GP-SOLENOID	915
M	17	1	7I-2272	6	BOLT (M5X0.8X12-MM)	
	18	1	095-0968	1	PLUG	
	19	1	140-0741	2	PLUG	
	20	1	7M-8485	2	SEAL-O-RING	
	21	1	140-0742	1	SPRING	
	27	1	9S-4191	3	PLUG-O-RING	
	28	1	3J-1907	3	SEAL-O-RING	

M-METRIC PART
Y-SEPARATE ILLUSTRATION
Z-NOT SERVICED SEPARATELY

HYDRAULIC SYSTEM

140-0736 VALVE GP-MANIFOLD & REDUCING (contd.)

i01823537



GRAPHIC #1

<END>

g00669266

HYDRAULIC SYSTEM

193-1665 VALVE GP-PRESSURE REDUCING

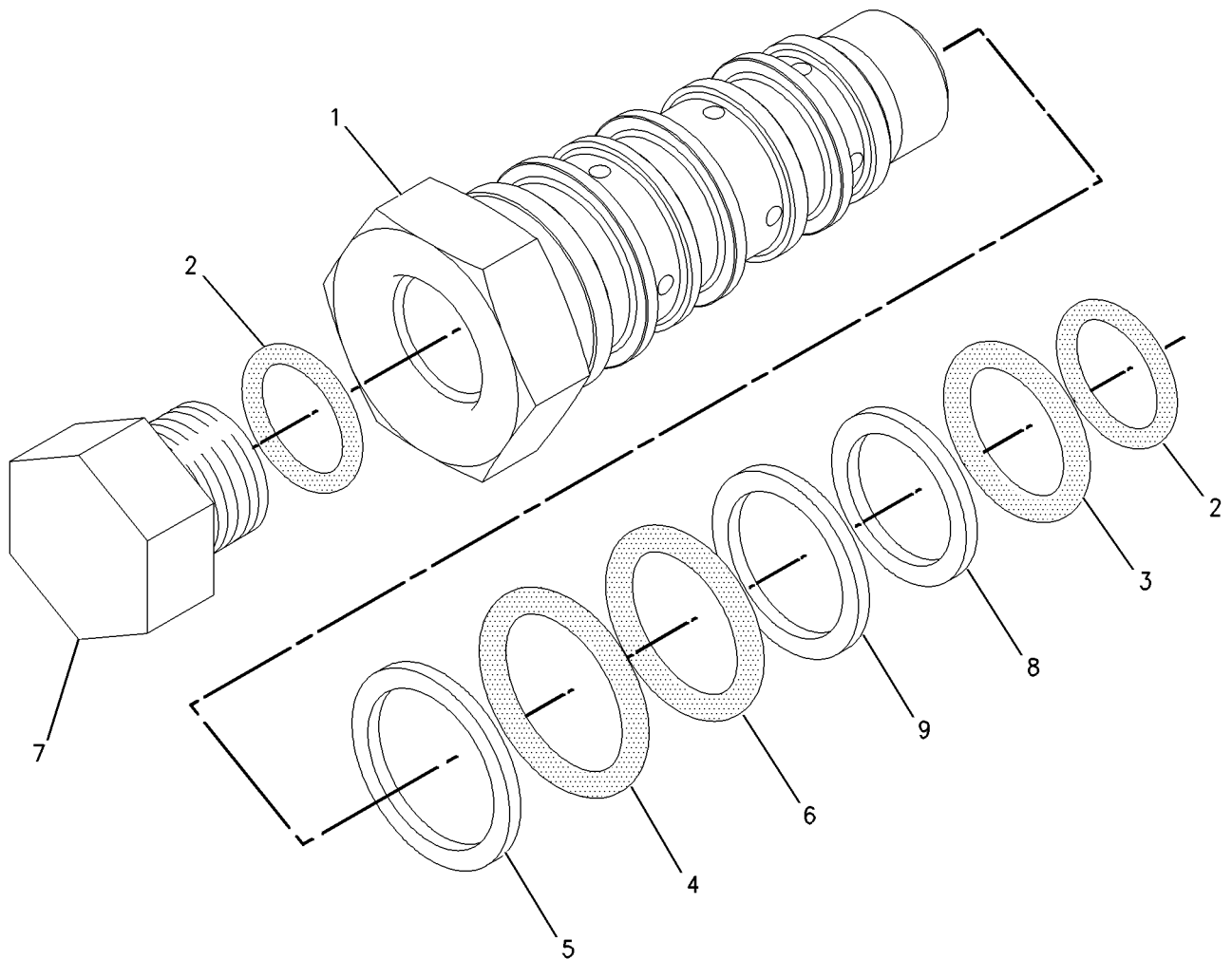
S/N: MMA1-UP

PART OF 237-9147 VALVE GP-MAIN CONTROL

SMCS-5117

i02778327

NOTE	REF NO	GRAPHIC REF	PART NUMBER	QTY	PART NAME						SEE PAGE
					1	2	3	4	5	6 (PRODUCT LEVEL)	
	1	1	193-1664	1	VALVE GP-CONTROL						
	2	1	3J-1907	2	SEAL-O-RING						
	3	1	4J-5268	1	SEAL-O-RING						
	4	1	4J-5351	1	SEAL-O-RING						
	5	1	301-5243	1	RING-BACKUP						
	6	1	5J-2974	1	SEAL-O-RING						
	7	1	5P-6719	1	PLUG						
	8	1	301-5241	1	RING-BACKUP						
	9	1	301-5242	1	RING-BACKUP						



GRAPHIC #1

<END>

g00763618

HYDRAULIC SYSTEM

111-9997 VALVE GP-PUMP CONTROL-PRESSURE COMPENSATOR

S/N: MMA1-UP

PART OF 200-3270 VALVE GP-PUMP CONTROL

SMCS-5455

i00623656

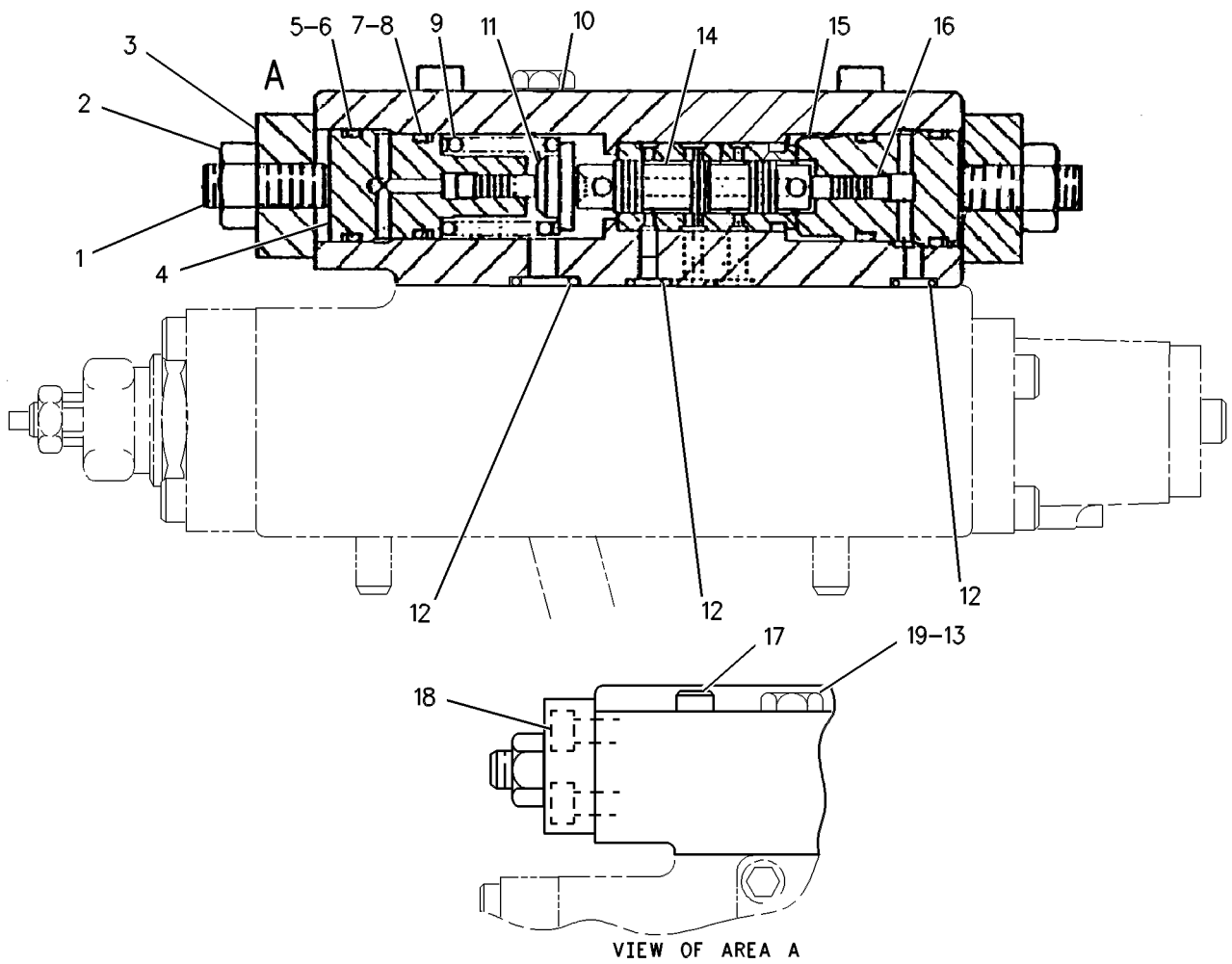
NOTE	REF NO	GRAPHIC REF	PART NUMBER	QTY	PART NAME						SEE PAGE
					1	2	3	4	5	6 (PRODUCT LEVEL)	
M	1	1	096-2966	2	SETSCREW-SOCKET						
M	2	1	8T-4133	2	NUT (M10X1.5-THD)						
	3	1	7I-7476	2	COVER						
	4	1	7I-7462	1	CASE-PISTON						
	5	1	095-1787	2	RING-BACKUP						
	6	1	095-1590	2	SEAL-O-RING						
	7	1	095-1785	2	RING-BACKUP						
	8	1	095-1586	2	SEAL-O-RING						
	9	1	7I-7463	1	SPRING						
	10	1	112-0001	1	BODY						
	11	1	094-6452	1	SEAT-SPRING						
	12	1	095-1574	5	SEAL-O-RING						
	13	1	096-3021	1	SEAL-O-RING						
	14	1	107-6550	1	SPOOL AS						
	15	1	7I-7469	1	CASE-PISTON						
	16	1	7I-7475	2	PISTON						
M	17	1	8C-6965	4	BOLT-SOCKET HEAD (M6X1X45-MM)						
M	18	1	8T-1158	4	BOLT-SOCKET HEAD (M8X1.25X20-MM)						
	19	1	111-9999	1	PLUG						

M-METRIC PART

HYDRAULIC SYSTEM

111-9997 VALVE GP-PUMP CONTROL (contd.)

i00623656



VIEW OF AREA A

GRAPHIC #1

<END>

g00284200

HYDRAULIC SYSTEM

200-3270 VALVE GP-PUMP CONTROL- PRESSURE, FLOW COMPENSATOR

S/N: MMA1-UP

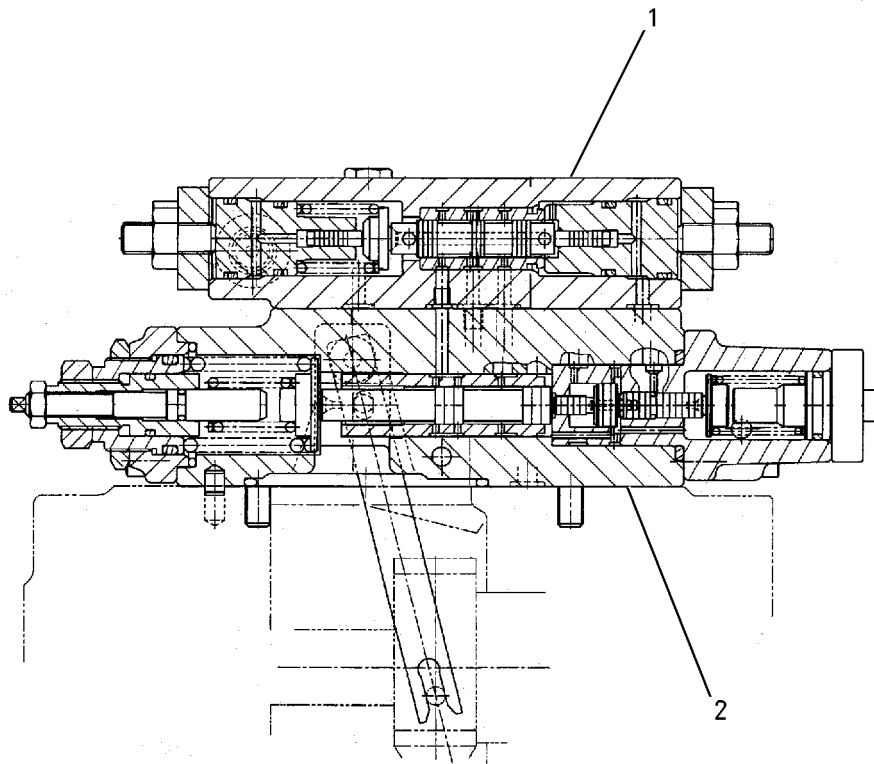
PART OF 155-9205 PUMP GP-MAIN HYDRAULIC

SMCS-5455

i02570233

NOTE	REF NO	GRAPHIC REF	PART NUMBER	QTY	PART NAME						SEE PAGE
					1	2	3	4	5	6 (PRODUCT LEVEL)	
Y	1	1	111-9997	1	VALVE GP-PUMP CONTROL (PRESSURE COMPENSATOR)						892
Y	2	1	204-2730	1	VALVE GP-PUMP CONTROL (FLOW COMPENSATOR)						895

Y-SEPARATE ILLUSTRATION



GRAPHIC #1

<END>

g00850727

HYDRAULIC SYSTEM

204-2730 VALVE GP-PUMP CONTROL-FLOW COMPENSATOR

S/N: MMA1-UP

PART OF 200-3270 VALVE GP-PUMP CONTROL

SMCS-5455

i02570281

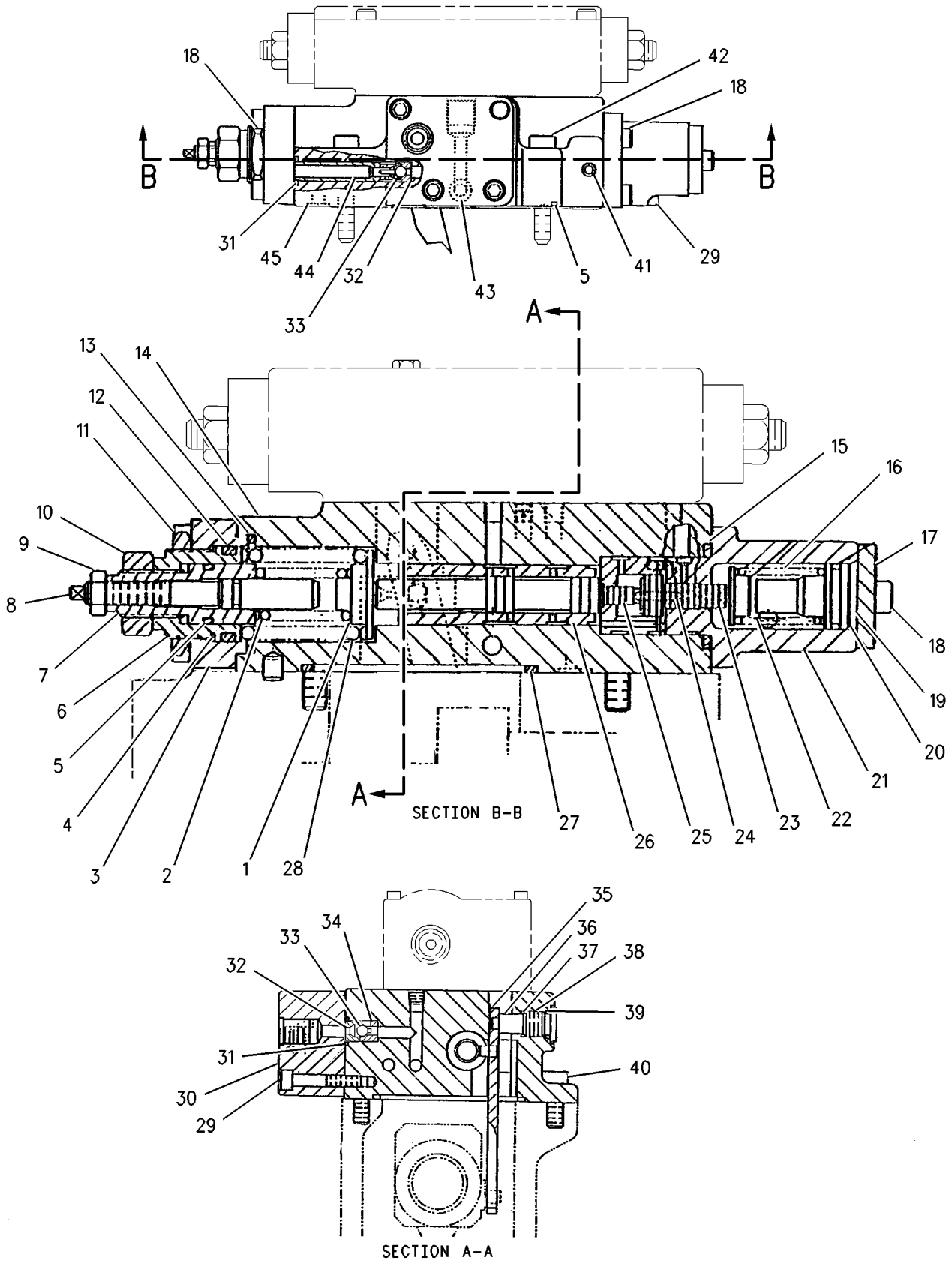
NOTE	REF NO	GRAPHIC REF	PART NUMBER	QTY	PART NAME						SEE PAGE
					1	2	3	4	5	6 (PRODUCT LEVEL)	
	1	1	5I-8794	1	SEAT-SPRING						
	2	1	200-3299	1	SPRING						
	3	1	105-7331	1	COVER						
	4	1	206-9289	1	SEAL-O-RING						
	5	1	206-9294	2	SEAL-O-RING						
	6	1	7I-7458	1	SCREW						
	7	1	7I-7457	1	SCREW						
	8	1	7I-7453	1	SCREW						
M	9	1	5C-7261	1	NUT (M8X1.25-THD)						
M	10	1	8T-4132	1	NUT (M16X2-THD)						
	11	1	5I-8800	1	LOCKNUT (M30X1.5-THD)						
	12	1	206-9301	1	SEAL-O-RING						
	13	1	206-9299	1	SEAL-O-RING						
	14	1	112-0003	1	BODY AS						
	15	1	206-9298	1	SEAL-O-RING						
	16	1	7I-7470	1	SPRING						
	17	1	7I-7473	1	COVER						
M	18	1	8T-0269	10	BOLT-SOCKET HEAD (M6X1X20-MM)						
	19	1	204-2855	1	STOP						
	20	1	206-9295	1	SEAL-O-RING						
	21	1	105-7329	1	CASE						
	22	1	5I-8804	1	SEAT-SPRING						
	23	1	105-7328	1	PISTON-COMPENSATOR						
	24	1	8C-5899	1	PIN-SPRING						
	25	1	200-3302	1	PISTON						
	26	1	200-3301	1	SLEEVE						
	27	1	206-9300	1	SEAL-O-RING						
	28	1	200-3300	1	SPRING						
M	29	1	1R-5396	5	BOLT (M6X1X35-MM)						
	30	1	7I-7446	1	BLOCK						
	31	1	206-9292	2	SEAL-O-RING						
	32	1	7I-7447	2	SEAT						
	33	1	5H-1472	2	BALL						
	34	1	7I-7448	1	STOP						
	35	1	204-2733	1	LEVER AS						
	36	1	112-0000	1	PLUG						
	37	1	5I-8814	1	RING-RETAINING						
	38	1	111-9998	1	PLUG						
	39	1	206-9293	1	SEAL-O-RING						
M	40	1	8T-1158	3	BOLT-SOCKET HEAD (M8X1.25X20-MM)						
	41	1	7I-8084	10	PLUG						
M	42	1	3E-8025	2	BOLT-SOCKET HEAD (M8X1.25X50-MM)						
	43	1	206-9290	5	SEAL-O-RING						
	44	1	7I-7449	1	STOP						
	45	1	189-9763	1	SEAL-O-RING						

M-METRIC PART

HYDRAULIC SYSTEM

204-2730 VALVE GP-PUMP CONTROL (contd.)

i02570281



GRAPHIC #1

<END>

g00853461

HYDRAULIC SYSTEM

209-5937 VALVE GP-PUMP CONTROL-PRESSURE COMPENSATOR

S/N: MMA1-UP

PART OF 170-9918 PUMP GP-PISTON

SMCS-5455

i02223332

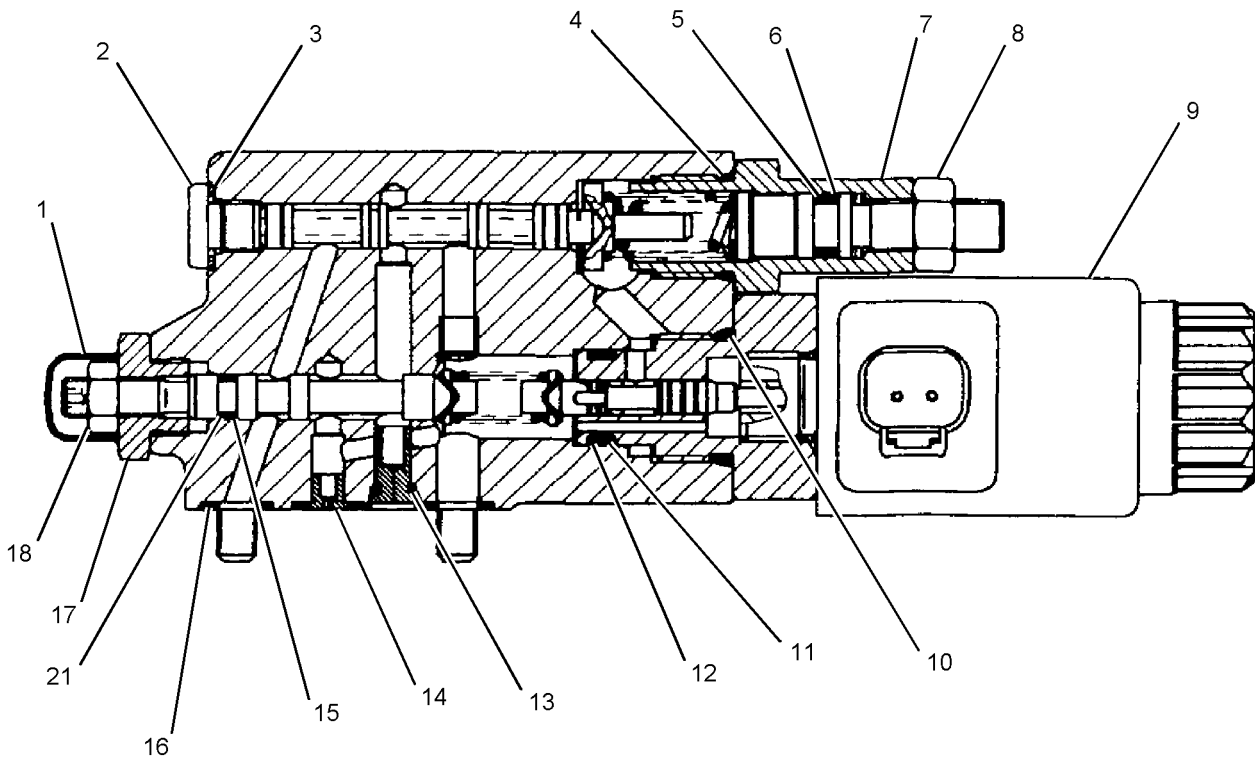
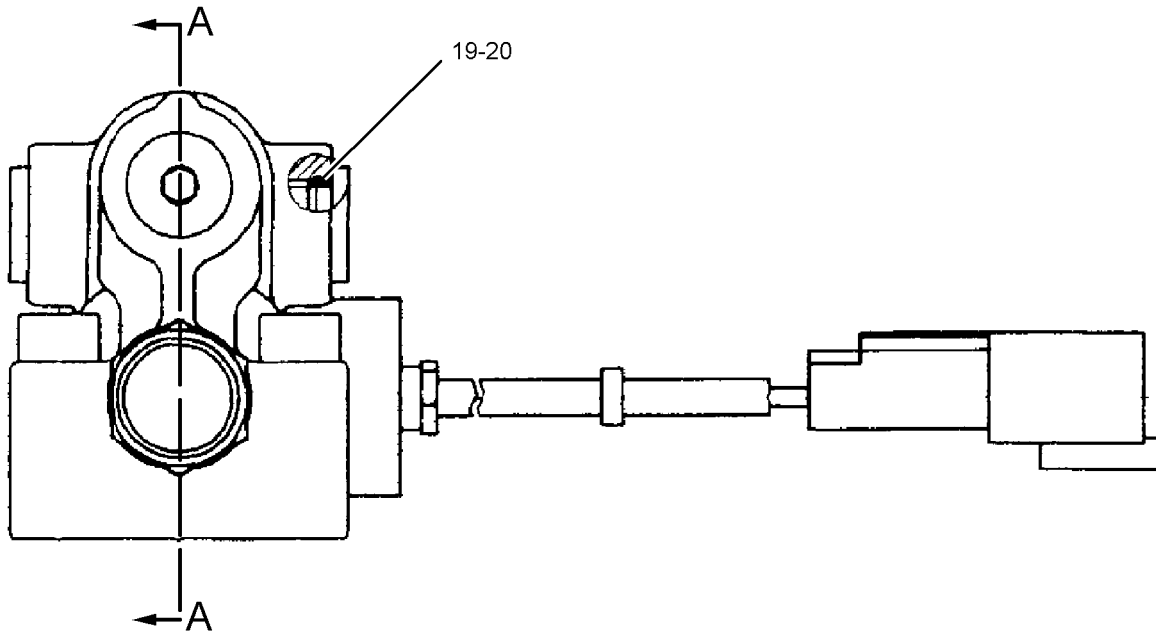
NOTE	REF NO	GRAPHIC REF	PART NUMBER	QTY	PART NAME						SEE PAGE
					1	2	3	4	5	6 (PRODUCT LEVEL)	
	1	1	209-5943	1	CAP						
	2	1	134-7489	1	PLUG						
	3	1	6E-6528	1	SEAL						
	4	1	033-6043	1	SEAL-O-RING						
	5	1	213-9244	1	SEAL-O-RING						
	6	1	209-6003	1	RING						
	7	1	209-5941	1	PLUG						
M	8	1	5C-7261	1	NUT (M8X1.25-THD)						
	9	1	209-5939	1	VALVE GP-SOLENOID (PRESSURE COMPENSATOR, FAN PUMP)						
	10	1	213-9242	1	SEAL-O-RING						
	11	1	213-9247	1	SEAL-O-RING						
	12	1	209-6004	1	RING						
	13	1	213-9243	1	SEAL-O-RING						
	14	1	209-5940	1	ORIFICE						
	15	1	213-9246	1	SEAL-O-RING						
	16	1	9X-7680	3	SEAL-O-RING						
	17	1	209-5942	1	PLUG						
M	18	1	5C-2890	1	NUT (M6X1-THD)						
	19	1	9S-8002	2	PLUG-O-RING						
	20	1	033-5853	2	SEAL-O-RING						
	21	1	209-6005	1	RING						

M-METRIC PART

HYDRAULIC SYSTEM

209-5937 VALVE GP-PUMP CONTROL (contd.)

i02223332



SECTION A-A

GRAPHIC #1

<END>

g01124453

HYDRAULIC SYSTEM

247-8762 VALVE GP-PUMP CONTROL-FLOW COMPENSATOR

S/N: MMA1-UP

PART OF 247-8846, 274-2482 VALVE GP-PUMP CONTROL

SMCS-5455

i02110184

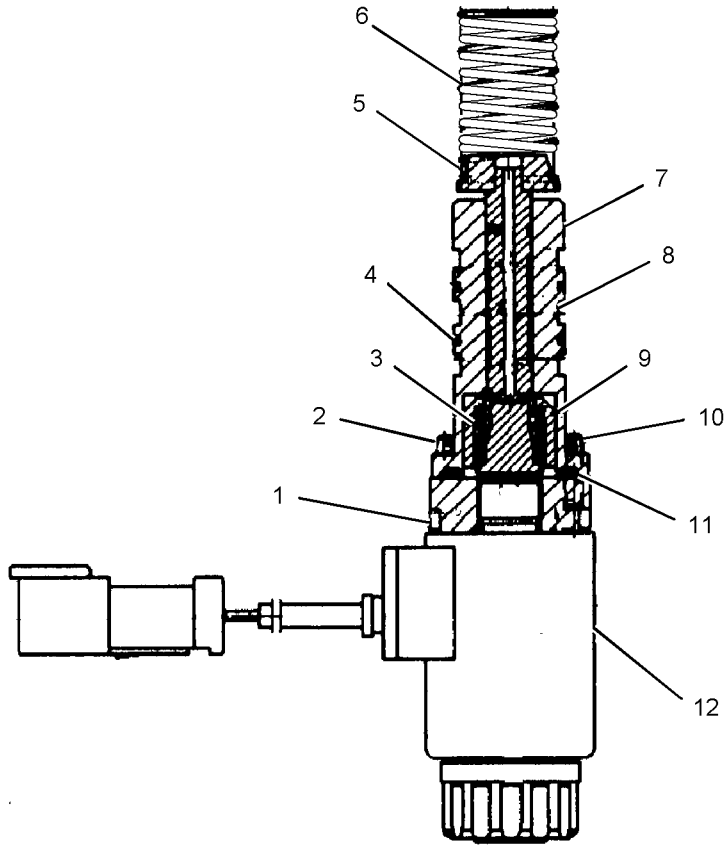
NOTE	REF NO	GRAPHIC REF	PART NUMBER	QTY	PART NAME						SEE PAGE
					1	2	3	4	5	6 (PRODUCT LEVEL)	
	1	1	216-1594	1	ADAPTER						
	2	1	3D-4245	1	SEAL-O-RING						
	3	1	170-9820	1	BUSHING						
	4	1	177-7747	2	RING						
	5	1	102-0811	1	RETAINER						
	6	1	247-8766	1	SPRING						
	7	1	247-8764	1	SLEEVE						
	8	1	247-8765	1	PISTON						
	9	1	170-9822	1	SPRING						
M	10	1	8T-9405	4	BOLT-SOCKET HEAD (M4X0.7X16-MM)						
	11	1	112-4717	1	SEAL-O-RING						
	12	1	216-1397	1	SOLENOID AS (DIRECTION CONTROL)						
		1	217-3875	1	SEAL-O-RING						
M	13	1	170-9906	1	SETSCREW						
	14	1	9T-3853	1	LOCKNUT						

M-METRIC PART

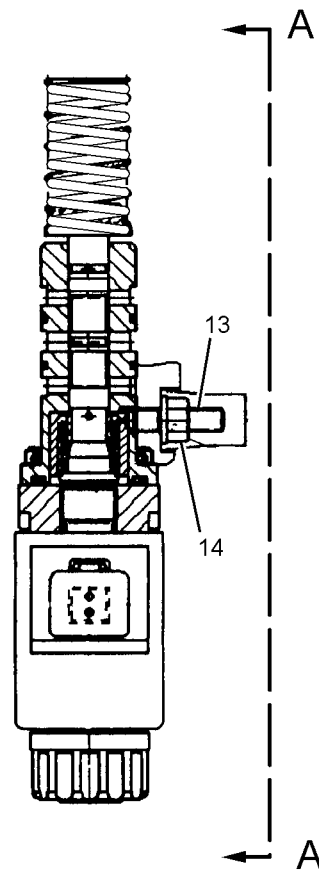
HYDRAULIC SYSTEM

247-8762 VALVE GP-PUMP CONTROL (contd.)

i02110184



VIEW A-A



GRAPHIC #1

<END>

g01085864

HYDRAULIC SYSTEM

247-8846 VALVE GP-PUMP CONTROL- PRESSURE AND FLOW COMPENSATOR

S/N: MMA1-245

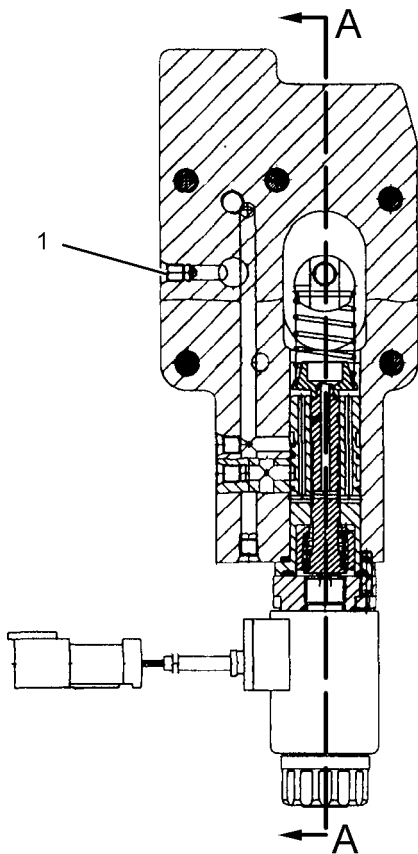
PART OF 259-0784 PUMP GP-PISTON

SMCS-5455

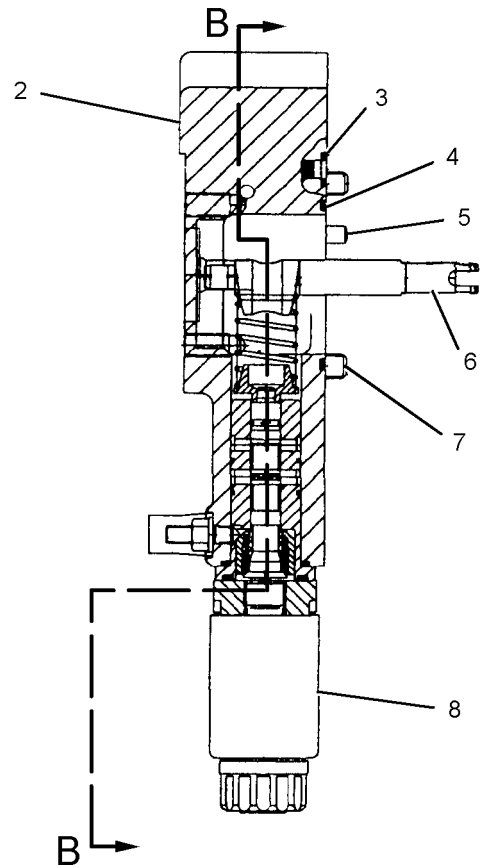
i02140381

NOTE	REF NO	GRAPHIC REF	PART NUMBER	QTY	PART NAME						SEE PAGE
					1	2	3	4	5	6 (PRODUCT LEVEL)	
	1	1	120-4394	8	PLUG-BREAK OFF						
Z	2	1		1	HOUSING						
	3	1	5P-5874	3	SEAL-O-RING						
	4	1	6E-5412	1	SEAL-O-RING						
	5	1	7X-0794	2	PIN (ROLL)						
	6	1	170-9817	1	ROD						
M	7	1	095-0645	5	BOLT-SOCKET HEAD (M6X1X55-MM)						
Y	8	1	247-8762	1	VALVE GP-PUMP CONTROL (FLOW COMPENSATOR)						899

M-METRIC PART
Y-SEPARATE ILLUSTRATION
Z-NOT SERVICED SEPARATELY



SECTION B-B



SECTION A-A

GRAPHIC #1

<END>

g01087812

HYDRAULIC SYSTEM

274-2482 VALVE GP-PUMP CONTROL- PRESSURE AND FLOW COMPENSATOR

S/N: MMA246-UP

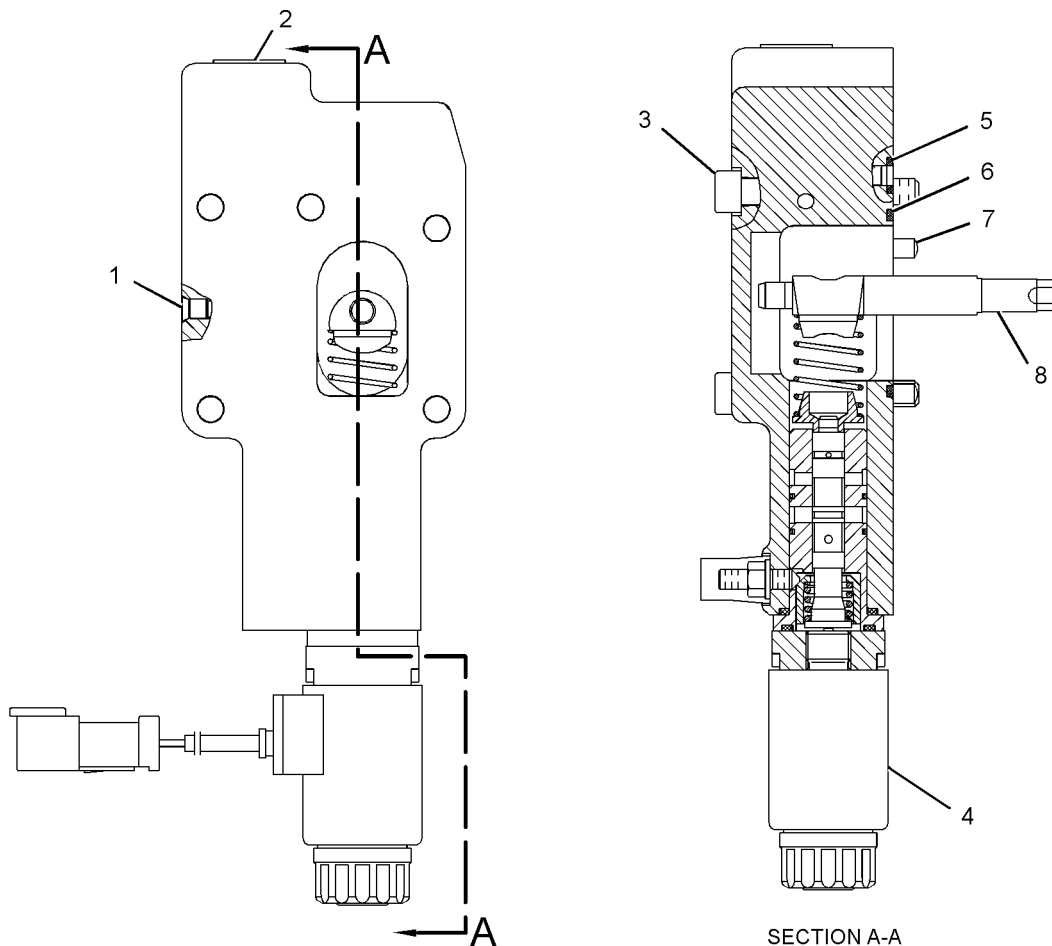
PART OF 266-7953 PUMP GP-PISTON

SMCS-5455

i02762367

NOTE	REF NO	GRAPHIC REF	PART NUMBER	QTY	PART NAME						SEE PAGE
					1	2	3	4	5	6 (PRODUCT LEVEL)	
	1	1	120-4394	1	PLUG-BREAK OFF						
	2	1	112-4629	1	SCREW						
M	3	1	095-0645	5	BOLT-SOCKET HEAD (M6X1X55-MM)						
Y	4	1	247-8762	1	VALVE GP-PUMP CONTROL (FLOW COMPENSATOR)						899
	5	1	259-0891	3	SEAL-RING						
	6	1	6E-5412	1	SEAL-O-RING						
	7	1	146-3493	2	PIN						
	8	1	170-9817	1	ROD						

M-METRIC PART
Y-SEPARATE ILLUSTRATION



GRAPHIC #1

<END>

g01388352

HYDRAULIC SYSTEM

117-5269 VALVE GP-RELIEF

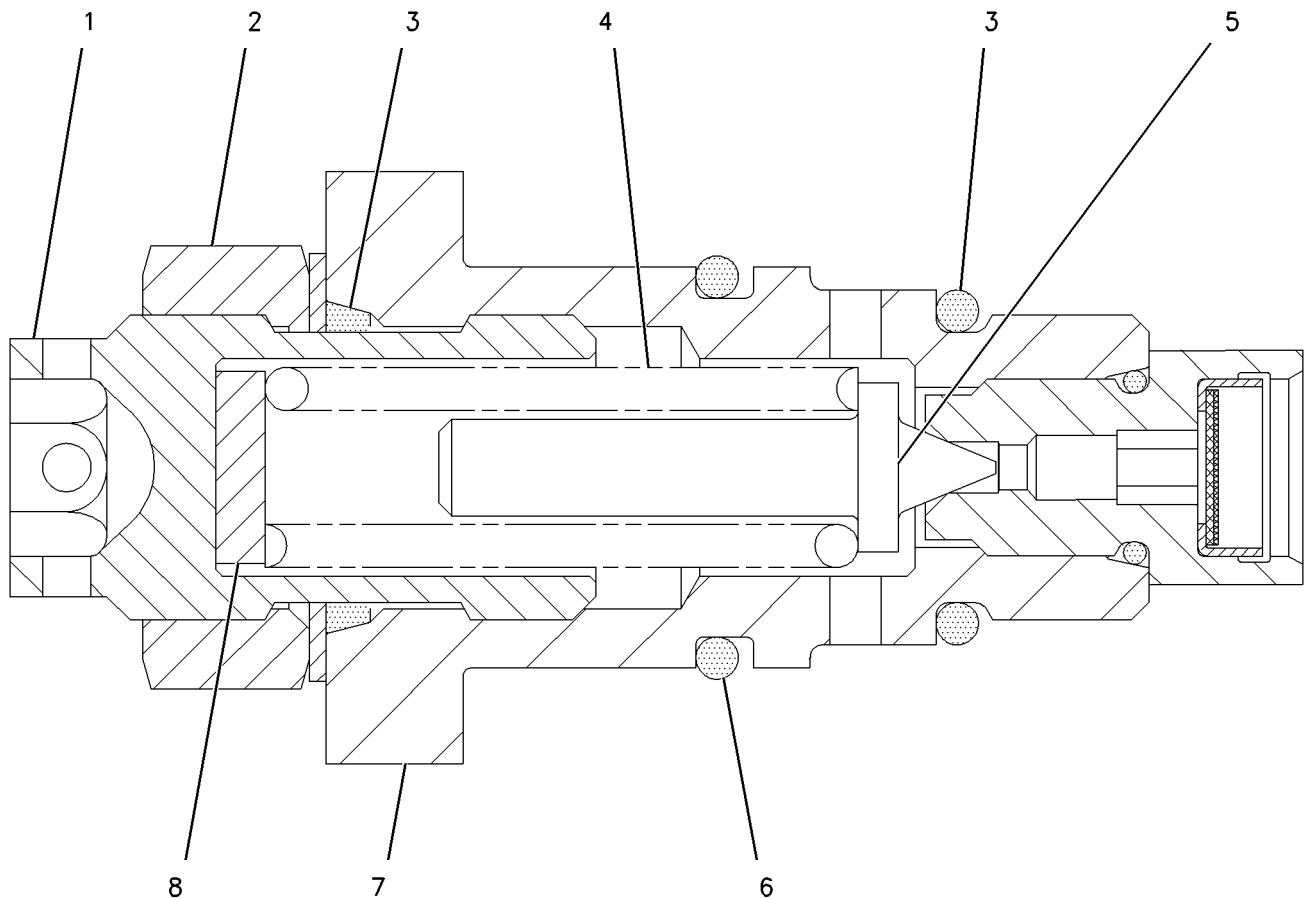
S/N: MMA1-UP

PART OF 237-9147 VALVE GP-MAIN CONTROL

SMCS-5069, 5117

i01695599

NOTE	REF NO	GRAPHIC REF	PART NUMBER	QTY	PART NAME						SEE PAGE
					1	2	3	4	5	6 (PRODUCT LEVEL)	
	1	1	9T-7202	1	RETAINER AS						
	2	1	9X-6395	1	NUT (3/4-16-THD)						
	3	1	3K-0360	2	SEAL-O-RING						
	4	1	9T-1670	1	SPRING						
	5	1	111-5754	1	VALVE						
	6	1	5P-3108	1	SEAL-O-RING						
	7	1	117-5272	1	BODY AS						
		1	3J-7354	1	SEAL-O-RING						
		1	117-5274	1	SEAT						
		1	115-5637	1	SCREEN AS						
8	1	1	8J-4376	1	SPACER (0.12-IN THK)						



GRAPHIC #1

<END>

g00685503

HYDRAULIC SYSTEM

117-5270 VALVE GP-RELIEF

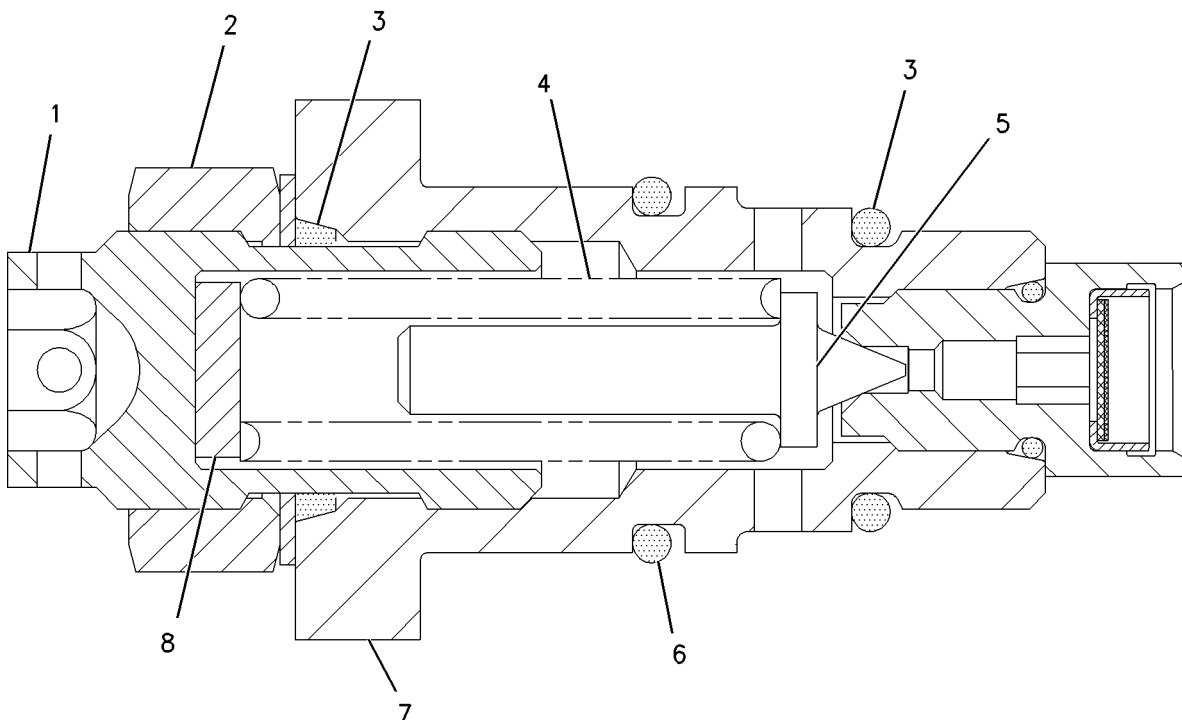
S/N: MMA1-UP

PART OF 237-9147 VALVE GP-MAIN CONTROL

SMCS-5069, 5117

i01705364

NOTE	REF NO	GRAPHIC REF	PART NUMBER	QTY	PART NAME						SEE PAGE
					1	2	3	4	5	6 (PRODUCT LEVEL)	
	1	1	9T-7202	1	RETAINER AS						
	2	1	9X-6395	1	NUT (3/4-16-THD)						
	3	1	3K-0360	2	SEAL-O-RING						
	4	1	9T-1670	1	SPRING						
	5	1	111-5754	1	VALVE						
	6	1	5P-3108	1	SEAL-O-RING						
	7	1	117-5272	1	BODY AS						
		1	3J-7354	1	SEAL-O-RING						
		1	115-5637	1	SCREEN AS						
		1	117-5274	1	SEAT						
8	1	1	8J-4376	1	SPACER (0.12-IN THK)						



GRAPHIC #1

<END>

g00688480

HYDRAULIC SYSTEM

144-7113 VALVE GP-RELIEF

S/N: MMA1-UP

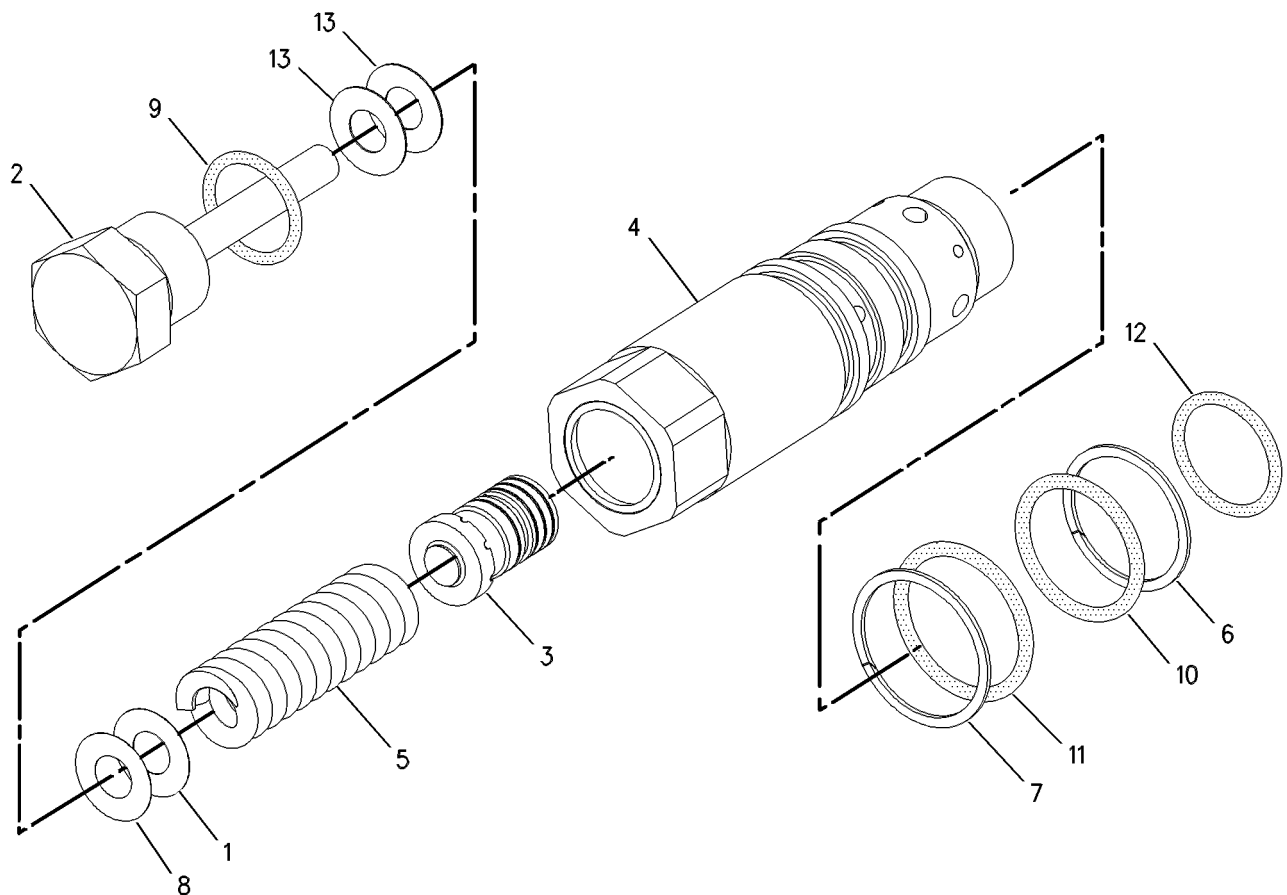
PART OF 241-2781, 241-2783 VALVE GP-CONTROL

SMCS-5069, 5117

i01823550

NOTE	REF NO	GRAPHIC REF	PART NUMBER	QTY	PART NAME						SEE PAGE
					1	2	3	4	5	6 (PRODUCT LEVEL)	
B	1	1	152-5550	1	SPACER (0.16-MM THK)						
	2	1	168-5102	1	PLUG						
	3	1	168-5103	1	VALVE						
Z	4	1		1	BODY						
	5	1	168-5191	1	SPRING						
	6	1	170-2414	1	RING-BACKUP						
	7	1	170-2415	1	RING-BACKUP						
	8	1	179-5857	1	SPACER (11.12X23X0.1-MM THK)						
	9	1	3D-2824	1	SEAL-O-RING						
B	10	1	4J-0519	1	SEAL-O-RING						
	11	1	4J-0521	1	SEAL-O-RING						
	12	1	4K-1388	1	SEAL-O-RING						
B	13	1	8S-6214	2	SPACER (11.12X23X0.4-MM THK)						

B-USE AS REQUIRED
Z-NOT SERVICED SEPARATELY



GRAPHIC #1

<END>

g00634048

HYDRAULIC SYSTEM

155-4846 VALVE GP-RELIEF

S/N: MMA1-UP

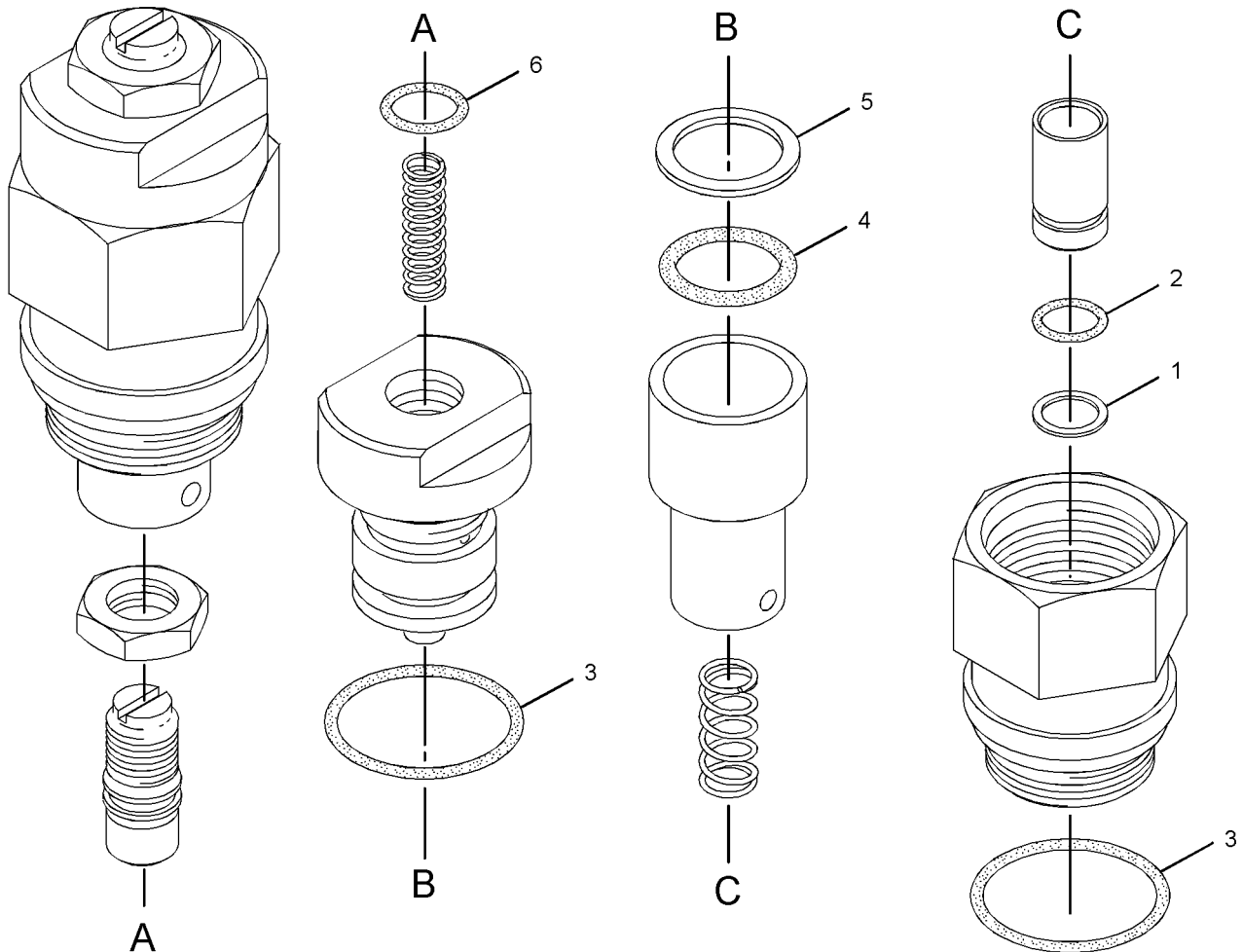
PART OF 145-7181 VALVE GP-LOAD CONTROL

SMCS-5069, 5117

i03591001

NOTE	REF NO	GRAPHIC REF	PART NUMBER	QTY	PART NAME						SEE PAGE
					1	2	3	4	5	6 (PRODUCT LEVEL)	
	1	1	9T-9992	1	RING-BACKUP						
	2	1	8T-9522	1	SEAL-O-RING						
	3	1	2S-4078	2	SEAL-O-RING						
	4	1	3P-1155	1	SEAL-O-RING						
	5	1	117-0775	1	RING-BACKUP						
	6	1	2P-2975	1	SEAL-O-RING						

PARTS SHOWN IN GRAPHIC(S) WITHOUT A REFERENCE NUMBER ARE NOT SERVICED SEPARATELY



GRAPHIC #1

<END>

g01916980

HYDRAULIC SYSTEM

160-8734 VALVE GP-RELIEF

S/N: MMA1-UP

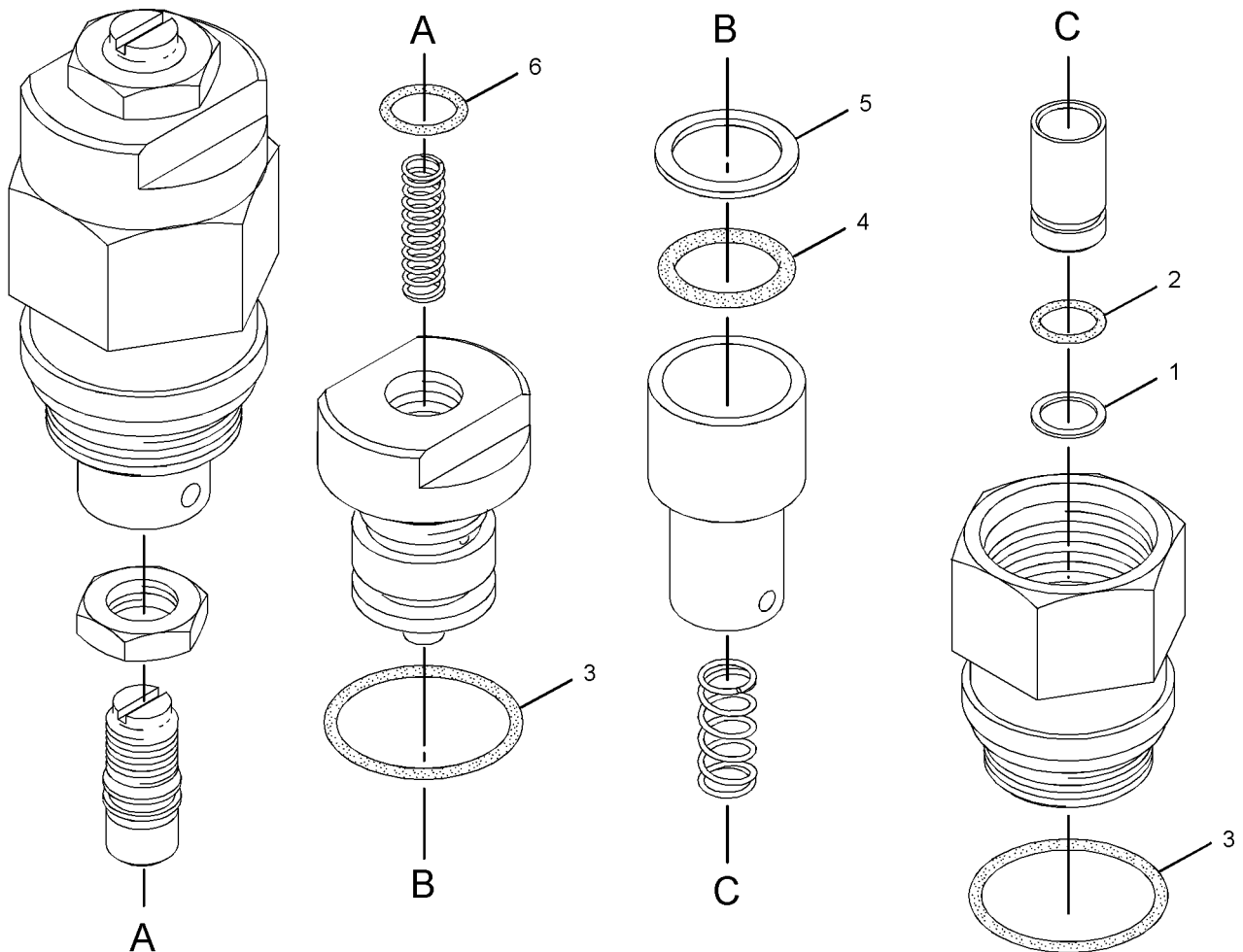
PART OF 241-2781, 241-2783 VALVE GP-CONTROL

SMCS-5069, 5117

i03591003

NOTE	REF NO	GRAPHIC REF	PART NUMBER	QTY	PART NAME						SEE PAGE
					1	2	3	4	5	6 (PRODUCT LEVEL)	
	1	1	9T-9992	1	RING-BACKUP						
	2	1	8T-9522	1	SEAL-O-RING						
	3	1	2S-4078	2	SEAL-O-RING						
	4	1	3P-1155	1	SEAL-O-RING						
	5	1	117-0775	1	RING-BACKUP						
	6	1	2P-2975	1	SEAL-O-RING						

PARTS SHOWN IN GRAPHIC(S) WITHOUT A REFERENCE NUMBER ARE NOT SERVICED SEPARATELY



GRAPHIC #1

<END>

g01916980

HYDRAULIC SYSTEM

177-2549 VALVE GP-RELIEF

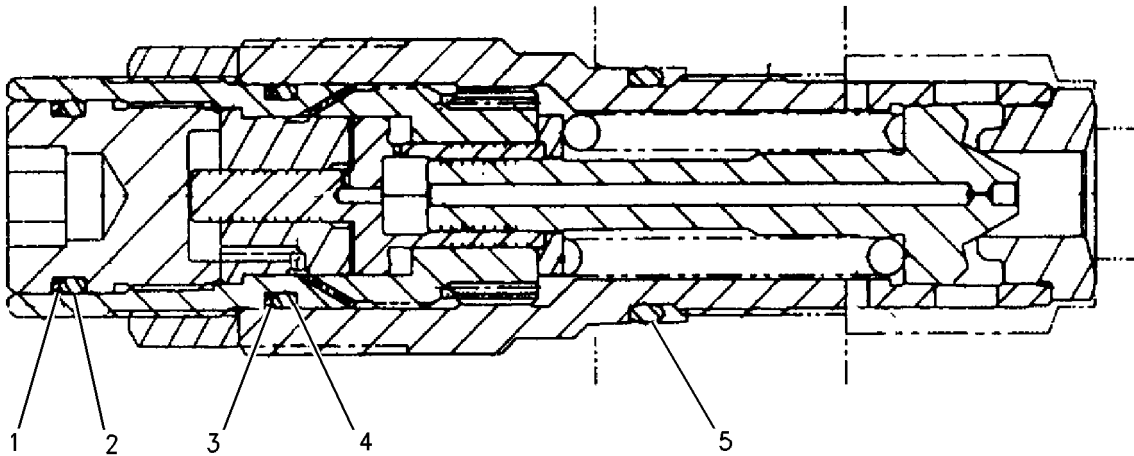
S/N: MMA254-UP

PART OF 295-9446, 295-9447 MOTOR GP-SWING

SMCS-5069, 5117

i02330663

NOTE	REF NO	GRAPHIC REF	PART NUMBER	QTY	PART NAME						SEE PAGE
					1	2	3	4	5	6 (PRODUCT LEVEL)	
1	1	1	168-0765	1	RING-BACKUP						
2	1	1	7J-9933	1	SEAL-O-RING						
3	1	1	7I-0966	1	RING-BACKUP						
4	1	1	6V-5556	1	SEAL-O-RING						
5	1	1	095-1698	1	SEAL-O-RING						



GRAPHIC #1

<END>

g00766908

HYDRAULIC SYSTEM

234-4541 VALVE GP-RELIEF

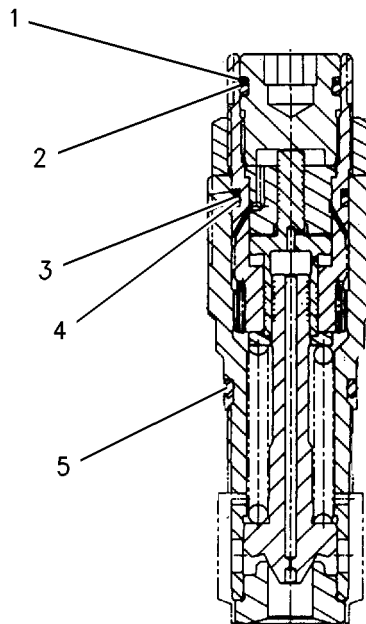
S/N: MMA1-253

PART OF 234-4535, 234-4537 MOTOR GP-SWING

SMCS-5069, 5117

i02109459

NOTE	REF NO	GRAPHIC REF	PART NUMBER	QTY	PART NAME						SEE PAGE
					1	2	3	4	5	6 (PRODUCT LEVEL)	
	1	1	168-0765	1	RING-BACKUP						
	2	1	7J-9933	1	SEAL-O-RING						
	3	1	7I-0966	1	RING-BACKUP						
	4	1	6V-5556	1	SEAL-O-RING						
	5	1	095-1698	1	SEAL-O-RING						



GRAPHIC #1

<END>

g00848467

HYDRAULIC SYSTEM

4T-1860 VALVE GP-SHUTTLE

S/N: MMA1-UP

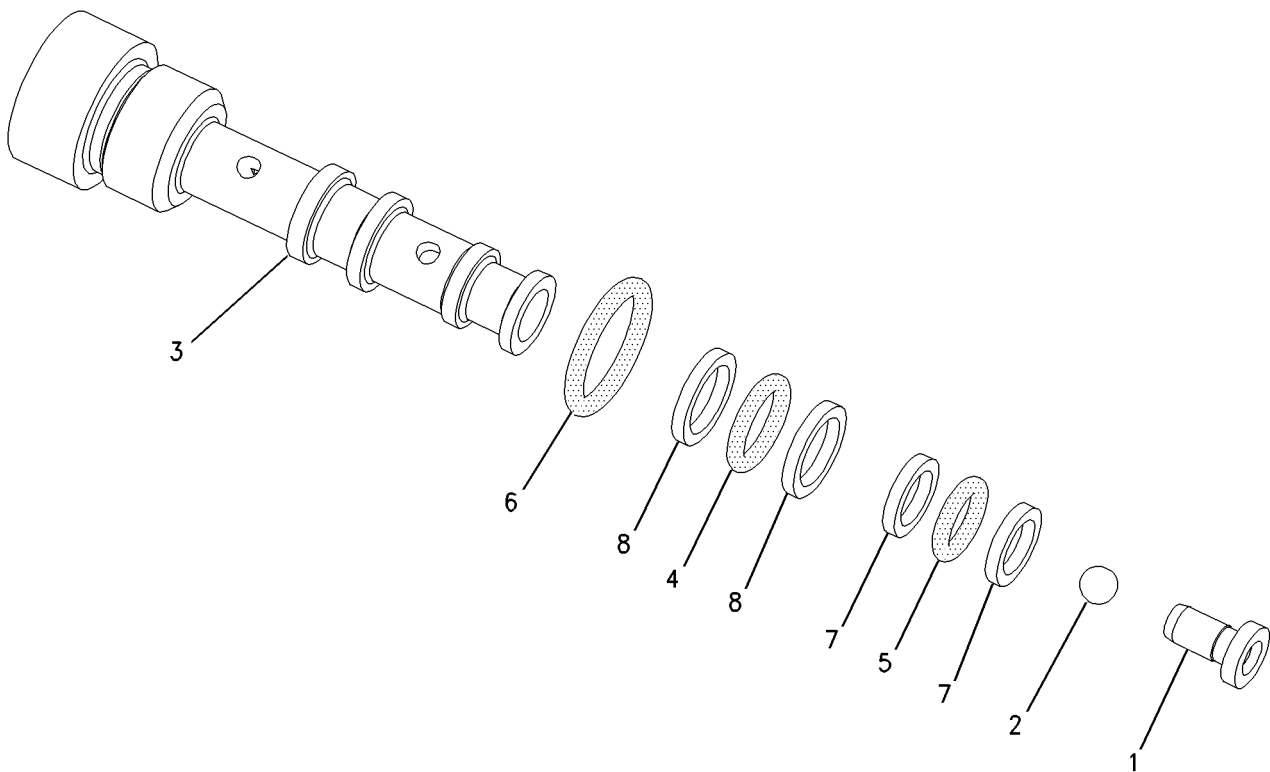
PART OF 241-2781, 241-2783 VALVE GP-CONTROL, 237-9147 VALVE GP-MAIN CONTROL

SMCS-5079

i03242612

NOTE	REF NO	GRAPHIC REF	PART NUMBER	QTY	PART NAME						SEE PAGE
					1	2	3	4	5	6 (PRODUCT LEVEL)	
	1	1	4T-0925	1	SEAT						
	2	1	1M-6718	1	BALL						
Z	3	1		1	VALVE						
	4	1	6V-5324	1	SEAL-O-RING						
	5	1	147-6603	1	SEAL-O-RING						
	6	1	3J-1907	1	SEAL-O-RING						
	7	1	147-6604	2	RING-BACKUP						
	8	1	147-6605	2	RING-BACKUP						

Z-NOT SERVICED SEPARATELY



GRAPHIC #1

<END>

g00775006

HYDRAULIC SYSTEM

6E-4429 VALVE GP-SHUTTLE

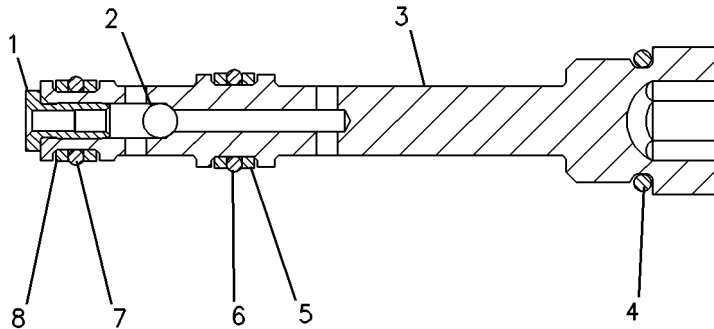
S/N: MMA1-UP

PART OF 241-2783 VALVE GP-CONTROL

SMCS-5079

i02353698

NOTE	REF NO	GRAPHIC REF	PART NUMBER	QTY	PART NAME						SEE PAGE
					1	2	3	4	5	6 (PRODUCT LEVEL)	
	1	1	4T-0925	1	SEAT						
	2	1	1M-6718	1	BALL						
	3	1	6E-4428	1	VALVE						
	4	1	3J-1907	1	SEAL-O-RING						
	5	1	147-6605	2	RING-BACKUP						
	6	1	6V-5324	1	SEAL-O-RING						
	7	1	147-6603	1	SEAL-O-RING						
	8	1	147-6604	2	RING-BACKUP						



GRAPHIC #1

<END>

g00083868

HYDRAULIC SYSTEM

111-0336 VALVE GP-SHUTTLE

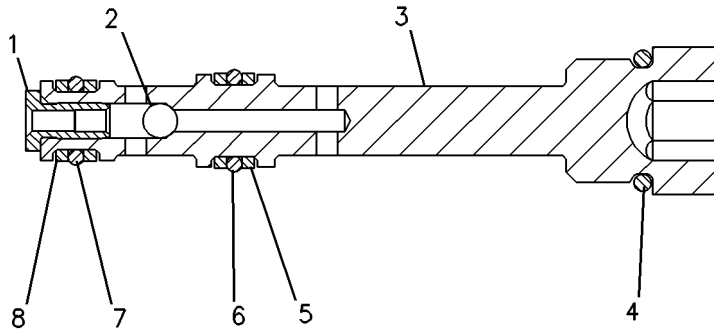
S/N: MMA1-UP

PART OF 241-2781 VALVE GP-CONTROL

SMCS-5079

i02450276

NOTE	REF NO	GRAPHIC REF	PART NUMBER	QTY	PART NAME						SEE PAGE
					1	2	3	4	5	6 (PRODUCT LEVEL)	
	1	1	4T-0925	1	SEAT						
	2	1	1M-6718	1	BALL						
	3	1	111-0337	1	VALVE						
	4	1	3J-1907	1	SEAL-O-RING						
	5	1	147-6605	2	RING-BACKUP						
	6	1	6V-5324	1	SEAL-O-RING						
	7	1	147-6603	1	SEAL-O-RING						
	8	1	147-6604	2	RING-BACKUP						



GRAPHIC #1

<END>

g00083868

HYDRAULIC SYSTEM

158-9105 VALVE GP-SHUTTLE

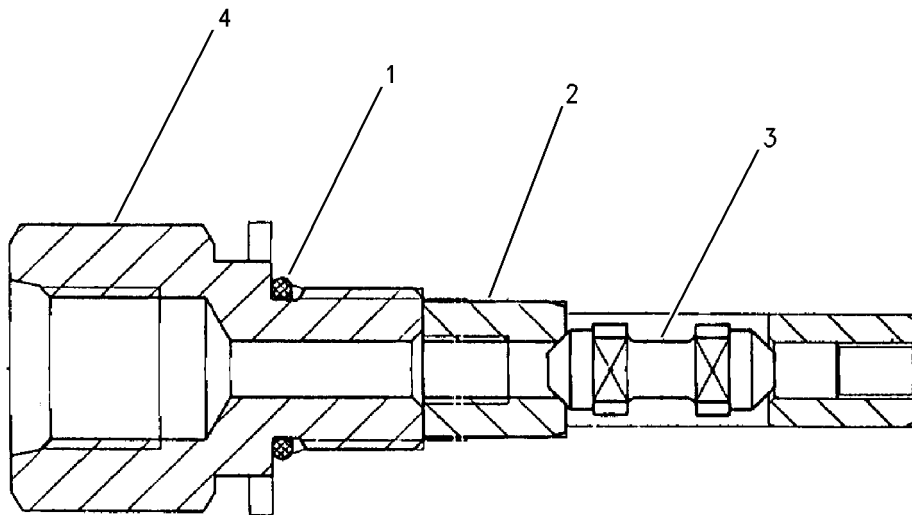
S/N: MMA1-UP

PART OF 259-0784, 266-7953 PUMP GP-PISTON

SMCS-5079

i01324722

NOTE	REF NO	GRAPHIC REF	PART NUMBER	QTY	PART NAME						SEE PAGE
					1	2	3	4	5	6 (PRODUCT LEVEL)	
	1	1	3J-1907	1	SEAL-O-RING						
	2	1	102-0814	1	BUSHING						
	3	1	138-6780	1	VALVE-SHUTTLE						
	4	1	165-9406	1	ADAPTER						



GRAPHIC #1

<END>

g00705398

HYDRAULIC SYSTEM

111-9916 VALVE GP-SOLENOID

S/N: MMA1-UP

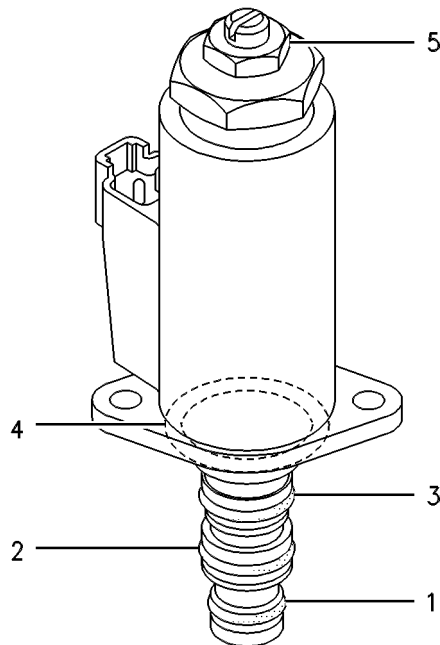
PART OF 140-0736 VALVE GP-MANIFOLD & REDUCING

SMCS-5479

i02668929

NOTE	REF NO	GRAPHIC REF	PART NUMBER	QTY	PART NAME						SEE PAGE
					1	2	3	4	5	6 (PRODUCT LEVEL)	
	1	1	095-1750	1	SEAL-O-RING						
	2	1	6V-8398	1	SEAL-O-RING						
	3	1	095-1751	1	SEAL-O-RING						
	4	1	095-1586	1	SEAL-O-RING						
M	5	1	114-0623	1	NUT AS (M6X1-THD)						

M-METRIC PART



GRAPHIC #1

<END>

g00258219

HYDRAULIC SYSTEM

121-1491 VALVE GP-SOLENOID

S/N: MMA1-UP

PART OF 140-0736 VALVE GP-MANIFOLD & REDUCING, 137-3713, 242-6880 VALVE
GP-SOLENOID

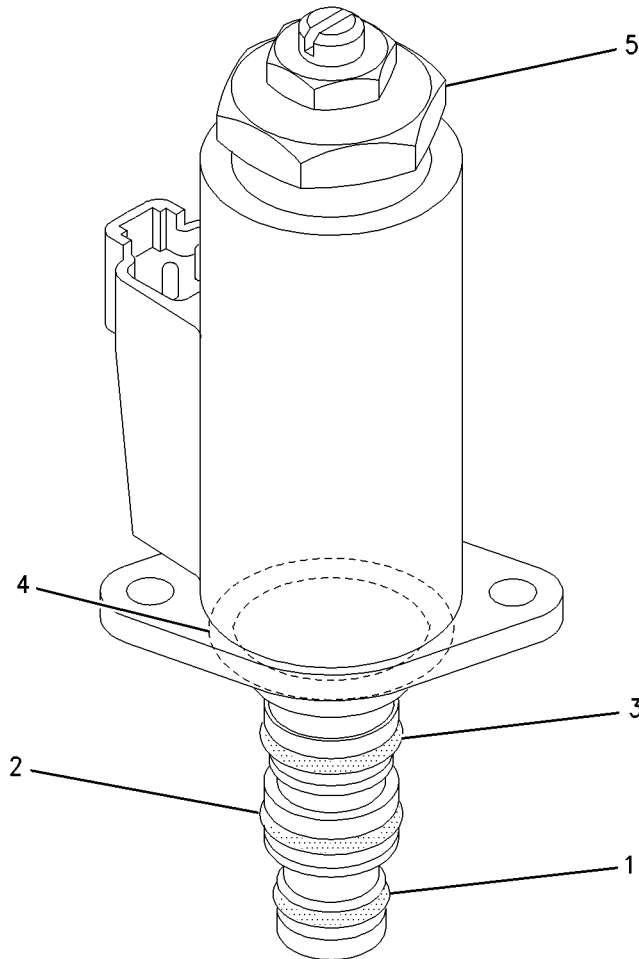
ALSO AN ATTACHMENT

SMCS-5479

i02195437

NOTE	REF NO	GRAPHIC REF	PART NUMBER	QTY	PART NAME						SEE PAGE
					1	2	3	4	5	6 (PRODUCT LEVEL)	
	1	1	095-1750	1	SEAL-O-RING						
	2	1	6V-8398	1	SEAL-O-RING						
	3	1	095-1751	1	SEAL-O-RING						
	4	1	095-1586	1	SEAL-O-RING						
M	5	1	114-0623	1	NUT AS (M6X1-THD)						

M-METRIC PART



GRAPHIC #1

<END>

g00928680

HYDRAULIC SYSTEM

137-3713 VALVE GP-SOLENOID

S/N: MMA1-UP

PART OF 234-4535, 295-9446 MOTOR GP-SWING

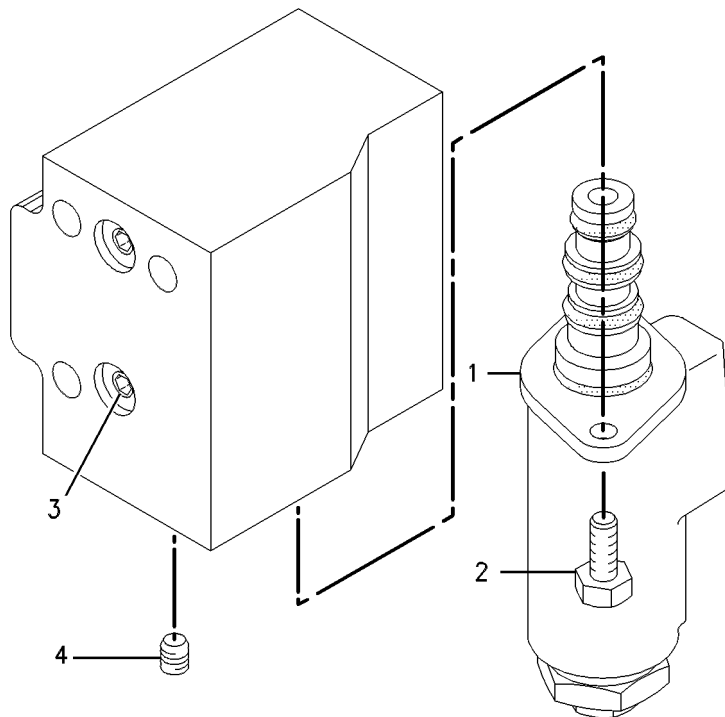
SMCS-5479

i01036888

NOTE	REF NO	GRAPHIC REF	PART NUMBER	QTY	PART NAME						SEE PAGE
					1	2	3	4	5	6 (PRODUCT LEVEL)	
Y	1	1	121-1491	1	VALVE GP-SOLENOID						915
M	2	1	8T-0288	2	BOLT (M5X0.8X12-MM)						
	3	1	137-3639	1	ORIFICE						
	4	1	8T-6759	1	PLUG-PIPE						

M-METRIC PART

Y-SEPARATE ILLUSTRATION



GRAPHIC #1

<END>

g00295176

HYDRAULIC SYSTEM

171-3685 VALVE GP-SOLENOID

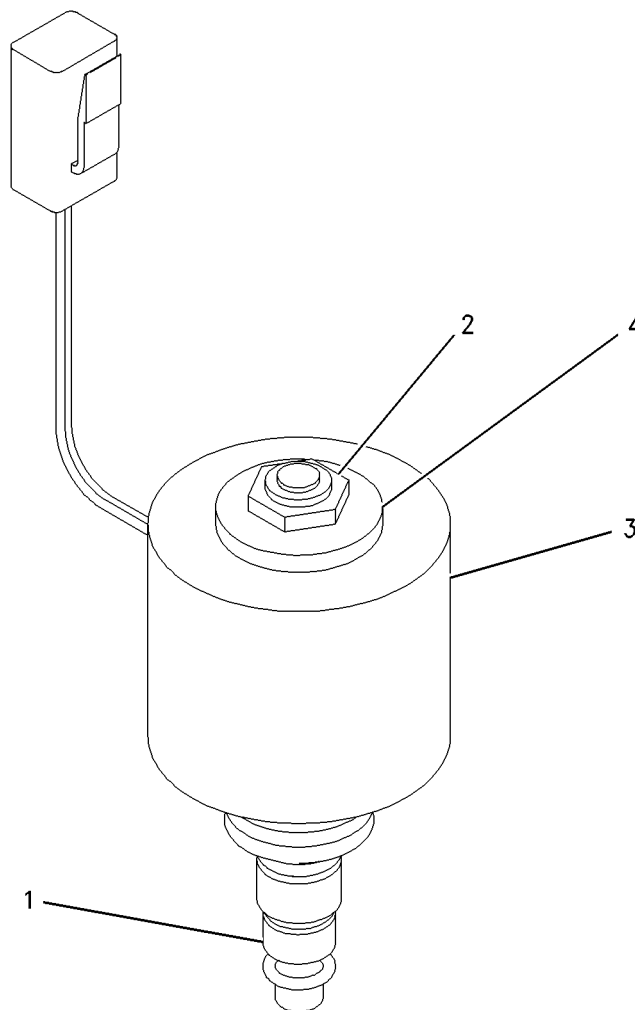
S/N: MMA1-UP

PART OF 225-6287, 234-6899, 257-7284 VALVE GP-CONTROL, 145-7181 VALVE
GP-LOAD CONTROL, 237-9147 VALVE GP-MAIN CONTROL

SMCS-5479

i02960144

NOTE	REF NO	GRAPHIC REF	PART NUMBER	QTY	PART NAME						SEE PAGE
					1	2	3	4	5	6 (PRODUCT LEVEL)	
	1	1	171-3684	1	VALVE AS						
		1	8C-9987	1	WASHER (8.3X28X2.5-MM THK)						
		1	111-0343	1	LOCKNUT (5/16-18-THD)						
2		1	111-0343	1	LOCKNUT (5/16-18-THD)						
3		1	189-0189	1	COIL AS (24-VOLT)						
		1	3E-3365	1	WEDGE-RECEPTACLE LOCK (2-PIN)						
		1	1S-9593	2	STRAP-CABLE						
		1	102-8802	1	KIT-RECEPTACLE (2-PIN)						
		1	8T-8729	2	PIN-CONNECTOR (16-GA TO 18-GA)						
4		1	8C-9987	1	WASHER (8.3X28X2.5-MM THK)						
					AVAILABLE REPAIR KIT(S):						
			160-3771	1	KIT-SEAL (SOLENOID VALVE)						



GRAPHIC #1

<END>

g00846138

HYDRAULIC SYSTEM

242-6880 VALVE GP-SOLENOID

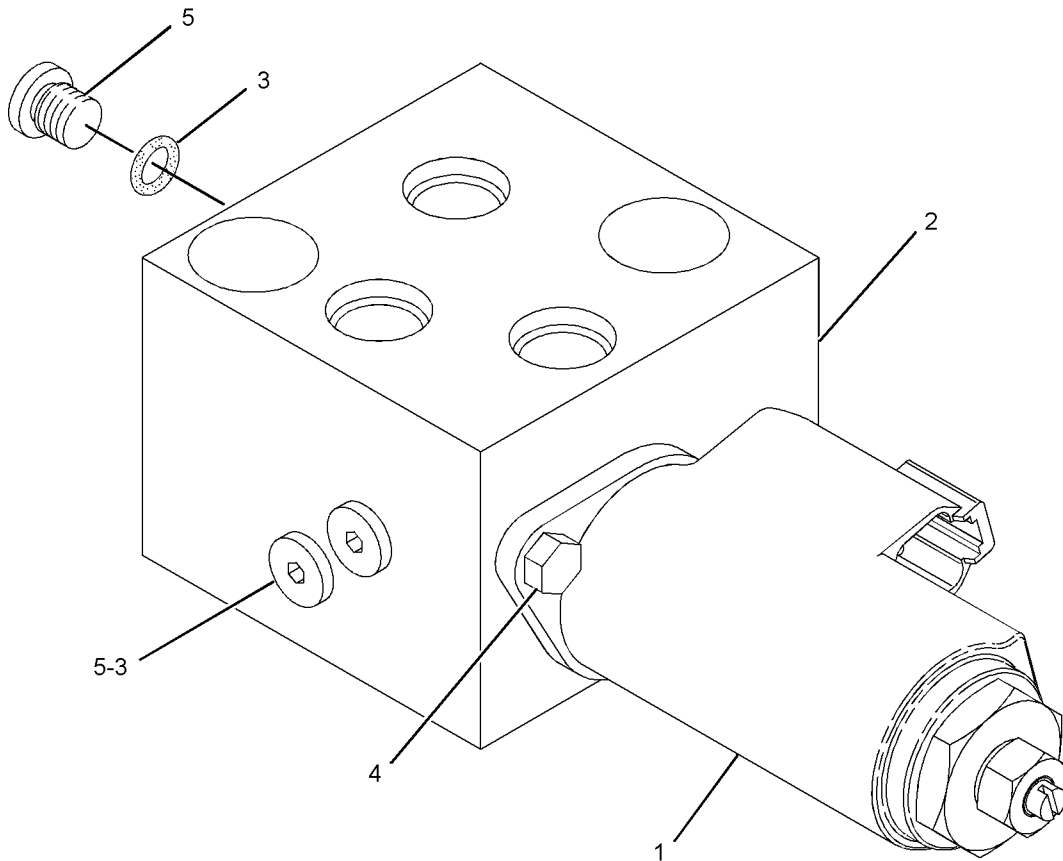
S/N: MMA1-UP
PART OF 248-9466 LINES GP-MOTOR
AN ATTACHMENT

SMCS-5479

i02117544

NOTE	REF NO	GRAPHIC REF	PART NUMBER	QTY	PART NAME						SEE PAGE
					1	2	3	4	5	6 (PRODUCT LEVEL)	
Y	1	1	121-1491	1	VALVE GP-SOLENOID						915
	2	1	242-6893	1	BLOCK						
	3	1	4J-7533	3	SEAL-O-RING						
M	4	1	7I-2272	2	BOLT (M5X0.8X12-MM)						
	5	1	9S-8001	3	PLUG-O-RING						

M-METRIC PART
Y-SEPARATE ILLUSTRATION



GRAPHIC #1

<END>

g01084421

HYDRAULIC SYSTEM

116-3420 VALVE GP-SWING CUSHION- ANTI-REACTION, FINE SWING

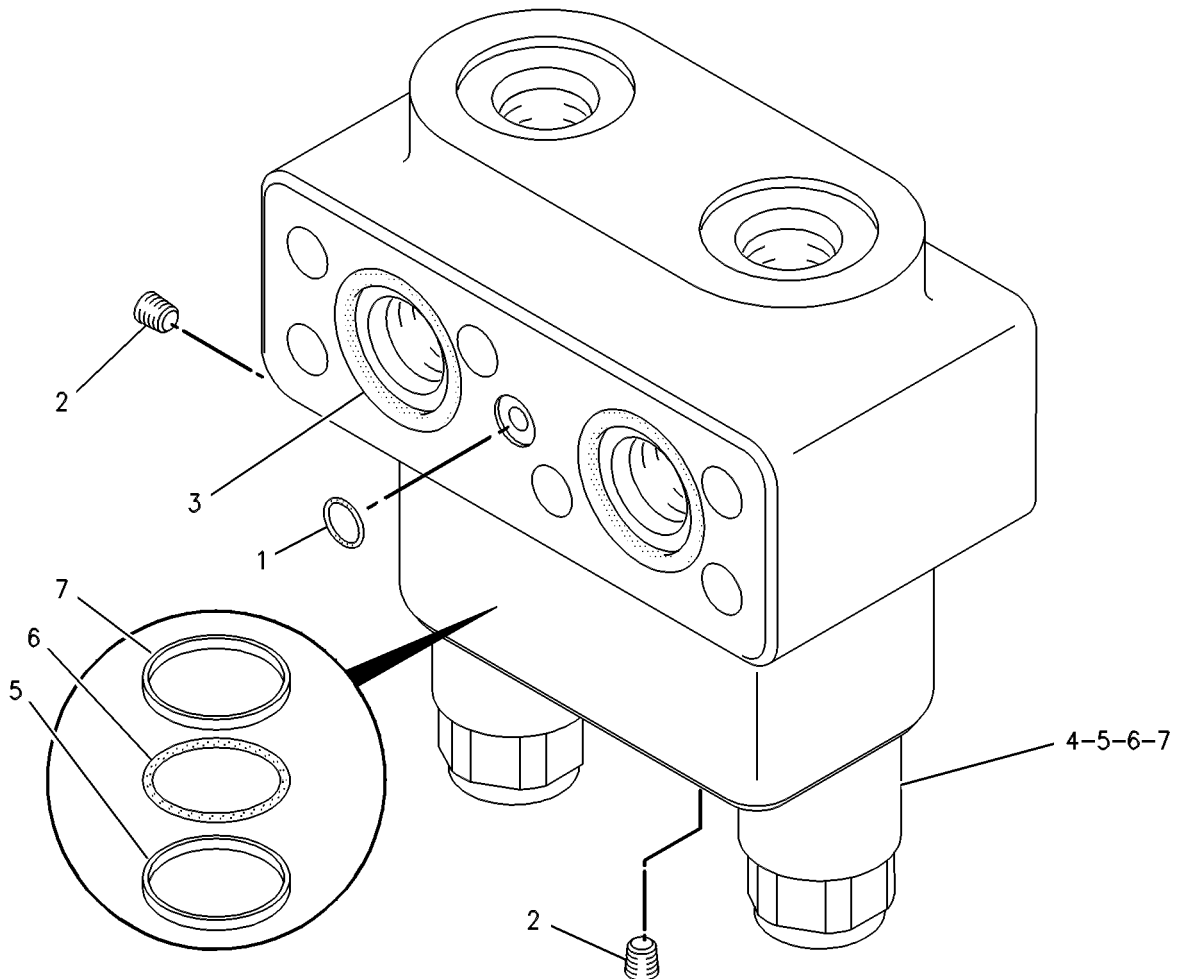
S/N: MMA1-UP

PART OF 260-7948 LINES GP-SWING MOTOR

SMCS-5480

i01272314

NOTE	REF NO	GRAPHIC REF	PART NUMBER	QTY	PART NAME						SEE PAGE
					1	2	3	4	5	6 (PRODUCT LEVEL)	
	1	1	095-1576	1	SEAL-O-RING						
	2	1	8T-6759	4	PLUG-PIPE						
	3	1	095-1698	2	SEAL-O-RING						
	4	1	114-0550	2	VALVE GP-RELIEF						
	5	1	094-1902	2	RING						
	6	1	095-1586	2	SEAL-O-RING						
	7	1	095-1785	2	RING-BACKUP						



GRAPHIC #1

<END>

g00267839

HYDRAULIC SYSTEM

155-9200 VALVE GP-TRAVEL COUNTERBALANCE

S/N: MMA1-UP

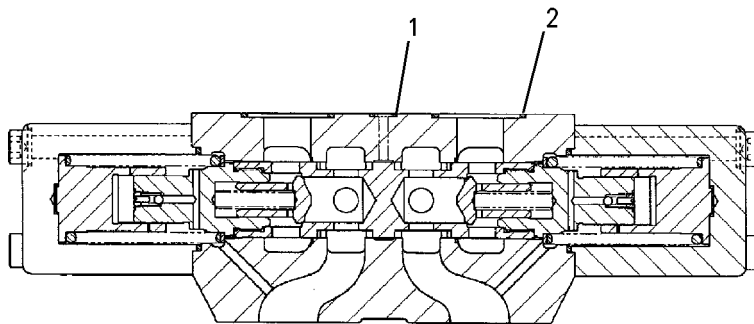
PART OF 239-1925 LINES GP-TRAVEL MOTOR

SMCS-5811

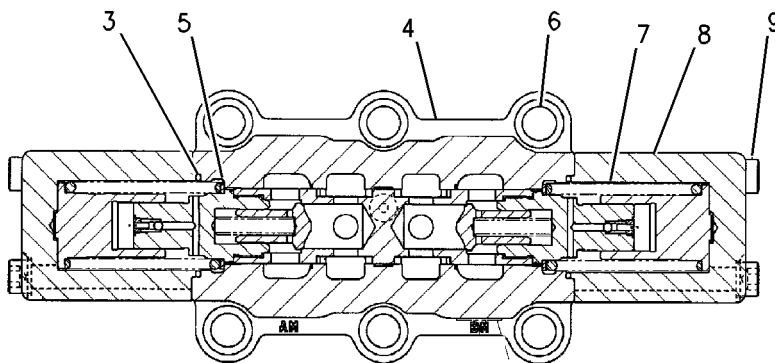
i01528511

NOTE	REF NO	GRAPHIC REF	PART NUMBER	QTY	PART NAME						SEE PAGE
					1	2	3	4	5	6 (PRODUCT LEVEL)	
	1	1	095-1579	1	SEAL-O-RING						
	2	1	095-1703	2	SEAL-O-RING						
	3	1	095-1704	2	SEAL-O-RING						
	4	1	194-8402	1	VALVE GP-CONTROL						
	5	1	099-7951	2	WASHER-HARD						
M	6	1	8T-6429	6	BOLT-SOCKET HEAD (M16X2X55-MM)						
	7	1	7I-0965	2	SPRING						
	8	1	7I-0964	2	COVER						
M	9	1	095-0680	8	BOLT-SOCKET HEAD						

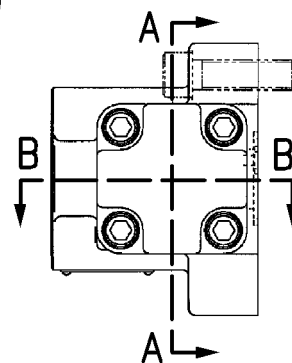
M-METRIC PART



SECTION B-B



SECTION A-A



GRAPHIC #1

<END>

g00799753

IMPLEMENTS

184-5557 BOOM GP

S/N: MMA1-UP

4.6-M (15-FT)

PART OF 265-7177 SHOVEL AR-FRONT
AN ATTACHMENT

SMCS-6301, 6302, 6460, 6501, 6516, 6521, 6535, 6536

i01541077

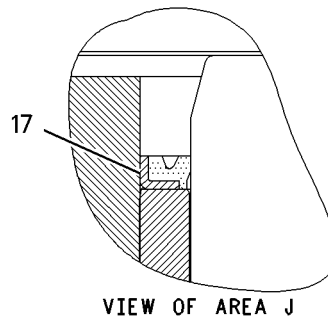
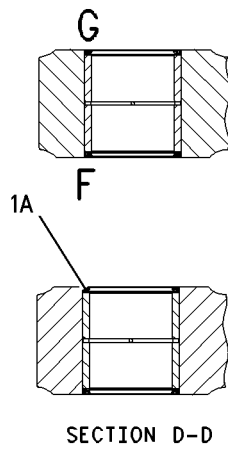
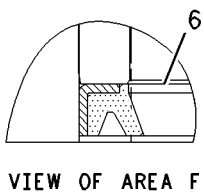
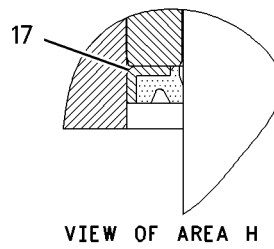
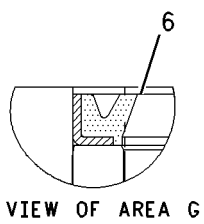
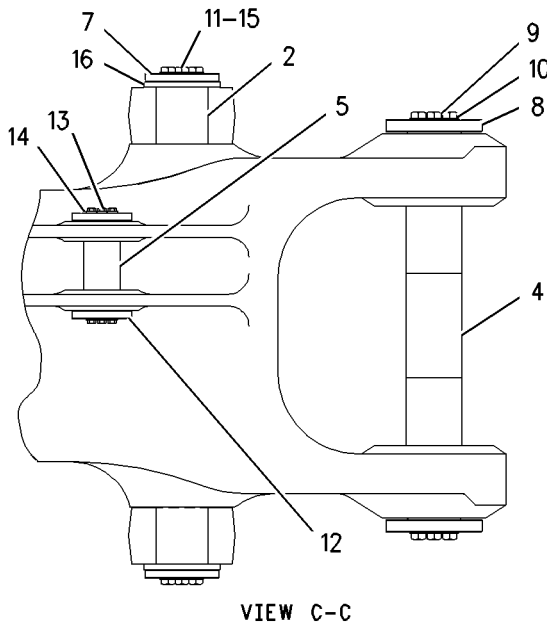
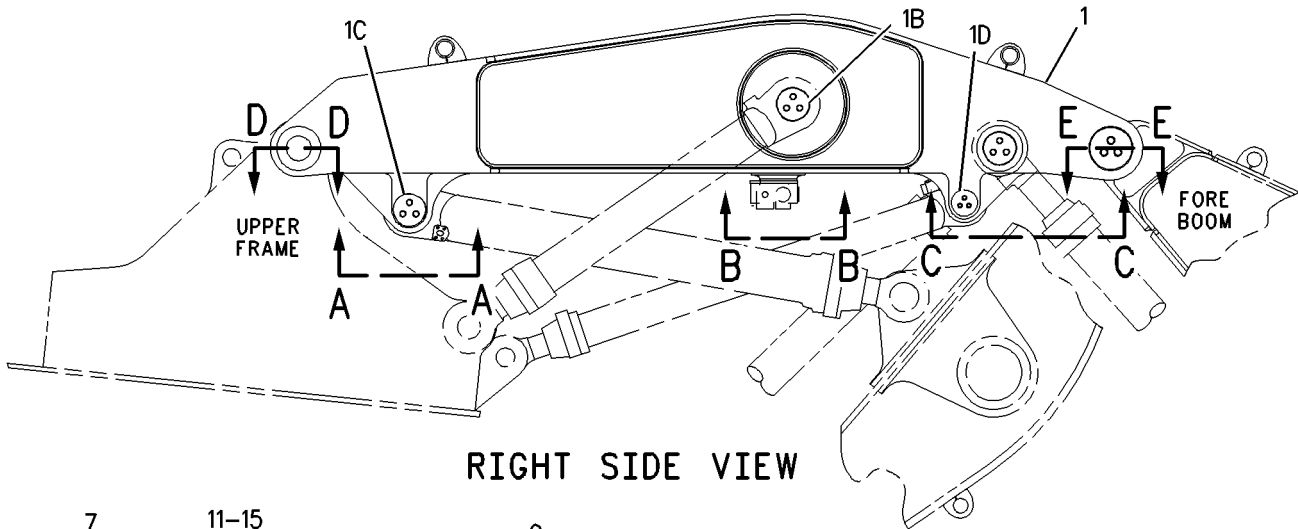
NOTE	REF NO	GRAPHIC REF	PART NUMBER	QTY	PART NAME						SEE PAGE
					1	2	3	4	5	6 (PRODUCT LEVEL)	
	1	1	184-5558	1	BOOM & BEARING AS						
	1A	1	186-5688	2	BEARING-SLEEVE						
	1B	1	4E-8732	4	BEARING						
	1C	1	4E-8734	2	BEARING						
	1D	1	4E-8735	2	BEARING						
	1E	1	186-5689	2	BEARING-SLEEVE						
	2	1	7Y-9900	2	PIN						
	3	1	4E-8724	1	PIN						
	4	1	186-5686	1	PIN						
	5	1	4E-8726	1	PIN						
	6	1	113-5950	4	SEAL-LIP TYPE						
	7	1	7Y-9269	6	PLATE						
	8	1	186-5703	2	PLATE						
M	9	1	7X-2576	6	BOLT (M24X3X70-MM)						
	10	1	8T-4167	6	WASHER-HARD (26X44X4-MM THK)						
M	11	1	8T-6430	18	BOLT (M20X2.5X50-MM)						
	12	1	4E-8730	2	PLATE						
M	13	1	8T-4183	6	BOLT (M12X1.75X40-MM)						
	14	1	8T-4223	6	WASHER-HARD (13.5X25.5X3-MM THK)						
	15	1	8T-4123	18	WASHER (22X35X3.5-MM THK)						
	16	1	7Y-9267	4	SPACER (133X190X14-MM THK)						
	17	1	187-9753	4	SEAL						

M-METRIC PART

IMPLEMENTS

184-5557 BOOM GP (contd.)

i01541077



GRAPHIC #1

<END>

g00801672

IMPLEMENTS

275-0723 FITTING GP-GREASE

S/N: MMA1-UP

PART OF 265-7177 SHOVEL AR-FRONT
AN ATTACHMENT

SMCS-7510

i02442436

NOTE	PART NUMBER	QTY	PART NAME						SEE PAGE
			1	2	3	4	5	6 (PRODUCT LEVEL)	
	3B-8489	2	FITTING-GREASE						
			ON BOOM AS (LH & RH SIDE) FOR BOOM AS/UPPER-FRAME						
	3B-8489	2	FITTING-GREASE						
			ON BOOM AS (LH & RH SIDE) FOR BOOM AS/STICK AS						
	3B-8489	2	FITTING-GREASE						
			ON STICK AS (LH & RH SIDE) FOR BOOM AS/STICK AS						
	3B-8489	2	FITTING-GREASE						
			ON STICK AS (LH & RH SIDE) FOR STICK AS/BUCKET AS						
	3B-8489	2	FITTING-GREASE						
			ON BUCKET AS (LH & RH SIDE) FOR STICK AS/BUCKET AS						
	3B-8489	2	FITTING-GREASE						
	4M-5317	2	BUSHING-REDUCING						
			ON BOOM CYLINDER-HEAD (LH & RH SIDE)						
	3B-8489	1	FITTING-GREASE						
	4M-5317	1	BUSHING-REDUCING						
			ON STICK CYLINDER-HEAD						
	3B-8489	1	FITTING-GREASE						
	4M-5317	1	BUSHING-REDUCING						
			ON STICK CYLINDER-ROD						
	3B-8489	1	FITTING-GREASE						
	4M-5317	1	BUSHING-REDUCING						
			ON MASTER CYLINDER-HEAD						
	3B-8489	2	FITTING-GREASE						
	4M-5317	2	BUSHING-REDUCING						
			ON BUCKET CYLINDER-ROD						
<END>									

IMPLEMENTS

9U-1327 LINES GP-GREASE

S/N: MMA1-UP

PART OF 265-7177 SHOVEL AR-FRONT

AN ATTACHMENT

TYPE 1

SMCS-7510

i00778817

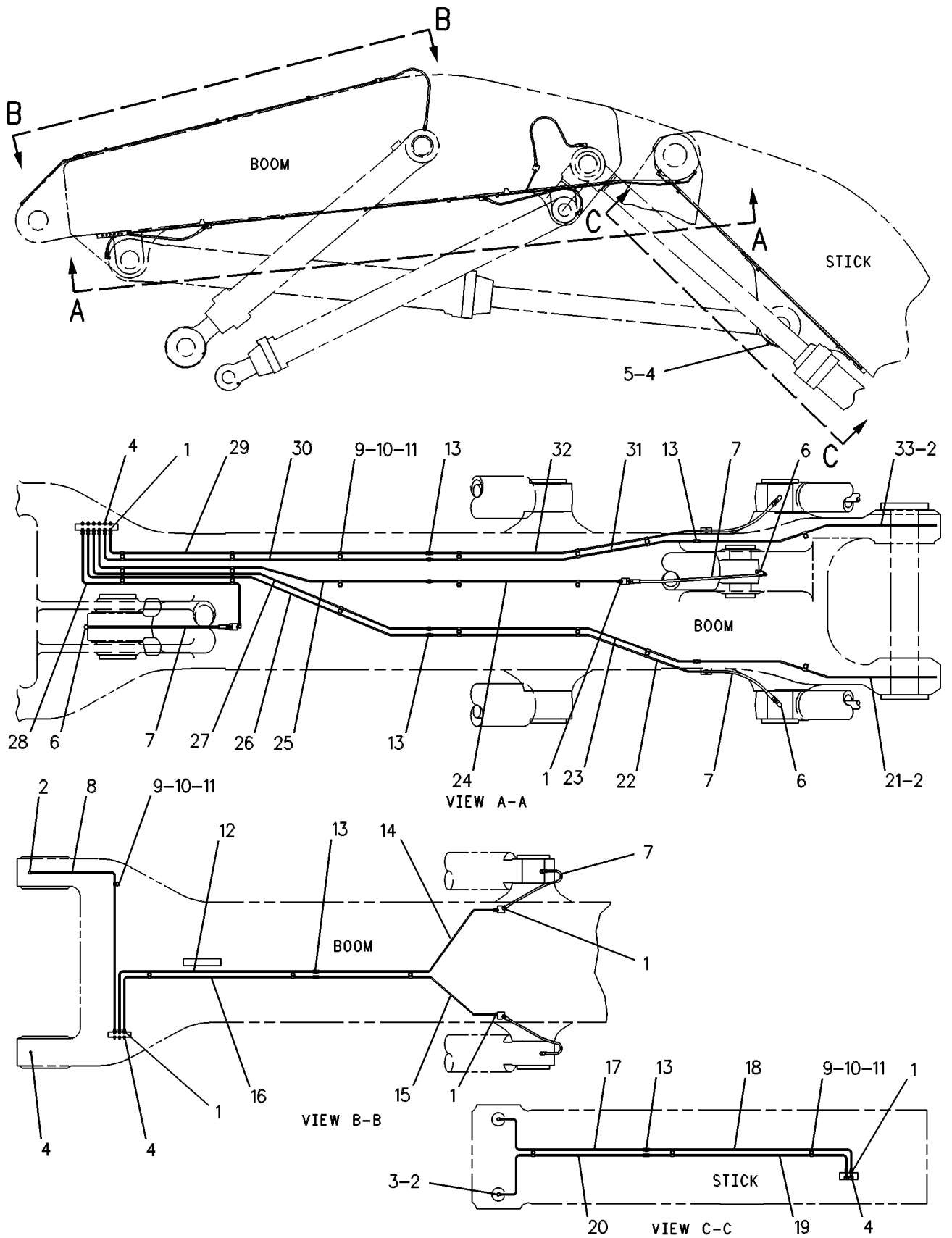
NOTE	REF NO	GRAPHIC REF	PART NUMBER	QTY	PART NAME						SEE PAGE
					1	2	3	4	5	6 (PRODUCT LEVEL)	
	1	1	6L-3616	16	CONNECTOR						
	2	1	5K-9243	5	ELBOW-FLARED						
	3	1	6K-6967	2	ADAPTER-PIPE						
	4	1	3B-8489	15	FITTING-GREASE						
	5	1	4M-5317	1	BUSHING-REDUCING						
	6	1	7J-8611	4	ELBOW-PIPE (90-DEG)						
I	7	1	087-5966	6	HOSE AS						
	8	1	9U-4019	1	TUBE AS						
	9	1	8M-2772	46	CLIP						
M	10	1	8T-4191	26	BOLT (M10X1.5X16-MM)						
	11	1	8T-4121	26	WASHER-HARD (11X21X2.5-MM THK)						
	12	1	9U-4020	1	TUBE AS						
	13	1	5K-9242	11	UNION-FLARED						
	14	1	9U-4021	1	TUBE AS						
	15	1	9U-4023	1	TUBE AS						
	16	1	9U-4022	1	TUBE AS						
	17	1	146-1520	1	TUBE AS						
	18	1	9U-4016	1	TUBE AS						
	19	1	9U-4018	1	TUBE AS						
	20	1	146-1519	1	TUBE AS						
	21	1	9U-4007	1	TUBE AS						
	22	1	9U-4004	1	TUBE AS						
	23	1	9U-4006	1	TUBE AS						
	24	1	9U-4014	1	TUBE AS						
	25	1	9U-4013	1	TUBE AS						
	26	1	9U-4003	1	TUBE AS						
	27	1	9U-4005	1	TUBE AS						
	28	1	9U-4002	1	TUBE AS						
	29	1	9U-4011	1	TUBE AS						
	30	1	9U-4008	1	TUBE AS						
	31	1	9U-4009	1	TUBE AS						
	32	1	9U-4012	1	TUBE AS						
	33	1	9U-4010	1	TUBE AS						

I-REFER TO HYDRAULIC INFORMATION SYSTEM
M-METRIC PART

IMPLEMENTS

9U-1327 LINES GP-GREASE (contd.)

i00778817



GRAPHIC #1

<END>

g00238648

IMPLEMENTS

9U-1327 LINES GP-GREASE

S/N: MMA1-UP

PART OF 265-7177 SHOVEL AR-FRONT

AN ATTACHMENT

TYPE 2

SMCS-7510

i02673170

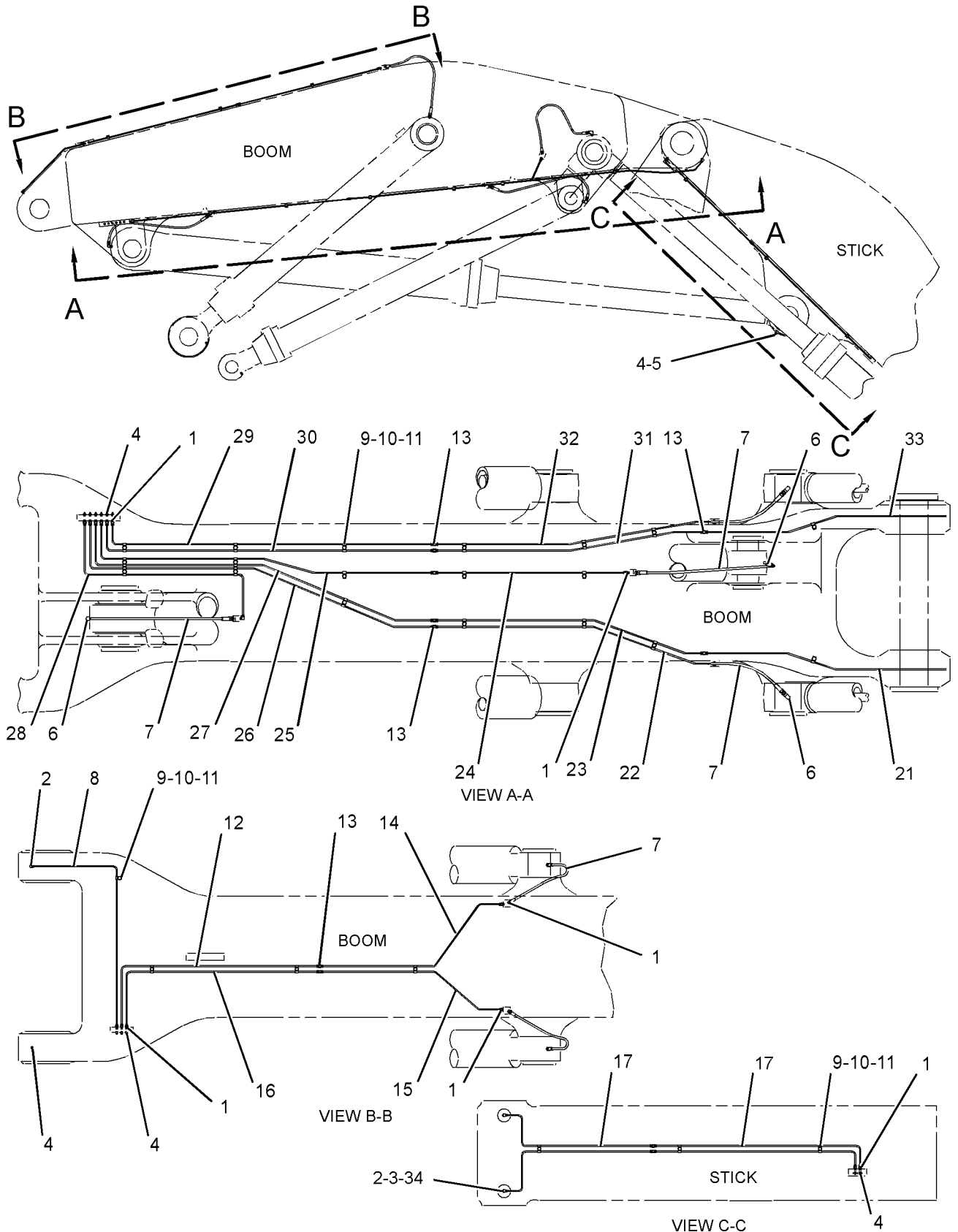
NOTE	REF NO	GRAPHIC REF	PART NUMBER	QTY	PART NAME						SEE PAGE
					1	2	3	4	5	6 (PRODUCT LEVEL)	
C	1	1	6L-3616	14	CONNECTOR						
C	2	1	5K-9243	3	ELBOW-FLARED						
C	3	1	6K-6967	3	ADAPTER-PIPE						
	4	1	3B-8489	15	FITTING-GREASE						
	5	1	4M-5317	1	BUSHING-REDUCING						
	6	1	7J-8611	4	ELBOW-PIPE (90-DEG)						
I	7	1	087-5966	6	HOSE AS						
	8	1	9U-4019	1	TUBE AS						
	9	1	8M-2772	46	CLIP						
M	10	1	8T-4191	26	BOLT (M10X1.5X16-MM)						
	11	1	8T-4121	26	WASHER-HARD (11X21X2.5-MM THK)						
	12	1	9U-4020	1	TUBE AS						
C	13	1	5K-9242	9	UNION-FLARED						
	14	1	9U-4021	1	TUBE AS						
	15	1	9U-4023	1	TUBE AS						
	16	1	9U-4022	1	TUBE AS						
C	17	1	284-8185	2	HOSE AS						
	21	1	9U-4007	1	TUBE AS						
	22	1	9U-4004	1	TUBE AS						
	23	1	9U-4006	1	TUBE AS						
	24	1	9U-4014	1	TUBE AS						
	25	1	9U-4013	1	TUBE AS						
	26	1	9U-4003	1	TUBE AS						
	27	1	9U-4005	1	TUBE AS						
	28	1	9U-4002	1	TUBE AS						
	29	1	9U-4011	1	TUBE AS						
	30	1	9U-4008	1	TUBE AS						
	31	1	9U-4009	1	TUBE AS						
	32	1	9U-4012	1	TUBE AS						
	33	1	9U-4010	1	TUBE AS						
C	34	1	141-3636	3	ELBOW						
CF			7K-1181	1	STRAP-CABLE						
CF			2D-1683	1	FITTING						
CF			108-6709	1	CONNECTOR						

C-CHANGE FROM PREVIOUS TYPE
 F-NOT SHOWN
 I-REFER TO HYDRAULIC INFORMATION SYSTEM
 M-METRIC PART

IMPLEMENTS

9U-1327 LINES GP-GREASE (contd.)

i02673170



GRAPHIC #1

<END>

g01346666

IMPLEMENTS

9U-1327 LINES GP-GREASE

S/N: MMA1-UP

PART OF 265-7177 SHOVEL AR-FRONT

AN ATTACHMENT

TYPE 3

SMCS-7510

i02706790

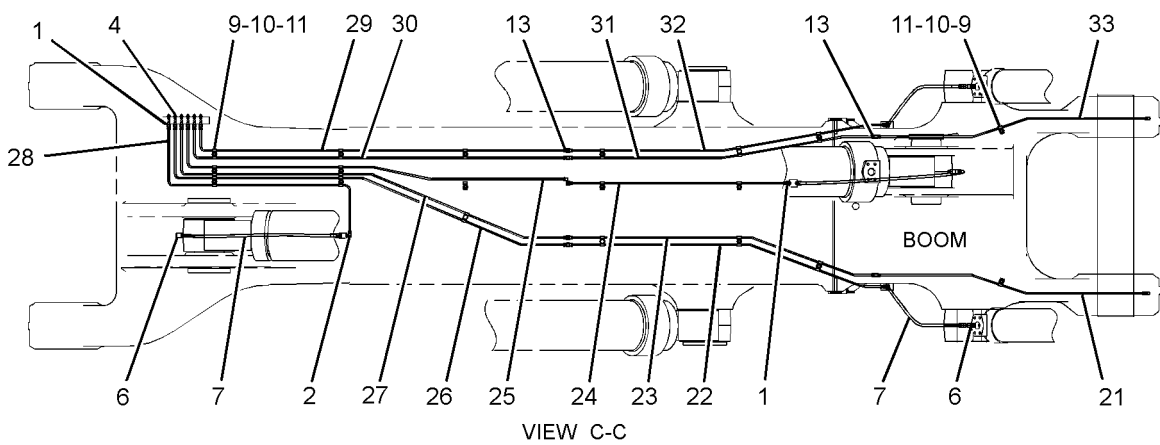
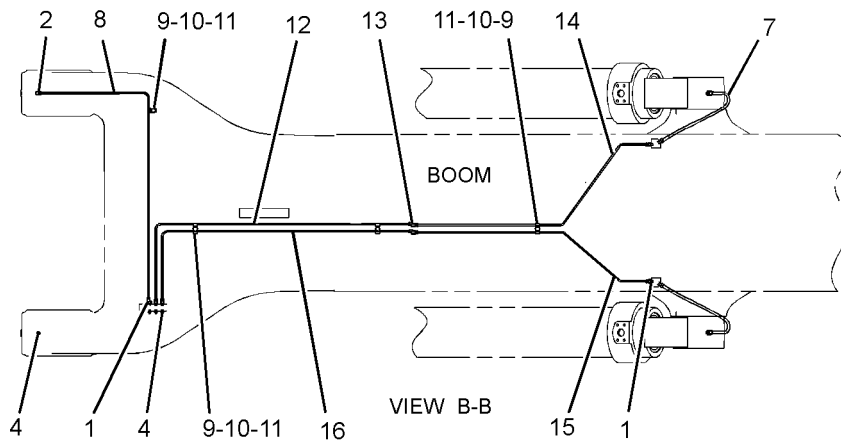
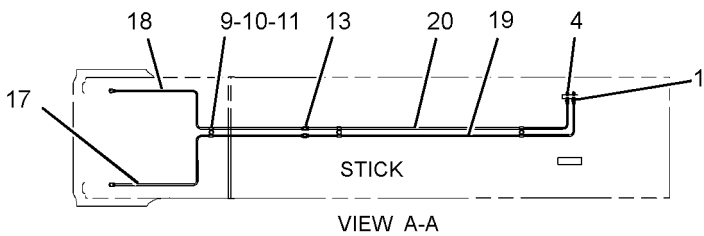
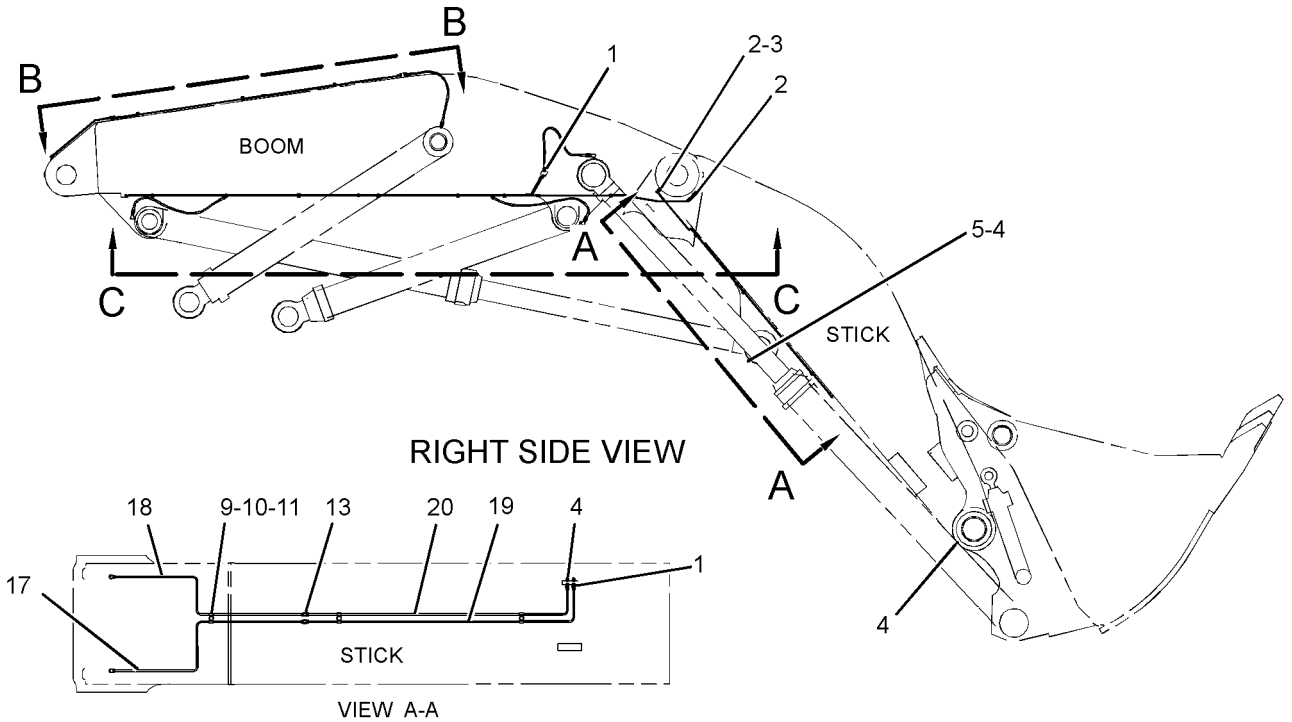
NOTE	REF NO	GRAPHIC REF	PART NUMBER	QTY	PART NAME						SEE PAGE
					1	2	3	4	5	6 (PRODUCT LEVEL)	
C	1	1	6L-3616	16	CONNECTOR						
C	2	1	5K-9243	6	ELBOW-FLARED						
C	3	1	6K-6967	2	ADAPTER-PIPE						
	4	1	3B-8489	15	FITTING-GREASE						
	5	1	4M-5317	1	BUSHING-REDUCING						
	6	1	7J-8611	4	ELBOW-PIPE (90-DEG)						
I	7	1	087-5966	6	HOSE AS						
	8	1	9U-4019	1	TUBE AS						
	9	1	8M-2772	46	CLIP						
M	10	1	8T-4191	26	BOLT (M10X1.5X16-MM)						
	11	1	8T-4121	26	WASHER-HARD (11X21X2.5-MM THK)						
	12	1	9U-4020	1	TUBE AS						
C	13	1	5K-9242	11	UNION-FLARED						
	14	1	9U-4021	1	TUBE AS						
	15	1	9U-4023	1	TUBE AS						
	16	1	9U-4022	1	TUBE AS						
C	17	1	146-1519	1	TUBE AS						
C	18	1	146-1520	1	TUBE AS						
C	19	1	292-6627	1	TUBE AS						
C	20	1	292-6628	1	TUBE AS						
	21	1	9U-4007	1	TUBE AS						
	22	1	9U-4004	1	TUBE AS						
	23	1	9U-4006	1	TUBE AS						
	24	1	9U-4014	1	TUBE AS						
	25	1	9U-4013	1	TUBE AS						
	26	1	9U-4003	1	TUBE AS						
	27	1	9U-4005	1	TUBE AS						
	28	1	9U-4002	1	TUBE AS						
	29	1	9U-4011	1	TUBE AS						
	30	1	9U-4008	1	TUBE AS						
	31	1	9U-4009	1	TUBE AS						
	32	1	9U-4012	1	TUBE AS						
	33	1	9U-4010	1	TUBE AS						

C-CHANGE FROM PREVIOUS TYPE
 I-REFER TO HYDRAULIC INFORMATION SYSTEM
 M-METRIC PART

IMPLEMENTS

9U-1327 LINES GP-GREASE (contd.)

i02706790



GRAPHIC #1

<END>

g01360634

IMPLEMENTS

254-2868 LINES GP-GREASE-AUTOMATIC LUBRICATION

S/N: MMA1-UP

PART OF 228-8252 PUMP & LINES GP-AUTOMATIC LUBE
AN ATTACHMENT

SMCS-7510

i02442439

NOTE	REF NO	GRAPHIC REF	PART NUMBER	QTY	PART NAME						SEE PAGE
					1	2	3	4	5	6 (PRODUCT LEVEL)	
	1	1,2	5K-9243	4	ELBOW-FLARED						
	2	1	9U-4019	1	TUBE AS						
	3	1,2	8M-2772	38	CLIP						
M	4	1,2,4	8T-4191	39	BOLT (M10X1.5X16-MM)						
M	5	1	8T-4137	2	BOLT (M10X1.5X20-MM)						
	6	1,2,3,4	8T-4121	49	WASHER-HARD (11X21X2.5-MM THK)						
	7	1	203-7266	1	TUBE AS						
	8	1	203-7267	1	TUBE AS						
	9	1	5K-9242	8	UNION-FLARED						
	10	1	9U-4021	1	TUBE AS						
I	11	1	087-5966	5	HOSE AS						
	12	1,2,3,4	108-6710	27	CONNECTOR						
	13	1,2,4	108-6709	4	CONNECTOR						
	14	1,4	5M-6214	2	PLUG-PIPE						
	15	1,2	6L-3616	12	CONNECTOR						
	16	1	9U-4023	1	TUBE AS						
	17	1,2	3B-8489	13	FITTING-GREASE						
	18	1,3,4	126-5188	5	ELBOW						
	19	1	2D-1683	2	FITTING						
	20	1	132-6485	1	TUBE						
	21	1	7J-8611	3	ELBOW-PIPE (90-DEG)						
	22	1,3	6K-0806	25	STRAP-CABLE						
	23	1	126-5199	1	ELBOW						
	24	1	203-7272	1	HOSE AS						
	25	2	132-6483	1	TUBE						
	26	2	132-6484	1	TUBE						
	27	1	132-6482	1	TUBE						
	28	1	203-7268	1	TUBE						
	29	4	161-0063	1	TUBE						
	30	4	161-0062	1	TUBE						
	31	4	160-9137	1	TUBE						
	32	4	161-3893	1	TUBE						
	33	1	151-4601	1	TUBE						
	34	3	195-5419	1	TUBE						
	35	1,3,4	6K-6967	7	ADAPTER-PIPE						
	36	1,3	108-6717	3	ELBOW						
	37	3	195-5416	1	GUARD AS						
	38	1	151-4603	1	TUBE						
	39	2	151-4604	1	TUBE						
M	40	3	8T-4133	8	NUT (M10X1.5-THD)						
	41	2	186-5672	1	TUBE						
	42	2	186-5673	1	TUBE						
	43	2	186-5674	1	TUBE						
	44	2	186-5675	1	TUBE						
	45	2	186-5676	1	TUBE						
	46	2	9U-4002	1	TUBE AS						
	47	2	9U-4011	1	TUBE AS						
	48	2	9U-4008	1	TUBE AS						
	49	2	9U-4009	1	TUBE AS						
	50	2	9U-4012	1	TUBE AS						
	51	2	9U-4010	1	TUBE AS						
	52	2	9U-4007	1	TUBE AS						
	53	2	9U-4004	1	TUBE AS						

IMPLEMENTS

254-2868 LINES GP-GREASE (contd.)

i02442439

NOTE	REF NO	GRAPHIC REF	PART NUMBER	QTY	PART NAME						SEE PAGE	
					1	2	3	4	5	6 (PRODUCT LEVEL)		
	54	2	9U-4006	1	TUBE	AS						
	55	2	9U-4003	1	TUBE	AS						
	56	2	9U-4005	1	TUBE	AS						
	57	2	186-5677	1	TUBE							
	58	3	195-5420	1	TUBE							
	59	2	151-4612	1	TUBE							
	60	2	151-4613	1	TUBE							
	61	2	151-4614	1	TUBE							
	62	1,2,4	108-6711	20	SLEEVE							
	63	1,2,4	108-6712	20	CONNECTOR							
	64	1,2,4	108-6713	20	SLEEVE							
M	65	1,2,4	108-6714	20	NUT (M10X1-THD)							
	66	1,2	118-6049	15	PLUG							
	67	1,2	118-6050	15	WASHER-COPPER (10X14X1-MM THK)							
	68	1	109-8503	3	VALVE							
	69	1,2	109-8708	10	CLAMP							
	70	4	203-7270	1	TUBE							
	71	4	203-7271	1	TUBE							
	72	4	151-0189	1	HOSE	AS						
	73	4	203-7273	1	HOSE	AS						
	74	4	203-7274	1	HOSE	AS						
	75	4	151-0192	1	HOSE	AS						
	76	2	108-6700	1	VALVE AS-LUBE DISTRIBUTION (6-INJECTOR)							
	77	2	126-5164	1	VALVE AS-LUBE DISTRIBUTION (10-INJECTOR)							
	78	4	118-6051	3	NUT (M10X1-THD)							
	79	4	118-6052	3	SLEEVE							
	80	2	160-9136	1	TUBE							
	81	4	156-0760	3	CONNECTOR	AS						

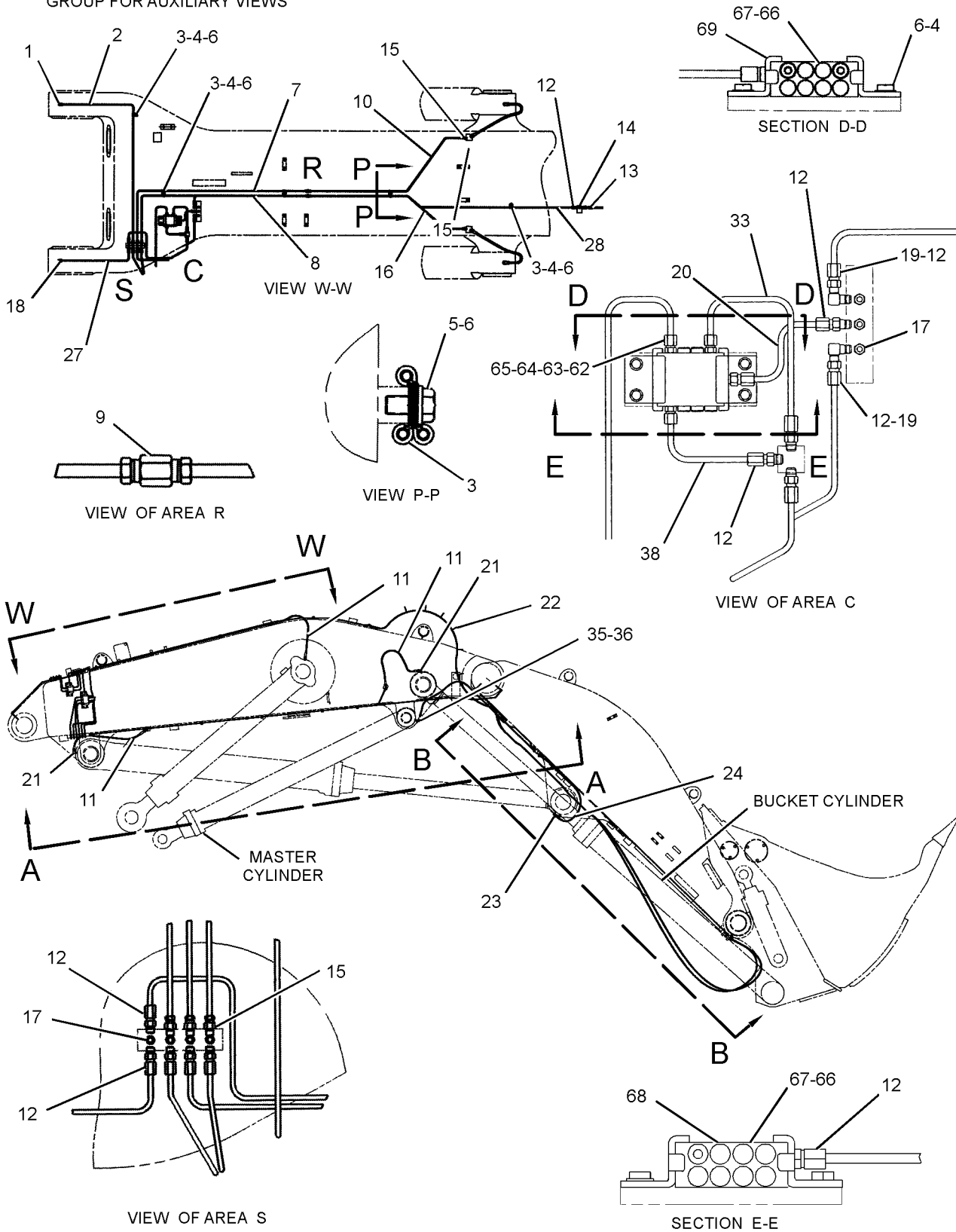
I-REFER TO HYDRAULIC INFORMATION SYSTEM
M-METRIC PART

IMPLEMENTS

254-2868 LINES GP-GREASE (contd.)

i02442439

REFER TO ALL ILLUSTRATIONS OF THIS GROUP FOR AUXILIARY VIEWS



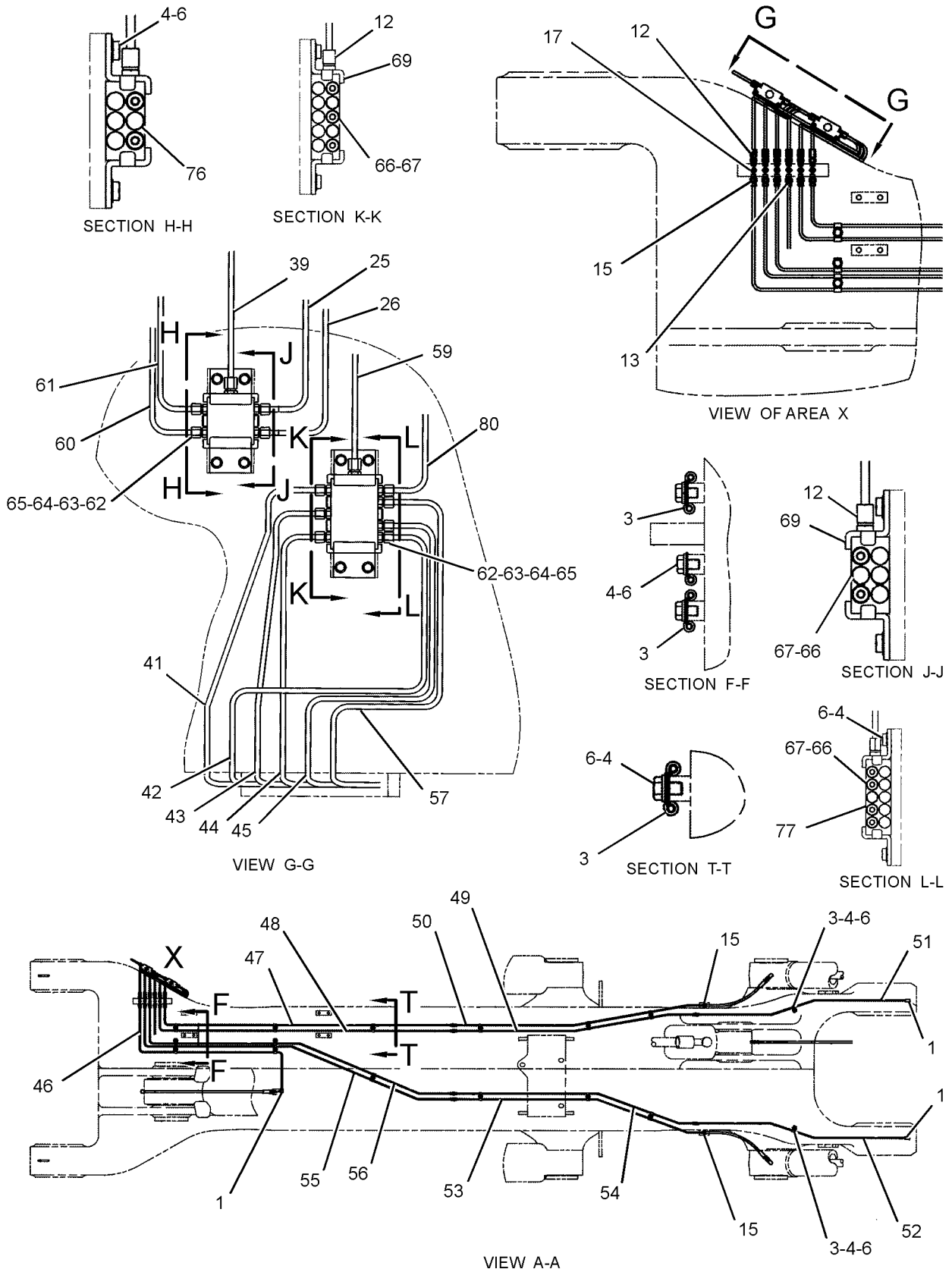
GRAPHIC #1

g01235185

IMPLEMENTS

254-2868 LINES GP-GREASE (contd.)

i02442439



GRAPHIC #2

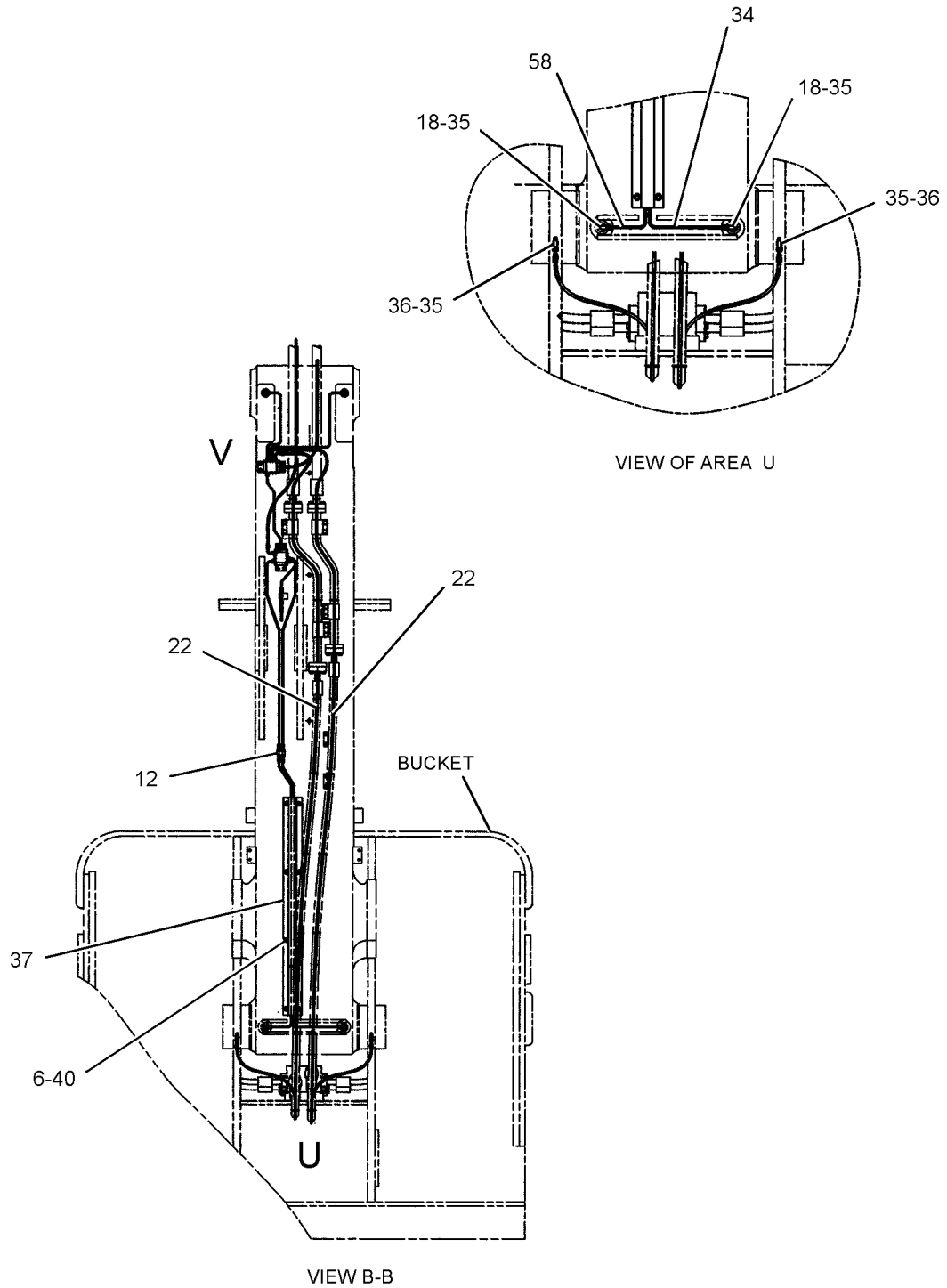
g01235186

IMPLEMENTS

254 - 2868 LINES GP - GREASE (contd.)

i02442439

REFER TO ALL ILLUSTRATIONS OF THIS GROUP FOR AUXILIARY VIEWS



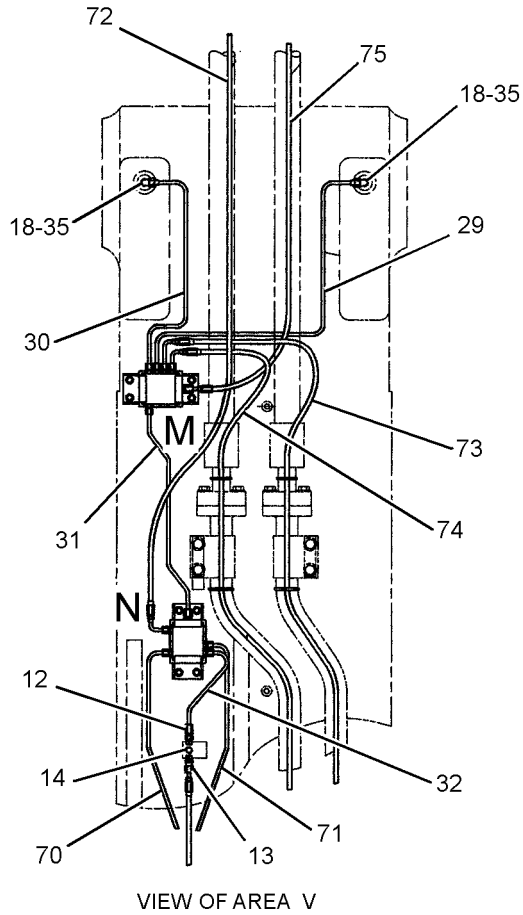
GRAPHIC #3

g01235187

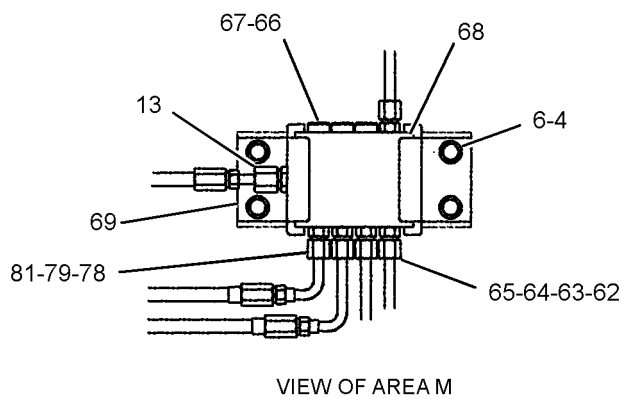
IMPLEMENTS

254-2868 LINES GP-GREASE (contd.)

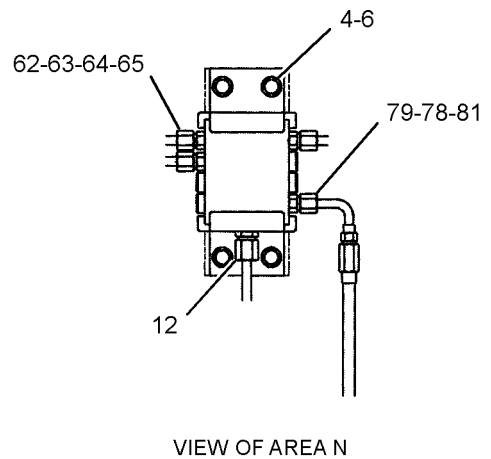
i02442439



VIEW OF AREA V



VIEW OF AREA M



VIEW OF AREA N

GRAPHIC #4

<END>

g01239746

IMPLEMENTS

184-5559 STICK GP

S/N: MMA1-UP

3.5-M (11.4-FT)

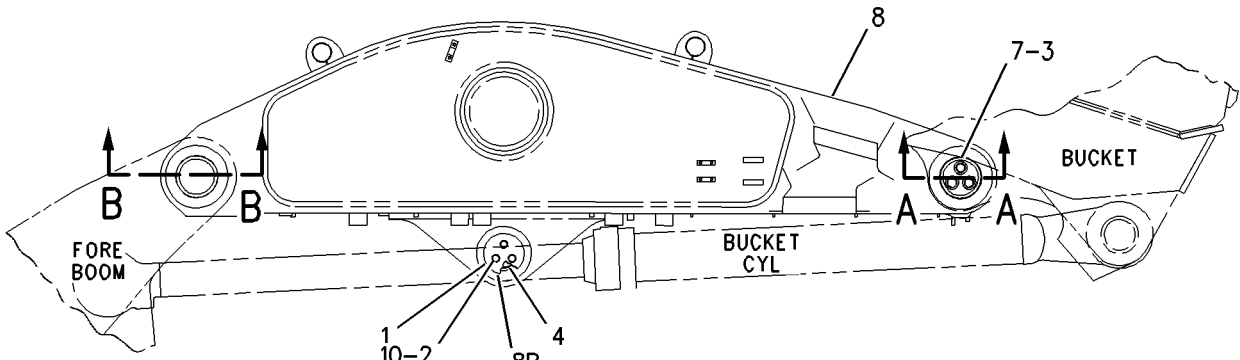
PART OF 265-7177 SHOVEL AR-FRONT
AN ATTACHMENT

SMCS-6502

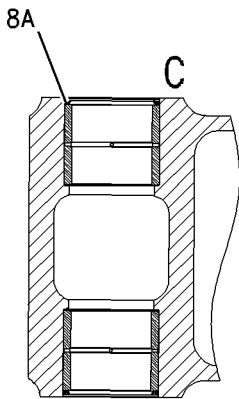
i01541084

NOTE	REF NO	GRAPHIC REF	PART NUMBER	QTY	PART NAME						SEE PAGE
					1	2	3	4	5	6 (PRODUCT LEVEL)	
	1	1	7Y-9269	2	PLATE						
M	2	1	8T-6430	6	BOLT (M20X2.5X50-MM)						
	3	1	8T-4167	6	WASHER-HARD (26X44X4-MM THK)						
	4	1	4E-8724	1	PIN						
	5	1	186-5687	1	PIN						
	6	1	186-5704	2	PLATE						
M	7	1	7X-2576	6	BOLT (M24X3X70-MM)						
	8	1	184-5561	1	STICK & BEARING AS						
	8A	1	186-5690	4	BEARING-SLEEVE						
	8B	1	4E-8734	2	BEARING						
	9	1	187-9753	4	SEAL						
	10	1	8T-4123	6	WASHER (22X35X3.5-MM THK)						

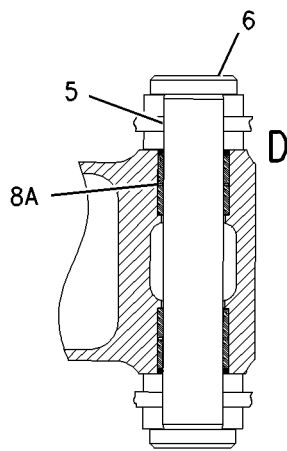
M-METRIC PART



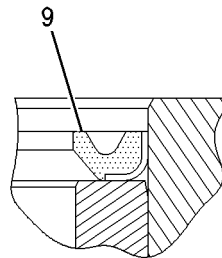
RIGHT SIDE VIEW



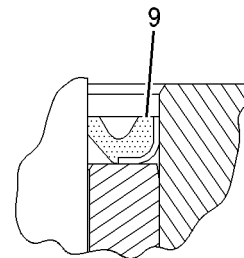
SECTION B-B



SECTION A-A



VIEW OF AREA C



VIEW OF AREA D

GRAPHIC #1

<END>

g00802417

WORK TOOLS

7Y-3477 ADJUSTER GP-BUCKET-UB/WB/HB/JB-FAMILY

S/N: MMA1-UP

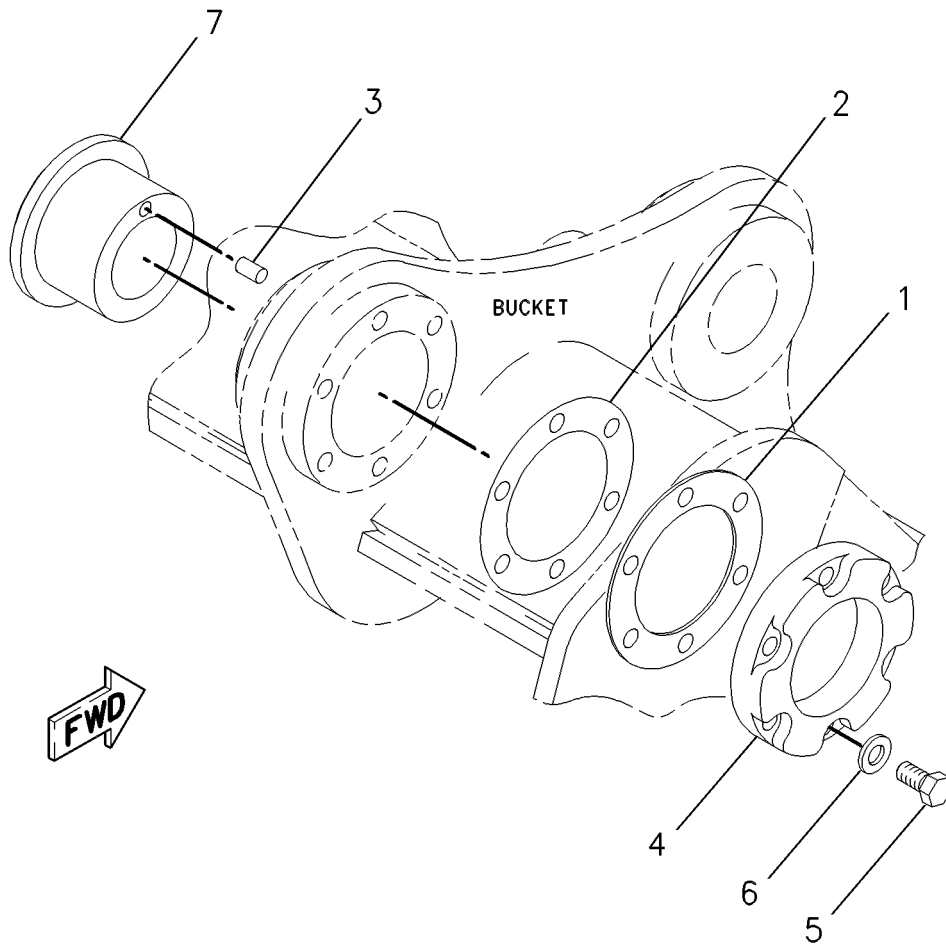
PART OF 260-1089, 260-1090, 260-1091, 260-1092, 260-1093, 260-1094,
260-1095, 260-1096, 260-1097, 265-7642, 265-7643, 265-7671, 266-6513,
266-6515, 298-0000 BUCKET & ADJUSTER GP
AN ATTACHMENT

SMCS-6513, 6700

i01826549

NOTE	REF NO	GRAPHIC REF	PART NUMBER	QTY	PART NAME						SEE PAGE
					1	2	3	4	5	6 (PRODUCT LEVEL)	
B	1	1	7Y-7830	6	SHIM (1-MM THK)						
B	2	1	7Y-7829	4	SHIM (0.5-MM THK)						
	3	1	7Y-7828	1	PIN						
	4	1	158-3960	1	PLATE						
M	5	1	7X-2563	6	BOLT (M20X2.5X60-MM)						
	6	1	8T-4123	6	WASHER (22X35X3.5-MM THK)						
	7	1	153-1731	1	FLANGE						

B-USE AS REQUIRED
M-METRIC PART



GRAPHIC #1

<END>

g00540240

WORK TOOLS

305-1751 ADJUSTER GP-BUCKET-UB/WB/HB/JB-FAMILY

S/N: MMA1-UP

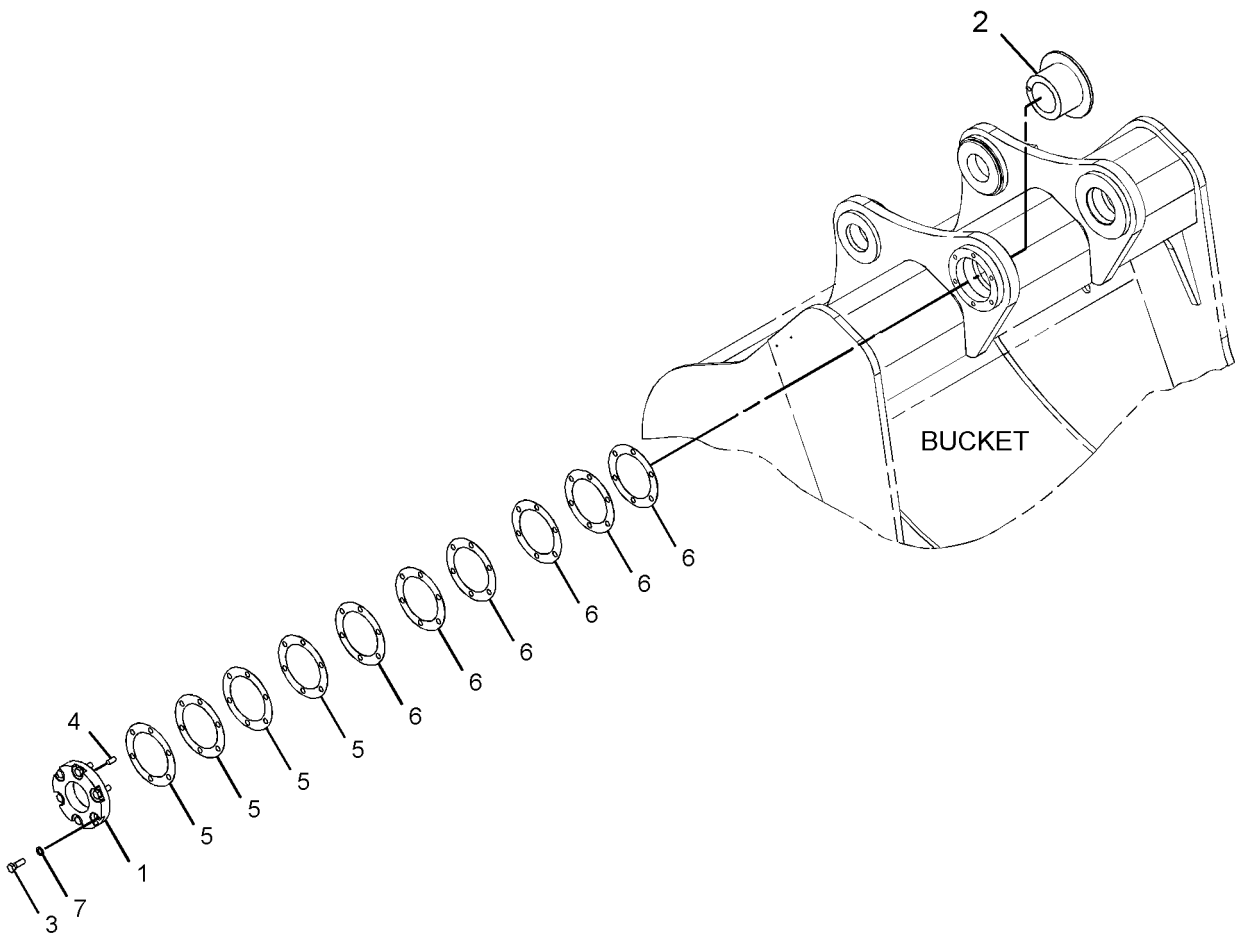
PART OF 324-6200 BUCKET & ADJUSTER GP
AN ATTACHMENT

SMCS-6513, 6700

i03132542

NOTE	REF NO	GRAPHIC REF	PART NUMBER	QTY	PART NAME						SEE PAGE
					1	2	3	4	5	6 (PRODUCT LEVEL)	
	1	1	158-3960	1	PLATE						
	2	1	282-4740	1	FLANGE						
M	3	1	7X-2563	6	BOLT (M20X2.5X60-MM)						
	4	1	7Y-7828	1	PIN						
B	5	1	7Y-7829	4	SHIM (0.5-MM THK)						
B	6	1	7Y-7830	6	SHIM (1-MM THK)						
	7	1	8T-4123	6	WASHER (22X35X3.5-MM THK)						

B-USE AS REQUIRED
M-METRIC PART



GRAPHIC #1

<END>

g01627667

WORK TOOLS

241-6609 BOWL GP

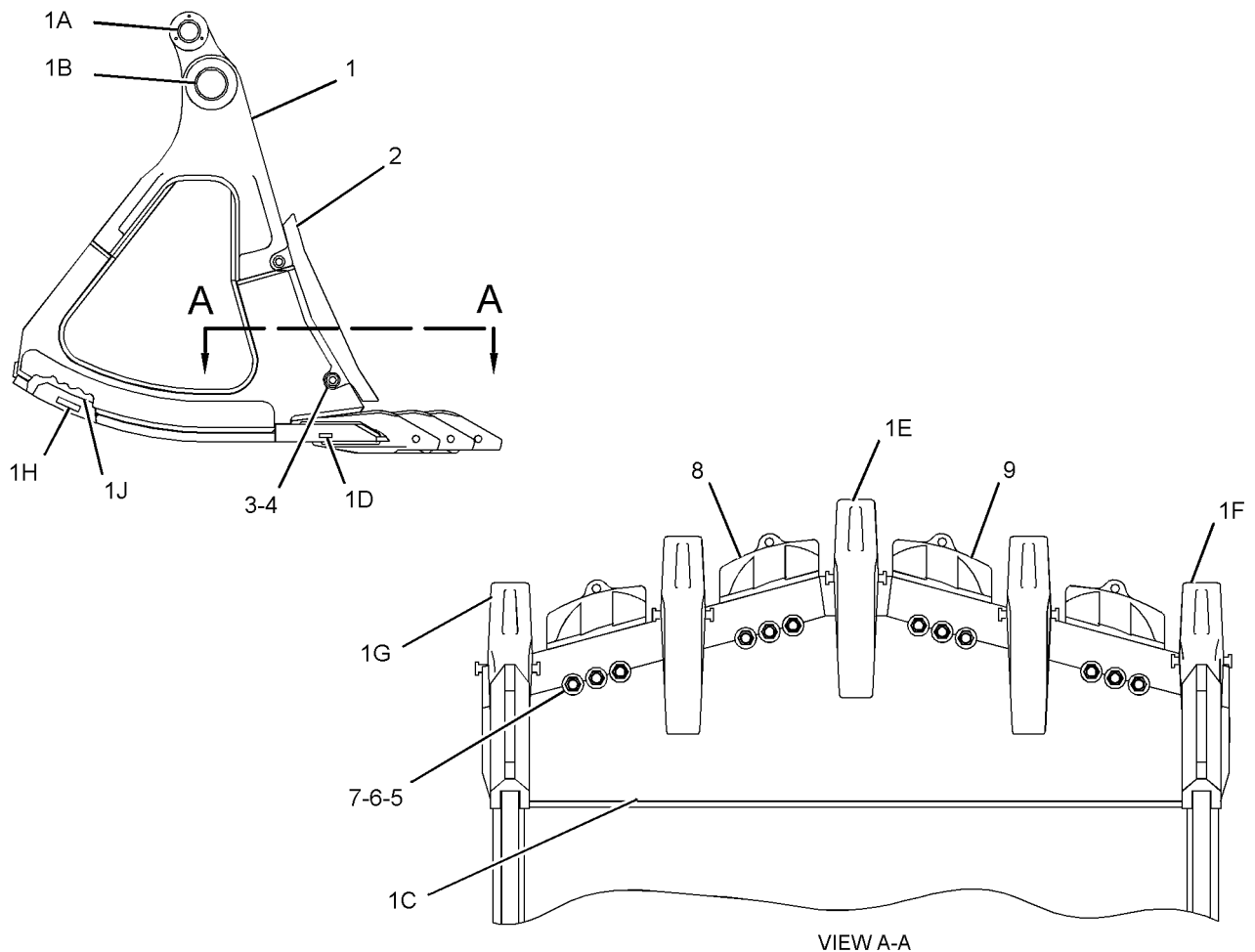
S/N: MMA1-UP

PART OF 241-6608 BUCKET GP-FRONT SHOVEL
AN ATTACHMENT

SMCS-6001, 6514, 6517

i02365186

NOTE	REF NO	GRAPHIC REF	PART NUMBER	QTY	PART NAME						SEE PAGE
					1	2	3	4	5	6 (PRODUCT LEVEL)	
	1	1	241-6610	1	BOWL & BEARING AS						
	1A	1	4E-9374	4	BEARING (106.2-MM OD)						
	1B	1	4E-9376	2	BEARING (154.27-MM OD)						
	1C	1	235-4949	1	EDGE AS						
	1D	1	8P-9770	1	PLATE						
	1E	1	171-1704	1	ADAPTER-TIP (J-700, 2-STRAP, CENTER)						
	1F	1	171-1705	2	ADAPTER-TIP (RH)						
	1G	1	171-1706	2	ADAPTER-TIP (LH)						
	1H	1	241-6615	6	PLATE-WEAR						
	1J	1	241-6620	10	PLATE-WEAR						
2	1	1	125-0800	2	PROTECTOR-SIDE BAR						
3	1	1	8E-4708	4	PIN						
4	1	1	4T-4707	4	RETAINER						
5	1	1	6V-8360	12	BOLT-PLOW (1-1/4-7X4.53-IN)						
6	1	1	4K-0684	12	WASHER-HARD (34X55X6-MM THK)						
7	1	1	3K-9770	12	NUT-FULL (1-1/4-7-THD)						
8	1	1	109-9082	2	EDGE-SEGMENT (RH)						
9	1	1	109-9081	2	EDGE-SEGMENT (LH)						



GRAPHIC #1

<END>

g01183308

WORK TOOLS

241-6626 BOWL GP

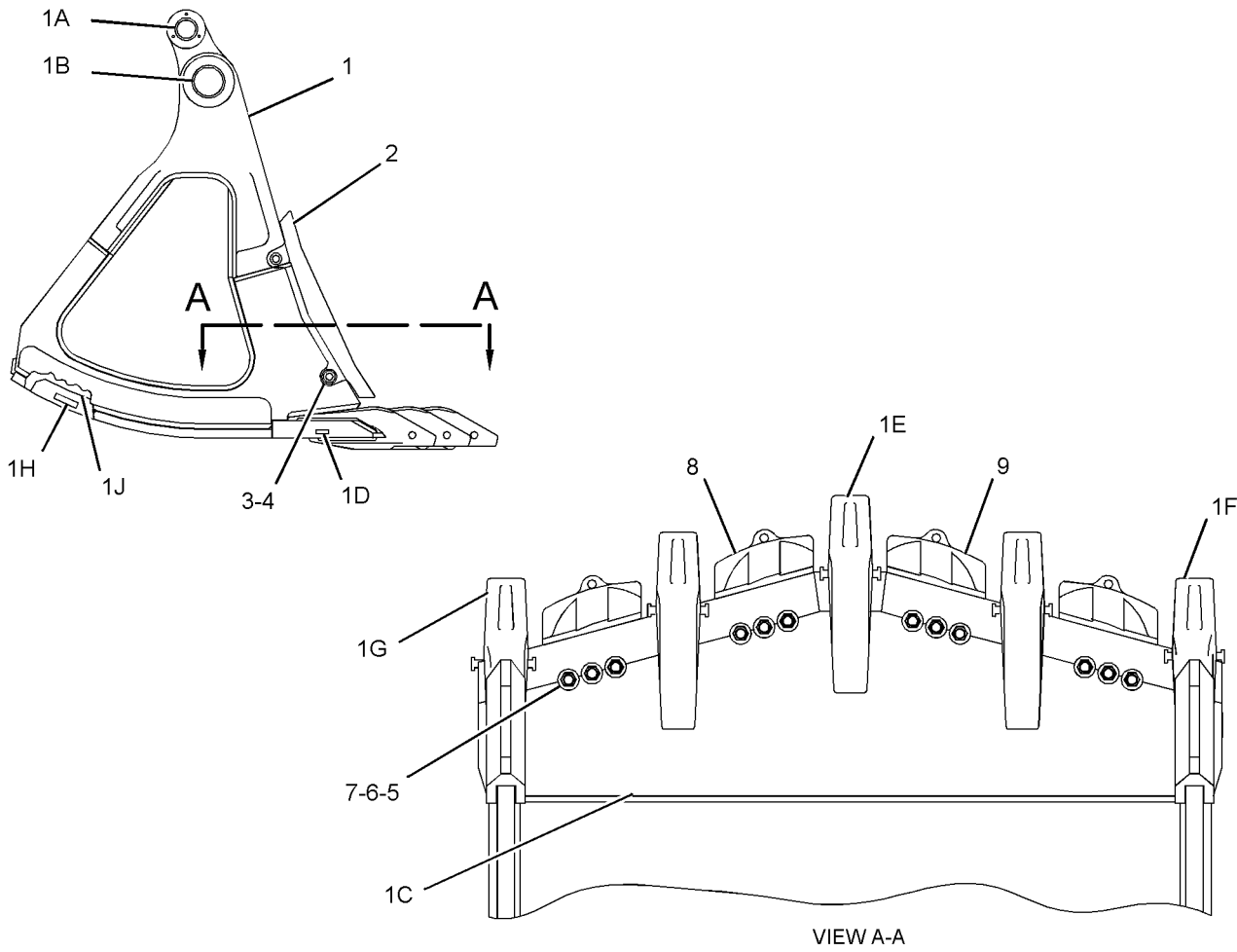
S/N: MMA1-UP

PART OF 241-6625 BUCKET GP-FRONT SHOVEL
AN ATTACHMENT

SMCS-6001, 6514, 6517

i03129860

NOTE	REF NO	GRAPHIC REF	PART NUMBER	QTY	PART NAME						SEE PAGE
					1	2	3	4	5	6 (PRODUCT LEVEL)	
	1	1	241-6627	1	BOWL & BEARING AS						
	1A	1	4E-9374	4	BEARING (106.2-MM OD)						
	1B	1	4E-9376	2	BEARING (154.27-MM OD)						
	1C	1	235-4949	1	EDGE AS						
	1D	1	8P-9770	1	PLATE						
	1E	1	171-1704	1	ADAPTER-TIP (J-700, 2-STRAP, CENTER)						
	1F	1	171-1705	2	ADAPTER-TIP (RH)						
	1G	1	171-1706	2	ADAPTER-TIP (LH)						
	1H	1	241-6615	5	PLATE-WEAR						
	1J	1	241-6635	10	PLATE-WEAR						
	2	1	125-0800	2	PROTECTOR-SIDE BAR						
	3	1	8E-4708	4	PIN						
	4	1	4T-4707	4	RETAINER						
	5	1	6V-8360	12	BOLT-PLOW (1-1/4-7X4.53-IN)						
	6	1	4K-0684	12	WASHER-HARD (34X55X6-MM THK)						
	7	1	3K-9770	12	NUT-FULL (1-1/4-7-THD)						
	8	1	109-9082	2	EDGE-SEGMENT (RH)						
	9	1	109-9081	2	EDGE-SEGMENT (LH)						



GRAPHIC #1

<END>

g01183308

WORK TOOLS

260-1089 BUCKET & ADJUSTER GP-EXCAVATION, JB-FAMILY

S/N: MMA1-UP

2250-MM (88.6-IN) WIDE X 5.8-CU M (7.6-CU YD) CAPACITY. K-170 ADAPTERS, (4X)
PART OF 342-9525 BUCKET AR-EXCAVATION
AN ATTACHMENT

SMCS-6503, 6513

i02954336

NOTE	PART NUMBER	QTY	PART NAME						SEE PAGE
			1	2	3	4	5	6 (PRODUCT LEVEL)	
Y	7Y-3477	1	ADJUSTER GP-BUCKET (UB/WB/HB/JB-FAMILY)						937
Y	260-1114	1	BUCKET AS-EXCAVATION (JB-FAMILY)						957
	2C-9259	2	PLATE-IDENTIFICATION (CAT)						
Y-SEPARATE ILLUSTRATION									
<END>									

260-1090 BUCKET & ADJUSTER GP- EXTREME EXCAVATION, JB-FAMILY

S/N: MMA1-UP

2150-MM (84.6-IN) WIDE X 5.5-CU M (7.2-CU YD) CAPACITY. K-170 ADAPTERS, (4X)
AN ATTACHMENT

SMCS-6503, 6513

i02954328

NOTE	PART NUMBER	QTY	PART NAME						SEE PAGE
			1	2	3	4	5	6 (PRODUCT LEVEL)	
Y	7Y-3477	1	ADJUSTER GP-BUCKET (UB/WB/HB/JB-FAMILY)						937
Y	260-1115	1	BUCKET AS-EXTREME EXCAVATION (JB-FAMILY)						961
	2C-9259	2	PLATE-IDENTIFICATION (CAT)						
Y-SEPARATE ILLUSTRATION									
<END>									

260-1091 BUCKET & ADJUSTER GP- EXTREME EXCAVATION, JB-FAMILY

S/N: MMA1-UP

2250-MM (88.6-IN) WIDE X 5.8-CU M (7.6-CU YD) CAPACITY. K-170 ADAPTERS, (4X)
AN ATTACHMENT

SMCS-6503, 6513

i02954354

NOTE	PART NUMBER	QTY	PART NAME						SEE PAGE
			1	2	3	4	5	6 (PRODUCT LEVEL)	
Y	7Y-3477	1	ADJUSTER GP-BUCKET (UB/WB/HB/JB-FAMILY)						937
Y	260-1116	1	BUCKET AS-EXTREME EXCAVATION (JB-FAMILY)						962
	2C-9259	2	PLATE-IDENTIFICATION (CAT)						
Y-SEPARATE ILLUSTRATION									
<END>									

WORK TOOLS

260-1092 BUCKET & ADJUSTER GP-ROCK, JB-FAMILY

S/N: MMA1-UP

1900-MM (74.8-IN) WIDE X 4.8-CU M (6.3-CU YD) CAPACITY. K-170 ADAPTERS, (4X)
PART OF 342-9526 BUCKET AR-ROCK
AN ATTACHMENT

SMCS-6503, 6513

i02954330

NOTE	PART NUMBER	QTY	PART NAME						SEE PAGE
			1	2	3	4	5	6 (PRODUCT LEVEL)	
Y	7Y-3477	1	ADJUSTER GP-BUCKET (UB/WB/HB/JB-FAMILY)						937
Y	260-1117	1	BUCKET AS-ROCK (JB-FAMILY)						969
	2C-9259	2	PLATE-IDENTIFICATION (CAT)						

Y-SEPARATE ILLUSTRATION

<END>

260-1093 BUCKET & ADJUSTER GP-ROCK, JB-FAMILY

S/N: MMA1-UP

2000-MM (78.7-IN) WIDE X 5.2-CU M (6.8-CU YD) CAPACITY. K-170 ADAPTERS, (4X)
PART OF 342-9527 BUCKET AR-ROCK
AN ATTACHMENT

SMCS-6503, 6513

i02954348

NOTE	PART NUMBER	QTY	PART NAME						SEE PAGE
			1	2	3	4	5	6 (PRODUCT LEVEL)	
Y	7Y-3477	1	ADJUSTER GP-BUCKET (UB/WB/HB/JB-FAMILY)						937
Y	260-1118	1	BUCKET AS-ROCK (JB-FAMILY)						970
	2C-9259	2	PLATE-IDENTIFICATION (CAT)						

Y-SEPARATE ILLUSTRATION

<END>

260-1094 BUCKET & ADJUSTER GP-ROCK, JB-FAMILY

S/N: MMA1-UP

2150-MM (84.6-IN) WIDE X 5.6-CU M (7.3-CU YD) CAPACITY. K-170 ADAPTERS, (5X)
AN ATTACHMENT

SMCS-6503, 6513

i02954347

NOTE	PART NUMBER	QTY	PART NAME						SEE PAGE
			1	2	3	4	5	6 (PRODUCT LEVEL)	
Y	7Y-3477	1	ADJUSTER GP-BUCKET (UB/WB/HB/JB-FAMILY)						937
Y	260-1119	1	BUCKET AS-ROCK (JB-FAMILY)						971
	2C-9259	2	PLATE-IDENTIFICATION (CAT)						

Y-SEPARATE ILLUSTRATION

<END>

WORK TOOLS

260-1095 BUCKET & ADJUSTER GP-ROCK, JB-FAMILY

S/N: MMA1-UP

2250-MM (88.6-IN) WIDE X 6-CU M (7.8-CU YD) CAPACITY. K-170 ADAPTERS, (5X)
AN ATTACHMENT

SMCS-6503, 6513

i02954332

NOTE	PART NUMBER	QTY	PART NAME						SEE PAGE
			1	2	3	4	5	6 (PRODUCT LEVEL)	
Y	7Y-3477	1	ADJUSTER GP-BUCKET (UB/WB/HB/JB-FAMILY)						937
Y	260-1120	1	BUCKET AS-ROCK (JB-FAMILY)						972
	2C-9259	2	PLATE-IDENTIFICATION (CAT)						
Y-SEPARATE ILLUSTRATION									

<END>

WORK TOOLS

260-1096 BUCKET & ADJUSTER GP- HEAVY-DUTY ROCK, JB-FAMILY

S/N: MMA1-UP

2000-MM (78.7-IN) WIDE X 5.2-CU M (6.8-CU YD) CAPACITY.

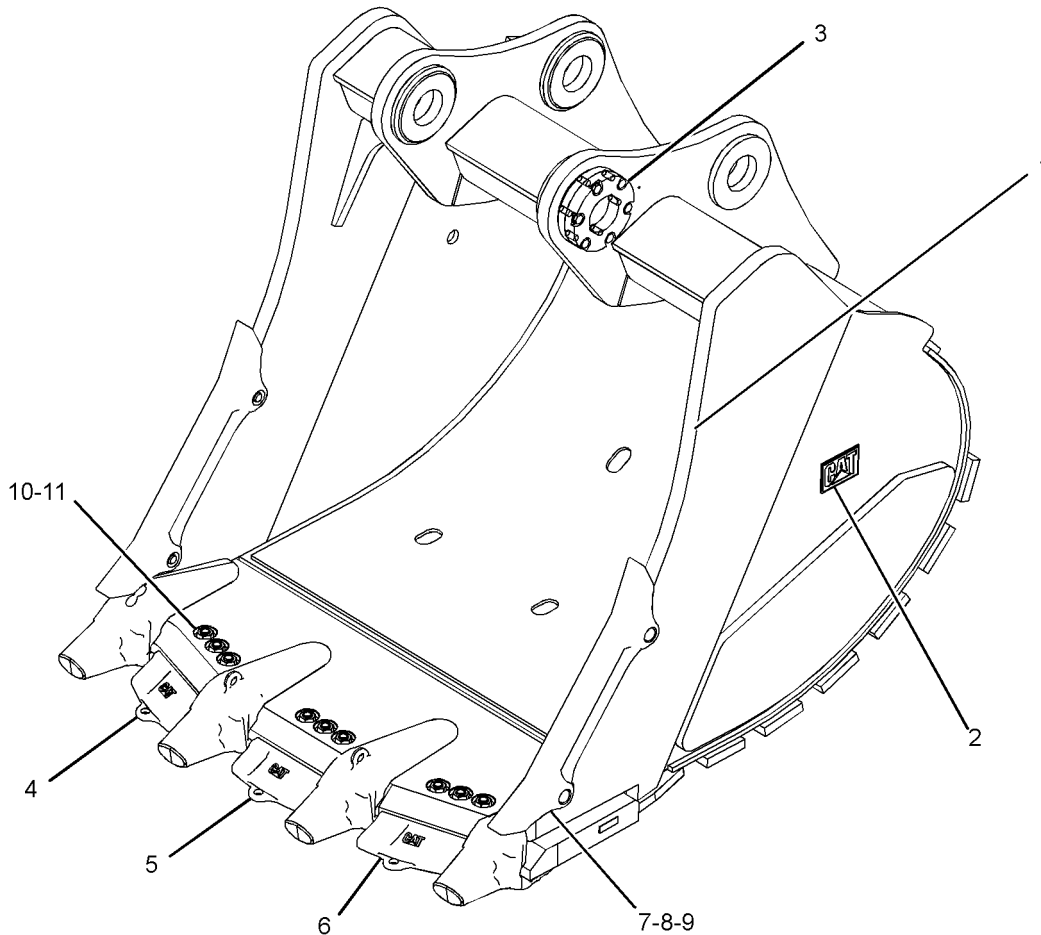
K-170 ADAPTERS, QTY OF 4
AN ATTACHMENT

SMCS-6503, 6513

i03447580

NOTE	REF NO	GRAPHIC REF	PART NUMBER	QTY	PART NAME						SEE PAGE
					1	2	3	4	5	6 (PRODUCT LEVEL)	
Y	1		260-1121	1	BUCKET AS-HEAVY DUTY ROCK						966
	2	1	2C-9259	2	PLATE-IDENTIFICATION (CAT)						
Y	3	1	7Y-3477	1	ADJUSTER GP-BUCKET (UB/WB/HB/JB-FAMILY)						937
	4	1	109-9081	1	EDGE-SEGMENT (LH)						
	5	1	109-9080	1	EDGE-SEGMENT (CENTER)						
	6	1	109-9082	1	EDGE-SEGMENT (RH)						
	7	1	125-0800	2	PROTECTOR-SIDE BAR						
	8	1	4T-4707	4	RETAINER						
	9	1	8E-4708	4	PIN						
	10	1	3K-9770	9	NUT-FULL (1-1/4-7-THD)						
	11	1	5P-8361	9	BOLT-PLOW (1-1/4-7X4.92-IN)						

Y-SEPARATE ILLUSTRATION



GRAPHIC #1

<END>

g01799344

WORK TOOLS

260-1097 BUCKET & ADJUSTER GP- HEAVY-DUTY ROCK, JB-FAMILY

S/N: MMA1-UP

2150-MM (84.6-IN) WIDE X 5.6-CU M (7.3-CU YD) CAPACITY.

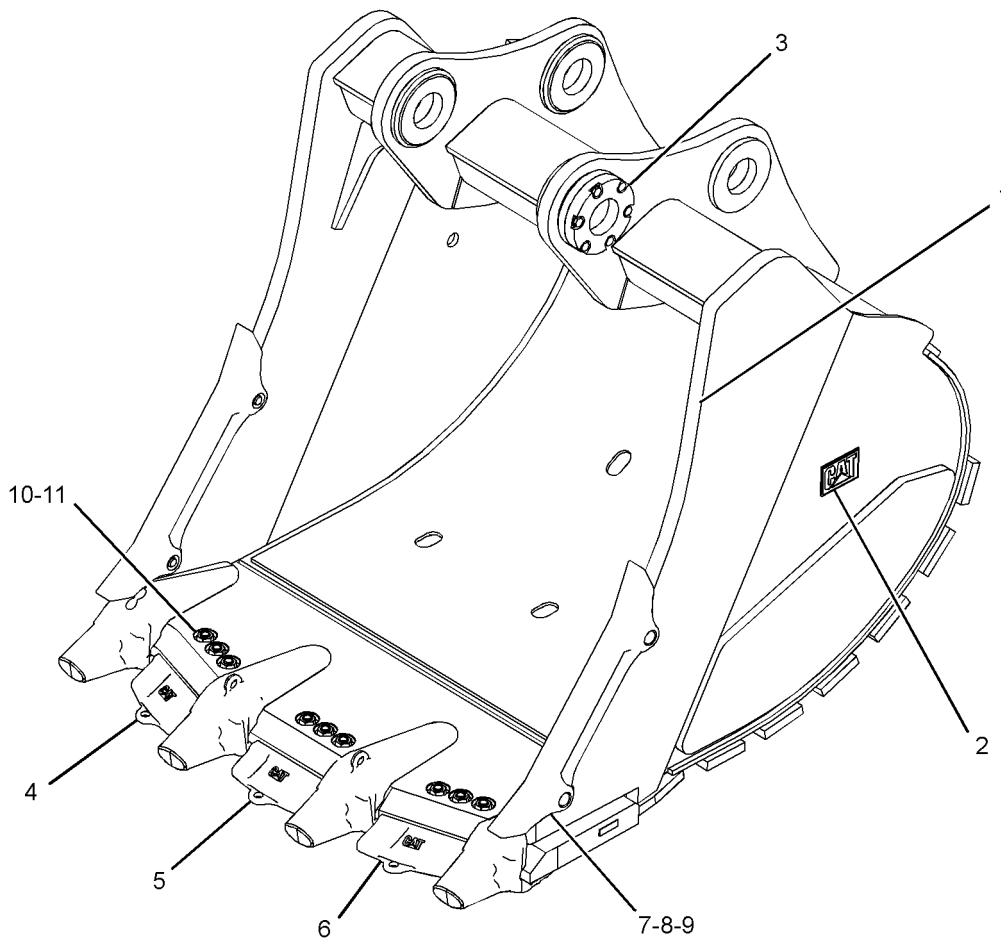
K-170 ADAPTERS, QTY OF 4
AN ATTACHMENT

SMCS-6503, 6513

i03447581

NOTE	REF NO	GRAPHIC REF	PART NUMBER	QTY	PART NAME						SEE PAGE
					1	2	3	4	5	6 (PRODUCT LEVEL)	
Y	1	1	260-1122	1	BUCKET AS-HEAVY DUTY ROCK						967
	2	1	2C-9259	2	PLATE-IDENTIFICATION (CAT)						
Y	3	1	7Y-3477	1	ADJUSTER GP-BUCKET (UB/WB/HB/JB-FAMILY)						937
	4	1	109-9081	1	EDGE-SEGMENT (LH)						
	5	1	109-9080	1	EDGE-SEGMENT (CENTER)						
	6	1	109-9082	1	EDGE-SEGMENT (RH)						
	7	1	125-0800	2	PROTECTOR-SIDE BAR						
	8	1	4T-4707	4	RETAINER						
	9	1	8E-4708	4	PIN						
	10	1	3K-9770	9	NUT-FULL (1-1/4-7-THD)						
	11	1	5P-8361	9	BOLT-PLOW (1-1/4-7X4.92-IN)						

Y-SEPARATE ILLUSTRATION



GRAPHIC #1

<END>

g01799267

WORK TOOLS

260-1098 BUCKET & ADJUSTER GP-QUICK COUPLER

S/N: MMA1-UP

1900-MM (74.8-IN) WIDE X 4.8-CU M (6.3-CU YD) CAPACITY.

K-170 ADAPTERS, QTY OF 4

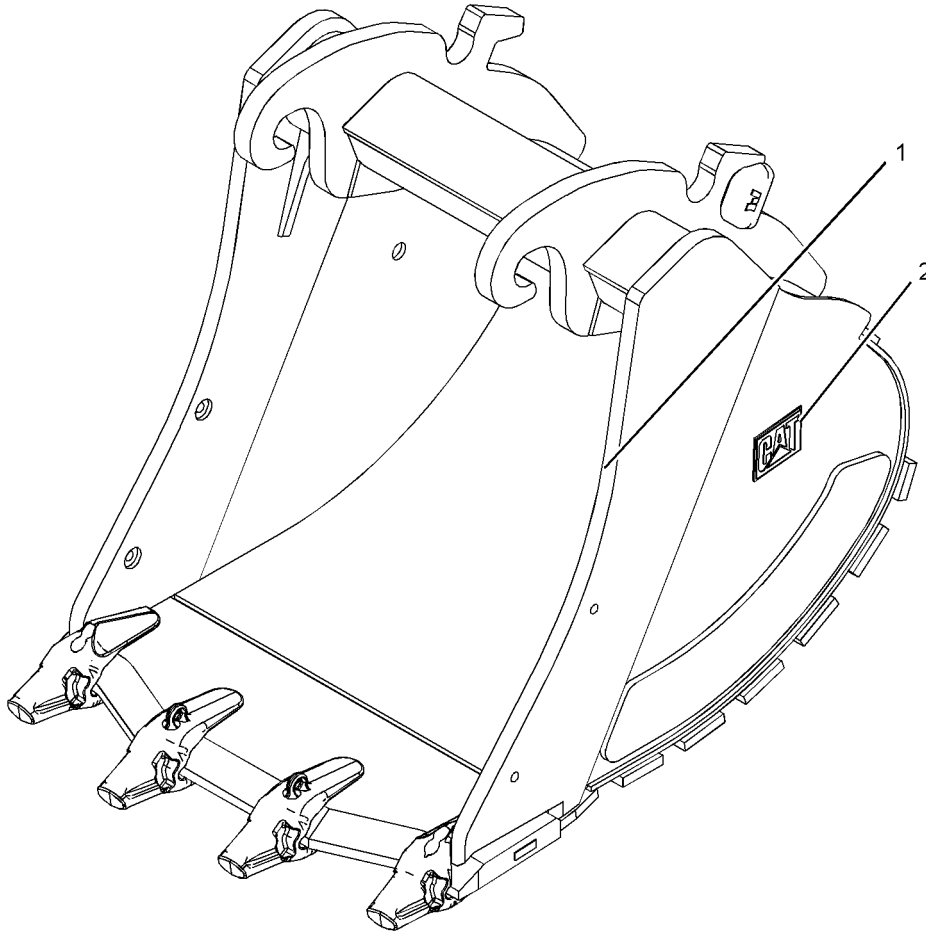
FOR USE WITH CW-70 QUICK COUPLER
AN ATTACHMENT

SMCS-6503, 6513

i03447582

NOTE	REF NO	GRAPHIC REF	PART NUMBER	QTY	PART NAME						SEE PAGE
					1	2	3	4	5	6 (PRODUCT LEVEL)	
Y	1	1	260-1123	1	BUCKET AS-ROCK						973
	2	1	2C-9259	2	PLATE-IDENTIFICATION (CAT)						

Y-SEPARATE ILLUSTRATION



GRAPHIC #1

<END>

g01799502

WORK TOOLS

260-1099 BUCKET & ADJUSTER GP-QUICK COUPLER

S/N: MMA1-UP

2000-MM (78.7-IN) WIDE X 5.2-CU M (6.8-CU YD) CAPACITY.

K-170 ADAPTERS, QTY OF 4

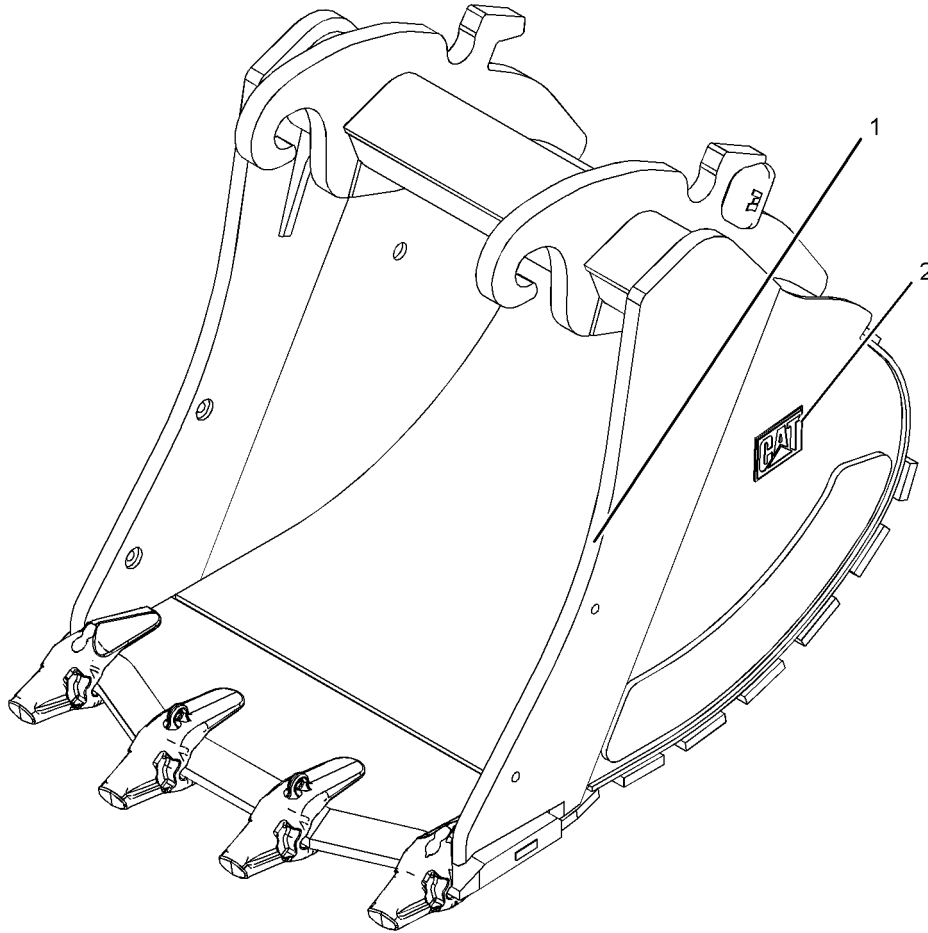
FOR USE WITH CW-70 QUICK COUPLER
AN ATTACHMENT

SMCS-6503, 6513

i03447583

NOTE	REF NO	GRAPHIC REF	PART NUMBER	QTY	PART NAME						SEE PAGE
					1	2	3	4	5	6 (PRODUCT LEVEL)	
Y	1	1	260-1124	1	BUCKET AS-ROCK						974
	2	1	2C-9259	2	PLATE-IDENTIFICATION (CAT)						

Y-SEPARATE ILLUSTRATION



GRAPHIC #1

<END>

g01800436

WORK TOOLS

265-7642 BUCKET & ADJUSTER GP-EXCAVATION, HB-FAMILY

S/N: MMA1-UP

1350-MM (53-IN) WIDE X 2.6-CU M (3.4-CU YD) CAPACITY. K-150 ADAPTERS, (3X)
AN ATTACHMENT

SMCS-6503, 6513

i02954337

NOTE	PART NUMBER	QTY	PART NAME						SEE PAGE
			1	2	3	4	5	6 (PRODUCT LEVEL)	
Y	7Y-3477	1	ADJUSTER GP-BUCKET (UB/WB/HB/JB-FAMILY)						937
Y	266-6563	1	BUCKET AS-EXCAVATION (HB-FAMILY)						958
	2C-9259	2	PLATE-IDENTIFICATION (CAT)						

Y-SEPARATE ILLUSTRATION

<END>

265-7643 BUCKET & ADJUSTER GP-EXCAVATION, HB-FAMILY

S/N: MMA1-UP

1750-MM (69-IN) WIDE X 3.5-CU M (4.6-CU YD) CAPACITY. K-150 ADAPTERS, (3X)
AN ATTACHMENT

SMCS-6503, 6513

i02954350

NOTE	PART NUMBER	QTY	PART NAME						SEE PAGE
			1	2	3	4	5	6 (PRODUCT LEVEL)	
Y	7Y-3477	1	ADJUSTER GP-BUCKET (UB/WB/HB/JB-FAMILY)						937
Y	266-6567	1	BUCKET AS-EXCAVATION (HB-FAMILY)						960
	2C-9259	2	PLATE-IDENTIFICATION (CAT)						

Y-SEPARATE ILLUSTRATION

<END>

265-7671 BUCKET & ADJUSTER GP- EXTREME EXCAVATION, JB-FAMILY

S/N: MMA1-UP

1600-MM (63-IN) WIDE X 3.8-CU M (5-CU YD) CAPACITY. K-170 ADAPTERS, (3X)
AN ATTACHMENT

SMCS-6503, 6513

i03649929

NOTE	PART NUMBER	QTY	PART NAME						SEE PAGE
			1	2	3	4	5	6 (PRODUCT LEVEL)	
Y	7Y-3477	1	ADJUSTER GP-BUCKET (UB/WB/HB/JB-FAMILY)						937
Y	270-3713	1	BUCKET AS-EXTREME EXCAVATION						963
	2C-9259	2	PLATE-IDENTIFICATION (CAT)						

Y-SEPARATE ILLUSTRATION

<END>

WORK TOOLS

266-6513 BUCKET & ADJUSTER GP-EXCAVATION, HB-FAMILY

S/N: MMA1-UP

1150-MM (45-IN) WIDE X 2-CU M (2.6-CU YD) CAPACITY . K-150 ADAPTERS, (3X)
AN ATTACHMENT

SMCS-6503, 6513

i02954352

NOTE	PART NUMBER	QTY	PART NAME 1 2 3 4 5 6 (PRODUCT LEVEL)	SEE PAGE
Y	7Y-3477	1	ADJUSTER GP-BUCKET (UB/WB/HB/JB-FAMILY)	937
Y	266-6566	1	BUCKET AS-EXCAVATION (HB-FAMILY)	959
	2C-9259	2	PLATE-IDENTIFICATION (CAT)	
Y-SEPARATE ILLUSTRATION				

<END>

WORK TOOLS

266-6515 BUCKET & ADJUSTER GP- HEAVY-DUTY ROCK, JB-FAMILY

S/N: MMA1-UP

1900-MM (75-IN) WIDE X 4.8-CU M (6.3-CU YD) CAPACITY.

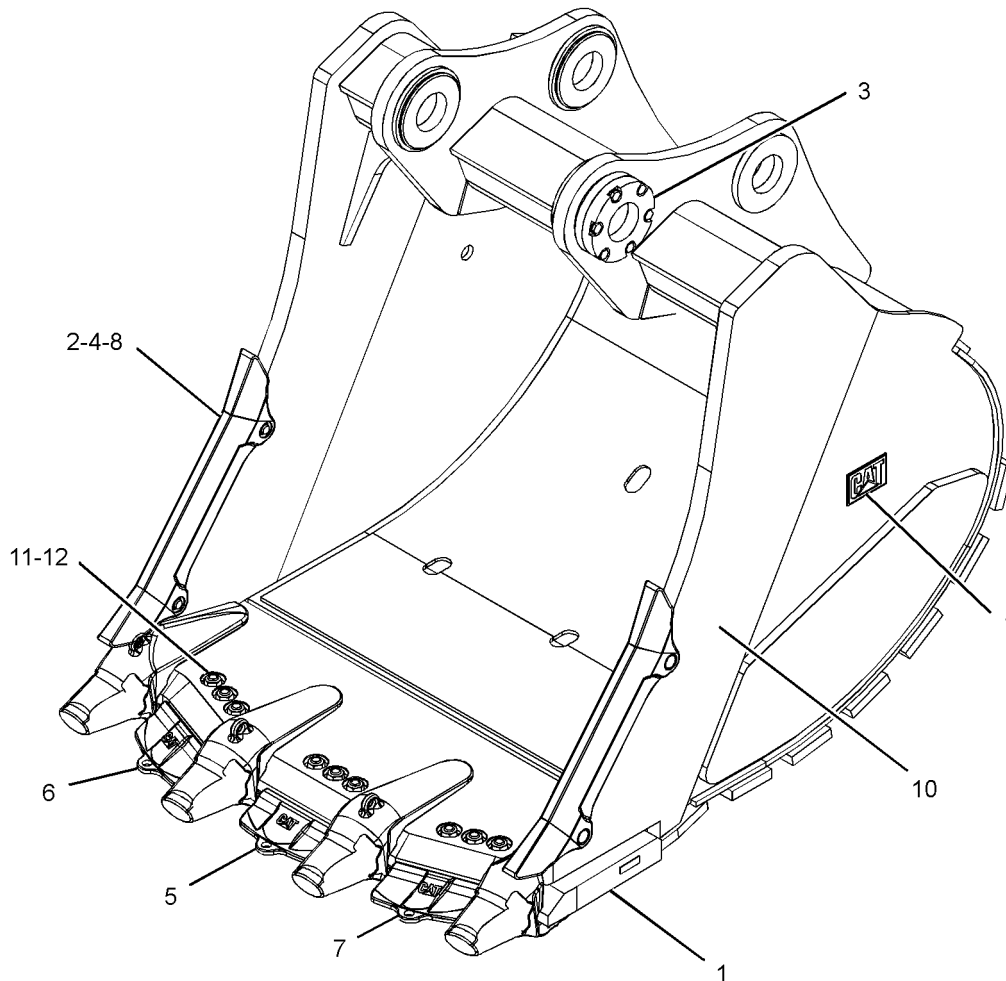
K-170 ADAPTERS, QTY OF 4
AN ATTACHMENT

SMCS-6503, 6513

i03447587

NOTE	REF NO	GRAPHIC REF	PART NUMBER	QTY	PART NAME						SEE PAGE
					1	2	3	4	5	6 (PRODUCT LEVEL)	
	1	1	2C-9259	2	PLATE-IDENTIFICATION (CAT)						
	2	1	4T-4707	4	RETAINER						
Y	3	1	7Y-3477	1	ADJUSTER GP-BUCKET (UB/WB/HB/JB-FAMILY)						937
	4	1	8E-4708	4	PIN						
	5	1	116-7460	1	EDGE-SEGMENT (CENTER)						
	6	1	116-7461	1	EDGE-SEGMENT (LH)						
	7	1	116-7462	1	EDGE-SEGMENT (RH)						
	8	1	125-0800	2	PROTECTOR-SIDE BAR						
Y	10	1	270-3712	1	BUCKET AS-HEAVY DUTY ROCK						968
	11	1	3K-9770	9	NUT-FULL (1-1/4-7-THD)						
	12	1	5P-8361	9	BOLT-PLOW (1-1/4-7X4.92-IN)						

Y-SEPARATE ILLUSTRATION



GRAPHIC #1

<END>

g01796556

WORK TOOLS

298-0000 BUCKET & ADJUSTER GP-JB-FAMILY

S/N: MMA1-UP
 2464-MM (97-IN) WIDE X 6.5-CU M (8.5-CU YD) CAPACITY.
 K-170 ADAPTERS, QTY OF 4
 AN ATTACHMENT

SMCS-6503, 6513

i03649738

NOTE	PART NUMBER	QTY	PART NAME						SEE PAGE
			1	2	3	4	5	6 (PRODUCT LEVEL)	
Y	7Y-3477	1	ADJUSTER GP-BUCKET (UB/WB/HB/JB-FAMILY)						937
Y	298-0001	1	BUCKET AS-GENERAL PURPOSE						965
	2C-9259	2	PLATE-IDENTIFICATION (CAT)						
Y-SEPARATE ILLUSTRATION									
<END>									

324-6200 BUCKET & ADJUSTER GP-

EXTREME SERVICE ROCK, JB-FAMILY

S/N: MMA1-UP
 2150-MM (84.7-IN) WIDE X 5.5-CU M (7.2-CU YD) CAPACITY. K-170 ADAPTERS, (5X)
 AN ATTACHMENT

SMCS-6503, 6513

i03132521

NOTE	PART NUMBER	QTY	PART NAME						SEE PAGE
			1	2	3	4	5	6 (PRODUCT LEVEL)	
Y	305-1751	1	ADJUSTER GP-BUCKET						938
Y	325-1007	1	BUCKET AS-EXTREME SERVICE ROCK						964
	282-4751	1	FLANGE						
	2C-9259	2	PLATE-IDENTIFICATION (CAT)						
Y-SEPARATE ILLUSTRATION									
<END>									

342-9525 BUCKET AR-EXCAVATION-JB-FAMILY

S/N: MMA1-UP
 2250-MM (89-IN) WIDE X 5.8-CU M (7.6-CU YD) CAPACITY.
 K-170 ADAPTERS, QTY OF 4
 AN ATTACHMENT

SMCS-6523

i03537515

NOTE	PART NUMBER	QTY	PART NAME						SEE PAGE
			1	2	3	4	5	6 (PRODUCT LEVEL)	
Y	260-1089	1	BUCKET & ADJUSTER GP (EXCAVATION, JB-FAMILY)						941
Y	232-0073	4	TIP GP-PENETRATION PLUS (K-170)						1026
Y-SEPARATE ILLUSTRATION									
<END>									

WORK TOOLS

220-1594 BUCKET AR-FRONT SHOVEL-HEAVY-DUTY

S/N: MMA1-UP
4.6-CU M (6.0-CU YD) CAPACITY
AN ATTACHMENT

SMCS-6514

i02535448

NOTE	PART NUMBER	QTY	PART NAME						SEE PAGE
			1	2	3	4	5	6 (PRODUCT LEVEL)	
Y	220-1595	1	BUCKET GP-FRONT SHOVEL (HEAVY-DUTY)						975
Y	121-1512	2	CYLINDER & SEAL GP-BUCKET						629
Y	184-9173	1	LINES GP-BUCKET (BOTTOM DUMP)						690
Y	9U-1373	1	MOUNTING GP-CYLINDER (BOTTOM DUMP)						819

Y-SEPARATE ILLUSTRATION

<END>

235-4944 BUCKET AR-FRONT SHOVEL-ROCK

S/N: MMA1-UP
2760-MM (109-IN) WIDE X 5.7-CU M (7.5-CU YD) CAPACITY
AN ATTACHMENT

SMCS-6514

i02226058

NOTE	PART NUMBER	QTY	PART NAME						SEE PAGE
			1	2	3	4	5	6 (PRODUCT LEVEL)	
Y	235-4945	1	BUCKET GP-FRONT SHOVEL (ROCK)						977
Y	121-1512	2	CYLINDER & SEAL GP-BUCKET						629
Y	235-4908	1	LINES GP-BUCKET (BOTTOM DUMP)						694
Y	9U-1373	1	MOUNTING GP-CYLINDER (BOTTOM DUMP)						819
			-OR-						
Y	241-6653	1	MOUNTING GP-CYLINDER						820

Y-SEPARATE ILLUSTRATION

<END>

241-6607 BUCKET AR-FRONT SHOVEL-HEAVY-DUTY ROCK

S/N: MMA1-UP
2760-MM (109-IN) WIDE X 5.7-CU M (7.5-CU YD) CAPACITY
AN ATTACHMENT

SMCS-6514

i02226294

NOTE	PART NUMBER	QTY	PART NAME						SEE PAGE
			1	2	3	4	5	6 (PRODUCT LEVEL)	
Y	241-6608	1	BUCKET GP-FRONT SHOVEL (HEAVY-DUTY ROCK)						979
Y	121-1512	2	CYLINDER & SEAL GP-BUCKET						629
Y	235-4908	1	LINES GP-BUCKET (BOTTOM DUMP)						694
Y	241-6653	1	MOUNTING GP-CYLINDER						820

Y-SEPARATE ILLUSTRATION

<END>

WORK TOOLS

241-6624 BUCKET AR-FRONT SHOVEL-HEAVY-DUTY ROCK

S/N: MMA1-UP
2760-MM (109-IN) WIDE X 5.2-CU M (6.8-CU YD) CAPACITY
AN ATTACHMENT

SMCS-6514

i02226290

NOTE	PART NUMBER	QTY	PART NAME						SEE PAGE
			1	2	3	4	5	6 (PRODUCT LEVEL)	
Y	241-6625	1	BUCKET GP-FRONT SHOVEL (HEAVY-DUTY ROCK)						981
Y	121-1512	2	CYLINDER & SEAL GP-BUCKET						629
Y	235-4908	1	LINES GP-BUCKET (BOTTOM DUMP)						694
Y	241-6653	1	MOUNTING GP-CYLINDER						820

Y-SEPARATE ILLUSTRATION

<END>

241-6640 BUCKET AR-FRONT SHOVEL-ROCK, SPILL PLATE

S/N: MMA1-UP
2760-MM (109-IN) WIDE X 5.7-CU M (7.5-CU YD) CAPACITY
AN ATTACHMENT

SMCS-6514

i02156082

NOTE	PART NUMBER	QTY	PART NAME						SEE PAGE
			1	2	3	4	5	6 (PRODUCT LEVEL)	
Y	241-6641	1	BUCKET GP-FRONT SHOVEL (ROCK)						983
Y	121-1512	2	CYLINDER & SEAL GP-BUCKET						629
Y	235-4908	1	LINES GP-BUCKET (BOTTOM DUMP)						694
Y	241-6653	1	MOUNTING GP-CYLINDER						820
M	136-0155	2	SETSCREW (M4X0.7X8-MM)						

M-METRIC PART

Y-SEPARATE ILLUSTRATION

<END>

267-5384 BUCKET AR-FRONT SHOVEL-HEAVY-DUTY

S/N: MMA1-UP
4.6-CU M (6.0-CU YD) CAPACITY
AN ATTACHMENT

SMCS-6514

i02364522

NOTE	PART NUMBER	QTY	PART NAME						SEE PAGE
			1	2	3	4	5	6 (PRODUCT LEVEL)	
Y	267-5385	1	BUCKET GP-FRONT SHOVEL (HEAVY-DUTY)						985
Y	121-1512	2	CYLINDER & SEAL GP-BUCKET						629
Y	184-9173	1	LINES GP-BUCKET (BOTTOM DUMP)						690
Y	9U-1373	1	MOUNTING GP-CYLINDER (BOTTOM DUMP)						819

Y-SEPARATE ILLUSTRATION

<END>

WORK TOOLS

267-5394 BUCKET AR-FRONT SHOVEL-ROCK, C-FAMILY

S/N: MMA1-UP
5.7-CU M (7.5-CU YD) CAPACITY
AN ATTACHMENT

SMCS-6514

i02364526

NOTE	PART NUMBER	QTY	PART NAME						SEE PAGE
			1	2	3	4	5	6 (PRODUCT LEVEL)	
Y	267-5395	1	BUCKET GP-FRONT SHOVEL (ROCK)						989
Y	121-1512	2	CYLINDER & SEAL GP-BUCKET						629
Y	235-4908	1	LINES GP-BUCKET (BOTTOM DUMP)						694
Y	241-6653	1	MOUNTING GP-CYLINDER						820
	168-8672	1	PLATE-SERIAL NUMBER						
M	136-0155	2	SETSCREW (M4X0.7X8-MM)						
M-METRIC PART Y-SEPARATE ILLUSTRATION									

<END>

267-5408 BUCKET AR-FRONT SHOVEL- HEAVY-DUTY ROCK, C-FAMILY

S/N: MMA1-UP
5.7-CU M (7.5-CU YD) CAPACITY
AN ATTACHMENT

SMCS-6514

i02364563

NOTE	PART NUMBER	QTY	PART NAME						SEE PAGE
			1	2	3	4	5	6 (PRODUCT LEVEL)	
Y	267-5409	1	BUCKET GP-FRONT SHOVEL (HEAVY-DUTY ROCK)						993
Y	121-1512	2	CYLINDER & SEAL GP-BUCKET						629
Y	235-4908	1	LINES GP-BUCKET (BOTTOM DUMP)						694
Y	241-6653	1	MOUNTING GP-CYLINDER						820
Y-SEPARATE ILLUSTRATION									

<END>

267-5417 BUCKET AR-FRONT SHOVEL- HEAVY-DUTY ROCK, C-FAMILY

S/N: MMA1-UP
5.2-CU M (6.8-CU YD) CAPACITY
AN ATTACHMENT

SMCS-6514

i02364567

NOTE	PART NUMBER	QTY	PART NAME						SEE PAGE
			1	2	3	4	5	6 (PRODUCT LEVEL)	
Y	267-5418	1	BUCKET GP-FRONT SHOVEL (HEAVY-DUTY ROCK)						997
Y	121-1512	2	CYLINDER & SEAL GP-BUCKET						629
Y	235-4908	1	LINES GP-BUCKET (BOTTOM DUMP)						694
Y	241-6653	1	MOUNTING GP-CYLINDER						820
Y-SEPARATE ILLUSTRATION									

<END>

WORK TOOLS

267-5425 BUCKET AR-FRONT SHOVEL- ROCK, SPILL PLATE, C-FAMILY

S/N: MMA1-UP
5.7-CU M (7.5-CU YD) CAPACITY
AN ATTACHMENT

SMCS-6514

i02364570

NOTE	PART NUMBER	QTY	PART NAME						SEE PAGE
			1	2	3	4	5	6 (PRODUCT LEVEL)	
Y	267-5426	1	BUCKET GP-FRONT SHOVEL (ROCK)						1001
Y	121-1512	2	CYLINDER & SEAL GP-BUCKET						629
Y	235-4908	1	LINES GP-BUCKET (BOTTOM DUMP)						694
Y	241-6653	1	MOUNTING GP-CYLINDER						820

Y-SEPARATE ILLUSTRATION

<END>

267-5427 BUCKET AR-FRONT SHOVEL-ROCK, C-FAMILY

S/N: MMA1-UP
6.5-CU M (8.5-CU YD) CAPACITY
AN ATTACHMENT

SMCS-6514

i02364572

NOTE	PART NUMBER	QTY	PART NAME						SEE PAGE
			1	2	3	4	5	6 (PRODUCT LEVEL)	
Y	267-5428	1	BUCKET GP-FRONT SHOVEL (ROCK)						1005
Y	121-1512	2	CYLINDER & SEAL GP-BUCKET						629
Y	235-4908	1	LINES GP-BUCKET (BOTTOM DUMP)						694
Y	241-6653	1	MOUNTING GP-CYLINDER						820

Y-SEPARATE ILLUSTRATION

<END>

342-9526 BUCKET AR-ROCK-JB-FAMILY

S/N: MMA1-UP
1999-MM (74.8-IN) WIDE X 4.8-CU M (6.3-CU YD) CAPACITY, K-170 ADAPTERS, QTY
OF 4
AN ATTACHMENT

SMCS-6102

i03537516

NOTE	PART NUMBER	QTY	PART NAME						SEE PAGE
			1	2	3	4	5	6 (PRODUCT LEVEL)	
Y	260-1092	1	BUCKET & ADJUSTER GP (ROCK, JB-FAMILY)						942
Y	217-4648	1	PROTECTOR GP-SIDE BAR						1010
Y	232-0071	4	TIP GP-EXTRA-DUTY (K-170)						1016

Y-SEPARATE ILLUSTRATION

<END>

WORK TOOLS

342-9527 BUCKET AR-ROCK-JB-FAMILY

S/N: MMA1-UP

2000-MM (78.7-IN) WIDE X 5.2-CU M (6.8-CU YD) CAPACITY, K-170 ADAPTERS, QTY
OF 4

AN ATTACHMENT

SMCS-6102

i03537518

NOTE	PART NUMBER	QTY	PART NAME						SEE PAGE
			1	2	3	4	5	6 (PRODUCT LEVEL)	
Y	260-1093	1	BUCKET & ADJUSTER GP (ROCK, JB-FAMILY)						942
Y	217-4648	1	PROTECTOR GP-SIDE BAR						1010
Y	232-0071	4	TIP GP-EXTRA-DUTY (K-170)						1016

Y-SEPARATE ILLUSTRATION

<END>

WORK TOOLS

260-1114 BUCKET AS-EXCAVATION-JB FAMILY

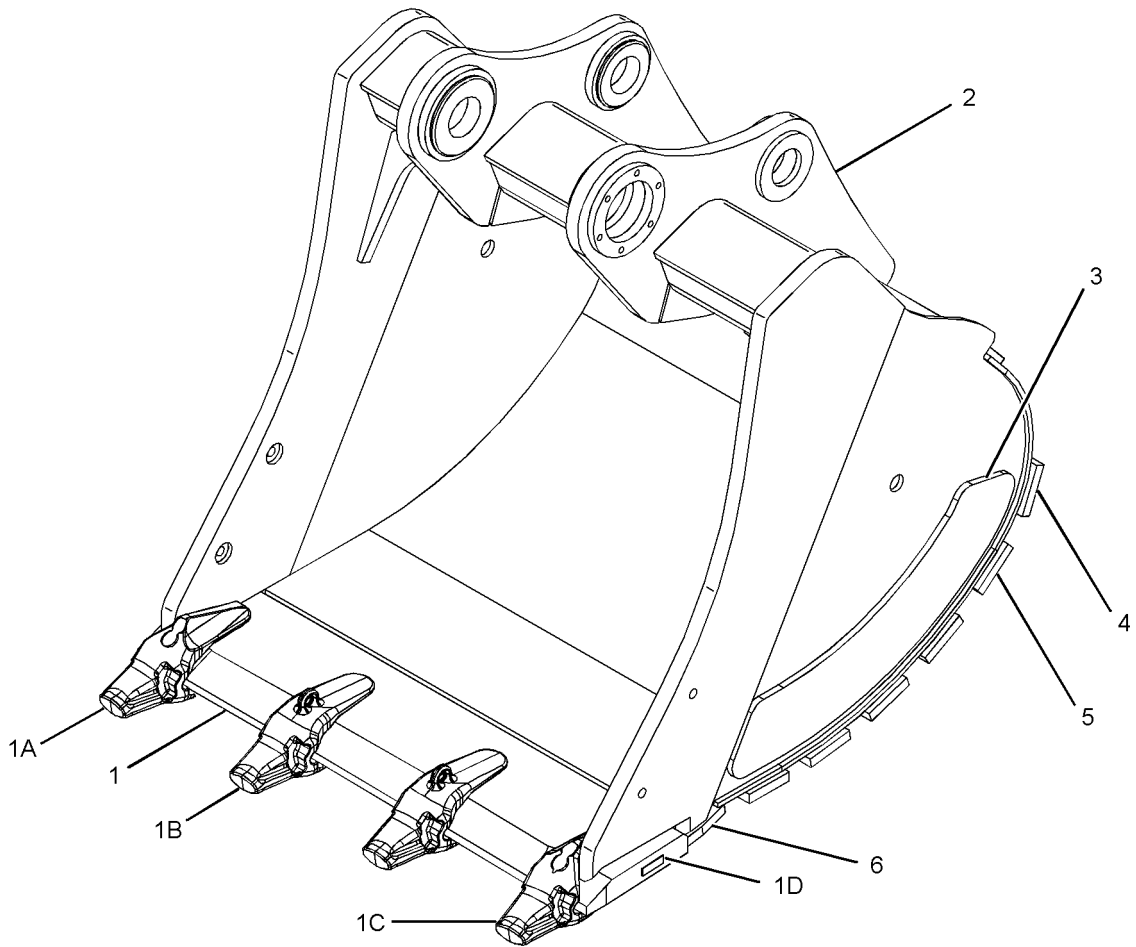
S/N: MMA1-UP

2250-MM (88.6-IN) WIDE X 5.8-CU M (7.6-CU YD) CAPACITY. K-170 ADAPTERS, (4X)
PART OF 260-1089 BUCKET & ADJUSTER GP
AN ATTACHMENT

SMCS-6523

i02470844

NOTE	REF NO	GRAPHIC REF	PART NUMBER	QTY	PART NAME						SEE PAGE
					1	2	3	4	5	6 (PRODUCT LEVEL)	
	1	1	260-1258	1	EDGE AS-CUTTING						
	1A	1	232-2172	1	ADAPTER-TIP (K-170, 2-STRAP, LH)						
	1B	1	232-2170	2	ADAPTER-TIP (K-170, 2-STRAP, CENTER)						
	1C	1	232-2171	1	ADAPTER-TIP (K-170, 2-STRAP, RH)						
	1D	1	8P-9770	1	PLATE						
	2	1	253-2480	1	PLATE AS-BOX						
	3	1	253-3048	2	PLATE-WEAR						
	4	1	253-3138	1	PLATE-WEAR						
	5	1	253-3142	5	PLATE-WEAR						
	6	1	251-1044	1	PLATE-REINFORCEMENT						



GRAPHIC #1

<END>

g01231982

WORK TOOLS

266-6563 BUCKET AS-EXCAVATION-HB-FAMILY

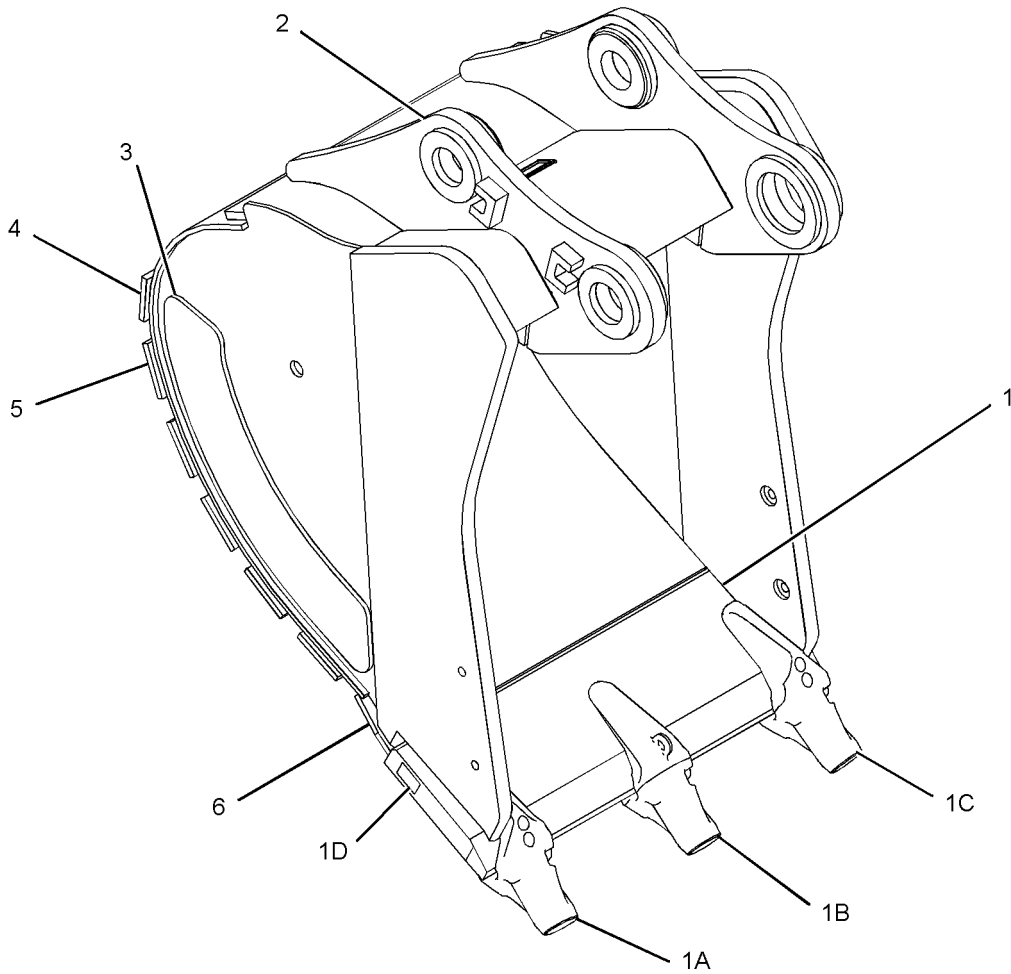
S/N: MMA1-UP

1350-MM (53-IN) WIDE X 2.6-CU M (3.4-CU YD) CAPACITY. K-150 ADAPTERS, (3X)
PART OF 265-7642 BUCKET & ADJUSTER GP
AN ATTACHMENT

SMCS-6523

i02470868

NOTE	REF NO	GRAPHIC REF	PART NUMBER	QTY	PART NAME						SEE PAGE
					1	2	3	4	5	6 (PRODUCT LEVEL)	
1	1	1	270-8240	1	EDGE AS						
1A	1	1	195-9156	1	ADAPTER-TIP (K-150, 2-STRAP, LH)						
1B	1	1	195-9154	1	ADAPTER-TIP (K-150, 2-STRAP, CENTER)						
1C	1	1	195-9155	1	ADAPTER-TIP (K-150, 2-STRAP, RH)						
1D	1	1	8P-9770	1	PLATE						
2	1	1	270-8246	1	PLATE AS-BOX						
3	1	1	256-1033	2	PLATE-WEAR						
4	1	1	266-6571	1	PLATE-WEAR						
5	1	1	266-6574	5	PLATE-WEAR						
6	1	1	270-8234	1	PLATE-REINFORCEMENT						



GRAPHIC #1

<END>

g01236107

WORK TOOLS

266-6566 BUCKET AS-EXCAVATION-HB-FAMILY

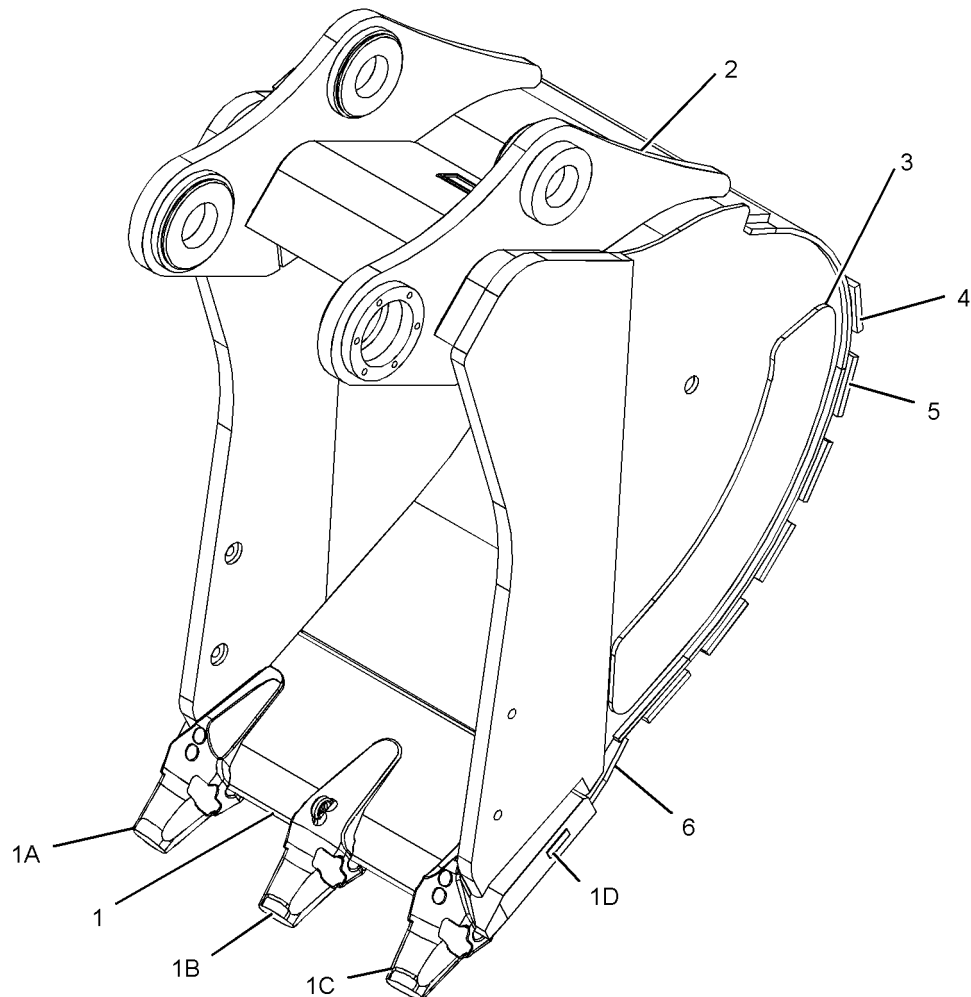
S/N: MMA1-UP

1150-MM (45-IN) WIDE X 2-CU M (2.6-CU YD) CAPACITY. K-150 ADAPTERS, (3X)
PART OF 266-6513 BUCKET & ADJUSTER GP
AN ATTACHMENT

SMCS-6523

i02470870

NOTE	REF NO	GRAPHIC REF	PART NUMBER	QTY	PART NAME						SEE PAGE
					1	2	3	4	5	6 (PRODUCT LEVEL)	
1	1	1	270-8239	1	EDGE AS						
1A	1	1	195-9156	1	ADAPTER-TIP (K-150, 2-STRAP, LH)						
1B	1	1	195-9154	1	ADAPTER-TIP (K-150, 2-STRAP, CENTER)						
1C	1	1	195-9155	1	ADAPTER-TIP (K-150, 2-STRAP, RH)						
1D	1	1	8P-9770	1	PLATE						
2	1	1	270-8245	1	PLATE AS-BOX						
3	1	1	256-1033	2	PLATE-WEAR						
4	1	1	266-6570	1	PLATE-WEAR						
5	1	1	266-6573	5	PLATE-WEAR						
6	1	1	270-8233	1	PLATE-REINFORCEMENT						



GRAPHIC #1

<END>

g01235278

WORK TOOLS

266-6567 BUCKET AS-EXCAVATION-HB-FAMILY

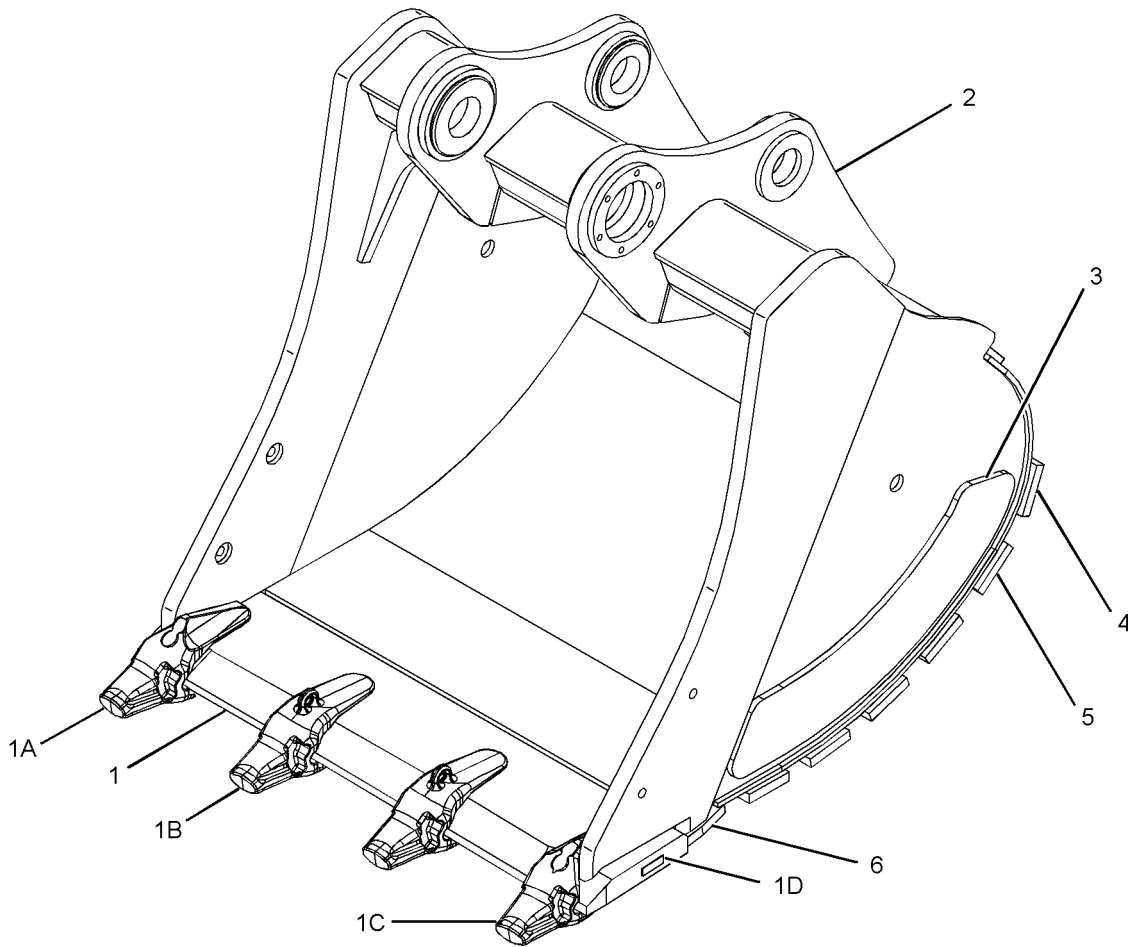
S/N: MMA1-UP

1750-MM (69-IN) WIDE X 3.5-CU M (4.6-CU YD) CAPACITY. K-150 ADAPTERS, (4X)
PART OF 265-7643 BUCKET & ADJUSTER GP
AN ATTACHMENT

SMCS-6523

i02470872

NOTE	REF NO	GRAPHIC REF	PART NUMBER	QTY	PART NAME						SEE PAGE
					1	2	3	4	5	6 (PRODUCT LEVEL)	
	1	1	270-8241	1	EDGE AS-CUTTING						
	1A	1	195-9156	1	ADAPTER-TIP (K-150, 2-STRAP, LH)						
	1B	1	195-9154	2	ADAPTER-TIP (K-150, 2-STRAP, CENTER)						
	1C	1	195-9155	1	ADAPTER-TIP (K-150, 2-STRAP, RH)						
	1D	1	8P-9770	1	PLATE						
	2	1	270-8247	1	PLATE AS-BOX						
	3	1	256-1033	2	PLATE-WEAR						
	4	1	266-6572	1	PLATE-WEAR						
	5	1	266-6575	5	PLATE-WEAR						
	6	1	270-8235	1	PLATE-REINFORCEMENT						



GRAPHIC #1

<END>

g01231982

WORK TOOLS

260-1115 BUCKET AS-EXTREME EXCAVATION-JB-FAMILY

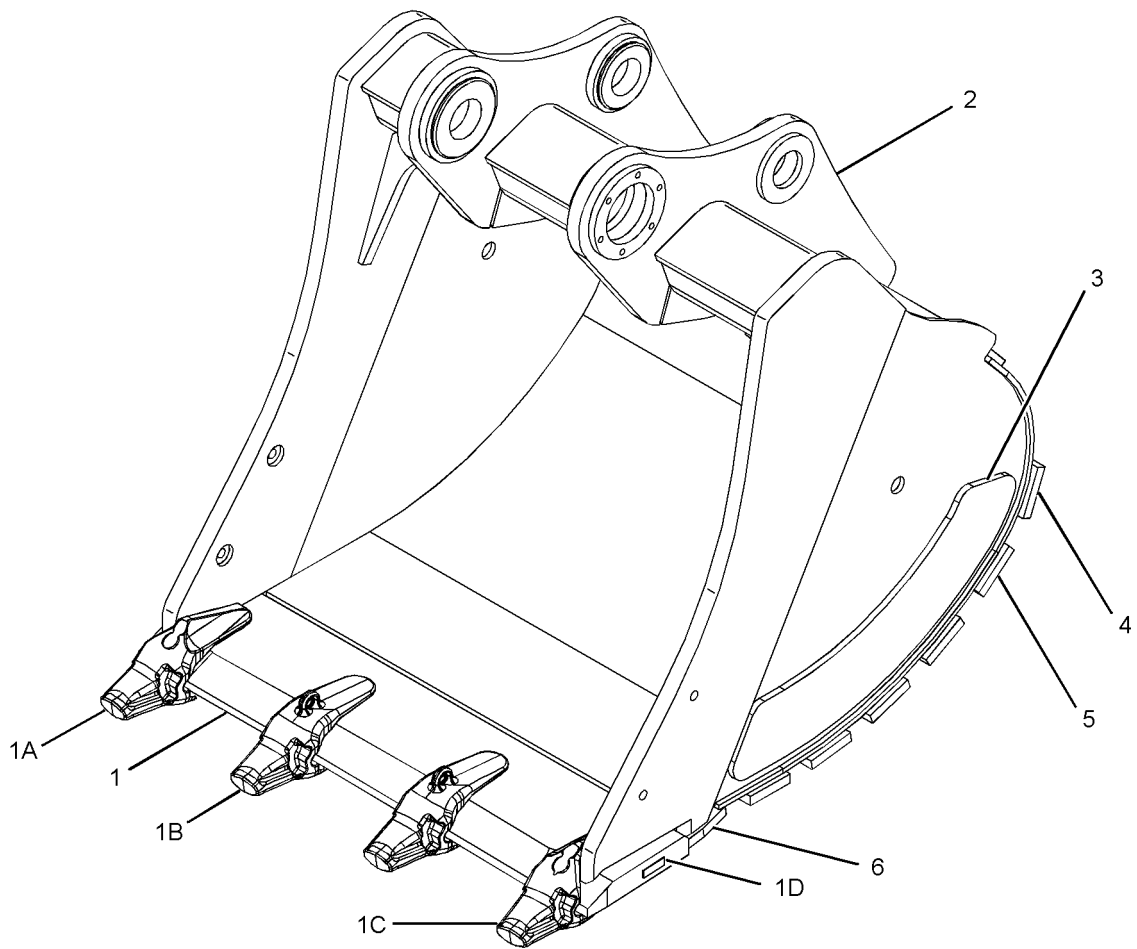
S/N: MMA1-UP

2150-MM (84.6-IN) WIDE X 5.5-CU M (7.2-CU YD) CAPACITY. K-170 ADAPTERS, (4X)
PART OF 260-1090 BUCKET & ADJUSTER GP
AN ATTACHMENT

SMCS-6523, 6529

i02470847

NOTE	REF NO	GRAPHIC REF	PART NUMBER	QTY	PART NAME						SEE PAGE
					1	2	3	4	5	6 (PRODUCT LEVEL)	
	1	1	260-1259	1	EDGE AS						
	1A	1	232-2172	1	ADAPTER-TIP (K-170, 2-STRAP, LH)						
	1B	1	232-2170	2	ADAPTER-TIP (K-170, 2-STRAP, CENTER)						
	1C	1	232-2171	1	ADAPTER-TIP (K-170, 2-STRAP, RH)						
	1D	1	8P-9770	1	PLATE						
	2	1	251-0999	1	PLATE AS-BOX						
	3	1	253-3049	2	PLATE-WEAR						
	4	1	253-3137	1	PLATE-WEAR						
	5	1	253-3141	5	PLATE-WEAR						
	6	1	251-1047	1	PLATE-REINFORCEMENT						



GRAPHIC #1

<END>

g01231982

WORK TOOLS

260-1116 BUCKET AS-EXTREME EXCAVATION-JB-FAMILY

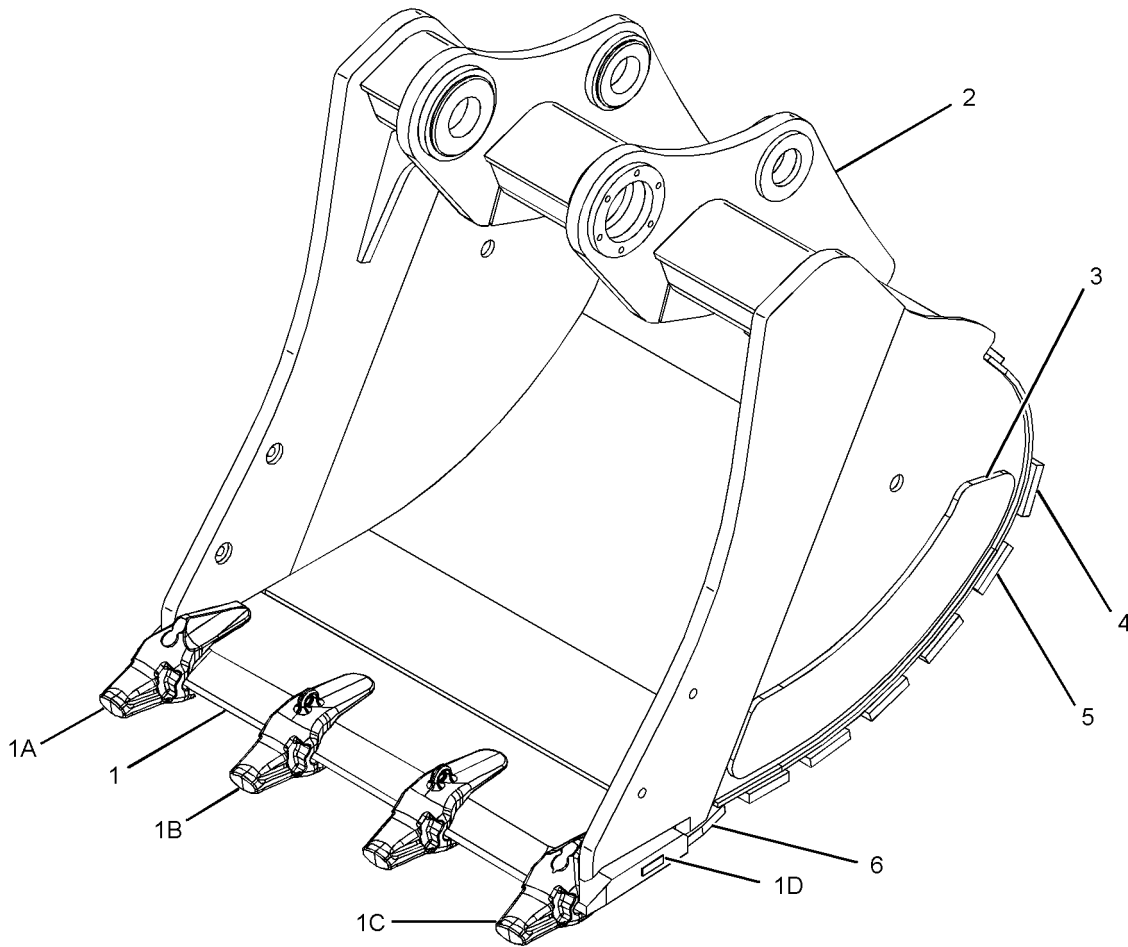
S/N: MMA1-UP

2250-MM (88.6-IN) WIDE X 5.8-CU M (7.6-CU YD) CAPACITY. K-170 ADAPTERS, (4X)
PART OF 260-1091 BUCKET & ADJUSTER GP
AN ATTACHMENT

SMCS-6523, 6529

i02470849

NOTE	REF NO	GRAPHIC REF	PART NUMBER	QTY	PART NAME						SEE PAGE
					1	2	3	4	5	6 (PRODUCT LEVEL)	
	1	1	260-1258	1	EDGE AS-CUTTING						
	1A	1	232-2172	1	ADAPTER-TIP (K-170, 2-STRAP, LH)						
	1B	1	232-2170	2	ADAPTER-TIP (K-170, 2-STRAP, CENTER)						
	1C	1	232-2171	1	ADAPTER-TIP (K-170, 2-STRAP, RH)						
	1D	1	8P-9770	1	PLATE						
	2	1	253-2480	1	PLATE AS-BOX						
	3	1	253-3049	2	PLATE-WEAR						
	4	1	256-2062	5	PLATE-WEAR						
	5	1	256-2063	1	PLATE-WEAR						
	6	1	251-1044	1	PLATE-REINFORCEMENT						



GRAPHIC #1

<END>

g01231982

WORK TOOLS

270-3713 BUCKET AS-EXTREME EXCAVATION-JB-FAMILY

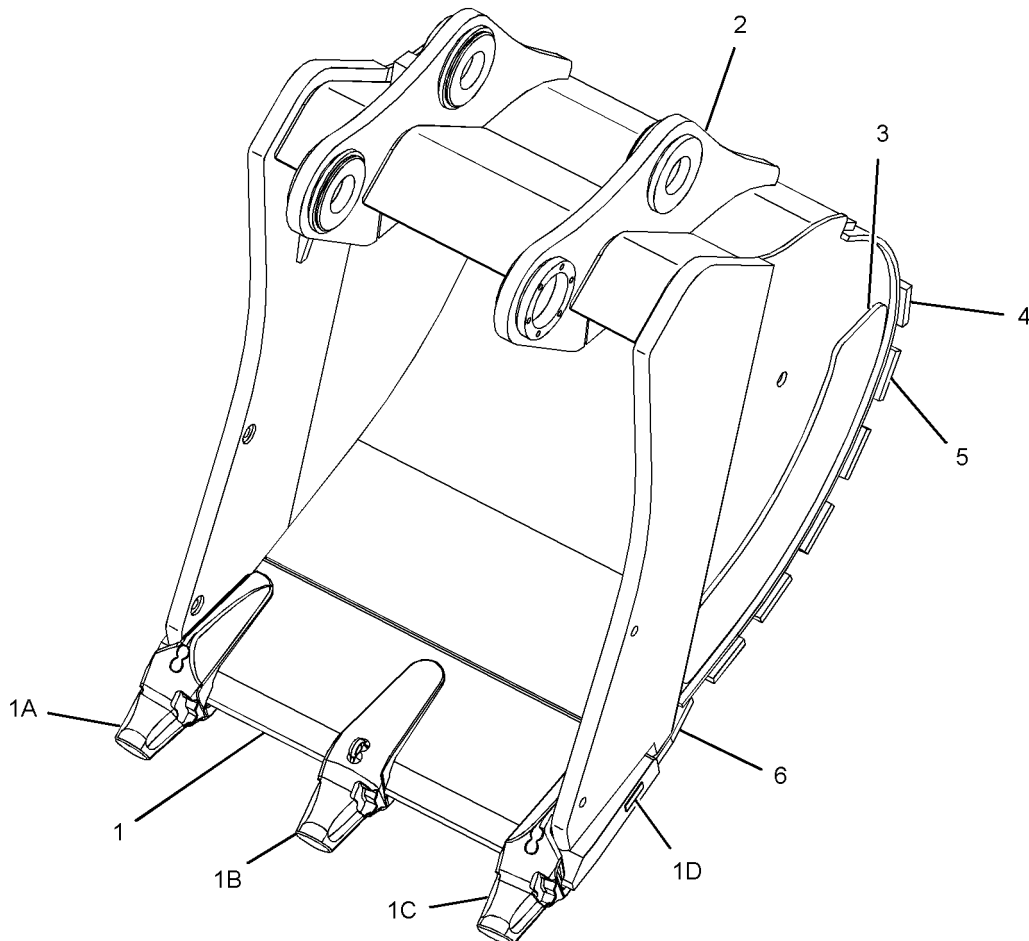
S/N: MMA1-UP

1600-MM (63-IN) WIDE X 3.8-CU M (5-CU YD) CAPACITY. K-170 ADAPTERS, (3X)
PART OF 265-7671 BUCKET & ADJUSTER GP
AN ATTACHMENT

SMCS-6523, 6529

i03651140

NOTE	REF NO	GRAPHIC REF	PART NUMBER	QTY	PART NAME						SEE PAGE
					1	2	3	4	5	6 (PRODUCT LEVEL)	
	1	1	270-3715	1	EDGE AS						
	1A	1	232-2172	1	ADAPTER-TIP (K-170, 2-STRAP, LH)						
	1B	1	232-2170	1	ADAPTER-TIP (K-170, 2-STRAP, CENTER)						
	1C	1	232-2171	1	ADAPTER-TIP (K-170, 2-STRAP, RH)						
	1D	1	8P-9770	1	PLATE						
	2	1	270-8227	1	PLATE AS-BOX						
	3	1	253-3049	2	PLATE-WEAR						
	4	1	270-8223	1	PLATE-WEAR						
	5	1	270-8224	5	PLATE-WEAR						
	6	1	270-8225	1	PLATE-REINFORCEMENT						



GRAPHIC #1

<END>

g01234847

WORK TOOLS

325-1007 BUCKET AS-EXTREME SERVICE ROCK-JB-FAMILY

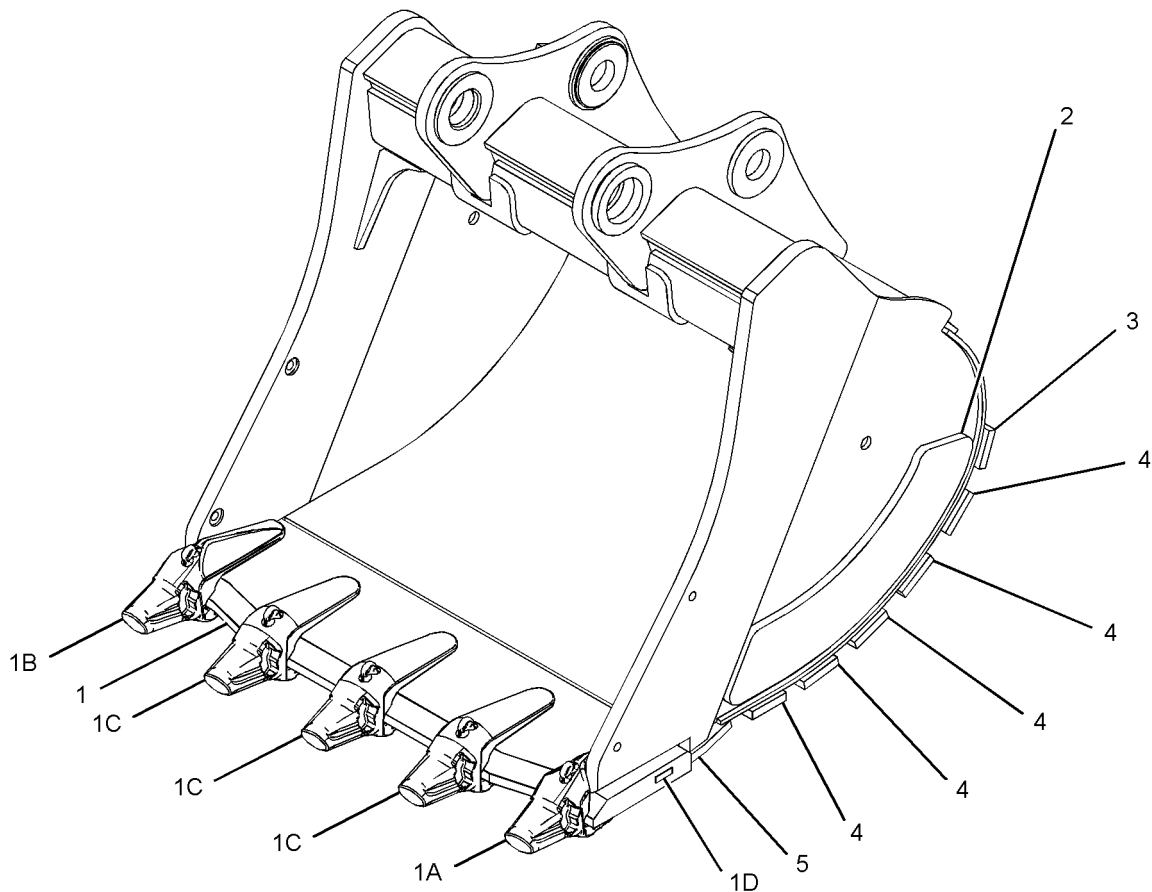
S/N: MMA1-UP

2150-MM (84.7-IN) WIDE X 5.5-CU M (7.2-CU YD) CAPACITY. K-170 ADAPTERS, (5X)
PART OF 324-6200 BUCKET & ADJUSTER GP
AN ATTACHMENT

SMCS-6102, 6529

i03142746

NOTE	REF NO	GRAPHIC REF	PART NUMBER	QTY	PART NAME						SEE PAGE
					1	2	3	4	5	6 (PRODUCT LEVEL)	
1	1	1	314-2859	1	EDGE AS						
1A	1	1	232-2171	1	ADAPTER-TIP (K-170, 2-STRAP, RH)						
1B	1	1	232-2172	1	ADAPTER-TIP (K-170, 2-STRAP, LH)						
1C	1	1	232-2170	3	ADAPTER-TIP (K-170, 2-STRAP, CENTER)						
1D	1	1	8P-9770	1	PLATE						
2	1	1	251-0910	2	PLATE-WEAR						
3	1	1	251-0920	1	PLATE-WEAR						
4	1	1	251-0942	5	PLATE-WEAR						
5	1	1	253-2281	1	PLATE-REINFORCEMENT						



GRAPHIC #1

<END>

g01685093

WORK TOOLS

298-0001 BUCKET AS-GENERAL PURPOSE-JB-FAMILY

S/N: MMA1-UP

2464-MM (97-IN) WIDE X 6.5-CU M (8.5-CU YD) CAPACITY.

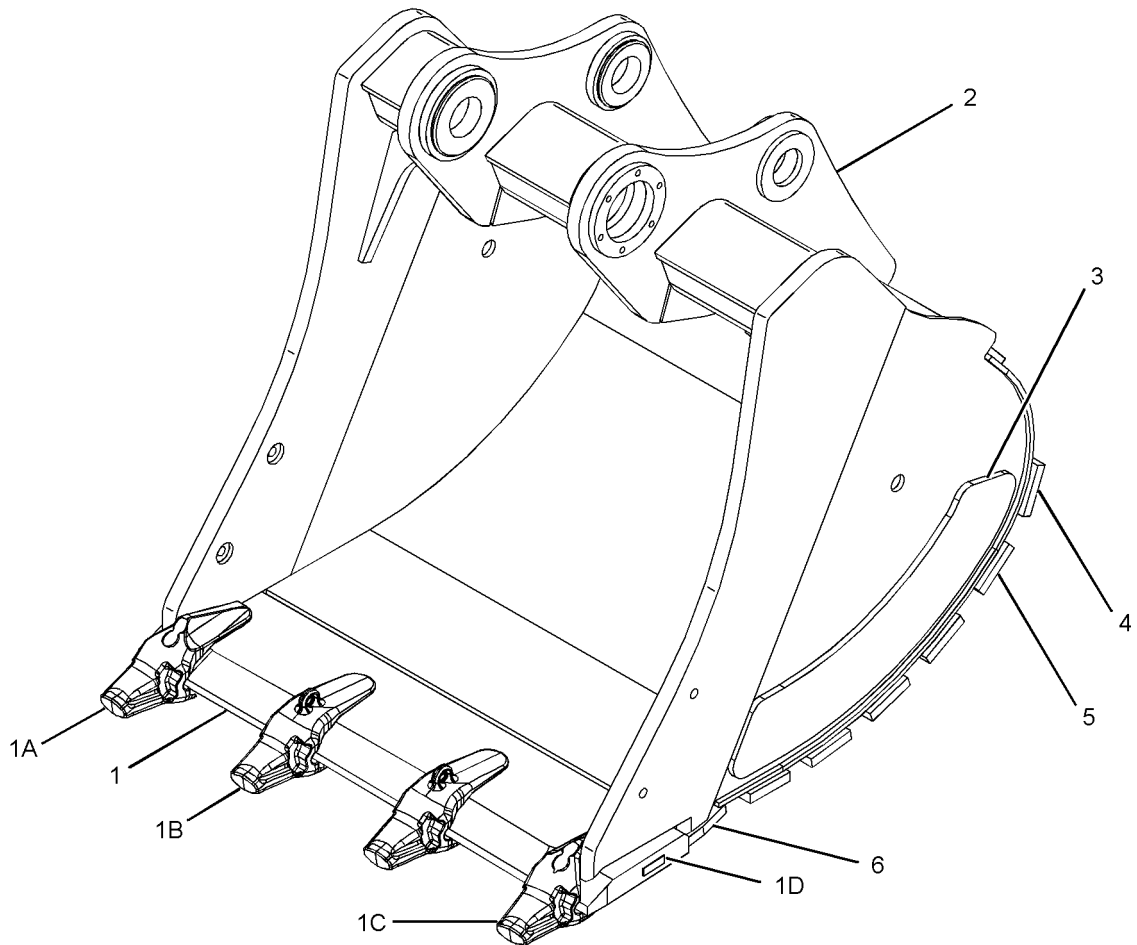
K-170 ADAPTERS, QTY OF 4

PART OF 298-0000 BUCKET & ADJUSTER GP
AN ATTACHMENT

SMCS-6101

i03649740

NOTE	REF NO	GRAPHIC REF	PART NUMBER	QTY	PART NAME						SEE PAGE
					1	2	3	4	5	6 (PRODUCT LEVEL)	
	1	1	297-9991	1	EDGE AS						
	1A	1	232-2172	1	ADAPTER-TIP (K-170, 2-STRAP, LH)						
	1B	1	232-2170	2	ADAPTER-TIP (K-170, 2-STRAP, CENTER)						
	1C	1	232-2171	1	ADAPTER-TIP (K-170, 2-STRAP, RH)						
	1D	1	8P-9770	1	PLATE						
	2	1	298-0003	1	PLATE AS-BOX						
	3	1	253-3048	2	PLATE-WEAR						
	4	1	298-0008	1	PLATE-WEAR						
	5	1	298-0009	5	PLATE-WEAR						
	6	1	298-0019	1	PLATE-REINFORCEMENT						



GRAPHIC #1

<END>

g01231982

WORK TOOLS

260-1121 BUCKET AS-HEAVY DUTY ROCK-JB-FAMILY

S/N: MMA1-UP

2000-MM (78.7-IN) WIDE X 5.2-CU M (6.8-CU YD) CAPACITY.

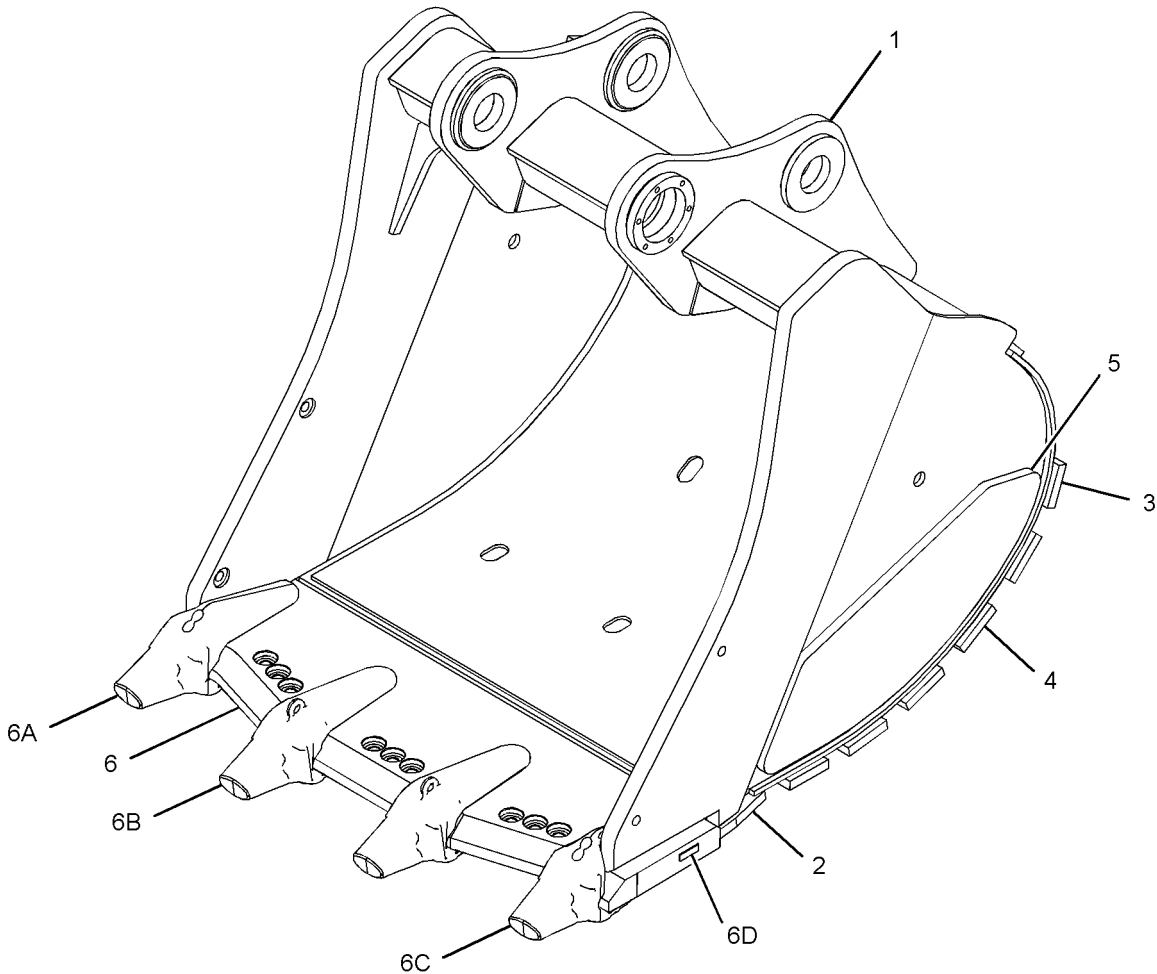
K-170 ADAPTERS, QTY OF 4

PART OF 260-1096 BUCKET & ADJUSTER GP
AN ATTACHMENT

SMCS-6102

i03447700

NOTE	REF NO	GRAPHIC REF	PART NUMBER	QTY	PART NAME						SEE PAGE
					1	2	3	4	5	6 (PRODUCT LEVEL)	
	1	1	253-2465	1	PLATE AS-BOX						
	2	1	253-3146	1	PLATE-REINFORCEMENT						
	3	1	253-3140	1	PLATE-WEAR						
	4	1	253-3144	5	PLATE-WEAR						
	5	1	251-0911	2	PLATE-WEAR (SIDE)						
	6	1	260-1264	1	EDGE AS-CUTTING						
	6A	1	232-2172	1	ADAPTER-TIP (K-170, 2-STRAP, LH)						
	6B	1	232-2170	2	ADAPTER-TIP (K-170, 2-STRAP, CENTER)						
	6C	1	232-2171	1	ADAPTER-TIP (K-170, 2-STRAP, RH)						
	6D	1	8P-9770	1	PLATE						



GRAPHIC #1

<END>

g01801273

WORK TOOLS

260-1122 BUCKET AS-HEAVY DUTY ROCK-JB-FAMILY

S/N: MMA1-UP

2150-MM (84.6-IN) WIDE X 5.6-CU M (7.3-CU YD) CAPACITY.

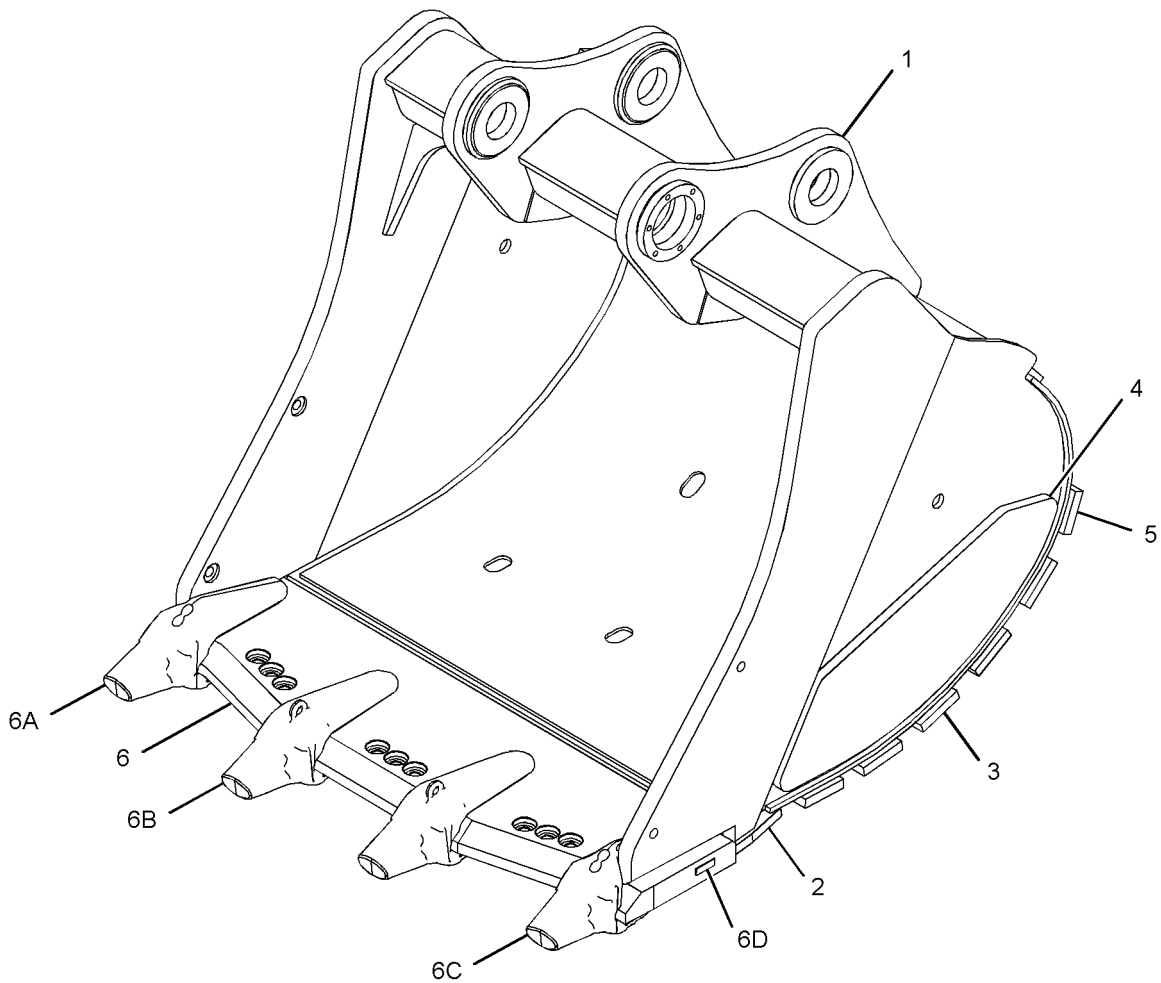
K-170 ADAPTERS, QTY OF 4

PART OF 260-1097 BUCKET & ADJUSTER GP
AN ATTACHMENT

SMCS-6102

i03447785

NOTE	REF NO	GRAPHIC REF	PART NUMBER	QTY	PART NAME						SEE PAGE
					1	2	3	4	5	6 (PRODUCT LEVEL)	
	1	1	251-0999	1	PLATE AS-BOX						
	2	1	255-6681	1	PLATE-REINFORCEMENT						
	3	1	255-6680	5	PLATE-WEAR						
	4	1	251-0911	2	PLATE-WEAR						
	5	1	255-6679	1	PLATE-WEAR						
	6	1	260-1265	1	EDGE AS-CUTTING						
	6A	1	232-2172	1	ADAPTER-TIP (K-170, 2-STRAP, LH)						
	6B	1	232-2170	2	ADAPTER-TIP (K-170, 2-STRAP, CENTER)						
	6C	1	232-2171	1	ADAPTER-TIP (K-170, 2-STRAP, RH)						
	6D	1	8P-9770	1	PLATE						



GRAPHIC #1

<END>

g01801274

WORK TOOLS

270-3712 BUCKET AS-HEAVY DUTY ROCK-JB-FAMILY

S/N: MMA1-UP

1900-MM (75-IN) WIDE X 4.8-CU M (6.3-CU YD) CAPACITY.

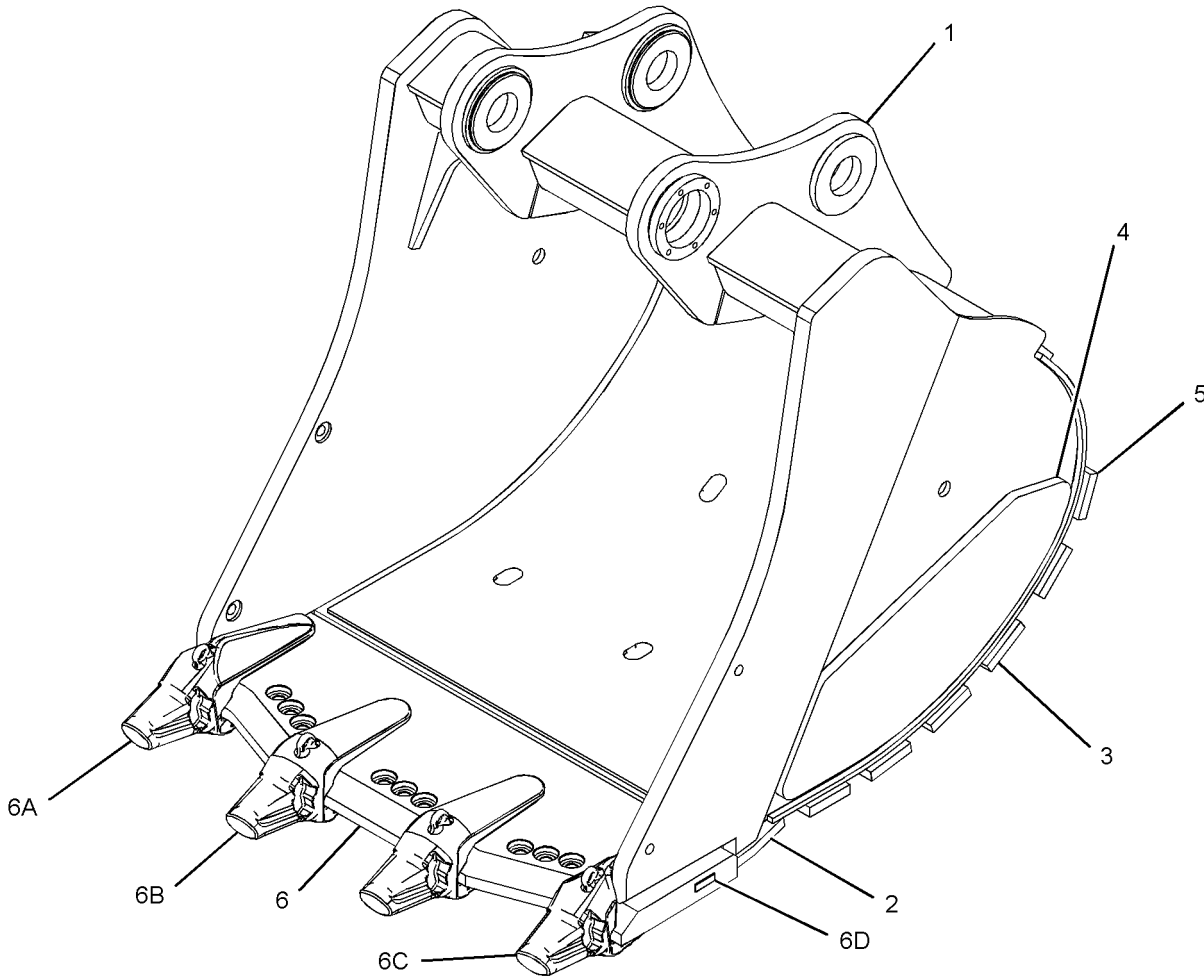
K-170 ADAPTERS, QTY OF 4

PART OF 266-6515 BUCKET & ADJUSTER GP
AN ATTACHMENT

SMCS-6102

i03449142

NOTE	REF NO	GRAPHIC REF	PART NUMBER	QTY	PART NAME						SEE PAGE
					1	2	3	4	5	6 (PRODUCT LEVEL)	
	1	1	253-2455	1	PLATE AS-BOX						
	2	1	253-3145	1	PLATE-REINFORCEMENT						
	3	1	253-3143	5	PLATE-WEAR						
	4	1	251-0911	2	PLATE-WEAR (SIDE)						
	5	1	253-3139	1	PLATE-WEAR						
	6	1	260-1266	1	EDGE AS-CUTTING						
	6A	1	232-2172	1	ADAPTER-TIP (K-170, 2-STRAP, LH)						
	6B	1	232-2170	2	ADAPTER-TIP (K-170, 2-STRAP, CENTER)						
	6C	1	232-2171	1	ADAPTER-TIP (K-170, 2-STRAP, RH)						
	6D	1	8P-9770	1	PLATE						



GRAPHIC #1

<END>

g01802849

WORK TOOLS

260-1117 BUCKET AS-ROCK-JB-FAMILY

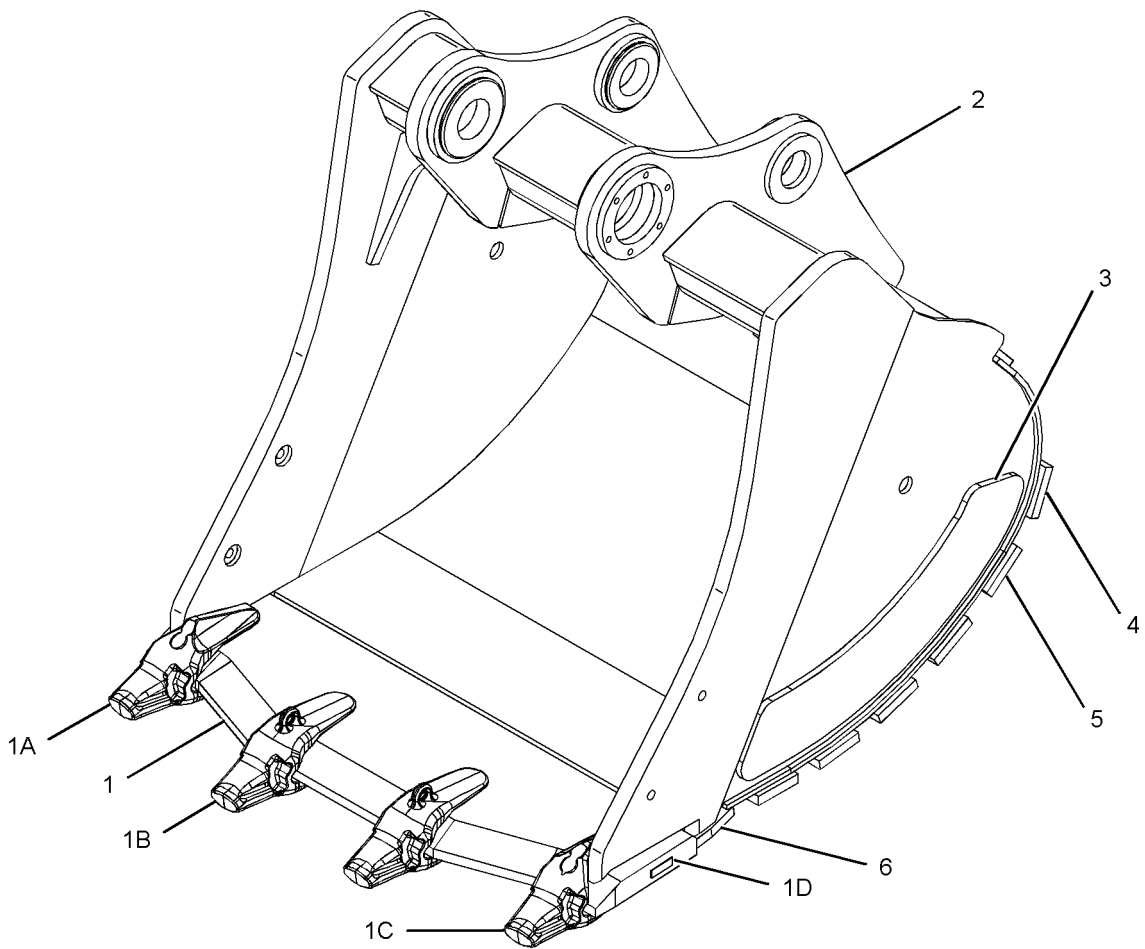
S/N: MMA1-UP

1900-MM (74.8-IN) WIDE X 4.8-CU M (6.3-CU YD) CAPACITY. K-170 ADAPTERS, (4X)
PART OF 260-1092 BUCKET & ADJUSTER GP
AN ATTACHMENT

SMCS-6102

i02816538

NOTE	REF NO	GRAPHIC REF	PART NUMBER	QTY	PART NAME						SEE PAGE
					1	2	3	4	5	6 (PRODUCT LEVEL)	
	1	1	313-8817	1	EDGE AS						
	1A	1	232-2172	1	ADAPTER-TIP (K-170, 2-STRAP, LH)						
	1B	1	232-2170	2	ADAPTER-TIP (K-170, 2-STRAP, CENTER)						
	1C	1	232-2171	1	ADAPTER-TIP (K-170, 2-STRAP, RH)						
	1D	1	8P-9770	1	PLATE						
	2	1	253-2455	1	PLATE AS-BOX						
	3	1	251-0910	2	PLATE-WEAR						
	4	1	253-2278	1	PLATE-WEAR						
	5	1	253-2279	5	PLATE-WEAR						
	6	1	253-2280	1	PLATE-REINFORCEMENT						



GRAPHIC #1

<END>

g01224019

WORK TOOLS

260-1118 BUCKET AS-ROCK-JB-FAMILY

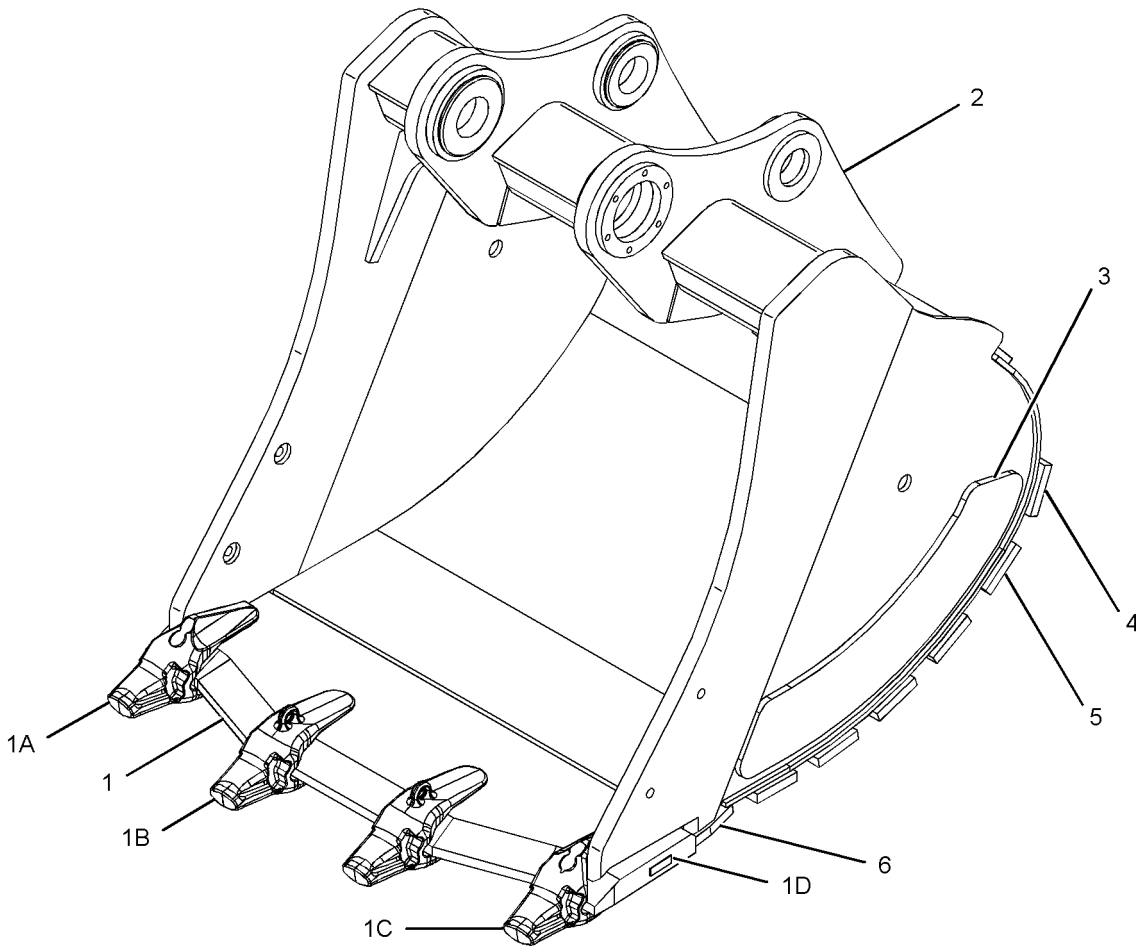
S/N: MMA1-UP

2000-MM (78.7-IN) WIDE X 5.2-CU M (6.8-CU YD) CAPACITY. K-170 ADAPTERS, (4X)
PART OF 260-1093 BUCKET & ADJUSTER GP
AN ATTACHMENT

SMCS-6102

i02816502

NOTE	REF NO	GRAPHIC REF	PART NUMBER	QTY	PART NAME						SEE PAGE
					1	2	3	4	5	6 (PRODUCT LEVEL)	
	1	1	315-5319	1	EDGE AS						
	1A	1	232-2172	1	ADAPTER-TIP (K-170, 2-STRAP, LH)						
	1B	1	232-2170	2	ADAPTER-TIP (K-170, 2-STRAP, CENTER)						
	1C	1	232-2171	1	ADAPTER-TIP (K-170, 2-STRAP, RH)						
	1D	1	8P-9770	1	PLATE						
	2	1	253-2465	1	PLATE AS-BOX						
	3	1	251-0910	2	PLATE-WEAR						
	4	1	251-0917	1	PLATE-WEAR						
	5	1	251-0941	5	PLATE-WEAR						
	6	1	251-1085	1	PLATE-REINFORCEMENT						



GRAPHIC #1

<END>

g01224019

WORK TOOLS

260-1119 BUCKET AS-ROCK-JB-FAMILY

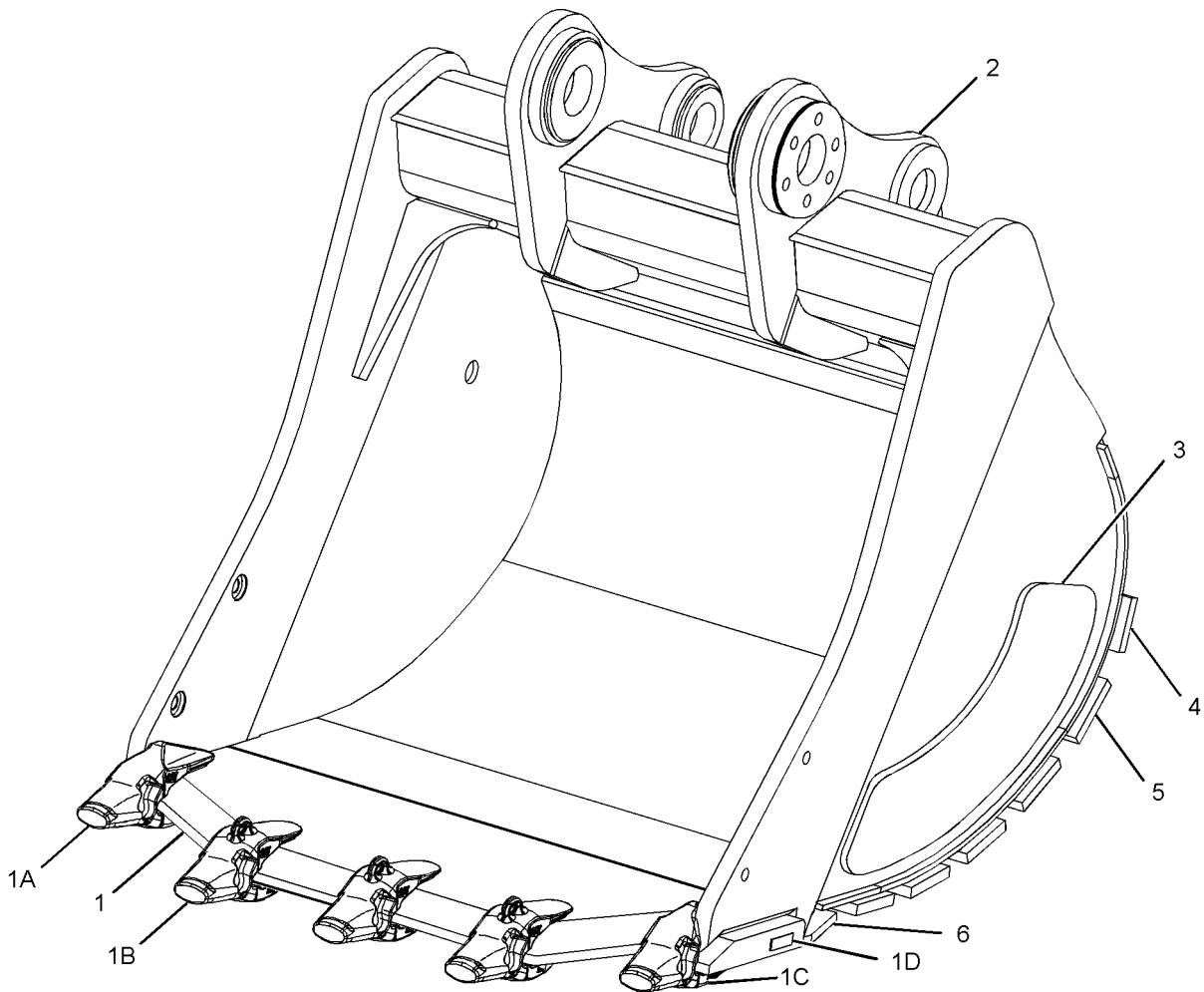
S/N: MMA1-UP

2150-MM (84.6-IN) WIDE X 5.6-CU M (7.3-CU YD) CAPACITY. K-170 ADAPTERS, (5X)
PART OF 260-1094 BUCKET & ADJUSTER GP
AN ATTACHMENT

SMCS-6102

i02816503

NOTE	REF NO	GRAPHIC REF	PART NUMBER	QTY	PART NAME						SEE PAGE
					1	2	3	4	5	6 (PRODUCT LEVEL)	
	1	1	314-2859	1	EDGE AS						
	1A	1	232-2172	1	ADAPTER-TIP (K-170, 2-STRAP, LH)						
	1B	1	232-2170	3	ADAPTER-TIP (K-170, 2-STRAP, CENTER)						
	1C	1	232-2171	1	ADAPTER-TIP (K-170, 2-STRAP, RH)						
	1D	1	8P-9770	1	PLATE						
	2	1	251-0999	1	PLATE AS-BOX						
	3	1	251-0910	2	PLATE-WEAR						
	4	1	251-0920	1	PLATE-WEAR						
	5	1	251-0942	5	PLATE-WEAR						
	6	1	253-2281	1	PLATE-REINFORCEMENT						



GRAPHIC #1

<END>

g01233872

WORK TOOLS

260-1120 BUCKET AS-ROCK-JB-FAMILY

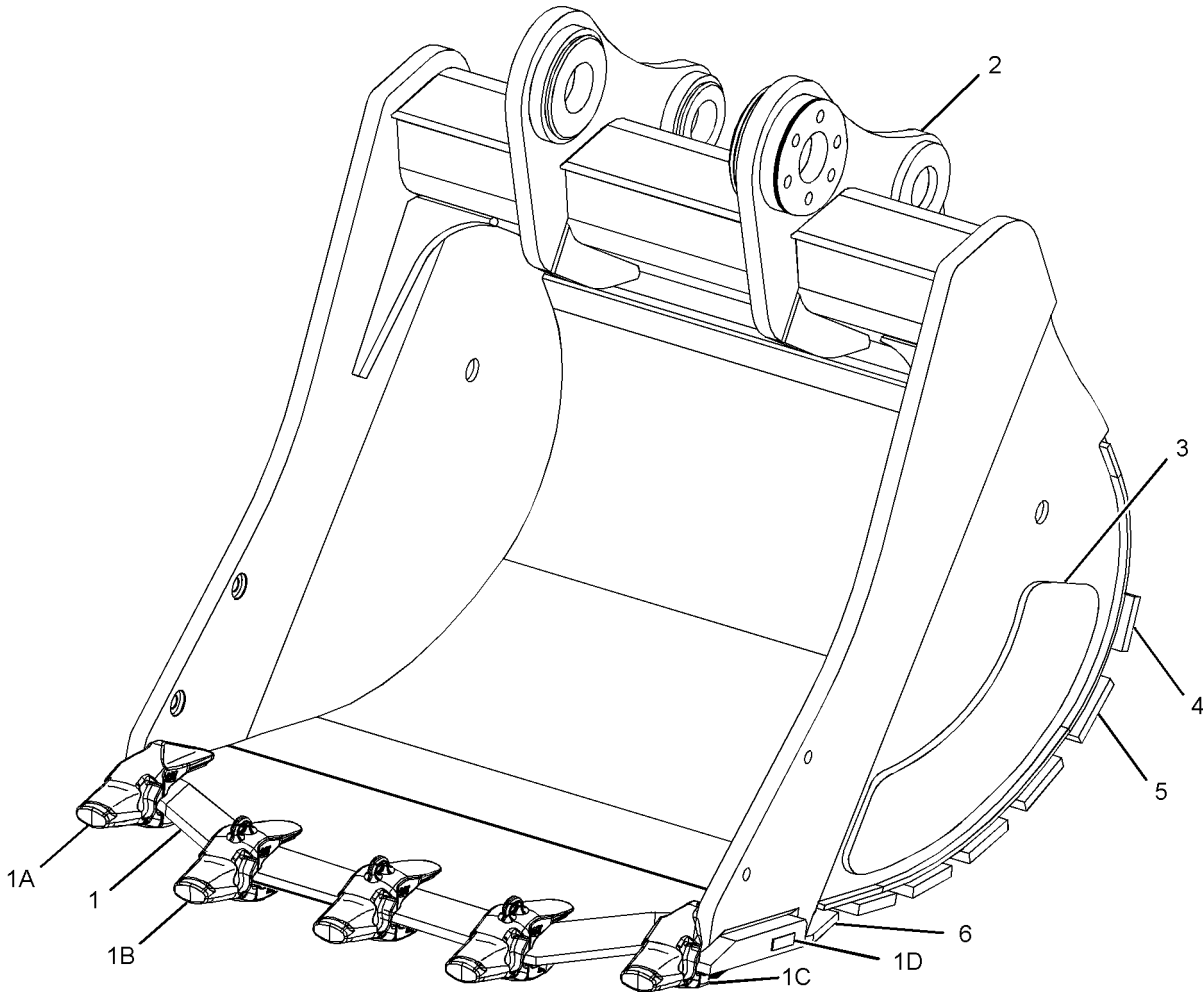
S/N: MMA1-UP

2250-MM (88.6-IN) WIDE X 6-CU M (7.8-CU YD) CAPACITY. K-170 ADAPTERS, (5X)
PART OF 260-1095 BUCKET & ADJUSTER GP
AN ATTACHMENT

SMCS-6102

i02816537

NOTE	REF NO	GRAPHIC REF	PART NUMBER	QTY	PART NAME						SEE PAGE
					1	2	3	4	5	6 (PRODUCT LEVEL)	
	1	1	314-2858	1	EDGE AS						
	1A	1	232-2172	1	ADAPTER-TIP (K-170, 2-STRAP, LH)						
	1B	1	232-2170	3	ADAPTER-TIP (K-170, 2-STRAP, CENTER)						
	1C	1	232-2171	1	ADAPTER-TIP (K-170, 2-STRAP, RH)						
	1D	1	8P-9770	1	PLATE						
	2	1	253-2480	1	PLATE AS-BOX						
	3	1	251-0910	2	PLATE-WEAR						
	4	1	253-2460	1	PLATE-WEAR						
	5	1	253-2462	5	PLATE-WEAR						
	6	1	253-2464	1	PLATE-REINFORCEMENT						



GRAPHIC #1

<END>

g01234157

WORK TOOLS

260-1123 BUCKET AS-ROCK-QUICK COUPLER

S/N: MMA1-UP

1900-MM (74.8-IN) WIDE X 4.8-CU M (6.3-CU YD) CAPACITY.

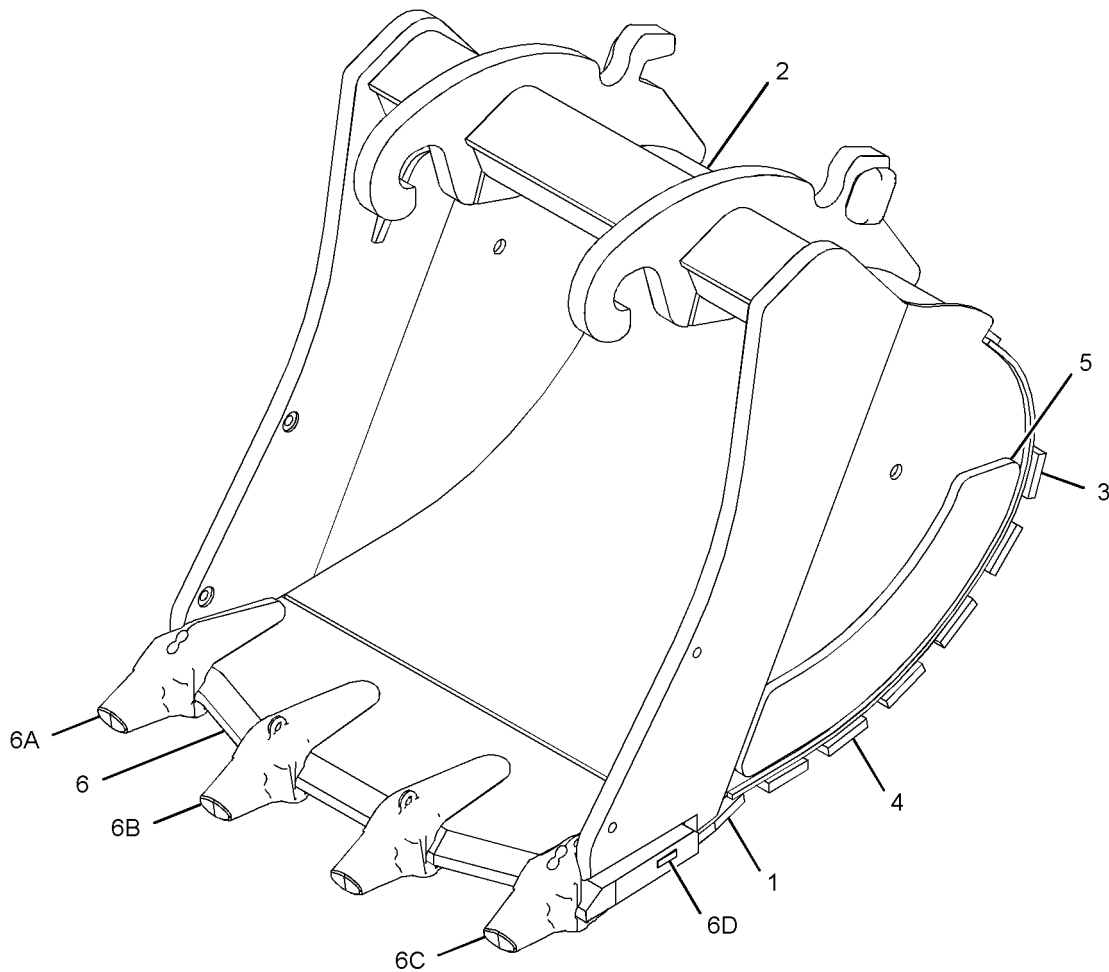
K-170 ADAPTERS, QTY OF 4

PART OF 260-1098 BUCKET & ADJUSTER GP
AN ATTACHMENT

SMCS-6102

i03447909

NOTE	REF NO	GRAPHIC REF	PART NUMBER	QTY	PART NAME						SEE PAGE	
					1	2	3	4	5	6 (PRODUCT LEVEL)		
	1	1	253-2280	1	PLATE-REINFORCEMENT							
	2	1	253-2288	1	PLATE AS-BOX							
	3	1	253-2278	1	PLATE-WEAR							
	4	1	253-2279	5	PLATE-WEAR							
	5	1	251-0910	2	PLATE-WEAR							
	6	1	313-8817	1	EDGE AS (CUTTING)							
	6A	1	232-2172	1	ADAPTER-TIP (K-170, 2-STRAP, LH)							
	6B	1	232-2170	2	ADAPTER-TIP (K-170, 2-STRAP, CENTER)							
	6C	1	232-2171	1	ADAPTER-TIP (K-170, 2-STRAP, RH)							
	6D	1	8P-9770	1	PLATE							



GRAPHIC #1

<END>

g01801277

WORK TOOLS

260-1124 BUCKET AS-ROCK-QUICK COUPLER

S/N: MMA1-UP

2000-MM (78.7-IN) WIDE X 5.2-CU M (6.8-CU YD) CAPACITY.

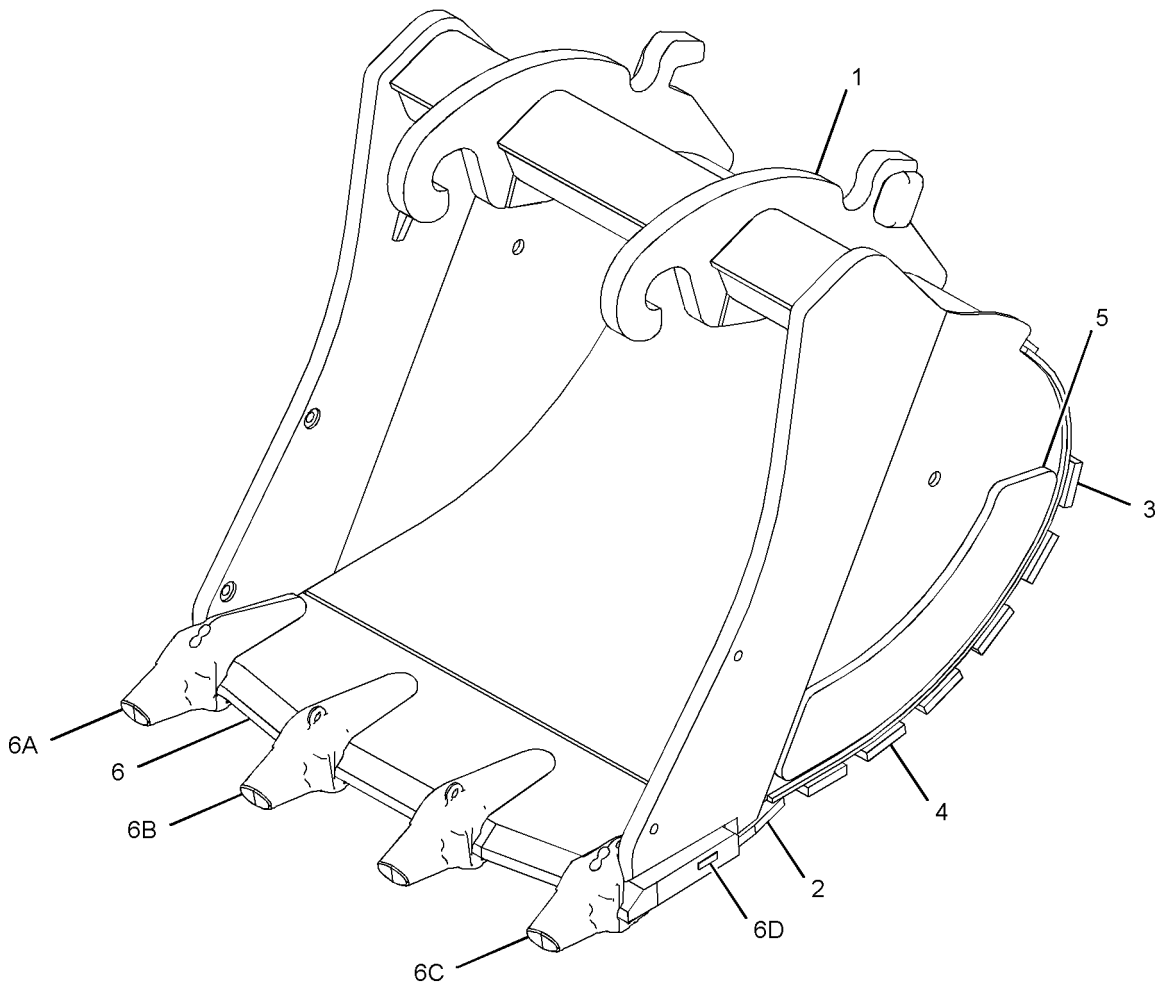
K-170 ADAPTERS, QTY OF 4

PART OF 260-1099 BUCKET & ADJUSTER GP
AN ATTACHMENT

SMCS-6102

i03449127

NOTE	REF NO	GRAPHIC REF	PART NUMBER	QTY	PART NAME						SEE PAGE
					1	2	3	4	5	6 (PRODUCT LEVEL)	
1	1	1	251-1000	1	PLATE AS-BOX						
2	1	1	251-1085	1	PLATE-REINFORCEMENT						
3	1	1	251-0917	1	PLATE-WEAR						
4	1	1	251-0941	5	PLATE-WEAR						
5	1	1	251-0910	2	PLATE-WEAR						
6	1	1	315-5319	1	EDGE AS (CUTTING)						
6A	1	1	232-2172	1	ADAPTER-TIP (K-170, 2-STRAP, LH)						
6B	1	1	232-2170	2	ADAPTER-TIP (K-170, 2-STRAP, CENTER)						
6C	1	1	232-2171	1	ADAPTER-TIP (K-170, 2-STRAP, RH)						
6D	1	1	8P-9770	1	PLATE						



GRAPHIC #1

<END>

g01801279

WORK TOOLS

220-1595 BUCKET GP-FRONT SHOVEL-HEAVY-DUTY

S/N: MMA1-UP

4.6-CU M (6.0-CU YD) CAPACITY. J-700 ADAPTERS, QTY OF 6

PART OF 220-1594 BUCKET AR-FRONT SHOVEL

AN ATTACHMENT

SMCS-6514

i03643766

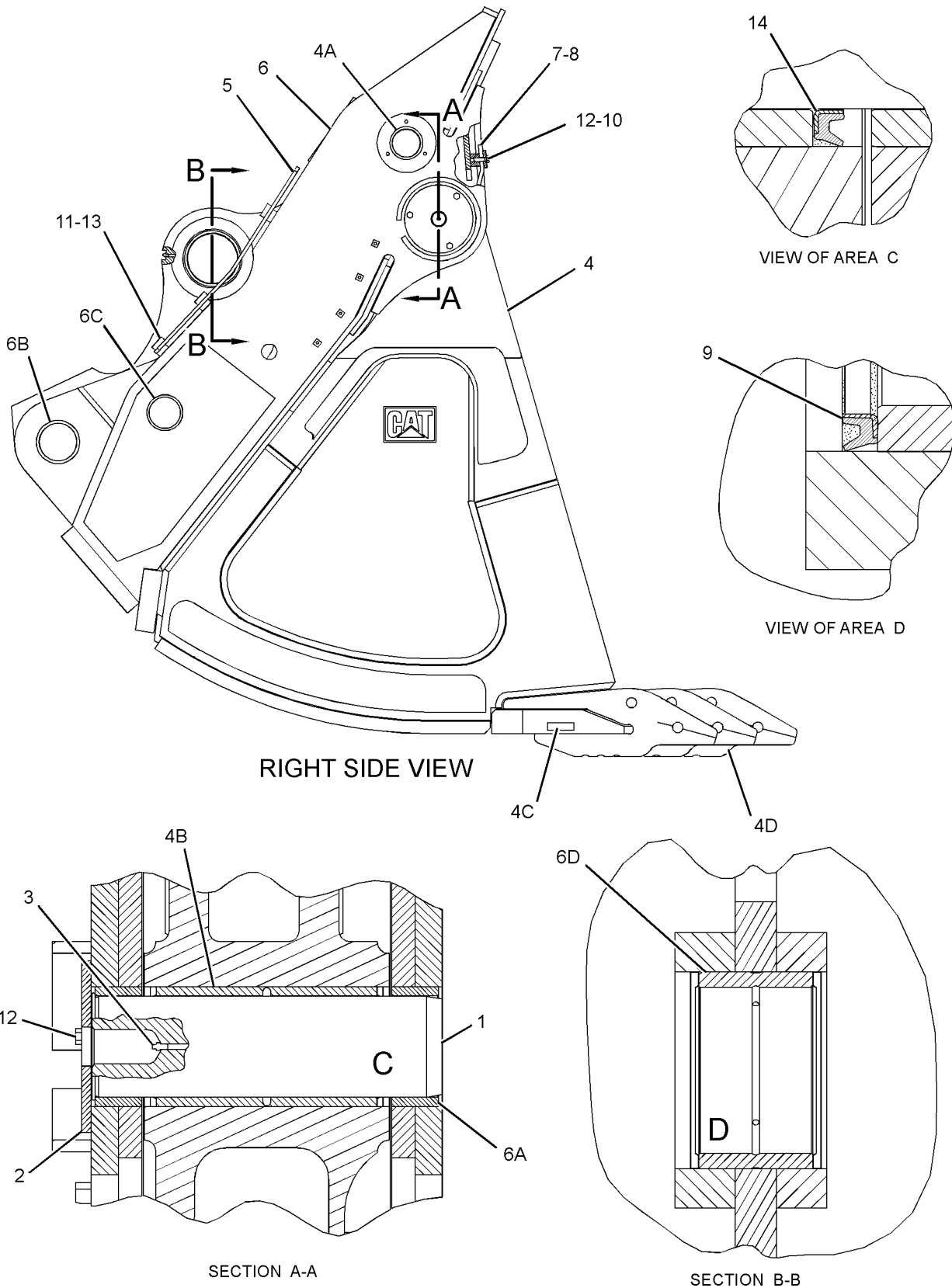
NOTE	REF NO	GRAPHIC REF	PART NUMBER	QTY	PART NAME						SEE PAGE
					1	2	3	4	5	6 (PRODUCT LEVEL)	
	1	1	4E-9377	2	PIN						
	2	1	4E-9379	2	CAP						
	3	1	095-0948	4	FITTING						
	4	1	157-9925	1	BOWL & BEARING AS						
	4A	1	4E-9374	4	BEARING (106.2-MM OD)						
	4B	1	4E-9376	2	BEARING (154.27-MM OD)						
	4C	1	8P-9770	1	PLATE						
	4D	1	171-1705	3	ADAPTER-TIP (RH)						
		1	171-1706	3	ADAPTER-TIP (LH)						
	5	1	177-0796	1	PLATE AS						
	6	1	215-4360	1	BULLDOZER & BEARING AS						
	6A	1	4E-9380	4	BEARING (154.27-MM OD)						
	6B	1	4E-9408	4	BEARING (140.26-MM OD)						
	6C	1	122-6566	4	BEARING-SLEEVE						
	6D	1	188-2258	2	BEARING (190.31-MM OD)						
	7	1	279-8094	2	PLATE (RH)						
	8	1	279-8095	1	PLATE (LH)						
	9	1	187-9753	4	SEAL						
	10	1	7T-5947	6	WASHER-RETAINING (13.5X55X10-MM THK)						
M	11	1	8T-4139	12	BOLT (M12X1.75X30-MM)						
CM	12	1	8T-4183	12	BOLT (M12X1.75X40-MM)						
	13	1	8T-4223	12	WASHER-HARD (13.5X25.5X3-MM THK)						
	14	1	9X-4600	4	SEAL-LIP TYPE						

C-CHANGE FROM PREVIOUS TYPE
M-METRIC PART

WORK TOOLS

220-1595 BUCKET GP-FRONT SHOVEL (contd.)

i03643766



GRAPHIC #1

<END>

g01955366

WORK TOOLS

235-4945 BUCKET GP-FRONT SHOVEL-ROCK

S/N: MMA1-UP

2760-MM (109-IN) WIDE X 5.7-CU M (7.5-CU YD) CAPACITY.

J-700 ADAPTERS, QTY OF 6

PART OF 235-4944 BUCKET AR-FRONT SHOVEL
AN ATTACHMENT

SMCS-6514

i03643765

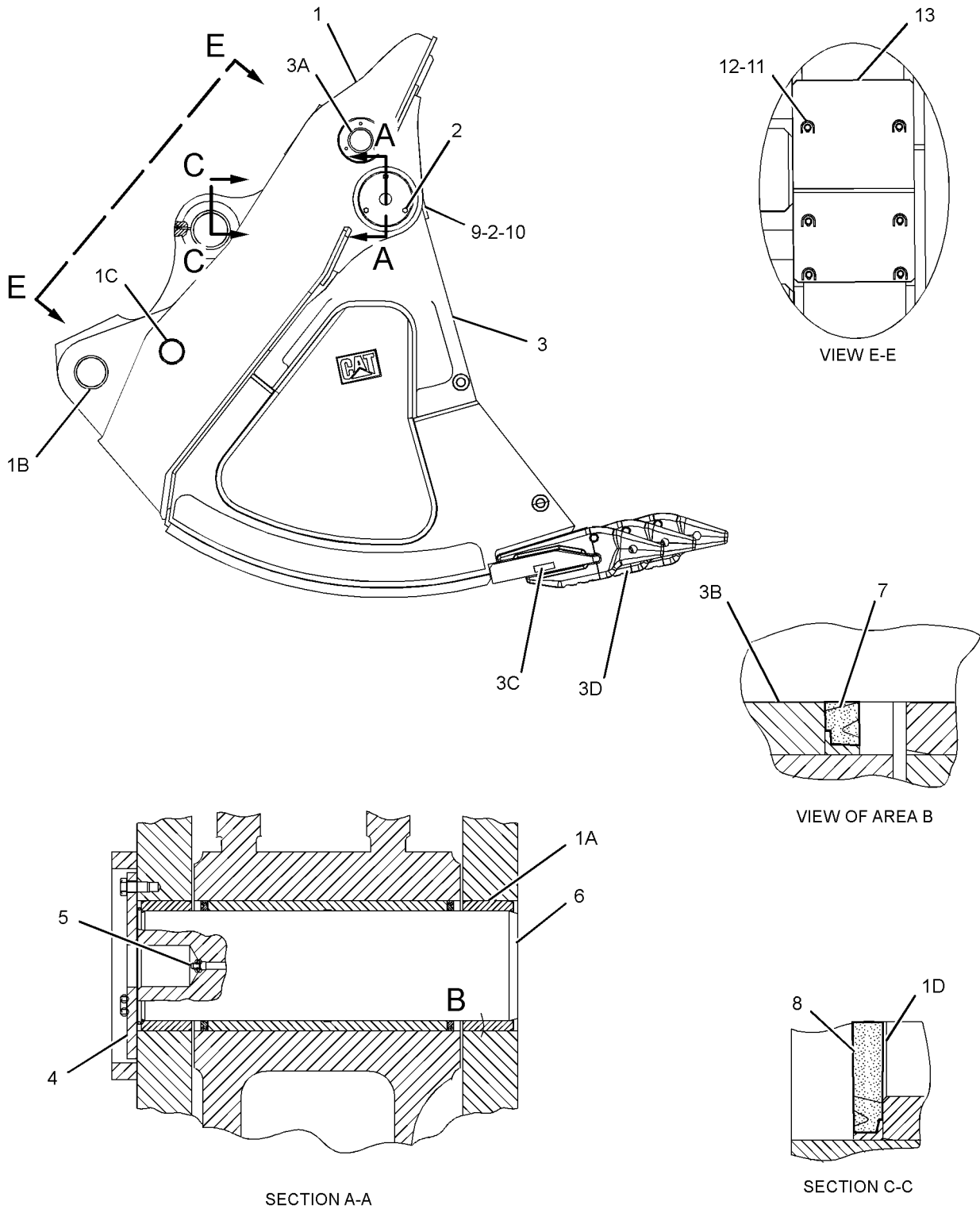
NOTE	REF NO	GRAPHIC REF	PART NUMBER	QTY	PART NAME						SEE PAGE
					1	2	3	4	5	6 (PRODUCT LEVEL)	
	1	1	235-4910	1	BULLDOZER & BEARING AS						
	1A	1	4E-9380	4	BEARING (154.27-MM OD)						
	1B	1	4E-9408	4	BEARING (140.26-MM OD)						
	1C	1	122-6566	4	BEARING-SLEEVE						
	1D	1	188-2258	2	BEARING (190.31-MM OD)						
M	2	1	8T-4183	12	BOLT (M12X1.75X40-MM)						
	3	1	235-4946	1	BOWL & BEARING AS-BUCKET						
	3A	1	4E-9374	4	BEARING (106.2-MM OD)						
	3B	1	4E-9376	2	BEARING (154.27-MM OD)						
	3C	1	8P-9770	1	PLATE						
	3D	1	171-1705	3	ADAPTER-TIP (RH)						
		1	171-1706	3	ADAPTER-TIP (LH)						
	4	1	4E-9379	2	CAP						
	5	1	3B-8489	4	FITTING-GREASE						
	6	1	4E-9377	2	PIN						
	7	1	9X-4600	4	SEAL-LIP TYPE						
	8	1	187-9753	4	SEAL						
	9	1	166-9390	2	DEFLECTOR						
	10	1	7T-5947	6	WASHER-RETAINING (13.5X55X10-MM THK)						
	11	1	8T-4223	12	WASHER-HARD (13.5X25.5X3-MM THK)						
M	12	1	8T-4139	12	BOLT (M12X1.75X30-MM)						
	13	1	177-0796	2	PLATE AS						

M-METRIC PART

WORK TOOLS

235-4945 BUCKET GP-FRONT SHOVEL (contd.)

i03643765



GRAPHIC #1

<END>

g01955367

WORK TOOLS

241-6608 BUCKET GP-FRONT SHOVEL-HEAVY-DUTY ROCK

S/N: MMA1-UP

2760-MM (109-IN) WIDE X 5.7-CU M (7.5-CU YD) CAPACITY

PART OF 241-6607 BUCKET AR-FRONT SHOVEL

AN ATTACHMENT

SMCS-6514

i02364718

NOTE	REF NO	GRAPHIC REF	PART NUMBER	QTY	PART NAME						SEE PAGE
					1	2	3	4	5	6 (PRODUCT LEVEL)	
	1	1	3B-8489	4	FITTING-GREASE						
	2	1	4E-9377	2	PIN						
	3	1	4E-9379	2	CAP						
	4	1	166-9390	2	DEFLECTOR						
	5	1	177-0796	2	PLATE AS						
	6	1	187-9753	4	SEAL						
	7	1	202-5058	6	SPACER (13.5X22.5X16-MM THK)						
	8	1	235-4910	1	BULLDOZER & BEARING AS						
	8A	1	4E-9380	4	BEARING (154.27-MM OD)						
	8B	1	4E-9408	4	BEARING (140.26-MM OD)						
	8C	1	122-6566	4	BEARING-SLEEVE						
	8D	1	188-2258	2	BEARING (190.31-MM OD)						
Y	9	1	241-6609	1	BOWL GP (EXCAVATOR)						939
	10	1	7T-5947	6	WASHER-RETAINING (13.5X55X10-MM THK)						
M	11	1	8T-4139	12	BOLT (M12X1.75X30-MM)						
M	12	1	8T-4183	12	BOLT (M12X1.75X40-MM)						
	13	1	8T-4223	12	WASHER-HARD (13.5X25.5X3-MM THK)						
	14	1	9X-4600	4	SEAL-LIP TYPE						

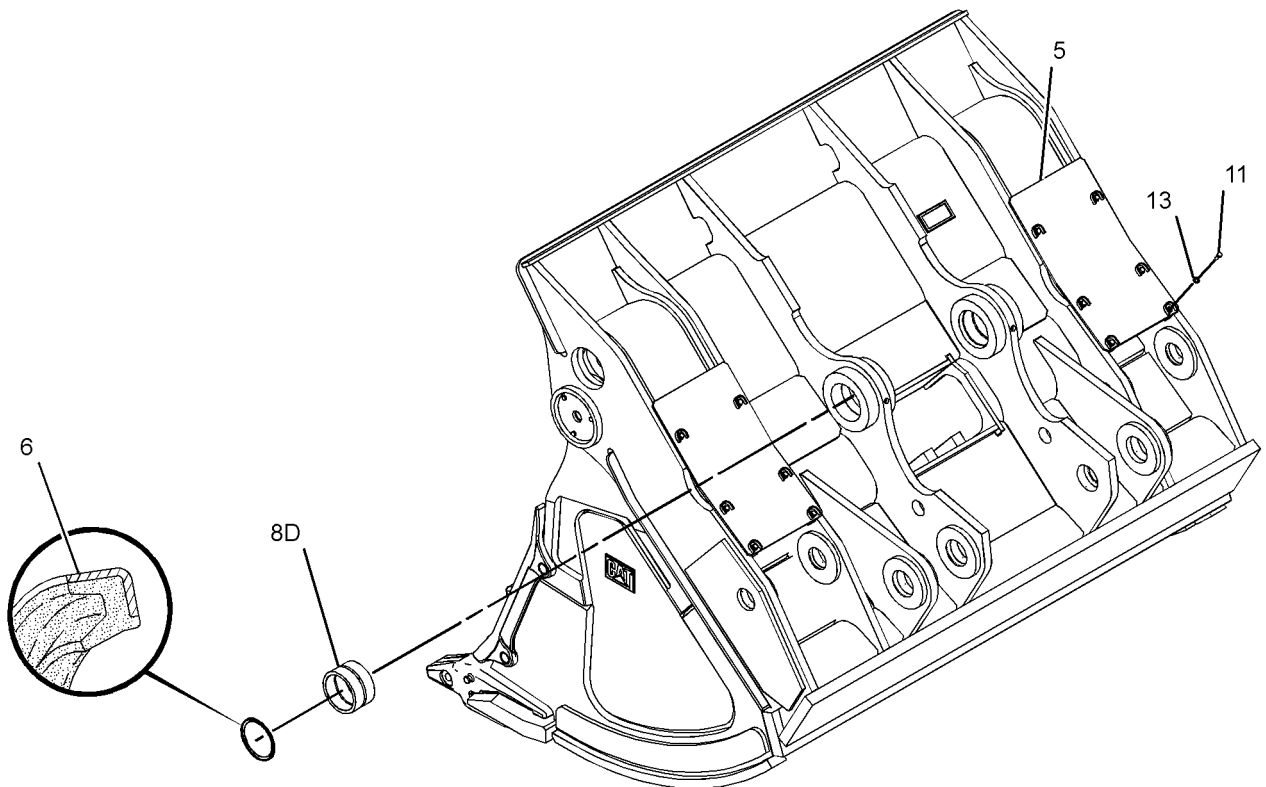
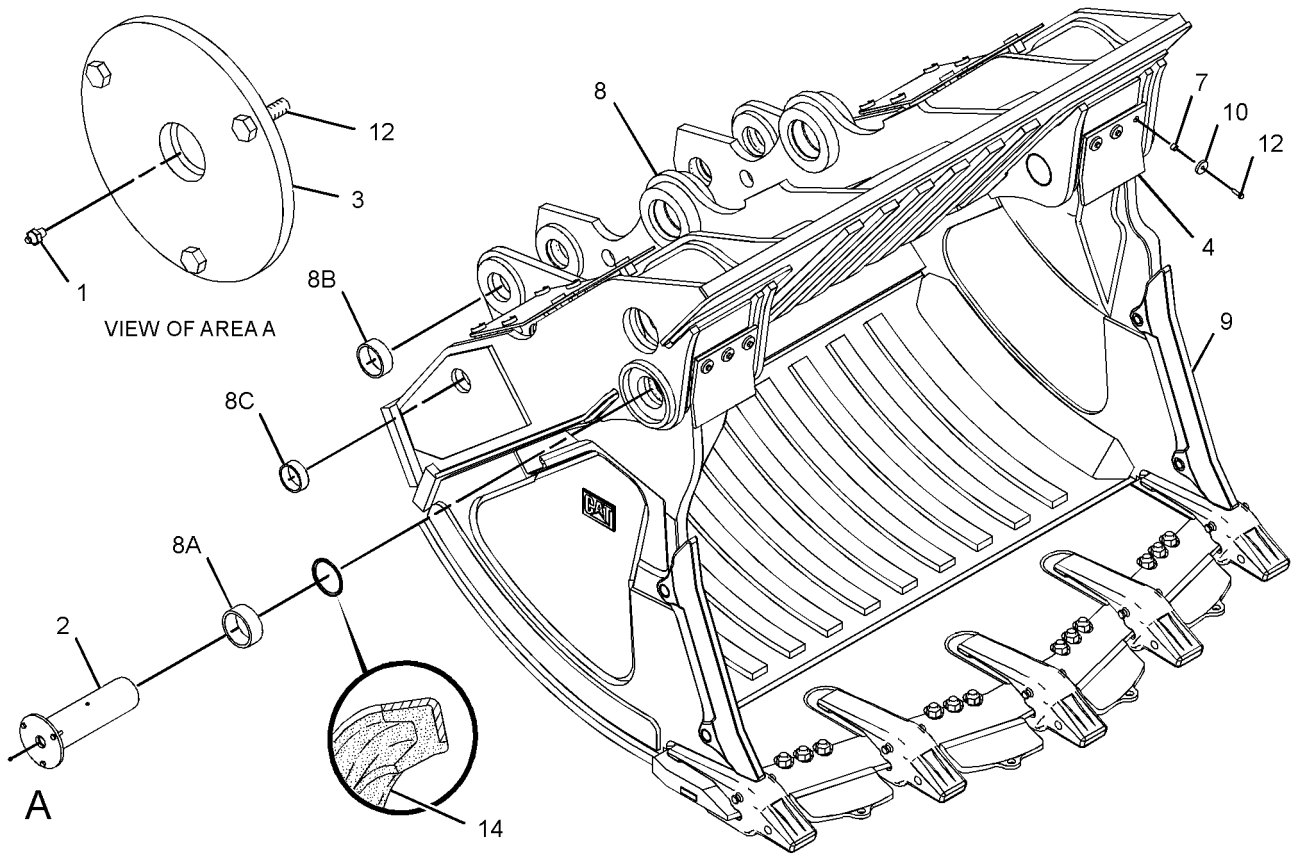
M-METRIC PART

Y-SEPARATE ILLUSTRATION

WORK TOOLS

241-6608 BUCKET GP-FRONT SHOVEL (contd.)

i02364718



GRAPHIC #1

<END>

g01190594

WORK TOOLS

241-6625 BUCKET GP-FRONT SHOVEL-HEAVY-DUTY ROCK

S/N: MMA1-UP

2760-MM (109-IN) WIDE X 5.2-CU M (6.8-CU YD) CAPACITY

PART OF 241-6624 BUCKET AR-FRONT SHOVEL

AN ATTACHMENT

SMCS-6514

i03129881

NOTE	REF NO	GRAPHIC REF	PART NUMBER	QTY	PART NAME						SEE PAGE
					1	2	3	4	5	6 (PRODUCT LEVEL)	
	1	1	3B-8489	4	FITTING-GREASE						
	2	1	4E-9377	2	PIN						
	3	1	4E-9379	2	CAP						
	4	1	166-9390	2	DEFLECTOR						
	5	1	177-0796	2	PLATE AS						
	6	1	187-9753	4	SEAL						
	7	1	9X-4600	4	SEAL-LIP TYPE						
	8	1	235-4910	1	BULLDOZER & BEARING AS						
	8A	1	4E-9380	4	BEARING (154.27-MM OD)						
	8B	1	4E-9408	4	BEARING (140.26-MM OD)						
	8C	1	122-6566	4	BEARING-SLEEVE						
	8D	1	188-2258	2	BEARING (190.31-MM OD)						
Y	9	1	241-6626	1	BOWL GP (EXCAVATOR)						940
	10	1	7T-5947	6	WASHER-RETAINING (13.5X55X10-MM THK)						
M	11	1	8T-4139	12	BOLT (M12X1.75X30-MM)						
M	12	1	8T-4183	12	BOLT (M12X1.75X40-MM)						
	13	1	8T-4223	12	WASHER-HARD (13.5X25.5X3-MM THK)						

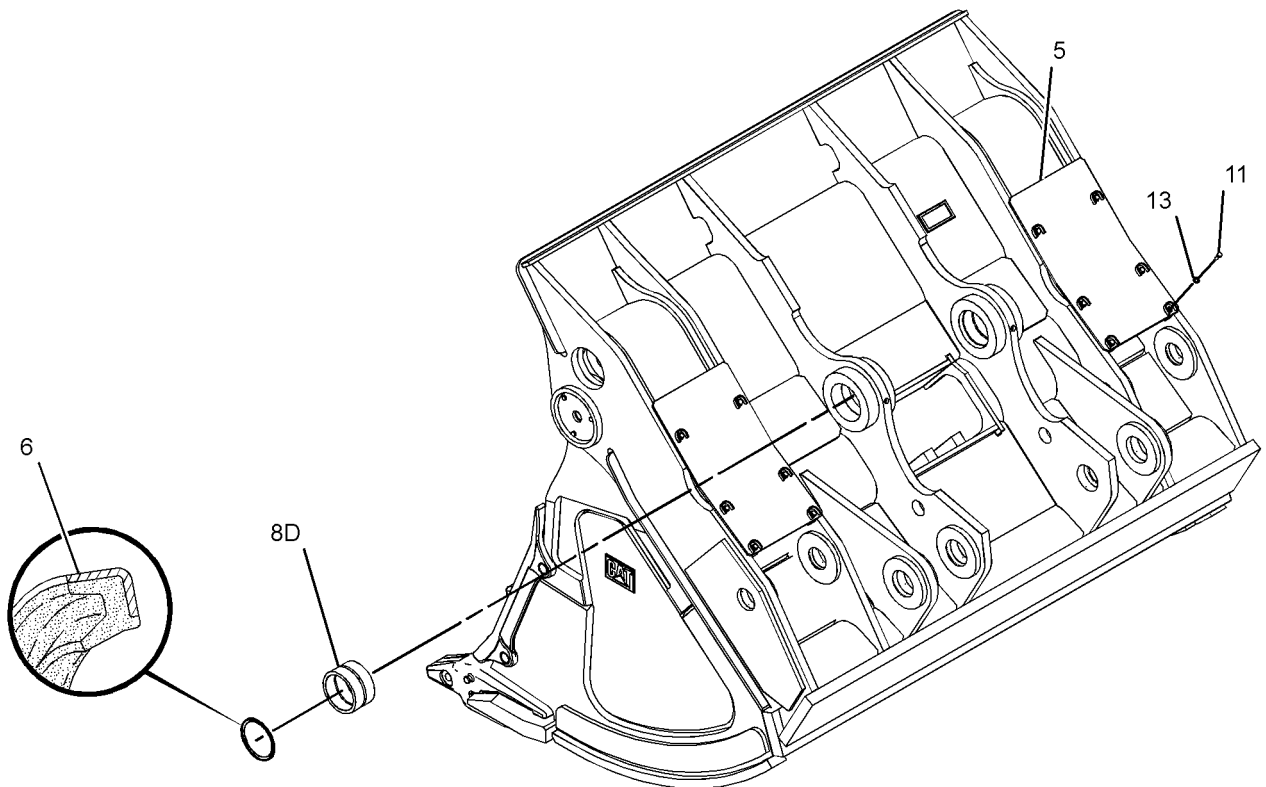
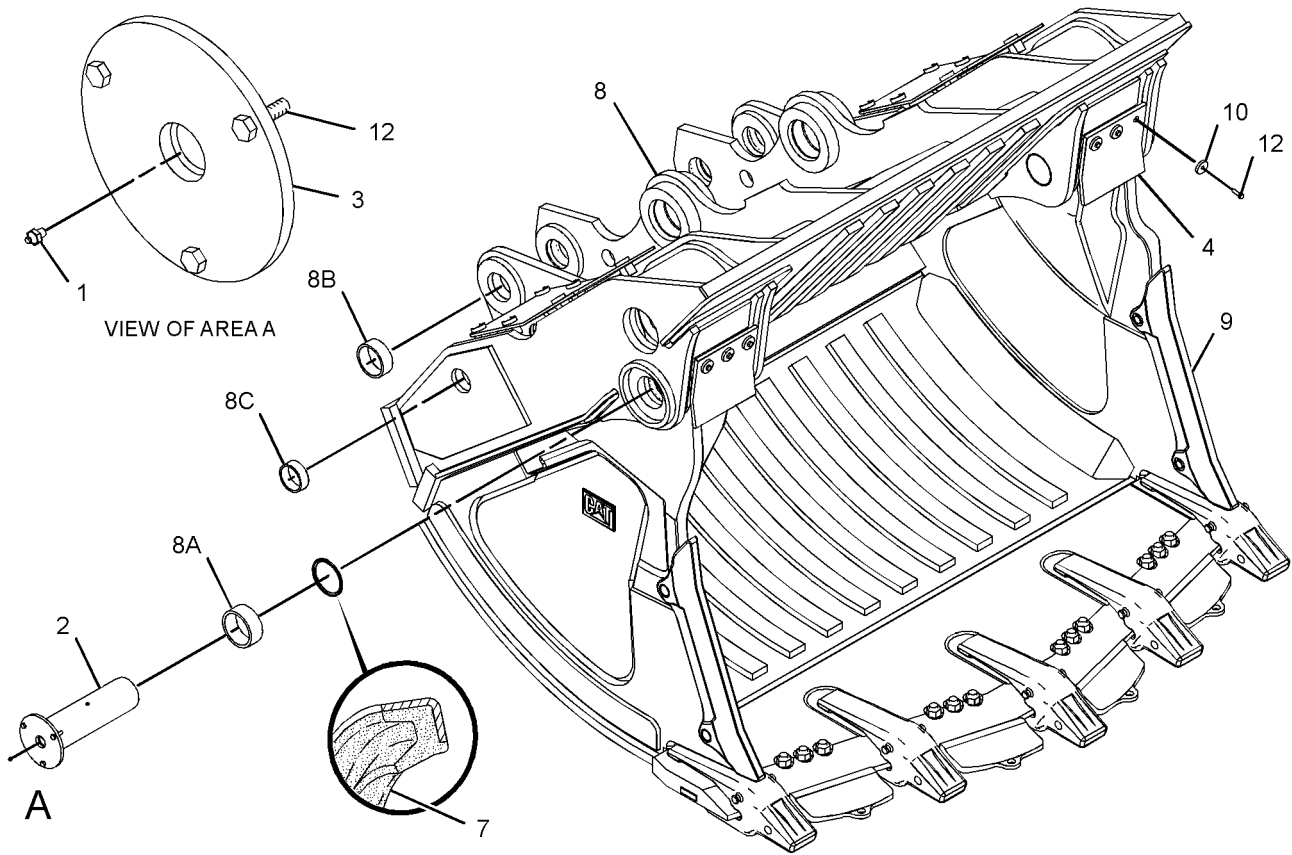
M-METRIC PART

Y-SEPARATE ILLUSTRATION

WORK TOOLS

241-6625 BUCKET GP-FRONT SHOVEL (contd.)

i03129881



GRAPHIC #1

<END>

g01245796

WORK TOOLS

241-6641 BUCKET GP-FRONT SHOVEL-ROCK

S/N: MMA1-UP

5.7-CU M (7.5-CU YD) CAPACITY. J-700 ADAPTERS, QTY OF 6
PART OF 241-6640 BUCKET AR-FRONT SHOVEL
AN ATTACHMENT

SMCS-6514

i02497570

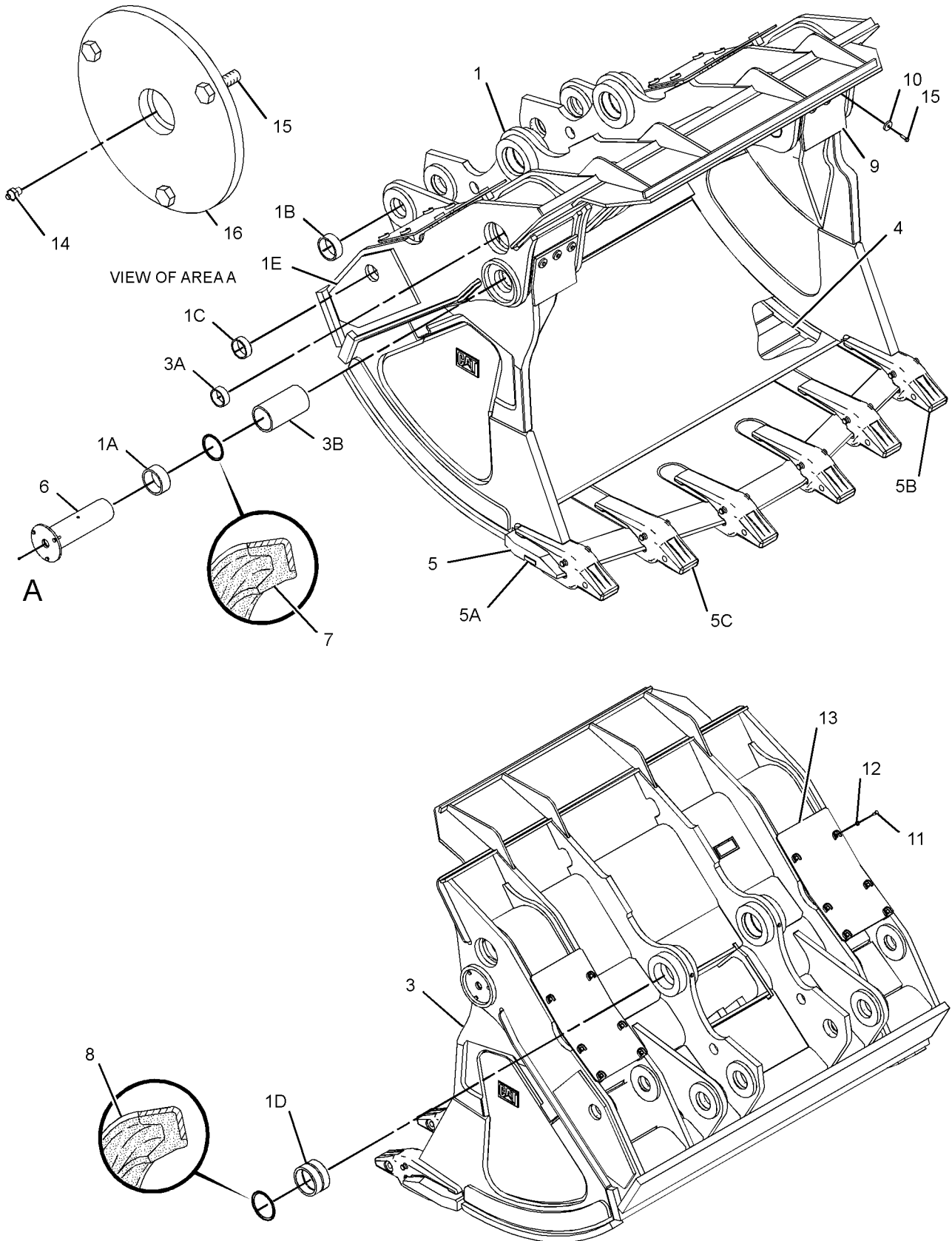
NOTE	REF NO	GRAPHIC REF	PART NUMBER	QTY	PART NAME						SEE PAGE
					1	2	3	4	5	6 (PRODUCT LEVEL)	
	1	1	241-6642	1	BULLDOZER & BEARING AS						
	1A	1	4E-9380	4	BEARING (154.27-MM OD)						
	1B	1	4E-9408	4	BEARING (140.26-MM OD)						
	1C	1	122-6566	4	BEARING-SLEEVE						
	1D	1	188-2258	2	BEARING (190.31-MM OD)						
	1E	1	152-7784	2	PLATE-WEAR						
	3	1	235-4946	1	BOWL & BEARING AS-BUCKET						
	3A	1	4E-9374	4	BEARING (106.2-MM OD)						
	3B	1	4E-9376	2	BEARING (154.27-MM OD)						
	4	1	235-4932	6	PLATE-WEAR						
	5	1	235-4939	1	EDGE AS						
	5A	1	8P-9770	1	PLATE						
	5B	1	171-1705	3	ADAPTER-TIP (RH)						
	5C	1	171-1706	3	ADAPTER-TIP (LH)						
	6	1	4E-9377	2	PIN						
	7	1	9X-4600	4	SEAL-LIP TYPE						
	8	1	187-9753	4	SEAL						
	9	1	166-9390	2	DEFLECTOR						
	10	1	7T-5947	6	WASHER-RETAINING (13.5X55X10-MM THK)						
	11	1	8T-4223	12	WASHER-HARD (13.5X25.5X3-MM THK)						
M	12	1	8T-4139	12	BOLT (M12X1.75X30-MM)						
	13	1	177-0796	2	PLATE AS						
	14	1	3B-8489	4	FITTING-GREASE						
M	15	1	8T-4183	12	BOLT (M12X1.75X40-MM)						
	16	1	4E-9379	2	CAP						

M-METRIC PART

WORK TOOLS

241-6641 BUCKET GP-FRONT SHOVEL (contd.)

i02497570



GRAPHIC #1

<END>

g01190672

WORK TOOLS

267-5385 BUCKET GP-FRONT SHOVEL-HEAVY-DUTY, C-FAMILY

S/N: MMA1-UP

4.6-CU M (6.0-CU YD) CAPACITY. K-170 ADAPTERS, QTY OF 6

PART OF 267-5384 BUCKET AR-FRONT SHOVEL

AN ATTACHMENT

TYPE 1

SMCS-6514

i02497566

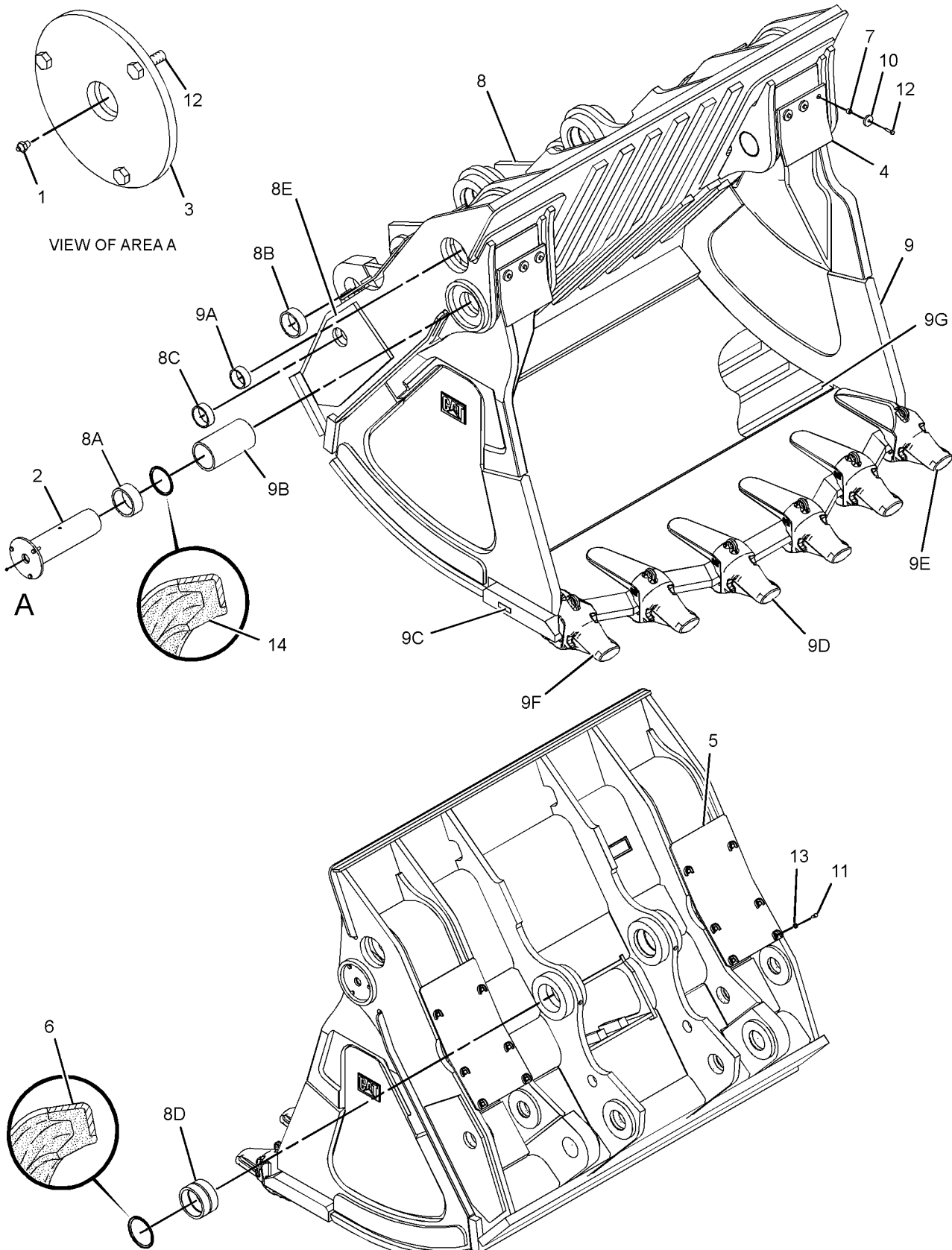
NOTE	REF NO	GRAPHIC REF	PART NUMBER	QTY	PART NAME						SEE PAGE
					1	2	3	4	5	6 (PRODUCT LEVEL)	
	1	1	3B-8489	4	FITTING-GREASE						
	2	1	4E-9377	2	PIN						
	3	1	4E-9379	2	CAP						
	4	1	166-9390	2	DEFLECTOR						
	5	1	177-0796	2	PLATE AS						
	6	1	187-9753	4	SEAL						
	7	1	202-5058	6	SPACER (13.5X22.5X16-MM THK)						
	8	1	215-4360	1	BULLDOZER & BEARING AS						
	8A	1	4E-9380	4	BEARING (154.27-MM OD)						
	8B	1	4E-9408	4	BEARING (140.26-MM OD)						
	8C	1	122-6566	4	BEARING-SLEEVE						
	8D	1	188-2258	2	BEARING (190.31-MM OD)						
	8E	1	152-7784	2	PLATE-WEAR						
	9	1	267-5386	1	BOWL & BEARING AS						
	9A	1	4E-9374	4	BEARING (106.2-MM OD)						
	9B	1	4E-9376	2	BEARING (154.27-MM OD)						
	9C	1	8P-9770	1	PLATE						
	9D	1	232-2170	4	ADAPTER-TIP (K-170, 2-STRAP, CENTER)						
	9E	1	232-2171	1	ADAPTER-TIP (K-170, 2-STRAP, RH)						
	9F	1	232-2172	1	ADAPTER-TIP (K-170, 2-STRAP, LH)						
	9G	1	124-8378	5	PLATE-WEAR						
	10	1	7T-5947	6	WASHER-RETAINING (13.5X55X10-MM THK)						
M	11	1	8T-4139	12	BOLT (M12X1.75X30-MM)						
M	12	1	8T-4183	12	BOLT (M12X1.75X40-MM)						
	13	1	8T-4223	12	WASHER-HARD (13.5X25.5X3-MM THK)						
	14	1	9X-4600	4	SEAL-LIP TYPE						

M-METRIC PART

WORK TOOLS

267-5385 BUCKET GP-FRONT SHOVEL (contd.)

i02497566



GRAPHIC #1

<END>

g01230563

WORK TOOLS

267-5385 BUCKET GP-FRONT SHOVEL-HEAVY-DUTY, C-FAMILY

S/N: MMA1-UP

4.6-CU M (6.0-CU YD) CAPACITY. K-170 ADAPTERS, QTY OF 6

PART OF 267-5384 BUCKET AR-FRONT SHOVEL

AN ATTACHMENT

TYPE 2

SMCS-6514

i03367969

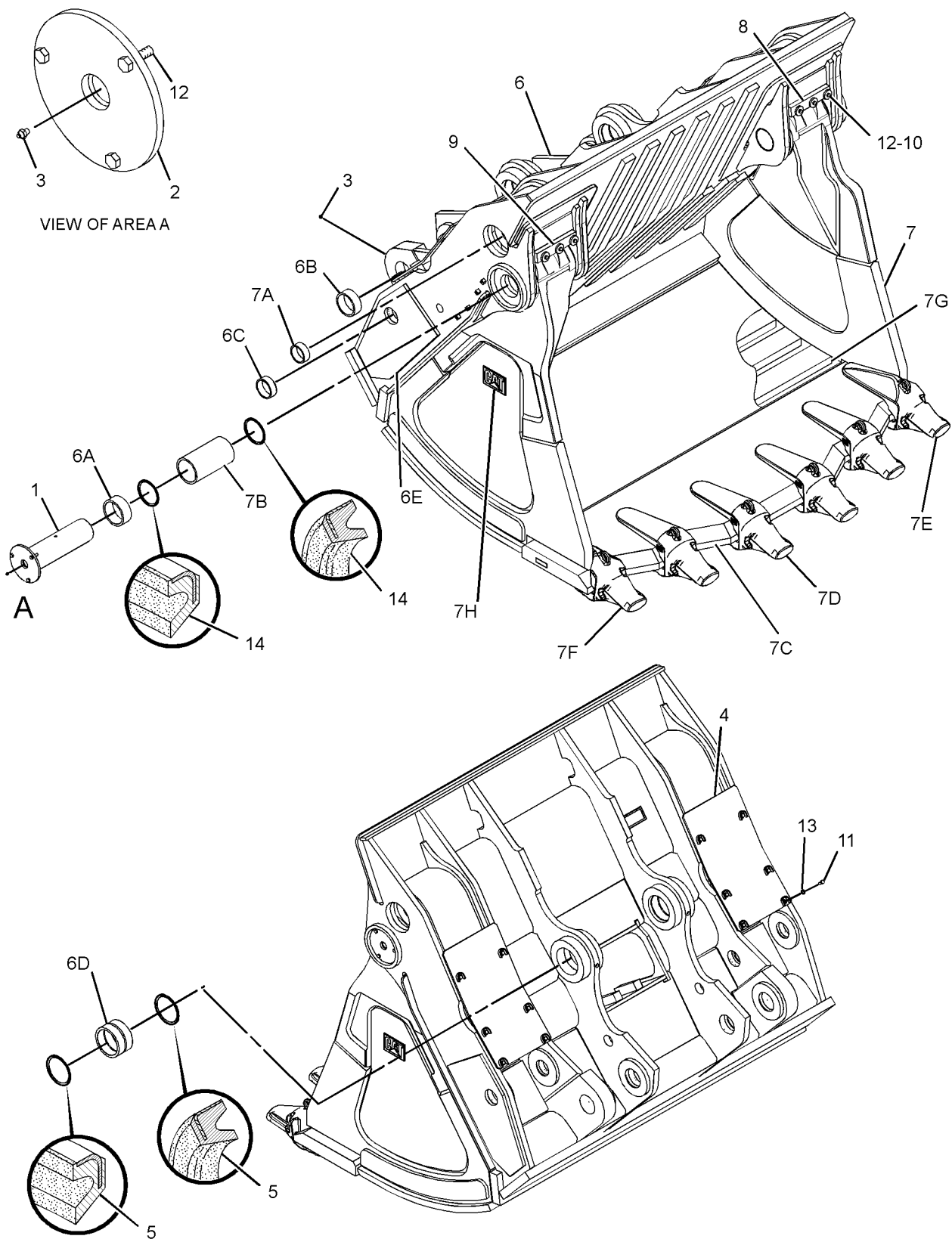
NOTE	REF NO	GRAPHIC REF	PART NUMBER	QTY	PART NAME						SEE PAGE
					1	2	3	4	5	6 (PRODUCT LEVEL)	
	1	1	4E-9377	2	PIN						
	2	1	4E-9379	2	CAP						
C	3	1	095-0948	4	FITTING						
	4	1	177-0796	2	PLATE AS						
	5	1	187-9753	4	SEAL						
	6	1	215-4360	1	BULLDOZER & BEARING AS						
	6A	1	4E-9380	4	BEARING (154.27-MM OD)						
	6B	1	4E-9408	4	BEARING (140.26-MM OD)						
	6C	1	122-6566	4	BEARING-SLEEVE						
	6D	1	188-2258	2	BEARING (190.31-MM OD)						
	6E	1	152-7784	2	PLATE-WEAR						
	7	1	267-5386	1	BOWL & BEARING AS						
	7A	1	4E-9374	4	BEARING (106.2-MM OD)						
	7B	1	4E-9376	2	BEARING (154.27-MM OD)						
	7C	1	267-5392	1	EDGE AS						
	7D	1	232-2170	4	ADAPTER-TIP (K-170, 2-STRAP, CENTER)						
	7E	1	232-2171	1	ADAPTER-TIP (K-170, 2-STRAP, RH)						
	7F	1	232-2172	1	ADAPTER-TIP (K-170, 2-STRAP, LH)						
	7G	1	124-8378	5	PLATE-WEAR						
	7H	1	2C-9259	2	PLATE-IDENTIFICATION (CAT)						
C	8	1	279-8094	1	PLATE (RH)						
C	9	1	279-8095	1	PLATE (LH)						
	10	1	328-1908	6	WASHER						
M	11	1	8T-4139	12	BOLT (M12X1.75X30-MM)						
M	12	1	8T-4183	12	BOLT (M12X1.75X40-MM)						
	13	1	8T-4223	12	WASHER-HARD (13.5X25.5X3-MM THK)						
	14	1	9X-4600	4	SEAL-LIP TYPE						

C-CHANGE FROM PREVIOUS TYPE
M-METRIC PART

WORK TOOLS

267-5385 BUCKET GP-FRONT SHOVEL (contd.)

i03367969



GRAPHIC #1

<END>

g01738824

WORK TOOLS

267-5395 BUCKET GP-FRONT SHOVEL-ROCK, C-FAMILY

S/N: MMA1-UP

5.7-CU M (7.5-CU YD) CAPACITY. K-170 ADAPTERS, QTY OF 6

PART OF 267-5394 BUCKET AR-FRONT SHOVEL

AN ATTACHMENT

TYPE 1

SMCS-6514

i02465545

NOTE	REF NO	GRAPHIC REF	PART NUMBER	QTY	PART NAME						SEE PAGE
					1	2	3	4	5	6 (PRODUCT LEVEL)	
	1	1	3B-8489	4	FITTING-GREASE						
	2	1	4E-9377	2	PIN						
	3	1	4E-9379	2	CAP						
	4	1	166-9390	2	DEFLECTOR						
	5	1	177-0796	2	PLATE AS						
	6	1	187-9753	4	SEAL						
	7	1	202-5058	6	SPACER (13.5X22.5X16-MM THK)						
	8	1	235-4910	1	BULLDOZER & BEARING AS						
	8A	1	4E-9380	4	BEARING (154.27-MM OD)						
	8B	1	4E-9408	4	BEARING (140.26-MM OD)						
	8C	1	122-6566	4	BEARING-SLEEVE						
	8D	1	188-2258	2	BEARING (190.31-MM OD)						
	8E	1	152-7784	2	PLATE-WEAR						
	9	1	267-5396	1	BOWL & BEARING AS						
	9A	1	4E-9374	4	BEARING (106.2-MM OD)						
	9B	1	4E-9376	2	BEARING (154.27-MM OD)						
	9C	1	235-4932	6	PLATE-WEAR						
	9D	1	267-5402	1	EDGE AS						
	9E	1	8P-9770	1	PLATE						
	9F	1	000-0232	4	ADAPTER-TIP (CENTER)						
	9G	1	232-2171	1	ADAPTER-TIP (K-170, 2-STRAP, RH)						
	9H	1	232-2172	1	ADAPTER-TIP (K-170, 2-STRAP, LH)						
	10	1	7T-5947	6	WASHER-RETAINING (13.5X55X10-MM THK)						
M	11	1	8T-4139	12	BOLT (M12X1.75X30-MM)						
M	12	1	8T-4183	12	BOLT (M12X1.75X40-MM)						
	13	1	8T-4223	12	WASHER-HARD (13.5X25.5X3-MM THK)						
	14	1	9X-4600	4	SEAL-LIP TYPE						

M-METRIC PART

WORK TOOLS

267-5395 BUCKET GP-FRONT SHOVEL-ROCK, C-FAMILY

S/N: MMA1-UP

5.7-CU M (7.5-CU YD) CAPACITY. K-170 ADAPTERS, QTY OF 6

PART OF 267-5394 BUCKET AR-FRONT SHOVEL

AN ATTACHMENT

TYPE 2

SMCS-6514

i03330042

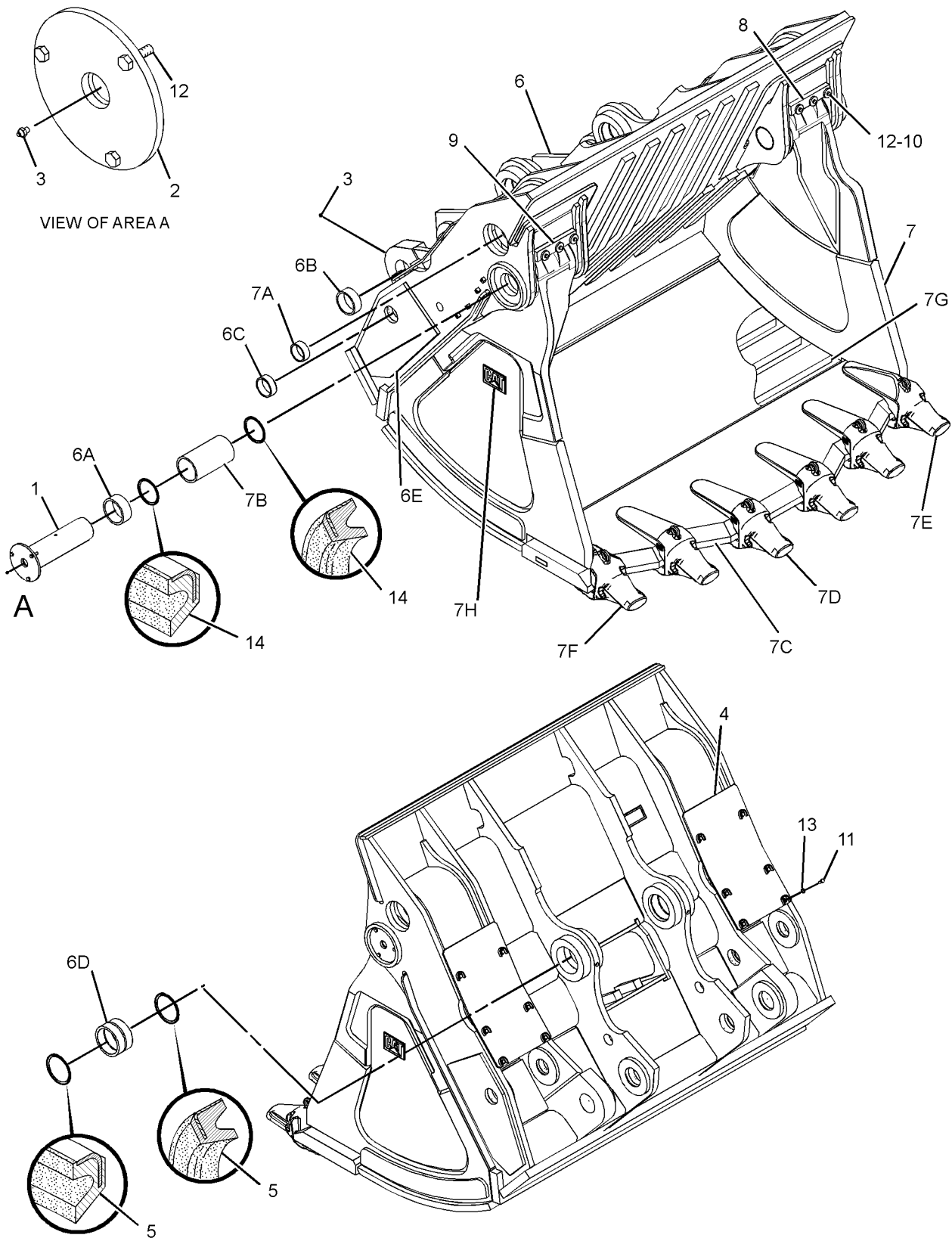
NOTE	REF NO	GRAPHIC REF	PART NUMBER	QTY	PART NAME						SEE PAGE
					1	2	3	4	5	6 (PRODUCT LEVEL)	
	1	1	4E-9377	2	PIN						
	2	1	4E-9379	2	CAP						
C	3	1	095-0948	4	FITTING						
	4	1	177-0796	2	PLATE AS						
	5	1	187-9753	4	SEAL						
	6	1	215-4360	1	BULLDOZER & BEARING AS						
	6A	1	4E-9380	4	BEARING (154.27-MM OD)						
	6B	1	4E-9408	4	BEARING (140.26-MM OD)						
	6C	1	122-6566	4	BEARING-SLEEVE						
	6D	1	188-2258	2	BEARING (190.31-MM OD)						
	6E	1	152-7784	2	PLATE-WEAR						
	7	1	267-5386	1	BOWL & BEARING AS						
	7A	1	4E-9374	4	BEARING (106.2-MM OD)						
	7B	1	4E-9376	2	BEARING (154.27-MM OD)						
	7C	1	267-5392	1	EDGE AS						
	7D	1	232-2170	4	ADAPTER-TIP (K-170, 2-STRAP, CENTER)						
	7E	1	232-2171	1	ADAPTER-TIP (K-170, 2-STRAP, RH)						
	7F	1	232-2172	1	ADAPTER-TIP (K-170, 2-STRAP, LH)						
	7G	1	124-8378	5	PLATE-WEAR						
	7H	1	2C-9259	2	PLATE-IDENTIFICATION (CAT)						
C	8	1	279-8094	1	PLATE (RH)						
C	9	1	279-8095	1	PLATE (LH)						
	10	1	328-1908	6	WASHER						
M	11	1	8T-4139	12	BOLT (M12X1.75X30-MM)						
M	12	1	8T-4183	12	BOLT (M12X1.75X40-MM)						
	13	1	8T-4223	12	WASHER-HARD (13.5X25.5X3-MM THK)						
	14	1	9X-4600	4	SEAL-LIP TYPE						

C-CHANGE FROM PREVIOUS TYPE
M-METRIC PART

WORK TOOLS

267-5395 BUCKET GP-FRONT SHOVEL (contd.)

i03330042



GRAPHIC #1

<END>

g01738824

WORK TOOLS

267-5409 BUCKET GP-FRONT SHOVEL- HEAVY-DUTY ROCK, C-FAMILY

S/N: MMA1-UP

5.7-CU M (7.5-CU YD) CAPACITY. K-170 ADAPTERS, QTY OF 6

PART OF 267-5408 BUCKET AR-FRONT SHOVEL

AN ATTACHMENT

TYPE 1

SMCS-6514

i02364846

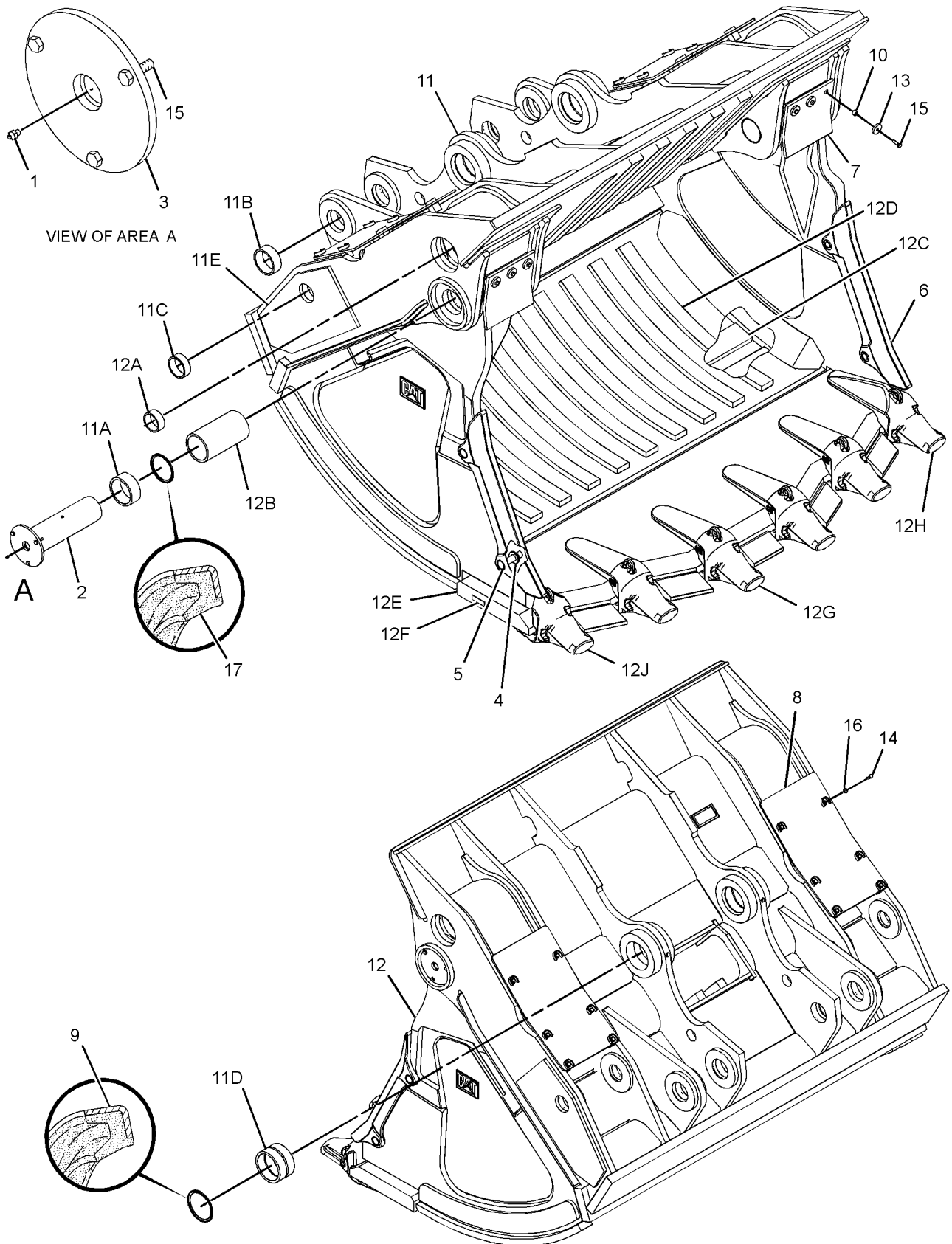
NOTE	REF NO	GRAPHIC REF	PART NUMBER	QTY	PART NAME						SEE PAGE
					1	2	3	4	5	6 (PRODUCT LEVEL)	
	1	1	3B-8489	4	FITTING-GREASE						
	2	1	4E-9377	2	PIN						
	3	1	4E-9379	2	CAP						
	4	1	4T-4707	4	RETAINER						
	5	1	8E-4708	4	PIN						
	6	1	125-0800	2	PROTECTOR-SIDE BAR						
	7	1	166-9390	2	DEFLECTOR						
	8	1	177-0796	2	PLATE AS						
	9	1	187-9753	4	SEAL						
	10	1	202-5058	6	SPACER (13.5X22.5X16-MM THK)						
	11	1	235-4910	1	BULLDOZER & BEARING AS						
	11A	1	4E-9380	4	BEARING (154.27-MM OD)						
	11B	1	4E-9408	4	BEARING (140.26-MM OD)						
	11C	1	122-6566	4	BEARING-SLEEVE						
	11D	1	188-2258	2	BEARING (190.31-MM OD)						
	11E	1	152-7784	2	PLATE-WEAR						
	12	1	267-5410	1	BOWL & BEARING AS-BUCKET						
	12A	1	4E-9374	4	BEARING (106.2-MM OD)						
	12B	1	4E-9376	2	BEARING (154.27-MM OD)						
	12C	1	241-6615	6	PLATE-WEAR						
	12D	1	241-6620	10	PLATE-WEAR						
	12E	1	267-5402	1	EDGE AS						
	12F	1	8P-9770	1	PLATE						
	12G	1	232-2170	4	ADAPTER-TIP (K-170, 2-STRAP, CENTER)						
	12H	1	232-2171	1	ADAPTER-TIP (K-170, 2-STRAP, RH)						
	12J	1	232-2172	1	ADAPTER-TIP (K-170, 2-STRAP, LH)						
	13	1	7T-5947	6	WASHER-RETAINING (13.5X55X10-MM THK)						
M	14	1	8T-4139	12	BOLT (M12X1.75X30-MM)						
M	15	1	8T-4183	12	BOLT (M12X1.75X40-MM)						
	16	1	8T-4223	12	WASHER-HARD (13.5X25.5X3-MM THK)						
	17	1	9X-4600	4	SEAL-LIP TYPE						

M-METRIC PART

WORK TOOLS

267-5409 BUCKET GP-FRONT SHOVEL (contd.)

i02364846



GRAPHIC #1

<END>

g01190342

WORK TOOLS

267-5409 BUCKET GP-FRONT SHOVEL- HEAVY-DUTY ROCK, C-FAMILY

S/N: MMA1-UP

5.7-CU M (7.5-CU YD) CAPACITY. K-170 ADAPTERS, QTY OF 6
PART OF 267-5408 BUCKET AR-FRONT SHOVEL
AN ATTACHMENT
TYPE 2

SMCS-6514

i03381147

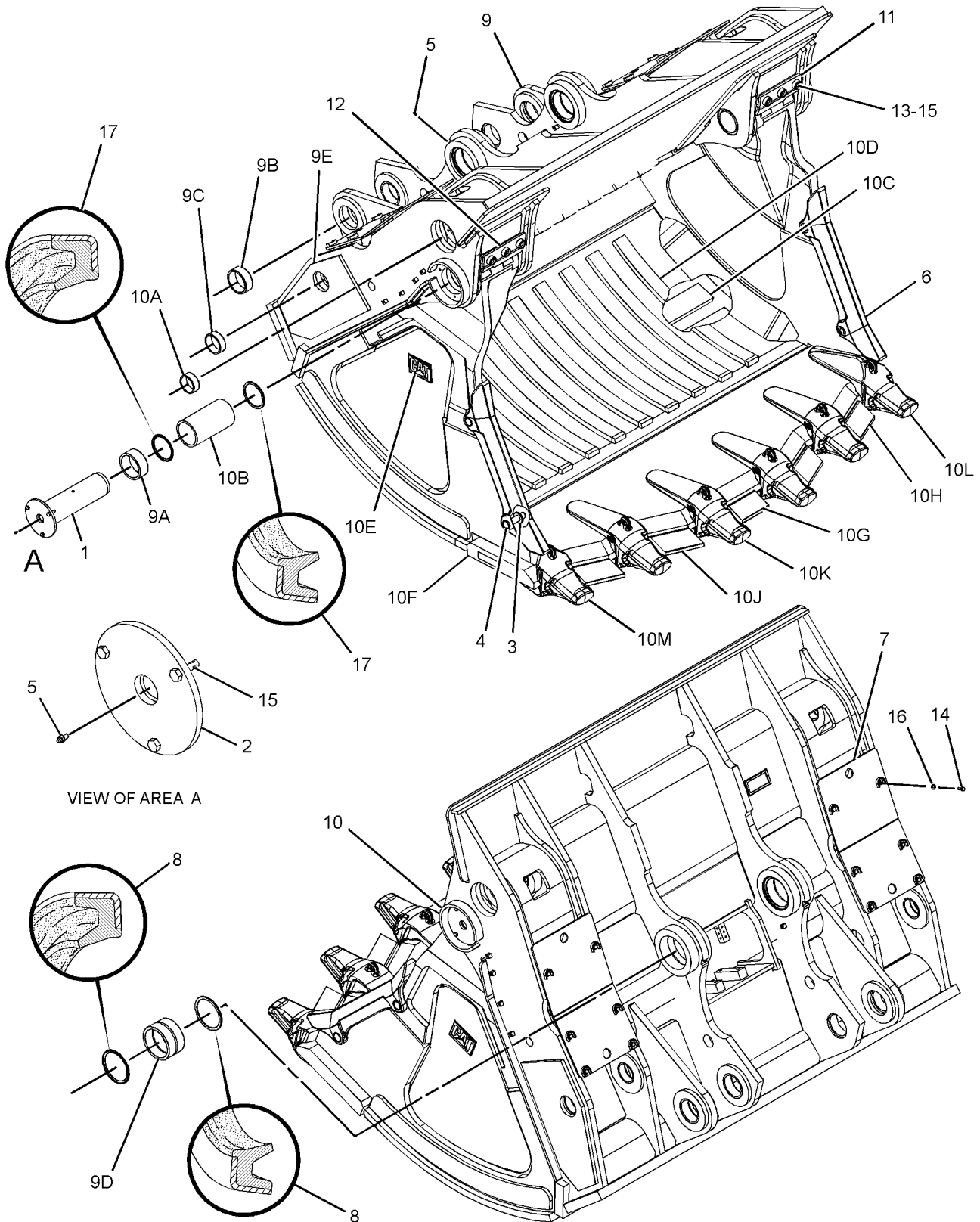
NOTE	REF NO	GRAPHIC REF	PART NUMBER	QTY	PART NAME						SEE PAGE
					1	2	3	4	5	6 (PRODUCT LEVEL)	
	1	1	4E-9377	2	PIN						
	2	1	4E-9379	2	CAP						
	3	1	4T-4707	4	RETAINER						
	4	1	8E-4708	4	PIN						
C	5	1	095-0948	4	FITTING						
	6	1	125-0800	2	PROTECTOR-SIDE BAR						
	7	1	177-0796	2	PLATE AS						
	8	1	187-9753	4	SEAL						
	9	1	235-4910	1	BULLDOZER & BEARING AS						
	9A	1	4E-9380	4	BEARING (154.27-MM OD)						
	9B	1	4E-9408	4	BEARING (140.26-MM OD)						
	9C	1	122-6566	4	BEARING-SLEEVE						
	9D	1	188-2258	2	BEARING (190.31-MM OD)						
	9E	1	152-7784	2	PLATE-WEAR						
	10	1	267-5410	1	BOWL & BEARING AS-BUCKET						
	10A	1	4E-9374	4	BEARING (106.2-MM OD)						
	10B	1	4E-9376	2	BEARING (154.27-MM OD)						
	10C	1	241-6615	6	PLATE-WEAR						
	10D	1	241-6620	10	PLATE-WEAR						
	10E	1	2C-9259	2	PLATE-IDENTIFICATION (CAT)						
	10F	1	267-5404	1	EDGE AS						
	10G	1	267-5405	1	EDGE-CUTTING						
	10H	1	267-5406	2	EDGE-CUTTING						
	10J	1	267-5407	2	EDGE-CUTTING						
	10K	1	232-2170	4	ADAPTER-TIP (K-170, 2-STRAP, CENTER)						
	10L	1	232-2171	1	ADAPTER-TIP (K-170, 2-STRAP, RH)						
	10M	1	232-2172	1	ADAPTER-TIP (K-170, 2-STRAP, LH)						
C	11	1	279-8094	1	PLATE (RH)						
C	12	1	279-8095	1	PLATE (LH)						
	13	1	328-1908	6	WASHER						
M	14	1	8T-4139	12	BOLT (M12X1.75X30-MM)						
M	15	1	8T-4183	12	BOLT (M12X1.75X40-MM)						
	16	1	8T-4223	12	WASHER-HARD (13.5X25.5X3-MM THK)						
	17	1	9X-4600	4	SEAL-LIP TYPE						

C-CHANGE FROM PREVIOUS TYPE
M-METRIC PART

WORK TOOLS

267-5409 BUCKET GP-FRONT SHOVEL (contd.)

i03381147



VIEW OF AREA A

GRAPHIC #1

<END>

g01747114

WORK TOOLS

267-5418 BUCKET GP-FRONT SHOVEL- HEAVY-DUTY ROCK, C-FAMILY

S/N: MMA1-UP

5.2-CU M (6.8-CU YD) CAPACITY. K-170 ADAPTERS, QTY OF 6
PART OF 267-5417 BUCKET AR-FRONT SHOVEL
AN ATTACHMENT
TYPE 1

SMCS-6514

i02364833

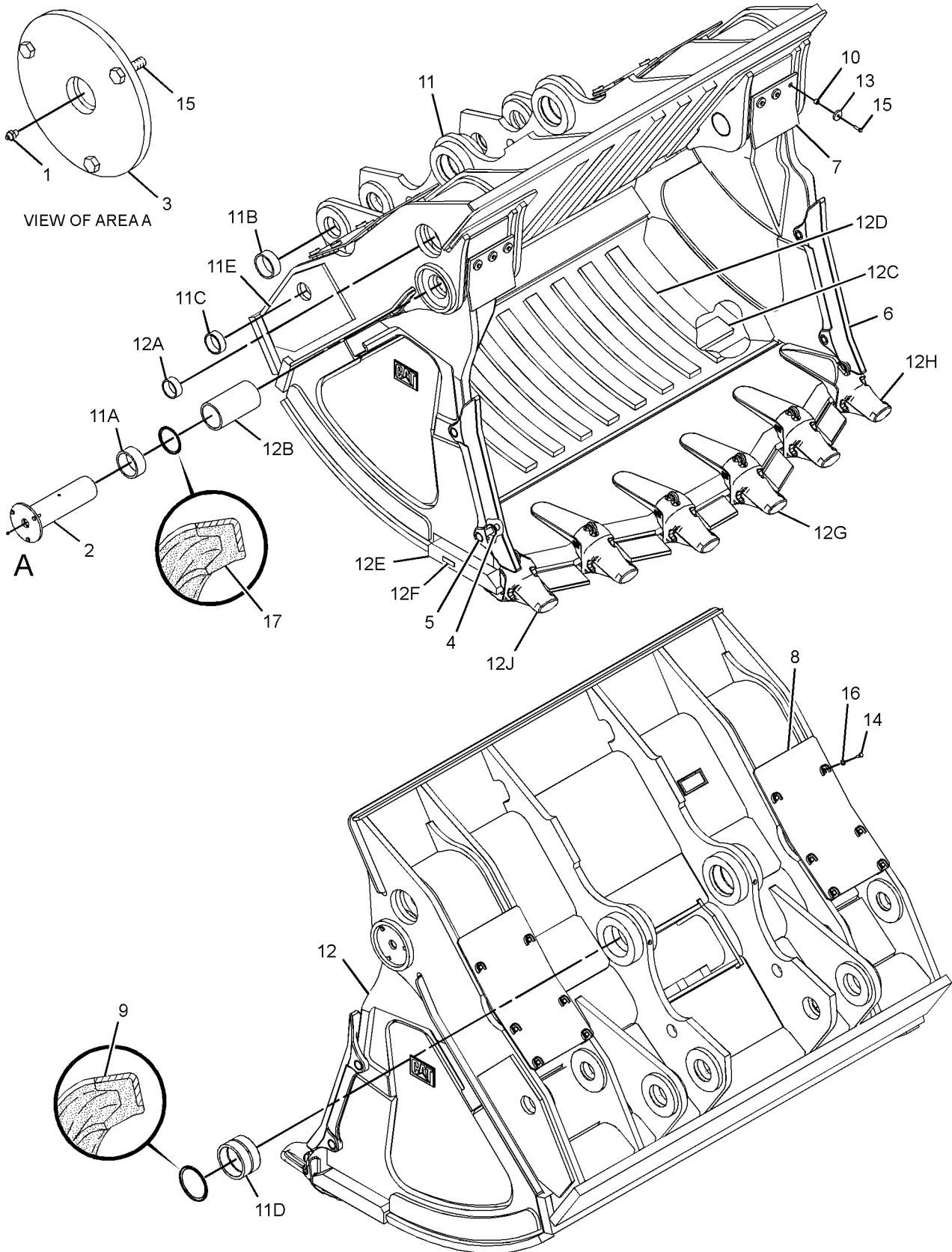
NOTE	REF NO	GRAPHIC REF	PART NUMBER	QTY	PART NAME						SEE PAGE
					1	2	3	4	5	6 (PRODUCT LEVEL)	
	1	1	3B-8489	4	FITTING-GREASE						
	2	1	4E-9377	2	PIN						
	3	1	4E-9379	2	CAP						
	4	1	4T-4707	4	RETAINER						
	5	1	8E-4708	4	PIN						
	6	1	125-0800	2	PROTECTOR-SIDE BAR						
	7	1	166-9390	2	DEFLECTOR						
	8	1	177-0796	2	PLATE AS						
	9	1	187-9753	4	SEAL						
	10	1	202-5058	6	SPACER (13.5X22.5X16-MM THK)						
	11	1	235-4910	1	BULLDOZER & BEARING AS						
	11A	1	4E-9380	4	BEARING (154.27-MM OD)						
	11B	1	4E-9408	4	BEARING (140.26-MM OD)						
	11C	1	122-6566	4	BEARING-SLEEVE						
	11D	1	188-2258	2	BEARING (190.31-MM OD)						
	11E	1	152-7784	2	PLATE-WEAR						
	12	1	267-5419	1	BOWL & BEARING AS						
	12A	1	4E-9374	4	BEARING (106.2-MM OD)						
	12B	1	4E-9376	2	BEARING (154.27-MM OD)						
	12C	1	241-6615	5	PLATE-WEAR						
	12D	1	241-6635	10	PLATE-WEAR						
	12E	1	267-5402	1	EDGE AS						
	12F	1	8P-9770	1	PLATE						
	12G	1	232-2170	4	ADAPTER-TIP (K-170, 2-STRAP, CENTER)						
	12H	1	232-2171	1	ADAPTER-TIP (K-170, 2-STRAP, RH)						
	12J	1	232-2172	1	ADAPTER-TIP (K-170, 2-STRAP, LH)						
	13	1	7T-5947	6	WASHER-RETAINING (13.5X55X10-MM THK)						
M	14	1	8T-4139	12	BOLT (M12X1.75X30-MM)						
M	15	1	8T-4183	12	BOLT (M12X1.75X40-MM)						
	16	1	8T-4223	12	WASHER-HARD (13.5X25.5X3-MM THK)						
	17	1	9X-4600	4	SEAL-LIP TYPE						

M-METRIC PART

WORK TOOLS

267-5418 BUCKET GP-FRONT SHOVEL (contd.)

i02364833



GRAPHIC #1

<END>

g01190144

WORK TOOLS

267-5418 BUCKET GP-FRONT SHOVEL- HEAVY-DUTY ROCK, C-FAMILY

S/N: MMA1-UP

5.2-CU M (6.8-CU YD) CAPACITY. K-170 ADAPTERS, QTY OF 6
PART OF 267-5417 BUCKET AR-FRONT SHOVEL
AN ATTACHMENT
TYPE 2

SMCS-6514

i03381254

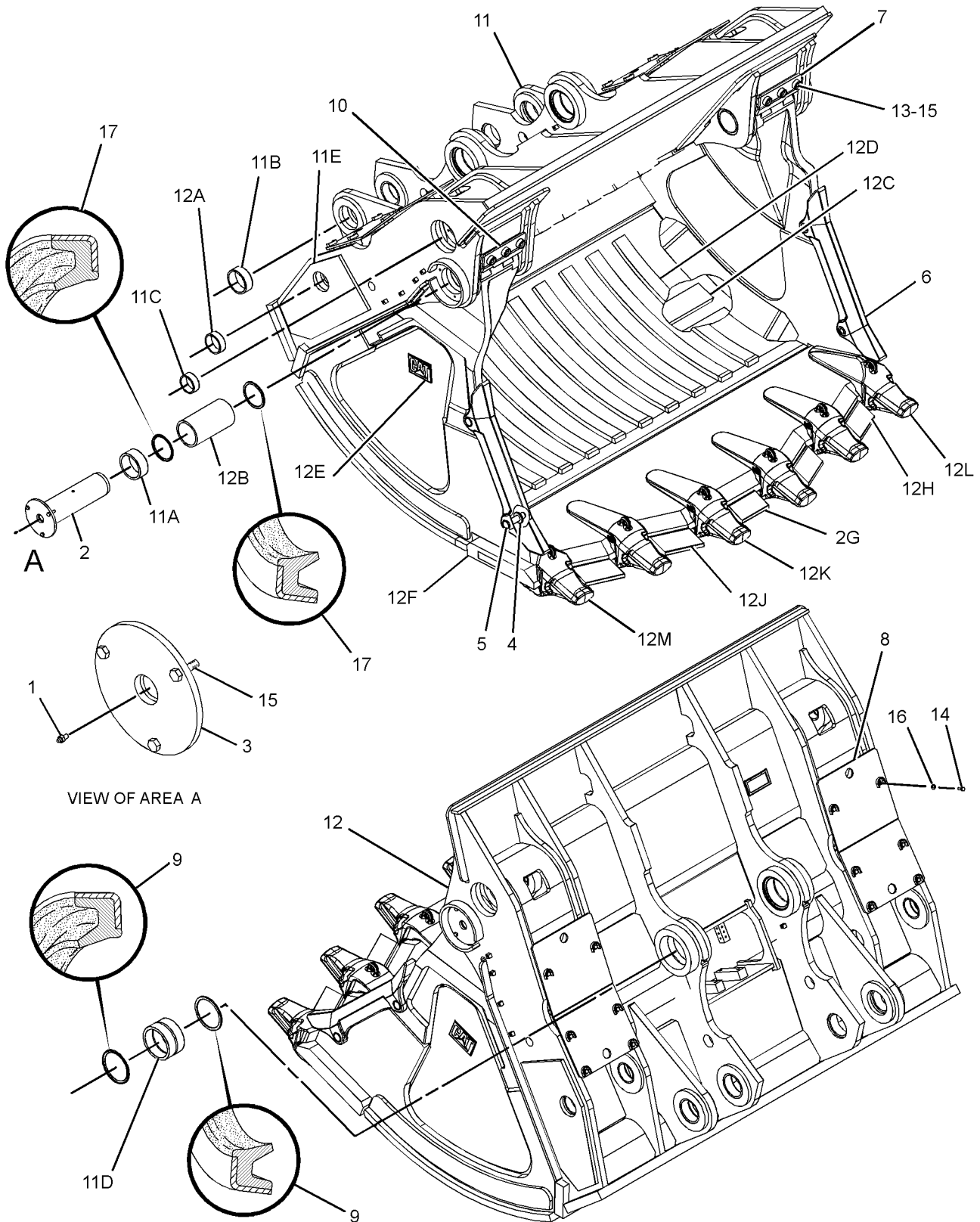
NOTE	REF NO	GRAPHIC REF	PART NUMBER	QTY	PART NAME						SEE PAGE
					1	2	3	4	5	6 (PRODUCT LEVEL)	
C	1	1	095-0948	4	FITTING						
	2	1	4E-9377	2	PIN						
	3	1	4E-9379	2	CAP						
	4	1	4T-4707	4	RETAINER						
	5	1	8E-4708	4	PIN						
	6	1	125-0800	2	PROTECTOR-SIDE BAR						
C	7	1	279-8094	1	PLATE (RH)						
	8	1	177-0796	2	PLATE AS						
	9	1	187-9753	4	SEAL						
C	10	1	279-8095	1	PLATE (LH)						
	11	1	235-4910	1	BULLDOZER & BEARING AS						
	11A	1	4E-9380	4	BEARING (154.27-MM OD)						
	11B	1	4E-9408	4	BEARING (140.26-MM OD)						
	11C	1	122-6566	4	BEARING-SLEEVE						
	11D	1	188-2258	2	BEARING (190.31-MM OD)						
	11E	1	152-7784	2	PLATE-WEAR						
	12	1	267-5419	1	BOWL & BEARING AS						
	12A	1	4E-9374	4	BEARING (106.2-MM OD)						
	12B	1	4E-9376	2	BEARING (154.27-MM OD)						
	12C	1	241-6615	5	PLATE-WEAR						
	12D	1	241-6635	10	PLATE-WEAR						
	12E	1	2C-9259	2	PLATE-IDENTIFICATION (CAT)						
	12F	1	267-5404	1	EDGE AS						
	12G	1	267-5405	1	EDGE-CUTTING						
	12H	1	267-5406	2	EDGE-CUTTING						
	12J	1	267-5407	2	EDGE-CUTTING						
	12K	1	232-2170	4	ADAPTER-TIP (K-170, 2-STRAP, CENTER)						
	12L	1	232-2171	1	ADAPTER-TIP (K-170, 2-STRAP, RH)						
	12M	1	232-2172	1	ADAPTER-TIP (K-170, 2-STRAP, LH)						
	13	1	328-1908	6	WASHER						
M	14	1	8T-4139	12	BOLT (M12X1.75X30-MM)						
M	15	1	8T-4183	12	BOLT (M12X1.75X40-MM)						
	16	1	8T-4223	12	WASHER-HARD (13.5X25.5X3-MM THK)						
	17	1	9X-4600	4	SEAL-LIP TYPE						

C-CHANGE FROM PREVIOUS TYPE
M-METRIC PART

WORK TOOLS

267-5418 BUCKET GP-FRONT SHOVEL (contd.)

i03381254



VIEW OF AREA A

GRAPHIC #1

<END>

g01747194

WORK TOOLS

267-5426 BUCKET GP-FRONT SHOVEL-ROCK, C-FAMILY

S/N: MMA1-UP

5.7-CU M (7.5-CU YD) CAPACITY. K-170 ADAPTERS, QTY OF 6

PART OF 267-5425 BUCKET AR-FRONT SHOVEL

AN ATTACHMENT

TYPE 1

SMCS-6514

i02497573

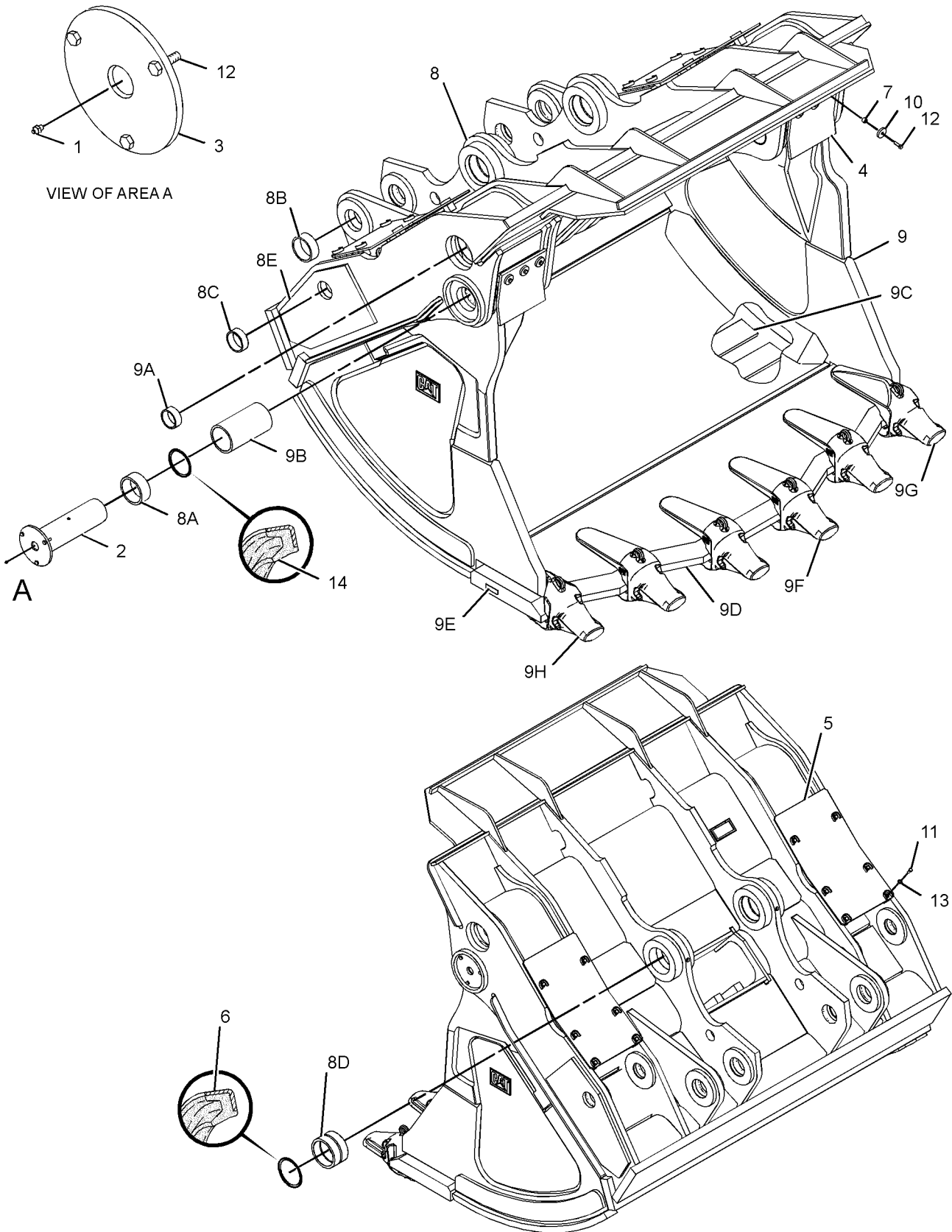
NOTE	REF NO	GRAPHIC REF	PART NUMBER	QTY	PART NAME						SEE PAGE
					1	2	3	4	5	6 (PRODUCT LEVEL)	
	1	1	3B-8489	4	FITTING-GREASE						
	2	1	4E-9377	2	PIN						
	3	1	4E-9379	2	CAP						
	4	1	166-9390	2	DEFLECTOR						
	5	1	177-0796	2	PLATE AS						
	6	1	187-9753	4	SEAL						
	7	1	202-5058	6	SPACER (13.5X22.5X16-MM THK)						
	8	1	241-6642	1	BULLDOZER & BEARING AS						
	8A	1	4E-9380	4	BEARING (154.27-MM OD)						
	8B	1	4E-9408	4	BEARING (140.26-MM OD)						
	8C	1	122-6566	4	BEARING-SLEEVE						
	8D	1	188-2258	2	BEARING (190.31-MM OD)						
	8E	1	152-7784	2	PLATE-WEAR						
	9	1	267-5396	1	BOWL & BEARING AS						
	9A	1	4E-9374	4	BEARING (106.2-MM OD)						
	9B	1	4E-9376	2	BEARING (154.27-MM OD)						
	9C	1	235-4932	6	PLATE-WEAR						
	9D	1	267-5402	1	EDGE AS						
	9E	1	8P-9770	1	PLATE						
	9F	1	232-2170	4	ADAPTER-TIP (K-170, 2-STRAP, CENTER)						
	9G	1	232-2171	1	ADAPTER-TIP (K-170, 2-STRAP, RH)						
	9H	1	232-2172	1	ADAPTER-TIP (K-170, 2-STRAP, LH)						
	10	1	7T-5947	6	WASHER-RETAINING (13.5X55X10-MM THK)						
M	11	1	8T-4139	12	BOLT (M12X1.75X30-MM)						
M	12	1	8T-4183	12	BOLT (M12X1.75X40-MM)						
	13	1	8T-4223	12	WASHER-HARD (13.5X25.5X3-MM THK)						
	14	1	9X-4600	4	SEAL-LIP TYPE						

M-METRIC PART

WORK TOOLS

267-5426 BUCKET GP-FRONT SHOVEL (contd.)

i02497573



GRAPHIC #1

<END>

g01190014

WORK TOOLS

267-5426 BUCKET GP-FRONT SHOVEL-ROCK, C-FAMILY

S/N: MMA1-UP

5.7-CU M (7.5-CU YD) CAPACITY. K-170 ADAPTERS, QTY OF 6

PART OF 267-5425 BUCKET AR-FRONT SHOVEL

AN ATTACHMENT

TYPE 2

SMCS-6514

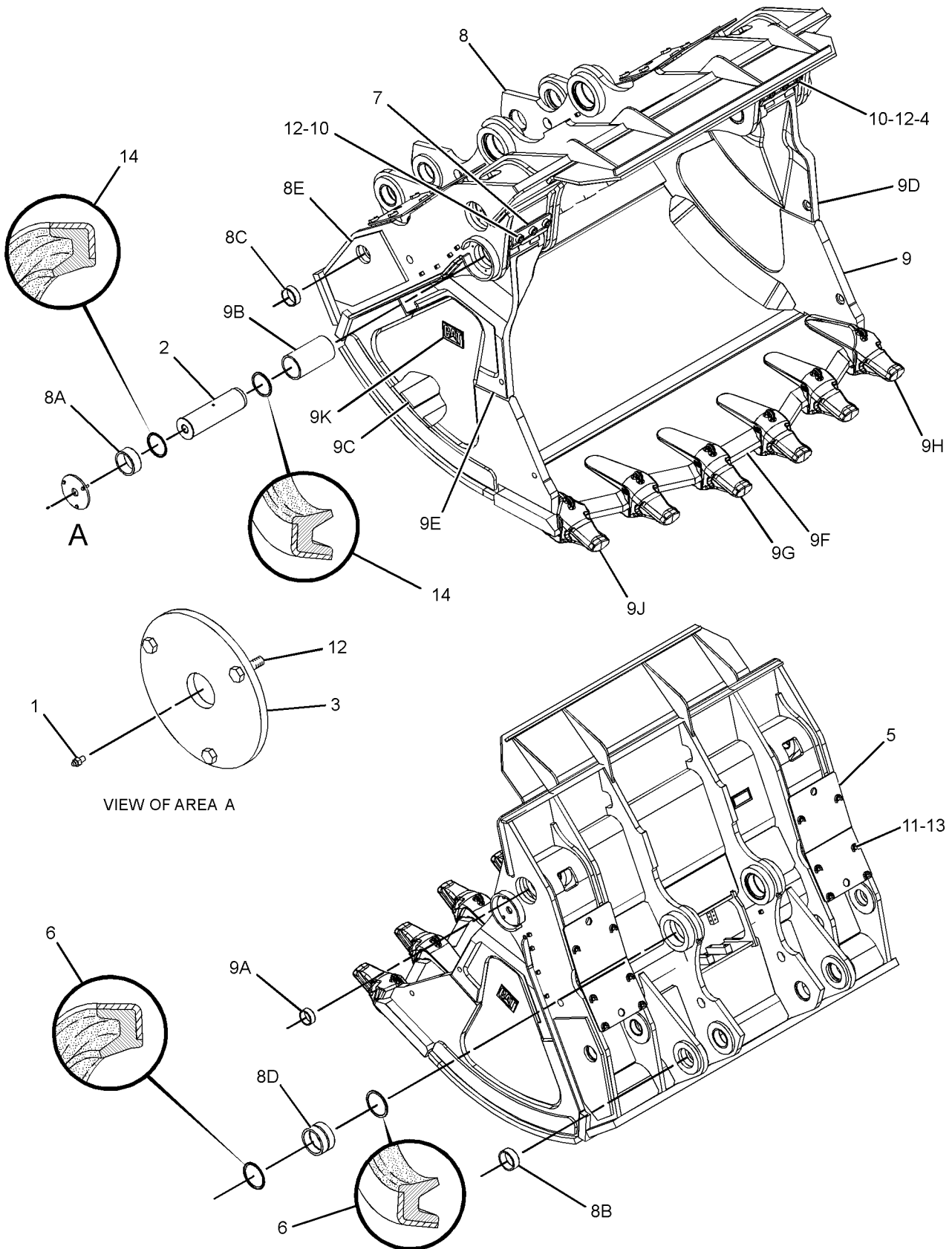
i03330063

NOTE	REF NO	GRAPHIC REF	PART NUMBER	QTY	PART NAME						SEE PAGE
					1	2	3	4	5	6 (PRODUCT LEVEL)	
C	1	1	095-0948	4	FITTING						
	2	1	4E-9377	2	PIN						
	3	1	4E-9379	2	CAP						
C	4	1	279-8094	1	PLATE (RH)						
	5	1	177-0796	2	PLATE AS						
	6	1	187-9753	4	SEAL						
C	7	1	279-8095	1	PLATE (LH)						
	8	1	241-6642	1	BULLDOZER & BEARING AS						
	8A	1	4E-9380	4	BEARING (154.27-MM OD)						
	8B	1	4E-9408	4	BEARING (140.26-MM OD)						
	8C	1	122-6566	4	BEARING-SLEEVE						
	8D	1	188-2258	2	BEARING (190.31-MM OD)						
	8E	1	152-7784	2	PLATE-WEAR						
	9	1	267-5396	1	BOWL & BEARING AS						
	9A	1	4E-9374	4	BEARING (106.2-MM OD)						
	9B	1	4E-9376	2	BEARING (154.27-MM OD)						
	9C	1	235-4932	6	PLATE-WEAR						
	9D	1	110-3184	1	LINK						
	9E	1	110-3185	1	LINK						
	9F	1	267-5402	1	EDGE AS						
	9G	1	232-2170	4	ADAPTER-TIP (K-170, 2-STRAP, CENTER)						
	9H	1	232-2171	1	ADAPTER-TIP (K-170, 2-STRAP, RH)						
	9J	1	232-2172	1	ADAPTER-TIP (K-170, 2-STRAP, LH)						
	9K	1	2C-9259	2	PLATE-IDENTIFICATION (CAT)						
	10	1	328-1908	6	WASHER						
M	11	1	8T-4139	12	BOLT (M12X1.75X30-MM)						
M	12	1	8T-4183	12	BOLT (M12X1.75X40-MM)						
	13	1	8T-4223	12	WASHER-HARD (13.5X25.5X3-MM THK)						
	14	1	9X-4600	4	SEAL-LIP TYPE						
C-CHANGE FROM PREVIOUS TYPE											
M-METRIC PART											

WORK TOOLS

267-5426 BUCKET GP-FRONT SHOVEL (contd.)

i03330063



VIEW OF AREA A

GRAPHIC #1

<END>

g01743913

WORK TOOLS

267-5428 BUCKET GP-FRONT SHOVEL-ROCK, C-FAMILY

S/N: MMA1-UP

6.5-CU M (8.5-CU YD) CAPACITY. K-170 ADAPTERS, QTY OF 6

PART OF 267-5427 BUCKET AR-FRONT SHOVEL

AN ATTACHMENT

SMCS-6514

i03330065

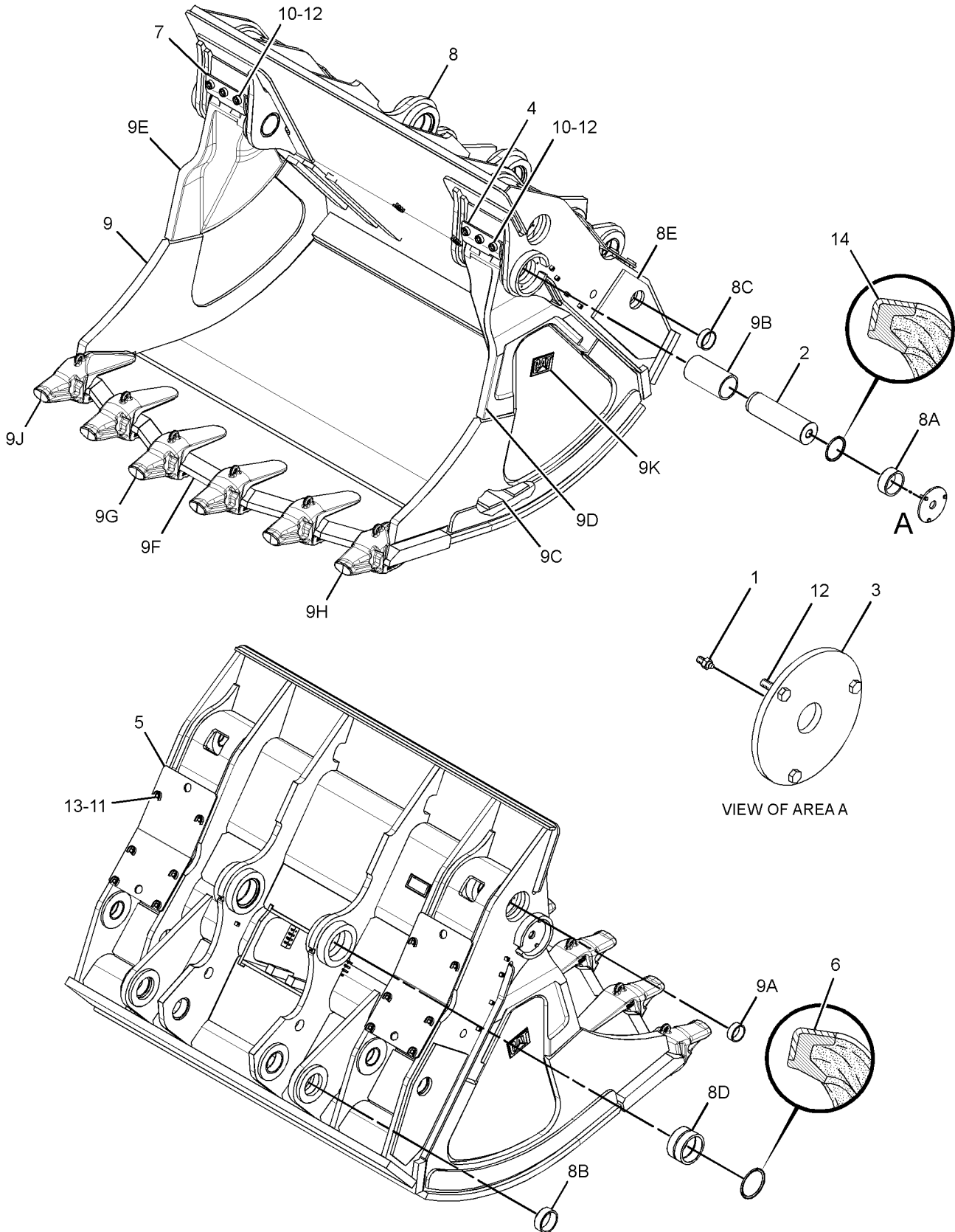
NOTE	REF NO	GRAPHIC REF	PART NUMBER	QTY	PART NAME						SEE PAGE
					1	2	3	4	5	6 (PRODUCT LEVEL)	
C	1	1	095-0948	4	FITTING						
	2	1	4E-9377	2	PIN						
	3	1	4E-9379	2	CAP						
C	4	1	279-8094	1	PLATE (RH)						
	5	1	177-0796	2	PLATE AS						
	6	1	187-9753	4	SEAL						
C	7	1	279-8095		PLATE (LH)						
	8	1	235-4910	1	BULLDOZER & BEARING AS						
	8A	1	4E-9380	4	BEARING (154.27-MM OD)						
	8B	1	4E-9408	4	BEARING (140.26-MM OD)						
	8C	1	122-6566	4	BEARING-SLEEVE						
	8D	1	188-2258	2	BEARING (190.31-MM OD)						
	8E	1	152-7784	2	PLATE-WEAR						
	9	1	267-5429	1	BOWL & BEARING AS						
	9A	1	4E-9374	4	BEARING (106.2-MM OD)						
	9B	1	4E-9376	2	BEARING (154.27-MM OD)						
	9C	1	235-4932	7	PLATE-WEAR						
	9D	1	110-3184	1	LINK						
	9E	1	110-3185	1	LINK						
	9F	1	267-5402	1	EDGE AS						
	9G	1	232-2170	4	ADAPTER-TIP (K-170, 2-STRAP, CENTER)						
	9H	1	232-2171	1	ADAPTER-TIP (K-170, 2-STRAP, RH)						
	9J	1	232-2172	1	ADAPTER-TIP (K-170, 2-STRAP, LH)						
	9K	1	2C-9259	2	PLATE-IDENTIFICATION (CAT)						
	10	1	328-1908	6	WASHER						
M	11	1	8T-4139	12	BOLT (M12X1.75X30-MM)						
M	12	1	8T-4183	12	BOLT (M12X1.75X40-MM)						
	13	1	8T-4223	12	WASHER-HARD (13.5X25.5X3-MM THK)						
	14	1	9X-4600	4	SEAL-LIP TYPE						

C-CHANGE FROM PREVIOUS TYPE
M-METRIC PART

WORK TOOLS

267-5428 BUCKET GP-FRONT SHOVEL (contd.)

i03330065



GRAPHIC #1

<END>

g01748075

WORK TOOLS

260-1101 BUCKET GP-HEAVY DUTY ROCK-QUICK COUPLER

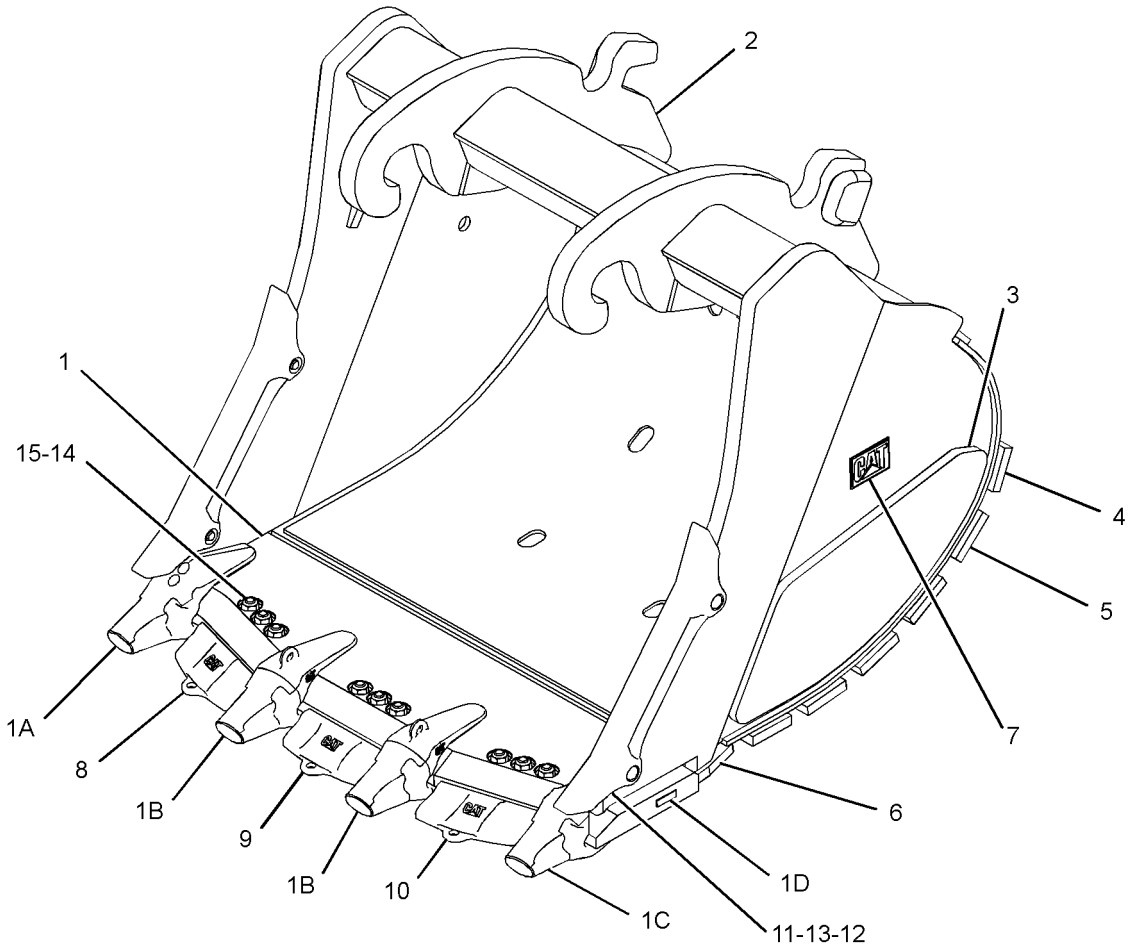
S/N: MMA1-UP

1900-MM (74.8-IN) X 4.8-CU M (6.2-CU YD) CAPACITY. K-150 ADAPTERS, QTY OF 4
AN ATTACHMENT

SMCS-6102

i03447963

NOTE	REF NO	GRAPHIC REF	PART NUMBER	QTY	PART NAME						SEE PAGE
					1	2	3	4	5	6 (PRODUCT LEVEL)	
	1	1	260-1266	1	EDGE AS-CUTTING						
	1A	1	232-2172	1	ADAPTER-TIP (K-170, 2-STRAP, LH)						
	1B	1	232-2170	2	ADAPTER-TIP (K-170, 2-STRAP, CENTER)						
	1C	1	232-2171	1	ADAPTER-TIP (K-170, 2-STRAP, RH)						
	1D	1	8P-9770	1	PLATE						
	2	1	253-2288	1	PLATE AS-BOX						
	3	1	251-0911	2	PLATE-WEAR (SIDE)						
	4	1	253-3139	1	PLATE-WEAR						
	5	1	253-3143	5	PLATE-WEAR						
	6	1	253-3145	1	PLATE-REINFORCEMENT						
	7	1	2C-9259	2	PLATE-IDENTIFICATION (CAT)						
	8	1	116-7461	1	EDGE-SEGMENT (LH)						
	9	1	116-7460	1	EDGE-SEGMENT (CENTER)						
	10	1	116-7462	1	EDGE-SEGMENT (RH)						
	11	1	125-0800	2	PROTECTOR-SIDE BAR						
	12	1	4T-4707	4	RETAINER						
	13	1	8E-4708	4	PIN						
	14	1	3K-9770	9	NUT-FULL (1-1/4-7-THD)						
	15	1	5P-8361	9	BOLT-PLOW (1-1/4-7X4.92-IN)						



GRAPHIC #1

<END>

g01236179

WORK TOOLS

260-1100 BUCKET GP-ROCK-QUICK COUPLER

S/N: MMA1-UP

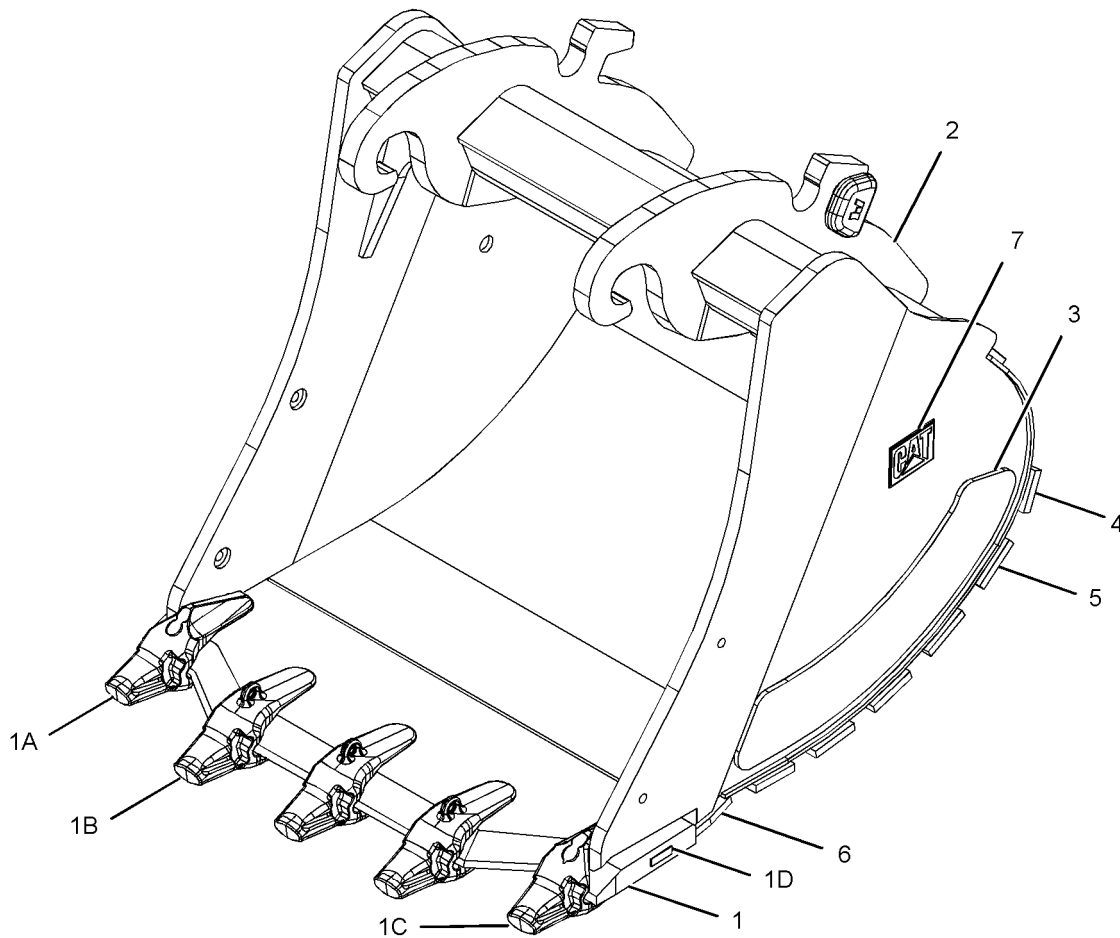
2150-MM (84.6-IN) WIDE X 5.6-CU M (7.3-CU YD) CAPACITY.

K-170 ADAPTERS, QTY OF 5
AN ATTACHMENT

SMCS-6102

i03447962

NOTE	REF NO	GRAPHIC REF	PART NUMBER	QTY	PART NAME						SEE PAGE
					1	2	3	4	5	6 (PRODUCT LEVEL)	
	1	1	314-2859	1	EDGE AS						
	1A	1	232-2172	1	ADAPTER-TIP (K-170, 2-STRAP, LH)						
	1B	1	232-2170	3	ADAPTER-TIP (K-170, 2-STRAP, CENTER)						
	1C	1	232-2171	1	ADAPTER-TIP (K-170, 2-STRAP, RH)						
	1D	1	8P-9770	1	PLATE						
	2	1	253-2289	1	PLATE AS-BOX						
	3	1	251-0910	2	PLATE-WEAR						
	4	1	251-0920	1	PLATE-WEAR						
	5	1	251-0942	5	PLATE-WEAR						
	6	1	253-2281	1	PLATE-REINFORCEMENT						
	7	1	2C-9259	2	PLATE-IDENTIFICATION (CAT)						



GRAPHIC #1

<END>

g01245787

WORK TOOLS

260-1102 BUCKET GP-ROCK-QUICK COUPLER

S/N: MMA1-UP

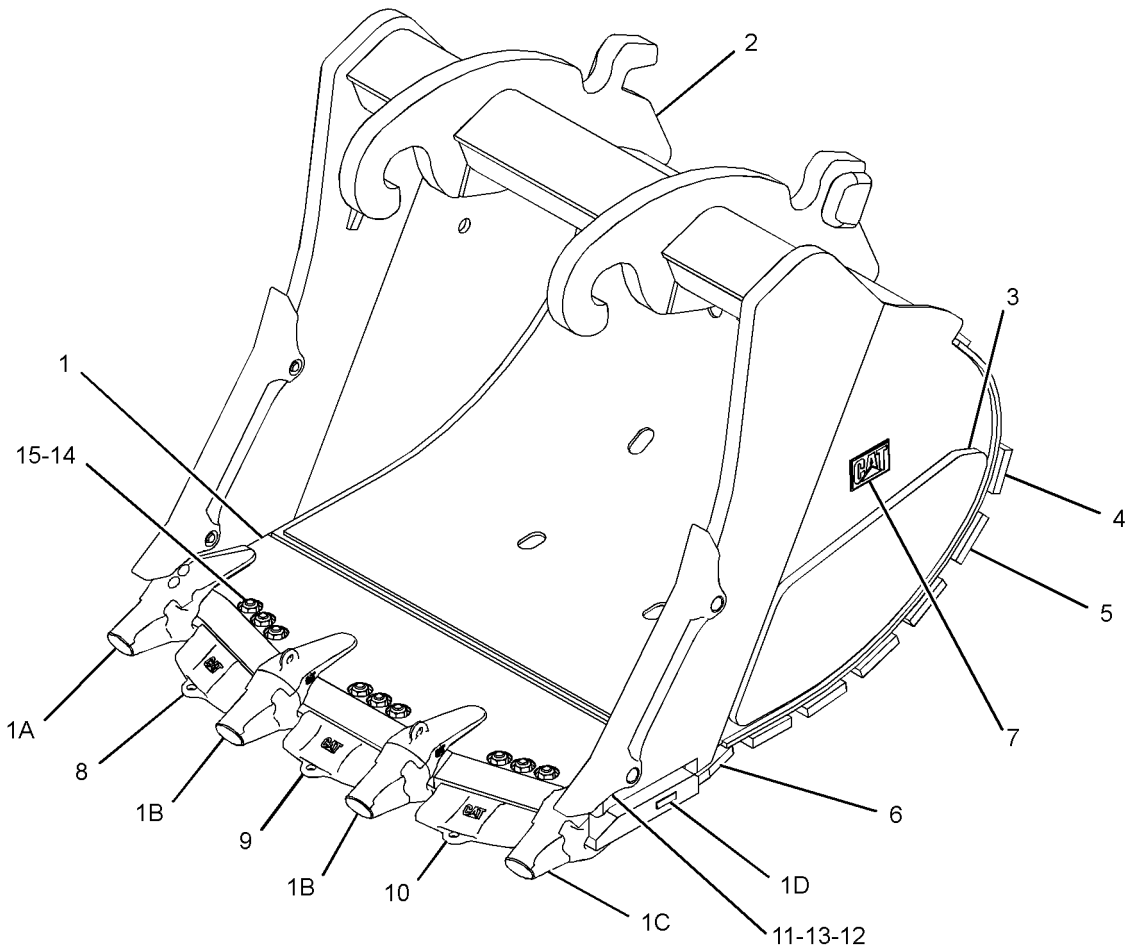
2000-MM (78.7-IN) WIDE X 5.2-CU M (6.7-CU YD) CAPACITY.

K-170 ADAPTERS, QTY OF 4
AN ATTACHMENT

SMCS-6102

i03447586

NOTE	REF NO	GRAPHIC REF	PART NUMBER	QTY	PART NAME						SEE PAGE
					1	2	3	4	5	6 (PRODUCT LEVEL)	
	1	1	260-1264	1	EDGE AS-CUTTING						
	1A	1	232-2172	1	ADAPTER-TIP (K-170, 2-STRAP, LH)						
	1B	1	232-2170	2	ADAPTER-TIP (K-170, 2-STRAP, CENTER)						
	1C	1	232-2171	1	ADAPTER-TIP (K-170, 2-STRAP, RH)						
	1D	1	8P-9770	1	PLATE						
	2	1	251-1000	1	PLATE AS-BOX						
	3	1	251-0911	2	PLATE-WEAR (SIDE)						
	4	1	253-3140	1	PLATE-WEAR						
	5	1	253-3144	5	PLATE-WEAR						
	6	1	253-3146	1	PLATE-REINFORCEMENT						
	7	1	2C-9259	2	PLATE-IDENTIFICATION (CAT)						
	8	1	109-9081	1	EDGE-SEGMENT (LH)						
	9	1	109-9080	1	EDGE-SEGMENT (CENTER)						
	10	1	109-9082	1	EDGE-SEGMENT (RH)						
	11	1	125-0800	2	PROTECTOR-SIDE BAR						
	12	1	4T-4707	4	RETAINER						
	13	1	8E-4708	4	PIN						
	14	1	3K-9770	9	NUT-FULL (1-1/4-7-THD)						
	15	1	5P-8361	9	BOLT-PLOW (1-1/4-7X4.92-IN)						



GRAPHIC #1

<END>

g01236179

WORK TOOLS

217-4648 PROTECTOR GP-SIDE BAR-BUCKET

S/N: MMA1-UP

PART OF 342-9526, 342-9527 BUCKET AR-ROCK

AN ATTACHMENT

SMCS-6817

i02862854

NOTE	PART NUMBER	QTY	PART NAME						SEE PAGE
			1	2	3	4	5	6 (PRODUCT LEVEL)	
	8E-4708	4	PIN						
	125-0800	2	PROTECTOR-SIDE BAR						
	4T-4707	4	RETAINER						
<END>									

WORK TOOLS

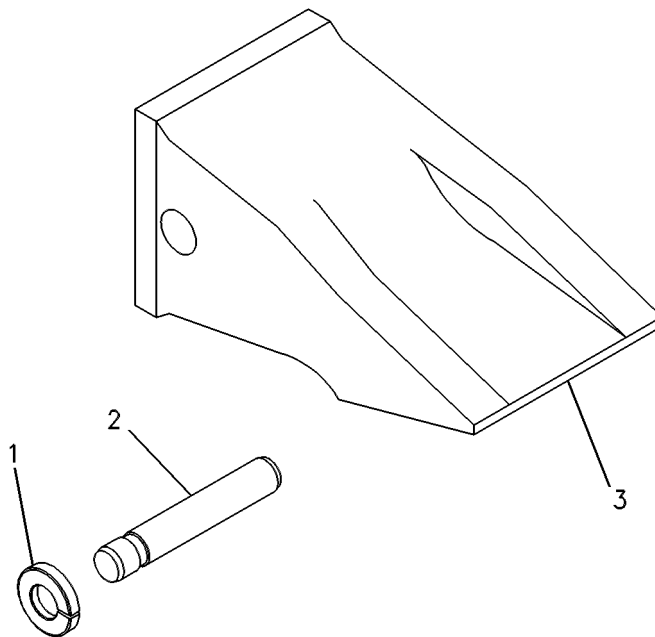
6Y-6355 TIP GP-ABRASION-J-700

S/N: MMA1-UP
AN ATTACHMENT

SMCS-6805

i00778813

NOTE	REF NO	GRAPHIC REF	PART NUMBER	QTY	PART NAME						SEE PAGE
					1	2	3	4	5	6 (PRODUCT LEVEL)	
	1	1	113-4709	1	RETAINER AS						
	2	1	113-4708	1	PIN						
	3	1	4T-4703	1	TIP-ABRASION (J-700)						



GRAPHIC #1

<END>

g00088582

WORK TOOLS

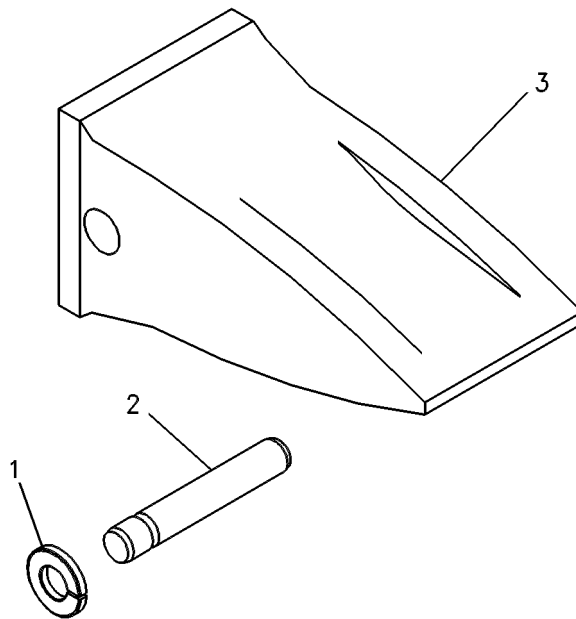
100-5589 TIP GP-ABRASION-J-700, HEAVY-DUTY

S/N: MMA1-UP
AN ATTACHMENT

SMCS-6805

i02497542

NOTE	REF NO	GRAPHIC REF	PART NUMBER	QTY	PART NAME						SEE PAGE
					1	2	3	4	5	6 (PRODUCT LEVEL)	
	1	1	113-4709	1	RETAINER AS						
	2	1	113-4708	1	PIN						
	3	1	9U-9703	1	TIP-ABRASION (J-700, HEAVY-DUTY)						



GRAPHIC #1

<END>

g00374839

WORK TOOLS

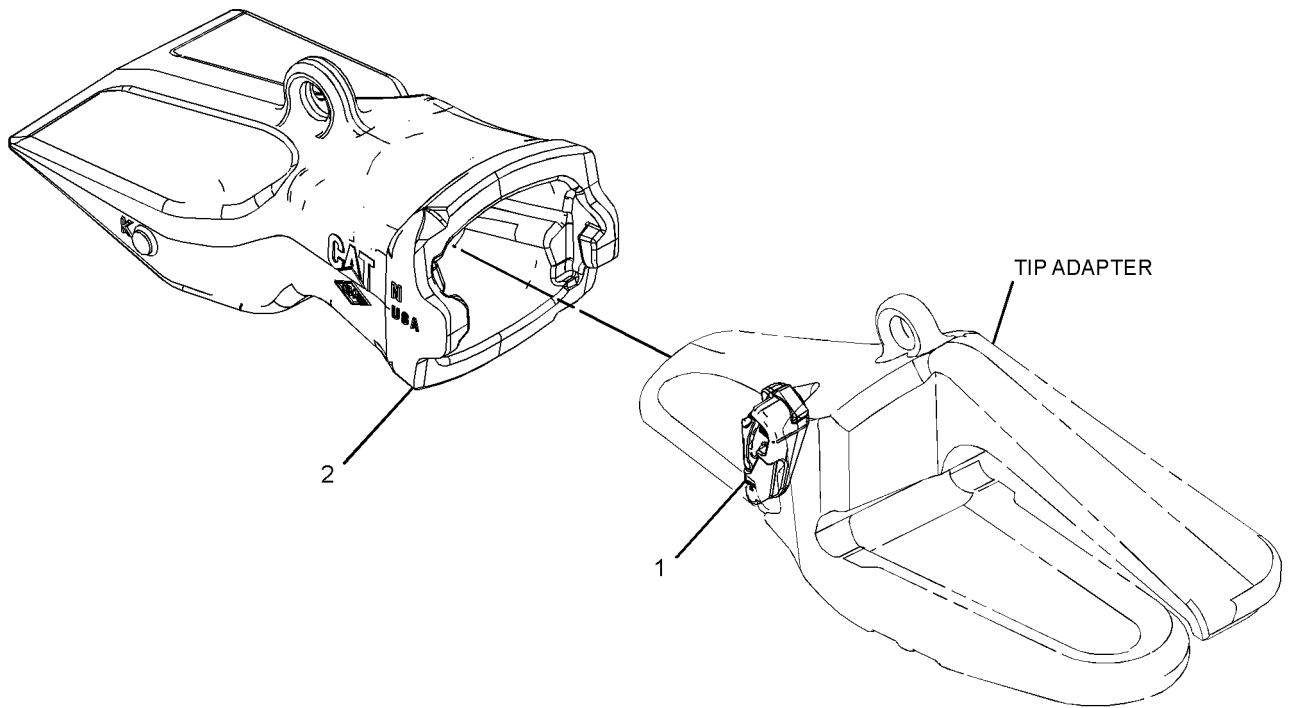
201-1241 TIP GP-ABRASION-K-150, HEAVY-DUTY

S/N: MMA1-UP
AN ATTACHMENT

SMCS-6805

i02497549

NOTE	REF NO	GRAPHIC REF	PART NUMBER	QTY	PART NAME						SEE PAGE
					1	2	3	4	5	6 (PRODUCT LEVEL)	
	1	1	233-7150	1	RETAINER-G.E.T. (K-150)						
	2	1	229-7156	1	TIP-ABRASION (K-150, HEAVY-DUTY)						



GRAPHIC #1

<END>

g01235322

WORK TOOLS

232-0078 TIP GP-ABRASION-K-170, HEAVY-DUTY

S/N: MMA1-UP
AN ATTACHMENT

SMCS-6805

i02497560

NOTE	PART NUMBER	QTY	PART NAME						SEE PAGE
			1	2	3	4	5	6 (PRODUCT LEVEL)	
	232-0170	1	RETAINER-G.E.T. (K-170)						
	232-2178	1	TIP-ABRASION (K-170, HEAVY-DUTY)						

<END>

WORK TOOLS

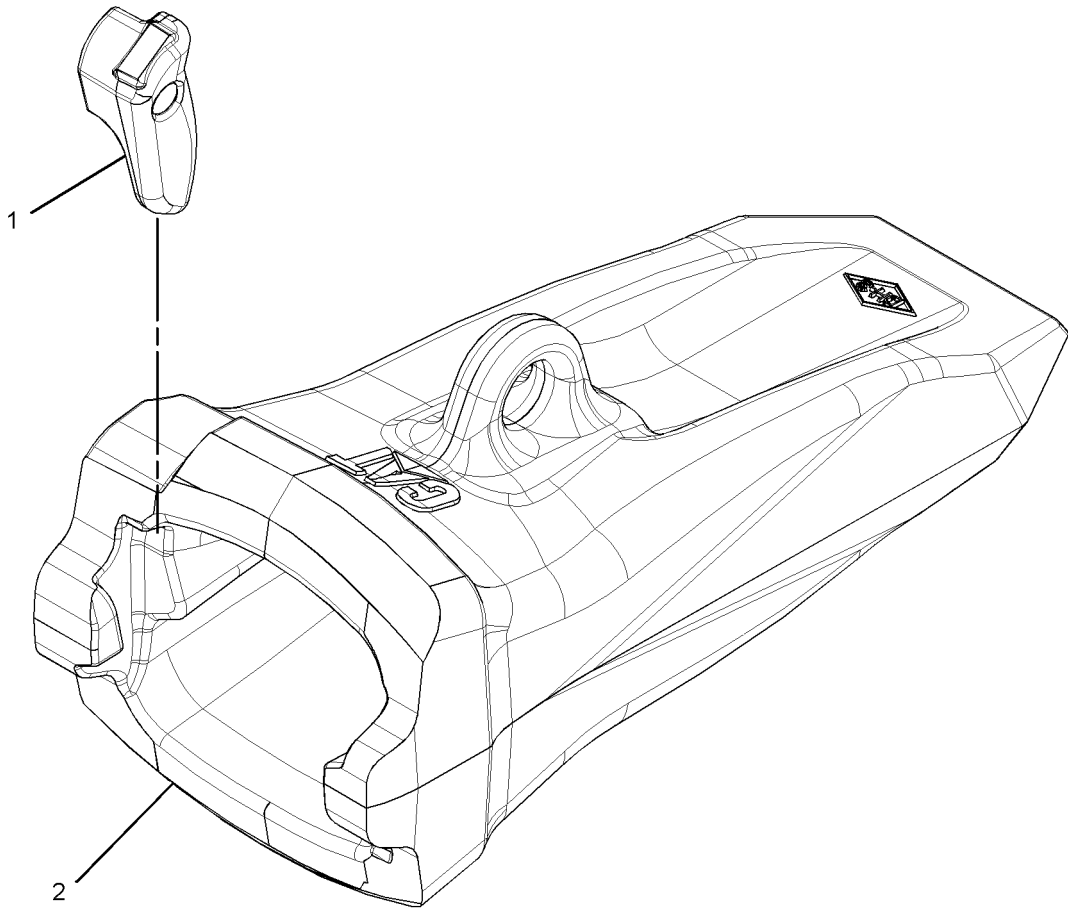
229-7161 TIP GP-BUCKET-K-150, HEAVY-DUTY

S/N: MMA1-UP
AN ATTACHMENT

SMCS-6805

i03591367

NOTE	REF NO	GRAPHIC REF	PART NUMBER	QTY	PART NAME						SEE PAGE
					1	2	3	4	5	6 (PRODUCT LEVEL)	
1	1	1	233-7150	1	RETAINER-G.E.T. (K-150)						
2	1	1	229-7151	1	TIP-BUCKET (K-150, HEAVY-DUTY)						



GRAPHIC #1

<END>

g01377135

WORK TOOLS

232-0071 TIP GP-EXTRA-DUTY-K-170

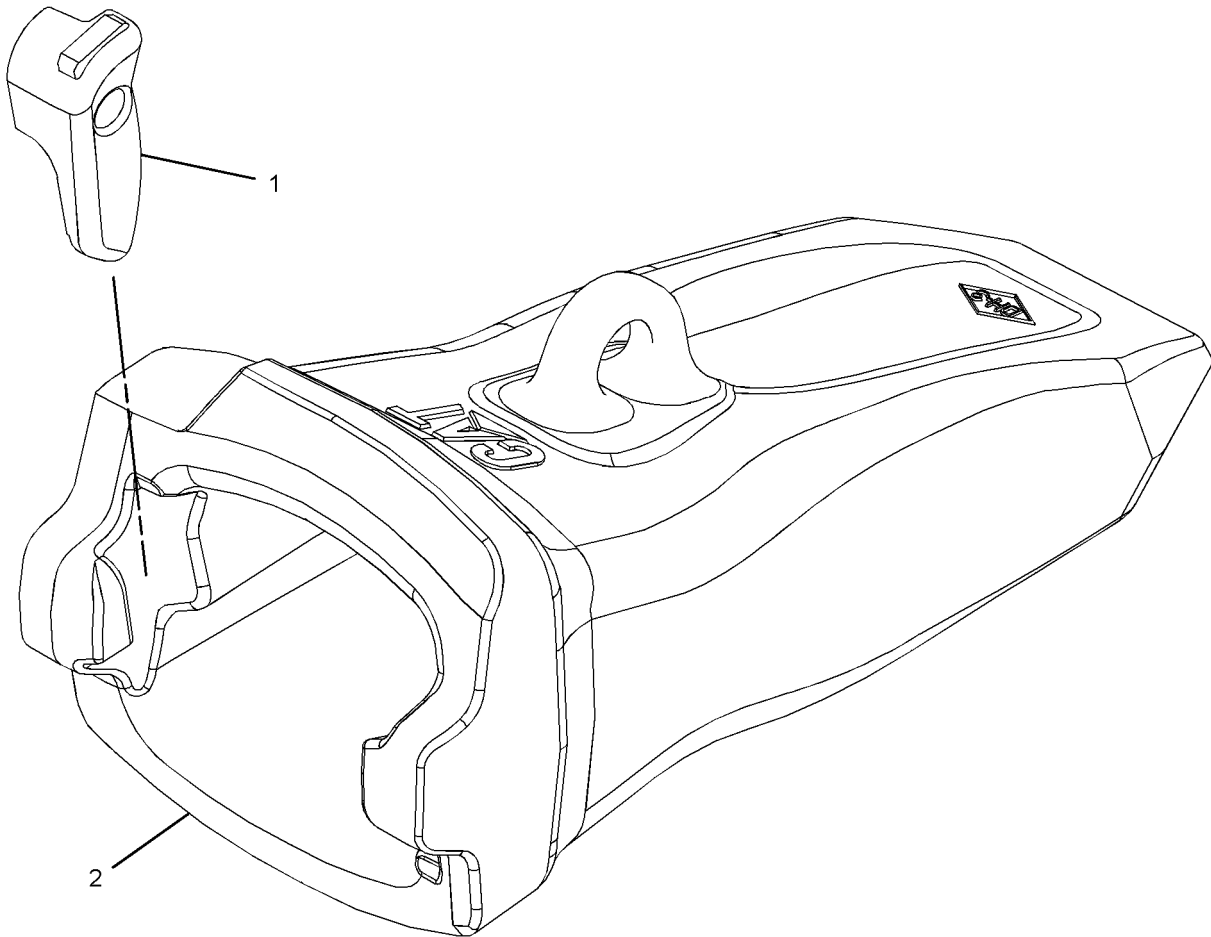
S/N: MMA1-UP

PART OF 342-9526, 342-9527 BUCKET AR-ROCK
AN ATTACHMENT

SMCS-6805

i03591400

NOTE	REF NO	GRAPHIC REF	PART NUMBER	QTY	PART NAME						SEE PAGE
					1	2	3	4	5	6 (PRODUCT LEVEL)	
	1	1	232-0170	1	RETAINER-G.E.T. (K-170)						
	2	1	232-0171	1	TIP-EXTRA-DUTY (K-170)						



GRAPHIC #1

<END>

g01254943

WORK TOOLS

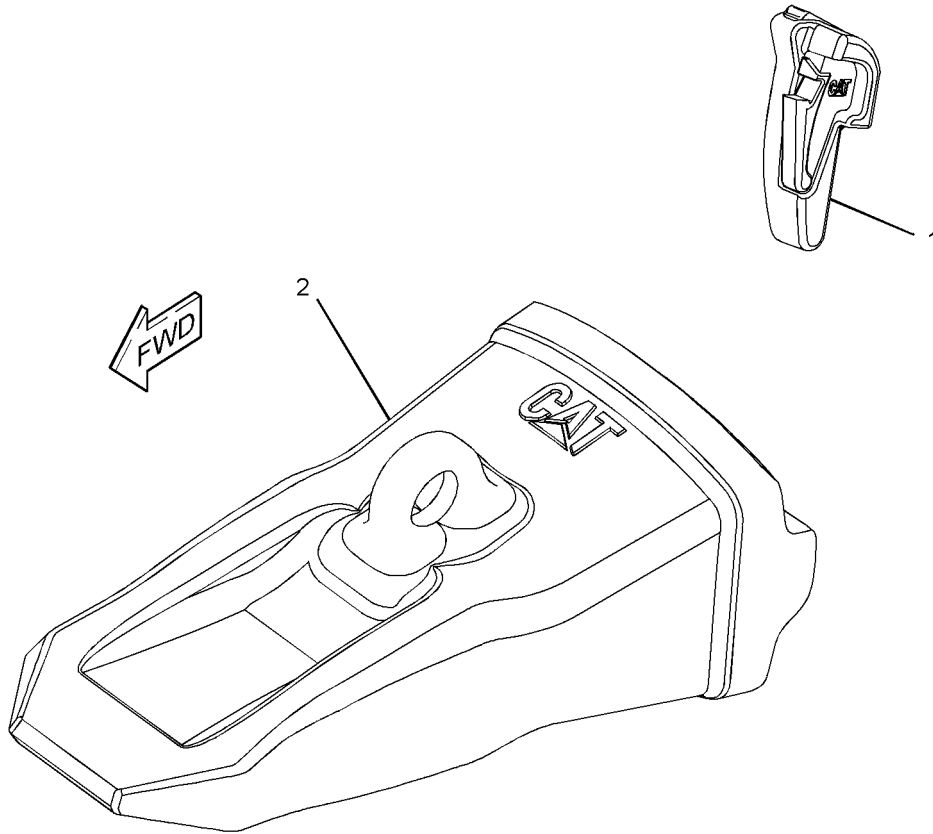
229-7166 TIP GP-GENERAL PURPOSE-K-150

S/N: MMA1-UP
AN ATTACHMENT

SMCS-6805

i03184225

NOTE	REF NO	GRAPHIC REF	PART NUMBER	QTY	PART NAME						SEE PAGE
					1	2	3	4	5	6 (PRODUCT LEVEL)	
1	1	1	233-7150	1	RETAINER-G.E.T. (K-150)						
2	1	1	229-7159	1	TIP GP-GENERAL PURPOSE (K-150)						



GRAPHIC #1

<END>

g01218666

WORK TOOLS

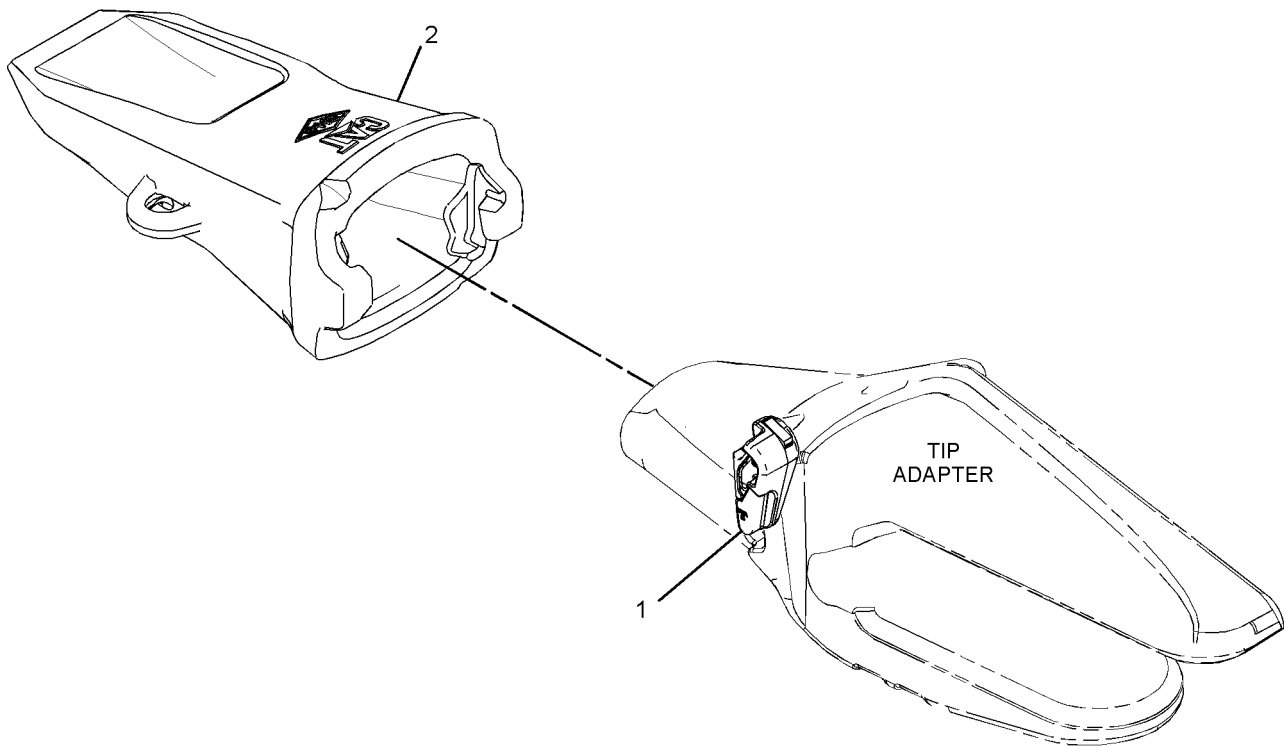
232-0076 TIP GP-GENERAL PURPOSE-K-170

S/N: MMA1-UP
AN ATTACHMENT

SMCS-6805

i03591566

NOTE	REF NO	GRAPHIC REF	PART NUMBER	QTY	PART NAME						SEE PAGE
					1	2	3	4	5	6 (PRODUCT LEVEL)	
1	1	1	232-0170	1	RETAINER-G.E.T. (K-170)						
2	1	1	232-0179	1	TIP-GENERAL PURPOSE (K-170)						



GRAPHIC #1

<END>

g01310616

WORK TOOLS

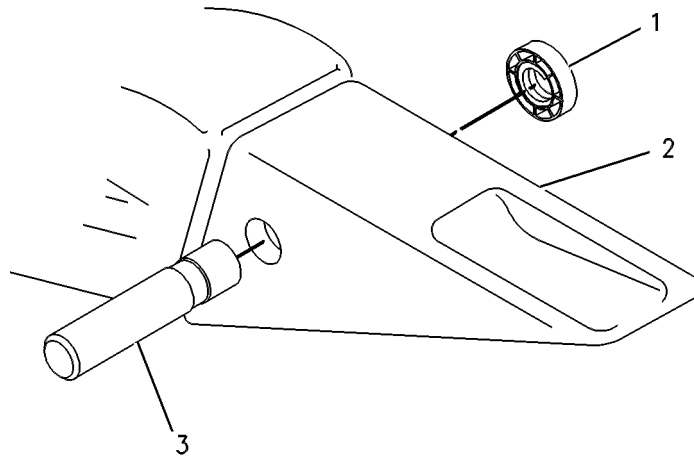
6Y-6354 TIP GP-LONG-J-700

S/N: MMA1-UP
AN ATTACHMENT

SMCS-6805

i02497537

NOTE	REF NO	GRAPHIC REF	PART NUMBER	QTY	PART NAME						SEE PAGE
					1	2	3	4	5	6 (PRODUCT LEVEL)	
	1	1	113-4709	1	RETAINER AS						
	2	1	4T-4702	1	TIP-LONG (J-700)						
	3	1	113-4708	1	PIN						



GRAPHIC #1

<END>

g00088580

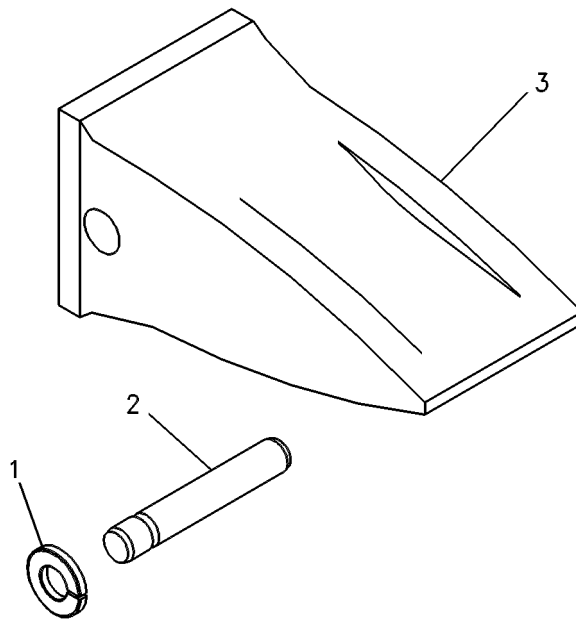
WORK TOOLS

100-5588 TIP GP-LONG-J-700, HEAVY-DUTY
S/N: MMA1-UP
AN ATTACHMENT

SMCS-6805

i02955261

NOTE	REF NO	GRAPHIC REF	PART NUMBER	QTY	PART NAME						SEE PAGE
					1	2	3	4	5	6 (PRODUCT LEVEL)	
	1	1	113-4709	1	RETAINER AS						
	2	1	113-4708	1	PIN						
	3	1	9U-9702	1	TIP-LONG (J-700, HEAVY-DUTY)						



GRAPHIC #1

<END>

g00374839

WORK TOOLS

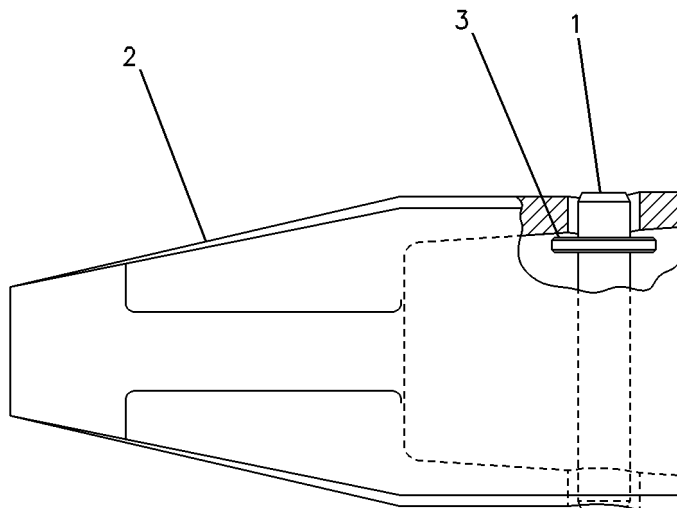
6Y-6356 TIP GP-PENETRATION-J-700

S/N: MMA1-UP
AN ATTACHMENT

SMCS-6805

i02497538

NOTE	REF NO	GRAPHIC REF	PART NUMBER	QTY	PART NAME						SEE PAGE
					1	2	3	4	5	6 (PRODUCT LEVEL)	
	1	1	113-4708	1	PIN						
	2	1	4T-4709	1	TIP-PENETRATION (J-700)						
	3	1	113-4709	1	RETAINER AS						



GRAPHIC #1

<END>

g00083680

WORK TOOLS

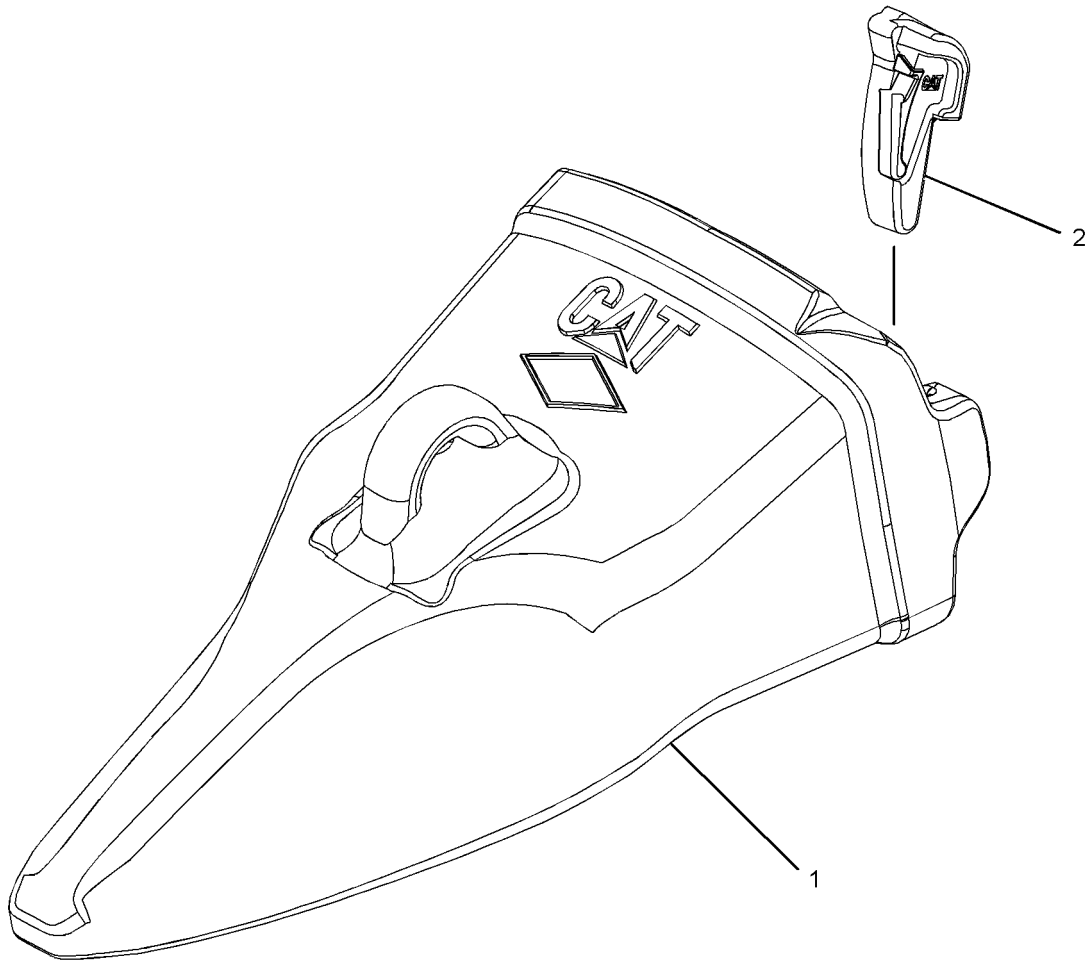
229-7162 TIP GP-PENETRATION-K-150

S/N: MMA1-UP
AN ATTACHMENT

SMCS-6805

i03184270

NOTE	REF NO	GRAPHIC REF	PART NUMBER	QTY	PART NAME						SEE PAGE
					1	2	3	4	5	6 (PRODUCT LEVEL)	
	1	1	229-7152	1	TIP-PENETRATION (K-150)						
	2	1	233-7150	1	RETAINER-G.E.T. (K-150)						



GRAPHIC #1

<END>

g01626159

WORK TOOLS

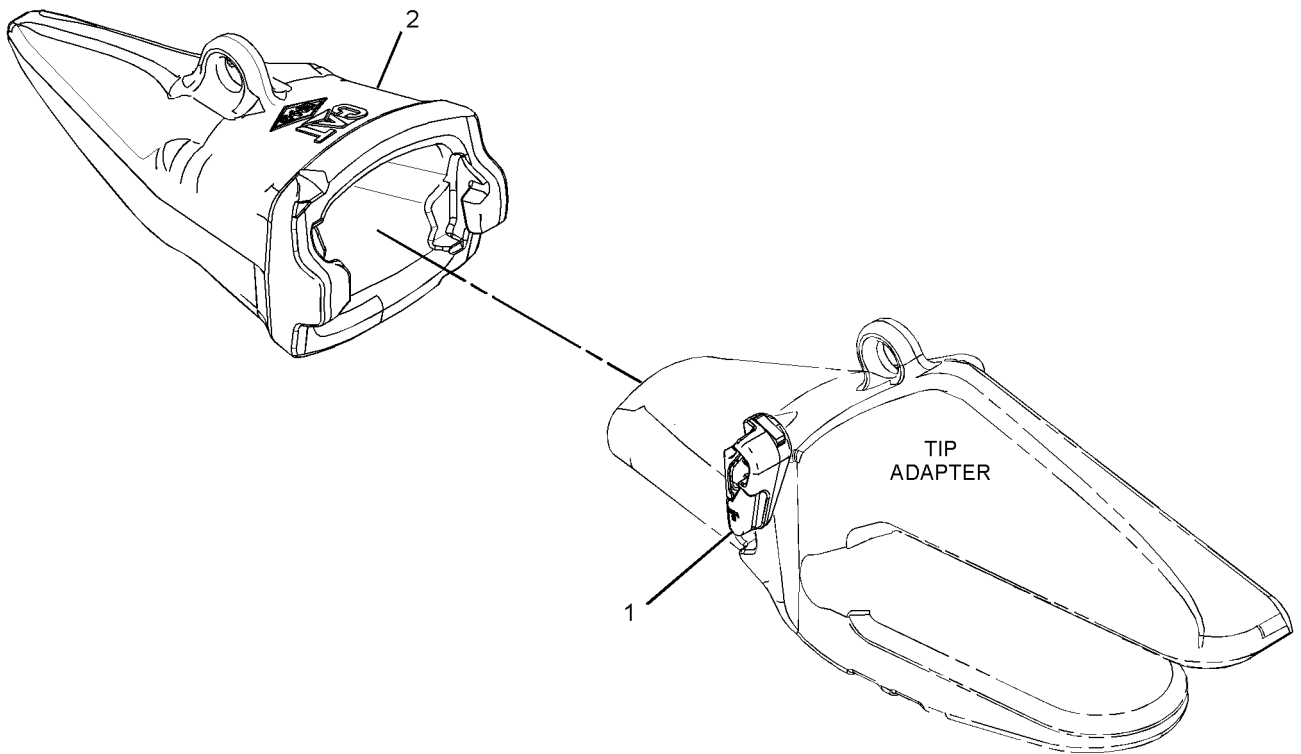
232-0072 TIP GP-PENETRATION-K-170

S/N: MMA1-UP
AN ATTACHMENT

SMCS-6805

i02955265

NOTE	REF NO	GRAPHIC REF	PART NUMBER	QTY	PART NAME						SEE PAGE
					1	2	3	4	5	6 (PRODUCT LEVEL)	
1	1	1	232-0170	1	RETAINER-G.E.T. (K-170)						
2	1	1	232-0172	1	TIP-PENETRATION (K-170)						



GRAPHIC #1

<END>

g01289240

WORK TOOLS

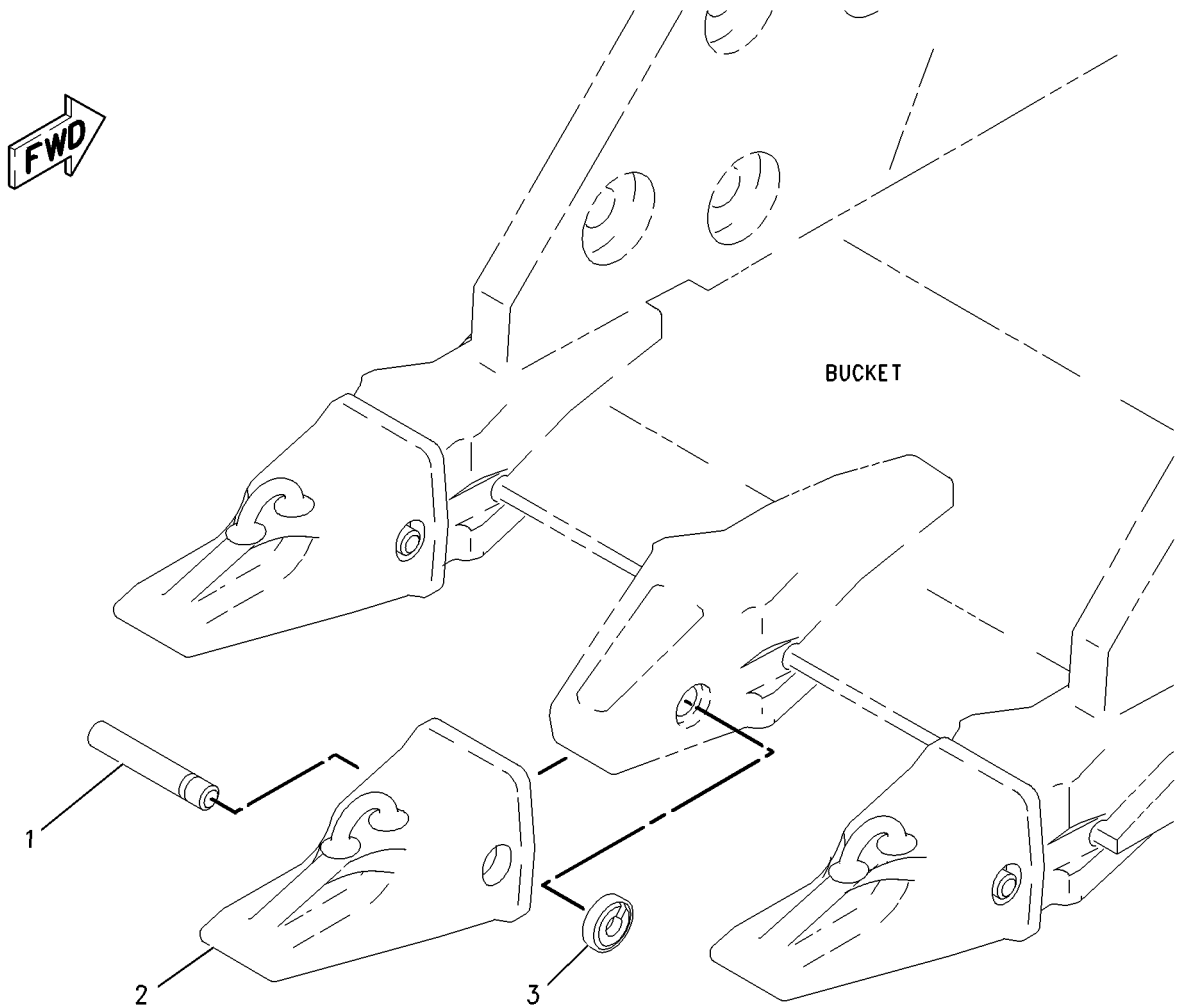
195-9186 TIP GP-PENETRATION PLUS-J-700

S/N: MMA1-UP
AN ATTACHMENT

SMCS-6805

i02955263

NOTE	REF NO	GRAPHIC REF	PART NUMBER	QTY	PART NAME						SEE PAGE
					1	2	3	4	5	6 (PRODUCT LEVEL)	
1	1	1	113-4708	1	PIN						
2	1	1	171-1709	1	TIP-PENETRATION (J-700)						
3	1	1	113-4709	1	RETAINER AS						



GRAPHIC #1

<END>

g00800159

WORK TOOLS

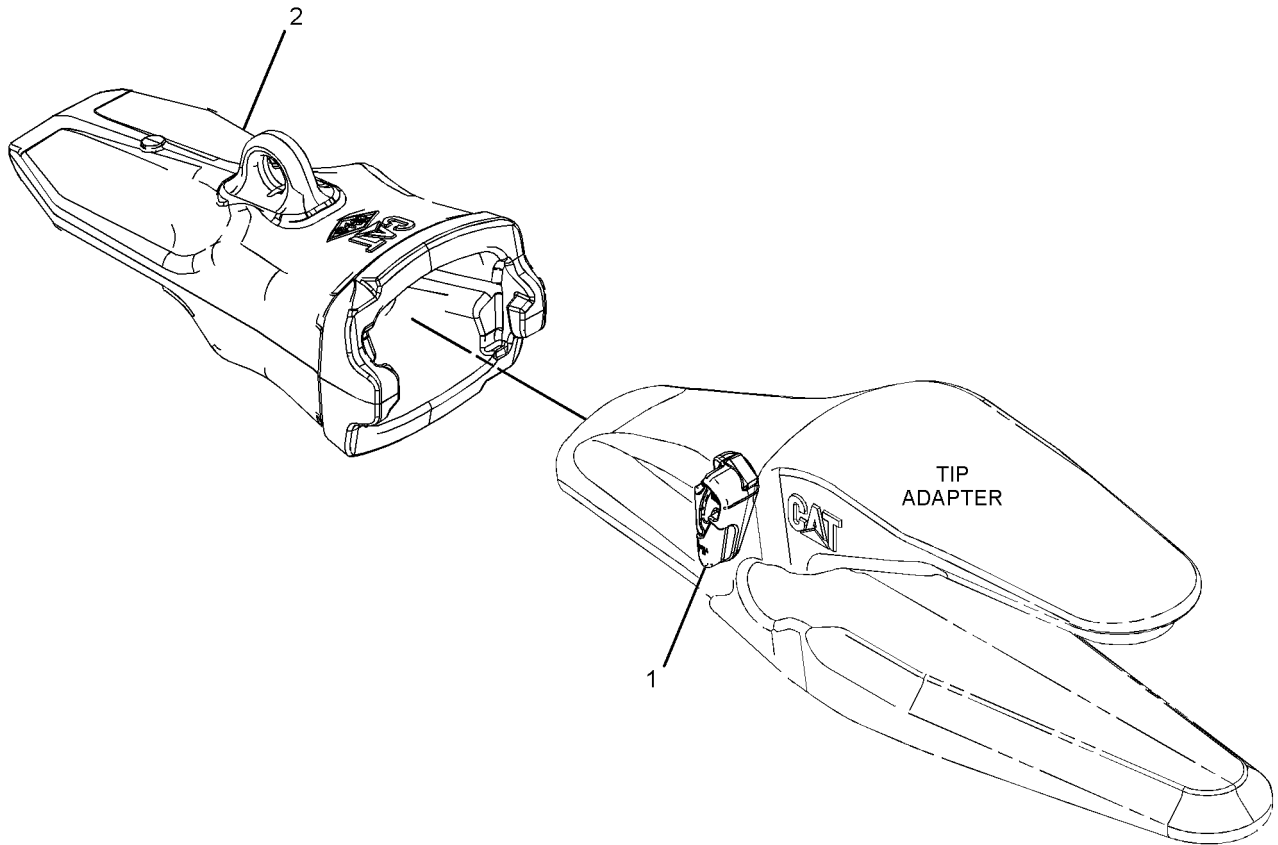
229-7163 TIP GP-PENETRATION PLUS-K-150

S/N: MMA1-UP
AN ATTACHMENT

SMCS-6805

i02514081

NOTE	REF NO	GRAPHIC REF	PART NUMBER	QTY	PART NAME						SEE PAGE
					1	2	3	4	5	6 (PRODUCT LEVEL)	
	1	1	233-7150	1	RETAINER-G.E.T. (K-150)						
	2	1	229-7153	1	TIP-PENETRATION PLUS (K-150)						



GRAPHIC #1

<END>

g01258043

WORK TOOLS

232-0073 TIP GP-PENETRATION PLUS-K-170

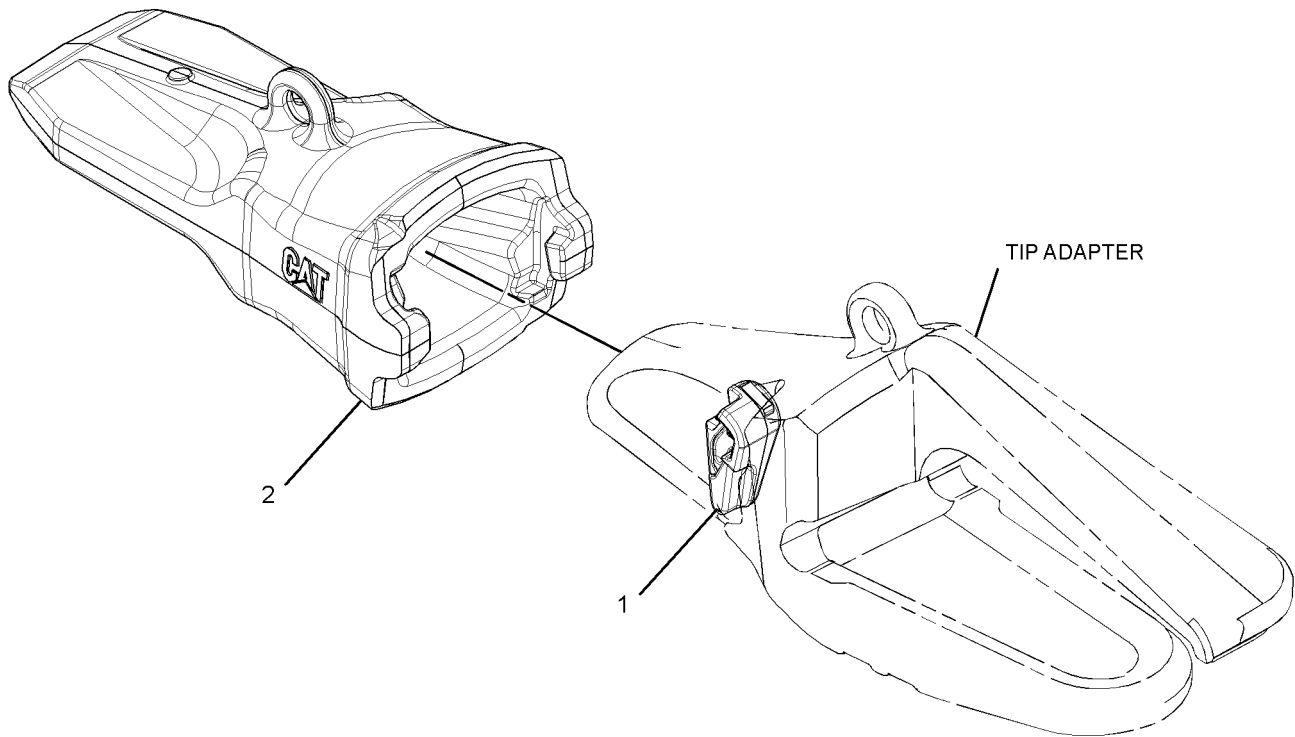
S/N: MMA1-UP

PART OF 342-9525 BUCKET AR-EXCAVATION
AN ATTACHMENT

SMCS-6805

i02955266

NOTE	REF NO	GRAPHIC REF	PART NUMBER	QTY	PART NAME						SEE PAGE
					1	2	3	4	5	6 (PRODUCT LEVEL)	
1	1	1	232-0170	1	RETAINER-G.E.T. (K-170)						
2	1	1	232-0173	1	TIP-PENETRATION PLUS (K-170)						



GRAPHIC #1

<END>

g01442754

OPERATOR STATION

245-7896 ADJUSTER GP-SEAT-LOWER SLIDE

S/N: MMA1-UP

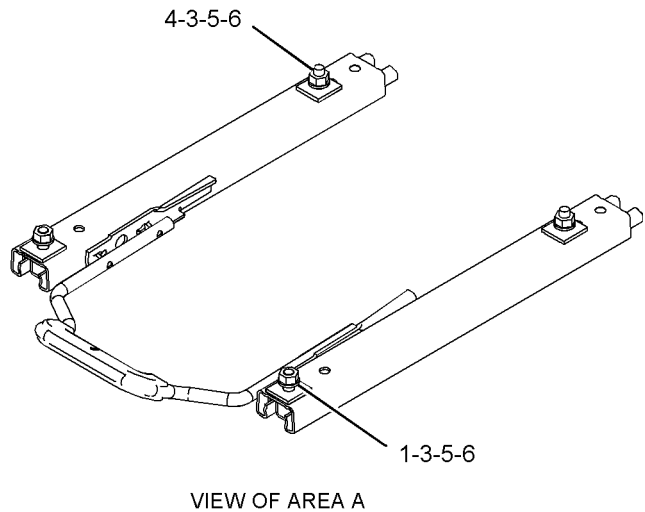
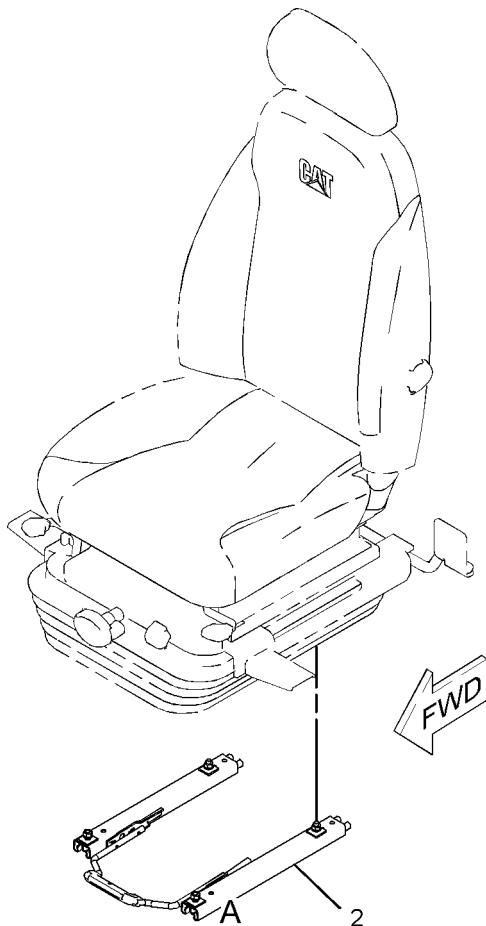
PART OF 229-9077, 240-5063 SUSPENSION GP-SEAT
AN ATTACHMENT

SMCS-7321

i02180428

NOTE	REF NO	GRAPHIC REF	PART NUMBER	QTY	PART NAME						SEE PAGE
					1	2	3	4	5	6 (PRODUCT LEVEL)	
M	1	1	198-3899	2	SCREW-BUTTON HEAD (M8X1.25X20-MM)						
	2	1	245-7886	2	PLATE						
	3	1	245-7897	4	PLATE						
M	4	1	245-7898	2	SCREW-BUTTON HEAD (M8X1.25X25-MM)						
M	5	1	5C-7261	4	NUT (M8X1.25-THD)						
	6	1	8T-4224	4	WASHER-HARD (8.8X16X2-MM THK)						

M-METRIC PART



GRAPHIC #1

<END>

g01103189

OPERATOR STATION

235-9004 AIR CONDITIONER & MOUNTING GP

S/N: MMA1-UP

PART OF 235-9003 AIR CONDITIONER AR

AN ATTACHMENT

TYPE 1

SMCS-7320

i02868766

NOTE	REF NO	GRAPHIC REF	PART NUMBER	QTY	PART NAME 1 2 3 4 5 6 (PRODUCT LEVEL)	SEE PAGE
	2	1	235-8873	1	HARNESS AS-HEATER & AIR COND (CONTROL PANEL SWITCHES)	
	3	1	235-8874	1	SENSOR-TEMPERATURE (AMBIENT AIR)	
	4	1	235-8875	1	BRACKET	
	5	1	235-9005	1	HARNESS AS-HEATER & AIR COND (AIR CONDITIONER, LOW SIDE)	
Y	6	1	240-5036	1	AIR CONDITIONER GP	1035
	7	1	9X-8256	1	WASHER (6.6X12X2-MM THK)	
M	8	1	099-2374	2	BOLT-SOCKET HEAD (M5X0.8X12-MM)	
	9	1	111-4836	3	CLIP	
	10	1	3S-2093	2	STRAP-CABLE	
M	11	1	5C-9553	1	BOLT (M6X1X16-MM)	
	12	1	7X-7729	7	WASHER (11X25X3-MM THK)	
	13	1	8T-0328	2	WASHER-HARD (5.5X10X1-MM THK)	
	14	1	8T-4121	3	WASHER-HARD (11X21X2.5-MM THK)	
M	15	1	8T-4136	7	BOLT (M10X1.5X25-MM)	
M	16	1	8T-4137	3	BOLT (M10X1.5X20-MM)	

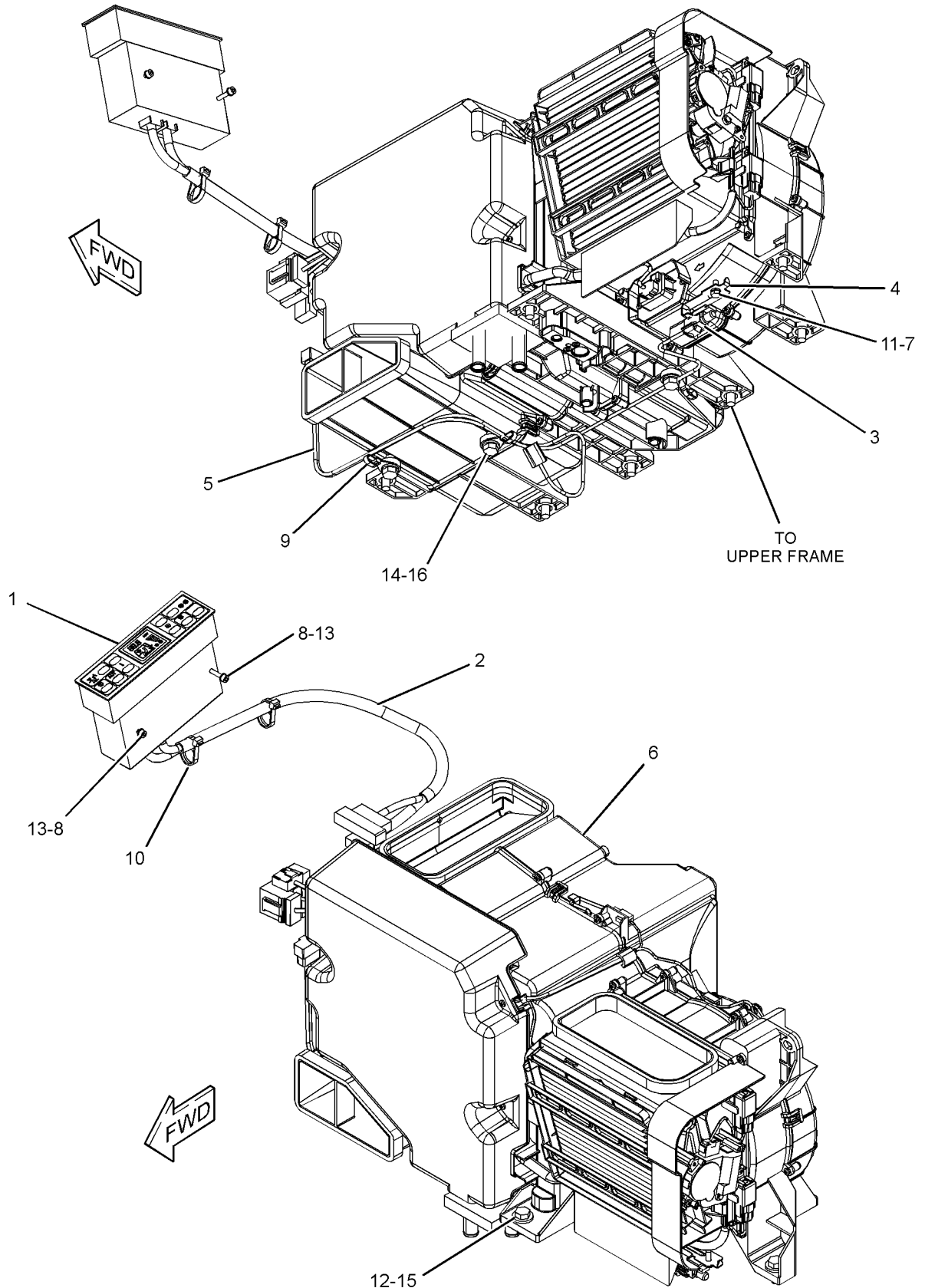
M-METRIC PART

Y-SEPARATE ILLUSTRATION

OPERATOR STATION

235-9004 AIR CONDITIONER & MOUNTING GP (contd.)

i02868766



GRAPHIC #1

<END>

g01397723

OPERATOR STATION

235-9004 AIR CONDITIONER & MOUNTING GP

S/N: MMA1-UP

PART OF 235-9003 AIR CONDITIONER AR

AN ATTACHMENT

TYPE 2

SMCS-7320

i02983393

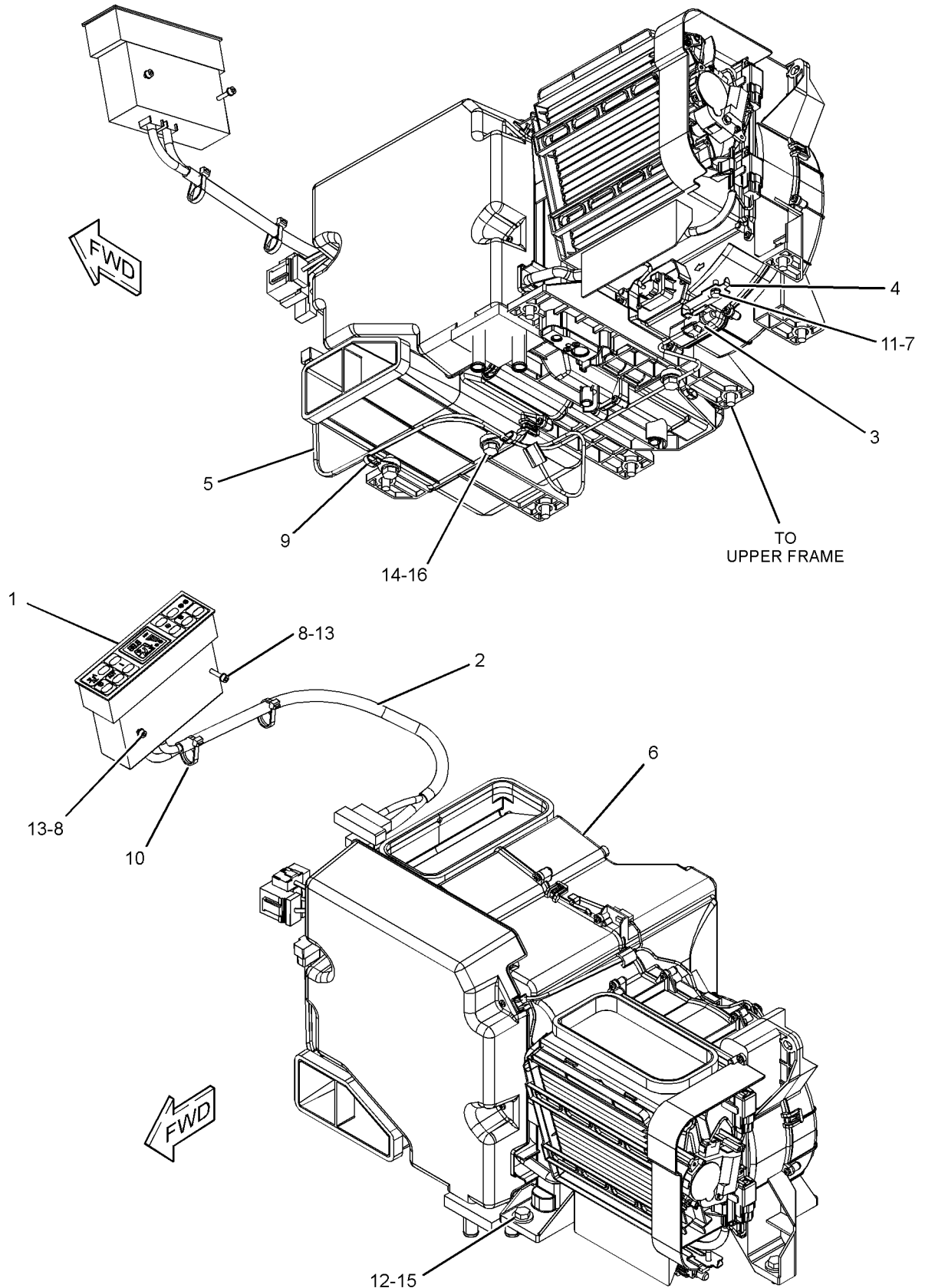
NOTE	REF NO	GRAPHIC REF	PART NUMBER	QTY	PART NAME						SEE PAGE
					1	2	3	4	5	6 (PRODUCT LEVEL)	
	1	1	293-1136	1	PANEL AS-CONTROL						
	2	1	235-8873	1	HARNESS AS-HEATER & AIR COND (CONTROL PANEL SWITCHES)						
	3	1	235-8874	1	SENSOR-TEMPERATURE (AMBIENT AIR)						
	4	1	235-8875	1	BRACKET						
	5	1	235-9005	1	HARNESS AS-HEATER & AIR COND (AIR CONDITIONER, LOW SIDE)						
CY	6	1	316-8811	1	AIR CONDITIONER GP						1038
	7	1	9X-8256	1	WASHER (6.6X12X2-MM THK)						
M	8	1	099-2374	2	BOLT-SOCKET HEAD (M5X0.8X12-MM)						
	9	1	111-4836	3	CLIP						
	10	1	3S-2093	2	STRAP-CABLE						
M	11	1	5C-9553	1	BOLT (M6X1X16-MM)						
	12	1	7X-7729	7	WASHER (11X25X3-MM THK)						
	13	1	8T-0328	2	WASHER-HARD (5.5X10X1-MM THK)						
	14	1	8T-4121	3	WASHER-HARD (11X21X2.5-MM THK)						
M	15	1	8T-4136	7	BOLT (M10X1.5X25-MM)						
M	16	1	8T-4137	3	BOLT (M10X1.5X20-MM)						

C-CHANGE FROM PREVIOUS TYPE
M-METRIC PART
Y-SEPARATE ILLUSTRATION

OPERATOR STATION

235-9004 AIR CONDITIONER & MOUNTING GP (contd.)

i02983393



GRAPHIC #1

<END>

g01397723

OPERATOR STATION

235-9004 AIR CONDITIONER & MOUNTING GP

S/N: MMA1-UP

PART OF 235-9003 AIR CONDITIONER AR

AN ATTACHMENT

TYPE 3

SMCS-7320

i03430661

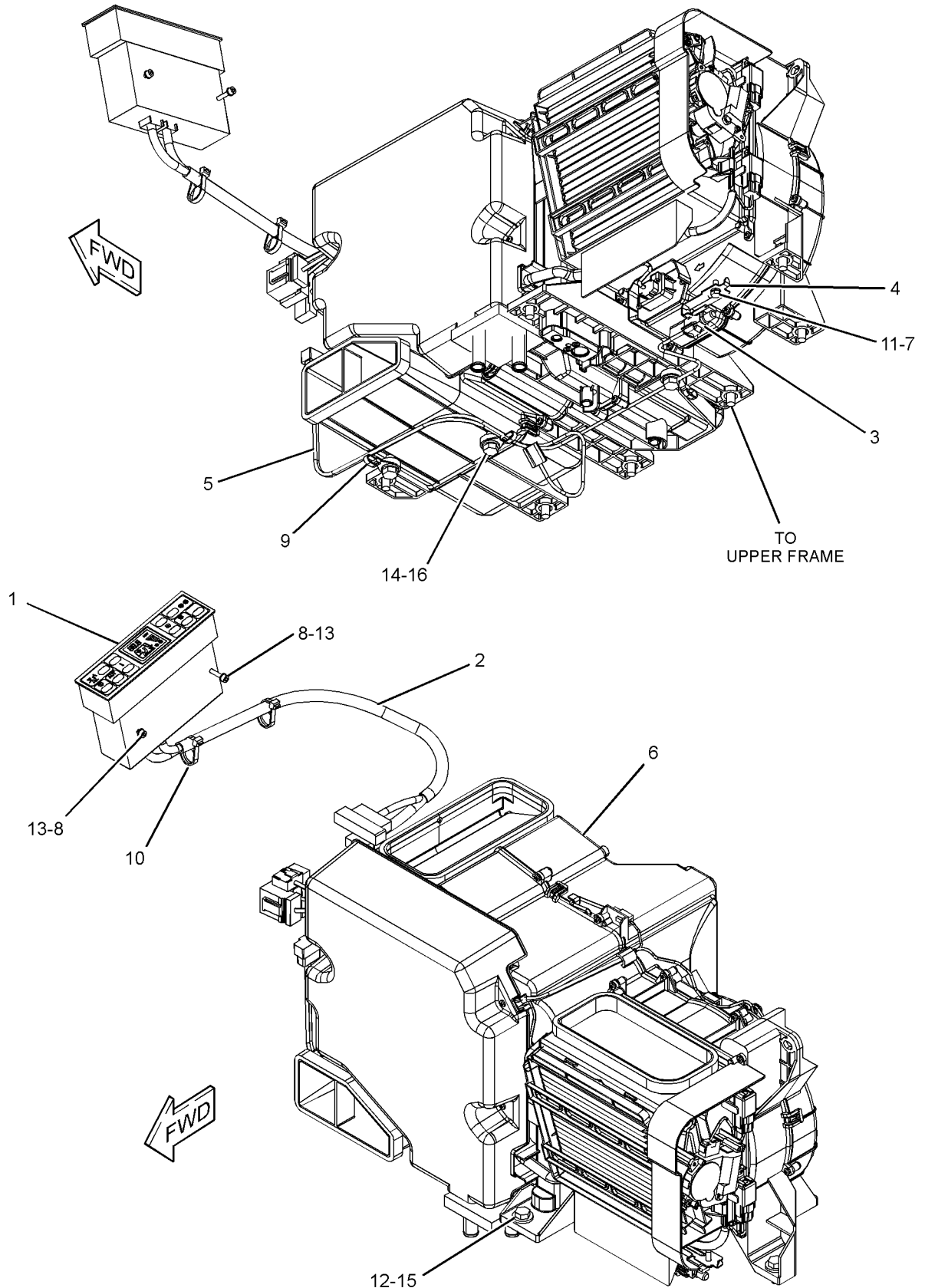
NOTE	REF NO	GRAPHIC REF	PART NUMBER	QTY	PART NAME 1 2 3 4 5 6 (PRODUCT LEVEL)	SEE PAGE
	2	1	235-8873	1	HARNESS AS-HEATER & AIR COND (CONTROL PANEL SWITCHES)	
	3	1	235-8874	1	SENSOR-TEMPERATURE (AMBIENT AIR)	
	4	1	235-8875	1	BRACKET	
	5	1	235-9005	1	HARNESS AS-HEATER & AIR COND (AIR CONDITIONER, LOW SIDE)	
CY	6	1	316-8916	1	AIR CONDITIONER GP	1041
	7	1	9X-8256	1	WASHER (6.6X12X2-MM THK)	
M	8	1	099-2374	2	BOLT-SOCKET HEAD (M5X0.8X12-MM)	
	9	1	111-4836	3	CLIP	
	10	1	3S-2093	2	STRAP-CABLE	
M	11	1	5C-9553	1	BOLT (M6X1X16-MM)	
	12	1	7X-7729	7	WASHER (11X25X3-MM THK)	
	13	1	8T-0328	2	WASHER-HARD (5.5X10X1-MM THK)	
	14	1	8T-4121	3	WASHER-HARD (11X21X2.5-MM THK)	
M	15	1	8T-4136	7	BOLT (M10X1.5X25-MM)	
M	16	1	8T-4137	3	BOLT (M10X1.5X20-MM)	

C-CHANGE FROM PREVIOUS TYPE
M-METRIC PART
Y-SEPARATE ILLUSTRATION

OPERATOR STATION

235-9004 AIR CONDITIONER & MOUNTING GP (contd.)

i03430661



GRAPHIC #1

<END>

g01397723

OPERATOR STATION

235-9003 AIR CONDITIONER AR

S/N: MMA1-UP
AN ATTACHMENT

SMCS-7320

i02103267

NOTE	PART NUMBER	QTY	PART NAME						SEE PAGE
			1	2	3	4	5	6 (PRODUCT LEVEL)	
Y	235-9004	1	AIR CONDITIONER & MOUNTING GP						1028
Y	229-9082	1	DUCT GP-CAB AIR						1124

Y-SEPARATE ILLUSTRATION

<END>

OPERATOR STATION

240-5036 AIR CONDITIONER GP

S/N: MMA1-UP

PART OF 235-9004 AIR CONDITIONER & MOUNTING GP

FIELD REPLACEMENT ORDER 316-8811-PAGE 1038

AN ATTACHMENT

SMCS-7320

i03547665

NOTE	REF NO	GRAPHIC REF	PART NUMBER	QTY	PART NAME						SEE PAGE
					1	2	3	4	5	6 (PRODUCT LEVEL)	
	1	1,2	185-8300	35	SCREW-TAPPING						
	2	2	185-8302	3	SCREW AS-TAPPING						
	3	1	245-7817	2	MOTOR AS						
	4	1	245-7818	3	CLIP						
	5	2	245-7819	2	CLIP						
	6	1	245-7820	1	COVER-FRONT						
	7	1	293-1137	1	FILTER GP-AIR (AIR CONDITIONER)						
		1	245-7823	1	FILTER ELEMENT-CAB AIR						
		1	245-7824	1	PACKING						
	8	1	245-7825	1	INSULATOR						
	9	1	245-7826	1	INSULATOR						
	10	1	245-7827	1	INSULATOR						
	11	1	245-7828	1	INSULATOR						
	12	2	245-7829	1	PACKING						
	13	1	245-7830	1	CLIP						
	14	1	245-7831	1	SENSOR AS-TEMPERATURE (COOLANT)						
	15	2	245-7832	1	CONTROL AS						
	16	1	245-7833	1	CORE AS-HEATER						
	17	1	245-7834	1	DAMPER AS						
	18	2	245-7835	1	SENSOR AS-TEMPERATURE (AMBIENT AIR TEMP)						
Y	19	1	245-7836	1	COIL GP-EVAPORATOR						1062
	20	1	245-7838	1	PACKING						
	21	1	245-7839	1	MOTOR AS (WITH FAN)						
Y	22	1	245-7846	1	CONTROL GP-HEAT & AIR COND (AIR INLET)						1098
	23	1	245-7847	1	HARNESS AS-HEATER & AIR COND						
	24	1	245-7856	3	SCREW AS-TAPPING						
	25	1	316-8845	1	PLATE						
	26	1	316-8846	1	PLATE						
	27	2	316-8847	2	ROD						
	28	2	316-8848	1	ROD						
	29	2	316-8849	1	ROD						
	30	2	316-8850	1	ROD						

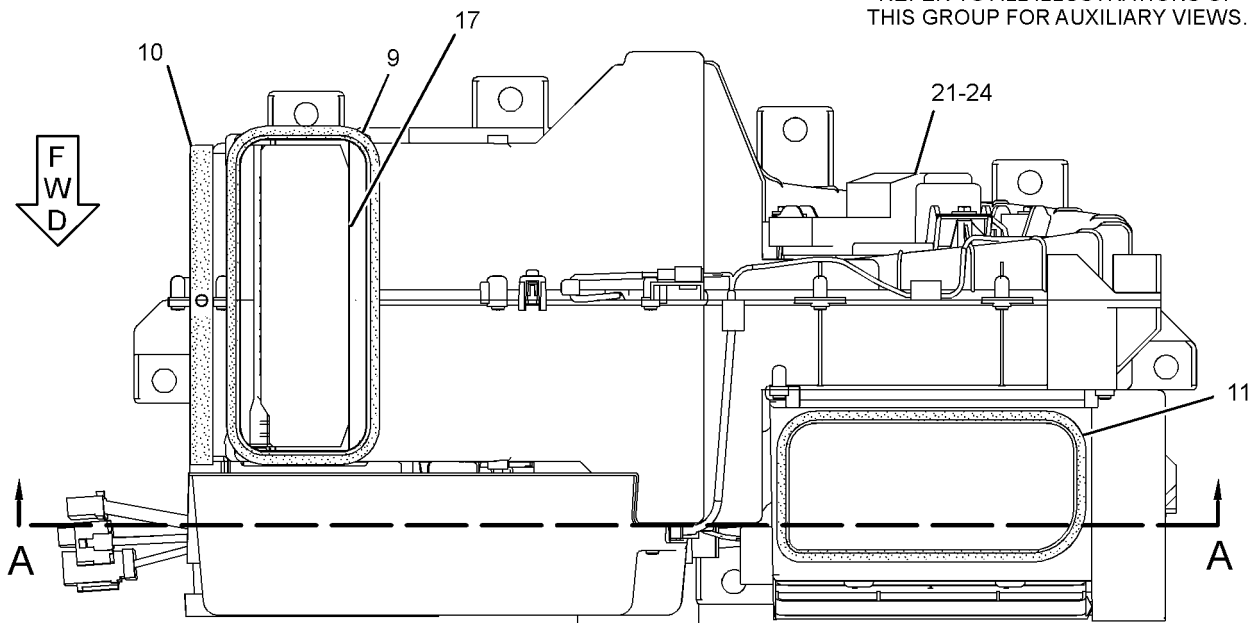
Y-SEPARATE ILLUSTRATION

OPERATOR STATION

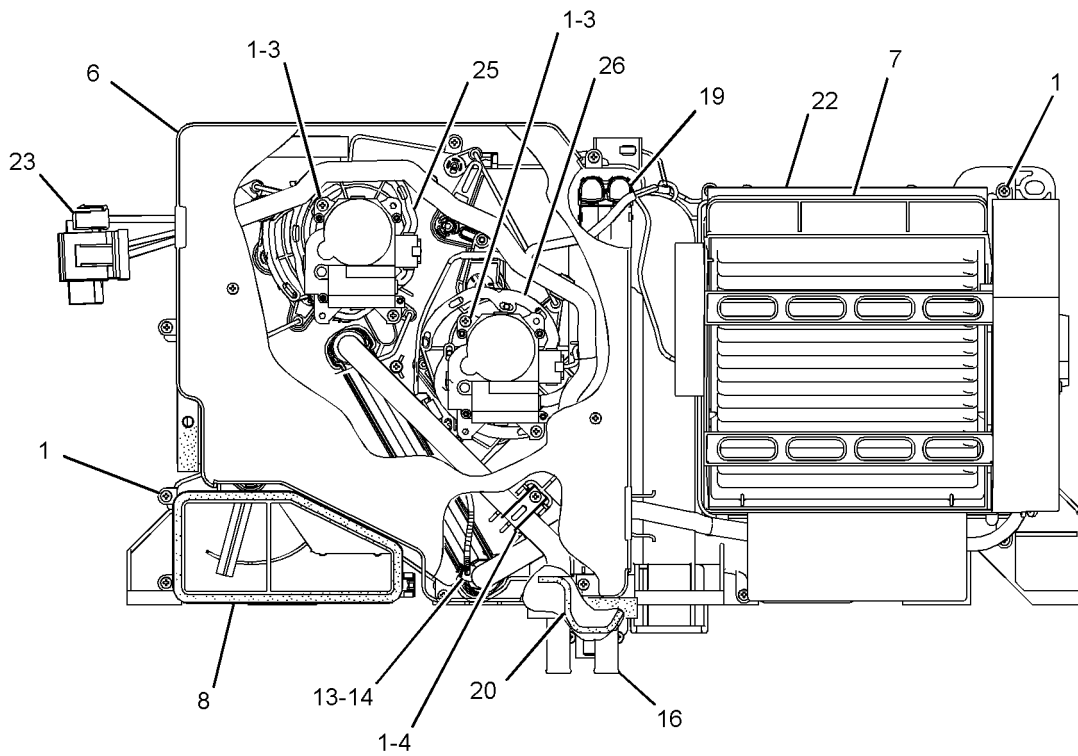
240-5036 AIR CONDITIONER GP (contd.)

i03547665

REFER TO ALL ILLUSTRATIONS OF THIS GROUP FOR AUXILIARY VIEWS.



TOP VIEW



FRONT VIEW

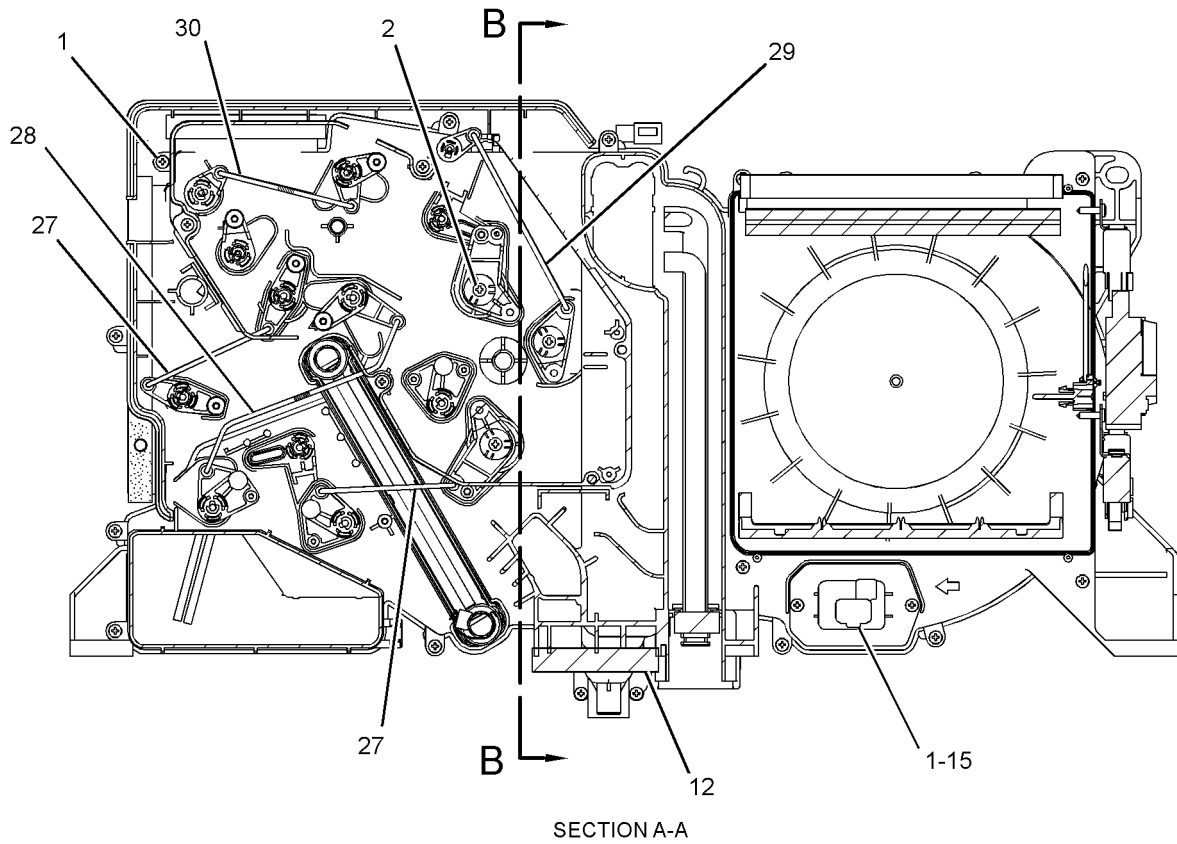
GRAPHIC #1

g01561193

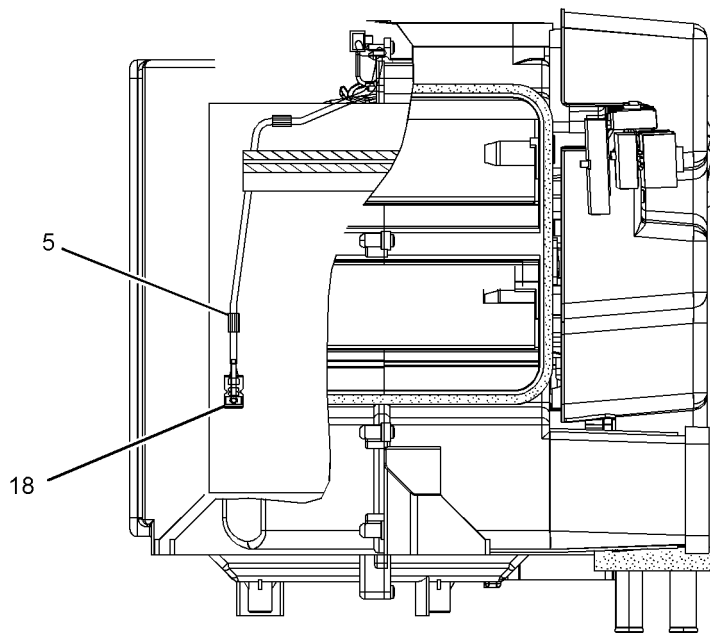
OPERATOR STATION

240-5036 AIR CONDITIONER GP (contd.)

i03547665



SECTION A-A



SECTION B-B

GRAPHIC #2

<END>

g01561194

OPERATOR STATION

316-8811 AIR CONDITIONER GP

S/N: MMA1-UP

PART OF 235-9004 AIR CONDITIONER & MOUNTING GP

FIELD REPLACEMENT ORDER 316-8916—PAGE 1041

AN ATTACHMENT AND FIELD INSTALLATION

SMCS-7320

i02983395

NOTE	REF NO	GRAPHIC REF	PART NUMBER	QTY	PART NAME						SEE PAGE
					1	2	3	4	5	6 (PRODUCT LEVEL)	
	1	1	185-8300	35	SCREW-TAPPING						
	2	2	185-8302	3	SCREW AS-TAPPING						
	3	1	245-7817	2	MOTOR AS						
	4	1	245-7818	3	CLIP						
	5	2	245-7819	2	CLIP						
	6	1	245-7820	1	COVER-FRONT						
	7	1	245-7825	1	INSULATOR						
	8	2	245-7826	1	INSULATOR						
	9	2	245-7827	1	INSULATOR						
	10	2	245-7828	1	INSULATOR						
	11	1	245-7829	1	PACKING						
	12	1	245-7830	1	CLIP						
	13	1	245-7831	1	SENSOR AS-TEMPERATURE (COOLANT)						
	14	1	245-7832	1	CONTROL AS						
	15	1	245-7833	1	CORE AS-HEATER						
	16	1	245-7834	1	DAMPER AS						
	17	2	245-7835	1	SENSOR AS-TEMPERATURE (AMBIENT AIR TEMP)						
Y	18	2	245-7836	1	COIL GP-EVAPORATOR						1062
	19	2	245-7838	1	PACKING						
	20	2	245-7839	1	MOTOR AS (WITH FAN)						
Y	21	1	245-7846	1	CONTROL GP-HEAT & AIR COND (AIR INLET)						1098
	22	1	245-7847	1	HARNESS AS-HEATER & AIR COND						
	23	2	245-7856	3	SCREW AS-TAPPING						
	24	1	293-1137	1	FILTER GP-AIR (AIR CONDITIONER)						
		1	245-7823	1	FILTER ELEMENT-CAB AIR						
		1	245-7824	1	PACKING						
	25	2	316-8845	1	PLATE						
	26	2	316-8846	1	PLATE						
	27	2	316-8847	2	ROD						
	28	2	316-8848	1	ROD						
	29	1	316-8849	1	ROD						
	30	2	316-8850	1	ROD						

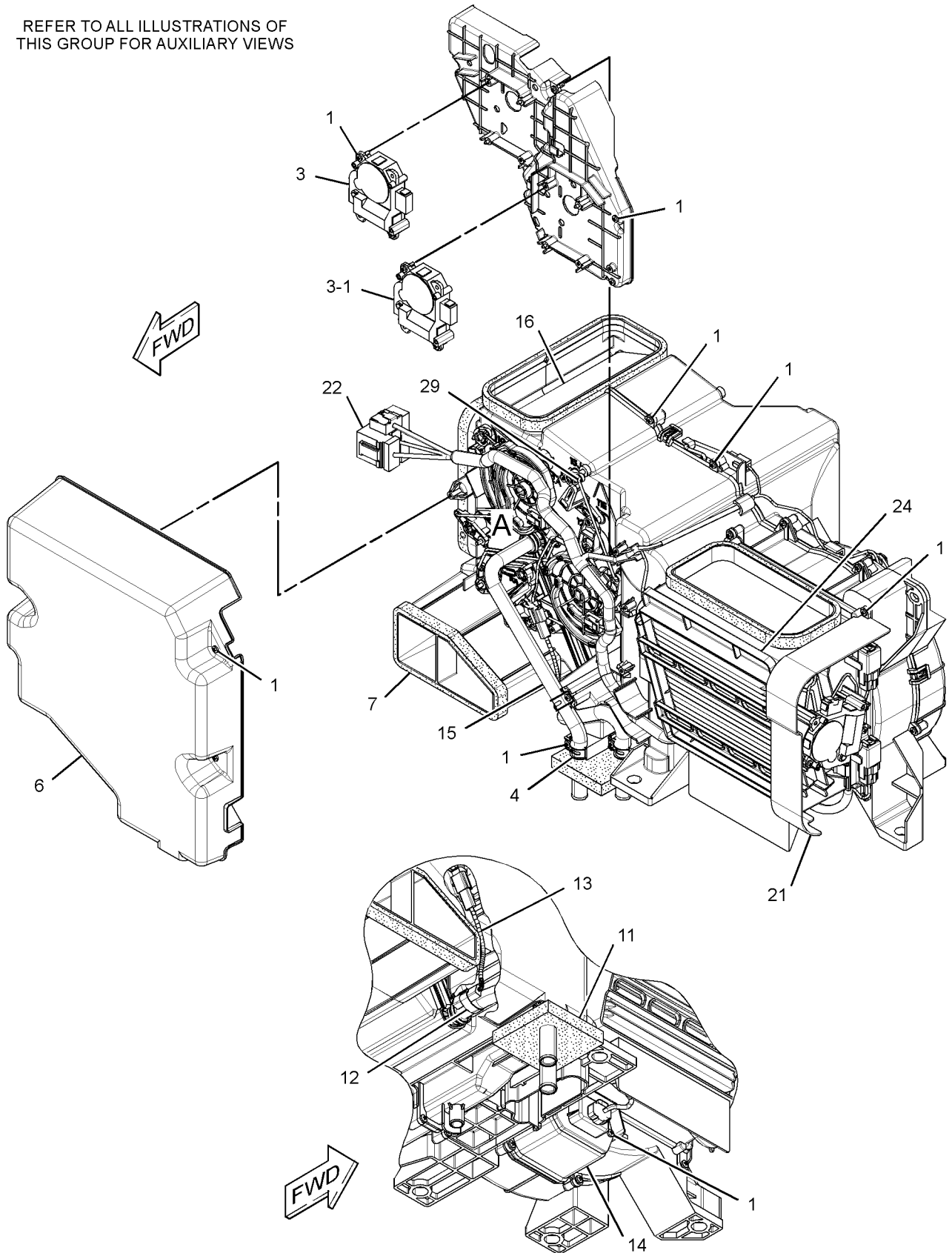
Y-SEPARATE ILLUSTRATION

OPERATOR STATION

316-8811 AIR CONDITIONER GP (contd.)

i02983395

REFER TO ALL ILLUSTRATIONS OF THIS GROUP FOR AUXILIARY VIEWS



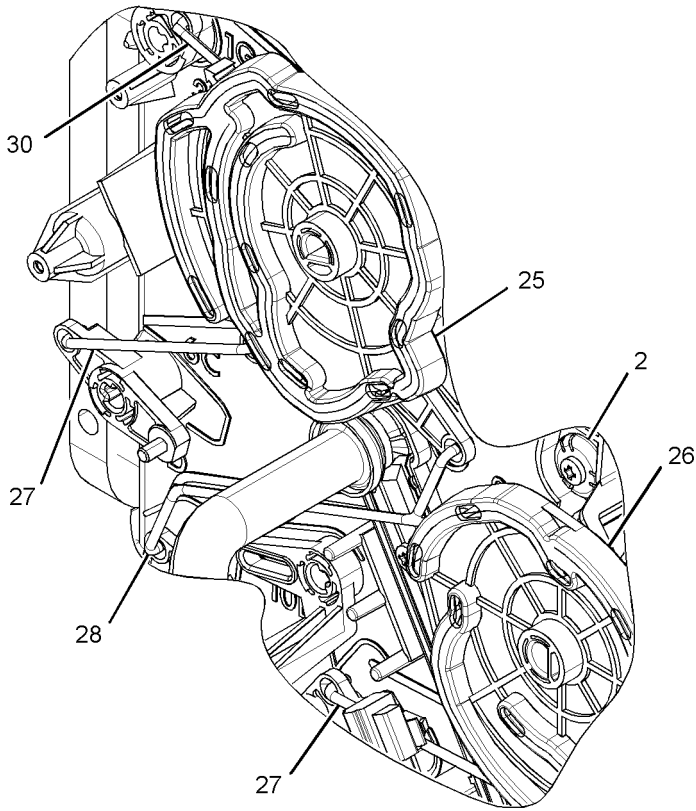
GRAPHIC #1

g01525866

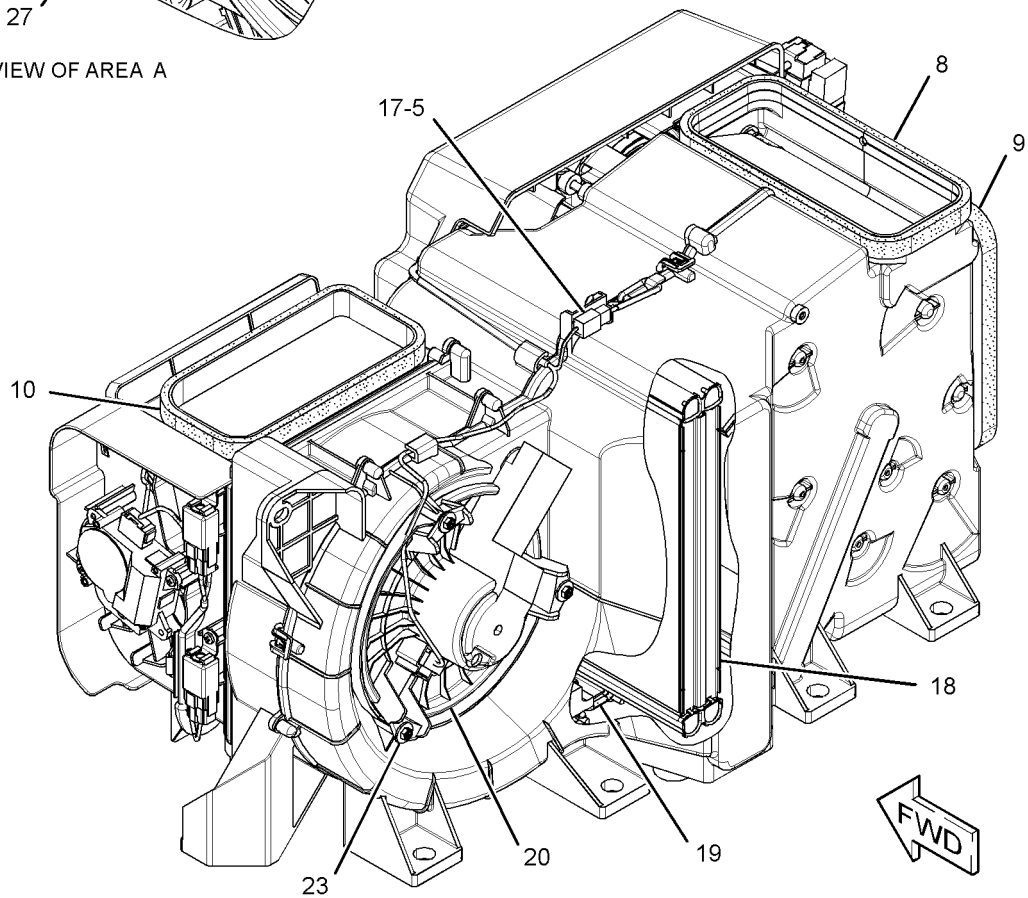
OPERATOR STATION

316-8811 AIR CONDITIONER GP (contd.)

i02983395



VIEW OF AREA A



GRAPHIC #2

<END>

g01526086

OPERATOR STATION

316-8916 AIR CONDITIONER GP

S/N: MMA1-UP

PART OF 235-9004 AIR CONDITIONER & MOUNTING GP

FIELD REPLACEMENT FOR 316-8811-PAGE 1038

AN ATTACHMENT AND FIELD INSTALLATION

SMCS-7320

i03430741

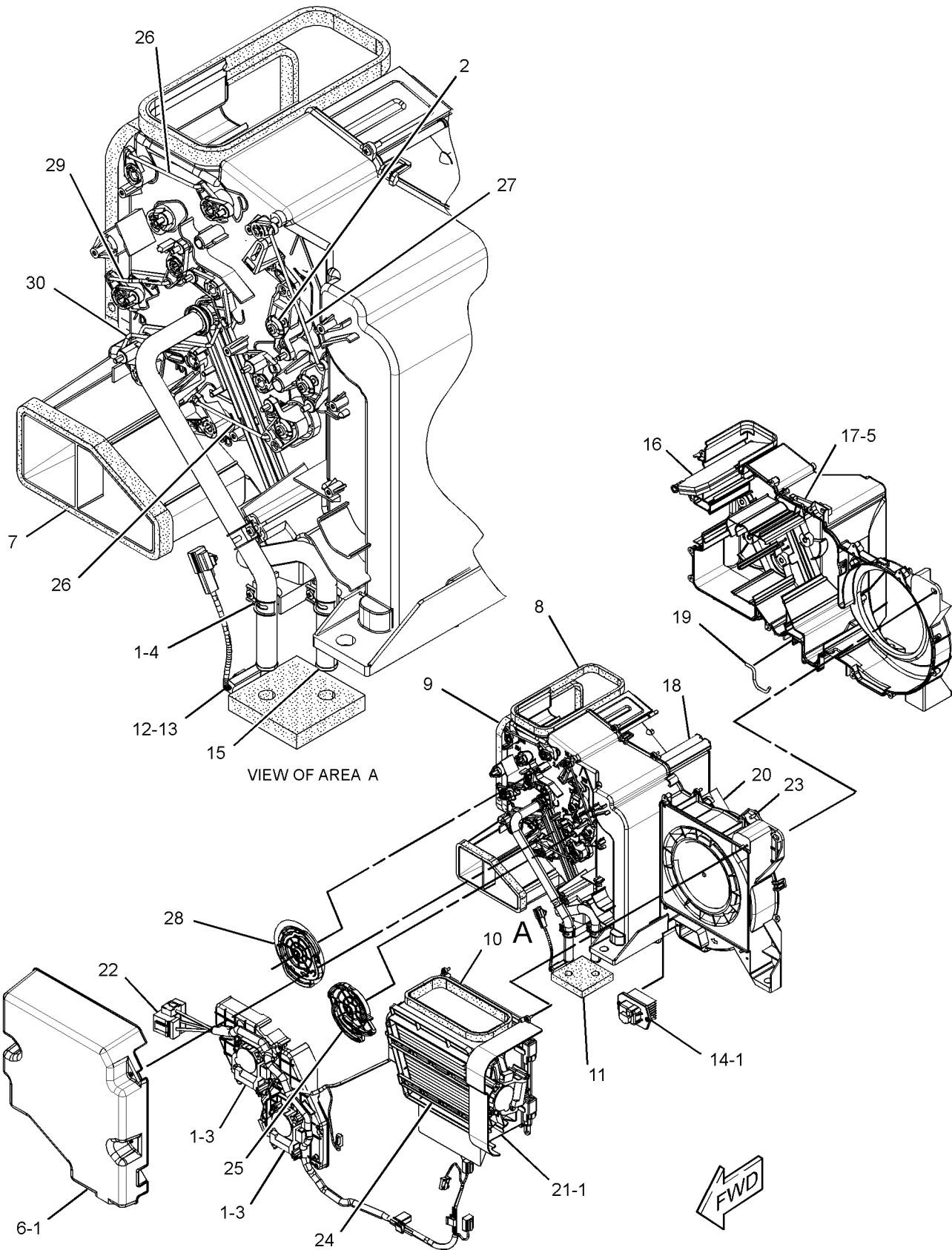
NOTE	REF NO	GRAPHIC REF	PART NUMBER	QTY	PART NAME						SEE PAGE
					1	2	3	4	5	6 (PRODUCT LEVEL)	
	1	1	185-8300	35	SCREW-TAPPING						
	2	1	185-8302	3	SCREW AS-TAPPING						
	3	1	245-7817	2	MOTOR AS						
	4	1	245-7818	3	CLIP						
	5	1	245-7819	2	CLIP						
	6	1	245-7820	1	COVER-FRONT						
	7	1	245-7825	1	INSULATOR						
	8	1	245-7826	1	INSULATOR						
	9	1	245-7827	1	INSULATOR						
	10	1	245-7828	1	INSULATOR						
	11	1	245-7829	1	PACKING						
	12	1	245-7830	1	CLIP						
	13	1	245-7831	1	SENSOR AS-TEMPERATURE (COOLANT)						
	14	1	245-7832	1	CONTROL AS						
	15	1	245-7833	1	CORE AS-HEATER						
	16	1	245-7834	1	DAMPER AS						
	17	1	245-7835	1	SENSOR AS-TEMPERATURE (AMBIENT AIR TEMP)						
Y	18	1	245-7836	1	COIL GP-EVAPORATOR						1062
	19	1	245-7838	1	PACKING						
	20	1	245-7839	1	MOTOR AS (WITH FAN)						
Y	21	1	245-7846	1	CONTROL GP-HEAT & AIR COND (AIR INLET)						1098
	22	1	245-7847	1	HARNESS AS-HEATER & AIR COND						
	23	1	245-7856	3	SCREW AS-TAPPING						
	24	1	293-1137	1	FILTER GP-AIR (AIR CONDITIONER)						
		1	245-7823	1	FILTER ELEMENT-CAB AIR						
		1	245-7824	1	PACKING						
	25	1	316-8846	1	PLATE						
	26	1	316-8847	2	ROD						
	27	1	316-8849	1	ROD						
	28	1	316-8918	1	PLATE						
	29	1	316-8920	1	ROD						
	30	1	316-8921	1	ROD						

Y-SEPARATE ILLUSTRATION

OPERATOR STATION

316-8916 AIR CONDITIONER GP (contd.)

i03430741



GRAPHIC #1

<END>

g01788009

OPERATOR STATION

234-6606 ARMREST GP-RH

S/N: MMA1-247

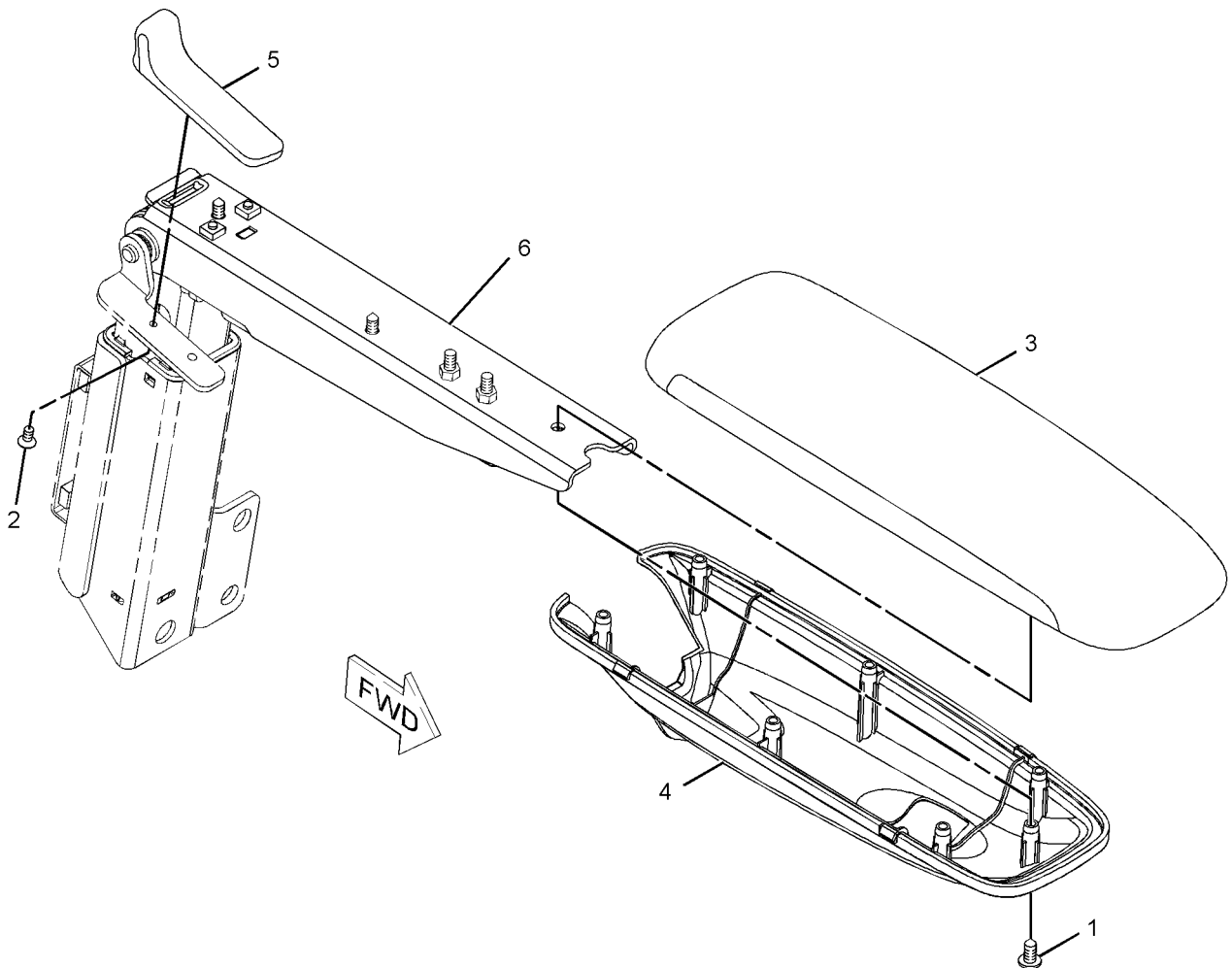
PART OF 245-7924 CONSOLE GP-OPERATOR

SMCS-7307

i02230624

NOTE	REF NO	GRAPHIC REF	PART NUMBER	QTY	PART NAME						SEE PAGE
					1	2	3	4	5	6 (PRODUCT LEVEL)	
M	1	1	171-7325	3	SCREW-TAPPING (M5X0.8-THD)						
M	2	1	185-8286	2	SCREW-MACHINE (M4X0.7X8-MM)						
	3	1	235-8995	1	CUSHION						
	4	1	235-8996	1	COVER						
	5	1	235-8997	1	KNOB						
	6	1	235-8951	1	SUPPORT AS						

M-METRIC PART



GRAPHIC #1

<END>

g01128910

OPERATOR STATION

234-6607 ARMREST GP-LH

S/N: MMA1-247

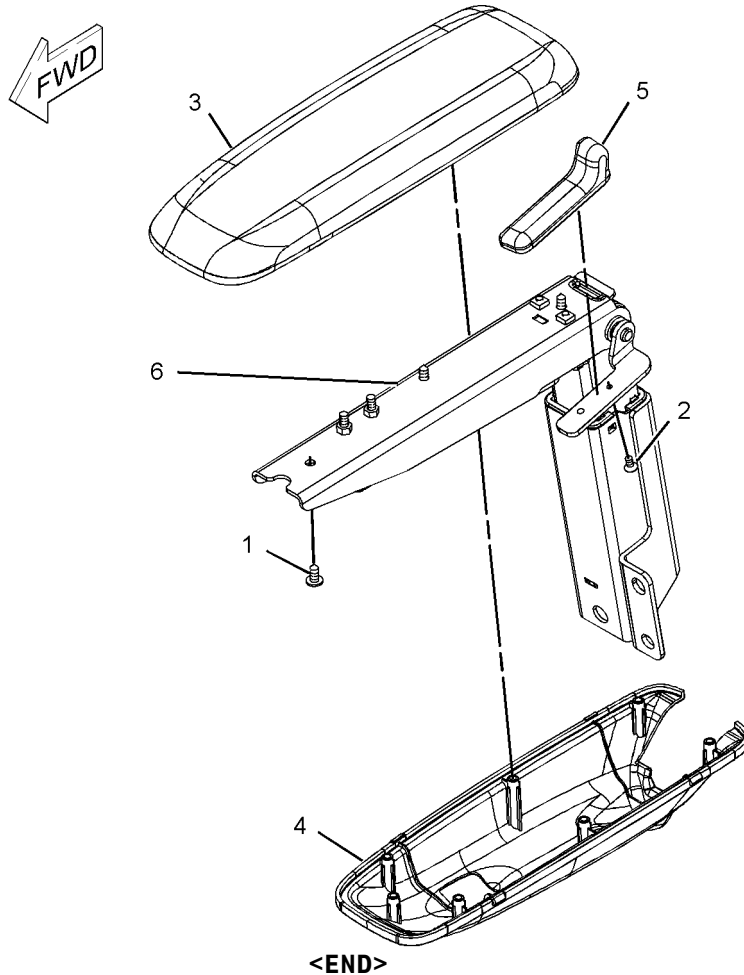
PART OF 245-7923 CONSOLE GP-OPERATOR

SMCS-7307

i02230614

NOTE	REF NO	GRAPHIC REF	PART NUMBER	QTY	PART NAME						SEE PAGE
					1	2	3	4	5	6 (PRODUCT LEVEL)	
M	1	1	171-7325	3	SCREW-TAPPING (M5X0.8-THD)						
M	2	1	185-8286	2	SCREW-MACHINE (M4X0.7X8-MM)						
	3	1	235-8995	1	CUSHION						
	4	1	235-8996	1	COVER						
	5	1	235-8998	1	KNOB						
	6	1	235-8952	1	SUPPORT AS						

M-METRIC PART



GRAPHIC #1

g01128913

OPERATOR STATION

259-7346 ARMREST GP-RH

S/N: MMA248-UP

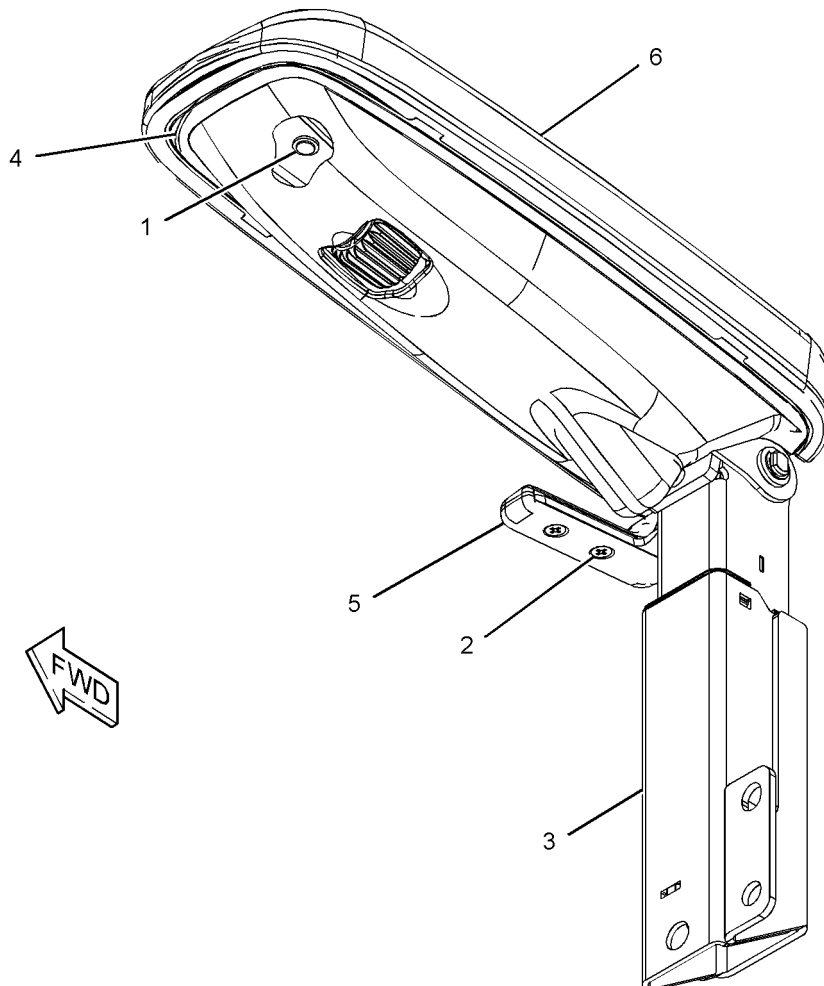
PART OF 259-7348 CONSOLE GP-OPERATOR

SMCS-7307

i02427006

NOTE	REF NO	GRAPHIC REF	PART NUMBER	QTY	PART NAME						SEE PAGE
					1	2	3	4	5	6 (PRODUCT LEVEL)	
M	1	1	171-7325	3	SCREW-TAPPING (M5X0.8-THD)						
M	2	1	185-8286	2	SCREW-MACHINE (M4X0.7X8-MM)						
	3	1	235-8951	1	SUPPORT AS						
	4	1	235-8996	1	COVER						
	5	1	235-8997	1	KNOB						
	6	1	279-3161	1	CUSHION						

M-METRIC PART



GRAPHIC #1

<END>

g01217218

OPERATOR STATION

259-7347 ARMREST GP-LH

S/N: MMA248-UP

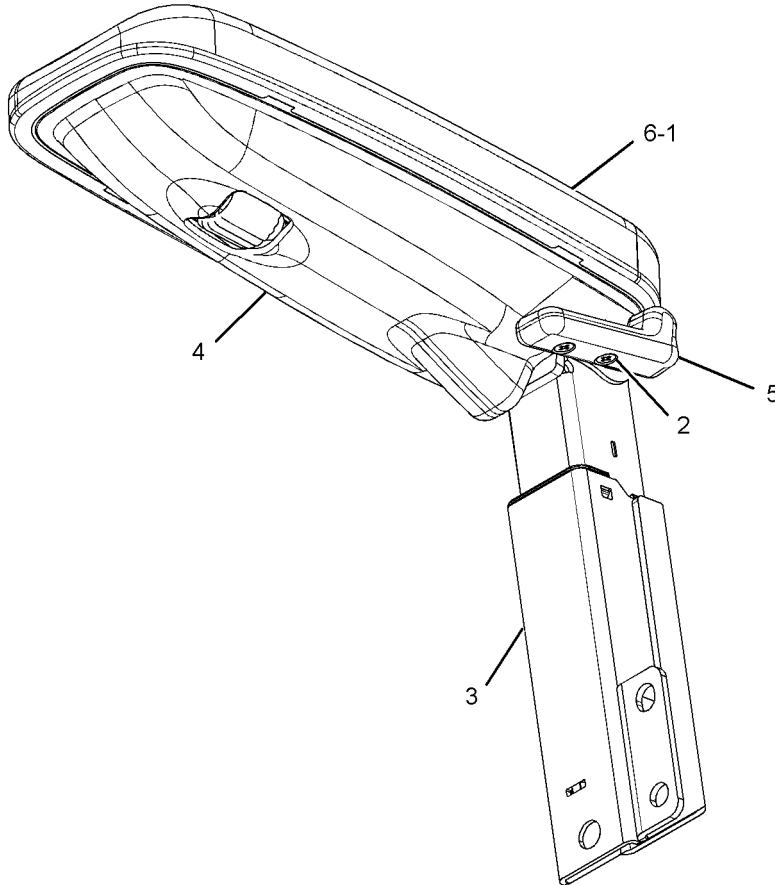
PART OF 259-7349 CONSOLE GP-OPERATOR

SMCS-7307

i02427035

NOTE	REF NO	GRAPHIC REF	PART NUMBER	QTY	PART NAME						SEE PAGE
					1	2	3	4	5	6 (PRODUCT LEVEL)	
M	1	1	171-7325	3	SCREW-TAPPING (M5X0.8-THD)						
M	2	1	185-8286	2	SCREW-MACHINE (M4X0.7X8-MM)						
	3	1	235-8952	1	SUPPORT AS						
	4	1	235-8996	1	COVER						
	5	1	235-8998	1	KNOB						
	6	1	279-3161	1	CUSHION						

M-METRIC PART



GRAPHIC #1

<END>

g01210886

OPERATOR STATION

237-2167 CAB AR

S/N: MMA1-UP

PART OF 265-7172 CONVERSION AR
AN ATTACHMENT

SMCS-7301, 7325

i03500661

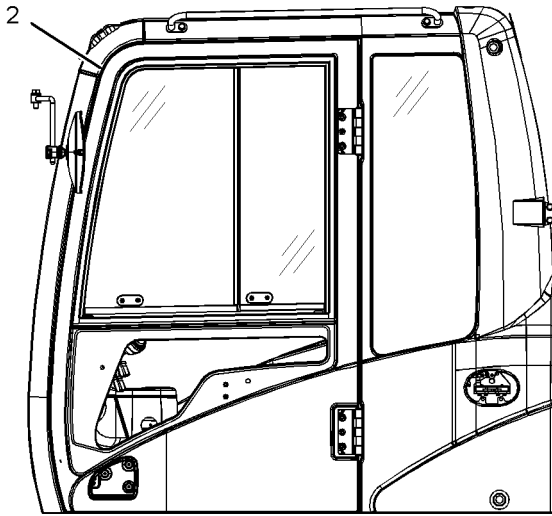
NOTE	REF NO	GRAPHIC REF	PART NUMBER	QTY	PART NAME	SEE PAGE
					1 2 3 4 5 6 (PRODUCT LEVEL)	
Y	1	1	184-7621	1	SCREEN GP-SUN	1174
Y	2	1	189-2768	1	DOOR & MTG GP-CAB	1111
Y	3	1	221-8813	1	MONITOR & MTG GP-OPERATOR	1153
Y	5	1	237-3567	1	CAB GP (EXTERIOR)	1052
Y	6	1	249-2663	1	TRIM GP-CAB (INTERIOR, REAR)	1215
Y	7	1	249-2664	1	TRIM GP-CAB (INTERIOR, FRONT)	1218
Y	8	1	249-2665	1	WINDOW GP-CAB (REAR, SIDE, TOP WINDOWS)	1227
FY			227-7132	1	WIRING GP-CAB	385

F-NOT SHOWN
Y-SEPARATE ILLUSTRATION

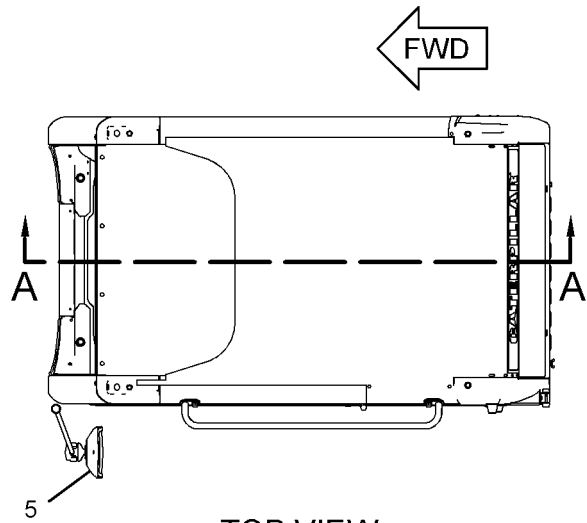
OPERATOR STATION

237-2167 CAB AR (contd.)

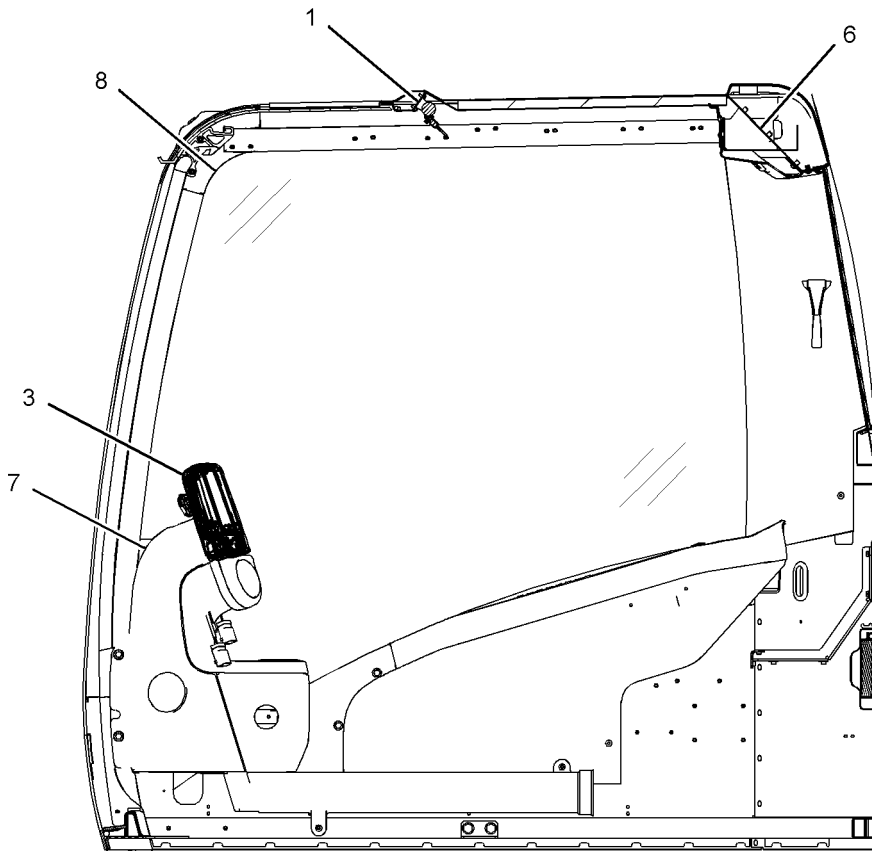
i03500661



LEFT SIDE VIEW



TOP VIEW



SECTION A-A

GRAPHIC #1

<END>

g01831194

OPERATOR STATION

237-3564 CAB AR

S/N: MMA1-UP

PART OF 265-7175, 265-7176 CONVERSION AR

AN ATTACHMENT

TYPE 1

SMCS-7301, 7325

i03639928

NOTE	PART NUMBER	QTY	PART NAME						SEE PAGE
			1	2	3	4	5	6 (PRODUCT LEVEL)	
Y	237-3567	1	CAB GP (EXTERIOR)						1052
Y	189-2768	1	DOOR & MTG GP-CAB						1111
Y	221-8813	1	MONITOR & MTG GP-OPERATOR						1153
Y	249-7110	1	PANEL GP-CONTROL (AIR CONDITIONER)						324
Y	184-7621	1	SCREEN GP-SUN						1174
Y	249-2663	1	TRIM GP-CAB (INTERIOR, REAR)						1215
Y	249-2664	1	TRIM GP-CAB (INTERIOR, FRONT)						1218
Y	248-6496	1	WINDOW GP-CAB						1226
Y	227-7132	1	WIRING GP-CAB						385
	237-3568	1	CAB AS						
Y-SEPARATE ILLUSTRATION									

<END>

OPERATOR STATION

237-3564 CAB AR

S/N: MMA1-UP

PART OF 265-7175, 265-7176 CONVERSION AR

AN ATTACHMENT

TYPE 2

SMCS-7301, 7325

i03375021

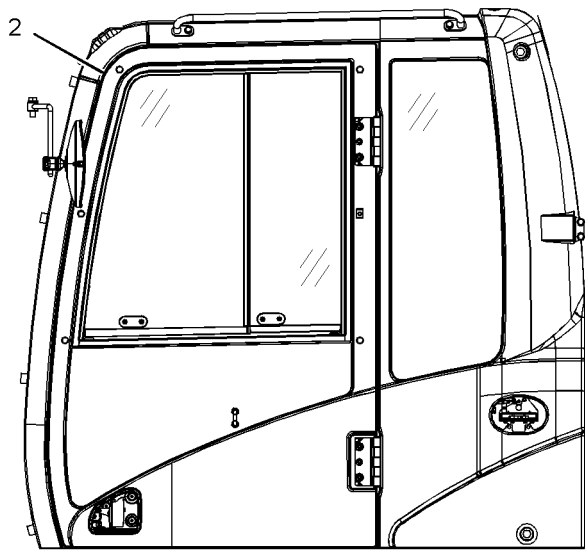
NOTE	REF NO	GRAPHIC REF	PART NUMBER	QTY	PART NAME						SEE PAGE
					1	2	3	4	5	6 (PRODUCT LEVEL)	
Y	1	1	184-7621	1	SCREEN GP-SUN						1174
CY	2	1	189-2793	1	DOOR GP-CAB						1123
Y	3	1	221-8813	1	MONITOR & MTG GP-OPERATOR						1153
Y	4	1	237-3567	1	CAB GP (EXTERIOR)						1052
Y	6	1	248-6496	1	WINDOW GP-CAB						1226
Y	7	1	249-2663	1	TRIM GP-CAB (INTERIOR, REAR)						1215
Y	8	1	249-2664	1	TRIM GP-CAB (INTERIOR, FRONT)						1218
F			237-3568	1	CAB AS						

C-CHANGE FROM PREVIOUS TYPE
 F-NOT SHOWN
 Y-SEPARATE ILLUSTRATION

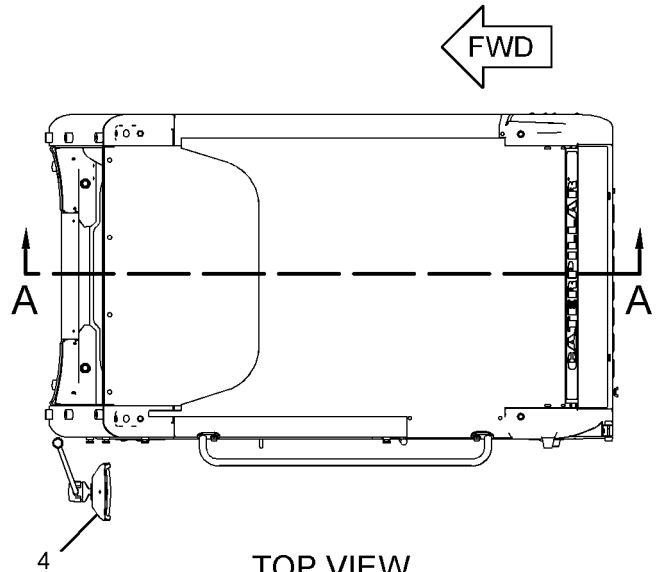
OPERATOR STATION

237-3564 CAB AR (contd.)

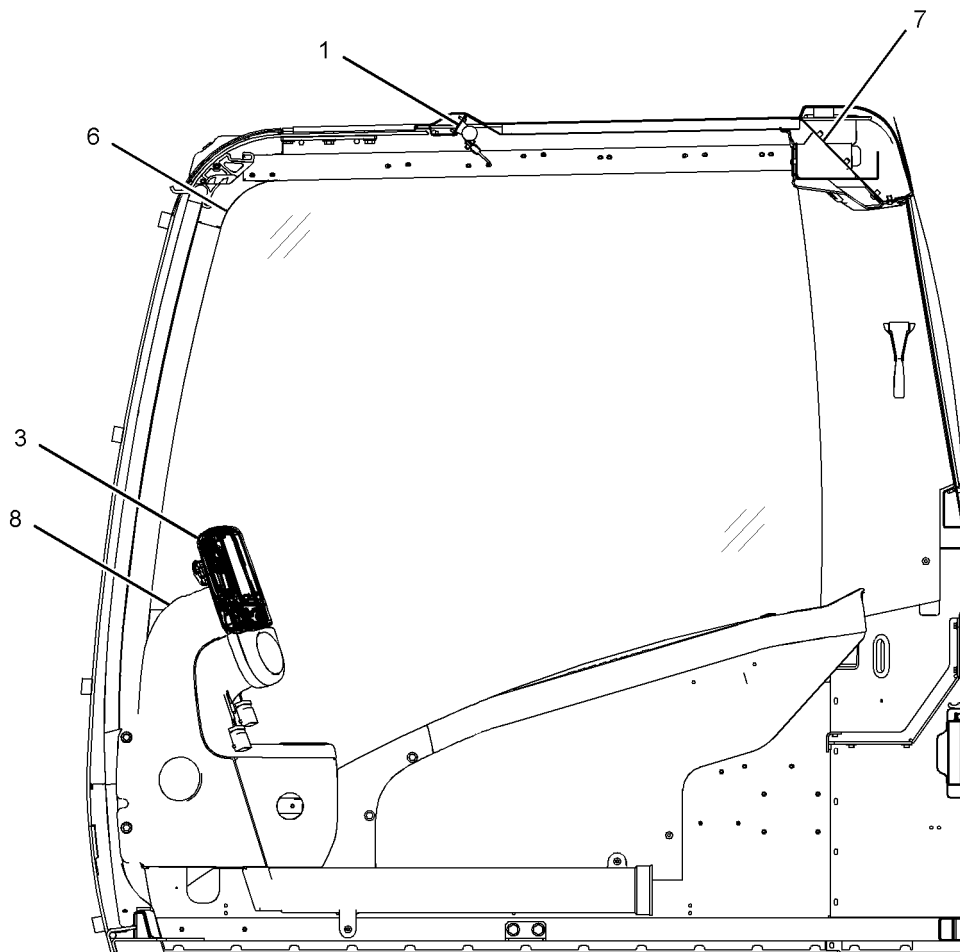
i03375021



LEFT SIDE VIEW



TOP VIEW



SECTION A-A

<END>

GRAPHIC #1

g01831314

OPERATOR STATION

237-3567 CAB GP-EXTERIOR

S/N: MMA1-UP
PART OF 237-3564 CAB AR
AN ATTACHMENT
TYPE 1

SMCS-7301, 7325

i02554339

NOTE	REF NO	GRAPHIC REF	PART NUMBER	QTY	PART NAME						SEE PAGE
					1	2	3	4	5	6 (PRODUCT LEVEL)	
	1	1	161-3685	1	ROD						
	2	1	205-6295	1	LATCH AS						
	3	1	156-6599	1	STRIKER						
	4	1	161-3660	1	BRACKET AS						
	5	1	161-3697	1	GUARD						
Y	6	1	164-0528	1	LEVER GP-AIR & TEMP CONTROL						1147
	7	1	167-4154	1	HANDRAIL AS						
	8	1	171-7426	1	CABLE AS						
	9	1	176-1939	1	LEVER AS						
M		1	9X-2044	1	SCREW-TRUSS HEAD (M6X1X16-MM)						
		1	176-1937	1	BRACKET AS						
		1	176-1938	1	LEVER						
	10	1	176-6417	1	CABLE						
	11	1	176-6418	1	STOP						
	12	1	176-6420	1	SUPPORT						
	13	1	180-9417	2	NUT						
	14	1	180-9418	4	CAP						
	15	1	215-2913	3	GROMMET						
	16	1	220-4079	3	WASHER (6.25X14X1.2-MM THK)						
	17	1	220-4081	5	CAP						
	18	1	226-9035	1	SUPPORT						
	19	1	226-9124	2	CLAMP						
	20	1	244-7094	1	PLUG						
	21	1	247-6801	1	COVER AS						
	22	1	252-1230	1	HANDLE AS (UPPER)						
	23	1	252-1234	1	PLATE						
	24	1	4E-1384	2	BUMPER-CONICAL						
	25	1	4I-1278	1	FILTER ELEMENT-CAB AIR						
	26	1	4I-8135	1	MIRROR						
M	27	1	5C-2874	2	NUT (M5X0.8-THD)						
M	28	1	5C-2890	1	NUT (M6X1-THD)						
M	29	1	5C-7261	2	NUT (M8X1.25-THD)						
	30	1	5J-5003	9	PLUG-HOLE						
	31	1	5P-1075	2	WASHER-HARD (10.2X22.5X3-MM THK)						
M	32	1	6C-8584	3	SCREW (M6X1X8-MM)						
M	33	1	6C-9058	2	SCREW (M6X1X12-MM)						
	34	1	6C-9087	3	WASHER						
M	35	1	6V-4298	2	BOLT (M5X0.8X16-MM)						
M	36	1	6V-7357	4	BOLT (M6X1X25-MM)						
	37	1	6V-7636	2	PIN AS-SPRING						
	38	1	8C-0572	2	WASHER (8.8X25.5X2-MM THK)						
M	39	1	8C-7562	2	SCREW-FLAT HEAD (M8X1.25X20-MM)						
M	40	1	8T-0341	2	BOLT-SOCKET HEAD (M10X1.5X60-MM)						
	41	1	8T-2561	2	WASHER-HARD (10.5X28.5X5-MM THK)						
	42	1	8T-4121	8	WASHER-HARD (11X21X2.5-MM THK)						
M	43	1	8T-4133	5	NUT (M10X1.5-THD)						
M	44	1	8T-4136	5	BOLT (M10X1.5X25-MM)						
M	45	1	8T-4200	3	BOLT (M8X1.25X16-MM)						
M	46	1	9X-2044	5	SCREW-TRUSS HEAD (M6X1X16-MM)						
	47	1	9X-2446	1	FILM-IDENTIFICATION (CATERPILLAR)						
M	48	1	9X-2480	2	BOLT (M6X1X45-MM)						
	49	1	9X-8256	8	WASHER (6.6X12X2-MM THK)						
E	50	1	260-2649		FOAM (144-CM)						
E	51	1	133-3234		SEAL (74-CM)						

OPERATOR STATION

237-3567 CAB GP (contd.)

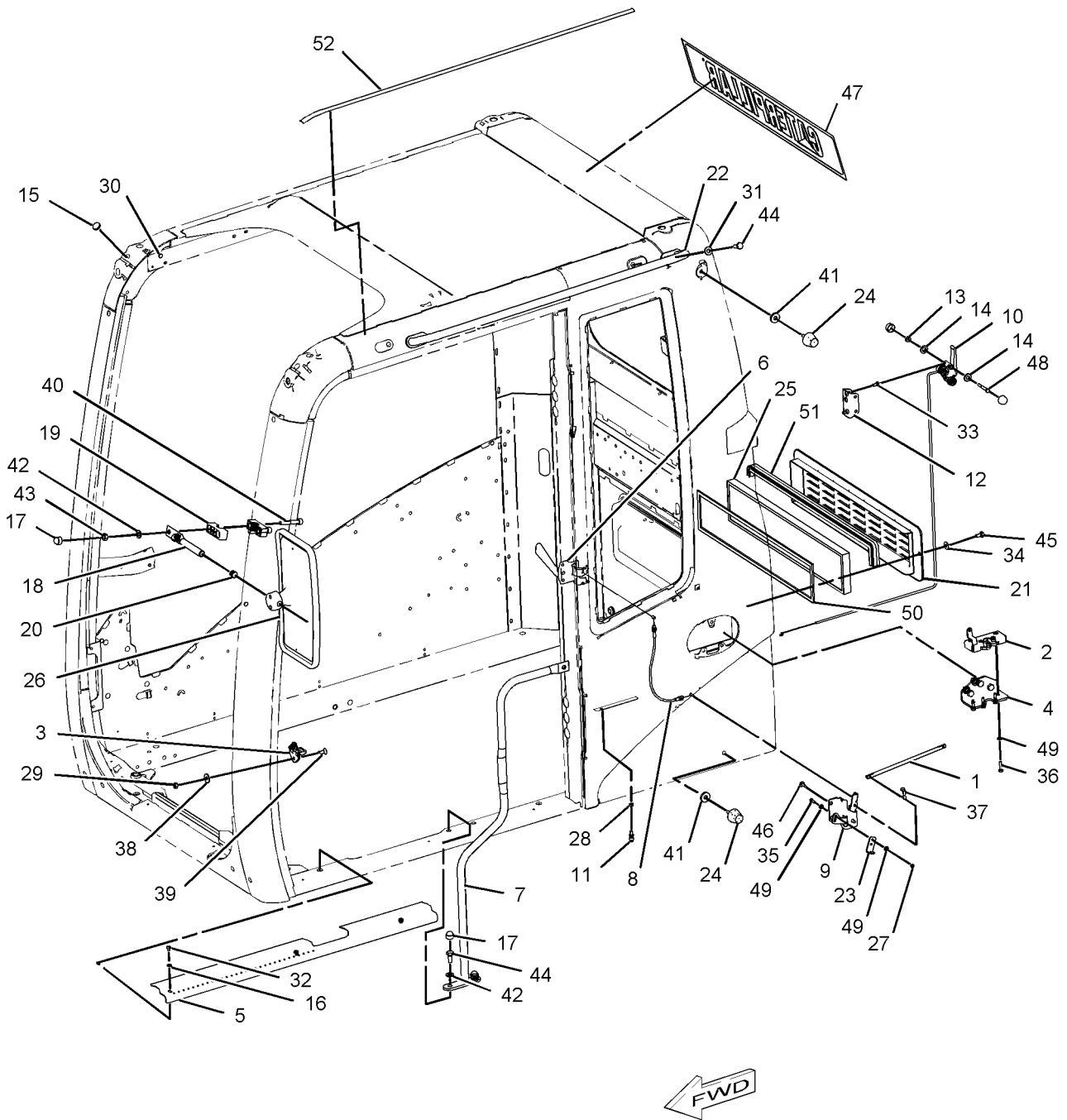
i02554339

NOTE	REF NO	GRAPHIC REF	PART NUMBER	QTY	PART NAME						SEE PAGE
					1	2	3	4	5	6 (PRODUCT LEVEL)	
E	52	1	263-0788		SEAL-BULK (112-CM)						
E-ORDER BY THE CENTIMETER M-METRIC PART Y-SEPARATE ILLUSTRATION											

OPERATOR STATION

237-3567 CAB GP (contd.)

i02554339



GRAPHIC #1

<END>

g01120216

OPERATOR STATION

237-3567 CAB GP-EXTERIOR

S/N: MMA1-UP

PART OF 237-2167, 237-3564 CAB AR

AN ATTACHMENT

TYPE 2

SMCS-7301, 7325

i02866499

NOTE	REF NO	GRAPHIC REF	PART NUMBER	QTY	PART NAME						SEE PAGE
					1	2	3	4	5	6 (PRODUCT LEVEL)	
	1	1	3Y-2806	1	SPRING						
	2	1	5J-5003	9	PLUG-HOLE						
	3	1	6V-7636	2	PIN AS-SPRING						
M	4	1	129-5167	3	SCREW (M6X1X8-MM)						
	5	1	156-6599	1	STRIKER						
	6	1	161-3697	1	GUARD						
Y	7	1	164-0528	1	LEVER GP-AIR & TEMP CONTROL						1147
	8	1	171-7426	1	CABLE AS						
	9	1	176-1939	1	LEVER AS						
M		1	9X-2044	1	SCREW-TRUSS HEAD (M6X1X16-MM)						
		1	176-1937	1	BRACKET AS						
		1	176-1938	1	LEVER						
	10	1	176-6417	1	CABLE						
	11	1	176-6418	1	STOP						
	12	1	176-6420	1	SUPPORT						
	13	1	205-6295	1	LATCH AS						
	14	1	215-2913	2	GROMMET						
	15	1	220-4079	3	WASHER (6.25X14X1.2-MM THK)						
	16	1	220-4081	4	CAP						
	17	1	226-9124	2	CLAMP						
	18	1	235-8912	1	HANDLE AS						
	19	1	244-7094	1	PLUG						
	20	1	247-6801	1	COVER AS						
	21	1	252-1234	1	PLATE						
	22	1	262-7954	2	BUMPER						
	23	1	262-7956	1	ROD						
	24	1	262-7957	1	BRACKET AS						
	25	1	1R-5998	2	LOCKWASHER						
	26	1	180-9417	2	NUT						
	27	1	180-9418	4	CAP						
M	28	1	188-9644	4	SCREW-FLAT HEAD (M8X1.25X25-MM)						
	29	1	226-9035	1	SUPPORT						
	30	1	252-1230	1	HANDLE AS (UPPER)						
	31	1	4I-1278	1	FILTER ELEMENT-CAB AIR						
	32	1	4I-8135	1	MIRROR						
M	33	1	5C-2874	2	NUT (M5X0.8-THD)						
M	34	1	5C-2890	1	NUT (M6X1-THD)						
M	35	1	5C-7261	2	NUT (M8X1.25-THD)						
	36	1	5P-1075	2	WASHER-HARD (10.2X22.5X3-MM THK)						
	37	1	6C-4000	2	SHIM (1-MM THK)						
M	38	1	6C-9058	2	SCREW (M6X1X12-MM)						
	39	1	6C-9087	3	WASHER						
M	40	1	6V-4298	2	BOLT (M5X0.8X16-MM)						
M	41	1	6V-7357	4	BOLT (M6X1X25-MM)						
	42	1	8C-0572	2	WASHER (8.8X25.5X2-MM THK)						
M	43	1	284-4426	1	BOLT-WING (M8X1.25X15-MM)						
M	44	1	280-2747	2	BOLT-SOCKET HEAD (M10X1.5X60-MM)						
	45	1	8T-4121	7	WASHER-HARD (11X21X2.5-MM THK)						
M	46	1	8T-4133	5	NUT (M10X1.5-THD)						
M	47	1	8T-4136	4	BOLT (M10X1.5X25-MM)						
M	48	1	8T-4200	2	BOLT (M8X1.25X16-MM)						
M	49	1	9X-2044	5	SCREW-TRUSS HEAD (M6X1X16-MM)						
	50	1	9X-2446	1	FILM-IDENTIFICATION (CATERPILLAR)						
M	51	1	9X-2480	2	BOLT (M6X1X45-MM)						

OPERATOR STATION

237-3567 CAB GP (contd.)

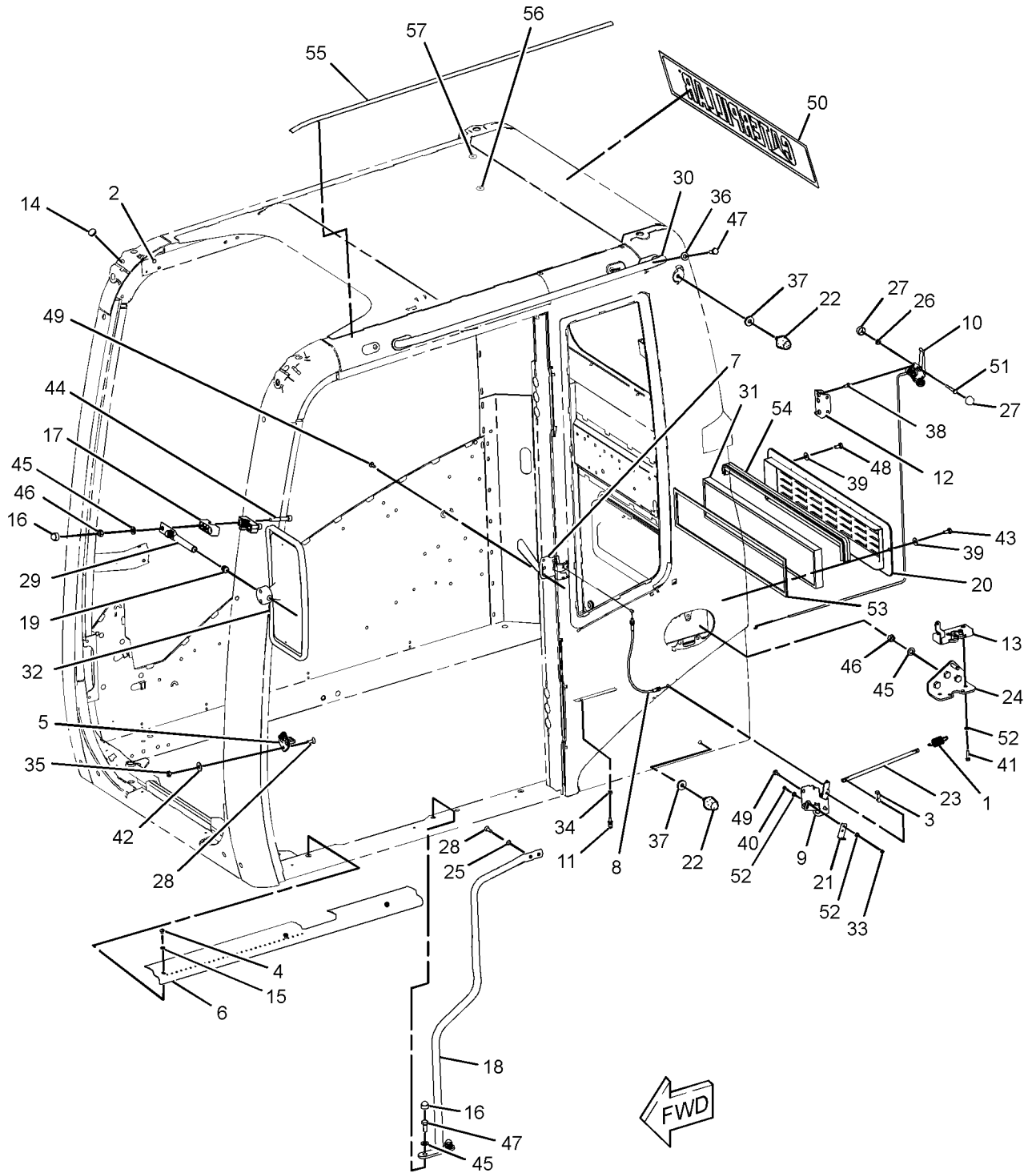
i02866499

NOTE	REF NO	GRAPHIC REF	PART NUMBER	QTY	PART NAME						SEE PAGE
					1	2	3	4	5	6 (PRODUCT LEVEL)	
	52	1	9X-8256	8	WASHER (6.6X12X2-MM THK)						
E	53	1	260-2649		FOAM (144-CM)						
E	54	1	133-3234		SEAL (74-CM)						
E	55	1	263-0788		SEAL-BULK (112-CM)						
M	56	1	8C-7581	3	SCREW-MACHINE (M4X0.7X8-MM)						
M	57	1	099-0823	1	SCREW-MACHINE (M6X1X6-MM)						
E-ORDER BY THE CENTIMETER M-METRIC PART Y-SEPARATE ILLUSTRATION											

OPERATOR STATION

237-3567 CAB GP (contd.)

i02866499



GRAPHIC #1

<END>

g01429974

OPERATOR STATION

237-3567 CAB GP-EXTERIOR

S/N: MMA1-UP

PART OF 237-2167, 237-3564 CAB AR

AN ATTACHMENT

TYPE 3

SMCS-7301, 7325

i03434841

NOTE	REF NO	GRAPHIC REF	PART NUMBER	QTY	PART NAME 1 2 3 4 5 6 (PRODUCT LEVEL)	SEE PAGE
	1	2	3Y-2806	1	SPRING	
	2	1	5J-5003	9	PLUG-HOLE	
	3	2	6V-7636	2	PIN AS-SPRING	
M	4	1	129-5167	3	SCREW (M6X1X8-MM)	
	5	1	161-3697	1	GUARD	
Y	6	2	164-0528	1	LEVER GP-AIR & TEMP CONTROL	1147
	7	2	171-7426	1	CABLE AS	
	8	2	176-1939	1	LEVER AS	
M		2	9X-2044	1	SCREW-TRUSS HEAD (M6X1X16-MM)	
		2	176-1937	1	BRACKET AS	
		2	176-1938	1	LEVER	
	9	2	176-6417	1	CABLE	
	10	1	176-6418	1	STOP	
	11	2	176-6420	1	SUPPORT	
	12	1	341-0554	2	WASHER (17X30X2-MM THK)	
	13	2	205-6295	1	LATCH AS	
	14	1	215-2913	2	GROMMET	
	15	1	220-4079	3	WASHER (6.25X14X1.2-MM THK)	
C	16	1	220-4081	2	CAP	
	17	1	235-8912	1	HANDLE AS	
	18	2	247-6801	1	COVER AS	
	19	1	252-1230	1	HANDLE AS (UPPER)	
	20	2	252-1234	1	PLATE	
	21	1	262-7954	2	BUMPER	
	22	2	262-7956	1	ROD	
	23	2	262-7957	1	BRACKET AS	
M		2	8T-4137	3	BOLT (M10X1.5X20-MM)	
M	24	2	284-4426	1	BOLT-WING (M8X1.25X15-MM)	
CY	25	1	327-6550	1	MIRROR GP-REAR VIEW	1152
C	26	1	331-9934	1	SUPPORT AS	
	27	1	1R-5998	2	LOCKWASHER	
M	28	1	099-0823	1	SCREW-MACHINE (M6X1X6-MM)	
	29	1	156-6599	1	STRIKER	
	30	2	180-9417	2	NUT	
	31	2	180-9418	4	CAP	
M	32	1	188-9644	4	SCREW-FLAT HEAD (M8X1.25X25-MM)	
M	33	1	8C-7581	3	SCREW-MACHINE (M4X0.7X8-MM)	
	34	2	4I-1278	1	FILTER ELEMENT-CAB AIR	
M	35	2	5C-2874	2	NUT (M5X0.8-THD)	
M	36	1	5C-2890	1	NUT (M6X1-THD)	
M	37	1	5C-7261	2	NUT (M8X1.25-THD)	
	38	1	5P-1075	2	WASHER-HARD (10.2X22.5X3-MM THK)	
	39	1	6C-4000	2	SHIM (1-MM THK)	
M	40	2	6C-9058	2	SCREW (M6X1X12-MM)	
	41	2	6C-9087	3	WASHER	
M	42	2	6V-4298	2	BOLT (M5X0.8X16-MM)	
M	43	2	6V-7357	4	BOLT (M6X1X25-MM)	
	44	1	8C-0572	2	WASHER (8.8X25.5X2-MM THK)	
C	45	1,2	8T-4121	5	WASHER-HARD (11X21X2.5-MM THK)	
CM	46	2	8T-4133	3	NUT (M10X1.5-THD)	
M	47	1	8T-4136	4	BOLT (M10X1.5X25-MM)	
CM	48	1	8T-4193	1	BOLT (M16X2X50-MM)	
M	49	2	8T-4200	2	BOLT (M8X1.25X16-MM)	
M	50	2	9X-2044	5	SCREW-TRUSS HEAD (M6X1X16-MM)	

OPERATOR STATION

237-3567 CAB GP (contd.)

i03434841

NOTE	REF NO	GRAPHIC REF	PART NUMBER	QTY	PART NAME						SEE PAGE
					1	2	3	4	5	6 (PRODUCT LEVEL)	
	51	1	9X-2446	1	FILM-IDENTIFICATION (CATERPILLAR)						
M	52	2	9X-2480	2	BOLT (M6X1X45-MM)						
	53	2	9X-8256	8	WASHER (6.6X12X2-MM THK)						
C	54	1	9X-8257	1	WASHER (17.5X30X3.5-MM THK)						
E	55	2	260-2649		FOAM (144-CM)						
E	56	2	133-3234		SEAL (74-CM)						
E	57	1	263-0788		SEAL-BULK (112-CM)						

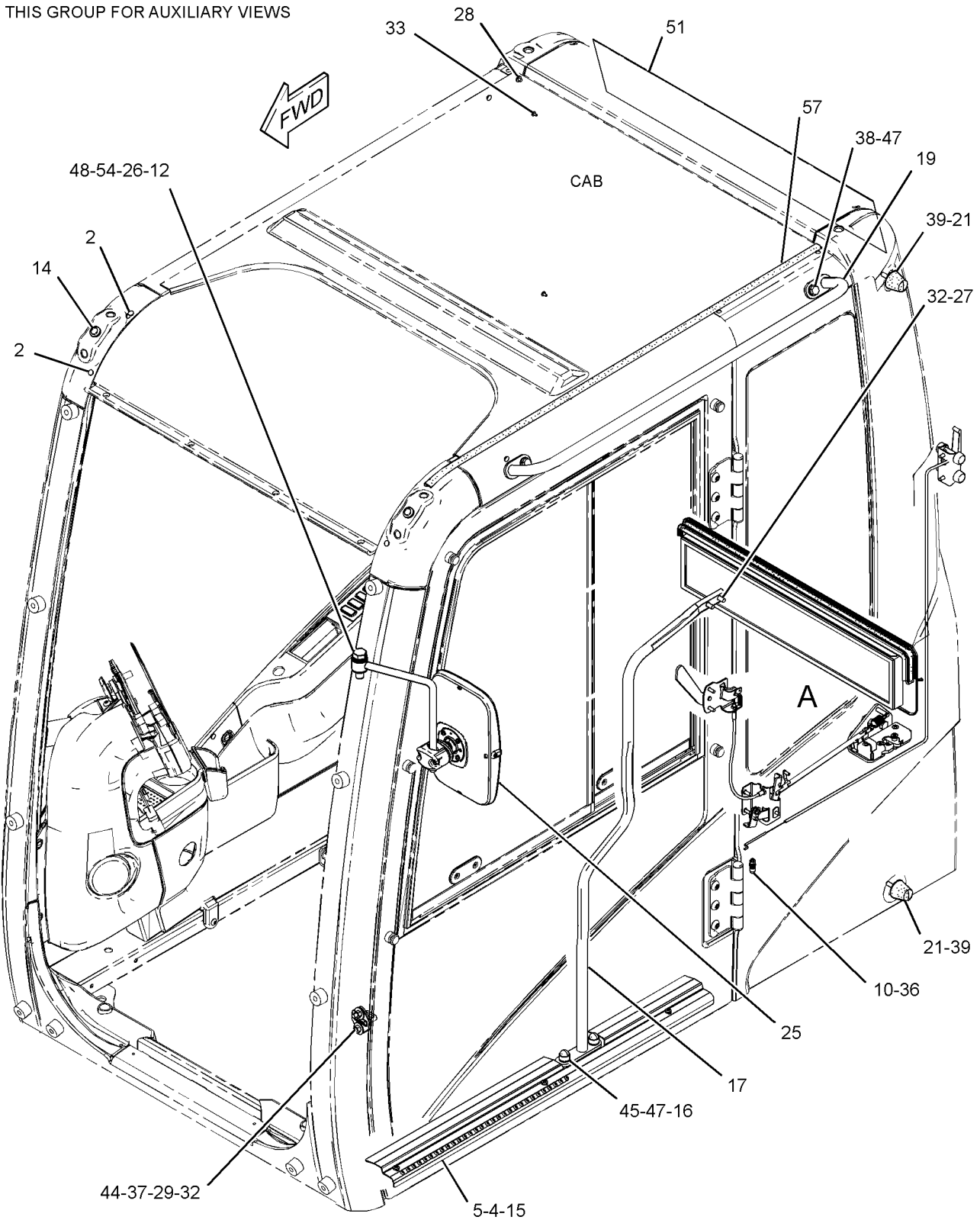
C-CHANGE FROM PREVIOUS TYPE
 E-ORDER BY THE CENTIMETER
 M-METRIC PART
 Y-SEPARATE ILLUSTRATION

OPERATOR STATION

237-3567 CAB GP (contd.)

i03434841

REFER TO ALL ILLUSTRATIONS OF THIS GROUP FOR AUXILIARY VIEWS



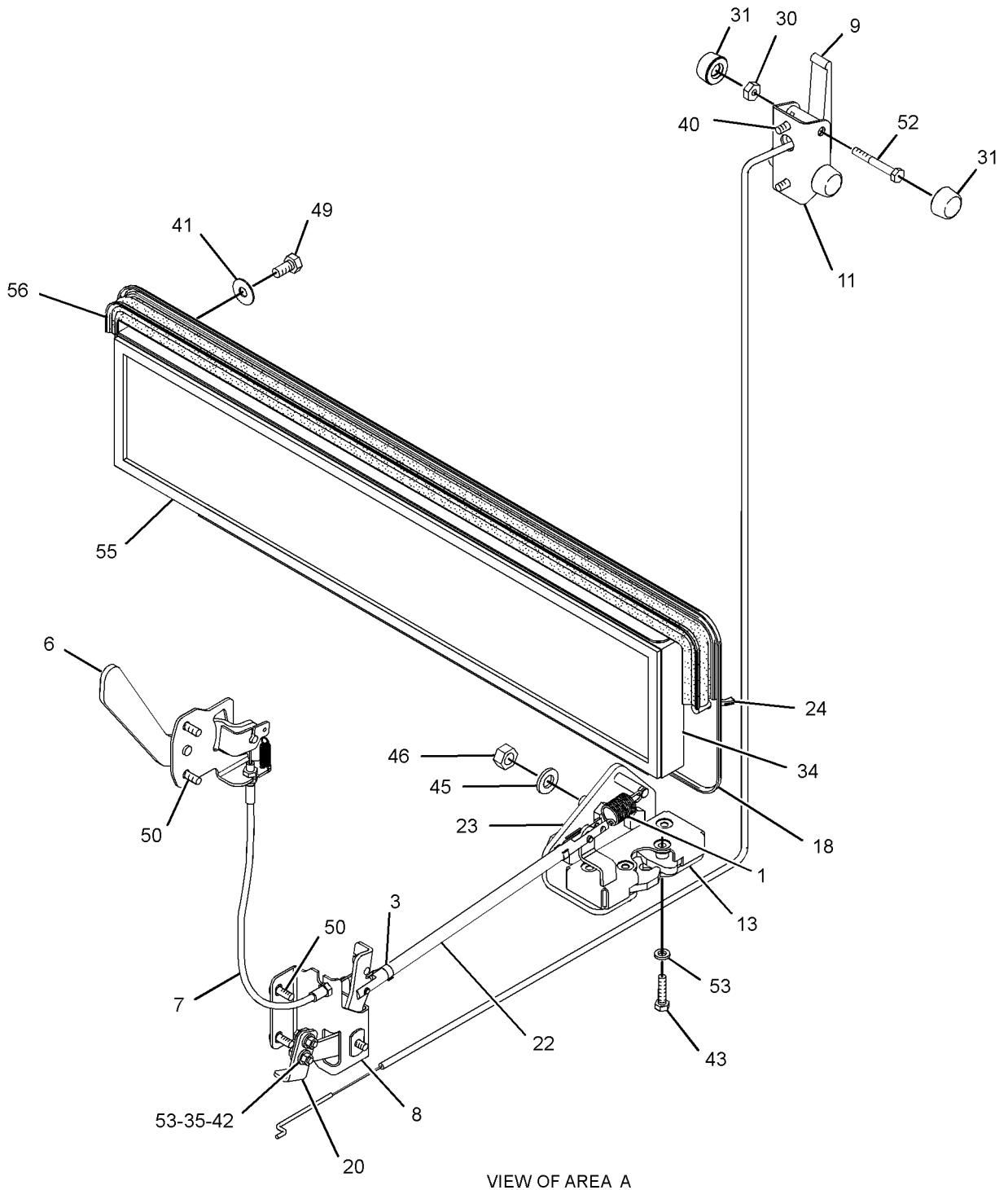
GRAPHIC #1

g01715989

OPERATOR STATION

237-3567 CAB GP (contd.)

i03434841



GRAPHIC #2

<END>

g01716395

OPERATOR STATION

245-7836 COIL GP-EVAPORATOR

S/N: MMA1-UP

PART OF 240-5036, 316-8811, 316-8916 AIR CONDITIONER GP
AN ATTACHMENT

SMCS-7343

i02218172

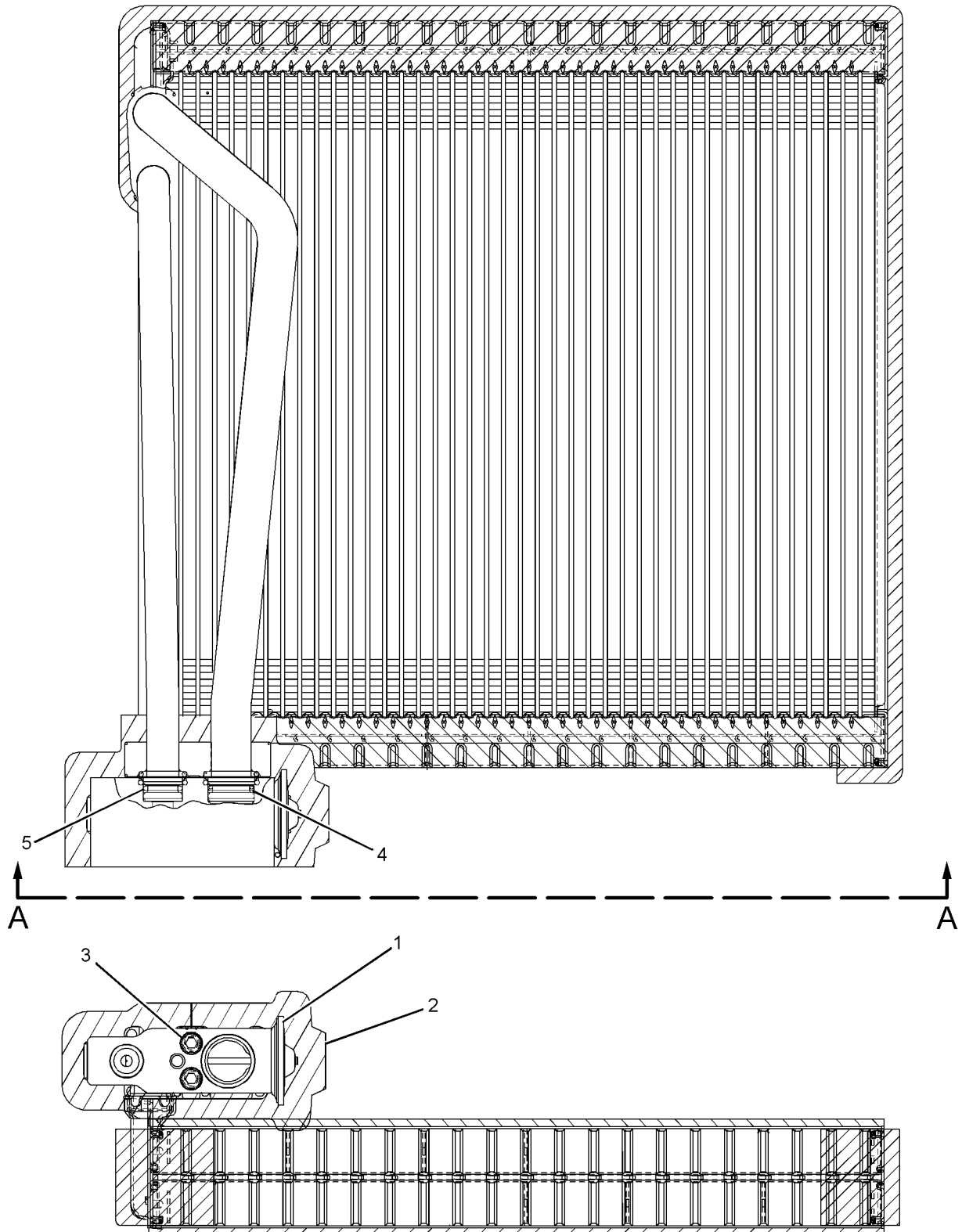
NOTE	REF NO	GRAPHIC REF	PART NUMBER	QTY	PART NAME						SEE PAGE
					1	2	3	4	5	6 (PRODUCT LEVEL)	
	1	1	245-7837	1	VALVE AS-EXPANSION						
	2	1	245-7905	1	INSULATOR						
M	3	1	8T-0266	2	BOLT-SOCKET HEAD (M5X0.8X40-MM)						
	4	1	121-7136	1	SEAL-O-RING						
	5	1	121-7138	1	SEAL-O-RING						

M-METRIC PART

OPERATOR STATION

245-7836 COIL GP-EVAPORATOR (contd.)

i02218172



VIEW A-A

GRAPHIC #1

<END>

g01134658

OPERATOR STATION

220-8360 COMPRESSOR & MTG GP-REFRIG

S/N: RHX1-1888

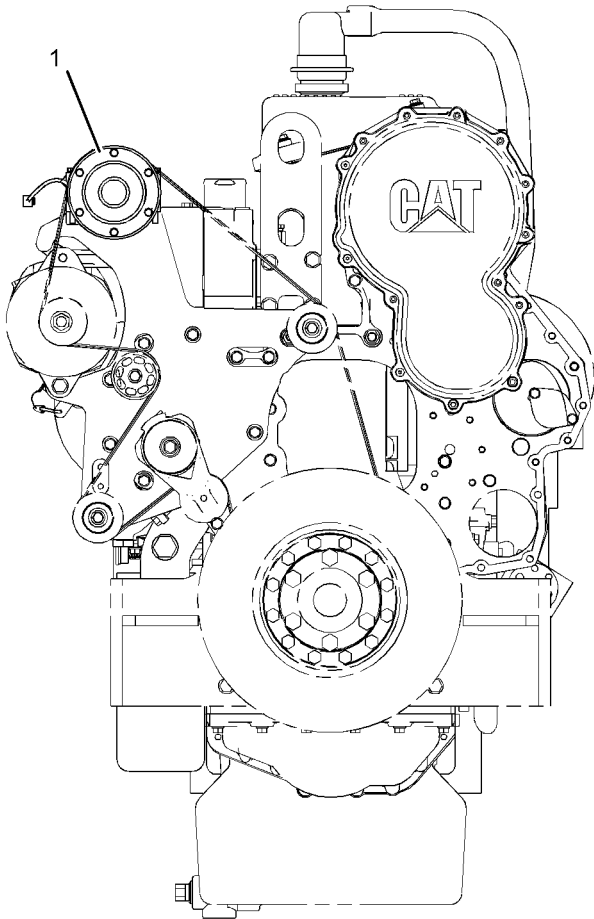
PART OF 257-4960 ENGINE AR-COMplete

SMCS-1802

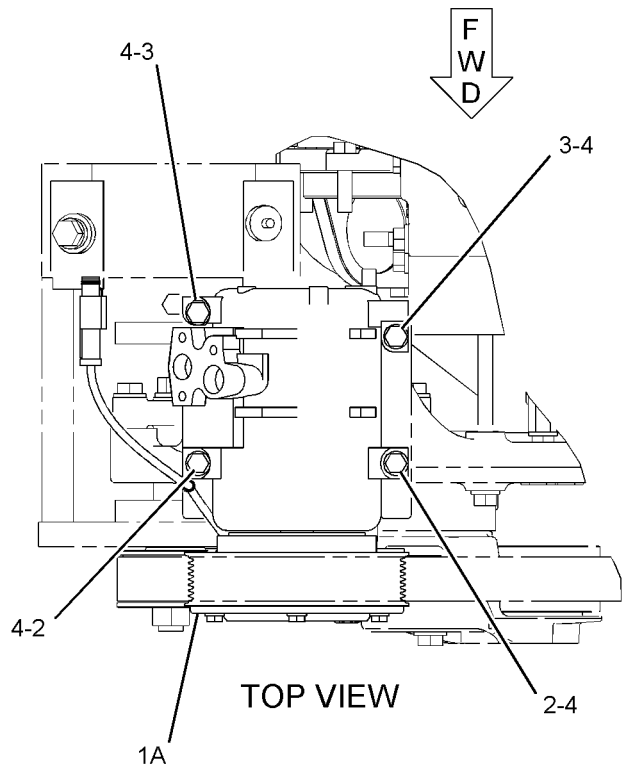
i02414516

NOTE	REF NO	GRAPHIC REF	PART NUMBER	QTY	PART NAME						SEE PAGE
					1	2	3	4	5	6 (PRODUCT LEVEL)	
	1	1	245-7779	1	COMPRESSOR GP-REFRIGERANT						
	1A	1	236-6267	1	COIL AS (24-VOLT)						
M	2	1	258-9892	2	BOLT (M8X1.25X80-MM)						
M	3	1	8T-3647	2	BOLT (M8X1.25X80-MM)						
	4	1	8T-4224	4	WASHER-HARD (8.8X16X2-MM THK)						

M-METRIC PART



FRONT VIEW



TOP VIEW

GRAPHIC #1

<END>

g01119635

OPERATOR STATION

275-6470 COMPRESSOR & MTG GP-REFRIG

S/N: RHX1-UP

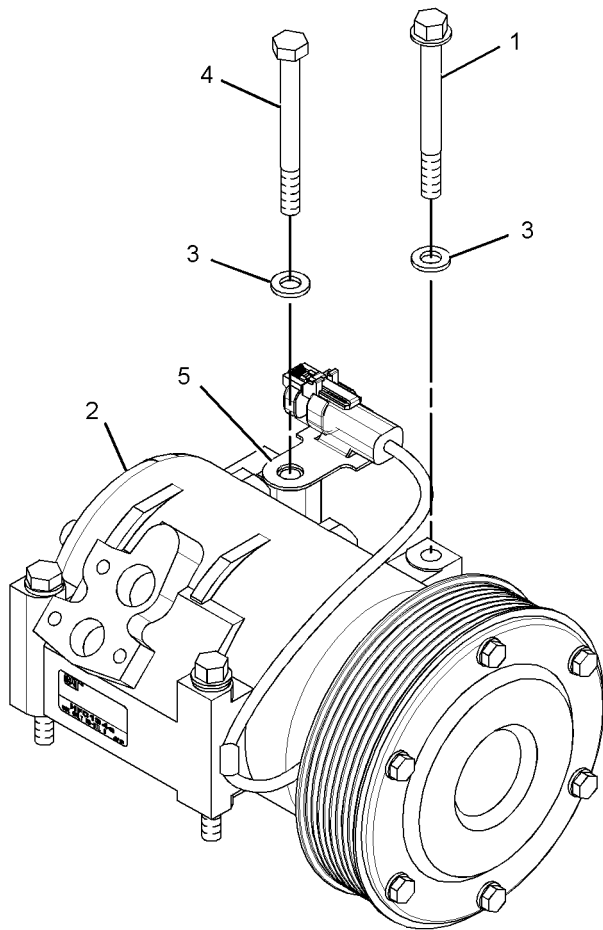
PART OF 257-4960, 286-9798 ENGINE AR-COMPLETE

SMCS-1802

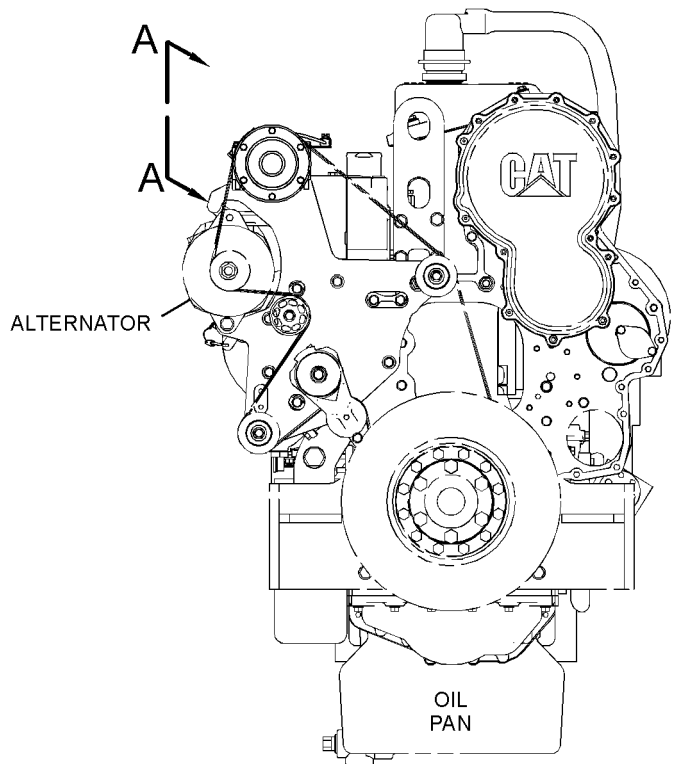
i02960697

NOTE	REF NO	GRAPHIC REF	PART NUMBER	QTY	PART NAME						SEE PAGE
					1	2	3	4	5	6 (PRODUCT LEVEL)	
M	1	1	258-9892	2	BOLT (M8X1.25X80-MM)						
Y	2	1	259-7243	1	COMPRESSOR GP-REFRIGERANT						1067
	3	1	8T-4224	4	WASHER-HARD (8.8X16X2-MM THK)						
M	4	1	8T-3647	2	BOLT (M8X1.25X80-MM)						
	5	1	130-5300	1	CLIP						

M-METRIC PART
Y-SEPARATE ILLUSTRATION



VIEW A-A



FRONT VIEW OF ENGINE

GRAPHIC #1

<END>

g01515065

OPERATOR STATION

275-6470 COMPRESSOR & MTG GP-REFRIG

S/N: RHX6276-UP

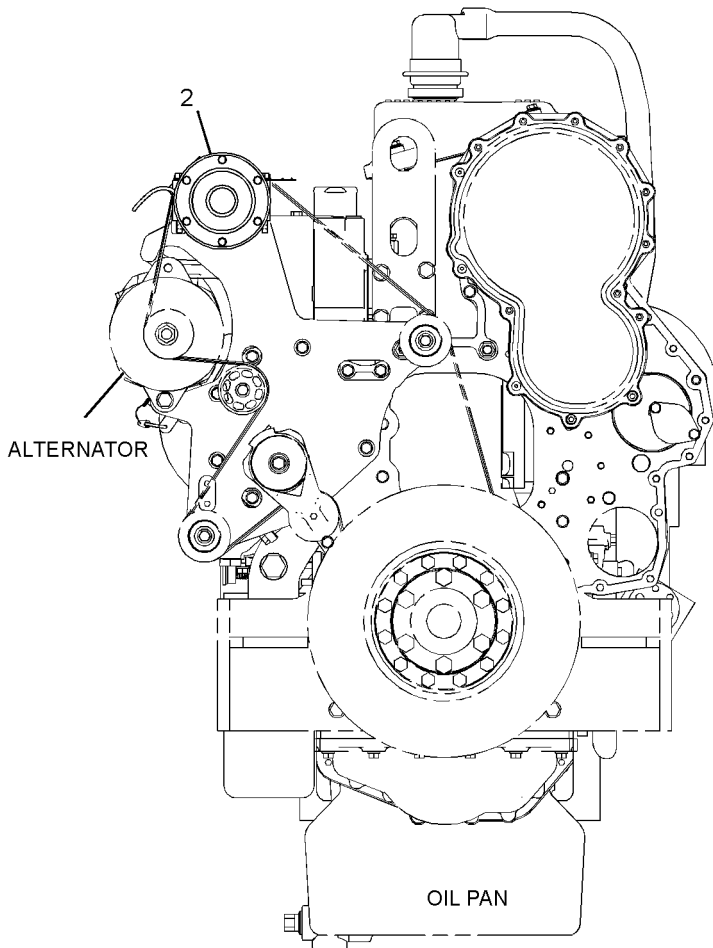
PART OF 286-9798 ENGINE AR-COMPLETE

SMCS-1802

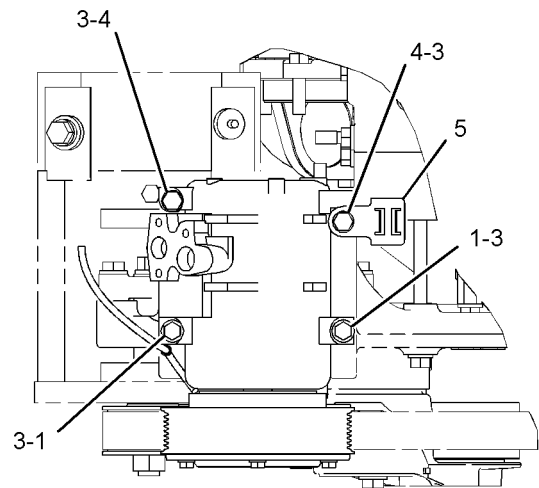
i03129583

NOTE	REF NO	GRAPHIC REF	PART NUMBER	QTY	PART NAME						SEE PAGE
					1	2	3	4	5	6 (PRODUCT LEVEL)	
M	1	1	258-9892	2	BOLT (M8X1.25X80-MM)						
C	2	1	305-0325	1	COMPRESSOR & MTG GP-REFRIG						
	3	1	8T-4224	4	WASHER-HARD (8.8X16X2-MM THK)						
M	4	1	8T-3647	2	BOLT (M8X1.25X80-MM)						
	5	1	130-5300	1	CLIP						

C-CHANGE FROM PREVIOUS TYPE
M-METRIC PART



FRONT VIEW OF ENGINE



TOP VIEW OF ENGINE

GRAPHIC #1

<END>

g01620753

OPERATOR STATION

259-7243 COMPRESSOR GP-REFRIGERANT

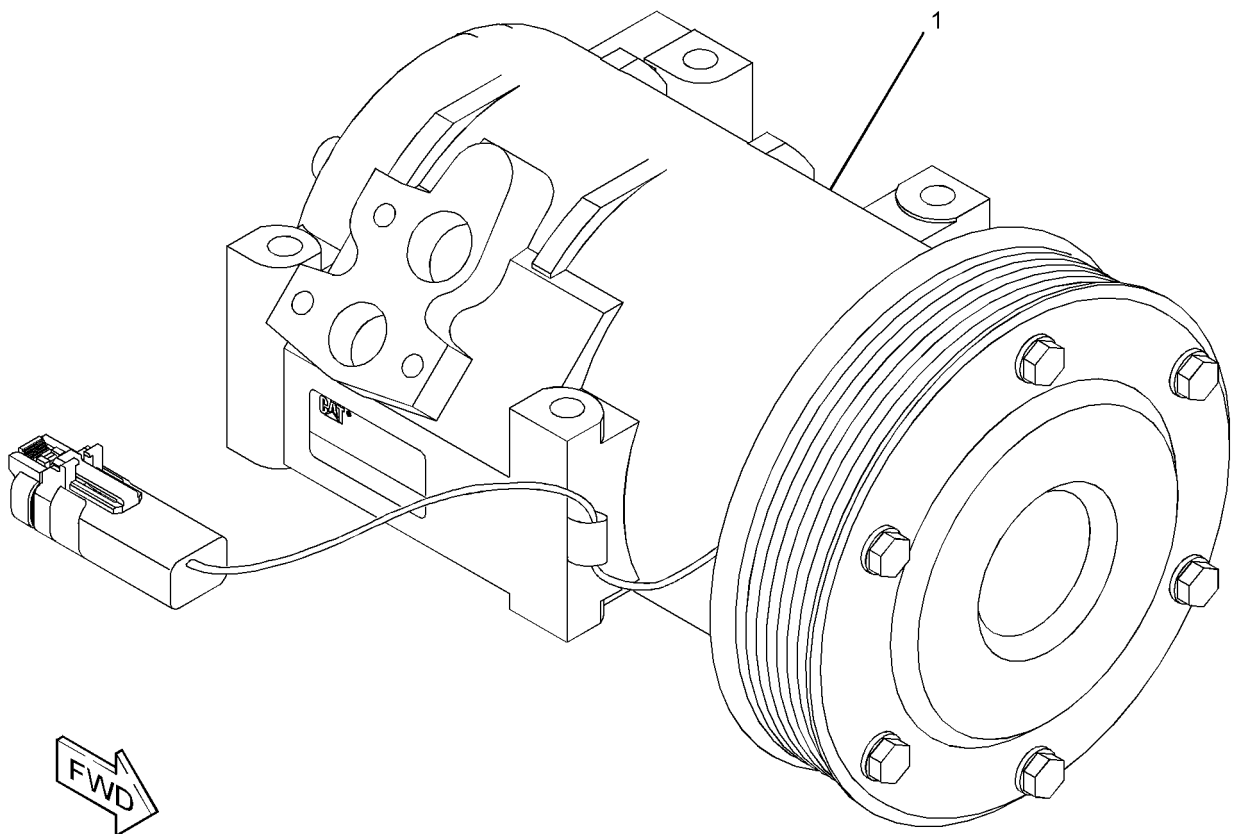
S/N: RHX1889-6275

PART OF 275-6470 COMPRESSOR & MTG GP-REFRIG

SMCS-1802

i02441216

NOTE	REF NO	GRAPHIC REF	PART NUMBER	QTY	PART NAME						SEE PAGE
					1	2	3	4	5	6 (PRODUCT LEVEL)	
	1	1	259-7285	1	COIL AS (24-VOLT)						
		1	243-4505	1	RECEPTACLE AS-CONNECTOR (2-PIN)						
B			264-9982	1	WASHER (6.2X12.2X0.1-MM THK)						
B			264-9983	1	WASHER (6.2X12.2X0.3-MM THK)						
B			264-9984	1	WASHER (6.2X12.2X0.5-MM THK)						
B-USE AS REQUIRED											



GRAPHIC #1

<END>

g01221157

OPERATOR STATION

229-9014 CONDENSER & MTG GP-REFRIGERANT

S/N: MMA1-UP

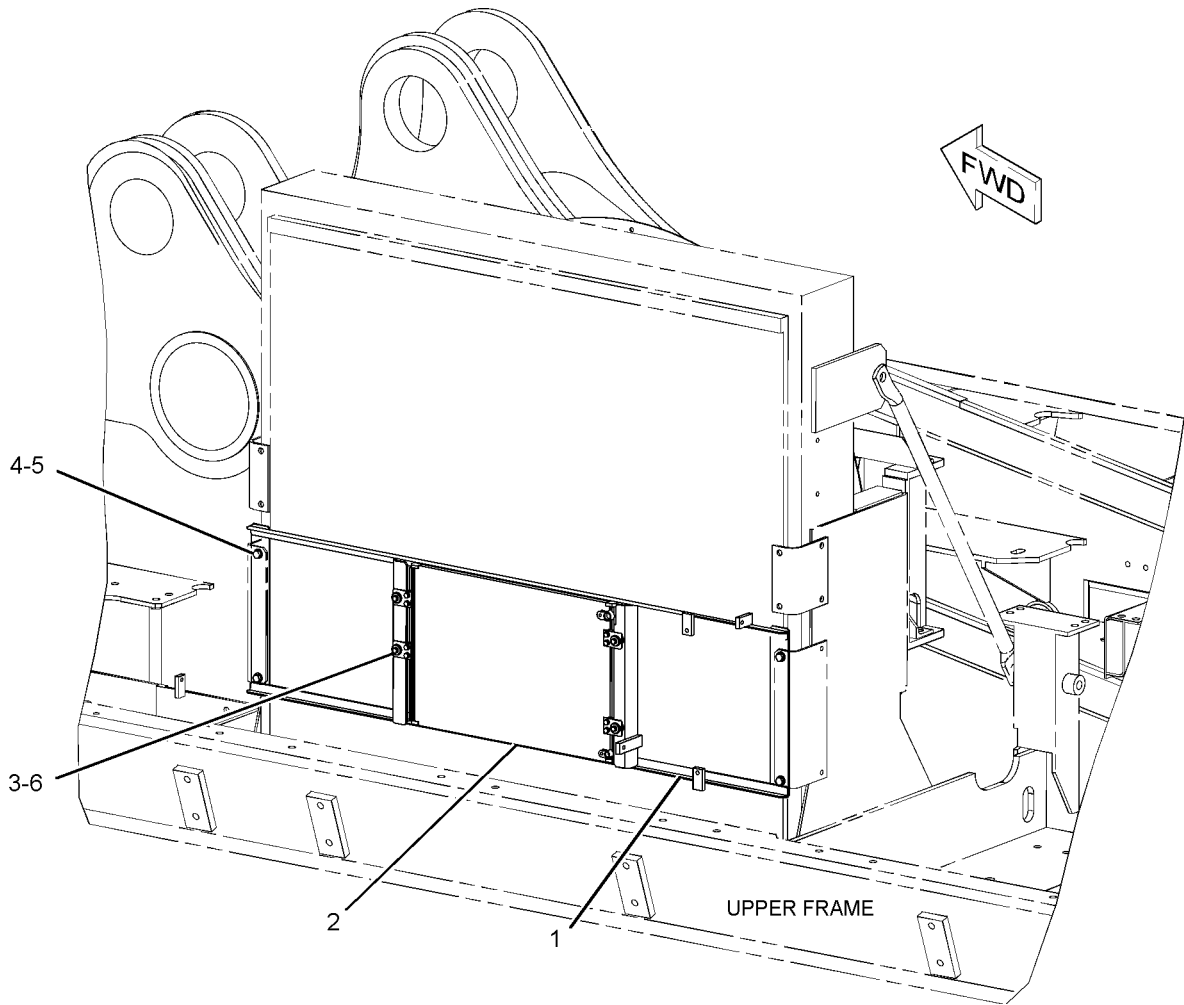
PART OF 222-8318 INSTALLATION AR-ENGINE

SMCS-1805

i03567787

NOTE	REF NO	GRAPHIC REF	PART NUMBER	QTY	PART NAME						SEE PAGE
					1	2	3	4	5	6 (PRODUCT LEVEL)	
	1	1	235-8881	1	SUPPORT AS (CONDENSER)						
Y	2	1	245-7749	1	CONDENSER GP-REFRIGERANT						1069
M	3	1	7X-2533	4	BOLT (M6X1X35-MM)						
	4	1	8T-4121	4	WASHER-HARD (11X21X2.5-MM THK)						
M	5	1	8T-4136	4	BOLT (M10X1.5X25-MM)						
	6	1	9X-6165	4	WASHER (6.5X22X2.5-MM THK)						

M-METRIC PART
Y-SEPARATE ILLUSTRATION



GRAPHIC #1

<END>

g01086365

OPERATOR STATION

245-7749 CONDENSER GP-REFRIGERANT

S/N: MMA1-UP

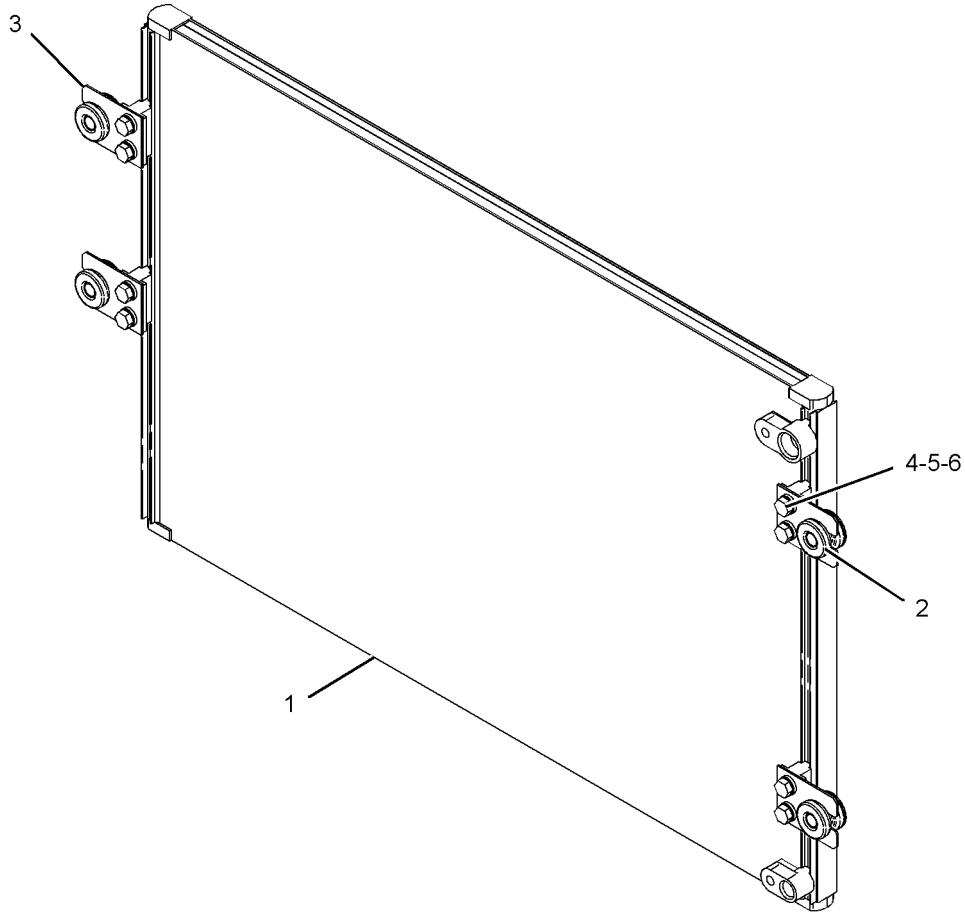
PART OF 229-9014 CONDENSER & MTG GP-REFRIGERANT

SMCS-1805

i02136246

NOTE	REF NO	GRAPHIC REF	PART NUMBER	QTY	PART NAME						SEE PAGE
					1	2	3	4	5	6 (PRODUCT LEVEL)	
	1	1	235-8880	1	CONDENSER AS						
	2	1	245-7750	4	BUSHING-RUBBER						
	3	1	245-7751	4	BRACKET						
	4	1	095-0827	8	LOCKWASHER						
M	5	1	8T-4171	8	BOLT (M6X1X12-MM)						
	6	1	9X-8256	8	WASHER (6.6X12X2-MM THK)						

M-METRIC PART



GRAPHIC #1

<END>

g01086695

OPERATOR STATION

235-8898 CONSOLE GP-OPERATOR

S/N: MMA1-247

PART OF 225-5752 OPERATOR AR

SMCS-5258

i02225030

NOTE	REF NO	GRAPHIC REF	PART NUMBER	QTY	PART NAME						SEE PAGE
					1	2	3	4	5	6 (PRODUCT LEVEL)	
Y	1	1	245-7923	1	CONSOLE GP-OPERATOR (LH)						1074
Y	2	1	245-7924	1	CONSOLE GP-OPERATOR (RH)						1076
	3	1	235-8986	2	SUPPORT AS						
	4	1	235-8988	1	GROMMET						
	5	1	235-8989	1	GROMMET						
	6	1	235-8990	1	GROMMET						
	7	1	235-8991	1	GROMMET						
	8	1	235-8994	2	STRIP						
	9	1	8T-4121	4	WASHER-HARD (11X21X2.5-MM THK)						
M	10	1	8T-4137	4	BOLT (M10X1.5X20-MM)						
M	11	1	9X-2042	4	SCREW-TRUSS HEAD (M6X1X12-MM)						
M	12	1	9X-2043	16	SCREW-TRUSS HEAD (M6X1X14-MM)						

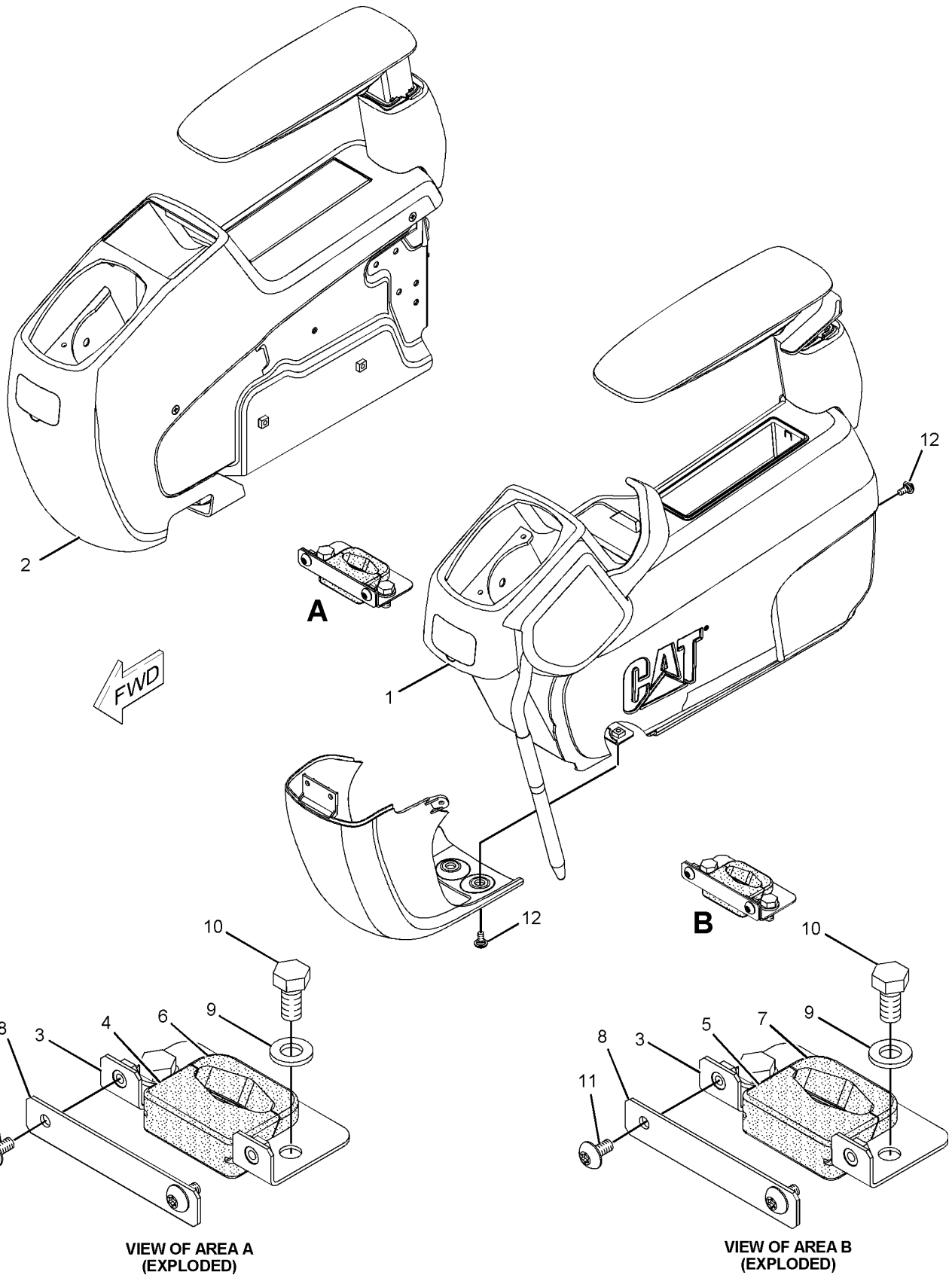
M-METRIC PART

Y-SEPARATE ILLUSTRATION

OPERATOR STATION

235-8898 CONSOLE GP-OPERATOR (contd.)

i02225030



VIEW OF AREA A
(EXPLODED)

VIEW OF AREA B
(EXPLODED)

GRAPHIC #1

<END>

g01080710

OPERATOR STATION

235-8898 CONSOLE GP-OPERATOR

S/N: MMA248-UP

PART OF 225-5752 OPERATOR AR

SMCS-5258

i03547387

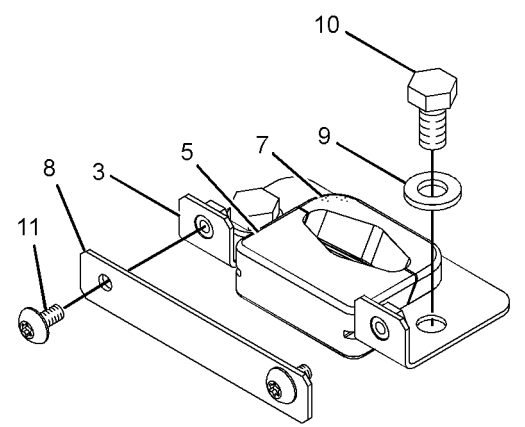
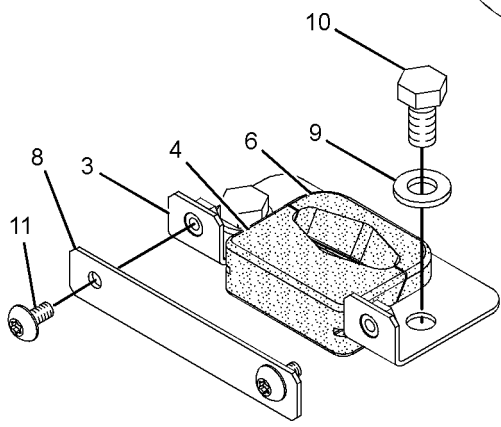
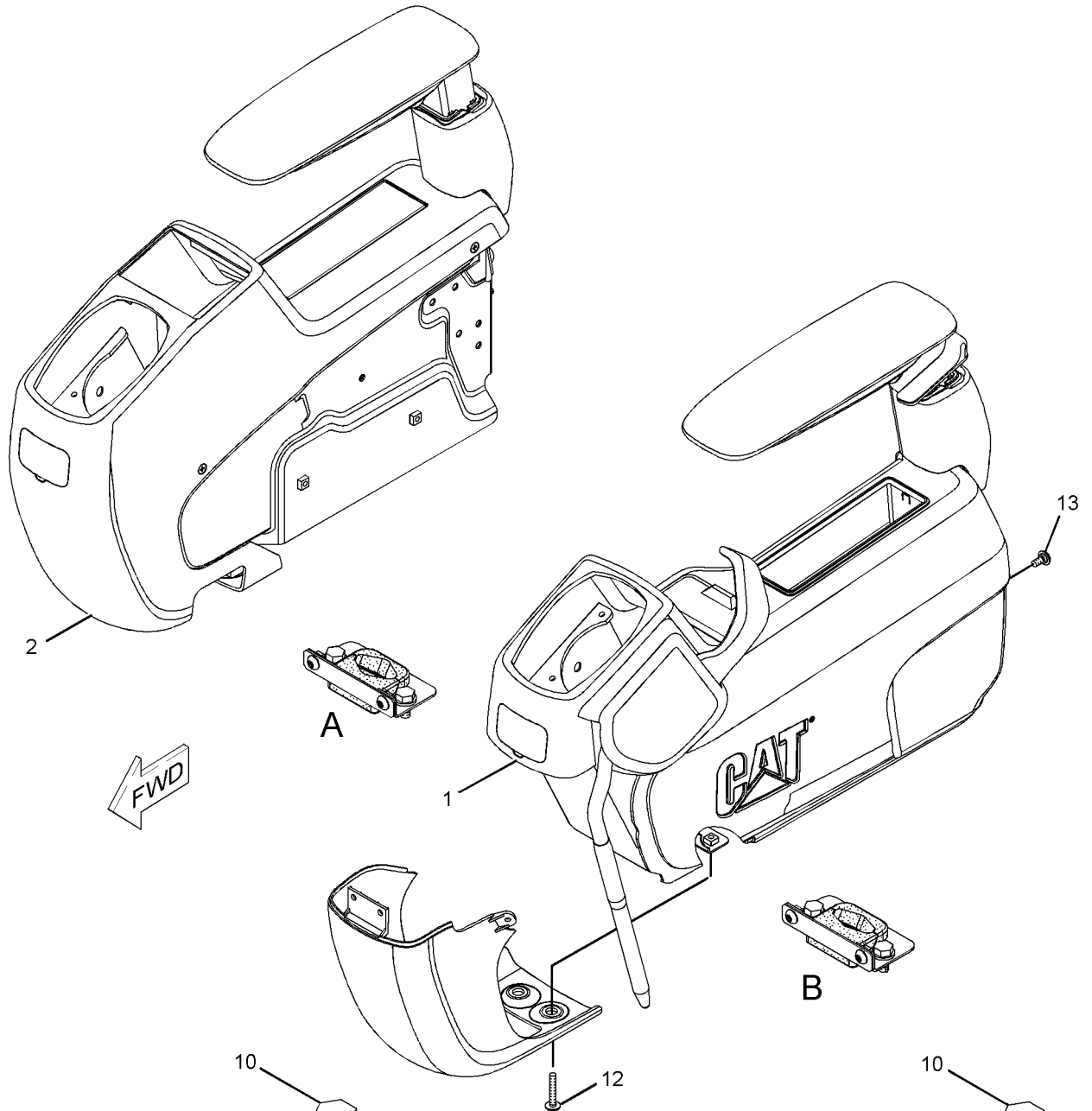
NOTE	REF NO	GRAPHIC REF	PART NUMBER	QTY	PART NAME						SEE PAGE
					1	2	3	4	5	6 (PRODUCT LEVEL)	
CY	1	1	259-7349	1	CONSOLE GP-OPERATOR (LH)						1080
CY	2	1	259-7348	1	CONSOLE GP-OPERATOR (RH)						1078
	3	1	235-8986	2	SUPPORT AS						
	4	1	235-8988	1	GROMMET						
	5	1	235-8989	1	GROMMET						
	6	1	235-8990	1	GROMMET						
	7	1	235-8991	1	GROMMET						
	8	1	235-8994	2	STRIP						
	9	1	8T-4121	4	WASHER-HARD (11X21X2.5-MM THK)						
M	10	1	8T-4137	4	BOLT (M10X1.5X20-MM)						
M	11	1	9X-2042	4	SCREW-TRUSS HEAD (M6X1X12-MM)						
M	12	1	9X-2043	8	SCREW-TRUSS HEAD (M6X1X14-MM)						
					-OR-						
M		1	9X-2046	8	SCREW-TRUSS HEAD (M6X1X35-MM)						
M	13	1	9X-2043	8	SCREW-TRUSS HEAD (M6X1X14-MM)						
					-OR-						
M		1	9X-2045	8	SCREW-TRUSS HEAD (M6X1X20-MM)						

C-CHANGE FROM PREVIOUS TYPE
M-METRIC PART
Y-SEPARATE ILLUSTRATION

OPERATOR STATION

235-8898 CONSOLE GP-OPERATOR (contd.)

i03547387



GRAPHIC #1

<END>

g01875393

OPERATOR STATION

245-7923 CONSOLE GP-OPERATOR-LH

S/N: MMA1-247

PART OF 235-8898 CONSOLE GP-OPERATOR

SMCS-5258

i02221320

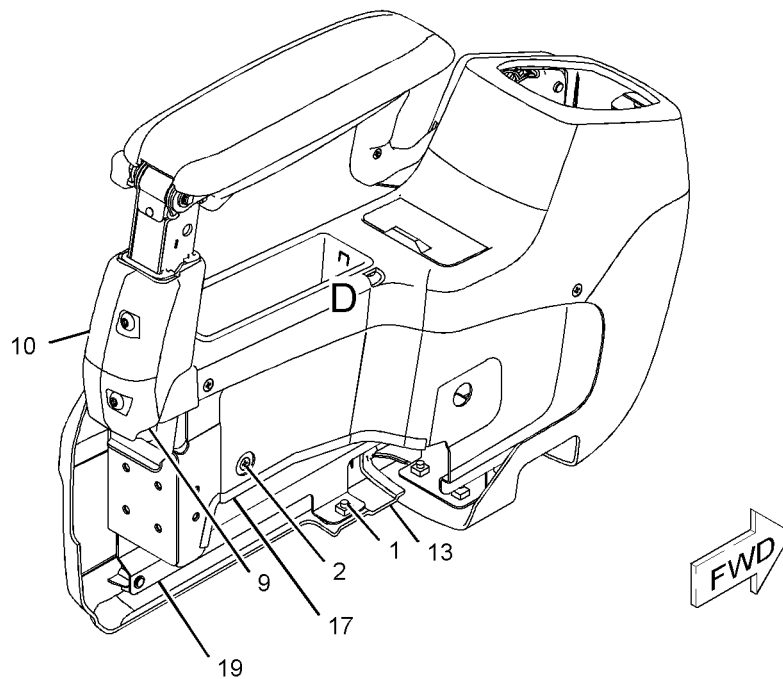
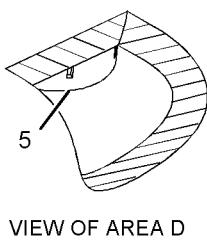
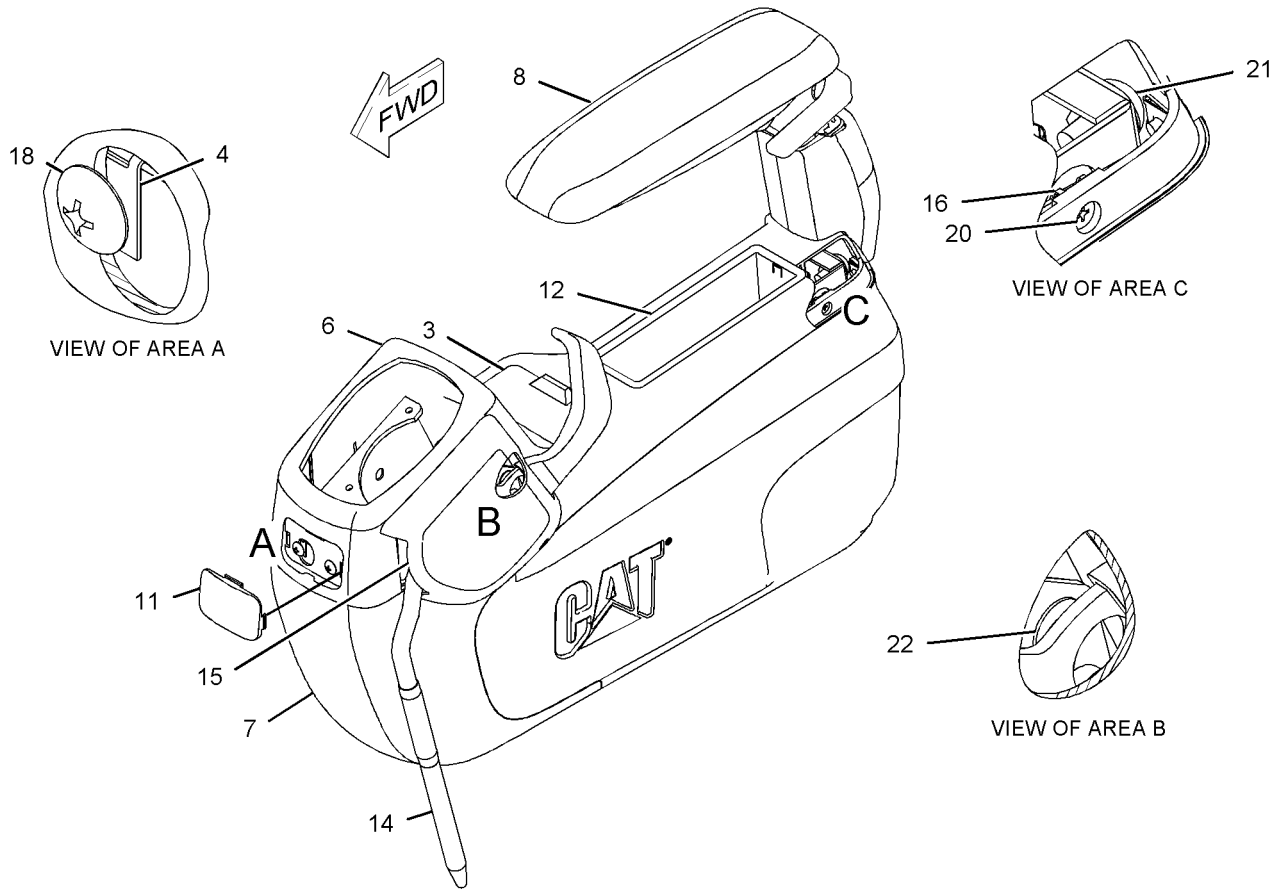
NOTE	REF NO	GRAPHIC REF	PART NUMBER	QTY	PART NAME						SEE PAGE
					1	2	3	4	5	6 (PRODUCT LEVEL)	
M	1	1	128-2135	5	SCREW-TRUSS HEAD (M6X1X13-MM)						
M	2	1	171-7325	3	SCREW-TAPPING (M5X0.8-THD)						
	3	1	178-5530	1	ASHTRAY						
	4	1	234-6579	6	NUT-SPEED						
	5	1	234-6580	4	CAP						
	6	1	234-6603	1	COVER						
	7	1	234-6605	1	COVER						
Y	8	1	234-6607	1	ARMREST GP (LH)						1044
	9	1	234-6608	1	COVER						
	10	1	234-6609	1	COVER						
	11	1	234-6610	1	COVER						
	12	1	234-6611	1	CASE						
	13	1	234-6612	1	COVER						
Y	14	1	234-6613	1	SWITCH GP-POSITION (HYDRAULIC LOCKOUT)						373
	15	1	234-6614	1	COVER						
	16	1	235-8914	4	NUT-SPEED						
	17	1	235-8965	1	GUARD						
	18	1	245-7790	3	SCREW-TAPPING						
	19	1	245-7925	1	SUPPORT AS						
	20	1	245-7948	7	SCREW-TAPPING						
M	21	1	9X-2041	3	SCREW-TRUSS HEAD (M10X1.5X20-MM)						
M	22	1	9X-2042	2	SCREW-TRUSS HEAD (M6X1X12-MM)						

M-METRIC PART
Y-SEPARATE ILLUSTRATION

OPERATOR STATION

245-7923 CONSOLE GP-OPERATOR (contd.)

i02221320



GRAPHIC #1

<END>

g01123420

OPERATOR STATION

245-7924 CONSOLE GP-OPERATOR-RH

S/N: MMA1-247

PART OF 235-8898 CONSOLE GP-OPERATOR

SMCS-5258

i02221321

NOTE	REF NO	GRAPHIC REF	PART NUMBER	QTY	PART NAME						SEE PAGE
					1	2	3	4	5	6 (PRODUCT LEVEL)	
M	1	1	128-2135	4	SCREW-TRUSS HEAD (M6X1X13-MM)						
	2	1	185-8284	1	COVER						
	3	1	234-6579	2	NUT-SPEED						
	4	1	234-6580	2	CAP						
	5	1	234-6602	1	COVER						
	6	1	234-6604	1	COVER						
Y	7	1	234-6606	1	ARMREST GP (RH)						1043
	8	1	234-6608	1	COVER						
	9	1	234-6609	1	COVER						
	10	1	234-6610	1	COVER						
	11	1	235-8914	4	NUT-SPEED						
	12	1	235-8966	2	BASE-MOUNTING						
	13	1	245-7790	2	SCREW-TAPPING						
	14	1	245-7926	1	SUPPORT AS						
	15	1	245-7948	4	SCREW-TAPPING						
M	16	1	9X-2041	3	SCREW-TRUSS HEAD (M10X1.5X20-MM)						

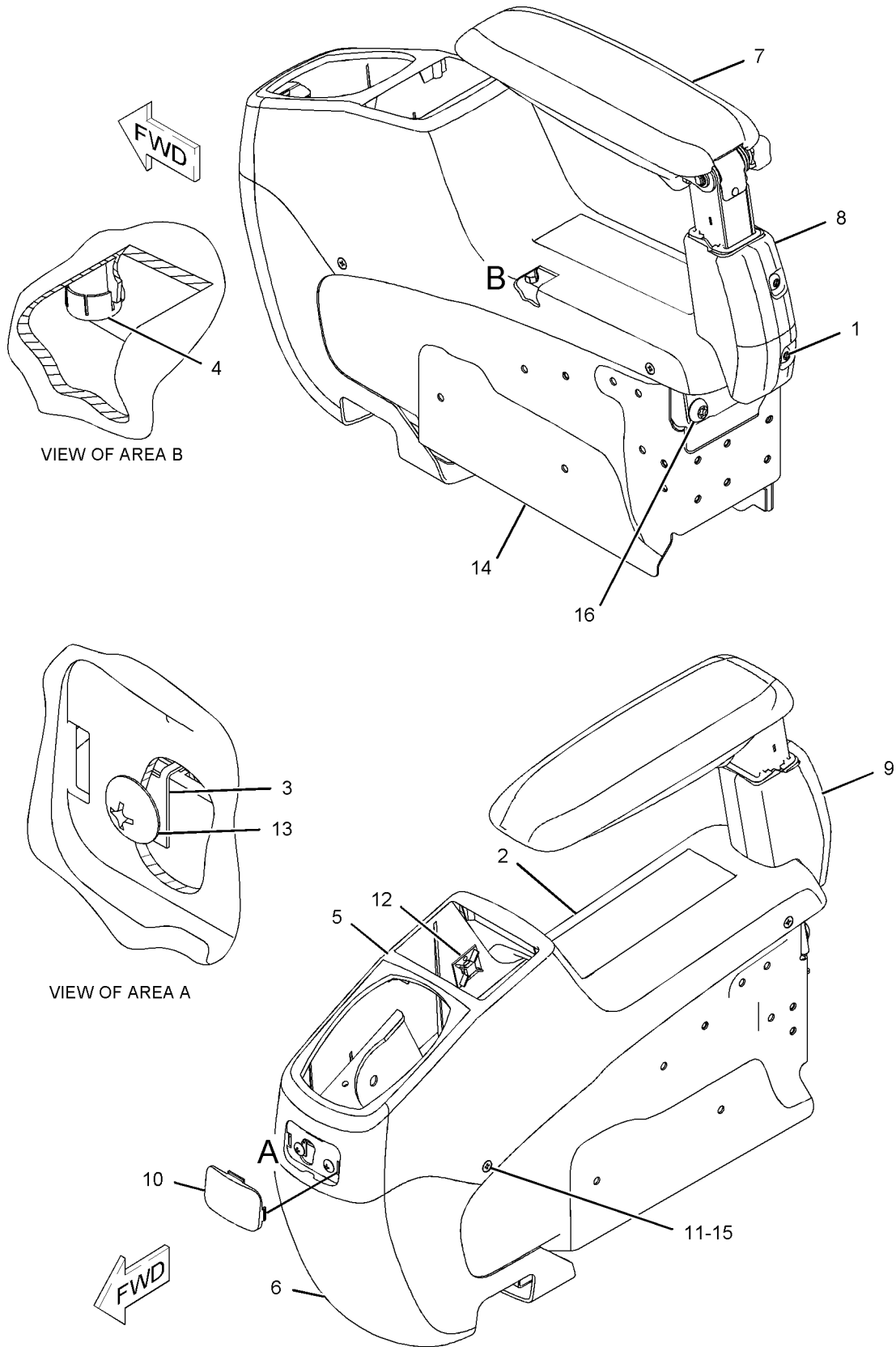
M-METRIC PART

Y-SEPARATE ILLUSTRATION

OPERATOR STATION

245-7924 CONSOLE GP-OPERATOR (contd.)

i02221321



GRAPHIC #1

<END>

g01123123

OPERATOR STATION

259-7348 CONSOLE GP-OPERATOR-RH

S/N: MMA248-UP

PART OF 235-8898 CONSOLE GP-OPERATOR

SMCS-5258

i02426987

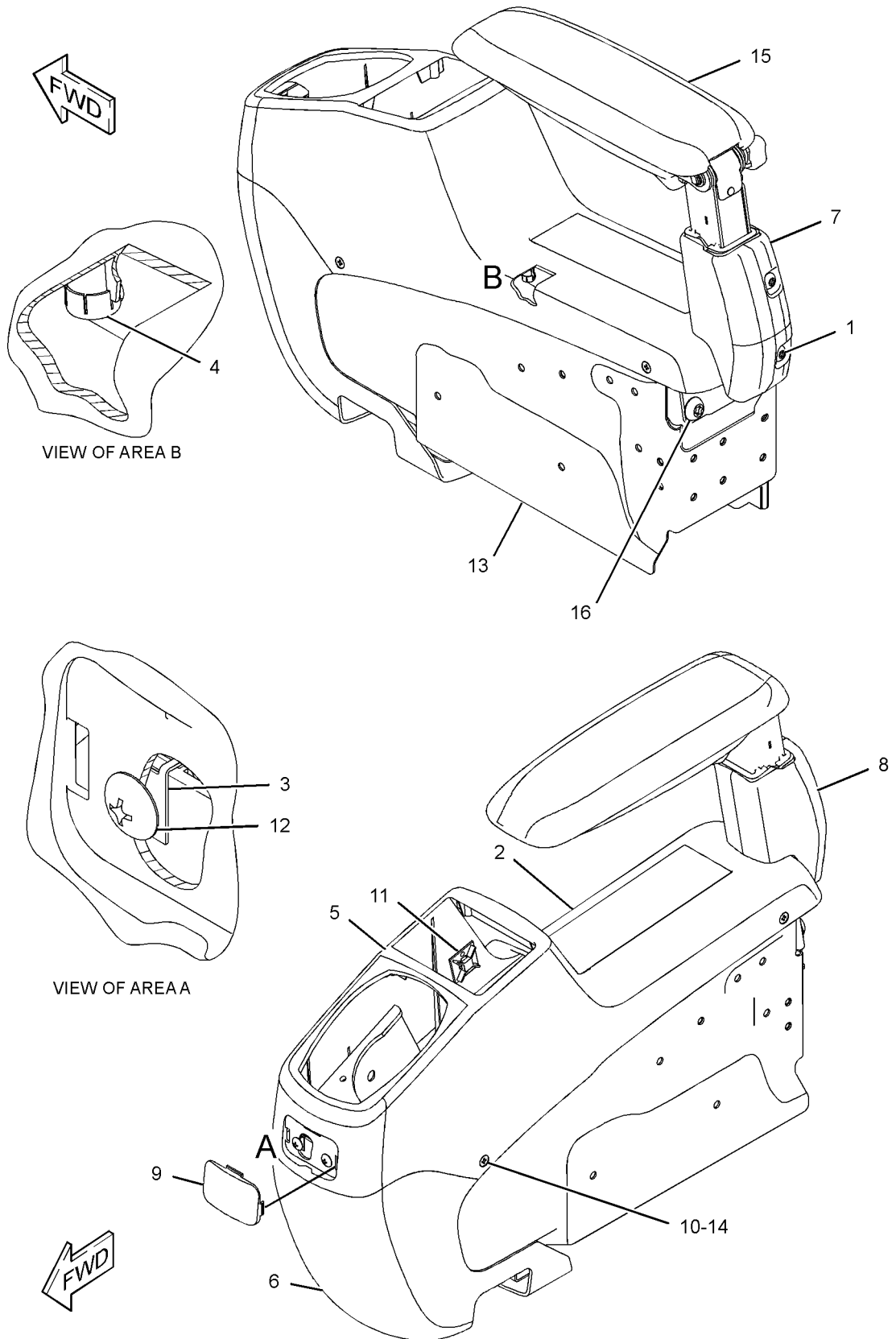
NOTE	REF NO	GRAPHIC REF	PART NUMBER	QTY	PART NAME						SEE PAGE
					1	2	3	4	5	6 (PRODUCT LEVEL)	
M	1	1	128-2135	4	SCREW-TRUSS HEAD (M6X1X13-MM)						
	2	1	185-8284	1	COVER						
	3	1	234-6579	2	NUT-SPEED						
	4	1	234-6580	2	CAP						
	5	1	234-6602	1	COVER						
	6	1	234-6604	1	COVER						
	7	1	234-6608	1	COVER						
	8	1	234-6609	1	COVER						
	9	1	234-6610	1	COVER						
	10	1	235-8914	4	NUT-SPEED						
	11	1	235-8966	2	BASE-MOUNTING						
	12	1	245-7790	2	SCREW-TAPPING						
	13	1	245-7926	1	SUPPORT AS						
	14	1	245-7948	4	SCREW-TAPPING						
Y	15	1	259-7346	1	ARMREST GP (RH)						1045
M	16	1	9X-2041	3	SCREW-TRUSS HEAD (M10X1.5X20-MM)						

M-METRIC PART
Y-SEPARATE ILLUSTRATION

OPERATOR STATION

259-7348 CONSOLE GP-OPERATOR (contd.)

i02426987



GRAPHIC #1

<END>

g01217107

OPERATOR STATION

259-7349 CONSOLE GP-OPERATOR-LH

S/N: MMA248-UP

PART OF 235-8898 CONSOLE GP-OPERATOR

SMCS-5258

i02426998

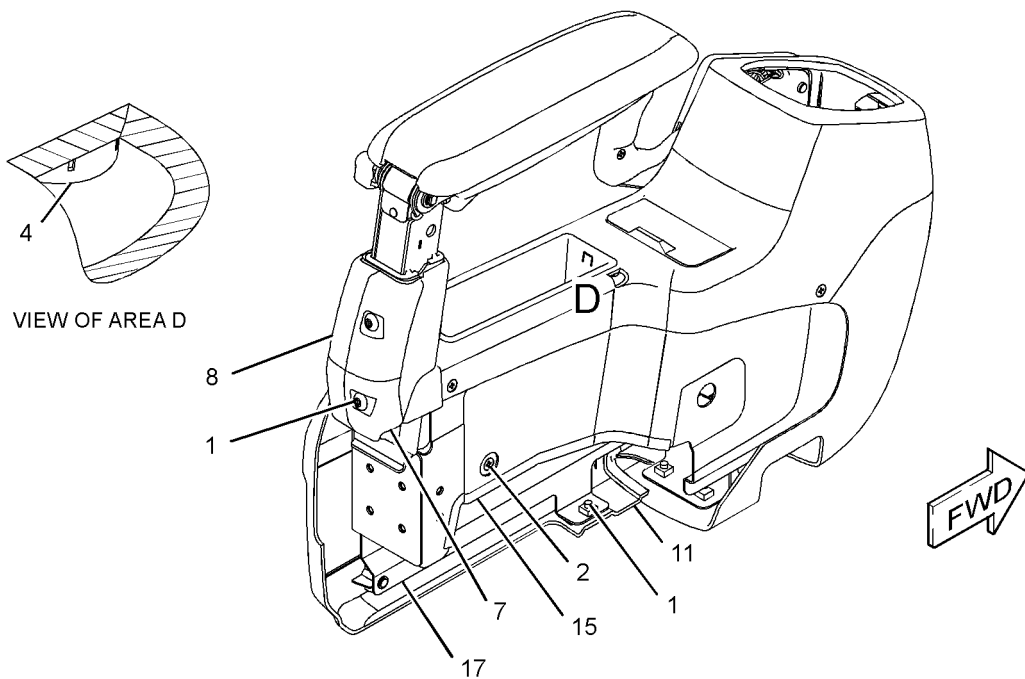
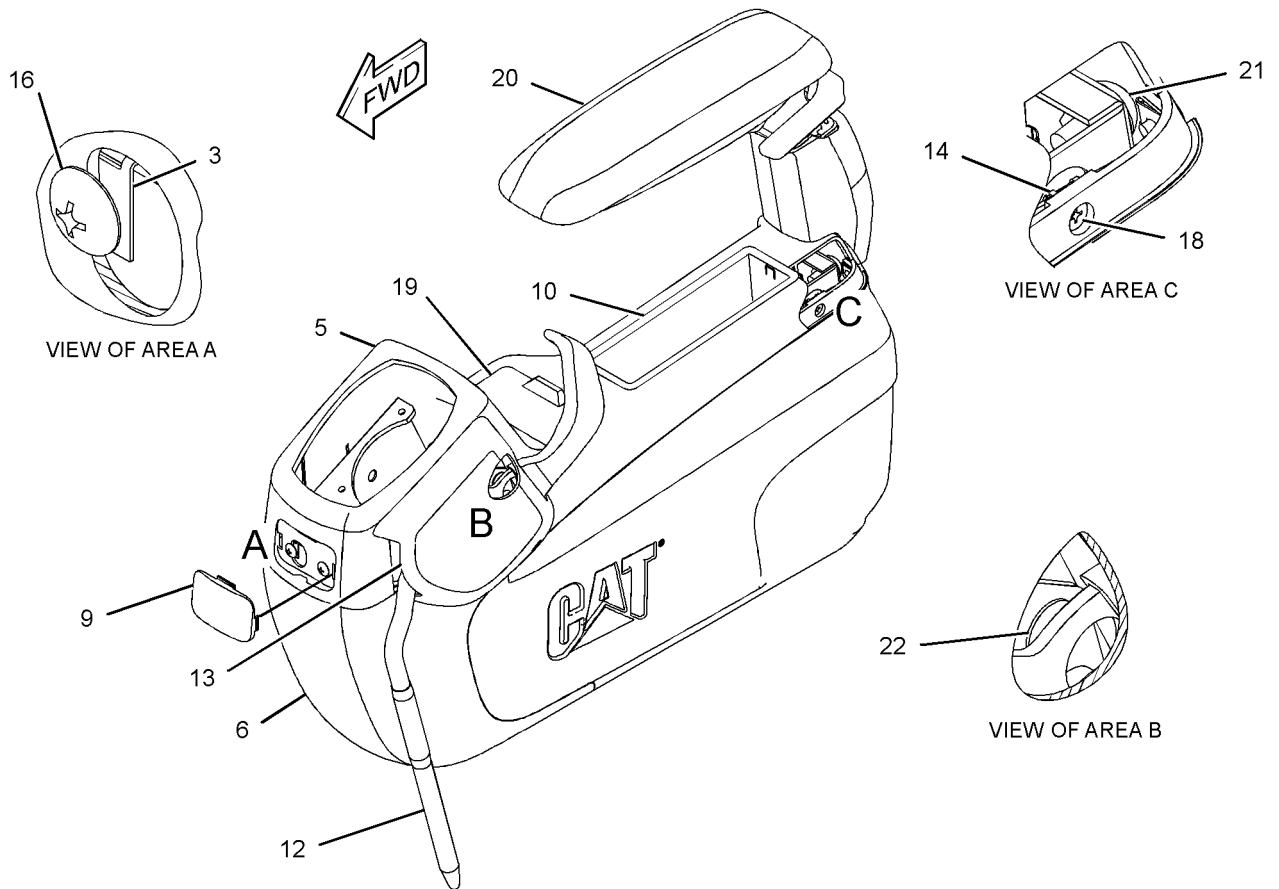
NOTE	REF NO	GRAPHIC REF	PART NUMBER	QTY	PART NAME						SEE PAGE
					1	2	3	4	5	6 (PRODUCT LEVEL)	
M	1	1	128-2135	5	SCREW-TRUSS HEAD (M6X1X13-MM)						
M	2	1	171-7325	3	SCREW-TAPPING (M5X0.8-THD)						
	3	1	234-6579	6	NUT-SPEED						
	4	1	234-6580	4	CAP						
	5	1	234-6603	1	COVER						
	6	1	234-6605	1	COVER						
	7	1	234-6608	1	COVER						
	8	1	234-6609	1	COVER						
	9	1	234-6610	1	COVER						
	10	1	234-6611	1	CASE						
	11	1	234-6612	1	COVER						
Y	12	1	234-6613	1	SWITCH GP-POSITION (HYDRAULIC LOCKOUT)						373
	13	1	234-6614	1	COVER						
	14	1	235-8914	4	NUT-SPEED						
	15	1	235-8965	1	GUARD						
	16	1	245-7790	3	SCREW-TAPPING						
	17	1	245-7925	1	SUPPORT AS						
	18	1	245-7948	7	SCREW-TAPPING						
	19	1	259-7202	1	ASHTRAY						
Y	20	1	259-7347	1	ARMREST GP (LH)						1046
M	21	1	9X-2041	3	SCREW-TRUSS HEAD (M10X1.5X20-MM)						
M	22	1	9X-2042	2	SCREW-TRUSS HEAD (M6X1X12-MM)						

M-METRIC PART
Y-SEPARATE ILLUSTRATION

OPERATOR STATION

259-7349 CONSOLE GP-OPERATOR (contd.)

i02426998



GRAPHIC #1

<END>

g01217096

OPERATOR STATION

221-8818 CONTROL & MTG GP-JOYSTICK-1-SWITCH

S/N: MMA1-UP

PART OF 263-3762 CONTROL AR-AUXILIARY
AN ATTACHMENT

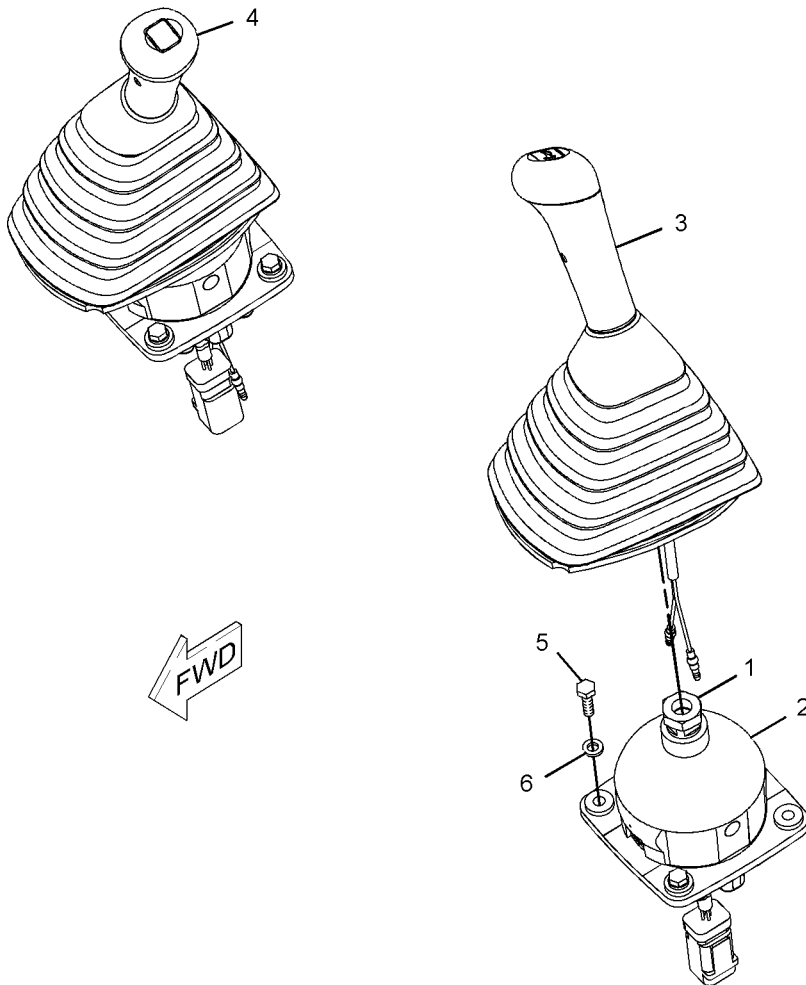
SMCS-5063, 5705

i02489380

NOTE	REF NO	GRAPHIC REF	PART NUMBER	QTY	PART NAME						SEE PAGE
					1	2	3	4	5	6 (PRODUCT LEVEL)	
M	1	1	7Y-8463	2	NUT (M14X2-THD)						
	2	1	270-5620	2	CONTROL GP-JOYSTICK (POSITION SENSOR) (EACH INCLUDES)						
		1	243-4508	1	RECEPTACLE AS-CONNECTOR (6-PIN)						
		1	9X-3401	6	PIN-CONNECTOR (16-GA TO 18-GA) -OR-						
		1	126-1767	6	PIN-CONNECTOR (14-GA)						
Y	3	1	235-8969	1	CONTROL GP-HANDLE (JOYSTICK, LH)						1090
Y	4	1	235-8970	1	CONTROL GP-HANDLE (JOYSTICK, RH)						1091
M	5	1	8T-4138	6	BOLT (M6X1X20-MM)						
	6	1	9X-8256	6	WASHER (6.6X12X2-MM THK)						

M-METRIC PART

Y-SEPARATE ILLUSTRATION



GRAPHIC #1

<END>

g01079363

OPERATOR STATION

221-8883 CONTROL & MTG GP-JOYSTICK- WITH THUMB SWITCHES

S/N: MMA1-UP

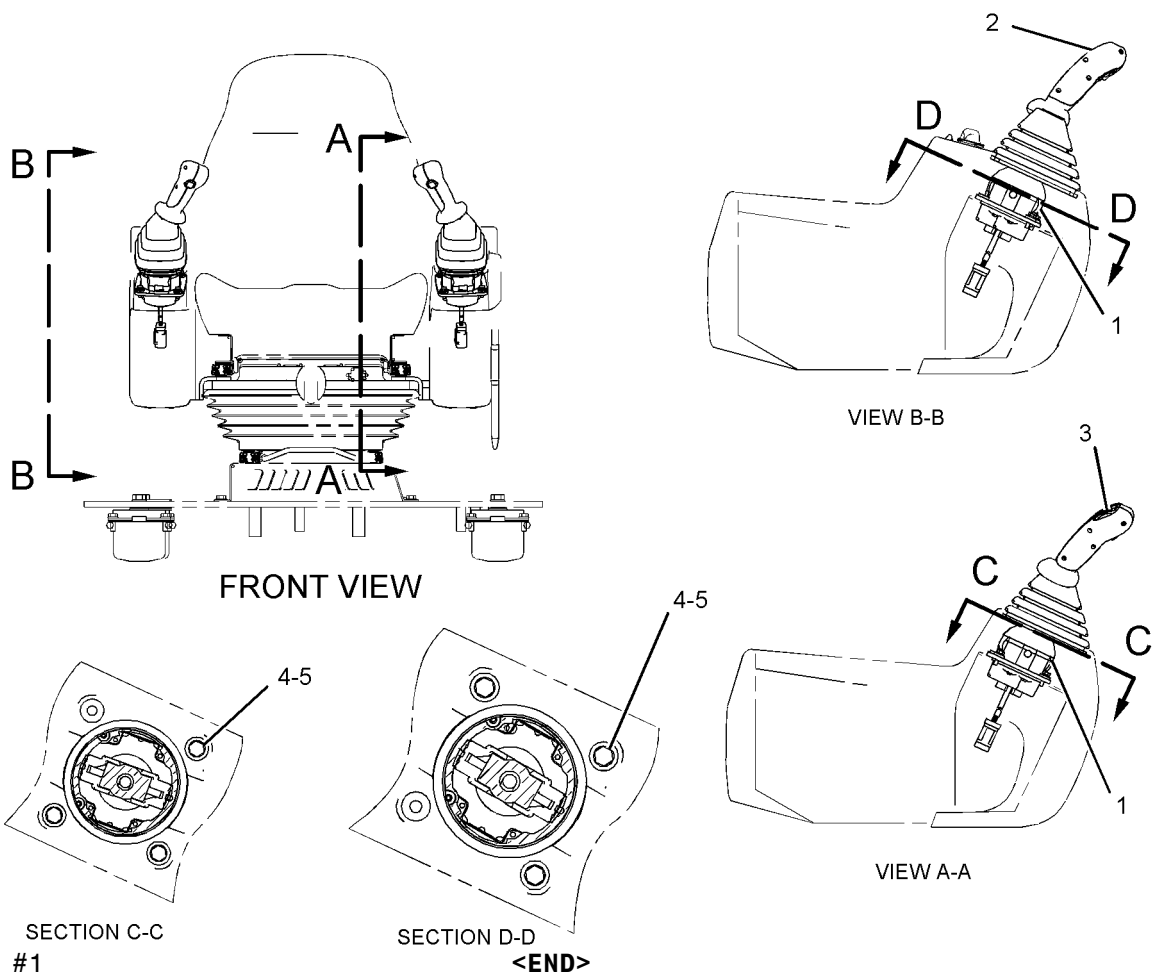
PART OF 263-3764 CONTROL AR-AUXILIARY
AN ATTACHMENT
TYPE 1

SMCS-5063, 5705

i02497554

NOTE	REF NO	GRAPHIC REF	PART NUMBER	QTY	PART NAME						SEE PAGE
					1	2	3	4	5	6 (PRODUCT LEVEL)	
	1	1	227-7569	2	SENSOR GP-POSITION (JOYSTICK)						
					(EACH INCLUDES)						
		1	243-4508	1	RECEPTACLE AS-CONNECTOR (6-PIN)						
		1	9X-3401	6	PIN-CONNECTOR (16-GA TO 18-GA)						
					-OR-						
		1	126-1767	6	PIN-CONNECTOR (14-GA)						
Y	2	1	260-2109	1	CONTROL GP-HANDLE (JOYSTICK, RH)						1092
Y	3	1	260-2110	1	CONTROL GP-HANDLE (JOYSTICK, LH)						1093
M	4	1	8T-4138	6	BOLT (M6X1X20-MM)						
	5	1	9X-8256	6	WASHER (6.6X12X2-MM THK)						

M-METRIC PART
Y-SEPARATE ILLUSTRATION



GRAPHIC #1

<END>

g01079743

OPERATOR STATION

221-8883 CONTROL & MTG GP-JOYSTICK- WITH THUMB SWITCHES

S/N: MMA1-UP

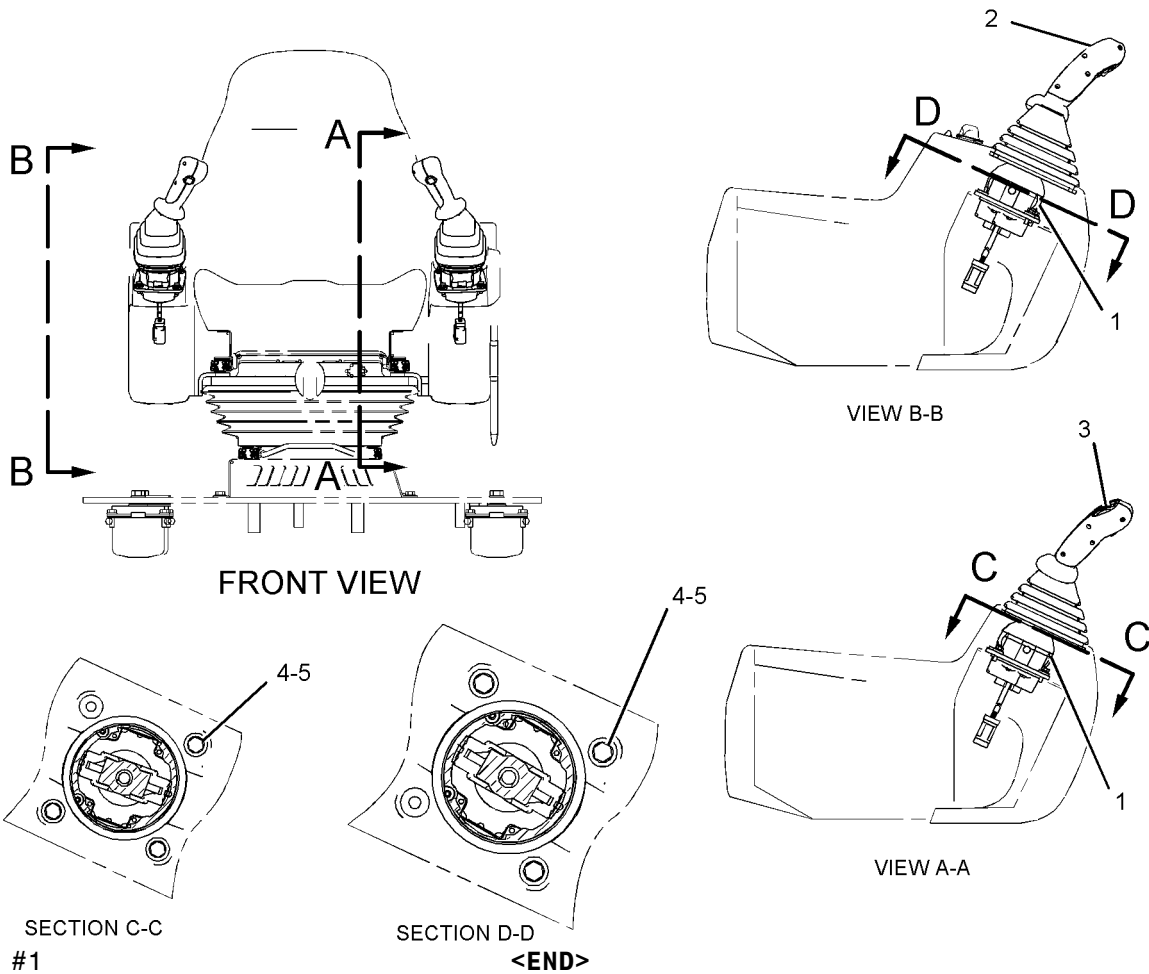
PART OF 263-3764 CONTROL AR-AUXILIARY
AN ATTACHMENT
TYPE 2

SMCS-5063, 5705

i02682340

NOTE	REF NO	GRAPHIC REF	PART NUMBER	QTY	PART NAME						SEE PAGE
					1	2	3	4	5	6 (PRODUCT LEVEL)	
C	1	1	270-5620	2	CONTROL GP-JOYSTICK (POSITION SENSOR)						
					(EACH INCLUDES)						
		1	243-4508	1	RECEPTACLE AS-CONNECTOR (6-PIN)						
		1	144-1636	6	PIN-CONNECTOR (14-GA TO 18-GA)						
Y	2	1	260-2109	1	CONTROL GP-HANDLE (JOYSTICK, RH)						1092
Y	3	1	260-2110	1	CONTROL GP-HANDLE (JOYSTICK, LH)						1093
M	4	1	8T-4138	6	BOLT (M6X1X20-MM)						
	5	1	9X-8256	6	WASHER (6.6X12X2-MM THK)						

C-CHANGE FROM PREVIOUS TYPE
M-METRIC PART
Y-SEPARATE ILLUSTRATION



GRAPHIC #1

<END>

g01079743

OPERATOR STATION

247-5190 CONTROL & MTG GP-JOYSTICK- 3-BUTTON, TRIGGER SWITCH

S/N: MMA1-UP

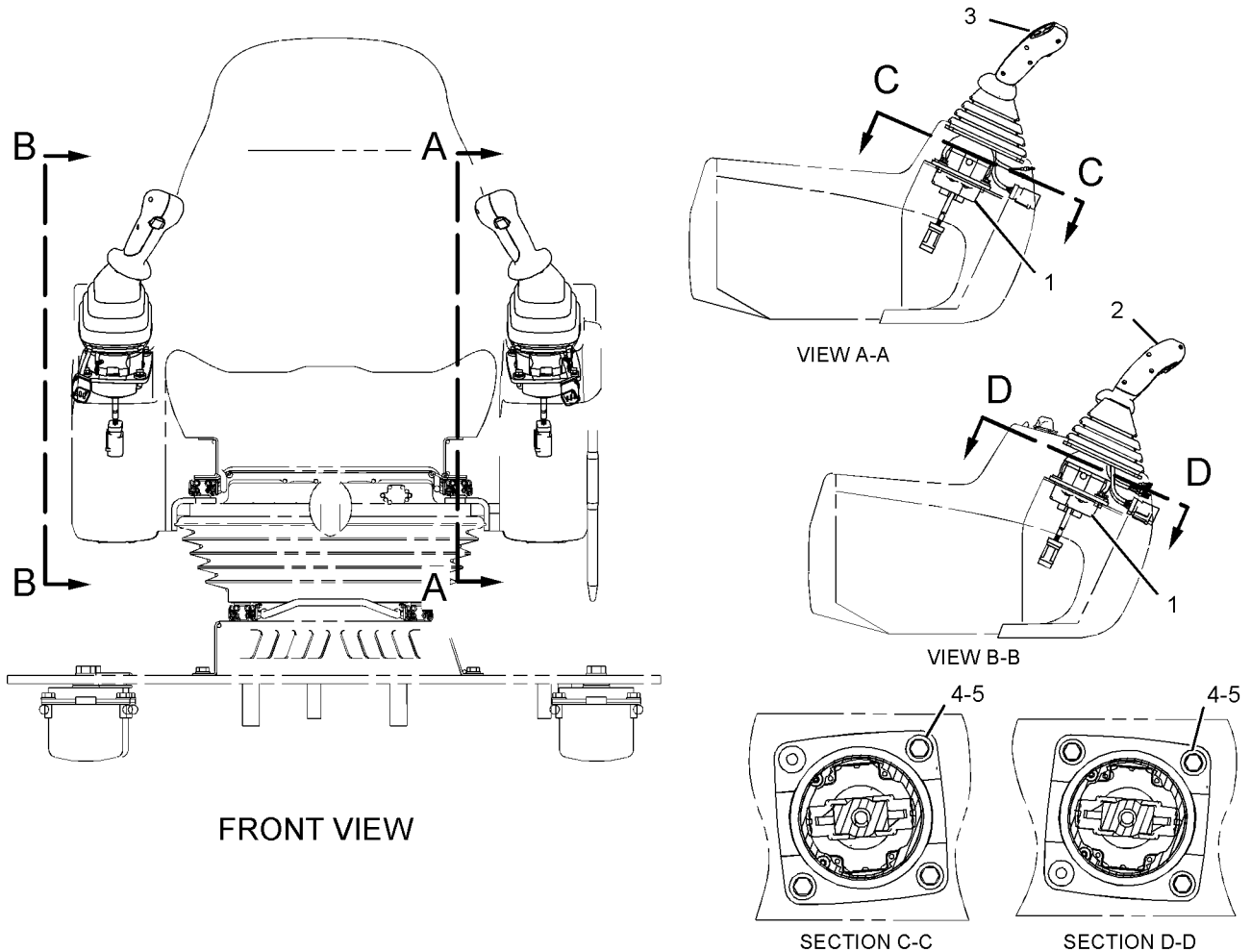
PART OF 263-3763 CONTROL AR-AUXILIARY
AN ATTACHMENT
TYPE 1

SMCS-5063, 5705

i02581728

NOTE	REF NO	GRAPHIC REF	PART NUMBER	QTY	PART NAME						SEE PAGE
					1	2	3	4	5	6 (PRODUCT LEVEL)	
	1	1	227-7569	2	SENSOR GP-POSITION (JOYSTICK)						
					(EACH INCLUDES)						
		1	243-4508	1	RECEPTACLE AS-CONNECTOR (6-PIN)						
		1	9X-3401	6	PIN-CONNECTOR (16-GA TO 18-GA)						
					-OR-						
		1	126-1767	6	PIN-CONNECTOR (14-GA)						
Y	2	1	260-2127	1	CONTROL GP-HANDLE (JOYSTICK, RH)						1095
Y	3	1	260-2128	1	CONTROL GP-HANDLE (JOYSTICK, LH)						1096
M	4	1	8T-4138	6	BOLT (M6X1X20-MM)						
	5	1	9X-8256	6	WASHER (6.6X12X2-MM THK)						

M-METRIC PART
Y-SEPARATE ILLUSTRATION



GRAPHIC #1

<END>

g01089236

OPERATOR STATION

247-5190 CONTROL & MTG GP-JOYSTICK- 3-BUTTON, TRIGGER SWITCH

S/N: MMA1-UP

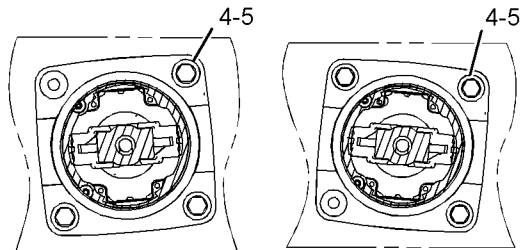
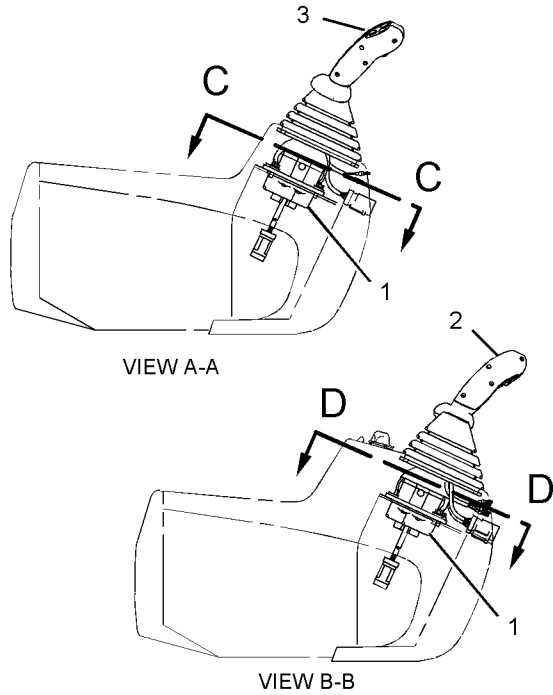
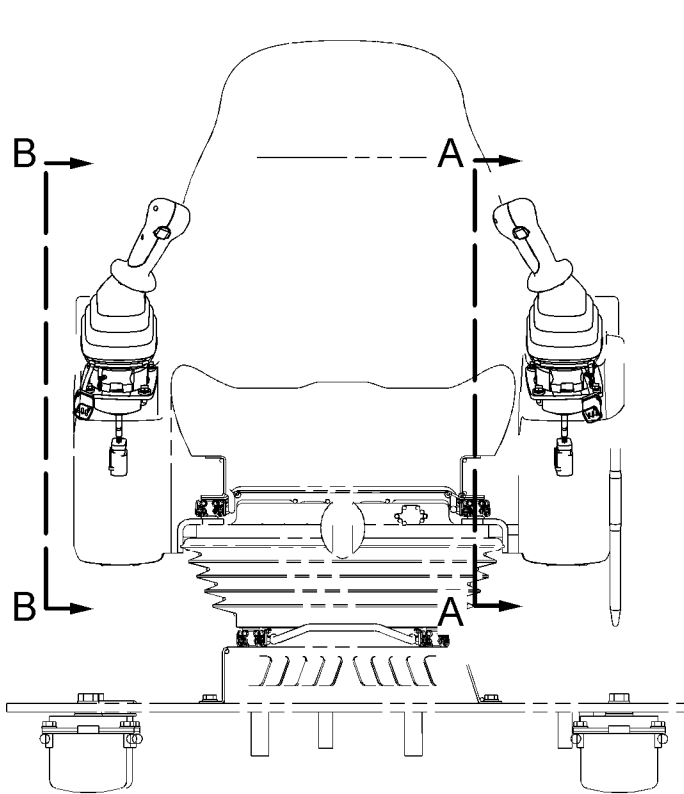
PART OF 263-3763 CONTROL AR-AUXILIARY
AN ATTACHMENT
TYPE 2

SMCS-5063, 5705

i02581735

NOTE	REF NO	GRAPHIC REF	PART NUMBER	QTY	PART NAME						SEE PAGE
					1	2	3	4	5	6 (PRODUCT LEVEL)	
C	1	1	270-5620	2	CONTROL GP-JOYSTICK (POSITION SENSOR)						
					(EACH INCLUDES)						
		1	243-4508	1	RECEPTACLE AS-CONNECTOR (6-PIN)						
		1	9X-3401	6	PIN-CONNECTOR (16-GA TO 18-GA)						
					-OR-						
		1	126-1767	6	PIN-CONNECTOR (14-GA)						
Y	2	1	260-2127	1	CONTROL GP-HANDLE (JOYSTICK, RH)						1095
Y	3	1	260-2128	1	CONTROL GP-HANDLE (JOYSTICK, LH)						1096
M	4	1	8T-4138	6	BOLT (M6X1X20-MM)						
	5	1	9X-8256	6	WASHER (6.6X12X2-MM THK)						

C-CHANGE FROM PREVIOUS TYPE
M-METRIC PART
Y-SEPARATE ILLUSTRATION



GRAPHIC #1

<END>

g01089236

OPERATOR STATION

221-8819 CONTROL & MTG GP-PEDAL-TRAVEL

S/N: MMA1-UP

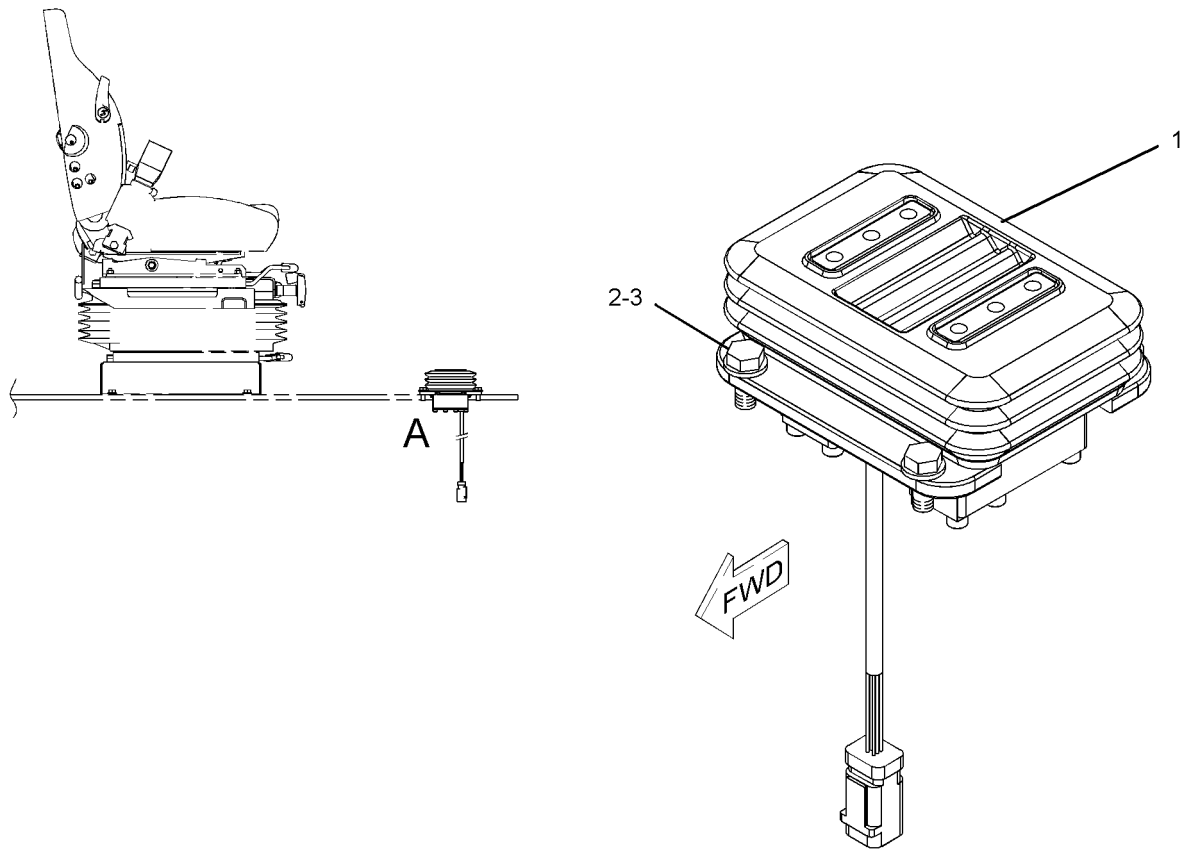
PART OF 225-5752 OPERATOR AR

SMCS-5462

i02495130

NOTE	REF NO	GRAPHIC REF	PART NUMBER	QTY	PART NAME						SEE PAGE
					1	2	3	4	5	6 (PRODUCT LEVEL)	
Y	1	1	247-5275	1	CONTROL GP-PEDAL (TRAVEL)						1101
	2	1	8T-4121	4	WASHER-HARD (11X21X2.5-MM THK)						
M	3	1	8T-4136	4	BOLT (M10X1.5X25-MM)						

M-METRIC PART
Y-SEPARATE ILLUSTRATION



EXPLODED VIEW OF AREA A

GRAPHIC #1

<END>

g01247514

OPERATOR STATION

221-8884 CONTROL & MTG GP-PEDAL-LH

S/N: MMA1-UP

PART OF 263-3755 CONTROL AR-AUXILIARY

AN ATTACHMENT

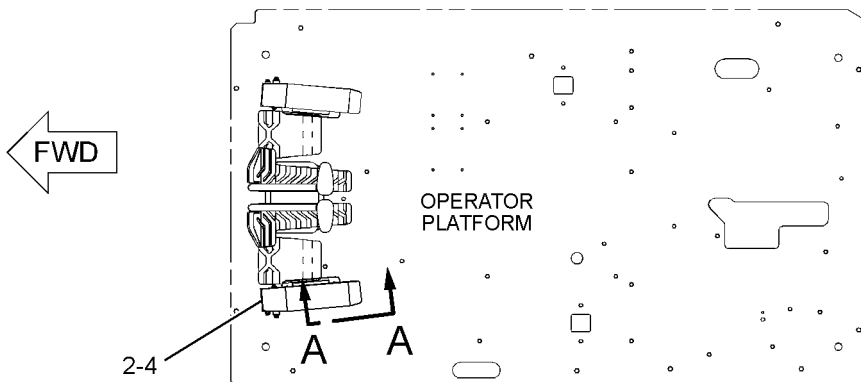
TYPE 1

SMCS-5462

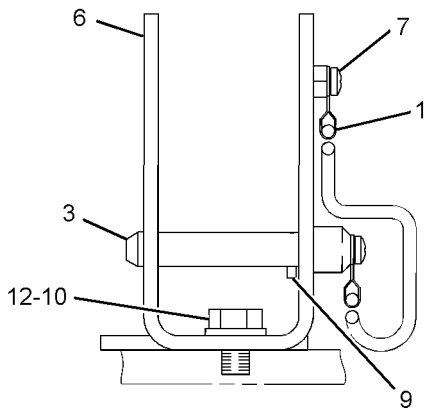
i02889898

NOTE	REF NO	GRAPHIC REF	PART NUMBER	QTY	PART NAME						SEE PAGE
					1	2	3	4	5	6 (PRODUCT LEVEL)	
	1	1	5I-7090	1	CHAIN AS						
	2	1	121-1865	1	PEDAL-RUBBER (LH)						
	3	1	128-2173	1	PIN						
	4	1	153-8723	1	PEDAL AS						
Y	5	1	247-5276	1	CONTROL GP-PEDAL (ELECTRIC)						1102
	6	1	227-7625	1	SUPPORT AS						
M	7	1	095-0735	2	SCREW-MACHINE (M5X0.8X8-MM)						
M	8	1	7X-2536	2	BOLT (M8X1.25X14-MM)						
	9	1	8T-0114	1	PIN-SPRING						
	10	1	8T-4121	3	WASHER-HARD (11X21X2.5-MM THK)						
M	11	1	8T-4136	2	BOLT (M10X1.5X25-MM)						
M	12	1	8T-4191	1	BOLT (M10X1.5X16-MM)						
	13	1	8T-4224	2	WASHER-HARD (8.8X16X2-MM THK)						

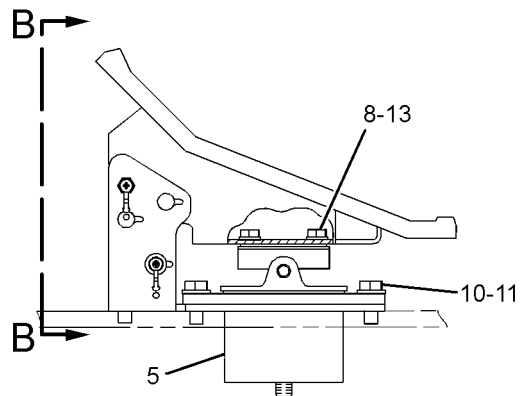
M-METRIC PART
Y-SEPARATE ILLUSTRATION



TOP VIEW



VIEW B-B



VIEW A-A

GRAPHIC #1

<END>

g01439827

OPERATOR STATION

221-8884 CONTROL & MTG GP-PEDAL-LH

S/N: MMA1-UP

PART OF 263-3755 CONTROL AR-AUXILIARY

AN ATTACHMENT

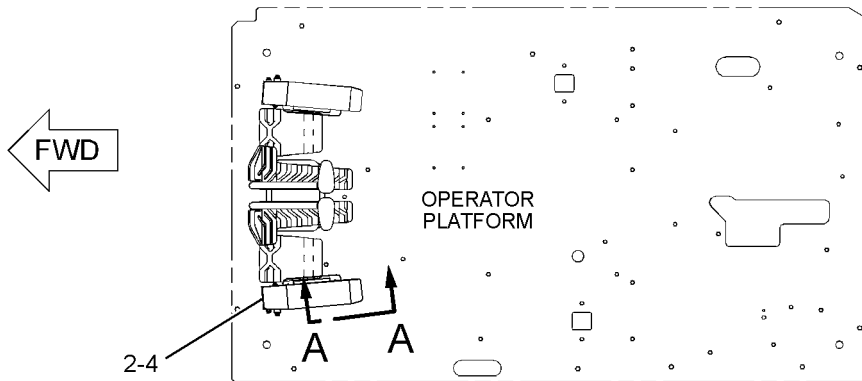
TYPE 2

SMCS-5462

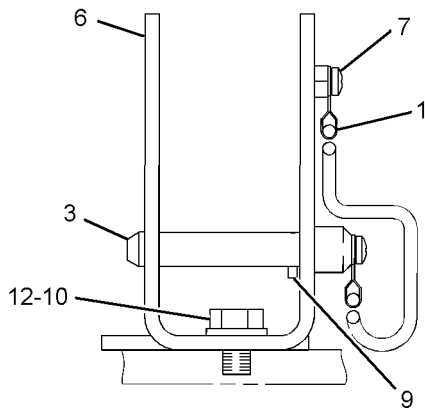
i02981723

NOTE	REF NO	GRAPHIC REF	PART NUMBER	QTY	PART NAME						SEE PAGE
					1	2	3	4	5	6 (PRODUCT LEVEL)	
	1	1	5I-7090	1	CHAIN AS						
	2	1	121-1865	1	PEDAL-RUBBER (LH)						
	3	1	128-2173	1	PIN						
	4	1	153-8723	1	PEDAL AS						
CY	5	1	309-5808	1	CONTROL GP-PEDAL (ELECTRIC)						1103
	6	1	227-7625	1	SUPPORT AS						
M	7	1	095-0735	2	SCREW-MACHINE (M5X0.8X8-MM)						
M	8	1	7X-2536	2	BOLT (M8X1.25X14-MM)						
	9	1	8T-0114	1	PIN-SPRING						
	10	1	8T-4121	3	WASHER-HARD (11X21X2.5-MM THK)						
M	11	1	8T-4136	2	BOLT (M10X1.5X25-MM)						
M	12	1	8T-4191	1	BOLT (M10X1.5X16-MM)						
	13	1	8T-4224	2	WASHER-HARD (8.8X16X2-MM THK)						

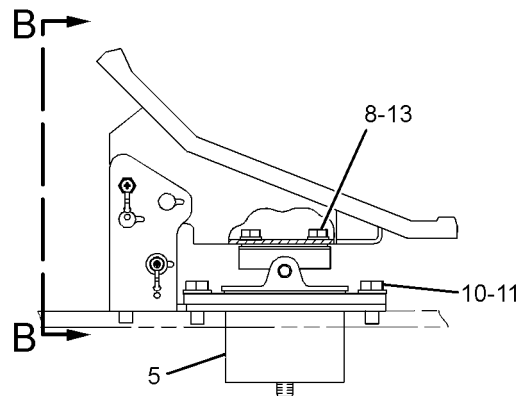
C-CHANGE FROM PREVIOUS TYPE
M-METRIC PART
Y-SEPARATE ILLUSTRATION



TOP VIEW



VIEW B-B



VIEW A-A

GRAPHIC #1

<END>

g01439827

OPERATOR STATION

235-8969 CONTROL GP-HANDLE-JOYSTICK, LH

S/N: MMA1-UP

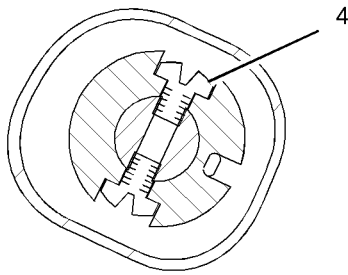
PART OF 221-8818 CONTROL & MTG GP-JOYSTICK
AN ATTACHMENT

SMCS-5705

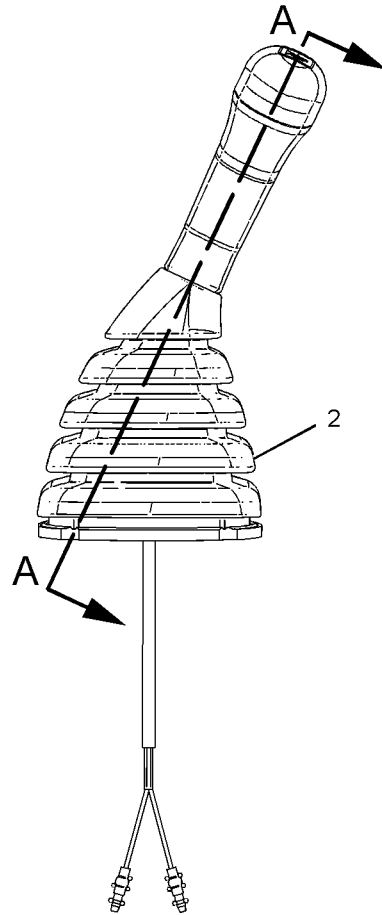
i02954410

NOTE	REF NO	GRAPHIC REF	PART NUMBER	QTY	PART NAME						SEE PAGE
					1	2	3	4	5	6 (PRODUCT LEVEL)	
	1	1	124-4010	1	LEVER						
	2	1	235-8971	1	BOOT						
	3	1	245-7842	1	KNOB AS						
M		1	6I-5298	1	SCREW-TAPPING						
		1	124-4009	1	SHAFT						
		1	222-0225	1	SWITCH AS-PUSH BUTTON (HORN)						
M	4	1	096-2617	2	SCREW-MACHINE (M5X0.8X6-MM)						

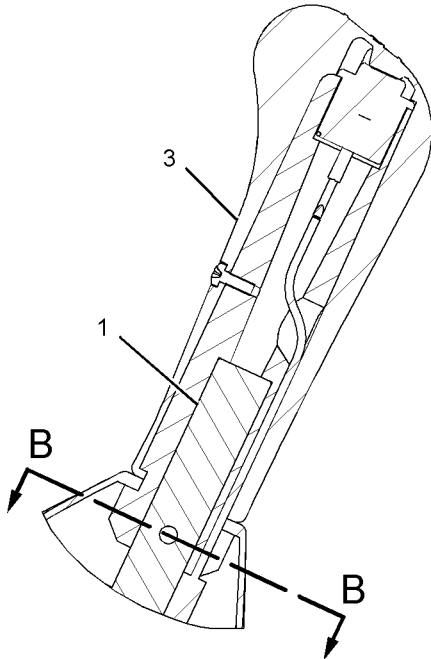
M-METRIC PART



SECTION B-B



LEFT SIDE VIEW



SECTION A-A

GRAPHIC #1

<END>

g01082395

OPERATOR STATION

235-8970 CONTROL GP-HANDLE-JOYSTICK, RH

S/N: MMA1-UP

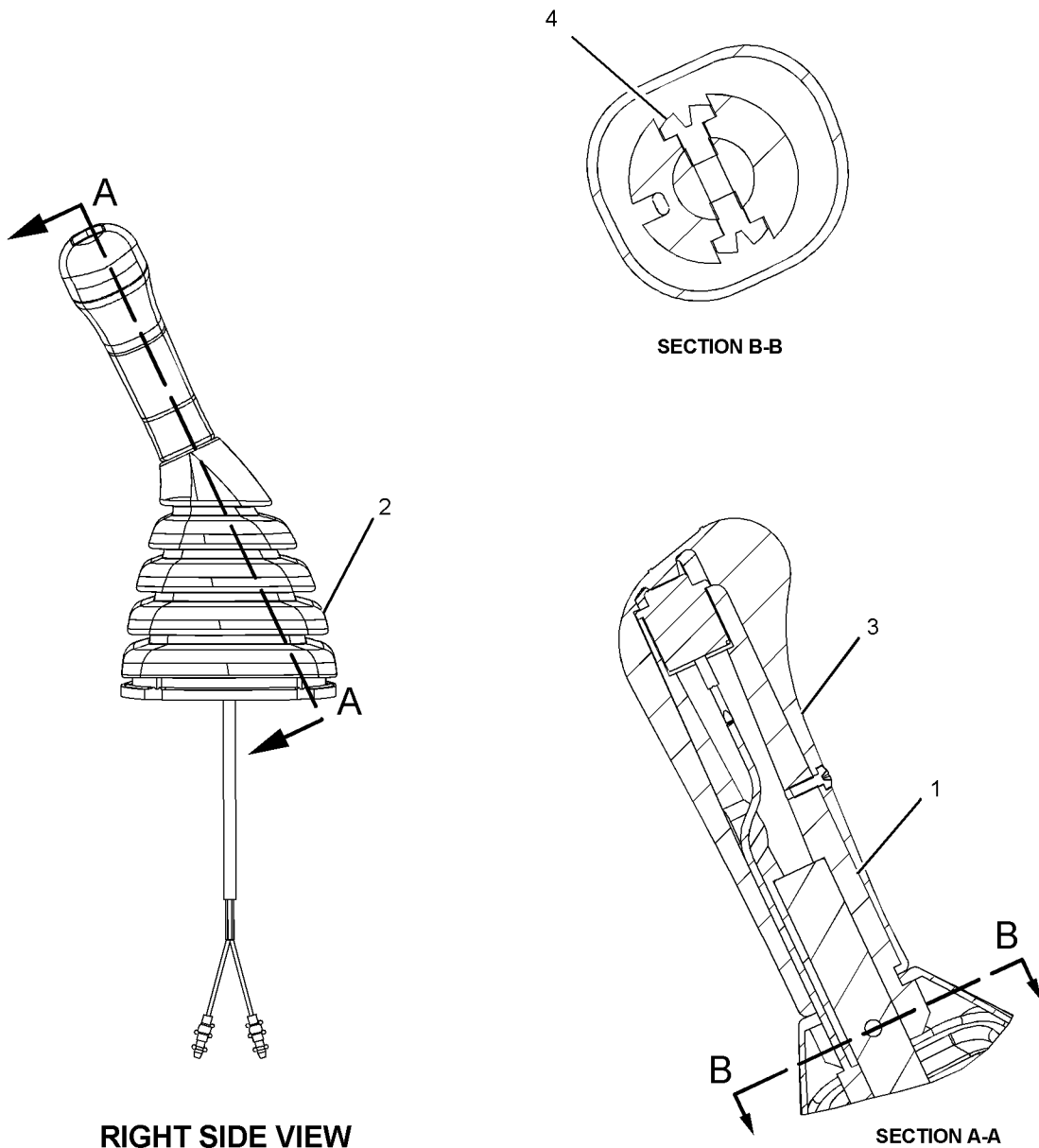
PART OF 221-8818 CONTROL & MTG GP-JOYSTICK
AN ATTACHMENT

SMCS-5705

i02923986

NOTE	REF NO	GRAPHIC REF	PART NUMBER	QTY	PART NAME						SEE PAGE
					1	2	3	4	5	6 (PRODUCT LEVEL)	
	1	1	124-4010	1	LEVER						
	2	1	235-8972	1	BOOT						
	3	1	245-7844	1	KNOB AS						
M		1	6I-5298	1	SCREW-TAPPING						
		1	124-4009	1	SHAFT						
		1	222-0225	1	SWITCH AS-PUSH BUTTON (MANUAL LOW IDLE)						
M	4	1	096-2617	2	SCREW-MACHINE (M5X0.8X6-MM)						

M-METRIC PART



GRAPHIC #1

<END>

g01082427

OPERATOR STATION

260-2109 CONTROL GP-HANDLE-JOYSTICK, RH

S/N: MMA1-UP

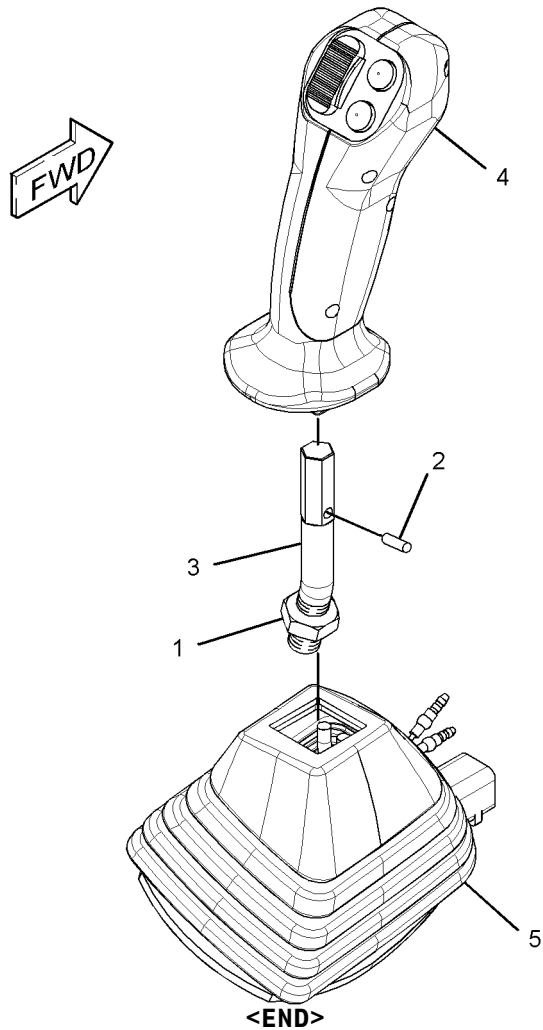
PART OF 221-8883 CONTROL & MTG GP-JOYSTICK
AN ATTACHMENT

SMCS-5705

i02981496

NOTE	REF NO	GRAPHIC REF	PART NUMBER	QTY	PART NAME						SEE PAGE
					1	2	3	4	5	6 (PRODUCT LEVEL)	
M	1	1	7Y-8463	1	NUT (M14X2-THD)						
	2	1	117-8683	1	PIN-SPRING						
	3	1	260-2111	1	LEVER						
	4	1	297-4589	1	CONTROL GP-HANDLE (RH)						
		1	247-2693	1	RECEPTACLE AS-CONNECTOR (6-PIN)						
		1	9X-3401	6	PIN-CONNECTOR (16-GA TO 18-GA)						
					-OR-						
		1	126-1767	6	PIN-CONNECTOR (14-GA)						
	5	1	305-0332	1	BOOT						

M-METRIC PART



GRAPHIC #1

g01436256

OPERATOR STATION

260-2110 CONTROL GP-HANDLE-JOYSTICK, LH

S/N: MMA1-UP

PART OF 221-8883 CONTROL & MTG GP-JOYSTICK

AN ATTACHMENT

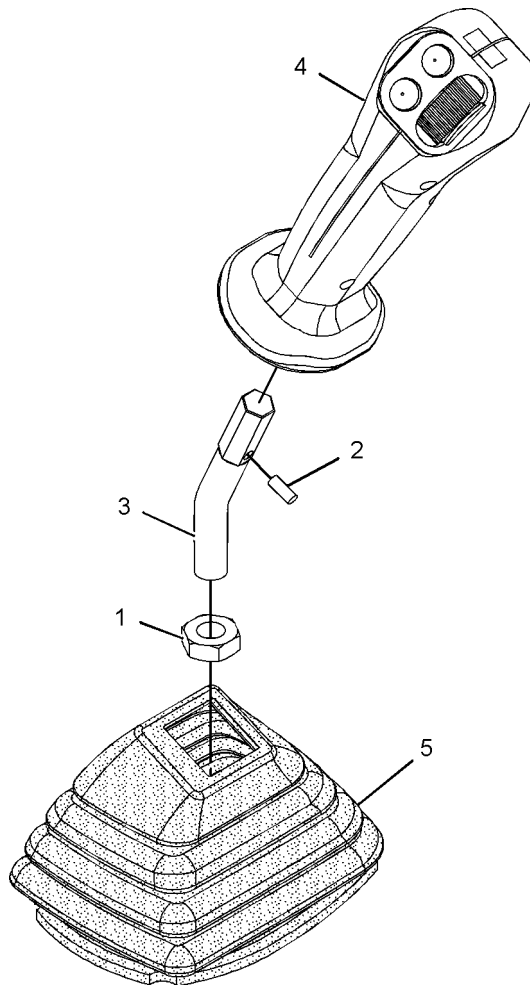
TYPE 1

SMCS-5705

i02440896

NOTE	REF NO	GRAPHIC REF	PART NUMBER	QTY	PART NAME						SEE PAGE
					1	2	3	4	5	6 (PRODUCT LEVEL)	
M	1	1	7Y-8463	1	NUT (M14X2-THD)						
	2	1	117-8683	1	PIN-SPRING						
	3	1	260-2111	1	LEVER						
	4	1	227-7617	1	HANDLE GP-JOYSTICK (LH)						
		1	9X-3401	6	PIN-CONNECTOR (16-GA TO 18-GA)						
					-OR-						
		1	126-1767	6	PIN-CONNECTOR (14-GA)						
		1	247-2693	1	RECEPTACLE AS-CONNECTOR (6-PIN)						
	5	1	240-5067	1	BOOT						

M-METRIC PART



GRAPHIC #1

<END>

g01127317

OPERATOR STATION

260-2110 CONTROL GP-HANDLE-JOYSTICK, LH

S/N: MMA1-UP

PART OF 221-8883 CONTROL & MTG GP-JOYSTICK

AN ATTACHMENT

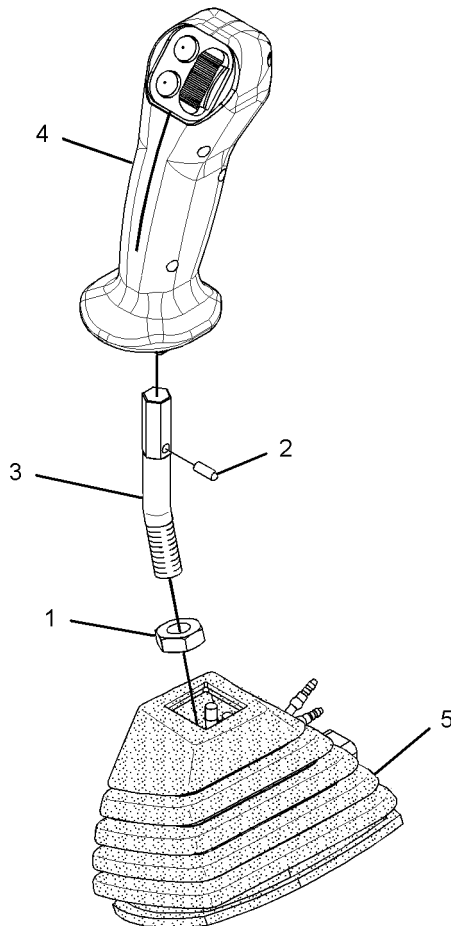
TYPE 2

SMCS-5705

i02978363

NOTE	REF NO	GRAPHIC REF	PART NUMBER	QTY	PART NAME						SEE PAGE
					1	2	3	4	5	6 (PRODUCT LEVEL)	
M	1	1	7Y-8463	1	NUT (M14X2-THD)						
	2	1	117-8683	1	PIN-SPRING						
	3	1	260-2111	1	LEVER						
CY	4	1	297-4590	1	CONTROL GP-HANDLE (LH)						1097
	5	1	305-0331	1	BOOT						

C-CHANGE FROM PREVIOUS TYPE
M-METRIC PART
Y-SEPARATE ILLUSTRATION



GRAPHIC #1

<END>

g01428094

OPERATOR STATION

260-2127 CONTROL GP-HANDLE-JOYSTICK, RH

S/N: MMA1-UP

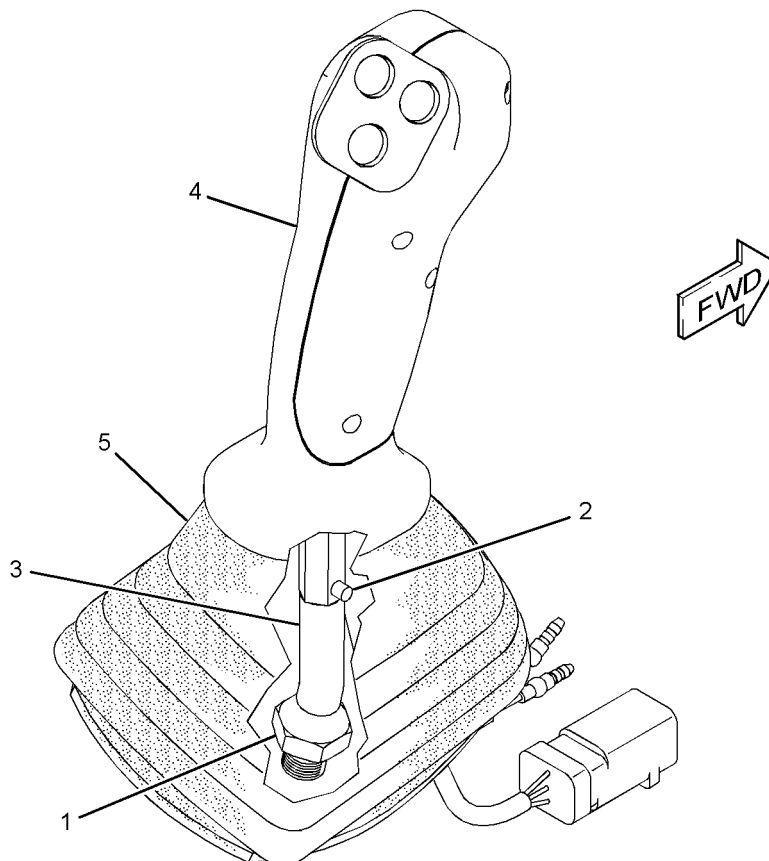
PART OF 247-5190 CONTROL & MTG GP-JOYSTICK
AN ATTACHMENT

SMCS-5705

i02981501

NOTE	REF NO	GRAPHIC REF	PART NUMBER	QTY	PART NAME						SEE PAGE
					1	2	3	4	5	6 (PRODUCT LEVEL)	
M	1	1	7Y-8463	1	NUT (M14X2-THD)						
	2	1	117-8683	1	PIN-SPRING						
	3	1	260-2111	1	LEVER						
	4	1	297-4595	1	CONTROL GP-HANDLE (RH)						
		1	8T-8737	2	PLUG-SEAL						
		1	9X-3401	4	PIN-CONNECTOR (16-GA TO 18-GA)						
					-OR-						
		1	126-1767	4	PIN-CONNECTOR (14-GA)						
		1	247-2693	1	RECEPTACLE AS-CONNECTOR (6-PIN)						
	5	1	305-0332	1	BOOT						

M-METRIC PART



GRAPHIC #1

<END>

g01430928

OPERATOR STATION

260-2128 CONTROL GP-HANDLE-JOYSTICK, LH

S/N: MMA1-UP

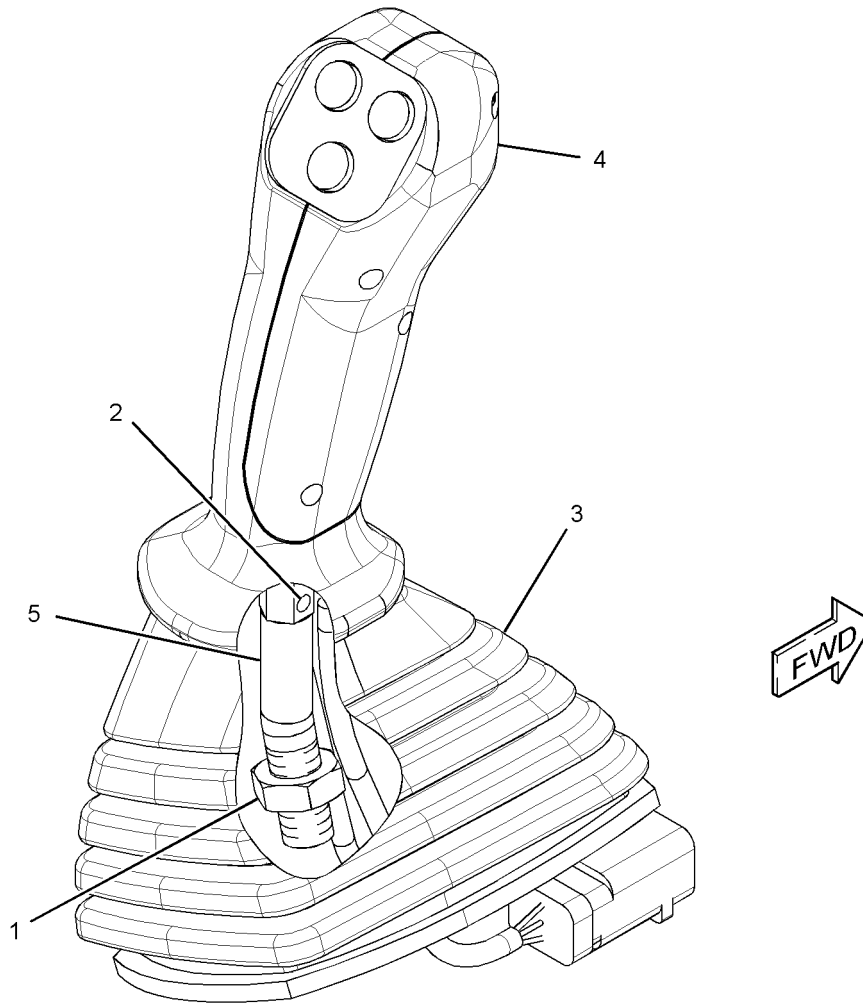
PART OF 247-5190 CONTROL & MTG GP-JOYSTICK
AN ATTACHMENT

SMCS-5705

i02981493

NOTE	REF NO	GRAPHIC REF	PART NUMBER	QTY	PART NAME						SEE PAGE
					1	2	3	4	5	6 (PRODUCT LEVEL)	
M	1	1	7Y-8463	1	NUT (M14X2-THD)						
	2	1	117-8683	1	PIN-SPRING						
	3	1	305-0331	1	BOOT						
	4	1	297-4595	1	CONTROL GP-HANDLE (LH)						
		1	8T-8737	2	PLUG-SEAL						
		1	9X-3401	4	PIN-CONNECTOR (16-GA TO 18-GA)						
					-OR-						
		1	126-1767	4	PIN-CONNECTOR (14-GA)						
		1	247-2693	1	RECEPTACLE AS-CONNECTOR (6-PIN)						
	5	1	260-2111	1	LEVER						

M-METRIC PART



GRAPHIC #1

<END>

g01436267

OPERATOR STATION

297-4590 CONTROL GP-HANDLE-LH

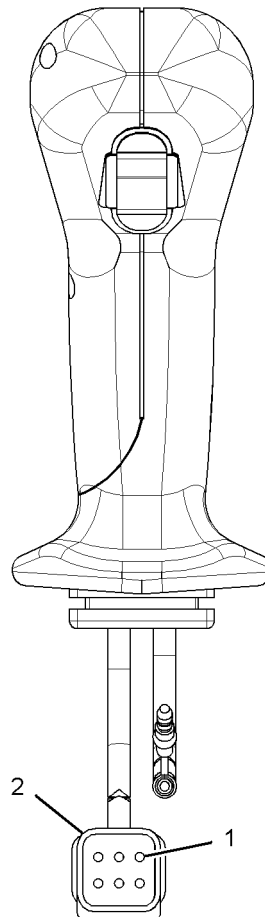
S/N: MMA1-UP

PART OF 260-2110 CONTROL GP-HANDLE
AN ATTACHMENT

SMCS-5705

i02977011

NOTE	REF NO	GRAPHIC REF	PART NUMBER	QTY	PART NAME						SEE PAGE
					1	2	3	4	5	6 (PRODUCT LEVEL)	
	1	1	9X-3401	6	PIN-CONNECTOR (16-GA TO 18-GA)						
					-OR-						
		1	126-1767	6	PIN-CONNECTOR (14-GA)						
	2	1	247-2693	1	RECEPTACLE AS-CONNECTOR (6-PIN)						



REAR VIEW

<END>

GRAPHIC #1

g01508125

OPERATOR STATION

245-7846 CONTROL GP-HEAT & AIR COND-AIR INLET

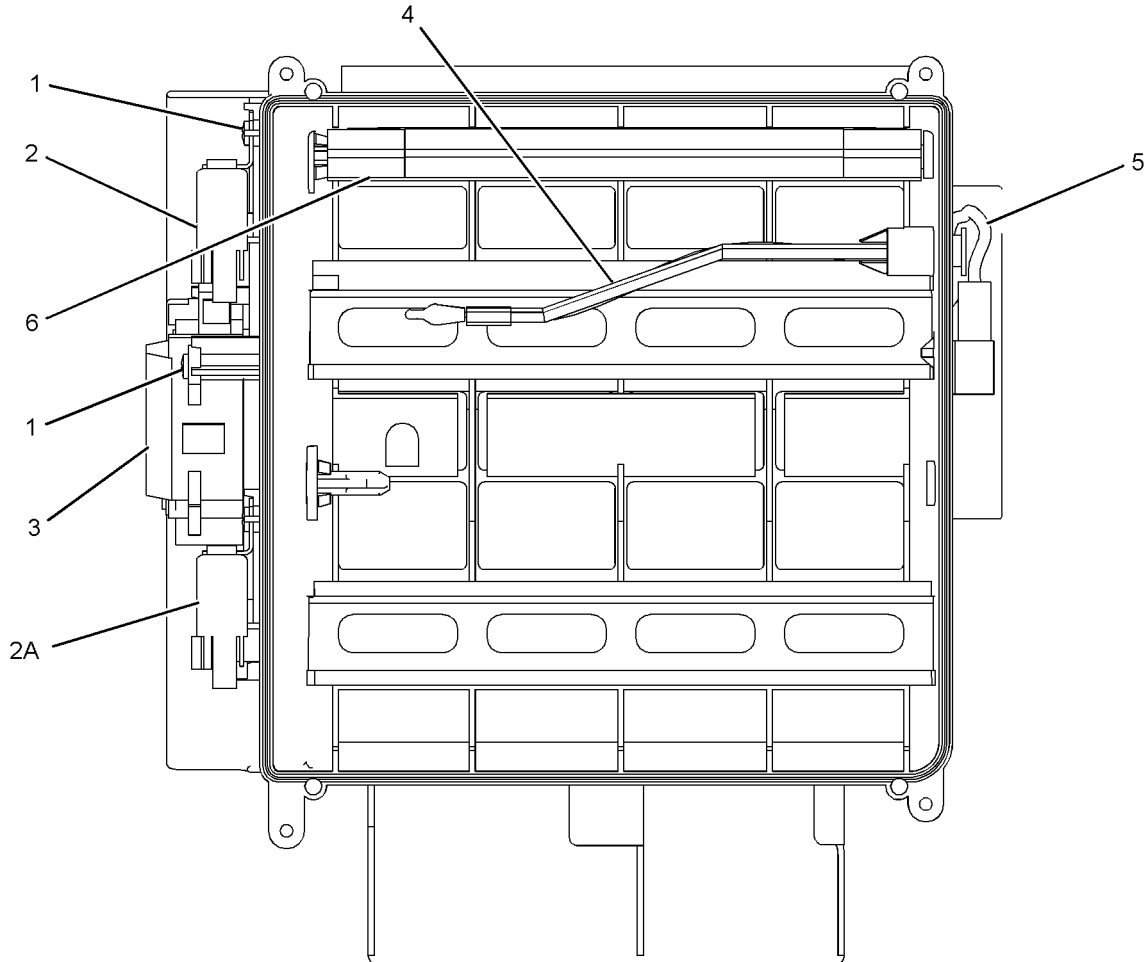
S/N: MMA1-UP

PART OF 240-5036, 316-8811, 316-8916 AIR CONDITIONER GP
AN ATTACHMENT

SMCS-7309

i02821861

NOTE	REF NO	GRAPHIC REF	PART NUMBER	QTY	PART NAME						SEE PAGE
					1	2	3	4	5	6 (PRODUCT LEVEL)	
1	1	1	185-8300	4	SCREW-TAPPING						
2	1	1	196-1666	1	RELAY (COMPRESSOR CLUTCH)						
2A	1	1	196-1666	1	RELAY (BLOWER)						
3	1	1	245-7813	1	MOTOR AS						
4	1	1	245-7814	1	BRACKET						
5	1	1	245-7815	1	SENSOR AS-TEMPERATURE (AIR)						
6	1	1	245-7816	1	DAMPER AS						



GRAPHIC #1

<END>

g01245591

OPERATOR STATION

225-5783 CONTROL GP-HYDRAULIC PEDAL-STRAIGHT TRAVEL

S/N: MMA1-UP

PART OF 225-5782 PEDAL AR-THIRD

AN ATTACHMENT

TYPE 1

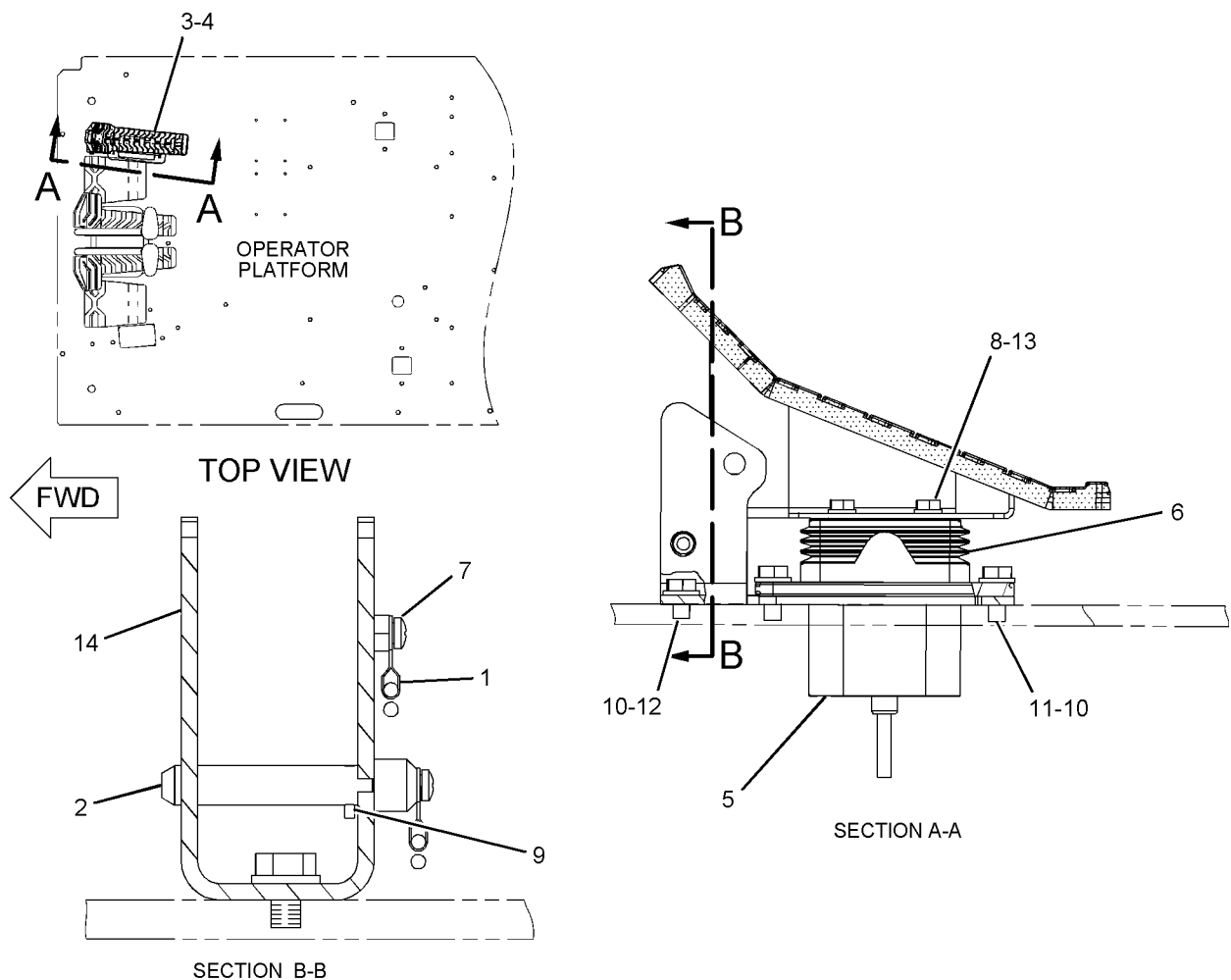
SMCS-5059, 5063

i02475190

NOTE	REF NO	GRAPHIC REF	PART NUMBER	QTY	PART NAME						SEE PAGE
					1	2	3	4	5	6 (PRODUCT LEVEL)	
	1	1	5I-7090	1	CHAIN AS						
	2	1	128-2173	1	PIN						
	3	1	135-2274	1	PEDAL - RUBBER						
	4	1	156-6512	1	PEDAL AS						
Y	5	1	247-5276	1	CONTROL GP-PEDAL (ELECTRIC)						1102
M	7	1	095-0735	2	SCREW-MACHINE (M5X0.8X8-MM)						
M	8	1	7X-2536	2	BOLT (M8X1.25X14-MM)						
	9	1	8T-0114	1	PIN-SPRING						
	10	1	8T-4121	3	WASHER-HARD (11X21X2.5-MM THK)						
M	11	1	8T-4136	2	BOLT (M10X1.5X25-MM)						
M	12	1	8T-4191	1	BOLT (M10X1.5X16-MM)						
	13	1	8T-4224	2	WASHER-HARD (8.8X16X2-MM THK)						
	14	1	235-8992	1	SUPPORT AS						

M-METRIC PART

Y-SEPARATE ILLUSTRATION



GRAPHIC #1

<END>

g01124658

OPERATOR STATION

225-5783 CONTROL GP-HYDRAULIC PEDAL-STRAIGHT TRAVEL

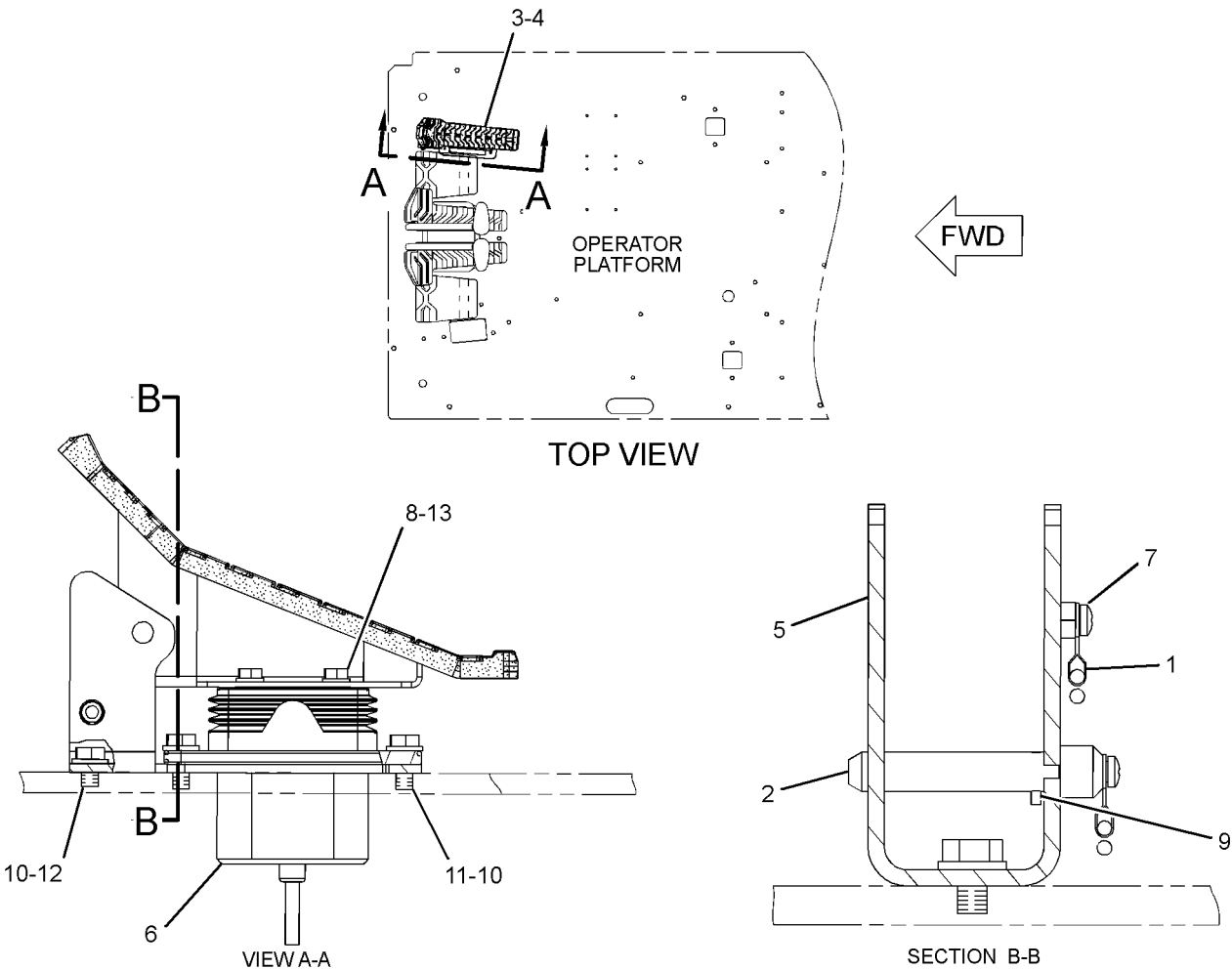
S/N: MMA1-UP
PART OF 225-5782 PEDAL AR-THIRD
AN ATTACHMENT
TYPE 2

SMCS-5059, 5063

i03150081

NOTE	REF NO	GRAPHIC REF	PART NUMBER	QTY	PART NAME						SEE PAGE
					1	2	3	4	5	6 (PRODUCT LEVEL)	
	1	1	5I-7090	1	CHAIN AS						
	2	1	128-2173	1	PIN						
	3	1	135-2274	1	PEDAL - RUBBER						
	4	1	156-6512	1	PEDAL AS						
	5	1	235-8992	1	SUPPORT AS						
CY	6	1	309-5808	1	CONTROL GP-PEDAL (ELECTRIC)						1103
M	7	1	095-0735	2	SCREW-MACHINE (M5X0.8X8-MM)						
M	8	1	7X-2536	2	BOLT (M8X1.25X14-MM)						
	9	1	8T-0114	1	PIN-SPRING						
	10	1	8T-4121	3	WASHER-HARD (11X21X2.5-MM THK)						
M	11	1	8T-4136	2	BOLT (M10X1.5X25-MM)						
M	12	1	8T-4191	1	BOLT (M10X1.5X16-MM)						
	13	1	8T-4224	2	WASHER-HARD (8.8X16X2-MM THK)						

C-CHANGE FROM PREVIOUS TYPE
M-METRIC PART
Y-SEPARATE ILLUSTRATION



GRAPHIC #1

<END>

g01621179

OPERATOR STATION

247-5275 CONTROL GP-PEDAL-TRAVEL

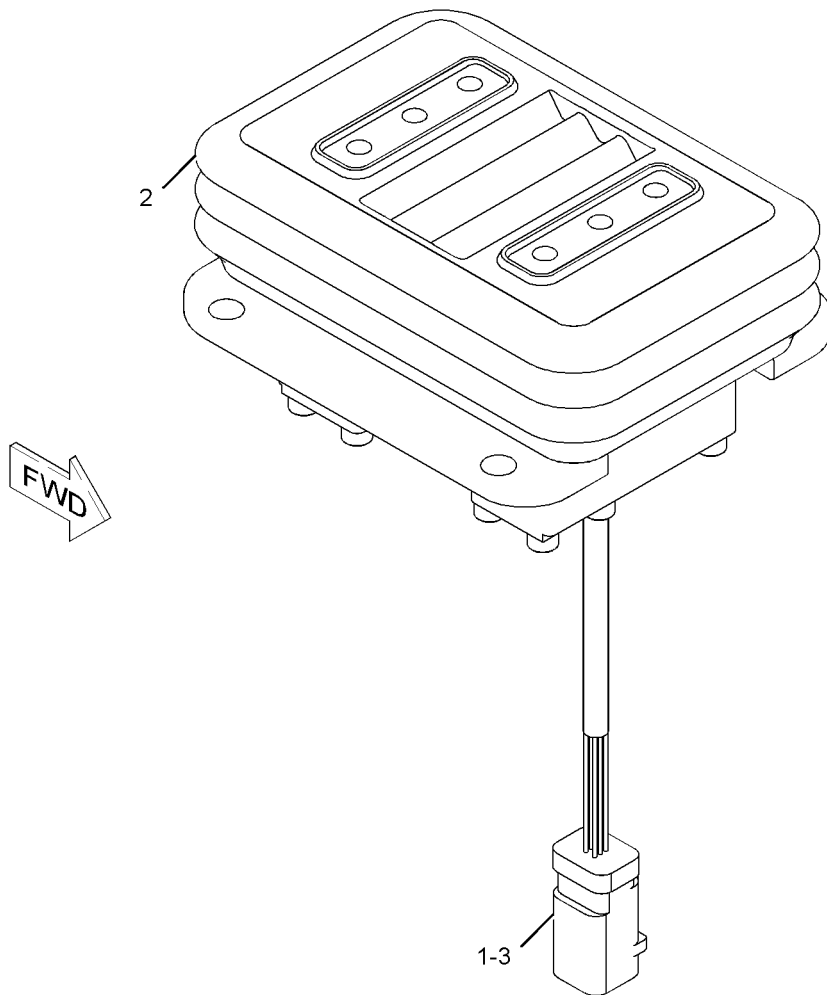
S/N: MMA1-UP

PART OF 221-8819 CONTROL & MTG GP-PEDAL

SMCS-1435, 5702

i02628749

NOTE	REF NO	GRAPHIC REF	PART NUMBER	QTY	PART NAME						SEE PAGE
					1	2	3	4	5	6 (PRODUCT LEVEL)	
	1	1	126-1767	6	PIN-CONNECTOR (14-GA)						
	2	1	227-7571	1	BOOT						
	3	1	247-2693	1	RECEPTACLE AS-CONNECTOR (6-PIN)						



GRAPHIC #1

<END>

g01123856

OPERATOR STATION

247-5276 CONTROL GP-PEDAL-ELECTRIC

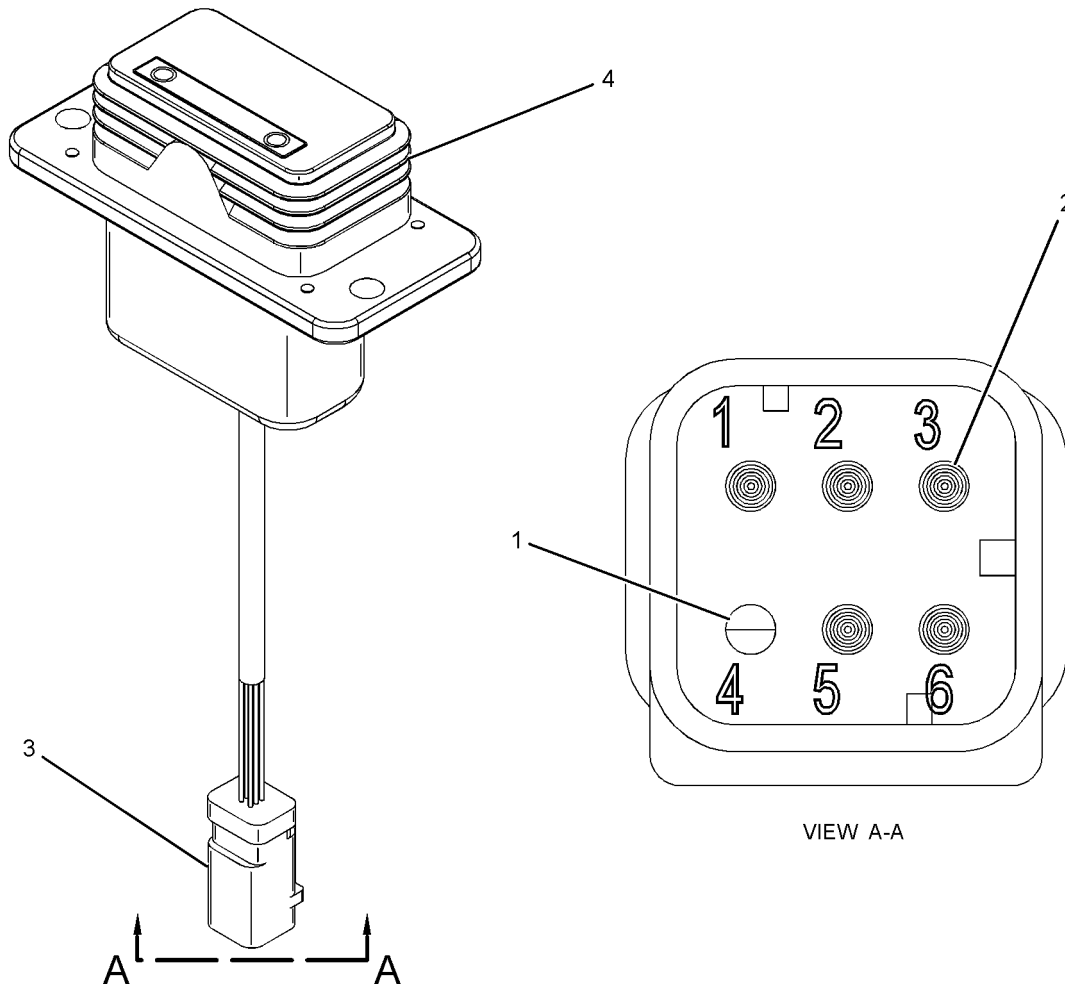
S/N: MMA1-UP

PART OF 221-8884 CONTROL & MTG GP-PEDAL, 225-5783 CONTROL GP-HYDRAULIC PEDAL
AN ATTACHMENT

SMCS-1435, 5702

i02436515

NOTE	REF NO	GRAPHIC REF	PART NUMBER	QTY	PART NAME						SEE PAGE
					1	2	3	4	5	6 (PRODUCT LEVEL)	
1	1	1	8T-8737	1	PLUG-SEAL						
2	1	1	9X-3401	5	PIN-CONNECTOR (16-GA TO 18-GA)						
					-OR-						
		1	126-1767	5	PIN-CONNECTOR (14-GA)						
3	1	1	247-2693	1	RECEPTACLE AS-CONNECTOR (6-PIN)						
4	1	1	247-5112	1	BOOT						



GRAPHIC #1

<END>

g01219365

OPERATOR STATION

309-5808 CONTROL GP-PEDAL-ELECTRIC

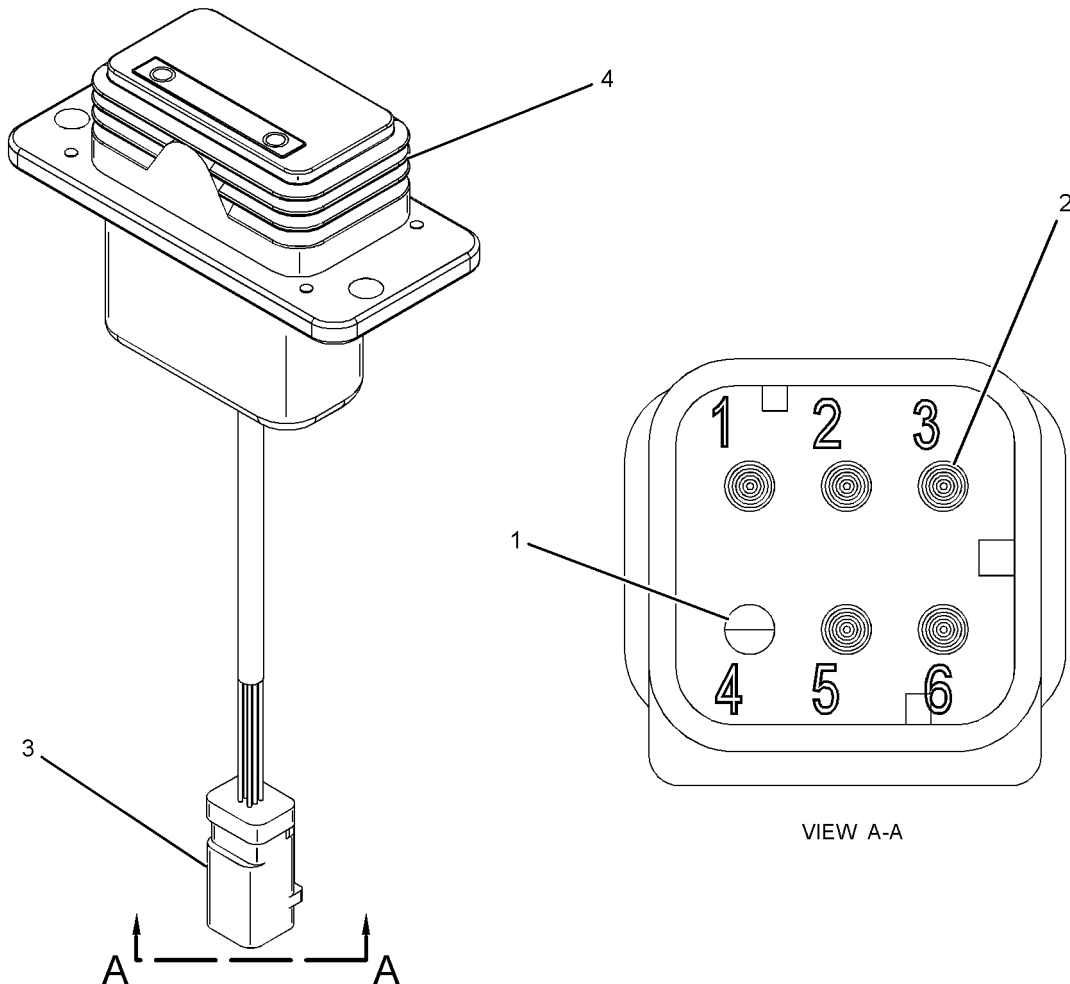
S/N: MMA1-UP

PART OF 221-8884 CONTROL & MTG GP-PEDAL, 225-5783 CONTROL GP-HYDRAULIC PEDAL
AN ATTACHMENT

SMCS-1435, 5702

i02981742

NOTE	REF NO	GRAPHIC REF	PART NUMBER	QTY	PART NAME						SEE PAGE
					1	2	3	4	5	6 (PRODUCT LEVEL)	
1	1	1	8T-8737	1	PLUG-SEAL						
2	1	1	9X-3401	5	PIN-CONNECTOR (16-GA TO 18-GA)						
					-OR-						
		1	126-1767	5	PIN-CONNECTOR (14-GA)						
3	1	1	247-2693	1	RECEPTACLE AS-CONNECTOR (6-PIN)						
4	1	1	247-5112	1	BOOT						



GRAPHIC #1

<END>

g01219365

OPERATOR STATION

235-8899 CONTROL GP-TRAVEL-LEVERS, PEDALS

S/N: MMA1-UP

PART OF 225-5752 OPERATOR AR

SMCS-546S, 5910

i02497561

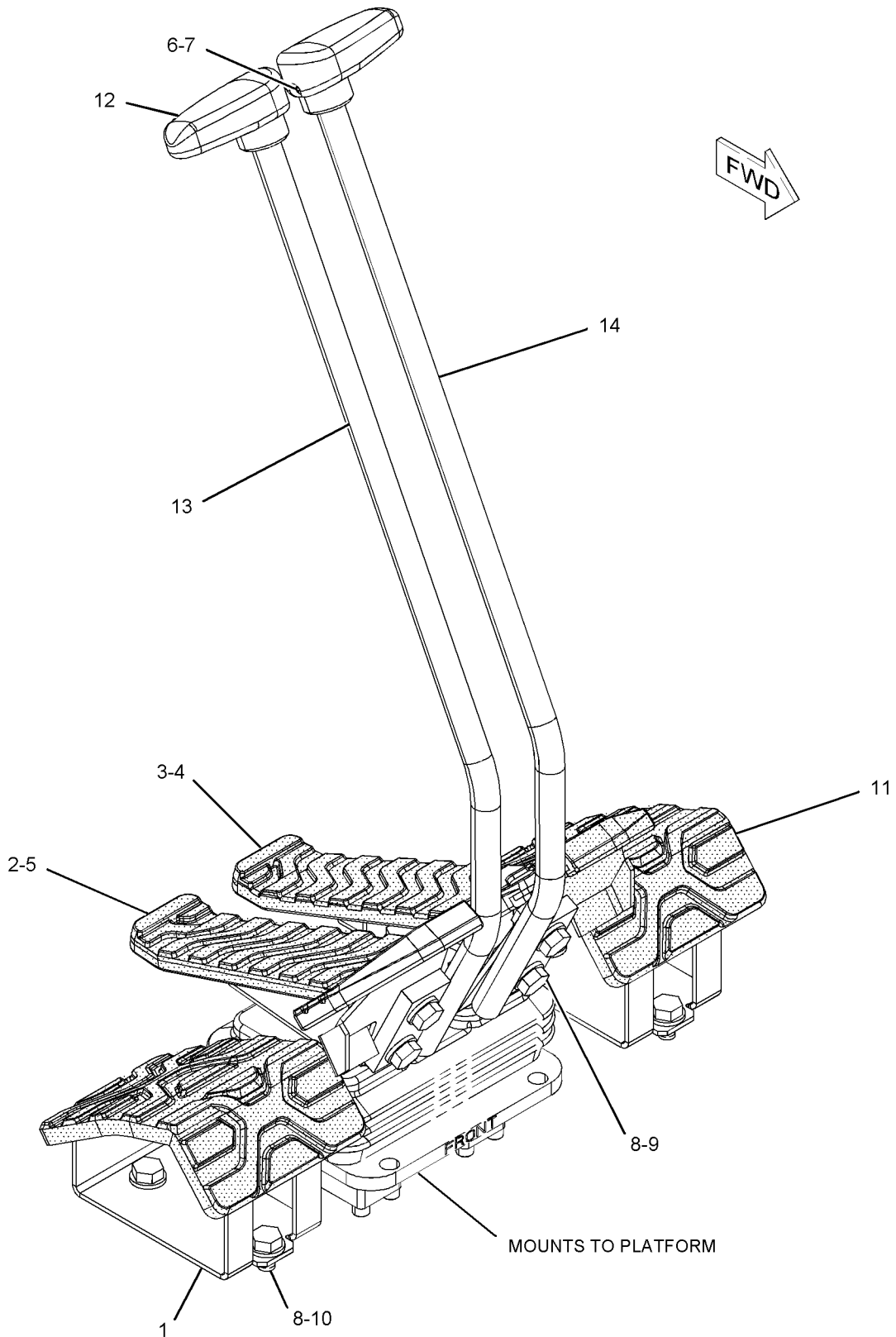
NOTE	REF NO	GRAPHIC REF	PART NUMBER	QTY	PART NAME						SEE PAGE
					1	2	3	4	5	6 (PRODUCT LEVEL)	
	1	1	117-6356	2	STEP AS						
	2	1	122-9608	1	PEDAL - RUBBER						
	3	1	122-9609	1	PEDAL - RUBBER						
	4	1	235-8975	1	PEDAL AS						
	5	1	235-8976	1	PEDAL AS						
M	6	1	095-0728	2	SCREW-MACHINE (M4X0.7X12-MM)						
	7	1	096-6166	2	WASHER-HARD (4.5X9X1-MM THK)						
	8	1	8T-4121	12	WASHER-HARD (11X21X2.5-MM THK)						
M	9	1	8T-4136	4	BOLT (M10X1.5X25-MM)						
M	10	1	8T-4191	8	BOLT (M10X1.5X16-MM)						
	11	1	122-9610	2	STEP						
	12	1	142-5546	2	KNOB						
	13	1	170-9498	1	LEVER AS (RH)						
	14	1	170-9499	1	LEVER AS (LH)						

M-METRIC PART

OPERATOR STATION

235-8899 CONTROL GP-TRAVEL (contd.)

i02497561



GRAPHIC #1

<END>

g01072272

OPERATOR STATION

327-7482 CONTROL GP-UNPRGMED MONITOR

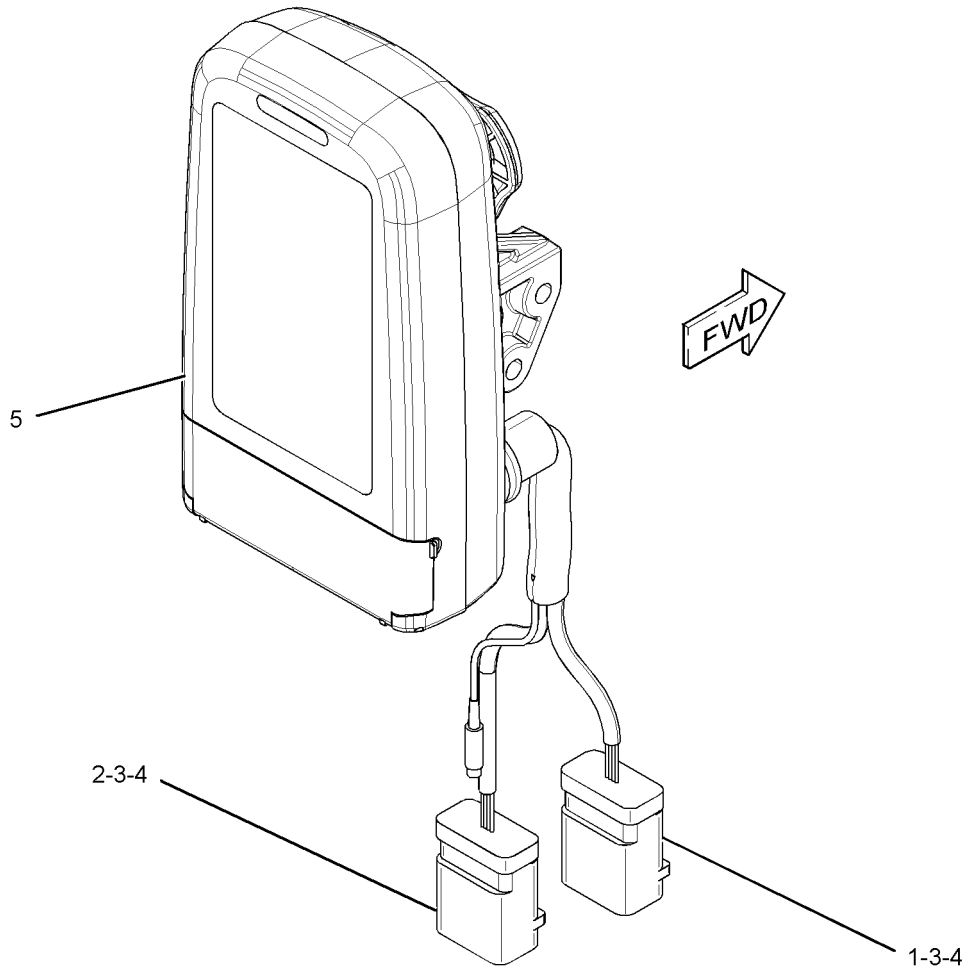
S/N: MMA1-UP

PART OF 221-8813 MONITOR & MTG GP-OPERATOR, 338-6921 SERVICE GP-MONITOR
ALSO AN ATTACHMENT

SMCS-7610

i03568432

NOTE	REF NO	GRAPHIC REF	PART NUMBER	QTY	PART NAME						SEE PAGE
					1	2	3	4	5	6 (PRODUCT LEVEL)	
1	1	1	247-2694	1	RECEPTACLE AS-CONNECTOR (12-PIN)						
2	1	1	247-2695	1	RECEPTACLE AS-CONNECTOR (12-PIN)						
3	1	1	144-1636	17	PIN-CONNECTOR (14-GA TO 18-GA)						
4	1	1	8T-8737	7	PLUG-SEAL						
5	1	1	327-7594	1	COVER AS-MONITOR						



GRAPHIC #1

<END>

g01733354

OPERATOR STATION

234-6501 COVER GP-CAB-REAR

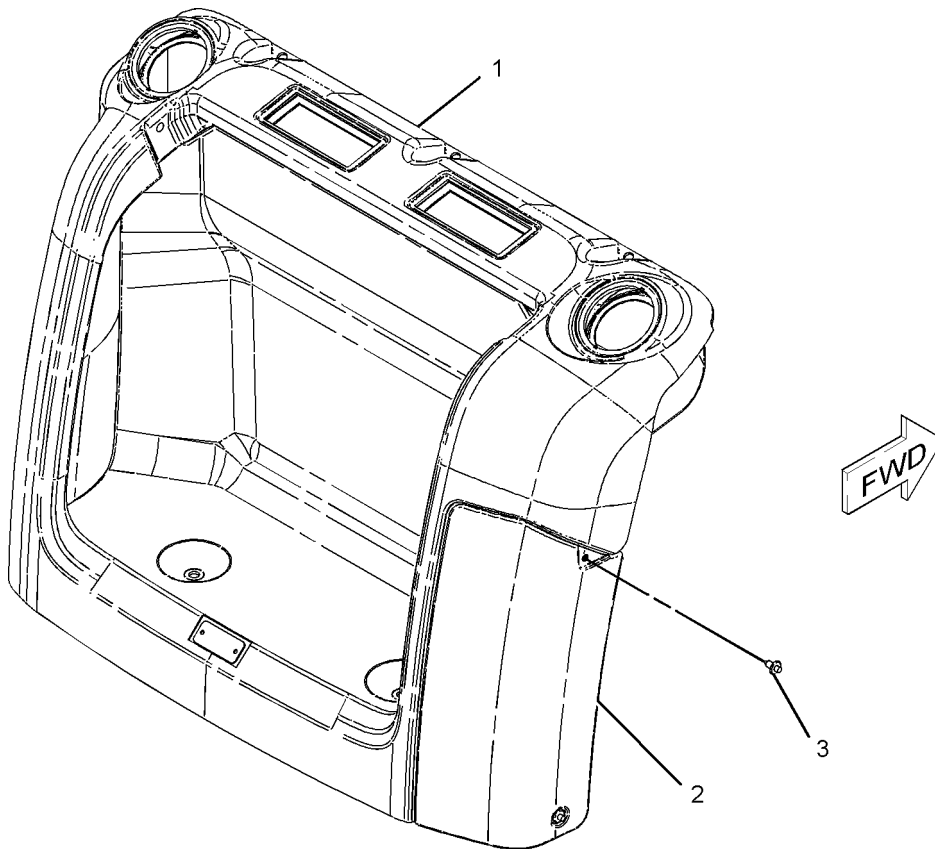
S/N: MMA1-UP

PART OF 225-5765 MOUNTING GP-CAB

SMCS-7301, 7308

i03636563

NOTE	REF NO	GRAPHIC REF	PART NUMBER	QTY	PART NAME						SEE PAGE
					1	2	3	4	5	6 (PRODUCT LEVEL)	
	1	1	234-6499	1	COVER AS						
	2	1	234-6502	1	COVER-ACCESS (FUSE-REAR PANEL)						
	3	1	234-6593	2	FASTENER						
					(USE WITH COVER WITH A 9-MM DIAMETER UPPER MOUNTING HOLE)						
					-OR-						
		1	245-7929	2	CLIP						
					(USE WITH COVER WITH A 7.6-MM DIAMETER UPPER MOUNTING HOLE)						



GRAPHIC #1

<END>

g01101423

OPERATOR STATION

249-0530 COVER GP-CAB-EXTERIOR, LH

S/N: MMA1-UP

PART OF 225-5752 OPERATOR AR

SMCS-7301, 7308

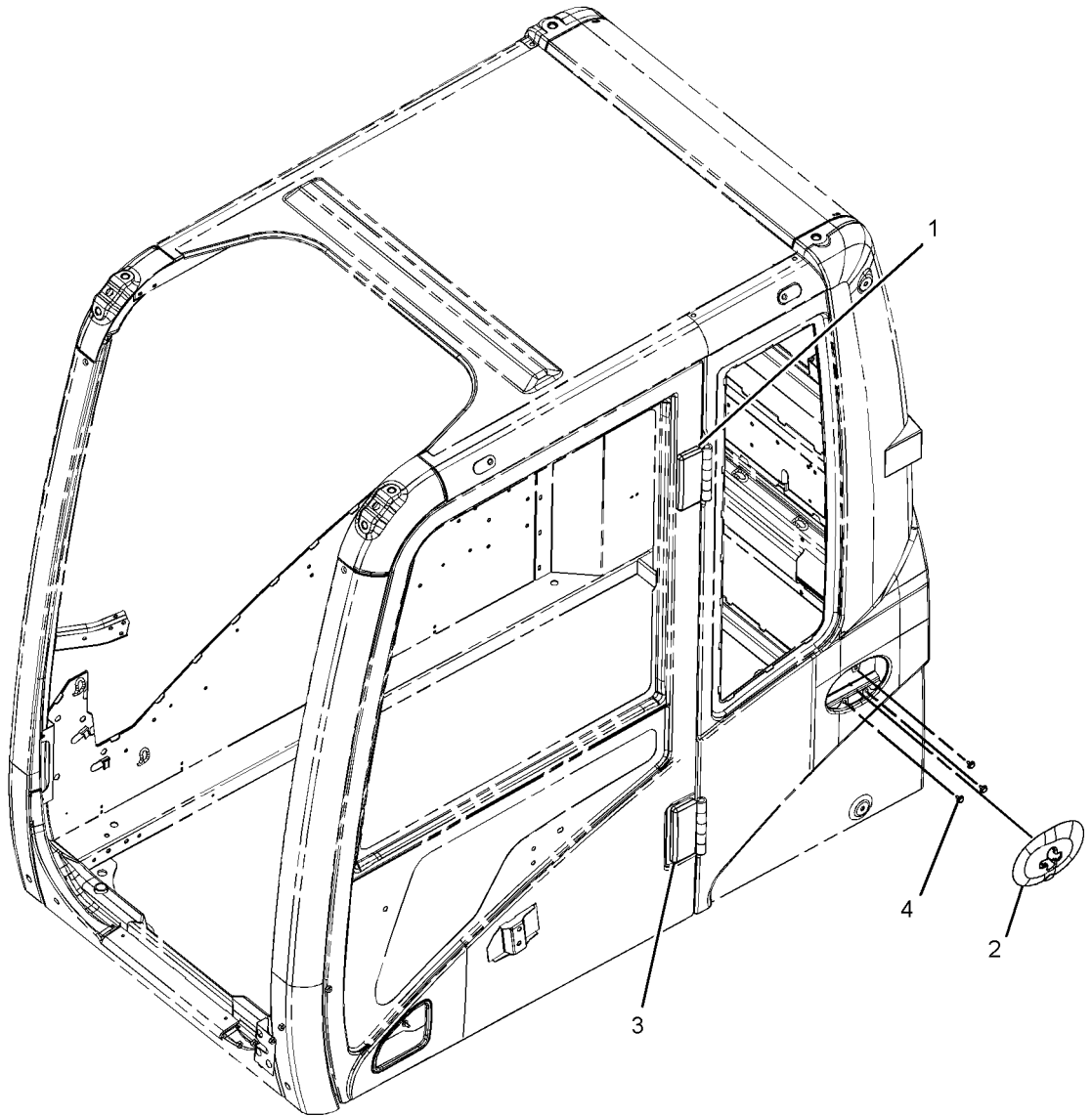
i02396287

NOTE	REF NO	GRAPHIC REF	PART NUMBER	QTY	PART NAME						SEE PAGE
					1	2	3	4	5	6 (PRODUCT LEVEL)	
	1	1	156-6643	1	COVER						
	2	1	176-1942	1	COVER						
	3	1	156-6644	1	COVER						
	4	1	4I-4392	3	CLIP						

OPERATOR STATION

249-0530 COVER GP-CAB (contd.)

i02396287



GRAPHIC #1

<END>

g01197922

OPERATOR STATION

234-6500 COVER GP-STORAGE-CAB, REAR

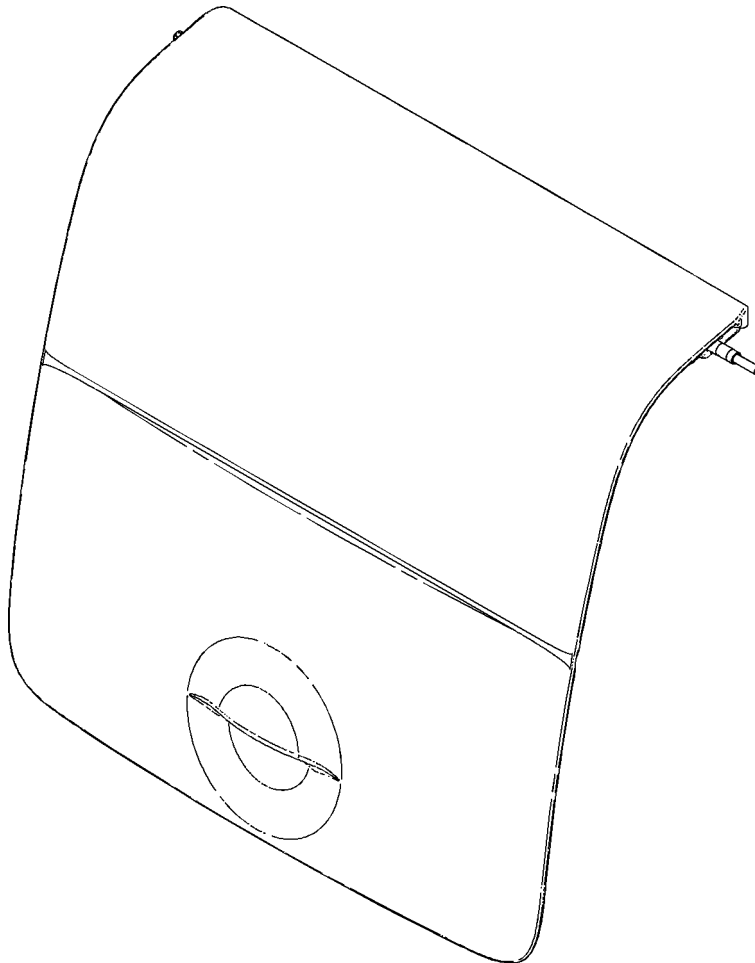
S/N: MMA1-UP

PART OF 265-7175 CONVERSION AR
AN ATTACHMENT

SMCS-7268

i02108928

NOTE	REF NO	GRAPHIC REF	PART NUMBER	QTY	PART NAME						SEE PAGE
					1	2	3	4	5	6 (PRODUCT LEVEL)	
(NO SERVICED PARTS)											



GRAPHIC #1

<END>

g01092876

OPERATOR STATION

189-2768 DOOR & MTG GP-CAB

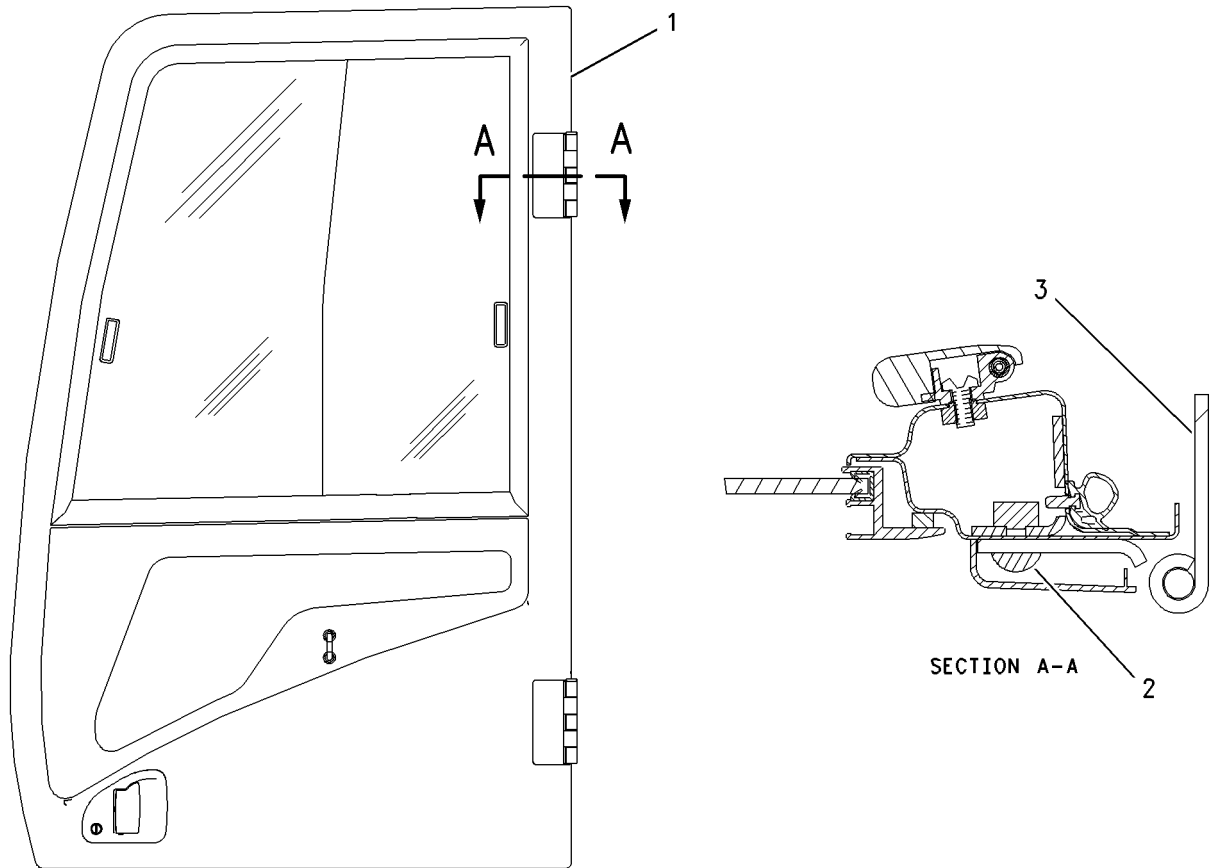
S/N: MMA1-UP
PART OF 237-2167, 237-3564 CAB AR
AN ATTACHMENT

SMCS-7308

i01898152

NOTE	REF NO	GRAPHIC REF	PART NUMBER	QTY	PART NAME						SEE PAGE
					1	2	3	4	5	6 (PRODUCT LEVEL)	
Y	1	1	139-7100	1	DOOR GP-CAB						1112
M	2	1	9X-2041	6	SCREW-TRUSS HEAD (M10X1.5X20-MM)						
	3	1	151-6777	2	HINGE						

M-METRIC PART
Y-SEPARATE ILLUSTRATION



RIGHT SIDE VIEW

GRAPHIC #1

<END>

g00987645

OPERATOR STATION

139-7100 DOOR GP-CAB

S/N: MMA1-UP
PART OF 189-2768 DOOR & MTG GP-CAB
AN ATTACHMENT
TYPE 1

SMCS-7308

i02026382

NOTE	REF NO	GRAPHIC REF	PART NUMBER	QTY	PART NAME						SEE PAGE
					1	2	3	4	5	6 (PRODUCT LEVEL)	
	1	1	151-6703	1	HANDLE - PULL						
	2	1	151-6704	2	CAP						
Y	3	1	151-6792	1	WINDOW GP-DOOR						1229
	4	1	156-6471	1	GLASS						
	5	1	156-6598	1	HOOK						
	6	1	156-6600	1	LOCK AS						
		1	164-0514	1	CLIP						
		1	164-0519	1	CLIP						
	7	1	156-6645	1	HANDLE AS						
		1	201-4391	1	CLIP						
	8	1	161-3639	1	HANDLE AS						
	9	1	161-3650	1	COVER AS						
	10	1	161-3663	1	SEAL AS						
		1	151-9497	45	CLIP						
	11	1	161-3665	1	SEAL						
	12	1	161-3699	1	COVER						
	13	1	164-0515	1	JOINT						
	14	1	167-7039	1	GROMMET						
M	15	1	119-8338	4	SCREW (M6X1X20-MM)						
M	16	1	5C-7423	3	SCREW (M6X1X16-MM)						
	17	1	9M-1974	6	WASHER-HARD (8.8X16X2-MM THK)						
M	18	1	9X-2044	10	SCREW-TRUSS HEAD (M6X1X16-MM)						
	19	1	189-2690	1	HANDLE AS						
	20	1	220-4080	2	SCREW						
	21	1	4I-4286	1	KNOB						
M	22	1	5C-7261	2	NUT (M8X1.25-THD)						

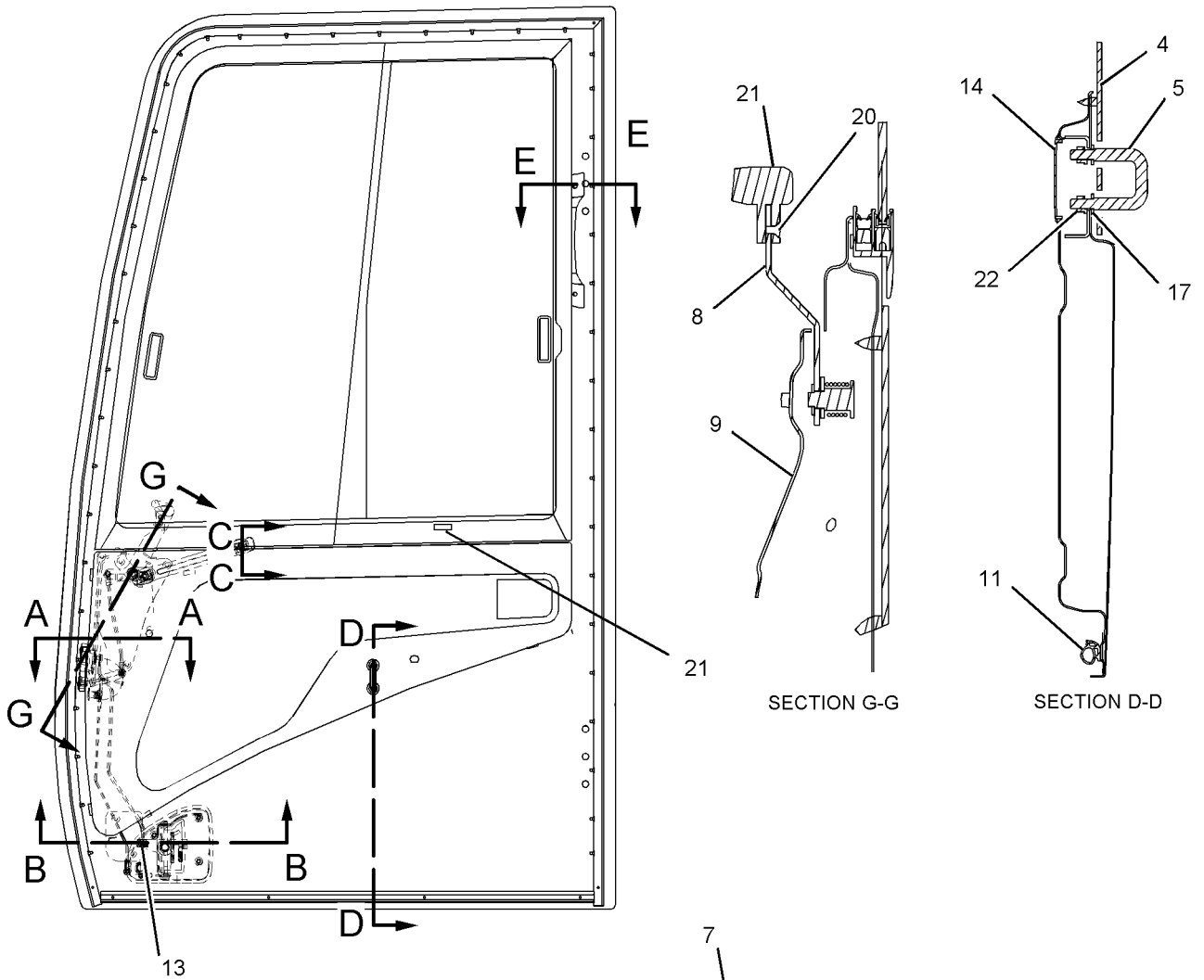
M-METRIC PART

Y-SEPARATE ILLUSTRATION

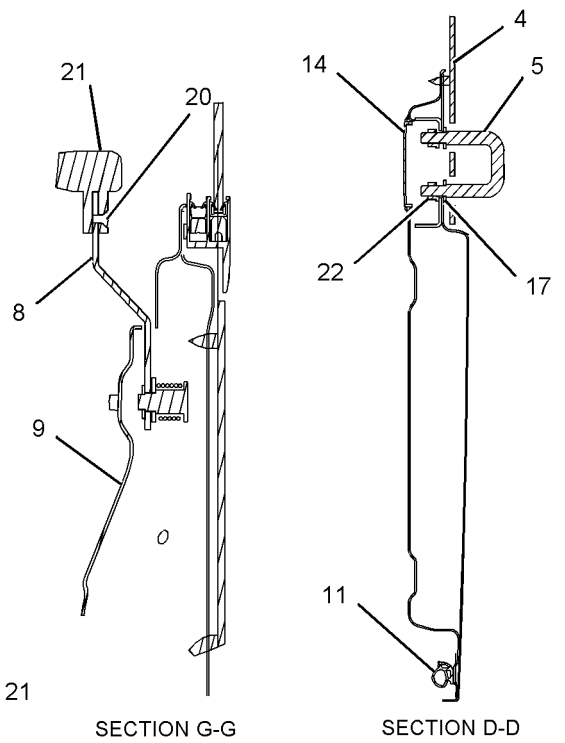
OPERATOR STATION

139-7100 DOOR GP-CAB (contd.)

i02026382

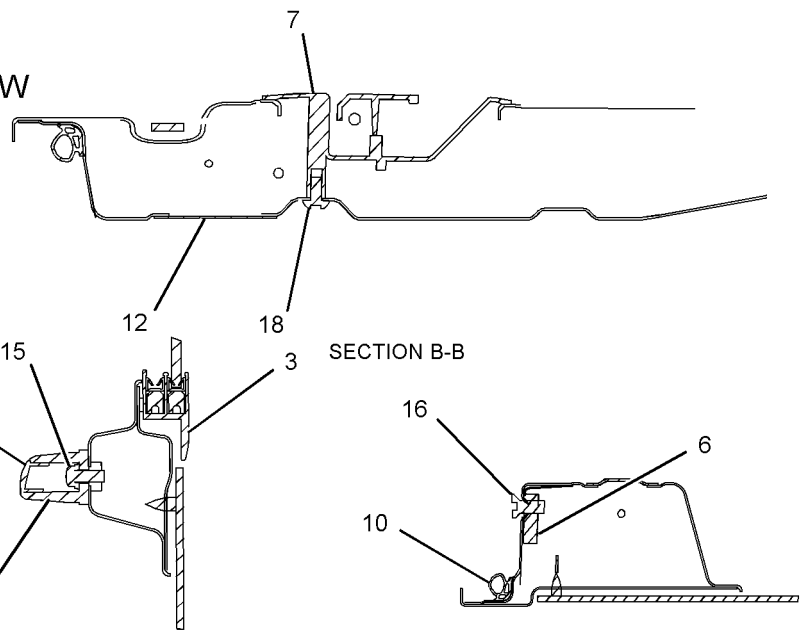


LEFT SIDE VIEW



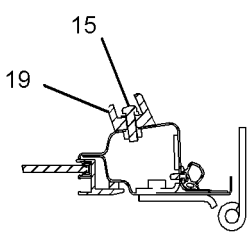
SECTION G-G

SECTION D-D

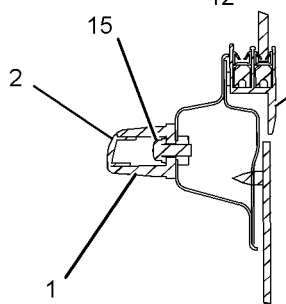


SECTION B-B

SECTION A-A



SECTION E-E



SECTION C-C
<END>

GRAPHIC #1

g01048856

OPERATOR STATION

139-7100 DOOR GP-CAB

S/N: MMA1-UP

PART OF 189-2768 DOOR & MTG GP-CAB

AN ATTACHMENT

TYPE 2

SMCS-7308

i03478305

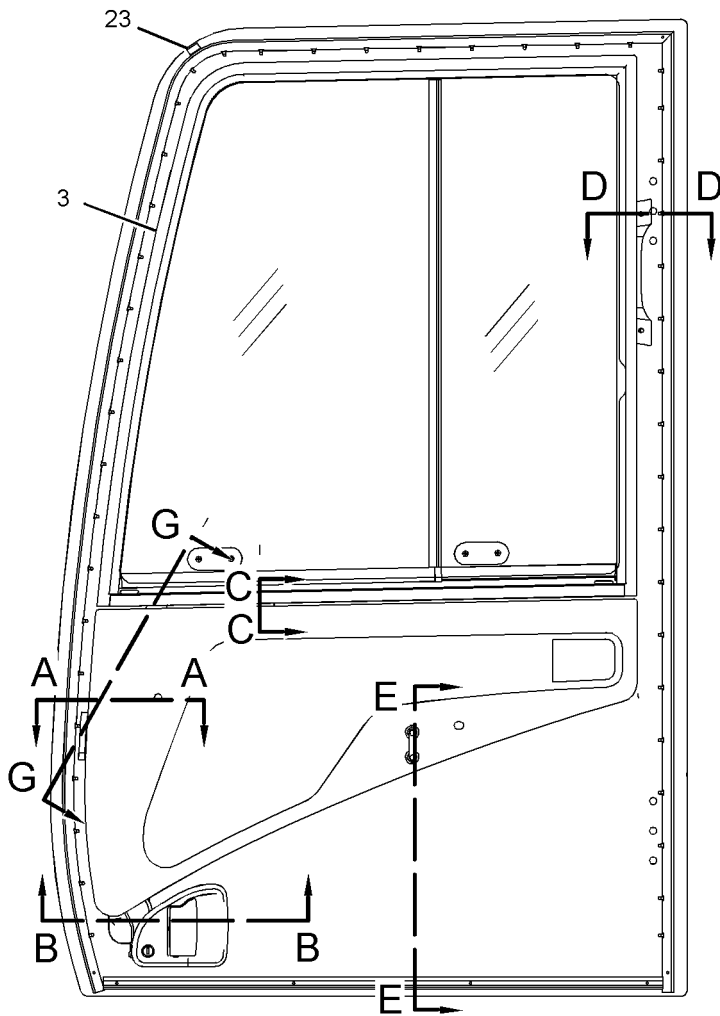
NOTE	REF NO	GRAPHIC REF	PART NUMBER	QTY	PART NAME						SEE PAGE
					1	2	3	4	5	6 (PRODUCT LEVEL)	
	1	1	327-6579	1	HANDLE - PULL						
CY	3	1	286-8861	1	WINDOW GP-DOOR						1230
	4	2	156-6471	1	GLASS						
	5	2	156-6598	1	HOOK						
	6	1	156-6600	1	LOCK AS						
		1	164-0514	1	CLIP						
		1	164-0519	1	CLIP						
	7	1	156-6645	1	HANDLE AS						
		1	201-4391	1	CLIP						
J	8	2	161-3639	1	HANDLE AS						
	9	2	161-3650	1	COVER AS						
	10	1	161-3663	1	SEAL AS						
		1	151-9497	45	CLIP						
	11	2	161-3665	1	SEAL						
	12	1	161-3699	1	COVER						
	13	2	164-0515	1	JOINT						
	14	2	167-7039	1	GROMMET						
M	15	1	119-8338	4	SCREW (M6X1X20-MM)						
M	16	1	5C-7423	3	SCREW (M6X1X16-MM)						
	17	2	8T-4224	6	WASHER-HARD (8.8X16X2-MM THK)						
M	18	1,2	9X-2042	10	SCREW-TRUSS HEAD (M6X1X12-MM)						
	19	1	189-2690	1	HANDLE AS						
	20	2	220-4080	2	SCREW						
	21	2	4I-4286	1	KNOB						
M	22	2	5C-7261	2	NUT (M8X1.25-THD)						
	23	1	315-8672	1	BUMPER						

C-CHANGE FROM PREVIOUS TYPE
 J-REQUIRES CORPORATE KEY
 M-METRIC PART
 Y-SEPARATE ILLUSTRATION

OPERATOR STATION

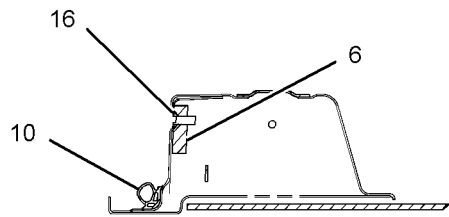
139-7100 DOOR GP-CAB (contd.)

i03478305

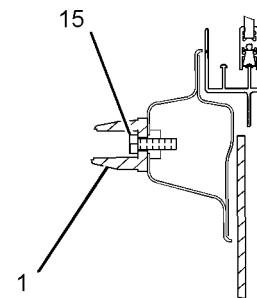


LEFT SIDE VIEW

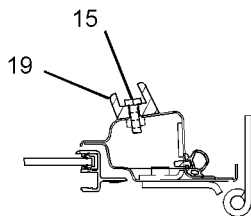
REFER TO ALL ILLUSTRATIONS OF THIS GROUP FOR AUXILIARY VIEWS



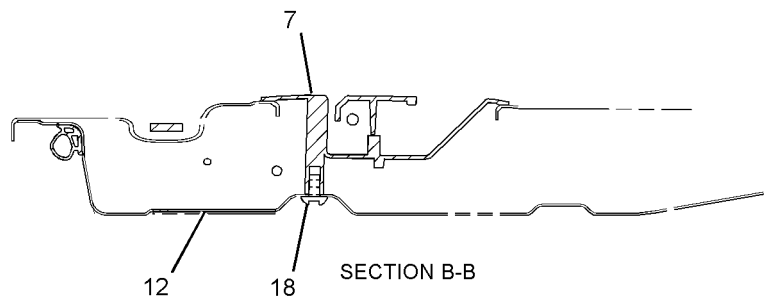
SECTION A-A



SECTION C-C



SECTION D-D



SECTION B-B

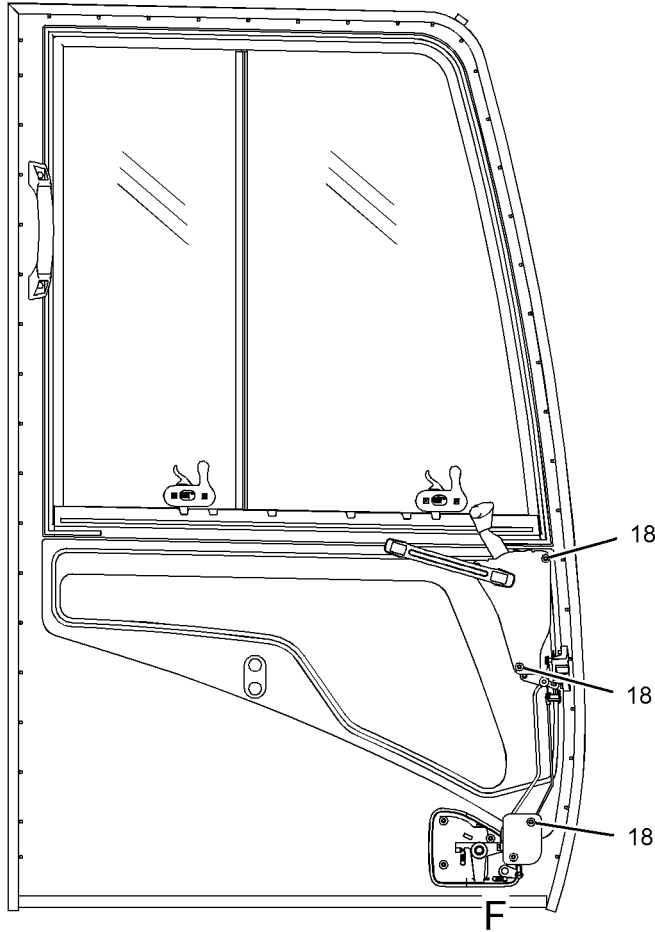
GRAPHIC #1

g01742733

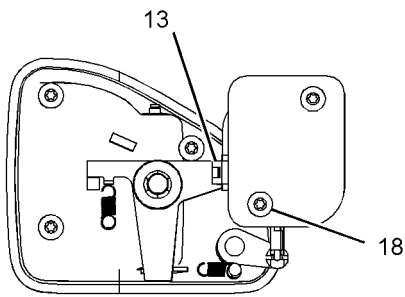
OPERATOR STATION

139-7100 DOOR GP-CAB (contd.)

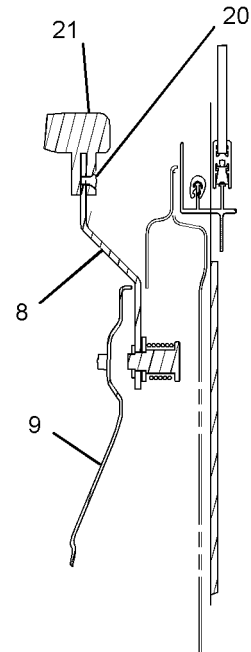
i03478305



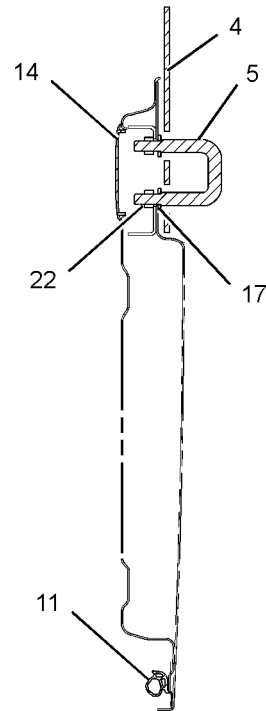
RIGHT SIDE VIEW



VIEW OF AREA F



SECTION G-G



SECTION E-E

GRAPHIC #2

<END>

g01431161

OPERATOR STATION

176-1964 DOOR GP-CAB

S/N: MMA1-UP

PART OF 189-2793 DOOR GP-CAB

AN ATTACHMENT

TYPE 1

SMCS-7308

i02579173

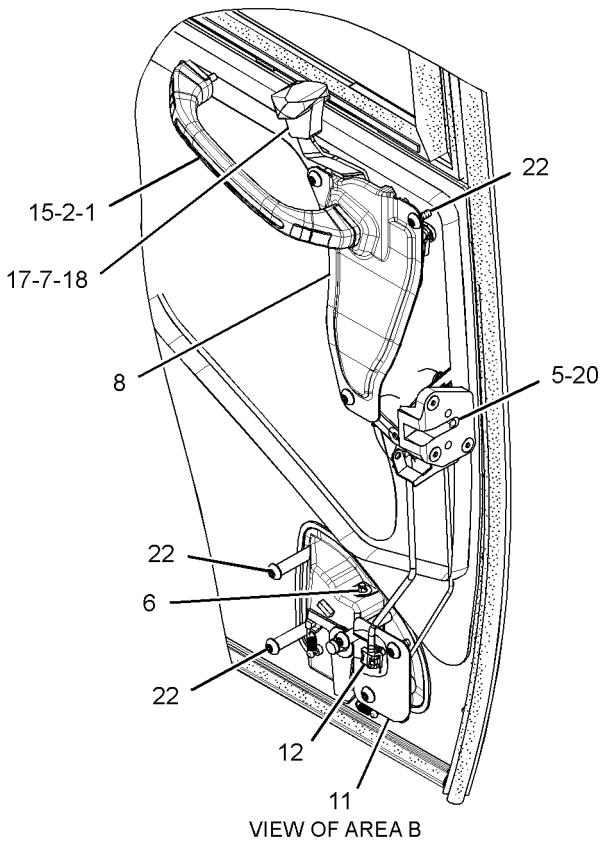
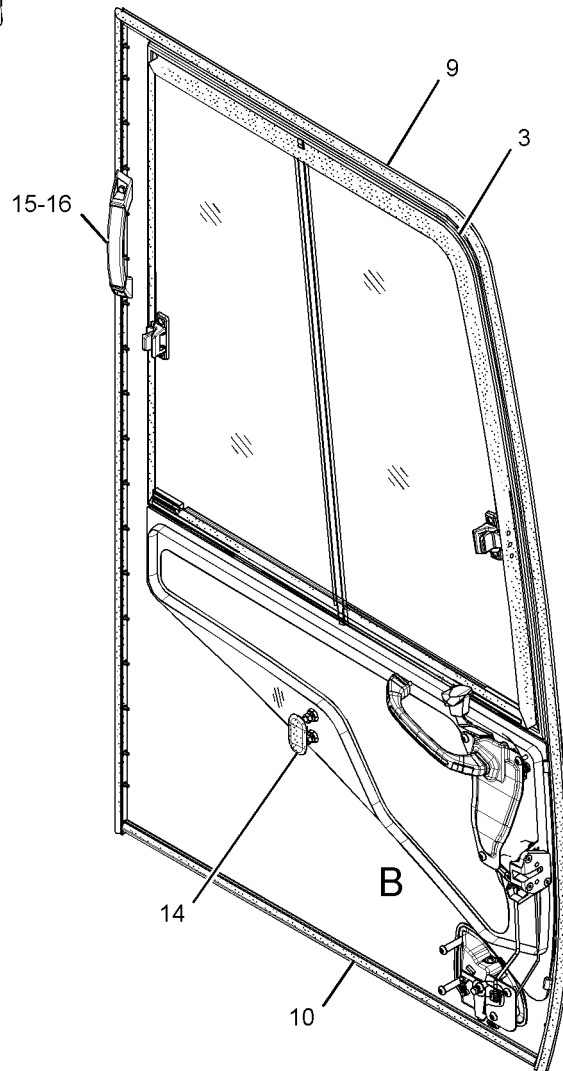
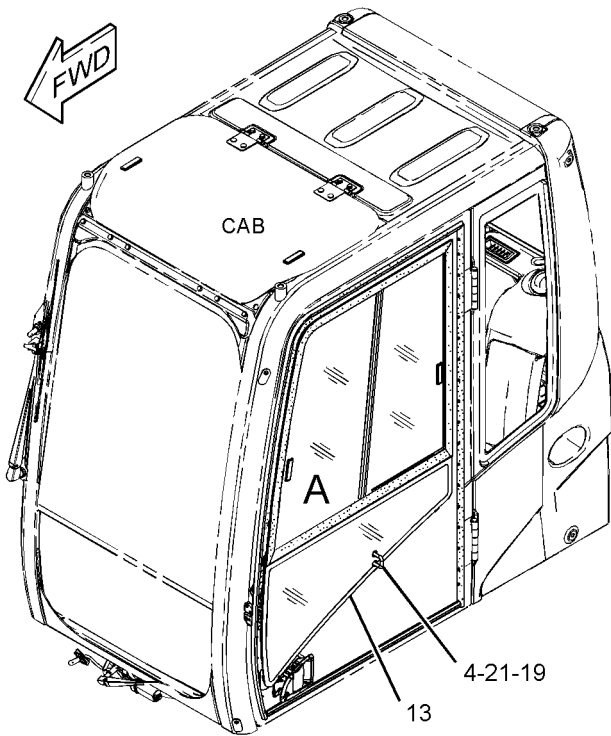
NOTE	REF NO	GRAPHIC REF	PART NUMBER	QTY	PART NAME						SEE PAGE
					1	2	3	4	5	6 (PRODUCT LEVEL)	
	1	1	151-6703	1	HANDLE - PULL						
	2	1	151-6704	2	CAP						
Y	3	1	151-6792	1	WINDOW GP-DOOR						1229
	4	1	156-6598	1	HOOK						
	5	1	156-6600	1	LOCK AS						
		1	164-0514	1	CLIP						
		1	164-0519	1	CLIP						
	6	1	156-6645	1	HANDLE AS						
		1	201-4391	1	CLIP						
	7	1	161-3639	1	HANDLE AS						
	8	1	161-3650	1	COVER AS						
	9	1	161-3663	1	SEAL AS						
		1	151-9497	45	CLIP						
	10	1	161-3665	1	SEAL						
C	11	1	161-3699	1	COVER						
	12	1	164-0515	1	JOINT						
	13	1	167-7038	1	GLASS						
	14	1	167-7039	1	GROMMET						
CM	15	1	119-8338	4	SCREW (M6X1X20-MM)						
	16	1	189-2690	1	HANDLE AS						
C	17	1	220-4080	2	SCREW						
	18	1	4I-4286	1	KNOB						
CM	19	1	5C-7261	2	NUT (M8X1.25-THD)						
CM	20	1	5C-7423	3	SCREW (M6X1X16-MM)						
C	21	1	9M-1974	6	WASHER-HARD (8.8X16X2-MM THK)						
M	22	1	9X-2044	10	SCREW-TRUSS HEAD (M6X1X16-MM)						

C-CHANGE FROM PREVIOUS TYPE
M-METRIC PART
Y-SEPARATE ILLUSTRATION

OPERATOR STATION

176-1964 DOOR GP-CAB (contd.)

i02579173



VIEW OF AREA A

GRAPHIC #1

<END>

g01362574

OPERATOR STATION

176-1964 DOOR GP-CAB

S/N: MMA1-UP

PART OF 189-2793 DOOR GP-CAB

AN ATTACHMENT

TYPE 2

SMCS-7308

i02861863

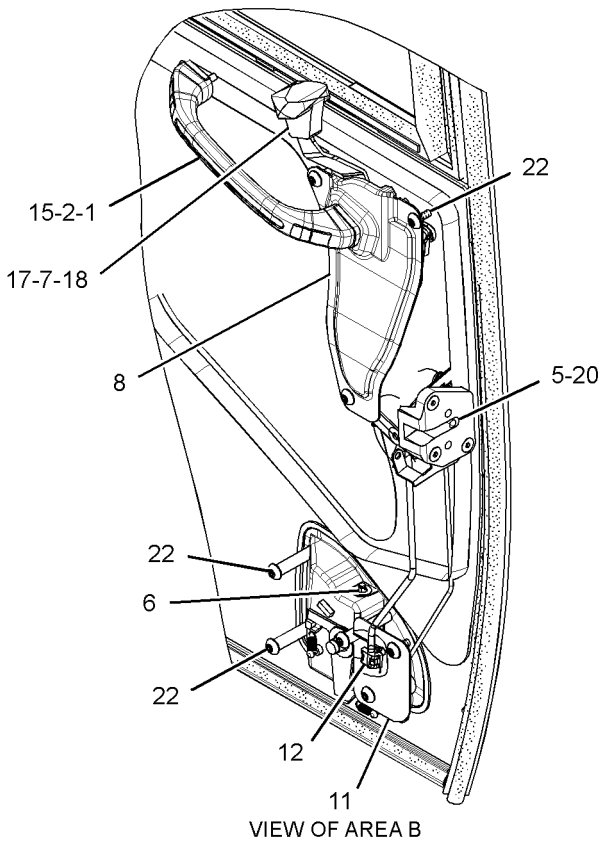
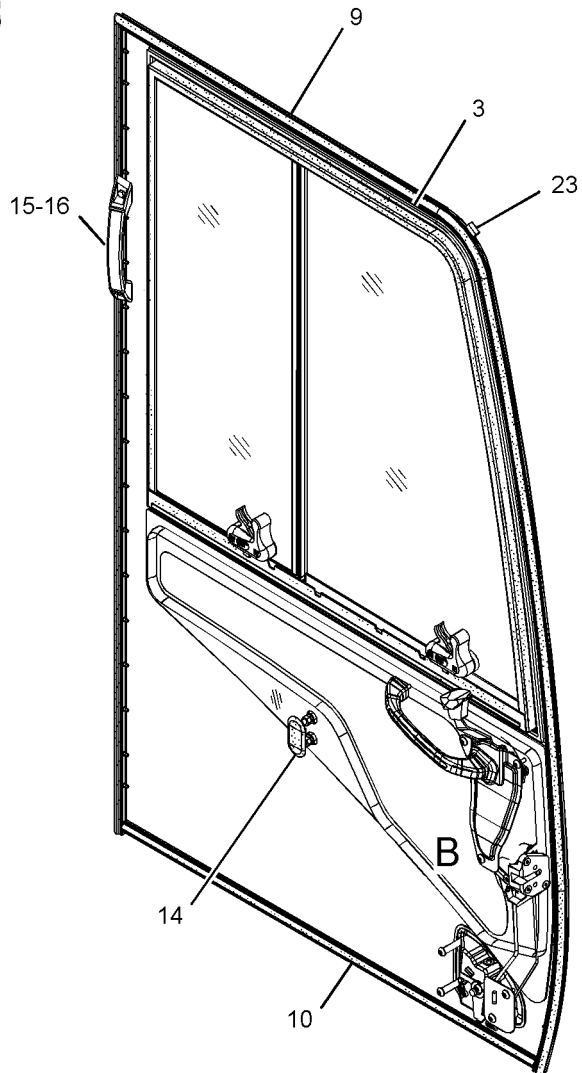
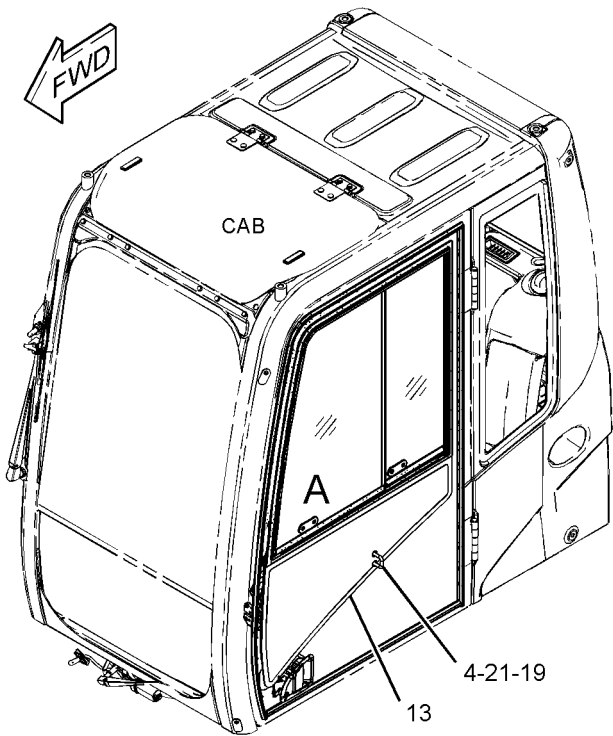
NOTE	REF NO	GRAPHIC REF	PART NUMBER	QTY	PART NAME						SEE PAGE
					1	2	3	4	5	6 (PRODUCT LEVEL)	
	1	1	151-6703	1	HANDLE - PULL						
	2	1	151-6704	2	CAP						
CY	3	1	286-8861	1	WINDOW GP-DOOR						1230
	4	1	156-6598	1	HOOK						
J	5	1	156-6600	1	LOCK AS						
		1	164-0514	1	CLIP						
		1	164-0519	1	CLIP						
	6	1	156-6645	1	HANDLE AS						
		1	201-4391	1	CLIP						
	7	1	161-3639	1	HANDLE AS						
	8	1	161-3650	1	COVER AS						
	9	1	161-3663	1	SEAL AS						
		1	151-9497	45	CLIP						
	10	1	161-3665	1	SEAL						
	11	1	161-3699	1	COVER						
	12	1	164-0515	1	JOINT						
	13	1	167-7038	1	GLASS						
	14	1	167-7039	1	GROMMET						
M	15	1	119-8338	4	SCREW (M6X1X20-MM)						
	16	1	189-2690	1	HANDLE AS						
	17	1	220-4080	2	SCREW						
	18	1	4I-4286	1	KNOB						
M	19	1	5C-7261	2	NUT (M8X1.25-THD)						
M	20	1	5C-7423	3	SCREW (M6X1X16-MM)						
	21	1	9M-1974	6	WASHER-HARD (8.8X16X2-MM THK)						
M	22	1	9X-2044	10	SCREW-TRUSS HEAD (M6X1X16-MM)						
	23	1	315-8672	1	BUMPER						

C-CHANGE FROM PREVIOUS TYPE
 J-REQUIRES CORPORATE KEY
 M-METRIC PART
 Y-SEPARATE ILLUSTRATION

OPERATOR STATION

176-1964 DOOR GP-CAB (contd.)

i02861863



VIEW OF AREA A 

GRAPHIC #1

<END>

g01427008

OPERATOR STATION

176-1964 DOOR GP-CAB

S/N: MMA1-UP

PART OF 189-2793 DOOR GP-CAB

AN ATTACHMENT

TYPE 3

SMCS-7308

i03434842

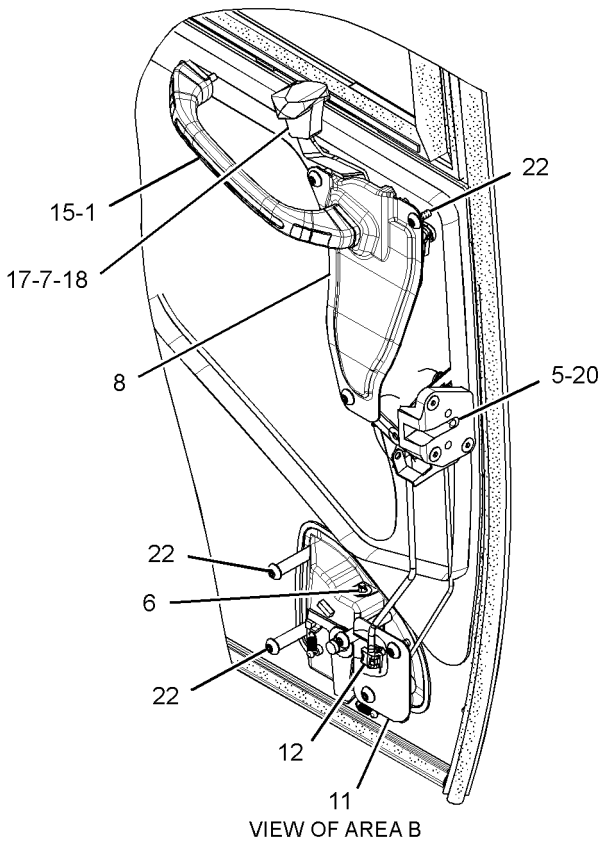
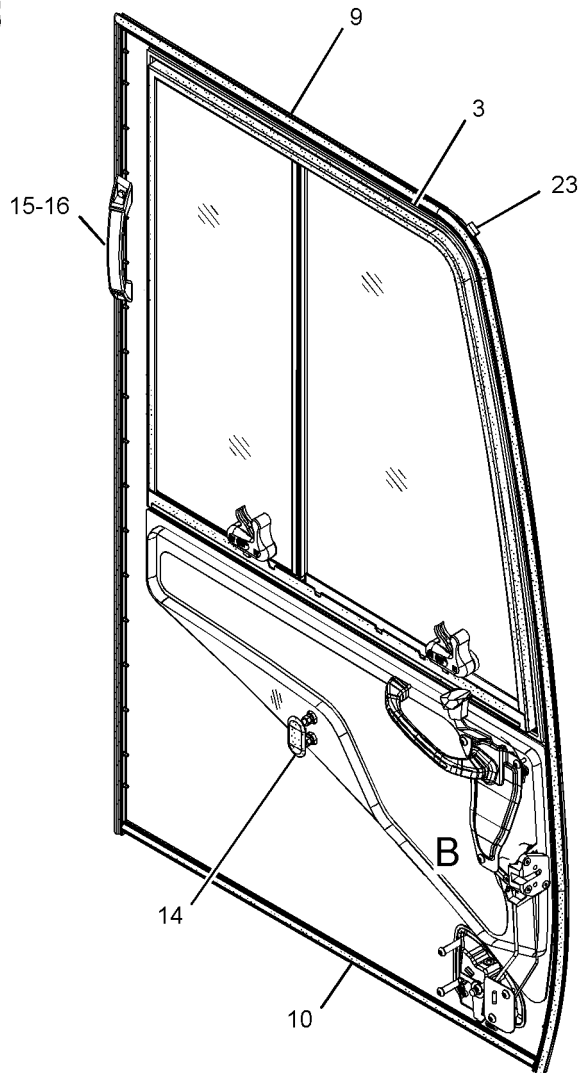
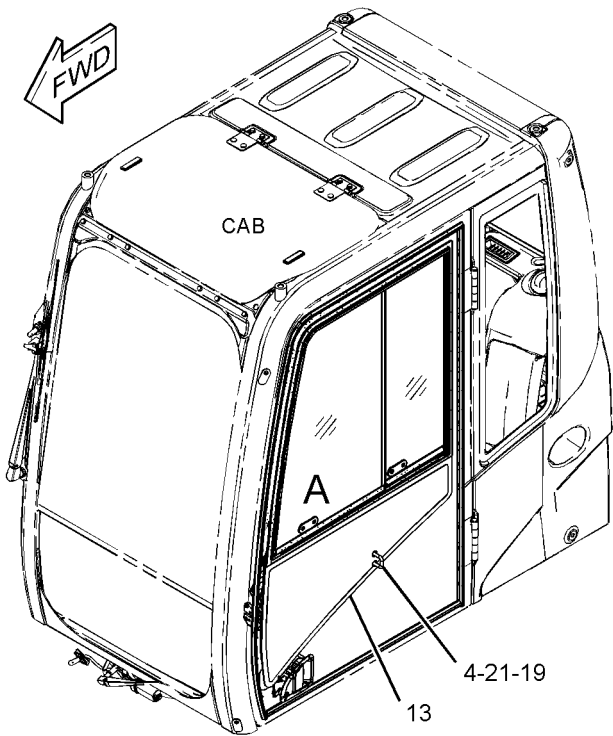
NOTE	REF NO	GRAPHIC REF	PART NUMBER	QTY	PART NAME						SEE PAGE
					1	2	3	4	5	6 (PRODUCT LEVEL)	
C	1	1	327-6579	1	HANDLE - PULL						
Y	3	1	286-8861	1	WINDOW GP-DOOR						1230
	4	1	156-6598	1	HOOK						
J	5	1	156-6600	1	LOCK AS						
		1	164-0514	1	CLIP						
		1	164-0519	1	CLIP						
	6	1	156-6645	1	HANDLE AS						
		1	201-4391	1	CLIP						
	7	1	161-3639	1	HANDLE AS						
	8	1	161-3650	1	COVER AS						
	9	1	161-3663	1	SEAL AS						
		1	151-9497	45	CLIP						
	10	1	161-3665	1	SEAL						
	11	1	161-3699	1	COVER						
	12	1	164-0515	1	JOINT						
	13	1	156-6471	1	GLASS						
	14	1	167-7039	1	GROMMET						
M	15	1	119-8338	4	SCREW (M6X1X20-MM)						
	16	1	189-2690	1	HANDLE AS						
	17	1	220-4080	2	SCREW						
	18	1	4I-4286	1	KNOB						
M	19	1	5C-7261	2	NUT (M8X1.25-THD)						
M	20	1	5C-7423	3	SCREW (M6X1X16-MM)						
	21	1	9M-1974	6	WASHER-HARD (8.8X16X2-MM THK)						
M	22	1	9X-2044	10	SCREW-TRUSS HEAD (M6X1X16-MM)						
	23	1	315-8672	1	BUMPER						

C-CHANGE FROM PREVIOUS TYPE
 J-REQUIRES CORPORATE KEY
 M-METRIC PART
 Y-SEPARATE ILLUSTRATION

OPERATOR STATION

176-1964 DOOR GP-CAB (contd.)

i03434842



VIEW OF AREA A 

GRAPHIC #1

<END>

g01742735

OPERATOR STATION

189-2793 DOOR GP-CAB

S/N: MMA1-UP

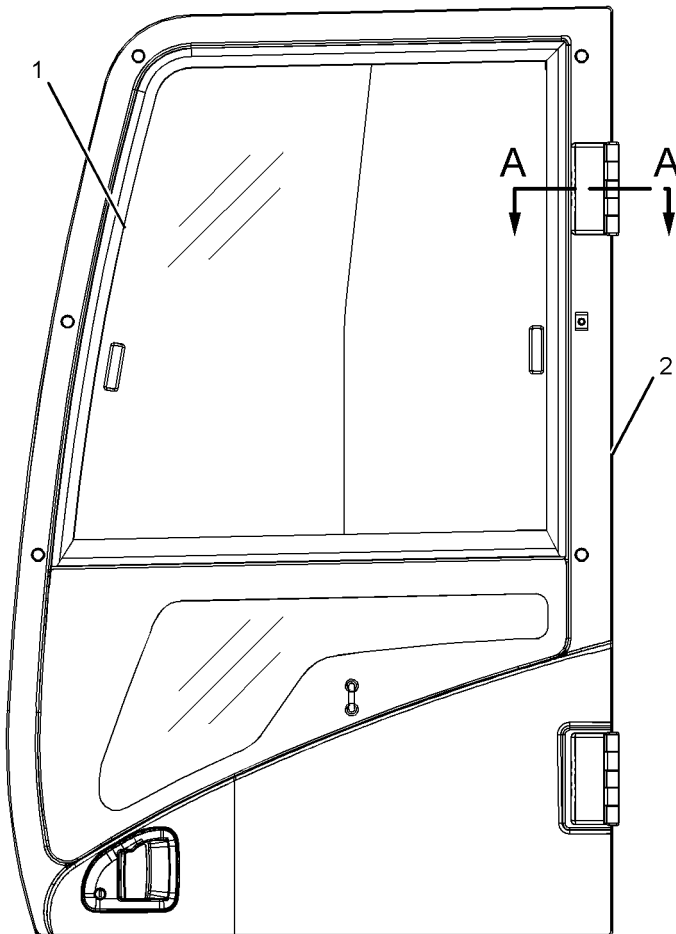
PART OF 237-3564 CAB AR
AN ATTACHMENT

SMCS-7308

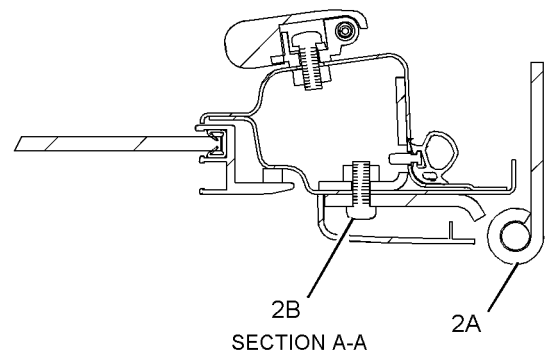
i02518082

NOTE	REF NO	GRAPHIC REF	PART NUMBER	QTY	PART NAME						SEE PAGE
					1	2	3	4	5	6 (PRODUCT LEVEL)	
Y	1	1	176-1964	1	DOOR GP-CAB						1117
	2	1	189-2796	1	DOOR AS						
	2A	1	151-6777	2	HINGE						
M	2B	1	9X-2041	6	SCREW-TRUSS HEAD (M10X1.5X20-MM)						

M-METRIC PART
Y-SEPARATE ILLUSTRATION



LEFT SIDE VIEW



SECTION A-A

GRAPHIC #1

<END>

g01121662

OPERATOR STATION

229-9082 DUCT GP-CAB AIR

S/N: MMA1-UP

PART OF 235-9003 AIR CONDITIONER AR
AN ATTACHMENT

SMCS-734D

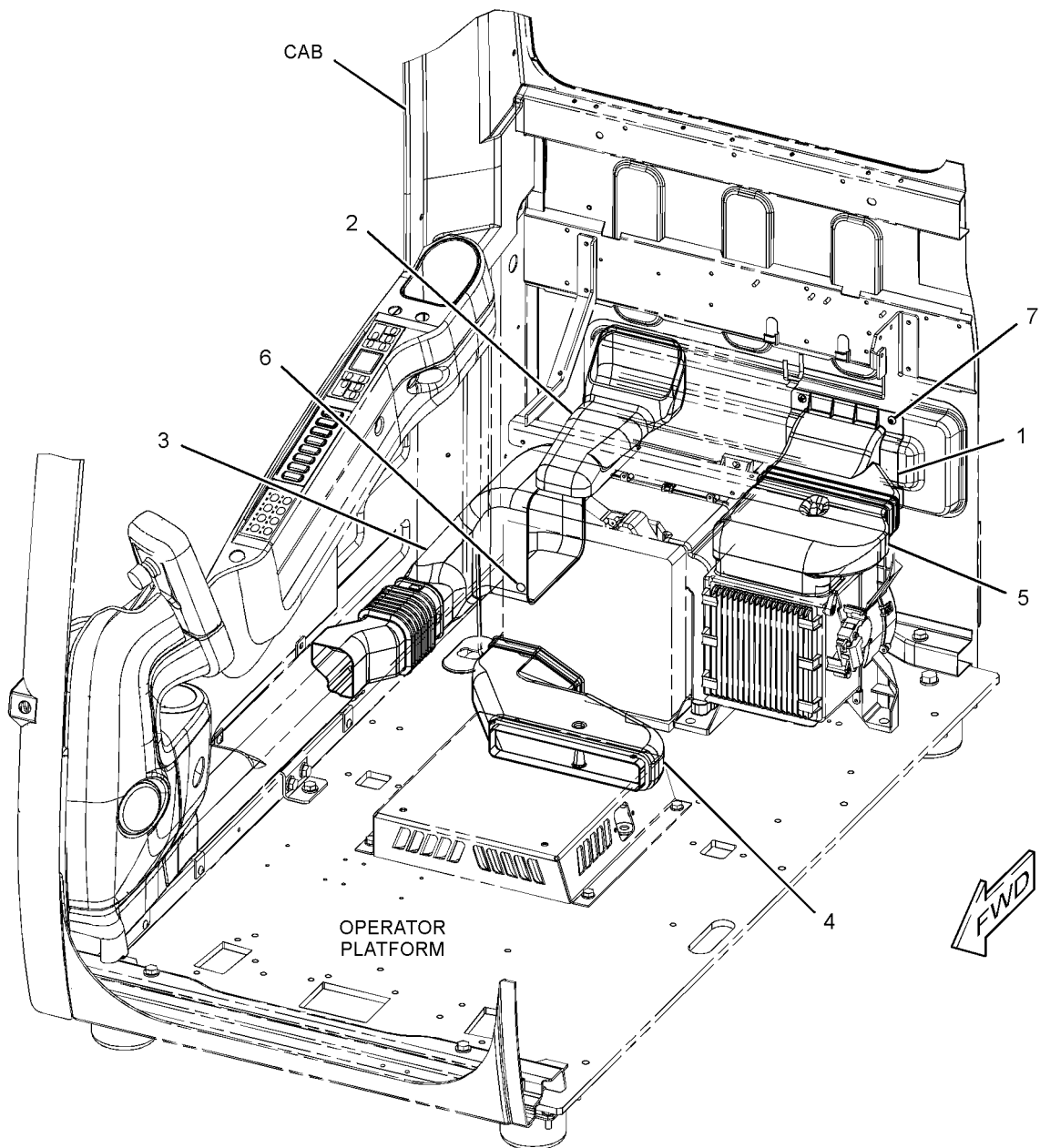
i02623568

NOTE	REF NO	GRAPHIC REF	PART NUMBER	QTY	PART NAME						SEE PAGE
					1	2	3	4	5	6 (PRODUCT LEVEL)	
	1	1	235-8876	1	DUCT AS (FRESH AIR, UPPER)						
		1	245-7872	1	INSULATOR						
	2	1	235-8877	1	DUCT AS (VENT, REAR)						
		1	245-7792	1	INSULATOR						
	3	1	235-8878	1	DUCT AS (VENT, FRONT)						
		1	245-7793	1	INSULATOR						
	4	1	235-8879	1	DUCT AS (FLOOR)						
		1	245-7873	1	INSULATOR						
	5	1	240-5074	1	DUCT AS (FRESH AIR, LOWER)						
		1	245-7791	1	INSULATOR						
	6	1	176-1996	3	CLIP						
M	7	1	9X-2044	4	SCREW-TRUSS HEAD (M6X1X16-MM)						
M-METRIC PART											

OPERATOR STATION

229-9082 DUCT GP-CAB AIR (contd.)

i02623568



GRAPHIC #1

<END>

g01204249

OPERATOR STATION

249-7109 GUARD AR-OVERHEAD

S/N: MMA1-UP
AN ATTACHMENT

SMCS-7159

i02669553

NOTE	PART NUMBER	QTY	PART NAME						SEE PAGE
			1	2	3	4	5	6 (PRODUCT LEVEL)	
Y	194-3259	1	GUARD GP-OVERHEAD						1128
Y	249-7108	1	HANDRAIL GP (CAB)						470
Y	252-1242	1	LIGHTING GP-FLOOD (CAB GUARD)						314
	249-7887	2	SPACER						

Y-SEPARATE ILLUSTRATION

<END>

250-0712 GUARD AR-OVERHEAD-WINDOW

S/N: MMA1-UP
PART OF 265-7177 SHOVEL AR-FRONT
AN ATTACHMENT

SMCS-7159

i02109521

NOTE	PART NUMBER	QTY	PART NAME						SEE PAGE
			1	2	3	4	5	6 (PRODUCT LEVEL)	
Y	194-3259	1	GUARD GP-OVERHEAD						1128
Y	253-9224	1	GUARD GP-WINDOW						1130
Y	252-1242	1	LIGHTING GP-FLOOD (CAB GUARD)						314

Y-SEPARATE ILLUSTRATION

<END>

OPERATOR STATION

164-0535 GUARD GP-FRONT WINDOW

S/N: MMA1-UP

CANNOT BE USED WITH 250-0712-PAGE 1126, 249-7109-PAGE 1126, 249-7107-
PAGE 1161

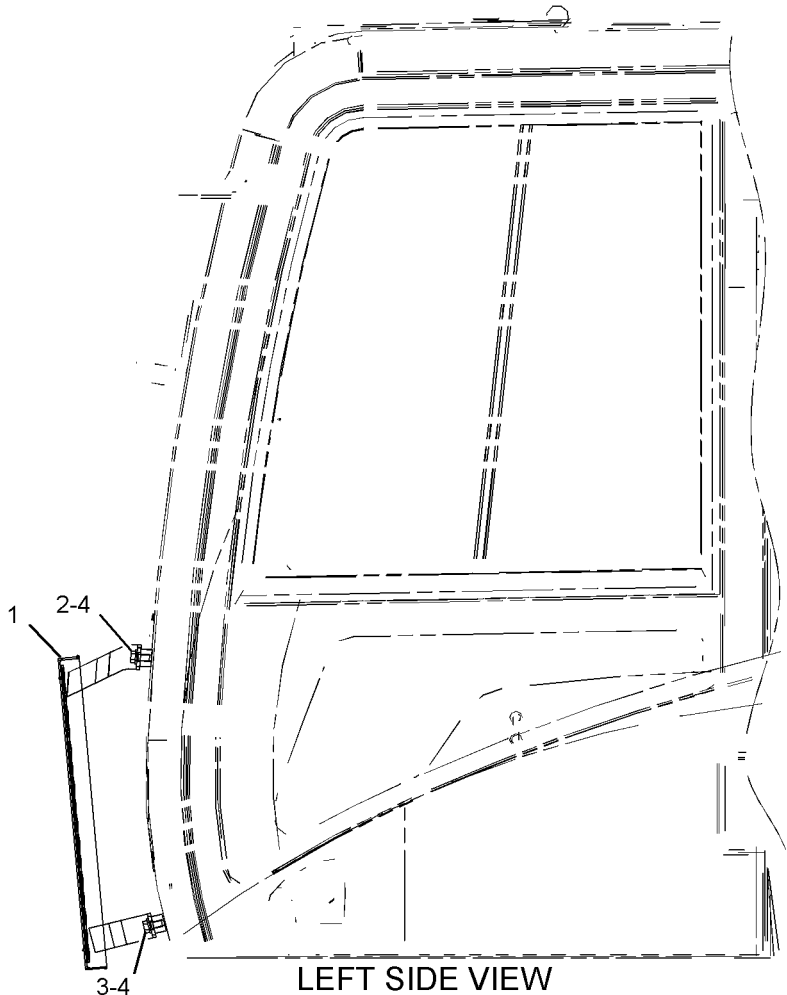
AN ATTACHMENT

SMCS-7182, 7315

i02220186

NOTE	REF NO	GRAPHIC REF	PART NUMBER	QTY	PART NAME						SEE PAGE
					1	2	3	4	5	6 (PRODUCT LEVEL)	
	1	1	262-0662	1	FRAME AS						
M	2	1	8T-4136	3	BOLT (M10X1.5X25-MM)						
M	3	1	8T-4196	1	BOLT (M10X1.5X35-MM)						
	4	1	8T-4223	4	WASHER-HARD (13.5X25.5X3-MM THK)						

M-METRIC PART



GRAPHIC #1

<END>

g01123827

OPERATOR STATION

194-3259 GUARD GP-OVERHEAD

S/N: MMA1-UP

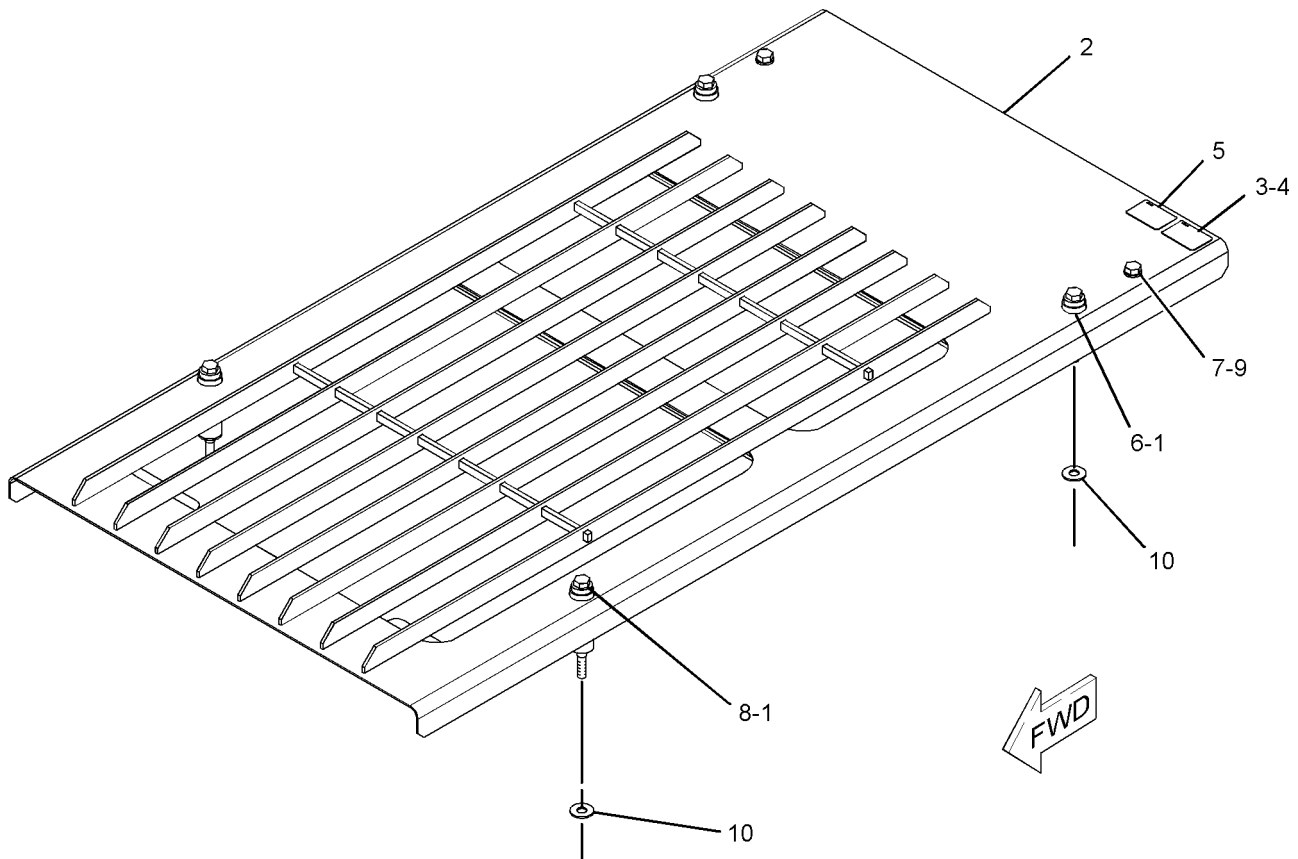
PART OF 249-7109, 250-0712 GUARD AR-OVERHEAD
AN ATTACHMENT

SMCS-7159

i02957719

NOTE	REF NO	GRAPHIC REF	PART NUMBER	QTY	PART NAME						SEE PAGE
					1	2	3	4	5	6 (PRODUCT LEVEL)	
	1	1	6C-8787	4	TUBE						
	2	1	193-2153	1	GUARD AS						
	3	1	227-1086	1	FILM-WARNING (TOP GUARD, READ OMM)						
					-OR-						
	4	1	266-0545	1	FILM-WARNING (TOP GUARD, READ OMM)						
	5	1	219-0305	1	FILM-WARNING (NO WELD, NO DRILL, READ OMM)						
M	6	1	7X-2475	2	BOLT (M16X2X130-MM)						
M	7	1	7X-2552	2	BOLT (M16X2X30-MM)						
M	8	1	7Y-5227	2	BOLT (M16X2X190-MM)						
	9	1	9X-8257	2	WASHER (17.5X30X3.5-MM THK)						
J	10	1	090-8865	3	SPACER (17X40X3-MM THK)						

J - REQUIRED WHEN USED WITH CONTROL AR 303-2723
M - METRIC PART



GRAPHIC #1

<END>

g01526143

OPERATOR STATION

254-1982 GUARD GP-OVERHEAD

S/N: MMA1-UP

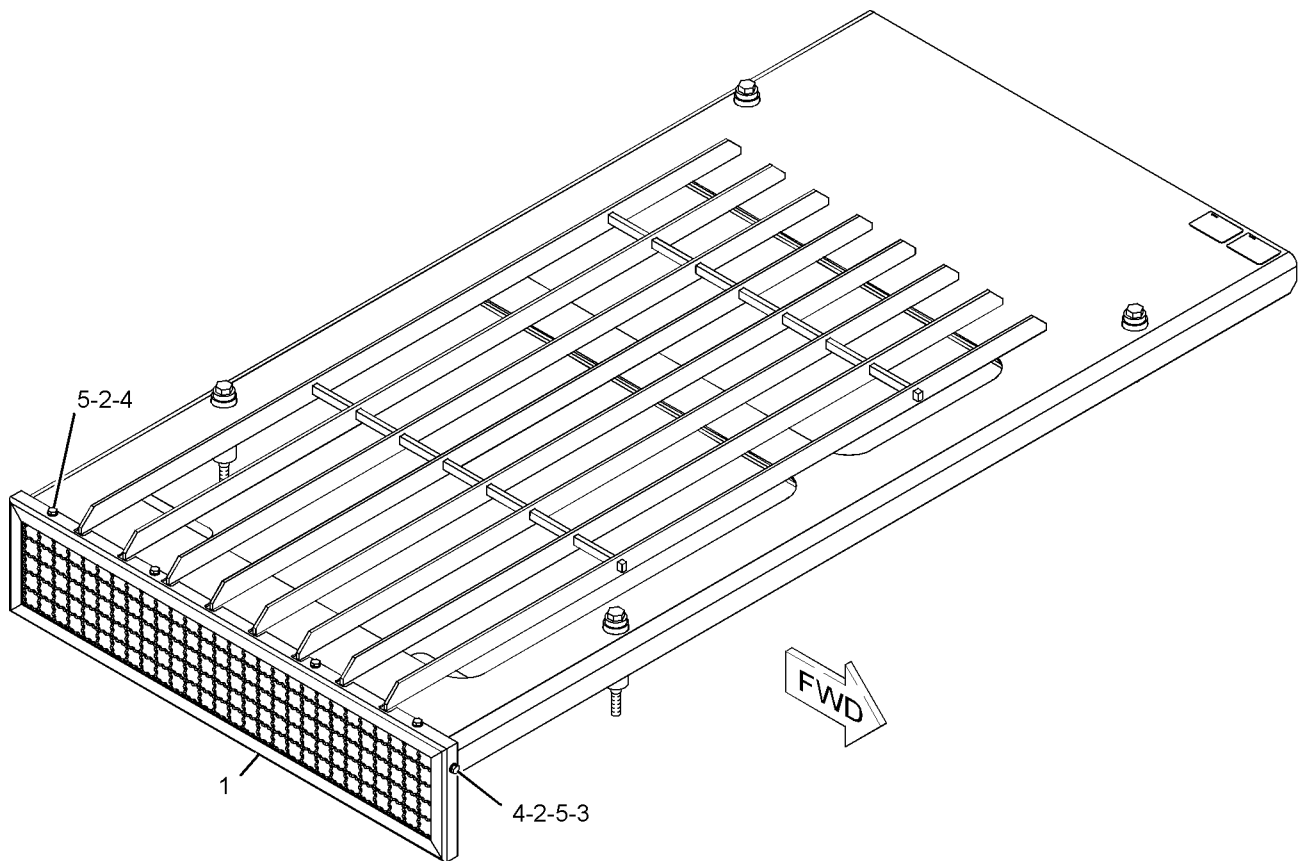
PART OF 265-7177 SHOVEL AR-FRONT
AN ATTACHMENT

SMCS-7159

i02157256

NOTE	REF NO	GRAPHIC REF	PART NUMBER	QTY	PART NAME						SEE PAGE
					1	2	3	4	5	6 (PRODUCT LEVEL)	
	1	1	254-1946	1	GUARD AS						
M	2	1	5C-7261	6	NUT (M8X1.25-THD)						
B	3	1	6V-8230	4	SHIM						
M	4	1	8T-4189	6	BOLT (M8X1.25X20-MM)						
	5	1	8T-4224	6	WASHER-HARD (8.8X16X2-MM THK)						

B-USE AS REQUIRED
M-METRIC PART



GRAPHIC #1

<END>

g01100592

OPERATOR STATION

253-9224 GUARD GP-WINDOW

S/N: MMA1-UP

PART OF 250-0712 GUARD AR-OVERHEAD

AN ATTACHMENT

TYPE 1

SMCS-7182, 7315

i02439231

NOTE	REF NO	GRAPHIC REF	PART NUMBER	QTY	PART NAME						SEE PAGE
					1	2	3	4	5	6 (PRODUCT LEVEL)	
	1	1	4E-1384	2	BUMPER-CONICAL						
	2	1	6C-8379	2	LATCH AS						
	3	1	6C-8382	2	SPRING-LATCH						
	4	1	115-1624	2	SPRING AS-GAS						
	5	1	141-6518	2	SPACER (13.5X30X10-MM THK)						
	6	1	191-2743	1	GUARD AS						
	7	1	191-2752	1	BRACKET AS						
	8	1	191-2753	1	BRACKET AS						
	9	1	191-6243	6	SPACER (13.5X30X20-MM THK)						
	10	1	194-0715	2	SPACER (18X38X29-MM THK)						
	11	1	199-3680	1	HANDLE AS						
	12	1	201-4534	2	PIN						
	13	1	201-4535	2	PIN						
	14	1	241-4052	1	SUPPORT AS						
	15	1	241-4053	1	SUPPORT AS						
M	16	1	096-4882	2	LOCKNUT (M8X1.25-THD)						
	17	1	219-0305	1	FILM-WARNING (NO WELD, NO DRILL, READ OMM)						
	18	1	266-0546	1	FILM-WARNING (FRONT GUARD, READ OMM)						
M	19	1	5C-7261	6	NUT (M8X1.25-THD)						
B	20	1	6C-4000	8	SHIM (1-MM THK)						
M	21	1	7Y-0623	2	LOCKNUT (M16X2-THD)						
M	22	1	8T-4139	2	BOLT (M12X1.75X30-MM)						
	23	1	8T-4223	6	WASHER-HARD (13.5X25.5X3-MM THK)						
	24	1	8T-4224	6	WASHER-HARD (8.8X16X2-MM THK)						
B	25	1	8T-4897	2	WASHER (10.2X35X6-MM THK)						
M	26	1	8T-4910	6	BOLT (M12X1.75X60-MM)						
	27	1	9X-8257	2	WASHER (17.5X30X3.5-MM THK)						

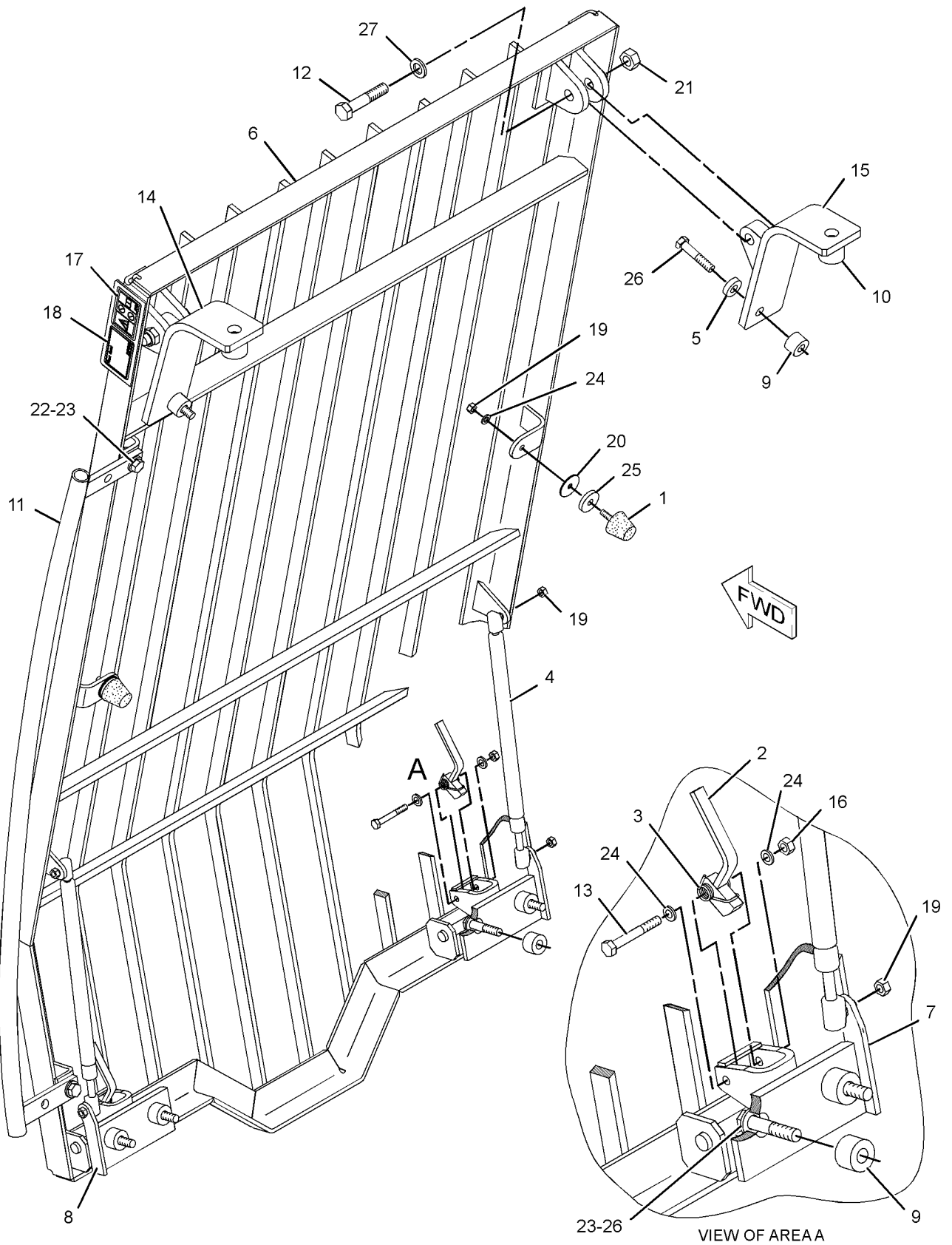
B-USE AS REQUIRED

M-METRIC PART

OPERATOR STATION

253-9224 GUARD GP-WINDOW (contd.)

i02439231



GRAPHIC #1

<END>

g01214104

OPERATOR STATION

253-9224 GUARD GP-WINDOW

S/N: MMA1-UP

PART OF 250-0712 GUARD AR-OVERHEAD

AN ATTACHMENT

TYPE 2

SMCS-7182, 7315

i02447799

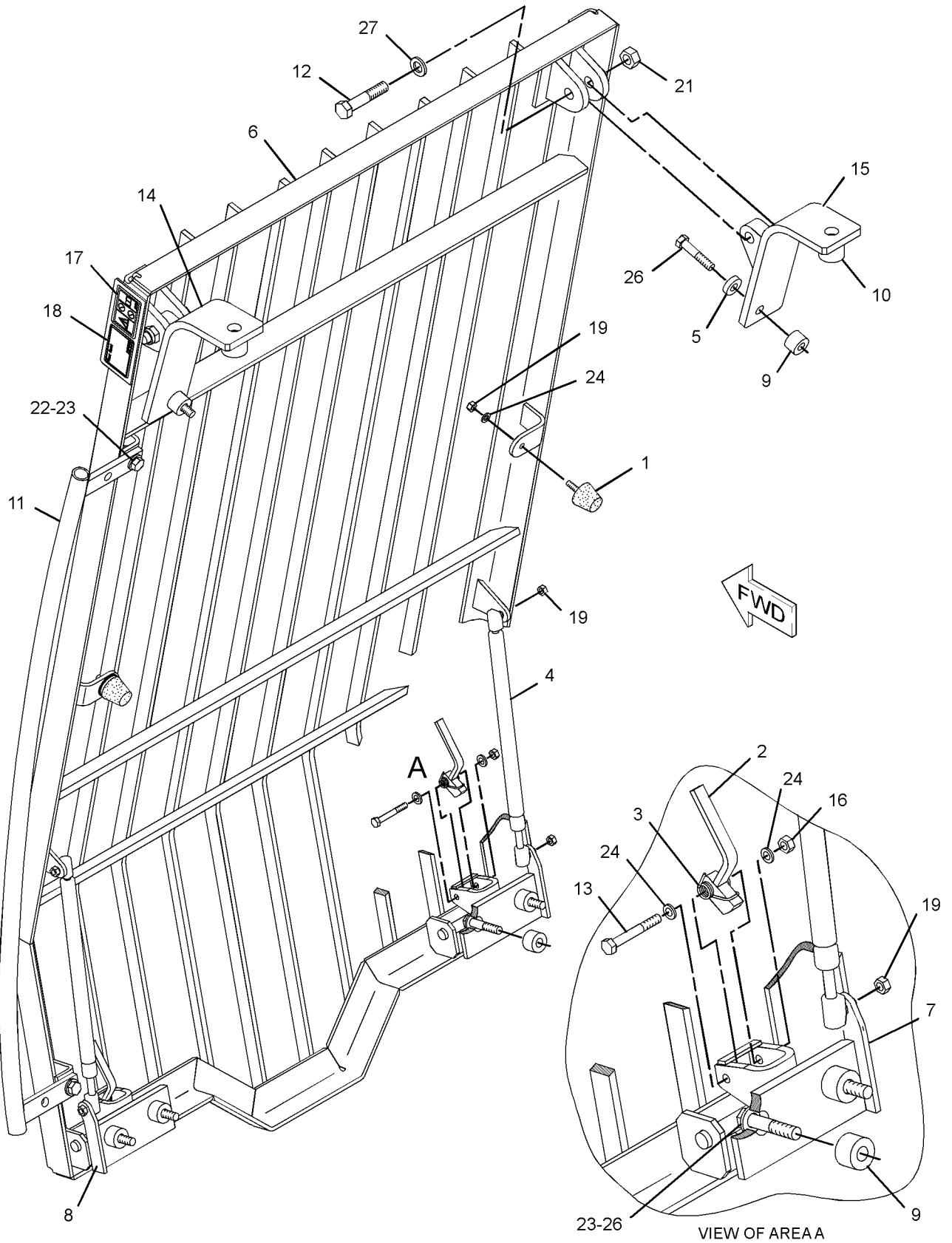
NOTE	REF NO	GRAPHIC REF	PART NUMBER	QTY	PART NAME						SEE PAGE
					1	2	3	4	5	6 (PRODUCT LEVEL)	
	1	1	4E-1384	2	BUMPER-CONICAL						
	2	1	6C-8379	2	LATCH AS						
	3	1	6C-8382	2	SPRING-LATCH						
	4	1	115-1624	2	SPRING AS-GAS						
	5	1	141-6518	2	SPACER (13.5X30X10-MM THK)						
	6	1	191-2743	1	GUARD AS						
	7	1	191-2752	1	BRACKET AS						
	8	1	191-2753	1	BRACKET AS						
	9	1	191-6243	6	SPACER (13.5X30X20-MM THK)						
	10	1	194-0715	2	SPACER (18X38X29-MM THK)						
	11	1	199-3680	1	HANDLE AS						
	12	1	201-4534	2	PIN						
	13	1	201-4535	2	PIN						
	14	1	241-4052	1	SUPPORT AS						
	15	1	241-4053	1	SUPPORT AS						
M	16	1	096-4882	2	LOCKNUT (M8X1.25-THD)						
	17	1	219-0305	1	FILM-WARNING (NO WELD, NO DRILL, READ OMM)						
	18	1	266-0546	1	FILM-WARNING (FRONT GUARD, READ OMM)						
CM	19	1	5C-7261	8	NUT (M8X1.25-THD)						
M	21	1	7Y-0623	2	LOCKNUT (M16X2-THD)						
M	22	1	8T-4139	2	BOLT (M12X1.75X30-MM)						
	23	1	8T-4223	6	WASHER-HARD (13.5X25.5X3-MM THK)						
	24	1	8T-4224	6	WASHER-HARD (8.8X16X2-MM THK)						
M	26	1	8T-4910	6	BOLT (M12X1.75X60-MM)						
	27	1	9X-8257	2	WASHER (17.5X30X3.5-MM THK)						

C-CHANGE FROM PREVIOUS TYPE
M-METRIC PART

OPERATOR STATION

253-9224 GUARD GP-WINDOW (contd.)

i02447799



GRAPHIC #1

<END>

g01223452

OPERATOR STATION

253-9224 GUARD GP-WINDOW

S/N: MMA1-UP

PART OF 250-0712 GUARD AR-OVERHEAD

AN ATTACHMENT

TYPE 3

SMCS-7182, 7315

i03532744

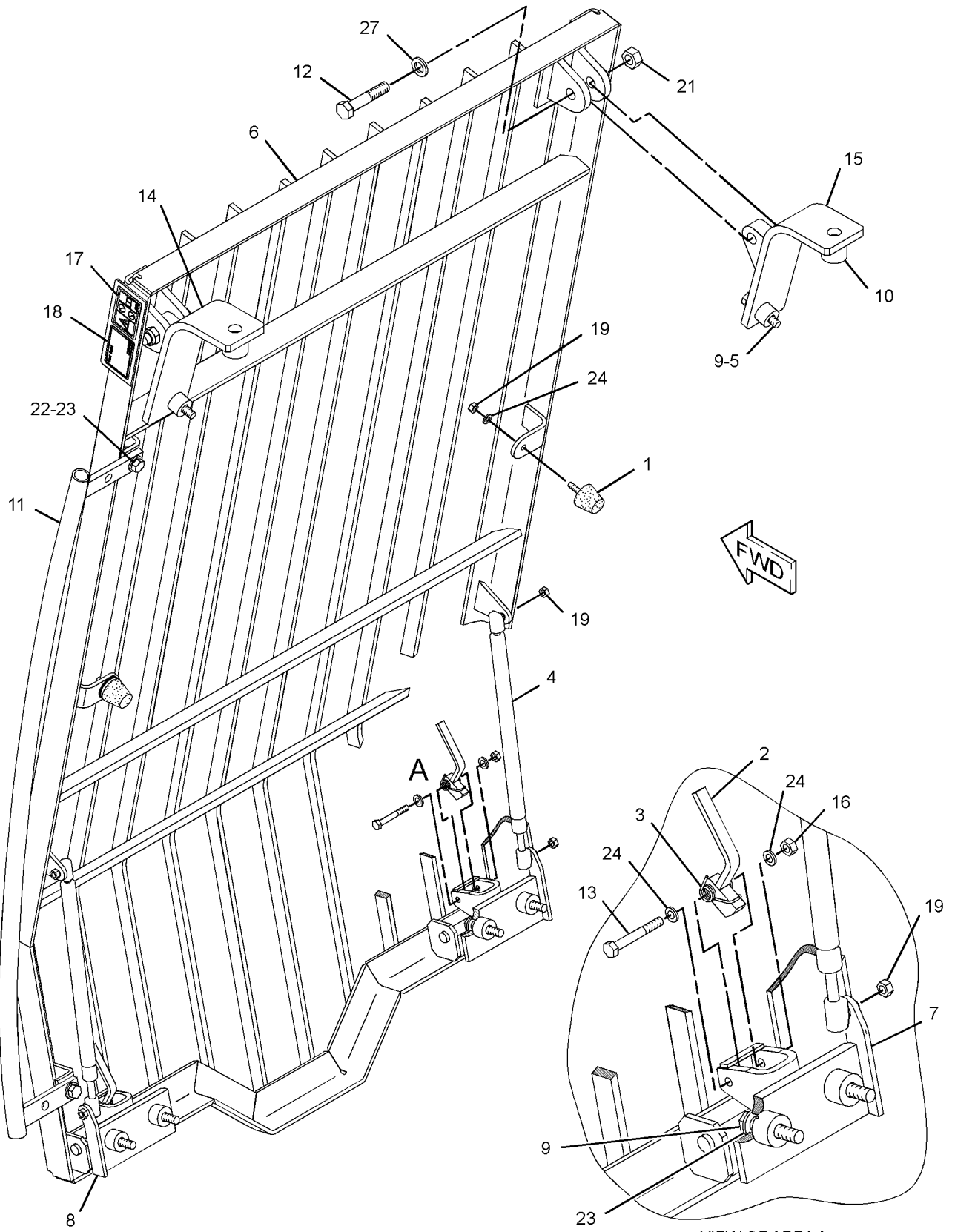
NOTE	REF NO	GRAPHIC REF	PART NUMBER	QTY	PART NAME						SEE PAGE
					1	2	3	4	5	6 (PRODUCT LEVEL)	
	1	1	4E-1384	2	BUMPER-CONICAL						
	2	1	6C-8379	2	LATCH AS						
	3	1	6C-8382	2	SPRING-LATCH						
	4	1	115-1624	2	SPRING AS-GAS						
	5	1	141-6518	2	SPACER (13.5X30X10-MM THK)						
C	6	1	331-9373	1	GUARD AS-WINDOW						
	7	1	191-2752	1	BRACKET AS						
	8	1	191-2753	1	BRACKET AS						
	9	1	191-6243	6	SPACER (13.5X30X20-MM THK) (OUTSIDE NACD)						
M		1	8T-4910	6	BOLT (M12X1.75X60-MM) (OUTSIDE NACD)						
					-OR-						
M		1	8T-4183	6	BOLT (M12X1.75X40-MM) (NACD)						
	10	1	194-0715	2	SPACER (18X38X29-MM THK)						
	11	1	199-3680	1	HANDLE AS						
	12	1	201-4534	2	PIN						
	13	1	201-4535	2	PIN						
	14	1	241-4052	1	SUPPORT AS						
	15	1	241-4053	1	SUPPORT AS						
M	16	1	096-4882	2	LOCKNUT (M8X1.25-THD)						
	17	1	219-0305	1	FILM-WARNING (NO WELD, NO DRILL, READ OMM)						
	18	1	266-0546	1	FILM-WARNING (FRONT GUARD, READ OMM)						
M	19	1	5C-7261	8	NUT (M8X1.25-THD)						
M	21	1	7Y-0623	2	LOCKNUT (M16X2-THD)						
M	22	1	8T-4139	2	BOLT (M12X1.75X30-MM)						
	23	1	8T-4223	6	WASHER-HARD (13.5X25.5X3-MM THK)						
	24	1	8T-4224	6	WASHER-HARD (8.8X16X2-MM THK)						
	27	1	9X-8257	2	WASHER (17.5X30X3.5-MM THK)						

C-CHANGE FROM PREVIOUS TYPE
M-METRIC PART

OPERATOR STATION

253-9224 GUARD GP-WINDOW (contd.)

i03532744



GRAPHIC #1

<END>

g01678433

OPERATOR STATION

251-0575 HORN GP-ELECTRIC

S/N: MMA1-245

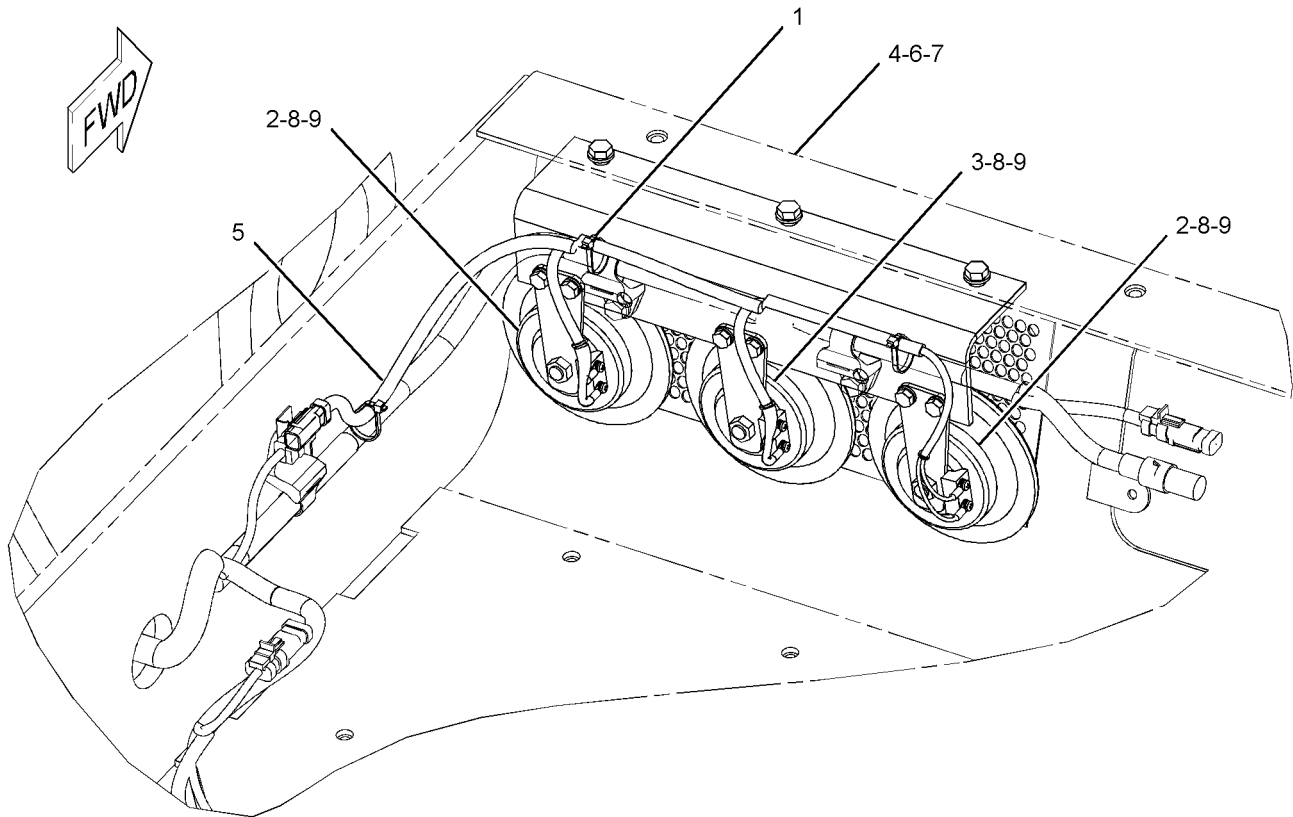
PART OF 228-8154 CHASSIS AR

SMCS-7402

i02371741

NOTE	REF NO	GRAPHIC REF	PART NUMBER	QTY	PART NAME						SEE PAGE
					1	2	3	4	5	6 (PRODUCT LEVEL)	
	1	1	3S-2093	3	STRAP-CABLE						
	2	1	213-0710	2	HORN AS (24-VOLT, LOW TONE)						
					(EACH INCLUDES)						
		1	8H-0878	2	LOCKWASHER						
M		1	8C-7581	2	SCREW-MACHINE (M4X0.7X8-MM)						
		1	8C-9660	2	WASHER (4.6X7.9X0.8-MM THK)						
	3	1	213-0711	1	HORN AS (24-VOLT, HIGH TONE)						
		1	8H-0878	2	LOCKWASHER						
M		1	8C-7581	2	SCREW-MACHINE (M4X0.7X8-MM)						
		1	8C-9660	2	WASHER (4.6X7.9X0.8-MM THK)						
	4	1	224-2940	1	BRACKET AS						
	5	1	251-0576	1	HARNES AS-WIRING (HORN)						
		1	3S-2093	3	STRAP-CABLE						
		1	243-4505	1	RECEPTACLE AS-CONNECTOR (2-PIN)						
	6	1	8T-4121	3	WASHER-HARD (11X21X2.5-MM THK)						
M	7	1	8T-4136	3	BOLT (M10X1.5X25-MM)						
M	8	1	8T-4189	6	BOLT (M8X1.25X20-MM)						
	9	1	8T-4224	6	WASHER-HARD (8.8X16X2-MM THK)						

M-METRIC PART



GRAPHIC #1

<END>

g01120375

OPERATOR STATION

267-7860 HORN GP-ELECTRIC

S/N: MMA246-UP

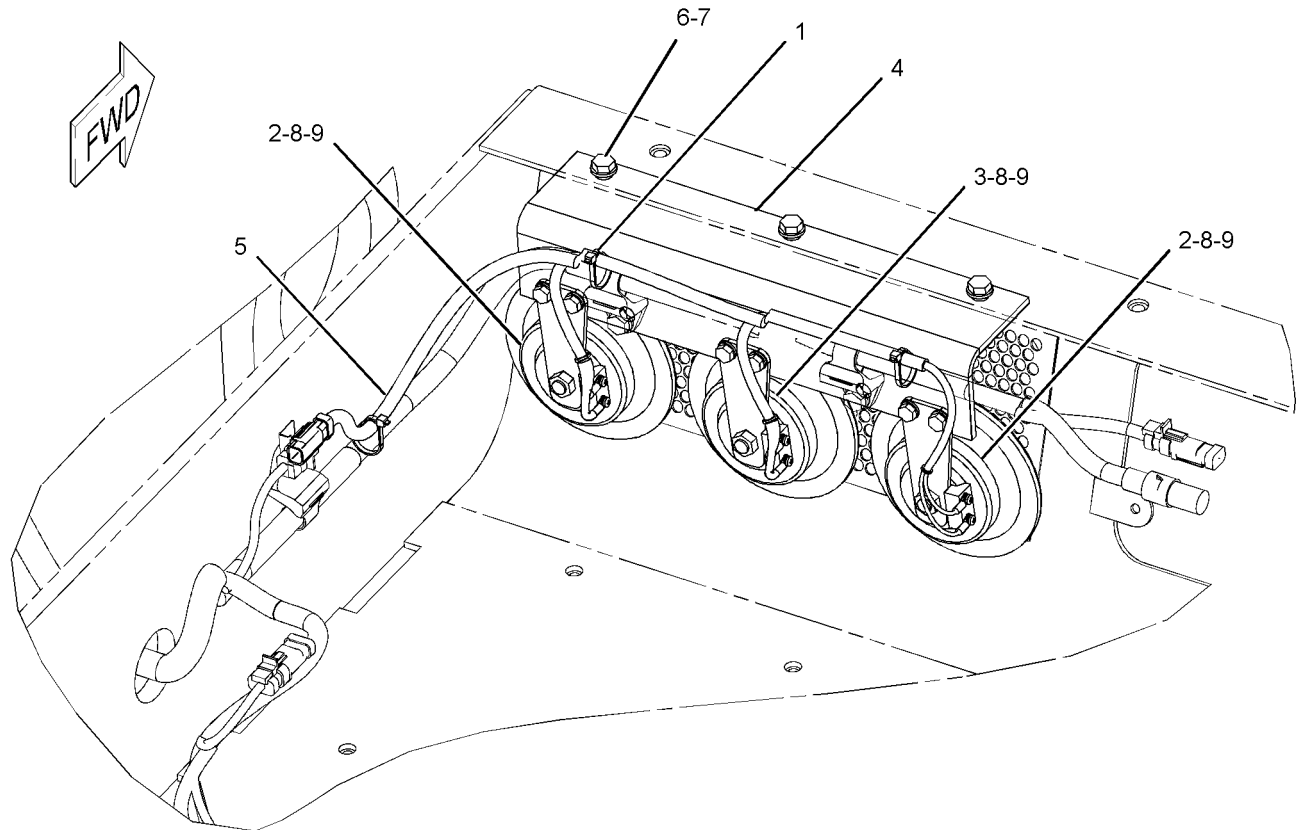
PART OF 228-8154 CHASSIS AR

SMCS-7402

i02393827

NOTE	REF NO	GRAPHIC REF	PART NUMBER	QTY	PART NAME						SEE PAGE
					1	2	3	4	5	6 (PRODUCT LEVEL)	
	1	1	3S-2093	3	STRAP-CABLE						
	2	1	213-0710	2	HORN AS (24-VOLT, LOW TONE)						
					(EACH INCLUDES)						
		1	8H-0878	2	LOCKWASHER						
M		1	8C-7581	2	SCREW-MACHINE (M4X0.7X8-MM)						
		1	8C-9660	2	WASHER (4.6X7.9X0.8-MM THK)						
	3	1	213-0711	1	HORN AS (24-VOLT, HIGH TONE)						
		1	8H-0878	2	LOCKWASHER						
M		1	8C-7581	2	SCREW-MACHINE (M4X0.7X8-MM)						
		1	8C-9660	2	WASHER (4.6X7.9X0.8-MM THK)						
	4	1	224-2940	1	BRACKET AS						
	5	1	267-7861	1	HARNESS AS-WIRING (HORN)						
		1	243-4505	1	RECEPTACLE AS-CONNECTOR (2-PIN)						
	6	1	8T-4121	3	WASHER-HARD (11X21X2.5-MM THK)						
M	7	1	8T-4136	3	BOLT (M10X1.5X25-MM)						
M	8	1	8T-4189	6	BOLT (M8X1.25X20-MM)						
	9	1	8T-4224	6	WASHER-HARD (8.8X16X2-MM THK)						

M-METRIC PART



GRAPHIC #1

<END>

g01201478

OPERATOR STATION

231-1768 INSTALLATION GP-RADIO

S/N: MMA1-UP

FOR USE WITH 265-7172-PAGE 3

AN ATTACHMENT

SMCS-7338

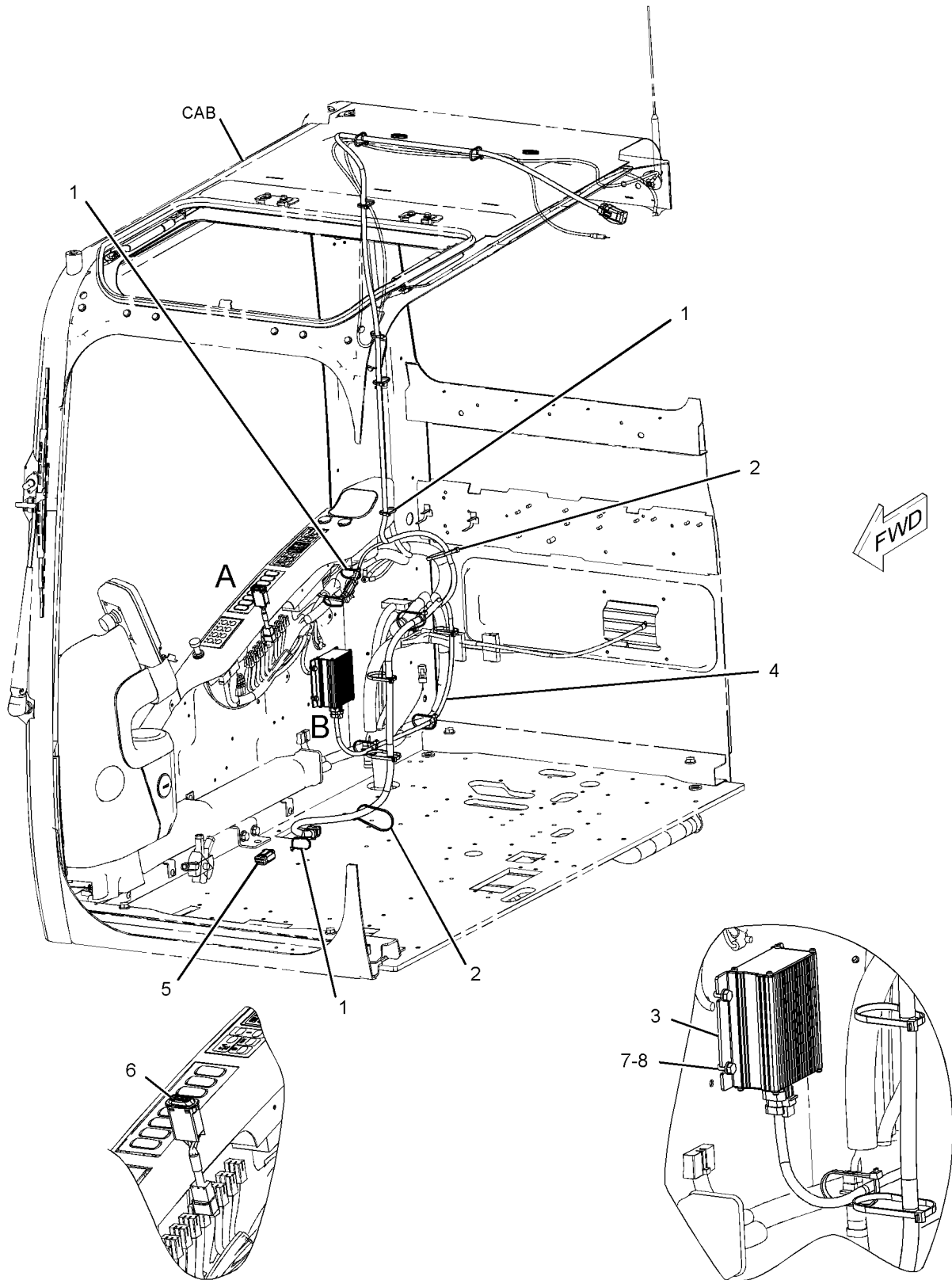
i02538512

NOTE	REF NO	GRAPHIC REF	PART NUMBER	QTY	PART NAME						SEE PAGE
					1	2	3	4	5	6 (PRODUCT LEVEL)	
	1	1	3S-2093	9	STRAP-CABLE						
	2	1	7K-1181	8	STRAP-CABLE						
	3	1	283-2783	1	CONVERTER-POWER (24-VOLT TO 12-VOLT)						
	4	1	234-1124	1	HARNESS AS-RADIO						
		1	3S-2093	15	STRAP-CABLE						
		1	230-5010	1	PLUG AS-CONNECTOR (6-PIN)						
		1	231-2295	2	PLUG AS-CONNECTOR (8-PIN)						
		1	243-4505	1	RECEPTACLE AS-CONNECTOR (2-PIN)						
		1	243-4509	1	RECEPTACLE AS-CONNECTOR (8-PIN)						
	5	1	238-1463	1	RECEPTACLE AS						
	6	1	238-2216	1	SWITCH AS-ROCKER (RADIO MUTE)						
		1	167-3543	5	TERMINAL (MALE)						
		1	167-3542	1	CONNECTOR-RECEPTACLE						
M	7	1	8T-4171	4	BOLT (M6X1X12-MM)						
	8	1	9X-8256	4	WASHER (6.6X12X2-MM THK)						
M-METRIC PART											

OPERATOR STATION

231-1768 INSTALLATION GP-RADIO (contd.)

i02538512



VIEW OF AREA A

VIEW OF AREA B

GRAPHIC #1

<END>

g0119689

OPERATOR STATION

259-5255 INSTALLATION GP-RADIO

S/N: MMA1-UP

CANNOT BE USED WITH 231-1768—PAGE 1138

AN ATTACHMENT

TYPE 1

SMCS-7338

i02364536

NOTE	REF NO	GRAPHIC REF	PART NUMBER	QTY	PART NAME						SEE PAGE
					1	2	3	4	5	6 (PRODUCT LEVEL)	
	1	1	3S-2093	13	STRAP-CABLE						
	2	1	7K-1181	13	STRAP-CABLE						
	3	1	141-2759	1	FUSE (5-AMPERE)						
	4	1	234-1004	1	CONVERTER-POWER (24-VOLT TO 12-VOLT)						
	5	1	234-1124	1	HARNESS AS-RADIO						
		1	230-5010	1	PLUG AS-CONNECTOR (6-PIN)						
		1	231-2295	2	PLUG AS-CONNECTOR (8-PIN)						
		1	243-4505	1	RECEPTACLE AS-CONNECTOR (2-PIN)						
		1	243-4509	1	RECEPTACLE AS-CONNECTOR (8-PIN)						
6	1	1	238-2216	1	SWITCH AS-ROCKER (RADIO MUTE)						
		1	167-3542	1	CONNECTOR-RECEPTACLE						
		1	167-3543	5	TERMINAL (MALE)						
7	1	1	259-5256	1	HARNESS AS-RADIO						
		1	243-4505	1	RECEPTACLE AS-CONNECTOR (2-PIN)						
		1	243-4509	1	RECEPTACLE AS-CONNECTOR (8-PIN)						
8	1	1	259-5285	1	HARNESS AS-RADIO						
		1	230-4011	1	PLUG AS-CONNECTOR (2-PIN)						
M	9	1	8T-4171	4	BOLT (M6X1X12-MM)						
	10	1	9X-8256	4	WASHER (6.6X12X2-MM THK)						
E	11	1	101-2846	2	GUARD (90-MM EACH)						

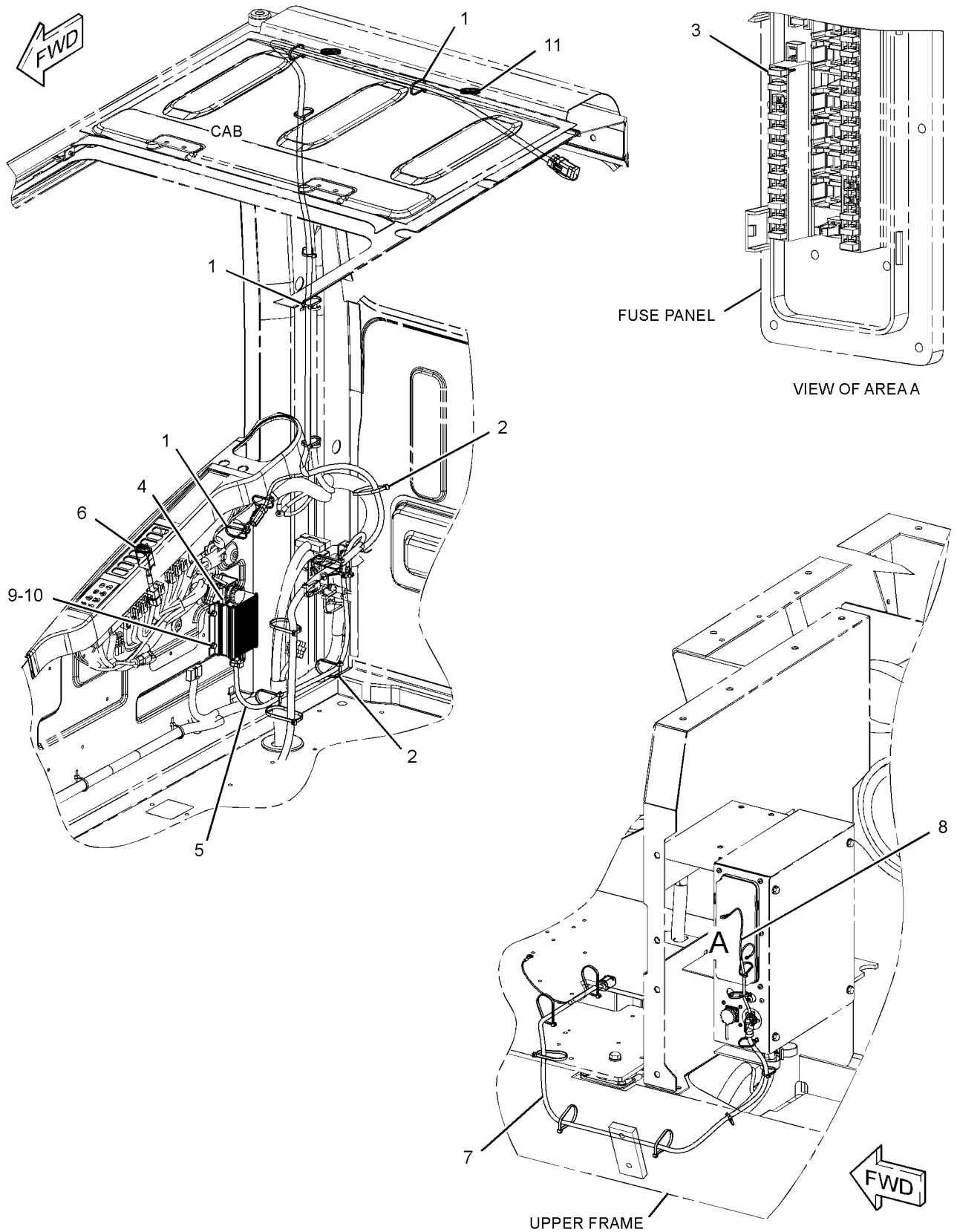
E-ORDER BY THE CENTIMETER

M-METRIC PART

OPERATOR STATION

259-5255 INSTALLATION GP-RADIO (contd.)

i02364536



GRAPHIC #1

<END>

g01184358

OPERATOR STATION

259-5255 INSTALLATION GP-RADIO

S/N: MMA1-UP

CANNOT BE USED WITH 231-1768—PAGE 1138

AN ATTACHMENT

TYPE 2

SMCS-7338

i02753639

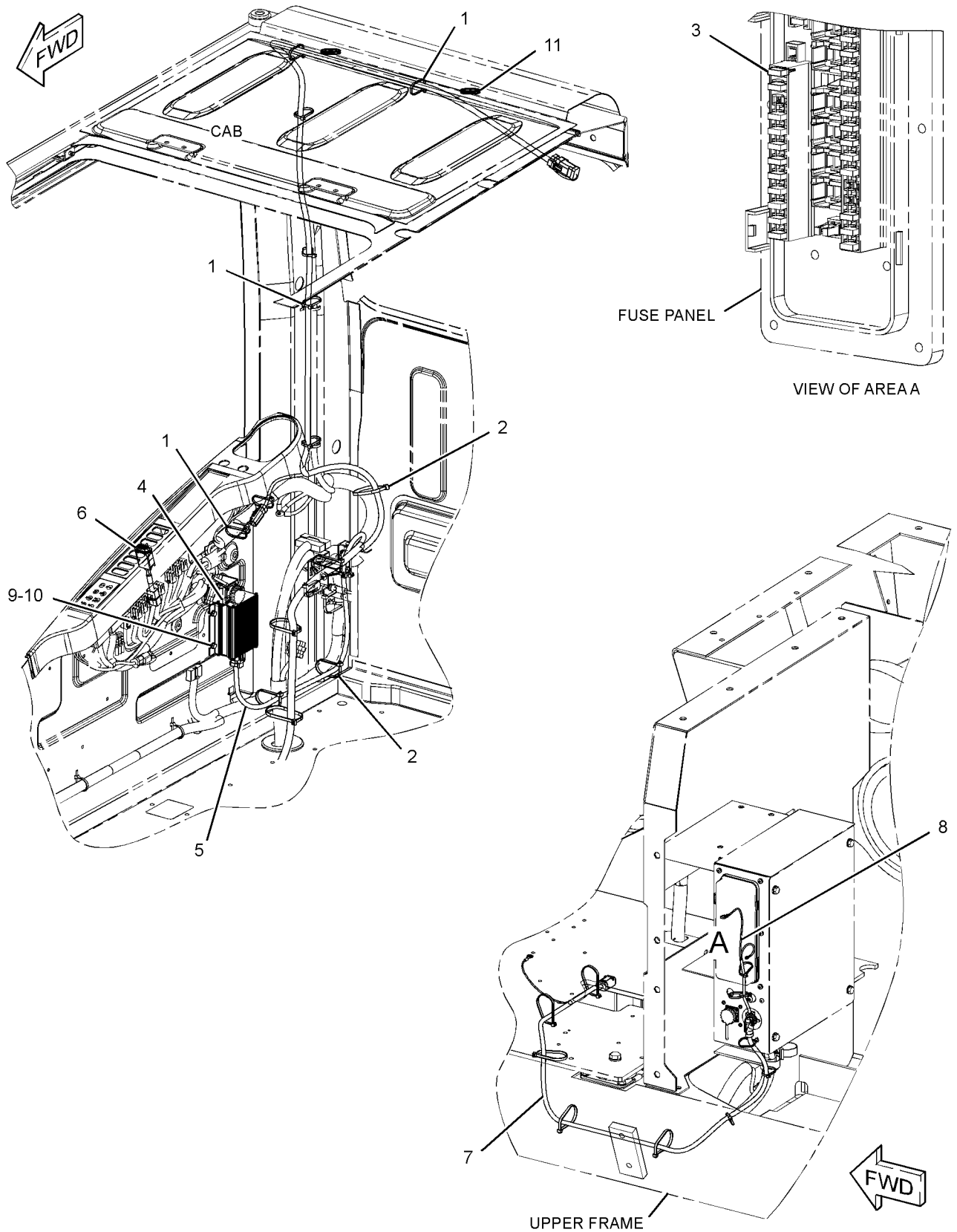
NOTE	REF NO	GRAPHIC REF	PART NUMBER	QTY	PART NAME						SEE PAGE
					1	2	3	4	5	6 (PRODUCT LEVEL)	
	1	1	3S-2093	13	STRAP-CABLE						
	2	1	7K-1181	13	STRAP-CABLE						
	3	1	141-2759	1	FUSE (5-AMPERE)						
	4	1	283-2783	1	CONVERTER-POWER (24-VOLT TO 12-VOLT)						
	5	1	234-1124	1	HARNESS AS-RADIO						
		1	3S-2093	15	STRAP-CABLE						
		1	230-5010	1	PLUG AS-CONNECTOR (6-PIN)						
		1	264-7032	1	SEAL-CONNECTOR						
		1	231-2295	2	PLUG AS-CONNECTOR (8-PIN)						
					(EACH INCLUDES)						
		1	264-7033	1	SEAL-CONNECTOR						
		1	243-4505	1	RECEPTACLE AS-CONNECTOR (2-PIN)						
		1	243-4509	1	RECEPTACLE AS-CONNECTOR (8-PIN)						
6		1	238-2216	1	SWITCH AS-ROCKER (RADIO MUTE)						
		1	167-3542	1	CONNECTOR-RECEPTACLE						
		1	167-3543	5	TERMINAL (MALE)						
7		1	259-5256	1	HARNESS AS-RADIO						
		1	243-4505	1	RECEPTACLE AS-CONNECTOR (2-PIN)						
		1	243-4509	1	RECEPTACLE AS-CONNECTOR (8-PIN)						
8		1	259-5285	1	HARNESS AS-RADIO						
		1	230-4011	1	PLUG AS-CONNECTOR (2-PIN)						
		1	264-7029	1	SEAL-CONNECTOR						
M	9	1	8T-4171	4	BOLT (M6X1X12-MM)						
	10	1	9X-8256	4	WASHER (6.6X12X2-MM THK)						

M-METRIC PART

OPERATOR STATION

259-5255 INSTALLATION GP-RADIO (contd.)

i02753639



GRAPHIC #1

<END>

g01184358

OPERATOR STATION

275-9858 INSTALLATION GP-RADIO

S/N: MMA1-UP

PART OF 265-7175 CONVERSION AR

REPLACED BY 251-0538-PAGE 1169

AN ATTACHMENT

SMCS-7338

i02434941

NOTE	PART NUMBER	QTY	PART NAME						SEE PAGE
			1	2	3	4	5	6 (PRODUCT LEVEL)	
Y	275-9860	1	MOUNTING GP-RADIO						1159
Y	276-2881	1	RADIO GP (AM/FM)						1170

Y-SEPARATE ILLUSTRATION

<END>

OPERATOR STATION

327-6645 KIT-SEAT SUSPENSION-MECHANICAL

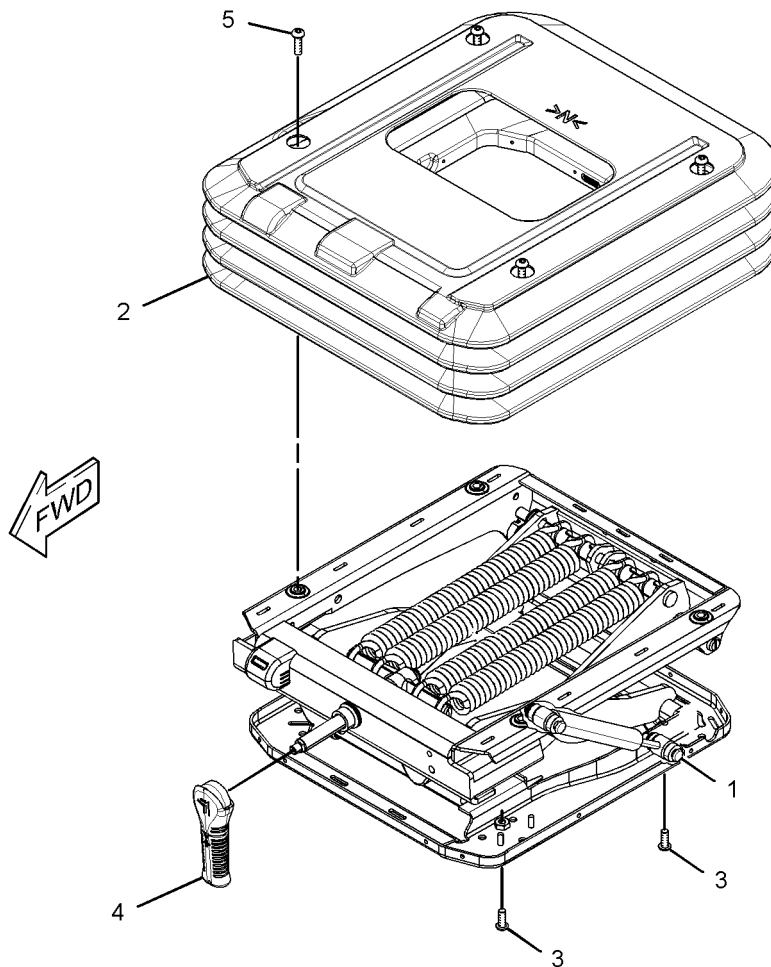
S/N: MMA1-UP

PART OF 327-6520 SUSPENSION GP-SEAT
AN ATTACHMENT

SMCS-7312

i03579304

NOTE	REF NO	GRAPHIC REF	PART NUMBER	QTY	PART NAME						SEE PAGE
					1	2	3	4	5	6 (PRODUCT LEVEL)	
	1	1	327-6646	1	KIT-CYLINDER (DAMPENER)						
J	2	1	327-6647	1	KIT-COVER (SUSPENSION SEAT) (INCLUDES COVER & CLIP KIT)						
	3	1	333-4180	6	SCREW-BUTTON HEAD (M8X1.25X20-MM)						
	4	1	333-4181	1	KIT-HANDLE (SEAT HEIGHT)						
M	5	1	7Y-7394	4	SCREW-BUTTON HEAD (M8X1.25X25-MM)						
PARTS SHOWN IN GRAPHIC(S) WITHOUT A REFERENCE NUMBER ARE NOT SERVICED SEPARATELY											
AVAILABLE REPAIR KIT(S):											
J			245-7895	1	KIT-CLIP (SUSPENSION SEAT) (INCLUDES 28 CLIPS)						
J-KIT MARKED J SERVICES PART(S) MARKED J M-METRIC PART											



GRAPHIC #1

<END>

g01689513

OPERATOR STATION

333-4157 KIT-SEAT SUSPENSION-AIR

S/N: MMA1-UP

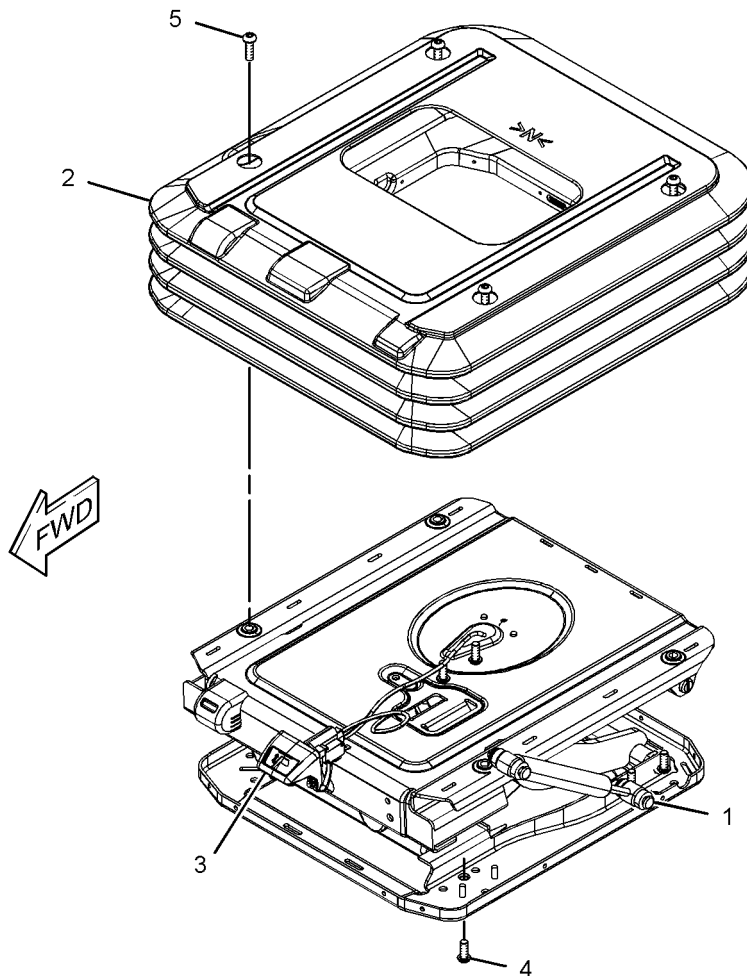
PART OF 327-6521 SUSPENSION GP-SEAT
AN ATTACHMENT

SMCS-7312

i03468501

NOTE	REF NO	GRAPHIC REF	PART NUMBER	QTY	PART NAME						SEE PAGE
					1	2	3	4	5	6 (PRODUCT LEVEL)	
	1	1	327-6646	1	KIT-CYLINDER (DAMPENER) (DAMPENER)						
J	2	1	333-4158	1	KIT-COVER (AIR SEAT) (AIR SEAT) (INCLUDES COVER & CLIP KIT)						
	3	1	333-4159	1	KIT-VALVE (AIR SEAT) (AIR SEAT)						
		1	333-4178	1	NUT						
	4	1	333-4180	6	SCREW-BUTTON HEAD (M8X1.25X20-MM)						
M	5	1	7Y-7394	4	SCREW-BUTTON HEAD (M8X1.25X25-MM)						
PARTS SHOWN IN GRAPHIC(S) WITHOUT A REFERENCE NUMBER ARE NOT SERVICED SEPARATELY											
AVAILABLE REPAIR KIT(S):											
J			245-7895	1	KIT-CLIP (SUSPENSION SEAT) (INCLUDES 28 CLIPS)						

J-MARKED J SERVICES PART(S) MARKED J
M-METRIC PART



GRAPHIC #1

<END>

g01689529

OPERATOR STATION

164-0528 LEVER GP-AIR & TEMP CONTROL

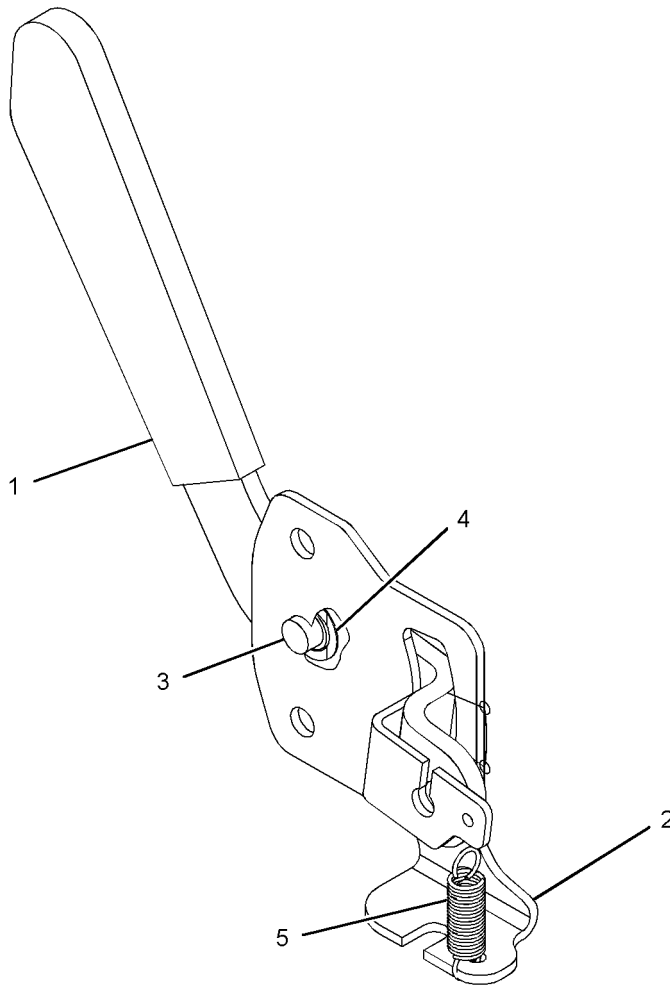
S/N: MMA1-UP

PART OF 237-3567 CAB GP
AN ATTACHMENT

SMCS-7309, 7337

i02430902

NOTE	REF NO	GRAPHIC REF	PART NUMBER	QTY	PART NAME						SEE PAGE
					1	2	3	4	5	6 (PRODUCT LEVEL)	
	1	1	156-6642	1	LEVER AS						
	2	1	164-0664	1	BRACKET						
	3	1	176-1941	1	PIN						
	4	1	185-8280	1	WASHER-WAVE (10.5X15X0.3-MM THK)						
	5	1	185-8281	1	SPRING						



GRAPHIC #1

<END>

g01217036

OPERATOR STATION

225-5774 LINES GP-AIR CONDITIONER

S/N: MMA1-UP

PART OF 230-0590 RISER AR-CAB
AN ATTACHMENT

SMCS-1808

i03064427

NOTE	REF NO	GRAPHIC REF	PART NUMBER	QTY	PART NAME						SEE PAGE
					1	2	3	4	5	6 (PRODUCT LEVEL)	
	1	2	6P-8855	2	TUBE						
	2	2	122-9657	2	CLAMP						
	3	1	176-1902	1	RECEIVER-REFRIGERANT DRYER						
	4	2	235-8891	1	PLATE						
	5	2	5D-1026	8	CLAMP-HOSE						
	6	2	235-9015	2	HOSE						
	7	2	245-7776	1	BRACKET AS						
	8	1	093-2064	1	GROMMET						
	9	1,2	104-3173	5	CLIP						
	10	1	121-7098	1	BRACKET AS						
M		1	8T-4138	2	BOLT (M6X1X20-MM)						
		1	9X-8256	2	WASHER (6.6X12X2-MM THK)						
	11	1	7Y-5456	1	GROMMET						
	12	2	189-2784	1	HOSE-DRAIN						
	13	2	1S-0994	1	CLIP						
	14	2	235-8848	1	HOSE AS						
		2	121-7137	2	SEAL-O-RING						
		2	245-7850		PLUG						
	15	1	235-8849	1	HOSE AS						
		1	121-7138	2	SEAL-O-RING						
	16	1	235-9016	1	HOSE GP-AIR CONDITIONER						
		1	121-7138	2	SEAL-O-RING						
		1	130-0270	1	SWITCH AS-PRESSURE						
	17	2	235-9017	1	HOSE GP-AIR CONDITIONER						
		2	121-7136	2	SEAL-O-RING						
		2	245-7851	1	PLUG						
	18	2	240-5006	1	HOSE-DRAIN						
	19	2	3D-2824	2	SEAL-O-RING						
	20	2	3K-0360	2	SEAL-O-RING						
	21	2	3S-2093	1	STRAP-CABLE						
	22	2	4S-4455	1	CLIP						
	23	1	5K-5338	4	CLIP						
	24	2	5K-8451	2	CLIP						
	25	1,2	5P-2369	3	CLIP						
	26	1,2	6D-1641	6	CLIP						
	27	1,2	6D-4244	2	CLIP						
	28	2	6V-1722	2	ADAPTER-O-RING						
	29	2	6V-3265	1	CLIP						
	30	2	6V-7238	2	VALVE-SHUTOFF (ENGINE COOLANT)						
M	31	1,2	6V-7357	2	BOLT (M6X1X25-MM)						
	32	2	8M-2773	1	CLIP						
	33	1,2	8T-4121	22	WASHER-HARD (11X21X2.5-MM THK)						
M	34	1,2	8T-4136	4	BOLT (M10X1.5X25-MM)						
M	35	1,2	8T-4137	14	BOLT (M10X1.5X20-MM)						
M	36	1	8T-4189	2	BOLT (M8X1.25X20-MM)						
M	37	1	8T-4191	4	BOLT (M10X1.5X16-MM)						
M	38	2	8T-4200	1	BOLT (M8X1.25X16-MM)						
	39	1,2	8T-4224	3	WASHER-HARD (8.8X16X2-MM THK)						
M	40	1,2	8T-4971	4	BOLT (M6X1X30-MM)						
	41	1,2	9X-8256	7	WASHER (6.6X12X2-MM THK)						
E	42	2	225-5714		GUARD (25-CM)						
E	43	2	5P-0767		HOSE (535-CM)						
E	43A	2	5P-0767		HOSE (501-CM)						
	44	2	305-0441	2	BAND-MARKER (HS)						
	45	2	305-0442	2	BAND-MARKER (HR)						

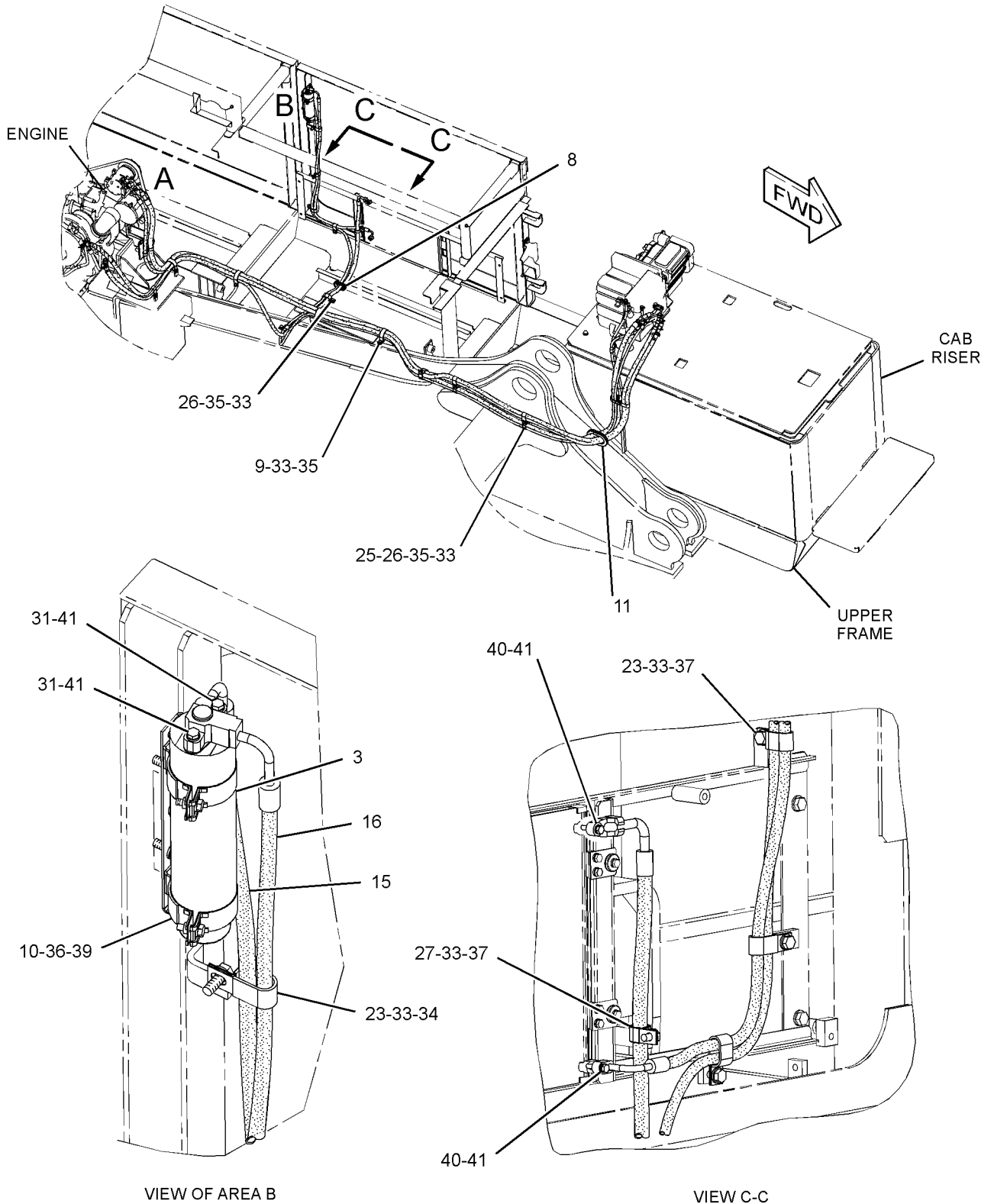
OPERATOR STATION

225-5774 LINES GP-AIR CONDITIONER (contd.)

i03064427

E-ORDER BY THE CENTIMETER
M-METRIC PART

REFER TO ALL ILLUSTRATIONS OF
THIS GROUP FOR AUXILIARY VIEWS



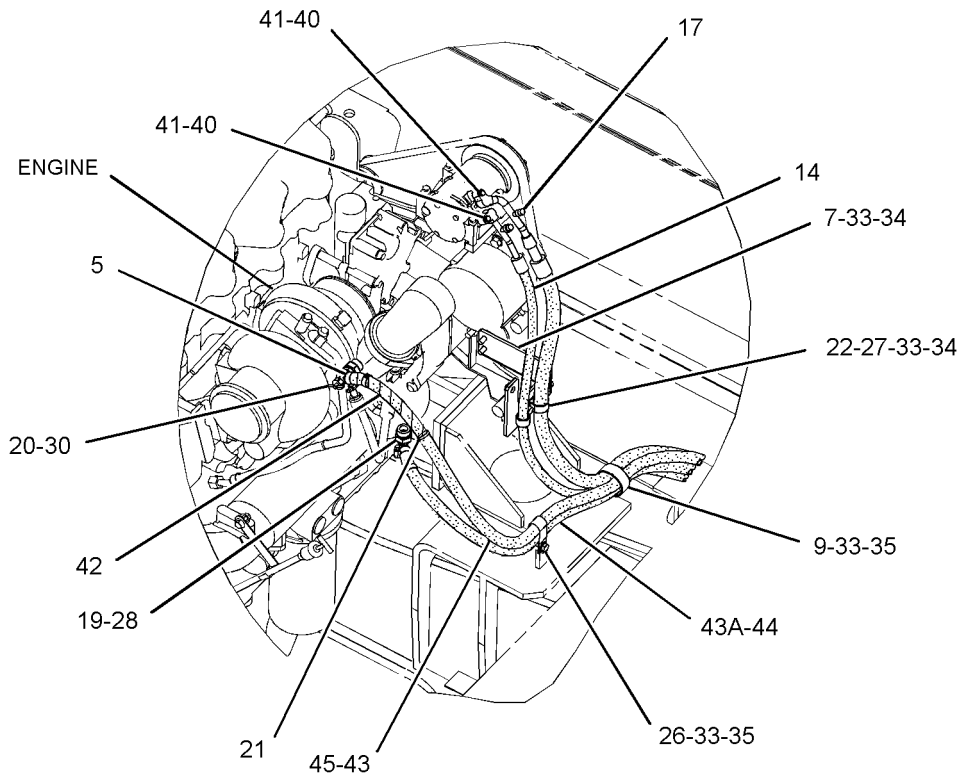
GRAPHIC #1

g01672115

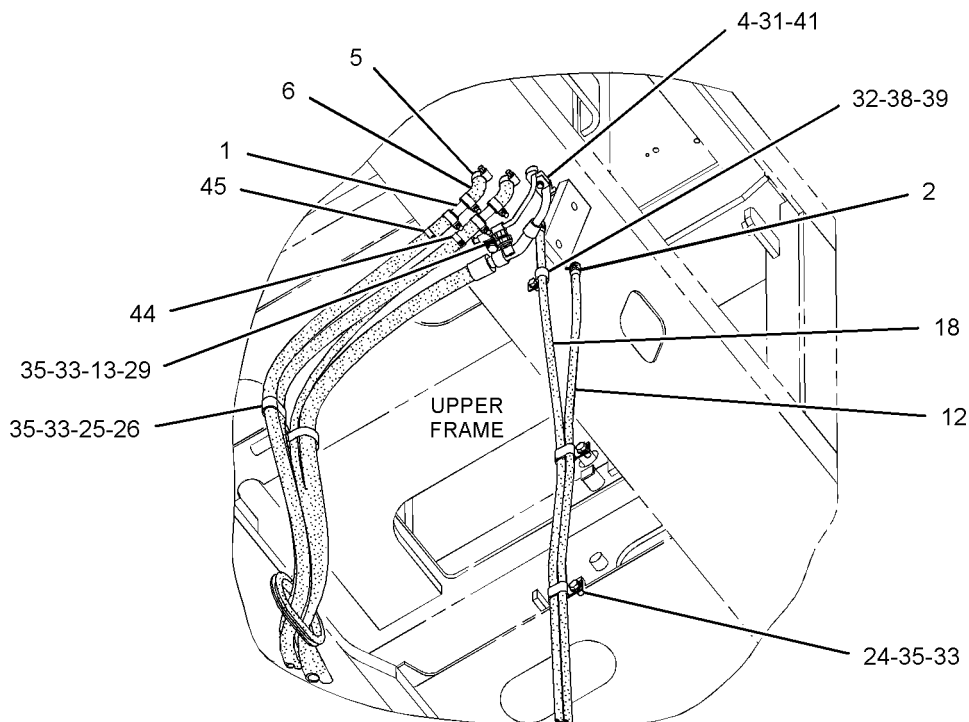
OPERATOR STATION

225-5774 LINES GP-AIR CONDITIONER (contd.)

i03064427



VIEW OF AREA A



LEFT SIDE VIEW
(BOTTOM FRONT)

GRAPHIC #2

<END>

g01672117

OPERATOR STATION

223-3074 MIRROR GP-REAR VIEW

S/N: MMA1-UP

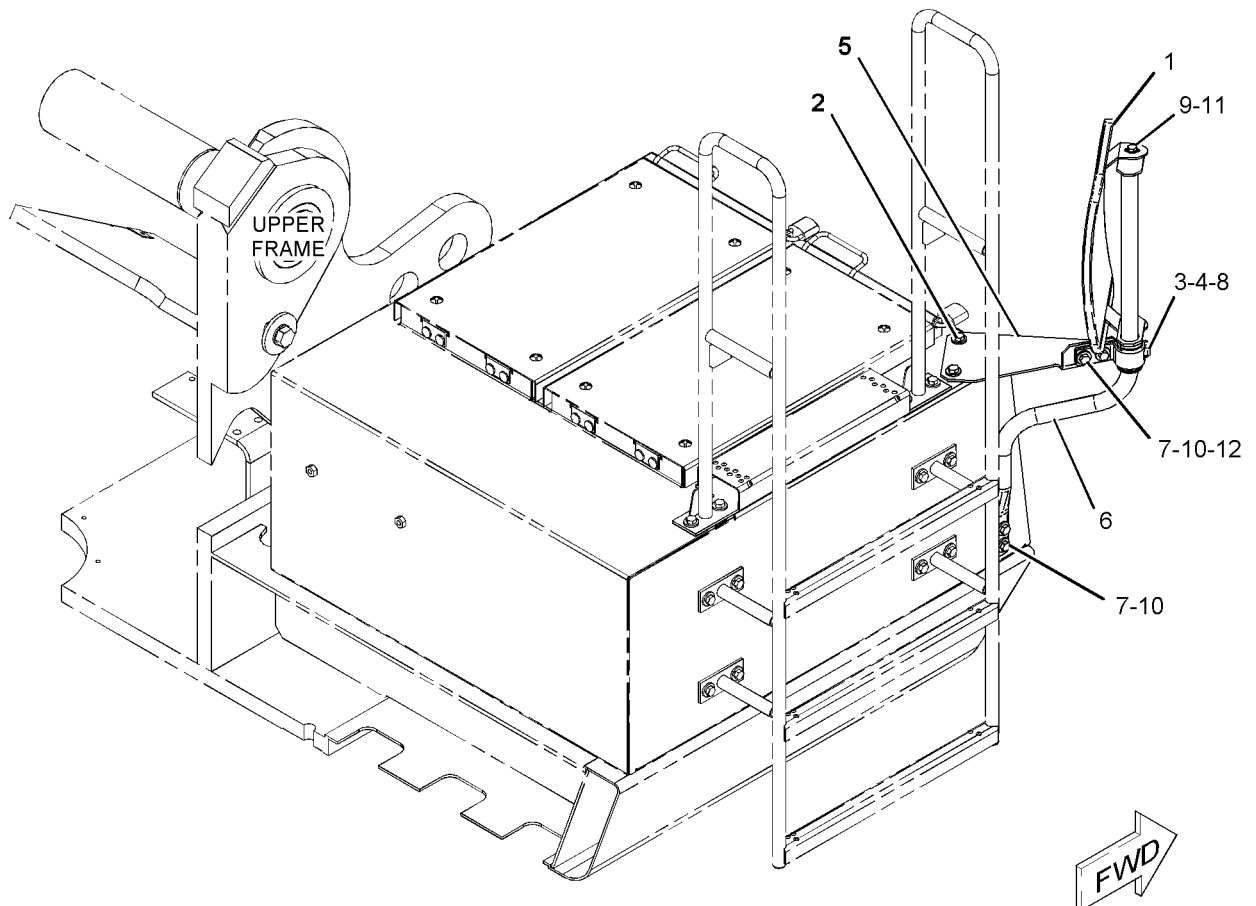
PART OF 228-8154 CHASSIS AR

SMCS-7319

i03649770

NOTE	REF NO	GRAPHIC REF	PART NUMBER	QTY	PART NAME						SEE PAGE
					1	2	3	4	5	6 (PRODUCT LEVEL)	
	1	1	5P-6879	1	MIRROR (RH)						
M	2	1	135-8575	3	BOLT AS (M12X1.75X30-MM)						
	3	1	262-2292	1	CLIP						
	4	1	262-2293	1	CLIP						
	5	1	262-2356	1	PLATE						
	6	1	262-2357	1	SUPPORT AS						
	7	1	5P-1076	6	WASHER-HARD (13.5X30X4-MM THK)						
	8	1	5P-8112	1	GROMMET						
	9	1	8T-4121	2	WASHER-HARD (11X21X2.5-MM THK)						
M	10	1	8T-4183	4	BOLT (M12X1.75X40-MM)						
M	11	1	8T-4195	2	BOLT (M10X1.5X30-MM)						
M	12	1	8T-4244	2	NUT (M12X1.75-THD)						

M-METRIC PART



GRAPHIC #1

<END>

g01149973

OPERATOR STATION

327-6550 MIRROR GP-REAR VIEW

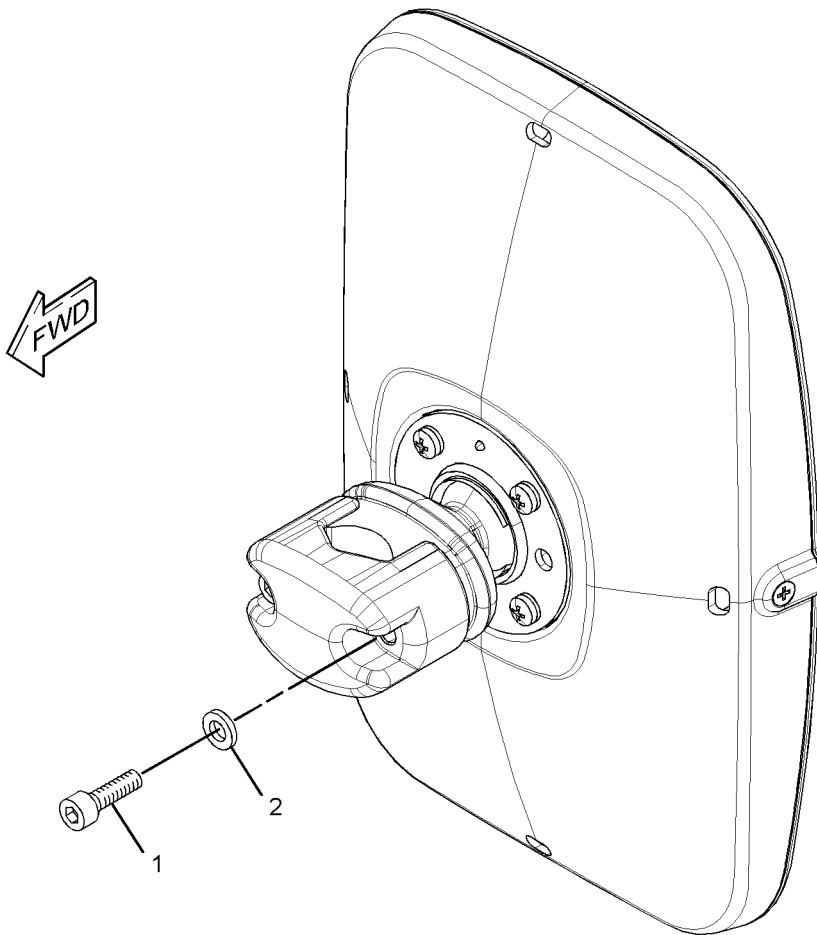
S/N: MMA1-UP
PART OF 237-3567 CAB GP
AN ATTACHMENT

SMCS-7319

i03114210

NOTE	REF NO	GRAPHIC REF	PART NUMBER	QTY	PART NAME						SEE PAGE
					1	2	3	4	5	6 (PRODUCT LEVEL)	
M	1	1	8T-0269	2	BOLT-SOCKET HEAD (M6X1X20-MM)						
	2	1	9X-8256	2	WASHER (6.6X12X2-MM THK)						

M-METRIC PART



GRAPHIC #1

<END>

g01615528

OPERATOR STATION

221-8813 MONITOR & MTG GP-OPERATOR

S/N: MMA1-UP

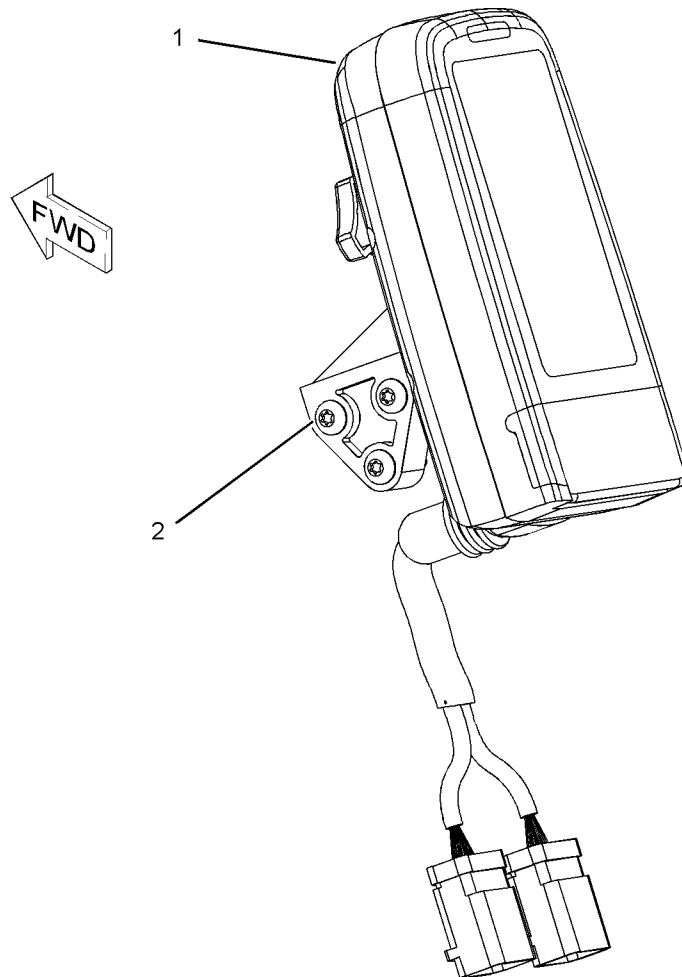
PART OF 237-2167, 237-3564 CAB AR
AN ATTACHMENT

SMCS-7490

i03623393

NOTE	REF NO	GRAPHIC REF	PART NUMBER	QTY	PART NAME						SEE PAGE
					1	2	3	4	5	6 (PRODUCT LEVEL)	
CY	1	1	327-7482	1	CONTROL GP-UNPRGMED MONITOR						1106
M	2	1	9X-2046	3	SCREW-TRUSS HEAD (M6X1X35-MM)						

C-CHANGE FROM PREVIOUS TYPE
M-METRIC PART
Y-SEPARATE ILLUSTRATION



GRAPHIC #1

<END>

g01072616

OPERATOR STATION

309-5852 MOUNTING GP-ANTENNA-PRODUCT LINK

S/N: MMA1-UP

PART OF 303-2727 INSTALLATION AR-COMMUNICATION
AN ATTACHMENT

SMCS-7338, 7606

i03162900

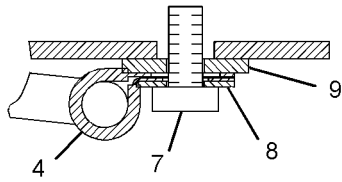
NOTE	REF NO	GRAPHIC REF	PART NUMBER	QTY	PART NAME						SEE PAGE
					1	2	3	4	5	6 (PRODUCT LEVEL)	
M	1	1	143-9397	3	SCREW-PAN HEAD (M4X0.7X12-MM)						
	2	1	309-5751	1	BRACKET						
	3	1	310-2393	1	ANTENNA AS						
		1	301-0589	1	ANTENNA (FLEXIBLE)						
	4	1	095-0910	4	CLIP						
	5	1	161-6987	3	WASHER-HARD (5.2X16X1.5-MM THK)						
M	6	1	8T-4190	1	BOLT (M16X2X25-MM)						
M	7	1	8T-4138	1	BOLT (M6X1X20-MM)						
	8	1	9X-2026	1	WASHER (6.5X17X1-MM THK)						
	9	1	9X-6165	1	WASHER (6.5X22X2.5-MM THK)						
	10	1	9X-8257	1	WASHER (17.5X30X3.5-MM THK)						

M-METRIC PART

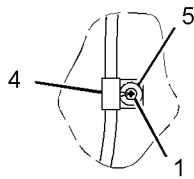
OPERATOR STATION

309-5852 MOUNTING GP-ANTENNA (contd.)

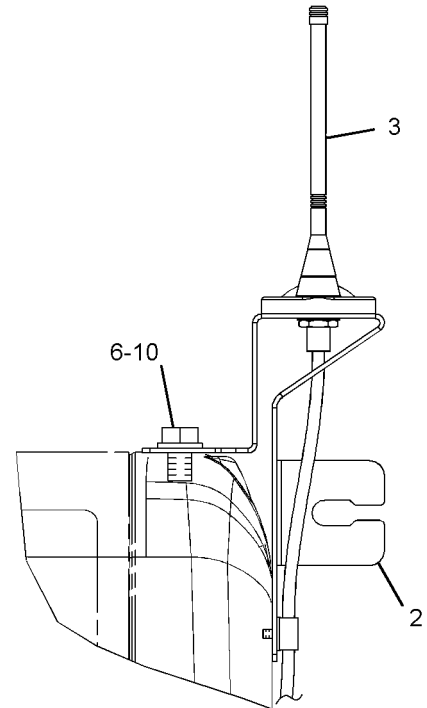
i03162900



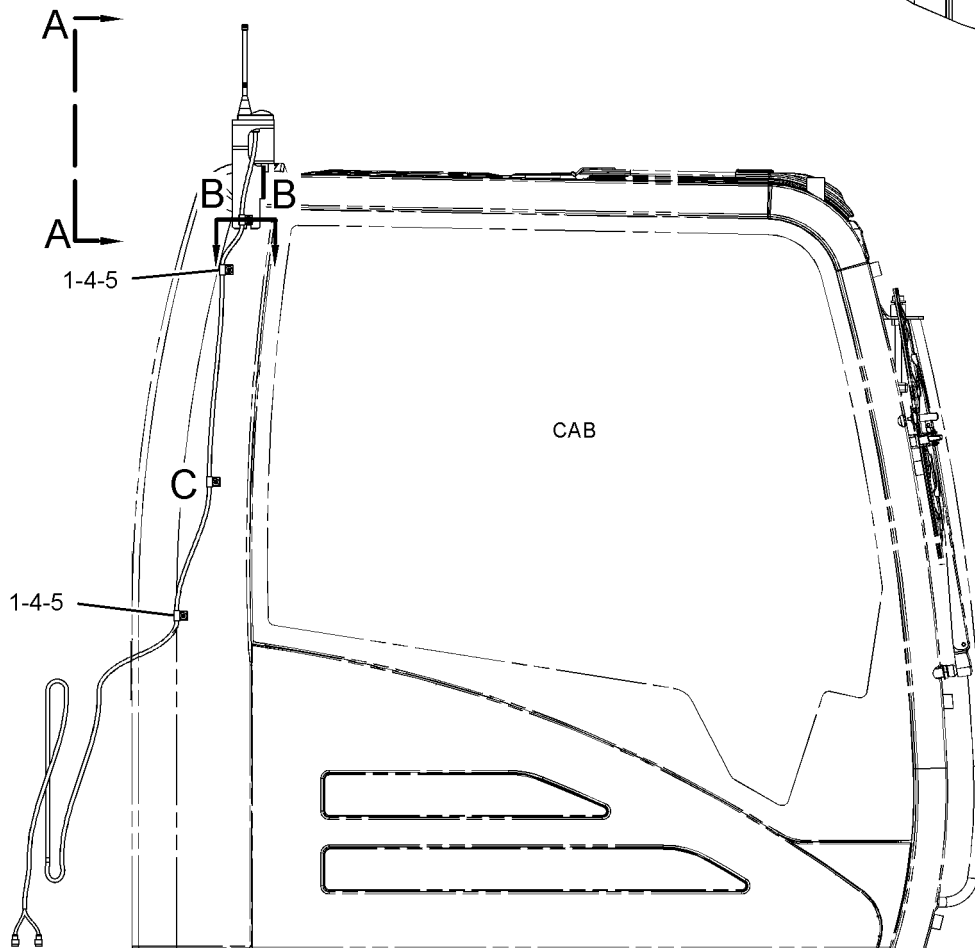
SECTION B-B



VIEW OF AREA C



VIEW A-A



RIGHT SIDE VIEW

GRAPHIC #1

<END>

g01515333

OPERATOR STATION

225-5765 MOUNTING GP-CAB-REAR

S/N: MMA1-UP

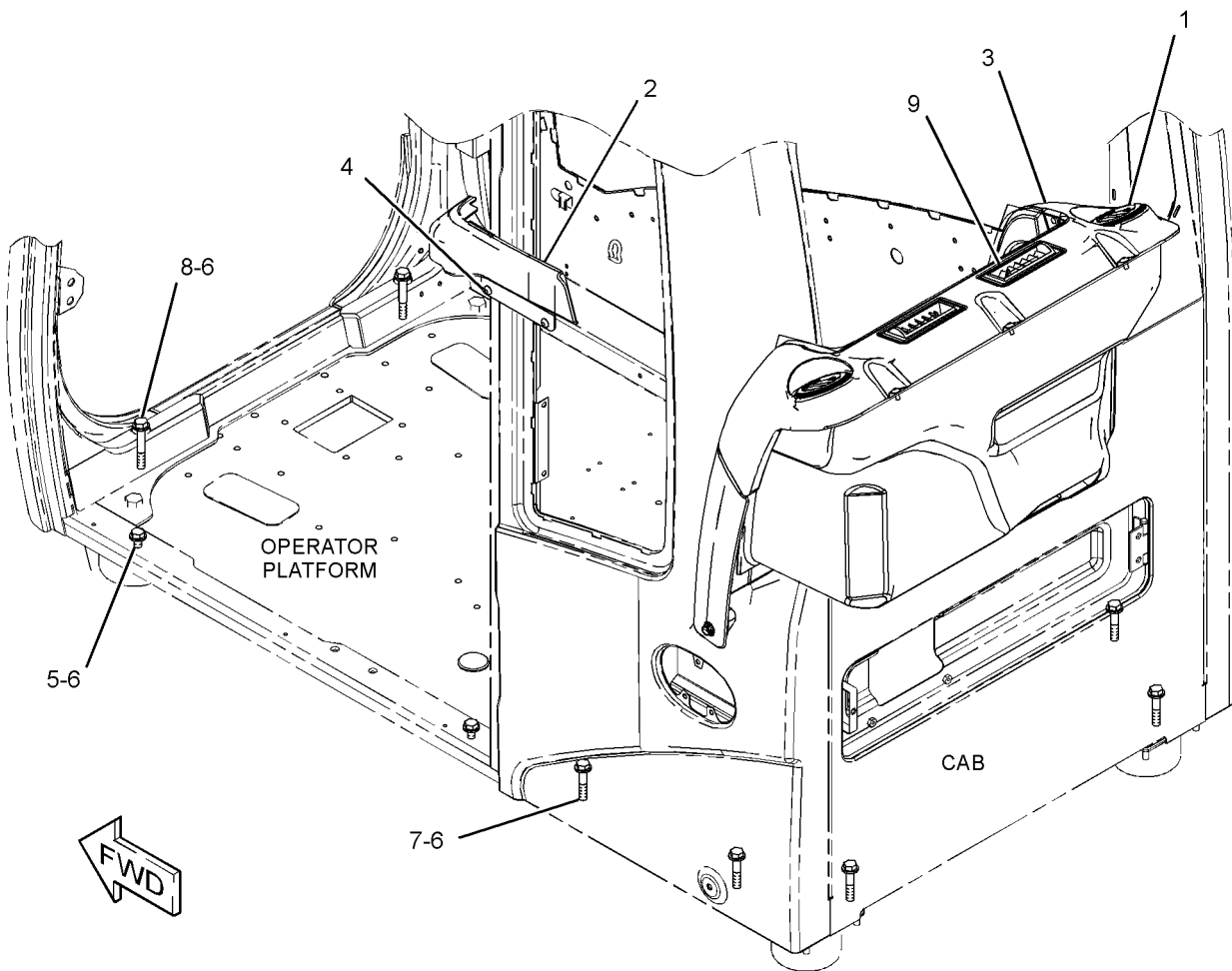
PART OF 225-5752 OPERATOR AR

i02864046

NOTE	REF NO	GRAPHIC REF	PART NUMBER	QTY	PART NAME						SEE PAGE
					1	2	3	4	5	6 (PRODUCT LEVEL)	
	1	1	164-8474	2	LOUVER AS-VENT						
	2	1	234-6472	1	COVER						
Y	3	1	234-6501	1	COVER GP-CAB (REAR)						1107
M	4	1	128-2135	7	SCREW-TRUSS HEAD (M6X1X13-MM)						
M	5	1	8T-4179	3	BOLT (M12X1.75X20-MM)						
	6	1	8T-4223	11	WASHER-HARD (13.5X25.5X3-MM THK)						
M	7	1	8T-4910	6	BOLT (M12X1.75X60-MM)						
M	8	1	8T-6868	2	BOLT (M12X1.75X80-MM)						
	9	1	8Y-6967	2	LOUVER AS						

M-METRIC PART

Y-SEPARATE ILLUSTRATION



GRAPHIC #1

<END>

g01425869

OPERATOR STATION

245-7811 MOUNTING GP-PLATFORM

S/N: MMA1-UP

PART OF 228-8154 CHASSIS AR

SMCS-7253

i02708582

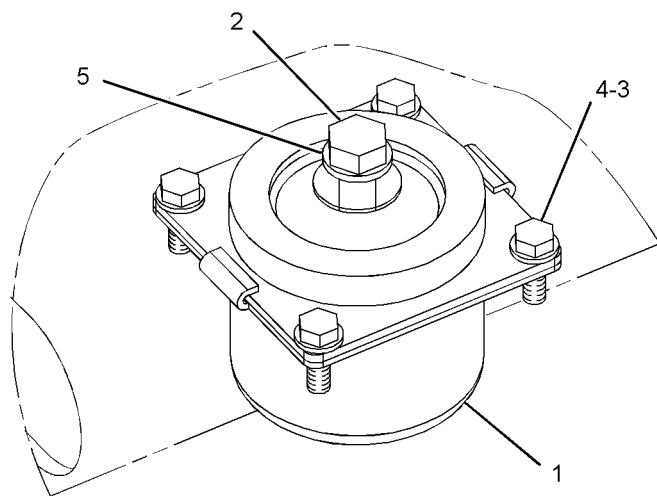
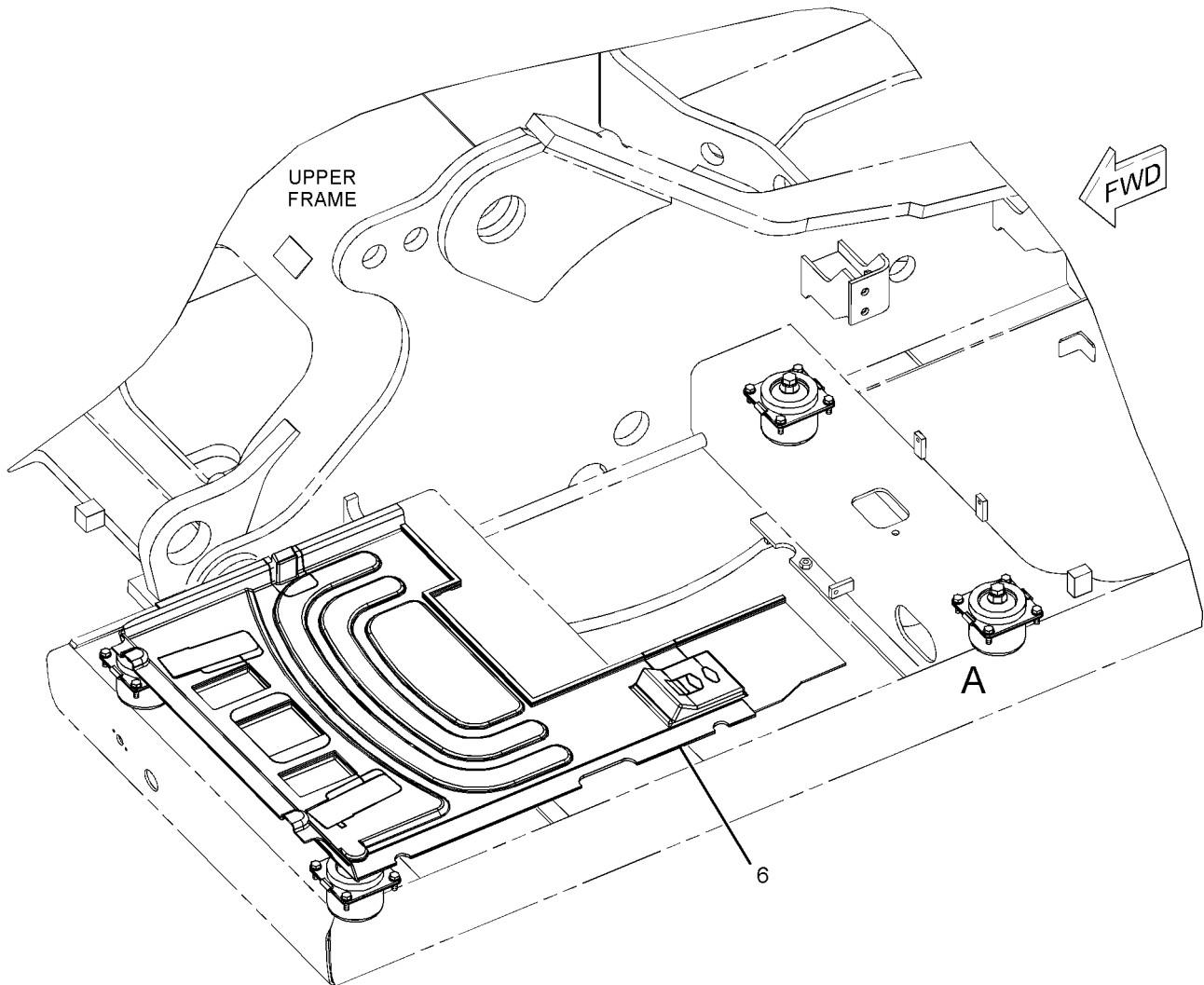
NOTE	REF NO	GRAPHIC REF	PART NUMBER	QTY	PART NAME						SEE PAGE
					1	2	3	4	5	6 (PRODUCT LEVEL)	
	1	1	235-8862	4	MOUNT AS						
M	2	1	7X-2553	4	BOLT (M16X2X40-MM)						
	3	1	8T-4121	16	WASHER-HARD (11X21X2.5-MM THK)						
M	4	1	8T-4195	16	BOLT (M10X1.5X30-MM)						
	5	1	9X-8257	4	WASHER (17.5X30X3.5-MM THK)						
	6	1	257-1110	1	FLOOR MAT						

M-METRIC PART

OPERATOR STATION

245-7811 MOUNTING GP-PLATFORM (contd.)

i02708582



VIEW OF AREA A

GRAPHIC #1

<END>

g01362744

OPERATOR STATION

275-9860 MOUNTING GP-RADIO

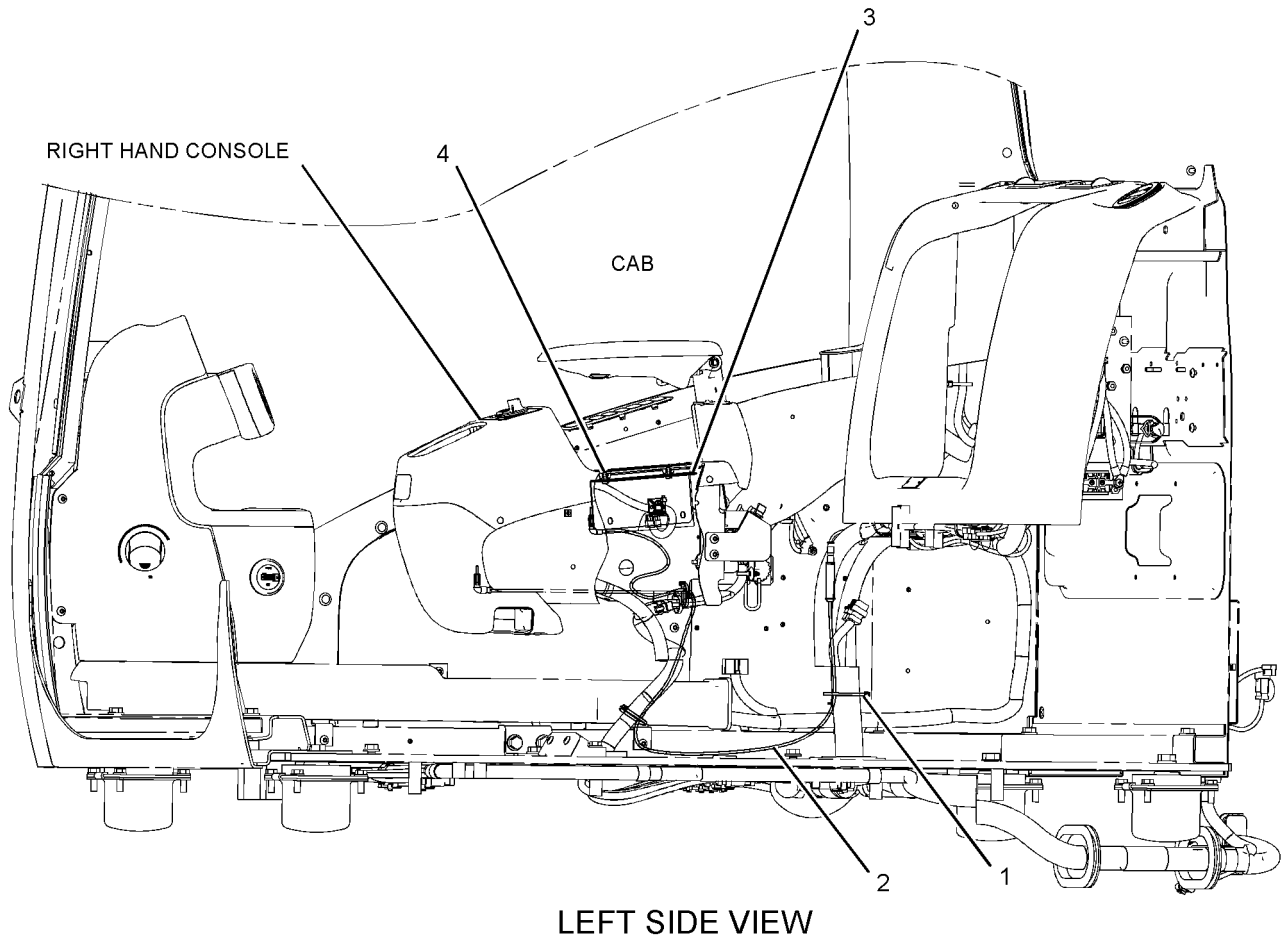
S/N: MMA1-UP

PART OF 275-9858 INSTALLATION GP-RADIO
AN ATTACHMENT

SMCS-7338

i02399231

NOTE	REF NO	GRAPHIC REF	PART NUMBER	QTY	PART NAME						SEE PAGE
					1	2	3	4	5	6 (PRODUCT LEVEL)	
1	1	1	3S-2093	4	STRAP-CABLE						
2	1	1	238-2260	1	CABLE						
3	1	1	259-4914	1	BRACKET AS						
4	1	1	119-5026	2	SCREW-PAN HEAD (10-16X0.63-IN)						



GRAPHIC #1

<END>

g01204214

OPERATOR STATION

225-5752 OPERATOR AR

S/N: MMA1-UP

PART OF 228-8154 CHASSIS AR

SMCS-7301

i03643764

NOTE	PART NUMBER	QTY	PART NAME						SEE PAGE
			1	2	3	4	5	6 (PRODUCT LEVEL)	
Y	235-8898	1	CONSOLE GP-OPERATOR						1070
Y	221-8819	1	CONTROL & MTG GP-PEDAL (TRAVEL)						1087
Y	235-8899	1	CONTROL GP-TRAVEL (LEVERS, PEDALS)						1104
Y	249-0530	1	COVER GP-CAB (EXTERIOR, LH)						1108
Y	225-5765	1	MOUNTING GP-CAB						1156
Y	225-5757	1	PLATFORM GP-OPERATOR						1165
Y	235-8983	1	SUPPORT GP-SEAT						1204
			S/N: MMA1-274						
Y	327-6542	1	SUPPORT GP-SEAT						1205
			S/N: MMA275-UP						
Y	227-7132	1	WIRING GP-CAB						385
Y	227-7129	1	WIRING GP-CONSOLE						393

Y-SEPARATE ILLUSTRATION

<END>

OPERATOR STATION

249-7107 PARTS AR-CAB-HANDRAIL, FLOODLIGHT

S/N: MMA1-UP

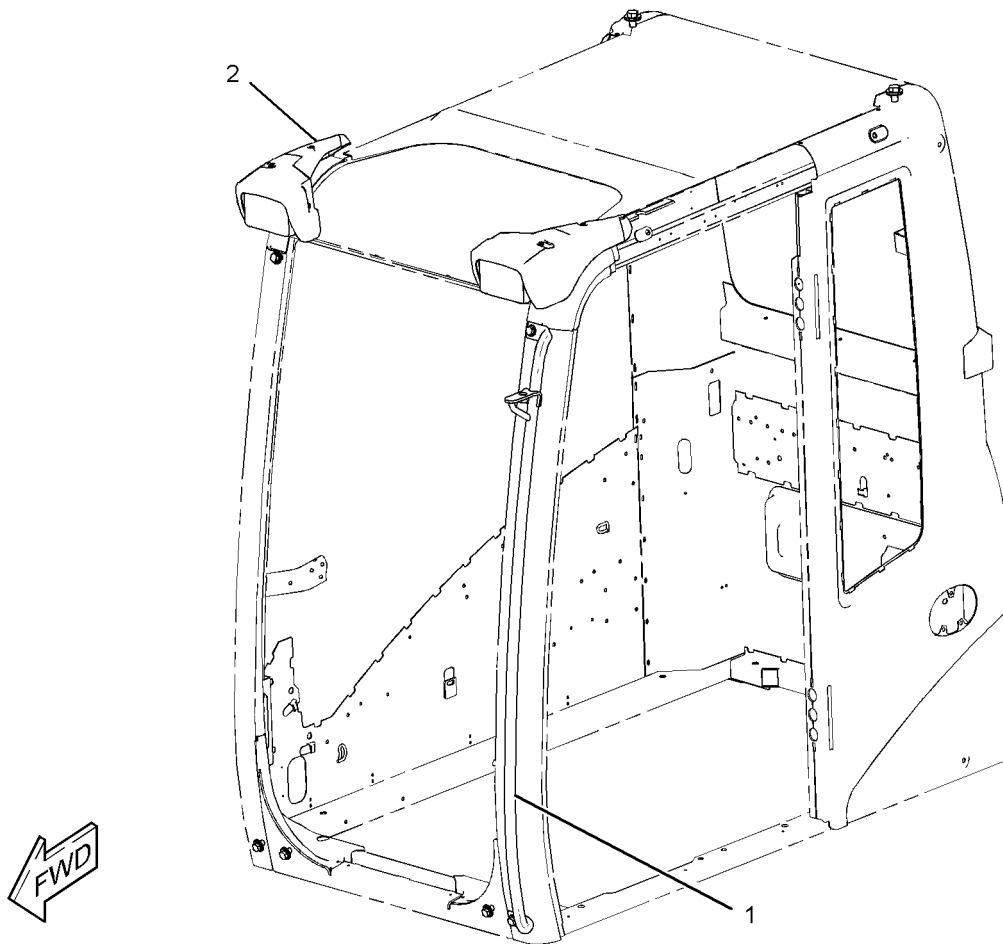
PART OF 265-7172, 265-7175, 265-7176 CONVERSION AR
AN ATTACHMENT

SMCS-7301

i03179203

NOTE	REF NO	GRAPHIC REF	PART NUMBER	QTY	PART NAME						SEE PAGE
					1	2	3	4	5	6 (PRODUCT LEVEL)	
Y	1	1	249-7108	1	HANDRAIL GP (CAB)						470
Y	2	1	252-1241	1	LIGHTING GP-FLOOD (CAB)						313

Y-SEPARATE ILLUSTRATION



GRAPHIC #1

<END>

g01625978

OPERATOR STATION

225-5782 PEDAL AR-THIRD-STRAIGHT TRAVEL

S/N: MMA1-UP
AN ATTACHMENT

SMCS-5059, 5462

i02112936

NOTE	PART NUMBER	QTY	PART NAME						SEE PAGE
			1	2	3	4	5	6 (PRODUCT LEVEL)	
Y	225-5783	1	CONTROL GP-HYDRAULIC PEDAL (STRAIGHT TRAVEL)						1099
	127-5250	1	FILM-INSTRUCTION (TRAVEL CONTROLS)						
Y-SEPARATE ILLUSTRATION									

<END>

OPERATOR STATION

223-2943 PLATFORM GP

S/N: MMA1-UP

PART OF 228-8154 CHASSIS AR

SMCS-7253

i02446183

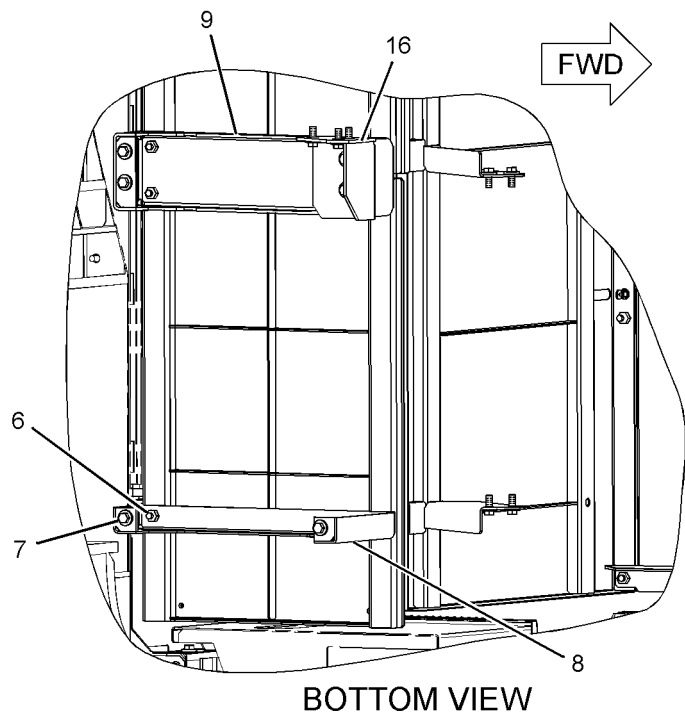
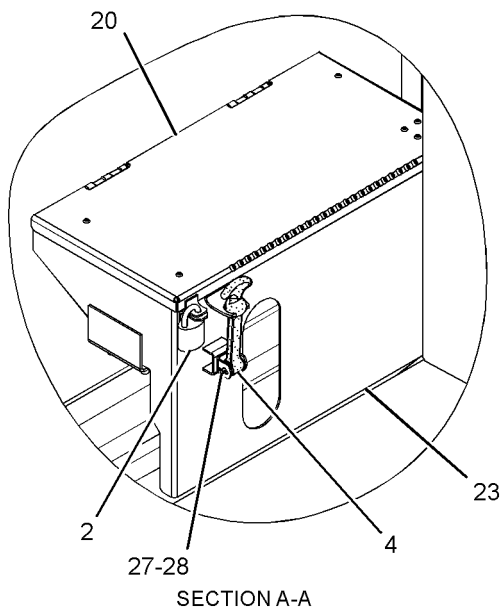
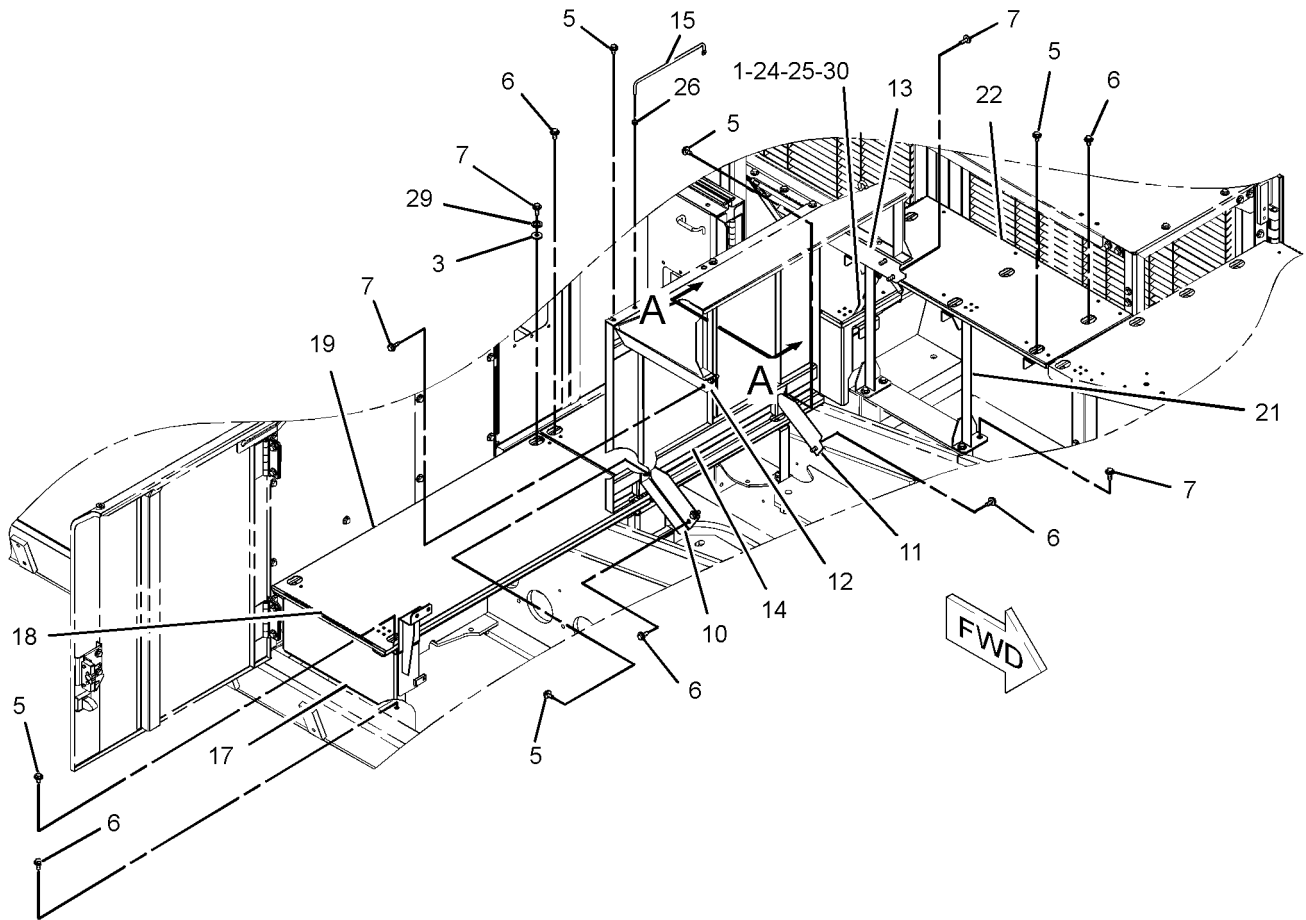
NOTE	REF NO	GRAPHIC REF	PART NUMBER	QTY	PART NAME						SEE PAGE
					1	2	3	4	5	6 (PRODUCT LEVEL)	
	1	1	4I-2187	1	SUPPORT AS						
	2	1	246-2641	1	PADLOCK GP						
		1	5P-8500	1	KEY						
	3	1	7Y-2853	2	SPACER (13X38X5-MM THK)						
	4	1	9M-3835	1	LATCH-RUBBER						
M	5	1	135-8573	14	BOLT AS (M12X1.75X25-MM)						
M	6	1	135-8575	25	BOLT AS (M12X1.75X30-MM)						
M	7	1, 1	135-8577	14	BOLT AS						
	8	1	175-0689	1	SUPPORT AS						
	9	1	175-0691	1	SUPPORT AS						
	10	1	175-0964	1	SUPPORT AS						
	11	1	175-0966	1	SUPPORT AS						
	12	1	175-0968	1	SUPPORT AS						
	13	1	175-0970	1	SUPPORT AS						
	14	1	177-5536	1	SHEET AS						
	15	1	199-0117	1	ROD						
	16	1	259-3859	1	SUPPORT AS						
	17	1	236-9386	1	SUPPORT AS						
	18	1	236-9389	1	COVER AS						
	19	1	236-9391	1	COVER AS						
	20	1	236-9397	1	COVER AS						
		1	7Y-2814	2	HINGE						
	21	1	236-9399	1	SUPPORT AS						
	22	1	236-9401	1	COVER AS						
	23	1	237-8846	1	SUPPORT AS						
	24	1	095-0843	1	PIN-COTTER						
	25	1	096-3780	1	PIN-CLEVIS						
	26	1	171-3396	2	GROMMET						
	27	1	2M-5795	1	PIN-CLEVIS						
	28	1	3B-4607	1	PIN-COTTER						
	29	1	7Y-2854	2	SPACER (24X38X3-MM THK)						
	30	1	8T-4224	1	WASHER-HARD (8.8X16X2-MM THK)						

M-METRIC PART

OPERATOR STATION

223-2943 PLATFORM GP (contd.)

i02446183



GRAPHIC #1

<END>

g01233704

OPERATOR STATION

225-5757 PLATFORM GP-OPERATOR

S/N: MMA1-UP

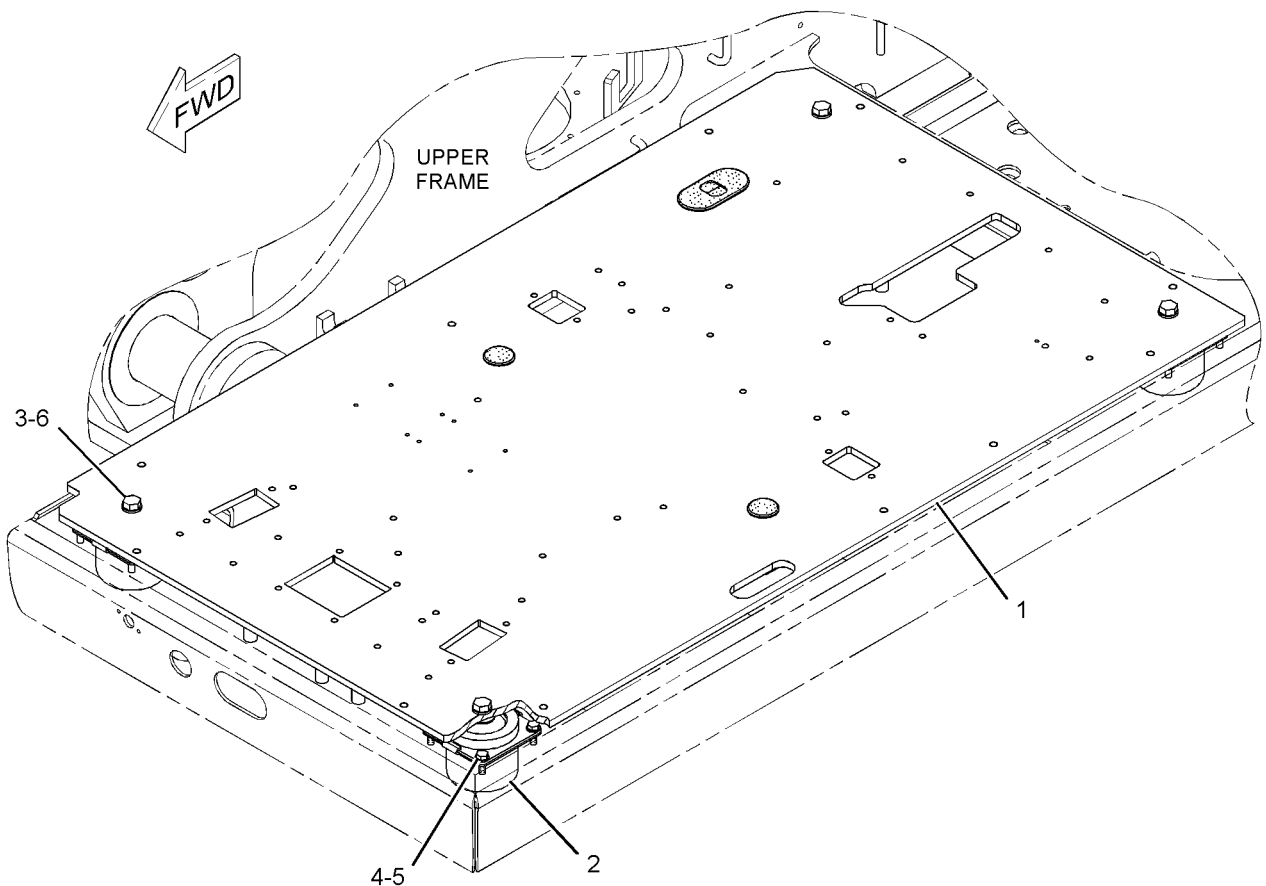
PART OF 225-5752 OPERATOR AR

SMCS-7253

i02208328

NOTE	REF NO	GRAPHIC REF	PART NUMBER	QTY	PART NAME						SEE PAGE
					1	2	3	4	5	6 (PRODUCT LEVEL)	
Y	1	1	263-7922	4	PLATFORM GP-OPERATOR						1168
	2	1	235-8862	1	MOUNT AS						
M	3	1	7X-2553	4	BOLT (M16X2X40-MM)						
	4	1	8T-4121	16	WASHER-HARD (11X21X2.5-MM THK)						
M	5	1	8T-4195	16	BOLT (M10X1.5X30-MM)						
	6	1	9X-8257	4	WASHER (17.5X30X3.5-MM THK)						

M-METRIC PART
Y-SEPARATE ILLUSTRATION



GRAPHIC #1

<END>

g01130907

OPERATOR STATION

225-5757 PLATFORM GP-OPERATOR

S/N: MMA1-252

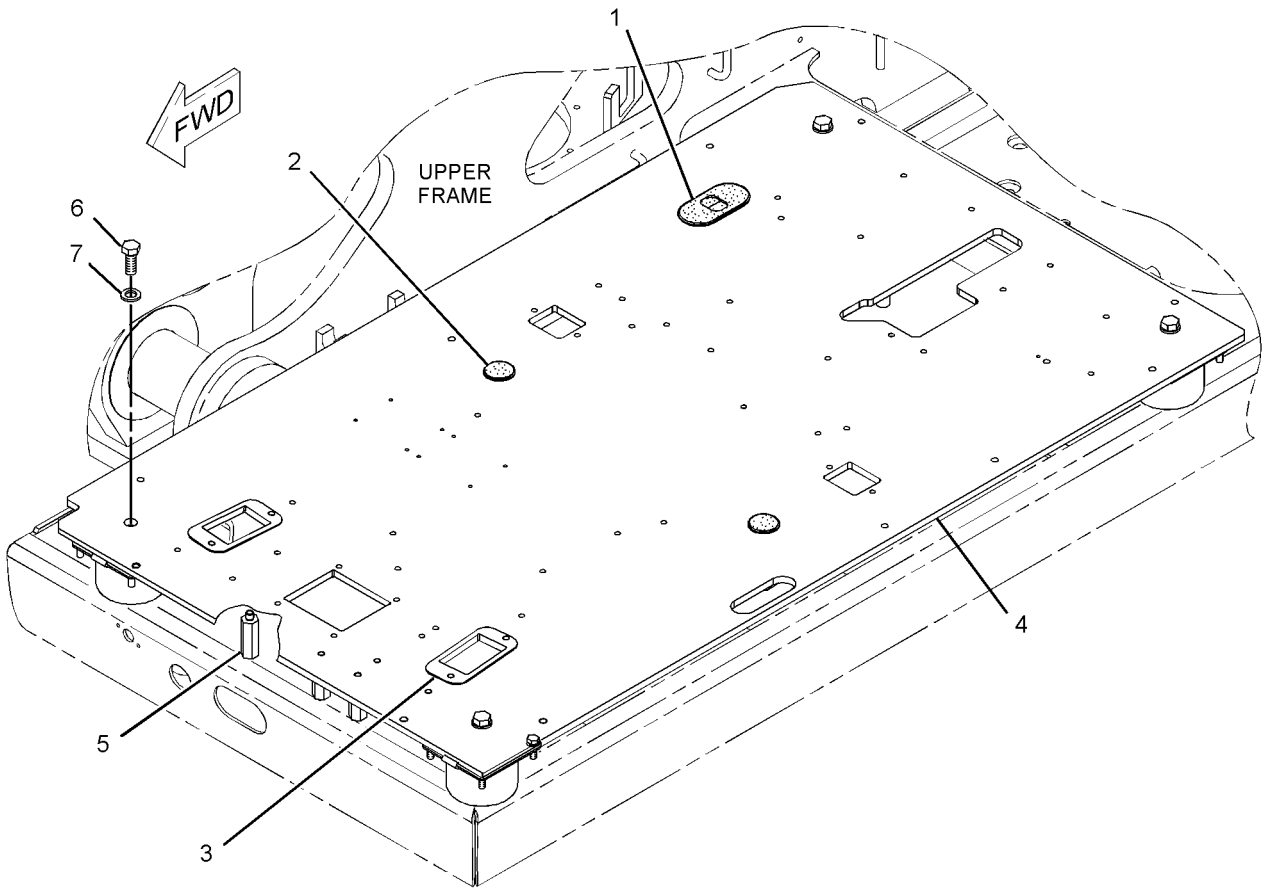
PART OF 225-5752 OPERATOR AR

SMCS-7253

i02567059

NOTE	REF NO	GRAPHIC REF	PART NUMBER	QTY	PART NAME						SEE PAGE
					1	2	3	4	5	6 (PRODUCT LEVEL)	
	1	1	135-8966	4	GROMMET						
	2	1	147-4960	2	GROMMET						
	3	1	162-0349	2	COVER						
	4	1	235-8863	1	PLATFORM AS						
	5	1	245-7941	3	BOSS						
M	6	1	7X-2553	4	BOLT (M16X2X40-MM)						
	7	1	9X-8257	4	WASHER (17.5X30X3.5-MM THK)						

M-METRIC PART



GRAPHIC #1

<END>

g01292673

OPERATOR STATION

225-5757 PLATFORM GP-OPERATOR

S/N: MMA253-UP

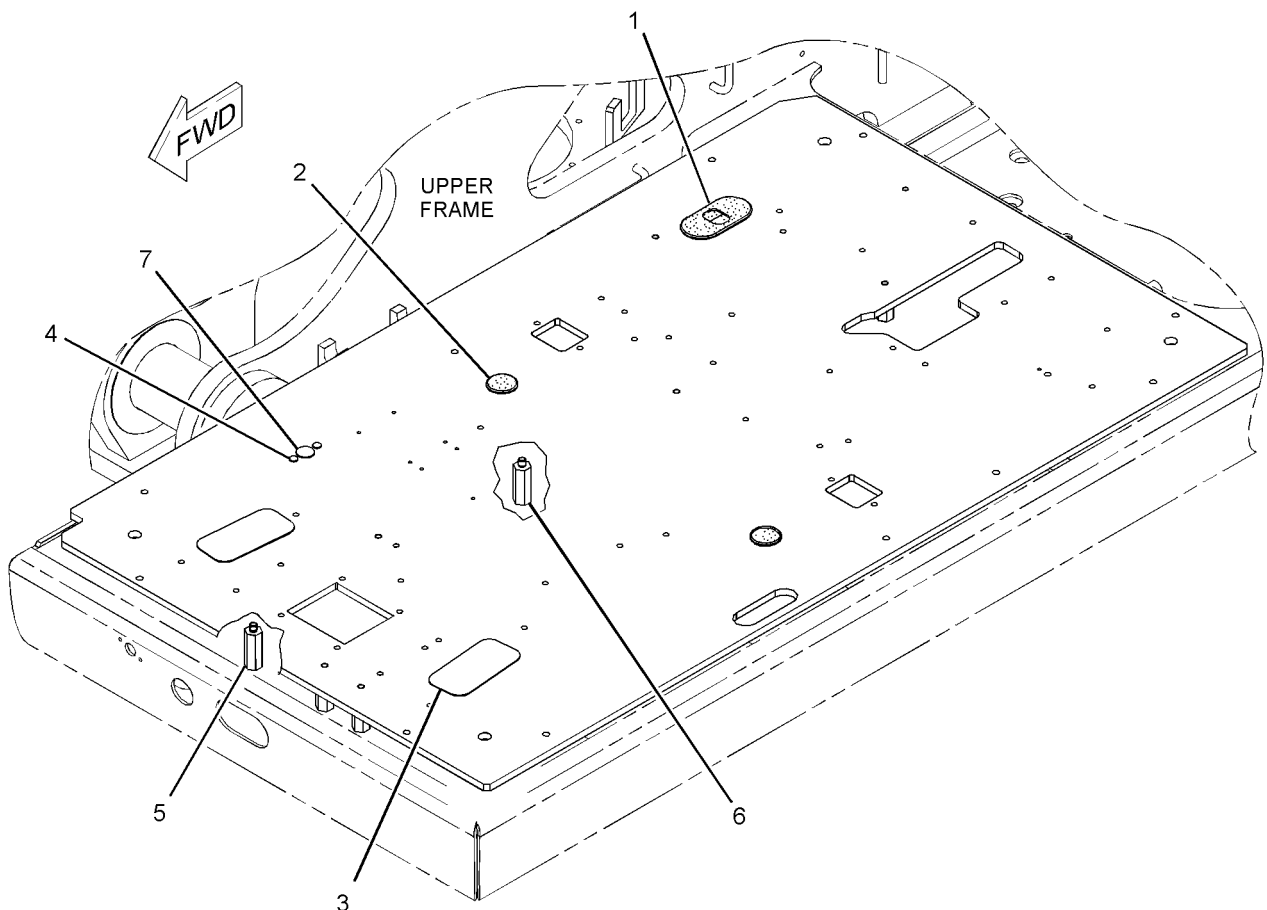
PART OF 225-5752 OPERATOR AR

SMCS-7253

i03064419

NOTE	REF NO	GRAPHIC REF	PART NUMBER	QTY	PART NAME						SEE PAGE
					1	2	3	4	5	6 (PRODUCT LEVEL)	
C	1	1	135-8966	1	GROMMET						
	2	1	147-4960	2	GROMMET						
	3	1	162-0349	2	COVER						
	4	1	296-4908	2	CAP						
	5	1	245-7941	3	BOSS						
C	6	1	274-5048	5	BOSS						
	7	1	296-4907	1	CAP						

C-CHANGE FROM PREVIOUS TYPE



GRAPHIC #1

<END>

g01583478

OPERATOR STATION

263-7922 PLATFORM GP-OPERATOR

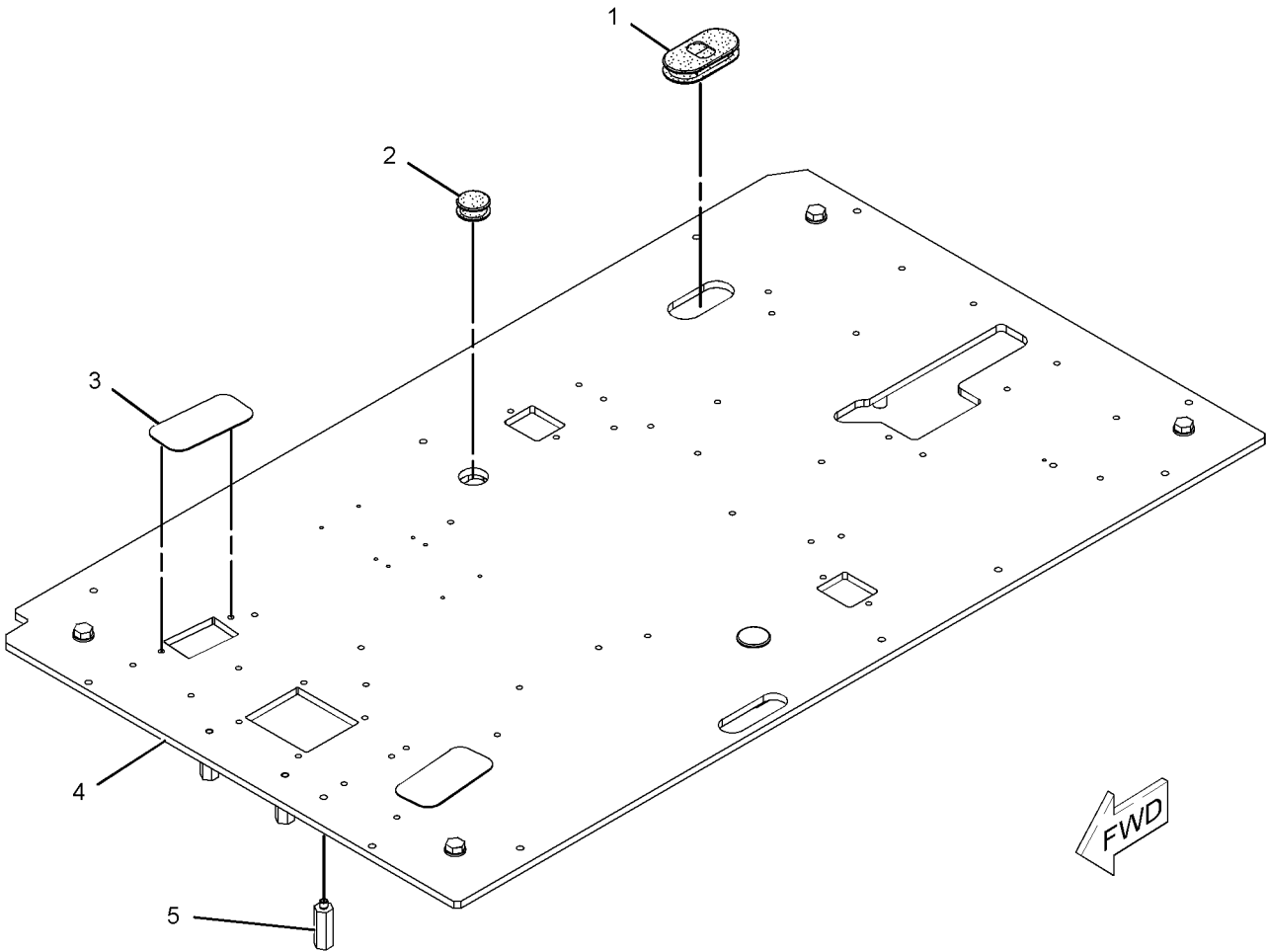
S/N: MMA1-UP

PART OF 225-5757 PLATFORM GP-OPERATOR

SMCS-7253

i02231308

NOTE	REF NO	GRAPHIC REF	PART NUMBER	QTY	PART NAME						SEE PAGE
					1	2	3	4	5	6 (PRODUCT LEVEL)	
	1	1	135-8966	1	GROMMET						
	2	1	147-4960	2	GROMMET						
	3	1	162-0349	2	COVER						
	4	1	235-8863	1	PLATFORM AS						
	5	1	245-7941	3	BOSS						



GRAPHIC #1

<END>

g01128915

OPERATOR STATION

251-0538 RADIO GP

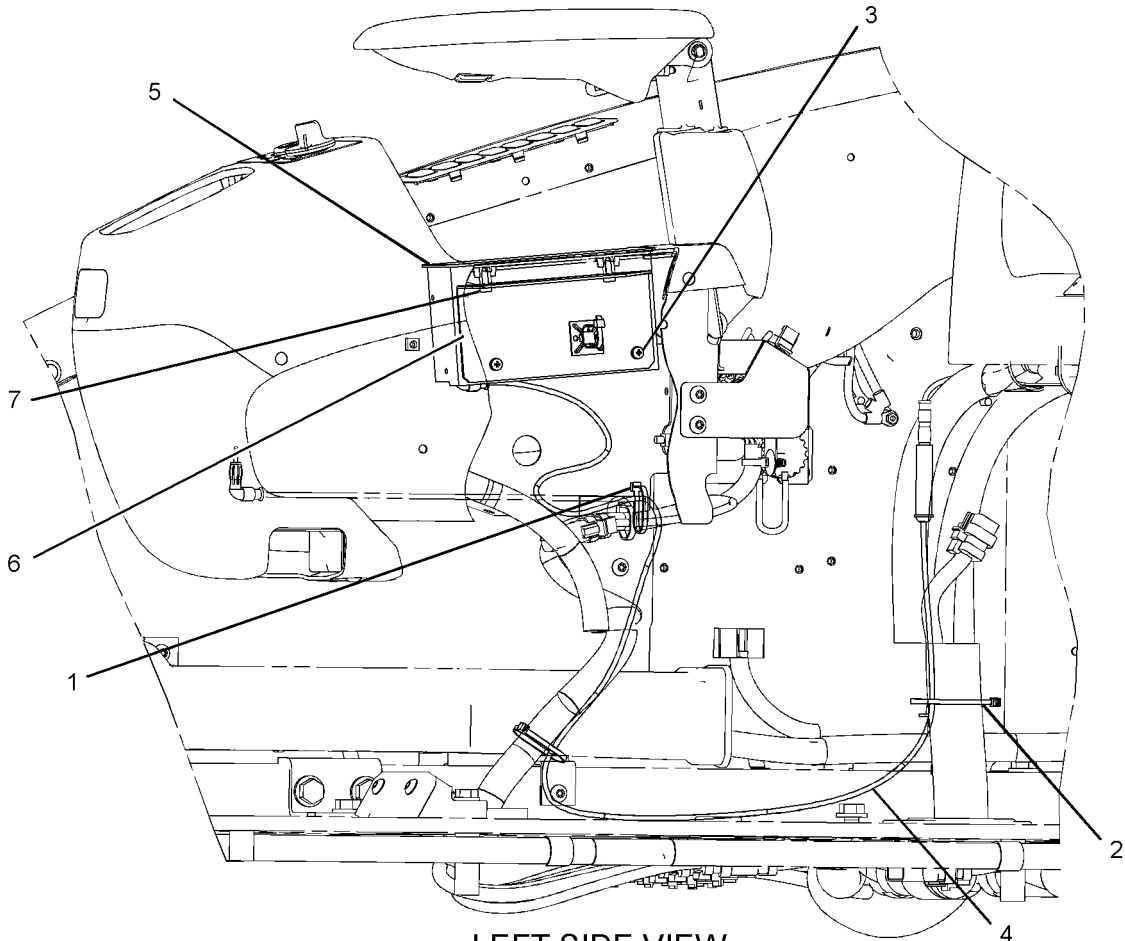
S/N: MMA1-UP

PART OF 265-7175 CONVERSION AR
AN ATTACHMENT

SMCS-7338, 733C

i03024523

NOTE	REF NO	GRAPHIC REF	PART NUMBER	QTY	PART NAME						SEE PAGE
					1	2	3	4	5	6 (PRODUCT LEVEL)	
1	1	1	3S-2093	2	STRAP - CABLE						
2	1	1	7K-1181	2	STRAP - CABLE						
3	1	1	106-2704	2	SCREW AS (M5X0.8X10-MM)						
4	1	1	238-2260	1	CABLE						
5	1	1	306-8802	1	RADIO-AM/FM						
6	1	1	259-4914	1	BRACKET AS						
7	1	1	119-5026	2	SCREW-PAN HEAD (10-16X0.63-IN)						



LEFT SIDE VIEW

<END>

GRAPHIC #1

g01225602

OPERATOR STATION

276-2881 RADIO GP-AM/FM

S/N: MMA1-UP

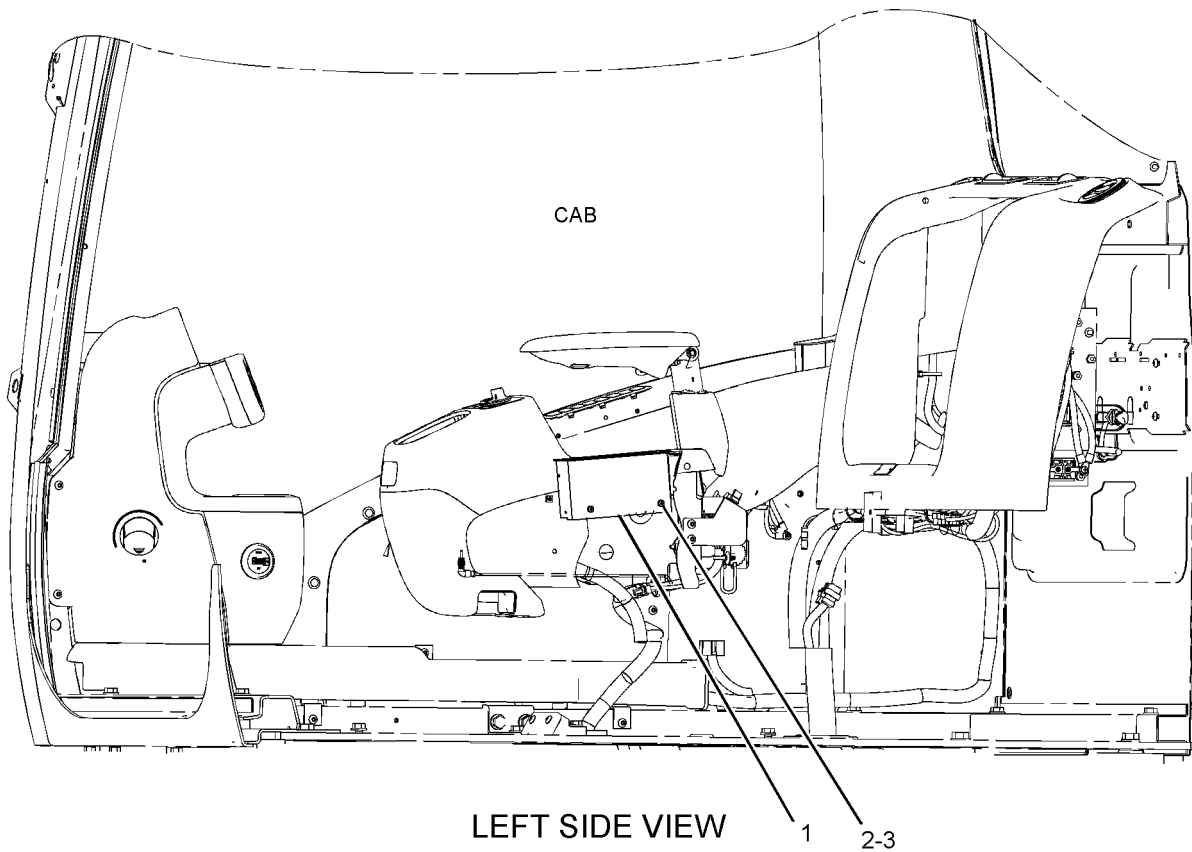
PART OF 275-9858 INSTALLATION GP-RADIO
AN ATTACHMENT

SMCS-7338, 733C

i02399232

NOTE	REF NO	GRAPHIC REF	PART NUMBER	QTY	PART NAME						SEE PAGE
					1	2	3	4	5	6 (PRODUCT LEVEL)	
	1	1	251-0539	1	RADIO-AM/FM (MULTIPLE AREA)						
M	2	1	095-0736	2	SCREW-MACHINE (M5X0.8X10-MM)						
	3	1	8T-0328	2	WASHER-HARD (5.5X10X1-MM THK)						

M-METRIC PART



GRAPHIC #1

<END>

g01204193

OPERATOR STATION

263-9088 RADIO GP-COMMUNICATION-PRODUCT LINK 121SR

S/N: MMA1-UP

PART OF 260-2174, 309-5845 CONTROL & MTG GP-COMMUNICATION
AN ATTACHMENT

SMCS-733T

i03130503

NOTE	PART NUMBER	QTY	PART NAME						SEE PAGE
			1	2	3	4	5	6 (PRODUCT LEVEL)	
	330-3408	1	SOFTWARE GP-COMMUNICATION (PRODUCT LINK 121SR)						
<END>									

230-0590 RISER AR-CAB

S/N: MMA1-UP

PART OF 265-7177 SHOVEL AR-FRONT
AN ATTACHMENT

SMCS-7301

i03100727

NOTE	PART NUMBER	QTY	PART NAME						SEE PAGE
			1	2	3	4	5	6 (PRODUCT LEVEL)	
Y	225-5774	1	LINES GP-AIR CONDITIONER						1148
Y	230-0591	1	RISER GP-CAB						1172
Y	225-5773	1	WASHER GP-WINDOW						1225
	121-4012	1	BONNET						
Y-SEPARATE ILLUSTRATION									
<END>									

OPERATOR STATION

230-0591 RISER GP-CAB

S/N: MMA1-UP

PART OF 230-0590 RISER AR-CAB
AN ATTACHMENT

SMCS-7260

i02613018

NOTE	REF NO	GRAPHIC REF	PART NUMBER	QTY	PART NAME						SEE PAGE
					1	2	3	4	5	6 (PRODUCT LEVEL)	
	1	1	188-0021	1	COVER AS						
		1	188-0024	1	LINER						
		1	188-0025	1	LINER						
	2	1	188-0040	2	PLATE						
	3	1	188-0041	2	PLATE						
Y	4	1	237-3125	1	FRAME GP-CAB RISER						448
	5	1	237-3154	1	COVER AS						
		1	237-3157	1	LINER						
		1	237-3158	1	LINER						
	6	1	273-6354	1	PLATE						
	7	1	273-6355	1	PLATE AS						
M	8	1	5C-2890	2	NUT (M6X1-THD)						
M	9	1	7X-2555	8	BOLT (M16X2X80-MM)						
	10	1	8T-4121	32	WASHER-HARD (11X21X2.5-MM THK)						
M	11	1	8T-4140	4	BOLT (M16X2X60-MM)						
M	12	1	8T-4182	16	BOLT (M10X1.5X45-MM)						
M	13	1	8T-4196	16	BOLT (M10X1.5X35-MM)						
	14	1	9X-8256	2	WASHER (6.6X12X2-MM THK)						
	15	1	9X-8257	12	WASHER (17.5X30X3.5-MM THK)						

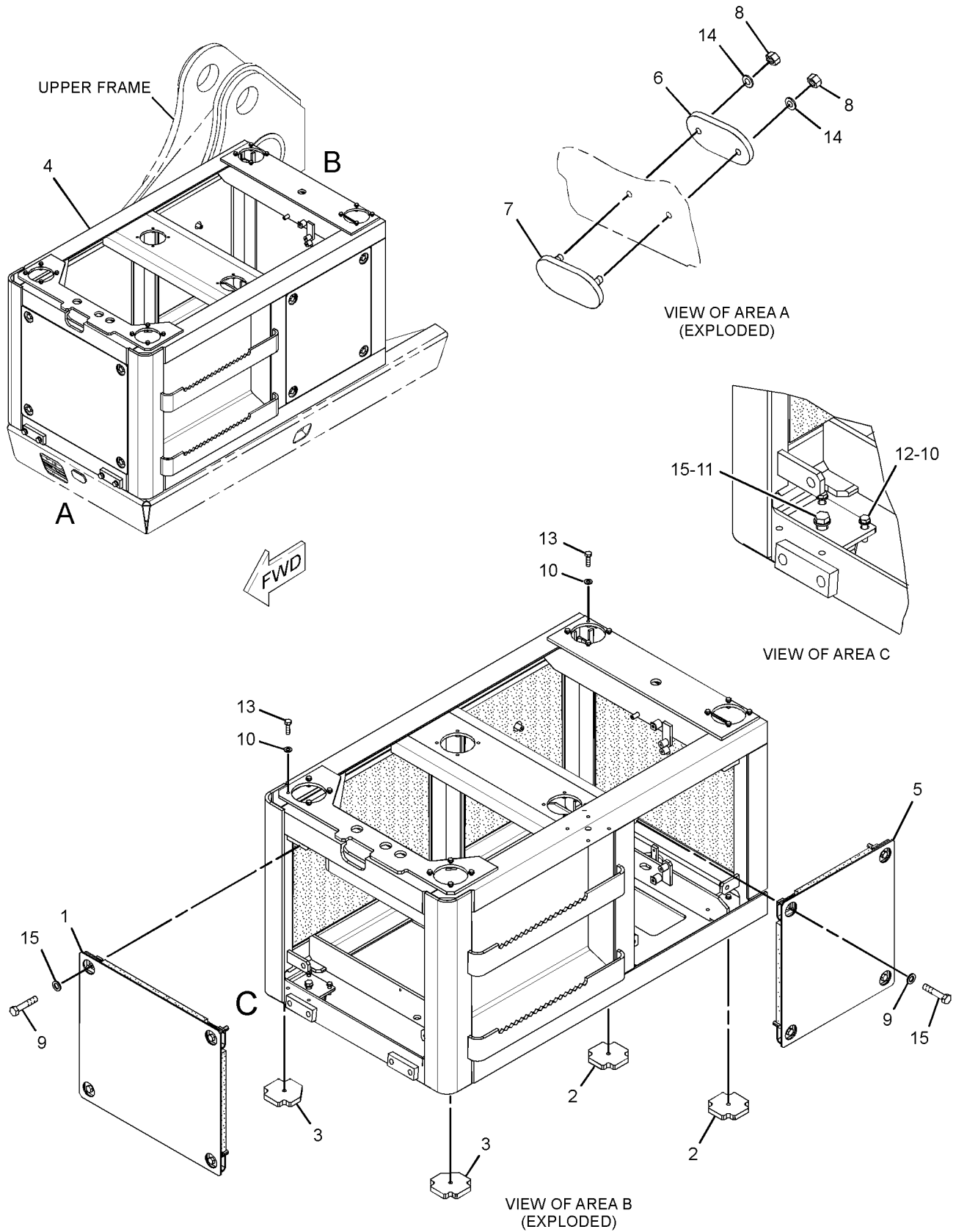
M-METRIC PART

Y-SEPARATE ILLUSTRATION

OPERATOR STATION

230-0591 RISER GP-CAB (contd.)

i02613018



GRAPHIC #1

<END>

g01336682

OPERATOR STATION

184-7621 SCREEN GP-SUN

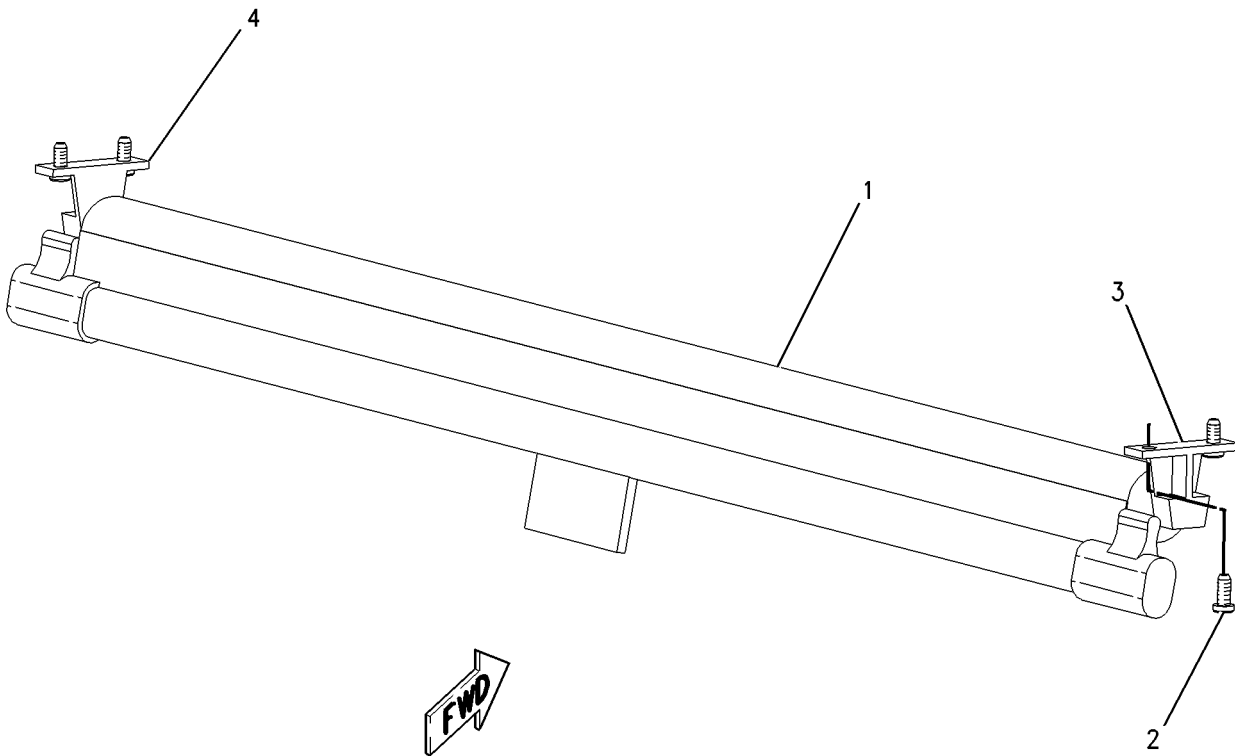
S/N: MMA1-UP

PART OF 237-2167, 237-3564 CAB AR
AN ATTACHMENT

SMCS-7165

i02981808

NOTE	REF NO	GRAPHIC REF	PART NUMBER	QTY	PART NAME						SEE PAGE
					1	2	3	4	5	6 (PRODUCT LEVEL)	
	1	1	229-4818	1	SHADE AS-SUN						
	2	1	6C-9119	4	SCREW (M5X0.8X12-MM)						
					-OR-						
		1	6V-2687	4	SCREW-PAN HEAD (10-24X1-IN)						
	3	1	229-3756	1	SUPPORT						
	4	1	229-3757	1	SUPPORT						



GRAPHIC #1

<END>

g00943485

OPERATOR STATION

240-4999 SEAT & MOUNTING GP-LOW BACK, TILT

S/N: MMA1-UP

REPLACED BY 327-6500-PAGE 1180

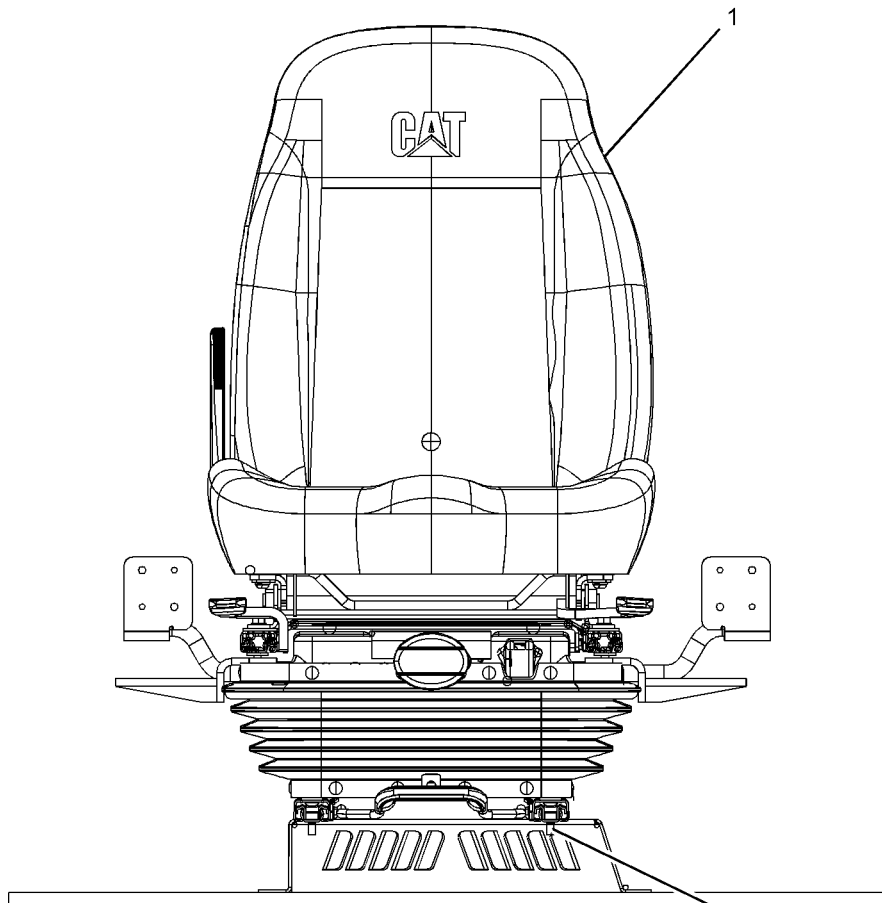
AN ATTACHMENT

SMCS-7312

i02214560

NOTE	REF NO	GRAPHIC REF	PART NUMBER	QTY	PART NAME						SEE PAGE
					1	2	3	4	5	6 (PRODUCT LEVEL)	
Y	1	1	229-9075	1	SEAT GP-SUSPENSION (LOW BACK, TILT)						1195
M	2	1	6V-8202	4	BOLT-SOCKET HEAD (M8X1.25X16-MM)						

M-METRIC PART
Y-SEPARATE ILLUSTRATION



FRONT VIEW
<END>

GRAPHIC #1

g01089524

OPERATOR STATION

240-5003 SEAT & MOUNTING GP-HIGH BACK, TILT

S/N: MMA1-UP

PART OF 265-7175 CONVERSION AR

REPLACED BY 327-6501-PAGE 1181

AN ATTACHMENT

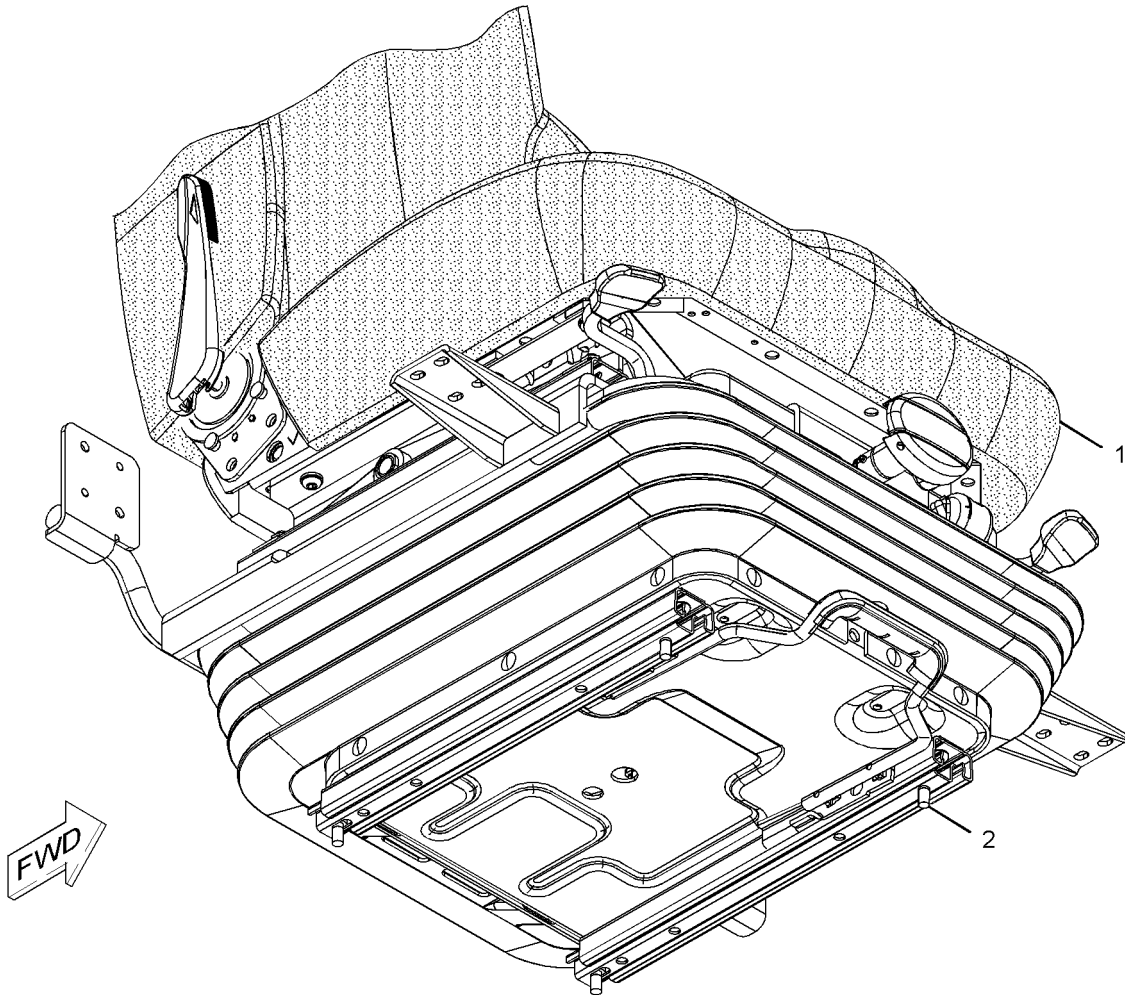
SMCS-7312

i02218443

NOTE	REF NO	GRAPHIC REF	PART NUMBER	QTY	PART NAME						SEE PAGE
					1	2	3	4	5	6 (PRODUCT LEVEL)	
Y	1	1	229-9089	1	SEAT GP-SUSPENSION (HIGH BACK, TILT)						1196
M	2	1	6V-8202	4	BOLT-SOCKET HEAD (M8X1.25X16-MM)						

M-METRIC PART

Y-SEPARATE ILLUSTRATION



GRAPHIC #1

<END>

g01120610

OPERATOR STATION

240-5061 SEAT & MOUNTING GP-AIR SUSPENSION

S/N: MMA1-UP

REPLACED BY 327-6502-PAGE 1182

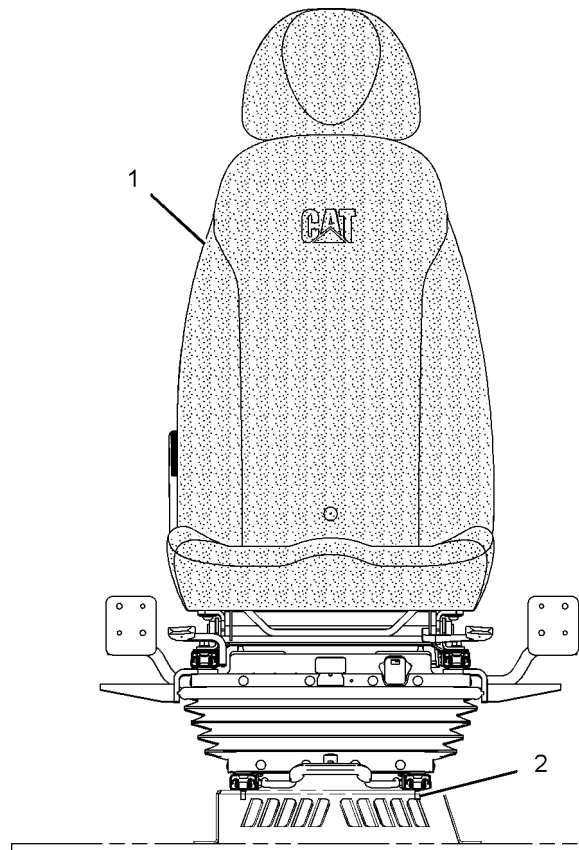
AN ATTACHMENT

SMCS-7312

i03493769

NOTE	REF NO	GRAPHIC REF	PART NUMBER	QTY	PART NAME						SEE PAGE
					1	2	3	4	5	6 (PRODUCT LEVEL)	
Y	1	1	240-5062	1	SEAT GP-SUSPENSION (AIR)						1197
M	2	1	6V-8202	4	BOLT-SOCKET HEAD (M8X1.25X16-MM)						

M-METRIC PART
Y-SEPARATE ILLUSTRATION



FRONT VIEW
<END>

GRAPHIC #1

g01084836

OPERATOR STATION

240-5064 SEAT & MOUNTING GP-
AIR SUSP, HIGH BACK, WITH HTR
 S/N: MMA1-UP
 REPLACED BY 327-6503-PAGE 1183
 AN ATTACHMENT

SMCS-7312

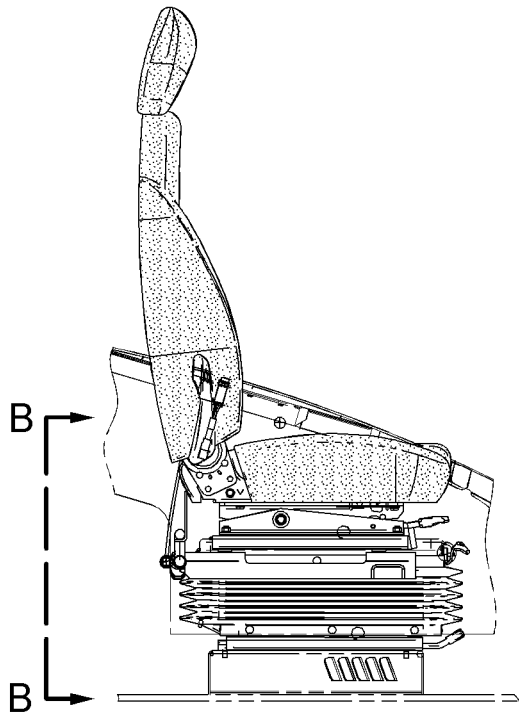
i02214706

NOTE	REF NO	GRAPHIC REF	PART NUMBER	QTY	PART NAME						SEE PAGE
					1	2	3	4	5	6 (PRODUCT LEVEL)	
	1	1	3S-2093	2	STRAP-CABLE						
	2	1	238-2211	1	SWITCH AS-ROCKER (HEATED SEAT)						
		1	167-3542	1	CONNECTOR-RECEPTACLE						
		1	167-3543	4	TERMINAL (MALE)						
Y	3	1	240-5065	1	SEAT GP-SUSPENSION (AIR SUSP, HIGH BACK, WITH HTR)						1198
M	4	1	6V-8202	4	BOLT-SOCKET HEAD (M8X1.25X16-MM)						
	5	1	7I-2673	1	STRAP-CABLE						
M-METRIC PART											
Y-SEPARATE ILLUSTRATION											

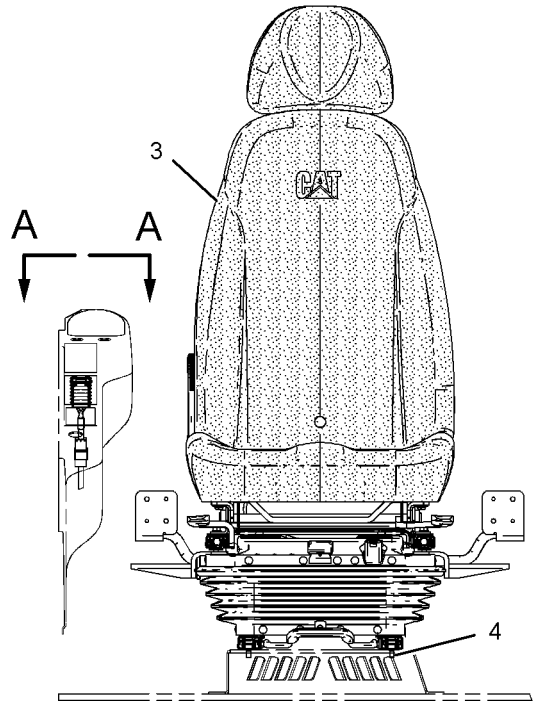
OPERATOR STATION

240-5064 SEAT & MOUNTING GP (contd.)

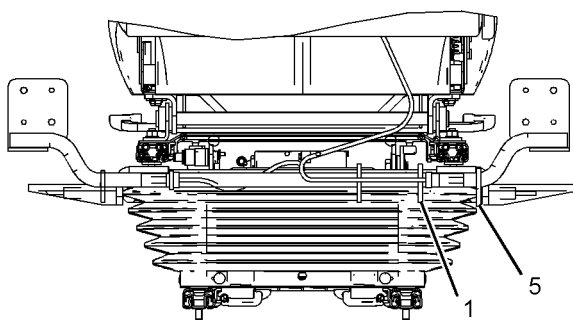
i02214706



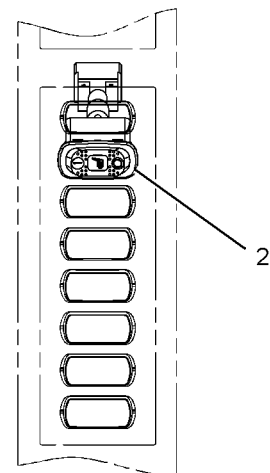
RIGHT SIDE VIEW



FRONT VIEW



VIEW B-B



VIEW A-A

GRAPHIC #1

<END>

g01122377

OPERATOR STATION

327-6500 SEAT & MOUNTING GP-LOW BACK, TILT

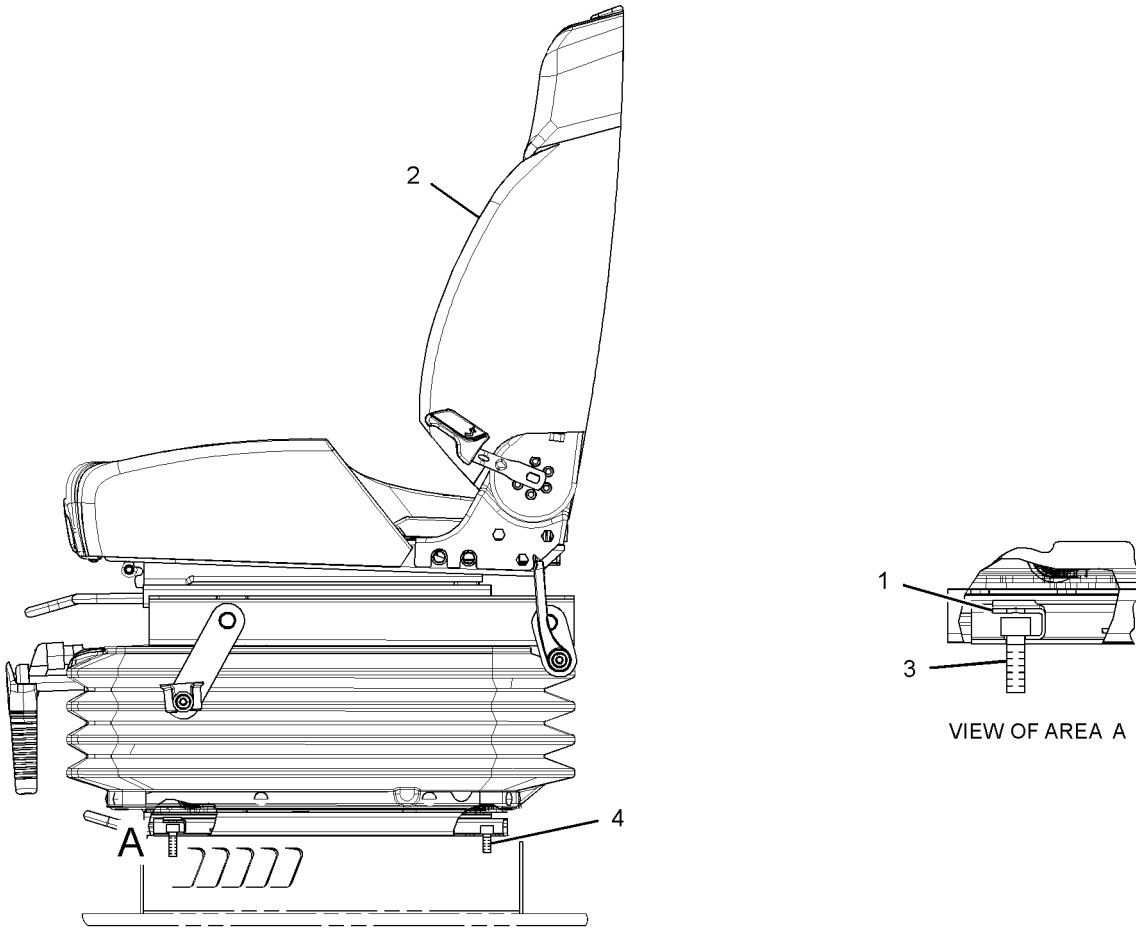
S/N: MMA1-UP
AN ATTACHMENT

SMCS-7312

i03179040

NOTE	REF NO	GRAPHIC REF	PART NUMBER	QTY	PART NAME						SEE PAGE
					1	2	3	4	5	6 (PRODUCT LEVEL)	
	1	1	316-8987	2	BRACKET						
Y	2	1	327-6506	1	SEAT GP-SUSPENSION						1199
M	3	1	5A-3604	2	BOLT-SOCKET HEAD (M8X1.25X25-MM)						
M	4	1	6V-8202	2	BOLT-SOCKET HEAD (M8X1.25X16-MM)						

M-METRIC PART
Y-SEPARATE ILLUSTRATION



LEFT SIDE VIEW

GRAPHIC #1

<END>

g01619401

OPERATOR STATION

327-6501 SEAT & MOUNTING GP-HIGH BACK, TILT

S/N: MMA1-UP

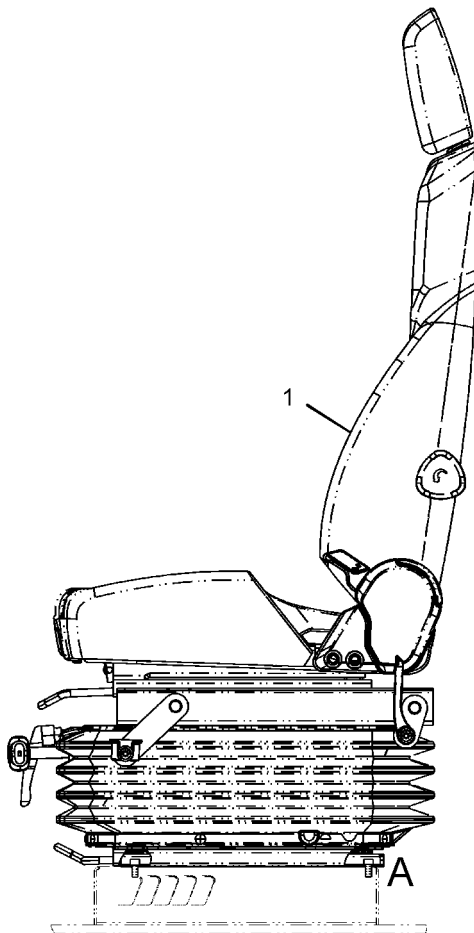
PART OF 265-7175 CONVERSION AR
AN ATTACHMENT

SMCS-7312

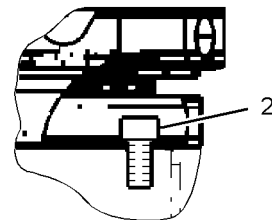
i03636621

NOTE	REF NO	GRAPHIC REF	PART NUMBER	QTY	PART NAME						SEE PAGE
					1	2	3	4	5	6 (PRODUCT LEVEL)	
Y	1	1	327-6507	1	SEAT GP-SUSPENSION (HIGH BACK, TILT)						1200
M	2	1	6V-8202	4	BOLT-SOCKET HEAD (M8X1.25X16-MM)						

M-METRIC PART
Y-SEPARATE ILLUSTRATION



LEFT SIDE VIEW



VIEW OF AREA A

GRAPHIC #1

<END>

g01804737

OPERATOR STATION

327-6502 SEAT & MOUNTING GP-AIR SUSPENSION

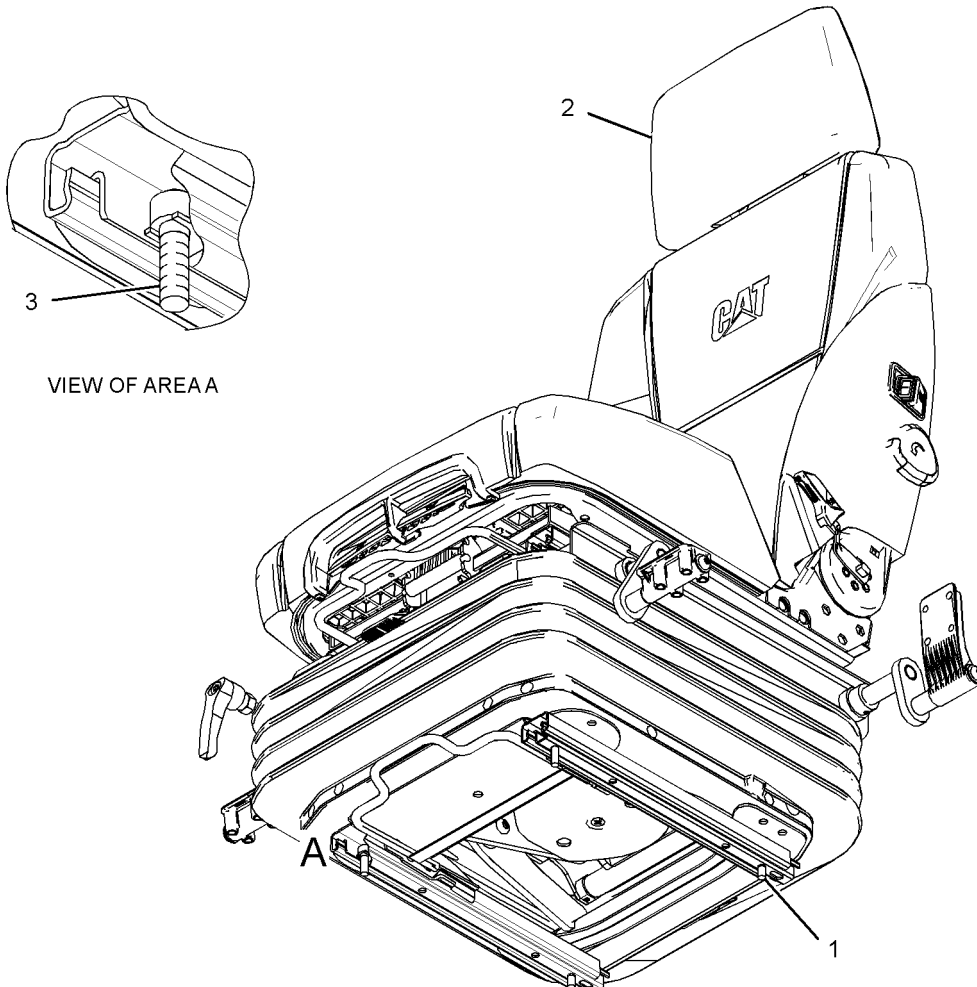
S/N: MMA1-UP
AN ATTACHMENT

SMCS-7312

i03460462

NOTE	REF NO	GRAPHIC REF	PART NUMBER	QTY	PART NAME						SEE PAGE
					1	2	3	4	5	6 (PRODUCT LEVEL)	
M	1	1	6V-8202	2	BOLT-SOCKET HEAD (M8X1.25X16-MM)						
Y	2	1	327-6508	1	SEAT GP-SUSPENSION						1201
M	3	1	5A-3604	2	BOLT-SOCKET HEAD (M8X1.25X25-MM)						

M-METRIC PART
Y-SEPARATE ILLUSTRATION



GRAPHIC #1

<END>

g01804556

OPERATOR STATION

327-6503 SEAT & MOUNTING GP-HIGH BACK, WITH HEATER

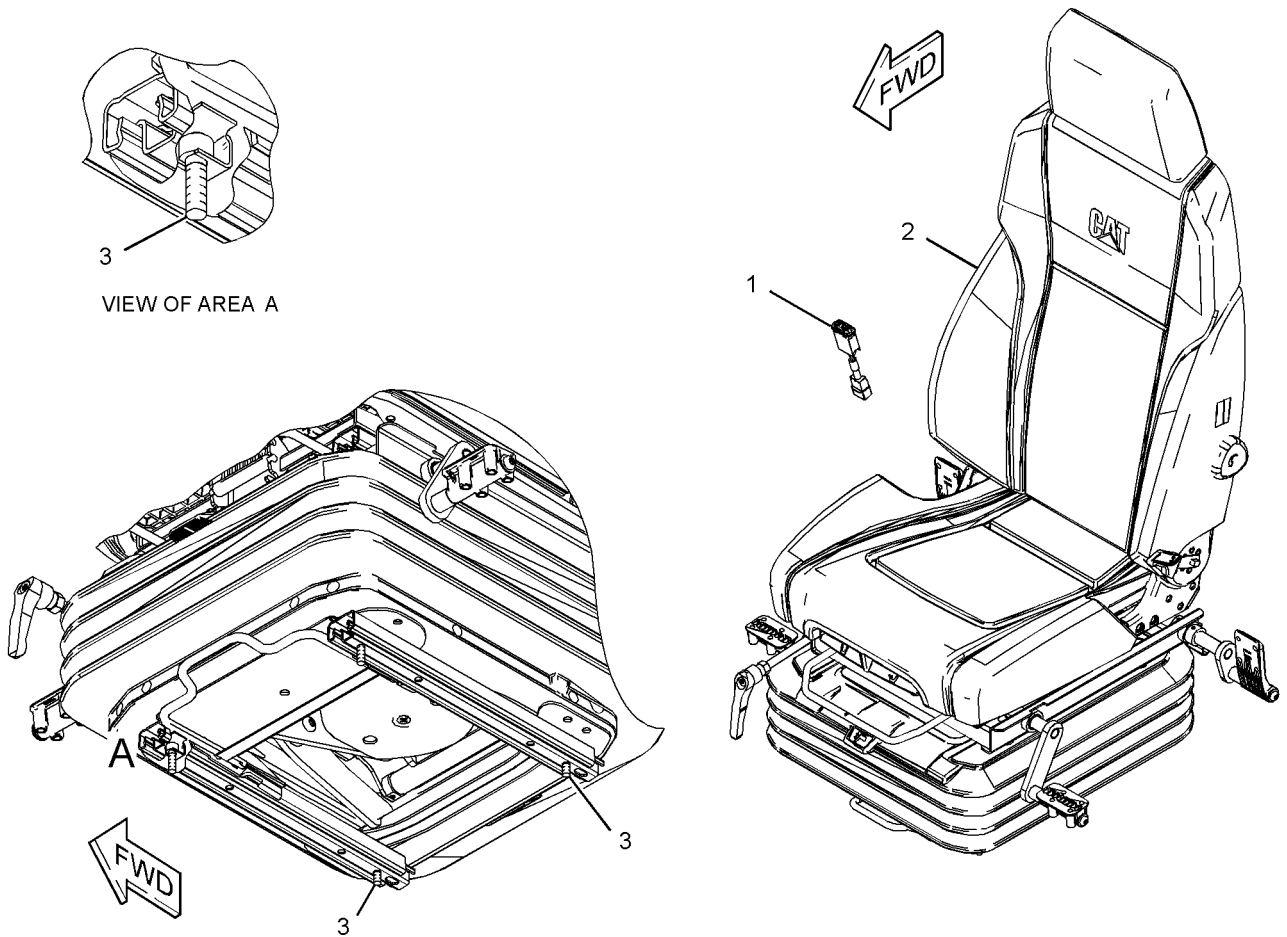
S/N: MMA1-UP
AN ATTACHMENT

SMCS-7312

i03572349

NOTE	REF NO	GRAPHIC REF	PART NUMBER	QTY	PART NAME						SEE PAGE
					1	2	3	4	5	6 (PRODUCT LEVEL)	
	1	1	238-2211	1	SWITCH AS-ROCKER (HEATED SEAT)						
		1	167-3542	1	CONNECTOR-RECEPTACLE						
		1	167-3543	4	TERMINAL (MALE)						
Y	2	1	327-6509	1	SEAT GP-SUSPENSION (HIGH BACK, WITH HEATER)						1202
M	3	1	6V-8202	4	BOLT-SOCKET HEAD (M8X1.25X16-MM)						

M-METRIC PART
Y-SEPARATE ILLUSTRATION



GRAPHIC #1

<END>

g01901913

OPERATOR STATION

235-9020 SEAT BELT GP-RETRACTABLE, 76-MM

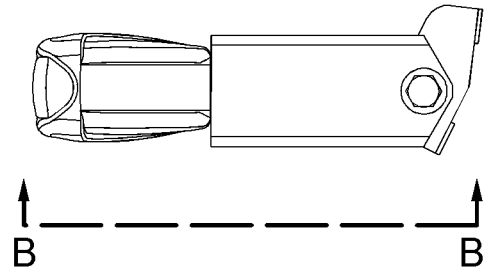
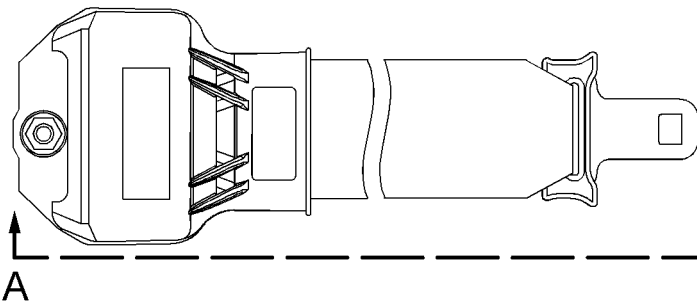
S/N: MMA1-UP

PART OF 240-5039 SEAT BELT GP
AN ATTACHMENT

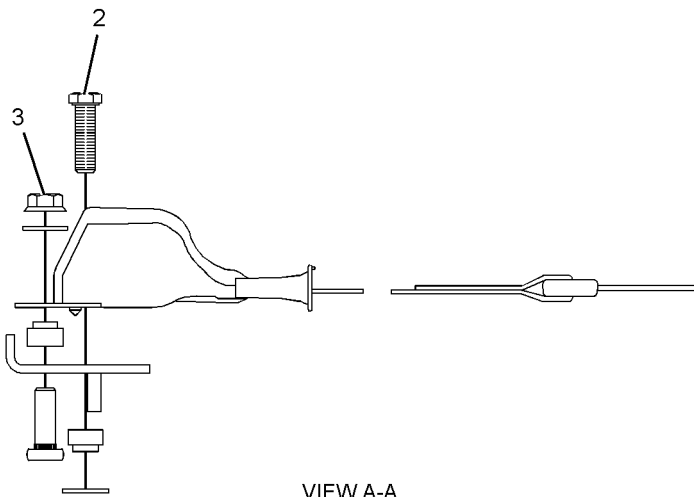
SMCS-7327

i02456170

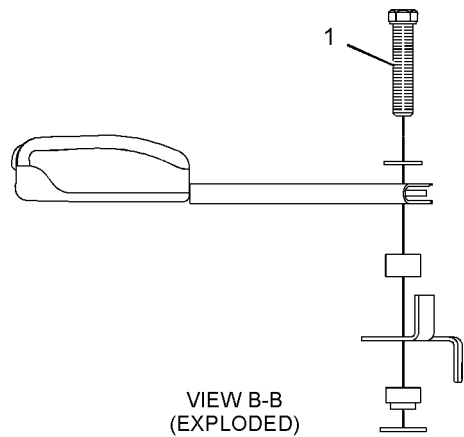
NOTE	REF NO	GRAPHIC REF	PART NUMBER	QTY	PART NAME						SEE PAGE
					1	2	3	4	5	6 (PRODUCT LEVEL)	
	1	1	8S-4724	1	BOLT (7/16-20X2.25-IN)						
	2	1	8S-4723	1	BOLT (7/16-20X1.5-IN)						
	3	1	8S-0934	1	LOCKNUT-FLANGE (7/16-20-THD)						



TOP VIEW



VIEW A-A
(EXPLODED)



VIEW B-B
(EXPLODED)

GRAPHIC #1

<END>

g01225767

OPERATOR STATION

240-5037 SEAT BELT GP—RETRACTABLE, 46-MM

S/N: MMA1-UP

PART OF 265-7172, 265-7175, 265-7176 CONVERSION AR

REPLACED BY 305-0467—PAGE 1189

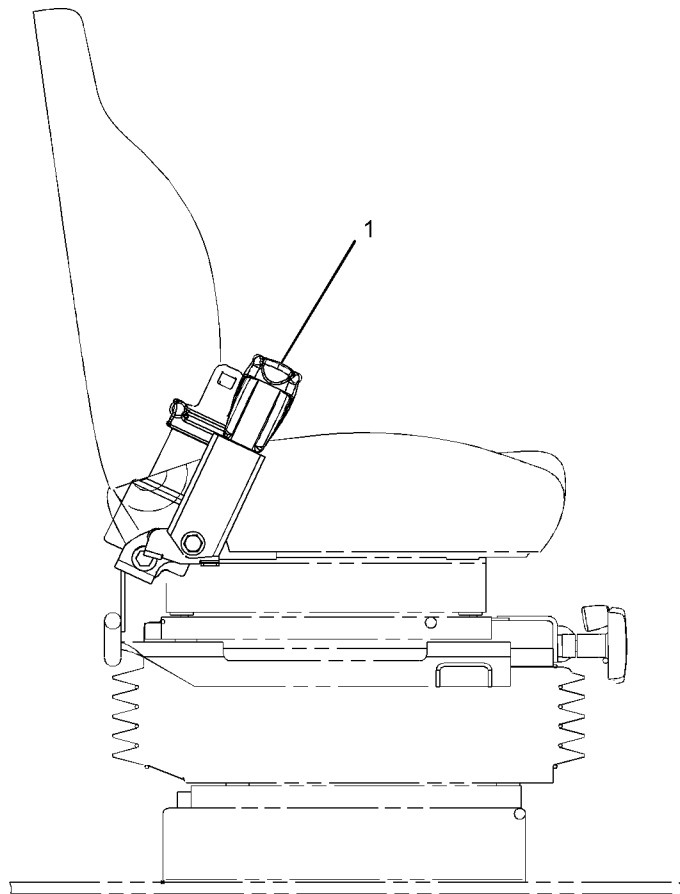
AN ATTACHMENT

SMCS-7327

i02501913

NOTE	REF NO	GRAPHIC REF	PART NUMBER	QTY	PART NAME						SEE PAGE
					1	2	3	4	5	6 (PRODUCT LEVEL)	
Y	1	1	273-5446	1	SEAT BELT GP (RETRACTABLE, 46-MM)						1187

Y-SEPARATE ILLUSTRATION



RIGHT SIDE VIEW
<END>

GRAPHIC #1

g01071615

OPERATOR STATION

240-5039 SEAT BELT GP—RETRACTABLE, 76-MM

S/N: MMA1-UP

REPLACED BY 305-0466—PAGE 1188

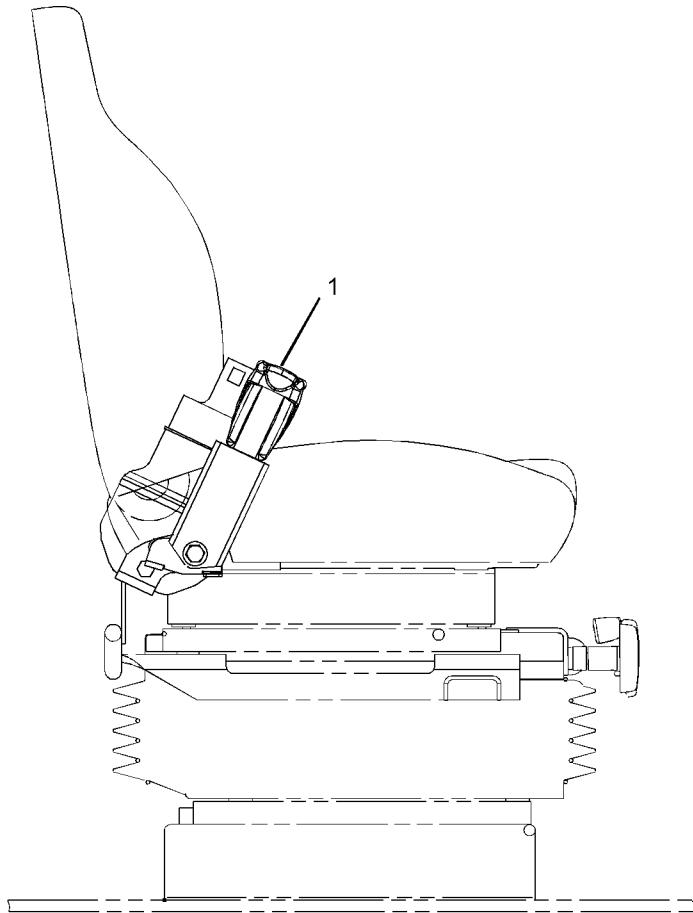
AN ATTACHMENT

SMCS-7327

i03533562

NOTE	REF NO	GRAPHIC REF	PART NUMBER	QTY	PART NAME						SEE PAGE
					1	2	3	4	5	6 (PRODUCT LEVEL)	
Y	1	1	235-9020	1	SEAT BELT GP (RETRACTABLE, 76-MM)						1184

Y-SEPARATE ILLUSTRATION



RIGHT SIDE VIEW

<END>

GRAPHIC #1

g01071676

OPERATOR STATION

273-5446 SEAT BELT GP-RETRACTABLE, 46-MM

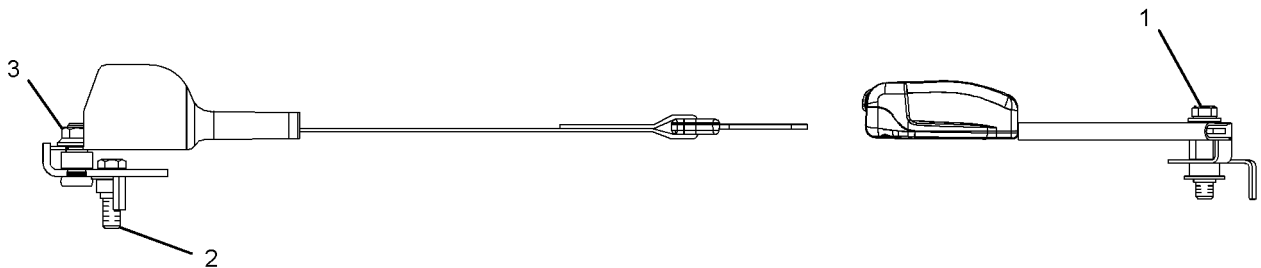
S/N: MMA1-UP

PART OF 240-5037 SEAT BELT GP
AN ATTACHMENT

SMCS-7327

i02501917

NOTE	REF NO	GRAPHIC REF	PART NUMBER	QTY	PART NAME						SEE PAGE
					1	2	3	4	5	6 (PRODUCT LEVEL)	
	1	1	8S-4724	1	BOLT (7/16-20X2.25-IN)						
	2	1	8S-4723	1	BOLT (7/16-20X1.5-IN)						
	3	1	8S-0934	1	LOCKNUT-FLANGE (7/16-20-THD)						



GRAPHIC #1

<END>

g01253938

OPERATOR STATION

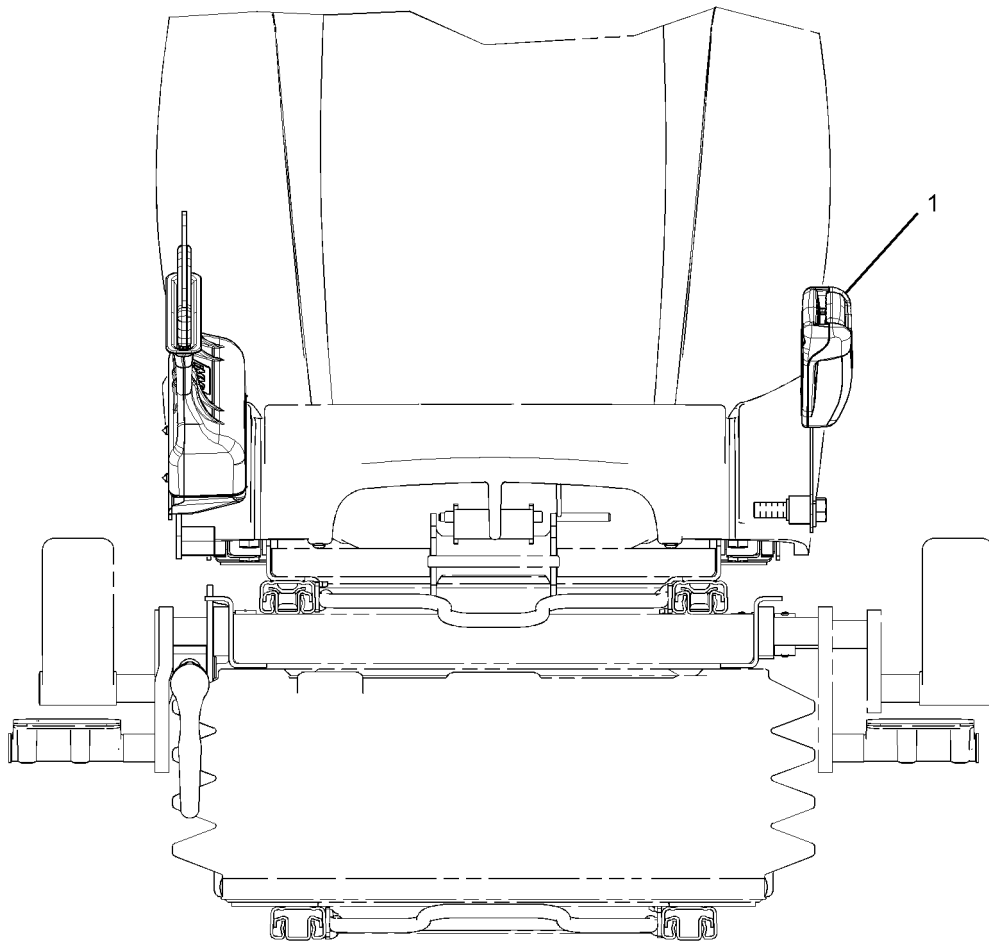
305-0466 SEAT BELT GP-RETRACTABLE, 76-MM

S/N: MMA1-UP
AN ATTACHMENT

SMCS-7327

i03533980

NOTE	REF NO	GRAPHIC REF	PART NUMBER	QTY	PART NAME						SEE PAGE
					1	2	3	4	5	6 (PRODUCT LEVEL)	
	1	1	327-6540	1	SEAT BELT GP (RETRACTABLE, 76-MM)						



FRONT VIEW

<END>

GRAPHIC #1

g01576875

OPERATOR STATION

305-0467 SEAT BELT GP-RETRACTABLE, 43-MM

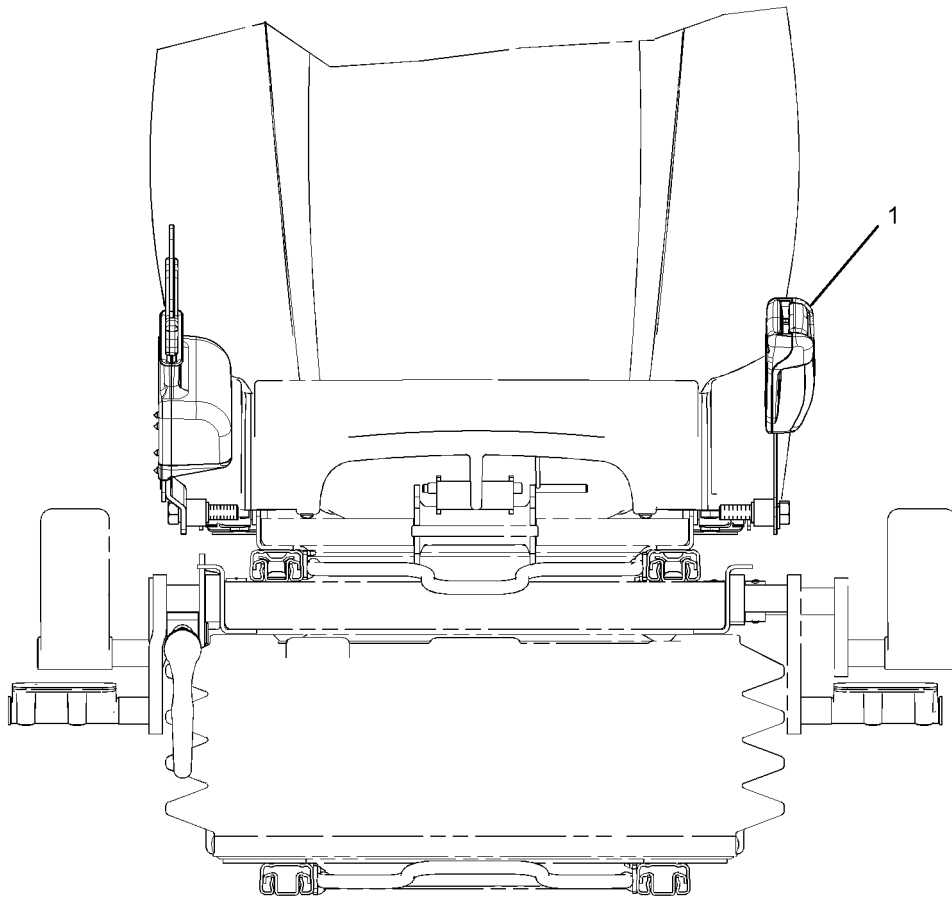
S/N: MMA1-UP

PART OF 265-7172, 265-7175, 265-7176 CONVERSION AR
AN ATTACHMENT

SMCS-7327

i03533580

NOTE	REF NO	GRAPHIC REF	PART NUMBER	QTY	PART NAME						SEE PAGE
					1	2	3	4	5	6 (PRODUCT LEVEL)	
	1	1	327-6541	1	SEAT BELT GP (RETRACTABLE, 43-MM)						



FRONT VIEW

GRAPHIC #1

<END>

g01576478

OPERATOR STATION

229-9076 SEAT GP-LOW BACK, TILT

S/N: MMA1-UP

PART OF 229-9075 SEAT GP-SUSPENSION
AN ATTACHMENT

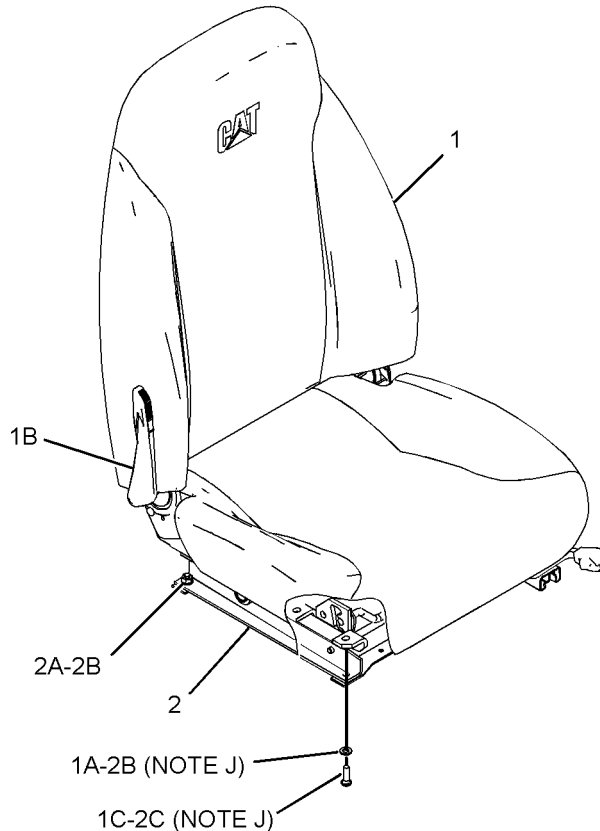
SMCS-7312

i02635986

NOTE	REF NO	GRAPHIC REF	PART NUMBER	QTY	PART NAME						SEE PAGE
					1	2	3	4	5	6 (PRODUCT LEVEL)	
	1	1	245-7883	1	KIT-SEAT						
	1A	1	8T-4224	4	WASHER-HARD (8.8X16X2-MM THK)						
	1B	1	245-7887	1	LEVER-CONTROL						
M	1C	1	245-7898	4	SCREW-BUTTON HEAD (M8X1.25X25-MM)						
	2	1	245-7888	1	KIT-SEAT SUPPORT						
M	2A	1	5C-7261	4	NUT (M8X1.25-THD)						
	2B	1	8T-4224	8	WASHER-HARD (8.8X16X2-MM THK)						
M	2C	1	245-7898	4	SCREW-BUTTON HEAD (M8X1.25X25-MM)						

J-PARTS INCLUDED IN BOTH SEAT KIT AND SEAT SUPPORT KIT

M-METRIC PART



GRAPHIC #1

<END>

g01263931

OPERATOR STATION

229-9090 SEAT GP-HIGH BACK, TILT

S/N: MMA1-UP

PART OF 229-9089, 240-5062 SEAT GP-SUSPENSION
AN ATTACHMENT

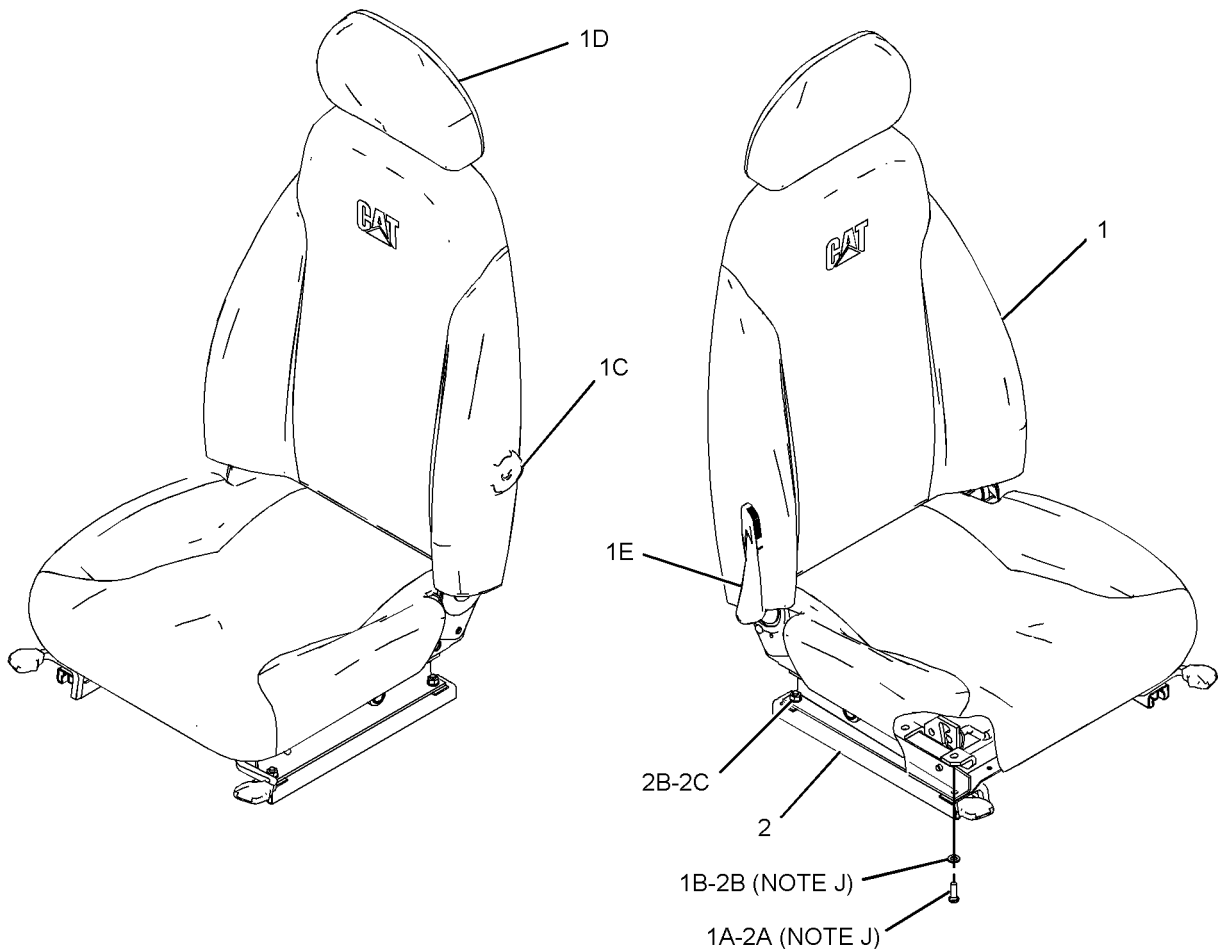
SMCS-7312

i03533143

NOTE	REF NO	GRAPHIC REF	PART NUMBER	QTY	PART NAME						SEE PAGE
					1	2	3	4	5	6 (PRODUCT LEVEL)	
	1	1	245-7884	1	KIT-SEAT (HANDLE, HEADREST, LEVER)						
JM	1A	1	245-7898	4	SCREW-BUTTON HEAD (M8X1.25X25-MM)						
J	1B	1	8T-4224	4	WASHER-HARD (8.8X16X2-MM THK)						
	1C	1	178-5659	1	HANDLE (LUMBAR SUPPORT ADJUSTER)						
	1D	1	229-9094	1	HEADREST AS-SEAT						
	1E	1	245-7887	1	LEVER-CONTROL						
	2	1	245-7888	1	KIT-SEAT SUPPORT						
JM	2A	1	245-7898	4	SCREW-BUTTON HEAD (M8X1.25X25-MM)						
J	2B	1	8T-4224	8	WASHER-HARD (8.8X16X2-MM THK)						
M	2C	1	5C-7261	4	NUT (M8X1.25-THD)						

J-PARTS INCLUDED IN BOTH SEAT KIT AND SEAT SUPPORT KIT

J - (NULL)
M-METRIC PART



GRAPHIC #1

<END>

g01118558

OPERATOR STATION

229-9093 SEAT GP-HIGH BACK, WITH HEATER

S/N: MMA1-UP

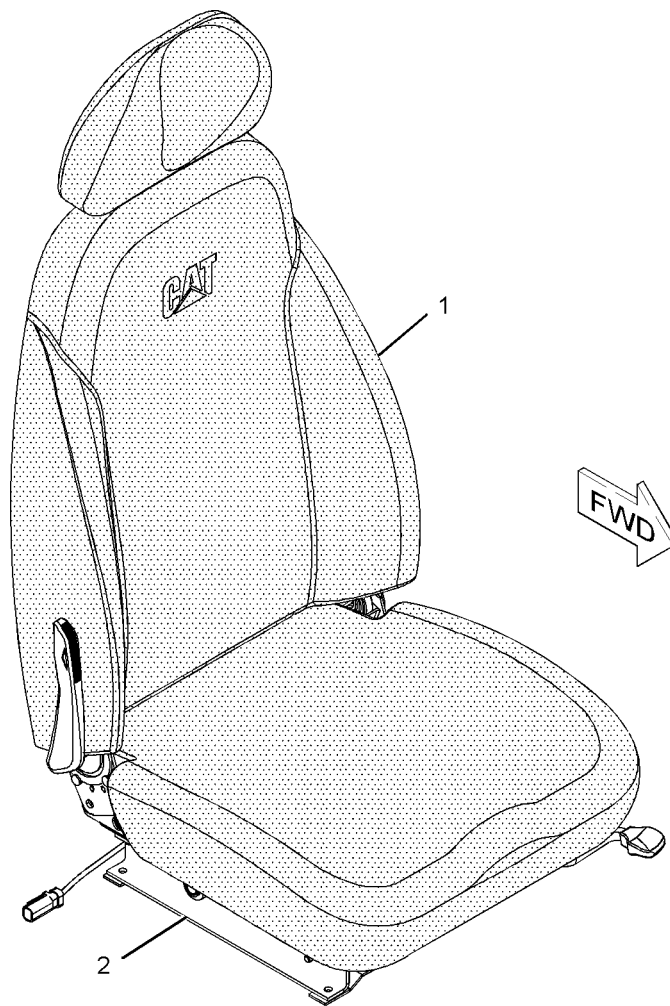
PART OF 240-5065 SEAT GP-SUSPENSION
AN ATTACHMENT

SMCS-7312

i02637380

NOTE	REF NO	GRAPHIC REF	PART NUMBER	QTY	PART NAME						SEE PAGE
					1	2	3	4	5	6 (PRODUCT LEVEL)	
	1	1	245-7885	1	KIT-SEAT						
		1	8T-4224	4	WASHER-HARD (8.8X16X2-MM THK)						
		1	178-5659	1	HANDLE (LUMBAR SUPPORT ADJUSTER)						
		1	229-9094	1	HEADREST AS-SEAT						
		1	245-7887	1	LEVER-CONTROL						
M		1	245-7898	4	SCREW-BUTTON HEAD (M8X1.25X25-MM)						
	2	1	245-7888	1	KIT-SEAT SUPPORT						
M		1	5C-7261	4	NUT (M8X1.25-THD)						
		1	8T-4224	8	WASHER-HARD (8.8X16X2-MM THK)						
M		1	245-7898	4	SCREW-BUTTON HEAD (M8X1.25X25-MM)						

M-METRIC PART



GRAPHIC #1

<END>

g01086049

OPERATOR STATION

327-6512 SEAT GP-HIGH BACK, TILT

S/N: MMA1-UP

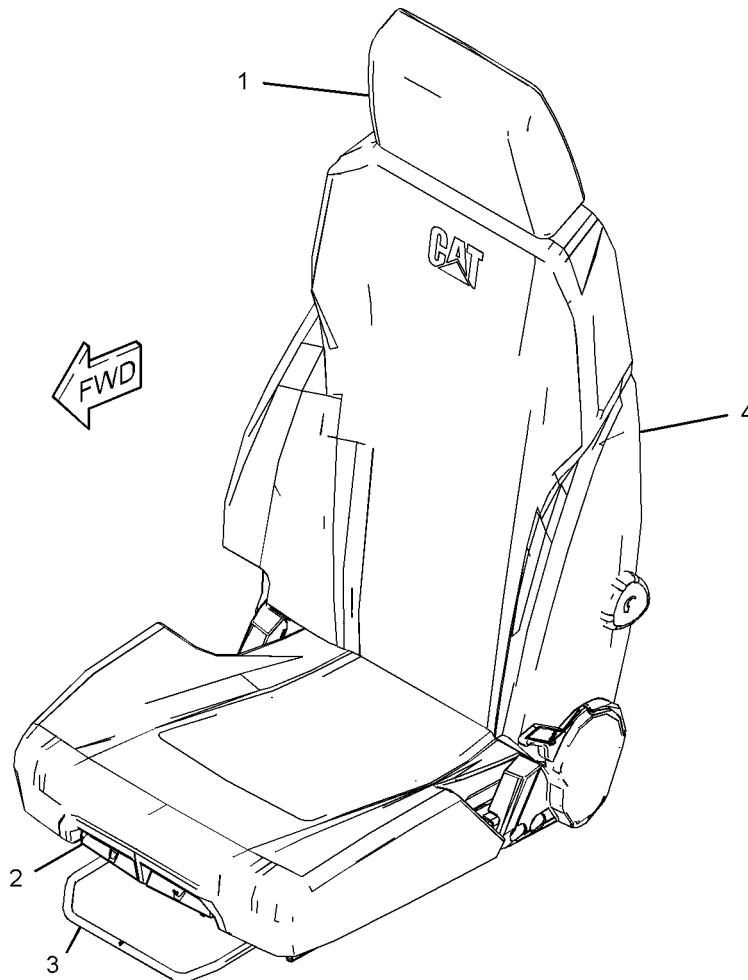
PART OF 327-6507, 327-6508 SEAT GP-SUSPENSION
AN ATTACHMENT

SMCS-7312

i03607598

NOTE	REF NO	GRAPHIC REF	PART NUMBER	QTY	PART NAME						SEE PAGE
					1	2	3	4	5	6 (PRODUCT LEVEL)	
	1	1	327-6515	1	HEADREST AS-SEAT						
	2	1	327-6642	1	KIT-ADJUSTER (SEAT TILT)						
		1	333-4179	2	BOLT						
		1	333-4180	4	SCREW-BUTTON HEAD (M8X1.25X20-MM)						
	3	1	327-6643	1	KIT-ADJUSTER (CUSHION POSITIONING)						
M		1	9X-2616	4	SCREW-SOCKET (M8X1.25X16-MM)						
		1	316-8987	2	BRACKET						
	4	1	333-4160	1	KIT-SEAT (CLOTH, HIGH BACK)						
		1	178-5659	1	HANDLE (LUMBAR SUPPORT ADJUSTER)						
		1	327-6640	1	KIT-HANDLE (RECLINER)						
		1	333-4179	2	BOLT						

M-METRIC PART



GRAPHIC #1

<END>

g01842318

OPERATOR STATION

327-6513 SEAT GP-HIGH BACK, WITH HEATER

S/N: MMA1-UP

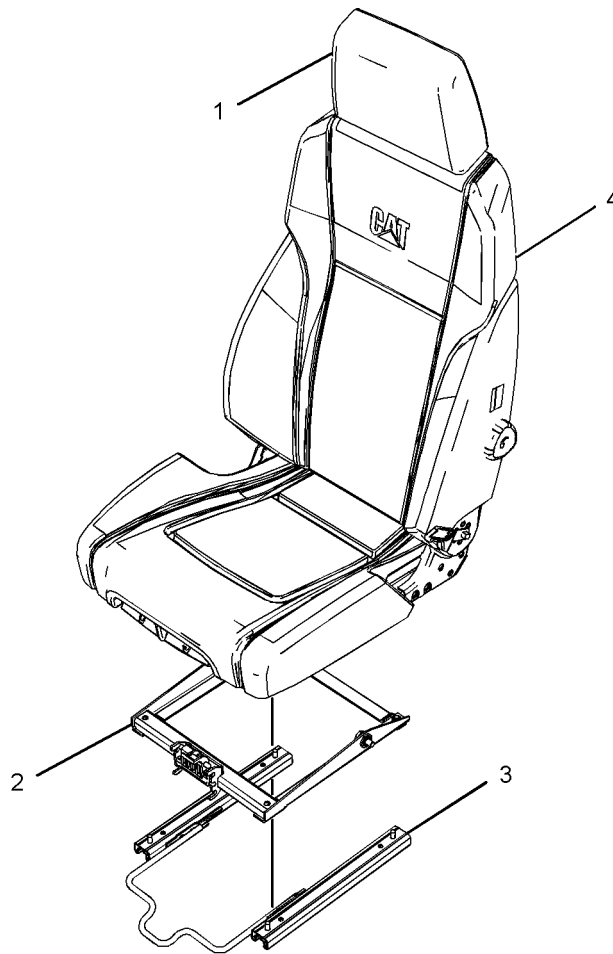
PART OF 327-6509 SEAT GP-SUSPENSION
AN ATTACHMENT

SMCS-7312

i03588880

NOTE	REF NO	GRAPHIC REF	PART NUMBER	QTY	PART NAME						SEE PAGE
					1	2	3	4	5	6 (PRODUCT LEVEL)	
	1	1	327-6515	1	HEADREST AS-SEAT						
	2	1	327-6642	1	KIT-ADJUSTER (SEAT TILT)						
		1	333-4180	4	SCREW-BUTTON HEAD (M8X1.25X20-MM)						
		1	333-4179	2	BOLT						
	3	1	327-6643	1	KIT-ADJUSTER (CUSHION POSITIONING)						
		1	316-8987	2	BRACKET						
M		1	9X-2616	4	SCREW-SOCKET (M8X1.25X16-MM)						
	4	1	327-6649	1	KIT-SEAT (HIGH BACK, WITH HEATER)						
		1	327-6640	1	KIT-HANDLE (RECLINER)						
		1	178-5659	1	HANDLE (LUMBAR SUPPORT ADJUSTER)						
		1	333-4179	2	BOLT						

M-METRIC PART



GRAPHIC #1

<END>

g01641553

OPERATOR STATION

229-9075 SEAT GP-SUSPENSION-LOW BACK, TILT

S/N: MMA1-UP

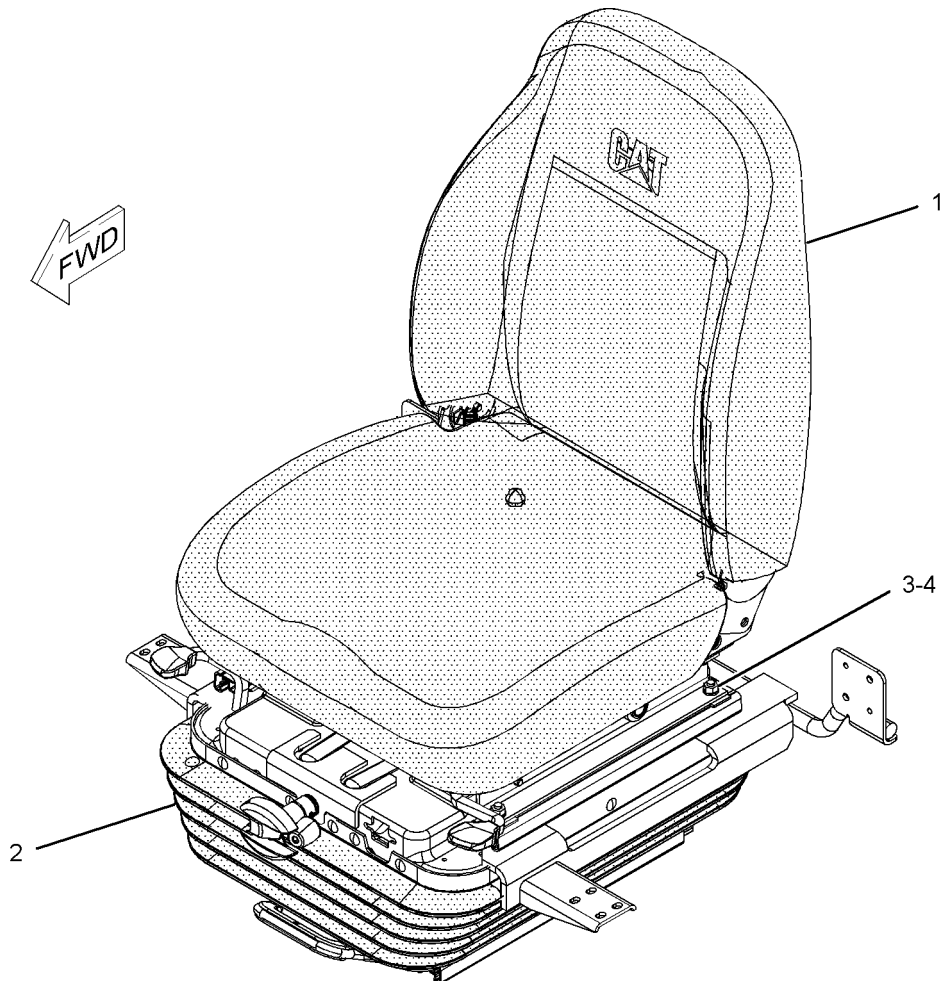
PART OF 240-4999 SEAT & MOUNTING GP
AN ATTACHMENT

SMCS-7324, 7336

i02148698

NOTE	REF NO	GRAPHIC REF	PART NUMBER	QTY	PART NAME						SEE PAGE
					1	2	3	4	5	6 (PRODUCT LEVEL)	
Y	1	1	229-9076	1	SEAT GP (LOW BACK, TILT)						1190
Y	2	1	229-9077	1	SUSPENSION GP-SEAT						1206
M	3	1	5C-7261	4	NUT (M8X1.25-THD)						
	4	1	8T-4224	4	WASHER-HARD (8.8X16X2-MM THK)						

M-METRIC PART
Y-SEPARATE ILLUSTRATION



GRAPHIC #1

<END>

g01092314

OPERATOR STATION

229-9089 SEAT GP-SUSPENSION-HIGH BACK, TILT

S/N: MMA1-UP

PART OF 240-5003 SEAT & MOUNTING GP
AN ATTACHMENT

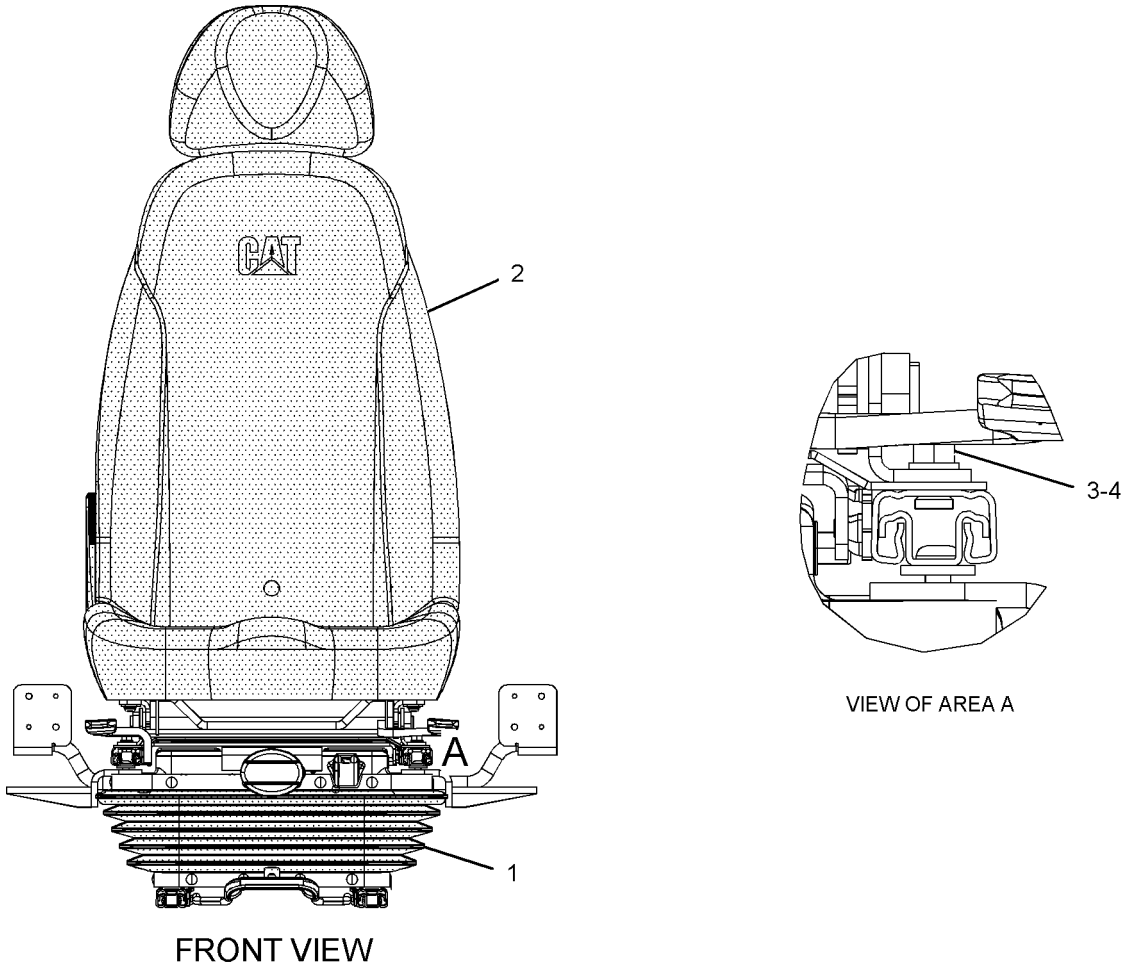
SMCS-7324, 7336

i02635987

NOTE	REF NO	GRAPHIC REF	PART NUMBER	QTY	PART NAME						SEE PAGE
					1	2	3	4	5	6 (PRODUCT LEVEL)	
Y	1	1	229-9077	1	SUSPENSION GP-SEAT						1206
Y	2	1	229-9090	1	SEAT GP (HIGH BACK, TILT)						1191
M	3	1	5C-7261	4	NUT (M8X1.25-THD)						
	4	1	8T-4224	4	WASHER-HARD (8.8X16X2-MM THK)						

M-METRIC PART

Y-SEPARATE ILLUSTRATION



GRAPHIC #1

<END>

g01085809

OPERATOR STATION

240-5062 SEAT GP-SUSPENSION-AIR, HIGH BACK, TILT

S/N: MMA1-UP

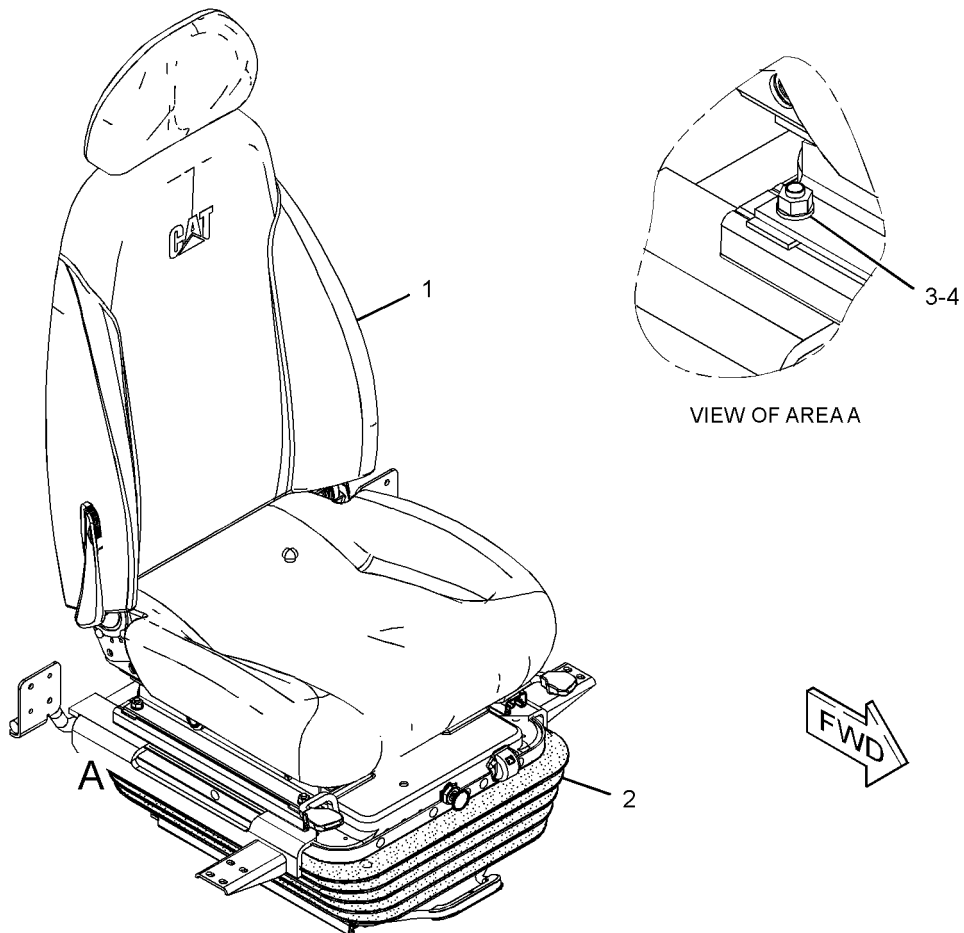
PART OF 240-5061 SEAT & MOUNTING GP
AN ATTACHMENT

SMCS-7324, 7336

i02442159

NOTE	REF NO	GRAPHIC REF	PART NUMBER	QTY	PART NAME						SEE PAGE
					1	2	3	4	5	6 (PRODUCT LEVEL)	
Y	1	1	229-9090	1	SEAT GP (HIGH BACK, TILT)						1191
Y	2	1	240-5063	1	SUSPENSION GP-SEAT (AIR)						1207
M	3	1	5C-7261	4	NUT (M8X1.25-THD)						
	4	1	8T-4224	4	WASHER-HARD (8.8X16X2-MM THK)						

M-METRIC PART
Y-SEPARATE ILLUSTRATION



GRAPHIC #1

<END>

g01220963

OPERATOR STATION

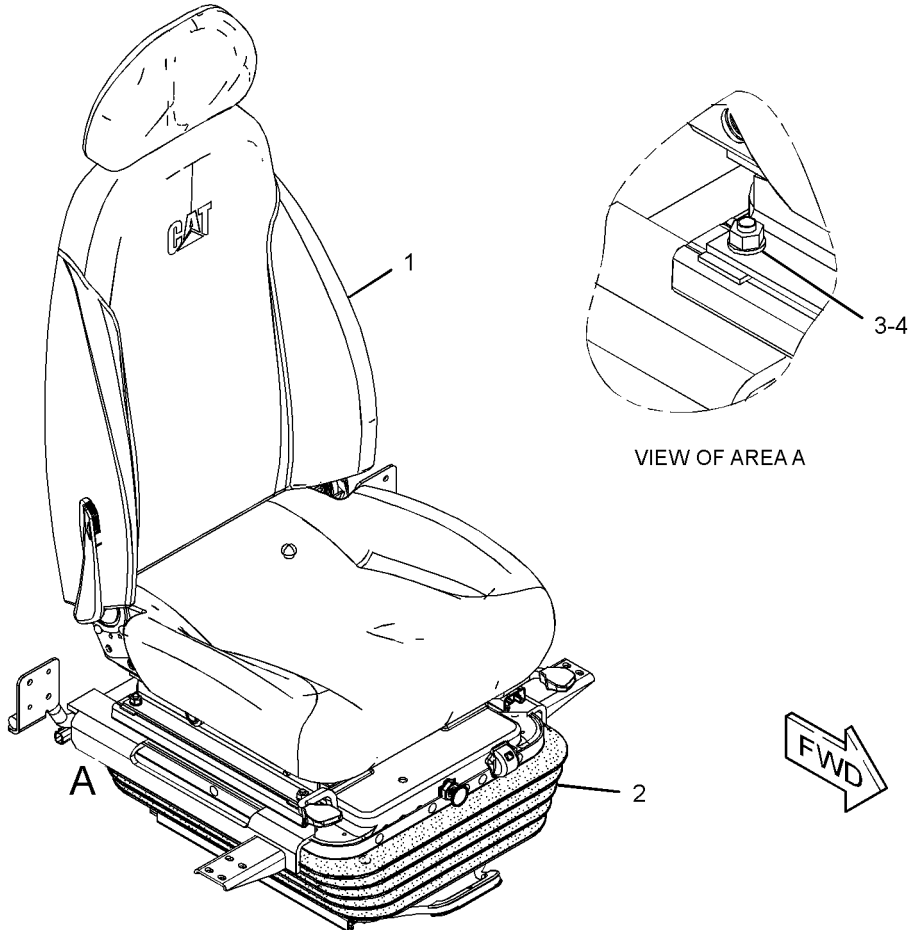
240-5065 SEAT GP-SUSPENSION- AIR SUSP, HIGH BACK, WITH HTR S/N: MMA1-UP PART OF 240-5064 SEAT & MOUNTING GP AN ATTACHMENT

SMCS-7324, 7336

i02443466

NOTE	REF NO	GRAPHIC REF	PART NUMBER	QTY	PART NAME						SEE PAGE
					1	2	3	4	5	6 (PRODUCT LEVEL)	
Y	1	1	229-9093	1	SEAT GP (HIGH BACK, WITH HEATER)						1192
Y	2	1	240-5063	1	SUSPENSION GP-SEAT (AIR)						1207
M	3	1	5C-7261	4	NUT (M8X1.25-THD)						
	4	1	8T-4224	4	WASHER-HARD (8.8X16X2-MM THK)						

M-METRIC PART
Y-SEPARATE ILLUSTRATION



GRAPHIC #1

<END>

g01235077

OPERATOR STATION

327-6506 SEAT GP-SUSPENSION-LOW BACK, TILT

S/N: MMA1-UP

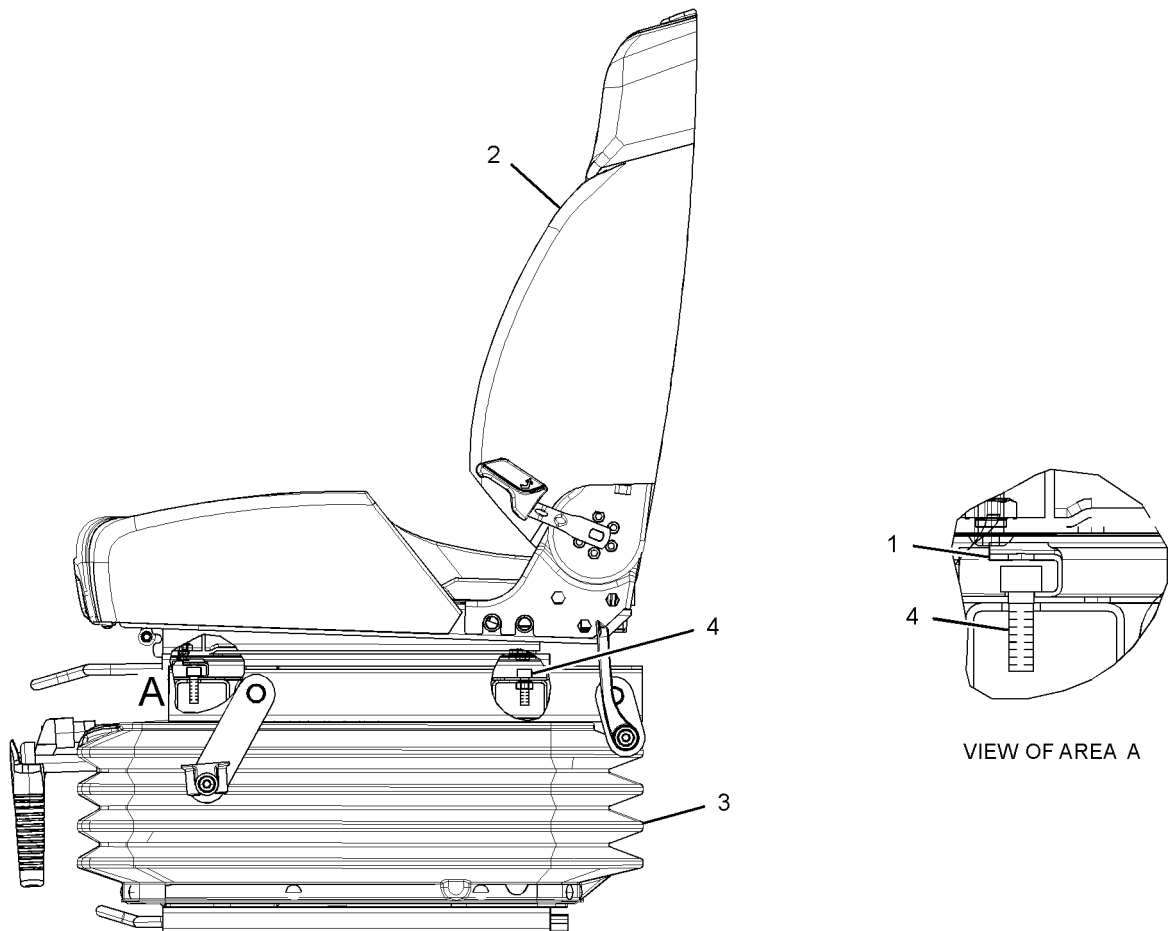
PART OF 327-6500 SEAT & MOUNTING GP
AN ATTACHMENT

SMCS-7324, 7336

i03179107

NOTE	REF NO	GRAPHIC REF	PART NUMBER	QTY	PART NAME						SEE PAGE
					1	2	3	4	5	6 (PRODUCT LEVEL)	
	1	1	316-8987	2	BRACKET						
	2	1	327-6511	1	SEAT GP						
		1	327-6639	1	KIT-SEAT (CLOTH, LOW BACK) (INCLUDES HANDLE KIT & BOLTS)						
		1	327-6642	1	KIT-ADJUSTER (SEAT TILT) (INCLUDES SOCKET SCREWS & BOLTS)						
		1	327-6643		KIT-ADJUSTER (CUSHION POSITIONING) (INCLUDES SOCKET SCREWS & BRACKETS)						
	3	1	327-6520	1	SUSPENSION GP-SEAT						
		1	327-6644	1	KIT-BRACKET (CONSOLE RAISE, LOWER) (INCLUDES BUTTON SCRES)						
		1	327-6645	1	KIT-SEAT SUSPENSION (MECHANICAL) (SEAT HEIGHT) (INCLUDES BUTTON SCREWS, DUMPER KIT, COVER KIT & HANDLE KIT)						
		1	327-6648	1	KIT-ADJUSTER (SEAT POSITION) (INCLUDES SCREWS & BRACKETS)						
M	4	1	5A-3604	4	BOLT-SOCKET HEAD (M8X1.25X25-MM)						

M-METRIC PART



LEFT SIDE VIEW

VIEW OF AREA A

GRAPHIC #1

<END>

g01576297

OPERATOR STATION

327-6507 SEAT GP-SUSPENSION-HIGH BACK, TILT

S/N: MMA1-UP

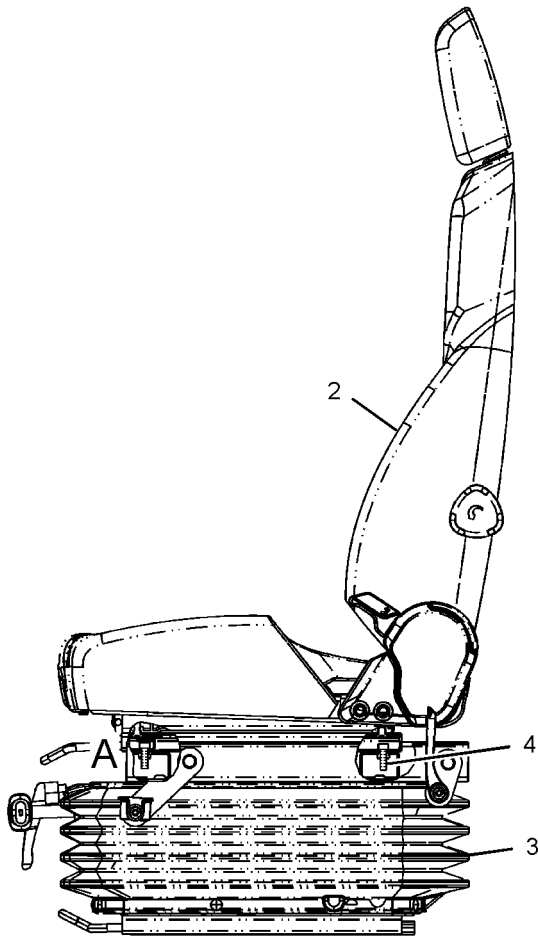
PART OF 327-6501 SEAT & MOUNTING GP
AN ATTACHMENT

SMCS-7324, 7336

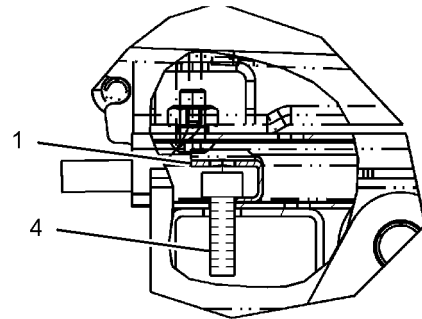
i03572478

NOTE	REF NO	GRAPHIC REF	PART NUMBER	QTY	PART NAME						SEE PAGE
					1	2	3	4	5	6 (PRODUCT LEVEL)	
	1	1	316-8987	2	BRACKET						
Y	2	1	327-6512	1	SEAT GP (HIGH BACK, TILT)						1193
Y	3	1	327-6520	1	SUSPENSION GP-SEAT (MECHANICAL)						1213
M	4	1	5A-3604	4	BOLT-SOCKET HEAD (M8X1.25X25-MM)						

M-METRIC PART
Y-SEPARATE ILLUSTRATION



LEFT SIDE VIEW



VIEW OF AREA A

GRAPHIC #1

<END>

g01794435

OPERATOR STATION

327-6508 SEAT GP-SUSPENSION-AIR SUSPENSION

S/N: MMA1-UP

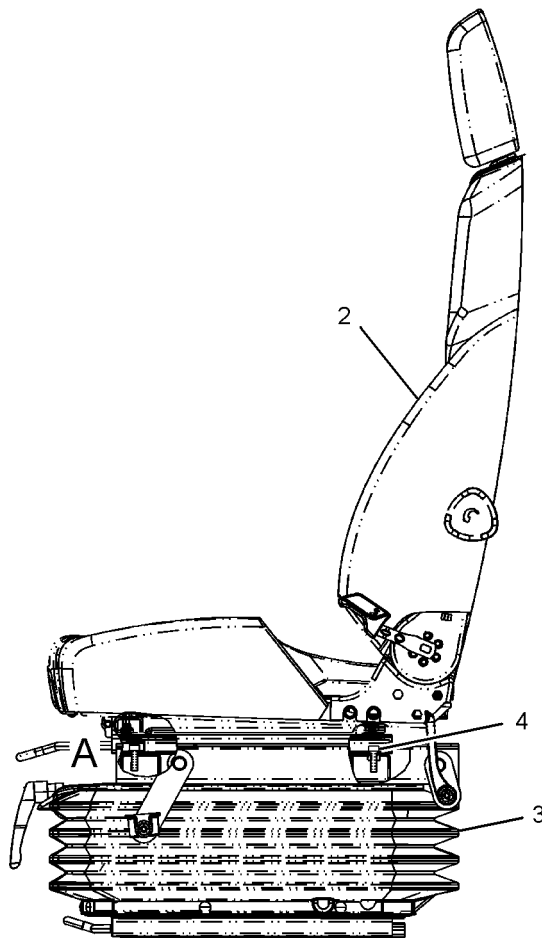
PART OF 327-6502 SEAT & MOUNTING GP
AN ATTACHMENT

SMCS-7324, 7336

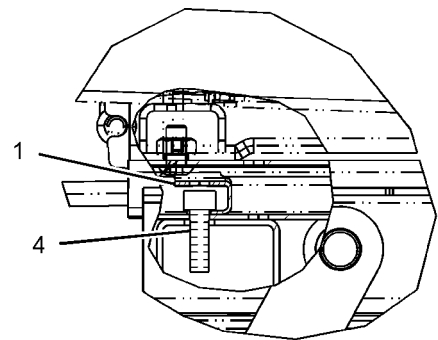
i03581191

NOTE	REF NO	GRAPHIC REF	PART NUMBER	QTY	PART NAME						SEE PAGE
					1	2	3	4	5	6 (PRODUCT LEVEL)	
	1	1	316-8987	2	BRACKET						
Y	2	1	327-6512	1	SEAT GP (HIGH BACK, TILT)						1193
Y	3	1	327-6521	1	SUSPENSION GP-SEAT (AIR)						1214
M	4	1	5A-3604	4	BOLT-SOCKET HEAD (M8X1.25X25-MM)						

M-METRIC PART
Y-SEPARATE ILLUSTRATION



LEFT SIDE VIEW



VIEW OF AREA A

GRAPHIC #1

<END>

g01577953

OPERATOR STATION

327-6509 SEAT GP-SUSPENSION-HIGH BACK, WITH HEATER

S/N: MMA1-UP

PART OF 327-6503 SEAT & MOUNTING GP
AN ATTACHMENT

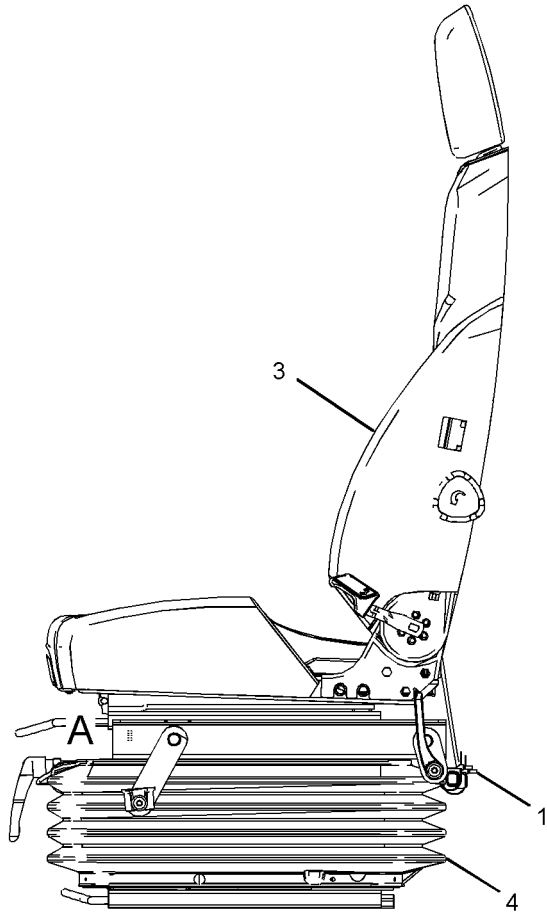
SMCS-7324, 7336

i03608343

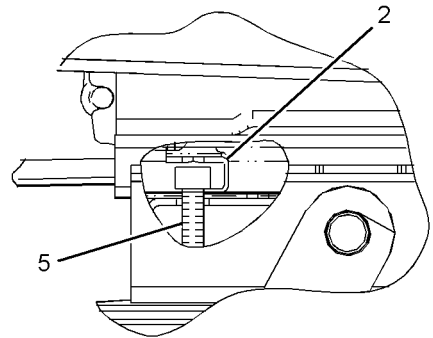
NOTE	REF NO	GRAPHIC REF	PART NUMBER	QTY	PART NAME						SEE PAGE
					1	2	3	4	5	6 (PRODUCT LEVEL)	
	1	1	7I-2673	1	STRAP-CABLE						
	2	1	316-8987	2	BRACKET						
Y	3	1	327-6513	1	SEAT GP (HIGH BACK, WITH HEATER)						1194
Y	4	1	327-6521	1	SUSPENSION GP-SEAT (AIR)						1214
M	5	1	5A-3604	4	BOLT-SOCKET HEAD (M8X1.25X25-MM)						

M-METRIC PART

Y-SEPARATE ILLUSTRATION



LEFT SIDE VIEW



VIEW OF AREA A

GRAPHIC #1

<END>

g01810781

OPERATOR STATION

338-6921 SERVICE GP-MONITOR

S/N: MMA1-UP

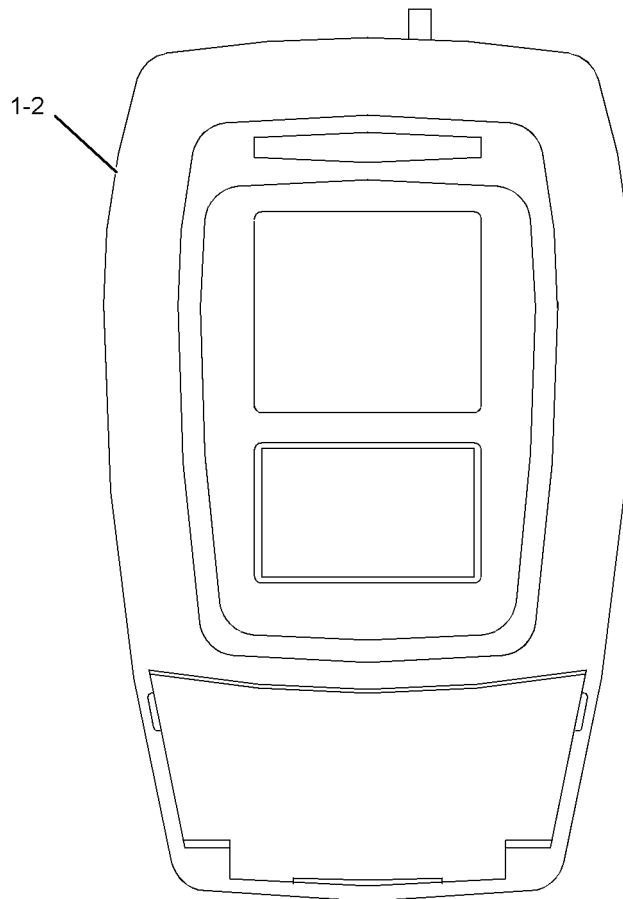
PART OF 221-8861 ELECTRONICS GP-MONITOR

SMCS-7610

i03649763

NOTE	REF NO	GRAPHIC REF	PART NUMBER	QTY	PART NAME						SEE PAGE
					1	2	3	4	5	6 (PRODUCT LEVEL)	
Y	1	1	327-7482	1	CONTROL GP-UNPRGMED MONITOR						1106
	2	1	338-6920	1	SOFTWARE GP-MONITOR						

Y-SEPARATE ILLUSTRATION



GRAPHIC #1

<END>

g01892814

OPERATOR STATION

235-8983 SUPPORT GP-SEAT

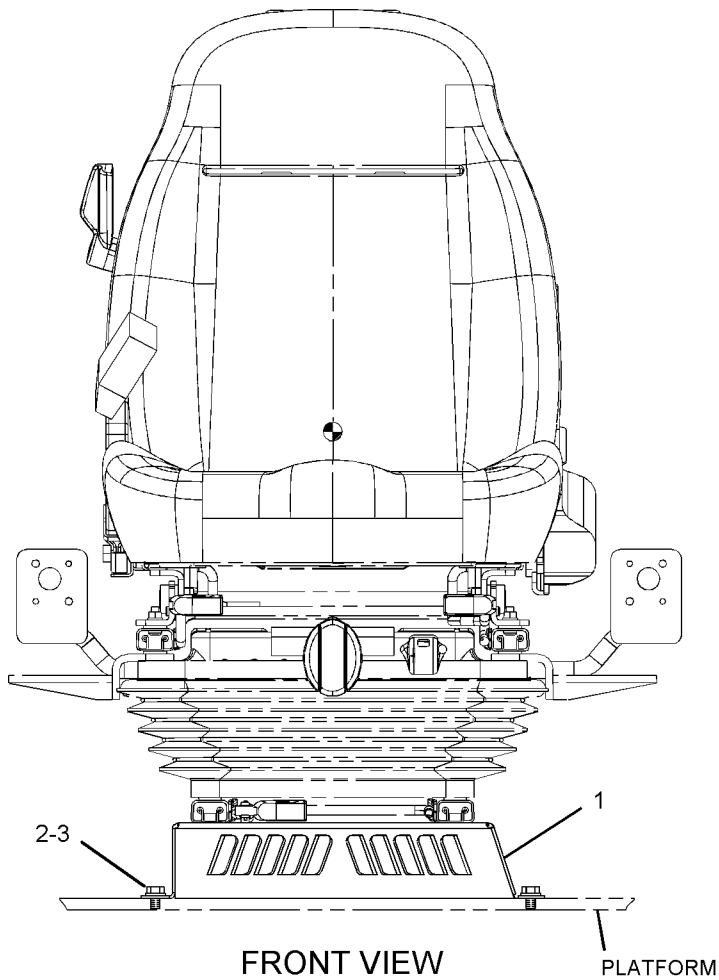
S/N: MMA1-274

PART OF 225-5752 OPERATOR AR

SMCS-7321

i02103504

NOTE	REF NO	GRAPHIC REF	PART NUMBER	QTY	PART NAME						SEE PAGE
					1	2	3	4	5	6 (PRODUCT LEVEL)	
	1	1	235-8984	1	SUPPORT AS-SEAT						
	2	1	8T-4121	4	WASHER-HARD (11X21X2.5-MM THK)						
M	3	1	8T-4191	4	BOLT (M10X1.5X16-MM)						
M-METRIC PART											



GRAPHIC #1

g01071835

OPERATOR STATION

327-6542 SUPPORT GP-SEAT

S/N: MMA275-UP

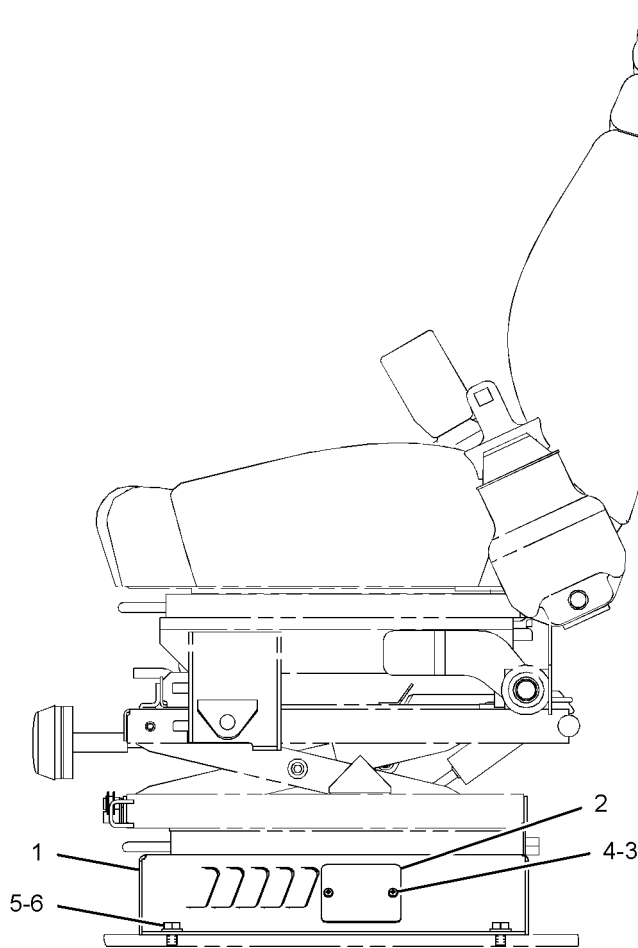
PART OF 225-5752 OPERATOR AR

SMCS-7321

i03619360

NOTE	REF NO	GRAPHIC REF	PART NUMBER	QTY	PART NAME						SEE PAGE
					1	2	3	4	5	6 (PRODUCT LEVEL)	
	1	1	327-6538	1	SUPPORT AS-SEAT						
	2	1	327-6543	1	COVER						
	3	1	096-6166	2	WASHER-HARD (4.5X9X1-MM THK)						
M	4	1	8T-0337	2	SCREW-MACHINE (M4X0.7X12-MM)						
	5	1	8T-4121	4	WASHER-HARD (11X21X2.5-MM THK)						
M	6	1	8T-4191	4	BOLT (M10X1.5X16-MM)						

M-METRIC PART



LEFT SIDE VIEW

<END>

GRAPHIC #1

g01944713

OPERATOR STATION

229-9077 SUSPENSION GP-SEAT-MECHANICAL

S/N: MMA1-UP

PART OF 229-9075, 229-9089 SEAT GP-SUSPENSION
AN ATTACHMENT

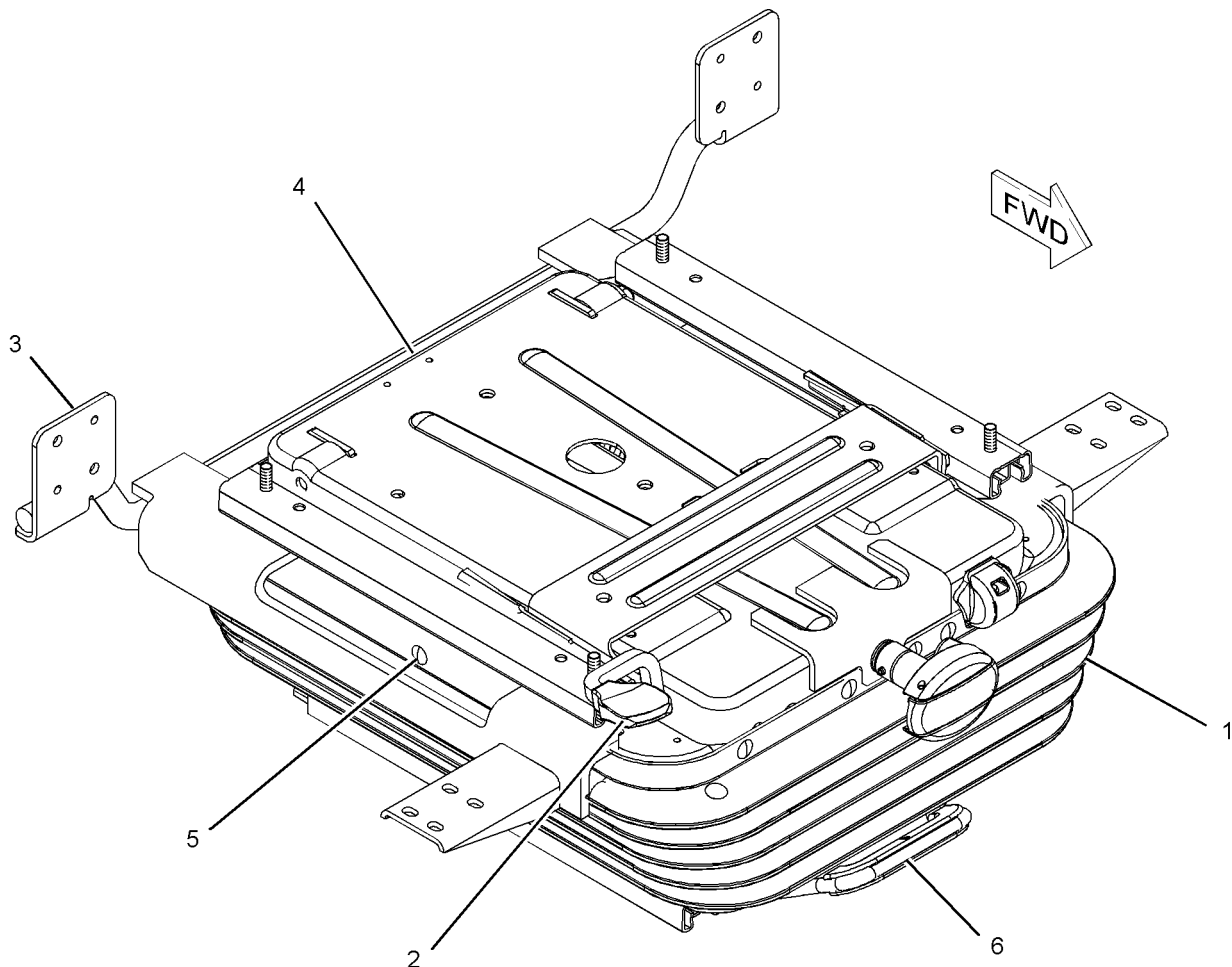
SMCS-7324

i03636688

NOTE	REF NO	GRAPHIC REF	PART NUMBER	QTY	PART NAME						SEE PAGE
					1	2	3	4	5	6 (PRODUCT LEVEL)	
	1	1	242-8768	1	COVER AS						
		1	147-4921	1	KIT-CLIP (SEAT)						
	2	1	245-7889	1	ADJUSTER GP-SEAT						
M		1	5C-7261	8	NUT (M8X1.25-THD)						
		1	8T-4224	8	WASHER-HARD (8.8X16X2-MM THK)						
		1	245-7897	4	PLATE						
M		1	245-7899	4	SCREW-BUTTON HEAD (M8X1.25X30-MM)						
	3	1	245-7890	1	BRACKET GP-MOUNTING (SUSPENSION SEAT)						
M		1	5C-7261	4	NUT (M8X1.25-THD)						
		1	8T-4224	4	WASHER-HARD (8.8X16X2-MM THK)						
		1	245-7897	4	PLATE						
M		1	245-7899	4	SCREW-BUTTON HEAD (M8X1.25X30-MM)						
Y	4	1	245-7892	1	SUSPENSION GP-SEAT (MECHANICAL)						1210
	5	1	245-7895	1	KIT-CLIP (INCLUDES 28-CLIPS)						
Y	6	1	245-7896	1	ADJUSTER GP-SEAT (LOWER SLIDE)						1027

M-METRIC PART

Y-SEPARATE ILLUSTRATION



GRAPHIC #1

<END>

g01087842

OPERATOR STATION

240-5063 SUSPENSION GP-SEAT-AIR

S/N: MMA1-UP

PART OF 240-5062, 240-5065 SEAT GP-SUSPENSION

AN ATTACHMENT

TYPE 1

SMCS-7324

i02637501

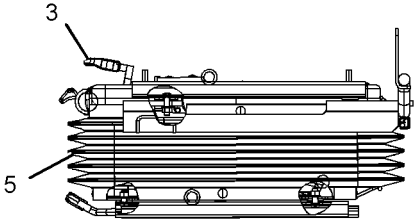
NOTE	REF NO	GRAPHIC REF	PART NUMBER	QTY	PART NAME						SEE PAGE
					1	2	3	4	5	6 (PRODUCT LEVEL)	
	1	1	7I-2673	1	STRAP-CABLE						
	2	1	242-8768	1	COVER AS						
		1	147-4921	1	KIT-CLIP (SEAT)						
	3	1	245-7889	1	ADJUSTER GP-SEAT (UPPER SLIDE)						
M		1	5C-7261	8	NUT (M8X1.25-THD)						
		1	8T-4224	8	WASHER-HARD (8.8X16X2-MM THK)						
		1	245-7897	4	PLATE						
M		1	245-7899	4	SCREW-BUTTON HEAD (M8X1.25X30-MM)						
	4	1	245-7890	1	BRACKET GP-MOUNTING (SUSPENSION SEAT)						
M		1	5C-7261	4	NUT (M8X1.25-THD)						
		1	8T-4224	4	WASHER-HARD (8.8X16X2-MM THK)						
		1	245-7897	4	PLATE						
M		1	245-7899	4	SCREW-BUTTON HEAD (M8X1.25X30-MM)						
Y	5	1	245-7893	1	SUSPENSION GP-SEAT (AIR)						1211
	6	1	245-7895	1	KIT-CLIP (INCLUDES 28-CLIPS)						
Y	7	1	245-7896	1	ADJUSTER GP-SEAT (LOWER SLIDE)						1027

M-METRIC PART
Y-SEPARATE ILLUSTRATION

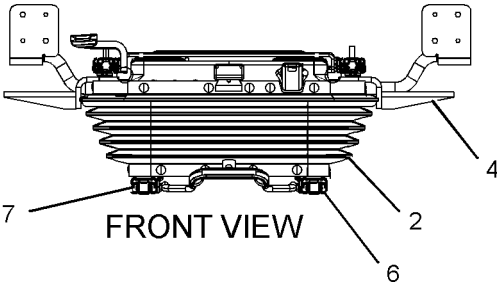
OPERATOR STATION

240-5063 SUSPENSION GP-SEAT (contd.)

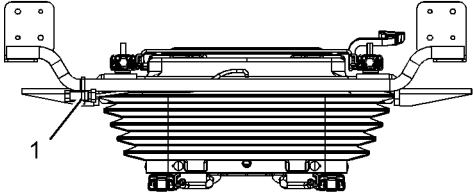
i02637501



LEFT SIDE VIEW



FRONT VIEW



REAR VIEW
<END>

GRAPHIC #1

g01084905

OPERATOR STATION

240-5063 SUSPENSION GP-SEAT-AIR

S/N: MMA1-UP

PART OF 240-5062, 240-5065 SEAT GP-SUSPENSION

AN ATTACHMENT

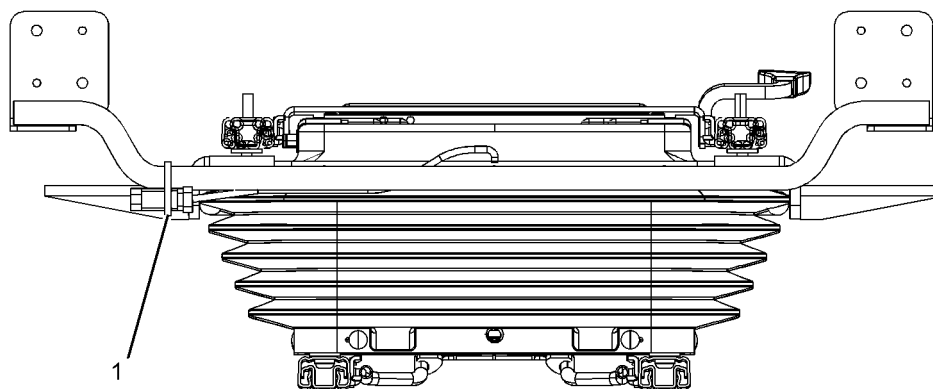
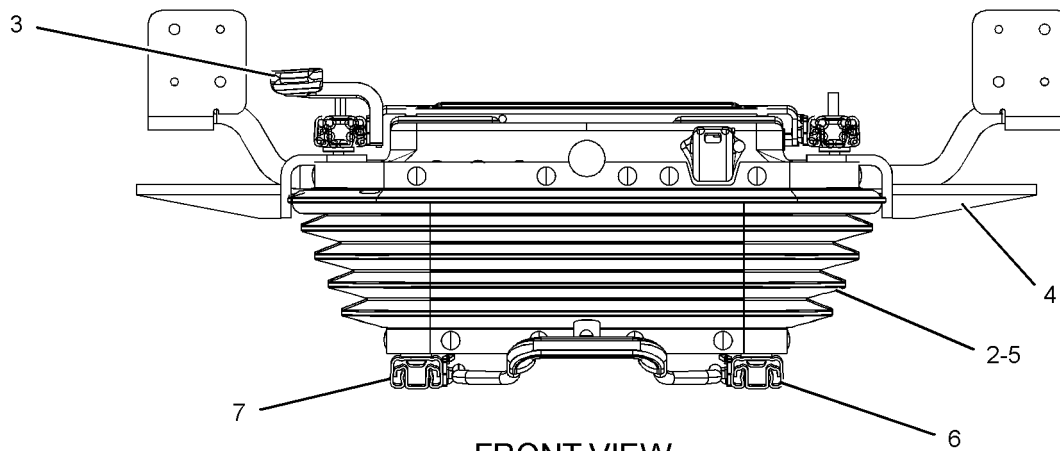
TYPE 2

SMCS-7324

i03493803

NOTE	REF NO	GRAPHIC REF	PART NUMBER	QTY	PART NAME	1 2 3 4 5 6 (PRODUCT LEVEL)						SEE PAGE
	1	1	7I-2673	1	STRAP-CABLE							
	2	1	242-8768	1	COVER AS							
		1	147-4921	1	KIT-CLIP (SEAT)							
	3	1	245-7889	1	ADJUSTER GP-SEAT (UPPER SLIDE)							
M		1	5C-7261	8	NUT (M8X1.25-THD)							
		1	8T-4224	8	WASHER-HARD (8.8X16X2-MM THK)							
		1	245-7897	4	PLATE							
M		1	245-7899	4	SCREW-BUTTON HEAD (M8X1.25X30-MM)							
	4	1	245-7890	1	BRACKET GP-MOUNTING (SUSPENSION SEAT)							
M		1	5C-7261	4	NUT (M8X1.25-THD)							
		1	8T-4224	4	WASHER-HARD (8.8X16X2-MM THK)							
		1	245-7897	4	PLATE							
M		1	245-7899	4	SCREW-BUTTON HEAD (M8X1.25X30-MM)							
Y	5	1	273-5384	1	SUSPENSION GP-SEAT (AIR)							1212
	6	1	245-7895	1	KIT-CLIP (INCLUDES 28-CLIPS)							
Y	7	1	245-7896	1	ADJUSTER GP-SEAT (LOWER SLIDE)							1027

M-METRIC PART
Y-SEPARATE ILLUSTRATION



<END>

GRAPHIC #1

g01254070

OPERATOR STATION

245-7892 SUSPENSION GP-SEAT-MECHANICAL

S/N: MMA1-UP

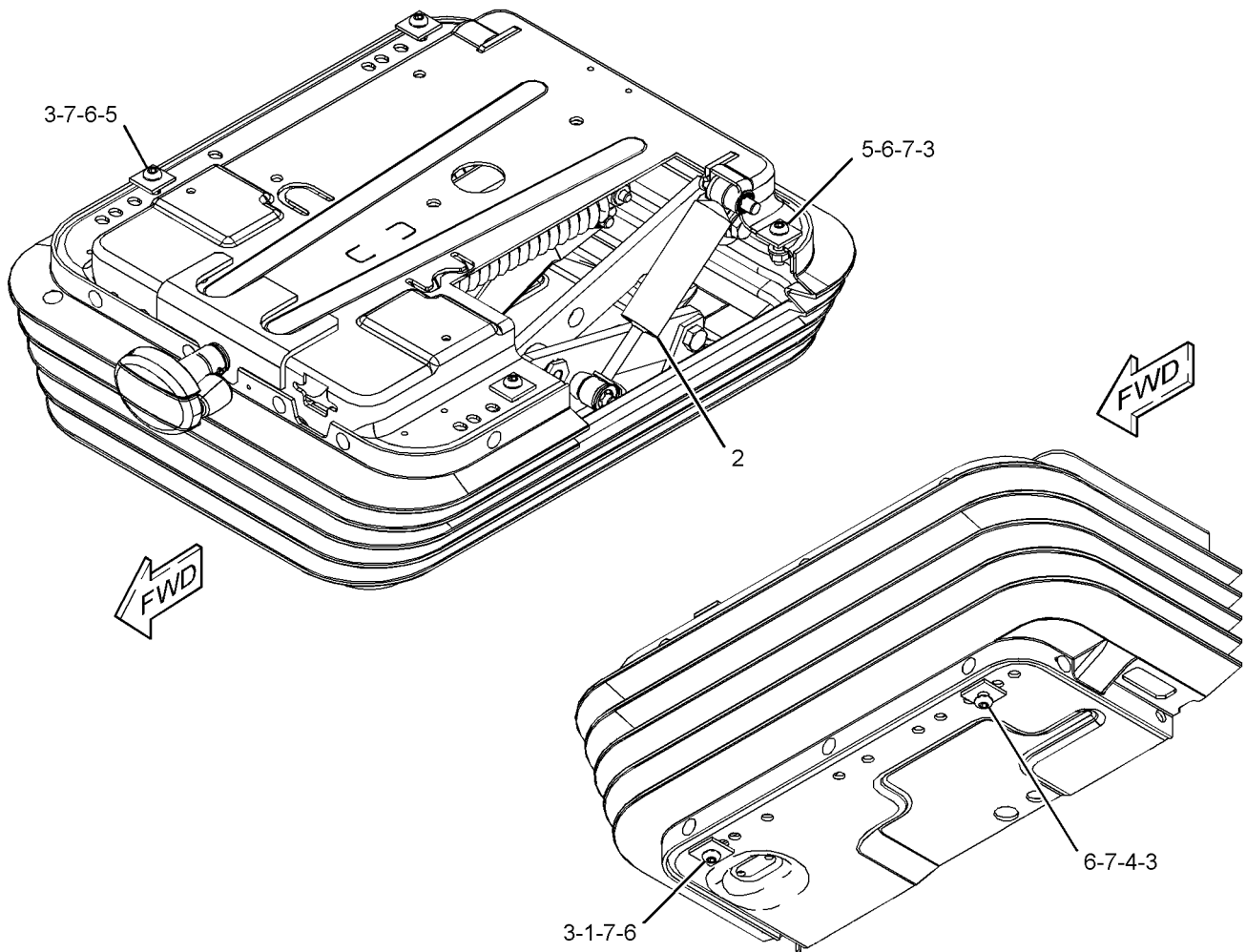
PART OF 229-9077 SUSPENSION GP-SEAT
AN ATTACHMENT

SMCS-7324

i03592080

NOTE	REF NO	GRAPHIC REF	PART NUMBER	QTY	PART NAME						SEE PAGE
					1	2	3	4	5	6 (PRODUCT LEVEL)	
M	1	1	198-3899	2	SCREW-BUTTON HEAD (M8X1.25X20-MM)						
	2	1	209-4280	1	CYLINDER-DAMPER						
	3	1	245-7897	8	PLATE						
M	4	1	245-7898	2	SCREW-BUTTON HEAD (M8X1.25X25-MM)						
M	5	1	245-7899	4	SCREW-BUTTON HEAD (M8X1.25X30-MM)						
M	6	1	5C-7261	8	NUT (M8X1.25-THD)						
	7	1	8T-4224	8	WASHER-HARD (8.8X16X2-MM THK)						

M-METRIC PART



GRAPHIC #1

<END>

g01920616

OPERATOR STATION

245-7893 SUSPENSION GP-SEAT-AIR

S/N: MMA1-UP

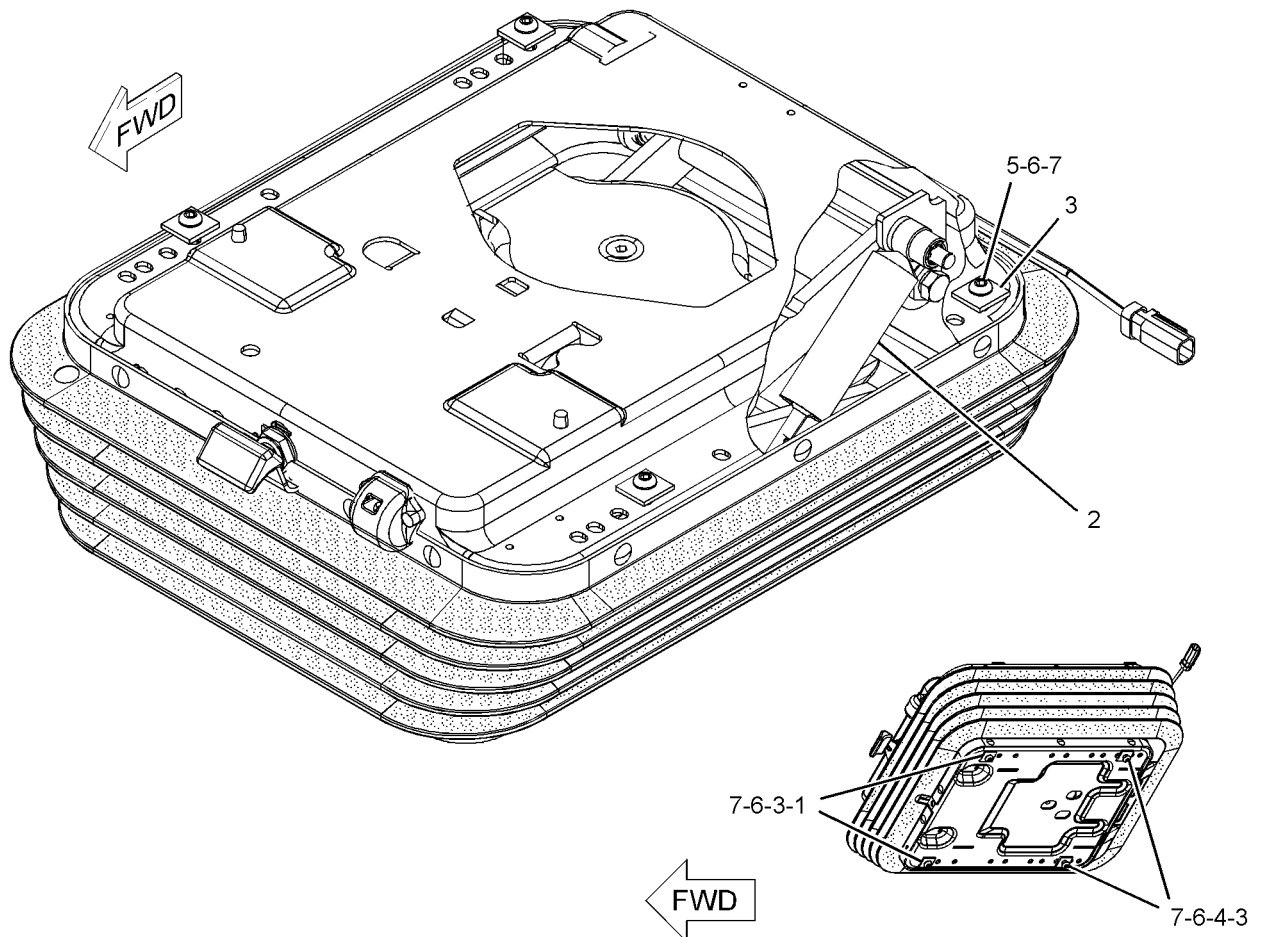
PART OF 240-5063 SUSPENSION GP-SEAT
AN ATTACHMENT

SMCS-7324

i02180774

NOTE	REF NO	GRAPHIC REF	PART NUMBER	QTY	PART NAME						SEE PAGE
					1	2	3	4	5	6 (PRODUCT LEVEL)	
M	1	1	198-3899	2	SCREW-BUTTON HEAD (M8X1.25X20-MM)						
	2	1	209-0348	1	DAMPER (SUSPENSION)						
	3	1	245-7897	8	PLATE						
M	4	1	245-7898	2	SCREW-BUTTON HEAD (M8X1.25X25-MM)						
M	5	1	245-7899	4	SCREW-BUTTON HEAD (M8X1.25X30-MM)						
M	6	1	5C-7261	8	NUT (M8X1.25-THD)						
	7	1	8T-4224	8	WASHER-HARD (8.8X16X2-MM THK)						

M-METRIC PART



GRAPHIC #1

<END>

g01108559

OPERATOR STATION

273-5384 SUSPENSION GP-SEAT-AIR

S/N: MMA1-UP

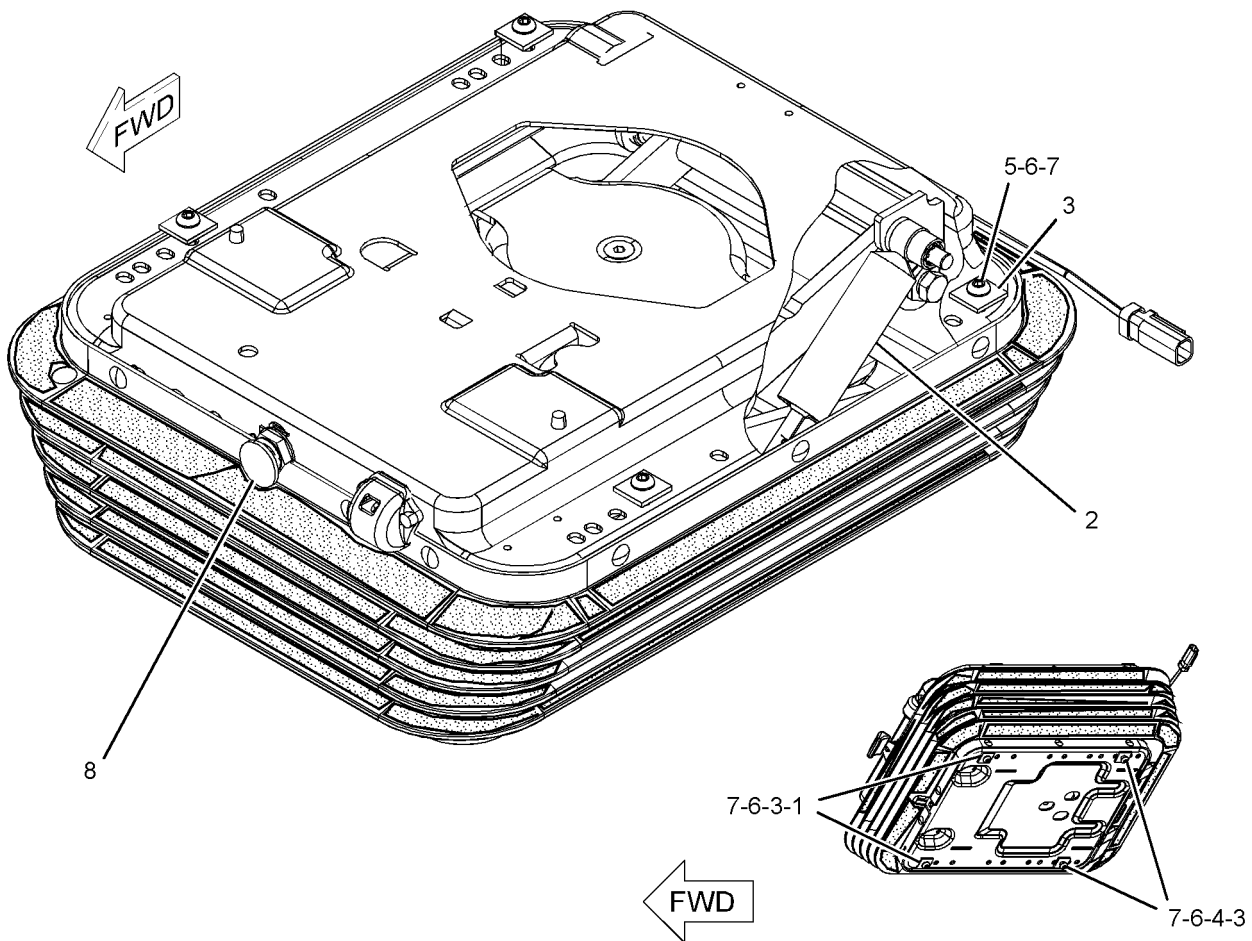
PART OF 240-5063 SUSPENSION GP-SEAT
AN ATTACHMENT

SMCS-7324

i02504965

NOTE	REF NO	GRAPHIC REF	PART NUMBER	QTY	PART NAME						SEE PAGE
					1	2	3	4	5	6 (PRODUCT LEVEL)	
M	1	1	198-3899	2	SCREW-BUTTON HEAD (M8X1.25X20-MM)						
	2	1	209-0348	1	DAMPER (SUSPENSION)						
	3	1	245-7897	8	PLATE						
M	4	1	245-7898	2	SCREW-BUTTON HEAD (M8X1.25X25-MM)						
M	5	1	245-7899	4	SCREW-BUTTON HEAD (M8X1.25X30-MM)						
M	6	1	5C-7261	8	NUT (M8X1.25-THD)						
	7	1	8T-4224	8	WASHER-HARD (8.8X16X2-MM THK)						
	8	1	273-5386	1	VALVE AS-AIR						

M-METRIC PART



GRAPHIC #1

<END>

g01254074

OPERATOR STATION

327-6520 SUSPENSION GP-SEAT-MECHANICAL

S/N: MMA1-UP

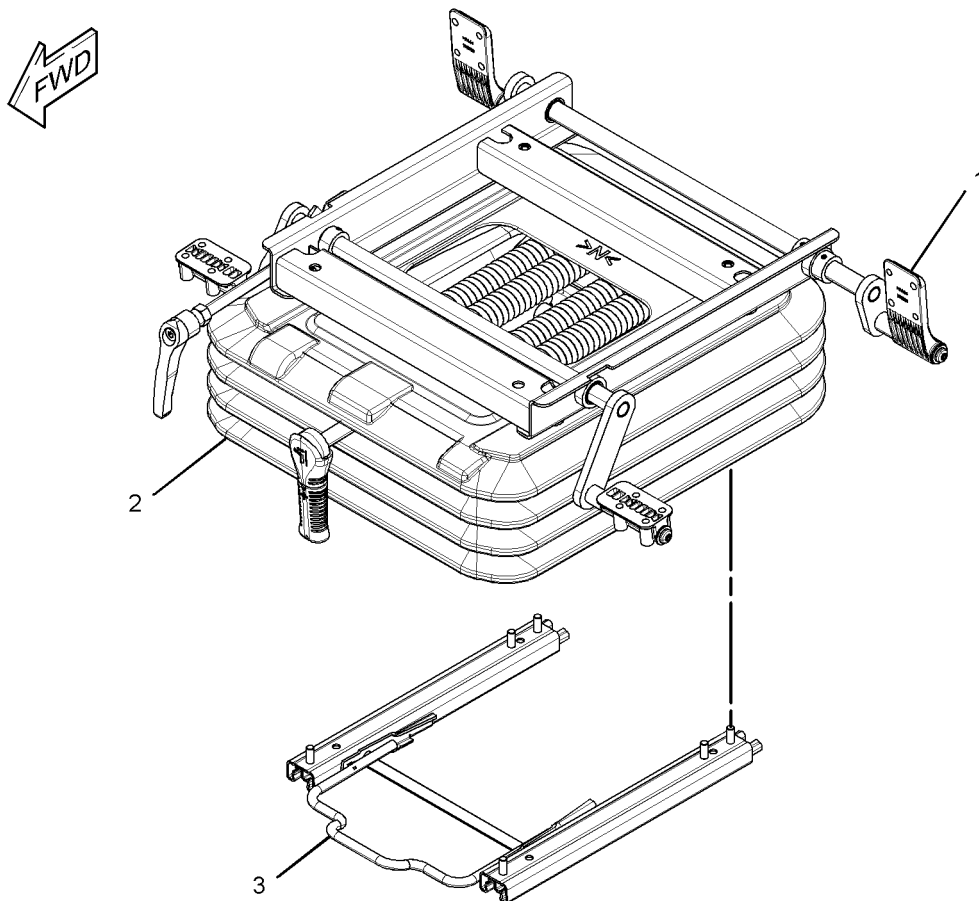
PART OF 327-6507 SEAT GP-SUSPENSION
AN ATTACHMENT

SMCS-7324

i03572405

NOTE	REF NO	GRAPHIC REF	PART NUMBER	QTY	PART NAME						SEE PAGE
					1	2	3	4	5	6 (PRODUCT LEVEL)	
	1	1	327-6644	1	KIT-BRACKET (CONSOLE RAISE, LOWER)						
M		1	7Y-7394	4	SCREW-BUTTON HEAD (M8X1.25X25-MM)						
Y	2	1	327-6645	1	KIT-SEAT SUSPENSION (MECHANICAL)						1145
	3	1	327-6648	1	KIT-ADJUSTER (SEAT POSITION)						
		1	333-4180	6	SCREW-BUTTON HEAD (M8X1.25X20-MM)						

M-METRIC PART
Y-SEPARATE ILLUSTRATION



GRAPHIC #1

<END>

g01637856

OPERATOR STATION

327-6521 SUSPENSION GP-SEAT-AIR

S/N: MMA1-UP

PART OF 327-6508, 327-6509 SEAT GP-SUSPENSION
AN ATTACHMENT

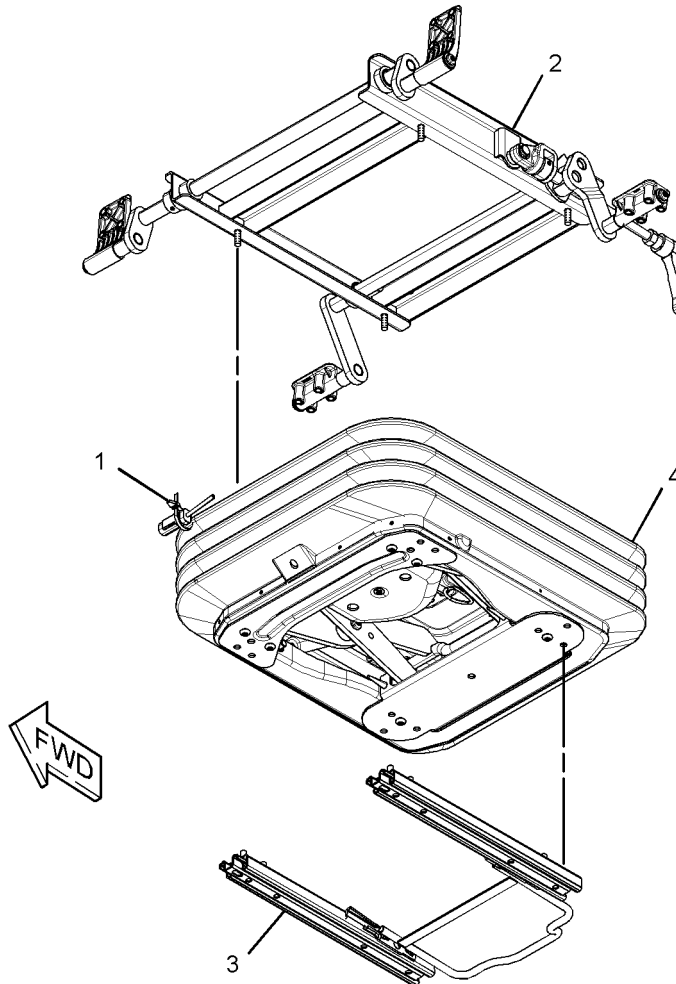
SMCS-7324

i03572209

NOTE	REF NO	GRAPHIC REF	PART NUMBER	QTY	PART NAME						SEE PAGE
					1	2	3	4	5	6 (PRODUCT LEVEL)	
	1	1	7I-2673	1	STRAP-CABLE						
	2	1	327-6644	1	KIT-BRACKET (CONSOLE RAISE, LOWER)						
M		1	7Y-7394	4	SCREW-BUTTON HEAD (M8X1.25X25-MM)						
	3	1	327-6648	1	KIT-ADJUSTER (SEAT POSITION)						
		1	333-4180	6	SCREW-BUTTON HEAD (M8X1.25X20-MM)						
Y	4	1	333-4157	1	KIT-SEAT SUSPENSION (AIR)						1146

M-METRIC PART

Y-SEPARATE ILLUSTRATION



GRAPHIC #1

<END>

g01906653

OPERATOR STATION

249-2663 TRIM GP-CAB-INTERIOR, REAR

S/N: MMA1-UP

PART OF 237-2167, 237-3564 CAB AR
AN ATTACHMENT

SMCS-7301, 7329

i03421770

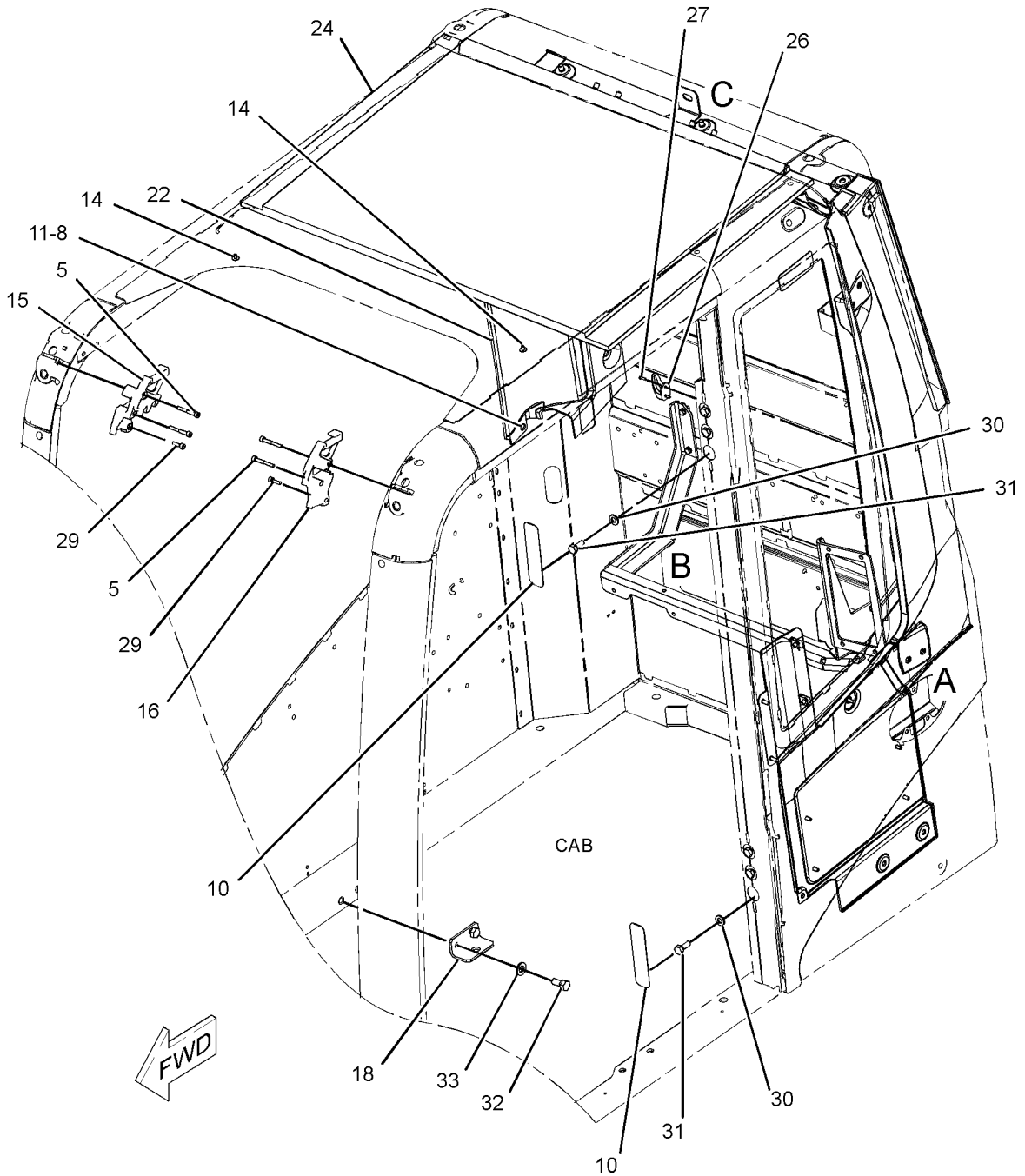
NOTE	REF NO	GRAPHIC REF	PART NUMBER	QTY	PART NAME						SEE PAGE
					1	2	3	4	5	6 (PRODUCT LEVEL)	
M	1	2	5I-3054	8	NUT (M4X0.7-THD)						
	2	2	262-3663	2	COVER-SPEAKER						
M	3	2	096-3772	12	SCREW-MACHINE (M4X0.7X16-MM)						
	4	2	096-6166	8	WASHER-HARD (4.5X9X1-MM THK)						
M	5	1	108-1780	4	BOLT-SOCKET HEAD (M6X1X45-MM)						
M	6	2	111-4627	6	SCREW-MACHINE (M6X1X30-MM)						
	7	2	114-6658	6	WASHER (6.5X17X1-MM THK)						
M	8	1,2	128-2135	12	SCREW-TRUSS HEAD (M6X1X13-MM)						
	9	2	139-6039	7	NUT (U-TYPE RETAINER)						
	10	1	167-7042	2	SEAL						
M	11	1,2	180-1718	11	NUT (M6X1-THD)						
	12	2	191-2764	1	CASE						
	13	2	191-2768	1	COVER						
	14	1	224-2669	2	PLUG-PLASTIC						
	15	1	229-8059	1	STRIKER (RH)						
	16	1	229-8060	1	STRIKER (LH)						
	17	2	234-6477	1	BRACKET AS						
	18	1	235-9001	1	SUPPORT						
	19	2	247-6812	1	PLATE						
	20	2	268-1353	1	COVER (UPPER, LH)						
	21	2	247-6852	1	COVER AS (LOWER, LH)						
	22	1	268-1352	1	COVER (UPPER, RH)						
	23	2	247-6857	1	COVER-RADIO						
	24	1	252-1243	1	LINER						
M	25	2	5C-9553	8	BOLT (M6X1X16-MM)						
	26	1	6C-8972	1	HOOK						
	27	1	6C-9131	2	SCREW-TAPPING						
	28	2	9X-8256	8	WASHER (6.6X12X2-MM THK)						
M	29	1	8T-0269	2	BOLT-SOCKET HEAD (M6X1X20-MM)						
	30	1	8T-4121	6	WASHER-HARD (11X21X2.5-MM THK)						
M	31	1	8T-4136	6	BOLT (M10X1.5X25-MM)						
M	32	1	8T-4192	2	BOLT (M12X1.75X25-MM)						
	33	1	8T-4223	2	WASHER-HARD (13.5X25.5X3-MM THK)						
	34	2	9U-8263	1	COVER						
M	35	2	9X-2044	4	SCREW-TRUSS HEAD (M6X1X16-MM)						

M-METRIC PART

OPERATOR STATION

249-2663 TRIM GP-CAB (contd.)

i03421770



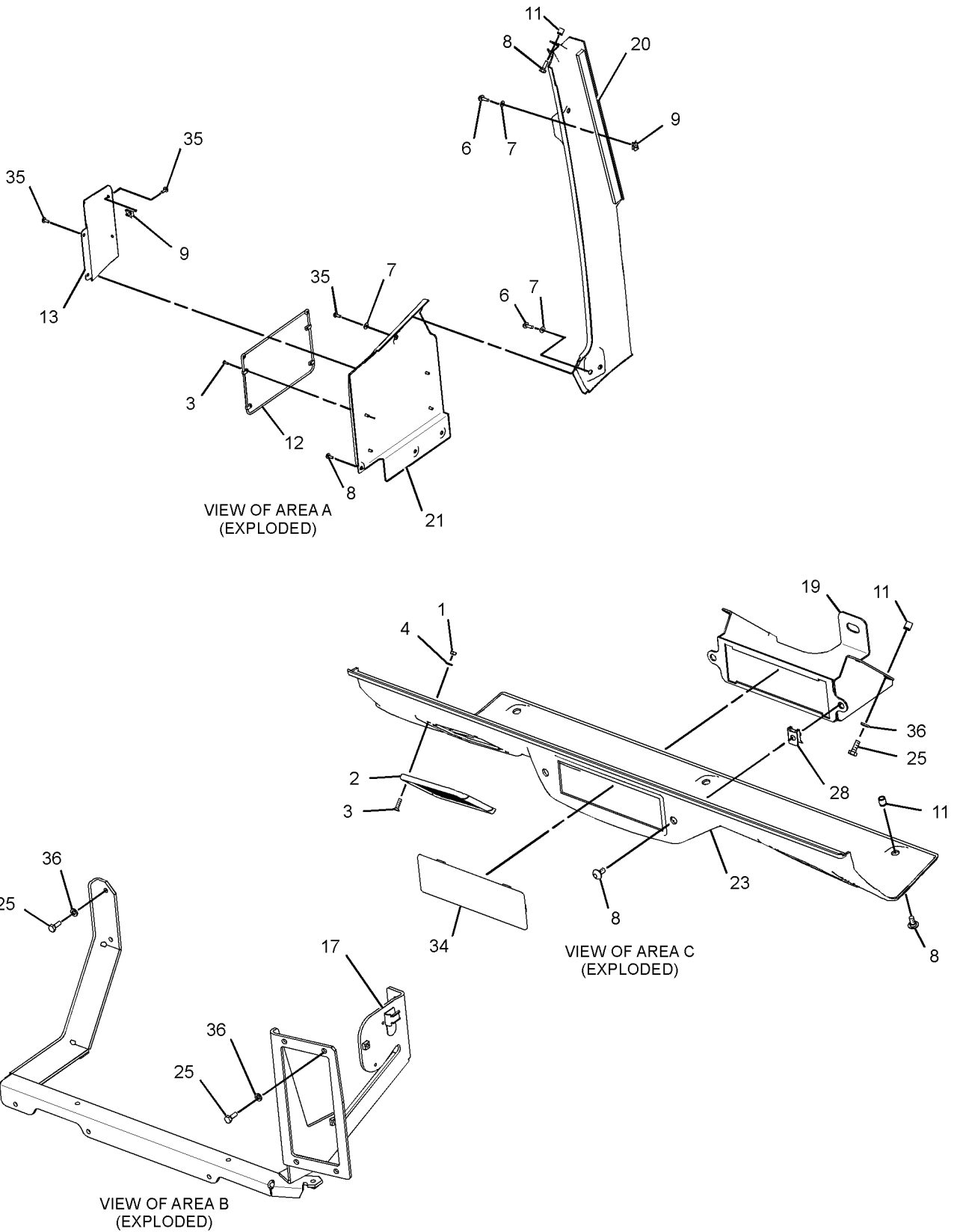
GRAPHIC #1

g01262291

OPERATOR STATION

249-2663 TRIM GP-CAB (contd.)

i03421770



GRAPHIC #2

<END>

g01783296

OPERATOR STATION

249-2664 TRIM GP-CAB-INTERIOR, FRONT

S/N: MMA1-249

PART OF 237-3564 CAB AR
AN ATTACHMENT

SMCS-7301, 7329

i02442160

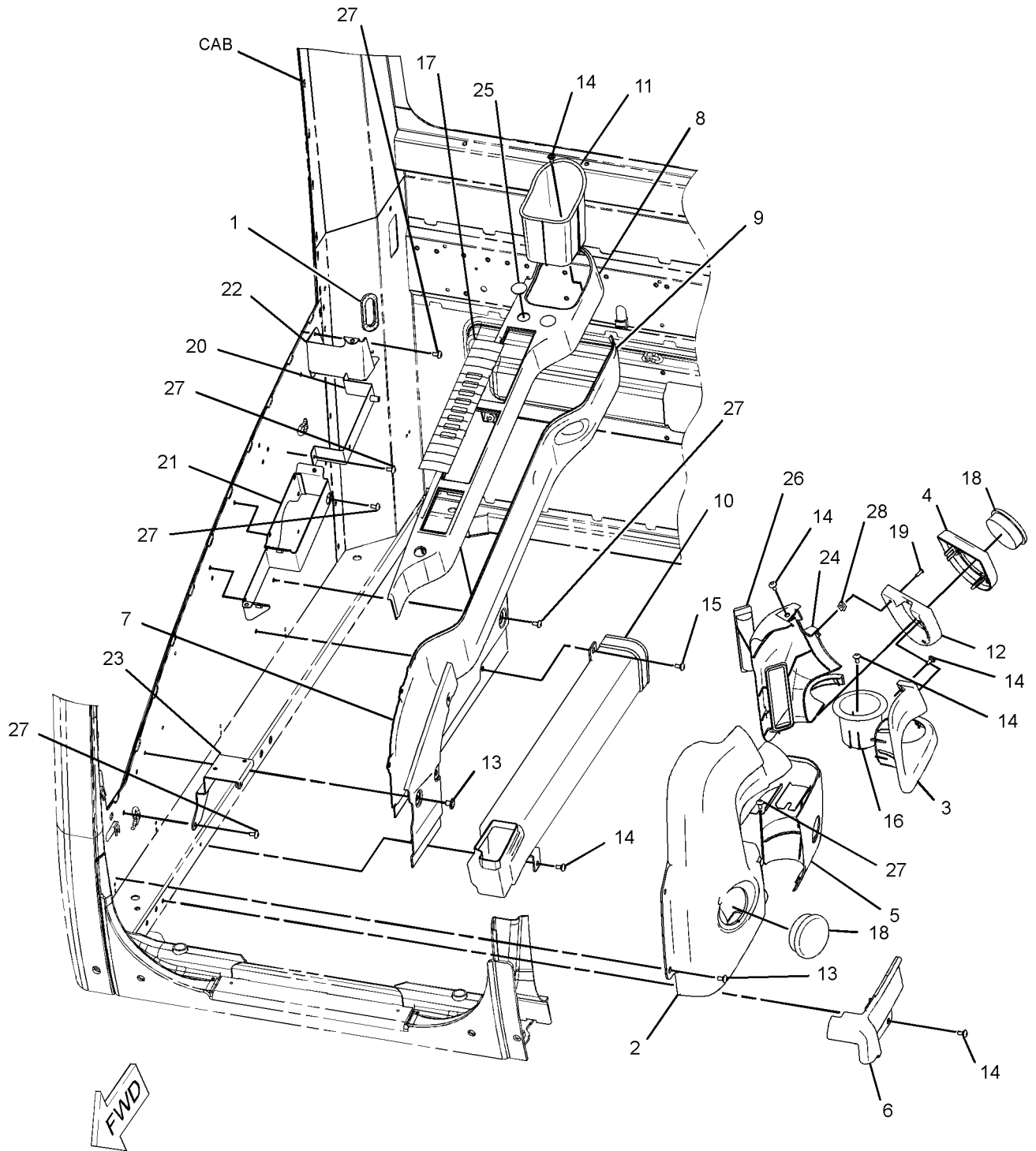
NOTE	REF NO	GRAPHIC REF	PART NUMBER	QTY	PART NAME						SEE PAGE
					1	2	3	4	5	6 (PRODUCT LEVEL)	
	1	1	2S-1647	1	GROMMET						
	2	1	234-6468	1	COVER AS						
		1	259-7353	4	CLIP						
	3	1	234-6469	1	COVER						
	4	1	234-6470	1	COVER-MONITOR						
	5	1	234-6471	1	COVER-DUCT						
	6	1	234-6472	1	COVER (FRONT LOWER, RH)						
	7	1	234-6473	1	COVER-FRONT (UPPER, RH)						
	8	1	234-6474	1	COVER (UPPER, RH)						
	9	1	234-6475	1	COVER (LOWER, RH)						
	10	1	234-6476	1	DUCT						
	11	1	234-6490	1	CUP						
	12	1	234-6497	1	COVER						
	13	1	234-6498	5	RIVET						
M	14	1	128-2135	11	SCREW-TRUSS HEAD (M6X1X13-MM)						
M	15	1	128-2136	1	SCREW-TRUSS HEAD (M6X1X16-MM)						
	16	1	164-0646	1	CUP						
	17	1	164-0655	1	PANEL-SWITCH (OPERATOR CONSOLE)						
	18	1	164-8474	2	LOUVER AS-VENT						
M	19	1	171-7325	2	SCREW-TAPPING (M5X0.8-THD)						
	20	1	234-6478	1	BRACKET AS						
	21	1	234-6480	1	BRACKET AS						
	22	1	234-6483	1	BRACKET AS						
	23	1	234-6485	1	BRACKET AS						
	24	1	234-6521	1	COVER						
	25	1	235-8923	2	CAP						
	26	1	8Y-6352	1	LOUVER AS						
M	27	1	9X-2042	13	SCREW-TRUSS HEAD (M6X1X12-MM)						
	28	1	234-6579	2	NUT-SPEED						

M-METRIC PART

OPERATOR STATION

249-2664 TRIM GP-CAB (contd.)

i02442160



GRAPHIC #1

<END>

g01197697

OPERATOR STATION

249-2664 TRIM GP-CAB-INTERIOR, FRONT

S/N: MMA250-253

PART OF 237-2167, 237-3564 CAB AR
AN ATTACHMENT

SMCS-7301, 7329

i02495131

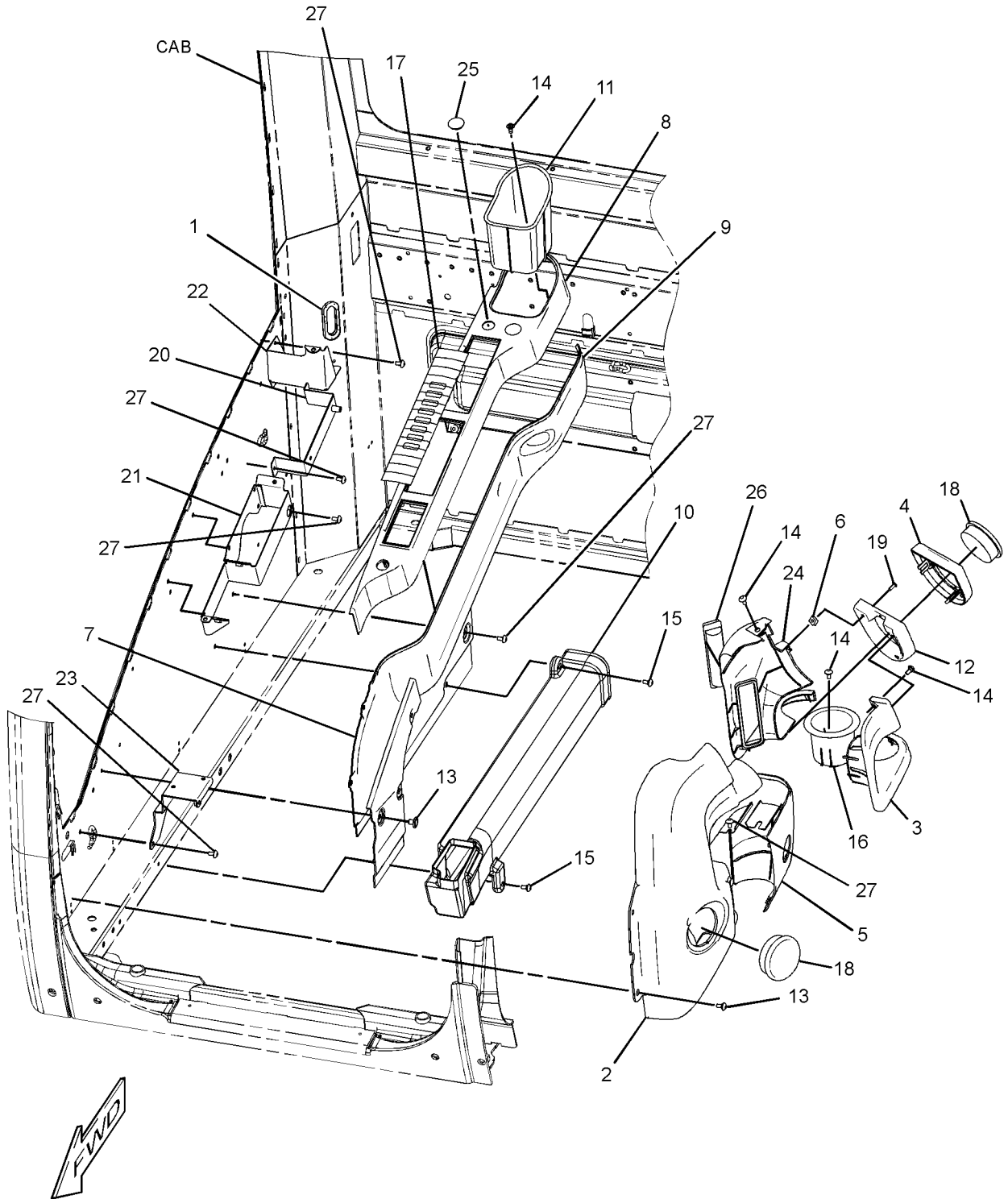
NOTE	REF NO	GRAPHIC REF	PART NUMBER	QTY	PART NAME						SEE PAGE
					1	2	3	4	5	6 (PRODUCT LEVEL)	
	1	1	2S-1647	1	GROMMET						
	2	1	282-7758	1	COVER AS						
		1	259-7353	4	CLIP						
	3	1	234-6469	1	COVER						
	4	1	234-6470	1	COVER-MONITOR						
	5	1	234-6471	1	COVER-DUCT						
	6	1	234-6579	2	NUT-SPEED						
	7	1	234-6473	1	COVER-FRONT (UPPER, RH)						
	8	1	234-6474	1	COVER (UPPER, RH)						
	9	1	234-6475	1	COVER (LOWER, RH)						
C	10	1	282-0045	1	DUCT						
	11	1	234-6490	1	CUP						
	12	1	234-6497	1	COVER						
	13	1	234-6498	5	RIVET						
CM	14	1	128-2135	8	SCREW-TRUSS HEAD (M6X1X13-MM)						
CM	15	1	3E-8020	2	SCREW-TRUSS HEAD (M6X1X25-MM)						
	16	1	164-0646	1	CUP						
	17	1	164-0655	1	PANEL-SWITCH (OPERATOR CONSOLE)						
	18	1	164-8474	2	LOUVER AS-VENT						
M	19	1	171-7325	2	SCREW-TAPPING (M5X0.8-THD)						
	20	1	234-6478	1	BRACKET AS						
	21	1	234-6480	1	BRACKET AS						
	22	1	234-6483	1	BRACKET AS						
	23	1	234-6485	1	BRACKET AS						
	24	1	234-6521	1	COVER						
	25	1	235-8923	2	CAP						
	26	1	8Y-6352	1	LOUVER AS						
M	27	1	9X-2042	13	SCREW-TRUSS HEAD (M6X1X12-MM)						

C-CHANGE FROM PREVIOUS TYPE
M-METRIC PART

OPERATOR STATION

249-2664 TRIM GP-CAB (contd.)

i02495131



GRAPHIC #1

<END>

g01247505

OPERATOR STATION

249-2664 TRIM GP-CAB-INTERIOR, FRONT

S/N: MMA254-UP

PART OF 237-2167, 237-3564 CAB AR
AN ATTACHMENT

SMCS-7301, 7329

i02910354

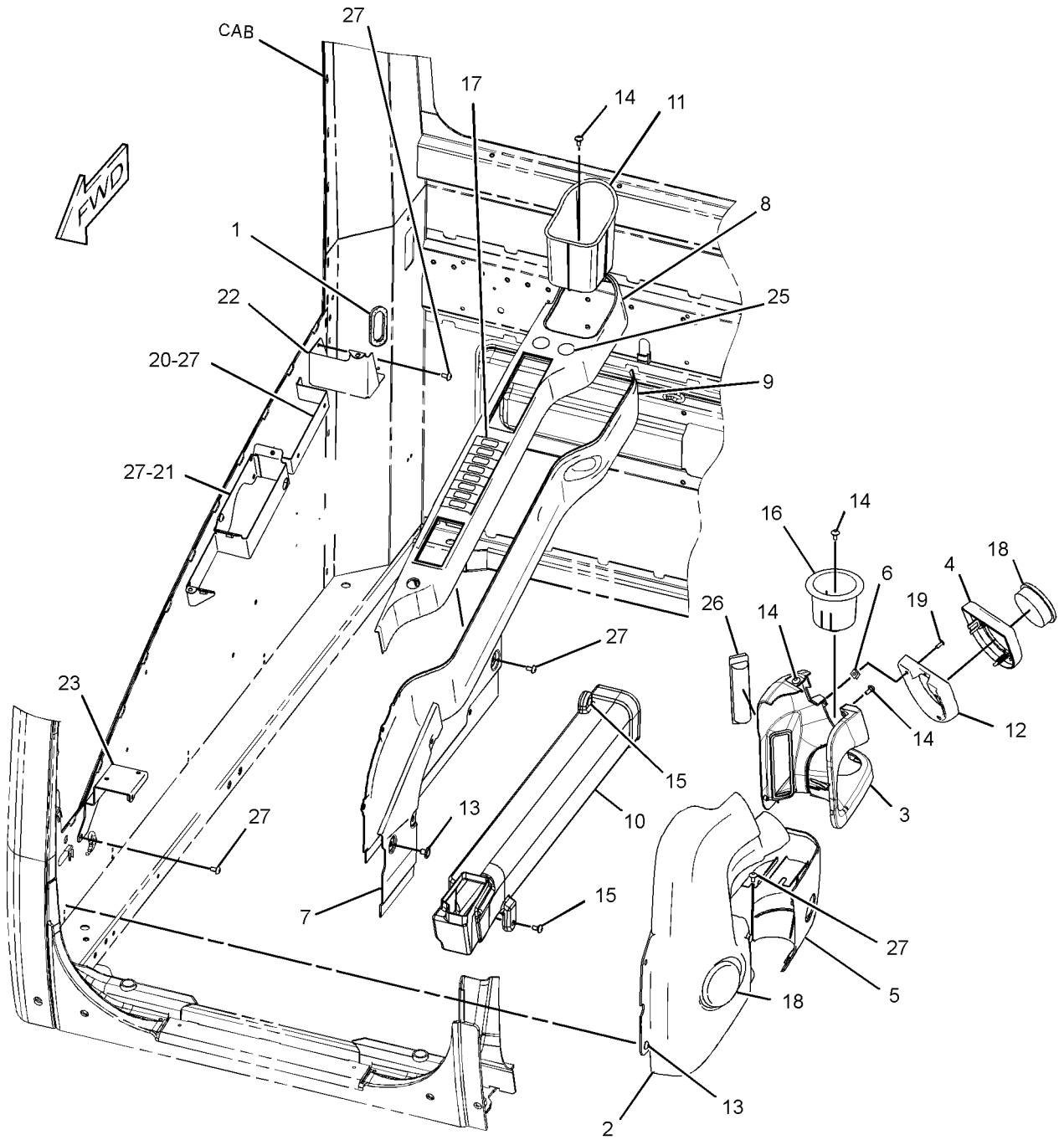
NOTE	REF NO	GRAPHIC REF	PART NUMBER	QTY	PART NAME						SEE PAGE
					1	2	3	4	5	6 (PRODUCT LEVEL)	
	1	1	2S-1647	1	GROMMET						
	2	1	282-7758	1	COVER AS						
		1	259-7353	4	CLIP						
	3	1	302-0455	1	COVER GP-CONSOLE						
	4	1	234-6470	1	COVER-MONITOR						
	5	1	234-6471	1	COVER-DUCT						
	6	1	234-6579	2	NUT-SPEED						
	7	1	234-6473	1	COVER-FRONT (UPPER, RH)						
	8	1	234-6474	1	COVER (UPPER, RH)						
C	9	1	305-0330	1	COVER						
	10	1	282-0045	1	DUCT						
	11	1	234-6490	1	CUP						
	12	1	234-6497	1	COVER						
	13	1	234-6498	5	RIVET						
M	14	1	128-2135	8	SCREW-TRUSS HEAD (M6X1X13-MM)						
M	15	1	3E-8020	2	SCREW-TRUSS HEAD (M6X1X25-MM)						
	16	1	164-0646	1	CUP						
	17	1	164-0655	1	PANEL-SWITCH (OPERATOR CONSOLE)						
	18	1	164-8474	2	LOUVER AS-VENT						
M	19	1	171-7325	2	SCREW-TAPPING (M5X0.8-THD)						
C	20	1	305-0333	1	BRACKET						
	21	1	234-6480	1	BRACKET AS						
	22	1	234-6483	1	BRACKET AS						
	23	1	234-6485	1	BRACKET AS						
	25	1	235-8923	2	CAP						
	26	1	8Y-6352	1	LOUVER AS						
M	27	1	9X-2042	13	SCREW-TRUSS HEAD (M6X1X12-MM)						

C-CHANGE FROM PREVIOUS TYPE
M-METRIC PART

OPERATOR STATION

249-2664 TRIM GP-CAB (contd.)

i02910354



GRAPHIC #1

<END>

g01429363

OPERATOR STATION

189-6117 VISOR GP-CAB

S/N: MMA1-UP

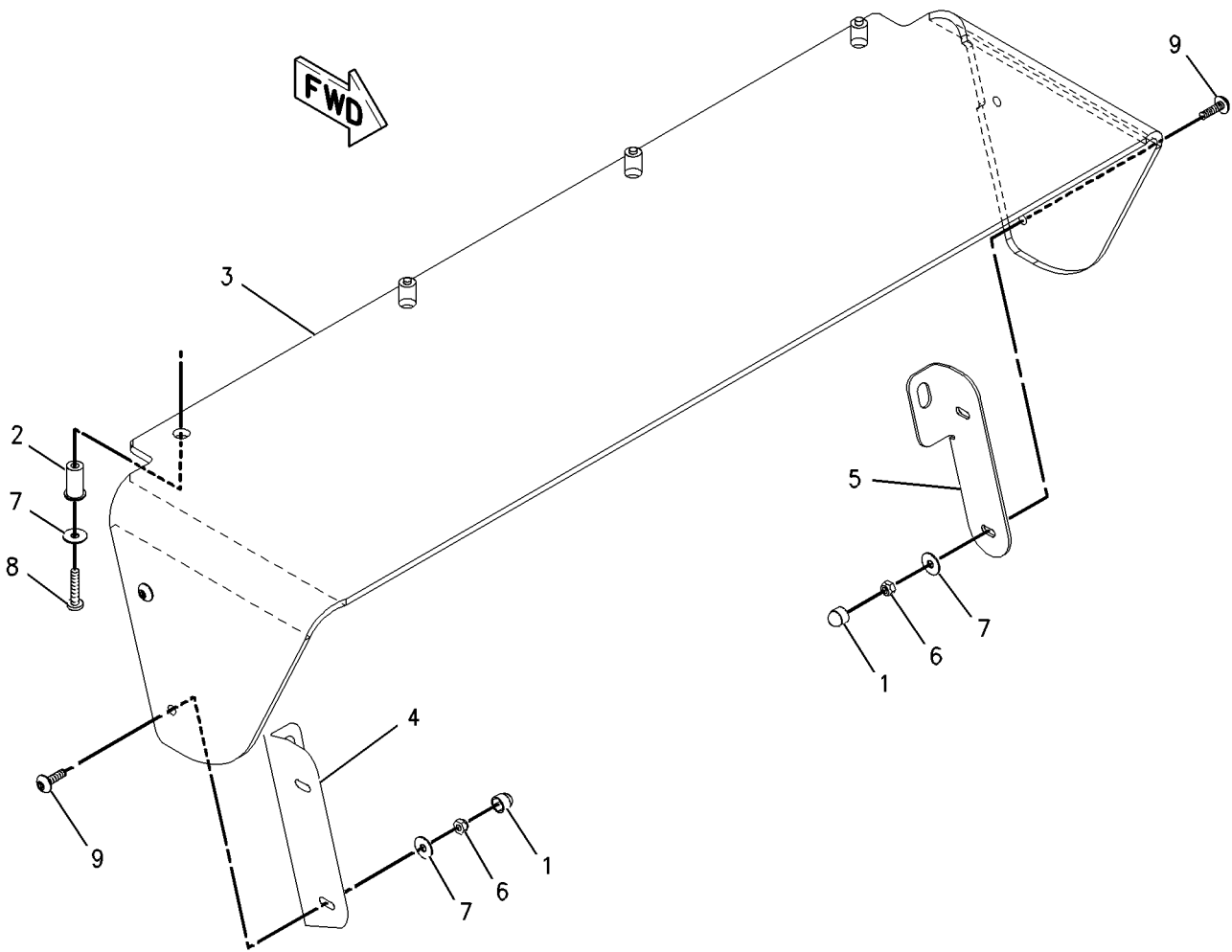
CANNOT BE USED WITH 250-0712-PAGE 1126, 237-3564-PAGE 1049
AN ATTACHMENT

SMCS-7301

i01810087

NOTE	REF NO	GRAPHIC REF	PART NUMBER	QTY	PART NAME						SEE PAGE
					1	2	3	4	5	6 (PRODUCT LEVEL)	
	1	1	6C-9089	4	NUT - CAP						
M	2	1	146-0218	4	NUT (M6X1 - THD)						
	3	1	167-4195	1	VISOR						
	4	1	167-4196	1	BRACKET						
	5	1	167-4197	1	BRACKET						
M	6	1	129-3178	4	LOCKNUT (M6X1 - THD)						
	7	1	6C-9130	8	WASHER (6X18X1-MM THK)						
M	8	1	8T-4971	4	BOLT (M6X1X30-MM)						
M	9	1	9X-2045	4	SCREW - TRUSS HEAD (M6X1X20-MM)						

M-METRIC PART



GRAPHIC #1

<END>

g00751675

OPERATOR STATION

225-5773 WASHER GP-WINDOW

S/N: MMA1-UP

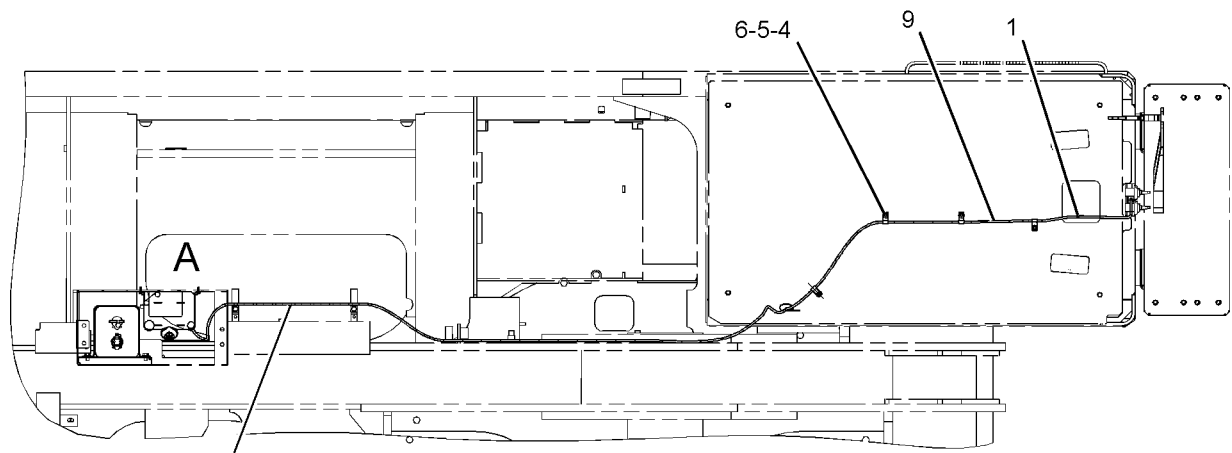
PART OF 230-0590 RISER AR-CAB
AN ATTACHMENT

SMCS-7306

i02148683

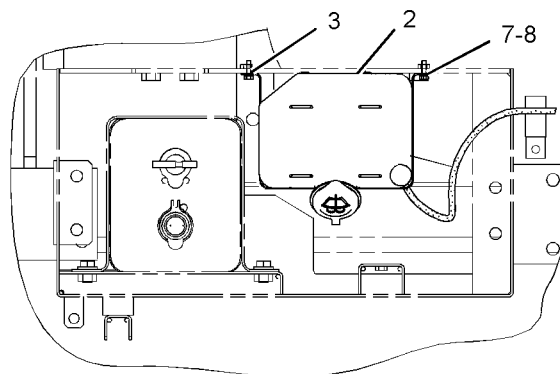
NOTE	REF NO	GRAPHIC REF	PART NUMBER	QTY	PART NAME						SEE PAGE
					1	2	3	4	5	6 (PRODUCT LEVEL)	
	1	1	7Y-3474	1	VALVE AS-CHECK (WINDOW WASHER)						
	2	1	176-1931	1	TANK AS-WINDOW WASHER						
	3	1	176-1995	1	SUPPORT						
	4	1	6V-3265	4	CLIP						
	5	1	8T-4121	4	WASHER-HARD (11X21X2.5-MM THK)						
M	6	1	8T-4137	4	BOLT (M10X1.5X20-MM)						
M	7	1	8T-4138	2	BOLT (M6X1X20-MM)						
	8	1	9X-8256	2	WASHER (6.6X12X2-MM THK)						
E	9	1	144-0195		HOSE (30-CM)						
E	9A	1	144-0195		HOSE (460-CM)						

E-ORDER BY THE CENTIMETER
M-METRIC PART



9A

RIGHT SIDE VIEW



VIEW OF AREA A

<END>

GRAPHIC #1

g01092591

OPERATOR STATION

248-6496 WINDOW GP-CAB-REAR, SIDE, TOP WINDOWS

S/N: MMA1-UP

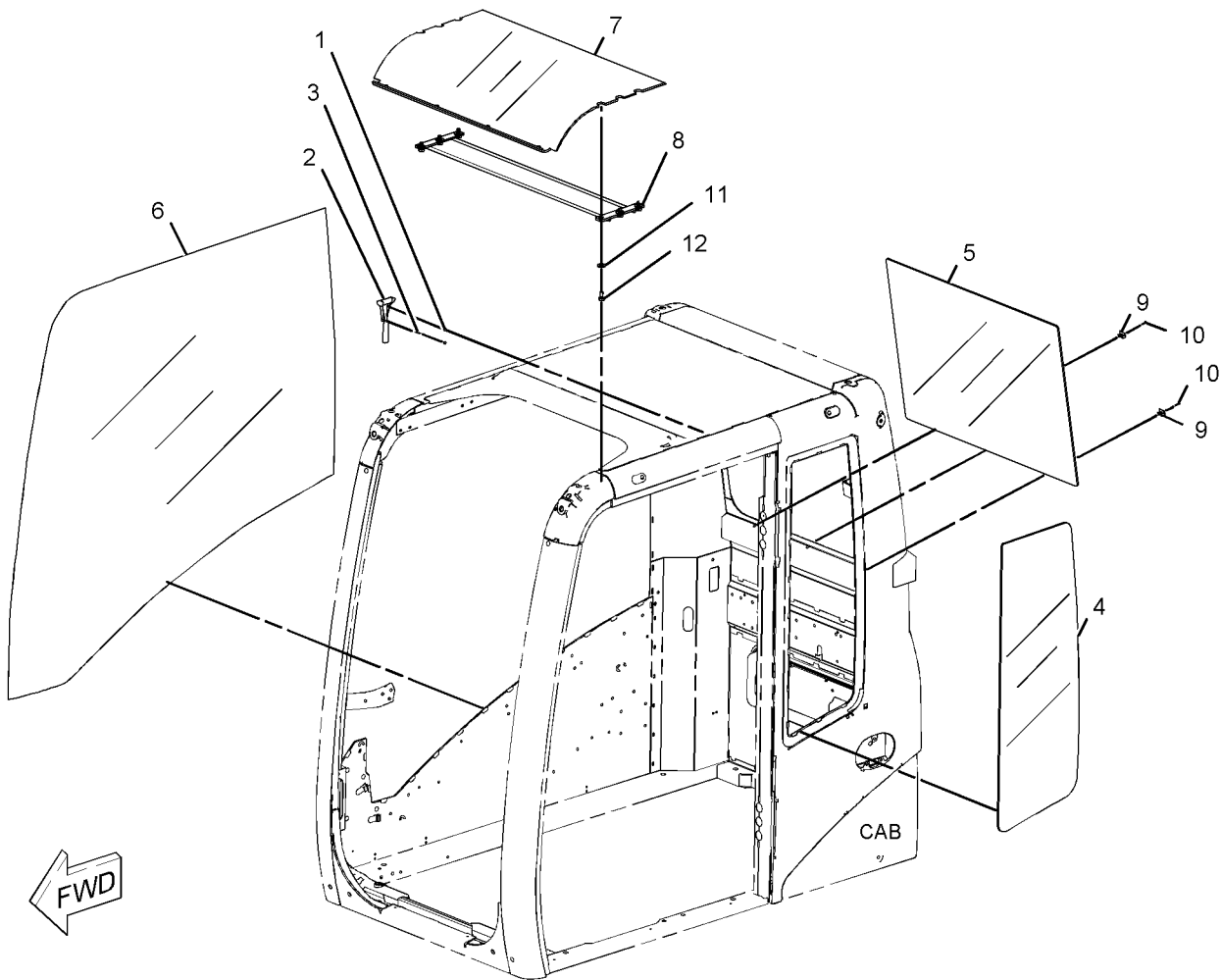
PART OF 237-3564 CAB AR
AN ATTACHMENT

SMCS-7310

i02213971

NOTE	REF NO	GRAPHIC REF	PART NUMBER	QTY	PART NAME						SEE PAGE
					1	2	3	4	5	6 (PRODUCT LEVEL)	
	1	1	103-8089	2	RIVET-POP						
	2	1	133-5514	1	HAMMER						
	3	1	145-3697	1	STRIP						
	4	1	151-6790	1	GLASS (LH)						
	5	1	167-4142	1	GLASS (REAR)						
	6	1	234-6489	1	GLASS (RH)						
	7	1	234-9966	1	GLASS (TOP)						
	8	1	252-1235	1	GUARD AS						
	9	1	6C-9236	2	RETAINER						
	10	1	6C-9237	2	RIVET						
	11	1	7X-7729	6	WASHER (11X25X3-MM THK)						
M	12	1	8T-4137	6	BOLT (M10X1.5X20-MM)						

M-METRIC PART



GRAPHIC #1

<END>

g01119156

OPERATOR STATION

249-2665 WINDOW GP-CAB-REAR, SIDE, TOP WINDOWS

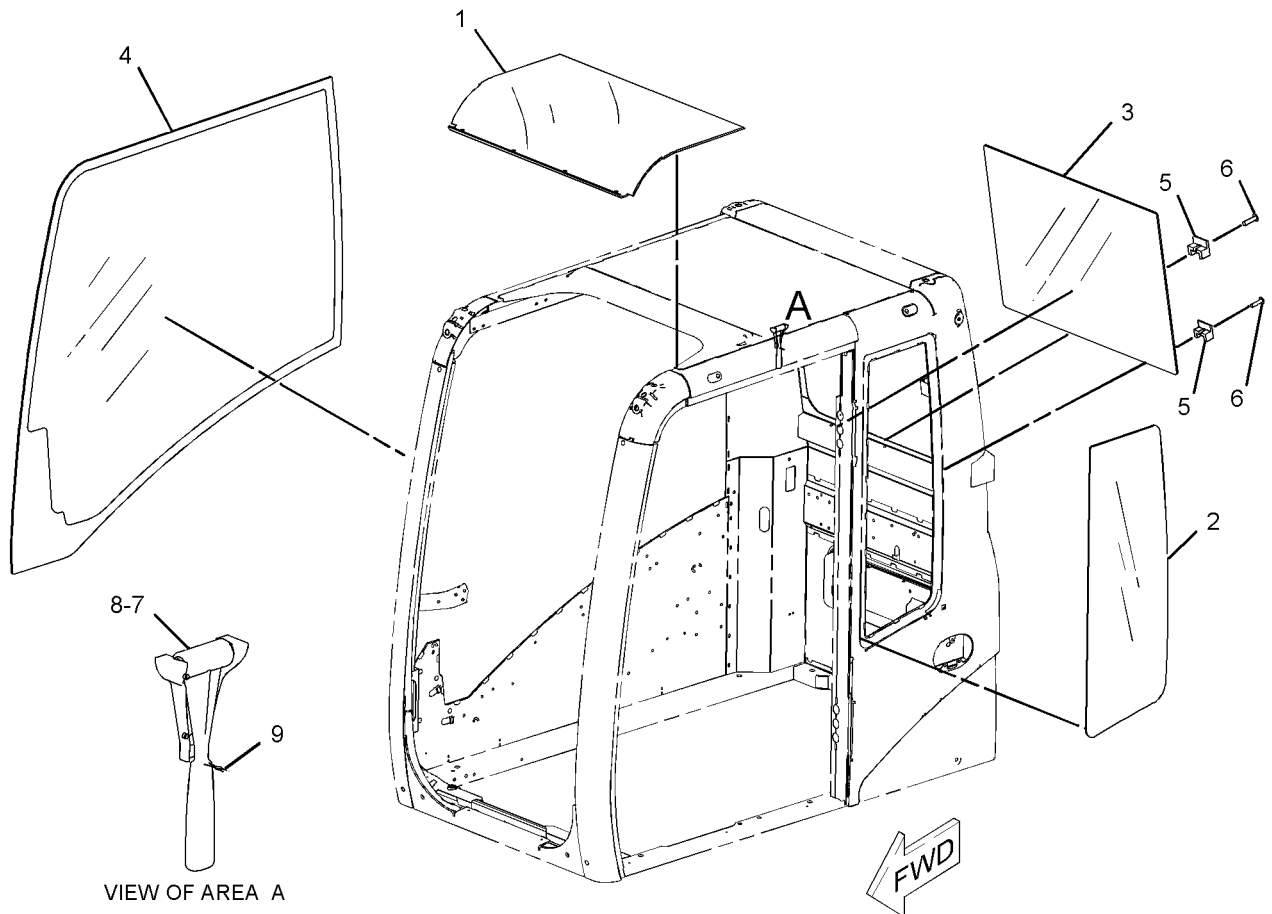
S/N: MMA1-UP

PART OF 237-2167 CAB AR
AN ATTACHMENT

SMCS-7310

i02220856

NOTE	REF NO	GRAPHIC REF	PART NUMBER	QTY	PART NAME						SEE PAGE
					1	2	3	4	5	6 (PRODUCT LEVEL)	
	1	1	167-4067	1	GLASS						
	2	1	151-6790	1	GLASS						
	3	1	167-4142	1	GLASS						
	4	1	234-6489	1	GLASS						
	5	1	6C-9236	2	RETAINER						
	6	1	6C-9237	2	RIVET						
	7	1	103-8089	2	RIVET-POP						
	8	1	133-5514	1	HAMMER						
	9	1	145-3697	1	STRIP						



GRAPHIC #1

<END>

g01124730

OPERATOR STATION

262-7933 WINDOW GP-CAB-HIGH RESISTANT GLASS

S/N: MMA1-UP

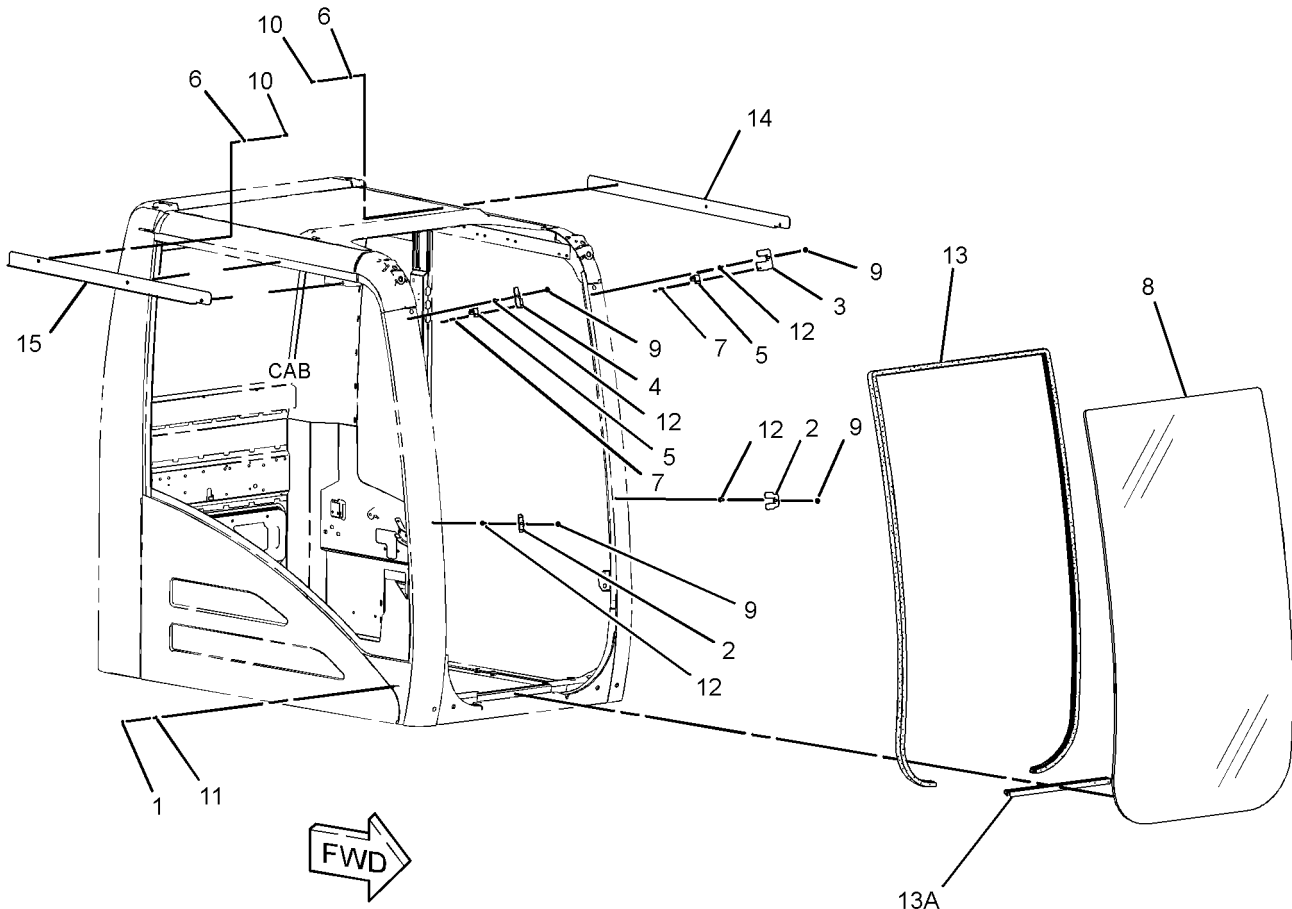
PART OF 263-8848 WIPER & WINDOW AR-CAB
AN ATTACHMENT

SMCS-7310

i02375002

NOTE	REF NO	GRAPHIC REF	PART NUMBER	QTY	PART NAME						SEE PAGE
					1	2	3	4	5	6 (PRODUCT LEVEL)	
	1	1	096-6166	1	WASHER-HARD (4.5X9X1-MM THK)						
	2	1	167-4183	6	BRACKET						
	3	1	191-2757	3	BRACKET						
	4	1	191-2758	3	BRACKET						
	5	1	198-1754	6	HOOK						
	6	1	204-6101	6	WASHER-HARD (5.3X10X1-MM THK)						
	7	1	220-4080	12	SCREW						
	8	1	262-7934	1	GLASS						
	9	1	6J-6478	12	WASHER						
M	10	1	6V-9673	6	SCREW-MACHINE (M5X0.8X12-MM)						
M	11	1	8T-0337	1	SCREW-MACHINE (M4X0.7X12-MM)						
M	12	1	9X-2044	12	SCREW-TRUSS HEAD (M6X1X16-MM)						
E	13	1	262-7935		SEAL (402-CM)						
E	13A	1	262-7935		SEAL (48-CM)						
	14	1	262-7961	1	PLATE						
	15	1	262-7962	1	PLATE						

E-ORDER BY THE CENTIMETER
M-METRIC PART



GRAPHIC #1

<END>

g01203239

OPERATOR STATION

151-6792 WINDOW GP-DOOR

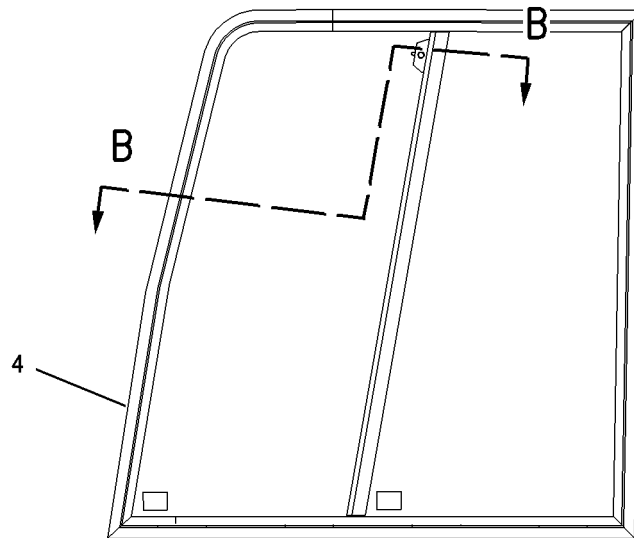
S/N: MMA1-UP

PART OF 139-7100, 176-1964 DOOR GP-CAB
AN ATTACHMENT

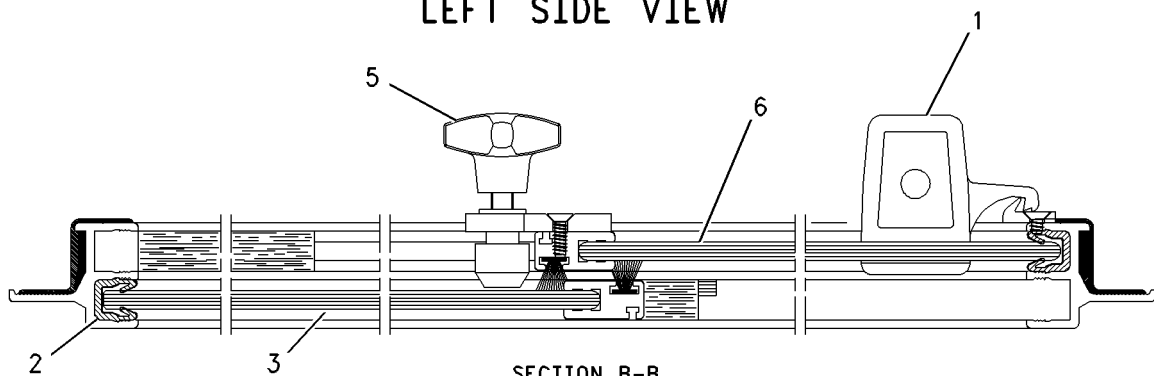
SMCS-7308, 7310

i03636806

NOTE	REF NO	GRAPHIC REF	PART NUMBER	QTY	PART NAME						SEE PAGE
					1	2	3	4	5	6 (PRODUCT LEVEL)	
1	1	1	141-6603	1	KIT-CATCH (WINDOW) (INCLUDES PLATFORM, 4 SCREWS, PLATE, & CATCH)						
2	1	1	210-9334	1	KIT-SEAL (WINDOW) (INCLUDES SEAL & 4 BUMPERS)						
3	1	1	210-9335	1	KIT-WINDOW (FRONT) (INCLUDES GLASS, RAIL, & SEAL)						
4	1	1	210-9336	1	KIT-RAIL (WINDOW) (INCLUDES 3 RAILS & 3 SCREWS)						
5	1	1	210-9337	1	KIT-CATCH (WINDOW) (INCLUDES CATCH, SUPPORT, 2 SCREWS, & BUMPER)						
6	1	1	210-9338	1	KIT-WINDOW (REAR) (INCLUDES GLASS, RAIL, & SEAL)						



LEFT SIDE VIEW



SECTION B-B

GRAPHIC #1

<END>

g00844667

OPERATOR STATION

286-8861 WINDOW GP-DOOR

S/N: MMA1-UP

PART OF 139-7100, 176-1964 DOOR GP-CAB
AN ATTACHMENT

SMCS-7308, 7310

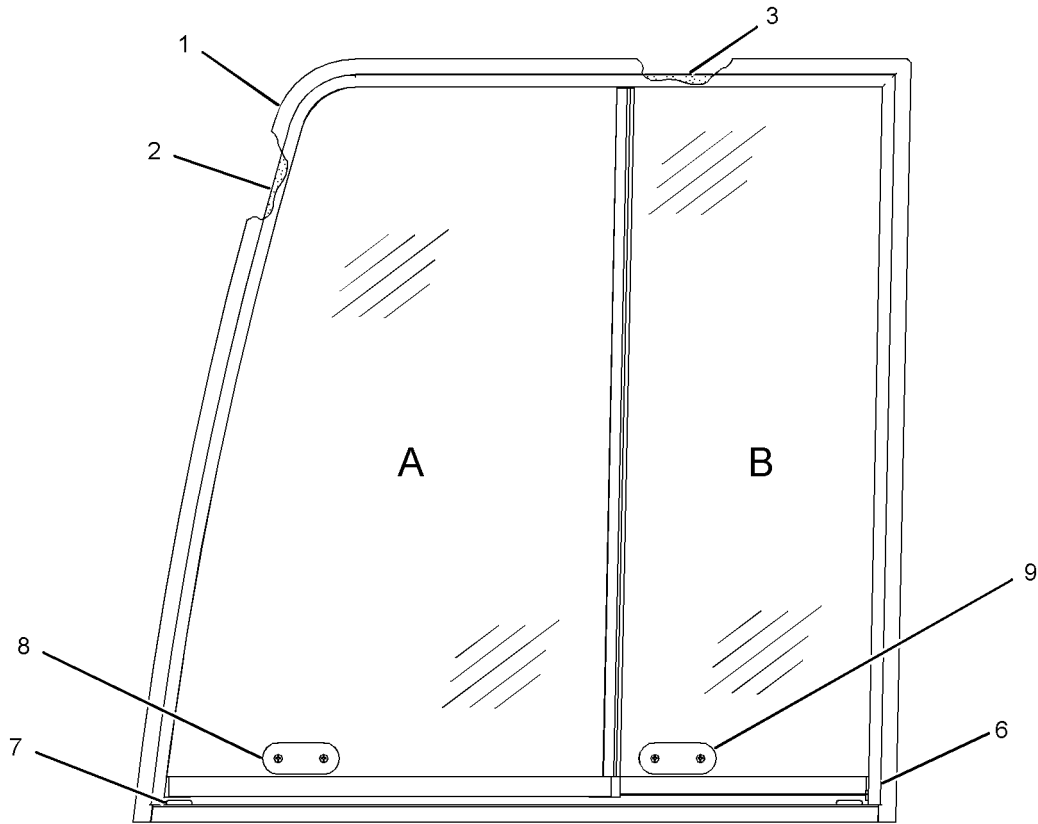
i03637275

NOTE	REF NO	GRAPHIC REF	PART NUMBER	QTY	PART NAME						SEE PAGE
					1	2	3	4	5	6 (PRODUCT LEVEL)	
1	1	1	286-8862	1	FRAME						
2	1	1	286-8863	1	SEAL						
3	1	1	286-8864	1	SEAL						
4	1	1	286-8866	1	KIT-GLASS (WINDOW)						
					(INCLUDES GLASS, 2 RAILS, 2 STOPPERS, 3 SEALS & 2 SCREWS)						
5	1	1	286-8867	1	KIT-GLASS (WINDOW)						
					(INCLUDES GLASS, 2 RAILS, 2 SEALS, STOPPER & 2 SCREWS)						
6	1	1	286-8868	1	STOP						
7	1	1	286-8869	1	STOP						
8	1	1	286-8870	1	LATCH						
9	1	1	286-8871	1	LATCH						

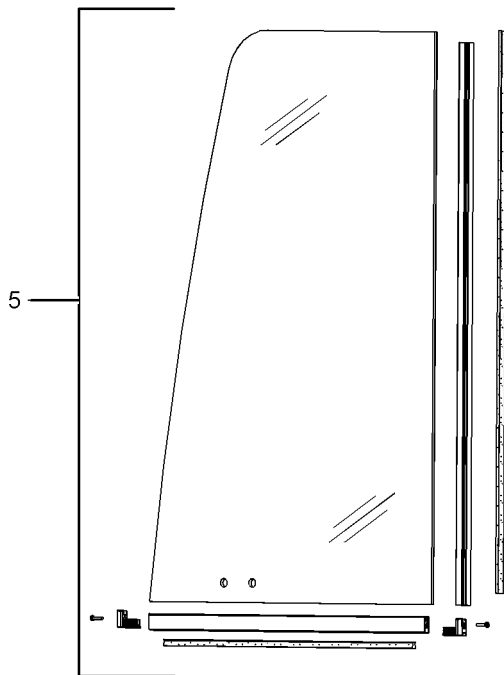
OPERATOR STATION

286-8861 WINDOW GP-D00R (contd.)

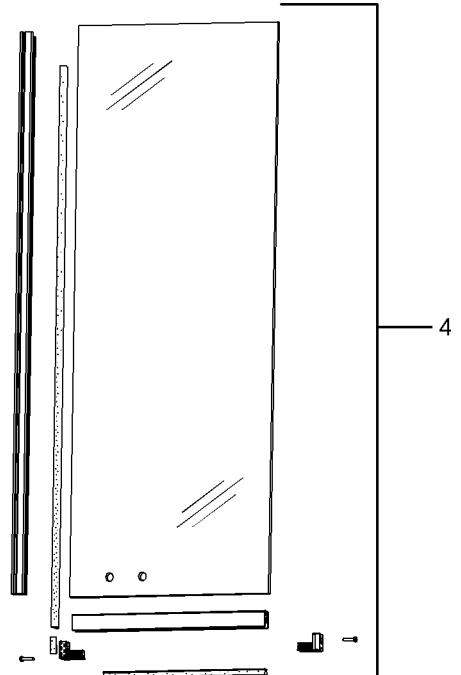
i03637275



LEFT SIDE VIEW



VIEW OF AREA A



VIEW OF AREA B

GRAPHIC #1

<END>

g01306270

OPERATOR STATION

263-8848 WIPER & WINDOW AR-CAB-HIGH RESISTANT GLASS

S/N: MMA1-UP

PART OF 265-7172, 265-7175, 265-7176 CONVERSION AR
AN ATTACHMENT

SMCS-7305, 7340

i02821913

NOTE	PART NUMBER	QTY	PART NAME						SEE PAGE
			1	2	3	4	5	6 (PRODUCT LEVEL)	
Y	262-7933	1	WINDOW GP-CAB (HIGH RESISTANT GLASS)						1228
Y	239-3433	1	WIPER GP-WINDOW (FRONT WINDOW, 1-PIECE)						1233

Y-SEPARATE ILLUSTRATION

<END>

OPERATOR STATION

239-3433 WIPER GP-WINDOW-FRONT WINDOW, 1-PIECE

S/N: MMA1-UP

PART OF 263-8848 WIPER & WINDOW AR-CAB
AN ATTACHMENT

SMCS-7305

i02992821

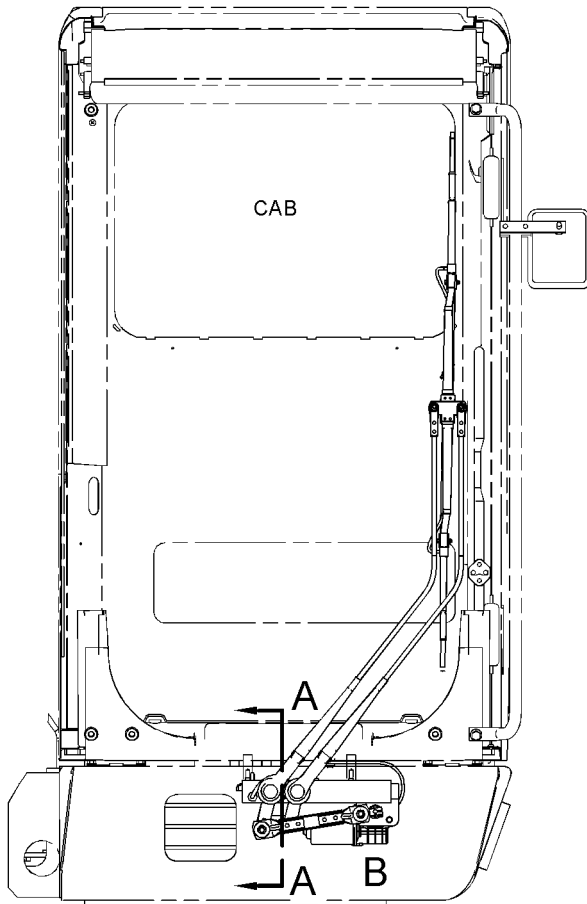
NOTE	REF NO	GRAPHIC REF	PART NUMBER	QTY	PART NAME						SEE PAGE
					1	2	3	4	5	6 (PRODUCT LEVEL)	
	1	1	7Y-3474	1	VALVE AS-CHECK (WINDOW WASHER)						
	2	1	8T-5400	1	CONNECTOR AS						
	3	1	239-3434	1	SUPPORT AS						
	4	1	248-7988	1	LINKAGE AS						
		1	218-2657	2	COVER						
	5	1	326-4465	1	MOTOR AS-WINDOW WIPER						
	6	1	308-1249	1	ARM AS-WIPER						
	7	1	195-3218	1	BLADE AS-WIPER (TWIN BLADE)						
		1	6V-6864	1	BLADE AS-WIPER (600-MM) (LOWER)						
		1	6V-7419	1	BLADE AS-WIPER (700-MM) (UPPER)						
		1	218-2656	1	FITTING						
	8	1	5P-8524	2	GROMMET						
	9	1	8T-4121	3	WASHER-HARD (11X21X2.5-MM THK)						
M	10	1	8T-4137	3	BOLT (M10X1.5X20-MM)						
E	11	1	144-0195		HOSE (40-CM)						
E	11A	1	144-0195		HOSE (3-CM)						

E-ORDER BY THE CENTIMETER
M-METRIC PART

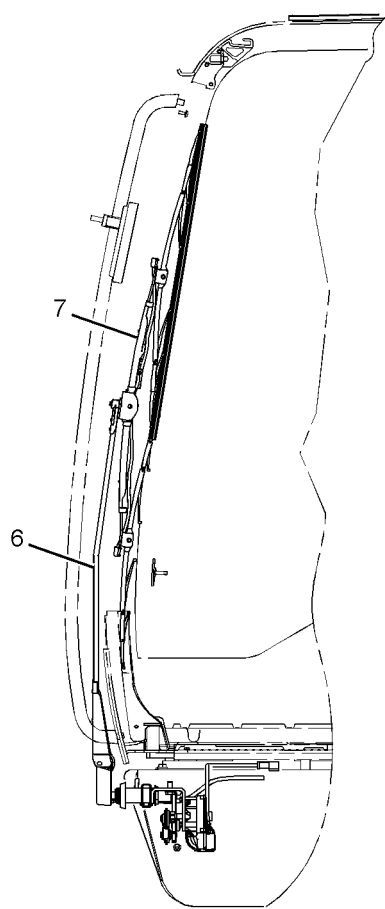
OPERATOR STATION

239-3433 WIPER GP-WINDOW (contd.)

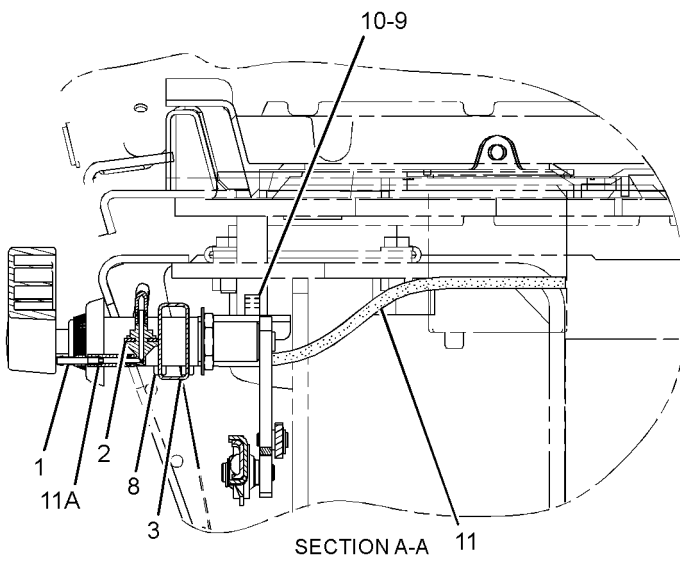
i02992821



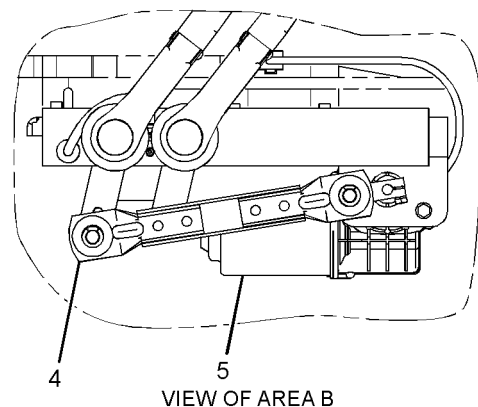
FRONT VIEW



LEFT SIDE VIEW



SECTION A-A



VIEW OF AREA B

GRAPHIC #1

<END>

g01523149

SERVICE EQUIPMENT AND SUPPLIES

257-4599 FILM GP-REVERSING FAN

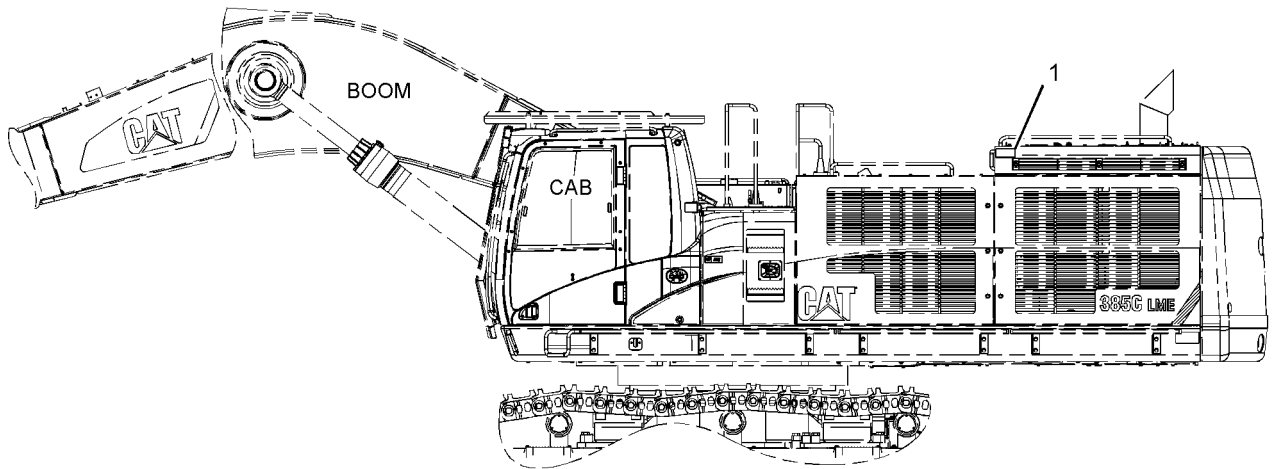
S/N: MMA1-UP

PART OF 245-5552 CONTROL AR-FAN
AN ATTACHMENT

SMCS-7405, 7557

i02954421

NOTE	REF NO	GRAPHIC REF	PART NUMBER	QTY	PART NAME						SEE PAGE
					1	2	3	4	5	6 (PRODUCT LEVEL)	
	1	1	225-4130	1	FILM-WARNING (FLYING DEBRIS, STAY BACK, U.S.)						
					-OR-						
			225-4131	1	FILM-WARNING (FLYING DEBRIS, STAY BACK, ANSI)						



LEFT SIDE VIEW

GRAPHIC #1

<END>

g01307690

SERVICE EQUIPMENT AND SUPPLIES

319-9228 FILM GP

S/N: MMA1-UP
CHINA
AN ATTACHMENT

SMCS-7405, 7557

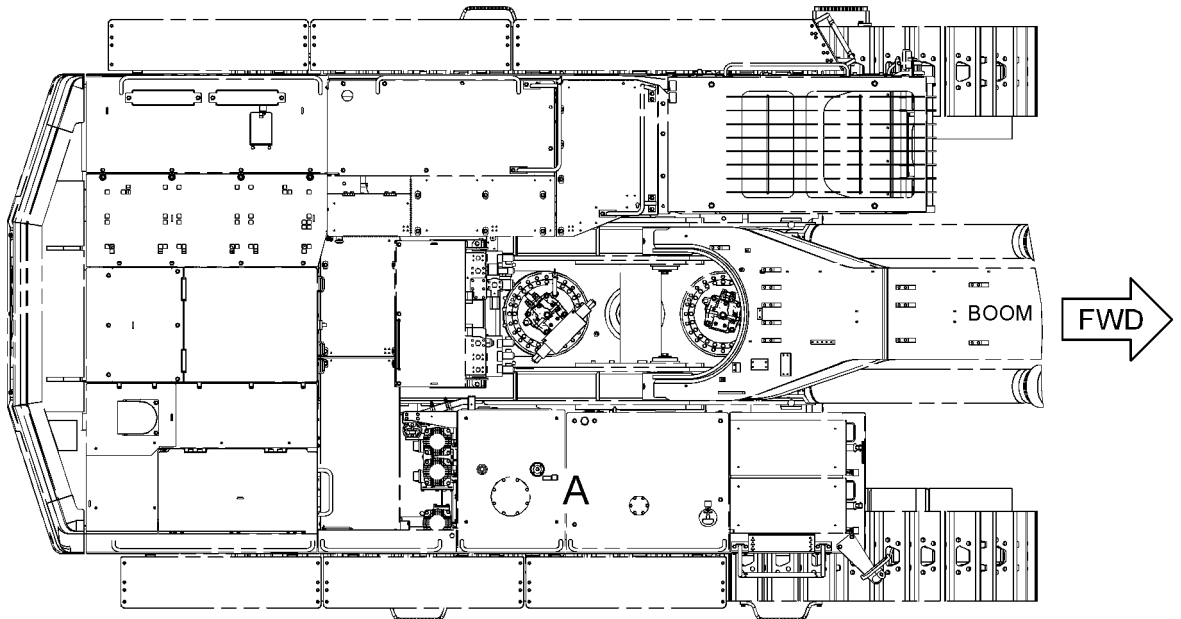
i03242680

NOTE	REF NO	GRAPHIC REF	PART NUMBER	QTY	PART NAME						SEE PAGE
					1	2	3	4	5	6 (PRODUCT LEVEL)	
	1	1	158-7864	1	FILM-IDENTIFICATION (HYDRAULIC OIL)						
	2	1	298-4282	2	FILM-WARNING (CRUSH HAZARD)						

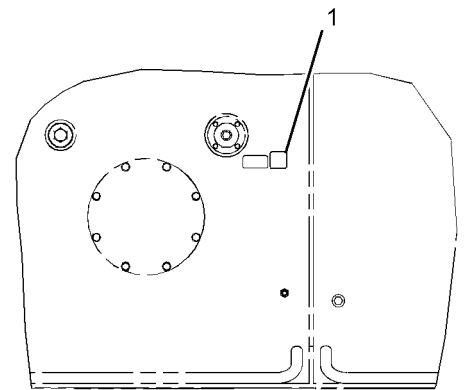
SERVICE EQUIPMENT AND SUPPLIES

319-9228 FILM GP (contd.)

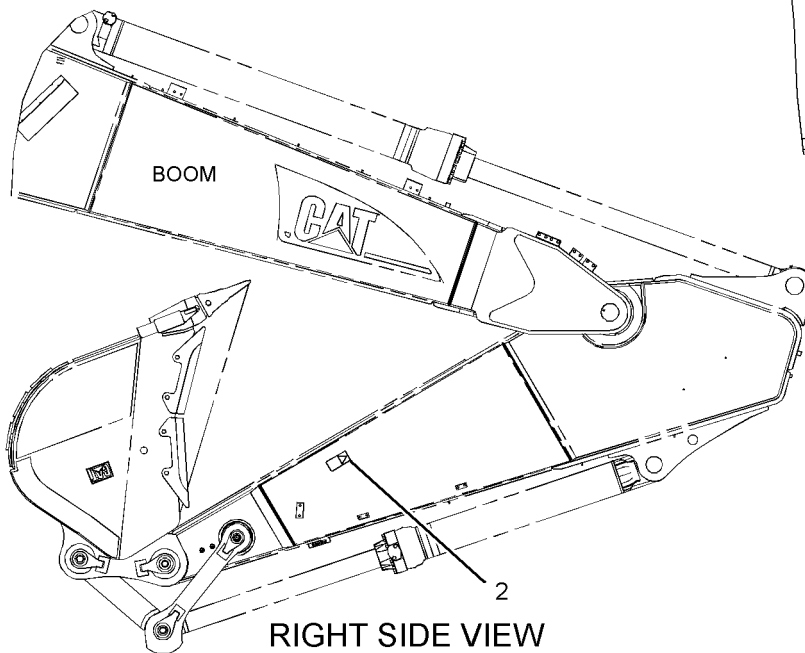
i03242680



TOP VIEW



VIEW OF AREA A



RIGHT SIDE VIEW

GRAPHIC #1

<END>

g01711914

SERVICE EQUIPMENT AND SUPPLIES

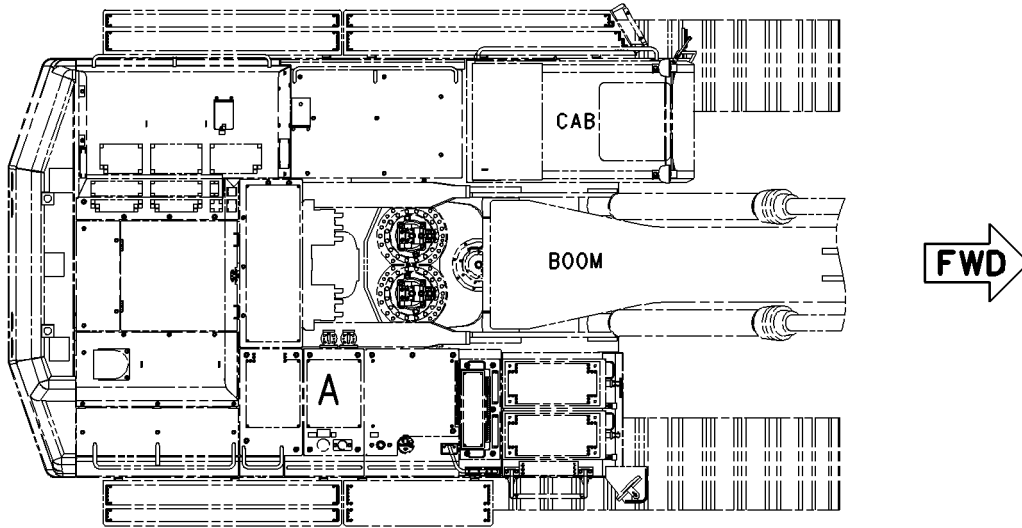
202-2928 PLATE & FILM GP-BIODEGRADABLE HYDRAULIC OIL

S/N: MMA1-UP
AN ATTACHMENT

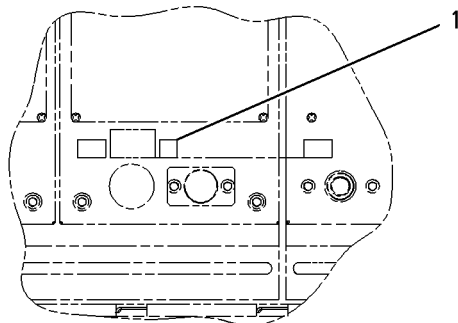
SMCS-7405, 7557

i02364580

NOTE	REF NO	GRAPHIC REF	PART NUMBER	QTY	PART NAME						SEE PAGE
					1	2	3	4	5	6 (PRODUCT LEVEL)	
	1	1	169-3530	1	FILM-IDENTIFICATION (BIODEGRADABLE HYDRAULIC OIL)						



TOP VIEW



VIEW OF AREA A

GRAPHIC #1

<END>

g00914390

SERVICE EQUIPMENT AND SUPPLIES

228-8156 PLATE & FILM GP

S/N: MMA1-252

PART OF 228-8154 CHASSIS AR

SMCS-7405, 7557

i02790888

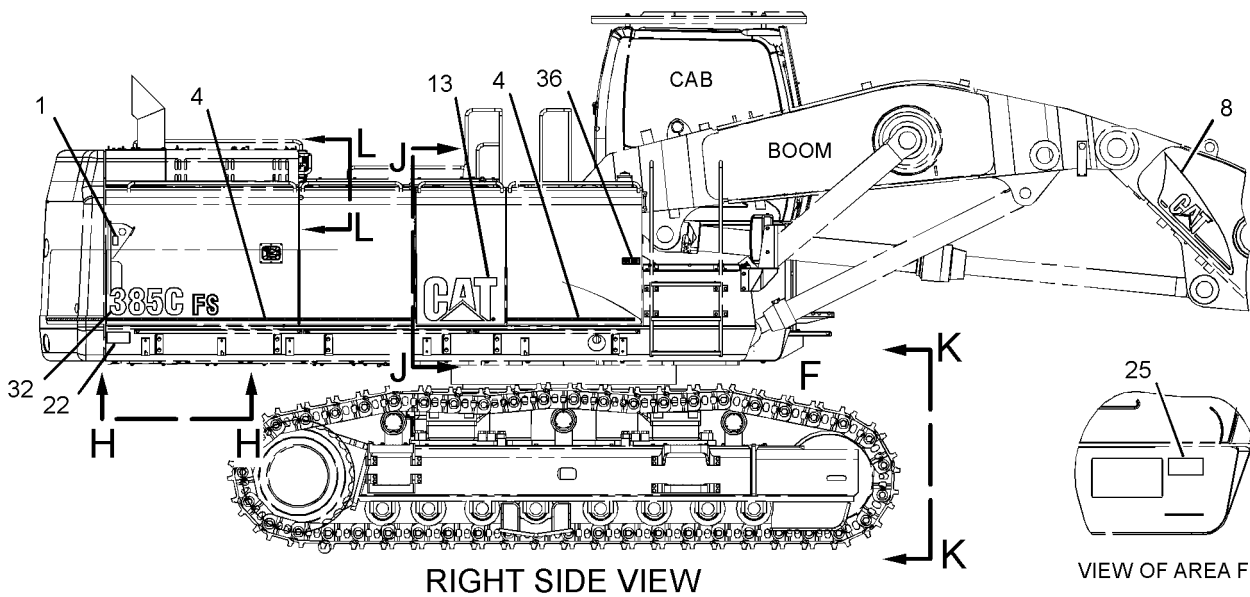
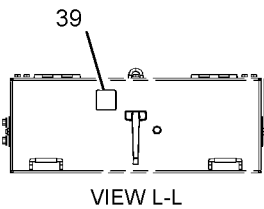
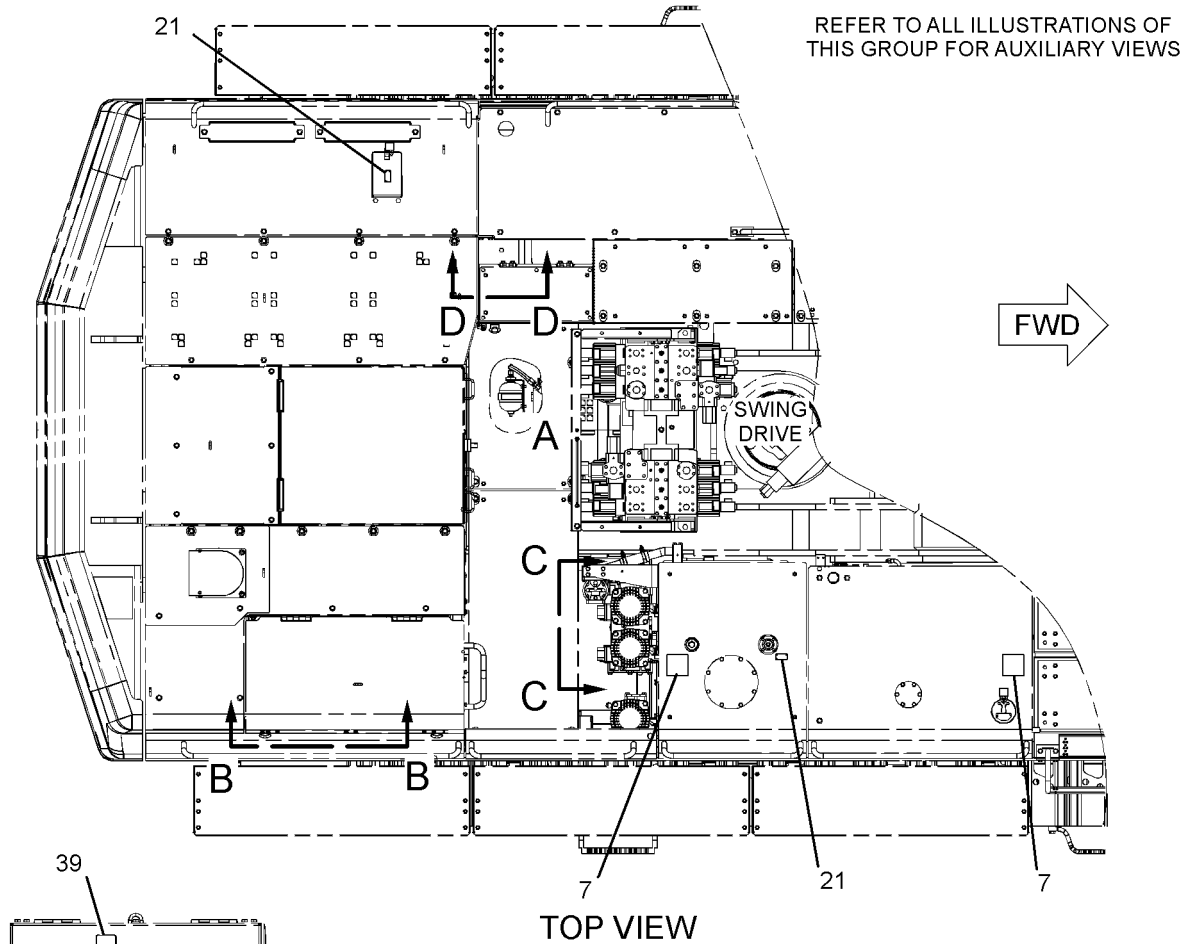
NOTE	REF NO	GRAPHIC REF	PART NUMBER	QTY	PART NAME						SEE PAGE
					1	2	3	4	5	6 (PRODUCT LEVEL)	
	1	1	1P-2807	3	FILM-INFORMATION (LIFT EYE LOCATION)						
	2	2,3	7X-7644	4	FILM-INFORMATION (TIE-DOWN)						
	3	2	100-5612	1	FILM-INSTRUCTION (ALTERNATE EXIT, REMOVE WINDOW)						
E	4	1,2	134-6146		FILM-STRIPE (RED) (1060-CM)						
	5	4	108-6725	1	FILM-INSTRUCTION (IMPLEMENT, TRAVEL CONTROLS)						
	6	2	112-0545	2	FILM-INSTRUCTION (TRACK GAUGE)						
	7	1	124-2456	2	FILM-INSTRUCTION (NO STEP)						
	8	1	132-4099	1	FILM-IDENTIFICATION (CAT, RH)						
	9	2	132-4100	1	FILM-IDENTIFICATION (CAT, LH)						
	10	3	134-7258	1	FILM-INFORMATION (EXTENDED LIFE COOLANT, READ OMM)						
	11	3	143-9536	1	FILM-IDENTIFICATION (MIN-MAX)						
	12	3	146-6747	1	FILM-INFORMATION (24-VOLT)						
	13	1,2	152-9649	2	FILM-IDENTIFICATION (CAT UPPER STRUCTURE)						
	15	2	190-5386	2	FILM-REFLECTOR (ROUND RED REFLECTIVE)						
	16	4	214-7915	1	FILM-INSTRUCTION (ENGINE SHUTOFF)						
	17	4	221-8045	1	FILM-WARNING (SEAT BELT, INTERNATIONAL)						
	18	4	223-9818	1	FILM-INSTRUCTION (WINDOW CLEANING, READ OMM)						
	19	4	224-0554	1	FILM-WARNING (UNIVERSAL, READ OMM, INTL)						
	20	3	225-0312	1	FILM-WARNING (JUMP START, READ OMM)						
	21	1	225-4257	2	FILM-WARNING (HOT FLUID UNDER PRESS, INTL)						
	22	1,2	228-2781	2	FILM-WARNING (MACHINE SWING, CRUSHING, INTL)						
	23	4	228-9254	1	FILM-WARNING (ELEC HAZARD, READ OMM, INTL)						
	24	3	229-0887	1	FILM-INFORMATION (AIR CLEANER)						
	25	1	239-6986	1	PLATE-IDENTIFICATION (MACHINE)						
	26	3	253-2449	1	FILM-INFORMATION (HYDRAULIC OIL, READ OMM)						
	27	4	242-1588	1	FILM-WARNING (FRONT WINDOW, READ OMM, INTL)						
	28	3	242-6092	1	FILM-WARNING (ACCUMULATOR PRESSURE)						
	29	3	245-5591	1	FILM-WARNING (HIGH PRESSURE, READ OMM)						
	30	4	245-5456	1	FILM-INSTRUCTION (BACKUP CONTROL, RH TRACK, SPD)						
	31	4	245-5458	1	FILM-INSTRUCTION (BACKUP CONTROL, BOOM, LH TRACK)						
	32	1	245-5482	1	FILM-IDENTIFICATION (385C FS, RH)						
	33	2	245-5483	1	FILM-IDENTIFICATION (385C FS, LH)						
	34	2	245-5495	1	FILM-IDENTIFICATION (CAT, REAR)						
	35	3	245-5490	1	FILM-IDENTIFICATION (FUSE PANEL)						
	36	1,2	253-0861	2	FILM-INFORMATION (CAT POWER, ACERT TECHNOLOGY)						
	37	4	266-5431	1	FILM-WARNING (CRUSH HAZARD, READ OMM, INTL)						
	38	2	101-2842	1	FILM-INSTRUCTION (ALTERNATE EXIT)						
	39	1	228-7316	1	FILM-WARNING (HOT SURFACE, HANDS CLEAR, INTL)						
AF			3N-3790	1	PLATE-SERIAL NUMBER (ENGINE) (ON LOWER RH REAR CORNER OF CYLINDER BLOCK)						

A-NOT PART OF THIS GROUP
E-ORDER BY THE CENTIMETER
F-NOT SHOWN

SERVICE EQUIPMENT AND SUPPLIES

228-8156 PLATE & FILM GP (contd.)

i02790888



GRAPHIC #1

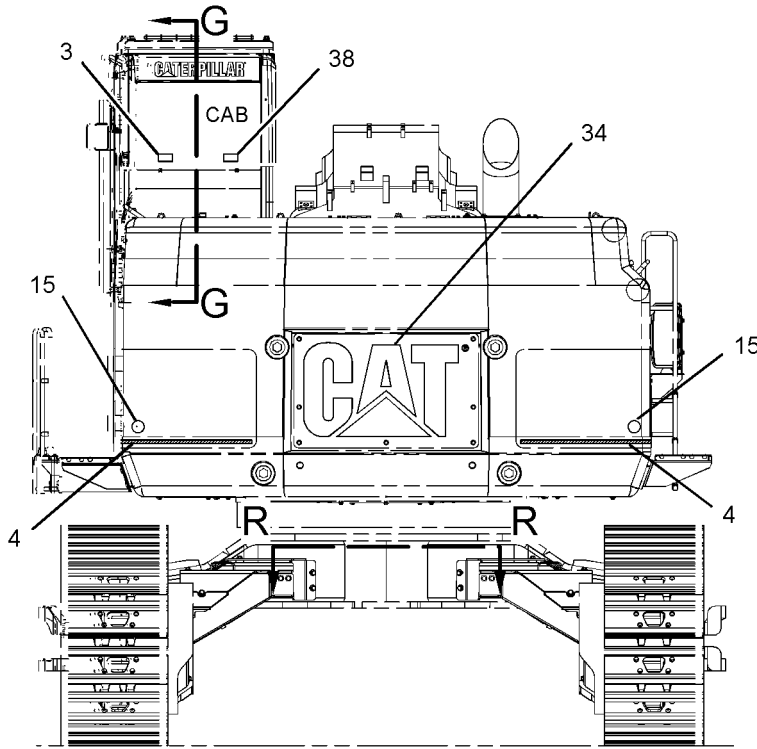
g01394345

SERVICE EQUIPMENT AND SUPPLIES

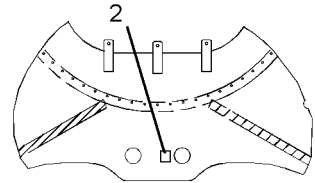
228-8156 PLATE & FILM GP (contd.)

i02790888

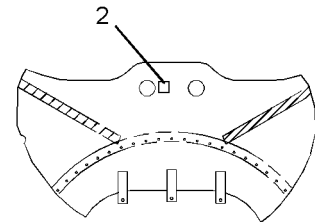
REFER TO ALL ILLUSTRATIONS OF THIS GROUP FOR AUXILIARY VIEWS



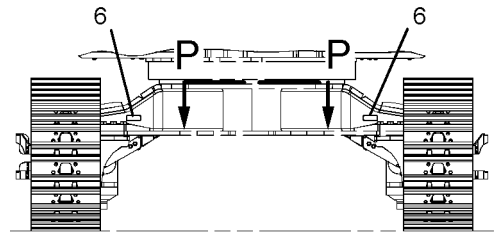
REAR VIEW



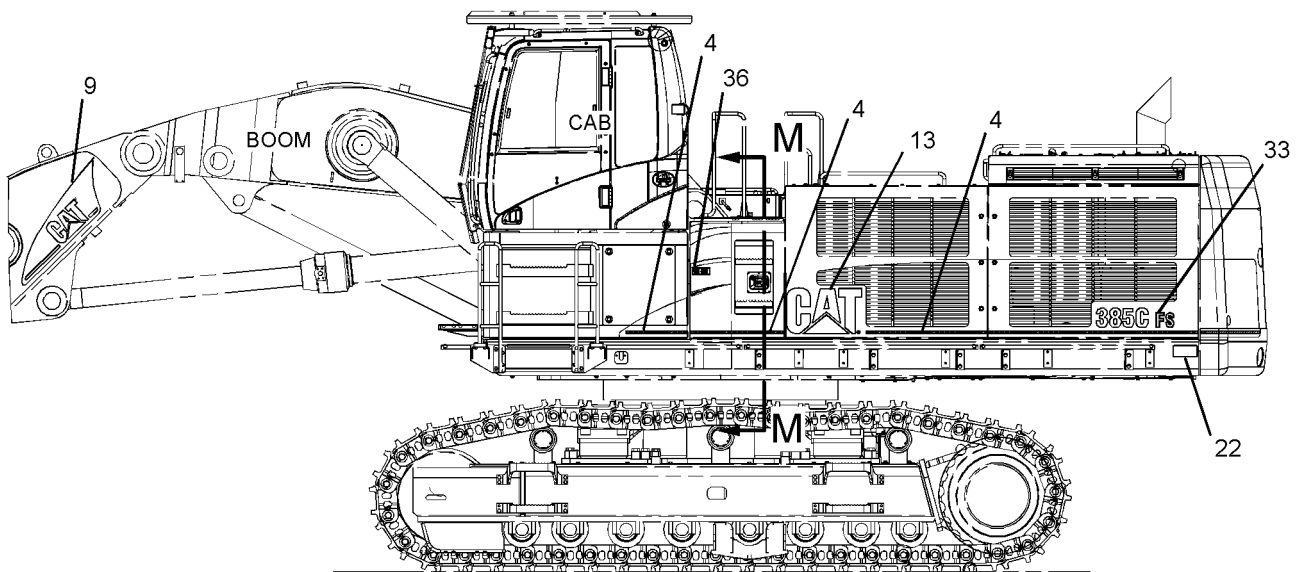
SECTION P-P



SECTION R-R



VIEW K-K



LEFT SIDE VIEW

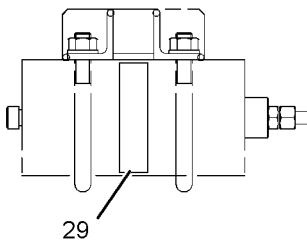
GRAPHIC #2

g01342748

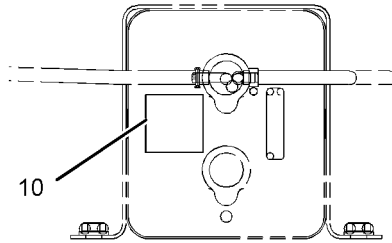
SERVICE EQUIPMENT AND SUPPLIES

228-8156 PLATE & FILM GP (contd.)

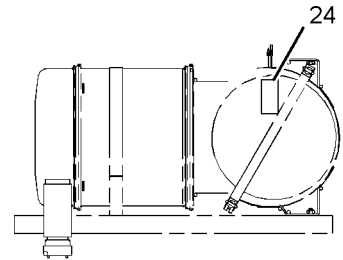
i02790888



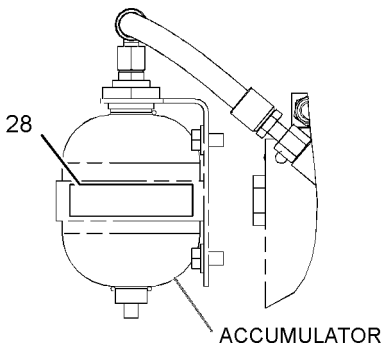
SECTION C-C



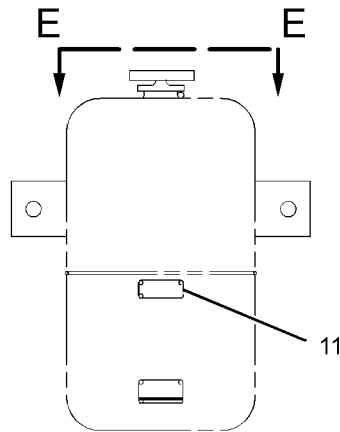
VIEW E-E



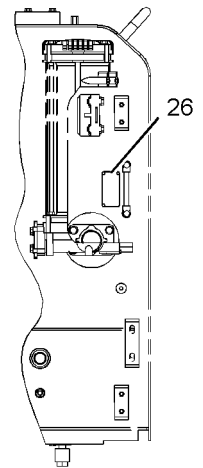
SECTION B-B



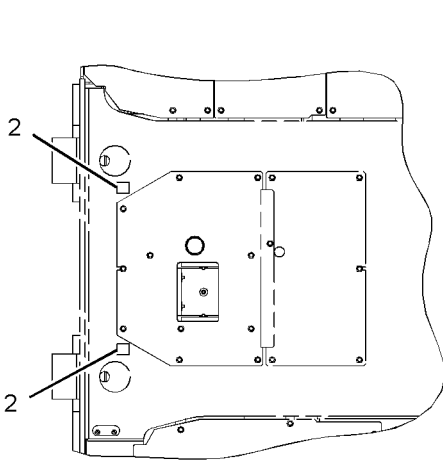
VIEW OF AREA A



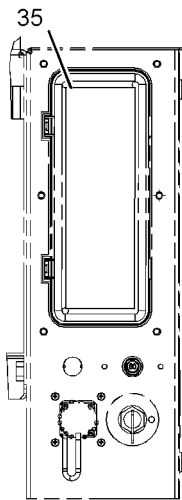
SECTION D-D



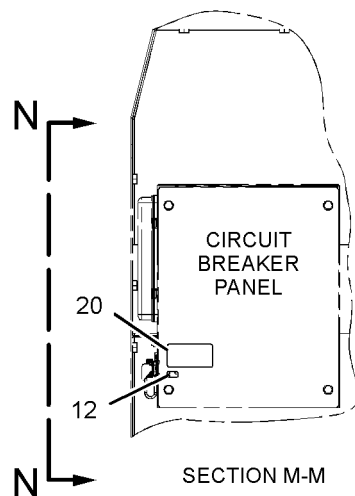
SECTION J-J



VIEW H-H



VIEW N-N



SECTION M-M

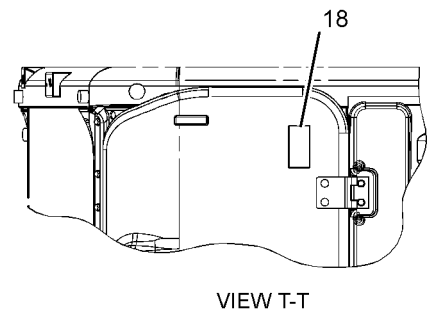
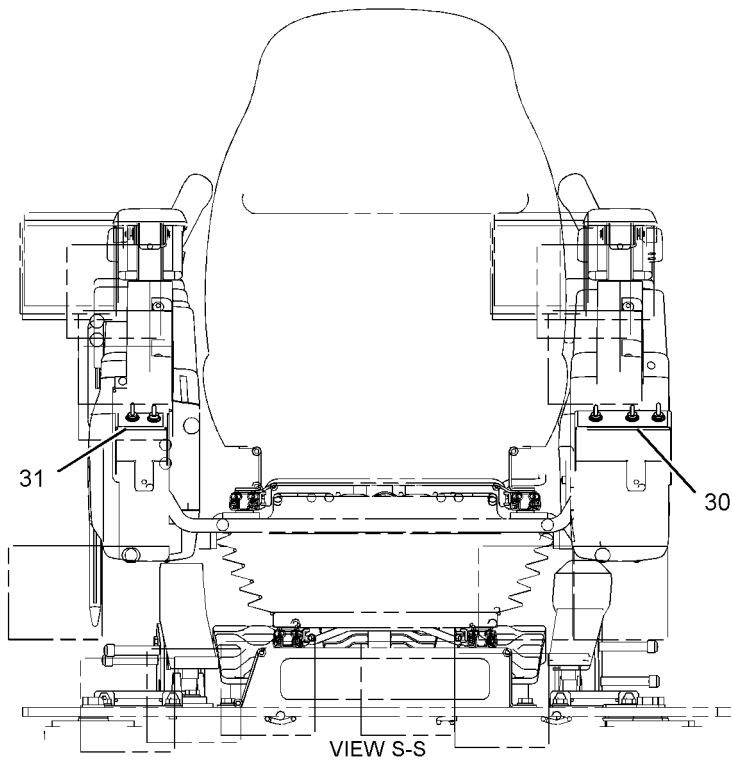
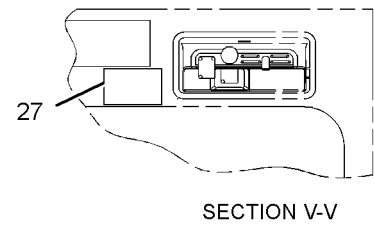
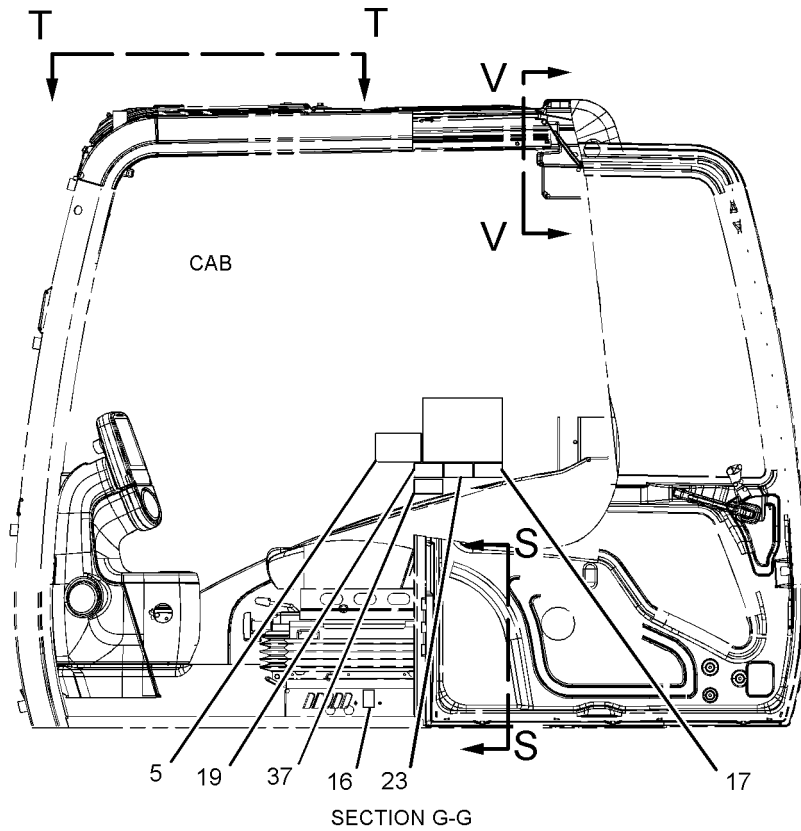
GRAPHIC #3

g01156456

SERVICE EQUIPMENT AND SUPPLIES

228-8156 PLATE & FILM GP (contd.)

i02790888



GRAPHIC #4

<END>

g01156458

SERVICE EQUIPMENT AND SUPPLIES

228-8156 PLATE & FILM GP

S/N: MMA253-UP

PART OF 228-8154 CHASSIS AR

SMCS-7405, 7557

i03522757

NOTE	REF NO	GRAPHIC REF	PART NUMBER	QTY	PART NAME						SEE PAGE
					1	2	3	4	5	6 (PRODUCT LEVEL)	
	1	1	1P-2807	3	FILM-INFORMATION (LIFT EYE LOCATION)						
	2	2,3	7X-7644	4	FILM-INFORMATION (TIE-DOWN)						
	3	2	100-5612	1	FILM-INSTRUCTION (ALTERNATE EXIT, REMOVE WINDOW)						
	5	4	108-6725	1	FILM-INSTRUCTION (IMPLEMENT, TRAVEL CONTROLS)						
	6	2	112-0545	2	FILM-INSTRUCTION (TRACK GAUGE)						
	7	1	124-2456	2	FILM-INSTRUCTION (NO STEP)						
C	8	1	309-8002	1	FILM-IDENTIFICATION (CAT, RH)						
C	9	2	309-8003	1	FILM-IDENTIFICATION (CAT, LH)						
	10	3	134-7258	1	FILM-INFORMATION (EXTENDED LIFE COOLANT, READ OMM)						
	11	3	143-9536	1	FILM-IDENTIFICATION (MIN-MAX)						
	12	3	146-6747	1	FILM-INFORMATION (24-VOLT)						
C	13	1,2	102-6046	2	FILM-IDENTIFICATION (CAT)						
	15	2	190-5386	2	FILM-REFLECTOR (ROUND RED REFLECTIVE)						
	16	4	214-7915	1	FILM-INSTRUCTION (ENGINE SHUTOFF)						
	17	4	221-8045	1	FILM-WARNING (SEAT BELT, INTERNATIONAL)						
	18	4	223-9818	1	FILM-INSTRUCTION (WINDOW CLEANING, READ OMM)						
	19	4	224-0554	1	FILM-WARNING (UNIVERSAL, READ OMM, INTL)						
	20	3	225-0312	1	FILM-WARNING (JUMP START, READ OMM)						
	21	1	225-4257	2	FILM-WARNING (HOT FLUID UNDER PRESS, INTL)						
	22	1,2	228-2781	2	FILM-WARNING (MACHINE SWING, CRUSHING, INTL)						
	23	4	228-9254	1	FILM-WARNING (ELEC HAZARD, READ OMM, INTL)						
	24	3	229-0887	1	FILM-INFORMATION (AIR CLEANER)						
	25	1	239-6986	1	PLATE-IDENTIFICATION (MACHINE)						
	26	3	253-2449	1	FILM-INFORMATION (HYDRAULIC OIL, READ OMM)						
	27	4	242-1588	1	FILM-WARNING (FRONT WINDOW, READ OMM, INTL)						
	28	3	242-6092	1	FILM-WARNING (ACCUMULATOR PRESSURE)						
	29	3	245-5591	1	FILM-WARNING (HIGH PRESSURE, READ OMM)						
	30	4	245-5456	1	FILM-INSTRUCTION (BACKUP CONTROL, RH TRACK, SPD)						
	31	4	245-5458	1	FILM-INSTRUCTION (BACKUP CONTROL, BOOM, LH TRACK)						
C	32	1,2	257-4615	2	FILM-IDENTIFICATION (385C FS)						
	34	2	245-5495	1	FILM-IDENTIFICATION (CAT, REAR)						
	35	3	245-5490	1	FILM-IDENTIFICATION (FUSE PANEL)						
	36	1,2	253-0861	2	FILM-INFORMATION (CAT POWER, ACERT TECHNOLOGY)						
	37	4	266-5431	1	FILM-WARNING (CRUSH HAZARD, READ OMM, INTL)						
	38	2	101-2842	1	FILM-INSTRUCTION (ALTERNATE EXIT)						
CE	39	1,2	294-1307		FILM-STRIPE (46.5-CM EACH)						
	40	1	228-7316	1	FILM-WARNING (HOT SURFACE, HANDS CLEAR, INTL)						
BJ	41	1	334-4603	1	FILM-INFORMATION (HYDO ADVANCED 10)						
	42	4	303-2668	1	PLATE-INSTRUCTION (AIR CONDITIONER, READ OMM)						
AF			3N-3790	1	PLATE-SERIAL NUMBER (ENGINE) (ON LOWER RH REAR CORNER OF CYLINDER BLOCK)						

A-NOT PART OF THIS GROUP

B-USE AS REQUIRED

C-CHANGE FROM PREVIOUS TYPE

E-ORDER BY THE CENTIMETER

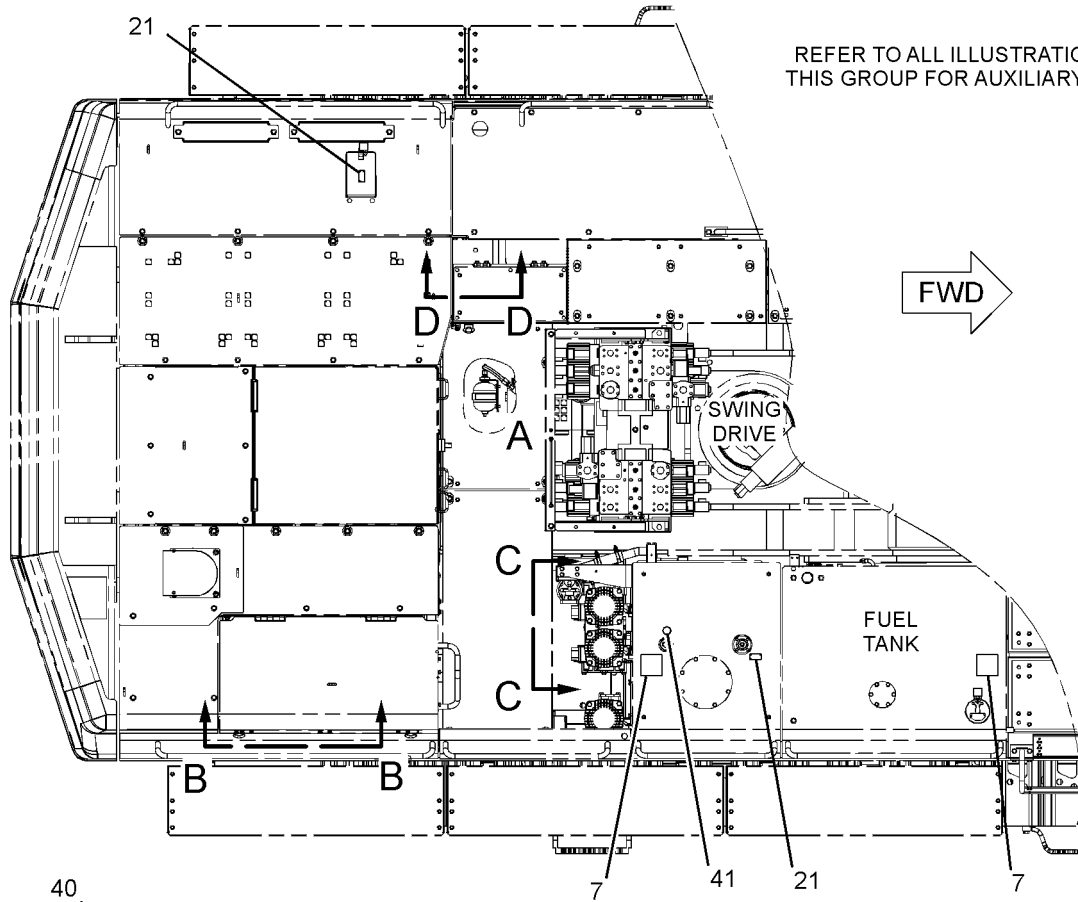
F-NOT SHOWN

J-REQUIRED ONLY WHEN HYDRAULIC TANK IS FILLED WITH HYDO ADVANCED 10 OIL

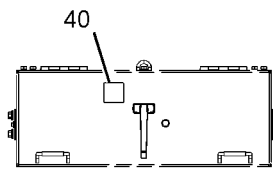
SERVICE EQUIPMENT AND SUPPLIES

228-8156 PLATE & FILM GP (contd.)

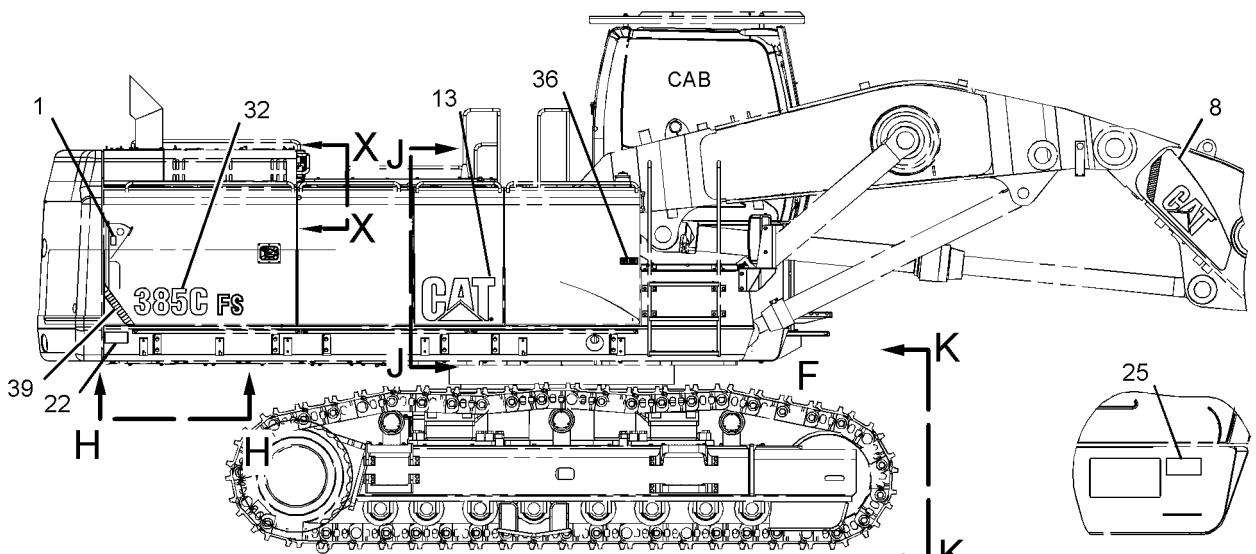
i03522757



TOP VIEW



VIEW X-X



RIGHT SIDE VIEW

VIEW OF AREA F

GRAPHIC #1

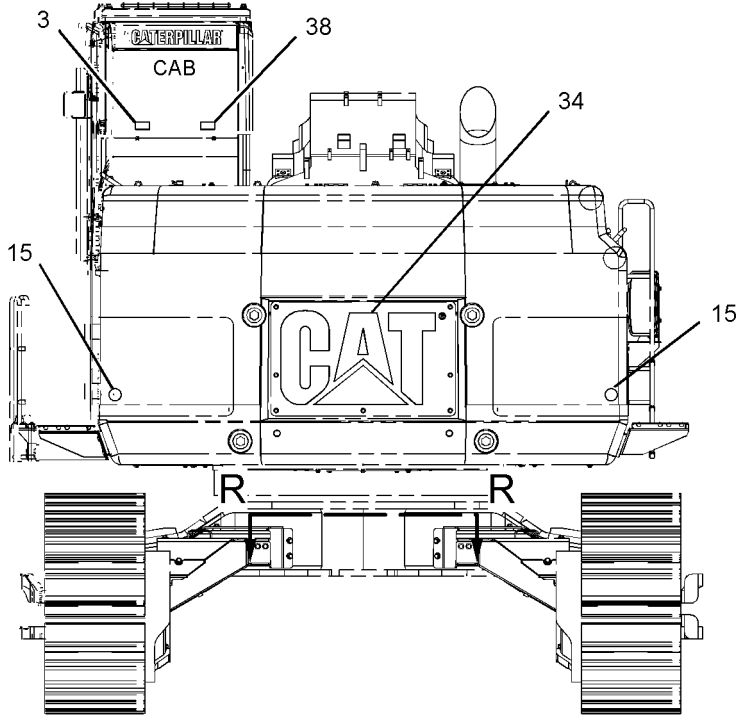
g01858393

SERVICE EQUIPMENT AND SUPPLIES

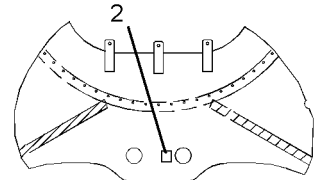
228-8156 PLATE & FILM GP (contd.)

i03522757

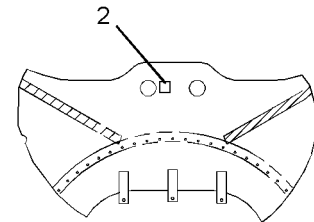
REFER TO ALL ILLUSTRATIONS OF THIS GROUP FOR AUXILIARY VIEWS



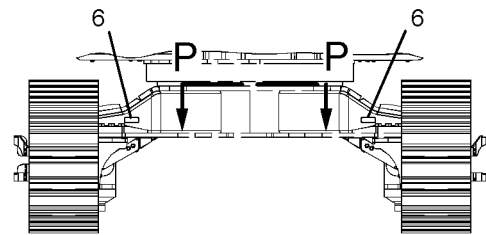
REAR VIEW



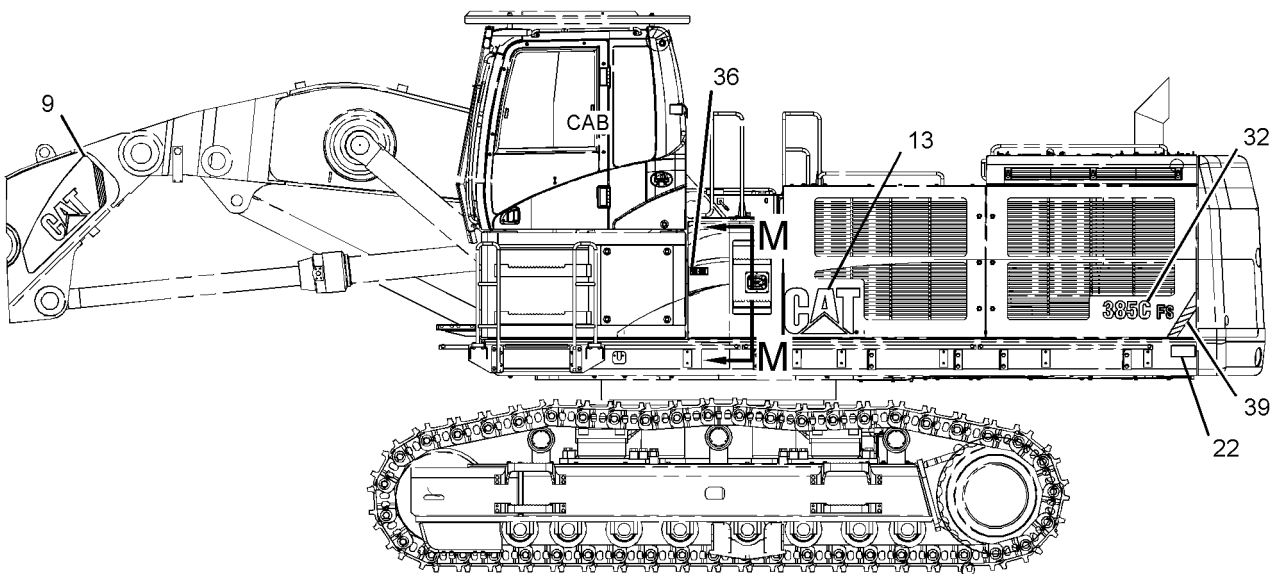
VIEW P-P



VIEW R-R



VIEW K-K



LEFT SIDE VIEW

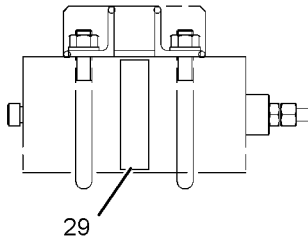
GRAPHIC #2

g01858394

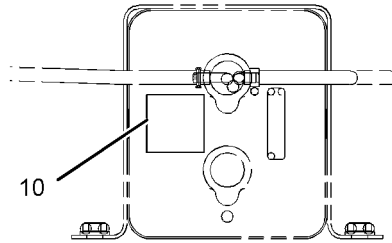
SERVICE EQUIPMENT AND SUPPLIES

228-8156 PLATE & FILM GP (contd.)

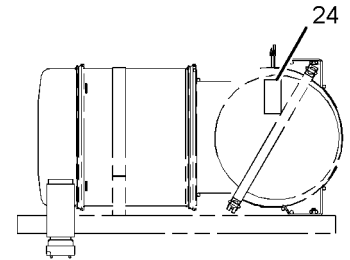
i03522757



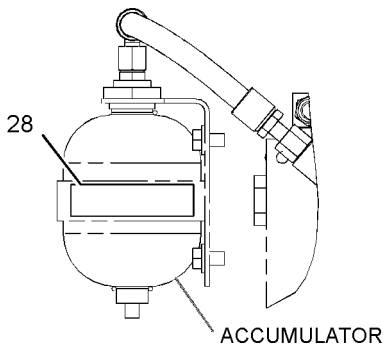
VIEW C-C



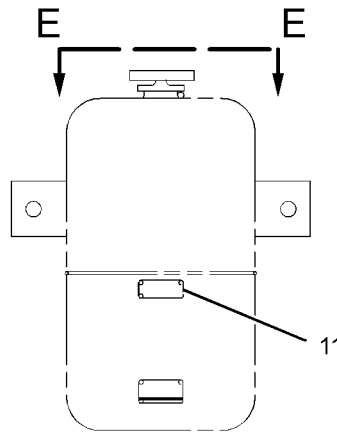
VIEW E-E



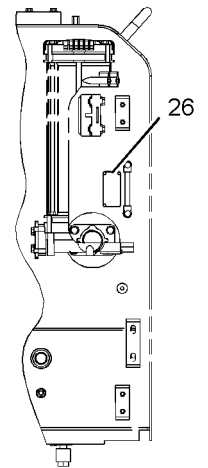
VIEW B-B



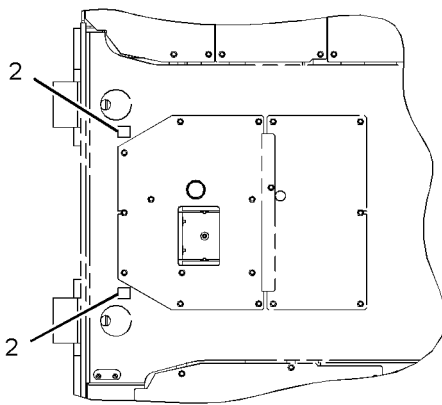
VIEW OF AREA A



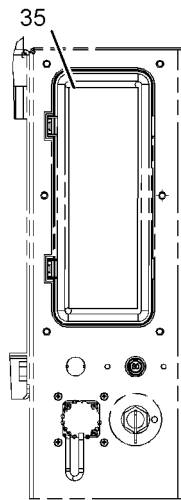
VIEW D-D



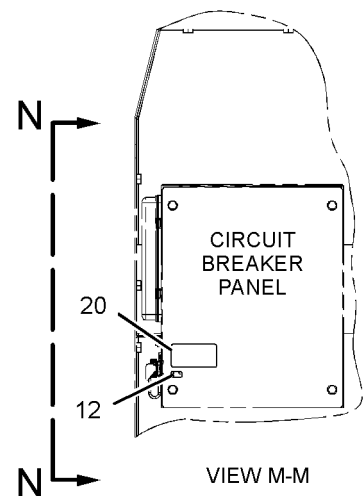
VIEW J-J



VIEW H-H



VIEW N-N



VIEW M-M

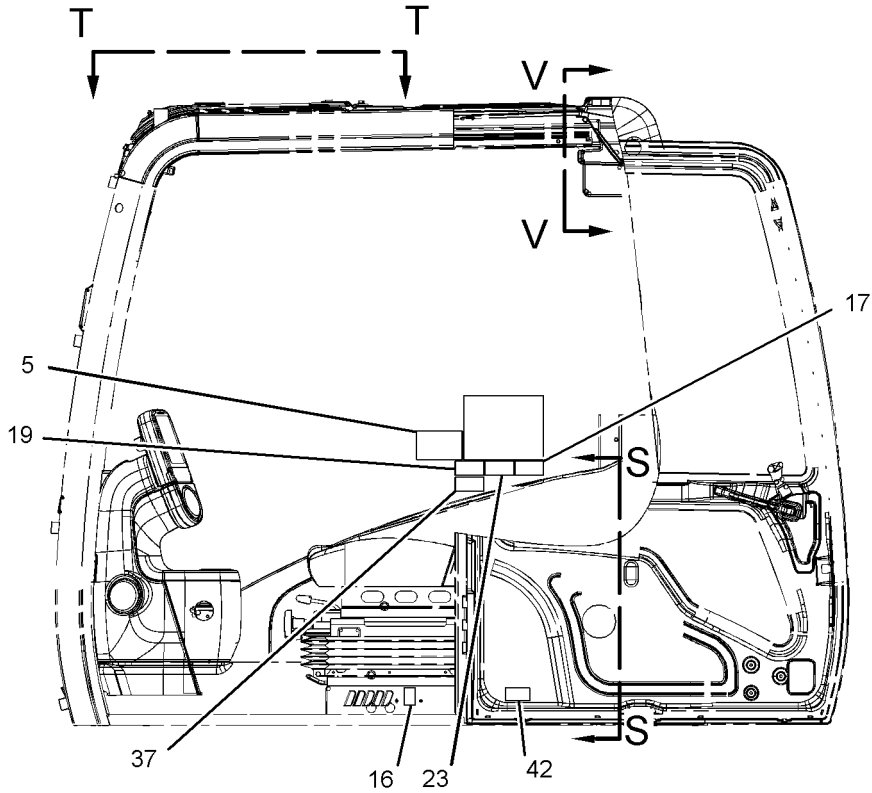
GRAPHIC #3

g01393904

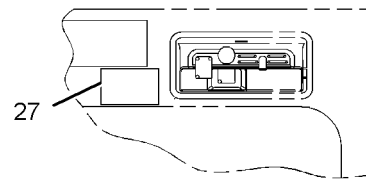
SERVICE EQUIPMENT AND SUPPLIES

228-8156 PLATE & FILM GP (contd.)

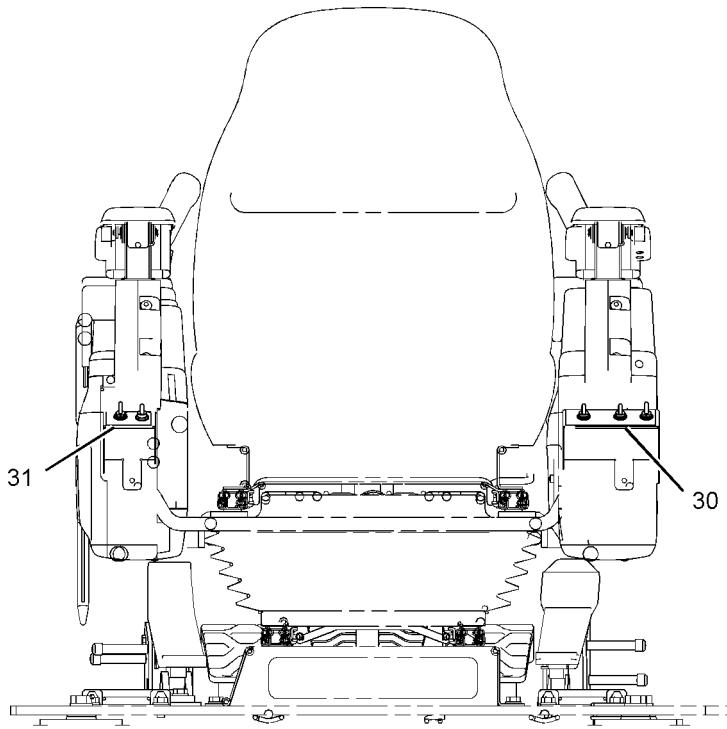
i03522757



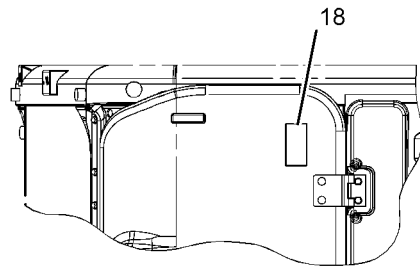
LEFT SIDE VIEW
(CAB)



VIEW V-V



VIEW S-S



VIEW T-T

GRAPHIC #4

<END>

g01858395

SERVICE EQUIPMENT AND SUPPLIES

224-3979 PLATE GP-ENGINE IDENTIFICATION

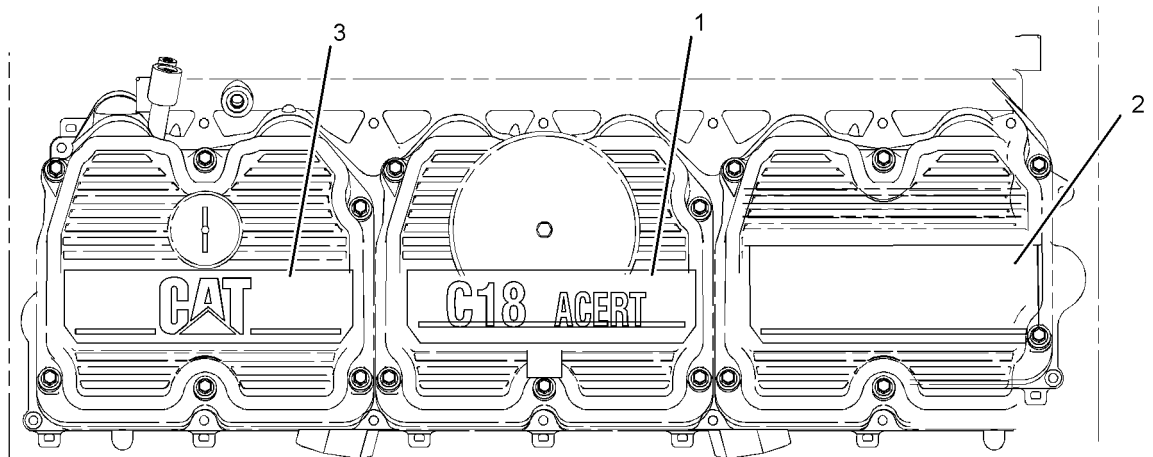
S/N: RHX1-4799

PART OF 257-4960 ENGINE AR-COMplete

SMCS-7557

i02682757

NOTE	REF NO	GRAPHIC REF	PART NUMBER	QTY	PART NAME						SEE PAGE
					1	2	3	4	5	6 (PRODUCT LEVEL)	
1	1	1	229-5669	1	PLATE-IDENTIFICATION (C18 ACERT)						
2	1	1	234-1400	1	PLATE-IDENTIFICATION (BLANK)						
3	1	1	234-1401	1	PLATE-IDENTIFICATION (CAT)						



TOP VIEW

GRAPHIC #1

<END>

g01348241

MEMORANDA

PART NUMBER INDEX

Part	Page	Part	Page	Part	Page	Part	Page
0							
OL-1143	111	OS-1619	63		875	1P-3707	887
OL-1351	122		65	1K-8850	450	1P-4278	160
	124		115		505	1P-4578	706
OL-1352	143		116		511		723
	145	OS-1621	65	1L-5081	141		729
OL-1571	222	OT-0055	68	1M-0644	132		737
OL-2070	68		529	1M-3381	220		744
	78	OT-0065	143		222		752
	79		145	1M-6119	252		771
	127	OT-0768	63		254		776
	128		65		255	1P-4582	771
OS-0509	220	OV-0523	58		266		776
	407				267		781
OS-1571	60	1			278		781
	107				279	1P-5767	698
	141			1M-6120	383		701
	220	1A-1460	63		252		758
	407		65		254		762
OS-1576	407	1A-2029	63		255		766
OS-1585	52		65		266		788
	63		115		267		887
OS-1587	84		116		278	1P-7016	758
	86		120		279		762
	88		121	1M-6718	383		766
OS-1588	68		529		910	1P-7346	60
	84	1A-4273	407		911	1P-7625	218
	86	1A-5964	529	1M-9968	912		220
	88	1B-3057	141		363		222
	112	1B-3581	354	1M-9971	366	1P-7919	130
	114		357		362	1R-0716	115
	117	1B-3623	52	1P-1367	365	1R-0755	210
	124	1B-3867	14	1P-2807	109		212
	180	1B-7182	86		1239		214
	181		147	1P-3702	1244	1R-1808	116
	525		153	1P-3703	785	1R-5318	867
OS-1590	111		155		690	1R-5396	895
	117		156		692	1R-5998	1055
	122		158		694		1058
	124	1B-8705	60		696	1R-7037	817
	642	1F-0750	112		701	1S-0812	375
OS-1591	106		122		706		376
	107	1F-7958	20		758	1S-0994	658
	122		21		762		660
	124		56	1P-3704	766		662
	141	1H-1023	362		690		664
	222		365		692		1148
	331	1H-2629	362		694	1S-4295	198
	333		365		696		199
	529	1H-3244	249		698		200
OS-1594	19	1H-3338	372		701	1S-5485	172
	55	1H-5728	792		758		173
	63		794		762	1S-7251	252
	65		794		766		255
	71		869		788		267
	112	1H-7339	874		887		279
	129	1H-8128	851	1P-3705	698		369
	143		204		701		383
	145	1H-8647	243		758	1S-7252	252
	220	1J-0708	14		762		255
	222	1J-9671	638		766		267
OS-1595	72		145		788		279
OS-1597	362		162		885		369
OS-1608	115		204	1P-3706	698	1S-7446	362
			869		701		365

PART NUMBER INDEX

Part	Page	Part	Page	Part	Page	Part	Page
1S-9540	34	2D-6392	362		859		828
	36		365		861		
	38		870		864		
1S-9593	917		875		869	3	
1T-0720	316	2D-6648	792		874		
1T-0765	234		794		879	3B-0551	130
1T-0808	362	2F-6678	363		882		243
1U-8846	67		366		885	3B-0623	40
	418	2G-8767	254		889		43
	452		266	2N-8109	110	3B-0645	40
	454		278	2P-2772	63		43
	643	2H-3429	362		65	3B-1915	86
	645		365	2P-2975	383		122
	647	2H-3755	331		906		124
	649		333		907		220
	653	2H-3922	370	2P-4304	109		407
	788		371	2P-7636	218	3B-4501	304
1V-6341	343	2H-3928	581		224		309
1W-3136	67		582		226		310
1W-4738	63	2H-3934	758	2P-9419	588	3B-4607	428
	65		762	2R-6806	220		429
1W-4746	63		766		222		430
	65	2H-3935	838		228		432
1W-6448	331		840	2S-1647	235		486
	333	2J-3118	60		237		489
1W-6523	870	2J-8163	362		239		492
			365		425		1163
2		2K-4821	249		426	3B-4618	473
		2K-4973	124		427		480
		2K-8199	858		519		486
2A-4429	46	2L-1701	222		1218		489
	47	2L-6679	362		1220		492
	49		365		1222		495
2B-2404	354	2L-8075	325	2S-2596	879		498
	357		327	2S-2760	132	3B-6768	357
2B-2694	299	2L-8078	304	2S-4078	239	3B-8489	452
2B-2695	22	2M-0849	105		243		454
	300		108		377		456
2B-7558	422	2M-5795	428		721		457
2B-7561	653		429		727		459
2C-9259	941		430		735		627
	942		432		742		628
	943		486		750		629
	944		489		758		630
	945		492		762		923
	946		1163		766		924
	947	2M-9780	122		771		926
	948		124		776		928
	949		143		781		930
	950		145		869		977
	951		658		874		979
	987		660		906		981
	991		662		907		983
	995		664	2S-5926	562		985
	999		705		563		989
	1003		706	2S-7905	132		993
	1005		709	2V-1065	701		997
	1007		713	2W-0493	63		1001
	1008		714		65	3C-8388	792
	1009		716	2W-0494	63		794
2D-0388	235		717		65	3D-2824	84
	237		804	2W-0496	63		86
	239		806		65		88
2D-1683	926		810	2W-2021	129		133
	930		857	2W-4332	826		141

PART NUMBER INDEX

Part	Page	Part	Page	Part	Page	Part	Page
	143	3E-7445	121		796		716
	145	3E-7771	363		808		720
	377		366		811		721
	660	3E-8020	1220		817		722
	662		1222		856		723
	664	3E-8025	895		866		726
	705	3E-8044	70		869		727
	706	3E-8048	256		874		728
	720		269		879		729
	721		281		881		734
	722		318		882		735
	726		519		884		736
	727	3E-8320	317		887		737
	728	3E-8558	402		889		741
	734	3E-9411	466		891		742
	735		560		910		743
	736		577		911		744
	741	3F-6156	112		912		749
	742	3F-9556	249		913		750
	743	3H-7654	594	3J-3679	145		751
	749	3J-1907	122		887		752
	750		124	3J-7354	109		758
	751		143		133		762
	785		145		143		766
	851		243		145		770
	869		336		672		771
	870		610		722		775
	874		611		723		776
	875		656		728		780
	905		658		729		781
	1148		660		736		792
3D-2834	870		662		737		794
3D-4245	899		664		743		851
3D-5102	354		677		744		857
	357		709		751		866
3D-9143	429		713		752		881
	430		714		792		884
	432		716		794		887
3D-9428	434		717		851		903
	436		720		869		904
3E-2306	243		721		870		1148
3E-2338	418		722		874	3K-0715	838
3E-3365	84		723		879		840
	374		726		885	3K-0835	375
	917		727		887		376
3E-3368	337		728		903	3K-4520	867
	338		729		904	3K-8460	67
3E-3371	280		734	3K-0360	141		869
	341		735		143		875
	727		736		145	3K-8782	533
	735		737		218	3K-9770	939
	742		741		222		940
	750		742		224		944
3E-3383	378		743		226		945
3E-3389	307		744		330		950
3E-4297	668		749		515		1007
3E-4353	222		750		643		1009
3E-4367	402		751		645	3L-3380	362
3E-5169	256		752		647		365
	269		758		649	3N-3763	363
	281		762		677		366
3E-6772	48		766		705	3N-3790	1239
	50		788		706		1244
3E-7389	376		792		709	3P-0650	115
3E-7424	766		794		713		116

PART NUMBER INDEX

Part	Page	Part	Page	Part	Page	Part	Page
3P-0658	826		267	4D-7388	117		977
	828		279		224		979
3P-0760	867	3S-9643	143		226		981
3P-1155	331		145		235		983
	333	3T-3418	362		720		985
	906		365		726		987
	907	3T-3422	362		734		989
3P-1323	31		365		741		991
3R-5818	172	3T-3423	362		749		993
	173		363		752		995
3R-8797	362		365		771		997
	365		366		776		999
3R-8801	363	3T-3424	362		781		1001
	366		363	4D-7733	208		1003
3S-2093	208		365	4E-1384	1052		1005
	222		366		1130	4E-9379	975
	254	3T-3434	362		1132		977
	266	3T-4688	268		1134		979
	268		281	4E-8724	921		981
	278	3T-4709	362		936		983
	280		365	4E-8726	450		985
	281	3T-4710	362		921		987
	293		365	4E-8730	450		989
	295	3T-6469	122		921		991
	296		124	4E-8732	921		993
	317	3T-6471	122	4E-8734	921		995
	324		124		936		997
	325	3T-7528	668	4E-8735	921		999
	327	3T-9494	362	4E-9373	819		1001
	329		363		820		1003
	354		365	4E-9374	939		1005
	357		366		940	4E-9380	975
	373	3T-9524	363		975		977
	385		366		977		979
	387	3T-9525	362		983		981
	389		365		985		983
	391	3V-9244	701		987		985
	394	3Y-2806	1055		989		987
	396		1058		991		989
	398				993		991
	400				995		993
	407	4			997		995
	409				999		997
	410	4B-2049	363		1001		999
	413		366		1003		1001
	416		377		1005		1003
1028	4B-3388	299		4E-9375	819		1005
1030	4B-3665	53			820	4E-9397	819
1032		54		4E-9376	939		820
1136	4B-4043	63			940	4E-9404	819
1137		65			975	4E-9405	819
1138	4B-4158	562			977		820
1140		563			983	4E-9408	975
1142	4B-4278	429			985		977
1148		430			987		979
1159		432			989		981
1169	4B-9782	97			991		983
1178		99			993		985
3S-6049	252		100		995		987
	255		102		997		989
	267	4B-9783	885		999		991
	279	4D-0514	304		1001		993
	383	4D-3118	817		1003		995
3S-6050	252	4D-3704	58		1005		997
	255	4D-6466	515	4E-9377	975		999

PART NUMBER INDEX

Part	Page	Part	Page	Part	Page	Part	Page
	1001		749		741		741
	1003	4I-1776	856		749		749
	1005	4I-2187	428	4I-7874	817	4I-9523	720
4E-9410	819		429	4I-7889	218		726
	820		430		224		734
4F-0411	143		432		226		741
	145		1163	4I-7924	425		749
4F-6024	63	4I-2599	472		426	4I-9524	720
	65		479		427		726
4F-7390	110	4I-3038	373		442		734
4F-7957	14	4I-3591	851		445		741
	15	4I-3733	885		472		749
	16	4I-3919	634		473	4I-9525	720
	17	4I-4286	1112		479		726
4F-8946	785		1114		480		734
	879		1117		495		741
4H-6112	645		1119		498		749
	649		1121		507	4I-9526	720
4H-9105	593	4I-4392	1108		512		726
	594	4I-5049	254		514		734
	687		266		521		741
4H-9541	127		278		523		749
4I-0117	492	4I-5394	851		524	4I-9527	720
4I-0118	492	4I-5426	256		528		726
4I-0378	243		269		539		734
4I-0379	218		281		540		741
	224	4I-5490	851		541		749
	226	4I-5657	889		543	4I-9528	720
4I-0769	720	4I-5692	2		544		726
	726		▶630		545		734
	734	4I-5693	630		546		741
	741		▶638	4I-7948	442		749
	749	4I-5694	638	4I-7949	442	4J-0519	905
4I-0797	720	4I-5699	638	4I-7973	507	4J-0520	723
	726	4I-5732	758		509		729
	734		762		512		737
	741		766	4I-8019	472		744
	749	4I-5734	861		479		752
4I-0806	709	4I-5795	720	4I-8135	1052	4J-0521	848
	713		726		1055		905
	716		734	4I-8268	507	4J-0522	706
	720		741		509		723
	726		749		512		729
	734	4I-5850	808	4I-8269	507		737
	741		811		509		744
	749	4I-5862	606		512		752
4I-0821	720	4I-5933	709	4I-8472	612		771
	726		713	4I-8578	486		776
	734		716		489		781
	741	4I-6003	720	4I-8587	507		851
	749		726		509		887
4I-1022	817		734		512	4J-0524	723
4I-1205	473		741	4I-8594	486		729
	480		749		489		737
	492	4I-6329	640	4I-8595	486		744
4I-1278	1052	4I-6391	709		489		752
	1055		713	4I-8915	889		771
	1058		716	4I-9521	720		776
4I-1539	606	4I-6409	638		726		781
4I-1647	788	4I-6442	640		734		851
4I-1682	788	4I-7735	2		741		859
4I-1694	720		▶631		749		861
	726	4I-7778	720	4I-9522	720	4J-0527	204
	734		726		726		758
	741		734		734		762

PART NUMBER INDEX

Part	Page	Part	Page	Part	Page	Part	Page
	766		752		86		1010
	771	4L-2729	363		88	4T-4709	1021
	776		366	4P-4278	97	4T-5076	885
	781	4L-6454	112	4P-4279	97	4T-6788	666
	851	4L-9337	184	4P-4460	128	4W-5698	28
	859		188	4P-6846	7	4W-5699	28
	861		190		9	4W-5700	28
4J-2506	879		192		►55	4W-5701	28
4J-5140	848		195	4P-7371	97	4W-9160	184
4J-5267	706		620	4P-7373	122		188
	709		621		124		190
	714	4M-0189	63	4P-7428	256		192
	717		65		269		195
	785		134		281	4W-9890	19
4J-5268	891		137	4P-7429	407		
4J-5309	867		614	4P-7581	256		
	885		616		269		
4J-5351	891	4M-1827	362		281		
4J-5573	706		365		293	5A-3604	1180
	885	4M-1828	362		295		1182
4J-6888	638		365		407		1199
4J-7533	668	4M-1831	362	4P-7582	222		1200
	796		365		407		1201
	864	4M-1853	362		723		1202
	867		365		729	5C-2874	1052
	869	4M-1854	362		737		1055
	874		365		744		1058
	879	4M-1896	363		752	5C-2889	309
	882		366	4P-8134	407		310
	885	4M-5317	354	4P-9131	122	5C-2890	372
	887		923	4P-9823	7		531
	918		924		9		897
4J-8997	867		926		►63		1052
4J-9535	792		928		►65		1055
	794	4M-8547	56	4S-1936	723		1058
	870	4N-0683	34		729		1172
	875		36		737	5C-6074	377
4J-9780	869		38		744	5C-6108	235
	874	4N-0684	28		752		237
	887		63	4S-4455	1148		►377
4K-0684	939		65	4S-6818	172	5C-7261	256
	940	4N-0699	19		173		269
4K-1388	143	4N-0913	122	4T-0925	910		281
	145	4N-0914	122		911		383
	692	4N-0933	63		912		473
	696	4N-1059	361	4T-0987	879		480
	788		368	4T-1860	870		495
	817	4N-1156	143		875		498
	866		145		887		515
	881	4N-1230	63		►910		895
	884		65	4T-4144	638		897
	905	4N-1650	34	4T-4207	875		1027
4K-8302	709		36	4T-4702	1019		1052
	714		38	4T-4703	1011		1055
	717	4N-2481	7	4T-4707	939		1058
4K-8380	112		9		940		1112
4K-8501	450		►111		944		1114
4K-8864	252	4N-2514	58		945		1117
	256	4N-5339	132		950		1119
	269	4N-8150	109		993		1121
	281	4N-8410	122		995		1129
	723		124		997		1130
	729	4N-9170	452		999		1132
	737		454		1007		1134
	744	4P-0519	84		1009		1190

PART NUMBER INDEX

Part	Page	Part	Page	Part	Page	Part	Page
	1191		1089	5K-9243	452		267
	1192		1099		454		279
	1195		1100		924		369
	1196	5I-8494	758		926	5P-0761	252
	1197		762		928		254
	1198		766		930		255
	1206	5I-8589	634	5L-3708	299		266
	1207	5I-8591	638		300		267
	1209	5I-8748	192	5L-4758	610		278
	1210		195		611		279
	1211	5I-8765	817	5L-5032	849		383
	1212	5I-8770	817	5M-2894	19	5P-0767	653
5C-7423	1112	5I-8794	895		55		1148
	1114	5I-8800	895		63	5P-0840	34
	1117	5I-8804	895		65		36
	1119	5I-8814	895		68		38
	1121	5I-8825	713		71		48
5C-7883	256		716		78		50
	269	5J-2974	891		79	5P-1075	130
	281	5J-5003	1052		84		256
5C-9553	195		1055		86		269
	403		1058		88		281
	404	5J-5004	870		106		1052
	405		875		107		1055
	406	5J-5314	362		111		1058
	1028		365		112	5P-1076	134
	1030	5J-5793	67		114		137
	1032	5J-5794	57		115		160
	1215	5K-0430	354		116		162
5D-1026	653		357		117		174
	1148	5K-5338	1148		127		178
5E-8771	60	5K-8451	1148		128		184
5F-3106	63	5K-9090	690		132		188
	65		692		141		190
5F-3999	20		694		143		192
5F-4899	78		696		145		195
	79		720		180		354
	132		721		181		357
5G-0811	507		722		220		423
	509		726		222		440
	512		727		234		465
5H-1472	817		728		316		473
	895		734		331		480
5H-1504	48		735		333		486
	50		736		407		489
5H-6734	204		741		525		492
	243		742		529		515
5I-3054	1215		743		642		560
5I-3190	222		749	5M-3034	362		614
5I-3876	218		750		365		616
	224		751	5M-3062	256		698
	226		758		269		723
5I-3978	658		762		281		729
	660		766	5M-4454	643		737
	662		770		645		744
	664		771		647		752
5I-4168	817		775		649		771
5I-4277	687		776	5M-6214	930		776
5I-4341	687		780	5P-0048	887		781
5I-4390	705		781	5P-0537	15		1151
5I-4396	709		788		16	5P-1420	160
	713	5K-9242	924		17		162
	716		926		17	5P-1442	182
5I-4653	534		928	5P-0597	788		218
5I-7090	1088		930	5P-0747	252		218
					255		224

PART NUMBER INDEX

Part	Page	Part	Page	Part	Page	Part	Page
	226		737		492	6D-4244	218
5P-1838	140		744		1163		224
5P-2094	126		752	5P-8524	1233		226
5P-2369	1148	5P-7466	706	5P-9205	235		1148
5P-2618	204	5P-7467	706		237	6D-4246	771
5P-3108	903	5P-7468	771		239		776
	904		776	5P-9297	515		781
5P-4115	192		781	5P-9891	562	6D-4247	218
	195	5P-7469	771		563		224
	473		776	5S-0003	220		226
	480		781	5S-7349	249	6D-4636	218
	507	5P-7701	109	5S-7383	88		224
	509	5P-7814	67		127		226
	512	5P-8068	851		128		706
5P-4116	184	5P-8077	698	5V-3854	450	6D-9157	638
	188		758		505	6E-0781	640
	190		762		511	6E-0787	632
	192		766				634
	195	5P-8112	706			6E-3840	846
	248		1151	6		6E-3869	608
	256	5P-8244	63			6E-3872	609
	269		65	6B-6683	343	6E-3873	687
	281	5P-8245	20	6C-4000	1055	6E-3874	687
5P-4142	60		21		1058	6E-3993	869
	122		56		1130		874
5P-4255	68		63	6C-8379	1130	6E-4428	911
5P-4924	243		65		1132	6E-4429	875
5P-4961	160		67		1134		►911
	162		72	6C-8382	1130	6E-5412	901
	182	5P-8247	63		1132		902
5P-4981	418		65		1134	6E-5483	858
5P-5623	307		222	6C-8584	1052	6E-5484	858
5P-5649	614		249	6C-8787	1128	6E-5534	►666
	616		292	6C-8972	1215		723
5P-5677	307		343	6C-9058	385		729
5P-5678	15		407		387		737
	16	5P-8250	634		1052		744
5P-5874	901	5P-8309	425		1055		752
5P-5998	373		426		1058		851
5P-6027	507		427	6C-9081	385	6E-6528	897
5P-6298	362		472		387	6F-0253	375
	365		473	6C-9087	1052		376
5P-6312	354		479		1055	6F-4718	758
	357		480		1058		762
5P-6313	354		495	6C-9089	1224		766
	357		498	6C-9119	1174	6F-4855	217
5P-6314	354		521	6C-9121	385		678
	357		523		387	6F-5282	105
5P-6719	891		524	6C-9122	385		108
5P-6879	1151		528		387	6F-6405	771
5P-6882	160		540	6C-9130	1224		776
	162		546	6C-9131	1215		781
5P-6944	212	5P-8361	944	6C-9149	821	6F-7045	370
	214		945	6C-9198	385		371
5P-7462	706		950		387	6G-2256	256
5P-7463	706		1007	6C-9236	1226		269
5P-7464	706		1009		1227		281
	723	5P-8500	242	6C-9237	1226	6G-2263	256
	729		380		1227		269
	737		423	6D-0692	803		281
	744		425	6D-1641	218	6H-0406	234
	752		426		224	6I-0213	231
5P-7465	706		427		226		232
	723		486		1148	6I-0723	851
	729		489	6D-3479	515	6I-0724	851

PART NUMBER INDEX

Part	Page	Part	Page	Part	Page	Part	Page
6I-0901	97		714	6T-3633	381		222
6I-0928	46		717	6T-9442	375		658
	47		826	6V-0128	15		660
	49		828		16		662
6I-1055	34	6K-8420	130		17		664
	36	6L-3314	172	6V-0357	885		722
	38		173	6V-0400	701		729
6I-1418	299	6L-3316	172		759		737
	300		173		763		744
6I-1458	73	6L-3362	172		767		752
	74	6L-3363	172	6V-0683	706	6V-4248	222
	75	6L-3364	172	6V-0852	212	6V-4298	672
	76	6L-3365	172		214		674
	77	6L-3616	924		222		1052
6I-3623	60		926		658		1055
6I-3624	60		928		660		1058
6I-3625	60		930		662	6V-4589	36
6I-3638	7	6N-1127	210		664		38
	9		212		723		210
	►642		214		729		212
6I-3968	106	6N-1931	132		737		214
	107	6N-2343	132		744		241
6I-4025	48	6N-3279	362		752		374
	50		365	6V-1197	18	6V-5043	826
6I-4421	34	6N-3826	362	6V-1249	723		828
	36		365		729	6V-5048	67
	38	6N-7654	52		737		156
6I-4575	14	6P-1306	354		744		158
6I-4582	60		357		752		316
6I-5298	1090	6P-2216	425	6V-1322	362		331
	1091		426		365		333
6I-5976	472		427	6V-1574	759		340
	479		442		763		342
6I-5977	472		445		767	6V-5049	48
	479		472	6V-1577	788		50
6I-6373	418		473	6V-1722	1148		67
6I-6375	418		479	6V-1820	222		94
6I-6563	452		480	6V-1876	785		95
	454		495	6V-2331	507		109
6I-6788	846		498		509		212
6I-6849	656		507		512		220
	►856		512	6V-2687	1174		331
6I-6850	856		514	6V-2722	291		333
6I-6851	856		521		383		335
6J-2680	672		523	6V-3251	94		339
	771		524		95		826
	776		528	6V-3265	220		828
	781		539		1148	6V-5065	93
	851		540		1225	6V-5134	122
6J-3134	885		541	6V-3354	507		124
6J-3913	638		543		509	6V-5204	799
6J-6478	1228		544		512		800
6K-0806	515		545	6V-3677	60		801
	930		546	6V-3683	316		802
6K-6967	515	6P-4975	133	6V-3822	210	6V-5210	309
	924	6P-8855	1148		212		310
	926	6S-6652	429		214	6V-5266	127
	928	6T-0363	362	6V-3830	84		128
	930		365		86	6V-5324	910
6K-8178	184	6T-0371	362		88		911
	188		365		130		912
	190	6T-0372	362	6V-3922	859	6V-5555	887
	192		365		861	6V-5556	908
	195	6T-3631	381	6V-3965	212		909
	709	6T-3632	381		214	6V-5590	53

PART NUMBER INDEX

Part	Page	Part	Page	Part	Page	Part	Page
	54	6V-8200	832		735		727
6V-5597	796	6V-8201	799		736		735
6V-5645	318		800		737		742
6V-5839	210		801		741		750
	212		802		742		770
	214	6V-8202	1175		743		775
6V-6609	20		1176		744		780
	21		1177		749	6V-8642	705
	92		1178		750	6V-8714	721
	95		1180		751		727
	140		1181		752		735
	228		1182		770		742
	350		1183		771		750
	352	6V-8230	1129		775	6V-8716	788
6V-6707	859	6V-8260	846		776	6V-8721	658
	861	6V-8360	939		780		660
6V-6718	304		940		781		662
6V-6777	472	6V-8362	380		914		664
	479	6V-8397	127		915		705
6V-6864	1233		128	6V-8556	658	6V-8723	677
6V-6887	507		656		660		716
	509		660		662	6V-8724	713
	512		662		664		722
6V-6923	245		677		714		728
6V-7238	643		709		717		736
	645		713	6V-8625	722		743
	647		714		728		751
	649		716		736	6V-8731	723
	1148		717		743		729
6V-7357	192		721		751		737
	195		722		771		744
	463		723		776		752
	1052		727		781	6V-8774	722
	1055		728	6V-8629	705		728
	1058		729		709		736
	1148		735		713		743
6V-7419	1233		736		716		751
6V-7609	672		737	6V-8633	141		788
6V-7636	507		742	6V-8634	127	6V-8778	771
	509		743		128		776
	512		744	6V-8635	721		781
	1052		750		727	6V-8781	709
	1055		751		735		713
	1058		752		742		716
6V-7658	610		788		750		722
	668	6V-8398	141		770		728
6V-7666	870		656		775		736
	875		658		780		743
6V-7681	822		660	6V-8636	656		751
	824		662		709	6V-8784	660
6V-7723	845		664		713		662
6V-8076	658		705		716		664
	660		706		721	6V-8801	292
	662		709		727	6V-8823	507
	664		713		735		512
6V-8077	723		716		742	6V-8941	660
	729		720		750		662
	737		721		788		713
	744		722	6V-8638	705		716
	752		723		709	6V-8942	658
6V-8187	318		726		713		664
6V-8188	251		727		716	6V-8945	706
	363		728	6V-8639	141	6V-8946	788
	366		729		705	6V-9001	713
6V-8189	249		734		721		716

PART NUMBER INDEX

Part	Page	Part	Page	Part	Page	Part	Page
	721		742		594		741
	728		743	6Y-8176	593		749
	735		749		594	7I-1418	472
	743		750	6Y-9339	593		479
	751		751		594	7I-1639	486
6V-9002	722		771				489
	728		776			7I-1640	486
	736		780				489
	743		781			7I-2272	889
	751		785				918
6V-9005	722		788	7C-1445	22		
	728	6V-9836	722	7C-4354	656	7I-2673	160
	736		728	7C-6514	24		162
	743		736	7D-7233	117		394
	751		743	7D-9984	220		396
6V-9007	705		751		222		409
	721	6V-9839	713	7E-4039	140		1178
	727		716	7E-4508	122		1202
	735	6V-9840	771	7E-4509	122		1207
	742		776		124		1209
	750		781	7E-4661	84		1214
	785	6V-9846	771		86	7I-7120	861
6V-9008	690		776	7E-4875	88	7I-7400	821
	692		781	7E-4876	105	7I-7446	895
	694		788		8	7I-7447	895
	696	6V-9850	722	7E-5142	▶105	7I-7448	895
6V-9182	705		728		122	7I-7449	895
6V-9491	325		736	7E-6508	124	7I-7453	895
	327		743		15	7I-7457	895
6V-9509	771		751		16	7I-7458	895
	776	6V-9853	706	7E-8996	17	7I-7462	892
	781	6V-9854	770		7	7I-7463	892
6V-9512	758		775		9	7I-7469	892
	762		780	7F-0560	▶67	7I-7470	895
	766	6V-9873	656	7F-3488	291	7I-7473	895
6V-9632	220	6V-9875	721		362	7I-7475	892
	222		727	7F-3491	365	7I-7476	892
6V-9673	385		735	7F-3525	365	7I-7611	643
	387		742		362		645
	1228		750	7F-9090	365		647
6V-9746	643	6V-9877	771		210		649
	645		776		212	7I-7619	643
	647		781	7G-1060	214		645
	649	6W-2928	184		410		647
	658		188	7G-4332	413		649
	660		190	7G-5984	588	7I-7684	643
	662	6Y-0473	588	7G-5985	785		645
	664	6Y-0570	680	7H-3171	785		647
	705		681		581		649
	706		682		582	7I-8084	817
	709		683		593		834
	713		684	7I-0011	594		895
	714		685	7I-0070	698	7I-8133	606
	716		686	7I-0071	821	7I-8135	606
	717	6Y-1352	141	7I-0072	821	7I-8164	834
	720	6Y-6354	▶1019	7I-0075	821	7I-8177	834
	721	6Y-6355	▶1011	7I-0964	859	7I-8252	720
	722	6Y-6356	▶1021	7I-0965	920		726
	726	6Y-7599	581	7I-0966	920		734
	727		582		908		741
	728	6Y-8127	595	7I-0985	909		749
	734		596	7I-1090	821	7J-6285	21
	735	6Y-8171	593	7I-1244	705	7J-7837	858
	736		594		720	7J-8611	924
	741	6Y-8172	593		726		926
					734		928

7

PART NUMBER INDEX

Part	Page	Part	Page	Part	Page	Part	Page
	930		694		979		664
7J-9108	705		696		981		826
	706		705		983		828
	709		720		985	7X-2546	870
	713		721		989		875
	716		722		993	7X-2548	354
7J-9250	634		723		997		357
7J-9933	908		726		1001	7X-2549	486
	909		727	7T-6799	380		489
7K-1181	160		728	7T-7370	304		492
	162		729	7T-9123	363		771
	182		734		366		776
	235		735	7V-6571	222		781
	237		736	7W-0629	172		851
	239		737		173		864
	254		741	7W-2297	201		867
	266		742	7W-6528	132		882
	278		743	7W-7141	132		885
	314		744	7X-0289	184	7X-2550	771
	389		749		188		776
	391		750		190		781
	394		751		192		851
	396		752		195	7X-2552	565
	398		770	7X-0314	826		567
	400		771		828		789
	402		775	7X-0316	826		1128
	656		776		828	7X-2553	80
	658		780	7X-0339	251		137
	660		781	7X-0349	620		466
	662		788		621		701
	664		879	7X-0515	134		759
	706		889		137		763
	709	7M-8651	362		614		767
	713		365		616		821
	716	7M-9918	203	7X-0562	363		885
	720	7N-0140	354		366		1157
	726		357	7X-0579	301		1165
	734	7N-0296	354	7X-0595	137		1166
	741		357	7X-0599	463	7X-2555	682
	749	7N-0452	55	7X-0613	299		684
	753	7N-0718	317		300		686
	770		▶370	7X-0794	901		870
	775	7N-0719	252	7X-1443	852		875
	780		▶371	7X-2475	759		1172
	788	7N-2043	90		763	7X-2556	701
	926	7N-2059	354		767	7X-2557	848
	1138		357		1128		885
	1140	7N-2155	132	7X-2533	254	7X-2559	701
	1142	7N-2156	132		266	7X-2563	160
	1169	7N-5274	252		278		162
			255		473		614
7L-2894	362		267		480		616
	365		279		507		819
7L-9061	374		127		509		820
7M-0324	362	7N-7559	128		512		822
	365		141		814		824
7M-0325	363	7N-7878	63		816		937
	365	7N-8374	65		1068		938
7M-0326	362		377	7X-2536	1088	7X-2567	80
	365	7N-9194	382		1089		82
7M-0327	362	7N-9801	515		1099	7X-2570	821
	365	7S-4244	28		1100	7X-2573	450
	418	7S-5005	28		658	7X-2574	450
7M-8485	658	7T-3974	362	7X-2537	660	7X-2576	921
	690	7T-5947	975		662		936
	692		977				

PART NUMBER INDEX

Part	Page	Part	Page	Part	Page	Part	Page
7X-2577	826		454	7Y-4154	775		1092
	828	7Y-1109	452		780		1093
7X-2582	653		454	7Y-4224	885		1094
7X-2584	590	7Y-1110	452	7Y-4269	808		1095
	591		454		811		1096
	592	7Y-1241	160	7Y-4274	834	7Y-8876	505
7X-2619	318		162	7Y-4277	808		511
	473	7Y-1275	178		811	7Y-8942	565
	480	7Y-1492	418	7Y-4622	636		567
7X-2621	256	7Y-1493	418	7Y-4633	562	7Y-8990	553
	269	7Y-1647	452		563		557
	281		454	7Y-4796	851	7Y-9267	921
	293	7Y-1648	452	7Y-4826	850	7Y-9269	921
	410		454	7Y-4827	▶847		936
	413	7Y-1729	184		850	7Y-9900	921
7X-2622	821		188	7Y-4828	847		
7X-2634	172	7Y-1976	160	7Y-4830	847		
	173		162		▶848		
7X-3159	377		164	7Y-4832	848		
7X-3373	362		167	7Y-4836	848	8B-3410	130
	365	7Y-2397	636	7Y-4837	850	8C-0572	1052
7X-4803	629	7Y-2812	429	7Y-4843	850		1055
	630		466	7Y-5009	889		1058
	354		577	7Y-5010	866	8C-0620	763
7X-6101	354				881	8C-0624	112
7X-6222	402	7Y-2814	1163		884	8C-3089	175
7X-6315	303	7Y-2853	461		866		176
	304		486	7Y-5011	881		362
	305		489		884		365
7X-7644	1239		492		884	8C-3110	804
	1244		495	7Y-5102	636		806
7X-7700	243		498		638		831
7X-7729	134		1163	7Y-5215	418		834
	137	7Y-2854	461		636	8C-3347	834
	178		553	7Y-5227	1128	8C-3445	109
	182		1163	7Y-5231	418	8C-3446	109
	473	7Y-3281	430	7Y-5239	632		723
	480		432	7Y-5241	803		729
	614		515	7Y-5245	565		737
	616	7Y-3474	1225		567		744
	867		1233	7Y-5247	771		752
	1028	7Y-3477	▶937		776	8C-3451	723
	1030		941		781		729
	1032		942	7Y-5250	771		737
	1226		943		776		744
7Y-0623	1130		944		781		752
	1132		945	7Y-5267	810	8C-5064	222
	1134		948	7Y-5272	610	8C-5230	115
7Y-0640	418		949		611		116
7Y-0795	418		950	7Y-5456	1148	8C-5607	293
7Y-0807	418		951	7Y-5458	378	8C-5608	293
7Y-0808	418	7Y-3610	507		379		298
7Y-0839	821		509	7Y-5464	378		315
7Y-1000	565		512		379	8C-5723	690
	567	7Y-3951	325	7Y-5499	317		692
	571		327	7Y-7394	1145		694
	576	7Y-3952	325		1146	8C-5899	895
7Y-1090	418		327		1213	8C-5917	252
7Y-1095	452	7Y-3962	325		1214		254
	454		327	7Y-7828	937		266
	653	7Y-3963	280		938		278
7Y-1106	452		325	7Y-7829	937	8C-6354	256
	454		327		938		268
7Y-1107	452	7Y-3965	280	7Y-7830	937		280
	454	7Y-4038	701		938		385
7Y-1108	452	7Y-4039	701	7Y-8463	1082	8C-6358	291

PART NUMBER INDEX

Part	Page	Part	Page	Part	Page	Part	Page
8C-6362	80	8J-1751	885		960		509
	82	8J-1752	885		961		512
8C-6365	385	8J-4351	316		962		895
8C-6712	109	8J-4376	903		963		1152
8C-6871	141		904		964		1215
8C-6965	892	8J-8343	796		965	8T-0273	418
8C-7562	1052	8J-9236	377		966		594
8C-7581	318	8K-0968	204		967	8T-0275	220
	1056	8L-2777	97		968		222
	1058		99		969	8T-0288	916
	1136		100		970	8T-0328	243
	1137		101		971		318
8C-8400	785	8L-2786	20		972		324
8C-8451	298		21		973		363
	315		67		974		366
8C-8723	569		92		975		385
	570		127		977		387
	571		128		983		416
	572		210		985		672
	574		212		989		674
	576		214		993		1028
8C-9182	640		220		997		1030
8C-9660	362		222		1001		1032
	365		349		1007		1170
	1136		351		1008	8T-0337	385
	1137	8L-8413	57		1009		387
8C-9987	917		252	8S-0934	1184		1205
8D-0482	254		255		1187		1228
	266		267	8S-1812	377	8T-0341	1052
	278		279	8S-1814	377	8T-0348	817
8E-4708	939		383	8S-1815	377		887
	940	8M-0505	220	8S-2332	361	8T-0439	687
	944		222		368		759
	945	8M-0547	218		369		763
	950		224	8S-2634	383		767
	993		226	8S-4723	1184	8T-0706	789
	995	8M-2772	515		1187	8T-1158	834
	997		924	8S-4724	1184		892
	999		926		1187		895
	1007		928	8S-6214	905	8T-1482	80
	1009		930	8S-9094	34		82
	1010	8M-2773	1148	8S-9191	231	8T-1576	705
8F-1434	363	8M-4228	634		232		709
	366	8M-8489	132	8T-0077	723		713
8F-5900	808	8M-9315	67		729		716
	811	8N-0788	141		737	8T-1683	709
8H-0878	1136	8N-0869	255		744		713
	1137		267		752		716
8H-3127	15		279	8T-0078	706	8T-1685	658
	16		383	8T-0114	1088	8T-1687	706
	17	8N-1545	268		1089	8T-1715	210
8H-5303	370		281		1099		224
	371	8N-1548	268		1100		226
8H-5306	370		281	8T-0119	212	8T-1718	706
	371	8N-1725	252		214		709
8J-0426	723		255		224		714
	729		267		226		717
	737		279	8T-0211	670	8T-1789	634
	744		383	8T-0249	723	8T-1889	222
	752	8N-2104	122		729	8T-1890	222
8J-1665	634	8P-9770	939		737	8T-1905	722
8J-1666	634		940		744		728
8J-1699	870		957		752		736
	875		958	8T-0266	1062		743
8J-1717	638		959	8T-0269	507		751

PART NUMBER INDEX

Part	Page	Part	Page	Part	Page	Part	Page
8T-2393	759		357		1068		505
	763		383		1070		511
	767		389		1072		515
8T-2501	84		391		1087		614
	86		402		1088		616
	184		410		1089		656
	188		413		1099		771
	190		416		1100		776
	192		428		1104		781
	195		429		1136		849
	256		430		1137		889
	269		432		1148		892
	281		450		1151		930
8T-2502	130		452		1157		1052
8T-2561	1052		454		1165		1055
8T-2888	507		473		1172		1058
	509		480		1204	8T-4136	160
	512		486		1205		162
8T-2920	706		489		1215		164
8T-2947	293		492		1225		178
8T-3490	222		495		1233		182
8T-3518	291		498	8T-4122	80		184
8T-3519	291		505		82		188
8T-3597	788		511		313		190
8T-3647	1064		515	8T-4123	160		192
	1065		519		162		195
	1066		614		614		204
8T-3957	836		616		616		206
8T-3998	792		618		819		208
	794		653		820		243
8T-4121	78		656		822		252
	79		658		824		257
	96		660		921		269
	134		662		936		281
	137		664		937		314
	160		706		938		354
	162		710	8T-4127	416		357
	164		714	8T-4131	834		389
	178		723	8T-4132	134		391
	184		729		137		402
	188		737		467		452
	190		744		614		454
	192		752		616		519
	195		753		701		614
	204		759		771		616
	206		763		776		723
	208		767		781		729
	218		771		859		737
	224		776		861		744
	226		781		895		752
	235		785	8T-4133	134		771
	237		789		137		776
	239		826		178		781
	243		828		235		789
	252		851		237		826
	257		924		239		828
	269		926		314		850
	281		928		428		864
	293		930		429		882
	295	1028			430		1028
	296	1030			432		1030
	314	1032			450		1032
	318	1052			473		1052
	335	1055			480		1055
	354	1058			492		1058

PART NUMBER INDEX

Part	Page	Part	Page	Part	Page	Part	Page
	1068		1225		999		752
	1087		1226		1001		1156
	1088		1233		1003	8T-4182	1172
	1089	8T-4138	192		1005	8T-4183	134
	1099		195		1130		137
	1100		295		1132		450
	1104		296		1134		614
	1127		473	8T-4140	134		616
	1136		480		137		643
	1137		851		614		645
	1148		1082		616		647
	1215		1083		698		649
8T-4137	134		1084		759		672
	137		1085		763		680
	182		1086		767		683
	208		1148		1172		684
	218		1154	8T-4141	160		685
	224		1225		162		686
	226	8T-4139	134	8T-4149	722		698
	235		137		728		706
	237		164		736		723
	239		174		743		729
	252		423		751		737
	257		465	8T-4157	472		744
	269		468		479		752
	281		515	8T-4158	472		759
	295		614		479		763
	296		616	8T-4167	80		767
	335		658		82		771
	383		660		450		776
	389		662		578		781
	391		664		583		789
	410		685		584		851
	413		686		826		921
	416		690		828		975
	473		692		921		977
	480		694		936		979
	515		696	8T-4171	293		981
	519		701		318		983
	614		706		416		985
	616		717		507		987
	656		759		509		989
	658		763		512		991
	660		767		1069		993
	662		771		1138		995
	664		776		1140		997
	706		781		1142		999
	723		785	8T-4172	96		1001
	729		819	8T-4173	698		1003
	737		820	8T-4175	698		1005
	744		822	8T-4178	785		1134
	752		824	8T-4179	160		1151
	753		851		162	8T-4184	701
	771		975		257		706
	776		977		269		759
	781		979		281		763
	851		981		354		767
	930		983		357		789
	1028		985		470		859
	1030		987		471		861
	1032		989		653	8T-4185	257
	1058		991		723		269
	1070		993		729		281
	1072		995		737		867
	1148		997		744	8T-4186	79

PART NUMBER INDEX

Part	Page	Part	Page	Part	Page	Part	Page
	134		178		658	8T-4222	160
	137		423		660		162
	235		440		662		177
	237		450		664		614
	239		470		710		616
	614		471		714	8T-4223	130
	616		656		759		134
8T-4187	242		706		763		137
	855		723		767		160
8T-4189	184		729		851		162
	188		737		859		164
	190		744		861		166
	192		752		1151		168
	195		759		1157		170
	248		763		1165		171
	257		767	8T-4196	78		177
	269		771		134		184
	281		776		137		188
	354		781		208		190
	357		1215		218		192
	710	8T-4193	701		224		195
	714		759		226		204
	717		763		614		251
	1129		767		616		257
	1136		887		706		269
	1137		1058		723		281
	1148	8T-4194	134		729		309
8T-4190	313		137		737		310
	560		516		744		354
	1154		560		752		357
8T-4191	218		614		759		407
	224		616		763		450
	226		672		767		468
	257		674		771		470
	269		680		776		471
	281		681		781		614
	318		682		1127		616
	354		683		1172		643
	357		684	8T-4198	771		645
	383		698		776		647
	410		701		781		649
	413		759		796		653
	416		763		867		656
	516		767	8T-4199	257		658
	562		789		269		660
	563		851		281		662
	723		887		452		664
	729	8T-4195	134		454		672
	737		137	8T-4200	507		674
	744		177		509		680
	752		178		512		681
	924		218		723		682
	926		224		729		683
	928		226		737		684
	930		252		744		685
	1088		257		752		686
	1089		269		1052		690
	1099		281		1055		692
	1100		383		1058		694
	1104		416		1148		696
	1148		519	8T-4205	233		698
	1204		614		249		701
	1205		616		318		706
8T-4192	164		618		362		717
	168		656		365		723

PART NUMBER INDEX

Part	Page	Part	Page	Part	Page	Part	Page
	729		660		723		706
	737		662		729		723
	744		664		737		729
	752		710		744		737
	759		714		752		744
	763		717	8T-4779	134		752
	767		723	8T-4835	130		759
	771		729		623		763
	776		737		624		767
	781		744	8T-4896	84		771
	785		752		86		776
	789		826		88		781
	822		828		184		789
	824		851		188		822
	836		1027		190		824
	851		1064		192		851
	887		1065		195		859
	921		1066		257		861
	975		1088		269	8T-4970	313
	977		1089		281		314
	979		1099		292		318
	981		1100	8T-4897	1130	8T-4971	233
	983		1114	8T-4908	184		1148
	985		1129		188		1224
	987		1130		190	8T-4984	178
	989		1132		192	8T-4985	160
	991		1134		195		162
	993		1136		383	8T-4986	177
	995		1137		492	8T-4988	178
	997		1148		723	8T-4989	178
	999		1163		729	8T-5005	218
	1001		1190	8T-4910	473		224
	1003		1191		480		226
	1005		1192		1130		706
	1127		1195		1132		723
	1130		1196		1134		729
	1132		1197		1156		737
	1134		1198	8T-4944	838		744
	1156		1206		840		752
	1215		1207	8T-4956	160		785
8T-4224	184		1209		162		867
	188		1210		164	8T-5041	680
	190		1211		166		681
	192		1212		170		683
	233	8T-4241	808		171		685
	249		811		184		851
	257	8T-4244	177		188	8T-5092	701
	269		184		190		771
	281		188		192		776
	301		190		195		781
	354		192		354	8T-5360	826
	357		195		357		828
	383		309		423	8T-5389	706
	430		310		470		709
	432		354		471		714
	473		357		672		717
	480		473		680	8T-5400	1233
	492		480		681	8T-5412	702
	495		486		682	8T-5413	429
	498		489		683		450
	507		698		684	8T-5429	705
	509		1151		685	8T-5436	785
	512	8T-4648	204		686		870
	516		473		698		875
	658		480		701	8T-5439	160

PART NUMBER INDEX

Part	Page	Part	Page	Part	Page	Part	Page
	162	8T-6868	690		327	9	
	614		692		329		
	616		694		378	9B-4499	377
8T-5878	578		696		379	9B-7233	380
	579		701		385	9D-0630	204
	580		723		407	9D-1058	472
	583		729		410		479
	584		737		1095		507
	585		744		1096		509
	586		752		1102		512
	587		772		1103	9D-1829	706
	653		776		1106	9F-5599	362
8T-6356	771		781	8T-8748	375		365
	776		1156		376	9F-5644	370
	781	8T-6869	301	8T-8827	256		371
8T-6382	821	8T-6876	658		268	9F-6936	634
8T-6383	643		660		280	9G-0003	252
	645		662	8T-8887	709		254
	647		664		714		266
	649	8T-6974	813		717		278
8T-6385	690		815		722	9G-0004	252
	692	8T-7087	772		728		254
	694		775		736		266
	696		780		743		278
8T-6411	318	8T-7338	134		751	9G-4101	362
8T-6412	533		137	8T-8915	206		363
8T-6429	920		565	8T-8917	625		365
8T-6430	160		567		626		366
	162		698	8T-8920	130	9G-7641	325
	614		759		251		327
	616		763		619		▶380
	921		767		622	9G-8140	117
	936	8T-7520	720	8T-8986	788	9G-8909	255
8T-6466	706		726	8T-9023	706		267
8T-6594	597		734	8T-9044	817		279
	598		741	8T-9389	619	9H-1024	314
	599		749		622	9H-1031	29
8T-6684	722	8T-7547	233	8T-9393	82		31
	728		516	8T-9405	899	9H-3757	362
	736		723	8T-9522	906		365
	743		729		907	9J-8126	875
	751		737	8T-9527	642	9K-7290	67
8T-6693	672		744	8T-9597	836	9L-5854	30
8T-6703	143		752	8T-9598	808		32
	145		851		811		33
8T-6757	40	8T-7934	723	8T-9655	299	9L-6770	249
	43		729		300	9L-7657	109
	175		737		301	9L-7712	885
	452		744	8T-9757	252	9L-8925	15
	454		752		254		16
	516	8T-7971	851		266		17
8T-6759	792	8T-8377	638		278	9M-1974	22
	794	8T-8380	634	8V-0622	252		86
	813	8T-8441	593		254		220
	814	8T-8442	836		266		299
	815		846		278		300
	816	8T-8729	917	8X-1386	192		331
	850	8T-8730	376		195		333
	889	8T-8737	84	8Y-6352	1218		1112
	916		86		1220		1117
	919		268		1222		1119
8T-6761	851		280	8Y-6967	1156		1121
8T-6765	180		281	8Y-9603	368	9M-2092	759
	181		307		369		763
8T-6767	140		325				767

PART NUMBER INDEX

Part	Page	Part	Page	Part	Page	Part	Page
9M-2307	521		794	9S-8001	864	9T-3853	899
	523		851		867	9T-3928	838
	528		874		869		840
	540		885		874	9T-7202	903
	541		887		879		904
	546	9S-4183	143		882	9T-8511	634
9M-2904	112		145		918	9T-9992	906
9M-3835	428		869	9S-8002	20		907
	429		874		21	9U-1094	690
	430	9S-4185	67		92		692
	432		143		143		694
	486		145		145		696
	489		210		156	9U-1327	2
	492		212		158		▶924
	1163		214		176		▶926
9M-5732	521		218		869		▶928
	523		224		874	9U-1373	▶819
	528		226		879		952
	540		722		897		953
	541		728	9S-8003	145	9U-4002	924
	546		736		887		926
9M-6522	243		743	9S-8004	48		928
9M-7609	362		751		50		930
	365		758		94	9U-4003	924
9M-7783	292		762		95		926
9M-7958	235		766		866		928
	237		792		881		931
	239		794		882	9U-4004	924
9M-8406	218		857		884		926
	224		887	9S-8005	20		928
	226	9S-4188	143		21		930
9N-0869	299		145		67	9U-4005	924
	300		692		92		926
9N-1574	864		696		95		928
	882		817		143		931
9N-1575	864	9S-4190	143		145	9U-4006	924
	882		145		228		926
9N-2038	201		859		794		928
	202		861		836		931
	203		869	9S-8006	36	9U-4007	924
9S-2544	362		874		38		926
	365		879		94		928
9S-4167	210	9S-4191	67		95		930
	212		109		804	9U-4008	924
	216		143		806		926
9S-4180	668		145		810		928
	796		677	9S-8008	870		930
	869		758		874	9U-4009	924
	874		762	9S-8010	93		926
	885		766		869		928
	887		792		874		930
9S-4181	690		794	9S-8178	242	9U-4010	924
	692		796		855		926
	694		869	9S-8752	60		928
	696		874		68		930
9S-4182	67		879		120	9U-4011	924
	133		887		121		926
	316		889		234		928
	672	9S-6130	243		529		930
	722		758		642	9U-4012	924
	728		762	9S-9272	130		926
	736		766	9S-9334	109		928
	743		771	9T-1614	879		930
	751		776	9T-1670	903	9U-4013	924
	792		781		904		926

PART NUMBER INDEX

Part	Page	Part	Page	Part	Page	Part	Page
	928		341		515		122
9U-4014	924		372		727		124
	926		374		735		129
	928	9X-2026	463		742		220
9U-4016	924		1154		750		222
9U-4018	924	9X-2027	867		1082		529
9U-4019	924	9X-2038	14		1083	9X-6579	706
	926	9X-2041	1074		1085	9X-6618	640
	928		1076		1086	9X-6654	177
	930		1078		1092	9X-7317	231
9U-4020	924		1080		1093		232
	926		1111		1095	9X-7430	40
	928		1123		1096		43
9U-4021	924	9X-2042	385		1097	9X-7680	897
	926		387		1102	9X-7737	246
	928		394		1103	9X-8256	195
	930		396	9X-3402	268		257
9U-4022	924		398		280		269
	926		400		281		281
	928		1070		325		293
9U-4023	924		1072		327		295
	926		1074	9X-3463	309		296
	928		1080		310		313
	930		1114		311		314
9U-4200	701		1218	9X-3495	389		318
9U-4209	701		1220		391		385
9U-4212	701		1222	9X-3604	636		387
9U-4213	701	9X-2043	398	9X-3610	632		394
9U-4216	701		1070	9X-4184	376		396
9U-8263	1215		1072	9X-4597	629		403
9U-8693	643	9X-2044	394	9X-4599	628		404
	645		396	9X-4600	627		405
	647		1052		628		406
	649		1055		631		416
9U-9702	1020		1058		975		473
9U-9703	1012		1112		977		480
9V-3659	450		1117		979		507
	505		1119		981		509
	511		1121		983		512
9W-0335	385		1124		985		533
	387		1215		987		852
9W-0625	375		1228		989		1028
9W-0742	▶291	9X-2045	1072		991		1030
	383		1224		993		1032
9W-0844	307	9X-2046	1072		995		1052
9W-0852	268		1153		997		1056
	280	9X-2205	243		999		1059
	281	9X-2446	1052		1001		1069
	317		1055		1003		1082
9W-1951	256		1059		1005		1083
	268	9X-2480	1052	9X-4813	256		1084
	280		1055		268		1085
9W-2146	595		1059		280		1086
	596	9X-2616	1193	9X-6032	836		1138
9W-7388	80		1194	9X-6165	293		1140
	82	9X-3265	402		298		1142
9X-0196	268	9X-3401	84		315		1148
	281		86		1068		1152
9X-0262	331		243		1154		1172
	333		268	9X-6257	304		1215
9X-1365	304		280	9X-6395	903		1225
9X-1386	345		281		904	9X-8257	80
9X-1813	248		345	9X-6458	60		467
	337		378		120		565
	338		379		121		567

PART NUMBER INDEX

Part	Page	Part	Page	Part	Page	Part	Page
	643	005-4362	210	087-4531	720		1088
	645		212		726		1089
	647		214		734		1099
	649		220		741		1100
	682		222		749	095-0736	243
	684	005-8164	869	087-4532	720		1170
	686		874		726	095-0742	313
	690	006-5707	235		734	095-0759	672
	692		237		741	095-0818	670
	694		239		749	095-0826	851
	696	008-2103	864	087-4575	605	095-0827	1069
	698		867	087-4576	605	095-0840	531
	701		882	087-4577	605	095-0843	428
	759	012-0380	372	087-4683	373		429
	763	030-4605	792	087-4772	687		430
	767		794	087-5385	632		432
	772	030-7942	222	087-5391	632		473
	775	030-7947	220	087-5393	632		480
	780	030-7955	122	087-5395	632		1163
	789		124	087-5397	632	095-0891	418
	799	030-8156	220	087-5550	636	095-0910	1154
	800		222	087-5729	770	095-0919	534
	801	030-8188	210		775	095-0929	846
	802		212		780	095-0930	817
	821		214	087-5966	924	095-0946	808
	848		220		926		811
	887		222		928	095-0948	819
	1059	030-8194	122		930		820
	1128		124	087-8906	855		975
	1130	031-3185	60	087-8907	855		987
	1132	031-4155	23	087-8909	855		991
	1134	031-4564	130	090-8865	1128		995
	1154	032-9313	97	091-9035	184		999
	1157	033-5853	20		188		1003
	1165		21		190		1005
	1166		92		296	095-0965	817
	1172		176	093-0386	519		834
9X-8258	418		897	093-0407	242	095-0966	881
	571	033-6028	836	093-0408	242	095-0967	881
	576	033-6033	245	093-1323	834	095-0968	889
	590	033-6042	222	093-1571	636	095-1274	640
	591		228	093-1730	643	095-1314	430
	592	033-6043	897		645		432
	653	034-1432	117		647	095-1319	486
9X-8259	567	036-9821	362		649		489
9X-8267	220		365	093-2064	428		492
	222	036-9823	365		429	095-1320	486
9X-8399	640	045-4065	363		1148		489
9X-8600	243		366	093-5150	643		492
9X-8872	59	061-7540	114		647	095-1386	218
9X-9896	298	061-8639	97	094-1528	643		224
	315		99		645		226
9Y-1792	132		100		647	095-1390	126
9Y-5373	122		103		649	095-1392	178
	124	061-9413	243	094-1873	856	095-1516	670
9Y-8389	233	061-9455	22	094-1902	919	095-1519	217
		067-2551	220	094-6452	892		678
			222	095-0645	901	095-1573	814
		085-7356	720		902		816
			726	095-0673	804	095-1574	813
			734		806		815
000-0232	989		741	095-0680	920		892
003-7764	218		749	095-0690	810	095-1576	919
	224		705	095-0728	1104	095-1578	817
	226	087-3591	450	095-0735	317	095-1579	920
005-4273	126	087-3765					

0

PART NUMBER INDEX

Part	Page	Part	Page	Part	Page	Part	Page
095-1582	817		649	099-0724	831	101-7400	709
	889	096-1445	670	099-0823	1056		713
095-1586	892	096-1588	636		1058		716
	914	096-1598	866	099-2374	324	101-7402	770
	915		881		1028		775
	919		884		1030		780
095-1587	864	096-2320	472		1032	101-8468	60
	882		479	099-4674	547	101-9848	442
095-1590	892	096-2617	1090	099-5194	418		445
095-1592	889		1091		643		473
095-1600	808	096-2966	892		645		480
	811	096-3021	892		647		521
095-1603	520	096-3201	636		649		523
095-1607	869	096-3216	418	099-5845	687		541
	874	096-3772	1215	099-7951	920	102-0811	899
095-1608	851	096-3780	428	099-8111	796	102-0814	913
	869		429			102-0883	581
	874		1163				582
095-1633	850	096-3872	550	1		102-1157	705
095-1635	636		551			102-5758	160
095-1681	668	096-4035	164	100-3866	466	102-5861	60
095-1687	799		167		577	102-6046	1244
	800	096-4833	318	100-4265	8	102-7964	413
	801	096-4882	1130		9	102-8802	84
	802		1132		▶234		86
095-1698	817		1134	100-4982	467		88
	908	096-4883	653	100-5072	231		243
	909	096-4885	758		232		247
	919		762	100-5218	15		248
095-1703	920		766		16		254
095-1704	920	096-5400	834		17		255
095-1716	808	096-5516	834	100-5219	15		256
	811	096-5863	254		16		266
095-1728	632		266		17		267
	850		278	100-5588	▶1020		268
095-1733	640	096-5867	831	100-5589	▶1012		278
095-1735	851	096-5962	256	100-5612	1239		280
095-1750	914		268		1244		317
	915		281	100-5805	256		325
095-1751	914		318		268		327
	915		385		280		345
095-1777	330		387	100-6211	869		346
	721		519		874		372
095-1785	892	096-5969	324	100-7399	34		374
	919	096-6166	318		36		382
095-1786	864		325		38		407
	882		327	101-2160	571		416
095-1787	834		385		576		851
	892		387	101-2842	1239		917
095-1795	834		1104		1244	102-8803	256
095-2927	562		1205	101-2846	1140		268
	563		1215	101-2862	804		280
095-6639	849		1228		806		317
095-6641	849	096-8058	838		810		330
095-7424	53		840	101-3120	107		341
	54	099-0001	164		407		373
096-0015	842		167	101-3125	180		385
096-0034	534	099-0169	758		181		407
096-0061	335		762	101-7396	705	102-8804	255
096-0679	254		766	101-7398	770		267
	266	099-0492	473		775		279
	278		480		780		317
096-1441	643		507	101-7399	709		336
	645		509		713	102-8805	378
	647		512		716		381

PART NUMBER INDEX

Part	Page	Part	Page	Part	Page	Part	Page
102-8806	255		533	108-6635	533	109-9082	939
	267	105-6989	520	108-6636	533		940
	279	105-6990	520	108-6638	533		944
	307	105-6991	▶531	108-6639	534		945
	329		533	108-6640	531		1009
102-9089	18	105-6992	531	108-6642	533	109-9985	71
103-0126	59	105-6993	531	108-6671	533	110-3184	1003
103-1303	701	105-6994	533	108-6672	534		1005
103-1311	701	105-6995	533	108-6700	931	110-3185	1003
103-2556	235	105-6996	533	108-6709	515		1005
103-4672	234	105-6997	533		926	110-4821	788
103-5240	466	105-6999	533		930	110-5525	808
103-5241	466	105-7328	895	108-6710	515		811
103-5242	466	105-7329	895		930		817
103-8089	1226	105-7331	895	108-6711	515	110-7149	643
	1227	105-7484	2		931		645
103-8134	15		▶628	108-6712	515		647
	16	105-7485	628		931		649
	17		▶634	108-6713	515	110-7183	457
103-8236	667	105-7486	634		931	110-8769	268
	726	105-7490	634	108-6714	515		281
103-8364	640	105-9982	317		931	111-0336	869
104-3173	178	105-9983	317	108-6717	930		▶912
	1148	105-9986	317	108-6725	1239	111-0337	912
104-6202	407	106-0107	325		1244	111-0343	917
104-8147	565		▶378	108-7206	705	111-0976	720
	567	106-0210	378	108-7375	720		726
104-8586	72		379		726		734
104-8762	701	106-1792	183		734		741
105-3035	806	106-2704	1169		741		749
105-3484	204	106-3544	127		749	111-2088	7
	676		128	108-7930	147		9
105-3487	473	106-3969	172		153		▶71
	480		173		155	111-2721	147
105-4728	361	106-3973	172		156		153
105-4729	▶361		173		158		155
105-6701	235	106-5673	48	109-0072	122		156
105-6836	472		50		124	111-4376	172
	479	106-8715	785	109-0076	122	111-4627	1215
105-6837	472	107-0583	60		124	111-4799	373
	479	107-3953	590	109-0077	143	111-4836	254
105-6838	472		591		145		266
	479		592	109-0078	122		278
105-6855	443	107-5769	234		124		296
	444	107-6550	892	109-1296	832		410
	446	107-6631	723	109-1657	11		413
	447		729		12		416
	472		737		▶57		1028
	479		744	109-5839	84		1030
105-6971	534		752		86		1032
105-6972	534	107-6736	7		88	111-4837	252
105-6973	534		9	109-5840	84		254
105-6974	534		▶19		88		266
105-6975	534	107-7068	866	109-8040	869		278
105-6976	534		884	109-8503	931		383
105-6977	534		889	109-8708	515		389
105-6979	534	107-9403	698		931		391
105-6980	534	107-9711	565	109-9080	944		402
105-6981	534		567		945		410
105-6982	534	108-1780	1215		1009		413
105-6983	534	108-1781	770	109-9081	939	111-4838	254
105-6984	534		775		940		266
105-6985	534		780		944		278
105-6986	534	108-3612	183		945		410
105-6988	▶520	108-5914	67		1009		413

PART NUMBER INDEX

Part	Page	Part	Page	Part	Page	Part	Page
111-4839	254	114-0763	632	▶904	118-5085	792	
	266	114-1322	643	903		794	
	278		645	904	118-5086	792	
	410		647	903		794	
	413		649	904	118-5087	792	
111-4874	318	114-1541	418	838		794	
111-5754	903	114-2687	122	840	118-6049	515	
	904		124	1104		931	
111-6752	720		127	679	118-6050	931	
	726		128	▶680	118-6051	515	
	734	114-3925	701	▶681		931	
	741	114-6658	1215	▶682	118-6052	515	
	749	114-8234	643	680		931	
111-7421	759		647	681	118-6083	520	
	770	114-8944	819	682	118-6084	520	
	775		820	680	118-6085	520	
111-9916	889	115-1624	1130	681	119-0036	18	
	▶914		1132	682	119-1667	690	
	866		1134	680		692	
111-9959	884	115-2670	450	680		694	
	▶892	115-5637	903	681		696	
	894		904	680	119-2265	887	
111-9997	817	115-7087	202	681	119-2652	770	
	895		203	680		775	
111-9999	892	115-8645	721	681		780	
112-0000	895		727	682	119-3662	268	
112-0001	892		735	680		280	
112-0003	895		742	683		281	
112-0540	520		750	684		413	
112-0541	531	116-0118	254	685	119-5026	325	
112-0542	533		266	686		327	
112-0543	533		278	680	117-8079	1159	
112-0545	1239		335	681		1169	
	1244		389	682	119-5362	857	
112-0557	534		391	683		889	
112-2418	7		410	684	119-5364	857	
	9		413	685		889	
	▶72		416	686	119-5365	857	
112-4629	902	116-0126	256	685		889	
112-4630	838		268	686	119-8338	1112	
	840		280	685		1114	
112-4717	899	116-0128	229	685		1117	
112-9217	60		268	685	117-8093	1117	
113-4708	1011		280	679	117-8097	1119	
	1012		281	▶683		1121	
	1019	116-0255	268	▶684	120-4394	687	
	1020		280	683		901	
	1021		281	684		902	
	1024	116-3046	63	683	120-4779	385	
113-4709	1011	116-3420	785	684		387	
	1012		▶919	683	120-5114	235	
	1019	116-3516	640	684		237	
	1020	116-3518	640	683		239	
	1021	116-3519	640	683	120-5737	313	
	1024	116-7460	950	684	120-5738	313	
113-5950	627		1007	684	120-9027	373	
	921	116-7461	950	1092	120-9243	68	
113-6518	758		1007	1093	120-9847	7	
	762	116-7462	950	1094		9	
	766		1007	1095		▶22	
	317	117-0775	906	1096	121-0987	403	
113-8490	317		907	60		404	
113-8491	919	117-5269	887	836		405	
114-0550	914		▶903	636		406	
114-0623	915	117-5270	887	120	121-1022	317	
				121	121-1038	229	

PART NUMBER INDEX

Part	Page	Part	Page	Part	Page	Part	Page
	256		495		987		1095
	268	122-5260	507		991		1096
	280		509	124-9108	254		1097
121-1039	229		512		266		1101
	280	122-6566	975		278		1102
121-1168	325		977	125-0434	143		1103
	327		979		145	126-1768	280
	413		981	125-0800	939		325
121-1173	325		983		940		327
	327		985		944	126-1771	254
121-1491	889		987		945		255
	►915		989		950		256
	916		991		993		266
	918		993		995		267
121-1509	636		995		997		278
121-1512	►629		997		999		279
	952		999		1007	126-2941	317
	953		1001		1009	126-4935	143
	954		1003		1010		145
	955		1005	125-1302	317	126-5164	931
121-1518	629	122-6567	819		►372	126-5188	515
	►636		820	125-5032	180		930
121-1519	636	122-7375	40		181	126-5199	930
121-1523	636		43	125-6535	363	126-7574	305
121-1525	636	122-8612	40		366	126-7631	7
121-1574	636		43	125-6536	363		9
121-1592	638	122-8705	653		366		►292
121-1593	638	122-9608	1104	125-6537	363	126-8449	292
121-1594	638	122-9609	1104		366	127-0929	175
121-1595	638	122-9610	1104	125-7874	268		176
121-1596	638	122-9657	1148		279	127-5250	1162
121-1597	638	123-0791	96		281	127-5447	122
121-1598	638	123-2003	672		396	127-5483	255
121-1599	638		674		413		267
121-1600	634	123-2139	808	125-7875	268		279
121-1601	634		811		280	127-5484	256
121-1602	634	123-3202	15		281		268
121-1603	634		16		375		280
121-1604	634		17		376	127-5485	256
121-1605	634	123-5362	450		396		268
121-1606	634	123-5364	450		413		280
121-1607	634	123-5574	450	126-0081	7	127-5486	255
121-1865	1088	123-9701	819		9		267
	1089		820		►175		279
121-4012	1171	123-9702	819		►176	127-7960	551
121-7098	1148		820	126-1756	60	127-9485	804
121-7136	1062	124-0909	698	126-1757	68		806
	1148	124-0988	720	126-1767	86	128-0317	147
121-7137	1148		726		268	128-2135	1074
121-7138	1062		734		280		1076
	1148		741		281		1078
122-0447	40		749		345		1080
	43	124-1854	48		378		1156
122-1472	15		50		379		1215
	16	124-1855	48		515		1218
	17		50		727		1220
122-3772	150	124-2456	1239		735		1222
	151		1244		742	128-2136	1218
	152	124-2708	175		750	128-2173	1088
	157	124-3548	318		1082		1089
122-4021	235	124-4009	1090		1083		1099
	237		1091		1085		1100
	239	124-4010	1090		1086	128-2661	60
122-4120	472		1091		1092	128-4940	690
	479	124-8378	985		1093		692

PART NUMBER INDEX

Part	Page	Part	Page	Part	Page	Part	Page
	694	133-7023	96		498	137-3625	668
	696	133-9353	690		553	137-3626	610
128-5855	701		692		557		611
128-5856	701		694		558		668
128-7514	698		696		1151	137-3628	610
128-8981	840	133-9906	14		1163		611
128-9170	643	133-9907	▶14	135-8576	461		668
	645		642	135-8577	461	137-3630	610
	647	134-3196	206		468	137-3631	610
	649	134-3988	220		472		611
128-9262	640	134-4126	303		479	137-3632	610
129-3178	1224		305		486	137-3639	916
129-3181	709	134-6146	1239		489	137-3713	813
	713	134-6852	210		492		815
	716		212		495		▶916
129-5167	1055		214		498	137-3716	814
	1058	134-7258	1239		553		816
129-5427	68		1244		1163	137-3749	53
129-5428	68	134-7489	897	135-8578	495		54
129-5429	206	135-2274	1099		498	137-3751	53
129-7813	851		1100		553	137-6645	214
129-7815	672	135-8572	242		557		347
129-7925	54		243	135-8888	507		349
129-8034	672		472		509	138-5312	698
	674		479		512	138-5471	546
129-8053	▶610		495	135-8965	410	138-5506	537
	672		501		413	138-5708	758
129-8055	672		502	135-8966	1166		762
129-8056	672		558		1167		766
129-8087	220		560		1168	138-5709	758
130-0270	1148	135-8573	169	135-9991	838		762
130-4698	60		235		840		766
130-4701	60		237	136-0155	953	138-6780	913
130-5300	1065		239		954	139-0454	460
	1066		425	136-0207	720		▶465
130-9811	210		426		726	139-0457	465
	212		427		734	139-1398	237
	349		434		741		239
	350		436		749	139-3550	143
131-4770	172		440	136-1107	147		145
	173		441		153	139-6039	1215
132-1829	▶247		468		155	139-6873	210
	385		472		156		212
	387		479		158		214
132-4099	1239		486	136-2442	562		▶246
132-4100	1239		489	136-2443	562	139-7100	1111
132-5789	385		492		563		▶1112
	387		495	136-2444	562		▶1114
	389		498		563	139-8733	614
	407		501	136-2445	562		616
132-6482	930		502		563	139-8873	80
132-6483	930		505	136-4055	317		82
132-6484	930		511	136-4182	134	139-8877	614
132-6485	930		553		137		616
132-7168	172		558		614	139-8878	134
	173		1163		616		137
132-9770	331	135-8574	495	136-4303	84	140-0736	720
	333		498		86		726
133-0261	346	135-8575	461	137-1003	532		734
133-3234	1052		472	137-1004	532		741
	1056		479	137-1005	532		749
	1059		486	137-3001	565		▶889
133-3359	183		489		567	140-0741	889
133-5514	1226		492	137-3623	668	140-0742	889
	1227		495	137-3624	668	140-0860	254

PART NUMBER INDEX

Part	Page	Part	Page	Part	Page	Part	Page
	266		▶422	148-3111	569		766
	278	145-3084	317		570	148-4977	468
141-0633	701	145-3169	838		571	148-5055	705
141-1060	206		840		572	148-7482	11
141-1293	770	145-3171	838		574		▶73
	775		840		576		▶74
	780	145-3697	1226	148-4575	418	148-8315	705
141-2759	317		1227	148-4579	418	148-8317	721
	1140	145-3849	143	148-4580	418		727
	1142		145	148-4582	418		735
141-3636	926	145-5181	130	148-4585	418		742
141-5497	796	145-7181	869	148-4598	▶643		750
141-5498	796		874		▶645	148-8323	721
141-6460	486		▶885		652		727
141-6518	1130	145-8503	132	148-4600	643		735
	1132	145-8747	874		645		742
	1134	145-9529	885		647		750
141-6603	1229	146-0182	869		649	148-8330	696
142-0038	696	146-0218	463	148-4601	643	148-8335	721
142-0844	879		1224		645		727
142-2329	34	146-1519	924		647		735
	36		928		649		742
	38	146-1520	924	148-4602	643		750
142-5546	1104		928		645		770
142-5867	104	146-3493	902		647		775
142-8545	314	146-3728	353		649		780
143-8086	670	146-4936	445	148-4603	643	148-8336	656
143-8137	632		502		645		709
143-8138	632		512		647		713
143-9393	143		514		649		716
	145	146-4952	472	148-4604	643		721
143-9397	1154		479		645		727
143-9536	1239	146-6747	383		647		735
	1244		1239		649		742
144-0195	1225		1244	148-4607	643		750
	1233	146-9290	676		645		788
144-0367	160	147-0323	143		647	148-8339	788
	162		145		649	148-8340	705
	780	147-2001	565	148-4608	643		721
144-1636	86		567		645		727
	330	147-2286	867		647		735
	1084	147-4921	1206		649		742
	1106		1207	148-4609	643		750
144-7087	▶863		1209		645		770
	874	147-4960	1166		647		775
144-7088	867		1167		649		780
144-7092	867		1168	148-4611	643	148-8345	705
144-7093	867	147-5787	632		645		709
144-7113	869	147-6603	910		647		713
	874		911		649		716
	▶905		912	148-4616	418	148-8347	705
144-7281	885	147-6604	910	148-4617	418		721
144-9315	515		911	148-4626	▶647		727
145-0487	301		912		▶649		735
145-2970	422	147-6605	910		651		742
145-3008	564		911	148-4650	▶452		750
	▶578		912		▶454		785
145-3009	578	147-6982	80		564	148-8352	770
	▶579		82	148-4685	456		775
	▶580	147-6983	80		459		780
145-3011	579		82	148-4787	770	148-8353	713
	▶597	147-7142	177		775		716
145-3012	564	148-0767	869		780		721
	▶590		874	148-4964	758		727
145-3014	421	148-2350	353		762		735

PART NUMBER INDEX

Part	Page	Part	Page	Part	Page	Part	Page
	742		794		736	151-4604	930
	750	148-8405	869		743	151-4612	931
148-8354	721	148-8407	143		751	151-4613	931
	728		145		788	151-4614	931
	736		677	148-8442	658	151-5925	90
	743		758	148-8449	713		91
	751		762		716	151-5966	60
148-8355	722		766	148-8500	450	151-6641	182
	728		792	149-0206	184	151-6646	▶623
	736		794		188		▶624
	743		796	149-4741	184		828
	751		869		188	151-6660	13
148-8357	690		874	149-5050	317		▶80
	692		879		416	151-6662	13
	694		887	149-5268	56		▶126
	696	148-8408	143	149-6586	515	151-6703	1112
148-8359	770		145	149-6591	515		1117
	775		869	149-6812	785		1119
	780		874	149-7378	25	151-6704	1112
148-8360	705	148-8409	870		26		1117
148-8362	722		874	149-9110	60		1119
	728	148-8410	145	150-3035	706	151-6777	1111
	736		869		709		1123
	743		874		714	151-6790	1226
	751		879		717		1227
148-8364	722	148-8411	143	150-3036	722	151-6792	1112
	728		145		728		1117
	736		722		736		▶1229
	743		728		743	151-9360	317
	751		736		751	151-9497	1112
	771		743	150-3071	706		1114
	776		751	150-3072	771		1117
	781		758		776		1119
148-8365	658		762		781		1121
	660		766	150-3073	758	152-5550	905
	662		792		762	152-7582	42
	664		794		766	152-7784	983
148-8367	722		887	150-4033	771		985
	728	148-8417	660		776		987
	736		662		781		989
	743		713		788		991
	751		716	150-4043	656		993
148-8372	658	148-8418	658	150-4049	722		995
	660		664		728		997
	662	148-8422	771		736		999
	664		776		743		1001
	705		781		751		1003
148-8374	677	148-8429	771	150-5870	53		1005
	716		776		54	152-9254	720
148-8378	713		781	150-6256	387		727
	722	148-8433	722	150-7033	1		734
	728		728		▶312		741
	736		736	151-0189	931		749
	743		743	151-0192	931	152-9521	770
	751		751	151-0607	515		775
148-8381	705	148-8435	709	151-1975	162		780
148-8383	709		713	151-2099	301	152-9522	770
	713		716		▶303		775
	716		722	151-2106	303		780
148-8388	705		728	151-2898	96	152-9560	235
	709		736	151-2900	96		237
	713		743	151-3146	515		239
	716		751	151-3147	515	152-9604	▶519
148-8392	706	148-8439	722	151-4601	930	152-9605	519
148-8395	145		728	151-4603	930	152-9610	519

PART NUMBER INDEX

Part	Page	Part	Page	Part	Page	Part	Page
	▶534		794	155-9116	843		1121
152-9616	519	155-2255	389	155-9117	843	156-6642	1147
152-9617	519		391	155-9118	843	156-6643	1108
152-9649	1239		407	155-9119	843	156-6644	1108
153-1256	147	155-2260	256	155-9125	836	156-6645	1112
	153		268	155-9131	836		1114
	155		280	155-9134	836		1117
	156		317	155-9135	836		1119
	158		337		▶843		1121
153-1731	937		338	155-9136	843	157-0670	133
153-2447	254		394	155-9137	843	157-4822	252
	266		396	155-9139	607		254
	278		407	155-9141	607		266
153-2451	254	155-2261	84	155-9142	607		278
	266	155-2265	407	155-9143	607	157-9925	975
	278	155-2270	84	155-9149	843	158-1113	796
153-2475	254		86	155-9157	640	158-3416	60
	266		255	155-9198	420	158-3960	937
	278		256		▶803		938
153-2521	▶309		267	155-9200	788	158-6564	796
	312		268		▶920	158-7864	1236
153-2523	▶310		279	155-9205	826	158-8261	861
	312		280		828	158-8262	859
153-2540	325		317		▶832	158-8263	859
	327		325	155-9222	822		861
153-2541	325		327		824	158-8936	831
	327		336		▶830	158-8937	831
153-2620	413		346	155-9224	830	158-8938	831
153-5187	889		385		▶831	158-8939	831
153-5710	252		407	155-9235	▶849	158-8940	831
	254		409		851	158-8964	808
	266		416	155-9236	849		811
	278	155-2271	255	155-9524	68	158-8965	808
153-6236	788		267	156-0619	850		811
153-6244	706		279	156-0622	788	158-8966	808
	709		317		▶850		811
	714		410	156-0749	515	158-8967	808
	717		413	156-0760	515		811
153-6249	709	155-2274	325		931	158-8968	808
	714		405	156-2525	224		811
	717		410		226	158-8969	808
	722		413	156-2829	▶353		811
	728	155-2793	30		792	158-8970	808
	736		32		794		811
	743		33		796	158-8971	808
	751	155-3624	133	156-5198	148		811
153-7023	46		722		149	158-8973	808
	47		728		154		811
153-7024	46		736	156-6471	1112	158-8976	808
	47		743		1114		811
	49		751		1121	158-8977	808
153-8723	1088		792	156-6512	1099	158-8978	808
	1089		794		1100		811
154-4133	353		851	156-6598	1112	158-8979	808
154-9023	133		874		1114		811
155-0696	299		885		1117	158-8981	808
	300		887		1119		811
155-0698	299	155-4038	676		1121	158-8982	808
	300	155-4039	676	156-6599	1052		811
155-0809	30	155-4041	676		1055	158-9009	808
	32	155-4846	885		1058		811
	33		▶906	156-6600	1112	158-9103	▶608
155-0810	30	155-6654	842		1114		838
	32	155-9112	843		1117		840
155-2251	792	155-9115	843		1119	158-9104	▶609

PART NUMBER INDEX

Part	Page	Part	Page	Part	Page	Part	Page
	838		1119	163-6710	398		744
	840		1121	163-6711	394		752
158-9105	838	161-3650	1112		396	164-5594	690
	840		1114		398		692
	▶913		1117		400		694
159-1533	60		1119	163-6758	317	164-5598	723
159-6159	7		1121	163-6773	280		729
	9	161-3660	1052	163-6795	394		737
	▶23	161-3663	1112		396		744
159-7784	672		1114		398		752
159-8524	60		1117		400	164-5606	706
159-9322	255		1119	163-9361	112	164-5608	706
	256		1121	164-0514	1112	164-5615	788
	267	161-3665	1112		1114	164-5616	758
	268		1114		1117		762
	279		1117		1119		766
	280		1119		1121		771
160-3771	917		1121	164-0515	1112		776
160-4138	▶603	161-3685	1052		1114		781
	720	161-3697	1052		1117	164-5628	723
	726		1055		1119		729
	734		1058		1121		737
	741	161-3699	1112	164-0519	1112		744
	749		1114		1114		752
160-5945	160		1117		1117	164-5639	720
	162		1119		1119		726
160-6894	7		1121		1121		734
	9	161-3893	930	164-0528	1052		741
	▶122	161-6876	603		1055		749
	▶124	161-6879	603		1058	164-6858	771
160-7271	23	161-6880	603		▶1147		776
160-7689	255	161-6958	202	164-0535	▶1127		781
	256		203	164-0646	1218	164-6874	720
	267	161-6963	201		1220		726
	268		202		1222		734
	279		203	164-0655	1218		741
	280	161-6987	1154		1220		749
160-7690	255	161-7204	867		1222	164-8166	844
	267	161-7419	299	164-0664	1147	164-8474	1156
	279		300	164-3417	243		1218
	389	161-7611	808	164-4180	690		1220
160-8184	63		811		692		1222
	65	162-0177	882		694	164-8908	723
160-8734	869	162-0349	1166		696		729
	874		1167	164-5547	720		737
	▶907		1168		726		744
160-8758	834	162-2266	110		734		752
160-9136	931	162-6208	172		741	165-2827	527
160-9137	930		173		749	165-3010	472
161-0062	930	162-6356	134	164-5567	722		479
161-0063	930		137		729		502
161-1309	603	162-6357	134		736		507
161-3115	254		137		744		512
	266		614		752		514
	278		616	164-5572	722	165-3350	788
161-3116	254	163-2478	46		729	165-3930	67
	266		47		737	165-3932	67
	278		49		744	165-3936	67
161-3117	254	163-4565	23		752	165-4931	723
	266	163-6082	418	164-5574	660		729
	278	163-6083	418		662		737
161-3128	317	163-6637	256		664		744
161-3639	1112		268	164-5590	723		752
	1114		281		729	165-4962	▶229
	1117	163-6703	317		737		235

PART NUMBER INDEX

Part	Page	Part	Page	Part	Page	Part	Page
	237		317	168-7940	842	170-9918	822
	239		385	168-7941	842		824
165-5623	887		387	168-7942	842		▶836
165-6170	120	167-4067	1227	168-7944	842	170-9985	808
	121	167-4098	470	168-8672	954		811
165-9287	636	167-4142	1226	168-8974	222	170-9986	808
165-9296	640		1227	168-9688	720		811
165-9354	846	167-4154	1052		726	170-9996	808
165-9357	846	167-4183	1228		734		811
165-9358	▶844	167-4195	1224		741	171-0596	330
	846	167-4196	1224		749		727
165-9359	844	167-4197	1224	169-3530	1238		735
165-9360	844	167-7038	1117	170-2414	905		742
165-9361	844		1119	170-2415	905		750
165-9362	844	167-7039	1112	170-2512	254	171-1704	939
165-9363	844		1114		266		940
165-9367	687		1117		278	171-1705	939
165-9395	608		1119		▶381		940
165-9396	608		1121	170-2942	461		975
165-9397	608	167-7042	1215	170-2943	461		977
165-9398	608	167-8081	29	170-2946	461		983
165-9399	608		31	170-2947	461	171-1706	939
165-9400	608	167-8083	29	170-2948	461		940
165-9401	609	167-8130	52	170-2949	461		975
165-9402	609	167-9841	564	170-2956	461		977
165-9403	609		▶577	170-2977	434		983
165-9404	609	168-0300	228		436	171-1709	1024
165-9405	609	168-0765	908	170-3026	218	171-2210	318
165-9406	913		909		224	171-3370	160
166-2903	43	168-3378	845		226		162
166-2904	40	168-3379	845	170-3562	7	171-3396	1163
	43	168-3382	845		9	171-3684	917
166-6358	96	168-3385	845		▶129	171-3685	864
166-6693	316	168-5102	905	170-4737	42		867
166-9144	68	168-5103	905	170-4738	42		882
166-9390	977	168-5191	905	170-6888	317		885
	979	168-6733	597	170-6977	254		887
	981		598		266		▶917
	983	168-6734	597		278	171-5349	345
	985		598	170-6993	309	171-5714	582
	989	168-6738	597		310	171-5811	593
	993		598	170-9198	293		594
	997	168-6739	597	170-9324	325	171-5825	581
	1001	168-6740	597		327		582
167-0642	42		598	170-9328	254	171-6728	723
167-0643	42		599		266		729
167-2491	632	168-6741	597		278		737
167-3441	▶311		598	170-9417	309		744
	313		599		310		752
	314	168-6742	597	170-9418	309	171-7325	1043
167-3542	515		598		310		1044
	1138		599	170-9498	1104		1045
	1140	168-6743	▶562	170-9499	1104		1046
	1142		578	170-9817	901		1074
	1178	168-6744	562		902		1080
	1183		563	170-9820	899		1218
167-3543	515	168-6745	562	170-9822	899		1220
	1138		563	170-9845	636		1222
	1140	168-7314	302	170-9850	632	171-7426	1052
	1142		▶304	170-9853	640		1055
	1178	168-7319	810	170-9900	838		1058
	1183	168-7800	183		840	171-8706	418
167-3593	254		198	170-9901	846	171-8707	418
	266		199	170-9903	687	171-8963	8
	278		200	170-9906	899		9

PART NUMBER INDEX

Part	Page	Part	Page	Part	Page	Part	Page
	▶343	173-3510	672	175-0673	558	176-1942	1108
171-8983	134		674	175-0675	553	176-1964	▶1117
171-8989	134	173-3513	668	175-0681	553		▶1119
171-8991	134	173-3515	668	175-0689	1163		▶1121
	137	173-3516	668	175-0691	1163		1123
	614	173-3517	668	175-0696	553	176-1995	1225
	616	173-3518	672	175-0733	557	176-1996	1124
171-8995	134	173-3529	668	175-0745	553	176-2108	569
	137	173-3993	864	175-0749	557		570
	614		867	175-0751	553	176-2146	571
	616		869	175-0754	553		576
171-9002	614		874	175-0786	472	176-2163	577
	616		879		479	176-2164	577
171-9003	160		882		▶536	176-2165	577
	162	173-4012	796	175-0788	536	176-2166	577
	614	173-4929	770	175-0789	536	176-2247	577
	616		775	175-0790	536	176-2248	577
171-9004	160		780	175-0803	553	176-2249	577
	162	173-4939	770	175-0808	538	176-2250	577
171-9005	614		775	175-0843	538	176-2255	577
	616		780	175-0874	537	176-2258	577
171-9016	160	173-4945	758	175-0902	558	176-4347	821
	162		762	175-0961	537	176-4414	720
171-9017	178	173-4946	788		538		726
171-9018	178	173-4947	788	175-0962	537		734
171-9049	184	173-4955	758	175-0964	1163		741
	188		762	175-0966	1163		749
	190		766	175-0968	1163	176-4459	720
	192	173-4960	758	175-0970	1163	176-4769	720
	195	173-4974	758	175-0994	472		726
171-9054	80		762	175-0995	472		734
171-9057	80		766		479	176-4819	788
	82	173-4979	770	175-1001	545	176-5332	595
171-9075	208		775	175-1005	544		596
171-9079	208		780	175-1013	549	176-5334	596
171-9413	643	173-4991	770	175-1024	472	176-6417	1052
	645		775		479		1055
	647		780	175-1366	23		1058
	649	173-5120	788	175-1367	23	176-6418	1052
172-2871	565	173-5130	705	175-3617	42		1055
	567	173-5135	705	175-3721	65		1058
172-2954	▶466	173-5150	788	175-7900	595	176-6420	1052
	564	174-0217	588		596		1055
172-2955	466	174-0218	588	176-0433	235		1058
172-2997	632	174-0219	588		237	176-7524	571
172-3001	564	174-0221	600		239		576
	▶569		601	176-0436	235	177-0359	838
172-3088	565	174-0222	600		237		840
	567		601		239	177-0796	975
172-3089	565	174-0224	601	176-0448	532		977
	567	174-0225	600	176-0490	235		979
172-6755	293	174-3016	256	176-1363	109		981
172-8827	122		268	176-1902	1148		983
	124		280	176-1913	396		985
173-3366	640		385	176-1931	1225		987
173-3414	640	174-3877	670	176-1937	1052		989
173-3429	705	174-7791	309		1055		991
	▶857		310		1058		993
173-3430	857	174-8353	565	176-1938	1052		995
173-3503	▶611		567		1055		997
	674		571		1058		999
173-3505	611		576	176-1939	1052		1001
173-3506	611	174-8354	450		1055		1003
173-3507	672	174-8500	571		1058		1005
	674	174-8501	571	176-1941	1147	177-1403	792

PART NUMBER INDEX

Part	Page	Part	Page	Part	Page	Part	Page
	794	177-5715	425	184-5558	921	185-0305	836
177-1405	792	177-5716	425	184-5559	2	185-0325	808
	794		426		▶936		811
177-2547	808		427	184-5561	936	185-0336	▶667
	811	177-5734	549	184-7621	1047		720
177-2549	815	177-7747	899		1049		726
	816	177-9953	▶249		1050		734
	▶908		251		▶1174		741
177-2550	808	178-2334	336	184-8258	445		749
	811	178-2335	336	184-8347	218	185-0337	667
177-2553	668	178-2345	335		224		726
177-2619	610		▶336		226	185-0373	859
	611	178-3339	304	184-8528	1		861
177-4152	15	178-5530	1074		▶242	185-0391	859
	16	178-5659	1191	184-9167	689		861
177-5536	1163		1192		▶698	185-2271	706
177-5575	486		1193	184-9171	2	185-2638	249
	489		1194		▶701	185-2639	249
	492	178-7291	595	184-9173	▶690	185-2643	249
177-5582	443		596		▶692	185-2644	249
	444	178-7292	595		952	185-2645	249
177-5583	443		596		953	185-2647	249
	444	178-7540	595	185-0164	2	185-2648	249
177-5586	443		596		▶627	185-2650	249
	444	179-3020	▶591	185-0165	627	185-2651	249
177-5587	443	179-5857	905		▶632	185-2653	249
	444	179-9806	668	185-0205	670	185-2654	249
177-5597	495	180-1718	313	185-0206	670	185-2655	249
177-5598	495		1215	185-0208	670	185-2658	249
	498	180-3861	309	185-0209	670	185-5065	590
177-5632	430		310	185-0210	670		591
	432	180-6828	534	185-0211	670		592
177-5637	505	180-7350	90	185-0212	670		▶596
	511	180-9339	341	185-0213	670	185-5093	596
177-5647	486	180-9340	337	185-0216	670	185-5102	591
177-5654	438		338	185-0242	804		▶595
	439	180-9417	1052		806	185-5106	595
	503		1055	185-0248	804	185-8280	1147
	504		1058		806	185-8281	1147
177-5655	438	180-9418	1052	185-0250	842	185-8284	1076
	439		1055	185-0253	842		1078
	503		1058	185-0263	804	185-8286	373
	504	183-1000	317		806		1043
177-5663	486	183-1065	243	185-0265	804		1044
	▶507	183-2823	233	185-0266	804		1045
177-5664	507	183-2824	210		806		1046
	512		212		▶842	185-8300	1035
	514		214	185-0267	804		1038
177-5666	507		▶233		806		1041
177-5673	486	183-3408	94	185-0268	804		1098
177-5674	486		95	185-0270	804	185-8302	1035
	489	183-3409	20	185-0271	804		1038
	492		21	185-0273	842		1041
177-5683	486		92	185-0276	810	185-9208	325
177-5695	507		176	185-0277	810		327
	509	183-7262	869	185-0278	810	186-1667	220
	512		874	185-0280	810	186-2001	46
177-5697	507	183-7263	143	185-0287	845		47
	509		145	185-0289	845		49
	512		869	185-0292	845	186-3735	239
177-5699	507		874	185-0295	810		247
	509		879	185-0296	810		248
	512	184-2472	303	185-0297	810		307
177-5701	472	184-5557	2	185-0299	836		317
	479		▶921	185-0303	836		336

▶ PRIMARY REFERENCE

PART NUMBER INDEX

Part	Page	Part	Page	Part	Page	Part	Page
	372		981		1121		649
	373		983	189-2768	1047	191-2513	643
	374		985		1049		645
	375		987		▶1111		647
	381		989	189-2784	1148		649
	382		991	189-2793	1050	191-2514	643
186-3736	307		993		▶1123		645
	336		995	189-2796	1123		647
186-5655	▶570		997	189-3987	570		649
186-5672	930		999	189-4717	804	191-2524	643
186-5673	930		1001		806		645
186-5674	930		1003	189-4918	28		647
186-5675	930		1005	189-5746	343		649
186-5676	930	188-0021	1172		▶345	191-2525	643
186-5677	931	188-0024	1172	189-6117	▶1224		645
186-5686	921	188-0025	1172	189-9763	895		647
186-5687	936	188-0032	448	190-0009	11		649
186-5688	921	188-0033	448		▶75	191-2573	421
186-5689	921	188-0040	1172		▶76		▶653
186-5690	936	188-0041	1172	190-2470	120	191-2743	1130
186-5703	921	188-0210	84		121		1132
186-5704	936		86	190-2471	7	191-2752	1130
187-1503	90		88		▶119		1132
187-1679	243	188-1035	720	190-2472	7		1134
187-5420	70		726		9	191-2753	1130
187-5762	770		734		▶120		1132
	775		741		▶121		1134
	780		749	190-5386	1239	191-2757	1228
187-6754	758	188-2103	418		1244	191-2758	1228
	762	188-2258	975	190-6064	758	191-2764	1215
	766		977		762	191-2768	1215
187-6925	720		979		766	191-5591	846
	726		981	190-6820	434	191-5592	846
	734		983		436	191-5593	▶687
	741		985	190-6919	495		838
	749		987		498		840
187-7129	701		989		553	191-5595	687
187-7130	701		991		557	191-5596	838
187-7131	701		993	190-6973	560		840
187-7132	701		995	190-6974	560	191-5597	838
187-7133	701		997	190-6993	558		840
187-7134	701		999	190-6996	558	191-5598	838
187-7148	701		1001	190-6999	486		840
187-7149	698		1003		489	191-5650	656
187-7154	701		1005		492		▶670
187-7176	698	188-3365	796		495	191-5651	670
187-7177	701	188-4075	632		498	191-5652	670
187-8001	838	188-4082	632		557	191-5653	670
	840	188-4142	▶668	190-7001	472	191-5654	817
187-8194	63		672		479	191-5655	817
	65		674	190-7006	523	191-5656	817
187-8202	63	188-4143	668	190-7014	486	191-5657	817
	65	188-5095	204		489	191-5658	817
187-8229	63	188-6280	804		492	191-5659	817
	65		810	190-7017	486	191-5662	817
187-8230	63		836		489	191-5663	817
	65	188-7681	385		492	191-5664	817
187-8979	60	188-9644	1055	190-7018	486	191-5665	817
187-8980	60		1058		489	191-5666	817
187-8981	28	189-0189	917		492	191-5667	817
187-9753	921	189-0852	346	190-7674	834	191-5668	817
	936	189-2690	1112	191-2508	418	191-5669	817
	975		1114	191-2511	643	191-5670	817
	977		1117		645	191-5671	817
	979		1119		647	191-5672	817

PART NUMBER INDEX

Part	Page	Part	Page	Part	Page	Part	Page
191-5673	817		340		9	199-4554	454
191-5675	817	194-7097	7		▶316	199-4555	454
191-5676	817		9	197-8006	143	199-4609	418
191-5677	817		▶58		145	199-4611	418
191-5678	817	194-8258	817	197-8391	331	199-4650	418
191-5704	640	194-8402	920		▶349	199-4661	▶418
191-6243	1130	194-9473	836	197-8392	331		420
	1132	195-0313	58		▶350	199-4662	▶420
	1134	195-0319	147	197-8940	705		421
191-7583	836		153		709	199-4663	418
191-7584	607		155		713	199-4665	418
191-7805	220		156		716	199-4666	418
	222		158	197-9296	90	199-4669	418
191-8303	347	195-0980	166	197-9360	90	199-4670	418
192-4151	97	195-1068	216	198-1508	8	199-4671	418
	99	195-3218	1233		9	199-4672	643
	100	195-5416	930		▶132		645
	103	195-5419	930	198-1659	314		647
192-6785	690	195-5420	931	198-1754	1228		649
	694	195-9154	958	198-3899	1027	199-4674	647
192-6815	770		959		1210		649
	775		960		1211	199-4677	653
	780	195-9155	958		1212	199-4678	643
192-7470	810		959	198-6223	314		645
193-1598	204		960	198-7070	252	199-4680	643
193-1664	891	195-9156	958		254		645
193-1665	887		959		266	199-4681	647
	▶891		960		278		649
193-2153	1128	195-9186	▶1024	198-9898	73	199-4688	418
193-3476	254	196-0590	720		▶97	199-4689	418
	266		726	199-0072	1	199-4690	418
	278		734		▶440	199-7891	249
193-7404	222		741		▶441	199-8436	249
	▶228		749	199-0117	1163		
193-9419	461	196-1666	1098	199-0342	440		
193-9421	461	196-5069	97	199-0346	440		
194-0248	770		99	199-0349	440		
	775		100	199-1996	758	200-0655	▶109
	780		103		762		114
194-0715	1130	196-5070	97		766	200-2279	96
	1132		99	199-2025	770	200-3252	798
	1134		100	199-3680	1130		▶804
194-0944	792		103		1132	200-3257	804
194-0945	794	196-6102	817		1134		806
194-0946	▶792	196-6103	817	199-4491	452	200-3269	832
	869	196-8085	164		▶456		▶834
	874	196-8088	164	199-4492	456	200-3270	832
194-0947	▶794	196-8089	164		▶457		▶894
	869	196-8090	164		458	200-3271	834
	874	196-8102	160	199-4493	456	200-3272	834
194-1155	581		162	199-4496	643	200-3273	834
	582	196-8104	160		645	200-3274	834
194-1156	581		162		647	200-3275	834
	582	196-8133	▶619		649	200-3276	834
194-1157	579		623	199-4498	452	200-3277	834
	580	196-8137	618	199-4499	452	200-3278	834
	▶581	196-8173	826	199-4501	422	200-3279	834
	585		828		452	200-3280	834
194-1162	581	197-0226	834		454	200-3281	834
	582	197-2471	806	199-4502	452	200-3282	834
194-3259	1126	197-2472	806		454	200-3283	834
	▶1128	197-2474	806	199-4533	418	200-3284	834
194-6722	▶337	197-4385	416	199-4545	418	200-3285	834
	339	197-4971	60	199-4546	418	200-3286	834
194-6725	▶338	197-7415	7	199-4553	418	200-3287	834

PART NUMBER INDEX

Part	Page	Part	Page	Part	Page	Part	Page
200-3288	834	201-9383	859		99		734
200-3289	834		861		100		741
200-3290	834	201-9384	859	204-0046	460		749
200-3291	834		861		▶679	204-8353	705
200-3292	834	201-9385	859	204-0047	679	204-8355	705
200-3294	834	201-9386	861		▶685	204-8479	721
200-3295	834	202-2917	515		▶686		727
200-3296	834		▶532	204-0048	685		735
200-3297	834	202-2922	515		686		742
200-3298	834	202-2923	515	204-0051	685		750
200-3299	895	202-2926	515		686	204-8480	721
200-3300	895	202-2928	▶1238	204-0920	160		727
200-3301	895	202-2958	515		162		735
200-3302	895	202-2959	515	204-1073	614		742
200-3311	53	202-2964	519		616		750
	54	202-2977	519	204-1611	160	204-8481	721
200-3313	▶53		▶533		162		727
	134	202-2978	533		254		735
	137	202-3572	132		266		742
	614	202-3773	851		278		750
200-3391	817	202-3862	656		402	204-8482	721
200-3543	534	202-4046	851	204-1673	252		727
200-3544	534	202-4048	851		383		735
200-3545	534	202-4902	581	204-1771	254		742
200-4246	114	202-5058	979		266		750
200-7126	858		985		278	204-8485	721
200-7127	▶858		989	204-1795	254		727
	879		993		266		735
201-1241	▶1013		997		278		742
201-1413	658		1001	204-1807	222		750
	660	202-9762	720		254	204-8487	721
201-1414	658		726		266		727
	660		734		278		735
	662		741	204-2730	894		742
201-1704	422		749		▶895		750
201-2771	450	203-3831	153	204-2733	895	204-8488	788
201-3738	178		155	204-2762	668	204-9316	▶59
201-3785	614		156	204-2763	611		60
	616		158	204-2799	806	205-0481	463
201-3825	▶130	203-3901	613	204-2855	895	205-0482	463
201-3826	130	203-4862	581	204-2856	832	205-6295	1052
201-4340	36	203-5096	▶442	204-6101	1228		1055
	38		472	204-8074	701		1058
201-4391	1112		479	204-8196	698	205-6716	184
	1114	203-5097	442	204-8197	701		188
	1117	203-5098	442	204-8198	701		190
	1119	203-5099	442	204-8199	701		192
	1121	203-5105	218	204-8200	701		195
201-4534	1130		224	204-8201	701	205-6824	354
	1132		226	204-8202	701		357
	1134	203-5161	445	204-8203	701	205-6829	1
201-4535	1130	203-5162	445	204-8206	701		▶206
	1132	203-5209	435	204-8220	690	205-6830	206
	1134		437		692	205-6833	206
201-6617	▶346	203-7266	930	204-8221	690	205-7700	385
	348	203-7267	930		692	206-9285	834
201-9299	668	203-7268	930	204-8295	851	206-9286	834
201-9381	770	203-7270	931	204-8298	770	206-9287	834
	775	203-7271	931		775	206-9289	895
	780	203-7272	930		780	206-9290	834
	▶859	203-7273	931	204-8334	770		895
201-9382	770	203-7274	931		775	206-9292	834
	775	203-8609	806		780		895
	780	203-8822	97	204-8350	720	206-9293	895
	▶861	203-8824	97		727	206-9294	895

PART NUMBER INDEX

Part	Page	Part	Page	Part	Page	Part	Page
206-9295	895		1212	210-8165	177	213-9246	897
206-9297	834	209-1317	383	210-9334	1229	213-9247	897
206-9298	895	209-2917	631	210-9335	1229	213-9248	836
206-9299	895		▶640	210-9336	1229	213-9250	836
206-9300	895	209-2918	640	210-9337	1229	214-2484	331
206-9301	895	209-2920	640	210-9338	1229		333
207-0449	11	209-3569	23	210-9434	834		▶347
	12	209-4280	1210	210-9435	834	214-7568	214
	▶60	209-4575	770	211-3122	46		222
207-4918	452		775		47		353
	454	209-5875	834		49	214-7915	1239
207-4919	565	209-5895	803	211-3123	46		1244
	567		▶817		49	214-8014	▶549
207-5248	97	209-5908	817	212-2086	52		553
207-6206	705	209-5937	836	212-2113	7	214-8031	538
207-6244	721		▶897		9	214-8038	428
	727	209-5939	897		▶52	214-8310	472
	735	209-5940	897	212-5338	656		479
	742	209-5941	897	212-5417	702	214-8889	385
	750	209-5942	897	212-5452	770		387
207-6272	770	209-5943	897		775	215-2913	1052
	775	209-5979	831		780		1055
	780	209-5980	831	212-5456	701		1058
207-6290	705	209-5981	831	212-5467	851	215-4011	851
207-6403	851	209-5982	▶607	212-5473	770	215-4360	975
207-6404	851		836		775		985
207-6418	721	209-5983	836		780		987
	727	209-5984	836	212-5503	705		991
	735	209-5985	836	212-5511	705	215-4905	▶604
	742	209-5986	836	212-5531	758		770
	750	209-6003	897		762		775
207-6463	758	209-6004	897		766		780
	762	209-6005	897	212-5595	770	215-4906	604
	766	209-6014	849		775		▶605
207-6467	758	209-6063	810		780	215-4907	604
	762	210-0834	834	212-8525	619		▶606
	766	210-0835	834		622	215-9864	640
207-6477	758	210-7989	159	212-8526	619	215-9972	640
	762		▶164		622	215-9996	632
	766	210-7992	164	212-8527	619	216-0000	640
207-6553	770	210-7993	164		622	216-0003	636
207-6797	293	210-7994	164	212-8528	619	216-0008	632
207-7899	143		167		622	216-0011	640
	145	210-7995	164	212-8529	619	216-1397	899
	692		167		622	216-1594	899
	696	210-8025	▶159	212-8530	619	216-5582	40
208-4148	553		160		622		43
208-4149	495		162	212-8531	619	217-0751	40
	553	210-8026	159		622		43
208-4150	495		▶166	213-0677	84	217-0752	40
	553	210-8027	166		86		43
208-4151	495		▶167		88	217-2543	313
	553	210-8030	164		851	217-2544	313
208-4152	495		167	213-0710	1136	217-3875	899
	553	210-8078	164		1137	217-4648	955
208-4153	495		167	213-0711	1136		956
	553	210-8081	618		1137		▶1010
208-4154	495	210-8155	13	213-0772	317	217-5449	184
	553		▶177		416		188
208-4360	218	210-8156	13	213-3217	90		190
	224		▶614		91		192
	226		▶616	213-9100	248		195
208-4452	472	210-8157	614	213-9242	897	217-5450	619
	479		616	213-9243	897		622
209-0348	1211		▶618	213-9244	897	217-5451	619

PART NUMBER INDEX

Part	Page	Part	Page	Part	Page	Part	Page
217-5703	204		1055		885	223-6665	788
217-6415	84		1058		887	223-7263	▶40
	86	220-6060	8	222-8210	130		43
217-8157	465		10	222-8255	6		47
217-8946	176		▶198		▶184		49
217-9060	133		▶199		▶188	223-7962	143
218-1038	770		▶200		▶190		145
	775	220-6372	7		▶192	223-9158	90
	780		9		▶195	223-9159	90
218-1039	770		▶183	222-8316	689		91
	775	220-6420	385		▶826	223-9250	▶46
	780		387		▶828		▶47
218-1042	770	220-8360	▶1064	222-8317	▶625		48
	775	220-8678	209		▶626	223-9257	143
	780	221-1426	183		826		145
218-1160	701	221-1428	7	222-8318	1	223-9732	11
218-2656	1233		9		▶13		12
218-2657	1233		▶56	222-8319	13		▶28
218-7758	472	221-2683	235		▶178	223-9818	1239
	479		237	222-8321	13		1244
	▶537		239		▶182	224-0554	1239
218-7761	472	221-2685	235	222-8323	13		1244
	479		237		▶208	224-2669	1215
	▶538		239	222-8324	▶354	224-2861	254
219-0305	1128	221-2687	423		▶357		266
	1130	221-2688	423		360		278
	1132	221-2689	423	222-8334	13		▶317
	1134	221-2690	423		▶174	224-2862	317
219-0614	84	221-3705	8	222-8374	▶620	224-2863	317
	86		9		625	224-2940	1136
219-4458	91		▶96	223-0486	613		1137
220-0293	▶84	221-4872	770	223-0533	68	224-3235	147
220-0294	84		775	223-2939	1	224-3236	147
220-1441	11	221-4967	770		▶461	224-3237	147
	12	221-7693	204	223-2940	1	224-3238	▶147
	▶90	221-8045	1239		▶553		148
	▶91		1244	223-2941	1	224-3239	8
220-1594	▶952	221-8813	1047		▶472		9
220-1595	952		1049		▶479		▶148
	▶975		1050	223-2942	1		▶149
220-2421	204		▶1153		▶486		▶150
220-2422	▶204	221-8818	612		▶489		▶151
220-3333	84		▶1082		▶492		▶152
220-3334	84	221-8819	▶1087	223-2943	1	224-3245	90
220-3464	8		1160		▶1163		91
	10	221-8859	330	223-2949	1	224-3246	90
	▶407		727		▶218		91
220-3490	7		735	223-2951	1	224-3979	8
	9		742		▶468		▶1249
	▶127		750	223-3074	1	224-3983	40
	▶128	221-8861	306		▶1151	224-5122	48
220-3493	7		▶307	223-3082	553		50
	9	221-8869	721	223-3083	553	224-6809	▶796
	▶141	221-8883	613	223-3084	553		879
220-3496	141		▶1083	223-3085	553	225-0312	1239
220-4079	1052		▶1084	223-3086	1		1244
	1055	221-8884	612		▶560	225-1144	25
	1058		▶1088	223-3095	▶217	225-1147	▶24
220-4080	1112		▶1089		243		26
	1114	221-8912	721	223-4746	143	225-1148	▶25
	1117	222-0225	1090		145		27
	1119		1091	223-6661	788	225-4130	1235
	1121	222-4737	796	223-6662	788	225-4131	1235
	1228		869	223-6663	788	225-4152	▶209
220-4081	1052		874	223-6664	788		216

PART NUMBER INDEX

Part	Page	Part	Page	Part	Page	Part	Page
225-4153	▶216		▶705	227-0666	721	228-2775	224
	218	227-0613	770		727		226
	224		775		735	228-2781	1239
	226		780		742		1244
225-4257	1239	227-0620	▶678		750	228-4224	7
	1244		851	227-0667	721		9
225-4614	614	227-0626	770		727		▶143
	616		775		735		▶145
	▶806		780		742	228-4947	347
225-4839	3	227-0628	770	227-0684	851		348
	▶719		775	227-1086	1128	228-7316	1239
225-5714	1148		780	227-1204	34		1244
225-5752	1	227-0630	758		36	228-8153	▶1
	▶1160		762		38	228-8154	1
225-5757	1160	227-0631	758	227-3503	7	228-8156	1
	▶1165		762		9		▶1239
	▶1166		766		▶78		▶1244
	▶1167	227-0632	758		▶79	228-8157	▶307
225-5765	▶1156		762	227-4002	407	228-8159	515
	1160		766	227-4239	43	228-8160	515
225-5773	1171	227-0633	758	227-6077	459	228-8161	515
	▶1225		762	227-6098	454	228-8162	515
225-5774	▶1148		766		▶458	228-8218	▶230
	1171	227-0634	758	227-6099	458	228-8234	▶655
225-5782	▶1162		762		▶459	228-8252	▶530
225-5783	▶1099		766	227-6130	421	228-8255	235
	▶1100	227-0635	758		▶651		237
	1162		762	227-6131	421		239
225-6287	863		766		▶652	228-9254	1239
	▶864	227-0636	758	227-6149	1		1244
225-6289	864		762		▶421	229-0887	1239
225-6291	864		766	227-6177	418		1244
225-6292	864	227-0637	758	227-6178	418	229-1021	851
225-6293	864		762	227-6179	418	229-1857	237
225-6294	864		766	227-6180	418		239
225-8569	127	227-0643	721	227-6215	645	229-1860	237
	128		727		649		239
226-0294	509		735	227-6221	645	229-1861	237
	512		742		649		239
226-0338	509		750	227-7129	▶393	229-2282	143
	512	227-0645	721		1160		145
226-5561	40		727	227-7130	393	229-3756	1174
226-7475	299		735		▶394	229-3757	1174
226-9035	1052		742		▶396	229-4818	1174
	1055		750	227-7131	393	229-5509	7
226-9124	1052	227-0646	721		▶398		9
	1055		727		▶400		▶299
227-0367	▶851		735	227-7132	▶385		▶300
	855		742		▶387	229-5519	7
227-0370	689		750		1047		9
	▶758	227-0662	721		1049		▶20
	▶762		727		1160		▶21
	▶766		735	227-7569	1083	229-5669	1249
227-0371	689		742		1085	229-6259	90
	▶720		750	227-7571	1101		91
	▶726	227-0663	721	227-7576	385	229-6709	8
	▶734		727		387		9
	▶741		735	227-7587	▶293		▶92
	▶749		742		307	229-7151	1015
227-0373	▶677		750	227-7617	1093	229-7152	1022
	719	227-0665	721	227-7625	1088	229-7153	1025
227-0374	689		727		1089	229-7156	1013
	▶855		735	227-9495	10	229-7159	1017
227-0428	781		742		▶106	229-7161	▶1015
227-0583	689		750	228-0404	143	229-7162	▶1022

PART NUMBER INDEX

Part	Page	Part	Page	Part	Page	Part	Page
229-7163	▶1025	230-2895	177		5		991
229-7166	▶1017	230-2925	618		▶248		993
229-8059	1215	230-2926	618	231-1811	254		995
229-8060	1215	230-2927	618		266		997
229-8062	470	230-3728	231		278		999
	471		232	231-1812	255		1001
229-8568	▶29	230-3775	231		267		1003
	30		232		279		1005
229-9014	13	230-4009	255	231-1973	8		1007
	▶1068		256		9		1008
229-9075	1175		267		▶331		1009
	▶1195		268		▶333	232-2171	957
229-9076	▶1190		279	231-2214	▶114		961
	1195		280		115		962
229-9077	1195		385		116		963
	1196		396	231-2215	7		964
	▶1206		398		9		965
229-9082	1034		410		▶115		966
	▶1124		413		▶116		967
229-9089	1176	230-4011	255	231-2295	398		968
	▶1196		256		410		969
229-9090	▶1191		267		413		970
	1196		268		1138		971
	1197		279		1140		972
229-9093	▶1192		280		1142		973
	1198		376	231-6864	643		974
229-9094	1191		385		647		985
	1192		396	231-6969	643		987
230-0590	2		398		647		989
	▶1171		416	232-0071	955		991
230-0591	1171		1140		956		993
	▶1172		1142		▶1016		995
230-1117	20	230-4013	255	232-0072	▶1023		997
230-1340	293		256	232-0073	951		999
	295		267		▶1026		1001
	296		268	232-0076	▶1018		1003
	302		279	232-0078	▶1014		1005
230-1341	295		280	232-0170	1014		1007
	296	230-4646	8		1016		1008
	302		▶94		1018		1009
230-1434	354	230-5008	256		1023	232-2172	957
	357		268		1026		961
230-2569	90		280	232-0171	1016		962
	91	230-5010	256	232-0172	1023		963
230-2799	13		268	232-0173	1026		964
	▶134		280	232-0179	1018		965
	▶137		307	232-0253	97		966
230-2800	160		327	232-1693	300		967
	162		389	232-2170	957		968
230-2802	134		391		961		969
	137		396		962		970
230-2805	134		398		963		971
	137		410		964		972
230-2806	177		413		965		973
230-2808	177		1138		966		974
230-2810	177		1140		967		985
230-2811	177		1142		968		987
230-2812	168	230-5011	405		969		989
230-2813	168	231-1403	302		970		991
230-2825	13	231-1766	▶403		971		993
	▶160		▶404		972		995
	▶162	231-1767	▶405		973		997
230-2826	▶168		▶406		974		999
230-2831	168	231-1768	▶1138		985		1001
	169	231-1771	4		987		1003

PART NUMBER INDEX

Part	Page	Part	Page	Part	Page	Part	Page
	1005		267		811		1080
	1007		279	234-4543	808		1218
	1008	234-1019	▶383		811		1220
	1009	234-1020	▶252	234-4624	709		1222
232-2178	1014		360		713	234-6580	1074
232-3235	90	234-1097	385		716		1076
	91		387		▶866		1078
232-3236	90	234-1112	394	234-5002	15		1080
	91		396	234-5005	11	234-6593	1107
232-4126	1	234-1124	1138		12	234-6602	1076
	▶689		1140		▶15		1078
233-0891	299		1142	234-6468	1218	234-6603	1074
	300	234-1155	394	234-6469	1218		1080
233-1143	178		396		1220	234-6604	1076
233-1152	826	234-1156	325	234-6470	1218		1078
	828		327		1220	234-6605	1074
233-1153	826	234-1158	325		1222		1080
	828		327	234-6471	1218	234-6606	▶1043
233-1154	826	234-1182	255		1220		1076
	828		267		1222	234-6607	▶1044
233-1155	826		279	234-6472	1156		1074
	828	234-1190	255		1218	234-6608	1074
233-1177	184		267	234-6473	1218		1076
	188		279		1220		1078
	190	234-1193	317		1222		1080
233-1184	184	234-1194	317	234-6474	1218	234-6609	1074
	188	234-1195	317		1220		1076
	190	234-1196	317		1222		1078
	192	234-1197	317	234-6475	1218		1080
	195	234-1198	317		1220	234-6610	1074
233-1186	13	234-1199	317	234-6476	1218		1076
	▶170	234-1200	255	234-6477	1215		1078
	▶171		267	234-6478	1218		1080
233-1187	170		279		1220	234-6611	1074
	▶172	234-1400	1249	234-6480	1218		1080
233-1188	184	234-1401	1249		1220	234-6612	1074
	188	234-2916	▶110		1222		1080
	190		117	234-6483	1218	234-6613	▶373
	192	234-3788	565		1220		1074
	195	234-3789	565		1222		1080
233-1189	184		567	234-6485	1218	234-6614	1074
	188	234-3793	564		1220		1080
	190		▶565		1222	234-6615	373
	192		▶567	234-6489	1226	234-6899	863
	195	234-3974	450		1227		▶867
233-1190	184	234-4531	▶672	234-6490	1218	234-7900	18
	188		851		1220	234-7935	11
	190	234-4534	651		1222		12
	192		▶799	234-6497	1218		▶18
	195		▶800		1220	234-8937	65
233-1192	178	234-4535	799		1222	234-9503	838
233-1250	354		▶813	234-6498	1218		840
	357	234-4536	652		1220	234-9966	1226
	354		▶801		1222	235-1402	11
233-1251	357		▶802	234-6499	1107		12
	1013	234-4537	801	234-6500	4		▶231
	1015		▶814		▶1110		▶232
	1017	234-4539	834	234-6501	▶1107	235-1587	132
	1022	234-4540	▶808		1156	235-2470	220
	1025		813	234-6502	1107		222
233-8350	758		814	234-6521	1218	235-2471	7
	762	234-4541	813		1220		9
234-1004	403		814	234-6579	1074		▶251
	1140		▶909		1076	235-2974	11
234-1015	255	234-4542	808		1078		12

PART NUMBER INDEX

Part	Page	Part	Page	Part	Page	Part	Page
	▶48	235-8875	1028	235-8998	1044	236-9287	523
235-4908	▶694		1030		1046	236-9288	523
	▶696		1032	235-9001	1215	236-9293	472
	952	235-8876	1124	235-9003	▶1034		479
	953	235-8877	1124	235-9004	▶1028		▶524
	954	235-8878	1124		▶1030	236-9294	524
	955	235-8879	1124		▶1032	236-9295	524
235-4910	977	235-8880	1069		1034	236-9318	▶444
	979	235-8881	1068	235-9005	1028		495
	981	235-8891	1148		1030	236-9319	444
	989	235-8898	▶1070		1032	236-9322	472
	993		▶1072	235-9015	1148	236-9324	472
	995		1160	235-9016	1148	236-9334	472
	997	235-8899	▶1104	235-9017	1148	236-9341	472
	999		1160	235-9020	▶1184	236-9345	▶445
	1005	235-8912	1055		1186		472
235-4932	983		1058	236-2230	▶26		479
	989	235-8914	1074		27	236-9349	472
	1001		1076	236-3210	758		479
	1003		1078		762	236-9353	▶550
	1005		1080		766		558
235-4936	694	235-8923	1218	236-3211	758	236-9364	557
235-4938	694		1220		762	236-9382	553
235-4939	983		1222		766	236-9383	553
235-4944	▶952	235-8951	1043	236-3257	678	236-9386	1163
235-4945	952		1045	236-3258	217	236-9389	1163
	▶977	235-8952	1044		678	236-9391	1163
235-4946	977		1046	236-3259	217	236-9397	1163
	983	235-8965	1074		678	236-9399	1163
235-4949	939		1080	236-3725	1	236-9401	1163
	940	235-8966	1076		▶495	236-9403	▶438
235-5805	7		1078		▶498		495
	10	235-8969	1082	236-4545	354	236-9596	486
	▶107		▶1090		357		▶505
235-5942	8	235-8970	1082	236-5605	49	236-9605	468
	10		▶1091	236-6267	1064	236-9610	461
	▶133	235-8971	1090	236-9249	218	236-9611	461
235-6387	220	235-8972	1091	236-9250	218	236-9612	461
	222	235-8975	1104	236-9252	218	236-9617	360
	▶241	235-8976	1104	236-9253	218		▶425
235-6472	7	235-8983	1160	236-9255	495		▶426
	▶140		▶1204		498		▶427
235-7695	565	235-8984	1204		▶539	236-9624	425
235-7696	565	235-8986	1070	236-9256	539		426
	567		1072	236-9259	558		427
235-7814	1	235-8988	1070	236-9266	495	236-9626	425
	▶450		1072		498		426
235-7815	450	235-8989	1070		▶521		▶428
235-8200	8		1072	236-9267	521	236-9627	428
	9	235-8990	1070	236-9270	495	236-9863	117
	▶329		1072		498	237-1962	361
235-8848	1148	235-8991	1070		▶540		▶362
235-8849	1148		1072	236-9271	540	237-2167	3
235-8862	1157	235-8992	1099	236-9272	540		▶1047
	1165		1100	236-9276	495	237-2706	222
235-8863	1166	235-8994	1070		498	237-3125	▶448
	1168		1072		▶541		1172
235-8872	324	235-8995	1043	236-9277	541	237-3126	448
235-8873	324		1044	236-9278	541	237-3144	448
	1028	235-8996	1043	236-9281	542	237-3145	448
	1030		1044	236-9283	472	237-3146	448
	1032		1045		479	237-3147	448
235-8874	1028		1046	236-9286	472	237-3148	448
	1030	235-8997	1043		479	237-3149	448
	1032		1045		▶523	237-3150	448

PART NUMBER INDEX

Part	Page	Part	Page	Part	Page	Part	Page
237-3151	448	238-2205	1		775		413
237-3152	448		▶290		780	239-7356	385
237-3153	448	238-2206	290	239-2395	331	239-7853	178
237-3154	1172		▶410		333	239-9954	▶305
237-3157	1172		▶413		▶339		315
237-3158	1172	238-2211	1178	239-2396	210	240-4999	▶1175
237-3305	448		1183		212	240-5003	4
237-3306	448	238-2216	1138		214		▶1176
237-3564	4		1140		331	240-5006	1148
	5		1142		333	240-5036	1028
	▶1049	238-2218	515		▶340		▶1035
	▶1050	238-2260	1159	239-3433	1232	240-5037	3
237-3567	1047		1169		▶1233		4
	1049	238-2318	385	239-3434	1233		5
	1050		387	239-3478	▶341		▶1185
	▶1052	238-2366	325		342	240-5039	▶1186
	▶1055		327	239-4379	580	240-5061	▶1177
	▶1058	238-2393	255		▶598	240-5062	1177
237-3568	1049		267	239-4380	598		▶1197
	1050	238-2420	255	239-5674	331	240-5063	1197
237-4332	529		267		333		1198
237-8519	546		279	239-5928	▶342		▶1207
237-8523	528		279		331		▶1209
237-8526	217	238-2439	402		333	240-5064	▶1178
237-8771	242	238-2474	255		▶348	240-5065	1178
	▶243		267	239-5929	407		▶1198
237-8829	553		279	239-6304	143	240-5067	1093
237-8843	472	238-2526	317		145	240-5074	1124
	479	238-2707	91	239-6415	620	241-0164	7
237-8845	473	238-4665	183		621		9
	480	238-5436	78	239-6416	620		▶68
237-8846	1163		79		621	241-0478	68
237-9147	689	238-6801	525	239-6417	620		▶70
	▶887	238-6802	7		621	241-1920	468
237-9311	210		9	239-6418	620	241-2781	▶869
	212		▶525		621		887
	214	238-8643	78	239-6419	620	241-2783	▶874
237-9323	214		79		621		887
238-1463	1138	239-1134	354	239-6420	620	241-3283	141
238-1488	252		357		621	241-4052	1130
238-1489	252		▶382	239-6444	184		1132
238-1491	383	239-1764	758	239-6446	184		1134
238-1492	383		762		188	241-4053	1130
238-1499	383		766		190		1132
238-1500	410	239-1768	770		192		1134
238-1507	255		775	239-6457	620	241-5933	7
	267		780	239-6472	3		9
	279	239-1772	788		4		▶11
238-1510	307	239-1773	788		▶335	241-6186	331
	▶402	239-1774	788	239-6473	184		333
238-1594	▶375	239-1776	788		188	241-6215	664
	416	239-1778	705		190	241-6326	7
238-1595	375	239-1825	655		192		9
238-1596	▶376		▶656	239-6638	182		▶117
	416	239-1880	656	239-6639	178	241-6607	▶952
238-1597	376	239-1904	698	239-6640	178	241-6608	952
238-1636	230	239-1905	698	239-6641	178		▶979
	▶416	239-1906	698	239-6663	354	241-6609	▶939
238-1637	416	239-1907	698		357		979
238-1641	394	239-1925	689	239-6673	354	241-6610	939
	396		▶788		357	241-6615	939
238-2194	▶254	239-1967	770	239-6986	1239		940
	▶266		775		1244		993
	▶278		780	239-7352	396		995
	290	239-1976	770		398		997

▶ PRIMARY REFERENCE

PART NUMBER INDEX

Part	Page	Part	Page	Part	Page	Part	Page
	999	242-6893	918		1086		558
241-6620	939	242-6902	806	243-4509	398	244-8012	543
	993	242-6903	806		402	244-8025	543
	995	242-6922	808		410	244-8026	543
241-6624	▶953		811		413	244-8027	443
241-6625	953	242-6924	689		1138		444
	▶981		▶822		1140	244-8028	443
241-6626	▶940		▶824		1142		444
	981	242-6925	866	243-4510	255	244-8029	443
241-6627	940		881		256		444
241-6635	940		884		267	244-8031	443
	997	242-7205	293		268		444
	999		▶302		279	244-8032	443
241-6640	▶953	242-8768	1206		280		444
241-6641	953		1207		281	244-8033	443
	▶983		1209		396		444
241-6642	983	242-9537	25		398	244-8034	443
	1001		26		410		444
	1003	243-0943	▶42		413	244-8035	443
241-6653	▶820		43	243-6718	28		444
	952	243-1159	25	243-6741	▶43	244-8036	473
	953		26		46		480
	954	243-1276	96	244-1645	153	244-8049	473
	955	243-4505	239	244-6835	143		480
241-8929	785		255		145	244-8062	495
	▶879		256	244-7094	1052		558
241-9429	201		267		1055	244-8065	495
242-1588	1239		268	244-7592	220		558
	1244		279	244-7716	231	244-8066	528
242-3360	201		280	244-7972	495	244-8067	528
	202		375		498	244-8068	528
	203		385	244-7973	495	244-8069	528
242-3374	806		396		498	244-8070	528
242-3375	127		398	244-7976	495	244-8071	546
	128		416		498	244-8072	495
242-4066	590		1067	244-7977	495		558
	591		1136		498	244-8073	495
	▶593		1137	244-7991	558		558
242-4067	593		1138	244-7992	558	244-8075	540
242-4070	593		1140	244-7994	550	244-8076	540
242-6092	1239		1142	244-7995	550	244-8077	540
	1244	243-4506	255	244-7997	495		541
242-6845	806		256		498	244-8078	540
242-6878	▶674		267	244-7998	495	244-8079	541
	851		268		498	244-8080	541
242-6879	709		279		▶526	244-8081	541
	▶881		280	244-7999	526	244-8082	521
242-6880	709		515	244-8000	526	244-8083	521
	713	243-4507	410	244-8001	526	244-8084	521
	716		413	244-8002	473	244-8085	521
	▶918	243-4508	255		480	244-8086	521
242-6882	672		256	244-8004	473	244-8087	521
	674		267		480	244-8088	495
242-6883	672		268	244-8005	473		498
	674		279		480	244-8089	495
242-6889	881		280		▶527		498
242-6890	866		379	244-8006	527	244-8090	495
	881		389	244-8008	495		498
	884		391		▶542	244-8091	473
242-6891	866		410	244-8009	542		480
	881		413		548	244-8093	495
	884		1082	244-8010	542		498
242-6892	866		1083		548		▶544
	881		1084	244-8011	495	244-8094	544
	884		1085		▶543	244-8095	495

PART NUMBER INDEX

Part	Page	Part	Page	Part	Page	Part	Page
	498		▶239	245-7830	1035	245-7895	1145
	▶545	245-5559	1		1038		1146
244-8096	545		▶564		1041		1206
244-8097	539	245-5591	1239	245-7831	1035		1207
244-8104	495		1244		1038		1209
	498	245-5595	515		1041	245-7896	▶1027
	▶546	245-5596	515	245-7832	1035		1206
244-8108	495	245-5641	▶515		1038		1207
	498		530		1041		1209
	▶528	245-5647	515	245-7833	1035	245-7897	1027
244-8155	438	245-7511	220		1038		1206
	439	245-7560	220		1041		1207
	503		222	245-7834	1035		1209
	504	245-7749	1068		1038		1210
244-8158	505		▶1069		1041		1211
	511	245-7750	1069	245-7835	1035		1212
244-8159	505	245-7751	1069		1038	245-7898	1027
	511	245-7776	1148		1041		1190
244-8160	505	245-7779	1064	245-7836	1035		1191
	511	245-7790	1074		1038		1192
244-8162	553		1076		1041		1210
244-8166	521		1078		▶1062		1211
244-8167	473		1080	245-7837	1062		1212
	480	245-7791	1124	245-7838	1035	245-7899	1206
244-8168	473	245-7792	1124		1038		1207
	480	245-7793	1124		1041		1209
244-8170	528	245-7811	1	245-7839	1035		1210
244-8171	528		▶1157		1038		1211
244-8176	443	245-7813	1098		1041		1212
	444	245-7814	1098	245-7842	1090	245-7905	1062
244-8177	443	245-7815	1098	245-7844	1091	245-7923	1070
	444	245-7816	1098	245-7846	1035		▶1074
244-8697	588	245-7817	1035		1038	245-7924	1070
245-3805	588		1038		1041		▶1076
245-3806	588		1041		▶1098	245-7925	1074
245-3808	588	245-7818	1035	245-7847	1035		1080
245-4980	721		1038		1038	245-7926	1076
	727		1041		1041		1078
	735	245-7819	1035	245-7850	1148	245-7929	1107
	742		1038	245-7851	1148	245-7941	1166
	750		1041	245-7856	1035		1167
245-4983	721	245-7820	1035		1038		1168
	727		1038		1041	245-7948	1074
	735		1041	245-7872	1124		1076
	742	245-7823	1035	245-7873	1124		1078
	750		1038	245-7883	1190		1080
245-5253	758		1041	245-7884	1191	245-9206	160
	762	245-7824	1035	245-7885	1192		162
245-5267	821		1038	245-7886	1027	245-9239	▶169
245-5309	689		1041	245-7887	1190		613
	▶821	245-7825	1035		1191	245-9309	160
245-5456	1239		1038		1192		162
	1244		1041	245-7888	1190	246-0505	▶588
245-5458	1239	245-7826	1035		1191		600
	1244		1038		1192		601
245-5482	1239		1041	245-7889	1206	246-1235	112
245-5483	1239	245-7827	1035		1207	246-2641	242
245-5490	1239		1038		1209		423
	1244		1041	245-7890	1206		425
245-5495	1239	245-7828	1035		1207		426
	1244		1038		1209		427
245-5552	▶613		1041	245-7892	1206		486
245-5555	230	245-7829	1035		▶1210		489
	▶235		1038	245-7893	1207		492
	▶237		1041		▶1211		1163

PART NUMBER INDEX

Part	Page	Part	Page	Part	Page	Part	Page
246-2659	7	247-5276	1088	249-2664	1047		▶1169
	9		1099		1049	251-0539	1170
	▶210		▶1102		1050	251-0542	3
	▶212	247-6801	1052		▶1218		4
	▶214		1055		▶1220		5
246-3129	153		1058		▶1222		▶325
	155	247-6812	1215	249-2665	1047		▶327
	156	247-6852	1215		▶1227	251-0543	325
	158	247-6857	1215	249-6335	405	251-0575	1
246-3130	153	247-8762	▶899	249-6336	405		▶1136
	155		901	249-7107	3	251-0576	1136
	156		902		4	251-0597	385
	158	247-8764	899		5	251-0600	394
246-3131	153	247-8765	899		▶1161	251-0601	398
	155	247-8766	899	249-7108	▶470		400
246-3132	149	247-8833	613		▶471	251-0602	398
	▶153		▶798		1126		400
	154	247-8846	838		1161	251-0605	394
246-3247	▶600		▶901	249-7109	▶1126		396
246-3394	▶601	247-8978	134	249-7110	▶324	251-0606	398
246-4785	7		137		1049		400
	9		▶810	249-7887	1126	251-0910	964
	▶220	247-9908	47	250-0466	34		969
	▶222	248-1537	588		36		970
246-5628	7	248-1710	▶571		38		971
	9	248-5513	143	250-0712	2		972
	▶27		145		▶1126		973
246-5659	91	248-6496	1049	250-0729	658		974
246-5984	7		1050		660		1008
	9		▶1226		662	251-0911	966
	▶529	248-6875	869		664		967
246-9353	329		874		▶676		968
246-9906	7	248-7161	599	250-2941	869		1007
	9	248-7163	599	250-2942	869		1009
	▶112	248-7179	562		874	251-0917	970
247-2693	396		563	250-5061	1		974
	398	248-7257	▶582		▶434	251-0920	964
	413		586	250-5062	434		971
	1092		587		▶435		1008
	1093	248-7286	564	250-5063	435	251-0941	970
	1095		▶592	250-5093	461		974
	1096	248-7290	▶583	250-5111	552	251-0942	964
	1097	248-7308	585	250-5112	552		971
	1101		586	250-5113	551		1008
	1102		587	250-5114	473	251-0999	961
	1103		▶599		480		967
247-2694	1106	248-7988	1233	250-5115	547		971
247-2695	1106	248-9358	▶446	250-5116	547	251-1000	974
247-4574	869		▶447	250-5118	473		1009
	874		613		480	251-1044	957
247-4577	869	248-9359	446		▶547		962
	874	248-9360	446	250-5119	473	251-1047	961
247-4579	869	248-9466	613		480	251-1085	970
247-4585	869		▶709	250-5120	473		974
	874		▶713		480	252-1230	1052
247-5112	1102		▶716		▶551		1055
	1103	248-9495	709	250-5121	▶552		1058
247-5172	1		713		553	252-1234	1052
	▶301		716	250-5132	472		1055
247-5177	515	249-0530	▶1108		479		1058
247-5190	612		1160	250-6967	676	252-1235	1226
	▶1085	249-2663	1047	251-0524	255	252-1241	▶313
	▶1086		1049		267		1161
247-5275	1087		1050		279	252-1242	▶314
	▶1101		▶1215	251-0538	4		1126

PART NUMBER INDEX

Part	Page	Part	Page	Part	Page	Part	Page
252-1243	1215		▶463		101	259-7202	1080
252-6101	636	254-1946	1129	258-9892	1064	259-7243	1065
253-0616	232	254-1982	2		1065		▶1067
253-0861	1239		▶1129		1066	259-7285	1067
	1244	254-2868	530	259-0784	822	259-7346	▶1045
253-1248	696		▶930		▶838		1078
253-1249	696	254-2869	450	259-0816	810	259-7347	▶1046
253-1752	28	254-2870	450		▶845		1080
253-2111	318	254-2999	577	259-0817	845	259-7348	1072
253-2278	969	254-3000	577	259-0882	844		▶1078
	973	254-3435	220	259-0883	846	259-7349	1072
253-2279	969	254-6081	100	259-0884	846		▶1080
	973	254-9114	302	259-0891	902	259-7353	1218
253-2280	969	254-9115	302	259-0895	846		1220
	973	255-1950	762	259-0899	838		1222
253-2281	964		766		840	259-7729	330
	971	255-2882	1		▶846	260-1089	▶941
	1008		▶6	259-3505	430		951
253-2288	973	255-2901	174		432	260-1090	▶941
	1007	255-2918	184	259-3525	434	260-1091	▶941
253-2289	1008		188		436	260-1092	▶942
253-2449	1239		190	259-3656	505		955
	1244		192	259-3680	434	260-1093	▶942
253-2455	968		195		436		956
	969	255-2968	184	259-3722	553	260-1094	▶942
253-2460	972		188	259-3727	495	260-1095	▶943
253-2462	972	255-6679	967		498	260-1096	▶944
253-2464	972	255-6680	967	259-3733	441	260-1097	▶945
253-2465	966	255-6681	967	259-3737	441	260-1098	▶946
	970	255-9074	313	259-3740	441	260-1099	▶947
253-2480	957	255-9075	313	259-3859	1163	260-1100	▶1008
	962	256-1033	958	259-3943	434	260-1101	▶1007
	972		959		436	260-1102	▶1009
253-2742	588		960	259-4910	255	260-1114	941
253-3048	957	256-1730	473		267		▶957
	965		480	259-4911	256	260-1115	941
253-3049	961	256-1931	1	259-4914	1159		▶961
	962		▶423		1169	260-1116	941
	963	256-1932	423	259-4916	▶409		▶962
253-3137	961		▶430		613	260-1117	942
253-3138	957		▶432	259-4917	409		▶969
253-3139	968	256-1933	430	259-4973	308	260-1118	942
	1007	256-2062	962		▶389		▶970
253-3140	966	256-2063	962	259-4974	308	260-1119	942
	1009	257-1110	1157		▶391		▶971
253-3141	961	257-4490	▶308	259-4975	389	260-1120	943
253-3142	957	257-4493	▶360		391		▶972
253-3143	968	257-4510	▶308	259-5009	389	260-1121	944
	1007	257-4599	613	259-5010	389		▶966
253-3144	966		▶1235		391	260-1122	945
	1009	257-4615	1244	259-5011	389		▶967
253-3145	968	257-4960	6		391	260-1123	946
	1007		▶7	259-5022	385		▶973
253-3146	966	257-7284	863		387	260-1124	947
	1009		▶882	259-5081	387		▶974
253-3438	147	258-0840	▶154	259-5082	387	260-1258	957
253-8453	2	258-0883	210	259-5098	396		962
	▶460		212	259-5255	▶1140	260-1259	961
253-8766	30		214		▶1142	260-1264	966
	32		▶374	259-5256	1140		1009
253-9224	1126	258-4524	202		1142	260-1265	967
	▶1130		203	259-5285	1142	260-1266	968
	▶1132	258-8721	97		434		1007
	▶1134		99	259-6227	436	260-2067	308
253-9707	460		100				▶315

PART NUMBER INDEX

Part	Page	Part	Page	Part	Page	Part	Page
260-2097	1	262-0662	1127	264-7033	1142		991
	▶306	262-1421	298	264-9971	218	267-5392	987
260-2098	▶306		▶306		224		991
260-2109	1083	262-2043	▶306		226	267-5394	▶954
	1084		308	264-9982	1067	267-5395	954
	▶1092	262-2292	1151	264-9983	1067		▶989
260-2110	1083	262-2293	1151	264-9984	1067		▶991
	1084	262-2356	1151	265-4538	199	267-5396	989
	▶1093	262-2357	1151		▶202		1001
	▶1094	262-2611	432	265-7172	▶3		1003
260-2111	1092	262-2879	300	265-7175	▶4	267-5402	989
	1093	262-3663	1215	265-7176	▶5		993
	1094	262-6754	202	265-7177	▶2		997
	1095	262-7933	▶1228		3		1001
	1096		1232		4		1003
260-2127	1085	262-7934	1228		5		1005
	1086	262-7935	1228	265-7642	▶948	267-5404	995
	▶1095	262-7954	1055	265-7643	▶948		999
260-2128	1085		1058	265-7671	▶948	267-5405	995
	1086	262-7956	1055	266-0545	1128		999
	▶1096		1058	266-0546	1130	267-5406	995
260-2174	▶295	262-7957	1055		1132		999
	308		1058		1134	267-5407	995
260-2191	330	262-7961	1228	266-1033	788		999
260-2192	▶330	262-7962	1228	266-1034	789	267-5408	▶954
	727	263-0788	1053	266-2861	295	267-5409	954
260-2649	1052		1056	266-5431	1239		▶993
	1056		1059		1244		▶995
	1059	263-1129	7	266-6234	184	267-5410	993
260-7948	689		9	266-6236	184		995
	▶785		▶180		188	267-5417	▶954
260-7949	689		▶181		190	267-5418	954
	▶770	263-3657	681		192		▶997
	▶775		682	266-6305	▶621		▶999
	▶780	263-3659	681		626	267-5419	997
260-7950	785		682	266-6343	621		999
260-7951	785	263-3755	▶612	266-6513	▶949	267-5425	▶955
260-8159	821	263-3762	▶612	266-6515	▶950	267-5426	955
260-8160	821	263-3763	▶612	266-6563	948		▶1001
260-8202	655	263-3764	3		▶958		▶1003
	▶658		4	266-6566	949	267-5427	▶955
	▶660		5		▶959	267-5428	955
	▶662		▶613	266-6567	948		▶1005
	▶664	263-4816	612		▶960	267-5429	1005
260-8248	658	263-4818	612	266-6570	959	267-6785	645
260-8251	658	263-4920	40	266-6571	958		649
	660	263-7922	1165	266-6572	960	267-6787	653
	662		▶1168	266-6573	959	267-7682	387
	664	263-8848	3	266-6574	958	267-7860	1
260-8273	726		4	266-6575	960		▶1137
	734		5	266-7953	824	267-7861	1137
	741		▶1232		▶840	267-7976	325
	749	263-9088	295	267-2060	▶49		327
261-0052	▶30		296		50	268-0745	558
	34		▶1171	267-2839	153	268-1352	1215
261-0191	11	264-4297	214		156	268-1353	1215
	12		351	267-4631	▶31	268-1616	145
	▶34		352		32	268-1964	387
	▶36	264-4493	198		33	268-2960	203
	▶38		▶201	267-5384	▶953	268-3700	8
261-3429	40	264-4501	121	267-5385	953		10
261-3430	40	264-7029	376		▶985	268-4770	184
261-4176	112		1142		▶987		188
261-4178	112	264-7032	307	267-5386	985	269-3775	682
261-8279	220		1142		987	269-3777	682

PART NUMBER INDEX

Part	Page	Part	Page	Part	Page	Part	Page
	684		101		190		564
	686	274-5048	1167	279-7791	188	284-7283	467
269-9741	788	274-7395	333		190	284-7284	467
270-3712	950		▶351	279-8094	975	284-8185	926
	▶968	274-7396	333		987	285-0823	21
270-3713	948		▶352		991	285-1133	305
	▶963	274-8359	91		995	285-7945	▶501
270-3715	963	275-0723	2		999		▶502
270-5320	209		▶923		1003	286-8861	1114
270-5620	1082	275-1734	660		1005		1119
	1084		662	279-8095	975		1121
	1086		664		987		▶1230
270-7104	86	275-1748	766		991	286-8862	1230
270-7105	86	275-6470	7		995	286-8863	1230
270-7106	86		9		999	286-8864	1230
270-7278	7		▶1065		1003	286-8866	1230
	▶86		▶1066		1005	286-8867	1230
270-8223	963	275-6596	7	280-2166	7	286-8868	1230
270-8224	963		9		▶12	286-8869	1230
270-8225	963		▶118	280-2167	12	286-8870	1230
270-8227	963	275-6733	268		▶77	286-8871	1230
270-8233	959		280	280-2562	357	286-8878	6
270-8234	958	275-9858	4	280-2747	1055		▶9
270-8235	960		▶1144	280-7373	156	287-0203	13
270-8239	959	275-9860	1144	280-7374	151		▶82
270-8240	958		▶1159		▶156	287-0204	82
270-8241	960	276-2881	1144	280-8039	9	288-4883	40
270-8245	959		▶1170		▶157	288-4884	40
270-8246	958	276-4755	150	281-2725	241	289-2492	190
270-8247	960		▶155		▶245		192
271-4068	88	276-4756	155	281-3516	618		195
271-5761	7		156	281-3517	618	289-6304	96
	9		158	281-3564	169	289-8215	17
	▶88	276-5317	97	281-3565	169	290-9020	108
272-0390	17		99	281-3566	169	290-9021	10
272-2583	24		100	281-3567	169		▶108
272-4435	692		101	281-3614	137	292-6627	928
	696	276-9214	501	281-3615	137	292-6628	928
272-4436	702		▶503	281-8261	48	292-9782	124
272-4437	702	276-9217	501		50	292-9783	124
272-7123	▶365		502	282-0045	1220	293-1136	1028
	368	276-9218	501		1222		1030
	369		▶509	282-3645	9		1032
272-7152	365	276-9219	509		▶95	293-1137	1035
273-1682	7	276-9221	501	282-4740	938		1038
	10		502	282-4751	951		1041
	▶368	278-1365	99	282-7758	1220	293-7103	560
273-5384	1209		100		1222	293-8218	582
	▶1212		103	283-2722	413	294-0253	682
273-5386	1212	278-1929	75	283-2783	404	294-1307	1244
273-5446	1185		77		406	295-9421	▶811
	▶1187		▶99		1138		815
273-6354	1172	278-1931	74		1142		816
273-6355	1172		▶100	283-3074	400	295-9432	811
273-7686	560	278-3622	▶436	283-4046	473	295-9446	800
273-7927	437	278-3631	436		480		▶815
274-1953	11		▶437		498	295-9447	802
	▶50	278-5657	16	283-5990	866		▶816
274-2482	840	278-5662	11	284-0057	501	295-9637	▶54
	▶902		▶16		502		616
274-2553	713		▶17	284-0062	501	295-9690	817
	716	278-7286	582		502	295-9692	834
	▶884	279-3161	1045	284-4426	1055	296-4907	1167
274-4491	99		1046		1058	296-4908	1167
	100	279-7788	188	284-7282	▶467	296-7635	200

PART NUMBER INDEX

Part	Page	Part	Page	Part	Page	Part	Page
	▶203	303-2004	369	307-7900	489	314-3067	40
297-1813	23	303-2668	1244		492	314-3068	40
297-4589	1092	303-2727	4	307-7902	489	314-3069	40
297-4590	1094		▶308		▶512	314-5155	152
	▶1097	303-8698	158	307-8017	492		157
297-4595	1095	303-9613	553		▶514		▶158
	1096		▶557	307-8096	426	314-8099	766
297-7466	565	303-9672	479		427	315-5319	970
	567	303-9673	479	307-8136	1		974
297-7467	565	303-9674	479		▶224	315-6645	158
	567	303-9676	479		▶226	315-8672	1114
297-7516	▶572	303-9677	▶443	307-8139	224		1119
297-7517	572		498		226		1121
	574	303-9678	443	307-8140	224	316-6864	234
297-7518	▶574	303-9854	553	307-8143	224	316-8811	1030
297-7519	574		▶558		226		▶1038
297-7520	▶576	303-9933	243	307-8144	224	316-8845	1035
297-7521	576	303-9937	243	307-8322	99		1038
297-7522	576	305-0325	1066		100	316-8846	1035
297-7601	571	305-0330	1222		102		1038
	576	305-0331	1094	308-1249	1233		1041
297-7602	571		1096	308-3683	684	316-8847	1035
	576	305-0332	1092	308-6505	684		1038
297-9120	599		1095	308-8399	686		1041
297-9121	599	305-0333	1222	308-8402	686	316-8848	1035
297-9123	564	305-0441	1148	309-5751	1154		1038
	▶584	305-0442	1148	309-5808	1089	316-8849	1035
297-9125	584	305-0466	▶1188		1100		1038
	▶585	305-0467	3		▶1103		1041
297-9154	▶563		4	309-5845	▶296	316-8850	1035
	583		5		308		1038
	584		▶1189	309-5846	▶298	316-8916	1032
297-9158	563	305-1751	▶938		308		▶1041
297-9197	583		951	309-5852	308	316-8918	1041
	▶586	305-9196	36		▶1154	316-8920	1041
297-9198	583		38	309-8002	1244	316-8921	1041
	▶587		▶93	309-8003	1244	316-8987	1180
297-9991	965	306-3998	362	310-2393	1154		1193
298-0000	▶951		365	310-9504	192		1194
298-0001	951	306-8802	1169		195		1199
	▶965	307-0047	296	310-9508	130		1200
298-0003	965	307-5004	741	310-9513	192		1201
298-0008	965		749	310-9590	171		1202
298-0009	965	307-5110	662		▶173	317-1547	156
298-0019	965		664	310-9602	173	317-4737	698
298-3301	560	307-7655	473	310-9714	▶622	317-4738	698
298-4282	1236		480		624	317-4739	698
			495	310-9760	192	317-4740	698
			498		195	317-4741	698
		307-7830	489	312-2645	239	317-4742	698
			492	313-7884	553	317-4743	698
300-4523	594	307-7881	479	313-7901	557	317-4745	698
300-4525	594	307-7883	498	313-8284	502	317-4864	750
300-4611	592		▶548		▶504	317-8766	28
	▶594	307-7888	498	313-8286	502	318-2082	363
301-0589	1154	307-7890	▶439	313-8817	969		366
301-3018	▶32		498		973	318-3150	91
	36	307-7892	489	314-2858	972	319-4420	327
301-5241	891		492	314-2859	964		▶379
301-5242	891		▶511		971	319-7401	28
301-5243	891	307-7894	489		1008		▶104
301-9823	507		492	314-3063	40	319-9228	▶1236
	512	307-7895	489	314-3064	40	319-9778	766
302-0455	1222		492	314-3065	40	320-2677	593
302-1410	203	307-7898	512	314-3066	40		594

3

PART NUMBER INDEX

Part	Page	Part	Page	Part	Page	Part	Page
320-2796	▶101		1199	338-6829	306		
	102		1213	338-6830	306		
320-2797	101	327-6646	1145	338-6920	307		
322-1126	33		1146		1203		
323-8451	▶33	327-6647	1145	338-6921	307		
	38	327-6648	1199		▶1203		
324-4084	195		1213	339-7281	553		
324-4085	195		1214	339-7476	447		
324-4098	195	327-6649	1194	339-7477	447		
324-4100	195	327-7482	▶1106	339-7587	558		
324-6200	▶951		1153	341-0554	1058		
325-1007	951		1203	341-0826	222		
	▶964	327-7594	1106	342-9525	▶951		
326-1641	209	327-9960	279	342-9526	▶955		
326-4465	1233	328-0021	327	342-9527	▶956		
327-6500	▶1180	328-0651	387	343-9866	17		
327-6501	4	328-1908	987	347-9361	222		
	▶1181		991				
327-6502	▶1182		995				
327-6503	▶1183		999				
327-6506	1180		1003				
	▶1199		1005				
327-6507	1181	328-4236	76				
	▶1200		▶102				
327-6508	1182	328-4238	102				
	▶1201		▶103				
327-6509	1183	329-4511	91				
	▶1202	329-9776	145				
327-6511	1199	330-3408	1171				
327-6512	▶1193	330-3409	306				
	1200	330-3410	306				
	1201	331-6081	10				
327-6513	▶1194		▶369				
	1202	331-7263	471				
327-6515	1193	331-9373	1134				
	1194	331-9934	1058				
327-6520	1199	333-4157	▶1146				
	1200		1214				
	▶1213	333-4158	1146				
327-6521	1201	333-4159	1146				
	1202	333-4160	1193				
	▶1214	333-4178	1146				
327-6538	1205	333-4179	1193				
327-6540	1188		1194				
327-6541	1189	333-4180	1145				
327-6542	1160		1146				
	▶1205		1193				
327-6543	1205		1194				
327-6550	1058		1213				
	▶1152		1214				
327-6579	1114	333-4181	1145				
	1121	333-5297	226				
327-6639	1199	333-5298	226				
327-6640	1193	333-7152	664				
	1194	334-4603	1244				
327-6642	1193	335-2081	▶307				
	1194	335-4198	141				
	1199	335-4225	222				
327-6643	1193	336-1665	427				
	1194		▶429				
	1199	336-1666	429				
327-6644	1199	336-1667	429				
	1213	336-2584	567				
	1214	336-2620	567				
327-6645	▶1145	338-6290	698				



© 2009 CATERPILLAR
ALL RIGHTS
RESERVED

CAT, CATERPILLAR, THEIR RESPECTIVE LOGOS, "CATERPILLAR
YELLOW" AND THE POWER EDGE TRADE DRESS, AS WELL AS CORPORATE
AND PRODUCT IDENTITY USED HEREIN, ARE TRADEMARKS OF
CATERPILLAR AND MAY NOT BE USED WITHOUT PERMISSION.

PRINTED IN
U.S.A.

**SEBP4207-14
VOLUME II
Pages 603-1250**

385C FS Excavator

MMA1-Up