



EM006121-0 (en-us)
NOVEMBER 2015

Parts Manual

6015 FS HYDRAULIC SHOVEL

DHF15345

Powered by C18 ENGINE

SAFETY.CAT.COM

Product and Dealer Information

Note: For product identification plate locations, see the section "Product Identification Information" in the Operation and Maintenance Manual.

Delivery Date: _____

Product Information

Model: _____

Product Identification Number: _____

Engine Serial Number: _____

Transmission Serial Number: _____

Generator Serial Number: _____

Attachment Serial Numbers: _____

Attachment Information: _____

Customer Equipment Number: _____

Dealer Equipment Number: _____

Dealer Information

Name: _____ Branch: _____

Address: _____

Dealer Contact

Phone Number

Hours

Sales: _____

Parts: _____

Service: _____

MEMORANDA

TABLE OF CONTENTS

NAME	PAGE	NAME	PAGE
FOREWORD.....	A3	TENSIONING CYLINDER.....	90
INDEX.....	A5	TRAVEL MOTOR.....	92
AIR INLET AND EXHAUST SYSTEM	1	VARIABLE PUMP.....	94
INTAKE SYSTEM.....	1	HYDRAULIC SYSTEM, FS, STICK.....	96
EXHAUST SYSTEM.....	4	HYDRAULIC SYSTEM, TRAVEL CONTROL BLOCK.....	98
INTAKE/EXH.SYSTEM.....	6	CONTROL BLOCK- TRAVEL DRIVING.....	100
COOLING SYSTEM	7	RETARDER-TRAVEL.....	102
RADIATOR.....	7	CONTROL BLOCK-DRIVING.....	104
COOLING SYSTEM.....	9	ROTOR.....	108
ELECTRICAL AND STARTING SYSTEM	15	TRAVEL-RETARDER.....	110
INSTALLATION MATERIAL-BATTERY.....	15	PRESS. REG. VALVE.....	112
ADDITIONAL LIGHTING.....	17	HYDRAULIC SYSTEM, DRIVING.....	114
ENGINE ARRANGEMENT	19	BOOM CYLINDERS.....	117
ENGINE.....	19	SWING MOTOR.....	119
ENGINE MOUNTING.....	21	CONTROL BLOCK, FLAP.....	121
ENGINE.....	23	INSTALLATION MATERIAL- HYDRAULIC OIL COOLING SYSTEM.....	123
FRAME AND BODY	29	OIL SUCTION SYSTEM.....	125
LOCKING DEVICE, FRAME.....	29	HP FILTER.....	127
COVER, TRAVEL GEAR.....	31	HYDRAULIC SYSTEM, PUMP GOVERNING.....	129
CATWALK.....	33	HYDRAULIC SYSTEM, SLEWING.....	132
INSTALLATION MATERIAL-BALLAST.....	35	HYDRAULIC SYSTEM, OIL COOLER.....	134
GREASING SYSTEM.....	37	SWING BRAKE.....	137
LUBE PUMP.....	38	SLEWING GEAR, COMPLETE.....	139
GREASING SYSTEM, REAR WALL.....	40	SERVO PUMP.....	142
GREASING SYSTEM ,FS, STICK.....	42	CONTROL BLOCK, BOOM.....	144
GREASING SYSTEM ,FS, BOOM BOTTOM.....	44	HYDRAULIC SYSTEM, BOOM BOTTOM.....	146
GREASING SYSTEM.....	48	HYDRAULIC SYSTEM.....	153
FRAME.....	52	SWING PUMP.....	167
PANELING.....	54	HYDRAULIC SYSTEM.....	169
FUEL SYSTEM	58	HYDRAULIC OIL TANK.....	175
FUELLING SYSTEM, FUEL.....	58	WORKING PUMP.....	179
FUEL SYSTEM.....	60	PUMP.....	181
HYDRAULIC SYSTEM	64	HYDRAULIC FILTER.....	183
VALVE-PRESSURE RELEASE.....	64	IMPLEMENTS	185
PROPORTIONAL VALVE.....	66	PIN NO.2.....	185
VALVE.....	68	STICK, FS.....	187
TREADLE VALVE.....	70	BOOM BOTTOM.....	189
SOLENOID VALVE.....	72	INSTALLATION MATERIAL-BOOM BOTTOM.....	191
COOLING PUMP-HYDRAULIC OIL.....	74	STICK, FS.....	193
STICK CYLINDER.....	76	MACHINE ARRANGEMENT	195
HYDRAULIC SYSTEM-REAR WALL.....	78	ATTACHMENT.....	195
BUCKET CYLINDER.....	80	UPPER CARRIAGE.....	197
FLOAT VALVE.....	82	OPTIONS.....	199
FAN MOTOR.....	84	OPERATOR STATION	200
SERVO PUMP.....	86	TREADLE VALVE, MOUNTING PARTS.....	200
DUMP CYLINDER.....	88		

TABLE OF CONTENTS

NAME	PAGE	NAME	PAGE
SERVO VALVE	202		
PLATFORM PLATE, MOUNTING PARTS	204		
WINDSCREEN WIPER, PARTS FOR INSTALL.....	207		
GLAZING, OPERATOR'S CAB	209		
OPERATOR'S CAB	211		
AIR CONDITION	214		
INSTALLATION MATERIAL- WASHER SYSTEM	216		
CAB HEATING	218		
FOPS	220		
OPERATOR'S CAB	222		
RAILINGS	224		
CAB MODULE.....	229		
AIR CONDITION.....	232		
SEAT	235		
PLATFORM PLATE	237		
CAB MODULE.....	239		
CONTROL COLUMN.....	243		
POWER TRAIN.....	245		
COUPLING/CLUTCH	245		
PUMP GEARBOX.....	247		
INSTALLATION MATERIAL- COUPLING.....	249		
PUMP GEARBOX.....	251		
CHAIN WHEEL DRIVE.....	253		
TRAVEL GEAR	255		
SERVICE EQUIPMENT AND SUPPLIES.....	260		
TOOL SET	260		
KITS AND ACCESSORIES	263		
MAINTENANCE MATERIAL.....	267		
ACCESSORIES	271		
PLATES.....	272		
UNDERCARRIAGE	275		
TENSIONING DEVICE	275		
BOTTOM ROLLER.....	277		
TOP ROLLER	279		
CRAWLER CHASSIS.....	281		
DRIVING CHAIN	283		
LOWER CARRIAGE	285		
WORK TOOLS	287		
SHOVEL REAR WALL	287		
SHOVEL FRONT SHELL.....	290		
PART NUMBER INDEX.....	B1		

FOREWORD

1. MACHINE IDENTIFICATION

Cat machines are identified by Product Identification Numbers (PIN). Some components included in a machine may be identified by Serial Numbers (S/N). Typical components that will be serialized include engines, transmissions, bulldozers, and rippers. The machine and engine are further identified by arrangement numbers and in some cases modification numbers. These numbers are shown on the product identification plate(s) and on the master plate in the operator's compartment.

Cat dealers need all of these numbers to determine accurate parts identification.

Effective First Quarter 2001 the Cat Product Identification Number (PIN) changed from 8 to 17 characters. In an effort to provide uniform equipment identification, Caterpillar and other construction equipment manufacturers are moving to comply with the latest version of the product identification numbering standard. Non-road machine PINs are defined by ISO 10261. The new PIN format will apply to all Cat machines and generator sets. The PIN plates and frame marking will display the 17 character PIN. The new format will look like the following:

CAT 0789BG 6SL12345

The diagram shows the PIN format: *CAT 0789BG 6SL12345*. A horizontal line is drawn under the characters 'C', 'A', 'T', '0', '7', '8', '9', 'B', 'G', '6', 'S', 'L', '1', '2', '3', '4', '5'. Four vertical lines extend downwards from the characters 'C', 'A', 'T', and '0'. Each vertical line ends in a circle containing a number: 1, 2, 3, and 4 respectively.

Where:

- (1) – Caterpillar's World Manufacturing Code (characters 1- 3)
- (2) – Machine Descriptor (characters 4-8)
- (3) – Check Character (character 9)
- (4) – Machine Indicator Section (MIS) or Product Sequence Number (characters 10-17). These were previously referred to as the Serial Number.

Machines and generator sets produced before First Quarter 2001 will maintain their 8 character PIN format.

Components such as engines, transmissions, axles, etc. and work tools will continue to use an 8 character Serial Number (S/N).

2. ORDERING PARTS

WARNING

When replacement parts are required for this product, Caterpillar recommends using Cat replacement parts or parts with equivalent specifications including, but not limited to, physical dimensions, type, strength and material

Failure to heed this warning can lead to premature failures, product damage, personal injury or death.

Quality Cat replacement parts are available from Cat dealers throughout the world. Their parts inventories are up to date and include all parts normally required to protect your investment in Cat machines. Dealers may offer repair kits or remanufactured parts to allow selection of the most effective repair alternative for a particular situation. When ordering parts, your order should specify the quantity, part number, part name, and the serial number/product identification number of the machine for which the parts are needed.

3. PARTS MANUAL ORGANIZATION

Product information in this manual is presented as "information elements" that represent all of the components for the specific model. Engine Arrangement and Seat Group are examples of information elements. The information elements are organized alphabetically by part name and secondarily by part number within each major section of the manual.

4. TABLE OF CONTENTS

A table of contents (TOC) is found at the beginning of the manual. The TOC lists each section of the manual with a complete list of all information elements organized as they appear in the manual. Page numbers are provided for quick reference to detailed parts identification illustrations and serviceable consist lists.

5. INDEX

The index located near the front of the manual is an alphabetical listing of all information elements included in the manual. Page numbers are provided for quick reference to detailed parts identification illustrations and serviceable consist lists.

FOREWORD

7. CAPTIONS

Captions located at the beginning of each information element identify the part number and part name. PIN and S/N information found in each caption should be used to select correct information for a specific machine. Field replacement options, identification of optional attachment components, and where used ("part of") information is also provided.

The first line of a caption is shown in larger type font to indicate the beginning of an information element. Captions for additional pages that may be required to illustrate an information element will be shown in standard type font and will include the term (contd.).

8. NON-SERVICE PARTS

In some instances it is necessary to display non-serviced parts that are a link to a lower level serviceable consist lists. These non-serviced part numbers are shown in italic type indicating that they are not available.

9. PARTS LIST REFERENCE NUMBERS

Numbers shown in the Ref No column correspond to numbers used in the associated graphic(s). An alphabetic suffix may be added to a reference number to identify lower level consist items. Numbers shown in the Graphic Ref column refer to the graphic number identifier displayed in the lower left corner of each illustration. The Graphic Ref number may be used in combination with the item Ref No to determine the correct part number. There may be intentional omission of a Ref No in a consist list as information is updated to reflect the latest serviceable part numbers.

10. <END>

This symbol indicates the end of an information element.
Note: – Continuing improvement and advancement of product design may cause changes to your machine which may not be included in this publication. Whenever a question arises regarding your Cat product or this publication, please consult your Cat dealer for the latest available information.

HYDRAULIC SYSTEM

171-0024 VALVE GP-SELECTOR
S/N: KED1-UP; TEG1-UP; GTJ1-UP; CMR1-UP
PART OF 319-9819 LINES GP-PILOT
AN ATTACHMENT

NOTE	REF NO	GRAPHIC REF	PART NUMBER	QTY	PART NAME	SEE PAGE
M	1	1	8T-1159	8	BOLT-SOCKET HEAD (M10X1.5X25-MM)	
	2	1	085-7076	1	COVER	
	3	1	085-7079	1	GRIP	
	4	1	085-7080	1	LEVER	
	5	1	085-7084	1	BOLT (MBX1.25X35-MM)	
	6	1	095-1710	2	SEAL-O-RING	
	7	1	085-7075	1	COVER	
	8	1	085-1500	1	SEAL-O-RING	
	9	1	095-2287	1	RING-BACKUP	
	10	1	085-7083	1	PIN-SPRING	
	11	1	6T-6923	1	SEAL	
	12	1	085-7085	1	SEAL	
	13	1	095-1582	1	SEAL-O-RING	
	14	1	085-7078	1	SPRING	
	15	1	085-7077	1	PLUG	
	16	1	085-7081	4	NEEDLE	
	17	1	085-7082	14	PLUG	
	18	1	169-1165	1	PIN	
	19	1	197-0758	2	SCREW	

METRIC PART

1 of 1

SECTION A-A
<END>

HYDRAULIC SYSTEM 853

INDEX

NAME	PAGE	NAME	PAGE
A			
ACCESSORIES.....	271	FUELLING SYSTEM, FUEL	58
ADDITIONAL LIGHTING.....	17	G	
AIR CONDITION.....	214	GLAZING, OPERATOR'S CAB	209
	232	GREASING SYSTEM	37
ATTACHMENT.....	195		48
B			
BOOM BOTTOM	189	GREASING SYSTEM ,FS, BOOM BOTTOM.....	44
BOOM CYLINDERS.....	117	GREASING SYSTEM ,FS, STICK.....	42
BOTTOM ROLLER.....	277	GREASING SYSTEM, REAR WALL.....	40
BUCKET CYLINDER.....	80	H	
C			
CAB HEATING	218	HP FILTER.....	127
CAB MODULE	229	HYDRAULIC FILTER.....	183
	239	HYDRAULIC OIL TANK	175
	241	HYDRAULIC SYSTEM	153
CATWALK.....	33		155
CHAIN WHEEL DRIVE.....	253		157
CONTROL BLOCK- TRAVEL DRIVING.....	100		159
CONTROL BLOCK-DRIVING.....	104		161
	106		169
CONTROL BLOCK, BOOM.....	144	HYDRAULIC SYSTEM-REAR WALL.....	78
CONTROL BLOCK, FLAP.....	121	HYDRAULIC SYSTEM, BOOM BOTTOM.....	146
CONTROL COLUMN.....	243	HYDRAULIC SYSTEM, DRIVING	114
COOLING PUMP-HYDRAULIC OIL.....	74	HYDRAULIC SYSTEM, FS, STICK.....	96
COOLING SYSTEM.....	9	HYDRAULIC SYSTEM, OIL COOLER.....	134
COUPLING/CLUTCH	245	HYDRAULIC SYSTEM, PUMP GOVERNING....	129
COVER, TRAVEL GEAR	31	HYDRAULIC SYSTEM, SLEWING.....	132
CRAWLER CHASSIS	281	HYDRAULIC SYSTEM, TRAVEL CONTROL BLOCK	98
D			
DRIVING CHAIN.....	283	I	
DUMP CYLINDER	88	INSTALLATION MATERIAL-BALLAST.....	35
E			
ENGINE	19	INSTALLATION MATERIAL-BATTERY.....	15
	23	INSTALLATION MATERIAL-BOOM BOTTOM....	191
	25	INSTALLATION MATERIAL-COUPLING	249
	27	INSTALLATION MATERIAL-HYDRAULIC OIL COOLING SYSTEM.....	123
ENGINE MOUNTING.....	21	INSTALLATION MATERIAL-WASHER SYSTEM.....	216
EXHAUST SYSTEM	4	INTAKE SYSTEM.....	1
F			
FAN MOTOR.....	84	INTAKE/EXH.SYSTEM.....	6
FLOAT VALVE.....	82	K	
FOPS.....	220	KITS AND ACCESSORIES.....	263
FRAME	52	L	
FUEL SYSTEM.....	60	LOCKING DEVICE, FRAME	29
		LOWER CARRIAGE	285
		LUBE PUMP	38

INDEX

NAME	PAGE	NAME	PAGE
M			
MAINTENANCE MATERIAL.....	267	TRAVEL-RETARDER.....	110
		TREADLE VALVE.....	70
		TREADLE VALVE, MOUNTING PARTS.....	200
O			
OIL SUCTION SYSTEM.....	125		
OPERATOR'S CAB	211		
	222		
OPTIONS	199		
P			
PANELING	54		
PIN NO.2	185		
PLATES.....	272		
PLATFORM PLATE	237		
PLATFORM PLATE, MOUNTING PARTS	204		
PRESS. REG. VALVE.....	112		
PROPORTIONAL VALVE	66		
PUMP	181		
PUMP GEARBOX	247		
	251		
R			
RADIATOR.....	7		
RAILINGS.....	224		
RETARDER-TRAVEL.....	102		
ROTOR.....	108		
S			
SEAT	235		
SERVO PUMP	86		
	142		
SERVO VALVE.....	202		
SHOVEL FRONT SHELL.....	290		
SHOVEL REAR WALL	287		
SLEWING GEAR, COMPLETE.....	139		
SOLENOID VALVE.....	72		
STICK CYLINDER	76		
STICK, FS	187		
	193		
SWING BRAKE.....	137		
SWING MOTOR.....	119		
SWING PUMP.....	167		
T			
TENSIONING CYLINDER.....	90		
TENSIONING DEVICE	275		
TOOL SET.....	260		
TOP ROLLER.....	279		
TRAVEL GEAR.....	255		
TRAVEL MOTOR	92		
U			
		UPPER CARRIAGE.....	197
V			
		VALVE.....	68
		VALVE-PRESSURE RELEASE	64
		VARIABLE PUMP.....	94
W			
		WINDSCREEN WIPER, PARTS FOR INSTALL.....	207
		WORKING PUMP.....	179

AIR INLET AND EXHAUST SYSTEM

4797195 INTAKE SYSTEM

S/N: 15345-15345

SMCS -

NPL00337669

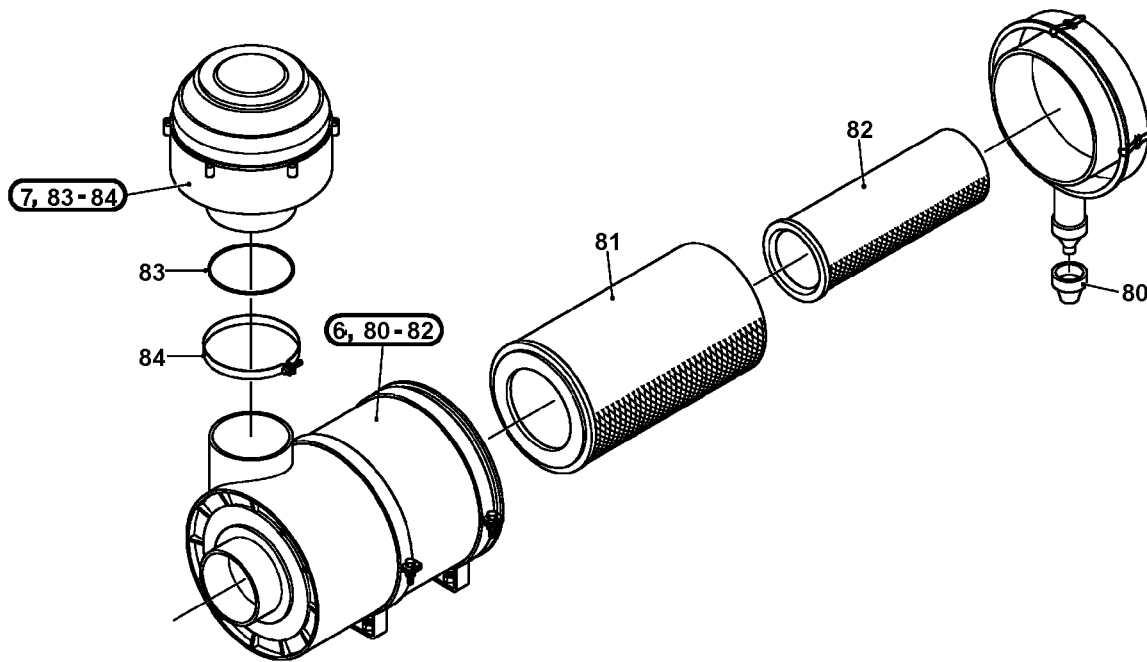
NOTE	REF NO	GRAPHIC REF	PART NUMBER	QTY	PART NAME						SEE PAGE
					1	2	3	4	5	6 (PRODUCT LEVEL)	
	6	1,2	4026189	2	AIRCLEANER						
	7	1,2	4026188	2	AIRCLEANER						
	8	1	4386904	2	RING						
	9	1	1521466	2	ANGLE						
	11	1	4026239	1	BRACKET						
	12	1	4026240	1	BRACKET						
	14	1	4026275	1	PIPE						
	15	1	4026271	1	PIPE						
	17	1	4026274	2	SOCKET						
	19	1	4026386	2	ELBOW						
	22	1	1464103	4	HOSE CLIP						
	23	1	1464110	4	CLAMP, HOSE						
	29	1	1521501	4	CLIP, HOSE						
	30	1	1521509	4	CLAMP						
	36	1	1519516	4	SCREW, HEX HEAD						
	37	1	1519402	8	SCREW, HEX HEAD						
	38	1	1517689	8	SCREW, HEX						
	41	1	1520572	4	WASHER						
	42	1	1517690	16	WASHER, DISK						
	43	1	1521471	4	SEALING RING						
	45	1	1616853	5	PLATE						
	46	1	1616852	5	CABLE CONNECTOR						
	47	1	4785315	2	HOSE						
	57	1	1519408	8	WASHER						
	58	1	1519401	8	SCREW, HEX HEAD						
	64	1	1520996	1	PLUG,M10X1						
	65	1	1520998	1	SEAL,13.5ODX10IDX1MM						
	70	1	1462561	2	INDICATOR						
	71	1	1521454	2	NIPPLE						
	72	1	1521457	2	NIPPLE						
	80	2	4221376	2	VAVLE						
	81	2	4066799	2	MAIN FILTER ELEMENT						
	82	2	4066798	2	SAFETY ELEMENT						
	83	2	4212063	2	O-RING						
	84	2	4275738	2	CLIP						

AIR INLET AND EXHAUST SYSTEM

4797195 INTAKE SYSTEM (contd.)

NPL00337669

13.230
3 725 574.001
page/pagina 2-2



GRAPHIC #2

<END>

NG00053970

AIR INLET AND EXHAUST SYSTEM

4797196 EXHAUST SYSTEM

S/N: 15345-15345

SMCS -

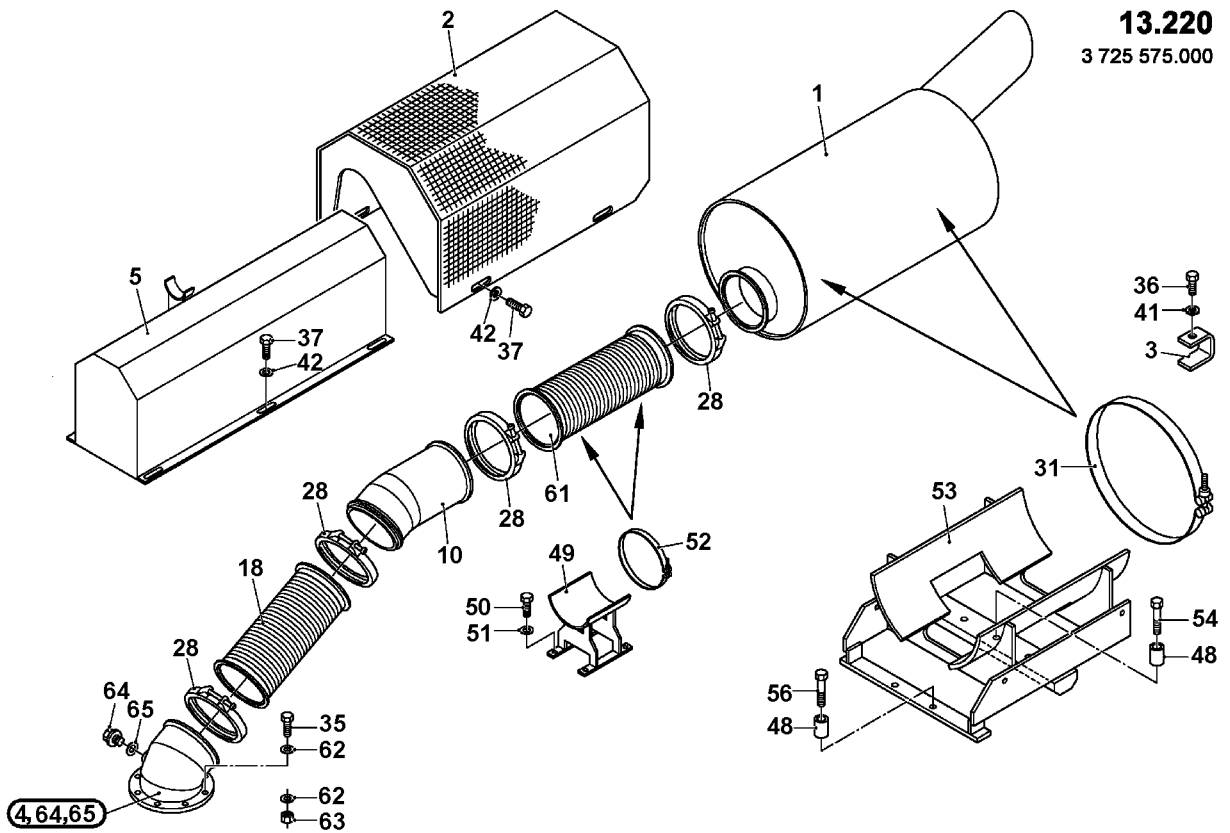
NPL00337668

NOTE	REF NO	GRAPHIC REF	PART NUMBER	QTY	PART NAME						SEE PAGE
					1	2	3	4	5	6 (PRODUCT LEVEL)	
	1	1	4026349	1	MUFFLER						
	2	1	1469121	1	BONNET						
	3	1	1468947	2	BRACKET						
	4	1	4024904	1	ELBOW						
	5	1	4211518	1	BONNET						
	10	1	4025539	1	ELBOW						
	18	1	1459979	1	PIPE, EXHAUST 120E TIER2						
	28	1	1467902	4	CLAMP						
	31	1	1467903	2	CLAMP, HOSE						
	35	1	1464931	8	SCREW, HEX HEAD						
	36	1	1519516	2	SCREW, HEX HEAD						
	37	1	1519402	8	SCREW, HEX HEAD						
	41	1	1520572	2	WASHER						
	42	1	1517690	8	WASHER, DISK						
	48	1	1520010	5	SLEEVE						
	49	1	4025540	1	BRACKET						
	50	1	1519382	4	SCREW, HEX HEAD						
	51	1	1521948	4	WASHER						
	52	1	1464113	2	HOSE CLIP						
	53	1	4025541	1	BRACKET						
	54	1	4213275	3	HEX.HD.SCREW						
	56	1	1521596	2	HEX.HD.SCREW						
	61	1	4024797	1	PIPE EXHAUST EXHAUST SYSTEM						
	62	1	1519408	8	WASHER						
	63	1	1520317	8	NUT, HEX						
	64	1	1520996	1	PLUG,M10X1						
	65	1	1520998	1	SEAL,13.5ODX10IDX1MM						

AIR INLET AND EXHAUST SYSTEM

4797196 EXHAUST SYSTEM (contd.)

NPL00337668



GRAPHIC #1

<END>

NG00071185

AIR INLET AND EXHAUST SYSTEM

4797197 INTAKE/EXH. SYSTEM

S/N: 15345-15345

SMCS -

NPL00337670

NOTE	REF NO	GRAPHIC REF	PART NUMBER	QTY	PART NAME						SEE PAGE
					1	2	3	4	5	6 (PRODUCT LEVEL)	
			4797196	1	EXHAUST SYSTEM						4
			4797195	1	INTAKE SYSTEM						1

COOLING SYSTEM

4794799 RADIATOR

S/N: 15345-15345

SMCS -

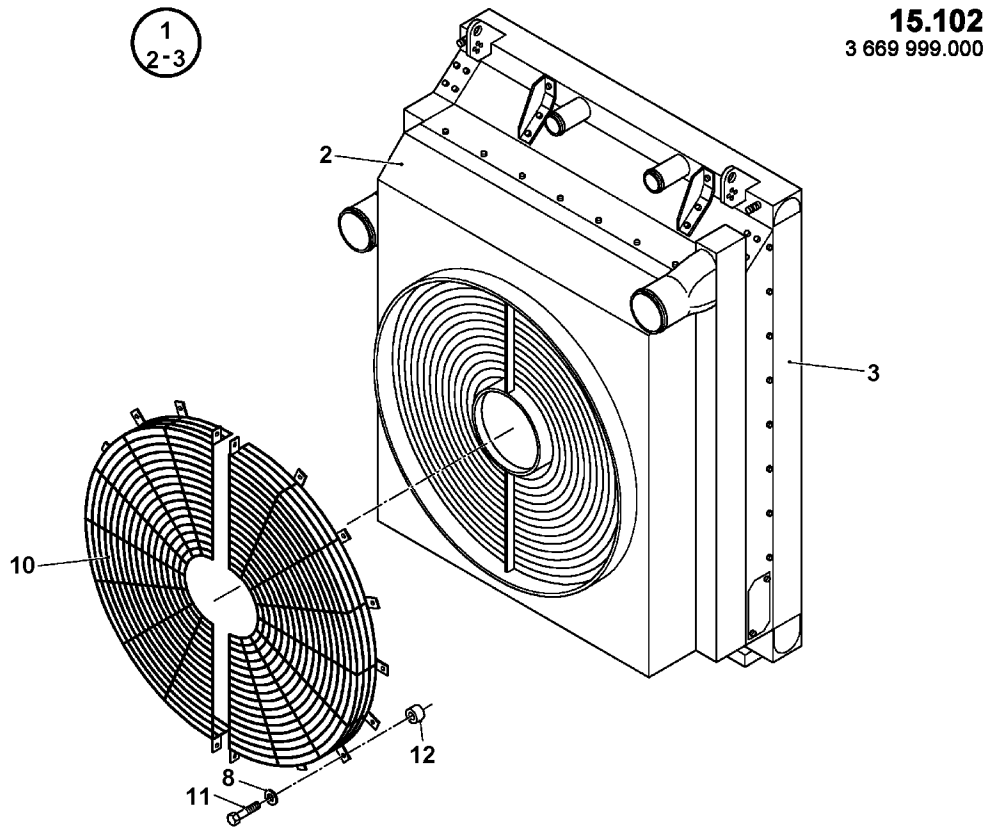
NPL00337672

NOTE	REF NO	GRAPHIC REF	PART NUMBER	QTY	PART NAME						SEE PAGE
					1	2	3	4	5	6 (PRODUCT LEVEL)	
	1	1	1497508	1	COMBINED COOLER						
	2	1	4211948	1	INTERCOOLER						
	3	1	4211949	1	WATER RADIATOR						
	8	1	1523196	8	WASHER						
	10	1	4025514	1	GUARD GRID						
	11	1	1519401	8	SCREW, HEX HEAD						
	12	1	1519060	8	WASHER						

COOLING SYSTEM

4794799 RADIATOR (contd.)

NPL00337672



GRAPHIC #1

<END>

NG00071405

COOLING SYSTEM

4797194 COOLING SYSTEM

S/N: 15345-15345

SMCS -

NPL00337673

NOTE	REF NO	GRAPHIC REF	PART NUMBER	QTY	PART NAME						SEE PAGE
					1	2	3	4	5	6 (PRODUCT LEVEL)	
	2	1,2	4025841	1	PIPE						
	3	3,4	1452829	2	SOCKET						
	4	4	4025703	1	LINE						
	5	3	4211584	1	PIPE						
	6	2	4024613	1	PIPE						
	7	3	4024927	2	LINE COOLING SYSTEM WATER						
	8	1	1668635	1	RESERVOIR						
	9	3	4026100	1	PIPE						
	10	1	4023894	2	TENSIONING SCREW						
	11	1	1458690	2	RUBBER MOUNTING						
	12	1	1521142	2	MOUNT, RUBBER						
	13	1	4024912	1	HOSE COOLING SYSTEM - WATER						
	14	2	1459364	1	RAD HOSE						
	15	2	4024916	2	HOSE COOLING SYSTEM						
	16	1	4025839	1	PIPE						
	17	3	4026101	1	PIPE						
	18	3	4025658	2	CPLG,FLEX						
	19	4	4024914	1	BRACKET						
	20	3,4	1467715	10	CLIP, HOSE						
	21	4	1468000	1	CLAMP						
	22	1	4025976	1	FAN WHEEL ENGINE						
	23	3	4025708	1	BRACKET						
	24	3	4211704	1	STRIP						
	25	3	4028089	4	BOLT HEX HEAD COOLING SYSTEM						
	26	3	1521238	4	SCREW, HEX HEAD						
	27	2	1515441	1	WATER HOSE						
	28	4	4024913	1	ELBOW COOLING SYSTEM - WATER						
	29	1	1520471	5.2	BAND, SEALING						
	30	4	4024924	1	BRACKET						
	31	1	1456420	1	HOSE, SUCTION						
	32	1	4026014	1	SPACER RING ENGINE						
	33	1	1521062	8	HOSE						
	35	1	4025840	1	SUCTION HOSE						
	42	1	4014148	4	O RING COOLING SYSTEM						
	43	1	1459554	4	SOCKET						
	44	1	4785295	1	TUBE FITTING						
	46	2	1519413	1	PLUG, DRAIN						
	47	2	1521815	1	SEALING RING						
	50	1	1464100	8	CLIP, HOSE						
	51	3	1523925	8	HOSE CLIP						
	52	1	1521069	2	CLIP, HOSE						
	53	1	1520835	1	CLAMP, HOSE						
	54	3	1467867	4	CLIP						
	55	1	1467878	2	CLIP						
	56	2	1521067	2	CLIP, HOSE						
	57	4	1464110	1	CLAMP, HOSE						
	60	1	1458456	8	SCR, HEX, M10X1.5X130MM, CL8.8						
	61	1	4125321	3	HEX.HD.SCREW						

COOLING SYSTEM

4797194 COOLING SYSTEM (contd.)

NPL00337673

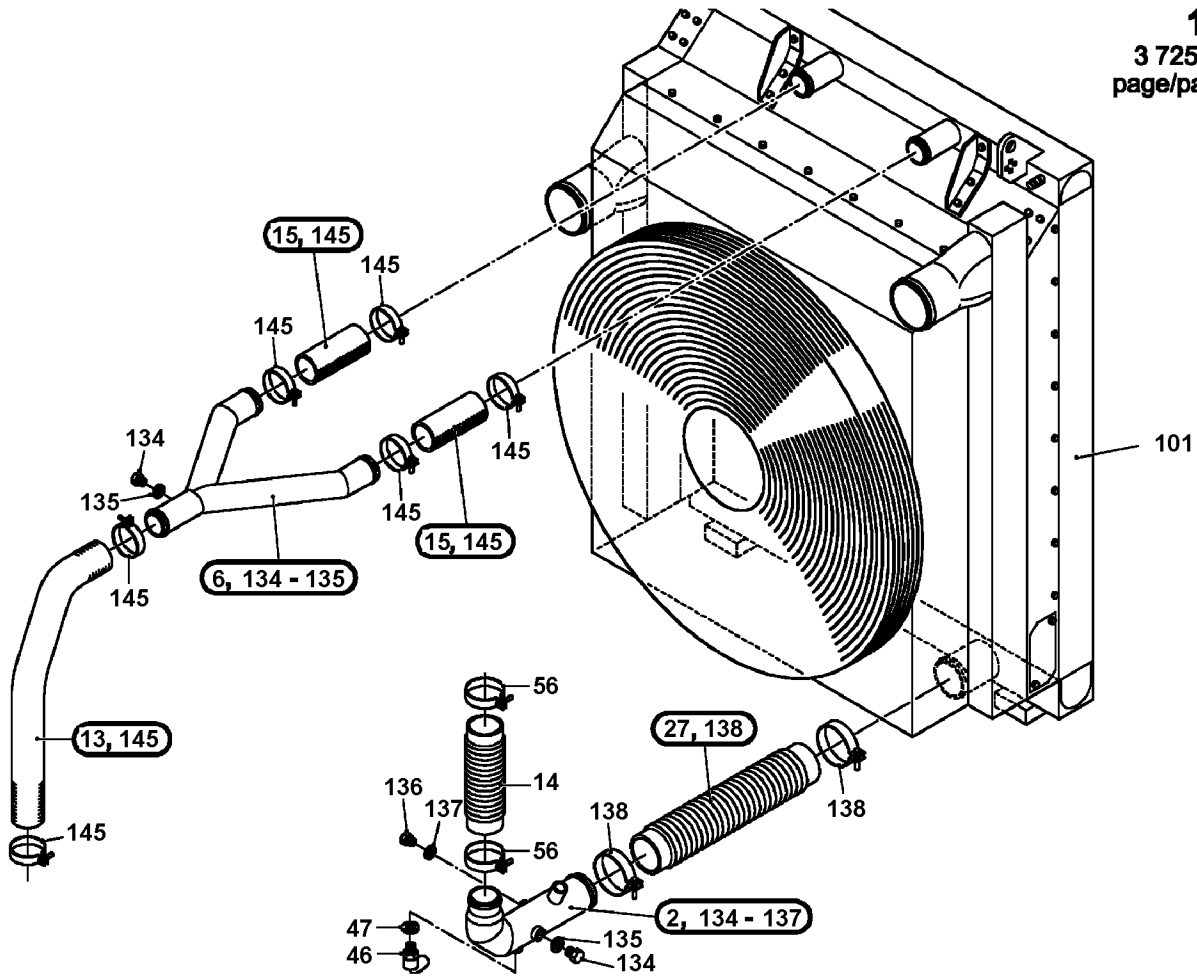
NOTE	REF NO	GRAPHIC REF	PART NUMBER	QTY	PART NAME						SEE PAGE
					1	2	3	4	5	6 (PRODUCT LEVEL)	
	63	1	1521143	3	SCREW, HEX HEAD						
	65	1	4257991	6	HEX.HD.SCREW						
	70	1	1519080	2	NUT, HEX						
	71	1	1520317	8	NUT, HEX						
	72	1	1520278	1	NUT, HEX						
	73	1	1517707	1	WASHER						
	80	1	4023891	6	SLEEVE						
	81	1	1524062	3	SLEEVE						
	82	1,3,4	1519408	28	WASHER						
	88	1	4026517	2	HOSE .						
	89	1	4018987	4	HOSE CLIP .						
	90	1	4026516	1	NOZZLE .						
	101	1,2,3,4	4794799	1	RADIATOR						7
	102	1	1520463	2	BUMPER						
	103	1	4596375	1	PLATE						
	104	1	1521540	2	SCREW, HEX HEAD						
	105	1	1519699	10	SCREW, HEX HEAD						
	106	1	1519079	2	WASHER						
	107	1	1461719	8	WASHER, LOCK						
	108	1	1523196	2	WASHER						
	109	1	1524065	1	CABLE						
	110	1	1459368	1	RAD CAP						
	111	1	1464171	1	HOSE						
	112	1	1520318	3	PLUG, SCREW						
	113	1	1521856	1	SWITCH						
	114	1	4027937	1	SEAL						
	115	1	1458428	4	SCREW						
	120	1	1467810	4	CLAMP,HOSE, .69ID						
	121	1	1521851	8	WASHER						
	122	1	1519520	4	NUT, HEX						
	123	1	1519873	0.5	PROTECTION, EDGE						
	134	2,3,4	1520996	1	PLUG,M10X1						
	135	2,3,4	1520998	1	SEAL,13.50DX10IDX1MM						
	136	2	4434350	1	SCREW PLUG						
	137	2	1457972	1	SEAL RING						
	138	2	1521069	2	CLIP, HOSE						
	145	2	1467889	6	CLIP						
	149	4	1523574	2	SCREW, HEX						
	150	4	1520572	4	WASHER						
	151	4	1520348	2	HEXAGONAL NUT						
	152	4	4028096	2	HEX.HD.SCREW						
	155	1	4027953	1	FILLER NECK COOLING SYSTEM						
			4785321	4	HOSE CLIP						
					NOT SHOWN						
			1523925	2	HOSE CLIP						
					NOT SHOWN						

COOLING SYSTEM

4797194 COOLING SYSTEM (contd.)

NPL00337673

15.100
3 725 573.003
page/pagina 2-4



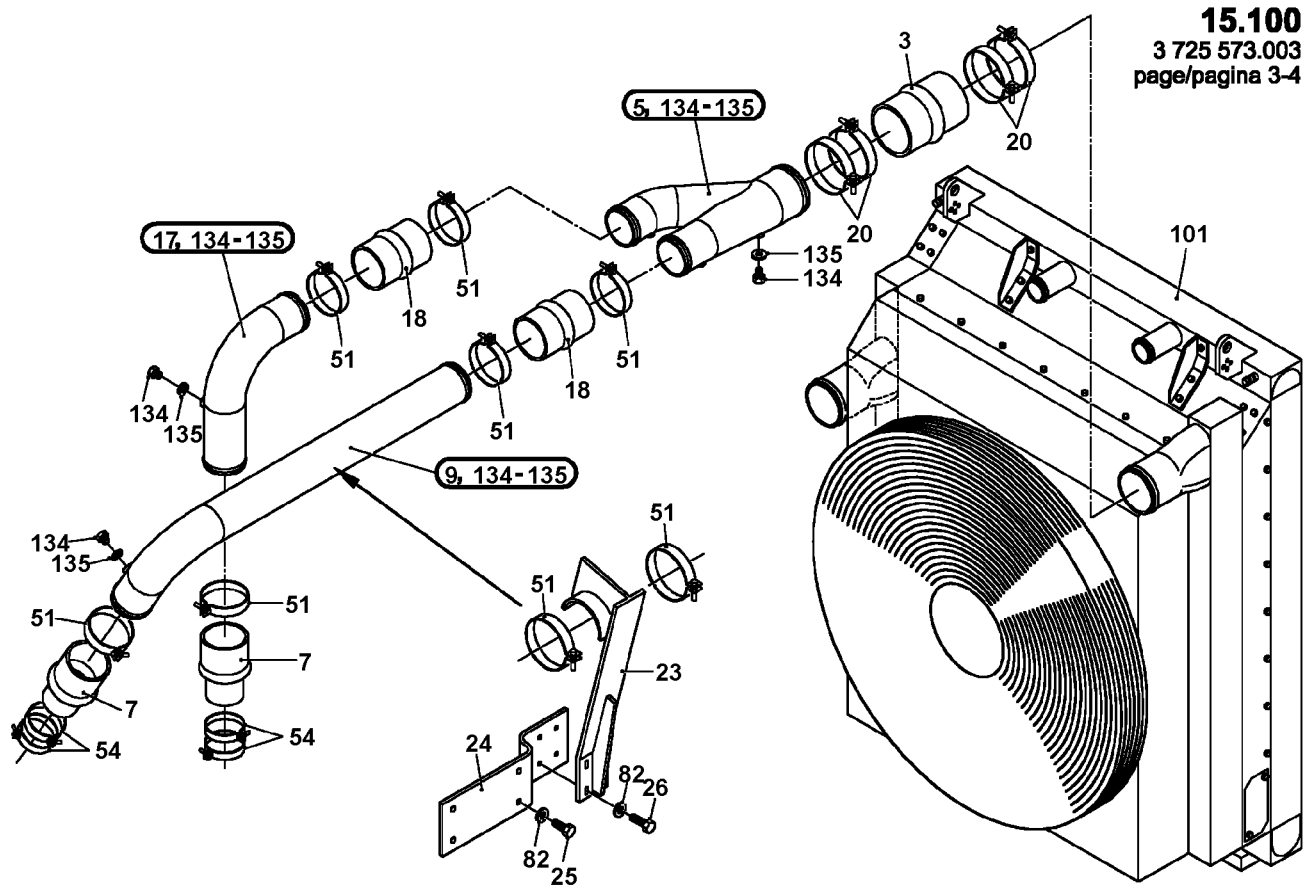
GRAPHIC #2

NG00053973

COOLING SYSTEM

4797194 COOLING SYSTEM (contd.)

NPL00337673



15.100
3 725 573.003
page/pagina 3-4

GRAPHIC #3

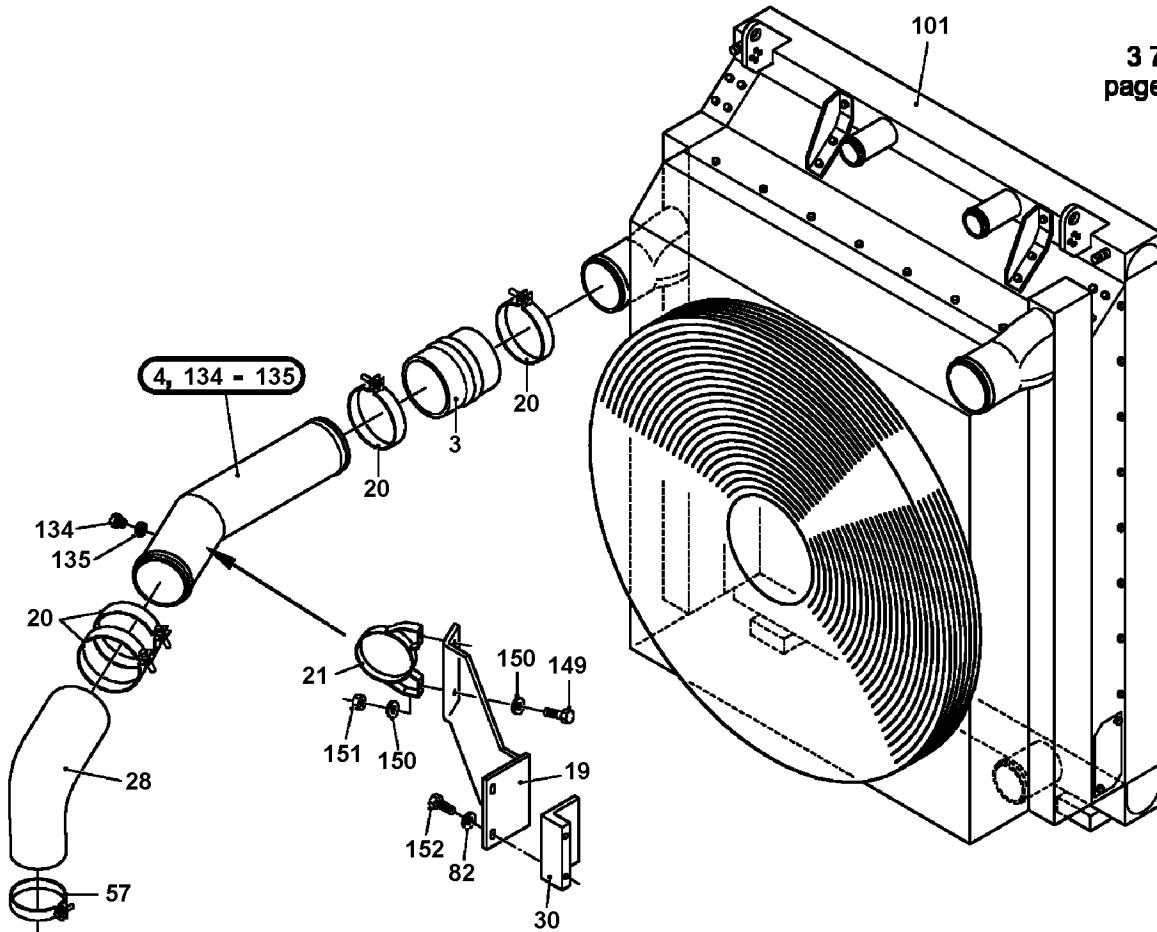
NG00053978

COOLING SYSTEM

4797194 COOLING SYSTEM (contd.)

NPL00337673

15.100
3 725 573.003
page/pagina 4-4



GRAPHIC #4

<END>

NG00053975

ELECTRICAL AND STARTING SYSTEM

4793285 INSTALLATION MATERIAL-BATTERY

S/N: 15345-15345

SMCS -

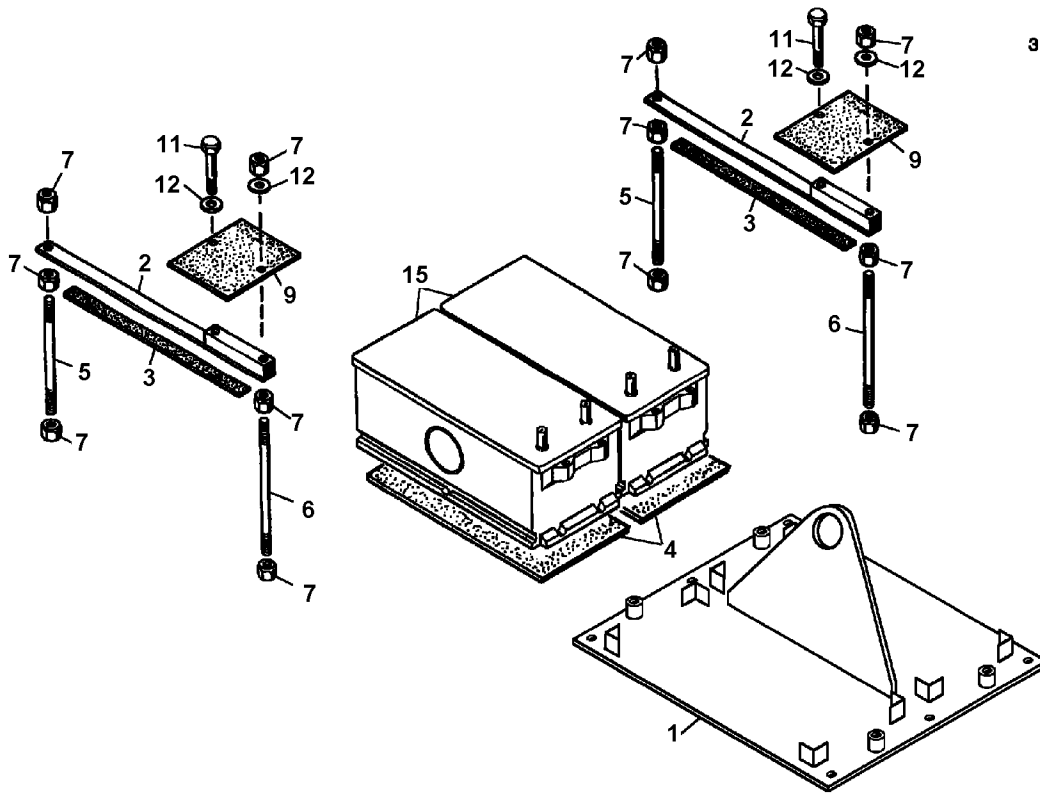
NPL00337684

NOTE	REF NO	GRAPHIC REF	PART NUMBER	QTY	PART NAME						SEE PAGE
					1	2	3	4	5	6 (PRODUCT LEVEL)	
	1	1	4780971	1	BATTERY HOLDER						
	2	1	4021522	2	STRIP						
	3	1	4020784	2	PLATE						
	4	1	4020785	2	PLATE						
	5	1	4561588	2	THREADED ROD						
	6	1	4561587	2	THREADED ROD						
	7	1	1520317	12	NUT, HEX						
	9	1	4024918	2	PLATE						
	11	1	1519699	2	SCREW, HEX HEAD						
	12	1	1455033	4	WASHER						
	15	1	1525261	2	BATTERY						

ELECTRICAL AND STARTING SYSTEM

4793285 INSTALLATION MATERIAL-BATTERY (contd.)

NPL00337684



31.300
3 666 915.000

GRAPHIC #1

<END>

NG00071845

ELECTRICAL AND STARTING SYSTEM

4797173 ADDITIONAL LIGHTING

S/N: 15345-15345

SMCS -

NPL00337759

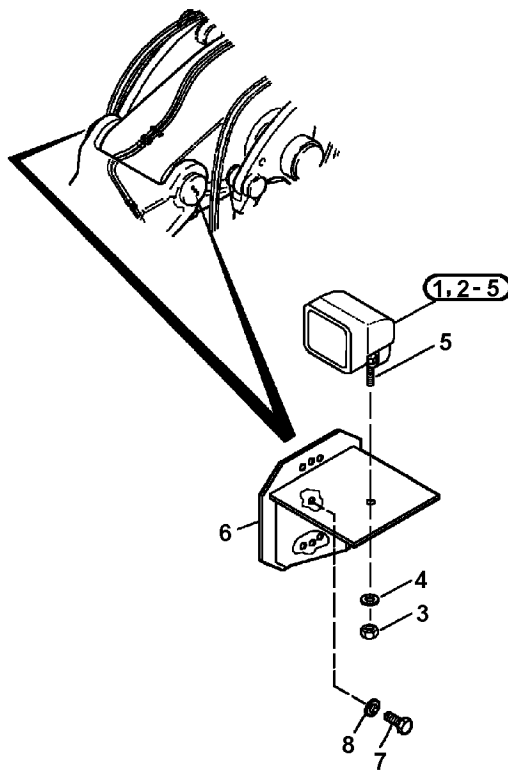
NOTE	REF NO	GRAPHIC REF	PART NUMBER	QTY	PART NAME						SEE PAGE
					1	2	3	4	5	6 (PRODUCT LEVEL)	
	1	1	1525259	2	HEADLIGHT						
	2	1	4026449	2	LAMP						
	3	1	4014015	2	LOCKING NUT						
	4	1	1520455	2	WASHER						
	5	1	1519699	2	SCREW, HEX HEAD						
	6	1	4024652	2	BRACKET						
	7	1	1520312	6	SCREW, HEX HEAD						
	8	1	4021630	6	SPACER						

ELECTRICAL AND STARTING SYSTEM

4797173 ADDITIONAL LIGHTING (contd.)

NPL00337759

31.455
3 725 552.000



GRAPHIC #1

<END>

NG00075105

ENGINE ARRANGEMENT

4797408 ENGINE

S/N: 15345-15345

SMCS -

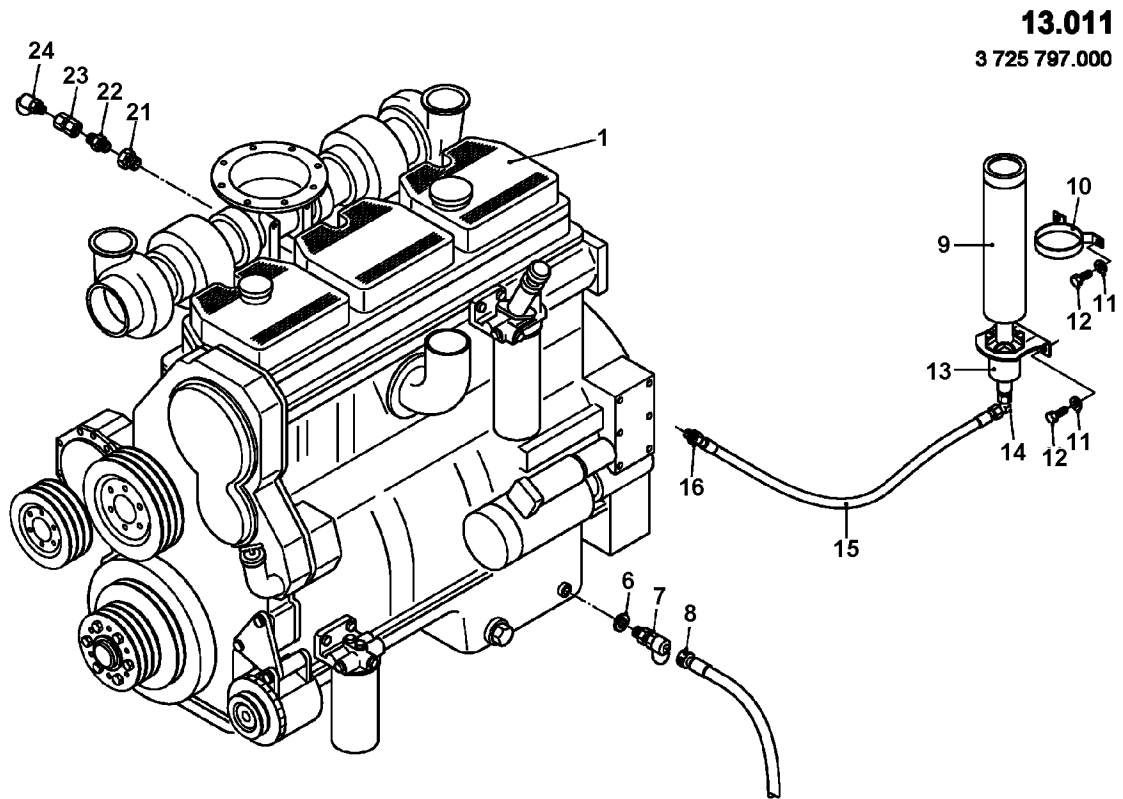
NPL00337665

NOTE	REF NO	GRAPHIC REF	PART NUMBER	QTY	PART NAME						SEE PAGE
					1	2	3	4	5	6 (PRODUCT LEVEL)	
	1	1	4275879	1	DIESEL ENGINE						
	6	1	4026944	1	O RING ENGINE MOUNT						
	7	1	4026728	1	DRAIN VALVE ENGINE MOUNT						
	8	1	1519940	1	CONNECTION						
	9	1	4275601	1	CONTAINER						
	10	1	1467774	1	CLIP						
	11	1	1461712	4	WASHER						
	12	1	1521625	4	SCREW, HEX HEAD CAP						
	13	1	4803953	1	VALVE						
	14	1	1625739	1	TUBE FITTING						
	15	1	1462984	1	HYDRAULIC HOSE						
	16	1	1625738	1	INJECTOR						
	21	1	4028127	1	SOCKET HYDRAULICS						
	22	1	1466220	1	FITTING						
	23	1	1624730	1	ADAPTOR						
	24	1	1456028	1	TEST SOCKET						

ENGINE ARRANGEMENT

4797408 ENGINE (contd.)

NPL00337665



GRAPHIC #1

<END>

NG00071065

ENGINE ARRANGEMENT

4797422 ENGINE MOUNTING

S/N: 15345-15345

SMCS -

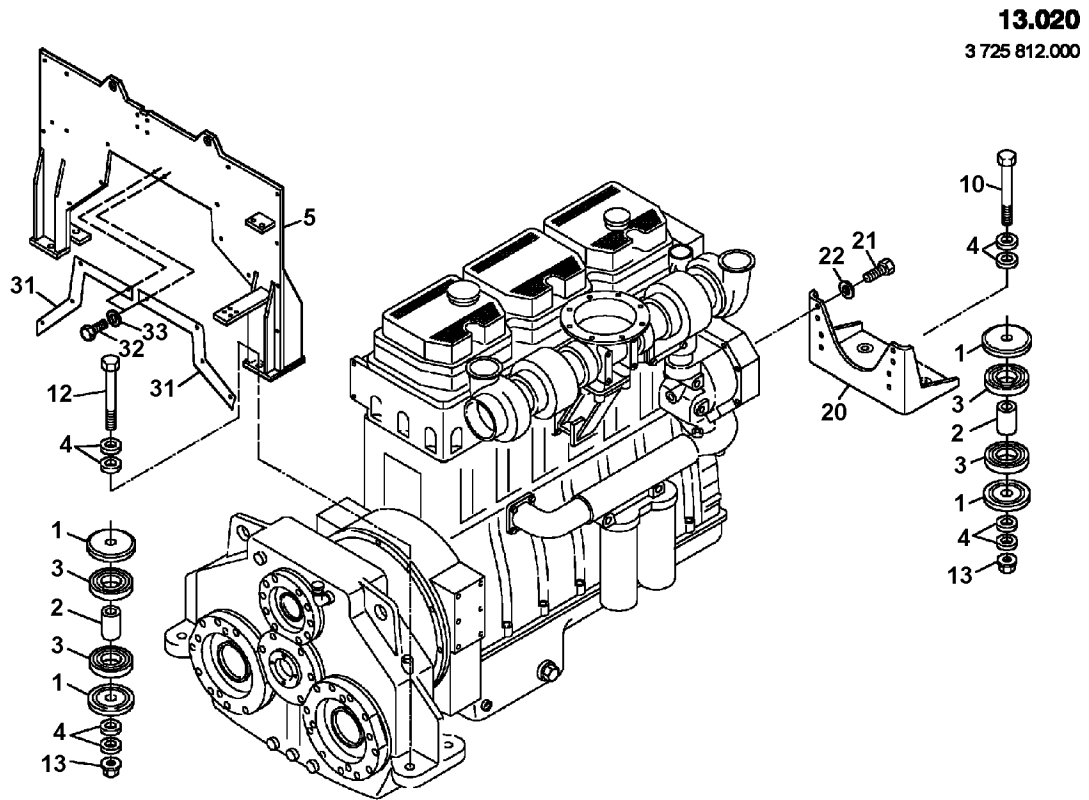
NPL00337667

NOTE	REF NO	GRAPHIC REF	PART NUMBER	QTY	PART NAME						SEE PAGE
					1	2	3	4	5	6 (PRODUCT LEVEL)	
	1	1	1466836	12	DISK						
	2	1	4024124	6	SLEEVE ENGINE MOUNT						
	3	1	1484717	12	WASHER						
	4	1	4022229	12	WASHER, RETAINING						
	5	1	4784701	1	BRACKET						
	10	1	1523110	2	SCREW, HEX HEAD						
	12	1	1499922	4	SCREW, HEX HEAD						
	13	1	1519059	6	NUT, FULL						
	20	1	4024907	1	BRACKET						
	21	1	1520784	8	HEX. HD. SCREW						
	22	1	1517707	8	WASHER						
	31	1	4024917	2	RUBBER PLATE						
	32	1	1523574	10	SCREW, HEX						
	33	1	1520572	10	WASHER						

ENGINE ARRANGEMENT

4797422 ENGINE MOUNTING (contd.)

NPL00337667



GRAPHIC #1

<END>

NG00071165

ENGINE ARRANGEMENT

4797440 ENGINE

S/N: 15345-15345

SMCS -

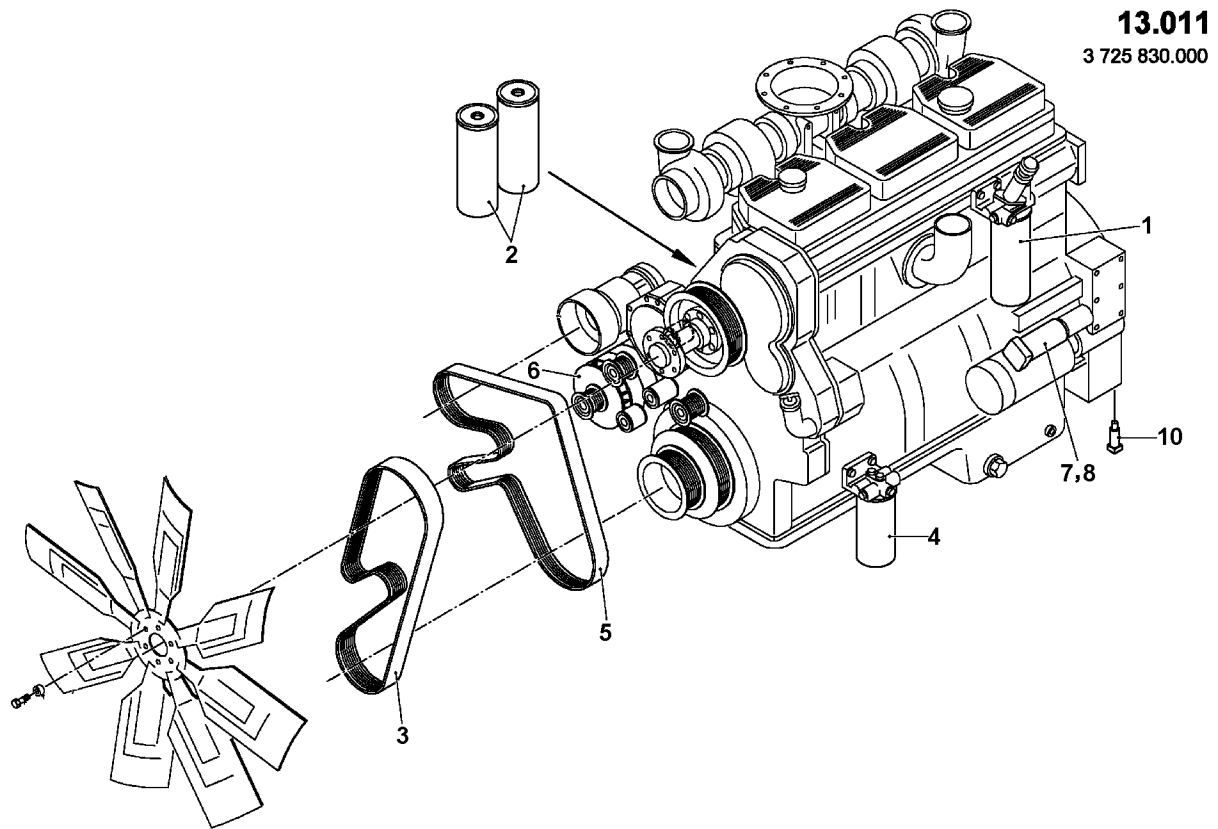
NPL00337666

NOTE	REF NO	GRAPHIC REF	PART NUMBER	QTY	PART NAME						SEE PAGE
					1	2	3	4	5	6 (PRODUCT LEVEL)	
	1	1	4027689	1	FUEL FILTER						
	2	1	4027688	2	ENGINE OIL FILTER						
	3	1	4026015	1	DRIVE BELT ENGINE						
	4	1	4027690	1	FUEL PREFILTER						
	5	1	4426606	1	BELT						
	6	1	4211950	1	ALTERNATOR						
	7	1	4395315	1	STARTER						
	8	1	4027695	1	GASKET SET ENGINE MOUNTING						
	10	1	1455876	1	TRANSMITTER						

ENGINE ARRANGEMENT

4797440 ENGINE (contd.)

NPL00337666



GRAPHIC #1

<END>

NG00071105

ENGINE ARRANGEMENT

4828949 ENGINE

S/N: 15345-15345

SMCS -

NPL00337686

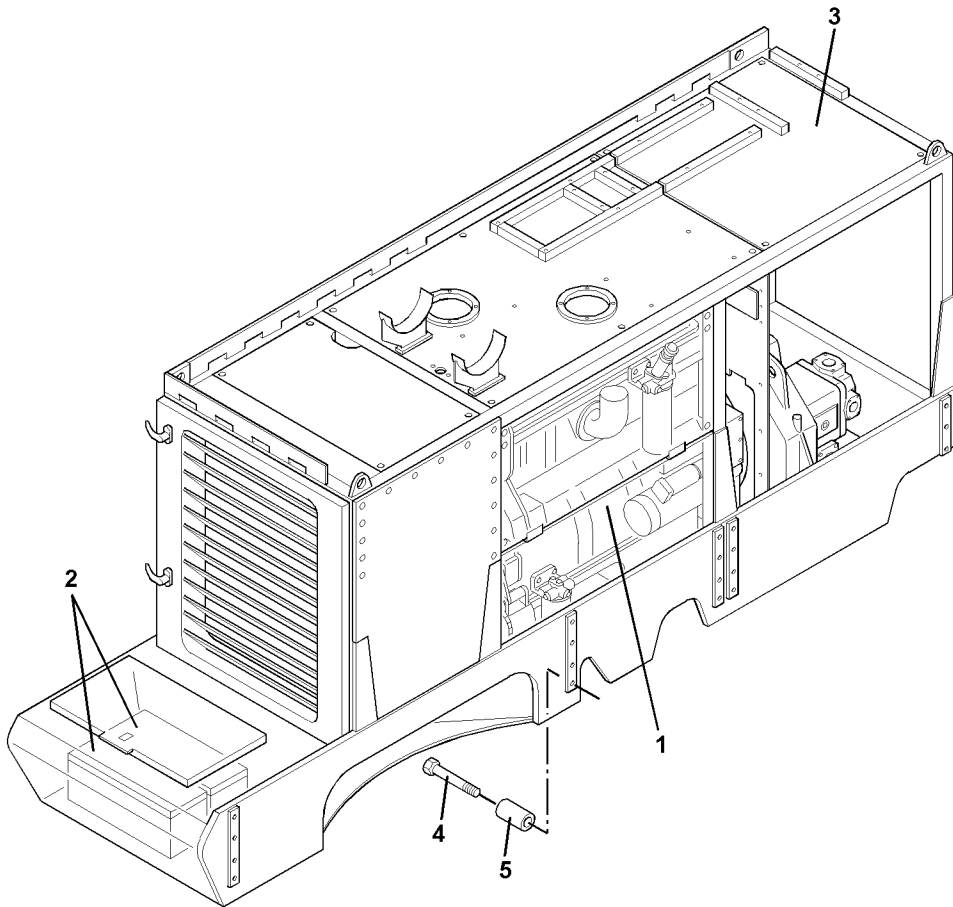
NOTE	REF NO	GRAPHIC REF	PART NUMBER	QTY	PART NAME	SEE PAGE
					1 2 3 4 5 6 (PRODUCT LEVEL)	
	1	1	4831614	1	ENGINE	27
	2	1	4793285	1	INSTALLATION MATERIAL - BATTERY	15
	3	1	4797504	1	PANELING	54
	4	1	1519526	18	SLEEVE	
	5	1	1464810	18	SCREW, HEX HEAD	

ENGINE ARRANGEMENT

4828949 ENGINE (contd.)

NPL00337686

13.000
4 828 949.000



GRAPHIC #1

<END>

NG00070806

ENGINE ARRANGEMENT

4831614 ENGINE

S/N: 15345-15345

SMCS -

NPL00337683

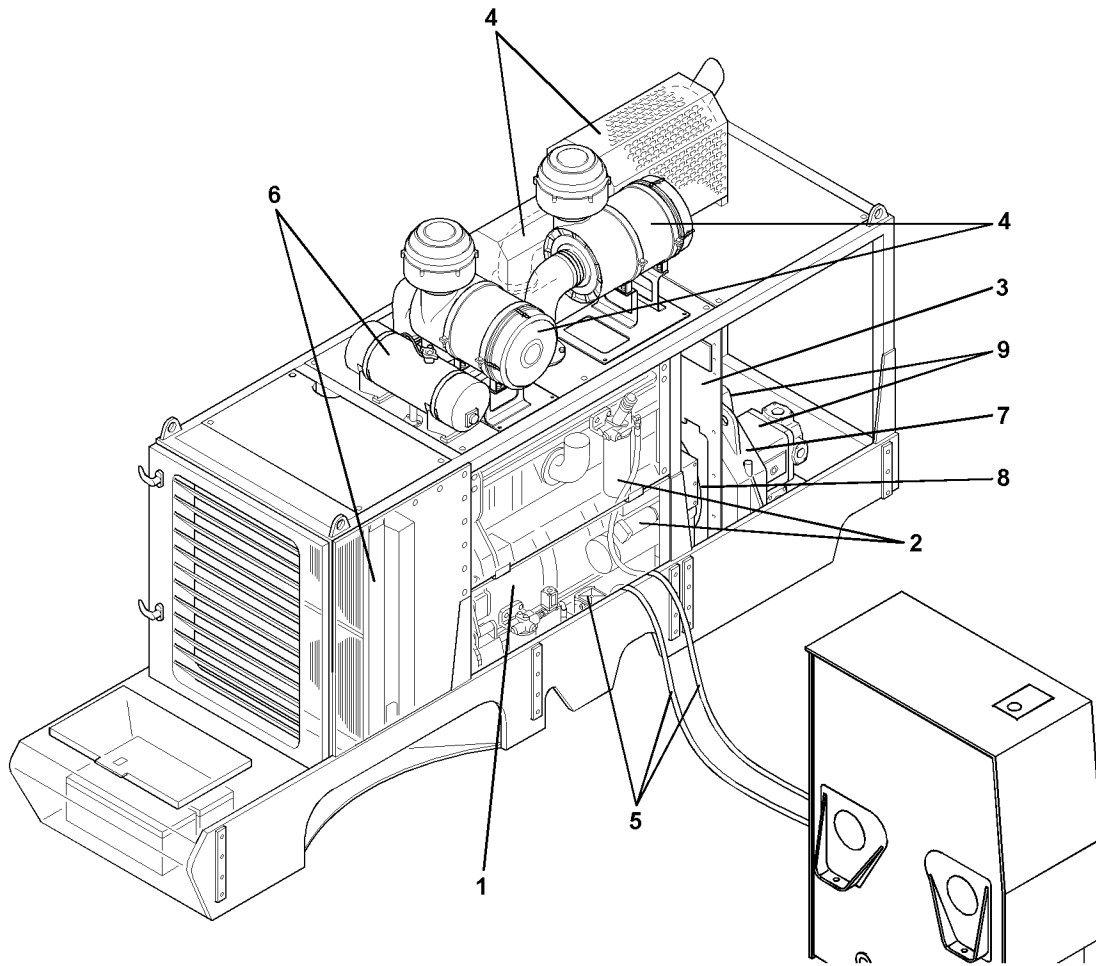
NOTE	REF NO	GRAPHIC REF	PART NUMBER	QTY	PART NAME						SEE PAGE
					1	2	3	4	5	6 (PRODUCT LEVEL)	
	1	1	4797408	1	ENGINE						19
	2	1	4797440	1	ENGINE						23
	3	1	4797422	1	ENGINE MOUNTING						21
	4	1	4797197	1	INTAKE/EXH. SYSTEM						6
	5	1	4794644	1	FUEL SYSTEM						60
	6	1	4797194	1	COOLING SYSTEM						9
	7	1	4797125	1	PUMP GEARBOX						251
	8	1	4793114	1	INSTALLATION MATERIAL - COUPLING						249
	9	1	4797506	1	PUMP						181

ENGINE ARRANGEMENT

4831614 ENGINE (contd.)

NPL00337683

13.010
4 831 614.000



GRAPHIC #1

<END>

NG00070825

FRAME AND BODY

4788854 LOCKING DEVICE, FRAME
S/N: 15345-15345

SMCS -

NPL00337663

NOTE	REF NO	GRAPHIC REF	PART NUMBER	QTY	PART NAME	SEE PAGE
					1 2 3 4 5 6 (PRODUCT LEVEL)	
	1	1	4021494	1	LOCKING BAR	
	2	1	1464719	2	HEX.HD.SCREW	

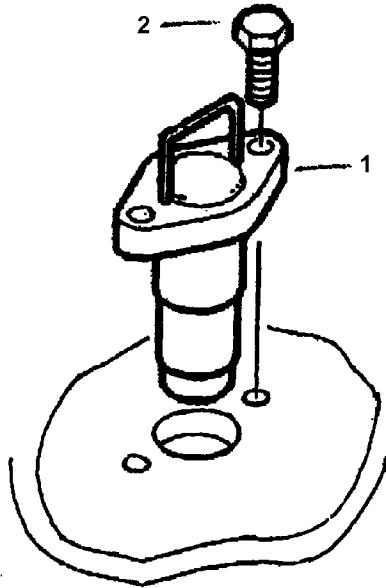
FRAME AND BODY

4788854 LOCKING DEVICE, FRAME (contd.)

NPL00337663

01.642

2 804 110.000



GRAPHIC #1

<END>

NG00070765

FRAME AND BODY

4791432 COVER, TRAVEL GEAR
S/N: 15345-15345

SMCS -

NPL00337654

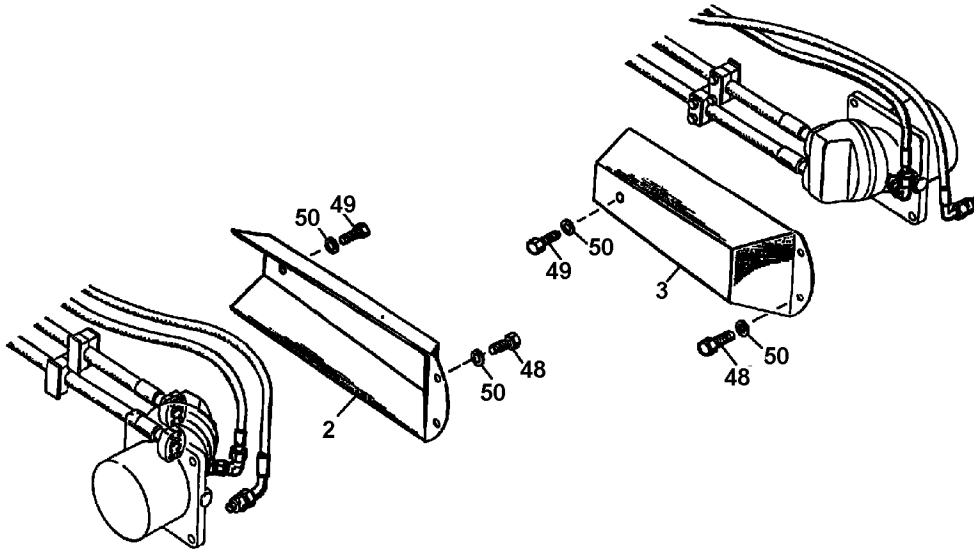
NOTE	REF NO	GRAPHIC REF	PART NUMBER	QTY	PART NAME						SEE PAGE
					1	2	3	4	5	6 (PRODUCT LEVEL)	
	2	1	4020855	1	COVER						
	3	1	4020856	1	COVER						
	48	1	1520921	4	SCREW, HEX HEAD						
	49	1	1523662	2	SCREW, HEX						
	50	1	1591628	6	WASHER,DISK						

FRAME AND BODY

4791432 COVER, TRAVEL GEAR (contd.)

NPL00337654

36.540
3 659 930.000



GRAPHIC #1

<END>

NG00069945

FRAME AND BODY

4791852 CATWALK

S/N: 15345-15345

SMCS -

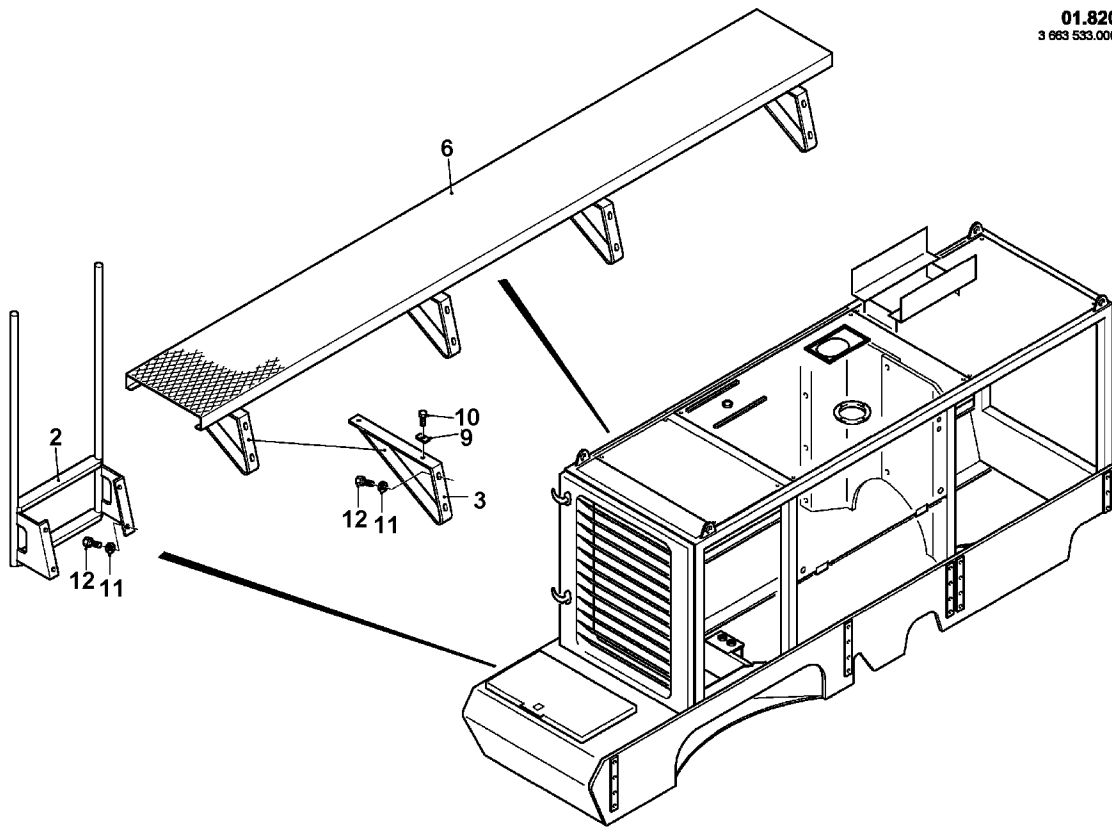
NPL00337756

NOTE	REF NO	GRAPHIC REF	PART NUMBER	QTY	PART NAME						SEE PAGE
					1	2	3	4	5	6 (PRODUCT LEVEL)	
	2	1	4020097	1	LADDER						
	3	1	4021526	4	BRACKET						
	6	1	4023593	1	GRILL, SAFETY						
	9	1	4024122	8	PLATE						
	10	1	1519402	8	SCREW, HEX HEAD						
	11	1	1522156	16	WASHER						
	12	1	1519382	16	SCREW, HEX HEAD						

FRAME AND BODY

4791852 CATWALK (contd.)

NPL00337756



GRAPHIC #1

<END>

NG00074986

FRAME AND BODY

4793996 INSTALLATION MATERIAL-BALLAST

S/N: 15345-15345

SMCS -

NPL00337664

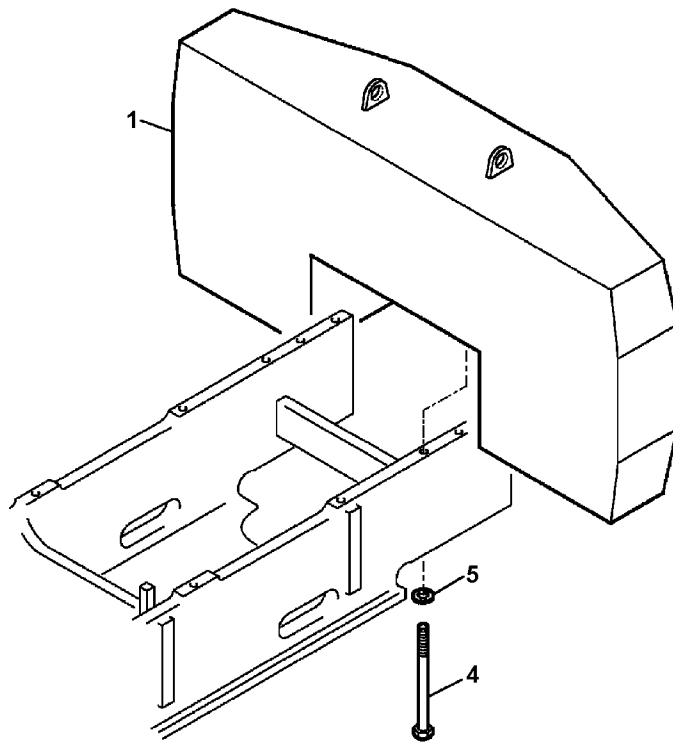
NOTE	REF NO	GRAPHIC REF	PART NUMBER	QTY	PART NAME						SEE PAGE
					1	2	3	4	5	6 (PRODUCT LEVEL)	
	1	1	4780648	1	BALLAST						
	4	1	4022948	6	HEX.HD.SCREW						
	5	1	4015463	6	SHIM						

FRAME AND BODY

4793996 INSTALLATION MATERIAL-BALLAST (contd.)

NPL00337664

12.010
3 669 081.000



GRAPHIC #1

<END>

NG00070785

FRAME AND BODY

4794765 GREASING SYSTEM

S/N: 15345-15345

SMCS -

NPL00337711

NOTE	REF NO	GRAPHIC REF	PART NUMBER	QTY	PART NAME						SEE PAGE
					1	2	3	4	5	6 (PRODUCT LEVEL)	
			4795978	1	GREASING SYSTEM						48
			4794874	1	LUBE PUMP						38

FRAME AND BODY

4794874 LUBE PUMP

S/N: 15345-15345

SMCS -

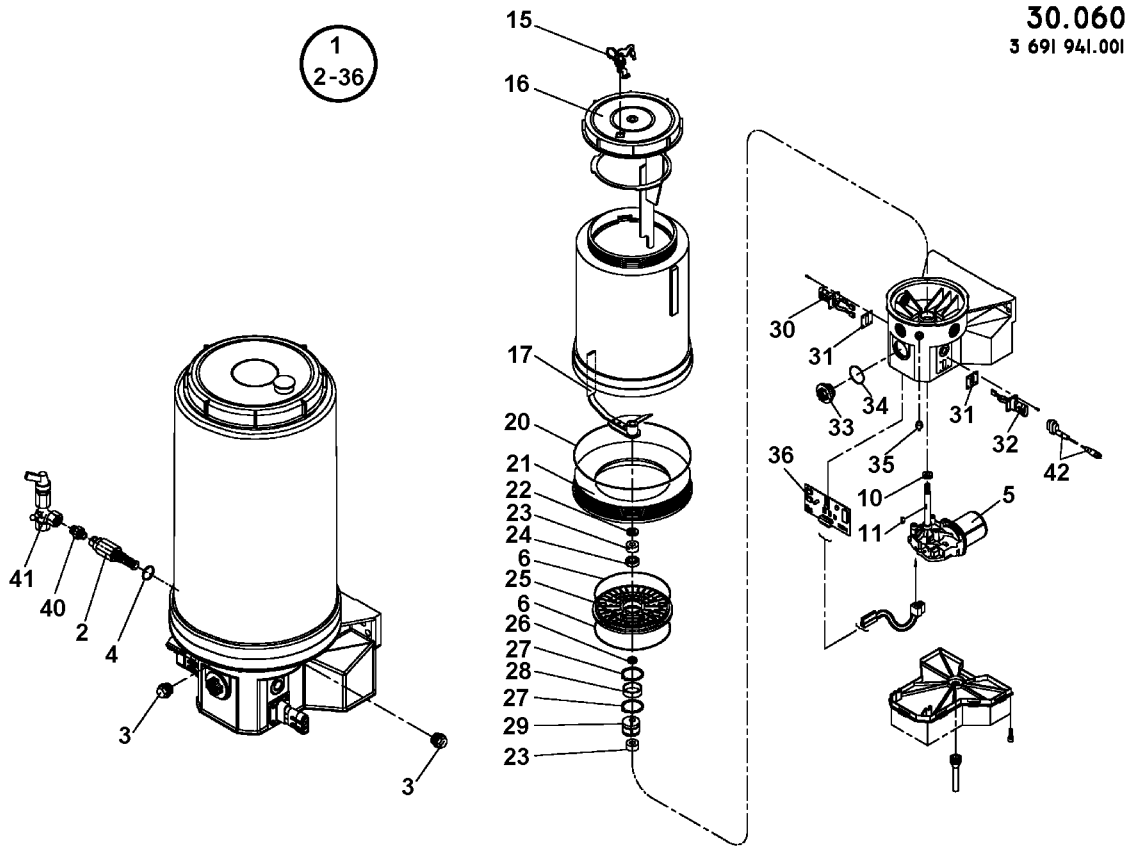
NPL00337710

NOTE	REF NO	GRAPHIC REF	PART NUMBER	QTY	PART NAME						SEE PAGE
					1	2	3	4	5	6 (PRODUCT LEVEL)	
	1	1	4027723	1	PUMP LUBE GREASE CARTRIDGE						
	2	1	4027341	1	ELEMENT PUMP GREASING SYSTEM						
	3	1	1519989	2	SCREW, PLUG						
	4	1	4017386	1	GASKET						
	5	1	4211924	1	ENGINE						
	6	1	4013757	2	O-RING						
	10	1	4016838	1	ROT.SHAFT LIP SEAL						
	11	1	1462415	1	KEY						
	15	1	4211926	1	KEY						
	16	1	4211925	1	LID						
	17	1	4017376	1	HOSE						
	20	1	1457980	1	SEAL RING						
	21	1	4017378	1	RING						
	22	1	1522266	1	DISK/WASHER						
	23	1	4017379	2	BEARING RACE						
	24	1	4235429	1	BALL BEARING						
	25	1	4017380	1	INTERMEDIAT.BOTTOM						
	26	1	4017384	1	SHIM RING						
	27	1	4017385	2	SNAP RING						
	28	1	4017381	1	INNER RING						
	29	1	4017382	1	ECCENTRIC						
	30	1	4017390	1	PLUG						
	31	1	4017386	2	GASKET						
	32	1	4017387	1	PLUG						
	33	1	4017389	1	PLUG						
	34	1	4211799	1	O-RING						
	35	1	1465279	1	GREASE FITTING						
	36	1	4027992	1	CIRCUIT BOARD						
	40	1	1468135	1	VALVE,CHECK,6S,G1/4						
	41	1	1455480	1	VALVE						
	42	1	4026926	1	SENSOR GREASE PUMP						

FRAME AND BODY

4794874 LUBE PUMP (contd.)

NPL00337710



GRAPHIC #1

<END>

NG00073565

FRAME AND BODY

4795975 GREASING SYSTEM, REAR WALL

S/N: 15345-15345

SMCS -

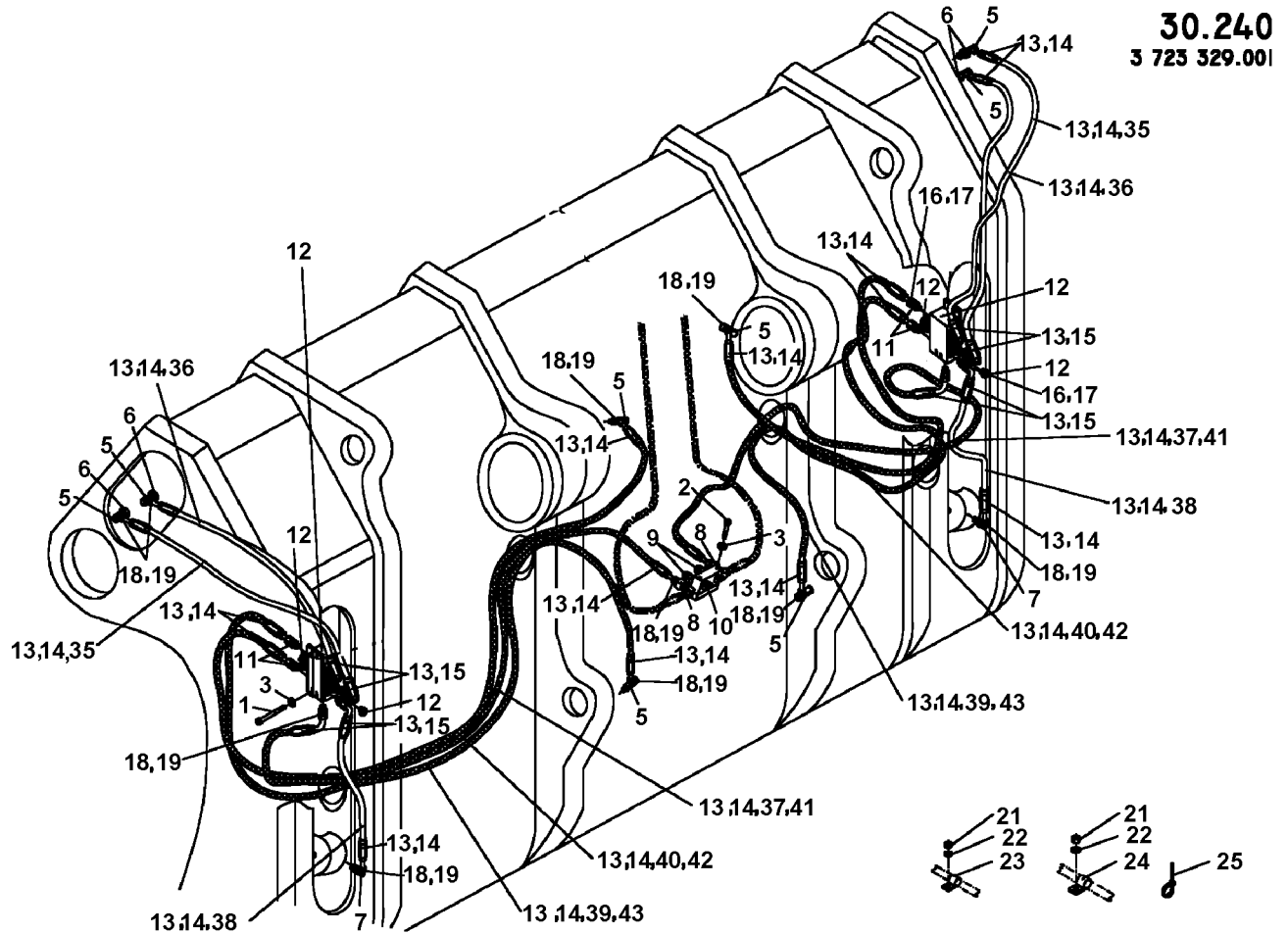
NPL00337749

NOTE	REF NO	GRAPHIC REF	PART NUMBER	QTY	PART NAME						SEE PAGE
					1	2	3	4	5	6 (PRODUCT LEVEL)	
	1	1	4013741	8	SCREW, HEX HEAD						
	2	1	1522171	2	SCREW, HEX						
	3	1	1521851	10	WASHER						
	5	1	1466031	4	FITTING						
	6	1	1461382	4	REDUCER						
	7	1	1465248	2	TUBE FITTING						
	8	1	1455697	2	TUBE FITTING						
	9	1	4028130	2	SWVL, L06, STUDL, G 1/8, STUD						
	10	1	4019775	1	DISTRIBUTOR						
	11	1	1463849	10	HOUSING						
	12	1	1564532	6	SCREW PLUG						
	13	1	1457345	24	SLEEVE						
	14	1	1457107	16	SOCKET						
	15	1	1457173	8	FTG, HOSE, EL, 90D, -06						
	16	1	4780218	10	CUTTING RING						
	17	1	4041796	10	CONN. NUT						
	18	1	1467254	18	RING, CUT, L06-S06						
	19	1	1468217	18	NUT, L06						
	21	1	1519520	6	NUT, HEX						
	22	1	4296578	6	WASHER, FL, M8						
	23	1	1467836	4	CLAMP, HOSE						
	24	1	1467807	2	CLAMP, HOSE						
	25	1	1468311	20	TIE, CABLE						
	35	1	1462986	1.18	HYDRAULIC HOSE						
	36	1	1462986	1.06	HYDRAULIC HOSE						
	37	1	1462986	1.70	HYDRAULIC HOSE						
	38	1	1462986	0.43	HYDRAULIC HOSE						
	39	1	1462986	1.51	HYDRAULIC HOSE						
	40	1	1462986	1.62	HYDRAULIC HOSE						
	41	1	4025930	1.58	HOSE PROTECTION KITS AND ACCESSORIES						
	42	1	4025930	1.43	HOSE PROTECTION KITS AND ACCESSORIES						
	43	1	4025930	1.31	HOSE PROTECTION KITS AND ACCESSORIES						
			4803732	2	DISTRIBUTOR						
					NOT SHOWN						

FRAME AND BODY

4795975 GREASING SYSTEM, REAR WALL (contd.)

NPL00337749



GRAPHIC #1

<END>

NG00074805

FRAME AND BODY

4795976 GREASING SYSTEM ,FS, STICK

S/N: 15345-15345

SMCS -

NPL00337746

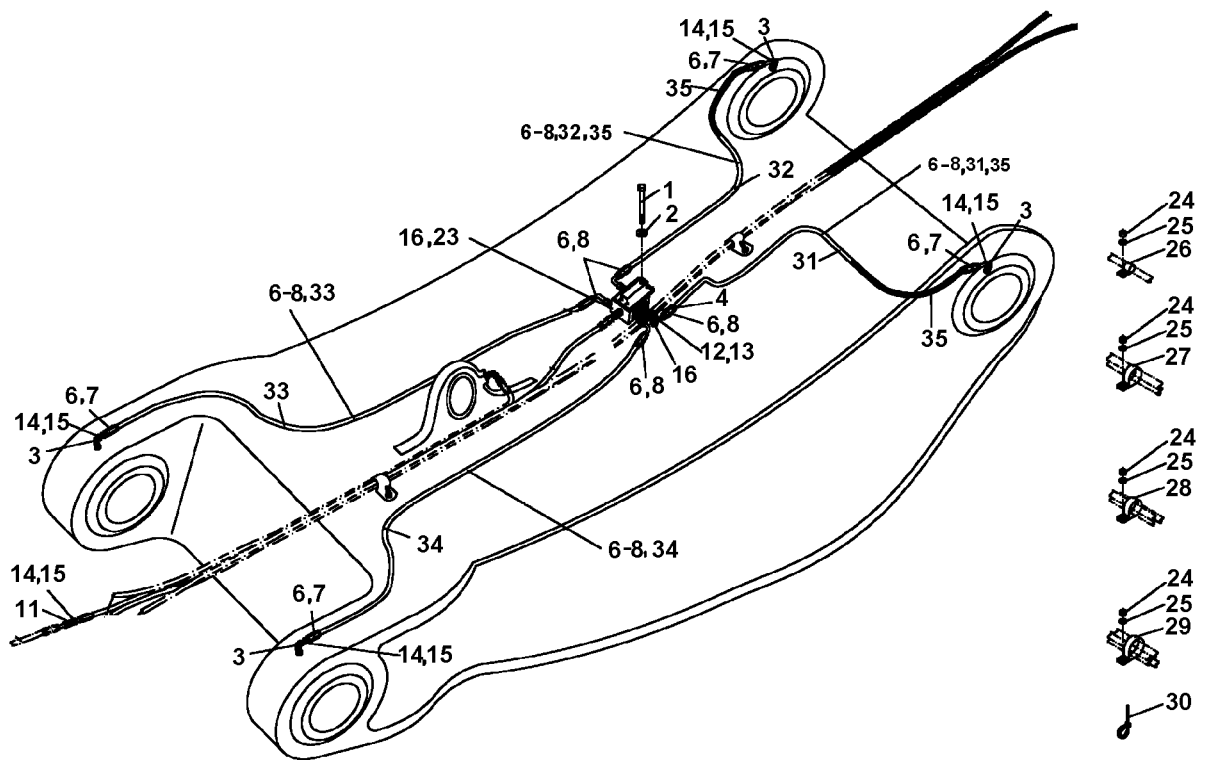
NOTE	REF NO	GRAPHIC REF	PART NUMBER	QTY	PART NAME	SEE PAGE
					1 2 3 4 5 6 (PRODUCT LEVEL)	
	1	1	4013741	4	SCREW, HEX HEAD	
	2	1	1521851	4	WASHER	
	3	1	1465248	4	TUBE FITTING	
	4	1	1463849	4	HOUSING	
	6	1	1457345	8	SLEEVE	
	7	1	1457107	4	SOCKET	
	8	1	1457173	4	FTG,HOSE,EL,90D,-06	
	11	1	1455636	1	TUBE FITTING	
	12	1	4780218	4	CUTTING RING	
	13	1	4041796	4	CONN.NUT	
	14	1	1467254	10	RING,CUT,L06-S06	
	15	1	1468217	10	NUT,L06	
	16	1	1564532	2	SCREW PLUG	
	23	1	4064482	1	DISTRIBUTOR	
	24	1	1519520	13	NUT, HEX	
	25	1	4296578	13	WASHER,FL,M8	
	26	1	1467836	4	CLAMP, HOSE	
	27	1	1520825	3	CLAMP, HOSE	
	28	1	4015145	1	CLAMP,HOSE,23MMID	
	29	1	1467778	5	CLAMP, HOSE	
	30	1	1468311	30	TIE, CABLE	
	31	1	1462986	1.5	HYDRAULIC HOSE	
	32	1	1462986	1.40	HYDRAULIC HOSE	
	33	1	1462986	3.18	HYDRAULIC HOSE	
	34	1	1462986	3.36	HYDRAULIC HOSE	
	35	1	4025930	0.75	HOSE PROTECTION KITS AND ACCESSORIES	

FRAME AND BODY

4795976 GREASING SYSTEM ,FS, STICK (contd.)

NPL00337746

30.230
3 723 330.001



GRAPHIC #1

<END>

NG00074785

FRAME AND BODY

4795977 GREASING SYSTEM ,FS, BOOM BOTTOM

S/N: 15345-15345

SMCS-

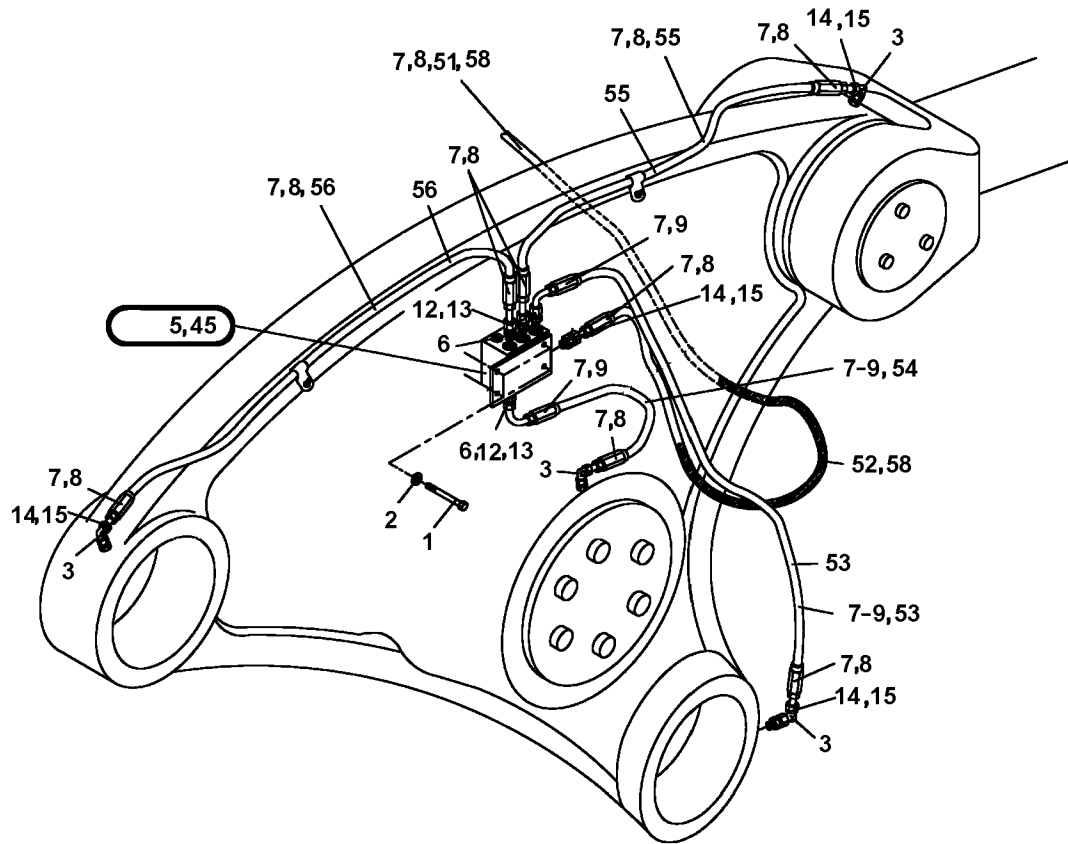
NPL00337742

NOTE	REF NO	GRAPHIC REF	PART NUMBER	QTY	PART NAME						SEE PAGE
					1	2	3	4	5	6 (PRODUCT LEVEL)	
	1	2,3	4013741	16	SCREW, HEX HEAD						
	2	2,3	1521851	16	WASHER						
	3	1,2,3	1465248	14	TUBE FITTING						
	5	1,2,3	1564532	12	SCREW PLUG						
	6	1,2,3	1463849	18	HOUSING						
	7	1,2,3	1457345	28	SLEEVE						
	8	1,2,3	1457107	16	SOCKET						
	9	1,2,3	1457173	12	FTG,HOSE,EL,90D,-06						
	12	1,2,3	4780218	18	CUTTING RING						
	13	1,2,3	4041796	18	CONN.NUT						
	14	1,2,3	1467254	28	RING,CUT,L06-S06						
	15	1,2,3	1468217	28	NUT,L06						
	16	1	1459769	1	PLATE						
	18	1,2,3	1519520	20	NUT, HEX						
	19	1,2,3	4296578	20	WASHER,FL,M8						
	20	1,2,3	1467836	6	CLAMP, HOSE						
	21	1,2,3	1467807	2	CLAMP, HOSE						
	22	1,2,3	1467810	3	CLAMP,HOSE,.69ID						
	23	1,2,3	1520825	7	CLAMP, HOSE						
	24	1,2,3	1467778	2	CLAMP, HOSE						
	25	1,2,3	1468311	50	TIE, CABLE						
	44	1	4064561	1	DISTRIBUTOR						
	45	1,2,3	4064482	3	DISTRIBUTOR						
	46	1	1462986	6	HYDRAULIC HOSE						
	47	1	1462986	5.08	HYDRAULIC HOSE						
	48	1	1462986	4.88	HYDRAULIC HOSE						
	49	1	1462986	1.43	HYDRAULIC HOSE						
	50	1	1462986	2.58	HYDRAULIC HOSE						
	51	1,2	1462986	6.65	HYDRAULIC HOSE						
	52	1,2,3	1462986	2.35	HYDRAULIC HOSE						
	53	2,3	1462986	1.20	HYDRAULIC HOSE						
	54	2,3	1462986	0.63	HYDRAULIC HOSE						
	55	2,3	1462986	0.79	HYDRAULIC HOSE						
	56	2,3	1462986	0.64	HYDRAULIC HOSE						
	57	1	4025930	1.00	HOSE PROTECTION KITS AND ACCESSORIES						
	58	1,2,3	4025930	0.70	HOSE PROTECTION KITS AND ACCESSORIES						

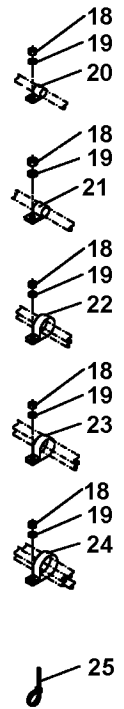
FRAME AND BODY

4795977 GREASING SYSTEM ,FS, BOOM BOTTOM (contd.)

NPL00337742



30.210
3 723 331.001
BLATT 2 - 3



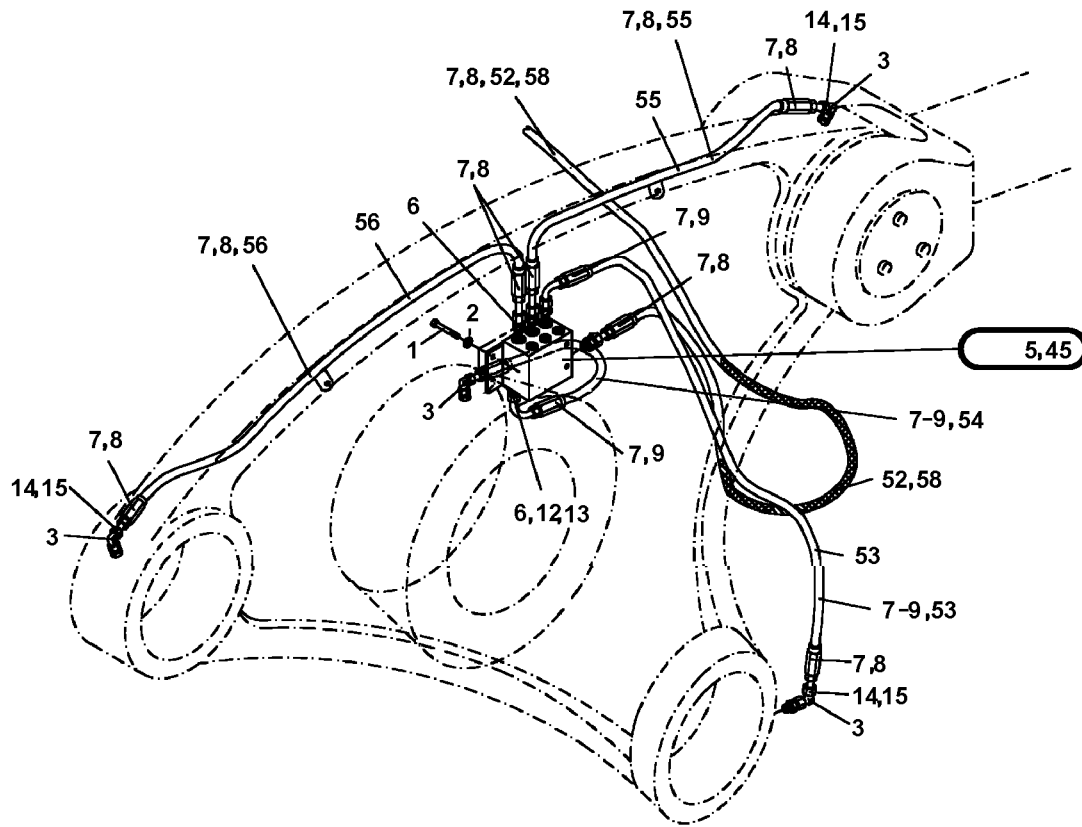
GRAPHIC #2

NG00054309

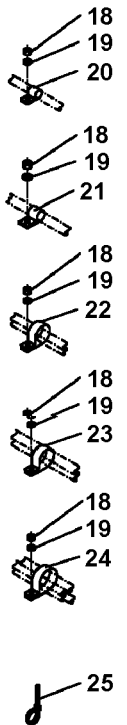
FRAME AND BODY

4795977 GREASING SYSTEM ,FS, BOOM BOTTOM (contd.)

NPL00337742



30.210
3 723 331.001
BLATT 3 - 3



GRAPHIC #3

<END>

NG00054308

FRAME AND BODY

4795978 GREASING SYSTEM

S/N: 15345-15345

SMCS-

NPL00337709

NOTE	REF NO	GRAPHIC REF	PART NUMBER	QTY	PART NAME						SEE PAGE
					1	2	3	4	5	6 (PRODUCT LEVEL)	
	1	1	1524028	2	SCREW, HEX HEAD						
	2	1	4013712	2	HEX.HD.SCREW						
	3	1	1522171	2	SCREW, HEX						
	4	1	1521851	6	WASHER						
	5	1	1521852	6	NUT, HEX						
	7	1	1463849	22	HOUSING						
	8	1,2	1457107	43	SOCKET						
	9	1,2	1457345	43	SLEEVE						
	13	1	1466340	1	FILTER						
	15	1	1468223	3	CAP NUT						
	16	1	4780218	22	CUTTING RING						
	17	1	4041796	22	CONN.NUT						
	18	1,2	1467254	38	RING,CUT,L06-S06						
	19	1,2	1468217	38	NUT,L06						
	20	1	1564532	6	SCREW PLUG						
	21	1,2	1519520	28	NUT, HEX						
	22	1,2	4296578	28	WASHER,FL,M8						
	23	1,2	1467836	7	CLAMP, HOSE						
	24	1,2	1467807	4	CLAMP, HOSE						
	25	1,2	1467810	9	CLAMP,HOSE,.69ID						
	26	1,2	1520825	2	CLAMP, HOSE						
	27	1,2	4015145	1	CLAMP,HOSE,23MMID						
	28	1,2	1467778	1	CLAMP, HOSE						
	29	1,2	1523672	4	CLIP, HOSE						
	30	1,2	1468311	50	TIE, CABLE						
	31	1	4017736	6	BUMPER						
	56	1	4212031	1	DISTRIBUTOR						
	57	1	4064561	1	DISTRIBUTOR						
	58	1	4560933	1	DISTRIBUTOR						
	59	2	1465248	13	TUBE FITTING						
	60	2	4020965	11	SOCKET						
	61	2	1466031	6	FITTING						
	62	1,2	1462986	3.02	HYDRAULIC HOSE						
	63	1	1462986	0.85	HYDRAULIC HOSE						
	64	1,2	1462986	5.32	HYDRAULIC HOSE						
	65	1,2	1462986	4.38	HYDRAULIC HOSE						
	66	1,2	1462986	3.85	HYDRAULIC HOSE						
	67	1,2	1462986	4.50	HYDRAULIC HOSE						
	68	1,2	1462986	5.22	HYDRAULIC HOSE						
	69	1,2	1462986	4.32	HYDRAULIC HOSE						
	70	1,2	1462986	4.32	HYDRAULIC HOSE						
	71	1	1462986	4.55	HYDRAULIC HOSE						
	72	1	1462986	5.32	HYDRAULIC HOSE						
	73	1,2	1462986	0.80	HYDRAULIC HOSE						
	74	1,2	1462986	3.55	HYDRAULIC HOSE						
	75	1,2	1462986	3.73	HYDRAULIC HOSE						
	76	1,2	1462986	2.95	HYDRAULIC HOSE						
	77	1,2	1462986	3.08	HYDRAULIC HOSE						

FRAME AND BODY

4795978 GREASING SYSTEM (contd.)

NPL00337709

NOTE	REF NO	GRAPHIC REF	PART NUMBER	QTY	PART NAME						SEE PAGE
					1	2	3	4	5	6 (PRODUCT LEVEL)	
	78	1,2	1462986	2.61	HYDRAULIC HOSE						
	79	1,2	1462986	2.24	HYDRAULIC HOSE						
	80	1,2	1462986	1.92	HYDRAULIC HOSE						
	81	1,2	4025930	0.4	HOSE PROTECTION KITS AND ACCESSORIES						
	82	1,2	4025930	0.42	HOSE PROTECTION KITS AND ACCESSORIES						
	83	1,2	4025930	0.48	HOSE PROTECTION KITS AND ACCESSORIES						
	84	1	4026926	1	SENSOR GREASE PUMP						
	85	1,2	4025930	1.00	HOSE PROTECTION KITS AND ACCESSORIES						
	86	1	1457782	1	SEALING RING						
	87	1	1457440	1	SIEVE						
	88	1	1457850	1	SEALING RING						
	89	1	1457804	1	SEALING RING						

FRAME AND BODY

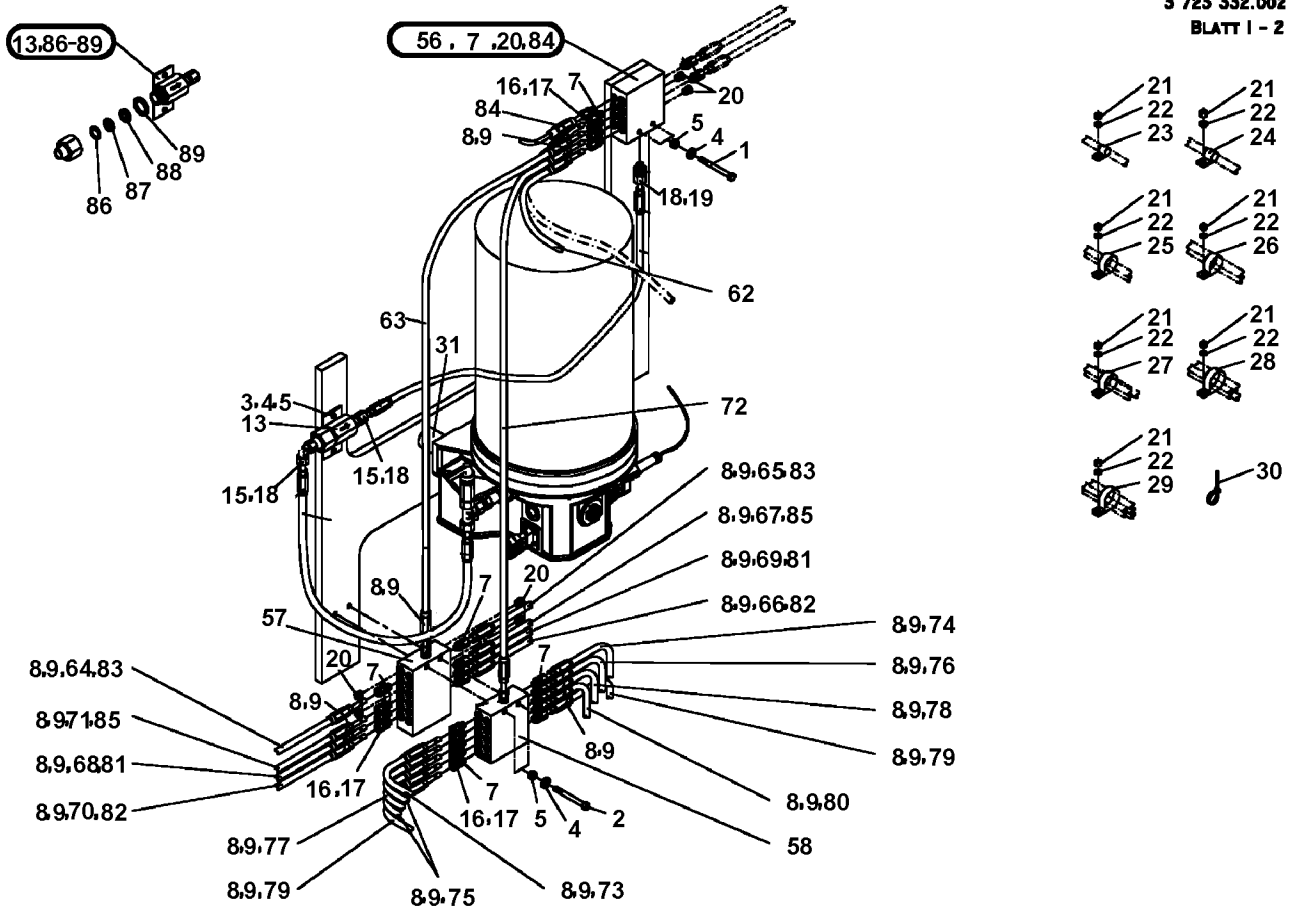
4795978 GREASING SYSTEM (contd.)

NPL00337709

30.010

3 725 332.002

BLATT 1 - 2



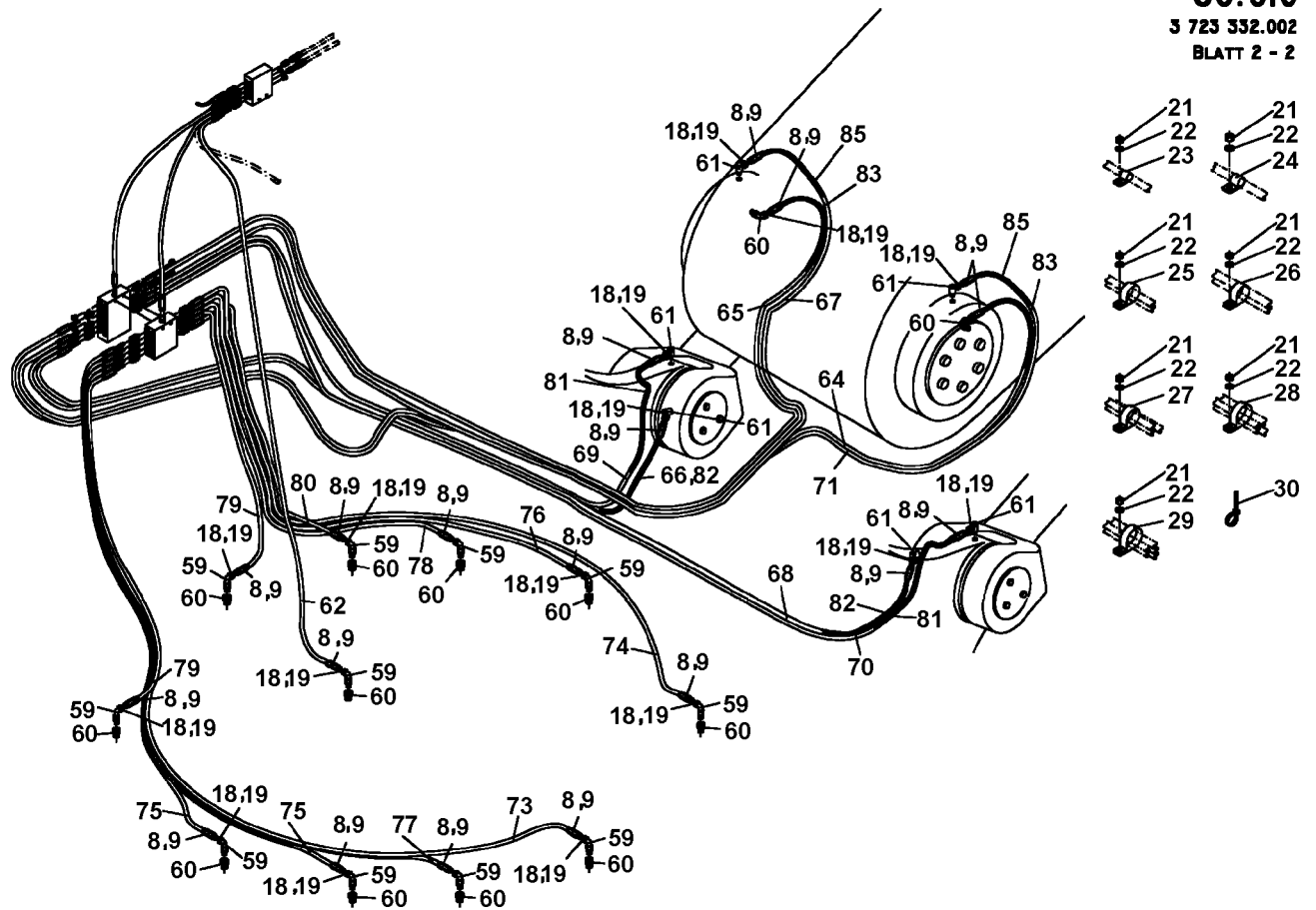
GRAPHIC #1

NG00054113

FRAME AND BODY

4795978 GREASING SYSTEM (contd.)

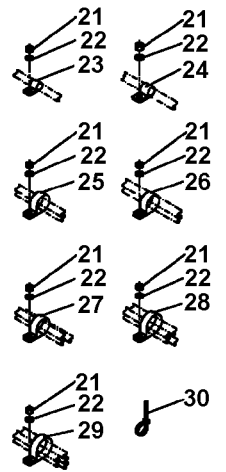
NPL00337709



30.010

3 723 352.002

BLATT 2 - 2



GRAPHIC #2

<END>

NG00054089

FRAME AND BODY

4797468 FRAME

S/N: 15345-15345

SMCS-

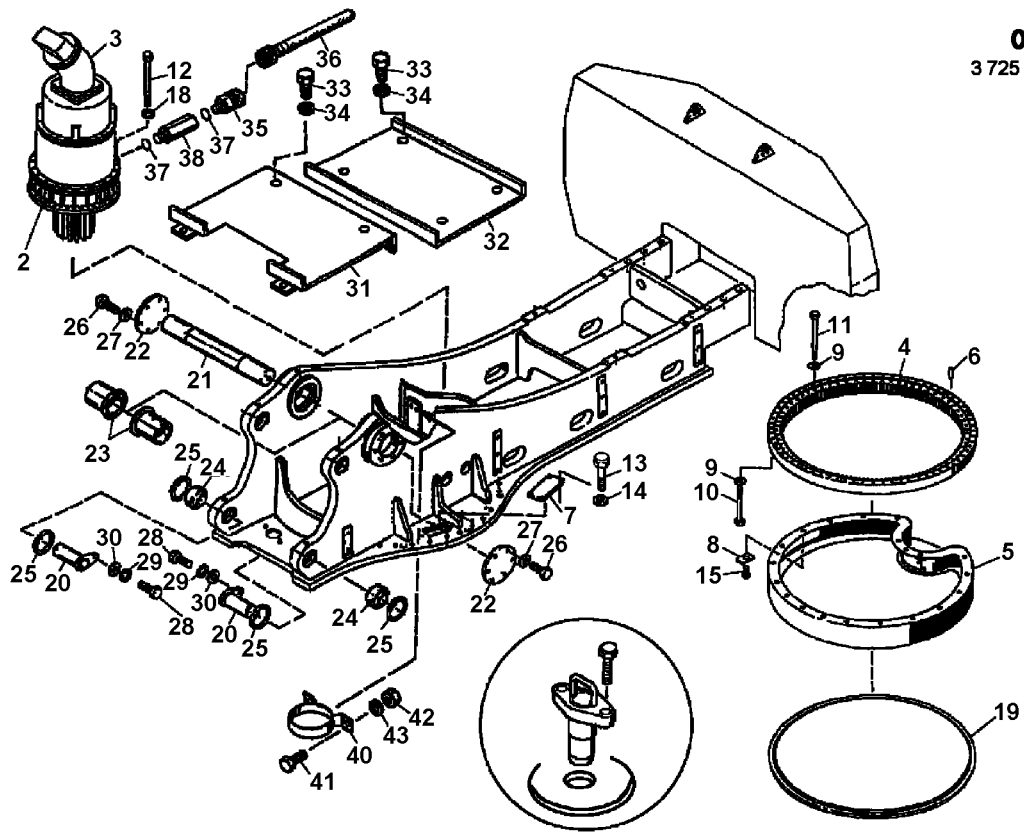
NPL00337662

NOTE	REF NO	GRAPHIC REF	PART NUMBER	QTY	PART NAME	SEE PAGE
					1 2 3 4 5 6 (PRODUCT LEVEL)	
	2	1	4794580	1	SLEWING GEAR, COMPLETE	139
	3	1	4793437	1	SWING MOTOR	119
	4	1	4020858	1	SLEW RING	
	5	1	4022032	1	COVER	
	6	1	1460400	1	PIN	
	7	1	4020719	1	LID	
	8	1	1519424	20	PLATE	
	9	1	1455129	96	WASHER	
	10	1	1464836	48	HEX.HD.SCREW	
	11	1	1464837	48	HEX.HD.SCREW	
	12	1	4022151	24	HEX.HD.SCREW	
	13	1	1519699	4	SCREW, HEX HEAD	
	14	1	1520455	4	WASHER	
	15	1	1519401	20	SCREW, HEX HEAD	
	18	1	1522914	24	SHIM	
	19	1	1519422	5.9	SEAL	
	20	1	4064590	2	PIN	
	21	1	1460411	1	PIN	
	22	1	4019207	2	LID	
	23	1	4022450	2	BUSHING PIVOT BOOM	
	24	1	1462447	2	JOINT BEARING	
	25	1	1468119	4	CIR CLIP	
	26	1	4014281	8	SCREW HEX HEAD SET	
	27	1	4296577	8	STEEL WASHER	
	28	1	1522973	2	SCREW, HEX HEAD	
	29	1	1461715	2	WASHER, LOCK	
	30	1	1466697	2	DISK/WASHER	
	31	1	4024553	1	BASE	
	32	1	4780424	1	BASE	
	33	1	1519674	8	SCREW, HEX	
	34	1	1520689	8	WASHER	
	35	1	1524008	1	DRAIN PLUG	
	36	1	1522913	1	CPLG,SERVICE,GEAR OIL,SLEW	
	37	1	1521628	2	RING, SEALING	
	38	1	4021503	1	SOCKET	
	40	1	1521473	1	CLIP	
	41	1	1464918	2	SCREW, HEX HEAD	
	42	1	1521852	2	NUT, HEX	
	43	1	1521322	2	WASHER	
			4797465	1	HYDRAULIC OIL TANK	175
					NOT SHOWN	

FRAME AND BODY

4797468 FRAME (contd.)

NPL00337662



GRAPHIC #1

<END>

NG00069985

FRAME AND BODY

4797504 PANELING

S/N: 15345-15345

SMCS-

NPL00337685

NOTE	REF NO	GRAPHIC REF	PART NUMBER	QTY	PART NAME						SEE PAGE
					1	2	3	4	5	6 (PRODUCT LEVEL)	
	1	1	4585173	1	FRAME						
	2	1	4369144	1	DOOR						
	3	1	1465083	2	HANDLE						
	4	1	1459790	2	PL, 10TX30X100MM, MACHINED						
	5	1	1461760	2	CATCH, DOOR						
	6	1	1519360	2	DISK/WASHER						
	7	1	1519182	2	FITTING, GREASE						
	8	1	1464924	4	SCR, HEX, M6X1.0X10MM, CL8.8						
	9	1	1520197	4	SCREW, COUNTERSUNK						
	10	1	1455007	4	WASHER						
	11	1	4780758	1	LID						
	12	1	4460784	1	LID						
	13	1	4484859	1	LID						
	14	1	1520983	14	SCREW, HEX HEAD						
	15	1	1517690	23	WASHER, DISK						
	19	1	1523055	12	NUT, WELD, M10X1.5, CL8.8						
	20	1	1519408	12	WASHER						
	21	1	4210966	1	DOOR						
	22	1	4235473	3	ARRESTOR ASSEMBLY						
	23	1	4210991	1	DOOR						
	24	1	4781007	2	COVER PLATE						
	25	1	1521238	12	SCREW, HEX HEAD						
	26	1	4502870	1	DOOR						
	27	1	1519402	11	SCREW, HEX HEAD						
	30	1	4780972	1	FLAP						
	31	1	4780152	1	PLATE						
	32	1	1456793	1	SPRING						
	33	1	4017056	1	LOCK PANELING ENGINE DOOR						
	34	1	1467350	1	COVER						
	35	1	1465780	4	FLAT HEAD SCREW						
	36	1	1459483	0.6	SEAL						
	37	1	1459483	1.20	SEAL						
	38	1	1459483	1.80	SEAL						
	39	1	1519520	2	NUT, HEX						
	40	1	1525835	2	SCREW, HEX HEAD						
	41	1	1521322	2	WASHER						
	45	1	4780761	1	FLAP						
	46	1	4780762	1	WALL						
	47	1	4064589	1	PLATE						
	48	1	1519516	2	SCREW, HEX HEAD						
	49	1	1519520	8	NUT, HEX						
	50	1	1521322	6	WASHER						
	51	1	4013687	4	BUMPER REAR PANELING						
	52	1	4017056	2	LOCK PANELING ENGINE DOOR						
	53	1	1467350	2	COVER						
	54	1	1465780	4	FLAT HEAD SCREW						
	55	1	4020945	2	GAS SPRING DOOR STRUT						
	60	1	1522715	1	BRACKET						

FRAME AND BODY

4797504 PANELING (contd.)

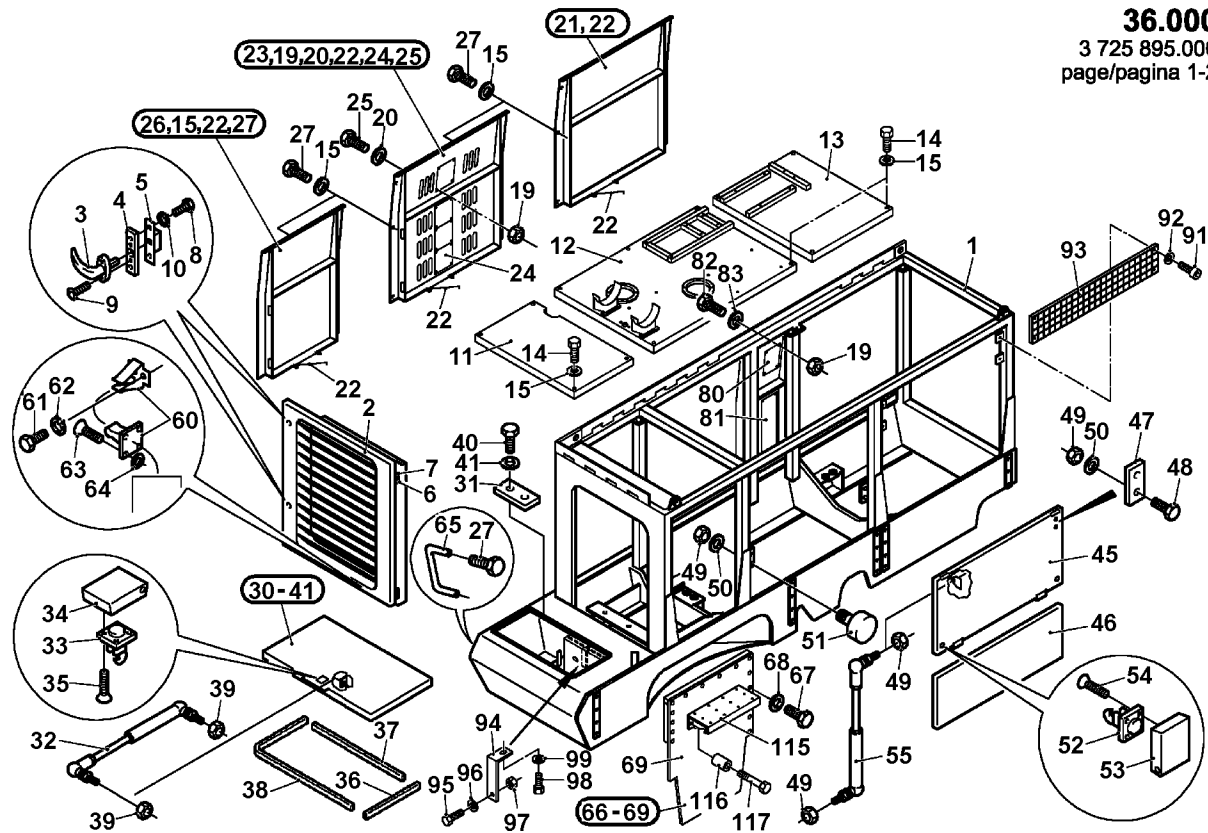
NPL00337685

NOTE	REF NO	GRAPHIC REF	PART NUMBER	QTY	PART NAME						SEE PAGE
					1	2	3	4	5	6 (PRODUCT LEVEL)	
	61	1	1522707	2	HEX.HD.SCREW						
	62	1	1525231	2	WASHER, LOCK						
	63	1	4014635	4	BOLT COUNTERSUNK HEAD						
	64	1	4014389	4	DISC WASHER						
	65	1	4019914	1	HANDLE BATTERY						
	66	1	4599226	1	LID						
	67	1	1525835	15	SCREW, HEX HEAD						
	68	1	4013865	15	WASHER						
	69	1	4780832	1	LID						
	80	1	4780836	1	PLATE						
	81	1	4780835	1	PLATE						
	82	1	1519699	8	SCREW, HEX HEAD						
	83	1	1519408	8	WASHER						
	85	2	4785314	1	WALL						
	86	2	4785313	1	WALL						
	87	2	1521238	14	SCREW, HEX HEAD						
	88	2	1520278	2	NUT, HEX						
	89	2	1519408	14	WASHER						
	90	2	1459481	2	PROFILE						
	91	1	1467161	4	CYL.HEAD SCREW						
	92	1	1523196	4	WASHER						
	93	1	4211468	1	GRID						
	94	1	4781367	2	BRACKET						
	95	1	1522261	2	SCREW, HEX						
	96	1	1521851	4	WASHER						
	97	1	1521852	2	NUT, HEX						
	98	1	1521625	2	SCREW, HEX HEAD CAP						
	99	1	1521851	3	WASHER						
	115	1	4780780	1	STEP						
	116	1	1520982	3	SLEEVE						
	117	1	1521145	3	SCREW, HEX						

FRAME AND BODY

4797504 PANELING (contd.)

NPL00337685



36.000
3 725 895.000
page/pagina 1-2

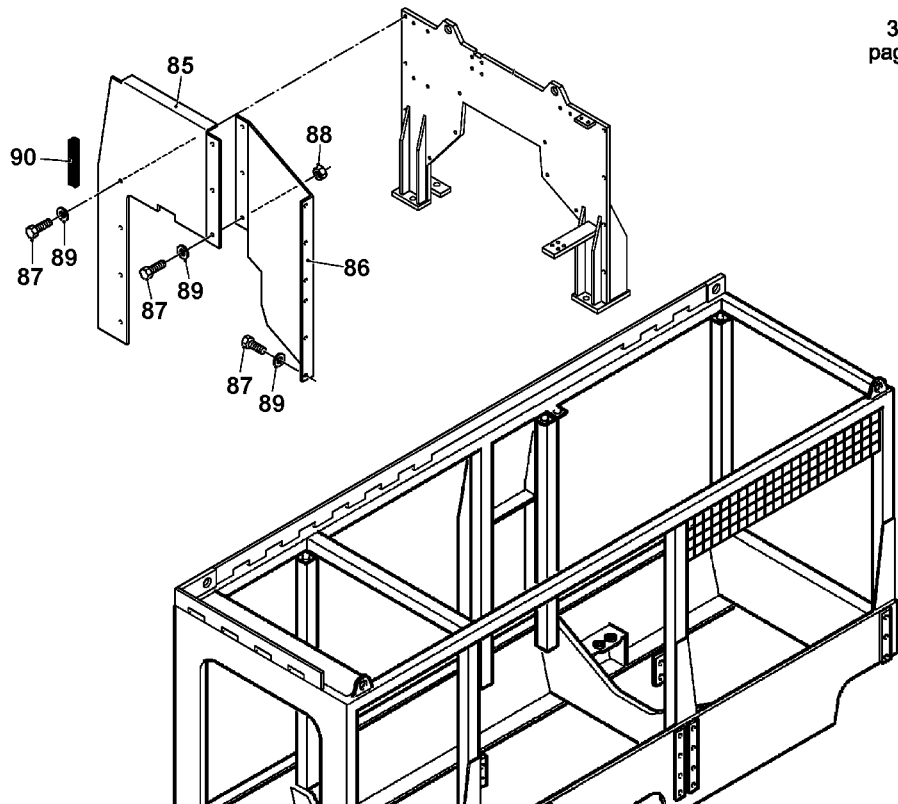
GRAPHIC #1

NG00076485

FRAME AND BODY

4797504 PANELING (contd.)

NPL00337685



36.000
3 725 895.000
page/pagina 2-2

GRAPHIC #2

<END>

NG00076505

FUEL SYSTEM

4794642 FUELLING SYSTEM, FUEL
S/N: 15345-15345

SMCS -

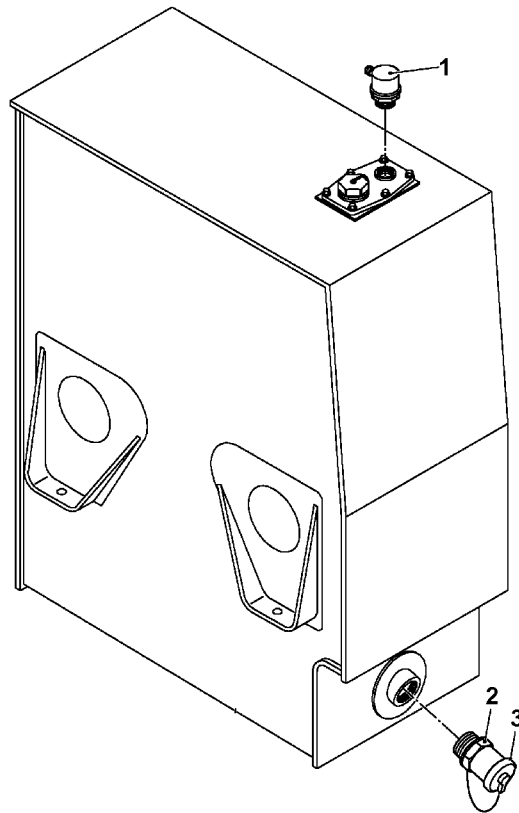
NPL00337754

NOTE	REF NO	GRAPHIC REF	PART NUMBER	QTY	PART NAME	SEE PAGE
					1 2 3 4 5 6 (PRODUCT LEVEL)	
	1	1	1455214	1	VALVE, FUEL TANK	
	2	1	1524076	1	COUPLING, CLUTCH	
	3	1	1524077	1	CAP	

FUEL SYSTEM

4794642 FUELLING SYSTEM, FUEL (contd.)

NPL00337754



14.115
3 669 824.000

GRAPHIC #1

<END>

NG00074845

FUEL SYSTEM

4794644 FUEL SYSTEM

S/N: 15345-15345

SMCS-

NPL00337671

NOTE	REF NO	GRAPHIC REF	PART NUMBER	QTY	PART NAME						SEE PAGE
					1	2	3	4	5	6 (PRODUCT LEVEL)	
	4	1	4020942	1	SIGHT GLASS FUEL TANK						
	5	1	4018201	2	CLIP ASSEMBLY						
	6	1	1518458	2	PLATE, WELDING						
	7	1	1520917	2	CLAMP, HOSE						
	8	1	1458426	4	SCREW						
	9	1	1458325	1	SCREW PLUG						
	10	1	1457790	1	O-RING						
	11	1	1459555	1	PLUG, DRAIN						
	12	1	1456231	1	SWITCH						
	13	1	1457768	1	SEAL						
	16	1	1455669	2	UNION, ELBOW, L22						
	17	1	1523759	1	PLUG						
	18	1	4013593	1	TUBE FITTING						
	19	1	1497638	1	HOSE						
	20	1	1464316	1	HOSE						
	21	1	4019327	1	TUBE FITTING INTERVAL, ENGINE OIL						
	22	1	1521829	1	FITTING, TUBE						
	23	1	4018995	2	TUBE FITTING						
	24	1	4117542	3	ELBOW, SWIVEL						
	25	1	1490489	1	HOSE						
	26	1	1520811	1	ADAPTER						
	27	1	4025099	1	TUBE FITTING						
	28	1	4105772	1	SOLENOID VALVE						
	29	1	1523299	1	UNION, L22, SWVL						
	30	2	1654364	1	SEPERATOR						
	31	2	1543312	1	VENT PLUG						
	32	2	1543311	1	SEAL						
	33	2	1543313	4	HEAD SCREW, HEX						
	34	2	1521851	8	WASHER						
	35	2	1458216	1	SEAL						
	36	2	1466283	1	FILTER INSERT						
	37	2	4014116	1	SCREW CYL HEAD FUEL SYSTEM						
	38	2	1465428	1	GASKET, FUEL SEPERATOR						
	39	2	4013740	4	HEX.HD.SCREW						
	40	2	1458217	1	SEAL						
	41	2	4017488	1	DRAIN VALVE FUEL SYSTEM						
	42	2	1465574	2	GASKET						
	43	2	1520321	2	PLUG						
	44	2	1520668	4	SCREW, HEX HEAD						
	45	2	1522245	4	DISK/WASHER						
	46	2	1519520	4	NUT, HEX						
	47	2	4023497	1	BRACKET						
	49	1	1466219	1	FITTING						
	50	2	1521632	1	SOCKET						
	51	2	4569019	2	SEAL						
	52	2	4027896	1	CAPSULE						
	53	2	4024554	1	LID						
	54	2	1521635	1	SEAL						

FUEL SYSTEM

4794644 FUEL SYSTEM (contd.)

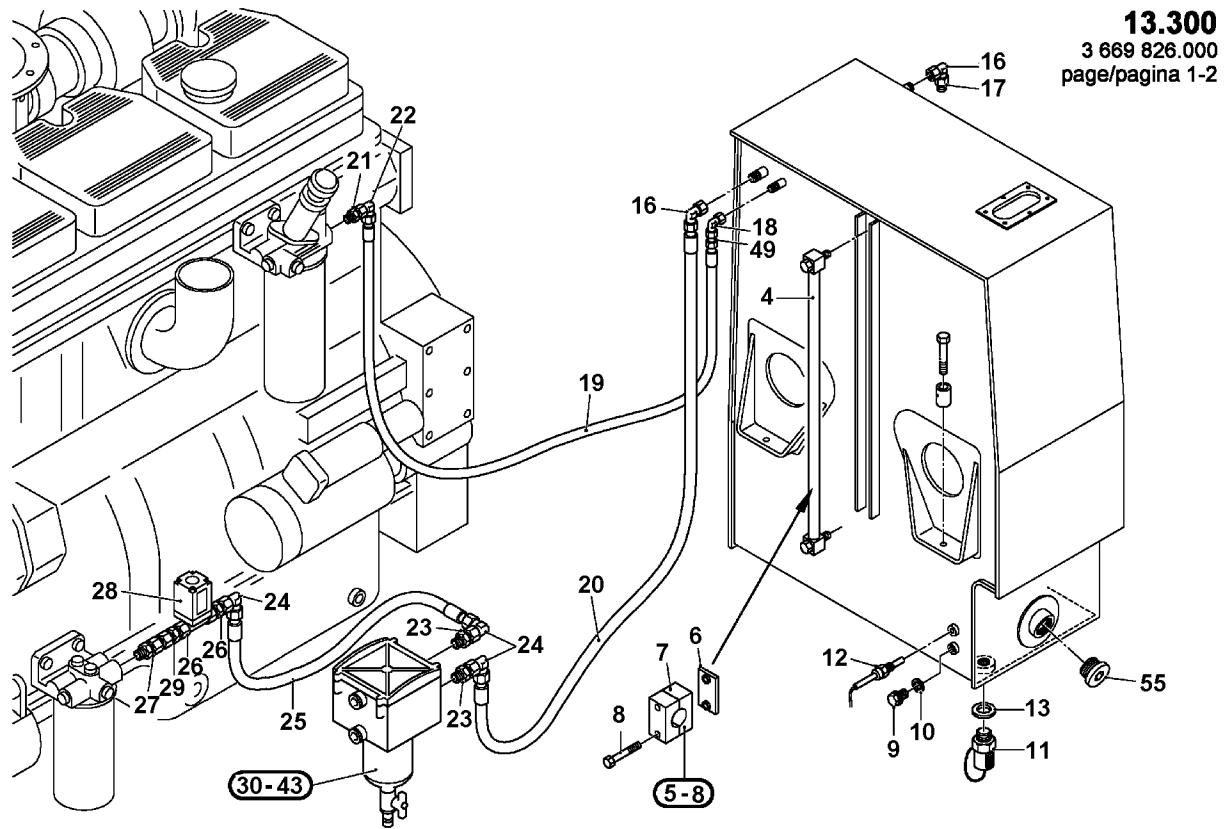
NPL00337671

NOTE	REF NO	GRAPHIC REF	PART NUMBER	QTY	PART NAME	SEE PAGE
					1 2 3 4 5 6 (PRODUCT LEVEL)	
	55	1	1520316	1	PLUG	
	56	2	1521230	6	SCREW, HEX	
	57	2	1517707	6	WASHER	
	58	2	1455214	1	VALVE, FUEL TANK	

FUEL SYSTEM

4794644 FUEL SYSTEM (contd.)

NPL00337671



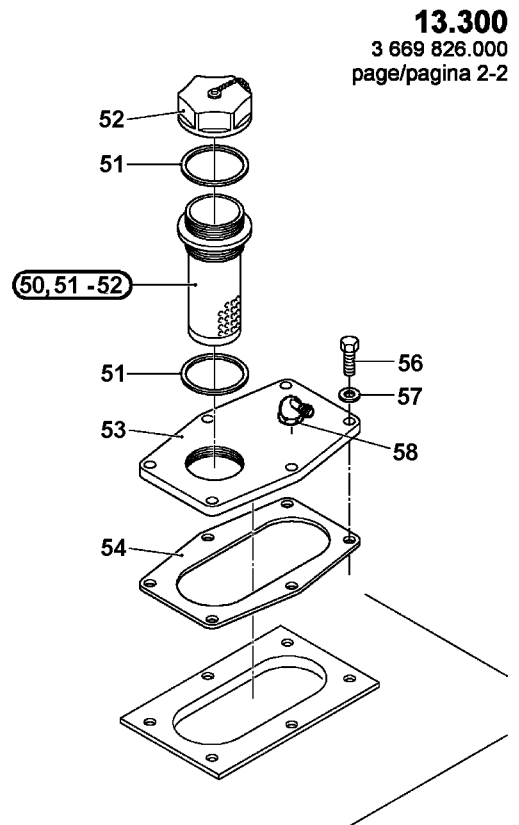
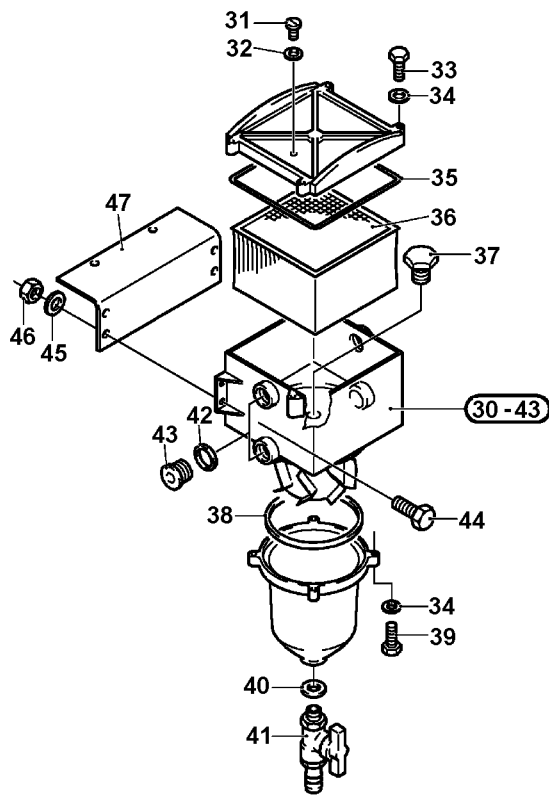
GRAPHIC #1

NG00071265

FUEL SYSTEM

4794644 FUEL SYSTEM (contd.)

NPL00337671



13.300
3 669 826.000
page/pagina 2-2

GRAPHIC #2

<END>

NG00071305

HYDRAULIC SYSTEM

4788169 VALVE-PRESSURE RELEASE

S/N: 15345-15345

SMCS-

NPL00337697

NOTE	REF NO	GRAPHIC REF	PART NUMBER	QTY	PART NAME						SEE PAGE
					1	2	3	4	5	6 (PRODUCT LEVEL)	
	1	1	1523293	1	VALVE, PRESSURE RELIEF						
	2	1	4016031	1	VALVE INSERT HYD VALVE						
	3	1	1465442	1	GASKET SET						
	4	1	4041610	1	RETAINING WASHER						
	5	1	4041677	1	CAPSULE						

HYDRAULIC SYSTEM

4788171 PROPORTIONAL VALVE

S/N: 15345-15345

SMCS -

NPL00337696

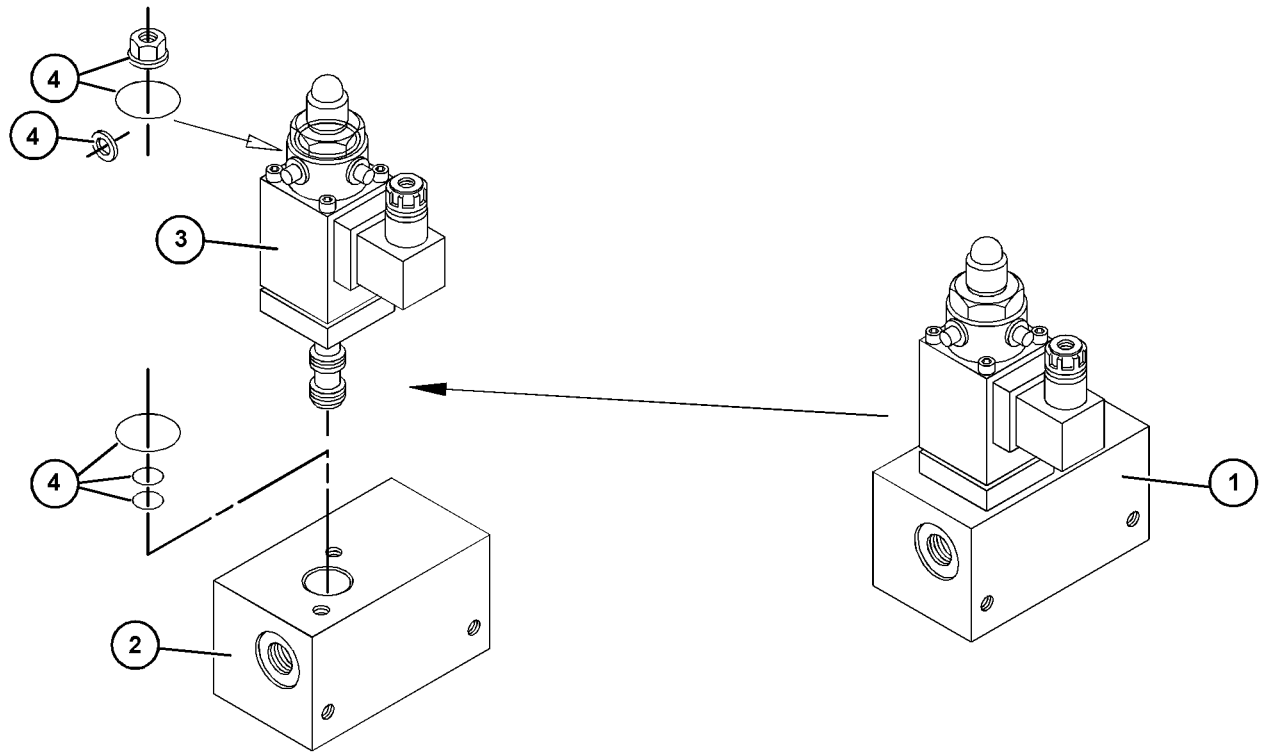
NOTE	REF NO	GRAPHIC REF	PART NUMBER	QTY	PART NAME						SEE PAGE
					1	2	3	4	5	6 (PRODUCT LEVEL)	
	1	1	1523313	1	VALVE						
	2	1	4016722	1	PLATE, PROPORTIONAL VALVE						
	3	1	1455490	1	VALVE						
	4	1	1465483	1	SET, GASKET						

HYDRAULIC SYSTEM

4788171 PROPORTIONAL VALVE (contd.)

NPL00337696

23.217
2 732 382.001



GRAPHIC #1

<END>

NG00072825

HYDRAULIC SYSTEM

4788428 VALVE

S/N: 15345-15345

SMCS -

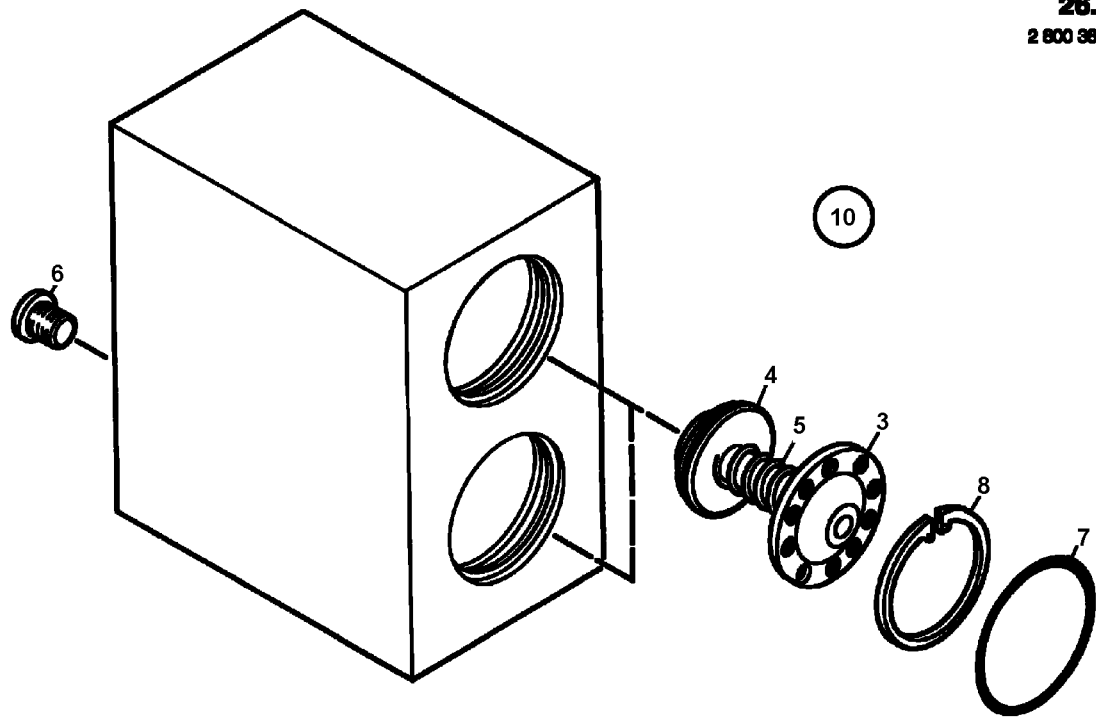
NPL00337657

NOTE	REF NO	GRAPHIC REF	PART NUMBER	QTY	PART NAME						SEE PAGE
					1	2	3	4	5	6	
	3	1	4019544	2	GUIDE						
	4	1	1450550	2	TAPPET						
	5	1	4019450	2	SPRING						
	6	1	1520318	1	PLUG, SCREW						
	7	1	1461128	2	O RING						
	8	1	1468044	2	CIRCLIP						
	10	1	4019565	1	VALVE HYD TANK LINE						

HYDRAULIC SYSTEM

4788428 VALVE (contd.)

NPL00337657



26.132
2 600 384.000

GRAPHIC #1

<END>

NG00070125

HYDRAULIC SYSTEM

4788444 TREADLE VALVE

S/N: 15345-15345

SMCS-

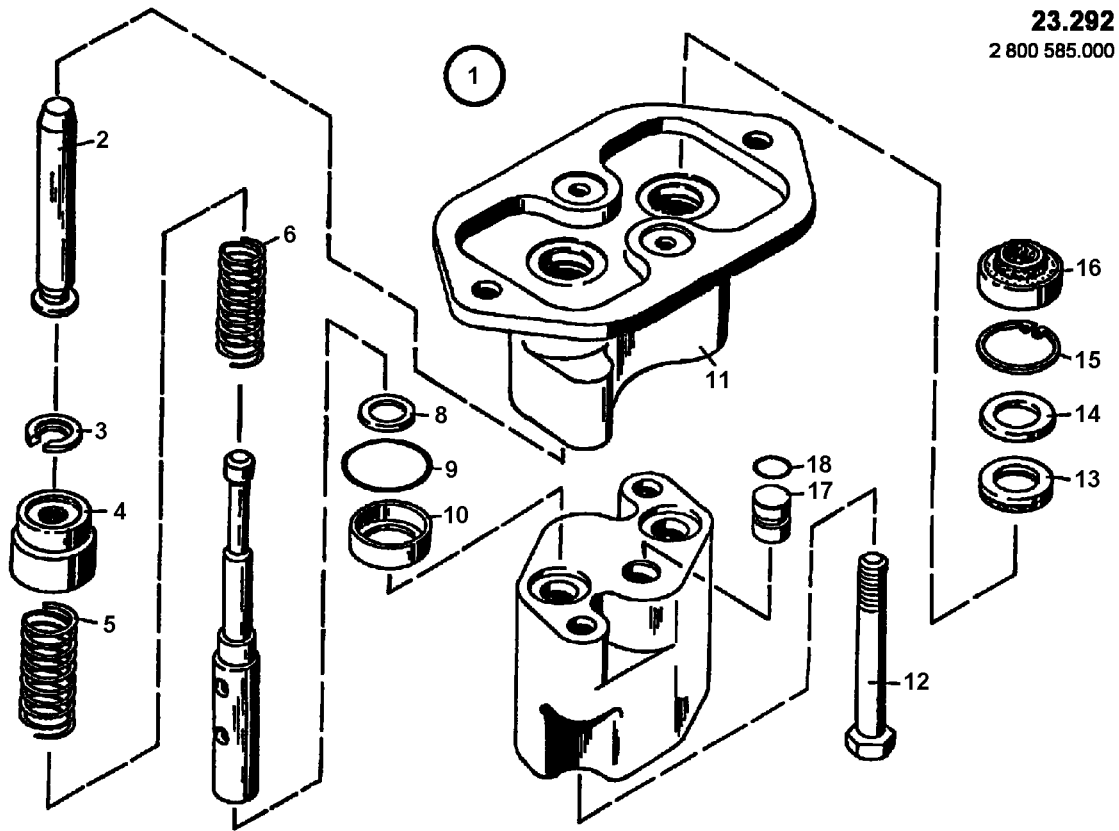
NPL00337701

NOTE	REF NO	GRAPHIC REF	PART NUMBER	QTY	PART NAME						SEE PAGE
					1	2	3	4	5	6	
	1	1	1455411	1	VALVE						
	2	1	1456075	2	TAPPET						
	3	1	4780178	2	DISK/WASHER						
	4	1	4017992	2	PLATE SERVO VALVE						
	5	1	4019595	2	SPRING SERVO VALVE						
	6	1	1456825	2	SPRING						
	8	1	1466712	2	DISK/WASHER						
	9	1	1460634	2	O-RING						
	10	1	1468591	2	BUSHING						
	11	1	4041797	1	GUIDE						
	12	1	4802645	2	CYL. HEAD SCREW						
	13	1	4221600	2	GASKET						
	14	1	1466714	2	DISK/WASHER						
	15	1	1468101	2	CIR CLIP						
	16	1	1458626	2	SCRAPER						
	17	1	1466715	1	DISK/WASHER						
	18	1	1460640	1	O-RING						

HYDRAULIC SYSTEM

4788444 TREADLE VALVE (contd.)

NPL00337701



23.292
2 800 585.000

GRAPHIC #1

<END>

NG00073225

HYDRAULIC SYSTEM

4788460 SOLENOID VALVE

S/N: 15345-15345

SMCS -

NPL00337703

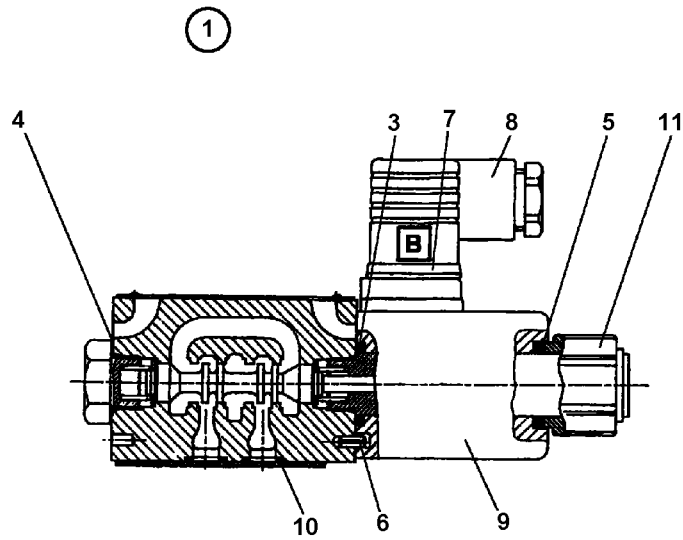
NOTE	REF NO	GRAPHIC REF	PART NUMBER	QTY	PART NAME						SEE PAGE
					1	2	3	4	5	6 (PRODUCT LEVEL)	
	1	1	1455500	1	VALVE						
	3	1	4804675	1	O-RING						
	4	1	4016994	1	O-RING						
	5	1	4016995	1	SEAL						
	6	1	4802548	1	LOCKING PIN						
	7	1	4804676	1	SEAL						
	8	1	4804680	1	PLUG						
	9	1	4804677	1	COIL						
	10	1	4804678	4	O-RING						
	11	1	4804679	1	KNURLED NUT						

HYDRAULIC SYSTEM

4788460 SOLENOID VALVE (contd.)

NPL00337703

23.232
2 800 640.000



GRAPHIC #1

<END>

NG00073265

HYDRAULIC SYSTEM

4788950 COOLING PUMP-HYDRAULIC OIL

S/N: 15345-15345

SMCS-

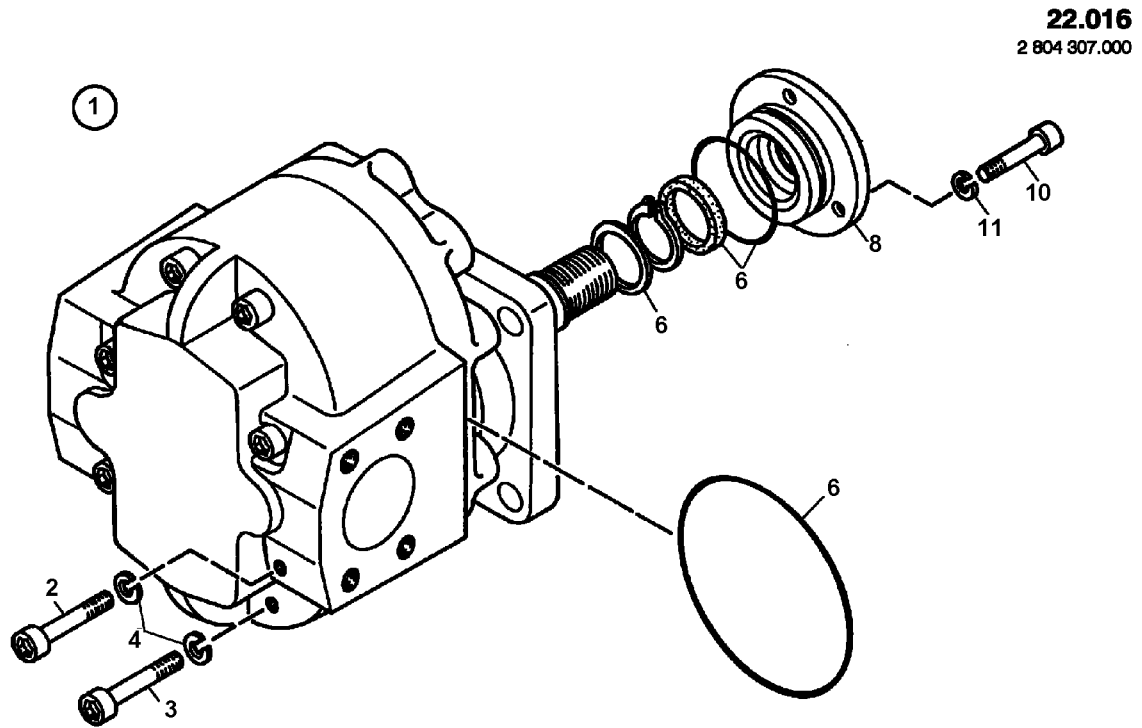
NPL00335019

NOTE	REF NO	GRAPHIC REF	PART NUMBER	QTY	PART NAME						SEE PAGE
					1	2	3	4	5	6 (PRODUCT LEVEL)	
	1	1	1463504	1	HYD.OIL COOLER PUMP						
	2	1	1467162	4	CYL.HEAD SCREW						
	3	1	1467160	4	CYL.HEAD SCREW						
	4	1	1461711	8	LOCK WASHER						
	6	1	1465482	1	GASKET SET						
	8	1	4016687	1	DISK/WASHER						
	10	1	4041674	3	CYL.HEAD SCREW						
	11	1	1454980	3	WASHER						

HYDRAULIC SYSTEM

4788950 COOLING PUMP-HYDRAULIC OIL (contd.)

NPL00335019



22.016
2 804 307.000

GRAPHIC #1

<END>

NG00059045

HYDRAULIC SYSTEM

4790290 STICK CYLINDER

S/N: 15345-15345

SMCS -

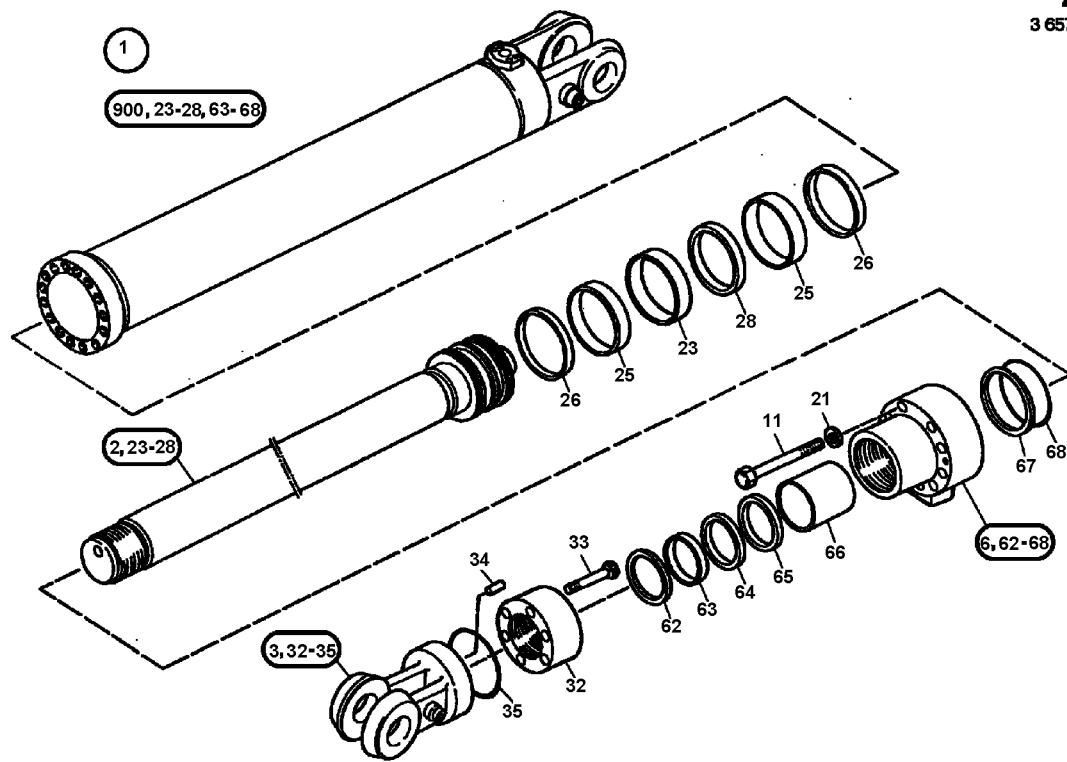
NPL00337734

NOTE	REF NO	GRAPHIC REF	PART NUMBER	QTY	PART NAME	SEE PAGE
					1 2 3 4 5 6 (PRODUCT LEVEL)	
	1	1	4026779	1	STICK CYLINDER	
	2	1	4021102	1	PISTON ROD	
	3	1	4021103	1	FORK ASSEMBLY	
	11	1	1452625	11	SCR, HEX, M20X2.5X120MM, CL10.9	
	21	1	1455021	11	WASHER	
	23	1	1458066	1	SEAL RING	
	25	1	1459886	2	PISTON GUIDE RING	
	26	1	1459034	2	RING	
	28	1	1459888	1	PISTON GUIDE RING	
	32	1	4019256	1	FLANGE	
	33	1	1458371	6	SCREW 12 POINT	
	34	1	1524153	1	PIN, STRAIGHT	
	35	1	1461119	1	O RING	
	62	1	1458597	1	SCRAPER	
	63	1	1458646	1	SCRAPER	
	64	1	1457889	1	SEALING RING	
	65	1	1457888	1	SEALING RING	
	66	1	1459907	1	PISTON GUIDE RING	
	67	1	4021566	1	RING SUPPORT	
	68	1	1460980	1	O RING	
	900	1	4026812	1	SEALING KIT	
			4026811	1	GUIDE ASSEMBLY	
NOT SHOWN						

HYDRAULIC SYSTEM

4790290 STICK CYLINDER (contd.)

NPL00337734



24.032
3 657 191.000

GRAPHIC #1

<END>

NG00079185

HYDRAULIC SYSTEM

4790296 HYDRAULIC SYSTEM-REAR WALL

S/N: 15345-15345

SMCS -

NPL00337750

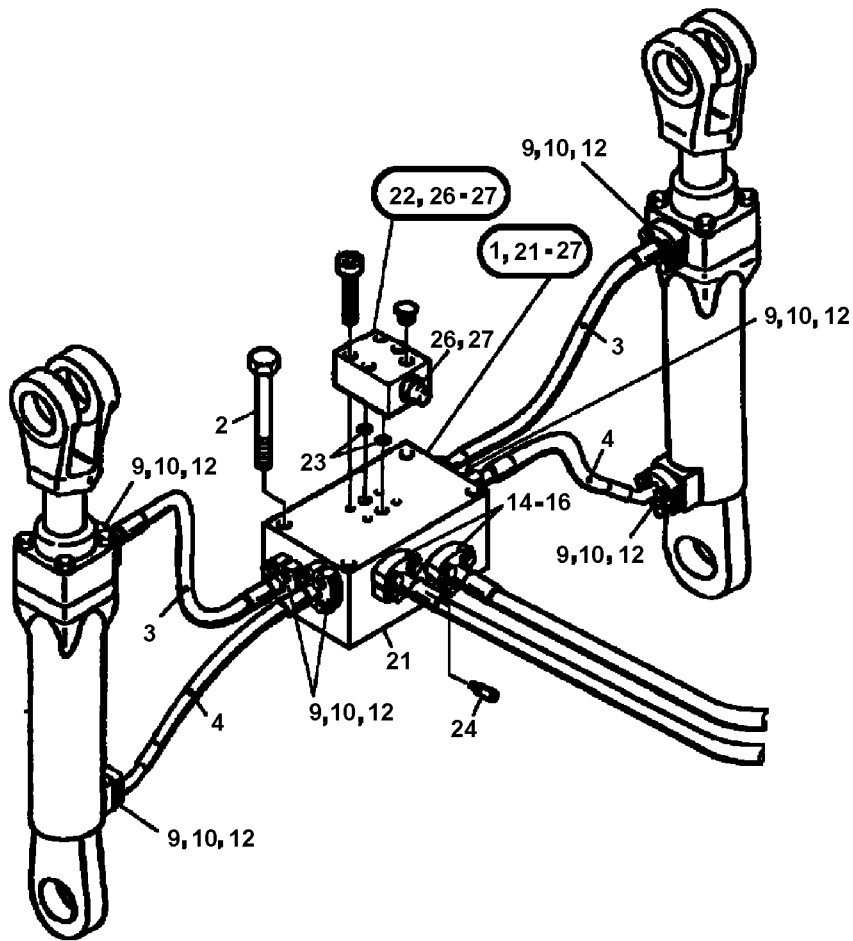
NOTE	REF NO	GRAPHIC REF	PART NUMBER	QTY	PART NAME						SEE PAGE
					1	2	3	4	5	6 (PRODUCT LEVEL)	
	1	1	4023424	1	DISTRIBUTOR						
	2	1	1464922	4	SCREW, HEX HEAD						
	3	1	4024091	2	HYDRAULIC HOSE						
	4	1	4024090	2	HYDRAULIC HOSE						
	9	1	1465847	16	FLANGE						
	10	1	1523967	8	SEAL, FLANGE						
	12	1	1523968	32	SCREW						
	14	1	1521961	2	SEAL, FLANGE						
	16	1	1470150	8	12 POINT SCREW						
	21	1	4780691	1	DISTRIBUTOR						
	22	1	4022703	1	PRESSURE RELIEF VALVE HYDRAULICS						
	23	1	1524811	2	ORING, 26.3X33.5X2.2, PU, 93						
	24	1	1520997	1	CONNECTOR, MEASUREMENT						
	26	1	4064559	1	PRESS.REL.VALVE						
	27	1	1465454	1	SET, GASKET						
			1465846	4	FLANGE						
					NOT SHOWN						
			1524819	4	SCR, SOC, M12X1.75X60, CL12.9						
					NOT SHOWN						

HYDRAULIC SYSTEM

4790296 HYDRAULIC SYSTEM-REAR WALL (contd.)

NPL00337750

64.050
3 657 197.001



GRAPHIC #1

<END>

NG00074825

HYDRAULIC SYSTEM

4790301 BUCKET CYLINDER

S/N: 15345-15345

SMCS -

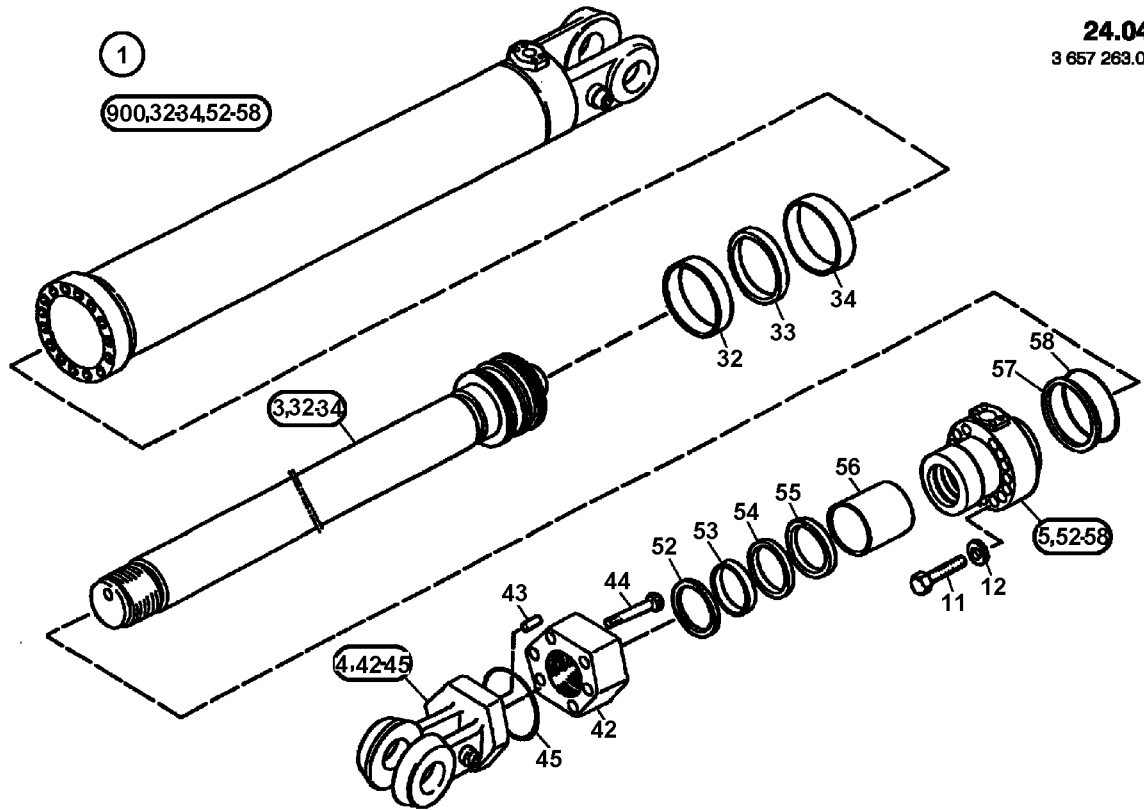
NPL00337735

NOTE	REF NO	GRAPHIC REF	PART NUMBER	QTY	PART NAME	SEE PAGE
					1 2 3 4 5 6 (PRODUCT LEVEL)	
	1	1	4026781	1	SHOVEL TIP CYL.	
	3	1	4211812	1	PISTON ROD	
	4	1	4235466	1	FORK ASSEMBLY	
	5	1	4026807	1	GUIDE	
	11	1	1464824	14	SCR, HEX, M16X2.0X140MM, CL10.9	
	12	1	1455102	14	WASHER	
	32	1	1459889	1	PISTON GUIDE RING	
	33	1	1465502	1	GASKET SET	
	34	1	1459885	1	PISTON GUIDE RING	
	42	1	4015350	1	FLANGE	
	43	1	1524153	1	PIN, STRAIGHT	
	44	1	1458483	6	SCREW	
	45	1	1461120	1	O RING	
	52	1	1458591	1	SCRAPER	
	53	1	1458645	1	SCRAPER	
	54	1	1458084	1	SEAL RING	
	55	1	1465643	1	GASKET	
	56	1	1450598	1	PISTON GUIDE RING	
	57	1	1456367	1	SUPPORT RING	
	58	1	1460964	1	O RING	
	900	1	4026813	1	SEALING KIT	

HYDRAULIC SYSTEM

4790301 BUCKET CYLINDER (contd.)

NPL00337735



GRAPHIC #1

<END>

NG00074305

HYDRAULIC SYSTEM

4790309 FLOAT VALVE

S/N: 15345-15345

SMCS -

NPL00337740

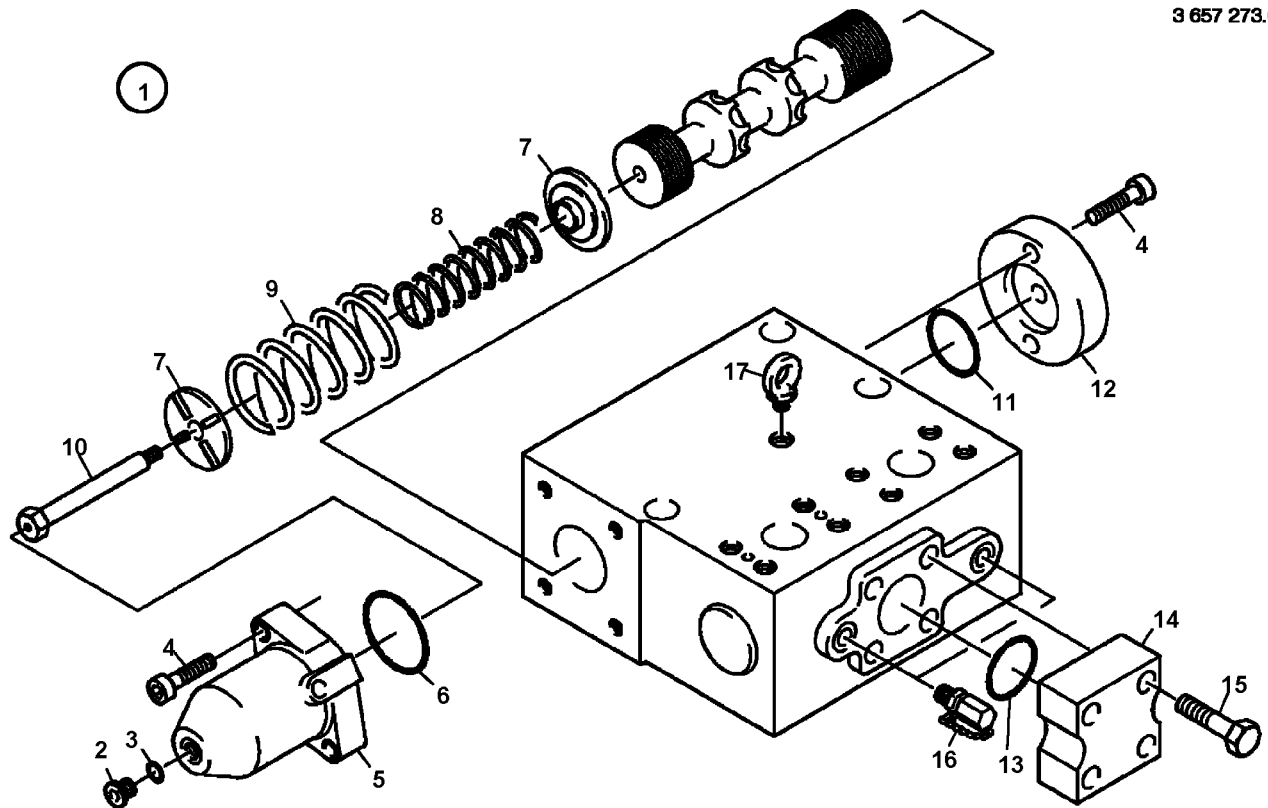
NOTE	REF NO	GRAPHIC REF	PART NUMBER	QTY	PART NAME						SEE PAGE
					1	2	3	4	5	6 (PRODUCT LEVEL)	
	1	1	4022971	1	FLOAT VALVE F/S						
	2	1	1521004	1	PLUG, SCREW						
	3	1	1521000	1	RING, SEALING						
	4	1	1521011	4	SCREW, CYLINDER HEAD						
	5	1	1521031	1	BONNET						
	6	1	1521015	1	O-RING						
	7	1	1456705	2	SPRING SEAT						
	8	1	1521040	1	SPRING						
	9	1	1521042	1	SPRING						
	10	1	1521047	1	SCREW						
	11	1	4013630	1	O-RING						
	12	1	4780413	1	LID						
	13	1	4571506	1	O-RING						
	14	1	4041660	1	FLANGE						
	15	1	1464772	4	HEX.HD.SCREW						
	16	1	1520997	2	CONNECTOR, MEASUREMENT						
	17	1	4435771	1	EYEBOLT, M16X2.0X27						

HYDRAULIC SYSTEM

4790309 FLOAT VALVE (contd.)

NPL00337740

23.250
3 657 273.000



GRAPHIC #1

<END>

NG00054282

HYDRAULIC SYSTEM

4790417 FAN MOTOR

S/N: 15345-15345

SMCS -

NPL00337725

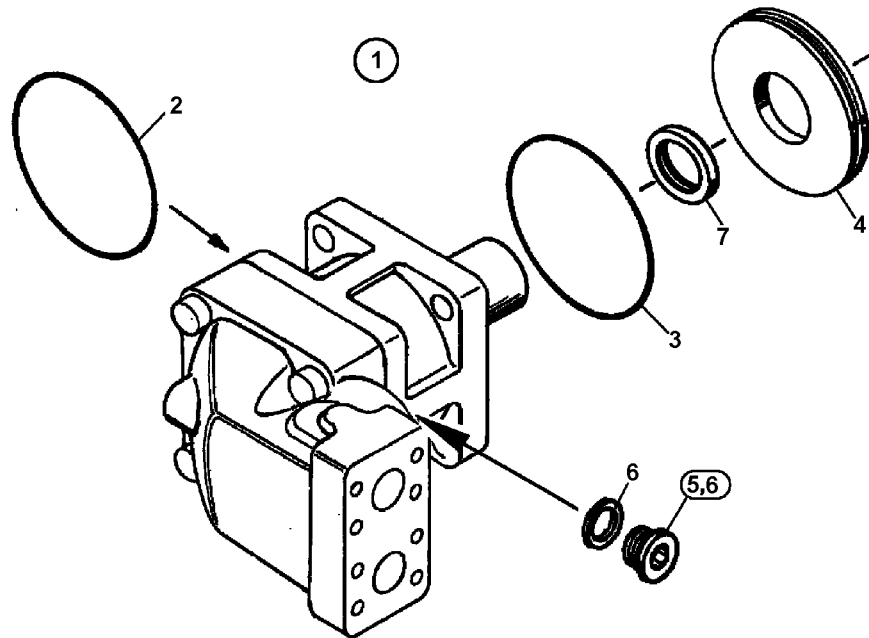
NOTE	REF NO	GRAPHIC REF	PART NUMBER	QTY	PART NAME						SEE PAGE
					1	2	3	4	5	6 (PRODUCT LEVEL)	
	1	1	4022587	1	FIXED DISPLACEMENT MOTOR						
	2	1	4017209	1	O RING FAN MOTOR						
	3	1	4013953	1	O RING FAN MOTOR MOUNT						
	4	1	4016789	1	SEAL CAP						
	5	1	1519989	1	SCREW, PLUG						
	6	1	1523800	1	SEAL						
	7	1	4026988	1	ROT.SHAFT LIP SEAL						

HYDRAULIC SYSTEM

4790417 FAN MOTOR (contd.)

NPL00337725

22.113
3 657 434.000



GRAPHIC #1

<END>

NG00074005

HYDRAULIC SYSTEM

4790421 SERVO PUMP

S/N: 15345-15345

SMCS -

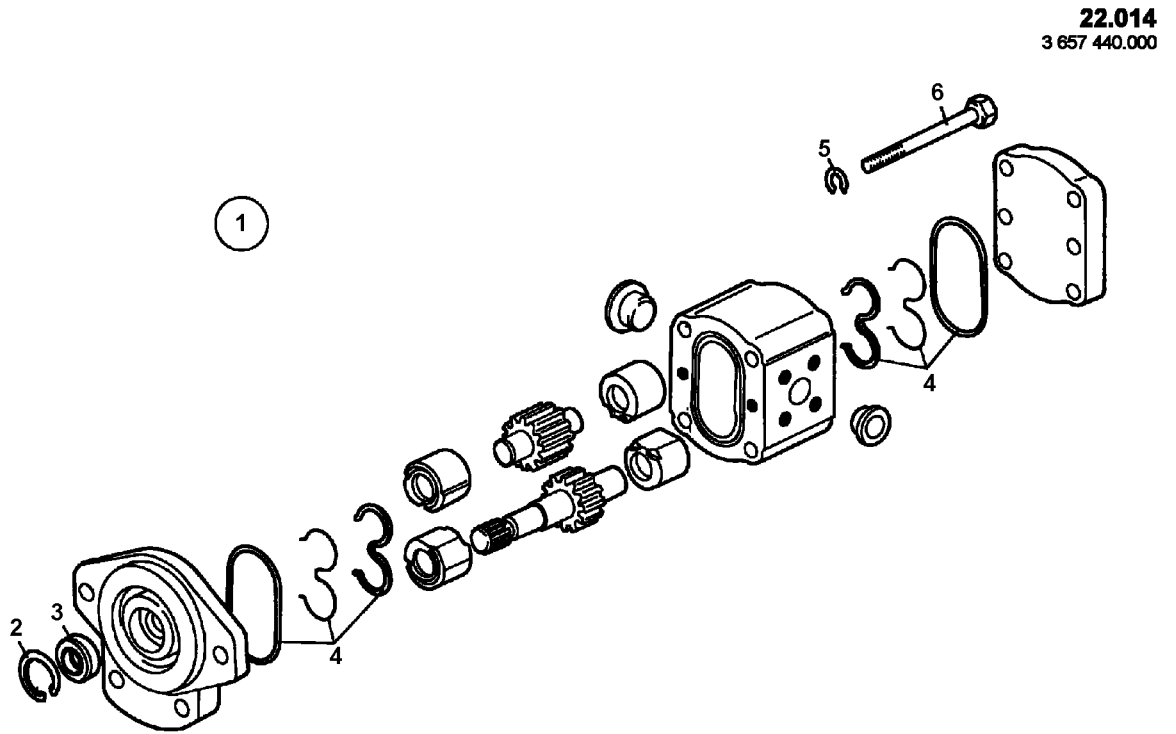
NPL00337679

NOTE	REF NO	GRAPHIC REF	PART NUMBER	QTY	PART NAME						SEE PAGE
					1	2	3	4	5	6 (PRODUCT LEVEL)	
	1	1	1521237	1	PUMP						
	2	1	4013638	1	CIRCLIP						
	3	1	1458168	1	SEAL						
	4	1	1465436	2	GASKET SET						
	5	1	1521373	4	WASHER, LOCK						
	6	1	4238054	4	HEX.HD.SCREW						

HYDRAULIC SYSTEM

4790421 SERVO PUMP (contd.)

NPL00337679



22.014
3 657 440.000

GRAPHIC #1

<END>

NG00071685

HYDRAULIC SYSTEM

4791105 DUMP CYLINDER

S/N: 15345-15345

SMCS-

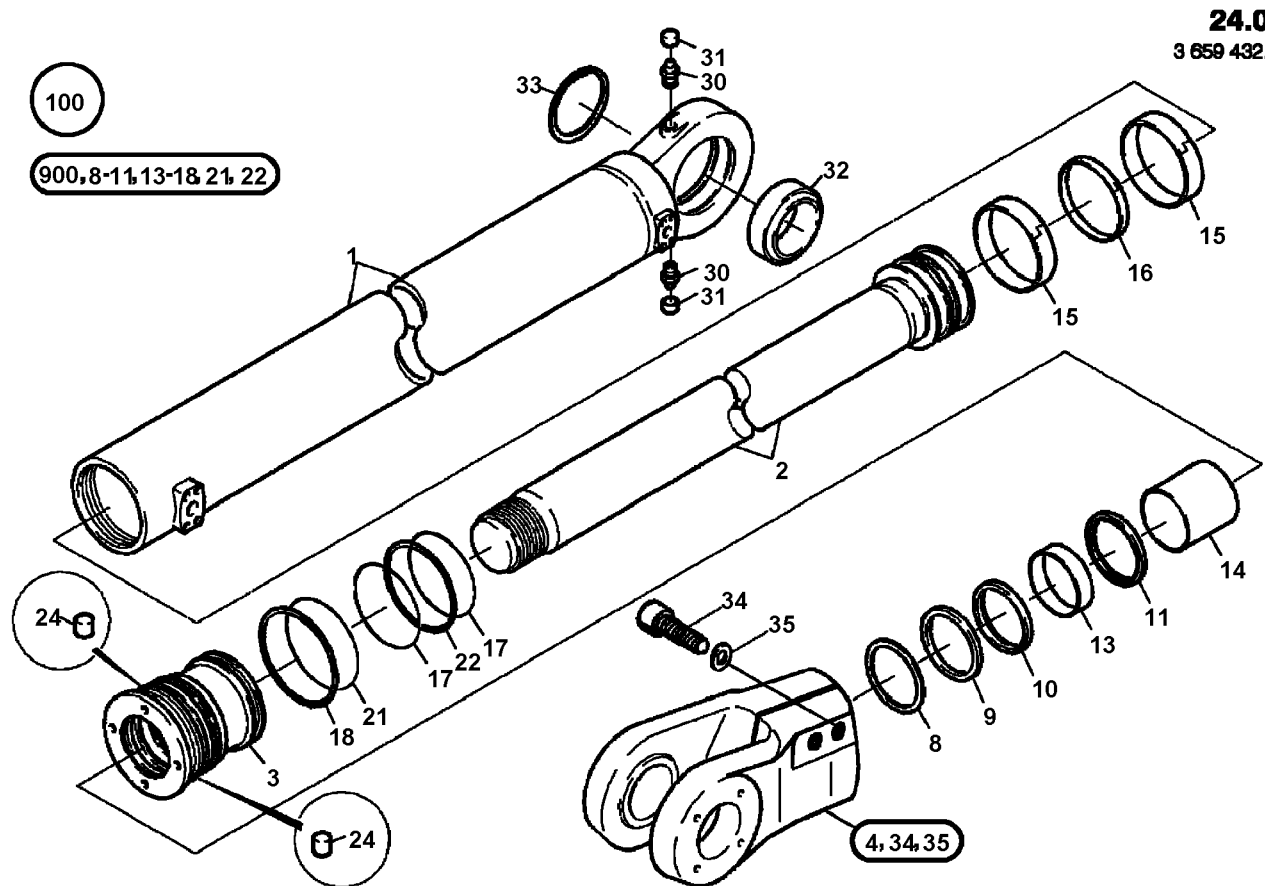
NPL00337736

NOTE	REF NO	GRAPHIC REF	PART NUMBER	QTY	PART NAME						SEE PAGE
					1	2	3	4	5	6 (PRODUCT LEVEL)	
	1	1	4213998	1	CYLINDER LINER						
	2	1	4023098	1	ROD PISTON HYDRAULIC CYLINDER						
	3	1	4023113	1	GUIDE BUSH						
	4	1	4023722	1	FORK ASSEMBLY HYDRAULIC CYLINDER						
	8	1	1458596	1	SCRAPER						
	9	1	1458641	1	SCRAPER						
	10	1	4019330	1	SEAL RING SEAL RING						
	11	1	1458076	1	SEAL RING						
	13	1	4026730	1	RING CAB						
	14	1	4026736	1	PISTON GUIDE RING JOINT						
	15	1	1459883	2	PISTON GUIDE RING						
	16	1	1465627	1	GASKET						
	17	1	1456364	2	SUPPORT RING						
	18	1	4022925	1	SUPPORT RING RING						
	21	1	4022926	1	O RING						
	22	1	1460962	1	O RING						
	24	1	1461672	2	LOCKING PIN						
	30	1	1519182	2	FITTING, GREASE						
	31	1	1468212	2	CAP, PLASTIC						
	32	1	1457703	1	SELF ALINGING BUSHING						
	33	1	1468114	1	CIR CLIP						
	34	1	4018950	2	SCREW CYLINDER HEAD CYLINDER HEAD						
	35	1	4023096	2	RING SEALING HYDRAULIC CYLINDER						
	100	1	4023720	1	DUMP CYLINDER						
	900	1	4023097	1	KIT SEALING HYDRAULIC CYLINDER						

HYDRAULIC SYSTEM

4791105 DUMP CYLINDER (contd.)

NPL00337736



GRAPHIC #1

<END>

NG00054129

HYDRAULIC SYSTEM

4791425 TENSIONING CYLINDER

S/N: 15345-15345

SMCS -

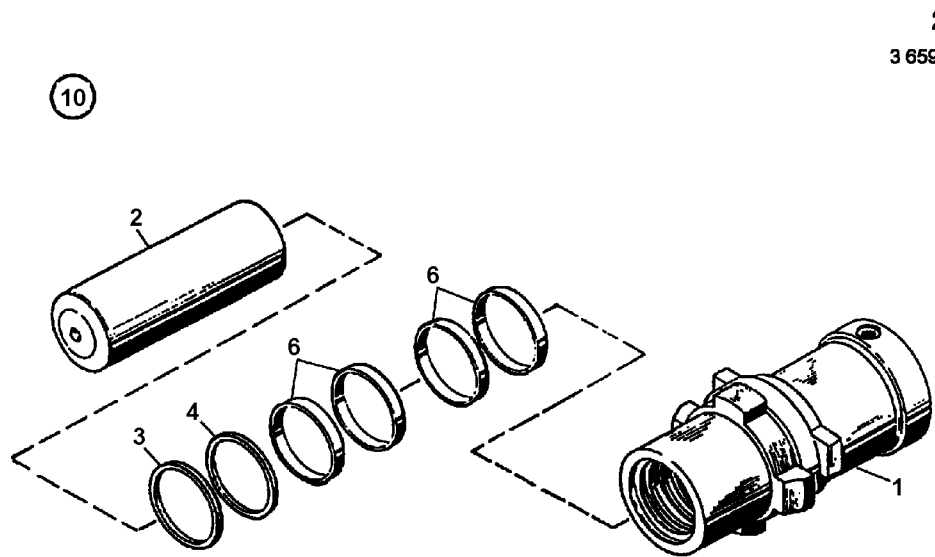
NPL00337648

NOTE	REF NO	GRAPHIC REF	PART NUMBER	QTY	PART NAME						SEE PAGE
					1	2	3	4	5	6 (PRODUCT LEVEL)	
	1	1	4020549	1	CYLINDER LINER						
	2	1	4020382	1	PISTON TRACK CYLINDER						
	3	1	1458647	1	SCRAPER						
	4	1	1465183	1	GROOVED RING						
	6	1	4584471	4	PISTON GUIDE RING						
	10	1	4026777	1	TRACK CYLINDER						

HYDRAULIC SYSTEM

4791425 TENSIONING CYLINDER (contd.)

NPL00337648



24.142
3 659 923.000

GRAPHIC #1

<END>

NG00069785

HYDRAULIC SYSTEM

4791427 TRAVEL MOTOR

S/N: 15345-15345

SMCS -

NPL00337646

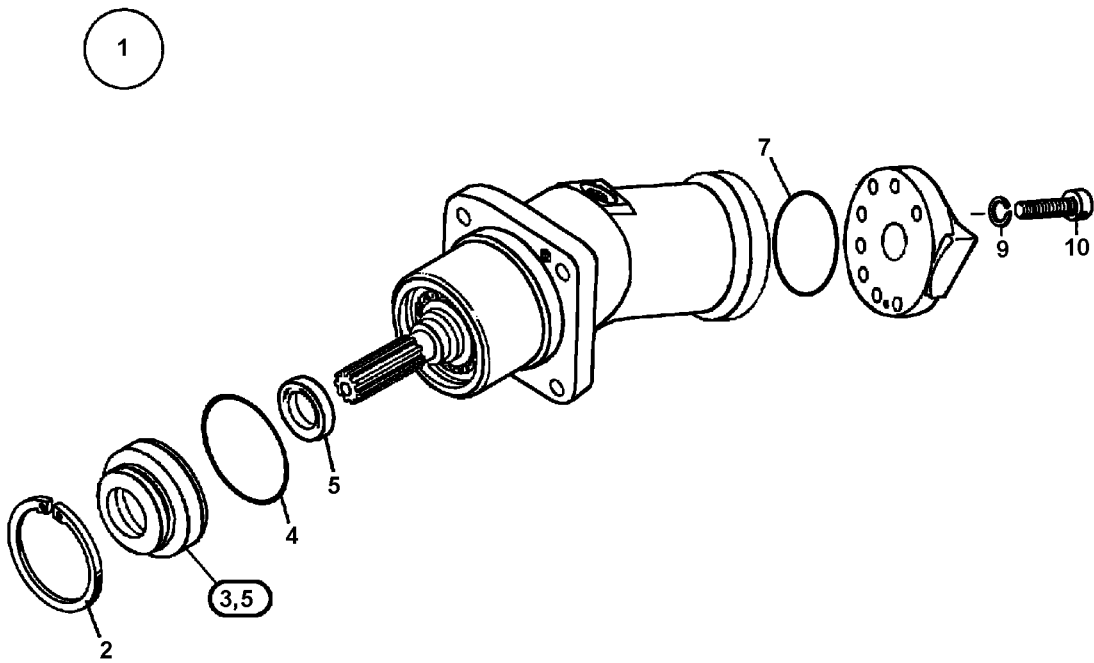
NOTE	REF NO	GRAPHIC REF	PART NUMBER	QTY	PART NAME	SEE PAGE
					1 2 3 4 5 6 (PRODUCT LEVEL)	
	1	1	1455941	1	TRACK DRIVE MOTOR (REMAN OPTION AVAILABLE)	
	2	1	1468061	1	CIRCLIP	
	3	1	1458985	1	RING	
	4	1	4028204	1	O-RING MOTOR SLEW	
	5	1	4557622	1	ROT.SHAFT LIP SEAL	
	7	1	4571530	1	O-RING	
	9	1	1461717	6	LOCK WASHER	
	10	1	4802935	6	CYL.HEAD SCREW	

HYDRAULIC SYSTEM

4791427 TRAVEL MOTOR (contd.)

NPL00337646

22.111
3 659 925.001



GRAPHIC #1

<END>

NG00069745

HYDRAULIC SYSTEM

4791439 VARIABLE PUMP

S/N: 15345-15345

SMCS -

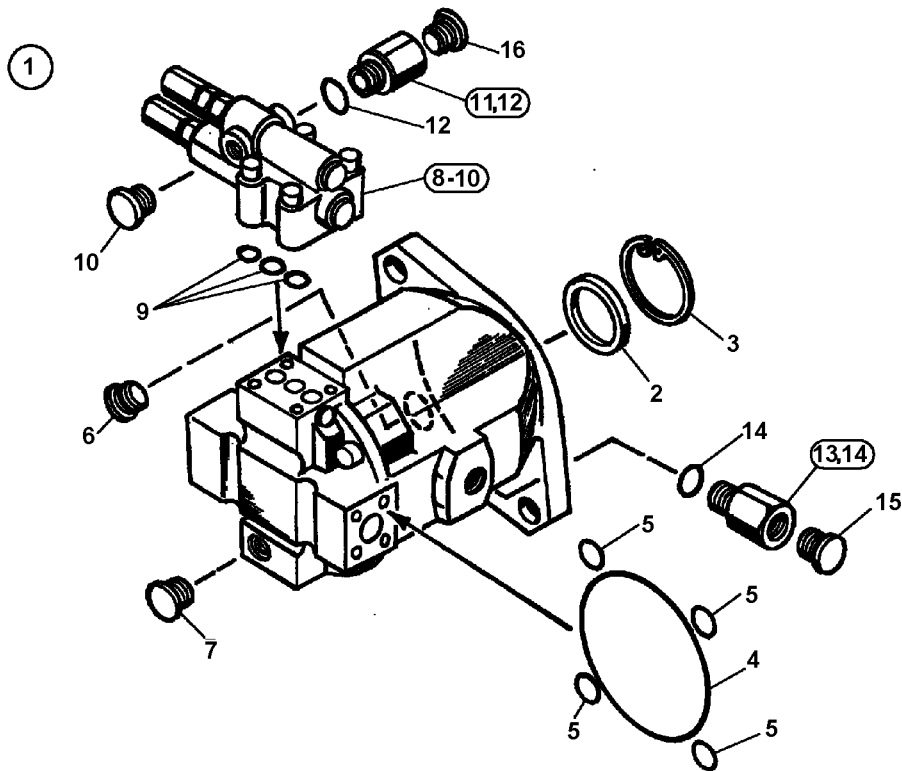
NPL00337681

NOTE	REF NO	GRAPHIC REF	PART NUMBER	QTY	PART NAME	SEE PAGE
					1 2 3 4 5 6 (PRODUCT LEVEL)	
	1	1	4020927	1	PUMP-COOLING	
	2	1	4017227	1	ROT.SHAFT LIP SEAL	
	3	1	4212745	1	CIRCLIP	
	4	1	4028061	1	O RING FAN PUMP	
	5	1	4028062	4	O RING FAN PUMP	
	6	1	4212295	1	SCREW PLUG	
	7	1	4018019	1	SCREW PLUG VARIOUS	
	8	1	4017228	1	VALVE COOLING PUMP	
	9	1	1460919	3	O RING	
	10	1	1457229	1	SOCKET	
	11	1	4017226	1	ADAPTOR	
	12	1	4238112	1	O-RING	
	13	1	4064544	1	ADAPTER	
	14	1	1461061	1	O RING	
	15	1	1523648	1	PLUG, BLANK	
	16	1	1520318	1	PLUG, SCREW	

HYDRAULIC SYSTEM

4791439 VARIABLE PUMP (contd.)

NPL00337681



22.017
3 365 938.000

GRAPHIC #1

<END>

NG00071765

HYDRAULIC SYSTEM

4791517 HYDRAULIC SYSTEM, FS, STICK

S/N: 15345-15345

SMCS -

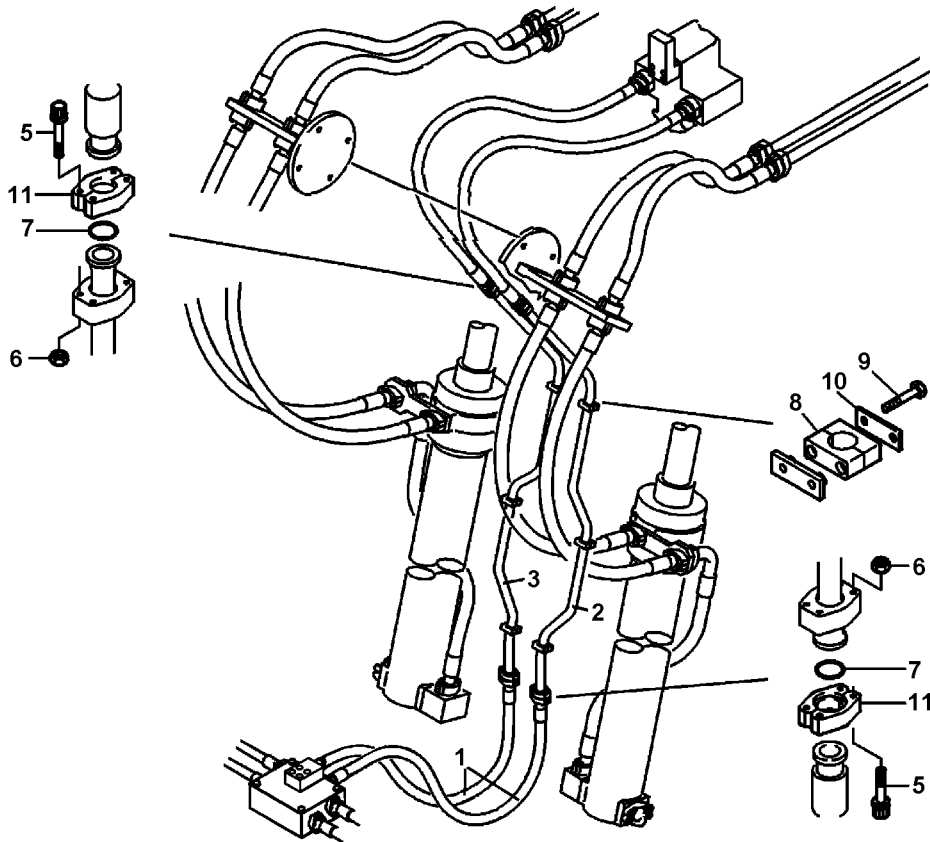
NPL00337745

NOTE	REF NO	GRAPHIC REF	PART NUMBER	QTY	PART NAME						SEE PAGE
					1	2	3	4	5	6 (PRODUCT LEVEL)	
	1	1	4024093	2	HYDRAULIC HOSE						
	2	1	4019628	1	HYDRAULIC TUBE						
	3	1	4019629	1	HYDRAULIC TUBE						
	5	1	1470152	16	12 POINT SCREW						
	6	1	1464675	16	NUT, HEX						
	7	1	1521961	6	SEAL, FLANGE						
	8	1	1467794	6	BODY, CLAMP						
	9	1	1520431	12	SCREW, HEX HEAD						
	10	1	1522068	6	PLATE, COVER						
	11	1	1465846	8	FLANGE						

HYDRAULIC SYSTEM

4791517 HYDRAULIC SYSTEM, FS, STICK (contd.)

NPL00337745



61.032
3 663 030.000

GRAPHIC #1

<END>

NG00074765

HYDRAULIC SYSTEM

4791682 HYDRAULIC SYSTEM, TRAVEL CONTROL BLOCK

S/N: 15345-15345

SMCS-

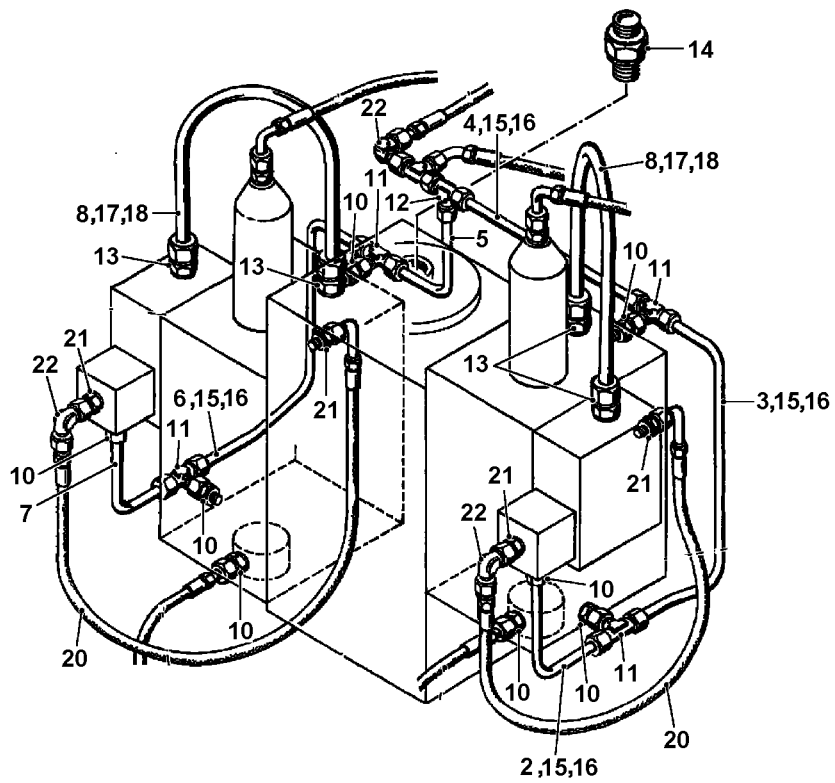
NPL00337694

NOTE	REF NO	GRAPHIC REF	PART NUMBER	QTY	PART NAME						SEE PAGE
					1	2	3	4	5	6 (PRODUCT LEVEL)	
	2	1	4020760	1	LINE HYD SYSTEM						
	3	1	4020761	1	LINE HYDRAULIC SYSTEM						
	4	1	4021842	1	PIPE						
	5	1	4020763	1	LINE HYDRAULIC TRAVEL SYSTEM						
	6	1	4020762	1	LINE ROTARY COUPLING						
	7	1	4020759	1	TUBE						
	8	1	1462078	2	LINE						
	10	1	1520802	14	ADAPTER						
	11	1	1522844	4	SOCKET						
	12	1	4013867	1	SOCKET						
	13	1	1520805	4	ADAPTER, STUD						
	14	1	1520933	1	SOCKET						
	15	1	1523168	12	NUT						
	16	1	1523167	12	RING, CUT						
	17	1	1520804	4	NUT						
	18	1	1520803	4	RING, CUTTING						
	20	1	1463621	2	HYD. HOSE						
	21	1	1522837	4	SOCKET						
	22	1	4557623	2	SOCKET						

HYDRAULIC SYSTEM

4791682 HYDRAULIC SYSTEM, TRAVEL CONTROL BLOCK (contd.)

NPL00337694



20.130
3 663 224.000

GRAPHIC #1

<END>

NG00072585

HYDRAULIC SYSTEM

4791692 CONTROL BLOCK- TRAVEL DRIVING

S/N: 15345-15345

SMCS -

NPL00337692

NOTE	REF NO	GRAPHIC REF	PART NUMBER	QTY	PART NAME	SEE PAGE
					1 2 3 4 5 6 (PRODUCT LEVEL)	
	1	1	4791703	1	ROTOR	108
	2	1	4791702	1	CONTROL BLOCK-DRIVING (RH)	106
	3	1	4791701	1	CONTROL BLOCK-DRIVING (LH)	104
	4	1	4791700	1	RETARDER-TRAVEL (RH)	102
	5	1	4791704	1	TRAVEL-RETARDER (LH)	110
	6	1	1455401	4	VALVE	
	7	1	1459761	4	PLATE, COVER	
	8	1	1523523	10	SCREW, HEX HEAD	
	9	1	1467188	16	CYL.HD.SCREW	
	10	1	4569044	8	CYL.HEAD SCREW	
	11	1	1465457	4	SET, GASKET	
	12	1	1465458	4	GASKET SET	
	20	1	4235494	1	TRAVEL CONTROL BLOCK	

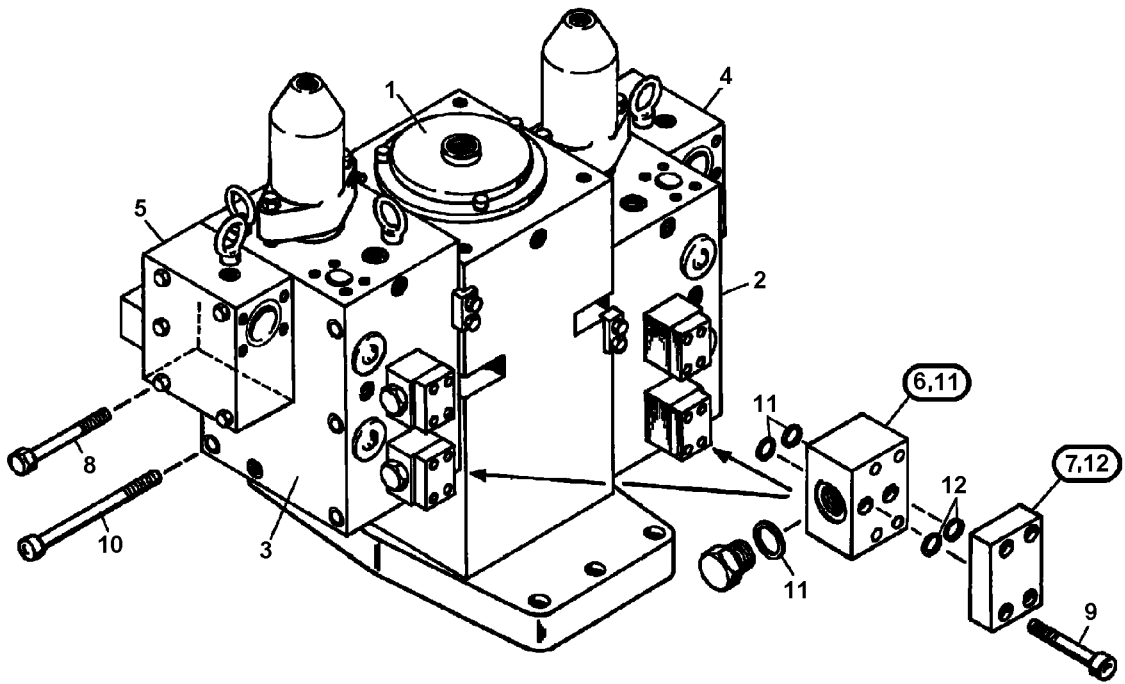
HYDRAULIC SYSTEM

4791692 CONTROL BLOCK- TRAVEL DRIVING (contd.)

NPL00337692

20

23.650
3 683 237.000



GRAPHIC #1

<END>

NG00072265

HYDRAULIC SYSTEM

4791700 RETARDER-TRAVEL

S/N: 15345-15345

SMCS -

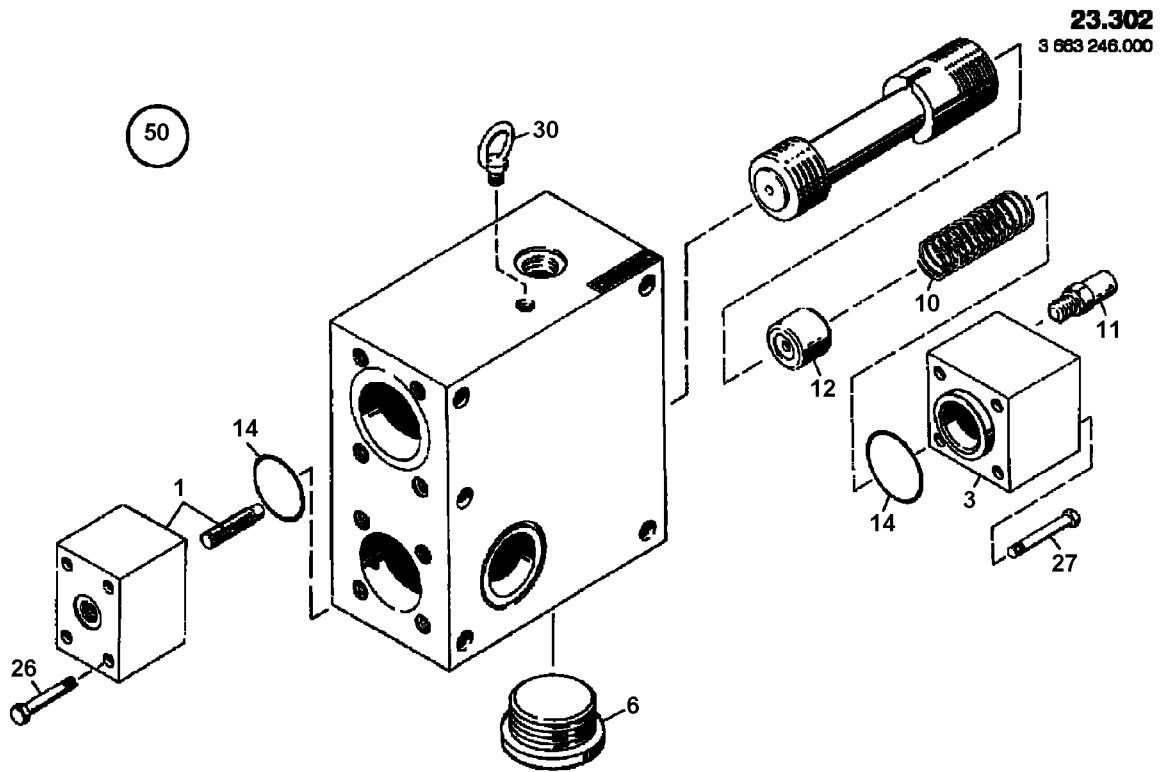
NPL00337690

NOTE	REF NO	GRAPHIC REF	PART NUMBER	QTY	PART NAME	SEE PAGE
					1 2 3 4 5 6 (PRODUCT LEVEL)	
	1	1	1465127	1	GUIDE	
	3	1	4420737	1	CAP	
	6	1	1520322	1	PLUG, SCREW	
	10	1	1456752	1	SPRING	
	11	1	1455260	1	VALVE	
	12	1	1455332	1	VALVE	
	14	1	1460776	2	O RING	
	26	1	4802458	4	HEX.HD.SCREW	
	27	1	4426630	4	SCR,HEX,M8X1.25X50MM,CL8.8	
	30	1	1524817	1	EYE BOLT	
	50	1	1455502	1	VALVE (RH)	

HYDRAULIC SYSTEM

4791700 RETARDER-TRAVEL (contd.)

NPL00337690



GRAPHIC #1

<END>

NG00072425

HYDRAULIC SYSTEM

4791701 CONTROL BLOCK-DRIVING

S/N: 15345-15345

SMCS-

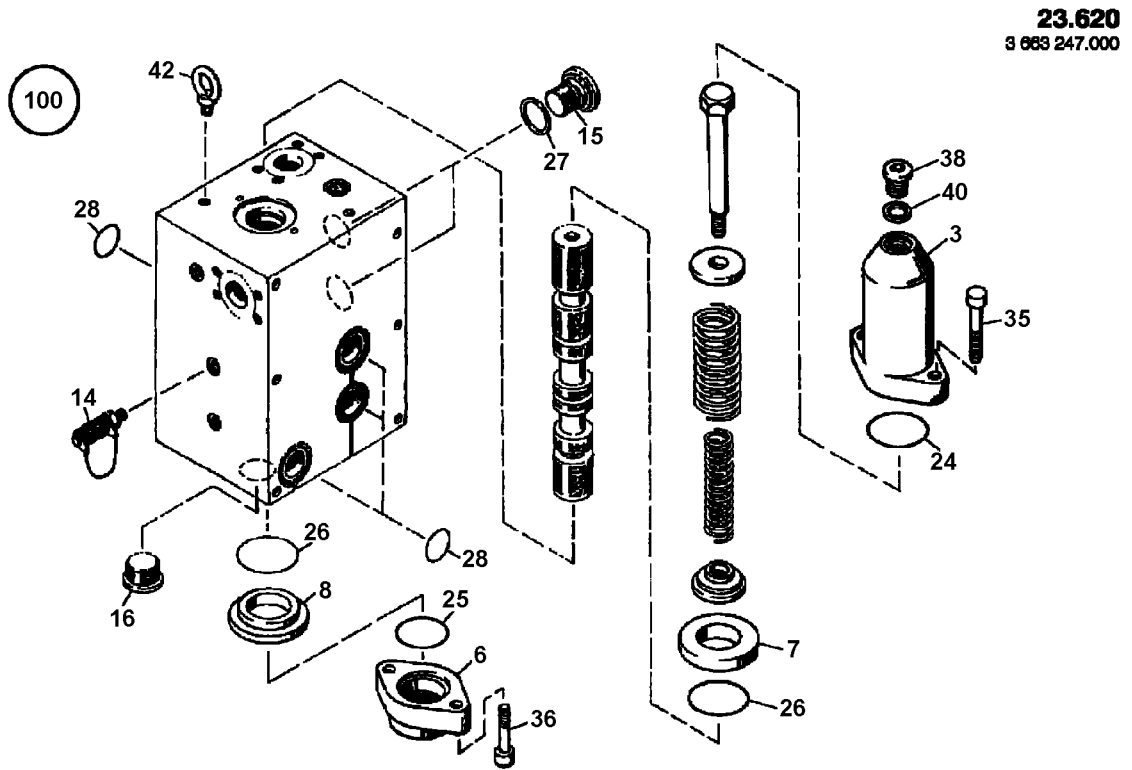
NPL00337689

NOTE	REF NO	GRAPHIC REF	PART NUMBER	QTY	PART NAME						SEE PAGE
					1	2	3	4	5	6 (PRODUCT LEVEL)	
	3	1	1521031	1	BONNET						
	6	1	1469116	1	BONNET						
	7	1	4020534	1	SHIM						
	8	1	4020535	1	SHIM						
	14	1	1520997	1	CONNECTOR, MEASUREMENT						
	15	1	1459640	1	PLUG						
	16	1	1520322	1	PLUG, SCREW						
	24	1	1521015	1	O-RING						
	25	1	1521013	1	O-RING						
	26	1	1461140	2	O RING						
	27	1	1457846	2	SEALING RING						
	28	1	1522851	4	SEAL, FLANGE						
	35	1	1520004	2	SCREW, CYLINDER HEAD						
	36	1	1521011	2	SCREW, CYLINDER HEAD						
	38	1	1521004	1	PLUG, SCREW						
	40	1	1521000	1	RING, SEALING						
	42	1	1524817	2	EYE BOLT						
	100	1	1455837	1	VALVE-TRAVEL (RH)						

HYDRAULIC SYSTEM

4791701 CONTROL BLOCK-DRIVING (contd.)

NPL00337689



GRAPHIC #1

<END>

NG00072385

HYDRAULIC SYSTEM

4791702 CONTROL BLOCK-DRIVING

S/N: 15345-15345

SMCS -

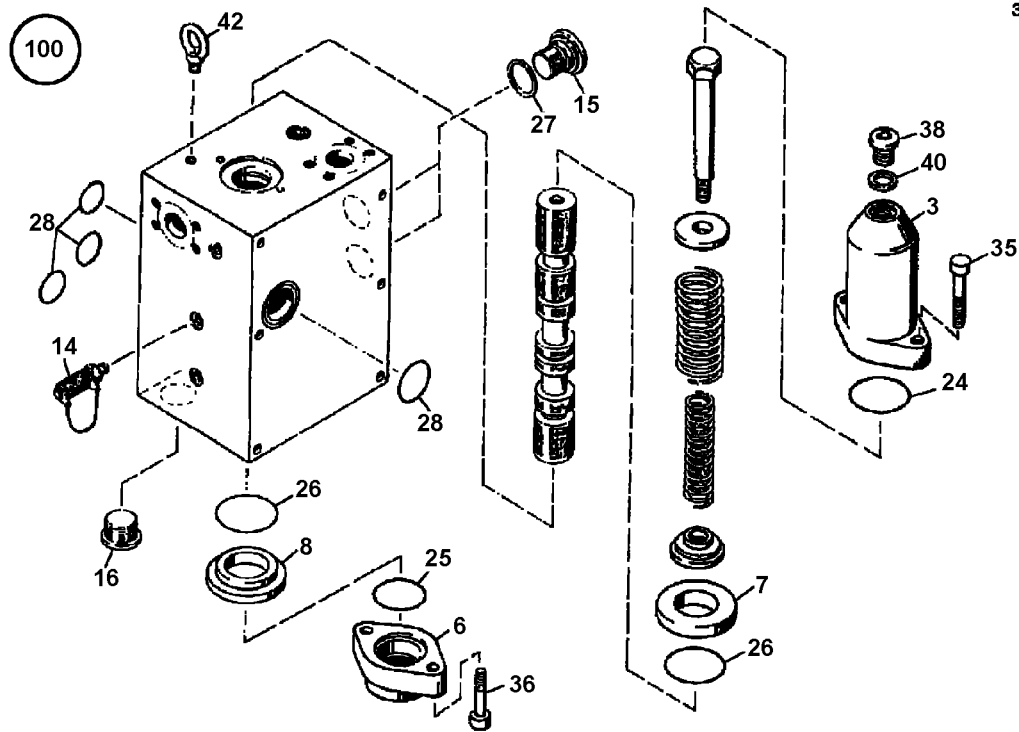
NPL00337688

NOTE	REF NO	GRAPHIC REF	PART NUMBER	QTY	PART NAME						SEE PAGE
					1	2	3	4	5	6 (PRODUCT LEVEL)	
	3	1	1521031	1	BONNET						
	6	1	1469116	1	BONNET						
	7	1	4020534	1	SHIM						
	8	1	4020535	1	SHIM						
	14	1	1520997	1	CONNECTOR, MEASUREMENT						
	15	1	1459640	1	PLUG						
	16	1	1520322	1	PLUG, SCREW						
	24	1	1521015	1	O-RING						
	25	1	1521013	1	O-RING						
	26	1	1461140	2	O RING						
	27	1	1457846	2	SEALING RING						
	28	1	1522851	4	SEAL, FLANGE						
	35	1	1520004	2	SCREW, CYLINDER HEAD						
	36	1	1521011	2	SCREW, CYLINDER HEAD						
	38	1	1521004	1	PLUG, SCREW						
	40	1	1521000	1	RING, SEALING						
	42	1	1524817	2	EYE BOLT						
	100	1	1455862	1	CONTROL VALVE-TRAVEL						

HYDRAULIC SYSTEM

4791702 CONTROL BLOCK-DRIVING (contd.)

NPL00337688



23.630
3 663 248.000

GRAPHIC #1

<END>

NG00072325

HYDRAULIC SYSTEM

4791703 ROTOR

S/N: 15345-15345

SMCS-

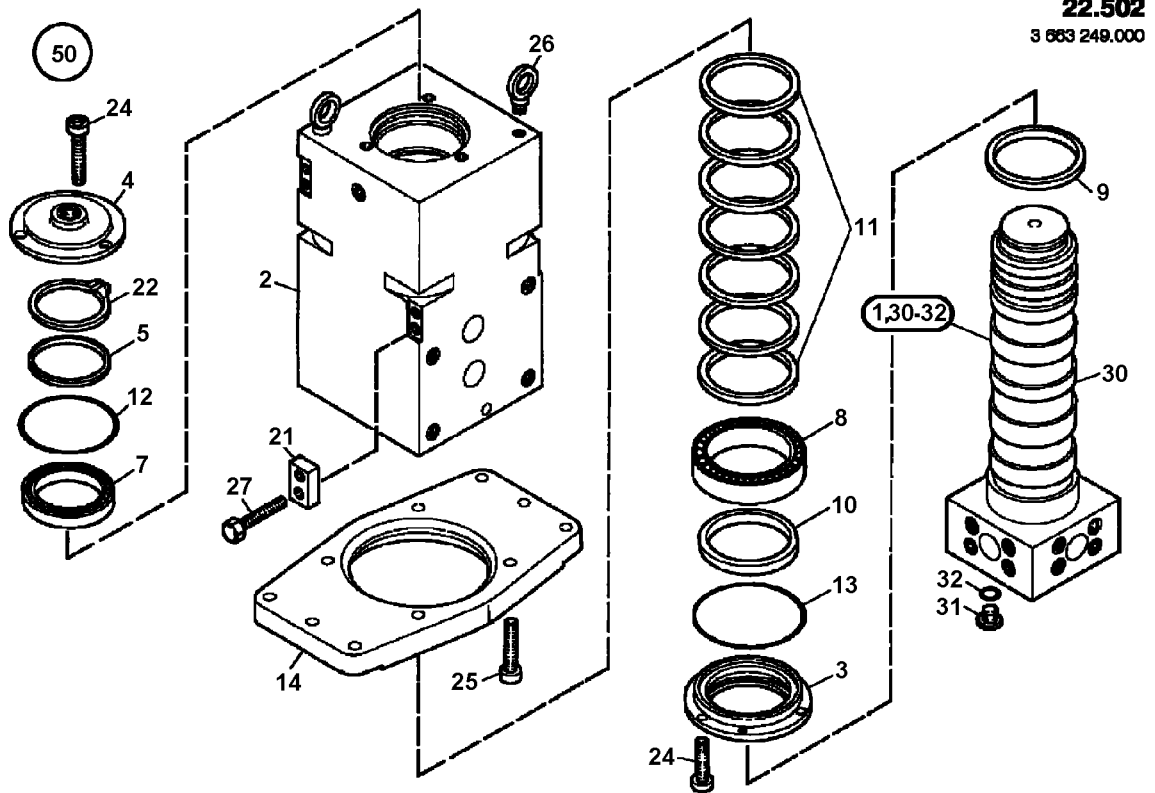
NPL00337687

NOTE	REF NO	GRAPHIC REF	PART NUMBER	QTY	PART NAME						SEE PAGE
					1	2	3	4	5	6 (PRODUCT LEVEL)	
	1	1	4213754	1	PISTON						
	2	1	4562943	1	HOUSING						
	3	1	4018782	1	LID						
	4	1	1462216	1	LID						
	5	1	1455034	1	WASHER						
	7	1	1469613	1	BALL BEARING						
	8	1	1465221	1	GROOVE BALL BEAR.						
	9	1	1458156	1	SEAL						
	10	1	1458020	1	SEAL RING						
	11	1	1465547	7	GASKET						
	12	1	1461143	1	O RING						
	13	1	1461142	1	O RING						
	14	1	4018832	1	PLATE						
	21	1	1451860	4	BLOCK						
	22	1	1468062	1	CIRCLIP						
	24	1	4064417	6	CYL.HEAD SCREW						
	25	1	1521271	4	CYLINDER, SCREW						
	26	1	4435771	2	EYEBOLT, M16X2.0X27						
	27	1	4474725	8	BASEPLATE						
	30	1	4780262	1	PISTON						
	31	1	1459640	4	PLUG						
	32	1	1457846	4	SEALING RING						
	50	1	1453559	1	ROTOR						

HYDRAULIC SYSTEM

4791703 ROTOR (contd.)

NPL00337687



GRAPHIC #1

<END>

NG00072285

HYDRAULIC SYSTEM

4791704 TRAVEL-RETARDER

S/N: 15345-15345

SMCS -

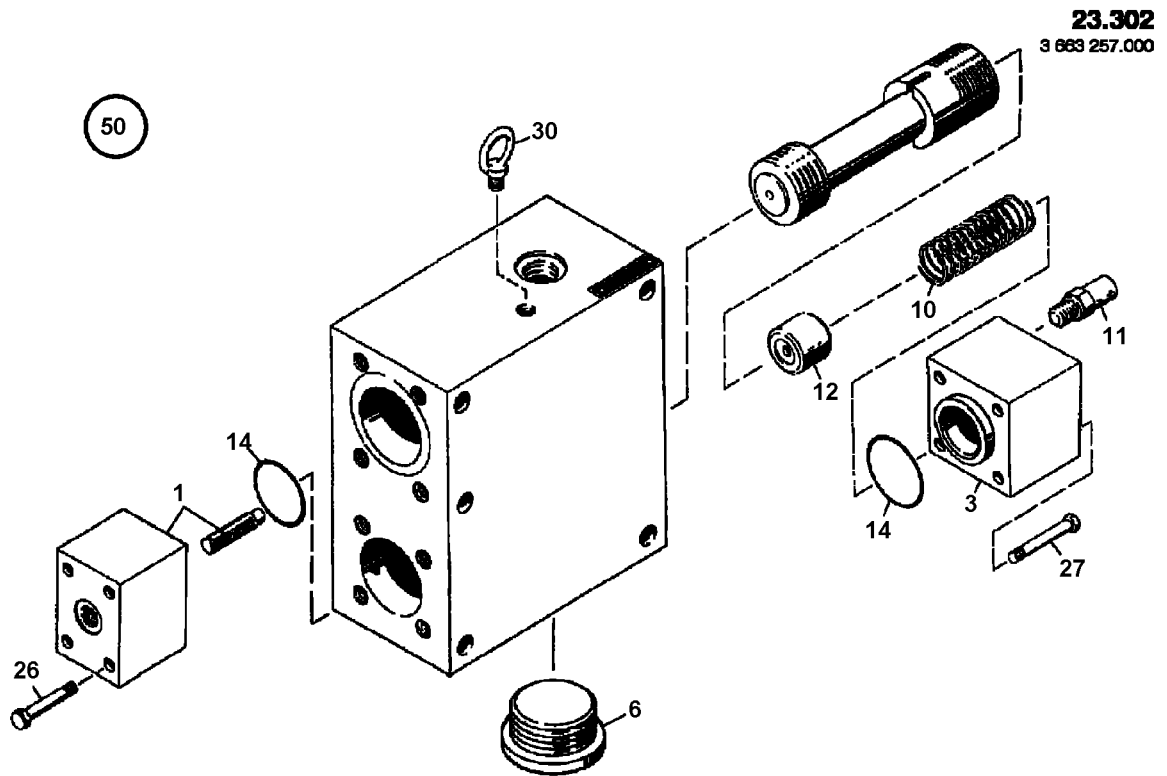
NPL00337691

NOTE	REF NO	GRAPHIC REF	PART NUMBER	QTY	PART NAME	SEE PAGE
					1 2 3 4 5 6 (PRODUCT LEVEL)	
	1	1	1465127	1	GUIDE	
	3	1	4420737	1	CAP	
	6	1	1520322	1	PLUG, SCREW	
	10	1	1456752	1	SPRING	
	11	1	1455260	1	VALVE	
	12	1	1455332	1	VALVE	
	14	1	1460776	2	O RING	
	26	1	4802458	4	HEX.HD.SCREW	
	27	1	4426630	4	SCR,HEX,M8X1.25X50MM,CL8.8	
	30	1	1524817	1	EYE BOLT	
	50	1	1455503	1	VALVE (LT)	

HYDRAULIC SYSTEM

4791704 TRAVEL-RETARDER (contd.)

NPL00337691



GRAPHIC #1

<END>

NG00072545

HYDRAULIC SYSTEM

4791711 PRESS. REG. VALVE

S/N: 15345-15345

SMCS -

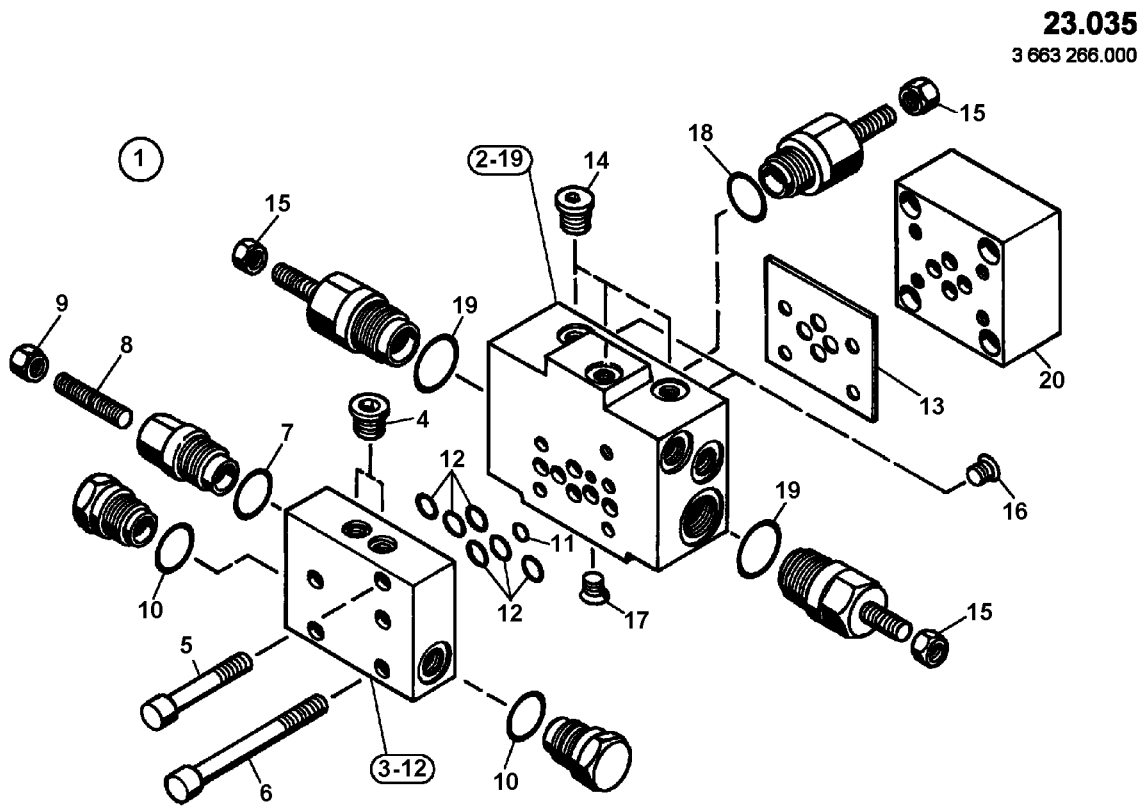
NPL00337705

NOTE	REF NO	GRAPHIC REF	PART NUMBER	QTY	PART NAME						SEE PAGE
					1	2	3	4	5	6 (PRODUCT LEVEL)	
	1	1	4020686	1	VALVE MAIN REGULATING						
	2	1	4017020	1	PRESS. REG. VALVE						
	3	1	4235434	1	BRAKE VALVE						
	4	1	1459627	2	PLUG						
	5	1	1521840	1	SCREW, SOCKET						
	6	1	4805152	4	CYL.HEAD SCREW						
	7	1	1521213	1	ORING, 115, NBR, 90						
	8	1	1465170	1	GRUB SCREW						
	9	1	1462476	1	JAM NUT						
	10	1	1461064	2	O RING						
	11	1	1460854	1	O RING						
	12	1	1460919	6	O RING						
	13	1	1465616	1	GASKET						
	14	1	1458331	3	SCREW PLUG						
	15	1	1462476	3	JAM NUT						
	16	1	4238085	2	PLUG						
	17	1	4804101	1	PLUG						
	18	1	4571508	1	O-RING						
	19	1	1460626	2	O-RING						
	20	1	4017149	1	CONNECTION PLATE						

HYDRAULIC SYSTEM

4791711 PRESS. REG. VALVE (contd.)

NPL00337705



GRAPHIC #1

<END>

NG00073405

HYDRAULIC SYSTEM

4792943 HYDRAULIC SYSTEM, DRIVING

S/N: 15345-15345

SMCS -

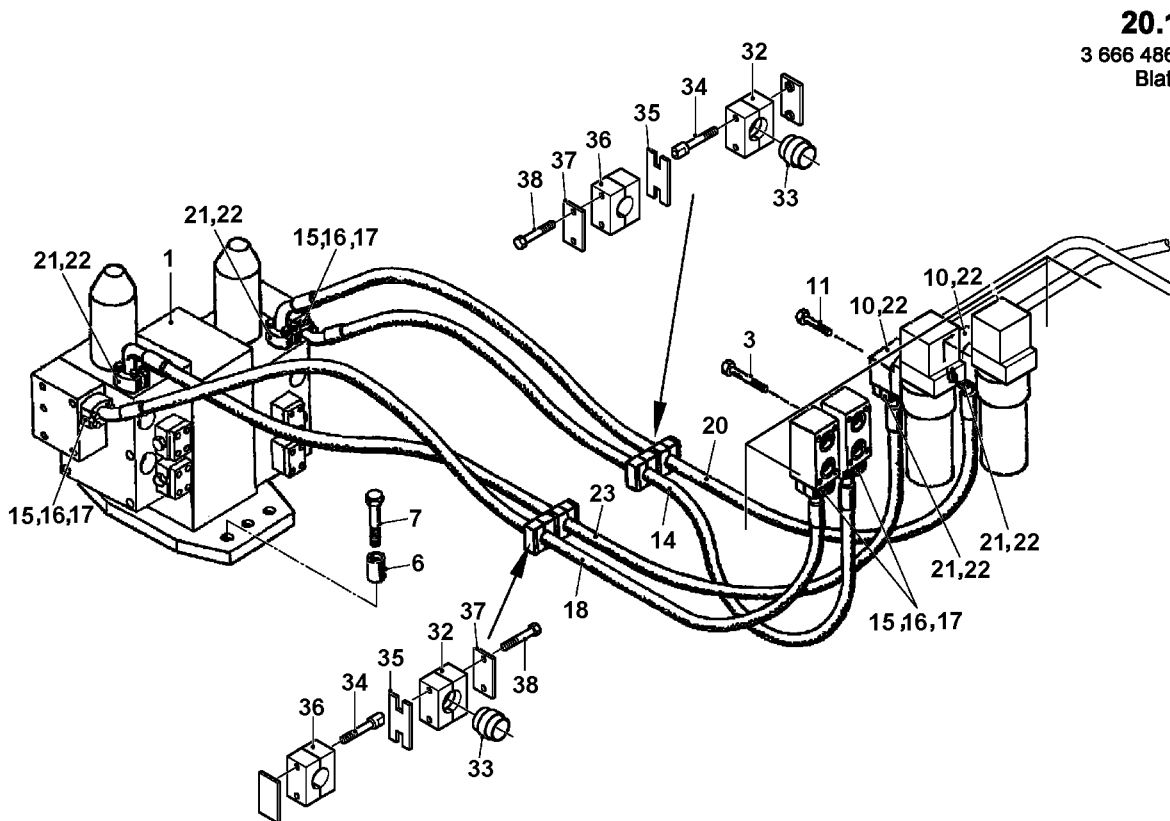
NPL00337693

NOTE	REF NO	GRAPHIC REF	PART NUMBER	QTY	PART NAME						SEE PAGE
					1	2	3	4	5	6 (PRODUCT LEVEL)	
	1	1	4791692	1	CONTROL BLOCK- TRAVEL DRIVING						100
	3	1	4015755	8	HEX HEAD SCREW HYDRAULIC SYSTEM						
	6	1	1468593	6	BUSHING						
	7	1	1524063	6	SCREW, HEX						
	10	1	1523705	2	MANIFOLD						
	11	1	1522250	8	HEX.HD.SCREW						
	14	1	4021157	1	HOSE ASSEMBLY HYDRAULIC						
	15	1	1520752	8	SEAL, FLANGE						
	16	1	1523521	8	FLANGE, SPLIT						
	17	1	1523526	2	SCREW, 12-POINT						
	18	1	1463268	1	HYDRAULIC HOSE						
	20	1	1463272	1	HYDRAULIC HOSE						
	21	1	1522854	16	SCREW, 12-POINT						
	22	1	1522851	6	SEAL, FLANGE						
	23	1	1463912	1	HOSE, HYDRAULIC (FLANGES)						
	32	1	1522780	2	CLIP						
	33	1	1462510	2	INSERT						
	34	1	1522786	4	BOLT, STACKING						
	35	1	1522790	2	PLATE						
	36	1	4021555	2	HOSE CLAMP						
	37	1	1522779	2	PLATE, COVER						
	38	1	1522831	4	SCREW, HEX HEAD						
	50	2	1463697	2	HYD HOSE						
	51	2	4022128	1	HOSE HYDRAULIC SYSTEM DRIVING						
	53	2	1523175	1	ELBOW, SWIVEL						
	55	2	1455727	3	TUBE FITTING						
	56	2	1521951	2	REDUCTION						
	57	2	1457080	2	SOCKET						
	59	2	1455657	3	TUBE FITTING						
	60	2	4018914	1	SOCKET						
	66	2	1456268	1	SWITCH ASSEMBLY						
	67	2	1523322	1	REDUCTION						
	68	2	4022068	1	ADAPTOR GREASING SYSTEM						
	69	2	1456028	1	TEST SOCKET						

HYDRAULIC SYSTEM

4792943 HYDRAULIC SYSTEM, DRIVING (contd.)

NPL00337693



20.100
3 666 486.001
Blatt 1-2

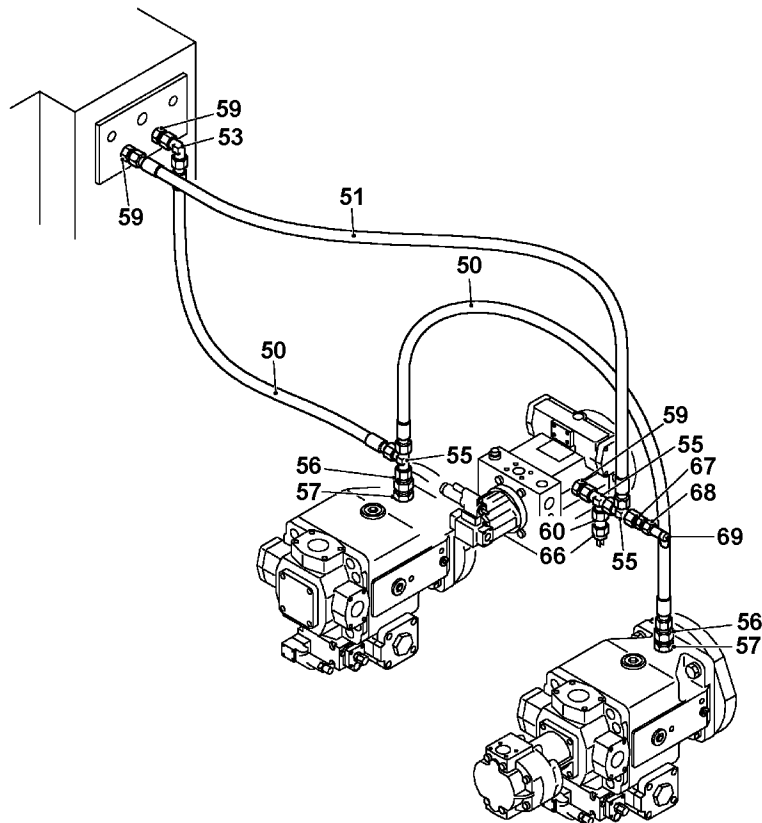
GRAPHIC #1

NG00072145

HYDRAULIC SYSTEM

4792943 HYDRAULIC SYSTEM, DRIVING (contd.)

NPL00337693



20.100
3 666 486.001
Blatt 2-2

GRAPHIC #2

<END>

NG00072205

HYDRAULIC SYSTEM

4793195 BOOM CYLINDERS

S/N: 15345-15345

SMCS -

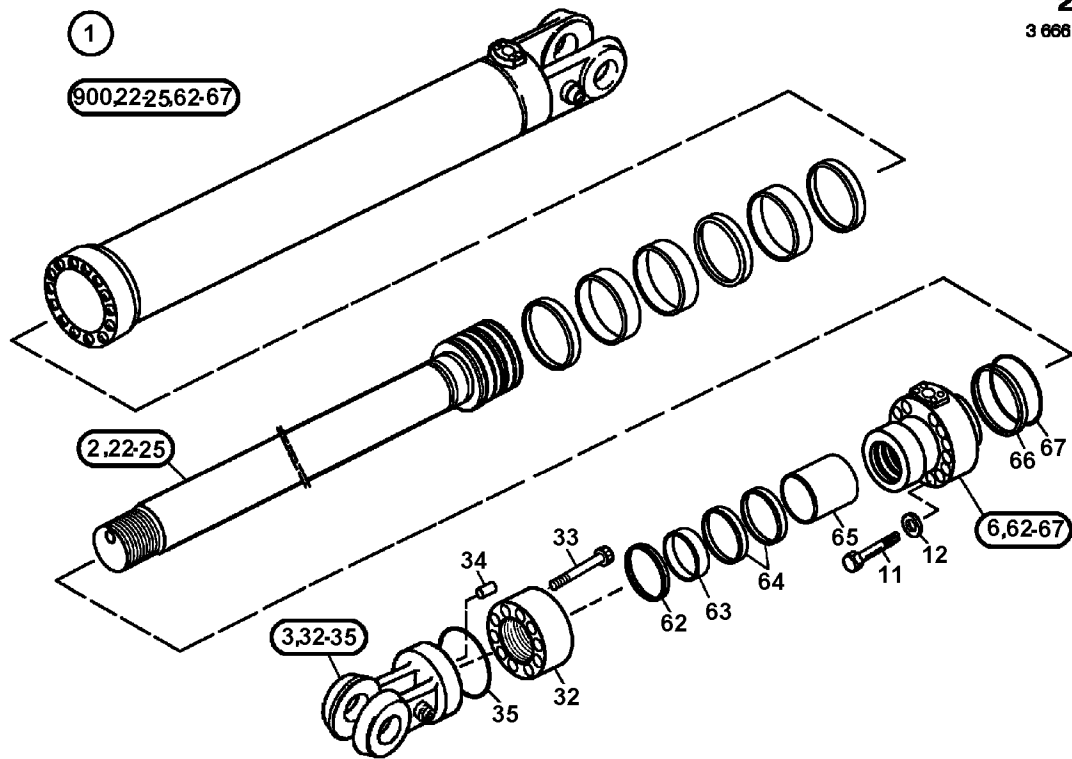
NPL00337733

NOTE	REF NO	GRAPHIC REF	PART NUMBER	QTY	PART NAME						SEE PAGE
					1	2	3	4	5	6 (PRODUCT LEVEL)	
	1	1	4024806	1	BOOM CYLINDERS						
	2	1	4211813	1	PISTON ROD						
	3	1	4064591	1	FORK ASSEMBLY						
	6	1	4026809	1	GUIDE						
	11	1	1520949	11	SCREW, HEX HEAD						
	12	1	1455021	11	WASHER						
	22	1	1459034	2	RING						
	25	1	1458066	1	SEAL RING						
	32	1	4019397	1	FLANGE						
	33	1	1458491	10	SCREW						
	34	1	1524153	1	PIN, STRAIGHT						
	35	1	1461116	1	O RING						
	62	1	1458591	1	SCRAPER						
	63	1	1458645	1	SCRAPER						
	64	1	1465643	2	GASKET						
	65	1	1450598	1	PISTON GUIDE RING						
	66	1	1456368	1	SUPPORT RING						
	67	1	1460965	1	O RING						
	900	1	4026810	1	SEALING KIT						
			1459886	2	PISTON GUIDE RING						
					NOT SHOWN						
			1459888	1	PISTON GUIDE RING						
					NOT SHOWN						

HYDRAULIC SYSTEM

4793195 BOOM CYLINDERS (contd.)

NPL00337733



24.022
3 666 797.000

GRAPHIC #1

<END>

NG00074245

HYDRAULIC SYSTEM

4793437 SWING MOTOR

S/N: 15345-15345

SMCS -

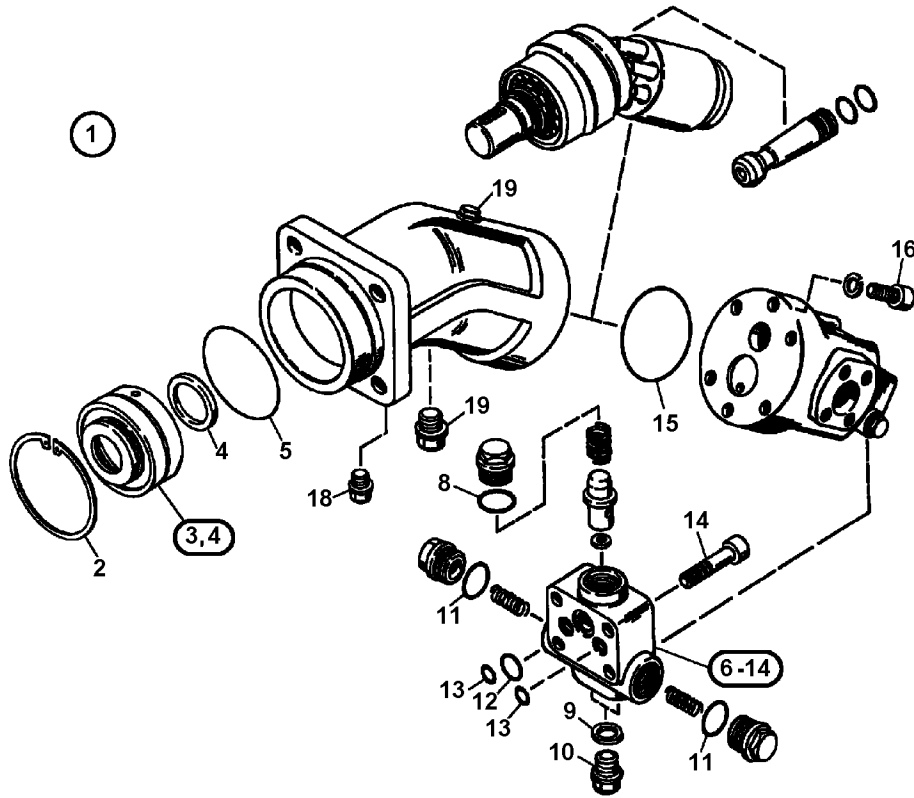
NPL00337661

NOTE	REF NO	GRAPHIC REF	PART NUMBER	QTY	PART NAME						SEE PAGE
					1	2	3	4	5	6 (PRODUCT LEVEL)	
	1	1	4024714	1	FIXED DISPLACEMENT MOTOR						
	2	1	1468118	1	CIRCLIP						
	3	1	4027667	1	SEAL CAP						
	4	1	1454596	1	SEAL, LIP						
	5	1	4213927	1	O-RING						
	6	1	4017561	1	FEED. PRESS. VALVE						
	8	1	1460662	1	O-RING						
	9	1	4017309	2	SEAL TRAVEL MOTOR						
	10	1	4017453	2	SCREW PLUG .						
	11	1	1460663	2	O-RING						
	12	1	1460666	1	O-RING						
	13	1	4213106	2	O-RING						
	14	1	1520934	4	CYLINDER, HEAD SCREW						
	15	1	4213928	1	O-RING						
	16	1	4041626	6	CYL.HEAD SCREW						
	18	1	4017331	1	SCREW PLUG SWING MOTOR						
	19	1	4017131	2	SCREW PLUG						
			4503287	1	CIRCLIP						
NOT SHOWN											

HYDRAULIC SYSTEM

4793437 SWING MOTOR (contd.)

NPL00337661



22.112
3 668 126.000

GRAPHIC #1

<END>

NG00070745

HYDRAULIC SYSTEM

4793464 CONTROL BLOCK, FLAP

S/N: 15345-15345

SMCS -

NPL00337739

NOTE	REF NO	GRAPHIC REF	PART NUMBER	QTY	PART NAME						SEE PAGE
					1	2	3	4	5	6 (PRODUCT LEVEL)	
	2	1	4213480	1	LID						
	3	1	4804424	1	LID						
	4	1	4016517	1	RING						
	5	1	4064542	1	CIRCLIP						
	6	1	4016516	2	SPRING SEAT						
	7	1	4016327	1	SCREW PLUG						
	8	1	4016514	1	SPRING						
	9	1	4016515	1	SPRING						
	10	1	4014907	4	CYL.HEAD SCREW						
	11	1	4780073	1	SEALING RING						
	12	1	1461096	2	O RING						
	14	1	4805877	2	VALVE						
	15	1	1465465	4	GASKET SET						
	16	1	1465457	4	SET, GASKET						
	17	1	1467188	8	CYL.HD.SCREW						
	18	1	1460328	1	PIN						
	19	1	1458112	1	SEAL KIT						
	30	1	4018737	1	VALVE						

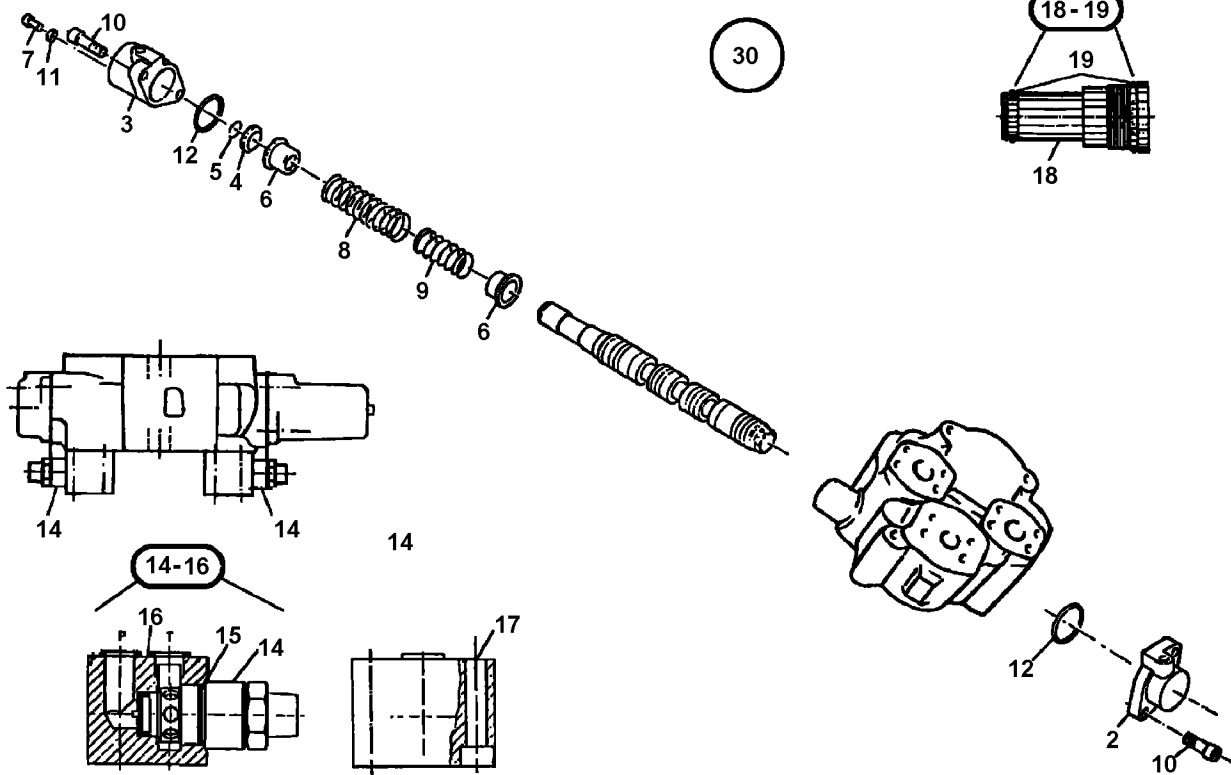
HYDRAULIC SYSTEM

4793464 CONTROL BLOCK, FLAP (contd.)

NPL00337739

23.616

3 668 179.000



GRAPHIC #1

<END>

NG00074665

HYDRAULIC SYSTEM

4793577 INSTALLATION MATERIAL-HYDRAULIC OIL COOLING SYSTEM

S/N: 15345-15345

SMCS -

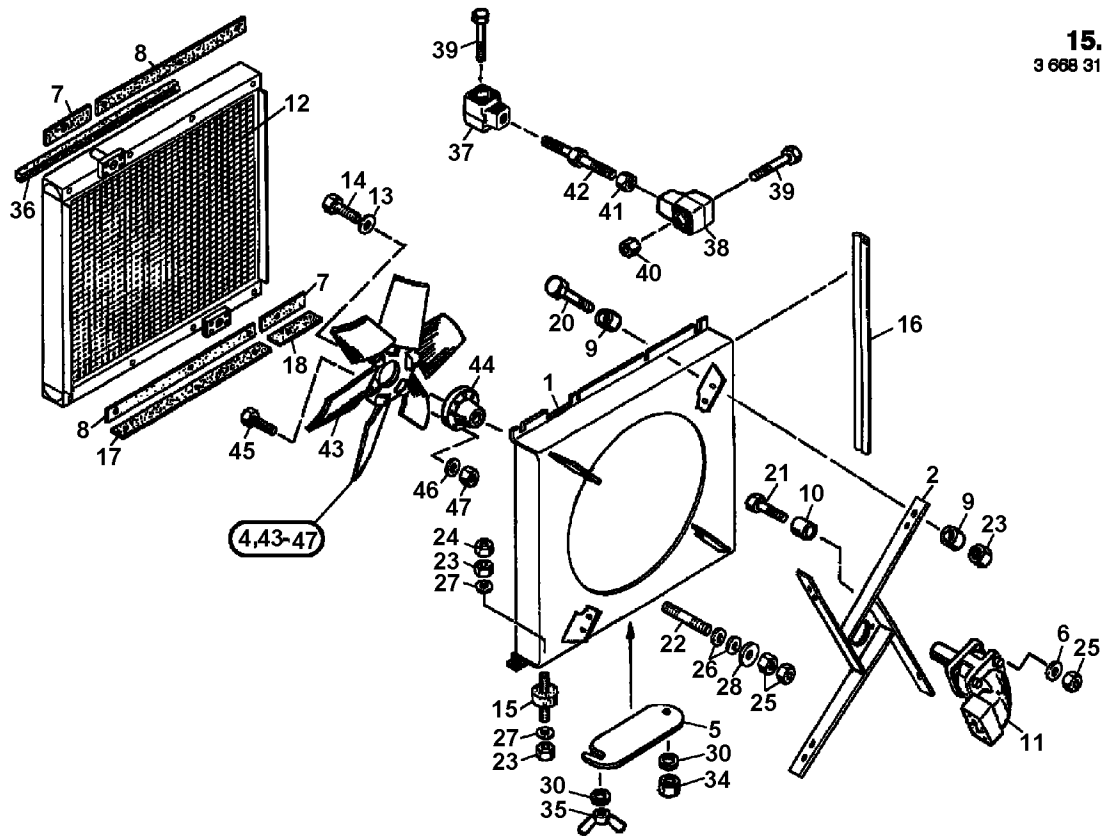
NPL00337726

NOTE	REF NO	GRAPHIC REF	PART NUMBER	QTY	PART NAME						SEE PAGE
					1	2	3	4	5	6 (PRODUCT LEVEL)	
1		1	4020176	1	BONNET						
2		1	4020938	1	BRACKET						
4		1	4020939	1	FAN WHEEL						
5		1	4020943	1	PLATE						
6		1	1466718	4	DISK/WASHER						
7		1	4019193	2	SEAL						
8		1	4019194	2	SEAL						
9		1	1457379	16	SLEEVE						
10		1	4019049	4	SLEEVE COOLING SYSTEM HYDRAULIC OIL						
11		1	4790417	1	FAN MOTOR						84
12		1	1467472	1	COOLER, OIL (RAD)						
13		1	4015540	1	DISK/WASHER						
14		1	1519402	1	SCREW, HEX HEAD						
15		1	1468778	2	BUMPER						
16		1	1459488	2.4	PROFILE						
17		1	4018597	0.94	SEAL						
18		1	4018597	0.24	SEAL						
20		1	1521266	8	HEX.HD.SCREW						
21		1	1519475	4	SCREW, HEX HEAD						
22		1	4028105	8	STUD RADIATOR						
23		1	1519059	12	NUT, FULL						
24		1	1461296	2	NUT						
25		1	1520278	20	NUT, HEX						
26		1	1517707	16	WASHER						
27		1	1521832	4	DISK/WASHER						
28		1	1520689	12	WASHER						
30		1	1520455	2	WASHER						
34		1	1520317	1	NUT, HEX						
35		1	4013732	1	WING NUT						
36		1	1520471	5.2	BAND, SEALING						
37		1	1458690	2	RUBBER MOUNTING						
38		1	1521142	2	MOUNT, RUBBER						
39		1	1521146	8	SCREW, HEX HEAD						
40		1	1520317	4	NUT, HEX						
41		1	1519080	2	NUT, HEX						
42		1	1469794	2	ADJUSTING SCREW						
43		1	4021531	1	WHEEL, FAN						
44		1	4020937	1	HUB COOLING SYSTEM - HYD OIL						
45		1	1525839	9	SCREW, HEX HEAD						
46		1	1522245	9	DISK/WASHER						
47		1	1461281	9	NUT						

HYDRAULIC SYSTEM

4793577 INSTALLATION MATERIAL-HYDRAULIC OIL COOLING SYSTEM (contd.)

NPL00337726



15.010
3 688 312.000

GRAPHIC #1

<END>

NG00073945

HYDRAULIC SYSTEM

4793842 OIL SUCTION SYSTEM

S/N: 15345-15345

SMCS -

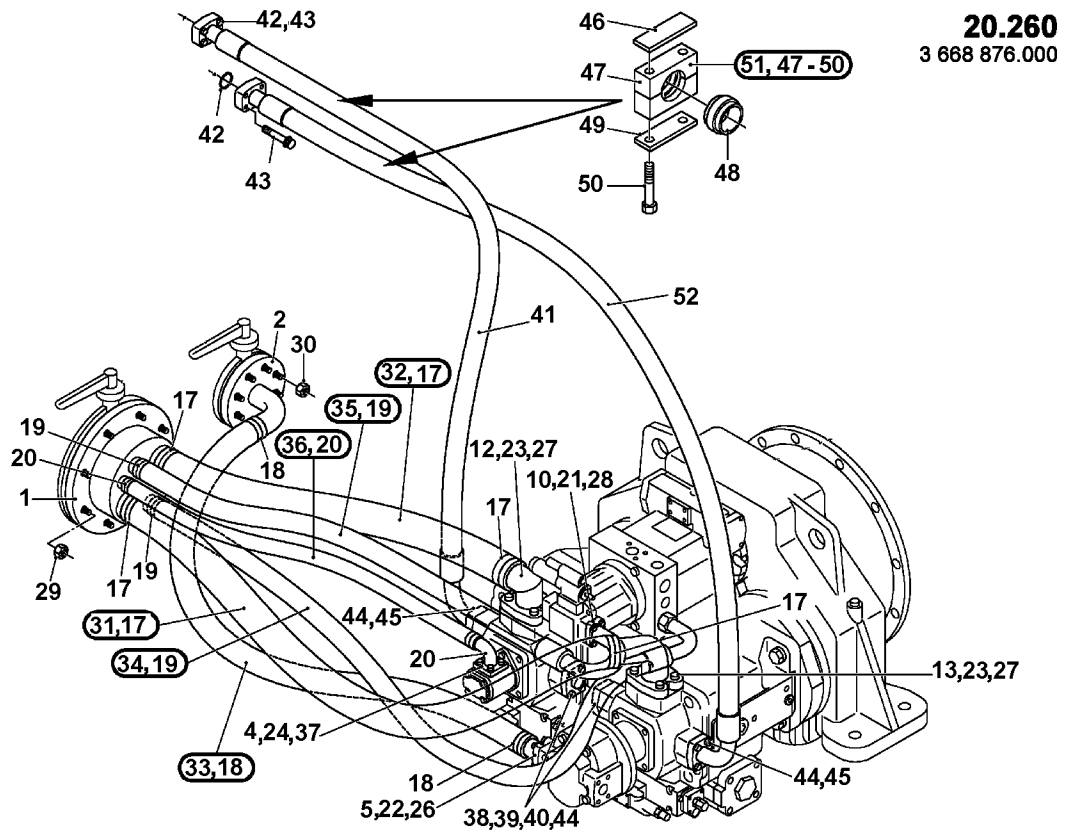
NPL00337695

NOTE	REF NO	GRAPHIC REF	PART NUMBER	QTY	PART NAME						SEE PAGE
					1	2	3	4	5	6 (PRODUCT LEVEL)	
	1	1	4780802	1	VACUUM DISTRIBUTOR						
	2	1	1497616	1	SOCKET						
	4	1	1523186	1	PIPE, SUCTION						
	5	1	1497617	1	SOCKET						
	10	1	1523251	2	FLANGE, SPLIT						
	12	1	4024017	1	ARMATURE						
	13	1	1497618	1	LINE						
	17	1	1464110	4	CLAMP, HOSE						
	18	1	1467843	2	CLIP						
	19	1	1464107	4	CLAMP, HOSE, 48ID						
	20	1	1467844	2	CLIP						
	21	1	1519993	1	SEAL, FLANGE						
	22	1	1461003	1	O RING						
	23	1	1523733	2	O-RING						
	24	1	1523171	1	O-RING						
	26	1	1521009	4	SCREW, SOCKET						
	27	1	1519382	8	SCREW, HEX HEAD						
	28	1	1519674	4	SCREW, HEX						
	29	1	1519080	8	NUT, HEX						
	30	1	1519059	8	NUT, FULL						
	31	1	4192983	1	SUCTION HOSE						
	32	1	4192984	1	SUCTION HOSE						
	33	1	4192985	1	SUCTION HOSE						
	34	1	4024031	1	SUCTION HOSE						
	35	1	1497619	1	SUCTION HOSE						
	36	1	4021163	1	SUCTION HOSE						
	37	1	1451689	4	SCREW, HEX HD						
	38	1	1465840	4	FLANGE						
	39	1	1515215	2	SOCKET						
	40	1	1522854	8	SCREW, 12-POINT						
	41	1	4024094	1	HYDRAULIC HOSE						
	42	1	1519993	2	SEAL, FLANGE						
	43	1	1467093	8	CYLINDER HEAD SCREW						
	44	1	1522851	4	SEAL, FLANGE						
	45	1	1523979	8	SCREW, CYLINDER HEAD						
	46	1	1518456	1	PLATE						
	47	1	1522780	1	CLIP						
	48	1	1523228	1	INSERT						
	49	1	1522779	1	PLATE, COVER						
	50	1	1522831	2	SCREW, HEX HEAD						
	51	1	1523570	2	CLIP						
	52	1	4025923	1	HYDRAULIC HOSE						

HYDRAULIC SYSTEM

4793842 OIL SUCTION SYSTEM (contd.)

NPL00337695



GRAPHIC #1

<END>

NG00072625

HYDRAULIC SYSTEM

4793869 HP FILTER

S/N: 15345-15345

SMCS -

NPL00337656

NOTE	REF NO	GRAPHIC REF	PART NUMBER	QTY	PART NAME						SEE PAGE
					1	2	3	4	5	6 (PRODUCT LEVEL)	
	1	1	4025386	1	HP FILTER						
	2	1	4025384	1	ADAPTER PLATE						
	4	1	1466303	1	FILTER ASSEMBLE						
	5	1	1455519	1	VALVE						
	6	1	1456032	1	TEST FITTING						
	7	1	1523967	1	SEAL, FLANGE						
	8	1	1522851	1	SEAL, FLANGE						
	10	1	1464876	4	HEX. HD. SCREW						
	11	1	4586501	4	CYL.HEAD SCREW						
	15	1	1466291	1	FILTER HEAD						
	16	1	1460786	1	O RING						
	17	1	1466271	1	FILTER INSERT						
	18	1	1460759	1	O RING						
	19	1	1456346	1	SUPPORT RING						
	20	1	1463848	1	HOUSING						
	21	1	4064559	1	PRESS.REL.VALVE						
	22	1	1465454	1	SET, GASKET						
	23	1	1524811	2	ORING, 26.3X33.5X2.2, PU, 93						
	26	1	1458332	1	SCREW PLUG						
	27	1	4064539	1	SEAL						
			1457925	1	SEALING KIT						
					NOT SHOWN						

HYDRAULIC SYSTEM

4794031 HYDRAULIC SYSTEM, PUMP GOVERNING

S/N: 15345-15345

SMCS -

NPL00337698

NOTE	REF NO	GRAPHIC REF	PART NUMBER	QTY	PART NAME						SEE PAGE
					1	2	3	4	5	6 (PRODUCT LEVEL)	
	2	1	1522839	2	ADPTR,M14X1.5-L12,STUD						
	4	1	1463215	1	HYDRAULIC HOSE						
	5	1	4015173	1	HOSE						
	6	1	1463972	1	HOSE, HYDRAULIC						
	7	1	1497632	1	HOSE						
	8	1	1464197	1	HOSE						
	9	1	1497633	1	HYDRAULIC TUBE						
	10	1	1497634	1	HYDRAULIC TUBE						
	11	1	1497587	1	HYDRAULIC TUBE						
	12	1	4041694	2	HOSE						
	13	1	1497635	1	HYDRAULIC TUBE						
	15	1	1497636	1	HYDRAULIC TUBE						
	16	1	1497637	1	HYDRAULIC TUBE						
	18	1	1520845	1	HOSE						
	19	1	1523149	2	HYDRAULIC HOSE ASSEMBLY						
	21	1	4015376	1	HOSE						
	22	1	1497638	1	HOSE						
	24	1	4020982	1	VALVE BLOCK						
	25	1	1522839	4	ADPTR,M14X1.5-L12,STUD						
	26	1	1523518	1	FILTER						
	27	1	1455452	1	VALVE						
	28	1	4788171	1	PROPORTIONAL VALVE						66
	29	1	4788169	2	VALVE-PRESSURE RELEASE						64
	31	1	1461025	1	O RING						
	32	1	1466265	1	FILTER INSERT EVCS						
	34	1	1460869	1	O RING						
	39	1	1522848	1	SOCKET						
	40	1	4013680	1	TUBE FITTING						
	41	1	1523742	1	O-RING						
	43	1	1522758	4	CONNECTOR, MEASUREMENT						
	44	1	4015687	2	TUBE FITTING CAB MODULE SERVO LINES						
	45	1	1522842	10	ELBOW						
	46	1	1522844	3	SOCKET						
	47	1	1455646	4	TEE,L12						
	48	1	1455678	1	FITTING						
	49	1	1455705	3	TUBE FITTING						
	51	1	1522756	2	ADPTR,G 1/2-L15,STUD						
	53	1	1521828	6	TEE,L12,SWVL,RUN						
	55	1	4780383	2	SOCKET						
	57	1	1523281	5	ADPTR,M18X1.5-L12,STUD						
	58	1	1455669	1	UNION,ELBOW,L22						
	59	1	1465982	4	ADPTR,M16X1.5-L12,STUD						
	60	1	4015888	1	SCREW PLUG						
	61	1	1523648	2	PLUG, BLANK						
	63	1	1457022	1	SOCKET						
	65	1	1522838	2	SOCKET						
	66	1	1457043	1	SOCKET						
	67	1	1520817	1	ADAPTER						

HYDRAULIC SYSTEM

4794031 HYDRAULIC SYSTEM, PUMP GOVERNING (contd.)

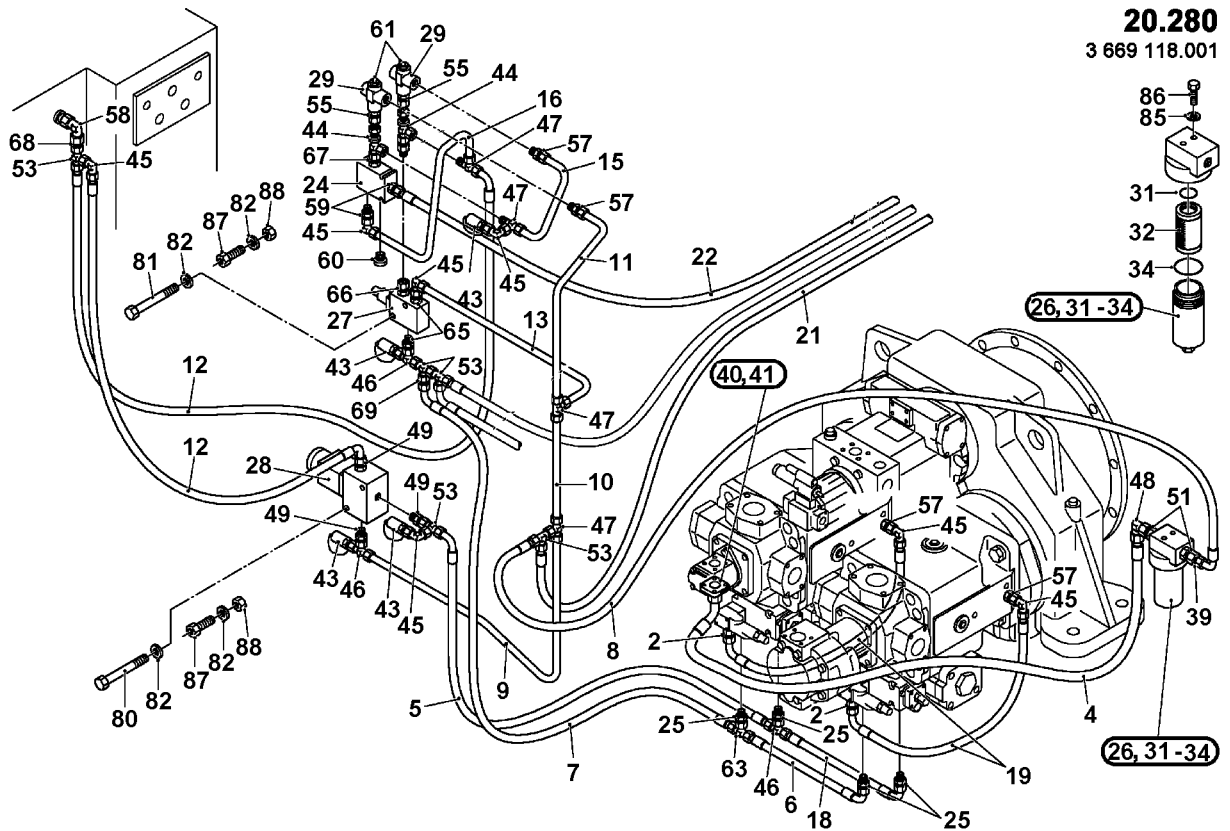
NPL00337698

NOTE	REF NO	GRAPHIC REF	PART NUMBER	QTY	PART NAME						SEE PAGE
					1	2	3	4	5	6 (PRODUCT LEVEL)	
	68	1	1520859	1	REDUCER						
	69	1	1520813	1	TEE						
	80	1	4013741	2	SCREW, HEX HEAD						
	81	1	1520740	2	SCREW, HEX HEAD						
	82	1	4474729	8	FOIL						
	85	1	1520455	2	WASHER						
	86	1	1519699	2	SCREW, HEX HEAD						
	87	1	1458445	4	SCREW						
	88	1	1521852	4	NUT, HEX						
			4020533	1	PLATE						
					NOT SHOWN						
			1523568	1	REDUCER						
					NOT SHOWN						
			4235836	1	REDUCER FITTING						
					NOT SHOWN						

HYDRAULIC SYSTEM

4794031 HYDRAULIC SYSTEM, PUMP GOVERNING (contd.)

NPL00337698



GRAPHIC #1

<END>

NG00075245

HYDRAULIC SYSTEM

4794032 HYDRAULIC SYSTEM, SLEWING

S/N: 15345-15345

SMCS-

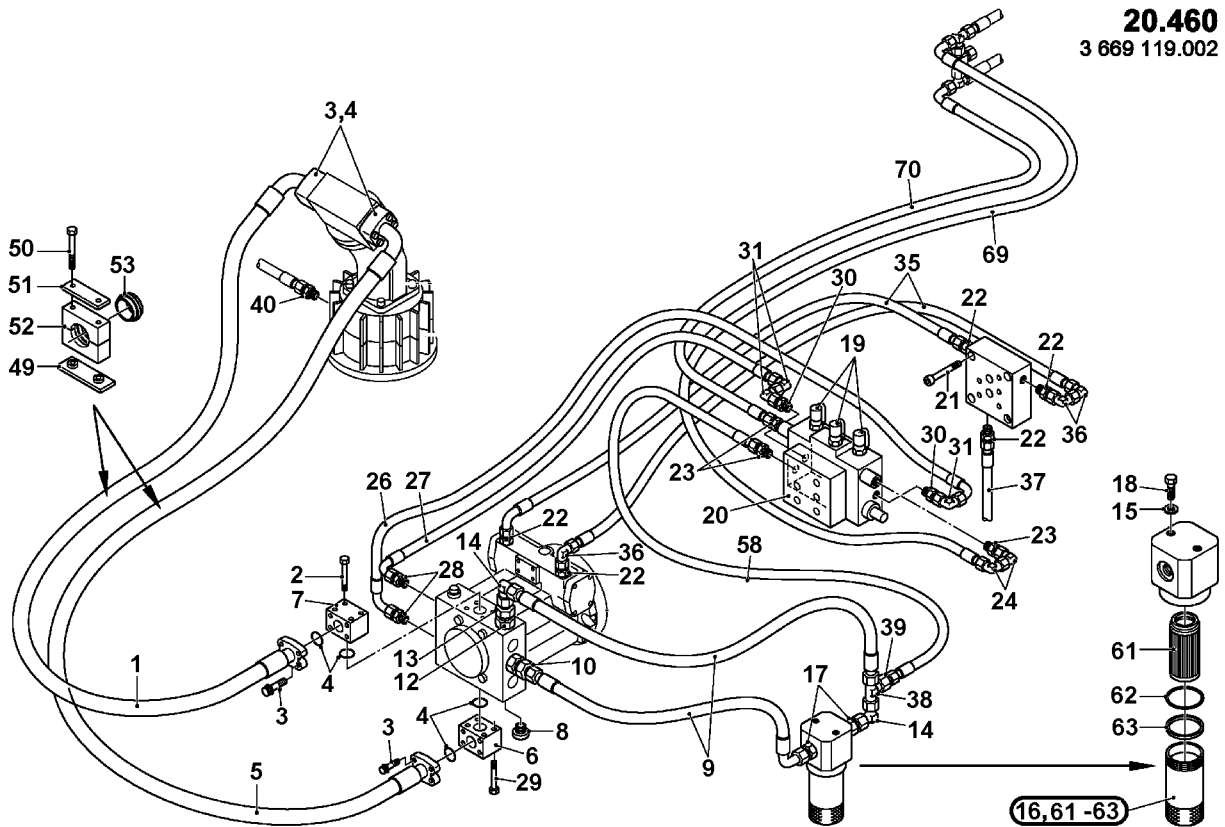
NPL00337706

NOTE	REF NO	GRAPHIC REF	PART NUMBER	QTY	PART NAME						SEE PAGE
					1	2	3	4	5	6 (PRODUCT LEVEL)	
	1	1	4024677	1	HYDRAULIC HOSE						
	2	1	1464986	4	HEX HD SCREW						
	3	1	1523252	16	SCREW						
	4	1	1519993	3	SEAL, FLANGE						
	5	1	1463446	1	HYDRAULIC HOSE						
	6	1	1465837	1	FLANGE						
	7	1	4235508	1	BLOCK						
	8	1	1458330	1	SCREW PLUG						
	9	1	1463175	2	HOSE, HYDRAULIC						
	10	1	4021168	1	SOCKET						
	12	1	1520933	1	SOCKET						
	13	1	1523322	1	REDUCTION						
	14	1	1520812	3	SOCKET						
	15	1	1523298	2	WASHER, FENDER						
	16	1	4021272	1	FILTER AS-SLEW PUMP						
	17	1	1525838	2	SOCKET						
	18	1	1464762	2	HEX.HD.SCREW						
	19	1	1467575	2	CONNECTION, MEASUREMENT						
	20	1	4791711	1	PRESS. REG. VALVE						112
	21	1	1467191	4	CYL.HD.SCREW						
	22	1	1520802	6	ADAPTER						
	23	1	1520818	3	SOCKET						
	24	1	1522842	2	ELBOW						
	26	1	1497655	1	HYDRAULIC HOSE						
	27	1	1463946	1	HOSE, HYDRAULIC						
	28	1	1457207	2	SOCKET						
	29	1	1519995	4	SCREW, HEX HEAD						
	30	1	4018663	2	SOCKET						
	31	1	1457169	3	SOCKET						
	35	1	1497614	2	HYDRAULIC HOSE						
	36	1	1522842	4	ELBOW						
	37	1	4213172	1	HYDRAULIC HOSE						
	38	1	1520813	1	TEE						
	39	1	1520859	1	REDUCER						
	40	1	4022088	1	SOCKET						
	49	1	1518456	6	PLATE						
	50	1	1522831	12	SCREW, HEX HEAD						
	51	1	1522779	6	PLATE, COVER						
	52	1	1522780	6	CLIP						
	53	1	1523226	6	INSERT , RUBBER , 38 . 7MM , 6S , HVY						
	58	1	1523276	1	HYDRAULIC HOSE ASSEMBLY						
	61	1	1574829	1	FILTER ELEMENT HYD SLEW PUMP						
	62	1	1460657	1	O-RING						
	63	1	1471899	1	RING-SUPPORT						
	69	1	4021576	1	HOSE ASSEMBLY HYDRAULIC						
	70	1	1497646	1	HOSE						
			4015343	2	CLAMP, HOSE						
					NOT SHOWN						

HYDRAULIC SYSTEM

4794032 HYDRAULIC SYSTEM, SLEWING (contd.)

NPL00337706



GRAPHIC #1

<END>

NG00073345

HYDRAULIC SYSTEM

4794102 HYDRAULIC SYSTEM, OIL COOLER

S/N: 15345-15345

SMCS-

NPL00337699

NOTE	REF NO	GRAPHIC REF	PART NUMBER	QTY	PART NAME						SEE PAGE
					1	2	3	4	5	6 (PRODUCT LEVEL)	
	1	1	4020696	1	REGULATOR						
	2	1	1497588	1	HOSE						
	3	1	1519993	6	SEAL, FLANGE						
	4	1	1523525	12	FLANGE, SPLIT						
	5	1	1523526	24	SCREW, 12-POINT						
	6	1	1497639	1	HOSE						
	7	1	4015787	1	HOSE ASSEMBLY HYDRAULIC OIL COOLER						
	9	1	4020940	1	HOSE ASSEMBLY HYDRAULIC						
	10	1	4024023	1	HOSE HYDRAULIC SYSTEM OIL COOLER						
	11	1	1523256	4	SCREW, 12-POINT						
	12	1	4014918	2	SPLIT FLANGE						
	13	1	1523967	5	SEAL, FLANGE						
	14	1	4014127	8	SCREW CYL HEAD						
	15	1	4014656	4	SPLIT FLANGE						
	16	1	4021187	1	CHECK VALVE						
	17	1	1520752	1	SEAL, FLANGE						
	20	1	1497640	1	HOSE						
	21	1	1497641	1	HOSE						
	22	1	4014911	1	HOSE						
	23	1	1523625	1	HOSE						
	24	1	1464749	4	SCREW, HEX						
	25	1	1523667	6	CLAMP, HOSE						
	26	1	4474728	6	DISK/WASHER						
	27	1	1520455	6	WASHER						
	30	1	1455650	1	TUBE FITTING						
	31	1	4028071	1	FITTING, TUBE						
	33	1	1465982	2	ADPTR,M16X1.5-L12,STUD						
	34	1	1457244	1	SOCKET						
	35	1	4780099	1	SOCKET						
	36	1	1523281	1	ADPTR,M18X1.5-L12,STUD						
	38	1	1455655	1	TUBE FITTING						
	39	1	1520831	1	PLUG, SCREW						
	40	1	1714995	1	SOCKET						
	43	1	1521253	1	CONNECTION, MEASUREMENT						
	45	1	4780379	1	HOUSING						
	46	1	4020683	1	THERMOSTAT						
	47	1	1460900	1	O RING						
	48	1	1460639	1	O-RING						
	49	1	1456018	1	THERMOSTAT						
	50	1	4017250	1	VALVE CHECK HYD SYSTEM						
	51	1	4017251	1	GASKET SET CHECK VALVE						
	52	1	1458332	1	SCREW PLUG						
	53	1	1451466	1	SEAL						
	54	1	4014205	4	CLIP						
	55	1	1518456	4	PLATE						
	56	1	1522780	4	CLIP						
	57	1	1522779	4	PLATE, COVER						

HYDRAULIC SYSTEM

4794102 HYDRAULIC SYSTEM, OIL COOLER (contd.)

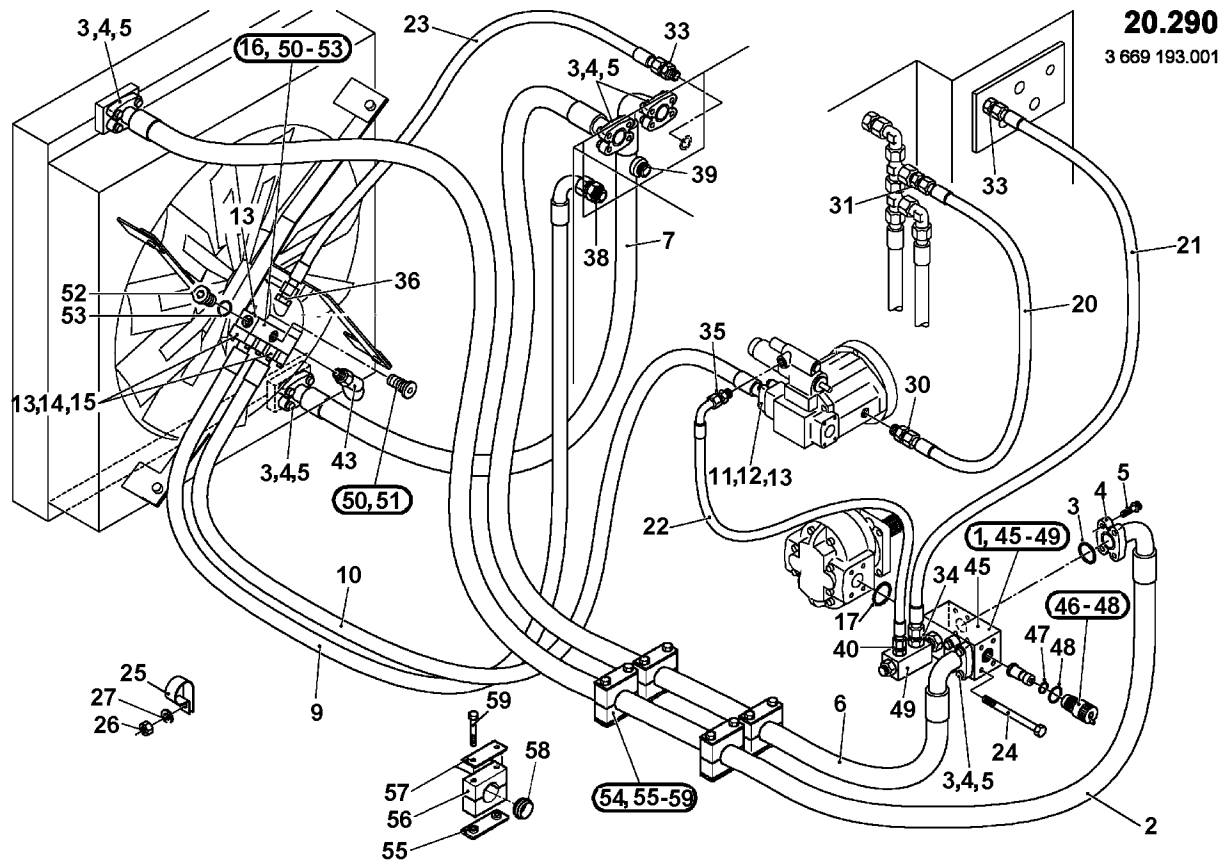
NPL00337699

NOTE	REF NO	GRAPHIC REF	PART NUMBER	QTY	PART NAME						SEE PAGE
					1	2	3	4	5	6 (PRODUCT LEVEL)	
	58	1	4014208	4	INSERT HYDRAULIC SYSTEM MONOBLOCK BOO						
	59	1	1522831	8	SCREW, HEX HEAD						

HYDRAULIC SYSTEM

4794102 HYDRAULIC SYSTEM, OIL COOLER (contd.)

NPL00337699



GRAPHIC #1

<END>

NG00072965

HYDRAULIC SYSTEM

4794579 SWING BRAKE

S/N: 15345-15345

SMCS -

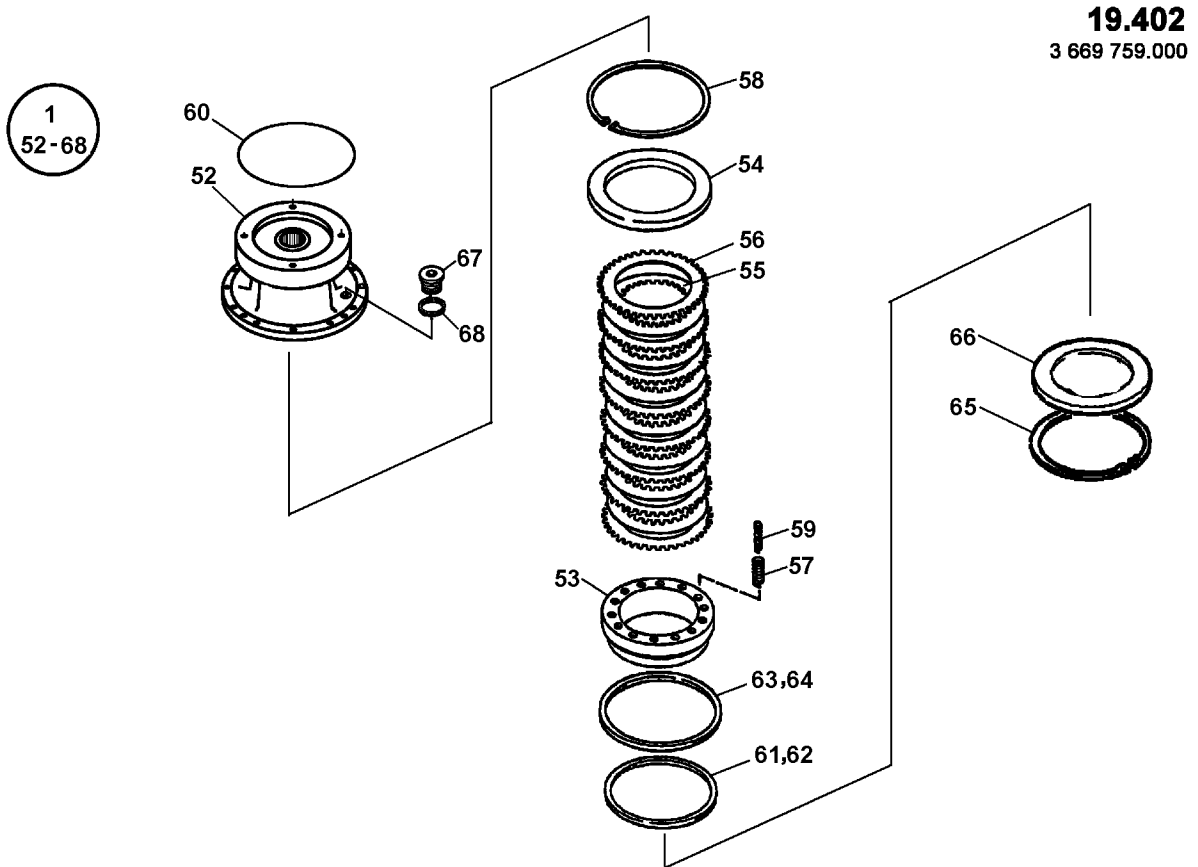
NPL00337659

NOTE	REF NO	GRAPHIC REF	PART NUMBER	QTY	PART NAME						SEE PAGE
					1	2	3	4	5	6 (PRODUCT LEVEL)	
	1	1	4042675	1	BRAKE						
	52	1	4042620	1	DISK CARRIER						
	53	1	1459943	1	PISTON						
	54	1	4027579	1	DISK / WASHER SLEW BRAKE						
	55	1	1462482	7	INTERNAL DISC						
	56	1	1466437	8	EXTERNAL DISC						
	57	1	1456862	25	SPRING						
	58	1	4474619	1	CONNECTING BOX						
	59	1	1456859	25	SPRING						
	60	1	1460766	1	O RING						
	61	1	1457902	1	SEALING RING						
	62	1	1456386	2	SUPPORT RING						
	63	1	4808919	1	SEALING RING						
	64	1	1456394	2	SUPPORT RING						
	65	1	1468119	1	CIR CLIP						
	66	1	1531840	1	DISK/WASHER						
	67	1	1459573	2	PLUG						
	68	1	1457972	2	SEAL RING						

HYDRAULIC SYSTEM

4794579 SWING BRAKE (contd.)

NPL00337659



GRAPHIC #1

<END>

NG00070725

HYDRAULIC SYSTEM

4794580 SLEWING GEAR, COMPLETE

S/N: 15345-15345

SMCS -

NPL00337660

NOTE	REF NO	GRAPHIC REF	PART NUMBER	QTY	PART NAME						SEE PAGE
					1	2	3	4	5	6 (PRODUCT LEVEL)	
	1	1	4027600	1	SLEWING GEAR						
	2	1	4027569	1	HOLLOW WHEEL						
	3	1	4027570	1	CARRIER						
	4	1	4027571	1	SUN WHEEL						
	5	1	4027572	1	OUTPUT SHAFT GROUP						
	6	1	4211902	1	PLANETARY CARRIER						
	7	1	4211903	1	PLANETARY WH: SET						
	8	1	4027573	1	INTERMEDIATE RING						
	9	1	4027574	1	INTERMEDIATE RING						
	10	1	4027575	1	SHAFT						
	11	1	4211904	1	THRUST WASHER						
	12	1	4022175	8	CYLINDER ROLLER BEARING						
	13	1	4022176	1	SELF.AL.BEARING						
	14	1	4022177	1	SELF.AL.BEARING						
	15	1	4022178	1	ROTARY SHAFT SEAL						
	16	1	1521420	12	SCREW, HEX HEAD						
	17	1	4027576	1	BEARING CAP						
	18	1	4022179	2	ROTARY SHAFT SEAL						
	19	1	4022180	1	O-RING						
	20	1	4802811	1	O-RING						
	21	1	1468049	1	CIRCLIP						
	22	1	1468107	4	CIRCLIP						
	23	1	1468112	4	CIRCLIP						
	24	1	4027580	8	THRUST WASHER						
	25	1	1469745	1	ANGLE FITTING						
	26	1	1460808	1	O RING						
	27	1	4022181	4	CYL.HEAD SCREW						
	28	1	4013701	4	BOLT .						
	29	1	4027581	1	SNAP RING						
	30	1	4211905	1	PLANETARY CARRIER						
	31	1	4027577	1	PLANETARY WH: SET						
	32	1	4570453	3	CYLINDER ROLLER BEARING						
	33	1	1525836	3	CIRCLIP						
	34	1	1464762	16	HEX.HD.SCREW						
	35	1	4022182	1	O RING SLEWING GEAR						
	36	1	4027663	1	DIP STICK						
	37	1	1457790	2	O-RING						
	38	1	4211906	2	ADAPTER						
	39	1	1458325	2	SCREW PLUG						
	40	1	1465279	1	GREASE FITTING						
	41	1	4015758	2	SCREW CYLINDER HEAD TRAVEL MOTOR						
	42	1	1467208	2	CYL.HD.SCREW						
	43	1	4027662	1	PIPE						
	44	1	4027578	1	DRAIN VALVE						
	45	1	4027666	1	BRACKET						
	46	1	1542297	3	CLIP						
	47	1	1464924	2	SCR, HEX, M6X1.0X10MM, CL8.8						
	48	1	4027665	1	BRACKET						

HYDRAULIC SYSTEM

4794580 SLEWING GEAR, COMPLETE (contd.)

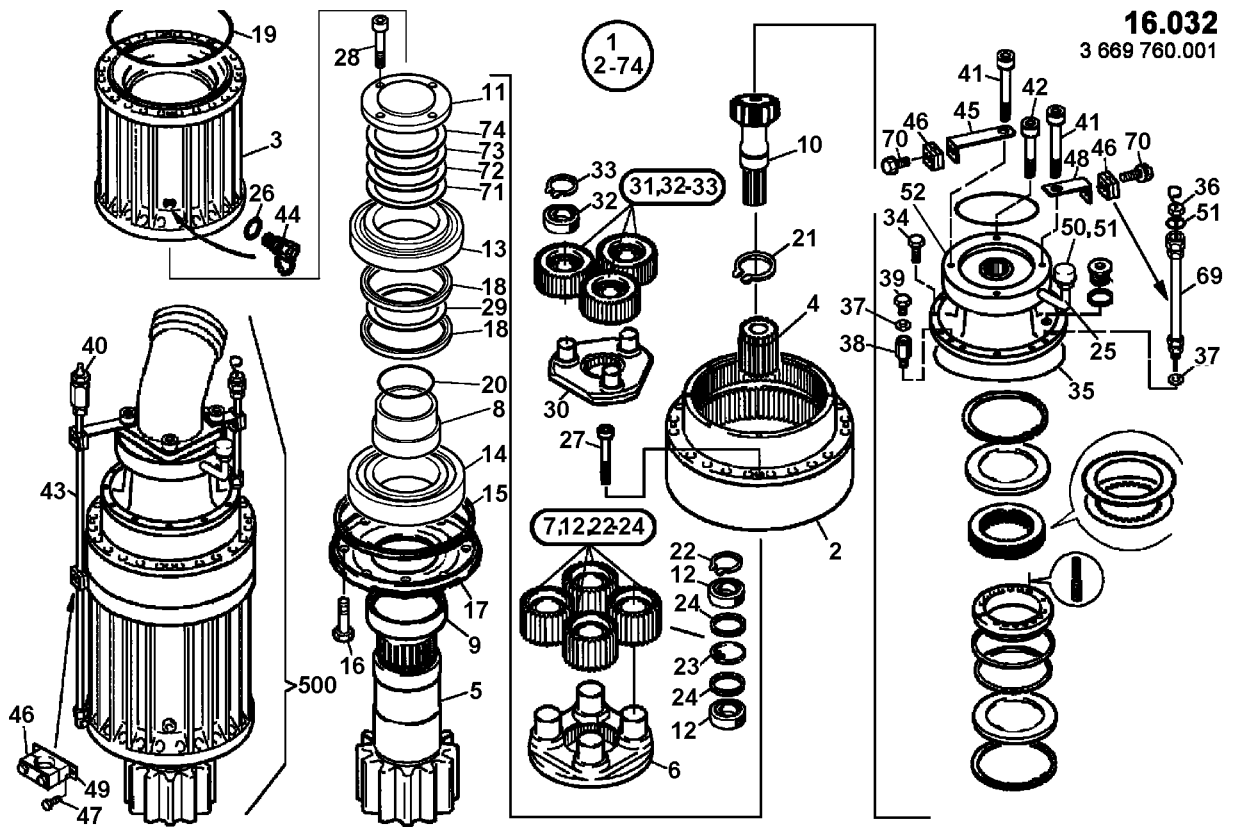
NPL00337660

NOTE	REF NO	GRAPHIC REF	PART NUMBER	QTY	PART NAME						SEE PAGE
					1	2	3	4	5	6 (PRODUCT LEVEL)	
	49	1	4027664	1	BASEPLATE						
	50	1	1469362	1	BLEEDER						
	51	1	1457972	2	SEAL RING						
	52	1	4794579	1	SWING BRAKE						137
	69	1	4027661	1	PIPE						
	70	1	1464692	6	SCREW, HEX HEAD						
	71	1	4212097	1	SHIM RING						
	72	1	4212098	1	SHIM RING						
	73	1	4212099	1	SHIM RING						
	74	1	4212100	1	SHIM RING						
	500	1	4486842	1	SLEWING GEAR						

HYDRAULIC SYSTEM

4794580 SLEWING GEAR, COMPLETE (contd.)

NPL00337660



GRAPHIC #1

<END>

NG00070205

HYDRAULIC SYSTEM

4794663 SERVO PUMP

S/N: 15345-15345

SMCS -

NPL00337680

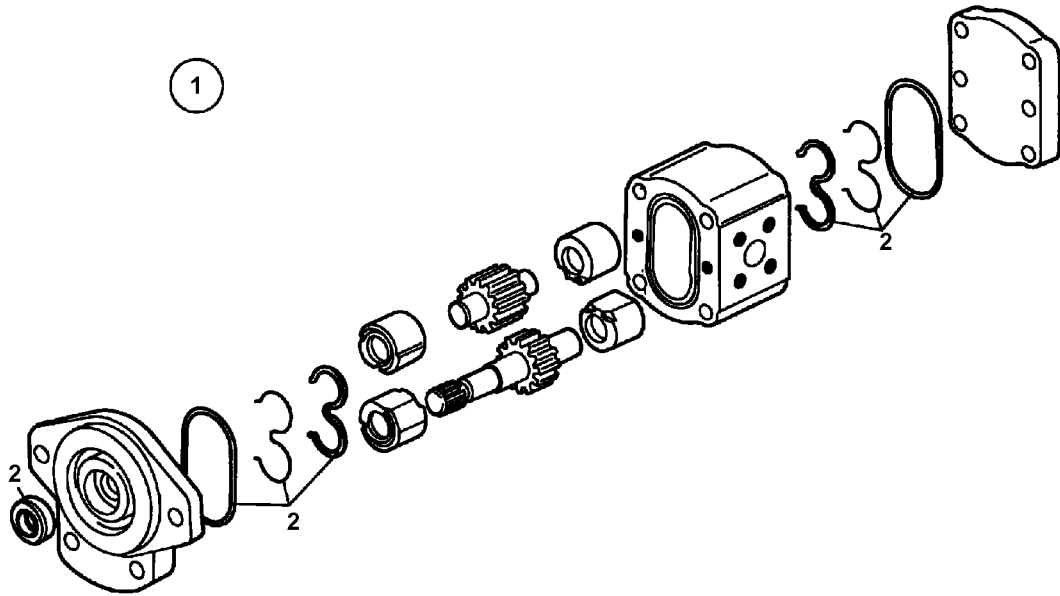
NOTE	REF NO	GRAPHIC REF	PART NUMBER	QTY	PART NAME						SEE PAGE
					1	2	3	4	5	6 (PRODUCT LEVEL)	
	1	1	4024167	1	PUMP SERVO PILOT CONTROL PUMP						
	2	1	1458113	1	SEAL KIT						

HYDRAULIC SYSTEM

4794663 SERVO PUMP (contd.)

NPL00337680

22.014
3 669 845.000



GRAPHIC #1

<END>

NG00071726

HYDRAULIC SYSTEM

4794682 CONTROL BLOCK, BOOM

S/N: 15345-15345

SMCS -

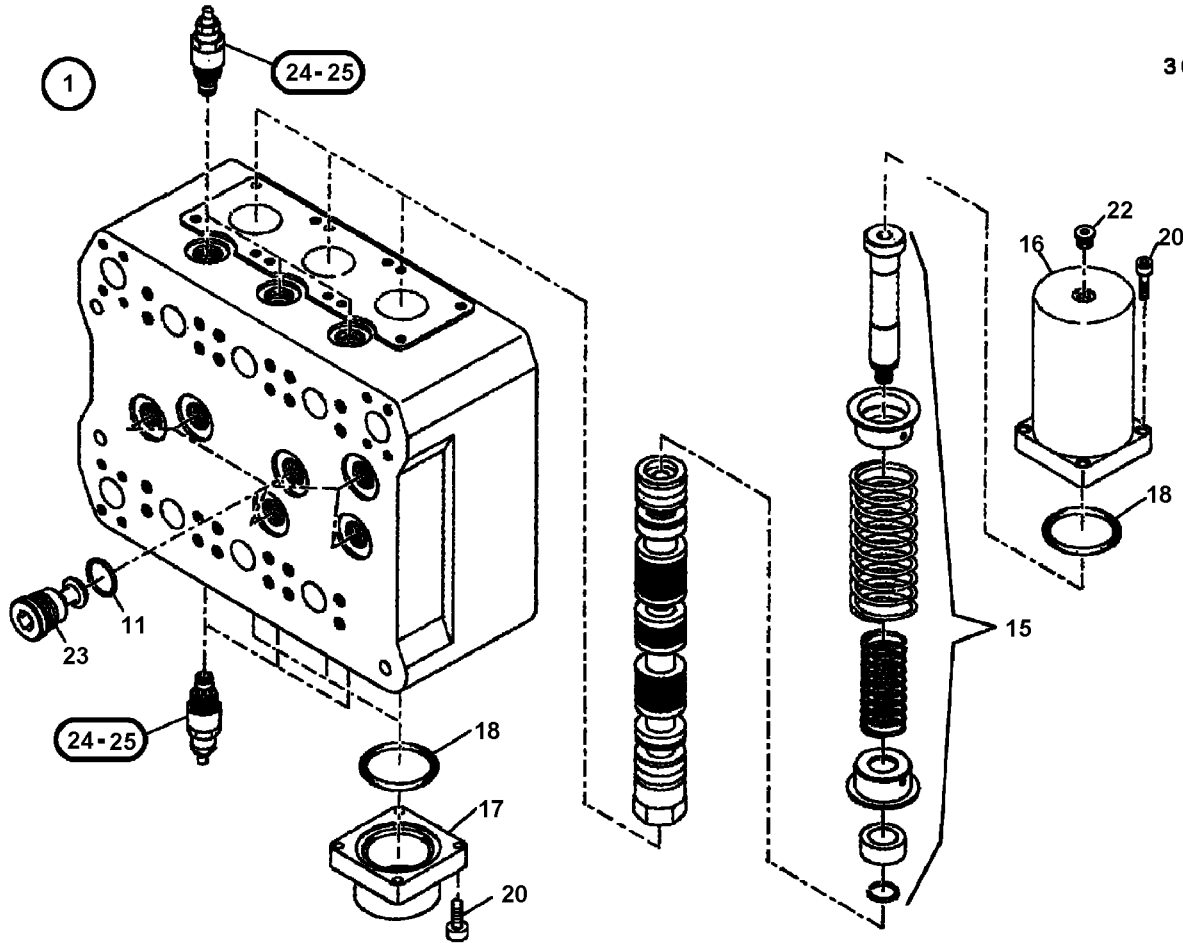
NPL00337738

NOTE	REF NO	GRAPHIC REF	PART NUMBER	QTY	PART NAME						SEE PAGE
					1	2	3	4	5	6 (PRODUCT LEVEL)	
	1	1	4022697	1	BLOCK, CONTROL						
	11	1	1461147	6	O RING						
	15	1	4027110	3	SPRING, CONTROL BLOCK BOOM						
	16	1	4027111	3	LID CONTROL BLOCK BOOM						
	17	1	4027093	3	LID CONTROL BLOCK						
	18	1	1460616	6	O-RING						
	20	1	1469189	24	BOLT						
	22	1	1520831	3	PLUG, SCREW						
	23	1	1451626	6	CHECK VALVE						
	24	1	1471929	6	VALVE						
	25	1	1457925	6	SEALING KIT						

HYDRAULIC SYSTEM

4794682 CONTROL BLOCK, BOOM (contd.)

NPL00337738



GRAPHIC #1

<END>

NG00054273

HYDRAULIC SYSTEM

4794683 HYDRAULIC SYSTEM, BOOM BOTTOM

S/N: 15345-15345

SMCS-

NPL00337741

NOTE	REF NO	GRAPHIC REF	PART NUMBER	QTY	PART NAME						SEE PAGE
					1	2	3	4	5	6 (PRODUCT LEVEL)	
	1	1	4794682	1	CONTROL BLOCK, BOOM						144
	2	3	4793464	1	CONTROL BLOCK, FLAP						121
	3	2	4790309	1	FLOAT VALVE						82
	4	2	4017706	2	FLANGE						
	5	1	4019569	1	BLOCK						
	6	3	1466641	2	DISTRIBUTOR						
	7	1	4024070	1	BLOCK						
	8	1,2	1465809	2	FLANGE BLOCK						
	9	3	4019155	1	CONNECTION						
	10	3	4017866	2	FLANGE						
	12	1	4019570	1	BLOCK						
	13	4	4024095	4	HYDRAULIC HOSE						
	14	1	4024903	2	HYDRAULIC HOSE						
	15	1	4015452	1	HYDRAULIC HOSE						
	16	2	1463132	1	HYDRAULIC HOSE						
	17	4	4024096	2	HYDRAULIC HOSE						
	18	3	4025002	1	HYDRAULIC HOSE						
	19	3	4023258	1	HYDRAULIC TUBE						
	20	2	1463072	4	HYDRAULIC HOSE						
	21	2	1463923	1	HOSE, HYDRAULIC						
	22	4	4023527	4	HOSE						
	23	3	1462964	2	HYDRAULIC HOSE						
	24	3	4023259	1	HYDRAULIC TUBE						
	25	2	1463275	1	HYDRAULIC HOSE						
	26	2	4023260	1	HYDRAULIC TUBE						
	27	2	4023261	1	HYDRAULIC TUBE						
	28	2	1455613	1	TUBE, HYDRAULIC						
	29	2	4023262	1	HYDRAULIC TUBE						
	30	3	4211431	1	HYDRAULIC TUBE						
	31	3	4211432	1	HYDRAULIC TUBE						
	32	2	4019623	1	HYDRAULIC TUBE						
	33	2	4019624	1	HYDRAULIC TUBE						
	34	3,4	4020873	1	HYDRAULIC TUBE						
	35	3,4	4020874	1	HYDRAULIC TUBE						
	36	3,4	4020875	1	HYDRAULIC TUBE						
	37	3,4	4020876	1	HYDRAULIC TUBE						
	39	1	4020414	1	HYDRAULIC HOSE ASSEMBLY						
	40	1	4022317	3	BOLT M16X325 HEX HEAD						
	41	1	4014613	12	WASHER HYDRAULIC SYSTEM						
	42	3	1464794	3	SCREW, HEX						
	43	3	1520689	6	WASHER						
	44	2	4004231	6	SCREW, CYLINDER HEAD						
	45	1	4022072	4	HEX.HD.SCREW						
	46	3	1464749	8	SCREW, HEX						
	47	1	4019568	1	DISK/WASHER						
	48	2	1467196	8	CYL.HD.SCREW						
	49	3	1451734	4	SCREW, HEX HD						
	50	4	4015390	8	CYL.HEAD SCREW						

HYDRAULIC SYSTEM

4794683 HYDRAULIC SYSTEM, BOOM BOTTOM (contd.)

NPL00337741

NOTE	REF NO	GRAPHIC REF	PART NUMBER	QTY	PART NAME						SEE PAGE
					1	2	3	4	5	6 (PRODUCT LEVEL)	
	51	1,3,4	1520928	7	PLUG, BLANK						
	53	2,3	1523255	7	CLAMP, BODY						
	54	2,3	1522779	13	PLATE, COVER						
	55	2,3	1464922	16	SCREW, HEX HEAD						
	56	2,3	1520278	18	NUT, HEX						
	57	2,4	1522808	11	NUT, HEX						
	58	1,2,3	1521254	17	NUT, FULL						
	59	1	1465982	3	ADPTR,M16X1.5-L12,STUD						
	60	3	1455705	2	TUBE FITTING						
	61	1	1457151	1	SOCKET						
	62	1,2,3	1523525	14	FLANGE, SPLIT						
	63	3	4014026	8	CYL.HEAD SCREW						
	64	2,3	1522831	4	SCREW, HEX HEAD						
	65	2,3,4	1458482	16	SCREW						
	66	3	1521791	8	HEX.HD.SCREW						
	67	3	1521430	8	WASHER, LOCK						
	68	3	4020001	1	BRACKET						
	69	4	1465837	2	FLANGE						
	70	4	4022592	1	BLOCK						
	71	4	4022593	1	BLOCK						
	72	2	1523705	1	MANIFOLD						
	73	4	1519995	8	SCREW, HEX HEAD						
	74	2	1452628	8	HEX.HD.SCREW						
	75	1	1458406	2	SCREW, HEX HEAD						
	76	1	1458468	4	SCREW						
	77	1	1467209	4	CYL.HD.SCREW						
	79	1,2,3	1523526	40	SCREW, 12-POINT						
	80	1	1523521	8	FLANGE, SPLIT						
	81	2,3	1522780	6	CLIP						
	82	3	1462512	2	INSERT						
	83	1	1465840	16	FLANGE						
	84	1,2,4	1523253	48	FLANGE						
	85	3	1465846	8	FLANGE						
	86	4	1515216	2	PLUG						
	87	2	1458441	8	SCR,SPL,M16X2.0X100,CL10.9						
	90	2,3	1522854	64	SCREW, 12-POINT						
	91	1,2,3,4	1523252	80	SCREW						
	93	3	1470150	8	12 POINT SCREW						
	94	1	1520752	4	SEAL, FLANGE						
	95	1,2,3	1522851	28	SEAL, FLANGE						
	96	1,2,3,4	1519993	50	SEAL, FLANGE						
	97	3	1521961	4	SEAL, FLANGE						
	98	2	1462529	4	INSERT						
	100	1	1523595	8	CYL.HEAD SCREW						
	101	1	1463116	1	HYDRAULIC HOSE						
	102	3	4502836	4	SHIM RING						
	110	2	1467724	2	CLAMP, BODY						
	116	1	1523252	12	SCREW						
	117	1,3	4025144	1	HYDRAULIC HOSE						
	118	3	4025148	1	HYDRAULIC HOSE						

HYDRAULIC SYSTEM

4794683 HYDRAULIC SYSTEM, BOOM BOTTOM (contd.)

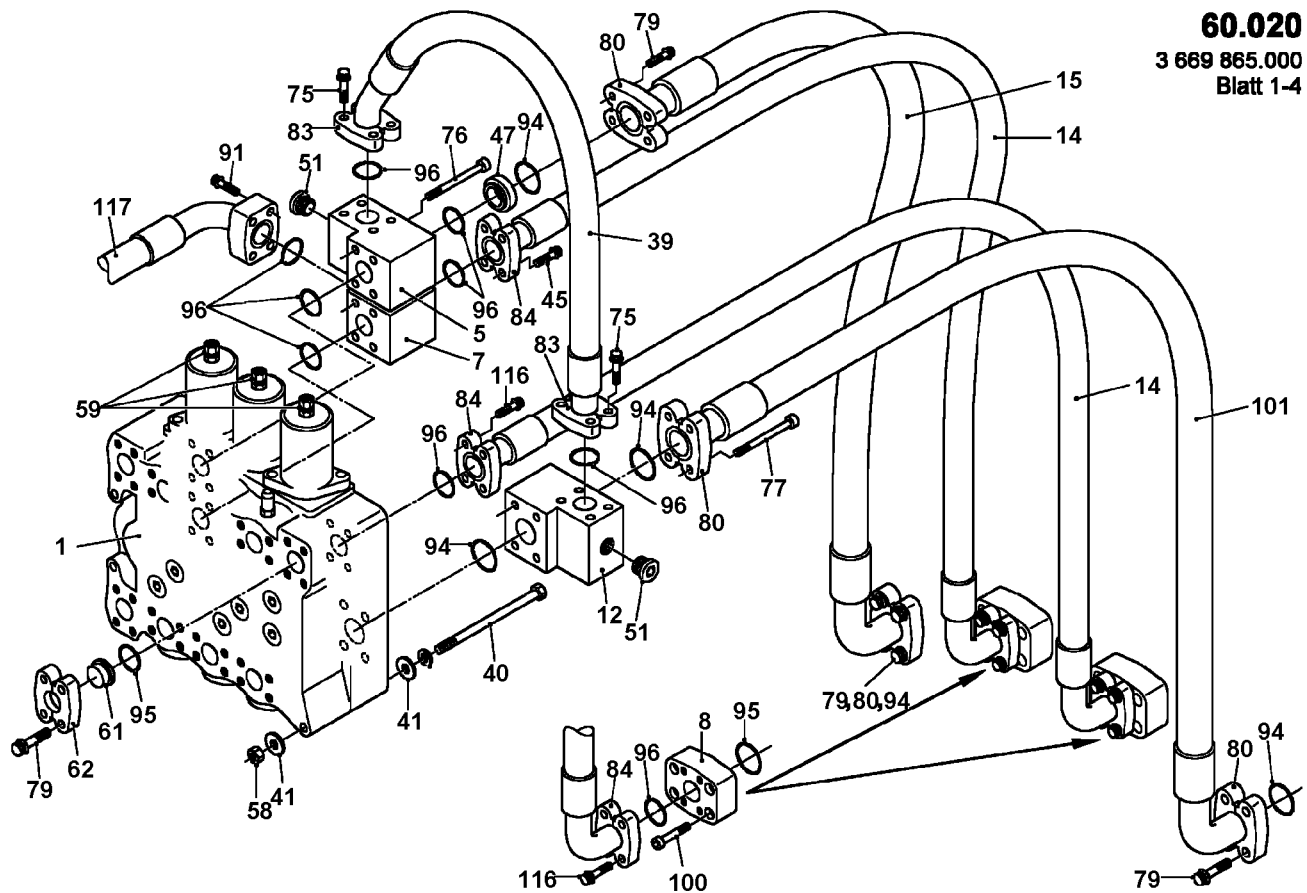
NPL00337741

NOTE	REF NO	GRAPHIC REF	PART NUMBER	QTY	PART NAME						SEE PAGE
					1	2	3	4	5	6 (PRODUCT LEVEL)	
			1523521	8	FLANGE, SPLIT						
					NOT SHOWN						
			4019139	1	HOSE						
					NOT SHOWN						
			1520318	3	PLUG, SCREW						
					NOT SHOWN						
			1458482	32	SCREW						
					NOT SHOWN						
			1523526	32	SCREW, 12-POINT						
					NOT SHOWN						

HYDRAULIC SYSTEM

4794683 HYDRAULIC SYSTEM, BOOM BOTTOM (contd.)

NPL00337741



60.020
3 669 865.000
Blatt 1-4

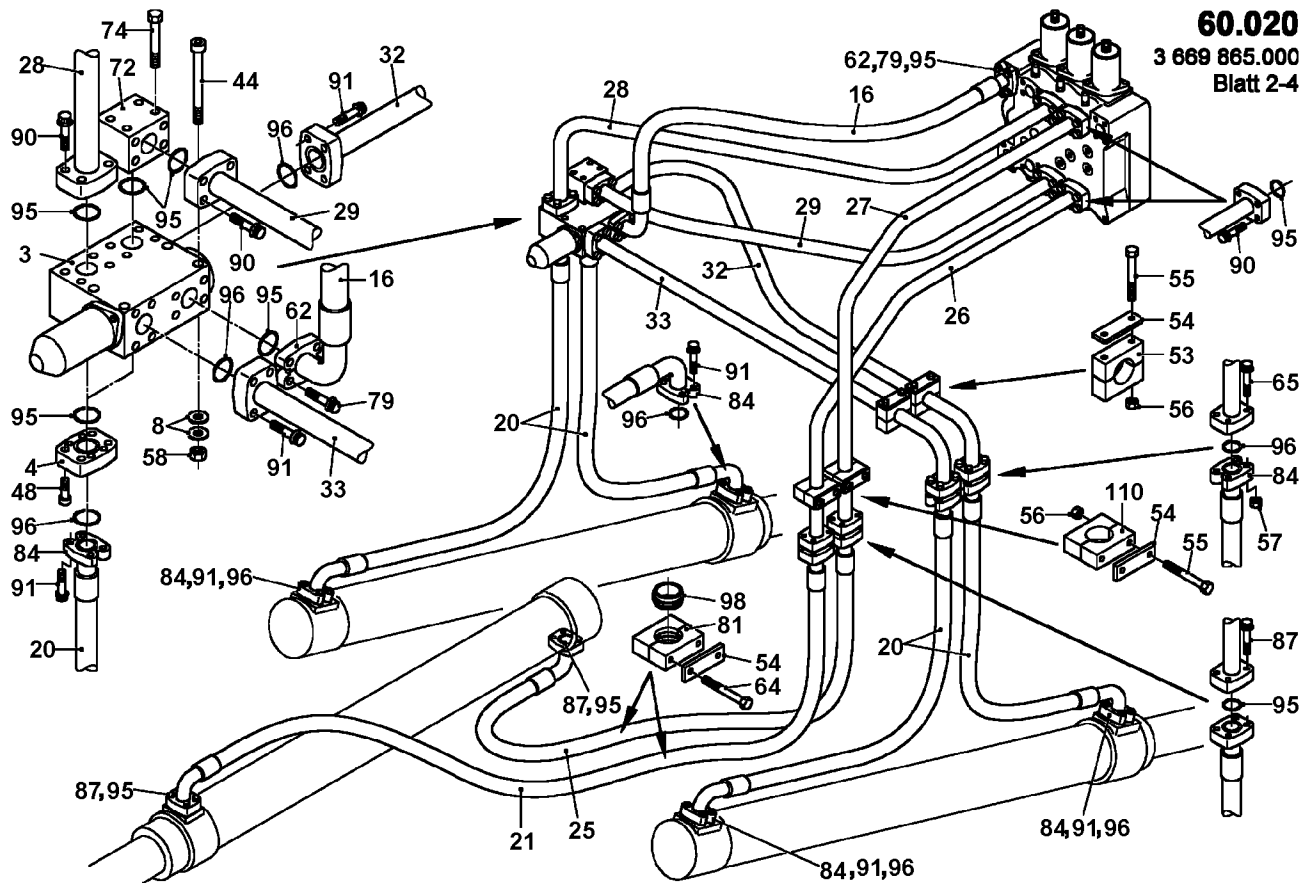
GRAPHIC #1

NG00054249

HYDRAULIC SYSTEM

4794683 HYDRAULIC SYSTEM, BOOM BOTTOM (contd.)

NPL00337741



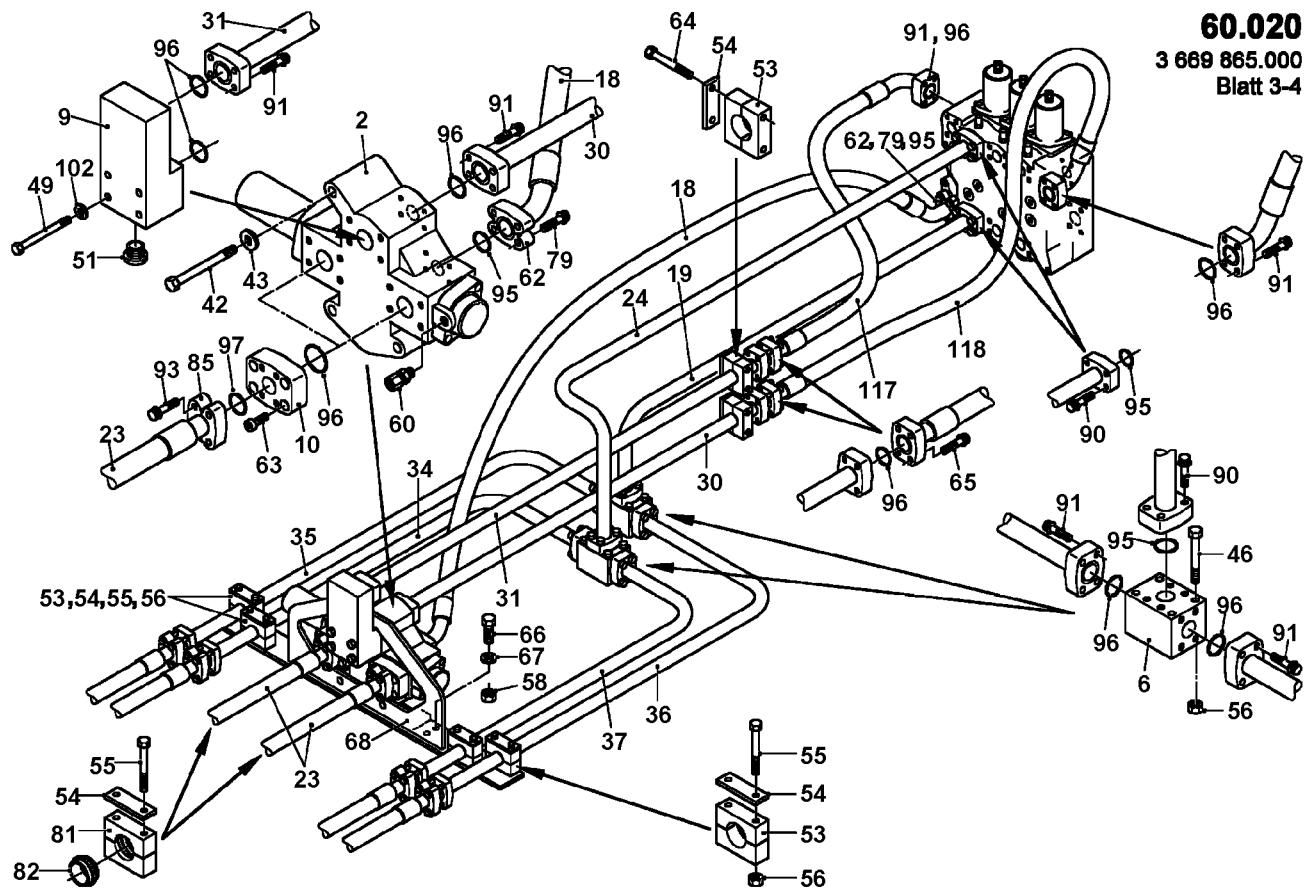
GRAPHIC #2

NG00054256

HYDRAULIC SYSTEM

4794683 HYDRAULIC SYSTEM, BOOM BOTTOM (contd.)

NPL00337741



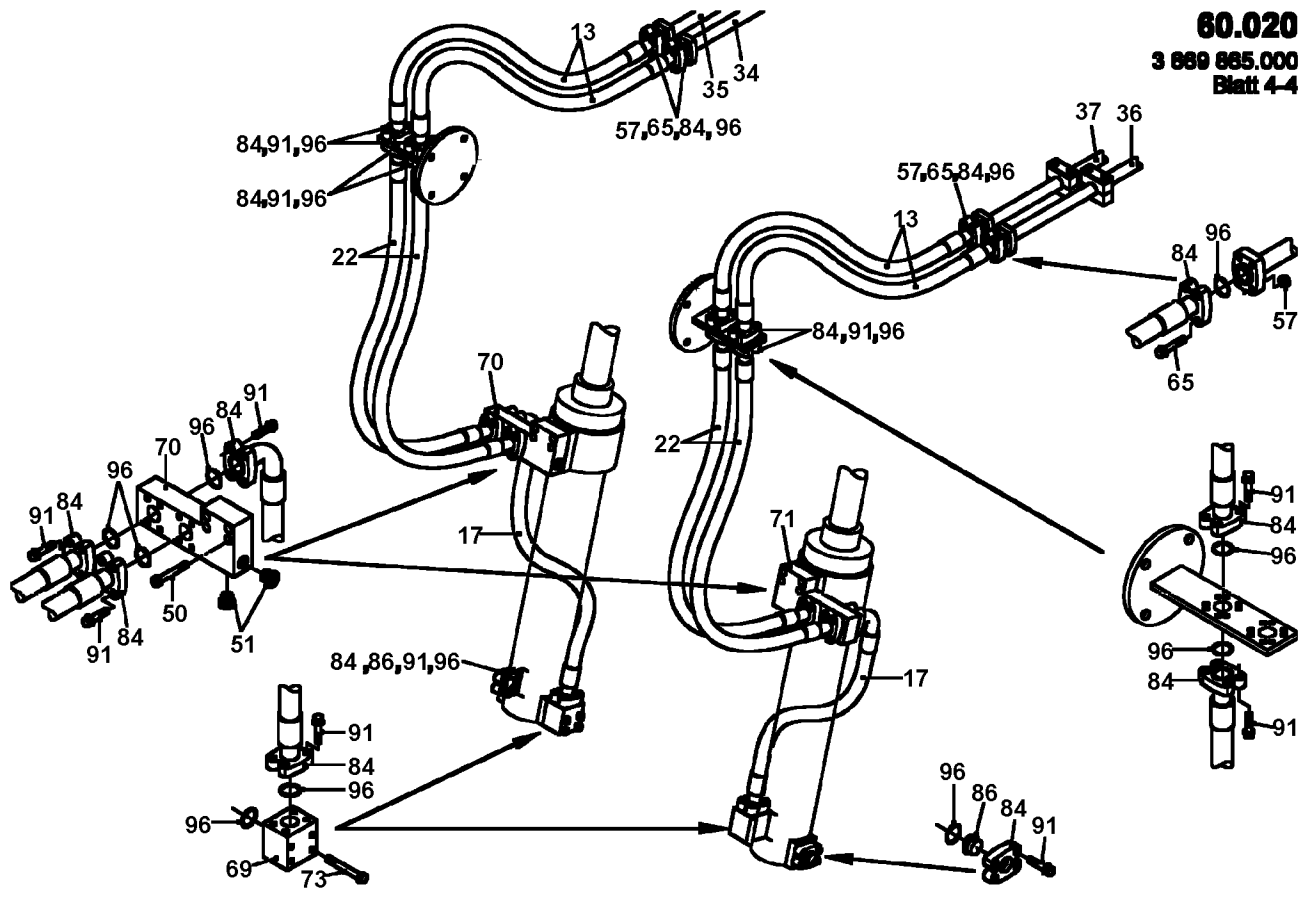
GRAPHIC #3

NG00054234

HYDRAULIC SYSTEM

4794683 HYDRAULIC SYSTEM, BOOM BOTTOM (contd.)

NPL00337741



60.020
3 699 685.000
Blatt 4-4

GRAPHIC #4

<END>

NG00054238

HYDRAULIC SYSTEM

4797161 HYDRAULIC SYSTEM

S/N: 15345-15345

SMCS -

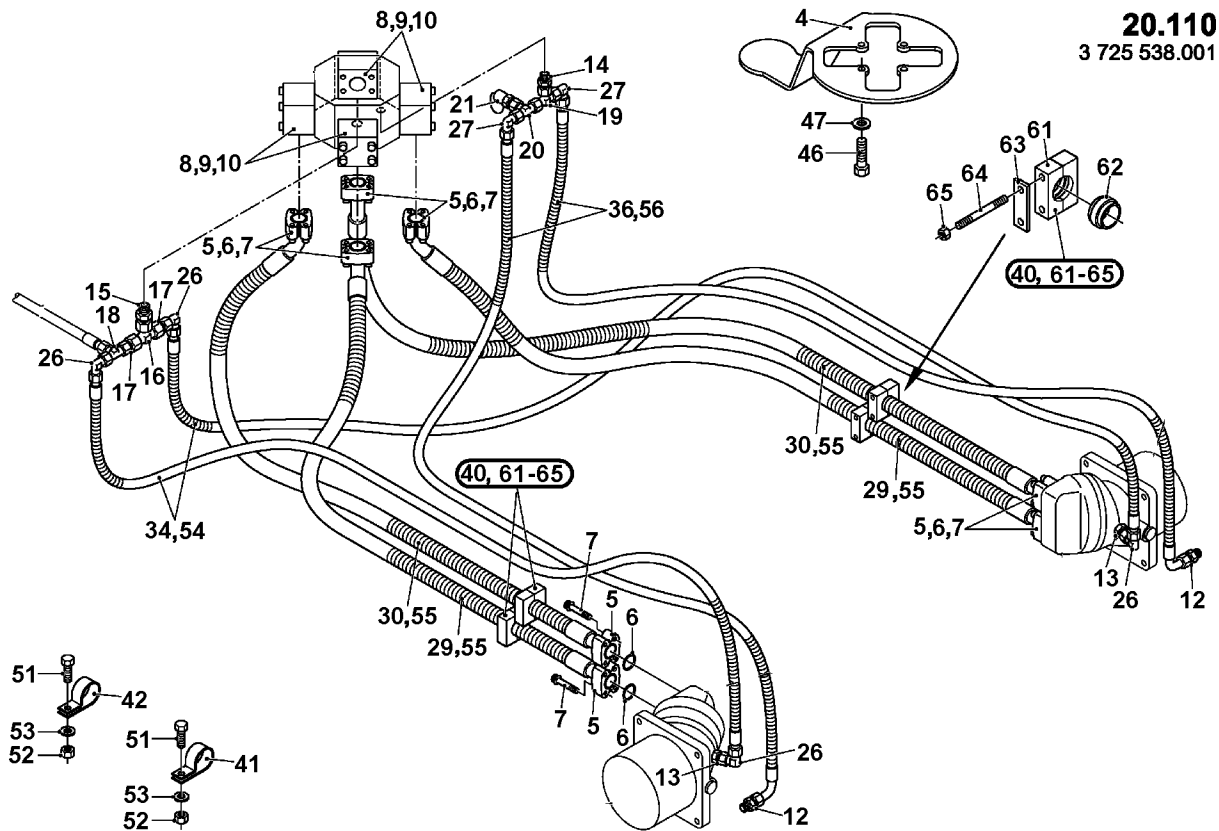
NPL00337650

NOTE	REF NO	GRAPHIC REF	PART NUMBER	QTY	PART NAME						SEE PAGE
					1	2	3	4	5	6 (PRODUCT LEVEL)	
	4	1	4020609	1	RETAINER						
	5	1	1523253	16	FLANGE						
	6	1	1519993	8	SEAL, FLANGE						
	7	1	1523252	32	SCREW						
	8	1	1465881	4	FLANGE						
	9	1	1522851	4	SEAL, FLANGE						
	10	1	1452628	16	HEX.HD.SCREW						
	12	1	1523281	2	ADPTR,M18X1.5-L12,STUD						
	13	1	1457184	2	FITTING, TUBE						
	14	1	1465982	2	ADPTR,M16X1.5-L12,STUD						
	15	1	1520933	1	SOCKET						
	16	1	1524038	1	TEE, BRANCH						
	17	1	1523207	2	REDUCER, SWIVEL						
	18	1	1522846	1	TEE, SWIVEL RUN						
	19	1	1455700	1	TUBE FITTING ASSEMBLY						
	20	1	1521828	1	TEE,L12,SWVL,RUN						
	21	1	1522758	1	CONNECTOR, MEASUREMENT						
	26	1	1455678	4	FITTING						
	27	1	1521829	2	FITTING, TUBE						
	29	1	4064713	2	HYDRAULIC HOSE						
	30	1	4064712	2	HYDRAULIC HOSE						
	34	1	4021530	2	HOSE ASSEMBLY HYDRAULIC TRAVEL MOTOR LIN						
	36	1	1464368	2	HOSE						
	40	1	1451850	8	CLIP ASSEMBLY						
	41	1	1520825	4	CLAMP, HOSE						
	42	1	1467807	4	CLAMP, HOSE						
	46	1	1464923	4	HEX.HD.SCREW						
	47	1	1522699	4	WASHER, RETAINING						
	51	1	4013742	4	SCREW SCREW						
	52	1	1519520	4	NUT, HEX						
	53	1	1521322	4	WASHER						
	54	1	1464053	5	HOSE WRAP - 16MM						
	55	1	4025932	5	HOSE PROTECTION KITS AND ACCESSORIES						
	56	1	4025930	5	HOSE PROTECTION KITS AND ACCESSORIES						
	61	1	1522780	8	CLIP						
	62	1	1462529	8	INSERT						
	63	1	1522779	8	PLATE, COVER						
	64	1	1522777	16	STUD						
	65	1	1520278	16	NUT, HEX						
			1455719	1	FITTING, TUBE						
					NOT SHOWN						

HYDRAULIC SYSTEM

4797161 HYDRAULIC SYSTEM (contd.)

NPL00337650



GRAPHIC #1

<END>

NG00069865

HYDRAULIC SYSTEM

4797162 HYDRAULIC SYSTEM

S/N: 15345-15345

SMCS -

NPL00337653

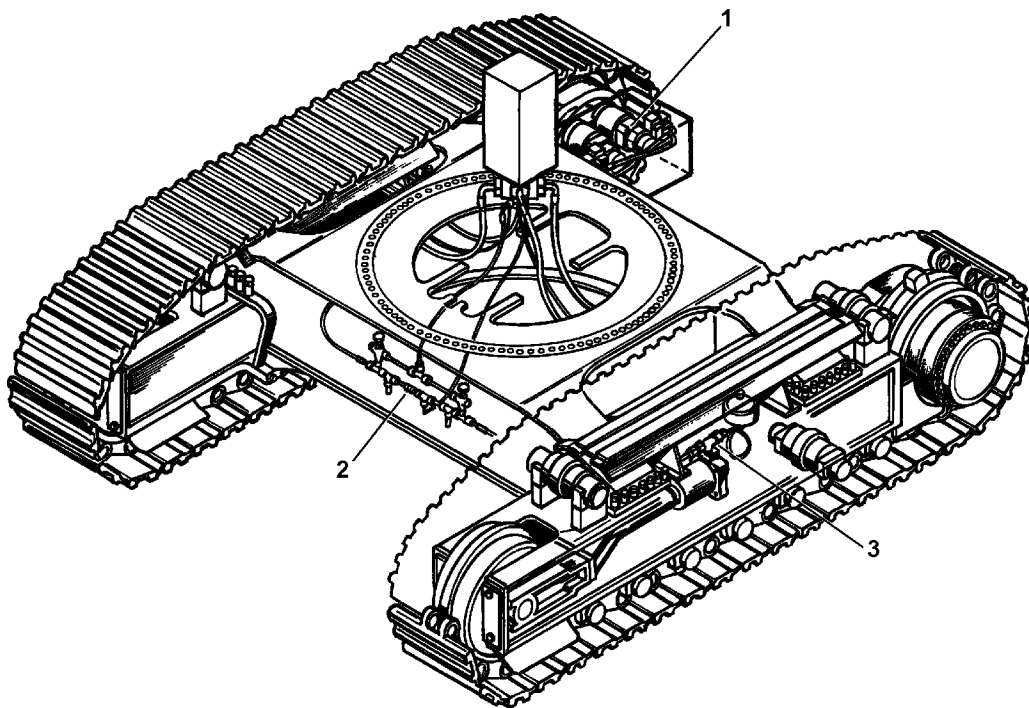
NOTE	REF NO	GRAPHIC REF	PART NUMBER	QTY	PART NAME						SEE PAGE
					1	2	3	4	5	6 (PRODUCT LEVEL)	
	1	1	4797161	1	HYDRAULIC SYSTEM						153
	2	1	4797176	1	HYDRAULIC SYSTEM						157
	3	1	4797177	1	HYDRAULIC SYSTEM						159

HYDRAULIC SYSTEM

4797162 HYDRAULIC SYSTEM (contd.)

NPL00337653

20.020
3 725 539.000



GRAPHIC #1

<END>

NG00069805

HYDRAULIC SYSTEM

4797176 HYDRAULIC SYSTEM

S/N: 15345-15345

SMCS -

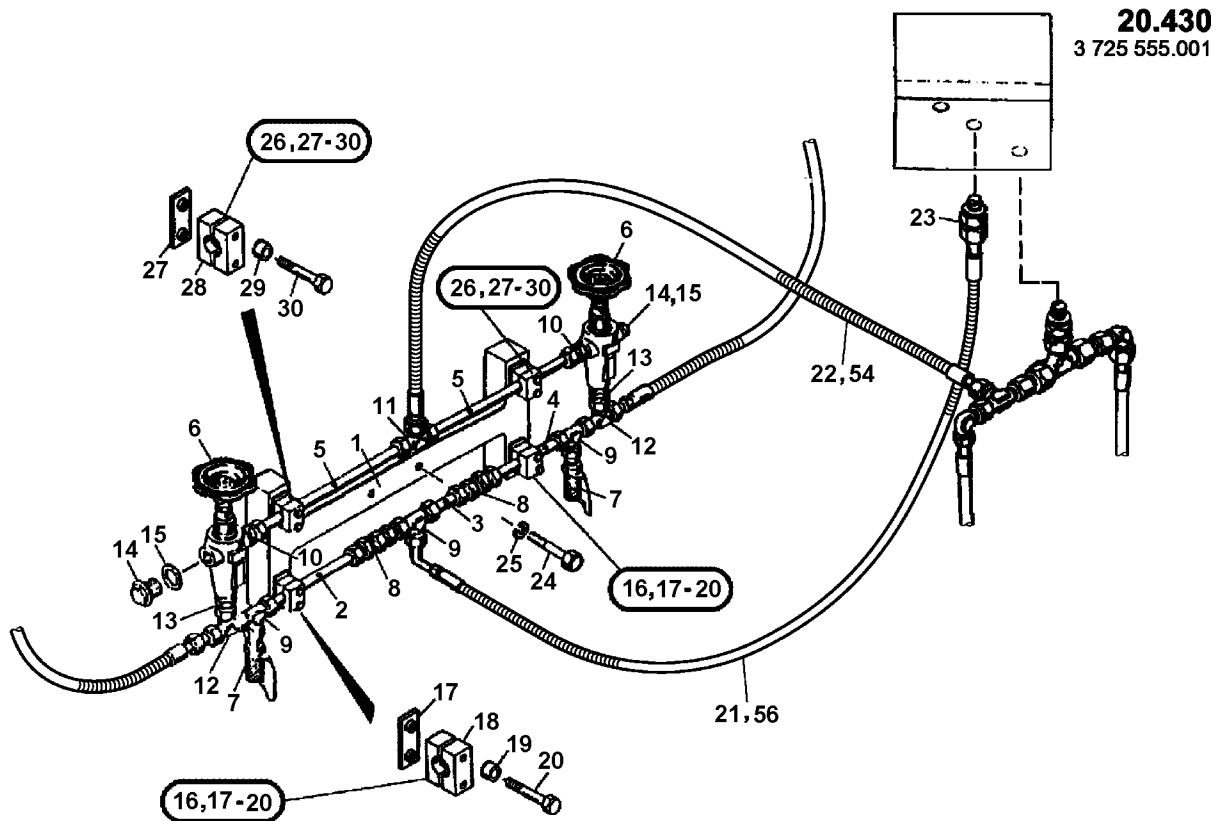
NPL00337651

NOTE	REF NO	GRAPHIC REF	PART NUMBER	QTY	PART NAME						SEE PAGE
					1	2	3	4	5	6 (PRODUCT LEVEL)	
	1	1	1522723	1	BRACKET						
	2	1	1522726	0.11	PIPE						
	3	1	1522726	0.04	PIPE						
	4	1	1522726	0.12	PIPE						
	5	1	1468802	0.22	PIPE						
	6	1	1455456	2	VALVE, PRESSURE RELEASE						
	7	1	1522758	2	CONNECTOR, MEASUREMENT						
	8	1	1455293	2	VALVE						
	9	1	1522760	3	TEE, SWIVEL RUN						
	10	1	1455650	2	TUBE FITTING						
	11	1	1522751	1	FITTING, TUBE						
	12	1	1522753	2	TEE, SWIVEL BRANCH						
	13	1	1522940	2	ADAPTER, STUD						
	14	1	1521637	2	PLUG, SCREW						
	15	1	1521628	2	RING, SEALING						
	16	1	1467743	2	CLIP						
	17	1	1626877	2	PLATE, WELDING						
	18	1	1467734	2	HOSE CLAMP						
	19	1	1457316	4	INSERT						
	20	1	1464753	4	SCR, HEX, M6X1.0X27MM, CL8.8						
	21	1	1497651	1	HOSE						
	22	1	4021529	1	HOSE HYDRAULIC SYSTEM CHAIN						
	23	1	1465982	1	ADPTR, M16X1.5-L12, STUD						
	24	1	1521238	2	SCREW, HEX HEAD						
	25	1	1520455	2	WASHER						
	26	1	1467763	2	CLIP ASSEMBLY						
	27	1	1518458	2	PLATE, WELDING						
	28	1	1520736	2	HOSE CLAMP						
	29	1	1457316	4	INSERT						
	30	1	1464754	4	HEX.HD.SCREW						
	54	1	1464053	1	HOSE WRAP - 16MM						
	56	1	4025930	1	HOSE PROTECTION KITS AND ACCESSORIES						

HYDRAULIC SYSTEM

4797176 HYDRAULIC SYSTEM (contd.)

NPL00337651



GRAPHIC #1

<END>

NG00069885

HYDRAULIC SYSTEM

4797177 HYDRAULIC SYSTEM

S/N: 15345-15345

SMCS -

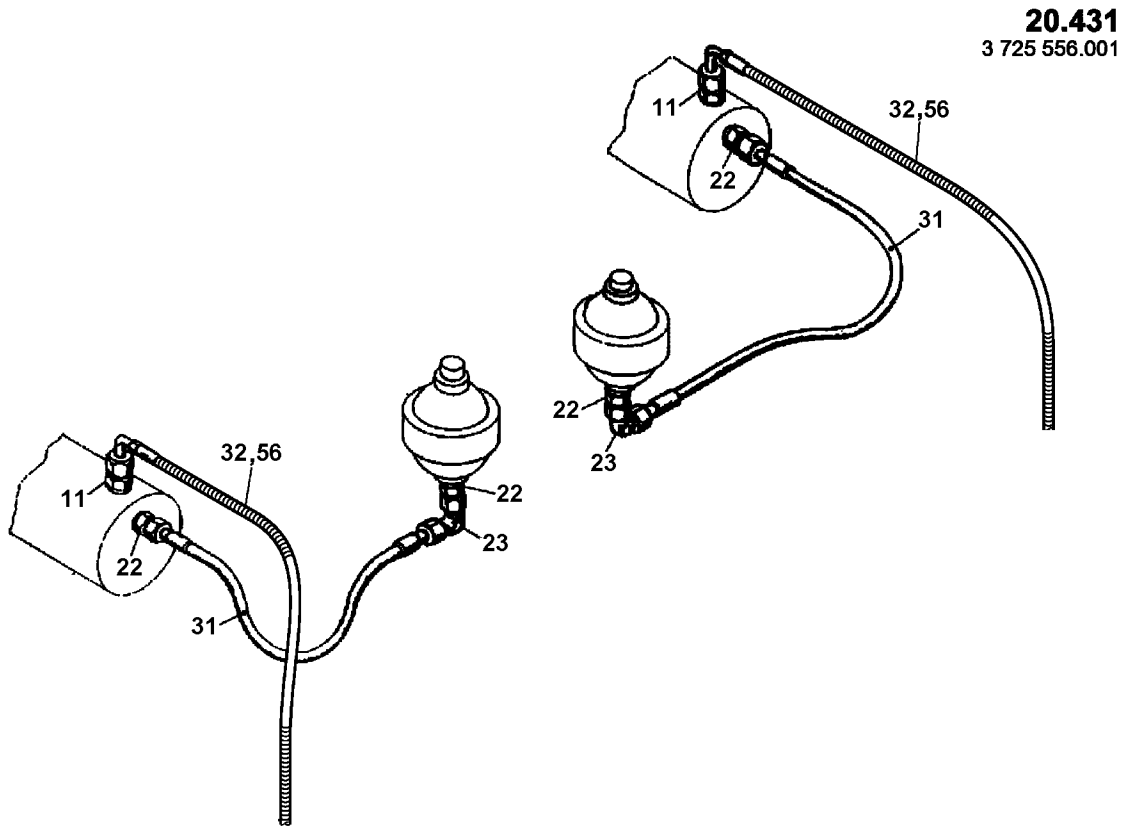
NPL00337652

NOTE	REF NO	GRAPHIC REF	PART NUMBER	QTY	PART NAME						SEE PAGE
					1	2	3	4	5	6 (PRODUCT LEVEL)	
	11	1	1522940	2	ADAPTER, STUD						
	22	1	1465941	4	FITTING, TUBE						
	23	1	1466049	2	SOCKET ASSEMBLY						
	31	1	1463932	2	HOSE, HYDRAULIC						
	32	1	1522830	2	HOSE						
	56	1	4025930	2.5	HOSE PROTECTION KITS AND ACCESSORIES						

HYDRAULIC SYSTEM

4797177 HYDRAULIC SYSTEM (contd.)

NPL00337652



GRAPHIC #1

<END>

NG00069925

HYDRAULIC SYSTEM

4797247 HYDRAULIC SYSTEM

S/N: 15345-15345

SMCS -

NPL00337704

NOTE	REF NO	GRAPHIC REF	PART NUMBER	QTY	PART NAME						SEE PAGE
					1	2	3	4	5	6 (PRODUCT LEVEL)	
	1	1	1458830	2	ROD						
	2	1	4788451	2	SERVO VALVE						202
	3	1	4788443	3	TREADLE VALVE, MOUNTING PARTS						200
	4	2	4020935	1	STRIP						
	5	2	4788460	3	SOLENOID VALVE						72
	6	2	4013722	12	BOLT CYLINDER HEAD						
	7	2	1458455	8	SCREW						
	8	2	4021580	2	COVER PLATES						
	9	2	1521214	20	ORING, O12, NBR, 90						
	10	1	4021967	1	CONTROL BLOCK						
	12	1	1520834	2	STRIP						
	13	1	4492382	1	RESERVOIR						
	14	1	1521072	1	CLIP, HOSE						
	17	2	4019415	1	PLATE						
	19	1	1465077	2	HANDLE						
	20	1	1457348	2	SLEEVE						
	25	1	1523625	3	HOSE						
	26	1	1462919	3	HYDRAULIC HOSE						
	27	1,2	1462795	1	HYDRAULIC HOSE						
	28	1	1497642	1	HOSE						
	30	1,2	1497643	1	HOSE						
	31	1	4014263	1	HOSE						
	32	1	4015133	2	HOSE						
	33	1,2	1497644	1	HOSE						
	34	1	4015134	1	HOSE CAB MODULE SERVO LINES						
	35	1,2	4021575	5	HOSE						
	40	1,2	4018613	2	HOSE CAB MODULE SERVO LINES						
	41	1,2	1497645	1	HOSE						
	42	1	4015380	1	HOSE						
	43	1,2	1463919	1	HOSE, HYDRAULIC						
	44	1,2	1462798	4	HYDRAULIC HOSE						
	45	1,2	4015171	2	HOSE ASSEMBLY SYN FLEX						
	46	2	4015239	3	HOSE ASSEMBLY SYN FLEX						
	47	2	4075123	1	HOSE ASSEMBLY						
	48	2	1464317	1	HOSE						
	49	1,2	4015138	1	HOSE CAB MODULE SERVO LINES						
	50	2	1463908	2	HOSE, PUMP GEARBOX						
	51	2	4021589	1	HOSE						
	52	3	4019139	1	HOSE						
	53	3	1497646	1	HOSE						
	54	3	1462919	1	HYDRAULIC HOSE						
	55	3	1463045	1	HOSE ASSEMBLY						
	56	3	4022133	1	HYDRAULIC HOSE						
	57	3	4015376	1	HOSE						
	58	3	4474742	7	SUPPORT FLANGE						
	59	3	1523281	1	ADPTR, M18X1.5-L12, STUD						
	60	3	1497612	2	HOSE						
	61	3	1497647	1	HOSE						

HYDRAULIC SYSTEM

4797247 HYDRAULIC SYSTEM (contd.)

NPL00337704

NOTE	REF NO	GRAPHIC REF	PART NUMBER	QTY	PART NAME	SEE PAGE
	62	3	4021579	1	HOSE	
	63	3	1451550	1	HOSE	
	64	3	4021577	2	HOSE	
	65	3	4373206	1	HYDRAULIC HOSE	
	66	3	4021578	3	HOSE	
	67	3	1497649	1	HOSE	
	68	3	1497650	1	HOSE	
	71	3	1463211	2	HYDRAULIC HOSE	
	72	3	1497613	2	HOSE	
	74	3	1520933	2	SOCKET	
	75	3	1523322	2	REDUCTION	
	76	3	4117542	3	ELBOW, SWIVEL	
	77	3	1459308	1	REDUCER FITTING	
	78	3	1523286	2	TEE, L22, SWVL, RUN	
	79	3	1520859	1	REDUCER	
	80	1,2	4474742	46	SUPPORT FLANGE	
	81	1,3	1522842	10	ELBOW	
	82	1,2	1520815	5	TEE	
	84	1,2	1520831	13	PLUG, SCREW	
	85	1	1522843	1	TEE, BRANCH	
	86	1	1522848	1	SOCKET	
	87	1	1520997	2	CONNECTOR, MEASUREMENT	
	88	1	1523649	1	ADPTR, STUD, M26X1.5-L15	
	89	1	4021403	1	NIPPLE	
	90	2	1457209	1	ADAPTER, PORT SWIVEL	
	91	2	1457095	3	SOCKET	
	92	1	1525842	1	VALVE, CHECK	
	93	1	1523650	1	ADAPTER, STUD	
	96	2	1522758	1	CONNECTOR, MEASUREMENT	
	97	2	1523653	9	VALVE, SHUTTLE	
	98	2	1455443	4	VALVE	
	99	2	4015687	14	TUBE FITTING CAB MODULE SERVO LINES	
	100	2	1466212	5	FITTING	
	101	2	4117987	1	FITTING, TUBE	
	102	3	1455669	1	UNION, ELBOW, L22	
	103	3	4028071	1	FITTING, TUBE	
	104	3	1455645	3	TUBE FITTING	
	105	1	1455218	1	VALVE, CONTROL BLOCK 120E	
	106	1	1467679	1	COIL, SOLENOID	
	107	1	1465433	1	GASKET SET, FOR 6000380 VALVE	
	108	1	1458410	8	SCREW	
	109	1	1461321	8	NUT	
	110	1	1523574	6	SCREW, HEX	
	111	1	1522345	6	SCREW, SOCKET	
	112	1,2	1464920	6	SCREW, HEX	
	113	1	4013741	2	SCREW, HEX HEAD	
	114	2	1521238	2	SCREW, HEX HEAD	
	115	1,2	1522072	12	WASHER, LOCK, M8	
	116	1	1521851	2	WASHER	
	117	2	1520455	4	WASHER	

HYDRAULIC SYSTEM

4797247 HYDRAULIC SYSTEM (contd.)

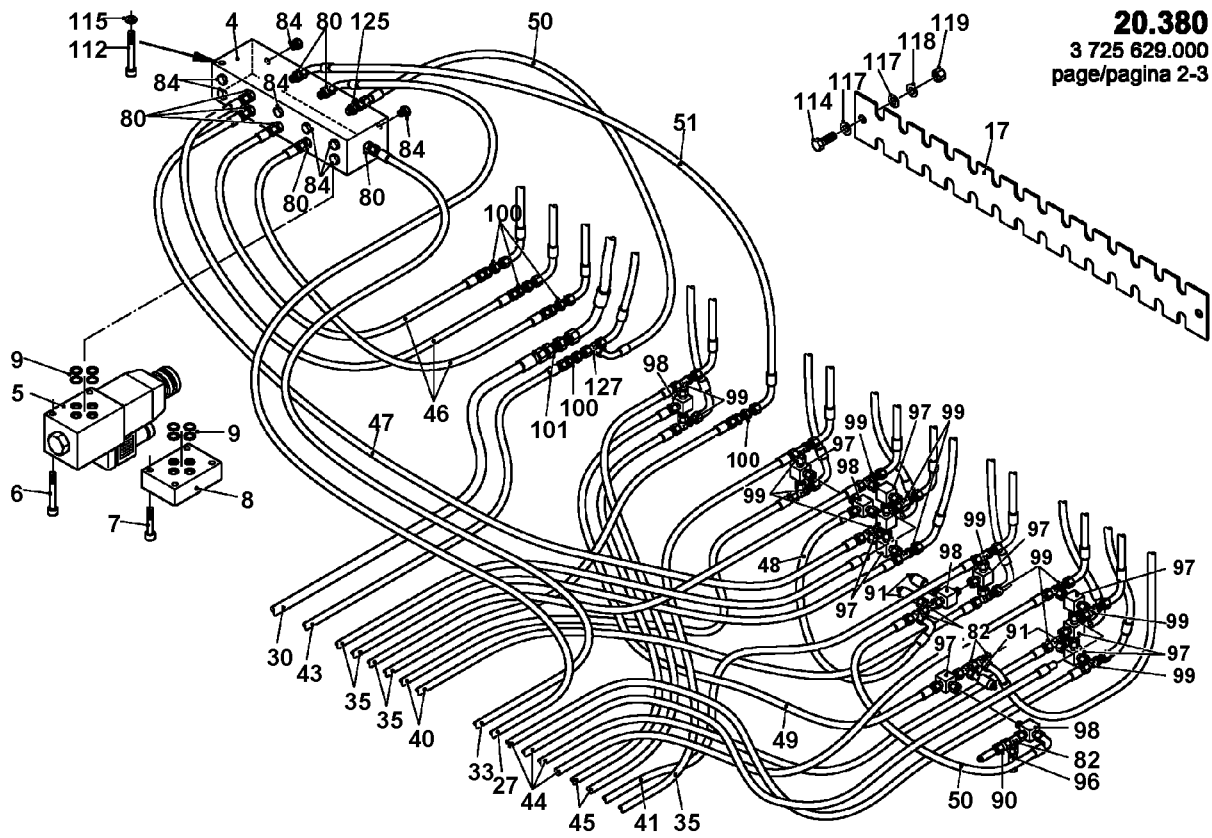
NPL00337704

NOTE	REF	GRAPHIC	PART NUMBER	QTY	PART NAME						SEE PAGE
	NO	REF			1	2	3	4	5	6 (PRODUCT LEVEL)	
	118	2	1521373	2	WASHER, LOCK						
	119	2	1520317	2	NUT, HEX						
	122	1	1521804	1	FITTING, TUBE						
	123	1	1525851	2	SOCKET						
	124	1	4041694	1	HOSE						
	125	2	1523144	1	VALVE, CHECK BAR						
	126	1	1455452	1	VALVE						
	127	2	1520815	1	TEE						
	128	1	1523290	1	SPACER, PIECE						
	129	1	1520817	1	ADAPTER						
	130	3	1520802	2	ADAPTER						
	131	1	4780222	2	ROD						
	132	1	1468407	2	BUTTON						
			1466209	1	FITTING						
NOT SHOWN											

HYDRAULIC SYSTEM

4797247 HYDRAULIC SYSTEM (contd.)

NPL00337704



20.380
3 725 629.000
page/pagina 2-3

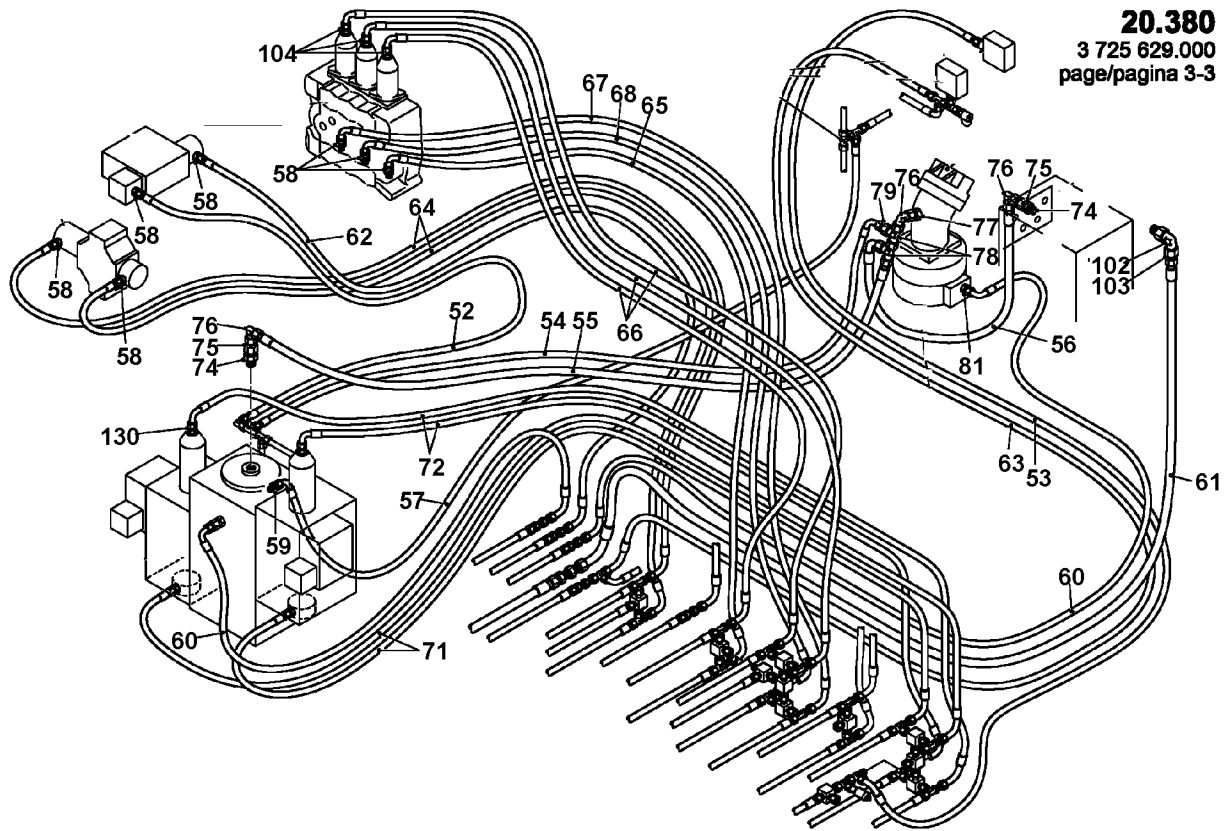
GRAPHIC #2

NG00054058

HYDRAULIC SYSTEM

4797247 HYDRAULIC SYSTEM (contd.)

NPL00337704



20.380
3 725 629.000
page/pagina 3-3

GRAPHIC #3

<END>

NG00054052

HYDRAULIC SYSTEM

4797394 SWING PUMP

S/N: 15345-15345

SMCS -

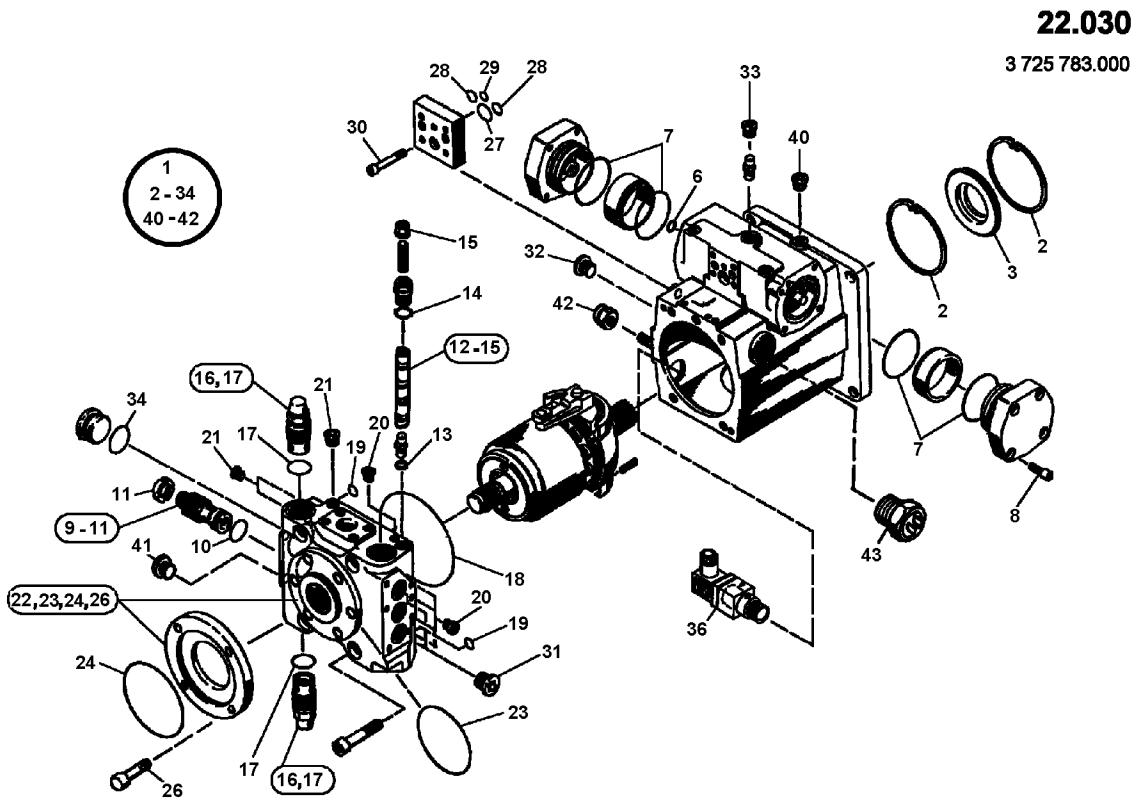
NPL00337678

NOTE	REF NO	GRAPHIC REF	PART NUMBER	QTY	PART NAME						SEE PAGE
					1	2	3	4	5	6 (PRODUCT LEVEL)	
	1	1	4235711	1	SWING PUMP (REMAN OPTION AVAILABLE)						
	2	1	4015189	2	CIRCLIP						
	3	1	4017475	1	ROT.SHAFT LIP SEAL						
	6	1	1461062	1	O RING						
	7	1	4116464	4	O-RING						
	8	1	1522349	8	SCREW, CYLINDER HEAD						
	9	1	4028147	1	VALVE PRESS RELIEF SLEW PUMP						
	10	1	4498228	1	O-RING						
	11	1	4016007	1	NUT SWING PUMP						
	12	1	4017153	1	VALVE						
	13	1	1460854	1	O RING						
	14	1	1521213	1	ORING, 115, NBR, 90						
	15	1	4014793	1	HEXAGONAL NUT						
	16	1	1455382	2	VALVE						
	17	1	4041778	2	SEALING KIT						
	18	1	4017154	1	O RING SLEW PUMP						
	19	1	1461062	2	O RING						
	20	1	1459627	4	PLUG						
	21	1	1458331	3	SCREW PLUG						
	22	1	4026901	1	INTERNAL GEAR PUMP						
	23	1	4017155	2	O RING TO SUITS RH170 SLEW PUMP						
	24	1	4804571	1	O-RING						
	26	1	1467236	4	CYL HEAD SCREW						
	27	1	1460780	1	O RING						
	28	1	1460997	2	O RING						
	29	1	1460854	1	O RING						
	30	1	1467102	4	CYLINDER HEAD SCR						
	31	1	1520928	3	PLUG, BLANK						
	32	1	1523648	1	PLUG, BLANK						
	33	1	1520831	3	PLUG, SCREW						
	34	1	4571290	1	O-RING						
	36	1	1516617	1	SWITCH, CONTAMINATION						
	40	1	1458331	3	SCREW PLUG						
	41	1	1519989	1	SCREW, PLUG						
	42	1	4015943	1	COLLAR NUT						
	43	1	1456268	1	SWITCH ASSEMBLY						

HYDRAULIC SYSTEM

4797394 SWING PUMP (contd.)

NPL00337678



GRAPHIC #1

<END>

NG00071665

HYDRAULIC SYSTEM

4797419 HYDRAULIC SYSTEM

S/N: 15345-15345

SMCS -

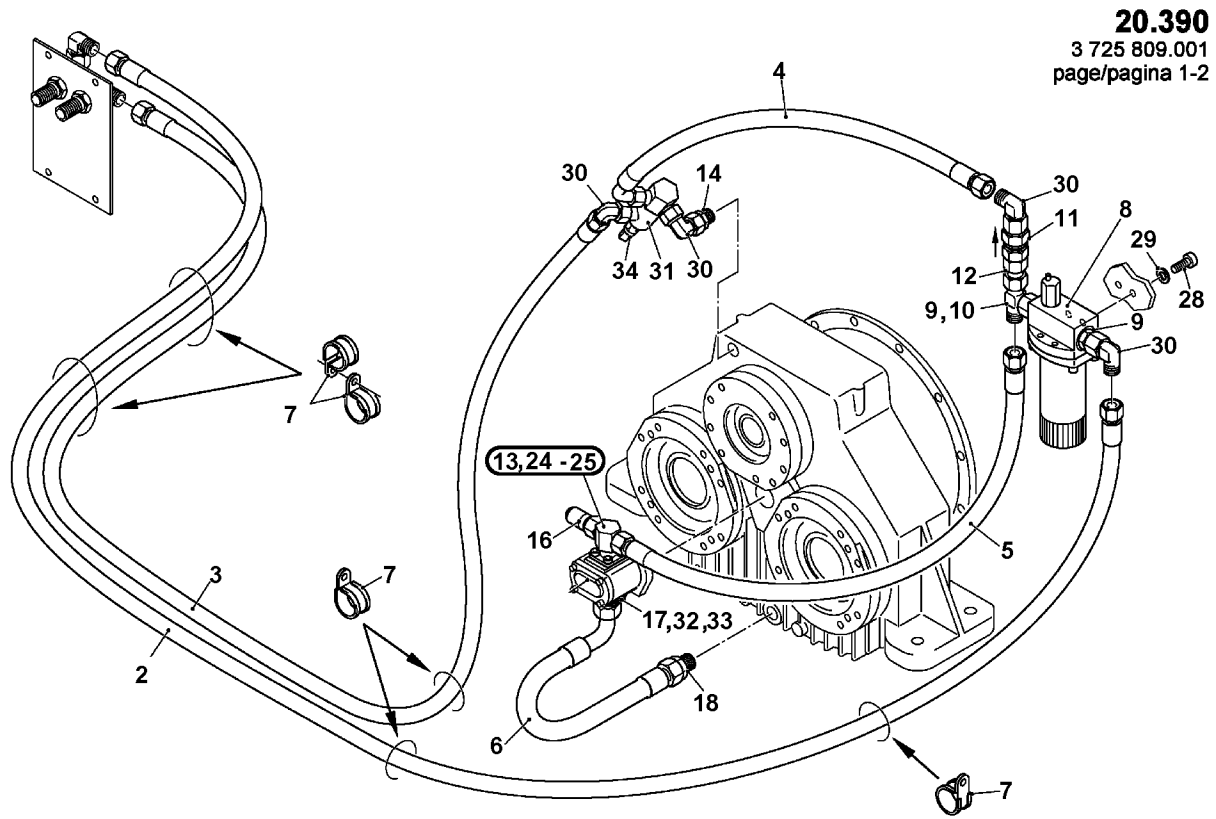
NPL00337707

NOTE	REF NO	GRAPHIC REF	PART NUMBER	QTY	PART NAME						SEE PAGE
					1	2	3	4	5	6 (PRODUCT LEVEL)	
	2	1	4559037	1	HYDRAULIC HOSE						
	3	1	4373107	1	HYDRAULIC HOSE						
	4	1	4559038	1	HYDRAULIC HOSE						
	5	1	4559039	1	HYDRAULIC HOSE						
	6	1	4150014	1	HYDRAULIC HOSE						
	7	1	1467778	7	CLAMP, HOSE						
	8	1	4797734	1	HYDRAULIC FILTER						183
	9	1	4028115	2	SOCKET						
	10	1	1520814	2	TEE						
	11	1	4022246	1	VALVE,CHECK,L22,6 BAR						
	12	1	1523299	1	UNION,L22,SWVL						
	13	1	4025014	1	SOCKET						
	14	1	1523288	1	SOCKET						
	16	1	1457134	1	TP,L12,SWVL						
	17	1	4108378	1	FLANGE,GLAND						
	18	1	4599042	1	TUBE FITTING						
	24	1	4592060	4	CYL.HEAD SCREW						
	25	1	4373113	1	O-RING						
	28	1	1522334	2	SCREW, CYLINDRICAL HEAD						
	29	1	1521322	2	WASHER						
	30	1,2	1520812	5	SOCKET						
	31	1	1466621	1	DISTRIBUTOR, OIL CAP						
	32	1	4592060	4	CYL.HEAD SCREW						
	33	1	1460863	1	O RING						
	34	1	1525270	1	SWITCH, PRESSURE						
	41	2	4025097	1	COOLER,OIL						
	42	2	4373090	1	PLATE						
	43	2	4373092	2	TUBE FITTING						
	44	2	1520812	4	SOCKET						
	45	2	4373105	1	HYDRAULIC HOSE						
	46	2	4373106	1	HYDRAULIC HOSE						
	47	2	1521827	2	FITTING, TUBE						
	48	2	1523322	2	REDUCTION						
	49	2	1520434	4	BUMPER						
	50	2	1519408	2	WASHER						
	51	2	1520317	2	NUT, HEX						
	52	2	1519699	8	SCREW, HEX HEAD						
	53	2	1520455	12	WASHER						

HYDRAULIC SYSTEM

4797419 HYDRAULIC SYSTEM (contd.)

NPL00337707



20.390
3 725 809.001
page/pagina 1-2

GRAPHIC #1

NG00073485

HYDRAULIC SYSTEM

4797420 HYDRAULIC SYSTEM

S/N: 15345-15345

SMCS -

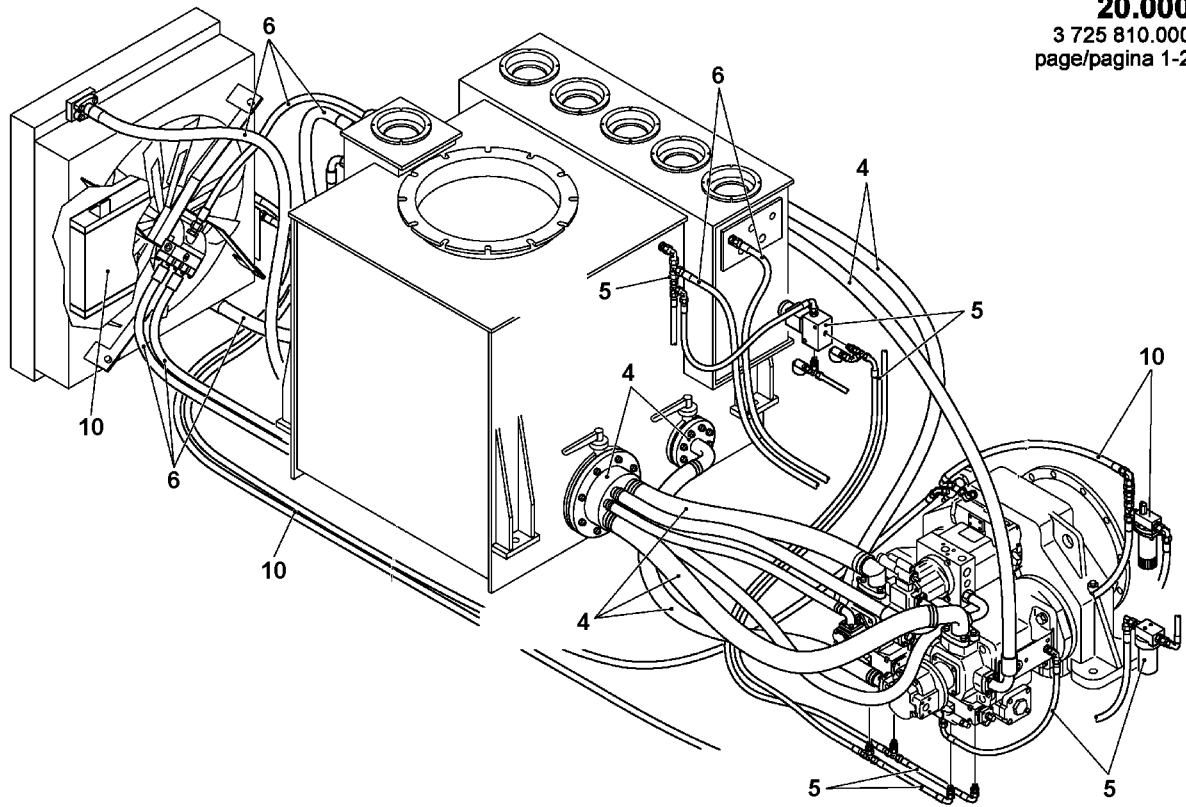
NPL00337708

NOTE	REF NO	GRAPHIC REF	PART NUMBER	QTY	PART NAME	SEE PAGE
					1 2 3 4 5 6 (PRODUCT LEVEL)	
	2	2	4792943	1	HYDRAULIC SYSTEM, DRIVING	114
	3	2	4791682	1	HYDRAULIC SYSTEM, TRAVEL CONTROL BLOCK	98
	4	1	4793842	1	OIL SUCTION SYSTEM	125
	5	1	4794031	1	HYDRAULIC SYSTEM, PUMP GOVERNING	129
	6	1	4794102	1	HYDRAULIC SYSTEM, OIL COOLER	134
	7	2	4797247	1	HYDRAULIC SYSTEM	161
	8	2	4794032	1	HYDRAULIC SYSTEM, SLEWING	132
	10	1	4797419	1	HYDRAULIC SYSTEM	169

HYDRAULIC SYSTEM

4797420 HYDRAULIC SYSTEM (contd.)

NPL00337708



20.000
3 725 810.000
page/pagina 1-2

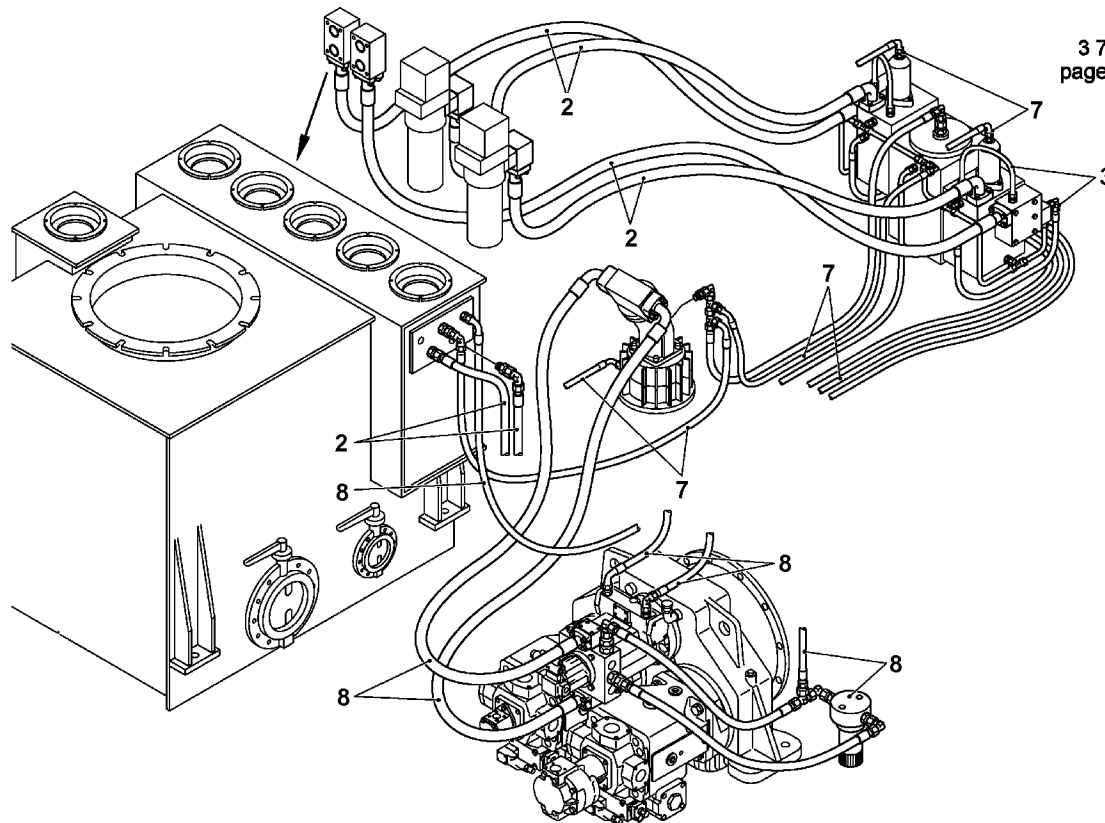
GRAPHIC #1

NG00072025

HYDRAULIC SYSTEM

4797420 HYDRAULIC SYSTEM (contd.)

NPL00337708



20.000
3 725 810.000
page/pagina 2-2

GRAPHIC #2

<END>

NG00072045

HYDRAULIC SYSTEM

4797465 HYDRAULIC OIL TANK

S/N: 15345-15345

SMCS-

NPL00337658

NOTE	REF NO	GRAPHIC REF	PART NUMBER	QTY	PART NAME						SEE PAGE
					1	2	3	4	5	6 (PRODUCT LEVEL)	
	2	2	4019818	1	LID						
	3	1,2	4020563	4	LID						
	4	1	4020564	2	LID						
	5	1	4793869	2	HP FILTER						127
	6	2	1517690	4	WASHER, DISK						
	7	2	1521116	8	STUD						
	8	2	4020726	8	STUD						
	9	2	4785138	1	BRACKET						
	10	2	4503208	1	BRACKET						
	12	1	4788428	2	VALVE						68
	15	2	1453247	1	FILTER						
	16	1,2	1628435	4	FILTER ELEMENT						
	17	1	1455496	2	VALVE						
	18	2	1455309	2	VALVE						
	19	2	4015693	2	HOUSING						
	20	1,2	1520914	4	MAGNET						
	21	2	4430841	1	FLAP						
	22	2	4521347	1	FLAP						
	23	1	1457427	1	SIGHT GLASS						
	24	2	1459555	1	PLUG, DRAIN						
	25	2	1519940	1	CONNECTION						
	26	2	1457768	1	SEAL						
	27	1,2	1515137	6	ROUND SEALING RING						
	28	2	1461146	1	O RING						
	29	2	1460946	2	O RING						
	34	1	1467081	4	SCR, SOC, M12X1.75X60, CL10.9						
	35	2	1458526	12	SCREW						
	36	2	1520923	12	HEXAGONAL, NUT						
	37	1,2	1519674	36	SCREW, HEX						
	38	1	4020168	4	CYL. HEAD SCREW						
	39	2	1519080	8	NUT, HEX						
	40	2	1519059	8	NUT, FULL						
	41	2	1523574	2	SCREW, HEX						
	42	1	1468295	2	CAGE						
	43	1	1461200	2	O RING						
	45	1,2	4016039	4	PRESSURE PIECE						
	46	1,2	1456801	4	SPRING						
	47	1,2	1460976	4	O-RING						
	48	1,2	1461127	4	O RING						
	49	1,2	1466252	4	FILTER, HYDRAULIC						
	52	1	1519401	6	SCREW, HEX HEAD						
	55	2	1454850	1	WING NUT						
	56	2	1453010	1	FILTER, INSERT						
	57	2	1461031	2	O RING						
	60	1	4015755	8	HEX HEAD SCREW HYDRAULIC SYSTEM						
	61	1	1521832	8	DISK/WASHER						
	62	1	4572511	4	PLATE						
	63	1	4572512	4	SLEEVE						

HYDRAULIC SYSTEM

4797465 HYDRAULIC OIL TANK (contd.)

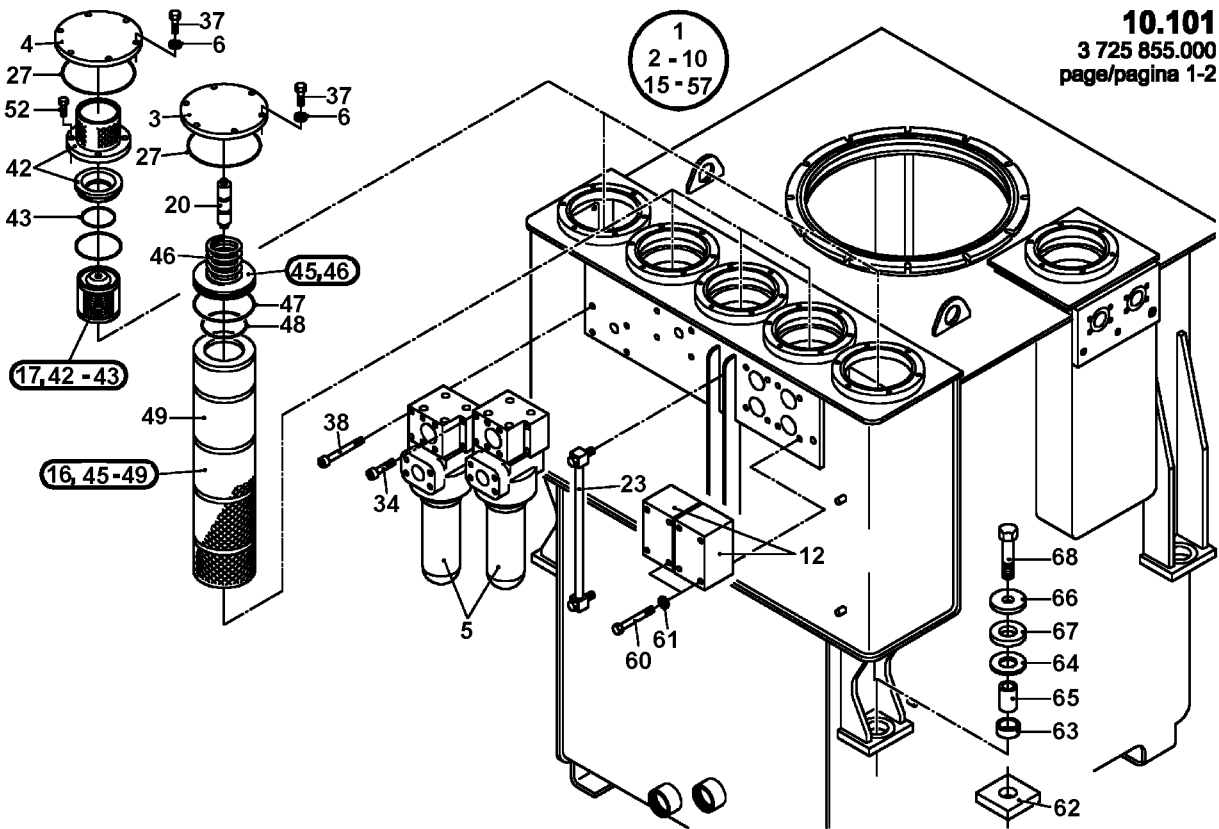
NPL00337658

NOTE	REF NO	GRAPHIC REF	PART NUMBER	QTY	PART NAME						SEE PAGE
					1	2	3	4	5	6 (PRODUCT LEVEL)	
	64	1	4572513	16	SHIM						
	65	1	4572515	4	SLEEVE						
	66	1	4572514	4	SHIM						
	67	1	4572516	4	SHIM						
	68	1	4021582	4	HEX.HD.SCREW						
			4785143	1	HYDRAULIC TANK						
					NOT SHOWN						
			1461106	2	O RING						
					NOT SHOWN						
			1519401	6	SCREW, HEX HEAD						
					NOT SHOWN						

HYDRAULIC SYSTEM

4797465 HYDRAULIC OIL TANK (contd.)

NPL00337658



10.101
3 725 855.000
page/pagina 1-2

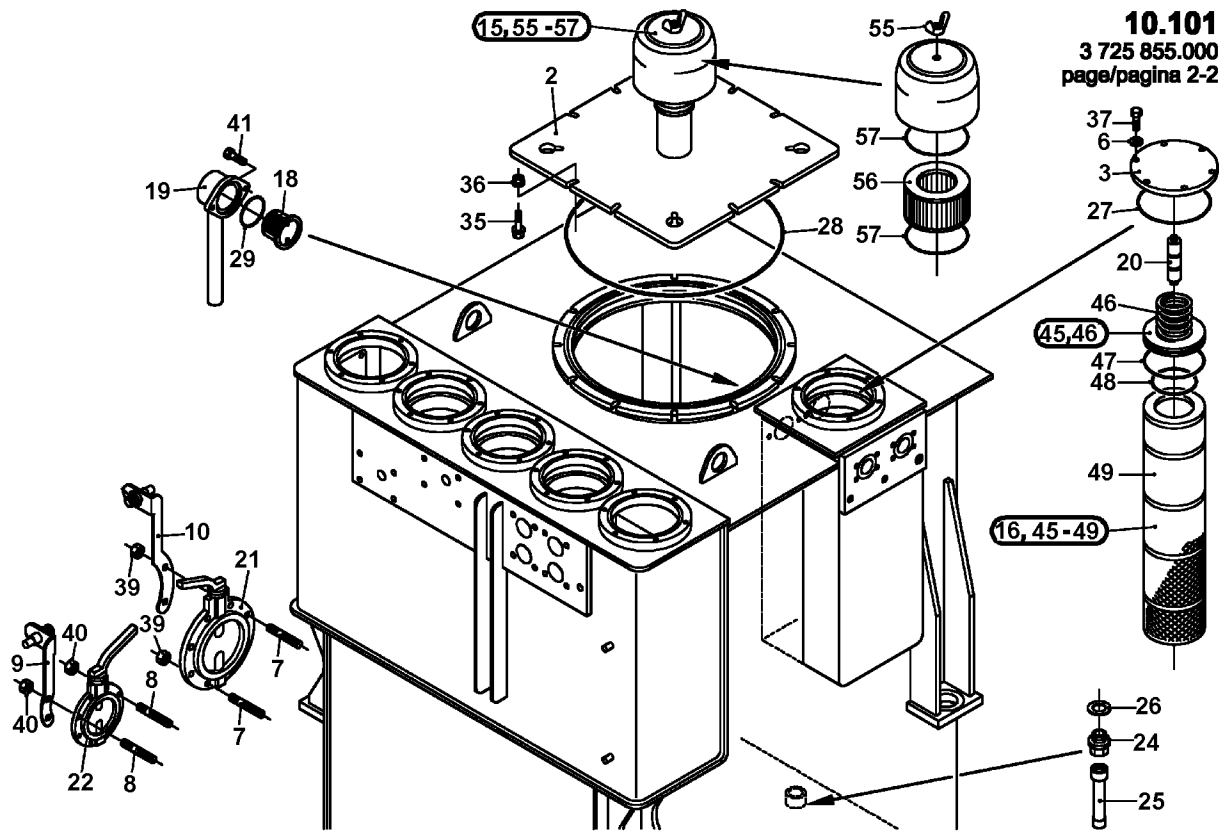
GRAPHIC #1

NG00070025

HYDRAULIC SYSTEM

4797465 HYDRAULIC OIL TANK (contd.)

NPL00337658



GRAPHIC #2

<END>

NG00070085

HYDRAULIC SYSTEM

4797505 WORKING PUMP

S/N: 15345-15345

SMCS -

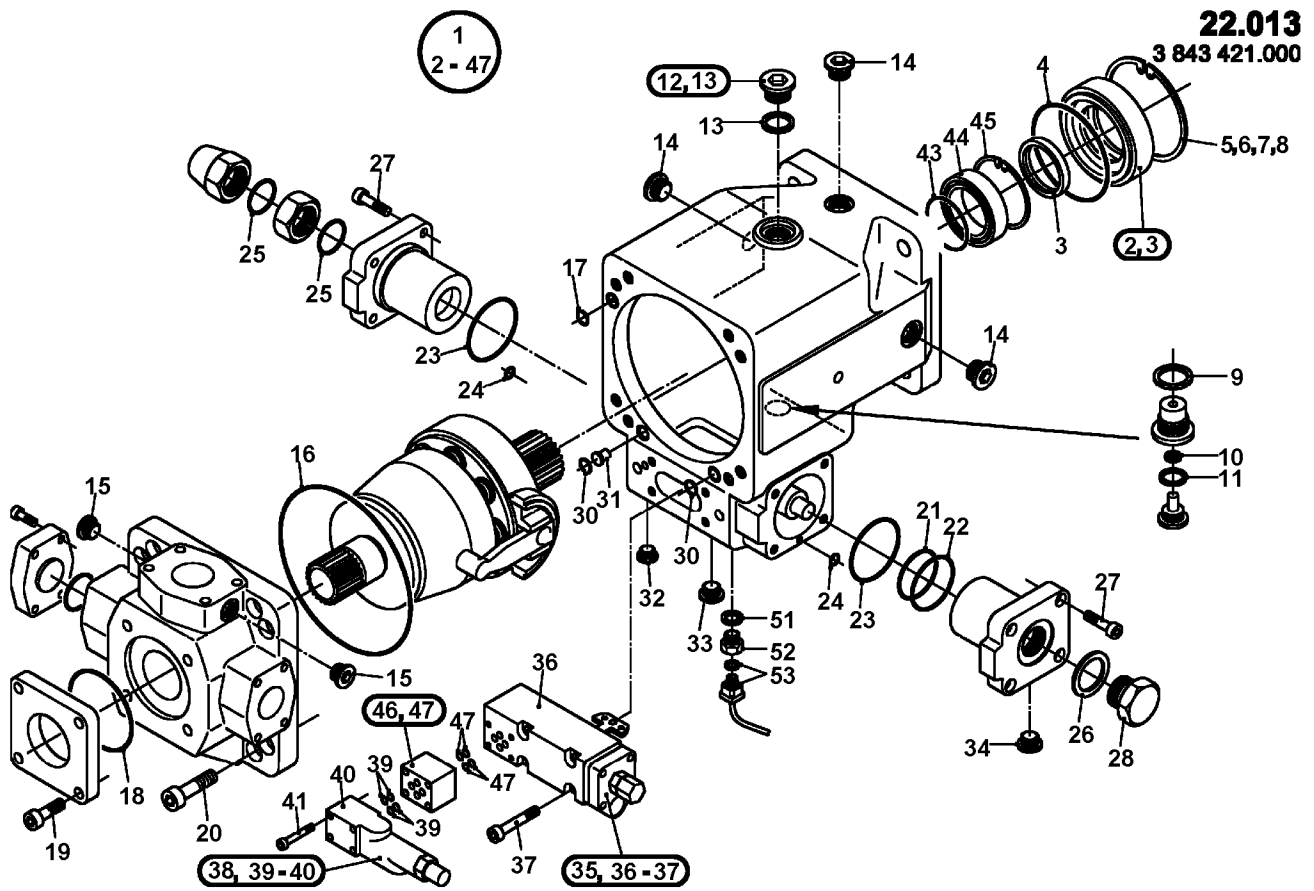
NPL00335017

NOTE	REF NO	GRAPHIC REF	PART NUMBER	QTY	PART NAME						SEE PAGE
					1	2	3	4	5	6 (PRODUCT LEVEL)	
	1	1	4601300	1	VARIABLE PUMP						
	2	1	4026978	1	CAP SEAL WORKING PUMP						
	3	1	1461773	1	LIP SEAL						
	4	1	1460707	1	O-RING						
	5	1	4213981	1	CIRCLIP						
	6	1	4213982	1	CIRCLIP						
	7	1	4022864	1	CIRCLIP						
	8	1	4022865	1	CIRCLIP						
	9	1	1457846	1	SEALING RING						
	10	1	4026989	1	RING						
	11	1	4027187	1	SEALING RING						
	12	1	4374107	1	STUD						
	13	1	1457846	1	SEALING RING						
	14	1	1520322	3	PLUG, SCREW						
	15	1	1520318	2	PLUG, SCREW						
	16	1	4017144	1	O RING						
	17	1	4212194	1	SEAL						
	18	1	1460651	1	O-RING						
	19	1	1520924	4	SCREW, CYLINDER HEAD						
	20	1	4015758	8	SCREW CYLINDER HEAD TRAVEL MOTOR						
	21	1	4019771	1	O-RING						
	22	1	4017176	1	SEALING RING						
	23	1	4023393	2	O RING MAIN PUMP						
	24	1	4212196	2	SEAL						
	25	1	4016504	2	O RING MAIN PUMP						
	26	1	1457846	1	SEALING RING						
	27	1	1467093	8	CYLINDER HEAD SCREW						
	28	1	4016727	1	SCREW PLUG VARIABLE PUMP						
	30	1	4212195	2	SEAL						
	31	1	4026977	1	CHECK VALVE						
	32	1	4013748	1	SCREW PLUG WORKING PUMP FINAL DRIVE						
	33	1	4041807	1	TUBE FITTING						
	34	1	4018019	4	SCREW PLUG VARIOUS						
	35	1	4569012	1	DRIVING UNIT						
	36	1	4026991	1	GASKET SET WORKING MOTOR						
	37	1	1467183	4	CYL.HD.SCREW						
	38	1	1451624	1	CONTROL VALVE						
	39	1	1521214	5	ORING,012,NBR,90						
	40	1	1457921	1	SEALING KIT						
	41	1	4018028	4	SCREW, CYLINDER HEAD						
	43	1	4026979	1	O RING VARIABLE PUMP 2712752						
	44	1	4570243	1	CYLINDER ROLLER BEARING						
	45	1	1468112	1	CIRCLIP						
	46	1	4027257	1	SANDWICH PLATE						
	47	1	1521214	4	ORING,012,NBR,90						
	51	1	1457846	1	SEALING RING						
	52	1	1457110	1	SOCKET						
	53	1	1519433	1	CHIP, CONTROL						

HYDRAULIC SYSTEM

4797505 WORKING PUMP (contd.)

NPL00335017



GRAPHIC #1

<END>

NG00052692

HYDRAULIC SYSTEM

4797506 PUMP

S/N: 15345-15345

SMCS -

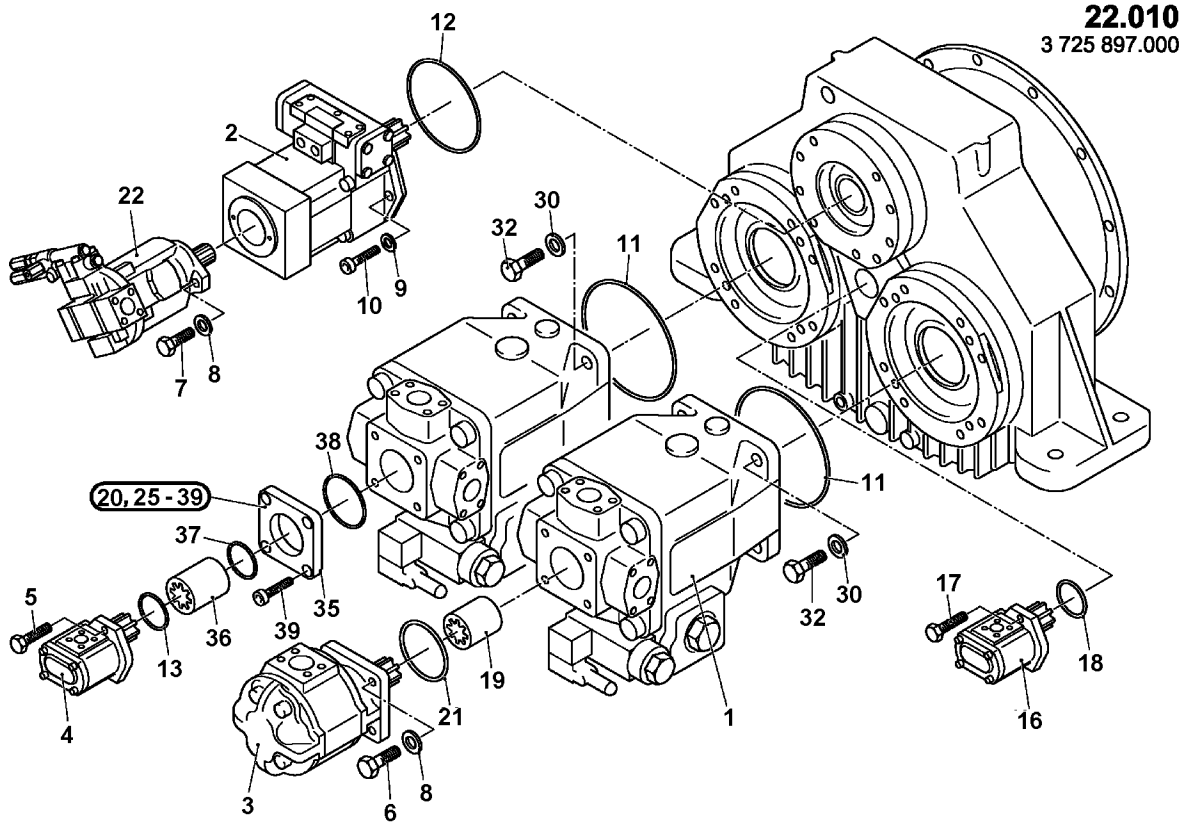
NPL00337682

NOTE	REF NO	GRAPHIC REF	PART NUMBER	QTY	PART NAME	SEE PAGE
					1 2 3 4 5 6 (PRODUCT LEVEL)	
	1	1	4797505	1	WORKING PUMP	179
	2	1	4797394	1	SWING PUMP	167
	3	1	4788950	1	COOLING PUMP-HYDRAULIC OIL	74
	4	1	4790421	1	SERVO PUMP	86
	5	1	1519401	2	SCREW, HEX HEAD	
	6	1	1520312	4	SCREW, HEX HEAD	
	7	1	1517689	2	SCREW, HEX	
	8	1	1520689	6	WASHER	
	9	1	1455122	4	WASHER, FL, M20	
	10	1	1469282	4	BOLT	
	11	1	1572468	2	O-RING	
	12	1	1460714	1	ORING	
	13	1	1461234	1	O RING	
	16	1	4794663	1	SERVO PUMP	142
	17	1	1521238	2	SCREW, HEX HEAD	
	18	1	1461113	1	O RING	
	19	1	1452266	1	ADAPTER, MAIN TO SERVO	
	20	1	4018389	1	ADAPTER	
	21	1	1460635	1	O-RING	
	22	1	4791439	1	VARIABLE PUMP	94
	30	1	1520488	8	WASHER	
	32	1	1469288	8	BOLT	
	35	1	4016513	1	FLANGE	
	36	1	4804423	1	HUB	
	37	1	1461095	1	O RING	
	38	1	1460651	1	O-RING	
	39	1	1523280	4	SCR, SOC, M12X1.75X25, CL8.8	

HYDRAULIC SYSTEM

4797506 PUMP (contd.)

NPL00337682



GRAPHIC #1

<END>

NG00071825

HYDRAULIC SYSTEM

4797734 HYDRAULIC FILTER

S/N: 15345-15345

SMCS -

NPL00335047

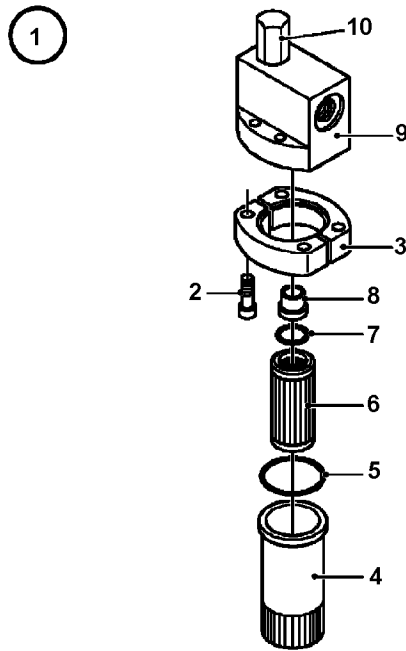
NOTE	REF NO	GRAPHIC REF	PART NUMBER	QTY	PART NAME						SEE PAGE
					1	2	3	4	5	6 (PRODUCT LEVEL)	
	1	1	1466335	1	FILTER, HYDRAULIC						
	2	1	4474723	4	BRACKET						
	3	1	1465854	1	FLANGE						
	4	1	1467539	1	CONTAINER						
	5	1	1672386	1	O-RING						
	6	1	1454628	1	HYDRAULIC FILTER						
	7	1	1460783	1	O RING						
	8	1	1468541	1	BUSHING						
	9	1	1465017	1	HEAD						
	10	1	1462565	1	INDICATOR						

HYDRAULIC SYSTEM

4797734 HYDRAULIC FILTER (contd.)

NPL00335047

22.220
3 726 268.000



GRAPHIC #1

<END>

NG00042181

IMPLEMENTS

4790300 PIN NO.2

S/N: 15345-15345

SMCS -

NPL00337748

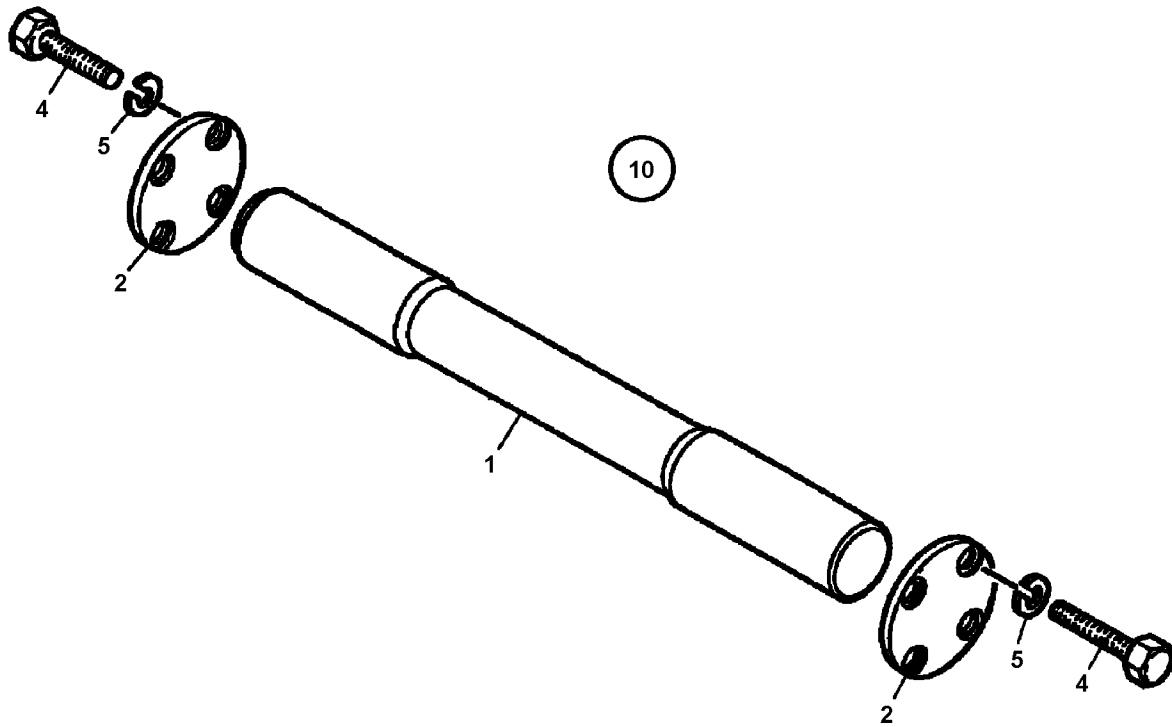
NOTE	REF NO	GRAPHIC REF	PART NUMBER	QTY	PART NAME						SEE PAGE
					1	2	3	4	5	6 (PRODUCT LEVEL)	
	1	1	1461373	1	NO.2 PIN						
	2	1	4809556	2	LID						
	4	1	1464789	8	HEX.HD.SCREW						
	5	1	1461715	8	WASHER, LOCK						
	10	1	4019197	1	BEARING						

IMPLEMENTS

4790300 PIN NO.2 (contd.)

NPL00337748

62.220
3 657 262.000



GRAPHIC #1

<END>

NG00054318

IMPLEMENTS

4793563 STICK, FS

S/N: 15345-15345

SMCS -

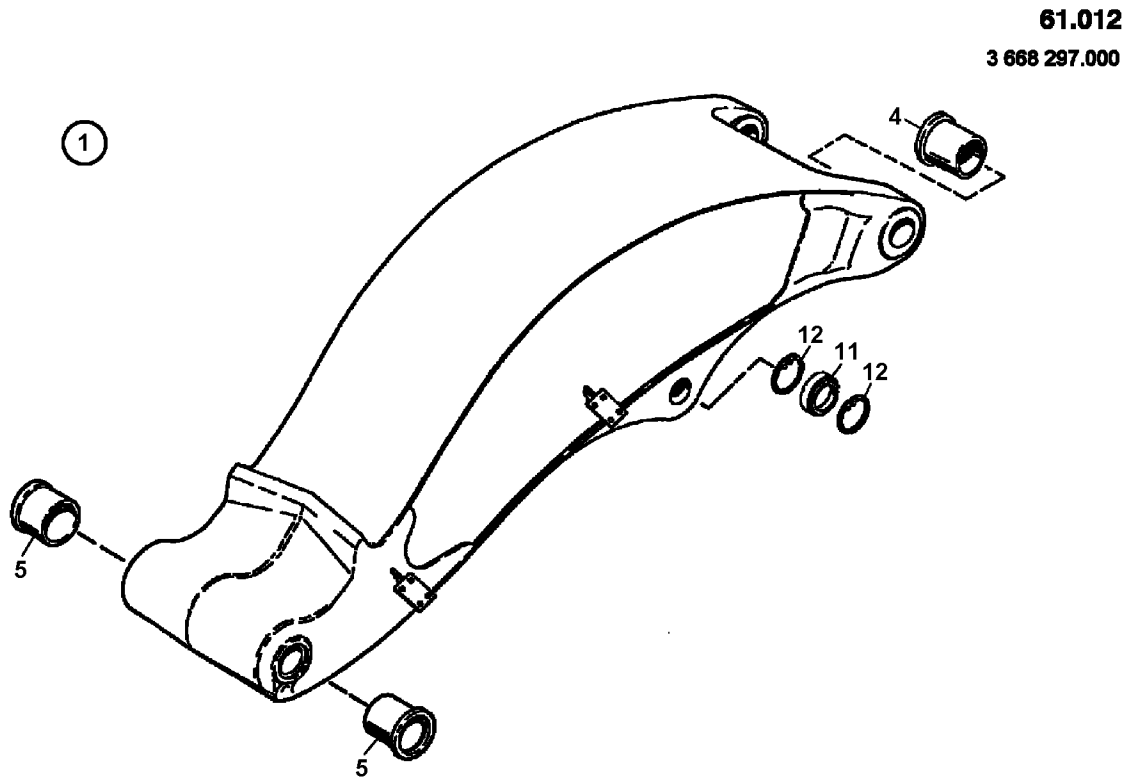
NPL00337744

NOTE	REF NO	GRAPHIC REF	PART NUMBER	QTY	PART NAME						SEE PAGE
					1	2	3	4	5	6 (PRODUCT LEVEL)	
	1	1	4211415	1	STICK						
	4	1	1468625	2	BUSHING						
	5	1	4022729	2	BUSHING FLANGED HYDRAULIC CYLINDER						
	11	1	1462446	1	JOINT BEARING						
	12	1	1468064	2	CIRCLIP						

IMPLEMENTS

4793563 STICK, FS (contd.)

NPL00337744



GRAPHIC #1

<END>

NG00074745

IMPLEMENTS

4793902 BOOM BOTTOM

S/N: 15345-15345

SMCS -

NPL00337737

NOTE	REF NO	GRAPHIC REF	PART NUMBER	QTY	PART NAME						SEE PAGE
					1	2	3	4	5	6 (PRODUCT LEVEL)	
	1	1	4390273	1	BOOM						
	50	1	1468625	2	BUSHING						
	51	1	1468626	2	BUSHING						
	52	1	4022450	2	BUSHING PIVOT BOOM						
	53	1	1457702	1	BUSHING-SELF ALIGNING						
	54	1	1468097	2	CLIP, CIRCLE						

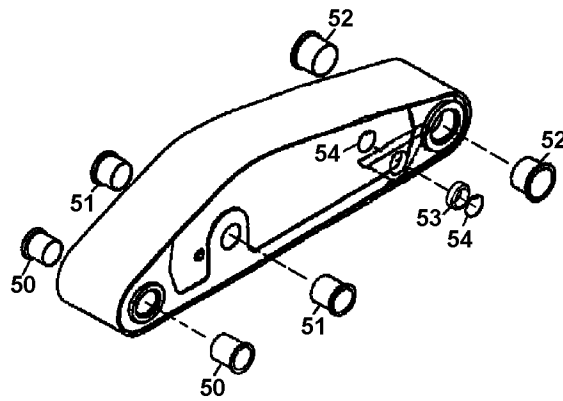
IMPLEMENTS

4793902 BOOM BOTTOM (contd.)

NPL00337737

60.012
3 668 982.000

①



GRAPHIC #1

<END>

NG00074325

IMPLEMENTS

4794745 INSTALLATION MATERIAL-BOOM BOTTOM

S/N: 15345-15345

SMCS -

NPL00337743

NOTE	REF NO	GRAPHIC REF	PART NUMBER	QTY	PART NAME						SEE PAGE
					1	2	3	4	5	6 (PRODUCT LEVEL)	
	1	1	4793902	1	BOOM BOTTOM						189
	2	1	4027420	1	GUIDE BAR RH						
	3	1	4027421	1	GUIDE BAR LH						
	4	1	1460406	1	PIN						
	5	1	4019185	2	DISK/WASHER						
	7	1	4021325	4	PIN						
	8	1	1460418	5	PIN						
	9	1	1457702	2	BUSHING-SELF ALIGNING						
	10	1	1468097	4	CLIP, CIRCLE						
	11	1	4022514	2	GUIDE BAR						
	12	1	1522062	8	SCREW, HEAD HEX						
	13	1	4780123	8	DISK/WASHER						
	14	1	1456510	4	STRAIGHT PIN						
	15	1	4015695	4	PLATE						
	16	1	1466697	5	DISK/WASHER						
	17	1	1461715	5	WASHER, LOCK						
	18	1	1522973	5	SCREW, HEX HEAD						
	23	1	4021326	8	LID						
	24	1	1520459	24	SCREW, HEX HEAD						
	25	1	4794683	1	HYDRAULIC SYSTEM, BOOM BOTTOM						146
	26	1	4795977	1	GREASING SYSTEM ,FS, BOOM BOTTOM						44
	35	1	1521226	25	WASHER						
	42	1	1468627	2	BUSHING						
	43	1	1462446	6	JOINT BEARING						
	45	1	1468064	12	CIRCLIP						
	50	1	4781096	1	BOOM						

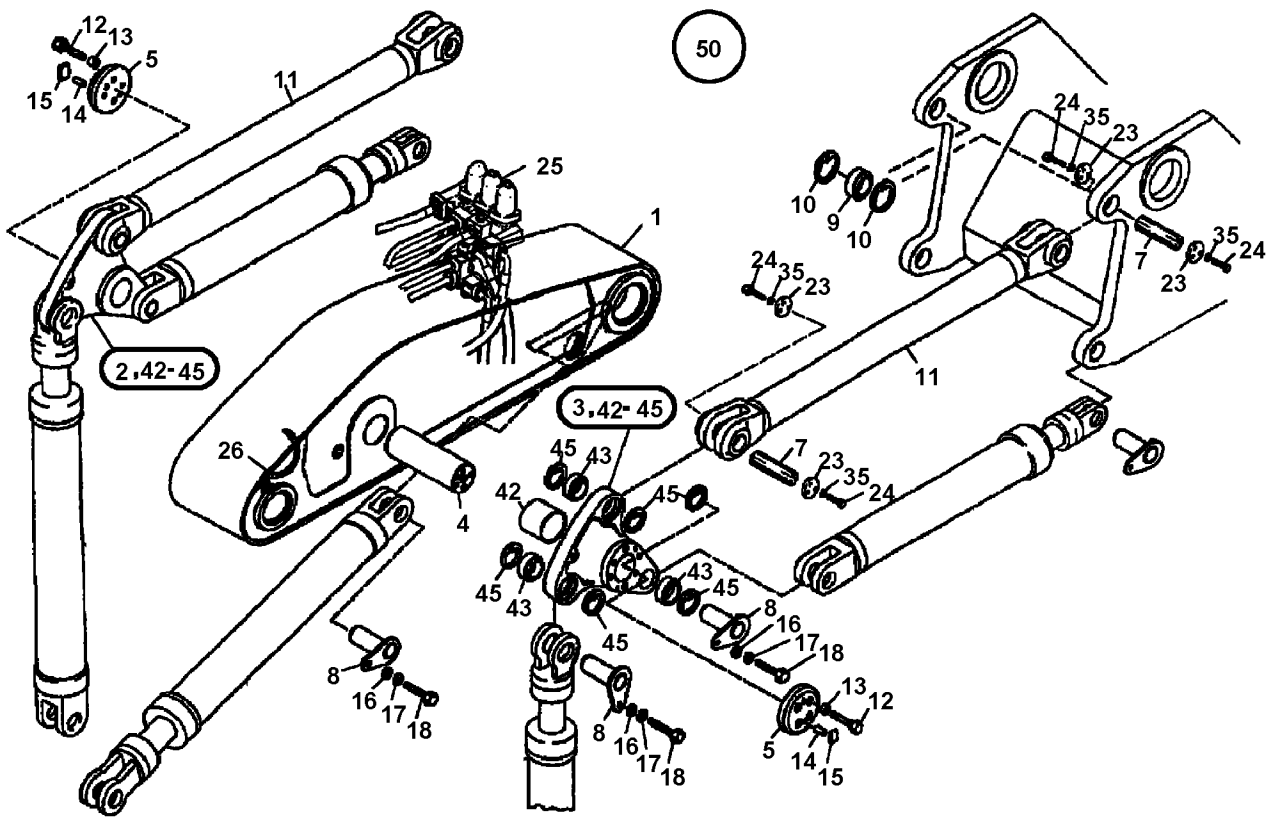
IMPLEMENTS

4794745 INSTALLATION MATERIAL-BOOM BOTTOM (contd.)

NPL00337743

60.010

3 689 934.000



GRAPHIC #1

<END>

NG00054131

IMPLEMENTS

4797314 STICK, FS

S/N: 15345-15345

SMCS -

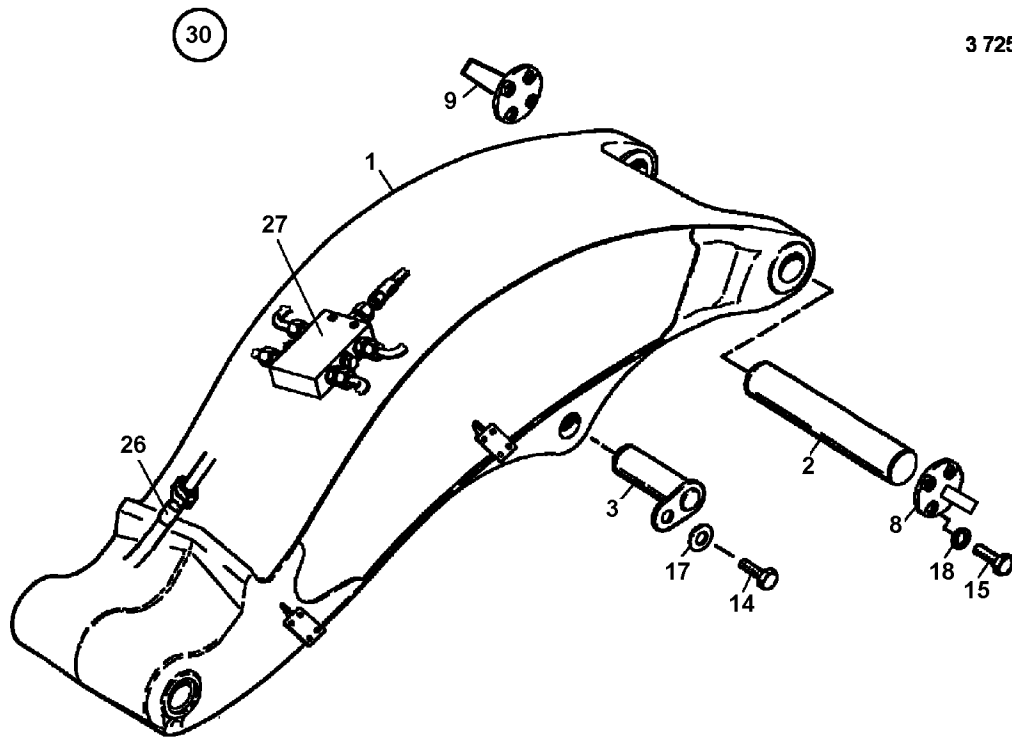
NPL00337747

NOTE	REF NO	GRAPHIC REF	PART NUMBER	QTY	PART NAME	SEE PAGE
					1 2 3 4 5 6 (PRODUCT LEVEL)	
	1	1	4793563	1	STICK, FS	187
	2	1	1460416	1	PIN	
	3	1	1460421	1	PIN	
	8	1	4020895	1	LID	
	9	1	4020896	1	LID	
	14	1	1523662	1	SCREW, HEX	
	15	1	1519733	8	SCR, HEX, M24X3.0X100MM, CL8.8	
	17	1	1466697	1	DISK/WASHER	
	18	1	1519407	8	WASHER	
	26	1	4791517	1	HYDRAULIC SYSTEM, FS, STICK	96
	27	1	4795976	1	GREASING SYSTEM ,FS, STICK	42
	30	1	4235560	1	STICK	

IMPLEMENTS

4797314 STICK, FS (contd.)

NPL00337747



61.010
3 725 699.000

GRAPHIC #1

<END>

NG00074725

MACHINE ARRANGEMENT

4797393 ATTACHMENT

S/N: 15345-15345

SMCS -

NPL00337753

NOTE	REF NO	GRAPHIC REF	PART NUMBER	QTY	PART NAME						SEE PAGE
					1	2	3	4	5	6 (PRODUCT LEVEL)	
	1	1	4793195	2	BOOM CYLINDERS						117
	2	1	4790290	1	STICK CYLINDER						76
	3	1	4790301	2	BUCKET CYLINDER						80
	4	1	4791105	2	DUMP CYLINDER						88
	5	1	4794745	1	INSTALLATION MATERIAL - BOOM BOTTOM						191
	6	1	4797314	1	STICK, FS						193
	7	1	4790300	1	PIN NO.2						185
	8	1	4797391	1	SHOVEL REAR WALL						287
	9	1	4797392	1	SHOVEL FRONT SHELL						290

MACHINE ARRANGEMENT

4829020 UPPER CARRIAGE

S/N: 15345-15345

SMCS -

NPL00337732

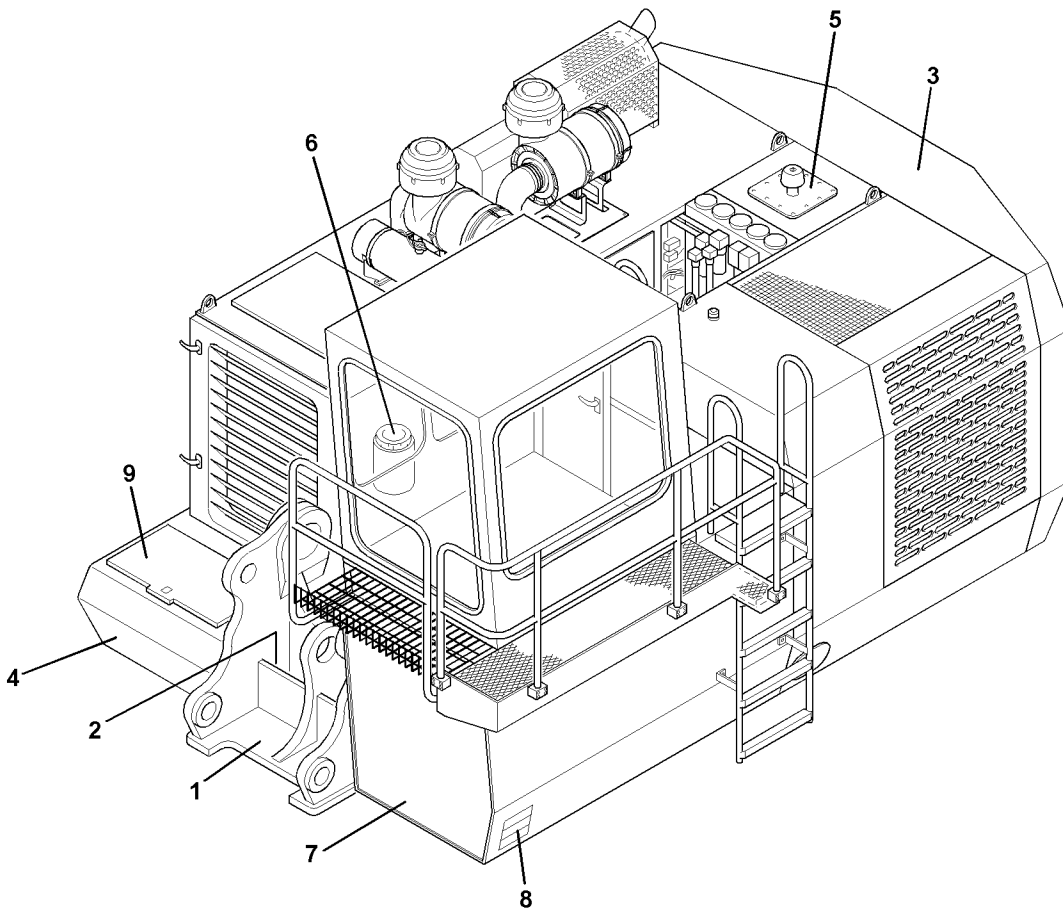
NOTE	REF NO	GRAPHIC REF	PART NUMBER	QTY	PART NAME						SEE PAGE
					1	2	3	4	5	6 (PRODUCT LEVEL)	
	1	1	4797468	1	FRAME						52
	2	1	4788854	1	LOCKING DEVICE, FRAME						29
	3	1	4793996	1	INSTALLATION MATERIAL -BALLAST						35
	4	1	4828949	1	ENGINE						25
	5	1	4797420	1	HYDRAULIC SYSTEM						172
	6	1	4794765	1	GREASING SYSTEM						37
	7	1	4797487	1	CAB MODULE						241
	8	1	4797503	1	PLATES						272
	9	1	4797429	1	ACCESSORIES						271

MACHINE ARRANGEMENT

4829020 UPPER CARRIAGE (contd.)

NPL00337732

00.300
4 829 020.000



GRAPHIC #1

<END>

NG00069965

MACHINE ARRANGEMENT

4829021 OPTIONS

S/N: 15345-15345

SMCS -

NPL00337760

NOTE	REF NO	GRAPHIC REF	PART NUMBER	QTY	PART NAME						SEE PAGE
					1	2	3	4	5	6 (PRODUCT LEVEL)	
			4797173	1	ADDITIONAL LIGHTING						17
			4797445	1	AIR CONDITION						232
			4791852	1	CATWALK						33
			4794642	1	FUELLING SYSTEM, FUEL						58
			4797343	1	RAILINGS						224

OPERATOR STATION

4788443 TREADLE VALVE, MOUNTING PARTS

S/N: 15345-15345

SMCS -

NPL00337702

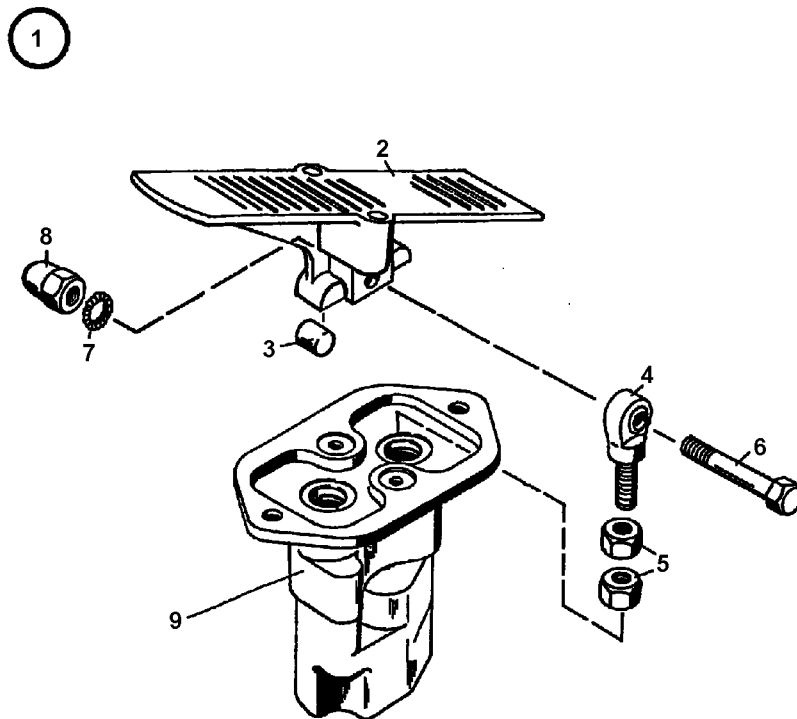
NOTE	REF NO	GRAPHIC REF	PART NUMBER	QTY	PART NAME						SEE PAGE
					1	2	3	4	5	6 (PRODUCT LEVEL)	
	1	1	1455835	1	TREADLE VALVE						
	2	1	1460505	1	PEDAL						
	3	1	1458783	2	ROLLER						
	4	1	1462471	2	JOINT						
	5	1	1519520	4	NUT, HEX						
	6	1	1464920	1	SCREW, HEX						
	7	1	4578820	1	LOCKING PLATE						
	8	1	1468224	1	CAP NUT						
	9	1	4788444	1	TREADLE VALVE						70

OPERATOR STATION

4788443 TREADLE VALVE, MOUNTING PARTS (contd.)

NPL00337702

23.291
2 800 584.000



GRAPHIC #1

<END>

NG00073125

OPERATOR STATION

4788451 SERVO VALVE

S/N: 15345-15345

SMCS -

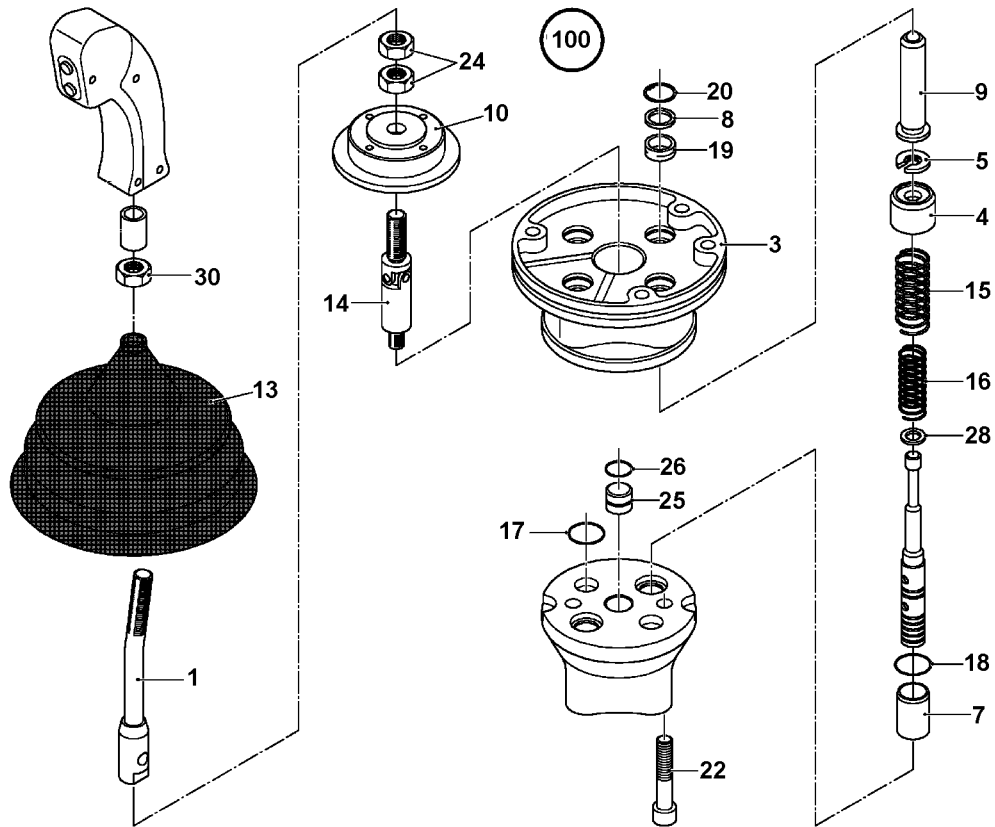
NPL00337700

NOTE	REF NO	GRAPHIC REF	PART NUMBER	QTY	PART NAME						SEE PAGE
					1	2	3	4	5	6 (PRODUCT LEVEL)	
	1	1	1462286	1	LEVER						
	3	1	4780224	1	GUIDE						
	4	1	1459747	4	PLATE						
	5	1	1466732	4	DISK/WASHER						
	7	1	1468591	2	BUSHING						
	8	1	1466714	4	DISK/WASHER						
	9	1	1456077	4	TAPPET						
	10	1	1459791	1	PLATE						
	13	1	1469422	1	BELLOWS						
	14	1	1455598	1	U JOINT						
	15	1	1456790	4	SPRING						
	16	1	1456825	4	SPRING						
	17	1	4571523	2	O-RING						
	18	1	1460634	2	O-RING						
	19	1	4221600	4	GASKET						
	20	1	1468101	4	CIR CLIP						
	22	1	1458490	2	SCREW, SOCKET						
	24	1	1464869	2	HEX. NUT						
	25	1	1466715	1	DISK/WASHER						
	26	1	1460640	1	O-RING						
	28	1	1466712	4	DISK/WASHER						
	30	1	1520278	1	NUT, HEX						
	100	1	1457631	1	SERVO CONTROL VALVE						

OPERATOR STATION

4788451 SERVO VALVE (contd.)

NPL00337700



23.272
2 800 631.000

GRAPHIC #1

<END>

NG00073065

OPERATOR STATION

4791660 PLATFORM PLATE, MOUNTING PARTS

S/N: 15345-15345

SMCS-

NPL00337718

NOTE	REF NO	GRAPHIC REF	PART NUMBER	QTY	PART NAME						SEE PAGE
					1	2	3	4	5	6 (PRODUCT LEVEL)	
	1	1	4780716	1	PLATFORM						
	2	1	4780550	1	BASE						
	3	1	4017764	1	PLATFORM						
	4	1	4022768	1	MAT						
	6	1	1459717	3	PLATE						
	7	1	1467734	3	HOSE CLAMP						
	8	1	1457316	6	INSERT						
	9	1	1464753	6	SCR, HEX, M6X1.0X27MM, CL8.8						
	10	1	4213871	1	BOX						
	11	1	4021211	2	LID						
	12	1	4021353	1	COVER						
	13	1	1522707	6	HEX.HD.SCREW						
	14	1	4521343	1	PANELING						
	15	1	1460534	1	PANEL						
	16	1	1460533	1	PANEL						
	17	1	1460537	1	PANEL						
	18	1	1460535	1	PANEL						
	19	1	4018373	1	BRACKET						
	21	1	1468981	2	BRACKET						
	22	1	1456478	2	STRIP						
	23	1	1525764	4	CYL.HEAD SCREW						
	24	1	1523194	4	SCREW, HEX HEAD CAP						
	25	1	1522349	8	SCREW, CYLINDER HEAD						
	26	1	1525835	6	SCREW, HEX HEAD						
	27	1	1464692	4	SCREW, HEX HEAD						
	28	1	1458521	10	SCREW						
	29	1	1455089	10	WASHER						
	30	1	1521322	4	WASHER						
	31	1	1522072	18	WASHER, LOCK, M8						
	32	1	1462543	1	INJECTOR						
	33	1	1465237	2	GRID						
	34	1	4017824	12	COTTER PIN						
	35	1	4019186	1	COVER						
	36	1	4019076	1	COVER						
	37	1	4501392	1	BRACKET						
	38	1	4784019	1	COVER						
	39	1	4017921	1	INSULATION						
	40	1	4013731	0.32	PROFILE						
	41	1	4021188	1	BRACKET						
	42	1	4802579	2	DISK/WASHER						
	43	1	1520668	4	SCREW, HEX HEAD						
	44	1	1520535	4	NUT, WELD						
	45	1	1467191	4	CYL.HD.SCREW						
	46	1	1523298	8	WASHER, FENDER						
	47	1	1520348	4	HEXAGONAL NUT						
	49	1	1523593	1	SCREW, CYLINDER HEAD						
	50	1	1466718	1	DISK/WASHER						
	51	1	1520277	1	NUT, LOCKING						

OPERATOR STATION

4791660 PLATFORM PLATE, MOUNTING PARTS (contd.)

NPL00337718

NOTE	REF NO	GRAPHIC REF	PART NUMBER	QTY	PART NAME						SEE PAGE
					1	2	3	4	5	6 (PRODUCT LEVEL)	
	52	1	4782593	1	PLATE						
	53	1	1458396	4	SCREW, HEX						
	54	1	1522262	4	WASHER						

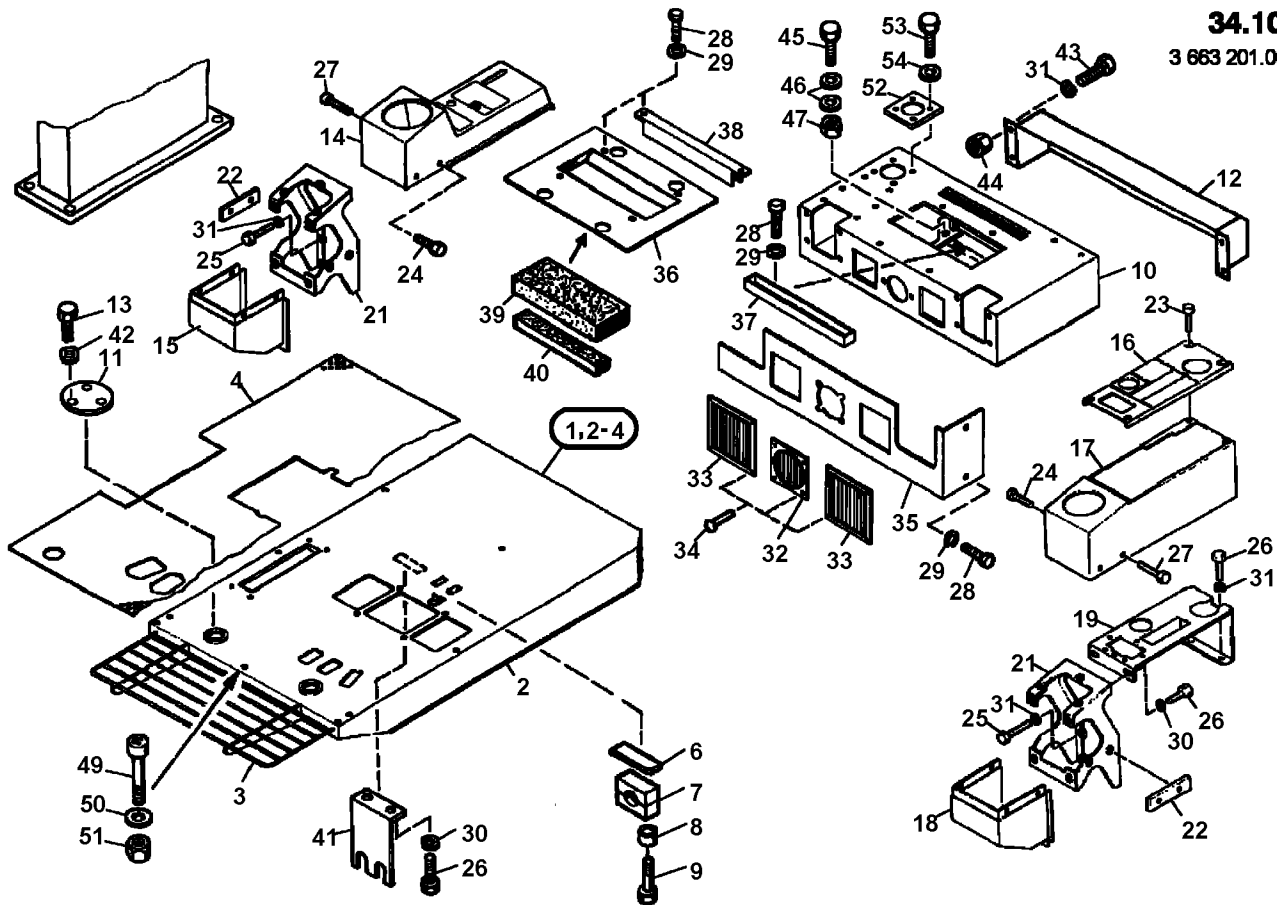
OPERATOR STATION

4791660 PLATFORM PLATE, MOUNTING PARTS (contd.)

NPL00337718

34.101

3 663 201.001



GRAPHIC #1

<END>

NG00073845

OPERATOR STATION

4791661 WINDSCREEN WIPER, PARTS FOR INSTALL.

S/N: 15345-15345

SMCS -

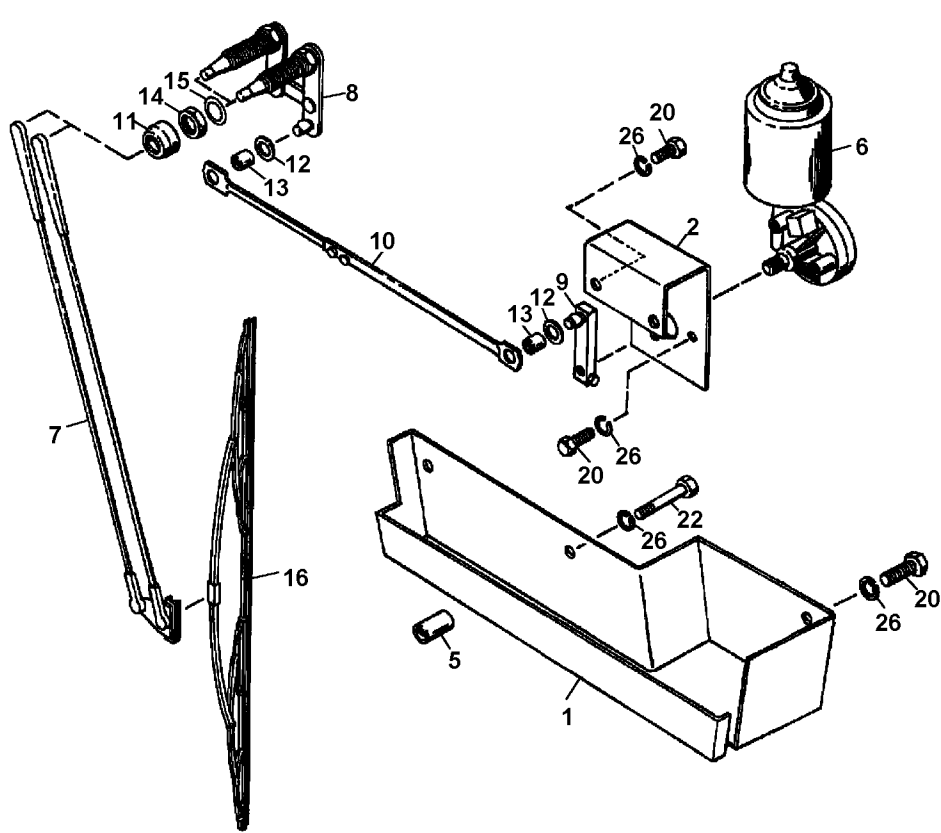
NPL00337714

NOTE	REF NO	GRAPHIC REF	PART NUMBER	QTY	PART NAME						SEE PAGE
					1	2	3	4	5	6 (PRODUCT LEVEL)	
	1	1	1469112	1	BONNET						
	2	1	1468986	1	BRACKET						
	5	1	1460001	0.06	PIPE						
	6	1	1461461	1	MOTOR, WIPER						
	7	1	1462297	1	LEVER						
	8	1	1469487	1	BEARING						
	9	1	1461780	1	LINKAGE						
	10	1	1458831	1	ROD						
	11	1	1468266	2	CAP						
	12	1	1466769	2	DISK WASHER						
	13	1	1468607	2	BUSHING						
	14	1	1461335	2	NUT						
	15	1	1466781	2	DISK WASHER						
	16	1	1454835	1	WIPER BLADE						
	20	1	1519516	6	SCREW, HEX HEAD						
	22	1	1520807	2	SCREW, HEX HEAD						
	26	1	1522072	8	WASHER, LOCK, M8						

OPERATOR STATION

4791661 WINDSCREEN WIPER, PARTS FOR INSTALL. (contd.)

NPL00337714



34.630
3 663 202.000

GRAPHIC #1

<END>

NG00073745

OPERATOR STATION

4791662 GLAZING, OPERATOR'S CAB

S/N: 15345-15345

SMCS -

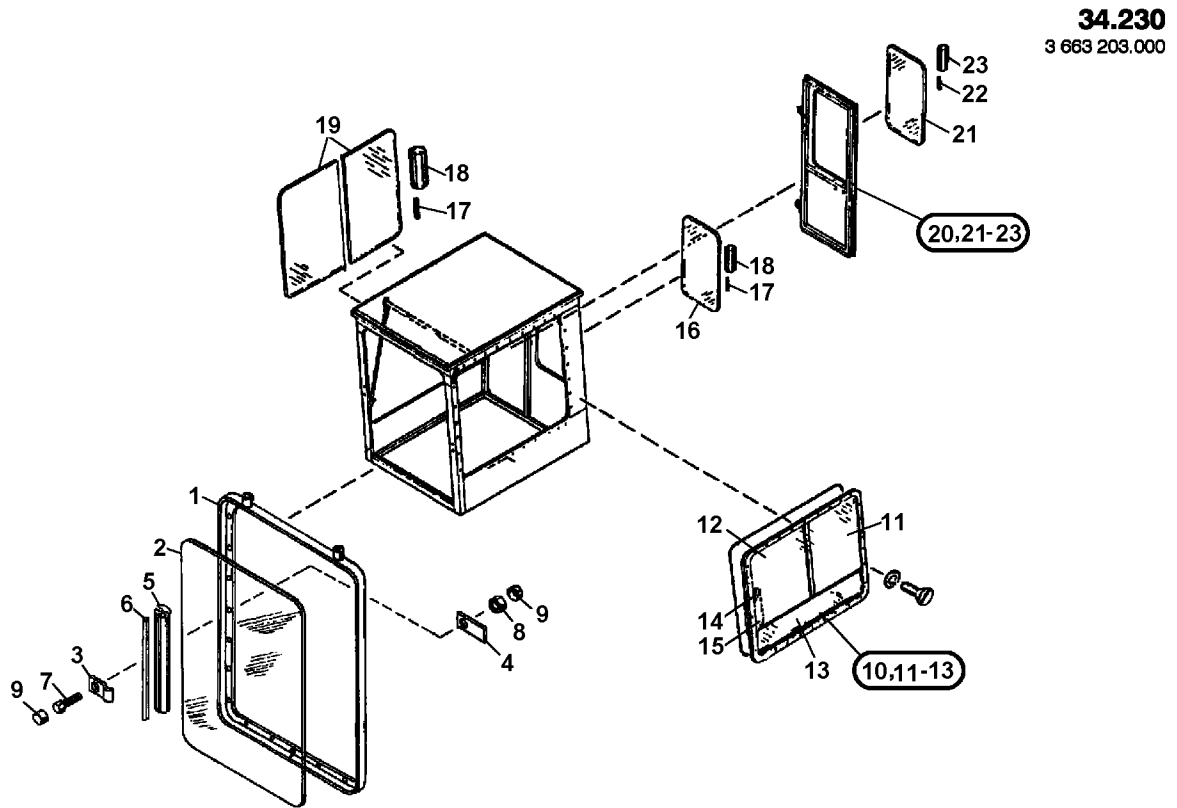
NPL00337713

NOTE	REF NO	GRAPHIC REF	PART NUMBER	QTY	PART NAME						SEE PAGE
					1	2	3	4	5	6 (PRODUCT LEVEL)	
	1	1	4018533	1	FRAME RH200						
	2	1	1468796	1	BULLET PROOF PANE						
	3	1	1467879	8	CLIP						
	4	1	1468990	8	BRACKET						
	5	1	1454861	6.2	WINDOW STRIP						
	6	1	4064414	6.2	PACKING STRIP						
	7	1	1464706	8	SCREW, HEX HEAD CAP						
	8	1	1461281	8	NUT						
	9	1	1468268	16	CAP						
	10	1	1454874	1	WINDOW						
	11	1	1460547	1	PANE						
	12	1	1454873	1	WINDOW						
	13	1	1460546	1	PANE						
	14	1	1465076	1	HANDLE						
	15	1	1465067	1	HANDLE						
	16	1	1465302	1	GLASS						
	17	1	4064414	12.00	PACKING STRIP						
	18	1	1454860	12	WINDOW STRIP						
	19	1	1450950	2	GLASS BLIND SIDE						
	20	1	4018792	1	CABIN DOOR COMPLETE						
	21	1	1465302	1	GLASS						
	22	1	4064414	2.80	PACKING STRIP						
	23	1	1454860	2.80	WINDOW STRIP						

OPERATOR STATION

4791662 GLAZING, OPERATOR'S CAB (contd.)

NPL00337713



GRAPHIC #1

<END>

NG00073685

OPERATOR STATION

4791663 OPERATOR'S CAB

S/N: 15345-15345

SMCS-

NPL00337712

NOTE	REF NO	GRAPHIC REF	PART NUMBER	QTY	PART NAME						SEE PAGE
					1	2	3	4	5	6 (PRODUCT LEVEL)	
	1	1	4023859	1	OPERATOR'S CAB						
	2	1	4018792	1	CABIN DOOR COMPLETE						
	4	1	4017836	1	HANDLE						
	5	1	4017887	1	HANDLE						
	6	1	4017888	3	HANDLE						
	8	1	4523693	1	ROLLO-KIT						
	9	1	4019907	1	PANE						
	10	1	1454874	1	WINDOW						
	16	1	4018795	1	INSERT OPERATORS CAB						
	19	1	4017928	1	HOOK OPERATORS CAB						
	20	1	4014635	2	BOLT COUNTERSUNK HEAD						
	21	1	1522715	1	BRACKET						
	22	1	4017986	1	SEAT PASSENGER FOLD DOWN						
	23	1	1525835	3	SCREW, HEX HEAD						
	24	1	1521322	3	WASHER						
	25	1	1520345	1	PIN						
	27	1	1520344	2	DISK/WASHER						
	30	1	4019042	1	INSULATION						
	31	1	1462492	1	INSULATION						
	32	1	1462494	2	INSULATION						
	33	1	4018791	1	INSULATION CAB ROOF						
	34	1	4016101	1	INSULATION INTERIOR CAB						
	35	1	4016103	1	INSULATION INTERIOR CAB						
	38	1	1459481	4.5	PROFILE						
	39	1	1524817	2	EYE BOLT						
	40	1	1458166	6.2	SEAL						
	41	1	1461281	16	NUT						
	42	1	1523574	16	SCREW, HEX						
	43	1	1468268	60	CAP						
	44	1	1519699	18	SCREW, HEX HEAD						
	45	1	1522707	2	HEX.HD.SCREW						
	49	1	4014635	4	BOLT COUNTERSUNK HEAD						
	50	1	1457700	3	SELF TAPPING SCREW						
	53	1	4008551	30	SCR, FLAT, M, M5X0.8X16MM						
	54	1	1519520	16	NUT, HEX						
	55	1	1520455	18	WASHER						
	56	1	4014389	4	DISC WASHER						
	57	1	1591048	3	WASHER, FLAT						
	59	1	1461275	4	NUT						
	60	1	1525231	2	WASHER, LOCK						
	61	1	1525746	30	LOCK WASHER						
	62	1	4105672	6.5	SEALING BAND						
	63	1	1468225	30	CAP NUT						
	66	1	1521322	12	WASHER						
	67	1	4019511	6	FLAT HEAD SCREW CAB						
	70	1	4327093	1	DOOR						
	71	1	1464641	3	HINGE						
	72	1	1461756	1	LOCK						

OPERATOR STATION

4791663 OPERATOR'S CAB (contd.)

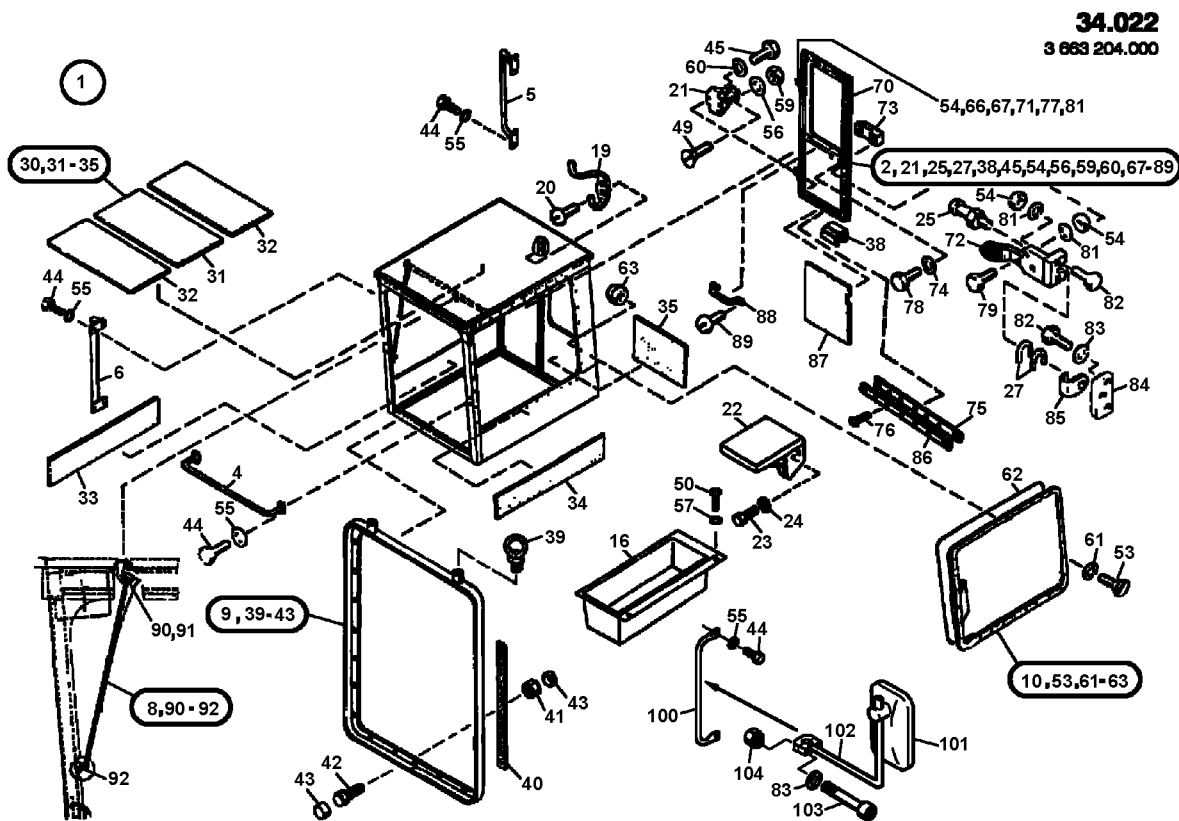
NPL00337712

NOTE	REF NO	GRAPHIC REF	PART NUMBER	QTY	PART NAME						SEE PAGE
					1	2	3	4	5	6 (PRODUCT LEVEL)	
	73	1	1612291	1	HANDLE						
	74	1	1461712	3	WASHER						
	75	1	1459490	0.65	PROFILE						
	76	1	1458420	7	SELF-TAPPING SCREW						
	77	1	1522467	6	SCREW, COUNTER-SUNK						
	78	1	1521625	3	SCREW, HEX HEAD CAP						
	79	1	1458496	2	SCREW						
	81	1	1522072	10	WASHER, LOCK, M8						
	82	1	1522171	4	SCREW, HEX						
	83	1	1521851	4	WASHER						
	84	1	1467995	1	CLAMP						
	85	1	1456501	1	STRAP						
	86	1	4018793	1	STRIP CAB DOOR						
	87	1	4018794	1	PANELLING CAB						
	88	1	1465081	1	HANDLE						
	89	1	4101406	2	SELF-TAPPING SCREW DIN 7982-ST4, 8X16-A2B						
	90	1	1458428	2	SCREW						
	91	1	1520664	2	WASHER						
	92	1	1522787	2	COUNTER-SUNK SCREW						
	100	1	4810551	2	HANDLE						
	101	1	1461507	1	MIRROR						
	102	1	4557639	1	BRACKET						
	103	1	1467195	2	CYL. HD. SCREW						
	104	1	1485067	2	NUT, LOCK, M6X1.0, CL8.8						
			1467719	2	CLIP RH400 BLIND						
					NOT SHOWN						
			4780463	1	PIPE						
					NOT SHOWN						
			1467434	4	SCREW, COUNTER-SUNK						
					NOT SHOWN						

OPERATOR STATION

4791663 OPERATOR'S CAB (contd.)

NPL00337712



GRAPHIC #1

<END>

NG00073645

OPERATOR STATION

4791667 AIR CONDITION

S/N: 15345-15345

SMCS -

NPL00337757

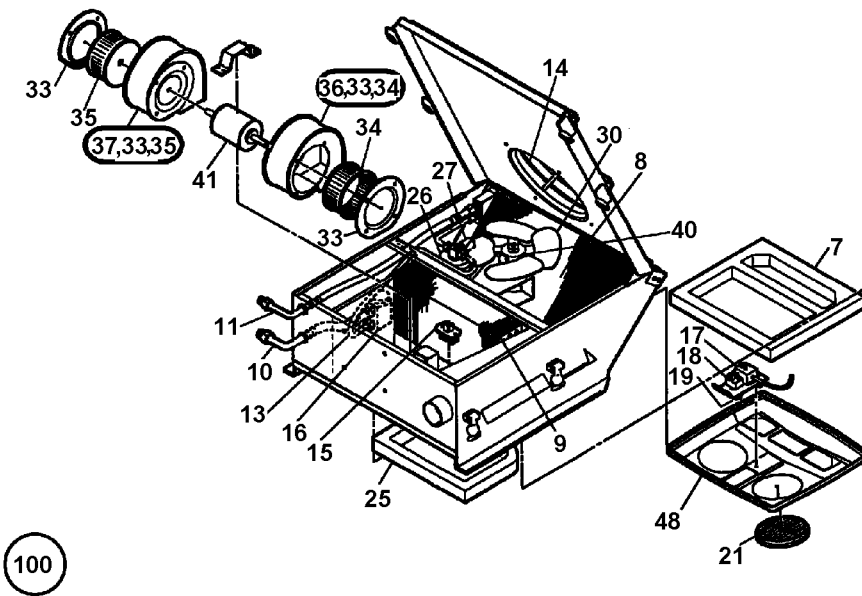
NOTE	REF NO	GRAPHIC REF	PART NUMBER	QTY	PART NAME						SEE PAGE
					1	2	3	4	5	6 (PRODUCT LEVEL)	
	7	1	4214013	1	SEAL						
	8	1	4017553	1	HEAT EXCHANGER						
	9	1	4017554	1	HEAT EXCHANGER						
	10	1	4017555	1	HOSE						
	11	1	4017556	1	HOSE						
	13	1	4017557	1	PIPE						
	14	1	4804911	1	GRID						
	15	1	4017558	1	ELEMENT RESISTANCE HYDRAULIC CYLINDER						
	16	1	4017559	1	VALVE						
	17	1	4017567	1	THERMOSTAT .						
	18	1	4017568	1	SWITCH ELECTRICAL HYDRAULIC CYLINDER						
	19	1	4017569	1	BUTTON						
	21	1	4017570	1	INJECTOR						
	25	1	4214015	1	SEALING RING						
	26	1	4017571	1	FILTER ELEMENT HYDRAULIC CYLINDER						
	27	1	4017572	1	PRESSUR.SWITCH						
	30	1	4017573	1	FAN						
	33	1	4214016	2	RING						
	34	1	4214017	1	BLOWER WHEEL						
	35	1	4214018	1	BLOWER WHEEL						
	36	1	4214019	1	BLOWER						
	37	1	4214020	1	BLOWER						
	40	1	1668540	1	CONDENSER MOTOR						
	41	1	4017574	1	BLOWER MOTOR .						
	48	1	4017575	1	FILTER						
	100	1	4022642	1	AIR CONDITION						

OPERATOR STATION

4791667 AIR CONDITION (contd.)

NPL00337757

27.402
3 663 208.000



GRAPHIC #1

<END>

NG00075085

OPERATOR STATION

4791668 INSTALLATION MATERIAL-WASHER SYSTEM

S/N: 15345-15345

SMCS -

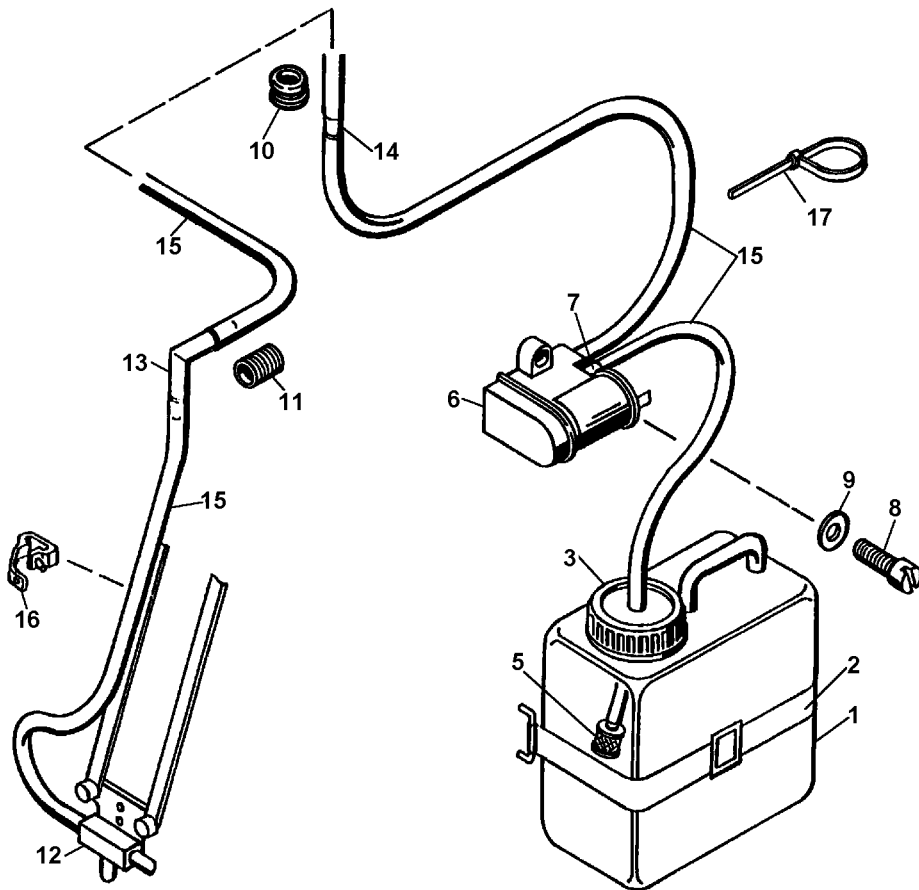
NPL00337715

NOTE	REF NO	GRAPHIC REF	PART NUMBER	QTY	PART NAME						SEE PAGE
					1	2	3	4	5	6 (PRODUCT LEVEL)	
	1	1	1525250	1	CONTAINER						
	2	1	1525252	1	BELT						
	3	1	1525251	1	RING - SCREWED RING						
	5	1	1525254	1	VALVE						
	6	1	1525249	1	PUMP, WATER, GEAR						
	7	1	1525258	1	VALVE						
	8	1	1522764	4	SCR, SLOT, M4X0.7X12						
	9	1	1525231	4	WASHER, LOCK						
	10	1	4041676	1	NOZZLE						
	11	1	1455734	1	TUBE FITTING						
	12	1	1461370	1	NOZZLE						
	13	1	1525256	1	SOCKET/ADAPTER						
	14	1	1525253	1	CONNECTION						
	15	1	1525257	8.5	HOSE						
	16	1	1469741	3	ARM CLAMP						
	17	1	1616852	4	CABLE CONNECTOR						

OPERATOR STATION

4791668 INSTALLATION MATERIAL-WASHER SYSTEM (contd.)

NPL00337715



34.640

3 663 209.001

GRAPHIC #1

<END>

NG00073765

OPERATOR STATION

4791719 CAB HEATING

S/N: 15345-15345

SMCS -

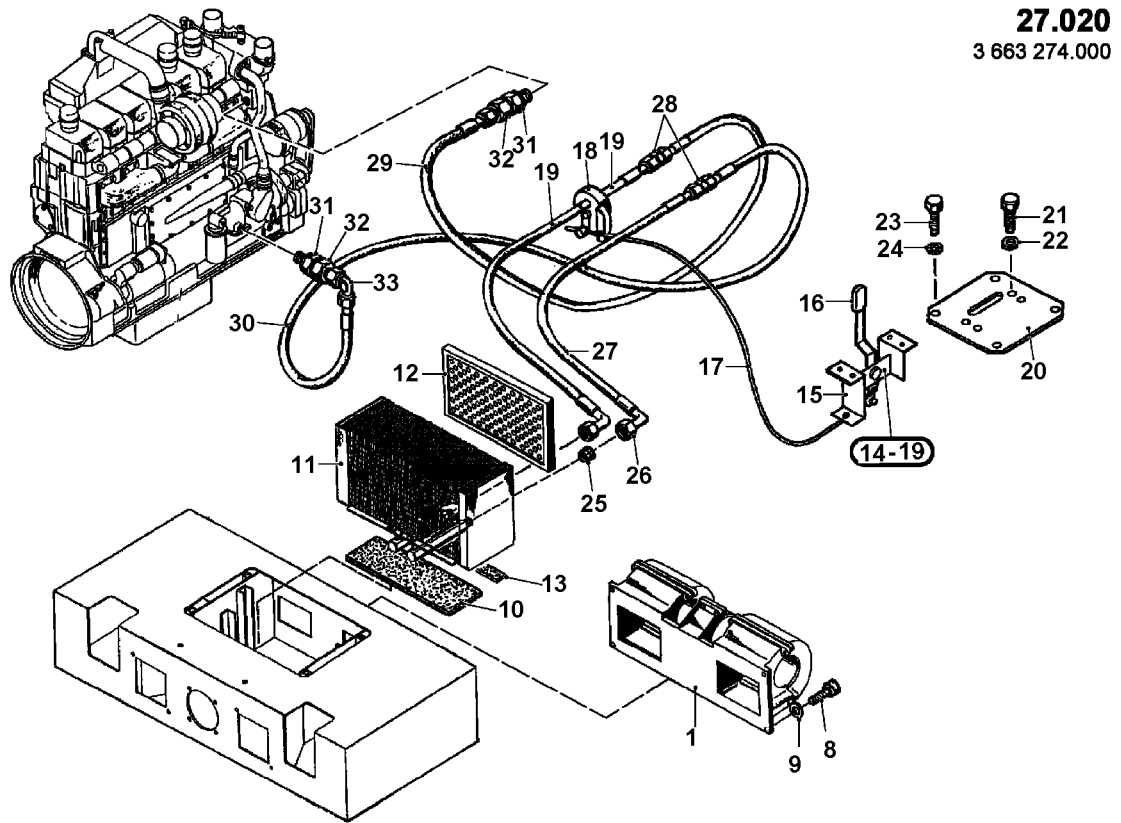
NPL00337721

NOTE	REF NO	GRAPHIC REF	PART NUMBER	QTY	PART NAME						SEE PAGE
					1	2	3	4	5	6 (PRODUCT LEVEL)	
	1	1	1469310	1	BLOWER						
	8	1	1458461	5	SCREW						
	9	1	1461712	5	WASHER						
	10	1	4015441	1	PLATE						
	11	1	4021516	1	OIL COOLER						
	12	1	1466326	1	FILTER						
	13	1	4013731	0.16	PROFILE						
	14	1	4021283	1	REGULATION						
	15	1	4804787	1	CONTROL ELEMENT						
	16	1	4017253	1	BUTTON						
	17	1	4213521	1	CONTROL CABLE						
	18	1	4017254	1	VALVE						
	19	1	4017252	1	HOSE						
	20	1	4021372	1	PLATE						
	21	1	1522162	4	SCREW, CYLINDER HEAD						
	22	1	1520664	4	WASHER						
	23	1	1525764	4	CYL.HEAD SCREW						
	24	1	1591048	4	WASHER, FLAT						
	25	1	1467265	1	CUTTING RING 15L						
	26	1	1523981	1	NUT						
	27	1	4015655	1	HOSE						
	28	1	1523306	2	UNION,BULKHEAD,L15						
	29	1	4015684	1	HOSE						
	30	1	4015684	1	HOSE						
	31	1	4028113	2	TUBE FITTING						
	32	1	4028071	2	FITTING, TUBE						
	33	1	1455678	1	FITTING						

OPERATOR STATION

4791719 CAB HEATING (contd.)

NPL00337721



GRAPHIC #1

<END>

NG00073885

OPERATOR STATION

4797259 FOPS

S/N: 15345-15345

SMCS -

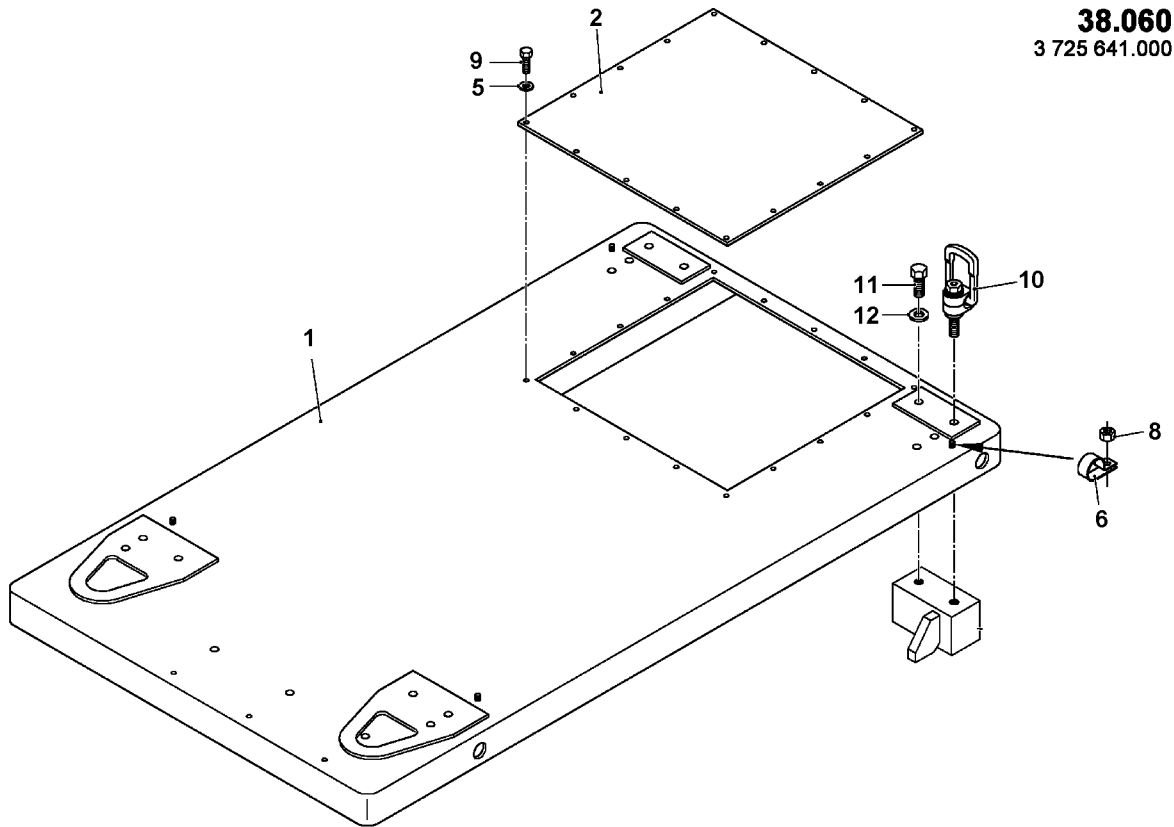
NPL00337716

NOTE	REF NO	GRAPHIC REF	PART NUMBER	QTY	PART NAME						SEE PAGE
					1	2	3	4	5	6 (PRODUCT LEVEL)	
	1	1	4781965	1	FOPS						
	2	1	4780548	1	PLATE						
	5	1	1520572	16	WASHER						
	6	1	1467807	4	CLAMP, HOSE						
	8	1	1519520	4	NUT, HEX						
	9	1	1520669	16	HEX HEAD SCREW						
	10	1	4213940	4	LOAD STAND						
	11	1	1519382	4	SCREW, HEX HEAD						
	12	1	4024533	4	DISK/WASHER						

OPERATOR STATION

4797259 FOPS (contd.)

NPL00337716



38.060
3 725 641.000

GRAPHIC #1

<END>

NG00073825

OPERATOR STATION

4797260 OPERATOR'S CAB

S/N: 15345-15345

SMCS -

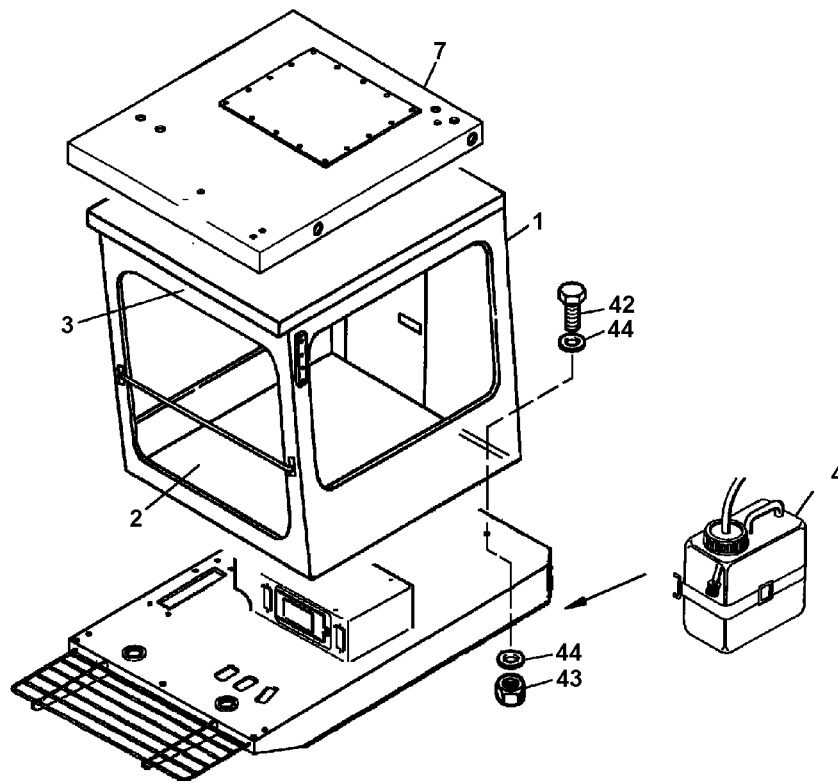
NPL00337717

NOTE	REF NO	GRAPHIC REF	PART NUMBER	QTY	PART NAME	SEE PAGE
					1 2 3 4 5 6 (PRODUCT LEVEL)	
	1	1	4791663	1	OPERATOR'S CAB	211
	2	1	4791662	1	GLAZING, OPERATOR'S CAB	209
	3	1	4791661	1	WINDSCREEN WIPER, PARTS FOR INSTALL.	207
	4	1	4791668	1	INSTALLATION MATERIAL-WASHER SYSTEM	216
	7	1	4797259	1	FOPS	220
	42	1	1520966	7	SCREW, HEX	
	43	1	4014219	7	NUT, LOCKING	
	44	1	4022229	14	WASHER, RETAINING	

OPERATOR STATION

4797260 OPERATOR'S CAB (contd.)

NPL00337717



34.020
3 725 642.000

GRAPHIC #1

<END>

NG00073585

OPERATOR STATION

4797343 RAILINGS

S/N: 15345-15345

SMCS -

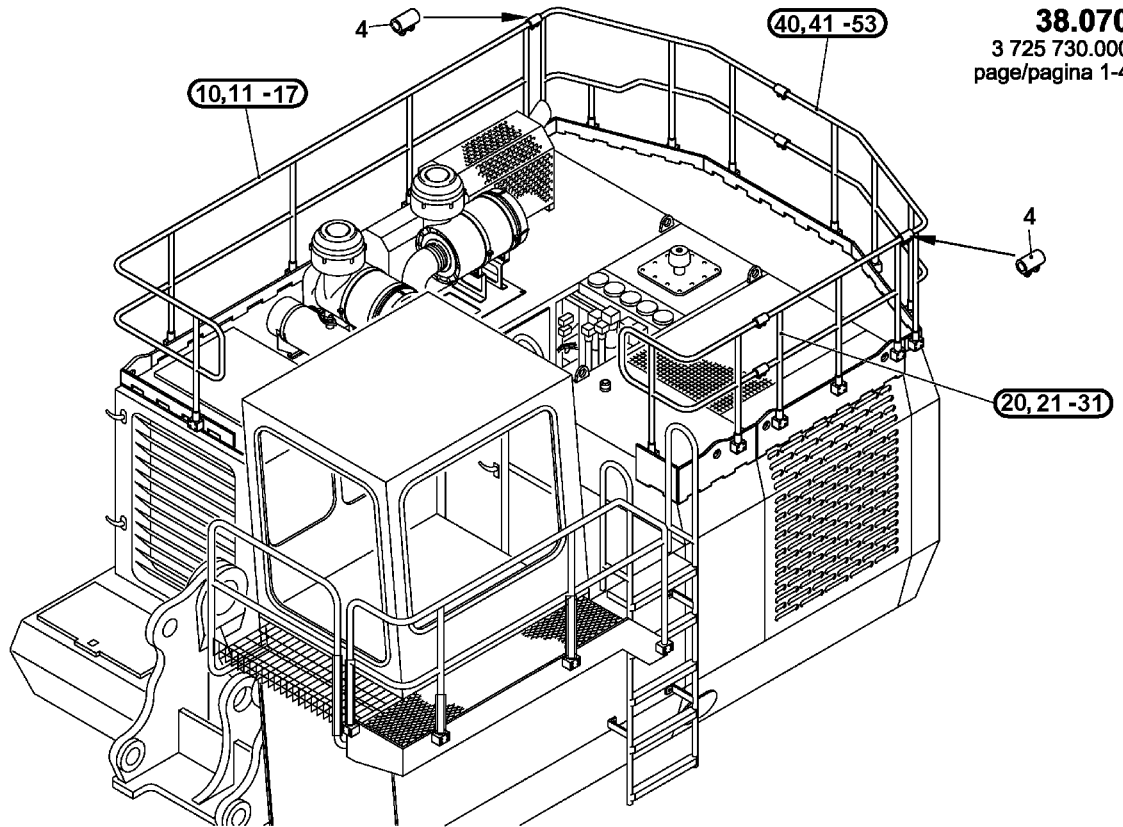
NPL00337755

NOTE	REF NO	GRAPHIC REF	PART NUMBER	QTY	PART NAME						SEE PAGE
					1	2	3	4	5	6 (PRODUCT LEVEL)	
	4	1	1519547	2	SOCKET						
	10	1,2	4595763	1	RAILINGS						
	11	2	4781468	1	RAILINGS						
	12	2	4780934	1	STRIP						
	13	2	1522248	5	CLIP ASSEMBLY						
	14	2	1520774	5	PLATE, WELDING						
	15	2	1520772	2	CLAMP, HOSE						
	16	2	1520775	1	PLATE, COVER						
	17	2	1522249	4	HEX.HD.SCREW						
	20	1,3	4595764	1	RAILINGS						
	21	3	4781467	1	RAILINGS						
	22	3	4781466	1	RAILINGS						
	23	3	4600859	1	SKIRTING						
	24	3	4600949	1	SKIRTING						
	25	3	4600987	1	SKIRTING						
	26	3	1522248	5	CLIP ASSEMBLY						
	27	3	1520774	5	PLATE, WELDING						
	28	3	1519547	2	SOCKET						
	29	3	1520772	2	CLAMP, HOSE						
	30	3	1520775	1	PLATE, COVER						
	31	3	1522249	4	HEX.HD.SCREW						
	40	1,3	4595765	1	RAILINGS						
	41	3	4781714	1	GELAENDER (RH)						
	42	3	4781715	1	GELAENDER (LH)						
	43	3	4781465	1	PLATE						
	44	3	4781464	1	SKIRTING						
	45	3	4781463	1	SKIRTING						
	46	3	4781462	1	SKIRTING						
	47	3	4781461	1	PLATE						
	48	3	1522248	8	CLIP ASSEMBLY						
	49	3	1520774	8	PLATE, WELDING						
	51	3	1520772	2	CLAMP, HOSE						
	52	3	1520775	1	PLATE, COVER						
	53	3	1522249	4	HEX.HD.SCREW						

OPERATOR STATION

4797343 RAILINGS (contd.)

NPL00337755



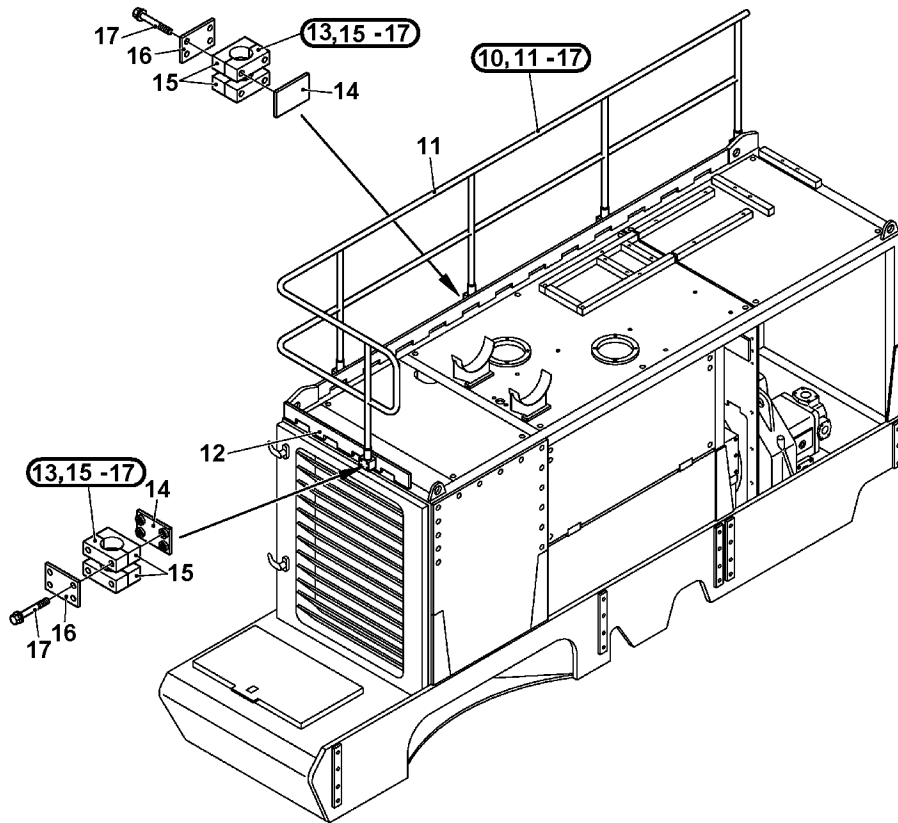
GRAPHIC #1

NG00074865

OPERATOR STATION

4797343 RAILINGS (contd.)

NPL00337755



38.070
3 725 730.000
page/pagina 2-4

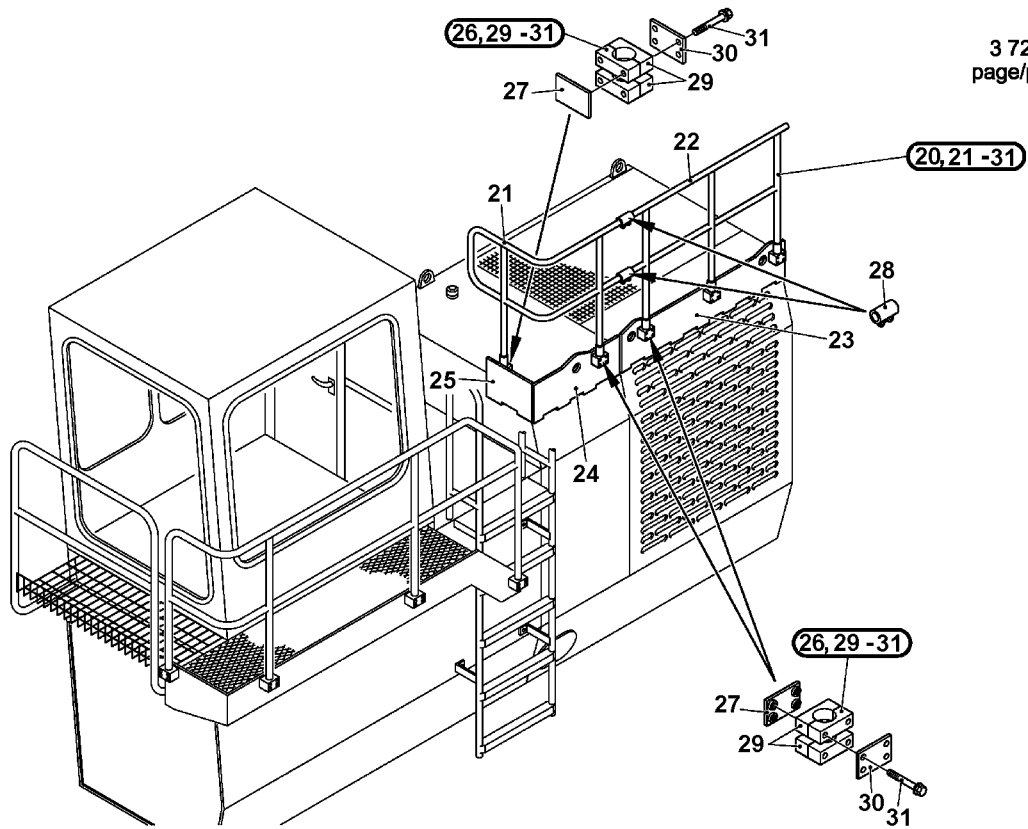
GRAPHIC #2

NG00074885

OPERATOR STATION

4797343 RAILINGS (contd.)

NPL00337755



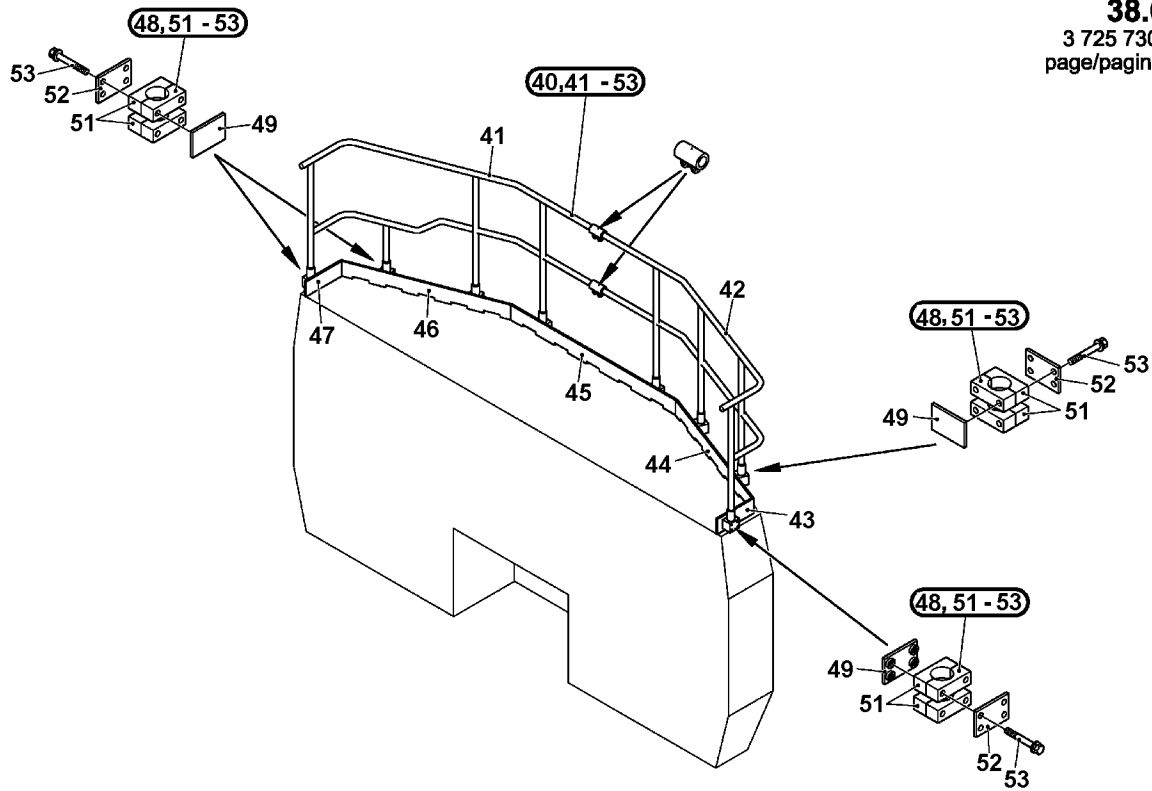
GRAPHIC #3

NG00074905

OPERATOR STATION

4797343 RAILINGS (contd.)

NPL00337755



38.070
3 725 730.000
page/pagina 4-4

GRAPHIC #4

<END>

NG00074965

OPERATOR STATION

4797417 CAB MODULE

S/N: 15345-15345

SMCS -

NPL00337724

NOTE	REF NO	GRAPHIC REF	PART NUMBER	QTY	PART NAME						SEE PAGE
					1	2	3	4	5	6 (PRODUCT LEVEL)	
	1	1	4604978	1	PLATFORM						
	2	1	4021213	1	SAFETY GRILL						
	3	1	1520454	1	GRILL, SAFETY						
	4	1	4605835	1	SAFETY GRILL						
	5	1	1519569	3	STRIP						
	6	1	1523749	2	PLATE						
	7	1	1519569	2	STRIP						
	8	1	1517707	7	WASHER						
	9	1	1519402	7	SCREW, HEX HEAD						
	10	1	4021500	1	RAILINGS						
	11	1	1520776	5	CLIP ASSEMBLY						
	12	1	1520774	5	PLATE, WELDING						
	13	1	1467786	10	BODY, CLAMP						
	14	1	1520775	5	PLATE, COVER						
	15	1	1520431	20	SCREW, HEX HEAD						
	16	1	1522207	8	SCREW, HEX HEAD						
	17	1	1456938	8	SPACER						
	18	1	1521234	4	SCREW, HEX HEAD						
	19	1	1519060	4	WASHER						
	20	1	1519059	4	NUT, FULL						
	21	1	4022637	1	LADDER						
	22	1	4021753	1	BRACKET						
	23	1	4021754	1	BRACKET						
	24	1	1461446	2	MOUNT						
	25	1	4021752	6	SHIM						
	26	1	1519401	4	SCREW, HEX HEAD						
	27	1	1521238	2	SCREW, HEX HEAD						
	30	2	4235473	1	ARRESTOR ASSEMBLY						
	31	2	4780401	1	DOOR						
	32	2	4780443	1	LID						
	33	2	1520689	3	WASHER						
	34	2	1519674	7	SCREW, HEX						
	35	2	4021190	1	GRID						
	36	2	1467161	4	CYL.HEAD SCREW						
	37	2	1523196	4	WASHER						
	43	2	4021498	1	SAFETY GRILL						
	44	2	1519569	2	STRIP						
	45	2	1517707	2	WASHER						
	46	2	1519402	2	SCREW, HEX HEAD						
	47	2	4023920	4	SLEEVE						
	48	2	1521541	4	HEX.HD.SCREW						

OPERATOR STATION

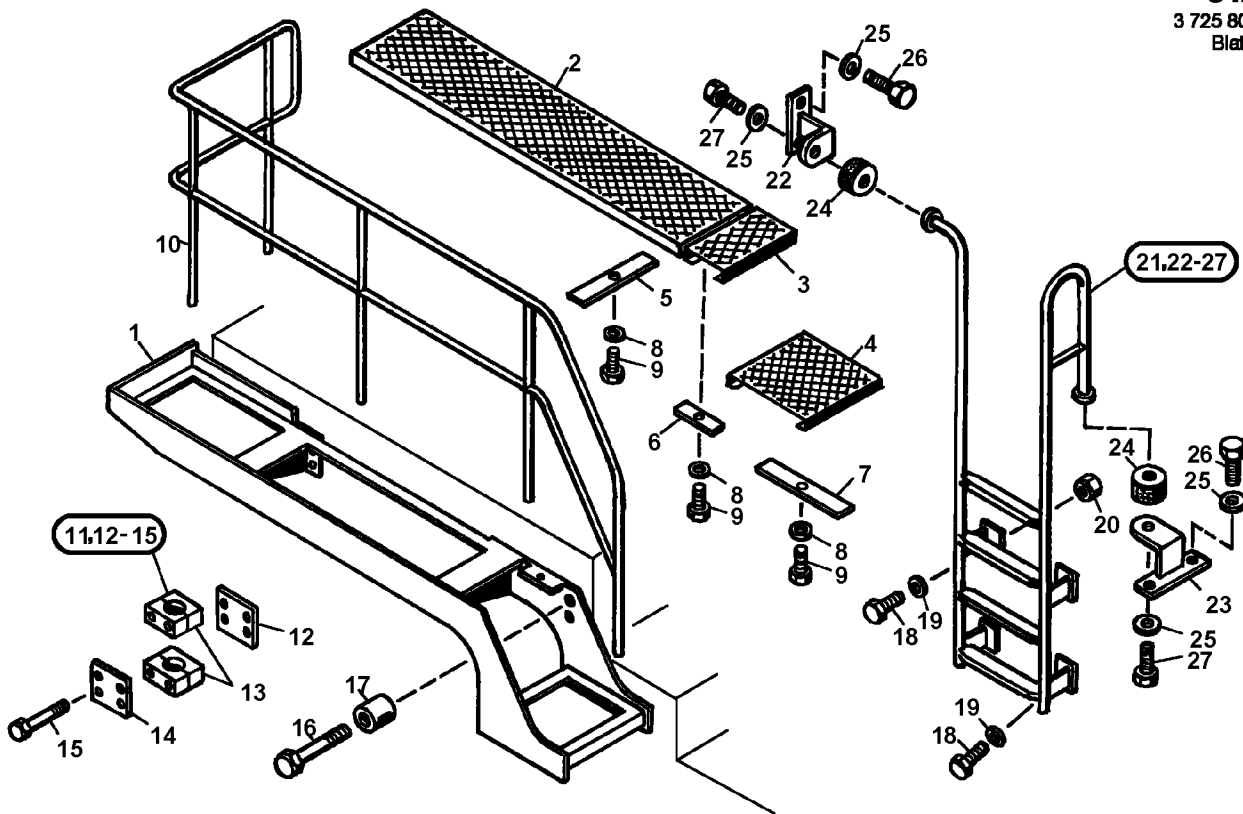
4797417 CAB MODULE (contd.)

NPL00337724

34.012

3 725 807.000

Blatt 1 - 2



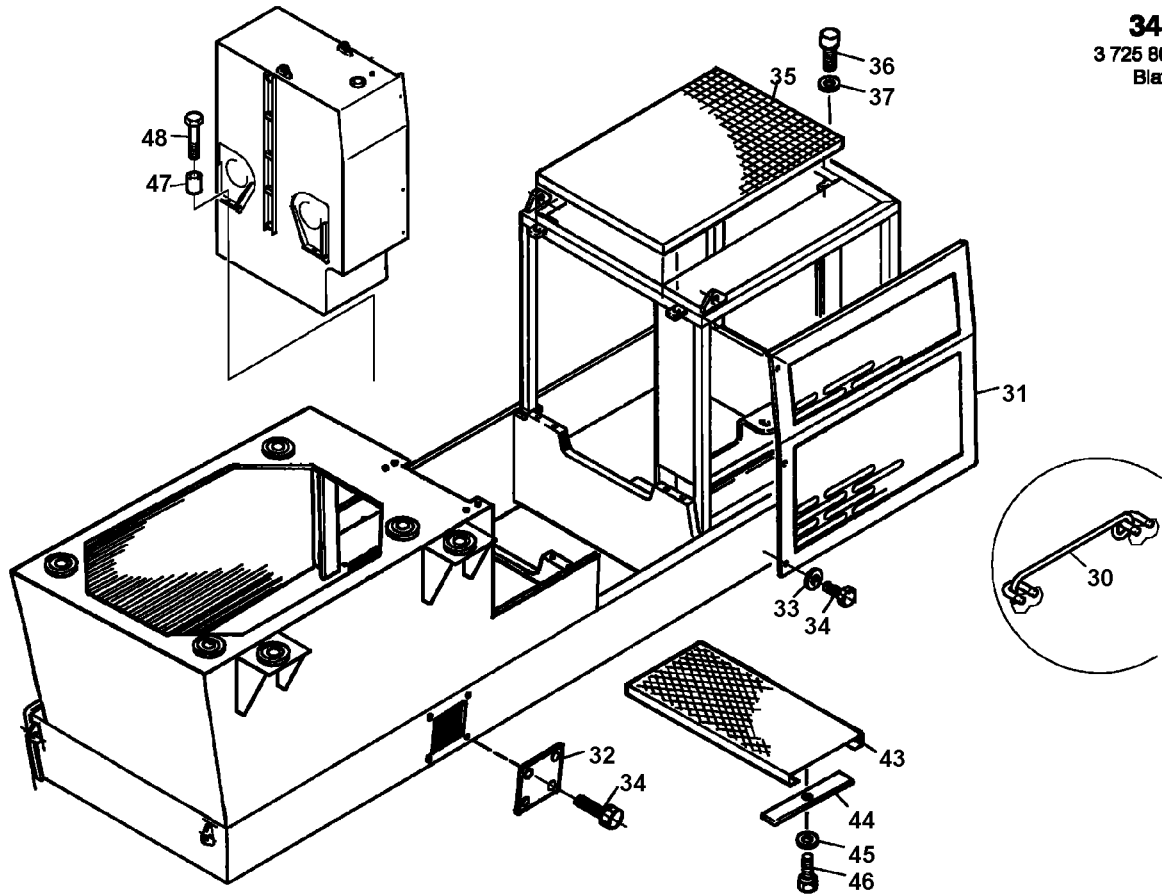
GRAPHIC #1

NG00054125

OPERATOR STATION

4797417 CAB MODULE (contd.)

NPL00337724



34.012

3 725 807.000
Blatt 2 - 2

GRAPHIC #2

<END>

NG00054126

OPERATOR STATION

4797445 AIR CONDITION

S/N: 15345-15345

SMCS-

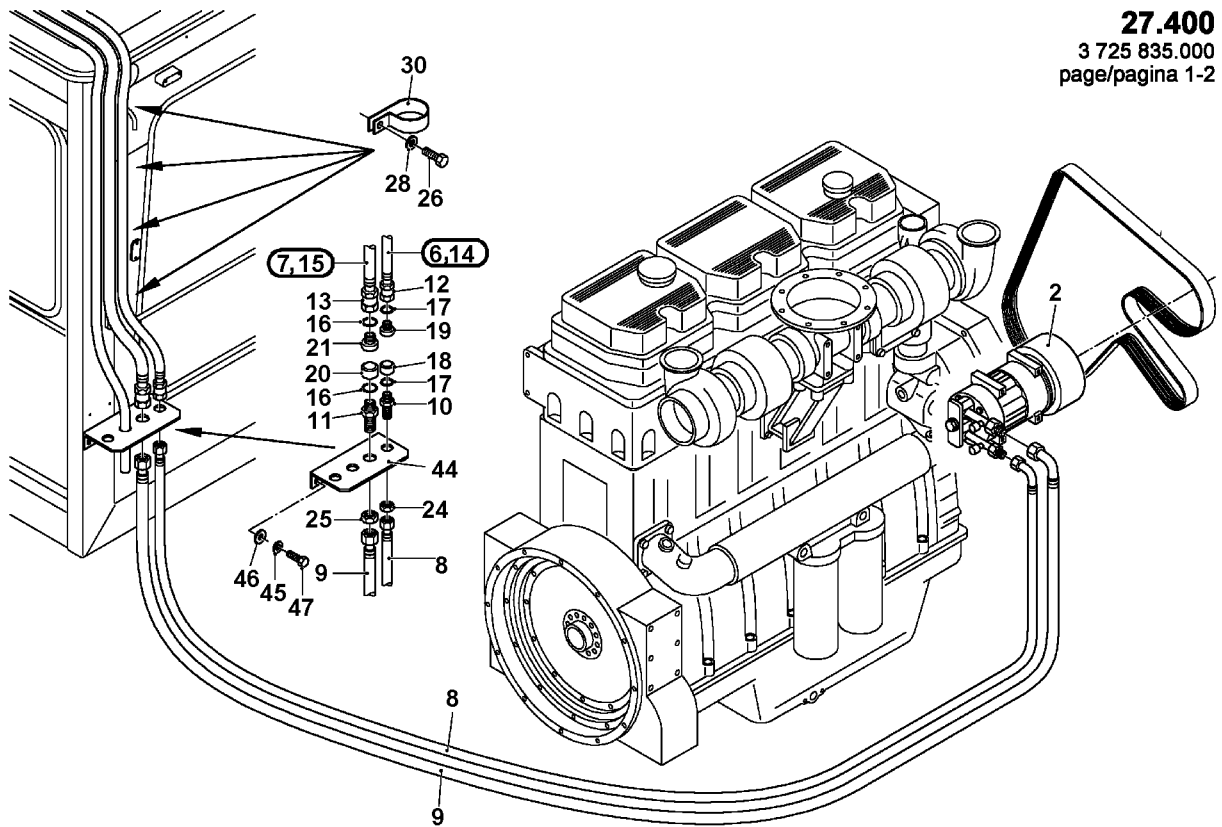
NPL00337758

NOTE	REF NO	GRAPHIC REF	PART NUMBER	QTY	PART NAME						SEE PAGE
					1	2	3	4	5	6 (PRODUCT LEVEL)	
	1	2	4791667	1	AIR CONDITION						214
	2	1	4619880	1	AIR CONDITION COMPRESSOR						
	6	1,2	4021745	1	HOSE						
	7	1,2	4021746	1	HOSE						
	8	1	4026145	1	HOSE						
	9	1	4026146	1	HOSE						
	10	1	1467406	1	COUPLING/CLUTCH						
	11	1	1467407	1	CPLG,QDISC, .75,PLUG						
	12	1	1467408	1	COUPLING/CLUTCH						
	13	1	1467409	1	CPLG,QDISC, .75,SKT						
	14	1,2	4028126	2	O-RING						
	15	1,2	4021014	2	O-RING						
	16	1	1461046	2	ORING,1.06IDX1.180DX.06THK						
	17	1	1461045	2	O-RING						
	18	1	1468256	1	CAP						
	19	1	1459615	1	PROTECTIVE PLUG						
	20	1	1468257	1	CAP						
	21	1	1459616	1	PROTECTIVE PLUG						
	24	1	4015285	1	NUT						
	25	1	4015286	1	NUT,JAM,1.44-16,UN						
	26	1,2	1523574	7	SCREW, HEX						
	28	1,2	1523298	7	WASHER, FENDER						
	30	1,2	1523592	7	CLAMP, HOSE						
	32	2	4028116	1	SOCKET						
	33	2	1521062	0.7	HOSE						
	34	2	1521062	0.30	HOSE						
	35	2	1521062	3.20	HOSE						
	36	2	1519401	6	SCREW, HEX HEAD						
	37	2	1520455	6	WASHER						
	38	2	4600983	1	BONNET						
	39	2	4600980	1	STRIP						
	40	2	4600982	1	STRIP						
	41	2	1520433	6	SLEEVE						
	42	2	1464931	6	SCREW, HEX HEAD						
	43	2	4022751	1	LID						
	44	1	4538350	1	BRACKET						
	45	1	1521851	2	WASHER						
	46	1	1523196	2	WASHER						
	47	1	1522261	2	SCREW, HEX						

OPERATOR STATION

4797445 AIR CONDITION (contd.)

NPL00337758



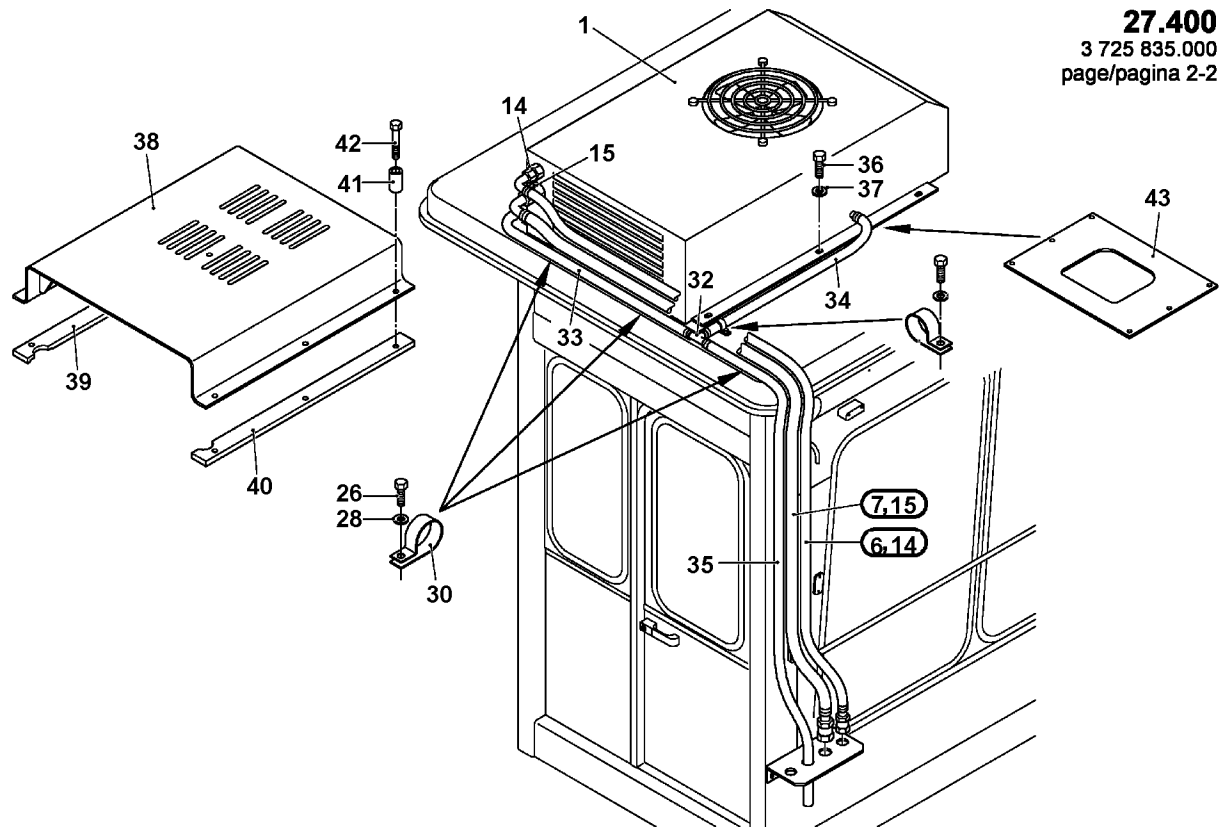
GRAPHIC #1

NG00075045

OPERATOR STATION

4797445 AIR CONDITION (contd.)

NPL00337758



GRAPHIC #2

<END>

NG00075065

OPERATOR STATION

4797478 SEAT

S/N: 15345-15345

SMCS -

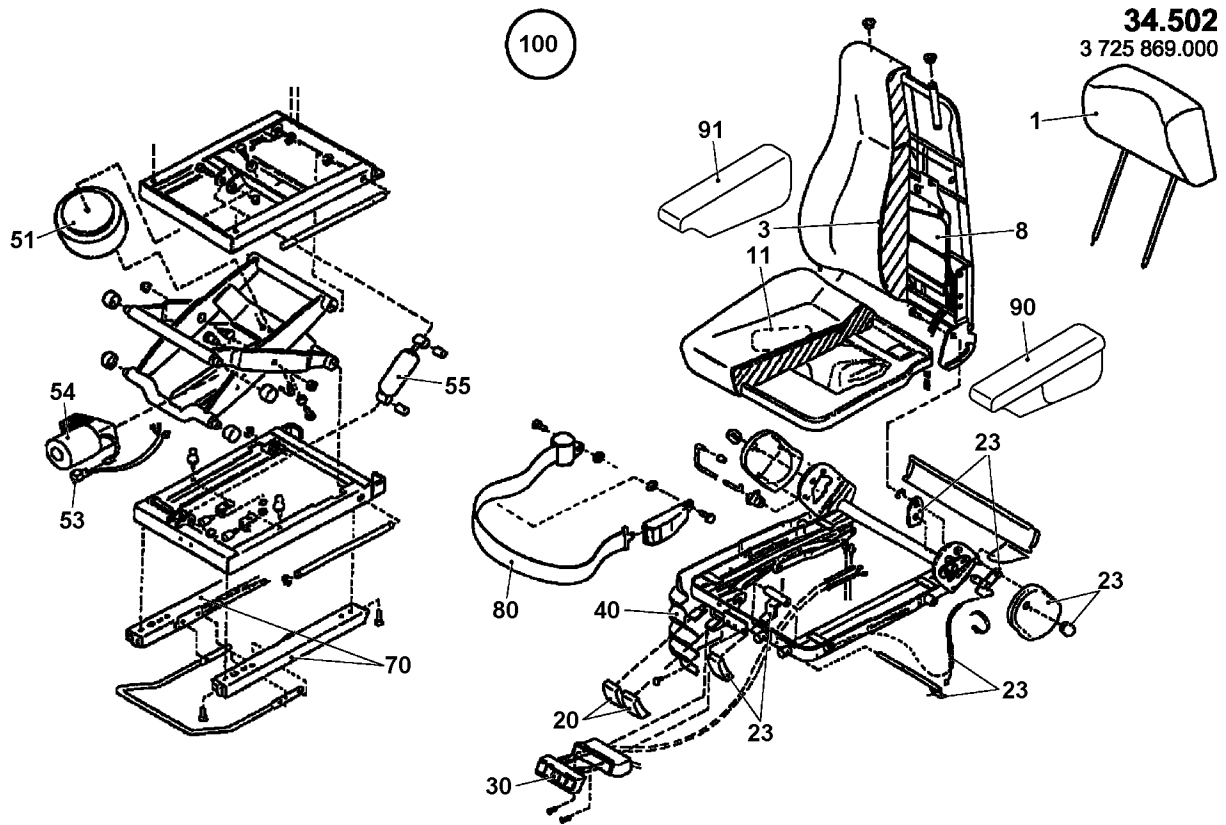
NPL00337720

NOTE	REF NO	GRAPHIC REF	PART NUMBER	QTY	PART NAME						SEE PAGE
					1	2	3	4	5	6 (PRODUCT LEVEL)	
	1	1	4592061	1	HEAD REST						
	3	1	4804897	1	HEATING ELEMENT						
	8	1	4804899	1	SUPPORT						
	11	1	4027086	1	SWITCH OPERATORS SEAT						
	20	1	4804905	1	HANDLE						
	23	1	4214011	1	LOCK LEVER						
	30	1	4804906	1	VALVE INSTALLATION						
	40	1	4592034	1	BELLOWS						
	51	1	4592033	1	AIR SUSPENSION						
	53	1	4028149	1	RELAY OPERATORS SEAT						
	54	1	1467655	1	COMPRESSOR						
	55	1	4592032	1	SHOCK ABSORBER						
	70	1	4592031	1	RAIL						
	80	1	4592030	1	SAFETY BELT						
	90	1	4017082	1	ARM REST LEFT HAND OPERATORS SEAT						
	91	1	4804705	1	ARM REST, RIGHT						
	100	1	4503837	1	OPERATOR'S SEAT						

OPERATOR STATION

4797478 SEAT (contd.)

NPL00337720



GRAPHIC #1

<END>

NG00076685

OPERATOR STATION

4797485 PLATFORM PLATE

S/N: 15345-15345

SMCS -

NPL00337722

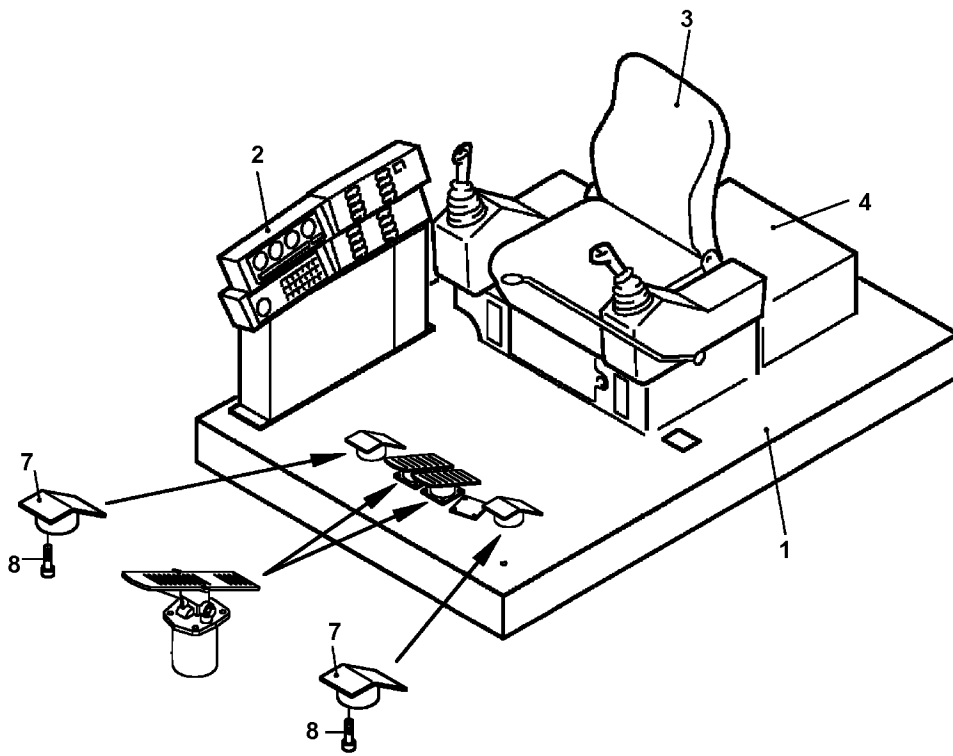
NOTE	REF NO	GRAPHIC REF	PART NUMBER	QTY	PART NAME	SEE PAGE
					1 2 3 4 5 6 (PRODUCT LEVEL)	
	1	1	4791660	1	PLATFORM PLATE, MOUNTING PARTS	204
	2	1	4797493	1	CONTROL COLUMN	243
	3	1	4797478	1	SEAT	235
	4	1	4791719	1	CAB HEATING	218
	7	1	1522348	2	BRACKET	
	8	1	1522349	4	SCREW, CYLINDER HEAD	

OPERATOR STATION

4797485 PLATFORM PLATE (contd.)

NPL00337722

34.100
3 725 876.000



GRAPHIC #1

<END>

NG00077245

OPERATOR STATION

4797486 CAB MODULE

S/N: 15345-15345

SMCS -

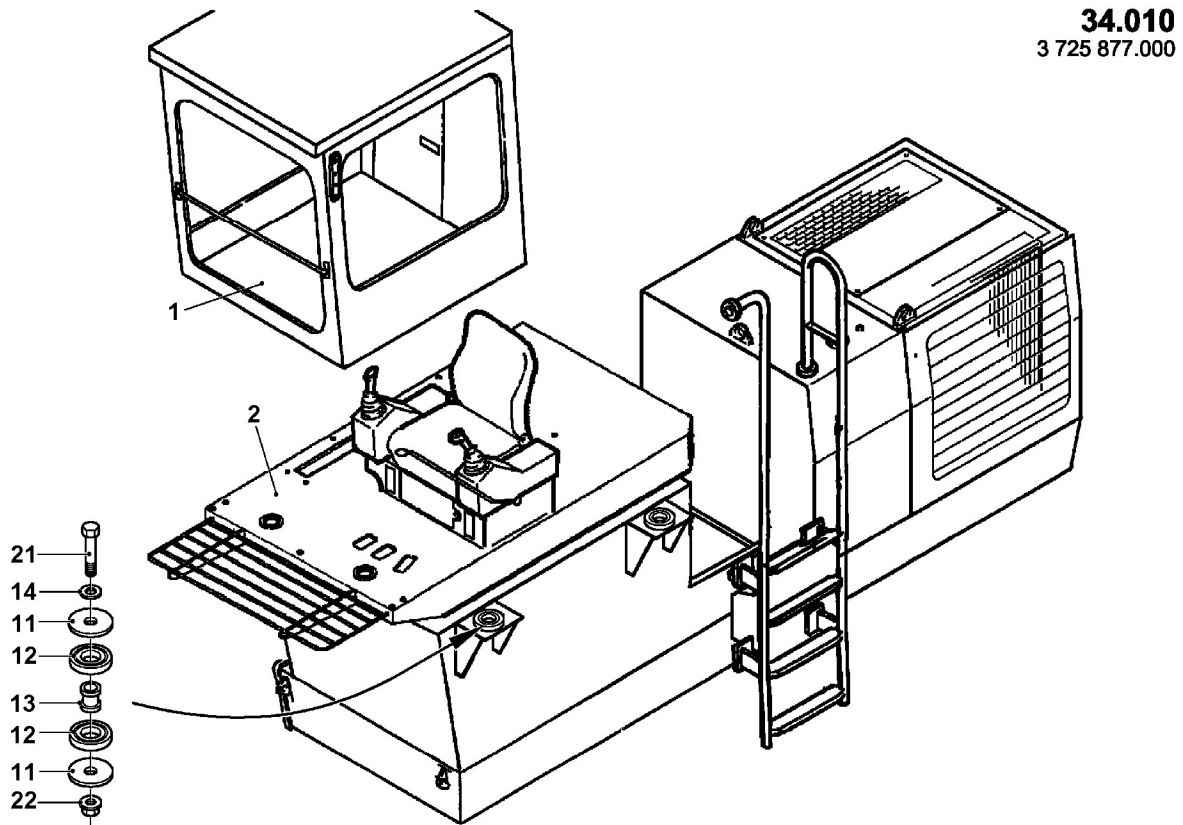
NPL00337723

NOTE	REF NO	GRAPHIC REF	PART NUMBER	QTY	PART NAME	SEE PAGE
					1 2 3 4 5 6 (PRODUCT LEVEL)	
	1	1	4797260	1	OPERATOR'S CAB	222
	2	1	4797485	1	PLATFORM PLATE	237
	11	1	1466780	12	WASHER	
	12	1	1484717	12	WASHER	
	13	1	1457365	12	SLEEVE	
	14	1	1520727	12	WASHER	
	21	1	1521540	6	SCREW, HEX HEAD	
	22	1	1461683	6	LOCKING NUT	

OPERATOR STATION

4797486 CAB MODULE (contd.)

NPL00337723



GRAPHIC #1

<END>

NG00076585

OPERATOR STATION

4797487 CAB MODULE

S/N: 15345-15345

SMCS -

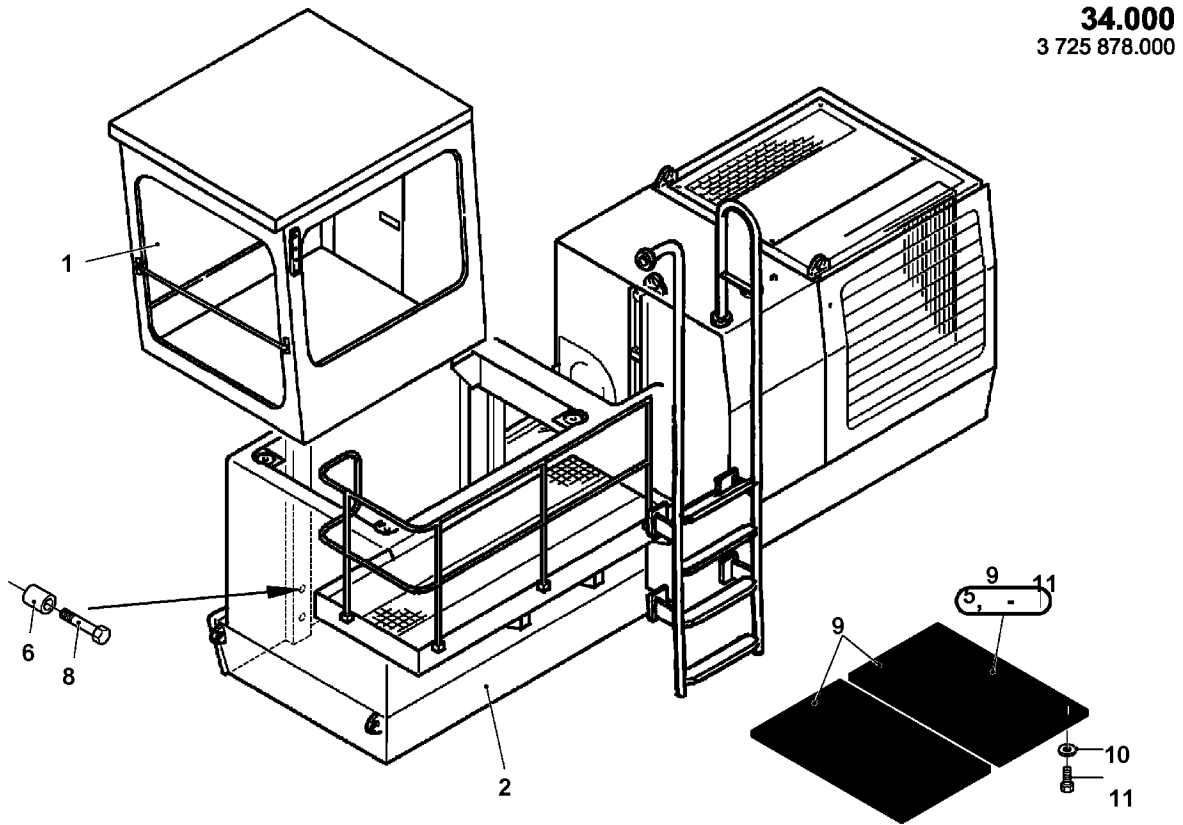
NPL00337727

NOTE	REF NO	GRAPHIC REF	PART NUMBER	QTY	PART NAME						SEE PAGE
					1	2	3	4	5	6 (PRODUCT LEVEL)	
	1	1	4797486	1	CAB MODULE						239
	2	1	4797417	1	CAB MODULE						229
	5	1	4600981	1	INSULATION						
	6	1	1457337	15	SLEEVE						
	8	1	1464810	15	SCREW, HEX HEAD						
	9	1	4021184	2	PLATE						
	10	1	1522241	4	WASHER						
	11	1	1523574	4	SCREW, HEX						
			4793577	1	INSTALLATION MATERIAL -HYDRAULIC OIL COOLING SYSTEM						123
NOT SHOWN											

OPERATOR STATION

4797487 CAB MODULE (contd.)

NPL00337727



GRAPHIC #1

<END>

NG00076545

OPERATOR STATION

4797493 CONTROL COLUMN

S/N: 15345-15345

SMCS -

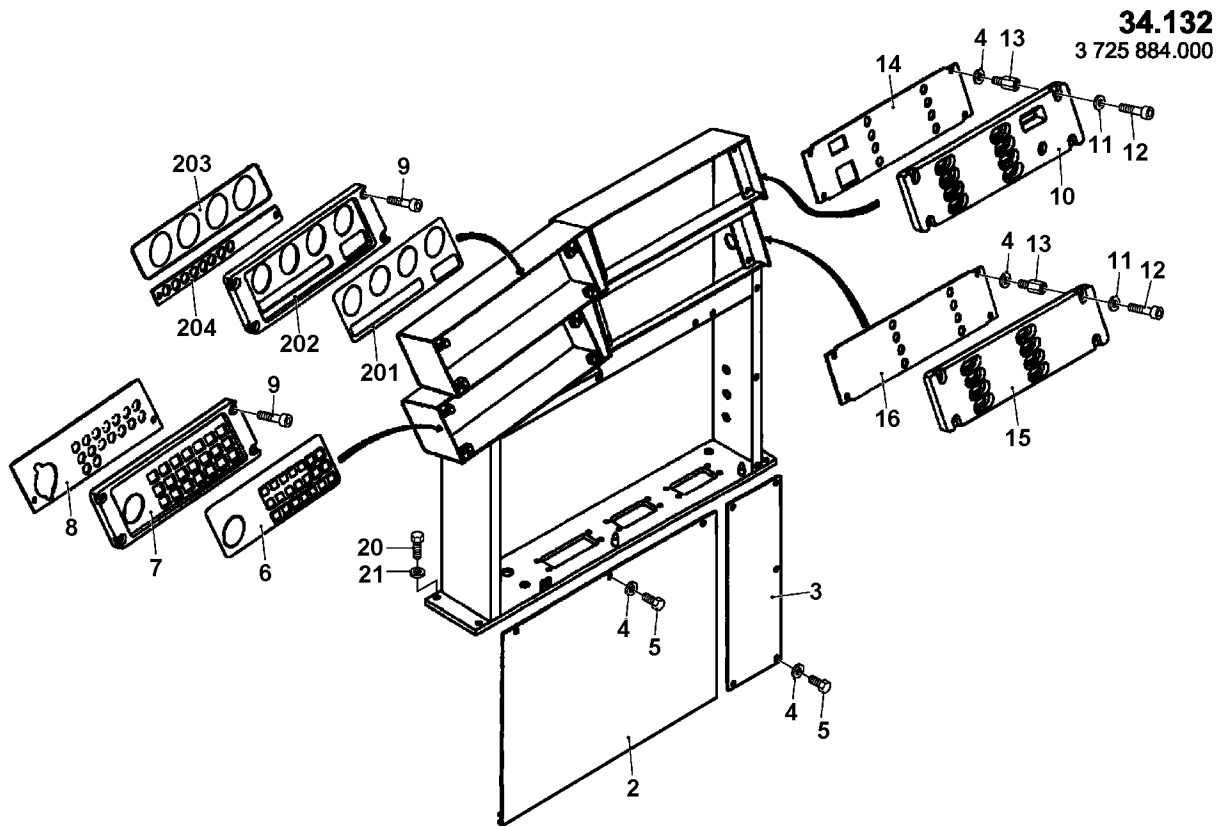
NPL00337719

NOTE	REF NO	GRAPHIC REF	PART NUMBER	QTY	PART NAME						SEE PAGE
					1	2	3	4	5	6 (PRODUCT LEVEL)	
	2	1	4785225	1	FRONT PLATE						
	3	1	4019150	1	BLIND						
	4	1	1461712	16	WASHER						
	5	1	1464924	8	SCR, HEX, M6X1.0X10MM, CL8.8						
	6	1	4602086	1	SUPPORT						
	7	1	4023502	1	LID CONTROL PANEL						
	8	1	4019380	1	PLATE CONTROL COLUMN						
	9	1	1458463	8	SCR, SOC, M5X0.8X20, CL8.8						
	10	1	4023537	1	PANELING						
	11	1	1521851	8	WASHER						
	12	1	4013844	8	SCREW, SOCKET						
	13	1	4019701	8	PIN CAB						
	14	1	4019808	1	BRACKET						
	15	1	4023536	1	PANELING						
	16	1	4019807	1	BRACKET						
	20	1	1521238	4	SCREW, HEX HEAD						
	21	1	1520455	4	WASHER						
	201	1	4564016	1	SUPPORT						
	202	1	4023850	1	LID CONTROL COLUMN						
	203	1	1459771	1	PLATE						
	304	1	4042201	1	STRIP						

OPERATOR STATION

4797493 CONTROL COLUMN (contd.)

NPL00337719



GRAPHIC #1

<END>

NG00077205

POWER TRAIN

4788746 COUPLING/CLUTCH

S/N: 15345-15345

SMCS -

NPL00337676

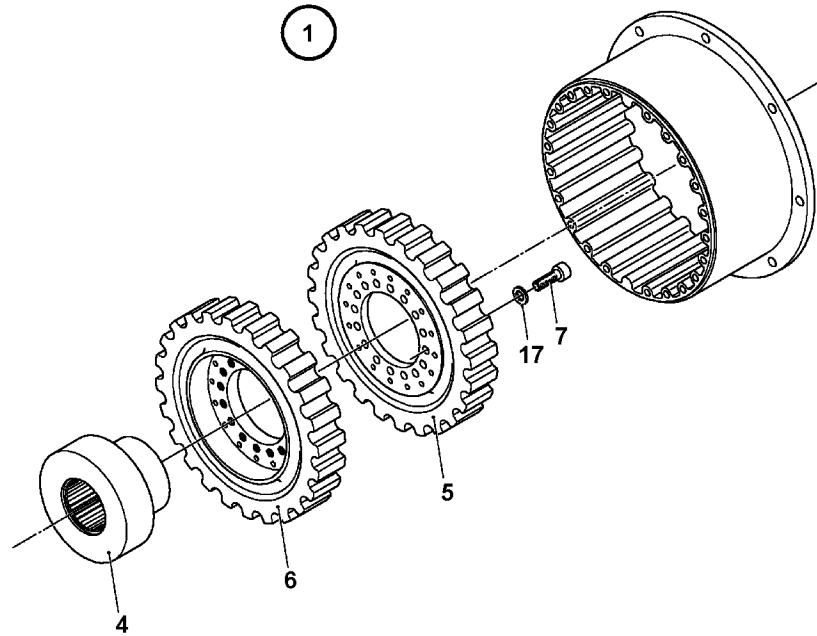
NOTE	REF NO	GRAPHIC REF	PART NUMBER	QTY	PART NAME						SEE PAGE
					1	2	3	4	5	6 (PRODUCT LEVEL)	
	1	1	1451625	1	CLUTCH, COUPLING						
	4	1	4017037	1	HUB ENGINE COUPLING						
	5	1	4398554	1	COUPLING ELEMENT						
	6	1	4398554	1	COUPLING ELEMENT						
	7	1	1469291	12	BOLT						
	17	1	1466711	12	WASHER						

POWER TRAIN

4788746 COUPLING/CLUTCH (contd.)

NPL00337676

17.102
2 803 887.000



GRAPHIC #1

<END>

NG00071565

POWER TRAIN

4791796 PUMP GEARBOX

S/N: 15345-15345

SMCS -

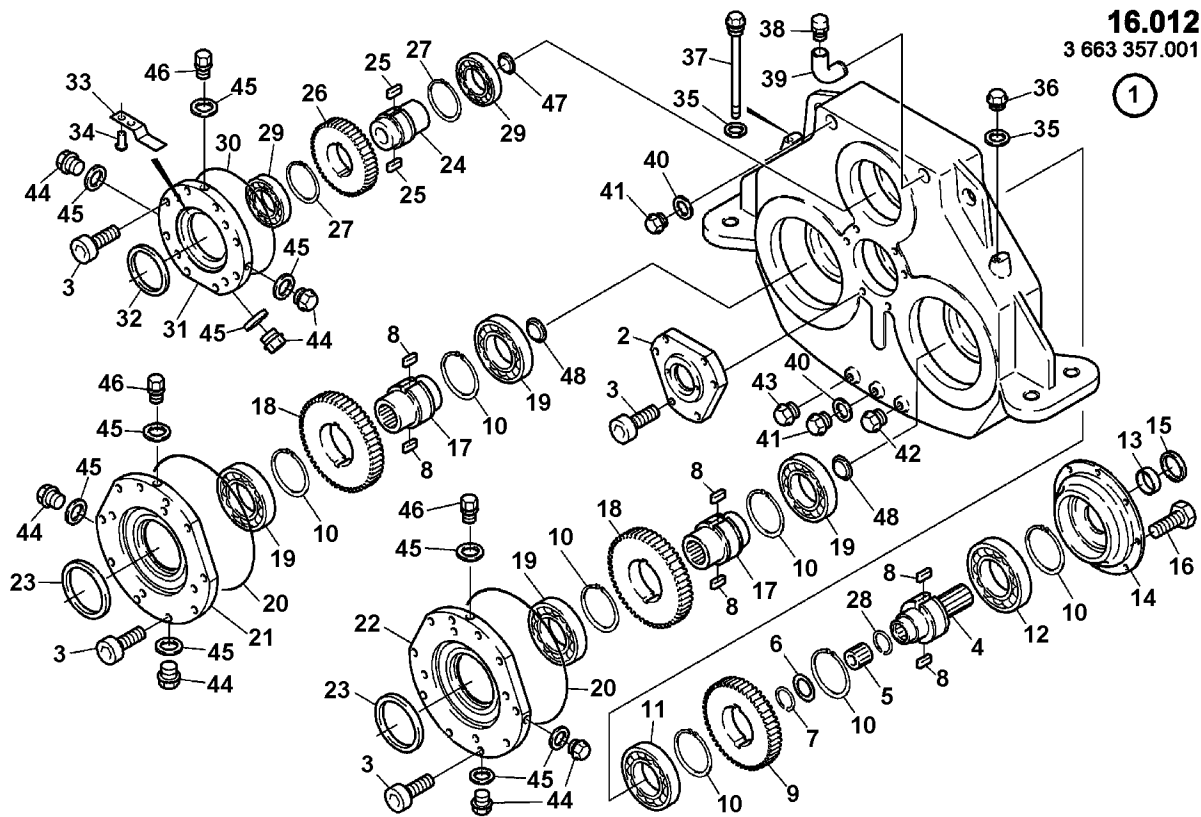
NPL00337674

NOTE	REF NO	GRAPHIC REF	PART NUMBER	QTY	PART NAME						SEE PAGE
					1	2	3	4	5	6 (PRODUCT LEVEL)	
	1	1	4023892	1	PUMP DRIVE GEARBOX ENGINE						
	2	1	4027051	1	FLANGE PUMP GEARBOX						
	3	1	1521323	34	SCREW, CYLINDER HEAD						
	4	1	1457549	1	SHAFT, INPUT RH120E						
	5	1	1461784	1	LINK, PUMP COUPLING 120E						
	6	1	1454998	1	WASHER						
	7	1	1486635	1	RING, SNAP						
	8	1	1484845	6	FEATHER KEY						
	9	1	4027357	1	SPUR GEAR PUMP DRIVE						
	10	1	1468082	6	CIRCLIP						
	11	1	4022906	1	BEARING BALL PUMP DRIVE GEARBOX						
	12	1	4014584	1	BEARING BALL PUMP DRIVE GEARBOX						
	13	1	1459373	1	RACE/ RING						
	14	1	4027050	1	BEAM PUMP GEARBOX						
	15	1	1457941	1	SEAL, ROTOR SHAFT LIP						
	16	1	1517689	8	SCREW, HEX						
	17	1	1464621	2	HOLLOW SHAFT						
	18	1	1573306	2	GEAR, SPUR						
	19	1	4014500	4	BEARING BALL PUMP DRIVE GEARBOX						
	20	1	1460978	2	O RING						
	21	1	4027053	1	FLANGE PUMP GEARBOX						
	22	1	4211852	1	FLANGE						
	23	1	1458724	2	ROT. SHAFT LIP SEAL						
	24	1	1457551	1	SHAFT, HOLLOW						
	25	1	1486627	2	KEY, FEATHER						
	26	1	4027473	1	SPUR GEAR PUMP GEARBOX						
	27	1	1468055	2	CIRCLIP						
	28	1	1486593	1	CIRCLIP						
	29	1	1530818	2	BALL BEARING, GROOVE						
	30	1	4064419	1	O-RING						
	31	1	4027472	1	FLANGE PUMP GEARBOX						
	32	1	1461765	1	LIP SEAL, RH120E PDGB SWNG PMP						
	33	1	1467336	1	COVER PLATE						
	34	1	1523905	2	SLOTTED NAIL						
	35	1	1457972	2	SEAL RING						
	36	1	1459573	1	PLUG						
	37	1	1466903	1	DIPSTICK, PUMP DRIVE						
	38	1	1466260	1	FILTER, BREATHER P-DRIVE						
	39	1	1486611	1	FITTING, ELBOW						
	40	1	4802525	2	SEALING RING						
	41	1	1458431	2	SCREW						
	42	1	1458357	1	SCREW PLUG						
	43	1	1458355	1	SCREW PLUG						
	44	1	1458310	7	SCREW PLUG						
	45	1	1458139	10	SEAL						
	46	1	1468866	3	BREATHER TUBE W/ SEAL RING						
	47	1	1468182	1	CAPSULE, RH120E P-DRIVE						
	48	1	1468183	2	CAPSULE						

POWER TRAIN

4791796 PUMP GEARBOX (contd.)

NPL00337674



GRAPHIC #1

<END>

NG00071485

POWER TRAIN

4793114 INSTALLATION MATERIAL-COUPLING

S/N: 15345-15345

SMCS -

NPL00337677

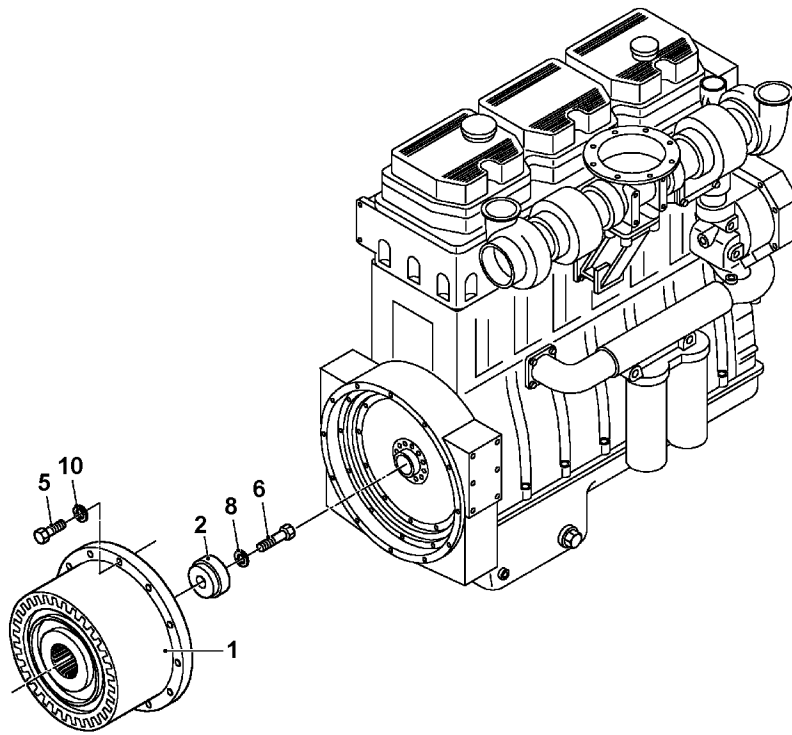
NOTE	REF NO	GRAPHIC REF	PART NUMBER	QTY	PART NAME	SEE PAGE
					1 2 3 4 5 6 (PRODUCT LEVEL)	
	1	1	4788746	1	COUPLING/CLUTCH	245
	2	1	1455018	1	WASHER	
	5	1	1464831	8	SCREW, HEX HEAD	
	6	1	1521791	1	HEX.HD.SCREW	
	8	1	1521948	1	WASHER	
	10	1	1517707	8	WASHER	

POWER TRAIN

4793114 INSTALLATION MATERIAL-COUPLING (contd.)

NPL00337677

17.100
3 666 692.000



GRAPHIC #1

<END>

NG00071545

POWER TRAIN

4797125 PUMP GEARBOX

S/N: 15345-15345

SMCS -

NPL00337675

NOTE	REF NO	GRAPHIC REF	PART NUMBER	QTY	PART NAME						SEE PAGE
					1	2	3	4	5	6 (PRODUCT LEVEL)	
	1	1	4791796	1	PUMP GEARBOX						247
	5	1	1458477	20	SCREW						
	6	1	1464961	4	HEX HD SCREW						
	11	1	1451380	1	CONTAINER						
	12	1	1521827	1	FITTING, TUBE						
	15	1	1521804	8	FITTING, TUBE						
	18	1	1523529	2	PLUG,L12,BLANK						
	19	1	1523168	2	NUT						
	20	1	1520845	1	HOSE						
	21	1	4503284	1	HYDRAULIC HOSE						
	22	1	4502484	1	HYDRAULIC HOSE						
	23	1	4156795	1	HYDRAULIC HOSE						
	30	1	1521238	4	SCREW, HEX HEAD						
	31	1	1519408	4	WASHER						
	32	1	1520811	1	ADAPTER						
	33	1	1521829	2	FITTING, TUBE						
	34	1	1523322	1	REDUCTION						
	35	1	1520812	1	SOCKET						
	41	1	1520805	1	ADAPTER, STUD						
	42	1	1624730	1	ADAPTOR						
	43	1	1456028	1	TEST SOCKET						
	53	1	1521805	1	FILTER						
	54	1	1521806	1	SIGHT, GLASS						
	55	1	1521807	3	PLUG, SCREW						
	56	1	1523977	4	SEALING, RING						

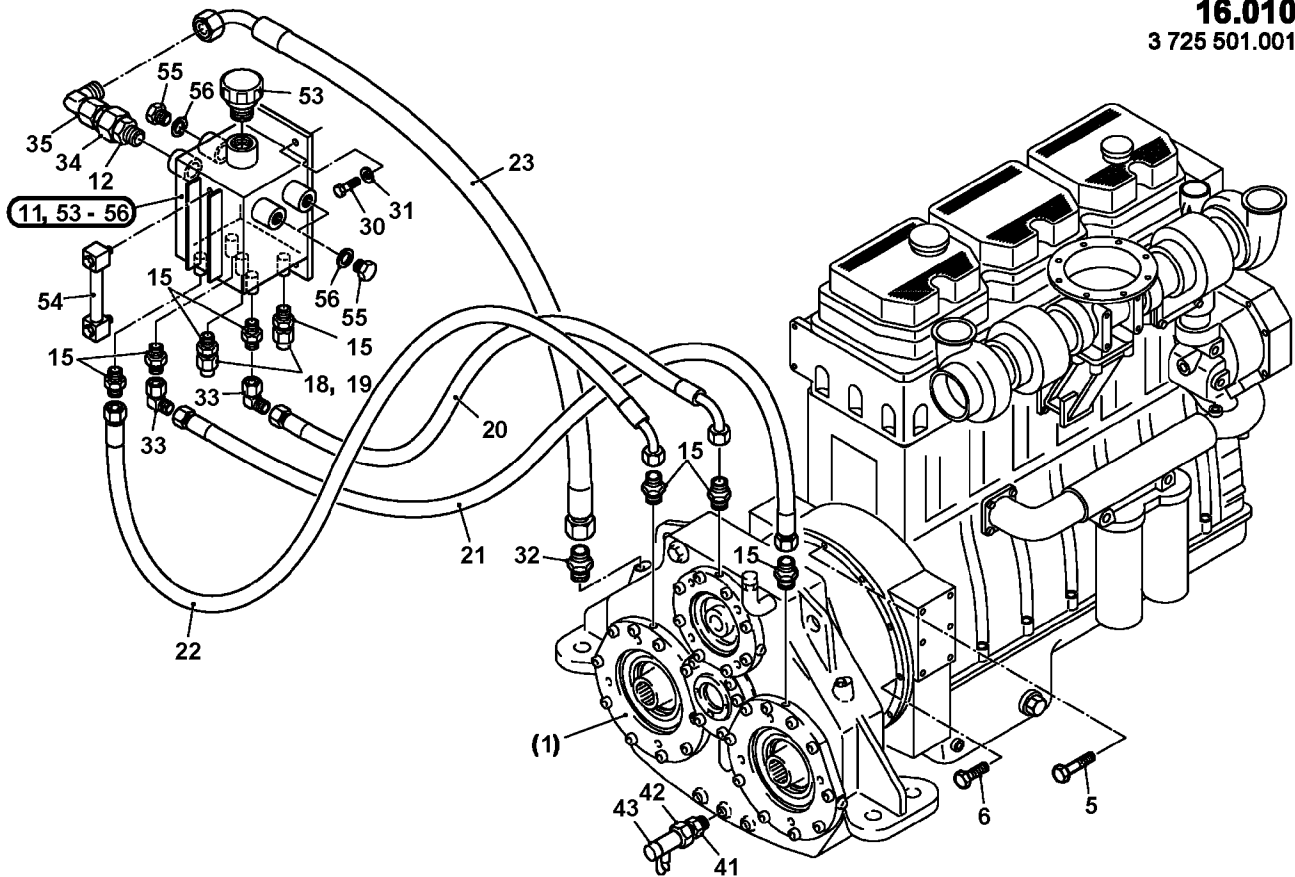
POWER TRAIN

4797125 PUMP GEARBOX (contd.)

NPL00337675

16.010

3 725 501.001



GRAPHIC #1

<END>

NG00054035

POWER TRAIN

4797174 CHAIN WHEEL DRIVE

S/N: 15345-15345

SMCS -

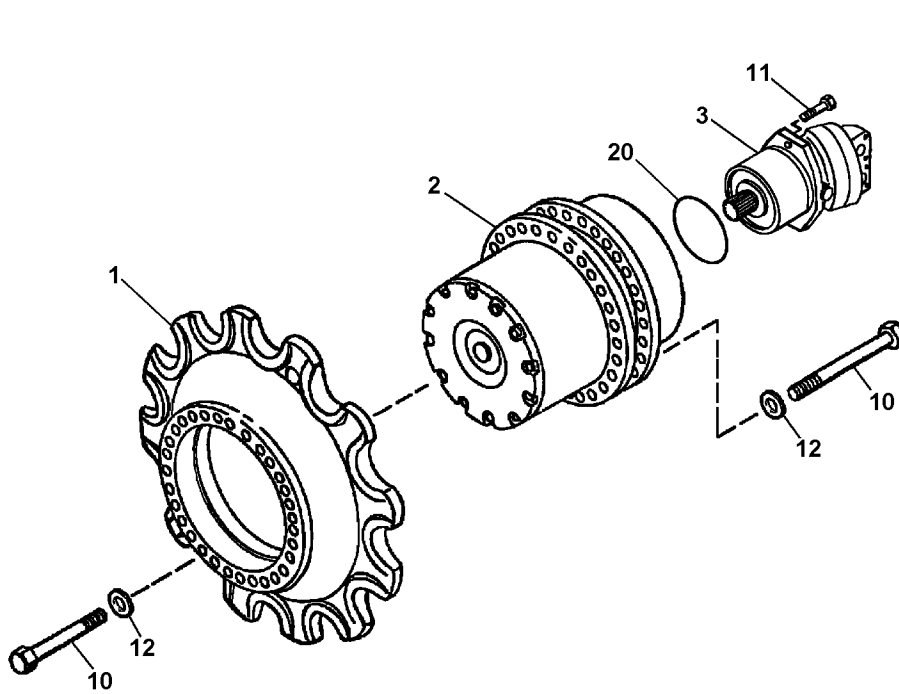
NPL00337647

NOTE	REF NO	GRAPHIC REF	PART NUMBER	QTY	PART NAME						SEE PAGE
					1	2	3	4	5	6 (PRODUCT LEVEL)	
	1	1	1456682	1	SPROCKET						
	2	1	4797175	1	TRAVEL GEAR						255
	3	1	4791427	1	TRAVEL MOTOR						92
	10	1	1464947	76	HEX HD SCREW						
	11	1	1522973	2	SCREW, HEX HEAD						
	12	1	1522914	76	SHIM						
	20	1	1461007	1	O RING						

POWER TRAIN

4797174 CHAIN WHEEL DRIVE (contd.)

NPL00337647



06.140
3 725 553.000

GRAPHIC #1

<END>

NG00069545

POWER TRAIN

4797175 TRAVEL GEAR

S/N: 15345-15345

SMCS -

NPL00337645

NOTE	REF NO	GRAPHIC REF	PART NUMBER	QTY	PART NAME						SEE PAGE
					1	2	3	4	5	6 (PRODUCT LEVEL)	
	1	1	4406947	1	TRAVEL GEAR						
	2	1	4488145	1	CONTROL DEVICE						
	3	1	4488149	12	DISC						
	4	1	4488240	11	DISC						
	5	1	4488241	1	PRESSURE RING						
	6	1	1468067	1	CIRCLIP						
	7	1	4488146	1	SEALING KIT						
	8	1	4488147	30	SPRING						
	9	1	4488148	24	SPRING						
	10	2	4488244	1	SUN WHEEL						
	20	2	4488249	1	PLANETARY WH: SET						
	22	2	4488251	3	CYLINDER ROLLER BEARING						
	23	2	4488252	3	SNAP RING						
	24	2	1468033	3	CIRCLIP						
	30	2	4489212	1	PLANETARY CARRIER						
	40	2	4489213	1	SUN WHEEL						
	50	2	4489214	1	PLANETARY WH: SET						
	52	2	4489215	8	CYLINDER ROLLER BEARING						
	53	2	4489216	8	THRUST WASHER						
	54	2	4424105	4	CIRCLIP						
	55	2	1525836	4	CIRCLIP						
	60	2	4489260	1	HOLLOW WHEEL						
	70	2	4489264	1	PLANETARY CARRIER						
	80	2	4489485	1	SUN WHEEL						
	90	2	4489486	1	PLANETARY WH: SET						
	92	2	4489262	10	CYLINDER ROLLER BEARING						
	93	2	4488250	10	THRUST WASHER						
	94	2	1468058	5	CIRCLIP						
	95	2	1468109	5	CIRCLIP						
	101	2	4489263	1	PLANETARY CARRIER						
	102	2	4489489	1	THRUST WASHER						
	103	2	4489490	1	PRESSURE RING						
	104	2	4489491	1	DISK CARRIER						
	105	2	1468107	1	CIRCLIP						
	106	2	1468063	1	CIRCLIP						
	107	2	4489492	1	GROOVE BALL BEAR.						
	110	3	4489484	1	FLANGE						
	120	3	4489483	1	LID						
	130	3	4489482	1	CARRIER						
	140	3	4489261	1	SHAFT NUT						
	160	2	4489219	1	LID						
	170	2	4488243	1	THRUST WASHER						
	180	3	4488242	1	SPACER RING						
	280	2	4489218	1	CIRCLIP						
	290	2	1468062	1	CIRCLIP						
	310	3	4489217	1	SNAP RING						
	360	3	4488259	1	SHIM RING						
	370	2	1521145	24	SCREW, HEX						

POWER TRAIN

4797175 TRAVEL GEAR (contd.)

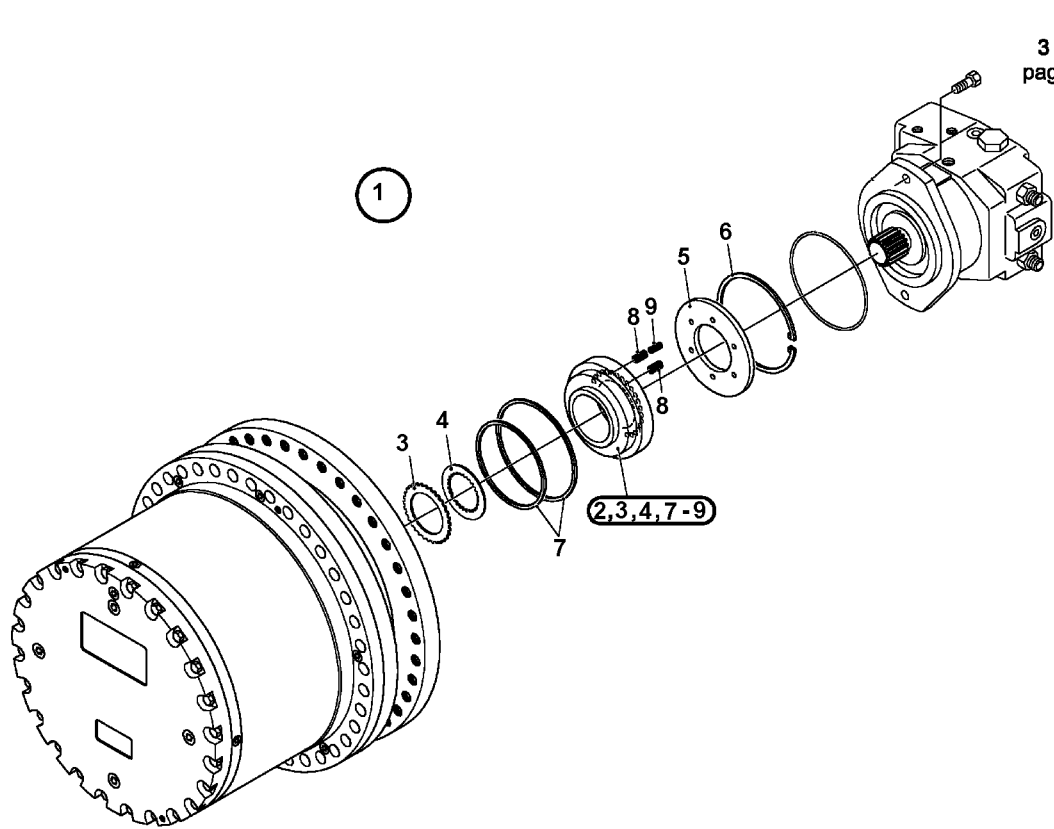
NPL00337645

NOTE	REF	GRAPHIC	PART NUMBER	QTY	PART NAME	SEE
	NO	REF			1 2 3 4 5 6 (PRODUCT LEVEL)	
	380	3	1521258	6	SCREW, CYLINDER HEAD	
	390	3	4488258	2	TAP.ROLLER BEARING	
	400	3	4488257	1	DUO-CONE SEAL	
	420	2	1459585	3	PLUG	
	430	2	1457791	3	RING,SEAL,290DX24IDX2.0MM,7603	
	435	3	1459574	2	PLUG	
	440	3	1521471	3	SEALING RING	
	450	2	4488255	4	SCREW PLUG	
	460	2	1521000	4	RING, SEALING	
	470	3	4488254	1	BREATHER	
	490	3	4488253	1	SEAL	
	500	2,3	4488246	3	O-RING	
	510	2	1459585	4	PLUG	
	520	2	1457972	4	SEAL RING	

POWER TRAIN

4797175 TRAVEL GEAR (contd.)

NPL00337645



16.022
3 725 554.002
page/pagina 1-3

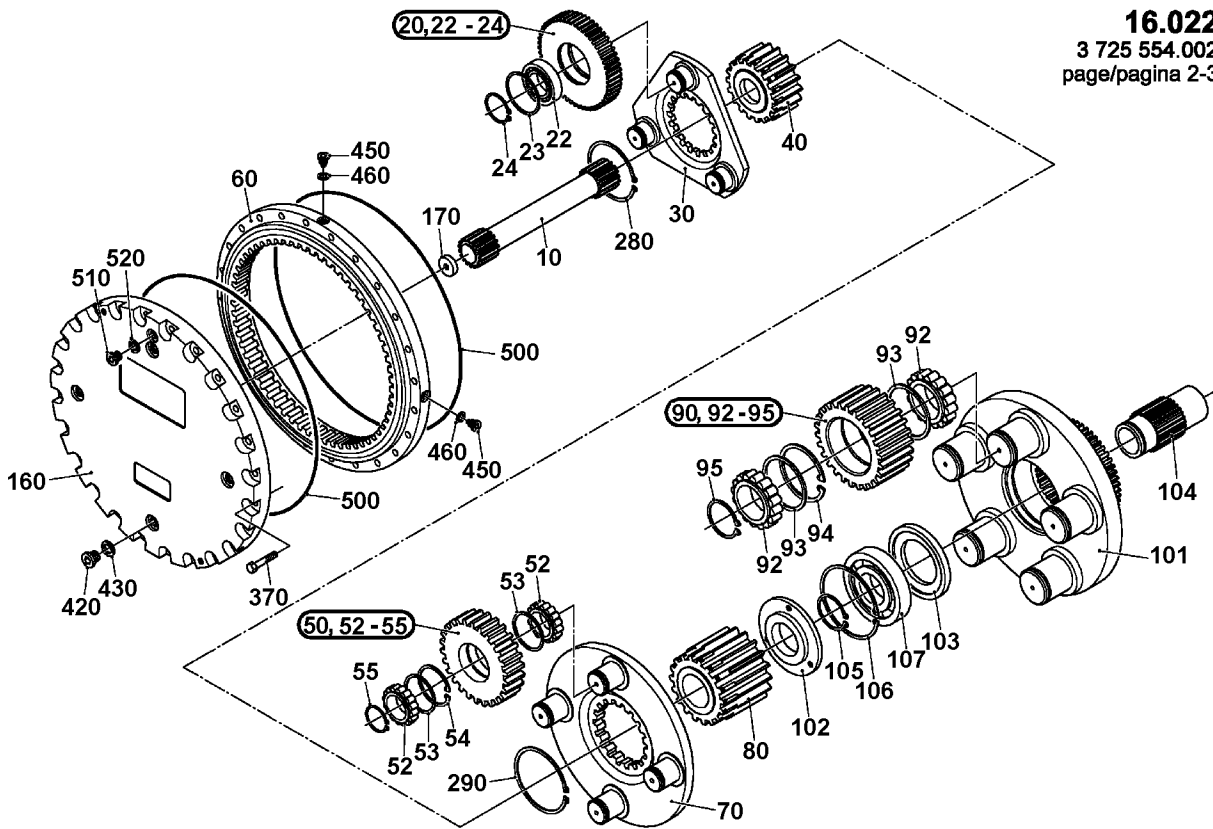
GRAPHIC #1

NG00069585

POWER TRAIN

4797175 TRAVEL GEAR (contd.)

NPL00337645



16.022
3 725 554.002
page/pagina 2-3

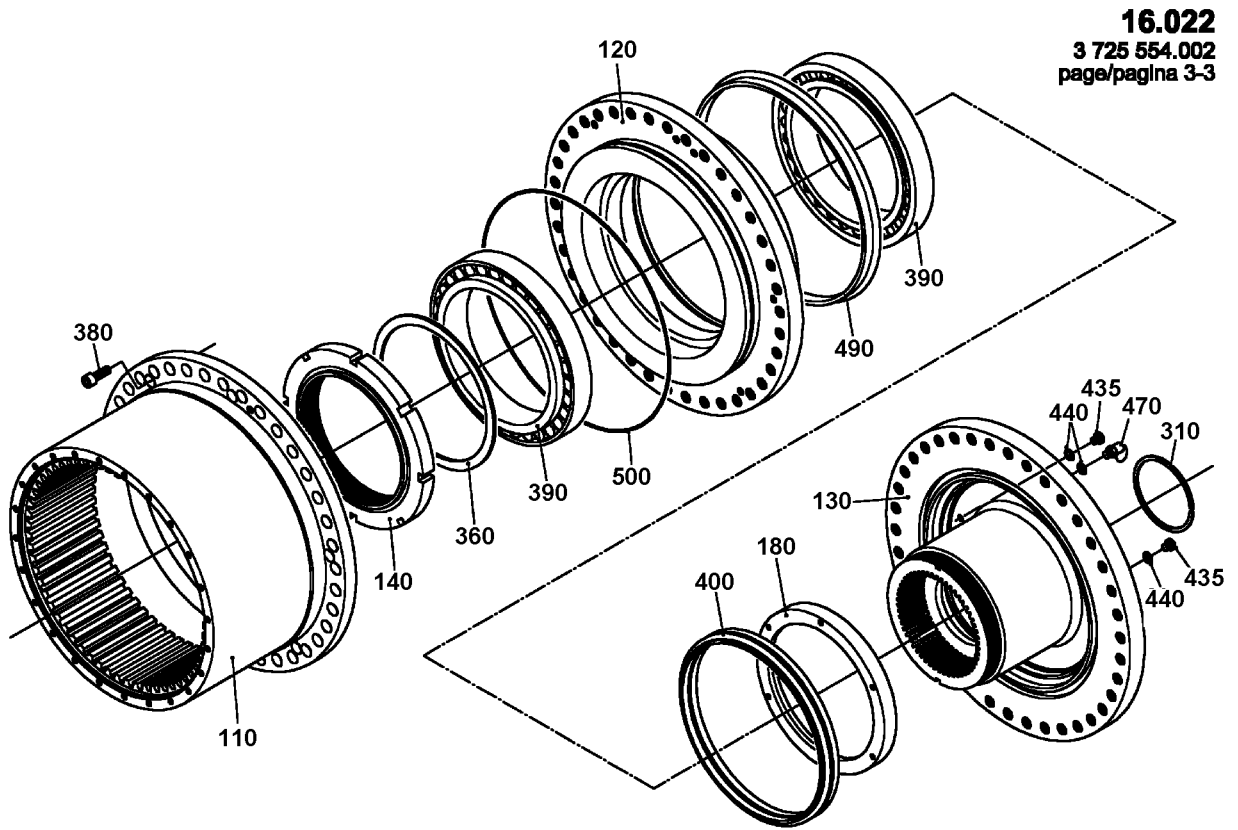
GRAPHIC #2

NG00069665

POWER TRAIN

4797175 TRAVEL GEAR (contd.)

NPL00337645



GRAPHIC #3

<END>

NG00069705

SERVICE EQUIPMENT AND SUPPLIES

478858 TOOL SET

S/N: 15345-15345

SMCS-

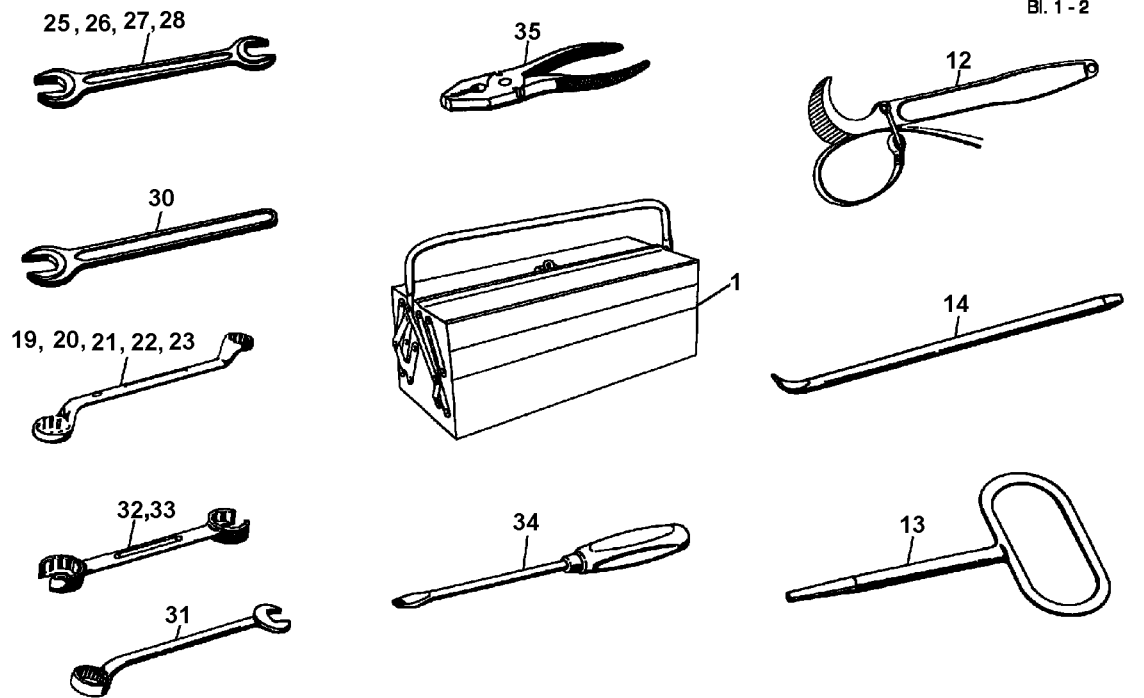
NPL00337729

NOTE	REF NO	GRAPHIC REF	PART NUMBER	QTY	PART NAME						SEE PAGE
					1	2	3	4	5	6 (PRODUCT LEVEL)	
	1	1	4213282	1	TOOL, BOX, 530X200X200MM						
	2	2	4041604	1	VALVE, BREATHER						
	3	2	1520029	1	GREASE GUN						
	4	2	1520028	1	PIPE						
	5	2	1460724	1	ORIFICE						
	6	2	1520003	1	ORIFICE						
	7	2	1520032	1	OIL CAN						
	8	2	1520033	1	BRUSH						
	9	2	1524106	1	FUNNEL						
	12	1	1462420	1	KEY						
	13	1	1520008	1	PIN LOCK KEY						
	14	1	1520034	1	TOOL, CROW BAR, 20X650						
	15	2	1519945	1	KEY RING						
	16	2	4041581	1	PLATE						
	18	2	1464144	1	HOSE						
	19	1	4013787	1	RING SPANNER						
	20	1	1520030	1	SPANNER, RING						
	21	1	1520042	1	SPANNER, RING						
	22	1	1520041	1	SPANNER, RING						
	23	1	1520040	1	SPANNER, RING						
	25	1	4013670	1	SPANNER						
	26	1	4780098	1	SPANNER						
	27	1	4780086	1	SPANNER						
	28	1	1454780	1	WRENCH						
	30	1	1454783	1	WRENCH						
	31	1	1519950	1	SPANNER, RING						
	32	1	1454785	1	WRENCH						
	33	1	1462419	1	KEY						
	34	1	1520036	1	DRIVER, SCREW						
	35	1	1520045	1	TOOL, PLIERS, COMB, 200MM						
	36	2	1524107	1	PSA: HEAD PROTECTION						

SERVICE EQUIPMENT AND SUPPLIES

4788858 TOOL SET (contd.)

NPL00337729



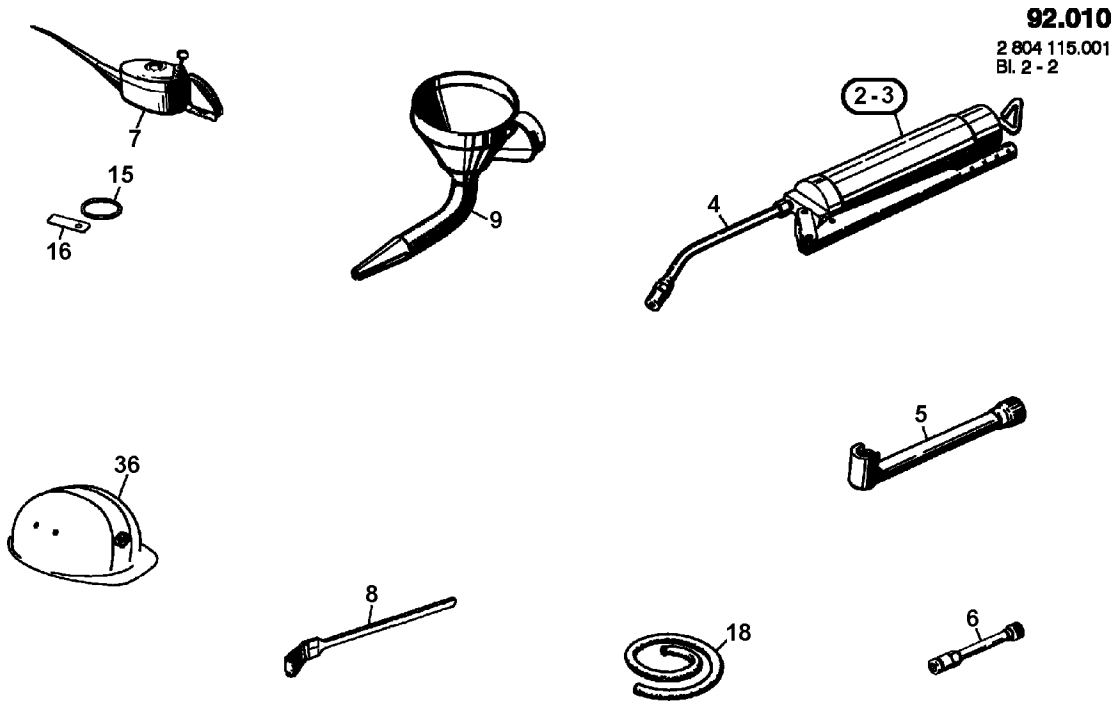
GRAPHIC #1

NG00074125

SERVICE EQUIPMENT AND SUPPLIES

4788858 TOOL SET (contd.)

NPL00337729



GRAPHIC #2

<END>

NG00074105

SERVICE EQUIPMENT AND SUPPLIES

4797383 KITS AND ACCESSORIES

S/N: 15345-15345

SMCS -

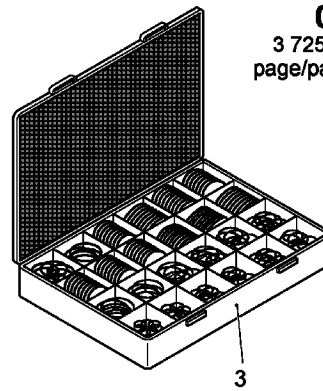
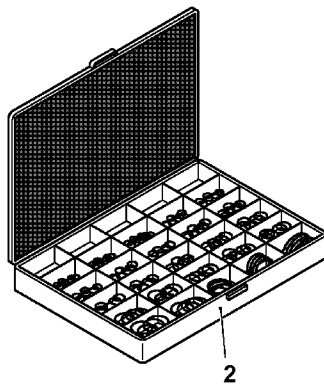
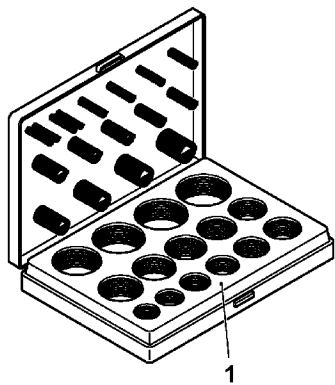
NPL00337761

NOTE	REF NO	GRAPHIC REF	PART NUMBER	QTY	PART NAME						SEE PAGE
					1	2	3	4	5	6 (PRODUCT LEVEL)	
	1	1	1458101	1	ORING						
	2	1	1460612	1	O-RING KIT, STANDARD(INCH)SIZ						
	3	1	1460610	1	KIT,SEAL,O-RING						
	4	1	1457951	1	KIT,SEAL,O-RING						
	5	1	1515138	1	KIT,SEAL,O-RING						
	6	2	1469727	1	ASSORTMENT-ELECTRICAL PLUG						
	7	2	1469726	1	ASSORTMENT-CABLE SLEEVE						
	8	2	1484696	1	MARKING ENGINE						
	9	2	4235828	1	LUBRICATING SYSTEM PARTS						
	10	2	4042752	1	SCREW PLUG KIT						
	11	3	4042749	1	ASSORTMENT-HEX NUT (M4-M8)						
	12	3	4042750	1	ASSORTMENT-WASHER (M4-M8)						
	13	3	4042748	1	ASSORTMENT-HEX SCREW (M4-M8)						
	20	3	4025930	1	HOSE PROTECTION KITS AND ACCESSORIES						
	21	3	1464053	1	HOSE WRAP - 16MM						
	22	3	4025931	1	HOSE PROTECTION KITS AND ACCESSORIES						
	23	3	1464052	1	HOSE WRAP - 32MM						
	24	3	4025932	1	HOSE PROTECTION KITS AND ACCESSORIES						
	25	3	1464051	1	HOSE WRAP - 50MM						
	26	3	1464050	1	HOSE WRAP - 75MM						
	27	3	1523600	1	HOSE PROTECTION						
	30	3	1467807	1	CLAMP, HOSE						
	31	3	1520825	1	CLAMP, HOSE						
	32	3	1467778	1	CLAMP, HOSE						
	33	3	1523592	1	CLAMP, HOSE						
	34	3	1520835	1	CLAMP, HOSE						
	35	3	4042028	1	PIPE CLAMP						
	36	3	4015343	1	CLAMP, HOSE						
	37	3	1520827	1	PIPE CLAMP						
	38	3	1520808	1	CLAMP, HOSE						

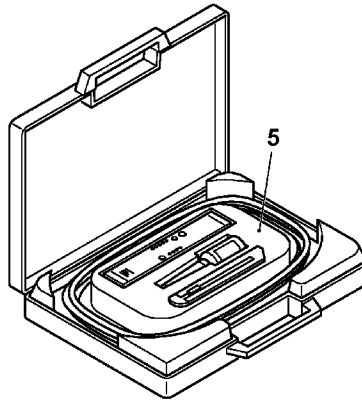
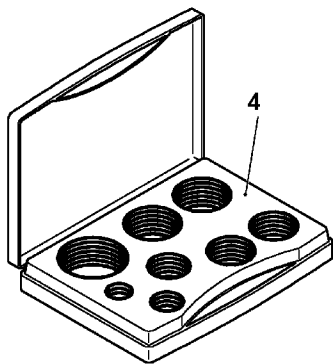
SERVICE EQUIPMENT AND SUPPLIES

4797383 KITS AND ACCESSORIES (contd.)

NPL00337761



00.700
3 725 770.000
page/pagina 1-3



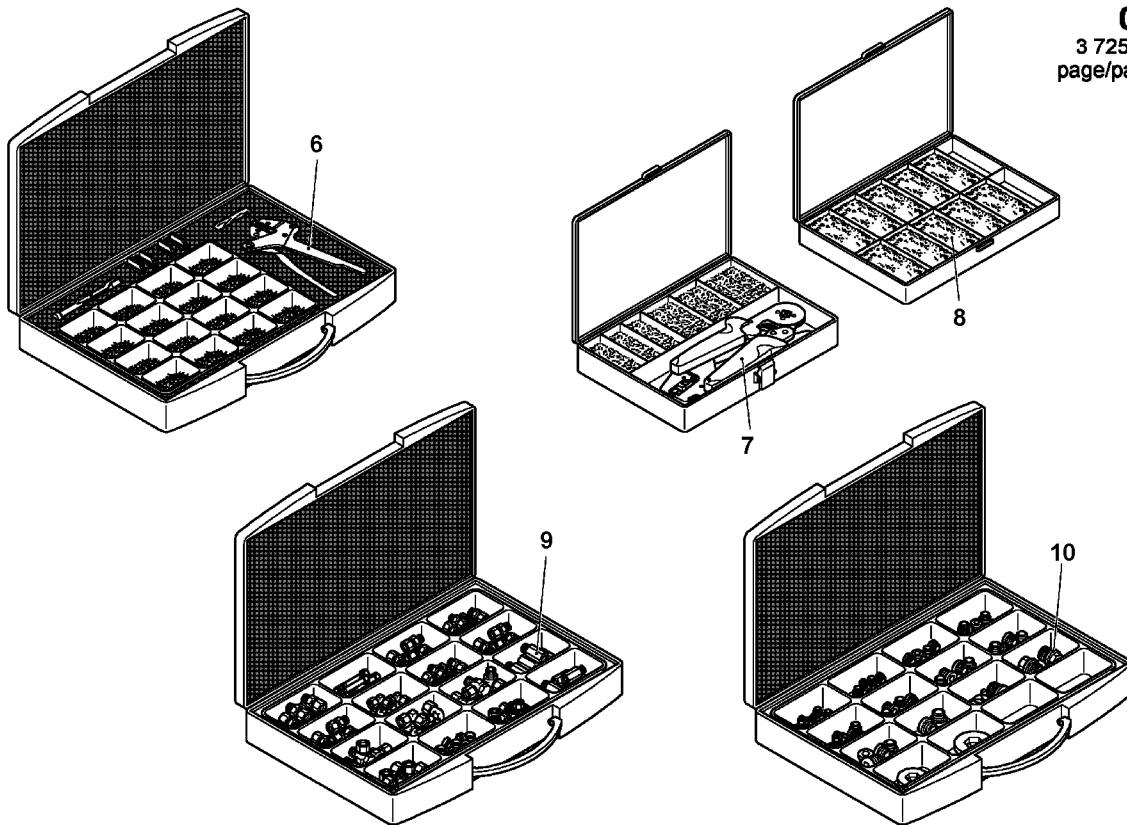
GRAPHIC #1

NG00075165

SERVICE EQUIPMENT AND SUPPLIES

4797383 KITS AND ACCESSORIES (contd.)

NPL00337761



00.700
3 725 770.000
page/pagina 2-3

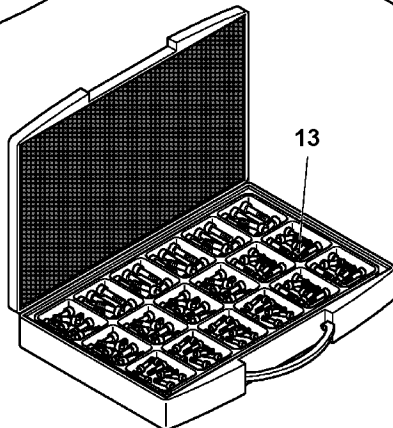
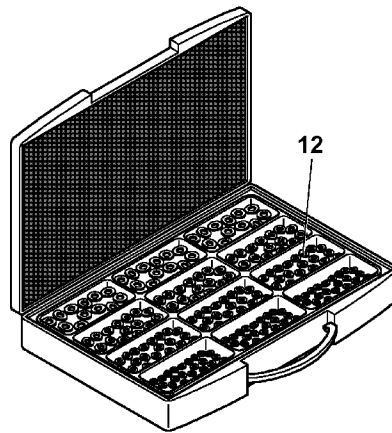
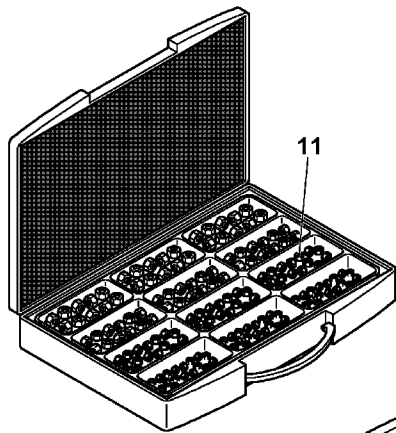
GRAPHIC #2

NG00075185

SERVICE EQUIPMENT AND SUPPLIES

4797383 KITS AND ACCESSORIES (contd.)

NPL00337761



00.700
3 725 770.000
page/pagina 3-3

20,21,22,23,24,25,26,27

30,31,32,33,34,35,36,37,38

GRAPHIC #3

<END>

NG00075205

SERVICE EQUIPMENT AND SUPPLIES

4797428 MAINTENANCE MATERIAL

S/N: 15345-15345

SMCS -

NPL00337730

NOTE	REF NO	GRAPHIC REF	PART NUMBER	QTY	PART NAME						SEE PAGE
					1	2	3	4	5	6 (PRODUCT LEVEL)	
	3	2	4025386	2	HP FILTER						
	5	2	1460786	2	O RING						
	6	2	1466271	2	FILTER INSERT						
	7	2	1460759	2	O RING						
	8	2	1456346	2	SUPPORT RING						
	9	2	1463848	2	HOUSING						
	15	1	1455269	1	VALVE						
	16	1	4027689	1	FUEL FILTER						
	17	1	4027688	2	ENGINE OIL FILTER						
	18	1	4027690	1	FUEL PREFILTER						
	20	1	4026189	2	AIRCLEANER						
	21	1	4221376	2	VAVLE						
	22	1	4066799	2	MAIN FILTER ELEMENT						
	23	1	4066798	2	SAFETY ELEMENT						
	24	1	4026188	2	AIRCLEANER						
	25	1	4212063	2	O-RING						
	26	1	4275738	2	CLIP						
	28	2	1628435	4	FILTER ELEMENT						
	29	2	4016039	4	PRESSURE PIECE						
	30	2	1456801	4	SPRING						
	31	2	1460976	4	O-RING						
	32	2	1461127	4	O RING						
	33	2	1466252	4	FILTER, HYDRAULIC						
	34	2	1455309	2	VALVE						
	35	2	1453247	1	FILTER						
	36	2	1454850	1	WING NUT						
	37	2	1461031	2	O RING						
	38	2	1453010	1	FILTER, INSERT						
	39	2	1455496	2	VALVE						
	40	2	1468295	2	CAGE						
	41	2	1461200	2	O RING						
	42	2	1461106	2	O RING						
	43	1	4021272	1	FILTER AS-SLEW PUMP						
	44	1	1574829	1	FILTER ELEMENT HYD SLEW PUMP						
	45	1	1460657	1	O-RING						
	46	1	1471899	1	RING-SUPPORT						
	48	1	1466340	1	FILTER						
	49	1	1457782	1	SEALING RING						
	50	1	1457440	1	SIEVE						
	51	1	1457850	1	SEALING RING						
	52	1	1457804	1	SEALING RING						
	54	1	1523518	1	FILTER						
	55	1	1466265	1	FILTER INSERT EVCS						
	56	1	1461025	1	O RING						
	57	1	1460869	1	O RING						
	60	2	1521632	1	SOCKET						
	61	2	4569019	2	SEAL						
	62	2	4027896	1	CAPSULE						

SERVICE EQUIPMENT AND SUPPLIES

4797428 MAINTENANCE MATERIAL (contd.)

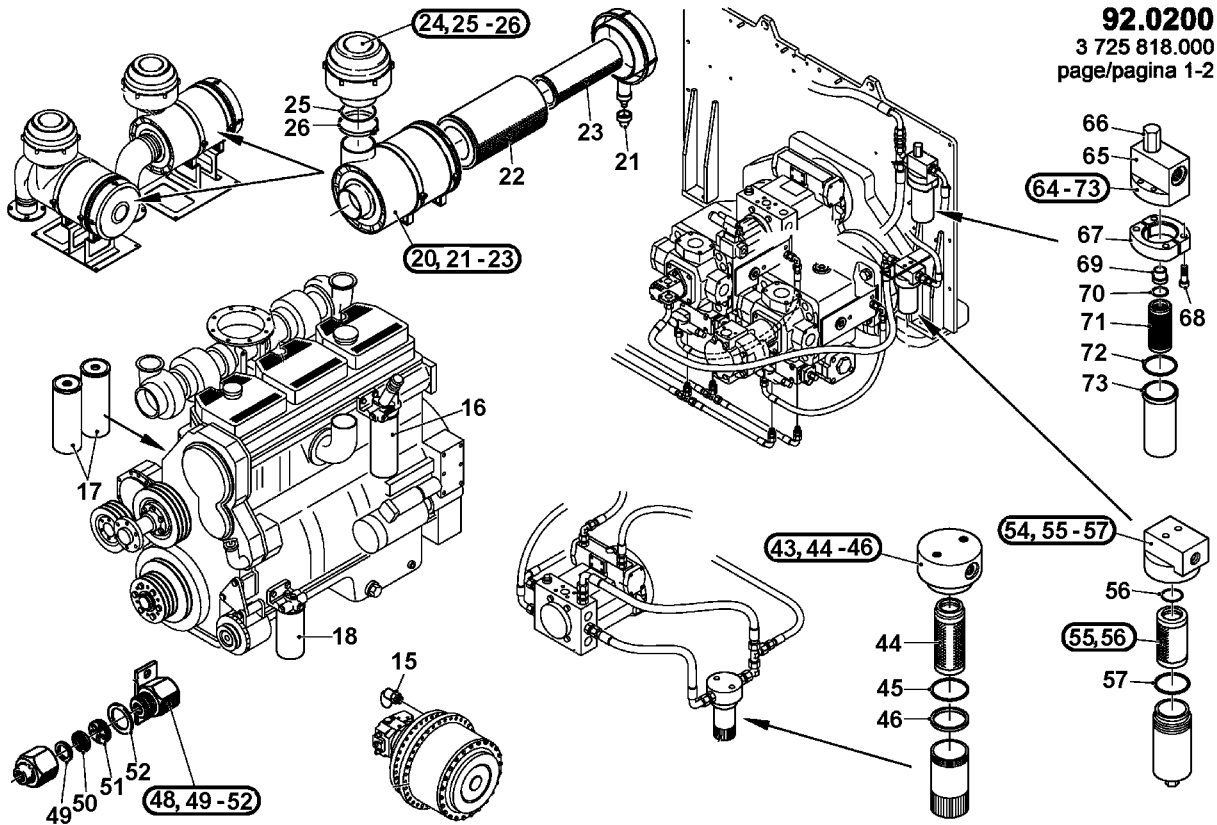
NPL00337730

NOTE	REF NO	GRAPHIC REF	PART NUMBER	QTY	PART NAME						SEE PAGE
					1	2	3	4	5	6 (PRODUCT LEVEL)	
	63	2	1455214	1	VALVE, FUEL TANK						
	64	1	1466335	2	FILTER, HYDRAULIC						
	65	1	1465017	2	HEAD						
	66	1	1462565	2	INDICATOR						
	67	1	1465854	2	FLANGE						
	68	1	4474723	8	BRACKET						
	69	1	1468541	2	BUSHING						
	70	1	1460783	2	O RING						
	71	1	1454628	2	HYDRAULIC FILTER						
	72	1	1672386	2	O-RING						
	73	1	1467539	2	CONTAINER						
			1466291	2	FILTER HEAD						
					NOT SHOWN						
			1466260	1	FILTER, BREATHER P-DRIVE						
					NOT SHOWN						

SERVICE EQUIPMENT AND SUPPLIES

4797428 MAINTENANCE MATERIAL (contd.)

NPL00337730



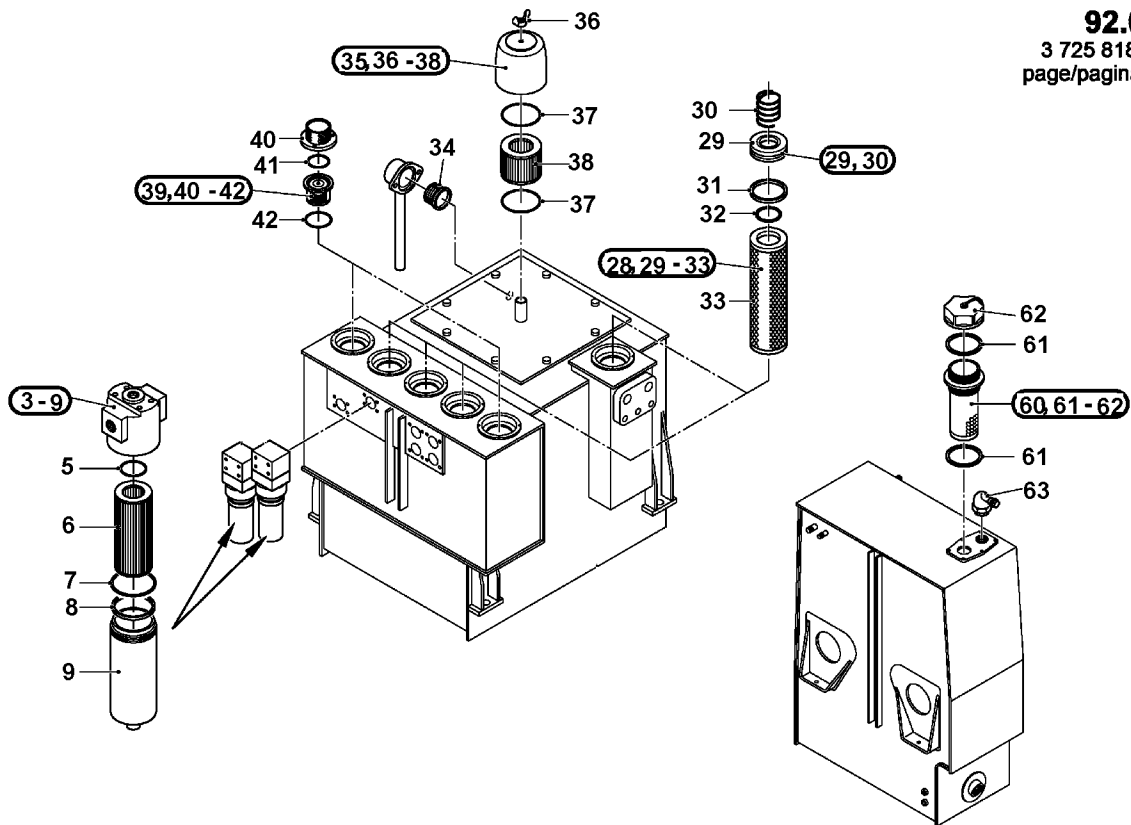
GRAPHIC #1

NG00074165

SERVICE EQUIPMENT AND SUPPLIES

4797428 MAINTENANCE MATERIAL (contd.)

NPL00337730



92.020
3 725 818.000
page/pagina 2-2

GRAPHIC #2

<END>

NG00074205

SERVICE EQUIPMENT AND SUPPLIES

4797429 ACCESSORIES

S/N: 15345-15345

SMCS -

NPL00337731

NOTE	REF NO	GRAPHIC REF	PART NUMBER	QTY	PART NAME	SEE PAGE
					1 2 3 4 5 6 (PRODUCT LEVEL)	
			4019810	1	CARTRIDGE, GREASE	
			4797428	1	MAINTENANCE MATERIAL	267
			4788858	1	TOOL SET	260

SERVICE EQUIPMENT AND SUPPLIES

4797503 PLATES

S/N: 15345-15345

SMCS -

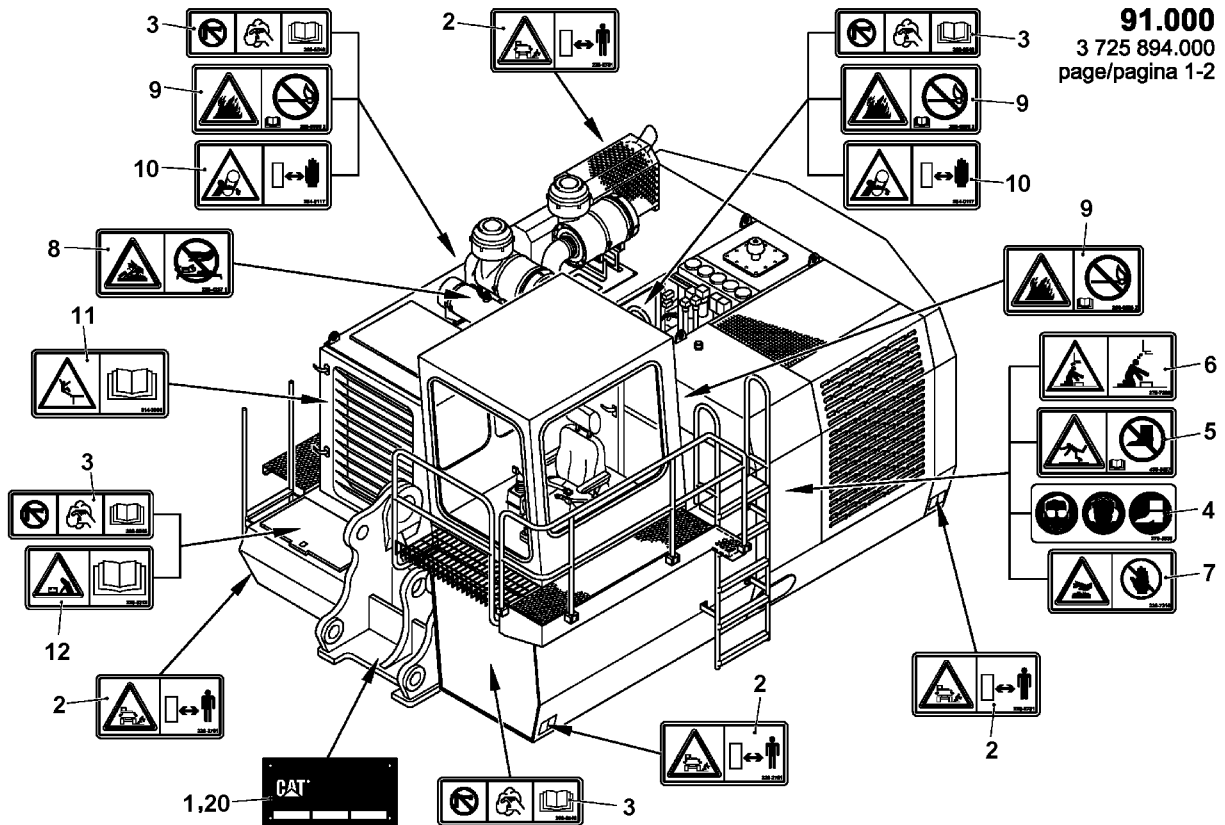
NPL00337728

NOTE	REF NO	GRAPHIC REF	PART NUMBER	QTY	PART NAME						SEE PAGE
					1	2	3	4	5	6 (PRODUCT LEVEL)	
	1	1	4381820	1	NPL,HMS,SERIAL NUMBER						
	2	1	4384851	4	SIGN,WARNING,SWING AREA						
	3	1	4431323	4	SIGN,WARNING,NO HIGH PRESS CLN						
	4	1	4431139	1	SIGN,WARNING,PPE REQUIRED						
	5	1	4431134	1	SIGN,WARNING,TRIP HAZARD						
	6	1	4431324	1	SIGN,WARNING,LOW CLEARANCE						
	7	1	4384852	1	SIGN,WARNING,HOT SURFACE						
	8	1	4431138	1	SIGN,WARNING,PRESS HOT LIQUID						
	9	1	4431132	2	SIGN,WARNING,NO OPEN FLAME						
	10	1	4431136	2	SIGN,WARNING,BELT ENTANGLEMENT						
	11	1	4431322	1	SIGN,WARNING,FALL HAZARD						
	12	1	4384849	1	SIGN,WARNING,FLAMMABLE GAS						
	13	2	452-5798	1	FILM						
	14	2	4496123	1	SIGN,WARNING,READ MANUAL						
	15	2	302-6303	1	FILM						
	16	2	1524095	1	INSTRUCTION PLATE						
	17	2	4021792	1	INSTRUCTION PLATE						
	18	2	4015694	1	PLATE						
	19	2	4384850	4	SIGN,INFORMATION,LASHING POINT						
	20	1,2	1524102	8	DUMMY RIVET						
	21	2	4783753	1	PLATE						

SERVICE EQUIPMENT AND SUPPLIES

4797503 PLATES (contd.)

NPL00337728



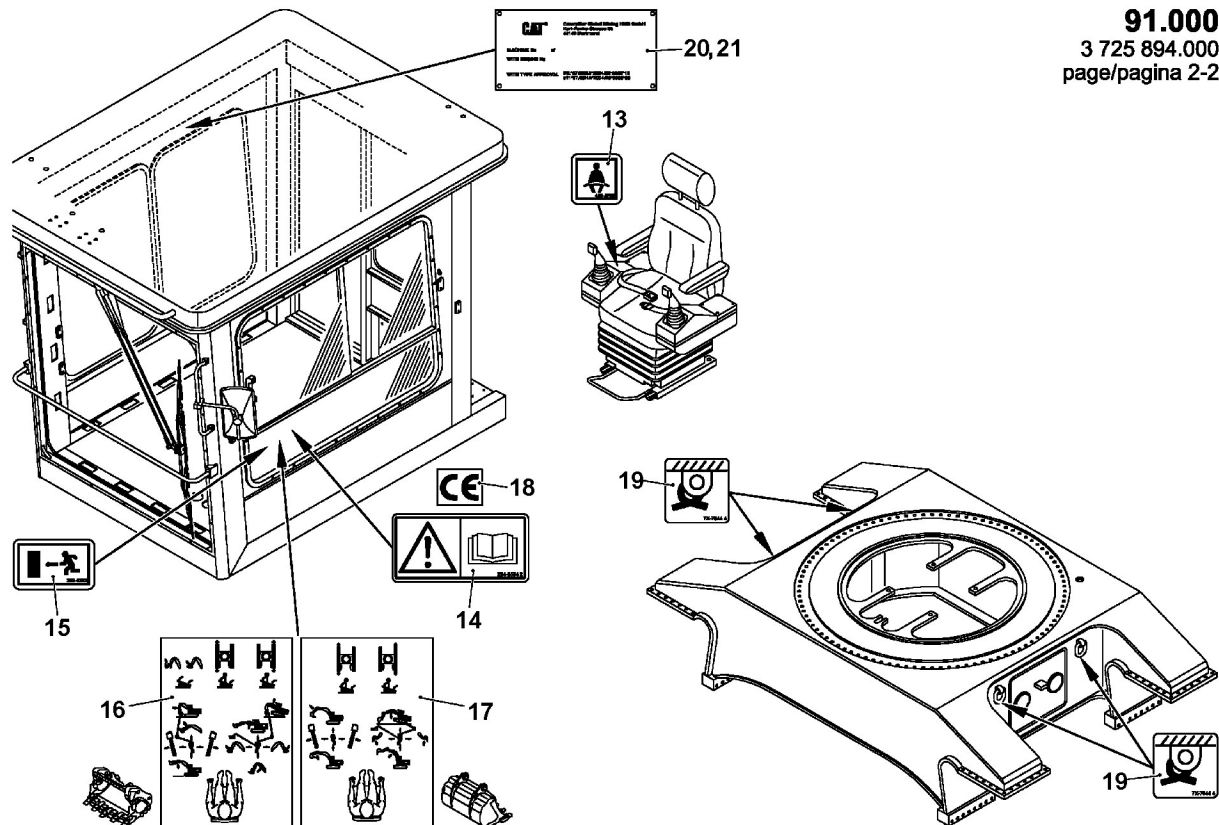
GRAPHIC #1

NG00077765

SERVICE EQUIPMENT AND SUPPLIES

4797503 PLATES (contd.)

NPL00337728



GRAPHIC #2

<END>

NG00077985

UNDERCARRIAGE

4791426 TENSIONING DEVICE

S/N: 15345-15345

SMCS -

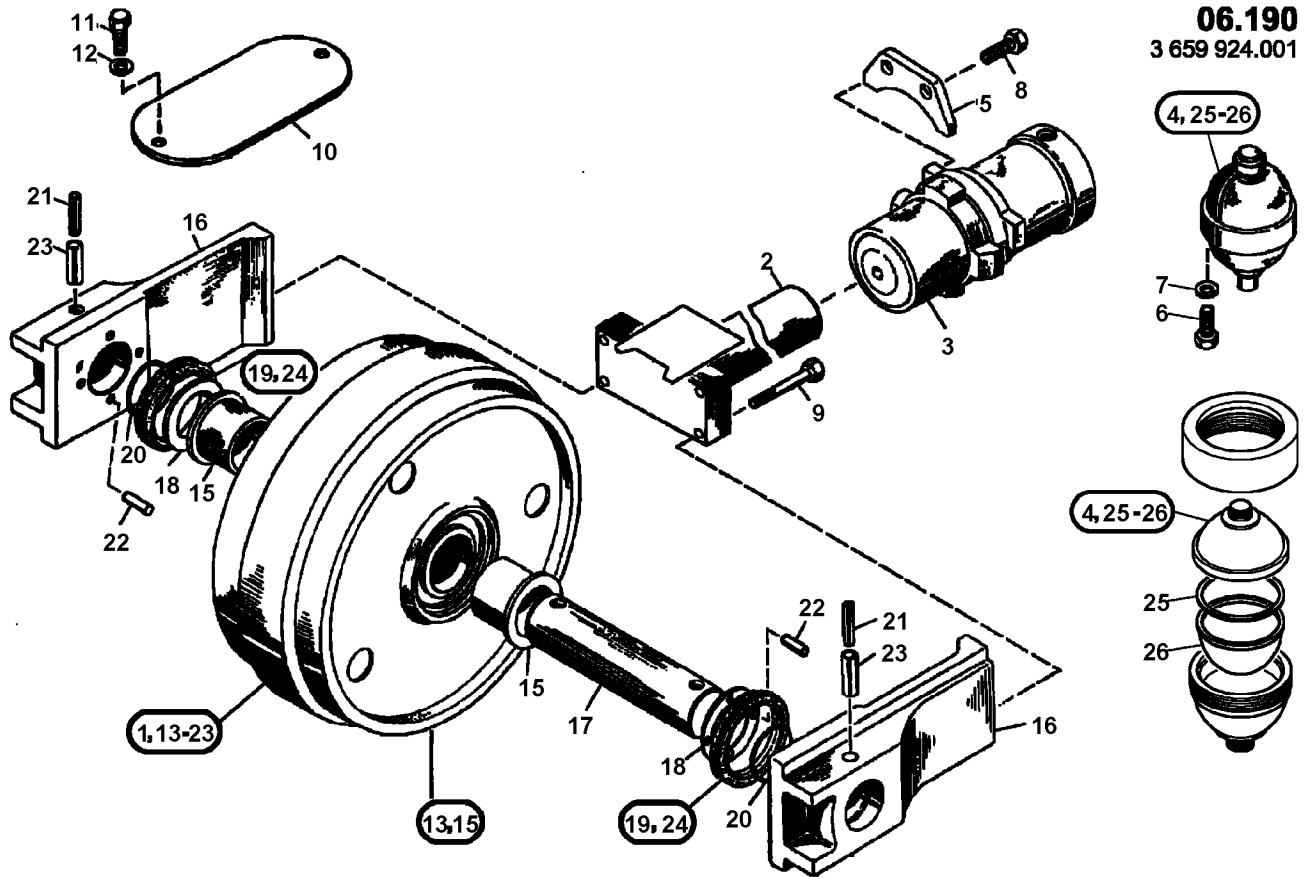
NPL00337649

NOTE	REF NO	GRAPHIC REF	PART NUMBER	QTY	PART NAME						SEE PAGE
					1	2	3	4	5	6 (PRODUCT LEVEL)	
	1	1	1462596	1	IDLER ASSY.						
	2	1	4020426	1	SPACER PIECE						
	3	1	4791425	1	TENSIONING CYLINDER						90
	4	1	4492345	1	RESERVOIR						
	5	1	4019467	1	PLATE						
	6	1	1519516	4	SCREW, HEX HEAD						
	7	1	1522072	4	WASHER, LOCK, M8						
	8	1	4014281	2	SCREW HEX HEAD SET						
	9	1	1464808	4	HEX. HD. SCREW						
	10	1	4020915	1	PLATE						
	11	1	1521420	2	SCREW, HEX HEAD						
	12	1	1522856	2	RETAINING WASHER						
	13	1	1462586	1	IDLER WHEEL						
	15	1	1468686	2	BUSHING						
	16	1	1457268	2	SLIDING PIECE						
	17	1	1469694	1	AXLE						
	18	1	1455053	2	WASHER						
	19	1	4013716	2	DUO - CONE SEAL						
	20	1	1460880	2	ORING, 125X5, NB, 70						
	21	1	1460252	2	PIN						
	22	1	1456507	8	STRAIGHT PIN						
	23	1	1457331	2	SLEEVE						
	24	1	1460845	4	O RING						
	25	1	1456354	1	SUPPORT RING						
	26	1	1461546	1	MEMBRANE						

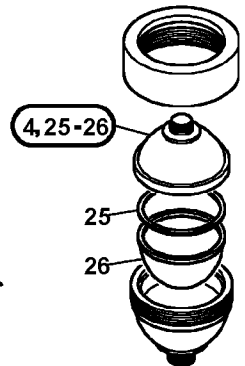
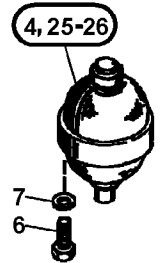
UNDERCARRIAGE

4791426 TENSIONING DEVICE (contd.)

NPL00337649



06.190
3 659 924.001



GRAPHIC #1

<END>

NG00053967

UNDERCARRIAGE

4794247 BOTTOM ROLLER

S/N: 15345-15345

SMCS -

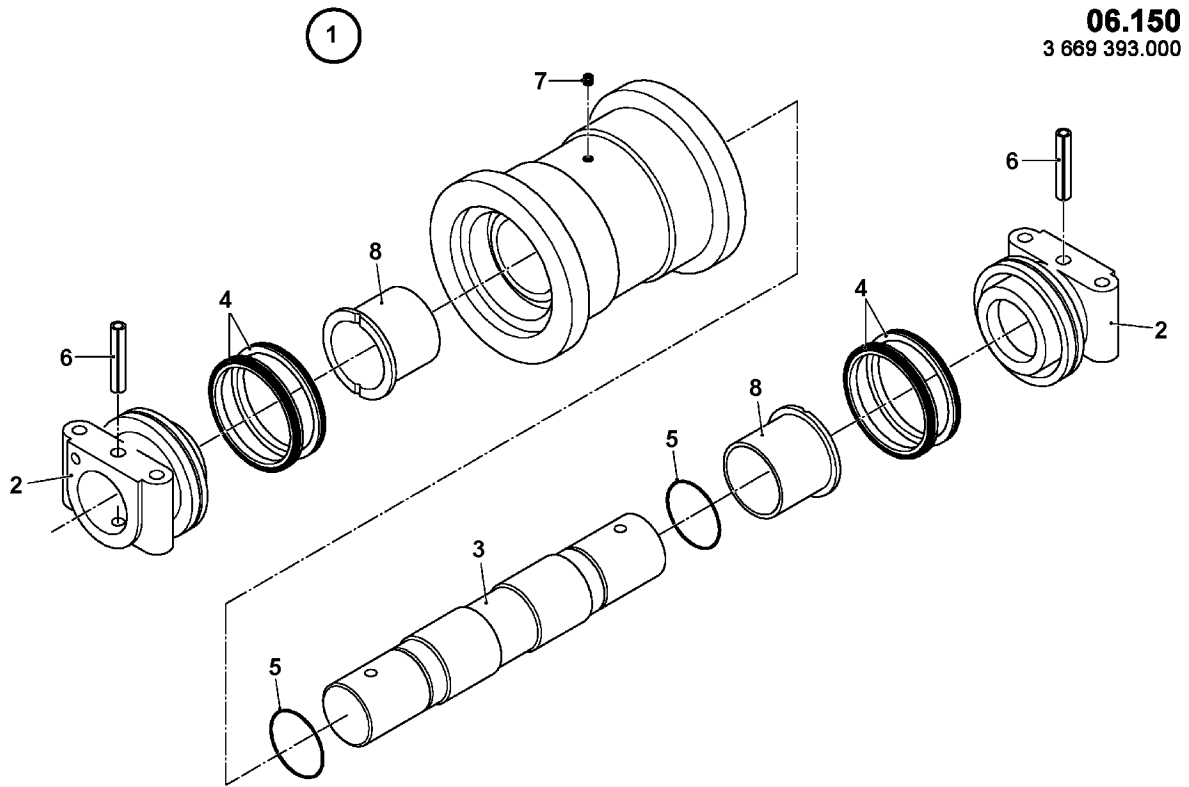
NPL00337641

NOTE	REF NO	GRAPHIC REF	PART NUMBER	QTY	PART NAME						SEE PAGE
					1	2	3	4	5	6 (PRODUCT LEVEL)	
	1	1	4025943	1	TRACK ROLLER UNDER CARRIAGE						
	2	1	4027583	2	LID						
	3	1	4027582	1	AXLE						
	4	1	1574881	2	MECHANICAL FACE SEAL						
	5	1	4015348	2	O RING TRAVEL MOTORS						
	6	1	1574830	2	STRAIGHT PIN						
	7	1	4213988	1	PLUG						
	8	1	4027755	2	BUSHING						

UNDERCARRIAGE

4794247 BOTTOM ROLLER (contd.)

NPL00337641



GRAPHIC #1

<END>

NG00069385

UNDERCARRIAGE

4794603 TOP ROLLER

S/N: 15345-15345

SMCS -

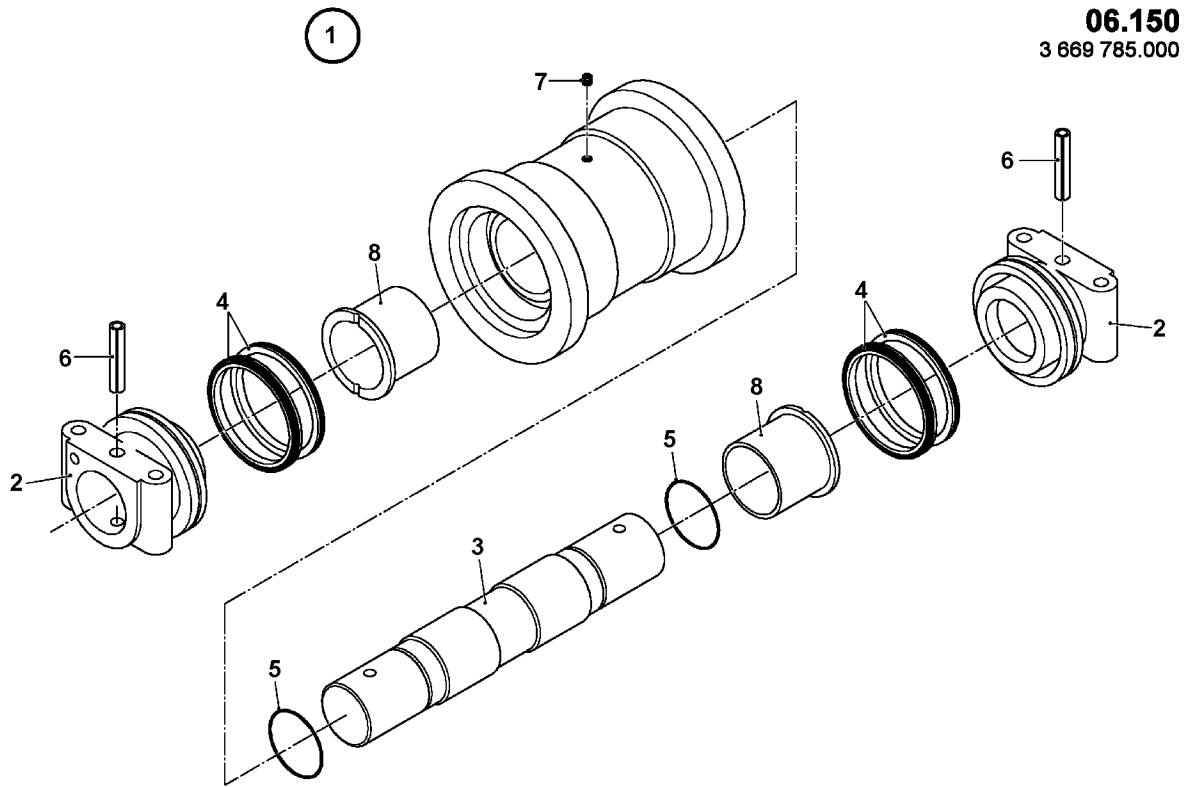
NPL00337642

NOTE	REF NO	GRAPHIC REF	PART NUMBER	QTY	PART NAME						SEE PAGE
					1	2	3	4	5	6 (PRODUCT LEVEL)	
	1	1	4025943	1	TRACK ROLLER UNDER CARRIAGE						
	2	1	4027583	2	LID						
	3	1	4027582	1	AXLE						
	4	1	1574881	2	MECHANICAL FACE SEAL						
	5	1	4015348	2	O RING TRAVEL MOTORS						
	6	1	1574830	2	STRAIGHT PIN						
	7	1	4213988	1	PLUG						
	8	1	4027755	2	BUSHING						

UNDERCARRIAGE

4794603 TOP ROLLER (contd.)

NPL00337642



GRAPHIC #1

<END>

NG00069405

UNDERCARRIAGE

4794604 CRAWLER CHASSIS

S/N: 15345-15345

SMCS -

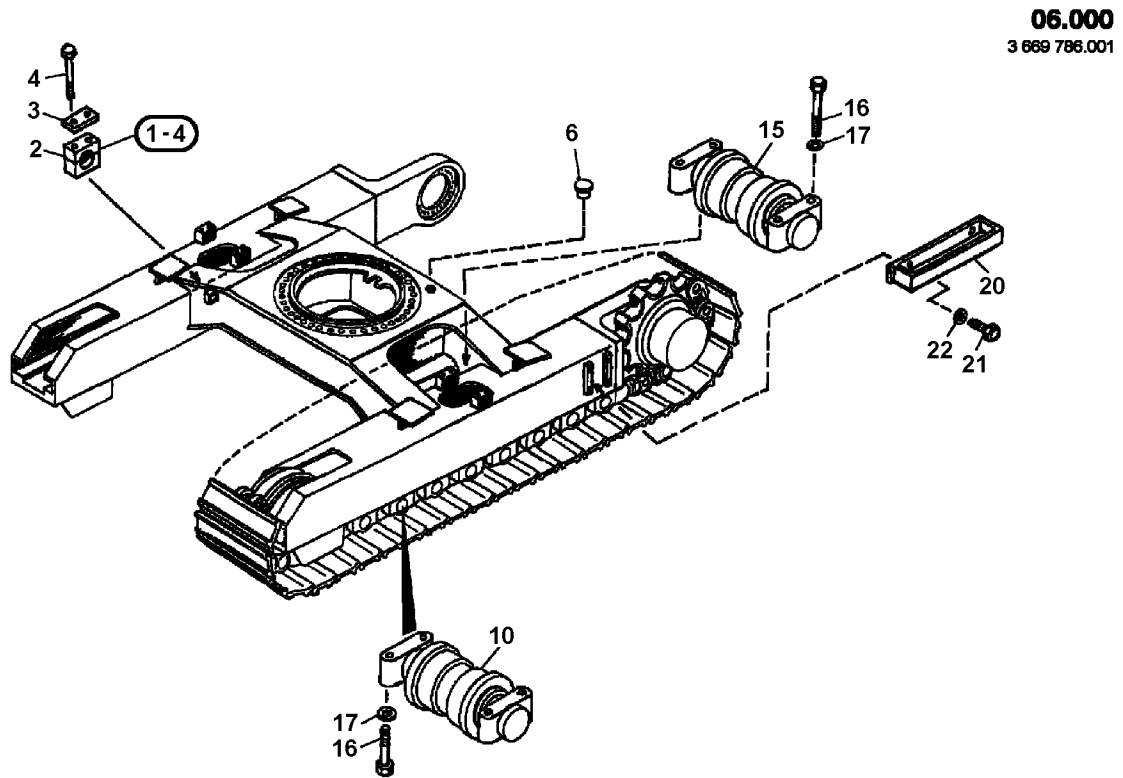
NPL00337643

NOTE	REF NO	GRAPHIC REF	PART NUMBER	QTY	PART NAME	SEE PAGE
					1 2 3 4 5 6 (PRODUCT LEVEL)	
	1	1	4021756	2	CLIP ASSEMBLY	
	2	1	1525849	2	CLAMP, HOSE	
	3	1	1520697	2	PLATE, COVER	
	4	1	1520740	2	SCREW, HEX HEAD	
	6	1	4014109	1	CAP	
	10	1	4794247	14	BOTTOM ROLLER	277
	15	1	4794603	4	TOP ROLLER	279
	16	1	1464964	72	HEX HD SCREW	
	17	1	1466815	72	WASHER	
	20	1	4021267	2	STEP	
	21	1	1521234	8	SCREW, HEX HEAD	
	22	1	1521948	8	WASHER	

UNDERCARRIAGE

4794604 CRAWLER CHASSIS (contd.)

NPL00337643



GRAPHIC #1

<END>

NG00069345

UNDERCARRIAGE

4794656 DRIVING CHAIN

S/N: 15345-15345

SMCS -

NPL00337644

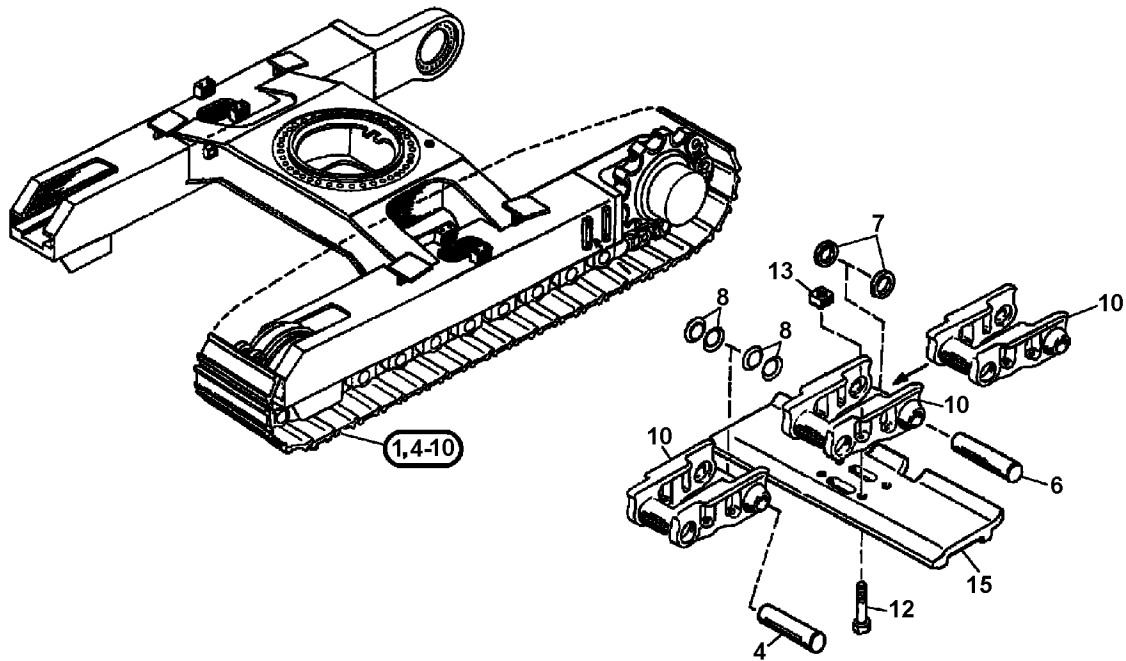
NOTE	REF NO	GRAPHIC REF	PART NUMBER	QTY	PART NAME						SEE PAGE
					1	2	3	4	5	6 (PRODUCT LEVEL)	
	1	1	1455948	1	TRACK CHAIN						
	4	1	4019558	47	PIN TRACK CHAIN						
	6	1	4019559	1	PIN MASTER TRACK CHAIN						
	7	1	1455084	2	WASHER						
	8	1	1497581	188	SEAL						
	10	1	1457723	48	SEGMENT						
	12	1	1455905	192	TRACK SHOE BOLT						
	13	1	1455901	192	TRACK SHOE NUT						
	15	1	1470000	48	PLATE, BASE (600 MM)						

UNDERCARRIAGE

4794656 DRIVING CHAIN (contd.)

NPL00337644

06.100
3 689 838.000



GRAPHIC #1

<END>

NG00069425

UNDERCARRIAGE

4797163 LOWER CARRIAGE

S/N: 15345-15345

SMCS -

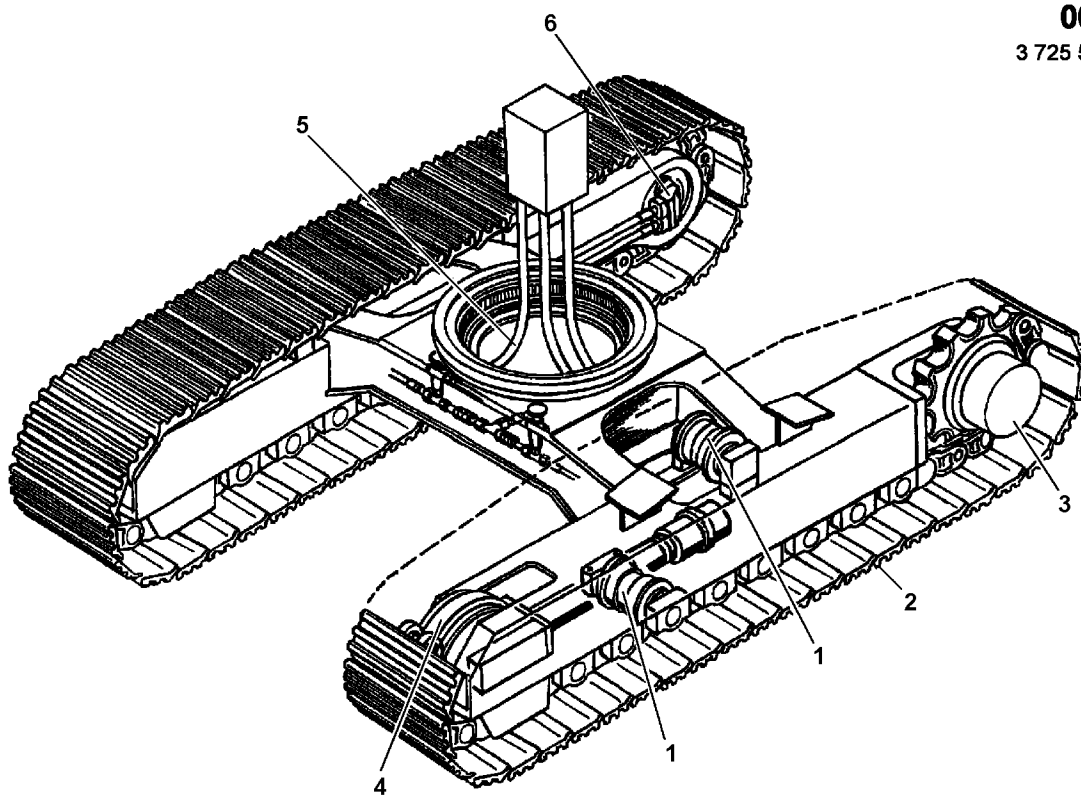
NPL00337655

NOTE	REF NO	GRAPHIC REF	PART NUMBER	QTY	PART NAME	SEE PAGE
					1 2 3 4 5 6 (PRODUCT LEVEL)	
	1	1	4794604	2	CRAWLER CHASSIS	281
	2	1	4794656	2	DRIVING CHAIN	283
	3	1	4797174	2	CHAIN WHEEL DRIVE	253
	4	1	4791426	2	TENSIONING DEVICE	275
	5	1	4797162	1	HYDRAULIC SYSTEM	155
	6	1	4791432	2	COVER, TRAVEL GEAR	31

UNDERCARRIAGE

4797163 LOWER CARRIAGE (contd.)

NPL00337655



00.200
3 725 540.000

GRAPHIC #1

<END>

NG00069325

WORK TOOLS

4797391 SHOVEL REAR WALL

S/N: 15345-15345

SMCS -

NPL00337751

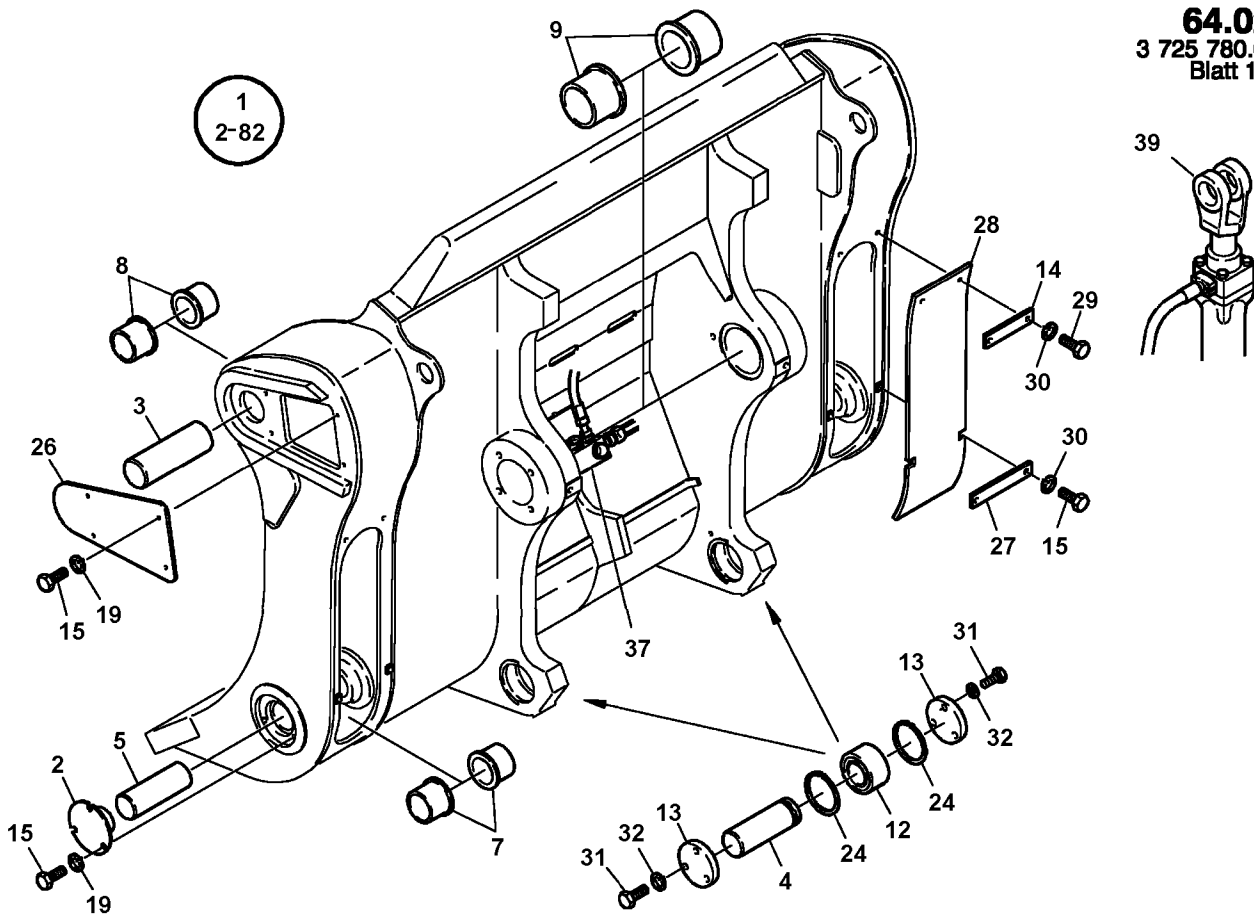
NOTE	REF NO	GRAPHIC REF	PART NUMBER	QTY	PART NAME						SEE PAGE
					1	2	3	4	5	6 (PRODUCT LEVEL)	
	1	1	4784874	1	BUCKET REAR WALL						
	2	1	4018587	2	LID						
	3	1	4019457	2	PIN STRAIGHT HYDRAULIC CYLINDER						
	4	1	1460442	2	PIN						
	5	1	1460425	2	PIN						
	7	1	1468610	4	BUSHING						
	8	1	1468623	4	BUSHING						
	9	1	4022729	2	BUSHING FLANGED HYDRAULIC CYLINDER						
	12	1	1462446	2	JOINT BEARING						
	13	1	4019868	4	LID MONOBLOCK BOOM						
	14	1	4026157	2	PLATE						
	15	1	1519517	18	HEX.HD.SCREW						
	19	1	1521430	14	WASHER, LOCK						
	24	1	1468064	4	CIRCLIP						
	26	1	4019161	2	LID						
	27	1	4782029	2	PLATE						
	28	1	4026158	2	LID						
	29	1	1521234	4	SCREW, HEX HEAD						
	30	1	1521948	8	WASHER						
	31	1	1519382	12	SCREW, HEX HEAD						
	32	1	1521430	12	WASHER, LOCK						
	37	1	4795975	1	GREASING SYSTEM, REAR WALL						40
	39	1	4790296	1	HYDRAULIC SYSTEM-REAR WALL						78
	43	2	4784094	1	PLATE						
	44	2	4784095	1	PLATE						
	45	2	4784095	1	PLATE						
	52	2	4784104	3	PLATE						
	53	2	4784105	4	PLATE						
	54	2	4784106	1	PLATE						
	55	2	4588641	2	ARMORED PLATE						
	66	2	4784096	1	PLATE						
	67	2	4784097	1	PLATE						
	68	2	4784098	1	PLATE						
	69	2	4784099	1	PLATE						
	70	2	4784100	1	PLATE						
	71	2	4784101	1	PLATE						
	77	2	4780168	15	PLATE						
	78	2	4019341	16	PLATE						
	79	2	4784107	3	PLATE						
	80	2	4784108	2	PLATE						
	81	2	4388848	3	PLATE						
	82	2	4782606	6	PLATE						
			4784102	1	HARDFACING						
					NOT SHOWN						
			4784103	1	HARDFACING						
					NOT SHOWN						

WORK TOOLS

4797391 SHOVEL REAR WALL (contd.)

NPL00337751

64.020
3 725 780.000
Blatt 1 - 2



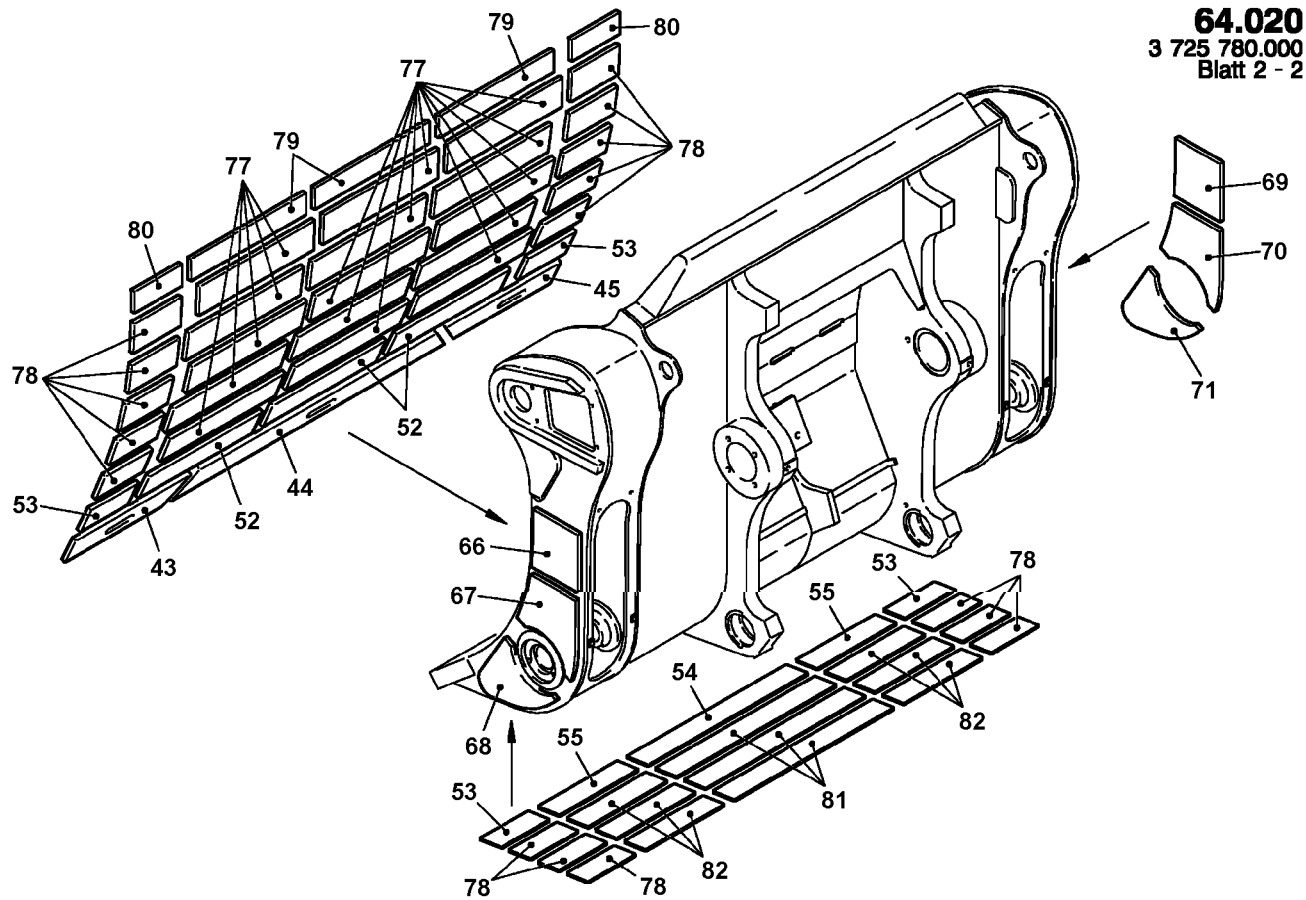
GRAPHIC #1

NG00054401

WORK TOOLS

4797391 SHOVEL REAR WALL (contd.)

NPL00337751



64.020
3 725 780.000
Blatt 2 - 2

GRAPHIC #2

<END>

NG00054404

WORK TOOLS

4797392 SHOVEL FRONT SHELL

S/N: 15345-15345

SMCS-

NPL00337752

NOTE	REF NO	GRAPHIC REF	PART NUMBER	QTY	PART NAME						SEE PAGE
					1	2	3	4	5	6 (PRODUCT LEVEL)	
	1	1	4784873	1	SHOVEL FRONT SHELL						
	2	1	1460443	2	PIN						
	3	1	4211128	6	TIP TOOTH						
	4	1	4211129	6	WEDGE						
	5	1	4013730	2	BEARING JOINT HYDRAULIC CYLINDER						
	6	1	4021878	4	BUSHING SLEEVE HYDRAULIC CYLINDER						
	7	1	1468114	4	CIR CLIP						
	8	1	1521238	8	SCREW, HEX HEAD						
	10	1	1522754	8	WASHER, RETAINING						
	11	1	1468999	2	BRACKET						
	15	1	4025234	2	WING BASE						
	16	1	4025236	4	PLATE						
	17	1	4025235	4	PIN, ROUND, 38X125MM						
	18	1	1466863	8	SNAP RING, EXTERNAL						
	19	1	4211502	1	SHROUD						
	20	1	4384159	2	SHROUD						
	21	1	4384260	2	SHROUD						
	22	1	1526105	5	PLATE, BASE						
	23	1	1526106	5	WEDGE						
	25	1	4498733	4	TOOTH HOLDER						
	26	1	4598613	1	CORNER BLADE						
	27	1	4598612	1	CORNER BLADE						
	28	1	4024236	4	SHROUD, HEEL						
	30	2	4784072	1	HARDFACING						
	33	2,3	4784073	4	PLATE						
	34	2,3	4784074	4	PLATE						
	35	2,3	4784075	4	PLATE						
	36	2,3	4784076	4	PLATE						
	37	2,3	4784077	4	PLATE						
	38	3	4784078	2	PLATE						
	39	3	4784079	2	PLATE						
	40	3	4784080	2	PLATE						
	41	3	4784081	2	PLATE						
	42	2,3	4784082	2	PLATE						
	43	2,3	4784083	2	PLATE						
	44	2,3	4784084	2	PLATE						
	45	2,3	4784085	2	PLATE						
	46	2	4784071	3	PLATE						
	53	2,3	4213863	11	ARMORED PLATE						
	54	3	4780673	10	PLATE						
	55	2	4780591	12	PLATE						
	56	2,3	4780387	18	PLATE						
	57	2	4783591	1	PLATE						
	58	2	4783592	2	PLATE						
	59	2	4107721	2	PLATE						
	60	2	4784093	1	HARDFACING						
	67	3	4784086	4	PLATE						
	68	2	4784088	2	PLATE						

WORK TOOLS

4797392 **SHOVEL FRONT SHELL (contd.)**

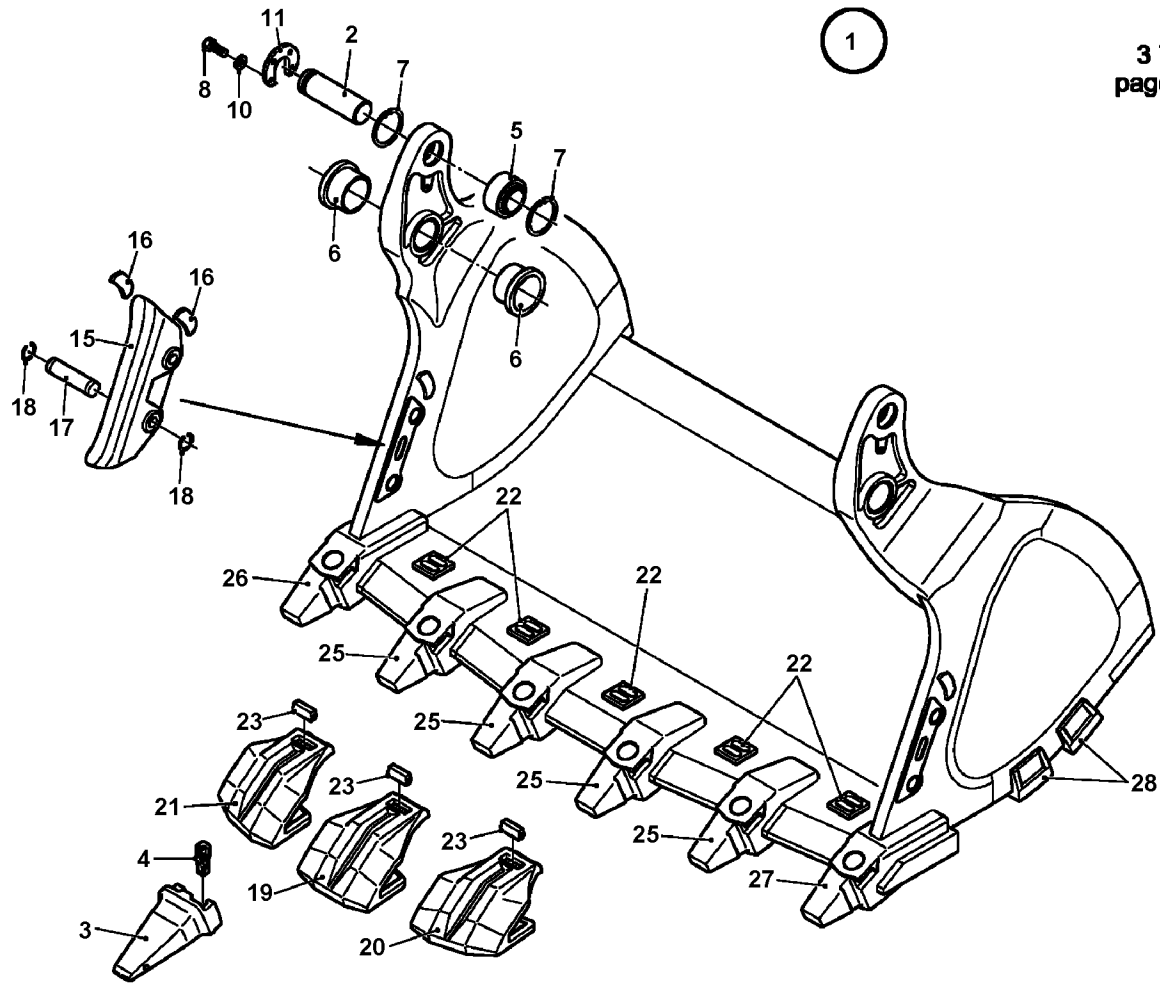
NPL00337752

NOTE	REF NO	GRAPHIC REF	PART NUMBER	QTY	PART NAME						SEE PAGE
					1	2	3	4	5	6 (PRODUCT LEVEL)	
	69	2	4784089	3	PLATE						
	70	3	4784090	2	PLATE						
	71	3	4784091	2	PLATE						
	72	3	4784092	1	PLATE						
	80	3	4784087	4	PLATE						
	81	2	4783759	4	ARMORED PLATE						

WORK TOOLS

4797392 SHOVEL FRONT SHELL (contd.)

NPL00337752



64.030
3 725 781.000
page/pagina 1-3

GRAPHIC #1

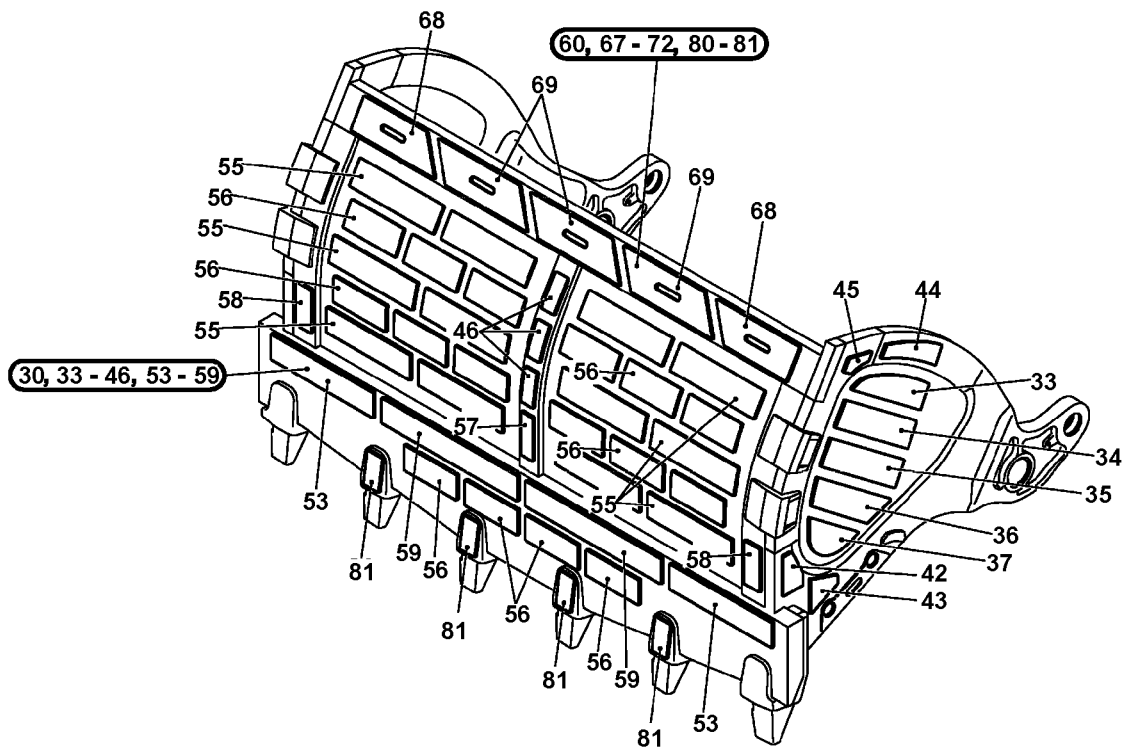
NG00054423

WORK TOOLS

4797392 SHOVEL FRONT SHELL (contd.)

NPL00337752

64.030
3 725 781.000
page/pagina 2-3



GRAPHIC #2

NG00054424

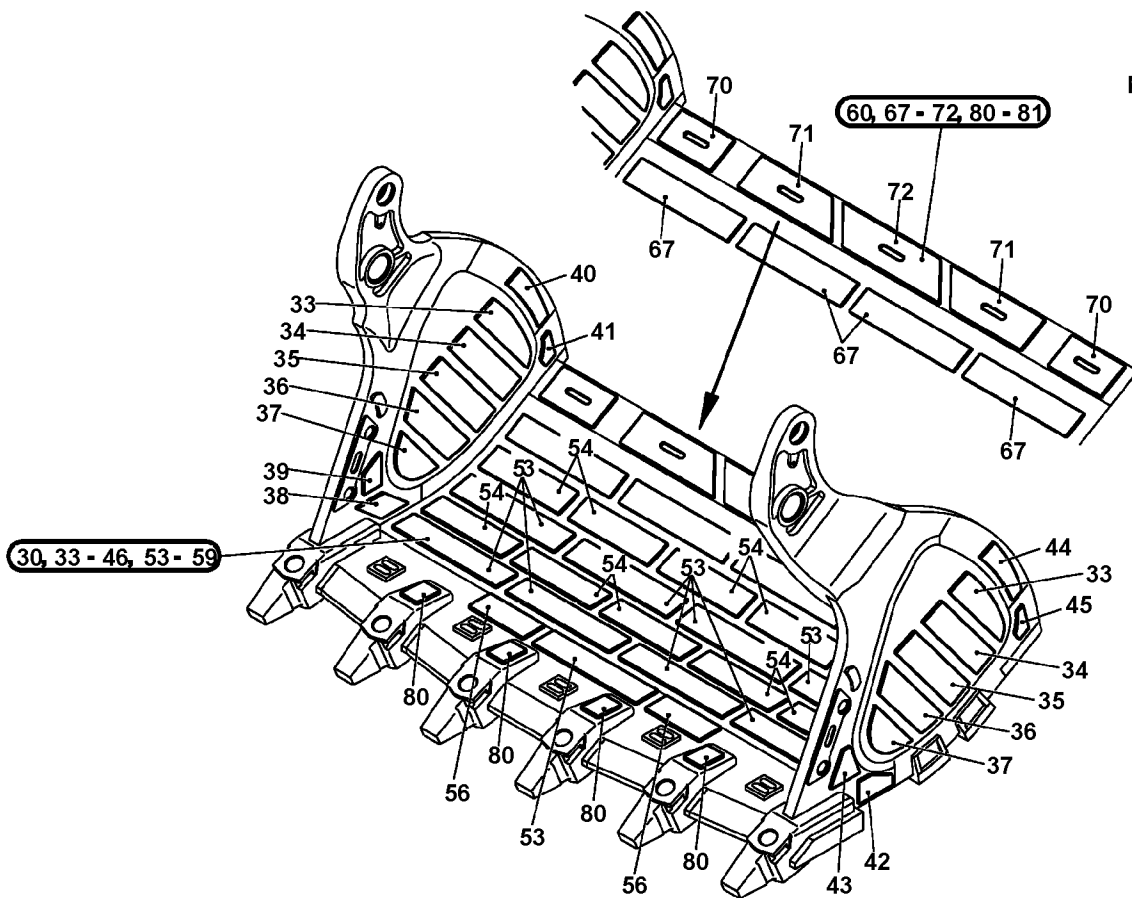
WORK TOOLS

4797392 SHOVEL FRONT SHELL (contd.)

NPL00337752

64.030

3 725 781.000
page/pagina 3-3



GRAPHIC #3

<END>

NG00054425

PART NUMBER INDEX

Part	Page	Part	Page	Part	Page	Part	Page
1							
1450550	68	1455490	66	1457043	129	1458076	88
1450598	80	1455496	175	1457080	114	1458084	80
	117		267	1457095	162	1458101	263
1450950	209	1455500	72	1457107	40	1458112	121
1451380	251	1455502	102		42	1458113	142
1451466	134	1455503	110		44	1458139	247
1451550	162	1455519	127		48	1458156	108
1451624	179	1455598	202	1457110	179	1458166	211
1451625	245	1455613	146	1457134	169	1458168	86
1451626	144	1455636	42	1457151	147	1458216	60
1451689	125	1455645	162	1457169	132	1458217	60
1451734	146	1455646	129	1457173	40	1458310	247
1451850	153	1455650	134		42	1458325	60
1451860	108		157		44		139
1452266	181	1455655	134	1457184	153	1458330	132
1452625	76	1455657	114	1457207	132	1458331	112
1452628	147	1455669	60	1457209	162		167
	153		129	1457229	94	1458332	127
1452829	9	1455678	129	1457244	134		134
1453010	175		153	1457268	275	1458355	247
	267		218	1457316	157	1458357	247
1453247	175	1455697	40		204	1458371	76
	267	1455700	153	1457331	275	1458396	205
1453559	108	1455705	129	1457337	241	1458406	147
1454596	119		147	1457345	40	1458410	162
1454628	183	1455719	153		42	1458420	212
	268	1455727	114		44	1458426	60
1454780	260	1455734	216	1457348	161	1458428	10
1454783	260	1455835	200	1457365	239		212
1454785	260	1455837	104	1457379	123	1458431	247
1454835	207	1455862	106	1457427	175	1458441	147
1454850	175	1455876	23	1457440	49	1458445	130
	267	1455901	283		267	1458455	161
1454860	209	1455905	283	1457549	247	1458456	9
1454861	209	1455941	92	1457551	247	1458461	218
1454873	209	1455948	283	1457631	202	1458463	243
1454874	209	1456018	134	1457700	211	1458468	147
	211	1456028	19	1457702	189	1458477	251
1454980	74		114		191	1458482	147
1454998	247		251	1457703	88	1458483	80
1455007	54	1456032	127	1457723	283	1458490	202
1455018	249	1456075	70	1457768	60	1458491	117
1455021	76	1456077	202	1457782	49	1458496	212
	117	1456231	60		267	1458521	204
1455033	15	1456268	114	1457790	60	1458526	175
1455034	108		167		139	1458591	80
1455053	275	1456346	127		256		117
1455084	283		267	1457791	256	1458596	88
1455089	204	1456354	275	1457804	49	1458597	76
1455102	80	1456364	88		267	1458626	70
1455122	181	1456367	80	1457846	104	1458641	88
1455129	52	1456368	117		106	1458645	80
1455214	58	1456386	137		108		117
	61	1456394	137	1457850	49	1458646	76
	268	1456420	9		267	1458647	90
1455218	162	1456478	204	1457888	76	1458690	9
1455260	102	1456501	212	1457889	76		123
	110	1456507	275	1457902	137	1458724	247
1455269	267	1456510	191	1457921	179	1458783	200
1455293	157	1456682	253	1457925	127	1458830	161
1455309	175	1456705	82		144	1458831	207
	267	1456752	102		110	1458985	92
1455332	102		110	1457941	247	1459034	76
	110	1456790	202	1457951	263		117
1455382	167	1456793	54	1457972	10	1459308	162
1455401	100	1456801	175		137	1459364	9
1455411	70		267		140	1459368	10
1455443	162	1456825	70		247	1459373	247
1455452	129		202		256	1459481	55
	163	1456859	137	1457980	38		211
1455456	157	1456862	137	1458020	108	1459483	54
1455480	38	1456938	229	1458066	76	1459488	123
		1457022	129		117	1459490	212

PART NUMBER INDEX

Part	Page	Part	Page	Part	Page	Part	Page
1459554	9		110	1461712	19	1463923	146
1459555	60	1460780	167		212	1463932	159
	175	1460783	183		218	1463946	132
1459573	137		268		243	1463972	129
	247	1460786	127	1461715	52	1464050	263
1459574	256		267		185	1464051	263
1459585	256	1460808	139		191	1464052	263
1459615	232	1460845	275	1461717	92	1464053	153
1459616	232	1460854	112	1461719	10		157
1459627	112		167	1461756	211		263
	167	1460863	169	1461760	54	1464100	9
1459640	104	1460869	129	1461765	247	1464103	1
	106		267	1461773	179	1464107	125
	108	1460880	275	1461780	207	1464110	1
1459717	204	1460900	134	1461784	247		9
1459747	202	1460919	94	1462078	98		125
1459761	100		112	1462216	108	1464113	4
1459769	44	1460946	175	1462286	202	1464144	260
1459771	243	1460962	88	1462297	207	1464171	10
1459790	54	1460964	80	1462415	38	1464197	129
1459791	202	1460965	117	1462419	260	1464316	60
1459883	88	1460976	175	1462420	260	1464317	161
1459885	80		267	1462446	187	1464368	153
1459886	76	1460978	247		191	1464621	247
	117	1460980	76		287	1464641	211
1459888	76	1460997	167	1462447	52	1464675	96
	117	1461003	125	1462471	200	1464692	140
1459889	80	1461007	253	1462476	112		204
1459907	76	1461025	129	1462482	137	1464706	209
1459943	137		267	1462492	211	1464719	29
1459979	4	1461031	175	1462494	211	1464749	134
1460001	207		267	1462510	114		146
1460252	275	1461045	232	1462512	147	1464753	157
1460328	121	1461046	232	1462529	147		204
1460400	52	1461061	94		153	1464754	157
1460406	191	1461062	167	1462543	204	1464762	132
1460411	52	1461064	112	1462561	1		139
1460416	193	1461095	181	1462565	183	1464772	82
1460418	191	1461096	121		268	1464789	185
1460421	193	1461106	176	1462586	275	1464794	146
1460425	287		267	1462596	275	1464808	275
1460442	287	1461113	181	1462795	161	1464810	25
1460443	290	1461116	117	1462798	161		241
1460505	200	1461119	76	1462919	161	1464824	80
1460533	204	1461120	80	1462964	146	1464831	249
1460534	204	1461127	175	1462984	19	1464836	52
1460535	204		267	1462986	40	1464837	52
1460537	204	1461128	68		42	1464869	202
1460546	209	1461140	104		44	1464876	127
1460547	209		106		48	1464918	52
1460610	263	1461142	108		49	1464920	162
1460612	263	1461143	108	1463045	161		200
1460616	144	1461146	175	1463072	146	1464922	78
1460626	112	1461147	144	1463116	147		147
1460634	70	1461200	175	1463132	146	1464923	153
	202		267	1463175	132	1464924	54
1460635	181	1461234	181	1463211	162		139
1460639	134	1461275	211	1463215	129		243
1460640	70	1461281	123	1463268	114	1464931	4
	202		209	1463272	114		232
1460651	179		211	1463275	146	1464947	253
	181	1461296	123	1463446	132	1464961	251
1460657	132	1461321	162	1463504	74	1464964	281
	267	1461335	207	1463621	98	1464986	132
1460662	119	1461370	216	1463697	114	1465017	183
1460663	119	1461373	185	1463848	127		268
1460666	119	1461382	40		267	1465067	209
1460707	179	1461446	229	1463849	40	1465076	209
1460714	181	1461461	207		42	1465077	161
1460724	260	1461507	212		44	1465081	212
1460759	127	1461546	275		48	1465083	54
	267	1461672	88	1463908	161	1465127	102
1460766	137	1461683	239	1463912	114		110
1460776	102	1461711	74	1463919	161	1465170	112

PART NUMBER INDEX

Part	Page	Part	Page	Part	Page	Part	Page
1465183	90	1466641	146		48	1468591	70
1465221	108	1466697	52		153		202
1465237	204		191		220	1468593	114
1465248	40		193		263	1468607	207
	42	1466711	245	1467810	10	1468610	287
	44	1466712	70		44	1468623	287
	48		202		48	1468625	187
1465279	38	1466714	70	1467836	40		189
	139		202		42	1468626	189
1465302	209	1466715	70		44	1468627	191
1465428	60		202		48	1468686	275
1465433	162	1466718	123	1467843	125	1468778	123
1465436	86		204	1467844	125	1468796	209
1465442	64	1466732	202	1467867	9	1468802	157
1465454	78	1466769	207	1467878	9	1468866	247
	127	1466780	239	1467879	209	1468947	4
1465457	100	1466781	207	1467889	10	1468981	204
	121	1466815	281	1467902	4	1468986	207
1465458	100	1466836	21	1467903	4	1468990	209
1465465	121	1466863	290	1467995	212	1468999	290
1465482	74	1466903	247	1468000	9	1469112	207
1465483	66	1467081	175	1468033	255	1469116	104
1465502	80	1467093	125	1468044	68		106
1465547	108		179	1468049	139	1469121	4
1465574	60	1467102	167	1468055	247	1469189	144
1465616	112	1467160	74	1468058	255	1469282	181
1465627	88	1467161	55	1468061	92	1469288	181
1465643	80		229	1468062	108	1469291	245
	117	1467162	74		255	1469310	218
1465780	54	1467183	179	1468063	255	1469362	140
1465809	146	1467188	100	1468064	187	1469422	202
1465837	132		121		191	1469487	207
	147	1467191	132		287	1469613	108
1465840	125		204	1468067	255	1469694	275
	147	1467195	212	1468082	247	1469726	263
1465846	78	1467196	146	1468097	189	1469727	263
	96	1467208	139		191	1469741	216
	147	1467209	147	1468101	70	1469745	139
1465847	78	1467236	167		202	1469794	123
1465854	183	1467254	40	1468107	139	1470000	283
	268		42		255	1470150	78
1465881	153		44	1468109	255		147
1465941	159		48	1468112	139	1470152	96
1465982	129	1467265	218		179	1471899	132
	134	1467336	247	1468114	88		267
	147	1467350	54		290	1471929	144
	153	1467406	232	1468118	119	1484696	263
	157	1467407	232	1468119	52	1484717	21
1466031	40	1467408	232		137		239
	48	1467409	232	1468135	38	1484845	247
1466049	159	1467434	212	1468182	247	1485067	212
1466209	163	1467472	123	1468183	247	1486593	247
1466212	162	1467539	183	1468212	88	1486611	247
1466219	60		268	1468217	40	1486627	247
1466220	19	1467575	132		42	1486635	247
1466252	175	1467655	235		44	1490489	60
	267	1467679	162		48	1497508	7
1466260	247	1467715	9	1468223	48	1497581	283
	268	1467719	212	1468224	200	1497587	129
1466265	129	1467724	147	1468225	211	1497588	134
	267	1467734	157	1468256	232	1497612	161
1466271	127		204	1468257	232	1497613	162
	267	1467743	157	1468266	207	1497614	132
1466283	60	1467763	157	1468268	209	1497616	125
1466291	127	1467774	19		211	1497617	125
	268	1467778	42	1468295	175	1497618	125
1466303	127		44		267	1497619	125
1466326	218		48	1468311	40	1497632	129
1466335	183		169		42	1497633	129
	268		263		44	1497634	129
1466340	48	1467786	229		48	1497635	129
	267	1467794	96	1468407	163	1497636	129
1466437	137	1467807	40	1468541	183	1497637	129
1466621	169		44		268	1497638	60

PART NUMBER INDEX

Part	Page	Part	Page	Part	Page	Part	Page
	129	1519407	193	1520041	260	1520736	157
1497639	134	1519408	1	1520042	260	1520740	130
1497640	134		4	1520045	260		281
1497641	134		10	1520197	54	1520752	114
1497642	161		54	1520277	204		134
1497643	161		55	1520278	10		147
1497644	161		169		55	1520772	224
1497645	161		251		123	1520774	224
1497646	132	1519413	9		147		229
	161	1519422	52		153	1520775	224
1497647	161	1519424	52		202		229
1497649	162	1519433	179	1520312	17	1520776	229
1497650	162	1519475	123		181	1520784	21
1497651	157	1519516	1	1520316	61	1520802	98
1497655	132		4	1520317	4		132
1499922	21		54		10		163
1515137	175		207		15	1520803	98
1515138	263		275		123	1520804	98
1515215	125	1519517	287		163	1520805	98
1515216	147	1519520	10		169		251
1515441	9		40	1520318	10	1520807	207
1516617	167		42		68	1520808	263
1517689	1		44		94	1520811	60
	181		48		148		251
	247		54		179	1520812	132
1517690	1		60	1520321	60		169
	4		153	1520322	102		251
	54		200		104	1520813	130
	175		211		106		132
1517707	10		220		110	1520814	169
	21	1519526	25		179	1520815	162
	61	1519547	224	1520344	211		163
	123	1519569	229	1520345	211	1520817	129
	229	1519674	52	1520348	10		163
	249		125		204	1520818	132
1518456	125		175	1520431	96	1520825	42
	132		229		229		44
	134	1519699	10	1520433	232		48
1518458	60		15	1520434	169		153
	157		17	1520454	229		263
1519059	21		52	1520455	17	1520827	263
	123		55		52	1520831	134
	125		130		123		144
	175		169		130		162
	229		211		134		167
1519060	7	1519733	193		157	1520834	161
	229	1519873	10		162	1520835	9
1519079	10	1519940	19		169		263
1519080	10		175		211	1520845	129
	123	1519945	260		232		251
	125	1519950	260		243	1520859	130
	175	1519989	38	1520459	191		132
1519182	54		84	1520463	10		162
	88		167	1520471	9	1520914	175
1519360	54	1519993	125		123	1520917	60
1519382	4		132	1520488	181	1520921	31
	33		134	1520535	204	1520923	175
	125		147	1520572	1	1520924	179
	220		153		4	1520928	147
	287	1519995	132		10		167
1519401	1		147		21	1520933	98
	7	1520003	260		220		132
	52	1520004	104	1520664	212		153
	175		106		218		162
	176	1520008	260	1520668	60	1520934	119
	181	1520010	4		204	1520949	117
	229	1520028	260	1520669	220	1520966	222
	232	1520029	260	1520689	52	1520982	55
1519402	1	1520030	260		123	1520983	54
	4	1520032	260		146	1520996	1
	33	1520033	260		181		4
	54	1520034	260		229		10
	123	1520036	260	1520697	281	1520997	78
	229	1520040	260	1520727	239		82

PART NUMBER INDEX

Part	Page	Part	Page	Part	Page	Part	Page
	104		163		275	1522846	153
	106	1521420	139	1522156	33	1522848	129
	162		275	1522162	218		162
1520998	1	1521430	147	1522171	40	1522851	104
	4		287		48		106
	10	1521454	1		212		114
1521000	82	1521457	1	1522207	229		125
	104	1521466	1	1522241	241		127
	106	1521471	1	1522245	60		147
	256		256		123		153
1521004	82	1521473	52	1522248	224	1522854	114
	104	1521501	1	1522249	224		125
	106	1521509	1	1522250	114		147
1521009	125	1521540	10	1522261	55	1522856	275
1521011	82		239		232	1522913	52
	104	1521541	229	1522262	205	1522914	52
	106	1521596	4	1522266	38		253
1521013	104	1521625	19	1522334	169	1522940	157
	106		55	1522345	162		159
1521015	82		212	1522348	237	1522973	52
	104	1521628	52	1522349	167		191
	106		157		204		253
1521031	82	1521632	60		237	1523055	54
	104		267	1522467	212	1523110	21
	106	1521635	60	1522699	153	1523144	163
1521040	82	1521637	157	1522707	55	1523149	129
1521042	82	1521791	147		204	1523167	98
1521047	82		249		211	1523168	98
1521062	9	1521804	163	1522715	54		251
	232		251		211	1523171	125
1521067	9	1521805	251	1522723	157	1523175	114
1521069	9	1521806	251	1522726	157	1523186	125
	10	1521807	251	1522751	157	1523194	204
1521072	161	1521815	9	1522753	157	1523196	7
1521116	175	1521827	169	1522754	290		10
1521142	9		251	1522756	129		55
	123	1521828	129	1522758	129		229
1521143	10		153		153		232
1521145	55	1521829	60		157	1523207	153
	255		153		162	1523226	132
1521146	123		251	1522760	157	1523228	125
1521213	112	1521832	123	1522764	216	1523251	125
	167		175	1522777	153	1523252	132
1521214	161	1521840	112	1522779	114		147
	179	1521851	10		125		153
1521226	191		40		132	1523253	147
1521230	61		42		134		153
1521234	229		44		147	1523255	147
	281		48		153	1523256	134
	287		55	1522780	114	1523276	132
1521237	86		60		125	1523280	181
1521238	9		162		132	1523281	129
	54		212		134		134
	55		232		147		153
	157		243		153		161
	162	1521852	48	1522786	114	1523286	162
	181		52	1522787	212	1523288	169
	229		55	1522790	114	1523290	163
	243		130	1522808	147	1523293	64
	251	1521856	10	1522830	159	1523298	132
	290	1521948	4	1522831	114		204
1521253	134		249		125		232
1521254	147		281		132	1523299	60
1521258	256		287		135		169
1521266	123	1521951	114		147	1523306	218
1521271	108	1521961	78	1522837	98	1523313	66
1521322	52		96	1522838	129	1523322	114
	54		147	1522839	129		132
	153	1522062	191	1522842	129		162
	169	1522068	96		132		169
	204	1522072	162		162		251
	211		204	1522843	162	1523518	129
1521323	247		207	1522844	98		267
1521373	86		212		129	1523521	114

PART NUMBER INDEX

Part	Page	Part	Page	Part	Page	Part	Page
	147		211	4		4015380	161
	148	1524819	78			4015390	146
1523523	100	1525231	55	4004231	146	4015441	218
1523525	134		211	4008551	211	4015452	146
	147		216	4013593	60	4015463	35
1523526	114	1525249	216	4013630	82	4015540	123
	134	1525250	216	4013638	86	4015655	218
	147	1525251	216	4013670	260	4015684	218
	148	1525252	216	4013680	129	4015687	129
1523529	251	1525253	216	4013687	54		162
1523568	130	1525254	216	4013701	139	4015693	175
1523570	125	1525256	216	4013712	48	4015694	272
1523574	10	1525257	216	4013716	275	4015695	191
	21	1525258	216	4013722	161	4015755	114
	162	1525259	17	4013730	290		175
	175	1525261	15	4013731	204	4015758	139
	211	1525270	169		218		179
	232	1525746	211	4013732	123	4015787	134
	241	1525764	204	4013740	60	4015888	129
1523592	232		218	4013741	40	4015943	167
	263	1525835	54		42	4016007	167
1523593	204		55		44	4016031	64
1523595	147		204		130	4016039	175
1523600	263		211		162		267
1523625	134	1525836	139	4013742	153	4016101	211
	161		255	4013748	179	4016103	211
1523648	94	1525838	132	4013757	38	4016327	121
	129	1525839	123	4013787	260	4016504	179
	167	1525842	162	4013844	243	4016513	181
1523649	162	1525849	281	4013865	55	4016514	121
1523650	162	1525851	163	4013867	98	4016515	121
1523653	162	1526105	290	4013953	84	4016516	121
1523662	31	1526106	290	4014015	17	4016517	121
	193	1530818	247	4014026	147	4016687	74
1523667	134	1531840	137	4014109	281	4016722	66
1523672	48	1542297	139	4014116	60	4016727	179
1523705	114	1543311	60	4014127	134	4016789	84
	147	1543312	60	4014148	9	4016838	38
1523733	125	1543313	60	4014205	134	4016994	72
1523742	129	1564532	40	4014208	135	4016995	72
1523749	229		42	4014219	222	4017020	112
1523759	60		44	4014263	161	4017037	245
1523800	84		48	4014281	52	4017056	54
1523905	247	1572468	181		275	4017082	235
1523925	9	1573306	247	4014389	55	4017131	119
	10	1574829	132		211	4017144	179
1523967	78		267	4014500	247	4017149	112
	127	1574830	277	4014584	247	4017153	167
	134		279	4014613	146	4017154	167
1523968	78	1574881	277	4014635	55	4017155	167
1523977	251		279		211	4017176	179
1523979	125	1591048	211	4014656	134	4017209	84
1523981	218		218	4014793	167	4017226	94
1524008	52	1591628	31	4014907	121	4017227	94
1524028	48	1612291	212	4014911	134	4017228	94
1524038	153	1616852	1	4014918	134	4017250	134
1524062	10		216	4015133	161	4017251	134
1524063	114	1616853	1	4015134	161	4017252	218
1524065	10	1624730	19	4015138	161	4017253	218
1524076	58		251	4015145	42	4017254	218
1524077	58	1625738	19		48	4017309	119
1524095	272	1625739	19	4015171	161	4017331	119
1524102	272	1626877	157	4015173	129	4017376	38
1524106	260	1628435	175	4015189	167	4017378	38
1524107	260		267	4015239	161	4017379	38
1524153	76	1654364	60	4015285	232	4017380	38
	80	1668540	214	4015286	232	4017381	38
	117	1668635	9	4015343	132	4017382	38
1524811	78	1672386	183		263	4017384	38
	127		268	4015348	277	4017385	38
1524817	102	1714995	134		279	4017386	38
	104			4015350	80	4017387	38
	106			4015376	129	4017389	38
	110				161	4017390	38

PART NUMBER INDEX

Part	Page	Part	Page	Part	Page	Part	Page
4017453	119	4019380	243	4020943	123	4022317	146
4017475	167	4019397	117	4020945	54	4022450	52
4017488	60	4019415	161	4020965	48		189
4017553	214	4019450	68	4020982	129	4022514	191
4017554	214	4019457	287	4021014	232	4022587	84
4017555	214	4019467	275	4021102	76	4022592	147
4017556	214	4019511	211	4021103	76	4022593	147
4017557	214	4019544	68	4021157	114	4022637	229
4017558	214	4019558	283	4021163	125	4022642	214
4017559	214	4019559	283	4021168	132	4022697	144
4017561	119	4019565	68	4021184	241	4022703	78
4017567	214	4019568	146	4021187	134	4022729	187
4017568	214	4019569	146	4021188	204		287
4017569	214	4019570	146	4021190	229	4022751	232
4017570	214	4019595	70	4021211	204	4022768	204
4017571	214	4019623	146	4021213	229	4022864	179
4017572	214	4019624	146	4021267	281	4022865	179
4017573	214	4019628	96	4021272	132	4022906	247
4017574	214	4019629	96		267	4022925	88
4017575	214	4019701	243	4021283	218	4022926	88
4017706	146	4019771	179	4021325	191	4022948	35
4017736	48	4019775	40	4021326	191	4022971	82
4017764	204	4019807	243	4021353	204	4023096	88
4017824	204	4019808	243	4021372	218	4023097	88
4017836	211	4019810	271	4021403	162	4023098	88
4017866	146	4019818	175	4021494	29	4023113	88
4017887	211	4019868	287	4021498	229	4023258	146
4017888	211	4019907	211	4021500	229	4023259	146
4017921	204	4019914	55	4021503	52	4023260	146
4017928	211	4020001	147	4021516	218	4023261	146
4017986	211	4020097	33	4021522	15	4023262	146
4017992	70	4020168	175	4021526	33	4023393	179
4018019	94	4020176	123	4021529	157	4023424	78
	179	4020382	90	4021530	153	4023497	60
4018028	179	4020414	146	4021531	123	4023502	243
4018201	60	4020426	275	4021555	114	4023527	146
4018373	204	4020533	130	4021566	76	4023536	243
4018389	181	4020534	104	4021575	161	4023537	243
4018533	209		106	4021576	132	4023593	33
4018587	287	4020535	104	4021577	162	4023720	88
4018597	123		106	4021578	162	4023722	88
4018613	161	4020549	90	4021579	162	4023850	243
4018663	132	4020563	175	4021580	161	4023859	211
4018737	121	4020564	175	4021582	176	4023891	10
4018782	108	4020609	153	4021589	161	4023892	247
4018791	211	4020683	134	4021630	17	4023894	9
4018792	209	4020686	112	4021745	232	4023920	229
	211	4020696	134	4021746	232	4024017	125
4018793	212	4020719	52	4021752	229	4024023	134
4018794	212	4020726	175	4021753	229	4024031	125
4018795	211	4020759	98	4021754	229	4024070	146
4018832	108	4020760	98	4021756	281	4024090	78
4018914	114	4020761	98	4021792	272	4024091	78
4018950	88	4020762	98	4021842	98	4024093	96
4018987	10	4020763	98	4021878	290	4024094	125
4018995	60	4020784	15	4021967	161	4024095	146
4019042	211	4020785	15	4022032	52	4024096	146
4019049	123	4020855	31	4022068	114	4024122	33
4019076	204	4020856	31	4022072	146	4024124	21
4019139	148	4020858	52	4022088	132	4024167	142
	161	4020873	146	4022128	114	4024236	290
4019150	243	4020874	146	4022133	161	4024533	220
4019155	146	4020875	146	4022151	52	4024553	52
4019161	287	4020876	146	4022175	139	4024554	60
4019185	191	4020895	193	4022176	139	4024613	9
4019186	204	4020896	193	4022177	139	4024652	17
4019193	123	4020915	275	4022178	139	4024677	132
4019194	123	4020927	94	4022179	139	4024714	119
4019197	185	4020935	161	4022180	139	4024797	4
4019207	52	4020937	123	4022181	139	4024806	117
4019256	76	4020938	123	4022182	139	4024903	146
4019327	60	4020939	123	4022229	21	4024904	4
4019330	88	4020940	134		222	4024907	21
4019341	287	4020942	60	4022246	169	4024912	9

PART NUMBER INDEX

Part	Page	Part	Page	Part	Page	Part	Page
4024913	9	4026810	117	4028089	9	4210966	54
4024914	9	4026811	76	4028096	10	4210991	54
4024916	9	4026812	76	4028105	123	4211128	290
4024917	21	4026813	80	4028113	218	4211129	290
4024918	15	4026901	167	4028115	169	4211415	187
4024924	9	4026926	38	4028116	232	4211431	146
4024927	9		49	4028126	232	4211432	146
4025002	146	4026944	19	4028127	19	4211468	55
4025014	169	4026977	179	4028130	40	4211502	290
4025097	169	4026978	179	4028147	167	4211518	4
4025099	60	4026979	179	4028149	235	4211584	9
4025144	147	4026988	84	4028204	92	4211704	9
4025148	147	4026989	179	4041581	260	4211799	38
4025234	290	4026991	179	4041604	260	4211812	80
4025235	290	4027050	247	4041610	64	4211813	117
4025236	290	4027051	247	4041626	119	4211852	247
4025384	127	4027053	247	4041660	82	4211902	139
4025386	127	4027086	235	4041674	74	4211903	139
	267	4027093	144	4041676	216	4211904	139
4025514	7	4027110	144	4041677	64	4211905	139
4025539	4	4027111	144	4041694	129	4211906	139
4025540	4	4027187	179		163	4211924	38
4025541	4	4027257	179	4041778	167	4211925	38
4025658	9	4027341	38	4041796	40	4211926	38
4025703	9	4027357	247		42	4211948	7
4025708	9	4027420	191		44	4211949	7
4025839	9	4027421	191		48	4211950	23
4025840	9	4027472	247	4041797	70	4212031	48
4025841	9	4027473	247	4041807	179	4212063	1
4025923	125	4027569	139	4042028	263		267
4025930	40	4027570	139	4042201	243	4212097	140
	42	4027571	139	4042620	137	4212098	140
	44	4027572	139	4042675	137	4212099	140
	49	4027573	139	4042748	263	4212100	140
	153	4027574	139	4042749	263	4212194	179
	157	4027575	139	4042750	263	4212195	179
	159	4027576	139	4042752	263	4212196	179
	263	4027577	139	4064414	209	4212295	94
4025931	263	4027578	139	4064417	108	4212745	94
4025932	153	4027579	137	4064419	247	4213106	119
	263	4027580	139	4064482	42	4213172	132
4025943	277	4027581	139		44	4213275	4
	279	4027582	277	4064539	127	4213282	260
4025976	9		279	4064542	121	4213480	121
4026014	9	4027583	277	4064544	94	4213521	218
4026015	23		279	4064559	78	4213754	108
4026100	9	4027600	139		127	4213863	290
4026101	9	4027661	140	4064561	44	4213871	204
4026145	232	4027662	139		48	4213927	119
4026146	232	4027663	139	4064589	54	4213928	119
4026157	287	4027664	140	4064590	52	4213940	220
4026158	287	4027665	139	4064591	117	4213981	179
4026188	1	4027666	139	4064712	153	4213982	179
	267	4027667	119	4064713	153	4213988	277
4026189	1	4027688	23	4066798	1		279
	267		267		267	4213998	88
4026239	1	4027689	23	4066799	1	4214011	235
4026240	1		267		267	4214013	214
4026271	1	4027690	23	4075123	161	4214015	214
4026274	1		267	4101406	212	4214016	214
4026275	1	4027695	23	4105672	211	4214017	214
4026349	4	4027723	38	4105772	60	4214018	214
4026386	1	4027755	277	4107721	290	4214019	214
4026449	17		279	4108378	169	4214020	214
4026516	10	4027896	60	4116464	167	4221376	1
4026517	10		267	4117542	60		267
4026728	19	4027937	10		162	4221600	70
4026730	88	4027953	10	4117987	162		202
4026736	88	4027992	38	4125321	9	4235429	38
4026777	90	4028061	94	4150014	169	4235434	112
4026779	76	4028062	94	4156795	251	4235466	80
4026781	80	4028071	134	4192983	125	4235473	54
4026807	80		162	4192984	125		229
4026809	117		218	4192985	125	4235494	100

PART NUMBER INDEX

Part	Page	Part	Page	Part	Page	Part	Page
4235508	132	4488149	255	4571506	82	4780762	54
4235560	193	4488240	255	4571508	112	4780780	55
4235711	167	4488241	255	4571523	202	4780802	125
4235828	263	4488242	255	4571530	92	4780832	55
4235836	130	4488243	255	4572511	175	4780835	55
4238054	86	4488244	255	4572512	175	4780836	55
4238085	112	4488246	256	4572513	176	4780934	224
4238112	94	4488249	255	4572514	176	4780971	15
4257991	10	4488250	255	4572515	176	4780972	54
4275601	19	4488251	255	4572516	176	4781007	54
4275738	1	4488252	255	4578820	200	4781096	191
	267	4488253	256	4584471	90	4781367	55
4275879	19	4488254	256	4585173	54	4781461	224
4296577	52	4488255	256	4586501	127	4781462	224
4296578	40	4488257	256	4588641	287	4781463	224
	42	4488258	256	4592030	235	4781464	224
	44	4488259	255	4592031	235	4781465	224
	48	4489212	255	4592032	235	4781466	224
4327093	211	4489213	255	4592033	235	4781467	224
4369144	54	4489214	255	4592034	235	4781468	224
4373090	169	4489215	255	4592060	169	4781714	224
4373092	169	4489216	255	4592061	235	4781715	224
4373105	169	4489217	255	4595763	224	4781965	220
4373106	169	4489218	255	4595764	224	4782029	287
4373107	169	4489219	255	4595765	224	4782593	205
4373113	169	4489260	255	4596375	10	4782606	287
4373206	162	4489261	255	4598612	290	4783591	290
4374107	179	4489262	255	4598613	290	4783592	290
4381820	272	4489263	255	4599042	169	4783753	272
4384159	290	4489264	255	4599226	55	4783759	291
4384260	290	4489482	255	4600859	224	4784019	204
4384849	272	4489483	255	4600949	224	4784071	290
4384850	272	4489484	255	4600980	232	4784072	290
4384851	272	4489485	255	4600981	241	4784073	290
4384852	272	4489486	255	4600982	232	4784074	290
4386904	1	4489489	255	4600983	232	4784075	290
4388848	287	4489490	255	4600987	224	4784076	290
4390273	189	4489491	255	4601300	179	4784077	290
4395315	23	4489492	255	4602086	243	4784078	290
4398554	245	4492345	275	4604978	229	4784079	290
4406947	255	4492382	161	4605835	229	4784080	290
4420737	102	4496123	272	4619880	232	4784081	290
	110	4498228	167	4780073	121	4784082	290
4424105	255	4498733	290	4780086	260	4784083	290
4426606	23	4501392	204	4780098	260	4784084	290
4426630	102	4502484	251	4780099	134	4784085	290
	110	4502836	147	4780123	191	4784086	290
4430841	175	4502870	54	4780152	54	4784087	291
4431132	272	4503208	175	4780168	287	4784088	290
4431134	272	4503284	251	4780178	70	4784089	291
4431136	272	4503287	119	4780218	40	4784090	291
4431138	272	4503837	235		42	4784091	291
4431139	272	4521343	204		44	4784092	291
4431322	272	4521347	175		48	4784093	290
4431323	272	4523693	211	4780222	163	4784094	287
4431324	272	4538350	232	4780224	202	4784095	287
4434350	10	4557622	92	4780262	108	4784096	287
4435771	82	4557623	98	4780379	134	4784097	287
	108	4557639	212	4780383	129	4784098	287
4460784	54	4559037	169	4780387	290	4784099	287
4474619	137	4559038	169	4780401	229	4784100	287
4474723	183	4559039	169	4780413	82	4784101	287
	268	4560933	48	4780424	52	4784102	287
4474725	108	4561587	15	4780443	229	4784103	287
4474728	134	4561588	15	4780463	212	4784104	287
4474729	130	4562943	108	4780548	220	4784105	287
4474742	161	4564016	243	4780550	204	4784106	287
	162	4569012	179	4780591	290	4784107	287
4484859	54	4569019	60	4780648	35	4784108	287
4486842	140		267	4780673	290	4784701	21
4488145	255	4569044	100	4780691	78	4784873	290
4488146	255	4570243	179	4780716	204	4784874	287
4488147	255	4570453	139	4780758	54	4785138	175
4488148	255	4571290	167	4780761	54	4785143	176

PART NUMBER INDEX

Part	Page	Part	Page	Part	Page	Part	Page
4785225	243	4791701	100	4794874	37		197
4785295	9		▶104		▶38	4797478	▶235
4785313	55	4791702	100	4795975	▶40		237
4785314	55		▶106		287	4797485	▶237
4785315	1	4791703	100	4795976	▶42		239
4785321	10		▶108		193	4797486	▶239
4788169	▶64	4791704	100	4795977	▶44		241
	129		▶110		191	4797487	197
4788171	▶66	4791711	▶112	4795978	37		▶241
	129		132		▶48	4797493	237
4788428	▶68	4791719	▶218	4797125	27		▶243
	175		237		▶251	4797503	197
4788443	161	4791796	▶247	4797161	▶153		▶272
	▶200		251		155	4797504	25
4788444	▶70	4791852	▶33	4797162	▶155		▶54
	200		199		285	4797505	▶179
4788451	161	4792943	▶114	4797163	▶285		181
	▶202		172	4797173	▶17	4797506	27
4788460	▶72	4793114	27		199		▶181
	161		▶249	4797174	▶253	4797734	169
4788746	▶245	4793195	▶117		285		▶183
	249		195	4797175	253	4802458	102
4788854	▶29	4793285	▶15		▶255		110
	197		25	4797176	155	4802525	247
4788858	▶260	4793437	52		▶157	4802548	72
	271		▶119	4797177	155	4802579	204
4788950	▶74	4793464	▶121		▶159	4802645	70
	181		146	4797194	▶9	4802811	139
4790290	▶76	4793563	▶187		27	4802935	92
	195		193	4797195	▶1	4803732	40
4790296	▶78	4793577	▶123		6	4803953	19
	287		241	4797196	▶4	4804101	112
4790300	▶185	4793842	▶125		6	4804423	181
	195		172	4797197	▶6	4804424	121
4790301	▶80	4793869	▶127		27	4804571	167
	195		175	4797247	▶161	4804675	72
4790309	▶82	4793902	▶189		172	4804676	72
	146		191	4797259	▶220	4804677	72
4790417	▶84	4793996	▶35		222	4804678	72
	123		197	4797260	▶222	4804679	72
4790421	▶86	4794031	▶129		239	4804680	72
	181		172	4797314	▶193	4804705	235
4791105	▶88	4794032	▶132		195	4804787	218
	195		172	4797343	▶199	4804897	235
4791425	▶90	4794102	▶134		▶224	4804899	235
	275		172	4797383	▶263	4804905	235
4791426	▶275	4794247	▶277	4797391	▶195	4804906	235
	285		281		▶287	4804911	214
4791427	▶92	4794579	▶137	4797392	195	4805152	112
	253		140		▶290	4805877	121
4791432	▶31	4794580	52	4797393	▶195	4808919	137
	285		▶139	4797394	▶167	4809556	185
4791439	▶94	4794603	▶279		181	4810551	212
	181		281	4797408	▶19	4828949	▶25
4791517	▶96	4794604	▶281		27		197
	193		285	4797417	▶229	4829020	▶197
4791660	▶204	4794642	▶58		241	4829021	▶199
	237		199	4797419	▶169	4831614	25
4791661	▶207	4794644	27		172		▶27
	222		▶60	4797420	▶172		
4791662	▶209	4794656	▶283		197		
	222		285	4797422	▶21		
4791663	▶211	4794663	▶142		27		
	222		181	4797428	▶267		
4791667	▶214	4794682	▶144		271	302-6303	272
	232		146	4797429	197		
4791668	▶216	4794683	▶146		▶271		
	222		191	4797440	▶23		
4791682	▶98	4794745	▶191		27		
	172		195	4797445	199		
4791692	▶100	4794765	▶37		▶232	452-5798	272
	114		197	4797465	52		
4791700	▶100	4794799	▶7		▶175		
	▶102		10	4797468	▶52		

3

4



EM006121-0

6015 FS HYDRAULIC SHOVEL