



# Parts Manual

---

## 988G Wheel Loader

---

BNH1-Up (Machine)  
BNT1-Up (Engine)  
BJW1-Up (Transmission)  
5ZT1-Up (Torque  
Converter)  
6AT1-Up (Torque  
Converter)  
TCR1-Up (Torque  
Converter)

Powered By 3456 Engine  
This Parts Manual is also available in pdf Format on Compact  
Disc



# Product and Dealer Information

Note: For product identification plate locations, see the section "Product Identification Information" in the Operation and Maintenance Manual.

Delivery Date: \_\_\_\_\_

## Product Information

Model: \_\_\_\_\_

Product Identification Number: \_\_\_\_\_

Engine Serial Number: \_\_\_\_\_

Transmission Serial Number: \_\_\_\_\_

Generator Serial Number: \_\_\_\_\_

Attachment Serial Numbers: \_\_\_\_\_

Attachment Information: \_\_\_\_\_

Customer Equipment Number: \_\_\_\_\_

Dealer Equipment Number: \_\_\_\_\_

## Dealer Information

Name: \_\_\_\_\_ Branch: \_\_\_\_\_

Address: \_\_\_\_\_

\_\_\_\_\_

\_\_\_\_\_

Dealer Contact

Phone Number

Hours

Sales: \_\_\_\_\_

Parts: \_\_\_\_\_

Service: \_\_\_\_\_

# MEMORANDA

# TABLE OF CONTENTS

NAME	PAGE	NAME	PAGE
<b>GENERAL INFORMATION</b> .....	<b>A6</b>	PLUG GP-CYLINDER BLOCK .....	105
<b>REPAIR ALTERNATIVES</b> .....	<b>A9</b>	PLUG GP-CYLINDER HEAD .....	107
<b>SUPPLEMENTAL COOLANT ADDITIVES</b> .....	<b>A10</b>	PLUG GP-ENGINE .....	110
<b>MAINTENANCE PARTS</b> .....	<b>A11</b>	PULLEY GP-CRANKSHAFT .....	111
<b>INDEX</b> .....	<b>A16</b>	ROCKER ARM GP .....	112
<b>MACHINE ARRANGEMENT</b> .....	<b>1</b>	SEAL GP-CRANKSHAFT .....	114
CHASSIS AR .....	1	SUPPORT GP-ENGINE .....	116
COMMON AR .....	2	<b>LUBRICATION SYSTEM</b> .....	<b>118</b>
<b>ENGINE ARRANGEMENT</b> .....	<b>3</b>	EXTENSION GP-FUMES DISPOSAL .....	118
ENGINE AR .....	3	FASTENER GP-OIL PUMP MOUNTING .....	119
ENGINE AR-COMPLETE .....	4	FILLER GP-ENGINE OIL .....	120
ENGINE AR-CORE .....	8	FILTER GP-ENGINE OIL .....	121
INSTALLATION AR-ENGINE .....	11	FUMES DISPOSAL GP .....	125
<b>BASIC ENGINE</b> .....	<b>12</b>	GAUGE GP-OIL LEVEL (DIPSTICK) .....	126
ADAPTER GP-PUMP DRIVE .....	12	LINES GP-ENGINE OIL .....	130
BASE GP-VALVE COVER & INJ HARN .....	13	LINES GP-TURBOCHARGER OIL .....	132
BELT TENSIONER GP .....	14	OIL CHANGE GP-HIGH SPEED .....	133
CAMSHAFT GP .....	15	PUMP GP-ENGINE OIL .....	134
COVER GP-CYLINDER BLOCK .....	16	<b>COOLING SYSTEM</b> .....	<b>135</b>
COVER GP-FRONT HOUSING .....	18	COOLING AR .....	135
COVER GP-VALVE MECHANISM .....	19	COOLING AR-HIGH AMBIENT TEMP .....	140
CRANKSHAFT GP .....	24	FAN & BAFFLE GP .....	141
CYLINDER BLOCK AS .....	26	FAN GP-SUCTION .....	142
CYLINDER BLOCK GP .....	30	FASTENER GP-WATER PUMP .....	145
CYLINDER HEAD AS .....	35	KIT-WATER PUMP .....	146
CYLINDER HEAD GP .....	45	LINES GP-WATER .....	147
DAMPER GP .....	57	PUMP GP-WATER .....	151
DRAIN GP-ENGINE OIL .....	58	RADIATOR GP .....	154
DRIVE GP-ACCESSORY .....	59	VALVE GP-RADIATOR DRAIN .....	156
DRIVE GP-PUMP .....	62	<b>AIR INLET AND EXHAUST SYSTEM</b> .....	<b>157</b>
ENGINE BRAKE GP .....	63	AFTERCOOLER GP-AIR .....	157
FASTENER GP-FRONT HOUSING .....	67	AIR CLEANER GP .....	158
FASTENER GP-VALVE MECHANISM .....	69	DUST EJECTOR GP .....	160
FLYWHEEL GP .....	70	KIT-TURBOCHARGER GASKET .....	162
GEAR GP-CAMSHAFT .....	71	LINES GP-AIR .....	163
GEAR GP-FRONT .....	73	MANIFOLD GP-EXHAUST .....	166
HOUSING GP-ENGINE BRAKE .....	80	MOUNTING GP-MUFFLER .....	167
HOUSING GP-FLYWHEEL .....	86	MUFFLER GP .....	169
HOUSING GP-FRONT .....	90	SHIELD GP-HEAT .....	171
LIFTING GP-ENGINE .....	92	TURBOCHARGER GP .....	173
MECHANISM GP-FUEL PUMP & VALVE .....	94	<b>FUEL SYSTEM</b> .....	<b>177</b>
MOUNTING GP-ALTERNATOR & COMPR .....	95	ADAPTER GP-FAST FILL FUEL .....	177
PAN GP-OIL .....	96	FILTER GP-FUEL .....	183
PANEL GP-SOUND SUPPRESSION .....	101	FILTER GP-WATER SEP & FUEL .....	184
PISTON & ROD GP .....	102	FUEL AR-CONVENTIONAL FILL .....	185
PLATE AS-FRONT HOUSING .....	104	FUEL AR-FAST FILL .....	187
		INJECTOR GP-FUEL .....	190
		KIT-INJECTOR .....	191
		LINES GP-FUEL .....	192
		LINES GP-FUEL HEATER .....	201

# TABLE OF CONTENTS

NAME	PAGE	NAME	PAGE
MANIFOLD GP-FUEL .....	203	SWITCH GP-BYPASS .....	338
PUMP & MTG GP-FUEL		SWITCH GP-DISCONNECT .....	339
TRANSFER.....	204	SWITCH GP-ENGINE BRAKE .....	340
PUMP GP-FUEL TRANSFER .....	206	SWITCH GP-FLOW .....	342
TANK GP-FUEL .....	207	SWITCH GP-LIMIT .....	343
VALVE GP-CHECK .....	211	SWITCH GP-MAGNETIC .....	344
		SWITCH GP-PAYLOAD STORE.....	347
<b>ELECTRICAL AND STARTING</b>		SWITCH GP-PRESSURE .....	348
<b>SYSTEM.....</b>	<b>216</b>	SWITCH GP-RIDE CONTROL .....	349
ALARM GP.....	216	SWITCH GP-ROCKER .....	351
ALTERNATOR GP-CHARGING.....	217	SWITCH GP-SIGNAL.....	353
BATTERY & WIRING GP .....	229	SWITCH GP-WIPER .....	354
CONNECTION GP-ELECTRICAL .....	232	WARNING GP-BACKUP.....	356
CONTROL & MTG GP-ENGINE		WIRING GP-AUTOLUBE CONTROL.....	358
ELEK .....	233	WIRING GP-BUMPER.....	360
CONTROL GP-ENGINE		WIRING GP-CAB .....	362
ELECTRONIC .....	235	WIRING GP-ELECTROHYDRAULIC .....	377
CONTROL GP-LIFT & TILT POS .....	240	WIRING GP-ELECTRONICS BAY .....	378
CONTROL GP-UNPROGRAMMED .....	244	WIRING GP-ENGINE.....	382
ELECTRICAL AR .....	246	WIRING GP-ENGINE ELECTRONIC.....	391
ELECTRONICS GP-IMPLEMENT .....	247	WIRING GP-FRONT.....	393
ELECTRONICS GP-MONITOR .....	248	WIRING GP-MACHINE .....	399
ELECTRONICS GP-POWER TRAIN .....	249	WIRING GP-POWER TRAIN.....	406
ENCLOSURE GP-ELECTRONICS		WIRING GP-REAR.....	415
BAY .....	250	WIRING GP-SENSOR .....	416
FASTENER GP-ELECTRONICS .....	252	WIRING GP-SHUTOFF .....	421
HEATER AR-FUEL.....	253	WIRING GP-TILT REGEN	
HEATER GP-JACKET WATER.....	255	CONTROL.....	423
KIT-CAMERA .....	258		
LAMP GP-DOME .....	259	<b>POWER TRAIN.....</b>	<b>424</b>
LAMP GP-FLOOD .....	260	AXLE AR-FIXED.....	424
LAMP GP-HEAD.....	267	AXLE AR-OSCILLATING.....	424
LAMP GP-INDICATOR .....	268	AXLE GP-FIXED.....	425
LAMP GP-SIGNAL .....	269	AXLE GP-OSCILLATING .....	426
LAMP GP-WARNING BEACON .....	273	CASE & PARTS GP-PLANETARY .....	428
LIGHTING AR-SIGNAL .....	276	CONTROL GP-TRANSMISSION	
LIGHTING AR-STOP & FLOOD.....	276	HYD .....	429
LIGHTING GP-FLOOD.....	277	COOLER & FAN GP-AXLE OIL.....	435
LIGHTING GP-FLOOD & SIGNAL.....	284	COOLER AR-AXLE OIL .....	450
LIGHTING GP-STOP.....	287	COOLER GP-AXLE OIL .....	451
LIGHTING GP-WARNING BEACON .....	290	COVER GP-SHIPPING .....	455
MOUNTING GP-PRESSURE		DIFFERENTIAL & BEVEL GEAR	
SENSOR.....	292	GP .....	457
PLATE AS-BRUSH.....	293	DIFFERENTIAL GP .....	459
SENSOR & MTG GP-LIFT		DIFFERENTIAL GP-NOSPIN.....	460
POSITION.....	294	FASTENER GP-AXLE MOUNTING .....	462
SENSOR & MTG GP-TILT		FILTER & MTG GP-POWER TRAIN.....	463
POSITION.....	295	FILTER GP-OIL.....	464
SENSOR GP-ENGINE.....	296	GAUGE GP-SIGHT .....	467
SENSOR GP-POSITION.....	302	GEAR GP-INPUT TRANSFER .....	468
SENSOR GP-PRESSURE .....	308	GEAR GP-OUTPUT TRANSFER .....	471
SENSOR GP-SPEED.....	314	KIT-TORQUE CONVERTER	
SENSOR GP-TEMPERATURE .....	318	BEARING .....	475
SERVICE GP-IMPLEMENT .....	322	LINES GP-AXLE OIL COOLER .....	477
SOFTWARE GP-MONITOR .....	323	LINES GP-AXLE VENT.....	497
STARTING AID GP-ETHER.....	324	LINES GP-POWER TRAIN OIL .....	500
STARTING MOTOR GP-ELECTRIC .....	326	MOUNTING GP-RIM .....	517

# TABLE OF CONTENTS

NAME	PAGE	NAME	PAGE
MOUNTING GP-TORQUE CONVERTER.....	517	LINES GP-FILL.....	671
PLANETARY GP-TRANSMISSION.....	518	LINES GP-GREASE.....	673
POWER TRAIN AR.....	523	LINES GP-LUBRICATION.....	684
PUMP GP-TRANSMISSION.....	524	LINK GP-STEERING FRAME LOCK.....	694
RIM AR.....	527	LUBRICATION AR-AUTOMATIC.....	695
RIM GP-DEMOUNTABLE.....	527	PANEL GP-SIDE.....	696
SHAFT GP-DRIVE.....	531	PUMP GP-LUBRICATION.....	698
SHAFT GP-INPUT DRIVE.....	537	SHIELD GP-ENGINE COMPARTMENT.....	704
SLIP JOINT GP.....	538	STEP GP.....	706
SUPPORT GP-TRANSMISSION.....	540	SUPPRESSION AR-SOUND.....	707
TIRE & RIM AR.....	541	SUPPRESSION GP-SOUND.....	708
TORQUE CONVERTER & HOUSING GP.....	542	TANK & PUMP GP-LUBRICATION.....	713
TORQUE CONVERTER AR.....	549	VALVE & LINES GP-LUBRICATION.....	717
TORQUE CONVERTER AR-LOCKUP.....	549	VALVE GP-LUBE DISTRIBUTION.....	719
TORQUE CONVERTER GP.....	550	<b>BRAKING SYSTEM.....</b>	<b>722</b>
TRANSMISSION AR.....	563	ACCUMULATOR GP-BRAKE.....	722
UNIVERSAL JOINT GP.....	564	BRAKE GP-PARKING.....	725
VALVE & MTG GP-LOCKUP CLUTCH.....	567	BRAKE GP-SERVICE.....	727
VALVE GP-MODULATING.....	569	CONTROL GP-FOOT BRAKE.....	728
VALVE GP-RELIEF.....	576	CONTROL GP-PARKING BRAKE.....	730
VALVE GP-TORQUE CONV PRIORITY.....	579	CONTROL GP-SERVICE BRAKE.....	731
WHEEL & FINAL DRIVE GP.....	580	LINES GP-SERVICE BRAKE.....	769
<b>FRAME AND BODY.....</b>	<b>585</b>	VALVE & MTG GP-BRAKE CONTROL.....	773
BUMPER GP-REAR.....	585	VALVE GP-BRAKE CONTROL.....	781
CONTROL GP-AUTOMATIC LUBE.....	586	VALVE GP-CHECK.....	782
COVER GP-BUMPER.....	587	<b>STEERING SYSTEM.....</b>	<b>783</b>
DEFLECTOR GP-HOOD.....	593	CYLINDER & MTG GP-STEERING.....	783
DOOR GP-ACCESS.....	595	CYLINDER GP-STEERING.....	784
DRAWBAR GP.....	601	GUARD GP-STEERING CYLINDER.....	786
FENDER GP.....	602	LINES GP-SECONDARY STEERING.....	788
FENDER GP-FRONT.....	603	LINES GP-STEERING.....	795
FENDER GP-REAR.....	606	LINES GP-STEERING NEUTRALIZER.....	808
FIREWALL GP.....	610	PUMP GP-GEAR.....	811
FRAME AS-LOADER.....	611	PUMP GP-PISTON.....	813
FRAME AS-REAR.....	615	ROTATING GP-PUMP.....	815
GUARD AR-STEERING CYLINDER.....	621	STEERING AR.....	816
GUARD GP-BOTTOM.....	622	VALVE GP-CHECK.....	817
GUARD GP-CRANKCASE.....	623	VALVE GP-PILOT.....	820
GUARD GP-FRONT.....	624	VALVE GP-PUMP CONTROL.....	821
GUARD GP-HYDRAULIC TANK.....	625	VALVE GP-RELIEF.....	822
GUARD GP-POWER TRAIN.....	626	VALVE GP-SELECTOR & PRESS CONT.....	824
GUARD GP-RADIATOR.....	627	VALVE GP-STEERING.....	825
GUARD GP-REAR.....	631	VALVE GP-STEERING NEUTRALIZER.....	834
HARDWARE GP-LOADER FRAME.....	632	<b>HYDRAULIC SYSTEM.....</b>	<b>835</b>
HARDWARE GP-REAR FRAME.....	633	ACCUMULATOR GP-RIDE CONTROL.....	835
HITCH GP-ARTICULATING.....	634	ACTUATOR GP-PILOT CONTROL.....	839
HOOD & GUARD GP.....	638	CONTROL & LINES GP-RIDE.....	843
LADDER & FENDER AR.....	644	CONTROL AR-RIDE.....	870
LADDER GP.....	645		
LINES GP-AUTOMATIC LUBRICATION.....	658		

# TABLE OF CONTENTS

NAME	PAGE	NAME	PAGE
COOLER GP-HYDRAULIC OIL.....	871	AIR COMPRESSOR GP-SEAT.....	1055
CYLINDER GP-LIFT.....	873	AIR CONDITIONER & MOUNTING	
CYLINDER GP-TILT.....	876	GP.....	1057
FILTER & LINES GP-HYDRAULIC.....	879	AIR CONDITIONER AR.....	1059
FILTER & MTG GP-HYDRAULIC.....	883	AIR CONDITIONER GP.....	1062
FILTER GP-OIL.....	887	ARM GP-WINDOW WIPER.....	1068
GUARD GP-TILT CYLINDER.....	889	BRACKET GP-MOUNTING.....	1070
HYDRAULIC AR.....	890	CAB AR.....	1072
HYDRAULIC AR-2 VALVE.....	890	COMPRESSOR GP-REFRIGERANT.....	1074
HYDRAULIC AR-3 VALVE.....	891	CONDENSER GP-REFRIGERANT.....	1077
HYDRAULIC AR-RIDE CONTROL.....	892	CONTROL GP-	
HYDRAULIC AR-TILT		ELECTROHYDRAULIC.....	1078
REGENERATION.....	899	CONTROL GP-HANDLE.....	1105
LINES GP-FRONT.....	900	CONTROL GP-MONITOR.....	1107
LINES GP-HYDRAULIC.....	907	CONTROL GP-STEERING.....	1111
LINES GP-HYDRAULIC FAN.....	918	CONTROL GP-STIC.....	1116
LINES GP-LIFT CYLINDER.....	938	CONTROL GP-STIC LOCKOUT.....	1117
LINES GP-PILOT.....	940	CONTROL GP-UNPRGMED	
LINES GP-TILT CYLINDER.....	942	MONITOR.....	1119
MOTOR GP-GEAR.....	958	COVER GP-DASH.....	1120
MOTOR GP-PISTON.....	959	DOOR GP-CAB.....	1121
PLUG GP-CONTROL VALVE.....	960	DOOR GP-STORAGE.....	1128
PUMP & MTG GP-HYDRAULIC		DUCT & FILTER GP-CAB AIR.....	1129
FAN.....	961	DUCT GP-CAB AIR.....	1131
PUMP & MTG GP-IMPLEMENT.....	963	FLOOR MAT GP.....	1133
PUMP GP-GEAR.....	965	HORN GP-ELECTRIC.....	1134
PUMP GP-PISTON.....	966	INSTALLATION GP-CONTROLS.....	1135
ROTATING GP-MOTOR.....	980	INSTALLATION GP-RADIO.....	1137
ROTATING GP-PUMP.....	981	KIT-SEAT AIR COMPRESSOR.....	1146
TANK & MTG GP-HYDRAULIC.....	983	LINER GP-CAB.....	1147
TANK AR-EXPANSION.....	985	LINES GP-AIR CONDITIONER.....	1153
TANK GP-EXPANSION.....	986	LINES GP-CAB HEATER.....	1162
TANK GP-HYDRAULIC.....	992	LITERATURE GP.....	1166
VALVE & MTG GP-MAIN		MIRROR GP-REAR VIEW.....	1167
CONTROL.....	995	MODULE GP-QUAD GAUGE.....	1171
VALVE & MTG GP-		MONITOR AR-PAYLOAD.....	1172
REGENERATION.....	1001	MONITOR GP-PAYLOAD.....	1173
VALVE AS-RELIEF.....	1002	MOTOR GP-WINDOW WIPER.....	1179
VALVE GP-CHECK.....	1003	MOUNTING GP-CAB.....	1182
VALVE GP-MAIN CONTROL.....	1004	OPERATOR AR.....	1184
VALVE GP-MANUAL.....	1021	PAN GP-BACKREST.....	1187
VALVE GP-PUMP CONTROL.....	1022	PANEL GP-INSTRUMENT.....	1191
VALVE GP-REGENERATION.....	1026	PEDAL GP-BRAKE.....	1212
VALVE GP-RELIEF.....	1027	PEDAL GP-GOVERNOR.....	1215
VALVE GP-RIDE CONTROL.....	1034	PLATFORM GP.....	1217
VALVE GP-SHUTTLE.....	1038	PLATFORM GP-CAB.....	1219
VALVE GP-SOLENOID.....	1041	PLATFORM GP-OPERATOR.....	1221
<b>IMPLEMENTS.....</b>	<b>1046</b>	RECLINER GP-SEAT.....	1225
ARM & BEARING AS-LIFT.....	1046	ROOF GP-CAB.....	1226
BOSS GP-LIFT ARM.....	1048	ROPS GP-ENCLOSED.....	1229
CONTROL GP-BUCKET.....	1049	SEALING GP-GLASS.....	1235
LINKAGE GP-BUCKET.....	1050	SEAT BELT GP.....	1236
PIN & SEAL GP-LINKAGE.....	1051	SEAT GP.....	1237
<b>OPERATOR STATION.....</b>	<b>1054</b>	SEAT GP-SUSPENSION.....	1244
ADJUSTER GP-SEAT.....	1054	SUPPORT GP-HYDRAULIC	
		CONTROL.....	1246
		SUPPORT GP-SEAT.....	1250



# TABLE OF CONTENTS

NAME	PAGE	NAME	PAGE
<b>SUPPORT GP-STEERING</b>			
CONTROL.....	1251		
SUPPRESSION GP-CAB SOUND.....	1254		
SUSPENSION GP-SEAT .....	1255		
WASHER GP-WINDOW .....	1261		
WIPER GP-WINDOW.....	1262		
<b>WORK TOOLS .....</b>	<b>1272</b>		
ADAPTER GP-TIP .....	1272		
ADAPTER-TIP .....	1273		
BUCKET AS-GENERAL PURPOSE.....	1298		
BUCKET AS-ROCK .....	1302		
BUCKET GP-GENERAL PURPOSE .....	1322		
BUCKET GP-ROCK.....	1324		
EDGE AS-BASE .....	1336		
EDGE GP-BIT & CUTTING.....	1339		
EDGE GP-CUTTING .....	1339		
EDGE GP-SEGMENT .....	1344		
EDGE-CUTTING .....	1346		
GUARD GP-BUCKET CORNER.....	1357		
PLATE AS-WEAR.....	1358		
PLATE GP-WEAR .....	1366		
PLATE-WEAR .....	1367		
PROTECTOR GP-EDGE.....	1370		
PROTECTOR GP-SIDE BAR .....	1373		
TIP GP-ABRASION .....	1375		
TIP GP-LONG.....	1378		
TIP GP-PENETRATION .....	1382		
TIP GP-SHORT.....	1386		
<b>SERVICE EQUIPMENT AND</b>			
<b>SUPPLIES.....</b>	<b>1388</b>		
CAP GP-PROTECTION.....	1388		
FILM GP.....	1389		
KIT-GASKET .....	1391		
KIT-PREVENTIVE MAINTENANCE .....	1392		
PLATE & FILM GP .....	1394		
PROTECTION GP-VANDALISM .....	1396		
TOOL GP-CONTROL SERVICE.....	1397		
<b>PART NUMBER INDEX.....</b>	<b>B1</b>		

# GENERAL INFORMATION

## 1. MACHINE IDENTIFICATION

Cat machines are identified by Product Identification Numbers (PIN). Some components included in a machine may be identified by Serial Numbers (S/N). Typical components that will be serialized include engines, transmissions, bulldozers, and rippers. The machine and engine are further identified by arrangement numbers and in some cases modification numbers. These numbers are shown on the product identification plate(s) and on the master plate in the operator's compartment.

Cat dealers need all of these numbers to determine accurate parts identification.

Effective First Quarter 2001 the Cat Product Identification Number (PIN) changed from 8 to 17 characters. In an effort to provide uniform equipment identification, Caterpillar and other construction equipment manufacturers are moving to comply with the latest version of the product identification numbering standard. Non-road machine PINs are defined by ISO 10261. The new PIN format will apply to all Cat machines and generator sets. The PIN plates and frame marking will display the 17 character PIN. The new format will look like the following:

**\* C A T 0 7 8 9 B G 6 S L 1 2 3 4 5 \***

The diagram shows the PIN format: \* C A T 0 7 8 9 B G 6 S L 1 2 3 4 5 \*. Below the first four characters (C, A, T, 0) are four circles containing the numbers 1, 2, 3, and 4 respectively. Vertical lines connect each circle to its corresponding character in the PIN string.

Where:

1. Caterpillar's World Manufacturing Code (characters 1-3)
2. Machine Descriptor (characters 4-8)
3. Check Character (character 9)
4. Machine Indicator Section (MIS) or Product Sequence Number (characters 10-17). These were previously referred to as the Serial Number.

Machines and generator sets produced before First Quarter 2001 will maintain their 8 character PIN format.

Components such as engines, transmissions, axles, etc. and work tools will continue to use an 8 character Serial Number (S/N).

## 2. ORDERING PARTS

### **WARNING**

**When replacement parts are required for this product Caterpillar recommends using Caterpillar replacement parts or parts with equivalent specifications including, but not limited to, physical dimensions, type, strength and material.**

**Failure to heed this warning can lead to premature failures, product damage, personal injury or death.**

Quality Cat replacement parts are available from Cat dealers throughout the world. Their parts inventories are up to date and include all parts normally required to protect your investment in Cat machines. Dealers may offer repair kits or remanufactured parts to allow selection of the most effective repair alternative for a particular situation. When ordering parts, your order should specify the quantity, part number, part name, and the serial number/product identification number of the machine for which the parts are needed.

## 3. PARTS MANUAL ORGANIZATION

Product information in this manual is presented as "information elements" that represent all of the components for the specific model. Engine Arrangement and Seat Group are examples of information elements. The information elements are organized alphabetically by part name and secondarily by part number within each major section of the manual.

## 4. TABLE OF CONTENTS

A table of contents (TOC) is found at the beginning of the manual. The TOC lists each section of the manual with a complete list of all information elements organized as they appear in the manual. Page numbers are provided for quick reference to detailed parts identification illustrations and serviceable consist lists.

## 5. MAINTENANCE PARTS INDEX

The Maintenance Parts Index, located near the beginning of the manual, references most frequently used maintenance part numbers, providing description, quantity, usage and page number. This information is organized alphabetically by part description.

# GENERAL INFORMATION

## 6. INDEX

The index located near the front of the manual is an alphabetical listing of all information elements included in the manual. Page numbers are provided for quick reference to detailed parts identification illustrations and serviceable consist lists.

## 7. PART NUMBER INDEX

A numerical index listing all part numbers and the corresponding page number(s) appears at the back of the manual.

## 8. CAPTIONS

Captions located at the beginning of each information element identify the part number and part name along with additional descriptive information. PIN and S/N information found in each caption should be used to select correct information for a specific machine. Field replacement options, identification of optional attachment components, and where used ("part of") information is also provided.

The first line of a caption is shown in larger type font to indicate the beginning of an information element. Captions for additional pages that may be required to illustrate an information element will be shown in standard type font and will include the term (*contd.*).

## 9. NON-SERVICED PARTS

In some instances it is necessary to display non-serviced parts that are a link to a lower level serviceable consist lists. These non-serviced part numbers are shown in *italic* type indicating that they are not available.

## 10. PARTS LIST REFERENCE NUMBERS

Numbers shown in the Ref No column correspond to numbers used in the associated graphic(s). An alphabetic suffix may be added to a reference number to identify lower level consist items. Numbers shown in the Graphic Ref column refer to the graphic number identifier displayed in the lower left corner of each illustration. The Graphic Ref number may be used in combination with the item Ref No to determine the correct part number. There may be intentional omission of a Ref No in a consist list as information is updated to reflect the latest serviceable part numbers.

## 11. INDENTED PART NAMES

When a part name is indented in a parts list, it is part of (included in) the group or assembly under which it is indented.

## 12. ILLUSTRATION REFERENCE LETTERS

When necessary, illustrations contain reference letters (A, B, C etc.) that are intended to track lines and harnesses from one point to another. They are also used to show where to reconnect illustrations that have been separated.

## 13. ABBREVIATIONS AND SYMBOLS

O.D. – Outside Diameter  
I.D. – Inside Diameter  
A – Not Part Of This Group  
B – Use As Required  
C – Change From Previous Type  
D – Order By The Meter  
E – Order By The Centimeter  
F – Not Shown  
G – Order By The Inch  
I – Refer To Hydraulic Information System  
M – Metric Part  
R – Remfg Part May Be Available  
Y – Separate Illustration  
Z – Not Serviced Separately

## 14. DESCRIPTION OF TYPE CHANGES

Type - A type is defined as any configuration change that requires an additional Information Element for an Arrangement, Group, or Assembly. If serial number breaks for types are not available, a type # (Type 1, Type 2, etc.) will be displayed in the caption. These "type" changes are identified with a "C" note (change from previous type) in the Parts List. Only the "types" that apply to this Parts Manual will be included. Additional types may exist causing "C" notes to appear on an Information Element when no other types are shown.

## 15. <END>

This symbol indicates the end of an information element.

### NOTE:

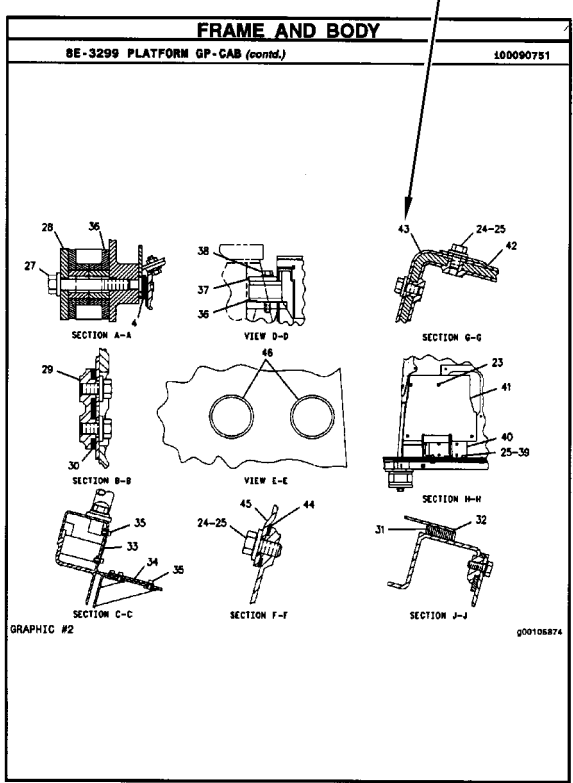
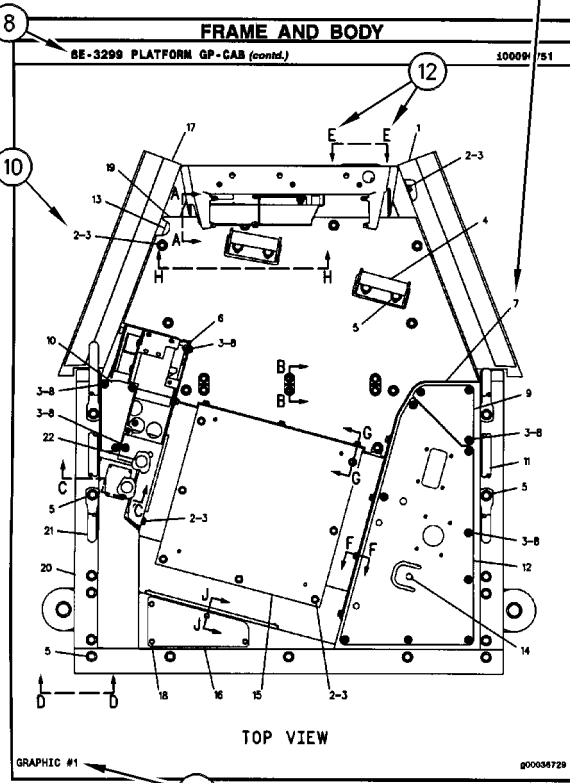
**Continuing improvement and advancement of product design may cause changes to your machine which may not be included in this publication. Whenever a question arises regarding your Cat product or this publication, please consult your Cat dealer for the latest available information.**

# GENERAL INFORMATION

8E-3299 PLATFORM GP-CAB						
SBCS-7283 100090751						
NOTE	REF NO	GRAPHIC REF	PART NUMBER	QTY	PART NAME	SEE PAGE
			31-3963	1	PLATE AS	
			68-2992	25	BOLT (3/8-18X.750IN)	
			67-1076	41	WASHER-HAND (3MM THK)	
			97-1664	2	SUPPORT BR FOOT	
			67-2229	19	BOLT (1/2-13X1IN)	
			67-1076	19	WASHER-HAND (4MM THK)	
			68-8136	1	COVER AS-LH	
			67-2273	4	NUT WELD (3/8-18 THD)	
			17-8189	1	CLIP	
			78-2411	4	COVER	
			63-8889	18	SCREW-HEAD (3/8-18X.875IN)	
			67-2476	1	COVER	
			68-8978	1	GASKET	
			68-3249	1	COVER	
			68-2992	1	GASKET	
			31-3935	1	HANDHOLD	
			68-8978	1	COVER AS	
			97-2978	8	NUT WELD (3/8-18 THD)	
			68-2992	1	GASKET	
			77-0191	1	FLOORPLATE AS	
			17-0748	4	NUT WELD (1/2-13 THD)	
			77-8087	1	PLUG-BUTTON	
			77-0190	1	PLATE AS	
			97-2978	5	NUT WELD (3/8-18 THD)	
			77-8086	1	COVER	
			77-8270	1	GASKET	
			61-3981	1	PLATE AS	
			61-8244	4	BOLT (1/4-20X.825IN)	
			61-8205	4	WASHER-HAND (2MM THK)	
			61-8244	1	FLOOR MNT	
			68-8848	1	MODULE AS-OPERATOR	
			31-3934	1	HANDHOLD	
			97-8871	2	PLUG	
			61-8244	4	BOLT (1/4-20X.825IN)	
			61-8205	4	WASHER-HAND (2MM THK)	
			68-3082	17	BOLT (3/8-18X.750IN)	
			67-1076	21	WASHER-HAND (3MM THK)	
			77-0190	1	SEAL	
			77-0378	2	BOLT (3/4-10X5IN)	
			77-0682	2	WASHER-HAND (6MM THK)	
			31-3988	2	PLATE AS	
			31-8930	1	PLATE AS	
			78-8928	6	SPACER	
			31-8911	1	SEAL	
			78-8917	1	GASKET	
			78-8916	1	COVER AS	
			28-8378	2	WASHER	
			67-8928	2	SCREW-DIMBLED	
			67-8429	1	COVER	
			68-8927	1	COVER	
			68-3091	8	SCREW-SOCKET HEAD	
			68-3144	8	MOUNTING	
			68-8927	2	PLATE	
			77-0390	2	BOLT (7/8-9X5IN)	
			67-0672	2	WASHER-HAND	
			67-1664	4	BOLT (3/8-18X1.0IN)	
			31-6788	1	COVER	

8E-3299 PLATFORM GP-CAB (contd.)						
100090751						
NOTE	REF NO	GRAPHIC REF	PART NUMBER	QTY	PART NAME	SEE PAGE
	41	2	68-2616	1	COVER	
	42	2	77-0134	1	PLATE	
	43	2	77-0138	1	GASKET	
	44	2	78-8724	1	GASKET	
	45	2	78-8723	1	COVER	
	46	2	67-1950	2	PLUG-BUTTON	

M-METRIC PART



# REPAIR ALTERNATIVES

## REMANUFACTURED COMPONENTS

As an option when making repairs consider Cat Remanufactured Components. Components that are available through the Cat Remanufactured Program are identified three ways in the parts book:

- with the letter R in the note field of the parts list
- with an R\* at the beginning of the first line of the caption
- with an \*R at the end of the first line of the caption

Typical components included in the Remanufacturing Program include:

ALTERNATORS  
CONNECTING RODS  
CRANKSHAFTS - UNDERSIZE  
CRANKSHAFTS - UPGRADE TO NEW  
CYLINDER HEADS  
ELECTRONIC CONTROL MODULES (ECM)  
ELECTRONIC SENSORS  
FUEL INJECTORS  
FUEL NOZZLES  
FUEL PUMPS  
GOVERNORS  
OIL PUMPS  
PISTONS  
SHORT BLOCKS  
STARTERS  
TURBOCHARGERS - COMPLETE  
TURBOCHARGER CARTRIDGES  
WATER PUMPS

Cat Remanufactured engines for many engine arrangements are also available.

# SUPPLEMENTAL COOLANT ADDITIVES

## CUSTOMER BENEFITS:

Protects against cavitation, foam, erosion, corrosion, and scale buildup in cooling systems.

- Provides measured coolant conditioner.

## DESCRIPTION:

Additives deplete from the coolant with normal operation. For this reason, Supplemental Coolant Additives (SCA) must be added to all heavy duty coolants at regular intervals. In addition, when not using a fully formulated, pre-charged antifreeze, like Cat DEAC, an initial charge of SCA must be added to the cooling system. The amount of SCA added to the system is dependent on the capacity of the system.

The SCA for initial fill is provided as a liquid. SCA's for maintenance intervals are available in liquid form and as a spin-on element. (No Spin-on available for 3600 Family of Engines)

## NOTE:

The amount of SCA added at initial fill is not the same as the amount added at maintenance intervals.

The coolant additive elements can be used with any ethylene or propylene glycol type antifreeze which meets ASTM D4985 or ASTM D5345 Specifications.

## NOTE:

For use with standard heavy duty coolant only, not for use with Extended Life Coolant.

## PARTS NEEDED:

Cooling System Capacity		Liquid SCA at Initial Fill	Liquid SCA at Maintenance*	Spin-on SCA Maintenance Element*
Liters	Gallons			
22-30	(6-8)	3P-2044 (1)	6V-3542 (1)	111-2370 (1)
30-38	(8-10)	3P-2044 (1) 6V-3542 (1)	111-2372 (1)	111-2369 (1)
38-49	(10-13)	3P-2044 (1) 8T-1589 (1)	111-2372 (1)	111-2369 (1)
49-64	(13-17)	3P-2044 (2)	8T-1589 (1)	9N-3368 (1)
64-83	(17-22)	3P-2044 (2) 8T-1589 (1)	111-2372 (1) 6V-3542 (1)	111-2371 (1)
83-114	(22-30)	3P-2044 (3) 8T-1589 (1)	3P-2044 (1)	9N-3718 (1)
114-163	(30-43)	3P-2044 (5)	3P-2044 (1) 6V-3542 (1)	111-2371 (2)
163-242	(43-64)	3P-2044 (8)	3P-2044 (2)	9N-3718 (2)

\* Normal maintenance period is 250 hrs. See your Operation and Maintenance Manual for complete coolant maintenance instructions.

( ) Indicates quantity required.

# MAINTENANCE PARTS

DESCRIPTION	PART NUMBER	QTY	WHERE USED	PAGE
<b>AIR INLET AND EXHAUST SYSTEM</b>				
FILTER ELEMENT AS-AIR (PRIMARY)	6I-2509	1	AIR CLEANER GP	159
FILTER ELEMENT AS-AIR (SECONDARY)	6I-2510	1	AIR CLEANER GP	159
<b>BASIC ENGINE</b>				
BELT-SERPENTINE	190-6560	1	BELT TENSIONER GP	14
PLUG-DRAIN (ENGINE OIL PAN)	109-5839	1	PAN GP-OIL	96
		1	PAN GP-OIL	98
SEAL-VALVE COVER	242-9537	1	COVER GP-VALVE MECHANISM	19
		1	COVER GP-VALVE MECHANISM	20
		1	COVER GP-VALVE MECHANISM	23
<b>COOLING SYSTEM</b>				
CAP-PRESSURE (7-PSI)	6L-8617	1	LINES GP-WATER	147
HOSE	106-4572	6	LINES GP-WATER	147
PLUG-DRAIN	6N-9590	1	VALVE GP-RADIATOR DRAIN	156
REGULATOR-TEMPERATURE (92-DEG C) (COOLANT)	248-5513	1	COOLING AR	138
REGULATOR-WATER TEMPERATURE (92-DEG C)	4W-4794	1	COOLING AR	135
SEAL-LIP TYPE	3S-9643	1	COOLING AR	135
SEAL-LIP TYPE (WATER TEMPERATURE REGULATOR)	3S-9643	1	COOLING AR	138
<b>ELECTRICAL AND STARTING SYSTEM</b>				
BELT-DRIVE	9X-8139	1	LAMP GP-WARNING BEACON	273
BELT-DRIVE (WARNING BEACON)	9X-8139	1	LAMP GP-WARNING BEACON	274
CAP AS-FUEL (LOCKABLE, VENTED)	7X-7700	1	HEATER AR-FUEL	253
		1	HEATER AR-FUEL	254
CIRCUIT BREAKER AS (10-AMPERE)	6T-3642	1	WIRING GP-ELECTRONICS BAY	378
CIRCUIT BREAKER AS (105-AMPERE)	171-2212	2	WIRING GP-ELECTRONICS BAY	378
CIRCUIT BREAKER AS (15-AMPERE)	3T-2662	1	WIRING GP-ELECTRONICS BAY	378
	6T-3643	1	WIRING GP-ELECTRONICS BAY	378
ELEMENT AS-HEATER	198-6571	1	WIRING GP-CAB	375
FLASHER AS (24-VOLT)	108-0358	1	SWITCH GP-SIGNAL	353
		1	WIRING GP-CAB	372
FUSE (10-AMPERE)	3K-8782	11	WIRING GP-ELECTRONICS BAY	379
FUSE (15-AMPERE)	8M-8948	3	WIRING GP-ELECTRONICS BAY	379
FUSE (20-AMPERE)	8M-0456	1	WIRING GP-ELECTRONICS BAY	379
FUSE AS	275-6473	1	KIT-CAMERA	258
KEY (BATTERY DISCONNECT)	8H-5306	1	SWITCH GP-DISCONNECT	339
LAMP (24-VOLT, 0.2-AMPERE)	7N-5876	6	WIRING GP-CAB	375
LAMP (24-VOLT, 21-WATT)	9X-4493	2	LIGHTING GP-FLOOD & SIGNAL	284
LAMP (24-VOLT, 70-WATT)	9X-7849	1	LAMP GP-WARNING BEACON	274

# MAINTENANCE PARTS

DESCRIPTION	PART NUMBER	QTY	WHERE USED	PAGE
LAMP (24-VOLT, 70-WATT) (WARNING BEACON)	9X-7849	1	LAMP GP-WARNING BEACON	273
LAMP (24-VOLT, HID)	290-8160	1	LAMP GP-FLOOD	263
		1	LAMP GP-FLOOD	264
		1	LAMP GP-FLOOD	265
		1	LAMP GP-FLOOD	266
LAMP (24-VOLT, YELLOW)	163-1883	1	SWITCH GP-RIDE CONTROL	349
		1	SWITCH GP-RIDE CONTROL	350
		1	SWITCH GP-ROCKER	351
LAMP (24-VOLT)	163-1882	1	WIRING GP-CAB	375
	163-1883	4	WIRING GP-CAB	375
	163-1884	2	SWITCH GP-SIGNAL	353
		2	WIRING GP-CAB	375
LAMP (24-VOLT) (DOME LIGHT)	7N-9943	1	LAMP GP-DOME	259
LAMP GP-SIGNAL (24-VOLT, TURN) (REAR)	199-3368	2	LIGHTING GP-FLOOD & SIGNAL	284
LAMP-HALOGEN (24-VOLT, 70-WATT)	351-9918	1	LAMP GP-FLOOD	260
		1	LAMP GP-FLOOD	261
		1	LAMP GP-FLOOD	262
LAMP-HALOGEN (24-VOLT, 70-WATT) (LOW BEAM)	351-9918	1	LAMP GP-HEAD	267
LAMP-LED (24-VOLT, RED) (RED)	163-1876	1	LAMP GP-INDICATOR	268
LAMP-LED (24-VOLT, YELLOW)	163-1878	1	SWITCH GP-ROCKER	352
<b>FUEL SYSTEM</b>				
CAP AS-FILLER (FAST FILL FUEL)	101-8909	1	ADAPTER GP-FAST FILL FUEL	177
CAP AS-FUEL (LOCKABLE, VENTED)	7X-7700	1	FUEL AR-CONVENTIONAL FILL	185
		1	FUEL AR-CONVENTIONAL FILL	186
		1	FUEL AR-FAST FILL	188
		1	FUEL AR-FAST FILL	189
FILTER AS-WATER SEP & FUEL (PRIMARY)	129-0372	1	FILTER GP-WATER SEP & FUEL	184
FILTER ELEMENT-WTR SEP & FUEL (STANDARD EFFICIENCY)	133-5673	1	FILTER GP-WATER SEP & FUEL	184
FILTER-FUEL (HIGH EFFICIENCY)	1R-0749	1	FILTER GP-FUEL	183
GASKET (FUEL PRIMING PUMP)	1P-0436	1	FILTER GP-FUEL	183
		1	LINES GP-FUEL	196
		1	LINES GP-FUEL	198
RECEIVER AS (FAST FILL FUEL)	376-1308	1	ADAPTER GP-FAST FILL FUEL	182
STRAINER-FUEL (TANK)	9P-7121	1	TANK GP-FUEL	207
		1	TANK GP-FUEL	209
<b>HYDRAULIC SYSTEM</b>				
CAP-FILLER (HYDRAULIC TANK)	7H-1447	1	TANK GP-HYDRAULIC	992
FILTER-OIL (ADVANCED EFFICIENCY)	1G-8878	1	FILTER GP-OIL	888
FILTER-OIL (ULTRA HIGH EFFICIENCY)	126-1817	1	FILTER GP-OIL	887
KEY (SQUARE)	006-0136	1	PUMP GP-PISTON	975
PLUG-DRAIN	9J-7031	1	TANK GP-HYDRAULIC	992



# MAINTENANCE PARTS

DESCRIPTION	PART NUMBER	QTY	WHERE USED	PAGE
SCREEN AS	9T-9227	2	TANK GP-HYDRAULIC	992
SCREEN GP	7J-2656	3	TANK GP-HYDRAULIC	992
SCREEN-DIFFUSER	178-0182	1	TANK GP-HYDRAULIC	992
SEAL-RECTANGULAR	1P-3709	1	PUMP GP-PISTON	970
STRAINER	9J-3047	1	TANK GP-HYDRAULIC	992
<b>LUBRICATION SYSTEM</b>				
CAP-DUST	8C-3445	1	FILTER GP-ENGINE OIL	123
CAP-OIL FILLER (ENGINE OIL)	9L-8439	1	FILLER GP-ENGINE OIL	120
FILTER AS-ENGINE OIL (STANDARD EFFICIENCY)	1R-0716	1	FILTER GP-ENGINE OIL	121
FILTER-ENGINE OIL (ADVANCED EFFICIENCY)	1R-1808	1	FILTER GP-ENGINE OIL	123
<b>OPERATOR STATION</b>				
BATTERY (LITHIUM)	101-1785	1	CONTROL GP-MONITOR	1108
		1	CONTROL GP-MONITOR	1109
		1	CONTROL GP-MONITOR	1110
BLADE AS-WIPER (700-MM)	6V-7419	2	WIPER GP-WINDOW	1262
		2	WIPER GP-WINDOW	1265
		2	WIPER GP-WINDOW	1268
CAP	3W-6398	1	WASHER GP-WINDOW	1261
DRYER AS-REFRIGERANT (IN-LINE)	175-7162	1	LINES GP-AIR CONDITIONER	1153
		1	LINES GP-AIR CONDITIONER	1155
FILTER ELEMENT-CAB AIR (STANDARD EFFICIENCY)	107-0266	1	DUCT & FILTER GP-CAB AIR	1129
		1	DUCT & FILTER GP-CAB AIR	1129
FUSE (10-AMPERE)	113-8490	12	OPERATOR AR	1185
FUSE (15-AMPERE)	113-8491	7	OPERATOR AR	1185
FUSE (20-AMPERE)	113-8492	1	OPERATOR AR	1185
GASKET	107-4394	1	LINES GP-AIR CONDITIONER	1160
	107-4396	1	LINES GP-AIR CONDITIONER	1160
KEY-HANDLE	3V-7476	1	DUCT & FILTER GP-CAB AIR	1129
LAMP (24-VOLT, 0.2-AMPERE)	7N-5876	1	MONITOR GP-PAYLOAD	1173
		1	MONITOR GP-PAYLOAD	1175
		1	MONITOR GP-PAYLOAD	1177
		2	PANEL GP-INSTRUMENT	1191
		2	PANEL GP-INSTRUMENT	1195
		2	PANEL GP-INSTRUMENT	1199
		4	PANEL GP-INSTRUMENT	1203
		4	PANEL GP-INSTRUMENT	1206
		4	PANEL GP-INSTRUMENT	1203
		4	PANEL GP-INSTRUMENT	1206
LAMP (24-VOLT)	163-1883	4	PANEL GP-INSTRUMENT	1203
LAMP (24-VOLT) (RED)	163-1882	4	PANEL GP-INSTRUMENT	1206
		1	PANEL GP-INSTRUMENT	1203
		1	PANEL GP-INSTRUMENT	1206
SCREEN-FILTER (WINDOW WASHER)	8T-5913	2	WASHER GP-WINDOW	1261
SEAT BELT GP (RETRACTABLE, 3-IN)	222-0345	1	SEAT GP	1241
		1	SEAT GP	1242

# MAINTENANCE PARTS

DESCRIPTION	PART NUMBER	QTY	WHERE USED	PAGE
<b>POWER TRAIN</b>				
BREATHER	4H-6112	1	LINES GP-POWER TRAIN OIL	508
BREATHER (POWER TRAIN)	4H-6112	1	LINES GP-POWER TRAIN OIL	500
		1	LINES GP-POWER TRAIN OIL	504
		1	LINES GP-POWER TRAIN OIL	512
BREATHER AS	194-7264	2	LINES GP-AXLE VENT	497
BREATHER AS (AXLE VENT)	194-7264	2	LINES GP-AXLE VENT	498
FILTER AS-AIR	8S-7374	1	SLIP JOINT GP	538
FILTER ELEMENT AS-OIL (ULTRA HIGH EFFICIENCY) (POWER TRAIN)	167-2009	1	FILTER GP-OIL	464
FILTER-OIL (ADVANCED EFFICIENCY) (AXLE OIL COOLER)	1G-8878	1	FILTER GP-OIL	466
PLUG	129-0988	1	GEAR GP-OUTPUT TRANSFER	471
PLUG-MAGNETIC	5P-4484	1	AXLE GP-FIXED	425
		1	AXLE GP-OSCILLATING	426
	8M-3837	1	WHEEL & FINAL DRIVE GP	580
PLUG-MAGNETIC (FINAL DRIVE, OIL FILL)	8M-3837	1	WHEEL & FINAL DRIVE GP	582
SCREEN GP-MAGNETIC	4S-8603	1	GEAR GP-OUTPUT TRANSFER	472
SCREEN-SUCTION	4S-8598	1	GEAR GP-OUTPUT TRANSFER	472
<b>SERVICE EQUIPMENT AND SUPPLIES</b>				
BREATHER	4H-6112	1	KIT-PREVENTIVE MAINTENANCE	1393
CAP AS-OIL FILLER (POWER TRAIN)	7W-1484	1	PROTECTION GP-VANDALISM	1396
FILTER ELEMENT AS-AIR (PRIMARY)	6I-2509	1	KIT-PREVENTIVE MAINTENANCE	1392
		1	KIT-PREVENTIVE MAINTENANCE	1392
		1	KIT-PREVENTIVE MAINTENANCE	1393
FILTER ELEMENT AS-AIR (SECONDARY)	6I-2510	1	KIT-PREVENTIVE MAINTENANCE	1393
FILTER ELEMENT AS-OIL (ULTRA HIGH EFFICIENCY)	167-2009	1	KIT-PREVENTIVE MAINTENANCE	1392
		1	KIT-PREVENTIVE MAINTENANCE	1393
FILTER ELEMENT-CAB AIR (STANDARD EFFICIENCY)	107-0266	1	KIT-PREVENTIVE MAINTENANCE	1392
		1	KIT-PREVENTIVE MAINTENANCE	1392
	112-7448	1	KIT-PREVENTIVE MAINTENANCE	1392
		1	KIT-PREVENTIVE MAINTENANCE	1392
		1	KIT-PREVENTIVE MAINTENANCE	1393
FILTER ELEMENT-WTR SEP & FUEL (STANDARD EFFICIENCY)	133-5673	1	KIT-PREVENTIVE MAINTENANCE	1392
		1	KIT-PREVENTIVE MAINTENANCE	1392
		1	KIT-PREVENTIVE MAINTENANCE	1393
FILTER-ENGINE OIL (ADVANCED EFFICIENCY)	275-2604	1	KIT-PREVENTIVE MAINTENANCE	1392
		1	KIT-PREVENTIVE MAINTENANCE	1392
		1	KIT-PREVENTIVE MAINTENANCE	1393
FILTER-FUEL (ADVANCED EFFICIENCY)	1R-0749	1	KIT-PREVENTIVE MAINTENANCE	1392
		1	KIT-PREVENTIVE MAINTENANCE	1392

## MAINTENANCE PARTS

DESCRIPTION	PART NUMBER	QTY	WHERE USED	PAGE
		1	KIT-PREVENTIVE MAINTENANCE	1393
FILTER-OIL (ADVANCED EFFICIENCY)	1G-8878	3	KIT-PREVENTIVE MAINTENANCE	1392
		3	KIT-PREVENTIVE MAINTENANCE	1393
FILTER-OIL (ULTRA HIGH EFFICIENCY)	126-1817	1	KIT-PREVENTIVE MAINTENANCE	1392
		1	KIT-PREVENTIVE MAINTENANCE	1393
<b>STEERING SYSTEM</b>				
SCREEN AS	307-6457	1	VALVE GP-STEERING	828
		1	VALVE GP-STEERING	831
<b>WORK TOOLS</b>				
BOLT-PLOW (1-1/4-7X115MM)	6V-8360	2	ADAPTER GP-TIP	1272
BOLT-PLOW (1-1/4-7X4.53IN)	6V-8360	12	EDGE GP-CUTTING	1339
		14	EDGE GP-CUTTING	1339
		14	EDGE GP-CUTTING	1341

# INDEX

NAME	PAGE	NAME	PAGE
<b>A</b>			
ACCUMULATOR GP-BRAKE-CHARGED .....	722	AIR CONDITIONER GP .....	1062
	723		1065
ACCUMULATOR GP-BRAKE-UNCHARGED.....	724	ALARM GP-ACTION.....	216
ACCUMULATOR GP-RIDE CONTROL-		ALTERNATOR GP-CHARGING .....	217
CHARGED .....	835		218
	837		219
ACCUMULATOR GP-RIDE CONTROL-			220
UNCHARGED .....	836		221
	838		223
ACCUMULATOR-REFRIGERANT.....	1153		225
	1155	ARM & BEARING AS-LIFT.....	1046
ACTUATOR GP-PILOT CONTROL-HOIST			1047
CONTROL VALVE .....	841	ARM GP-WINDOW WIPER.....	1068
ACTUATOR GP-PILOT CONTROL-PROPORTIONAL			1265
SOLENOID-REGENERATION VALVE .....	839	ARM GP-WINDOW WIPER (FRONT).....	1268
ADAPTER GP-FAST FILL FUEL.....	177		1268
	179	ARM GP-WINDOW WIPER-FRONT .....	1069
	181	AXLE AR-FIXED-FRONT.....	424
	182	AXLE AR-OSCILLATING .....	523
ADAPTER GP-PUMP DRIVE .....	12	AXLE AR-OSCILLATING-REAR.....	424
ADAPTER GP-TIP .....	1272	AXLE GP-FIXED-FRONT.....	425
ADAPTER-TIP .....	1276	AXLE GP-OSCILLATING (REAR) .....	424
ADAPTER-TIP-2-STRAP, CENTER.....	1273	AXLE GP-OSCILLATING-REAR.....	426
	1281		
	1284	<b>B</b>	
	1287	BASE GP-VALVE COVER & INJ HARN.....	13
	1291	BATTERY (LITHIUM).....	1108
	1295		1109
ADAPTER-TIP-2-STRAP, LH .....	1275		1110
	1278	BATTERY & WIRING GP .....	229
	1283	BATTERY GP (12-VOLT, 750-CCA).....	230
	1286	BELT TENSIONER GP.....	14
	1289	BELT-DRIVE .....	273
	1293	BELT-DRIVE (WARNING BEACON) .....	274
	1297	BELT-SERPENTINE.....	14
ADAPTER-TIP-2-STRAP, RH .....	1274	BLADE AS-WIPER (700-MM) .....	1262
	1277		1265
	1282		1268
	1285	BOLT-PLOW (1-1/4-7X115MM).....	1272
	1288	BOLT-PLOW (1-1/4-7X4.53IN).....	1339
	1292		1341
	1296	BOSS GP-LIFT ARM.....	1048
ADAPTER-TIP-FLUSH MOUNT .....	1279	BOTTLE GP-FLUID SAMPLING.....	1392
	1280		1393
	1290	BRACKET GP-MOUNTING .....	1070
	1294	BRAKE GP-PARKING .....	725
ADJUSTER GP-SEAT.....	1054	BRAKE GP-SERVICE .....	424
AFTERCOOLER GP-AIR .....	157		727
AIR CLEANER GP .....	158	BREATHER .....	508
AIR CLEANER GP-FILTER.....	159		1393
AIR COMPRESSOR GP-SEAT-HEAVY-		BREATHER (POWER TRAIN) .....	500
DUTY.....	1055		504
	1056	BREATHER AS.....	497
AIR CONDITIONER & MOUNTING GP.....	1057	BREATHER AS (AXLE VENT).....	498
	1058	BUCKET AS-GENERAL PURPOSE .....	1298
AIR CONDITIONER AR .....	1059		1300
	1061		

# INDEX

NAME	PAGE	NAME	PAGE
BUCKET AS-ROCK .....	1302	CONTROL & LINES GP-RIDE .....	843
	1304		848
	1306		852
	1308		857
	1310		860
	1312		865
	1314	CONTROL & MTG GP-ENGINE ELEK .....	233
	1316	CONTROL AR-RIDE .....	870
	1318	CONTROL GP-AUTOMATIC LUBE .....	586
	1320	CONTROL GP-BUCKET .....	1049
BUCKET GP-GENERAL PURPOSE .....	1322	CONTROL GP-ELECTROHYDRAULIC-2- FUNCTION .....	1078
	1323		1082
BUCKET GP-ROCK .....	1324		1086
	1325		
	1326	CONTROL GP-ELECTROHYDRAULIC-3- FUNCTION .....	1090
	1327		1095
	1328		1100
	1329	CONTROL GP-ENGINE ELECTRONIC .....	235
	1330		236
	1331		237
	1333		238
	1335		239
BUMPER GP-REAR .....	585	CONTROL GP-FOOT BRAKE .....	728
			729
		CONTROL GP-HANDLE .....	1105
		CONTROL GP-LIFT & TILT POS .....	240
			242
		CONTROL GP-MONITOR (BACKLIGHT DIMMER) .....	372
			1191
			1195
			1199
		CONTROL GP-MONITOR-BACKLIGHT DIMMER .....	1107
		CONTROL GP-MONITOR-PAYLOAD .....	1108
			1109
			1110
		CONTROL GP-PARKING BRAKE .....	730
		CONTROL GP-SERVICE BRAKE .....	731
			737
			743
			751
			757
			763
		CONTROL GP-SERVICE BRAKE-FRONT .....	749
		CONTROL GP-STEERING-STIC .....	1111
			1113
		CONTROL GP-STIC .....	1116
		CONTROL GP-STIC LOCKOUT .....	1117
		CONTROL GP-TRANSMISSION HYD .....	429
			431
			433
		CONTROL GP-UNPRGMED MONITOR (CATERPILLAR MONITORING SYSTEM) .....	372
			1119
			1203
			1206
		CONTROL GP-UNPRGMED MONITOR- CATERPILLAR MONITORING SYSTEM .....	1119

## C

CAB AR .....	1072
	1073
CAMERA GP (115-DEG, COLOR) .....	258
CAMSHAFT GP .....	15
CAP .....	1261
CAP AS-FILLER (FAST FILL FUEL) .....	177
CAP AS-FUEL (LOCKABLE, VENTED) .....	185
	186
	188
	189
	253
	254
CAP AS-OIL FILLER (POWER TRAIN) .....	1396
CAP GP-PROTECTION .....	1388
CAP-DUST .....	123
CAP-FILLER (HYDRAULIC TANK) .....	992
CAP-OIL FILLER (ENGINE OIL) .....	120
CAP-PRESSURE (7-PSI) .....	147
CAP-SEAL (HIGH SIDE CHARGE PORT) .....	1153
	1155
CASE & PARTS GP-PLANETARY .....	428
CHASSIS AR .....	1
CIRCUIT BREAKER AS (10-AMPERE) .....	378
CIRCUIT BREAKER AS (105-AMPERE) .....	378
CIRCUIT BREAKER AS (15-AMPERE) .....	378
COMMON AR .....	2
COMPRESSOR GP-REFRIGERANT .....	1074
	1075
	1076
CONDENSER GP-REFRIGERANT .....	1077
CONNECTION GP-ELECTRICAL .....	232

# INDEX

NAME	PAGE	NAME	PAGE
CONTROL GP-UNPROGRAMMED- IMPLEMENT .....	245	CYLINDER HEAD AS .....	35
CONTROL GP-UNPROGRAMMED-POWER TRAIN .....	244		37
COOLANT HEATER LINES .....	1162		38
	1164	CYLINDER HEAD GP .....	41
	1165		43
COOLER & FAN GP-AXLE OIL .....	435		46
	440		47
	445		48
COOLER AR-AXLE OIL .....	450		49
COOLER GP-AXLE OIL .....	451		51
	453		53
COOLER GP-HYDRAULIC OIL .....	871		55
COOLING AR .....	135		
COOLING AR- .....	137	<b>D</b>	
COOLING AR .....	138	DAMPER GP .....	57
COOLING AR-HIGH AMBIENT TEMP .....	140	DEFLECTOR GP-HOOD .....	593
COOLING AR-MID RANGE AMBIENT TEMPERATURE .....	137	DIFFERENTIAL & BEVEL GEAR GP .....	457
CORE AS-AFTERCOOLER .....	157	DIFFERENTIAL GP .....	459
CORE AS-AXLE OIL COOLER .....	435	DIFFERENTIAL GP-NOSPIN .....	460
	440		461
	445	DOOR GP-ACCESS-HOOD SIDE, REAR, RH .....	595
CORE AS-ENGINE OIL COOLER .....	135		597
	138	DOOR GP-ACCESS-HOOD TOP .....	600
CORE AS-HYDRAULIC OIL COOLER .....	871	DOOR GP-ACCESS-RADIATOR GUARD SIDE .....	599
CORE AS-RADIATOR .....	154	DOOR GP-CAB-LH .....	1121
CORE AS-TRANSMISSION COOLER .....	135		1124
	138	DOOR GP-CAB-RH .....	1123
COVER GP-BUMPER-BATTERY COMPARTMENT ACCESS, RH .....	587		1126
	589	DOOR GP-STORAGE .....	1128
	591	DRAIN GP-ENGINE OIL .....	58
COVER GP-CYLINDER BLOCK .....	16	DRAWBAR GP .....	601
	17	DRIVE GP-ACCESSORY .....	59
COVER GP-DASH .....	1120		60
COVER GP-FRONT HOUSING .....	18	DRIVE GP-PUMP .....	62
COVER GP-SHIPPING .....	455	DRYER AS-REFRIGERANT (IN-LINE) .....	1153
COVER GP-VALVE MECHANISM .....	19		1155
	20	DUCT & FILTER GP-CAB AIR .....	1129
	21	DUCT GP-CAB AIR .....	1131
	22	DUST EJECTOR GP .....	160
	23		161
CRANKSHAFT GP .....	24		
CYLINDER & MTG GP-STEERING .....	783	<b>E</b>	
CYLINDER BLOCK AS .....	26	EDGE AS-BASE .....	1336
	27		1338
	28	EDGE AS-BASE-HIGH ABRASION .....	1337
	29	EDGE GP-BIT & CUTTING .....	1339
CYLINDER BLOCK GP .....	30	EDGE GP-CUTTING .....	1339
	32		1340
	33		1341
CYLINDER GP-LIFT-LH .....	875		1342
CYLINDER GP-LIFT-RH .....	873		1343
CYLINDER GP-STEERING-LH .....	784	EDGE GP-SEGMENT .....	1344
CYLINDER GP-STEERING-RH .....	785		1345
CYLINDER GP-TILT .....	878		
CYLINDER GP-TILT-HIGH LIFT MACHINES .....	876		

# INDEX

NAME	PAGE	NAME	PAGE
EDGE-CUTTING .....	1346	FILM-CONTROL (IMPLEMENT CONTROLS	
	1347	POD) .....	1079
	1350		1083
	1351		1087
EDGE-CUTTING-BASE .....	1355	FILM-IDENTIFICATION (CATERPILLAR, REAR	
EDGE-CUTTING-CENTER .....	1353	CAB) .....	1228
	1356	FILM-IDENTIFICATION (ELECTRONIC CONTROL	
EDGE-CUTTING-LH .....	1349	MODULE) .....	247
	1352		248
EDGE-CUTTING-RH .....	1348		249
	1354	FILM-IDENTIFICATION (FRONT UPPER PANEL,	
ELECTRICAL AR .....	246	RH) .....	1192
ELECTRONICS GP-IMPLEMENT .....	247		1195
ELECTRONICS GP-MONITOR-CATERPILLAR			1199
MONITORING SYSTEM .....	248		1209
ELECTRONICS GP-POWER TRAIN .....	249	FILM-IDENTIFICATION (GROUP NO., SEQUENCE	
ELEMENT AS-HEATER .....	375	NO.) .....	1062
ENCLOSURE GP-ELECTRONICS BAY .....	250	FILM-IDENTIFICATION (REAR PANEL) .....	1195
ENGINE AR .....	3		1199
ENGINE AR-COMPLETE .....	4	FILM-IDENTIFICATION (REAR UPPER PANEL,	
	5	RH) .....	1192
	6		1195
	7		1199
ENGINE AR-CORE .....	8	FILM-IDENTIFICATION (UPPER PANEL,	
	10	LH) .....	1192
ENGINE BRAKE GP .....	63		1196
	64		1200
	65		1209
	66	FILM-INFORMATION (AIR CLEANER) .....	159
EXTENSION GP-BACKREST (CLOTH) .....	1241	FILM-INSTRUCTION (ENGINE START) .....	1120
	1242	FILM-INSTRUCTION (PULL RING, ALTERNATE	
EXTENSION GP-FUMES DISPOSAL .....	118	EXIT) .....	1147
		FILM-INSTRUCTION (SEAT ADJUSTMENT) ...	1255
			1257
			1259
		FILM-PANEL .....	1091
			1096
			1101
		FILM-PANEL (REAR) .....	1209
		FILM-SWITCH PANEL (REAR, RH) .....	1209
		FILM-WARNING (ACCUM, HIGH PRESS, READ	
		OMM) .....	835
		FILM-WARNING (DO NOT LIFT) .....	1394
		FILM-WARNING (HIGH PRESSURE, READ OMM,	
		INTL) .....	722
			723
		FILM-WARNING (HIGH PRESSURE, READ	
		OMM) .....	722
			723
			838
		FILM-WARNING (PRODUCT LINK 300,	
		INTL) .....	1185
		FILM-WARNING (PRODUCT LINK 300, U.	
		S.) .....	1185
		FILTER & LINES GP-HYDRAULIC-CASE	
		DRAIN .....	879
			881
		FILTER & MTG GP-HYDRAULIC-CASE	
		DRAIN .....	883
			885
		FILTER & MTG GP-POWER TRAIN .....	463

## F

FAN & BAFFLE GP .....	141
FAN GP-SUCTION .....	142
FAN GP-SUCTION-AXLE OIL COOLER .....	144
FASTENER GP-AXLE MOUNTING .....	462
FASTENER GP-CYLINDER HEAD .....	49
	51
	53
FASTENER GP-ELECTRONICS .....	252
FASTENER GP-FRONT HOUSING .....	67
	68
FASTENER GP-OIL PUMP MOUNTING-	
ENGINE .....	119
FASTENER GP-VALVE MECHANISM .....	69
FASTENER GP-WATER PUMP .....	145
FENDER GP .....	602
FENDER GP-FRONT .....	603
	604
	605
FENDER GP-REAR .....	606
	608
FILLER GP-ENGINE OIL .....	120
FILM GP .....	1389
	1391
FILM GP-PAYLOAD CONTROL .....	1390

# INDEX

NAME	PAGE	NAME	PAGE
FILTER AS-AIR.....	538	FLOOR MAT.....	1133
FILTER AS-ENGINE OIL (STANDARD EFFICIENCY).....	121	FLOOR MAT GP.....	1135
FILTER AS-WATER SEP & FUEL (PRIMARY).....	184	FLYWHEEL GP.....	70
FILTER ELEMENT AS-AIR (PRIMARY).....	159	FRAME AS-LOADER.....	611
	1392		613
	1393	FRAME AS-REAR.....	616
FILTER ELEMENT AS-AIR (SECONDARY).....	159		618
	1393	FRAME AS-REAR-AXLE OSCILLATION.....	615
FILTER ELEMENT AS-OIL (ULTRA HIGH EFFICIENCY).....	1392	FUEL AR-CONVENTIONAL FILL.....	185
	1393		186
FILTER ELEMENT AS-OIL (ULTRA HIGH EFFICIENCY) (POWER TRAIN).....	464	FUEL AR-FAST FILL.....	187
FILTER ELEMENT-CAB AIR (STANDARD EFFICIENCY).....	1129		188
	1392		189
	1393	FUEL AR-FAST FILL-WITH FUEL HEATER.....	187
FILTER ELEMENT-WTR SEP & FUEL (STANDARD EFFICIENCY).....	184	FUMES DISPOSAL GP.....	125
	1392	FUSE (10-AMPERE).....	379
	1393		1185
FILTER GP-ENGINE OIL.....	121	FUSE (15-AMPERE).....	379
	123		1185
FILTER GP-FUEL-SECONDARY.....	183	FUSE (20-AMPERE).....	379
FILTER GP-OIL (HYD FAN PUMP, MOTOR CASE DRAIN).....	879		1185
	881	FUSE AS.....	258
FILTER GP-OIL (HYDRAULIC PUMP CASE DRAIN).....	879		
	881		
FILTER GP-OIL (STEERING PUMP CASE DRAIN).....	879		
	881		
FILTER GP-OIL-AXLE OIL COOLER.....	466		
FILTER GP-OIL-CASE DRAIN.....	888		
FILTER GP-OIL-POWER TRAIN.....	464		
FILTER GP-OIL-STEERING, IMPLEMENT, PILOT.....	887		
FILTER GP-WATER SEP & FUEL-PRIMARY.....	184		
FILTER-ENGINE OIL (ADVANCED EFFICIENCY).....	123		
	1392		
	1393		
FILTER-FUEL (ADVANCED EFFICIENCY).....	1392		
	1393		
FILTER-FUEL (HIGH EFFICIENCY).....	183		
FILTER-OIL (ADVANCED EFFICIENCY).....	888		
	1392		
	1393		
FILTER-OIL (ADVANCED EFFICIENCY) (AXLE OIL COOLER).....	466		
FILTER-OIL (ULTRA HIGH EFFICIENCY).....	887		
	1392		
	1393		
FINAL DRIVE & WHEEL.....	580		
	582		
FIREWALL GP.....	610		
FLASHER AS (24-VOLT).....	353		
	372		

## G

GASKET.....	1160
GASKET (AIR CLEANER COVER).....	159
GASKET (FUEL PRIMING PUMP).....	183
	196
	198
GAUGE AS-LIQUID LEVEL.....	992
GAUGE AS-OIL LEVEL (DIPSTICK).....	126
GAUGE AS-OIL LEVEL (DIPSTICK) (ENGINE).....	127
	128
	129
GAUGE GP-OIL LEVEL (DIPSTICK)-ENGINE.....	126
	127
	128
	129
GAUGE GP-SIGHT-POWER TRAIN OIL.....	467
GAUGE-LIQUID LEVEL.....	467
GAUGE-OIL LEVEL (DIPSTICK).....	702
GAUGE-PRESSURE.....	713
	715
GAUGE-SIGHT.....	147
GEAR GP-CAMSHAFT.....	71
	72
GEAR GP-FRONT.....	73
	76
	78
GEAR GP-INPUT TRANSFER.....	468
GEAR GP-OUTPUT TRANSFER.....	471
GUARD AR-STEERING CYLINDER.....	621
GUARD GP-BOTTOM.....	622
GUARD GP-BUCKET CORNER.....	1357
GUARD GP-CRANKCASE.....	623
GUARD GP-FRONT.....	624
GUARD GP-HYDRAULIC TANK.....	625



# INDEX

NAME	PAGE	NAME	PAGE
GUARD GP-POWER TRAIN.....	626	HARNES AS-MONITOR (WORK AREA VISUAL SYSTEM) .....	258
GUARD GP-RADIATOR .....	627	HARNES AS-PANEL (FUSE).....	379
	629	HARNES AS-PANEL (INSTRUMENT) .....	374
GUARD GP-REAR.....	631		1203
GUARD GP-STEERING CYLINDER.....	786		1206
	787	HARNES AS-POWER.....	374
GUARD GP-TILT CYLINDER.....	889	HARNES AS-POWER (AUXILIARY).....	1191
			1195
			1199
		HARNES AS-RADIO.....	374
			1144
			1145
		HARNES AS-RIDE CONTROL.....	857
			860
			865
		HARNES AS-SENSOR (FUEL PRESSURE) ...	382
			387
			389
		HARNES AS-SENSOR (REAR AXLE OIL TEMPERATURE) .....	399
		HARNES AS-SENSOR (SPEED).....	315
		HARNES AS-STEERING (STIC CONTROL).....	1111
			1113
		HARNES AS-SWITCH .....	258
		HARNES AS-SWITCH (3RD LEVER HYDRAULIC LOCKOUT).....	377
		HARNES AS-SWITCH (IMPLEMENT MANUAL MODE) .....	377
		HARNES AS-VALVE (SEAT AIR COMPRESSOR) .....	1257
			1259
		HARNES AS-WIRING (ELECTRONIC UNIT INJECTOR) .....	13
		HARNES AS-WIRING (FUSE BOX).....	1185
		HARNES AS-WIRING (SPEED SENSOR) ....	316
		HEATER AR-FUEL .....	253
			254
		HEATER GP-JACKET WATER.....	255
			256
			257
		HITCH GP-ARTICULATING.....	634
			636
		HOOD & GUARD GP.....	638
			641
		HORN AS (24-VOLT, LOW TONE).....	1134
		HORN GP-ELECTRIC.....	1134
		HOSE .....	147
		HOUSING GP-ENGINE BRAKE.....	80
			82
			84
		HOUSING GP-FLYWHEEL.....	86
			88
		HOUSING GP-FRONT .....	90
		HYDRAULIC AR.....	890
		HYDRAULIC AR-2 VALVE.....	890
		HYDRAULIC AR-3 VALVE.....	891
		HYDRAULIC AR-RIDE CONTROL.....	892
			895

## H

HARDWARE GP-LOADER FRAME.....	632
HARDWARE GP-REAR FRAME .....	633
HARNES AS-BRAKE (STOP LIGHT) (LEFT FOOT BRAKE BASE) .....	1213
HARNES AS-CAB .....	372
HARNES AS-CAB (HYDRAULIC CONTROL SUPPORT).....	1246
HARNES AS-CAB (MAIN).....	367
	372
HARNES AS-CHASSIS (MAIN) .....	399
HARNES AS-CHASSIS (POW TR FILTER, WINDOW WASHER).....	399
HARNES AS-CONTROL (E/H-KICKOUT, POSITIONER CON).....	1078
	1082
	1086
	1090
	1095
	1100
HARNES AS-CONTROL (ELECTROHYDRAULIC).....	1078
	1082
	1086
	1090
	1095
	1100
HARNES AS-CONTROL (POWER TRAIN, FRONT).....	406
	409
	412
HARNES AS-CONTROL (POWER TRAIN, REAR).....	406
	409
	412
HARNES AS-ENGINE .....	382
	385
	387
	389
HARNES AS-HEATER & AIR COND .....	1062
	1065
HARNES AS-HYDRAULIC TANK .....	399
HARNES AS-LIGHTING.....	290
	291
HARNES AS-LIGHTING (CAB FLOODLIGHT).....	373
HARNES AS-LIGHTING (FLOOD).....	279
HARNES AS-LIGHTING (FLOODLIGHT).....	373
HARNES AS-MONITOR (PAYLOAD) .....	1173
	1175
	1177

# INDEX

NAME	PAGE	NAME	PAGE
HYDRAULIC AR-TILT REGENERATION- REGENERATION .....	899	LAMP (24-VOLT, 0.2-AMPERE) .....	375
			1173
			1175
			1177
			1191
			1195
			1199
			1203
			1206
		LAMP (24-VOLT, 21-WATT) .....	284
		LAMP (24-VOLT, 70-WATT) .....	274
		LAMP (24-VOLT, 70-WATT) (WARNING BEACON) .....	273
		LAMP (24-VOLT, HID) .....	263
			264
			265
			266
		LAMP (24-VOLT, YELLOW) .....	349
			350
			351
		LAMP (24-VOLT) .....	353
			375
			1203
			1206
		LAMP (24-VOLT) (DOME LIGHT) .....	259
		LAMP (24-VOLT) (RED) .....	1203
			1206
		LAMP GP-DOME .....	259
		LAMP GP-FLOOD .....	260
			261
			262
		LAMP GP-FLOOD-HID .....	263
			264
			265
			266
		LAMP GP-HEAD .....	267
		LAMP GP-INDICATOR .....	268
		LAMP GP-SIGNAL .....	271
		LAMP GP-SIGNAL (24-VOLT, TURN) (REAR) .....	284
		LAMP GP-SIGNAL (TURN, LH) .....	284
		LAMP GP-SIGNAL (TURN, RH) .....	284
		LAMP GP-SIGNAL-STOP, TAIL .....	269
			272
		LAMP GP-SIGNAL-TURN .....	270
		LAMP GP-WARNING BEACON .....	273
		LAMP GP-WARNING BEACON-AMBER, STROBE .....	275
		LAMP GP-WARNING BEACON-ROTATING .....	274
		LAMP-HALOGEN (24-VOLT, 70-WATT) .....	260
			261
			262
		LAMP-HALOGEN (24-VOLT, 70-WATT) (LOW BEAM) .....	267
		LAMP-LED (24-VOLT, RED) (RED) .....	268
		LAMP-LED (24-VOLT, YELLOW) .....	352
		LIFTING GP-ENGINE .....	92
			93
		LIGHTER GP (12-VOLT) .....	375
		LIGHTING AR-SIGNAL .....	276
		LIGHTING AR-STOP & FLOOD .....	276
		LIGHTING GP-FLOOD .....	283

## I

## K

## L

# INDEX

NAME	PAGE	NAME	PAGE
LIGHTING GP-FLOOD & SIGNAL.....	284	LINES GP-LUBRICATION-LEFT STEER CYL; UPPER HITCH .....	689
LIGHTING GP-FLOOD-2-LAMP, CAB, FRONT .....	281	LINES GP-LUBRICATION-LINK PINS, RH, LH, C- PIN, RH .....	692
LIGHTING GP-FLOOD-4-LAMP, CAB.....	282	LINES GP-LUBRICATION-R, L STEER CYL; AXLE TRUNNION.....	685
LIGHTING GP-FLOOD-4-LAMP, FRONT.....	277	LINES GP-LUBRICATION-SUPPLY, RETURN LINES .....	684
LIGHTING GP-FLOOD-HOOD .....	279	LINES GP-LUBRICATION-TILT CYL, LINK PINS, LH C-PIN .....	691
LIGHTING GP-STOP-2-LAMP, REAR .....	287	LINES GP-LUBRICATION-TILT, R ST CYL; LOWER HITCH .....	687
	288	LINES GP-PILOT .....	940
	289	LINES GP-POWER TRAIN OIL .....	500
LIGHTING GP-WARNING BEACON .....	290		504
	291		508
LINER GP-CAB.....	1147		512
	1150	LINES GP-SECONDARY STEERING .....	788
LINES GP-AIR .....	163		791
	164	LINES GP-SERVICE BRAKE (AXLE, REAR)....	424
	165	LINES GP-SERVICE BRAKE-FRONT AXLE ....	770
LINES GP-AIR CONDITIONER.....	1153	LINES GP-SERVICE BRAKE-LOADER FRAME .....	771
	1155	LINES GP-SERVICE BRAKE-REAR AXLE.....	769
	1158	LINES GP-STEERING.....	795
	1160		799
LINES GP-AUTOMATIC LUBRICATION- BOOM .....	663	LINES GP-STEERING NEUTRALIZER.....	808
	667	LINES GP-TILT CYLINDER.....	942
LINES GP-AUTOMATIC LUBRICATION-LOADER FRAME .....	661		943
LINES GP-AUTOMATIC LUBRICATION-REAR FRAME .....	658		948
LINES GP-AXLE OIL COOLER .....	496		949
LINES GP-AXLE OIL COOLER-FRONT .....	481		950
	484		951
LINES GP-AXLE OIL COOLER-REAR.....	477		952
	487		954
	491		956
LINES GP-AXLE VENT .....	497		957
	498	LINES GP-TILT CYLINDER-CYLINDER MOUNTED .....	944
LINES GP-CAB HEATER.....	1164		946
	1165	LINES GP-TURBOCHARGER OIL.....	132
LINES GP-CAB HEATER-COOLANT .....	1162	LINES GP-WATER.....	147
LINES GP-ENGINE OIL .....	130	LINK GP-STEERING FRAME LOCK.....	694
LINES GP-FILL.....	671	LINKAGE GP-BUCKET .....	1050
	672	LITERATURE GP .....	1166
LINES GP-FRONT .....	900	LUBRICATION AR-AUTOMATIC.....	695
	902		
	904		
LINES GP-FUEL.....	192		
	194		
	196		
	198		
LINES GP-FUEL HEATER-WITH CAB HEATER LINES .....	201		
LINES GP-GREASE .....	675		
	678		
	681		
LINES GP-GREASE-TILT LINK PINS .....	673		
LINES GP-HYDRAULIC .....	907		
	913		
LINES GP-HYDRAULIC FAN .....	918		
	922		
	926		
	932		
LINES GP-LIFT CYLINDER.....	938		

## M

MANIFOLD GP-EXHAUST.....	166
MANIFOLD GP-FUEL .....	203
MECHANISM GP-FUEL PUMP & VALVE.....	94
MIRROR GP-REAR VIEW.....	1167
	1170
MIRROR GP-REAR VIEW-EXTERIOR, LH.....	1169
MIRROR GP-REAR VIEW-EXTERIOR, RH .....	1168
MODULE GP-DISPLAY (WORK AREA VISUAL SYSTEM) .....	258

# INDEX

NAME	PAGE	NAME	PAGE
MODULE GP-LIGHT (PANEL ACTION LAMPS).....	375	PAN GP-BACKREST-CLOTH.....	1187
MODULE GP-PAYLOAD KEYPAD .....	1173	PAN GP-BACKREST-CLOTH, LUMBAR .....	1190
	1175	PAN GP-BACKREST-LUMBAR .....	1188
	1177		1189
MODULE GP-QUAD GAUGE.....	1171	PAN GP-OIL-ENGINE.....	96
MODULE GP-SPEEDOMETER & TACH.....	375		98
	1203		100
	1206	PANEL GP-INSTRUMENT.....	1211
MONITOR AR-PAYLOAD.....	1172	PANEL GP-INSTRUMENT-LOWER.....	1203
MONITOR GP-PAYLOAD.....	1173		1206
	1175	PANEL GP-INSTRUMENT-UPPER .....	1191
	1177		1195
			1199
MOTOR GP-GEAR (AXLE OIL COOLER FAN) .....	435		1209
	440	PANEL GP-SIDE-HOOD SIDE, FRONT, RH....	696
	445	PANEL GP-SIDE-RH .....	697
MOTOR GP-GEAR-HYDRAULIC FAN .....	958	PANEL GP-SOUND SUPPRESSION .....	101
MOTOR GP-PISTON-HYDRAULIC FAN .....	959	PEDAL GP-BRAKE-PEDAL, LH.....	1213
MOTOR GP-WINDOW WIPER.....	1181	PEDAL GP-BRAKE-PEDAL, RH .....	1212
MOTOR GP-WINDOW WIPER (FRONT).....	1262	PEDAL GP-GOVERNOR .....	1215
	1265		1216
	1268	PIN & SEAL GP-LINKAGE .....	1051
MOTOR GP-WINDOW WIPER-FRONT .....	1180	PISTON & ROD GP .....	102
MOTOR GP-WINDOW WIPER-REAR .....	1179	PLANETARY GP-TRANSMISSION.....	518
MOUNTING GP-ALTERNATOR & COMPR.....	95	PLATE & FILM GP .....	1394
MOUNTING GP-CAB.....	1182		1395
MOUNTING GP-MUFFLER .....	167	PLATE & FILM GP-POLISH.....	1395
MOUNTING GP-PRESSURE SENSOR .....	292	PLATE AS-BRUSH .....	293
MOUNTING GP-RIM .....	517	PLATE AS-FRONT HOUSING .....	104
MOUNTING GP-TORQUE CONVERTER.....	517	PLATE AS-WEAR .....	1358
MUFFLER GP.....	169		1359
	170		1360
			1361
			1362
		PLATE AS-WEAR-CENTER .....	1365
		PLATE AS-WEAR-LH .....	1364
		PLATE AS-WEAR-RH.....	1363
		PLATE GP-WEAR .....	1366
		PLATE-IDENTIFICATION (CAT).....	1298
			1300
			1308
			1310
			1312
			1314
			1320
		PLATE-IDENTIFICATION (CIRCUIT BREAKER).....	379
		PLATE-WEAR-CENTER.....	1369
		PLATE-WEAR-LH.....	1368
		PLATE-WEAR-RH .....	1367
		PLATFORM GP .....	1217
			1218
		PLATFORM GP-CAB.....	1219
			1220
		PLATFORM GP-OPERATOR.....	1221
			1224
		PLUG.....	471
		PLUG GP .....	828
		PLUG GP-CONTROL VALVE-PRESSURE, FLOW COMPENSATOR-STEERING OIL PRESSURE .....	960

## N

NUT (M10X1.5-THD).....	406
	739
	745
	753

## O

OIL CHANGE GP-HIGH SPEED .....	133
OPERATOR AR .....	1184
	1185

## P

PADLOCK GP.....	207
	209
	587
	589
	591
	638
	641
	1388
	1396

# INDEX

NAME	PAGE	NAME	PAGE
PLUG GP-CYLINDER BLOCK	105	RADIO GP	1145
	106	RECEIVER AS (FAST FILL FUEL)	182
PLUG GP-CYLINDER HEAD	107	RECLINER GP-SEAT	1225
	108	REGULATOR AS-VOLTAGE (24-VOLT)	225
	109	REGULATOR AS-VOLTAGE (24-VOLT)	
PLUG GP-ENGINE	110	(ALTERNATOR)	221
PLUG-DRAIN	156		223
	992		227
PLUG-DRAIN (ENGINE OIL PAN)	96	REGULATOR-TEMPERATURE (92-DEG C)	
	98	(COOLANT)	138
PLUG-MAGNETIC	425	REGULATOR-WATER TEMPERATURE (92-DEG	
	426	C)	135
	580	RELAY AS (24-VOLT) (CAB FLOOD LIGHT)	378
PLUG-MAGNETIC (FINAL DRIVE, OIL FILL)	582	RELAY AS (24-VOLT) (ETHER START AID)	379
POTENTIOMETER AS (TEMPERATURE		RELAY AS (24-VOLT) (HORN SWITCH)	1090
CONTROL)	375		1095
POTENTIOMETER AS (TEMPERATURE			1100
SELECTOR)	1191	RELAY AS (24-VOLT) (HORN)	1078
	1195		1082
	1199		1086
POWER TRAIN AR	523	RELAY AS (24-VOLT) (MACHINE FLOOD	
PROTECTION GP-VANDALISM	1396	LIGHT)	379
PROTECTOR GP-EDGE	1370	RIM AR	527
	1371	RIM GP-DEMOUNTABLE	527
	1372		528
PROTECTOR GP-SIDE BAR	1373		529
	1374		530
PULLEY GP-CRANKSHAFT	111	ROCKER ARM GP	112
PUMP & MTG GP-FUEL TRANSFER-REAR	204	ROOF GP-CAB	1226
	205		1227
PUMP & MTG GP-HYDRAULIC FAN	961		1228
	962	ROPS GP-ENCLOSED	1229
PUMP & MTG GP-IMPLEMENT	963		1232
	964	ROTATING GP-MOTOR-HYDRAULIC FAN	980
PUMP GP-ENGINE OIL	134	ROTATING GP-PUMP	982
PUMP GP-FUEL PRIMING	196	ROTATING GP-PUMP-HYDRAULIC FAN	981
	198	ROTATING GP-PUMP-STEERING	815
PUMP GP-FUEL TRANSFER	204		
	206		
PUMP GP-GEAR-PILOT, BRAKE	965		
PUMP GP-GEAR-SECONDARY STEERING	811	<b>S</b>	
PUMP GP-LUBRICATION	698	SCREEN AS	828
	699		831
	701		992
PUMP GP-LUBRICATION-AUTOMATIC		SCREEN GP	992
LUBRICATION SYSTEM	702	SCREEN GP-MAGNETIC	472
PUMP GP-PISTON-HYDRAULIC FAN	966	SCREEN-DIFFUSER	992
	968	SCREEN-FILTER (WINDOW WASHER)	1261
PUMP GP-PISTON-IMPLEMENT	970	SCREEN-SUCTION	472
	975	SEAL GP-CRANKSHAFT-FRONT	115
PUMP GP-PISTON-STEERING	813	SEAL GP-CRANKSHAFT-REAR	114
PUMP GP-TRANSMISSION	524	SEAL GP-DUO-CONE	580
	526		582
PUMP GP-WATER	151	SEAL-LIP TYPE	135
	152	SEAL-LIP TYPE (WATER TEMPERATURE	
		REGULATOR)	138
		SEAL-RECTANGULAR	970
		SEAL-VALVE COVER	19
			20
			23
<b>R</b>			
RADIATOR GP	154		
	155		

# INDEX

NAME	PAGE	NAME	PAGE
SEALING GP-GLASS .....	1073	SENSOR GP-PRESSURE (INLET MANIFOLD BOOST) .....	296
	1235		298
SEAT BELT GP (RETRACTABLE, 3-IN).....	1241		300
	1242	SENSOR GP-PRESSURE (LIFT CYLINDER HEAD END OIL) .....	419
SEAT BELT GP-RETRACTABLE .....	1236	SENSOR GP-PRESSURE (LIFT CYLINDER POD END OIL).....	419
SEAT GP-SUSPENSION-CLOTH, AIR.....	1244	SENSOR GP-PRESSURE (OIL).....	296
	1245	SENSOR GP-PRESSURE (PAYLOAD CONTROL).....	417
SEAT GP-CLOTH .....	1237	SENSOR GP-PRESSURE-IMPLEMENT PUMP OIL.....	310
	1239	SENSOR GP-SPEED .....	314
	1241		315
	1242		316
SEGMENT-EDGE .....	1344		317
	1345		406
SENSOR & MTG GP-LIFT POSITION.....	294	SENSOR GP-SPEED (MAGNETIC, HIGH OUTPUT) (TRANSMISSION OUTPUT 1) .....	472
SENSOR & MTG GP-TILT POSITION.....	295	SENSOR GP-SPEED (MAGNETIC, HIGH OUTPUT) (TRANSMISSION OUTPUT 2) .....	472
SENSOR AS-TEMPERATURE .....	321	SENSOR GP-SPEED (TIMING-PRIMARY) .....	296
SENSOR GP-ENGINE .....	296	SENSOR GP-SPEED (TIMING-SECONDARY)...	296
	298	SENSOR GP-SPEED (TIMING/PRIMARY) .....	298
	300		300
SENSOR GP-POSITION.....	303	SENSOR GP-SPEED (TIMING/SECONDARY)...	298
	304		300
	305	SENSOR GP-SPEED (TORQUE CONVERTER OUTPUT) .....	409
	306		412
SENSOR GP-POSITION (CONTROL LEVER).....	1090	SENSOR GP-TEMPERATURE .....	319
	1096		320
	1101		321
SENSOR GP-POSITION (LIFT LEVER).....	1079		396
	1083	SENSOR GP-TEMPERATURE (AIR INLET).....	296
SENSOR GP-POSITION (LIFT) .....	294	SENSOR GP-TEMPERATURE (COOLANT) .....	296
SENSOR GP-POSITION (ROTARY) (TC IMPELLER CLUTCH) .....	1213		298
SENSOR GP-POSITION (ROTARY) (THROTTLE) .....	1215		300
SENSOR GP-POSITION (TILT LEVER).....	1078	SENSOR GP-TEMPERATURE (FRONT AXLE OIL) .....	393
	1082	SENSOR GP-TEMPERATURE (FUEL).....	296
	1087		298
SENSOR GP-POSITION (TILT) .....	295		300
SENSOR GP-POSITION-CONTROL LEVER ....	302	SENSOR GP-TEMPERATURE (HYDRAULIC OIL) .....	400
SENSOR GP-POSITION-ROTARY .....	307	SENSOR GP-TEMPERATURE (INLET AIR).....	298
SENSOR GP-PRESSURE .....	308		300
	309	SENSOR GP-TEMPERATURE (REAR AXLE OIL) .....	399
	311	SENSOR GP-TEMPERATURE (TORQUE CONVERTER OIL).....	406
	312		409
	313		412
SENSOR GP-PRESSURE (ATMOSPHERIC) ....	296	SENSOR GP-TEMPERATURE (TRANSMISSION OIL) .....	406
	298		409
	300		412
SENSOR GP-PRESSURE (ENGINE OIL).....	298	SENSOR GP-TEMPERATURE-TRANSMISSION OIL.....	318
	300	SERVICE GP-IMPLEMENT .....	322
SENSOR GP-PRESSURE (FUEL).....	296		
	298		
	300		
SENSOR GP-PRESSURE (IMPELLER CLUTCH OIL) .....	406		
	409		
	412		
SENSOR GP-PRESSURE (IMPLEMENT PUMP).....	399		

# INDEX

NAME	PAGE	NAME	PAGE
SHAFT GP-DRIVE .....	531	SWITCH AS-LIMIT (NORMALLY CLOSED) (STOP LIGHT).....	1213
	533	SWITCH AS-LIMIT (RIGHT FT BRAKE BASE) .....	1212
SHAFT GP-INPUT DRIVE .....	537	SWITCH AS-MAGNETIC (24-VOLT) (MAIN RELAY).....	378
SHIELD GP-ENGINE COMPARTMENT .....	704	SWITCH AS-MAGNETIC (START RELAY) .....	346
	705	SWITCH AS-PRESSURE .....	385
SHIELD GP-HEAT .....	171	SWITCH AS-PRESSURE (BRAKE ACCUMULATOR).....	399
SLIP JOINT GP .....	538	SWITCH AS-PRESSURE (OIL FILTER BYPASS) .....	887
	539	SWITCH AS-PRESSURE (PARKING BRAKE OIL) .....	773
SOFTWARE GP-MONITOR-RADAR UPGRADE .....	323		775
SOFTWARE GP-MONITOR-VISION .....	323	SWITCH AS-PRESSURE (PRIMARY STEERING OIL) .....	791
SOLENOID (24-VOLT) (ENGINE BRAKE).....	80	SWITCH AS-PRESSURE (PRIMARY STEERING) .....	788
	82	SWITCH AS-PUSH BUTTON (HORN).....	1079
	84		1083
SOLENOID AS-STARTING MOTOR (24-VOLT) .....	327		1087
	333		1090
	335		1096
SPIDER & BEARING GP .....	535		1101
	538	SWITCH AS-PUSH BUTTON (REMOTE PAYLOAD STORE).....	347
	539	SWITCH AS-PUSH BUTTON (THROTTLE LOCK RESUME).....	1078
	564		1082
	565		1086
SPRING-GAS.....	1147		1090
	1150		1095
STARTING AID GP-ETHER .....	324		1100
	325	SWITCH AS-PUSH BUTTON (THROTTLE LOCK SET).....	1078
STARTING MOTOR GP-ELECTRIC .....	326		1082
	329		1086
	330		1090
	331		1095
	332		1100
	335	SWITCH AS-PUSH BUTTON (THROTTLE LOCK SET).....	1078
STEERING AR .....	816		1082
STEP GP .....	706		1086
STOP GP-STEERING .....	808		1090
STRAINER .....	992		1095
STRAINER-FUEL (TANK).....	207		1100
	209	SWITCH AS-ROCKER .....	376
SUPPORT GP-ENGINE .....	116	SWITCH AS-ROCKER (24-VOLT).....	376
SUPPORT GP-ENGINE-FRONT .....	117	SWITCH AS-ROCKER (24-VOLT) (FAN BLOWER SPEED).....	1200
SUPPORT GP-HYDRAULIC CONTROL.....	1246	SWITCH AS-ROCKER (24-VOLT) (HEATER/AC SELECTOR).....	1200
	1249	SWITCH AS-ROCKER (24-VOLT) (HYDRAULIC LOCKOUT).....	1101
SUPPORT GP-SEAT.....	1250	SWITCH AS-ROCKER (24-VOLT) (IMPLEMENT LOCKOUT).....	1087
SUPPORT GP-STEERING CONTROL .....	1251	SWITCH AS-ROCKER (24-VOLT) (OPERATOR MODE SELECTOR).....	1206
SUPPORT GP-TRANSMISSION.....	540	SWITCH AS-ROCKER (24-VOLT) (STAIRWAY ACCESS LIGHT) .....	1200
SUPPRESSION AR-SOUND .....	707	SWITCH AS-ROCKER (24-VOLT) (THROTTLE LOCK) .....	1206
SUPPRESSION GP-CAB SOUND.....	1254	SWITCH AS-ROCKER (ETHER START AID) ..	1203
SUPPRESSION GP-SOUND .....	708		1206
	712		
SUSPENSION GP-SEAT-AIR.....	1255		
	1257		
	1259		
SWITCH AS (TRANSMISSION DOWNSHIFT) .....	1105		
SWITCH AS (TRANSMISSION UPSHIFT).....	1105		
SWITCH AS-ADJUSTABLE (STOP LIGHT LIMIT) .....	1213		

# INDEX

NAME	PAGE	NAME	PAGE
SWITCH AS-ROCKER (FAN BLOWER SPEED).....	1192	SWITCH GP-FLOW (COOLANT).....	296
	1196		298
SWITCH AS-ROCKER (HAZARD WARNING LIGHTS).....	353	SWITCH GP-FLOW-COOLANT.....	342
	376	SWITCH GP-LIMIT.....	343
SWITCH AS-ROCKER (HEATER/AC SELECTOR).....	1192	SWITCH GP-MAGNETIC-START RELAY.....	344
	1196		345
SWITCH AS-ROCKER (HYDRAULIC LOCKOUT).....	377	SWITCH GP-PAYLOAD STORE-REMOTE.....	346
SWITCH AS-ROCKER (KICKOUT SET).....	376	SWITCH GP-PRESSURE-AUTOLUBE ACTUATION.....	347
	1200		348
SWITCH AS-ROCKER (LOOSE MATERIAL SELECT).....	376	SWITCH GP-RIDE CONTROL.....	349
SWITCH AS-ROCKER (LOOSE MATERIAL SELECTOR).....	1200		350
SWITCH AS-ROCKER (OPERATOR MODE SELECTOR).....	1203	SWITCH GP-ROCKER-TORQUE CONVERTER LOCKUP CLUTCH.....	351
SWITCH AS-ROCKER (REDUCED, MAX RIMPULL ON/OFF).....	1101		352
SWITCH AS-ROCKER (REDUCED/MAXIMUM RIMPULL).....	1087	SWITCH GP-ROTARY (WIPER, WASHER) (REAR WIPER).....	1191
SWITCH AS-ROCKER (STARTING AID).....	376		1195
SWITCH AS-ROCKER (THROTTLE LOCK).....	1203		1199
SWITCH AS-ROCKER (TORQUE CONVERTER LOCKUP CLUTCH).....	352	SWITCH GP-SIGNAL.....	353
SWITCH AS-ROCKER (TRANSMISSION DIRECTION).....	1105	SWITCH GP-TOGGLE (STAIRWAY ACCESS LIGHTS).....	421
SWITCH AS-ROCKER (TURN SIGNAL).....	353	SWITCH GP-WIPER.....	355
SWITCH AS-ROCKER (WARNING LAMP).....	290	SWITCH GP-WIPER (24-VOLT).....	354
	291	SWITCH GP-WIPER-INTERMITTENT.....	354
SWITCH AS-ROTARY (24-VOLT, 4-POSITION).....	376		
SWITCH AS-ROTARY (24-VOLT, 4-POSITION) (REDUCED RIMPULL SELECTOR).....	1192		
	1196		
	1200		
SWITCH AS-ROTARY (24-VOLT, 4-POSITION) (TMSN AUTO/MANUAL SELECTOR).....	1191		
	1195		
	1199		
SWITCH AS-ROTARY (24-VOLT, 5-POSITION).....	376		
SWITCH AS-ROTARY (24-VOLT, 5-POSITION) (RUNNING/FLOOD/PANEL/TAIL LIGHT).....	1191		
	1195		
	1199		
SWITCH AS-START (KEY).....	376		
	1203		
	1206		
SWITCH AS-WIPER (24-VOLT) (FRONT INTERMITTENT).....	1191		
	1195		
	1199		
SWITCH GP-BYPASS (POWER TRAIN OIL).....	399		
SWITCH GP-BYPASS-POWER TRAIN OIL FILTER.....	338		
SWITCH GP-DISCONNECT-BATTERY.....	339		
SWITCH GP-ENGINE BRAKE.....	340		

## T

TANK & MTG GP-HYDRAULIC.....	983
	984
TANK & PUMP GP-LUBRICATION.....	713
	715
TANK AR-EXPANSION-AIR.....	985
TANK GP-EXPANSION-AIR.....	986
	988
	990
TANK GP-FUEL.....	207
	209
TANK GP-HYDRAULIC.....	992
TIP GP-ABRASION.....	1375
	1376
	1377
TIP GP-LONG.....	1378
	1379
	1380
	1381
TIP GP-PENETRATION.....	1382
	1383
	1384
	1385
TIP GP-SHORT.....	1386
	1387
TIRE & RIM AR.....	541
TOOL GP-CONTROL SERVICE.....	1397
TORQUE CONVERTER & HOUSING GP.....	546
TORQUE CONVERTER & HOUSING GP-FREEWHEEL STATOR, LOCKUP.....	542
	544
TORQUE CONVERTER AR.....	549



# INDEX

NAME	PAGE	NAME	PAGE
TORQUE CONVERTER AR-LOCKUP .....	549	VALVE GP-CHECK (COOLER BYPASS) .....	918
TORQUE CONVERTER GP .....	552		922
	555	VALVE GP-CHECK (HYDRAULIC OIL COOLER BYPASS) .....	926
TORQUE CONVERTER GP-FREEWHEEL STATOR, LOCKUP .....	550		932
TORQUE CONVERTER GP-LOCKUP .....	558	VALVE GP-CHECK (LUBRICATION PUMP).....	699
TRANSMISSION AR .....	563	VALVE GP-CHECK (PILOT) .....	995
TURBOCHARGER GP .....	173		998
	174	VALVE GP-CHECK (STEERING PILOT).....	808
	175	VALVE GP-CHECK-AIR PURGE.....	782
	176	VALVE GP-CHECK-FUEL .....	211
			212
			213
			214
			215
<b>U</b>		VALVE GP-CHECK-PILOT .....	1003
UNIVERSAL JOINT GP .....	564	VALVE GP-CHECK-STEERING .....	818
	565		819
UNIVERSAL JOINT GP-INPUT DRIVE SHAFT.....	566	VALVE GP-CHECK-STEERING QUAD .....	817
		VALVE GP-LUBE DISTRIBUTION-2- INJECTOR .....	721
<b>V</b>		VALVE GP-LUBE DISTRIBUTION-3- INJECTOR .....	719
VALVE & LINES GP-LUBRICATION-B-PIN, RH, LH.....	717	VALVE GP-LUBE DISTRIBUTION-4- INJECTOR .....	720
VALVE & MTG GP-BRAKE CONTROL.....	777	VALVE GP-MAIN CONTROL-2-FUNCTION ....	1004
	779		1008
VALVE & MTG GP-BRAKE CONTROL- PARKING .....	773	VALVE GP-MAIN CONTROL-3-FUNCTION ....	1012
	775		1016
VALVE & MTG GP-LOCKUP CLUTCH .....	567	VALVE GP-MANUAL (LOWERING CONTROL).....	995
	568		998
VALVE & MTG GP-MAIN CONTROL-2- FUNCTION .....	995	VALVE GP-MANUAL-LOWERING CONTROL .....	1021
VALVE & MTG GP-MAIN CONTROL-3- FUNCTION .....	998	VALVE GP-MODULATING-TC IMPELLER CLUTCH .....	571
VALVE & MTG GP-REGENERATION-TILT CYLINDER .....	1001		574
VALVE AS-BREAKER RELIEF.....	990	VALVE GP-MODULATING-TC LOCKUP CLUTCH .....	570
VALVE AS-FLOW CONTROL.....	701	VALVE GP-MODULATING-TORQUE CONVERTER LOCKUP CLUTCH.....	573
VALVE AS-PRESSURE REDUCING.....	701	VALVE GP-MODULATING-TRANSMISSION CLUTCH .....	569
	702		572
VALVE AS-RELIEF .....	984		575
	1002	VALVE GP-PILOT-STIC STEERING .....	820
VALVE AS-SOLENOID (24-VOLT).....	325	VALVE GP-PRESSURE REDUCING .....	825
VALVE GP-ACCUMULATOR CHARGING .....	763		1004
VALVE GP-BRAKE CONTROL (PARKING) .....	775		1009
VALVE GP-BRAKE CONTROL (SERVICE).....	731		1012
	737		1017
	743	VALVE GP-PRESSURE REDUCING (STEERING PILOT OIL REGULATOR) .....	828
	751		831
	757	VALVE GP-PUMP CONTROL-PRESSURE COMPENSATOR-STEERING .....	821
	763	VALVE GP-PUMP CONTROL-PRESSURE, FLOW COMPENSATOR-HYDRAULIC FAN .....	1022
	777	VALVE GP-PUMP CONTROL-PRESSURE, FLOW COMPENSATOR-IMPLEMENT.....	1024
	779	VALVE GP-RADIATOR DRAIN.....	156
VALVE GP-BRAKE CONTROL-PARKING.....	781		
VALVE GP-CHECK .....	496		
	713		
	715		
VALVE GP-CHECK (AIR PURGE) .....	757		
	763		

# INDEX

NAME	PAGE	NAME	PAGE
VALVE GP-REGENERATION-TILT CYLINDER .....	1026	VALVE GP-STEERING-WITH SECONDARY STEERING .....	825
VALVE GP-RELIEF .....	1033		831
VALVE GP-RELIEF (MAIN) .....	823	VALVE GP-TORQUE CONV PRIORITY .....	579
	1027		
VALVE GP-RELIEF (STEERING & IMPLEMENT PILOT) .....	907		
VALVE GP-RELIEF (STEERING CYLINDER CROSSOVER) .....	825		
	828		
	831		
VALVE GP-RELIEF (STEERING, IMPLEMENT PILOT) .....	913		
VALVE GP-RELIEF-LINE .....	1028		
	1029		
	1030		
	1031		
VALVE GP-RELIEF-MAIN .....	1027		
VALVE GP-RELIEF-PUMP BACKUP .....	823		
VALVE GP-RELIEF-SECONDARY STEERING ..	822		
VALVE GP-RELIEF-STEERING, IMPLEMENT PILOT .....	1032		
VALVE GP-RELIEF-TORQUE CONVERTER OUTLET .....	576		
VALVE GP-RELIEF-TRANSMISSION HYDRAULIC CONTROL .....	577		
VALVE GP-RIDE CONTROL .....	1034		
	1036		
VALVE GP-SELECTOR & PRESS CONT-SECONDARY STEERING .....	824		
VALVE GP-SHUTOFF (COOLANT) .....	1162		
VALVE GP-SHUTTLE .....	825		
	1038		
	1039		
	1040		
VALVE GP-SHUTTLE (BALL RESOLVER) .....	1008		
	1016		
VALVE GP-SHUTTLE (LOAD SIGNAL, STEERING CYLINDER) .....	828		
	831		
VALVE GP-SOLENOID .....	1041		
	1042		
	1043		
	1044		
	1045		
VALVE GP-SOLENOID (24-VOLT) (AXLE OIL COOLER) .....	477		
	487		
	491		
VALVE GP-SOLENOID (24-VOLT) (HYDRAULIC LOCKOUT) .....	995		
	998		
	1042		
VALVE GP-SOLENOID (24-VOLT) (RIDE CONTROL) .....	1034		
	1036		
VALVE GP-SOLENOID (PUMP CONTROL) (PUMP CONTROL) .....	1024		
VALVE GP-STEERING .....	828		
VALVE GP-STEERING NEUTRALIZER .....	834		

## W

WARNING GP-BACKUP .....	356
WASHER GP-WINDOW .....	1261
WHEEL & FINAL DRIVE GP .....	424
	580
	582
WIPER GP-WINDOW .....	1262
	1265
	1268
WIRING GP-AUTOLUBE CONTROL .....	358
WIRING GP-BUMPER .....	360
WIRING GP-CAB .....	362
	367
	372
WIRING GP-ELECTROHYDRAULIC-3RD LEVER HYDRAULIC LOCKOUT .....	377
WIRING GP-ELECTRONICS BAY .....	378
WIRING GP-ENGINE .....	382
	385
	387
WIRING GP-ENGINE ELECTRONIC .....	391
WIRING GP-ENGINE-ELECTRONIC CONTROL .....	389
WIRING GP-FRONT .....	393
	396
WIRING GP-MACHINE .....	399
WIRING GP-POWER TRAIN .....	406
	409
	412
WIRING GP-REAR .....	415
WIRING GP-SENSOR .....	417
	419
WIRING GP-SENSOR-HIGH LIFT .....	416
WIRING GP-SHUTOFF-GROUND LEVEL .....	421
WIRING GP-TILT REGEN CONTROL .....	423

# MACHINE ARRANGEMENT

## 203-1567 CHASSIS AR

S/N: BNH1-UP

PART OF 203-1564 COMMON AR

SMCS-7000

i01941480

NOTE	PART NUMBER	QTY	PART NAME						SEE PAGE
			1	2	3	4	5	6 (PRODUCT LEVEL)	
Y	114-5136	1	AFTERCOOLER GP-AIR						157
Y	114-5196	1	CONTROL GP-BUCKET						1049
Y	114-5129	1	BUMPER GP-REAR						585
Y	114-5172	1	CONDENSER GP-REFRIGERANT						1077
Y	164-0058	1	COOLER GP-HYDRAULIC OIL						871
Y	160-5760	1	FAN & BAFFLE GP						141
Y	114-5126	1	FIREWALL GP						610
Y	198-4270	1	FRAME AS-LOADER						611
			-OR-						
Y	221-7967	1	FRAME AS-LOADER						613
Y	208-2379	1	FRAME AS-REAR						616
Y	198-9229	1	GUARD GP-FRONT						624
Y	158-8785	1	GUARD GP-HYDRAULIC TANK						625
Y	114-5137	1	GUARD GP-POWER TRAIN						626
Y	114-5123	1	GUARD GP-RADIATOR						627
Y	170-7118	1	BRACKET GP-MOUNTING						1070
Y	114-5118	1	HITCH GP-ARTICULATING						634
			S/N: BNH1-363						
Y	197-6303	1	HITCH GP-ARTICULATING						636
			S/N: BNH364-UP						
Y	114-5122	1	HOOD & GUARD GP						638
Y	114-5133	1	LADDER GP						645
Y	114-5142	1	LINES GP-AIR CONDITIONER						1153
Y	204-6673	1	LINES GP-FUEL						196
Y	158-6185	1	LINES GP-GREASE (TILT LINK PINS)						673
Y	198-2625	1	LINES GP-GREASE						675
			-OR-						
Y	217-7846	1	LINES GP-GREASE						678
Y	114-5171	1	LINES GP-WATER (RADIATOR)						147
Y	114-5121	1	LINK GP-STEERING FRAME LOCK						694
Y	6V-1970	1	LITERATURE GP						1166
Y	115-1527	1	MIRROR GP-REAR VIEW						1167
Y	202-9738	1	OPERATOR AR						1184
Y	163-1034	1	PANEL GP-SIDE (HOOD, RH)						697
Y	154-7531	1	PIN & SEAL GP-LINKAGE						1051
Y	139-9127	1	PLATE & FILM GP						1394
Y	114-5124	1	PLATFORM GP-OPERATOR						1221
Y	114-5176	1	STARTING AID GP-ETHER						324
Y	114-5138	1	SUPPORT GP-TRANSMISSION						540
Y	114-5130	1	TANK GP-FUEL						207
			S/N: BNH1-737						
Y	221-8689	1	TANK GP-FUEL						209
			S/N: BNH738-UP						
Y	4C-8195	1	TOOL GP-CONTROL SERVICE						1397
Y	114-5127	1	WASHER GP-WINDOW						1261

Y - SEPARATE ILLUSTRATION

<END>

# MACHINE ARRANGEMENT

## 203-1564 COMMON AR

S/N: BNH1-UP

SMCS-7000

i01491292

NOTE	PART NUMBER	QTY	PART NAME						SEE PAGE
			1	2	3	4	5	6 (PRODUCT LEVEL)	
Y	203-1567	1	CHASSIS AR						1
Y	203-1579	1	ELECTRICAL AR						246
Y	203-1582	1	HYDRAULIC AR						890
Y	201-4341	1	INSTALLATION AR-ENGINE						11
Y	114-5105	1	POWER TRAIN AR						523

Y - SEPARATE ILLUSTRATION

<END>

# ENGINE ARRANGEMENT

## 200-6922 ENGINE AR

S/N: BNH1-UP

CANNOT BE USED WITH 198-6489-PAGE: 4  
AN ATTACHMENT

SMCS-1000

i02005088

NOTE	PART NUMBER	QTY	PART NAME						SEE PAGE
			1	2	3	4	5	6 (PRODUCT LEVEL)	
Y	198-6490	1	ENGINE AR-COMPLETE (WITH ENGINE BRAKE)						5
			S/N: BNH1-1058						
Y	235-4733	1	ENGINE AR-COMPLETE						7
			S/N: BNH1059-UP						
Y	176-8350	1	SWITCH GP-ENGINE BRAKE						340
Y - SEPARATE ILLUSTRATION									

<END>

# ENGINE ARRANGEMENT

## 198-6489 ENGINE AR-COMPLETE

S/N: BNT1-1999  
WITHOUT JAKE BRAKE  
AN ATTACHMENT

SMCS-1000

i02005728

NOTE	PART NUMBER	QTY	PART NAME						SEE PAGE
			1	2	3	4	5	6 (PRODUCT LEVEL)	
Y	126-7631	1	CONNECTION GP-ELECTRICAL						232
Y	188-1758	1	CONTROL & MTG GP-ENGINE ELEK						233
Y	107-6736	1	COVER GP-CYLINDER BLOCK (TURBOCHARGER DRAIN COVER)						16
Y	140-9746	1	COVER GP-CYLINDER BLOCK						17
Y	159-6159	1	COVER GP-FRONT HOUSING (CAM, IDLER GEAR)						18
Y	187-1328	1	COVER GP-VALVE MECHANISM						21
Y	4P-5893	1	DAMPER GP						57
Y	145-5012	1	DRIVE GP-ACCESSORY						59
Y	198-6487	1	ENGINE AR-CORE						8
Y	108-9382	1	FASTENER GP-FRONT HOUSING						68
Y	109-1657	1	FASTENER GP-VALVE MECHANISM						69
Y	109-2373	1	FASTENER GP-WATER PUMP						145
Y	167-7696	1	FILLER GP-ENGINE OIL						120
Y	191-0966	1	FILTER GP-ENGINE OIL						121
Y	209-3164	1	FILTER GP-FUEL						183
Y	4P-6817	1	FLYWHEEL GP						70
Y	159-9362	1	FUMES DISPOSAL GP						125
Y	199-6348	1	GAUGE GP-OIL LEVEL (DIPSTICK) (ENGINE)						126
Y	134-2809	1	HOUSING GP-FLYWHEEL						86
Y	199-1445	1	HOUSING GP-FRONT						90
Y	111-2088	1	LIFTING GP-ENGINE (REAR)						92
Y	111-2355	1	LIFTING GP-ENGINE (FRONT)						93
Y	114-1904	1	LINES GP-AIR (AIR-TO-AIR AFTERCOOLER)						163
Y	191-6147	1	LINES GP-AIR						165
Y	175-3862	1	LINES GP-ENGINE OIL						130
Y	199-6554	1	LINES GP-FUEL						192
Y	138-2770	1	LINES GP-TURBOCHARGER OIL						132
Y	199-2882	1	COOLING AR (INCLUDES XMSN & ENG OIL CLRS)						135
Y	135-6552	1	MANIFOLD GP-EXHAUST						166
Y	188-1754	1	MOUNTING GP-ALTERNATOR & COMPR						95
Y	199-8013	1	MOUNTING GP-MUFFLER						167
Y	200-2301	1	MOUNTING GP-PRESSURE SENSOR						292
Y	175-3860	1	PAN GP-OIL						96
Y	145-6851	1	PLUG GP-CYLINDER BLOCK						105
Y	200-2794	1	PLUG GP-CYLINDER HEAD						107
Y	150-4279	1	PUMP & MTG GP-FUEL TRANSFER						204
Y	174-5986	1	PUMP GP-WATER						151
Y	191-1041	1	SHIELD GP-HEAT						171
			S/N: BNT1-712						
Y	185-6278	1	SUPPORT GP-ENGINE						117
Y	199-6551	1	WIRING GP-ENGINE						382
			S/N: BNT1-712						
Y	222-0346	1	WIRING GP-ENGINE						387
			S/N: BNT713-1999						

GASKET KITS WILL BE PROVIDED WHEN AVAILABLE

Y - SEPARATE ILLUSTRATION

<END>

# ENGINE ARRANGEMENT

## 198-6490 ENGINE AR-COMPLETE

S/N: BNT1-UP

WITH JAKE BRAKE

PART OF 200-6922 ENGINE AR  
AN ATTACHMENT

SMCS-1000

i02005727

NOTE	PART NUMBER	QTY	PART NAME						SEE PAGE
			1	2	3	4	5	6 (PRODUCT LEVEL)	
Y	126-7631	1	CONNECTION GP-ELECTRICAL						232
Y	188-1758	1	CONTROL & MTG GP-ENGINE ELEK						233
Y	107-6736	1	COVER GP-CYLINDER BLOCK (TURBOCHARGER DRAIN COVER)						16
Y	140-9746	1	COVER GP-CYLINDER BLOCK						17
Y	159-6159	1	COVER GP-FRONT HOUSING (CAM, IDLER GEAR)						18
Y	187-1328	1	COVER GP-VALVE MECHANISM						21
Y	4P-5893	1	DAMPER GP						57
Y	145-5012	1	DRIVE GP-ACCESSORY						59
Y	198-6487	1	ENGINE AR-CORE						8
Y	148-7486	1	ENGINE BRAKE GP						63
Y	108-9382	1	FASTENER GP-FRONT HOUSING						68
Y	109-2373	1	FASTENER GP-WATER PUMP						145
Y	167-7696	1	FILLER GP-ENGINE OIL						120
Y	191-0966	1	FILTER GP-ENGINE OIL						121
Y	209-3164	1	FILTER GP-FUEL						183
Y	4P-6817	1	FLYWHEEL GP						70
Y	159-9362	1	FUMES DISPOSAL GP						125
Y	199-6348	1	GAUGE GP-OIL LEVEL (DIPSTICK) (ENGINE)						126
Y	134-2809	1	HOUSING GP-FLYWHEEL						86
Y	199-1445	1	HOUSING GP-FRONT						90
Y	111-2088	1	LIFTING GP-ENGINE (REAR)						92
Y	111-2355	1	LIFTING GP-ENGINE (FRONT)						93
Y	114-1904	1	LINES GP-AIR (AIR-TO-AIR AFTERCOOLER)						163
Y	191-6147	1	LINES GP-AIR						165
Y	175-3862	1	LINES GP-ENGINE OIL						130
Y	199-6554	1	LINES GP-FUEL						192
Y	138-2770	1	LINES GP-TURBOCHARGER OIL						132
Y	199-2882	1	COOLING AR (INCLUDES XMSN & ENG OIL CLRS)						135
Y	135-6552	1	MANIFOLD GP-EXHAUST						166
Y	188-1754	1	MOUNTING GP-ALTERNATOR & COMPR						95
Y	199-8013	1	MOUNTING GP-MUFFLER						167
Y	200-2301	1	MOUNTING GP-PRESSURE SENSOR						292
Y	175-3860	1	PAN GP-OIL						96
Y	145-6851	1	PLUG GP-CYLINDER BLOCK						105
Y	200-2794	1	PLUG GP-CYLINDER HEAD						107
Y	150-4279	1	PUMP & MTG GP-FUEL TRANSFER						204
Y	174-5986	1	PUMP GP-WATER						151
Y	191-1041	1	SHIELD GP-HEAT						171
			S/N: BNT1-1999						
Y	185-6278	1	SUPPORT GP-ENGINE						117
Y	199-6551	1	WIRING GP-ENGINE						382
			S/N: BNT1-711						
Y	222-0346	1	WIRING GP-ENGINE						387
			S/N: BNT712-UP						
GASKET KITS WILL BE PROVIDED WHEN AVAILABLE									
Y - SEPARATE ILLUSTRATION									
<END>									

# ENGINE ARRANGEMENT

## 235-4732 ENGINE AR-COMLETE\*R

S/N: BNT1278-UP

388 BRAKE KW (520 BHP) AT 1900 RPM  
AN ATTACHMENT

SMCS-1000

i03540500

NOTE	PART NUMBER	QTY	PART NAME						SEE PAGE
			1	2	3	4	5	6 (PRODUCT LEVEL)	
Y	126-7631	1	CONNECTION GP-ELECTRICAL (CYLINDER BLOCK GROUND)						232
Y	188-1758	1	CONTROL & MTG GP-ENGINE ELEK						233
Y	107-6736	1	COVER GP-CYLINDER BLOCK (TURBOCHARGER DRAIN COVER)						16
Y	140-9746	1	COVER GP-CYLINDER BLOCK						17
Y	159-6159	1	COVER GP-FRONT HOUSING (CAM, IDLER GEAR)						18
Y	187-1328	1	COVER GP-VALVE MECHANISM						21
Y	4P-5893	1	DAMPER GP						57
Y	234-9774	1	DRIVE GP-ACCESSORY						61
			S/N: BNT1278-10272						
Y	206-4227	1	DRIVE GP-ACCESSORY						60
			S/N: BNT10273-UP						
Y	235-3479	1	ENGINE AR-CORE						10
Y	108-9382	1	FASTENER GP-FRONT HOUSING						68
Y	109-1657	1	FASTENER GP-VALVE MECHANISM						69
Y	109-2373	1	FASTENER GP-WATER PUMP						145
Y	167-7696	1	FILLER GP-ENGINE OIL						120
Y	191-0966	1	FILTER GP-ENGINE OIL						121
Y	209-3164	1	FILTER GP-FUEL						183
Y	4P-6817	1	FLYWHEEL GP						70
Y	159-9362	1	FUMES DISPOSAL GP						125
Y	199-6348	1	GAUGE GP-OIL LEVEL (DIPSTICK) (ENGINE)						126
			S/N: BNT1278-10215						
Y	308-0412	1	GAUGE GP-OIL LEVEL (DIPSTICK) (ENGINE)						129
			S/N: BNT10216-UP						
Y	134-2809	1	HOUSING GP-FLYWHEEL						86
Y	199-1445	1	HOUSING GP-FRONT						90
Y	111-2088	1	LIFTING GP-ENGINE (REAR)						92
Y	111-2355	1	LIFTING GP-ENGINE (FRONT)						93
Y	114-1904	1	LINES GP-AIR (AIR-TO-AIR AFTERCOOLER)						163
Y	191-6147	1	LINES GP-AIR (TURBOCHARGER WASTEGATE)						165
Y	175-3862	1	LINES GP-ENGINE OIL						130
Y	199-6554	1	LINES GP-FUEL						192
Y	138-2770	1	LINES GP-TURBOCHARGER OIL						132
Y	235-8487	1	COOLING AR (INCLUDES XMSN & ENG OIL CLRS)						138
Y	135-6552	1	MANIFOLD GP-EXHAUST						166
Y	188-1754	1	MOUNTING GP-ALTERNATOR & COMPR						95
Y	199-8013	1	MOUNTING GP-MUFFLER						167
Y	200-2301	1	MOUNTING GP-PRESSURE SENSOR						292
Y	175-3860	1	PAN GP-OIL						96
Y	235-2640	1	PLUG GP-CYLINDER BLOCK						106
Y	234-9184	1	PLUG GP-CYLINDER HEAD (BOTTOM, SIDE)						108
Y	235-6266	1	PLUG GP-CYLINDER HEAD (ACERT) (TOP)						109
Y	234-9775	1	PLUG GP-ENGINE						110
Y	150-4279	1	PUMP & MTG GP-FUEL TRANSFER						204
Y	174-5986	1	PUMP GP-WATER						151
Y	185-6278	1	SUPPORT GP-ENGINE						117
Y	243-1564	1	WIRING GP-ENGINE						389

PLEASE USE THE GASKET KIT LINK IN SIS OR CONTACT  
YOUR LOCAL DEALER FOR THE LATEST GASKET KIT  
INFORMATION

Y - SEPARATE ILLUSTRATION

<END>



# ENGINE ARRANGEMENT

## 235-4733 ENGINE AR-COMPLETE

S/N: BNT1059-UP

WITH JAKE BRAKE

PART OF 200-6922 ENGINE AR

AN ATTACHMENT

SMCS-1000

i03540501

NOTE	PART NUMBER	QTY	PART NAME						SEE PAGE
			1	2	3	4	5	6 (PRODUCT LEVEL)	
Y	126-7631	1	CONNECTION GP-ELECTRICAL (CYLINDER BLOCK GROUND)						232
Y	188-1758	1	CONTROL & MTG GP-ENGINE ELEK						233
Y	107-6736	1	COVER GP-CYLINDER BLOCK (TURBOCHARGER DRAIN COVER)						16
Y	140-9746	1	COVER GP-CYLINDER BLOCK (WATER INLET)						17
Y	159-6159	1	COVER GP-FRONT HOUSING (CAM, IDLER GEAR)						18
Y	187-1328	1	COVER GP-VALVE MECHANISM						21
Y	4P-5893	1	DAMPER GP						57
Y	234-9774	1	DRIVE GP-ACCESSORY						61
			S/N: BNT1059-10250						
Y	206-4227	1	DRIVE GP-ACCESSORY						60
			S/N: BNT10251-UP						
Y	235-3479	1	ENGINE AR-CORE						10
Y	148-7486	1	ENGINE BRAKE GP						63
Y	108-9382	1	FASTENER GP-FRONT HOUSING						68
Y	109-2373	1	FASTENER GP-WATER PUMP						145
Y	167-7696	1	FILLER GP-ENGINE OIL						120
Y	191-0966	1	FILTER GP-ENGINE OIL						121
Y	209-3164	1	FILTER GP-FUEL						183
Y	4P-6817	1	FLYWHEEL GP						70
Y	159-9362	1	FUMES DISPOSAL GP						125
Y	199-6348	1	GAUGE GP-OIL LEVEL (DIPSTICK) (ENGINE)						126
			S/N: BNT1059-10215						
Y	308-0412	1	GAUGE GP-OIL LEVEL (DIPSTICK) (ENGINE)						129
			S/N: BNT10216-UP						
Y	134-2809	1	HOUSING GP-FLYWHEEL						86
Y	199-1445	1	HOUSING GP-FRONT						90
Y	111-2088	1	LIFTING GP-ENGINE (REAR)						92
Y	111-2355	1	LIFTING GP-ENGINE (FRONT)						93
Y	114-1904	1	LINES GP-AIR (AIR-TO-AIR AFTERCOOLER)						163
Y	191-6147	1	LINES GP-AIR (TURBOCHARGER WASTEGATE)						165
Y	175-3862	1	LINES GP-ENGINE OIL						130
Y	199-6554	1	LINES GP-FUEL						192
Y	138-2770	1	LINES GP-TURBOCHARGER OIL						132
Y	235-8487	1	COOLING AR (INCLUDES XMSN & ENG OIL CLRS)						138
Y	135-6552	1	MANIFOLD GP-EXHAUST						166
Y	188-1754	1	MOUNTING GP-ALTERNATOR & COMPR						95
Y	199-8013	1	MOUNTING GP-MUFFLER						167
Y	200-2301	1	MOUNTING GP-PRESSURE SENSOR						292
Y	175-3860	1	PAN GP-OIL						96
Y	235-2640	1	PLUG GP-CYLINDER BLOCK						106
Y	234-9184	1	PLUG GP-CYLINDER HEAD (BOTTOM, SIDE)						108
Y	235-6266	1	PLUG GP-CYLINDER HEAD (ACERT) (TOP)						109
Y	234-9775	1	PLUG GP-ENGINE						110
Y	150-4279	1	PUMP & MTG GP-FUEL TRANSFER						204
Y	174-5986	1	PUMP GP-WATER						151
Y	185-6278	1	SUPPORT GP-ENGINE						117
Y	243-1564	1	WIRING GP-ENGINE						389

PLEASE USE THE GASKET KIT LINK IN SIS OR CONTACT  
YOUR LOCAL DEALER FOR THE LATEST GASKET KIT  
INFORMATION

Y - SEPARATE ILLUSTRATION

<END>

# ENGINE ARRANGEMENT

## 198-6487 ENGINE AR-CORE

S/N: BNT1-424

388 BRAKE KW (520 BHP) AT 1900 RPM

PART OF 198-6489, 198-6490 ENGINE AR-COMPLETE  
AN ATTACHMENT

SMCS-1000

i01515173

NOTE	REF NO	GRAPHIC REF	PART NUMBER	QTY	PART NAME						SEE PAGE
					1	2	3	4	5	6 (PRODUCT LEVEL)	
Y	1	1	4N-2481	1	FASTENER GP-OIL PUMP MOUNTING						119
Y	2	1	4P-6846	1	FASTENER GP-FRONT HOUSING						67
Y	3	1	6I-3638	1	DRIVE GP-PUMP						62
Y	4	1	122-1248	1	BASE GP-VALVE COVER & INJ HARN						13
Y	5	1	128-8510	6	INJECTOR GP-FUEL						190
YR	6	1	134-3071	6	PISTON & ROD GP						102
Y	7	1	148-7482	1	MECHANISM GP-FUEL PUMP & VALVE						94
Y	8	1	159-9844	1	GEAR GP-FRONT						73
Y	9	1	160-3913	1	CRANKSHAFT GP						24
YR	10	1	161-4113	1	PUMP GP-ENGINE OIL						134
Y	11	1	185-9699	1	CAMSHAFT GP						15
	12	1	191-7677	1	ELECTRONICS GP-ENGINE RATINGS						
Y	13	1	191-8423	1	CYLINDER HEAD GP						46
Y	14	1	192-1995	1	TURBOCHARGER GP						173
Y	15	1	198-9765	1	CYLINDER BLOCK GP						30
Y	16	1	199-1002	1	SENSOR GP-ENGINE						296

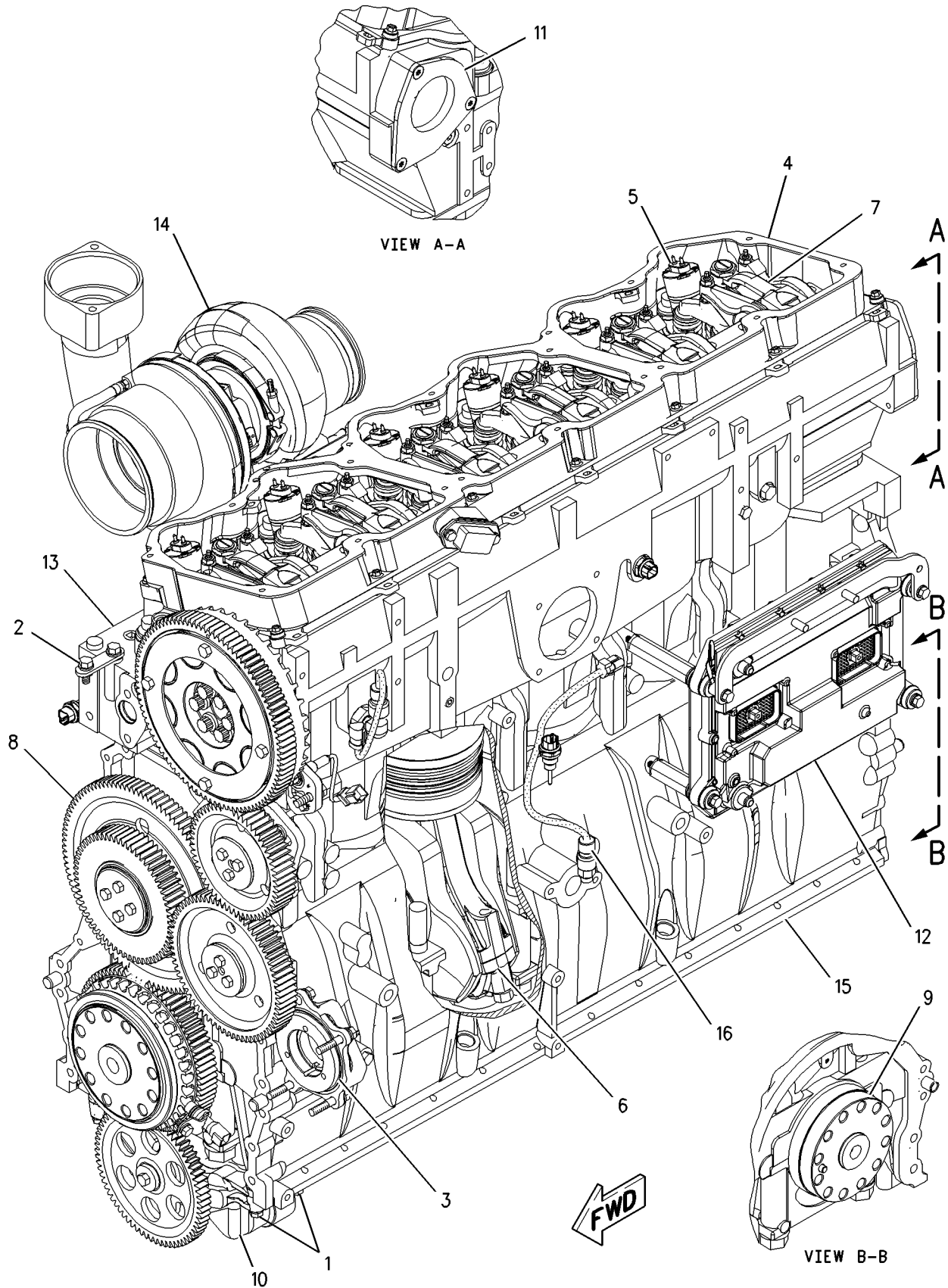
R - REMFG PART MAY BE AVAILABLE

Y - SEPARATE ILLUSTRATION

# ENGINE ARRANGEMENT

198-6487 ENGINE AR-CORE (contd.)

i01515173



GRAPHIC #1

<END>

g00787172

# ENGINE ARRANGEMENT

## 198-6487 ENGINE AR-CORE

S/N: BNT425-UP

388 BRAKE KW (520 BHP) AT 1900 RPM

PART OF 198-6489, 198-6490 ENGINE AR-COMplete  
AN ATTACHMENT

SMCS-1000

i01768050

NOTE	PART NUMBER	QTY	PART NAME						SEE PAGE
			1	2	3	4	5	6 (PRODUCT LEVEL)	
Y	122-1248	1	BASE GP-VALVE COVER & INJ HARN						13
Y	185-9699	1	CAMSHAFT GP						15
Y	160-3913	1	CRANKSHAFT GP						24
Y	198-9765	1	CYLINDER BLOCK GP						30
Y	191-8423	1	CYLINDER HEAD GP						46
Y	6I-3638	1	DRIVE GP-PUMP						62
	191-7677	1	ELECTRONICS GP-ENGINE RATINGS						
Y	4P-6846	1	FASTENER GP-FRONT HOUSING						67
Y	4N-2481	1	FASTENER GP-OIL PUMP MOUNTING						119
Y	159-9844	1	GEAR GP-FRONT						73
			S/N: BNT425-428						
Y	208-9490	1	GEAR GP-FRONT						76
			S/N: BNT429-UP						
Y	128-8510	6	INJECTOR GP-FUEL						190
YR	134-3071	6	PISTON & ROD GP						102
YR	161-4113	1	PUMP GP-ENGINE OIL						134
Y	199-1002	1	SENSOR GP-ENGINE						296
Y	192-1995	1	TURBOCHARGER GP						173
			S/N: BNT425-444						
Y	210-8818	1	TURBOCHARGER GP						175
			S/N: BNT445-UP						
Y	148-7482	1	MECHANISM GP-FUEL PUMP & VALVE						94

R - REMFG PART MAY BE AVAILABLE

Y - SEPARATE ILLUSTRATION

<END>

## 235-3479 ENGINE AR-CORE

S/N: BNT1059-UP

PART OF 235-4732, 235-4733 ENGINE AR-COMplete  
AN ATTACHMENT

SMCS-1000

i01959530

NOTE	PART NUMBER	QTY	PART NAME						SEE PAGE
			1	2	3	4	5	6 (PRODUCT LEVEL)	
Y	122-1248	1	BASE GP-VALVE COVER & INJ HARN						13
Y	185-9699	1	CAMSHAFT GP						15
Y	160-3913	1	CRANKSHAFT GP						24
Y	234-9702	1	CYLINDER BLOCK GP						32
Y	234-9185	1	CYLINDER HEAD GP						49
Y	6I-3638	1	DRIVE GP-PUMP						62
	191-7677	1	ELECTRONICS GP-ENGINE RATINGS						
Y	4P-6846	1	FASTENER GP-FRONT HOUSING						67
Y	4N-2481	1	FASTENER GP-OIL PUMP MOUNTING						119
Y	208-9490	1	GEAR GP-FRONT						76
Y	128-8510	6	INJECTOR GP-FUEL						190
YR	134-3071	6	PISTON & ROD GP						102
YR	161-4113	1	PUMP GP-ENGINE OIL						134
Y	236-2259	1	SENSOR GP-ENGINE						298
Y	210-8818	1	TURBOCHARGER GP						175
Y	148-7482	1	MECHANISM GP-FUEL PUMP & VALVE						94

R - REMFG PART MAY BE AVAILABLE

Y - SEPARATE ILLUSTRATION

<END>

# ENGINE ARRANGEMENT

## 201-4341 INSTALLATION AR-ENGINE

S/N: BNH1-UP

PART OF 203-1564 COMMON AR

SMCS-1000

i02307248

NOTE	PART NUMBER	QTY	PART NAME						SEE PAGE
			1	2	3	4	5	6 (PRODUCT LEVEL)	
Y	132-6248	1	AIR CLEANER GP						158
Y	190-6564	1	ALTERNATOR GP-CHARGING						218
Y	190-6563	1	BELT TENSIONER GP						14
Y	172-1248	1	COMPRESSOR GP-REFRIGERANT						1074
			-OR-						
Y	262-4948	1	COMPRESSOR GP-REFRIGERANT						1076
Y	164-5789	1	DRAIN GP-ENGINE OIL						58
Y	132-6237	1	DUST EJECTOR GP						160
			S/N: BNH1-591						
Y	222-3073	1	DUST EJECTOR GP						161
			S/N: BNH592-UP						
Y	232-0362	1	EXTENSION GP-FUMES DISPOSAL						118
			S/N: BNH786-UP						
Y	132-6250	1	LINES GP-AIR						164
Y	132-6235	1	MUFFLER GP						169
Y	170-1757	1	PULLEY GP-CRANKSHAFT						111
Y	191-1041	1	SHIELD GP-HEAT						171
			S/N: BNH936-UP						
Y	105-4729	1	STARTING MOTOR GP-ELECTRIC						329
Y	132-6236	1	SUPPORT GP-ENGINE						116
Y	222-0347	1	WIRING GP-ENGINE ELECTRONIC						391
			S/N: BNH515-UP						

Y - SEPARATE ILLUSTRATION

<END>

# BASIC ENGINE

## 133-9907 ADAPTER GP-PUMP DRIVE

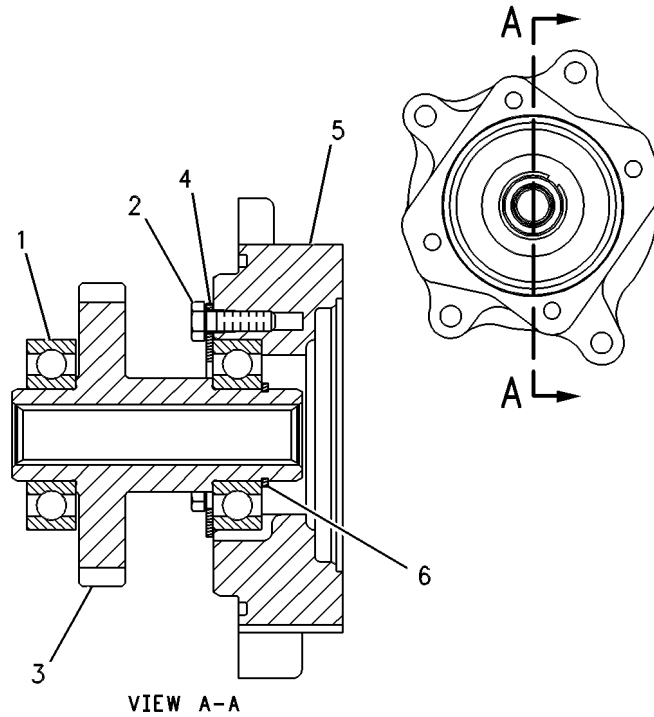
S/N: BNT1-UP

PART OF 6I-3638 DRIVE GP-PUMP  
AN ATTACHMENT

SMCS-3108

i03260721

NOTE	REF NO	GRAPHIC REF	PART NUMBER	QTY	PART NAME						SEE PAGE
					1	2	3	4	5	6	
	1	1	<b>1B-3867</b>	2	BALL BEARING						
	2	1	<b>4F-7957</b>	3	BOLT (1/4-20X0.875-IN)						
	3	1	<b>6I-4575</b>	1	GEAR (34-TEETH)						
	4	1	<b>9X-2038</b>	3	WASHER (7X19X2-MM THK)						
	5	1	<b>133-9906</b>	1	ADAPTER						
	6	1	<b>1H-8647</b>	1	RING-SNAP						



GRAPHIC #1

<END>

g00263602

# BASIC ENGINE

## 122-1248 BASE GP-VALVE COVER & INJ HARN

S/N: BNT1-10225

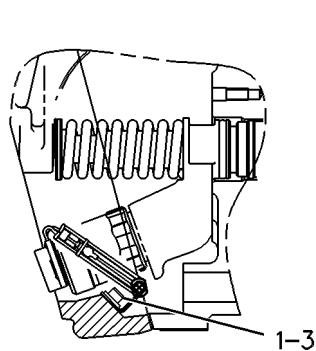
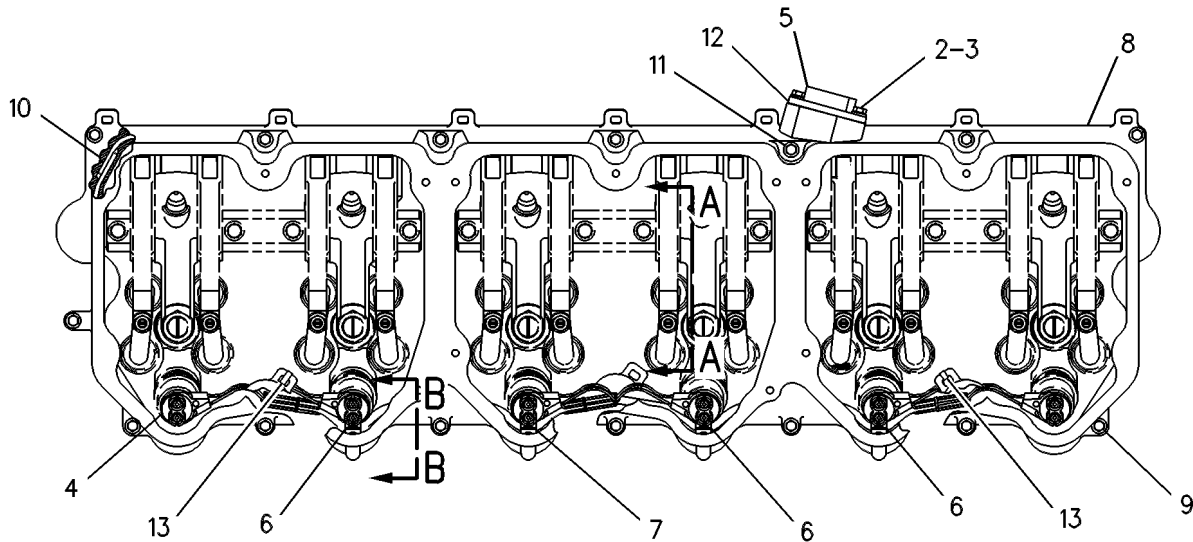
PART OF 198-6487, 235-3479 ENGINE AR-CORE  
AN ATTACHMENT

SMCS-1120, 1408

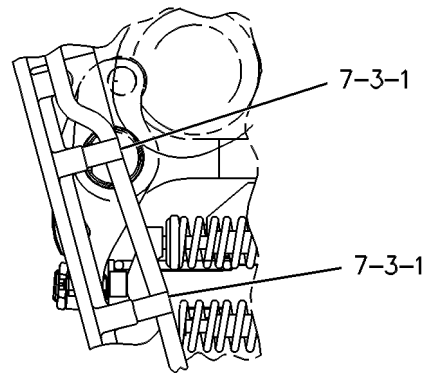
i02518521

NOTE	REF NO	GRAPHIC REF	PART NUMBER	QTY	PART NAME						SEE PAGE
					1	2	3	4	5	6 (PRODUCT LEVEL)	
	1	1	<b>8H-3127</b>	6	BOLT (1/4-20X0.75-IN)						
	2	1	<b>4F-7957</b>	2	BOLT (1/4-20X0.875-IN)						
	3	1	<b>5P-0537</b>	8	WASHER-HARD (7.2X14.5X2-MM THK)						
	4	1	<b>7E-6508</b>	6	CAP AS (UNIT INJECTOR)						
	5	1	<b>122-1486</b>	1	HARNES AS-WIRING (ELECTRONIC UNIT INJECTOR)						
		1	<b>8L-8413</b>	6	STRAP-CABLE						
		1	<b>103-8134</b>	1	KIT-RECEPTACLE (12-PIN) (INCLUDES RECEPTACLE AS & WEDGE)						
	6	1	<b>100-5218</b>	3	CLIP						
	7	1	<b>100-5219</b>	3	CLIP						
	8	1	<b>177-4152</b>	1	BASE-VALVE MECHANISM COVER						
	9	1	<b>9L-8925</b>	14	BOLT (5/16-18X1.25-IN)						
D	10	1	<b>5P-5678</b>		SEAL (2.9-M)						
	11	1	<b>122-1472</b>	1	BOLT (5/16-18X2.36-IN)						
	12	1	<b>6V-0128</b>	1	SEAL-CONNECTOR						
	13	1	<b>123-3202</b>	2	STRAP-CABLE						

D - ORDER BY THE METER



SECTION B-B



VIEW A-A

GRAPHIC #1

<END>

g00257337

# BASIC ENGINE

## 190-6563 BELT TENSIONER GP

S/N: BNH1-UP

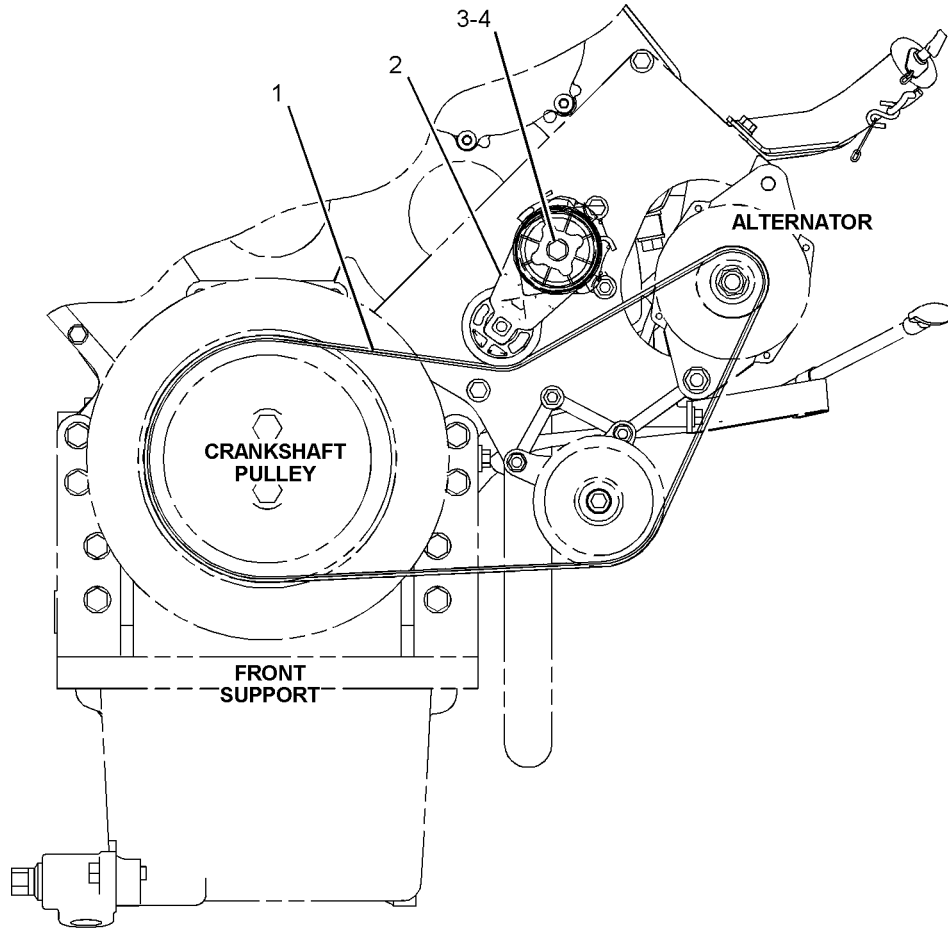
FOR USE WITH A 62 MILLIMETER DIAMETER PULLEY  
PART OF 201-4341 INSTALLATION AR-ENGINE

SMCS-1357, 1358, 1397

i02085766

NOTE	REF NO	GRAPHIC REF	PART NUMBER	QTY	PART NAME						SEE PAGE
					1	2	3	4	5	6 (PRODUCT LEVEL)	
	1	1	<b>190-6560</b>	1	BELT-SERPENTINE						
	2	1	<b>217-8938</b>	1	BELT TENSIONER						
	3	1	<b>8T-4121</b>	1	WASHER-HARD (11X21X2.5-MM THK)						
M	4	1	<b>8T-4178</b>	1	BOLT (M10X1.5X90-MM)						

M - METRIC PART



**FRONT VIEW**

<END>

GRAPHIC #1

g01082851



# BASIC ENGINE

## 185-9699 CAMSHAFT GP

S/N: BNT1-UP

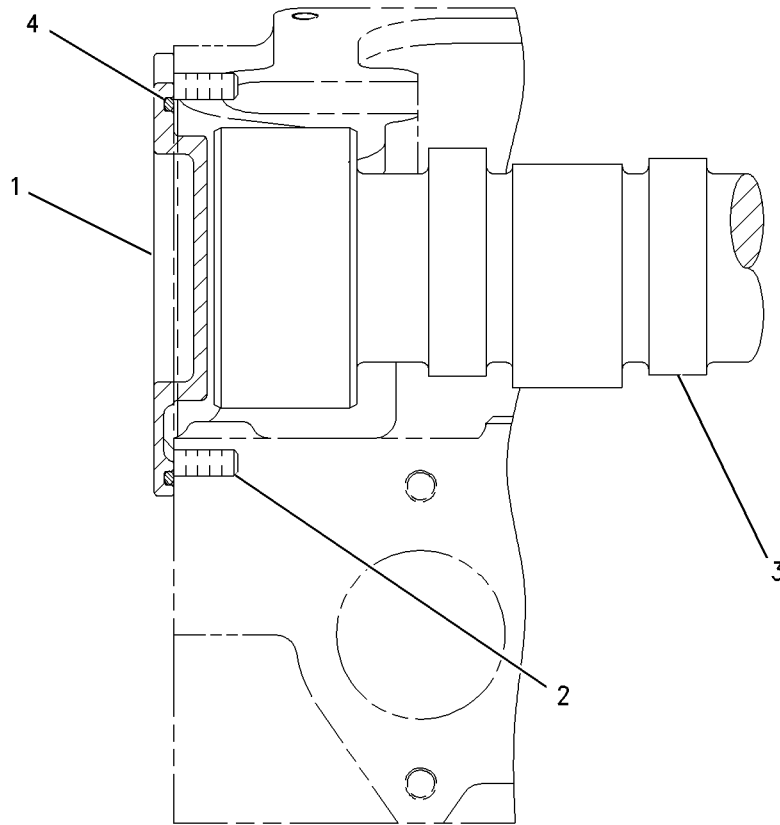
PART OF 198-6487, 235-3479 ENGINE AR-CORE  
AN ATTACHMENT

SMCS-1210, 1211, 1212

i03619227

NOTE	REF NO	GRAPHIC REF	PART NUMBER	QTY	PART NAME						SEE PAGE
					1	2	3	4	5	6 (PRODUCT LEVEL)	
	1	1	<b>102-9089</b>	1	COVER						
	2	1	<b>119-0036</b>	3	SCREW-FLAT HEAD (5/16-18X0.875-IN)						
R	3	1	<b>332-7308</b>	1	CAMSHAFT						
	4	1	<b>6V-1197</b>	1	SEAL-O-RING						

R - REMFG PART MAY BE AVAILABLE



RIGHT SIDE VIEW

GRAPHIC #1

<END>

g00687973

# BASIC ENGINE

## 107-6736 COVER GP-CYLINDER BLOCK

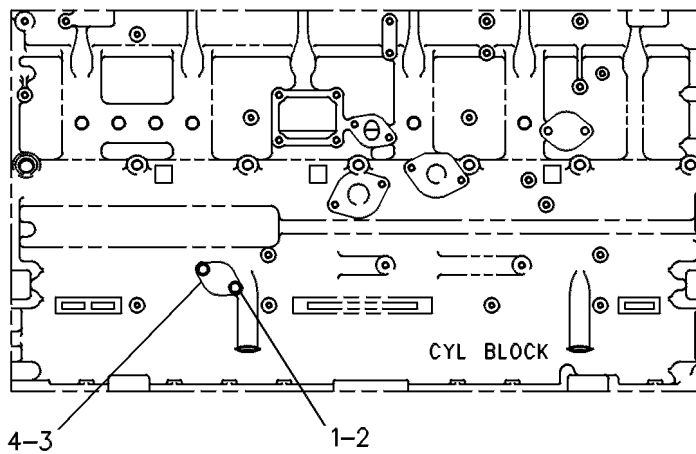
S/N: BNT1-UP

FOR USE WITH MID MOUNTED TURBO AND/OR RH OIL FILL  
PART OF 198-6489, 198-6490, 235-4732, 235-4733 ENGINE AR-COMplete  
AN ATTACHMENT

SMCS-1201

i02763877

NOTE	REF NO	GRAPHIC REF	PART NUMBER	QTY	PART NAME						SEE PAGE
					1	2	3	4	5	6 (PRODUCT LEVEL)	
	1	1	<b>0S-1594</b>	2	BOLT (3/8-16X1-IN)						
	2	1	<b>5M-2894</b>	2	WASHER-HARD (10.2X18.5X2.5-MM THK)						
	3	1	<b>4W-9890</b>	1	COVER						
	4	1	<b>4N-0699</b>	1	GASKET						



LEFT SIDE VIEW

GRAPHIC #1

<END>

g00244599

# BASIC ENGINE

## 140-9746 COVER GP-CYLINDER BLOCK

S/N: BNT1-UP

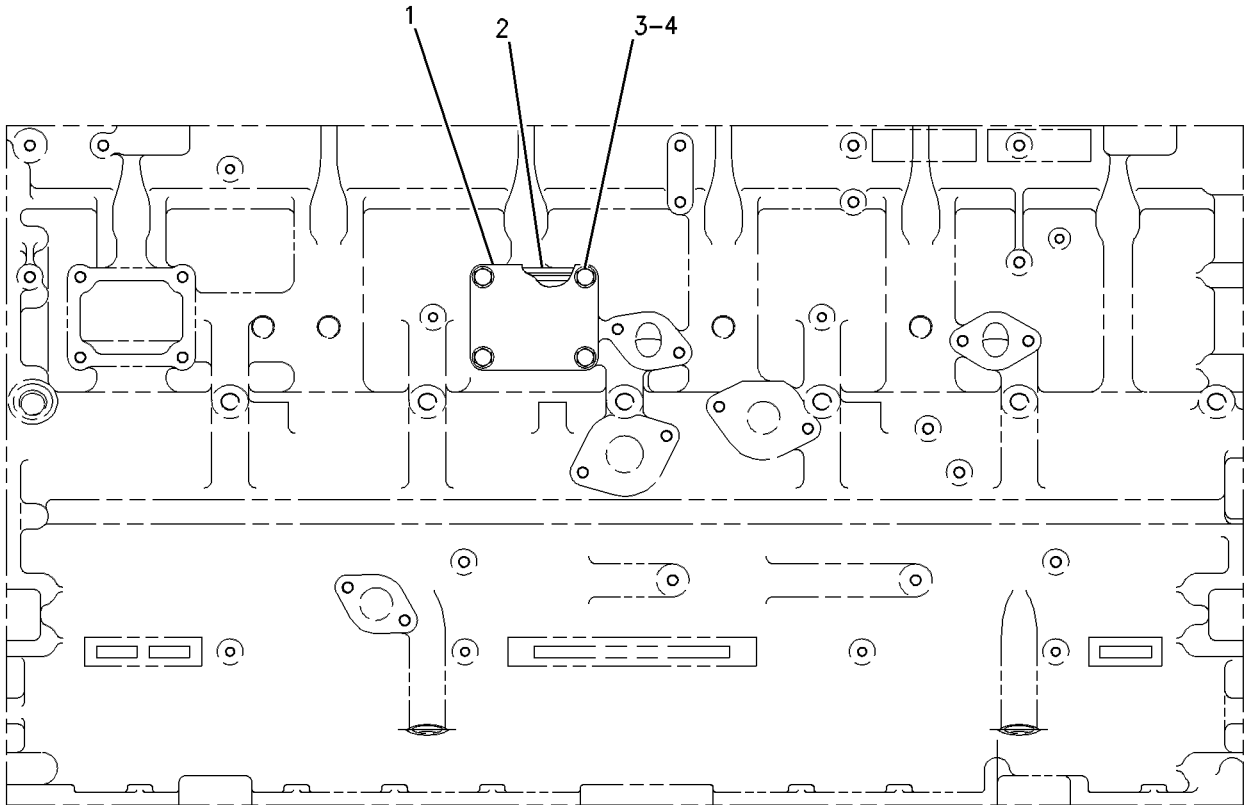
NO. 4 CYLINDER WATER OPENING

PART OF 198-6489, 198-6490, 235-4732, 235-4733 ENGINE AR-COMplete  
AN ATTACHMENT

SMCS-1201

i02668546

NOTE	REF NO	GRAPHIC REF	PART NUMBER	QTY	PART NAME						SEE PAGE
					1	2	3	4	5	6 (PRODUCT LEVEL)	
	1	1	145-3849	1	COVER						
	2	1	126-4935	1	SEAL - INTEGRAL						
	3	1	0S-1594	4	BOLT (3/8-16X1-IN)						
	4	1	5M-2894	4	WASHER - HARD (10.2X18.5X2.5-MM THK)						



GRAPHIC #1

<END>

g00506684

# BASIC ENGINE

## 159-6159 COVER GP-FRONT HOUSING

S/N: BNT1-UP

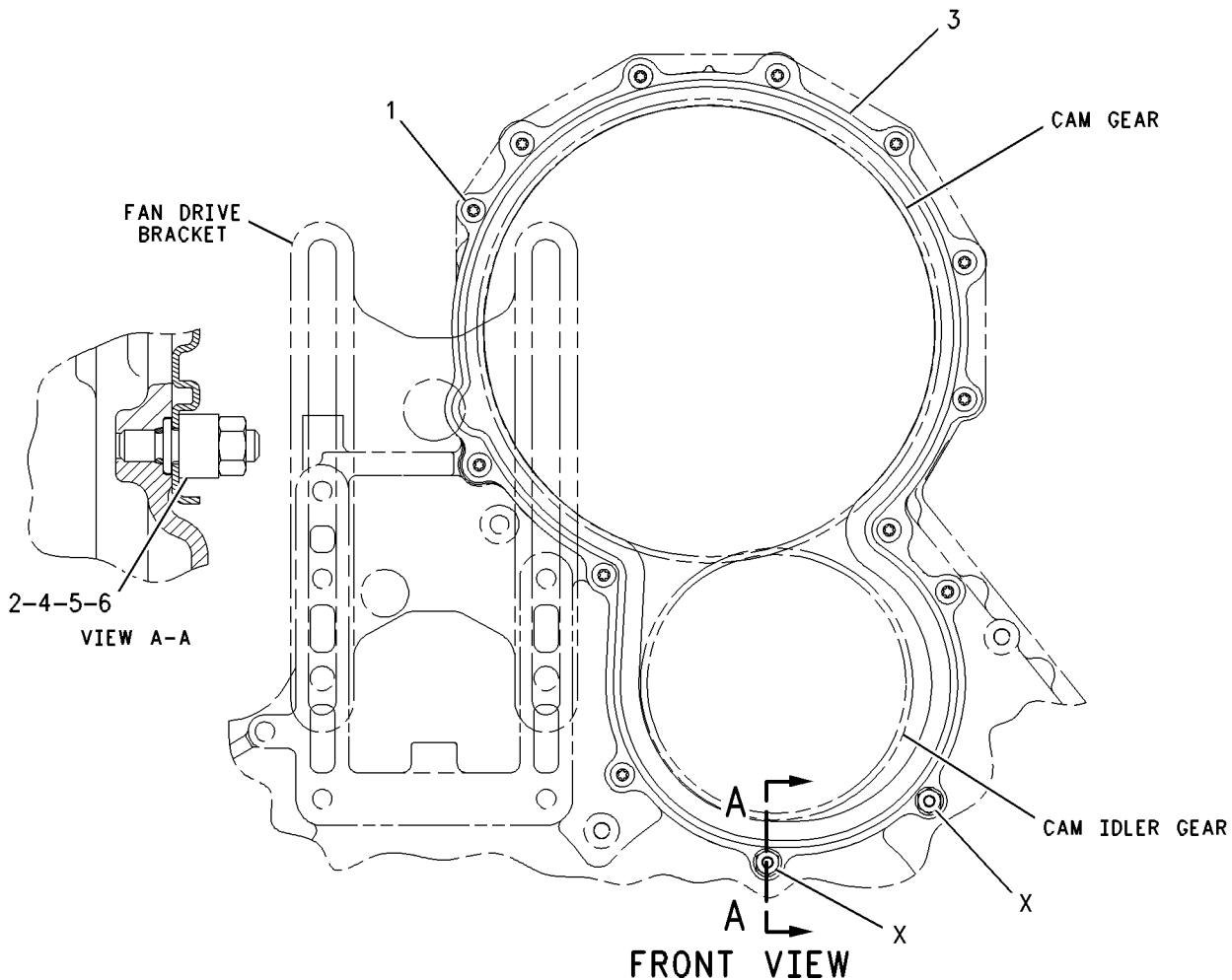
CAM AND IDLER GEAR ACCESS

PART OF 198-6489, 198-6490, 235-4732, 235-4733 ENGINE AR-COMplete  
AN ATTACHMENT

SMCS-1151, 1166

i03784814

NOTE	REF NO	GRAPHIC REF	PART NUMBER	QTY	PART NAME						SEE PAGE
					1	2	3	4	5	6 (PRODUCT LEVEL)	
	1	1	<b>297-1813</b>	12	SCREW-HEAD (5/16-18X1-IN)						
	2	1	<b>175-1367</b>	2	SPACER (8.8X16X10-MM THK) (MARKED X)						
	3	1	<b>209-3569</b>	1	COVER GP-FRONT HOUSING						
		1	<b>160-7271</b>	1	SEAL						
	4	1	<b>031-4155</b>	2	LOCKNUT (5/16-18-THD) (MARKED X)						
	5	1	<b>175-1366</b>	2	STUD (MARKED X)						
	6	1	<b>238-5078</b>	2	SEAL-O-RING (MARKED X)						



GRAPHIC #1

<END>

g00631258

# BASIC ENGINE

## 150-3135 COVER GP-VALVE MECHANISM

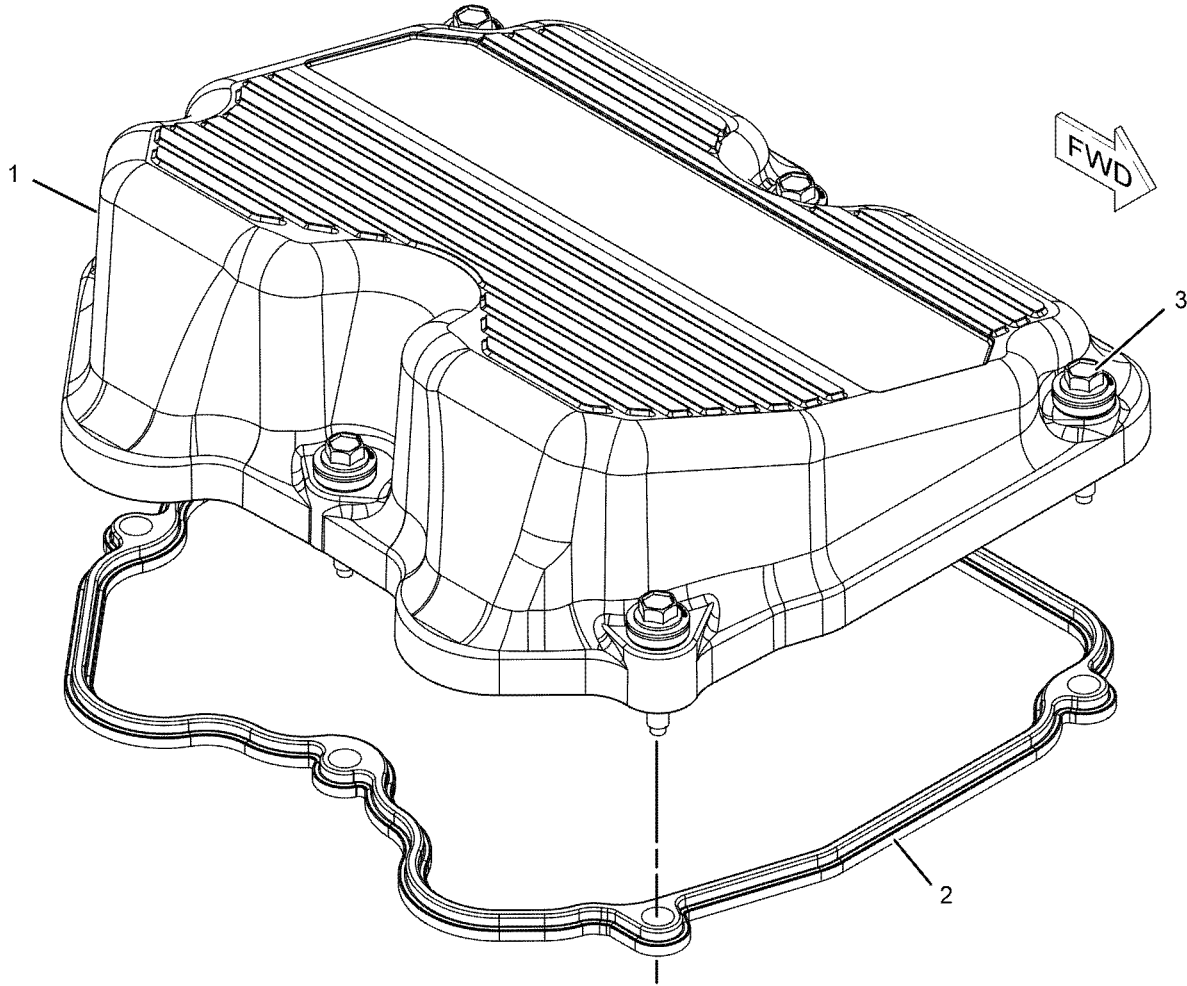
S/N: BNT1-UP

PART OF 187-1328 COVER GP-VALVE MECHANISM  
AN ATTACHMENT

SMCS-1107

i02207417

NOTE	REF NO	GRAPHIC REF	PART NUMBER	QTY	PART NAME						SEE PAGE
					1	2	3	4	5	6 (PRODUCT LEVEL)	
	1	1	150-2557	1	COVER-VALVE MECHANISM						
	2	1	242-9537	1	SEAL-VALVE COVER						
	3	1	243-1159	6	FASTENER AS						
					(EACH INCLUDES)						
		1	149-7378	1	GROMMET						



GRAPHIC #1

<END>

g01055147

# BASIC ENGINE

## 187-1326 COVER GP-VALVE MECHANISM

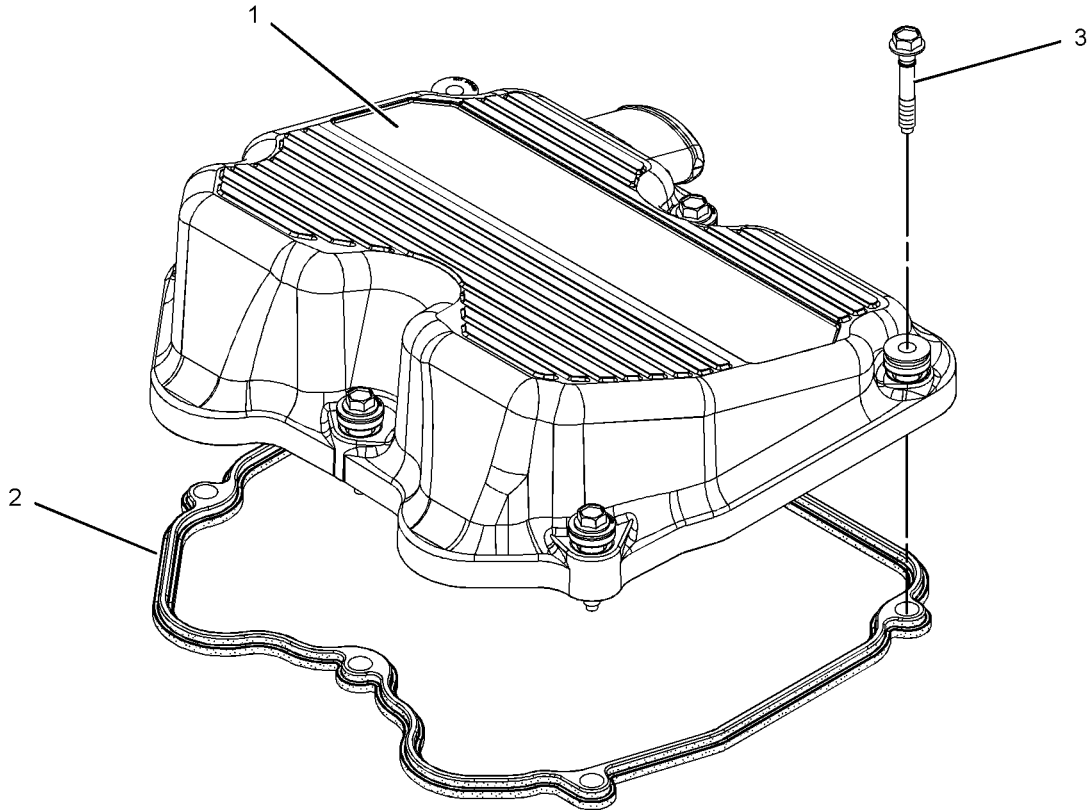
S/N: BNT1-UP

PART OF 187-1328 COVER GP-VALVE MECHANISM  
AN ATTACHMENT

SMCS-1107

i02207393

NOTE	REF NO	GRAPHIC REF	PART NUMBER	QTY	PART NAME						SEE PAGE
					1	2	3	4	5	6 (PRODUCT LEVEL)	
	1	1	<b>187-1325</b>	1	COVER AS-VALVE						
	2	1	<b>242-9537</b>	1	SEAL-VALVE COVER						
	3	1	<b>243-1159</b>	6	FASTENER AS						
					(EACH INCLUDES)						
		1	<b>149-7378</b>	1	GROMMET						



GRAPHIC #1

<END>

g01055197

# BASIC ENGINE

## 187-1328 COVER GP-VALVE MECHANISM

S/N: BNT1-10283

REAR MOUNTED BREATHER, NO OIL FILL

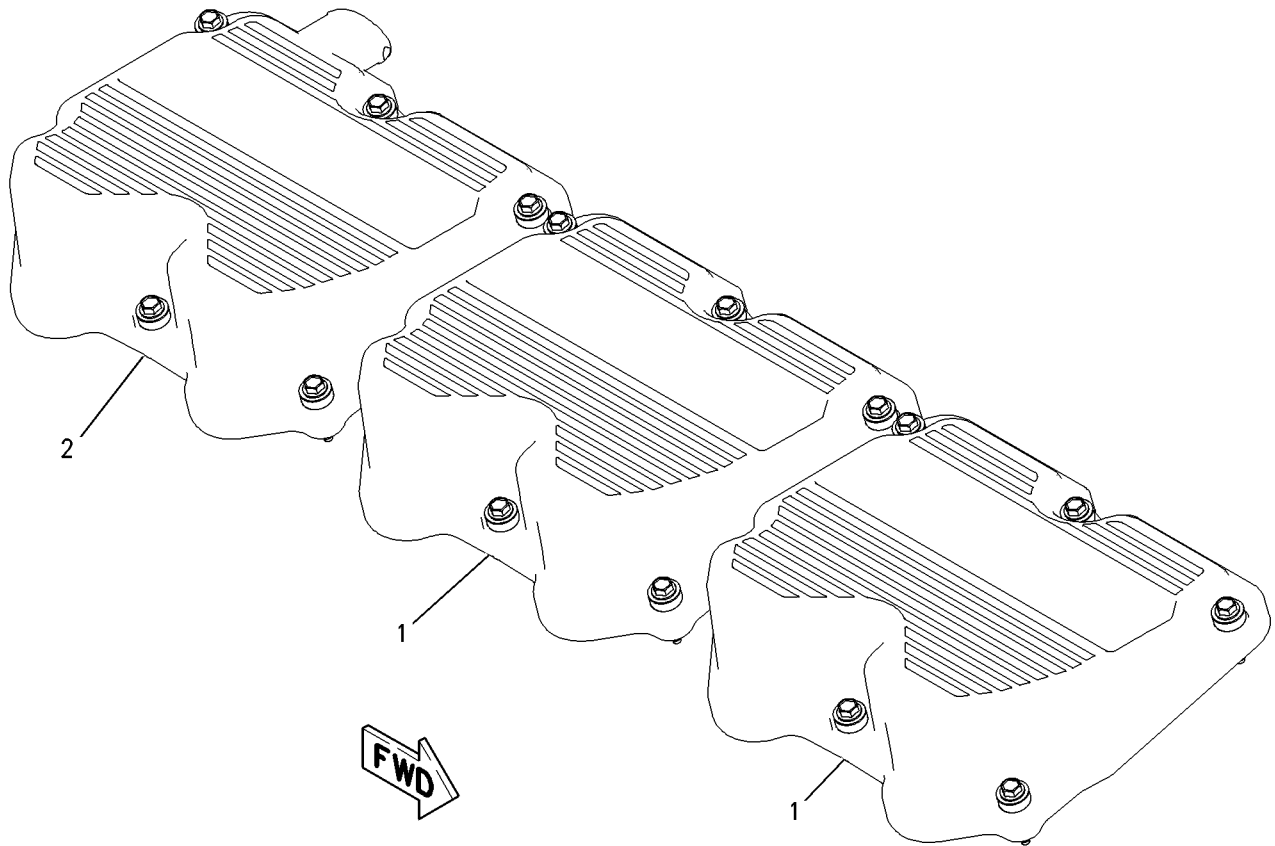
PART OF 198-6489, 198-6490, 235-4732, 235-4733 ENGINE AR-COMplete  
AN ATTACHMENT

SMCS-1107

i01391600

NOTE	REF NO	GRAPHIC REF	PART NUMBER	QTY	PART NAME						SEE PAGE
					1	2	3	4	5	6 (PRODUCT LEVEL)	
Y	1	1	150-3135	2	COVER GP-VALVE MECHANISM						19
Y	2	1	187-1328	1	COVER GP-VALVE MECHANISM						20

Y - SEPARATE ILLUSTRATION



GRAPHIC #1

<END>

g00740203

# BASIC ENGINE

## 187-1328 COVER GP-VALVE MECHANISM

S/N: BNT10284-UP

REAR MOUNTED BREATHER, NO OIL FILL

PART OF 235-4732, 235-4733 ENGINE AR-COMPLETE

AN ATTACHMENT

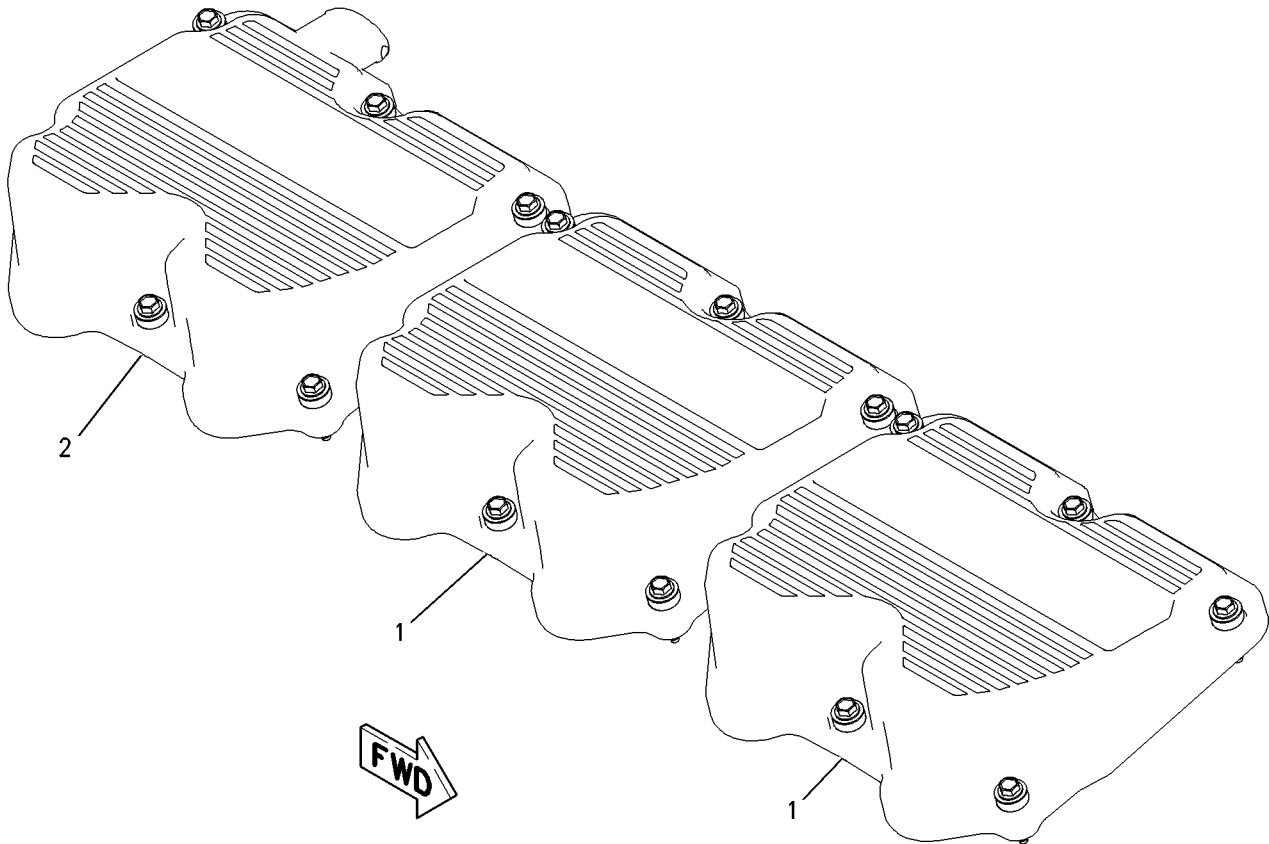
SMCS-1107

i05351209

NOTE	REF NO	GRAPHIC REF	PART NUMBER	QTY	PART NAME						SEE PAGE
					1	2	3	4	5	6 (PRODUCT LEVEL)	
Y	1	1	150-3135	2	COVER GP-VALVE MECHANISM						19
CY	2	1	341-6804	1	COVER GP-VALVE MECHANISM						23

C - CHANGE FROM PREVIOUS TYPE

Y - SEPARATE ILLUSTRATION



GRAPHIC #1

<END>

g00740203



# BASIC ENGINE

## 341-6804 COVER GP-VALVE MECHANISM

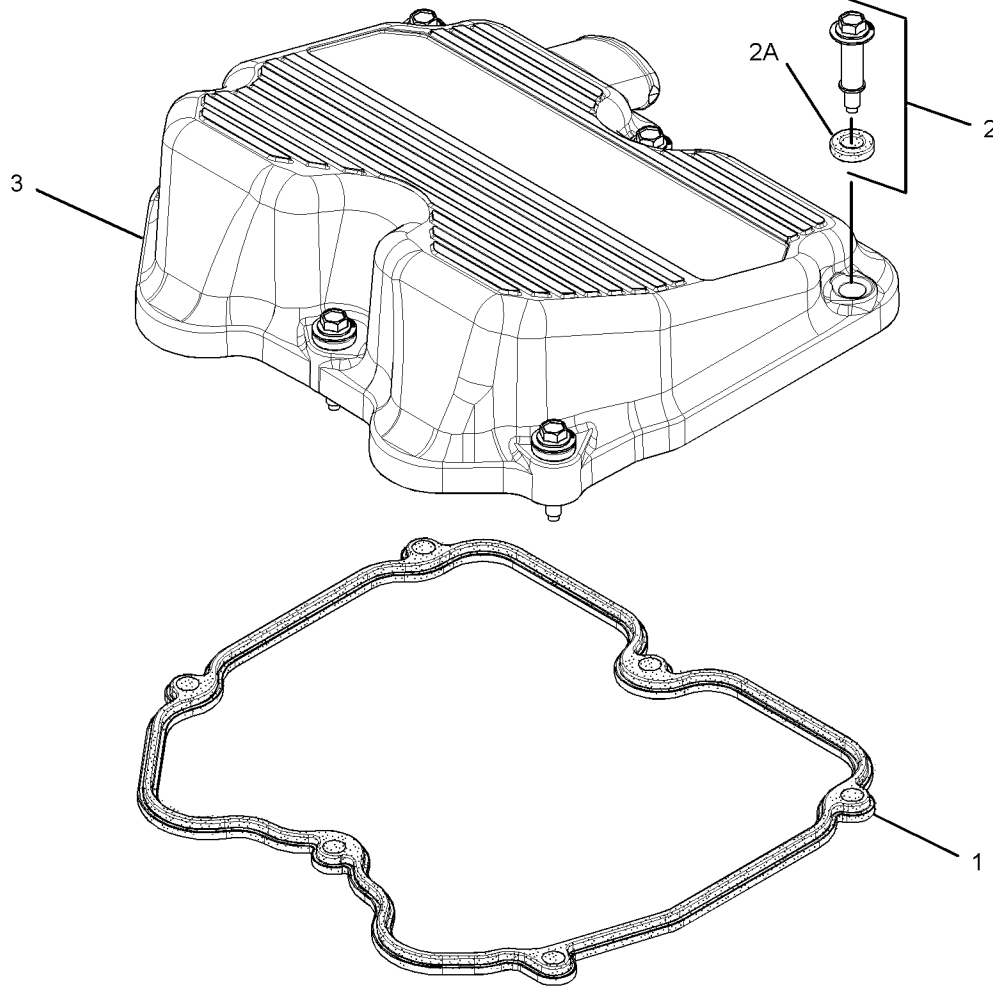
S/N: BNT10284-UP

PART OF 187-1328 COVER GP-VALVE MECHANISM  
AN ATTACHMENT

SMCS-1107

i04861710

NOTE	REF NO	GRAPHIC REF	PART NUMBER	QTY	PART NAME						SEE PAGE
					1	2	3	4	5	6 (PRODUCT LEVEL)	
	1	1	<b>242-9537</b>	1	SEAL - VALVE COVER						
	2	1	<b>243-1159</b>	6	FASTENER AS (EACH INCLUDES)						
	2A	1	<b>149-7378</b>	1	GROMMET						
	3	1	<b>239-4106</b>	1	COVER AS-VALVE (BREATHER)						



GRAPHIC #1

<END>

g01860954

# BASIC ENGINE

## 160-3913 CRANKSHAFT GP

S/N: BNT1-UP

PART OF 198-6487, 235-3479 ENGINE AR-CORE  
AN ATTACHMENT

SMCS-1202

i03647271

NOTE	REF NO	GRAPHIC REF	PART NUMBER	QTY	PART NAME	SEE PAGE
					1 2 3 4 5 6 (PRODUCT LEVEL)	
R	1	1	<b>155-6632</b>	1	CRANKSHAFT AS	
			<b>4N-0684</b>	1	DOWEL	
			<b>7S-5005</b>	1	DOWEL	
			<b>160-5120</b>	1	GEAR-CRANKSHAFT (80-TEETH)	
J	2	1	<b>317-8766</b>	7	BEARING-MAIN (STANDARD)	
AB		1	<b>4W-5698</b>		BEARING-MAIN (0.63-MM US)	
AB		1	<b>4W-5699</b>		BEARING-MAIN (1.27-MM US)	
AB		1	<b>4W-5700</b>		BEARING-MAIN (0.63-MM OS)	
AB		1	<b>4W-5701</b>		BEARING-MAIN (0.63-MM OS, 0.63-MM US)	
J	3	1	<b>253-1752</b>	2	PLATE-THRUST	
Y	4	1	<b>319-7401</b>	1	SEAL GP-CRANKSHAFT (FRONT)	115

AVAILABLE REPAIR KIT(S):

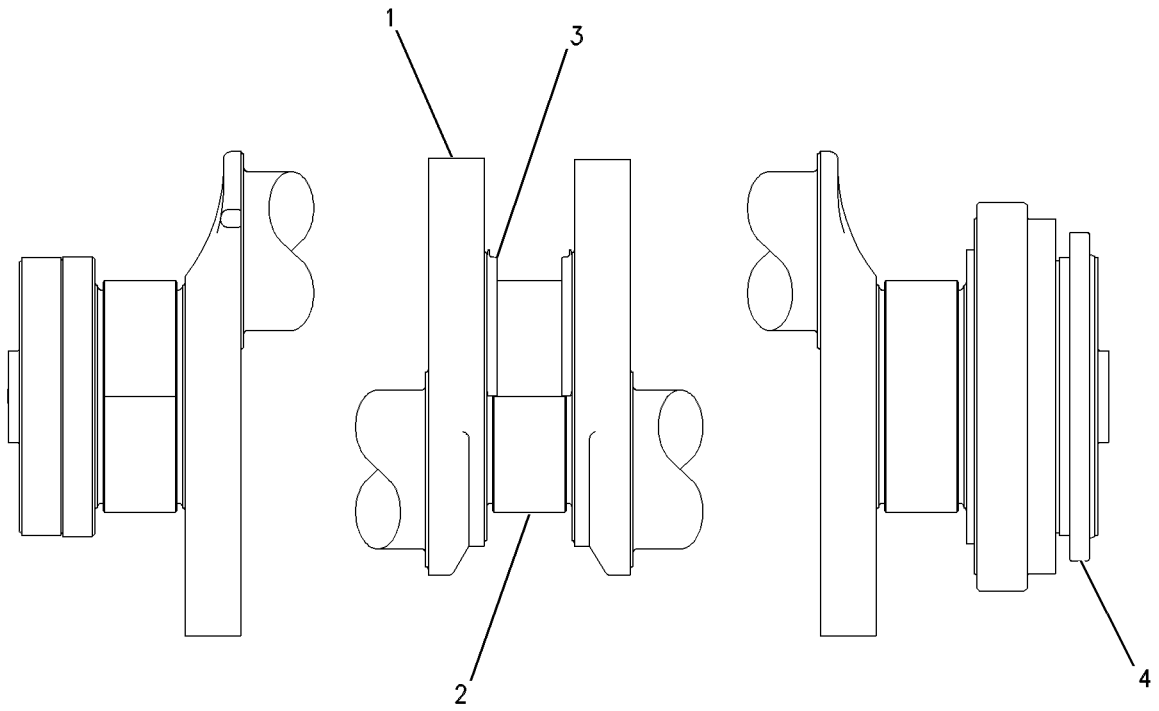
AJ			<b>243-6718</b>	1	KIT-CRANKSHAFT BEARING (STANDARD) (INCLUDES A COMPLETE SET OF MAIN BEARINGS AND TRUST PLATE)	
----	--	--	-----------------	---	---	--

A - NOT PART OF THIS GROUP  
 B - USE AS REQUIRED  
 J - KIT MARKED J INCLUDES PARTS MARKED J  
 R - REMFG PART MAY BE AVAILABLE  
 Y - SEPARATE ILLUSTRATION

# BASIC ENGINE

160-3913 CRANKSHAFT GP (contd.)

i03647271



GRAPHIC #1

<END>

g00555619

# BASIC ENGINE

## 155-0741 CYLINDER BLOCK AS

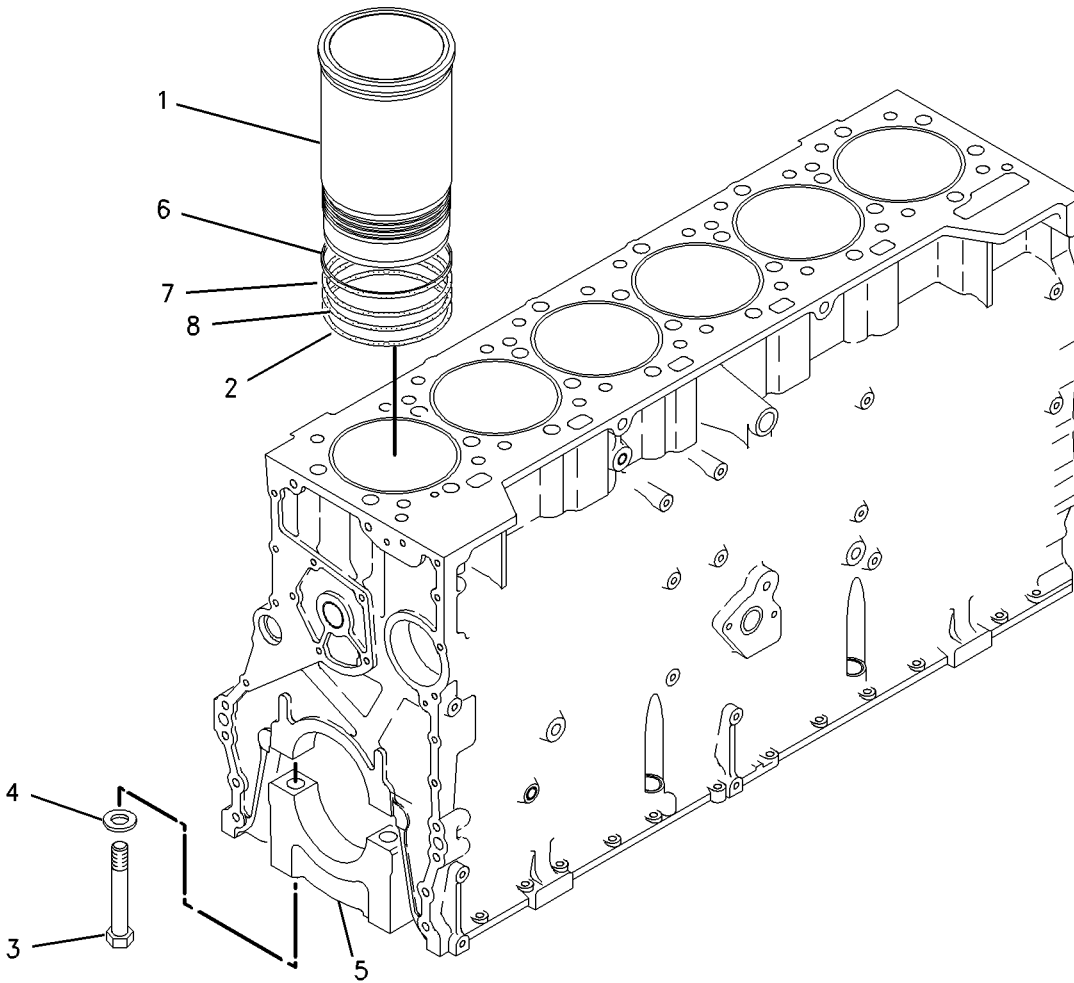
S/N: BNT1-UP

PART OF 198-9765 CYLINDER BLOCK GP  
AN ATTACHMENT

SMCS-1201

i05162524

NOTE	REF NO	GRAPHIC REF	PART NUMBER	QTY	PART NAME						SEE PAGE
					1	2	3	4	5	6	
	1	1	<b>420-2631</b>	6	LINER-CYLINDER BLOCK						
	2	1	<b>142-6217</b>	6	SEAL-O-RING						
	3	1	<b>167-8083</b>	14	BOLT (7/8-14X7.5-IN)						
	4	1	<b>9H-1031</b>	14	WASHER-HARD (24X41.5X6-MM THK)						
	5	1	<b>167-8081</b>	7	CAP-CRANKSHAFT BEARING						
	6	1	<b>9L-5854</b>	6	BAND-FILLER (130.2-MM ID)						
	7	1	<b>131-3717</b>	6	SEAL D-RING						
	8	1	<b>110-2220</b>	6	SEAL-LINER						



GRAPHIC #1

<END>

g00821466

# BASIC ENGINE

## 234-9709 CYLINDER BLOCK AS

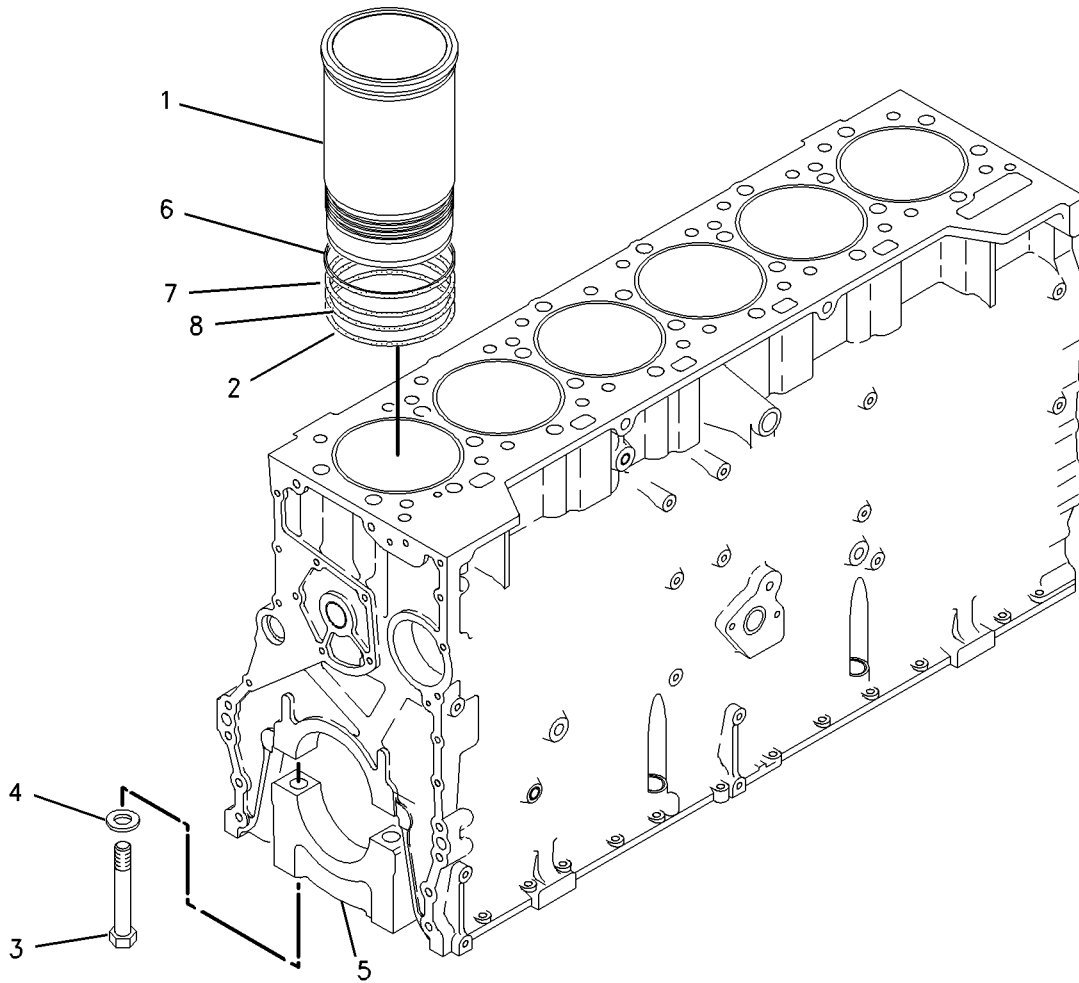
S/N: BNT1278-2133

PART OF 234-9702 CYLINDER BLOCK GP  
AN ATTACHMENT

SMCS-1201

i01959683

NOTE	REF NO	GRAPHIC REF	PART NUMBER	QTY	PART NAME						SEE PAGE
					1	2	3	4	5	6	
	1	1	132-6881	6	LINER-CYLINDER						
	2	1	142-6217	6	SEAL-O-RING						
	3	1	167-8083	14	BOLT (7/8-14X7.5-IN)						
	4	1	9H-1031	14	WASHER-HARD (24X41.5X6-MM THK)						
	5	1	167-8081	7	CAP-CRANKSHAFT BEARING						
	6	1	9L-5854	6	BAND-FILLER (130.2-MM ID)						
	7	1	131-3717	6	SEAL D-RING						
	8	1	110-2220	6	SEAL-LINER						



GRAPHIC #1

<END>

g00821466

# BASIC ENGINE

## 234-9709 CYLINDER BLOCK AS

S/N: BNT2134-UP

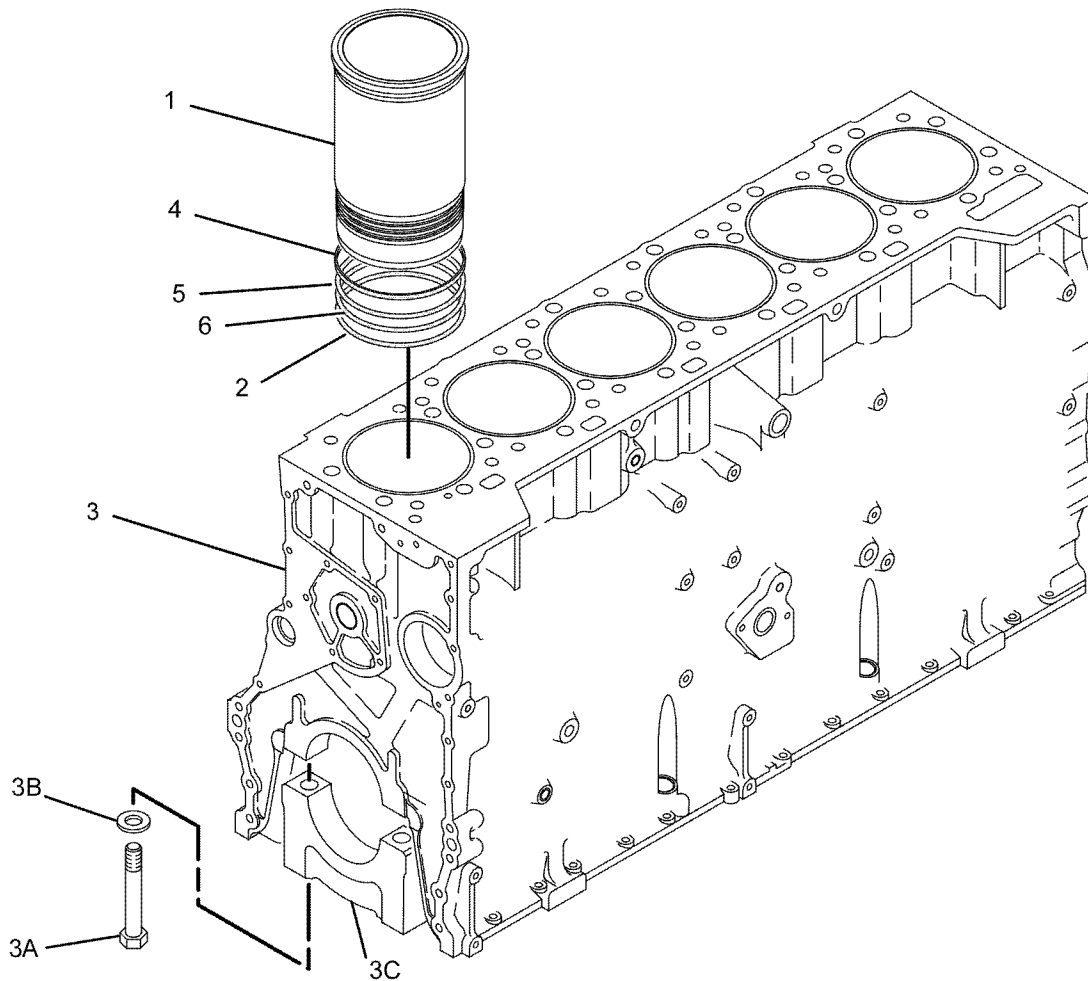
PART OF 234-9702 CYLINDER BLOCK GP  
AN ATTACHMENT

SMCS-1201

i02014258

NOTE	REF NO	GRAPHIC REF	PART NUMBER	QTY	PART NAME						SEE PAGE
					1	2	3	4	5	6 (PRODUCT LEVEL)	
	1	1	132-6881	6	LINER-CYLINDER						
	2	1	142-6217	6	SEAL-O-RING						
R	3	1	229-8568	1	CYLINDER BLOCK AS						
	3A	1	167-8083	14	BOLT (7/8-14X7.5-IN)						
	3B	1	9H-1031	14	WASHER-HARD (24X41.5X6-MM THK)						
	3C	1	167-8081	7	CAP-CRANKSHAFT BEARING						
	4	1	9L-5854	6	BAND-FILLER (130.2-MM ID)						
	5	1	131-3717	6	SEAL D-RING						
	6	1	110-2220	6	SEAL-LINER						

R - REMFG PART MAY BE AVAILABLE



GRAPHIC #1

<END>

g01044237

# BASIC ENGINE

## 357-1319 CYLINDER BLOCK AS

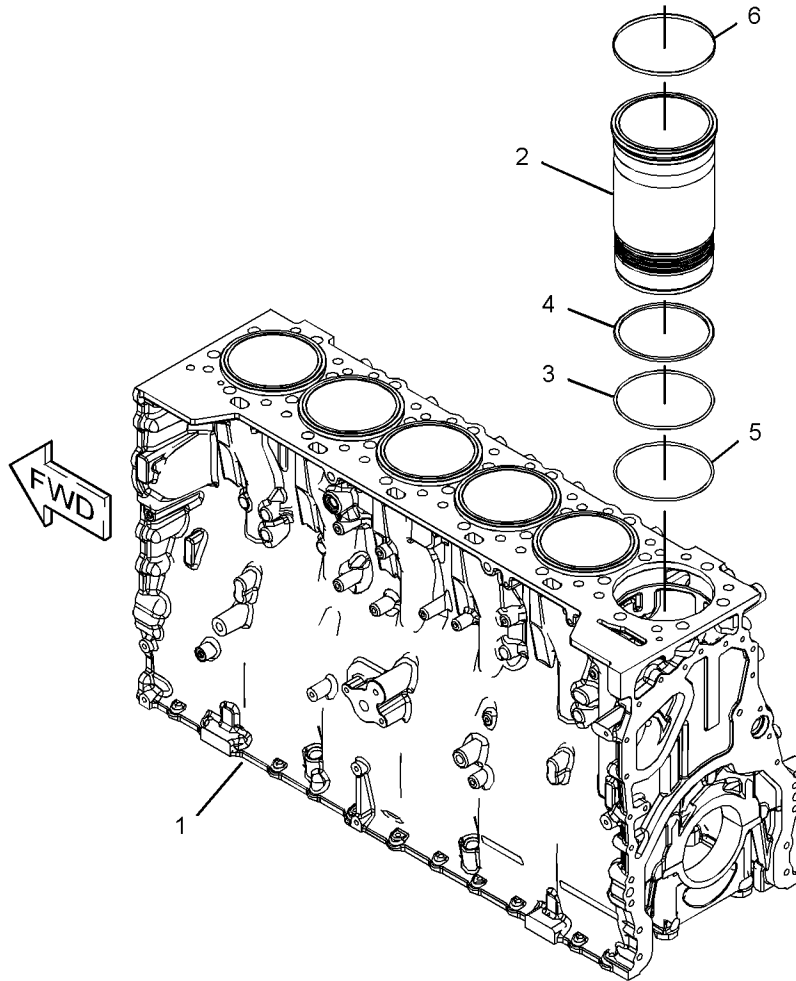
S/N: BNT10069-UP

PART OF 234-9702 CYLINDER BLOCK GP  
AN ATTACHMENT

SMCS-1201

i05119251

NOTE	REF NO	GRAPHIC REF	PART NUMBER	QTY	PART NAME						SEE PAGE
					1	2	3	4	5	6 (PRODUCT LEVEL)	
	1	1	<b>357-1315</b>	1	CYLINDER BLOCK AS						
		1	<b>3P-1323</b>	14	BOLT-BEARING CAP (7/8-14X7.75-IN)						
		1	<b>9H-1031</b>	14	WASHER-HARD (24X41.5X6-MM THK)						
		1	<b>167-8081</b>	7	CAP-CRANKSHAFT BEARING						
2		1	<b>420-2631</b>	6	LINER-CYLINDER BLOCK						
3		1	<b>110-2220</b>	6	SEAL-LINER						
4		1	<b>131-3717</b>	6	SEAL D-RING						
5		1	<b>142-6217</b>	6	SEAL-O-RING						
6		1	<b>9L-5854</b>	6	BAND-FILLER (130.2-MM ID)						



GRAPHIC #1

<END>

g03317976

# BASIC ENGINE

## 198-9765 CYLINDER BLOCK GP

S/N: BNT1-UP

PART OF 198-6487 ENGINE AR-CORE  
AN ATTACHMENT

SMCS-1201

i01914120

NOTE	REF NO	GRAPHIC REF	PART NUMBER	QTY	PART NAME	SEE PAGE
					1 2 3 4 5 6 (PRODUCT LEVEL)	
Y	1	1	<b>155-0741</b>	1	CYLINDER BLOCK AS	26
	2	1	<b>1S-9540</b>	1	DOWEL	
	3	1	<b>5P-0840</b>	1	SEAL-O-RING	
	4	1	<b>7W-6492</b>	2	PLUG-PIPE	
	5	1	<b>6I-1055</b>	1	DOWEL	
	6	1	<b>4N-0683</b>	4	DOWEL	
	7	1	<b>4N-1650</b>	1	DOWEL	
	8	1	<b>6I-4421</b>	1	PLATE-SPACER	
	9	1	<b>227-1204</b>	1	GASKET	
	10	1	<b>8S-9094</b>	1	PLUG-ORIFICE	
	11	1	<b>9S-4190</b>	1	PLUG-O-RING	
	12	1	<b>114-4427</b>	1	SEAL-O-RING	
	13	1	<b>7X-7732</b>	5	PLUG-PIPE	
	14	1	<b>9S-4182</b>	1	PLUG-O-RING	
	15	1	<b>9X-7378</b>	1	SEAL-O-RING	
	16	1	<b>100-7399</b>	2	PLUG	
	17	1	<b>3E-6747</b>	2	SEAL-O-RING	
	18	1	<b>142-2329</b>	1	SEAL	

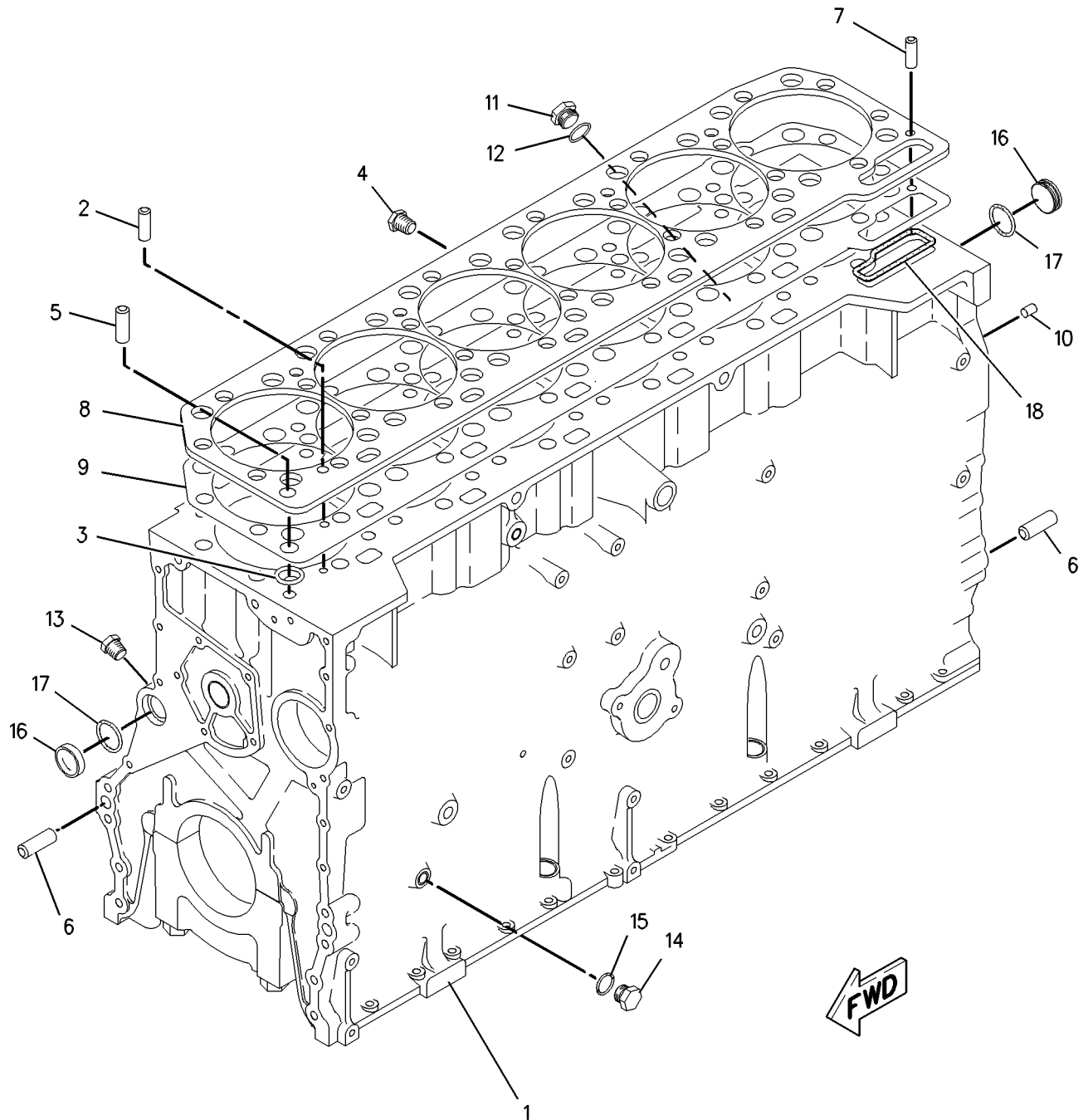
Y - SEPARATE ILLUSTRATION



# BASIC ENGINE

198-9765 CYLINDER BLOCK GP (contd.)

i01914120



GRAPHIC #1

<END>

g00786657

# BASIC ENGINE

## 234-9702 CYLINDER BLOCK GP

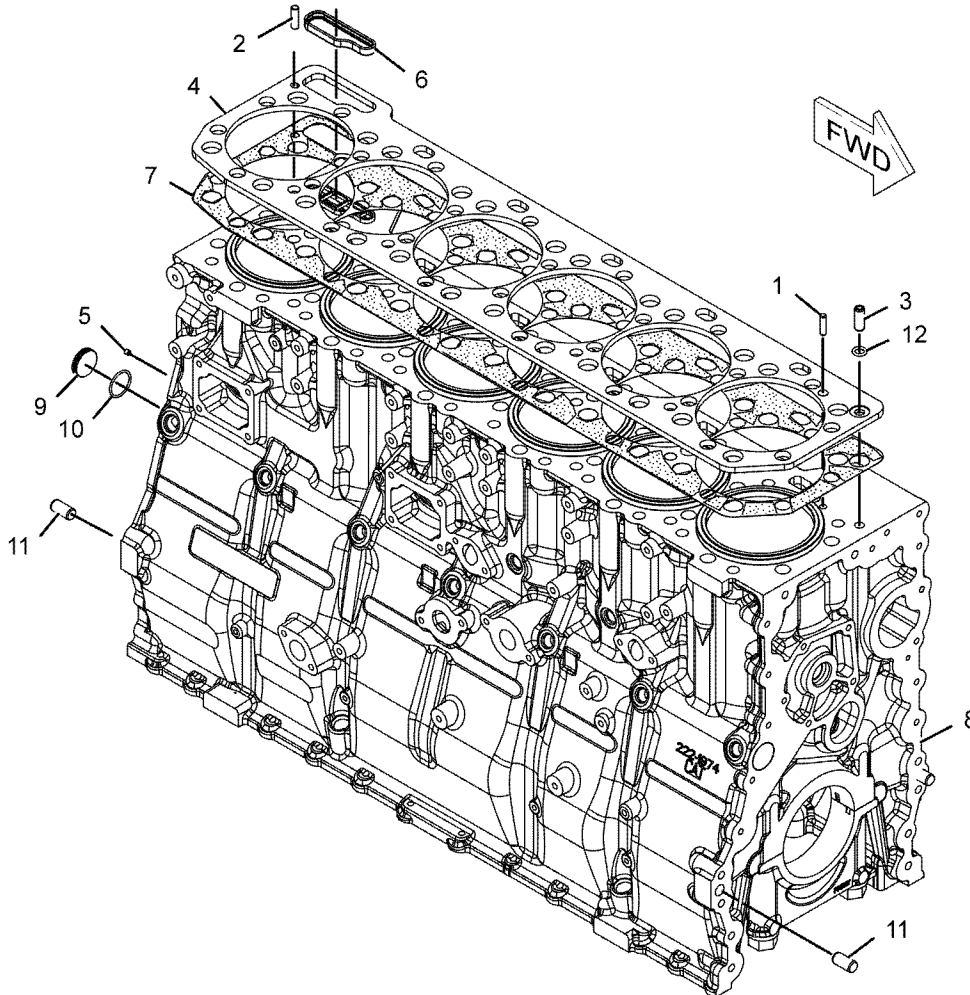
S/N: BNT1278-10068  
PART OF 235-3479 ENGINE AR-CORE  
AN ATTACHMENT

SMCS-1201

i02089998

NOTE	REF NO	GRAPHIC REF	PART NUMBER	QTY	PART NAME						SEE PAGE
					1	2	3	4	5	6 (PRODUCT LEVEL)	
	1	1	<b>1S-9540</b>	1	DOWEL						
	2	1	<b>4N-1650</b>	1	DOWEL						
	3	1	<b>6I-1055</b>	1	DOWEL						
	4	1	<b>6I-4421</b>	1	PLATE-SPACER						
	5	1	<b>8S-9094</b>	1	PLUG-ORIFICE						
	6	1	<b>142-2329</b>	1	SEAL						
	7	1	<b>227-1204</b>	1	GASKET						
Y	8	1	<b>234-9709</b>	1	CYLINDER BLOCK AS						27
	9	1	<b>100-7399</b>	2	PLUG						
	10	1	<b>250-0466</b>	2	SEAL-O-RING						
	11	1	<b>4N-0683</b>	4	DOWEL						
	12	1	<b>5P-0840</b>	1	SEAL-O-RING						

Y - SEPARATE ILLUSTRATION



GRAPHIC #1

<END>

g01027437

# BASIC ENGINE

## 234-9702 CYLINDER BLOCK GP

S/N: BNT10069-UP

PART OF 235-3479 ENGINE AR-CORE  
AN ATTACHMENT

SMCS-1201

i05118610

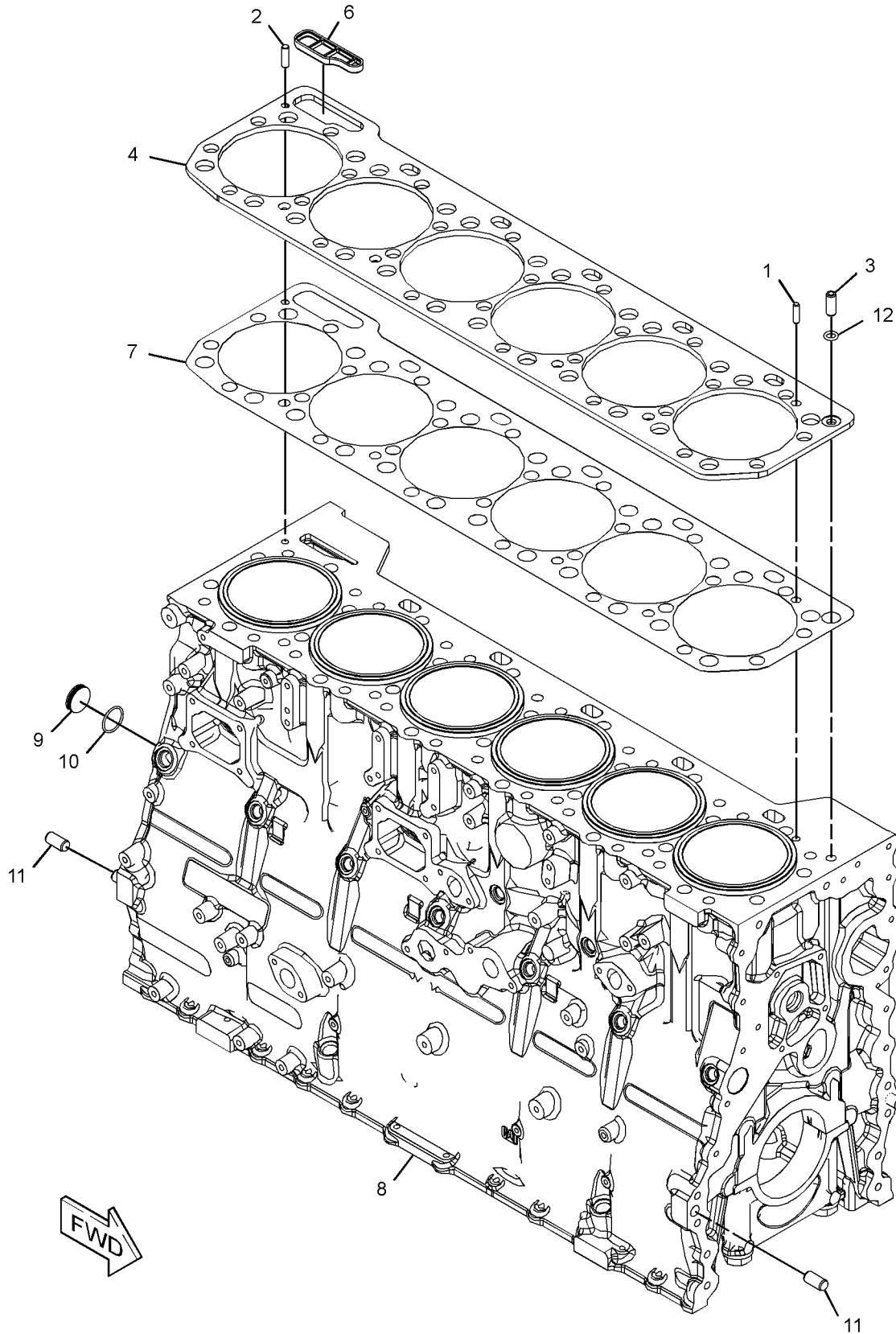
NOTE	REF NO	GRAPHIC REF	PART NUMBER	QTY	PART NAME						SEE PAGE
					1	2	3	4	5	6	
	1	1	<b>1S-9540</b>	1	DOWEL						
	2	1	<b>4N-1650</b>	1	DOWEL						
	3	1	<b>6I-1055</b>	1	DOWEL						
	4	1	<b>6I-4421</b>	1	PLATE-SPACER						
	6	1	<b>142-2329</b>	1	SEAL						
	7	1	<b>227-1204</b>	1	GASKET						
CY	8	1	<i>357-1319</i>	1	CYLINDER BLOCK AS						29
	9	1	<b>100-7399</b>	2	PLUG						
	10	1	<b>250-0466</b>	2	SEAL-O-RING						
	11	1	<b>4N-0683</b>	4	DOWEL						
	12	1	<b>5P-0840</b>	1	SEAL-O-RING						

C - CHANGE FROM PREVIOUS TYPE  
Y - SEPARATE ILLUSTRATION

# BASIC ENGINE

234-9702 CYLINDER BLOCK GP (contd.)

i05118610



GRAPHIC #1

<END>

g03317516

# BASIC ENGINE

## 223-7263 CYLINDER HEAD AS

S/N: BNT1278-UP

WITH PRE-FINISHED VALVE SEAT INSERTS

PART OF 243-6741 CYLINDER HEAD AS, 223-9250 CYLINDER HEAD GP  
AN ATTACHMENT

SMCS-1100, 1101

i02844808

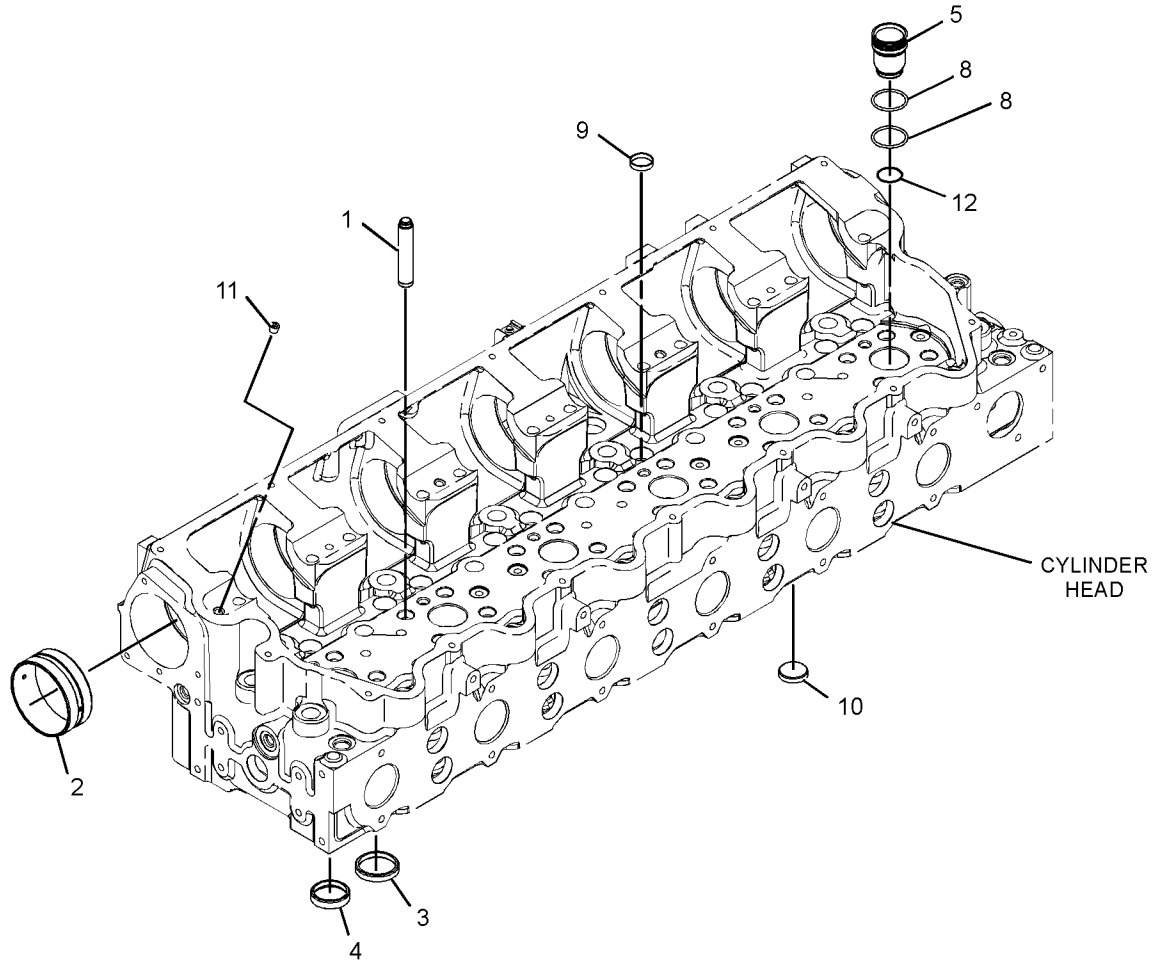
NOTE	REF NO	GRAPHIC REF	PART NUMBER	QTY	PART NAME						SEE PAGE
					1	2	3	4	5	6 (PRODUCT LEVEL)	
	1	1	<b>122-7375</b>	24	GUIDE-VALVE (STANDARD)						
AB		1	<b>122-0447</b>		GUIDE-VALVE (0.51-MM OS)						
AB		1	<b>122-8612</b>		GUIDE-VALVE (0.13-MM OS)						
	2	1	<b>216-5582</b>	7	BUSHING (STANDARD)						
AB		1	<b>217-0751</b>		BUSHING (0.25-MM OS)						
AB		1	<b>217-0752</b>		BUSHING (0.762-MM OS)						
AB		1	<b>261-3429</b>		BUSHING (1.778-MM OS)						
AB		1	<b>261-3430</b>		BUSHING (1.27-MM OS)						
	3	1	<b>224-3983</b>	12	INSERT-SEAT (INLET) (STANDARD)						
AB		1	<b>314-3063</b>		INSERT-VALVE SEAT (0.55-MM THK)						
AB		1	<b>314-3064</b>		INSERT-VALVE SEAT (0.13-MM OS, INLET)						
AB		1	<b>314-3065</b>		INSERT-VALVE SEAT (0.13-MM OS)						
AB		1	<b>314-3066</b>		INSERT-VALVE SEAT (0.26-MM OS, INLET)						
AB		1	<b>314-3067</b>		INSERT-VALVE SEAT (0.26-MM OS)						
AB		1	<b>314-3068</b>		INSERT-VALVE SEAT (0.51-MM OS, INLET)						
AB		1	<b>314-3069</b>		INSERT-VALVE SEAT (0.51-MM OS)						
	4	1	<b>226-5561</b>	12	INSERT-VALVE SEAT (EXHAUST) (STANDARD)						
AB		1	<b>288-4883</b>		INSERT-VALVE SEAT (0.51-MM OS, EXHAUST)						
AB		1	<b>288-4884</b>		INSERT-VALVE SEAT (0.76-MM OS, EXHAUST)						
	5	1	<b>263-4920</b>	6	SLEEVE-INJECTOR (INLET)						
	8	1	<b>166-2904</b>	12	SEAL-O-RING						
	9	1	<b>3B-0623</b>	17	PLUG-CUP						
	10	1	<b>3B-0645</b>	20	PLUG-CUP						
	11	1	<b>8T-6757</b>	3	PLUG-PIPE						
	12	1	<b>9X-7430</b>	6	SEAL-O-RING						

A - NOT PART OF THIS GROUP  
B - USE AS REQUIRED

# BASIC ENGINE

223-7263 CYLINDER HEAD AS (contd.)

i02844808



GRAPHIC #1

<END>

g01370336

# BASIC ENGINE

## 243-0943 CYLINDER HEAD AS

S/N: BNT1278-UP

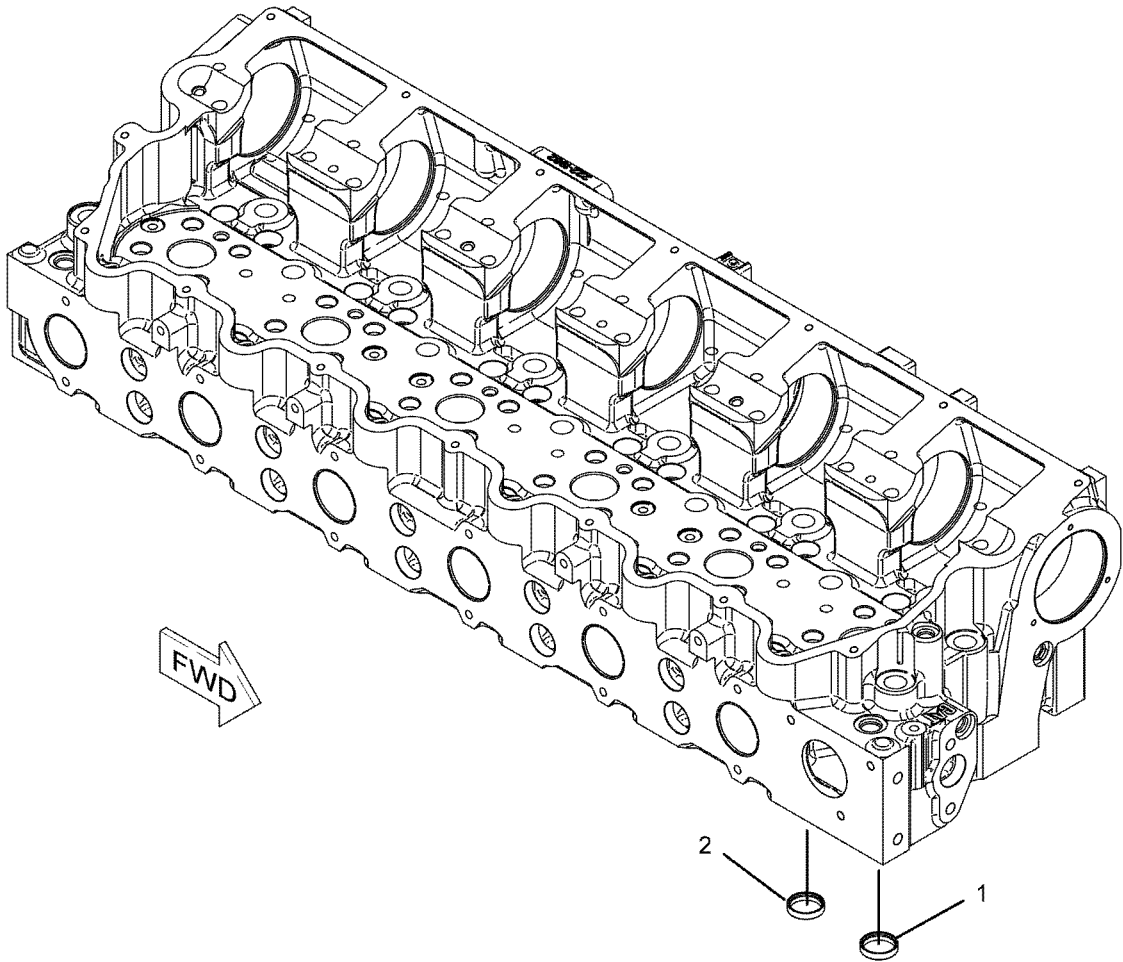
PART OF 243-6741 CYLINDER HEAD AS  
AN ATTACHMENT

SMCS-1100, 1101

i01983776

NOTE	REF NO	GRAPHIC REF	PART NUMBER	QTY	PART NAME						SEE PAGE
					1	2	3	4	5	6 (PRODUCT LEVEL)	
	1	1	<b>152-7582</b>	12	INSERT-VALVE SEAT (EXHAUST) (STANDARD)						
AB		1	<b>167-0642</b>		INSERT-VALVE SEAT (0.76-MM OS OD, EXHAUST)						
AB		1	<b>170-4737</b>		INSERT-VALVE SEAT (0.51-MM OS OD, EXHAUST)						
	2	1	<b>175-3617</b>	12	INSERT-VALVE SEAT (INLET) (STANDARD)						
AB		1	<b>167-0643</b>		INSERT-VALVE SEAT (0.76-MM OS OD, INLET)						
AB		1	<b>170-4738</b>		INSERT-VALVE SEAT (0.51-MM OS OD, INLET)						

A - NOT PART OF THIS GROUP  
B - USE AS REQUIRED



GRAPHIC #1

<END>

g01028691

# BASIC ENGINE

## 243-6741 CYLINDER HEAD AS

S/N: BNT1278-UP

WITH MACHINE IN PLACE VALVE SEAT INSERTS

PART OF 223-9250 CYLINDER HEAD GP

AN ATTACHMENT

SMCS-1100, 1101

i02763889

NOTE	REF NO	GRAPHIC REF	PART NUMBER	QTY	PART NAME						SEE PAGE
					1	2	3	4	5	6 (PRODUCT LEVEL)	
	1	2	<b>122-7375</b>	24	GUIDE-VALVE (STANDARD)						
AB		2	<b>122-0447</b>		GUIDE-VALVE (0.51-MM OS)						
AB		2	<b>122-8612</b>		GUIDE-VALVE (0.13-MM OS)						
	2	1	<b>216-5582</b>	7	BUSHING (STANDARD)						
AB		1	<b>217-0751</b>		BUSHING (0.25-MM OS)						
AB		1	<b>217-0752</b>		BUSHING (0.762-MM OS)						
AB		1	<b>261-3429</b>		BUSHING (1.778-MM OS)						
AB		1	<b>261-3430</b>		BUSHING (1.27-MM OS)						
	3	2	<b>227-4239</b>	6	SLEEVE-INJECTOR						
Y	4	1	<b>243-0943</b>	1	CYLINDER HEAD AS						37
					-OR-						
Y		1	<b>223-7263</b>	1	CYLINDER HEAD AS						35
	5	2	<b>166-2903</b>	6	SEAL-O-RING						
	6	2	<b>166-2904</b>	6	SEAL-O-RING						
	7	1	<b>3B-0623</b>	17	PLUG-CUP						
	8	1,2	<b>3B-0645</b>	20	PLUG-CUP						
	9	2	<b>8T-6757</b>	3	PLUG-PIPE						
	10	2	<b>9X-7430</b>	6	SEAL-O-RING						

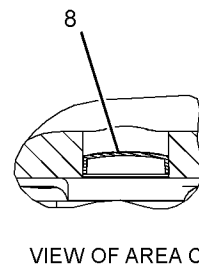
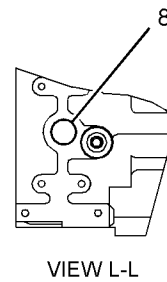
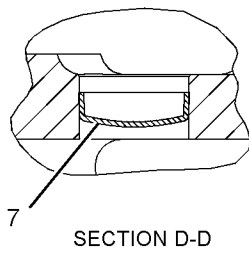
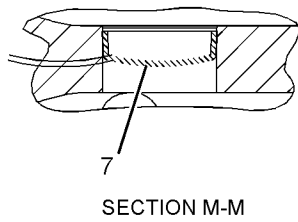
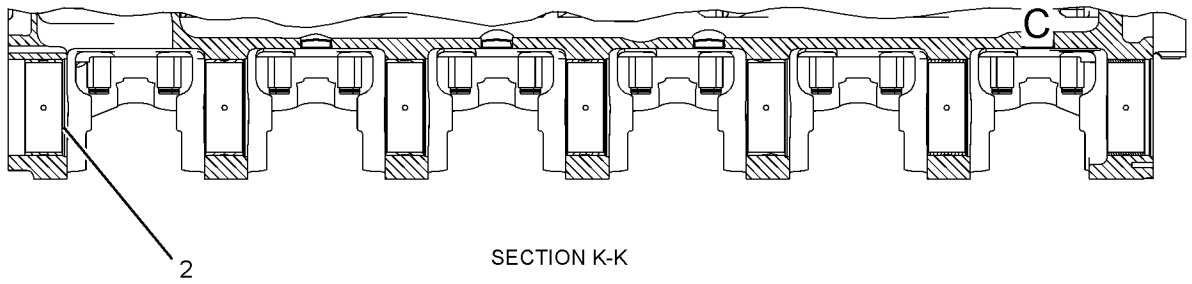
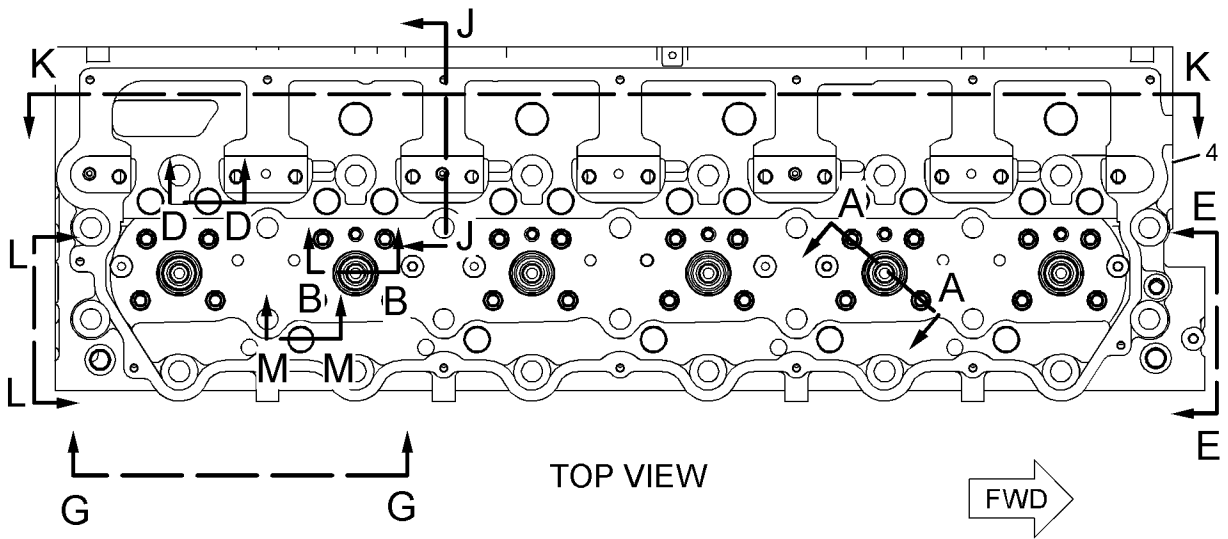
A - NOT PART OF THIS GROUP  
 B - USE AS REQUIRED  
 Y - SEPARATE ILLUSTRATION



# BASIC ENGINE

243-6741 CYLINDER HEAD AS (contd.)

i02763889



REFER TO ALL ILLUSTRATIONS OF THIS GROUP FOR AUXILIARY VIEWS

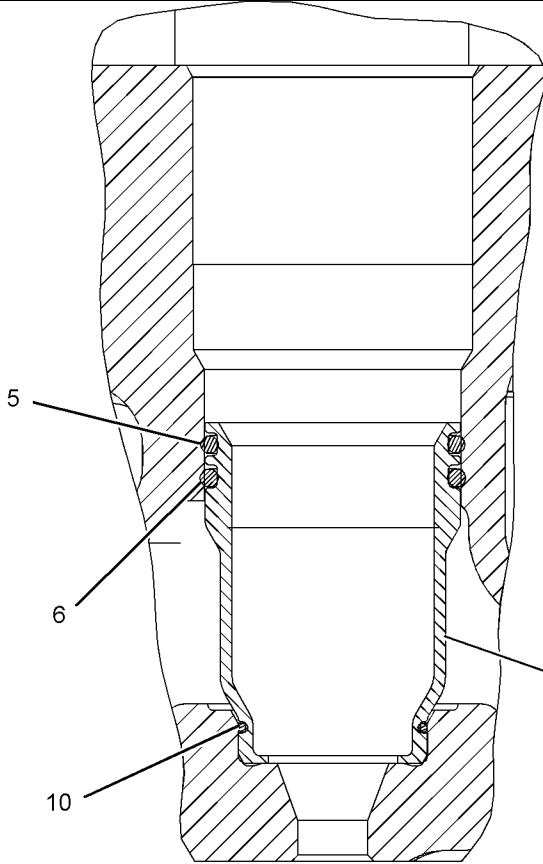
GRAPHIC #1

g01221315

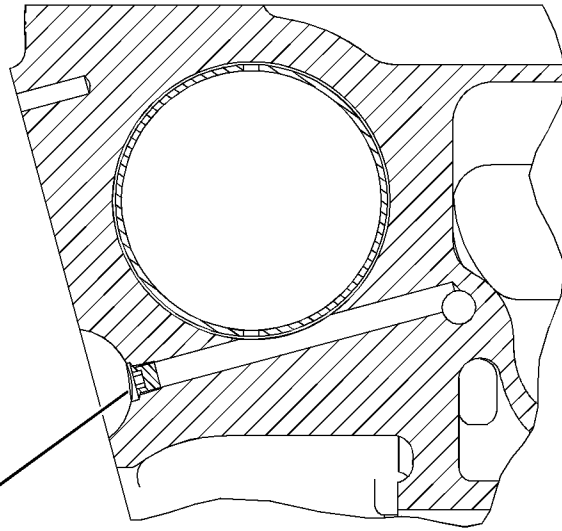
# BASIC ENGINE

243-6741 CYLINDER HEAD AS (contd.)

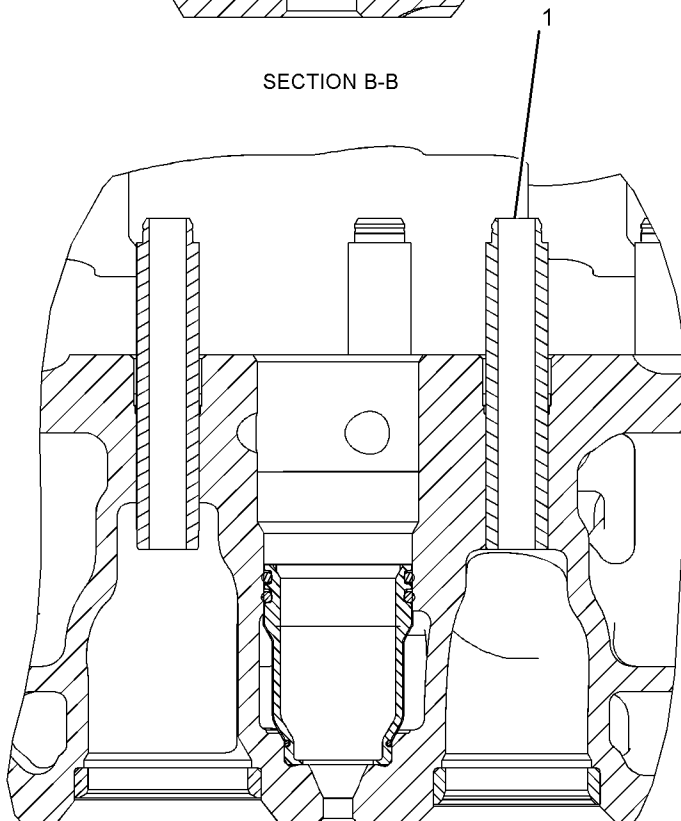
i02763889



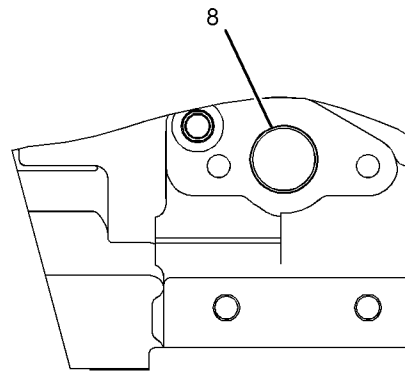
SECTION B-B



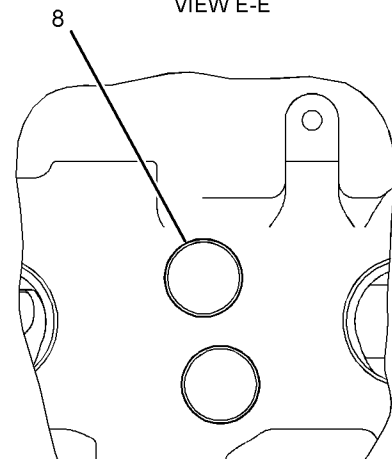
SECTION J-J



SECTION A-A



VIEW E-E



VIEW G-G

GRAPHIC #2

<END>

g01029134

# BASIC ENGINE

## 245-4324 CYLINDER HEAD AS

S/N: BNT1-UP

PART OF 183-5296 CYLINDER HEAD GP  
AN ATTACHMENT

SMCS-1100, 1101

i05195482

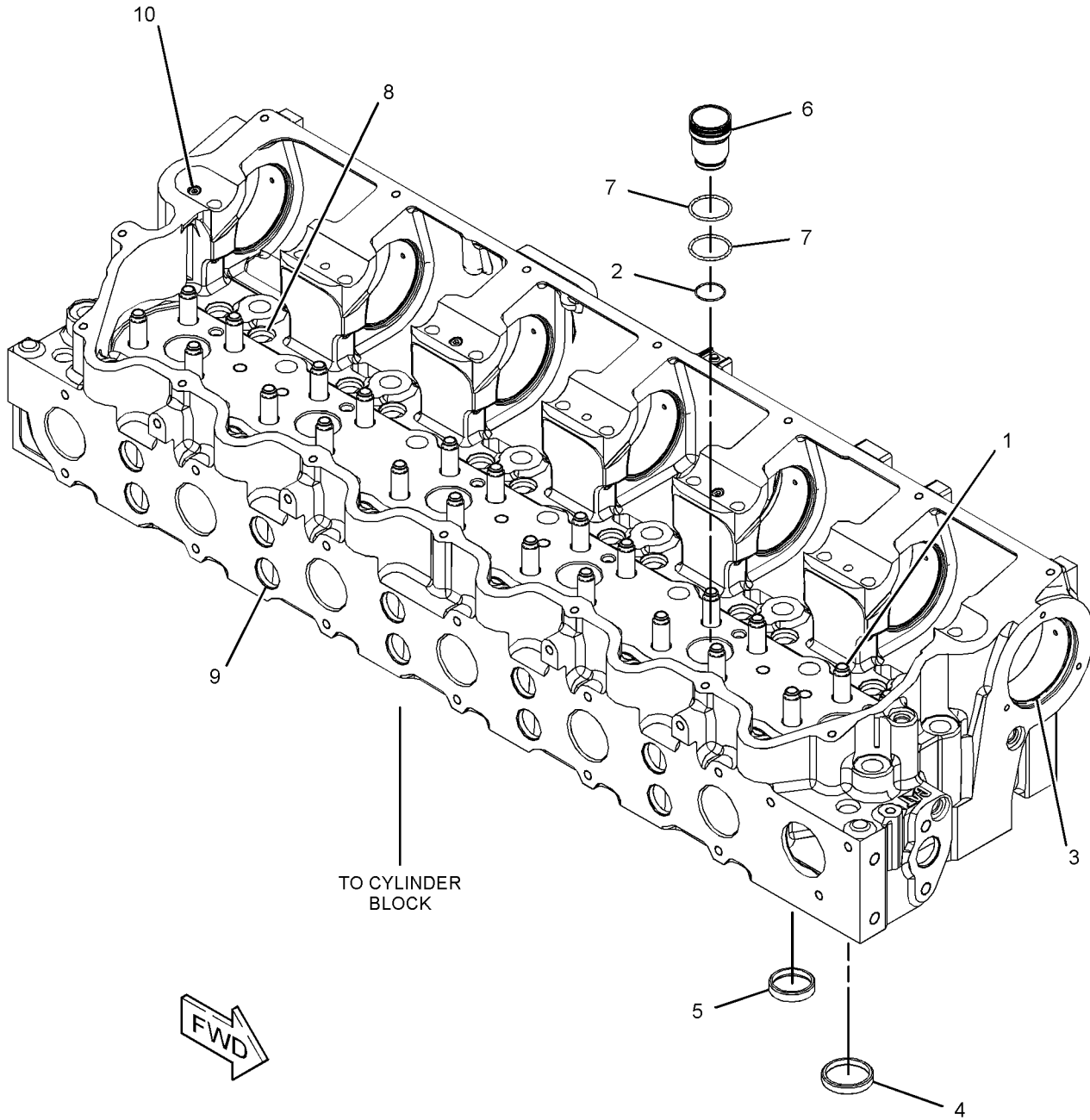
NOTE	REF NO	GRAPHIC REF	PART NUMBER	QTY	PART NAME						SEE PAGE
					1	2	3	4	5	6 (PRODUCT LEVEL)	
	1	1	<b>122-7375</b>	24	GUIDE-VALVE (STANDARD)						
AB		1	<b>122-0447</b>		GUIDE-VALVE (0.51-MM OS)						
AB		1	<b>122-8612</b>		GUIDE-VALVE (0.13-MM OS)						
	2	1	<b>9X-7430</b>	6	SEAL-O-RING						
	3	1	<b>216-5582</b>	7	BUSHING (STANDARD)						
AB		1	<b>217-0751</b>		BUSHING (0.25-MM OS)						
AB		1	<b>217-0752</b>		BUSHING (0.762-MM OS)						
AB		1	<b>261-3429</b>		BUSHING (1.778-MM OS)						
AB		1	<b>261-3430</b>		BUSHING (1.27-MM OS)						
	4	1	<b>224-3983</b>	12	INSERT-SEAT (INLET) (STANDARD)						
AB		1	<b>314-3063</b>		INSERT-VALVE SEAT (0.55-MM THK)						
AB		1	<b>314-3064</b>		INSERT-VALVE SEAT (0.13-MM OS, INLET)						
AB		1	<b>314-3065</b>		INSERT-VALVE SEAT (0.13-MM OS)						
AB		1	<b>314-3066</b>		INSERT-VALVE SEAT (0.26-MM OS, INLET)						
AB		1	<b>314-3067</b>		INSERT-VALVE SEAT (0.26-MM OS)						
AB		1	<b>314-3068</b>		INSERT-VALVE SEAT (0.51-MM OS, INLET)						
AB		1	<b>314-3069</b>		INSERT-VALVE SEAT (0.51-MM OS)						
	5	1	<b>226-5561</b>	12	INSERT-VALVE SEAT (EXHAUST) (STANDARD)						
AB		1	<b>288-4883</b>		INSERT-VALVE SEAT (0.51-MM OS, EXHAUST)						
AB		1	<b>288-4884</b>		INSERT-VALVE SEAT (0.76-MM OS, EXHAUST)						
	6	1	<b>263-4920</b>	6	SLEEVE-INJECTOR (INLET)						
	7	1	<b>166-2904</b>	12	SEAL-O-RING						
	8	1	<b>3B-0623</b>	17	PLUG-CUP						
	9	1	<b>3B-0645</b>	20	PLUG-CUP						
	10	1	<b>8T-6757</b>	3	PLUG-PIPE						

A - NOT PART OF THIS GROUP  
B - USE AS REQUIRED

# BASIC ENGINE

245-4324 CYLINDER HEAD AS (contd.)

i05195482



GRAPHIC #1

<END>

g02161374

# BASIC ENGINE

## 281-1640 CYLINDER HEAD AS

S/N: BNT10226-UP

CONTAINS PRECISION PRE-MACHINED VALVE SEAT INSERTS  
PART OF 263-5055 CYLINDER HEAD GP  
AN ATTACHMENT

SMCS-1100, 1101

i03804492

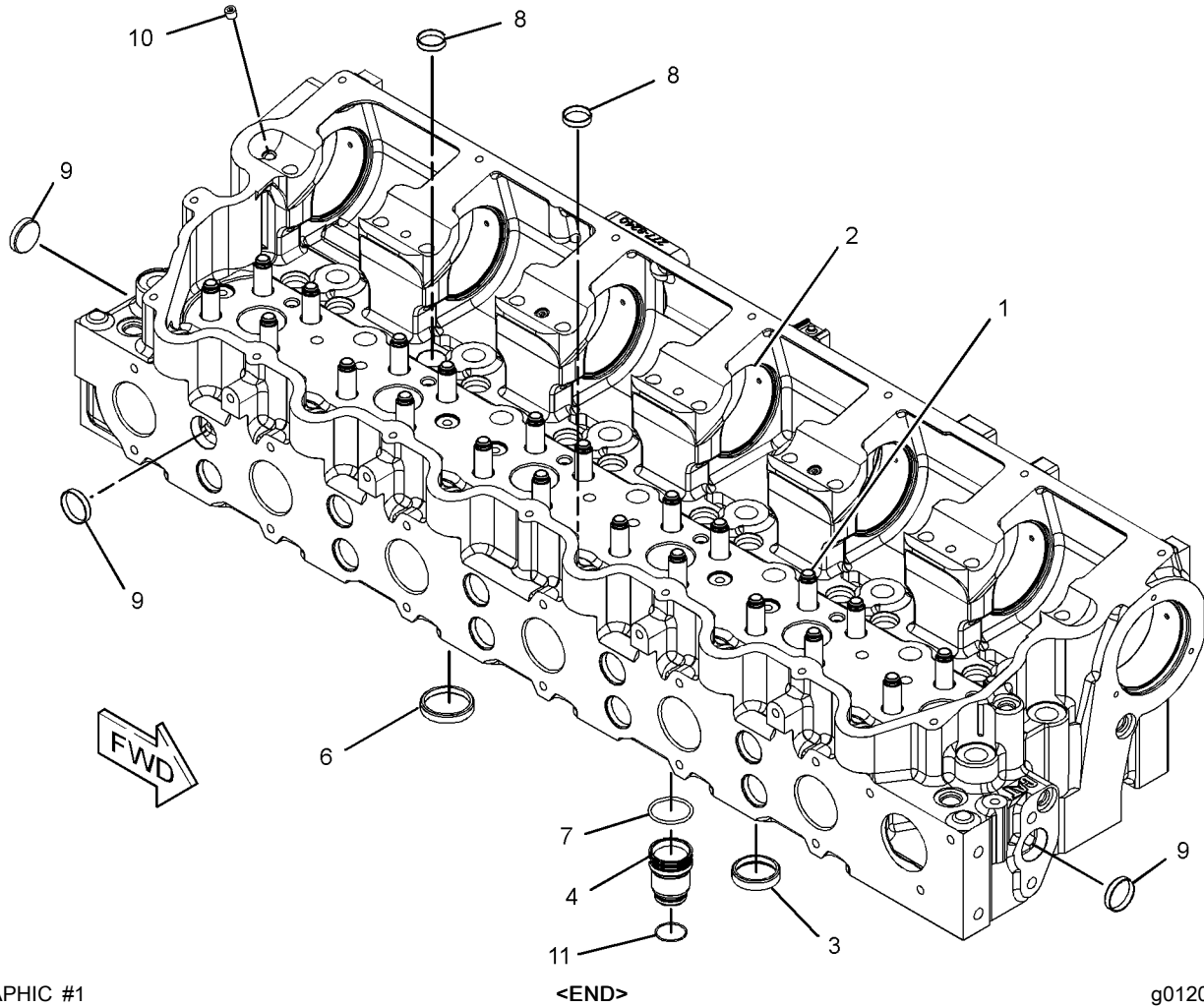
NOTE	REF NO	GRAPHIC REF	PART NUMBER	QTY	PART NAME						SEE PAGE
					1	2	3	4	5	6 (PRODUCT LEVEL)	
	1	1	<b>122-7375</b>	24	GUIDE-VALVE (STANDARD)						
AB		1	<b>122-0447</b>		GUIDE-VALVE (0.51-MM OS)						
AB		1	<b>122-8612</b>		GUIDE-VALVE (0.13-MM OS)						
	2	1	<b>216-5582</b>	7	BUSHING (STANDARD)						
AB		1	<b>217-0751</b>		BUSHING (0.25-MM OS)						
AB		1	<b>217-0752</b>		BUSHING (0.762-MM OS)						
AB		1	<b>261-3429</b>		BUSHING (1.778-MM OS)						
AB		1	<b>261-3430</b>		BUSHING (1.27-MM OS)						
	3	1	<b>226-5561</b>	12	INSERT-VALVE SEAT (EXHAUST) (STANDARD)						
AB		1	<b>288-4883</b>		INSERT-VALVE SEAT (0.51-MM OS, EXHAUST)						
AB		1	<b>288-4884</b>		INSERT-VALVE SEAT (0.76-MM OS, EXHAUST)						
	4	1	<b>263-4920</b>	6	SLEEVE-INJECTOR (INLET)						
	6	1	<b>280-3979</b>	12	INSERT-VALVE SEAT (INLET) (STANDARD)						
AB		1	<b>288-4881</b>		INSERT-VALVE SEAT (INLET) (0.51-MM OS)						
AB		1	<b>288-4882</b>		INSERT-VALVE SEAT (0.76-MM OS, INLET)						
	7	1	<b>166-2904</b>	12	SEAL-O-RING						
	8	1	<b>3B-0623</b>	17	PLUG-CUP						
	9	1	<b>3B-0645</b>	20	PLUG-CUP						
	10	1	<b>8T-6757</b>	3	PLUG-PIPE						
	11	1	<b>9X-7430</b>	6	SEAL-O-RING						

A - NOT PART OF THIS GROUP  
B - USE AS REQUIRED

# BASIC ENGINE

281-1640 CYLINDER HEAD AS (contd.)

i03804492



GRAPHIC #1

<END>

g01207161

# BASIC ENGINE

## 183-5296 CYLINDER HEAD GP\*R

S/N: BNT1-UP

PART OF 191-8423 CYLINDER HEAD GP  
AN ATTACHMENT

SMCS-1100

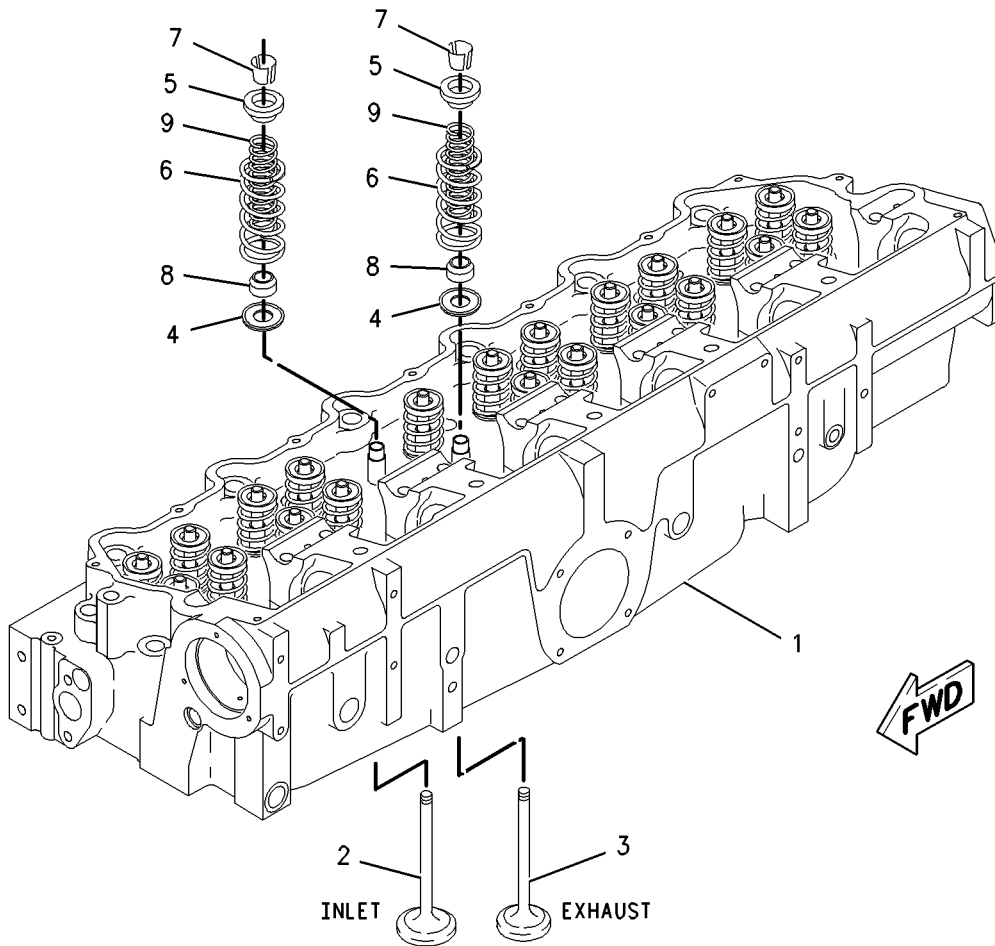
i03955209

NOTE	REF NO	GRAPHIC REF	PART NUMBER	QTY	PART NAME						SEE PAGE
					1	2	3	4	5	6	
Y	1	1	245-4324	1	CYLINDER HEAD AS						41
	2	1	236-5605	12	VALVE - INLET						
	3	1	153-7024	12	VALVE - EXHAUST						
	4	1	6I-0928	24	WASHER - SPECIAL						
	5	1	186-2001	24	ROTOCOIL AS						
	6	1	247-9908	24	SPRING - VALVE (OUTER)						
	7	1	2A-4429	48	LOCK - RETAINER						
	8	1	163-2478	24	SEAL - VALVE STEM						
	9	1	211-3122	24	SPRING - VALVE (INNER)						

AVAILABLE REPAIR KIT(S) :

R			299-8342	1	KIT - CYLINDER HEAD (INCLUDES BRIDGE - VALVE AND CYLINDER HEAD)					
---	--	--	----------	---	--	--	--	--	--	--

R - REMFG PART MAY BE AVAILABLE  
Y - SEPARATE ILLUSTRATION



GRAPHIC #1

<END>

g00979904

# BASIC ENGINE

## 191-8423 CYLINDER HEAD GP

S/N: BNT1-UP

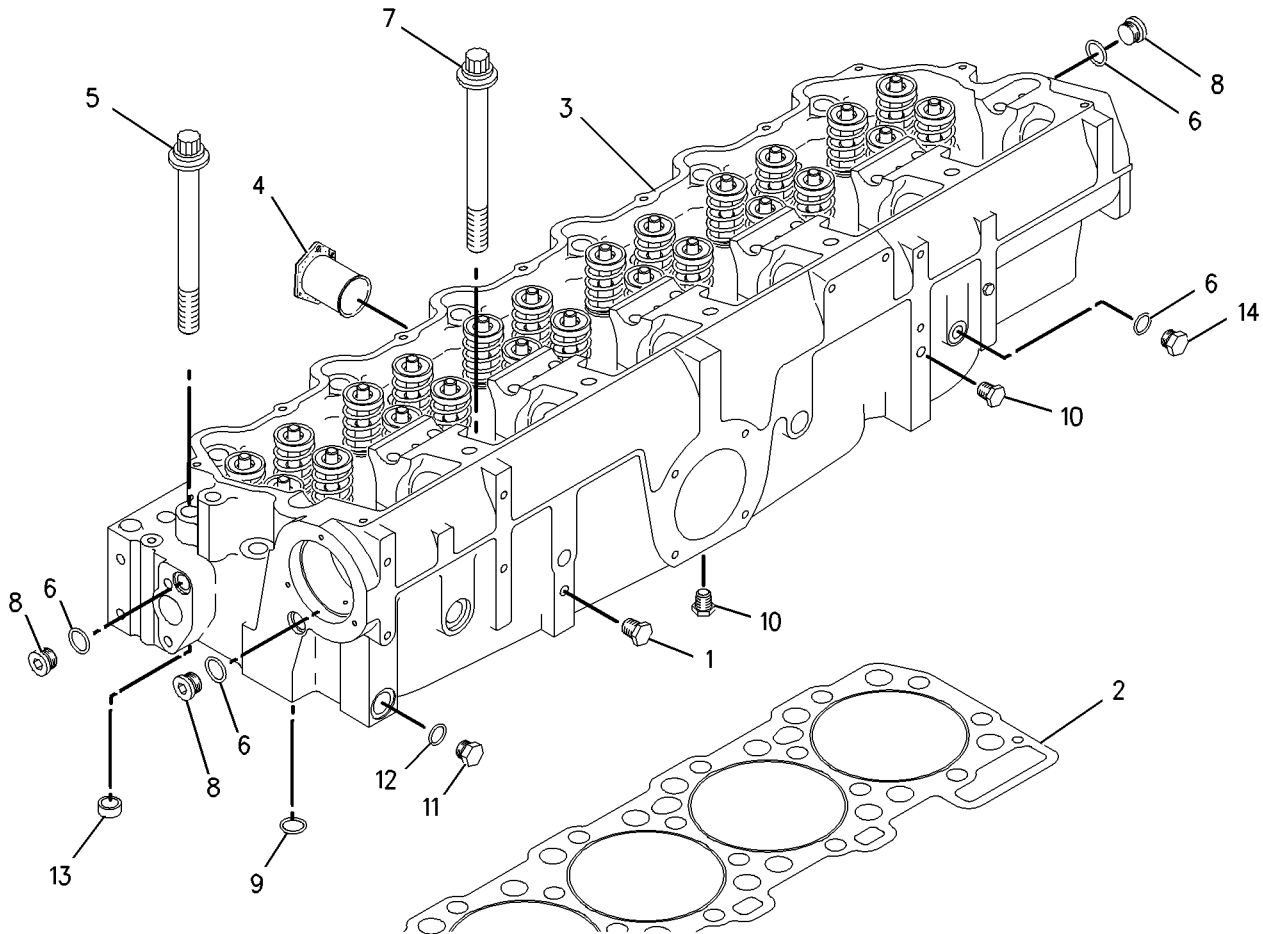
PART OF 198-6487 ENGINE AR-CORE  
AN ATTACHMENT

SMCS-1100

i02023686

NOTE	REF NO	GRAPHIC REF	PART NUMBER	QTY	PART NAME						SEE PAGE
					1	2	3	4	5	6	
	1	1	<b>8T-6763</b>	1	PLUG-PIPE						
	2	1	<b>224-5122</b>	1	GASKET (CYLINDER HEAD)						
YR	3	1	<b>183-5296</b>	1	CYLINDER HEAD GP						45
	4	1	<b>194-8124</b>	6	SLEEVE AS (EXHAUST PORT)						
	5	1	<b>124-1854</b>	10	BOLT-12 POINT HEAD (3/4-16X8.5-IN)						
		1	<b>5H-1504</b>	10	WASHER-HARD (20X33.5X5-MM THK)						
	6	1	<b>6V-5049</b>	4	SEAL-O-RING						
	7	1	<b>124-1855</b>	16	BOLT-12 POINT HEAD (3/4-16X7.638-IN)						
		1	<b>5H-1504</b>	16	WASHER-HARD (20X33.5X5-MM THK)						
	8	1	<b>9S-8004</b>	3	PLUG-O-RING						
	9	1	<b>5P-0840</b>	1	SEAL-O-RING						
	10	1	<b>8T-6765</b>	2	PLUG-PIPE						
	11	1	<b>9S-4190</b>	1	PLUG-O-RING						
	12	1	<b>6V-3251</b>	1	SEAL-O-RING						
	13	1	<b>3E-6772</b>	24	SEAL						
	14	1	<b>9S-4191</b>	1	PLUG-O-RING						

R - REMFG PART MAY BE AVAILABLE  
Y - SEPARATE ILLUSTRATION



GRAPHIC #1

<END>

g00744612



# BASIC ENGINE

## 223-9250 CYLINDER HEAD GP\*R

S/N: BNT1278-UP

PART OF 234-9185 CYLINDER HEAD GP

AN ATTACHMENT

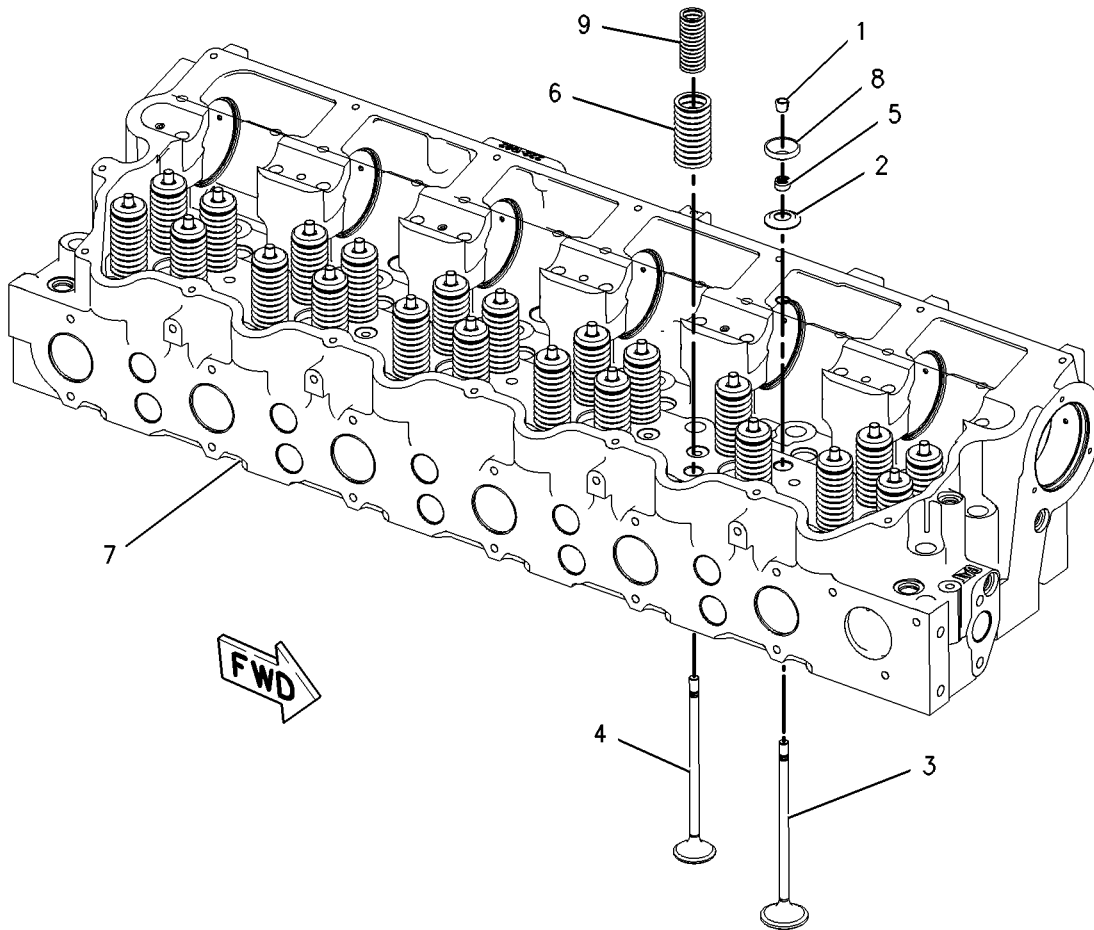
TYPE 1

SMCS-1100

i02453775

NOTE	REF NO	GRAPHIC REF	PART NUMBER	QTY	PART NAME						SEE PAGE
					1	2	3	4	5	6	
	1	1	2A-4429	48	LOCK-RETAINER						
	2	1	6I-0928	24	WASHER-SPECIAL						
	3	1	153-7023	12	VALVE-INLET						
	4	1	153-7024	12	VALVE-EXHAUST						
	5	1	163-2478	24	SEAL-VALVE STEM						
	6	1	211-3123	24	SPRING-VALVE (OUTER)						
Y	7	1	223-7263	1	CYLINDER HEAD AS						35
	8	1	186-2001	24	ROTOCOIL AS						
	9	1	211-3122	24	SPRING-VALVE (INNER)						

Y - SEPARATE ILLUSTRATION



GRAPHIC #1

<END>

g00955632

# BASIC ENGINE

## 223-9250 CYLINDER HEAD GP\*R

S/N: BNT1278-UP

PART OF 234-9185 CYLINDER HEAD GP

AN ATTACHMENT

TYPE 2

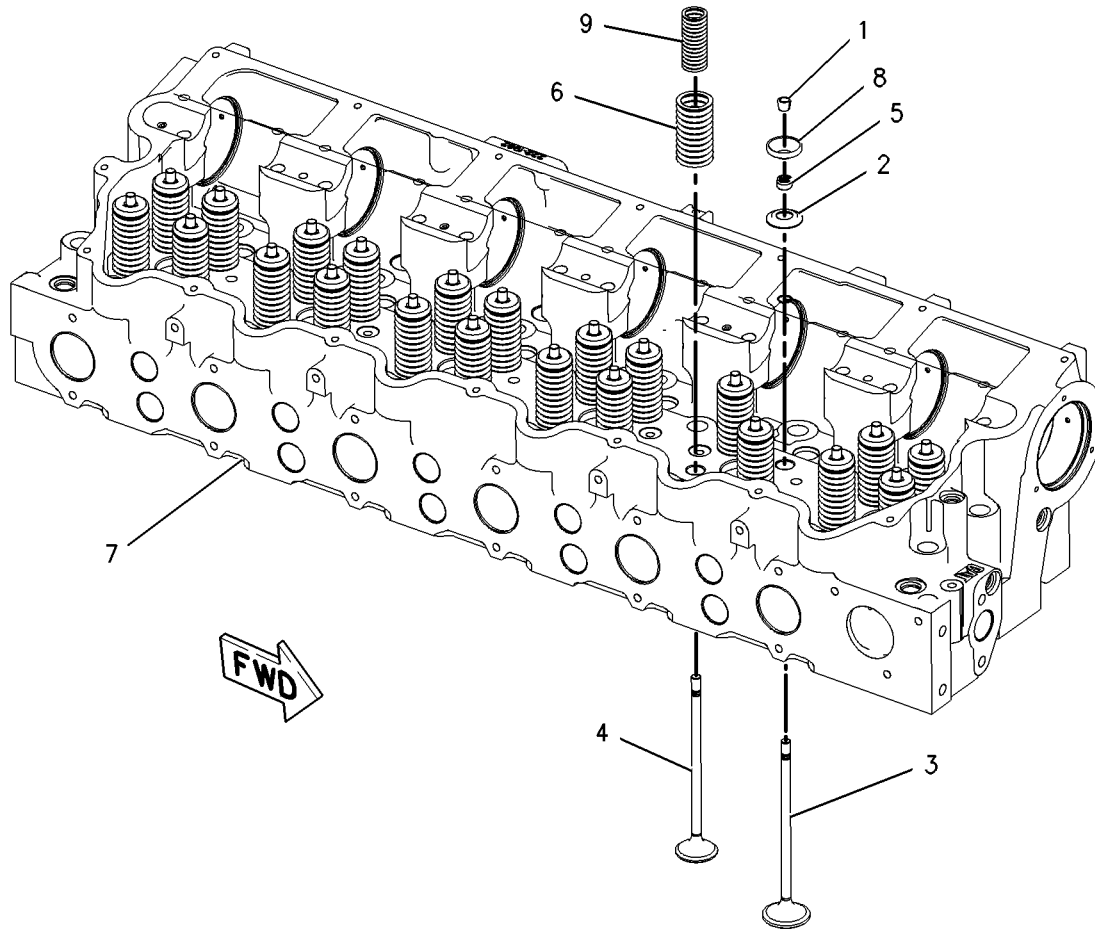
SMCS-1100

i02733172

NOTE	REF NO	GRAPHIC REF	PART NUMBER	QTY	PART NAME						SEE PAGE
					1	2	3	4	5	6	
	1	1	2A-4429	48	LOCK-RETAINER						
	2	1	6I-0928	24	WASHER-SPECIAL						
	3	1	153-7023	12	VALVE-INLET						
	4	1	153-7024	12	VALVE-EXHAUST						
	5	1	163-2478	24	SEAL-VALVE STEM						
	6	1	211-3123	24	SPRING-VALVE (OUTER)						
CY	7	1	243-6741	1	CYLINDER HEAD AS						38
	8	1	186-2001	24	ROTOCOIL AS						
	9	1	211-3122	24	SPRING-VALVE (INNER)						

C - CHANGE FROM PREVIOUS TYPE

Y - SEPARATE ILLUSTRATION



GRAPHIC #1

<END>

g00955632

# BASIC ENGINE

## 234-9185 CYLINDER HEAD GP

S/N: BNT1278-1349

PART OF 235-3479 ENGINE AR-CORE  
AN ATTACHMENT

SMCS-1100

i02845207

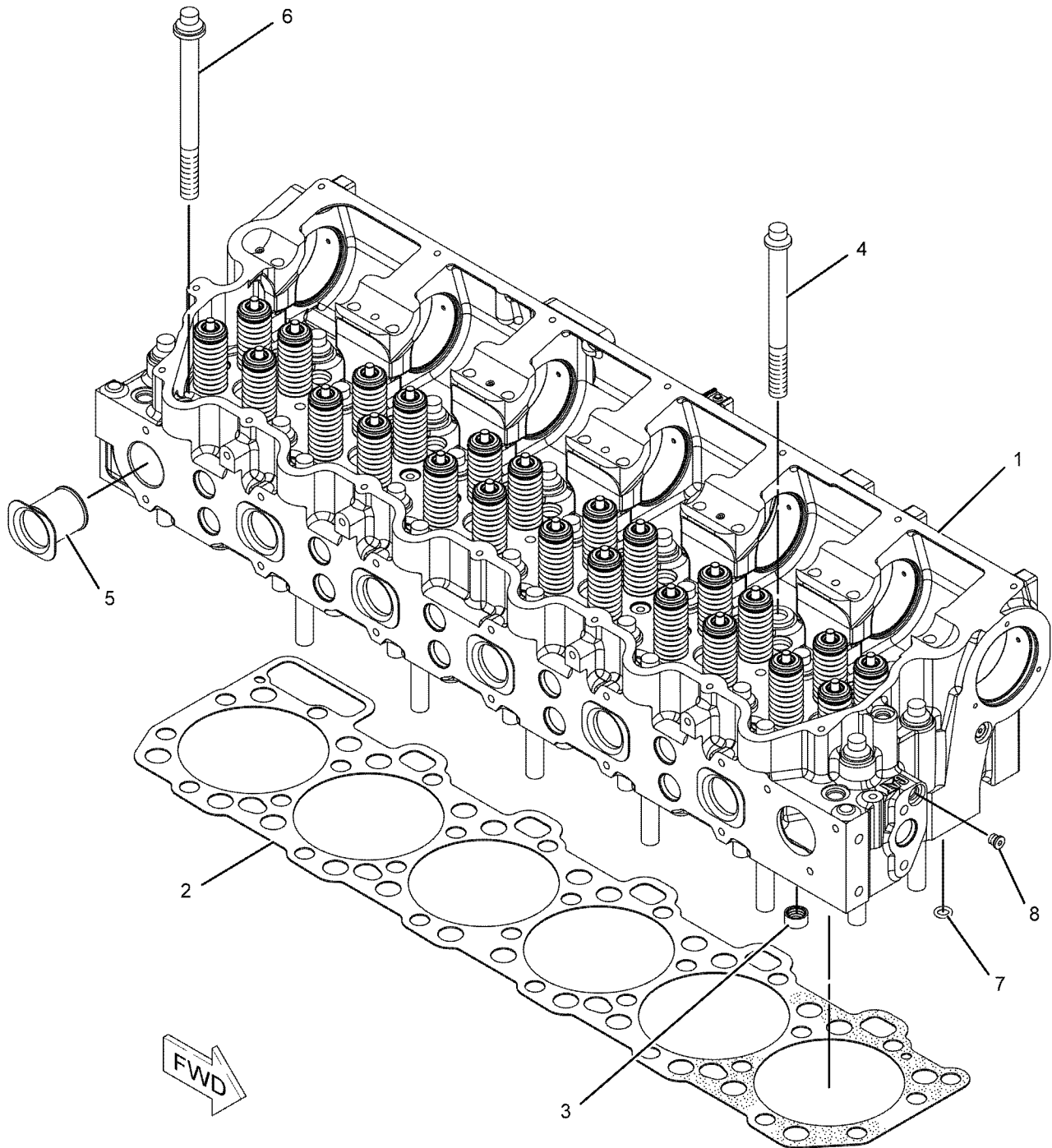
NOTE	REF NO	GRAPHIC REF	PART NUMBER	QTY	PART NAME						SEE PAGE
					1	2	3	4	5	6 (PRODUCT LEVEL)	
YR	1	1	<b>223-9250</b>	1	CYLINDER HEAD GP						47
	2	1	<b>224-5122</b>	1	GASKET (CYLINDER HEAD)						
	3	1	<b>3E-6772</b>	24	SEAL						
	4	1	<b>6I-4025</b>	16	FASTENER GP-CYLINDER HEAD (EACH INCLUDES)						
		1	<b>5H-1504</b>	1	WASHER-HARD (20X33.5X5-MM THK)						
		1	<b>124-1855</b>	1	BOLT-12 POINT HEAD (3/4-16X7.638-IN)						
	5	1	<b>194-8124</b>	6	SLEEVE AS (EXHAUST PORT)						
	6	1	<b>106-5673</b>	10	FASTENER GP-CYLINDER HEAD (EACH INCLUDES)						
		1	<b>5H-1504</b>	1	WASHER-HARD (20X33.5X5-MM THK)						
		1	<b>124-1854</b>	1	BOLT-12 POINT HEAD (3/4-16X8.5-IN)						
	7	1	<b>5P-0840</b>	1	SEAL-O-RING						
	8	1	<b>183-3409</b>	3	PLUG AS (HI TEMPERATURE) (EACH INCLUDES)						
		1	<b>9S-8002</b>	1	PLUG-O-RING (7/16-20 THD)						
		1	<b>033-5853</b>	1	SEAL-O-RING (08.92MM ID)						

R - REMFG PART MAY BE AVAILABLE  
Y - SEPARATE ILLUSTRATION

# BASIC ENGINE

234-9185 CYLINDER HEAD GP (contd.)

i02845207



GRAPHIC #1

<END>

g01058359

# BASIC ENGINE

## 234-9185 CYLINDER HEAD GP

S/N: BNT1350-10225

PART OF 235-3479 ENGINE AR-CORE  
AN ATTACHMENT

SMCS-1100

i03235961

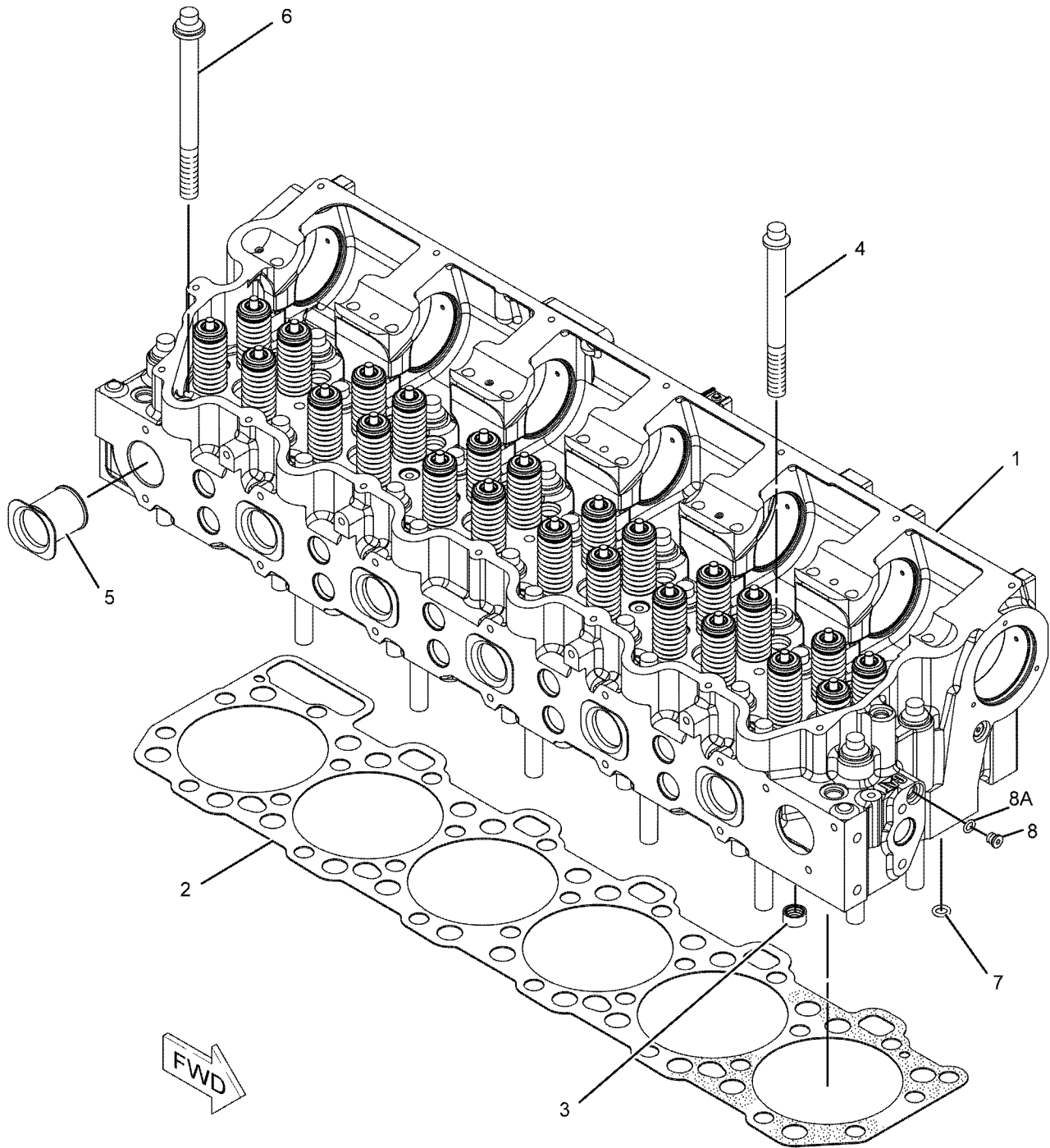
NOTE	REF NO	GRAPHIC REF	PART NUMBER	QTY	PART NAME	SEE PAGE
					1 2 3 4 5 6 (PRODUCT LEVEL)	
YR	1	1	<b>223-9250</b>	1	CYLINDER HEAD GP	47
	2	1	<b>224-5122</b>	1	GASKET (CYLINDER HEAD)	
	3	1	<b>3E-6772</b>	24	SEAL	
	4	1	<i>6I-4025</i>	16	FASTENER GP-CYLINDER HEAD (EACH INCLUDES)	
		1	<b>5H-1504</b>	1	WASHER-HARD (20X33.5X5-MM THK)	
		1	<b>124-1855</b>	1	BOLT-12 POINT HEAD (3/4-16X7.638-IN)	
	5	1	<b>194-8124</b>	6	SLEEVE AS (EXHAUST PORT)	
	6	1	<i>106-5673</i>	10	FASTENER GP-CYLINDER HEAD (EACH INCLUDES)	
		1	<b>5H-1504</b>	1	WASHER-HARD (20X33.5X5-MM THK)	
		1	<b>124-1854</b>	1	BOLT-12 POINT HEAD (3/4-16X8.5-IN)	
	7	1	<b>5P-0840</b>	1	SEAL-O-RING	
C	8	1	<i>183-3408</i>	3	PLUG AS (EACH INCLUDES)	
	8A		<b>214-7568</b>	1	SEAL-O-RING	
			<b>9S-8004</b>	1	PLUG-O-RING	

C - CHANGE FROM PREVIOUS TYPE  
R - REMFG PART MAY BE AVAILABLE  
Y - SEPARATE ILLUSTRATION

# BASIC ENGINE

234-9185 CYLINDER HEAD GP (contd.)

i03235961



GRAPHIC #1

<END>

g01059337

# BASIC ENGINE

## 234-9185 CYLINDER HEAD GP

S/N: BNT10226-UP

PART OF 235-3479 ENGINE AR-CORE  
AN ATTACHMENT

SMCS-1100

i03895992

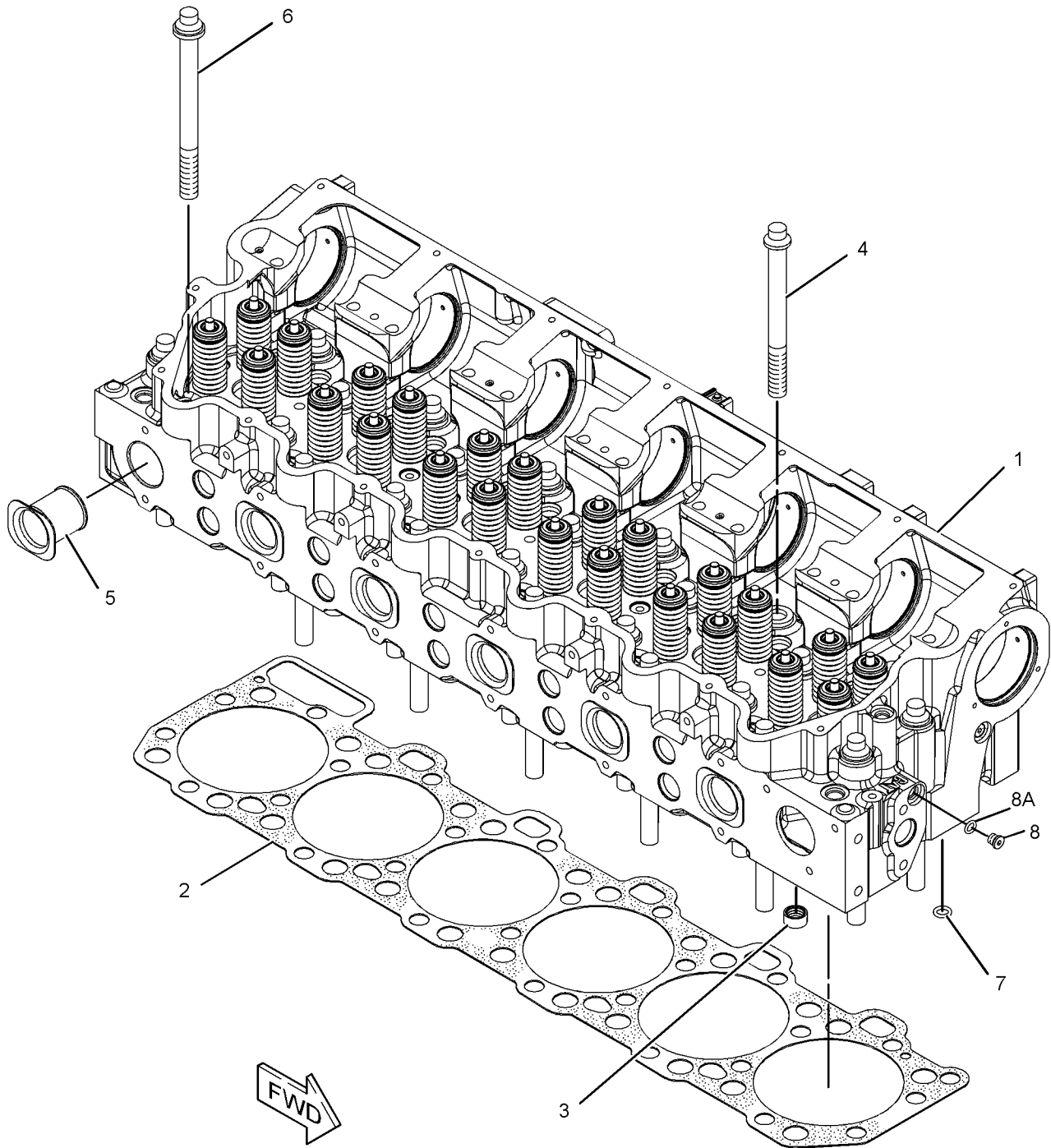
NOTE	REF NO	GRAPHIC REF	PART NUMBER	QTY	PART NAME	SEE PAGE
					1 2 3 4 5 6 (PRODUCT LEVEL)	
CYR	1	1	<b>263-5055</b>	1	CYLINDER HEAD GP	55
	2	1	<b>224-5122</b>	1	GASKET (CYLINDER HEAD)	
	3	1	<b>3E-6772</b>	24	SEAL	
	4	1	<i>6I-4025</i>	16	FASTENER GP-CYLINDER HEAD (EACH INCLUDES)	
		1	<b>5H-1504</b>	1	WASHER-HARD (20X33.5X5-MM THK)	
		1	<b>124-1855</b>	1	BOLT-12 POINT HEAD (3/4-16X7.638-IN)	
	5	1	<b>194-8124</b>	6	SLEEVE AS (EXHAUST PORT)	
	6	1	<i>106-5673</i>	10	FASTENER GP-CYLINDER HEAD (EACH INCLUDES)	
		1	<b>5H-1504</b>	1	WASHER-HARD (20X33.5X5-MM THK)	
		1	<b>124-1854</b>	1	BOLT-12 POINT HEAD (3/4-16X8.5-IN)	
	7	1	<b>5P-0840</b>	1	SEAL-O-RING	
	8	1	<i>183-3407</i>	3	PLUG AS (EACH INCLUDES)	
	8A	1	<b>214-7568</b>	1	SEAL-O-RING	
		1	<b>9S-8004</b>	1	PLUG-O-RING	

C - CHANGE FROM PREVIOUS TYPE  
R - REMFG PART MAY BE AVAILABLE  
Y - SEPARATE ILLUSTRATION

# BASIC ENGINE

234-9185 CYLINDER HEAD GP (contd.)

i03895992



GRAPHIC #1

<END>

g01418021



# BASIC ENGINE

## 263-5055 CYLINDER HEAD GP\*R

S/N: BNT10226-UP

PART OF 234-9185 CYLINDER HEAD GP  
AN ATTACHMENT

SMCS-1100

i05188995

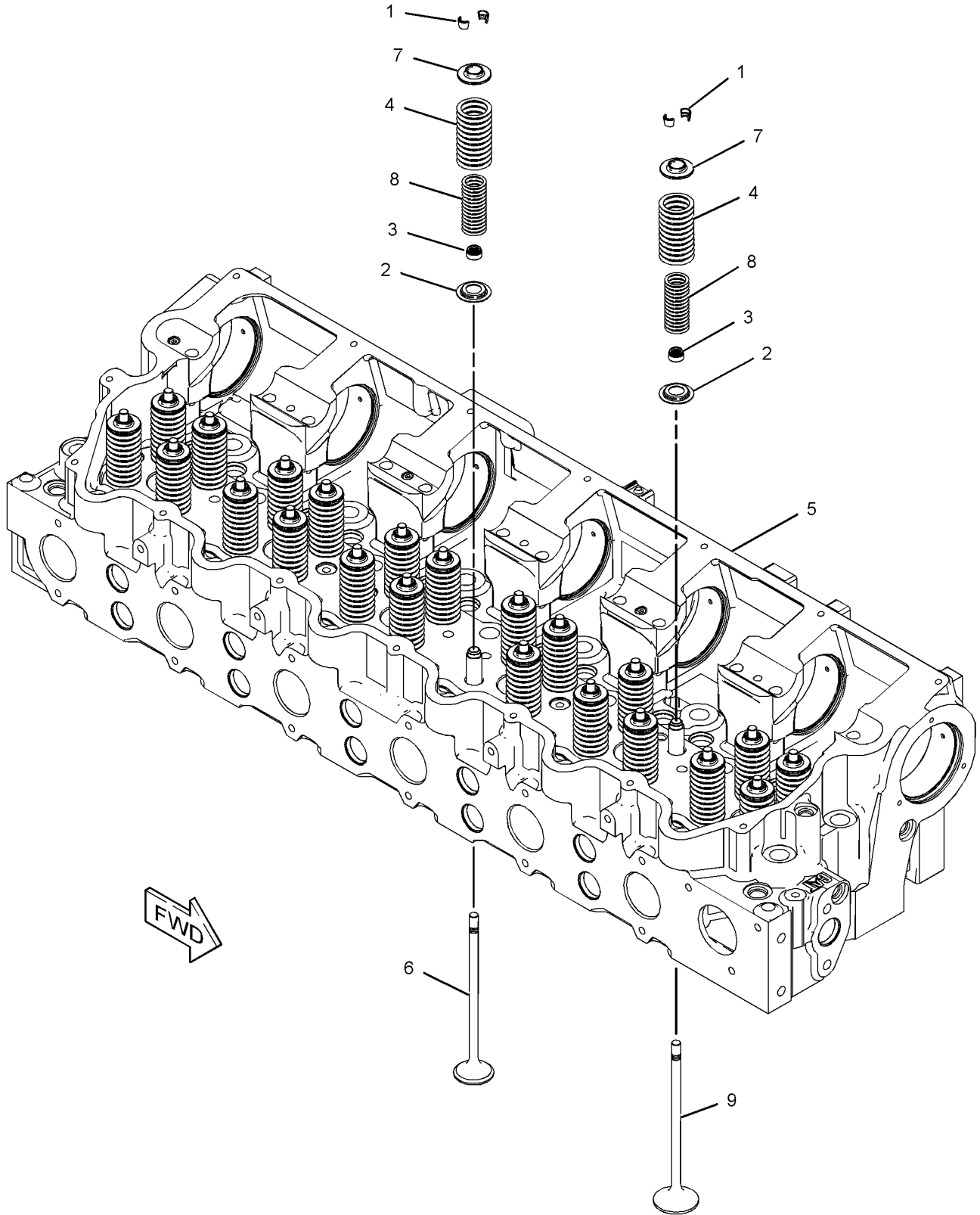
NOTE	REF NO	GRAPHIC REF	PART NUMBER	QTY	PART NAME						SEE PAGE
					1	2	3	4	5	6 (PRODUCT LEVEL)	
	1	1	<b>2A-4429</b>	48	LOCK-RETAINER						
	2	1	<b>6I-0928</b>	24	WASHER-SPECIAL						
	3	1	<b>163-2478</b>	24	SEAL-VALVE STEM						
	4	1	<b>247-9908</b>	24	SPRING-VALVE (OUTER)						
CY	5	1	<b>281-1640</b>	1	CYLINDER HEAD AS						43
	6	1	<b>153-7024</b>	12	VALVE-EXHAUST						
C	7	1	<b>186-2001</b>	24	ROTOCOIL AS						
	8	1	<b>211-3122</b>	24	SPRING-VALVE (INNER)						
	9	1	<b>236-5605</b>	12	VALVE-INLET						

C - CHANGE FROM PREVIOUS TYPE  
Y - SEPARATE ILLUSTRATION

# BASIC ENGINE

263-5055 CYLINDER HEAD GP (contd.)

i05188995



GRAPHIC #1

<END>

g01207023

# BASIC ENGINE

## 4P-5893 DAMPER GP

S/N: BNT1-UP

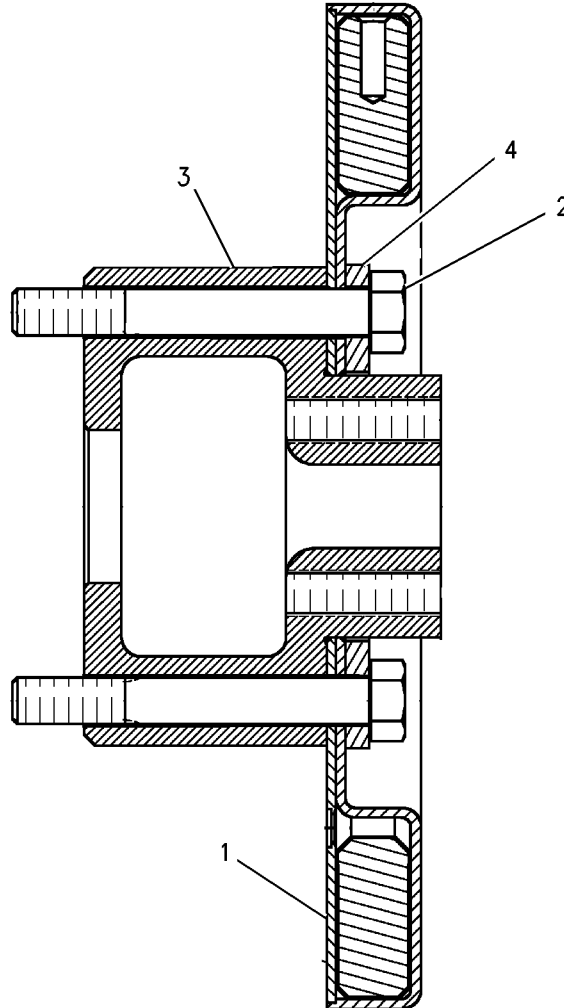
PART OF 198-6489, 198-6490, 235-4732, 235-4733 ENGINE AR-COMplete  
AN ATTACHMENT

SMCS-1205

i02899131

NOTE	REF NO	GRAPHIC REF	PART NUMBER	QTY	PART NAME						SEE PAGE
					1	2	3	4	5	6 (PRODUCT LEVEL)	
R	1	1	<b>167-8126</b>	1	DAMPER AS						
	2	1	<b>1A-3203</b>	6	BOLT (5/8-18X4.75-IN)						
	3	1	<b>4N-2109</b>	1	ADAPTER-DAMPER						
	4	1	<b>168-2100</b>	1	SPACER (131.57X163.6X8-MM THK)						

R - REMFG PART MAY BE AVAILABLE



GRAPHIC #1

<END>

g00643655

# BASIC ENGINE

## 164-5789 DRAIN GP-ENGINE OIL

S/N: BNH1-UP

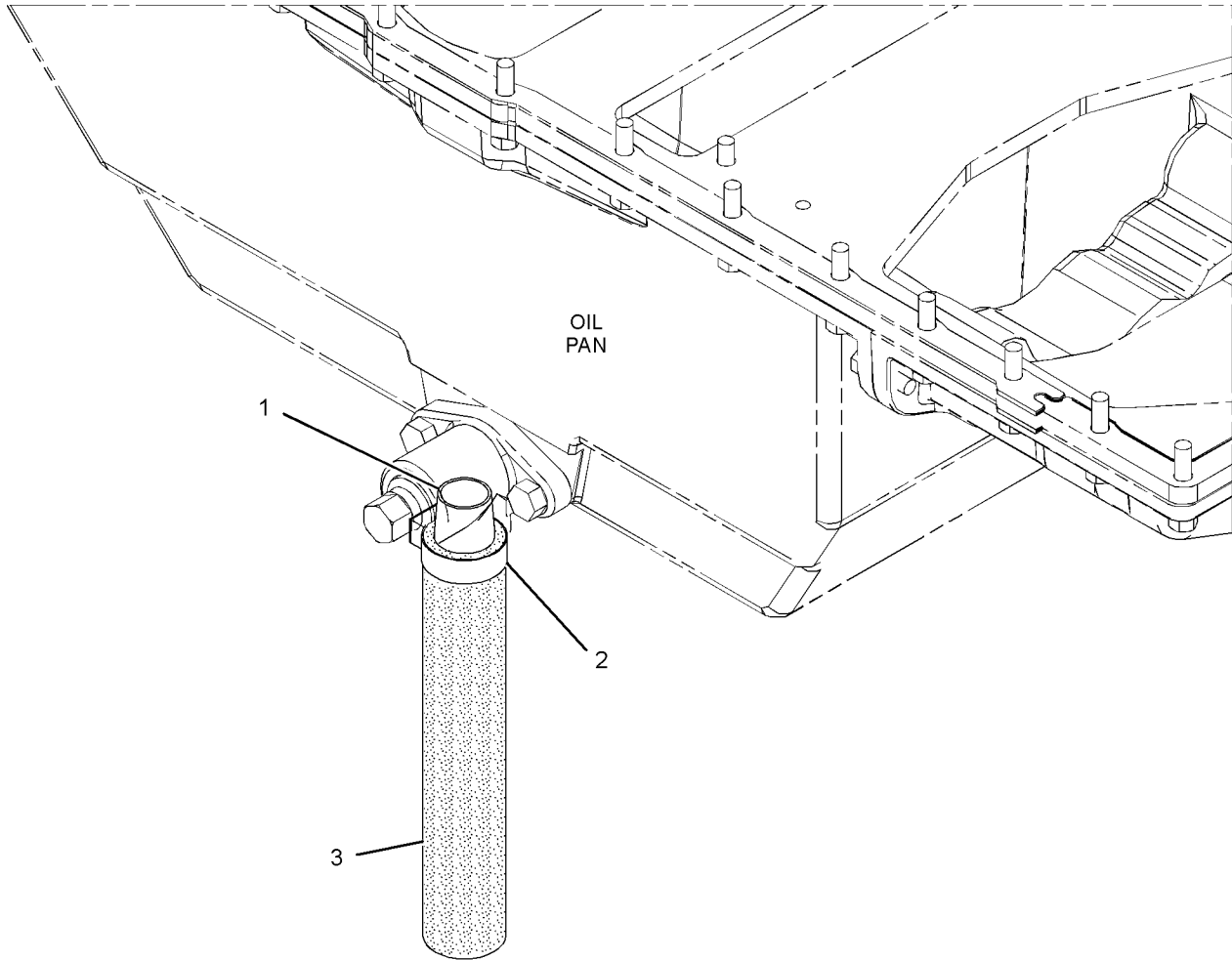
PART OF 201-4341 INSTALLATION AR-ENGINE

SMCS-1302

i04401741

NOTE	REF NO	GRAPHIC REF	PART NUMBER	QTY	PART NAME						SEE PAGE
					1	2	3	4	5	6 (PRODUCT LEVEL)	
	1	1	<b>6B-0689</b>	1	PIPE						
	2	1	<b>9M-2904</b>	1	CLAMP-HOSE						
E	3	1	<b>5P-1254</b>		HOSE (13-CM)						

E - ORDER BY THE CENTIMETER



GRAPHIC #1

<END>

g02594187

# BASIC ENGINE

## 145-5012 DRIVE GP-ACCESSORY

S/N: BNT1-UP

LH FRONT

PART OF 198-6489, 198-6490 ENGINE AR-COMPLETE  
AN ATTACHMENT

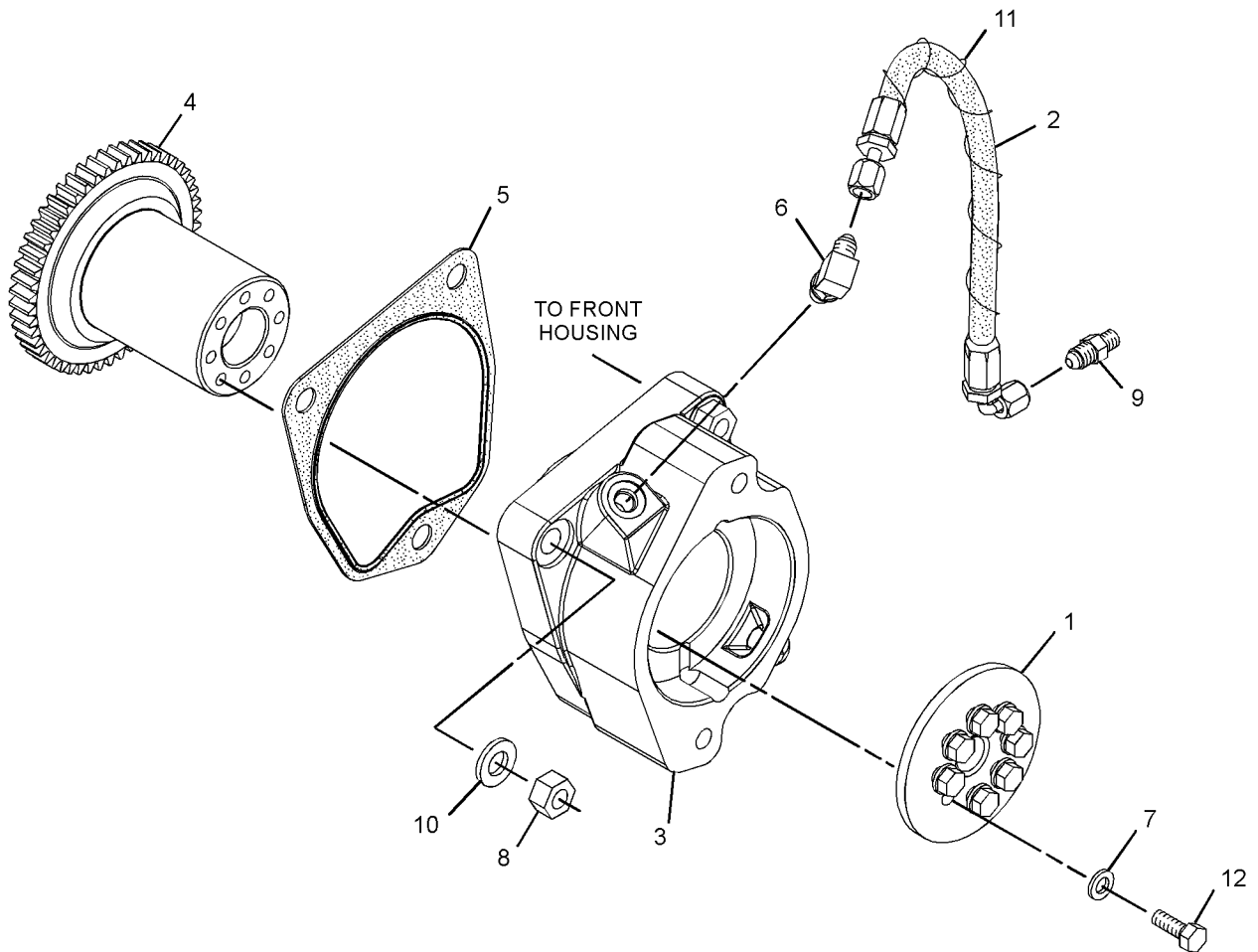
SMCS-1207

i04148716

NOTE	REF NO	GRAPHIC REF	PART NUMBER	QTY	PART NAME						SEE PAGE
					1	2	3	4	5	6	
	1	1	<b>1N-3974</b>	1	COUPLING						
I	2	1	<b>101-6596</b>	1	HOSE AS						
	3	1	<b>143-8971</b>	1	BEARING-DRIVE						
	4	1	<b>331-0052</b>	1	GEAR (40-TEETH)						
	5	1	<b>144-6142</b>	1	SEAL-INTEGRAL						
	6	1	<i>343-8115</i>	1	ELBOW AS						
		1	<b>030-7946</b>	1	ELBOW						
		1	<b>214-7566</b>	1	SEAL-O-RING						
	7	1	<b>9M-1974</b>	8	WASHER-HARD (8.8X16X2-MM THK)						
	8	1	<b>6V-8188</b>	3	NUT (1/2-13-THD)						
	9	1	<b>8L-6557</b>	1	CONNECTOR						
	10	1	<b>8T-4223</b>	3	WASHER-HARD (13.5X25.5X3-MM THK)						
E	11	1	<b>8C-5063</b>	3	CONDUIT-FLEXIBLE (15.49-MM ID, SPLIT) (30-CM)						
	12	1	<b>2B-2695</b>	8	BOLT (5/16-18X0.875-IN)						

E - ORDER BY THE CENTIMETER

I - REFER TO HYDRAULIC INFORMATION SYSTEM



GRAPHIC #1

<END>

g02346477

# BASIC ENGINE

## 206-4227 DRIVE GP-ACCESSORY

S/N: BNT10251-UP

PART OF 235-4732, 235-4733 ENGINE AR-COMplete  
AN ATTACHMENT

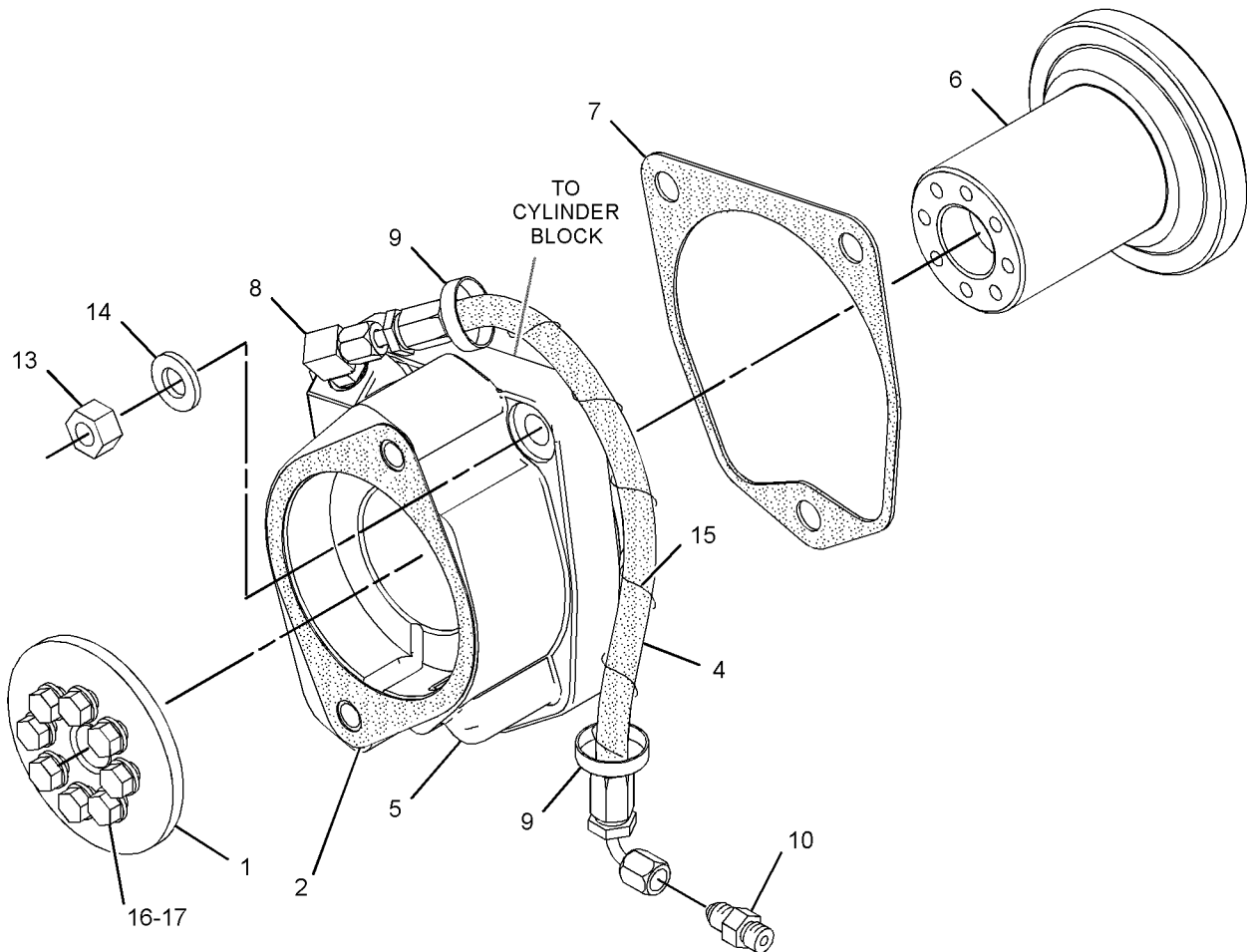
SMCS-1207

i04543646

NOTE	REF NO	GRAPHIC REF	PART NUMBER	QTY	PART NAME						SEE PAGE
					1	2	3	4	5	6 (PRODUCT LEVEL)	
	1	1	<b>1N-3974</b>	1	COUPLING						
	2	1	<b>9H-8872</b>	1	GASKET						
I	4	1	<b>101-6596</b>	1	HOSE AS						
	5	1	<b>143-8971</b>	1	BEARING-DRIVE						
	6	1	<b>331-0052</b>	1	GEAR (40-TEETH)						
	7	1	<b>144-6142</b>	1	SEAL-INTEGRAL						
	8	1	<b>343-8115</b>	1	ELBOW AS						
		1	<b>030-7946</b>	1	ELBOW						
		1	<b>214-7566</b>	1	SEAL-O-RING						
	9	1	<b>3S-2093</b>	2	STRAP-CABLE						
	10	1	<b>343-8121</b>	1	CONNECTOR AS						
		1	<b>3J-7352</b>	1	CONNECTOR						
		1	<b>214-7566</b>	1	SEAL-O-RING						
	13	1	<b>6V-8188</b>	3	NUT (1/2-13-THD)						
	14	1	<b>8T-4223</b>	3	WASHER-HARD (13.5X25.5X3-MM THK)						
E	15	1	<b>8C-5063</b>		CONDUIT-FLEXIBLE (15.49-MM ID, SPLIT) (30-CM)						
	16	1	<b>9M-1974</b>	8	WASHER-HARD (8.8X16X2-MM THK)						
	17	1	<b>2B-2695</b>	8	BOLT (5/16-18X0.875-IN)						

E - ORDER BY THE CENTIMETER

I - REFER TO HYDRAULIC INFORMATION SYSTEM



GRAPHIC #1

<END>

g02719013

# BASIC ENGINE

## 234-9774 DRIVE GP-ACCESSORY

S/N: BNT1059-10272

FOR USE WITH ACERT BLOCK

PART OF 235-4732, 235-4733 ENGINE AR-COMPLETE

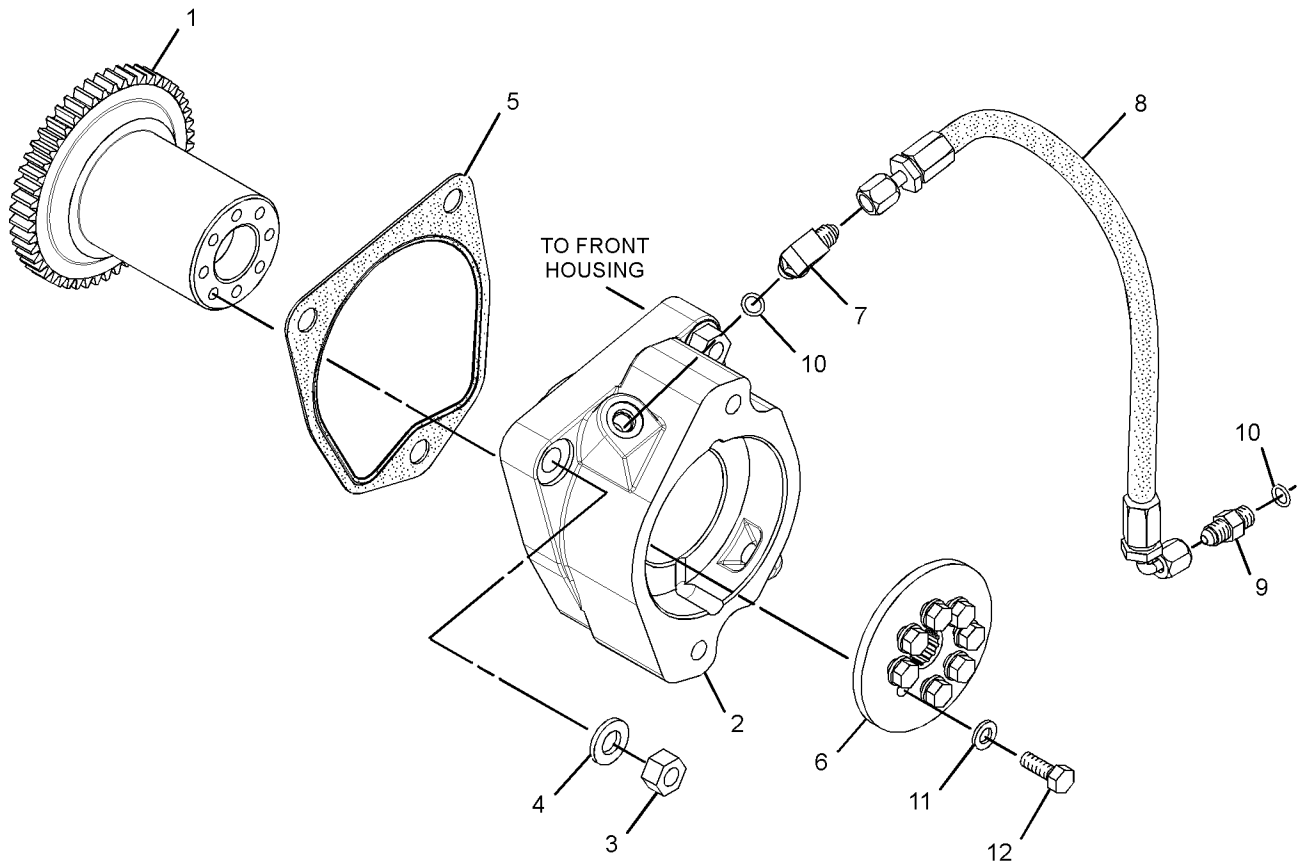
AN ATTACHMENT

SMCS-1207

i03247789

NOTE	REF NO	GRAPHIC REF	PART NUMBER	QTY	PART NAME						SEE PAGE
					1	2	3	4	5	6	
	1	1	143-9732	1	GEAR (40-TEETH)						
	2	1	143-8971	1	BEARING-DRIVE						
	3	1	6V-8188	3	NUT (1/2-13-THD)						
	4	1	8T-4223	3	WASHER-HARD (13.5X25.5X3-MM THK)						
	5	1	144-6142	1	SEAL-INTEGRAL						
	6	1	1N-3974	1	COUPLING						
	7	1	030-7946	1	ELBOW						
I	8	1	101-6596	1	HOSE AS						
	9	1	3J-7352	1	CONNECTOR						
	10	1	6V-5048	2	SEAL-O-RING						
	11	1	9M-1974	8	WASHER-HARD (8.8X16X2-MM THK)						
	12	1	2B-2695	8	BOLT (5/16-18X0.875-IN)						

I - REFER TO HYDRAULIC INFORMATION SYSTEM



GRAPHIC #1

<END>

g01655673

# BASIC ENGINE

## 6I-3638 DRIVE GP-PUMP

S/N: BNT1-UP

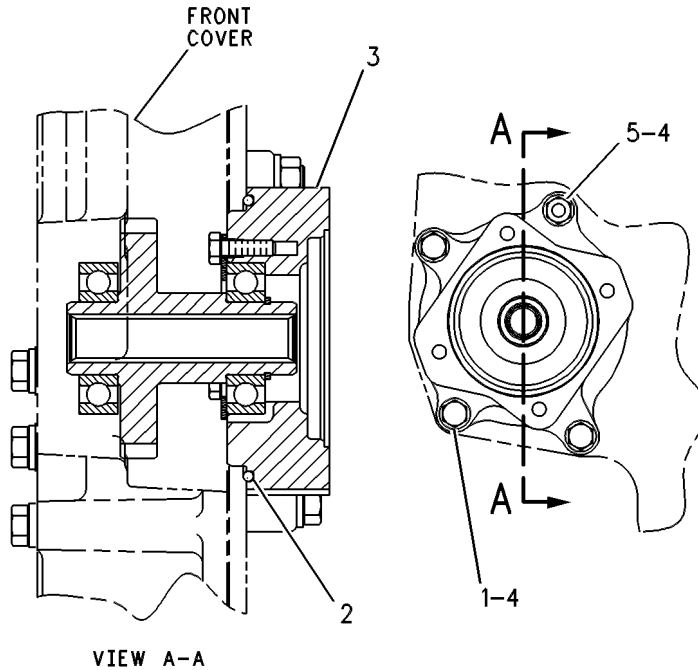
LEFT HAND REARWARD FACING SAE 2 BOLT FLANGE WITH SPLINE DRIVE  
 FOR USE WITH THE 2.5 BASE MODULE LARGE CAM GEAR TRAIN, CUSTOMER SUPPLIED SAE "A" PUMP  
 WITH 11 TOOTH 16/32 DEPTH SPLINE  
 PART OF 198-6487, 235-3479 ENGINE AR-CORE  
 AN ATTACHMENT

SMCS-1207

i01949792

NOTE	REF NO	GRAPHIC REF	PART NUMBER	QTY	PART NAME						SEE PAGE
					1	2	3	4	5	6 (PRODUCT LEVEL)	
	1	1	<b>0S-1590</b>	3	BOLT (3/8-16X2-IN)						
	2	1	<b>8T-9527</b>	1	SEAL-O-RING						
YC	3	1	<b>133-9907</b>	1	ADAPTER GP-PUMP DRIVE						12
	4	1	<b>5M-2894</b>	4	WASHER-HARD (10.2X18.5X2.5-MM THK)						
	5	1	<b>9S-8752</b>	1	NUT-FULL (3/8-16-THD)						

C - CHANGE FROM PREVIOUS TYPE  
 Y - SEPARATE ILLUSTRATION



GRAPHIC #1

<END>

g00263601



# BASIC ENGINE

## 148-7486 ENGINE BRAKE GP

S/N: BNT1059-UP

24-VOLT

FIELD REPLACEMENT ORDER 221-1196-PAGE: 66

PART OF 235-4733 ENGINE AR-COMplete

AN ATTACHMENT

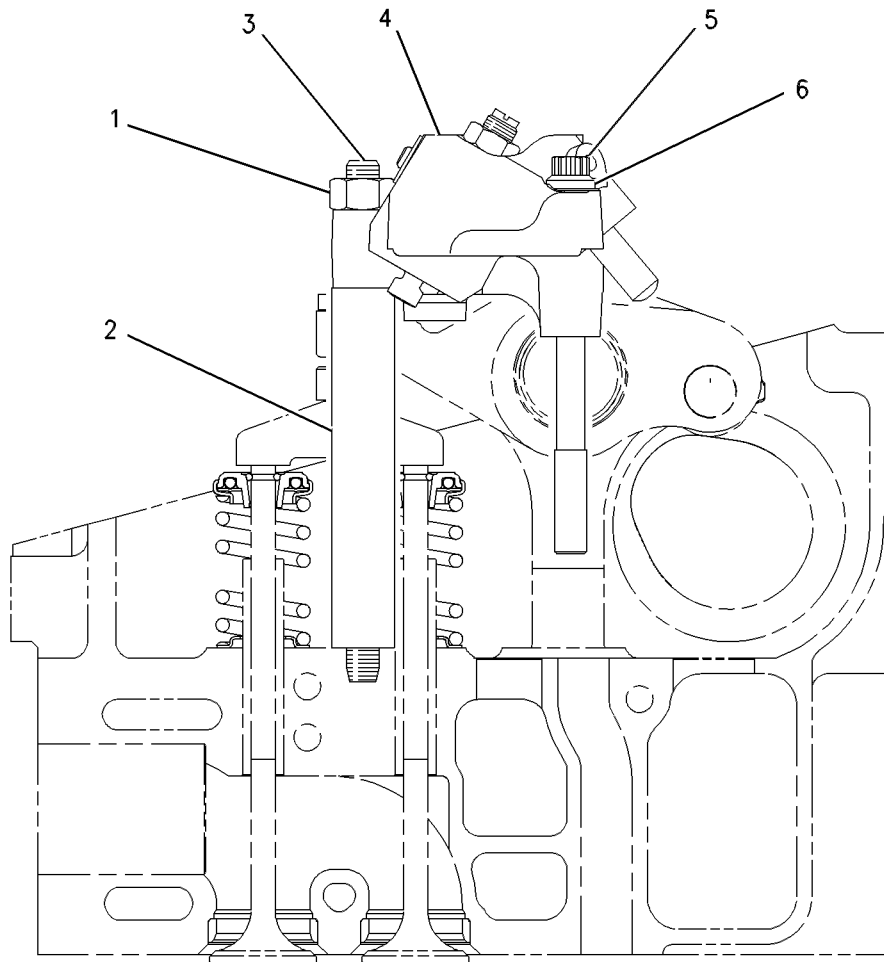
SMCS-1129

i01828556

NOTE	REF NO	GRAPHIC REF	PART NUMBER	QTY	PART NAME						SEE PAGE
					1	2	3	4	5	6 (PRODUCT LEVEL)	
	1	1	141-1497	3	NUT (1/2-13-THD)						
	2	1	6I-1483	3	SUPPORT-BRAKE						
	3	1	8T-7062	3	STUD-TAPERLOCK (1/2-13X55, 1/2-13X21-MM)						
CY	4	1	157-3495	3	HOUSING GP-ENGINE BRAKE						80
	5	1	167-0867	12	BOLT-12 POINT HEAD (1/2-13X5.75-IN)						
	6	1	3H-7654	12	WASHER-HARD (13.5X22.5X3.0-MM THK)						

C - CHANGE FROM PREVIOUS TYPE

Y - SEPARATE ILLUSTRATION



GRAPHIC #1

<END>

g00293256

# BASIC ENGINE

## 148-7486 ENGINE BRAKE GP

S/N: BNT1-UP

24-VOLT

FIELD REPLACEMENT ORDER 221-1196-PAGE: 66

PART OF 198-6490 ENGINE AR-COMplete

AN ATTACHMENT

TYPE 1

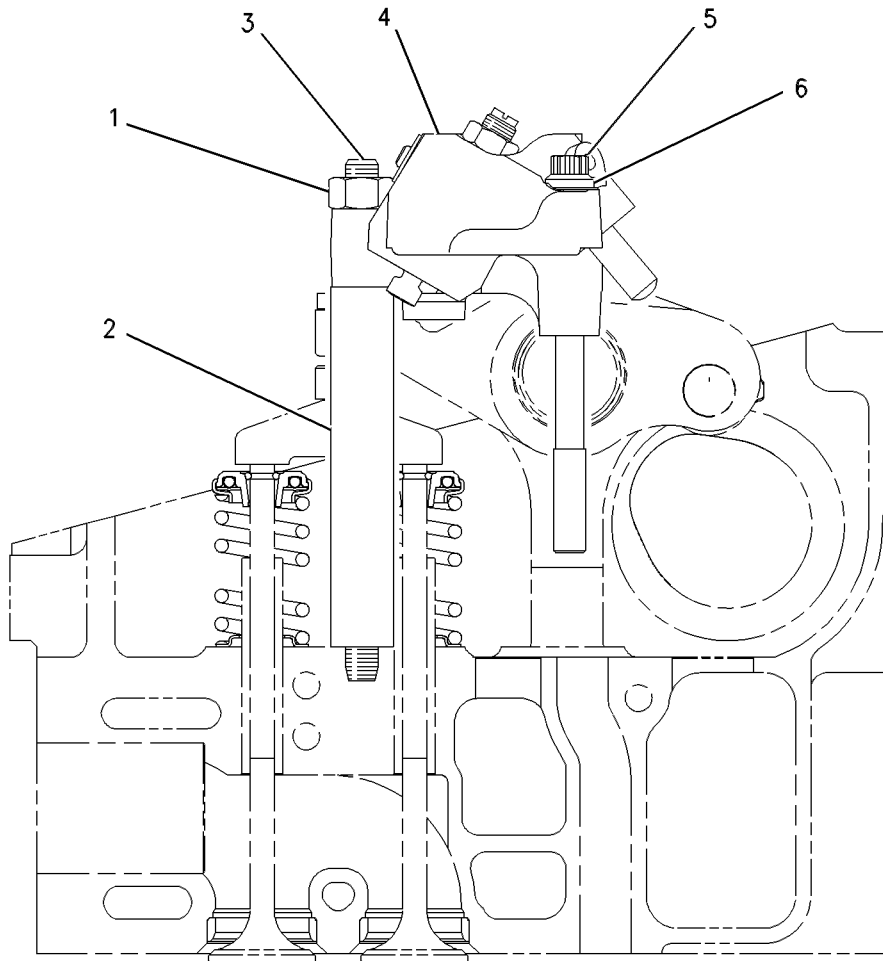
SMCS-1129

i01396011

NOTE	REF NO	GRAPHIC REF	PART NUMBER	QTY	PART NAME						SEE PAGE
					1	2	3	4	5	6 (PRODUCT LEVEL)	
	1	1	141-1497	3	NUT (1/2-13-THD)						
	2	1	6I-1483	3	SUPPORT-BRAKE						
	3	1	8T-7062	3	STUD-TAPERLOCK (1/2-13X55, 1/2-13X21-MM)						
CY	4	1	189-5950	3	HOUSING GP-ENGINE BRAKE						82
	5	1	167-0867	12	BOLT-12 POINT HEAD (1/2-13X5.75-IN)						
	6	1	3H-7654	12	WASHER-HARD (13.5X22.5X3.0-MM THK)						

C - CHANGE FROM PREVIOUS TYPE

Y - SEPARATE ILLUSTRATION



GRAPHIC #1

<END>

g00293256

# BASIC ENGINE

## 148-7486 ENGINE BRAKE GP

S/N: BNT1-UP

24-VOLT

FIELD REPLACEMENT ORDER 221-1196—PAGE: 66  
PART OF 198-6490, 235-4733 ENGINE AR-COMPLETE

AN ATTACHMENT

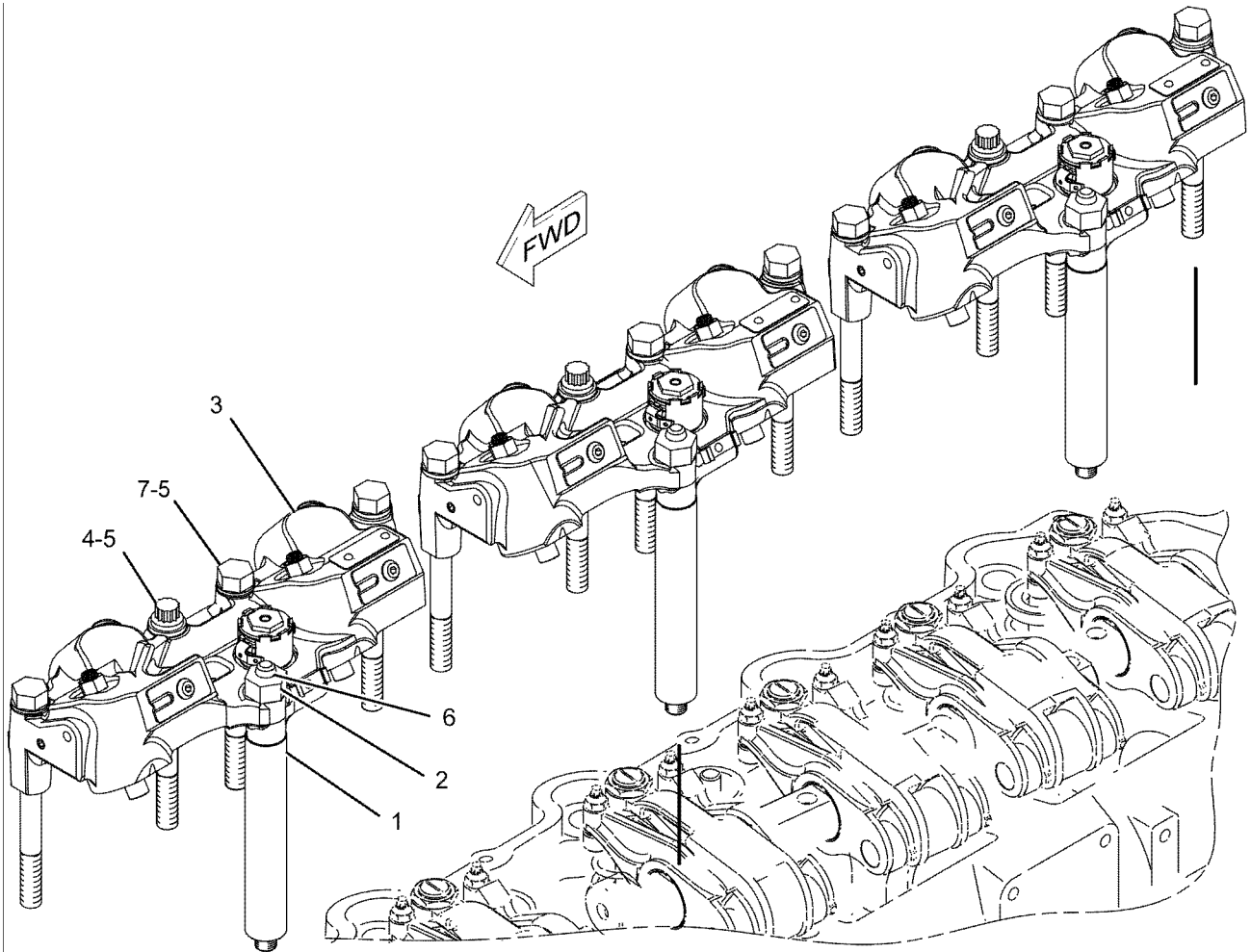
TYPE 2

SMCS-1129

i02127628

NOTE	REF NO	GRAPHIC REF	PART NUMBER	QTY	PART NAME						SEE PAGE
					1	2	3	4	5	6	
	1	1	<b>6I-1483</b>	3	SUPPORT-BRAKE						
	2	1	<b>141-1497</b>	3	NUT (1/2-13-THD)						
CY	3	1	<b>221-1197</b>	3	HOUSING GP-ENGINE BRAKE						84
	4	1	<b>167-0867</b>	3	BOLT-12 POINT HEAD (1/2-13X5.75-IN)						
	5	1	<b>3H-7654</b>	12	WASHER-HARD (13.5X22.5X3.0-MM THK)						
	6	1	<b>8T-7062</b>	3	STUD-TAPERLOCK (1/2-13X55, 1/2-13X21-MM)						
	7	1	<b>257-2122</b>	9	BOLT (1/2-13X5.75-IN)						

C - CHANGE FROM PREVIOUS TYPE  
Y - SEPARATE ILLUSTRATION



GRAPHIC #1

<END>

g01083334

# BASIC ENGINE

## 221-1196 ENGINE BRAKE GP

S/N: BNT1-UP

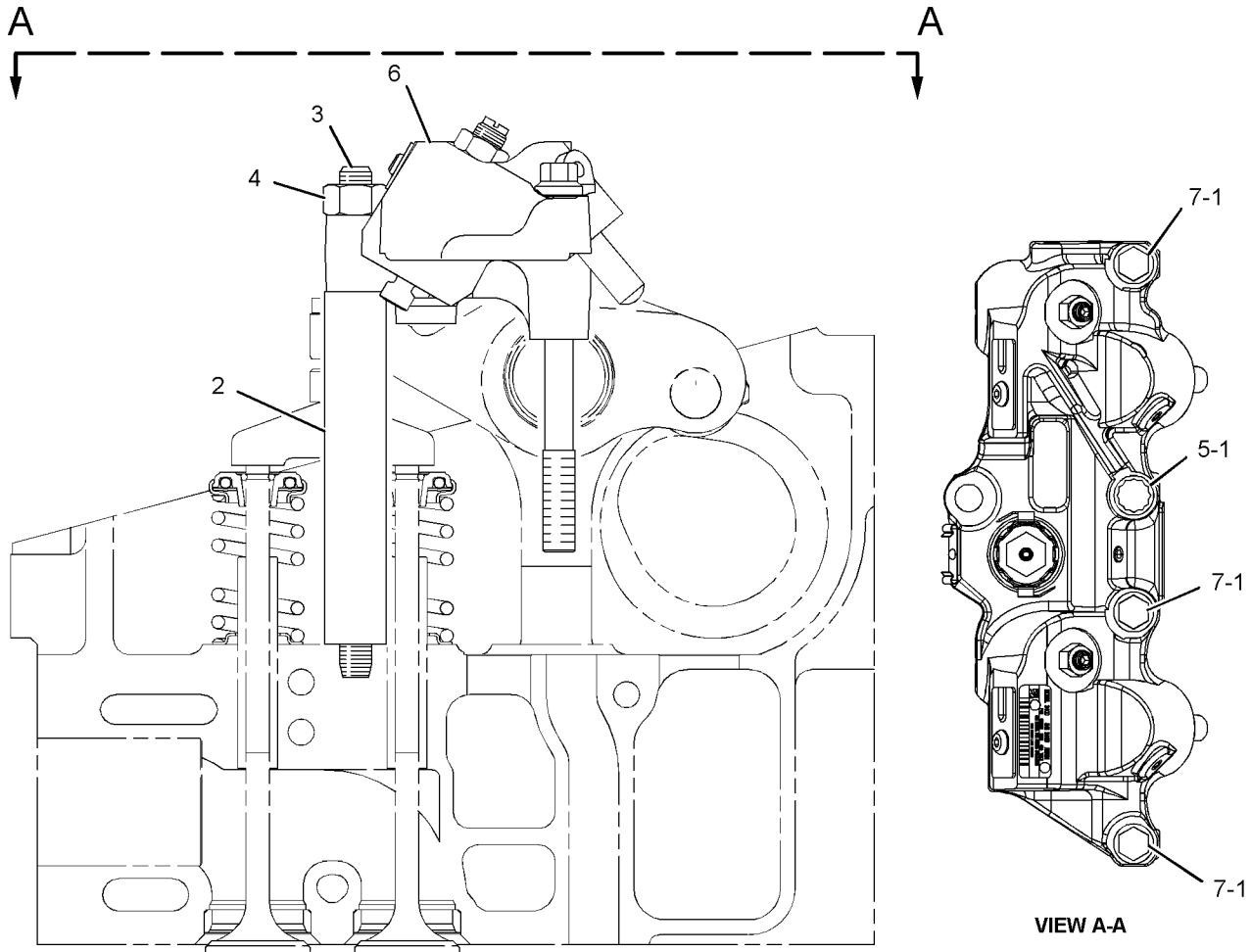
FIELD REPLACEMENT FOR 148-7486—PAGE: 63

SMCS-1129

i02927002

NOTE	REF NO	GRAPHIC REF	PART NUMBER	QTY	PART NAME						SEE PAGE
					1	2	3	4	5	6 (PRODUCT LEVEL)	
	1	1	<b>3H-7654</b>	12	WASHER-HARD (13.5X22.5X3.0-MM THK)						
	2	1	<b>6I-1483</b>	3	SUPPORT-BRAKE						
	3	1	<b>8T-7062</b>	3	STUD-TAPERLOCK (1/2-13X55, 1/2-13X21-MM)						
	4	1	<b>141-1497</b>	3	NUT (1/2-13-THD)						
	5	1	<b>167-0867</b>	3	BOLT-12 POINT HEAD (1/2-13X5.75-IN)						
Y	6	1	<b>221-1197</b>	3	HOUSING GP-ENGINE BRAKE						84
	7	1	<b>257-2122</b>	9	BOLT (1/2-13X5.75-IN)						

Y - SEPARATE ILLUSTRATION



GRAPHIC #1

<END>

g01083645

# BASIC ENGINE

## 4P-6846 FASTENER GP-FRONT HOUSING

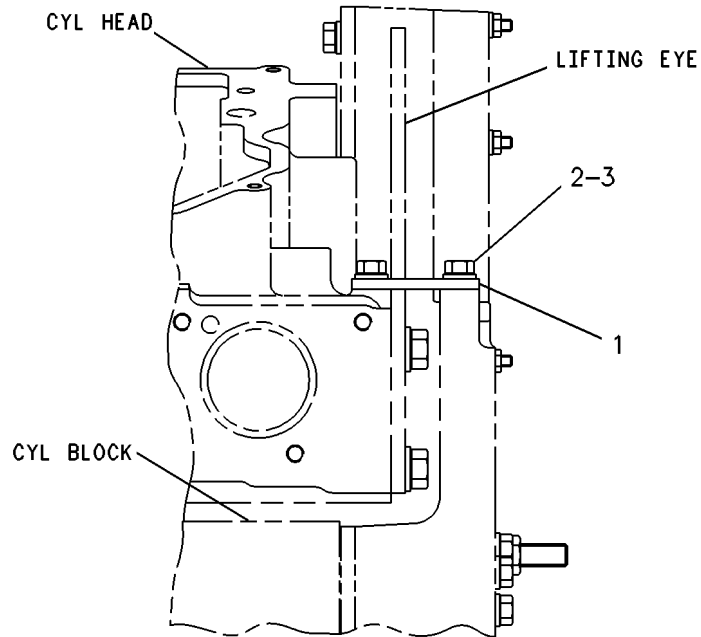
S/N: BNT1-UP

PART OF 198-6487, 235-3479 ENGINE AR-CORE  
AN ATTACHMENT

SMCS-1151, 1162

i02544049

NOTE	REF NO	GRAPHIC REF	PART NUMBER	QTY	PART NAME						SEE PAGE
					1	2	3	4	5	6 (PRODUCT LEVEL)	
	1	1	<b>7N-0452</b>	1	PLATE						
	2	1	<b>0S-1594</b>	2	BOLT (3/8-16X1-IN)						
	3	1	<b>5M-2894</b>	2	WASHER-HARD (10.2X18.5X2.5-MM THK)						



RIGHT SIDE VIEW

GRAPHIC #1

<END>

g00231021

# BASIC ENGINE

## 108-9382 FASTENER GP-FRONT HOUSING

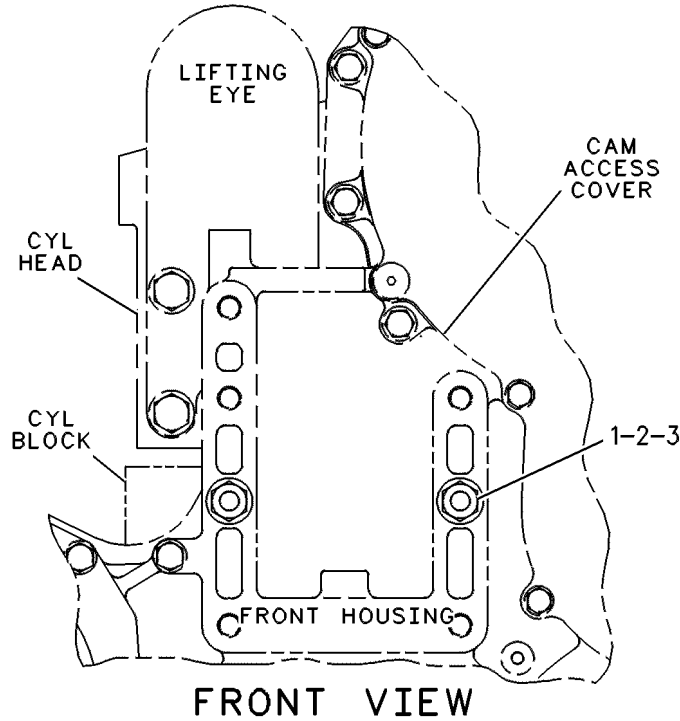
S/N: BNT1-UP

FOR USE WITH FRONT HOUSING WHEN FAN DRIVE IS NOT INSTALLED  
 PART OF 198-6489, 198-6490, 235-4732, 235-4733 ENGINE AR-COMplete  
 AN ATTACHMENT

SMCS-1151, 1162

i00670762

NOTE	REF NO	GRAPHIC REF	PART NUMBER	QTY	PART NAME						SEE PAGE
					1	2	3	4	5	6 (PRODUCT LEVEL)	
	1	1	<b>1F-7958</b>	2	NUT-FULL (1/2-13-THD)						
	2	1	<b>5P-8245</b>	2	WASHER-HARD (13.5X25.5X3-MM THK)						
	3	1	<b>149-5268</b>	2	STUD-TAPERLOCK						



GRAPHIC #1

<END>

g00237936

# BASIC ENGINE

## 109-1657 FASTENER GP-VALVE MECHANISM

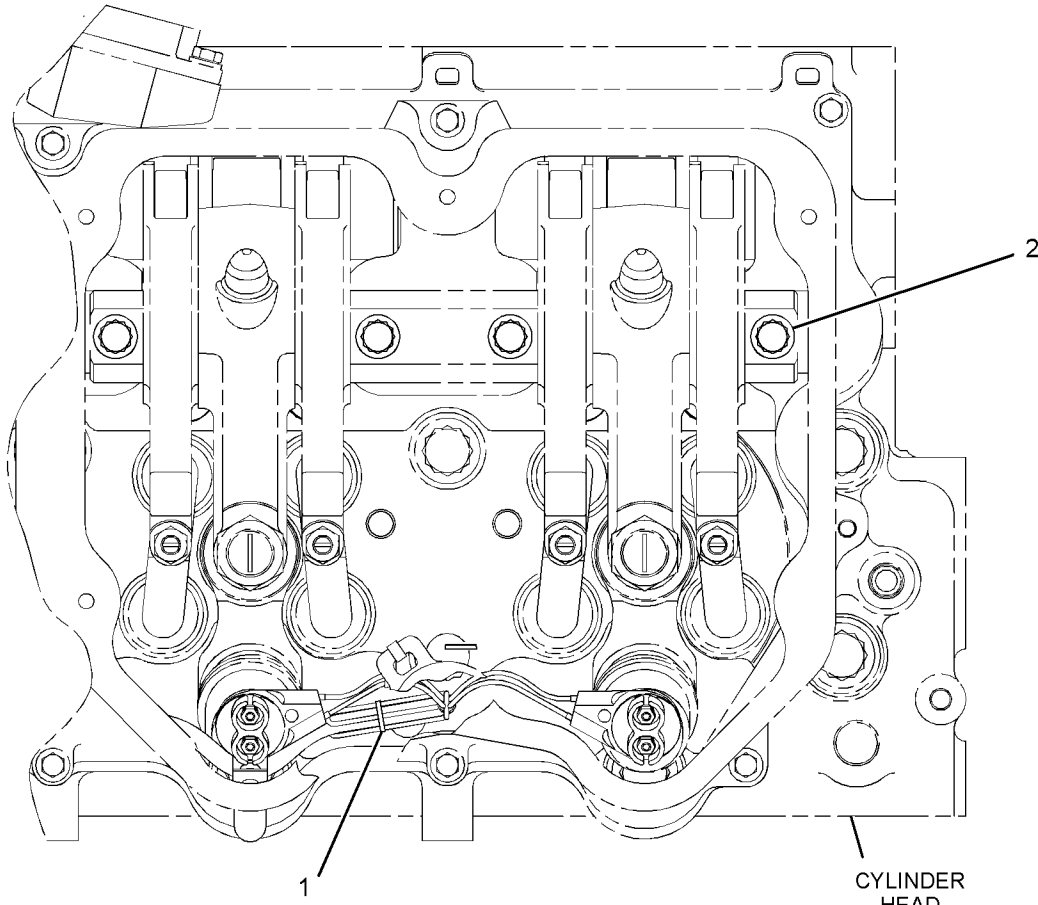
S/N: BNT1-UP

PART OF 198-6489, 235-4732 ENGINE AR-COMPLETE  
AN ATTACHMENT

SMCS-1102

i04042337

NOTE	REF NO	GRAPHIC REF	PART NUMBER	QTY	PART NAME						SEE PAGE
					1	2	3	4	5	6 (PRODUCT LEVEL)	
1	1	1	<b>8L-8413</b>	6	STRAP-CABLE						
2	1	1	<b>356-5212</b>	12	BOLT-12 POINT HEAD (1/2-13X3.5 IN)						



TOP VIEW

GRAPHIC #1

<END>

g02257193

# BASIC ENGINE

## 4P-6817 FLYWHEEL GP

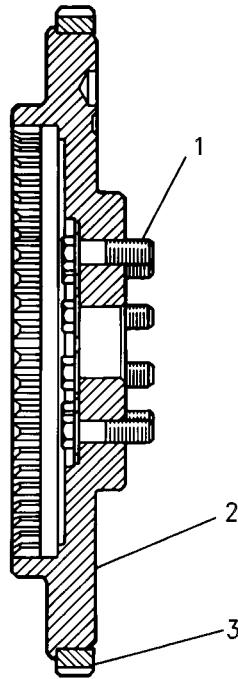
S/N: BNT1-UP

PART OF 198-6489, 198-6490, 235-4732, 235-4733 ENGINE AR-COMplete  
AN ATTACHMENT

SMCS-1156

i02899141

NOTE	REF NO	GRAPHIC REF	PART NUMBER	QTY	PART NAME						SEE PAGE
					1	2	3	4	5	6 (PRODUCT LEVEL)	
	1	1	<b>0S-1577</b>	12	BOLT (5/8-18X2.25-IN)						
		1	<b>4D-3704</b>	12	WASHER-HARD (17X30X5-MM THK)						
	2	1	<b>4P-6818</b>	1	FLYWHEEL AS						
	3	1	<b>4N-2514</b>	1	GEAR (113-TEETH)						



GRAPHIC #1

<END>

g00594779



# BASIC ENGINE

## 204-9316 GEAR GP-CAMSHAFT

S/N: BNT1-428

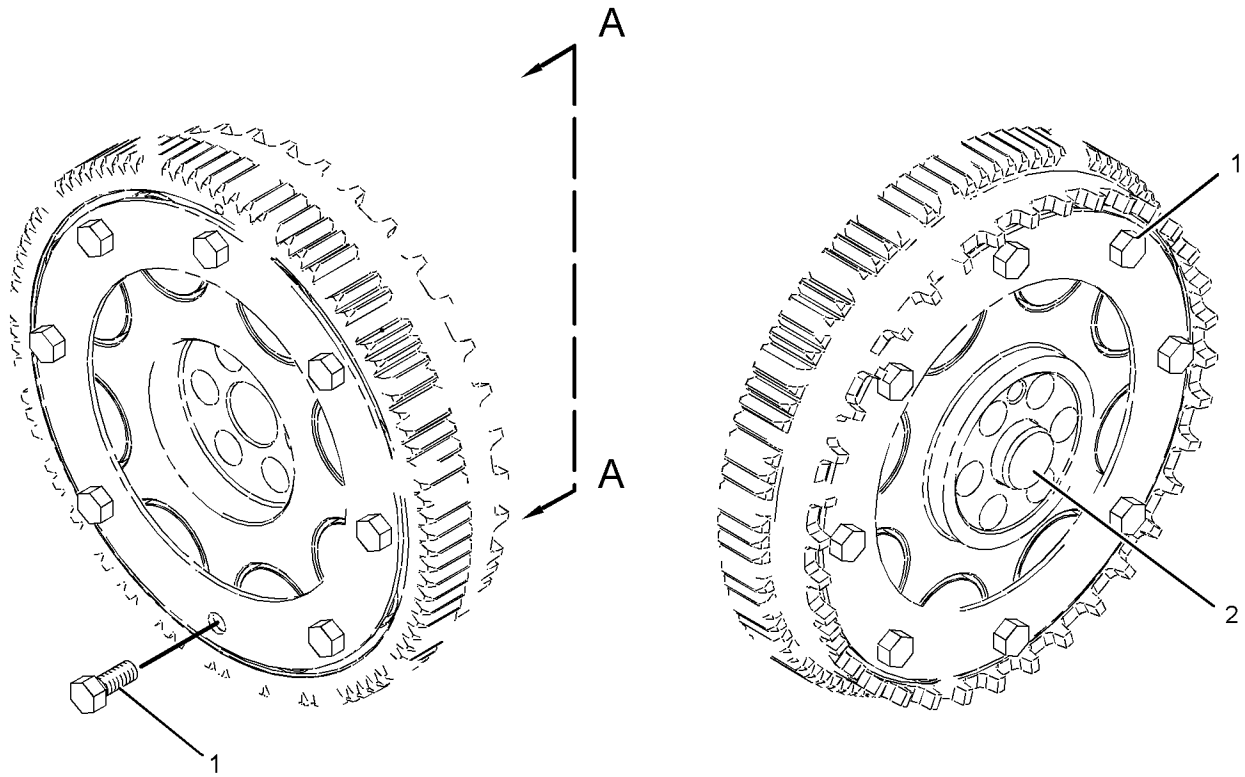
96-TEETH

PART OF 159-9844 GEAR GP-FRONT  
AN ATTACHMENT

SMCS-1212

i02758303

NOTE	REF NO	GRAPHIC REF	PART NUMBER	QTY	PART NAME						SEE PAGE
					1	2	3	4	5	6 (PRODUCT LEVEL)	
	1	1	<b>9X-8872</b>	16	BOLT-LOCKING (3/8-16X0.875-IN)						
	2	1	<b>103-0126</b>	1	DOWEL						



VIEW A-A

GRAPHIC #1

<END>

g01381153

# BASIC ENGINE

## 353-0186 GEAR GP-CAMSHAFT

S/N: BNT429-UP

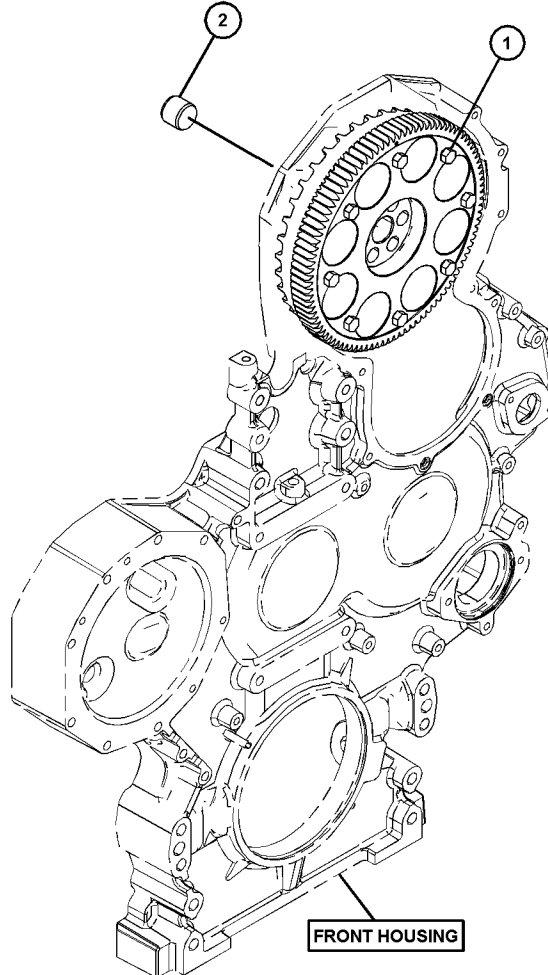
DUAL CAM SENSORS

PART OF 208-9490 GEAR GP-FRONT  
AN ATTACHMENT

SMCS-1212

i05136989

NOTE	REF NO	GRAPHIC REF	PART NUMBER	QTY	PART NAME						SEE PAGE
					1	2	3	4	5	6	
	1	1	0S-1571	8	BOLT (3/8-16X1.75-IN)						
	2	1	103-0126	1	DOWEL						



GRAPHIC #1

<END>

g03297716

# BASIC ENGINE

## 159-9844 GEAR GP-FRONT

S/N: BNT1-428

PART OF 198-6487 ENGINE AR-CORE

AN ATTACHMENT

SMCS-1151, 1162, 1206

i02118165

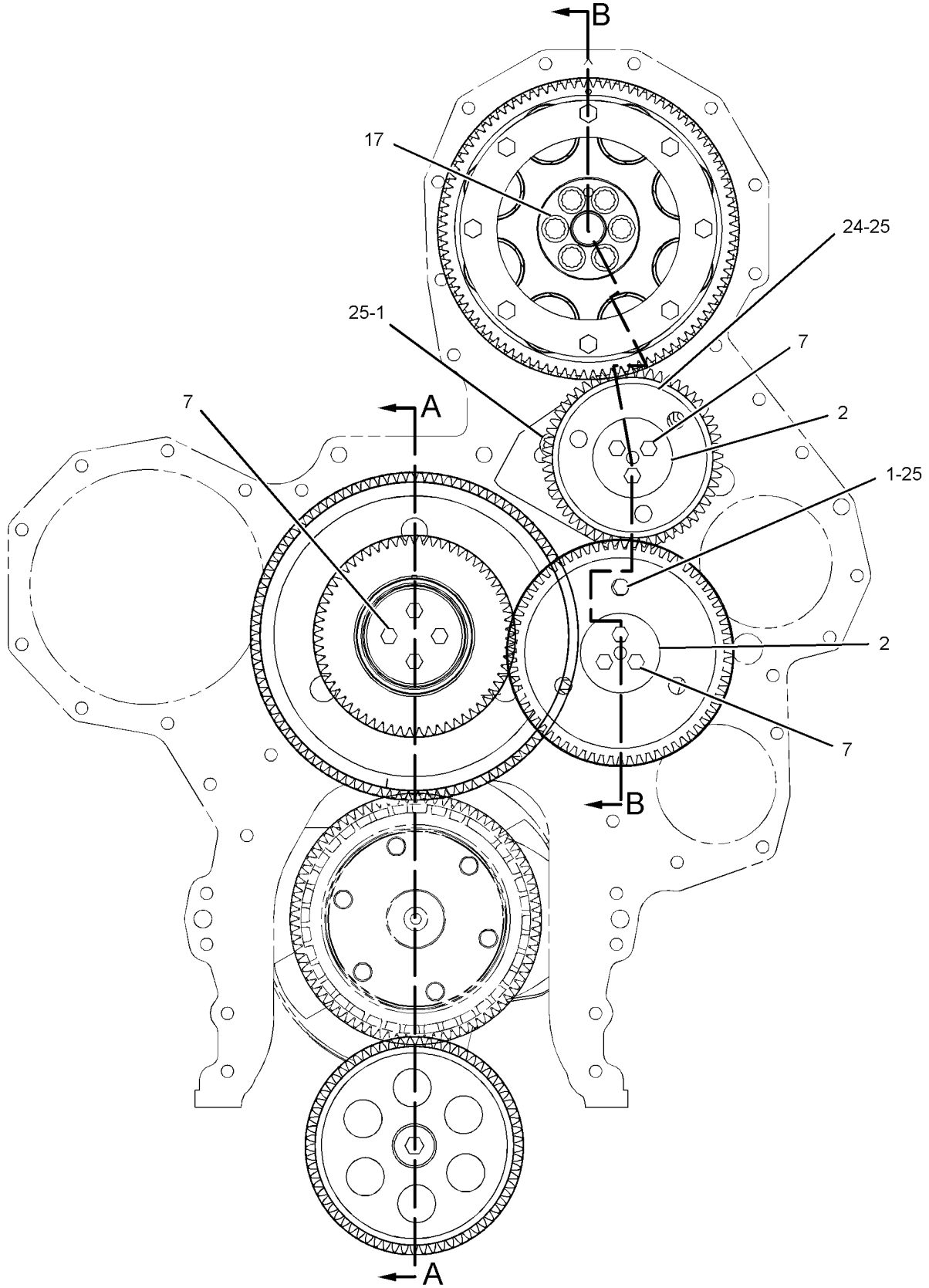
NOTE	REF NO	GRAPHIC REF	PART NUMBER	QTY	PART NAME						SEE PAGE
					1	2	3	4	5	6 (PRODUCT LEVEL)	
	1	1	<b>5P-4142</b>	2	BOLT-LOCKING (3/8-16X1.5-IN)						
	2	1	<b>6I-3624</b>	2	PLATE-THRUST						
	3	2	<b>6I-3625</b>	1	GEAR AS (71-TEETH)						
		2	<b>101-8468</b>	1	BEARING-SLEEVE						
	4	2	<b>102-5861</b>	1	PLATE-THRUST						
	5	2	<b>107-0583</b>	3	BOLT-LOCKING (1/4-20X0.87-IN)						
	6	2	<b>112-9217</b>	1	PLATE-THRUST						
	7	1	<b>126-1756</b>	10	BOLT-LOCKING (5/16-18X0.875-IN)						
	8	2	<b>130-4701</b>	1	GEAR AS (56-TEETH)						
		2	<b>130-4698</b>	1	BEARING-SLEEVE						
	9	2	<b>149-9107</b>	1	GEAR AS-CLUSTER (105/63-TEETH)						
		2	<b>1B-8705</b>	1	KEY-WOODRUFF						
		2	<b>6I-4582</b>	1	GEAR (63-TEETH)						
		2	<b>131-7123</b>	1	BEARING-SLEEVE						
		2	<b>149-9106</b>	1	GEAR-CLUSTER (105-TEETH)						
	10	2	<b>149-9110</b>	1	GEAR-OIL PUMP DRIVE (69-TEETH)						
	11	2	<b>151-5966</b>	1	SHAFT AS-STUB						
		2	<b>6I-3623</b>	1	DOWEL						
	12	2	<b>158-3416</b>	1	SHAFT-STUB						
	13	2	<b>159-1533</b>	1	PLATE-SEALING						
	14	2	<b>159-8524</b>	1	ADAPTER AS						
		2	<b>6V-3677</b>	1	DOWEL						
	15	2	<b>197-4971</b>	1	SHAFT-STUB						
Y	16	2	<b>204-9316</b>	1	GEAR GP-CAMSHAFT (96-TEETH)						71
	17	1	<b>031-3185</b>	6	BOLT-12 POINT HEAD (5/8-11X3-IN)						
	18	2	<b>0S-1571</b>	1	BOLT (3/8-16X1.75-IN)						
	19	2	<b>117-8801</b>	1	SEAL-O-RING						
	20	2	<b>1B-8705</b>	1	KEY-WOODRUFF						
	21	2	<b>1P-7346</b>	1	WASHER-HARD (10.2X35X6-MM THK)						
	22	2	<b>2J-3118</b>	5	BOLT-LOCKING (3/8-16X1.25-IN)						
	23	2	<b>5E-8771</b>	1	SEAL-O-RING						
	24	1,2	<b>9S-8752</b>	10	NUT-FULL (3/8-16-THD)						
	25	1,2	<b>9X-6458</b>	12	WASHER-HARD (10.2X22.5X3-MM THK)						

Y - SEPARATE ILLUSTRATION

# BASIC ENGINE

159-9844 GEAR GP-FRONT (contd.)

i02118165



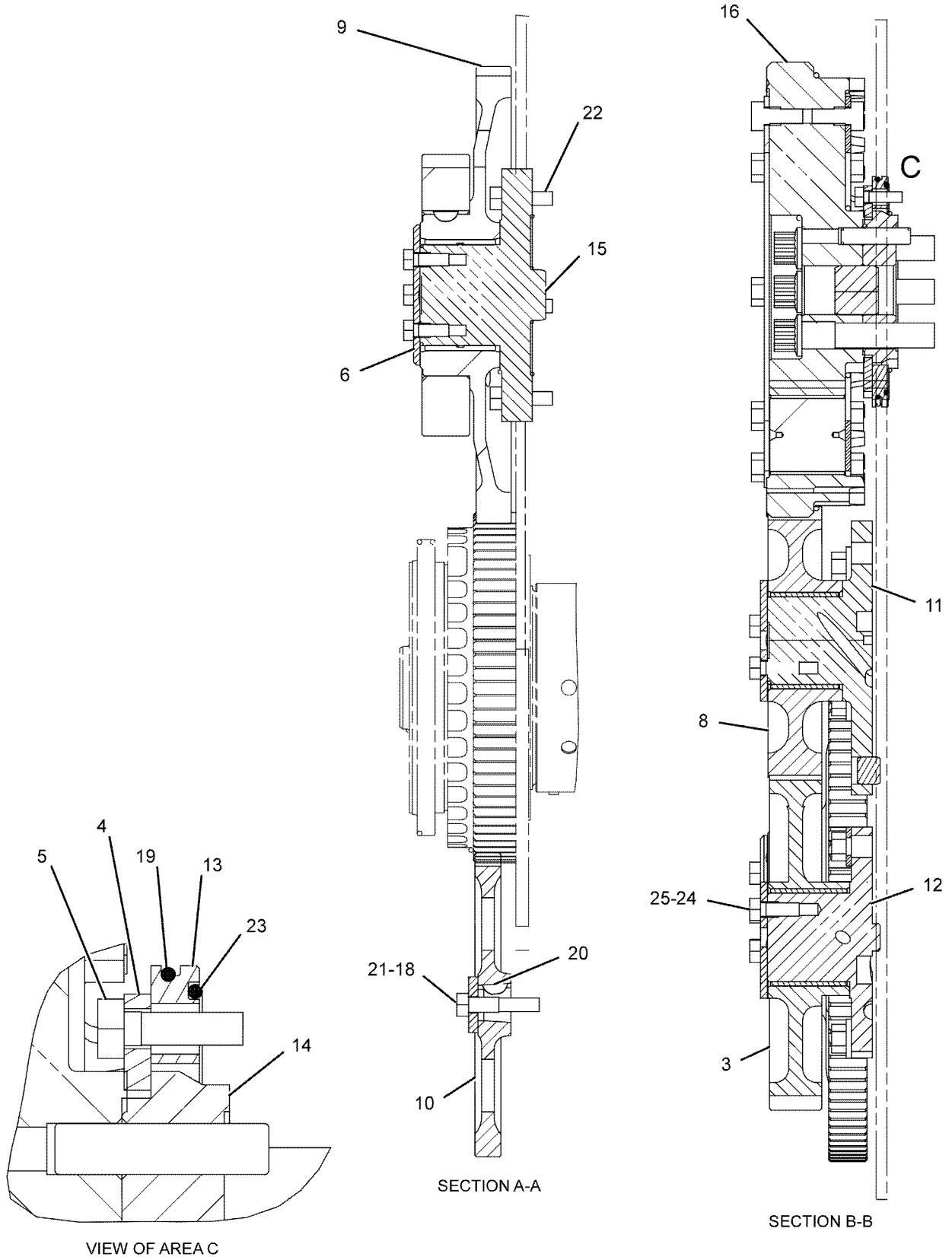
GRAPHIC #1

g01079389

# BASIC ENGINE

159-9844 GEAR GP - FRONT (contd.)

i02118165



GRAPHIC #2

<END>

g01079345

# BASIC ENGINE

## 208-9490 GEAR GP-FRONT

S/N: BNT429-UP

PART OF 198-6487, 235-3479 ENGINE AR-CORE  
AN ATTACHMENT

SMCS-1151, 1162, 1206

i05237692

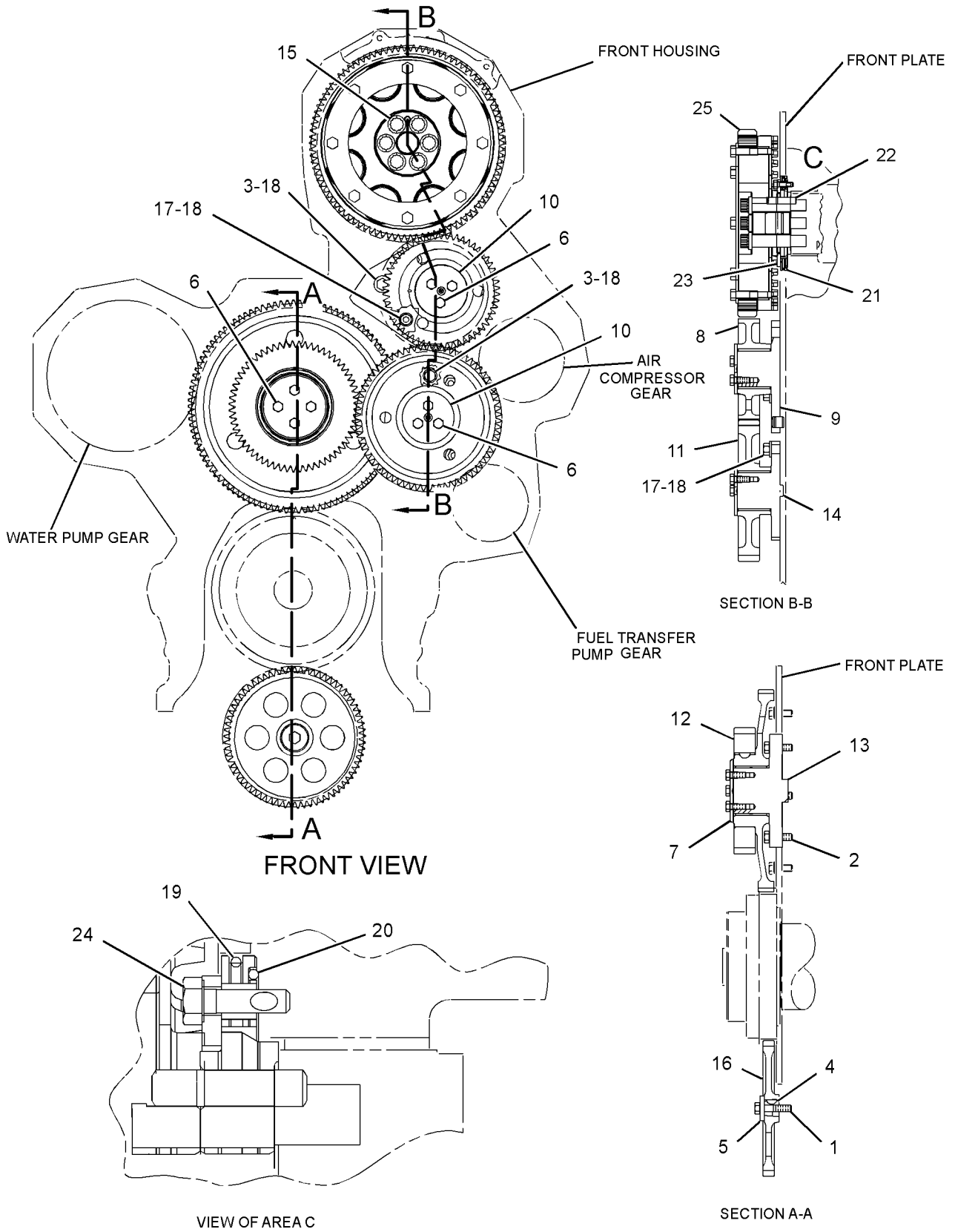
NOTE	REF NO	GRAPHIC REF	PART NUMBER	QTY	PART NAME						SEE PAGE
					1	2	3	4	5	6 (PRODUCT LEVEL)	
	1	1	<b>0S-1571</b>	1	BOLT (3/8-16X1.75-IN)						
	2	1	<b>2J-3118</b>	5	BOLT-LOCKING (3/8-16X1.25-IN)						
	3	1	<b>5P-4142</b>	2	BOLT-LOCKING (3/8-16X1.5-IN)						
	4	1	<b>1B-8705</b>	1	KEY-WOODRUFF						
	5	1	<b>1P-7346</b>	1	WASHER-HARD (10.2X35X6-MM THK)						
	6	1	<b>126-1756</b>	10	BOLT-LOCKING (5/16-18X0.875-IN)						
	7	1	<b>112-9217</b>	1	PLATE-THRUST						
	8	1	<b>130-4701</b>	1	GEAR AS (56-TEETH)						
		1	<b>130-4698</b>	1	BUSHING						
	9	1	<b>151-5966</b>	1	SHAFT AS-STUB						
		1	<b>6I-3623</b>	1	DOWEL						
	10	1	<b>6I-3624</b>	2	PLATE-THRUST						
	11	1	<b>6I-3625</b>	1	GEAR AS (71-TEETH)						
		1	<b>101-8468</b>	1	BUSHING						
	12	1	<b>149-9107</b>	1	GEAR AS-CLUSTER (105, 63-TEETH)						
		1	<b>1B-8705</b>	1	KEY-WOODRUFF						
		1	<b>6I-4582</b>	1	GEAR (63-TEETH)						
		1	<b>131-7123</b>	1	BUSHING						
		1	<b>149-9106</b>	1	GEAR-CLUSTER (105-TEETH)						
	13	1	<b>197-4971</b>	1	SHAFT-STUB						
	14	1	<b>158-3416</b>	1	SHAFT-STUB						
	15	1	<b>031-3185</b>	6	BOLT-12 POINT HEAD (5/8-11X3-IN)						
	16	1	<b>149-9110</b>	1	GEAR-OIL PUMP DRIVE (69-TEETH)						
	17	1	<b>9S-8752</b>	10	NUT-FULL (3/8-16-THD)						
	18	1	<b>9X-6458</b>	12	WASHER-HARD (10.2X22.5X3-MM THK)						
	19	1	<b>117-8801</b>	1	SEAL-O-RING						
	20	1	<b>5E-8771</b>	1	SEAL-O-RING						
	21	1	<b>159-1533</b>	1	PLATE-SEALING						
	22	1	<b>159-8524</b>	1	ADAPTER AS						
		1	<b>6V-3677</b>	1	DOWEL						
	23	1	<b>102-5861</b>	1	PLATE-THRUST						
	24	1	<b>107-0583</b>	3	BOLT-LOCKING (1/4-20X0.87-IN)						
Y	25	1	<b>353-0186</b>	1	GEAR GP-CAMSHAFT						72

Y - SEPARATE ILLUSTRATION

# BASIC ENGINE

208-9490 GEAR GP - FRONT (contd.)

i05237692



GRAPHIC #1

<END>

g03342054

# BASIC ENGINE

## 208-9490 GEAR GP-FRONT

S/N: BNT1278-UP

PART OF 235-3479 ENGINE AR-CORE  
AN ATTACHMENT

SMCS-1151, 1162, 1206

i05328589

NOTE	REF NO	GRAPHIC REF	PART NUMBER	QTY	PART NAME						SEE PAGE
					1	2	3	4	5	6 (PRODUCT LEVEL)	
	1	1	<b>0S-1571</b>	1	BOLT (3/8-16X1.75-IN)						
	2	1	<b>2J-3118</b>	5	BOLT-LOCKING (3/8-16X1.25-IN)						
	3	1	<b>5P-4142</b>	2	BOLT-LOCKING (3/8-16X1.5-IN)						
	4	1	<b>1B-8705</b>	1	KEY-WOODRUFF						
	5	1	<b>1P-7346</b>	1	WASHER-HARD (10.2X35X6-MM THK)						
	6	1	<b>126-1756</b>	10	BOLT-LOCKING (5/16-18X0.875-IN)						
	7	1	<b>112-9217</b>	1	PLATE-THRUST						
	8	1	<b>130-4701</b>	1	GEAR AS (56-TEETH)						
		1	<b>130-4698</b>	1	BUSHING						
	9	1	<b>151-5966</b>	1	SHAFT AS-STUB						
		1	<b>6I-3623</b>	1	DOWEL						
	10	1	<b>6I-3624</b>	2	PLATE-THRUST						
	11	1	<b>6I-3625</b>	1	GEAR AS (71-TEETH)						
		1	<b>101-8468</b>	1	BUSHING						
	12	1	<b>149-9107</b>	1	GEAR AS-CLUSTER (105, 63-TEETH)						
		1	<b>1B-8705</b>	1	KEY-WOODRUFF						
		1	<b>6I-4582</b>	1	GEAR (63-TEETH)						
		1	<b>131-7123</b>	1	BUSHING						
		1	<b>149-9106</b>	1	GEAR-CLUSTER (105-TEETH)						
	13	1	<b>197-4971</b>	1	SHAFT-STUB						
	14	1	<b>158-3416</b>	1	SHAFT-STUB						
	15	1	<b>031-3185</b>	6	BOLT-12 POINT HEAD (5/8-11X3-IN)						
	16	1	<b>149-9110</b>	1	GEAR-OIL PUMP DRIVE (69-TEETH)						
	17	1	<b>9S-8752</b>	10	NUT-FULL (3/8-16-THD)						
	18	1	<b>9X-6458</b>	12	WASHER-HARD (10.2X22.5X3-MM THK)						
	19	1	<b>117-8801</b>	1	SEAL-O-RING						
	20	1	<b>5E-8771</b>	1	SEAL-O-RING						
	21	1	<b>159-1533</b>	1	PLATE-SEALING						
	22	1	<b>159-8524</b>	1	ADAPTER AS						
		1	<b>6V-3677</b>	1	DOWEL						
	23	1	<b>102-5861</b>	1	PLATE-THRUST						
	24	1	<b>107-0583</b>	3	BOLT-LOCKING (1/4-20X0.87-IN)						
CY	25	1	<b>353-0186</b>	1	GEAR GP-CAMSHAFT						72

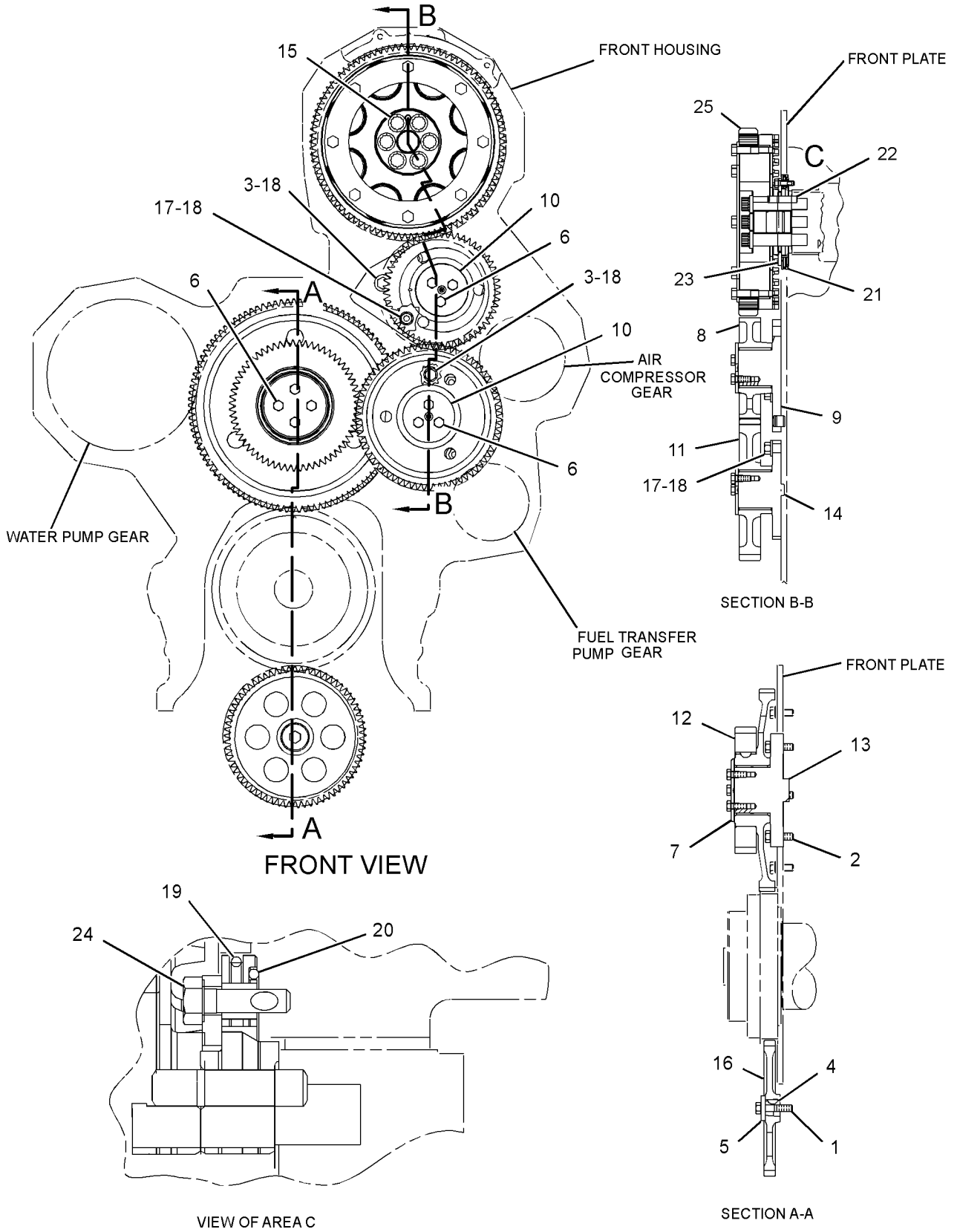
C - CHANGE FROM PREVIOUS TYPE  
Y - SEPARATE ILLUSTRATION



# BASIC ENGINE

208-9490 GEAR GP - FRONT (contd.)

i05328589



GRAPHIC #1

<END>

g03342054

# BASIC ENGINE

## 157-3495 HOUSING GP-ENGINE BRAKE

S/N: BNT1059-UP

PART OF 148-7486 ENGINE BRAKE GP  
AN ATTACHMENT

SMCS-1129

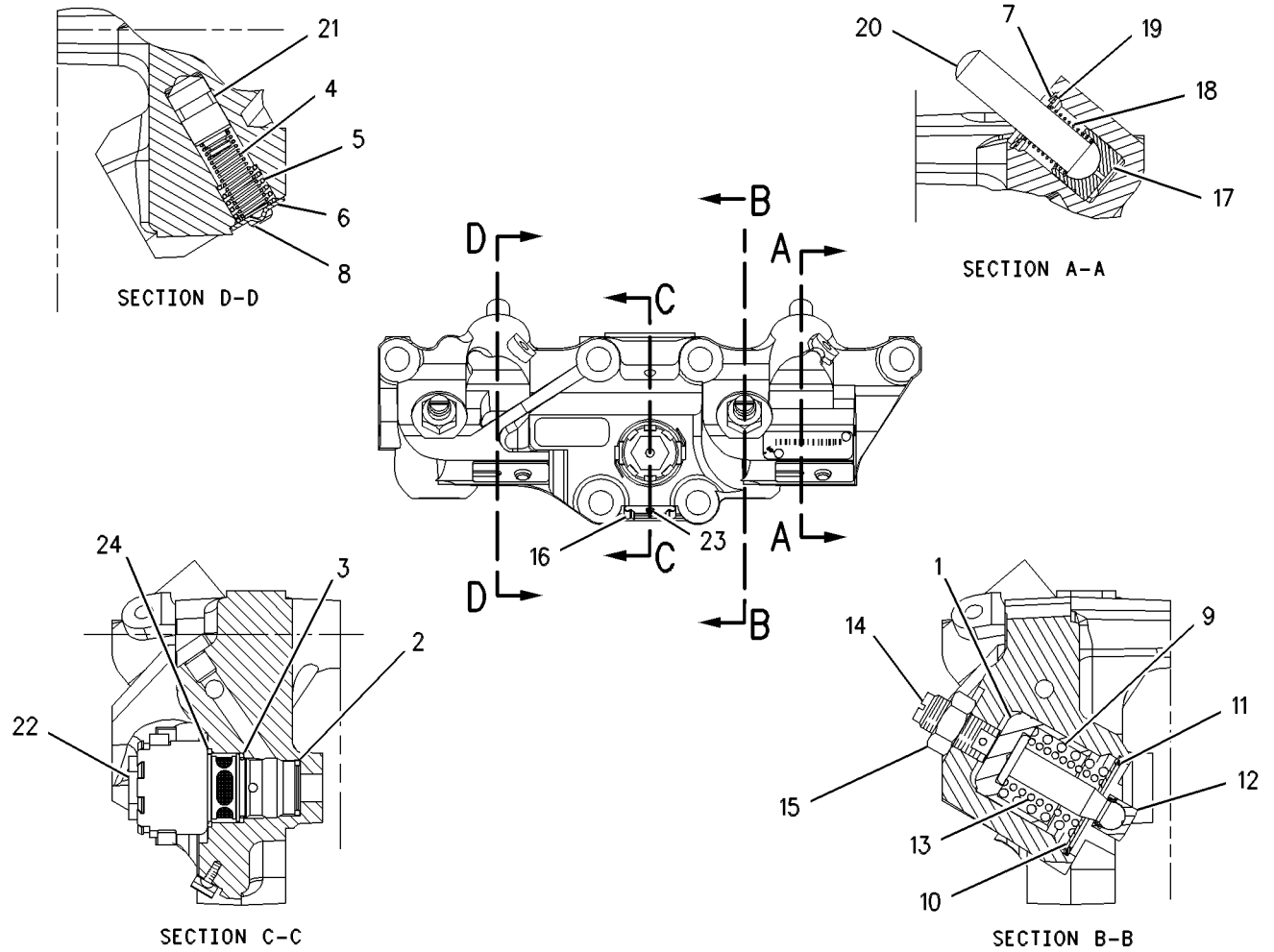
i03654200

NOTE	REF NO	GRAPHIC REF	PART NUMBER	QTY	PART NAME						SEE PAGE
					1	2	3	4	5	6 (PRODUCT LEVEL)	
	1	1	143-6580	2	PISTON						
	2	1	2U-1493	1	SEAL						
	3	1	2U-1492	1	SEAL						
	4	1	143-2536	2	SPRING (INNER) (CONTROL VALVE)						
	5	1	143-2596	2	SPRING (OUTER) (CONTROL VALVE)						
	6	1	143-6589	2	COVER						
	7	1	143-6679	2	RING-RETAINING						
	8	1	10-9551	2	SCREW-BUTTON HEAD (1/2-20X3/8-IN)						
	9	1	143-6581	2	SPRING (OUTER) (SLAVE PISTON)						
	10	1	143-6588	2	WASHER (12.7X36.1X1.07-MM THK)						
	11	1	143-6561	2	RING-RETAINING						
	12	1	143-6590	2	PUSHROD AS						
	13	1	143-6582	2	SPRING (INNER) (SLAVE PISTON)						
	14	1	148-7485	2	SCREW AS-ADJUSTMENT						
	15	1	6B-6684	2	NUT-FULL (1/2-20-THD)						
	16	1	143-6579	1	CLIP-HARNESS						
	17	1	143-6583	2	PISTON (MASTER)						
	18	1	143-6584	2	SPRING (MASTER PISTON)						
	19	1	164-2025	2	KIT-RETAINER (COMPRESSION BRAKE) (EACH INCLUDES RETAINER WASHERS)						
	20	1	143-6585	2	PUSHROD (MASTER PISTON)						
	21	1	102-8780	2	SPOOL AS-VALVE						
	22	1	163-1553	1	SOLENOID (24-VOLT) (ENGINE BRAKE)						
	23	1	143-6680	1	SCREW-DRIVE						
	24	1	143-6642	1	SEAL						

# BASIC ENGINE

157-3495 HOUSING GP-ENGINE BRAKE (contd.)

i03654200



GRAPHIC #1

<END>

g00293449

# BASIC ENGINE

## 189-5950 HOUSING GP-ENGINE BRAKE

S/N: BNT1-UP

PART OF 148-7486 ENGINE BRAKE GP  
AN ATTACHMENT

SMCS-1129

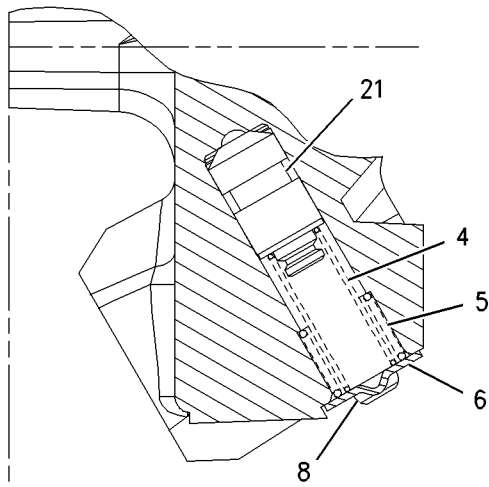
i03626114

NOTE	REF NO	GRAPHIC REF	PART NUMBER	QTY	PART NAME						SEE PAGE
					1	2	3	4	5	6 (PRODUCT LEVEL)	
	1	1	<b>143-6580</b>	2	PISTON						
	2	1	<b>2U-1493</b>	1	SEAL						
	3	1	<b>2U-1492</b>	1	SEAL						
	4	1	<b>143-2536</b>	2	SPRING (INNER) (CONTROL VALVE)						
	5	1	<b>143-2596</b>	2	SPRING (OUTER) (CONTROL VALVE)						
	6	1	<b>143-6589</b>	2	COVER						
	7	1	<b>143-6679</b>	2	RING-RETAINING						
	8	1	<b>10-9551</b>	2	SCREW-BUTTON HEAD (1/2-20X3/8-IN)						
	9	1	<b>143-6581</b>	2	SPRING (OUTER) (SLAVE PISTON)						
	10	1	<b>143-6588</b>	2	WASHER (12.7X36.1X1.07-MM THK)						
	11	1	<b>143-6561</b>	2	RING-RETAINING						
	12	1	<b>192-5501</b>	2	PUSHROD AS						
	13	1	<b>143-6582</b>	2	SPRING (INNER) (SLAVE PISTON)						
	14	1	<b>192-5502</b>	2	SCREW AS-ADJUSTMENT						
	15	1	<b>6B-6684</b>	2	NUT-FULL (1/2-20-THD)						
	16	1	<b>143-6579</b>	1	CLIP-HARNESS						
	17	1	<b>143-6583</b>	2	PISTON (MASTER)						
	18	1	<b>143-6584</b>	2	SPRING (MASTER PISTON)						
	19	1	<b>164-2025</b>	2	KIT-RETAINER (COMPRESSION BRAKE) (ENGINE BRAKE HOUSING)						
					(EACH INCLUDES RETAINER WASHERS)						
	20	1	<b>143-6585</b>	2	PUSHROD (MASTER PISTON)						
	21	1	<b>102-8780</b>	2	SPOOL AS-VALVE						
	22	1	<b>163-1553</b>	1	SOLENOID (24-VOLT) (ENGINE BRAKE)						
	23	1	<b>143-6680</b>	1	SCREW-DRIVE						
	24	1	<b>143-6642</b>	1	SEAL						

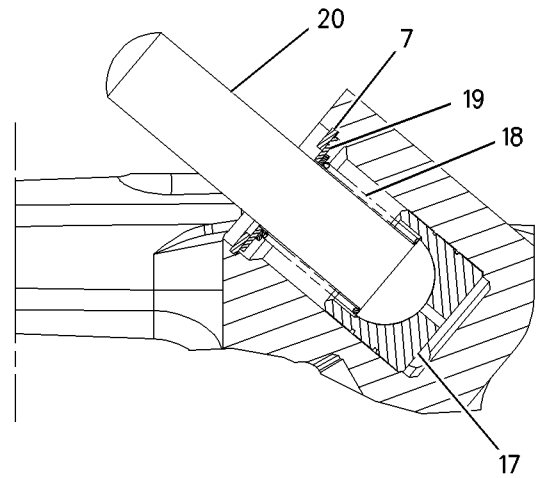
# BASIC ENGINE

189-5950 HOUSING GP-ENGINE BRAKE (contd.)

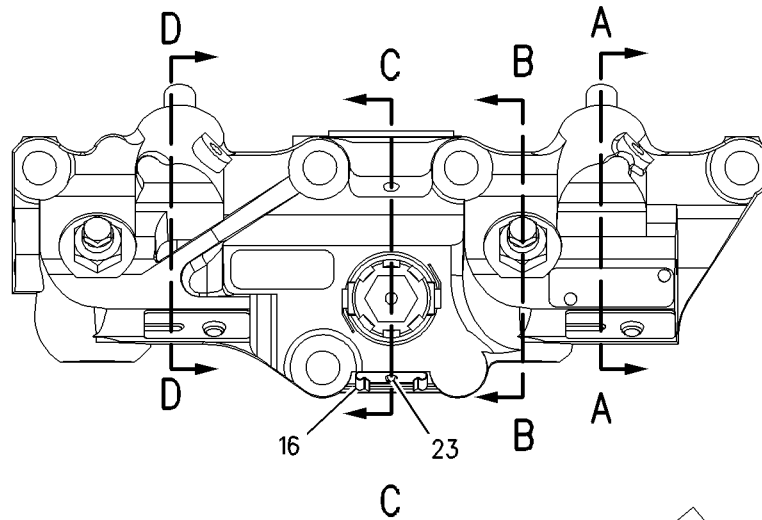
i03626114



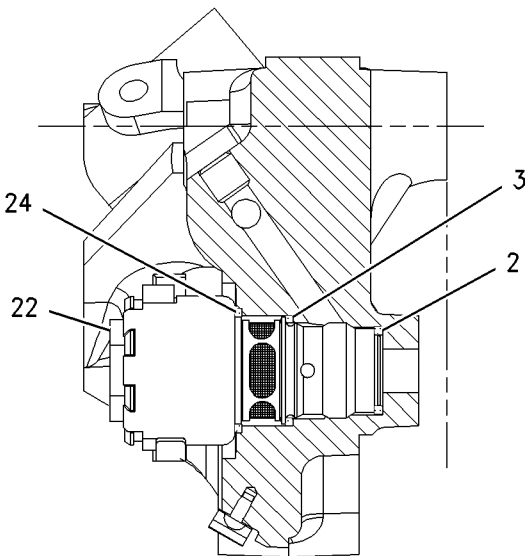
SECTION D-D



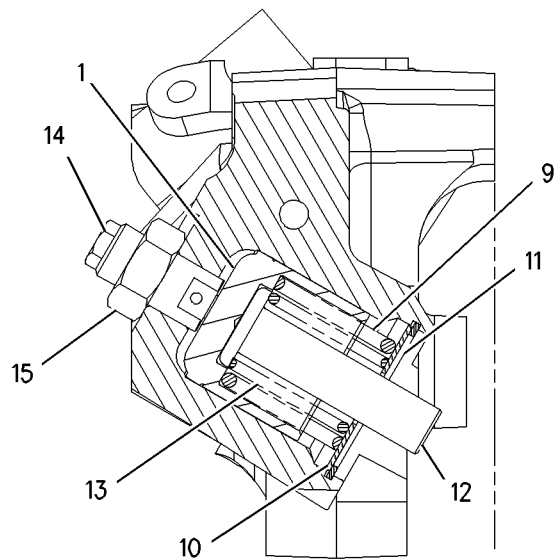
SECTION A-A



C



SECTION C-C



SECTION B-B

GRAPHIC #1

<END>

g00737464

# BASIC ENGINE

## 221-1197 HOUSING GP-ENGINE BRAKE

S/N: BNT1-UP

24-VOLT

PART OF 148-7486, 221-1196 ENGINE BRAKE GP  
AN ATTACHMENT

SMCS-1129

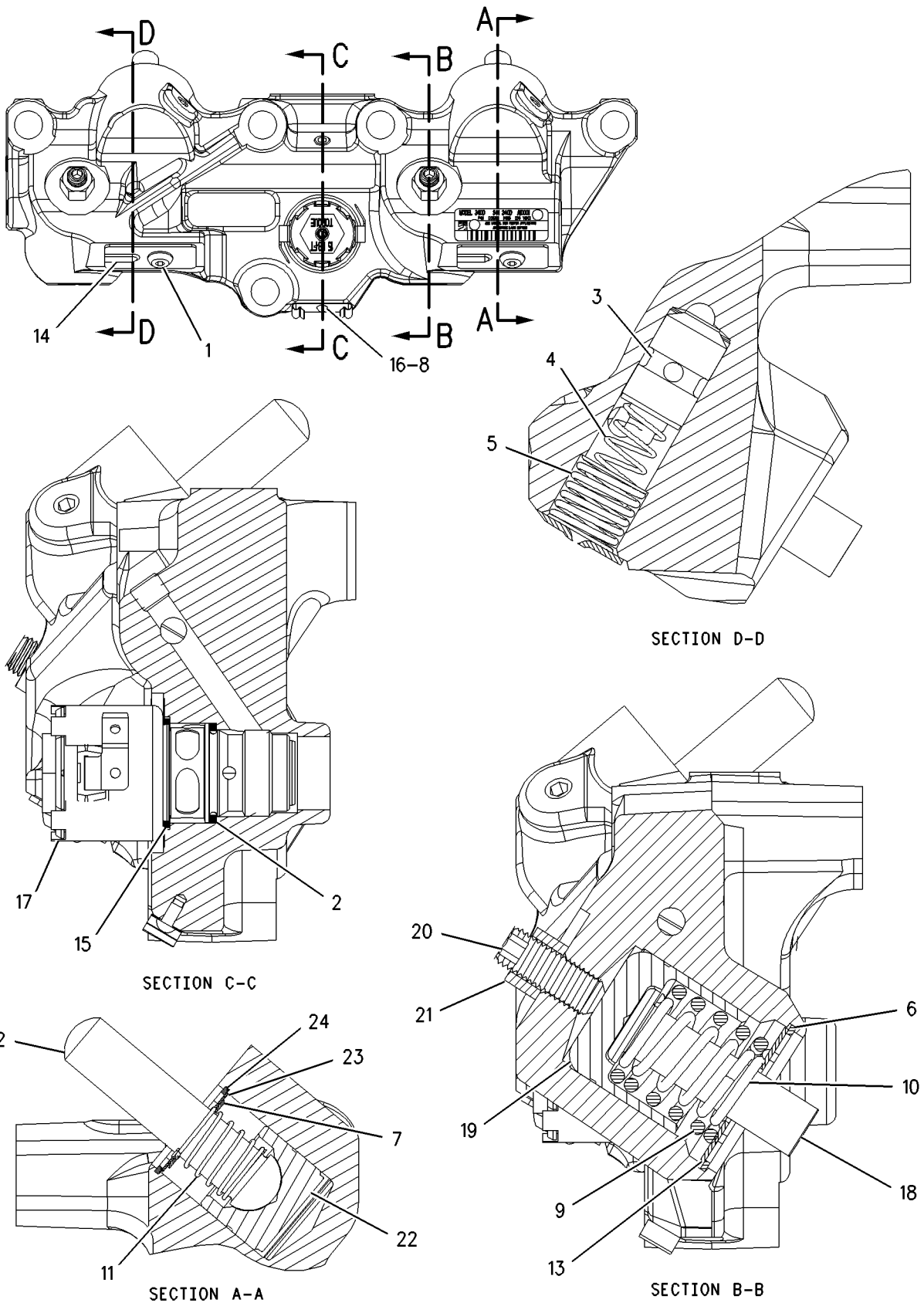
i03626118

NOTE	REF NO	GRAPHIC REF	PART NUMBER	QTY	PART NAME						SEE PAGE
					1	2	3	4	5	6	
	1	1	<b>1Q-9551</b>	2	SCREW-BUTTON HEAD (1/2-20X3/8-IN)						
	2	1	<b>2U-1492</b>	1	SEAL						
	3	1	<b>102-8780</b>	2	SPOOL AS-VALVE						
	4	1	<b>143-2536</b>	2	SPRING (INNER) (CONTROL VALVE)						
	5	1	<b>143-2596</b>	2	SPRING (OUTER) (CONTROL VALVE)						
	6	1	<b>143-6561</b>	2	RING-RETAINING						
	7	1	<b>143-6575</b>	2	WASHER (12.7X20.2X0.66-MM THK)						
	8	1	<b>143-6579</b>	1	CLIP-HARNESS						
	9	1	<b>143-6581</b>	2	SPRING (OUTER) (SLAVE PISTON)						
	10	1	<b>143-6582</b>	2	SPRING (INNER) (SLAVE PISTON)						
	11	1	<b>143-6584</b>	2	SPRING (MASTER PISTON)						
	12	1	<b>143-6585</b>	2	PUSHROD (MASTER PISTON)						
	13	1	<b>143-6588</b>	2	WASHER (12.7X36.1X1.07-MM THK)						
	14	1	<b>143-6589</b>	2	COVER						
	15	1	<b>143-6642</b>	1	SEAL						
	16	1	<b>143-6680</b>	3	SCREW-DRIVE						
	17	1	<b>163-1553</b>	1	SOLENOID (24-VOLT) (ENGINE BRAKE)						
	18	1	<b>192-5501</b>	2	PUSHROD AS (SLAVE PISTON)						
	19	1	<b>221-1190</b>	2	PISTON (SLAVE)						
	20	1	<b>221-1191</b>	2	SCREW						
	21	1	<b>221-1192</b>	2	NUT (3/8-24 THD)						
	22	1	<b>221-1193</b>	2	PISTON (MASTER)						
	23	1	<b>221-1194</b>	2	WASHER						
	24	1	<b>221-1195</b>	2	RING-RETAINING						

# BASIC ENGINE

221-1197 HOUSING GP-ENGINE BRAKE (contd.)

i03626118



GRAPHIC #1

<END>

g00918048

# BASIC ENGINE

## 134-2809 HOUSING GP-FLYWHEEL

S/N: BNT1-UP

PART OF 198-6489, 198-6490, 235-4732, 235-4733 ENGINE AR-COMplete  
AN ATTACHMENT

SMCS-1157

i02972468

NOTE	REF NO	GRAPHIC REF	PART NUMBER	QTY	PART NAME	SEE PAGE
					1 2 3 4 5 6 (PRODUCT LEVEL)	
	1	1	<b>131-8107</b>	1	HOUSING AS-FLYWHEEL	
		1	<b>1W-3136</b>	1	BAFFLE	
	2	1	<b>155-5619</b>	1	GASKET	
	3	1	<b>165-3929</b>	8	BOLT (3/8-16X1.5-IN)	
	4	1	<b>5M-2894</b>	17	WASHER-HARD (10.2X18.5X2.5-MM THK)	
	5	1	<b>7K-6058</b>	9	BOLT-12 POINT HEAD (1/2-13X2.5-IN)	
	6	1	<b>5P-8245</b>	9	WASHER-HARD (13.5X25.5X3.0-MM THK)	
	7	1	<b>165-3933</b>	7	BOLT (3/8-16X2.25-IN)	
	8	1	<b>5M-6213</b>	2	PLUG-PIPE	
	9	1	<b>7X-7731</b>	2	PLUG-PIPE	
	10	1	<b>5F-0304</b>	1	PLUG	
	11	1	<b>4B-4043</b>	3	BOLT (5/8-11X1.375-IN)	
	12	1	<b>5P-8247</b>	3	WASHER-HARD (17X32X3.5-MM THK)	
	13	1	<b>0S-1619</b>	1	BOLT (3/8-16X3-IN)	
	14	1	<b>0S-1594</b>	1	BOLT (3/8-16X1-IN)	
	15	1	<b>3H-0761</b>	1	COVER-OPENING	
	16	1	<b>9Y-6089</b>	1	GASKET	
	17	1	<b>2P-2772</b>	1	COVER	
	18	1	<b>4N-0933</b>	1	GASKET	
Y	19	1	<b>319-0785</b>	1	SEAL GP-CRANKSHAFT (REAR FLYWHEEL HOUSING)	114
	20	1	<b>2A-1162</b>	1	GASKET	

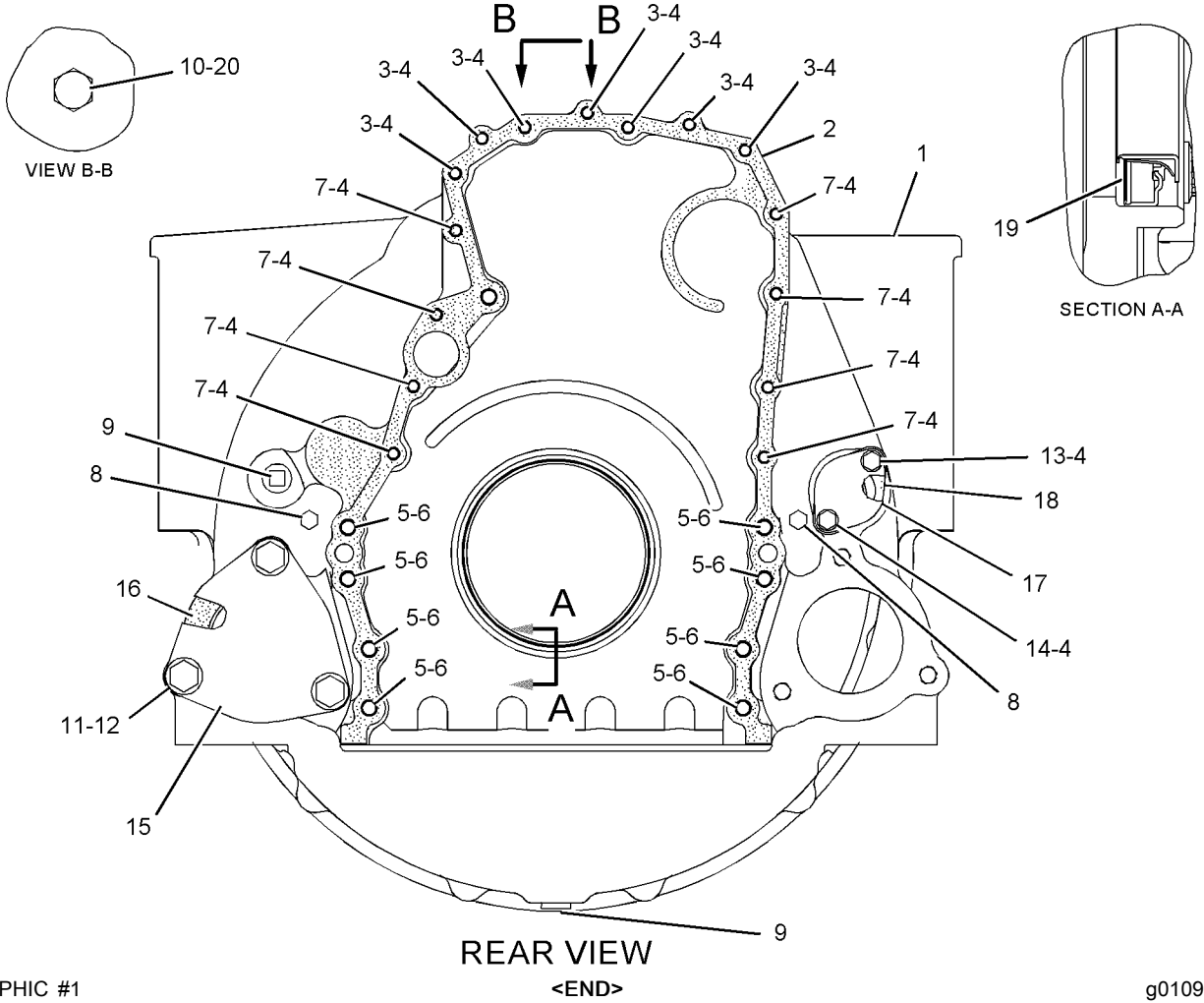
Y - SEPARATE ILLUSTRATION



# BASIC ENGINE

134-2809 HOUSING GP-FLYWHEEL (contd.)

i02972468



REAR VIEW  
<END>

GRAPHIC #1

g01099251

# BASIC ENGINE

## 134-2809 HOUSING GP-FLYWHEEL

S/N: BNT10251-UP

PART OF 235-4732, 235-4733 ENGINE AR-COMPLETE  
AN ATTACHMENT

SMCS-1157

i03874085

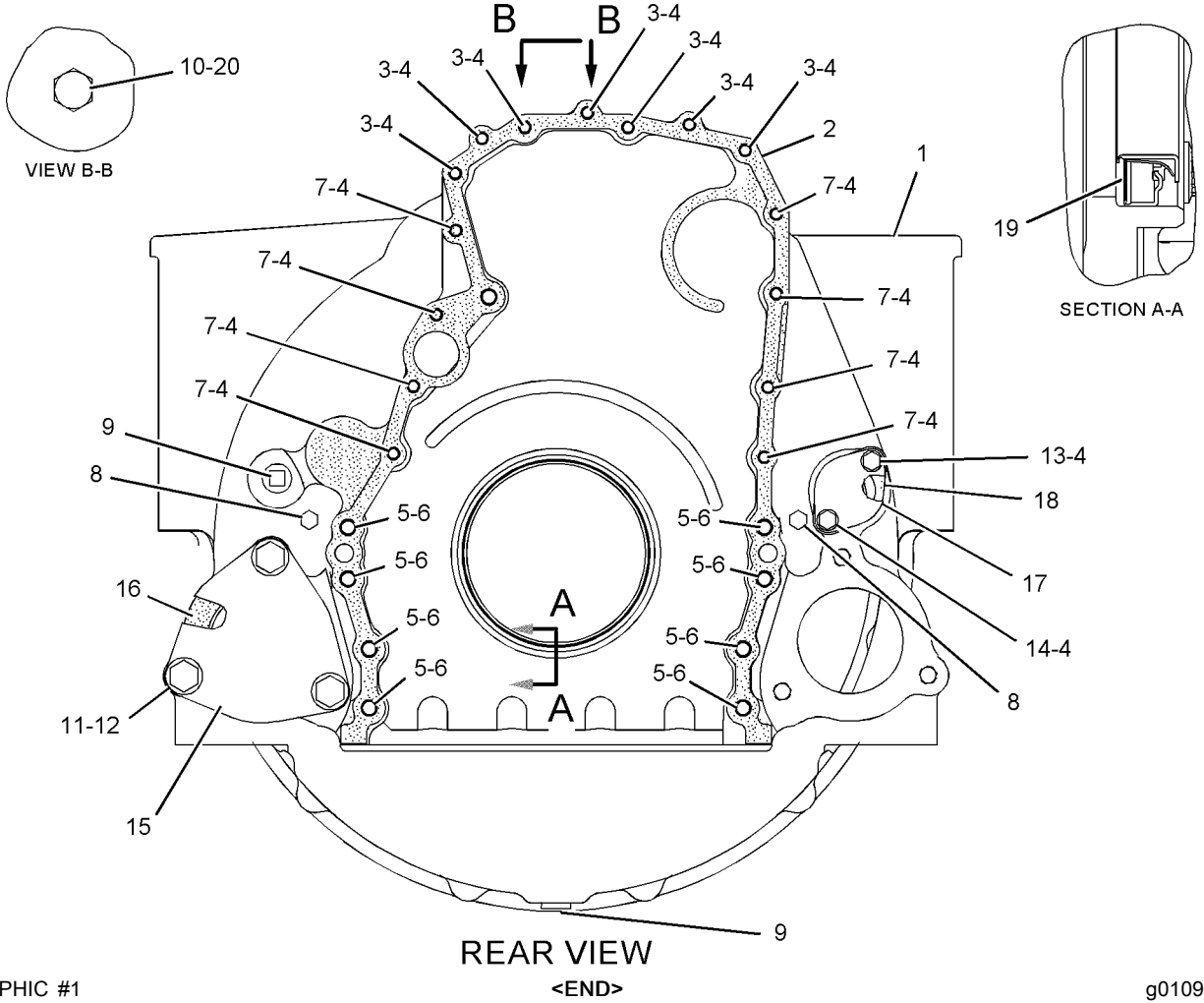
NOTE	REF NO	GRAPHIC REF	PART NUMBER	QTY	PART NAME						SEE PAGE
					1	2	3	4	5	6 (PRODUCT LEVEL)	
	1	1	<b>131-8107</b>	1	HOUSING AS-FLYWHEEL						
			<b>1W-3136</b>	1	BAFFLE						
	2	1	<b>155-5619</b>	1	GASKET						
	3	1	<b>165-3929</b>	8	BOLT (3/8-16X1.5-IN)						
	4	1	<b>5M-2894</b>	17	WASHER-HARD (10.2X18.5X2.5-MM THK)						
	5	1	<b>7K-6058</b>	9	BOLT-12 POINT HEAD (1/2-13X2.5-IN)						
	6	1	<b>5P-8245</b>	9	WASHER-HARD (13.5X25.5X3.0-MM THK)						
	7	1	<b>165-3933</b>	7	BOLT (3/8-16X2.25-IN)						
	8	1	<b>8T-6765</b>	2	PLUG-PIPE						
	9	1	<b>7X-7731</b>	2	PLUG-PIPE						
	10	1	<b>5F-0304</b>	1	PLUG						
	11	1	<b>4B-4043</b>	3	BOLT (5/8-11X1.375-IN)						
	12	1	<b>5P-8247</b>	3	WASHER-HARD (17X32X3.5-MM THK)						
	13	1	<b>0S-1619</b>	1	BOLT (3/8-16X3-IN)						
	14	1	<b>0S-1594</b>	1	BOLT (3/8-16X1-IN)						
	15	1	<b>3H-0761</b>	1	COVER-OPENING						
	16	1	<b>9Y-6089</b>	1	GASKET						
	17	1	<b>2P-2772</b>	1	COVER						
C	18	1	<b>234-8937</b>	1	SEAL-INTEGRAL						
Y	19	1	<b>319-0785</b>	1	SEAL GP-CRANKSHAFT (REAR FLYWHEEL HOUSING)						114
	20	1	<b>2A-1162</b>	1	GASKET						

C - CHANGE FROM PREVIOUS TYPE  
Y - SEPARATE ILLUSTRATION

# BASIC ENGINE

134-2809 HOUSING GP-FLYWHEEL (contd.)

i03874085



REAR VIEW  
<END>

GRAPHIC #1

g01099251

# BASIC ENGINE

## 199-1445 HOUSING GP-FRONT

S/N: BNT1-UP

PART OF 198-6489, 198-6490, 235-4732, 235-4733 ENGINE AR-COMplete  
AN ATTACHMENT

SMCS-1151, 1162, 1206

i03925174

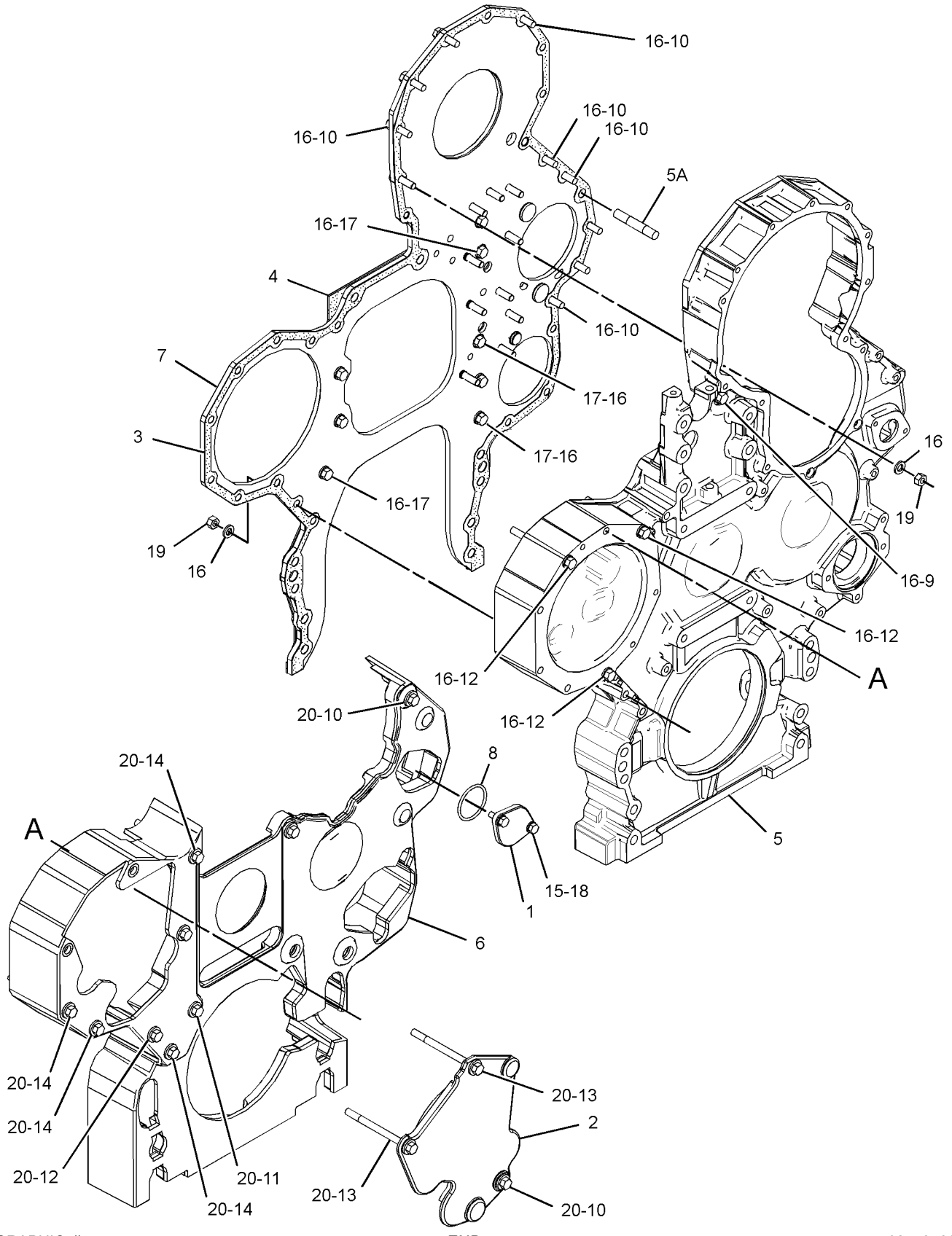
NOTE	REF NO	GRAPHIC REF	PART NUMBER	QTY	PART NAME						SEE PAGE
					1	2	3	4	5	6 (PRODUCT LEVEL)	
	1	1	<b>7C-1445</b>	1	COVER						
	2	1	<b>100-3098</b>	1	COVER AS-PANEL						
	3	1	<b>155-9524</b>	1	SEAL-INTEGRAL						
	4	1	<b>166-9144</b>	1	GASKET						
	5	1	<b>175-1483</b>	1	HOUSING AS-FRONT						
	5A	1	<b>3E-8044</b>		STUD (1/2-13X2.95-IN)						
	6	1	<b>324-6804</b>	1	COVER AS						
Y	7	1	<b>353-9979</b>	1	PLATE AS-FRONT HOUSING						104
	8	1	<b>061-9455</b>	1	SEAL-O-RING						
	9	1	<b>0L-2070</b>	1	BOLT (3/8-16X2.25-IN)						
	10	1	<b>0S-1588</b>	11	BOLT (3/8-16X1.25-IN)						
	11	1	<b>0S-1594</b>	3	BOLT (3/8-16X1-IN)						
	12	1	<b>0T-0055</b>	4	BOLT (3/8-16X4.25-IN)						
	13	1	<b>1A-5183</b>	2	BOLT (3/8-16X4.75-IN)						
	14	1	<b>1A-5964</b>	4	BOLT (3/8-16X4.5-IN)						
	15	1	<b>2B-2695</b>	2	BOLT (5/16-18X0.875-IN)						
	16	1	<b>5M-2894</b>	23	WASHER-HARD (10.2X18.5X2.5-MM THK)						
	17	1	<b>5P-4255</b>	8	BOLT-LOCKING (3/8-16X1-IN)						
	18	1	<b>9M-1974</b>	2	WASHER-HARD (8.8X16X2-MM THK)						
	19	1	<b>9S-8752</b>	2	NUT-FULL (3/8-16-THD)						
	20	1	<b>9X-6458</b>	12	WASHER-HARD (10.2X22.5X3-MM THK)						

Y - SEPARATE ILLUSTRATION

# BASIC ENGINE

199-1445 HOUSING GP-FRONT (contd.)

i03925174



GRAPHIC #1

<END>

g02153488

# BASIC ENGINE

## 111-2088 LIFTING GP-ENGINE

S/N: BNT1-UP

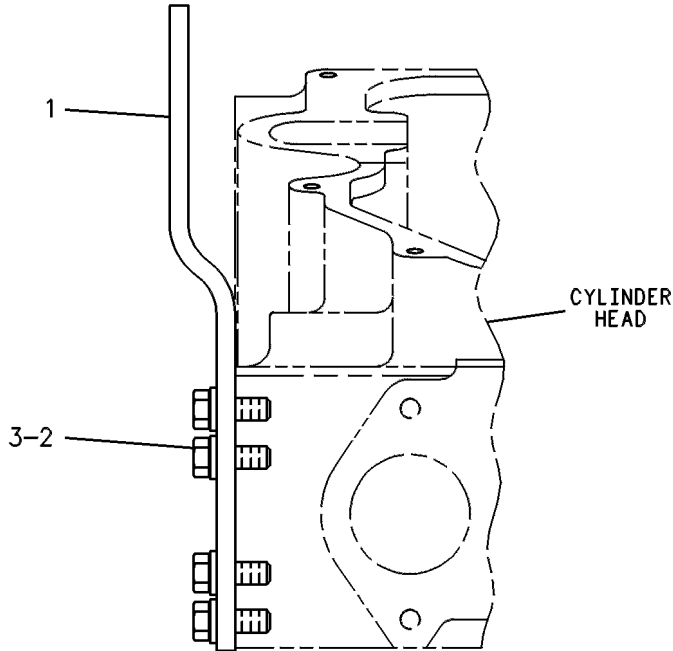
REAR, LOW PROFILE LIFTING EYE

PART OF 198-6489, 198-6490, 235-4732, 235-4733 ENGINE AR-COMplete  
AN ATTACHMENT

SMCS-1122

i02332229

NOTE	REF NO	GRAPHIC REF	PART NUMBER	QTY	PART NAME						SEE PAGE
					1	2	3	4	5	6 (PRODUCT LEVEL)	
	1	1	<b>109-9985</b>	1	EYE-LIFTING						
	2	1	<b>0S-1594</b>	8	BOLT (3/8-16X1-IN)						
	3	1	<b>5M-2894</b>	8	WASHER-HARD (10.2X18.5X2.5-MM THK)						



GRAPHIC #1

<END>

g00238183

# BASIC ENGINE

## 111-2355 LIFTING GP-ENGINE

S/N: BNT1-UP

FRONT- OFFSET LIFTING EYE

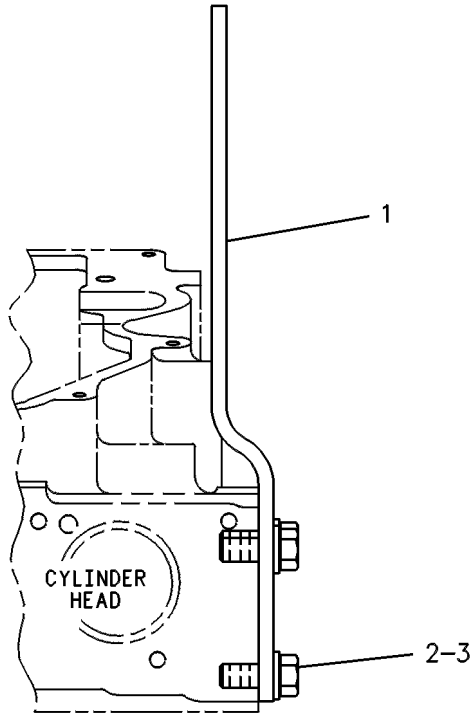
CANNOT BE USED WITH ALTERNATOR MOUNTING

PART OF 198-6489, 198-6490, 235-4732, 235-4733 ENGINE AR-COMplete  
AN ATTACHMENT

SMCS-1122

i00833389

NOTE	REF NO	GRAPHIC REF	PART NUMBER	QTY	PART NAME						SEE PAGE
					1	2	3	4	5	6 (PRODUCT LEVEL)	
	1	1	<b>110-4344</b>	1	EYE-LIFTING						
	2	1	<b>0S-1595</b>	4	BOLT (1/2-13X1.25-IN)						
	3	1	<b>5P-8245</b>	4	WASHER-HARD (13.5X25.5X3-MM THK)						



GRAPHIC #1

<END>

g00238181

# BASIC ENGINE

## 148-7482 MECHANISM GP-FUEL PUMP & VALVE

S/N: BNT1-UP

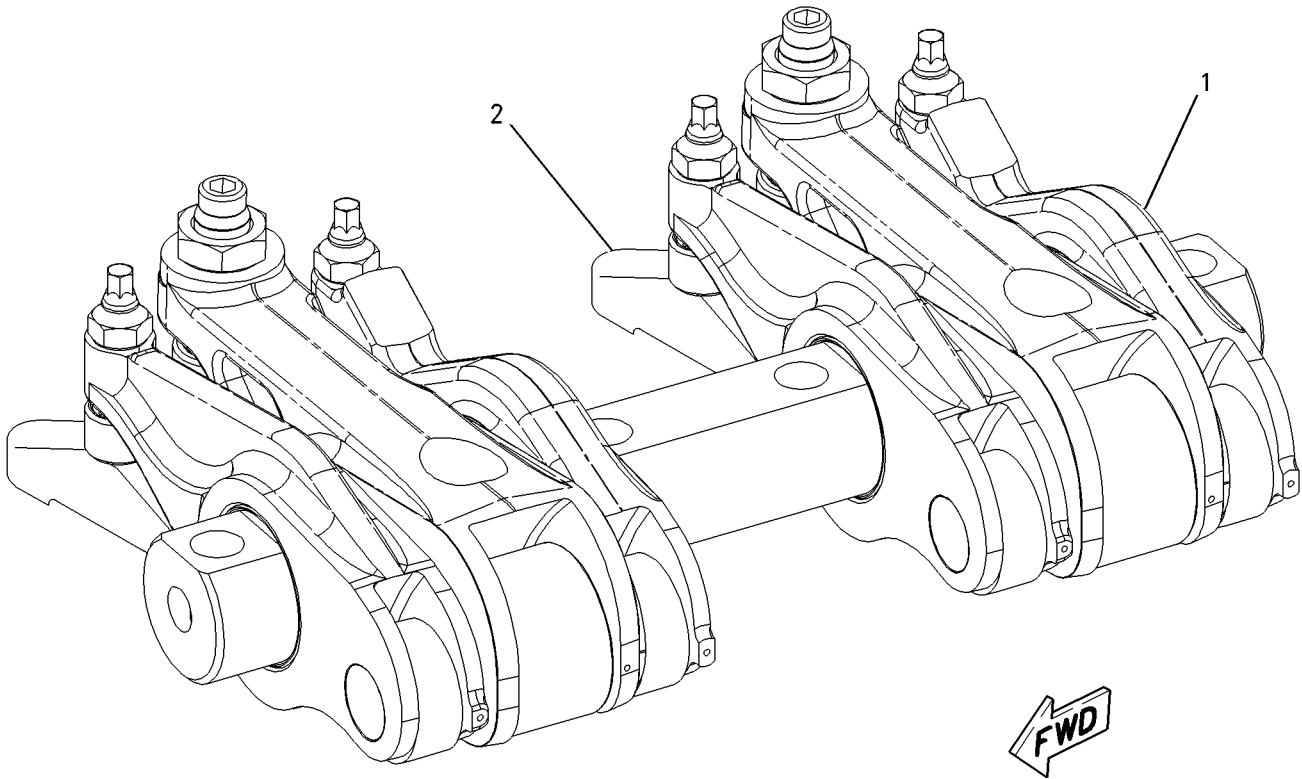
PART OF 198-6487, 235-3479 ENGINE AR-CORE  
AN ATTACHMENT

SMCS-1102, 1123

i01768605

NOTE	REF NO	GRAPHIC REF	PART NUMBER	QTY	PART NAME						SEE PAGE
					1	2	3	4	5	6 (PRODUCT LEVEL)	
CY	1	1	198-9898	3	ROCKER ARM GP						112
	2	1	6I-1458	12	BRIDGE-VALVE						

C - CHANGE FROM PREVIOUS TYPE  
Y - SEPARATE ILLUSTRATION



GRAPHIC #1

<END>

g00905240



# BASIC ENGINE

## 188-1754 MOUNTING GP-ALTERNATOR & COMPR

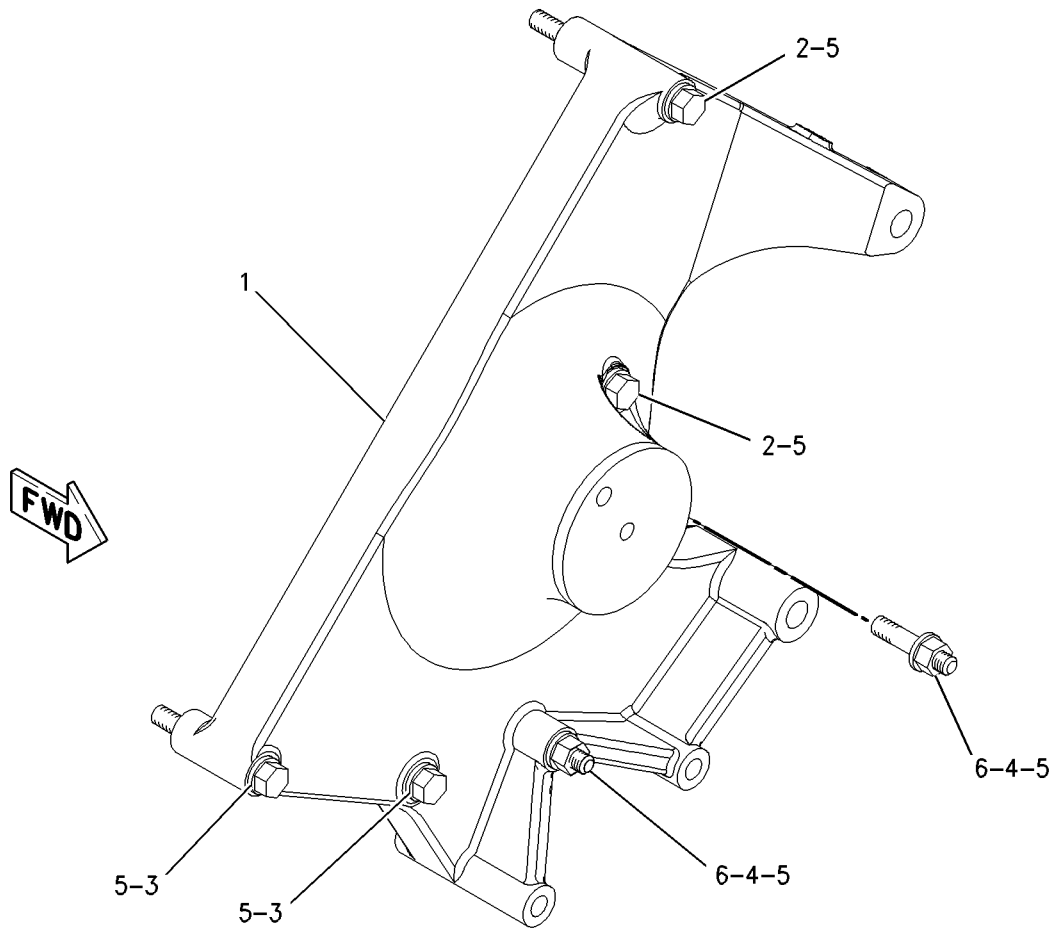
S/N: BNT1-UP

PART OF 198-6489, 198-6490, 235-4732, 235-4733 ENGINE AR-COMPLETE  
AN ATTACHMENT

SMCS-1405, 1802

i01444958

NOTE	REF NO	GRAPHIC REF	PART NUMBER	QTY	PART NAME						SEE PAGE
					1	2	3	4	5	6 (PRODUCT LEVEL)	
	1	1	<b>188-1755</b>	1	SUPPORT						
	2	1	<b>0S-1608</b>	2	BOLT (3/8-16X3.75-IN)						
	3	1	<b>0T-0573</b>	2	BOLT (3/8-16X2.75-IN)						
	4	1	<b>2P-1974</b>	2	STUD-TAPERLOCK (3/8-16X4.2-IN)						
	5	1	<b>5M-2894</b>	6	WASHER-HARD (10.2X18.5X2.5-MM THK)						
	6	1	<b>9S-8752</b>	2	NUT-FULL (3/8-16-THD)						



GRAPHIC #1

<END>

g00759989

# BASIC ENGINE

## 175-3860 PAN GP-OIL-ENGINE

S/N: BNT1-10198

PART OF 198-6489, 198-6490, 235-4732, 235-4733 ENGINE AR-COMplete  
AN ATTACHMENT

SMCS-1302

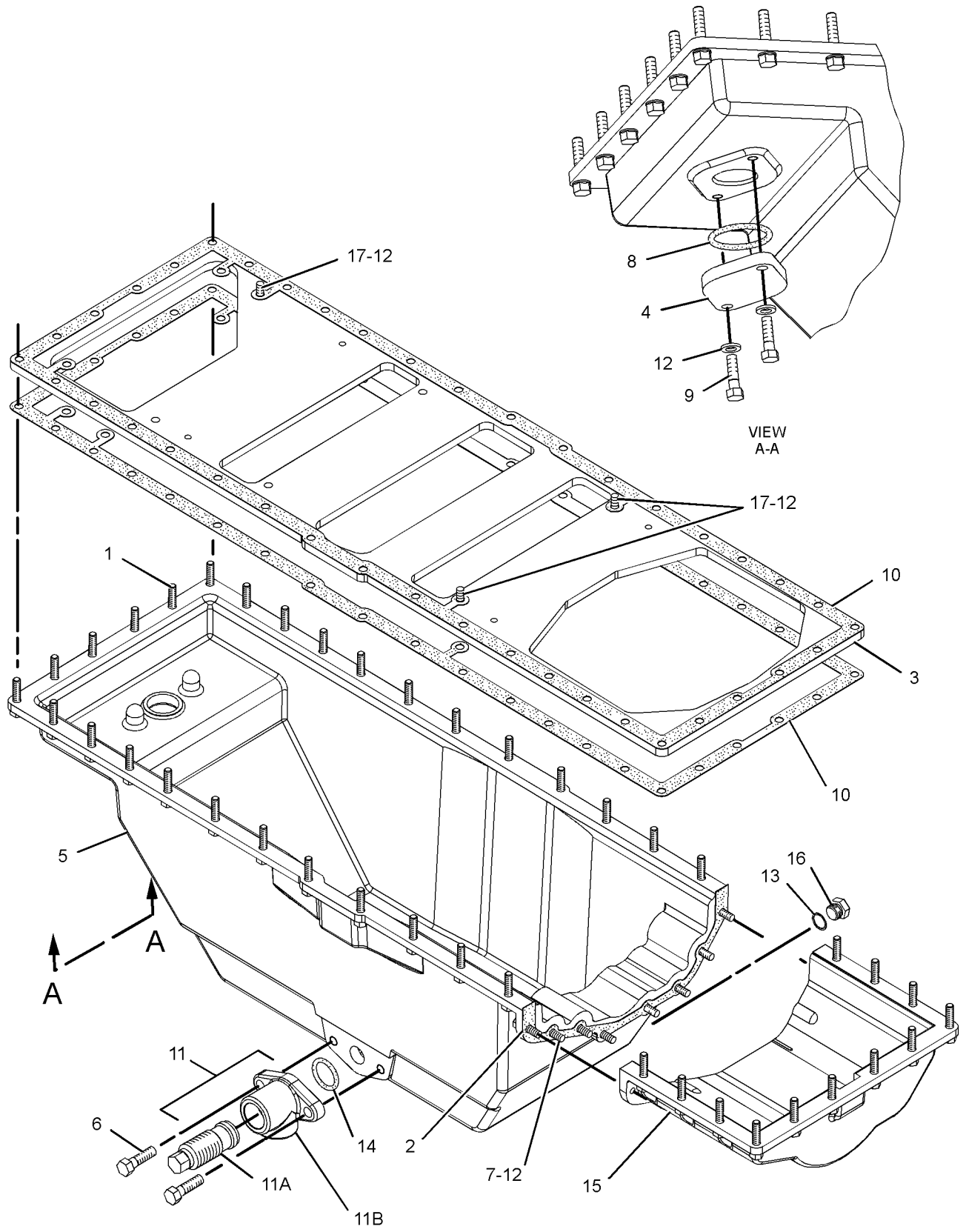
i04540604

NOTE	REF NO	GRAPHIC REF	PART NUMBER	QTY	PART NAME						SEE PAGE
					1	2	3	4	5	6 (PRODUCT LEVEL)	
	1	1	<b>2P-3205</b>	40	BOLT-WASHER HEAD (3/8-16X1.75-IN)						
	2	1	<b>7E-4342</b>	1	GASKET						
	3	1	<b>9N-3167</b>	1	PLATE						
	4	1	<b>175-3868</b>	1	COVER						
	5	1	<b>179-3211</b>	1	PAN-OIL						
	6	1	<b>0S-1587</b>	2	BOLT (1/2-13X1.75-IN)						
	7	1	<b>0S-1588</b>	8	BOLT (3/8-16X1.25-IN)						
	8	1	<b>109-0076</b>	1	SEAL-O-RING						
	9	1	<b>3B-1915</b>	2	BOLT (3/8-16X1.375-IN)						
	10	1	<b>4N-1151</b>	2	GASKET						
	11	1	<b>4P-0519</b>	1	ADAPTER AS-DRAIN						
	11A	1	<b>109-5839</b>	1	PLUG-DRAIN (ENGINE OIL PAN)						
	11B	1	<b>109-5840</b>	1	ADAPTER-PLUG						
	12	1	<b>5M-2894</b>	13	WASHER-HARD (10.2X18.5X2.5-MM THK)						
	13	1	<b>5P-7701</b>	1	SEAL-O-RING						
	14	1	<b>6V-3830</b>	1	SEAL-O-RING						
	15	1	<b>7E-4341</b>	1	PAN-OIL						
	16	1	<b>9S-9334</b>	1	PLUG-O-RING						
	17	1	<b>1A-2029</b>	3	BOLT (3/8-16X1.125-IN)						

# BASIC ENGINE

175-3860 PAN GP-OIL (contd.)

i04540604



GRAPHIC #1

<END>

g02717482

# BASIC ENGINE

## 175-3860 PAN GP-OIL-ENGINE

S/N: BNT10199-UP

PART OF 235-4732, 235-4733 ENGINE AR-COMPLETE  
AN ATTACHMENT

SMCS-1302

i05351167

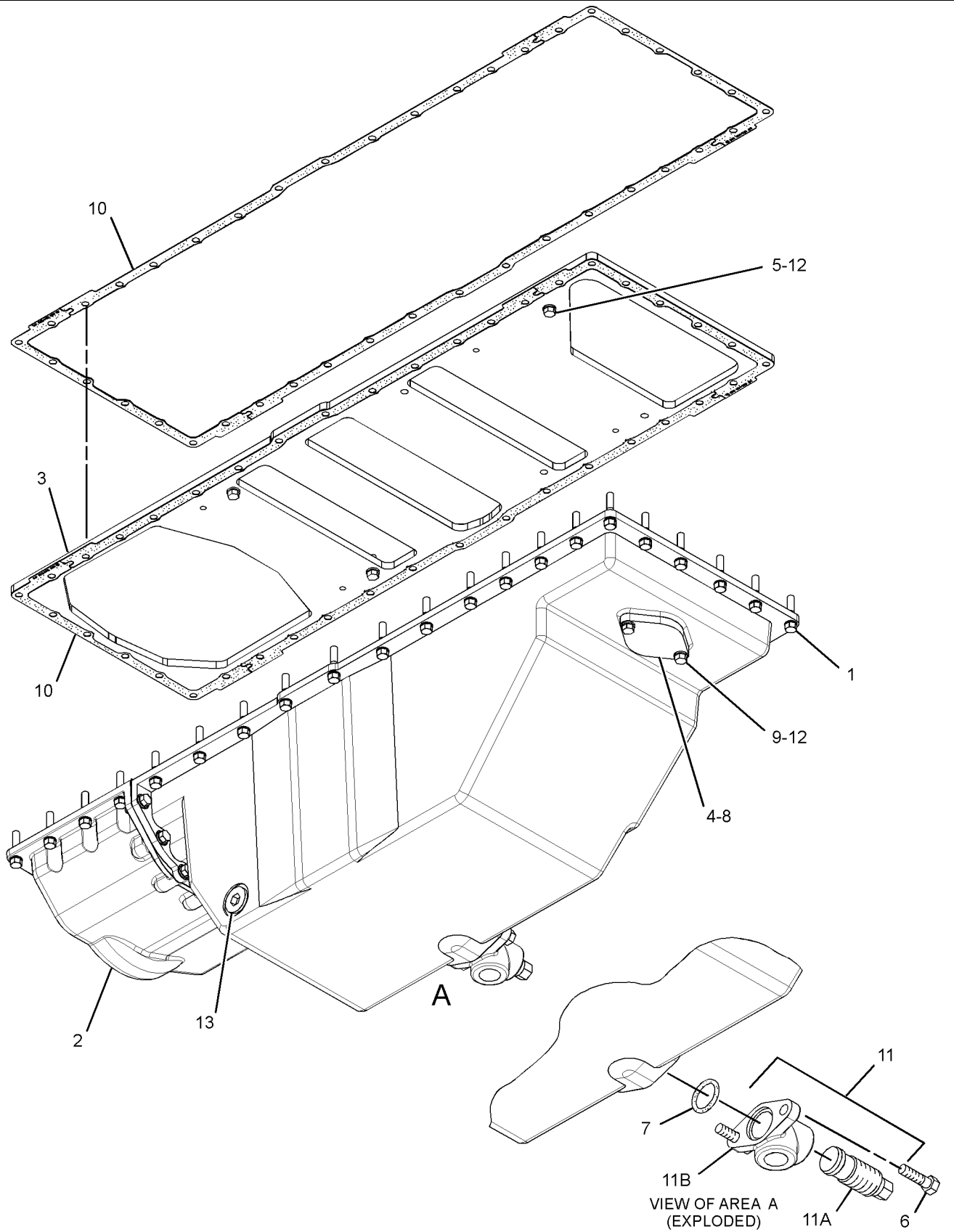
NOTE	REF NO	GRAPHIC REF	PART NUMBER	QTY	PART NAME	SEE PAGE
					1 2 3 4 5 6 (PRODUCT LEVEL)	
	1	1	<b>2P-3205</b>	40	BOLT-WASHER HEAD (3/8-16X1.75-IN)	
Y	2	1	335-1893	1	PAN GP-OIL (ENGINE)	100
	3	1	<b>9N-3167</b>	1	PLATE	
	4	1	<b>175-3868</b>	1	COVER	
	5	1	<b>1A-2029</b>	3	BOLT (3/8-16X1.125-IN)	
	6	1	<b>0S-1587</b>	2	BOLT (1/2-13X1.75-IN)	
	7	1	<b>6V-3830</b>	1	SEAL-O-RING	
	8	1	<b>109-0076</b>	1	SEAL-O-RING	
	9	1	<b>3B-1915</b>	2	BOLT (3/8-16X1.375-IN)	
	10	1	<b>353-5065</b>	2	GASKET-OIL PAN (ENGINE)	
	11	1	<b>4P-0519</b>	1	ADAPTER AS-DRAIN	
	11A	1	<b>109-5839</b>	1	PLUG-DRAIN (ENGINE OIL PAN)	
	11B	1	<b>109-5840</b>	1	ADAPTER-PLUG	
	12	1	<b>5M-2894</b>	5	WASHER-HARD (10.2X18.5X2.5-MM THK)	
	13	1	319-6234	1	PLUG AS	
		1	<b>238-5084</b>	1	SEAL-O-RING	
		1	<b>9S-9334</b>	1	PLUG-O-RING	

Y - SEPARATE ILLUSTRATION

# BASIC ENGINE

175-3860 PAN GP-OIL (contd.)

i05351167



GRAPHIC #1

<END>

g03009197

# BASIC ENGINE

## 335-1893 PAN GP-OIL-ENGINE

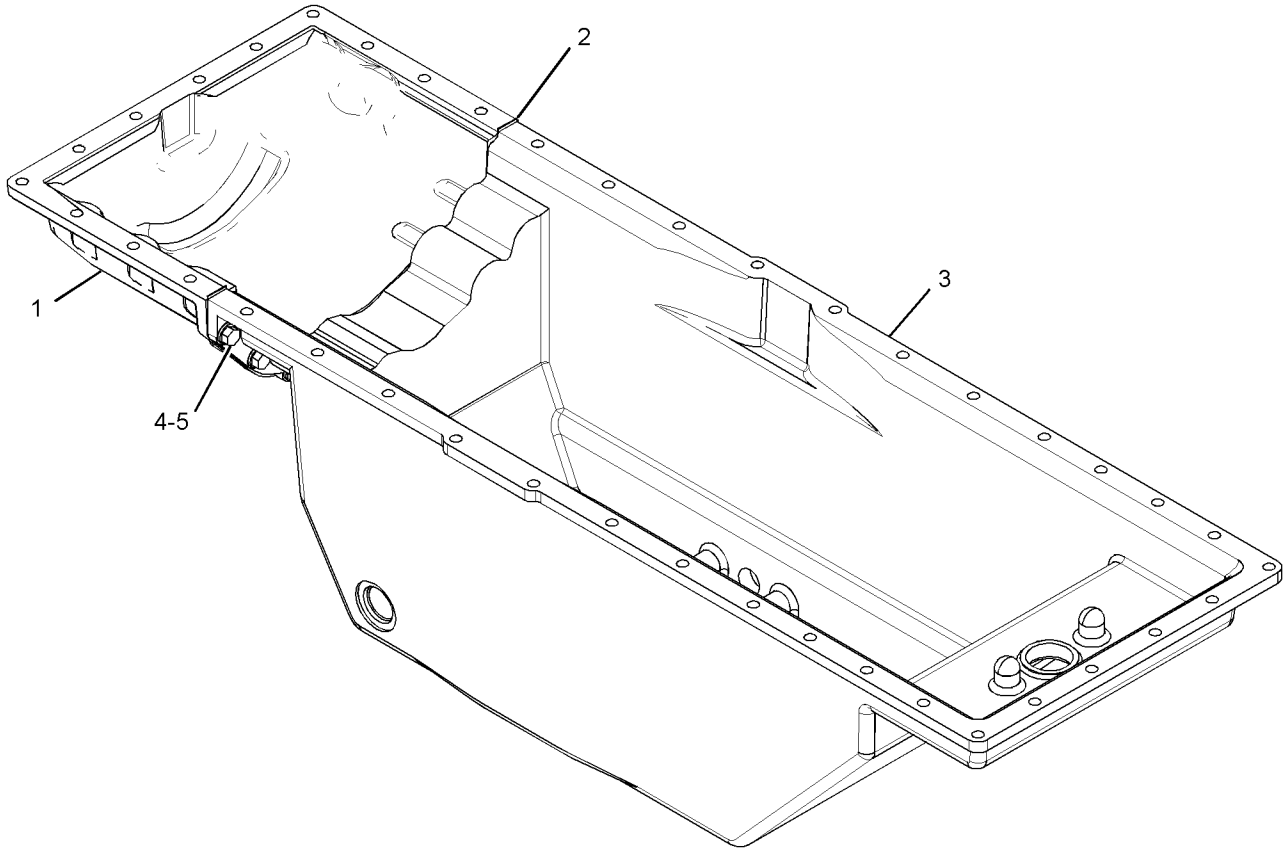
S/N: BNT10199-UP

PART OF 175-3860 PAN GP-OIL  
AN ATTACHMENT

SMCS-1302

i03442680

NOTE	REF NO	GRAPHIC REF	PART NUMBER	QTY	PART NAME						SEE PAGE
					1	2	3	4	5	6	
	1	1	7E-4341	1	PAN-OIL						
	2	1	7E-4342	1	GASKET						
	3	1	179-3211	1	PAN-OIL (ENGINE)						
	4	1	0S-1588	8	BOLT (3/8-16X1.25-IN)						
	5	1	5M-2894	8	WASHER-HARD (10.2X18.5X2.5-MM THK)						



GRAPHIC #1

<END>

g01817722

# BASIC ENGINE

## 185-1933 PANEL GP-SOUND SUPPRESSION

S/N: BNH1-UP

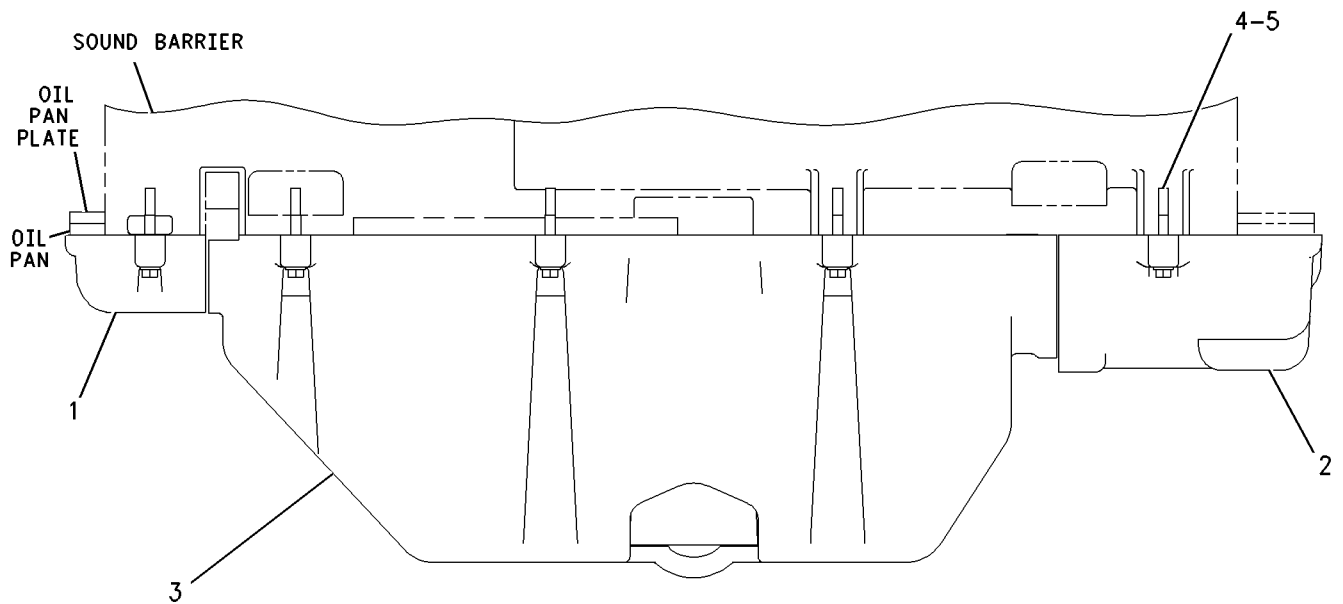
ENGINE OIL PAN

PART OF 164-4871 SUPPRESSION AR-SOUND  
AN ATTACHMENT

SMCS-1801

i01493142

NOTE	REF NO	GRAPHIC REF	PART NUMBER	QTY	PART NAME						SEE PAGE
					1	2	3	4	5	6 (PRODUCT LEVEL)	
	1	1	162-8617	1	PANEL AS						
	2	1	162-8619	1	PANEL AS						
(EACH PANEL AS INCLUDES)											
		1	9N-6108	2	SPRING						
	3	1	185-2192	1	PANEL AS						
		1	9N-6108	6	SPRING						
	4	1	OS-1619	10	BOLT (3/8-16X3-IN)						
	5	1	5M-2894	10	WASHER-HARD (10.2X18.5X2.5-MM THK)						



RIGHT SIDE OF ENGINE

GRAPHIC #1

<END>

g00688166

# BASIC ENGINE

## 134-3071 PISTON & ROD GP\*R

S/N: BNT1-UP

COMPRESSION RATIO 16:1, JET AS-PISTON EFFECTIVE 7RC483-UP, 3LW175-UP. FOR ALL OTHER SERIAL NUMBERS, REFER TO CYLINDER BLOCK GP FOR CORRECT JET AS-PISTON.

PART OF 198-6487, 235-3479 ENGINE AR-CORE  
AN ATTACHMENT

SMCS-1225

i05116880

NOTE	REF NO	GRAPHIC REF	PART NUMBER	QTY	PART NAME						SEE PAGE
					1	2	3	4	5	6 (PRODUCT LEVEL)	
R	1	1	<b>393-8990</b>	1	CROWN AS-PISTON						
	2	1	<b>284-6039</b>	1	SKIRT-PISTON						
	3	1	<b>168-7246</b>	1	PIN-PISTON						
	4	1	<b>7E-1177</b>	2	RETAINER-PIN						
R	5	1	<b>9Y-6054</b>	1	ROD AS-CONNECTING						
	5A	1	<b>6I-2726</b>	1	BUSHING						
	5B	1	<b>219-4458</b>	2	PIN-DOWEL						
M	5C	1	<b>7E-4195</b>	2	BOLT-CONNECTING ROD (M16X1.5X97-MM)						
	6	1	<b>153-4101</b>	1	RING-PISTON (TOP)						
	7	1	<b>147-1730</b>	1	RING-PISTON (INTERMEDIATE)						
	8	1	<b>139-8505</b>	1	RING-PISTON (OIL)						
	9	1	<b>328-5573</b>	1	BEARING-CONNECTING ROD (STANDARD)						
AB		1	<b>7E-0558</b>		BEARING-CONNECTING ROD (0.635-MM US)						
AB		1	<b>7E-0559</b>		BEARING-CONNECTING ROD (1.27-MM US)						
	10	1	<b>151-5925</b>	1	BOLT (7/16-14-THD)						
	11	1	<b>277-3076</b>	1	TUBE AS-OIL JET						

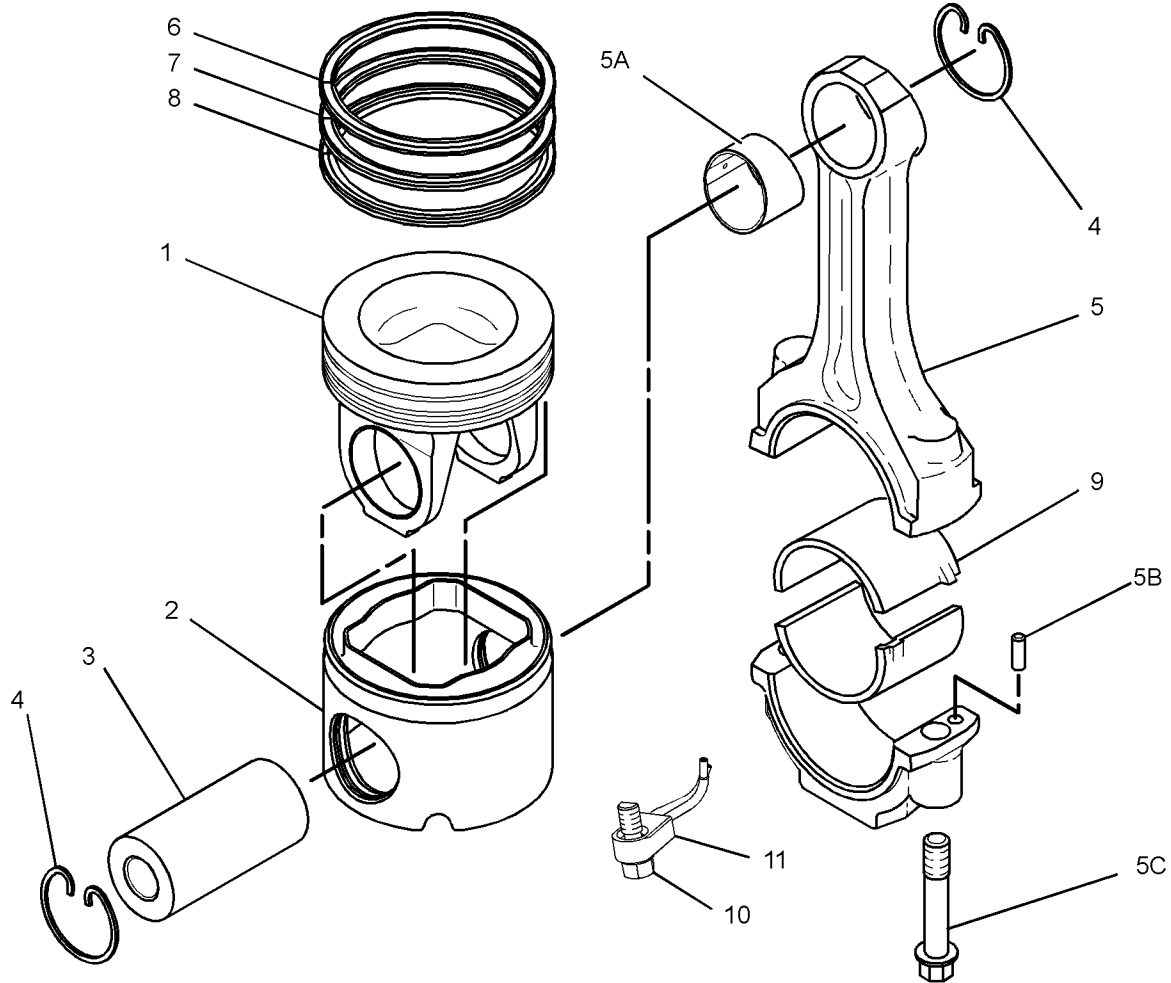
A - NOT PART OF THIS GROUP  
 B - USE AS REQUIRED  
 M - METRIC PART  
 R - REMFG PART MAY BE AVAILABLE



# BASIC ENGINE

134-3071 PISTON & ROD GP (contd.)

i05116880



GRAPHIC #1

<END>

g01301945

# BASIC ENGINE

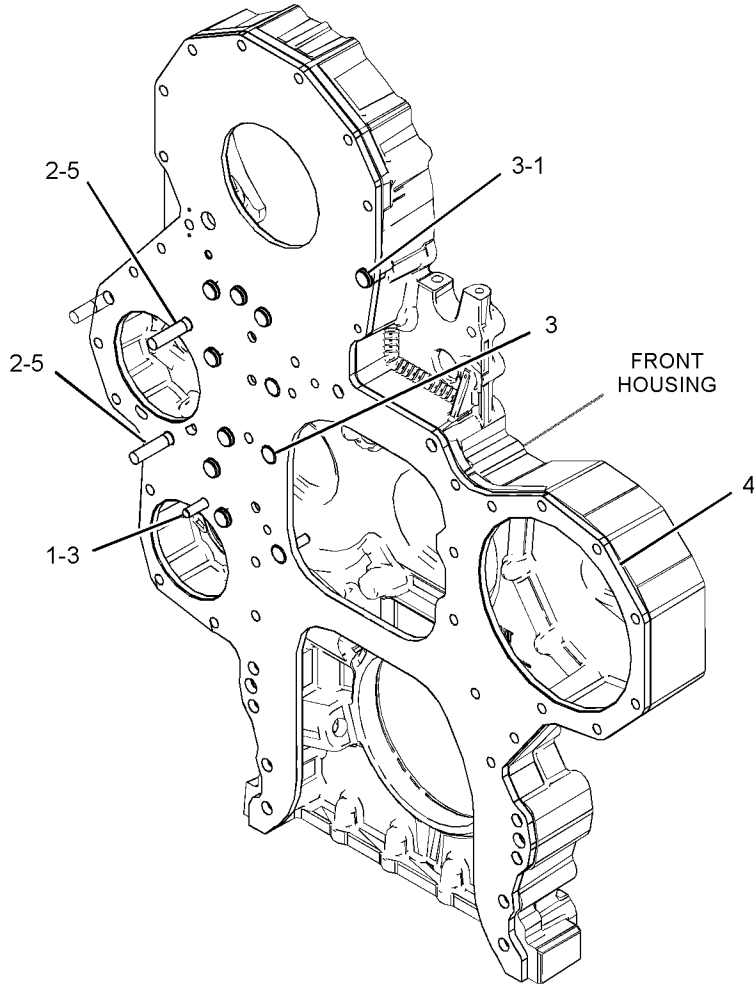
## 353-9979 PLATE AS-FRONT HOUSING

S/N: BNT1-UP  
PART OF 199-1445 HOUSING GP-FRONT  
AN ATTACHMENT

SMCS-1151, 1162

i03839613

NOTE	REF NO	GRAPHIC REF	PART NUMBER	QTY	PART NAME						SEE PAGE
					1	2	3	4	5	6 (PRODUCT LEVEL)	
	1	1	<b>126-1757</b>	9	WASHER (10.85X19.3X1.27-MM THK)						
	2	1	<b>129-5427</b>	2	WASHER-SPECIAL (SEALING)						
	3	1	<b>129-5428</b>	12	STUD (BRAKE)						
	4	1	<b>158-8881</b>	1	PLATE						
	5	1	<b>334-6832</b>	2	STUD-SPECIAL (BRAKE)						



GRAPHIC #1

<END>

g02089016

# BASIC ENGINE

## 145-6851 PLUG GP-CYLINDER BLOCK

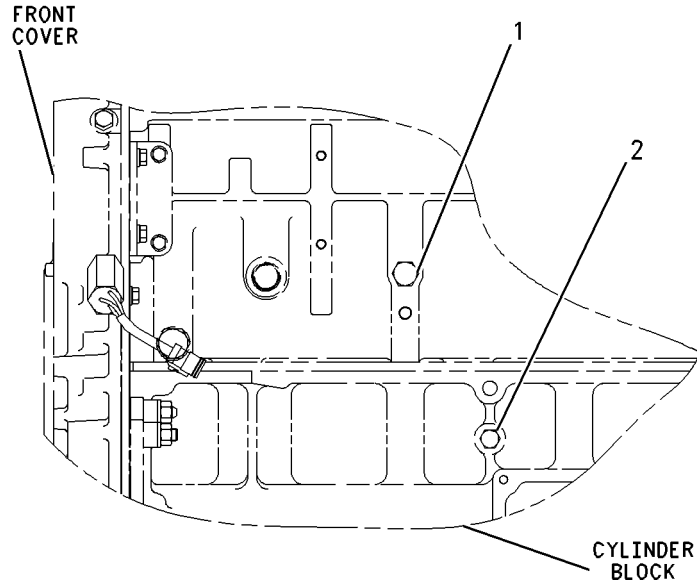
S/N: BNT1-UP

CANNOT BE USED WITH AIR COMPRESSOR OR PUMP DRIVE  
PART OF 198-6489, 198-6490 ENGINE AR-COMplete  
AN ATTACHMENT

SMCS-1201

i01328017

NOTE	REF NO	GRAPHIC REF	PART NUMBER	QTY	PART NAME						SEE PAGE
					1	2	3	4	5	6 (PRODUCT LEVEL)	
	1	1	<b>7W-6492</b>	1	PLUG-PIPE						
	2	1	<b>8T-6767</b>	1	PLUG-PIPE						



LEFT SIDE VIEW

GRAPHIC #1

<END>

g00702666

# BASIC ENGINE

## 235-2640 PLUG GP-CYLINDER BLOCK

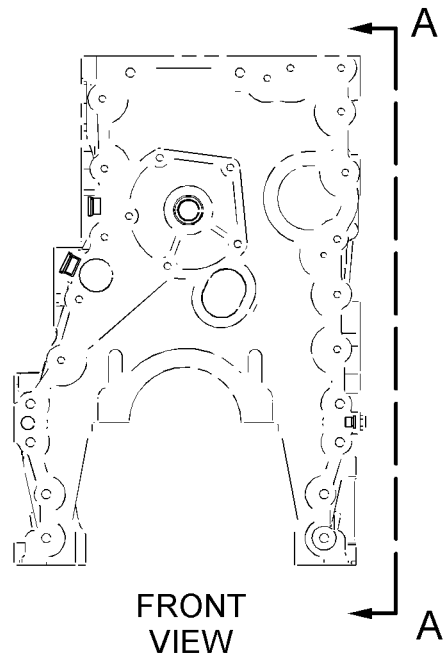
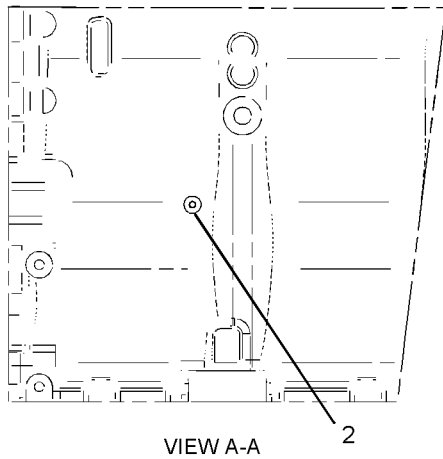
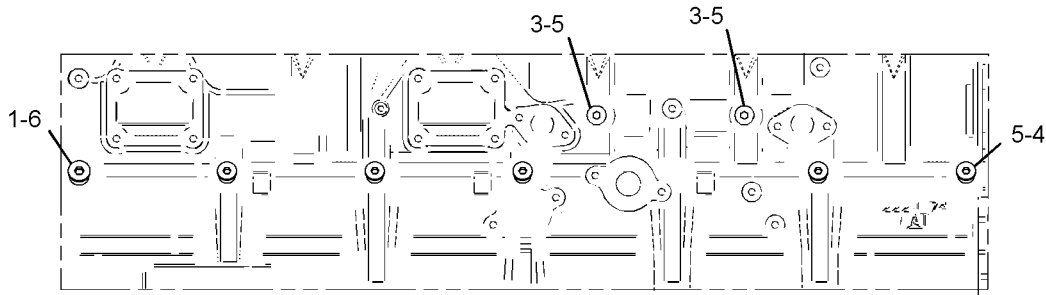
S/N: BNT1059-UP

PART OF 235-4732, 235-4733 ENGINE AR-COMPLETE  
AN ATTACHMENT

SMCS-1201

i01959600

NOTE	REF NO	GRAPHIC REF	PART NUMBER	QTY	PART NAME						SEE PAGE
					1	2	3	4	5	6 (PRODUCT LEVEL)	
	1	1	<b>136-7227</b>	1	SEAL-O-RING (19.18MM ID)						
	2	1	183-3409	1	PLUG AS (HIGH TEMPERATURE)						
		1	<b>9S-8002</b>	1	PLUG-O-RING (7/16-20 THD)						
		1	<b>033-5853</b>	1	SEAL-O-RING (8.92MM ID)						
3	1	1	<b>6V-6609</b>	2	SEAL-O-RING (16.36MM ID)						
4	1	1	<b>8L-2786</b>	5	SEAL-O-RING (16.36MM ID)						
5	1	1	<b>9S-8005</b>	7	PLUG-O-RING (3/4-16 THD)						
6	1	1	<b>9S-8006</b>	1	PLUG-O-RING (7/18-14 THD)						



GRAPHIC #1

<END>

g01053101

# BASIC ENGINE

## 200-2794 PLUG GP-CYLINDER HEAD

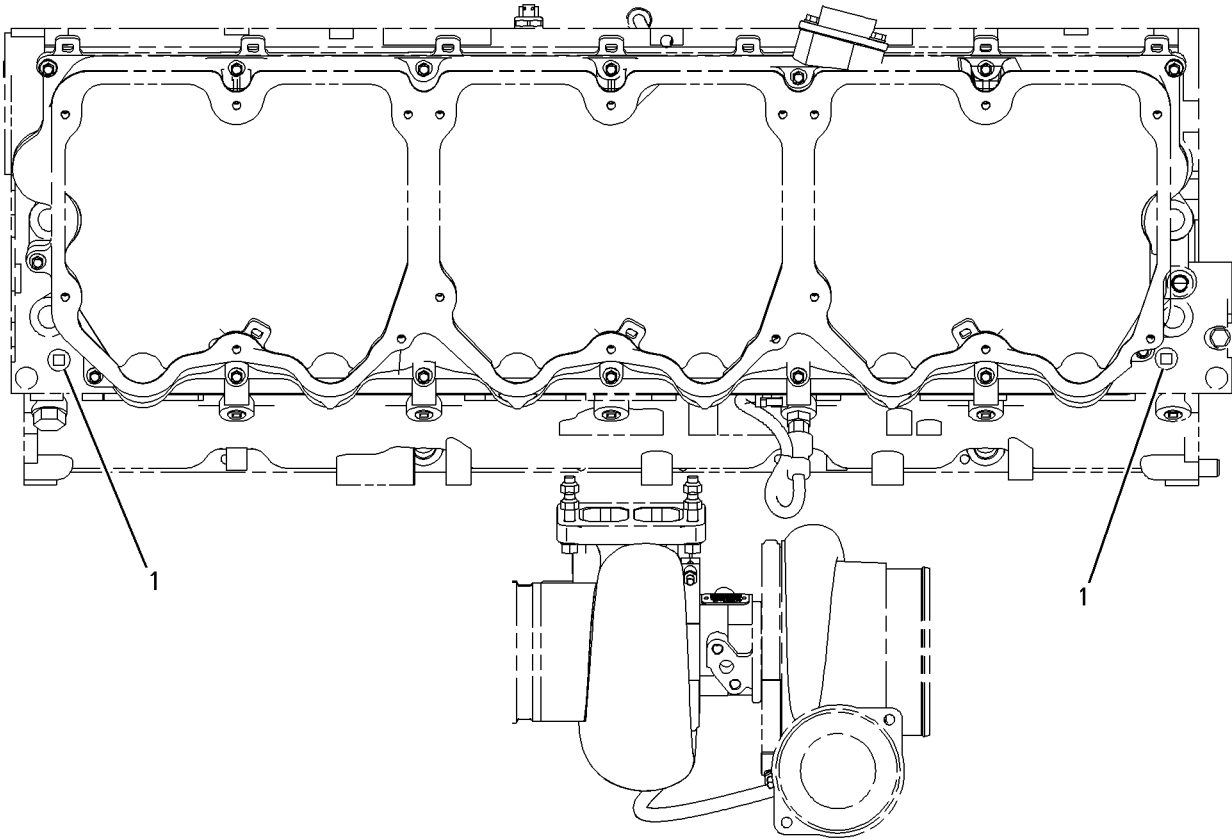
S/N: BNT1-UP

FOR THE WATER VENT PORTS IN THE TOP OF THE CYLINDER HEAD  
PART OF 198-6489, 198-6490 ENGINE AR-COMplete  
AN ATTACHMENT

SMCS-1100

i01607604

NOTE	REF NO	GRAPHIC REF	PART NUMBER	QTY	PART NAME						SEE PAGE
					1	2	3	4	5	6 (PRODUCT LEVEL)	
	1	1	8T-6762	2	PLUG-PIPE						



TOP VIEW

GRAPHIC #1

<END>

g00788960

# BASIC ENGINE

## 234-9184 PLUG GP-CYLINDER HEAD

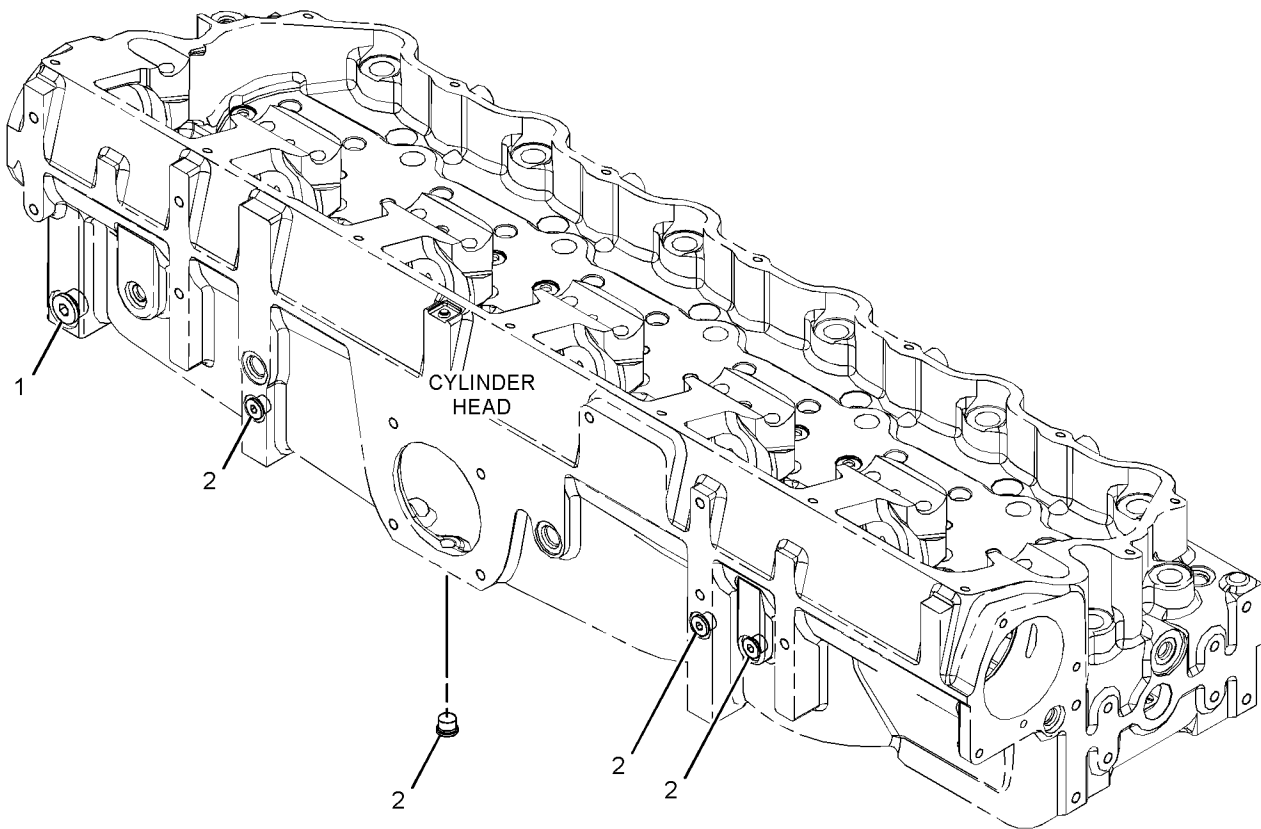
S/N: BNT1059-UP

PART OF 235-4732, 235-4733 ENGINE AR-COMPLETE  
AN ATTACHMENT

SMCS-1100

i05357506

NOTE	REF NO	GRAPHIC REF	PART NUMBER	QTY	PART NAME						SEE PAGE
					1	2	3	4	5	6 (PRODUCT LEVEL)	
	1	1	353-5125	1	PLUG AS (7/18-14 THD)						
		1	6V-3251	1	SEAL-O-RING						
		1	9S-8006	1	PLUG-O-RING						
2	1	1	183-3407	4	PLUG AS (HI TEMPERTATURE)						
					(EACH INCLUDES)						
		1	214-7568	1	SEAL-O-RING (19.18MM ID)						
		1	9S-8004	1	PLUG-O-RING (9/16-18 THD)						



GRAPHIC #1

<END>

g02133197

# BASIC ENGINE

## 235-6266 PLUG GP-CYLINDER HEAD

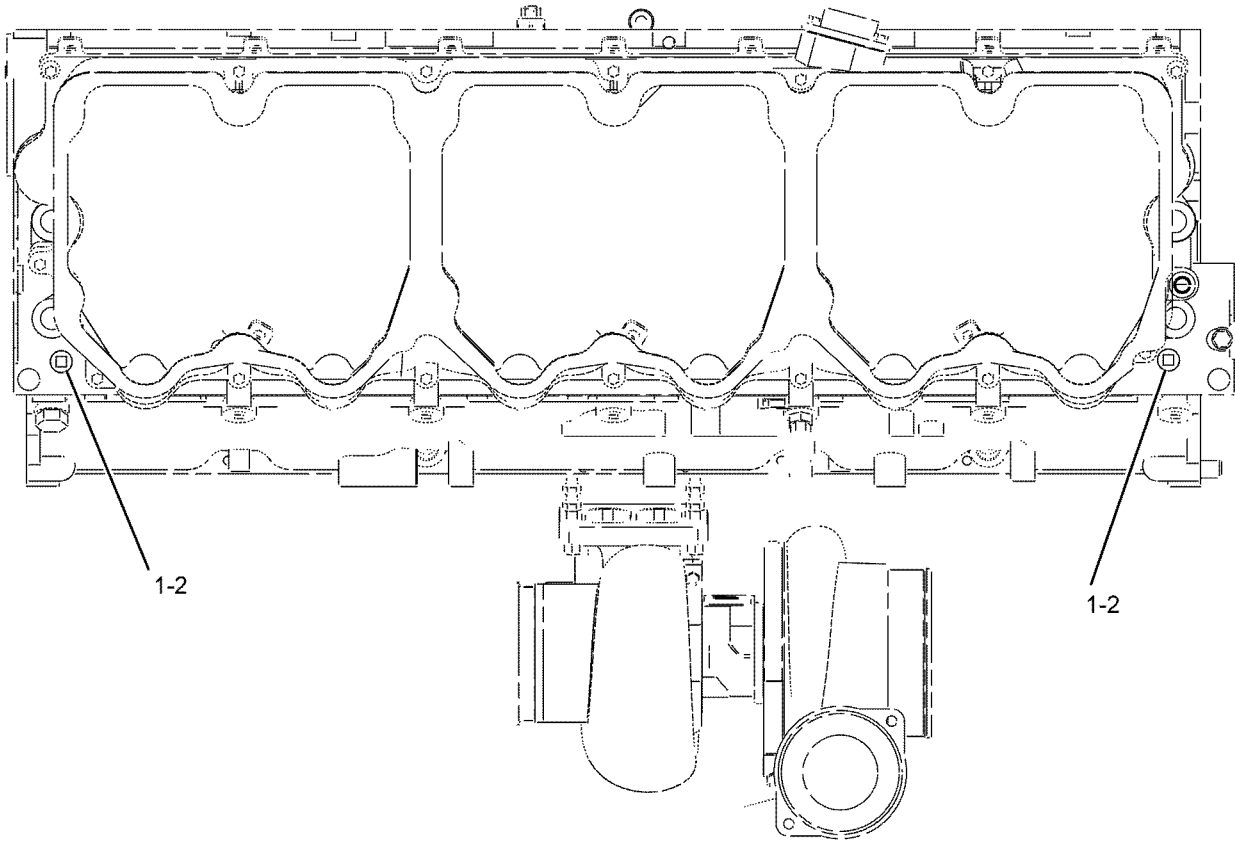
S/N: BNT1059-UP

PART OF 235-4732, 235-4733 ENGINE AR-COMplete  
AN ATTACHMENT

SMCS-1100

i02014495

NOTE	REF NO	GRAPHIC REF	PART NUMBER	QTY	PART NAME						SEE PAGE
					1	2	3	4	5	6 (PRODUCT LEVEL)	
1	1	1	<b>6V-6609</b>	2	SEAL-O-RING (16.36MM-ID)						
2	1	1	<b>9S-8005</b>	2	PLUG-O-RING (3/4-16-THD)						



TOP VIEW

<END>

GRAPHIC #1

g01045355

# BASIC ENGINE

## 234-9775 PLUG GP-ENGINE

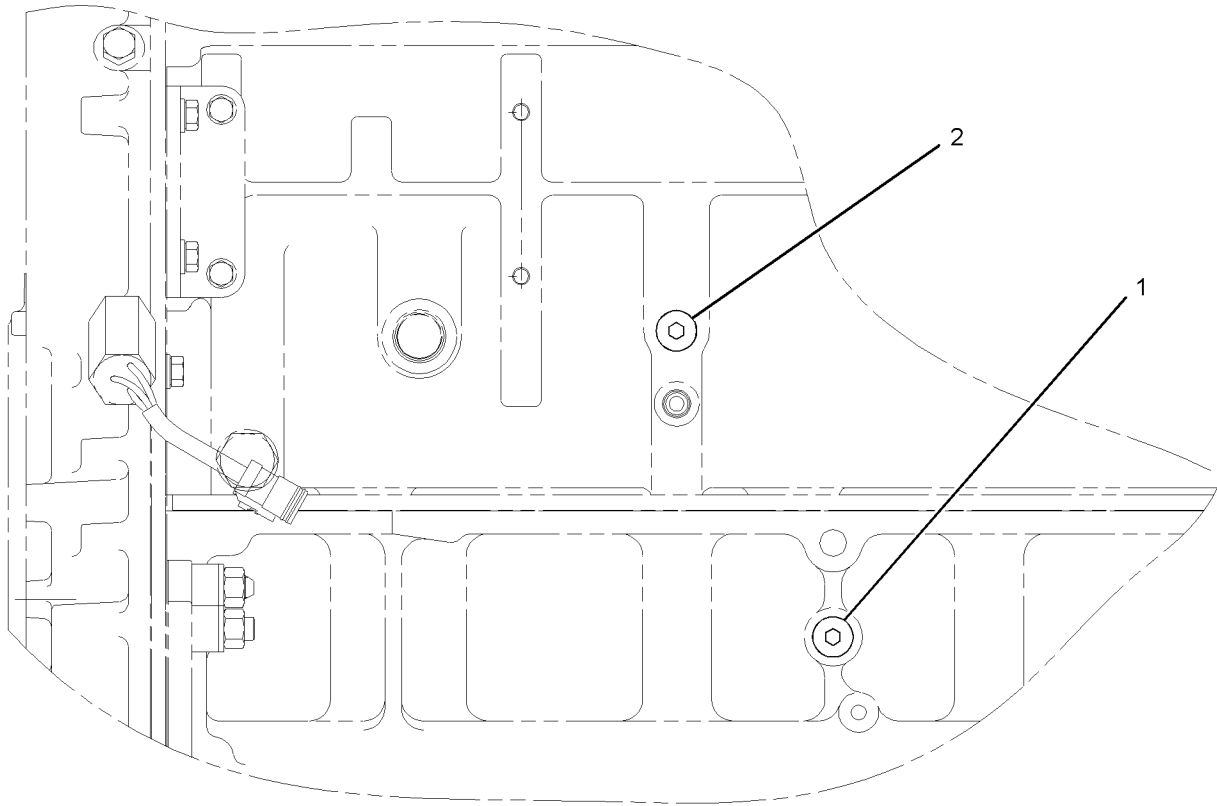
S/N: BNT1059-UP

PART OF 235-4732, 235-4733 ENGINE AR-COMPLETE  
AN ATTACHMENT

SMCS-1000

i05357523

NOTE	REF NO	GRAPHIC REF	PART NUMBER	QTY	PART NAME						SEE PAGE
					1	2	3	4	5	6 (PRODUCT LEVEL)	
1		1	353-5126	1	PLUG AS (16.36MM ID)						
		1	6V-6609	1	SEAL-O-RING (16.36MM-ID)						
		1	9S-8005	1	PLUG-O-RING						
2		1	307-2673	1	PLUG AS (3/4-16 THD)						
		1	9S-8005	1	PLUG-O-RING						
		1	238-5080	1	SEAL-O-RING						



LEFT SIDE VIEW

GRAPHIC #1

<END>

g02182222



# BASIC ENGINE

## 170-1757 PULLEY GP-CRANKSHAFT

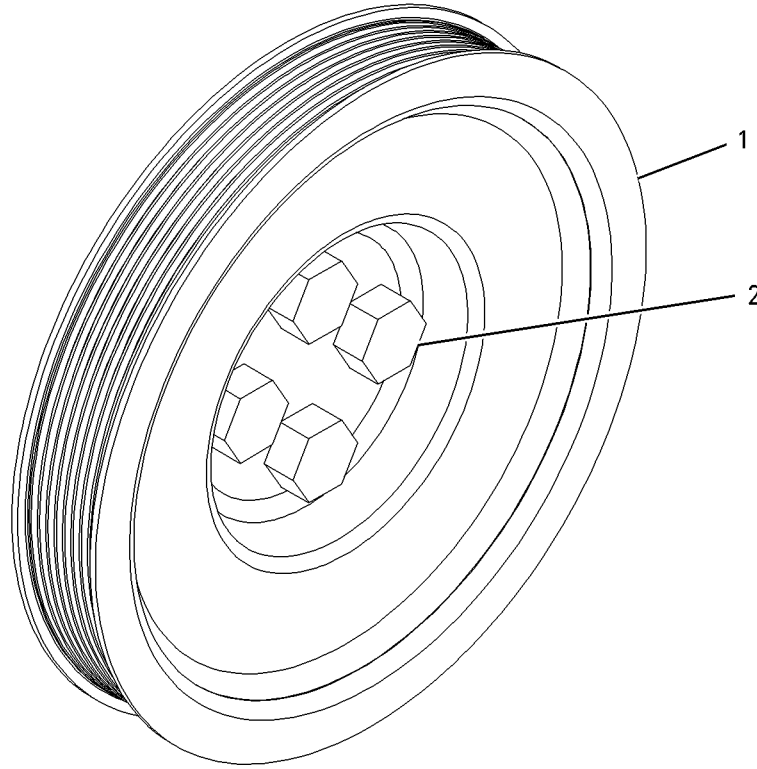
S/N: BNH1-UP

PART OF 201-4341 INSTALLATION AR-ENGINE

SMCS-1205

i01288019

NOTE	REF NO	GRAPHIC REF	PART NUMBER	QTY	PART NAME						SEE PAGE
					1	2	3	4	5	6 (PRODUCT LEVEL)	
	1	1	172-4848	1	PULLEY (8 GROOVE)						
	2	1	7X-0345	4	BOLT (5/8-11X1.75IN)						



GRAPHIC #1

<END>

g00684206

# BASIC ENGINE

## 198-9898 ROCKER ARM GP

S/N: BNT1-UP

PART OF 148-7482 MECHANISM GP-FUEL PUMP & VALVE  
AN ATTACHMENT

SMCS-1123

i03626648

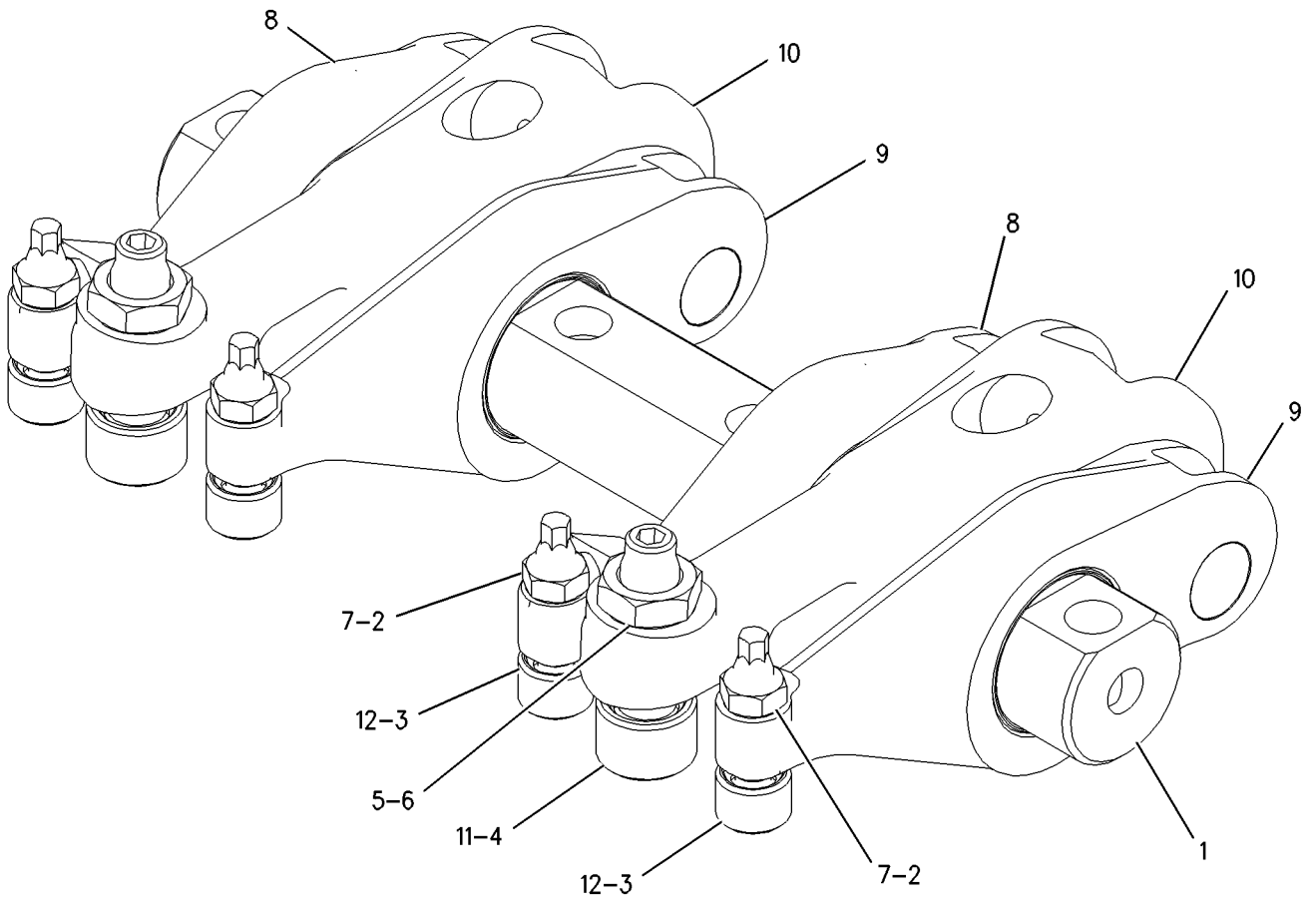
NOTE	REF NO	GRAPHIC REF	PART NUMBER	QTY	PART NAME	SEE PAGE
					1 2 3 4 5 6 (PRODUCT LEVEL)	
	1	1	<b>6I-0901</b>	1	SHAFT AS-ROCKER ARM	
		1	<b>4B-9782</b>	2	BALL	
	2	1	<b>276-5317</b>	4	NUT (3/8-24-THD)	
	3	1	<b>258-8721</b>	4	BUTTON	
W	4	1	<b>192-4151</b>	2	BUTTON (24-MM OD)	
					-OR-	
J		1	<b>4P-7371</b>	2	INSERT (14.75-MM OD)	
W	5	1	<b>196-5069</b>	2	SCREW-ARM ADJUSTMENT (9/16-18X2-IN)	
					-OR-	
J		1	<b>4P-4278</b>	2	SCREW-UNIT INJ ADJUSTMENT	
W	6	1	<b>196-5070</b>	2	NUT-JAM (9/16-18-THD)	
					-OR-	
J		1	<b>4P-4279</b>	2	NUT-JAM (7/8-18-THD)	
	7	1	<b>232-0253</b>	4	SCREW-ARM ADJUSTMENT (3/8-24X1.20-IN)	
R	8	1	<b>203-8822</b>	2	ROCKER ARM AS (EXHAUST VALVE ROCKER)	
R	9	1	<b>203-8824</b>	2	ROCKER ARM AS (INLET VALVE ROCKER)	
WR	10	1	<b>207-5248</b>	2	ROCKER ARM AS (UNIT INJECTOR ROCKER)	
W	11	1	<b>061-8639</b>	2	SEAL-O-RING	
					-OR-	
J		1	<b>032-9313</b>	2	SEAL-O-RING	
	12	1	<b>8L-2777</b>	4	SEAL-O-RING	

J - PARTS MARKED J MUST BE USED TOGETHER ON OLDER ROCKER ARM ASSEMBLIES  
R - REMFG PART MAY BE AVAILABLE  
W - PARTS MARKED W MUST BE USED TOGETHER ON NEWER ROCKER ARM ASSEMBLIES

# BASIC ENGINE

198-9898 ROCKER ARM GP (contd.)

i03626648



GRAPHIC #1

<END>

g00905507

# BASIC ENGINE

## 319-0785 SEAL GP-CRANKSHAFT-REAR

S/N: BNT1-UP

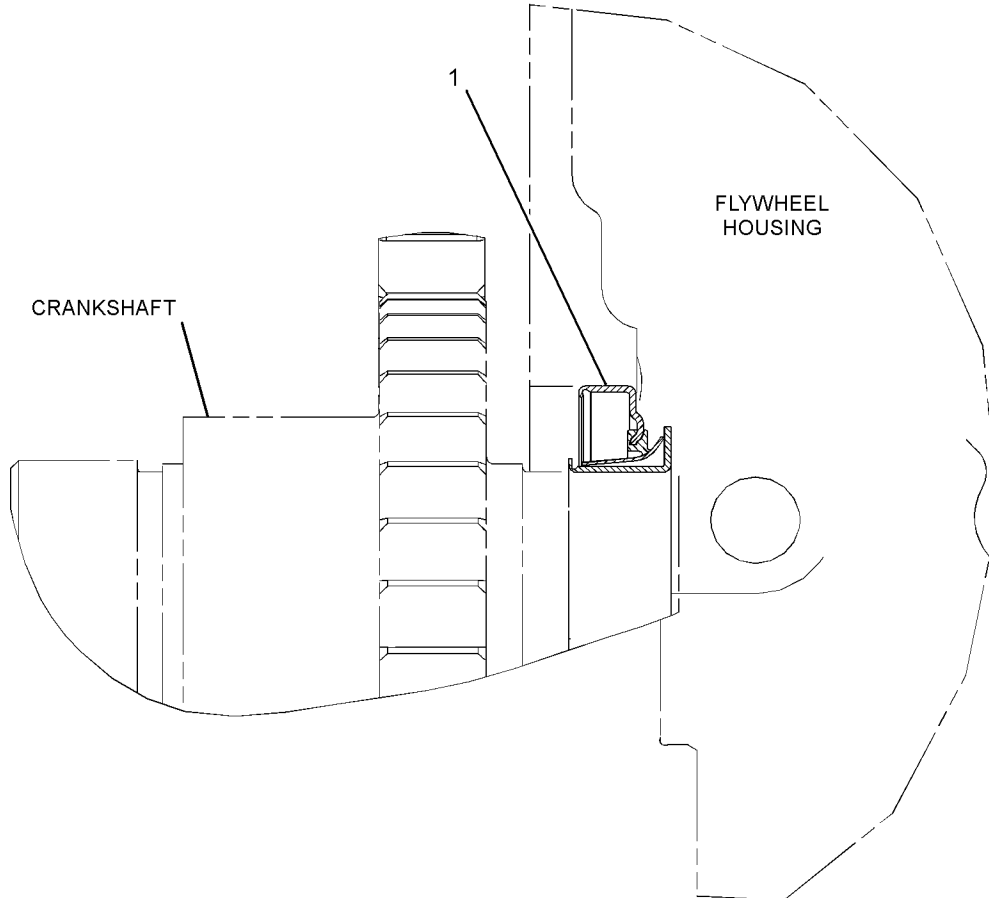
FOR USE WITH CCW ROTATION

PART OF 134-2809 HOUSING GP-FLYWHEEL  
AN ATTACHMENT

SMCS-1160, 1161

i04518342

NOTE	REF NO	GRAPHIC REF	PART NUMBER	QTY	PART NAME						SEE PAGE
					1	2	3	4	5	6 (PRODUCT LEVEL)	
	1	1	142-5868	1	SEAL-CRANKSHAFT (REAR)						



RIGHT SIDE VIEW OF ENGINE

GRAPHIC #1

<END>

g01496733

# BASIC ENGINE

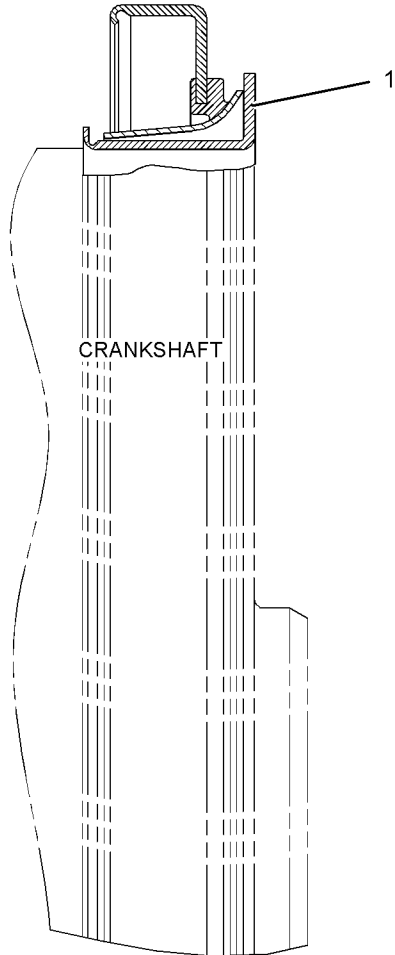
## 319-7401 SEAL GP-CRANKSHAFT-FRONT

S/N: BNT1-UP  
 FOR USE WITH CW ROTATION  
 PART OF 160-3913 CRANKSHAFT GP  
 AN ATTACHMENT

SMCS-1160, 1161

i02957871

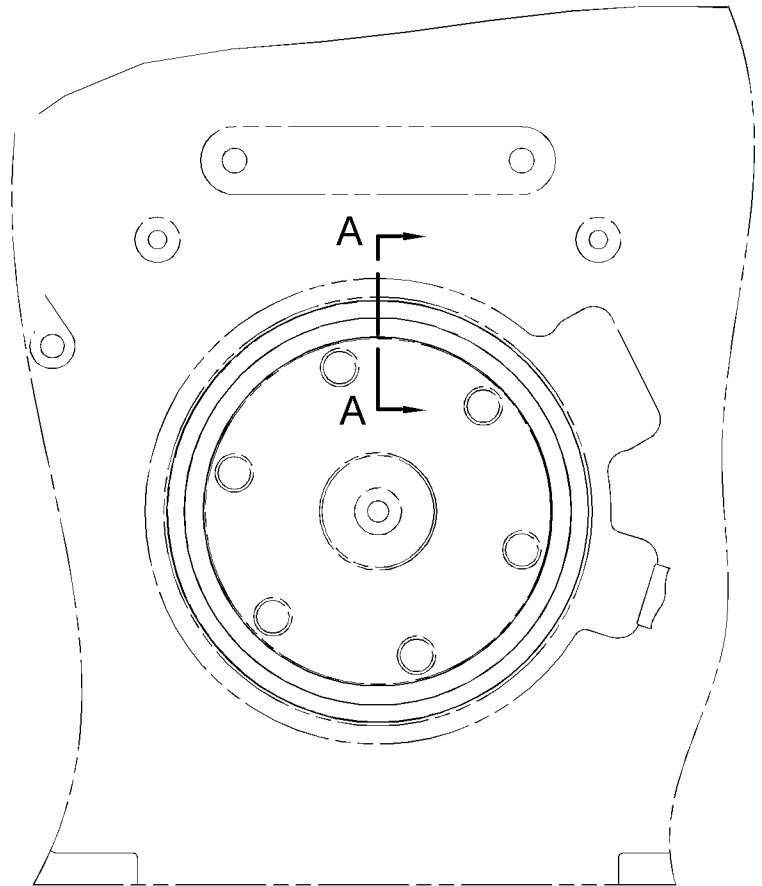
NOTE	REF NO	GRAPHIC REF	PART NUMBER	QTY	PART NAME	SEE PAGE
						1 2 3 4 5 6 (PRODUCT LEVEL)
	1	1	142-5867	1	SEAL-CRANKSHAFT (FRONT)	



CRANKSHAFT

SECTION A-A

GRAPHIC #1



FRONT VIEW OF ENGINE

<END>

g01516169

# BASIC ENGINE

## 132-6236 SUPPORT GP-ENGINE

S/N: BNH1-UP

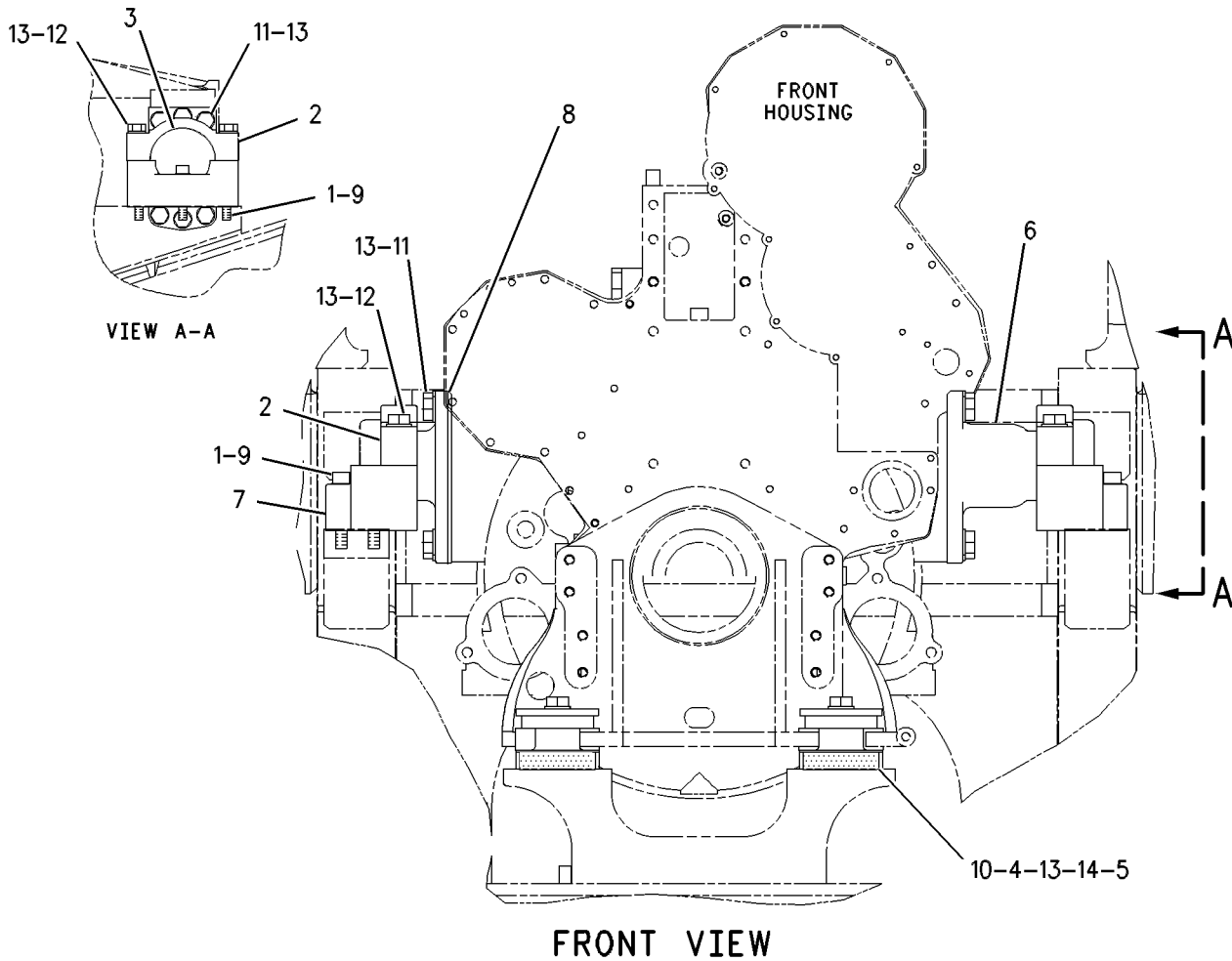
PART OF 201-4341 INSTALLATION AR-ENGINE

SMCS-1152, 1153, 1154

i03083222

NOTE	REF NO	GRAPHIC REF	PART NUMBER	QTY	PART NAME						SEE PAGE
					1	2	3	4	5	6 (PRODUCT LEVEL)	
	1	1	<b>4J-2677</b>	6	WASHER (16.7X27X5-MM THK)						
	2	1	<b>4P-7882</b>	2	CAP						
	3	1	<b>6Y-2090</b>	2	MOUNT AS						
	4	1	<b>9W-6582</b>	2	SLEEVE						
	5	1	<b>9W-9930</b>	2	MOUNT AS						
	6	1	<b>136-6381</b>	1	SUPPORT-ENGINE						
	7	1	<b>136-6382</b>	2	SUPPORT-ENGINE						
	8	1	<b>137-2196</b>	1	SUPPORT-ENGINE						
M	9	1	<b>3E-8008</b>	6	BOLT-SOCKET HEAD (M16X2X90-MM)						
M	10	1	<b>8T-6381</b>	2	BOLT (M20X2.5X120-MM)						
M	11	1	<b>7X-2563</b>	12	BOLT (M20X2.5X60-MM)						
M	12	1	<b>7X-2564</b>	4	BOLT (M20X2.5X90-MM)						
	13	1	<b>8T-4123</b>	18	WASHER (22X35X3.5-MM THK)						
	14	1	<b>9W-6584</b>	2	WASHER (20.5X114X10-MM THK)						

M - METRIC PART



GRAPHIC #1

<END>

g00505953

# BASIC ENGINE

## 185-6278 SUPPORT GP-ENGINE-FRONT

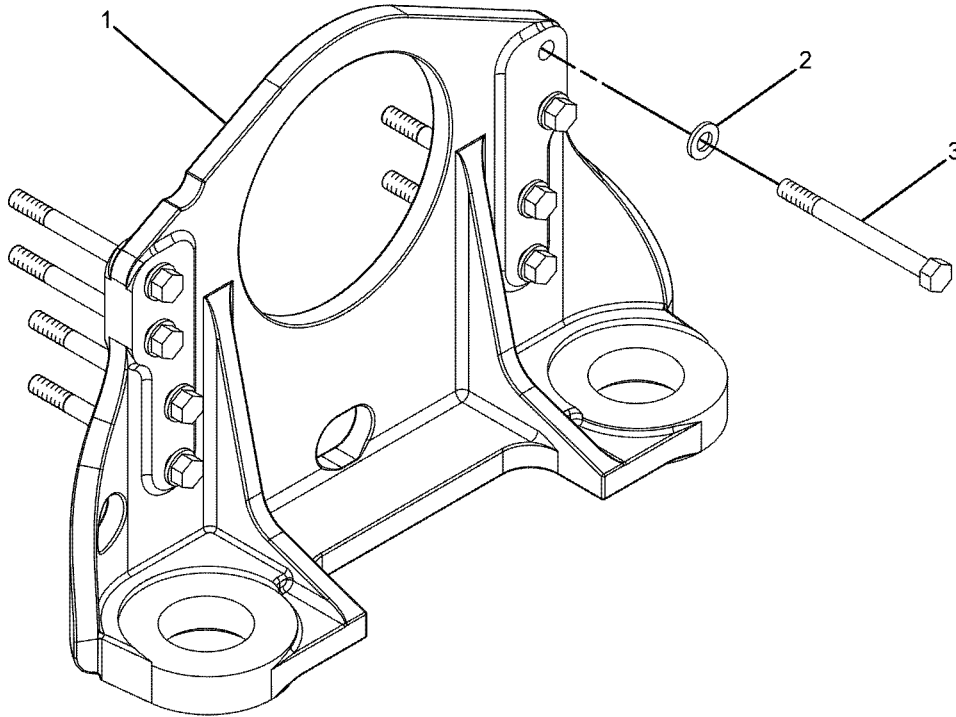
S/N: BNT1-UP

PART OF 198-6489, 198-6490, 235-4732, 235-4733 ENGINE AR-COMplete  
AN ATTACHMENT

SMCS-1152, 1153, 1154

i02047053

NOTE	REF NO	GRAPHIC REF	PART NUMBER	QTY	PART NAME						SEE PAGE
					1	2	3	4	5	6 (PRODUCT LEVEL)	
	1	1	227-3872	1	SUPPORT-ENGINE						
	2	1	5P-8245	8	WASHER-HARD (13.5X25.5X3-MM THK)						
	3	1	9X-8878	8	BOLT (1/2-13X5.25-IN)						



GRAPHIC #1

<END>

g01054554

# LUBRICATION SYSTEM

## 232-0362 EXTENSION GP-FUMES DISPOSAL

S/N: BNH786-UP

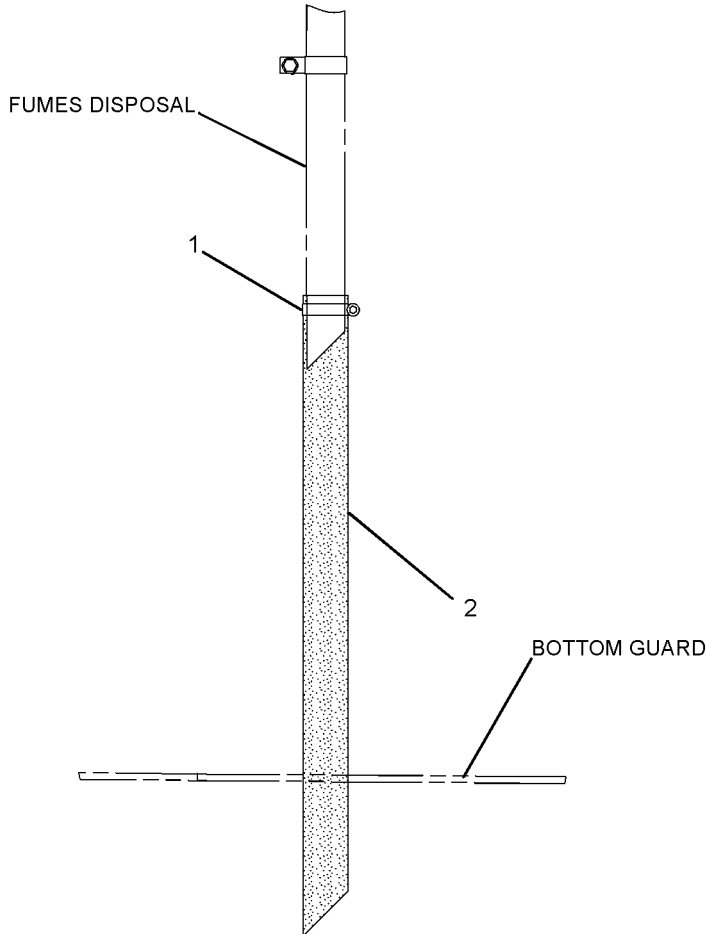
PART OF 201-4341 INSTALLATION AR-ENGINE

SMCS-1317

i02015131

NOTE	REF NO	GRAPHIC REF	PART NUMBER	QTY	PART NAME						SEE PAGE
					1	2	3	4	5	6 (PRODUCT LEVEL)	
	1	1	<b>9M-0164</b>	1	CLAMP-HOSE						
E	2	1	<b>5P-0763</b>		HOSE (77CM)						

E - ORDER BY THE CENTIMETER



GRAPHIC #1

<END>

g01058203



# LUBRICATION SYSTEM

## 4N-2481 FASTENER GP-OIL PUMP MOUNTING-ENGINE

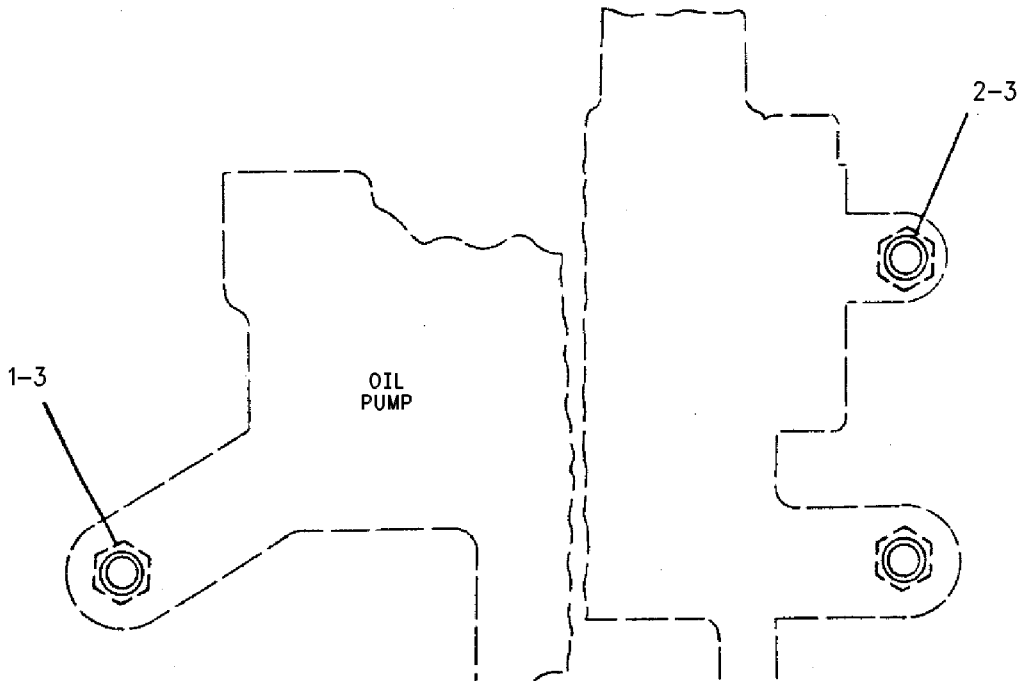
S/N: BNT1-UP

PART OF 198-6487, 235-3479 ENGINE AR-CORE  
AN ATTACHMENT

SMCS-1304

i02728826

NOTE	REF NO	GRAPHIC REF	PART NUMBER	QTY	PART NAME						SEE PAGE
					1	2	3	4	5	6 (PRODUCT LEVEL)	
	1	1	<b>OL-1143</b>	2	BOLT (3/8-16X2.5-IN)						
	2	1	<b>OS-1590</b>	1	BOLT (3/8-16X2-IN)						
	3	1	<b>5M-2894</b>	3	WASHER-HARD (10.2X18.5X2.5-MM THK)						



GRAPHIC #1

<END>

g00604525

# LUBRICATION SYSTEM

## 167-7696 FILLER GP-ENGINE OIL

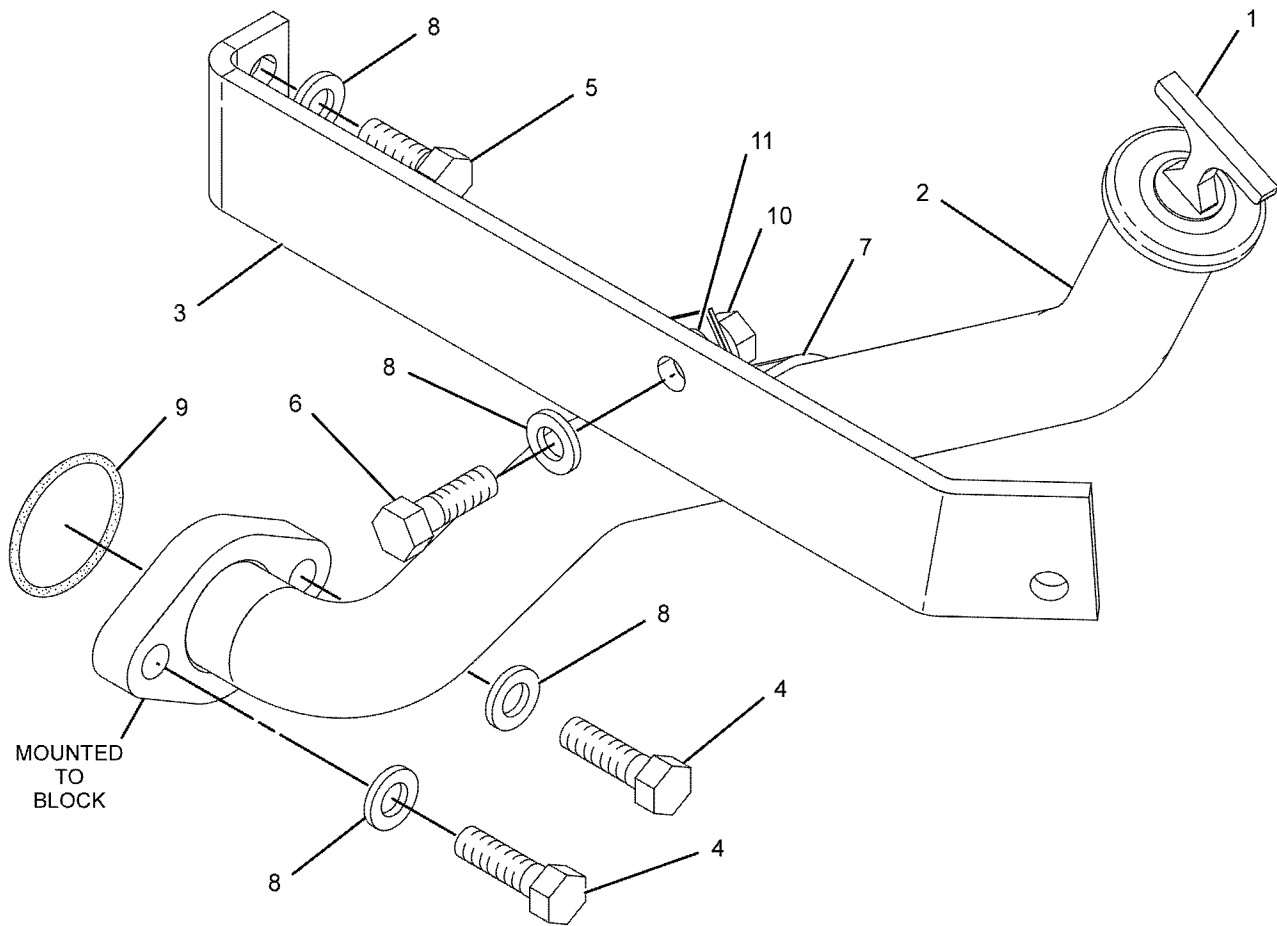
S/N: BNT1-UP

PART OF 198-6489, 198-6490, 235-4732, 235-4733 ENGINE AR-COMPLETE  
AN ATTACHMENT

SMCS-1316

i03879482

NOTE	REF NO	GRAPHIC REF	PART NUMBER	QTY	PART NAME						SEE PAGE
					1	2	3	4	5	6	
	1	1	<b>9L-8439</b>	1	CAP-OIL FILLER (ENGINE OIL)						
	2	1	<b>167-7695</b>	1	TUBE AS-OIL FILLER						
	3	1	<b>228-6838</b>	1	BRACKET						
	4	1	<b>0S-1588</b>	2	BOLT (3/8-16X1.25-IN)						
	5	1	<b>0S-1594</b>	1	BOLT (3/8-16X1-IN)						
	6	1	<b>1A-2029</b>	1	BOLT (3/8-16X1.125-IN)						
	7	1	<b>4S-4455</b>	1	CLIP						
	8	1	<b>5M-2894</b>	5	WASHER-HARD (10.2X18.5X2.5-MM THK)						
	9	1	<b>210-9246</b>	1	SEAL-O-RING						
	10	1	<b>9S-8752</b>	1	NUT-FULL (3/8-16-THD)						
	11	1	<b>7D-4493</b>	1	TUBE						



GRAPHIC #1

<END>

g01042982

# LUBRICATION SYSTEM

## 191-0966 FILTER GP-ENGINE OIL

S/N: BNT1-UP

PART OF 198-6489, 198-6490, 235-4732, 235-4733 ENGINE AR-COMplete  
AN ATTACHMENT

SMCS-1306, 1308

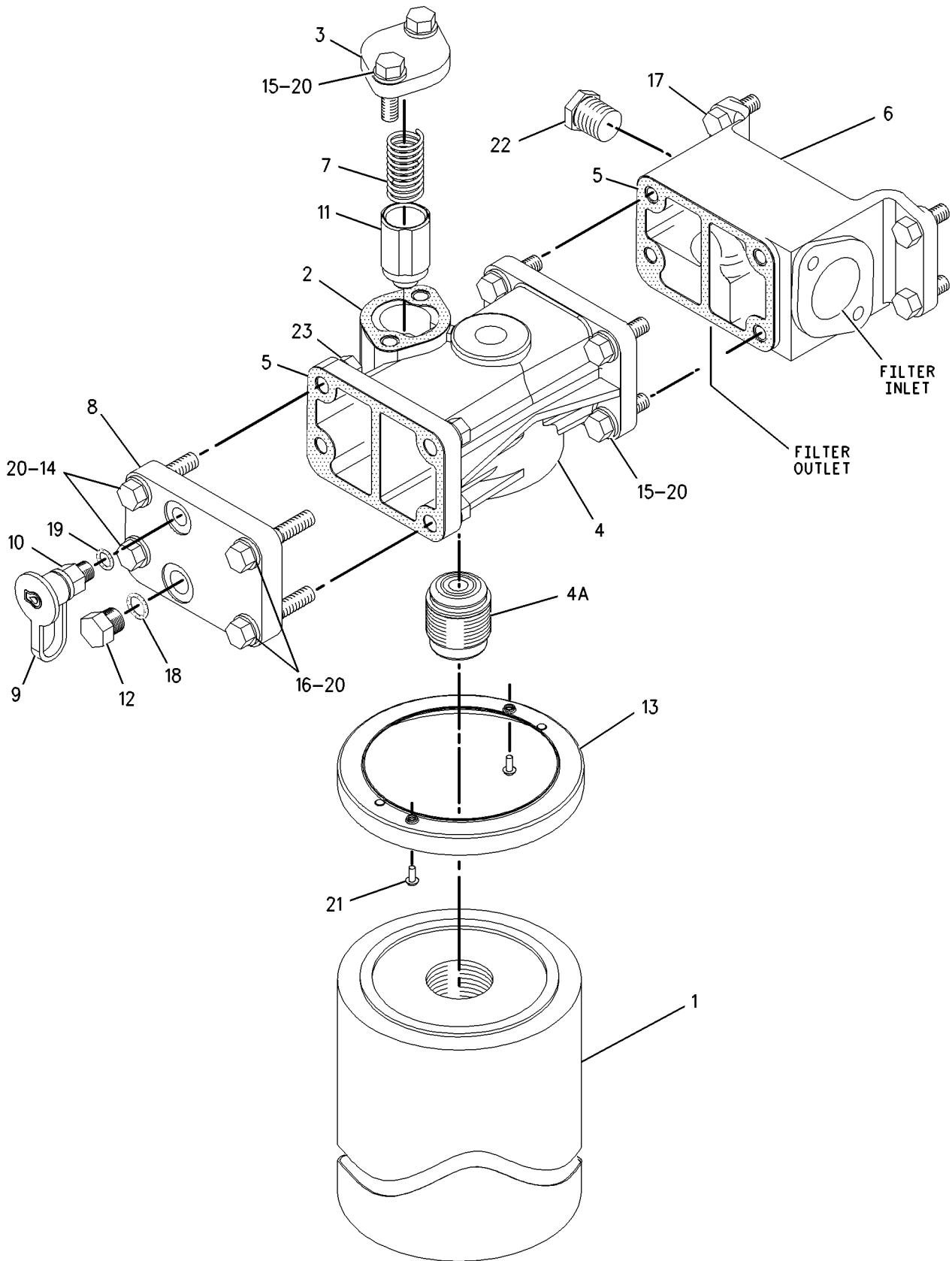
i01328279

NOTE	REF NO	GRAPHIC REF	PART NUMBER	QTY	PART NAME						SEE PAGE
					1	2	3	4	5	6 (PRODUCT LEVEL)	
	1	1	<b>1R-0716</b>	1	FILTER AS-ENGINE OIL (STANDARD EFFICIENCY)						
	2	1	<b>2P-3760</b>	1	GASKET						
	3	1	<b>2P-3761</b>	1	COVER						
	4	1	<b>2P-4301</b>	1	BASE AS						
	4A	1	<b>2P-4304</b>	1	STUD-HOLLOW						
	5	1	<b>2P-4305</b>	2	GASKET						
	6	1	<b>4N-0827</b>	1	ADAPTER-FILTER						
	7	1	<b>4N-8150</b>	1	SPRING						
	8	1	<b>7C-4038</b>	1	COVER						
	9	1	<b>8C-3445</b>	1	CAP-DUST						
	10	1	<b>8C-3446</b>	1	VALVE-FLUID SAMPLING						
	11	1	<b>1P-1367</b>	1	PLUNGER						
	12	1	<b>9S-4191</b>	1	PLUG-O-RING						
	13	1	<b>191-0965</b>	1	SHIELD-OIL FILTER						
	14	1	<b>0S-1571</b>	2	BOLT (3/8-16X1.75-IN)						
	15	1	<b>0S-1588</b>	6	BOLT (3/8-16X1.25-IN)						
	16	1	<b>0S-1590</b>	2	BOLT (3/8-16X2-IN)						
	17	1	<b>0S-1594</b>	4	BOLT (3/8-16X1-IN)						
	18	1	<b>3J-1907</b>	1	SEAL-O-RING						
	19	1	<b>3J-7354</b>	1	SEAL-O-RING						
	20	1	<b>5M-2894</b>	14	WASHER-HARD (10.2X18.5X2.5-MM THK)						
	21	1	<b>7F-9090</b>	2	SCREW-DRIVE (NO 8X3/8-IN)						
	22	1	<b>7W-6492</b>	1	PLUG-PIPE						
	23	1	<b>9S-8752</b>	4	NUT-FULL (3/8-16-THD)						

# LUBRICATION SYSTEM

191-0966 FILTER GP-ENGINE OIL (contd.)

i01328279



GRAPHIC #1

<END>

g00703555

# LUBRICATION SYSTEM

## 191-0966 FILTER GP-ENGINE OIL

S/N: BNT10129-UP

PART OF 235-4732, 235-4733 ENGINE AR-COMplete  
AN ATTACHMENT

SMCS-1306, 1308

i04935600

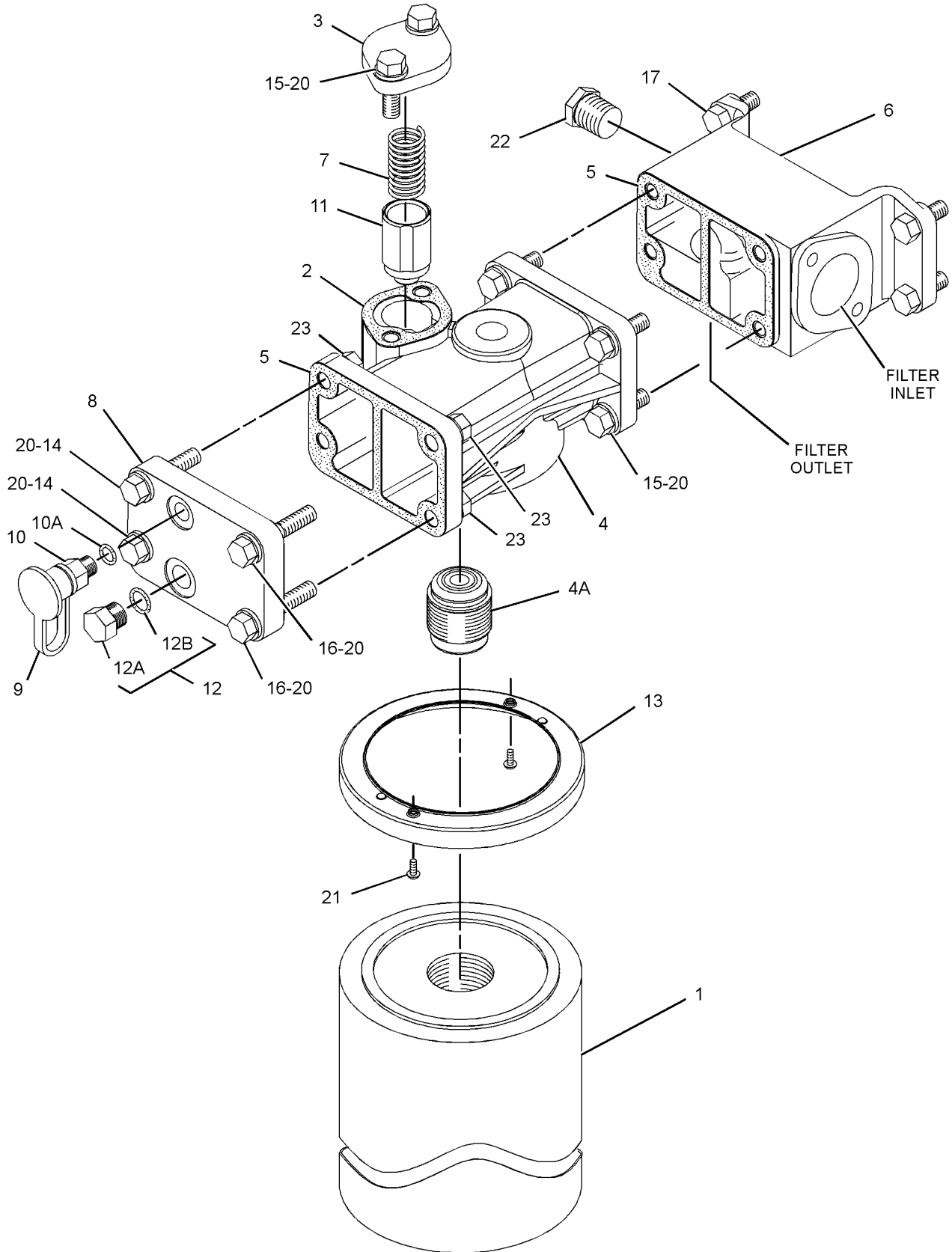
NOTE	REF NO	GRAPHIC REF	PART NUMBER	QTY	PART NAME						SEE PAGE
					1	2	3	4	5	6 (PRODUCT LEVEL)	
C	1	1	<b>1R-1808</b>	1	FILTER-ENGINE OIL (ADVANCED EFFICIENCY)						
	2	1	<b>2P-3760</b>	1	GASKET						
	3	1	<b>2P-3761</b>	1	COVER						
	4	1	<b>2P-4301</b>	1	BASE AS						
	4A	1	<b>2P-4304</b>	1	STUD-HOLLOW						
	5	1	<b>2P-4305</b>	2	GASKET						
	6	1	<b>4N-0827</b>	1	ADAPTER-FILTER						
	7	1	<b>4N-8150</b>	1	SPRING						
	8	1	<b>7C-4038</b>	1	COVER						
	9	1	<b>8C-3445</b>	1	CAP-DUST						
	10	1	<b>321-8649</b>	1	VALVE AS-FLUID SAMPLING (ENGINE OIL)						
		1	<b>8C-3446</b>	1	VALVE-FLUID SAMPLING						
	10A	1	<b>214-7566</b>	1	SEAL-O-RING						
	11	1	<b>392-9208</b>	1	PLUNGER-VALVE						
	12	1	<i>183-3407</i>	1	PLUG AS						
	12A	1	<b>9S-8004</b>	1	PLUG-O-RING						
	12B	1	<b>214-7568</b>	1	SEAL-O-RING						
	13	1	<b>191-0965</b>	1	SHIELD-OIL FILTER						
	14	1	<b>0S-1571</b>	2	BOLT (3/8-16X1.75-IN)						
	15	1	<b>0S-1588</b>	6	BOLT (3/8-16X1.25-IN)						
	16	1	<b>0S-1590</b>	2	BOLT (3/8-16X2-IN)						
	17	1	<b>0S-1594</b>	4	BOLT (3/8-16X1-IN)						
	20	1	<b>5M-2894</b>	14	WASHER-HARD (10.2X18.5X2.5-MM THK)						
	21	1	<b>7F-9090</b>	2	SCREW-DRIVE (NO 8X3/8-IN)						
	22	1	<b>7W-6492</b>	1	PLUG-PIPE						
	23	1	<b>9S-8752</b>	4	NUT-FULL (3/8-16-THD)						

C - CHANGE FROM PREVIOUS TYPE

# LUBRICATION SYSTEM

191-0966 FILTER GP-ENGINE OIL (contd.)

i04935600



GRAPHIC #1

<END>

g02125805

# LUBRICATION SYSTEM

## 159-9362 FUMES DISPOSAL GP

S/N: BNT1-UP

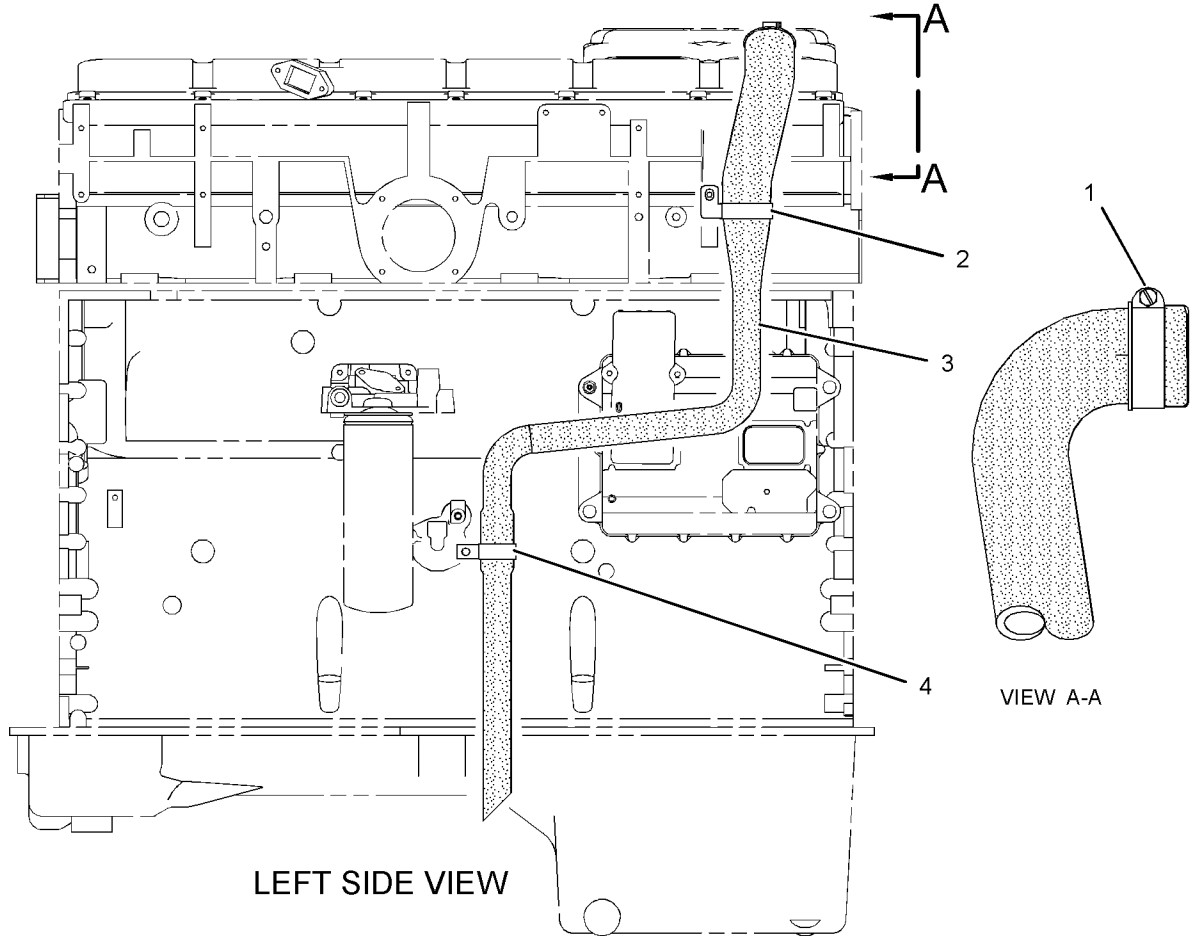
REAR VALVE COVER MOUNTED FUMES DISPOSAL

PART OF 198-6489, 198-6490, 235-4732, 235-4733 ENGINE AR-COMplete  
AN ATTACHMENT

SMCS-1317

i04558884

NOTE	REF NO	GRAPHIC REF	PART NUMBER	QTY	PART NAME						SEE PAGE
					1	2	3	4	5	6 (PRODUCT LEVEL)	
1	1	1	9M-0164	1	CLAMP - HOSE						
2	1	1	161-6622	1	CLIP						
3	1	1	207-8128	1	HOSE AS (FUMES DISPOSAL)						
		1	197-9631	1	GROMMET						
4	1	1	5P-2369	1	CLIP						



GRAPHIC #1

<END>

g01436024

# LUBRICATION SYSTEM

## 199-6348 GAUGE GP-OIL LEVEL (DIPSTICK)-ENGINE

S/N: BNT1-1216

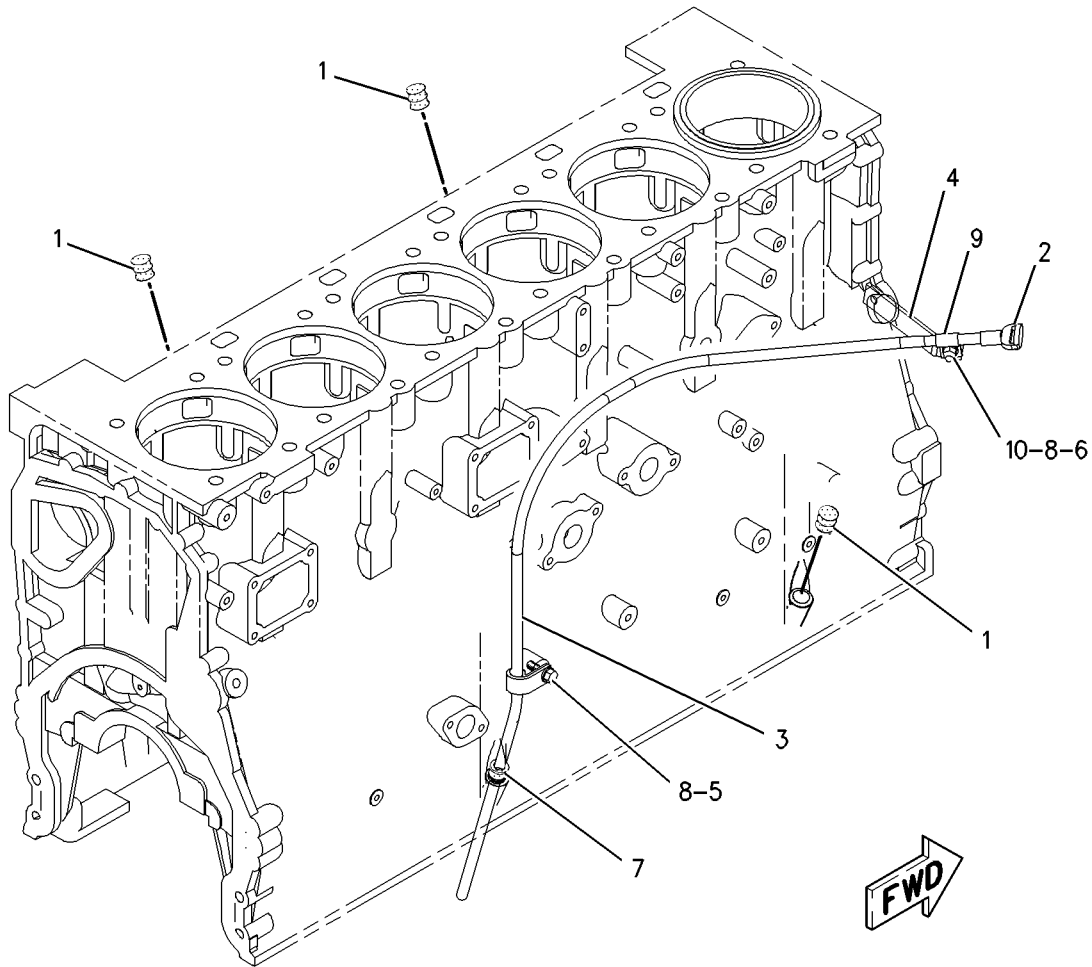
PART OF 198-6489, 198-6490 ENGINE AR-COMplete  
AN ATTACHMENT

SMCS-1326

i02954368

NOTE	REF NO	GRAPHIC REF	PART NUMBER	QTY	PART NAME						SEE PAGE
					1	2	3	4	5	6	
J	1	1	165-6170	3	PLUG						
	2	1	180-5567	1	GAUGE AS-OIL LEVEL (DIPSTICK)						
	3	1	180-5733	1	TUBE AS						
	4	1	183-6437	1	BRACKET						
	5	1	0S-1588	1	BOLT (3/8-16X1.25-IN)						
	6	1	0S-1594	1	BOLT (3/8-16X1-IN)						
	7	1	118-5068	1	SEAL-O-RING						
	8	1	5M-2894	3	WASHER-HARD (10.2X18.5X2.5-MM THK)						
	9	1	5P-9299	1	CLIP						
	10	1	9S-8752	1	NUT-FULL (3/8-16-THD)						

J - USE TO PLUG OPTIONAL DIPSTICK LOCATION



GRAPHIC #1

<END>

g00790124



# LUBRICATION SYSTEM

## 199-6348 GAUGE GP-OIL LEVEL (DIPSTICK)-ENGINE

S/N: BNT1211-UP

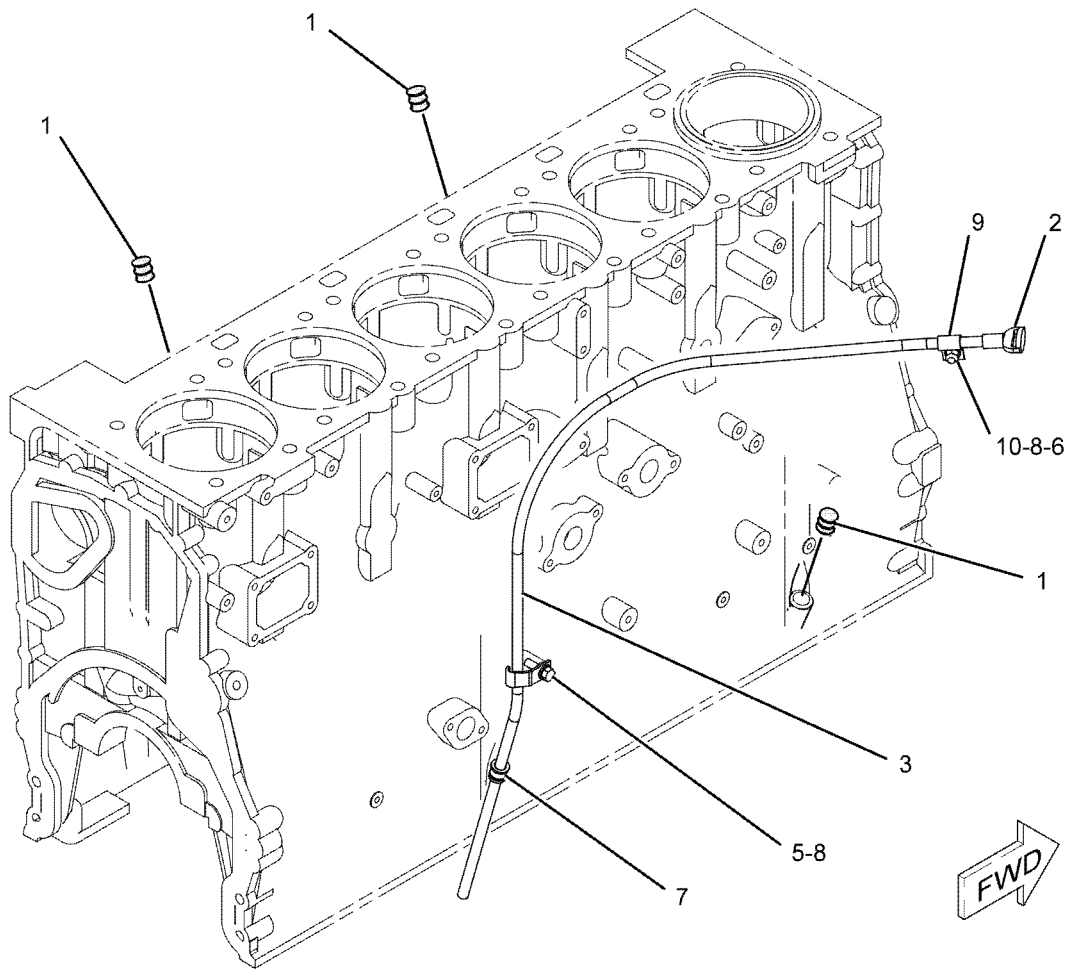
PART OF 198-6489, 198-6490, 235-4732, 235-4733 ENGINE AR-COMplete  
AN ATTACHMENT

SMCS-1326

i02953981

NOTE	REF NO	GRAPHIC REF	PART NUMBER	QTY	PART NAME						SEE PAGE
					1	2	3	4	5	6 (PRODUCT LEVEL)	
J	1	1	<b>165-6170</b>	3	PLUG						
	2	1	<b>180-5567</b>	1	GAUGE AS-OIL LEVEL (DIPSTICK) (ENGINE)						
	3	1	<b>180-5733</b>	1	TUBE AS						
	5	1	<b>0S-1588</b>	1	BOLT (3/8-16X1.25-IN)						
	6	1	<b>0S-1594</b>	1	BOLT (3/8-16X1-IN)						
	7	1	<b>118-5068</b>	1	SEAL-O-RING						
	8	1	<b>5M-2894</b>	3	WASHER-HARD (10.2X18.5X2.5-MM THK)						
	9	1	<b>5P-9299</b>	1	CLIP						
	10	1	<b>9S-8752</b>	1	NUT-FULL (3/8-16-THD)						

J - USE TO PLUG OPTIONAL DIPSTICK LOCATION



GRAPHIC #1

<END>

g01029431

# LUBRICATION SYSTEM

## 199-6348 GAUGE GP-OIL LEVEL (DIPSTICK)-ENGINE

S/N: BNT10198-10215

PART OF 235-4732, 235-4733 ENGINE AR-COMPLETE  
AN ATTACHMENT

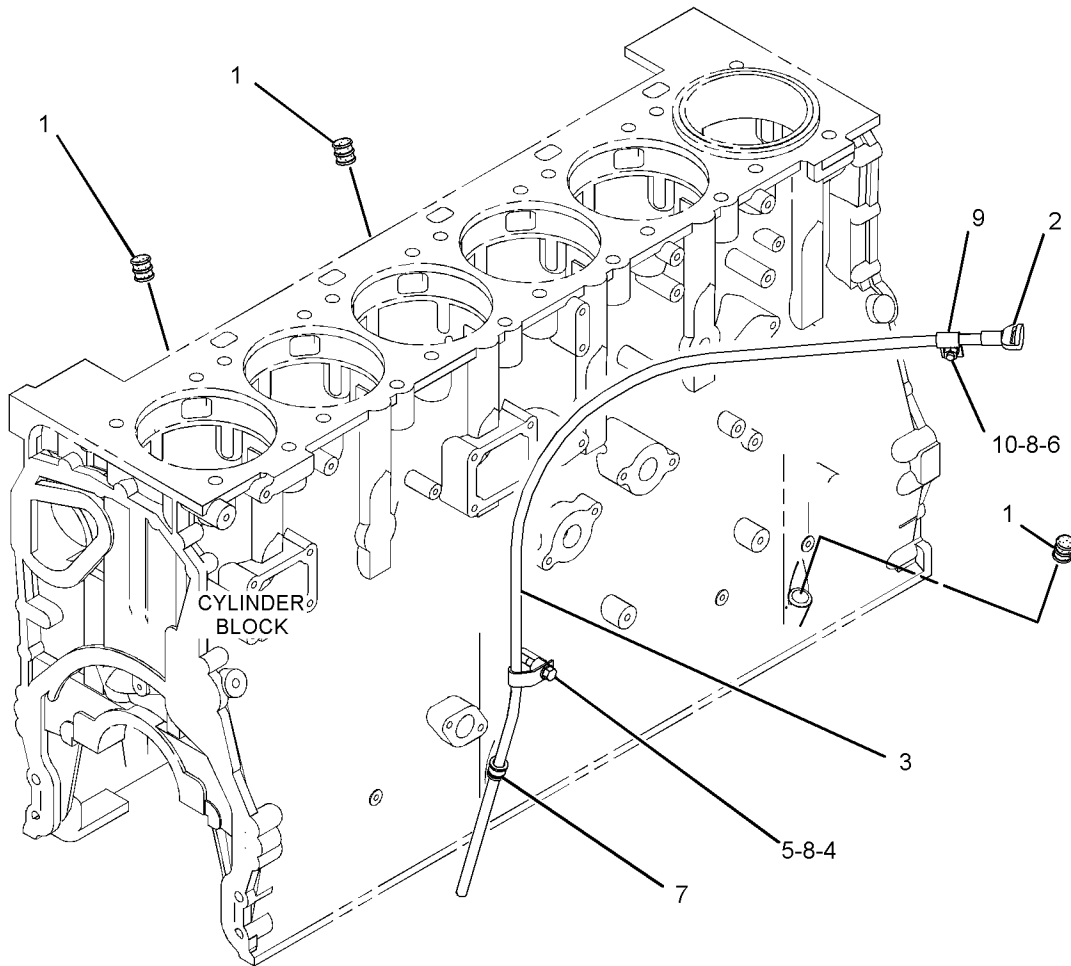
SMCS-1326

i03895981

NOTE	REF NO	GRAPHIC REF	PART NUMBER	QTY	PART NAME						SEE PAGE
					1	2	3	4	5	6 (PRODUCT LEVEL)	
J	1	1	<b>165-6170</b>	3	PLUG						
	2	1	<b>180-5567</b>	1	GAUGE AS-OIL LEVEL (DIPSTICK) (ENGINE)						
	3	1	<b>180-5733</b>	1	TUBE AS						
	4	1	<b>183-6438</b>	1	SPACER (10.5X20X14-MM THK)						
C	5	1	<b>0L-2070</b>	1	BOLT (3/8-16X2.25-IN)						
	6	1	<b>0S-1594</b>	1	BOLT (3/8-16X1-IN)						
	7	1	<b>118-5068</b>	1	SEAL-O-RING						
	8	1	<b>5M-2894</b>	3	WASHER-HARD (10.2X18.5X2.5-MM THK)						
	9	1	<b>5P-9299</b>	1	CLIP						
	10	1	<b>9S-8752</b>	1	NUT-FULL (3/8-16-THD)						

C - CHANGE FROM PREVIOUS TYPE

J - USE TO PLUG OPTIONAL DIPSTICK LOCATION



GRAPHIC #1

<END>

g02126219

# LUBRICATION SYSTEM

## 308-0412 GAUGE GP-OIL LEVEL (DIPSTICK)-ENGINE

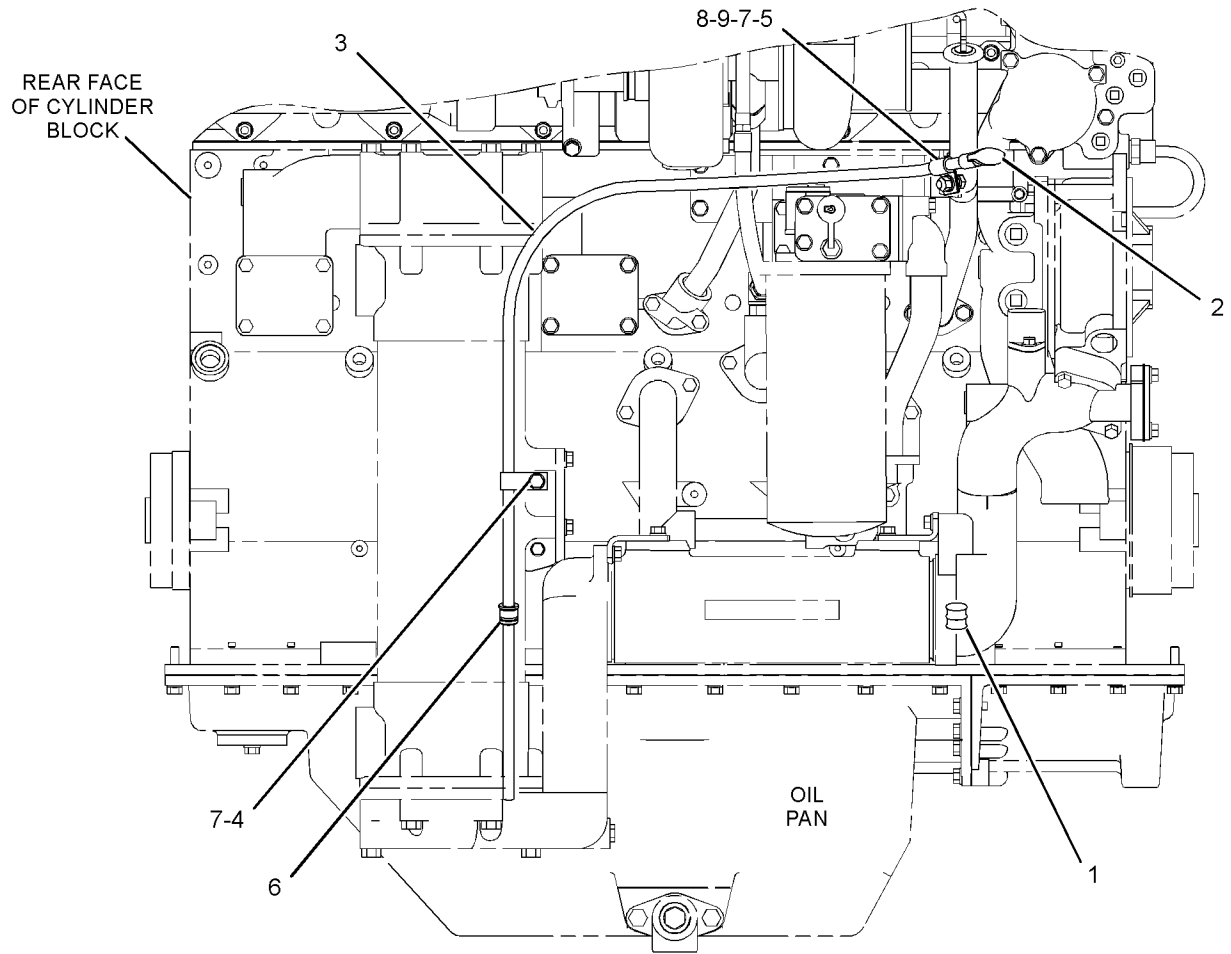
S/N: BNT10216-UP

PART OF 235-4732, 235-4733 ENGINE AR-COMplete  
AN ATTACHMENT

SMCS-1326

i02953982

NOTE	REF NO	GRAPHIC REF	PART NUMBER	QTY	PART NAME						SEE PAGE
					1	2	3	4	5	6 (PRODUCT LEVEL)	
1	1	1	165-6170	3	PLUG						
2	1	1	180-5567	1	GAUGE AS-OIL LEVEL (DIPSTICK) (ENGINE)						
3	1	1	180-5733	1	TUBE AS						
4	1	1	0S-1588	1	BOLT (3/8-16X1.25-IN)						
5	1	1	0S-1594	1	BOLT (3/8-16X1-IN)						
6	1	1	118-5068	1	SEAL-O-RING						
7	1	1	5M-2894	3	WASHER-HARD (10.2X18.5X2.5-MM THK)						
8	1	1	5P-9299	1	CLIP						
9	1	1	9S-8752	1	NUT-FULL (3/8-16-THD)						



RIGHT SIDE VIEW OF ENGINE

GRAPHIC #1

<END>

g01457141

# LUBRICATION SYSTEM

## 175-3862 LINES GP-ENGINE OIL

S/N: BNT1-UP

FOR USE WITH 56 LITER OIL PAN

PART OF 198-6489, 198-6490, 235-4732, 235-4733 ENGINE AR-COMplete  
AN ATTACHMENT

SMCS-1307

i01914668

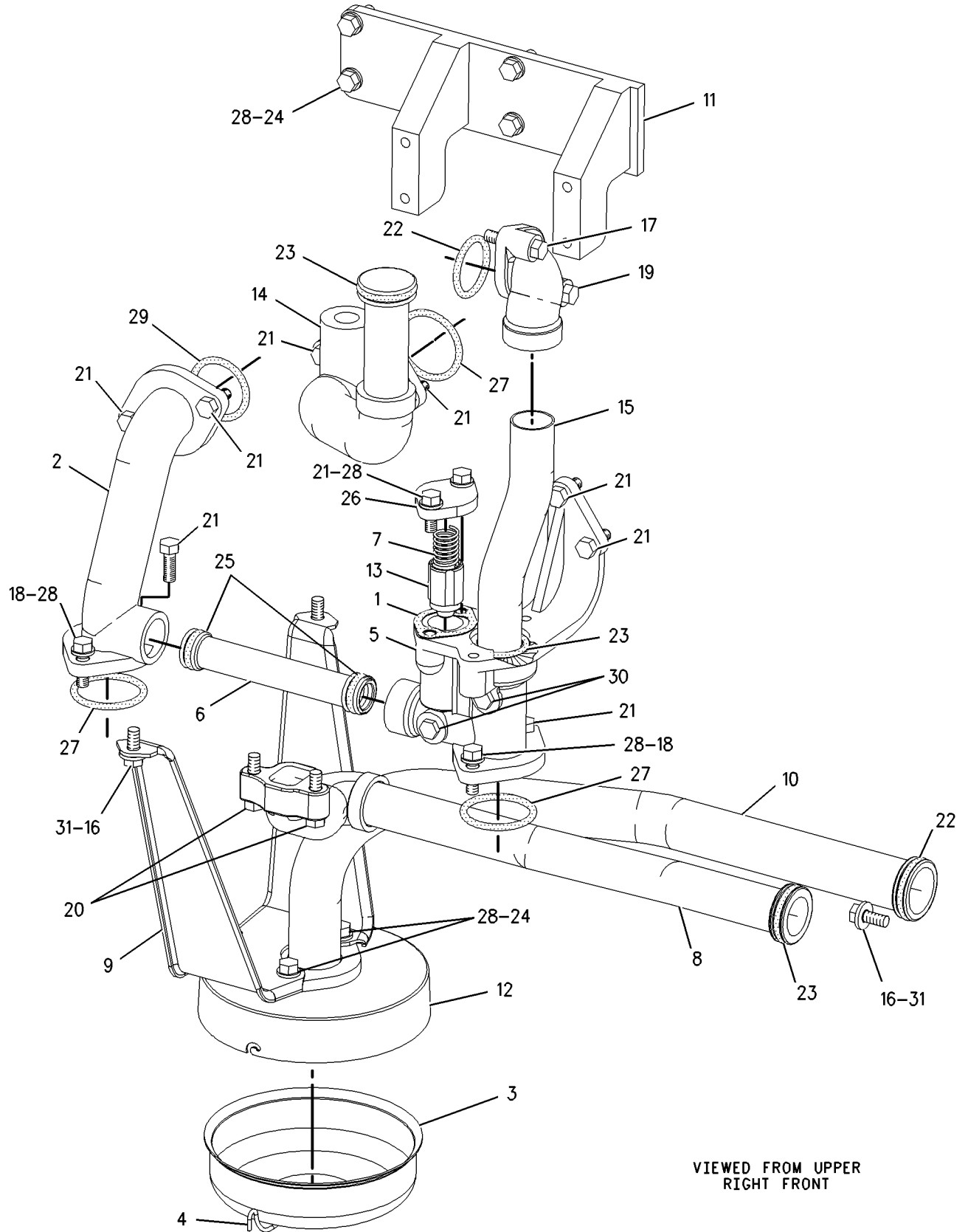
NOTE	REF NO	GRAPHIC REF	PART NUMBER	QTY	PART NAME						SEE PAGE
					1	2	3	4	5	6 (PRODUCT LEVEL)	
	1	1	<b>2P-3760</b>	1	GASKET						
	2	1	<b>4N-0826</b>	1	ELBOW						
	3	1	<b>4N-0913</b>	1	SCREEN-STRAINER						
	4	1	<b>4N-0914</b>	1	CLIP						
	5	1	<b>4N-1215</b>	1	BODY-COOLER BYPASS (ENGINE OIL)						
					-OR-						
J		1	<b>223-5814</b>	1	BODY-COOLER BYPASS (ENGINE OIL)						
	6	1	<b>4N-1216</b>	1	TUBE-COOLER BYPASS						
	7	1	<b>4N-8150</b>	1	SPRING						
	8	1	<b>4P-7373</b>	1	TUBE AS						
	9	1	<b>4P-9131</b>	1	SUPPORT-BELL						
	10	1	<b>7E-4508</b>	1	TUBE AS						
	11	1	<b>7E-7599</b>	1	BRACKET AS						
	12	1	<b>8N-2104</b>	1	BELL AS-SUCTION						
		1	<b>1F-0750</b>	2	NUT-WELD (3/8-16-THD)						
	13	1	<b>1P-1367</b>	1	PLUNGER						
	14	1	<b>138-3102</b>	1	TUBE AS						
	15	1	<b>187-3993</b>	1	TUBE AS						
	16	1	<b>0L-1351</b>	3	BOLT (3/8-16X0.875-IN)						
	17	1	<b>0S-1571</b>	1	BOLT (3/8-16X1.75-IN)						
	18	1	<b>0S-1588</b>	2	BOLT (3/8-16X1.25-IN)						
	19	1	<b>0S-1590</b>	1	BOLT (3/8-16X2-IN)						
	20	1	<b>0S-1591</b>	2	BOLT (3/8-16X1.5-IN)						
	21	1	<b>0S-1594</b>	10	BOLT (3/8-16X1-IN)						
	22	1	<b>109-0072</b>	2	SEAL-O-RING						
	23	1	<b>109-0078</b>	3	SEAL-O-RING						
	24	1	<b>1A-2029</b>	6	BOLT (3/8-16X1.125-IN)						
	25	1	<b>2N-3350</b>	2	SEAL-O-RING						
	26	1	<b>2P-3761</b>	1	COVER						
	27	1	<b>3P-0650</b>	3	SEAL-O-RING						
	28	1	<b>5M-2894</b>	10	WASHER-HARD (10.2X18.5X2.5-MM THK)						
	29	1	<b>8C-5230</b>	1	SEAL-O-RING						
	30	1	<b>8T-6765</b>	2	PLUG-PIPE						
					-OR-						
J		1	<b>3K-8460</b>	2	PLUG						
J		1	<b>1J-9671</b>	2	SEAL-O-RING						
	31	1	<b>9X-6458</b>	3	WASHER-HARD (10.2X22.5X3-MM THK)						

J - PARTS MARKED J ARE USED TOGETHER

# LUBRICATION SYSTEM

175-3862 LINES GP-ENGINE OIL (contd.)

i01914668



VIEWED FROM UPPER  
RIGHT FRONT

GRAPHIC #1

<END>

g00684714

# LUBRICATION SYSTEM

## 138-2770 LINES GP-TURBOCHARGER OIL

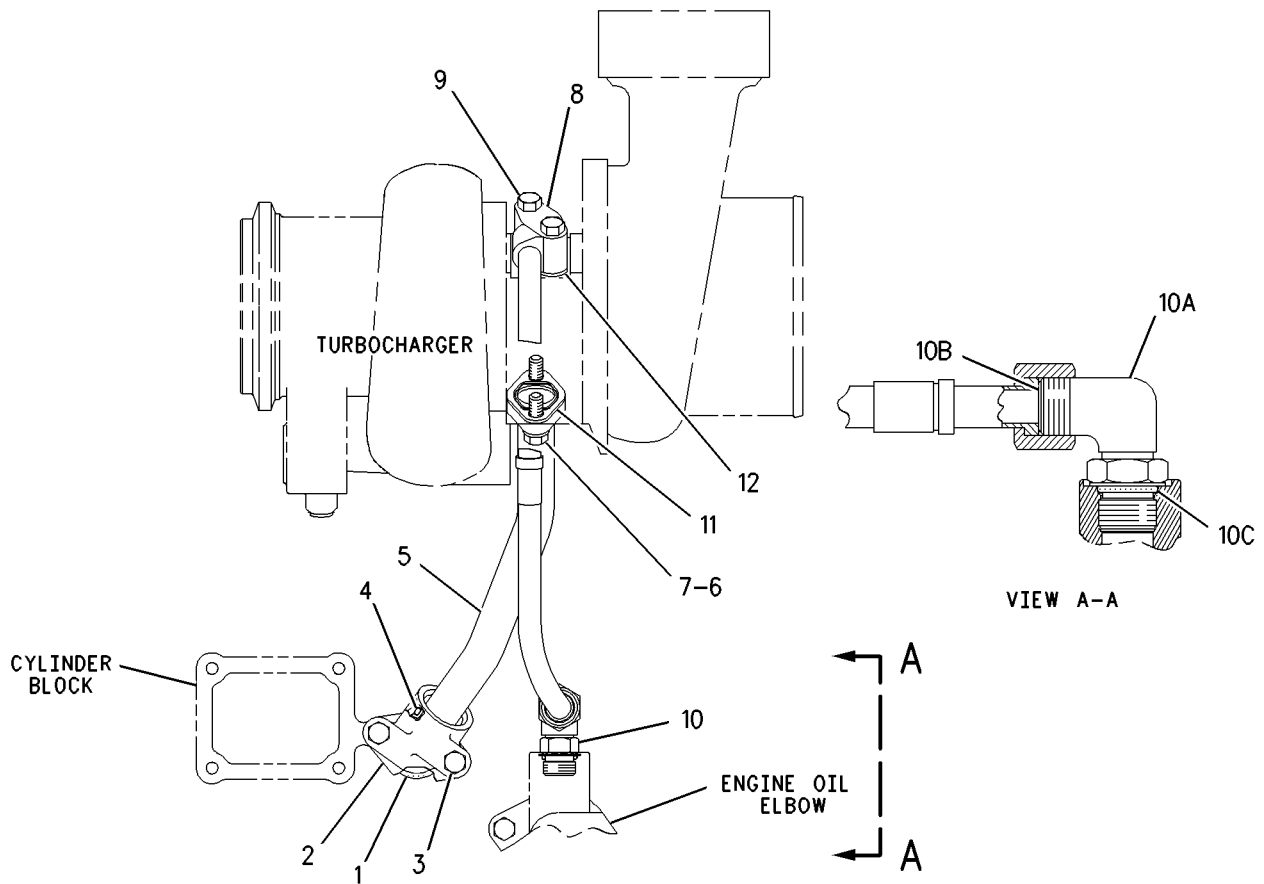
S/N: BNT1-UP

PART OF 198-6489, 198-6490, 235-4732, 235-4733 ENGINE AR-COMplete  
AN ATTACHMENT

SMCS-1052, 1307

i03885339

NOTE	REF NO	GRAPHIC REF	PART NUMBER	QTY	PART NAME						SEE PAGE
					1	2	3	4	5	6 (PRODUCT LEVEL)	
1	1	1	<b>230-3775</b>	1	SEAL-O-RING						
2	1	1	<b>106-3544</b>	1	ELBOW						
3	1	1	<b>0L-2070</b>	2	BOLT (3/8-16X2.25-IN)						
4	1	1	<b>114-2687</b>	1	SEAL-O-RING						
5	1	1	<b>152-5269</b>	1	TUBE AS-DRAIN						
6	1	1	<b>3B-1915</b>	2	BOLT (3/8-16X1.375-IN)						
7	1	1	<b>5M-2894</b>	2	WASHER-HARD (10.2X18.5X2.5-MM THK)						
8	1	1	<b>138-2870</b>	1	TUBE AS-SUPPLY						
9	1	1	<b>0S-1571</b>	2	BOLT (3/8-16X1.75-IN)						
10	1	1	<b>287-5975</b>	1	ELBOW AS						
10A	1	1	<b>6V-8626</b>	1	ELBOW						
10B	1	1	<b>228-7091</b>	1	SEAL-O-RING						
10C	1	1	<b>238-5081</b>	1	SEAL-O-RING						
11	1	1	<b>126-2702</b>	1	SEAL-INTEGRAL						
12	1	1	<b>198-6068</b>	1	SEAL-INTEGRAL						



GRAPHIC #1

<END>

g00891008

# LUBRICATION SYSTEM

## 114-5198 OIL CHANGE GP-HIGH SPEED

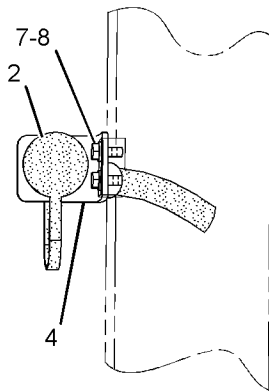
S/N: BNH1-UP  
AN ATTACHMENT

SMCS-1325

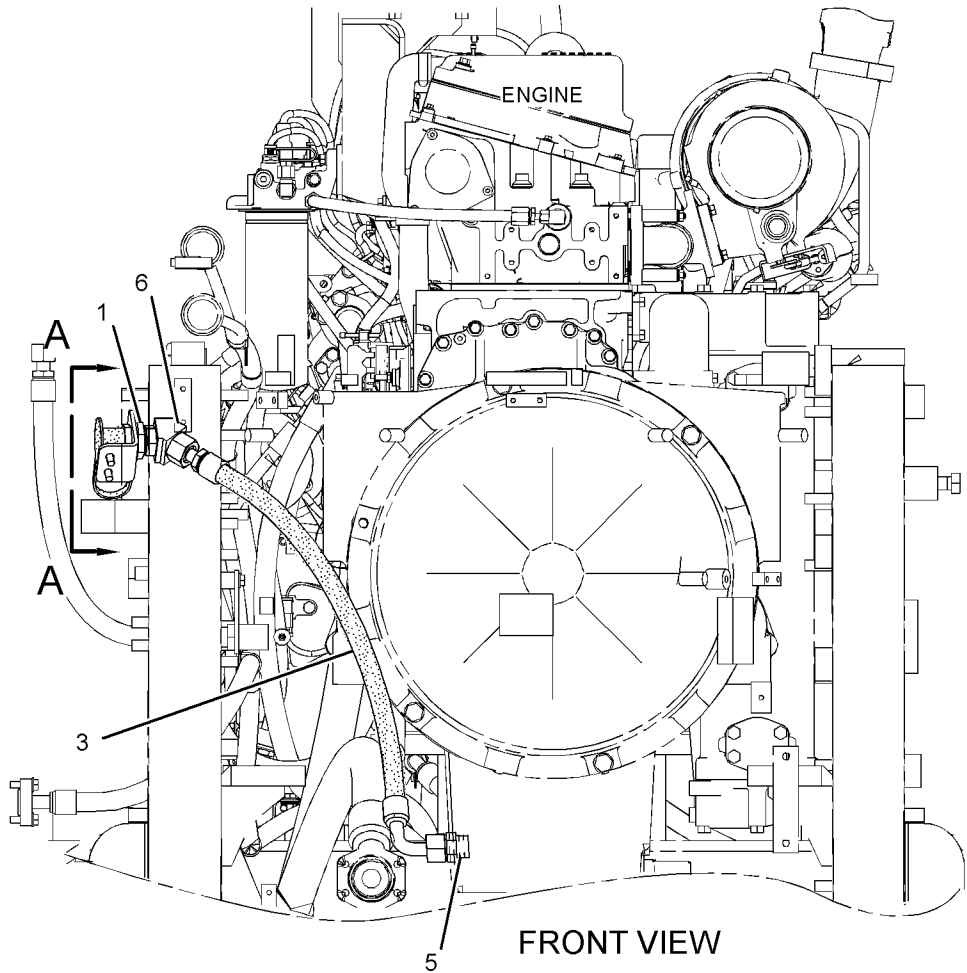
i02380629

NOTE	REF NO	GRAPHIC REF	PART NUMBER	QTY	PART NAME						SEE PAGE
					1	2	3	4	5	6	
	1	1	2V-2043	1	NUT-BULKHEAD (1-5/8-12-THD)						
	2	1	110-8827	1	FITTING (QUICK DISCONNECT, MALE)						
		1	110-8826	1	CAP-DUST						
I	3	1	157-4428	1	HOSE AS						
	4	1	169-3295	1	BRACKET						
	5	1	148-8335	1	CONNECTOR AS						
		1	5K-9090	1	SEAL-O-RING						
		1	6V-8635	1	CONNECTOR						
		1	7M-8485	1	SEAL-O-RING						
	6	1	148-8355	1	ELBOW AS						
		1	5K-9090	1	SEAL-O-RING						
		1	6V-9005	1	ELBOW						
		1	7M-8485	1	SEAL-O-RING						
	7	1	8T-4121	2	WASHER-HARD (11X21X2.5-MM THK)						
M	8	1	8T-4136	2	BOLT (M10X1.5X25-MM)						

I - REFER TO HYDRAULIC INFORMATION SYSTEM  
M - METRIC PART



VIEW A-A



FRONT VIEW

GRAPHIC #1

<END>

g01189864

# LUBRICATION SYSTEM

## 161-4113 PUMP GP-ENGINE OIL\*R

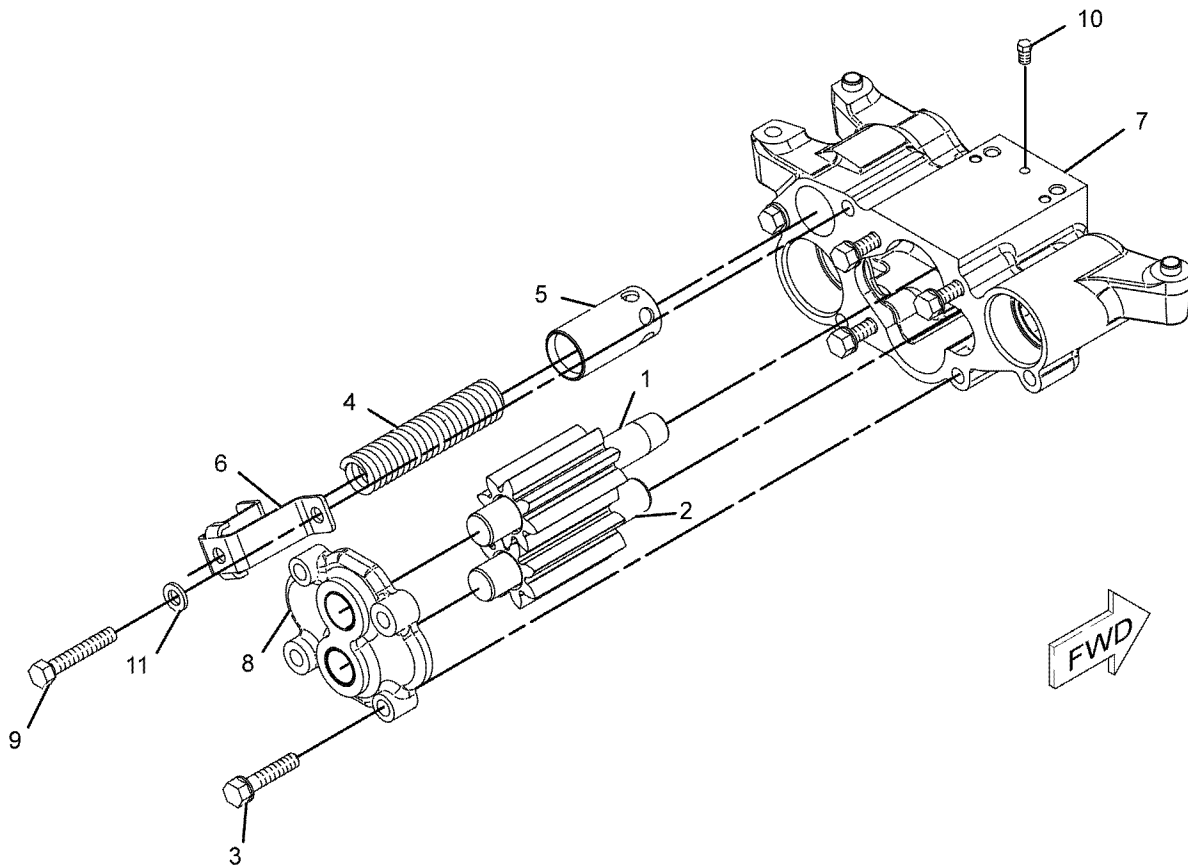
S/N: BNT1-UP

PART OF 198-6487, 235-3479 ENGINE AR-CORE  
AN ATTACHMENT

SMCS-1304, 1315

i03709503

NOTE	REF NO	GRAPHIC REF	PART NUMBER	QTY	PART NAME						SEE PAGE
					1	2	3	4	5	6 (PRODUCT LEVEL)	
	1	1	<b>1W-7238</b>	1	SHAFT AS-PUMP DRIVE (8-TEETH)						
	2	1	<b>1W-7239</b>	1	SHAFT AS-IDLER (8-TEETH)						
	3	1	<b>2P-3205</b>	4	BOLT-WASHER HEAD (3/8-16X1.75-IN)						
	4	1	<b>2S-2760</b>	1	SPRING						
	5	1	<b>6N-1931</b>	1	PLUNGER						
	6	1	<b>9Y-1792</b>	1	RETAINER						
	7	1	<b>235-1587</b>	1	BODY AS						
		1	<b>7N-2156</b>	2	BEARING-SLEEVE						
		1	<b>8M-8489</b>	2	DOWEL						
	8	1	<b>127-6356</b>	1	COVER AS-PUMP						
		1	<b>8S-6511</b>	2	BEARING-SLEEVE						
	9	1	<b>1M-0644</b>	2	BOLT (3/8-16X2.25-IN)						
	10	1	<b>2S-7905</b>	1	PLUG-PIPE						
	11	1	<b>5M-2894</b>	2	WASHER-HARD (10.2X18.5X2.5-MM THK)						



GRAPHIC #1

<END>

g01066948



# COOLING SYSTEM

## 199-2882 COOLING AR

S/N: BNT1-UP

PART OF 198-6489, 198-6490 ENGINE AR-COMPLETE  
AN ATTACHMENT

SMCS-1350, 1353, 1355, 1374, 1375, 1378, 1386, 1387, 5057

i01620756

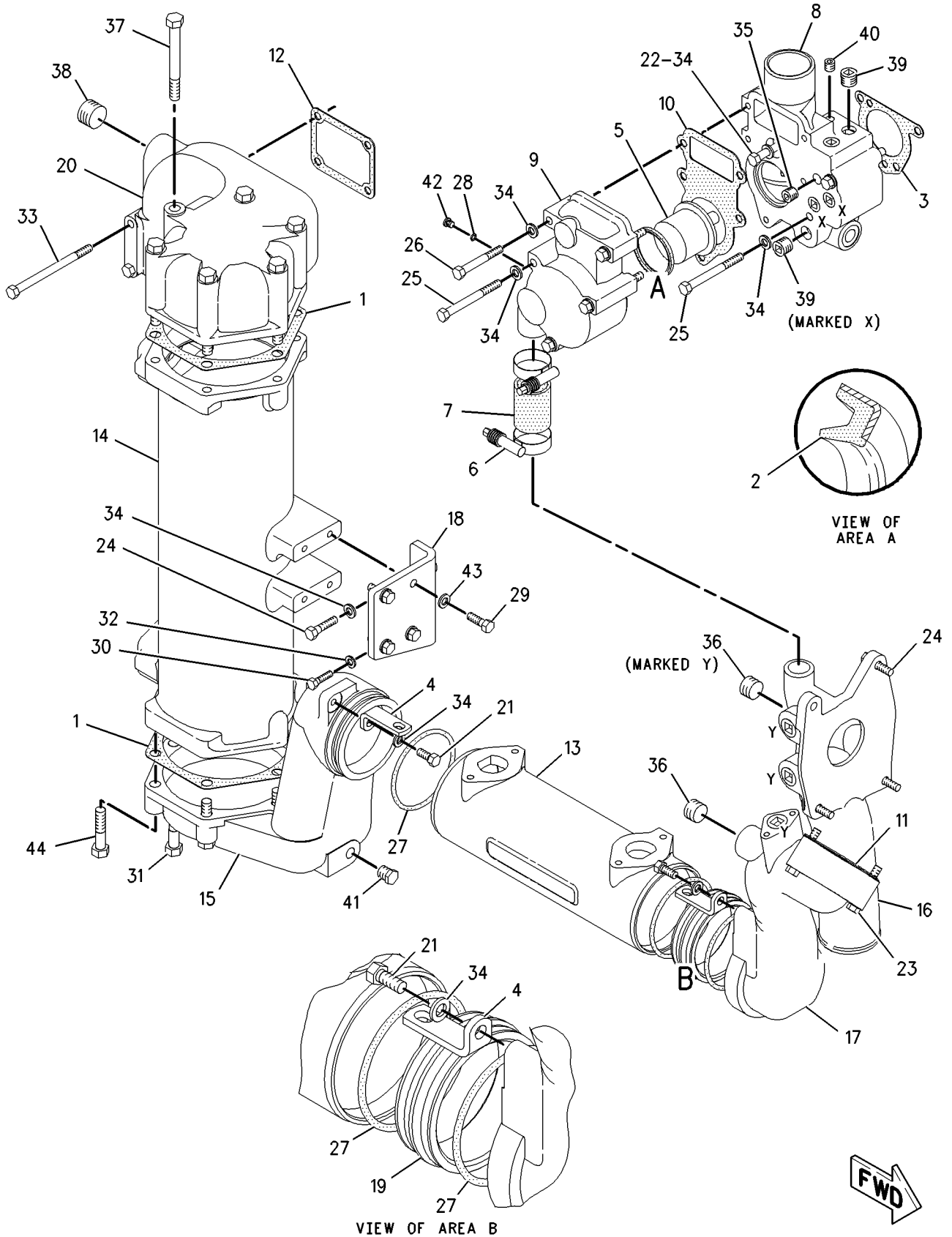
NOTE	REF NO	GRAPHIC REF	PART NUMBER	QTY	PART NAME						SEE PAGE
					1	2	3	4	5	6 (PRODUCT LEVEL)	
	1	1	2S-0795	2	GASKET						
	2	1	3S-9643	1	SEAL-LIP TYPE						
	3	1	4N-1156	1	GASKET-REGULATOR COVER						
	4	1	4N-1199	2	CLIP						
	5	1	4W-4794	1	REGULATOR-WATER TEMPERATURE (92-DEG C)						
	6	1	8T-4983	2	CLAMP-HOSE						
	7	1	9Y-4104	1	HOSE						
	8	1	104-8583	1	MANIFOLD-HOUSING						
	9	1	104-8584	1	HOUSING-REGULATOR						
	10	1	104-8585	1	GASKET-REGULATOR						
	11	1	125-0434	1	SEAL-INTEGRAL						
	12	1	126-4935	1	SEAL-INTEGRAL						
R	13	1	133-0125	1	CORE AS-ENGINE OIL COOLER						
R	14	1	145-9283	1	CORE AS-TRANSMISSION COOLER						
	15	1	147-0192	1	BONNET						
	16	1	161-3565	1	COVER-WATER PUMP						
	17	1	170-4673	1	BONNET-INLET						
	18	1	187-6236	1	BRACKET AS						
	19	1	187-6237	1	ADAPTER						
	20	1	205-9293	1	BONNET						
	21	1	0L-1351	2	BOLT (3/8-16X0.875-IN)						
	22	1	0L-1352	1	BOLT (3/8-16X3.25-IN)						
	23	1	0L-2070	2	BOLT (3/8-16X2.25-IN)						
	24	1	0S-1591	3	BOLT (3/8-16X1.5-IN)						
	25	1	0S-1608	5	BOLT (3/8-16X3.75-IN)						
	26	1	0T-0573	2	BOLT (3/8-16X2.75-IN)						
	27	1	109-0077	3	SEAL-O-RING						
	28	1	109-0093	1	SEAL-O-RING						
	29	1	1A-2029	4	BOLT (3/8-16X1.125-IN)						
	30	1	1A-9579	1	BOLT (5/16-18X1.5-IN)						
	31	1	1D-4566	4	BOLT (1/2-13X3.5-IN)						
	32	1	3E-4352	1	WASHER-HARD (8.8X20.5X2.5-MM THK)						
	33	1	5B-2638	4	BOLT (3/8-16X5.25-IN)						
	34	1	5M-2894	10	WASHER-HARD (10.2X18.5X2.5-MM THK)						
	35	1	7W-6534	1	PLUG-PIPE						
	36	1	7X-7731	4	PLUG-PIPE						
	37	1	8S-9089	6	BOLT (1/2-13X4.5-IN)						
	38	1	8T-6761	1	PLUG-PIPE						
	39	1	8T-6762	5	PLUG-PIPE (1/2-14-THD)						
	40	1	8T-6763	1	PLUG-PIPE						
	41	1	8T-6767	1	PLUG-PIPE						
	42	1	9S-8001	1	PLUG-O-RING						
	43	1	9X-6458	4	WASHER-HARD (10.2X22.5X3-MM THK)						
	44	1	9X-8873	2	BOLT (1/2-13X2.25-IN)						

R - REMFG PART MAY BE AVAILABLE

# COOLING SYSTEM

199-2882 COOLING AR (contd.)

i01620756



GRAPHIC #1

<END>

g00841260

# COOLING SYSTEM

## 215-2334 COOLING AR-

S/N: BNH1-UP

CANNOT BE USED WITH 215-2339 COOLING AR-HIGH AMBIENT TEMP, 215-2353 COOLING AR AN ATTACHMENT

SMCS-1350, 1353, 1355, 1374, 1375, 1378, 1386, 1387, 5057

i01929948

NOTE	PART NUMBER	QTY	PART NAME						SEE PAGE
			1	2	3	4	5	6 (PRODUCT LEVEL)	
Y	132-6138	1	LINES GP-HYDRAULIC FAN						918
Y	170-6047	1	PUMP & MTG GP-HYDRAULIC FAN						961
Y	164-0057	1	RADIATOR GP						154

Y - SEPARATE ILLUSTRATION

<END>

## 215-2353 COOLING AR-MID RANGE AMBIENT TEMPERATURE

S/N: BNH1-UP

CANNOT BE USED WITH 215-2334 COOLING AR, 215-2339 COOLING AR-HIGH AMBIENT TEMP AN ATTACHMENT

SMCS-1350, 1353, 1355, 1374, 1375, 1378, 1386, 1387, 5057

i02128003

NOTE	PART NUMBER	QTY	PART NAME						SEE PAGE
			1	2	3	4	5	6 (PRODUCT LEVEL)	
Y	239-7447	1	DEFLECTOR GP-HOOD (AIR EJECTOR DUCT)						593
			S/N: BNH1156-UP						
Y	132-6138	1	LINES GP-HYDRAULIC FAN						918
Y	170-6047	1	PUMP & MTG GP-HYDRAULIC FAN						961
Y	215-2355	1	RADIATOR GP						155

Y - SEPARATE ILLUSTRATION

<END>

# COOLING SYSTEM

## 235-8487 COOLING AR

S/N: BNT1059-UP

PART OF 235-4732, 235-4733 ENGINE AR-COMPLETE  
AN ATTACHMENT

SMCS-1350, 1353, 1355, 1374, 1375, 1378, 1386, 1387, 5057

i02719117

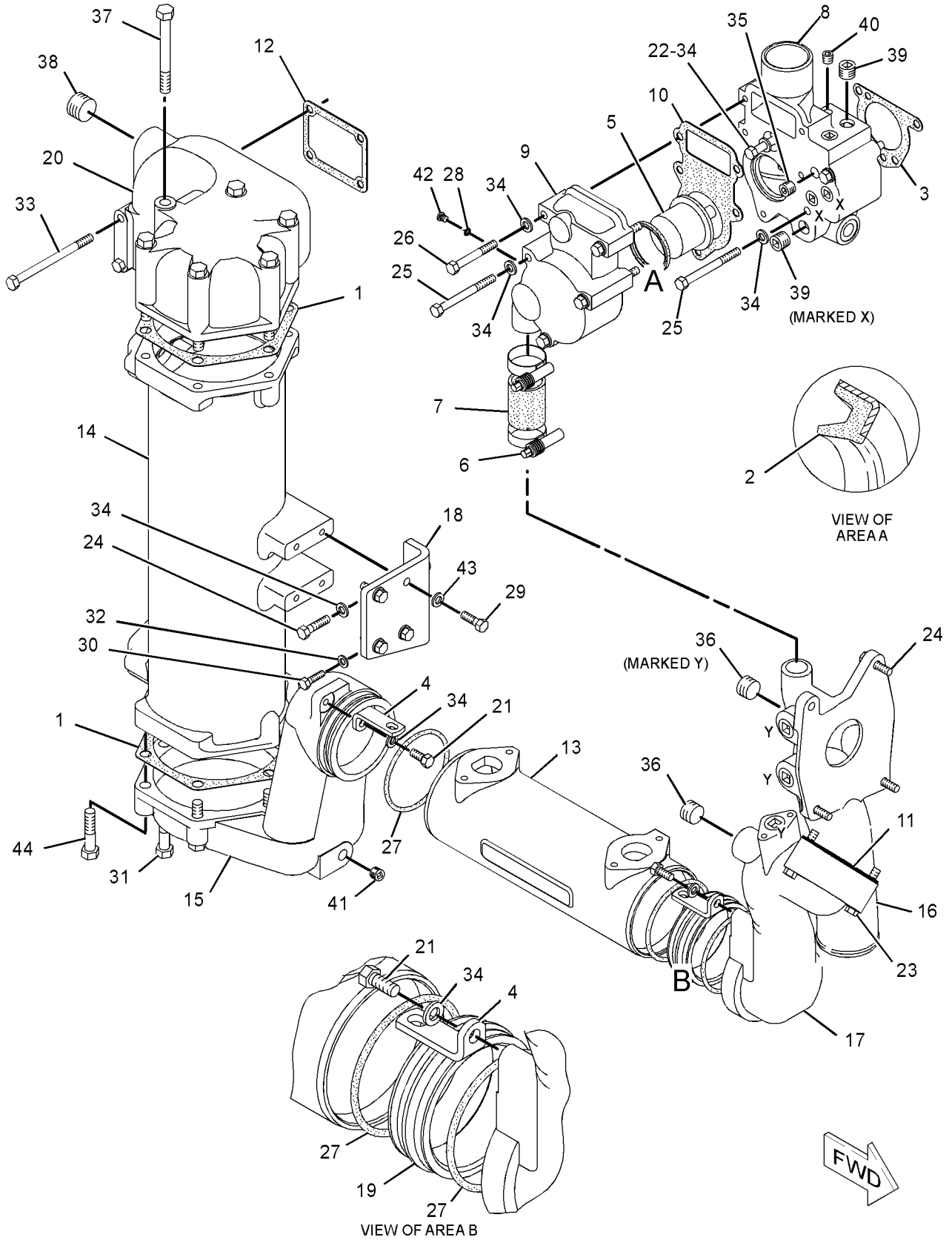
NOTE	REF NO	GRAPHIC REF	PART NUMBER	QTY	PART NAME						SEE PAGE
					1	2	3	4	5	6 (PRODUCT LEVEL)	
	1	1	<b>2S-0795</b>	2	GASKET						
	2	1	<b>3S-9643</b>	1	SEAL-LIP TYPE (WATER TEMPERATURE REGULATOR)						
	3	1	<b>4N-1156</b>	1	GASKET-REGULATOR COVER (TEMPERATURE REGULATOR HOUSING)						
	4	1	<b>4N-1199</b>	2	CLIP						
	5	1	<b>248-5513</b>	1	REGULATOR-TEMPERATURE (92-DEG C) (COOLANT)						
	6	1	<b>8T-4983</b>	2	CLAMP-HOSE						
	7	1	<b>9Y-4104</b>	1	HOSE						
	8	1	<b>104-8583</b>	1	MANIFOLD-HOUSING						
	9	1	<b>104-8584</b>	1	HOUSING-REGULATOR						
	10	1	<b>104-8585</b>	1	GASKET-REGULATOR (TEMPERATURE REGULATOR HOUSING)						
	11	1	<b>125-0434</b>	1	SEAL-INTEGRAL						
	12	1	<b>126-4935</b>	1	SEAL-INTEGRAL						
R	13	1	<b>133-0125</b>	1	CORE AS-ENGINE OIL COOLER						
R	14	1	<b>145-9283</b>	1	CORE AS-TRANSMISSION COOLER						
	15	1	<b>147-0192</b>	1	BONNET						
	16	1	<b>161-3565</b>	1	COVER-WATER PUMP						
	17	1	<b>170-4673</b>	1	BONNET-INLET						
	18	1	<b>235-8159</b>	1	BRACKET AS						
	19	1	<b>187-6237</b>	1	ADAPTER						
	20	1	<b>205-9293</b>	1	BONNET (OUTLET)						
	21	1	<b>0L-1351</b>	2	BOLT (3/8-16X0.875-IN)						
	22	1	<b>0L-1352</b>	1	BOLT (3/8-16X3.25-IN)						
	23	1	<b>0L-2070</b>	2	BOLT (3/8-16X2.25-IN)						
	24	1	<b>0S-1591</b>	3	BOLT (3/8-16X1.5-IN)						
	25	1	<b>0S-1608</b>	5	BOLT (3/8-16X3.75-IN)						
	26	1	<b>0T-0573</b>	2	BOLT (3/8-16X2.75-IN)						
	27	1	<b>109-0077</b>	3	SEAL-O-RING						
	28	1	<b>109-0093</b>	1	SEAL-O-RING						
	29	1	<b>1A-2029</b>	4	BOLT (3/8-16X1.125-IN)						
	30	1	<b>1B-7182</b>	1	BOLT (5/16-18X1.25-IN)						
	31	1	<b>1D-4566</b>	4	BOLT (1/2-13X3.5-IN)						
	32	1	<b>3E-4352</b>	1	WASHER-HARD (8.8X20.5X2.5-MM THK)						
	33	1	<b>5B-2638</b>	4	BOLT (3/8-16X5.25-IN)						
	34	1	<b>5M-2894</b>	10	WASHER-HARD (10.2X18.5X2.5-MM THK)						
	35	1	<b>7W-6534</b>	1	PLUG-PIPE						
	36	1	<b>7X-7731</b>	4	PLUG-PIPE						
	37	1	<b>8S-9089</b>	6	BOLT (1/2-13X4.5-IN)						
	38	1	<b>8T-6761</b>	1	PLUG-PIPE						
	39	1	<b>8T-6762</b>	5	PLUG-PIPE (1/2-14-THD)						
	40	1	<b>8T-6763</b>	1	PLUG-PIPE						
	41	1	<b>7X-7732</b>	1	PLUG-PIPE						
	42	1	<b>9S-8001</b>	1	PLUG-O-RING						
	43	1	<b>9X-6458</b>	4	WASHER-HARD (10.2X22.5X3-MM THK)						
	44	1	<b>9X-8873</b>	2	BOLT (1/2-13X2.25-IN)						

R - REMFG PART MAY BE AVAILABLE

# COOLING SYSTEM

235-8487 COOLING AR (contd.)

i02719117



GRAPHIC #1

<END>

g01375026

# COOLING SYSTEM

## 215-2339 COOLING AR-HIGH AMBIENT TEMP

S/N: BNH1-UP

CANNOT BE USED WITH 215-2334 COOLING AR, 215-2353 COOLING AR  
AN ATTACHMENT

SMCS-1350, 1353, 1386, 1387, 5057

i02128001

NOTE	PART NUMBER	QTY	PART NAME						SEE PAGE
			1	2	3	4	5	6 (PRODUCT LEVEL)	
Y	239-7447	1	DEFLECTOR GP-HOOD (AIR EJECTOR DUCT)						593
			S/N: BNH1156-UP						
Y	215-2356	1	LINES GP-HYDRAULIC FAN						926
Y	215-2349	1	PUMP & MTG GP-HYDRAULIC FAN						962
Y	164-0057	1	RADIATOR GP						154

Y - SEPARATE ILLUSTRATION

<END>

# COOLING SYSTEM

## 160-5760 FAN & BAFFLE GP

S/N: BNH1-UP

PART OF 203-1567 CHASSIS AR

SMCS-1356, 1806

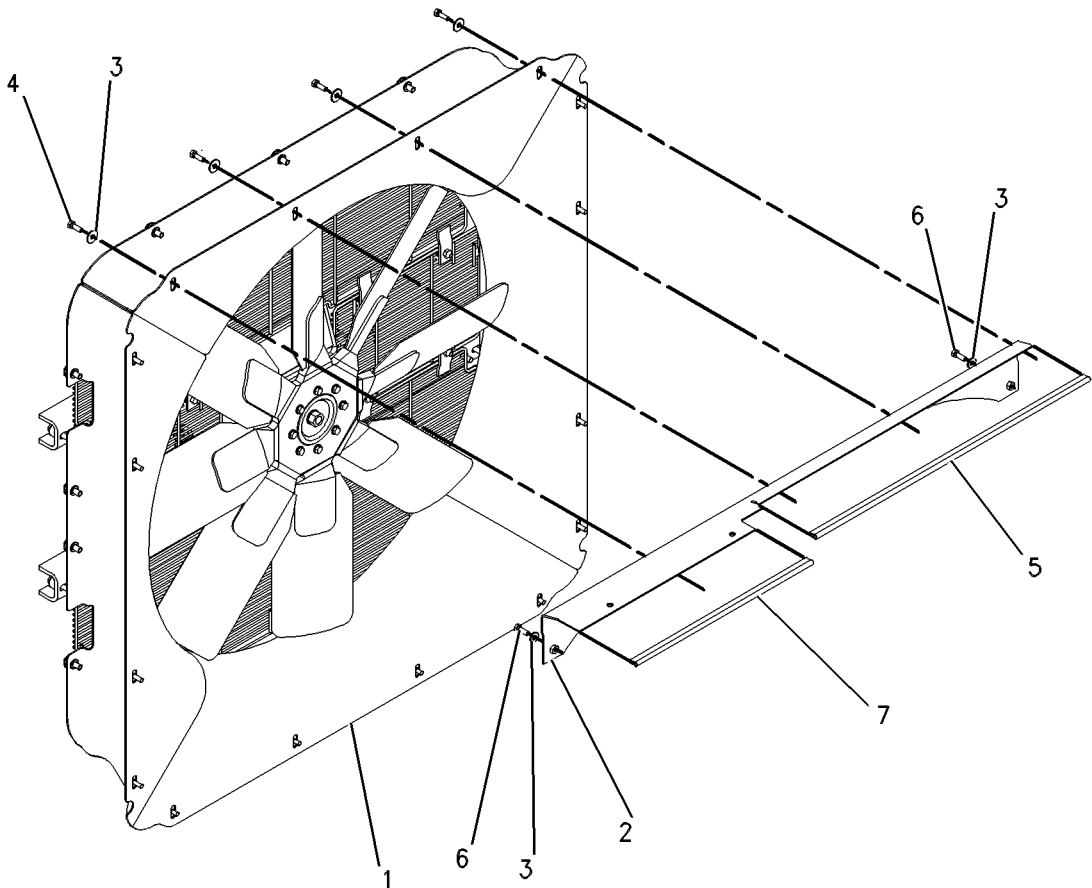
i01563699

NOTE	REF NO	GRAPHIC REF	PART NUMBER	QTY	PART NAME						SEE PAGE
					1	2	3	4	5	6 (PRODUCT LEVEL)	
Y	1	1	114-5175	1	FAN GP-SUCTION						142
	2	1	154-4475	1	BAFFLE AS						
M		1	8T-3490	8	NUT-WELD (M10X1.5-THD)						
M	3	1	8T-4195	6	BOLT (M10X1.5X30-MM)						
	4	1	8T-4222	4	WASHER-PLATED (11X32X2.5-MM THK)						
D	5	1	5P-7211		SEAL (.896M)						
	6	1	7X-7729	2	WASHER (11X25X3-MM THK)						
D	7	1	5P-7211		SEAL (.568M)						

D - ORDER BY THE METER

M - METRIC PART

Y - SEPARATE ILLUSTRATION



GRAPHIC #1

<END>

g00655639

# COOLING SYSTEM

## 114-5175 FAN GP-SUCTION

S/N: BNH1-UP

PART OF 160-5760 FAN & BAFFLE GP

SMCS-1356

i01470847

NOTE	REF NO	GRAPHIC REF	PART NUMBER	QTY	PART NAME						SEE PAGE
					1	2	3	4	5	6 (PRODUCT LEVEL)	
	1	1	131-7812	1	SHROUD AS-FAN						
	2	1	140-8949	1	SUPPORT AS						
M		1	8T-3490	2	NUT-WELD (M10X1.5-THD)						
M		1	8T-3597	8	NUT-WELD (M12X1.75-THD)						
	3	1	140-9859	2	GUARD AS-FAN						
					(EACH INCLUDES)						
M		1	8T-3490	4	NUT-WELD (M10X1.5-THD)						
	4	1	140-9860	2	GUARD AS-FAN						
	5	1	142-0811	1	SPIDER AS-FAN (8-BLADE)						
	6	1	146-5067	8	SPACER (13X30X22.2-MM THK)						
	7	1	167-1335	1	ADAPTER-FAN						
	8	1	8T-4121	8	WASHER-HARD (11X21X2.5-MM THK)						
	9	1	8T-4123	1	WASHER (22X35X3.5-MM THK)						
M	10	1	8T-4131	1	NUT (M20X2.5-THD)						
M	12	1	8T-4139	2	BOLT (M12X1.75X30-MM)						
M	13	1	8T-4195	36	BOLT (M10X1.5X30-MM)						
M	14	1	8T-4196	8	BOLT (M10X1.5X35-MM)						
	15	1	8T-4222	36	WASHER-PLATED (11X32X2.5-MM THK)						
	16	1	8T-4223	10	WASHER-HARD (13.5X25.5X3-MM THK)						
M	17	1	8T-4910	8	BOLT (M12X1.75X60-MM)						

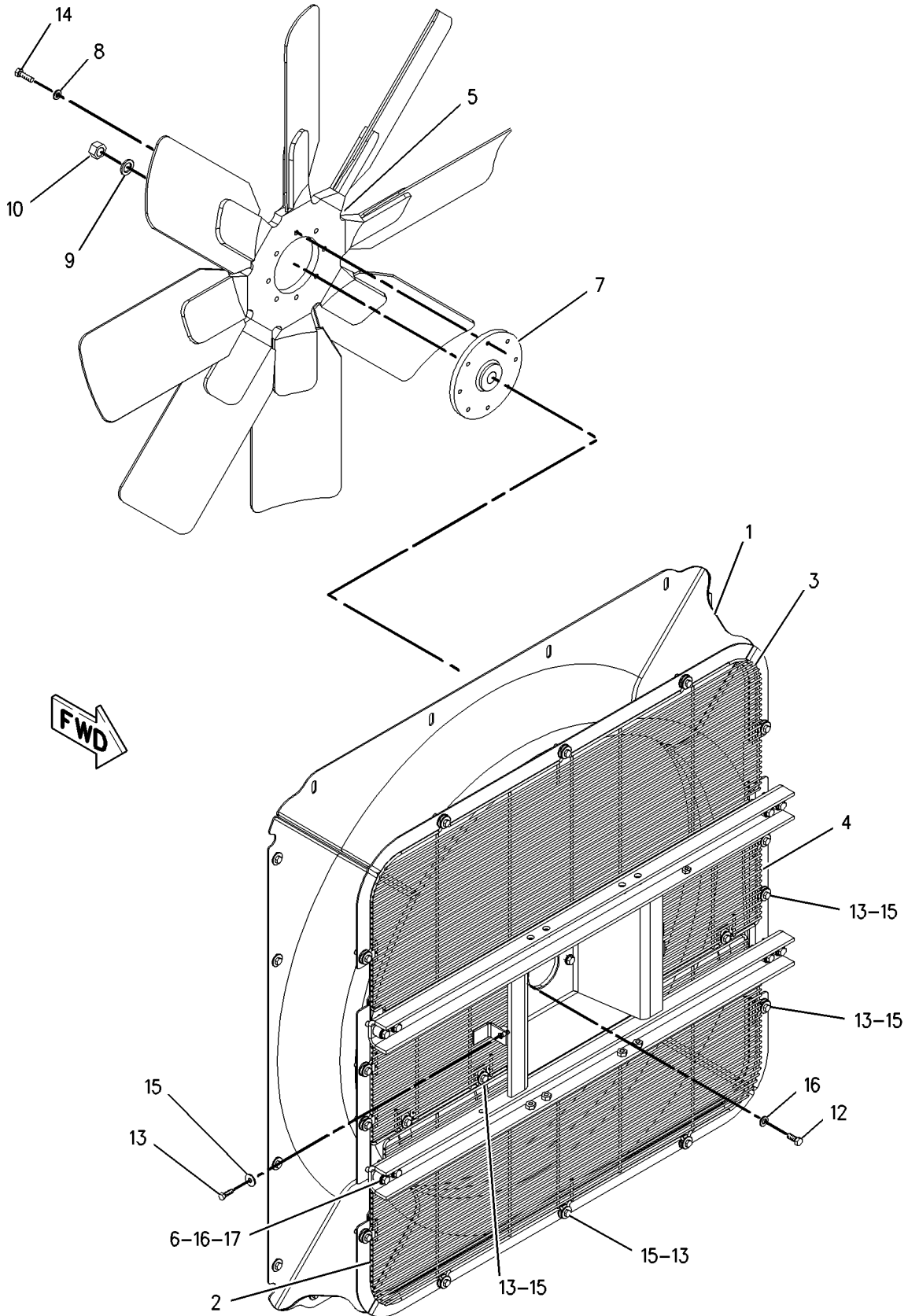
M - METRIC PART



# COOLING SYSTEM

114-5175 FAN GP-SUCTION (contd.)

i01470847



GRAPHIC #1

<END>

g00767205

# COOLING SYSTEM

## 138-2239 FAN GP-SUCTION-AXLE OIL COOLER

S/N: BNH1-UP

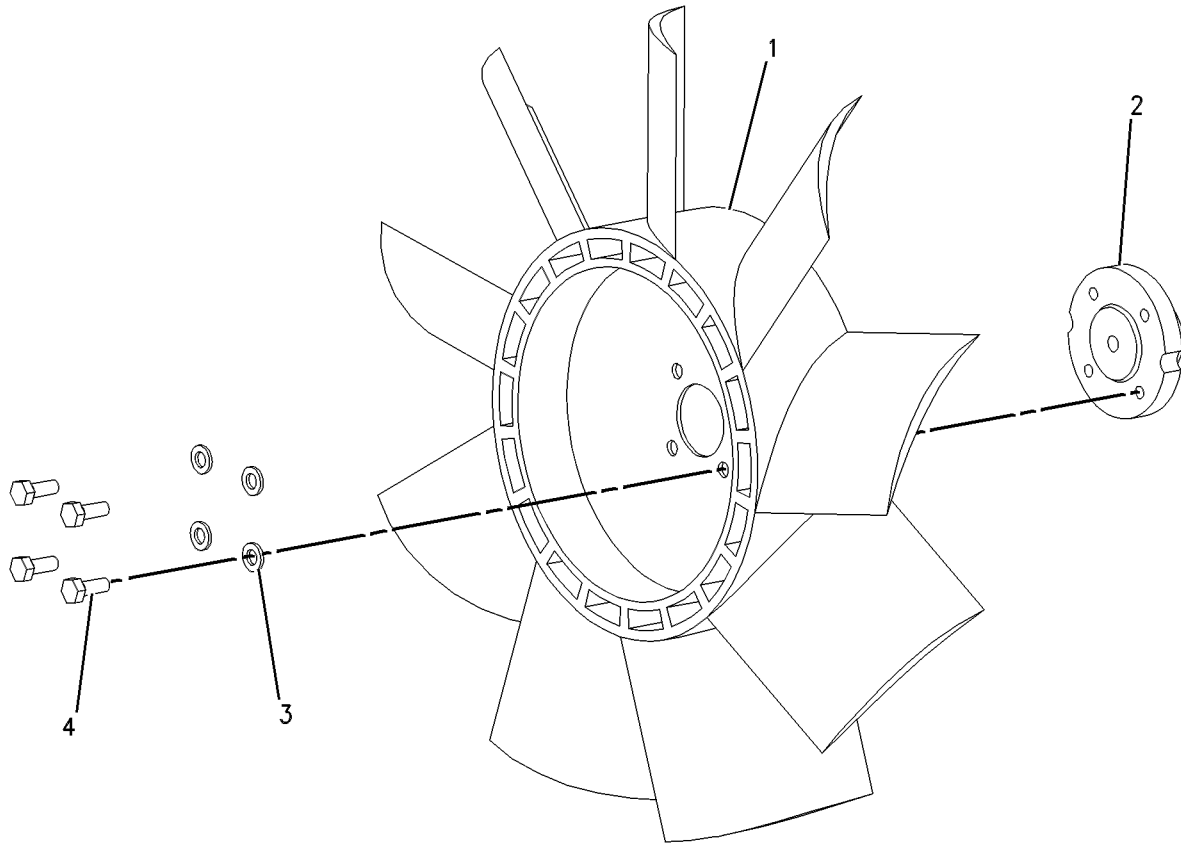
PART OF 150-3157 COOLER & FAN GP-AXLE OIL  
AN ATTACHMENT

SMCS-1356

i02387625

NOTE	REF NO	GRAPHIC REF	PART NUMBER	QTY	PART NAME						SEE PAGE
					1	2	3	4	5	6	
	1	1	138-2240	1	FAN AS (9-BLADE)						
	2	1	142-8870	1	ADAPTER						
	3	1	8T-4224	4	WASHER-HARD (8.8X16X2-MM THK)						
M	4	1	8T-4189	4	BOLT (M8X1.25X20-MM)						

M - METRIC PART



GRAPHIC #1

<END>

g00523770

# COOLING SYSTEM

## 109-2373 FASTENER GP-WATER PUMP

S/N: BNT1-UP

FOR USE WHEN ALTERNATOR MOUNTING BRACKET IS NOT INSTALLED

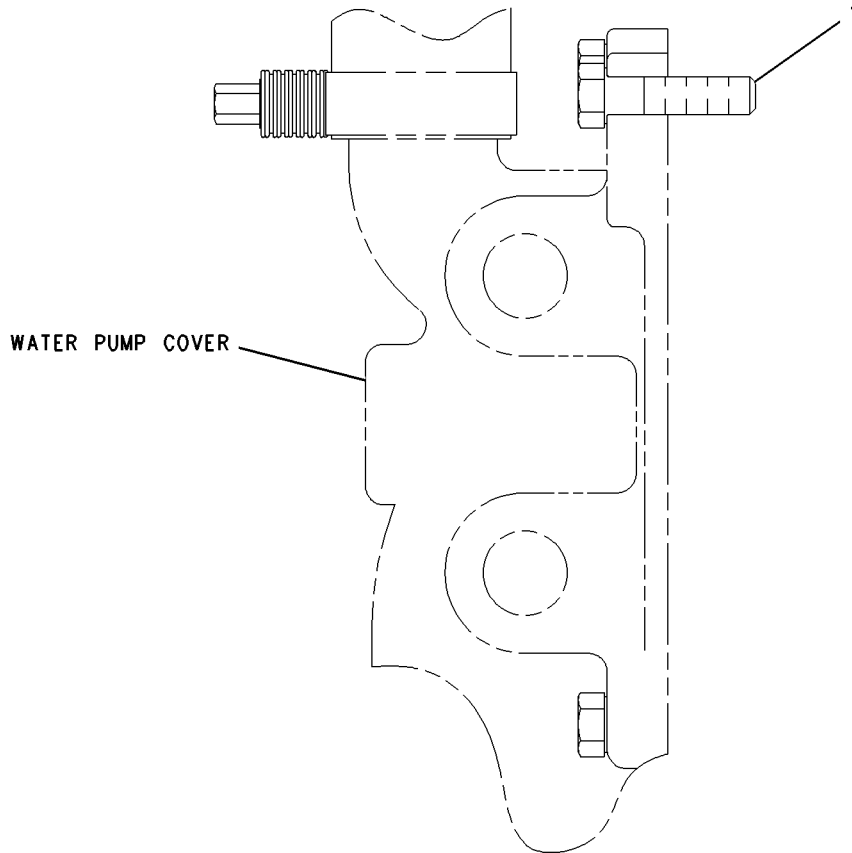
CANNOT BE USED WITH RH FRONT OIL GUIDE

PART OF 198-6489, 198-6490, 235-4732, 235-4733 ENGINE AR-COMplete  
AN ATTACHMENT

SMCS-1361

i02332393

NOTE	REF NO	GRAPHIC REF	PART NUMBER	QTY	PART NAME						SEE PAGE
					1	2	3	4	5	6 (PRODUCT LEVEL)	
	1	1	0S-1591	1	BOLT (3/8-16X1.5-IN)						



RIGHT SIDE VIEW

GRAPHIC #1

<END>

g00832155

# COOLING SYSTEM

## 377-7037 KIT-WATER PUMP

S/N: BNH1-UP  
FIELD INSTALLATION

SMCS-1361

i04889334

NOTE	PART NUMBER	QTY	PART NAME						SEE PAGE
			1	2	3	4	5	6 (PRODUCT LEVEL)	
	108-7930	1	BEARING AS-ROLLER						
	0S-1591	1	BOLT (3/8-16X1.5-IN)						
	1A-1135	1	BOLT (5/8-11X2-IN)						
	111-2721	1	PLUG-FELT						
	136-3742	1	PLUG-FELT						
	136-1107	1	RETAINER						
	153-1256	1	SEAL-LIP TYPE						
	349-2654	1	SEAL-WATER PUMP						
	135-4928	1	SHAFT-WATER PUMP						
	5S-0581	1	WASHER-HARD (17X38X8-MM THK)						
	9M-6527	1	WASHER-HARD (10.2X25.5X5-MM THK)						

<END>

# COOLING SYSTEM

## 114-5171 LINES GP-WATER

S/N: BNH1-UP

PART OF 203-1567 CHASSIS AR

SMCS-1380

i03105979

NOTE	REF NO	GRAPHIC REF	PART NUMBER	QTY	PART NAME						SEE PAGE
					1	2	3	4	5	6 (PRODUCT LEVEL)	
	1	1	<b>1P-4278</b>	14	CLAMP-HOSE						
E	2	1,2	<b>5P-1265</b>	2	HOSE (18-CM EACH)						
	3	2	<b>9M-7958</b>	4	CLAMP-HOSE						
	4	1	<b>3S-2093</b>	5	STRAP-CABLE						
	5	1,2	<b>244-6626</b>	2	HOSE						
I	6	1	<b>4E-9271</b>	1	HOSE AS						
	7	2	<b>6I-2431</b>	7	SEAL						
	8	2	<b>6I-2435</b>	7	SPACER (80X108X25-MM THK)						
	9	1	<b>6L-8617</b>	1	CAP-PRESSURE (7-PSI)						
E	10	1	<b>5P-1259</b>		HOSE (18-CM)						
	11	1	<b>6S-8620</b>	2	CLAMP-HOSE						
I	12	2	<b>7T-1159</b>	1	HOSE AS						
	13	2	<b>8C-6866</b>	1	CONNECTOR						
	14	1	<b>8C-6871</b>	2	CONNECTOR						
	15	2	<b>9Y-9236</b>	1	GAUGE-SIGHT						
	16	2	<b>061-7208</b>	1	CLAMP-TUBE						
	17	1	<b>106-4572</b>	6	HOSE						
	18	2	<b>112-9486</b>	7	RETAINER						
C	19	1	<b>122-4026</b>	1	SPACER (13X25X25-MM THK)						
	20	2	<b>135-6928</b>	1	ANGLE AS						
	21	2	<b>135-6929</b>	1	ANGLE AS						
	22	2	<b>138-7524</b>	1	TUBE AS						
Y	23	1	<i>148-7919</i>	1	VALVE GP-RADIATOR DRAIN						156
	24	2	<b>152-0961</b>	1	ANGLE AS						
	25	1	<b>152-3426</b>	1	TANK AS-RADIATOR BOTTOM						
I	26	1	<b>152-3832</b>	1	HOSE AS						
	27	1	<b>154-6611</b>	1	TUBE AS						
	28	2	<b>161-9903</b>	1	TANK AS-RADIATOR TOP						
I	29	2	<b>164-8911</b>	1	HOSE AS						
	30	1	<b>180-9267</b>	1	TUBE AS						
I	31	2	<b>204-7846</b>	1	HOSE AS						
I	32	1	<b>204-7847</b>	1	HOSE AS						
	33	1,2	<b>209-4580</b>	4	CLAMP						
	34	1	<b>212-6933</b>	2	CLAMP						
	35	1,2	<i>148-8316</i>	3	CONNECTOR AS						
					(EACH INCLUDES)						
		1,2	<b>6V-8647</b>	1	CONNECTOR						
		1,2	<b>3J-7354</b>	1	SEAL-O-RING						
		1,2	<b>4J-5477</b>	1	SEAL-O-RING						
36		2	<i>150-4029</i>	1	TEE AS						
		2	<b>6V-8780</b>	1	TEE-FACE SEAL						
		2	<b>3J-7354</b>	1	SEAL-O-RING						
		2	<b>4J-5477</b>	2	SEAL-O-RING						
37		1,2	<b>209-4573</b>	4	CLAMP-V BAND						
38		1	<b>2S-1647</b>	1	GROMMET						
39		1	<b>3E-6753</b>	1	GROMMET						
40		2	<b>3S-8665</b>	1	CLIP						
41		1	<b>4D-7388</b>	3	CLIP						
42		2	<b>4J-5477</b>	1	SEAL-O-RING						
43		1,2	<b>5P-1076</b>	5	WASHER-HARD (13.5X30X4-MM THK)						
44		2	<b>5P-2228</b>	1	BOLT (1/2-13X1-IN)						
45		2	<b>6B-6205</b>	1	SPACER (0.438X0.875X1.281-IN THK)						
46		1,2	<b>6D-3479</b>	5	CLIP						
47		1	<b>6V-8398</b>	4	SEAL-O-RING						
48		2	<b>7M-8485</b>	1	SEAL-O-RING						
49		1,2	<b>7X-7729</b>	21	WASHER (11X25X3-MM THK)						
50		1	<b>8K-1433</b>	1	GROMMET						
51		1,2	<b>8T-4121</b>	16	WASHER-HARD (11X21X2.5-MM THK)						
CM	52	1	<b>8T-4136</b>	4	BOLT (M10X1.5X25-MM)						

# COOLING SYSTEM

114-5171 LINES GP-WATER (contd.)

i03105979

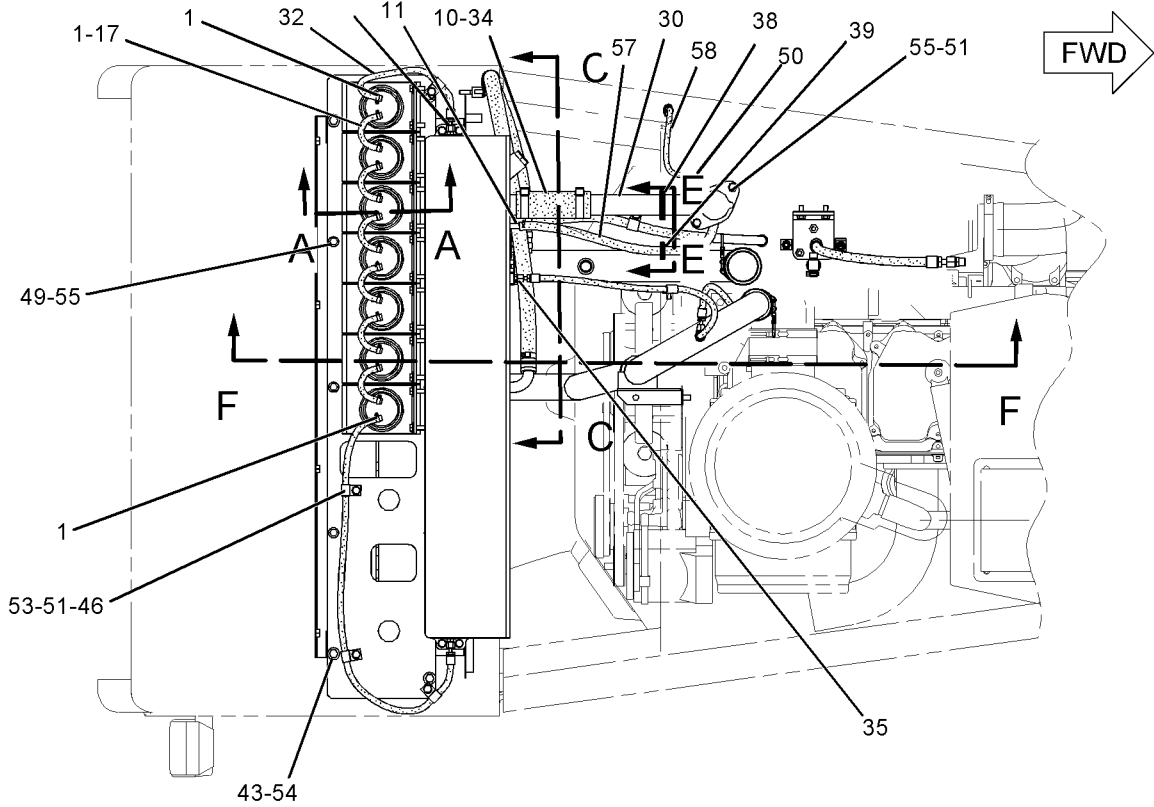
NOTE	REF NO	GRAPHIC REF	PART NUMBER	QTY	PART NAME						SEE PAGE	
					1	2	3	4	5	6 (PRODUCT LEVEL)		
M	53	1,2	<b>8T-4137</b>	5	BOLT	(M10X1.5X20-MM)						
M	54	1	<b>8T-4139</b>	4	BOLT	(M12X1.75X30-MM)						
M	55	1,2	<b>8T-4195</b>	26	BOLT	(M10X1.5X30-MM)						
CM	56	1,2	<b>8T-6466</b>	2	BOLT	(M10X1.5X60-MM)						
E	57	1	<b>9X-2133</b>		HOSE	(55-CM)						
E	58	1	<b>7Y-1976</b>		HOSE-WATER	(180-CM)						
E	59	1	<b>5P-1251</b>		HOSE	(228-CM)						
BD	60	2	<b>5P-5755</b>		SEAL							

- B - USE AS REQUIRED
- C - CHANGE FROM PREVIOUS TYPE
- D - ORDER BY THE METER
- E - ORDER BY THE CENTIMETER
- I - REFER TO HYDRAULIC INFORMATION SYSTEM
- M - METRIC PART
- Y - SEPARATE ILLUSTRATION

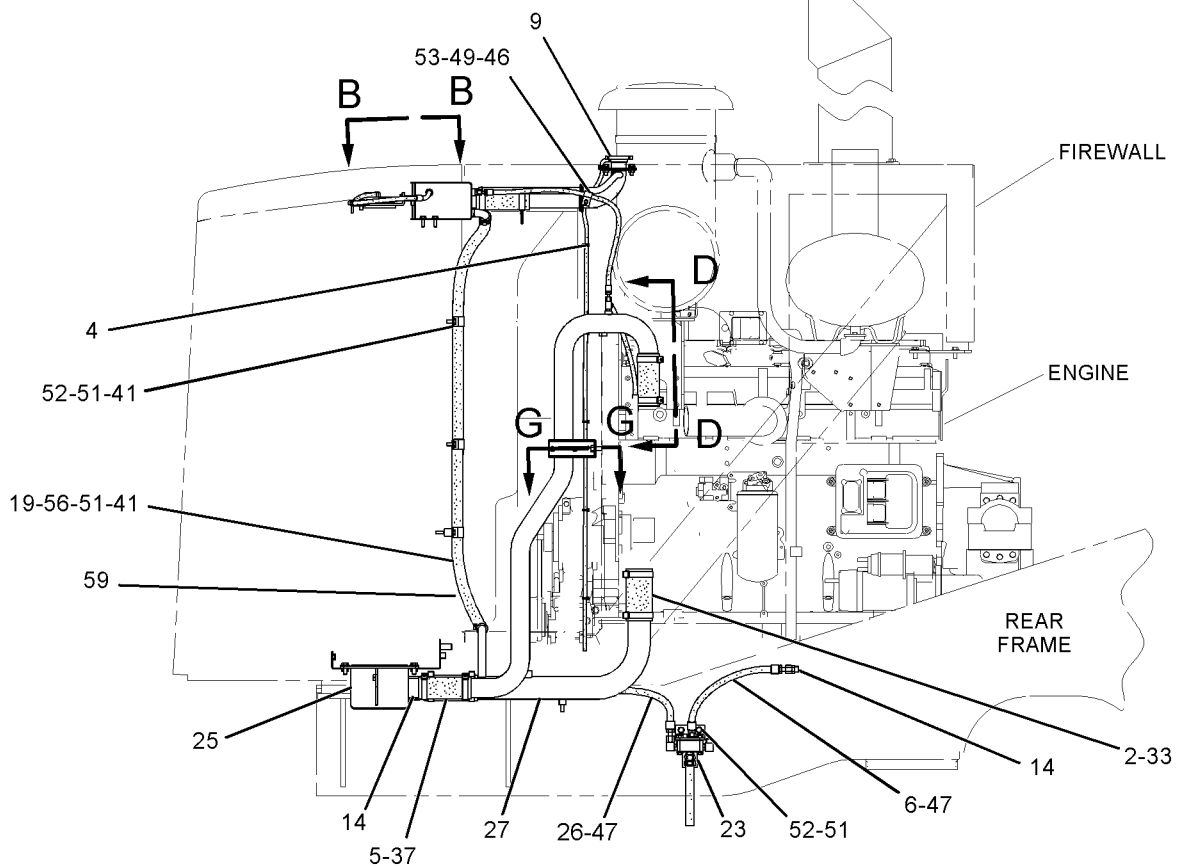
# COOLING SYSTEM

114-5171 LINES GP-WATER (contd.)

i03105979



## TOP VIEW



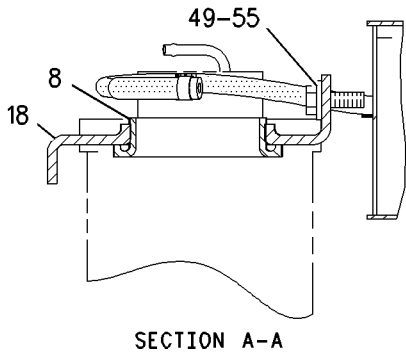
GRAPHIC #1

g01087551

# COOLING SYSTEM

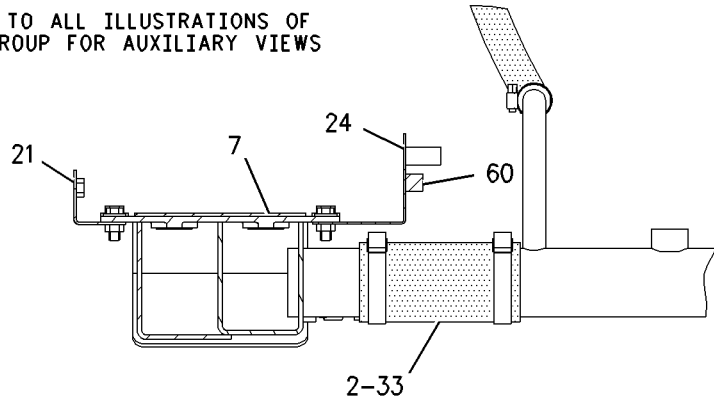
114-5171 LINES GP-WATER (contd.)

i03105979

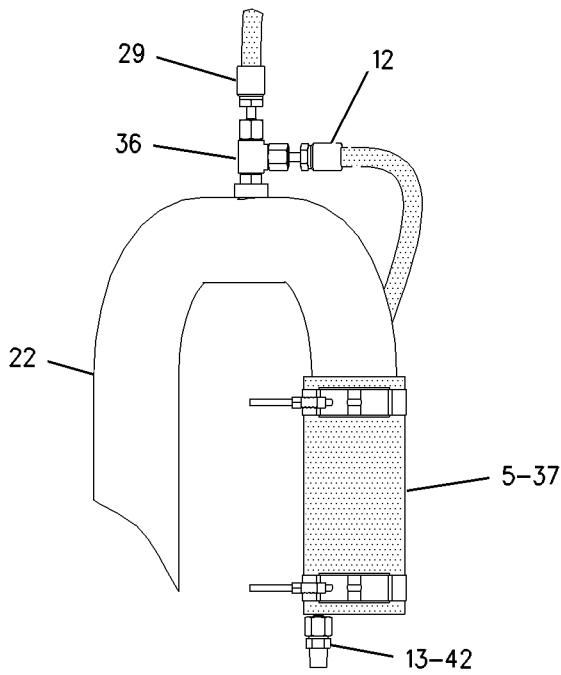


SECTION A-A

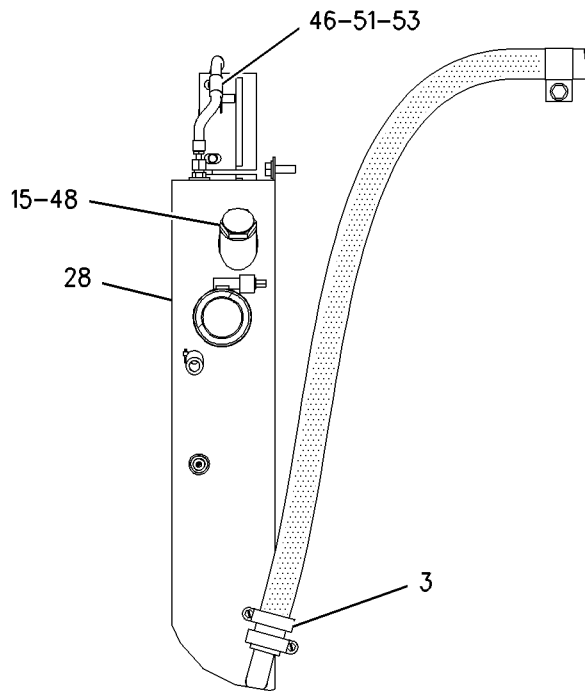
REFER TO ALL ILLUSTRATIONS OF THIS GROUP FOR AUXILIARY VIEWS



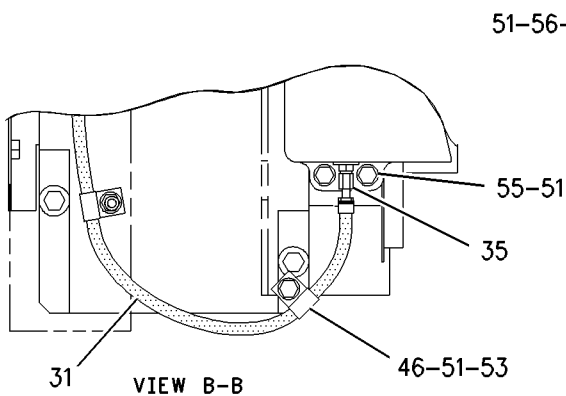
SECTION F-F



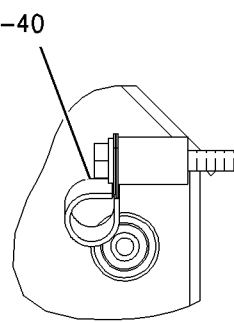
SECTION D-D



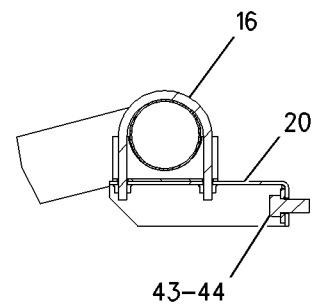
VIEW C-C



VIEW B-B



SECTION E-E



SECTION G-G

GRAPHIC #2

<END>

g00904816



# COOLING SYSTEM

## 174-5986 PUMP GP-WATER

S/N: BNT1-UP

HEAVY DUTY PUMP

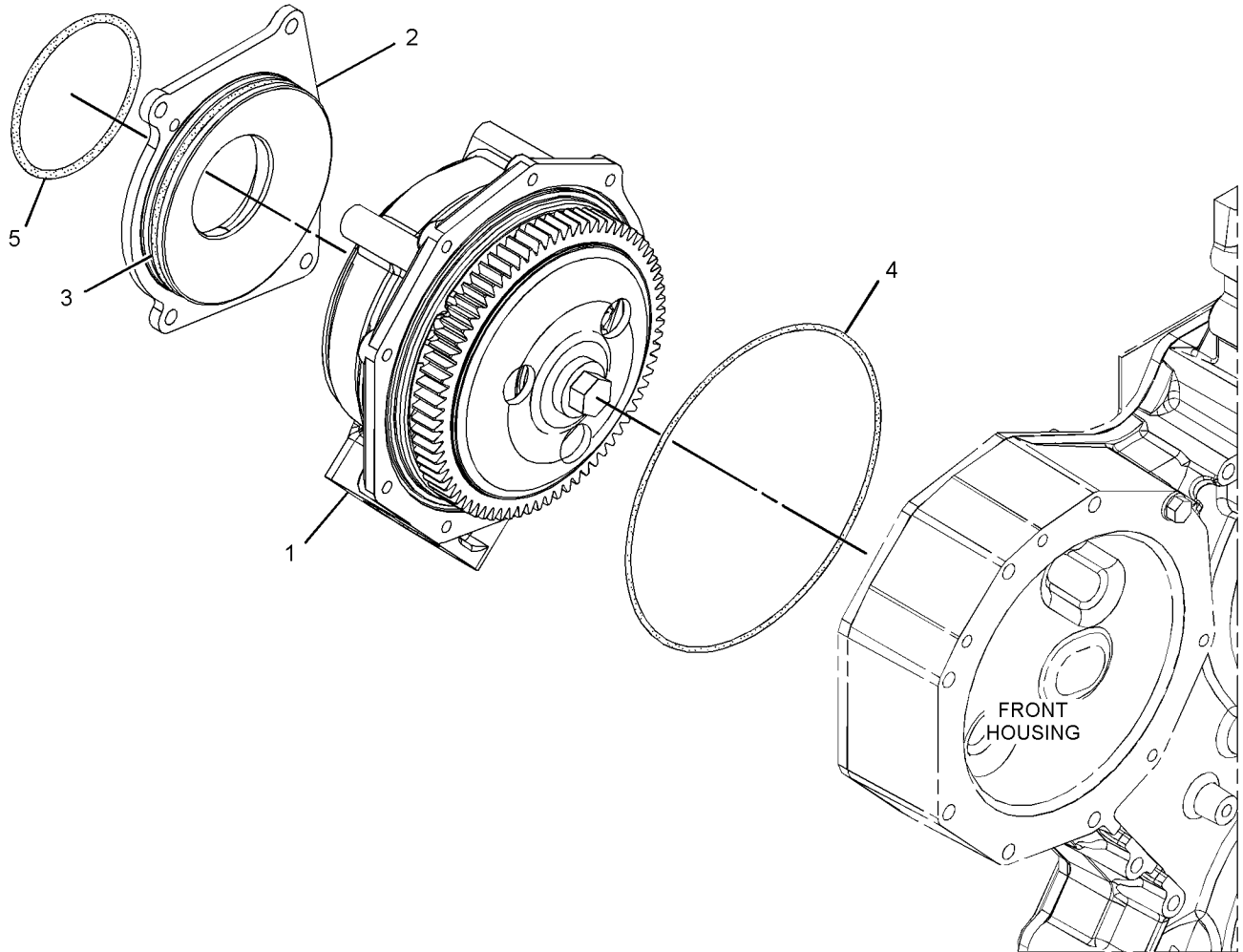
PART OF 198-6489, 198-6490, 235-4732, 235-4733 ENGINE AR-COMplete  
AN ATTACHMENT

SMCS-1361

i04381112

NOTE	REF NO	GRAPHIC REF	PART NUMBER	QTY	PART NAME						SEE PAGE
					1	2	3	4	5	6 (PRODUCT LEVEL)	
Y	1	1	352-0211	1	PUMP GP-WATER						152
	2	1	4P-2383	1	ADAPTER						
	3	1	9M-3786	1	SEAL-O-RING						
	4	1	122-3772	1	SEAL-O-RING						
	5	1	109-0077	1	SEAL-O-RING						

Y - SEPARATE ILLUSTRATION



GRAPHIC #1

<END>

g02531297

# COOLING SYSTEM

## 352-0211 PUMP GP-WATER

S/N: BNT1-UP

PART OF 174-5986 PUMP GP-WATER  
AN ATTACHMENT

SMCS-1361

i04536688

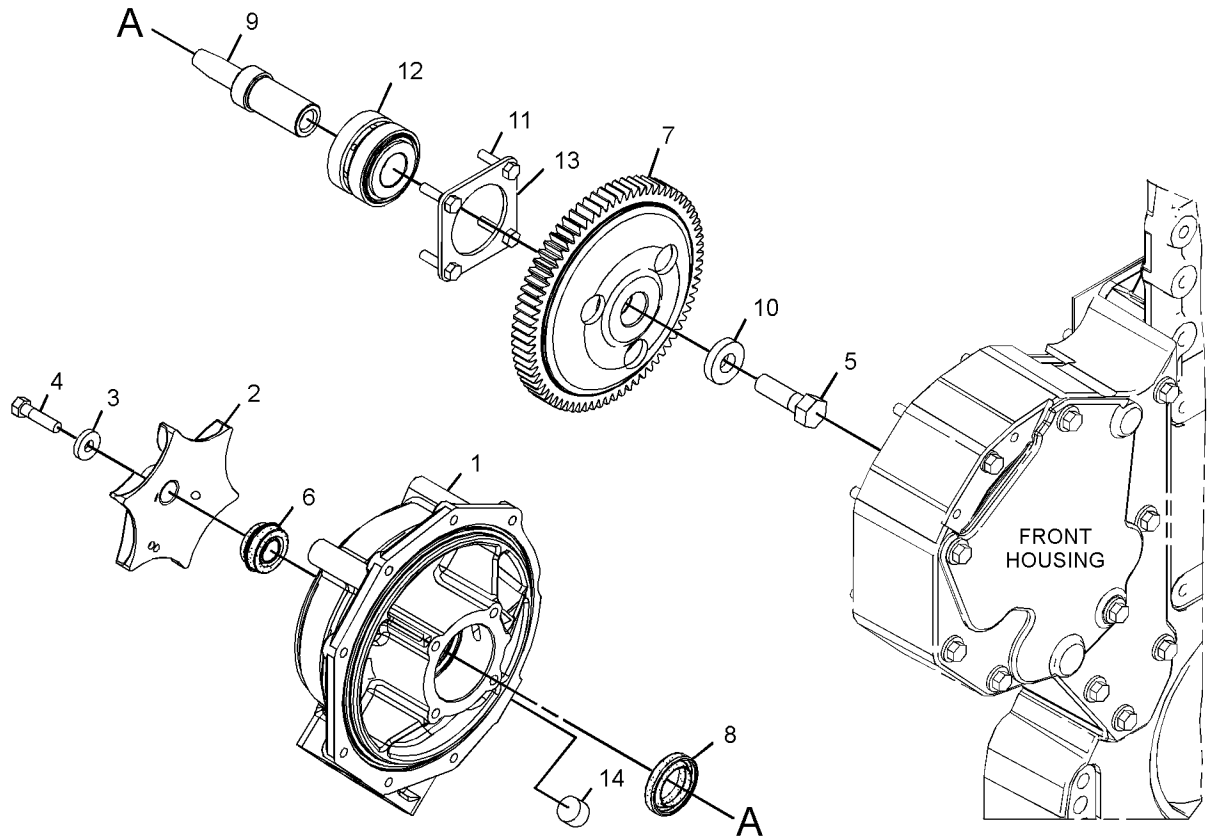
NOTE	REF NO	GRAPHIC REF	PART NUMBER	QTY	PART NAME 1 2 3 4 5 6 (PRODUCT LEVEL)	SEE PAGE
	1	1	<b>161-5718</b>	1	HOUSING-WATER PUMP	
	2	1	<b>129-9907</b>	1	IMPELLER-PUMP	
W	3	1	<b>9M-6527</b>	1	WASHER-HARD (10.2X25.5X5-MM THK)	
W	4	1	<b>0S-1591</b>	1	BOLT (3/8-16X1.5-IN)	
W	5	1	<b>1A-1135</b>	1	BOLT (5/8-11X2-IN)	
W	6	1	<b>349-2654</b>	1	SEAL-WATER PUMP	
	7	1	<b>153-9023</b>	1	GEAR (74-TEETH)	
W	8	1	<b>153-1256</b>	1	SEAL-LIP TYPE	
W	9	1	<b>135-4928</b>	1	SHAFT-WATER PUMP	
W	10	1	<b>5S-0581</b>	1	WASHER-HARD (17X38X8-MM THK)	
	11	1	<b>1B-7182</b>	4	BOLT (5/16-18X1.25-IN)	
W	12	1	<b>108-7930</b>	1	BEARING AS-ROLLER	
W	13	1	<b>136-1107</b>	1	RETAINER	
W	14	1	<b>136-3742</b>	1	PLUG-FELT	
					AVAILABLE REPAIR KIT(S):	
ABW			<b>377-7037</b>	1	KIT-PUMP REBUILD (WATER)	
					(INCLUDES BOLTS, WASHERS, BEARINGS, FITLER, SEALS, RETAINER, AND SHAFT)	

A - NOT PART OF THIS GROUP  
 B - USE AS REQUIRED  
 W - KIT MARKED W INCLUDES PARTS MARKED W

# COOLING SYSTEM

352-0211 PUMP GP-WATER (contd.)

i04536688



GRAPHIC #1

<END>

g02532137

# COOLING SYSTEM

## 164-0057 RADIATOR GP

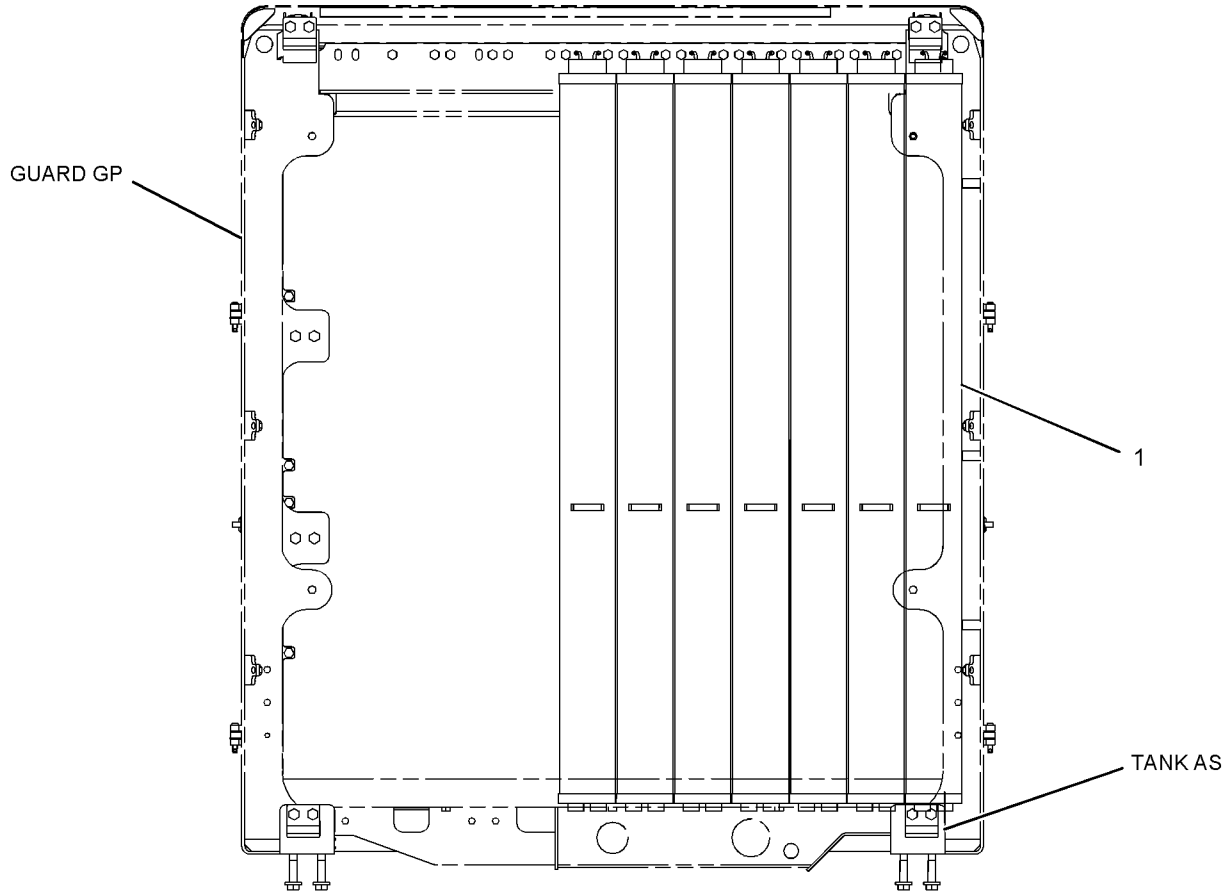
S/N: BNH1-UP

PART OF 215-2334 COOLING AR, 215-2339 COOLING AR-HIGH AMBIENT TEMP  
AN ATTACHMENT

SMCS-1353

i01929941

NOTE	REF NO	GRAPHIC REF	PART NUMBER	QTY	PART NAME						SEE PAGE
					1	2	3	4	5	6 (PRODUCT LEVEL)	
	1	1	152-7990	7	CORE AS-RADIATOR						



FRONT VIEW

<END>

GRAPHIC #1

g01015630

# COOLING SYSTEM

## 215-2355 RADIATOR GP

S/N: BNH1-UP

EURO HI AMBIENT PACKAGE

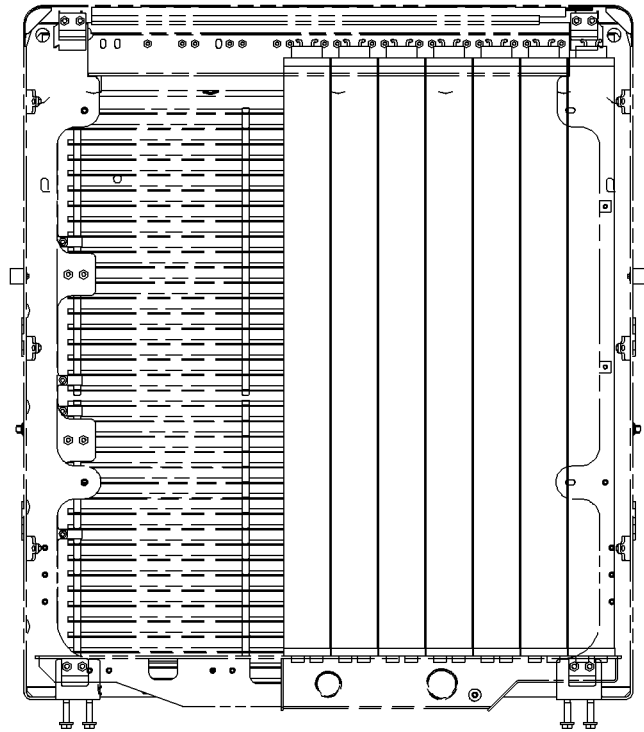
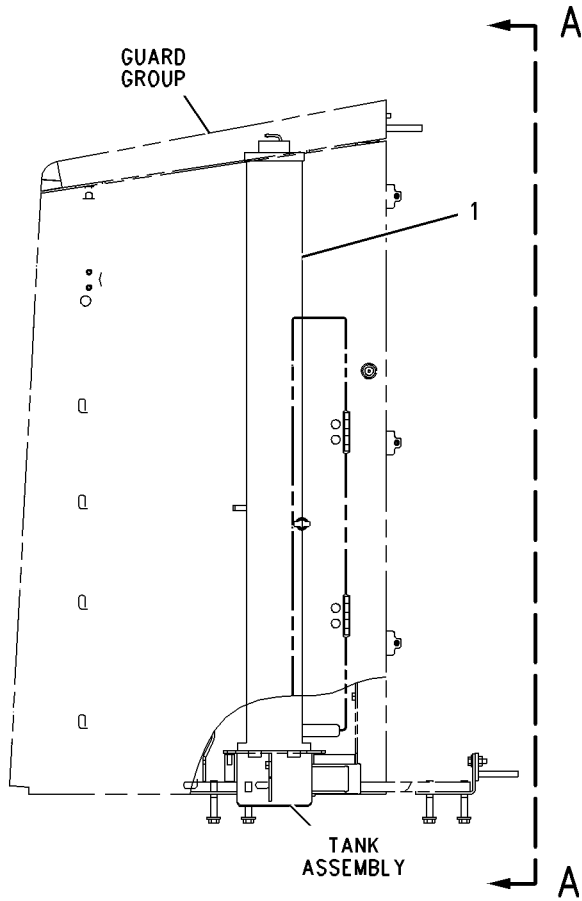
PART OF 215-2353 COOLING AR

AN ATTACHMENT

SMCS-1353

i01663508

NOTE	REF NO	GRAPHIC REF	PART NUMBER	QTY	PART NAME						SEE PAGE
					1	2	3	4	5	6 (PRODUCT LEVEL)	
	1	1	215-3360	7	CORE AS-RADIATOR						



VIEW A-A

RIGHT HAND VIEW  
OF MACHINE

GRAPHIC #1

<END>

g00863227

# COOLING SYSTEM

## 148-7919 VALVE GP-RADIATOR DRAIN

S/N: BNH1-UP

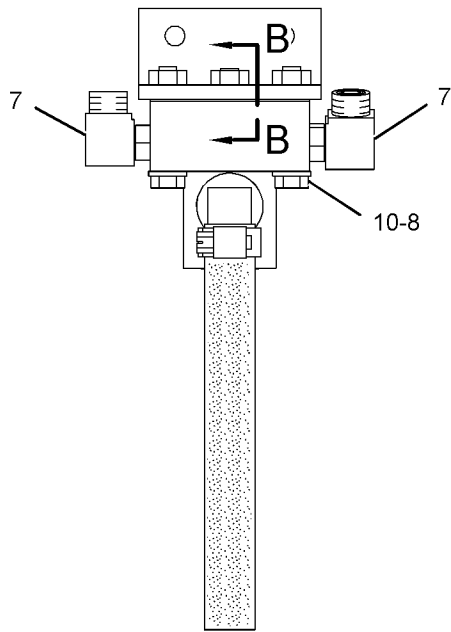
PART OF 114-5171 LINES GP-WATER

SMCS-1353

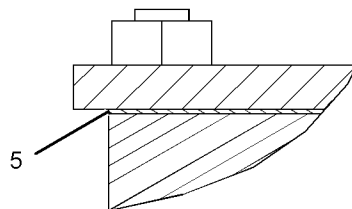
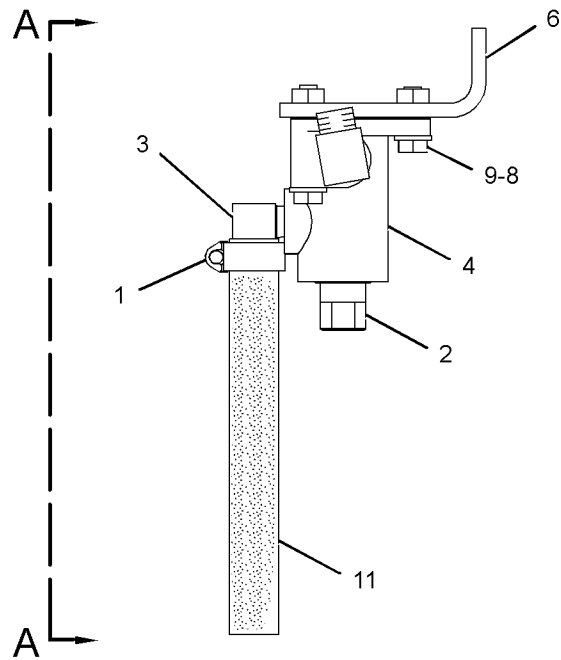
i04459149

NOTE	REF NO	GRAPHIC REF	PART NUMBER	QTY	PART NAME						SEE PAGE
					1	2	3	4	5	6 (PRODUCT LEVEL)	
	1	1	<b>2S-3440</b>	1	CLAMP-HOSE						
	2	1	<b>6N-9590</b>	1	PLUG-DRAIN						
	3	1	<b>6V-0675</b>	1	ELBOW						
	4	1	<b>7E-9171</b>	1	ADAPTER-PLUG						
	5	1	<b>8M-7066</b>	1	GASKET						
	6	1	<b>117-3335</b>	1	BRACKET AS						
	7	1	<b>366-4669</b>	2	ELBOW AS						
					(EACH INCLUDES)						
		1	<b>6V-3250</b>	1	SEAL-O-RING						
		1	<b>180-8424</b>	1	SEAL-O-RING						
		1	<b>8T-6876</b>	1	ELBOW						
	8	1	<b>8T-4121</b>	3	WASHER-HARD (11X21X2.5-MM THK)						
M	9	1	<b>8T-4195</b>	1	BOLT (M10X1.5X30-MM)						
M	10	1	<b>8T-6466</b>	2	BOLT (M10X1.5X60-MM)						
G	11	1	<b>122-6872</b>		HOSE-HYDRAULIC (9.1-IN)						

G - ORDER BY THE INCH  
M - METRIC PART



VIEW A-A



SECTION B-B

GRAPHIC #1

<END>

g02646611

# AIR INLET AND EXHAUST SYSTEM

## 114-5136 AFTERCOOLER GP-AIR

S/N: BNH1-UP

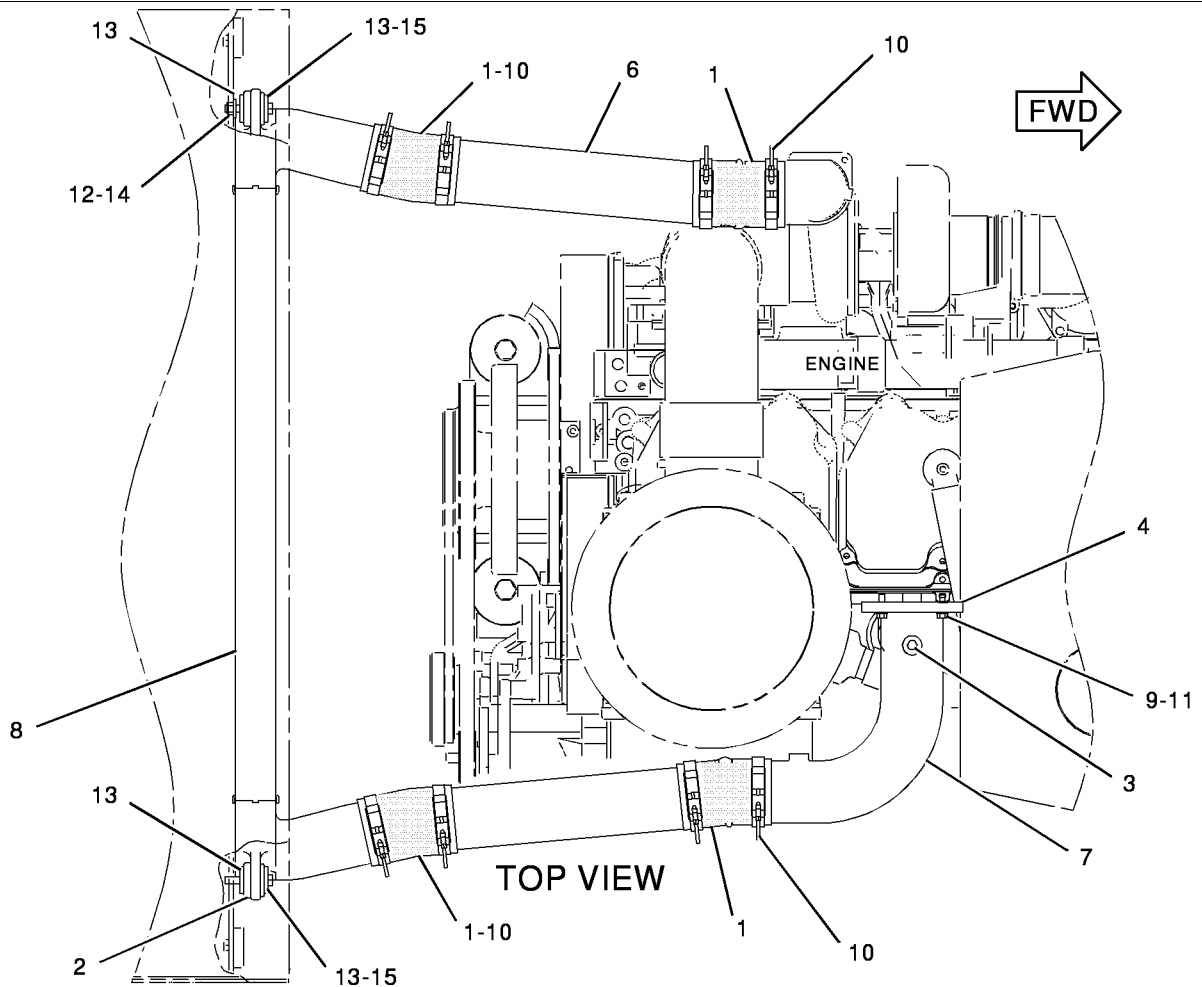
PART OF 203-1567 CHASSIS AR

SMCS-1063

i01914114

NOTE	REF NO	GRAPHIC REF	PART NUMBER	QTY	PART NAME						SEE PAGE
					1	2	3	4	5	6	
	1	1	<b>7E-8630</b>	4	HOSE-AIR INLET						
	2	1	<b>7T-8331</b>	4	MOUNT AS						
	3	1	<b>8T-6765</b>	1	PLUG-PIPE						
	4	1	<b>101-3125</b>	1	GASKET (AIR INLET MANIFOLD)						
	6	1	<b>167-9196</b>	2	TUBE						
	7	1	<b>185-6334</b>	1	ELBOW						
	8	1	<b>200-1137</b>	1	CORE AS-AFTERCOOLER						
	9	1	<b>0S-1588</b>	4	BOLT (3/8-16X1.25-IN)						
	10	1	<b>208-7448</b>	8	CLAMP						
	11	1	<b>5M-2894</b>	4	WASHER-HARD (10.2X18.5X2.5-MM THK)						
	12	1	<b>5P-1076</b>	2	WASHER-HARD (13.5X30X4-MM THK)						
	13	1	<b>7X-0590</b>	8	WASHER-HARD (13.5X44.5X6-MM THK)						
M	14	1	<b>8T-4244</b>	2	NUT (M12X1.75-THD)						
M	15	1	<b>8T-4648</b>	4	BOLT (M12X1.75X70-MM)						

M - METRIC PART



GRAPHIC #1

<END>

g01008077

# AIR INLET AND EXHAUST SYSTEM

## 132-6248 AIR CLEANER GP

S/N: BNH1-UP

PART OF 201-4341 INSTALLATION AR-ENGINE

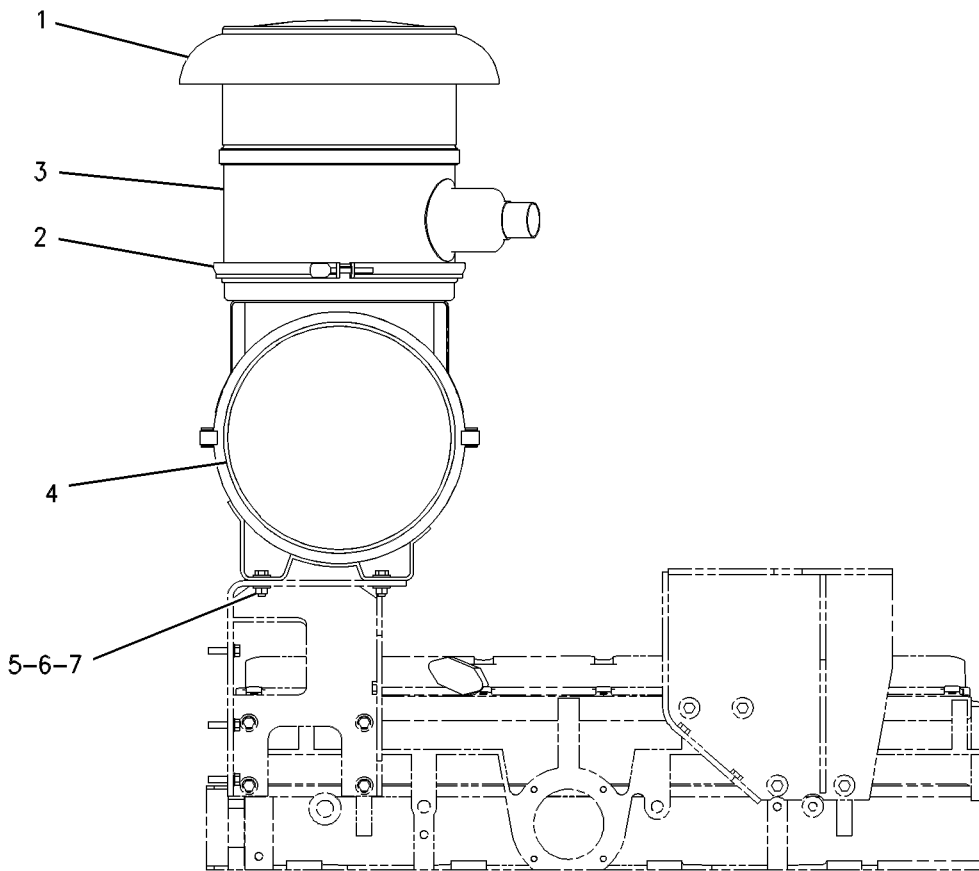
SMCS-1051, 1054

i01182068

NOTE	REF NO	GRAPHIC REF	PART NUMBER	QTY	PART NAME						SEE PAGE
					1	2	3	4	5	6 (PRODUCT LEVEL)	
	1	1	<b>8S-6823</b>	1	HOOD AS						
	2	1	<b>8S-6824</b>	1	CLAMP AS						
	3	1	<b>100-4995</b>	1	BODY AS-PRECLEANER						
Y	4	1	<b>174-2245</b>	1	AIR CLEANER GP						159
	5	1	<b>7X-7729</b>	8	WASHER (11X25X3-MM THK)						
M	6	1	<b>8T-4133</b>	4	NUT (M10X1.5-THD)						
M	7	1	<b>8T-4195</b>	4	BOLT (M10X1.5X30-MM)						

M - METRIC PART

Y - SEPARATE ILLUSTRATION



LEFT SIDE VIEW

GRAPHIC #1

<END>

g00505880



# AIR INLET AND EXHAUST SYSTEM

## 174-2245 AIR CLEANER GP-FILTER

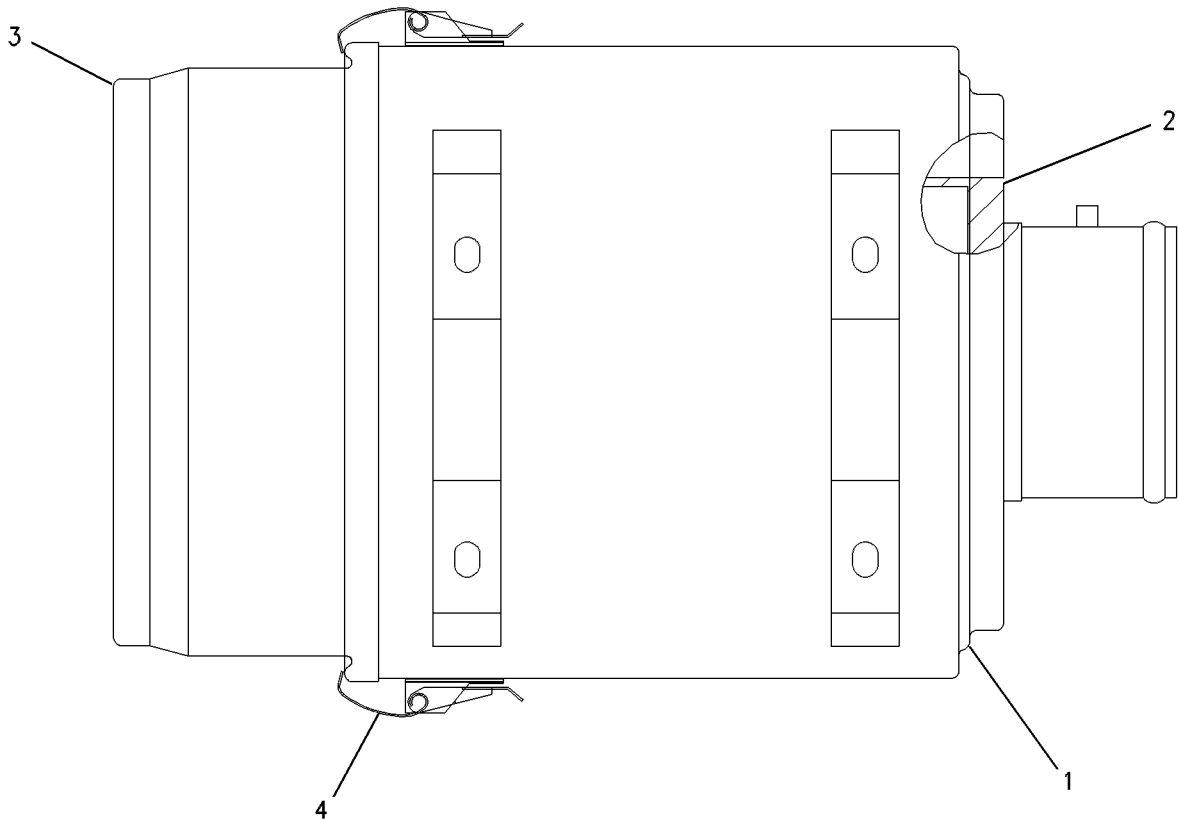
S/N: BNH1-UP

PART OF 132-6248 AIR CLEANER GP

SMCS-1051, 1054

i03909383

NOTE	REF NO	GRAPHIC REF	PART NUMBER	QTY	PART NAME						SEE PAGE
					1	2	3	4	5	6 (PRODUCT LEVEL)	
	1	1	<b>6I-2509</b>	1	FILTER ELEMENT AS-AIR (PRIMARY)						
	2	1	<b>6I-2510</b>	1	FILTER ELEMENT AS-AIR (SECONDARY)						
	3	1	<b>6I-4467</b>	1	COVER AS-AIR CLEANER						
		1	<b>6N-7692</b>	1	GASKET (AIR CLEANER COVER)						
		1	<b>101-2850</b>	1	FILM-INFORMATION (AIR CLEANER)						
4	1	1	<b>8N-4617</b>	2	KIT-AIR CLEANER CLAMP (EACH INCLUDES)						
		1	<b>1N-4403</b>	1	CLIP AS						
		1	<b>9B-2596</b>	1	RIVET						



GRAPHIC #1

<END>

g00505812

# AIR INLET AND EXHAUST SYSTEM

## 132-6237 DUST EJECTOR GP

S/N: BNH1-591

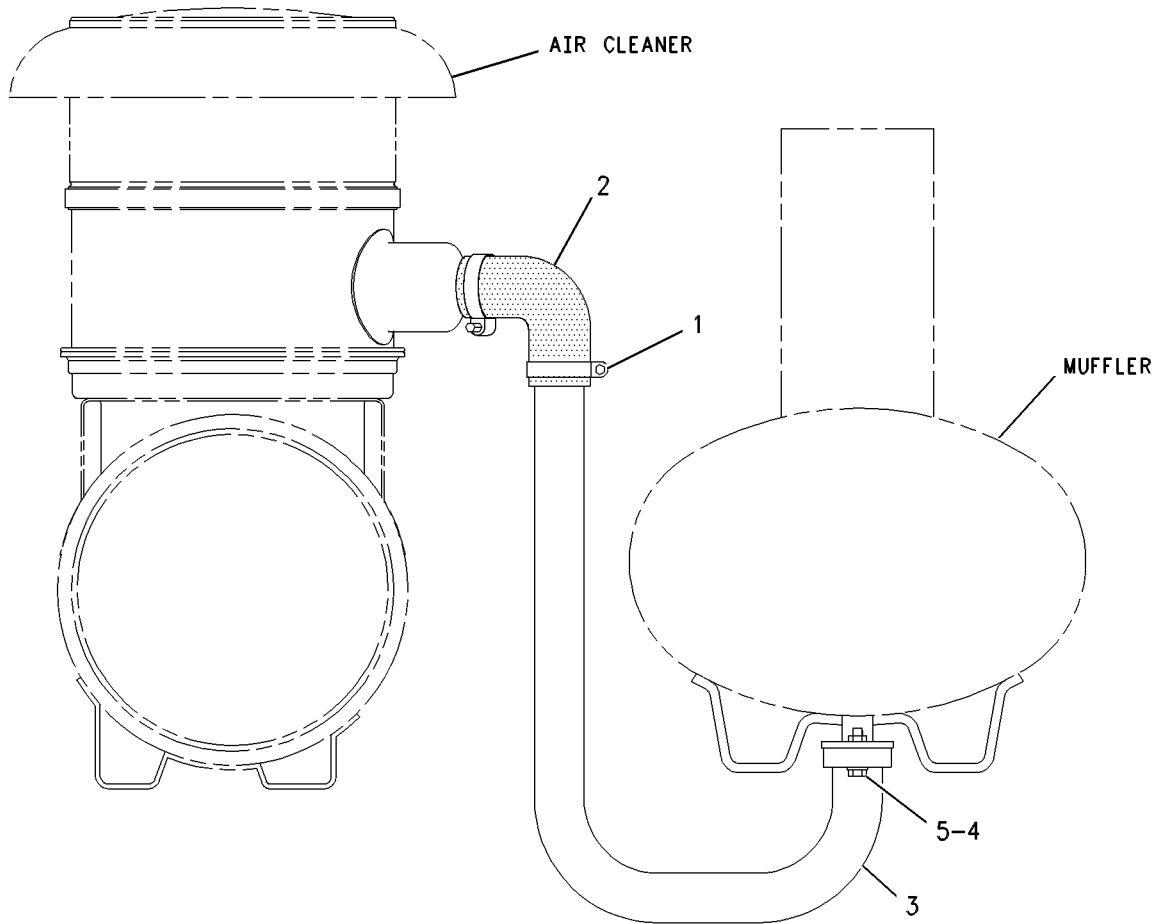
PART OF 201-4341 INSTALLATION AR-ENGINE

SMCS-1068

i00984163

NOTE	REF NO	GRAPHIC REF	PART NUMBER	QTY	PART NAME						SEE PAGE
					1	2	3	4	5	6 (PRODUCT LEVEL)	
	1	1	<b>5P-0597</b>	2	CLAMP-HOSE						
	2	1	<b>067-9425</b>	1	HOSE						
	3	1	<b>137-9442</b>	1	TUBE AS						
	4	1	<b>6V-5839</b>	2	WASHER (11X21X2.5-MM THK)						
M	5	1	<b>6V-5842</b>	2	BOLT (M10X1.5X40-MM)						

M - METRIC PART



LEFT SIDE VIEW

GRAPHIC #1

<END>

g00503333

# AIR INLET AND EXHAUST SYSTEM

## 222-3073 DUST EJECTOR GP

S/N: BNH592-UP

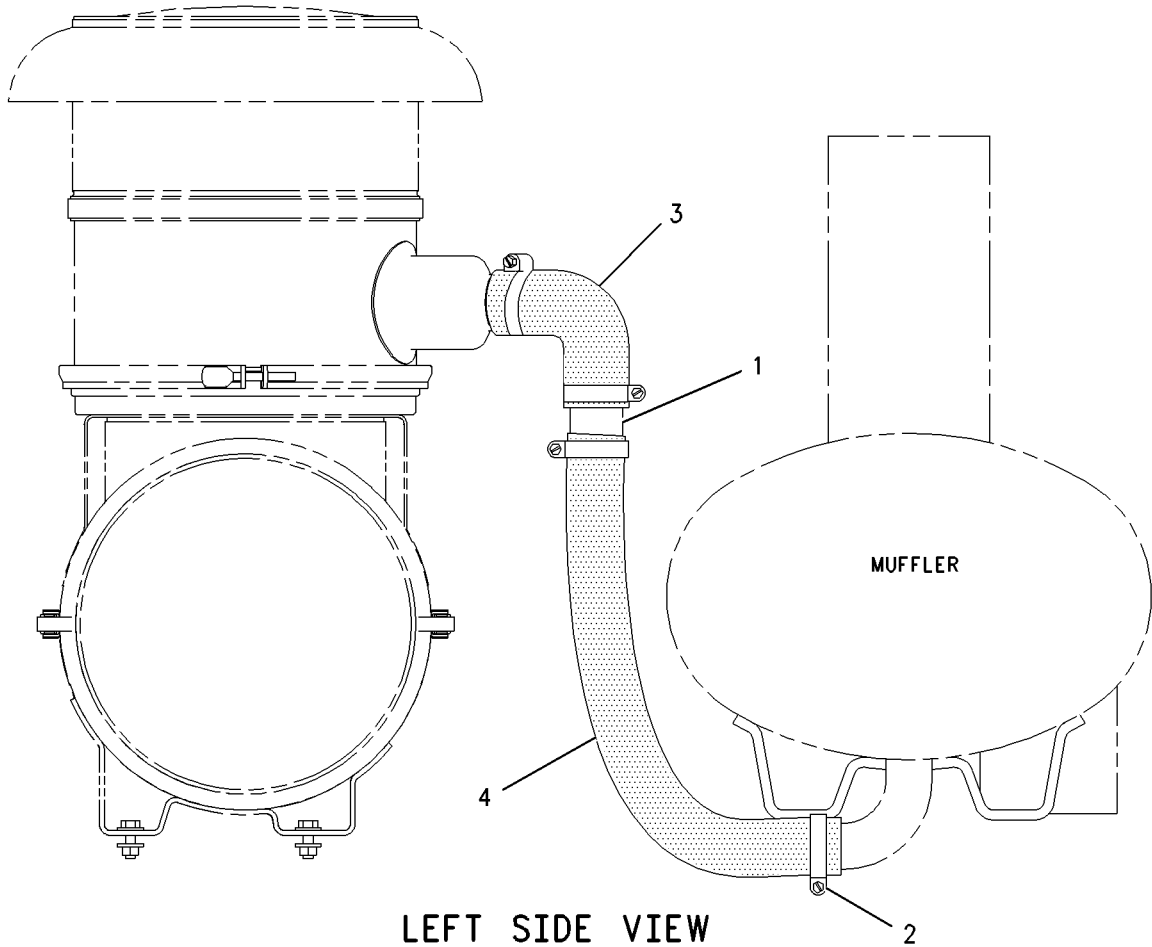
PART OF 201-4341 INSTALLATION AR-ENGINE

SMCS-1068

i01782029

NOTE	REF NO	GRAPHIC REF	PART NUMBER	QTY	PART NAME						SEE PAGE
					1	2	3	4	5	6 (PRODUCT LEVEL)	
	1	1	<b>1S-1668</b>	1	TUBE-BYPASS						
	2	1	<b>5P-0597</b>	4	CLAMP-HOSE						
	3	1	<b>067-9425</b>	1	HOSE						
E	4	1	<b>5P-1471</b>		HOSE (62CM)						

E - ORDER BY THE CENTIMETER



GRAPHIC #1

<END>

g00924323

# AIR INLET AND EXHAUST SYSTEM

## 424-8379 KIT-TURBOCHARGER GASKET

S/N: BNH1-UP

CONTAINS THE GASKETS AND SEALS TO REINSTALL THE TURBO(S) AND ATTACHING LINES. . THE FOLLOWING TURBO MOUNTING HARDWARE WILL BE INCLUDED: BOLTS, NUTS, STUDS, WASHERS, SPACERS, ETC

FOR USE WITH 198-6489-PAGE: 4, 235-4732-PAGE: 6, 235-4733-PAGE: 7  
FIELD INSTALLATION

SMCS-7555

i05351477

NOTE	PART NUMBER	QTY	PART NAME						SEE PAGE
			1	2	3	4	5	6 (PRODUCT LEVEL)	
	2N-2765	4	BOLT-HIGH TEMPERATURE (3/8-16X1.75-IN)						
	1S-4295	1	GASKET (TURBOCHARGER)						
	4N-0699	1	GASKET						
	1S-6595	1	GASKET-OIL SUPPLY						
	2N-2766	4	LOCKNUT (3/8-16-THD)						
	126-2702	1	SEAL-INTEGRAL						
	198-6068	1	SEAL-INTEGRAL						
	2M-9780	1	SEAL-O-RING						
	5H-7704	2	SEAL-O-RING						
	6V-3917	2	SEAL-O-RING						
	7J-9108	1	SEAL-O-RING						
	114-2687	1	SEAL-O-RING						
	228-7091	1	SEAL-O-RING						
	313-9550	4	STUD-TAPERLOCK (3/8-16X2.165-IN)						

FOR A LIST OF RELATED PARTS THAT ARE REQUIRED FOR THE ENGINE REBUILD TO THE KIT CONSIST, PLEASE VISIT

[HTTPS://DEALER.CAT.COM/RELATED](https://dealer.cat.com/related)

<END>

# AIR INLET AND EXHAUST SYSTEM

## 114-1904 LINES GP-AIR

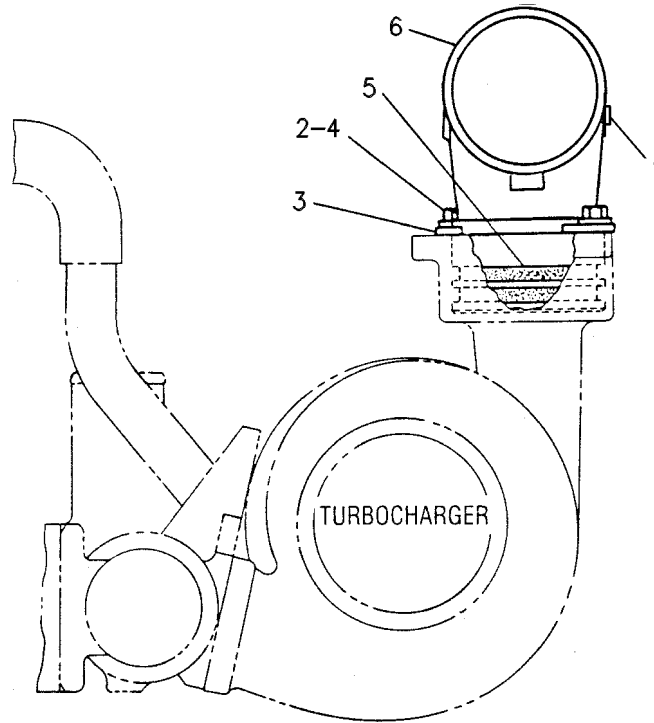
S/N: BNT1-UP

PROVIDES A 90 DEGREE TURBO COMPRESSOR OUTLET ELBOW  
FOR USE WITH 101.6MM (4 INCH) DIAMETER HOSE  
PART OF 198-6489, 198-6490, 235-4732, 235-4733 ENGINE AR-COMplete  
AN ATTACHMENT

SMCS-1071

i03884610

NOTE	REF NO	GRAPHIC REF	PART NUMBER	QTY	PART NAME						SEE PAGE
					1	2	3	4	5	6	
	1	1	<b>8T-6757</b>	1	PLUG-PIPE						
	2	1	<b>5M-2894</b>	2	WASHER-HARD (10.2X18.5X2.5-MM THK)						
	3	1	<b>7W-3145</b>	2	PLATE						
	4	1	<b>0S-1594</b>	2	BOLT (3/8-16X1-IN)						
	5	1	<b>6V-3917</b>	2	SEAL-O-RING						
	6	1	<b>7C-5665</b>	1	ELBOW						



GRAPHIC #1

<END>

g00247052

# AIR INLET AND EXHAUST SYSTEM

## 132-6250 LINES GP-AIR

S/N: BNH1-UP

PART OF 201-4341 INSTALLATION AR-ENGINE

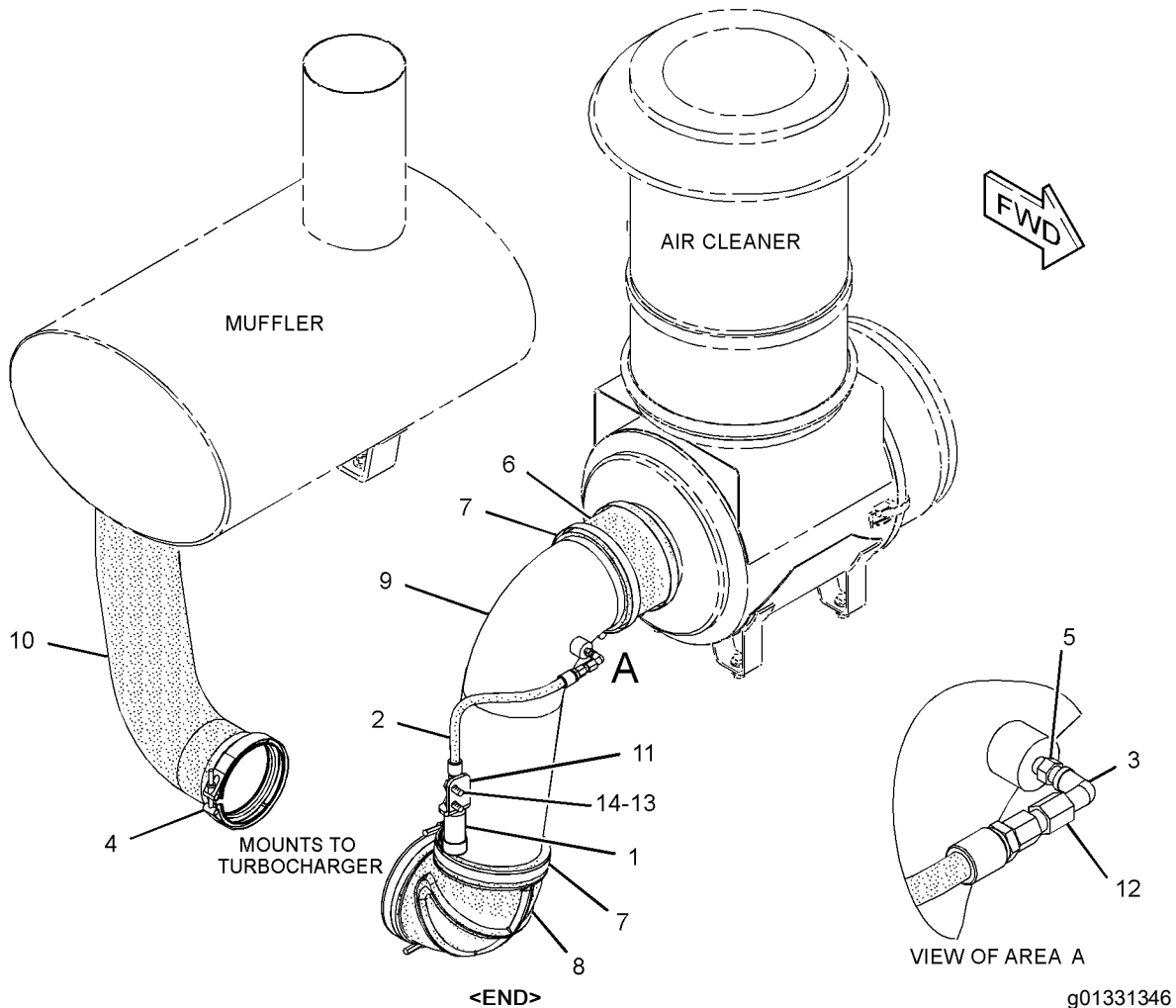
SMCS-1071

i02650204

NOTE	REF NO	GRAPHIC REF	PART NUMBER	QTY	PART NAME						SEE PAGE
					1	2	3	4	5	6 (PRODUCT LEVEL)	
	1	1	<b>1W-0613</b>	1	INDICATOR AS-AIR FILTER CHANGE (SERVICE)						
I	2	1	<b>2W-1374</b>	1	HOSE AS						
	3	1	<b>3B-6552</b>	1	ELBOW-PIPE						
	4	1	<b>4W-9160</b>	1	CLAMP-V BAND (V-BAND)						
	5	1	<b>5L-3233</b>	1	FITTING-CONNECTOR						
	6	1	<b>6N-1097</b>	1	HOSE						
	7	1	<b>8T-4988</b>	4	CLAMP-HOSE						
	8	1	<b>303-1254</b>	1	ELBOW						
	9	1	<b>137-3601</b>	1	TUBE AS						
	10	1	<b>239-7896</b>	1	PIPE AS						
		1	<b>9N-1940</b>	1	ADAPTER-EXHAUST PIPE						
	11	1	<b>166-7057</b>	1	BRACKET AS						
		1	<b>3B-7733</b>	1	FITTING						
	12	1	<b>5D-9231</b>	2	CONNECTOR						
	13	1	<b>8T-4121</b>	2	WASHER-HARD (11X21X2.5-MM THK)						
M	14	1	<b>8T-4136</b>	2	BOLT (M10X1.5X25-MM)						

I - REFER TO HYDRAULIC INFORMATION SYSTEM

M - METRIC PART



GRAPHIC #1

# AIR INLET AND EXHAUST SYSTEM

## 191-6147 LINES GP-AIR

S/N: BNT1-UP

FOR USE WITH WASTE GATE TURBO

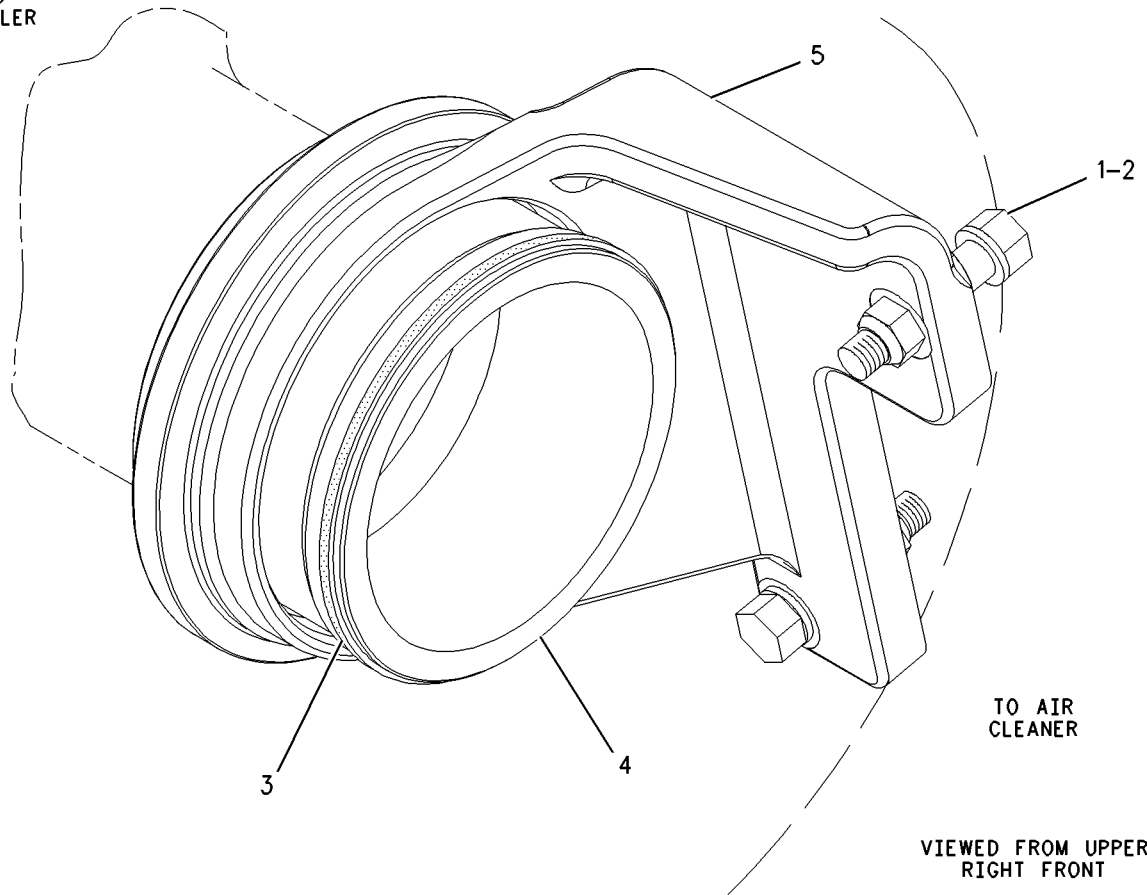
PART OF 198-6489, 198-6490, 235-4732, 235-4733 ENGINE AR-COMplete  
AN ATTACHMENT

SMCS-1071

i01328274

NOTE	REF NO	GRAPHIC REF	PART NUMBER	QTY	PART NAME						SEE PAGE
					1	2	3	4	5	6	
	1	1	<b>2N-2765</b>	2	BOLT-HIGH TEMPERATURE (3/8-16X1.75IN)						
	2	1	<b>2N-2766</b>	2	LOCKNUT (3/8-16 THD)						
	3	1	<b>5L-8854</b>	2	RING-SEALING						
	4	1	<b>9Y-8968</b>	1	COUPLING-EXHAUST						
	5	1	<b>137-5103</b>	1	SUPPORT-EXHAUST PIPE						

TO  
MUFFLER



GRAPHIC #1

<END>

g00703087

# AIR INLET AND EXHAUST SYSTEM

## 135-6552 MANIFOLD GP-EXHAUST

S/N: BNT1-UP

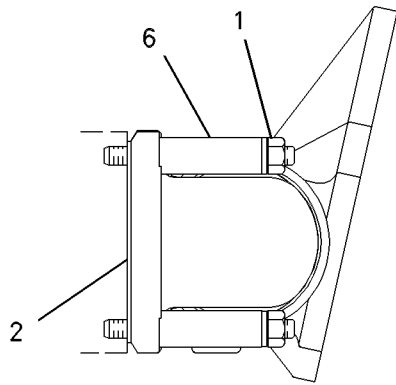
FOR USE WITH REAR EXHAUST TURBO

PART OF 198-6489, 198-6490, 235-4732, 235-4733 ENGINE AR-COMplete  
AN ATTACHMENT

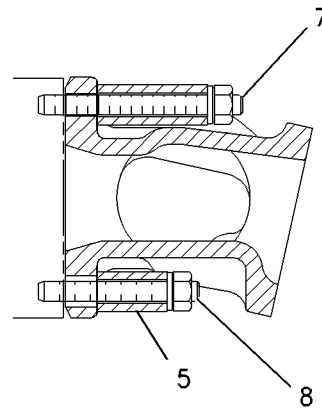
SMCS-1059

i02332474

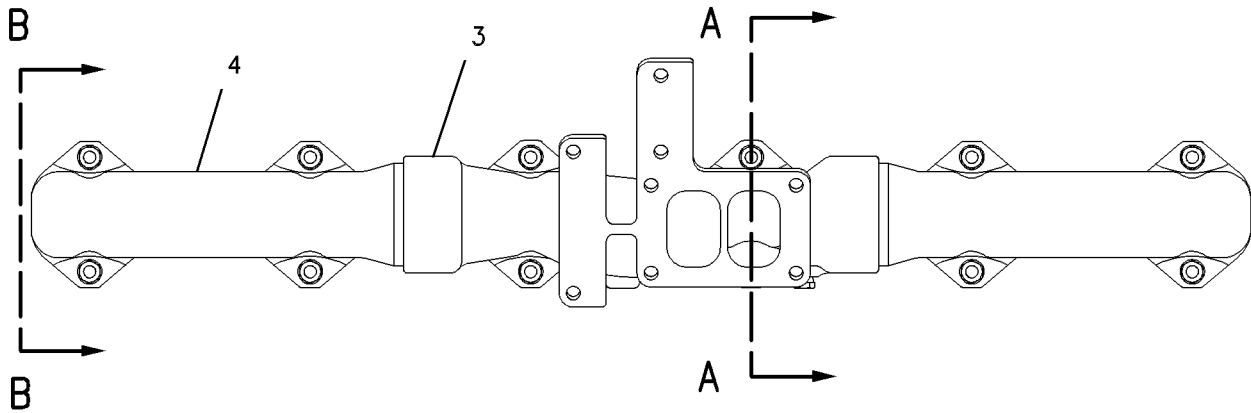
NOTE	REF NO	GRAPHIC REF	PART NUMBER	QTY	PART NAME						SEE PAGE
					1	2	3	4	5	6	
	1	1	<b>2N-2766</b>	12	LOCKNUT (3/8-16-THD)						
		1	<b>5M-2894</b>	12	WASHER-HARD (10.2X18.5X2.5-MM THK)						
	2	1	<b>129-9452</b>	6	GASKET-EXHAUST MANIFOLD						
	3	1	<b>101-7354</b>	1	MANIFOLD-EXHAUST (CENTER)						
	4	1	<b>102-8608</b>	2	MANIFOLD-EXHAUST (END)						
	5	1	<b>2S-3770</b>	1	SPACER (11X19X33.5-MM THK)						
	6	1	<b>108-3612</b>	11	SPACER (11.13X19.05X53-MM THK)						
	7	1	<b>106-1792</b>	11	STUD-TAPERLOCK (3/8-16X4-IN)						
	8	1	<b>4S-6137</b>	1	STUD-TAPERLOCK (3/8-16X3.1-IN)						



SECTION B-B



SECTION A-A



GRAPHIC #1

<END>

g00509782



# AIR INLET AND EXHAUST SYSTEM

## 199-8013 MOUNTING GP-MUFFLER

S/N: BNT1-UP

PART OF 198-6489, 198-6490, 235-4732, 235-4733 ENGINE AR-COMPLETE  
AN ATTACHMENT

SMCS-1062

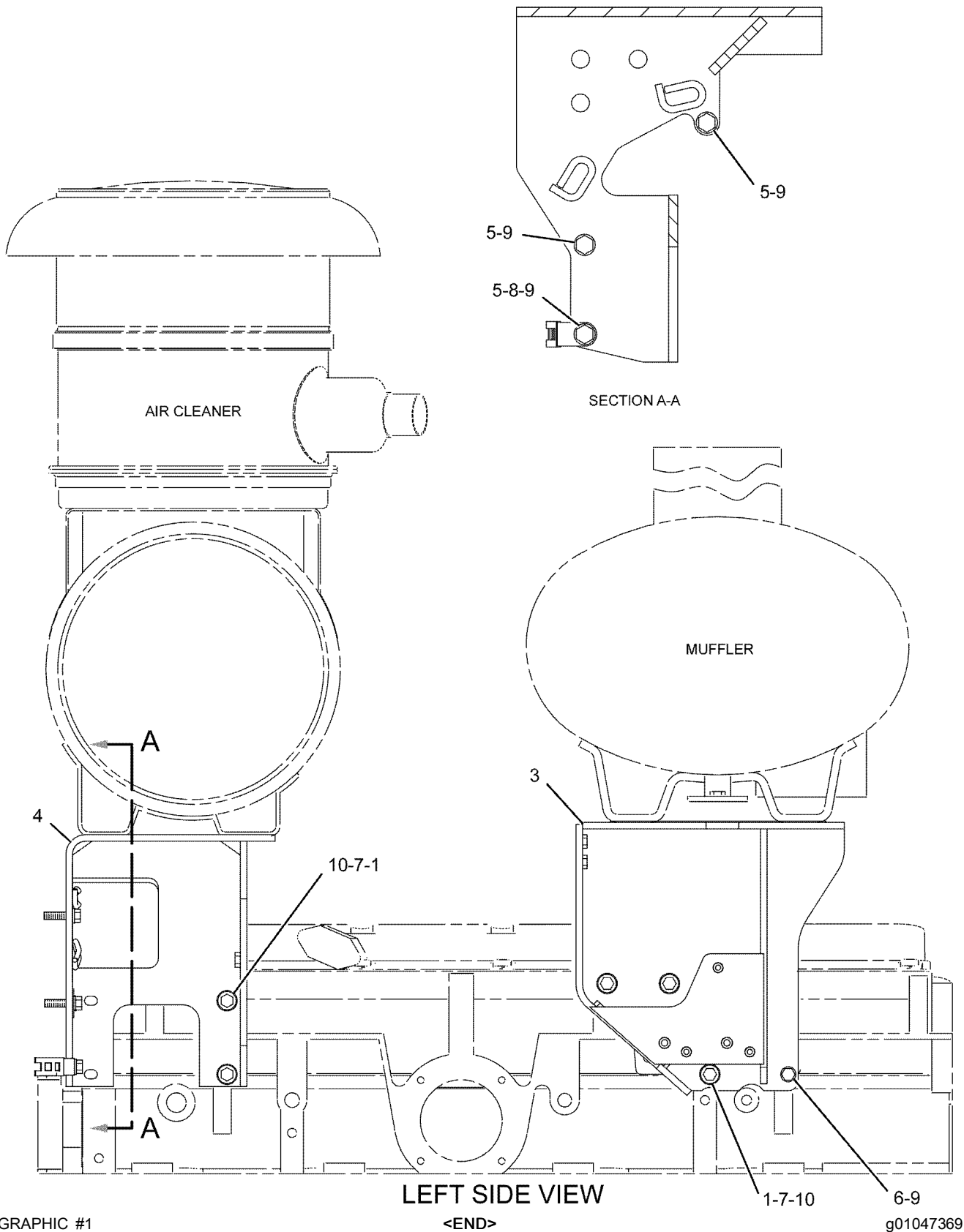
i02005970

NOTE	REF NO	GRAPHIC REF	PART NUMBER	QTY	PART NAME						SEE PAGE
					1	2	3	4	5	6 (PRODUCT LEVEL)	
	1	1	101-3120	5	SPACER (10.5X25X20-MM THK)						
	3	1	199-6552	1	SUPPORT AS						
		1	1F-0750	4	NUT-WELD (3/8-16-THD)						
		1	4K-9097	5	NUT-WELD (5/16-18-THD)						
4		1	200-7851	1	SUPPORT AS						
		1	7T-1099	2	LINK						
		1	1F-0750	1	NUT-WELD (3/8-16-THD)						
5		1	0S-1591	3	BOLT (3/8-16X1.5-IN)						
6		1	1A-2029	1	BOLT (3/8-16X1.125-IN)						
7		1	1C-2251	5	BOLT (3/8-16X1.87-IN)						
8		1	4P-8134	1	CLIP						
9		1	5M-2894	4	WASHER-HARD (10.2X18.5X2.5-MM THK)						
10		1	8M-9024	5	WASHER-HARD (10.2X22.5X5-MM THK)						

# AIR INLET AND EXHAUST SYSTEM

199-8013 MOUNTING GP-MUFFLER (contd.)

i02005970



GRAPHIC #1

<END>

g01047369

# AIR INLET AND EXHAUST SYSTEM

## 132-6235 MUFFLER GP

S/N: BNH1-591

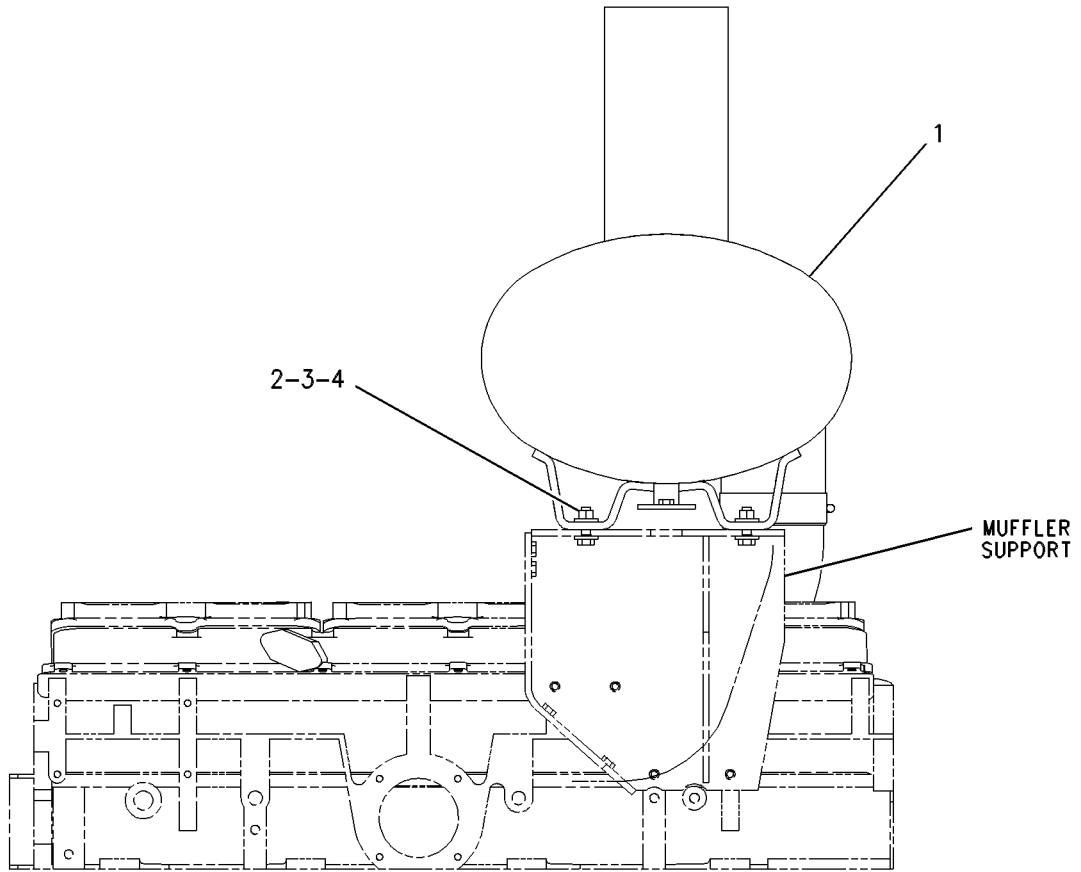
PART OF 201-4341 INSTALLATION AR-ENGINE

SMCS-1062

i00983784

NOTE	REF NO	GRAPHIC REF	PART NUMBER	QTY	PART NAME						SEE PAGE
					1	2	3	4	5	6 (PRODUCT LEVEL)	
	1	1	<b>132-6199</b>	1	MUFFLER AS						
		1	<b>7E-6455</b>	1	CLAMP						
	2	1	<b>5P-1076</b>	8	WASHER-HARD (13.5X30X4-MM THK)						
M	3	1	<b>8T-4183</b>	4	BOLT (M12X1.75X40-MM)						
M	4	1	<b>8T-4244</b>	4	NUT (M12X1.75-THD)						

M - METRIC PART



LEFT SIDE VIEW

GRAPHIC #1

<END>

g00505817

# AIR INLET AND EXHAUST SYSTEM

## 132-6235 MUFFLER GP

S/N: BNH592-UP

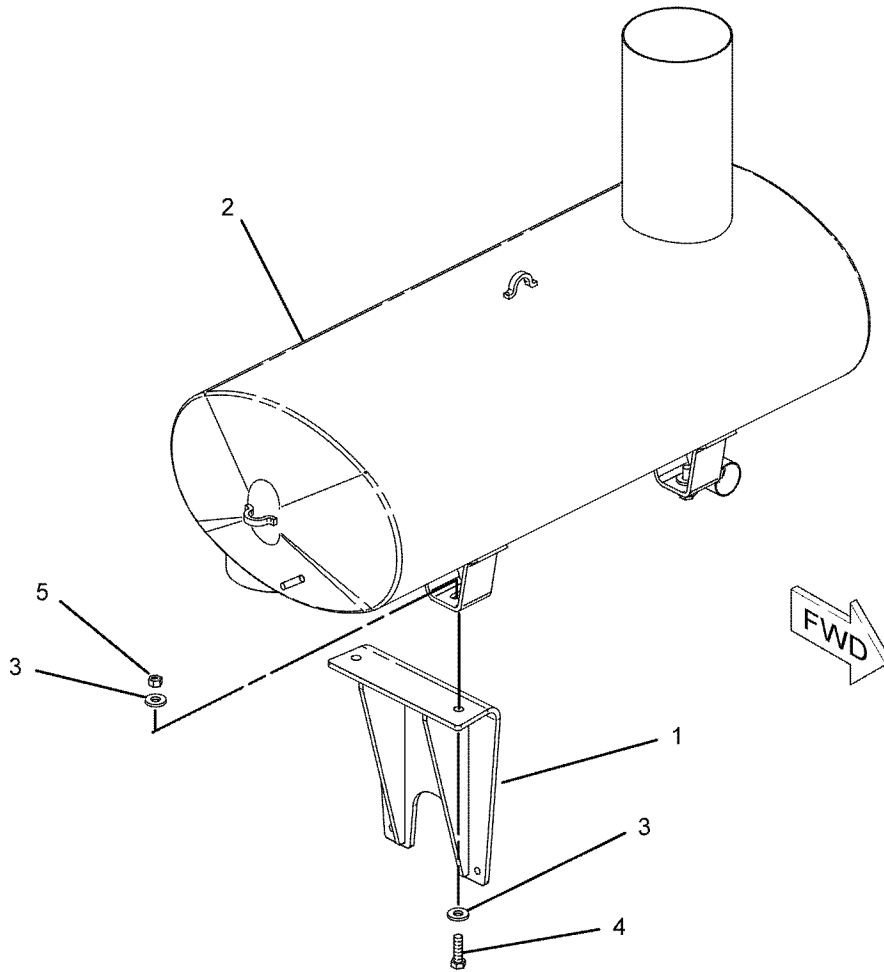
PART OF 201-4341 INSTALLATION AR-ENGINE

SMCS-1062

i01969941

NOTE	REF NO	GRAPHIC REF	PART NUMBER	QTY	PART NAME						SEE PAGE
					1	2	3	4	5	6 (PRODUCT LEVEL)	
	1	1	<b>162-7175</b>	1	SUPPORT AS						
C	2	1	<b>239-7897</b>	1	MUFFLER AS						
		1	<b>141-1480</b>	1	CLAMP AS						
	3	1	<b>5P-1076</b>	8	WASHER-HARD (13.5X30X4-MM THK)						
M	4	1	<b>8T-4183</b>	4	BOLT (M12X1.75X40-MM)						
M	5	1	<b>8T-4244</b>	4	NUT (M12X1.75-THD)						

C - CHANGE FROM PREVIOUS TYPE  
M - METRIC PART



GRAPHIC #1

<END>

g01039448

# AIR INLET AND EXHAUST SYSTEM

## 191-1041 SHIELD GP-HEAT

S/N: BNH936-UP; BNT1-UP

PROTECTS THE SEAL BETWEEN THE VALVE COVER BASE AND THE CYLINDER HEAD  
PART OF 198-6489, 198-6490 ENGINE AR-COMPLETE, 201-4341 INSTALLATION AR-ENGINE  
ALSO AN ATTACHMENT

SMCS-1067

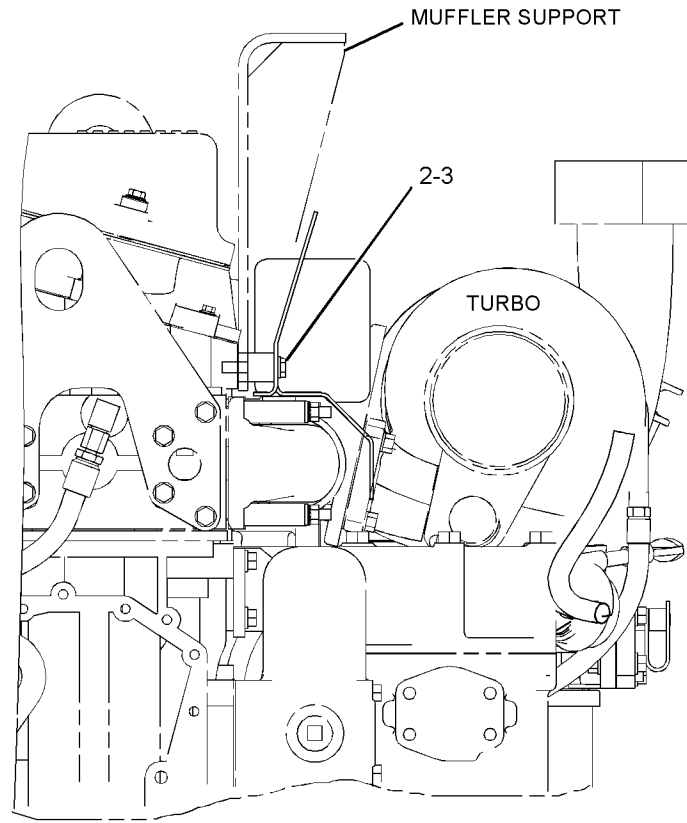
i02401384

NOTE	REF NO	GRAPHIC REF	PART NUMBER	QTY	PART NAME						SEE PAGE
					1	2	3	4	5	6 (PRODUCT LEVEL)	
	1	1	239-1377	1	SHIELD AS						
	2	1	9L-7373	4	BOLT-HIGH TEMPERATURE (3/8-16X2-IN)						
	3	1	5M-2894	4	WASHER-HARD (10.2X18.5X2.5-MM THK)						
	4	1	246-6084	1	SLEEVE						

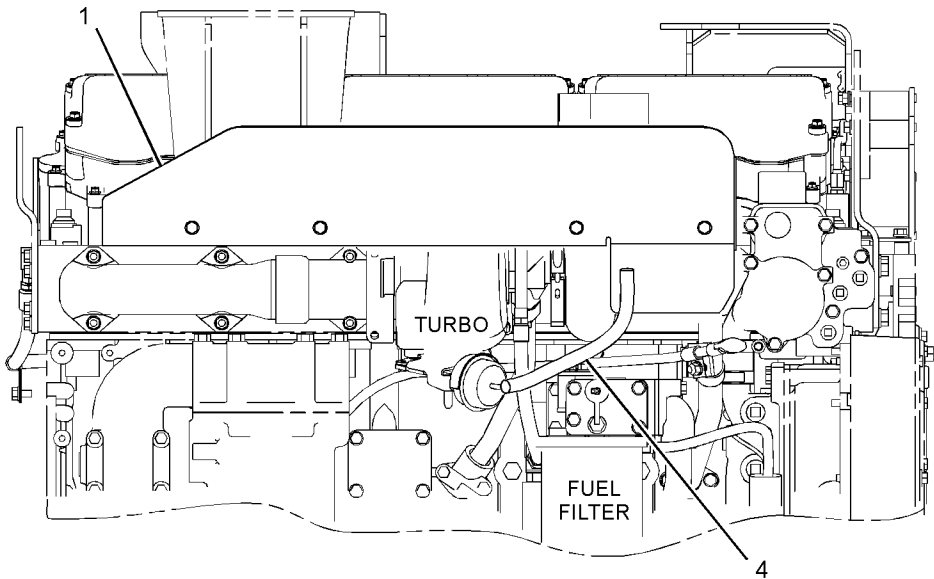
# AIR INLET AND EXHAUST SYSTEM

191-1041 SHIELD GP-HEAT (contd.)

i02401384



REAR VIEW



RIGHT SIDE VIEW

GRAPHIC #1

<END>

g01239299

# AIR INLET AND EXHAUST SYSTEM

## 192-1995 TURBOCHARGER GP

S/N: BNT1-444

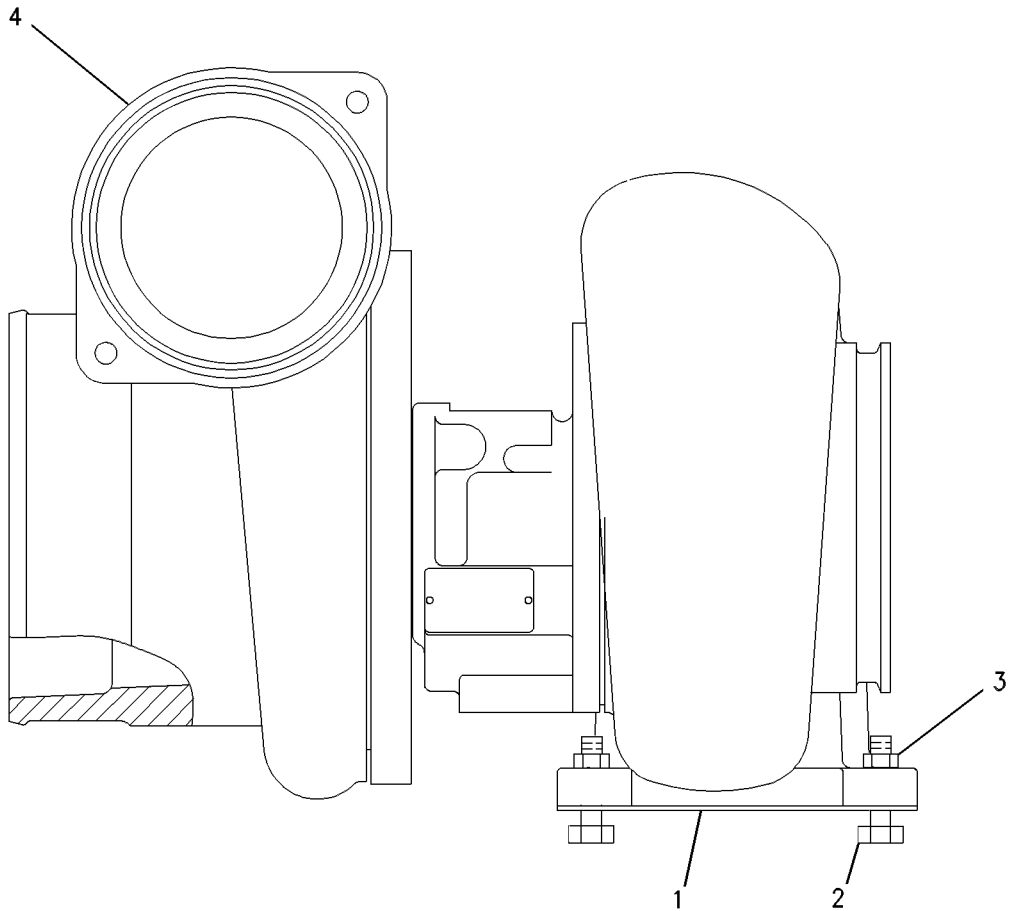
PART OF 198-6487 ENGINE AR-CORE  
AN ATTACHMENT

SMCS-1052, 1053

i01396004

NOTE	REF NO	GRAPHIC REF	PART NUMBER	QTY	PART NAME						SEE PAGE
					1	2	3	4	5	6 (PRODUCT LEVEL)	
	1	1	<b>1S-4295</b>	1	GASKET - TURBOCHARGER						
	2	1	<b>2N-2765</b>	4	BOLT-HIGH TEMPERATURE (3/8-16X1.75IN)						
	3	1	<b>2N-2766</b>	4	LOCKNUT (3/8-16 THD)						
Y	4	1	<b>192-2827</b>	1	TURBOCHARGER GP						174

Y - SEPARATE ILLUSTRATION



GRAPHIC #1

<END>

g00417819

# AIR INLET AND EXHAUST SYSTEM

## 192-2827 TURBOCHARGER GP\*R

S/N: BNT1-444

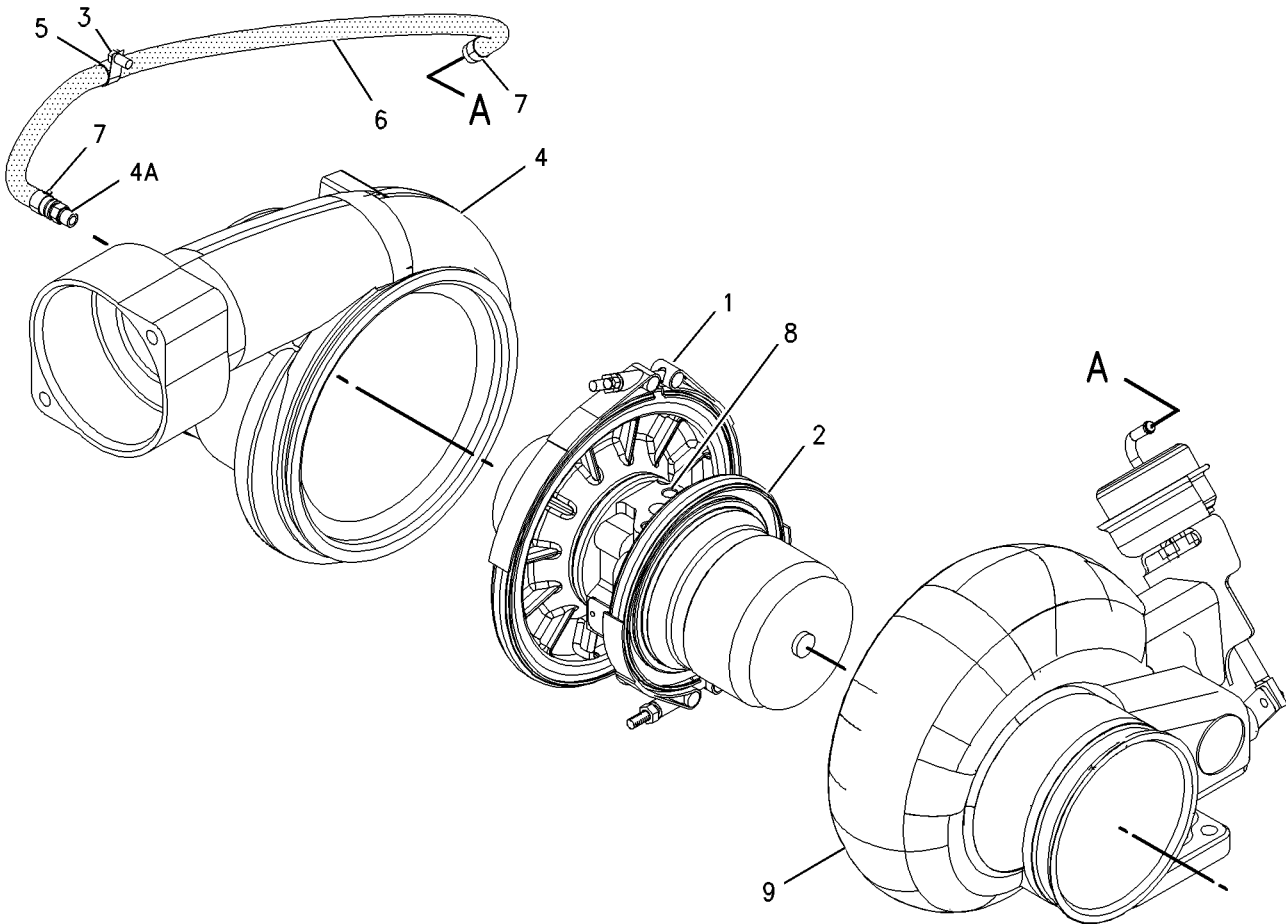
PART OF 192-1995 TURBOCHARGER GP  
AN ATTACHMENT

SMCS-1052, 1053

i02309805

NOTE	REF NO	GRAPHIC REF	PART NUMBER	QTY	PART NAME						SEE PAGE
					1	2	3	4	5	6 (PRODUCT LEVEL)	
	1	1	<b>135-7875</b>	1	CLAMP AS-COMPRESSOR						
	2	1	<b>9N-2038</b>	1	CLAMP AS-TURBINE						
	3	1	<b>115-7087</b>	1	BOLT (M6X0.04X10.4-MM)						
	4	1	<b>194-7915</b>	1	COVER AS-COMPRESSOR						
	4A	1	<b>2V-4868</b>	1	FITTING						
	5	1	<b>161-6958</b>	1	CLIP-HOSE						
	6	1	<b>161-6960</b>	1	HOSE						
	7	1	<b>161-6963</b>	2	CLAMP						
R	8	1	<b>202-4081</b>	1	CARTRIDGE GP-TURBOCHARGER						
	9	1	<b>192-2831</b>	1	HOUSING AS-TURBINE						

R - REMFG PART MAY BE AVAILABLE



GRAPHIC #1

<END>

g00752246



# AIR INLET AND EXHAUST SYSTEM

## 210-8818 TURBOCHARGER GP

S/N: BNT445-UP

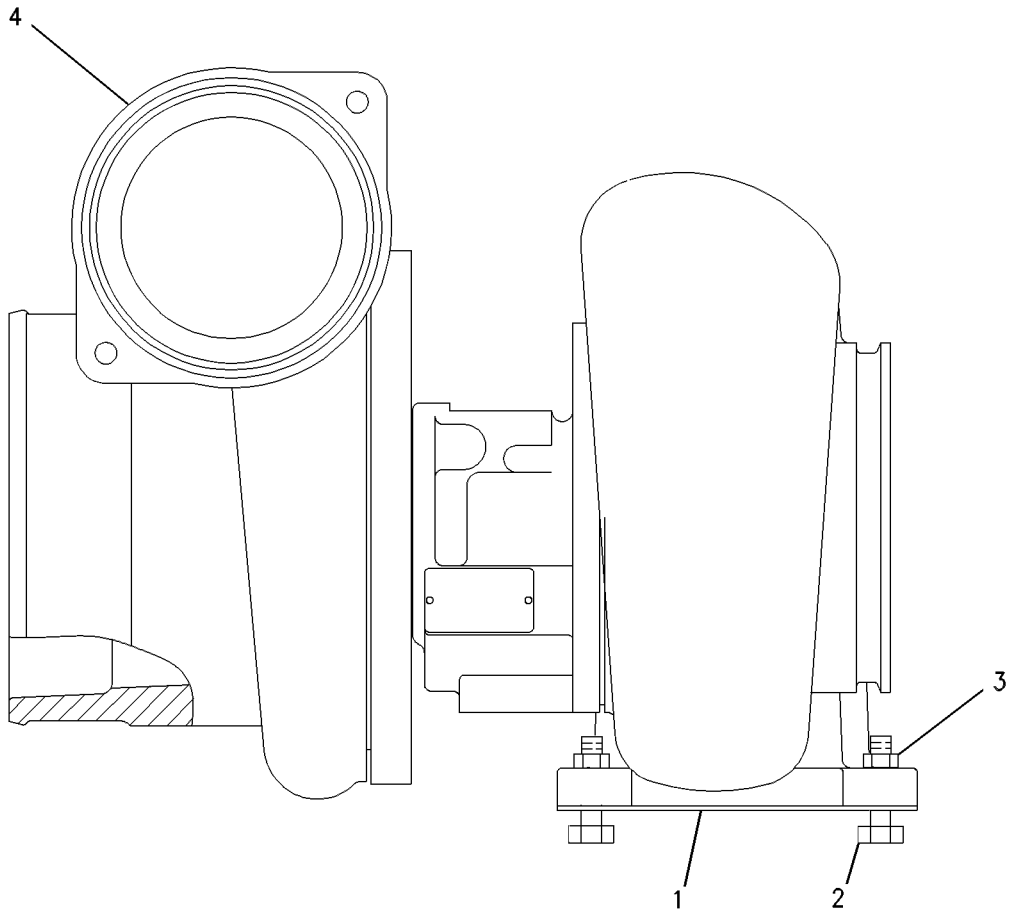
PART OF 198-6487, 235-3479 ENGINE AR-CORE  
AN ATTACHMENT

SMCS-1052, 1053

i01611064

NOTE	REF NO	GRAPHIC REF	PART NUMBER	QTY	PART NAME						SEE PAGE
					1	2	3	4	5	6 (PRODUCT LEVEL)	
	1	1	<b>1S-4295</b>	1	GASKET - TURBOCHARGER						
	2	1	<b>2N-2765</b>	4	BOLT-HIGH TEMPERATURE (3/8-16X1.75 IN)						
	3	1	<b>2N-2766</b>	4	LOCKNUT						
Y	4	1	<b>211-2254</b>	1	TURBOCHARGER GP						176

Y - SEPARATE ILLUSTRATION



GRAPHIC #1

<END>

g00417819

# AIR INLET AND EXHAUST SYSTEM

## 211-2254 TURBOCHARGER GP\*R

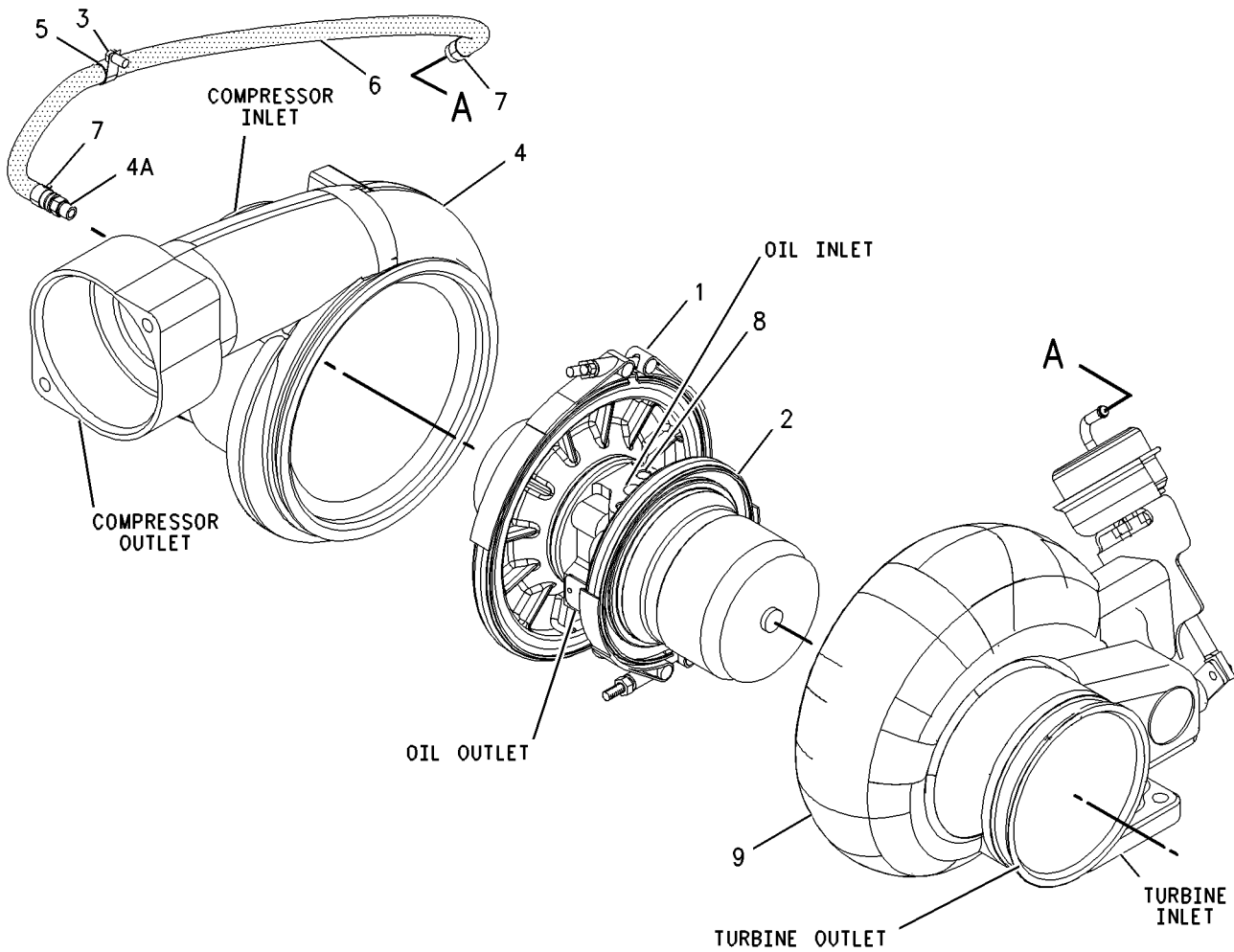
S/N: BNT445-UP

PART OF 210-8818 TURBOCHARGER GP  
AN ATTACHMENT

SMCS-1052, 1053

i02309802

NOTE	REF NO	GRAPHIC REF	PART NUMBER	QTY	PART NAME						SEE PAGE
					1	2	3	4	5	6 (PRODUCT LEVEL)	
	1	1	<b>135-7875</b>	1	CLAMP AS-COMPRESSOR						
	2	1	<b>9N-2038</b>	1	CLAMP AS-TURBINE						
	3	1	<b>115-7087</b>	1	BOLT (M6X0.04X10.4-MM)						
	4	1	<b>194-7915</b>	1	COVER AS-COMPRESSOR						
	4A	1	<b>2V-4868</b>	1	FITTING						
	5	1	<b>161-6958</b>	1	CLIP-HOSE						
	6	1	<b>161-6960</b>	1	HOSE						
	7	1	<b>161-6963</b>	2	CLAMP						
	8	1	<b>211-2255</b>	1	CARTRIDGE GP-TURBOCHARGER						
	9	1	<b>212-0396</b>	1	HOUSING AS-TURBINE						



GRAPHIC #1

<END>

g00840338

# FUEL SYSTEM

## 114-5197 ADAPTER GP-FAST FILL FUEL

S/N: BNH1-UP

PART OF 160-4247, 160-4249 FUEL AR-FAST FILL  
AN ATTACHMENT

SMCS-1710

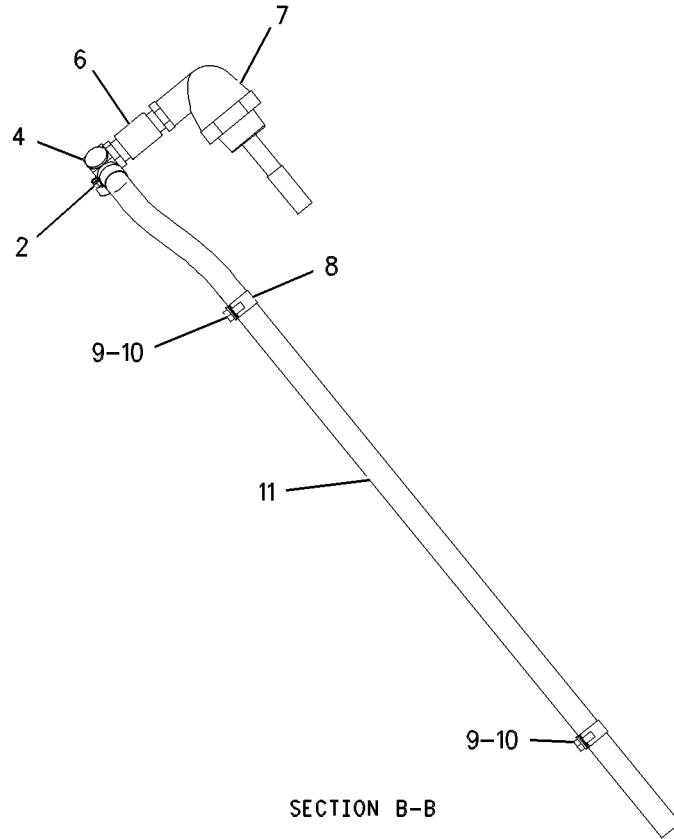
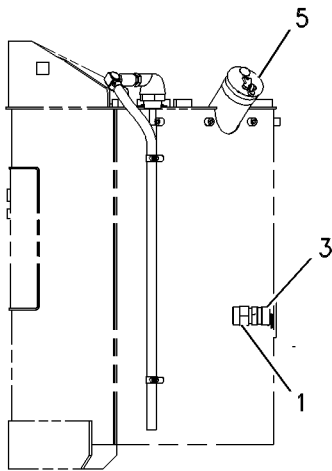
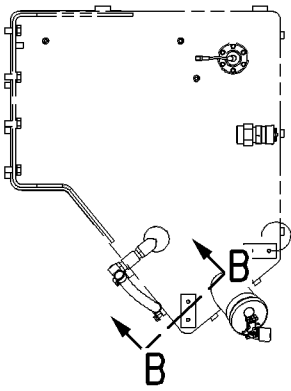
i02437088

NOTE	REF NO	GRAPHIC REF	PART NUMBER	QTY	PART NAME						SEE PAGE
					1	2	3	4	5	6 (PRODUCT LEVEL)	
	1	1	<b>217-5702</b>	1	VALVE-TANK (FAST FILL FUEL)						
	2	1	<b>2S-3440</b>	1	CLAMP-HOSE						
	3	1	<b>9D-0630</b>	1	CAP-DUST						
	4	1	<b>032-8707</b>	1	ELBOW-HOSE						
	5	1	<b>101-8909</b>	1	CAP AS-FILLER (FAST FILL FUEL)						
	6	1	<b>3B-6491</b>	1	COUPLING-PIPE						
JL	7	1	<b>188-4491</b>	1	VENT AS						
	8	1	<b>4S-4455</b>	1	CLIP						
	9	1	<b>8T-4121</b>	2	WASHER-HARD (11X21X2.5-MM THK)						
M	10	1	<b>8T-4137</b>	2	BOLT (M10X1.5X20-MM)						
E	11	1	<b>5P-0742</b>		HOSE (122-CM)						
AVAILABLE REPAIR KIT(S):											
J			<b>5T-8645</b>	1	KIT-VENT (FUEL) (FOR CAST ALUMINUM DOME TOP)						
L			<b>272-1595</b>	1	KIT-VENT (FUEL) (FOR COMPOSITE PLASTIC FLAT TOP)						
E - ORDER BY THE CENTIMETER J - KIT MARKED J SERVICES PART MARKED J L - KIT MARKED L SERVICES PART MARKED L M - METRIC PART											

# FUEL SYSTEM

114-5197 ADAPTER GP-FAST FILL FUEL (contd.)

i02437088



GRAPHIC #1

<END>

g00653606

# FUEL SYSTEM

## 221-8691 ADAPTER GP-FAST FILL FUEL

S/N: BNH1-UP

PART OF 228-4772, 228-4773 FUEL AR-FAST FILL

AN ATTACHMENT

TYPE 1

SMCS-1710

i05171080

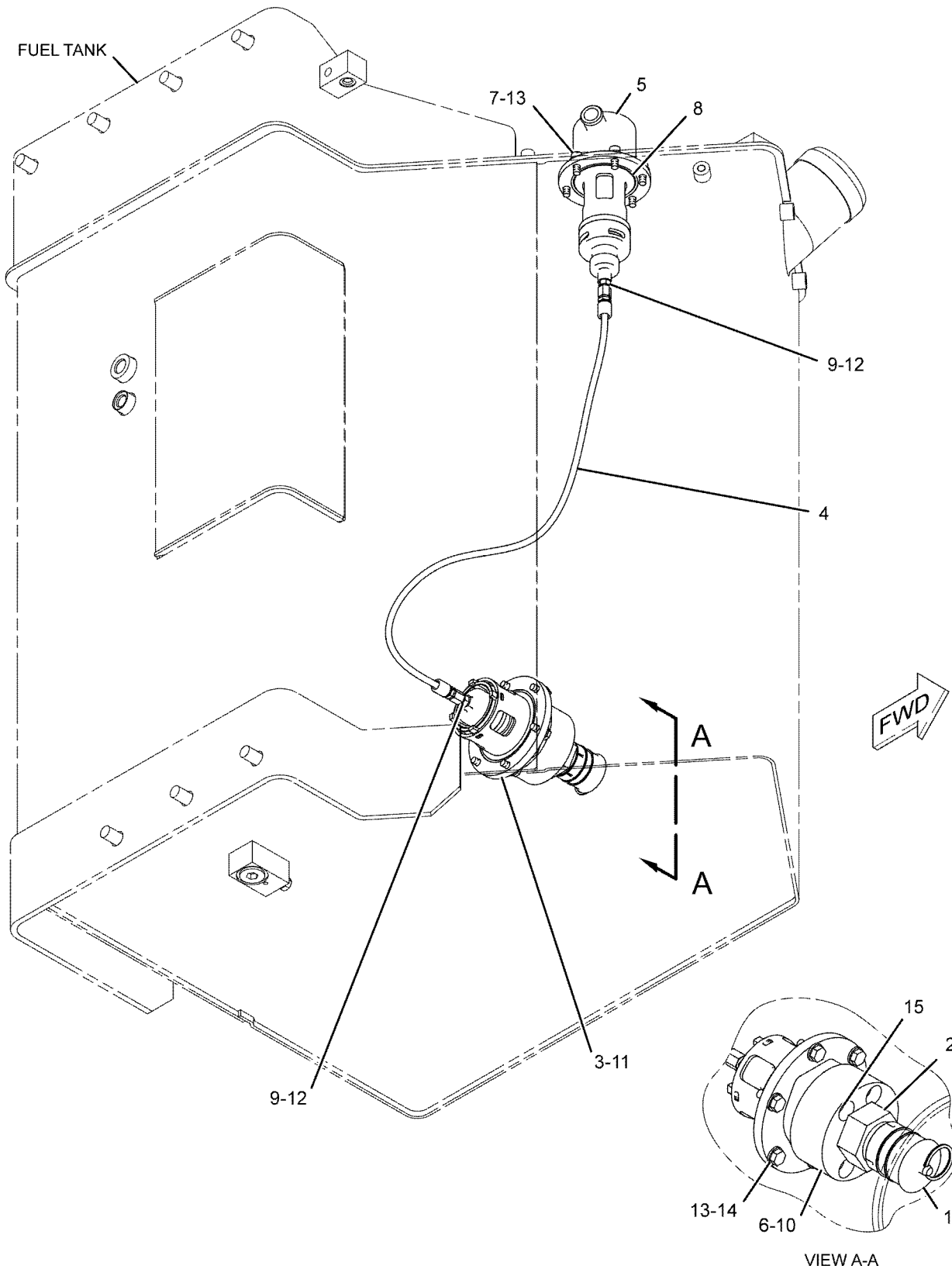
NOTE	REF NO	GRAPHIC REF	PART NUMBER	QTY	PART NAME						SEE PAGE
					1	2	3	4	5	6 (PRODUCT LEVEL)	
	1	1	<b>9D-0630</b>	1	CAP-DUST						
	2	1	<b>124-2463</b>	1	ADAPTER-FAST FILL FUEL						
	3	1	<b>221-7693</b>	1	VALVE (FAST FILL FUEL)						
	4	1	<b>221-8693</b>	1	HOSE AS						
	5	1	<b>223-4591</b>	1	VENT AS						
	6	1	<b>223-5875</b>	1	ADAPTER						
M	7	1	<b>105-3484</b>	6	BOLT-SOCKET HEAD (M10X1.5X25-MM)						
	8	1	<b>1H-8128</b>	1	SEAL-O-RING						
	9	1	<b>1J-9671</b>	2	SEAL-O-RING						
	10	1	<b>4J-0527</b>	1	SEAL-O-RING						
	11	1	<b>5H-6734</b>	1	SEAL-O-RING						
	12	1	<b>5P-2618</b>	2	CONNECTOR						
	13	1	<b>8T-4121</b>	12	WASHER-HARD (11X21X2.5-MM THK)						
M	14	1	<b>8T-4136</b>	6	BOLT (M10X1.5X25-MM)						
M	15	1	<b>8T-7811</b>	4	BOLT-SOCKET HEAD (M12X1.75X50-MM)						

M - METRIC PART

# FUEL SYSTEM

221-8691 ADAPTER GP-FAST FILL FUEL (contd.)

i05171080



GRAPHIC #1

<END>

g01068630

# FUEL SYSTEM

## 221-8691 ADAPTER GP-FAST FILL FUEL

S/N: BNH1-UP

PART OF 228-4772, 228-4773 FUEL AR-FAST FILL

AN ATTACHMENT

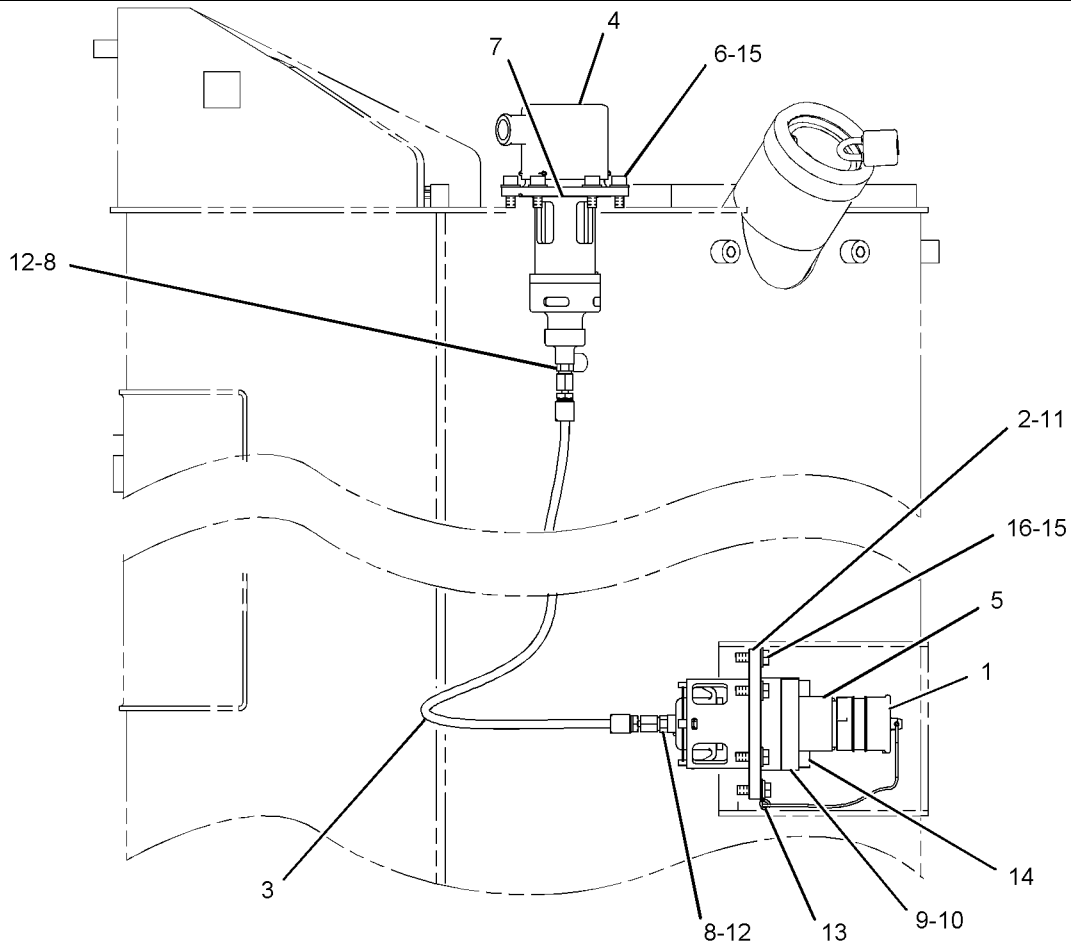
TYPE 2

SMCS-1710

i01941779

NOTE	REF NO	GRAPHIC REF	PART NUMBER	QTY	PART NAME						SEE PAGE
					1	2	3	4	5	6	
	1	1	<b>9D-0630</b>	1	CAP-DUST						
	2	1	<b>221-7693</b>	1	VALVE (FAST FILL FUEL)						
	3	1	<b>221-8693</b>	1	HOSE AS						
	4	1	<b>223-4591</b>	1	VENT AS						
C	5	1	<b>232-1767</b>	1	RECEIVER AS (FAST FILL FUEL)						
M	6	1	<b>105-3484</b>	6	BOLT-SOCKET HEAD (M10X1.5X25-MM)						
	7	1	<b>1H-8128</b>	1	SEAL-O-RING						
	8	1	<b>1J-9671</b>	2	SEAL-O-RING						
C	9	1	<b>1P-4582</b>	2	FLANGE-HALF						
	10	1	<b>4J-0527</b>	1	SEAL-O-RING						
	11	1	<b>5H-6734</b>	1	SEAL-O-RING						
	12	1	<b>5P-2618</b>	2	CONNECTOR						
	13	1	<b>8M-2772</b>	1	CLIP						
CM	14	1	<b>8T-0273</b>	4	BOLT-SOCKET HEAD (M12X1.75X40-MM)						
CM	15	1	<b>8T-4195</b>	6	BOLT (M10X1.5X30-MM)						
	16	1	<b>8T-4121</b>	12	WASHER-HARD (11X21X2.5-MM THK)						

C - CHANGE FROM PREVIOUS TYPE  
M - METRIC PART



FRONT VIEW  
<END>

GRAPHIC #1

g01078993

# FUEL SYSTEM

## 221-8691 ADAPTER GP-FAST FILL FUEL

S/N: BNH1-UP

PART OF 228-4772, 228-4773 FUEL AR-FAST FILL

AN ATTACHMENT

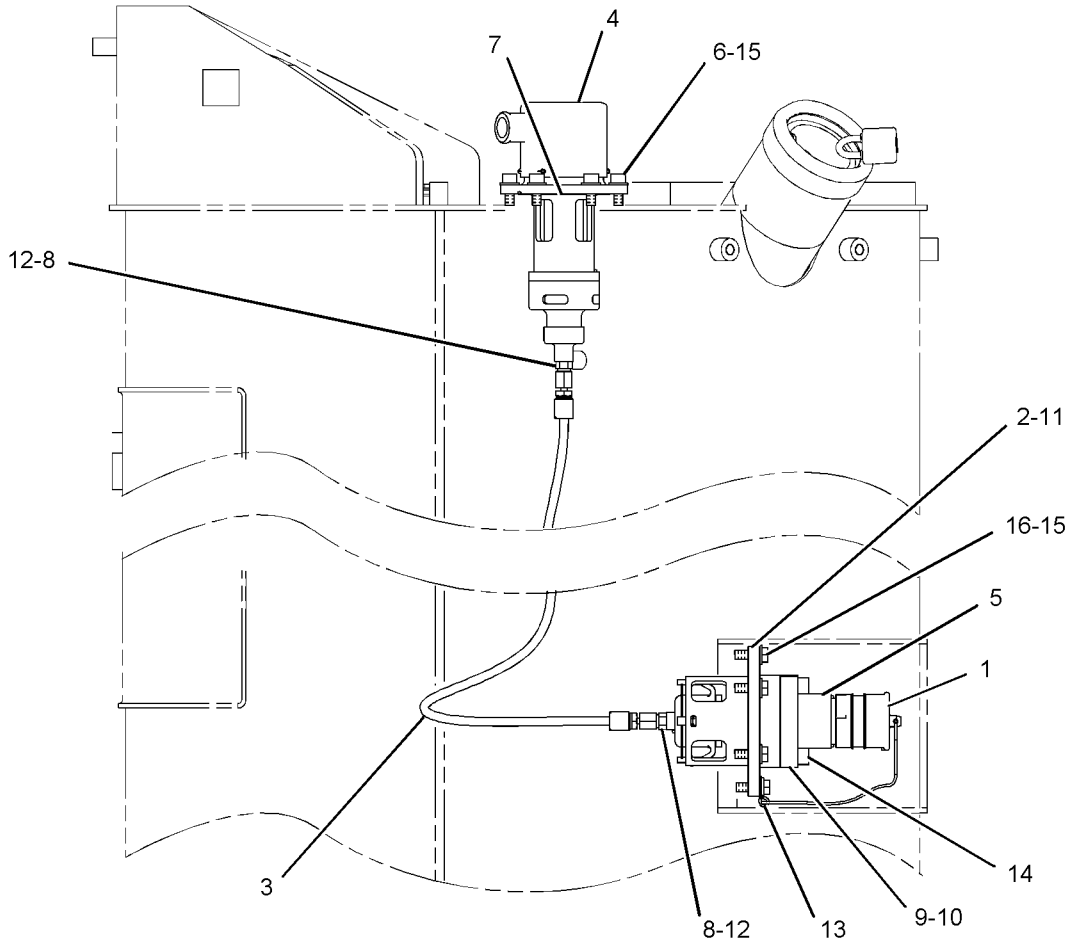
TYPE 3

SMCS-1710

i05168298

NOTE	REF NO	GRAPHIC REF	PART NUMBER	QTY	PART NAME						SEE PAGE
					1	2	3	4	5	6 (PRODUCT LEVEL)	
	1	1	388-4327	1	CAP-DUST						
C	2	1	252-5806	1	VALVE AS-SHUTOFF (FAST FILL FUEL)						
	3	1	221-8693	1	HOSE AS						
C	4	1	308-0415	1	VENT AS						
C	5	1	376-1308	1	RECEIVER AS (FAST FILL FUEL)						
M	6	1	105-3484	6	BOLT-SOCKET HEAD (M10X1.5X25-MM)						
	7	1	1H-8128	1	SEAL-O-RING						
	8	1	1J-9671	2	SEAL-O-RING						
	9	1	1P-4582	2	FLANGE-HALF						
	10	1	4J-0527	1	SEAL-O-RING						
	11	1	5H-6734	1	SEAL-O-RING						
	12	1	5P-2618	2	CONNECTOR						
	13	1	8M-2772	1	CLIP						
M	14	1	170-8553	4	BOLT-SOCKET HEAD (M12X1.75X40-MM)						
M	15	1	8T-4195	6	BOLT (M10X1.5X30-MM)						
	16	1	8T-4121	12	WASHER-HARD (11X21X2.5-MM THK)						

C - CHANGE FROM PREVIOUS TYPE  
M - METRIC PART



FRONT VIEW

<END>

GRAPHIC #1

g01078993



# FUEL SYSTEM

## 209-3164 FILTER GP-FUEL-SECONDARY

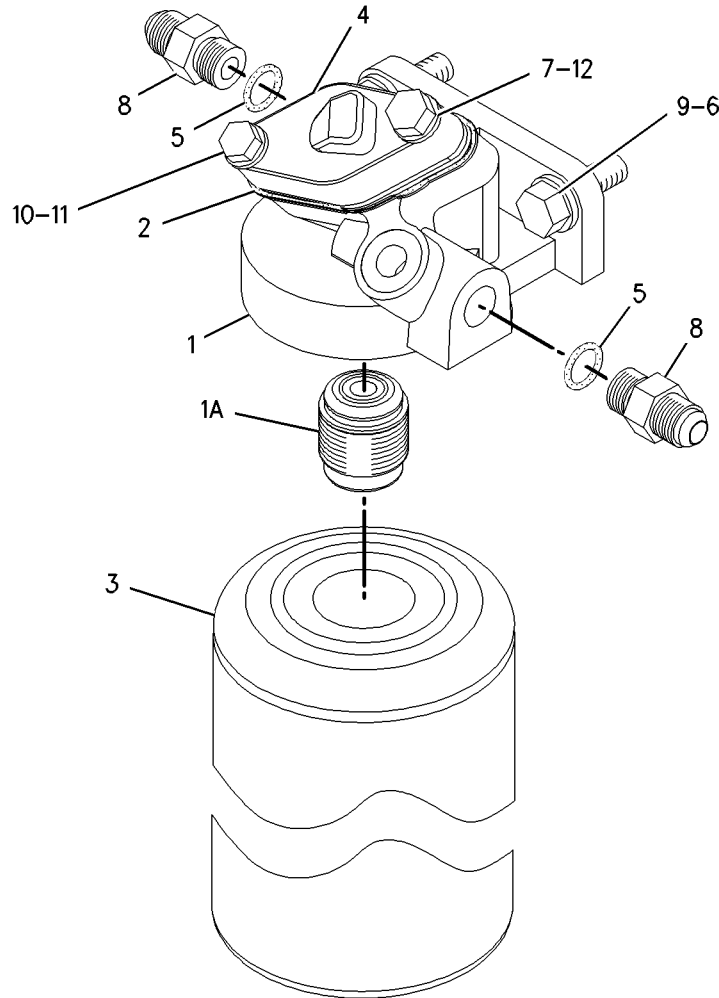
S/N: BNT1-UP

PROVIDES A PORT FOR THE FUEL PRESSURE SENSOR  
PART OF 198-6489, 198-6490, 235-4732, 235-4733 ENGINE AR-COMplete  
AN ATTACHMENT

SMCS-1261

i02944668

NOTE	REF NO	GRAPHIC REF	PART NUMBER	QTY	PART NAME						SEE PAGE
					1	2	3	4	5	6 (PRODUCT LEVEL)	
	1	1	<b>1N-3789</b>	1	BASE AS-FILTER						
	1A	1	<b>9S-4167</b>	1	STUD-HOLLOW (1-14X1.47-IN)						
	2	1	<b>1P-0436</b>	1	GASKET (FUEL PRIMING PUMP)						
	3	1	<b>1R-0749</b>	1	FILTER-FUEL (HIGH EFFICIENCY)						
	4	1	<b>6N-4414</b>	1	COVER-FILTER BASE						
	5	1	<b>033-6042</b>	2	SEAL-O-RING						
	6	1	<b>1A-2029</b>	2	BOLT (3/8-16X1.125-IN)						
	7	1	<b>1B-2790</b>	1	BOLT (5/16-18X1.375-IN)						
	8	1	<b>2R-6806</b>	2	CONNECTOR-O-RING						
	9	1	<b>5M-2894</b>	2	WASHER-HARD (10.2X18.5X2.5-MM THK)						
	10	1	<b>5P-0537</b>	1	WASHER-HARD (7.2X14.5X2-MM THK)						
	11	1	<b>7B-2742</b>	1	BOLT (1/4-20X1.25-IN)						
	12	1	<b>9M-1974</b>	1	WASHER-HARD (8.8X16X2-MM THK)						



GRAPHIC #1

<END>

g00826033

# FUEL SYSTEM

## 131-0463 FILTER GP-WATER SEP & FUEL-PRIMARY

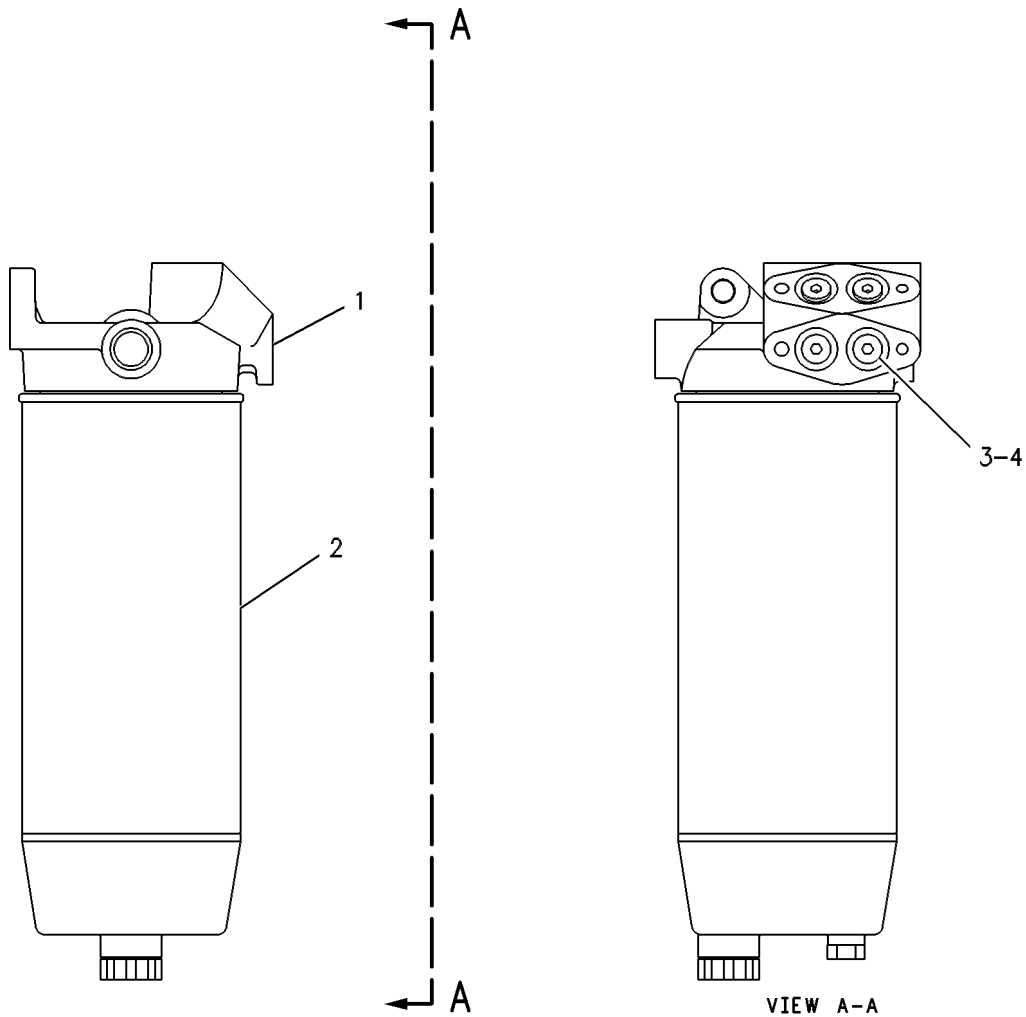
S/N: BNH1-UP

PART OF 204-6673 LINES GP-FUEL

SMCS-1260, 1261, 1263

i03336590

NOTE	REF NO	GRAPHIC REF	PART NUMBER	QTY	PART NAME						SEE PAGE
					1	2	3	4	5	6 (PRODUCT LEVEL)	
	1	1	<b>128-8557</b>	1	BASE AS-FILTER (PRIMARY FUEL FILTER)						
		1	<b>7E-5346</b>	1	VALVE AS (FUEL FILTER)						
		1	<b>9S-4167</b>	1	STUD-HOLLOW (1-14X1.47-IN)						
	2	1	<b>129-0372</b>	1	FILTER AS-WATER SEP & FUEL (PRIMARY)						
		1	<b>133-5673</b>	1	FILTER ELEMENT-WTR SEP & FUEL (STANDARD EFFICIENCY)						
		1	<b>129-0375</b>	1	BOWL-WATER COLLECTION						
		1	<b>141-0284</b>	1	KIT-FUEL FILTER & WATER SEP (INCLUDES GASKET & SEAL)						
	3	1	<b>9S-8002</b>	4	PLUG-O-RING						
	4	1	<b>6V-5048</b>	4	SEAL-O-RING						



GRAPHIC #1

<END>

g00121760

# FUEL SYSTEM

## 160-4246 FUEL AR-CONVENTIONAL FILL

S/N: BNH1-1125

CANNOT BE USED WITH 160-4247 FUEL AR-FAST FILL, 160-4248 HEATER AR-FUEL, 160-4249 FUEL AR-HEATER & FAST FILL AN ATTACHMENT

SMCS-1273, 1274

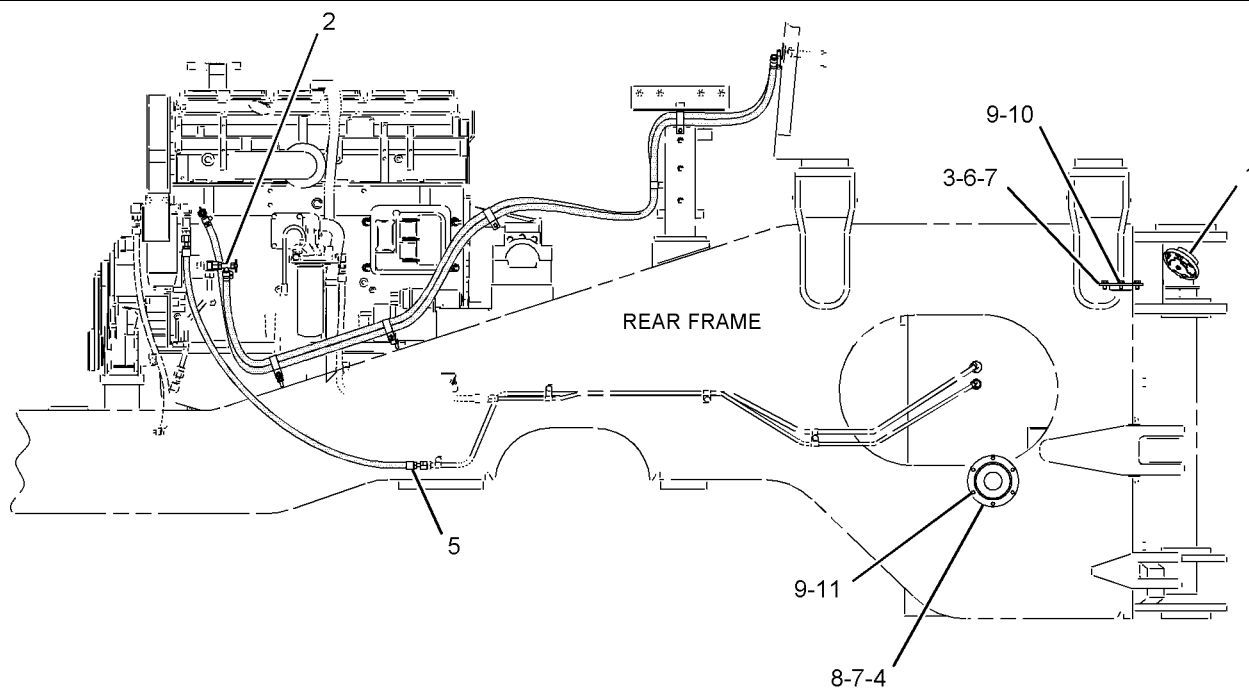
i01952068

NOTE	REF NO	GRAPHIC REF	PART NUMBER	QTY	PART NAME						SEE PAGE
					1	2	3	4	5	6 (PRODUCT LEVEL)	
J	1	1	7X-7700	1	CAP AS-FUEL (LOCKABLE, VENTED)						
		1	9X-8600	1	SEAL-O-RING						
Y	2	1	114-5141	1	LINES GP-CAB HEATER						1162
	3	1	205-7303	1	ADAPTER-FAST FILL FUEL						
	4	1	221-2372	1	ADAPTER (FAST FILL FUEL)						
I	5	1	168-9025	1	HOSE AS						
	6	1	1H-8128	1	SEAL-O-RING						
	7	1	4H-9027	2	PLUG-PIPE						
	8	1	5H-6734	1	SEAL-O-RING						
	9	1	8T-4121	12	WASHER-HARD (11X21X2.5-MM THK)						
M	10	1	8T-4137	6	BOLT (M10X1.5X20-MM)						
M	11	1	8T-4196	6	BOLT (M10X1.5X35-MM)						

AVAILABLE REPAIR KIT(S):

J 9X-2205 1 KIT-CAP FILTER (FUEL TANK)

I - REFER TO HYDRAULIC INFORMATION SYSTEM  
J - PART MARKED J INCLUDES REPAIR KIT MARKED J  
M - METRIC PART  
Y - SEPARATE ILLUSTRATION



RIGHT SIDE VIEW  
<END>

GRAPHIC #1

g01073127

# FUEL SYSTEM

## 160-4246 FUEL AR-CONVENTIONAL FILL

S/N: BNH1126-UP

CANNOT BE USED WITH 160-4247 FUEL AR-FAST FILL, 160-4248 HEATER AR-FUEL, 160-4249  
FUEL AR-HEATER & FAST FILL  
AN ATTACHMENT

SMCS-1273, 1274

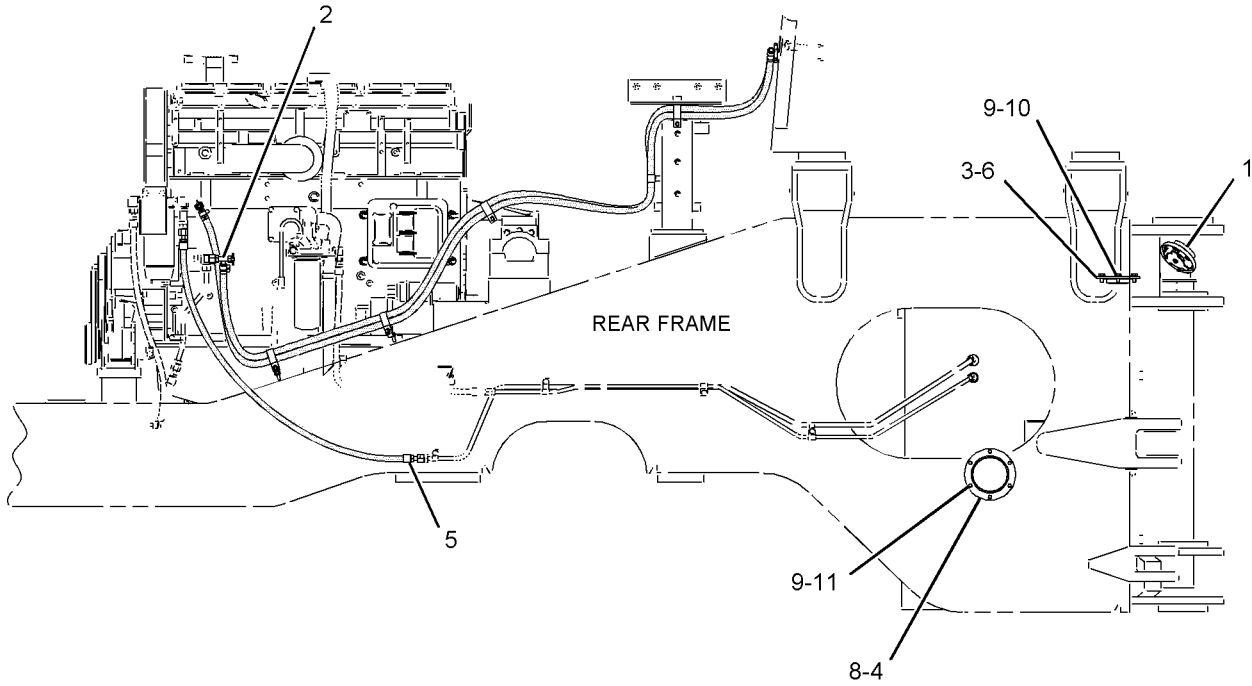
i02127965

NOTE	REF NO	GRAPHIC REF	PART NUMBER	QTY	PART NAME						SEE PAGE
					1	2	3	4	5	6 (PRODUCT LEVEL)	
J	1	1	<b>7X-7700</b>	1	CAP AS-FUEL (LOCKABLE, VENTED)						
		1	<b>9X-8600</b>	1	SEAL-O-RING						
Y	2	1	<i>114-5141</i>	1	LINES GP-CAB HEATER						1162
	3	1	<b>187-1679</b>	1	COVER						
	4	1	<b>164-3417</b>	1	COVER						
I	5	1	<b>168-9025</b>	1	HOSE AS						
	6	1	<b>1H-8128</b>	1	SEAL-O-RING						
	8	1	<b>5H-6734</b>	1	SEAL-O-RING						
	9	1	<b>8T-4121</b>	12	WASHER-HARD (11X21X2.5-MM THK)						
M	10	1	<b>101-7404</b>	6	BOLT-SOCKET HEAD (M10X1.5X30-MM)						
M	11	1	<b>8T-4195</b>	6	BOLT (M10X1.5X30-MM)						

AVAILABLE REPAIR KIT(S):

J			<b>9X-2205</b>	1	KIT-CAP FILTER (FUEL TANK)					
---	--	--	----------------	---	----------------------------	--	--	--	--	--

I - REFER TO HYDRAULIC INFORMATION SYSTEM  
 J - PART MARKED J INCLUDES REPAIR KIT MARKED J  
 M - METRIC PART  
 Y - SEPARATE ILLUSTRATION



RIGHT SIDE VIEW

<END>

GRAPHIC #1

g01085269

# FUEL SYSTEM

## 160-4247 FUEL AR-FAST FILL

S/N: BNH1-UP

CANNOT BE USED WITH 160-4246 FUEL AR-CONVENTIONAL FILL, 160-4248 HEATER AR-FUEL,  
160-4249 FUEL AR-HEATER & FAST FILL  
AN ATTACHMENT

SMCS-1710

i01094737

NOTE	PART NUMBER	QTY	PART NAME						SEE PAGE
			1	2	3	4	5	6 (PRODUCT LEVEL)	
Y	114-5197	1	ADAPTER GP-FAST FILL FUEL						177
I	168-9025	1	HOSE AS						
Y	114-5141	1	LINES GP-CAB HEATER						1162

I - REFER TO HYDRAULIC INFORMATION SYSTEM  
Y - SEPARATE ILLUSTRATION

<END>

## 160-4249 FUEL AR-FAST FILL-WITH FUEL HEATER

S/N: BNH1-UP

CANNOT BE USED WITH 160-4246 FUEL AR-CONVENTIONAL FILL, 160-4248 HEATER AR-FUEL,  
160-4247 FUEL AR-FAST FILL  
AN ATTACHMENT

SMCS-1710

i01996266

NOTE	PART NUMBER	QTY	PART NAME						SEE PAGE
			1	2	3	4	5	6 (PRODUCT LEVEL)	
Y	114-5197	1	ADAPTER GP-FAST FILL FUEL						177
Y	159-1539	1	LINES GP-FUEL HEATER (WITH CAB HEATER LINES)						201

Y - SEPARATE ILLUSTRATION

<END>

# FUEL SYSTEM

## 228-4772 FUEL AR-FAST FILL

S/N: BNH1-UP

**CANNOT BE USED WITH 160-4246 FUEL AR-CONVENTIONAL FILL, 160-4248 HEATER AR-FUEL,  
228-4773 SERVICE AR-FLUIDS  
AN ATTACHMENT**

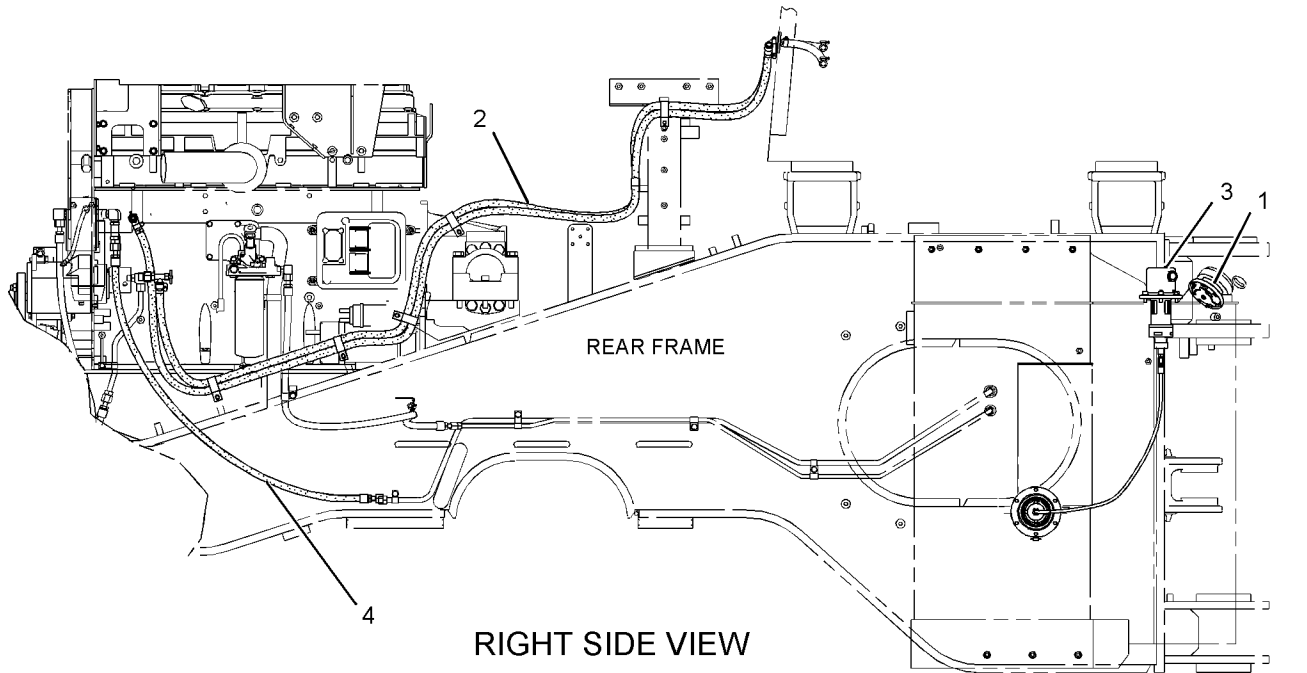
SMCS-1710

i01941782

NOTE	REF NO	GRAPHIC REF	PART NUMBER	QTY	PART NAME						SEE PAGE
					1	2	3	4	5	6 (PRODUCT LEVEL)	
	1	1	<b>7X-7700</b>	1	CAP AS-FUEL (LOCKABLE, VENTED)						
		1	<b>9X-2205</b>	1	KIT-CAP FILTER (FUEL TANK)						
		1	<b>9X-8600</b>	1	SEAL-O-RING						
Y	2	1	<b>114-5141</b>	1	LINES GP-CAB HEATER						1162
Y	3	1	<b>221-8691</b>	1	ADAPTER GP-FAST FILL FUEL						179
I	4	1	<b>168-9025</b>	1	HOSE AS						

I - REFER TO HYDRAULIC INFORMATION SYSTEM

Y - SEPARATE ILLUSTRATION



GRAPHIC #1

g01079549

# FUEL SYSTEM

## 228-4773 FUEL AR-FAST FILL

S/N: BNH1-UP

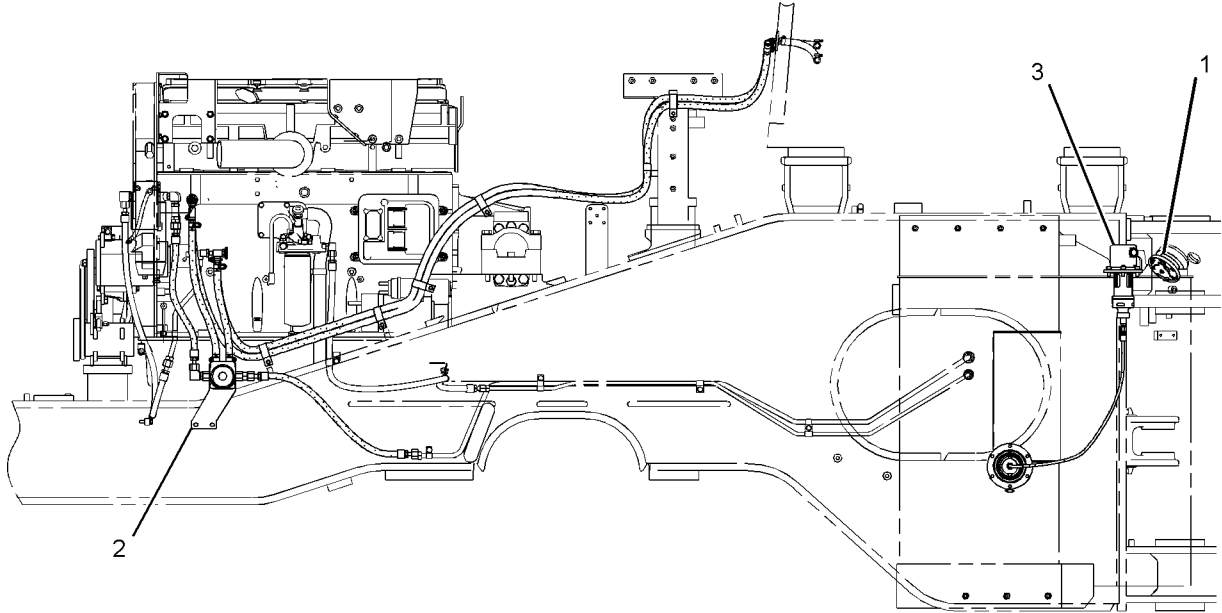
CANNOT BE USED WITH 160-4246-PAGE: 185, 160-4248-PAGE: 253, 228-4772-PAGE: 188  
AN ATTACHMENT

SMCS-1710

i01941781

NOTE	REF NO	GRAPHIC REF	PART NUMBER	QTY	PART NAME						SEE PAGE
					1	2	3	4	5	6 (PRODUCT LEVEL)	
	1	1	<b>7X-7700</b>	1	CAP AS-FUEL (LOCKABLE, VENTED)						
		1	<b>9X-2205</b>	1	KIT-CAP FILTER (FUEL TANK)						
		1	<b>9X-8600</b>	1	SEAL-O-RING						
Y	2	1	159-1539	1	LINES GP-FUEL HEATER (WITH CAB HEATER LINES)						201
Y	3	1	221-8691	1	ADAPTER GP-FAST FILL FUEL						179

Y - SEPARATE ILLUSTRATION



RIGHT SIDE VIEW

<END>

GRAPHIC #1

g01072008

# FUEL SYSTEM

## 128-8510 INJECTOR GP-FUEL

S/N: BNT1-UP

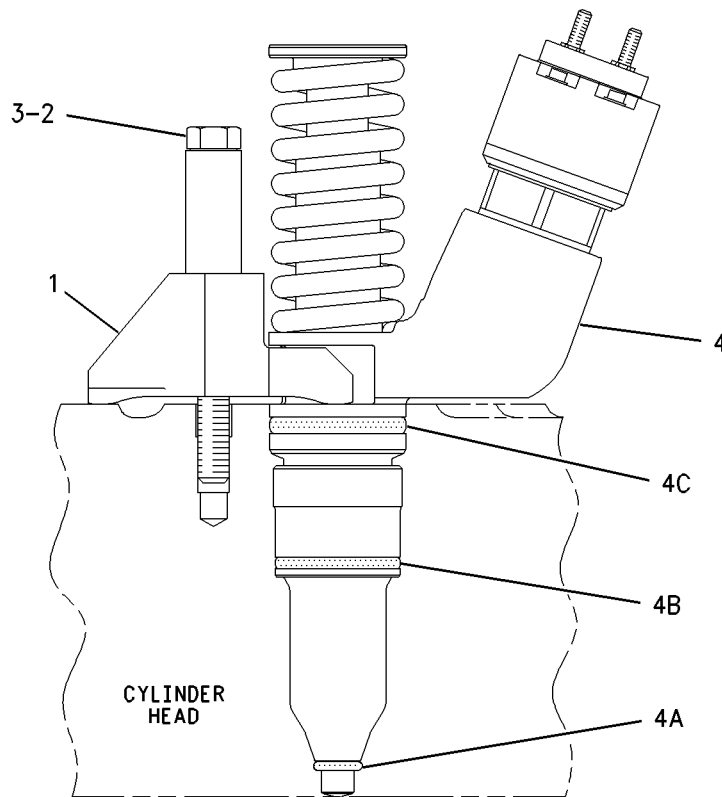
PART OF 198-6487, 235-3479 ENGINE AR-CORE  
AN ATTACHMENT

SMCS-1251, 1254, 1290, 1713

i02055433

NOTE	REF NO	GRAPHIC REF	PART NUMBER	QTY	PART NAME						SEE PAGE
					1	2	3	4	5	6 (PRODUCT LEVEL)	
	1	1	<b>6I-0213</b>	1	CLAMP						
	2	1	<b>8S-9191</b>	1	BOLT (3/8-16X4-IN)						
	3	1	<b>100-5072</b>	1	SPACER (9.8X15.85X37.6-MM THK)						
R	4	1	<b>211-3025</b>	1	INJECTOR GP-FUEL						
	4A	1	<b>9X-7317</b>	1	SEAL-O-RING						
	4B	1	<b>230-3728</b>	1	SEAL-O-RING						
	4C	1	<b>230-3775</b>	1	SEAL-O-RING						

R - REMFG PART MAY BE AVAILABLE



REAR VIEW

GRAPHIC #1

<END>

g00665501



# FUEL SYSTEM

## 248-1394 KIT-INJECTOR

S/N: BNH1-UP

CONTAINS SEALS NEEDED TO REINSTALL ONE INJECTOR INTO THE CYLINDER  
FOR USE WITH E810 ENGINE S/N MXS 1-UP, TT115 ENGINE S/N LHX 1-UP, MACHINE JMS 813-  
3999

FIELD INSTALLATION

SMCS-1254, 1290, 7555

i04536010

NOTE	PART NUMBER	QTY	PART NAME						SEE PAGE
			1	2	3	4	5	6 (PRODUCT LEVEL)	
	9X-7317	1	SEAL-O-RING						
	230-3728	1	SEAL-O-RING						
	230-3775	1	SEAL-O-RING						
<END>									

# FUEL SYSTEM

## 199-6554 LINES GP-FUEL

S/N: BNT1-UP

PART OF 198-6489, 198-6490, 235-4732, 235-4733 ENGINE AR-COMPLETE  
AN ATTACHMENT

SMCS-1274

i02945118

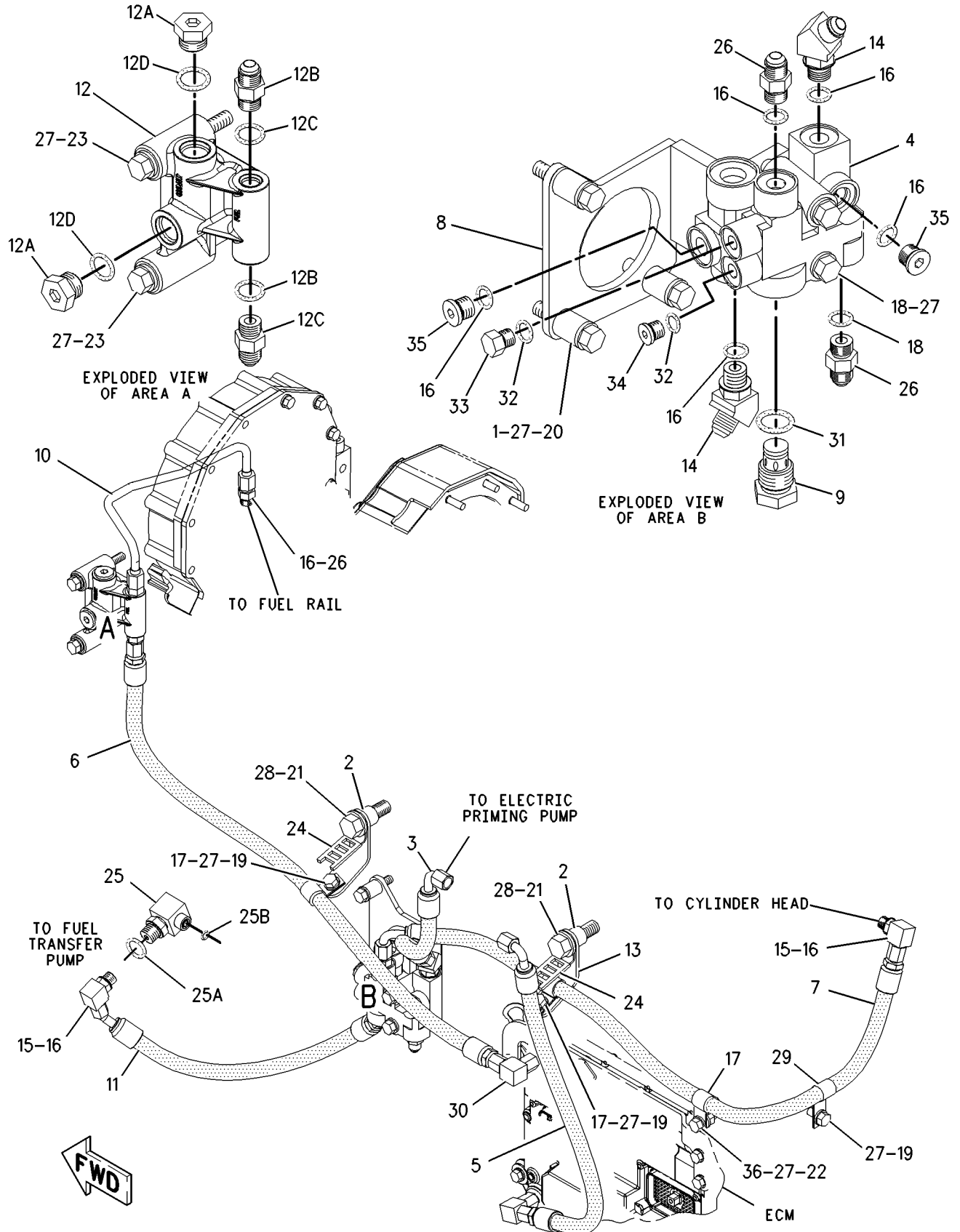
NOTE	REF NO	GRAPHIC REF	PART NUMBER	QTY	PART NAME						SEE PAGE
					1	2	3	4	5	6 (PRODUCT LEVEL)	
	1	1	<b>1W-3189</b>	3	SPACER (10X18X20-MM THK)						
	2	1	<b>2B-2814</b>	2	SPACER (17.4X22.2X17.5-MM THK)						
I	3	1	<b>9V-9295</b>	1	HOSE AS						
	4	1	<b>103-4656</b>	1	MANIFOLD-FUEL						
I	5	1	<b>113-9002</b>	1	HOSE AS						
I	6	1	<b>116-2579</b>	1	HOSE AS						
I	7	1	<b>240-2015</b>	1	HOSE AS						
	8	1	<b>141-9308</b>	1	BRACKET AS						
Y	9	1	<b>156-5783</b>	1	VALVE GP-CHECK						211
	10	1	<b>168-8974</b>	1	TUBE AS (FUEL SUPPLY)						
I	11	1	<b>172-8827</b>	1	HOSE AS						
	12	1	<b>168-0300</b>	1	MANIFOLD						
	12A	1	<b>9S-8005</b>	2	PLUG-O-RING						
	12B	1	<b>033-6042</b>	2	SEAL-O-RING						
	12C	1	<b>2R-6806</b>	2	CONNECTOR-O-RING						
	12D	1	<b>6V-6609</b>	2	SEAL-O-RING						
	13	1	<b>196-1312</b>	2	BRACKET AS						
	14	1	<b>030-7942</b>	2	ELBOW						
	15	1	<b>030-7947</b>	2	ELBOW						
	16	1	<b>033-6042</b>	9	SEAL-O-RING						
	17	1	<b>067-2551</b>	3	CLIP						
	18	1	<b>0L-1143</b>	2	BOLT (3/8-16X2.5-IN)						
	19	1	<b>0S-0509</b>	3	BOLT (3/8-16X0.75-IN)						
	20	1	<b>0S-1571</b>	3	BOLT (3/8-16X1.75-IN)						
	21	1	<b>0S-1576</b>	2	BOLT (5/8-18X2-IN)						
	22	1	<b>0S-1594</b>	1	BOLT (3/8-16X1-IN)						
	23	1	<b>0S-1619</b>	2	BOLT (3/8-16X3-IN)						
	24	1	<b>104-6202</b>	2	CLIP						
	25	1	<b>6V-8723</b>	1	ELBOW						
	25A	1	<b>3K-0360</b>	1	SEAL-O-RING						
	25B	1	<b>6V-8397</b>	1	SEAL-O-RING						
	26	1	<b>2R-6806</b>	3	CONNECTOR-O-RING						
	27	1	<b>5M-2894</b>	12	WASHER-HARD (10.2X18.5X2.5-MM THK)						
	28	1	<b>5P-8247</b>	2	WASHER-HARD (17X32X3.5-MM THK)						
	29	1	<b>6K-8178</b>	1	CLIP						
	30	1	<b>6K-9194</b>	2	ELBOW-FLARED						
	31	1	<b>6V-4589</b>	1	SEAL-O-RING						
	32	1	<b>6V-5048</b>	2	SEAL-O-RING						
	33	1	<b>9S-4182</b>	1	PLUG-O-RING						
	34	1	<b>9S-8002</b>	1	PLUG-O-RING						
	35	1	<b>9S-8004</b>	2	PLUG-O-RING						
	36	1	<b>9S-8752</b>	1	NUT-FULL (3/8-16-THD)						

I - REFER TO HYDRAULIC INFORMATION SYSTEM  
Y - SEPARATE ILLUSTRATION

# FUEL SYSTEM

199-6554 LINES GP-FUEL (contd.)

i02945118



GRAPHIC #1

<END>

g00842557

# FUEL SYSTEM

## 199-6554 LINES GP-FUEL

S/N: BNT1392-UP

PART OF 198-6489, 198-6490, 235-4732, 235-4733 ENGINE AR-COMPLETE  
AN ATTACHMENT

SMCS-1274

i05122029

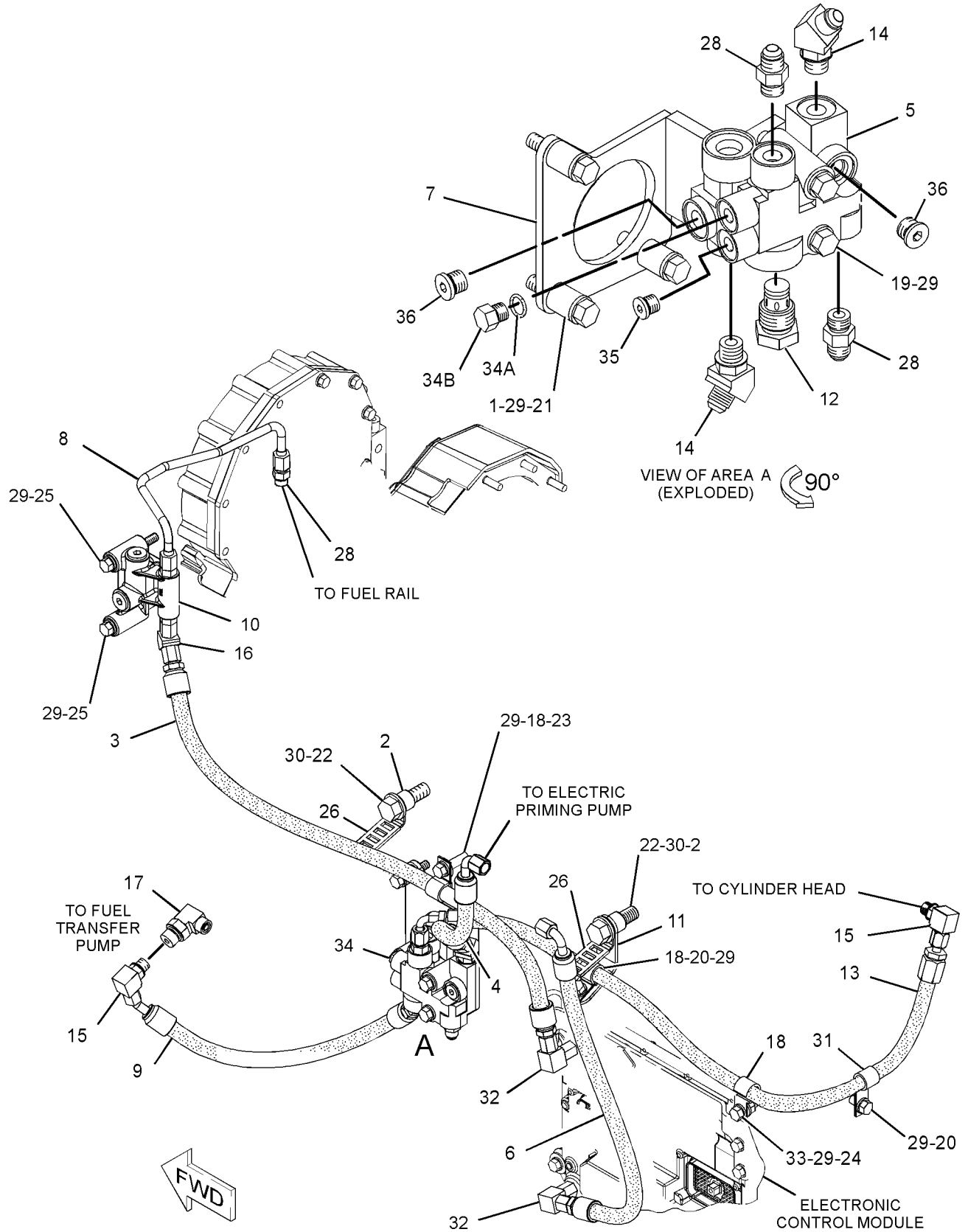
NOTE	REF NO	GRAPHIC REF	PART NUMBER	QTY	PART NAME						SEE PAGE
					1	2	3	4	5	6 (PRODUCT LEVEL)	
	1	1	<b>1W-3189</b>	3	SPACER (10X18X20-MM THK)						
	2	1	<b>2B-2814</b>	2	SPACER (17.4X22.2X17.5-MM THK)						
I	3	1	<b>255-1254</b>	1	HOSE AS						
I	4	1	<b>255-1255</b>	1	HOSE AS						
	5	1	<b>103-4656</b>	1	MANIFOLD-FUEL						
I	6	1	<b>255-1256</b>	1	HOSE AS						
	7	1	<b>141-9308</b>	1	BRACKET AS						
	8	1	<b>168-8974</b>	1	TUBE AS (FUEL SUPPLY)						
I	9	1	<b>255-1257</b>	1	HOSE AS						
Y	10	1	<b>193-7404</b>	1	MANIFOLD GP-FUEL						203
	11	1	<b>196-1312</b>	2	BRACKET AS						
		1	<b>1F-0750</b>	1	NUT-WELD (3/8-16-THD)						
Y	12	1	<b>233-6742</b>	1	VALVE GP-CHECK						212
I	13	1	<b>240-2015</b>	1	HOSE AS						
	14	1	<b>353-5103</b>	2	ADAPTER AS						
					(EACH INCLUDES)						
		1	<b>030-7942</b>	1	ELBOW						
		1	<b>214-7568</b>	1	SEAL-O-RING						
	15	1	<b>191-7805</b>	2	ELBOW AS						
					(EACH INCLUDES)						
		1	<b>030-7947</b>	1	ELBOW						
		1	<b>214-7568</b>	1	SEAL-O-RING						
	16	1	<b>030-7962</b>	1	ELBOW						
	17	1	<b>329-5511</b>	1	ELBOW AS						
		1	<b>6V-8723</b>	1	ELBOW						
		1	<b>228-7089</b>	1	SEAL-O-RING						
		1	<b>238-5080</b>	1	SEAL-O-RING						
	18	1	<b>067-2551</b>	3	CLIP						
	19	1	<b>0L-1143</b>	2	BOLT (3/8-16X2.5-IN)						
	20	1	<b>0S-0509</b>	2	BOLT (3/8-16X0.75-IN)						
	21	1	<b>0S-1571</b>	3	BOLT (3/8-16X1.75-IN)						
	22	1	<b>0S-1576</b>	2	BOLT (5/8-18X2-IN)						
	23	1	<b>0S-1591</b>	1	BOLT (3/8-16X1.5-IN)						
	24	1	<b>0S-1594</b>	1	BOLT (3/8-16X1-IN)						
	25	1	<b>0S-1619</b>	2	BOLT (3/8-16X3-IN)						
	26	1	<b>104-6202</b>	2	CLIP						
	28	1	<b>313-9614</b>	3	ADAPTER AS						
					(EACH INCLUDES)						
		1	<b>2R-6806</b>	1	CONNECTOR-O-RING						
		1	<b>214-7568</b>	1	SEAL-O-RING						
	29	1	<b>5M-2894</b>	12	WASHER-HARD (10.2X18.5X2.5-MM THK)						
	30	1	<b>5P-8247</b>	2	WASHER-HARD (17X32X3.5-MM THK)						
	31	1	<b>336-8613</b>	1	CLIP						
	32	1	<b>6K-9194</b>	2	ELBOW-FLARED						
	33	1	<b>9S-8752</b>	1	NUT-FULL (3/8-16-THD)						
	34	1	<b>155-3624</b>	1	PLUG AS						
	34A	1	<b>3J-7354</b>	1	SEAL-O-RING						
	34B	1	<b>9S-4182</b>	1	PLUG-O-RING						
	35	1	<b>307-2671</b>	1	PLUG AS						
		1	<b>9S-8002</b>	1	PLUG-O-RING						
		1	<b>214-7566</b>	1	SEAL-O-RING						
	36	1	<b>183-3407</b>	2	PLUG AS						
					(EACH INCLUDES)						
		1	<b>9S-8004</b>	1	PLUG-O-RING						
		1	<b>214-7568</b>	1	SEAL-O-RING						

I - REFER TO HYDRAULIC INFORMATION SYSTEM  
Y - SEPARATE ILLUSTRATION

# FUEL SYSTEM

199-6554 LINES GP-FUEL (contd.)

i05122029



GRAPHIC #1

<END>

g03352239

# FUEL SYSTEM

## 204-6673 LINES GP-FUEL

S/N: BNH1-912

PART OF 203-1567 CHASSIS AR

SMCS-1274

i01914954

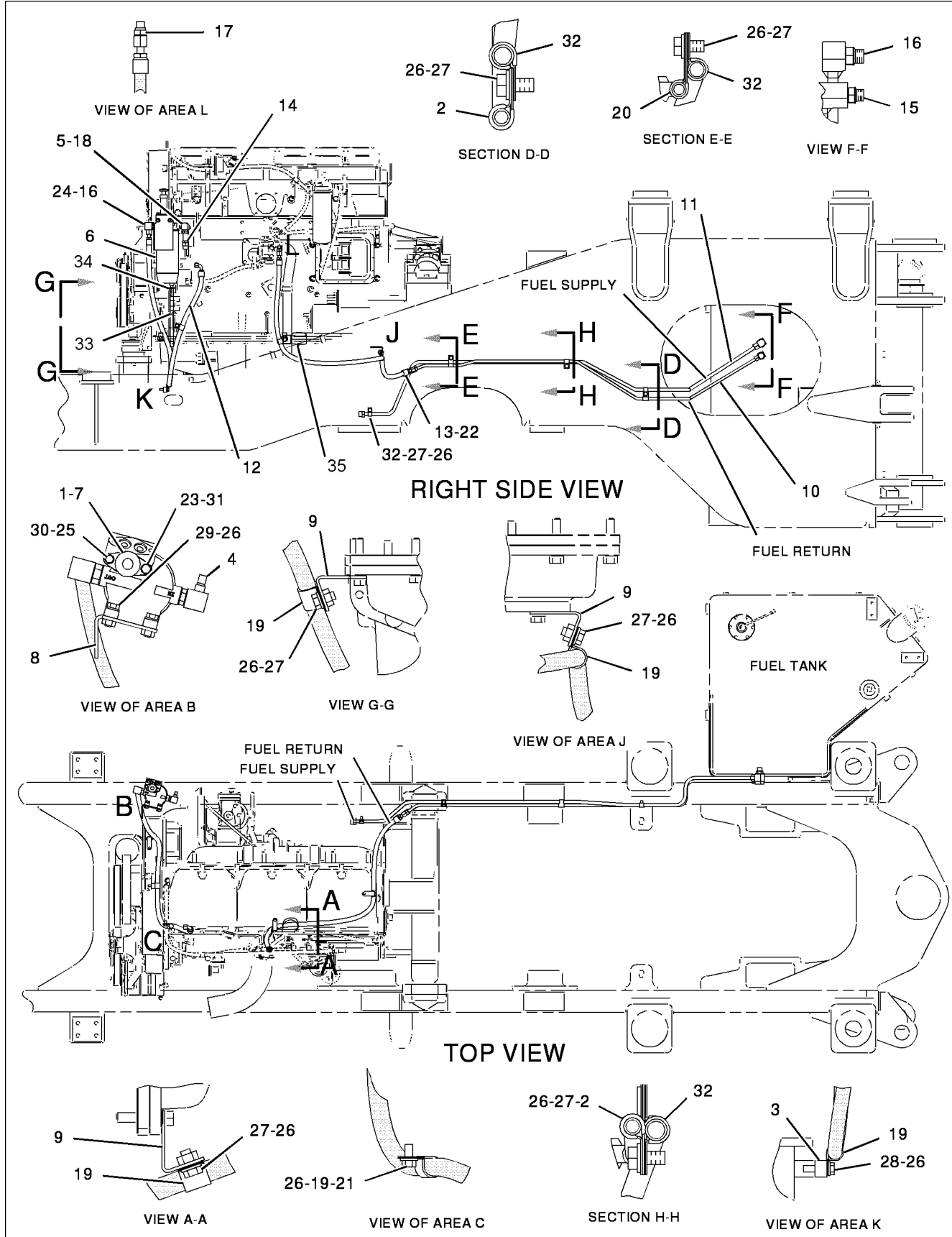
NOTE	REF NO	GRAPHIC REF	PART NUMBER	QTY	PART NAME						SEE PAGE
					1	2	3	4	5	6 (PRODUCT LEVEL)	
	1	1	1P-0436	1	GASKET (FUEL PRIMING PUMP)						
	2	1	3E-6909	2	CLIP						
	3	1	5G-7817	1	BOSS (11X25X18-MM THK)						
	4	1	8T-0081	1	VALVE-BALL (FUEL SHUTOFF)						
	5	1	8T-0119	1	ELBOW						
Y	6	1	131-0463	1	FILTER GP-WATER SEP & FUEL						184
	7	1	137-5541	1	PUMP GP-FUEL PRIMING						
		1	1H-8171	1	SEAL-O-RING						
		1	6V-1903	1	SEAL-O-RING						
		1	7E-2985	2	VALVE AS						
	8	1	141-8368	1	BRACKET AS						
M		1	8T-3490	2	NUT-WELD (M10X1.5-THD)						
	9	1	175-3183	3	ANGLE AS						
					(EACH INCLUDES)						
M		1	8T-3490	1	NUT-WELD (M10X1.5-THD)						
	10	1	185-4021	1	TUBE AS						
	11	1	185-4022	1	TUBE AS						
I	12	1	200-6153	1	HOSE AS						
I	13	1	204-6675	1	HOSE AS						
	14	1	148-8342	1	CONNECTOR AS						
		1	6V-8632	1	CONNECTOR						
		1	3K-0360	1	SEAL-O-RING						
		1	7J-9108	1	SEAL-O-RING						
	15	1	148-8346	1	ELBOW AS						
		1	8T-1686	1	ELBOW						
		1	3K-0360	1	SEAL-O-RING						
		1	6V-8398	1	SEAL-O-RING						
	16	1	148-8390	2	ELBOW AS						
					(EACH INCLUDES)						
		1	6V-8626	1	ELBOW						
		1	2M-9780	1	SEAL-O-RING						
		1	7J-9108	1	SEAL-O-RING						
	17	1	164-5624	1	ELBOW AS						
		1	9X-2085	1	ELBOW						
		1	3J-1907	1	SEAL-O-RING						
		1	6V-8398	1	SEAL-O-RING						
	18	1	3K-0360	2	SEAL-O-RING						
	19	1	3S-8665	5	CLIP						
	20	1	4D-9517	1	CLIP						
	21	1	5M-3062	1	BOLT (3/8-16X0.75-IN)						
	22	1	6V-8398	1	SEAL-O-RING						
	23	1	6V-8918	1	BOLT (5/16-18X1.25-IN)						
	24	1	7J-9108	1	SEAL-O-RING						
	25	1	7X-2501	1	BOLT (1/4-20X1.25-IN)						
	26	1	8T-4121	11	WASHER-HARD (11X21X2.5-MM THK)						
M	27	1	8T-4137	7	BOLT (M10X1.5X20-MM)						
M	28	1	8T-4186	1	BOLT (M10X1.5X40-MM)						
M	29	1	8T-4195	2	BOLT (M10X1.5X30-MM)						
	30	1	8T-4205	1	WASHER-HARD (7.2X14.5X2-MM THK)						
	31	1	8T-4224	1	WASHER-HARD (8.8X16X2-MM THK)						
	32	1	9M-8406	4	CLIP						
E	33	1	8C-6959		HOSE (60CM)						
	34	1	1P-4278	1	CLAMP-HOSE						
	35	1	5P-4325	1	CLIP						

E - ORDER BY THE CENTIMETER  
 I - REFER TO HYDRAULIC INFORMATION SYSTEM  
 M - METRIC PART  
 Y - SEPARATE ILLUSTRATION

# FUEL SYSTEM

204-6673 LINES GP-FUEL (contd.)

i01914954



GRAPHIC #1

<END>

g01016230

# FUEL SYSTEM

## 204-6673 LINES GP-FUEL

S/N: BNH913-UP

PART OF 203-1567 CHASSIS AR

SMCS-1274

i01972342

NOTE	REF NO	GRAPHIC REF	PART NUMBER	QTY	PART NAME						SEE PAGE
					1	2	3	4	5	6 (PRODUCT LEVEL)	
	1	1	<b>1P-0436</b>	1	GASKET (FUEL PRIMING PUMP)						
	2	1	<b>3E-6909</b>	2	CLIP						
	3	1	<b>5G-7817</b>	1	BOSS (11X25X18-MM THK)						
	4	1	<b>8T-0081</b>	1	VALVE-BALL (FUEL SHUTOFF)						
	5	1	<b>8T-0119</b>	1	ELBOW						
Y	6	1	<i>131-0463</i>	1	FILTER GP-WATER SEP & FUEL						184
	7	1	<b>137-5541</b>	1	PUMP GP-FUEL PRIMING						
		1	<b>1H-8171</b>	1	SEAL-O-RING						
		1	<b>6V-1903</b>	1	SEAL-O-RING						
		1	<b>7E-2985</b>	2	VALVE AS						
	8	1	<b>141-8368</b>	1	BRACKET AS						
M		1	<b>8T-3490</b>	2	NUT-WELD (M10X1.5-THD)						
C	9	1	<b>175-3183</b>	2	ANGLE AS						
					(EACH INCLUDES)						
M		1	<b>8T-3490</b>	1	NUT-WELD (M10X1.5-THD)						
	10	1	<b>185-4021</b>	1	TUBE AS						
	11	1	<b>185-4022</b>	1	TUBE AS						
I	12	1	<b>200-6153</b>	1	HOSE AS						
I	13	1	<b>204-6675</b>	1	HOSE AS						
	14	1	<i>148-8342</i>	1	CONNECTOR AS						
		1	<b>6V-8632</b>	1	CONNECTOR						
		1	<b>3K-0360</b>	1	SEAL-O-RING						
		1	<b>7J-9108</b>	1	SEAL-O-RING						
	15	1	<i>148-8346</i>	1	ELBOW AS						
		1	<b>8T-1686</b>	1	ELBOW						
		1	<b>3K-0360</b>	1	SEAL-O-RING						
		1	<b>6V-8398</b>	1	SEAL-O-RING						
	16	1	<i>148-8390</i>	2	ELBOW AS						
					(EACH INCLUDES)						
		1	<b>6V-8626</b>	1	ELBOW						
		1	<b>2M-9780</b>	1	SEAL-O-RING						
		1	<b>7J-9108</b>	1	SEAL-O-RING						
	17	1	<i>164-5624</i>	1	ELBOW AS						
		1	<b>9X-2085</b>	1	ELBOW						
		1	<b>3J-1907</b>	1	SEAL-O-RING						
		1	<b>6V-8398</b>	1	SEAL-O-RING						
	18	1	<b>3K-0360</b>	2	SEAL-O-RING						
	19	1	<b>3S-8665</b>	5	CLIP						
	20	1	<b>4D-9517</b>	1	CLIP						
	21	1	<b>5M-3062</b>	1	BOLT (3/8-16X0.75-IN)						
	22	1	<b>6V-8398</b>	1	SEAL-O-RING						
	23	1	<b>6V-8918</b>	1	BOLT (5/16-18X1.25-IN)						
	24	1	<b>7J-9108</b>	1	SEAL-O-RING						
	25	1	<b>7X-2501</b>	1	BOLT (1/4-20X1.25-IN)						
	26	1	<b>8T-4121</b>	11	WASHER-HARD (11X21X2.5-MM THK)						
CM	27	1	<b>8T-4137</b>	6	BOLT (M10X1.5X20-MM)						
M	28	1	<b>8T-4186</b>	1	BOLT (M10X1.5X40-MM)						
M	29	1	<b>8T-4195</b>	2	BOLT (M10X1.5X30-MM)						
	30	1	<b>8T-4205</b>	1	WASHER-HARD (7.2X14.5X2-MM THK)						
	31	1	<b>8T-4224</b>	1	WASHER-HARD (8.8X16X2-MM THK)						
	32	1	<b>9M-8406</b>	4	CLIP						
E	33	1	<b>8C-6959</b>		HOSE (60-CM)						
	34	1	<b>1P-4278</b>	1	CLAMP-HOSE						
C	35	1	<b>7D-1553</b>	1	CLIP						
C	36	1	<b>038-3967</b>	1	BRACKET						
CM	37	1	<b>8T-4133</b>	1	NUT (M10X1.5-THD)						
CM	38	1	<b>8T-4172</b>	1	BOLT (M10X1.5X80-MM)						
C	39	1	<b>124-1718</b>	1	SLEEVE						



# FUEL SYSTEM

204-6673 LINES GP-FUEL (contd.)

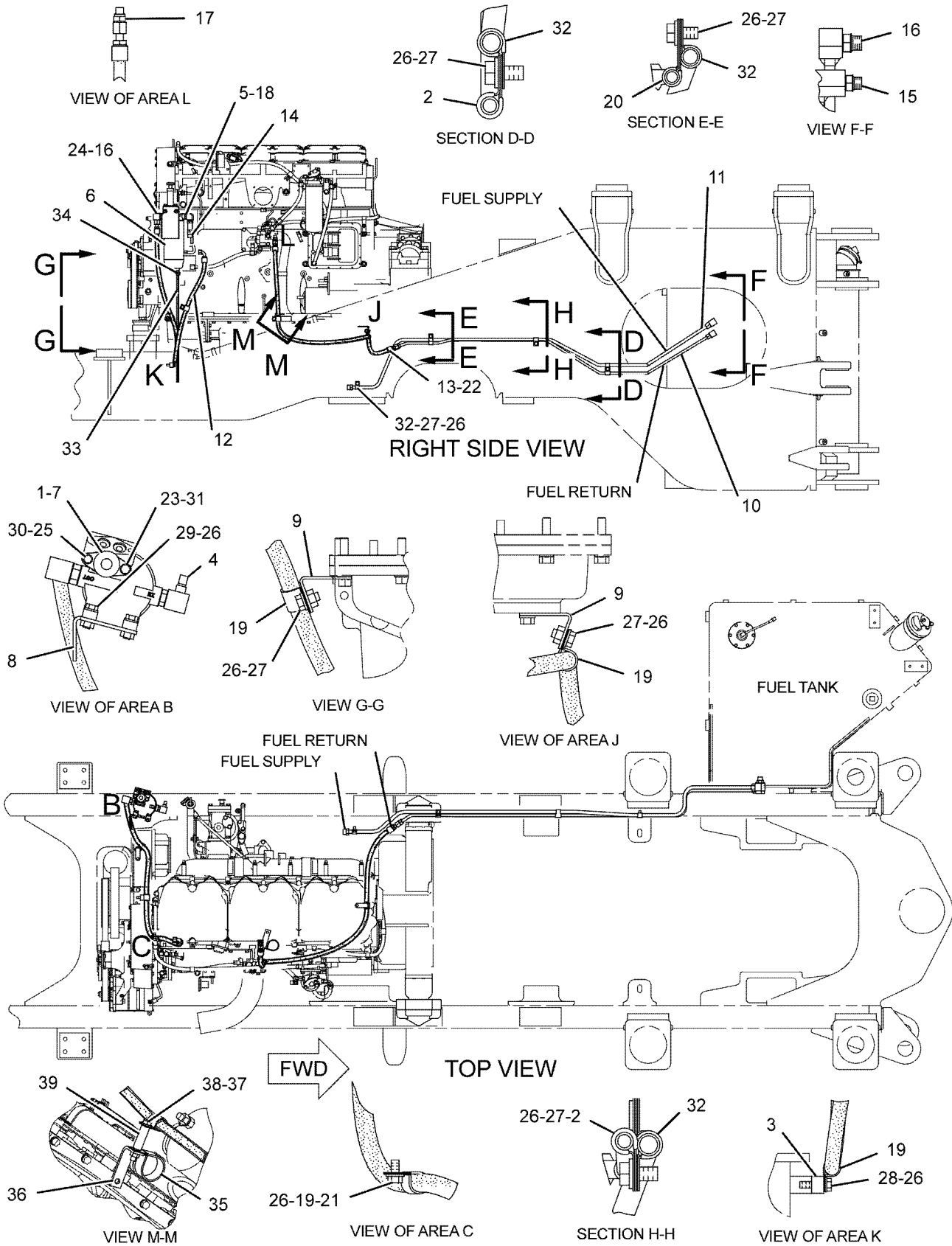
i01972342

NOTE	REF NO	GRAPHIC REF	PART NUMBER	QTY	PART NAME						SEE PAGE
					1	2	3	4	5	6 (PRODUCT LEVEL)	
C - CHANGE FROM PREVIOUS TYPE											
E - ORDER BY THE CENTIMETER											
I - REFER TO HYDRAULIC INFORMATION SYSTEM											
M - METRIC PART											
Y - SEPARATE ILLUSTRATION											

# FUEL SYSTEM

204-6673 LINES GP-FUEL (contd.)

i01972342



GRAPHIC #1

<END>

g01087870

# FUEL SYSTEM

## 159-1539 LINES GP-FUEL HEATER-WITH CAB HEATER LINES

S/N: BNH1-UP

PART OF 160-4249, 228-4773 FUEL AR-FAST FILL, 160-4248 HEATER AR-FUEL  
AN ATTACHMENT

SMCS-1296

i01626956

NOTE	REF NO	GRAPHIC REF	PART NUMBER	QTY	PART NAME						SEE PAGE
					1	2	3	4	5	6 (PRODUCT LEVEL)	
E	2	1	<b>5P-0767</b>		HOSE (51.5CM)						
E	2A	1	<b>5P-0767</b>		HOSE (35CM)						
E	2B	1	<b>5P-0767</b>		HOSE (306.4CM)						
E	2C	1	<b>5P-0767</b>		HOSE (328.6CM)						
	3	1	<b>3K-7928</b>	2	ELBOW						
	4	1	<b>7D-7026</b>	2	CONNECTOR-HOSE						
	5	1	<b>8L-6005</b>	2	TEE-PIPE						
I	6	1	<b>8W-5428</b>	1	HOSE AS						
	7	1	<b>9N-3666</b>	2	VALVE-MANUAL (FUEL SHUTOFF)						
	8	1	<b>9W-8394</b>	1	ORIFICE						
	9	1	<b>9X-2488</b>	8	CLAMP-HOSE						
	10	1	<b>111-9289</b>	1	HEATER AS (FUEL, COOLANT)						
		1	<b>2M-9780</b>	2	SEAL-O-RING						
		1	<b>111-9827</b>	2	ADAPTER						
I	11	1	<b>168-9026</b>	1	HOSE AS						
	12	1	<b>160-6381</b>	1	PLATE						
	13	1	<b>3B-7255</b>	1	BUSHING-REDUCING						
	15	1	<b>5M-3062</b>	4	BOLT (3/8-16X0.75-IN)						
	16	1	<b>6B-4661</b>	1	BUSHING-REDUCER						
	17	1	<b>6D-1641</b>	6	CLIP						
	18	1	<b>6V-8632</b>	1	CONNECTOR						
		1	<b>3K-0360</b>	1	SEAL-O-RING						
		1	<b>7J-9108</b>	1	SEAL-O-RING						
	19	1	<b>6V-8722</b>	1	ELBOW						
		1	<b>3K-0360</b>	1	SEAL-O-RING						
		1	<b>7J-9108</b>	1	SEAL-O-RING						
	20	1	<b>8T-4896</b>	4	WASHER-HARD (10.2X18.5X2.5-MM THK)						
	21	1	<b>8B-2664</b>	1	BUSHING-REDUCER						

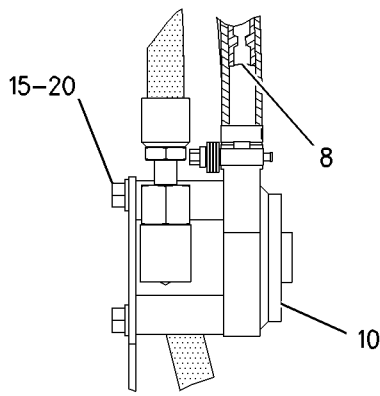
E - ORDER BY THE CENTIMETER

I - REFER TO HYDRAULIC INFORMATION SYSTEM

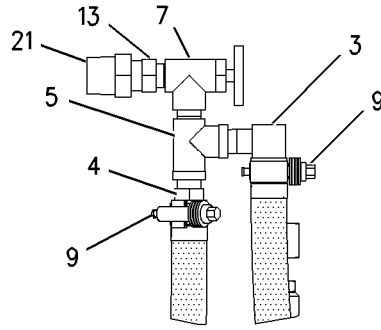
# FUEL SYSTEM

159-1539 LINES GP-FUEL HEATER (contd.)

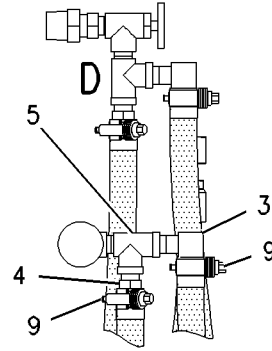
i01626956



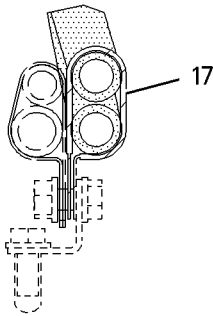
VIEW A-A



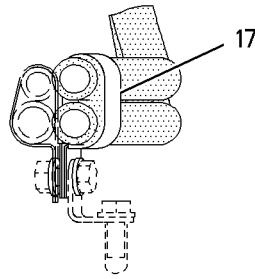
VIEW OF AREA D



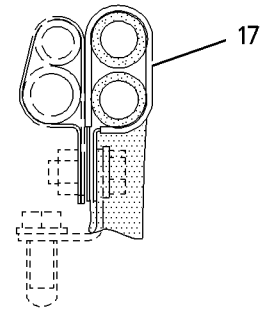
VIEW C-C



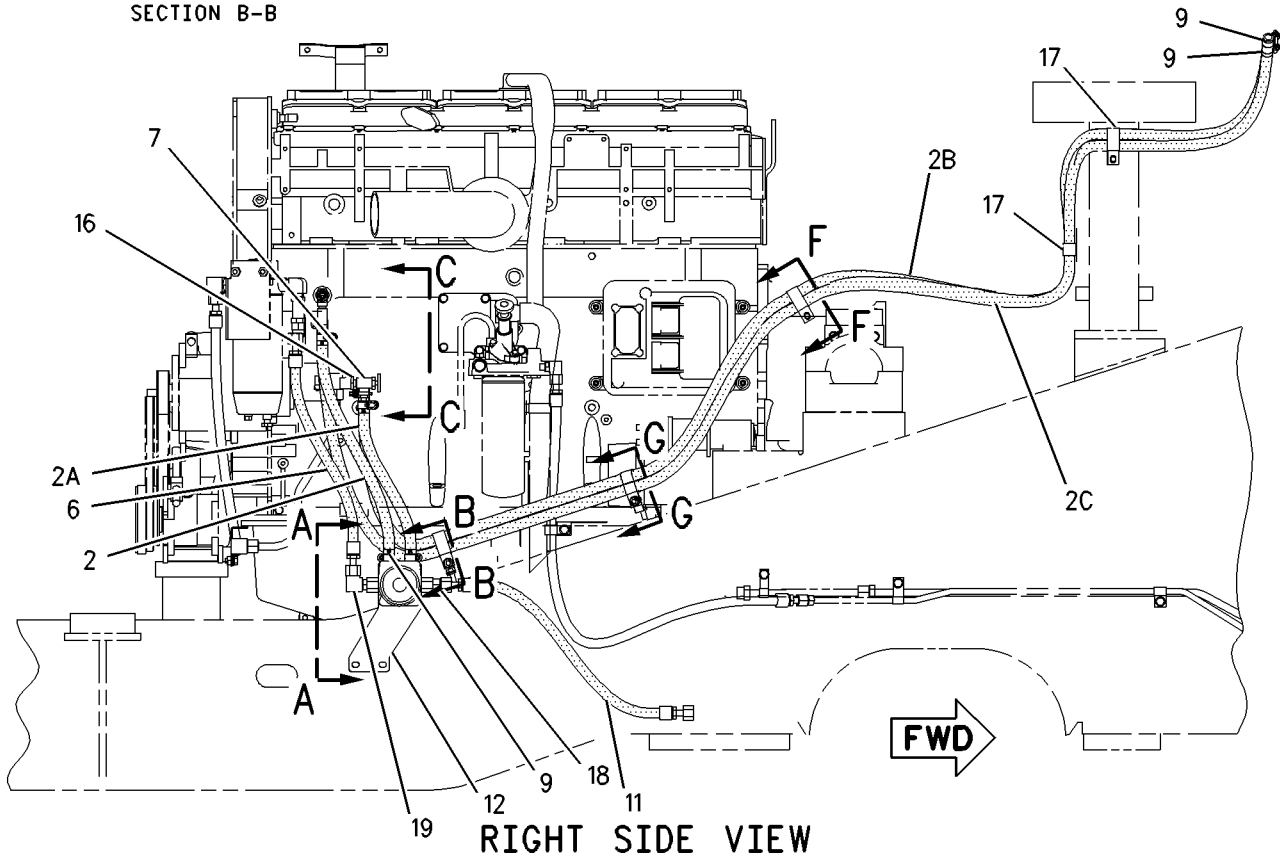
SECTION B-B



SECTION G-G



SECTION F-F



RIGHT SIDE VIEW

GRAPHIC #1

<END>

g00842781

# FUEL SYSTEM

## 193-7404 MANIFOLD GP-FUEL

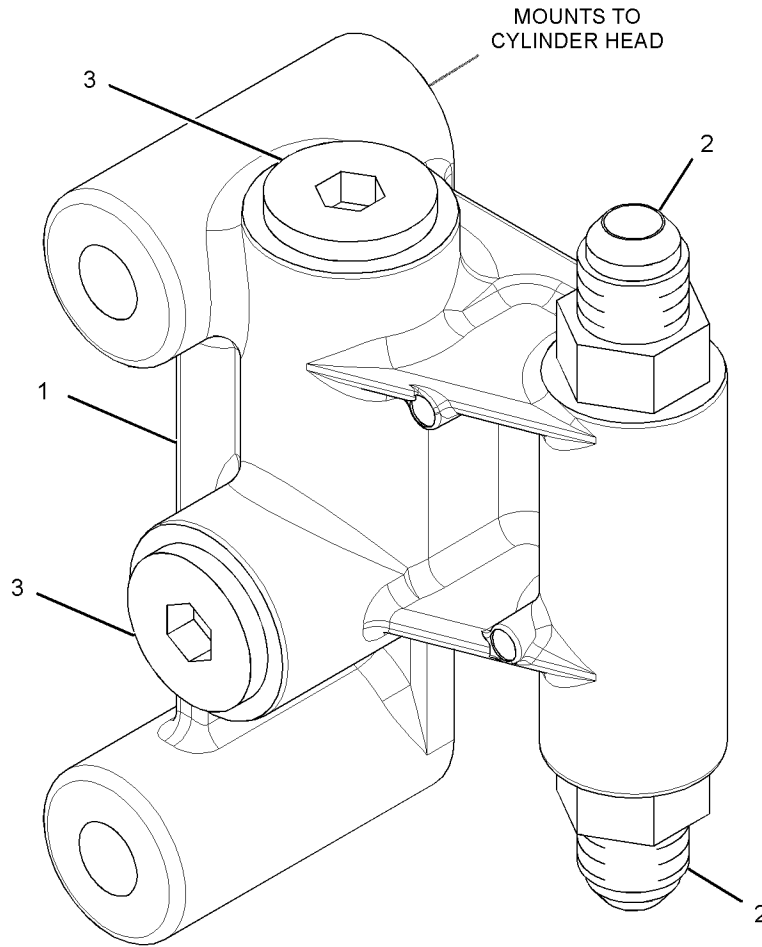
S/N: BNT1392-UP

PART OF 199-6554 LINES GP-FUEL  
AN ATTACHMENT

SMCS-1274

i04000712

NOTE	REF NO	GRAPHIC REF	PART NUMBER	QTY	PART NAME						SEE PAGE
					1	2	3	4	5	6	
	1	1	<b>168-0300</b>	1	MANIFOLD						
	2	1	<b>313-9614</b>	2	ADAPTER AS						
					(EACH INCLUDES)						
		1	<b>2R-6806</b>	1	CONNECTOR-O-RING						
		1	<b>214-7568</b>	1	SEAL-O-RING						
	3	1	<b>353-5126</b>	2	PLUG AS						
					(EACH INCLUDES)						
		1	<b>6V-6609</b>	1	SEAL-O-RING						
		1	<b>9S-8005</b>	1	PLUG-O-RING						



GRAPHIC #1

<END>

g02184395

# FUEL SYSTEM

## 150-4279 PUMP & MTG GP-FUEL TRANSFER-REAR

S/N: BNT1-UP

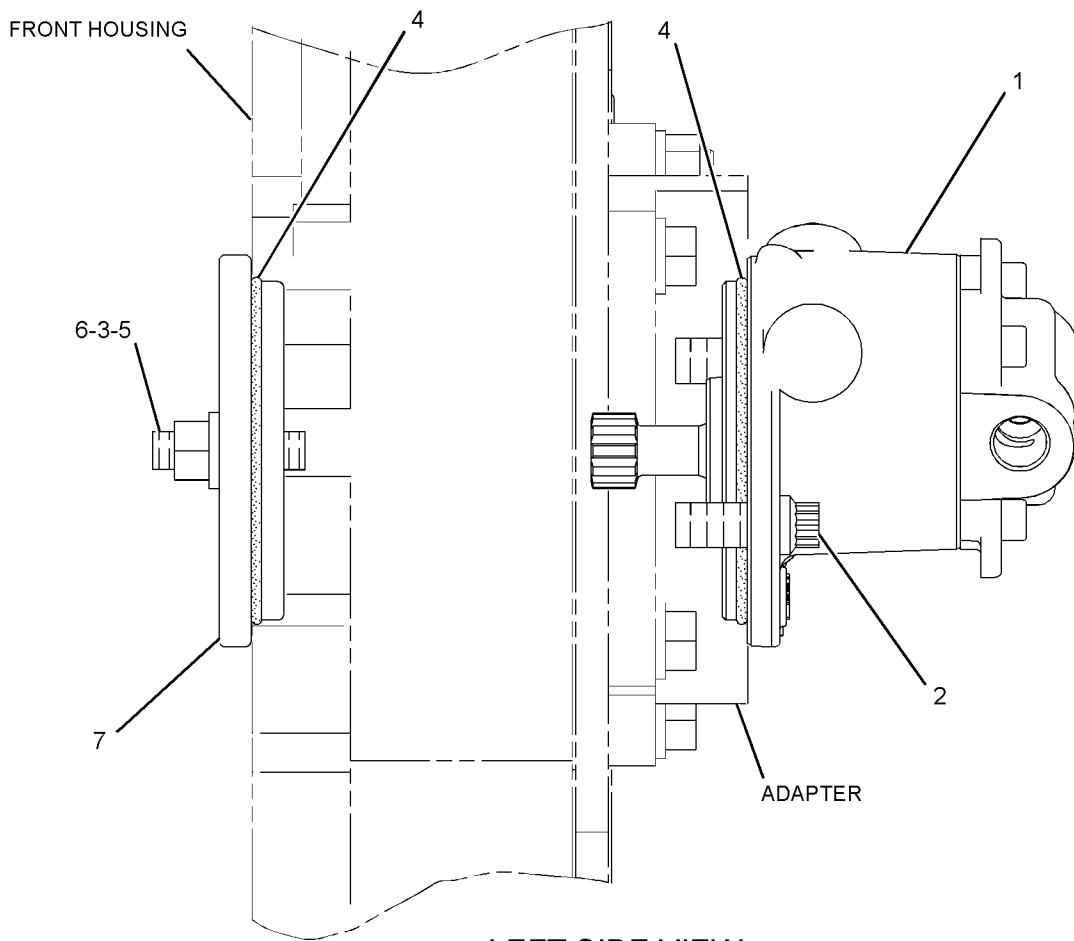
ALLOWS USE OF FRONT MOUNTED PUMP EXCEPT WHEN LH MOUNTING GP-ALTERNATOR IS PROVIDED  
PART OF 198-6489, 198-6490, 235-4732, 235-4733 ENGINE AR-COMplete  
AN ATTACHMENT

SMCS-1256

i02510710

NOTE	REF NO	GRAPHIC REF	PART NUMBER	QTY	PART NAME						SEE PAGE
					1	2	3	4	5	6 (PRODUCT LEVEL)	
C	1	1	<b>231-3947</b>	1	PUMP GP-FUEL TRANSFER						
	2	1	<b>1T-0765</b>	2	BOLT (3/8-16X1-IN)						
	3	1	<b>5M-2894</b>	2	WASHER-HARD (10.2X18.5X2.5-MM THK)						
	4	1	<b>107-5769</b>	2	SEAL-O-RING						
	5	1	<b>0S-0699</b>	2	STUD						
	6	1	<b>9S-8752</b>	2	NUT-FULL (3/8-16-THD)						
	7	1	<b>133-9116</b>	1	COVER						

C - CHANGE FROM PREVIOUS TYPE



GRAPHIC #1

<END>

g01262029

# FUEL SYSTEM

## 150-4279 PUMP & MTG GP-FUEL TRANSFER-REAR

S/N: BNT10198-UP

ALLOWS USE OF FRONT MOUNTED PUMP EXCEPT WHEN LH MOUNTING GP-ALTERNATOR IS PROVIDED  
PART OF 235-4732, 235-4733 ENGINE AR-COMplete  
AN ATTACHMENT

SMCS-1256

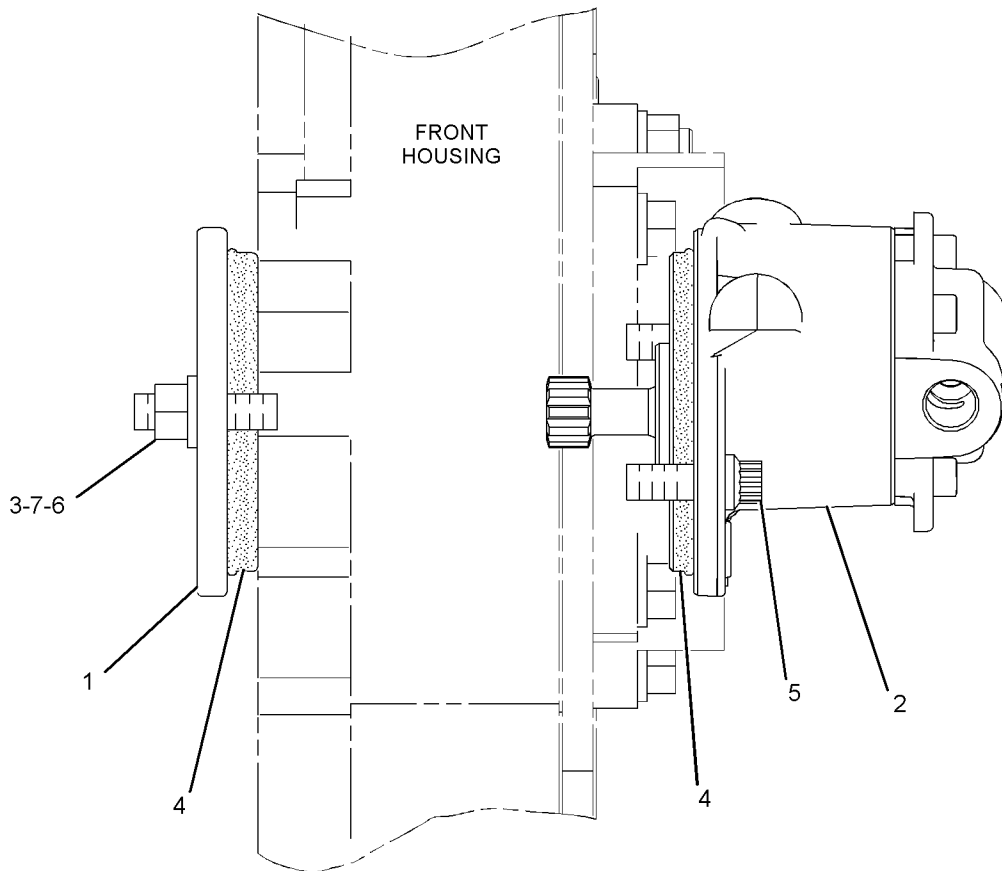
i05350866

NOTE	REF NO	GRAPHIC REF	PART NUMBER	QTY	PART NAME						SEE PAGE
					1	2	3	4	5	6	
	1	1	<b>133-9116</b>	1	COVER						
CJYR	2	1	<b>384-8612</b>	1	PUMP GP-FUEL TRANSFER						206
	3	1	<b>0S-0699</b>	2	STUD						
	4	1	<b>107-5769</b>	2	SEAL-O-RING						
	5	1	<b>1T-0765</b>	2	BOLT (3/8-16X1-IN)						
	6	1	<b>5M-2894</b>	2	WASHER-HARD (10.2X18.5X2.5-MM THK)						
	7	1	<b>9S-8752</b>	2	NUT-FULL (3/8-16-THD)						

AVAILABLE REPAIR KIT(S) :

AJ			<b>339-4983</b>	1	KIT-SPRING						
----	--	--	-----------------	---	------------	--	--	--	--	--	--

A - NOT PART OF THIS GROUP  
C - CHANGE FROM PREVIOUS TYPE  
J - KIT MARKED J SERVICES PART MARKED J  
R - REMFG PART MAY BE AVAILABLE  
Y - SEPARATE ILLUSTRATION



LEFT SIDE VIEW OF ENGINE

GRAPHIC #1

<END>

g01364794

# FUEL SYSTEM

## 384-8612 PUMP GP-FUEL TRANSFER

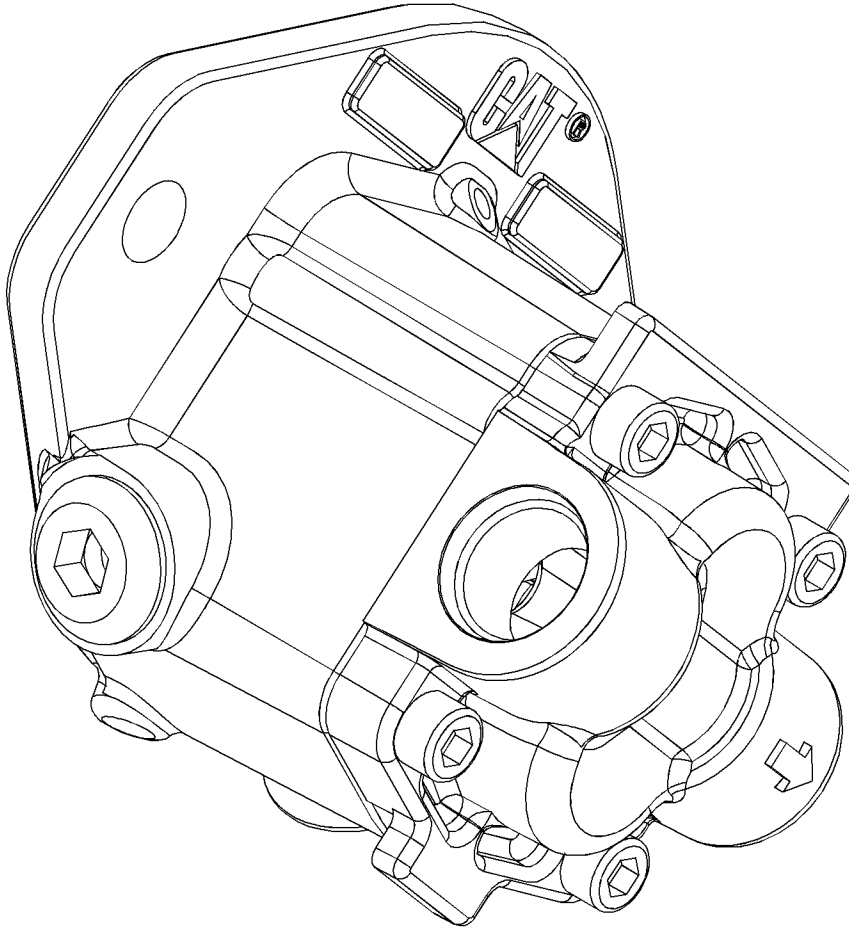
S/N: BNT10198-UP

PART OF 150-4279 PUMP & MTG GP-FUEL TRANSFER  
AN ATTACHMENT

SMCS-1256

i04791085

NOTE	REF NO	GRAPHIC REF	PART NUMBER	QTY	PART NAME						SEE PAGE
					1	2	3	4	5	6	
					(NO SERVICED PARTS)						
					AVAILABLE REPLACEMENT PART(S) :						
			339-4983	1	KIT-SPRING						
					(INCLUDES PLUG, SEAL-O-RING & SPRING)						



GRAPHIC #1

<END>

g02912418



# FUEL SYSTEM

## 114-5130 TANK GP-FUEL

S/N: BNH1-737

PART OF 203-1567 CHASSIS AR

SMCS-1273

i01512095

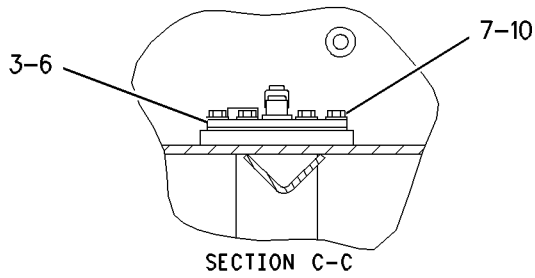
NOTE	REF NO	GRAPHIC REF	PART NUMBER	QTY	PART NAME						SEE PAGE
					1	2	3	4	5	6	
	1	1	<b>1H-8306</b>	1	SCREW-PURGE (1/2-20X1.625-IN)						
	2	1	<b>5P-8502</b>	1	PADLOCK GP						
A		1	<b>5P-8500</b>	1	KEY						
A		1	<b>8Y-6364</b>	1	SLEEVE						
	3	1	<b>6C-3060</b>	1	GASKET						
	4	1	<b>9P-7121</b>	1	STRAINER-FUEL (TANK)						
	5	1	<b>132-6872</b>	1	TANK AS-FUEL						
	6	1	<b>157-8853</b>	1	SENDER AS-FUEL LEVEL						
		1	<b>138-0444</b>	1	KIT-REPAIR (FUEL LEVEL GAUGE)						
		1	<b>3E-3365</b>	1	WEDGE-RECEPTACLE LOCK (2-PIN)						
		1	<b>8T-8729</b>	2	PIN-CONNECTOR (16-GA TO 18-GA)						
		1	<b>102-8802</b>	1	KIT-RECEPTACLE (2-PIN)						
					(INCLUDES RECEPTACLE AS & WEDGE)						
M	7	1	<b>6V-7727</b>	6	BOLT (M6X1X16-MM)						
	8	1	<b>7M-8485</b>	1	SEAL-O-RING						
	9	1	<b>8T-4123</b>	7	WASHER (22X35X3.5-MM THK)						
	10	1	<b>8T-4205</b>	6	WASHER-HARD (7.2X14.5X2-MM THK)						
M	11	1	<b>8T-5460</b>	7	BOLT (M2OX2.5X40-MM)						
	12	1	<b>9S-9334</b>	1	PLUG-O-RING						

A - NOT PART OF THIS GROUP  
M - METRIC PART

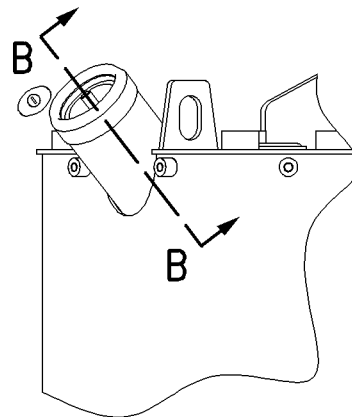
# FUEL SYSTEM

114-5130 TANK GP-FUEL (contd.)

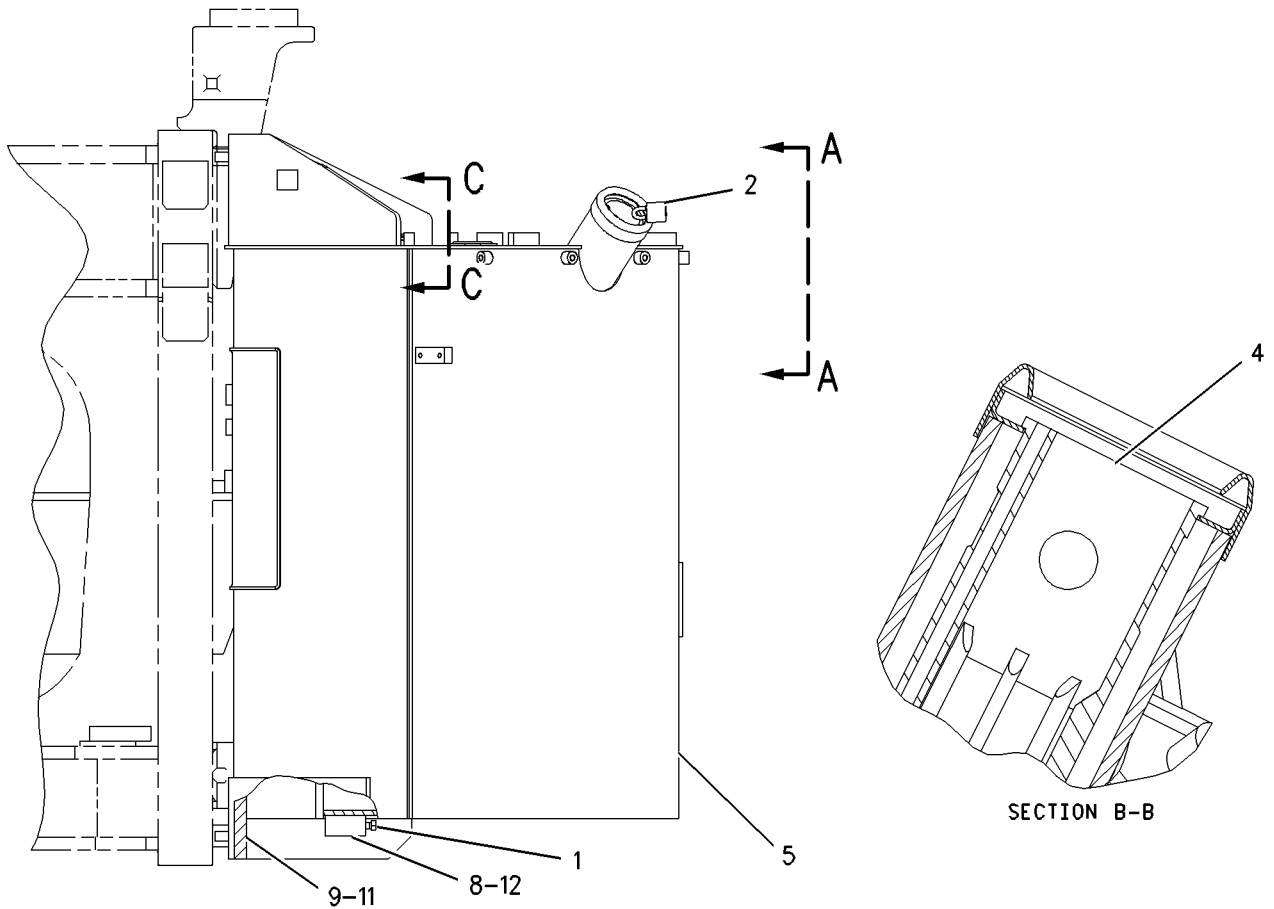
i01512095



SECTION C-C



VIEW A-A



SECTION B-B

GRAPHIC #1

<END>

g00784758

# FUEL SYSTEM

## 221-8689 TANK GP-FUEL

S/N: BNH738-UP

PART OF 203-1567 CHASSIS AR

SMCS-1273

i02173271

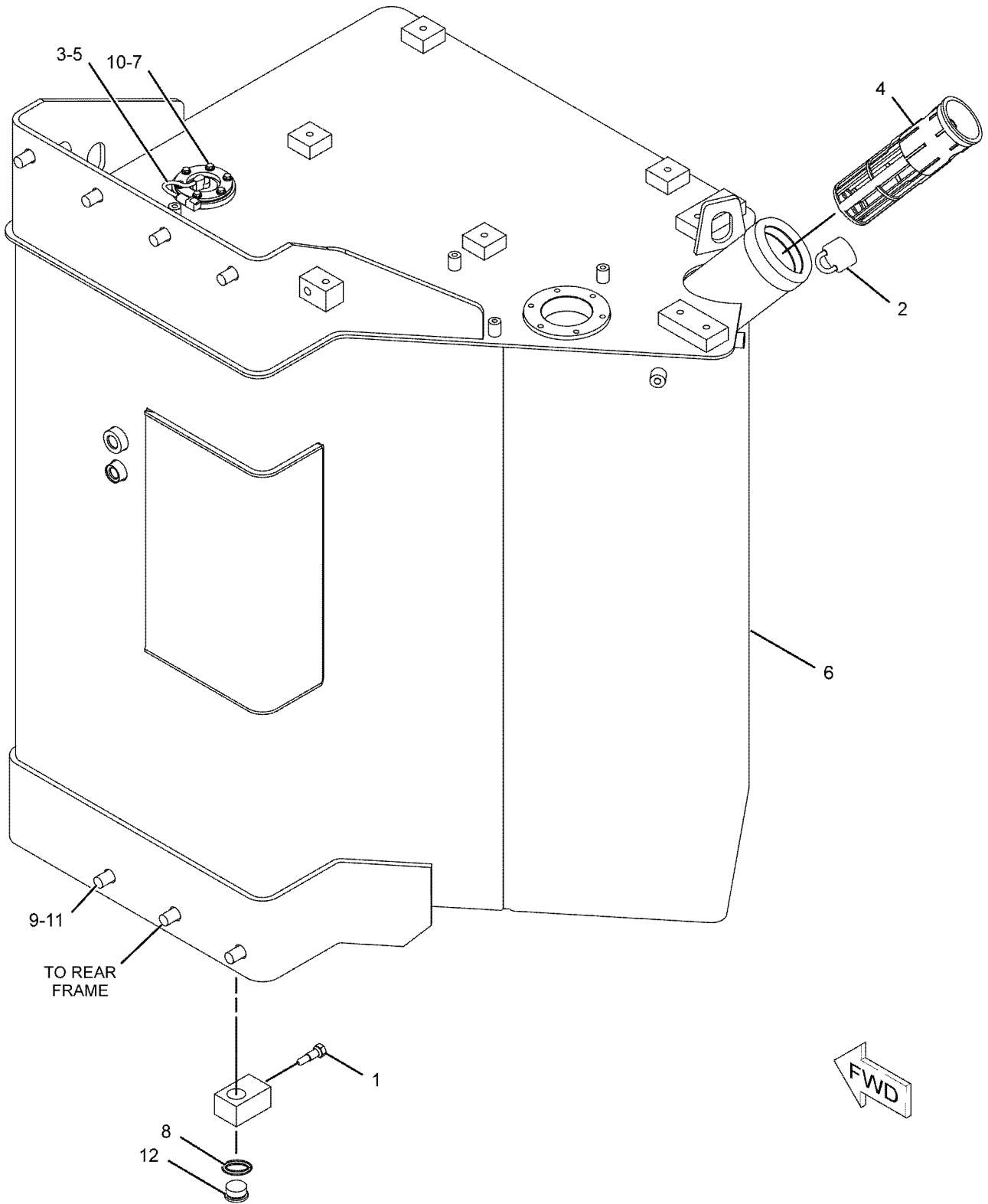
NOTE	REF NO	GRAPHIC REF	PART NUMBER	QTY	PART NAME						SEE PAGE
					1	2	3	4	5	6 (PRODUCT LEVEL)	
	1	1	<b>1H-8306</b>	1	SCREW-PURGE (1/2-20X1.625-IN)						
	2	1	<b>246-2641</b>	1	PADLOCK GP (INCLUDES KEY)						
	3	1	<b>6C-3060</b>	1	GASKET						
	4	1	<b>9P-7121</b>	1	STRAINER-FUEL (TANK)						
	5	1	<b>157-8853</b>	1	SENDER AS-FUEL LEVEL						
		1	<b>138-0444</b>	1	KIT-REPAIR (FUEL LEVEL GAUGE)						
		1	<b>3E-3365</b>	1	WEDGE-RECEPTACLE LOCK (2-PIN)						
		1	<b>186-3735</b>	1	PIN-CONNECTOR (16-GA TO 18-GA)						
		1	<b>102-8802</b>	1	KIT-RECEPTACLE (2-PIN) (INCLUDES RECEPTACLE AS AND WEDGE)						
	6	1	<b>221-8690</b>	1	TANK AS-FUEL						
M	7	1	<b>6V-7727</b>	6	BOLT (M6X1X16-MM)						
	8	1	<b>7M-8485</b>	1	SEAL-O-RING						
	9	1	<b>8T-4123</b>	7	WASHER (22X35X3.5-MM THK)						
	10	1	<b>8T-4205</b>	6	WASHER-HARD (7.2X14.5X2-MM THK)						
M	11	1	<b>8T-5460</b>	7	BOLT (M20X2.5X40-MM)						
	12	1	<b>9S-9334</b>	1	PLUG-O-RING						

M - METRIC PART

# FUEL SYSTEM

221-8689 TANK GP-FUEL (contd.)

i02173271



GRAPHIC #1

<END>

g01072877

# FUEL SYSTEM

## 156-5783 VALVE GP-CHECK-FUEL

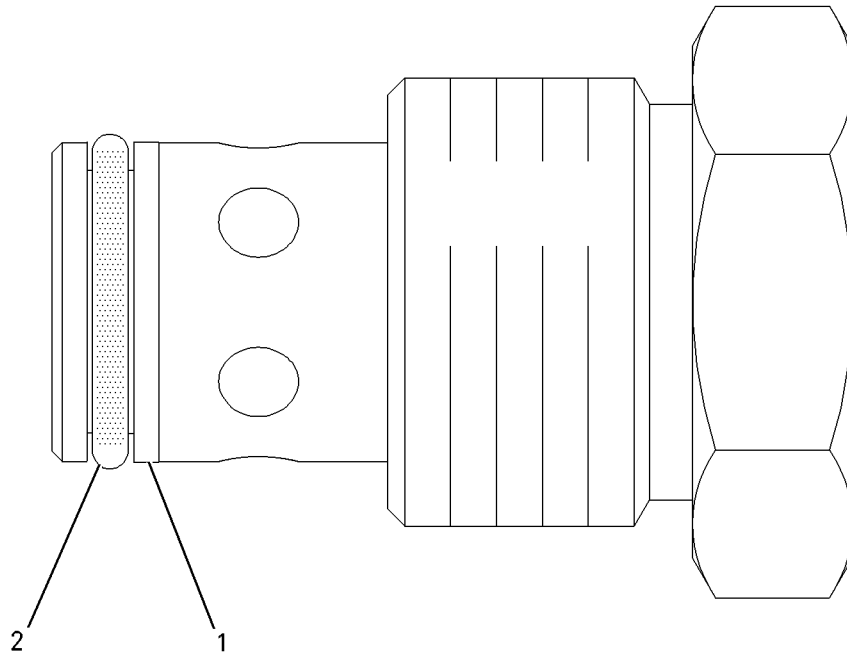
S/N: BNT1-1391

PART OF 199-6554 LINES GP-FUEL  
AN ATTACHMENT

SMCS-1251, 1274

i02934057

NOTE	REF NO	GRAPHIC REF	PART NUMBER	QTY	PART NAME						SEE PAGE
					1	2	3	4	5	6 (PRODUCT LEVEL)	
	1	1	<b>6V-6923</b>	1	RING-BACKUP						
	2	1	<b>033-6033</b>	1	SEAL-O-RING						



GRAPHIC #1

<END>

g00864141

# FUEL SYSTEM

## 233-6742 VALVE GP-CHECK-FUEL

S/N: BNT1392-UP

PART OF 199-6554 LINES GP-FUEL

AN ATTACHMENT

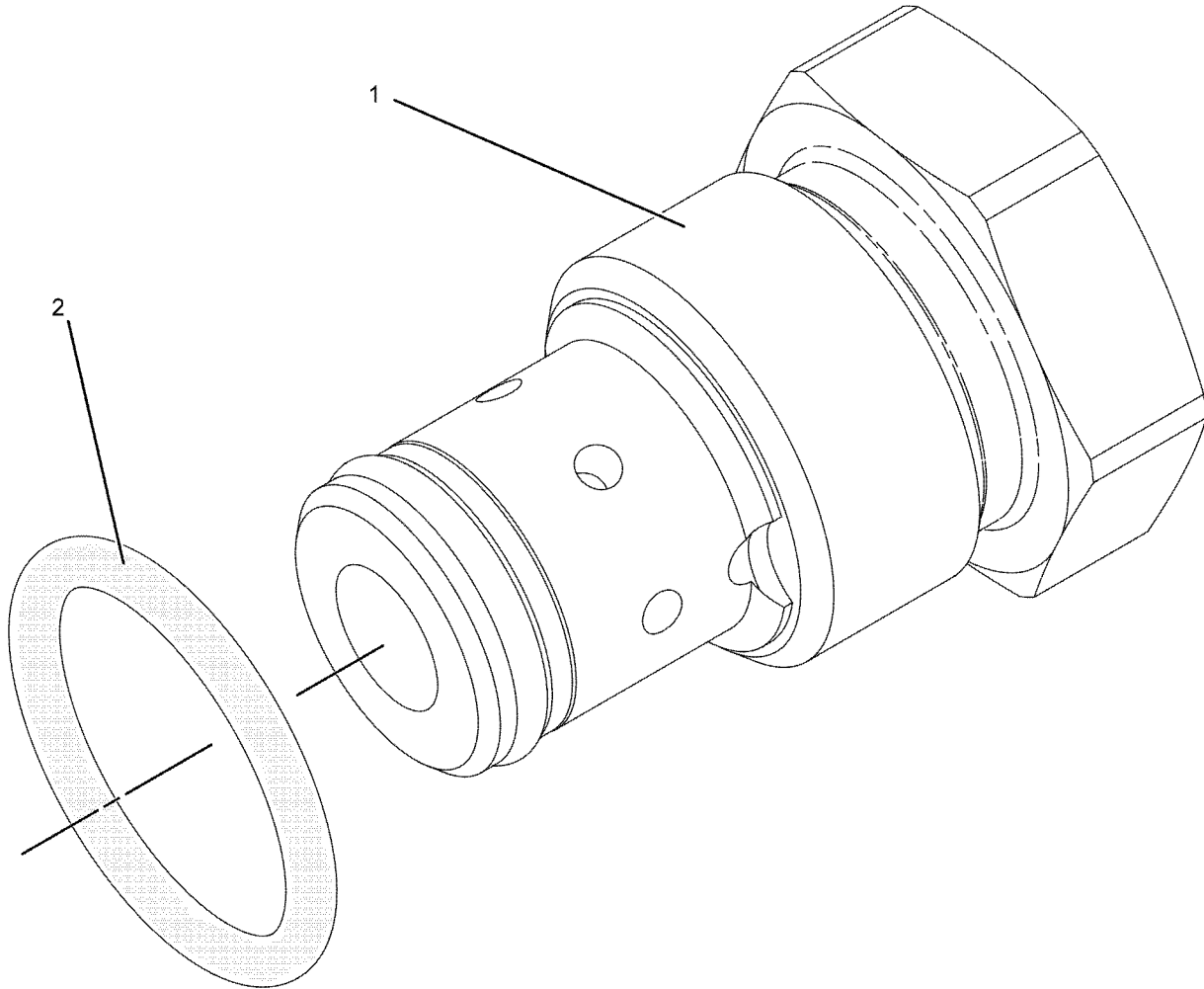
TYPE 1

SMCS-1251, 1274

i02274525

NOTE	REF NO	GRAPHIC REF	PART NUMBER	QTY	PART NAME						SEE PAGE
					1	2	3	4	5	6 (PRODUCT LEVEL)	
Y	1	1	<b>238-0296</b>	1	VALVE GP-CHECK (FUEL)						214
	2	1	<b>6V-4589</b>	1	SEAL-O-RING						

Y - SEPARATE ILLUSTRATION



GRAPHIC #1

<END>

g01031823

# FUEL SYSTEM

## 233-6742 VALVE GP-CHECK-FUEL

S/N: BNT1392-UP

PART OF 199-6554 LINES GP-FUEL

AN ATTACHMENT

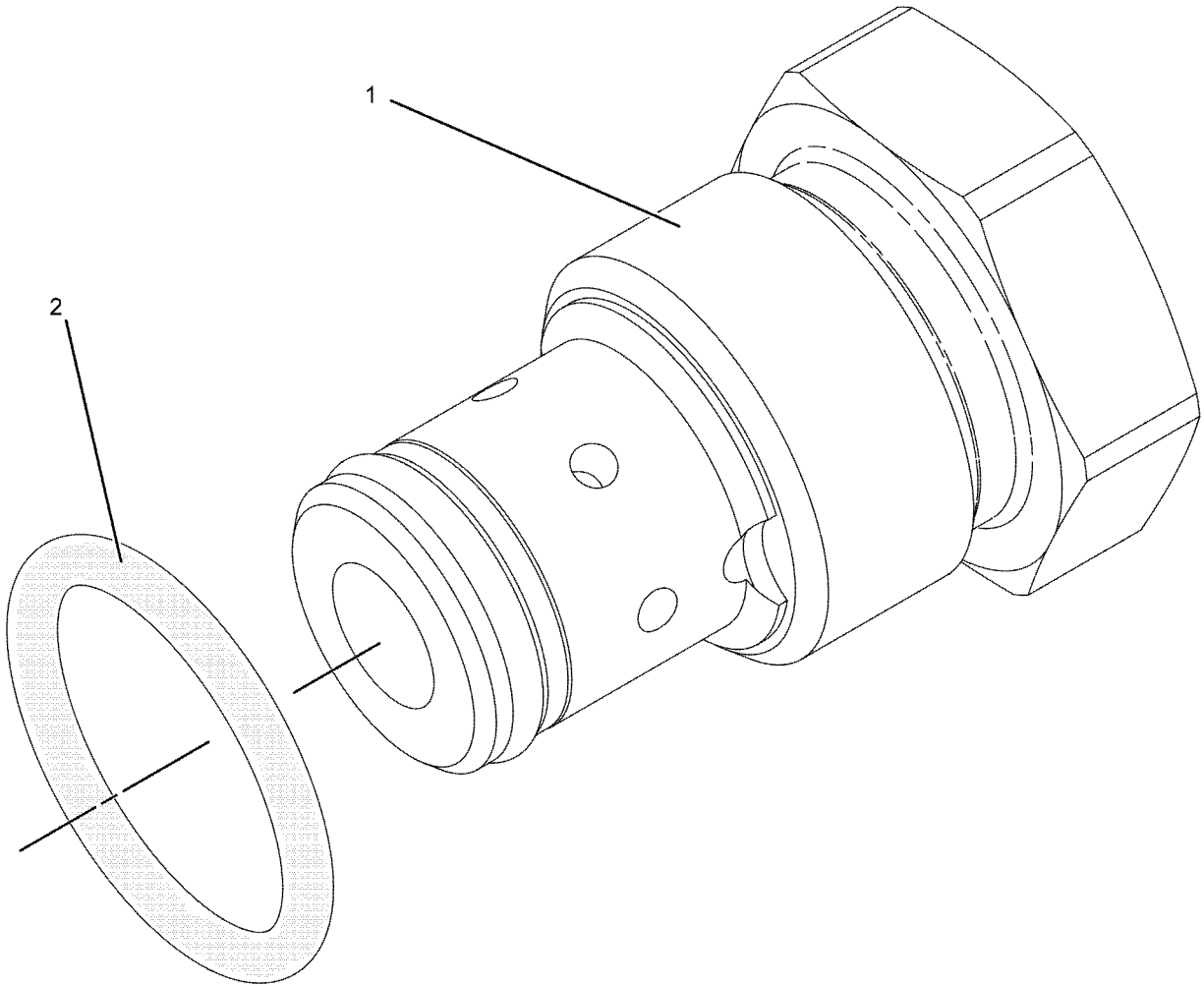
TYPE 2

SMCS-1251, 1274

i03808154

NOTE	REF NO	GRAPHIC REF	PART NUMBER	QTY	PART NAME						SEE PAGE
					1	2	3	4	5	6 (PRODUCT LEVEL)	
CY	1	1	281-2725	1	VALVE GP-CHECK (FUEL)						215
	2	1	238-5081	1	SEAL-O-RING						

C - CHANGE FROM PREVIOUS TYPE  
Y - SEPARATE ILLUSTRATION



GRAPHIC #1

<END>

g01031823

# FUEL SYSTEM

## 238-0296 VALVE GP-CHECK-FUEL

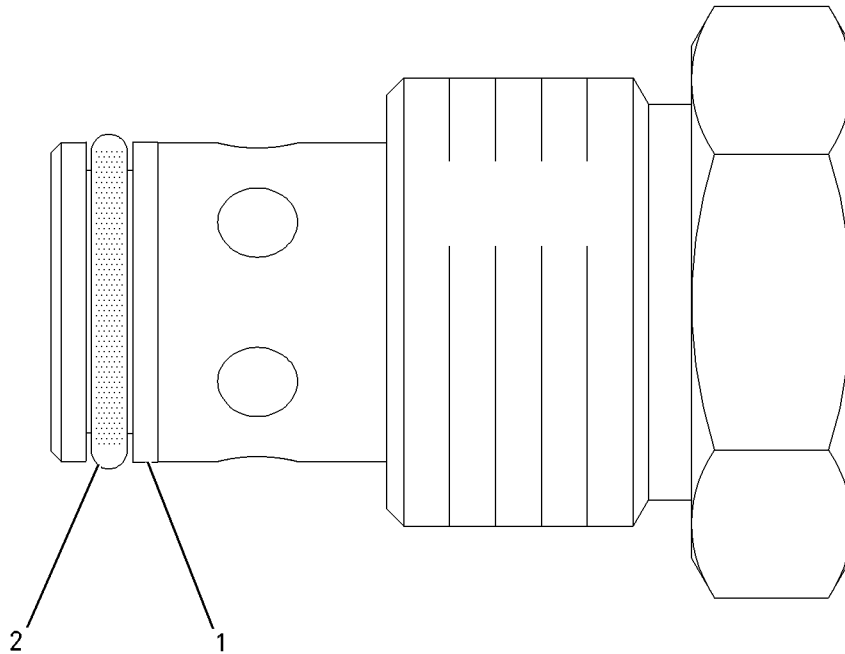
S/N: BNT1392-9921

PART OF 233-6742 VALVE GP-CHECK  
AN ATTACHMENT

SMCS-1251, 1274

i02140024

NOTE	REF NO	GRAPHIC REF	PART NUMBER	QTY	PART NAME						SEE PAGE
					1	2	3	4	5	6 (PRODUCT LEVEL)	
1	1	1	6V-6923	1	RING-BACKUP						
2	1	1	033-6033	1	SEAL-O-RING						



GRAPHIC #1

<END>

g00864141



# FUEL SYSTEM

## 281-2725 VALVE GP-CHECK-FUEL

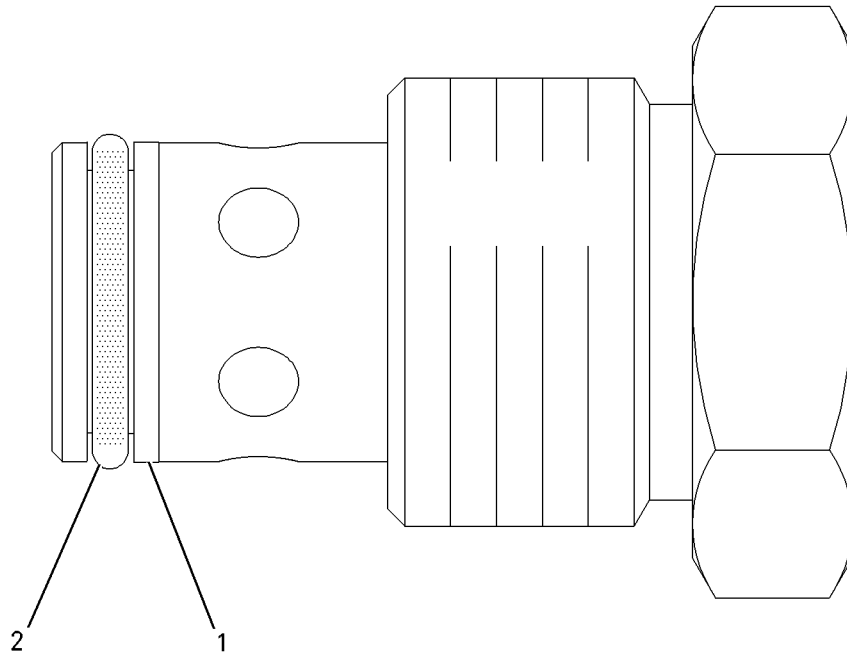
S/N: BNT1392-UP

PART OF 233-6742 VALVE GP-CHECK  
AN ATTACHMENT

SMCS-1251, 1274

i02444582

NOTE	REF NO	GRAPHIC REF	PART NUMBER	QTY	PART NAME						SEE PAGE
					1	2	3	4	5	6 (PRODUCT LEVEL)	
1	1	1	6V-6923	1	RING-BACKUP						
2	1	1	033-6033	1	SEAL-O-RING						



GRAPHIC #1

<END>

g00864141

# ELECTRICAL AND STARTING SYSTEM

## 3E-6328 ALARM GP-ACTION

S/N: BNH1-UP

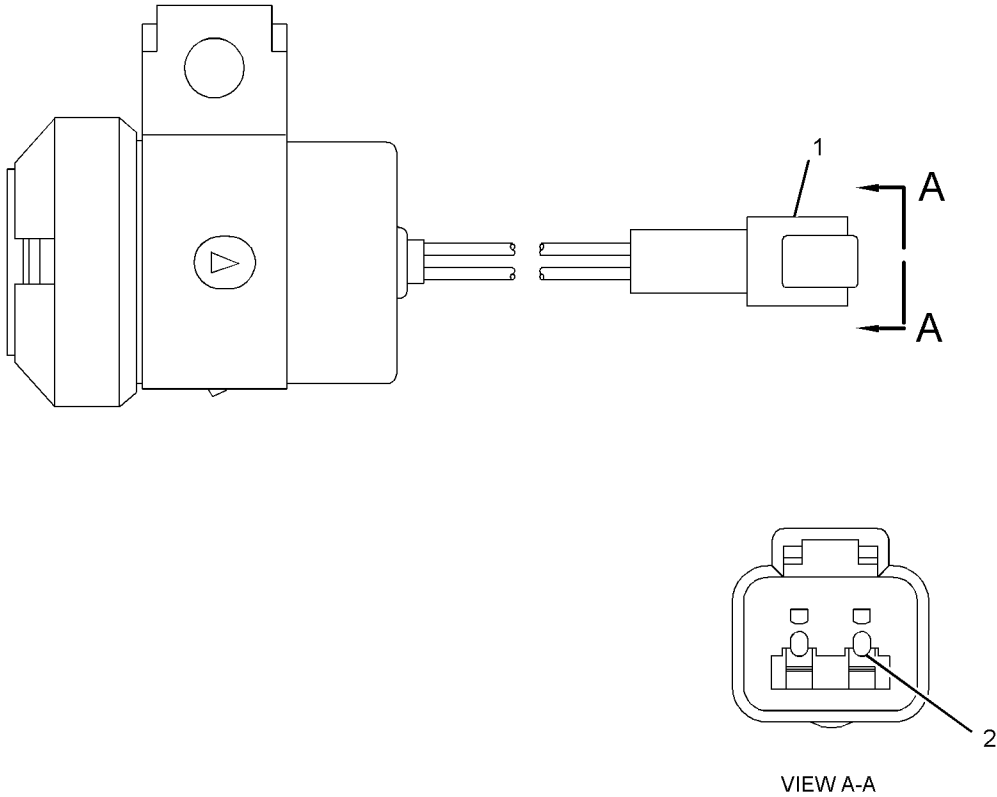
24-VOLT

PART OF 136-2626 PANEL GP-INSTRUMENT, 346-3849 WIRING GP-CAB

SMCS-7400, 7402, 7407

i04156858

NOTE	REF NO	GRAPHIC REF	PART NUMBER	QTY	PART NAME						SEE PAGE
					1	2	3	4	5	6 (PRODUCT LEVEL)	
	1	1	<b>102-8802</b>	1	KIT-RECEPTACLE (2-PIN)						
					(INCLUDES RECEPTACLE AS & WEDGE)						
	2	1	<b>8T-8729</b>	2	PIN-CONNECTOR (16-GA TO 18-GA)						



GRAPHIC #1

<END>

g01342739

# ELECTRICAL AND STARTING SYSTEM

**165-5140 ALTERNATOR GP-CHARGING\*R**

S/N: BNH1-377

24 VOLT, 100 AMPERE

PART OF 190-6564 ALTERNATOR GP-CHARGING

SMCS-1405

i01242199

NOTE	PART NUMBER	QTY	PART NAME 1 2 3 4 5 6 (PRODUCT LEVEL)	SEE PAGE
(NO SERVICED PARTS)				
<END>				

# ELECTRICAL AND STARTING SYSTEM

## 190-6564 ALTERNATOR GP-CHARGING

S/N: BNH1-377

24-VOLT, 95-AMPERE

FOR USE WITH 62 MILLIMETER DIAMETER PULLEY

PART OF 201-4341 INSTALLATION AR-ENGINE

SMCS-1405

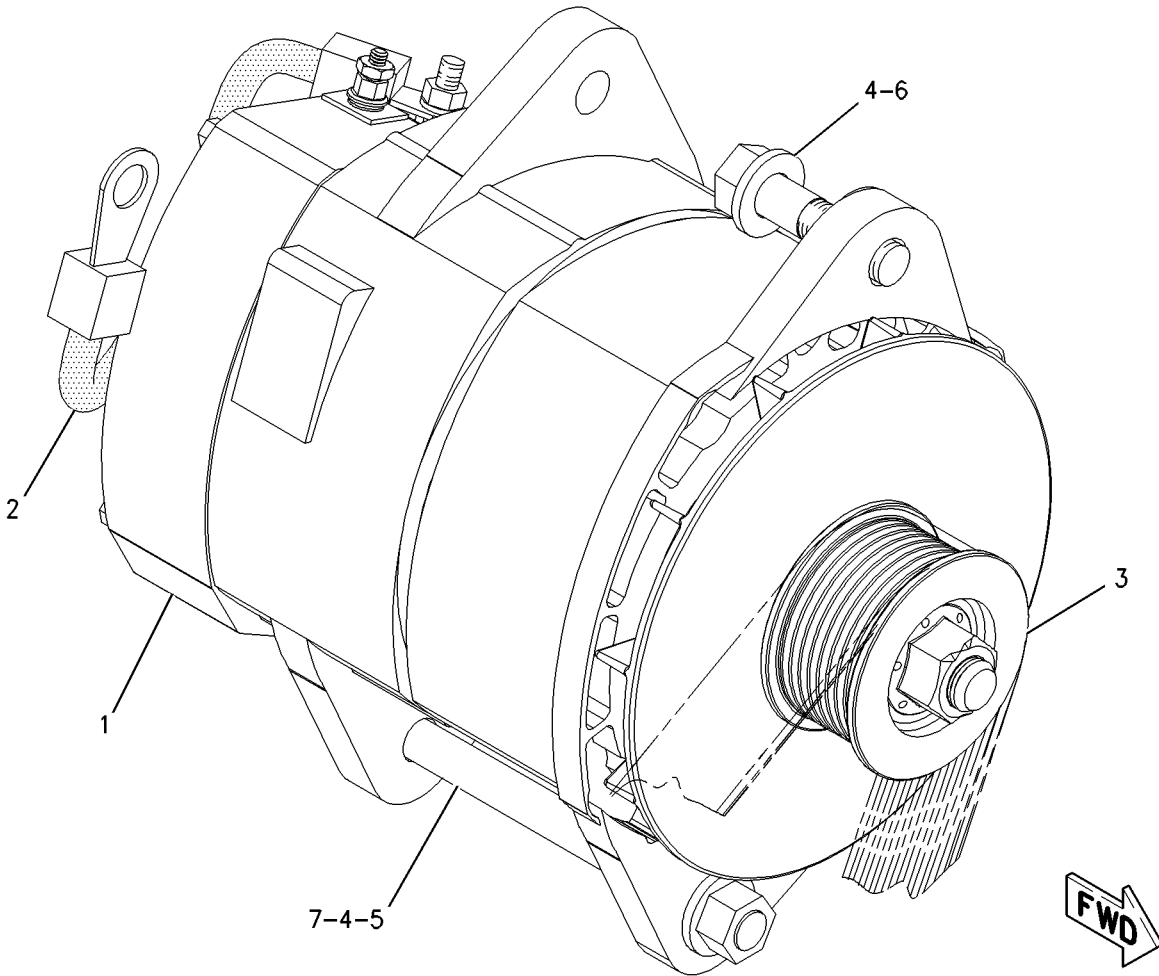
i01398936

NOTE	REF NO	GRAPHIC REF	PART NUMBER	QTY	PART NAME						SEE PAGE
					1	2	3	4	5	6 (PRODUCT LEVEL)	
YR	1	1	165-5140	1	ALTERNATOR GP-CHARGING (24-VOLT)						217
	2	1	179-8318	1	WIRE AS						
	3	1	190-3635	1	PULLEY						
	4	1	8T-4223	3	WASHER-HARD (13.5X25.5X3-MM THK)						
M	5	1	8T-4244	1	NUT (M12X1.75-THD)						
	6	1	8T-4835	1	BOLT (1/2-13X2-IN)						
M	7	1	8T-5092	1	BOLT (M12X1.75X150-MM)						

M - METRIC PART

R - REMFG PART MAY BE AVAILABLE

Y - SEPARATE ILLUSTRATION



GRAPHIC #1

<END>

g00737387

# ELECTRICAL AND STARTING SYSTEM

## 190-6564 ALTERNATOR GP-CHARGING

S/N: BNH378-1186

24-VOLT, 95-AMPERE

FOR USE WITH 62 MILLIMETER DIAMETER PULLEY

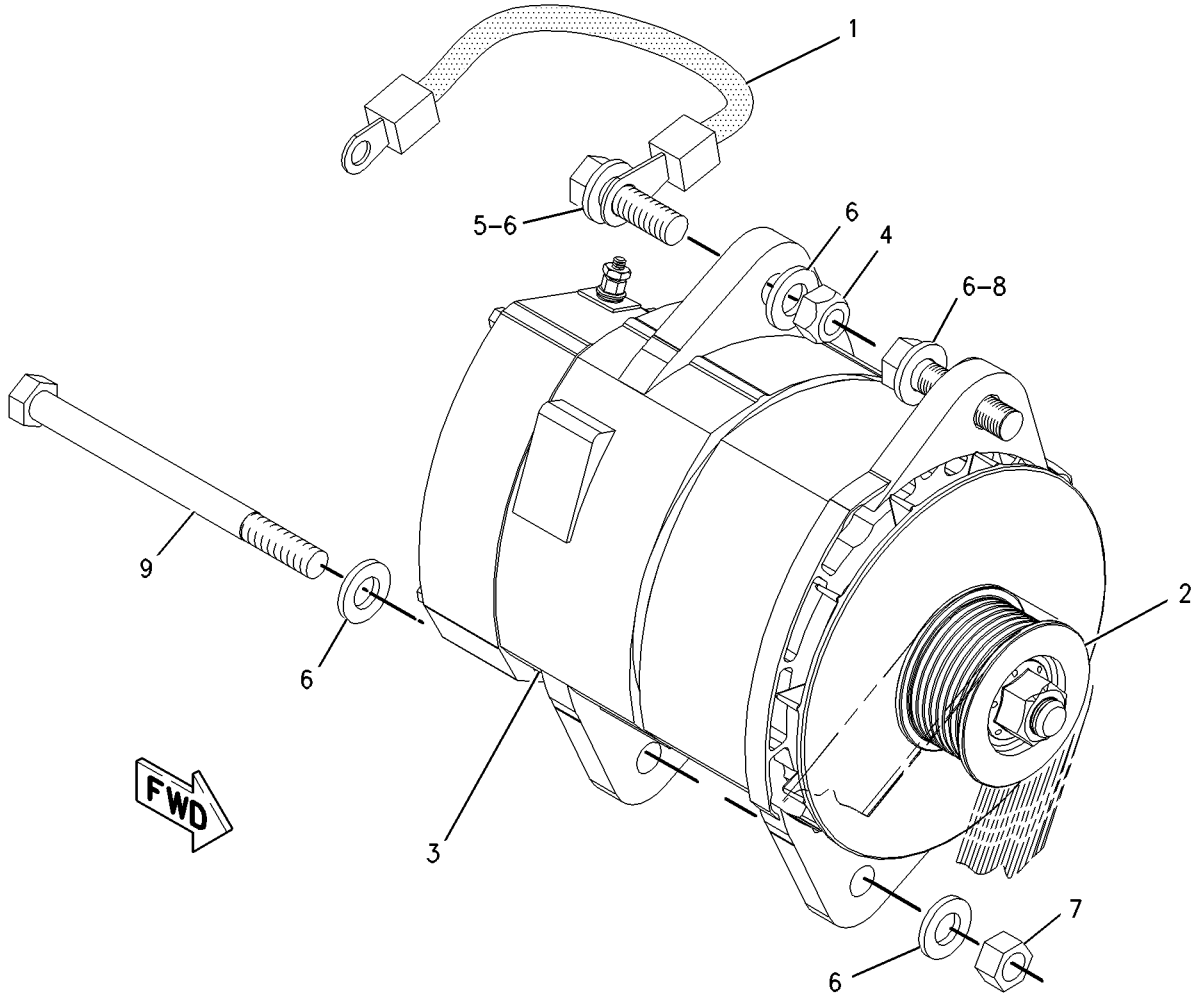
PART OF 201-4341 INSTALLATION AR-ENGINE

SMCS-1405

i01703754

NOTE	REF NO	GRAPHIC REF	PART NUMBER	QTY	PART NAME						SEE PAGE
					1	2	3	4	5	6	
C	1	1	105-4728	1	WIRE AS						
	2	1	190-3635	1	PULLEY						
CYR	3	1	200-8277	1	ALTERNATOR GP-CHARGING (24-VOLT, 100-AMPERE)						223
C	4	1	1K-6872	1	LOCKNUT (1/2-13-THD)						
C	5	1	5P-2566	1	BOLT (1/2-13X1.5-IN)						
C	6	1	8T-4223	5	WASHER-HARD (13.5X25.5X3-MM THK)						
M	7	1	8T-4244	1	NUT (M12X1.75-THD)						
	8	1	8T-4835	1	BOLT (1/2-13X2-IN)						
M	9	1	8T-5092	1	BOLT (M12X1.75X150-MM)						

C - CHANGE FROM PREVIOUS TYPE  
M - METRIC PART  
R - REMFG PART MAY BE AVAILABLE  
Y - SEPARATE ILLUSTRATION



GRAPHIC #1

<END>

g00877897

# ELECTRICAL AND STARTING SYSTEM

## 190-6564 ALTERNATOR GP-CHARGING

S/N: BNH1187-UP

24-VOLT, 95-AMPERE

FOR USE WITH 62 MILLIMETER DIAMETER PULLEY

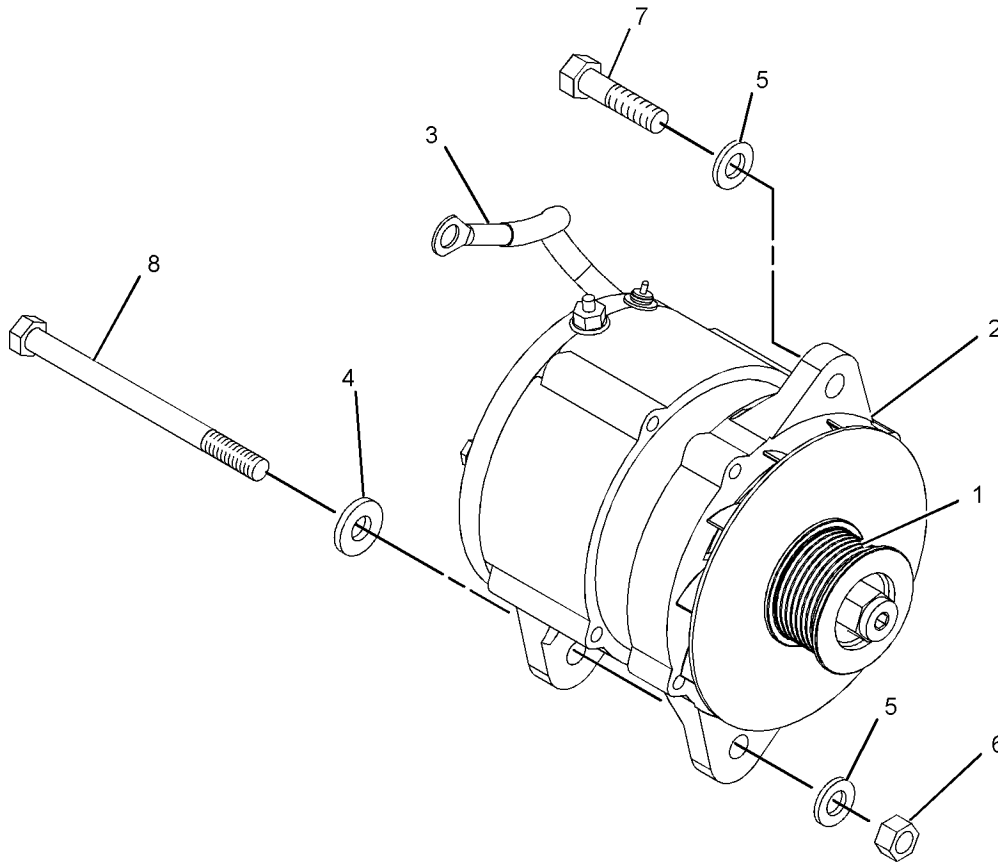
PART OF 201-4341 INSTALLATION AR-ENGINE

SMCS-1405

i03874091

NOTE	REF NO	GRAPHIC REF	PART NUMBER	QTY	PART NAME						SEE PAGE
					1	2	3	4	5	6	
	1	1	190-3635	1	PULLEY						
CYR	2	1	197-8820	1	ALTERNATOR GP-CHARGING (24-VOLT, 95-AMPERE)						221
	3	1	262-5050	1	WIRE AS						
	4	1	7D-1649	1	WASHER-HARD (13.5X32X5-MM THK)						
	5	1	5P-8245	2	WASHER-HARD (13.5X25.5X3-MM THK)						
	6	1	1F-7958	1	NUT-FULL (1/2-13-THD)						
	7	1	1A-1460	1	BOLT (1/2-13X2-IN)						
	8	1	2A-1531	1	BOLT (1/2-13X6.5-IN)						

C - CHANGE FROM PREVIOUS TYPE  
 R - REMFG PART MAY BE AVAILABLE  
 Y - SEPARATE ILLUSTRATION



GRAPHIC #1

<END>

g01153343

# ELECTRICAL AND STARTING SYSTEM

## 197-8820 ALTERNATOR GP-CHARGING\*R

S/N: BNH1187-UP

24-VOLT, 95-AMPERE

PART OF 190-6564 ALTERNATOR GP-CHARGING

SMCS-1405

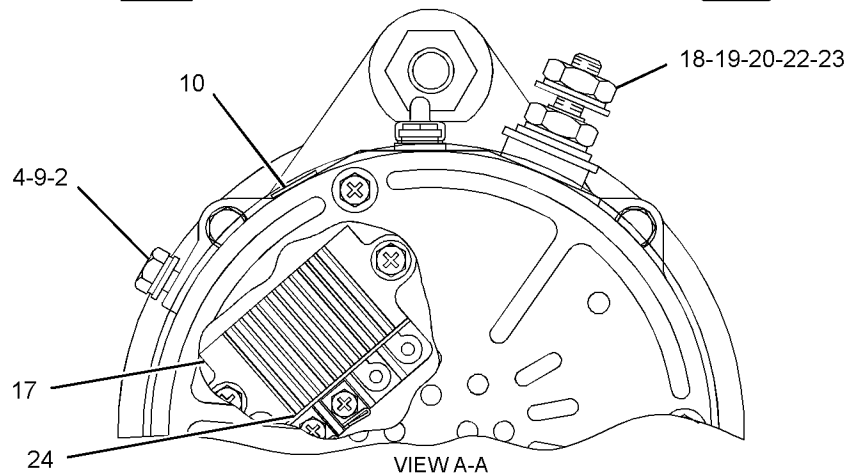
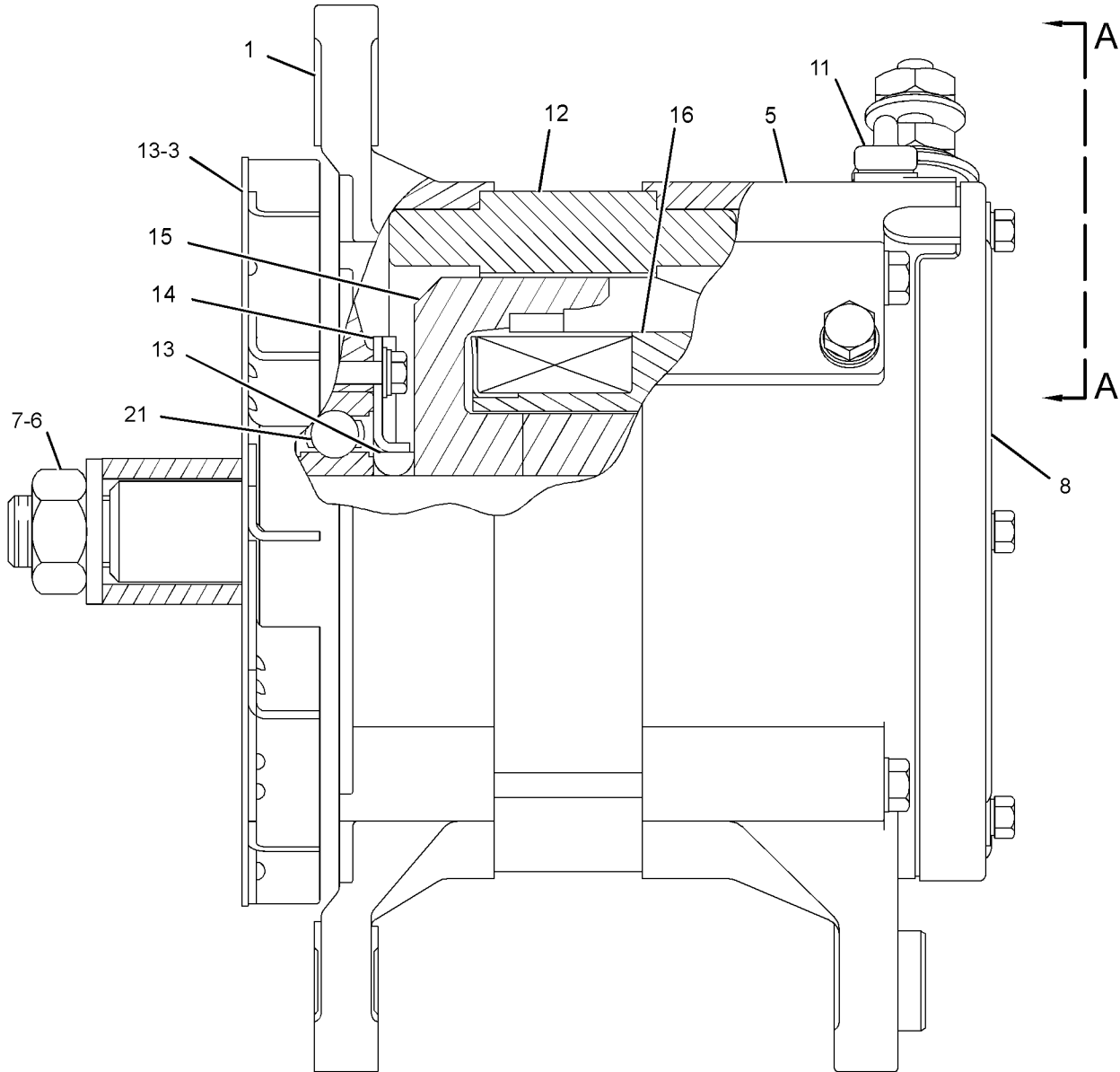
i05337937

NOTE	REF NO	GRAPHIC REF	PART NUMBER	QTY	PART NAME						SEE PAGE
					1	2	3	4	5	6 (PRODUCT LEVEL)	
	1	1	185-2653	1	FRAME						
	2	1	5S-7349	1	BOLT (1/4-20X0.5-IN)						
	3	1	185-2639	1	FAN AS						
	4	1	1H-3244	1	LOCKWASHER						
	5	1	185-2645	1	FRAME						
	6	1	2K-4821	1	LOCKNUT (5/8-18-THD)						
	7	1	5P-8247	1	WASHER-HARD (17X32X3.5-MM THK)						
	8	1	228-9657	1	COVER AS						
	9	1	8T-4205	1	WASHER-HARD (7.2X14.5X2-MM THK)						
	10	1	185-2647	1	GROMMET						
	11	1	9L-6770	1	CAP-DUST						
	12	1	205-0626	1	STATOR AS-ALTERNATOR						
	13	1	185-2638	2	COLLAR						
	14	1	185-2654	1	PLATE						
	15	1	185-2650	1	ROTOR AS						
	16	1	185-2644	1	COIL AS						
	17	1	185-2648	1	REGULATOR AS-VOLTAGE (24-VOLT) (ALTERNATOR)						
	18	1	6V-8189	1	NUT (5/16-18-THD)						
	19	1	8T-4224	1	WASHER-HARD (8.8X16X2-MM THK)						
	20	1	3F-9556	1	LOCKWASHER						
	21	1	185-2655	1	KIT-BEARING (ALTERNATOR) (INCLUDES BEARINGS)						
	22	1	199-8436	1	KIT-TERMINAL (ALTERNATOR AIR) (INCLUDES HOLDER AS, PLATE, INSULATOR, PIN, BOLTS, GROMMET & NUTS)						
	23	1	199-7891	1	KIT-TERMINAL (ALTERNATOR AIR) (INCLUDES INSULATORS, WASHERS & NUTS)						
	24	1	185-2658	1	KIT-HARDWARE (ALTERNATOR AIR) (INCLUDES BOLTS)						

# ELECTRICAL AND STARTING SYSTEM

197-8820 ALTERNATOR GP-CHARGING (contd.)

i05337937



VIEW A-A

<END>

GRAPHIC #1

g03117736



# ELECTRICAL AND STARTING SYSTEM

## 200-8277 ALTERNATOR GP-CHARGING\*R

S/N: BNH378-1186

24-VOLT. 100-AMPERE

FIELD REPLACEMENT ORDER 305-5530-PAGE: 225, 316-7251-PAGE: 227

PART OF 190-6564 ALTERNATOR GP-CHARGING

SMCS-1405

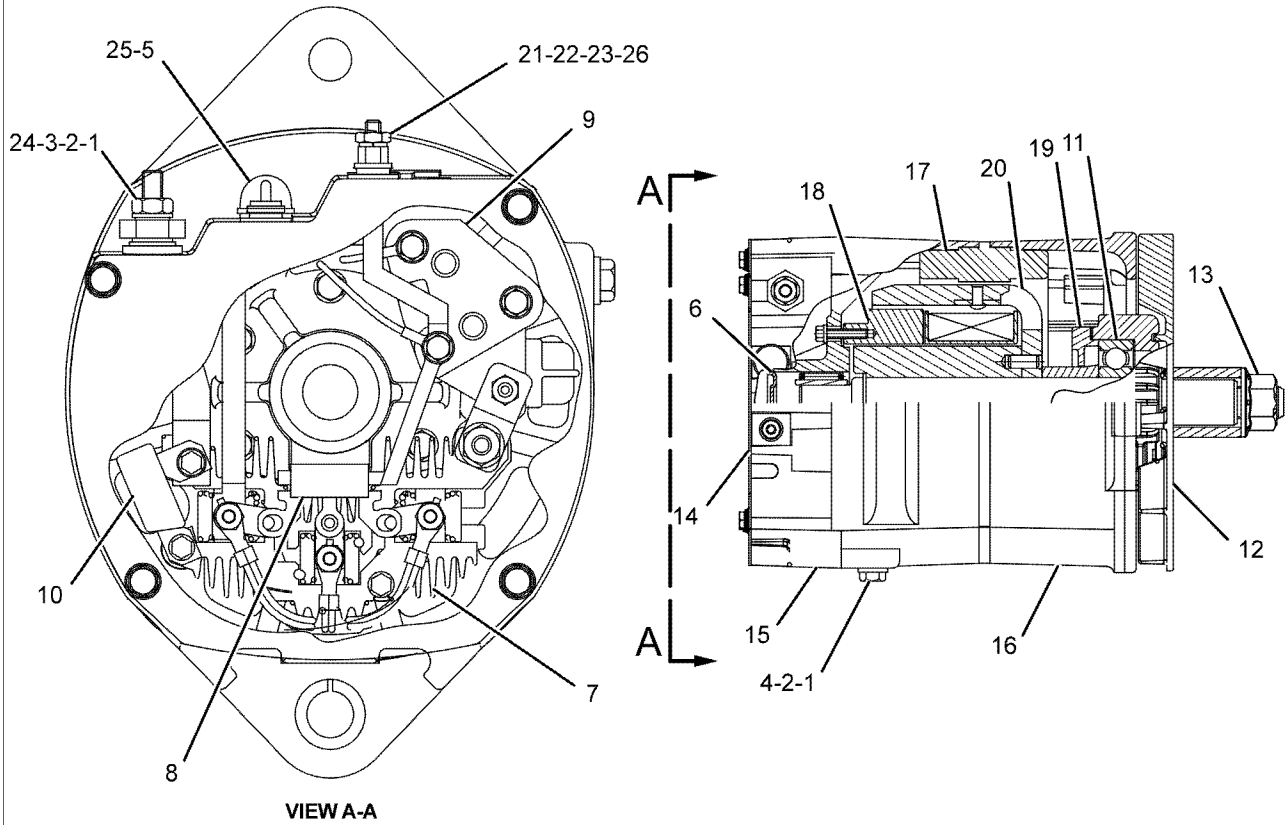
i03540045

NOTE	REF NO	GRAPHIC REF	PART NUMBER	QTY	PART NAME						SEE PAGE
					1	2	3	4	5	6	
1		1	<b>8T-4205</b>	2	WASHER-HARD (7.2X14.5X2-MM THK)						
2		1	<b>1H-3244</b>	2	LOCKWASHER						
3		1	<b>6V-8187</b>	1	NUT (1/4-28-THD)						
4		1	<b>5S-7349</b>	1	BOLT (1/4-20X0.5-IN)						
5		1	<b>9L-6770</b>	1	CAP-DUST						
6		1	<b>231-6133</b>	1	KIT-BEARING (ALTERNATOR) (INCLUDES BEARING AS & RACE)						
7		1	<b>231-6134</b>	1	KIT-RECTIFIER (ALTERNATOR) (INCLUDES ADAPTER, CONNECTOR, INSULATION, RECITIFIER, SCREWS, & WASHERS)						
8		1	<b>202-2708</b>	1	DIODE AS						
9		1	<b>3T-6354</b>	1	REGULATOR AS-VOLTAGE (24-VOLT) (ALTERNATOR)						
10		1	<b>229-8906</b>	1	CAPACITOR AS						
11		1	<b>202-9897</b>	1	BEARING-SPECIAL BALL						
12		1	<b>100-6531</b>	1	FAN-ALTERNATOR (11-BLADE)						
13		1	<b>187-2034</b>	1	NUT-FLANGE (5/8-18-THD)						
14		1	<b>202-2783</b>	1	PLATE						
15		1	<b>202-2699</b>	1	HOUSING AS						
16		1	<b>202-2700</b>	1	FRAME						
17		1	<b>202-2707</b>	1	STATOR AS-ALTERNATOR						
18		1	<b>202-2703</b>	1	COIL AS						
19		1	<b>9S-2390</b>	1	RETAINER						
20		1	<b>9S-2302</b>	1	ROTOR AS						
21		1	<b>4B-2047</b>	1	NUT (10-24-THD)						
22		1	<b>8T-0328</b>	1	WASHER-HARD (5.5X10X1-MM THK)						
23		1	<b>8F-1434</b>	1	LOCKWASHER						
24		1	<b>202-2784</b>	1	KIT-ALTERNATOR TERMINAL (INCLUDES NUT, LOCKWASHERS, WASHERS, INSULATORS, SCREW, CONNECTOR, & ADAPTER)						
25		1	<b>202-2785</b>	1	KIT-ALTERNATOR TERMINAL (INCLUDES STUD, BUSHINGS, WASHERS, CONNECTOR, & NUT)						
26		1	<b>202-2786</b>	1	KIT-ALTERNATOR TERMINAL (INCLUDES NUTS, LOCKWASHER, BUSHINGS, WASHERS, CONNECTOR, & STUD)						
					AVAILABLE REPAIR KIT(S):						
			<b>202-2787</b>	1	KIT-HARDWARE (ALTERNATOR) (INCLUDES NUTS, PLUG, SCREWS, LOCKWASHER, CONNECTOR, BOLTS, COLLAR, & BOOT)						

# ELECTRICAL AND STARTING SYSTEM

200-8277 ALTERNATOR GP-CHARGING (contd.)

i03540045



GRAPHIC #1

<END>

g01083124

# ELECTRICAL AND STARTING SYSTEM

## 305-5530 ALTERNATOR GP-CHARGING

S/N: BNH378-1186

24-VOLT, 105-AMPERE

FIELD REPLACEMENT ORDER 316-7251-PAGE: 227

FIELD REPLACEMENT FOR 200-8277-PAGE: 223

SMCS-1405

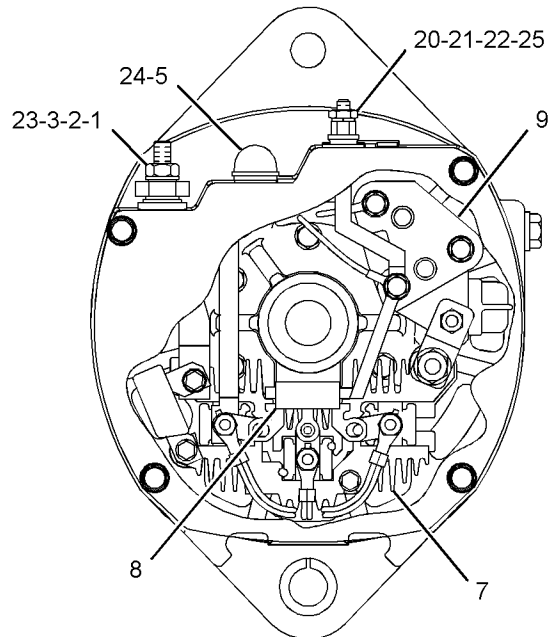
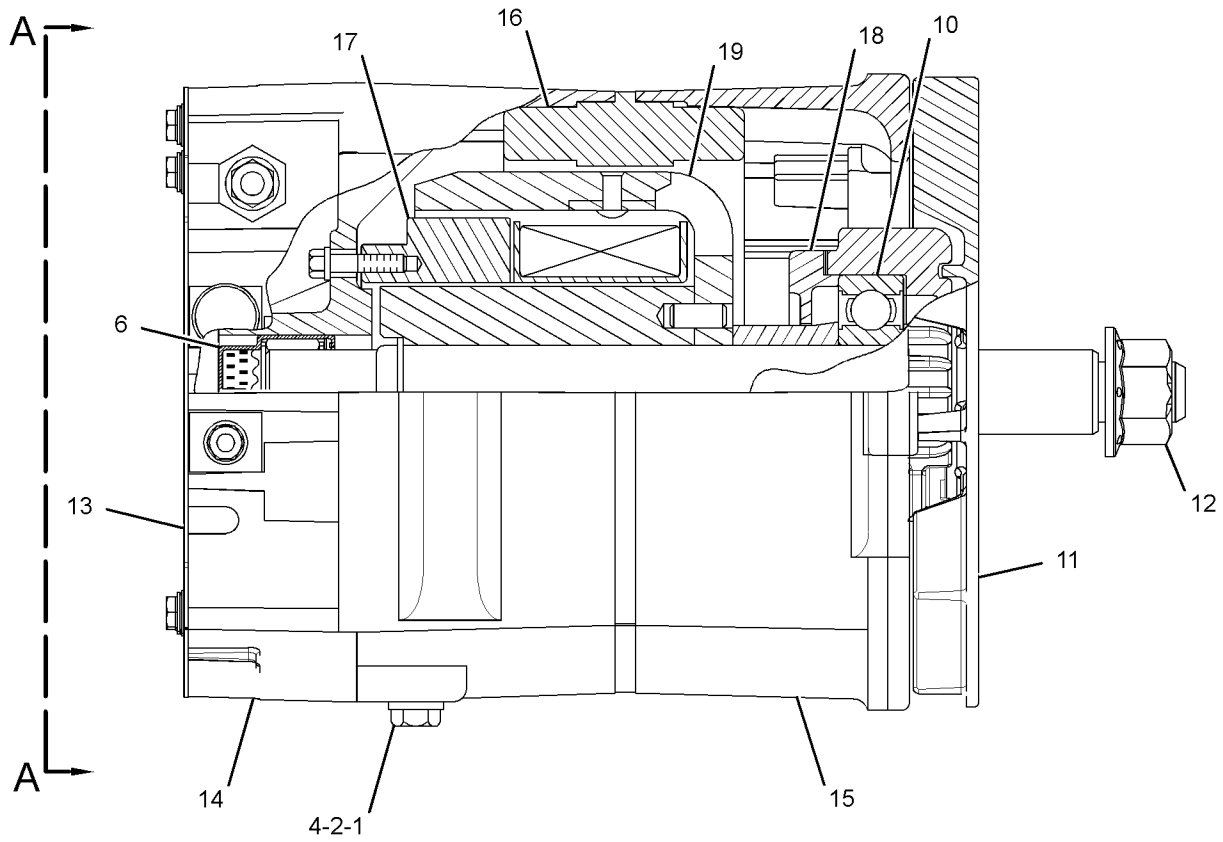
i02913106

NOTE	REF NO	GRAPHIC REF	PART NUMBER	QTY	PART NAME						SEE PAGE
					1	2	3	4	5	6	
	1	1	<b>8T-4205</b>	2	WASHER-HARD (7.2X14.5X2-MM THK)						
	2	1	<b>1H-3244</b>	2	LOCKWASHER						
	3	1	<b>6V-8187</b>	1	NUT (1/4-28-THD)						
	4	1	<b>5S-7349</b>	1	BOLT (1/4-20X0.5-IN)						
	5	1	<b>9L-6770</b>	1	CAP-DUST						
	6	1	<b>231-6133</b>	1	KIT-BEARING (ALTERNATOR) (BEARING AS & RACE-BEARING INNER)						
	7	1	<b>308-1362</b>	1	RECTIFIER AS						
	8	1	<b>202-2708</b>	1	DIODE AS (ALTERNATOR)						
	9	1	<b>3T-6354</b>	1	REGULATOR AS-VOLTAGE (24-VOLT)						
	10	1	<b>202-9897</b>	1	BEARING-SPECIAL BALL						
	11	1	<b>100-6531</b>	1	FAN-ALTERNATOR (11-BLADE)						
	12	1	<b>187-2034</b>	1	NUT-FLANGE (5/8-18-THD)						
	13	1	<b>202-2783</b>	1	PLATE						
	14	1	<b>202-2699</b>	1	HOUSING AS (ALTERNATOR)						
	15	1	<b>202-2700</b>	1	FRAME						
	16	1	<b>308-1365</b>	1	STATOR AS (ALTERNATOR)						
	17	1	<b>308-1366</b>	1	COIL AS (ALTERNATOR)						
	18	1	<b>9S-2390</b>	1	RETAINER						
	19	1	<b>299-1761</b>	1	ROTOR AS						
	20	1	<b>4B-2047</b>	1	NUT (10-24-THD)						
	21	1	<b>8T-0328</b>	1	WASHER-HARD (5.5X10X1-MM THK)						
	22	1	<b>8F-1434</b>	1	LOCKWASHER						
	23	1	<b>202-2784</b>	1	KIT-ALTERNATOR TERMINAL (OUTPUT) (INCLUDES NUT, LOCKWASHERS, WASHERS, INSULATORS, SCREW, CONNECTORS, AND ADAPTER)						
	24	1	<b>202-2785</b>	1	KIT-ALTERNATOR TERMINAL (RELAY) (INCLUDES STUD, BUSHINGS, WASHERS, CONNECTOR, AND NUT)						
	25	1	<b>202-2786</b>	1	KIT-ALTERNATOR TERMINAL (INDICATOR LIGHT) (INCLUDES NUTS, LOCKWASHER, BUSHINGS, WASHERS, CONNECTOR, AND STUD)						
					AVAILABLE REPAIR KIT(S):						
			<b>202-2787</b>	1	KIT-HARDWARE (ALTERNATOR) (INCLUDES NUT AS, SCREW AS, SCREW, PLUG, LOCKWASHER, NUT, CONNECTOR, BOLT, COLLAR & BOOT)						

# ELECTRICAL AND STARTING SYSTEM

305-5530 ALTERNATOR GP-CHARGING (contd.)

i02913106



GRAPHIC #1

VIEW A-A

<END>

g01468387

# ELECTRICAL AND STARTING SYSTEM

## 316-7251 ALTERNATOR GP-CHARGING\*R

S/N: BNH378-1186

24-VOLT, 105-AMPERE

FIELD REPLACEMENT FOR 305-5530-PAGE: 225: FOR 200-8277-PAGE: 223

SMCS-1405

i03664927

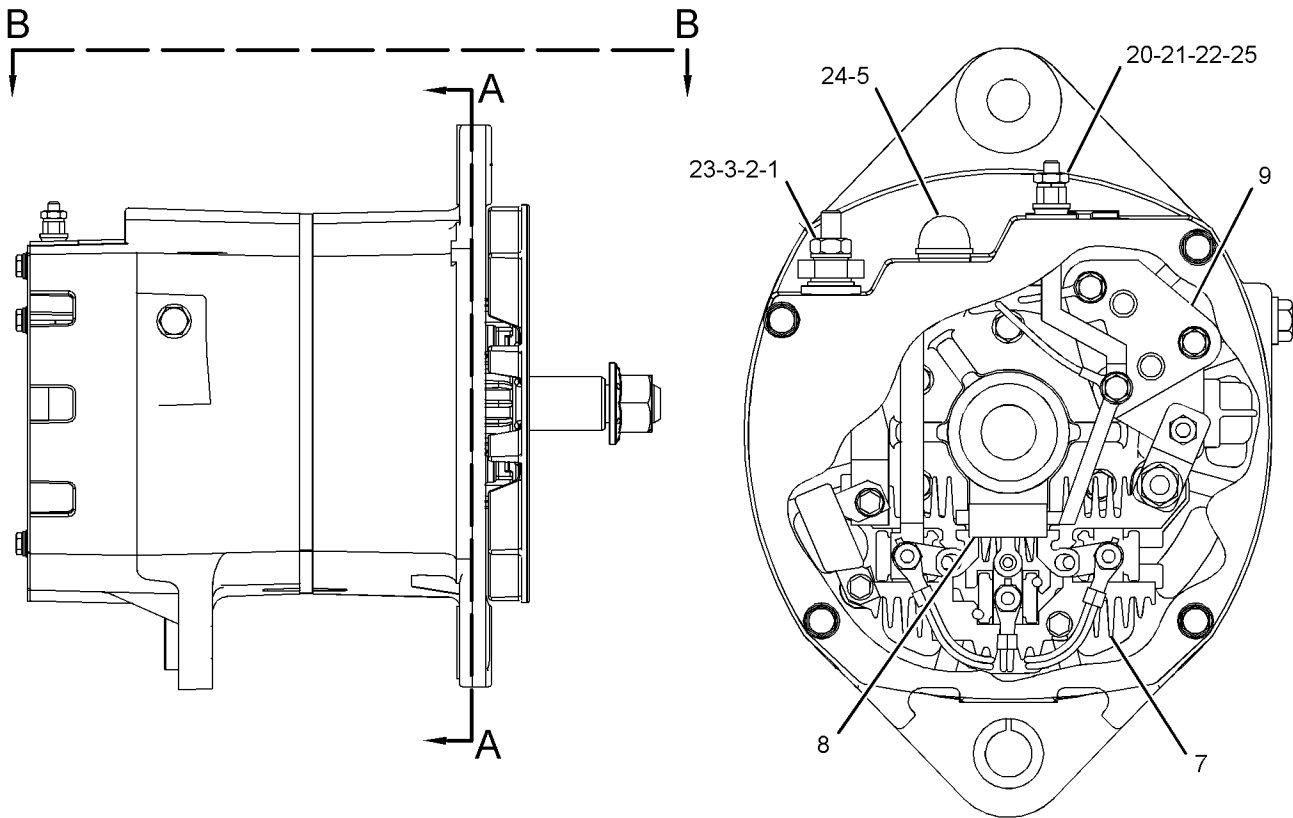
NOTE	REF NO	GRAPHIC REF	PART NUMBER	QTY	PART NAME						SEE PAGE
					1	2	3	4	5	6	
	1	1	8T-4205	2	WASHER-HARD (7.2X14.5X2-MM THK)						
	2	1	1H-3244	2	LOCKWASHER						
	3	1	6V-8187	1	NUT (1/4-28-THD)						
	4	1	5S-7349	1	BOLT (1/4-20X0.5-IN)						
	5	1	9L-6770	1	CAP-DUST						
	6	1	231-6133	1	KIT-BEARING						
		1	5P-3419	1	RACE-BEARING INNER						
		1	229-9407	1	BEARING AS						
	7	1	308-1362	1	RECTIFIER AS						
	8	1	202-2708	1	DIODE AS						
	9	1	3T-6354	1	REGULATOR AS-VOLTAGE (24-VOLT) (ALTERNATOR)						
	10	1	202-9897	1	BEARING-SPECIAL BALL						
	11	1	100-6531	1	FAN-ALTERNATOR (11-BLADE)						
	12	1	187-2034	1	NUT-FLANGE (5/8-18-THD)						
	13	1	202-2783	1	PLATE						
	15	1	202-2700	1	FRAME						
	16	1	308-1365	1	STATOR AS						
	17	1	308-1366	1	COIL AS						
	18	1	9S-2390	1	RETAINER						
	19	1	299-1761	1	ROTOR AS						
	20	1	4B-2047	1	NUT (10-24-THD)						
	21	1	8T-0328	1	WASHER-HARD (5.5X10X1-MM THK)						
	22	1	8F-1434	1	LOCKWASHER						
	23	1	202-2784	1	KIT-ALTERNATOR TERMINAL (INCLUDES NUT, LOCKWASHER, WASHERS, INSULATORS, SCREW, CONNECTORS, & ADAPTER)						
	24	1	202-2785	1	KIT-ALTERNATOR TERMINAL (INCLUDES STUD, BUSHINGS, WASHERS, CONNECTOR, & NUT AS)						
	25	1	202-2786	1	KIT-ALTERNATOR TERMINAL (INCLUDES NUTS, LOCKWASHER, BUSHINGS, WASHERS, CONNECTOR, & STUD)						
	F		202-2787	1	KIT-HARDWARE (INCLUDES NUT AS, PLUG, SCREW AS, SCREWS, LOCKWASHER, NUT, CONNECTOR, BOLTS, COLLAR, & BOOT)						

F - NOT SHOWN

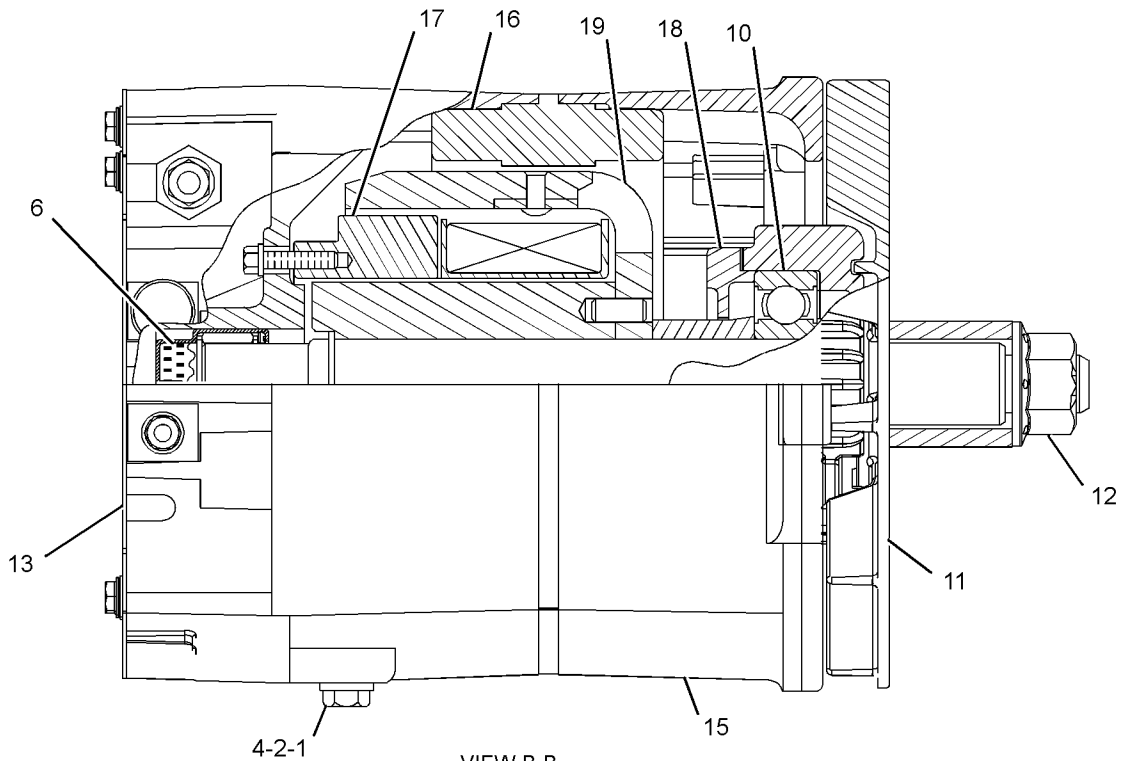
# ELECTRICAL AND STARTING SYSTEM

316-7251 ALTERNATOR GP-CHARGING (contd.)

i03664927



SECTION A-A



VIEW B-B

<END>

GRAPHIC #1

g01971058

# ELECTRICAL AND STARTING SYSTEM

## 114-5179 BATTERY & WIRING GP

S/N: BNH1-UP

PART OF 203-1579 ELECTRICAL AR

SMCS-1401, 1402, 1408

i04222771

NOTE	REF NO	GRAPHIC REF	PART NUMBER	QTY	PART NAME						SEE PAGE
					1	2	3	4	5	6 (PRODUCT LEVEL)	
	1	1	3E-8320	1	PLATE-INSTRUCTION (BATTERY)						
	2	1	3S-2093	15	STRAP-CABLE						
Y	3	1	7N-0719	1	SWITCH GP-DISCONNECT						339
	4	1	8C-6358	1	BLOCK AS-JUNCTION (BATTERY)						
		1	1D-5117	3	NUT-JAM (1/2-13-THD)						
		1	8T-3519	3	BOLT-BRONZE (1/2-13X2-IN)						
5		1	8S-2634	1	COVER AS						
		1	2P-2975	2	SEAL-O-RING						
6		1	118-1277	2	CABLE AS-BATTERY						
					(EACH INCLUDES)						
E		1	5P-0761		CABLE (00-GA, RED) (20 CM)						
		1	9G-0003	1	COVER AS-TERMINAL (BLACK)						
		1	9G-0004	1	COVER AS-TERMINAL (RED)						
		1	1M-6119	2	BOLT (5/16-18X1.375-IN)						
		1	1M-6120	2	NUT (5/16-18-THD)						
7		1	118-2080	2	HOLD-DOWN AS						
8		1	121-7848	2	PLATE						
9		1	139-2212	1	BRACKET						
10		1	139-3884	1	PLATE AS						
11		1	139-5908	1	CABLE AS						
E		1	5P-0747		CABLE (00-GA, BLACK) (93 CM)						
		1	1S-7252	1	TERMINAL-CABLE (00-GA, 3/8-IN SCREW)						
		1	6T-0465	1	COVER-TERMINAL (BLACK)						
		1	9S-5755	1	TERMINAL AS (NEGATIVE)						
		1	1M-6119	1	BOLT (5/16-18X1.375-IN)						
		1	1M-6120	1	NUT (5/16-18-THD)						
		1	7N-5274	1	COVER AS-TERMINAL (BLACK)						
		1	3S-6050	1	TERMINAL AS-BATTERY (NEGATIVE)						
		1	1M-6119	1	BOLT (5/16-18X1.375-IN)						
		1	1M-6120	1	NUT (5/16-18-THD)						
		1	9X-3410	1	COVER-TERMINAL						
12		1	139-5909	1	CABLE AS						
E		1	5P-0761		CABLE (00-GA, RED) (21 CM)						
		1	3S-6049	1	TERMINAL AS-BATTERY (POSITIVE)						
		1	1M-6119	1	BOLT (5/16-18X1.375-IN)						
		1	1M-6120	1	NUT (5/16-18-THD)						
		1	8N-0869	1	COVER-TERMINAL (RED)						
		1	8N-1725	1	COVER AS-TERMINAL (RED)						
		1	1S-7251	1	TERMINAL-CABLE (00-GA, 1/2-IN SCREW)						
13		1	139-5910	1	CABLE AS						
E		1	5P-0761		CABLE (00-GA, RED) (57 CM)						
		1	8N-1725	1	COVER AS-TERMINAL (RED)						
		1	9X-9120	1	BOOT (RED)						
		1	9X-9825	1	TERMINAL-CABLE (00-GA, 1/2-IN SCREW)						
		1	3S-6049	1	TERMINAL AS-BATTERY (POSITIVE)						
		1	1M-6119	1	BOLT (5/16-18X1.375-IN)						
		1	1M-6120	1	NUT (5/16-18-THD)						
14		1	139-5911	1	CABLE AS						
E		1	5P-0747		CABLE (00-GA, BLACK) (146 CM)						
		1	1S-7251	1	TERMINAL-CABLE (00-GA, 1/2-IN SCREW)						
		1	1S-7252	1	TERMINAL-CABLE (00-GA, 3/8-IN SCREW)						
		1	6T-0465	1	COVER-TERMINAL (BLACK)						
15		1	139-5913	1	CABLE AS						
E		1	5P-0747		CABLE (00-GA, BLACK) (66 CM)						
		1	1S-7251	2	TERMINAL-CABLE (00-GA, 1/2-IN SCREW)						
		1	8N-0869	1	COVER-TERMINAL (RED)						

# ELECTRICAL AND STARTING SYSTEM

114-5179 BATTERY & WIRING GP (contd.)

i04222771

NOTE	REF NO	GRAPHIC REF	PART NUMBER	QTY	PART NAME						SEE PAGE
					1	2	3	4	5	6 (PRODUCT LEVEL)	
	16	1	141-4353	1	RECEPTACLE AS-AUXILIARY START						
	17	1	264-5112	1	CABLE AS						
E		1	159-8049		CABLE (00-GA, RED) (161-CM)						
		1	1S-7251	2	TERMINAL-CABLE (00-GA, 1/2-IN SCREW)						
		1	8N-0869	1	COVER-TERMINAL (RED)						
	18	1	118-2079	4	ROD						
	19	1	2V-1771	17	GROMMET						
	20	1	3T-5760	4	BATTERY GP (12-VOLT, 750-CCA)						
M	21	1	5C-2890	8	NUT (M6X1-THD)						
	22	1	5P-4115	8	WASHER-HARD (7.2X19X2-MM THK)						
	23	1	6D-4246	17	CLIP						
	24	1	6V-8188	6	NUT (1/2-13-THD)						
	25	1	7F-0560	6	WASHER (0.516X0.938X0.101-IN THK)						
	26	1	7X-7729	2	WASHER (11X25X3-MM THK)						
	27	1	7Y-8168	1	GROMMET						
	28	1	8D-0482	1	GROMMET						
	29	1	8T-4121	14	WASHER-HARD (11X21X2.5-MM THK)						
M	30	1	8T-4136	11	BOLT (M10X1.5X25-MM)						
BM	31	1	8T-4137	4	BOLT (M10X1.5X20-MM)						
M	32	1	8T-4139	6	BOLT (M12X1.75X30-MM)						
	33	1	8T-4223	8	WASHER-HARD (13.5X25.5X3-MM THK)						
	34	1	8T-4224	4	WASHER-HARD (8.8X16X2-MM THK)						
M	35	1	8T-4244	2	NUT (M12X1.75-THD)						
M	36	1	8T-4908	4	BOLT (M8X1.25X25-MM)						
BM	40	1	8T-6466	1	BOLT (M10X1.5X60-MM)						
B	41	1	6B-6205	1	SPACER (0.438X0.875X1.281-IN THK)						

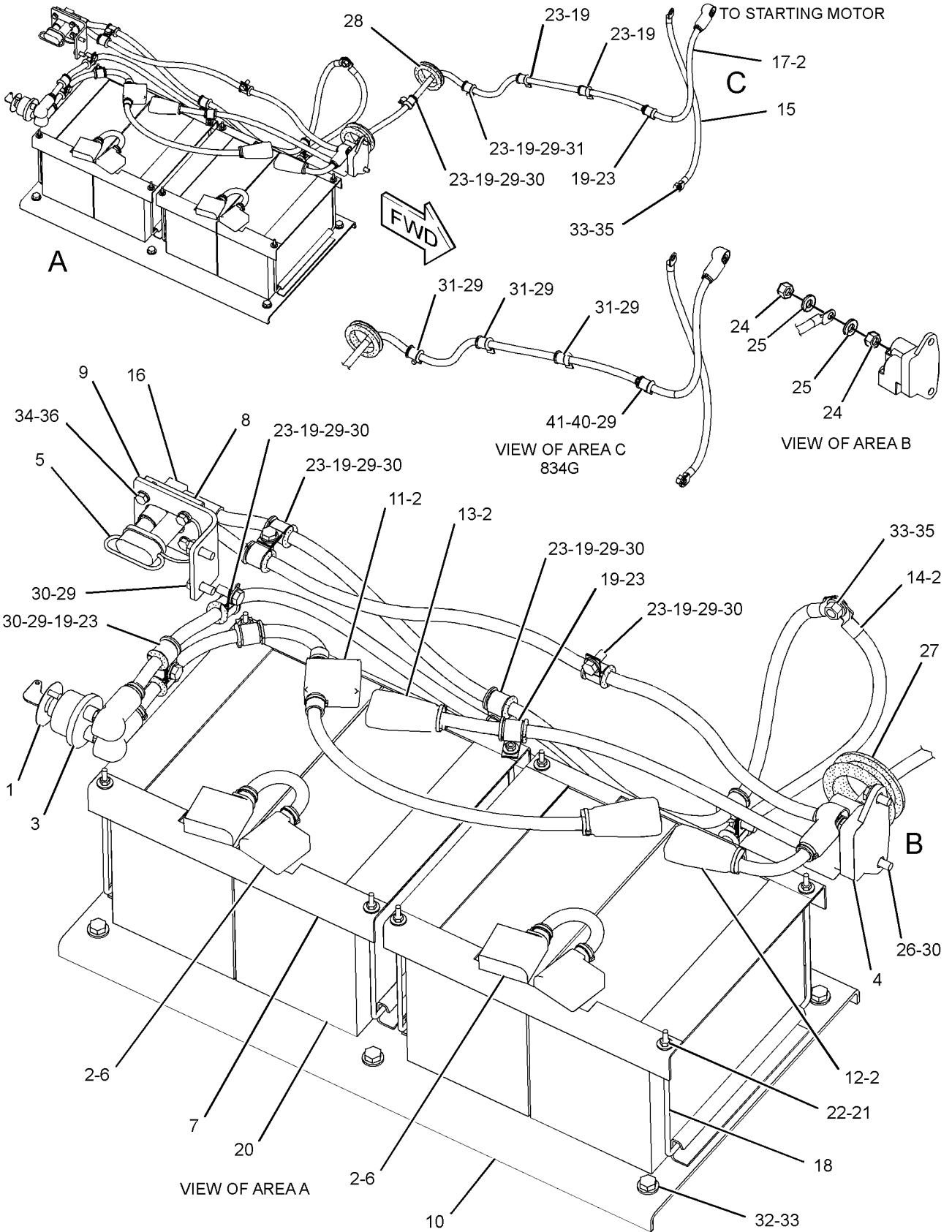
B - USE AS REQUIRED  
 E - ORDER BY THE CENTIMETER  
 M - METRIC PART  
 Y - SEPARATE ILLUSTRATION



# ELECTRICAL AND STARTING SYSTEM

114-5179 BATTERY & WIRING GP (contd.)

i04222771



GRAPHIC #1

<END>

g02734110

# ELECTRICAL AND STARTING SYSTEM

## 126-7631 CONNECTION GP-ELECTRICAL

S/N: BNT1-UP

CYLINDER BLOCK GROUND

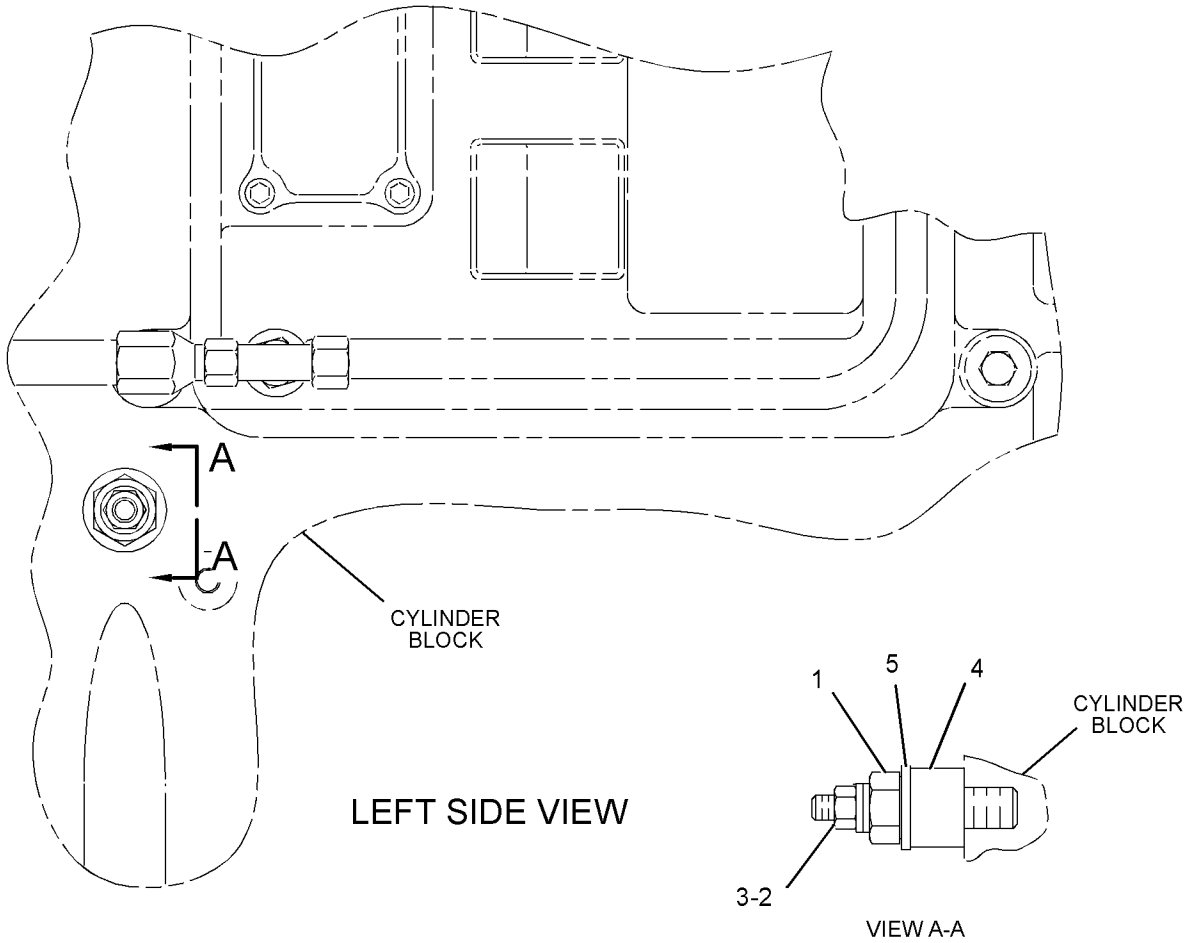
FOR USE WITH BLOCK SOUND PANEL

PART OF 198-6489, 198-6490, 235-4732, 235-4733 ENGINE AR-COMPLETE  
AN ATTACHMENT

SMCS-1408

i04791081

NOTE	REF NO	GRAPHIC REF	PART NUMBER	QTY	PART NAME						SEE PAGE
					1	2	3	4	5	6 (PRODUCT LEVEL)	
1	1	1	126-8449	1	STUD (3/8-16, 5/8-18X3.1-IN)						
2	1	1	7P-1695	2	WASHER (10.5X19X3-MM THK)						
3	1	1	6V-8801	1	NUT (3/8-16-THD)						
4	1	1	9M-7783	1	SPACER (0.65X1.188X0.81-IN THK)						
5	1	1	5P-8247	1	WASHER-HARD (17X32X3.5-MM THK)						



GRAPHIC #1

<END>

g01380369

# ELECTRICAL AND STARTING SYSTEM

## 188-1758 CONTROL & MTG GP-ENGINE ELEK

S/N: BNT1-UP

PART OF 198-6489, 198-6490, 235-4732, 235-4733 ENGINE AR-COMplete  
AN ATTACHMENT

SMCS-1901, 7620

i03639118

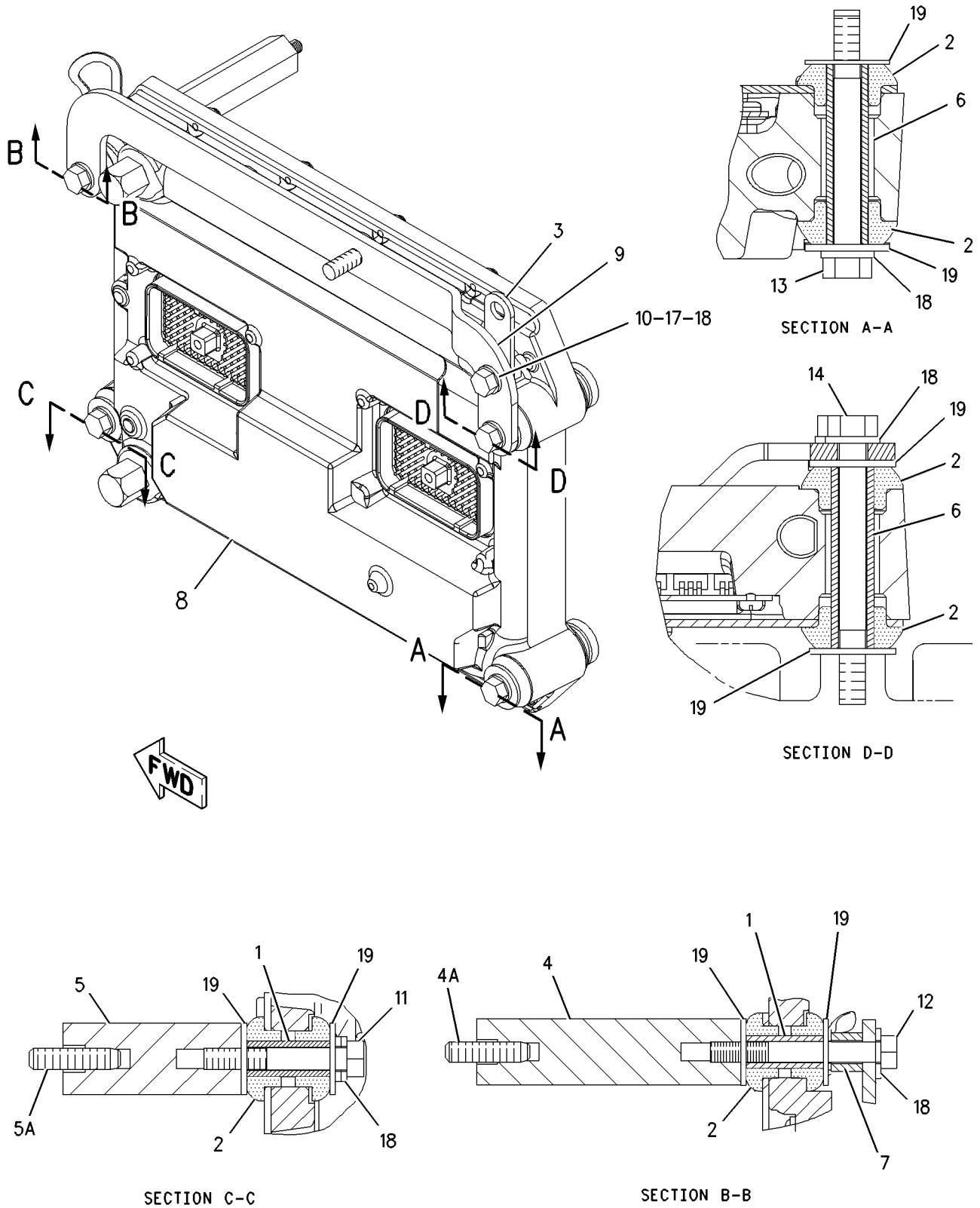
NOTE	REF NO	GRAPHIC REF	PART NUMBER	QTY	PART NAME						SEE PAGE
					1	2	3	4	5	6 (PRODUCT LEVEL)	
	1	1	<b>6I-1418</b>	2	SPACER (8.2X12.7X28.7-MM THK)						
	2	1	<b>8T-9655</b>	8	MOUNT-ISOLATION						
	3	1	<b>118-7809</b>	1	PLATE						
	4	1	<b>155-0696</b>	1	SUPPORT AS						
	4A	1	<b>5L-3708</b>	1	STUD-TAPERLOCK (5/16-18X1.28-IN)						
	5	1	<b>155-0698</b>	1	SUPPORT AS						
	5A	1	<b>5L-3708</b>	1	STUD-TAPERLOCK (5/16-18X1.28-IN)						
	6	1	<b>168-4594</b>	2	SPACER (8.5X12.7X54.1-MM)						
	7	1	<b>175-1367</b>	1	SPACER (8.8X16X10-MM THK)						
Y	8	1	<b>210-0849</b>	1	CONTROL GP-ENGINE ELECTRONIC						236
	9	1	<b>190-7645</b>	1	PLATE AS						
		1	<b>9D-4439</b>	2	STUD-WELD (3/8-16X1-IN)						
	10	1	<b>0S-1618</b>	1	BOLT (5/16-18X1-IN)						
	11	1	<b>1B-9575</b>	2	BOLT (5/16-18X1.56-IN)						
	12	1	<b>1D-4539</b>	1	BOLT (5/16-18X2.5-IN)						
	13	1	<b>1D-4540</b>	1	BOLT (5/16-18X2.75-IN)						
	14	1	<b>1D-4541</b>	1	BOLT (5/16-18X3-IN)						
	17	1	<b>5S-0003</b>	1	NUT (5/16-18-THD)						
	18	1	<b>9M-1974</b>	6	WASHER-HARD (8.8X16X2-MM THK)						
	19	1	<b>9N-0869</b>	8	WASHER-HARD (8.8X25.5X2-MM THK)						

Y - SEPARATE ILLUSTRATION

# ELECTRICAL AND STARTING SYSTEM

188-1758 CONTROL & MTG GP-ENGINE ELEK (contd.)

i03639118



GRAPHIC #1

<END>

g00841570

# ELECTRICAL AND STARTING SYSTEM

## 210-0848 CONTROL GP-ENGINE ELECTRONIC

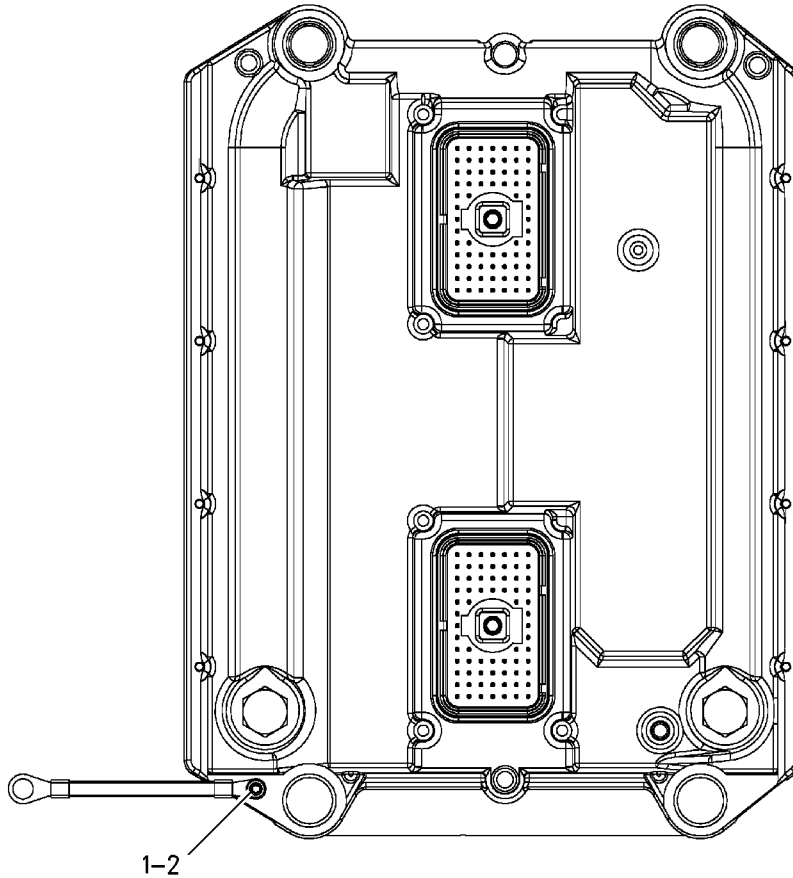
S/N: BNT1-UP

FIELD REPLACEMENT FOR 210-0849—PAGE: 236

SMCS-1901

i01776083

NOTE	REF NO	GRAPHIC REF	PART NUMBER	QTY	PART NAME						SEE PAGE
					1	2	3	4	5	6 (PRODUCT LEVEL)	
	1	1	7X-6315	1	STRAP AS-GROUND						
	2	1	184-2472	1	SCREW-PAN HEAD (NO 8-32X9.52-MM)						



GRAPHIC #1

<END>

g00907978

# ELECTRICAL AND STARTING SYSTEM

## 210-0849 CONTROL GP-ENGINE ELECTRONIC

S/N: BNT1-10250

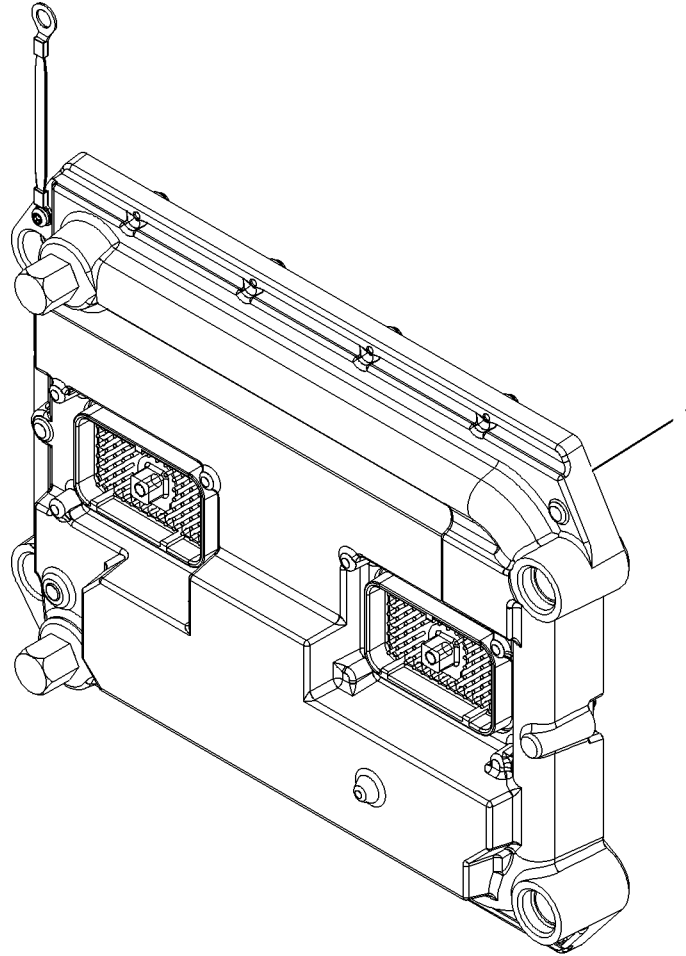
FIELD REPLACEMENT ORDER 348-2378-PAGE: 239  
PART OF 188-1758 CONTROL & MTG GP-ENGINE ELEK  
AN ATTACHMENT

SMCS-1901

i02054605

NOTE	REF NO	GRAPHIC REF	PART NUMBER	QTY	PART NAME						SEE PAGE
					1	2	3	4	5	6 (PRODUCT LEVEL)	
Y	1	1	240-5304	1	CONTROL GP-ENGINE ELECTRONIC						238

Y - SEPARATE ILLUSTRATION



GRAPHIC #1

<END>

g01007040

# ELECTRICAL AND STARTING SYSTEM

## 210-0849 CONTROL GP-ENGINE ELECTRONIC\*R

S/N: BNT10251-UP

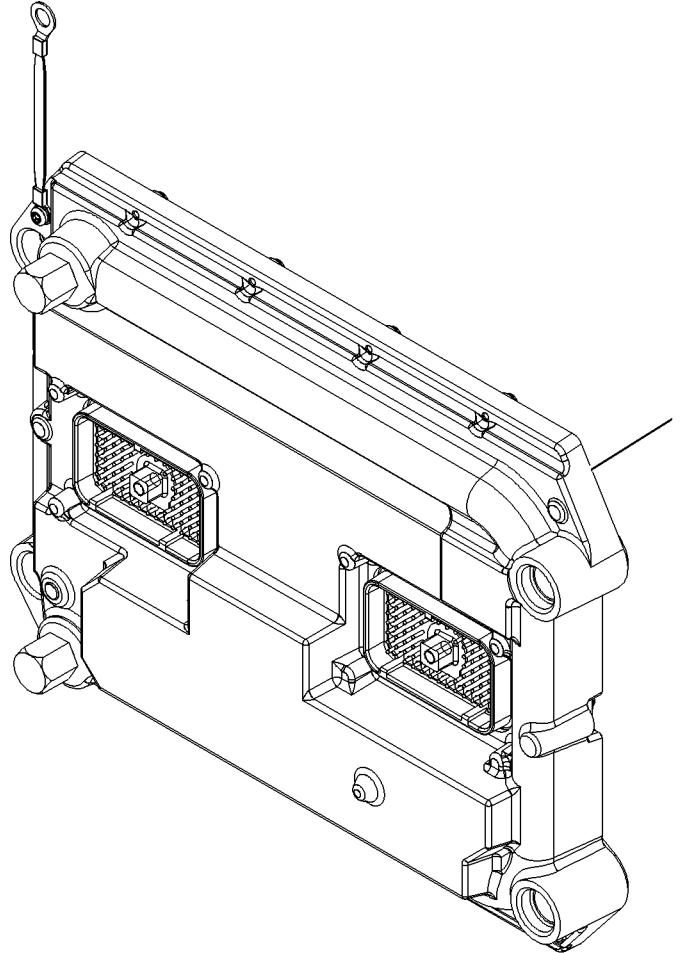
FIELD REPLACEMENT ORDER 348-2378-PAGE: 239  
PART OF 188-1758 CONTROL & MTG GP-ENGINE ELEK  
AN ATTACHMENT

SMCS-1901

i04641549

NOTE	REF NO	GRAPHIC REF	PART NUMBER	QTY	PART NAME						SEE PAGE
					1	2	3	4	5	6 (PRODUCT LEVEL)	
CYR	1	1	348-2378	1	CONTROL GP-ENGINE ELECTRONIC						239

C - CHANGE FROM PREVIOUS TYPE  
R - REMFG PART MAY BE AVAILABLE  
Y - SEPARATE ILLUSTRATION



GRAPHIC #1

<END>

g01007040

# ELECTRICAL AND STARTING SYSTEM

## 240-5304 CONTROL GP-ENGINE ELECTRONIC

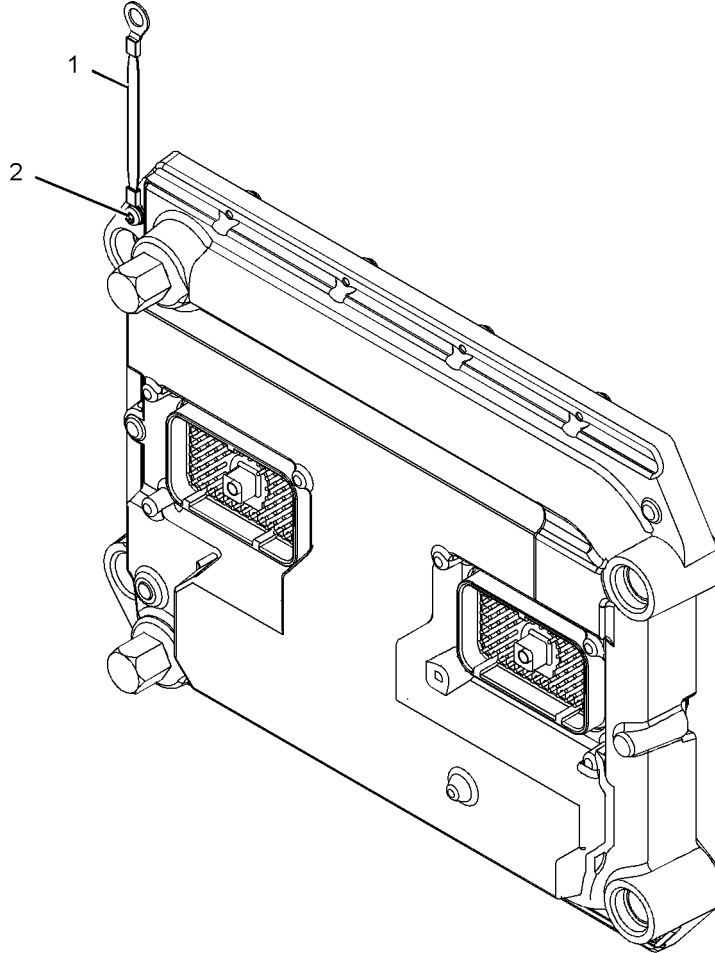
S/N: BNT1-10250

PART OF 210-0849 CONTROL GP-ENGINE ELECTRONIC  
AN ATTACHMENT

SMCS-1901

i02051599

NOTE	REF NO	GRAPHIC REF	PART NUMBER	QTY	PART NAME						SEE PAGE
					1	2	3	4	5	6 (PRODUCT LEVEL)	
	1	1	7X-6315	1	STRAP AS-GROUND						
	2	1	184-2472	1	SCREW-PAN HEAD (NO 8-32X9.52-MM)						



GRAPHIC #1

<END>

g01055257



# ELECTRICAL AND STARTING SYSTEM

## 348-2378 CONTROL GP-ENGINE ELECTRONIC\*R

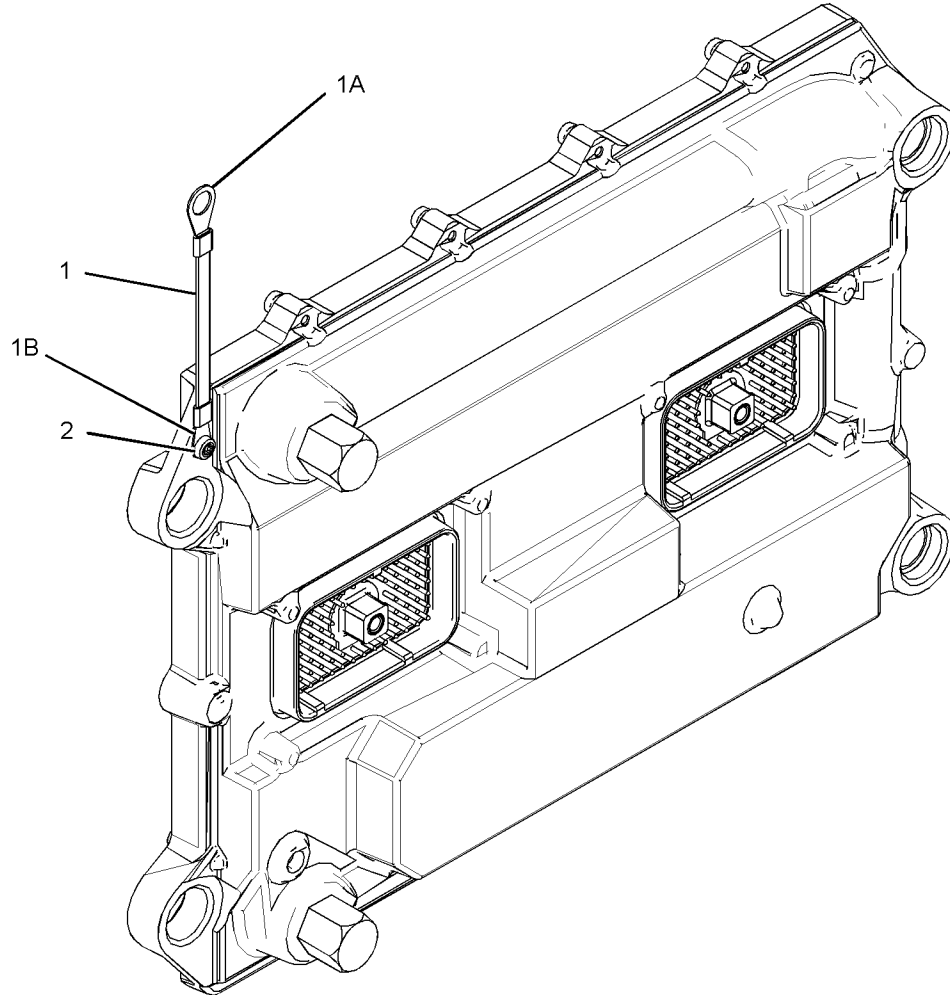
S/N: BNT10251-UP

FIELD REPLACEMENT FOR 210-0849—PAGE: 236  
PART OF 210-0849 CONTROL GP-ENGINE ELECTRONIC  
AN ATTACHMENT

SMCS-1901

i04557576

NOTE	REF NO	GRAPHIC REF	PART NUMBER	QTY	PART NAME						SEE PAGE
					1	2	3	4	5	6 (PRODUCT LEVEL)	
	1	1	<b>7X-6315</b>	1	STRAP AS-GROUND						
	1A	1	<b>2L-8078</b>	1	TERMINAL-RING (14-GA TO 16-GA, 5/16-IN SCREW)						
	1B	1	<b>2L-8075</b>	1	TERMINAL-RING (14-GA TO 16-GA, NO. 8 SCREW)						
	2	1	<b>184-2472</b>	1	SCREW-PAN HEAD (8-32X0.375-IN)						



GRAPHIC #1

<END>

g02725361

# ELECTRICAL AND STARTING SYSTEM

## 114-5192 CONTROL GP-LIFT & TILT POS

S/N: BNH1-818

PART OF 203-1579 ELECTRICAL AR

SMCS-5109, 5112, 5736

i05223689

NOTE	REF NO	GRAPHIC REF	PART NUMBER	QTY	PART NAME						SEE PAGE
					1	2	3	4	5	6 (PRODUCT LEVEL)	
M	1	1	<b>105-3483</b>	1	BOLT-SOCKET HEAD (M10X1.5X70-MM)						
	2	1	<b>120-5737</b>	1	WASHER (17.5X40X4-MM THK)						
	3	1	<b>168-6514</b>	1	SPACER (10.74X17.14X50.8-MM THK)						
Y	4	1	<i>169-3301</i>	1	SENSOR & MTG GP-LIFT POSITION						294
Y	5	1	<i>169-3302</i>	1	SENSOR & MTG GP-TILT POSITION						295
	6	1	<b>174-8849</b>	1	PLATE AS						
		1	<b>169-3304</b>	1	PLATE						
M	7	1	<b>7X-2553</b>	1	BOLT (M16X2X40-MM)						
M	8	1	<b>8T-4132</b>	2	NUT (M16X2-THD)						
M	9	1	<b>8T-4183</b>	4	BOLT (M12X1.75X40-MM)						
	10	1	<b>8T-4223</b>	4	WASHER-HARD (13.5X25.5X3-MM THK)						
	11	1	<b>8T-4224</b>	1	WASHER-HARD (8.8X16X2-MM THK)						
M	12	1	<b>8T-6385</b>	1	BOLT (M16X2X180-MM)						
M	13	1	<b>8T-7547</b>	1	BOLT (M8X1.25X30-MM)						

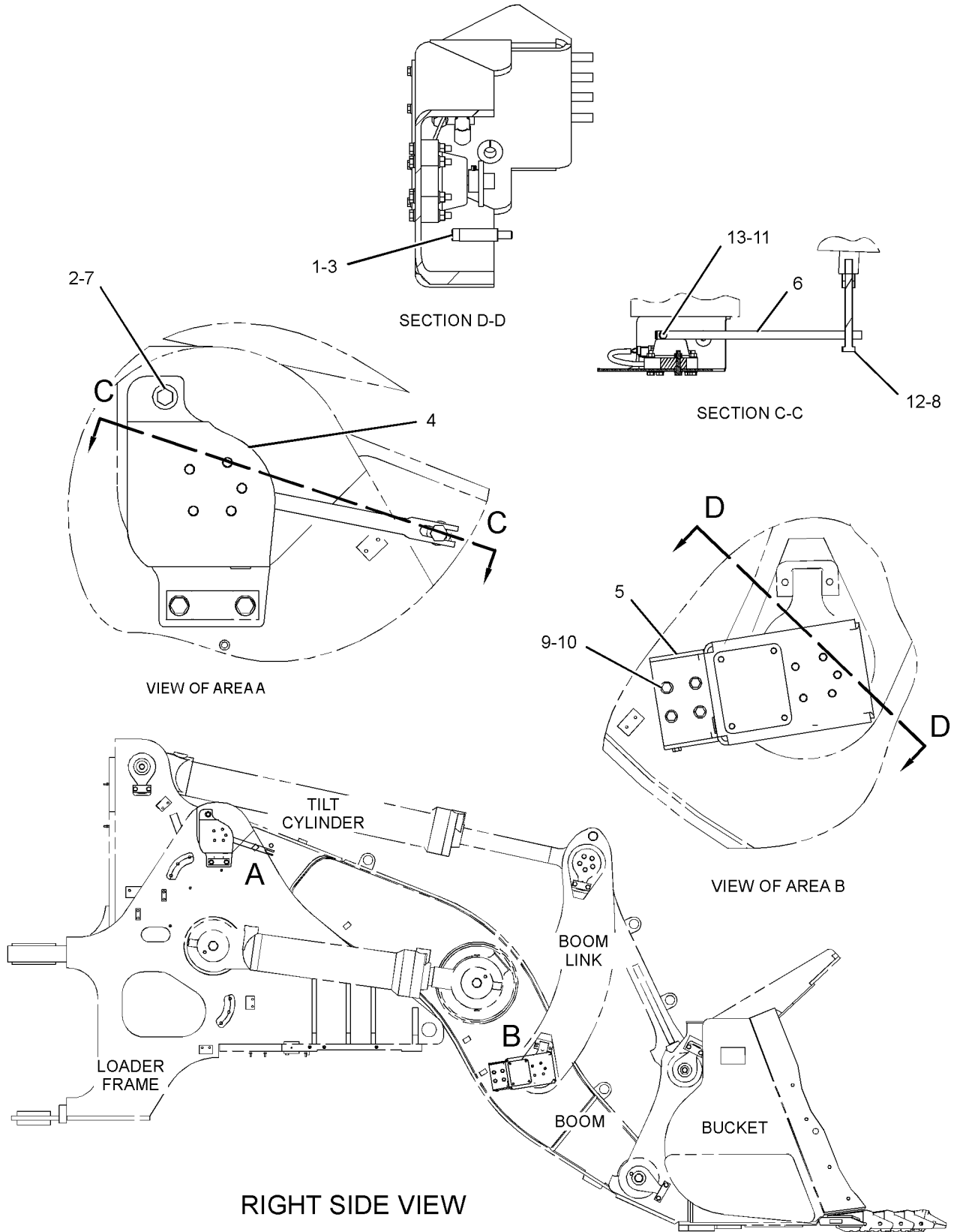
M - METRIC PART

Y - SEPARATE ILLUSTRATION

# ELECTRICAL AND STARTING SYSTEM

114-5192 CONTROL GP-LIFT & TILT POS (contd.)

i05223689



GRAPHIC #1

<END>

g03338442

# ELECTRICAL AND STARTING SYSTEM

## 114-5192 CONTROL GP-LIFT & TILT POS

S/N: BNH819-UP

PART OF 203-1579 ELECTRICAL AR

SMCS-5109, 5112, 5736

i02468688

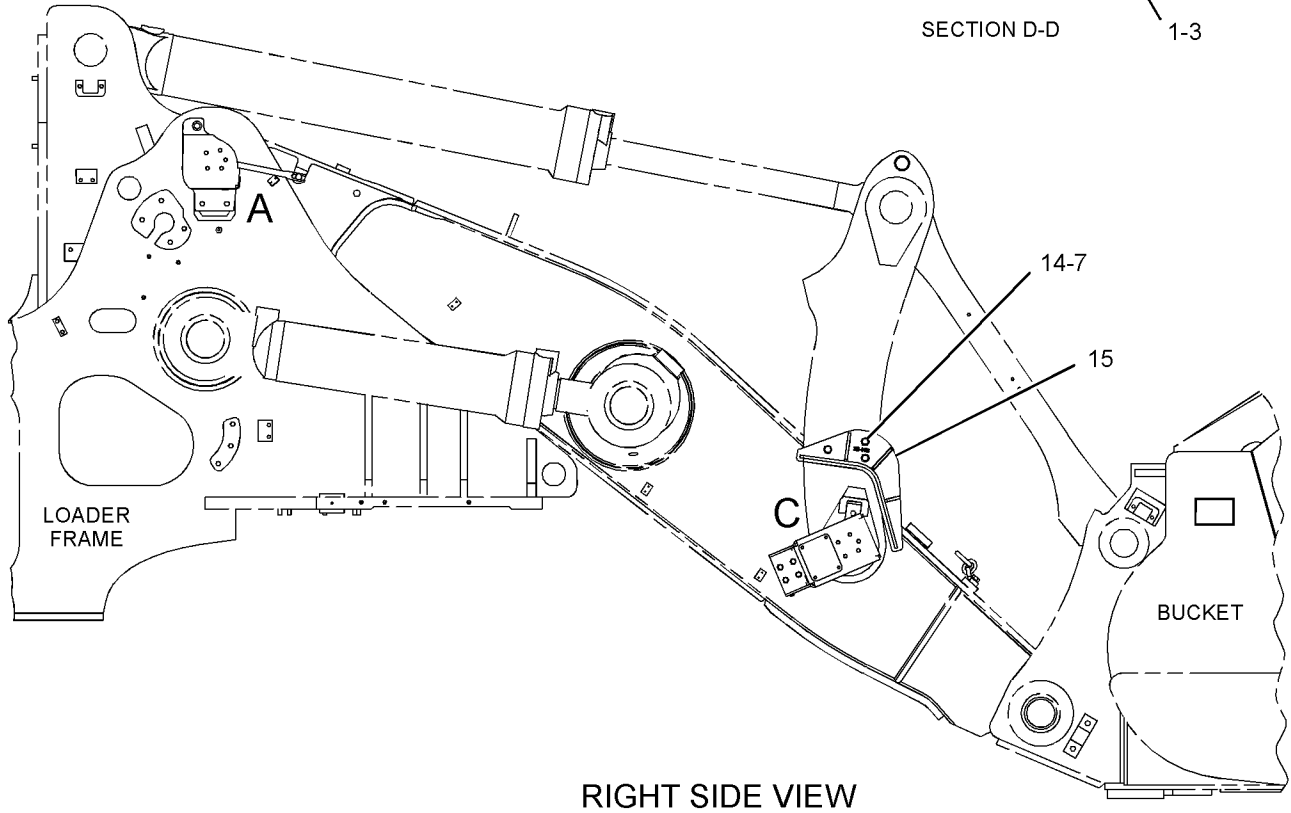
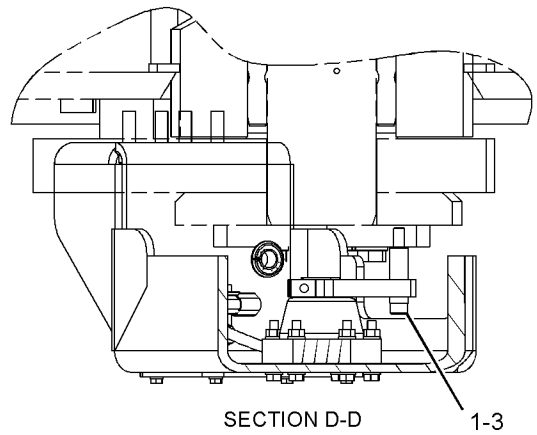
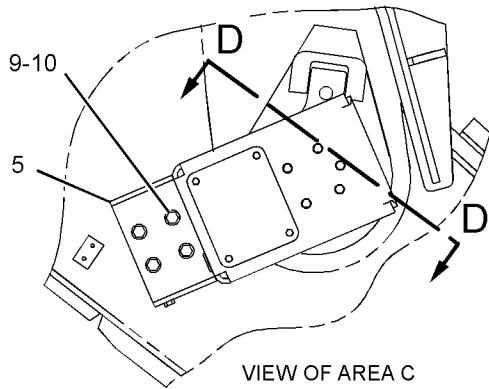
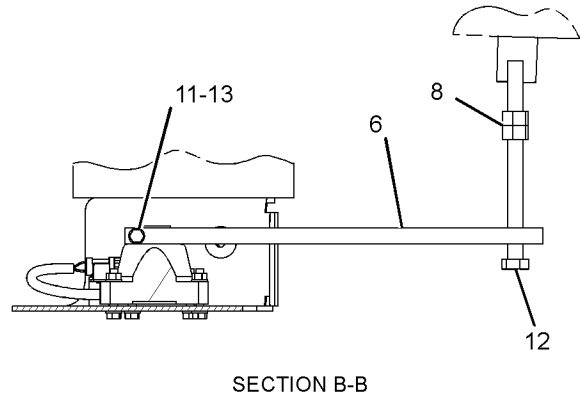
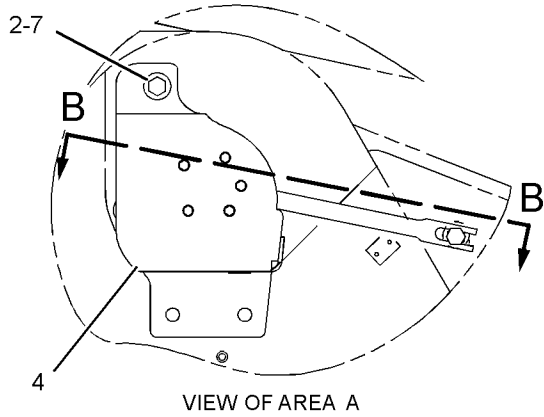
NOTE	REF NO	GRAPHIC REF	PART NUMBER	QTY	PART NAME						SEE PAGE
					1	2	3	4	5	6 (PRODUCT LEVEL)	
M	1	1	<b>105-3483</b>	1	BOLT-SOCKET HEAD (M10X1.5X70-MM)						
	2	1	<b>120-5737</b>	1	WASHER (17.5X40X4-MM THK)						
	3	1	<b>168-6514</b>	1	SPACER						
Y	4	1	<i>169-3301</i>	1	SENSOR & MTG GP-LIFT POSITION						294
Y	5	1	<i>169-3302</i>	1	SENSOR & MTG GP-TILT POSITION						295
	6	1	<b>174-8849</b>	1	PLATE AS						
CM	7	1	<b>7X-2553</b>	4	BOLT (M16X2X40-MM)						
M	8	1	<b>8T-4132</b>	2	NUT (M16X2-THD)						
M	9	1	<b>8T-4183</b>	4	BOLT (M12X1.75X40-MM)						
	10	1	<b>8T-4223</b>	4	WASHER-HARD (13.5X25.5X3-MM THK)						
	11	1	<b>8T-4224</b>	1	WASHER-HARD (8.8X16X2-MM THK)						
M	12	1	<b>8T-6383</b>	1	BOLT (M16X2X200-MM)						
M	13	1	<b>8T-7547</b>	1	BOLT (M8X1.25X30-MM)						
C	14	1	<b>7X-0515</b>	3	WASHER-HARD (17X35X5-MM THK)						
C	15	1	<b>219-4418</b>	1	GUARD AS-SENSOR (TILT POSITION)						

C - CHANGE FROM PREVIOUS TYPE  
M - METRIC PART  
Y - SEPARATE ILLUSTRATION

# ELECTRICAL AND STARTING SYSTEM

114-5192 CONTROL GP-LIFT & TILT POS (contd.)

i02468688



GRAPHIC #1

<END>

g01246960

# ELECTRICAL AND STARTING SYSTEM

## 172-9389 CONTROL GP-UNPROGRAMMED-POWER TRAIN\*R

S/N: BNH1-UP

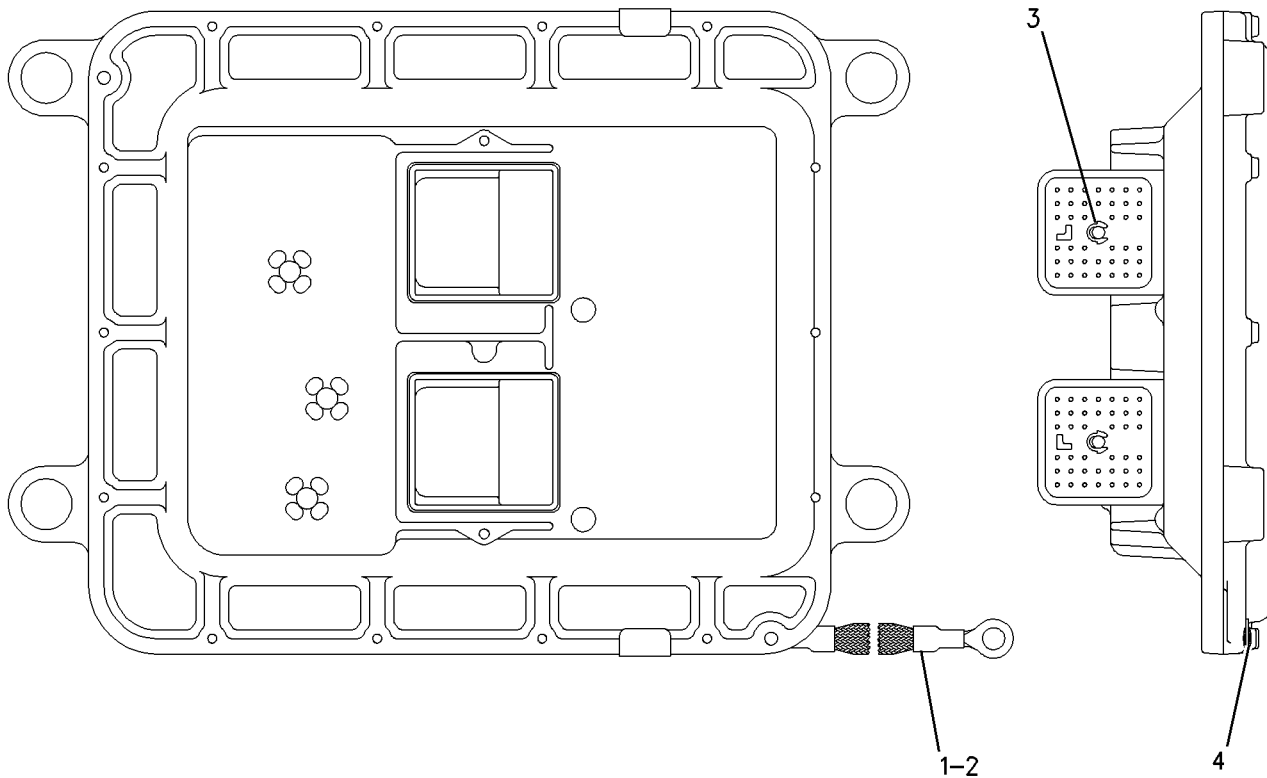
PART OF 203-1603 WIRING GP-ELECTRONICS BAY

SMCS-7610

i03901131

NOTE	REF NO	GRAPHIC REF	PART NUMBER	QTY	PART NAME						SEE PAGE
					1	2	3	4	5	6	
	1	1	<b>7X-6315</b>	1	STRAP AS-GROUND						
		1	<b>2L-8078</b>	1	TERMINAL-RING (14-GA TO 16-GA, 5/16-IN SCREW)						
		1	<b>2L-8075</b>	1	TERMINAL-RING (14-GA TO 16-GA, NO. 8 SCREW)						
	2	1	<b>101-0852</b>	1	SCREW-PAN HEAD (8-32X0.375-IN)						
M	3	1	<b>6V-6703</b>	2	KIT-RETAINING BOLT (UNPROGRAMMED CONTROL) (EACH INCLUDES BOLT, RING, AND SEALS)						
	4	1	<b>134-4126</b>	1	WASHER (4.52X8.28X0.76-MM THK)						

M - METRIC PART



GRAPHIC #1

<END>

g00951290

# ELECTRICAL AND STARTING SYSTEM

## 172-9391 CONTROL GP-UNPROGRAMMED-IMPLEMENT\*R

S/N: BNH1-UP

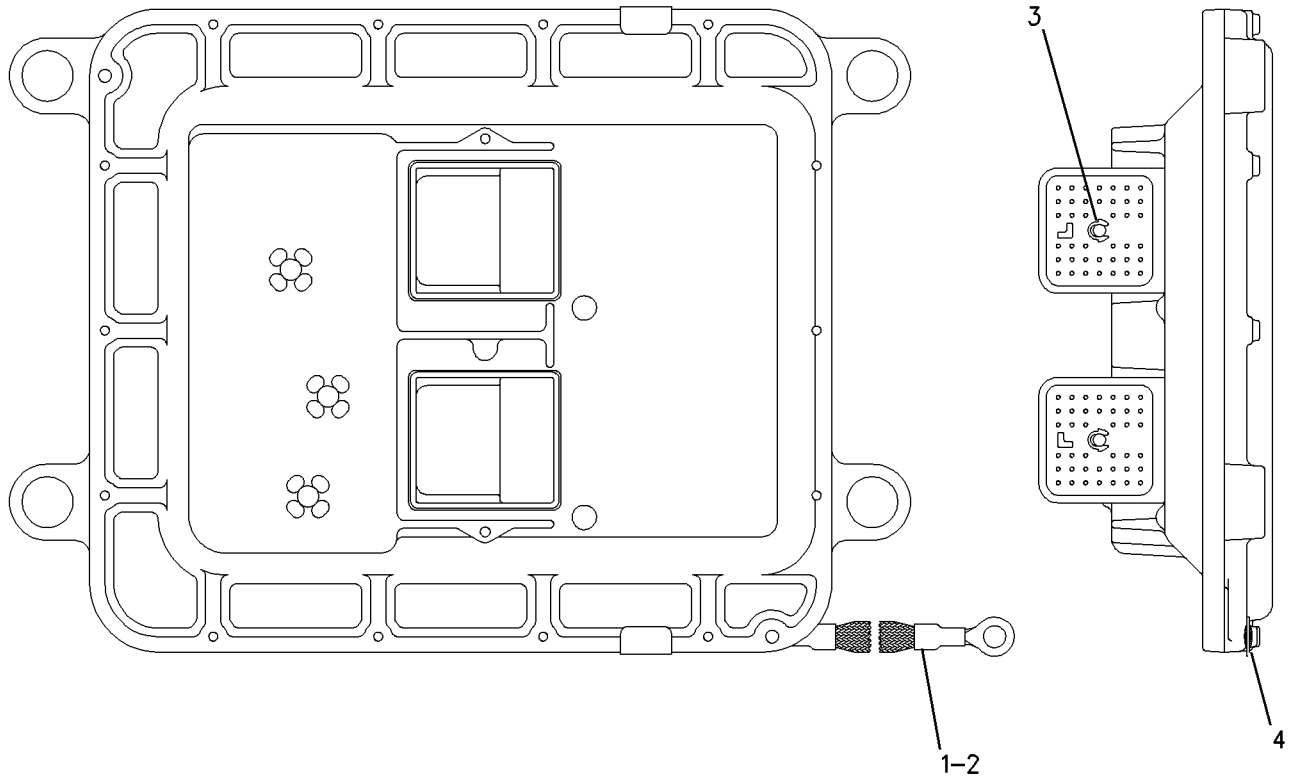
PART OF 203-1603 WIRING GP-ELECTRONICS BAY

SMCS-7610

i03901133

NOTE	REF NO	GRAPHIC REF	PART NUMBER	QTY	PART NAME						SEE PAGE
					1	2	3	4	5	6	
	1	1	<b>7X-6315</b>	1	STRAP AS-GROUND						
		1	<b>2L-8078</b>	1	TERMINAL-RING (14-GA TO 16-GA, 5/16-IN SCREW)						
		1	<b>2L-8075</b>	1	TERMINAL-RING (14-GA TO 16-GA, NO. 8 SCREW)						
	2	1	<b>101-0852</b>	1	SCREW-PAN HEAD (8-32X0.375-IN)						
M	3	1	<b>6V-6703</b>	2	KIT-RETAINING BOLT (UNPROGRAMMED CONTROL) (EACH INCLUDES BOLT, RING & SEALS)						
	4	1	<b>134-4126</b>	1	WASHER (4.52X8.28X0.76-MM THK)						

M - METRIC PART



GRAPHIC #1

<END>

g00951283

# ELECTRICAL AND STARTING SYSTEM

## 203-1579 ELECTRICAL AR

S/N: BNH1-UP

PART OF 203-1564 COMMON AR

SMCS-1408, 1429, 7402, 7406

i02100223

NOTE	PART NUMBER	QTY	PART NAME						SEE PAGE
			1	2	3	4	5	6 (PRODUCT LEVEL)	
Y	114-5179	1	BATTERY & WIRING GP						229
Y	114-5192	1	CONTROL GP-LIFT & TILT POS						240
Y	204-8692	1	ELECTRONICS GP-IMPLEMENT						247
			S/N: BNH1-1061						
Y	243-4105	1	ELECTRONICS GP-IMPLEMENT						247
			S/N: BNH1062-UP						
Y	204-9884	1	ELECTRONICS GP-MONITOR (CATERPILLAR MONITORING SYSTEM)						248
			S/N: BNH1-1061						
Y	243-4107	1	ELECTRONICS GP-MONITOR (CATERPILLAR MONITORING SYSTEM)						248
			S/N: BNH1062-UP						
Y	204-8696	1	ELECTRONICS GP-POWER TRAIN						249
			S/N: BNH1-1061						
Y	243-4106	1	ELECTRONICS GP-POWER TRAIN						249
			S/N: BNH1062-UP						
Y	114-5174	1	FASTENER GP-ELECTRONICS						252
Y	173-8466	1	HORN GP-ELECTRIC						1134
Y	114-5186	1	LIGHTING GP-FLOOD						279
Y	109-6904	1	WARNING GP-BACKUP						356
Y	114-5143	1	WIRING GP-BUMPER						360
Y	203-1603	1	WIRING GP-ELECTRONICS BAY						378
Y	203-0973	1	WIRING GP-ENGINE						385
Y	114-5178	1	WIRING GP-FRONT						393
			S/N: BNH1-591						
Y	221-9752	1	WIRING GP-FRONT						396
			S/N: BNH592-UP						
Y	203-1597	1	WIRING GP-MACHINE						399
Y	203-1601	1	WIRING GP-POWER TRAIN						406
			S/N: BNH1-1061						
Y	228-4402	1	WIRING GP-POWER TRAIN						412
			S/N: BNH1062-UP						
Y	114-5183	1	WIRING GP-REAR						415
Y	141-8719	1	WIRING GP-SENSOR (HIGH LIFT MACHINES)						416
Y	163-3997	1	WIRING GP-SHUTOFF (GROUND LEVEL)						421

Y - SEPARATE ILLUSTRATION

<END>



# ELECTRICAL AND STARTING SYSTEM

## 204-8692 ELECTRONICS GP-IMPLEMENT

S/N: BNH1-1061

PART OF 203-1579 ELECTRICAL AR

SMCS-5701, 7610, 7620

i01944152

NOTE	PART NUMBER	QTY	PART NAME						SEE PAGE
			1	2	3	4	5	6 (PRODUCT LEVEL)	
	134-3379	1	FILM-IDENTIFICATION (ELECTRONIC CONTROL MODULE)						
			(NOT SERVICED SEPARATELY-FACTORY INSTALLED)						
	221-7674	1	SOFTWARE GP-IMPLEMENT						
			NOTE: 221-7675 SERVICE GP-IMPLEMENT IS AVAILABLE						
			NOTE: THIS ELECTRONICS GP CONTAINS SOFTWARE FOR CONTROL GP-UNPROGRAMMED (IMPLEMENT)						
			<END>						

## 243-4105 ELECTRONICS GP-IMPLEMENT

S/N: BNH1062-UP

PART OF 203-1579 ELECTRICAL AR

SMCS-5701, 7610, 7620

i02100299

NOTE	PART NUMBER	QTY	PART NAME						SEE PAGE
			1	2	3	4	5	6 (PRODUCT LEVEL)	
	134-3379	1	FILM-IDENTIFICATION (ELECTRONIC CONTROL MODULE)						
			(NOT SERVICED SEPARATELY-FACTORY INSTALLED)						
	248-3141	1	SOFTWARE GP-IMPLEMENT						
			NOTE: 248-3142 SERVICE GP-IMPLEMENT IS AVAILABLE						
			NOTE: THIS ELECTRONICS GP CONTAINS SOFTWARE FOR CONTROL GP-UNPROGRAMMED (IMPLEMENT)						
			<END>						

# ELECTRICAL AND STARTING SYSTEM

## 204-9884 ELECTRONICS GP-MONITOR-CATERPILLAR MONITORING SYSTEM

S/N: BNH1-1061

PART OF 203-1579 ELECTRICAL AR

SMCS-7490, 7494, 7601, 7603, 7610, 7620

i01944141

NOTE	PART NUMBER	QTY	PART NAME						SEE PAGE
			1	2	3	4	5	6 (PRODUCT LEVEL)	
	134-3379	1	FILM-IDENTIFICATION (ELECTRONIC CONTROL MODULE)						
			(NOT SERVICED SEPARATELY-FACTORY INSTALLED)						
	224-6570	1	SOFTWARE GP-MONITOR (CATERPILLAR MONITORING SYSTEM)						
			NOTE: 224-6571 SERVICE GP-MONITOR IS AVAILABLE						
			NOTE: THIS ELECTRONICS GP CONTAINS SOFTWARE FOR CONTROL GP-UNPROGRAMMED (MONITOR)						
			<END>						

## 243-4107 ELECTRONICS GP-MONITOR-CATERPILLAR MONITORING SYSTEM

S/N: BNH1062-UP

PART OF 203-1579 ELECTRICAL AR

SMCS-7490, 7494, 7601, 7603, 7610, 7620

i02100224

NOTE	PART NUMBER	QTY	PART NAME						SEE PAGE
			1	2	3	4	5	6 (PRODUCT LEVEL)	
	134-3379	1	FILM-IDENTIFICATION (ELECTRONIC CONTROL MODULE)						
			(NOT SERVICED SEPARATELY-FACTORY INSTALLED)						
	243-3606	1	SOFTWARE GP-MONITOR (CATERPILLAR MONITORING SYSTEM)						
			NOTE: 243-3607 SERVICE GP-MONITOR IS AVAILABLE						
			NOTE: THIS ELECTRONICS GP CONTAINS SOFTWARE FOR CONTROL GP-UNPROGRAMMED (MONITOR)						
			<END>						

# ELECTRICAL AND STARTING SYSTEM

## 204-8696 ELECTRONICS GP-POWER TRAIN

S/N: BNH1-1061

PART OF 203-1579 ELECTRICAL AR

SMCS-4800, 4808, 7610, 7620

i01972636

NOTE	PART NUMBER	QTY	PART NAME						SEE PAGE
			1	2	3	4	5	6 (PRODUCT LEVEL)	
	134-3379	1	FILM-IDENTIFICATION (ELECTRONIC CONTROL MODULE)						
			(NOT SERVICED SEPARATELY-FACTORY INSTALLED)						
	231-3871	1	SOFTWARE GP-POWER TRAIN						
			NOTE: 231-3872 SERVICE GP-POWER TRAIN IS AVAILABLE						
			NOTE: THIS ELECTRONICS GP CONTAINS SOFTWARE FOR CONTROL GP-UNPROGRAMMED (POWER TRAIN)						
			<END>						

## 243-4106 ELECTRONICS GP-POWER TRAIN

S/N: BNH1062-UP

PART OF 203-1579 ELECTRICAL AR

SMCS-4800, 4808, 7610, 7620

i02100231

NOTE	PART NUMBER	QTY	PART NAME						SEE PAGE
			1	2	3	4	5	6 (PRODUCT LEVEL)	
	134-3379	1	FILM-IDENTIFICATION (ELECTRONIC CONTROL MODULE)						
			(NOT SERVICED SEPARATELY-FACTORY INSTALLED)						
	243-3814	1	SOFTWARE GP-POWER TRAIN						
			NOTE: 243-3815 SERVICE GP-POWER TRAIN IS AVAILABLE						
			NOTE: THIS ELECTRONICS GP CONTAINS SOFTWARE FOR CONTROL GP-UNPROGRAMMED (POWER TRAIN)						
			<END>						

# ELECTRICAL AND STARTING SYSTEM

## 134-6724 ENCLOSURE GP-ELECTRONICS BAY

S/N: BNH1-UP

PART OF 203-1603 WIRING GP-ELECTRONICS BAY

SMCS-

i02394057

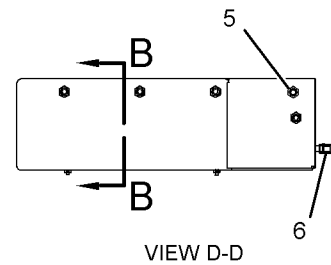
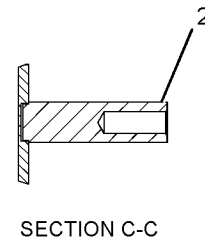
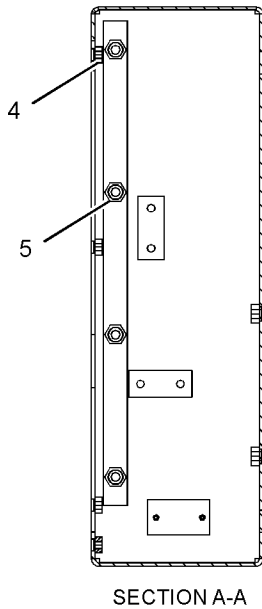
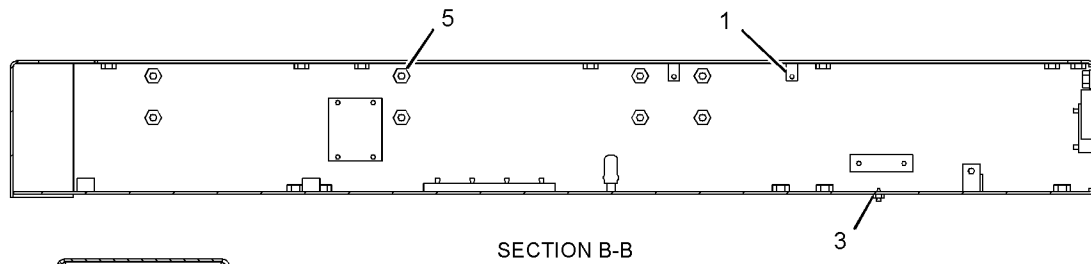
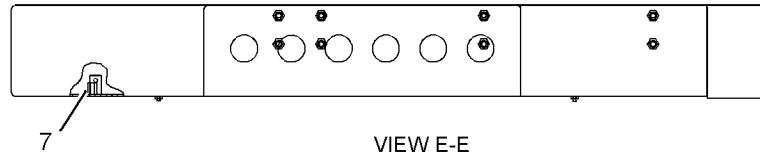
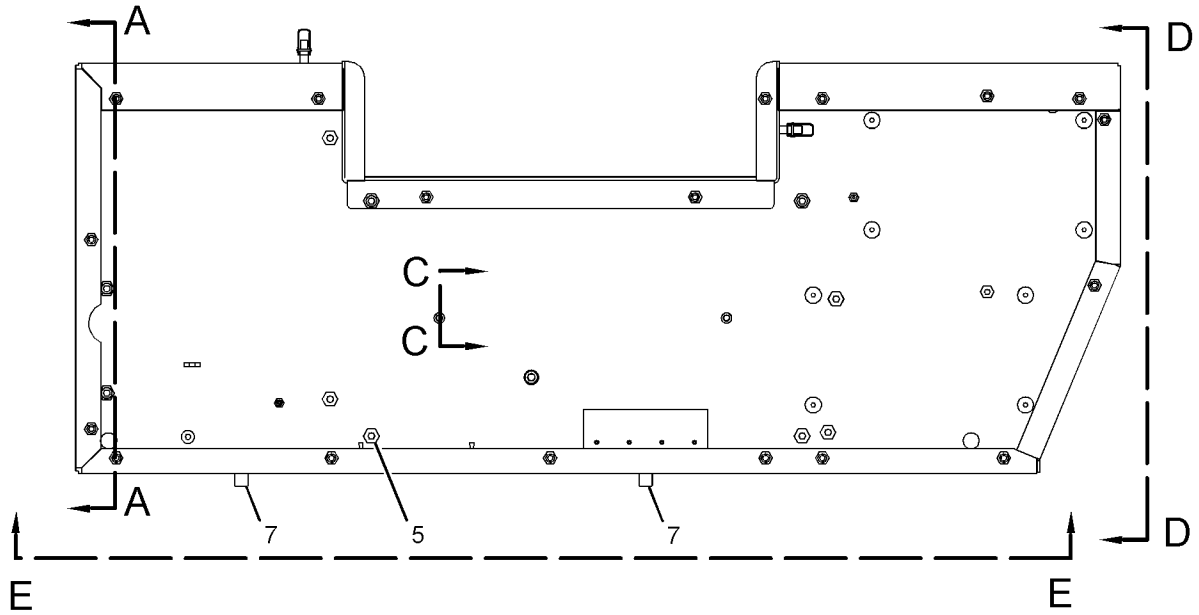
NOTE	REF NO	GRAPHIC REF	PART NUMBER	QTY	PART NAME						SEE PAGE
					1	2	3	4	5	6	
	1	1	095-2887	2	PLATE						
	2	1	151-0961	2	BOSS						
M	3	1	6V-9632	2	NUT-WELD (M6X1-THD)						
M	4	1	8T-3490	19	NUT-WELD (M10X1.5-THD)						
M	5	1	8T-3597	25	NUT-WELD (M12X1.75-THD)						
M	6	1	8T-3635	4	STUD-WELD (M12X1.75X34.93-MM OAL)						
M	7	1	9R-2613	3	BOSS-WELD (M10X1.5X25-MM)						

M - METRIC PART

# ELECTRICAL AND STARTING SYSTEM

134-6724 ENCLOSURE GP-ELECTRONICS BAY (contd.)

i02394057



GRAPHIC #1

<END>

g01199353

# ELECTRICAL AND STARTING SYSTEM

## 114-5174 FASTENER GP-ELECTRONICS

S/N: BNH1-UP

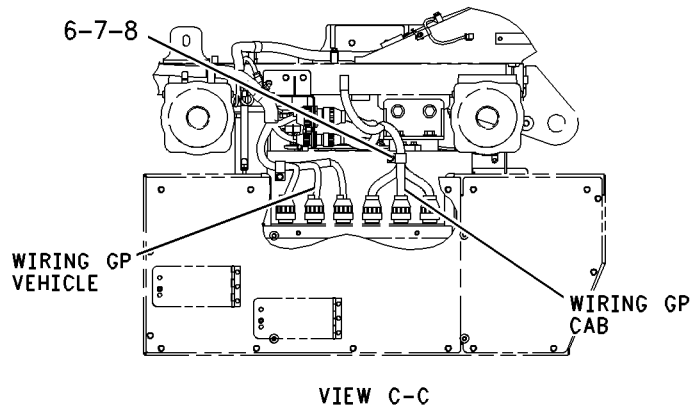
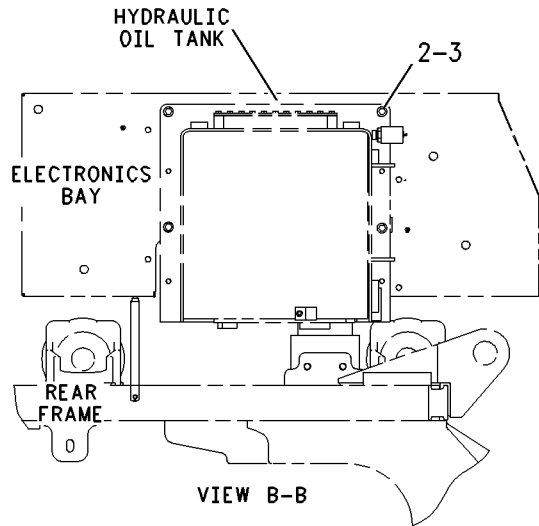
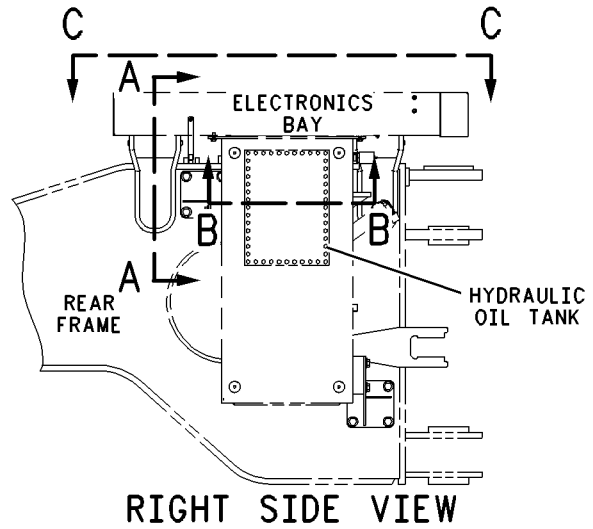
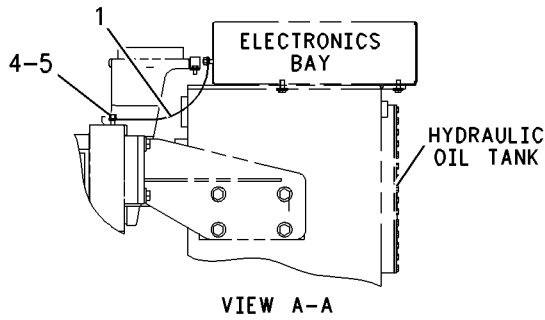
PART OF 203-1579 ELECTRICAL AR

SMCS-7553

i01365316

NOTE	REF NO	GRAPHIC REF	PART NUMBER	QTY	PART NAME						SEE PAGE
					1	2	3	4	5	6	
	1	1	<b>6Y-6584</b>	1	STRAP AS-GROUND						
	2	1	<b>5P-1076</b>	4	WASHER-HARD (13.5X30X4-MM THK)						
M	3	1	<b>8T-4139</b>	4	BOLT (M12X1.75X30-MM)						
	4	1	<b>8T-4223</b>	2	WASHER-HARD (13.5X25.5X3-MM THK)						
M	5	1	<b>8T-4244</b>	2	NUT (M12X1.75-THD)						
	6	1	<b>4D-7388</b>	1	CLIP						
	7	1	<b>8T-4121</b>	1	WASHER-HARD (11X21X2.5-MM THK)						
M	8	1	<b>8T-4137</b>	1	BOLT (M10X1.5X20-MM)						

M - METRIC PART



GRAPHIC #1

<END>

g00721329

# ELECTRICAL AND STARTING SYSTEM

## 160-4248 HEATER AR-FUEL

S/N: BNH1-1125

CANNOT BE USED WITH 160-4246 FUEL AR-CONVENTIONAL FILL, 160-4247 FUEL AR-FAST FILL,  
160-4249 FUEL AR-HEATER & FAST FILL  
AN ATTACHMENT

SMCS-1273, 1296

i01946443

NOTE	REF NO	GRAPHIC REF	PART NUMBER	QTY	PART NAME						SEE PAGE
					1	2	3	4	5	6	
J	1	1	<b>7X-7700</b>	1	CAP AS-FUEL (LOCKABLE, VENTED)						
		1	<b>9X-8600</b>	1	SEAL-O-RING						
Y	2	1	159-1539	1	LINES GP-FUEL HEATER (WITH CAB HEATER LINES)						201
	3	1	<b>205-7303</b>		ADAPTER-FAST FILL FUEL						
	4	1	<b>221-2372</b>	1	ADAPTER (FAST FILL FUEL)						
	5	1	<b>1H-8128</b>	1	SEAL-O-RING						
	6	1	<b>4H-9027</b>	2	PLUG-PIPE						
	7	1	<b>5H-6734</b>	1	SEAL-O-RING						
	8	1	<b>8T-4121</b>	12	WASHER-HARD (11X21X2.5-MM THK)						
M	9	1	<b>8T-4137</b>	6	BOLT (M10X1.5X20-MM)						
M	10	1	<b>8T-4196</b>	6	BOLT (M10X1.5X35-MM)						

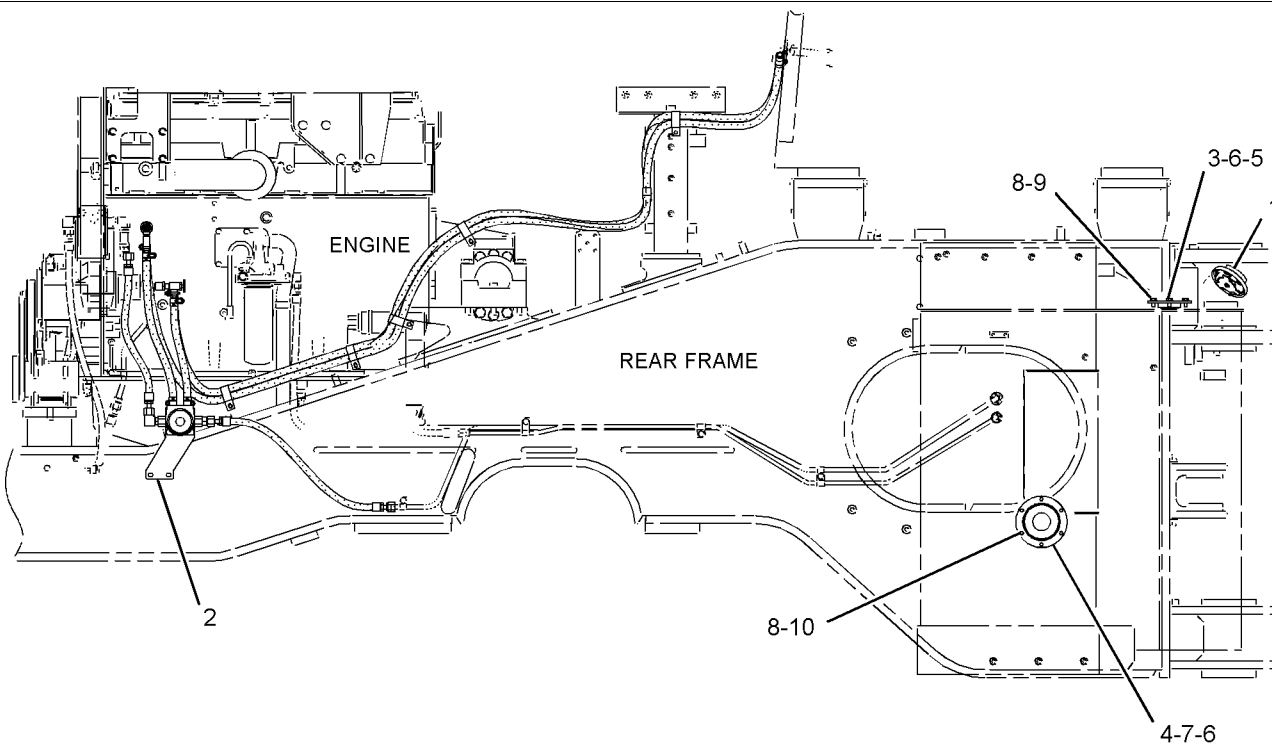
AVAILABLE REPAIR KIT(S):

J **9X-2205** 1 KIT-CAP FILTER (FUEL TANK)

J - PART MARKED J INCLUDES REPAIR KIT MARKED J

M - METRIC PART

Y - SEPARATE ILLUSTRATION



RIGHT SIDE VIEW

<END>

GRAPHIC #1

g01072177

# ELECTRICAL AND STARTING SYSTEM

## 160-4248 HEATER AR-FUEL

S/N: BNH1126-UP

**CANNOT BE USED WITH 160-4246 FUEL AR-CONVENTIONAL FILL, 160-4247 FUEL AR-FAST FILL,  
160-4249 FUEL AR-HEATER & FAST FILL  
AN ATTACHMENT**

SMCS-1273, 1296

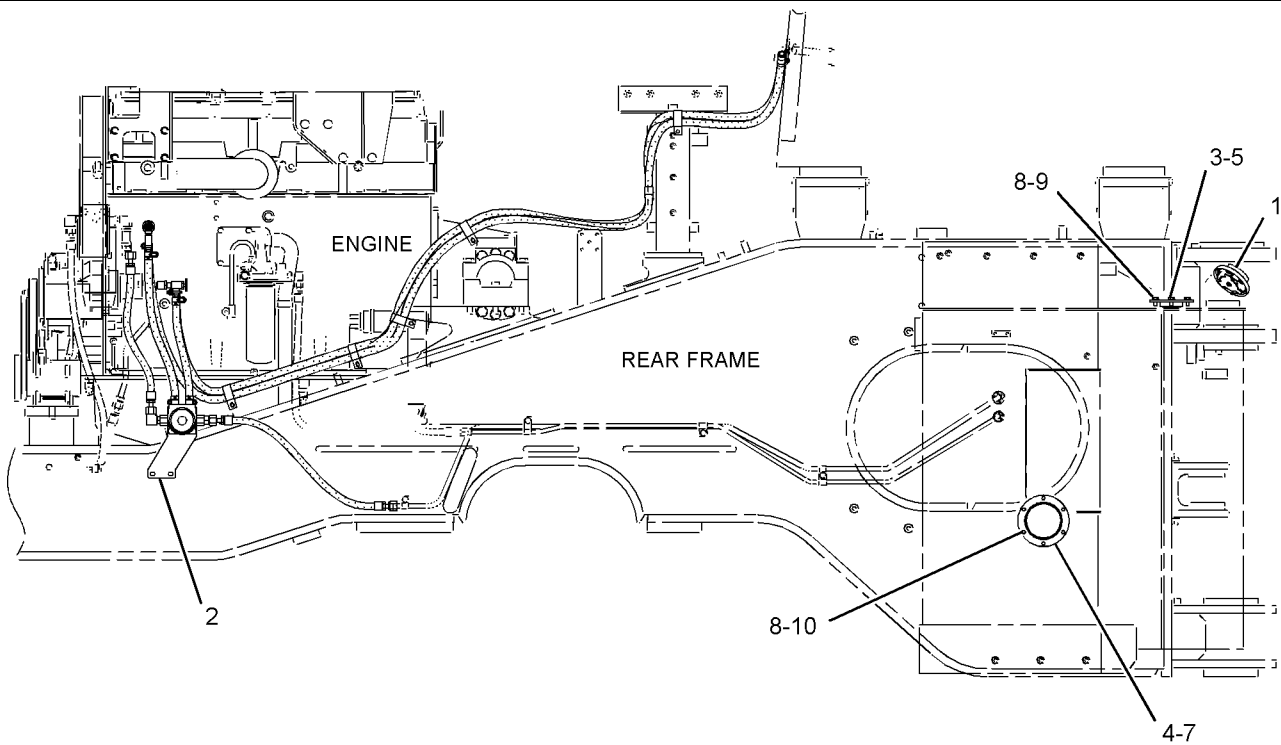
i02127972

NOTE	REF NO	GRAPHIC REF	PART NUMBER	QTY	PART NAME						SEE PAGE
					1	2	3	4	5	6 (PRODUCT LEVEL)	
J	1	1	<b>7X-7700</b>	1	CAP AS-FUEL (LOCKABLE, VENTED)						
		1	<b>9X-8600</b>	1	SEAL-O-RING						
Y	2	1	159-1539	1	LINES GP-FUEL HEATER (WITH CAB HEATER LINES)						201
C	3	1	<b>187-1679</b>		COVER						
C	4	1	<b>164-3417</b>	1	COVER						
	5	1	<b>1H-8128</b>	1	SEAL-O-RING						
	7	1	<b>5H-6734</b>	1	SEAL-O-RING						
	8	1	<b>8T-4121</b>	12	WASHER-HARD (11X21X2.5-MM THK)						
CM	9	1	<b>101-7404</b>	6	BOLT-SOCKET HEAD (M10X1.5X30-MM)						
CM	10	1	<b>8T-4195</b>	6	BOLT (M10X1.5X30-MM)						

AVAILABLE REPAIR KIT(S):

J			<b>9X-2205</b>	1	KIT-CAP FILTER (FUEL TANK)					
---	--	--	----------------	---	----------------------------	--	--	--	--	--

C - CHANGE FROM PREVIOUS TYPE  
 J - PART MARKED J INCLUDES REPAIR KIT MARKED J  
 M - METRIC PART  
 Y - SEPARATE ILLUSTRATION



GRAPHIC #1

<END>

g01085300



# ELECTRICAL AND STARTING SYSTEM

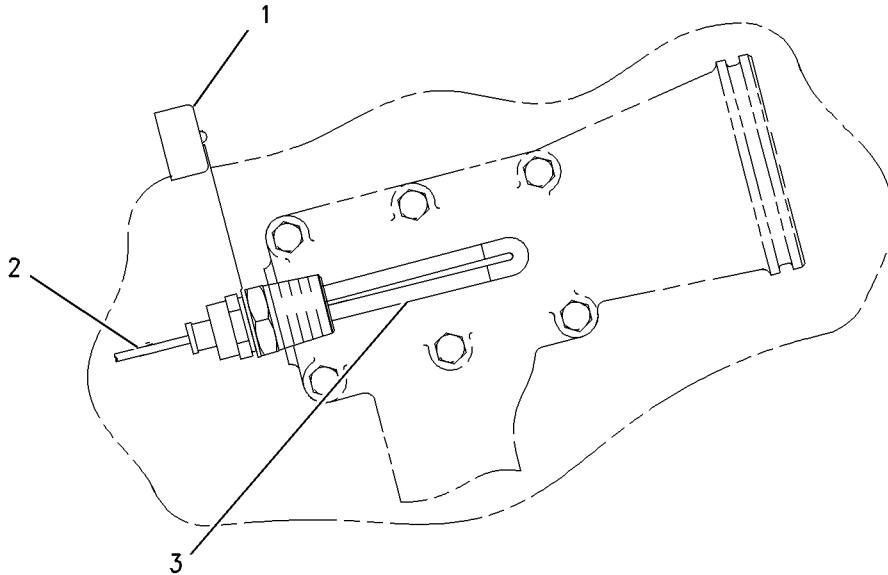
## 190-3132 HEATER GP-JACKET WATER

S/N: BNH1-334  
240-VOLT, 1500-WATT  
AN ATTACHMENT

SMCS-1383

i02261654

NOTE	REF NO	GRAPHIC REF	PART NUMBER	QTY	PART NAME						SEE PAGE
					1	2	3	4	5	6 (PRODUCT LEVEL)	
	1	1	<b>6N-1604</b>	1	CAP AS-DUST						
	2	1	<b>4N-8227</b>	1	CORD AS-HEATER ELEMENT (240-VOLT, 15-AMPERE)						
	3	1	<b>6T-3764</b>	1	ELEMENT AS-JACKET WATER HEATER (240-VOLT, 1500-WATT)						



GRAPHIC #1

<END>

g00692006

# ELECTRICAL AND STARTING SYSTEM

## 190-3132 HEATER GP-JACKET WATER

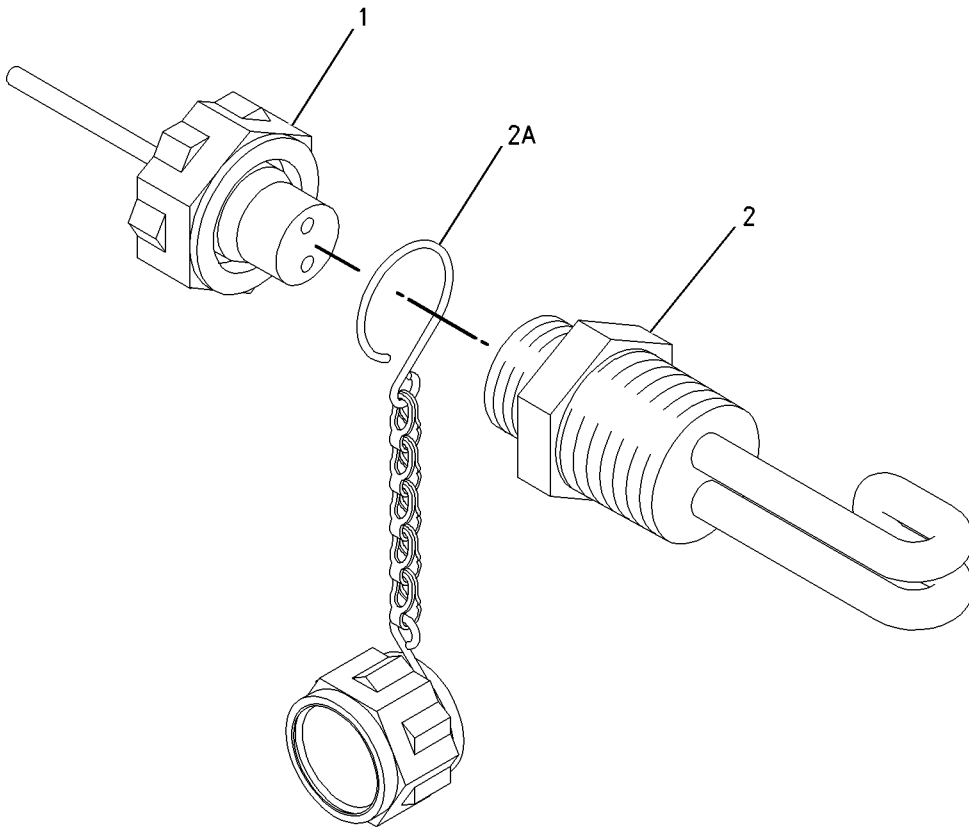
S/N: BNH335-UP  
240-VOLT, 1500-WATT  
AN ATTACHMENT

SMCS-1383

i01620054

NOTE	REF NO	GRAPHIC REF	PART NUMBER	QTY	PART NAME						SEE PAGE
					1	2	3	4	5	6	
	1	1	4N-8227	1	CORD AS-HEATER ELEMENT (240-VOLT, 15-AMPERE)						
C	2	1	207-6901	1	ELEMENT AS-JACKET WATER HEATER (240-VOLT, 1500-WATT) (1500 WATT-220 VOLT)						
	2A	1	133-6517	1	CAP AS-DUST						

C - CHANGE FROM PREVIOUS TYPE



GRAPHIC #1

<END>

g00841521

# ELECTRICAL AND STARTING SYSTEM

## 207-7030 HEATER GP-JACKET WATER

S/N: BNH1-UP

120-VOLT, 1500-WATT

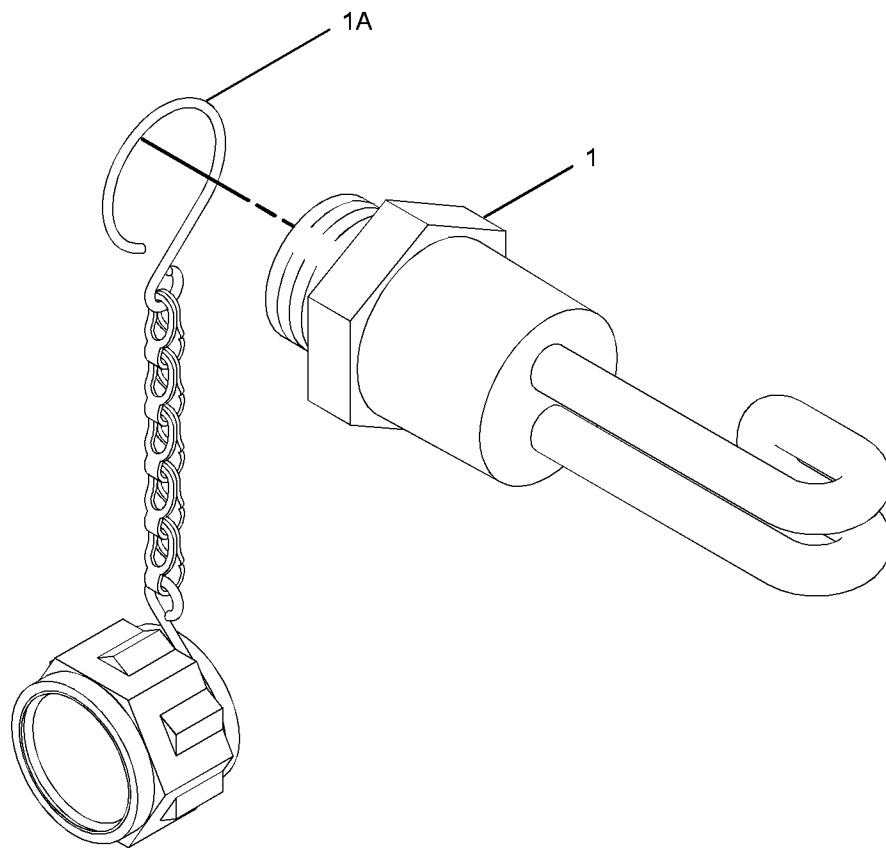
FOR USE WITH ENGINES REQUIRING A 110 VOLT HEATER ASSEMBLY THAT IS SHORTER THAN THE STANDARD HEATER

CANNOT BE USED WITH 190-3132-PAGE: 255  
AN ATTACHMENT

SMCS-1383

i02686109

NOTE	REF NO	GRAPHIC REF	PART NUMBER	QTY	PART NAME						SEE PAGE
					1	2	3	4	5	6 (PRODUCT LEVEL)	
	1	1	207-7025	1	ELEMENT AS-JACKET WATER HEATER						
	1A	1	133-6517	1	CAP AS-DUST						



GRAPHIC #1

<END>

g01349627

# ELECTRICAL AND STARTING SYSTEM

## 353-5450 KIT-CAMERA

S/N: BNH1-UP  
FIELD INSTALLATION

SMCS-7348

i04398639

NOTE	PART NUMBER	QTY	PART NAME						SEE PAGE
			1	2	3	4	5	6 (PRODUCT LEVEL)	
J	347-1668	1	CAMERA GP (115-DEG, COLOR)						
	344-2731	1	MODULE GP-DISPLAY (WORK AREA VISUAL SYSTEM)						
	8T-8729	5	PIN-CONNECTOR (16-GA TO 18-GA)						
	8T-8737	1	PLUG-SEAL						
	102-8805	1	KIT-RECEPTACLE (6-PIN) (INCLUDES RECEPTACLE AS & WEDGE)						
	344-3848	1	HARNESS AS-MONITOR (WORK AREA VISUAL SYSTEM)						
	275-0054	1	HARNESS AS-SWITCH						
	8T-8730	5	SOCKET-CONNECTOR (16-GA TO 18-GA)						
	8T-8737	1	PLUG-SEAL						
E	125-7875	5	TUBE-HEAT SHRINK (7.44-MM DIA) (5-CM)						
	155-2274	1	KIT-CONNECTING PLUG (6-PIN) (INCLUDES PLUG AS, WEDGE & INTERFACE SEAL)						
	275-6473	1	FUSE AS						
			AVAILABLE REPAIR KIT(S):						
J	251-4162	1	KIT-BRACKET (CAMERA) (INCLUDES BRACKET, BOLTS, LOCK NUTS, GASKET & ALLEN KEY)						
E - ORDER BY THE CENTIMETER J - KIT MARKED J SERVICES PART MARKED J									

<END>

# ELECTRICAL AND STARTING SYSTEM

## 3E-6389 LAMP GP-DOME

S/N: BNH1-UP

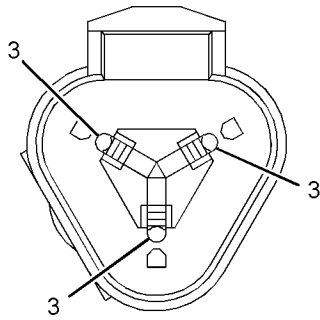
24-VOLT . WITH SWITCH

PART OF 136-2626 PANEL GP-INSTRUMENT, 346-3849 WIRING GP-CAB

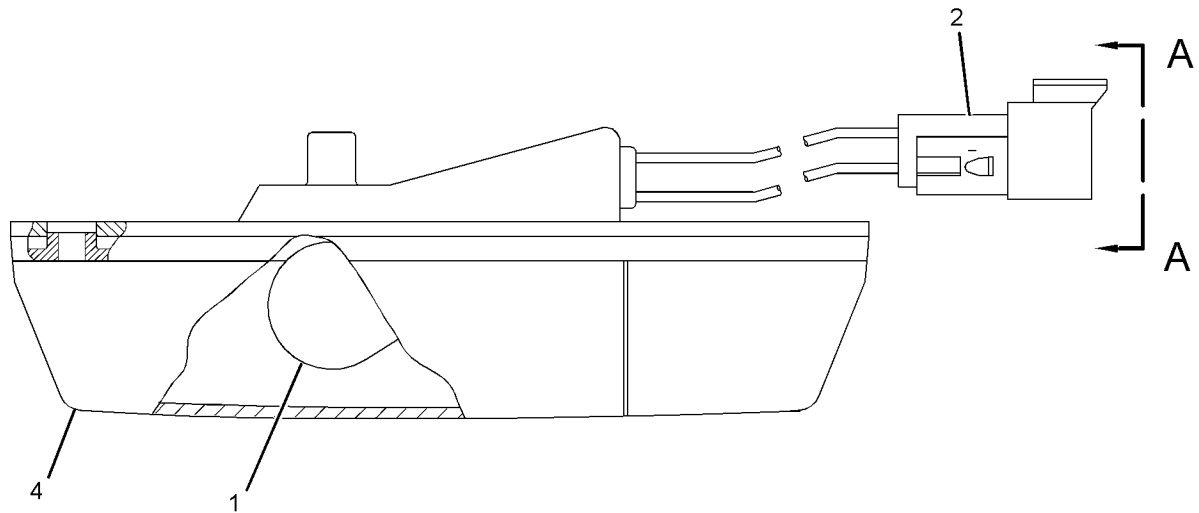
SMCS-1433

i04953731

NOTE	REF NO	GRAPHIC REF	PART NUMBER	QTY	PART NAME						SEE PAGE
					1	2	3	4	5	6 (PRODUCT LEVEL)	
	1	1	<b>7N-9943</b>	1	LAMP (24-VOLT) (DOME LIGHT)						
	2	1	<b>102-8803</b>	1	KIT-RECEPTACLE (3-PIN) (INCLUDES RECEPTACLE AS & WEDGE)						
	3	1	<b>8T-8729</b>	3	PIN-CONNECTOR (16-GA TO 18-GA)						
	4	1	<b>7T-0020</b>	1	LENS-DOME LAMP						



VIEW A-A



GRAPHIC #1

<END>

g02646562

# ELECTRICAL AND STARTING SYSTEM

## 147-0319 LAMP GP-FLOOD

S/N: BNH1-UP

24-VOLT, 70-WATT

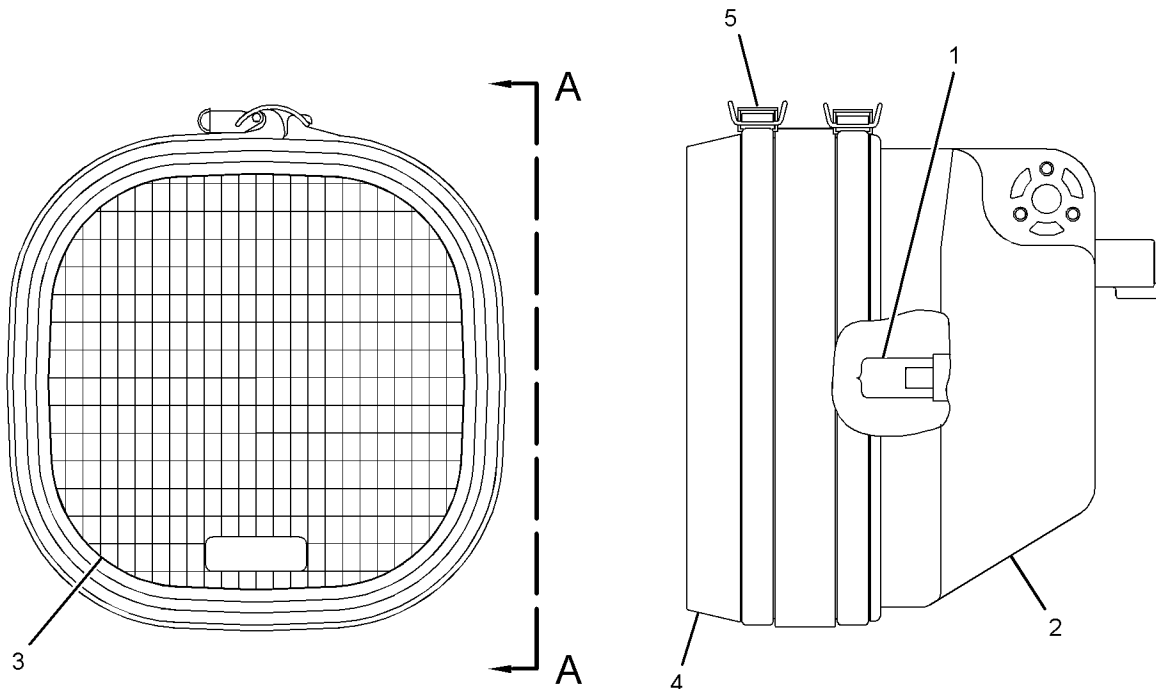
PART OF 152-9027, 152-9028 LIGHTING GP-FLOOD

ALSO AN ATTACHMENT

SMCS-1434

i04408843

NOTE	REF NO	GRAPHIC REF	PART NUMBER	QTY	PART NAME						SEE PAGE
					1	2	3	4	5	6	
1	1	1	351-9918	1	LAMP-HALOGEN (24-VOLT, 70-WATT)						
2	1	1	158-0250	1	BODY AS-LAMP						
3	1	1	375-0352	1	LENS AS (FLOODLIGHT)						
4	1	1	158-0252	1	BEZEL						
5	1	1	188-8849	2	CLAMP						



VIEW A-A

GRAPHIC #1

<END>

g02622156

# ELECTRICAL AND STARTING SYSTEM

## 153-2073 LAMP GP-FLOOD

S/N: BNH1-UP

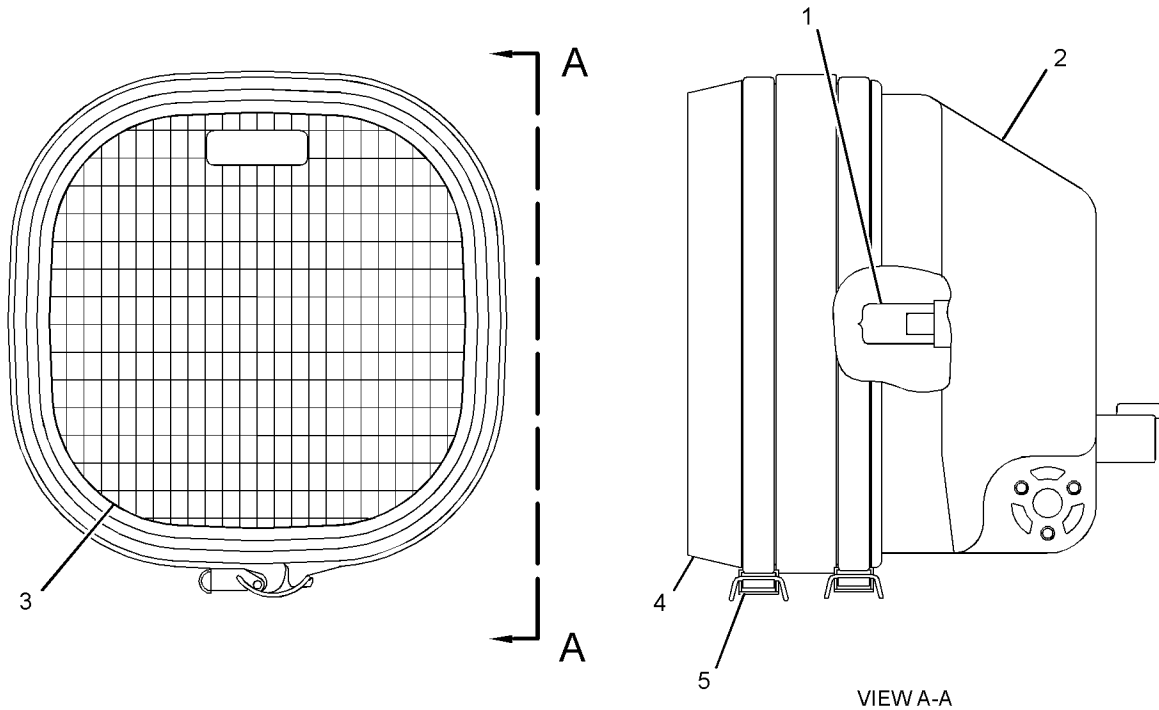
24-VOLT, 70-WATT

PART OF 114-5185, 114-5186 LIGHTING GP-FLOOD, 114-5187 LIGHTING GP-FLOOD & SIGNAL  
ALSO AN ATTACHMENT

SMCS-1434

i04408844

NOTE	REF NO	GRAPHIC REF	PART NUMBER	QTY	PART NAME						SEE PAGE
					1	2	3	4	5	6	
	1	1	<b>351-9918</b>	1	LAMP-HALOGEN (24-VOLT, 70-WATT)						
	2	1	<b>158-0250</b>	1	BODY AS-LAMP						
	3	1	<b>375-0352</b>	1	LENS AS (FLOODLIGHT)						
	4	1	<b>158-0252</b>	1	BEZEL						
	5	1	<b>188-8849</b>	2	CLAMP						



GRAPHIC #1

<END>

g02622056

# ELECTRICAL AND STARTING SYSTEM

## 219-6487 LAMP GP-FLOOD

S/N: BNH1-UP

24-VOLT, 70-WATT

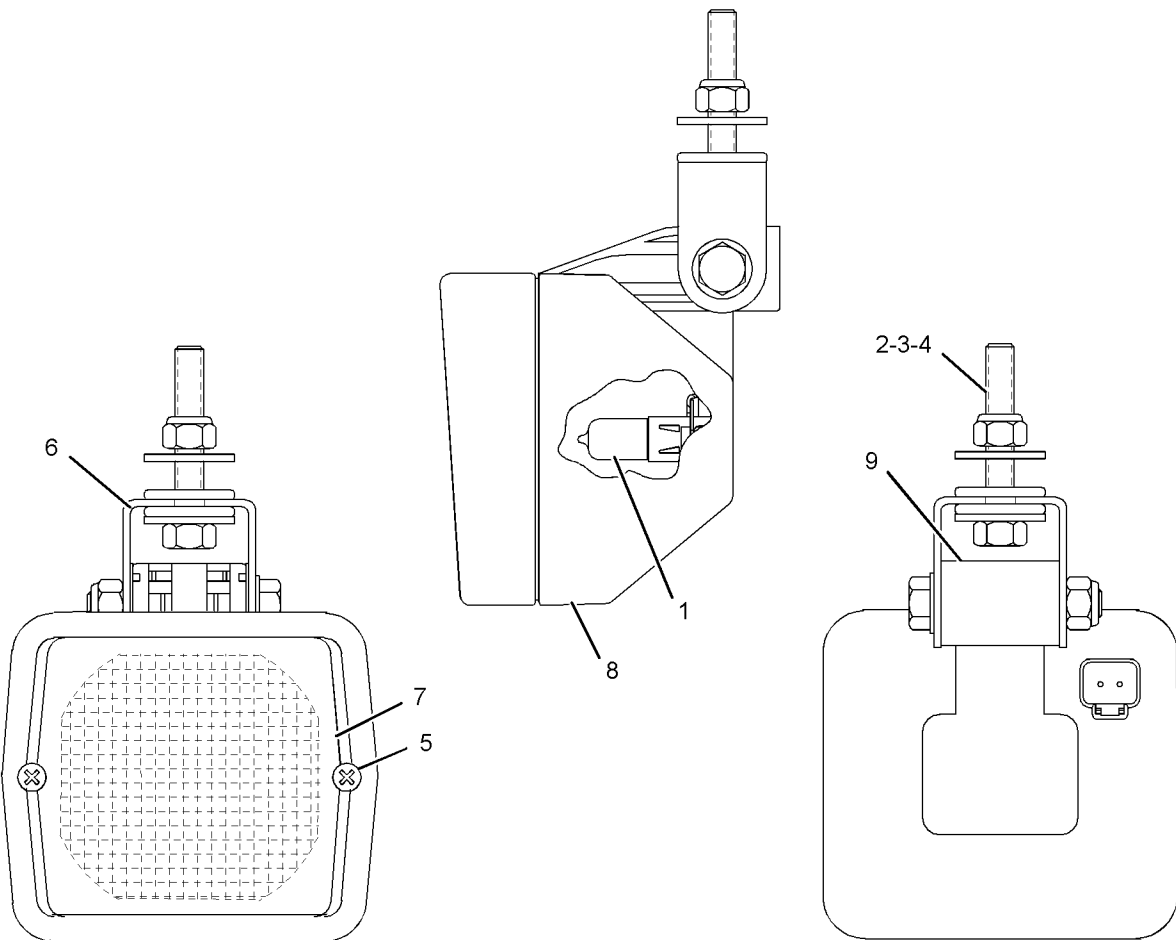
PART OF 346-3858 LIGHTING GP-FLOOD

SMCS-1434

i04321929

NOTE	REF NO	GRAPHIC REF	PART NUMBER	QTY	PART NAME						SEE PAGE
					1	2	3	4	5	6 (PRODUCT LEVEL)	
	1	1	<b>351-9918</b>	1	LAMP-HALOGEN (24-VOLT, 70-WATT)						
M	2	1	<b>8T-6912</b>	1	BOLT (M8X1.25X50-MM)						
M	3	1	<b>6V-9189</b>	1	LOCKNUT (M8X1.25-THD)						
	4	1	<b>8T-4224</b>	2	WASHER-HARD (8.8X16X2-MM THK)						
	5	1	<b>9X-4244</b>	2	SCREW-SPECIAL (M4X1.79X25-MM)						
	6	1	<b>175-4291</b>	1	BRACKET AS						
	7	1	<b>202-6614</b>	1	LENS AS (FLOODLIGHT)						
	8	1	<b>175-4292</b>	1	BODY AS						
	9	1	<b>164-7556</b>	1	BRACKET (LAMP RETAINING)						

M - METRIC PART



GRAPHIC #1

<END>

g02167882



# ELECTRICAL AND STARTING SYSTEM

## 332-9402 LAMP GP-FLOOD-HID

S/N: BNH1-UP

24-VOLT, 35-WATT

PART OF 346-3858 LIGHTING GP-FLOOD

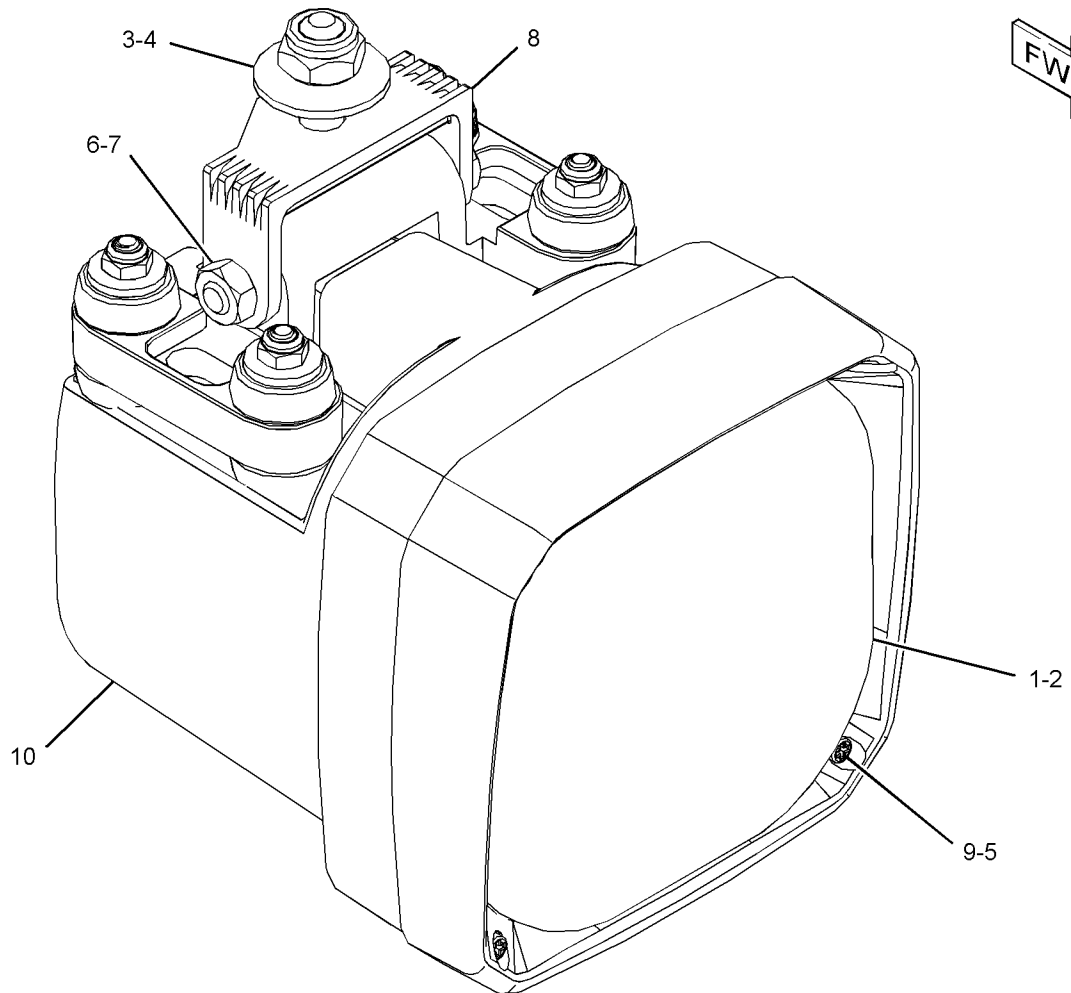
TYPE 1

SMCS-1434

i03792199

NOTE	REF NO	GRAPHIC REF	PART NUMBER	QTY	PART NAME						SEE PAGE
					1	2	3	4	5	6 (PRODUCT LEVEL)	
	1	1	277-3082	1	LENS AS						
	2	1	290-8160	1	LAMP (24-VOLT, HID)						
M	3	1	8T-4186	1	BOLT (M10X1.5X40-MM)						
	4	1	8T-4121	1	WASHER-HARD (11X21X2.5-MM THK)						
M	5	1	120-9027	4	SCREW-PAN HEAD (M3X0.5X16-MM)						
M	6	1	5P-8347	2	BOLT (M8X1.25X70-MM)						
M	7	1	6V-9189	2	LOCKNUT (M8X1.25-THD)						
	8	1	290-8996	1	BRACKET						
	9	1	229-9974	1	BEZEL						
	10	1	319-7384	1	BALLAST AS (24-VOLT, 35-WATT, HID)						

M - METRIC PART



GRAPHIC #1

<END>

g02059738

# ELECTRICAL AND STARTING SYSTEM

## 332-9402 LAMP GP-FLOOD-HID

S/N: BNH1-UP

24-VOLT, 35-WATT

PART OF 346-3858 LIGHTING GP-FLOOD

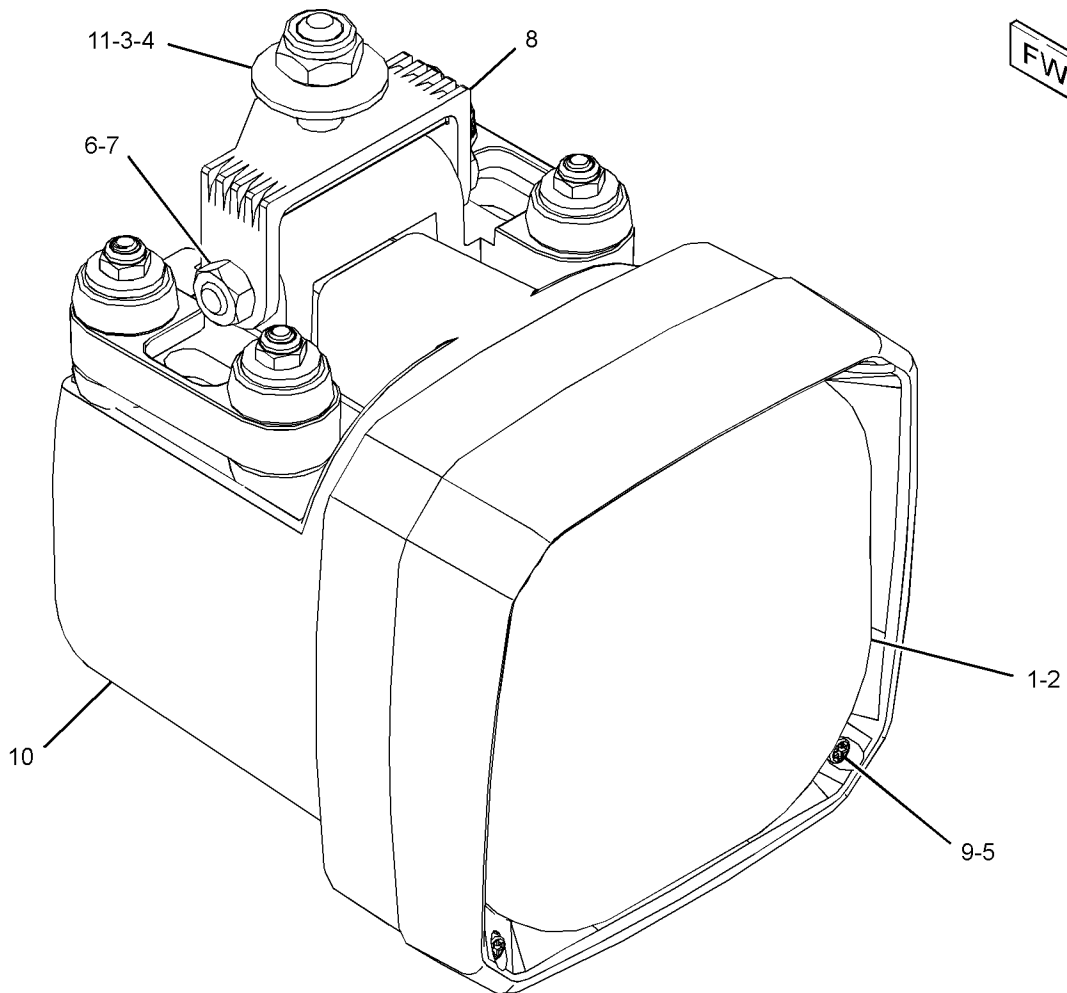
TYPE 2

SMCS-1434

i05242461

NOTE	REF NO	GRAPHIC REF	PART NUMBER	QTY	PART NAME						SEE PAGE
					1	2	3	4	5	6 (PRODUCT LEVEL)	
	1	1	360-0187	1	LENS AS						
	2	1	290-8160	1	LAMP (24-VOLT, HID)						
M	3	1	8T-4195	1	BOLT (M10X1.5X30-MM)						
	4	1	8T-4121	1	WASHER-HARD (11X21X2.5-MM THK)						
	5	1	228-6056	4	SCREW (4-32X1.26-IN)						
M	6	1	6V-9804	1	BOLT (M8X1.25X75-MM)						
M	7	1	6V-9189	1	LOCKNUT (M8X1.25-THD)						
	8	1	364-2657	1	BRACKET-HOUSING						
	9	1	229-9974	1	BEZEL						
	10	1	319-7384	1	BALLAST AS (24-VOLT, 35-WATT, HID)						
M	11	1	8T-0389	1	LOCKNUT (M10X1.5-THD)						

M - METRIC PART



GRAPHIC #1

<END>

g03102537

# ELECTRICAL AND STARTING SYSTEM

## 347-9427 LAMP GP-FLOOD-HID

S/N: BNH1-UP

24-VOLT, 35-WATT

PART OF 346-3858 LIGHTING GP-FLOOD

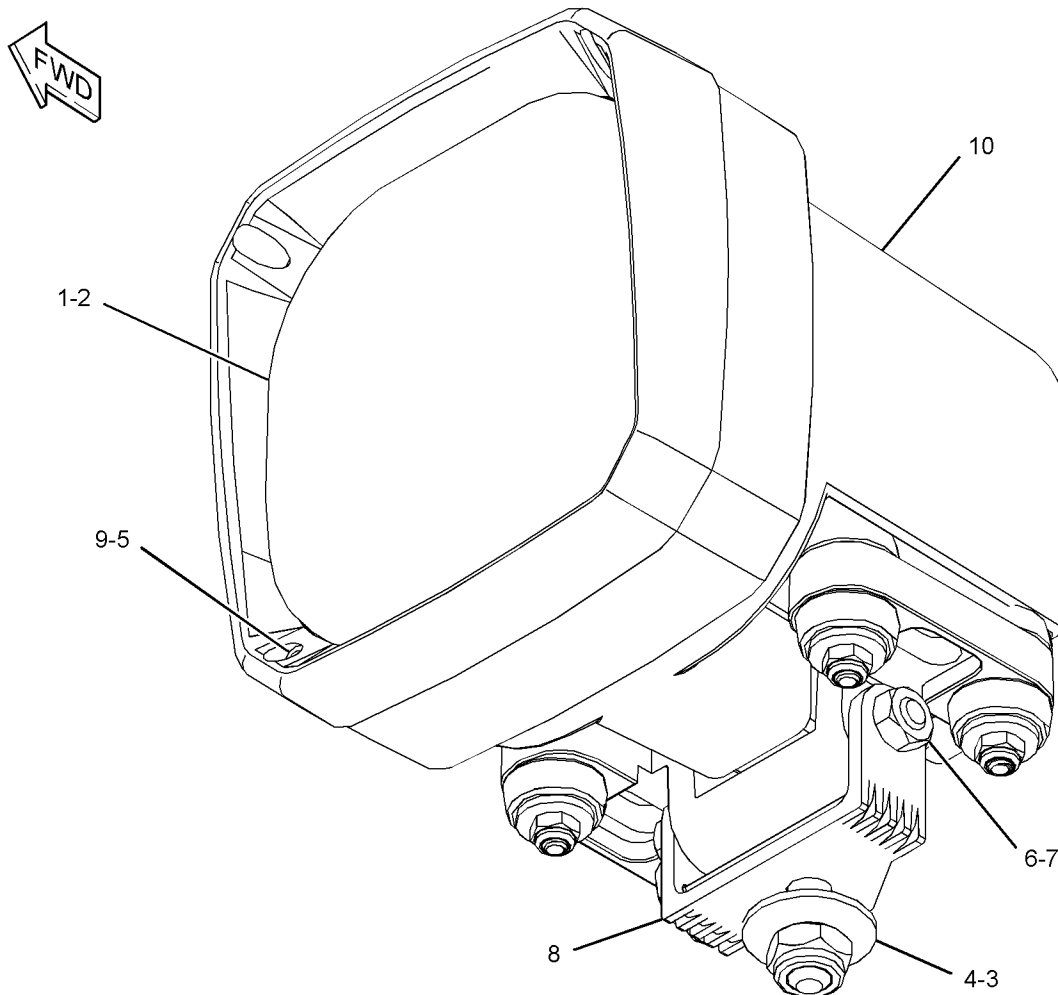
TYPE 1

SMCS-1434

i03789474

NOTE	REF NO	GRAPHIC REF	PART NUMBER	QTY	PART NAME						SEE PAGE
					1	2	3	4	5	6 (PRODUCT LEVEL)	
	1	1	277-3082	1	LENS AS						
	2	1	290-8160	1	LAMP (24-VOLT, HID)						
M	3	1	8T-4186	1	BOLT (M10X1.5X40-MM)						
	4	1	8T-4121	1	WASHER-HARD (11X21X2.5-MM THK)						
M	5	1	120-9027	4	SCREW-PAN HEAD (M3X0.5X16-MM)						
M	6	1	5P-8347	2	BOLT (M8X1.25X70-MM)						
M	7	1	6V-9189	2	LOCKNUT (M8X1.25-THD)						
	8	1	290-8996	1	BRACKET						
	9	1	229-9974	1	BEZEL						
	10	1	319-7384	1	BALLAST AS (24-VOLT, 35-WATT, HID)						

M - METRIC PART



GRAPHIC #1

<END>

g02059593

# ELECTRICAL AND STARTING SYSTEM

## 347-9427 LAMP GP-FLOOD-HID

S/N: BNH1-UP

24-VOLT, 35-WATT

PART OF 346-3858 LIGHTING GP-FLOOD

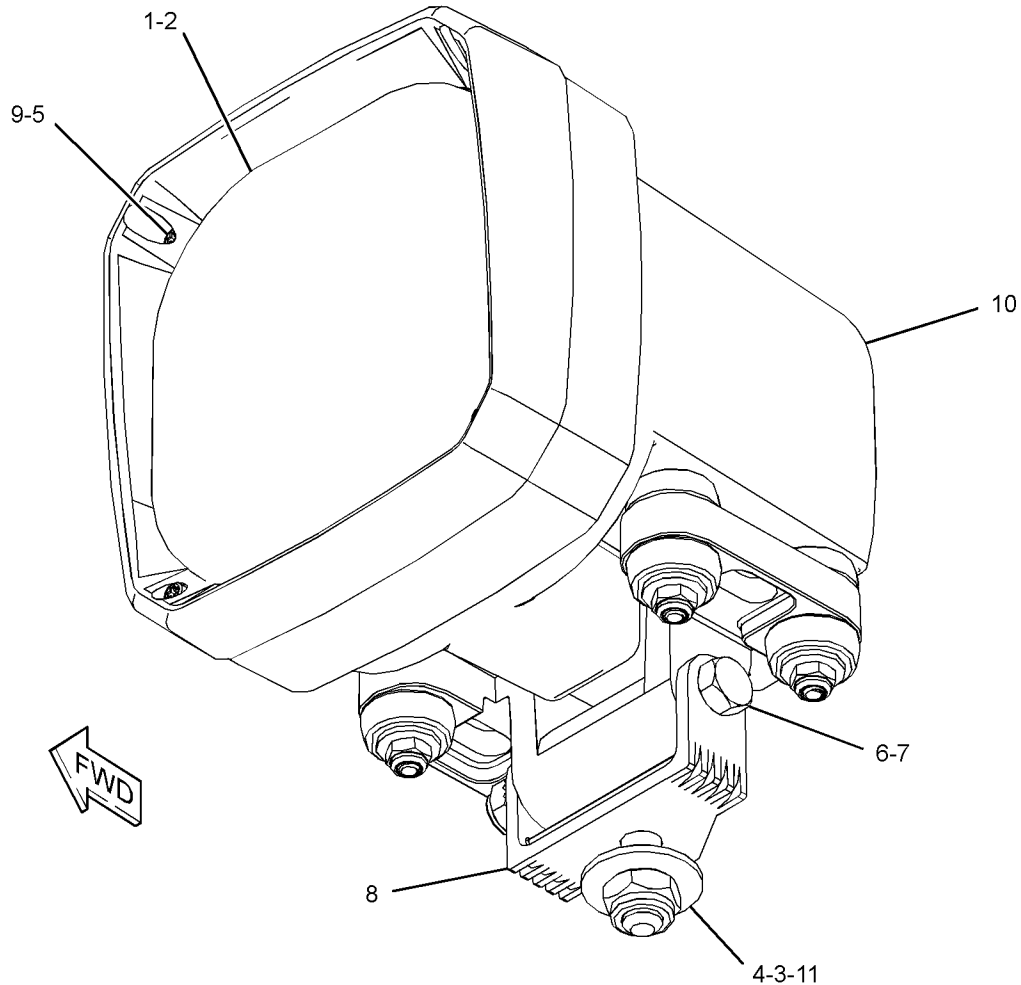
TYPE 2

SMCS-1434

i04930155

NOTE	REF NO	GRAPHIC REF	PART NUMBER	QTY	PART NAME						SEE PAGE
					1	2	3	4	5	6 (PRODUCT LEVEL)	
C	1	1	360-0187	1	LENS AS						
	2	1	290-8160	1	LAMP (24-VOLT, HID)						
CM	3	1	8T-4195	1	BOLT (M10X1.5X30-MM)						
	4	1	8T-4121	1	WASHER-HARD (11X21X2.5-MM THK)						
C	5	1	228-6056	4	SCREW (4-32X1.26-IN)						
CM	6	1	6V-9804	1	BOLT (M8X1.25X75-MM)						
CM	7	1	6V-9189	1	LOCKNUT (M8X1.25-THD)						
C	8	1	364-2657	1	BRACKET-HOUSING						
	9	1	229-9974	1	BEZEL						
	10	1	319-7384	1	BALLAST AS (24-VOLT, 35-WATT, HID)						
M	11	1	8T-0389	1	LOCKNUT (M10X1.5-THD)						

C - CHANGE FROM PREVIOUS TYPE  
M - METRIC PART



GRAPHIC #1

<END>

g03102496

# ELECTRICAL AND STARTING SYSTEM

## 161-3509 LAMP GP-HEAD

S/N: BNH1-UP

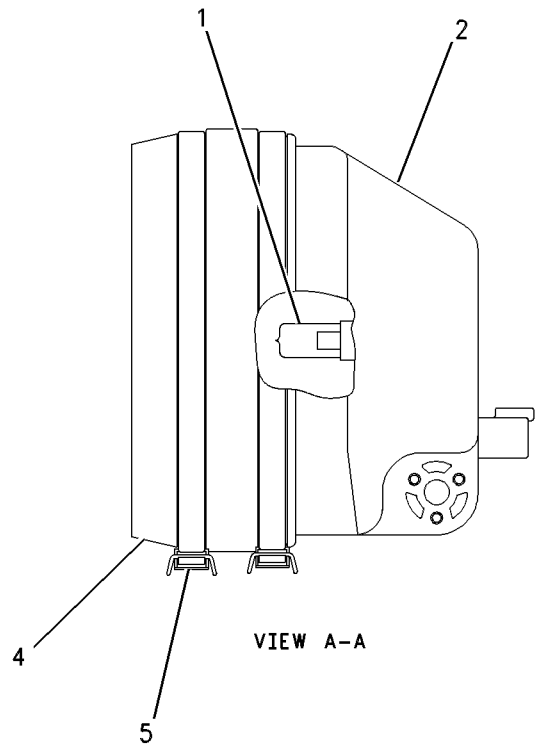
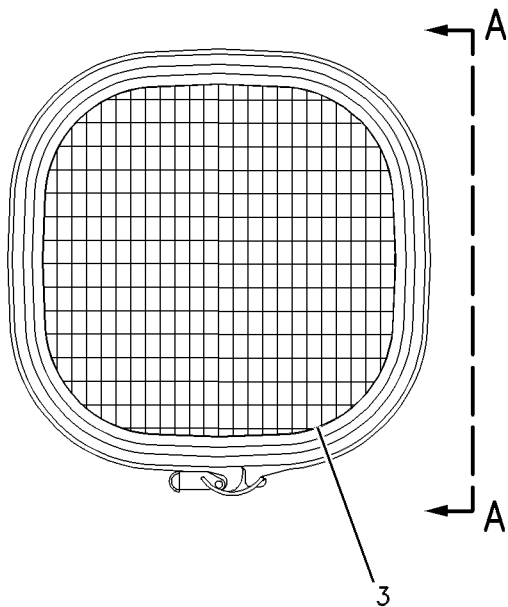
24-VOLT, 70-WATT, LOW

PART OF 114-5185 LIGHTING GP-FLOOD, 114-5187 LIGHTING GP-FLOOD & SIGNAL  
AN ATTACHMENT

SMCS-1429

i04434110

NOTE	REF NO	GRAPHIC REF	PART NUMBER	QTY	PART NAME						SEE PAGE
					1	2	3	4	5	6 (PRODUCT LEVEL)	
	1	1	351-9918	1	LAMP-HALOGEN (24-VOLT, 70-WATT) (LOW BEAM)						
	2	1	158-0250	1	BODY AS-LAMP						
	3	1	375-0355	1	LENS AS (HEADLIGHT, LOW BEAM)						
	4	1	158-0252	1	BEZEL						
	5	1	188-8849	2	CLAMP						



GRAPHIC #1

<END>

g00514339

# ELECTRICAL AND STARTING SYSTEM

## 327-8026 LAMP GP-INDICATOR

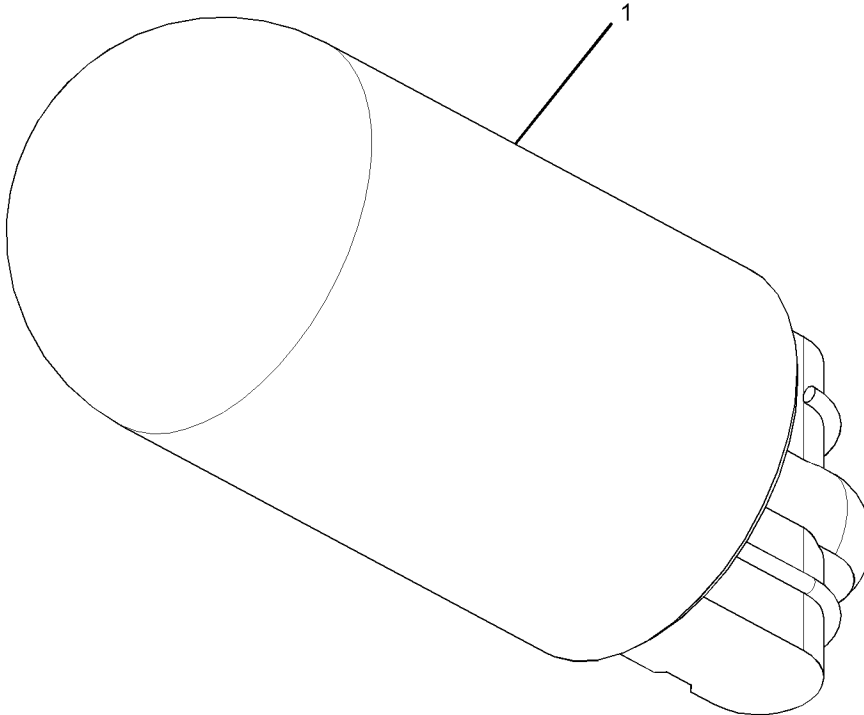
S/N: BNH433-UP

PART OF 132-6144 LINES GP-SECONDARY STEERING  
AN ATTACHMENT

SMCS-7431

i03081060

NOTE	REF NO	GRAPHIC REF	PART NUMBER	QTY	PART NAME						SEE PAGE
					1	2	3	4	5	6 (PRODUCT LEVEL)	
	1	1	163-1876	1	LAMP-LED (24-VOLT, RED) (RED)						



GRAPHIC #1

<END>

g01619276

# ELECTRICAL AND STARTING SYSTEM

## 135-0426 LAMP GP-SIGNAL-STOP, TAIL

S/N: BNH1-UP

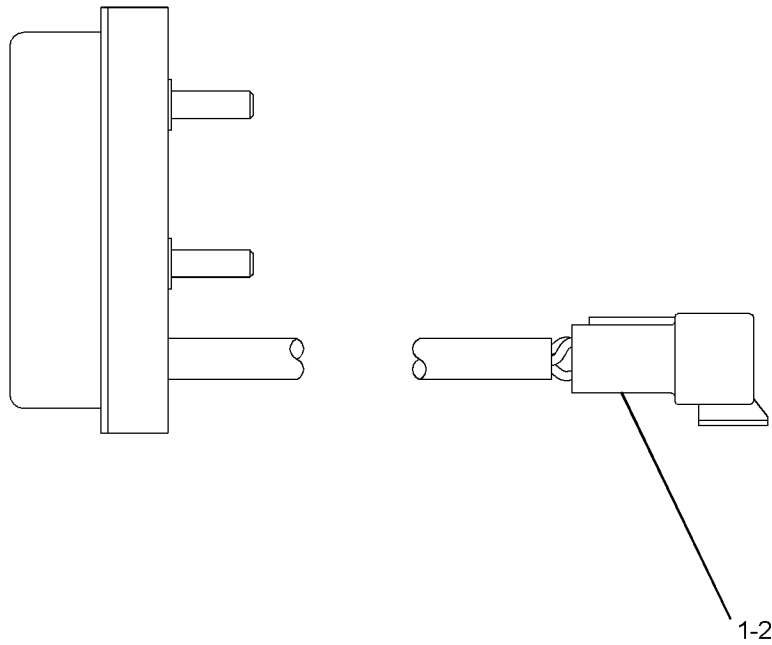
12-VOLT/24-VOLT

PART OF 114-5187 LIGHTING GP-FLOOD & SIGNAL, 8R-5645 LIGHTING GP-STOP  
AN ATTACHMENT

SMCS-1430

i05160972

NOTE	REF NO	GRAPHIC REF	PART NUMBER	QTY	PART NAME						SEE PAGE
					1	2	3	4	5	6 (PRODUCT LEVEL)	
1	1	1	102-8803	1	KIT-RECEPTACLE (3-PIN)						
					(INCLUDES RECEPTACLE AS & WEDGE)						
2	1	1	8T-8729	3	PIN-CONNECTOR (16-GA TO 18-GA)						



GRAPHIC #1

<END>

g01213248

# ELECTRICAL AND STARTING SYSTEM

## 199-3368 LAMP GP-SIGNAL-TURN

S/N: BNH1-UP

24-VOLT

FIELD REPLACEMENT ORDER 334-5410-PAGE: 271

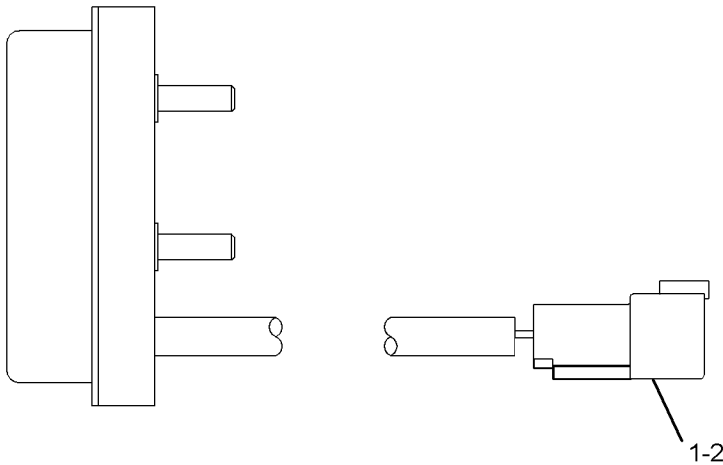
PART OF 114-5187 LIGHTING GP-FLOOD & SIGNAL

AN ATTACHMENT

SMCS-1430

i02435050

NOTE	REF NO	GRAPHIC REF	PART NUMBER	QTY	PART NAME						SEE PAGE
					1	2	3	4	5	6	
1	1	1	102-8802	1	KIT-RECEPTACLE (2-PIN)						
					(INCLUDES RECEPTACLE AS AND WEDGE)						
2	1	1	186-3735	2	PIN-CONNECTOR (16-GA TO 18-GA)						



GRAPHIC #1

<END>

g01217868



# ELECTRICAL AND STARTING SYSTEM

## 334-5410 LAMP GP-SIGNAL

S/N: BNH1-UP

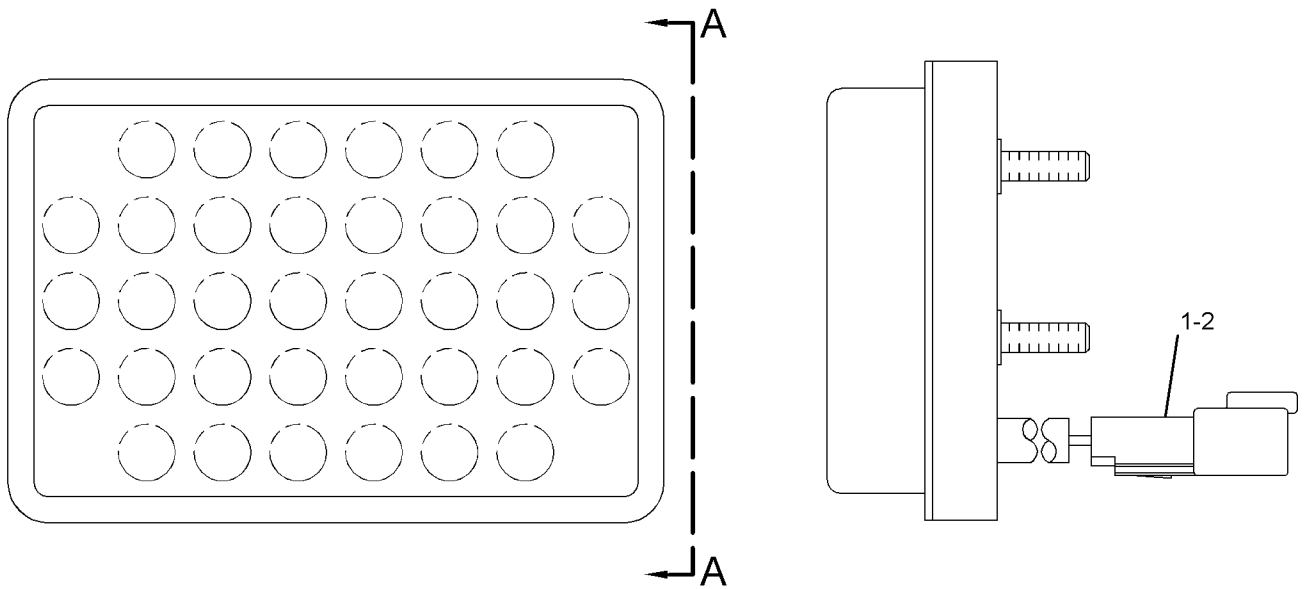
12-VOLT, 24-VOLT

FIELD REPLACEMENT FOR 199-3368—PAGE: 270

SMCS-1430

i04314430

NOTE	REF NO	GRAPHIC REF	PART NUMBER	QTY	PART NAME						SEE PAGE
					1	2	3	4	5	6 (PRODUCT LEVEL)	
1	1	1	102-8802	1	KIT-RECEPTACLE (2-PIN) (INCLUDES RECEPTACLE AS & WEDGE)						
2	1	1	8T-8729	2	PIN-CONNECTOR (16-GA TO 18-GA)						



GRAPHIC #1

<END>

g01756193

# ELECTRICAL AND STARTING SYSTEM

## 334-8049 LAMP GP-SIGNAL-STOP, TAIL

S/N: BNH1-UP

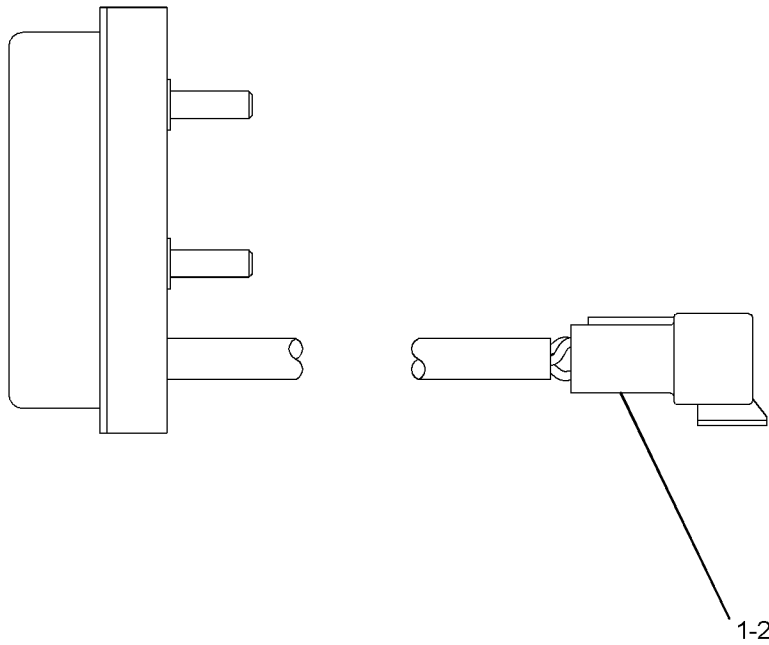
12-VOLT/24-VOLT

PART OF 8R-5645 LIGHTING GP-STOP  
AN ATTACHMENT

SMCS-1430

i05147591

NOTE	REF NO	GRAPHIC REF	PART NUMBER	QTY	PART NAME						SEE PAGE
					1	2	3	4	5	6 (PRODUCT LEVEL)	
1	1	1	<b>102-8803</b>	1	KIT-RECEPTACLE (3-PIN)						
(INCLUDES RECEPTACLE AS & WEDGE)											
2	1	1	<b>8T-8729</b>	3	PIN-CONNECTOR (16-GA TO 18-GA)						



GRAPHIC #1

<END>

g01213248

# ELECTRICAL AND STARTING SYSTEM

## 128-6983 LAMP GP-WARNING BEACON

S/N: BNH1-UP

24-VOLT. AMBER

PART OF 190-3980 LIGHTING GP-WARNING BEACON

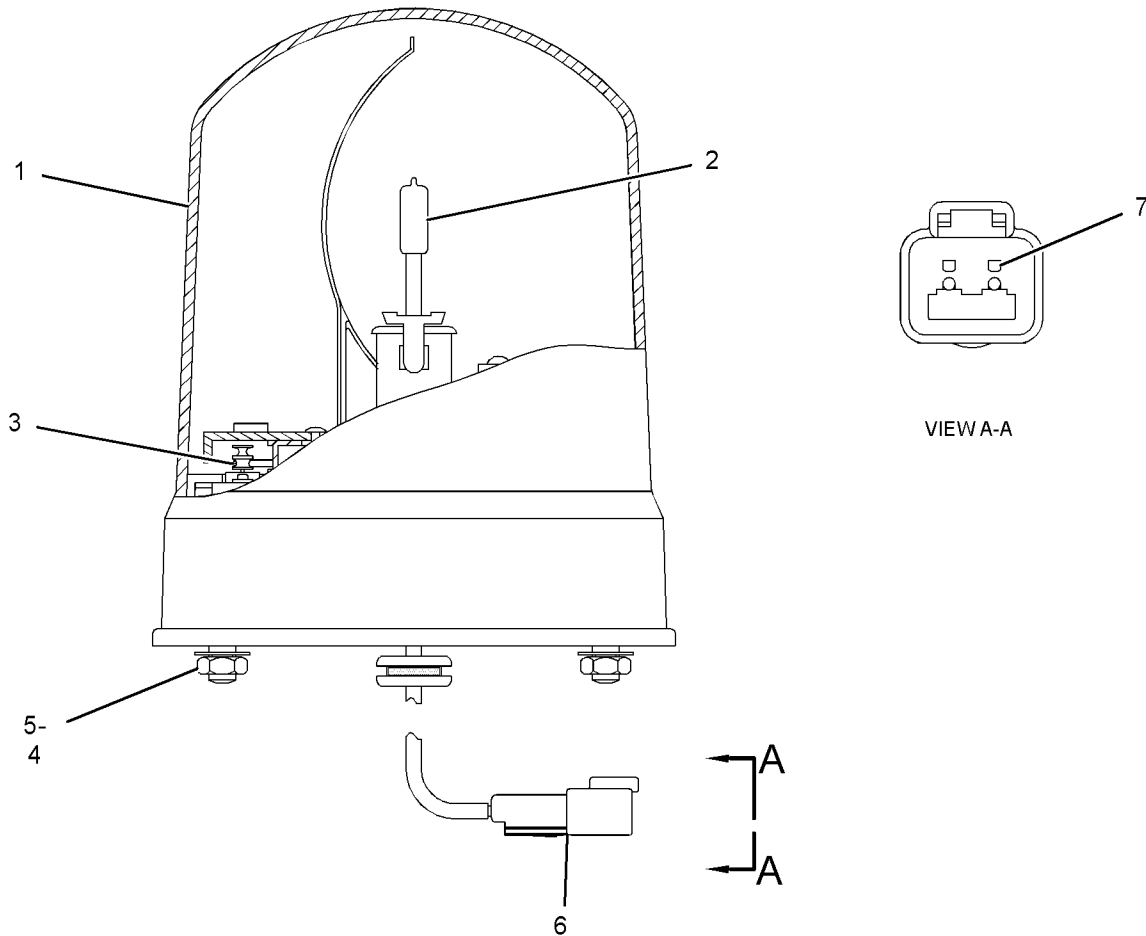
AN ATTACHMENT

SMCS-1431

i04203610

NOTE	REF NO	GRAPHIC REF	PART NUMBER	QTY	PART NAME						SEE PAGE
					1	2	3	4	5	6	
	1	1	<b>9X-8121</b>	1	LENS (AMBER, WARNING BEACON)						
	2	1	<b>9X-7849</b>	1	LAMP (24-VOLT, 70-WATT) (WARNING BEACON)						
	3	1	<b>9X-8139</b>	1	BELT-DRIVE						
M	4	1	<b>6V-8225</b>	3	NUT (M6X1-THD)						
	5	1	<b>5P-0537</b>	3	WASHER-HARD (7.2X14.5X2-MM THK)						
	6	1	<b>102-8802</b>	1	KIT-RECEPTACLE (2-PIN)						
					(INCLUDES RECEPTACLE AS & WEDGE)						
	7	1	<b>8T-8729</b>	2	PIN-CONNECTOR (16-GA TO 18-GA)						

M - METRIC PART



GRAPHIC #1

<END>

g02392257

# ELECTRICAL AND STARTING SYSTEM

## 235-3937 LAMP GP-WARNING BEACON-ROTATING

S/N: BNH1-UP

24-VOLT, 70-WATT, AMBER

FIELD REPLACEMENT ORDER 284-3757-PAGE: 275

PART OF 190-3980 LIGHTING GP-WARNING BEACON

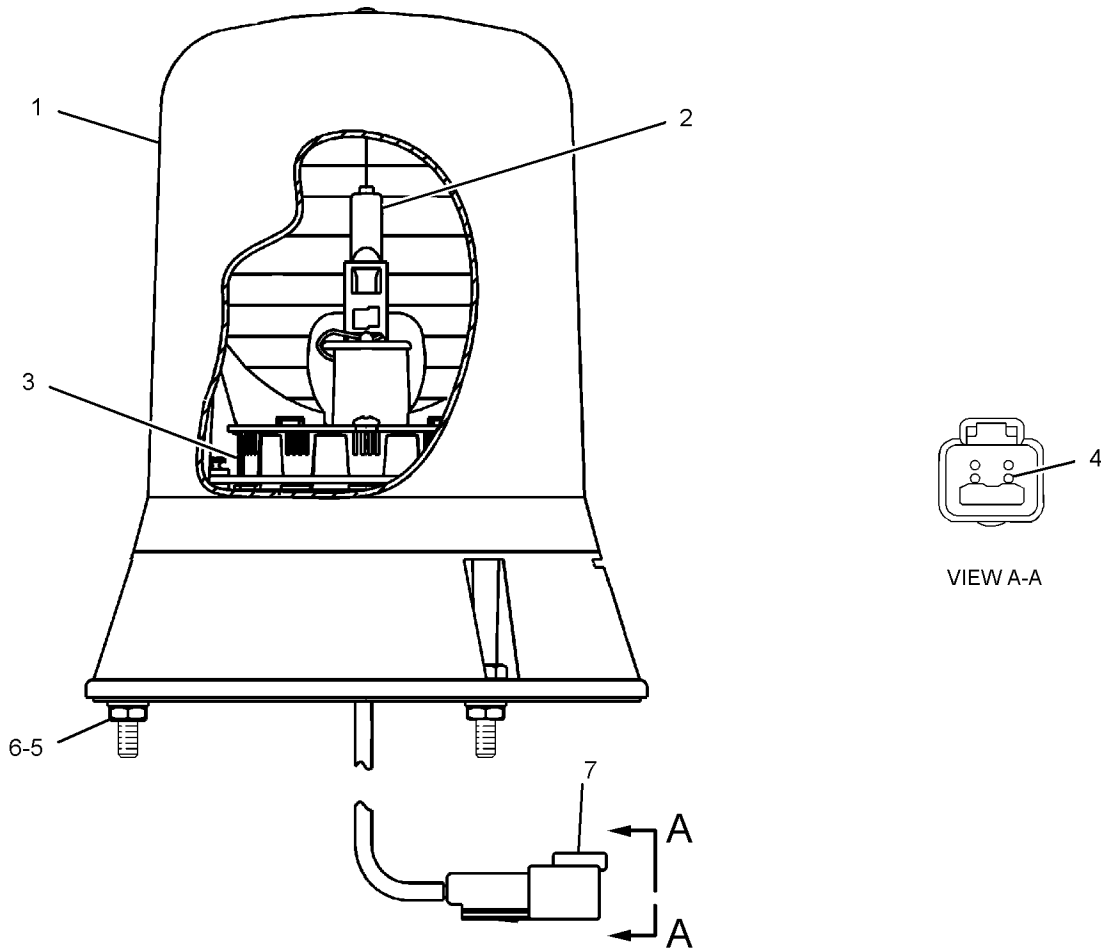
AN ATTACHMENT

SMCS-1431

i04182750

NOTE	REF NO	GRAPHIC REF	PART NUMBER	QTY	PART NAME						SEE PAGE
					1	2	3	4	5	6	
	1	1	272-9800	1	LENS (AMBER)						
	2	1	9X-7849	1	LAMP (24-VOLT, 70-WATT)						
	3	1	9X-8139	1	BELT-DRIVE (WARNING BEACON)						
	4	1	186-3735	2	PIN-CONNECTOR (16-GA TO 18-GA)						
M	5	1	6V-8225	3	NUT (M6X1-THD)						
	6	1	5P-0537	3	WASHER-HARD (7.2X14.5X2-MM THK)						
	7	1	102-8802	1	KIT-RECEPTACLE (2-PIN)						
					(INCLUDES RECEPTACLE AS & WEDGE)						

M - METRIC PART



GRAPHIC #1

<END>

g02374556

# ELECTRICAL AND STARTING SYSTEM

## 284-3757 LAMP GP-WARNING BEACON-AMBER, STROBE

S/N: BNH1-UP

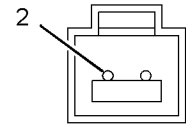
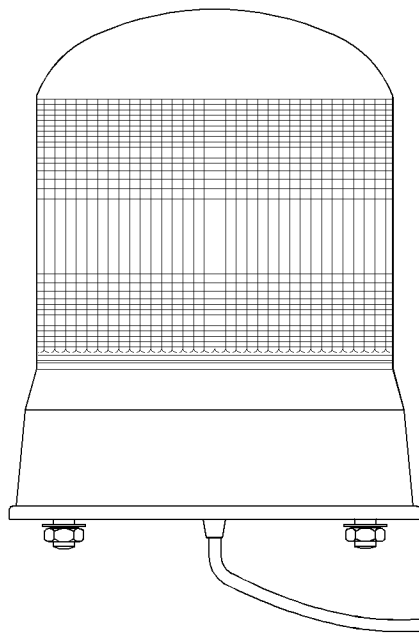
12-VOLT, 24-VOLT. 2 FLASH STROBE

FIELD REPLACEMENT FOR 235-3937-PAGE: 274

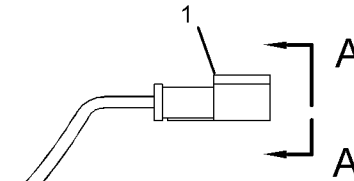
SMCS-1431

i02733504

NOTE	REF NO	GRAPHIC REF	PART NUMBER	QTY	PART NAME						SEE PAGE
					1	2	3	4	5	6 (PRODUCT LEVEL)	
1	1	1	102-8802	1	KIT-RECEPTACLE (2-PIN)						
					(INCLUDES RECEPTACLE AS & WEDGE)						
2	1	1	186-3735	2	PIN-CONNECTOR (16-GA TO 18-GA)						



VIEW A-A



GRAPHIC #1

<END>

g01373385

# ELECTRICAL AND STARTING SYSTEM

## 138-9806 LIGHTING AR-SIGNAL

S/N: BNH1-UP  
AN ATTACHMENT

SMCS-1430

i01002660

NOTE	PART NUMBER	QTY	PART NAME						SEE PAGE
			1	2	3	4	5	6 (PRODUCT LEVEL)	
Y	114-5187	1	LIGHTING GP-FLOOD & SIGNAL						284
Y	154-6699	1	SWITCH GP-SIGNAL						353

Y - SEPARATE ILLUSTRATION

<END>

## 114-5189 LIGHTING AR-STOP & FLOOD

S/N: BNH1-UP  
AN ATTACHMENT

SMCS-1432, 1434

i01002653

NOTE	PART NUMBER	QTY	PART NAME						SEE PAGE
			1	2	3	4	5	6 (PRODUCT LEVEL)	
Y	114-5185	1	LIGHTING GP-FLOOD (4-LAMP, FRONT)						277
Y	8R-5645	1	LIGHTING GP-STOP (2-LAMP, REAR)						287

Y - SEPARATE ILLUSTRATION

<END>

# ELECTRICAL AND STARTING SYSTEM

## 114-5185 LIGHTING GP-FLOOD-4-LAMP, FRONT

S/N: BNH1-UP

PART OF 114-5189 LIGHTING AR-STOP & FLOOD  
AN ATTACHMENT

SMCS-1434

i01182143

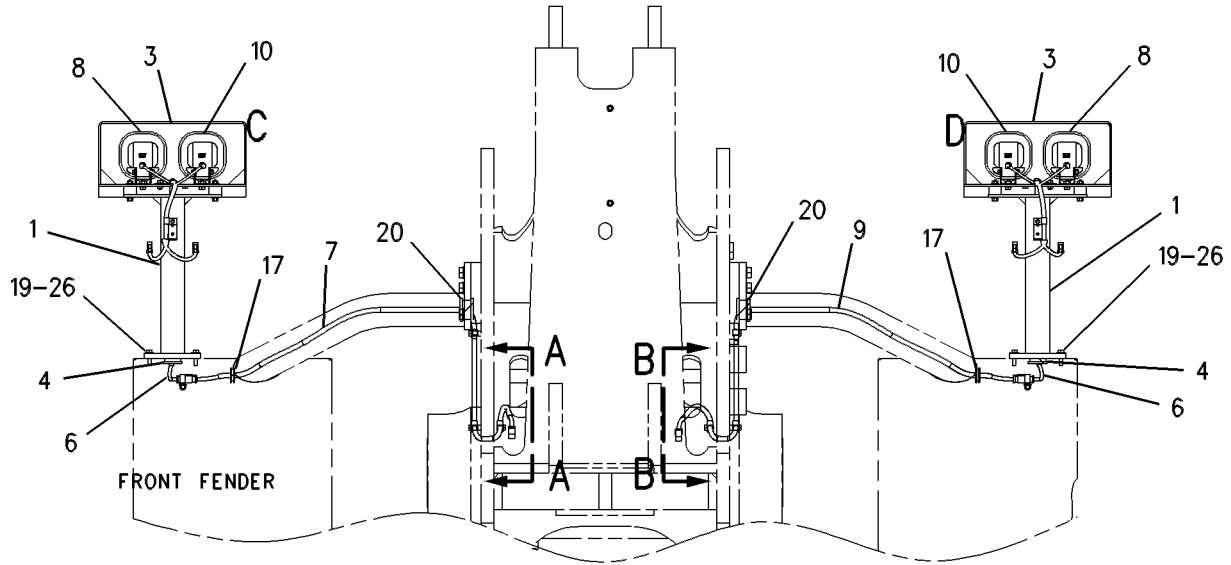
NOTE	REF NO	GRAPHIC REF	PART NUMBER	QTY	PART NAME						SEE PAGE
					1	2	3	4	5	6 (PRODUCT LEVEL)	
	1	1	<b>4E-9609</b>	2	BRACKET AS						
	2	1	<b>9W-4361</b>	8	MOUNT-FLEXIBLE						
	3	1	<b>101-2974</b>	2	GUARD AS						
					(EACH INCLUDES)						
		1	<b>1F-0750</b>	2	NUT-WELD (3/8-16-THD)						
	4	1	<b>137-5109</b>	2	GROMMET-SPLIT						
	5	1	<b>140-1088</b>	4	BRACKET AS						
					(EACH INCLUDES)						
M		1	<b>8T-3490</b>	1	NUT-WELD (M10X1.5-THD)						
	6	1	<b>176-2563</b>	2	HARNESS AS						
	7	1	<b>141-8705</b>	1	HARNESS AS						
Y	8	1	<b>153-2073</b>	2	LAMP GP-FLOOD (24-VOLT)						261
	9	1	<b>153-3892</b>	1	HARNESS AS						
Y	10	1	<b>161-3509</b>	2	LAMP GP-HEAD (24-VOLT)						267
	11	1	<b>033-8248</b>	2	CLIP						
	12	1	<b>115-3071</b>	2	CLIP AS-CONNECTOR (6-PIN)						
	13	1	<b>4S-1936</b>	2	CLIP						
M	14	1	<b>5C-7261</b>	4	NUT (M8X1.25-THD)						
	15	1	<b>5M-3062</b>	2	BOLT (3/8-16X0.75-IN)						
	16	1	<b>5P-1075</b>	16	WASHER-HARD (10.2X22.5X3-MM THK)						
	17	1	<b>6P-6641</b>	2	GROMMET						
	18	1	<b>6V-8801</b>	16	NUT (3/8-16-THD)						
	19	1	<b>7X-7729</b>	8	WASHER (11X25X3-MM THK)						
	20	1	<b>8J-3415</b>	2	GROMMET						
	21	1	<b>8M-2770</b>	6	CLIP						
	22	1	<b>8T-4121</b>	16	WASHER-HARD (11X21X2.5-MM THK)						
M	23	1	<b>8T-4133</b>	2	NUT (M10X1.5-THD)						
M	24	1	<b>8T-4136</b>	2	BOLT (M10X1.5X25-MM)						
M	25	1	<b>8T-4137</b>	10	BOLT (M10X1.5X20-MM)						
M	26	1	<b>8T-4186</b>	8	BOLT (M10X1.5X40-MM)						
	27	1	<b>8T-4224</b>	8	WASHER-HARD (8.8X16X2-MM THK)						
M	28	1	<b>8T-6869</b>	4	BOLT (M8X1.25X60-MM)						

M - METRIC PART  
Y - SEPARATE ILLUSTRATION

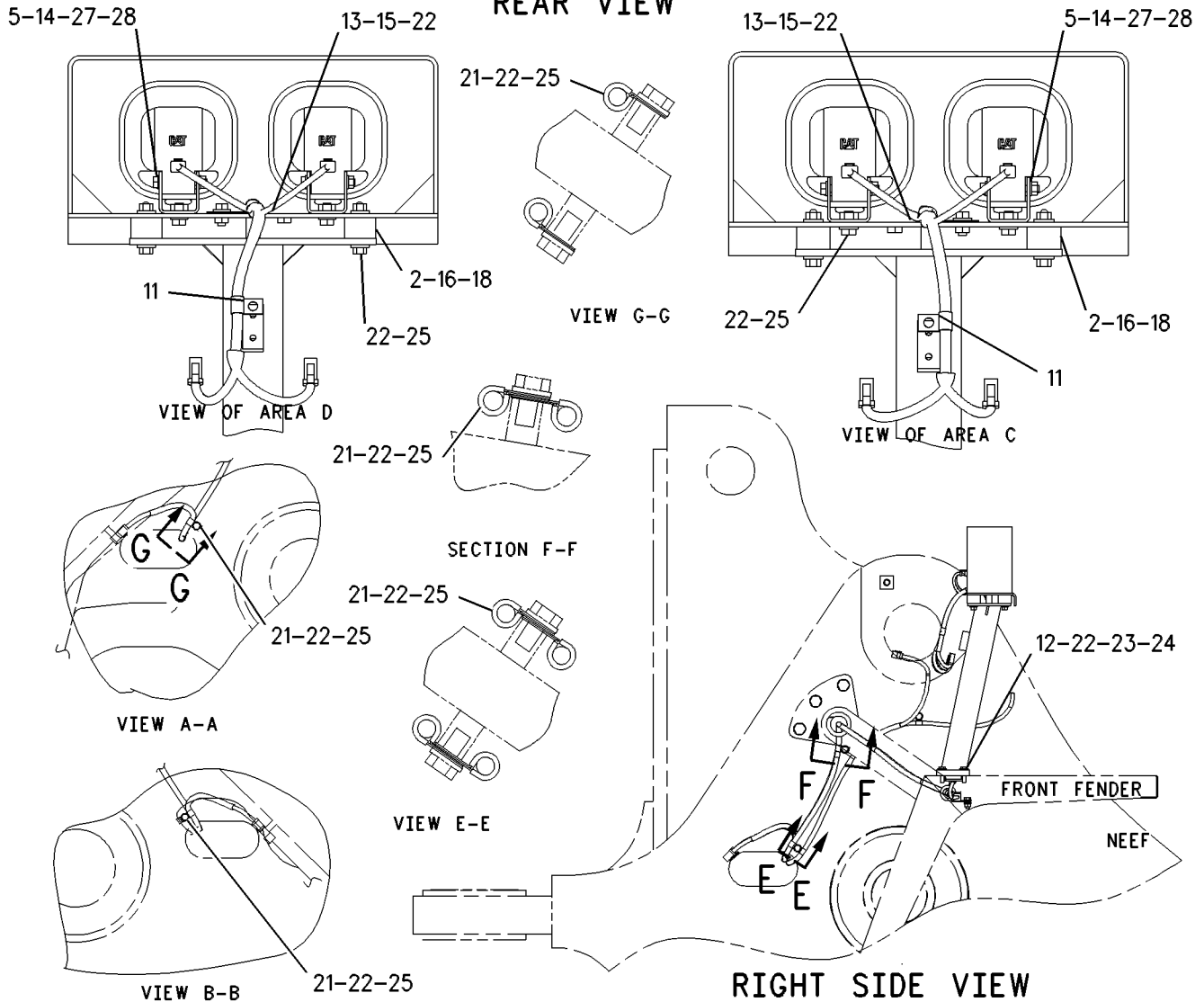
# ELECTRICAL AND STARTING SYSTEM

114-5185 LIGHTING GP-FLOOD (contd.)

i01182143



REAR VIEW



GRAPHIC #1

<END>

g00634845



# ELECTRICAL AND STARTING SYSTEM

## 114-5186 LIGHTING GP-FLOOD-HOOD

S/N: BNH1-UP

PART OF 203-1579 ELECTRICAL AR

SMCS-1434

i01412014

NOTE	REF NO	GRAPHIC REF	PART NUMBER	QTY	PART NAME						SEE PAGE
					1	2	3	4	5	6 (PRODUCT LEVEL)	
	1	1	<b>3S-2093</b>	6	STRAP-CABLE						
	2	1	<b>8R-7102</b>	2	BRACKET AS						
					(EACH INCLUDES)						
M		1	<b>6V-9632</b>	1	NUT-WELD (M6X1-THD)						
	3	1	<b>140-1088</b>	4	BRACKET AS						
					(EACH INCLUDES)						
M		1	<b>8T-3490</b>	1	NUT-WELD (M10X1.5-THD)						
	4	1	<b>141-8713</b>	1	HARNESS AS-LIGHTING (FLOOD)						
		1	<b>155-2270</b>	1	KIT-CONNECTING PLUG (2-PIN)						
					(INCLUDES PLUG AS & WEDGE)						
Y	5	1	<b>153-2073</b>	4	LAMP GP-FLOOD (24-VOLT)						261
	6	1	<b>2V-3216</b>	2	CLIP						
M	7	1	<b>5C-7261</b>	4	NUT (M8X1.25-THD)						
M	8	1	<b>5C-9553</b>	2	BOLT (M6X1X16-MM)						
	9	1	<b>5P-8439</b>	2	GROMMET						
	10	1	<b>8T-4121</b>	8	WASHER-HARD (11X21X2.5-MM THK)						
M	11	1	<b>8T-4137</b>	8	BOLT (M10X1.5X20-MM)						
	12	1	<b>8T-4224</b>	8	WASHER-HARD (8.8X16X2-MM THK)						
M	13	1	<b>8T-6869</b>	4	BOLT (M8X1.25X60-MM)						
	14	1	<b>9X-8256</b>	2	WASHER (6.6X12X2-MM THK)						

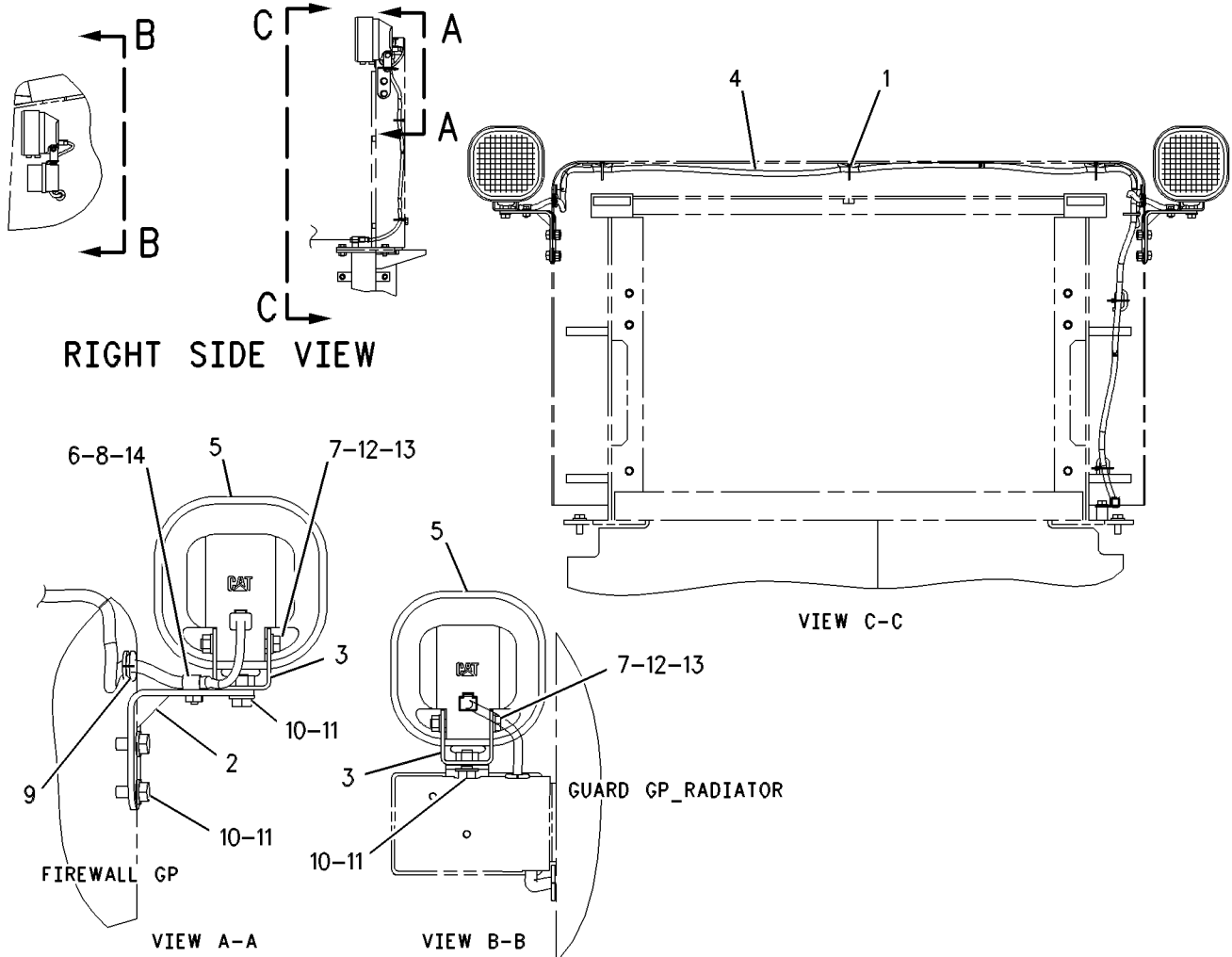
M - METRIC PART

Y - SEPARATE ILLUSTRATION

# ELECTRICAL AND STARTING SYSTEM

114-5186 LIGHTING GP-FLOOD (contd.)

i01412014



GRAPHIC #1

<END>

g00523357

# ELECTRICAL AND STARTING SYSTEM

## 152-9027 LIGHTING GP-FLOOD-2-LAMP, CAB, FRONT

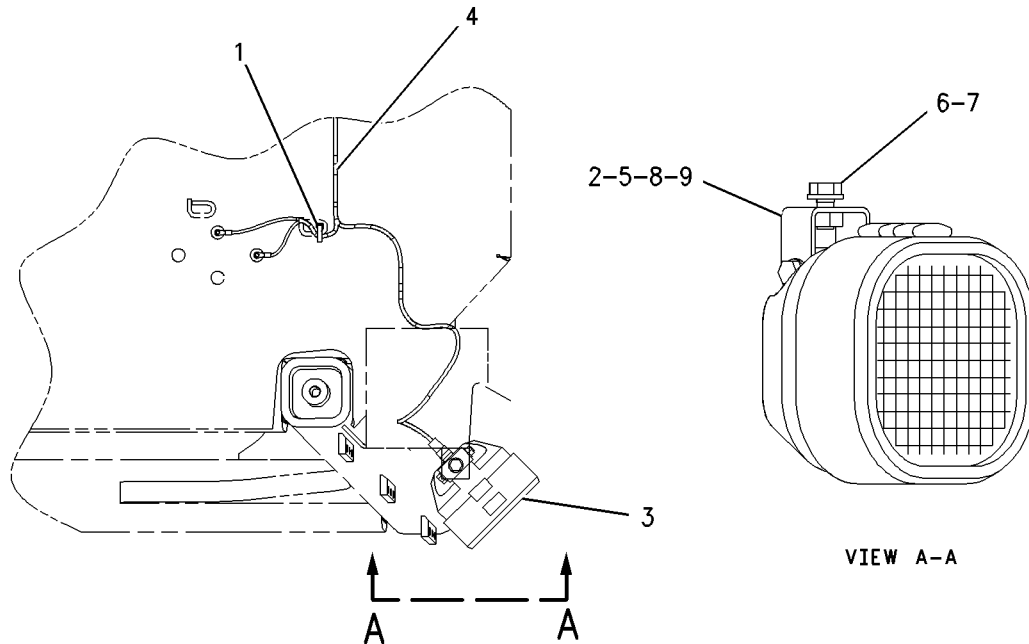
S/N: BNH1-UP  
AN ATTACHMENT

SMCS-1434

i01419721

NOTE	REF NO	GRAPHIC REF	PART NUMBER	QTY	PART NAME						SEE PAGE
					1	2	3	4	5	6 (PRODUCT LEVEL)	
	1	1	<b>3S-2093</b>	2	STRAP-CABLE						
C	2	1	<b>140-1088</b>	2	BRACKET AS						
CY	3	1	<i>147-0319</i>	2	LAMP GP-FLOOD (24-VOLT, 70-WATT)						260
	4	1	<b>152-9023</b>	1	HARNESS AS-LIGHTING (CAB FLOODLIGHT) (FLOOD)						
		1	<b>155-2270</b>	2	KIT-CONNECTING PLUG (2-PIN) (INCLUDES PLUG AS & WEDGE)						
CM	5	1	<b>5C-7261</b>	2	NUT (M8X1.25-THD)						
	6	1	<b>8T-4121</b>	2	WASHER-HARD (11X21X2.5-MM THK)						
M	7	1	<b>8T-4137</b>	2	BOLT (M10X1.5X20-MM)						
C	8	1	<b>8T-4224</b>	4	WASHER-HARD (8.8X16X2-MM THK)						
M	9	1	<b>8T-6869</b>	2	BOLT (M8X1.25X60-MM)						

C - CHANGE FROM PREVIOUS TYPE  
M - METRIC PART  
Y - SEPARATE ILLUSTRATION



GRAPHIC #1

<END>

g00693715

# ELECTRICAL AND STARTING SYSTEM

## 152-9028 LIGHTING GP-FLOOD-4-LAMP, CAB

S/N: BNH1-UP

PART OF 202-9742 CAB AR

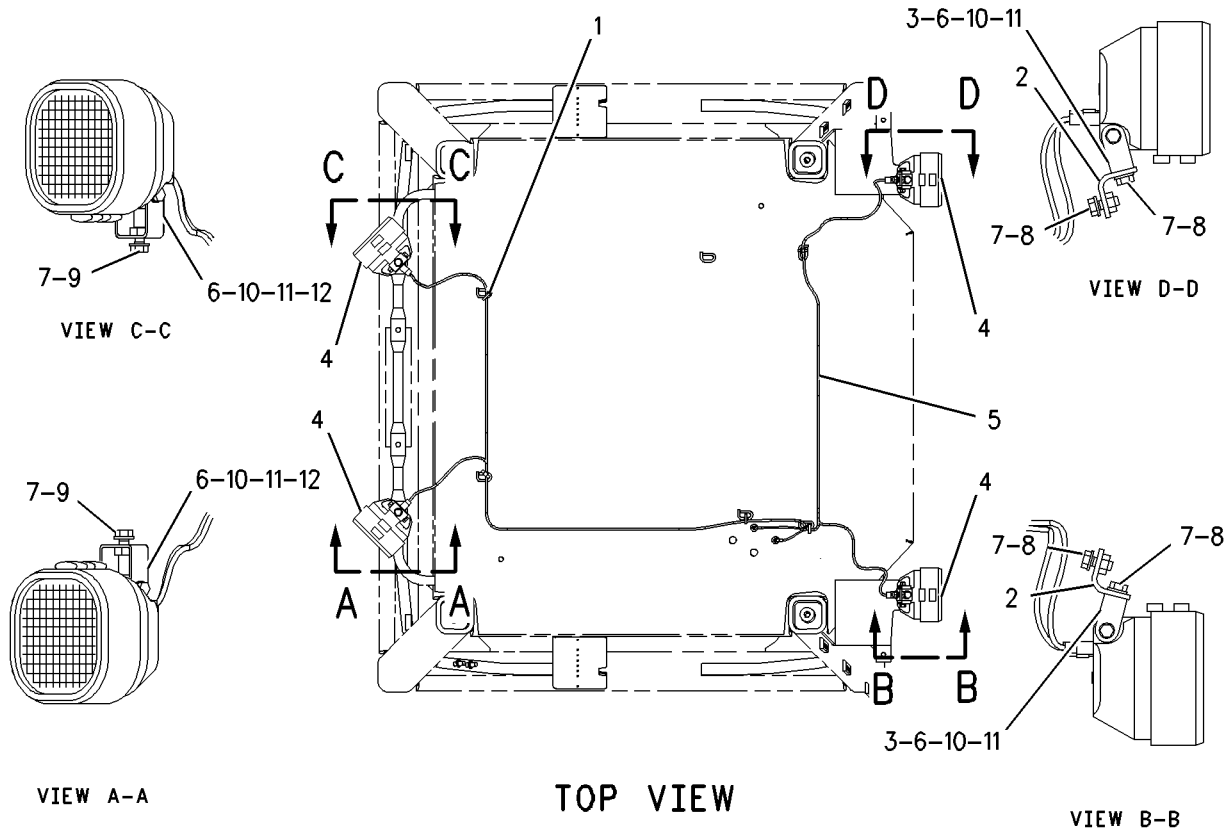
SMCS-1434

i01749636

NOTE	REF NO	GRAPHIC REF	PART NUMBER	QTY	PART NAME						SEE PAGE
					1	2	3	4	5	6	
	1	1	<b>3S-2093</b>	5	STRAP-CABLE						
	2	1	<b>4I-7596</b>	2	SUPPORT AS						
					(EACH INCLUDES)						
M		1	<b>8T-3490</b>	1	NUT-WELD (M10X1.5-THD)						
	3	1	<b>140-1088</b>	2	BRACKET AS						
					(EACH INCLUDES)						
M		1	<b>8T-3490</b>	1	NUT-WELD (M10X1.5-THD)						
Y	4	1	<b>147-0319</b>	4	LAMP GP-FLOOD (24-VOLT, 70-WATT)						260
	5	1	<b>152-9024</b>	1	HARNES AS-LIGHTING (FLOODLIGHT)						
		1	<b>155-2270</b>	1	KIT-CONNECTING PLUG (2-PIN)						
M	6	1	<b>5C-7261</b>	4	NUT (M8X1.25-THD)						
	7	1	<b>8T-4121</b>	6	WASHER-HARD (11X21X2.5-MM THK)						
M	8	1	<b>8T-4136</b>	4	BOLT (M10X1.5X25-MM)						
M	9	1	<b>8T-4137</b>	2	BOLT (M10X1.5X20-MM)						
	10	1	<b>8T-4224</b>	8	WASHER-HARD (8.8X16X2-MM THK)						
M	11	1	<b>8T-6869</b>	4	BOLT (M8X1.25X60-MM)						
	12	1	<b>193-5572</b>	2	BRACKET AS						

M - METRIC PART

Y - SEPARATE ILLUSTRATION



GRAPHIC #1

<END>

g00895603

# ELECTRICAL AND STARTING SYSTEM

## 346-3858 LIGHTING GP-FLOOD

S/N: BNH1-UP

FOR USE WITH RETROFIT UPGRADE CAB PACKAGE FOR 988G SERIES MACHINES, REHS4984  
PART OF 346-3845 CAB AR

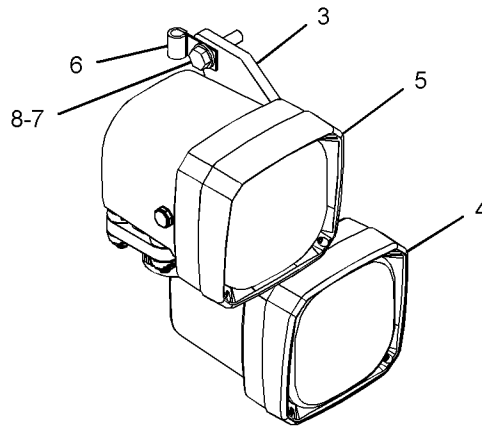
SMCS-1434

i04889982

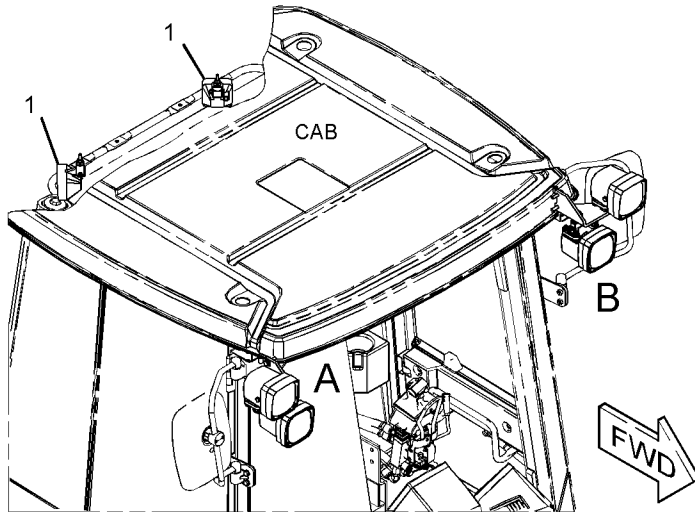
NOTE	REF NO	GRAPHIC REF	PART NUMBER	QTY	PART NAME						SEE PAGE
					1	2	3	4	5	6 (PRODUCT LEVEL)	
Y	1	1	219-6487	2	LAMP GP-FLOOD (24-VOLT, 70-WATT)						262
	2	1	256-1142	1	BRACKET						
	3	1	256-1143	1	BRACKET						
Y	4	1	332-9402	2	LAMP GP-FLOOD (24-VOLT, 35-WATT, HID)						263
Y	5	1	347-9427	2	LAMP GP-FLOOD (24-VOLT, 35-WATT, HID)						265
	6	1	6V-3265	2	CLIP						
	7	1	8T-4121	4	WASHER-HARD (11X21X2.5-MM THK)						
M	8	1	8T-4186	4	BOLT (M10X1.5X40-MM)						

M - METRIC PART

Y - SEPARATE ILLUSTRATION

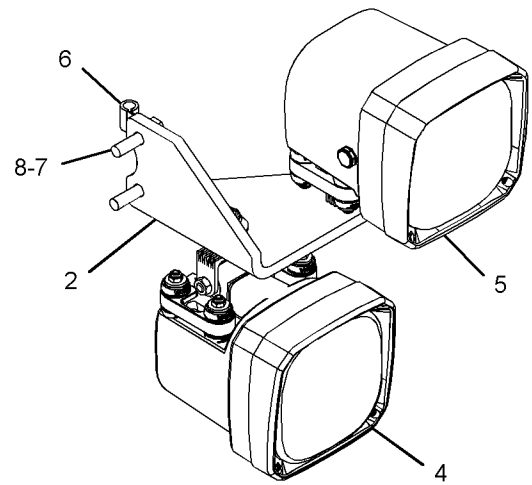


VIEW OF AREA A



GRAPHIC #1

<END>



VIEW OF AREA B

g02734618

# ELECTRICAL AND STARTING SYSTEM

## 114-5187 LIGHTING GP-FLOOD & SIGNAL

S/N: BNH1-UP

PART OF 138-9806 LIGHTING AR-SIGNAL  
AN ATTACHMENT

SMCS-1430, 1434

i01517538

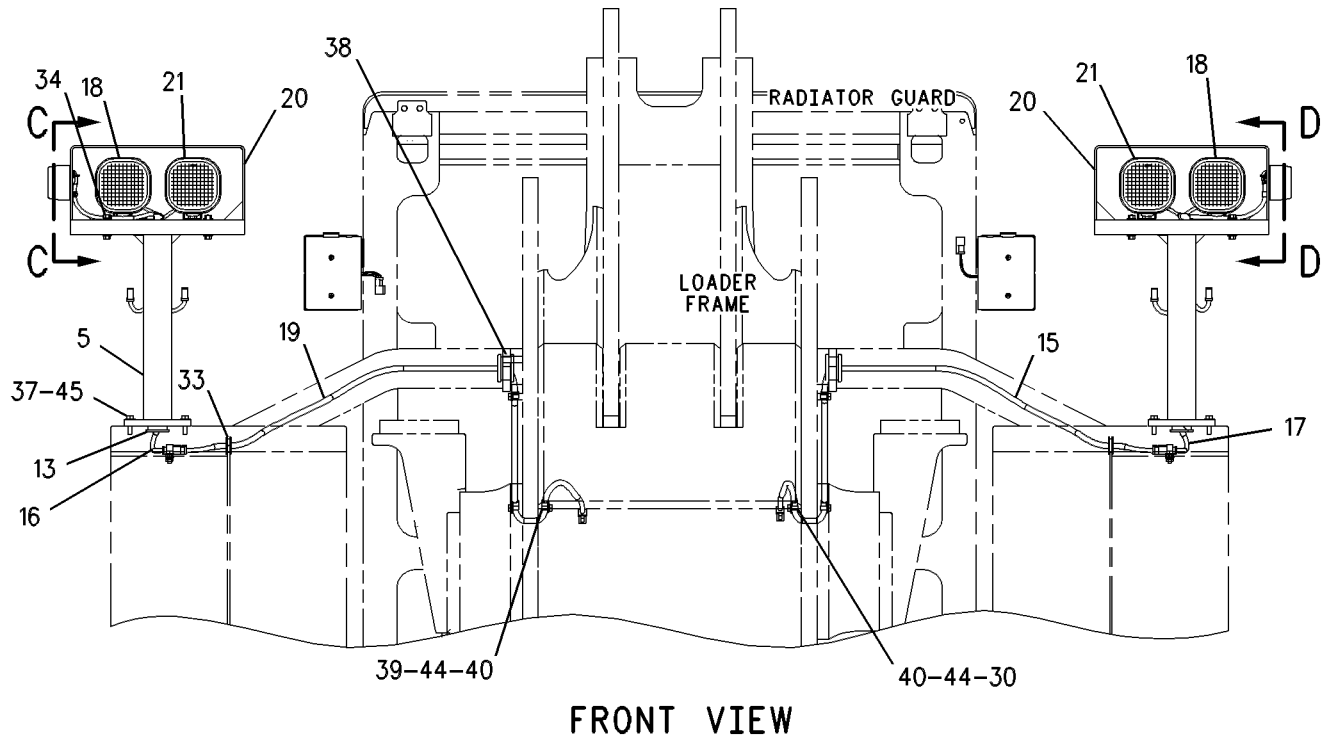
NOTE	REF NO	GRAPHIC REF	PART NUMBER	QTY	PART NAME						SEE PAGE
					1	2	3	4	5	6 (PRODUCT LEVEL)	
CY	1	2	199-3368	2	LAMP GP-SIGNAL (24-VOLT, TURN) (REAR)						270
CY	2	2	135-0426	2	LAMP GP-SIGNAL (24-VOLT, STOP, TAIL) (REAR)						269
	3	2	4E-7498	1	COVER (RH)						
	4	2	4E-7499	1	COVER (LH)						
	5	1	4E-9609	2	BRACKET AS						
	6	2	5C-8964	1	LAMP GP-SIGNAL (TURN, RH)						
	7	2	5C-9029	1	LAMP GP-SIGNAL (TURN, LH)						
M	8	2	8T-6411	4	SCREW-MACHINE (M6X1X12-MM)						
	9	2	9U-0561	1	BRACKET (RH)						
	10	2	9U-2277	2	CLIP AS						
	11	2	9W-4361	8	MOUNT-FLEXIBLE						
	12	2	9X-4493	2	LAMP (24-VOLT, 21-WATT)						
	13	1	137-5109	2	GROMMET-SPLIT						
	14	2	140-1088	4	BRACKET AS (EACH INCLUDES)						
M		2	8T-3490	1	NUT-WELD (M10X1.5-THD)						
	15	1	141-8705	1	HARNESS AS						
	16	1	176-2564	1	HARNESS AS						
	17	1	176-2565	1	HARNESS AS						
Y	18	1	153-2073	2	LAMP GP-FLOOD (24-VOLT)						261
	19	1	153-3892	1	HARNESS AS						
	20	1	154-6518	2	GUARD AS (EACH INCLUDES)						
		1	1F-0750	2	NUT-WELD (3/8-16-THD)						
Y	21	1	161-3509	2	LAMP GP-HEAD (24-VOLT)						267
	22	2	033-8248	2	CLIP						
M	23	2	104-3601	2	SCREW-MACHINE (M5X0.8X25-MM)						
	24	2	115-3071	2	CLIP AS-CONNECTOR (6-PIN)						
	25	2	2V-3216	2	CLIP						
M	26	2	4E-7497	4	SPACER (M6X1-THD)						
	27	2	4S-1936	2	CLIP						
M	28	2	5C-2874	4	NUT (M5X0.8-THD)						
M	29	2	5C-2890	12	NUT (M6X1-THD)						
M	30	1,2	5C-7261	4	NUT (M8X1.25-THD)						
	31	2	5M-3062	2	BOLT (3/8-16X0.75-IN)						
	32	2	5P-1075	16	WASHER-HARD (10.2X22.5X3-MM THK)						
	33	1	6P-6641	2	GROMMET						
	34	1	6V-3265	2	CLIP						
	35	2	6V-8801	16	NUT (3/8-16-THD)						
	36	2	7X-0620	4	WASHER-HARD (5.5X13X1.6-MM THK)						
	37	1	7X-7729	8	WASHER (11X25X3-MM THK)						
	38	1	8J-3415	2	GROMMET						
	39	1,2	8M-2770	6	CLIP						
	40	1,2	8T-4121	16	WASHER-HARD (11X21X2.5-MM THK)						
M	41	2	8T-4127	2	SCREW-MACHINE (M5X0.8X20-MM)						
M	42	2	8T-4133	2	NUT (M10X1.5-THD)						
M	43	2	8T-4136	2	BOLT (M10X1.5X25-MM)						
M	44	1,2	8T-4137	10	BOLT (M10X1.5X20-MM)						
M	45	1	8T-4186	8	BOLT (M10X1.5X40-MM)						
	46	2	8T-4205	12	WASHER-HARD (7.2X14.5X2-MM THK)						
	47	2	8T-4224	8	WASHER-HARD (8.8X16X2-MM THK)						
M	48	2	8T-6869	4	BOLT (M8X1.25X60-MM)						
	49	2	9U-0560	1	BRACKET (LH)						

C - CHANGE FROM PREVIOUS TYPE  
M - METRIC PART  
Y - SEPARATE ILLUSTRATION

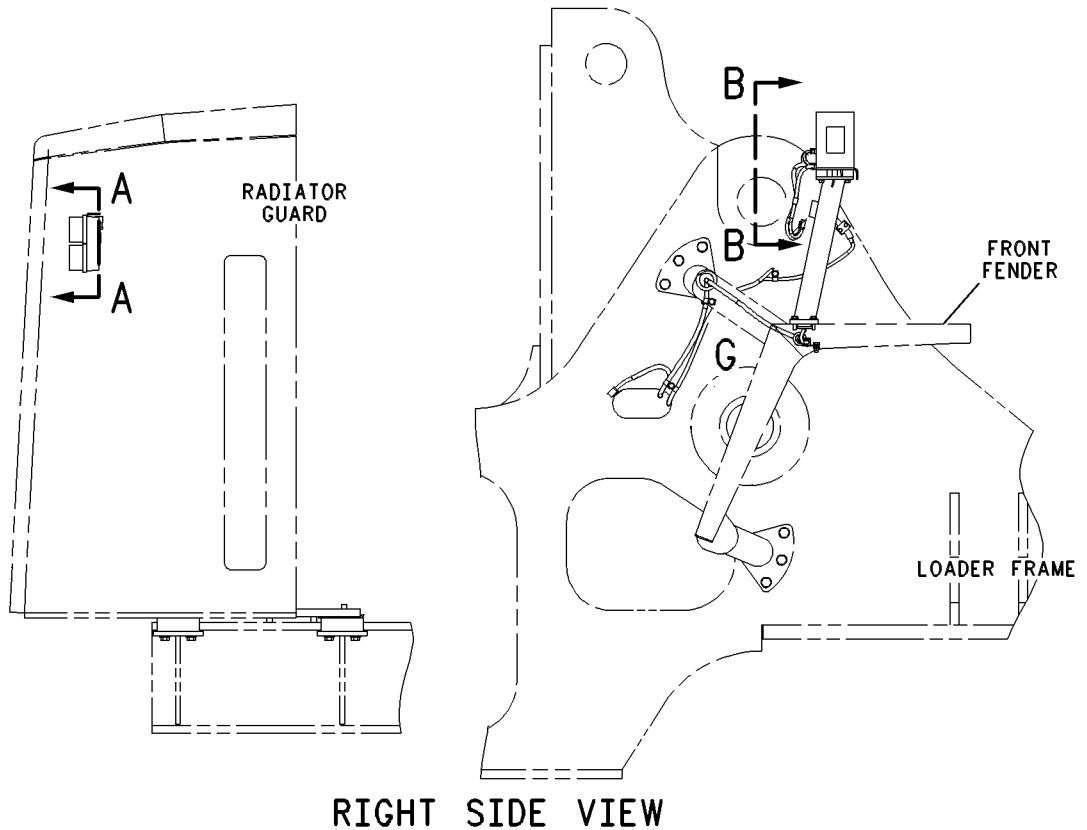
# ELECTRICAL AND STARTING SYSTEM

114-5187 LIGHTING GP-FLOOD & SIGNAL (contd.)

i01517538



REFER TO ALL ILLUSTRATIONS OF THIS GROUP FOR AUXILIARY VIEWS



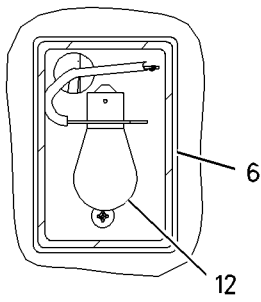
GRAPHIC #1

g00627951

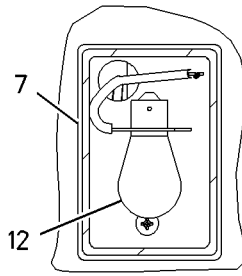
# ELECTRICAL AND STARTING SYSTEM

114-5187 LIGHTING GP-FLOOD & SIGNAL (contd.)

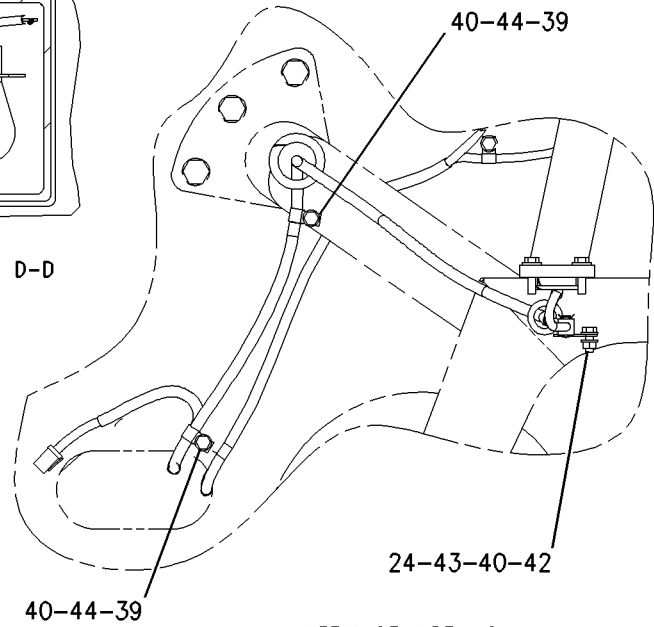
i01517538



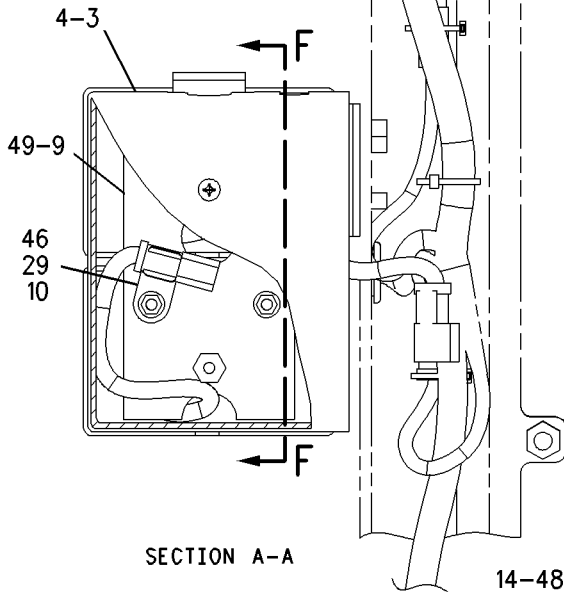
SECTION C-C



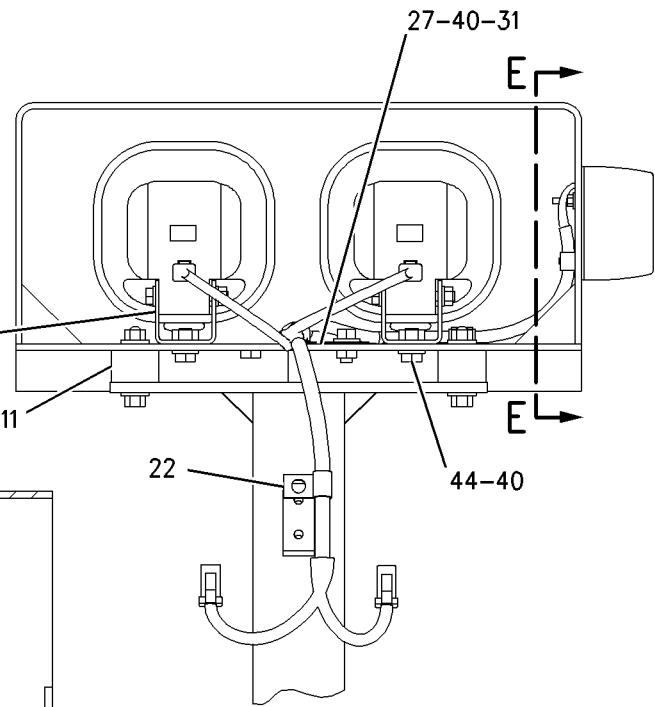
SECTION D-D



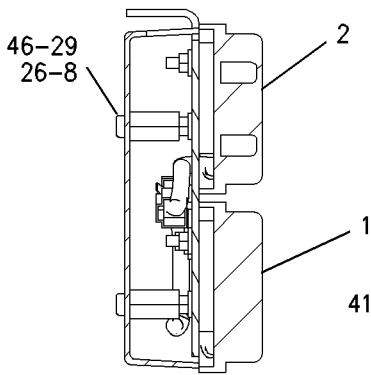
VIEW OF AREA G



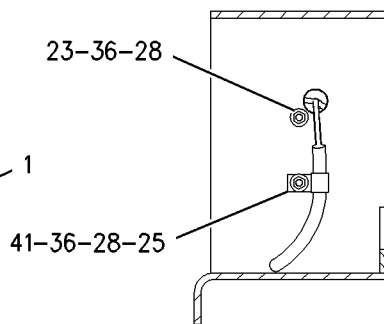
SECTION A-A



VIEW B-B



SECTION F-F



SECTION E-E

GRAPHIC #2

<END>

g00787457



# ELECTRICAL AND STARTING SYSTEM

## 8R-5645 LIGHTING GP-STOP-2-LAMP, REAR

S/N: BNH1-UP

PART OF 114-5189 LIGHTING AR-STOP & FLOOD

AN ATTACHMENT

TYPE 1

SMCS-1432

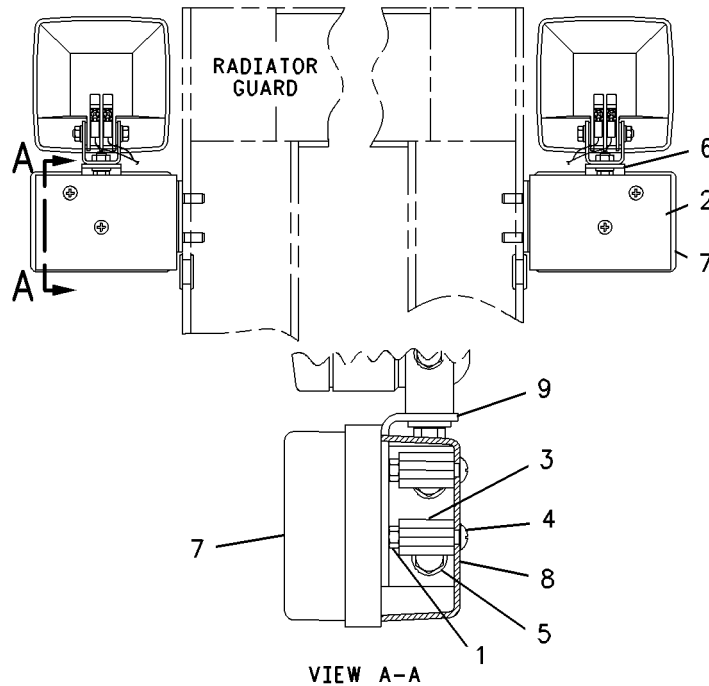
i01491922

NOTE	REF NO	GRAPHIC REF	PART NUMBER	QTY	PART NAME						SEE PAGE
					1	2	3	4	5	6 (PRODUCT LEVEL)	
M	1	1	5C-2890	6	NUT (M6X1-THD)						
	2	1	4E-9925	1	COVER						
M	3	1	4E-7497	4	SPACER (M6X1-THD)						
M	4	1	8T-6411	4	SCREW-MACHINE (M6X1X12-MM)						
M	5	1	8T-4195	4	BOLT (M10X1.5X30-MM)						
		1	8T-4121	4	WASHER-HARD (11X21X2.5-MM THK)						
	6	1	4E-8975	1	BRACKET						
CY	7	1	135-0426	2	LAMP GP-SIGNAL (24-VOLT, STOP, TAIL)						269
	8	1	4E-9924	1	COVER						
	9	1	4E-8976	1	BRACKET						

C - CHANGE FROM PREVIOUS TYPE

M - METRIC PART

Y - SEPARATE ILLUSTRATION



GRAPHIC #1

<END>

g00776857

# ELECTRICAL AND STARTING SYSTEM

## 8R-5645 LIGHTING GP-STOP-2-LAMP, REAR

S/N: BNH1-UP

PART OF 114-5189 LIGHTING AR-STOP & FLOOD  
AN ATTACHMENT

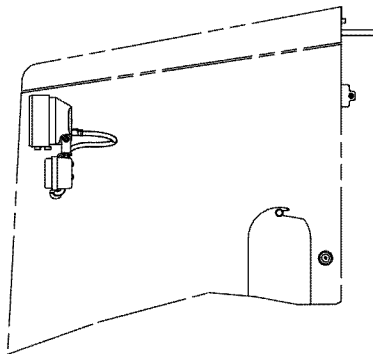
TYPE 2

SMCS-1432

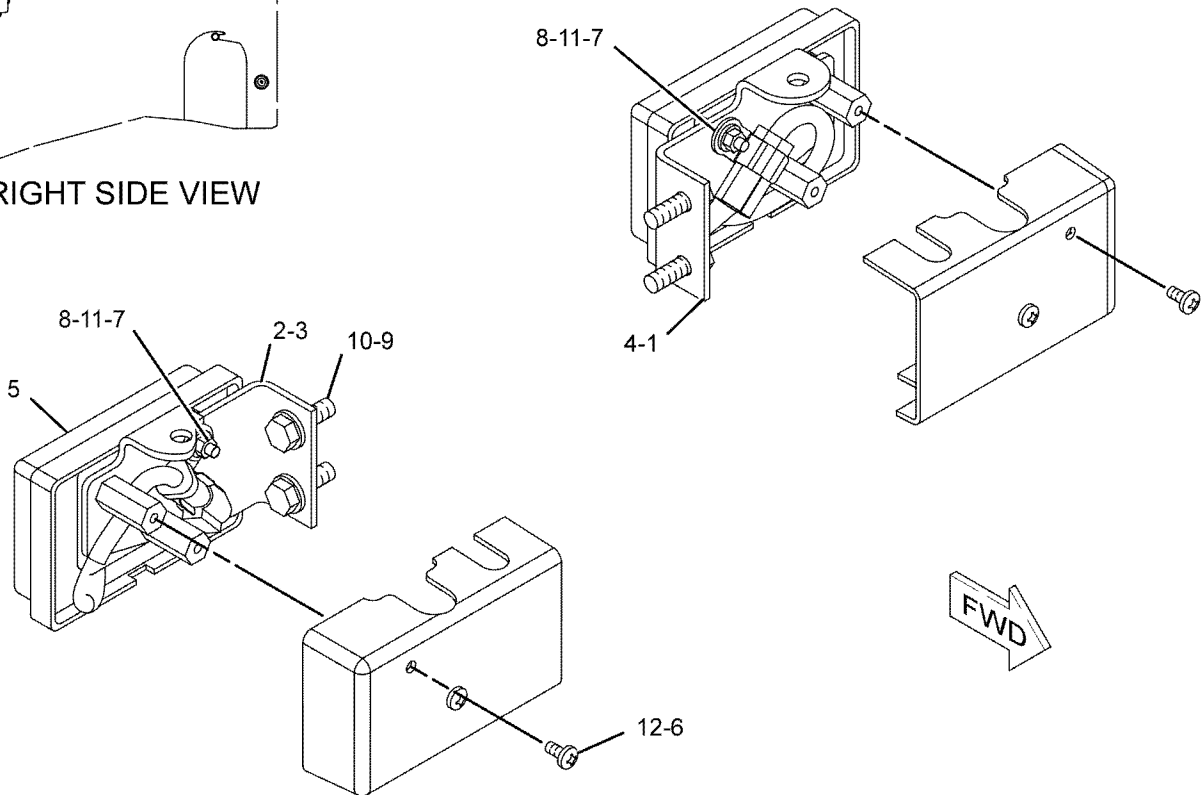
i03645056

NOTE	REF NO	GRAPHIC REF	PART NUMBER	QTY	PART NAME						SEE PAGE
					1	2	3	4	5	6 (PRODUCT LEVEL)	
	1	1	<b>4E-8975</b>	1	BRACKET						
	2	1	<b>4E-8976</b>	1	BRACKET						
	3	1	<b>4E-9924</b>	1	COVER (RH)						
	4	1	<b>4E-9925</b>	1	COVER (LH)						
Y	5	1	<b>135-0426</b>	2	LAMP GP-SIGNAL (24-VOLT, STOP, TAIL)						269
C	6	1	<b>230-8152</b>	4	SPACER						
C	7	1	<b>230-9715</b>	2	CLIP AS						
CM	8	1	<b>5C-2890</b>	2	NUT (M6X1-THD)						
	9	1	<b>8T-4121</b>	4	WASHER-HARD (11X21X2.5-MM THK)						
M	10	1	<b>8T-4195</b>	4	BOLT (M10X1.5X30-MM)						
C	11	1	<b>8T-4205</b>	2	WASHER-HARD (7.2X14.5X2-MM THK)						
M	12	1	<b>8T-6411</b>	4	SCREW-MACHINE (M6X1X12-MM)						

C - CHANGE FROM PREVIOUS TYPE  
M - METRIC PART  
Y - SEPARATE ILLUSTRATION



RIGHT SIDE VIEW



GRAPHIC #1

<END>

g01024643

# ELECTRICAL AND STARTING SYSTEM

## 8R-5645 LIGHTING GP-STOP-2-LAMP, REAR

S/N: BNH1-UP

PART OF 114-5189 LIGHTING AR-STOP & FLOOD

AN ATTACHMENT

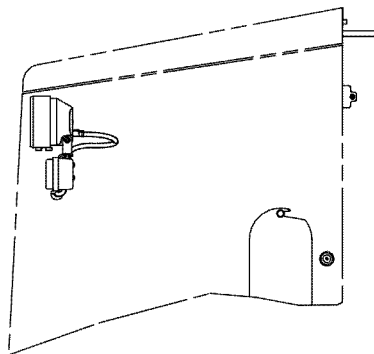
TYPE 3

SMCS-1432

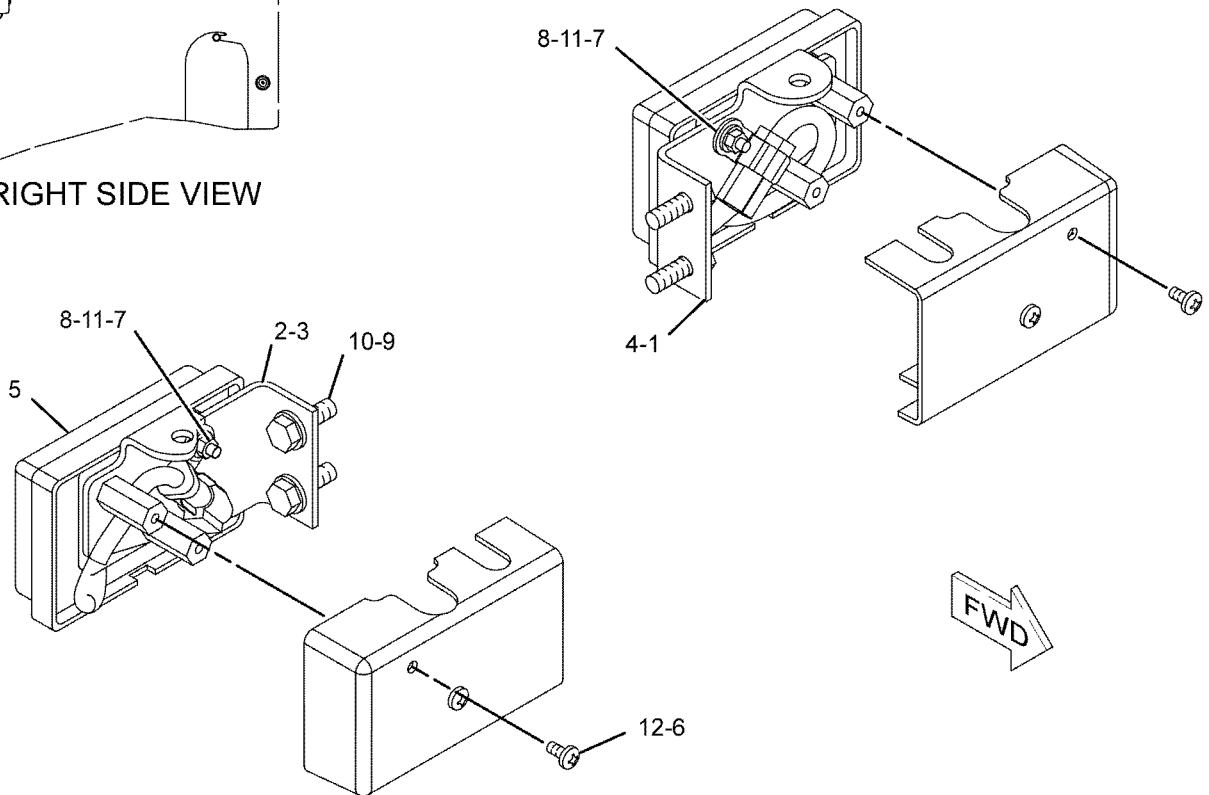
i04936548

NOTE	REF NO	GRAPHIC REF	PART NUMBER	QTY	PART NAME						SEE PAGE
					1	2	3	4	5	6 (PRODUCT LEVEL)	
	1	1	<b>4E-8975</b>	1	BRACKET						
	2	1	<b>4E-8976</b>	1	BRACKET						
	3	1	<b>4E-9924</b>	1	COVER (RH)						
	4	1	<b>4E-9925</b>	1	COVER (LH)						
CY	5	1	<b>334-8049</b>	2	LAMP GP-SIGNAL (12-VOLT, 24-VOLT, RED)						272
	6	1	<b>230-8152</b>	4	SPACER						
C	7	1	<b>116-0118</b>	2	CLIP						
M	8	1	<b>5C-2890</b>	2	NUT (M6X1-THD)						
	9	1	<b>8T-4121</b>	4	WASHER-HARD (11X21X2.5-MM THK)						
M	10	1	<b>8T-4195</b>	4	BOLT (M10X1.5X30-MM)						
	11	1	<b>8T-4205</b>	2	WASHER-HARD (7.2X14.5X2-MM THK)						
M	12	1	<b>8T-6411</b>	4	SCREW-MACHINE (M6X1X12-MM)						

C - CHANGE FROM PREVIOUS TYPE  
M - METRIC PART  
Y - SEPARATE ILLUSTRATION



RIGHT SIDE VIEW



GRAPHIC #1

<END>

g01024643

# ELECTRICAL AND STARTING SYSTEM

## 190-3980 LIGHTING GP-WARNING BEACON

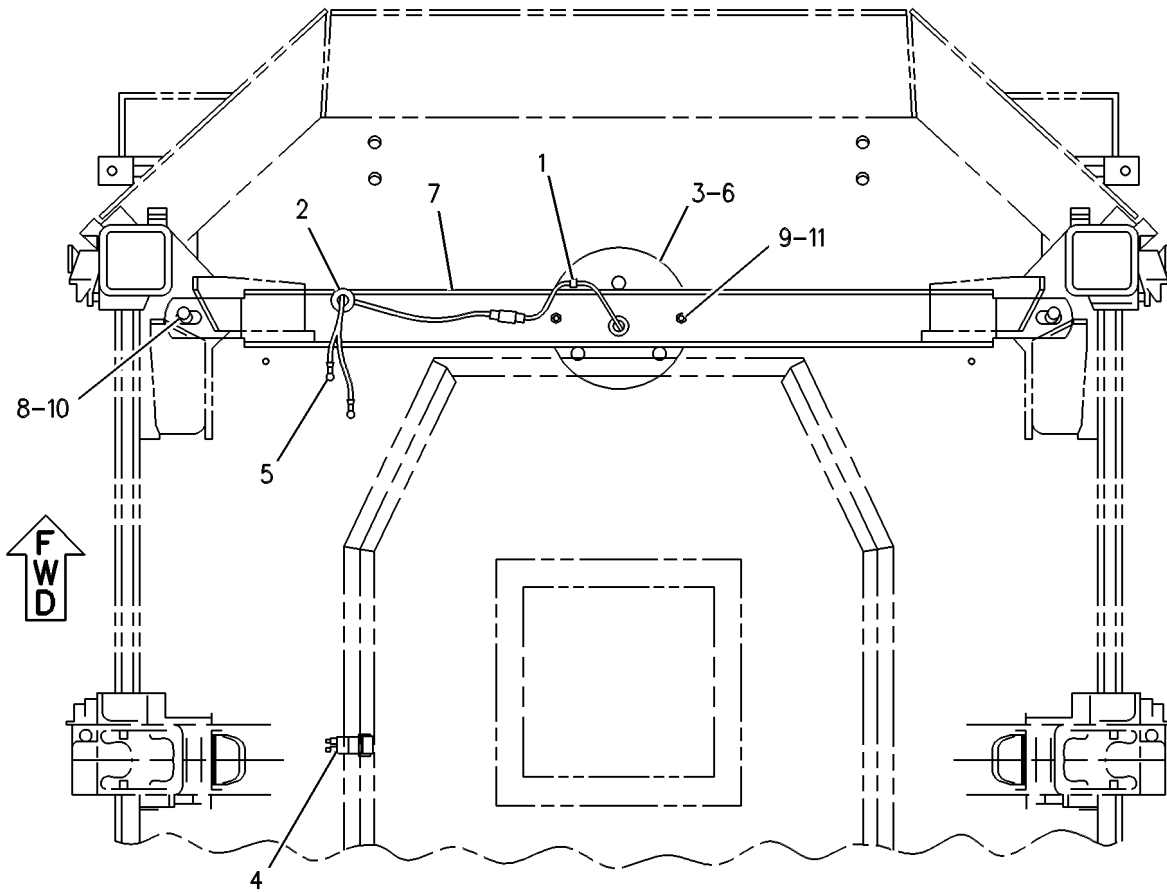
S/N: BNH1-UP  
AN ATTACHMENT  
TYPE 1

SMCS-1431

i01492973

NOTE	REF NO	GRAPHIC REF	PART NUMBER	QTY	PART NAME						SEE PAGE
					1	2	3	4	5	6 (PRODUCT LEVEL)	
	1	1	<b>3S-2093</b>	1	STRAP-CABLE						
	2	1	<b>7G-7053</b>	1	GROMMET						
	3	1	<b>8R-4001</b>	1	PLATE						
	4	1	<b>170-1318</b>	1	SWITCH AS-ROCKER (WARNING LAMP)						
	5	1	<b>119-8984</b>	1	HARNESS AS-LIGHTING						
		1	<b>155-2270</b>	1	KIT-CONNECTING PLUG (2-PIN) (INCLUDES PLUG AS & WEDGE)						
Y	6	1	<b>128-6983</b>	1	LAMP GP-WARNING BEACON (24-VOLT)						273
	7	1	<b>129-5150</b>	1	CHANNEL AS						
		1	<b>5D-9629</b>	1	ROD						
M		1	<b>6V-9632</b>	2	NUT-WELD (M6X1-THD)						
	8	1	<b>8T-4122</b>	2	WASHER-HARD (17X32X3.5-MM THK)						
M	9	1	<b>8T-4138</b>	2	BOLT (M6X1X20-MM)						
M	10	1	<b>8T-4140</b>	2	BOLT (M16X2X60-MM)						
	11	1	<b>8T-4205</b>	2	WASHER-HARD (7.2X14.5X2-MM THK)						

M - METRIC PART  
Y - SEPARATE ILLUSTRATION



BOTTOM VIEW OF CAB

GRAPHIC #1

<END>

g00122118

# ELECTRICAL AND STARTING SYSTEM

## 190-3980 LIGHTING GP-WARNING BEACON

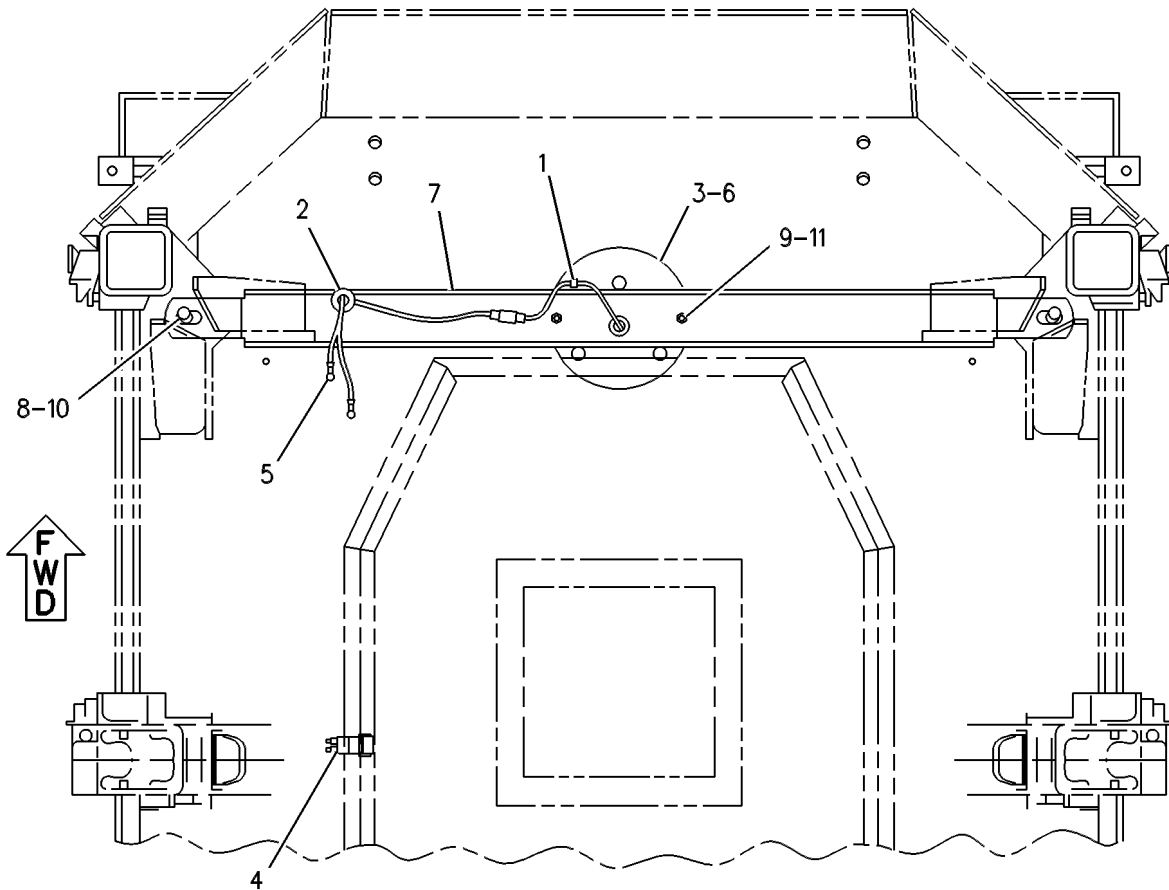
S/N: BNH1-UP  
AN ATTACHMENT  
TYPE 2

SMCS-1431

i02325816

NOTE	REF NO	GRAPHIC REF	PART NUMBER	QTY	PART NAME						SEE PAGE
					1	2	3	4	5	6 (PRODUCT LEVEL)	
	1	1	<b>3S-2093</b>	1	STRAP-CABLE						
	2	1	<b>7G-7053</b>	1	GROMMET						
	3	1	<b>8R-4001</b>	1	PLATE						
C	4	1	<b>219-9522</b>	1	SWITCH AS-ROCKER (WARNING LAMP)						
	5	1	<b>119-8984</b>	1	HARNESS AS-LIGHTING						
		1	<b>155-2270</b>	1	KIT-CONNECTING PLUG (2-PIN) (INCLUDES PLUG AS & WEDGE)						
Y	6	1	<b>235-3937</b>	1	LAMP GP-WARNING BEACON (24-VOLT, AMBER, ROTATING)						274
	7	1	<b>129-5150</b>	1	CHANNEL AS						
		1	<b>5D-9629</b>	1	ROD						
M		1	<b>6V-9632</b>	2	NUT-WELD (M6X1-THD)						
	8	1	<b>8T-4122</b>	2	WASHER-HARD (17X32X3.5-MM THK)						
M	9	1	<b>8T-4138</b>	2	BOLT (M6X1X20-MM)						
M	10	1	<b>8T-4140</b>	2	BOLT (M16X2X60-MM)						
	11	1	<b>8T-4205</b>	2	WASHER-HARD (7.2X14.5X2-MM THK)						

C - CHANGE FROM PREVIOUS TYPE  
M - METRIC PART  
Y - SEPARATE ILLUSTRATION



BOTTOM VIEW OF CAB

GRAPHIC #1

<END>

g00122118

# ELECTRICAL AND STARTING SYSTEM

## 200-2301 MOUNTING GP-PRESSURE SENSOR

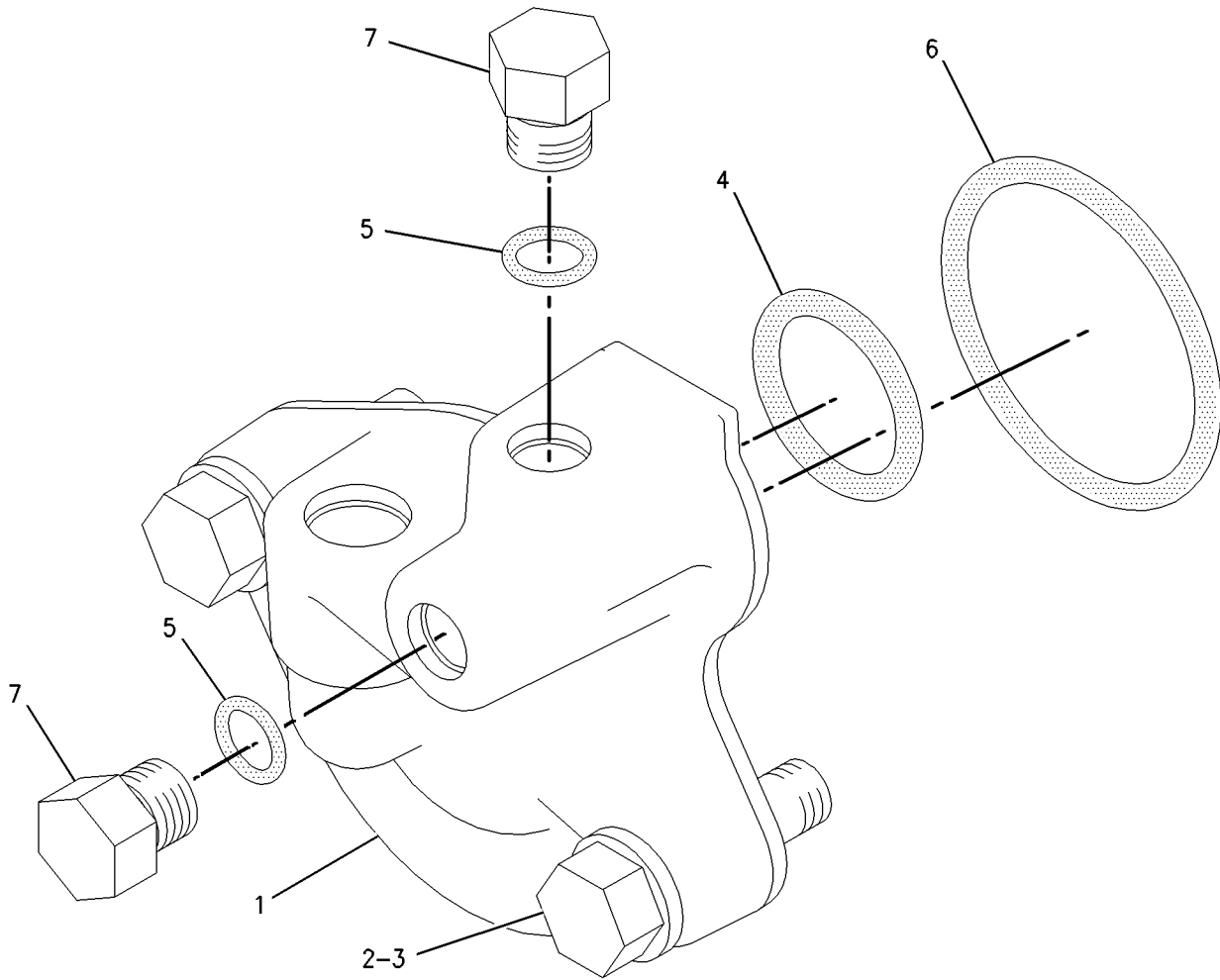
S/N: BNT1-UP

PART OF 198-6489, 198-6490, 235-4732, 235-4733 ENGINE AR-COMPLETE  
AN ATTACHMENT

SMCS-1923, 1924, 7494

i02938994

NOTE	REF NO	GRAPHIC REF	PART NUMBER	QTY	PART NAME						SEE PAGE
					1	2	3	4	5	6	
	1	1	<b>166-6693</b>	1	ADAPTER						
	2	1	<b>1T-0720</b>	2	BOLT-12 POINT HEAD (3/8-16X1.25-IN)						
	3	1	<b>5M-2894</b>	2	WASHER-HARD (10.2X18.5X2.5-MM THK)						
	4	1	<b>6V-3683</b>	1	SEAL-O-RING						
	5	1	<b>6V-5048</b>	2	SEAL-O-RING						
	6	1	<b>8J-4351</b>	1	SEAL-O-RING						
	7	1	<b>9S-4182</b>	2	PLUG-O-RING						



GRAPHIC #1

<END>

g00788950

# ELECTRICAL AND STARTING SYSTEM

## 3T-9525 PLATE AS-BRUSH

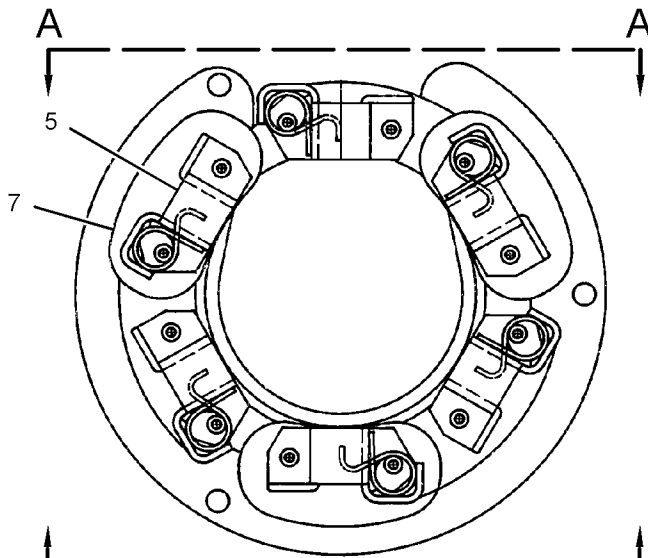
S/N: BNH1-UP

PART OF 338-3454 STARTING MOTOR GP-ELECTRIC

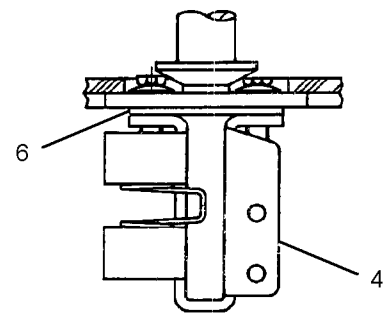
SMCS-4463

i04083269

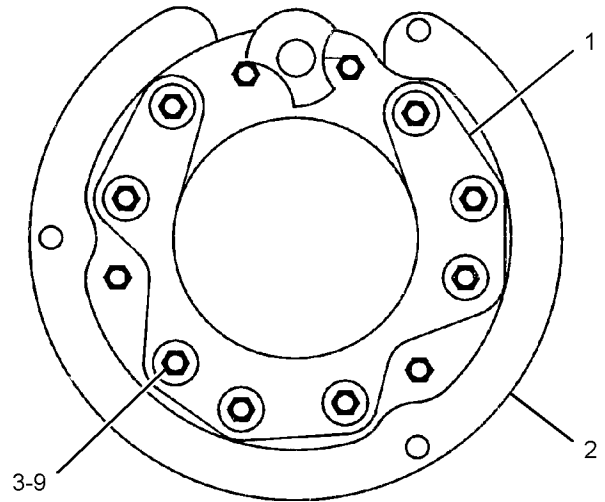
NOTE	REF NO	GRAPHIC REF	PART NUMBER	QTY	PART NAME						SEE PAGE
					1	2	3	4	5	6 (PRODUCT LEVEL)	
	1	1	<b>6T-0372</b>	1	PLATE						
	2	1	<b>6T-0371</b>	1	INSULATOR						
	3	1	<b>9F-5599</b>	12	LOCKWASHER						
	4	1	<b>6T-0363</b>	6	HOLDER AS-BRUSH (EACH INCLUDES)						
		1	<b>3T-9494</b>	1	SPRING						
	5	1	<b>3T-4709</b>	3	PLATE						
	6	1	<b>3T-4710</b>	3	PLATE						
	7	1	<b>2L-6679</b>	3	PLATE-INSULATOR						
	8	1	<b>7F-3525</b>	6	WASHER-BUSHING (0.207X0.39X0.09-IN THK)						
	9	1	<b>5P-6298</b>	12	SCREW-MACHINE (10-32X0.5-IN)						



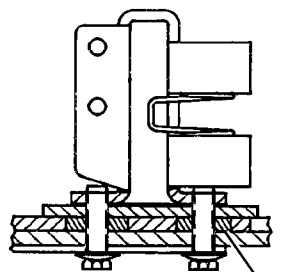
REAR VIEW



VIEW A-A



FRONT VIEW



VIEW B-B

GRAPHIC #1

<END>

g02294074

# ELECTRICAL AND STARTING SYSTEM

## 169-3301 SENSOR & MTG GP-LIFT POSITION

S/N: BNH1-UP

PART OF 114-5192 CONTROL GP-LIFT & TILT POS

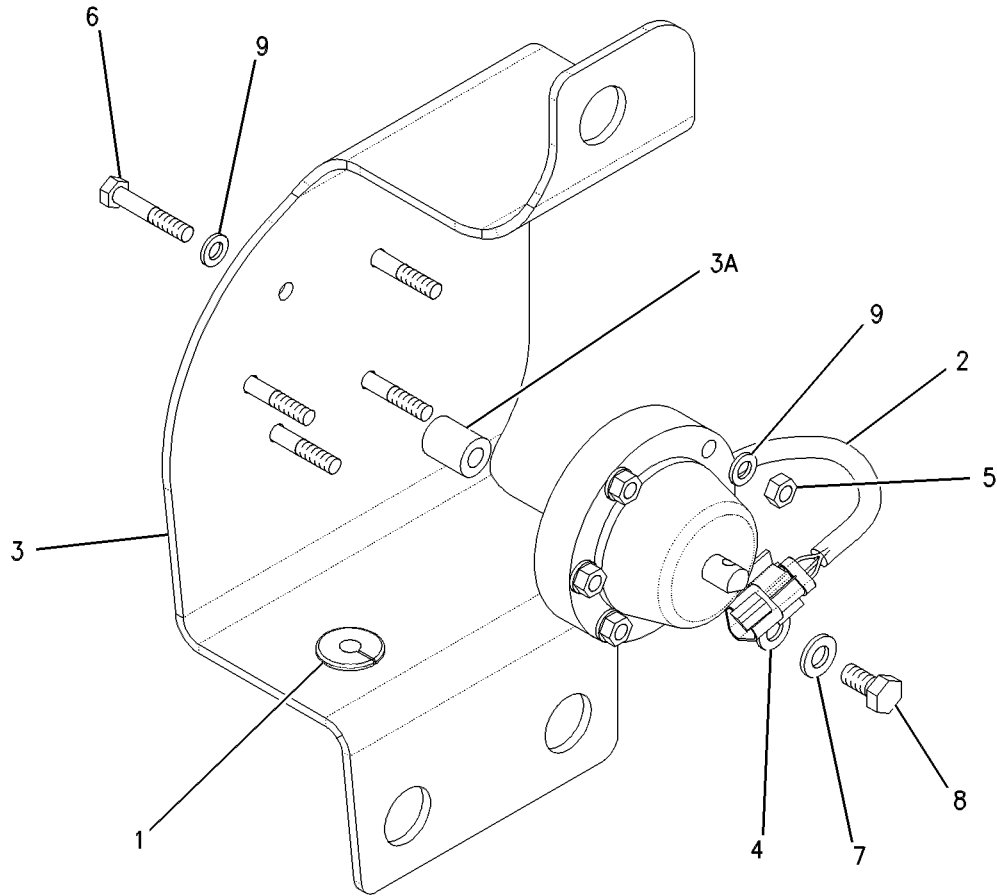
SMCS-5736

i01418529

NOTE	REF NO	GRAPHIC REF	PART NUMBER	QTY	PART NAME						SEE PAGE
					1	2	3	4	5	6 (PRODUCT LEVEL)	
	1	1	116-5710	1	GROMMET						
Y	2	1	169-0417	1	SENSOR GP-POSITION (LIFT)						303
	3	1	169-3311	1	BRACKET AS						
M	3A	1	9R-2613	1	BOSS-WELD (M10X1.5X25-MM)						
	4	1	115-3069	1	CLIP AS-CONNECTOR (3-PIN)						
M	5	1	5C-7261	5	NUT (M8X1.25-THD)						
M	6	1	7X-0818	5	BOLT (M8X1.25X45-MM)						
	7	1	8T-4121	1	WASHER-HARD (11X21X2.5-MM THK)						
M	8	1	8T-4137	1	BOLT (M10X1.5X20-MM)						
	9	1	8T-4224	10	WASHER-HARD (8.8X16X2-MM THK)						

M - METRIC PART

Y - SEPARATE ILLUSTRATION



GRAPHIC #1

<END>

g00624710



# ELECTRICAL AND STARTING SYSTEM

## 169-3302 SENSOR & MTG GP-TILT POSITION

S/N: BNH1-UP

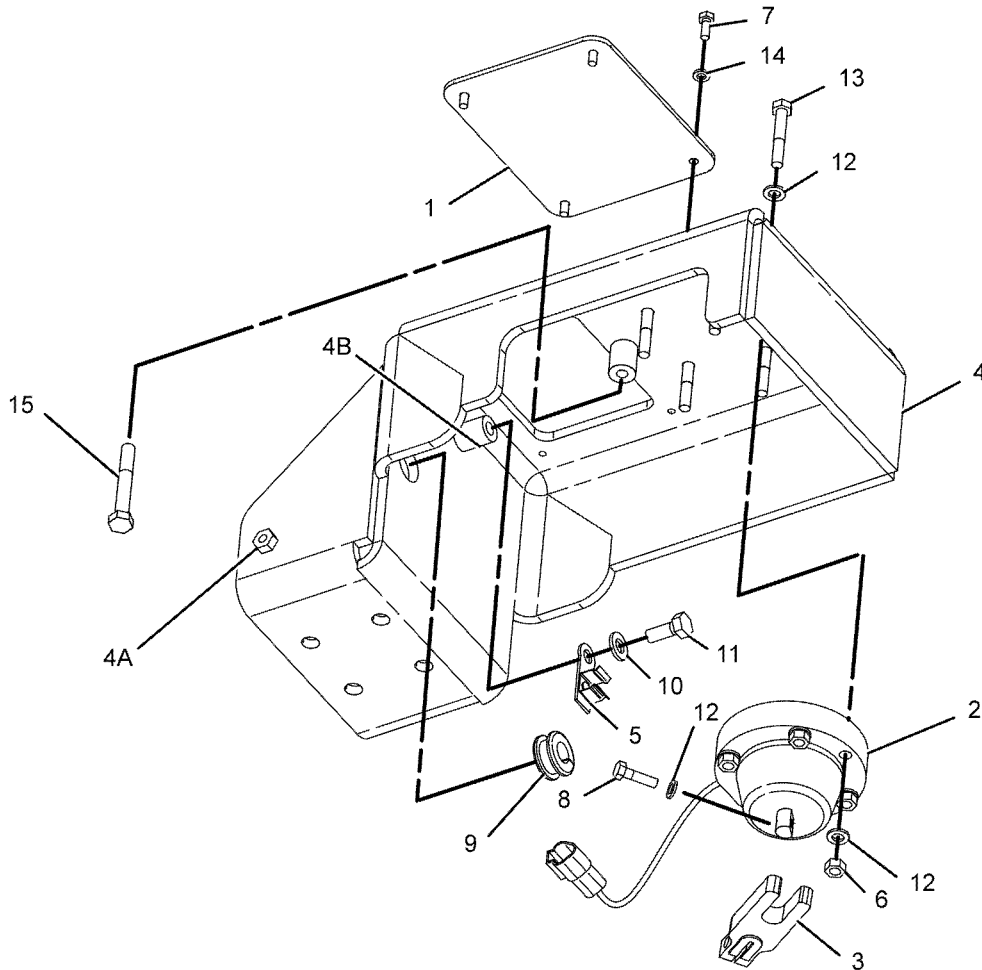
PART OF 114-5192 CONTROL GP-LIFT & TILT POS

SMCS-5736

i01992411

NOTE	REF NO	GRAPHIC REF	PART NUMBER	QTY	PART NAME						SEE PAGE
					1	2	3	4	5	6	
	1	1	<b>157-6210</b>	1	PLATE						
Y	2	1	<b>169-0417</b>	1	SENSOR GP-POSITION (TILT)						303
	3	1	<b>199-5670</b>	1	PLATE AS						
	4	1	<b>178-6265</b>	1	BRACKET AS						
M	4A	1	<b>8T-3612</b>	1	NUT-WELD (M8X1.25-THD)						
M	4B	1	<b>9R-2613</b>	1	BOSS-WELD (M10X1.5X25-MM)						
	5	1	<b>115-3069</b>	1	CLIP AS-CONNECTOR (3-PIN)						
M	6	1	<b>5C-7261</b>	5	NUT (M8X1.25-THD)						
M	7	1	<b>5C-9553</b>	4	BOLT (M6X1X16-MM)						
M	8	1	<b>8T-7547</b>	1	BOLT (M8X1.25X30-MM)						
	9	1	<b>7X-4780</b>	1	GROMMET						
	10	1	<b>8T-4121</b>	1	WASHER-HARD (11X21X2.5-MM THK)						
M	11	1	<b>8T-4136</b>	1	BOLT (M10X1.5X25-MM)						
	12	1	<b>8T-4224</b>	11	WASHER-HARD (8.8X16X2-MM THK)						
M	13	1	<b>8T-6912</b>	5	BOLT (M8X1.25X50-MM)						
	14	1	<b>9X-8256</b>	4	WASHER (6.6X12X2-MM THK)						
M	15	1	<b>8T-5005</b>	1	BOLT (M10X1.5X70-MM)						

M - METRIC PART  
Y - SEPARATE ILLUSTRATION



GRAPHIC #1

<END>

g01075068

# ELECTRICAL AND STARTING SYSTEM

## 199-1002 SENSOR GP-ENGINE

S/N: BNT1-UP

PART OF 198-6487 ENGINE AR-CORE  
AN ATTACHMENT

SMCS-1718, 1906, 1907, 1912, 1917, 1923, 1924, 1928,  
1929, 7400

i01620473

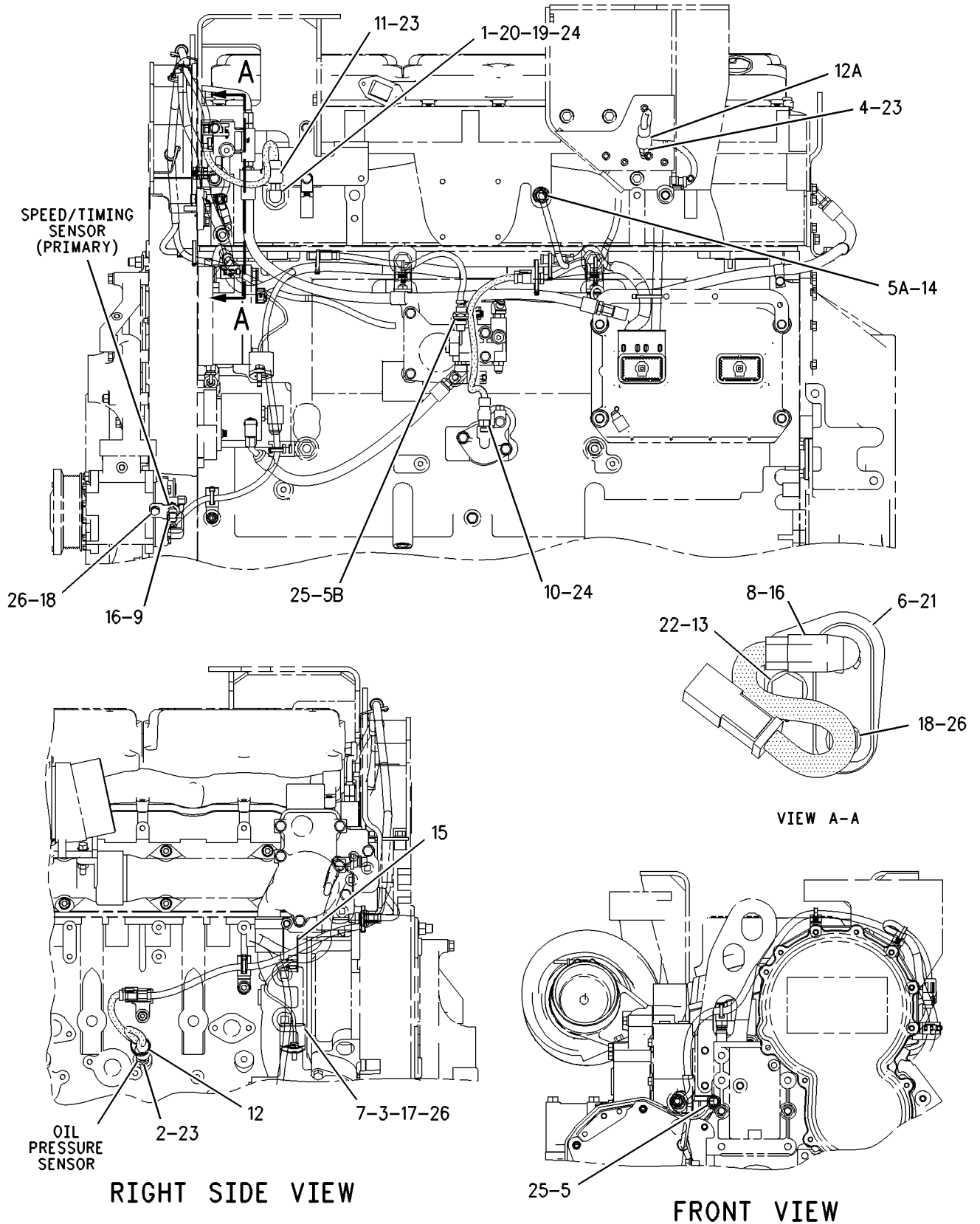
NOTE	REF NO	GRAPHIC REF	PART NUMBER	QTY	PART NAME						SEE PAGE
					1	2	3	4	5	6 (PRODUCT LEVEL)	
	1	1	<b>3E-2332</b>	1	ELBOW						
	2	1	<b>3E-7448</b>	1	CONNECTOR						
	3	1	<b>4N-3841</b>	1	GASKET						
	4	1	<b>9X-0262</b>	1	ADAPTER						
	5	1	<b>130-9811</b>	1	SENSOR GP-TEMPERATURE (COOLANT)						
	5A	1	<b>130-9811</b>	1	SENSOR GP-TEMPERATURE (AIR INLET)						
	5B	1	<b>130-9811</b>	1	SENSOR GP-TEMPERATURE (FUEL)						
	6	1	<b>132-9770</b>	1	SPACER AS						
		1	<b>1W-6448</b>	2	DOWEL						
Y	7	1	<b>134-6054</b>	1	SWITCH GP-FLOW (COOLANT)						342
	8	1	<b>188-7513</b>	1	SENSOR GP-SPEED (TIMING-SECONDARY)						
	9	1	<b>189-9266</b>	1	SENSOR GP-SPEED (TIMING-PRIMARY)						
Y	10	1	<b>194-6722</b>	1	SENSOR GP-PRESSURE (ATMOSPHERIC)						311
Y	11	1	<b>194-6724</b>	1	SENSOR GP-PRESSURE (INLET MANIFOLD BOOST)						312
Y	12	1	<b>194-6725</b>	1	SENSOR GP-PRESSURE (OIL)						313
Y	12A	1	<b>194-6725</b>	1	SENSOR GP-PRESSURE (FUEL)						313
	13	1	<b>0S-1591</b>	1	BOLT (3/8-16X1.5-IN)						
	14	1	<b>112-5282</b>	1	SEAL-O-RING						
	15	1	<b>130-5300</b>	1	CLIP						
	16	1	<b>203-3940</b>	2	SEAL-O-RING						
	17	1	<b>2B-2695</b>	2	BOLT (5/16-18X0.875-IN)						
	18	1	<b>2H-3755</b>	2	BOLT (5/16-18X0.43-IN)						
	19	1	<b>2P-8421</b>	1	ADAPTER-O-RING						
	20	1	<b>3D-2824</b>	1	SEAL-O-RING						
	21	1	<b>3P-1155</b>	1	SEAL-O-RING						
	22	1	<b>5M-2894</b>	1	WASHER-HARD (10.2X18.5X2.5-MM THK)						
	23	1	<b>6V-5048</b>	4	SEAL-O-RING						
	24	1	<b>6V-5049</b>	2	SEAL-O-RING						
	25	1	<b>8L-2786</b>	2	SEAL-O-RING						
	26	1	<b>9M-1974</b>	4	WASHER-HARD (8.8X16X2-MM THK)						

Y - SEPARATE ILLUSTRATION

# ELECTRICAL AND STARTING SYSTEM

199-1002 SENSOR GP-ENGINE (contd.)

i01620473



GRAPHIC #1

<END>

g00842665

# ELECTRICAL AND STARTING SYSTEM

## 236-2259 SENSOR GP-ENGINE

S/N: BNT1278-10214

PART OF 235-3479 ENGINE AR-CORE  
AN ATTACHMENT

SMCS-1718, 1906, 1907, 1912, 1917, 1923, 1924, 1928,  
1929, 7400

i01959649

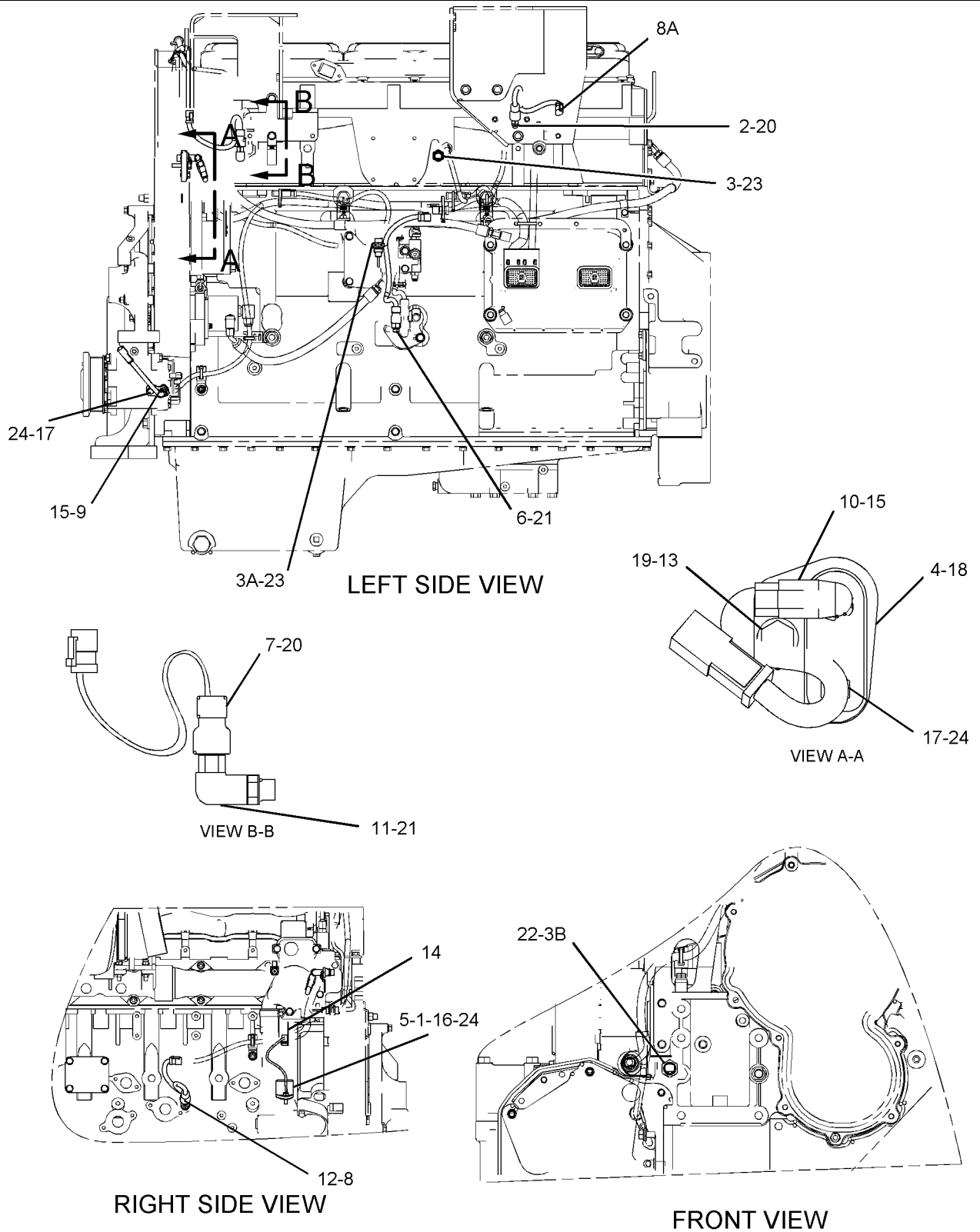
NOTE	REF NO	GRAPHIC REF	PART NUMBER	QTY	PART NAME						SEE PAGE
					1	2	3	4	5	6 (PRODUCT LEVEL)	
	1	1	4N-3841	1	GASKET						
	2	1	9X-0262	1	ADAPTER						
Y	3	1	130-9811	1	SENSOR GP-TEMPERATURE (INLET AIR)						319
Y	3A	1	130-9811	1	SENSOR GP-TEMPERATURE (FUEL)						319
Y	3B	1	130-9811	1	SENSOR GP-TEMPERATURE (COOLANT)						319
	4	1	132-9770	1	SPACER AS						
		1	1W-6448	2	DOWEL						
Y	5	1	134-6054	1	SWITCH GP-FLOW (COOLANT)						342
Y	6	1	194-6722	1	SENSOR GP-PRESSURE (ATMOSPHERIC)						311
Y	7	1	194-6724	1	SENSOR GP-PRESSURE (INLET MANIFOLD BOOST)						312
Y	8	1	194-6725	1	SENSOR GP-PRESSURE (ENGINE OIL)						313
Y	8A	1	194-6725	1	SENSOR GP-PRESSURE (FUEL)						313
Y	9	1	201-6615	1	SENSOR GP-SPEED (TIMING/PRIMARY)						315
Y	10	1	201-6617	1	SENSOR GP-SPEED (TIMING/SECONDARY)						316
	11	1	241-6186	1	ELBOW						
	12	1	235-3596	1	ADAPTER AS						
		1	6V-5048	1	SEAL-O-RING (8.92MM ID)						
		1	8L-2786	1	SEAL-O-RING (16.36MM ID)						
	13	1	0S-1591	1	BOLT (3/8-16X1.5-IN)						
	14	1	130-5300	1	CLIP						
	15	1	203-3940	2	SEAL-O-RING						
	16	1	2B-2695	2	BOLT (5/16-18X0.875-IN)						
	17	1	2H-3755	2	BOLT (5/16-18X0.43-IN)						
	18	1	3P-1155	1	SEAL-O-RING						
	19	1	5M-2894		WASHER-HARD (10.2X18.5X2.5-MM THK)						
	20	1	6V-5048	3	SEAL-O-RING						
	21	1	6V-5049	2	SEAL-O-RING						
	22	1	6V-6609	1	SEAL-O-RING						
	23	1	8L-2786	2	SEAL-O-RING						
	24	1	9M-1974	4	WASHER-HARD (8.8X16X2-MM THK)						

Y - SEPARATE ILLUSTRATION

# ELECTRICAL AND STARTING SYSTEM

236-2259 SENSOR GP-ENGINE (contd.)

i01959649



GRAPHIC #1

<END>

g01059426

# ELECTRICAL AND STARTING SYSTEM

## 236-2259 SENSOR GP-ENGINE

S/N: BNT10215-UP

PART OF 235-3479 ENGINE AR-CORE  
AN ATTACHMENT

SMCS-1718, 1906, 1907, 1912, 1917, 1923, 1924, 1928,  
1929, 7400

i02783014

NOTE	REF NO	GRAPHIC REF	PART NUMBER	QTY	PART NAME						SEE PAGE
					1	2	3	4	5	6 (PRODUCT LEVEL)	
	1	1	<b>4N-3841</b>	1	GASKET						
	2	1	<b>9X-0262</b>	1	ADAPTER						
CY	3	1	197-8391	1	SENSOR GP-TEMPERATURE (INLET AIR)						321
CY	3A	1	197-8391	1	SENSOR GP-TEMPERATURE (FUEL)						321
CY	3B	1	197-8391	1	SENSOR GP-TEMPERATURE (COOLANT)						321
	4	1	<b>132-9770</b>	1	SPACER AS						
		1	<b>1W-6448</b>	2	DOWEL						
Y	5	1	<b>134-6054</b>	1	SWITCH GP-FLOW (COOLANT)						342
Y	6	1	<b>194-6722</b>	1	SENSOR GP-PRESSURE (ATMOSPHERIC)						311
Y	7	1	<b>194-6724</b>	1	SENSOR GP-PRESSURE (INLET MANIFOLD BOOST)						312
Y	8	1	<b>194-6725</b>	1	SENSOR GP-PRESSURE (ENGINE OIL)						313
Y	8A	1	<b>194-6725</b>	1	SENSOR GP-PRESSURE (FUEL)						313
Y	9	1	<b>201-6615</b>	1	SENSOR GP-SPEED (TIMING/PRIMARY)						315
Y	10	1	<b>201-6617</b>	1	SENSOR GP-SPEED (TIMING/SECONDARY)						316
	11	1	<b>241-6186</b>	1	ELBOW						
	12	1	<b>235-3596</b>	1	ADAPTER AS						
		1	<b>6V-5048</b>	1	SEAL-O-RING (8.92MM ID)						
		1	<b>8L-2786</b>	1	SEAL-O-RING (16.36MM ID)						
	13	1	<b>0S-1591</b>	1	BOLT (3/8-16X1.5-IN)						
	14	1	<b>130-5300</b>	1	CLIP						
	15	1	<b>203-3940</b>	2	SEAL-O-RING						
	16	1	<b>2B-2695</b>	2	BOLT (5/16-18X0.875-IN)						
	17	1	<b>2H-3755</b>	2	BOLT (5/16-18X0.43-IN)						
	18	1	<b>3P-1155</b>	1	SEAL-O-RING						
	19	1	<b>5M-2894</b>	1	WASHER-HARD (10.2X18.5X2.5-MM THK)						
	20	1	<b>6V-5048</b>	3	SEAL-O-RING						
	21	1	<b>6V-5049</b>	2	SEAL-O-RING						
	24	1	<b>9M-1974</b>	4	WASHER-HARD (8.8X16X2-MM THK)						

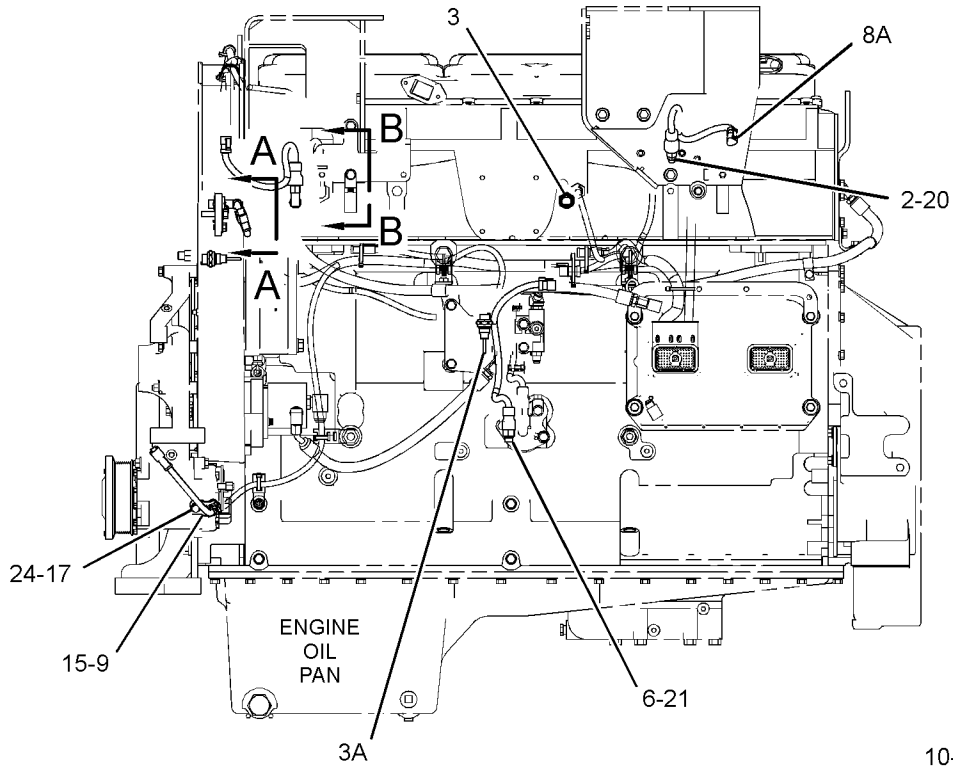
C - CHANGE FROM PREVIOUS TYPE

Y - SEPARATE ILLUSTRATION

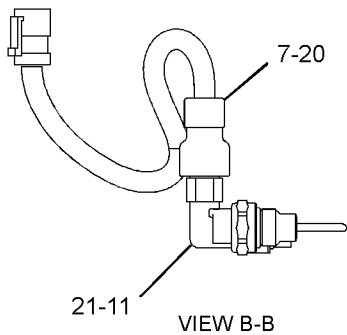
# ELECTRICAL AND STARTING SYSTEM

236-2259 SENSOR GP-ENGINE (contd.)

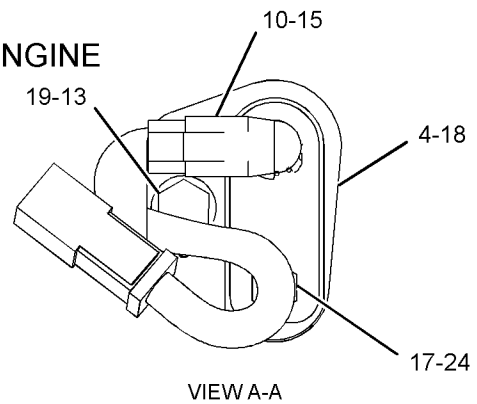
i02783014



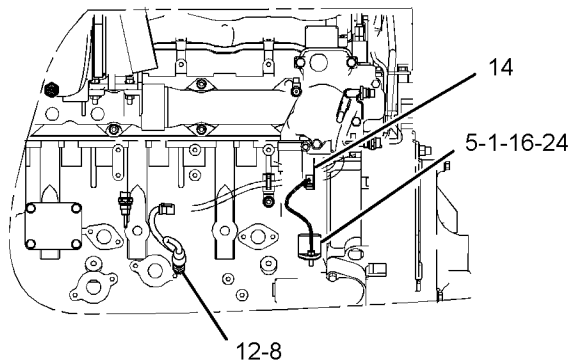
LEFT SIDE VIEW OF ENGINE



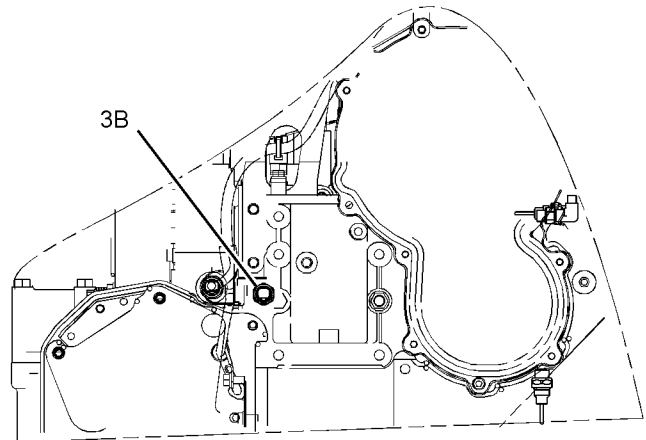
VIEW B-B



VIEW A-A



RIGHT SIDE VIEW OF ENGINE



FRONT VIEW OF ENGINE

GRAPHIC #1

<END>

g01394070

# ELECTRICAL AND STARTING SYSTEM

## 161-8979 SENSOR GP-POSITION-CONTROL LEVER

S/N: BNH1-UP

SPRINGLESS

FIELD REPLACEMENT ORDER 214-4862-PAGE: 305

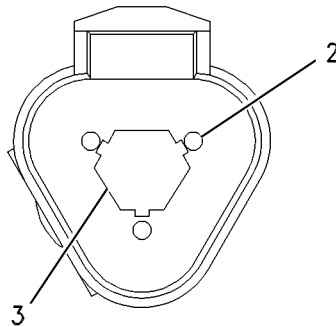
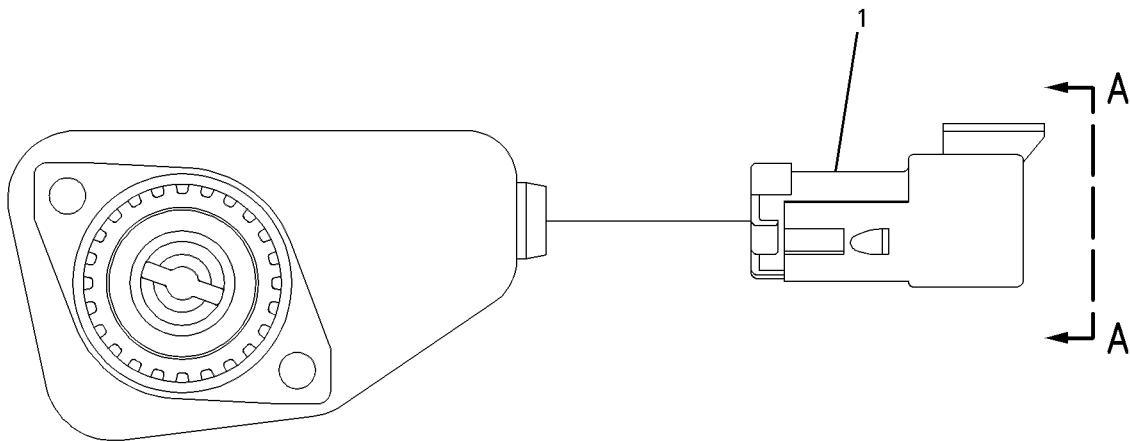
PART OF 179-9380, 183-5045 CONTROL GP-ELECTROHYDRAULIC

AN ATTACHMENT

SMCS-4269, 5702, 5736, 5737, 7494

i01988615

NOTE	REF NO	GRAPHIC REF	PART NUMBER	QTY	PART NAME						SEE PAGE
					1	2	3	4	5	6 (PRODUCT LEVEL)	
	1	1	<b>102-8803</b>	1	KIT-RECEPTACLE (3-PIN)						
					(INCLUDES RECEPTACLE AS & WEDGE)						
	2	1	<b>8T-8729</b>	3	PIN-CONNECTOR (16-GA TO 18-GA)						
	3	1	<b>3E-3371</b>	1	WEDGE-RECEPTACLE LOCK (3-PIN)						



VIEW A-A

GRAPHIC #1

<END>

g00550816



# ELECTRICAL AND STARTING SYSTEM

## 169-0417 SENSOR GP-POSITION

S/N: BNH1-UP

140-DEGREE

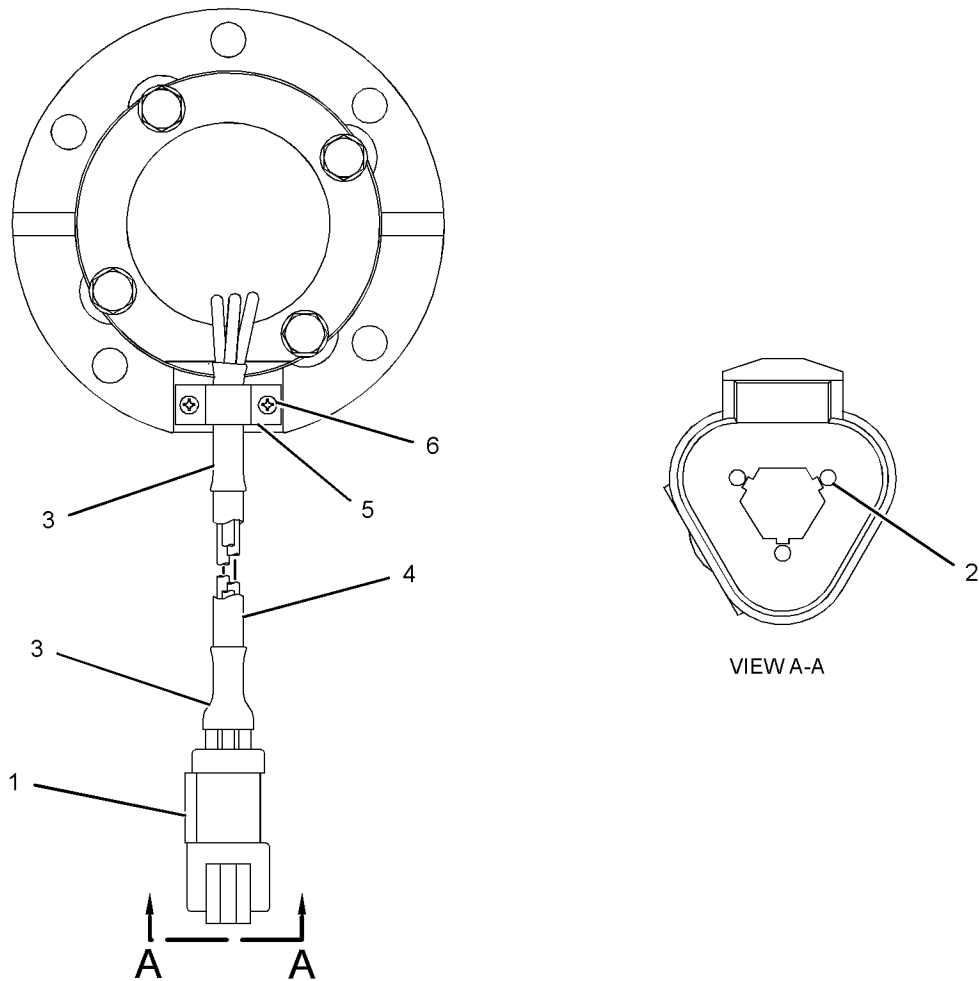
PART OF 169-3301 SENSOR & MTG GP-LIFT POSITION, 169-3302 SENSOR & MTG GP-TILT POSITION

SMCS-4269, 5702, 5736, 5737, 7494

i03480120

NOTE	REF NO	GRAPHIC REF	PART NUMBER	QTY	PART NAME						SEE PAGE
					1	2	3	4	5	6 (PRODUCT LEVEL)	
	1	1	<b>102-8803</b>	1	KIT-RECEPTACLE (3-PIN) (INCLUDES RECEPTACLE AS AND WEDGE)						
	2	1	<b>9X-3401</b>	3	PIN-CONNECTOR (16-GA TO 18-GA)						
E	3	1	<b>119-3662</b>		TUBE-HEAT SHRINK (10.85-MM DIA) (5-CM)						
E	4	1	<b>9X-1813</b>		SLEEVE (17-CM)						
	5	1	<b>172-1482</b>	1	CLAMP						
M	6	1	<b>3E-8048</b>	2	SCREW-MACHINE (M3X0.5X6-MM)						

E - ORDER BY THE CENTIMETER  
M - METRIC PART



GRAPHIC #1

<END>

g01820844

# ELECTRICAL AND STARTING SYSTEM

## 204-7949 SENSOR GP-POSITION

S/N: BNH1-UP

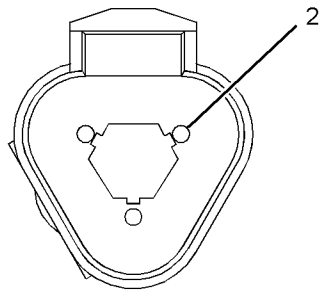
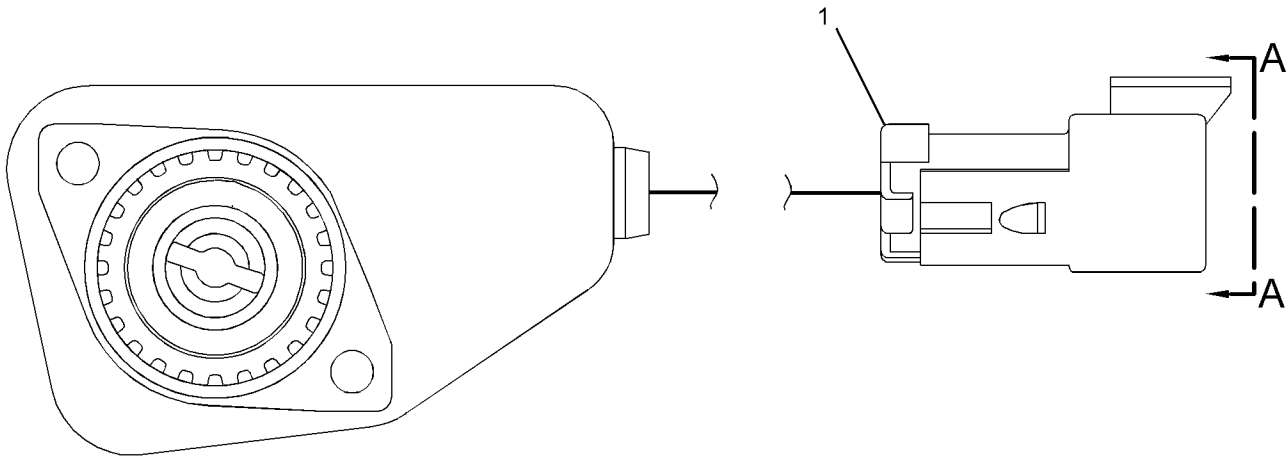
72-DEGREE

PART OF 130-8176 PEDAL GP-GOVERNOR

SMCS-4269, 5702, 5736, 5737, 7494

i03628847

NOTE	REF NO	GRAPHIC REF	PART NUMBER	QTY	PART NAME						SEE PAGE
					1	2	3	4	5	6 (PRODUCT LEVEL)	
	1	1	<b>102-8803</b>	1	KIT-RECEPTACLE (3-PIN)						
					(INCLUDES RECEPTACLE AS & WEDGE)						
	2	1	<b>186-3735</b>	3	PIN-CONNECTOR (16-GA TO 18-GA)						



VIEW A-A

GRAPHIC #1

<END>

g01947324

# ELECTRICAL AND STARTING SYSTEM

## 214-4862 SENSOR GP-POSITION

S/N: BNH1-UP

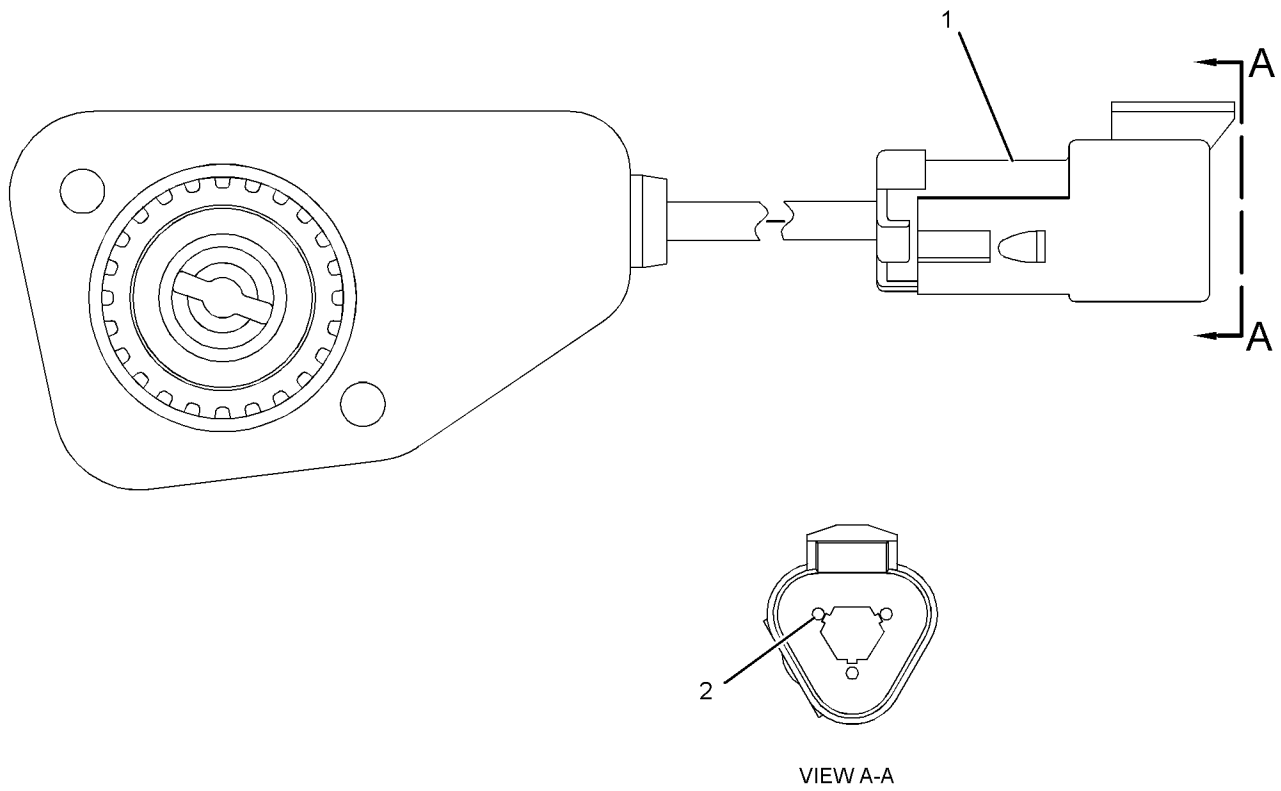
FIELD REPLACEMENT FOR 161-8979-PAGE: 302

PART OF 179-9380, 183-5045 CONTROL GP-ELECTROHYDRAULIC  
AN ATTACHMENT

SMCS-4269, 5702, 5736, 5737, 7494

i03480124

NOTE	REF NO	GRAPHIC REF	PART NUMBER	QTY	PART NAME						SEE PAGE
					1	2	3	4	5	6 (PRODUCT LEVEL)	
1	1	1	<b>102-8803</b>	1	KIT-RECEPTACLE (3-PIN) (INCLUDES RECEPTACLE AS & WEDGE)						
2	1	1	<b>186-3735</b>	3	PIN-CONNECTOR (16-GA TO 18-GA)						



GRAPHIC #1

<END>

g01820857

# ELECTRICAL AND STARTING SYSTEM

## 266-1477 SENSOR GP-POSITION

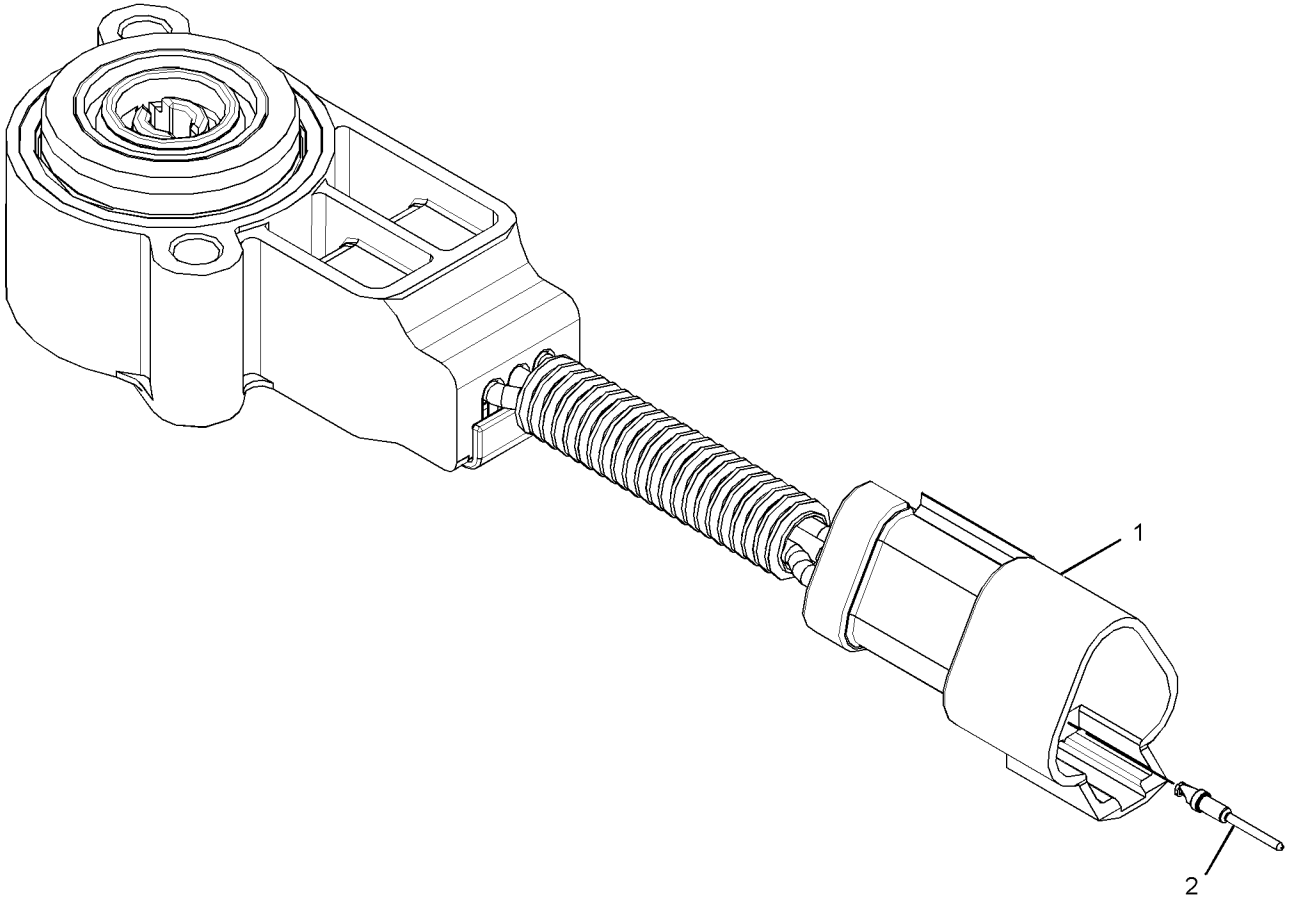
S/N: BNH1-UP

PART OF 179-9380 CONTROL GP-ELECTROHYDRAULIC  
AN ATTACHMENT

SMCS-4269, 5702, 5736, 5737, 7494

i04561329

NOTE	REF NO	GRAPHIC REF	PART NUMBER	QTY	PART NAME						SEE PAGE
					1	2	3	4	5	6 (PRODUCT LEVEL)	
	1	1	102-8803	1	KIT-RECEPTACLE (3-PIN) (INCLUDES RECEPTACLE AS AND WEDGE)						
	2	1	180-9339	3	PIN-CONNECTOR (14-GA TO 18-GA)						



GRAPHIC #1

<END>

g02727502

# ELECTRICAL AND STARTING SYSTEM

## 266-1478 SENSOR GP-POSITION-ROTARY

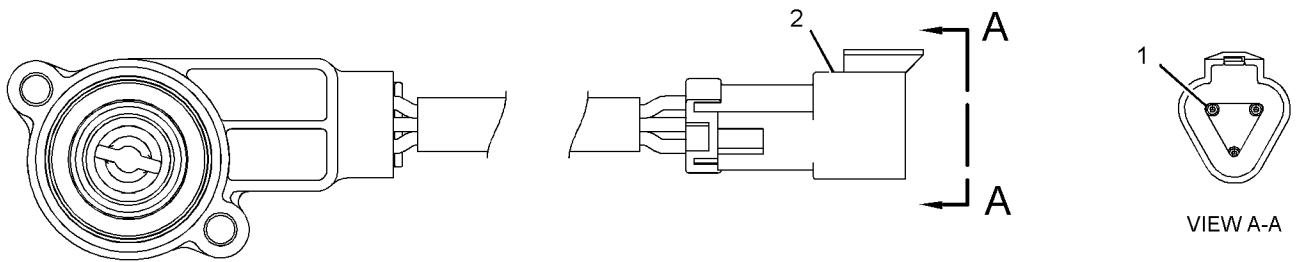
S/N: BNH1-UP

PART OF 180-4001 PEDAL GP-BRAKE

SMCS-4269, 5702, 5736, 5737, 7494

i04371809

NOTE	REF NO	GRAPHIC REF	PART NUMBER	QTY	PART NAME						SEE PAGE
					1	2	3	4	5	6 (PRODUCT LEVEL)	
	1	1	<b>9X-3401</b>	3	PIN-CONNECTOR (16-GA TO 18-GA)						
					-OR-						
		1	<b>126-1767</b>	3	PIN-CONNECTOR (14-GA TO 16-GA)						
	2	1	<b>102-8803</b>	1	KIT-RECEPTACLE (3-PIN)						
(INCLUDES RECEPTACLE AS & WEDGE)											



GRAPHIC #1

<END>

g02604920

# ELECTRICAL AND STARTING SYSTEM

## 100-4311 SENSOR GP-PRESSURE

S/N: BNH1-UP

5 KHZ. PULSE WIDTH MODULATION

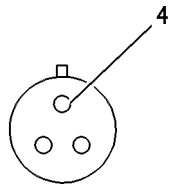
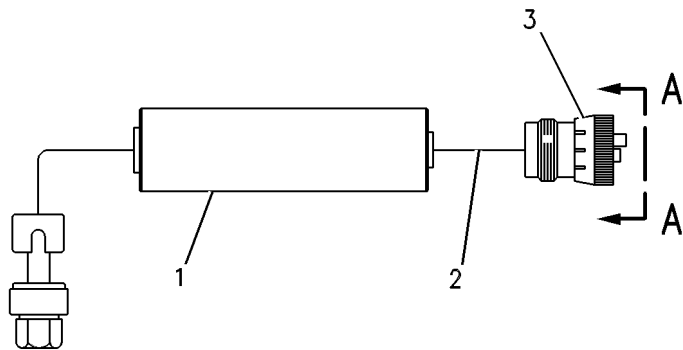
PART OF 203-1601, 228-4402 WIRING GP-POWER TRAIN

SMCS-1408, 1925, 7494

i03408062

NOTE	REF NO	GRAPHIC REF	PART NUMBER	QTY	PART NAME						SEE PAGE
					1	2	3	4	5	6	
Z	1	1		1	CONTROL AS-ELECTRONIC						
E	2	1	<b>9X-1813</b>		SLEEVE (19-CM)						
	3	1	<b>8T-8731</b>	1	PLUG-CONNECTOR (3-PIN)						
	4	1	<b>8T-8730</b>	3	SOCKET-CONNECTOR (16-GA TO 18-GA)						

E - ORDER BY THE CENTIMETER  
Z - NOT SERVICED SEPARATELY



GRAPHIC #1

<END>

g00268727

# ELECTRICAL AND STARTING SYSTEM

## 124-4672 SENSOR GP-PRESSURE

S/N: BNH1-UP

PAYLOAD CONTROL

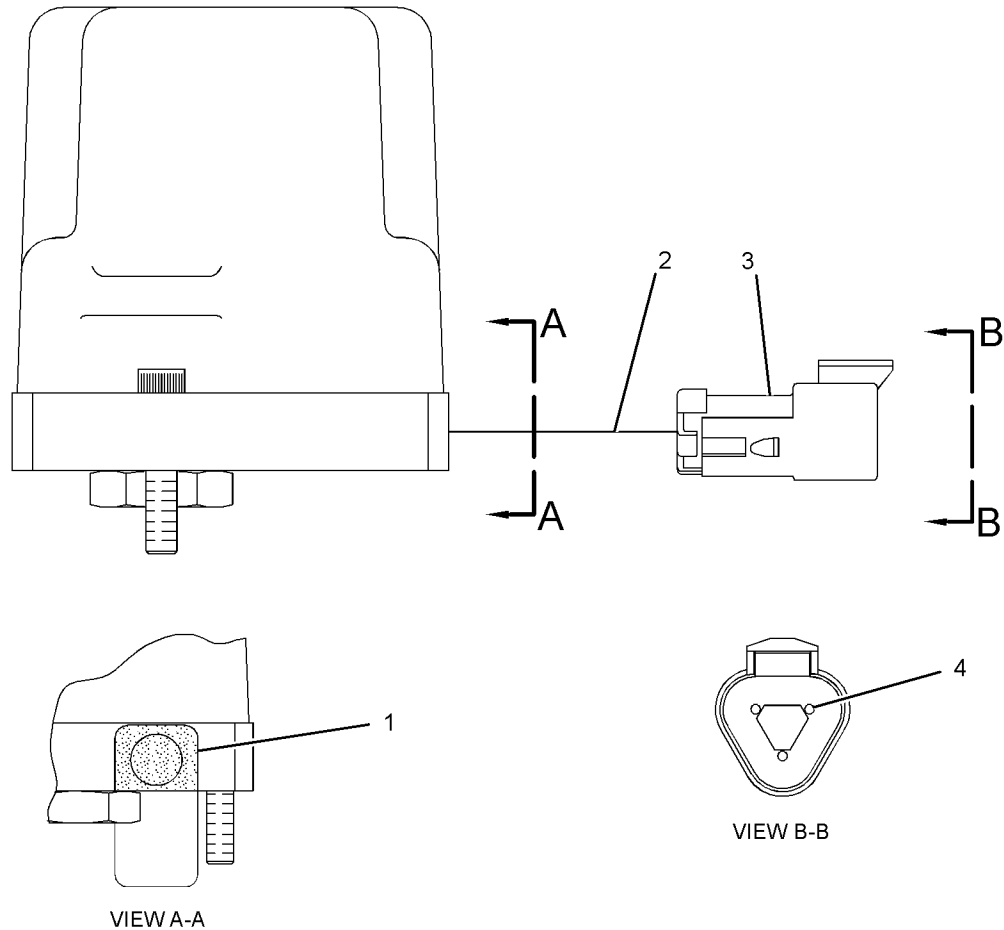
PART OF 198-0976, 221-9751 WIRING GP-SENSOR  
AN ATTACHMENT

SMCS-1408, 1925, 7494

i03480240

NOTE	REF NO	GRAPHIC REF	PART NUMBER	QTY	PART NAME						SEE PAGE
					1	2	3	4	5	6 (PRODUCT LEVEL)	
	1	1	<b>7T-7370</b>	1	SEAL-SECURITY						
E	2	1	<b>9X-1813</b>		SLEEVE (16-CM)						
	3	1	<b>102-8803</b>	1	KIT-RECEPTACLE (3-PIN) (INCLUDES RECEPTACLE AS AND WEDGE)						
	4	1	<b>186-3735</b>	3	PIN-CONNECTOR (16-GA TO 18-GA)						

E - ORDER BY THE CENTIMETER



GRAPHIC #1

<END>

g01820862

# ELECTRICAL AND STARTING SYSTEM

## 143-9176 SENSOR GP-PRESSURE-IMPLEMENT PUMP OIL

S/N: BNH1-UP

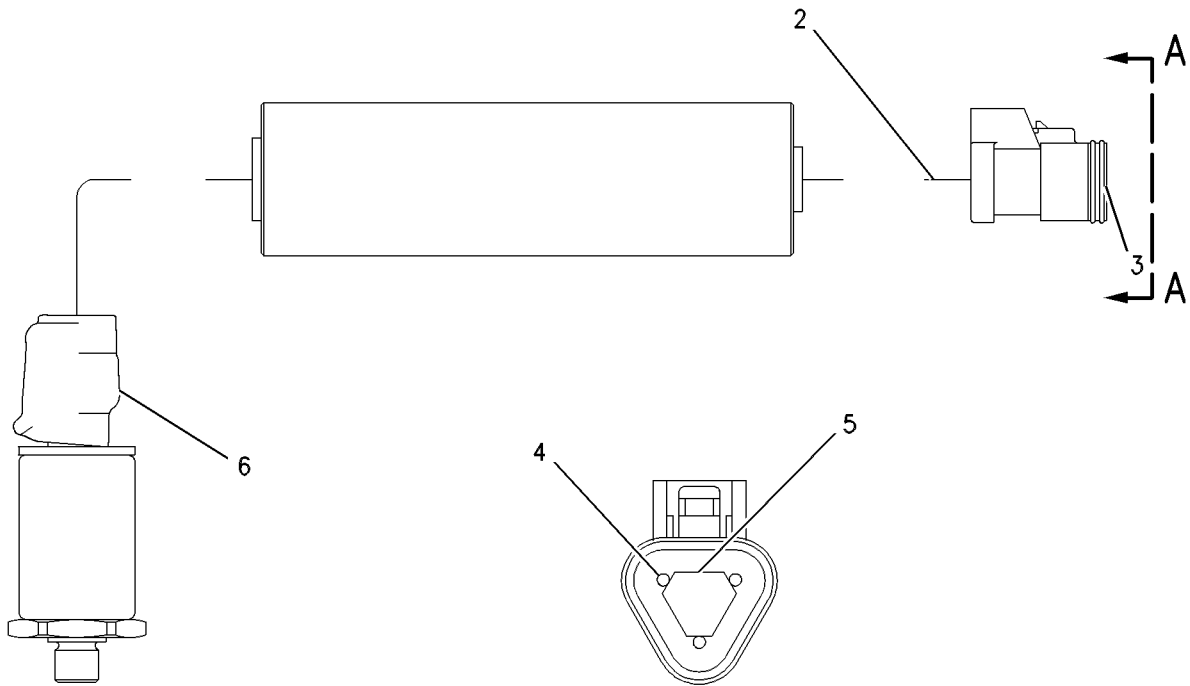
PART OF 203-1597 WIRING GP-MACHINE

SMCS-1408, 1925, 7494

i03408067

NOTE	REF NO	GRAPHIC REF	PART NUMBER	QTY	PART NAME						SEE PAGE
					1	2	3	4	5	6 (PRODUCT LEVEL)	
E	2	1	<b>9X-1813</b>		SLEEVE (19-CM)						
	3	1	<b>102-8813</b>	1	SEAL						
	4	1	<b>8T-8730</b>	3	SOCKET-CONNECTOR (16-GA TO 18-GA)						
	5	1	<b>3E-3368</b>	1	WEDGE-PLUG LOCK (3-PIN)						
E	6	1	<b>8T-2225</b>		TUBE-HEAT SHRINK (25.4-MM DIA) (3-CM)						

E - ORDER BY THE CENTIMETER



VIEW A-A

GRAPHIC #1

<END>

g00495044



# ELECTRICAL AND STARTING SYSTEM

## 194-6722 SENSOR GP-PRESSURE

S/N: BNT1-UP

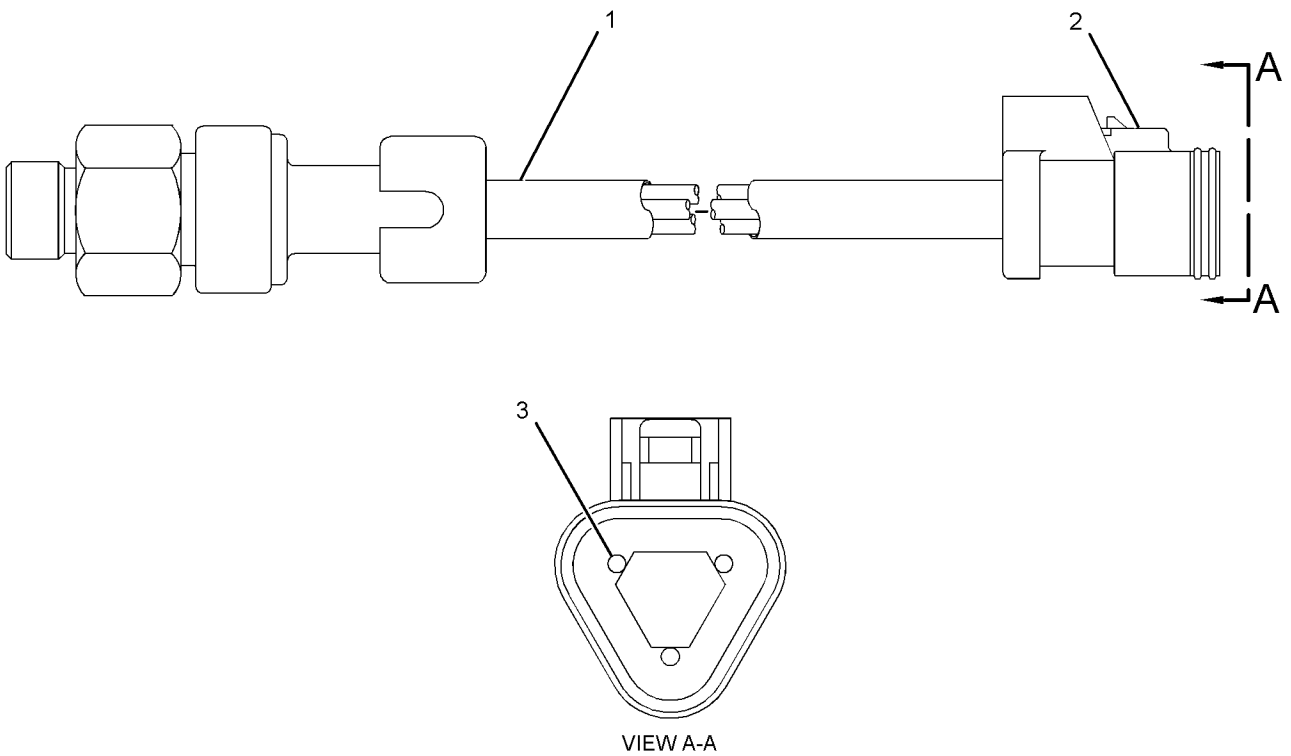
PART OF 199-1002, 236-2259 SENSOR GP-ENGINE  
AN ATTACHMENT

SMCS-1408, 1925, 7494

i03698115

NOTE	REF NO	GRAPHIC REF	PART NUMBER	QTY	PART NAME						SEE PAGE
					1	2	3	4	5	6 (PRODUCT LEVEL)	
E	1	1	<b>9X-1813</b>		SLEEVE (34-CM)						
	2	1	<b>155-2260</b>	1	KIT-CONNECTING PLUG (3-PIN) (INCLUDES PLUG AS, WEDGE & INTERFACE SEAL)						
	3	1	<b>180-9340</b>	3	SOCKET-CONNECTOR (14-GA TO 18-GA)						

E - ORDER BY THE CENTIMETER



GRAPHIC #1

<END>

g01991395

# ELECTRICAL AND STARTING SYSTEM

## 194-6724 SENSOR GP-PRESSURE

S/N: BNT1-UP

OPTIONAL FIELD REPLACEMENT ORDER 276-6793 SENSOR GP-PRESSURE

PART OF 199-1002, 236-2259 SENSOR GP-ENGINE

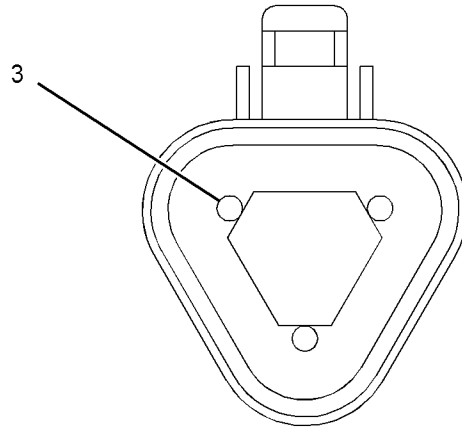
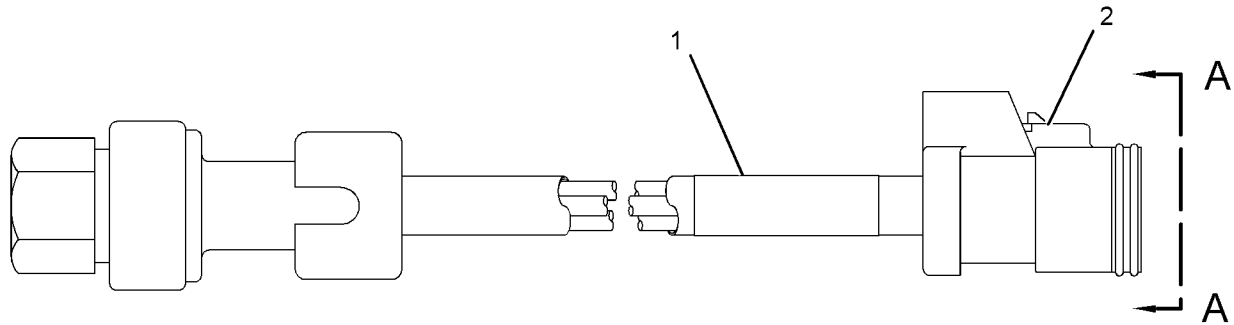
AN ATTACHMENT

SMCS-1408, 1925, 7494

i04925948

NOTE	REF NO	GRAPHIC REF	PART NUMBER	QTY	PART NAME						SEE PAGE
					1	2	3	4	5	6 (PRODUCT LEVEL)	
E	1	1	<b>9X-1813</b>		SLEEVE (34-CM)						
	2	1	<b>155-2260</b>	1	KIT-CONNECTING PLUG (3-PIN) (INCLUDES PLUG AS, WEDGE & INTERFACE SEAL)						
	3	1	<b>194-5226</b>	3	WIRE AS (16-GA)						

E - ORDER BY THE CENTIMETER



VIEW A-A

GRAPHIC #1

<END>

g01662018

# ELECTRICAL AND STARTING SYSTEM

## 194-6725 SENSOR GP-PRESSURE

S/N: BNT1-UP

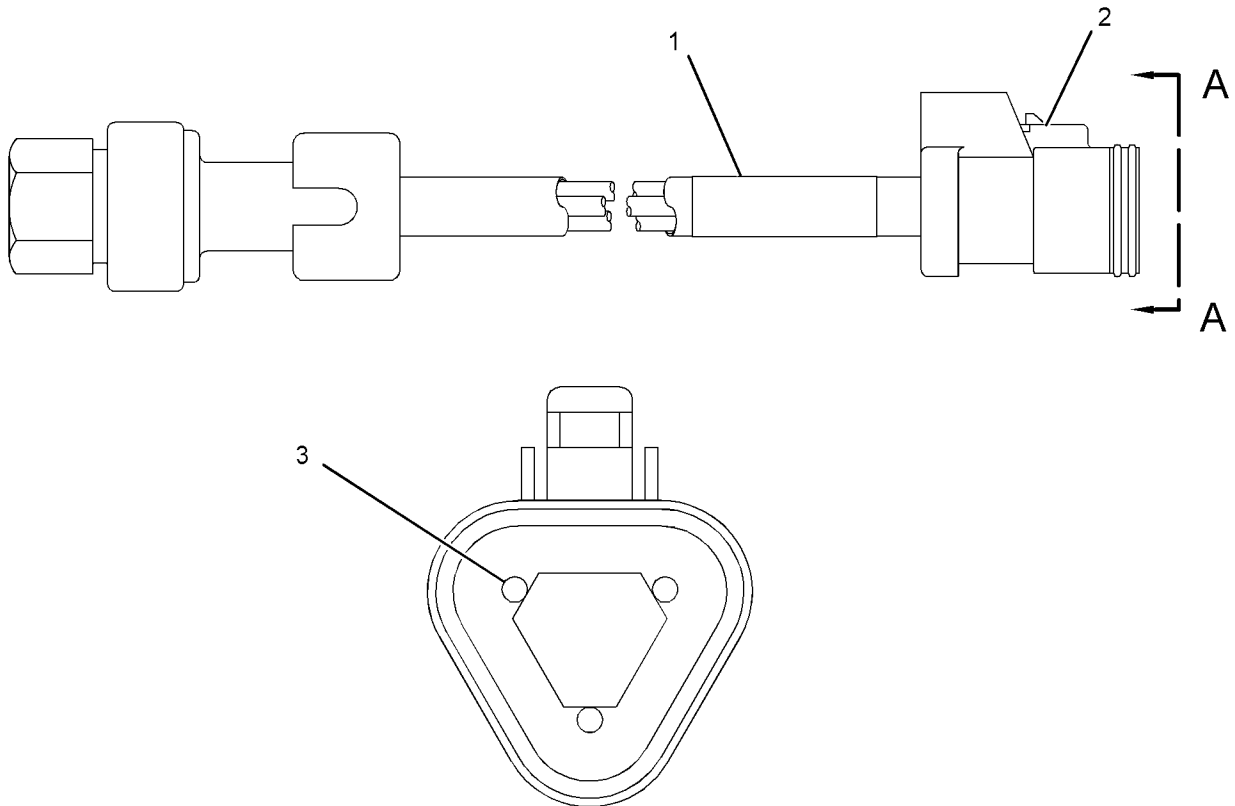
PART OF 199-1002, 236-2259 SENSOR GP-ENGINE  
AN ATTACHMENT

SMCS-1408, 1925, 7494

i03642385

NOTE	REF NO	GRAPHIC REF	PART NUMBER	QTY	PART NAME						SEE PAGE
					1	2	3	4	5	6 (PRODUCT LEVEL)	
E	1	1	<b>9X-1813</b>		SLEEVE (34-CM)						
	2	1	<b>155-2260</b>	1	KIT-CONNECTING PLUG (3-PIN) (INCLUDES PLUG AS, INTERFACE SEAL & WEDGE)						
	3	1	<b>180-9340</b>	3	SOCKET-CONNECTOR (14-GA TO 18-GA)						

E - ORDER BY THE CENTIMETER



VIEW A-A

GRAPHIC #1

<END>

g01662003

# ELECTRICAL AND STARTING SYSTEM

## 193-2550 SENSOR GP-SPEED

S/N: BJW1-2234

FIELD REPLACEMENT ORDER 318-1178-PAGE: 317

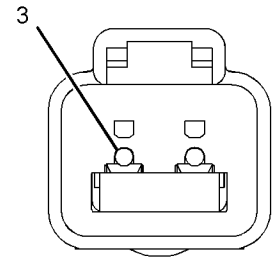
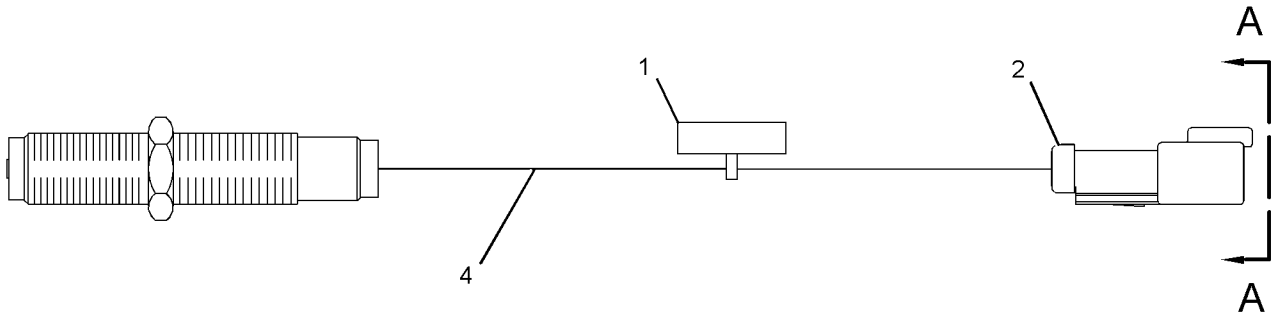
PART OF 133-8116 GEAR GP-OUTPUT TRANSFER

SMCS-1907, 1912, 3175, 4803, 7493

i04747952

NOTE	REF NO	GRAPHIC REF	PART NUMBER	QTY	PART NAME						SEE PAGE
					1	2	3	4	5	6 (PRODUCT LEVEL)	
	1	1	171-5349	1	STRAP-MARKER						
	2	1	102-8802	1	KIT-RECEPTACLE (2-PIN) (INCLUDES RECEPTACLE AS & WEDGE)						
	3	1	9X-3401	2	PIN-CONNECTOR (16-GA TO 18-GA)						
E	4	1	9X-1813		SLEEVE (14-CM)						

E - ORDER BY THE CENTIMETER



VIEW A-A

GRAPHIC #1

<END>

g01490456

# ELECTRICAL AND STARTING SYSTEM

## 201-6615 SENSOR GP-SPEED

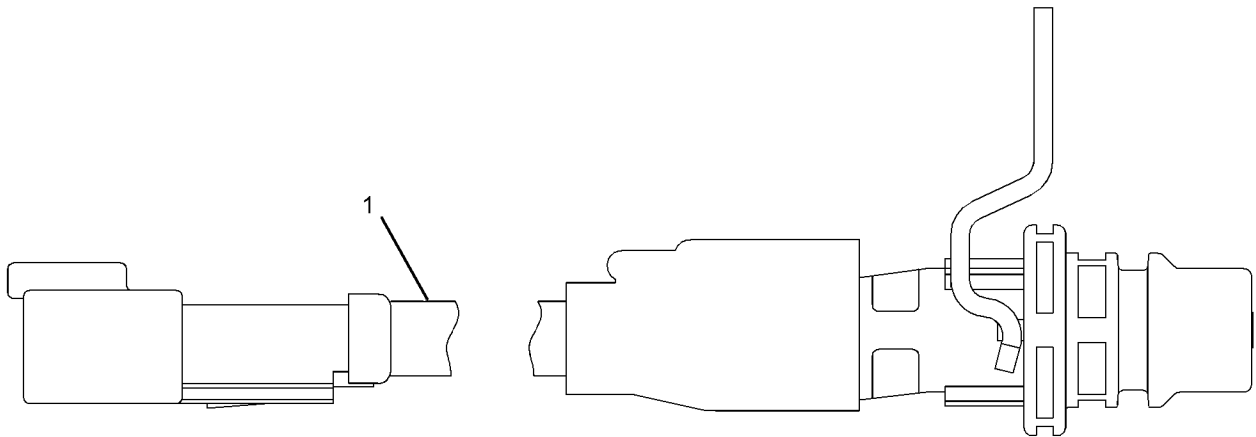
S/N: BNT1278-UP

PART OF 236-2259 SENSOR GP-ENGINE  
AN ATTACHMENT

SMCS-1907, 1912, 3175, 4803, 7493

i04901780

NOTE	REF NO	GRAPHIC REF	PART NUMBER	QTY	PART NAME						SEE PAGE
					1	2	3	4	5	6 (PRODUCT LEVEL)	
	1	1	<b>188-9429</b>	1	HARNES AS-SENSOR (SPEED)						
		1	<b>9X-3401</b>	2	PIN-CONNECTOR (16-GA TO 18-GA)						
		1	<b>180-9340</b>	2	SOCKET-CONNECTOR (14-GA TO 18-GA)						
		1	<b>155-2270</b>	1	KIT-CONNECTING PLUG (2-PIN)						
					(INCLUDES PLUG AS, WEDGE & INTERFACE SEAL)						
		1	<b>102-8802</b>	1	KIT-RECEPTACLE (2-PIN)						
					(INCLUDES RECEPTACLE AS & WEDGE)						



GRAPHIC #1

<END>

g01941784

# ELECTRICAL AND STARTING SYSTEM

## 201-6617 SENSOR GP-SPEED

S/N: BNT1278-UP

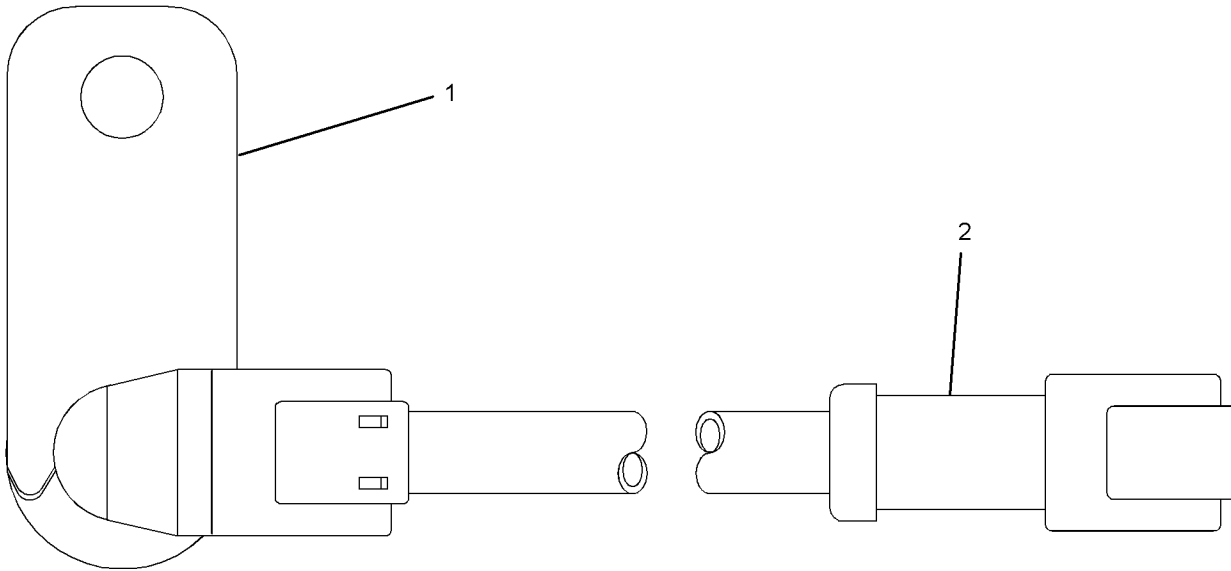
PART OF 236-2259 SENSOR GP-ENGINE  
AN ATTACHMENT

SMCS-1907, 1912, 3175, 4803, 7493

i04046309

NOTE	REF NO	GRAPHIC REF	PART NUMBER	QTY	PART NAME						SEE PAGE
					1	2	3	4	5	6 (PRODUCT LEVEL)	
	1	1	<b>133-0261</b>	1	BRACKET						
	2	1	<b>189-0852</b>	1	HARNESS AS-WIRING (SPEED SENSOR)						
		1	<b>102-8802</b>	1	KIT-RECEPTACLE (2-PIN) (INCLUDES RECEPTACLE AS & WEDGE)						
E		1	<b>9X-1813</b>		SLEEVE (16-CM)						
		1	<b>155-2270</b>	1	KIT-CONNECTING PLUG (2-PIN) (INCLUDES PLUG AS, WEDGE & INTERFACE SEAL)						
		1	<b>180-9339</b>	2	PIN-CONNECTOR (14-GA TO 18-GA)						
		1	<b>180-9340</b>	2	SOCKET-CONNECTOR (14-GA TO 18-GA)						

E - ORDER BY THE CENTIMETER



GRAPHIC #1

<END>

g01977393

# ELECTRICAL AND STARTING SYSTEM

## 318-1178 SENSOR GP-SPEED

S/N: BJW1-2234

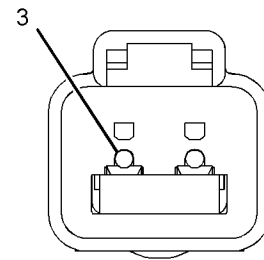
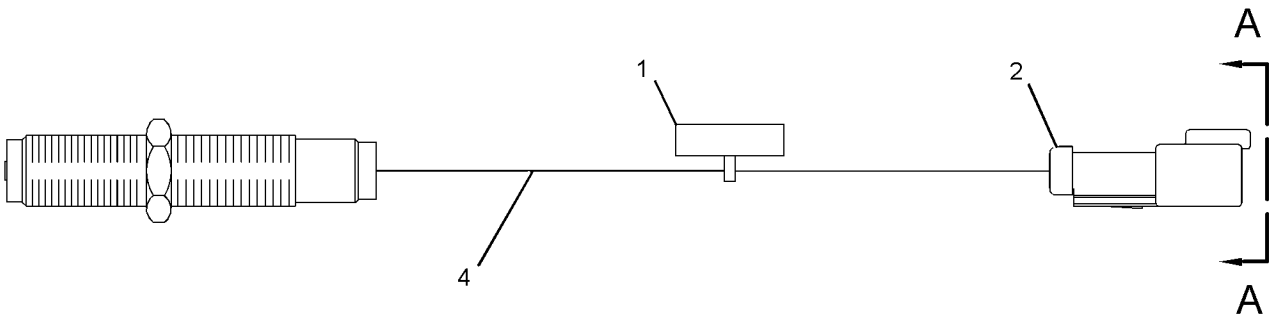
FIELD REPLACEMENT FOR 193-2550-PAGE: 314

SMCS-1907, 1912, 3175, 4803, 7493

i04748013

NOTE	REF NO	GRAPHIC REF	PART NUMBER	QTY	PART NAME						SEE PAGE
					1	2	3	4	5	6 (PRODUCT LEVEL)	
	1	1	171-5349	1	STRAP-MARKER						
	2	1	102-8802	1	KIT-RECEPTACLE (2-PIN) (INCLUDES RECEPTACLE AS & WEDGE)						
	3	1	9X-3401	2	PIN-CONNECTOR (16-GA TO 18-GA)						
E	4	1	9X-1813		SLEEVE (14-CM)						

E - ORDER BY THE CENTIMETER



VIEW A-A

GRAPHIC #1

<END>

g01490456

# ELECTRICAL AND STARTING SYSTEM

## 100-3055 SENSOR GP-TEMPERATURE-TRANSMISSION OIL

S/N: BNH1-UP

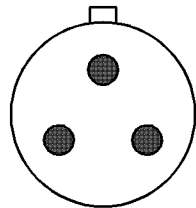
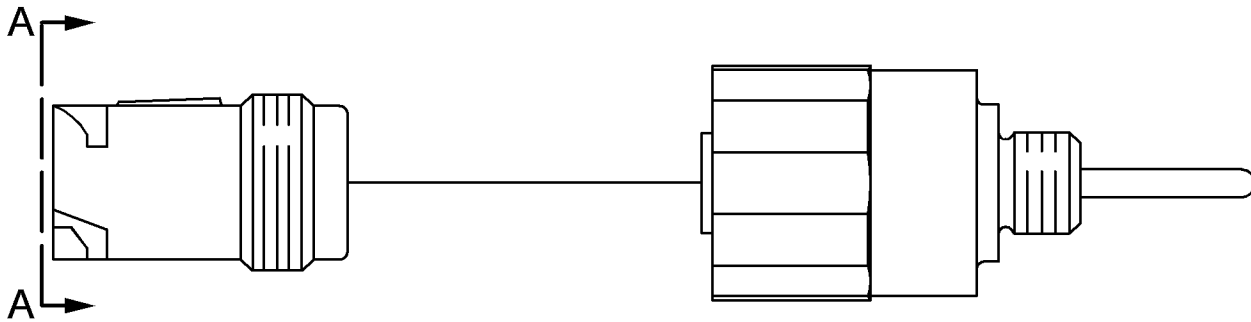
8-VOLTS

PART OF 203-1601, 228-4402 WIRING GP-POWER TRAIN

SMCS-1408, 1906, 1919, 1921, 1922, 1928, 1929, 301T,  
3194, 429T, 509T

i04561404

NOTE	REF NO	GRAPHIC REF	PART NUMBER	QTY	PART NAME						SEE PAGE
					1	2	3	4	5	6 (PRODUCT LEVEL)	
(NO SERVICED PARTS)											



VIEW A-A

GRAPHIC #1

<END>

g02727304



# ELECTRICAL AND STARTING SYSTEM

## 130-9811 SENSOR GP-TEMPERATURE

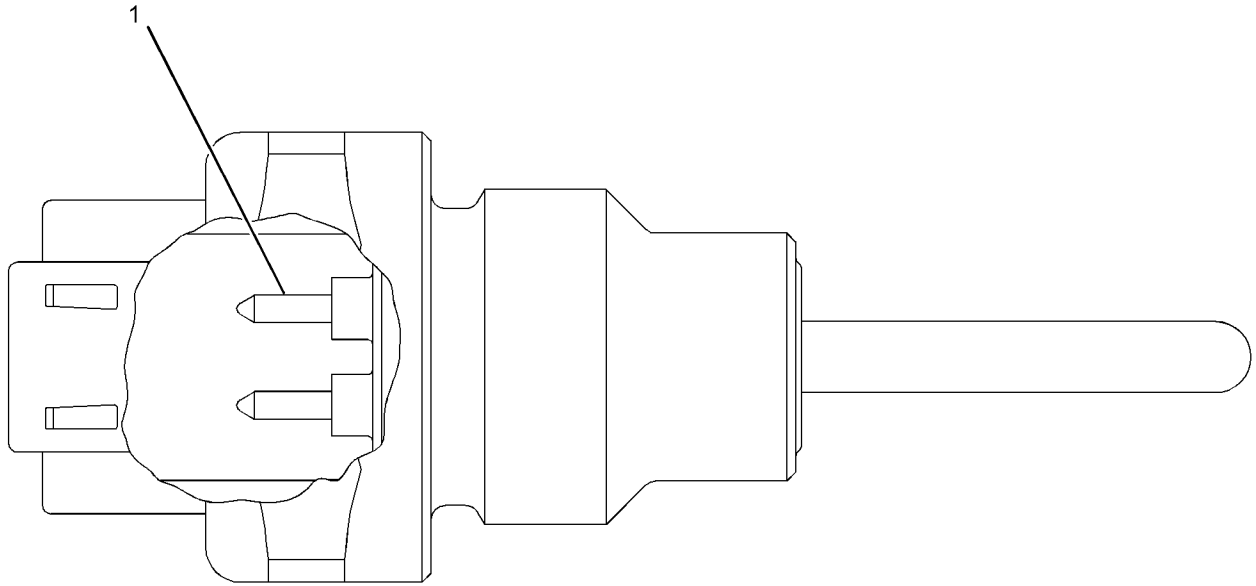
S/N: BNT1278-UP

PART OF 236-2259 SENSOR GP-ENGINE  
AN ATTACHMENT

SMCS-1408, 1906, 1919, 1921, 1922, 1928, 1929, 301T,  
3194, 429T, 509T

i02939798

NOTE	REF NO	GRAPHIC REF	PART NUMBER	QTY	PART NAME						SEE PAGE
					1	2	3	4	5	6 (PRODUCT LEVEL)	
	1	1	137-6645	1	PAD-CONNECTOR						



GRAPHIC #1

<END>

g01457428

# ELECTRICAL AND STARTING SYSTEM

## 131-0427 SENSOR GP-TEMPERATURE

S/N: BNH1-UP

8-VOLT. PULSE WIDTH MODULATION

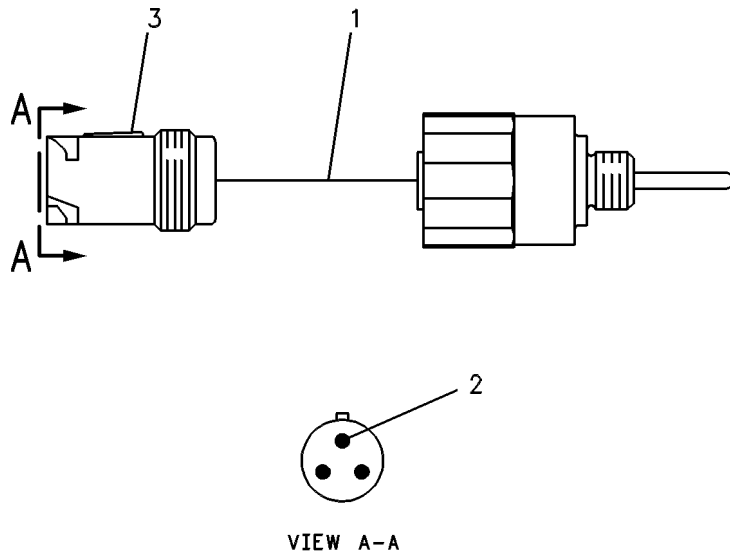
PART OF 114-5178, 221-9752 WIRING GP-FRONT, 203-1597 WIRING GP-MACHINE, 203-1601,  
228-4402 WIRING GP-POWER TRAIN

SMCS-1408, 1906, 1919, 1921, 1922, 1928, 1929, 301T,  
3194, 429T, 509T

i03150940

NOTE	REF NO	GRAPHIC REF	PART NUMBER	QTY	PART NAME						SEE PAGE
					1	2	3	4	5	6 (PRODUCT LEVEL)	
BE	1	1	112-4550		SLEEVE						
	2	1	186-3735	3	PIN-CONNECTOR (16-GA TO 18-GA)						
	3	1	8T-8732	1	RECEPTACLE-CONNECTOR (3-PIN)						

B - USE AS REQUIRED  
E - ORDER BY THE CENTIMETER



GRAPHIC #1

<END>

g00084552

# ELECTRICAL AND STARTING SYSTEM

## 197-8391 SENSOR GP-TEMPERATURE

S/N: BNT1278-UP

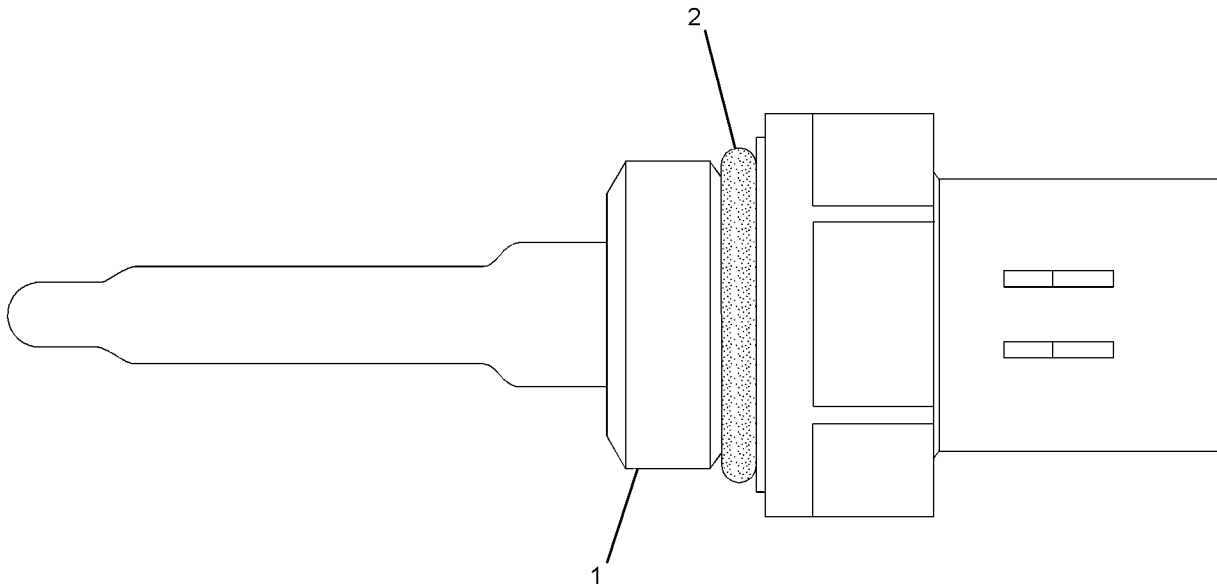
PART OF 236-2259 SENSOR GP-ENGINE  
AN ATTACHMENT

SMCS-1408, 1906, 1919, 1921, 1922, 1928, 1929, 301T,  
3194, 429T, 509T

i03836399

NOTE	REF NO	GRAPHIC REF	PART NUMBER	QTY	PART NAME						SEE PAGE
					1	2	3	4	5	6 (PRODUCT LEVEL)	
C	1	1	<b>264-4297</b>	1	SENSOR AS-TEMPERATURE						
		1	<b>137-6645</b>	1	PAD-CONNECTOR						
	2	<b>238-5080</b>	1	SEAL-O-RING							

C - CHANGE FROM PREVIOUS TYPE



GRAPHIC #1

<END>

g01164268

# ELECTRICAL AND STARTING SYSTEM

## 277-9741 SERVICE GP-IMPLEMENT

S/N: BNH1-UP  
FIELD INSTALLATION

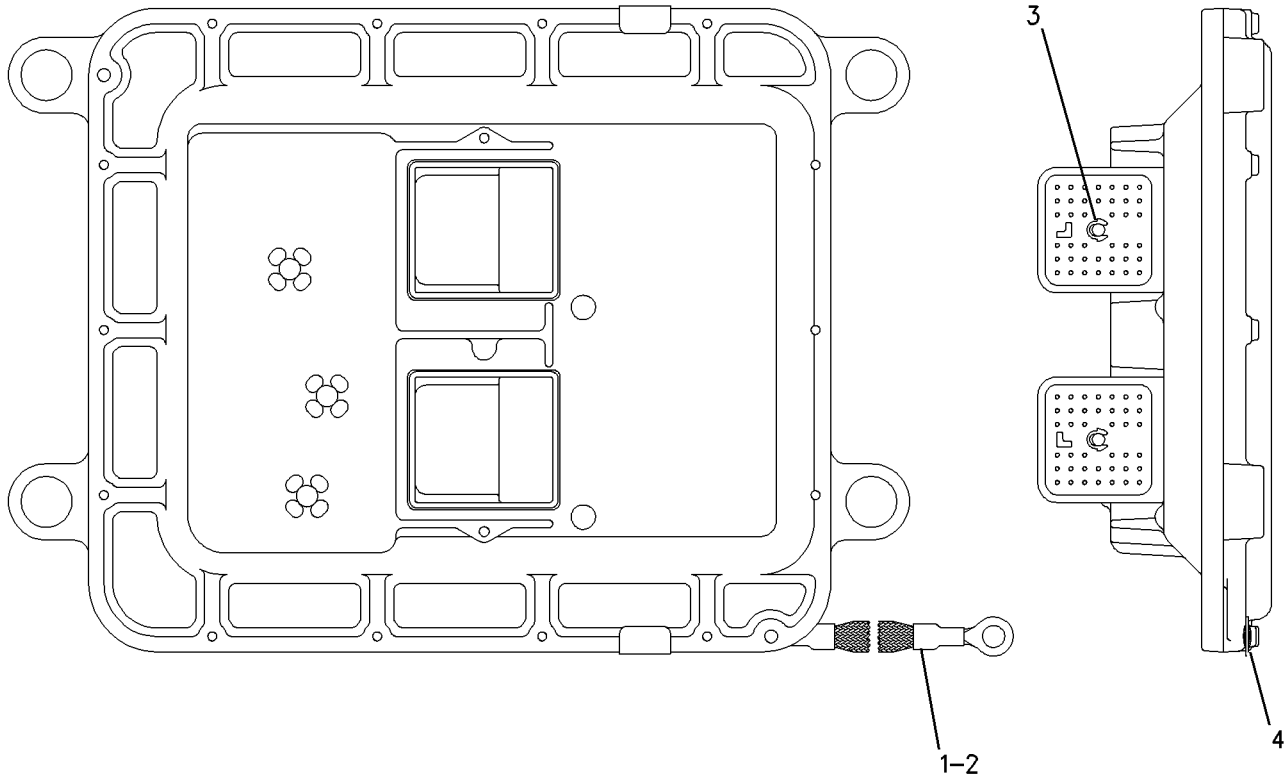
SMCS-5701, 7610

i02503166

NOTE	REF NO	GRAPHIC REF	PART NUMBER	QTY	PART NAME						SEE PAGE
					1	2	3	4	5	6 (PRODUCT LEVEL)	
	1	1	<b>7X-6315</b>	1	STRAP AS-GROUND						
	2	1	<b>101-0852</b>	1	SCREW-PAN HEAD (8-32X0.375-IN)						
M	3	1	<b>6V-6703</b>	2	KIT-RETAINING BOLT (UNPROGRAMMED CONTROL) (EACH KIT INCLUDES BOLT, RING, AND SEALS)						
	4	1	<b>134-4126</b>	1	WASHER (4.52X8.28X0.76-MM THK)						

M - METRIC PART

R - REMFG PART MAY BE AVAILABLE



GRAPHIC #1

<END>

g00951283

# ELECTRICAL AND STARTING SYSTEM

## 368-0289 SOFTWARE GP-MONITOR-RADAR UPGRADE

S/N: BNH1-UP  
FIELD INSTALLATION

SMCS-7620

i05118609

NOTE	PART NUMBER	QTY	PART NAME 1 2 3 4 5 6 (PRODUCT LEVEL)	SEE PAGE
(NO SERVICED PARTS)				
<END>				

## 368-0290 SOFTWARE GP-MONITOR-VISION

S/N: BNH1-UP  
FIELD INSTALLATION

SMCS-7620

i05118630

NOTE	PART NUMBER	QTY	PART NAME 1 2 3 4 5 6 (PRODUCT LEVEL)	SEE PAGE
(NO SERVICED PARTS)				
<END>				

# ELECTRICAL AND STARTING SYSTEM

## 114-5176 STARTING AID GP-ETHER

S/N: BNH1-UP

PART OF 203-1567 CHASSIS AR

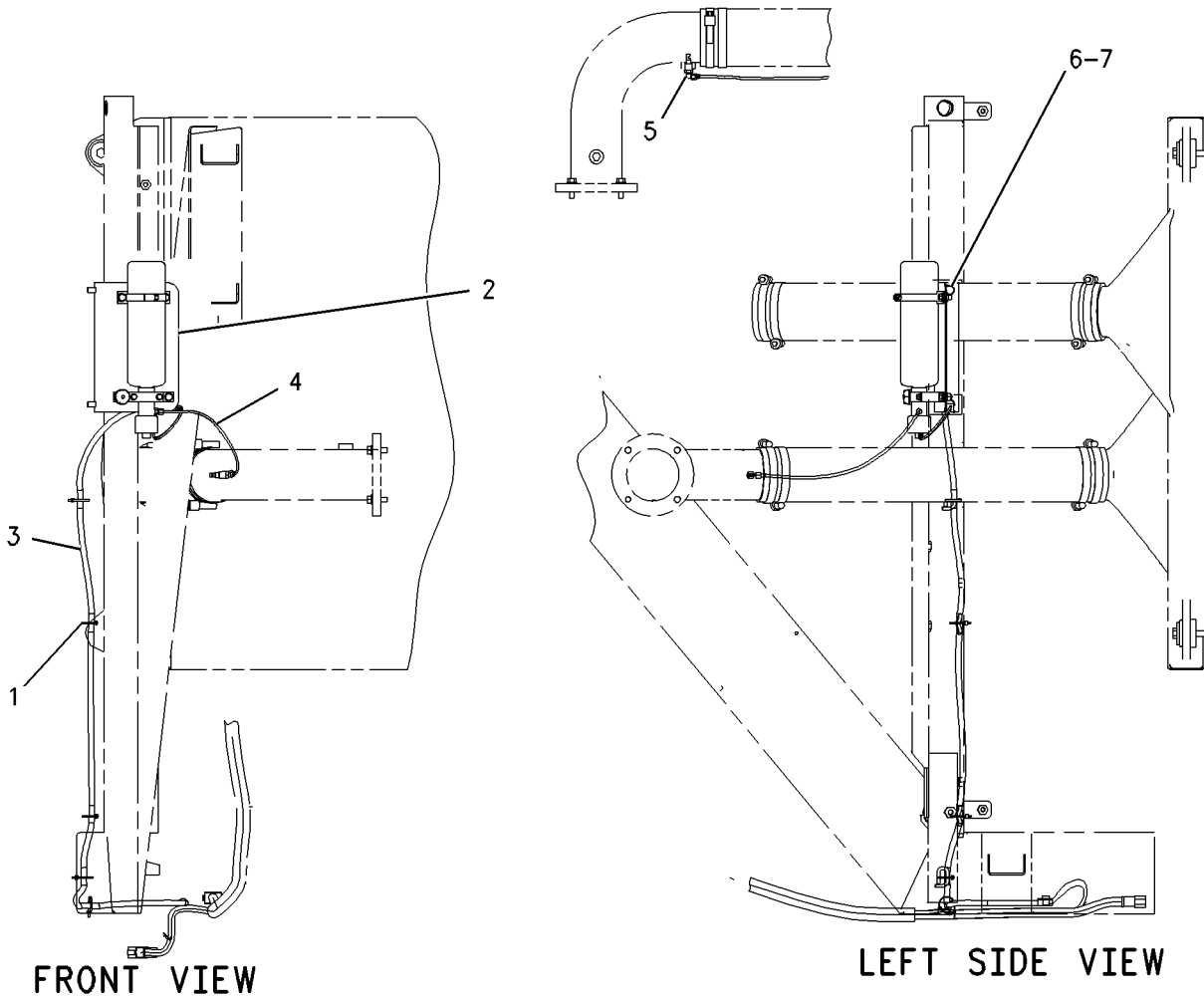
SMCS-1456

i01420692

NOTE	REF NO	GRAPHIC REF	PART NUMBER	QTY	PART NAME						SEE PAGE
					1	2	3	4	5	6 (PRODUCT LEVEL)	
	1	1	<b>3S-2093</b>	5	STRAP-CABLE						
Y	2	1	<b>136-2048</b>	1	STARTING AID GP-ETHER						325
	3	1	<b>141-8715</b>	1	HARNESS AS-POWER (ETHER STARING AID)						
		1	<b>155-2270</b>		KIT-CONNECTING PLUG (2-PIN) (INCLUDES PLUG AS & WEDGE)						
	4	1	<b>178-8888</b>	1	HOSE AS						
	5	1	<b>195-1292</b>	1	ATOMIZER-ETHER						
	6	1	<b>8T-4121</b>	2	WASHER-HARD (11X21X2.5-MM THK)						
M	7	1	<b>8T-4137</b>	2	BOLT (M10X1.5X20-MM)						

M - METRIC PART

Y - SEPARATE ILLUSTRATION



GRAPHIC #1

<END>

g00727633

# ELECTRICAL AND STARTING SYSTEM

## 136-2048 STARTING AID GP-ETHER

S/N: BNH1-UP

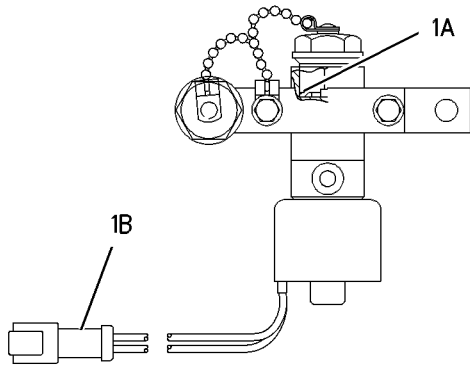
PART OF 114-5176 STARTING AID GP-ETHER

SMCS-1456

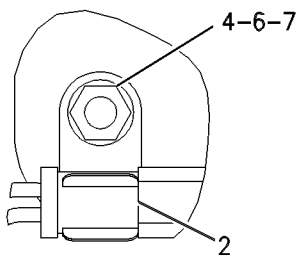
i01492970

NOTE	REF NO	GRAPHIC REF	PART NUMBER	QTY	PART NAME						SEE PAGE
					1	2	3	4	5	6	
	1	1	<b>3E-6333</b>	1	VALVE AS-SOLENOID (24-VOLT)						
	1A	1	<b>7N-9801</b>	1	GASKET						
	1B	1	<b>102-8802</b>	1	KIT-RECEPTACLE (2-PIN)						
					(INCLUDES RECEPTACLE AS AND WEDGE)						
	2	1	<b>9U-2277</b>	1	CLIP AS						
	3	1	<b>145-2379</b>	1	BRACKET AS						
M		1	<b>8T-3612</b>	3	NUT-WELD (M8X1.25-THD)						
M	4	1	<b>5C-7261</b>	1	NUT (M8X1.25-THD)						
	5	1	<b>7N-2059</b>	1	CLAMP AS						
M	6	1	<b>8T-4189</b>	4	BOLT (M8X1.25X20-MM)						
	7	1	<b>8T-4224</b>	5	WASHER-HARD (8.8X16X2-MM THK)						

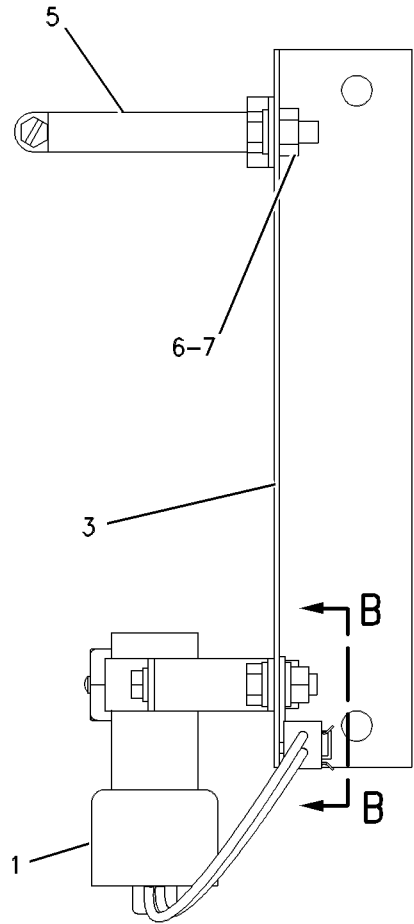
M - METRIC PART



VIEW A-A



VIEW B-B



GRAPHIC #1

<END>

g00503032

# ELECTRICAL AND STARTING SYSTEM

## 6V-0890 STARTING MOTOR GP-ELECTRIC\*R

S/N: BNH1-UP

24-VOLT

FIELD REPLACEMENT ORDER 237-1962-PAGE: 332

PART OF 105-4729 STARTING MOTOR GP-ELECTRIC

SMCS-1453

i03628927

NOTE	REF NO	GRAPHIC REF	PART NUMBER	QTY	PART NAME						SEE PAGE
					1	2	3	4	5	6 (PRODUCT LEVEL)	
	1	1	7M-0326	1	CONNECTOR						
	2	1	9H-3757	2	WASHER (0.516X1X0.094-IN THK)						
	3	1	1S-7446	3	SCREW-MACHINE (8-32X0.437-IN)						
	4	1	8C-9660	3	WASHER (4.6X7.9X0.8-MM THK)						
	5	1	9S-2544	9	SCREW-HEX HEAD (8-32X11.13-MM)						
	6	1	7M-0327	1	WASHER-THRUST (17.4X25.4X1.6-MM THK)						
	7	1	3T-3418	1	FRAME AS-END						
		1	3T-3423	1	CUP						
		1	9G-4101	1	BUSHING-END						
		1	3T-3424	1	PLUG-FELT						
	8	1	3T-9525	1	PLATE AS-BRUSH						
	8A	1	6T-0371	1	INSULATOR						
	8B	1	5P-6298	12	SCREW-MACHINE (10-32X0.5-IN)						
		1	9F-5599	12	LOCKWASHER						
	8C	1	7F-3525	6	WASHER-BUSHING (0.207X0.39X0.09-IN THK)						
	8D	1	6T-0372	1	PLATE						
	8E	1	3T-4709	3	PLATE						
	8F	1	2L-6679	3	PLATE-INSULATOR						
	8G	1	3T-4710	3	PLATE						
	8H	1	6T-0363	6	HOLDER AS-BRUSH (EACH INCLUDES)						
	8J	1	3T-9494	1	SPRING (STARTING MOTOR)						
	9	1	7F-3491	2	WASHER (0.516X1X0.094-IN THK)						
	10	1	3T-3422	1	WIRE AS						
	11	1	2J-8163	2	SEAL-O-RING						
	12	1	7X-3373	1	BOLT (5/16-18X0.88-IN)						
B	13	1	3T-3434	6	PLUG						
	14	1	5J-5314	5	BOLT (5/16-18X1.5-IN)						
	15	1	3L-3380	1	BUSHING-TERMINAL						
	16	1	036-9821	1	WASHER						
	17	1	4M-1828	1	RETAINER-SPRING						
	18	1	4M-1829	1	BOOT-RUBBER						
	19	1	9M-7606	1	PLUNGER AS						
	20	1	9M-7609	1	SPRING (SHIFT LEVER)						
	21	1	4M-1827	1	RETAINER-SPRING						
	22	1	8C-3089	1	SEAL-O-RING						
	23	1	4M-1853	1	LEVER AS-SHIFT						
	24	1	5M-3034	1	LOCKNUT (5/16-24-THD)						
	25	1	7L-2894	4	GASKET						
	26	1	4M-1831	4	PLUG-LEVER HOUSING						
	27	1	4M-1854	1	SHAFT-LEVER						
	28	1	1H-1023	1	SEAL-O-RING						
	29	1	2D-6392	1	SEAL-O-RING						
	30	1	7T-3974	1	HOUSING AS-DRIVE						
	31	1	6N-3826	1	DRIVE AS-MOTOR						
	32	1	2H-3429	2	RING-RETAINING (EXTERNAL)						
	33	1	6V-1322	4	BOLT (1/4-20X0.375-IN)						
	34	1	8T-4205	4	WASHER-HARD (7.2X14.5X2-MM THK)						
	35	1	6N-3279	1	INSULATOR						
	36	1	036-9823	13	BOLT (1/4-28X1-IN)						
	37	1	1M-9971	1	SPACER (0.835X1.72X0.188-IN THK)						
	38	1	1H-2629	3	STRIP-INSULATION						
	39	1	7M-0324	1	COIL AS-FIELD						
	40	1	3F-0379	12	SCREW-POLE SHOE (3/8-24-THD)						
	41	1	7F-3488	6	SHOE-POLE						
	42	1	7M-8651	1	ARMATURE AS						



# ELECTRICAL AND STARTING SYSTEM

6V-0890 **STARTING MOTOR GP-ELECTRIC (contd.)**

**i03628927**

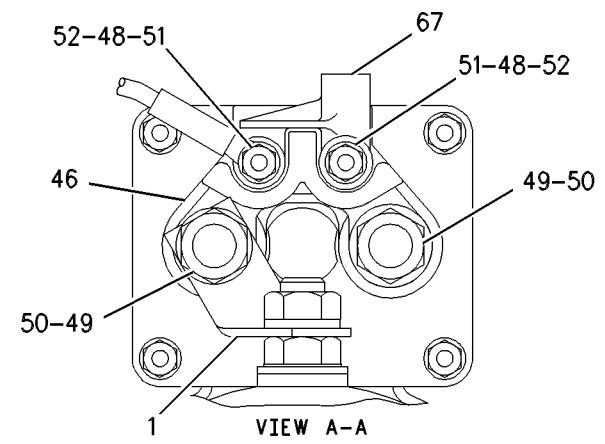
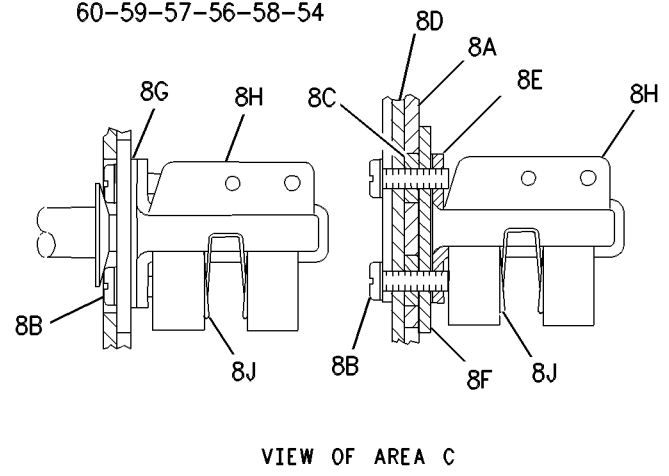
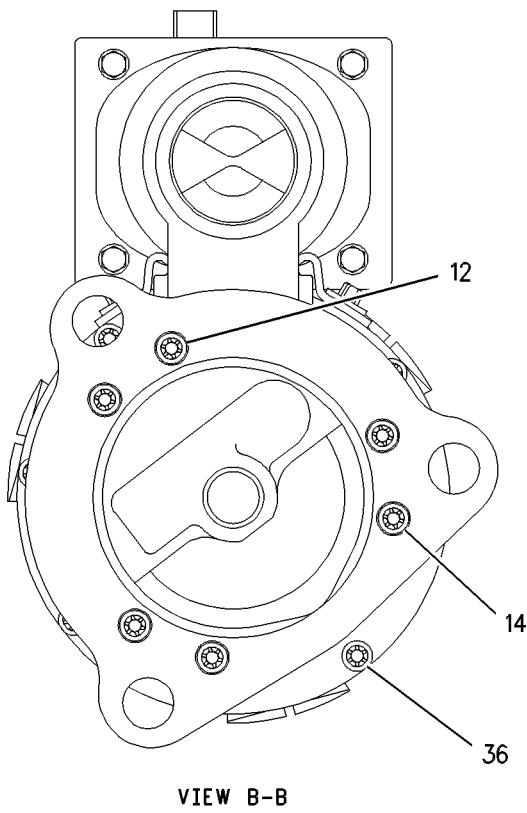
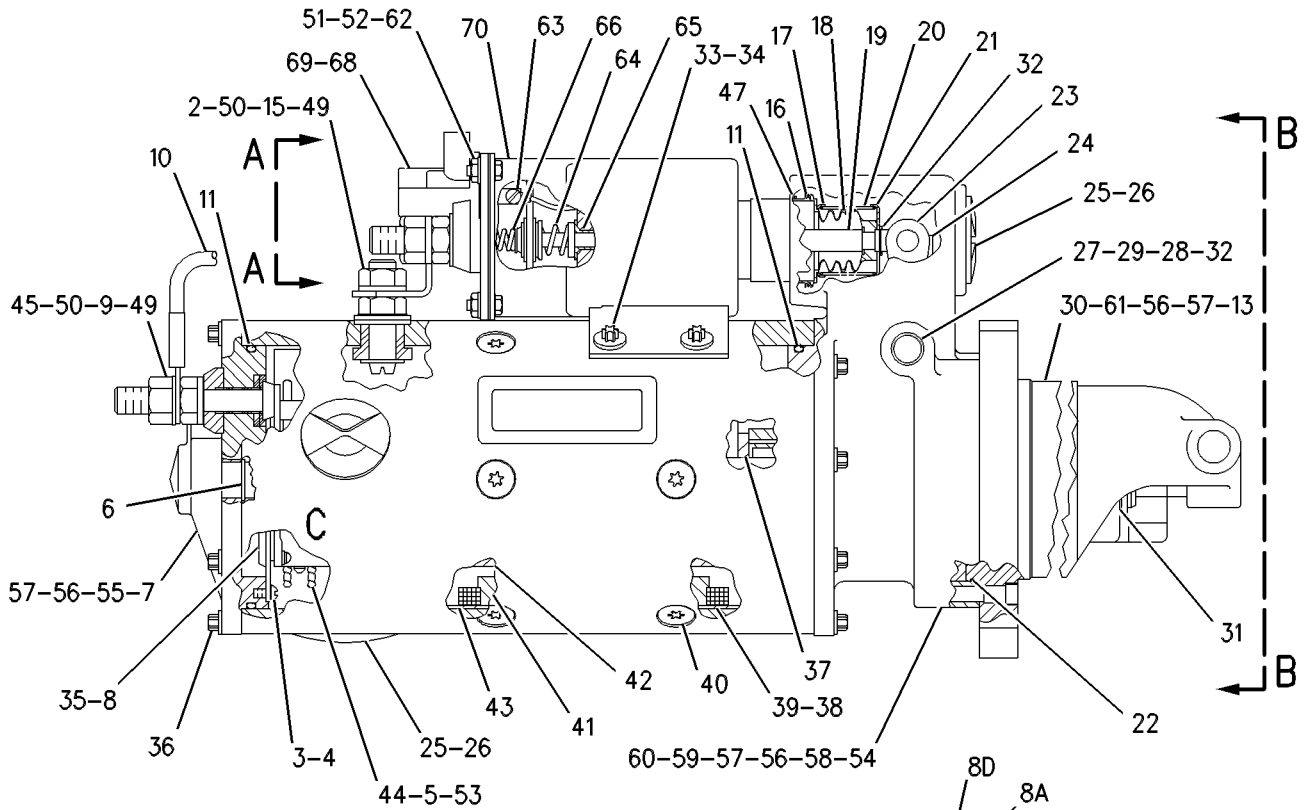
NOTE	REF NO	GRAPHIC REF	PART NUMBER	QTY	PART NAME						SEE PAGE
					1	2	3	4	5	6 (PRODUCT LEVEL)	
	43	1	<b>7M-0325</b>	1	INSULATOR						
	44	1	<b>3T-9524</b>	6	BRUSH AS						
	45	1	<b>3N-3763</b>	1	KIT-TERMINAL (STARTING MOTOR) (INCLUDES INSULATOR, BUSHINGS & WASHER)						
	46	1	<b>125-6537</b>	1	INSULATOR						
	47	1	<b>3R-8801</b>	1	CLAMP						
	48	1	<b>8F-1434</b>	2	LOCKWASHER						
	49	1	<b>6V-8188</b>	6	NUT (1/2-13-THD)						
	50	1	<b>7X-0562</b>	6	WASHER-HARD (13.5X19X0.8-MM THK)						
	51	1	<b>4B-2049</b>	6	NUT (10-32-THD)						
	52	1	<b>8T-0328</b>	10	WASHER-HARD (5.5X10X1-MM THK)						
	53	1	<b>3T-9494</b>	6	SPRING (STARTING MOTOR)						
	54	1	<b>3E-7771</b>	1	HOUSING AS (STARTING MOTOR)						
	55	1	<b>9G-4101</b>	1	BUSHING-END						
	56	1	<b>3T-3424</b>	3	PLUG-FELT						
	57	1	<b>3T-3423</b>	3	CUP						
	58	1	<b>1M-9968</b>	1	BUSHING						
	59	1	<b>2F-6678</b>	1	SEAL-LIP TYPE						
	60	1	<b>4L-2729</b>	1	WASHER (0.844X1.9X0.188-IN THK)						
	61	1	<b>4M-1896</b>	1	BUSHING-TERMINAL						
	62	1	<b>045-4065</b>	4	SCREW-MACHINE (10-32X0.75-IN)						
	63	1	<b>6V-8373</b>	3	SCREW-MACHINE (6-32X0.187-IN)						
	64	1	<b>9G-6770</b>	1	CONTACT AS						
	65	1	<b>6T-1120</b>	1	BUSHING-TERMINAL						
	66	1	<b>4M-1815</b>	1	SPRING-CONTACT						
	67	1	<b>125-6535</b>	1	COVER-STARTING MOTOR						
	68	1	<b>7T-9123</b>	1	GASKET-PLATE						
	69	1	<b>125-6536</b>	1	TERMINAL AS						
	70	1	<b>125-6533</b>	1	SOLENOID AS-STARTING MOTOR (24-VOLT)						
		1	<b>3R-8801</b>	1	CLAMP						

B - USE AS REQUIRED

# ELECTRICAL AND STARTING SYSTEM

6V-0890 STARTING MOTOR GP-ELECTRIC (contd.)

i03628927



GRAPHIC #1

<END>

g00597432

# ELECTRICAL AND STARTING SYSTEM

## 105-4729 STARTING MOTOR GP-ELECTRIC

S/N: BNH1-UP

24-VOLT

PART OF 201-4341 INSTALLATION AR-ENGINE

TYPE 1

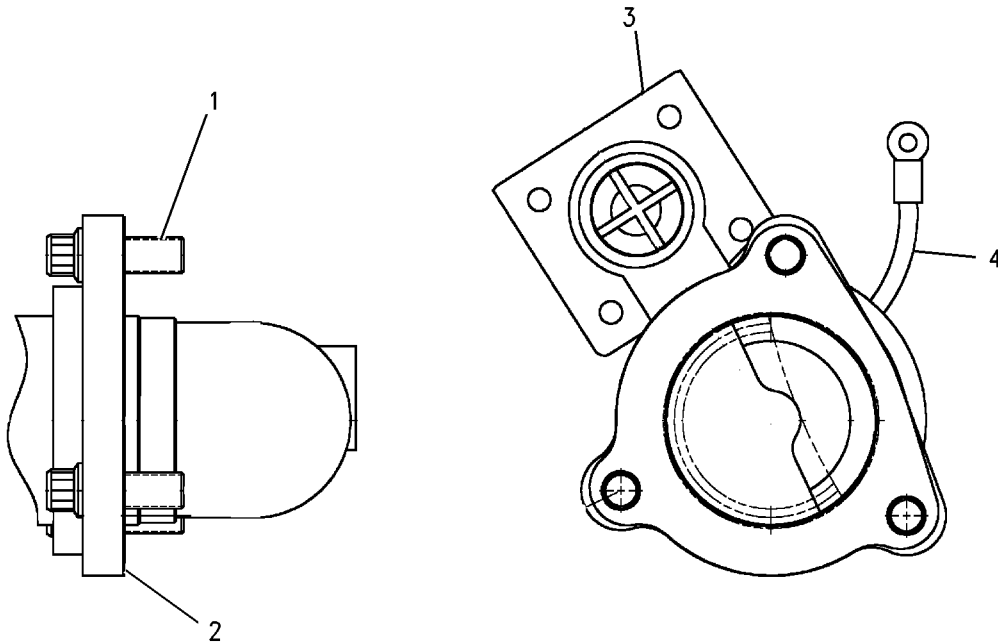
SMCS-1453

i01883977

NOTE	REF NO	GRAPHIC REF	PART NUMBER	QTY	PART NAME						SEE PAGE
					1	2	3	4	5	6 (PRODUCT LEVEL)	
	1	1	<b>8S-2332</b>	3	BOLT-12 POINT HEAD (5/8-11X1.75 IN)						
	2	1	<b>4N-1059</b>	1	GASKET						
YR	3	1	<b>6V-0890</b>	1	STARTING MOTOR GP-ELECTRIC						326
	4	1	<b>105-4728</b>	1	WIRE AS						

R - REMFG PART MAY BE AVAILABLE

Y - SEPARATE ILLUSTRATION



GRAPHIC #1

<END>

g00658745

# ELECTRICAL AND STARTING SYSTEM

## 105-4729 STARTING MOTOR GP-ELECTRIC

S/N: BNH1-UP

24-VOLT

PART OF 201-4341 INSTALLATION AR-ENGINE

TYPE 2

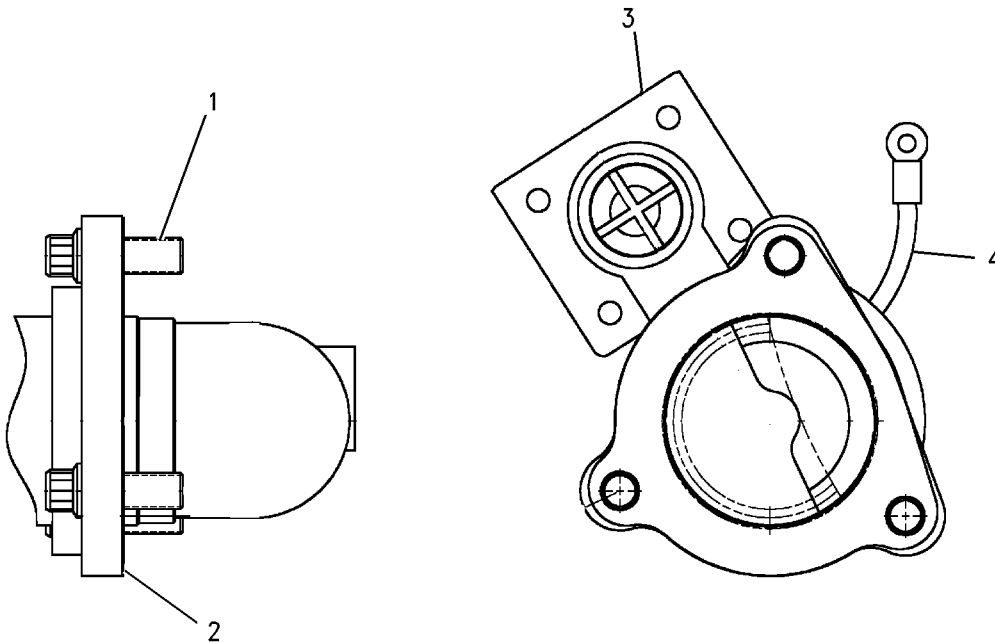
SMCS-1453

i03536200

NOTE	REF NO	GRAPHIC REF	PART NUMBER	QTY	PART NAME						SEE PAGE
					1	2	3	4	5	6 (PRODUCT LEVEL)	
	1	1	<b>8S-2332</b>	3	BOLT-12 POINT HEAD (5/8-11X1.75-IN)						
	2	1	<b>4N-1059</b>	1	GASKET						
YR	3	1	<b>237-1962</b>	1	STARTING MOTOR GP-ELECTRIC (24-VOLT)						332
	4	1	<b>105-4728</b>	1	WIRE AS						

R - REMFG PART MAY BE AVAILABLE

Y - SEPARATE ILLUSTRATION



GRAPHIC #1

<END>

g00658745

# ELECTRICAL AND STARTING SYSTEM

## 105-4729 STARTING MOTOR GP-ELECTRIC

S/N: BNH1-UP

24-VOLT

PART OF 201-4341 INSTALLATION AR-ENGINE

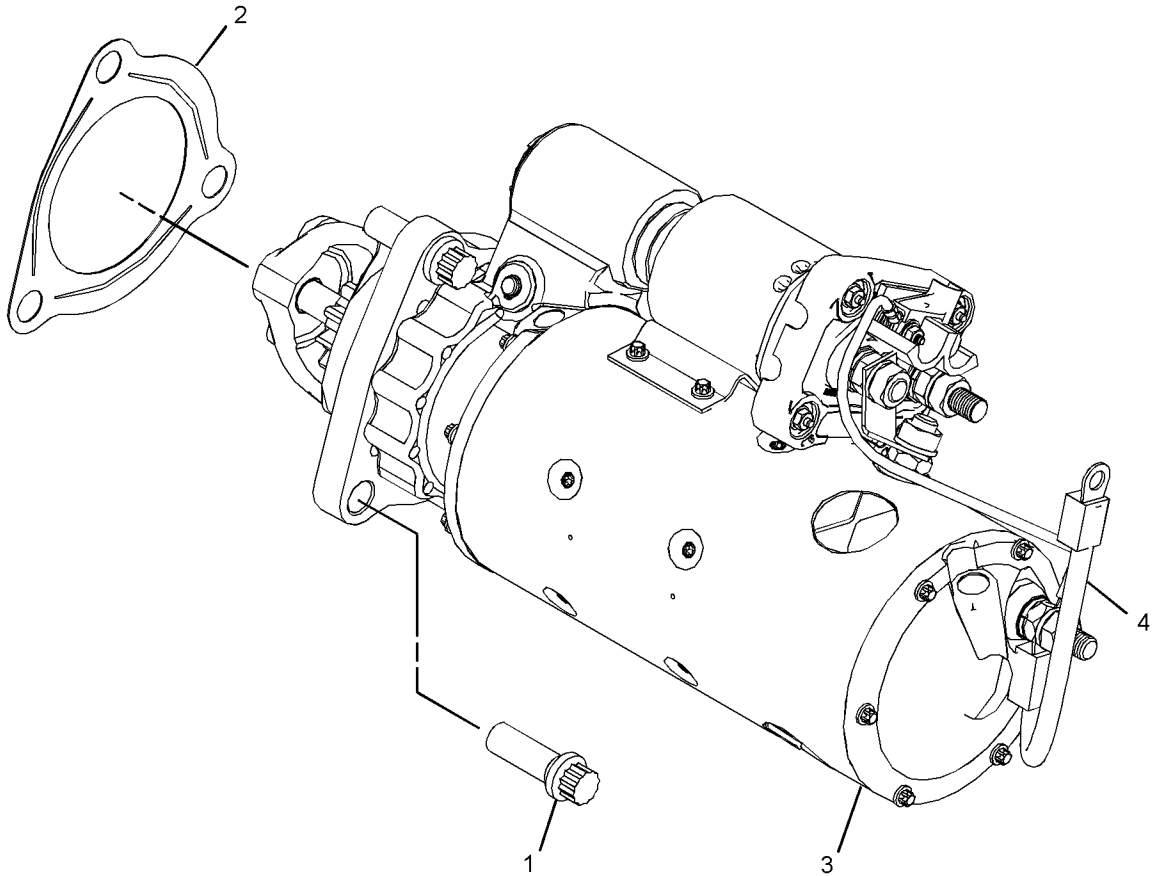
TYPE 3

SMCS-1453

i04924797

NOTE	REF NO	GRAPHIC REF	PART NUMBER	QTY	PART NAME						SEE PAGE
					1	2	3	4	5	6 (PRODUCT LEVEL)	
	1	1	<b>8S-2332</b>	3	BOLT-12 POINT HEAD (5/8-11X1.75-IN)						
	2	1	<b>9Y-6089</b>	1	GASKET						
CYR	3	1	<b>338-3454</b>	1	STARTING MOTOR GP-ELECTRIC (24-VOLT)						335
	4	1	<b>105-4728</b>	1	WIRE AS						

C - CHANGE FROM PREVIOUS TYPE  
 R - REMFG PART MAY BE AVAILABLE  
 Y - SEPARATE ILLUSTRATION



GRAPHIC #1

<END>

g03095476

# ELECTRICAL AND STARTING SYSTEM

## 237-1962 STARTING MOTOR GP-ELECTRIC\*R

S/N: BNH1-UP

24-VOLT

FIELD REPLACEMENT ORDER 338-3454-PAGE: 335

FIELD REPLACEMENT FOR 6V-0890-PAGE: 326

PART OF 105-4729 STARTING MOTOR GP-ELECTRIC

SMCS-1453

i04093549

NOTE	REF NO	GRAPHIC REF	PART NUMBER	QTY	PART NAME						SEE PAGE
					1	2	3	4	5	6 (PRODUCT LEVEL)	
	1	1	7M-0326	1	CONNECTOR						
	2	1	9H-3757	2	WASHER (0.516X1X0.094-IN THK)						
	3	1	1S-7446	3	SCREW-MACHINE (8-32X0.437-IN)						
	4	1	8C-9660	3	WASHER (4.6X7.9X0.8-MM THK)						
	5	1	9S-2544	9	SCREW-HEX HEAD (8-32X11.13-MM)						
	6	1	7M-0327	1	WASHER-THRUST (17.4X25.4X1.6-MM THK)						
	7	1	3T-3418	1	FRAME AS-END						
		1	3T-3423	1	CUP						
		1	3T-3424	1	PLUG-FELT						
		1	9G-4101	1	BUSHING-END						
	8	1	3T-9525	1	PLATE AS-BRUSH						
	8A	1	6T-0371	1	INSULATOR						
	8B	1	5P-6298	12	SCREW-MACHINE (10-32X0.5-IN)						
		1	9F-5599	12	LOCKWASHER						
	8C	1	7F-3525	6	WASHER-BUSHING (0.207X0.39X0.09-IN THK)						
	8D	1	6T-0372	1	PLATE						
	8E	1	3T-4709	3	PLATE						
	8F	1	2L-6679	3	PLATE-INSULATOR						
	8G	1	3T-4710	3	PLATE						
	8H	1	6T-0363	6	HOLDER AS-BRUSH (STARTING MOTOR)						
					(EACH INCLUDES)						
	8J	1	3T-9494	1	SPRING						
	9	1	1T-0808	2	WASHER (0.516X0.812X0.09-IN THK)						
	10	1	3T-3422	1	WIRE AS (STARTING MOTOR)						
	11	1	2J-8163	2	SEAL-O-RING						
	12	1	7X-3373	1	BOLT (5/16-18X0.88-IN)						
	13	1	3T-3434	6	PLUG						
	14	1	5J-5314	5	BOLT (5/16-18X1.5-IN)						
	15	1	3L-3380	1	BUSHING-TERMINAL						
	16	1	036-9821	1	WASHER						
	17	1	4M-1828	1	RETAINER-SPRING						
	18	1	306-3998	1	BOOT-RUBBER						
	19	1	9M-7609	1	SPRING (SHIFT LEVER)						
	20	1	4M-1827	1	RETAINER-SPRING						
	21	1	8C-3089	1	SEAL-O-RING						
	22	1	4M-1853	1	LEVER AS-SHIFT						
	23	1	5M-3034	1	LOCKNUT (5/16-24-THD)						
	24	1	7L-2894	4	GASKET						
	25	1	4M-1831	4	PLUG-LEVER HOUSING						
	26	1	4M-1854	1	SHAFT-LEVER						
	27	1	1H-1023	1	SEAL-O-RING						
	28	1	2D-6392	1	SEAL-O-RING						
	29	1	7T-3974	1	HOUSING AS-DRIVE						
	30	1	6N-3826	1	DRIVE AS-MOTOR						
	31	1	2H-3429	2	RING-RETAINING						
	32	1	6V-1322	4	BOLT (1/4-20X0.375-IN)						
	33	1	8T-4205	4	WASHER-HARD (7.2X14.5X2-MM THK)						
	34	1	6N-3279	1	INSULATOR						
	35	1	0S-1597	13	BOLT (1/4-28X1-IN)						
	36	1	1M-9971	1	SPACER (0.835X1.72X0.188-IN THK)						
	37	1	1H-2629	3	STRIP-INSULATION						
	38	1	7M-0324	1	COIL AS-FIELD						
	39	1	3R-8797	12	SCREW & WASHER AS (3/8-24X0.72-IN)						
	40	1	7F-3488	6	SHOE-POLE						
	41	1	7M-8651	1	ARMATURE AS						

# ELECTRICAL AND STARTING SYSTEM

237-1962 **STARTING MOTOR GP-ELECTRIC (contd.)**

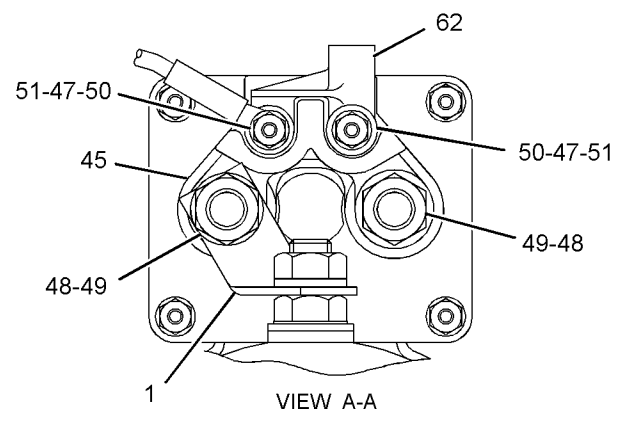
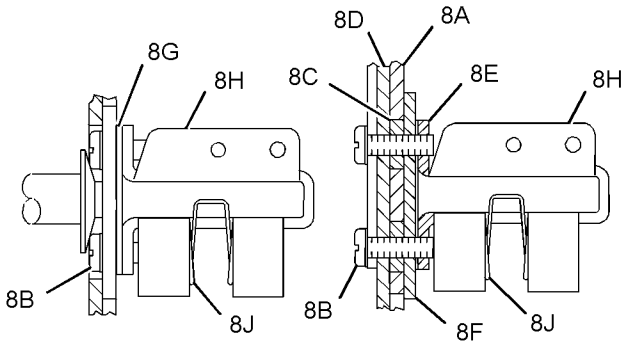
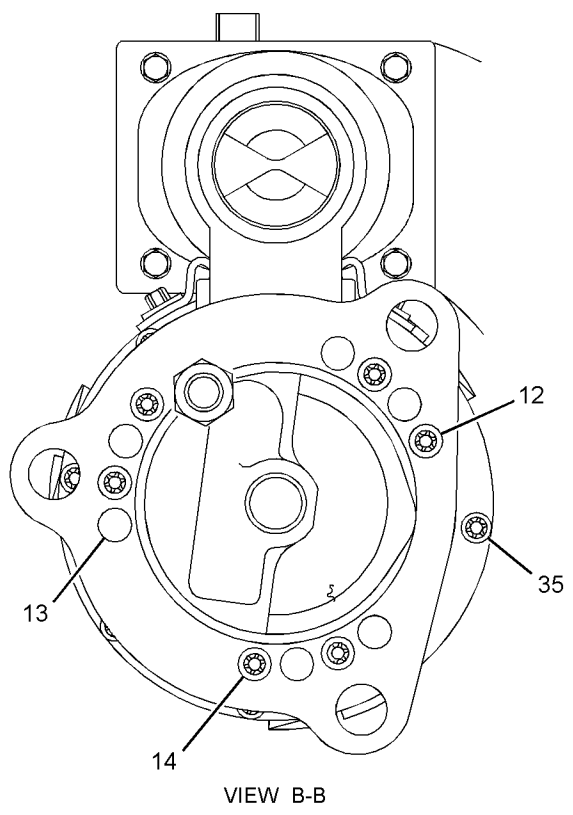
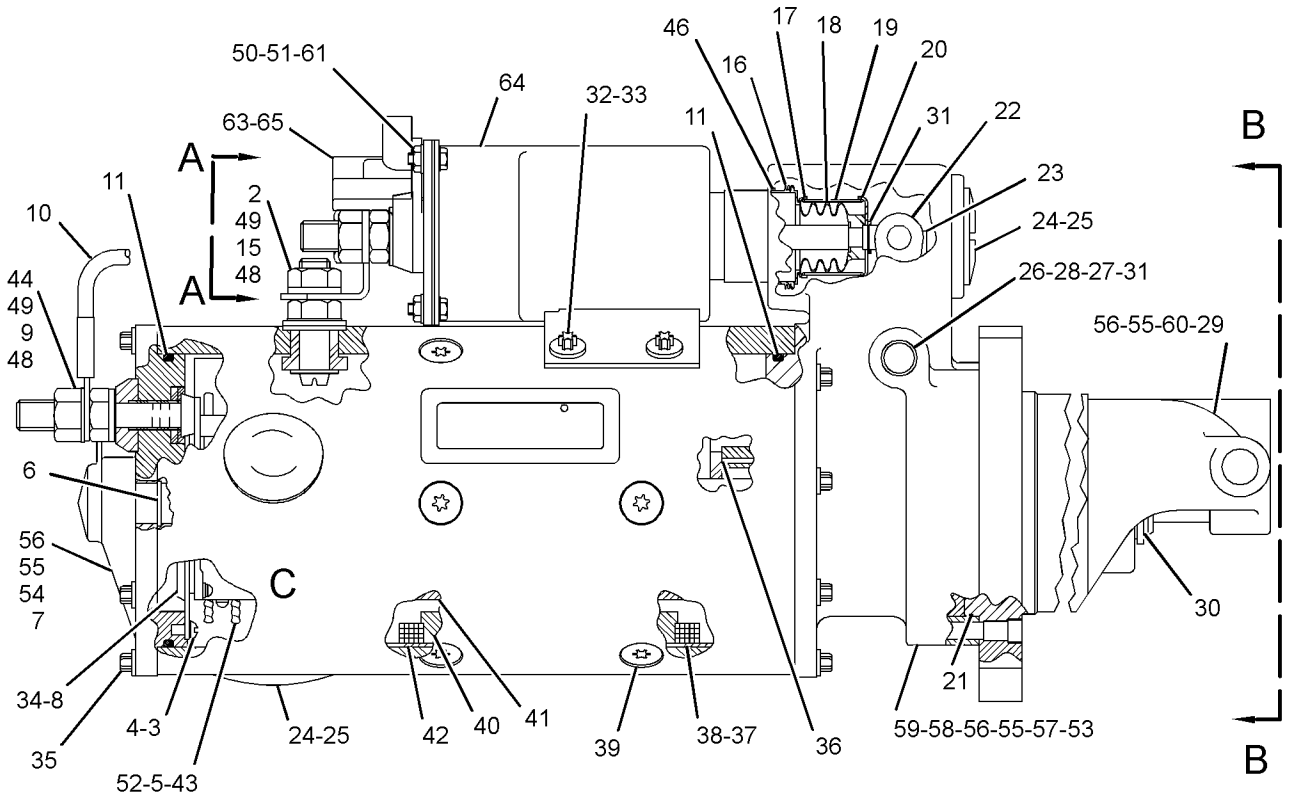
**i04093549**

NOTE	REF NO	GRAPHIC REF	PART NUMBER	QTY	PART NAME						SEE PAGE
					1	2	3	4	5	6 (PRODUCT LEVEL)	
	42	1	<b>7M-0325</b>	1	INSULATOR						
	43	1	<b>3T-9524</b>	6	BRUSH AS						
	44	1	<b>3N-3763</b>	1	KIT-TERMINAL (STARTING MOTOR) (INCLUDES BUSHINGS & WASHERS)						
	45	1	<b>125-6537</b>	1	INSULATOR						
	46	1	<b>3R-8801</b>	1	CLAMP						
	47	1	<b>8F-1434</b>	2	LOCKWASHER						
	48	1	<b>6V-8188</b>	6	NUT (1/2-13-THD)						
	49	1	<b>7X-0562</b>	6	WASHER-HARD (13.5X19.0X0.8-MM THK)						
	50	1	<b>4B-2049</b>	6	NUT (10-32-THD)						
	51	1	<b>8T-0328</b>	10	WASHER-HARD (5.5X10X1-MM THK)						
	52	1	<b>3T-9494</b>	6	SPRING (STARTING MOTOR)						
	53	1	<b>3E-7771</b>	1	HOUSING AS (STARTING MOTOR)						
	54	1	<b>9G-4101</b>	1	BUSHING-END						
	55	1	<b>3T-3424</b>	3	PLUG-FELT						
	56	1	<b>3T-3423</b>	3	CUP						
	57	1	<b>1M-9968</b>	1	BUSHING						
	58	1	<b>2F-6678</b>	1	SEAL-LIP TYPE						
	59	1	<b>4L-2729</b>	1	WASHER (0.844X1.9X0.188-IN THK)						
	60	1	<b>4M-1896</b>	1	BUSHING-TERMINAL						
	61	1	<b>045-4065</b>	4	SCREW-MACHINE (10-32X0.75-IN)						
	62	1	<b>125-6535</b>	1	COVER-STARTING MOTOR						
	63	1	<b>7T-9123</b>	1	GASKET-PLATE						
	64	1	<b>318-2082</b>	1	SOLENOID AS-STARTING MOTOR (24-VOLT)						
		1	<b>3R-8801</b>	1	CLAMP						
	65	1	<b>125-6536</b>	1	TERMINAL AS						

# ELECTRICAL AND STARTING SYSTEM

237-1962 STARTING MOTOR GP-ELECTRIC (contd.)

i04093549



GRAPHIC #1

<END>

g01453239



# ELECTRICAL AND STARTING SYSTEM

## 338-3454 STARTING MOTOR GP-ELECTRIC\*R

S/N: BNH1-UP

24-VOLT

FIELD REPLACEMENT FOR 237-1962-PAGE: 332  
PART OF 105-4729 STARTING MOTOR GP-ELECTRIC

SMCS-1453

i05215958

NOTE	REF NO	GRAPHIC REF	PART NUMBER	QTY	PART NAME						SEE PAGE
					1	2	3	4	5	6 (PRODUCT LEVEL)	
	1	1	7M-0326	1	CONNECTOR						
	2	1	9H-3757	2	WASHER (0.516X1X0.094-IN THK)						
	3	1	1S-7446	3	SCREW-MACHINE (8-32X0.437-IN)						
	4	1	8C-9660	3	WASHER (4.6X7.9X0.8-MM THK)						
	5	1	9S-2544	9	SCREW-HEX HEAD (8-32X11.13-MM)						
	6	1	7M-0327	1	WASHER-THRUST (17.4X25.4X1.6-MM THK)						
	7	1	3T-3418	1	FRAME AS-END						
		1	3T-3423	1	CUP						
		1	3T-3424	1	PLUG-FELT						
		1	9G-4101	1	BUSHING-END						
Y	8	1	3T-9525	1	PLATE AS-BRUSH (STARTING MOTOR)						293
	9	1	1T-0808	2	WASHER (0.516X0.812X0.09-IN THK)						
	10	1	3T-3422	1	WIRE AS						
	11	1	2J-8163	2	SEAL-O-RING						
	12	1	7X-3373	1	BOLT (5/16-18X0.88-IN)						
	13	1	3T-3434	6	PLUG						
	14	1	5J-5314	5	BOLT (5/16-18X1.5-IN)						
	15	1	3L-3380	1	BUSHING-TERMINAL						
	16	1	8C-3089	1	SEAL-O-RING						
	17	1	4M-1853	1	LEVER AS-SHIFT						
	18	1	5M-3034	1	LOCKNUT (5/16-24-THD)						
	19	1	7L-2894	4	GASKET						
	20	1	4M-1831	4	PLUG-LEVER HOUSING						
	21	1	4M-1854	1	SHAFT-LEVER						
	22	1	1H-1023	1	SEAL-O-RING						
	23	1	2D-6392	1	SEAL-O-RING						
	24	1	7T-3974	1	HOUSING AS-DRIVE						
	25	1	6N-3826	1	DRIVE AS-MOTOR						
	26	1	2H-3429	1	RING-RETAINING						
	27	1	6V-1322	4	BOLT (1/4-20X0.375-IN)						
	28	1	8T-4205	4	WASHER-HARD (7.2X14.5X2-MM THK)						
	29	1	6N-3279	1	INSULATOR						
	30	1	0S-1597	13	BOLT (1/4-28X1-IN)						
	31	1	1M-9971	1	SPACER (0.835X1.72X0.188-IN THK)						
	32	1	1H-2629	3	STRIP-INSULATION						
	33	1	7M-0324	1	COIL AS-FIELD						
	34	1	3R-8797	12	SCREW & WASHER AS (3/8-24X0.72-IN)						
	35	1	7F-3488	6	SHOE-POLE						
	36	1	7M-8651	1	ARMATURE AS						
	37	1	7M-0325	1	INSULATOR						
	38	1	3T-9524	6	BRUSH AS						
	39	1	3N-3763	1	KIT-TERMINAL (STARTING MOTOR)						
					(INCLUDES BUSHINGS & WASHERS)						
	40	1	338-3453	1	SOLENOID AS-STARTING MOTOR (24-VOLT)						
	40A	1	3R-8801	1	CLAMP						
	42	1	8F-1434	2	LOCKWASHER						
	43	1	6V-8188	6	NUT (1/2-13-THD)						
	44	1	7X-0562	6	WASHER-HARD (13.5X19X0.8-MM THK)						
	45	1	4B-2049	6	NUT (10-32-THD)						
	46	1	8T-0328	10	WASHER-HARD (5.5X10X1-MM THK)						
	47	1	3T-9494	6	SPRING						
	48	1	3E-7771	1	HOUSING AS (STARTING MOTOR)						
	49	1	9G-4101	1	BUSHING-END						
	50	1	3T-3424	3	PLUG-FELT						
	51	1	3T-3423	3	CUP						
	52	1	1M-9968	1	BUSHING						

# ELECTRICAL AND STARTING SYSTEM

338-3454 **STARTING MOTOR GP-ELECTRIC (contd.)**

**i05215958**

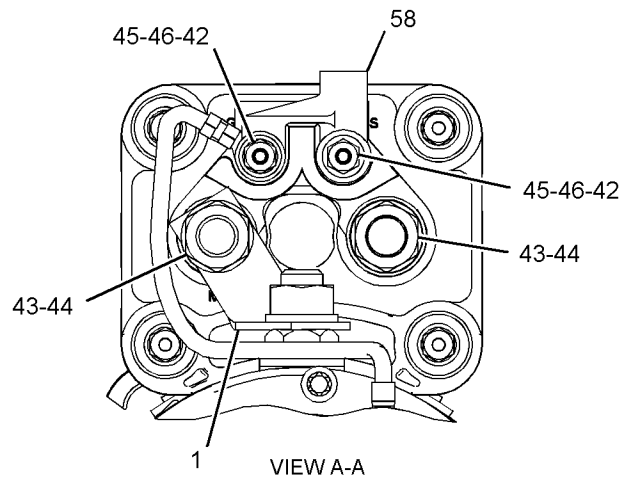
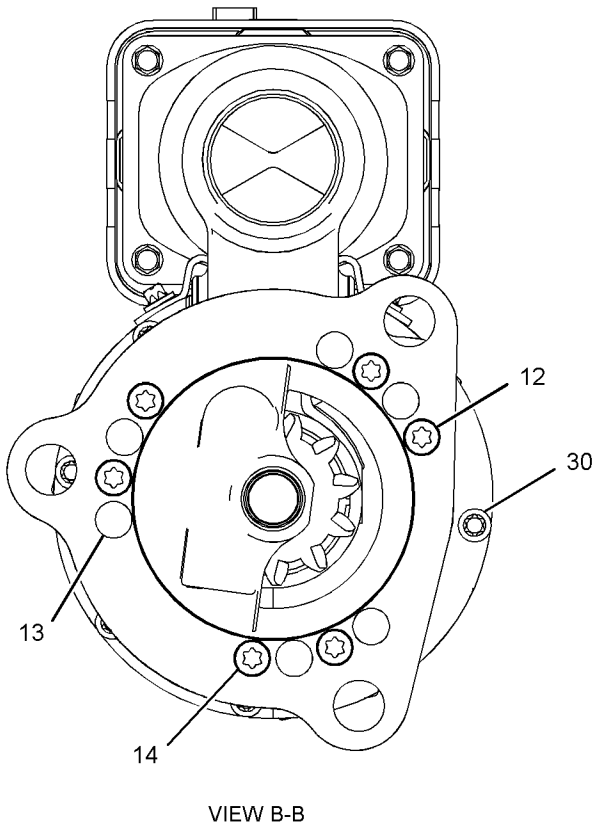
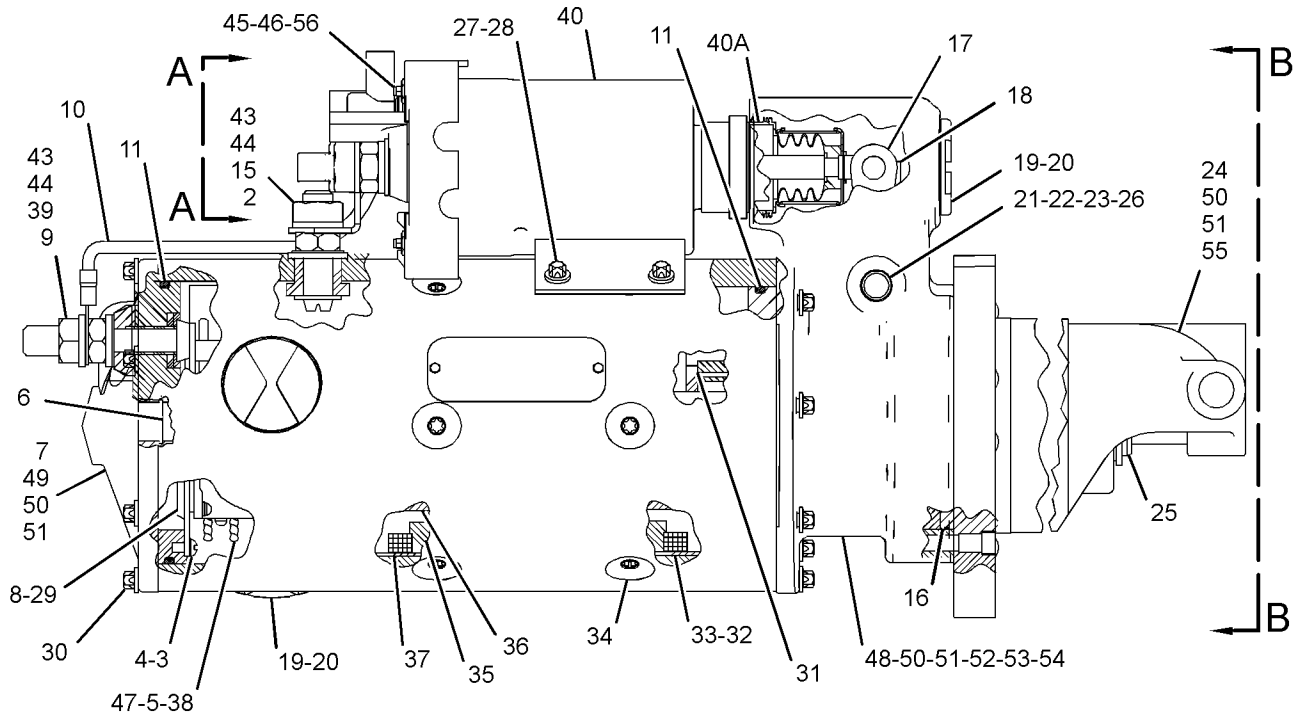
NOTE	REF NO	GRAPHIC REF	PART NUMBER	QTY	PART NAME						SEE PAGE
					1	2	3	4	5	6 (PRODUCT LEVEL)	
	53	1	<b>2F-6678</b>	1	SEAL-LIP TYPE						
	54	1	<b>4L-2729</b>	1	WASHER (0.844X1.9X0.188-IN THK)						
	55	1	<b>4M-1896</b>	1	BUSHING-TERMINAL						
	56	1	<b>045-4065</b>	4	SCREW-MACHINE (10-32X0.75-IN)						
	58	1	<b>125-6535</b>	1	COVER-STARTING MOTOR						

Y - SEPARATE ILLUSTRATION

# ELECTRICAL AND STARTING SYSTEM

338-3454 STARTING MOTOR GP-ELECTRIC (contd.)

i05215958



GRAPHIC #1

<END>

g03090296

# ELECTRICAL AND STARTING SYSTEM

## 164-7577 SWITCH GP-BYPASS-POWER TRAIN OIL FILTER

S/N: BNH1-UP

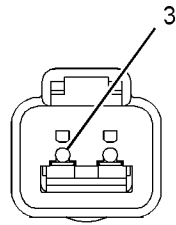
PART OF 203-1597 WIRING GP-MACHINE

SMCS-1408, 1435

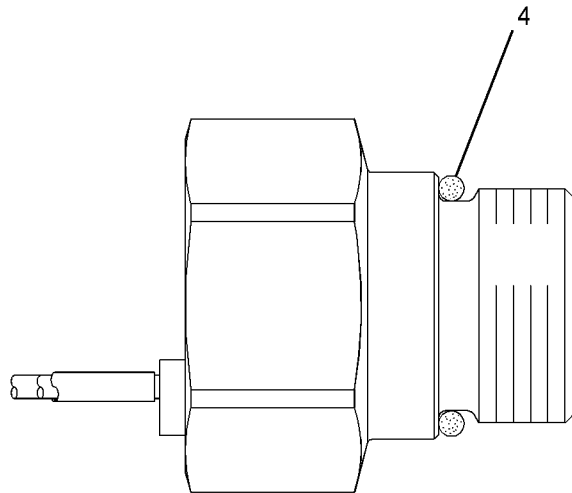
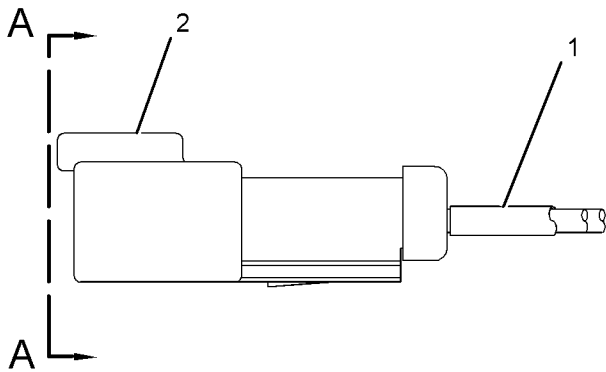
i04182818

NOTE	REF NO	GRAPHIC REF	PART NUMBER	QTY	PART NAME						SEE PAGE
					1	2	3	4	5	6 (PRODUCT LEVEL)	
E	1	1	<b>9X-1813</b>		SLEEVE (19-CM)						
	2	1	<b>102-8802</b>	1	KIT-RECEPTACLE (2-PIN) (INCLUDES RECEPTACLE AS & WEDGE)						
	3	1	<b>8T-8729</b>	2	PIN-CONNECTOR (16-GA TO 18-GA)						
	4	1	<b>3D-2824</b>	1	SEAL-O-RING						

E - ORDER BY THE CENTIMETER



VIEW A-A



GRAPHIC #1

<END>

g02157795

# ELECTRICAL AND STARTING SYSTEM

## 7N-0719 SWITCH GP-DISCONNECT-BATTERY

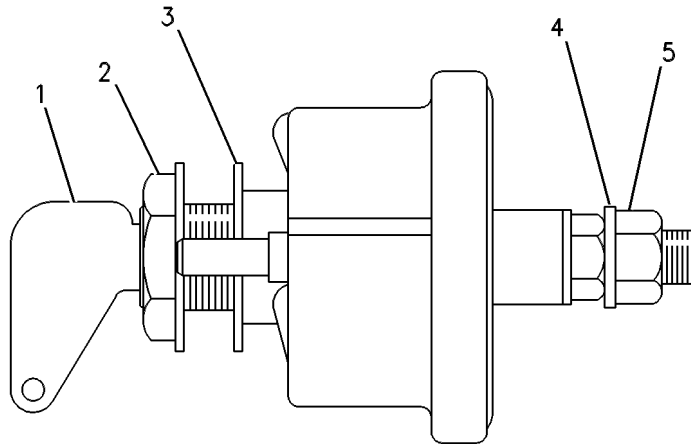
S/N: BNH1-UP

PART OF 114-5179 BATTERY & WIRING GP

SMCS-1411

i02499147

NOTE	REF NO	GRAPHIC REF	PART NUMBER	QTY	PART NAME						SEE PAGE
					1	2	3	4	5	6 (PRODUCT LEVEL)	
	1	1	<b>8H-5306</b>	1	KEY (BATTERY DISCONNECT)						
	2	1	<b>8H-5303</b>	1	NUT (3/4-16-THD)						
	3	1	<b>2H-3922</b>	2	LOCKWASHER						
	4	1	<b>9F-5644</b>	2	LOCKWASHER						
	5	1	<b>6F-7045</b>	2	NUT-FULL (3/8-24-THD)						



GRAPHIC #1

<END>

g00117885

# ELECTRICAL AND STARTING SYSTEM

## 176-8350 SWITCH GP-ENGINE BRAKE

S/N: BNH1-UP

PART OF 200-6922 ENGINE AR  
AN ATTACHMENT

SMCS-7332

i05241970

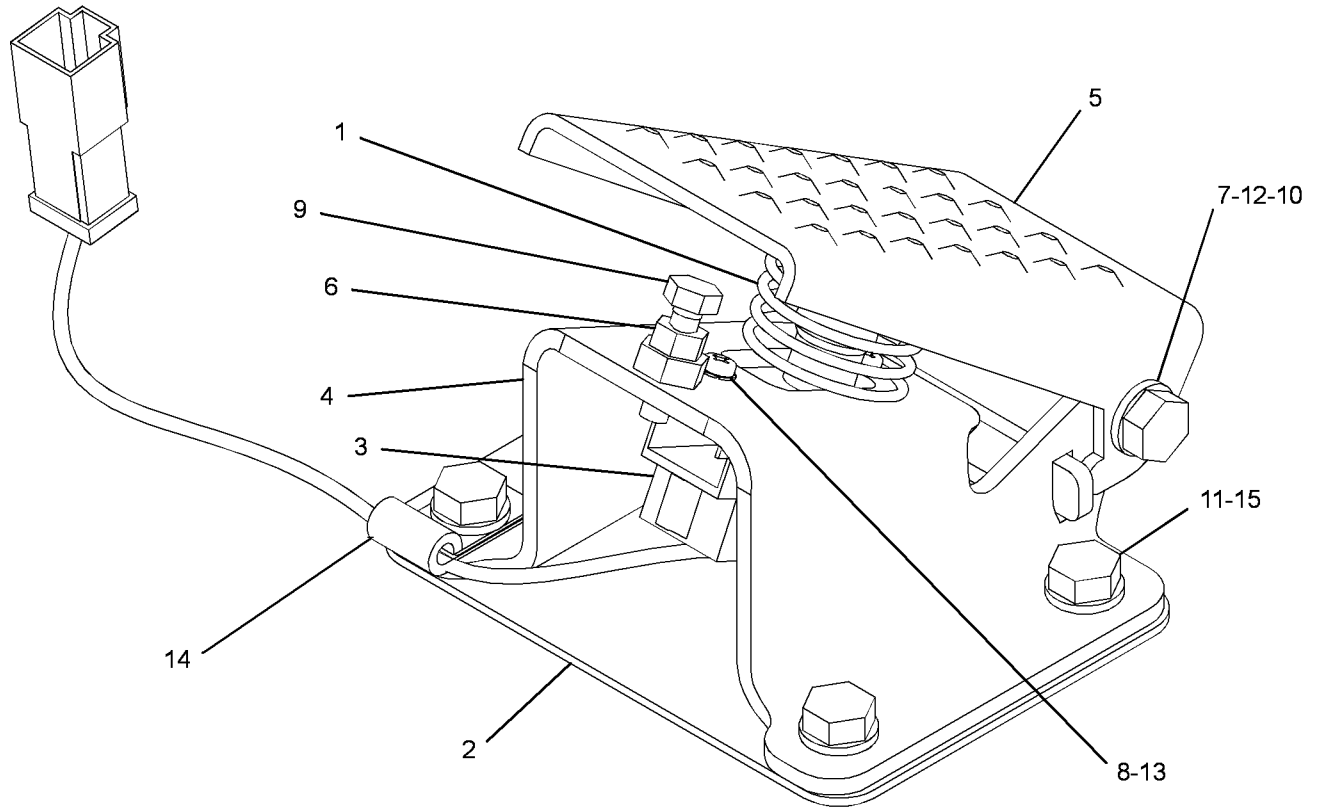
NOTE	REF NO	GRAPHIC REF	PART NUMBER	QTY	PART NAME						SEE PAGE
					1	2	3	4	5	6 (PRODUCT LEVEL)	
	1	1	<b>8J-2357</b>	1	SPRING						
	2	1	<b>179-8107</b>	1	BRACKET AS						
	3	1	<b>185-6690</b>	1	SWITCH AS-FOOT (ENGINE BRAKE)						
		1	<b>3E-3371</b>	1	WEDGE-RECEPTACLE LOCK (3-PIN)						
		1	<b>8T-8729</b>	3	PIN-CONNECTOR (16-GA TO 18-GA)						
		1	<b>102-8803</b>	1	KIT-RECEPTACLE (3-PIN)						
					(INCLUDES RECEPTACLE AS & WEDGE)						
	4	1	<b>195-2251</b>	1	BRACKET AS						
M		1	<b>6V-9632</b>	1	NUT-WELD (M6X1-THD)						
	5	1	<b>195-2271</b>	1	PEDAL AS						
M	6	1	<b>5C-2890</b>	1	NUT (M6X1-THD)						
M	7	1	<b>8T-4133</b>	1	NUT (M10X1.5-THD)						
	8	1	<b>5H-6555</b>	2	LOCKWASHER						
M	9	1	<b>6V-7357</b>	1	BOLT (M6X1X25-MM)						
M	10	1	<b>8T-4178</b>	1	BOLT (M10X1.5X90-MM)						
M	11	1	<b>8T-4200</b>	4	BOLT (M8X1.25X16-MM)						
	12	1	<b>8T-4121</b>	2	WASHER-HARD (11X21X2.5-MM THK)						
	13	1	<b>9X-6258</b>	2	SCREW-MACHINE (6-32X0.5-IN)						
	14	1	<b>8M-2772</b>	1	CLIP						
	15	1	<b>8T-4224</b>	4	WASHER-HARD (8.8X16X2-MM THK)						

M - METRIC PART

# ELECTRICAL AND STARTING SYSTEM

176-8350 SWITCH GP-ENGINE BRAKE (contd.)

i05241970



GRAPHIC #1

<END>

g03239716

# ELECTRICAL AND STARTING SYSTEM

## 134-6054 SWITCH GP-FLOW-COOLANT

S/N: BNT1-UP

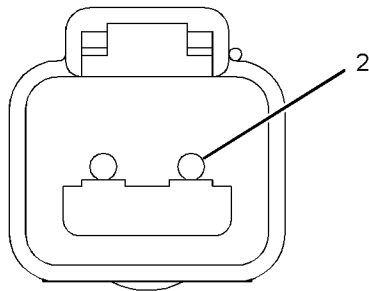
PART OF 199-1002, 236-2259 SENSOR GP-ENGINE  
AN ATTACHMENT

SMCS-1435

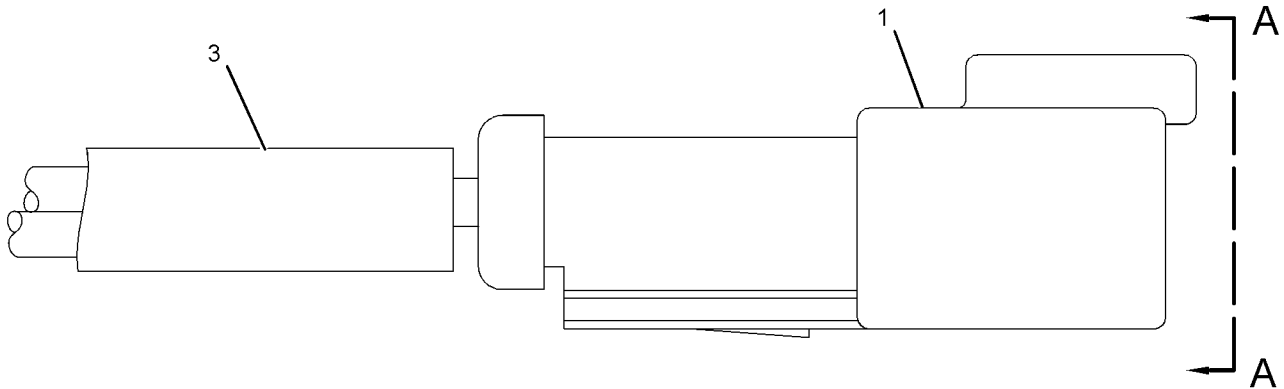
i03570579

NOTE	REF NO	GRAPHIC REF	PART NUMBER	QTY	PART NAME						SEE PAGE
					1	2	3	4	5	6 (PRODUCT LEVEL)	
	1	1	<b>102-8802</b>	1	KIT-RECEPTACLE (2-PIN)						
(INCLUDES RECEPTACLE AS & WEDGE)											
	2	1	<b>186-3735</b>	2	PIN-CONNECTOR (16-GA TO 18-GA)						
E	3	1	<b>9X-1813</b>		SLEEVE (22-CM)						

E - ORDER BY THE CENTIMETER



VIEW A-A



GRAPHIC #1

<END>

g01896516



# ELECTRICAL AND STARTING SYSTEM

## 171-3759 SWITCH GP-LIMIT

S/N: BNH1-UP

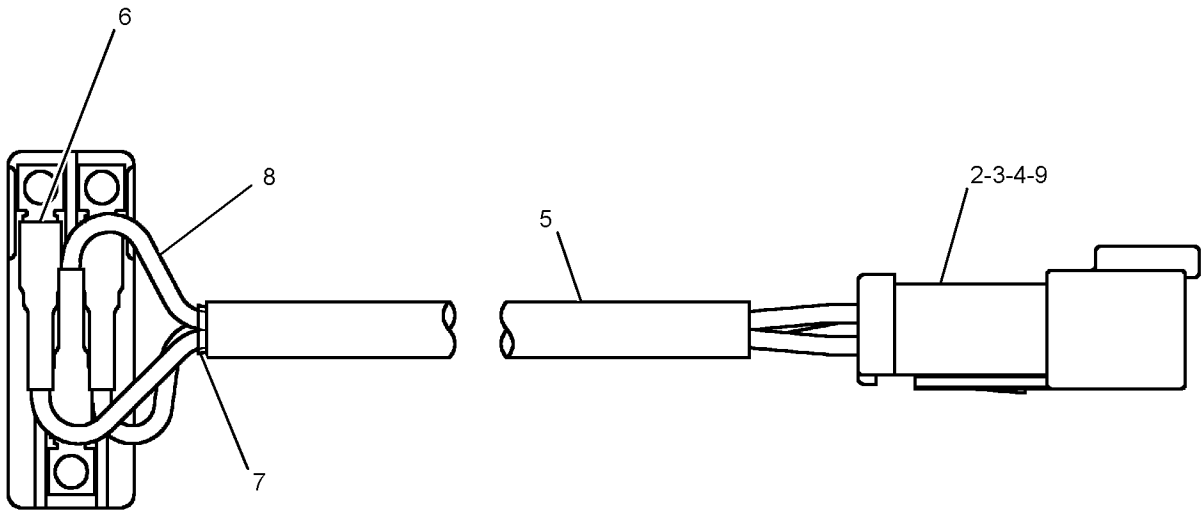
PART OF 187-0738 CONTROL GP-STIC LOCKOUT

SMCS-1435

i03110481

NOTE	REF NO	GRAPHIC REF	PART NUMBER	QTY	PART NAME						SEE PAGE
					1	2	3	4	5	6 (PRODUCT LEVEL)	
	2	1	<b>144-1636</b>	3	PIN-CONNECTOR (14-GA TO 18-GA)						
	3	1	<b>3E-3377</b>	1	WEDGE-RECEPTACLE LOCK (4-PIN)						
	4	1	<b>102-8804</b>	1	KIT-RECEPTACLE (4-PIN)						
					(INCLUDES RECEPTACLE AS AND WEDGE)						
BE	5	1	<b>9X-1386</b>		SLEEVE						
BE	6	1	<b>125-7874</b>		TUBE-HEAT SHRINK (5.72-MM DIA)						
BD	7	1	<b>6V-1614</b>		TUBE-HEAT SHRINK (9.52-MM DIA)						
BD	8	1	<b>5P-5677</b>		WIRE (18-GA, BLACK)						
	9	1	<b>9G-3695</b>	1	PLUG-SEAL						

B - USE AS REQUIRED  
D - ORDER BY THE METER  
E - ORDER BY THE CENTIMETER



GRAPHIC #1

<END>

g01231938

# ELECTRICAL AND STARTING SYSTEM

## 3E-0075 SWITCH GP-MAGNETIC-START RELAY

S/N: BNH1-UP

24-VOLT

FIELD REPLACEMENT FOR 175-2324-PAGE: 346, 175-2322-PAGE: 345

PART OF 203-1603 WIRING GP-ELECTRONICS BAY

SMCS-7499

i03287463

NOTE	PART NUMBER	QTY	PART NAME	SEE PAGE
			1 2 3 4 5 6 (PRODUCT LEVEL)	
Y	175-2322	1	SWITCH GP-MAGNETIC (24-VOLT) (START RELAY)	345
			-OR-	
Y	175-2324	1	SWITCH GP-MAGNETIC (24-VOLT) (START RELAY)	346
Y - SEPARATE ILLUSTRATION				

<END>

# ELECTRICAL AND STARTING SYSTEM

## 175-2322 SWITCH GP-MAGNETIC-START RELAY

S/N: BNH1-UP

24-VOLT

FIELD REPLACEMENT ORDER 3E-0075-PAGE: 344

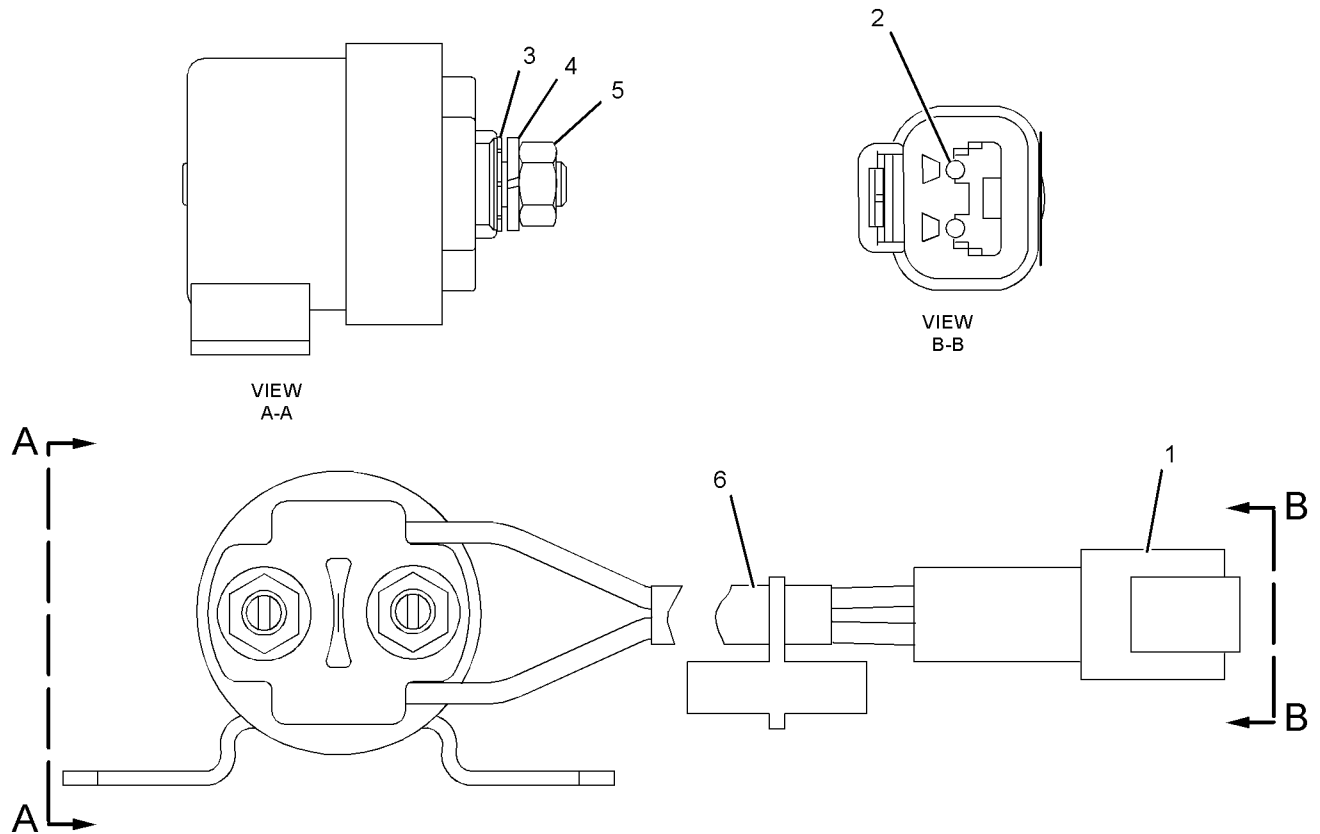
PART OF 3E-0075 SWITCH GP-MAGNETIC

SMCS-7499

i03604091

NOTE	REF NO	GRAPHIC REF	PART NUMBER	QTY	PART NAME						SEE PAGE
					1	2	3	4	5	6 (PRODUCT LEVEL)	
	1	1	102-8802	1	KIT-RECEPTACLE (2-PIN)						
					(INCLUDES RECEPTACLE AS & WEDGE)						
	2	1	186-3735	2	PIN-CONNECTOR (16-GA TO 18-GA)						
	3	1	1H-3338	2	LOCKWASHER (EXTERNAL TOOTH)						
	4	1	012-0380	2	LOCKWASHER						
M	5	1	5C-2890	2	NUT (M6X1-THD)						
E	6	1	9X-1813		SLEEVE (16-CM)						

E - ORDER BY THE CENTIMETER  
M - METRIC PART



GRAPHIC #1

<END>

g01126375

# ELECTRICAL AND STARTING SYSTEM

## 175-2324 SWITCH GP-MAGNETIC-START RELAY

S/N: BNH1-UP

24-VOLT

FIELD REPLACEMENT ORDER 3E-0075-PAGE: 344

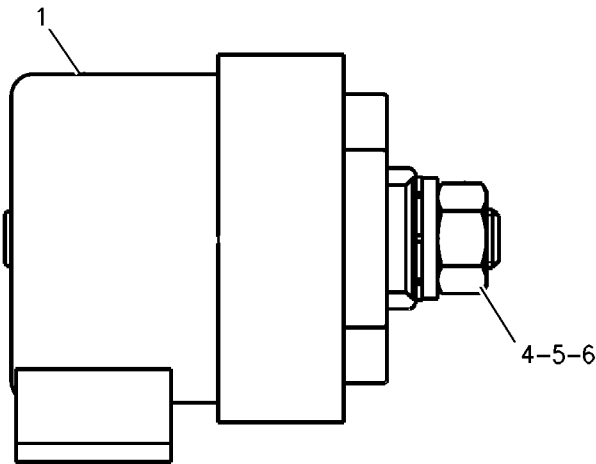
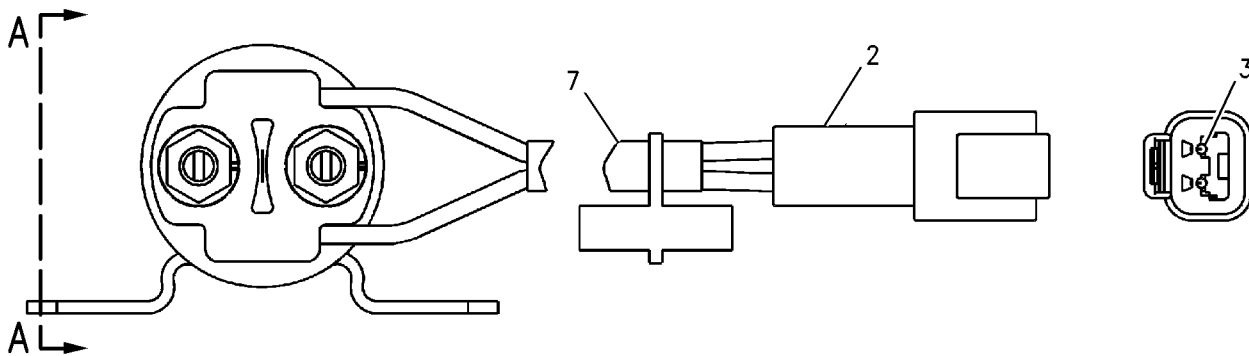
PART OF 3E-0075 SWITCH GP-MAGNETIC

SMCS-7499

i04149749

NOTE	REF NO	GRAPHIC REF	PART NUMBER	QTY	PART NAME						SEE PAGE
					1	2	3	4	5	6	
	1	1	175-2317	1	SWITCH AS-MAGNETIC (START RELAY)						
	2	1	102-8802	1	KIT-RECEPTACLE (2-PIN) (INCLUDES RECEPTACLE AS & WEDGE)						
	3	1	8T-8729	2	PIN-CONNECTOR (16-GA TO 18-GA)						
	4	1	1H-3338	2	LOCKWASHER (EXTERNAL TOOTH)						
	5	1	012-0380	2	LOCKWASHER						
M	6	1	5C-2890	2	NUT (M6X1-THD)						
E	7	1	9X-1813		SLEEVE (16-CM)						

E - ORDER BY THE CENTIMETER  
M - METRIC PART



VIEW A-A

GRAPHIC #1

<END>

g00985960

# ELECTRICAL AND STARTING SYSTEM

## 196-5538 SWITCH GP-PAYLOAD STORE-REMOTE

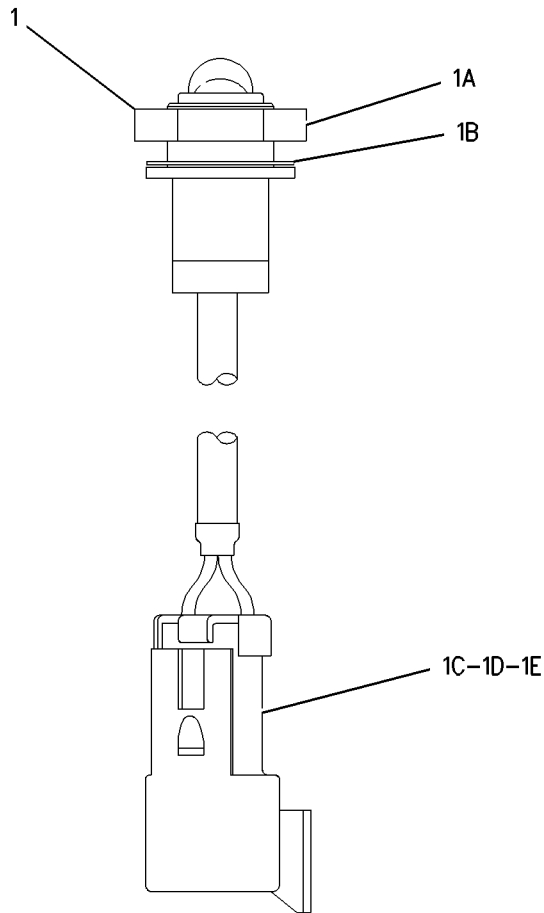
S/N: BNH1-UP

PART OF 145-4230 MONITOR AR-PAYLOAD  
AN ATTACHMENT

SMCS-7332

i01425835

NOTE	REF NO	GRAPHIC REF	PART NUMBER	QTY	PART NAME						SEE PAGE
					1	2	3	4	5	6 (PRODUCT LEVEL)	
	1	1	<b>188-3984</b>	1	SWITCH AS-PUSH BUTTON (REMOTE PAYLOAD STORE)						
	1A	1	<b>3K-0835</b>	1	NUT (5/8-24-THD)						
	1B	1	<b>6F-0253</b>	1	LOCKWASHER						
	1C	1	<b>186-3735</b>	3	PIN-CONNECTOR (16-GA TO 18-GA)						
	1D	1	<b>102-8803</b>	1	KIT-RECEPTACLE (3-PIN)						
					(INCLUDES RECEPTACLE AS & WEDGE)						
	1E	1	<b>3E-3371</b>	1	WEDGE-RECEPTACLE LOCK (3-PIN)						



GRAPHIC #1

<END>

g00747097

# ELECTRICAL AND STARTING SYSTEM

## 153-4804 SWITCH GP-PRESSURE-AUTOLUBE ACTUATION

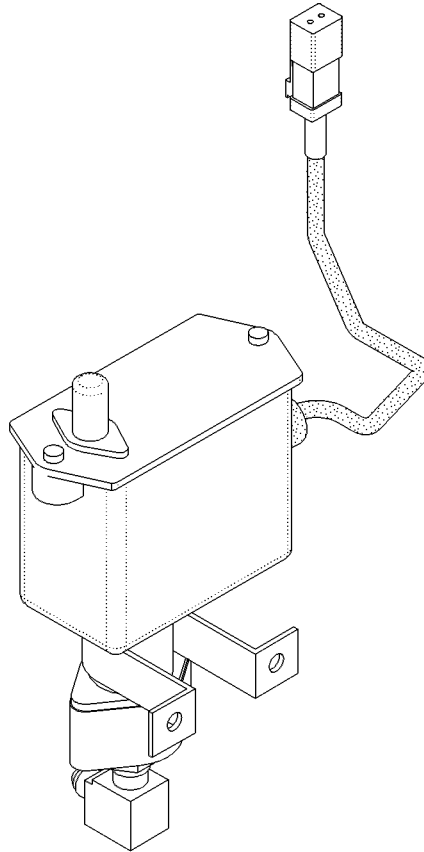
S/N: BNH1-UP

PART OF 189-7433 LINES GP-AUTOMATIC LUBRICATION  
AN ATTACHMENT

SMCS-1435

i01073705

NOTE	REF NO	GRAPHIC REF	PART NUMBER	QTY	PART NAME						SEE PAGE
					1	2	3	4	5	6 (PRODUCT LEVEL)	
(NO SERVICED PARTS)											



GRAPHIC #1

<END>

g00560412

# ELECTRICAL AND STARTING SYSTEM

## 208-0546 SWITCH GP-RIDE CONTROL

S/N: BNH1-UP

PART OF 155-6034, 220-6026 CONTROL AR-RIDE

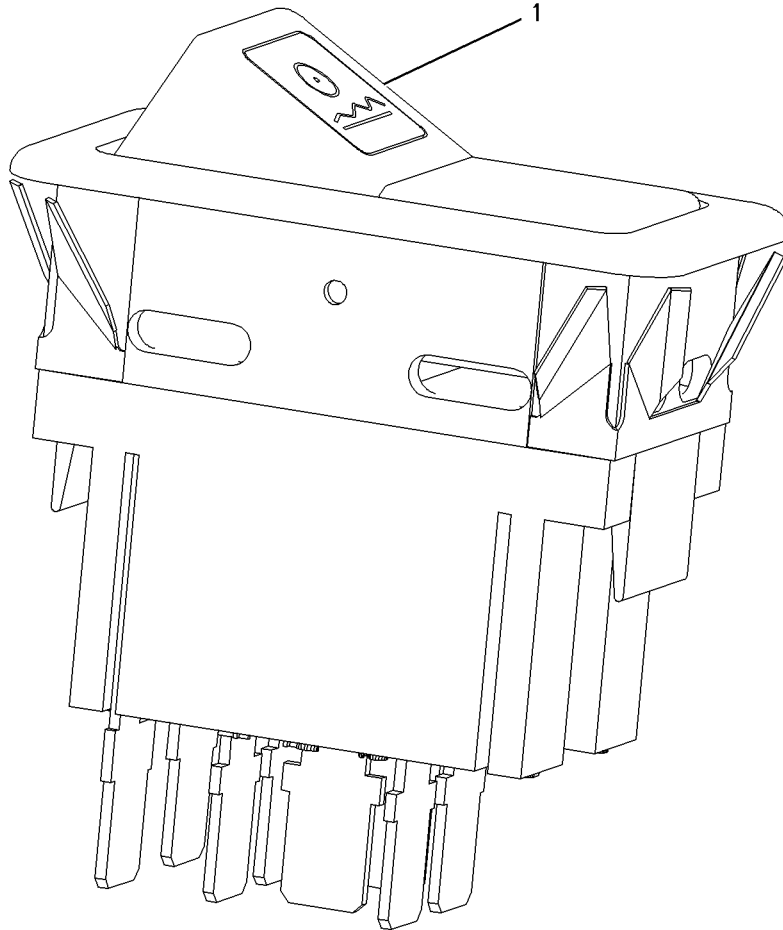
AN ATTACHMENT

TYPE 1

SMCS-7332

i01646240

NOTE	REF NO	GRAPHIC REF	PART NUMBER	QTY	PART NAME						SEE PAGE
					1	2	3	4	5	6 (PRODUCT LEVEL)	
	1	1	180-2571	1	SWITCH AS-ROCKER (RIDE CONTROL)						
F		1	163-1883	1	LAMP (24-VOLT, YELLOW)						
F - NOT SHOWN											



GRAPHIC #1

<END>

g00682564

# ELECTRICAL AND STARTING SYSTEM

## 208-0546 SWITCH GP-RIDE CONTROL

S/N: BNH1-UP

PART OF 155-6034 CONTROL AR-RIDE

AN ATTACHMENT

TYPE 2

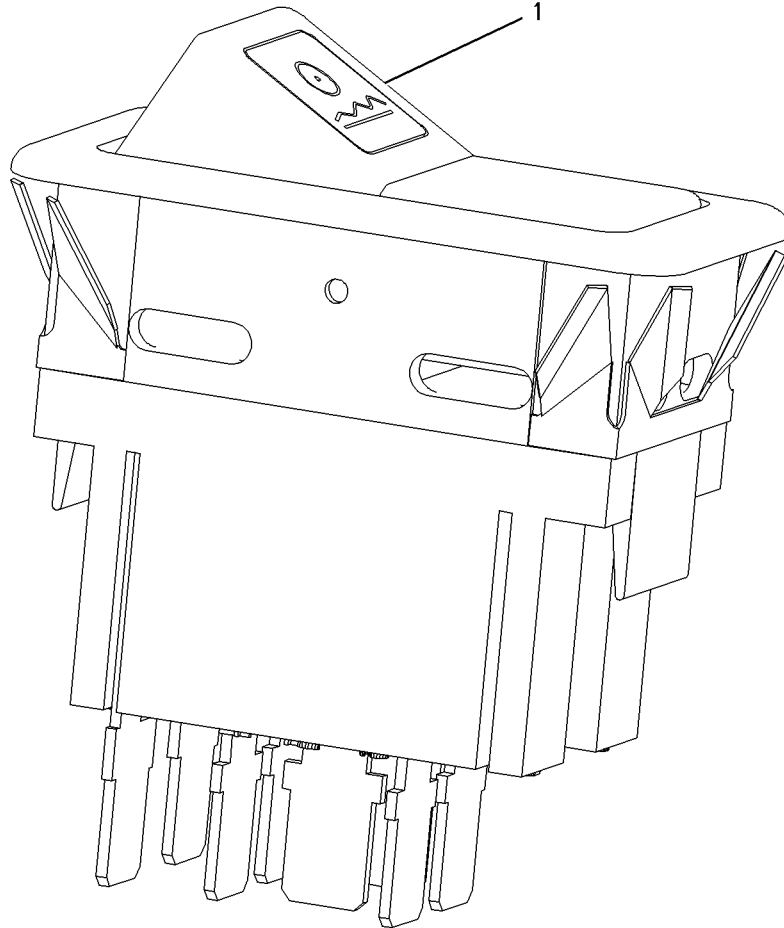
SMCS-7332

i01832215

NOTE	REF NO	GRAPHIC REF	PART NUMBER	QTY	PART NAME						SEE PAGE
					1	2	3	4	5	6 (PRODUCT LEVEL)	
C	1	1	223-8981	1	SWITCH AS-ROCKER (RIDE CONTROL) (RIDE CONTROL)						
F		1	163-1883	1	LAMP (24-VOLT, YELLOW)						

C - CHANGE FROM PREVIOUS TYPE

F - NOT SHOWN



GRAPHIC #1

<END>

g00682564



# ELECTRICAL AND STARTING SYSTEM

## 208-0545 SWITCH GP-ROCKER-TORQUE CONVERTER LOCKUP CLUTCH

S/N: BNH1-UP

PART OF 145-4225 TORQUE CONVERTER AR-LOCKUP

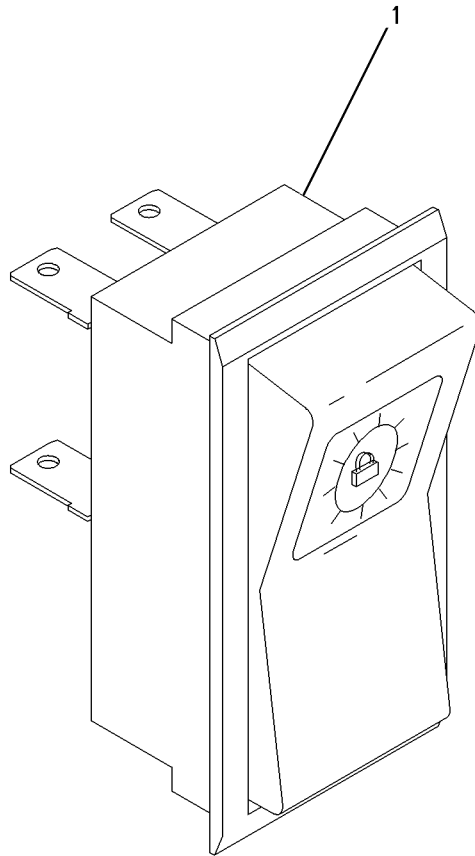
AN ATTACHMENT

TYPE 1

SMCS-7332

i01644565

NOTE	REF NO	GRAPHIC REF	PART NUMBER	QTY	PART NAME						SEE PAGE
					1	2	3	4	5	6 (PRODUCT LEVEL)	
	1	1	180-2549	1	SWITCH AS-ROCKER (TORQUE CONVERTER LOCKUP CLUTCH)						
F		1	163-1883	1	LAMP (24-VOLT, YELLOW)						
F - NOT SHOWN											



GRAPHIC #1

<END>

g00678921

# ELECTRICAL AND STARTING SYSTEM

## 208-0545 SWITCH GP-ROCKER TORQUE CONVERTER LOCKUP CLUTCH

S/N: BNH1-UP

PART OF 145-4225 TORQUE CONVERTER AR-LOCKUP

AN ATTACHMENT

TYPE 2

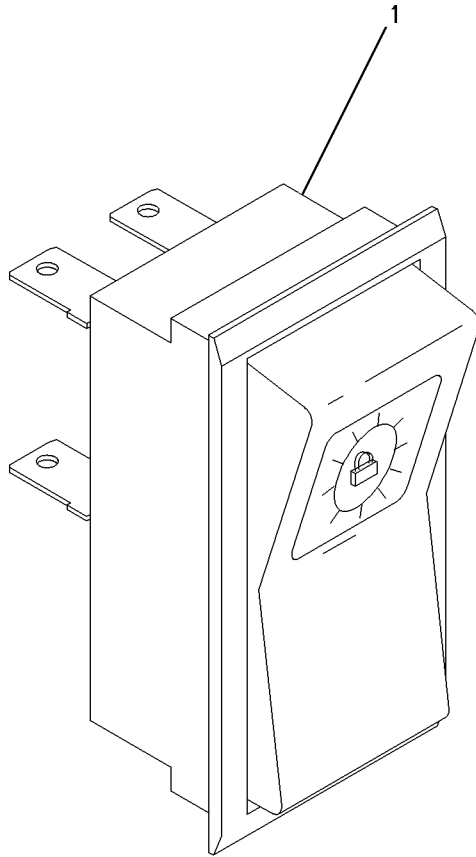
SMCS-7332

i03362200

NOTE	REF NO	GRAPHIC REF	PART NUMBER	QTY	PART NAME						SEE PAGE
					1	2	3	4	5	6 (PRODUCT LEVEL)	
C	1	1	223-8969	1	SWITCH AS-ROCKER (TORQUE CONVERTER LOCKUP CLUTCH)						
F		1	163-1878	1	LAMP-LED (24-VOLT, YELLOW)						

C - CHANGE FROM PREVIOUS TYPE

F - NOT SHOWN



GRAPHIC #1

<END>

g00678921

# ELECTRICAL AND STARTING SYSTEM

## 154-6699 SWITCH GP-SIGNAL

S/N: BNH1-UP

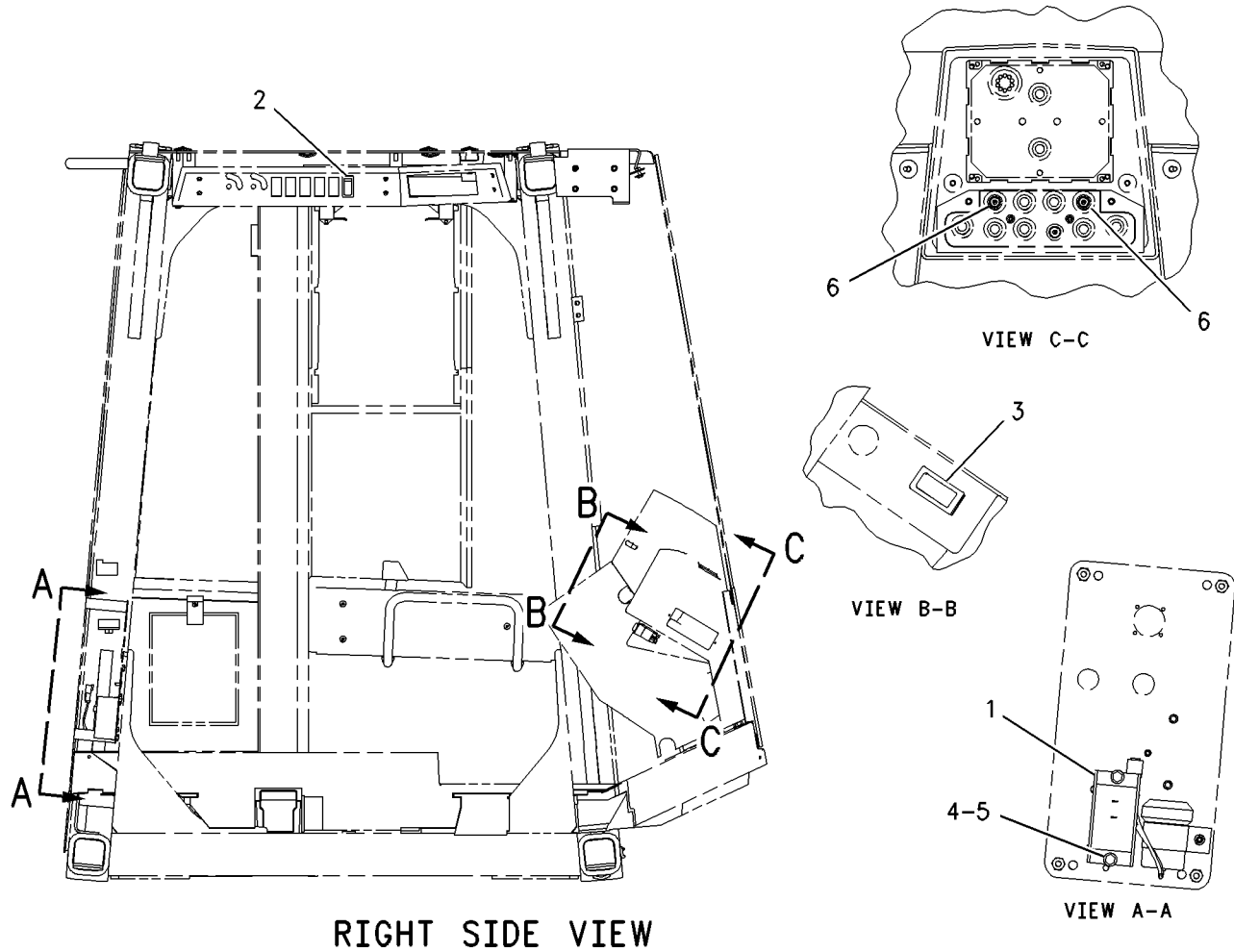
PART OF 138-9806 LIGHTING AR-SIGNAL  
AN ATTACHMENT

SMCS-7332

i03645059

NOTE	REF NO	GRAPHIC REF	PART NUMBER	QTY	PART NAME						SEE PAGE
					1	2	3	4	5	6 (PRODUCT LEVEL)	
	1	1	108-0358	1	FLASHER AS (24-VOLT)						
	2	1	219-9536	1	SWITCH AS-ROCKER (HAZARD WARNING LIGHTS)						
	3	1	223-8979	1	SWITCH AS-ROCKER (TURN SIGNAL)						
	4	1	8T-4205	2	WASHER-HARD (7.2X14.5X2-MM THK)						
M	5	1	8T-4970	2	BOLT (M6X1X14-MM)						
	6	1	163-1884	2	LAMP (24-VOLT)						

M - METRIC PART



GRAPHIC #1

<END>

g00889655

# ELECTRICAL AND STARTING SYSTEM

## 180-3732 SWITCH GP-WIPER-INTERMITTENT

S/N: BNH1-UP  
AN ATTACHMENT

SMCS-7332

i03083340

NOTE	PART NUMBER	QTY	PART NAME						SEE PAGE
			1	2	3	4	5	6 (PRODUCT LEVEL)	
Y	275-7741	1	SWITCH GP-WIPER (24-VOLT)						355
Y - SEPARATE ILLUSTRATION									

<END>

# ELECTRICAL AND STARTING SYSTEM

## 275-7741 SWITCH GP-WIPER

S/N: BNH1-UP

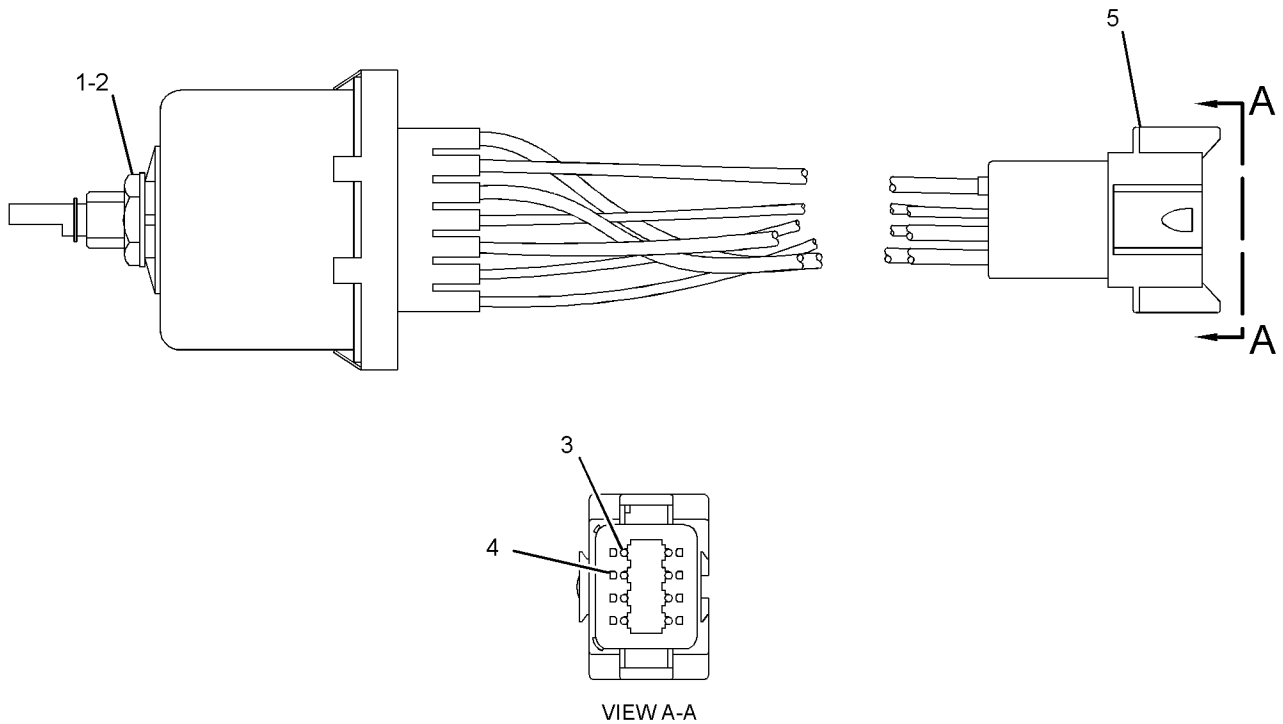
24-VOLT

PART OF 180-3732 SWITCH GP-WIPER, 346-3849 WIRING GP-CAB  
AN ATTACHMENT

SMCS-7332

i05200311

NOTE	REF NO	GRAPHIC REF	PART NUMBER	QTY	PART NAME						SEE PAGE
					1	2	3	4	5	6 (PRODUCT LEVEL)	
	1	1	<b>6V-8369</b>	1	NUT (7/16-28-THD)						
	2	1	<b>2H-3920</b>	1	LOCKWASHER						
	3	1	<b>8T-8737</b>	2	PLUG-SEAL						
	4	1	<b>8T-8729</b>	6	PIN-CONNECTOR (16-GA TO 18-GA)						
	5	1	<b>102-8806</b>	1	KIT-RECEPTACLE (8-PIN)						
(INCLUDES RECEPTACLE AS & WEDGE)											



GRAPHIC #1

<END>

g01445891

# ELECTRICAL AND STARTING SYSTEM

## 109-6904 WARNING GP-BACKUP

S/N: BNH1-UP

PART OF 203-1579 ELECTRICAL AR

SMCS-7406

i02319916

NOTE	REF NO	GRAPHIC REF	PART NUMBER	QTY	PART NAME						SEE PAGE
					1	2	3	4	5	6 (PRODUCT LEVEL)	
	1	1	<b>213-9100</b>	1	ALARM AS						
		1	<b>3E-3365</b>	1	WEDGE-RECEPTACLE LOCK (2-PIN)						
		1	<b>102-8802</b>	1	KIT-RECEPTACLE (2-PIN)						
					(INCLUDES RECEPTACLE AS AND WEDGE)						
D		1	<b>5P-5677</b>		WIRE (18-GA, BLACK) (.6M)						
		1	<b>8T-8729</b>	2	PIN-CONNECTOR (16-GA TO 18-GA)						
BM	2	1	<b>8T-4137</b>	4	BOLT (M10X1.5X20-MM)						
BJ	3	1	<b>7X-7729</b>	4	WASHER (11X25X3-MM THK)						
	4	1	<b>9U-2277</b>	1	CLIP AS						
J	5	1	<b>5P-9085</b>	1	CLIP						
JM	6	1	<b>8T-4133</b>	1	NUT (M10X1.5-THD)						
L	7	1	<b>8T-4121</b>	1	WASHER-HARD (11X21X2.5-MM THK)						
N	8	1	<b>9X-6772</b>	1	STRAP-CABLE						

B - USE AS REQUIRED

D - ORDER BY THE METER

J - FOR USE WITH T557, RM566, TT009 AND RM674 ONLY

L - FOR USE WITH T991 AND RM668 ONLY

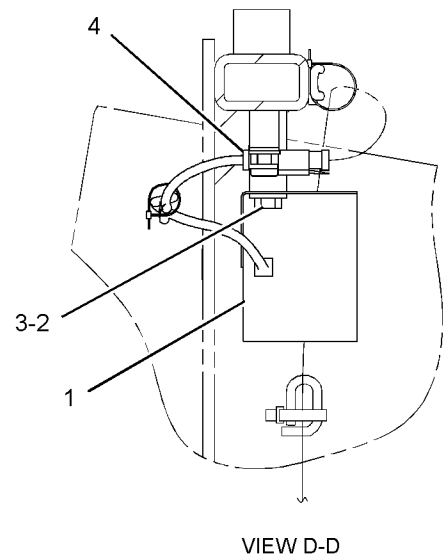
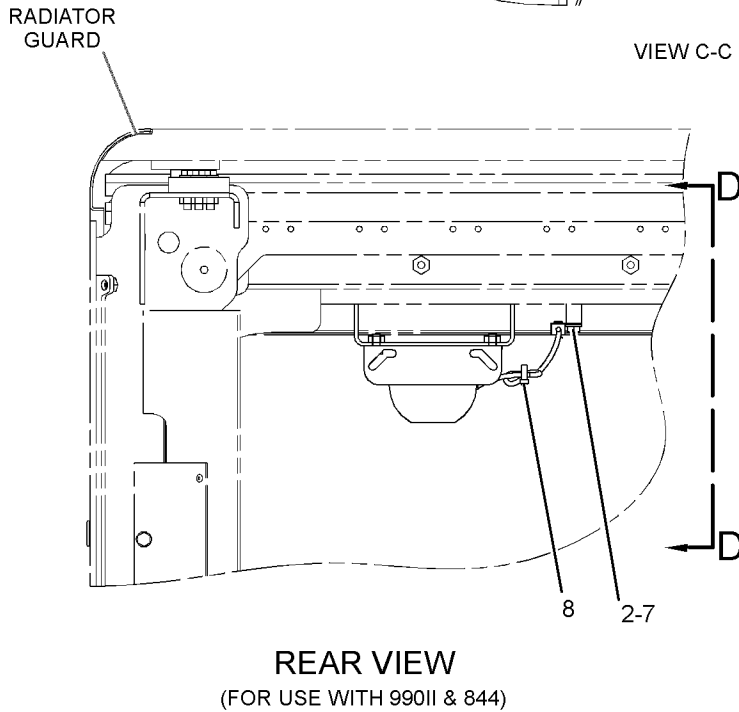
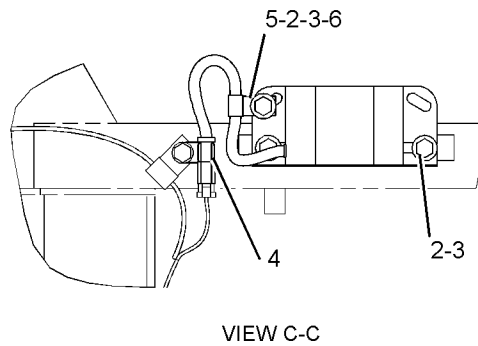
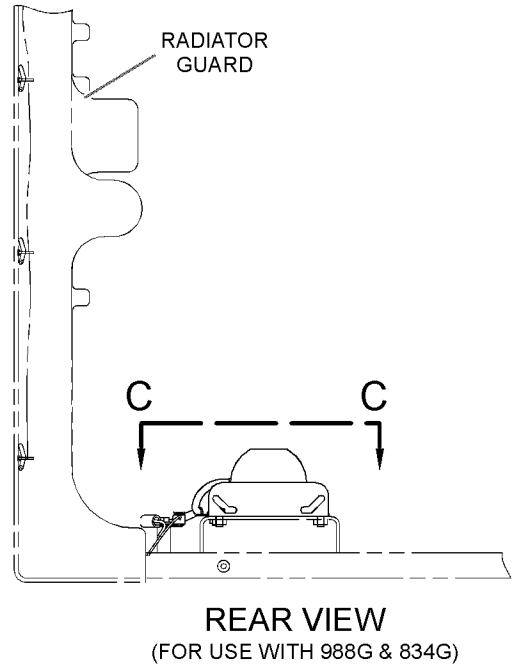
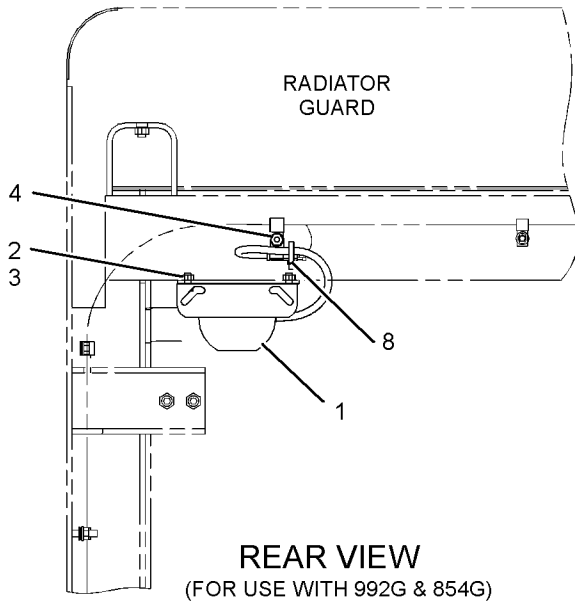
M - METRIC PART

N - FOR USE WITH T991, RM668, T559, RM584, T927, AND RM642

# ELECTRICAL AND STARTING SYSTEM

109-6904 WARNING GP-BACKUP (contd.)

i02319916



GRAPHIC #1

<END>

g01160115

# ELECTRICAL AND STARTING SYSTEM

## 189-7446 WIRING GP-AUTOLUBE CONTROL

S/N: BNH1-UP

CUSTOM

PART OF 2Q-8429 LUBRICATION AR-AUTOMATIC  
AN ATTACHMENT

SMCS-1408, 7540

i01539964

NOTE	REF NO	GRAPHIC REF	PART NUMBER	QTY	PART NAME						SEE PAGE
					1	2	3	4	5	6	
	1	1	<b>9U-2277</b>	1	CLIP AS						
Y	2	1	<b>153-4805</b>	1	CONTROL GP-AUTOMATIC LUBE						586
	3	1	<b>189-7598</b>	1	BRACKET						
	4	1	<b>189-7599</b>	1	HARNESS AS (AUTOMATIC LUBRICATION, KEY)						
		1	<b>102-8804</b>	1	KIT-RECEPTACLE (4-PIN) (INCLUDES RECEPTACLE AS AND WEDGE)						
		1	<b>155-2271</b>	1	KIT-CONNECTING PLUG (4-PIN) (INCLUDES PLUG AS AND WEDGE)						
	5	1	<b>189-7600</b>	1	HARNESS AS-CAB (AUTOMATIC LUBRICATION CONTROL)						
		1	<b>155-2271</b>	1	KIT-CONNECTING PLUG (4-PIN) (INCLUDES PLUG AS AND WEDGE)						
		1	<b>102-8805</b>	1	KIT-RECEPTACLE (6-PIN) (INCLUDES RECEPTACLE AS AND WEDGE)						
	6	1	<b>189-7601</b>	1	HARNESS AS (AUTOLUBE, PRESSURE)						
		1	<b>102-8802</b>	2	KIT-RECEPTACLE (2-PIN)						
		1	<b>102-8804</b>	1	KIT-RECEPTACLE (4-PIN) (EACH KIT INCLUDES RECEPTACLE AS AND WEDGE)						
	7	1	<b>4D-7794</b>	1	CLIP						
M	8	1	<b>5C-2890</b>	4	NUT (M6X1-THD)						
M	9	1	<b>6V-7357</b>	4	BOLT (M6X1X25-MM)						
	10	1	<b>8T-4121</b>	6	WASHER-HARD (11X21X2.5-MM THK)						
M	11	1	<b>8T-4137</b>	2	BOLT (M10X1.5X20-MM)						
M	12	1	<b>8T-4195</b>	4	BOLT (M10X1.5X30-MM)						
	13	1	<b>9X-8256</b>	8	WASHER (6.6X12X2-MM THK)						
B	14	1	<b>3S-2093</b>	10	STRAP-CABLE						

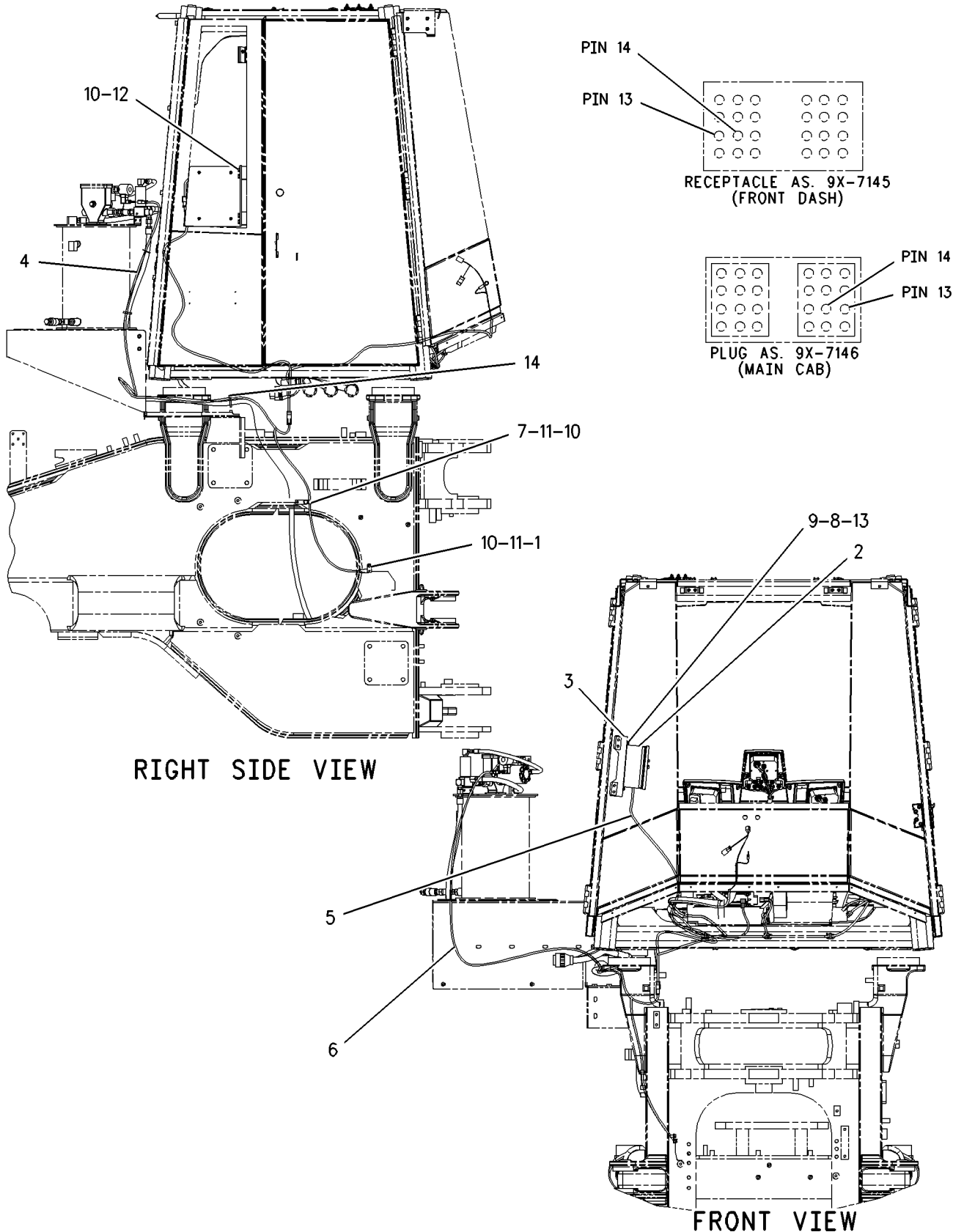
B - USE AS REQUIRED  
M - METRIC PART  
Y - SEPARATE ILLUSTRATION



# ELECTRICAL AND STARTING SYSTEM

189-7446 WIRING GP-AUTOLUBE CONTROL (contd.)

i01539964



GRAPHIC #1

<END>

g00801686

# ELECTRICAL AND STARTING SYSTEM

## 114-5143 WIRING GP-BUMPER

S/N: BNH1-UP

PART OF 203-1579 ELECTRICAL AR

SMCS-1408

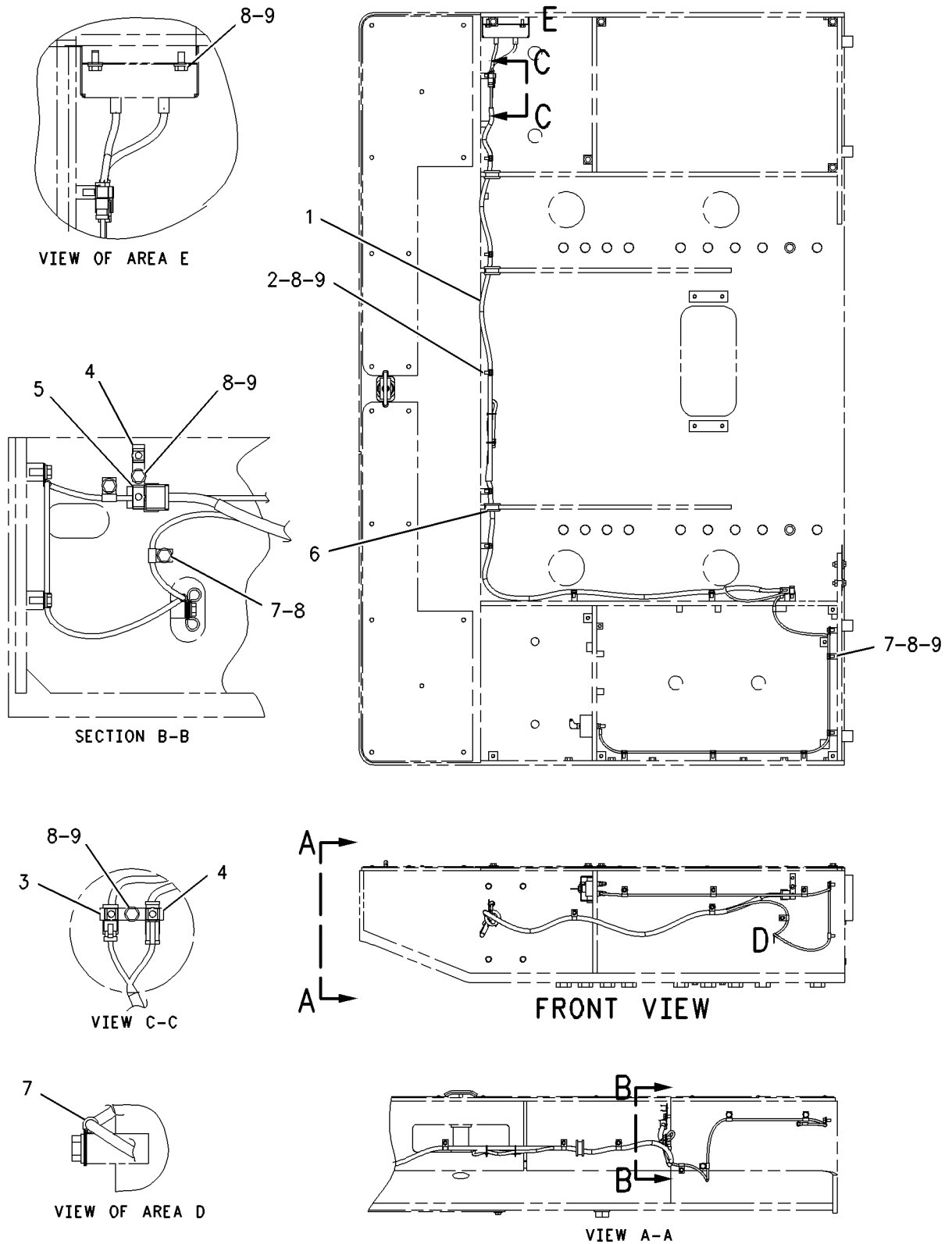
i01492975

NOTE	REF NO	GRAPHIC REF	PART NUMBER	QTY	PART NAME						SEE PAGE
					1	2	3	4	5	6 (PRODUCT LEVEL)	
	1	1	<b>141-8718</b>	1	HARNES AS-BUMPER						
		1	<b>3S-2093</b>	2	STRAP-CABLE						
	2	1	<b>033-8248</b>	8	CLIP						
	3	1	<b>115-3069</b>	1	CLIP AS-CONNECTOR (3-PIN)						
	4	1	<b>115-3070</b>	2	CLIP AS-CONNECT (4-PIN)						
	5	1	<b>115-3073</b>	1	CLIP AS-CONNECTING						
	6	1	<b>1R-6072</b>	3	GROMMET						
	7	1	<b>5P-9085</b>	8	CLIP						
	8	1	<b>8T-4121</b>	21	WASHER-HARD (11X21X2.5-MM THK)						
M	9	1	<b>8T-4137</b>	21	BOLT (M10X1.5X20-MM)						
M - METRIC PART											

# ELECTRICAL AND STARTING SYSTEM

114-5143 WIRING GP-BUMPER (contd.)

i01492975



GRAPHIC #1

<END>

g00775156

# ELECTRICAL AND STARTING SYSTEM

## 210-1649 WIRING GP-CAB

S/N: BNH1-1631

PART OF 202-9742 CAB AR

SMCS-1408, 7301

i01622768

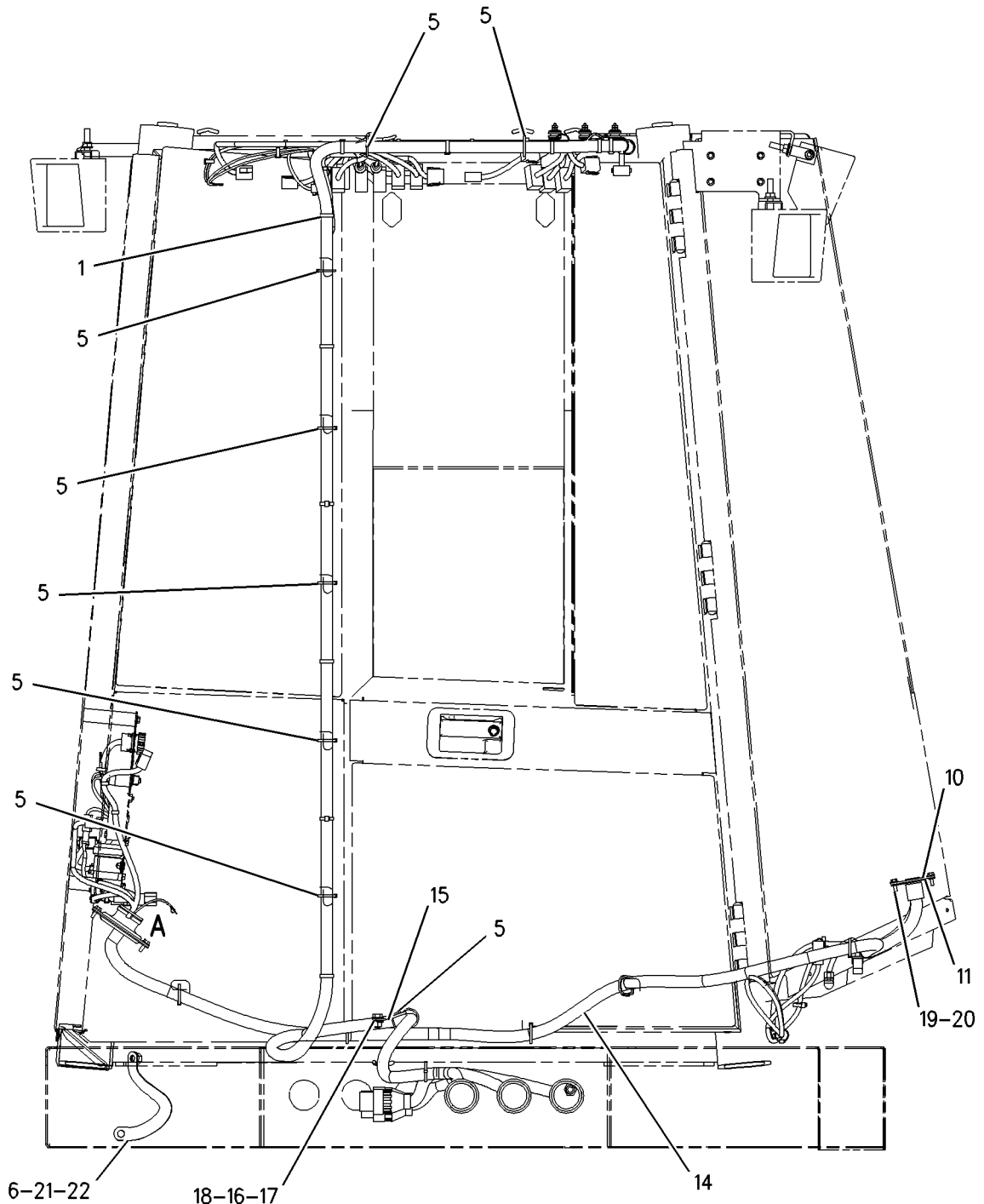
NOTE	REF NO	GRAPHIC REF	PART NUMBER	QTY	PART NAME	SEE PAGE
	1	1,2,3,4	3S-2093	20	STRAP-CABLE	
	2	3	4B-2049	8	NUT (10-32-THD)	
	3	3	4V-4164	8	BUSHING-TERMINAL	
	4	3	6D-6146	4	SCREW-MACHINE (10-32X1.25-IN)	
	5	1,3,4	7K-1181	15	STRAP-CABLE	
	6	1	8X-5803	1	STRAP AS-GROUND	
	7	3	9F-8125	8	LOCKWASHER	
	8	3	098-8968	8	WASHER (5X16X1.2-MM THK)	
	9	3	118-7362	1	GROMMET-SPLIT	
	10	1	122-4429	1	PLATE	
	11	1	122-9854	1	GASKET	
	12	3	123-4627	1	GASKET	
	13	3	169-1529	2	PLATE	
	14	1	207-7893	1	HARNESS AS-CAB	
		1	102-8802	1	KIT-RECEPTACLE (2-PIN)	
		1	102-8803	1	KIT-RECEPTACLE (3-PIN)	
		1	102-8804	1	KIT-RECEPTACLE (4-PIN)	
		1	102-8806	1	KIT-RECEPTACLE (8-PIN)	
		1	102-8801	1	KIT-RECEPTACLE (12-PIN)	
		1	155-2260	1	KIT-CONNECTING PLUG (3-PIN)	
		1	155-2271	1	KIT-CONNECTING PLUG (4-PIN)	
		1	155-2274	1	KIT-CONNECTING PLUG (6-PIN)	
		1	155-2265	1	KIT-CONNECTING PLUG (8-PIN)	
		1	155-2255	1	KIT-CONNECTING PLUG (12-PIN)	
		1	8N-1520	1	PLUG AS-CONNECTOR (12-PIN)	
		1	3T-0203	1	PLUG AS-CONNECTOR (20-PIN)	
		1	8N-1514	2	PLUG AS-CONNECTOR (37-PIN)	
		1	3T-3412	1	PLUG AS-CONNECTOR (37-PIN)	
		1	7G-7917	33	PLUG-SEAL	
		1	7G-7918	2	PLUG-SEAL	
		1	7G-7919	3	PLUG-SEAL	
		1	7G-7920	1	PLUG-SEAL	
		1	8T-8737	53	PLUG-SEAL	
		1	8L-8413	101	STRAP-CABLE	
		1	8N-1521	4	BELL AS-END	
		1	8N-1535	1	BELL AS-END	
		1	9X-0141	1	PLUG AS-CONNECTOR (40-PIN)	
		1	3E-4367	1	RING-RETAINING	
M		1	3E-8557	1	BOLT (M5X0.8X39.37-MM)	
		1	9X-3490	2	SEAL-CONNECTOR (40-PIN)	
		1	9X-7146	1	PLUG AS-CONNECTOR (24-PIN)	
		1	3E-4367	1	RING-RETAINING	
M		1	3E-8558	1	BOLT (M5X0.8X39.37-MM)	
		1	9X-3265	2	SEAL-CONNECTOR (24-PIN)	
	15	1	4P-7581	1	CLIP	
	16	1	8T-4121	2	WASHER-HARD (11X21X2.5-MM THK)	
M	17	1	8T-4133	1	NUT (M10X1.5-THD)	
M	18	1	8T-4137	1	BOLT (M10X1.5X20-MM)	
M	19	1,3	8T-4138	8	BOLT (M6X1X20-MM)	
	20	1,3	8T-4205	8	WASHER-HARD (7.2X14.5X2-MM THK)	
	21	1	8T-4223	1	WASHER-HARD (13.5X25.5X3-MM THK)	
M	22	1	8T-4244	1	NUT (M12X1.75-THD)	
	23	3	9M-5870	4	GROMMET	

M - METRIC PART

# ELECTRICAL AND STARTING SYSTEM

210-1649 WIRING GP-CAB (contd.)

i01622768



**RIGHT SIDE VIEW**

REFER TO ALL ILLUSTRATIONS OF THIS GROUP FOR AUXILIARY VIEWS

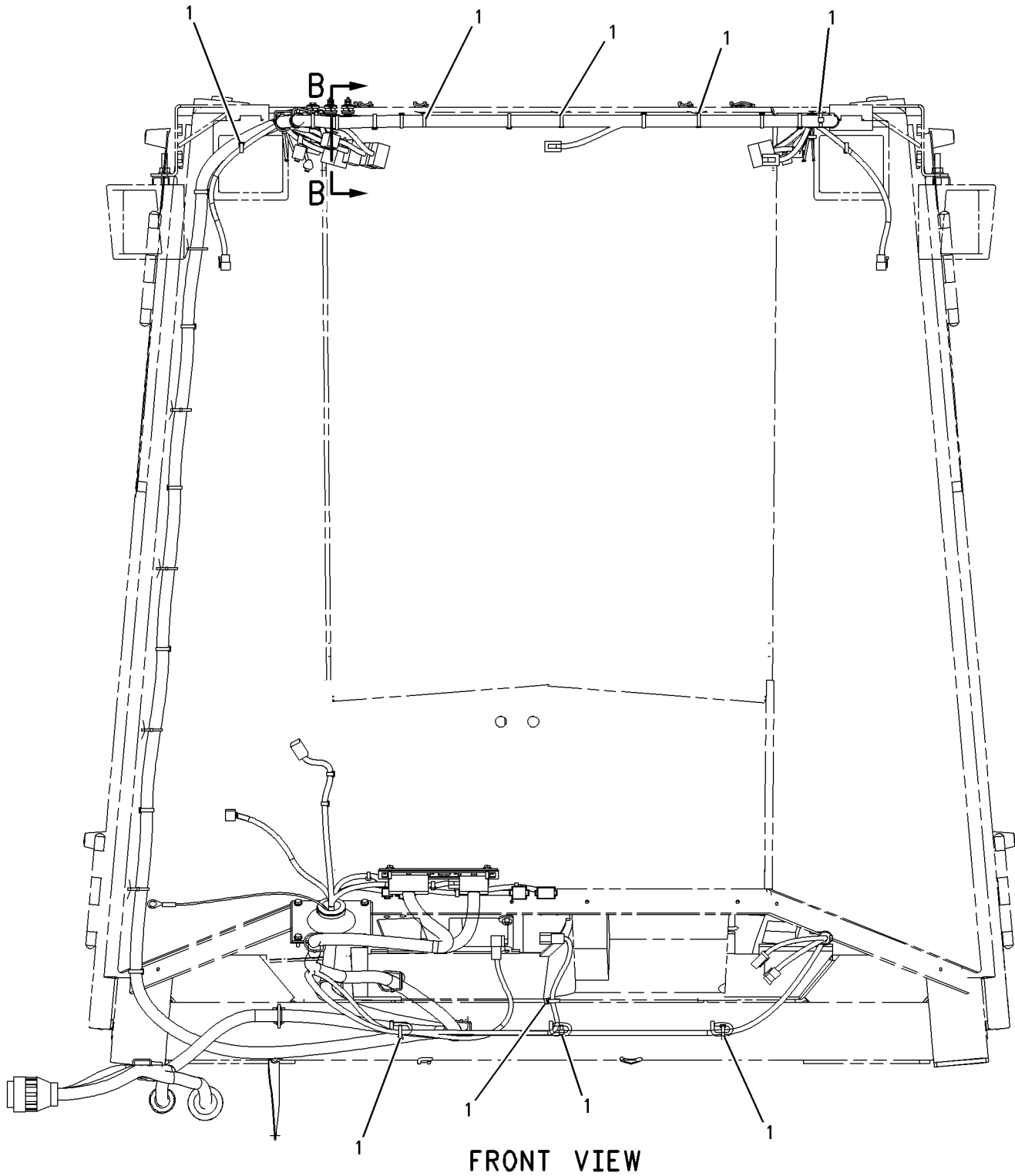
GRAPHIC #1

g00840320

# ELECTRICAL AND STARTING SYSTEM

210-1649 WIRING GP-CAB (contd.)

i01622768



REFER TO ALL ILLUSTRATIONS OF THIS GROUP FOR AUXILIARY VIEWS

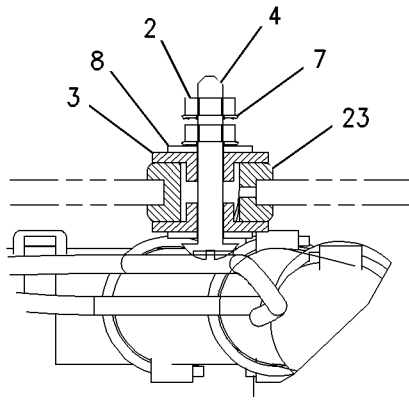
GRAPHIC #2

g00840321

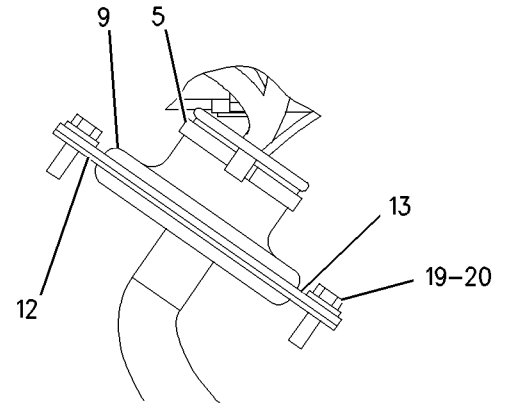
# ELECTRICAL AND STARTING SYSTEM

210-1649 WIRING GP-CAB (contd.)

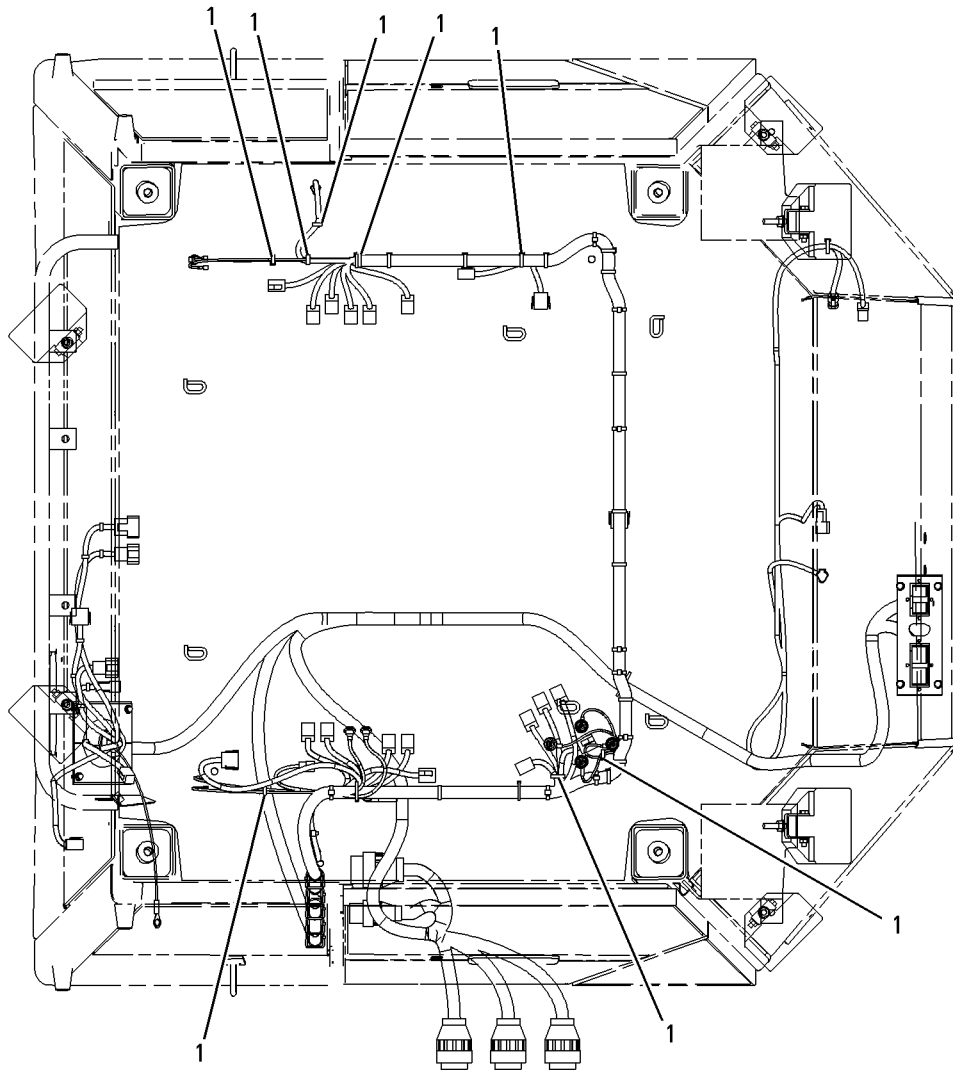
i01622768



SECTION B-B



VIEW OF AREA A



TOP VIEW

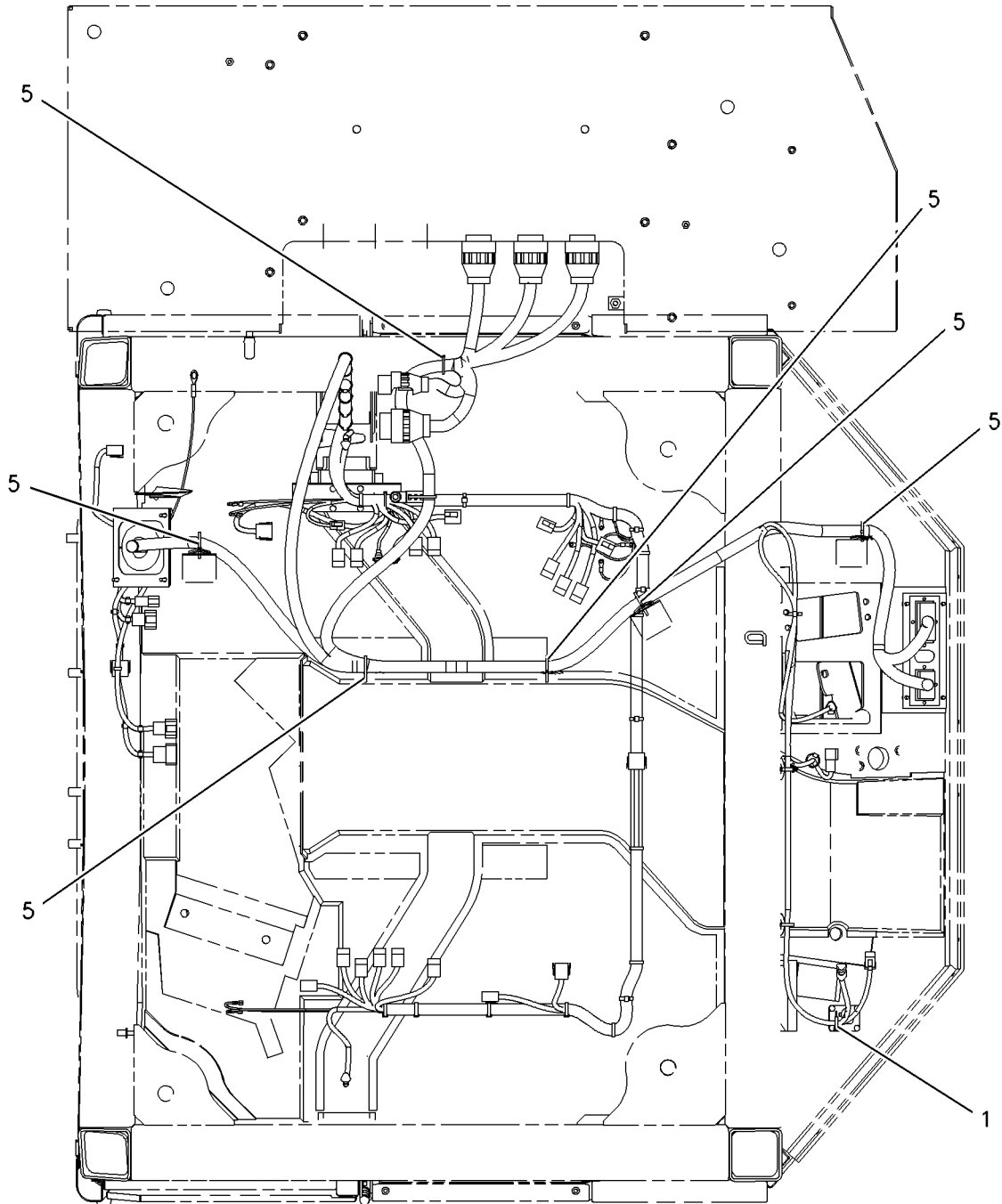
GRAPHIC #3

g00840322

# ELECTRICAL AND STARTING SYSTEM

210-1649 WIRING GP-CAB (contd.)

i01622768



BOTTOM VIEW

GRAPHIC #4

<END>

g00840323



# ELECTRICAL AND STARTING SYSTEM

## 210-1649 WIRING GP-CAB

S/N: BNH1632-UP  
PART OF 202-9742 CAB AR

SMCS-1408, 7301

i02307280

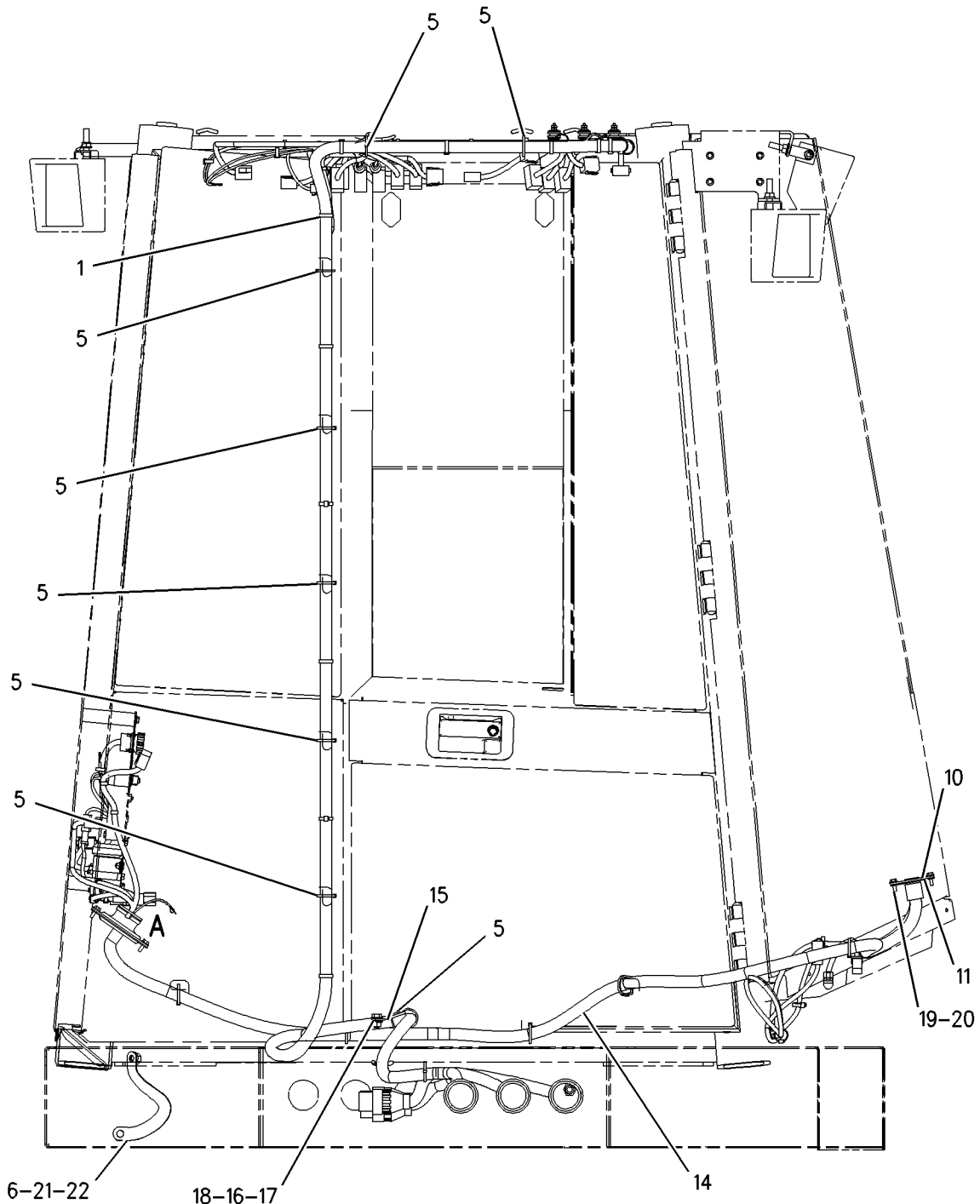
NOTE	REF NO	GRAPHIC REF	PART NUMBER	QTY	PART NAME						SEE PAGE
					1	2	3	4	5	6 (PRODUCT LEVEL)	
	1	1,2,3,4	<b>3S-2093</b>	20	STRAP-CABLE						
	2	3	<b>4B-2049</b>	8	NUT (10-32-THD)						
	3	3	<b>4V-4164</b>	8	BUSHING-TERMINAL						
	4	3	<b>6D-6146</b>	4	SCREW-MACHINE (10-32X1.25-IN)						
	5	1,3,4	<b>7K-1181</b>	15	STRAP-CABLE						
	6	1	<b>8X-5803</b>	1	STRAP AS-GROUND						
	7	3	<b>9F-8125</b>	8	LOCKWASHER						
	8	3	<b>098-8968</b>	8	WASHER (5X16X1.2-MM THK)						
	9	3	<b>118-7362</b>	1	GROMMET-SPLIT						
	10	1	<b>122-4429</b>	1	PLATE						
	11	1	<b>122-9854</b>	1	GASKET						
	12	3	<b>123-4627</b>	1	GASKET						
	13	3	<b>169-1529</b>	2	PLATE						
	14	1	<b>251-2076</b>	1	HARNES AS-CAB (MAIN)						
		1	<b>102-8802</b>	1	KIT-RECEPTACLE (2-PIN)						
		1	<b>102-8803</b>	1	KIT-RECEPTACLE (3-PIN)						
		1	<b>102-8804</b>	1	KIT-RECEPTACLE (4-PIN)						
		1	<b>102-8806</b>	1	KIT-RECEPTACLE (8-PIN)						
		1	<b>102-8801</b>	1	KIT-RECEPTACLE (12-PIN)						
					(EACH RECEPTACLE KIT INCLUDES RECEPTACLE AS AND WEDGE)						
		1	<b>155-2260</b>	1	KIT-CONNECTING PLUG (3-PIN)						
		1	<b>155-2271</b>	1	KIT-CONNECTING PLUG (4-PIN)						
		1	<b>155-2274</b>	1	KIT-CONNECTING PLUG (6-PIN)						
		1	<b>155-2265</b>	1	KIT-CONNECTING PLUG (8-PIN)						
		1	<b>155-2255</b>	1	KIT-CONNECTING PLUG (12-PIN)						
					(EACH PLUG KIT INCLUDES PLUG AS AND WEDGE)						
		1	<b>8N-1520</b>	1	PLUG AS-CONNECTOR (12-PIN)						
		1	<b>3T-0203</b>	1	PLUG AS-CONNECTOR (20-PIN)						
		1	<b>8N-1514</b>	2	PLUG AS-CONNECTOR (37-PIN)						
		1	<b>3T-3412</b>	1	PLUG AS-CONNECTOR (37-PIN)						
		1	<b>8L-8413</b>	101	STRAP-CABLE						
		1	<b>8N-1521</b>	4	BELL AS-END						
		1	<b>8N-1535</b>	1	BELL AS-END						
		1	<b>9X-0141</b>	1	PLUG AS-CONNECTOR (40-PIN)						
		1	<b>3E-4367</b>	1	RING-RETAINING						
M		1	<b>3E-8557</b>	1	BOLT (M5X0.8X39.37-MM)						
		1	<b>9X-3490</b>	2	SEAL-CONNECTOR (40-PIN)						
		1	<b>9X-7146</b>	1	PLUG AS-CONNECTOR (24-PIN)						
		1	<b>3E-4367</b>	1	RING-RETAINING						
M		1	<b>3E-8558</b>	1	BOLT (M5X0.8X39.37-MM)						
		1	<b>9X-3265</b>	2	SEAL-CONNECTOR (24-PIN)						
	15	1	<b>4P-7581</b>	1	CLIP						
	16	1	<b>8T-4121</b>	2	WASHER-HARD (11X21X2.5-MM THK)						
M	17	1	<b>8T-4133</b>	1	NUT (M10X1.5-THD)						
M	18	1	<b>8T-4137</b>	1	BOLT (M10X1.5X20-MM)						
M	19	1,3	<b>8T-4138</b>	8	BOLT (M6X1X20-MM)						
	20	1,3	<b>8T-4205</b>	8	WASHER-HARD (7.2X14.5X2-MM THK)						
	21	1	<b>8T-4223</b>	1	WASHER-HARD (13.5X25.5X3-MM THK)						
M	22	1	<b>8T-4244</b>	1	NUT (M12X1.75-THD)						
	23	3	<b>9M-5870</b>	4	GROMMET						

M - METRIC PART

# ELECTRICAL AND STARTING SYSTEM

210-1649 WIRING GP-CAB (contd.)

i02307280



**RIGHT SIDE VIEW**

REFER TO ALL ILLUSTRATIONS OF THIS GROUP FOR AUXILIARY VIEWS

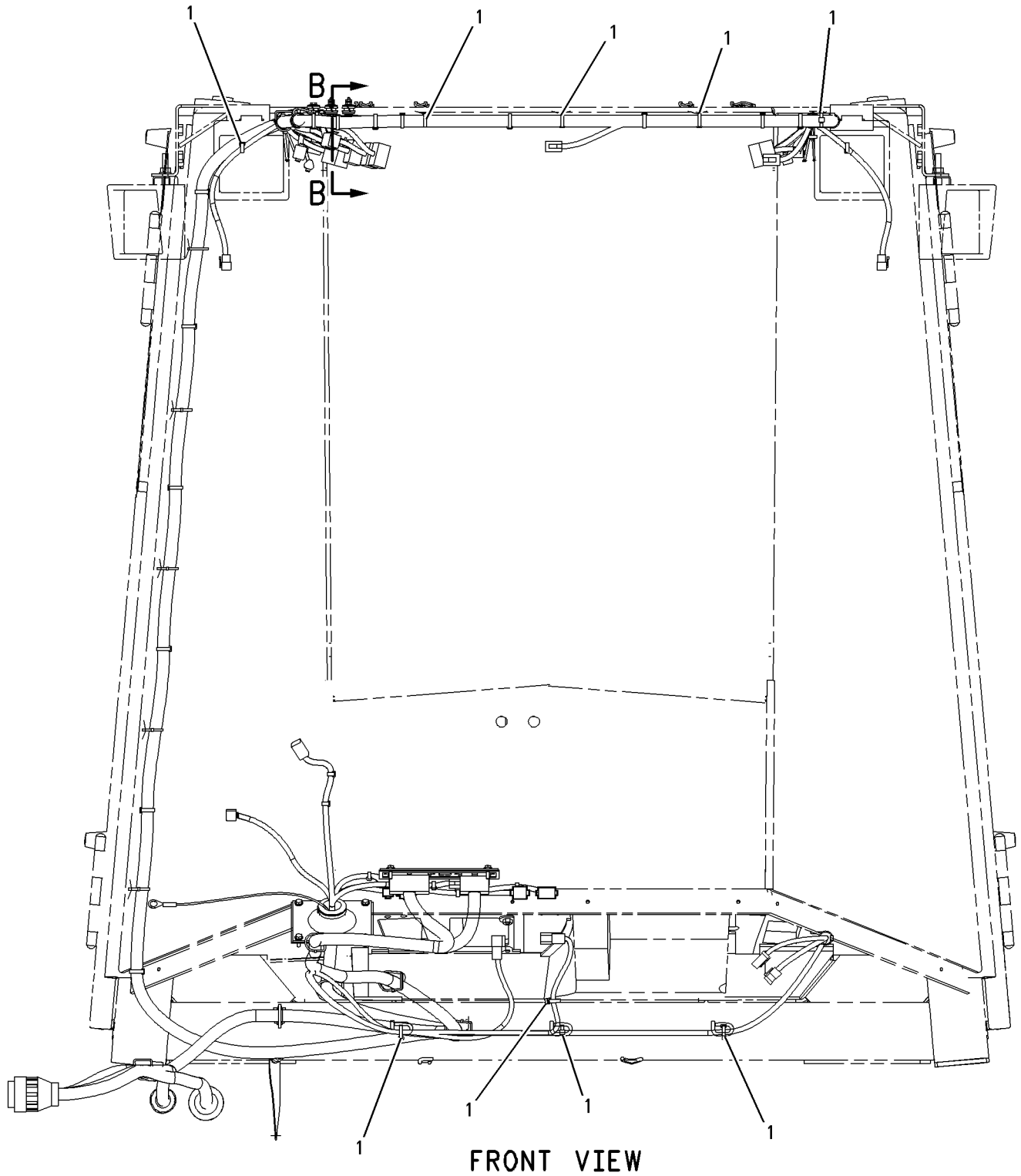
GRAPHIC #1

g00840320

# ELECTRICAL AND STARTING SYSTEM

210-1649 WIRING GP-CAB (contd.)

i02307280



FRONT VIEW

REFER TO ALL ILLUSTRATIONS OF THIS GROUP FOR AUXILIARY VIEWS

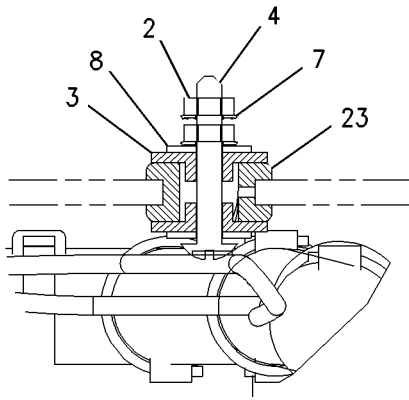
GRAPHIC #2

g00840321

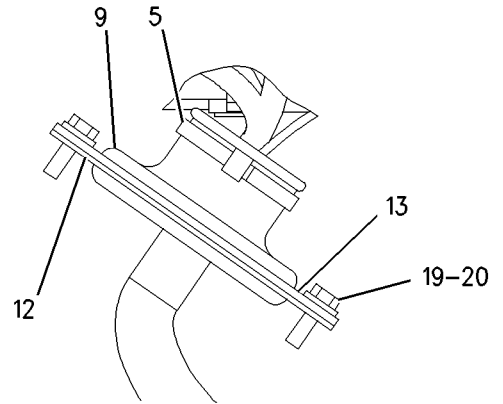
# ELECTRICAL AND STARTING SYSTEM

210-1649 WIRING GP-CAB (contd.)

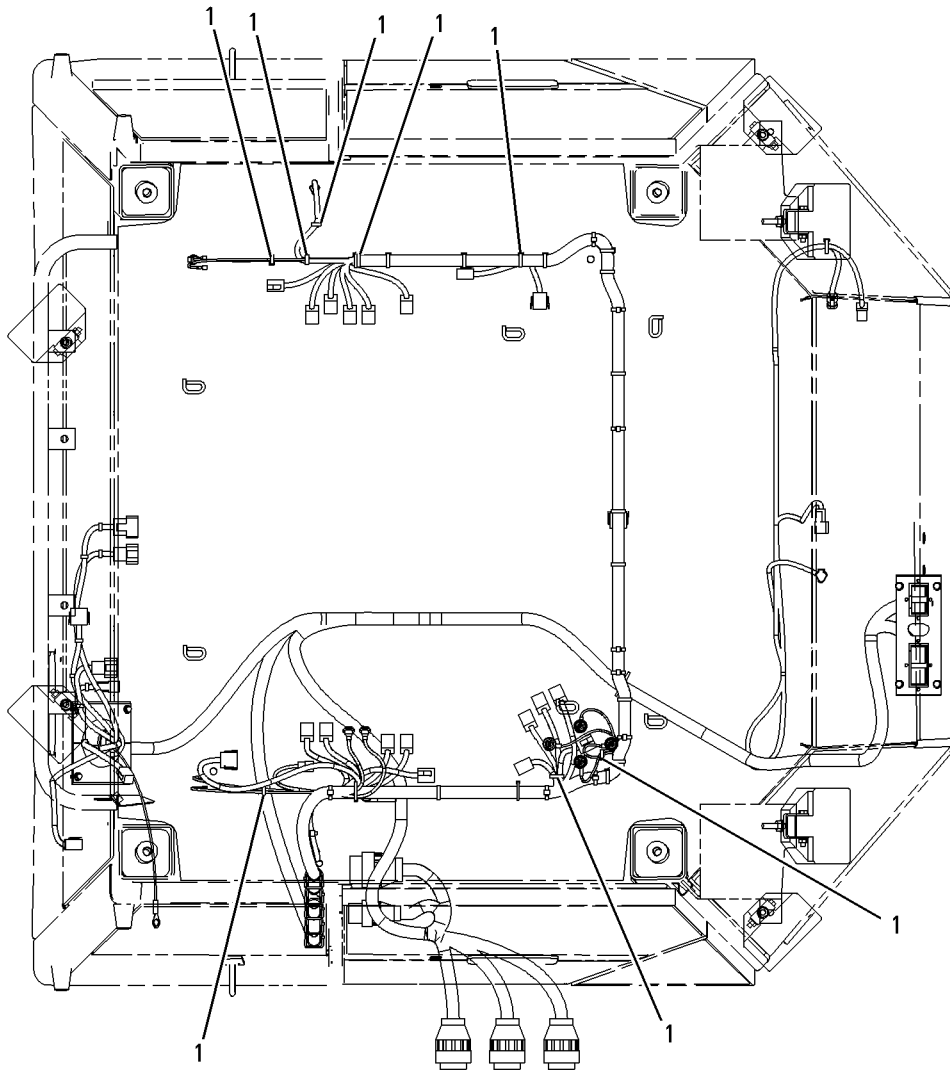
i02307280



SECTION B-B



VIEW OF AREA A



TOP VIEW

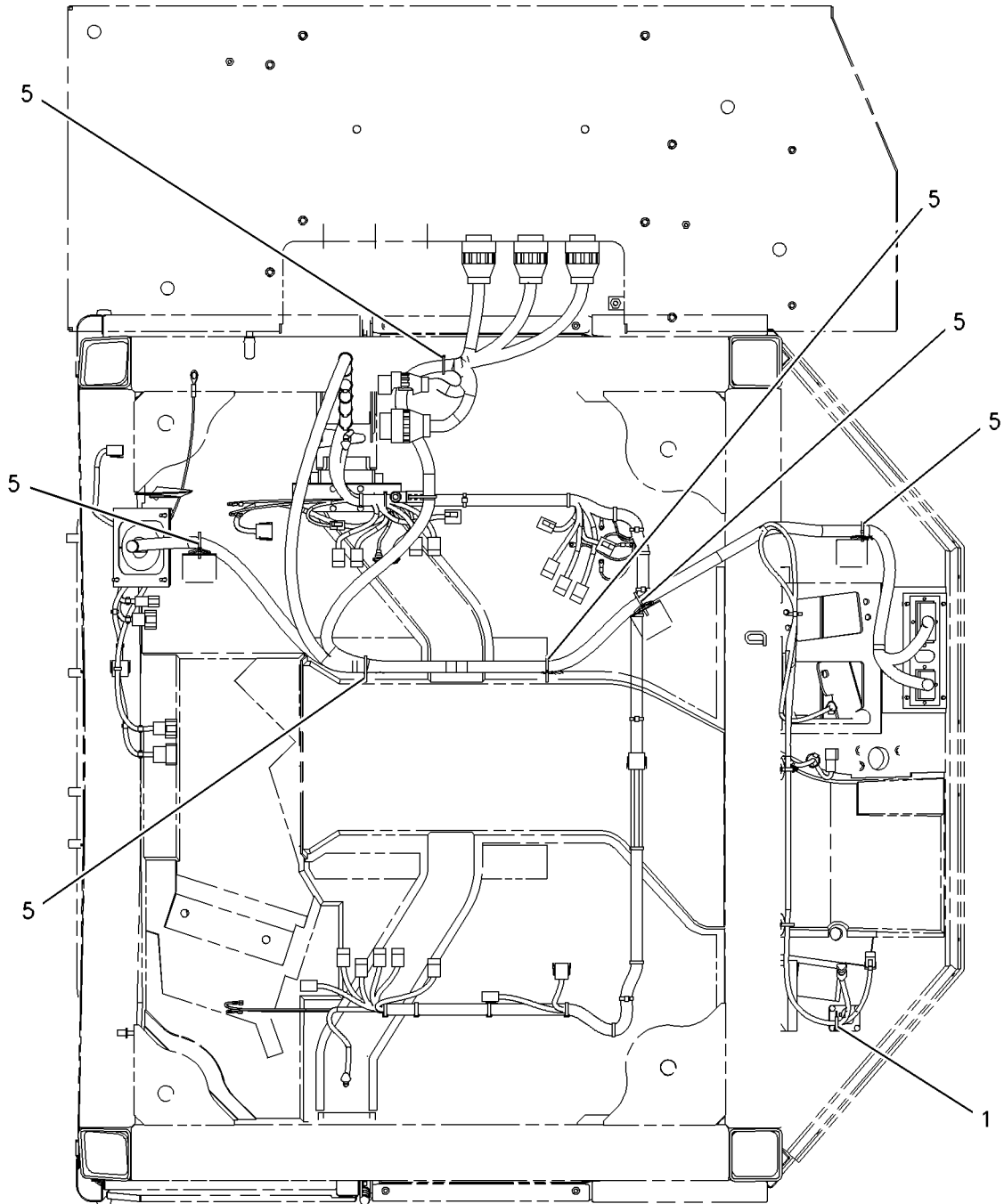
GRAPHIC #3

g00840322

# ELECTRICAL AND STARTING SYSTEM

210-1649 WIRING GP-CAB (contd.)

i02307280



BOTTOM VIEW

GRAPHIC #4

<END>

g00840323

# ELECTRICAL AND STARTING SYSTEM

## 346-3849 WIRING GP-CAB

S/N: BNH1-UP

PART OF 346-3845 CAB AR

SMCS-1408, 7301

i04557352

NOTE	PART NUMBER	QTY	PART NAME						SEE PAGE
			1	2	3	4	5	6 (PRODUCT LEVEL)	
Y	3E-6328	1	ALARM GP (24-VOLT)						216
Y	103-5526	1	CONTROL GP-MONITOR (BACKLIGHT DIMMER)						1107
Y	3E-6389	2	LAMP GP-DOME (24-VOLT)						259
Y	166-6928	1	MODULE GP-QUAD GAUGE						1171
Y	275-7741	2	SWITCH GP-WIPER (24-VOLT)						355
M	6V-7357	4	BOLT (M6X1X25-MM)						
M	8T-4138	8	BOLT (M6X1X20-MM)						
M	8T-4970	2	BOLT (M6X1X14-MM)						
M	8T-6869	1	BOLT (M8X1.25X60-MM)						
M	9X-2480	2	BOLT (M6X1X45-MM)						
	4V-4164	12	BUSHING-TERMINAL						
	130-5300	1	CLIP						
	132-5789	2	CLIP						
	4P-7581	2	CLIP						
	7C-4354	1	CLIP						
	9M-8406	2	CLIP						
R	252-4501	1	CONTROL GP-UNPRGMED MONITOR (CATERPILLAR MONITORING SYSTEM)						
	340-7161	2	CONVERTER-POWER (24-VOLT TO 12-VOLT)						
	108-0358	1	FLASHER AS (24-VOLT)						
	122-9854	1	GASKET						
	123-4627	1	GASKET						
	7X-4743	1	GROMMET						
	3K-5178	1	GROMMET						
	9G-2673	2	GROMMET						
	9M-5870	6	GROMMET						
	180-0129	1	HARNESS AS-CAB						
	102-8803	2	KIT-RECEPTACLE (3-PIN)						
	102-8806	1	KIT-RECEPTACLE (8-PIN)						
	102-8801	1	KIT-RECEPTACLE (12-PIN)						
			(EACH RECEPTACLE KIT INCLUDES RECEPTACLE AS & WEDGE)						
	155-2270	1	KIT-CONNECTING PLUG (2-PIN)						
	155-2260	2	KIT-CONNECTING PLUG (3-PIN)						
	155-2271	1	KIT-CONNECTING PLUG (4-PIN)						
	155-2265	1	KIT-CONNECTING PLUG (8-PIN)						
	155-2255	2	KIT-CONNECTING PLUG (12-PIN)						
			(EACH PLUG KIT INCLUDES PLUG AS, WEDGE, & INTERFACE SEAL)						
	3S-2093	2	STRAP-CABLE						
	5P-5618	1	TERMINAL-BLADE (10-GA TO 12-GA)						
			-OR-						
	5P-4571	1	TERMINAL-BLADE (14-GA TO 16-GA)						
E	5P-0765		HOSE (0.1-M)						
E	6V-2722		TUBE-HEAT SHRINK (25.4-MM DIA)						
	8T-8729	20	PIN-CONNECTOR (16-GA TO 18-GA)						
	8T-8730	41	SOCKET-CONNECTOR (16-GA TO 18-GA)						
	8T-8737	9	PLUG-SEAL						
	5P-6271	1	CONNECTOR AS						
	251-2076	1	HARNESS AS-CAB (MAIN)						
	102-8802	1	KIT-RECEPTACLE (2-PIN)						
	102-8803	2	KIT-RECEPTACLE (3-PIN)						
	102-8804	2	KIT-RECEPTACLE (4-PIN)						
	102-8806	2	KIT-RECEPTACLE (8-PIN)						
	102-8801	2	KIT-RECEPTACLE (12-PIN)						
			(EACH RECEPTACLE KIT INCLUDES RECEPTACLE AS & WEDGE)						

# ELECTRICAL AND STARTING SYSTEM

346-3849 WIRING GP-CAB (contd.)

i04557352

NOTE	PART NUMBER	QTY	PART NAME						SEE PAGE
			1	2	3	4	5	6 (PRODUCT LEVEL)	
	155-2255	5	KIT-CONNECTING PLUG (12-PIN)						
	155-2265	5	KIT-CONNECTING PLUG (8-PIN)						
	155-2260	6	KIT-CONNECTING PLUG (3-PIN)						
	155-2271	1	KIT-CONNECTING PLUG (4-PIN)						
	155-2274	5	KIT-CONNECTING PLUG (6-PIN)						
			(EACH PLUG KIT INCLUDES PLUG AS, WEDGE, & INTERFACE SEAL)						
	3E-7790	15	TERMINAL-BLADE (18-GA TO 20-GA)						
	3E-7996	11	PLUG-CONNECTOR (6-PIN)						
	3E-7998	24	TERMINAL-BLADE (12-GA)						
	3E-7999	2	TERMINAL-BLADE (10-GA)						
	3T-0203	1	PLUG AS-CONNECTOR (20-PIN)						
	3T-3157	2	TERMINAL-BLADE (16-GA TO 20-GA)						
	3T-3158	2	SOCKET-LAMP						
	3T-3159	2	SPRING						
	3T-3412	1	PLUG AS-CONNECTOR (37-PIN)						
	6D-4161	2	CONTACT						
	2L-8076	3	TERMINAL-RING (14-GA TO 16-GA, NO. 10 SCREW)						
	7G-7917	33	PLUG-SEAL						
	7T-7918	1	SHIM PACK (INCLUDES 12-SHIMS)						
	7G-7919	3	PLUG-SEAL						
	7G-7920	1	PLUG-SEAL						
	8L-8413	101	STRAP-CABLE						
	8N-1514	2	PLUG AS-CONNECTOR (37-PIN)						
	8N-1520	1	PLUG AS-CONNECTOR (12-PIN)						
	8N-1521	4	BELL AS-END						
	8N-1535	1	BELL AS-END						
	8N-1541	7	SOCKET-CONNECTOR (12-GA TO 14-GA)						
	8T-8729	30	PIN-CONNECTOR (16-GA TO 18-GA)						
	8T-8730	169	SOCKET-CONNECTOR (16-GA TO 18-GA)						
	8T-8737	53	PLUG-SEAL						
	9W-0844	9	SOCKET-CONNECTOR (14-GA TO 16-GA)						
	9W-0852	2	PIN-CONNECTOR (14-GA TO 16-GA)						
	9X-0141	1	PLUG AS-CONNECTOR (40-PIN)						
	3E-4367	1	RING-RETAINING						
M	3E-8557	1	BOLT (M5X0.8X39.37-MM)						
	9X-3490	2	SEAL-CONNECTOR (40-PIN)						
	9X-6856	45	PIN-CONNECTOR (16-GA TO 18-GA)						
	9X-6857	53	SOCKET-CONNECTOR (16-GA TO 18-GA)						
	9X-7146	1	PLUG AS-CONNECTOR (24-PIN)						
	3E-4367	1	RING-RETAINING						
M	3E-8558	1	BOLT (M5X0.8X39.37-MM)						
	9X-3265	2	SEAL-CONNECTOR (24-PIN)						
	5P-2957	2	TERMINAL-BLADE (14-GA TO 16-GA)						
			-OR-						
	5P-5602	2	TERMINAL-BLADE (18-GA TO 22-GA)						
	065-5071	24	TERMINAL-BLADE (14-GA TO 16-GA)						
	7N-7221	2	TERMINAL-BLADE (18-GA TO 22-GA)						
			-OR-						
	5P-4571	2	TERMINAL-BLADE (14-GA TO 16-GA)						
	2L-8066	1	TERMINAL-RING (10-GA TO 12-GA, NO. 10 SCREW)						
	2L-8054	2	TERMINAL-RING (6-GA, 1/2-IN SCREW)						
			-OR-						
	2L-8061	2	TERMINAL-RING (8-GA, 1/2-IN SCREW)						
	152-9023	1	HARNESS AS-LIGHTING (CAB FLOODLIGHT)						
	155-2270	2	KIT-CONNECTING PLUG (2-PIN)						
			(EACH INCLUDES PLUG AS, WEDGE, & INTERFACE SEAL)						
	2L-8076	2	TERMINAL-RING (14-GA TO 16-GA, NO. 10 SCREW)						
	9W-0844	4	SOCKET-CONNECTOR (14-GA TO 16-GA)						
	152-9024	1	HARNESS AS-LIGHTING (FLOODLIGHT)						

# ELECTRICAL AND STARTING SYSTEM

346-3849 WIRING GP-CAB (contd.)

i04557352

NOTE	PART NUMBER	QTY	PART NAME						SEE PAGE
			1	2	3	4	5	6 (PRODUCT LEVEL)	
	155-2270	4	KIT-CONNECTING PLUG (2-PIN)						
			(EACH INCLUDES PLUG AS, WEDGE, & INTERFACE SEAL)						
	2L-8076	2	TERMINAL-RING (14-GA TO 16-GA, NO. 10 SCREW)						
	9W-0844	8	SOCKET-CONNECTOR (14-GA TO 16-GA)						
	207-7894	1	HARNESS AS-PANEL (INSTRUMENT)						
	102-8803	1	KIT-RECEPTACLE (3-PIN)						
	102-8806	1	KIT-RECEPTACLE (8-PIN)						
	102-8801	1	KIT-RECEPTACLE (12-PIN)						
			(EACH RECEPTACLE KIT INCLUDES RECEPTACLE AS & WEDGE)						
	155-2255	1	KIT-CONNECTING PLUG (12-PIN)						
	155-2260	1	KIT-CONNECTING PLUG (3-PIN)						
	155-2271	1	KIT-CONNECTING PLUG (4-PIN)						
	155-2274	3	KIT-CONNECTING PLUG (6-PIN)						
			(EACH PLUG KIT INCLUDES PLUG AS, WEDGE, & INTERFACE SEAL)						
	3E-7790	4	TERMINAL-BLADE (18-GA TO 20-GA)						
	3E-7996	4	PLUG-CONNECTOR (6-PIN)						
	3E-7998	12	TERMINAL-BLADE (12-GA)						
	3E-7999	1	TERMINAL-BLADE (10-GA)						
	2L-8054	1	TERMINAL-RING (6-GA, 1/2-IN SCREW)						
			-OR-						
	2L-8061	1	TERMINAL-RING (8-GA, 1/2-IN SCREW)						
	3T-3157	14	TERMINAL-BLADE (16-GA TO 20-GA)						
	3T-3158	14	SOCKET-LAMP						
	3T-3159	14	SPRING						
	6D-4161	14	CONTACT						
	8L-8413	50	STRAP-CABLE						
	8T-8729	64	PIN-CONNECTOR (16-GA TO 18-GA)						
	8T-8730	61	SOCKET-CONNECTOR (16-GA TO 18-GA)						
	8T-8737	39	PLUG-SEAL						
	8T-9834	1	PLUG AS-CONNECTOR (40-PIN)						
	3E-4367	1	RING-RETAINING						
M	3E-8557	1	BOLT (M5X0.8X39.37-MM)						
	9X-3132	2	SEAL-CONNECTOR (40-PIN)						
	9W-0852	1	PIN-CONNECTOR (14-GA TO 16-GA)						
	9X-1343	1	RECEPTACLE AS-CONNECTOR (40-PIN)						
	9X-7145	1	RECEPTACLE AS-CONNECTOR (24-PIN)						
	065-5071	6	TERMINAL-BLADE (14-GA TO 16-GA)						
	136-4802	1	HARNESS AS-POWER						
	155-2270	1	KIT-CONNECTING PLUG (2-PIN)						
			(KIT INCLUDES PLUG AS, WEDGE, & INTERFACE SEAL)						
	102-8801	1	KIT-RECEPTACLE (12-PIN)						
			(KIT INCLUDES RECEPTACLE AS & WEDGE)						
	5P-5618	1	TERMINAL-BLADE (10-GA TO 12-GA)						
			-OR-						
	5P-4571	1	TERMINAL-BLADE (14-GA TO 16-GA)						
	8C-6354	1	CAP-RECEPTACLE (ET CONNECTOR)						
	8L-8413	4	STRAP-CABLE						
	8T-8729	16	PIN-CONNECTOR (16-GA TO 18-GA)						
	8T-8730	2	SOCKET-CONNECTOR (16-GA TO 18-GA)						
	8T-8737	5	PLUG-SEAL						
	9W-1951	1	RECEPTACLE-CONNECTOR (9-PIN)						
	7N-7221	3	TERMINAL-BLADE (18-GA TO 22-GA)						
			-OR-						
	5P-4571	3	TERMINAL-BLADE (14-GA TO 16-GA)						
	357-8445	1	HARNESS AS-RADIO						
	102-8804	2	KIT-RECEPTACLE (4-PIN)						
	102-8805	1	KIT-RECEPTACLE (6-PIN)						



# ELECTRICAL AND STARTING SYSTEM

346-3849 WIRING GP-CAB (contd.)

i04557352

NOTE	PART NUMBER	QTY	PART NAME						SEE PAGE
			1	2	3	4	5	6 (PRODUCT LEVEL)	
	8N-1541	1	SOCKET-CONNECTOR (12-GA TO 14-GA)						
	8N-1543	2	SOCKET-CONNECTOR (10-GA)						
	8T-8729	4	PIN-CONNECTOR (16-GA TO 18-GA)						
	8T-8730	13	SOCKET-CONNECTOR (16-GA TO 18-GA)						
	8T-8737	13	PLUG-SEAL						
	9W-0844	6	SOCKET-CONNECTOR (14-GA TO 16-GA)						
	9W-0852	2	PIN-CONNECTOR (14-GA TO 16-GA)						
	9X-6856	2	PIN-CONNECTOR (16-GA TO 18-GA)						
	9X-6857	1	SOCKET-CONNECTOR (16-GA TO 18-GA)						
E	119-3662		TUBE-HEAT SHRINK (10.85-MM DIA) (7-CM)						
E	125-7874		TUBE-HEAT SHRINK (5.72-MM DIA) (10-CM)						
E	125-7875		TUBE-HEAT SHRINK (7.44-MM DIA) (15-CM)						
	155-2270	1	KIT-CONNECTING PLUG (2-PIN)						
	155-2271	2	KIT-CONNECTING PLUG (4-PIN)						
	155-2274	2	KIT-CONNECTING PLUG (6-PIN)						
	228-4982	1	RESISTOR AS						
E	329-3734		TAPE (768-CM)						
	110-6109	6	KNOB-CONTROL						
	7N-5876	6	LAMP (24-VOLT, 0.2-AMPERE)						
	163-1882	1	LAMP (24-VOLT)						
	163-1883	4	LAMP (24-VOLT)						
	163-1884	2	LAMP (24-VOLT)						
	179-9392	1	LANYARD						
	9W-0335	1	LIGHTER AS-CIGAR (24-VOLT)						
	198-6570	1	LIGHTER GP (12-VOLT)						
	198-6571	1	ELEMENT AS-HEATER						
	2H-3920	2	LOCKWASHER						
	9F-8125	12	LOCKWASHER						
	112-5927	1	MODULE GP-LIGHT (PANEL ACTION LAMPS)						
M	7X-3319	2	SCREW-HEX SOCKET (M4X0.7X6-MM)						
	110-4218	1	MODULE AS-LIGHT						
	112-5928	1	PLATE						
	178-8583	1	MODULE GP-SPEEDOMETER & TACH						
	102-8805	1	KIT-RECEPTACLE (6-PIN)						
			(KIT INCLUDES RECEPTACLE AS & WEDGE)						
	8T-8729	6	PIN-CONNECTOR (16-GA TO 18-GA)						
	6V-8369	2	NUT (7/16-28-THD)						
	4B-2049	12	NUT (10-32-THD)						
M	5C-2890	1	NUT (M6X1-THD)						
M	5C-7261	4	NUT (M8X1.25-THD)						
	6B-4540	4	NUT (4-40-THD)						
M	8T-4133	1	NUT (M10X1.5-THD)						
M	8T-4244	4	NUT (M12X1.75-THD)						
	228-9514	1	PANEL AS						
	5T-9020	6	LUG						
M	6V-9632	4	NUT-WELD (M6X1-THD)						
M	8T-8874	3	NUT-WELD (M5X0.8-THD)						
	122-4429	1	PLATE						
	305-5522	2	PLATE						
	3E-0109	7	PLUG (ROCKER SWITCH)						
	291-2165	1	POTENTIOMETER AS (TEMPERATURE CONTROL)						
	102-8803	1	KIT-RECEPTACLE (3-PIN)						
			(KIT INCLUDES RECEPTACLE AS & WEDGE)						
	8T-8729	1	PIN-CONNECTOR (16-GA TO 18-GA)						
	236-8722	1	WASHER (10.5X22.2X1.6-MM THK)						
M	9X-1046	20	SCREW (M4X0.7X18-MM)						
	104-2091	2	SCREW-FLAT HEAD (6-20X0.5-IN)						
	9X-2498	4	SCREW-HEX FLANGE (10-24X0.5-IN)						
	5S-4245	4	SCREW-MACHINE (4-40X0.5-IN)						
	6D-6146	6	SCREW-MACHINE (10-32X1.25-IN)						

# ELECTRICAL AND STARTING SYSTEM

346-3849 WIRING GP-CAB (contd.)

i04557352

NOTE	PART NUMBER	QTY	PART NAME						SEE PAGE
			1	2	3	4	5	6 (PRODUCT LEVEL)	
	6V-2687	14	SCREW-PAN HEAD (10-24X1-IN)						
	5P-7958	1	SLEEVE-CABLE SPLICE						
	117-2311	1	SOCKET-AUXILIARY POWER (12-VOLT)						
	9W-1991	1	SPACER (10.7X17.1X40-MM THK)						
	8X-5803	1	STRAP AS-GROUND						
	7K-1181	49	STRAP-CABLE						
	112-5421	1	STRIP						
	113-0002	2	STRIP AS						
			(EACH INCLUDES)						
M	6V-9632	2	NUT-WELD (M6X1-THD)						
	219-9521	1	SWITCH AS-ROCKER (24-VOLT)						
	219-9523	1	SWITCH AS-ROCKER (24-VOLT)						
	232-3243	1	SWITCH AS-ROCKER (LOOSE MATERIAL SELECT)						
	219-9529	1	SWITCH AS-ROCKER (STARTING AID)						
	219-9536	1	SWITCH AS-ROCKER (HAZARD WARNING LIGHTS)						
	220-8358	1	SWITCH AS-ROCKER (24-VOLT)						
	223-8971	1	SWITCH AS-ROCKER (24-VOLT)						
	223-8972	1	SWITCH AS-ROCKER (KICKOUT SET)						
	223-8979	1	SWITCH AS-ROCKER						
	223-8982	1	SWITCH AS-ROCKER (24-VOLT)						
	108-3320	1	SWITCH AS-ROTARY (24-VOLT, 5-POSITION)						
	102-8806	1	KIT-RECEPTACLE (8-PIN)						
			(KIT INCLUDES RECEPTACLE AS & WEDGE)						
	9W-0852	8	PIN-CONNECTOR (14-GA TO 16-GA)						
	123-6383	2	SWITCH AS-ROTARY (24-VOLT, 4-POSITION)						
			(EACH INCLUDES)						
	8T-8737	1	PLUG-SEAL						
	9W-0852	5	PIN-CONNECTOR (14-GA TO 16-GA)						
	102-8805	1	KIT-RECEPTACLE (6-PIN)						
			(KIT INCLUDES RECEPTACLE AS & WEDGE)						
	110-7887	1	SWITCH AS-START (KEY)						
	102-8804	1	KIT-RECEPTACLE (4-PIN)						
			(KIT INCLUDES RECEPTACLE AS & WEDGE)						
	7T-6799	1	NUT-MOUNTING (1-32-THD)						
	8T-8729	4	PIN-CONNECTOR (16-GA TO 18-GA)						
	098-8968	12	WASHER (5X16X1.2-MM THK)						
	9X-6165	2	WASHER (6.5X22X2.5-MM THK)						
	5P-4116	3	WASHER-HARD (8.8X20.5X2-MM THK)						
	8T-0328	4	WASHER-HARD (5.5X10X1-MM THK)						
	8T-4205	13	WASHER-HARD (7.2X14.5X2-MM THK)						
	8T-4223	4	WASHER-HARD (13.5X25.5X3-MM THK)						
	8T-4224	2	WASHER-HARD (8.8X16X2-MM THK)						
	096-5962	4	WASHER-HARD (3.4X7X0.8-MM THK)						

E - ORDER BY THE CENTIMETER  
M - METRIC PART  
R - REMFG PART MAY BE AVAILABLE  
Y - SEPARATE ILLUSTRATION

<END>

# ELECTRICAL AND STARTING SYSTEM

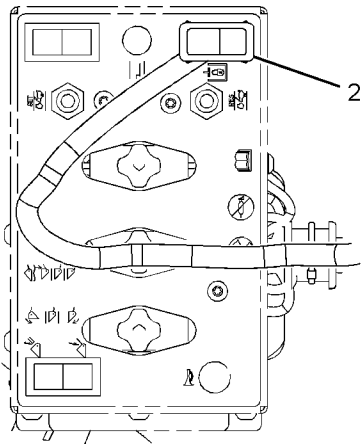
## 243-6465 WIRING GP-ELECTROHYDRAULIC-3RD LEVER HYDRAULIC LOCKOUT

S/N: BNH1-UP  
FIELD INSTALLATION

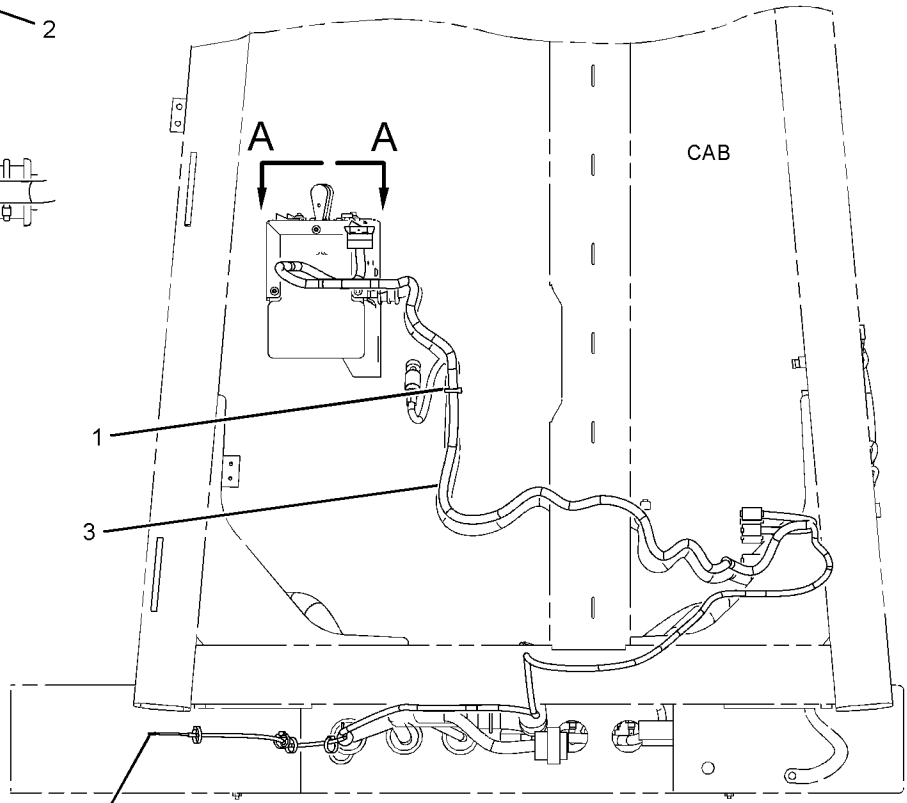
SMCS-5734

i02303622

NOTE	REF NO	GRAPHIC REF	PART NUMBER	QTY	PART NAME						SEE PAGE
					1	2	3	4	5	6 (PRODUCT LEVEL)	
	1	1	<b>3S-2093</b>	13	STRAP-CABLE						
	2	1	<b>233-6045</b>	1	SWITCH AS-ROCKER (HYDRAULIC LOCKOUT)						
	3	1	<b>242-7501</b>	1	HARNESS AS-SWITCH (3RD LEVER HYDRAULIC LOCKOUT)						
		1	<b>102-8801</b>	1	KIT-RECEPTACLE (12-PIN) (INCLUDES RECEPTACLE AS AND WEDGE)						
		1	<b>155-2255</b>	1	KIT-CONNECTING PLUG (12-PIN) (INCLUDES PLUG AS AND WEDGE)						
4	1	1	<b>242-7502</b>	1	HARNESS AS-SWITCH (IMPLEMENT MANUAL MODE)						
		1	<b>3S-2093</b>	3	STRAP-CABLE						



VIEW A-A



LEFT SIDE VIEW

GRAPHIC #1

<END>

g01261326

# ELECTRICAL AND STARTING SYSTEM

## 203-1603 WIRING GP-ELECTRONICS BAY

S/N: BNH1-UP

PART OF 203-1579 ELECTRICAL AR

SMCS-1408, 7610, 7620

i01944193

NOTE	REF NO	GRAPHIC REF	PART NUMBER	QTY	PART NAME 1 2 3 4 5 6 (PRODUCT LEVEL)	SEE PAGE
	1	1	134-6726	1	COVER AS-ELECTRONICS BAY (FRONT)	
	2	1	134-6725	1	COVER AS-ELECTRONICS BAY (REAR)	
		1	1V-6755	2	LATCH AS	
		1	6V-2370	10	RIVET-POP	
M	3	1,2	8T-4137	25	BOLT (M10X1.5X20-MM)	
	4	1,2	8T-4121	25	WASHER-HARD (11X21X2.5-MM THK)	
	5	2	142-0358	1	TUBE	
M	6	1,2	9X-2042	11	SCREW-TRUSS HEAD (M6X1X12-MM)	
	7	1	8T-4223	3	WASHER-HARD (13.5X25.5X3-MM THK)	
M	8	1	8T-4244	3	NUT (M12X1.75-THD)	
	9	1	144-7261	1	FILM-IDENTIFICATION	
YR	10	1	172-9391	1	CONTROL GP-UNPROGRAMMED (IMPLEMENT)	245
YR	11	1	172-9389	1	CONTROL GP-UNPROGRAMMED (POWER TRAIN)	244
	12	2	165-4026	1	SWITCH AS-MAGNETIC (24-VOLT) (MAIN RELAY)	
		2	4F-2294	2	NUT-JAM (5/16-24-THD)	
		2	6V-8186	2	NUT-FULL (5/16-24-THD)	
		2	6V-8378	2	NUT (10-32-THD)	
	13	2	8T-9655	16	MOUNT-ISOLATION	
	14	2	6I-1418	8	SPACER (8.2X12.7X28.7-MM THK)	
M	15	2	7X-0818	8	BOLT (M8X1.25X45-MM)	
	16	2	9N-0869	8	WASHER-HARD (8.8X25.5X2-MM THK)	
	17	1	9U-2277	1	CLIP AS	
	18	2	107-3727	4	SCREW-PAN HEAD	
	19	2	4B-4274	6	WASHER (5.5X13X1.2-MM THK)	
	20	2	145-3845	1	PLATE AS	
	21	2	171-2212	2	CIRCUIT BREAKER AS (105-AMPERE) (EACH INCLUDES)	
		2	1H-3244	2	LOCKWASHER	
		2	6V-8187	2	NUT (1/4-28-THD)	
		2	8T-4205	2	WASHER-HARD (7.2X14.5X2-MM THK)	
	22	2	7V-9275	1	STRAP	
	23	2	3T-2662	1	CIRCUIT BREAKER AS (15-AMPERE)	
		2	6V-8376	2	SCREW-MACHINE (8-32X0.25-IN)	
		2	9B-7233	2	LOCKWASHER	
	24	2	6T-3642	1	CIRCUIT BREAKER AS (10-AMPERE)	
		2	6V-8376	2	SCREW-MACHINE (8-32X0.25-IN)	
		2	9B-7233	2	LOCKWASHER	
	25	2	6T-3643	1	CIRCUIT BREAKER AS (15-AMPERE)	
		2	6V-8376	2	SCREW-MACHINE (8-32X0.25-IN)	
		2	9B-7233	2	LOCKWASHER	
	26	1	9G-4360	1	CAP-CONNECTOR	
	27	2	112-1760	1	WIRE AS	
	28	1	114-0931	1	FILM-IDENTIFICATION (SERVICE CONNECTOR)	
	29	2	5P-4115	2	WASHER-HARD (7.2X19X2-MM THK)	
M	30	2	8T-4138	2	BOLT (M6X1X20-MM)	
	31	2	9X-8256	2	WASHER (6.6X12X2-MM THK)	
M	32	2	5C-2890	2	NUT (M6X1-THD)	
	33	2	9G-8451	1	BLOCK AS	
		2	1H-3244	1	LOCKWASHER	
		2	4B-4276	2	WASHER (7X16X1.6-MM THK)	
		2	4L-7124	1	BOLT (1/4-20X1.25-IN)	
		2	6V-8185	2	NUT (1/4-20-THD)	
Y	34	1	3E-0075	1	SWITCH GP-MAGNETIC (24-VOLT) (START RELAY)	344
	35	2	3S-2093	2	STRAP-CABLE	
	36	1	3E-5239	1	RELAY AS (24-VOLT) (CAB FLOOD LIGHT)	
	37	1,2	4P-8134	3	CLIP	
	38	1	4K-5122	15	HOLDER AS-FUSE	

# ELECTRICAL AND STARTING SYSTEM

203-1603 WIRING GP-ELECTRONICS BAY (contd.)

i01944193

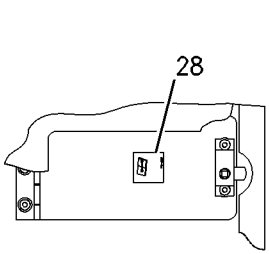
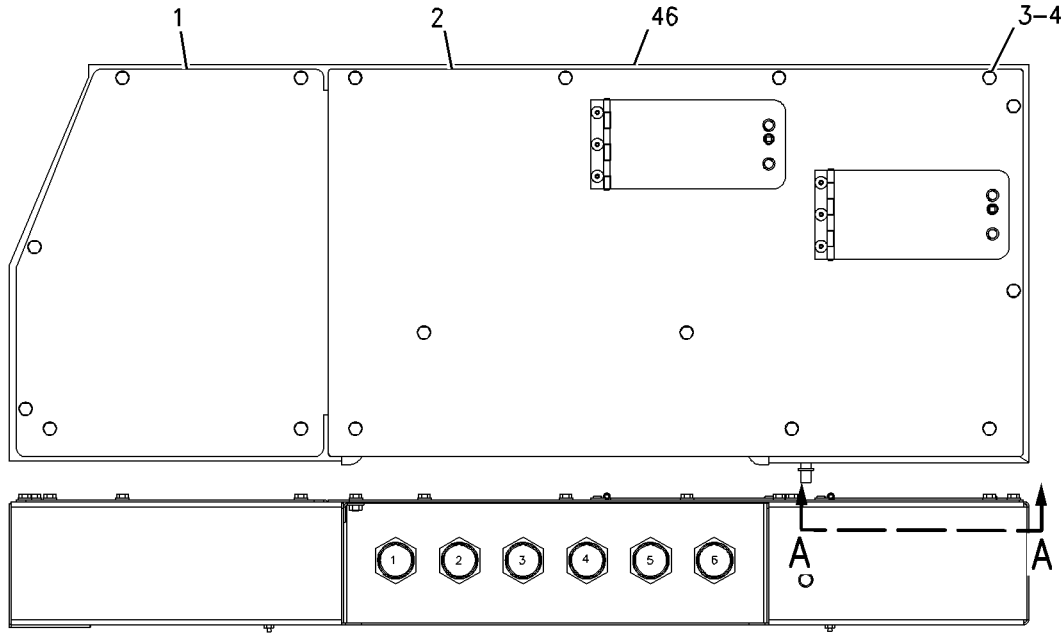
NOTE	REF NO	GRAPHIC REF	PART NUMBER	QTY	PART NAME						SEE PAGE
					1	2	3	4	5	6 (PRODUCT LEVEL)	
					(EACH INCLUDES)						
		1	<b>139-0178</b>	1	CAP						
	39	1,2	<b>9X-6772</b>	22	STRAP-CABLE						
	40	2	<b>112-1761</b>	2	HARNESS AS-PANEL (FUSE)						
					(EACH INCLUDES)						
		2	<b>1S-9593</b>	3	STRAP-CABLE						
	41	1	<b>141-8698</b>	1	WIRE AS						
	42	1	<b>144-2186</b>	1	PLATE						
	43	2	<b>164-3766</b>	2	SCREW						
	44	2	<b>170-9372</b>	1	COVER						
	45	1	<b>144-2223</b>	1	GASKET						
Y	46	1	<b>134-6724</b>	1	ENCLOSURE GP-ELECTRONICS BAY						250
	47	1	<b>8M-8948</b>	3	FUSE (15-AMPERE)						
	48	1	<b>8M-0456</b>	1	FUSE (20-AMPERE)						
	49	1	<b>3K-8782</b>	11	FUSE (10-AMPERE)						
	50	2	<b>141-8700</b>	1	HARNESS AS-POWER (FUSE HOLDER)						
		2	<b>1S-9593</b>	13	STRAP-CABLE						
		2	<b>155-2255</b>	1	KIT-CONNECTING PLUG (12-PIN)						
		2	<b>102-8801</b>	1	KIT-RECEPTACLE (12-PIN)						
		2	<b>8T-8737</b>	5	PLUG-SEAL						
	51	1	<b>227-0869</b>	1	HARNESS AS-POWER						
		1	<b>155-2270</b>	1	KIT-CONNECTING PLUG (2-PIN)						
		1	<b>155-2255</b>	1	KIT-CONNECTING PLUG (12-PIN)						
					(EACH CONNECTING PLUG KIT INCLUDES PLUG AS & WEDGE)						
		1	<b>102-8801</b>	1	KIT-RECEPTACLE (12-PIN)						
					(INCLUDES RECEPTACLE AS & WEDGE)						
		1	<b>9X-1054</b>	3	PLUG AS-CONNECTOR (4-PIN)						
		1	<b>110-6846</b>	2	PLUG AS-CONNECTOR (40-PIN)						
		1	<b>110-6844</b>	1	SEAL						
		1	<b>8N-1519</b>	1	RECEPTACLE AS-CONNECTOR (12-PIN) (12 PIN)						
		1	<b>8N-1522</b>	1	NUT (2-1/4-16-THD)						
		1	<b>3T-0204</b>	1	RECEPTACLE AS-CONNECTOR (20-PIN)						
		1	<b>3T-3410</b>	2	RECEPTACLE AS-CONNECTOR (37-PIN)						
		1	<b>8N-1522</b>	1	NUT (2-1/4-16-THD)						
		1	<b>8N-1513</b>	2	RECEPTACLE AS-CONNECTOR (37-PIN) (37 PIN)						
		1	<b>8N-1522</b>	1	NUT (2-1/4-16-THD)						
		1	<b>8N-1517</b>	1	RECEPTACLE AS-CONNECTOR (25-PIN)						
		1	<b>8N-1522</b>	1	NUT (2-1/4-16-THD)						
		1	<b>7G-7917</b>	52	PLUG-SEAL						
		1	<b>7G-7918</b>	2	PLUG-SEAL						
		1	<b>8T-8737</b>	79	PLUG-SEAL						
		1	<b>7G-7919</b>	3	PLUG-SEAL						
		1	<b>7G-7920</b>	1	PLUG-SEAL						
	52	2	<b>4P-7581</b>	3	CLIP						
	53	2	<b>033-8248</b>	2	CLIP						
	54	2	<b>192-7433</b>	1	PLATE						
	55	2	<b>3D-9799</b>	6	SCREW-MACHINE (8-32X0.875-IN)						
	56	2	<b>4B-4863</b>	4	WASHER (4.7X11X1.2-MM THK)						
	57	2	<b>122-8450</b>	1	PLATE-IDENTIFICATION (CIRCUIT BREAKER)						
	58	2	<b>4B-1240</b>	4	SCREW-MACHINE (10-32X1-IN)						
	59	2	<b>115-9346</b>	1	PLATE-IDENTIFICATION (CIRCUIT BREAKER)						
	60	2	<b>164-3765</b>	2	RETAINER						
	61	2	<b>9G-4224</b>	2	RECEPTACLE						
	62	1	<b>3E-5239</b>	1	RELAY AS (24-VOLT) (MACHINE FLOOD LIGHT)						
	63	1	<b>3E-5239</b>	1	RELAY AS (24-VOLT) (ETHER START AID)						

M - METRIC PART  
R - REMFG PART MAY BE AVAILABLE  
Y - SEPARATE ILLUSTRATION

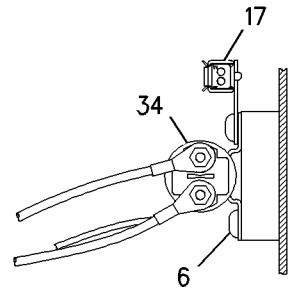
# ELECTRICAL AND STARTING SYSTEM

203-1603 WIRING GP-ELECTRONICS BAY (contd.)

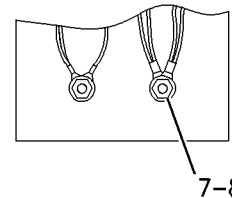
i01944193



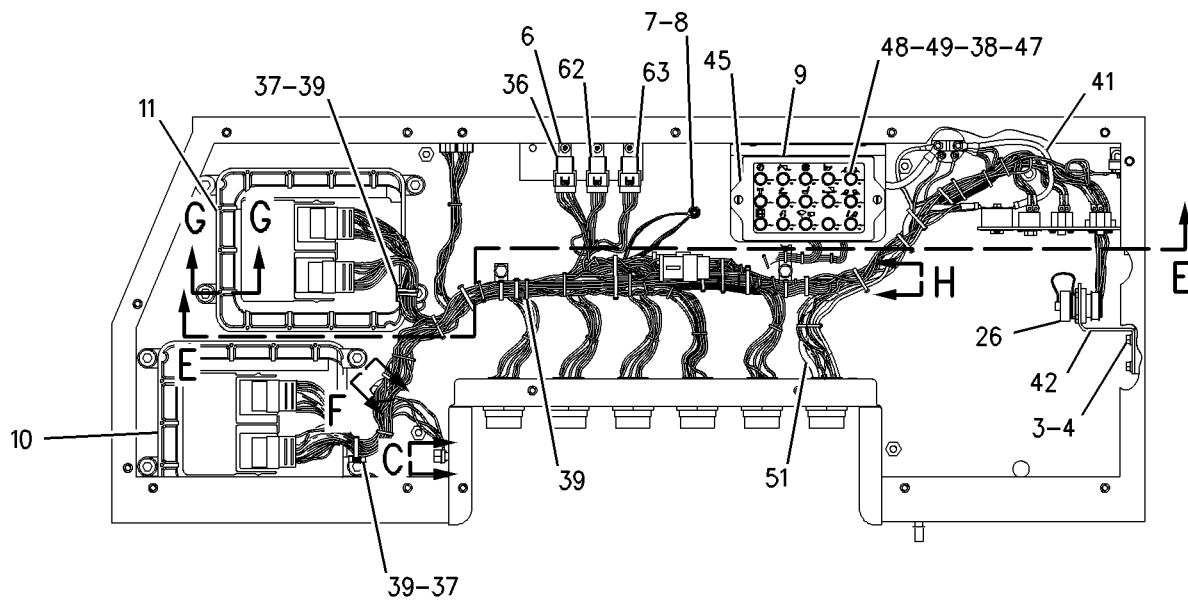
VIEW A-A



VIEW B-B



VIEW C



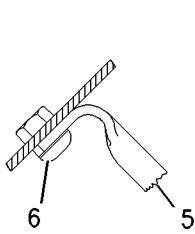
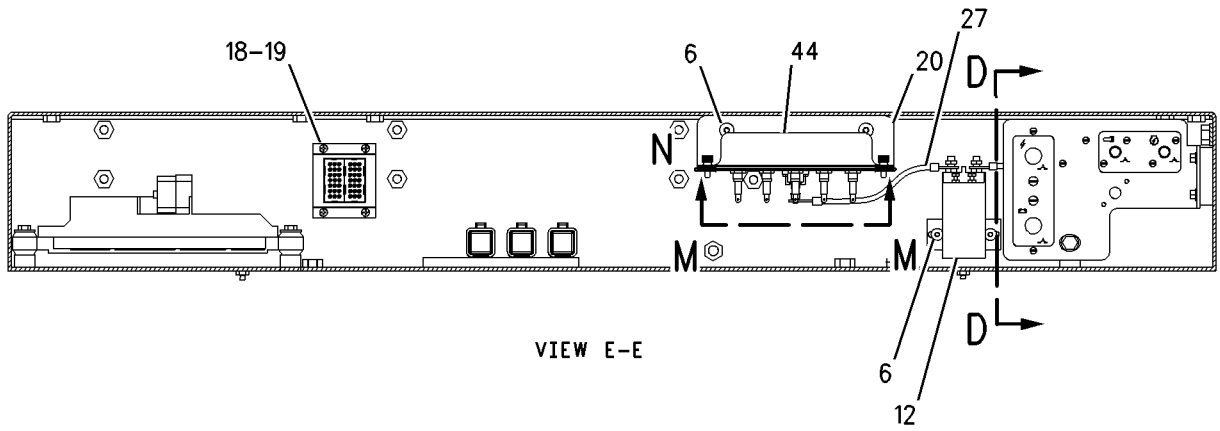
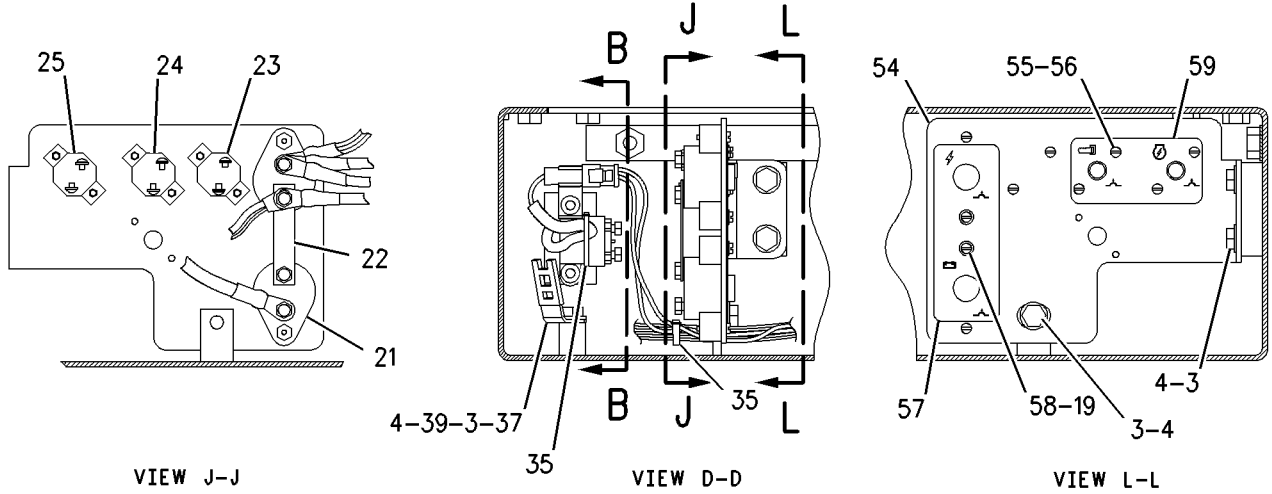
GRAPHIC #1

g00781129

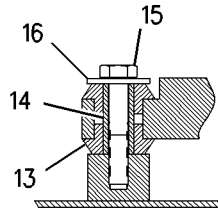
# ELECTRICAL AND STARTING SYSTEM

203-1603 WIRING GP-ELECTRONICS BAY (contd.)

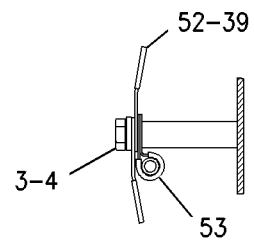
i01944193



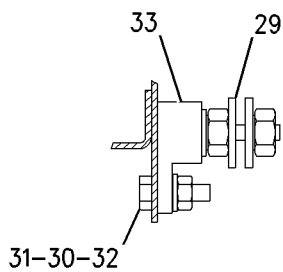
VIEW F



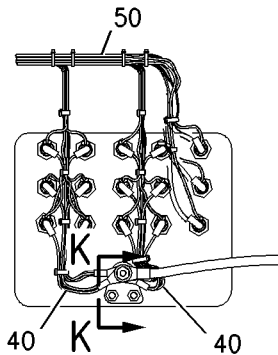
VIEW G-G



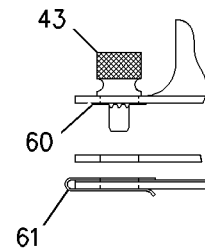
VIEW H



VIEW K-K



VIEW M-M



VIEW OF AREA N

GRAPHIC #2

<END>

g00781130

# ELECTRICAL AND STARTING SYSTEM

## 199-6551 WIRING GP-ENGINE

S/N: BNT1-712

PART OF 198-6489, 198-6490 ENGINE AR-COMPLETE  
AN ATTACHMENT

SMCS-1403, 1408

i01738429

NOTE	REF NO	GRAPHIC REF	PART NUMBER	QTY	PART NAME						SEE PAGE
					1	2	3	4	5	6 (PRODUCT LEVEL)	
	1	1,2	<b>3S-2093</b>	31	STRAP-CABLE						
	2	1	<b>176-0274</b>	1	HARNESS AS-ENGINE						
		1	<b>160-7690</b>	1	PLUG AS-CONNECTOR (70-PIN)						
		1	<b>155-2270</b>	7	KIT-CONNECTING PLUG (2-PIN) (INCLUDES PLUG AS AND WEDGE)						
		1	<b>155-2255</b>	1	KIT-CONNECTING PLUG (12-PIN) (INCLUDES PLUG AS AND WEDGE)						
		1	<b>102-8803</b>	4	KIT-RECEPTACLE (3-PIN) (INCLUDES RECEPTACLE AS AND WEDGE)						
		1	<b>102-8802</b>	2	KIT-RECEPTACLE (2-PIN) (INCLUDES RECEPTACLE AS AND WEDGE)						
	3	1	<b>180-5947</b>	1	HARNESS AS-SENSOR (FUEL PRESSURE)						
	4	1,2	<b>0S-0509</b>	2	BOLT (3/8-16X0.75-IN)						
	5	1	<b>0S-1594</b>	3	BOLT (3/8-16X1-IN)						
	6	2	<b>0S-1617</b>	1	BOLT (5/16-18X0.75-IN)						
	7	1	<b>0S-1618</b>	1	BOLT (5/16-18X1-IN)						
	8	1,2	<b>130-5300</b>	2	CLIP						
	9	1	<b>1A-4273</b>	1	BOLT (5/8-18X1.25-IN)						
	10	1	<b>3B-1915</b>	1	BOLT (3/8-16X1.375-IN)						
	11	1	<b>4P-7429</b>	1	CLIP						
	12	1,2	<b>4P-7581</b>	4	CLIP						
	13	1	<b>4P-7582</b>	1	CLIP						
	14	1,2	<b>4P-8134</b>	7	CLIP						
	15	1	<b>4S-4456</b>	1	CLIP						
	16	1,2	<b>5M-2894</b>	7	WASHER-HARD (10.2X18.5X2.5-MM THK)						
	17	1	<b>5P-8247</b>	1	WASHER-HARD (17X32X3.5-MM THK)						
	18	1	<b>8T-4223</b>	1	WASHER-HARD (13.5X25.5X3-MM THK)						
	19	1,2	<b>9M-1974</b>	2	WASHER-HARD (8.8X16X2-MM THK)						
	20	1	<b>9S-8752</b>	1	NUT-FULL (3/8-16-THD)						

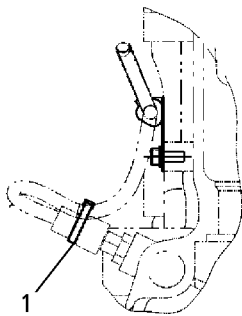
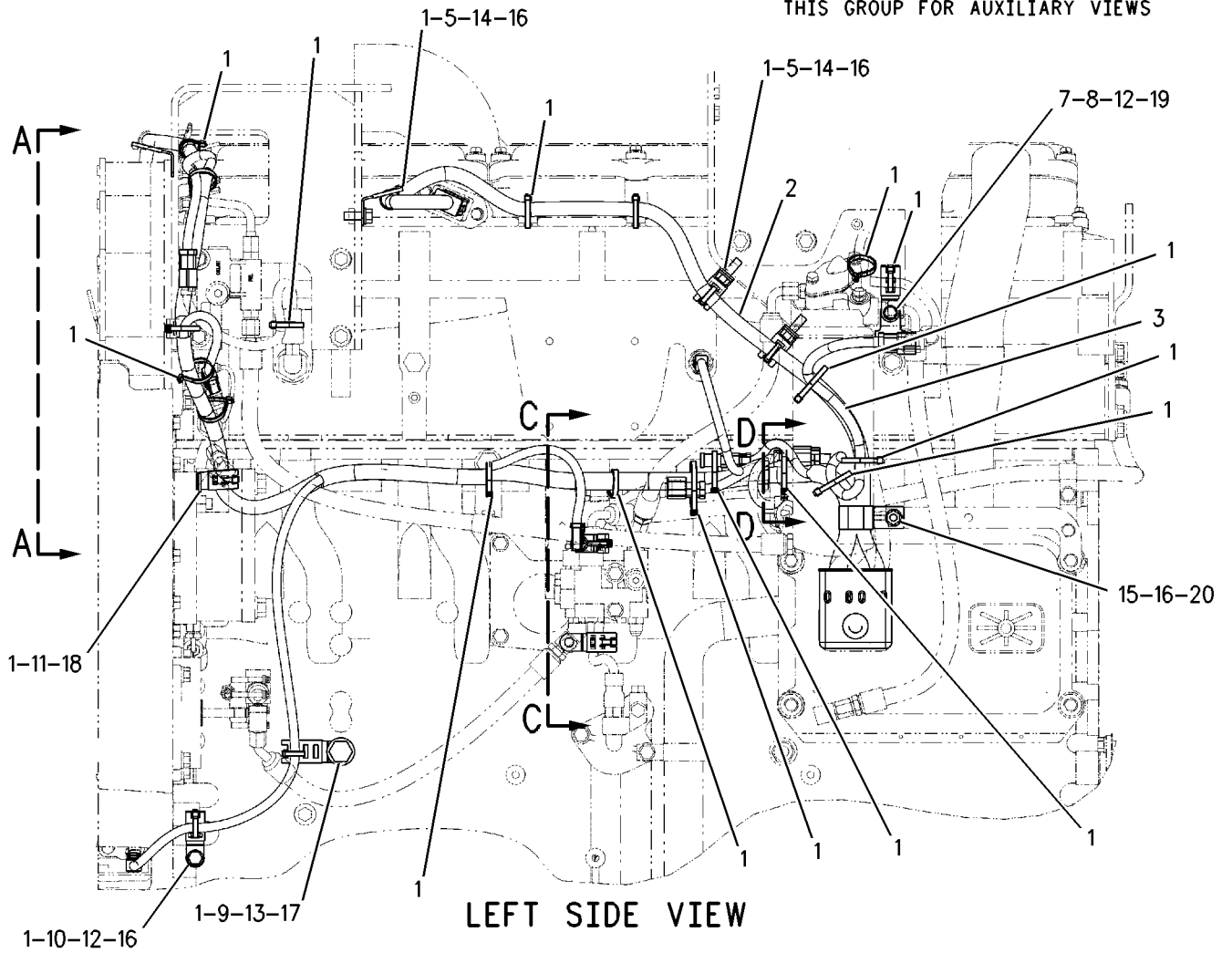


# ELECTRICAL AND STARTING SYSTEM

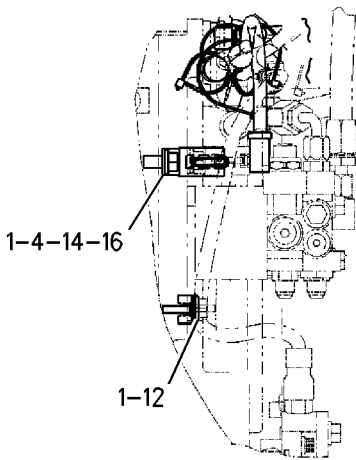
199-6551 WIRING GP-ENGINE (contd.)

i01738429

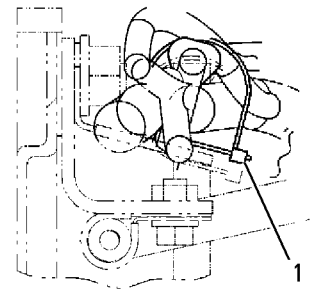
REFER TO ALL ILLUSTRATIONS OF THIS GROUP FOR AUXILIARY VIEWS



SECTION E-E



SECTION C-C



SECTION D-D

GRAPHIC #1

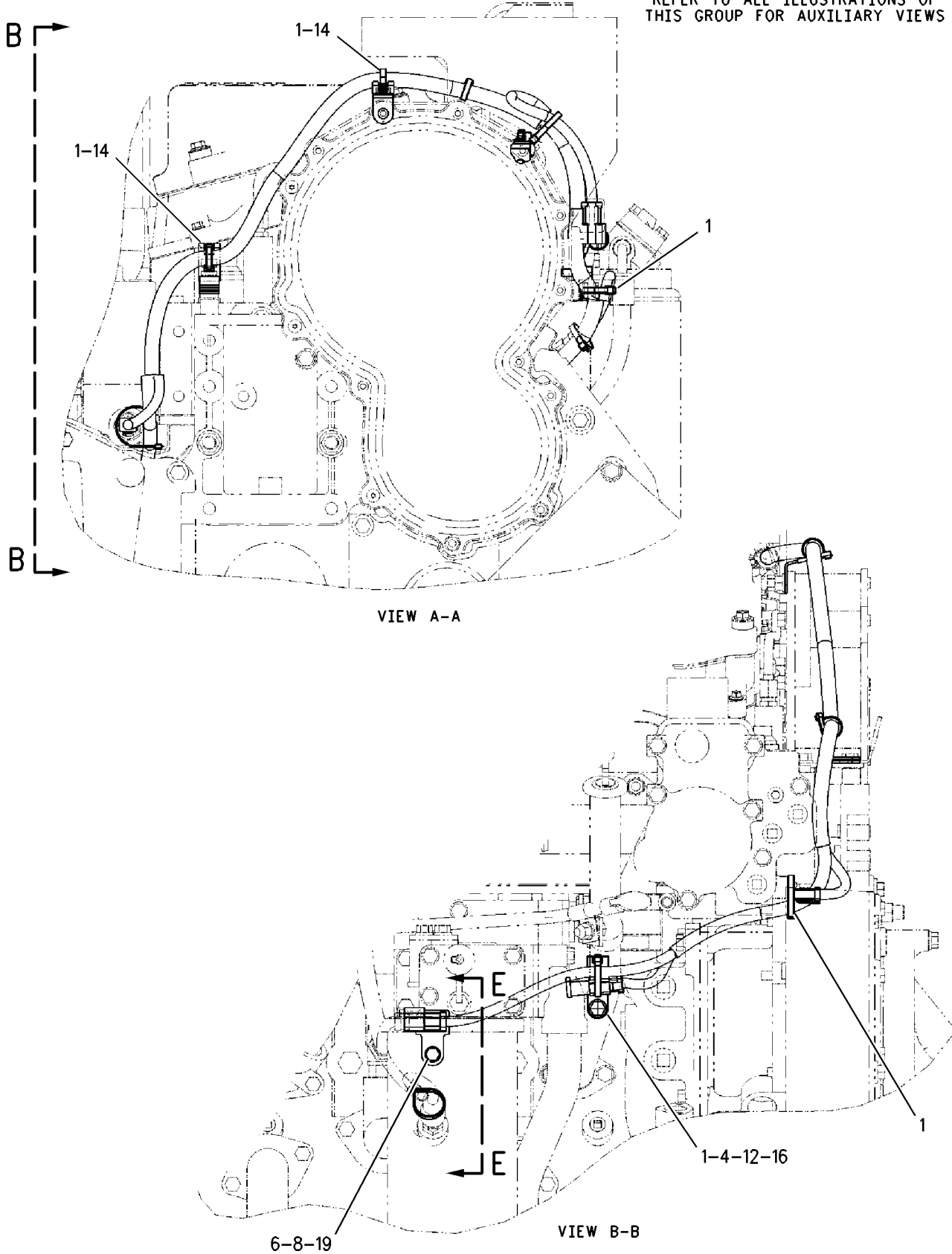
g00841797

# ELECTRICAL AND STARTING SYSTEM

199-6551 WIRING GP-ENGINE (contd.)

i01738429

REFER TO ALL ILLUSTRATIONS OF THIS GROUP FOR AUXILIARY VIEWS



GRAPHIC #2

<END>

g00841798

# ELECTRICAL AND STARTING SYSTEM

## 203-0973 WIRING GP-ENGINE

S/N: BNH1-UP

PART OF 203-1579 ELECTRICAL AR

SMCS-1403, 1408

i02359429

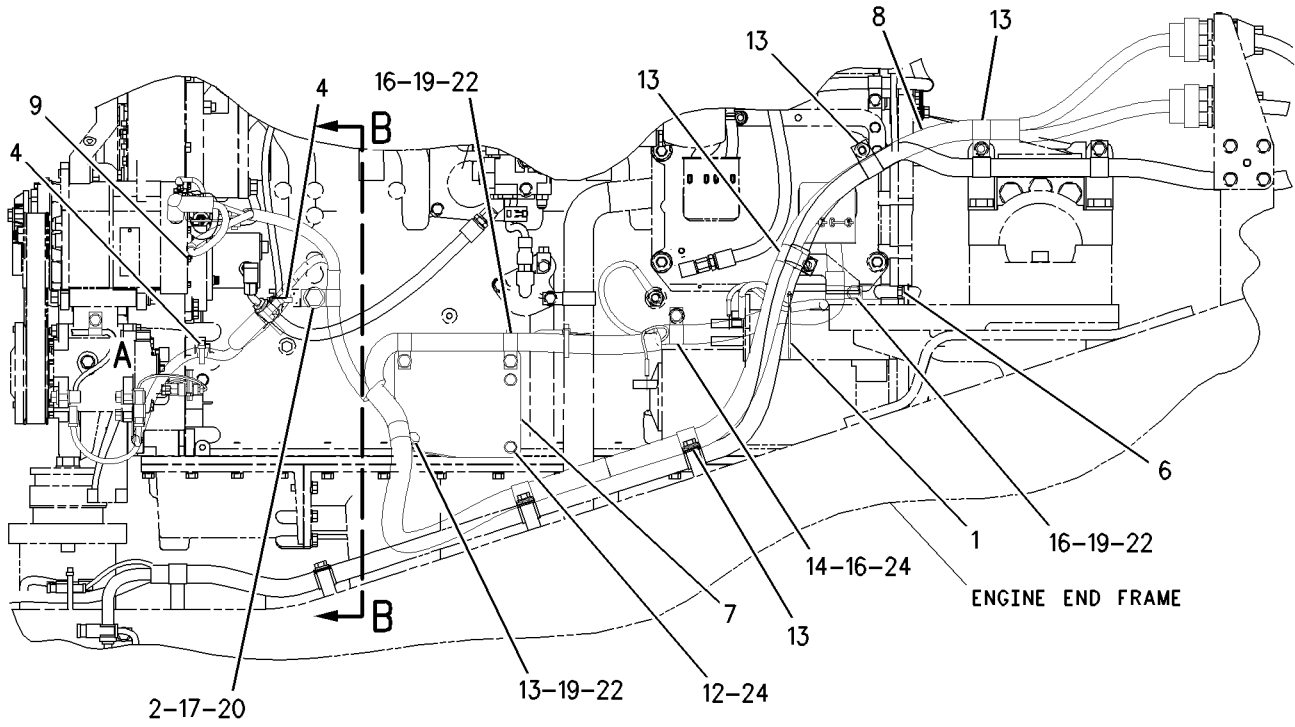
NOTE	REF NO	GRAPHIC REF	PART NUMBER	QTY	PART NAME						SEE PAGE
					1	2	3	4	5	6 (PRODUCT LEVEL)	
	1	1	7K-1181	1	STRAP-CABLE						
	2	1	8C-7528	1	CLIP						
	3	1	9U-2277	2	CLIP AS						
	4	1	9X-6772	3	STRAP-CABLE						
	5	1	114-5333	1	SWITCH AS-PRESSURE						
		1	102-8802	1	KIT-RECEPTACLE (2-PIN)						
		1	3E-3365	1	WEDGE-RECEPTACLE LOCK (2-PIN)						
	6	1	116-4491	2	BRACKET AS						
					(EACH INCLUDES)						
M		1	8T-3490	1	NUT-WELD (M10X1.5-THD)						
	7	1	152-2944	1	STRIP AS						
M		1	8T-3490	3	NUT-WELD (M10X1.5-THD)						
	8	1	272-0244	1	HARNESS AS-ENGINE						
		1	3E-7842	1	RESISTOR AS						
		1	8N-1516	1	PLUG AS-CONNECTOR						
		1	155-2270	4	KIT-CONNECTING PLUG (2-PIN)						
					(INCLUDES PLUG AS AND WEDGE)						
		1	160-7689	1	PLUG AS-CONNECTOR (70-PIN)						
		1	8N-1518	1	PLUG AS-CONNECTOR (25-PIN)						
		1	8N-1521	2	BELL AS-END						
		1	135-2543	1	BOOT (RED)						
		1	126-1774	1	COVER-CONNECTOR						
		1	8N-1521	2	BELL AS-END						
		1	7K-1181	2	STRAP-CABLE						
		1	9X-6772	4	STRAP-CABLE						
	9	1	2V-3216	1	CLIP						
	10	1	4D-9517	1	CLIP						
	11	1	4K-8864	1	CLIP						
	12	1	4L-6454	3	BOLT (3/8-16X1-IN)						
	13	1	4S-1962	6	CLIP						
	14	1	5M-3062	1	BOLT (3/8-16X0.75-IN)						
	15	1	5P-9085	1	CLIP						
	16	1	6D-4244	4	CLIP						
	17	1	6F-7316	1	BOLT (5/8-18X1-IN)						
	18	1	8M-2771	1	CLIP						
	19	1	8T-4121	11	WASHER-HARD (11X21X2.5-MM THK)						
	20	1	8T-4122	1	WASHER-HARD (17X32X3.5-MM THK)						
M	21	1	8T-4133	3	NUT (M10X1.5-THD)						
M	22	1	8T-4137	5	BOLT (M10X1.5X20-MM)						
M	23	1	8T-4195	3	BOLT (M10X1.5X30-MM)						
	24	1	8T-4896	4	WASHER-HARD (10.2X18.5X2.5-MM THK)						
	25	1	9X-7378	1	SEAL-O-RING						

M - METRIC PART

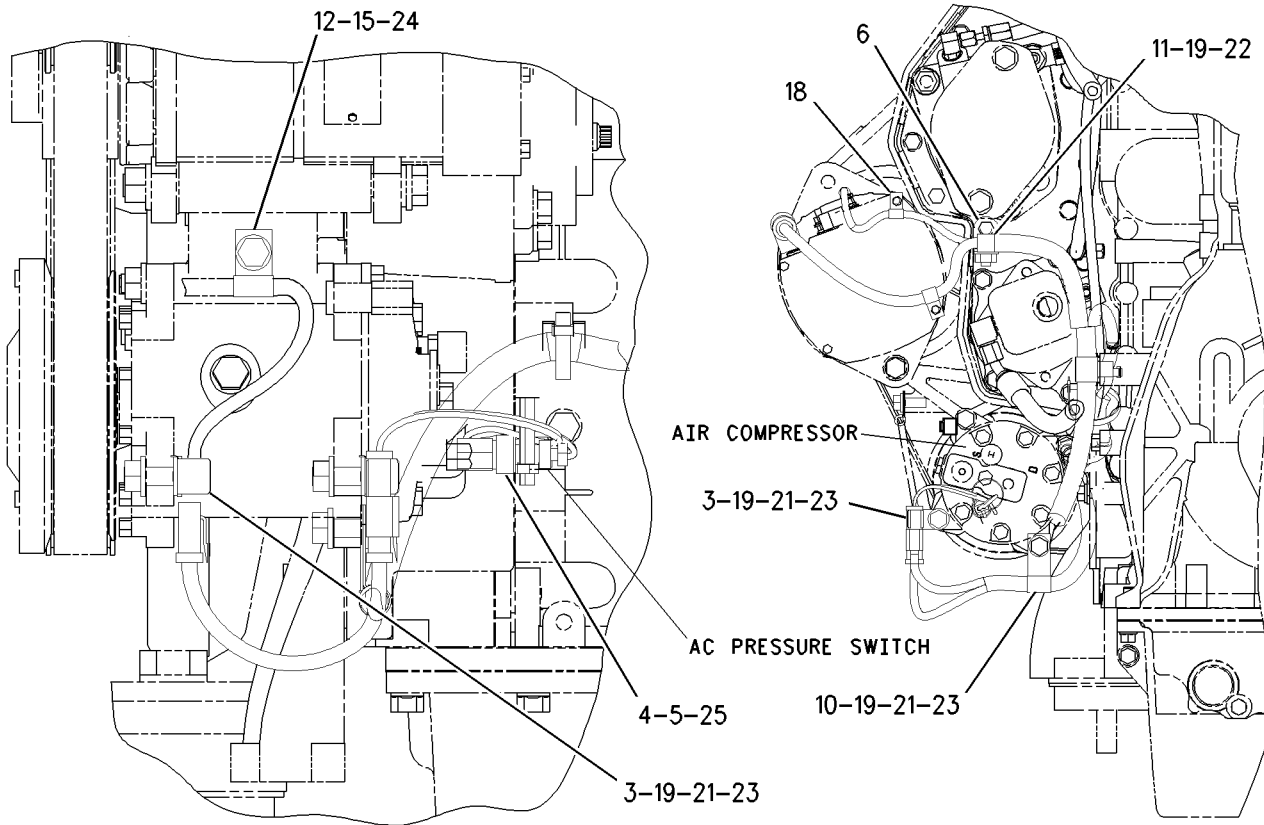
# ELECTRICAL AND STARTING SYSTEM

203-0973 WIRING GP-ENGINE (contd.)

i02359429



RIGHT SIDE VIEW



VIEW OF AREA A

SECTION B-B

GRAPHIC #1

<END>

g00840058

# ELECTRICAL AND STARTING SYSTEM

## 222-0346 WIRING GP-ENGINE

S/N: BNT712-UP

PART OF 198-6489, 198-6490 ENGINE AR-COMplete  
AN ATTACHMENT

SMCS-1403, 1408

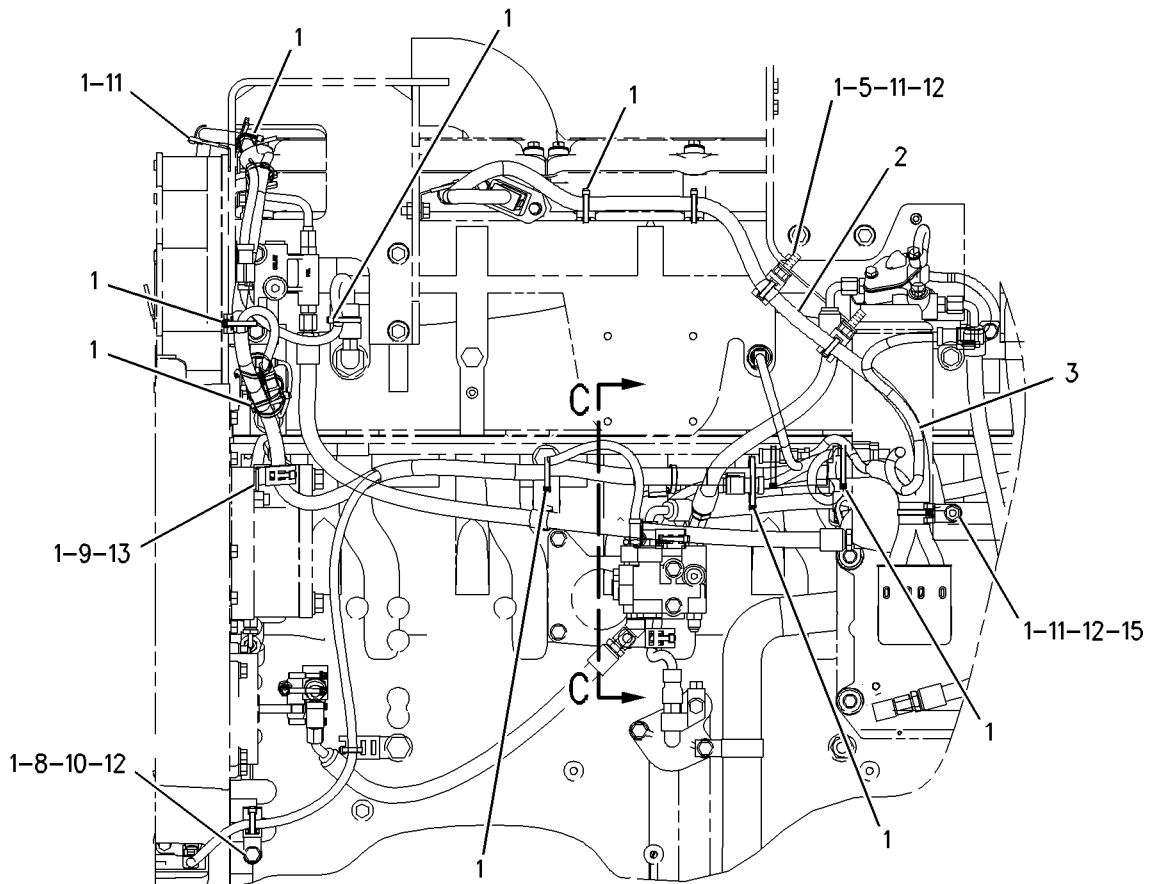
i01734186

NOTE	REF NO	GRAPHIC REF	PART NUMBER	QTY	PART NAME						SEE PAGE
					1	2	3	4	5	6 (PRODUCT LEVEL)	
	1	1	<b>3S-2093</b>	19	STRAP-CABLE						
	2	1	<b>176-0274</b>	1	HARNESS AS-ENGINE						
		1	<b>102-8802</b>	2	KIT-RECEPTACLE (2-PIN)						
					(INCLUDES RECEPTACLE AS AND WEDGE)						
		1	<b>102-8803</b>	4	KIT-RECEPTACLE (3-PIN)						
					(INCLUDES RECEPTACLE AS AND WEDGE)						
		1	<b>155-2255</b>	1	KIT-CONNECTING PLUG (12-PIN)						
					(INCLUDES PLUG AS AND WEDGE)						
		1	<b>155-2270</b>	7	KIT-CONNECTING PLUG (2-PIN)						
					(INCLUDES PLUG AS AND WEDGE)						
		1	<b>160-7690</b>	1	PLUG AS-CONNECTOR (70-PIN)						
3		1	<b>180-5947</b>	1	HARNESS AS-SENSOR (FUEL PRESSURE)						
		1	<b>102-8803</b>	1	KIT-RECEPTACLE (3-PIN)						
					(INCLUDES RECEPTACLE AS AND WEDGE)						
		1	<b>155-2260</b>	1	KIT-CONNECTING PLUG (3-PIN)						
					(INCLUDES PLUG AS AND WEDGE)						
4		1	<b>0S-0509</b>	2	BOLT (3/8-16X0.75-IN)						
5		1	<b>0S-1594</b>	2	BOLT (3/8-16X1-IN)						
6		1	<b>0S-1617</b>	1	BOLT (5/16-18X0.75-IN)						
7		1	<b>130-5300</b>	1	CLIP						
8		1	<b>3B-1915</b>	1	BOLT (3/8-16X1.375-IN)						
9		1	<b>4P-7429</b>	1	CLIP						
10		1	<b>4P-7581</b>	4	CLIP						
11		1	<b>4P-8134</b>	4	CLIP						
12		1	<b>5M-2894</b>	6	WASHER-HARD (10.2X18.5X2.5-MM THK)						
13		1	<b>8T-4223</b>	1	WASHER-HARD (13.5X25.5X3-MM THK)						
14		1	<b>9M-1974</b>	1	WASHER-HARD (8.8X16X2-MM THK)						
15		1	<b>9S-8752</b>	1	NUT-FULL (3/8-16-THD)						

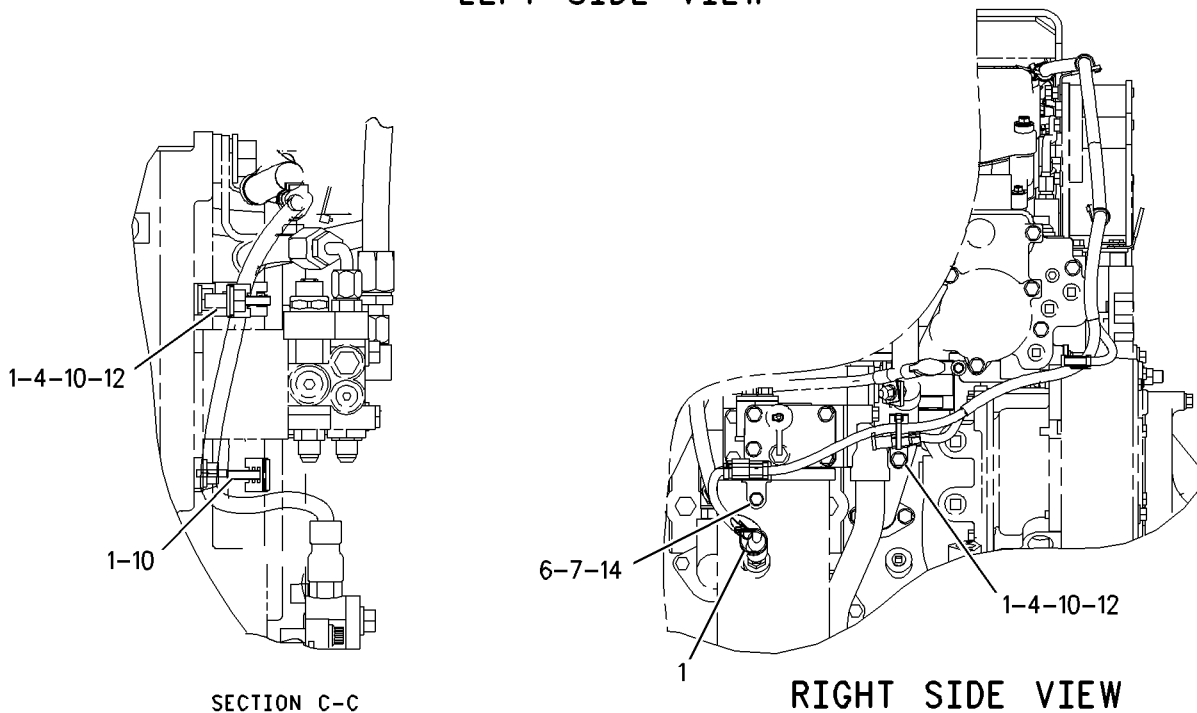
# ELECTRICAL AND STARTING SYSTEM

222-0346 WIRING GP-ENGINE (contd.)

i01734186



LEFT SIDE VIEW



SECTION C-C

RIGHT SIDE VIEW

GRAPHIC #1

<END>

g00890288

# ELECTRICAL AND STARTING SYSTEM

## 243-1564 WIRING GP-ENGINE-ELECTRONIC CONTROL

S/N: BNT1059-UP

PART OF 235-4732, 235-4733 ENGINE AR-COMplete  
AN ATTACHMENT

SMCS-1403, 1408

i02714743

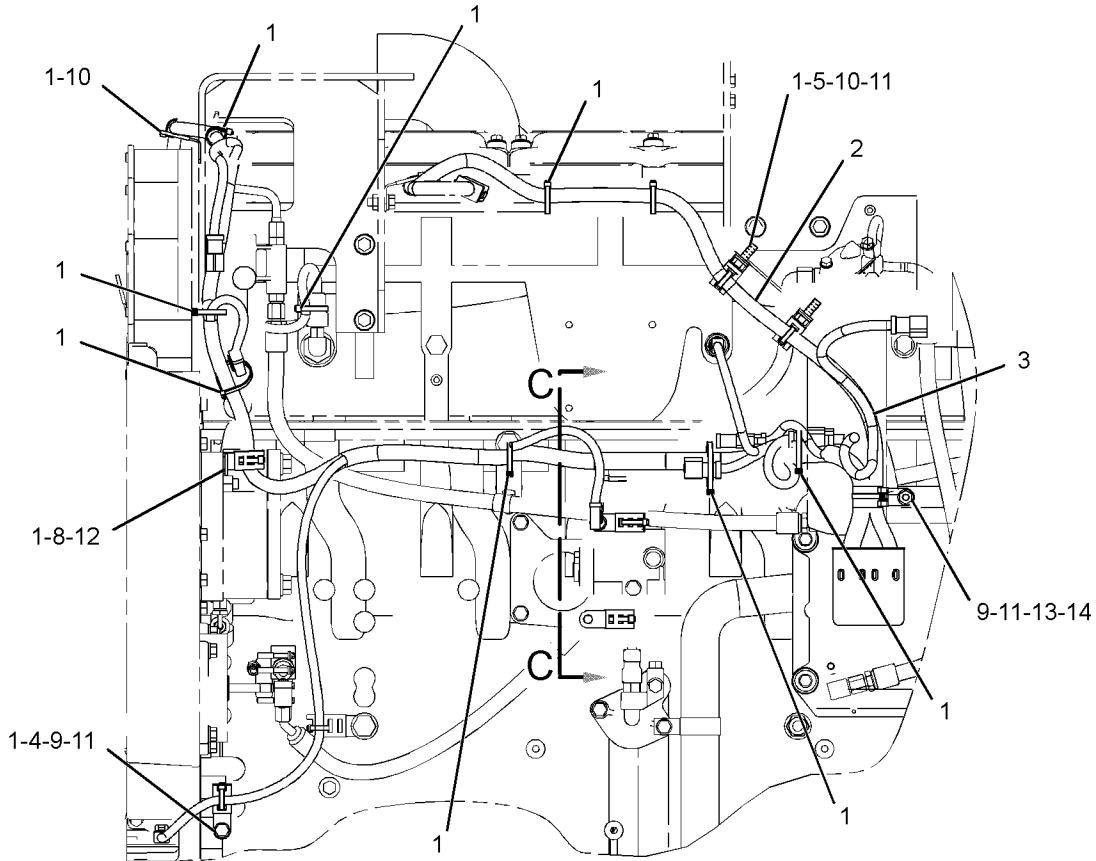
NOTE	REF NO	GRAPHIC REF	PART NUMBER	QTY	PART NAME						SEE PAGE
					1	2	3	4	5	6 (PRODUCT LEVEL)	
	1	1	<b>3S-2093</b>	18	STRAP-CABLE						
	2	1	<b>176-0274</b>	1	HARNESS AS-ENGINE						
		1	<b>3S-2093</b>	2	STRAP-CABLE						
E		1	<b>125-7874</b>		TUBE-HEAT SHRINK (5.72-MM DIA) (15-CM)						
		1	<b>126-1774</b>	1	COVER-CONNECTOR						
		1	<b>102-8802</b>	2	KIT-RECEPTACLE (2-PIN)						
		1	<b>102-8803</b>	4	KIT-RECEPTACLE (3-PIN)						
					(EACH RECEPTACLE KIT INCLUDES RECEPTACLE AS & WEDGE)						
		1	<b>155-2255</b>	1	KIT-CONNECTING PLUG (12-PIN)						
		1	<b>155-2270</b>	7	KIT-CONNECTING PLUG (2-PIN)						
					(EACH CONNECTING PLUG KIT INCLUDES PLUG AS, WEDGE & INTERFACE SEAL)						
		1	<b>160-7690</b>	1	PLUG AS-CONNECTOR (70-PIN)						
3		1	<b>180-5947</b>	1	HARNESS AS-SENSOR (FUEL PRESSURE)						
		1	<b>102-8803</b>	1	KIT-RECEPTACLE (3-PIN)						
					(INCLUDES RECEPTACLE AS & WEDGE)						
		1	<b>155-2260</b>	1	KIT-CONNECTING PLUG (3-PIN)						
					(INCLUDES PLUG AS & WEDGE)						
4		1	<b>0S-0509</b>	4	BOLT (3/8-16X0.75-IN)						
5		1	<b>0S-1594</b>	2	BOLT (3/8-16X1-IN)						
6		1	<b>130-5300</b>	1	CLIP						
8		1	<b>4P-7429</b>	1	CLIP						
9		1	<b>4P-7581</b>	5	CLIP						
10		1	<b>4P-8134</b>	3	CLIP						
11		1	<b>5M-2894</b>	7	WASHER-HARD (10.2X18.5X2.5-MM THK)						
12		1	<b>8T-4223</b>	1	WASHER-HARD (13.5X25.5X3-MM THK)						
13		1	<b>9S-8752</b>	1	NUT-FULL (3/8-16-THD)						
14		1	<b>7K-1181</b>	1	STRAP-CABLE						

E - ORDER BY THE CENTIMETER

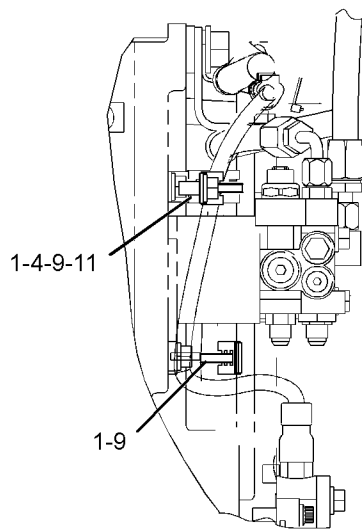
# ELECTRICAL AND STARTING SYSTEM

243-1564 WIRING GP-ENGINE (contd.)

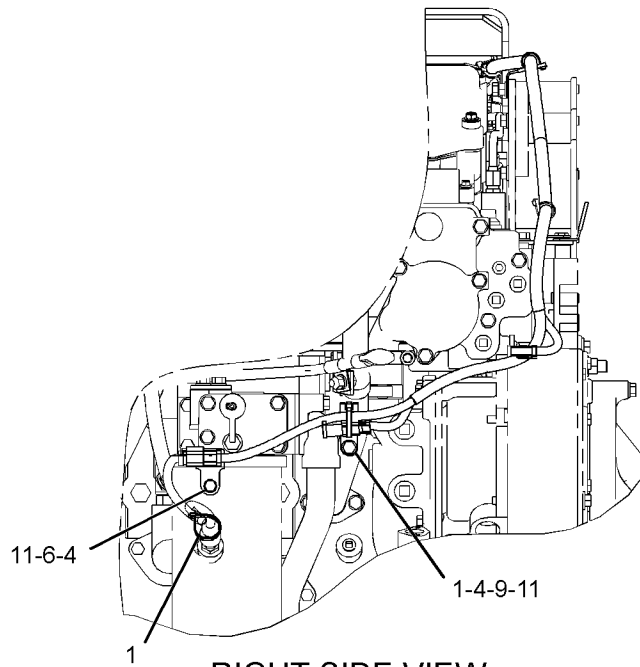
i02714743



LEFT SIDE VIEW



SECTION C-C



RIGHT SIDE VIEW

GRAPHIC #1

<END>

g01367779



# ELECTRICAL AND STARTING SYSTEM

## 222-0347 WIRING GP-ENGINE ELECTRONIC

S/N: BNH515-UP

PART OF 201-4341 INSTALLATION AR-ENGINE

SMCS-1408, 1901

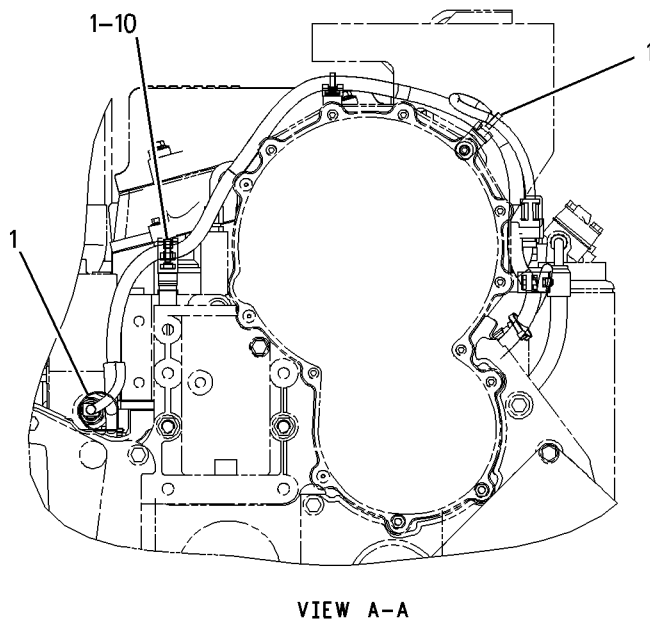
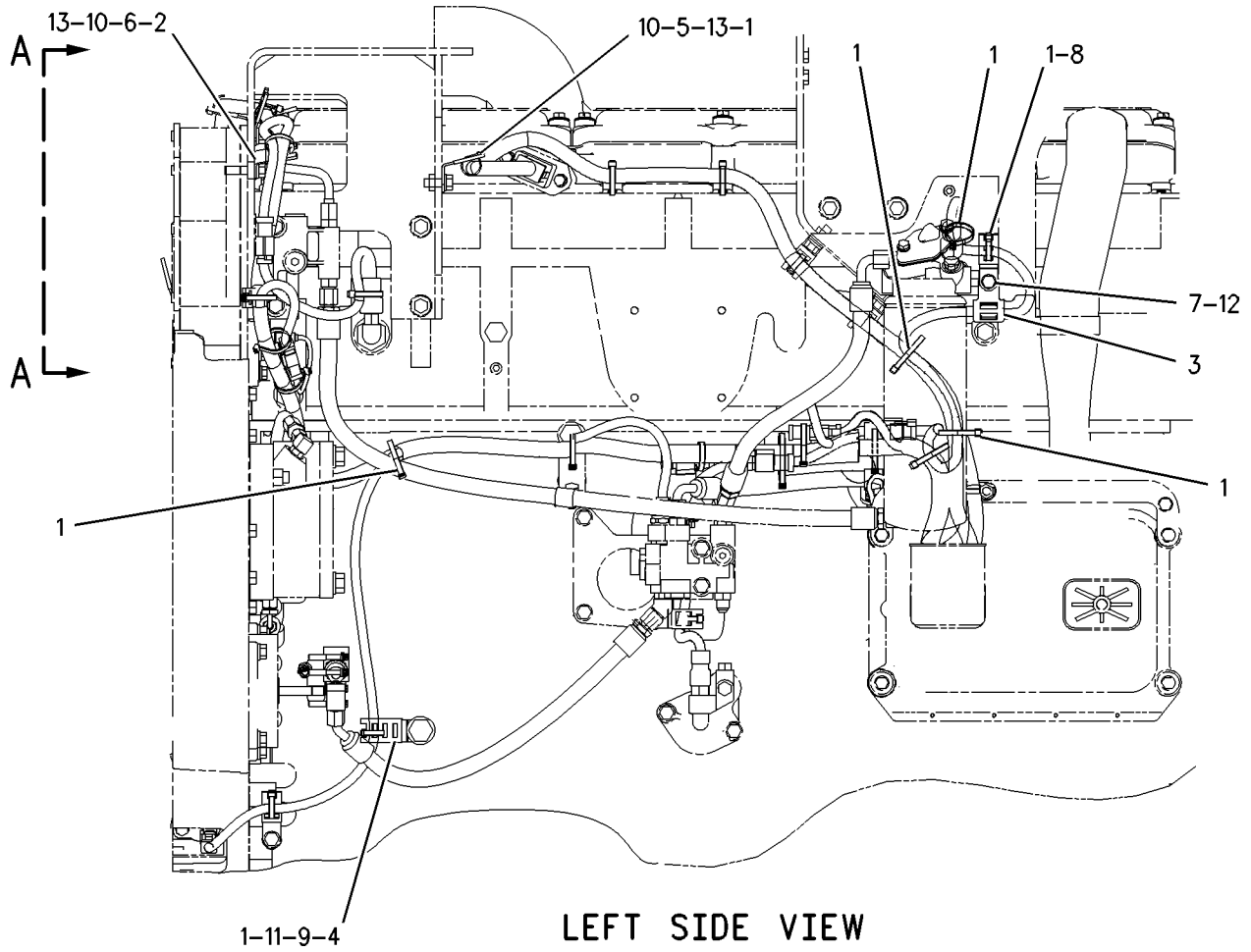
i01753543

NOTE	REF NO	GRAPHIC REF	PART NUMBER	QTY	PART NAME						SEE PAGE
					1	2	3	4	5	6 (PRODUCT LEVEL)	
	1	1	<b>3S-2093</b>	12	STRAP-CABLE						
	2	1	<b>068-8438</b>	1	SPACER (11.12X19.05X7.9-MM THK)						
	3	1	<b>130-5300</b>	1	CLIP						
	4	1	<b>170-4870</b>	1	BOLT (5/8-18X1-IN)						
	5	1	<b>4L-6454</b>	1	BOLT (3/8-16X1-IN)						
	6	1	<b>4L-9337</b>	1	BOLT (3/8-16X1.5-IN)						
	7	1	<b>4M-6425</b>	1	BOLT (5/16-18X1-IN)						
	8	1	<b>4P-7581</b>	1	CLIP						
	9	1	<b>4P-7582</b>	1	CLIP						
	10	1	<b>4P-8134</b>	3	CLIP						
	11	1	<b>8T-4122</b>	1	WASHER-HARD (17X32X3.5-MM THK)						
	12	1	<b>8T-4224</b>	1	WASHER-HARD (8.8X16X2-MM THK)						
	13	1	<b>8T-4896</b>	2	WASHER-HARD (10.2X18.5X2.5-MM THK)						

# ELECTRICAL AND STARTING SYSTEM

222-0347 WIRING GP-ENGINE ELECTRONIC (contd.)

i01753543



GRAPHIC #1

<END>

g00924124

# ELECTRICAL AND STARTING SYSTEM

## 114-5178 WIRING GP-FRONT

S/N: BNH1-591

PART OF 203-1579 ELECTRICAL AR

SMCS-5734

i01631669

NOTE	REF NO	GRAPHIC REF	PART NUMBER	QTY	PART NAME						SEE PAGE
					1	2	3	4	5	6 (PRODUCT LEVEL)	
	1	1,2	3S-2093	2	STRAP-CABLE						
	2	2	5V-6152	4	CLAMP						
	3	2	5V-6153	2	PLATE-COVER						
	4	1	7K-1181	1	STRAP-CABLE						
	5	2	9U-2277	2	CLIP AS						
	6	1	9X-3495	1	CLIP AS						
Y	7	1	131-0427	1	SENSOR GP-TEMPERATURE (FRONT AXLE OIL)						320
	8	2	212-0776	1	HARNESS AS-FRONT CHASSIS						
		2	155-2270	9	KIT-CONNECTING PLUG (2-PIN)						
		2	155-2271	2	KIT-CONNECTING PLUG (4-PIN)						
		2	155-2274	1	KIT-CONNECTING PLUG (6-PIN)						
		2	155-2265	1	KIT-CONNECTING PLUG (8-PIN)						
		2	155-2255	1	KIT-CONNECTING PLUG (12-PIN)						
		2	102-8802	3	KIT-RECEPTACLE (2-PIN)						
		2	102-8804	1	KIT-RECEPTACLE (4-PIN)						
		2	102-8805	1	KIT-RECEPTACLE (6-PIN)						
		2	102-8801	1	KIT-RECEPTACLE (12-PIN)						
		2	9X-6772	3	STRAP-CABLE						
		2	8T-8737	17	PLUG-SEAL						
	9	2	141-8707	1	HARNESS AS-SENSOR (FRONT AXLE OIL TEMPERATURE)						
		2	102-8804	1	KIT-RECEPTACLE (4-PIN)						
		2	8T-8737	1	PLUG-SEAL						
	10	2	144-2188	1	BRACKET AS						
	11	2	033-8248	1	CLIP						
	12	2	115-3070	2	CLIP AS-CONNECT (4-PIN)						
	13	1	115-3071	2	CLIP AS-CONNECTOR (6-PIN)						
	14	1,2	1S-0994	4	CLIP						
	15	1	3J-1907	1	SEAL-O-RING						
	16	2	124-1479	1	CLIP						
	17	2	4D-8123	1	CLIP						
	18	1,2	4K-8864	5	CLIP						
	19	1,2	5P-9085	3	CLIP						
	20	2	6V-3265	5	CLIP						
	21	1,2	8T-4121	29	WASHER-HARD (11X21X2.5-MM THK)						
M	22	1,2	8T-4137	24	BOLT (M10X1.5X20-MM)						
M	23	2	8T-6974	4	BOLT (M6X1X80-MM)						
	24	2	9X-8256	4	WASHER (6.6X12X2-MM THK)						
	25	2	142-3331	1	BRACKET AS						
	26	2	103-0010	1	BRACKET AS						
M		2	8T-3490	1	NUT-WELD (M10X1.5-THD)						
M	27	2	8T-4136	5	BOLT (M10X1.5X25-MM)						

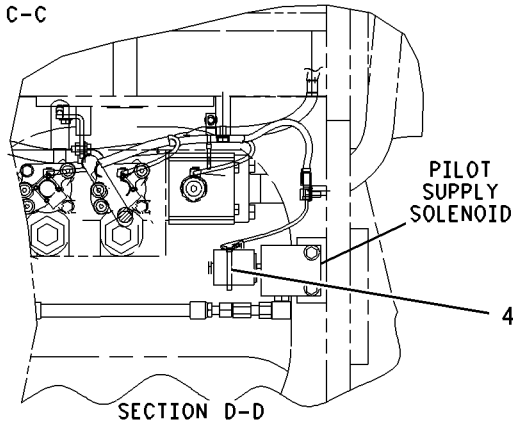
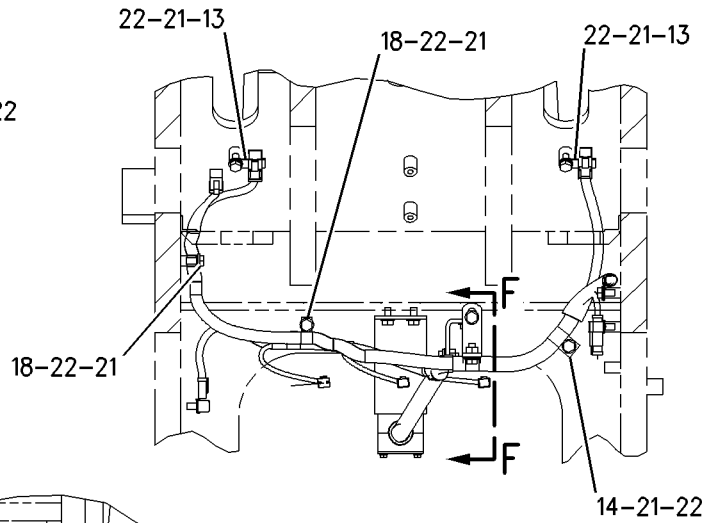
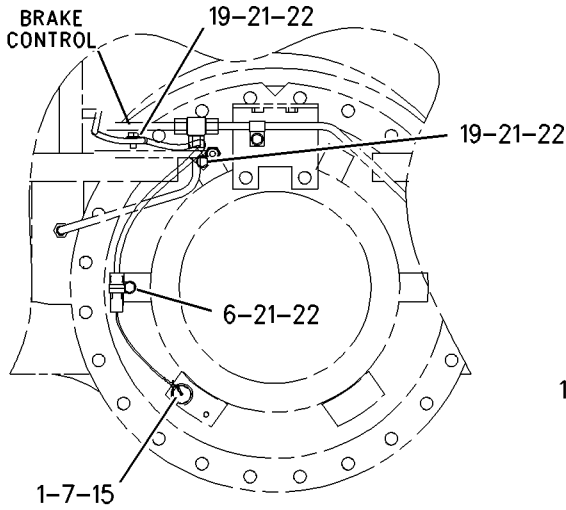
M - METRIC PART

Y - SEPARATE ILLUSTRATION

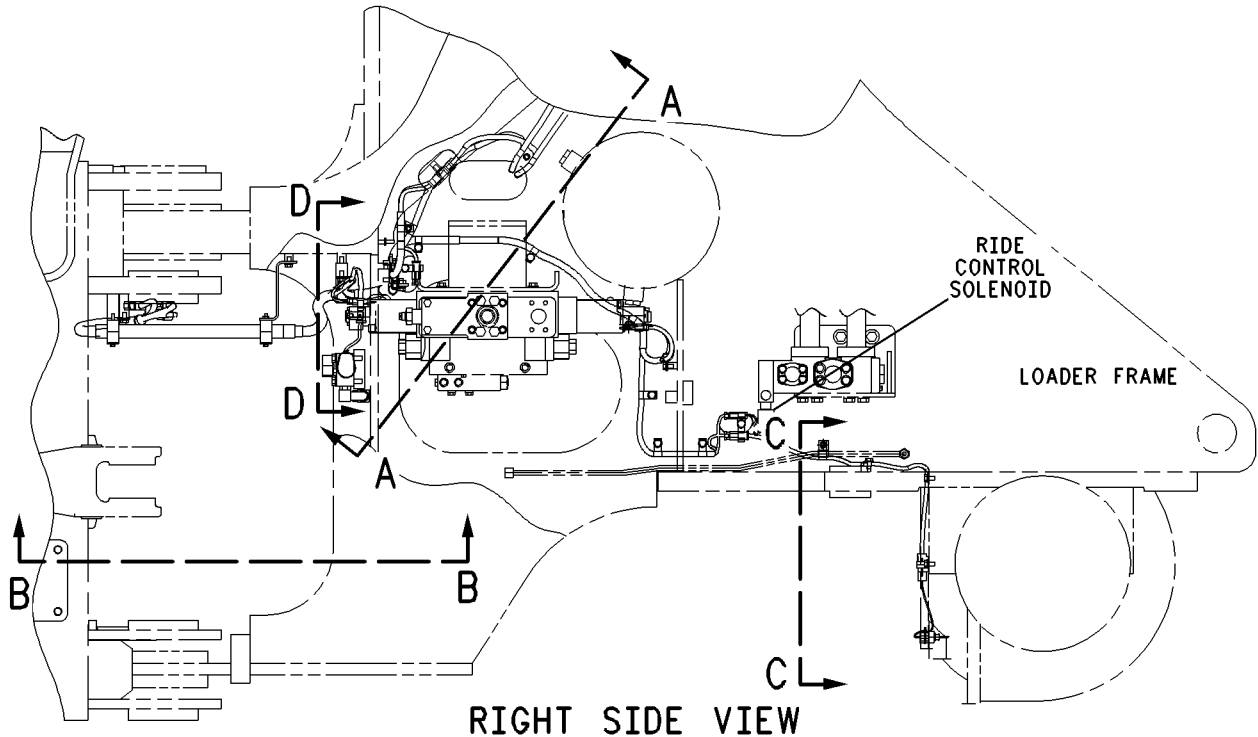
# ELECTRICAL AND STARTING SYSTEM

114-5178 WIRING GP-FRONT (contd.)

i01631669



REFER TO ALL ILLUSTRATIONS OF THIS GROUP FOR AUXILIARY VIEWS



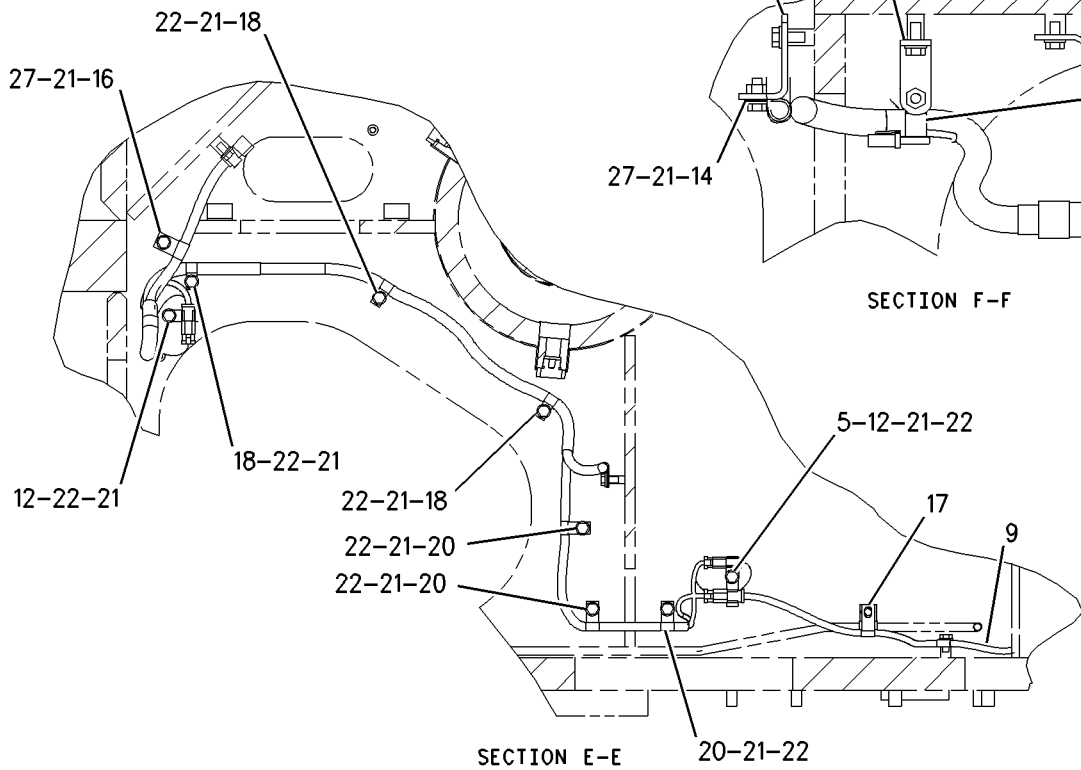
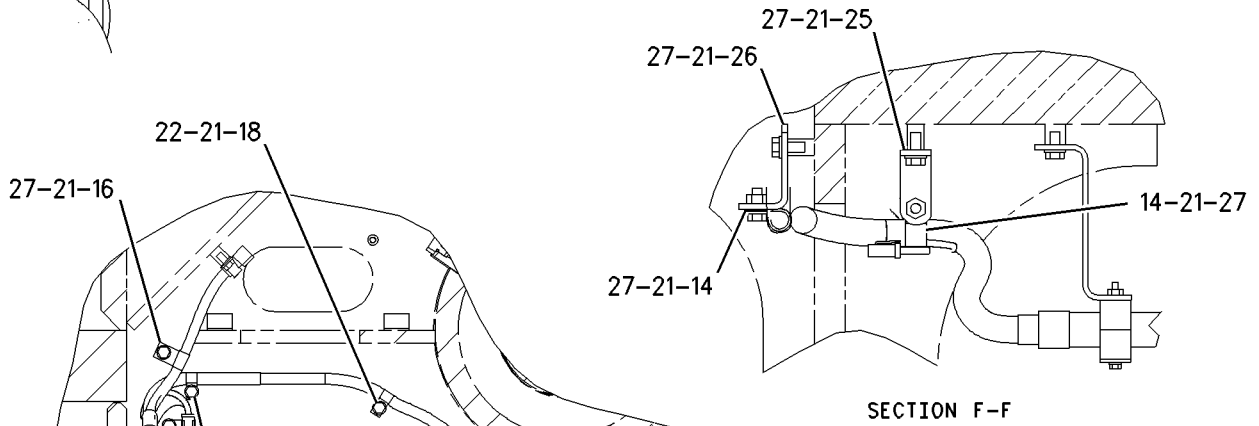
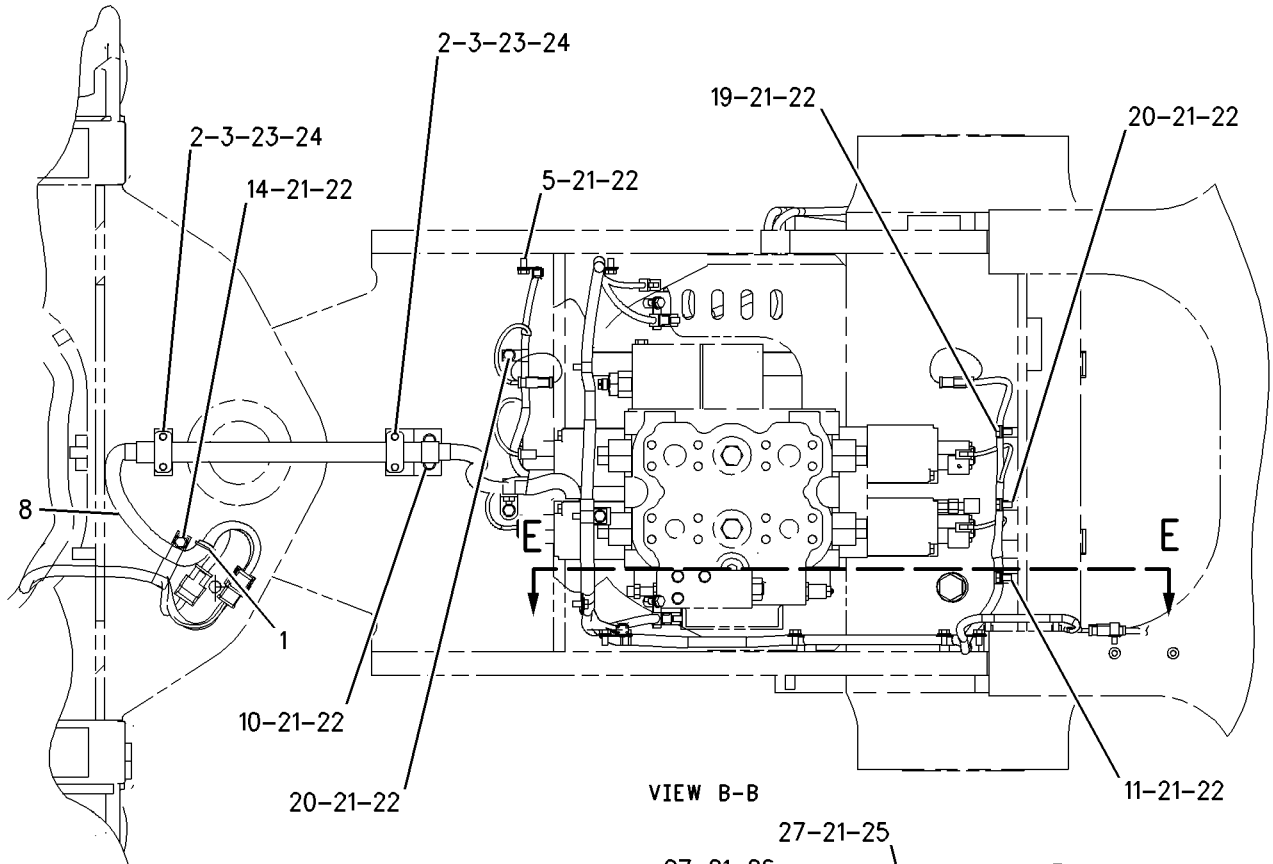
GRAPHIC #1

g00778136

# ELECTRICAL AND STARTING SYSTEM

114-5178 WIRING GP-FRONT (contd.)

i01631669



GRAPHIC #2

<END>

g00845179

# ELECTRICAL AND STARTING SYSTEM

## 221-9752 WIRING GP-FRONT

S/N: BNH592-UP

PART OF 203-1579 ELECTRICAL AR

SMCS-5734

i01767362

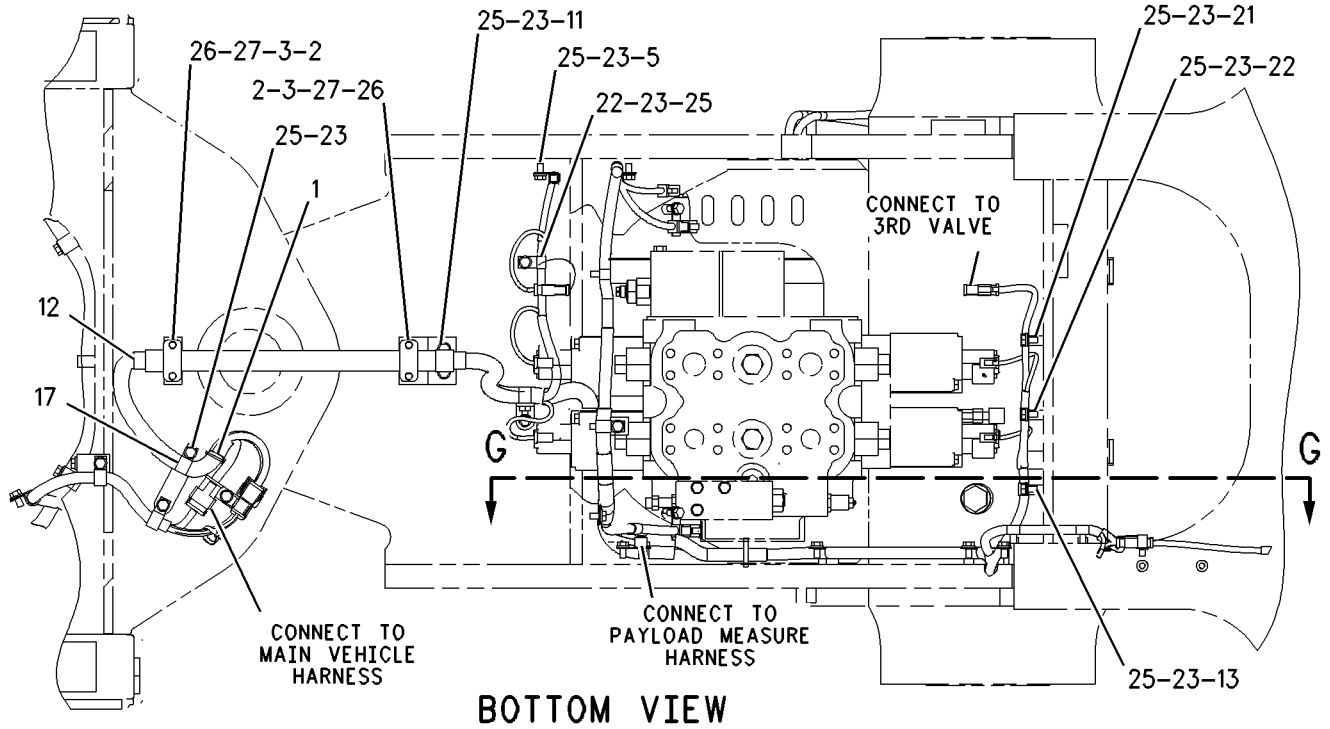
NOTE	REF NO	GRAPHIC REF	PART NUMBER	QTY	PART NAME						SEE PAGE
					1	2	3	4	5	6 (PRODUCT LEVEL)	
	1	1	<b>3S-2093</b>	2	STRAP-CABLE						
	2	1	<b>5V-6152</b>	4	CLAMP						
	3	1	<b>5V-6153</b>	2	PLATE-COVER						
	4	1	<b>7K-1181</b>	1	STRAP-CABLE						
	5	1	<b>9U-2277</b>	1	CLIP AS						
		1	<b>8C-3334</b>	1	RIVET-TUBULAR						
	6	1	<b>9X-3495</b>	1	CLIP AS						
		1	<b>8C-3334</b>	2	RIVET-TUBULAR						
	7	2	<b>103-0010</b>	1	BRACKET AS						
M		2	<b>8T-3490</b>	1	NUT-WELD (M10X1.5-THD)						
Y	8	1	<b>131-0427</b>	1	SENSOR GP-TEMPERATURE						320
	9	2	<b>141-8707</b>	1	HARNESS AS-SENSOR (FRONT AXLE OIL TEMPERATURE)						
		2	<b>102-8804</b>	1	KIT-RECEPTACLE (4-PIN)						
		2	<b>8T-8737</b>	1	PLUG-SEAL						
	10	2	<b>142-3331</b>	1	BRACKET AS						
M		2	<b>8T-3490</b>	1	NUT-WELD (M10X1.5-THD)						
	11	1	<b>144-2188</b>	1	BRACKET AS						
M		1	<b>6V-9632</b>	2	NUT-WELD (M6X1-THD)						
	12	1	<b>220-5675</b>	1	HARNESS AS-FRONT CHASSIS (MAIN)						
		1	<b>8T-8737</b>	20	PLUG-SEAL						
		1	<b>102-8802</b>	1	KIT-RECEPTACLE (2-PIN)						
		1	<b>102-8803</b>	1	KIT-RECEPTACLE (3-PIN)						
		1	<b>102-8804</b>	1	KIT-RECEPTACLE (4-PIN)						
		1	<b>102-8805</b>	1	KIT-RECEPTACLE (6-PIN)						
		1	<b>102-8801</b>	1	KIT-RECEPTACLE (12-PIN)						
		1	<b>155-2255</b>	1	KIT-CONNECTING PLUG (12-PIN)						
		1	<b>155-2265</b>	1	KIT-CONNECTING PLUG (8-PIN)						
		1	<b>155-2260</b>	1	KIT-CONNECTING PLUG (3-PIN)						
		1	<b>155-2270</b>	1	KIT-CONNECTING PLUG (2-PIN)						
		1	<b>155-2271</b>	1	KIT-CONNECTING PLUG (4-PIN)						
		1	<b>155-2274</b>	1	KIT-CONNECTING PLUG (6-PIN)						
	13	1	<b>033-8248</b>	1	CLIP						
	14	2	<b>115-3070</b>	2	CLIP AS-CONNECT (4-PIN)						
		2	<b>8C-3334</b>	1	RIVET-TUBULAR						
	15	2	<b>115-3071</b>	2	CLIP AS-CONNECTOR (6-PIN)						
		2	<b>8C-3334</b>	1	RIVET-TUBULAR						
	16	2	<b>124-1479</b>	1	CLIP						
	17	1,2	<b>1S-0994</b>	4	CLIP						
	18	1	<b>3J-1907</b>	1	SEAL-O-RING						
	19	2	<b>4D-8123</b>	1	CLIP						
	20	2	<b>4K-8864</b>	5	CLIP						
	21	1,2	<b>5P-9085</b>	3	CLIP						
	22	1,2	<b>6V-3265</b>	5	CLIP						
	23	1,2	<b>8T-4121</b>	29	WASHER-HARD (11X21X2.5-MM THK)						
M	24	2	<b>8T-4136</b>	5	BOLT (M10X1.5X25-MM)						
M	25	1,2	<b>8T-4137</b>	24	BOLT (M10X1.5X20-MM)						
M	26	1	<b>8T-6974</b>	4	BOLT (M6X1X80-MM)						
	27	1	<b>9X-8256</b>	4	WASHER (6.6X12X2-MM THK)						

M - METRIC PART  
Y - SEPARATE ILLUSTRATION

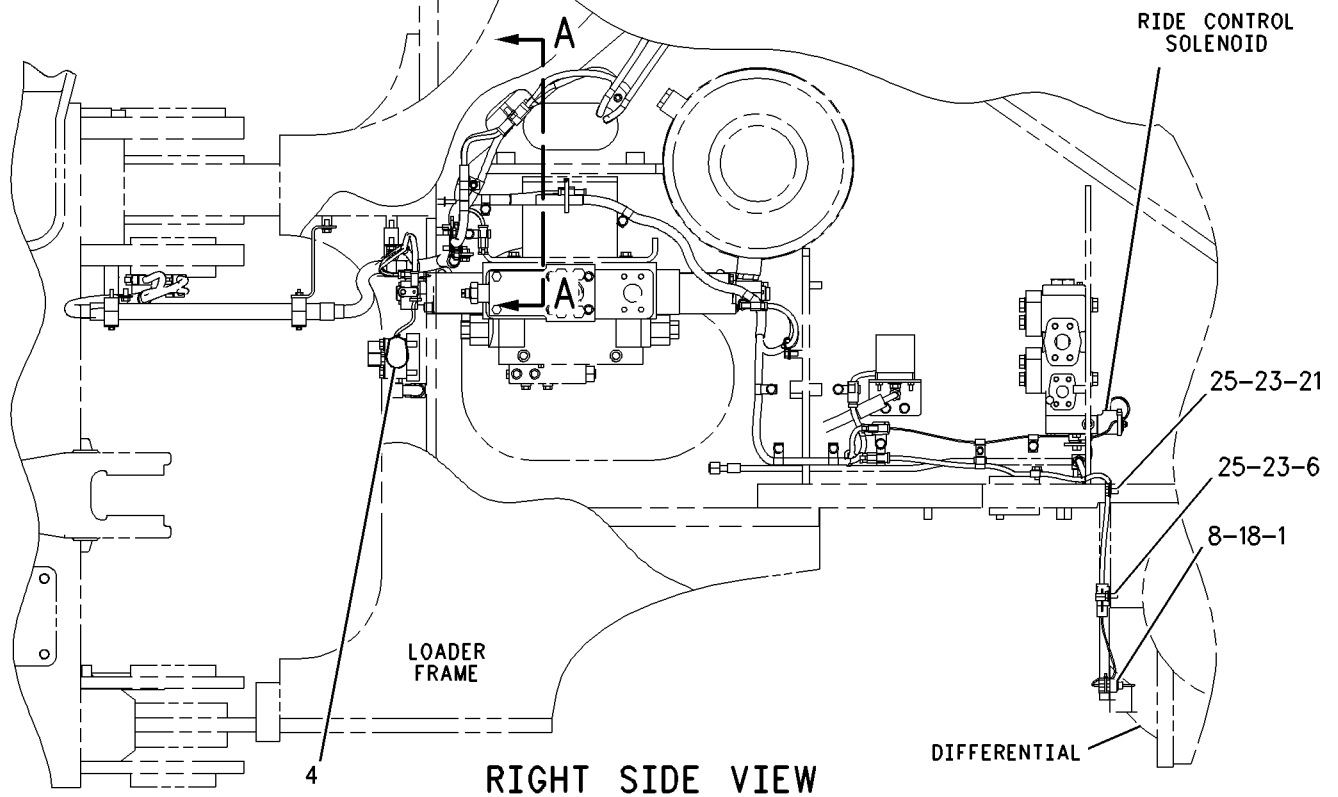
# ELECTRICAL AND STARTING SYSTEM

221-9752 WIRING GP-FRONT (contd.)

i01767362



REFER TO ALL ILLUSTRATIONS OF THIS GROUP FOR AUXILIARY VIEWS



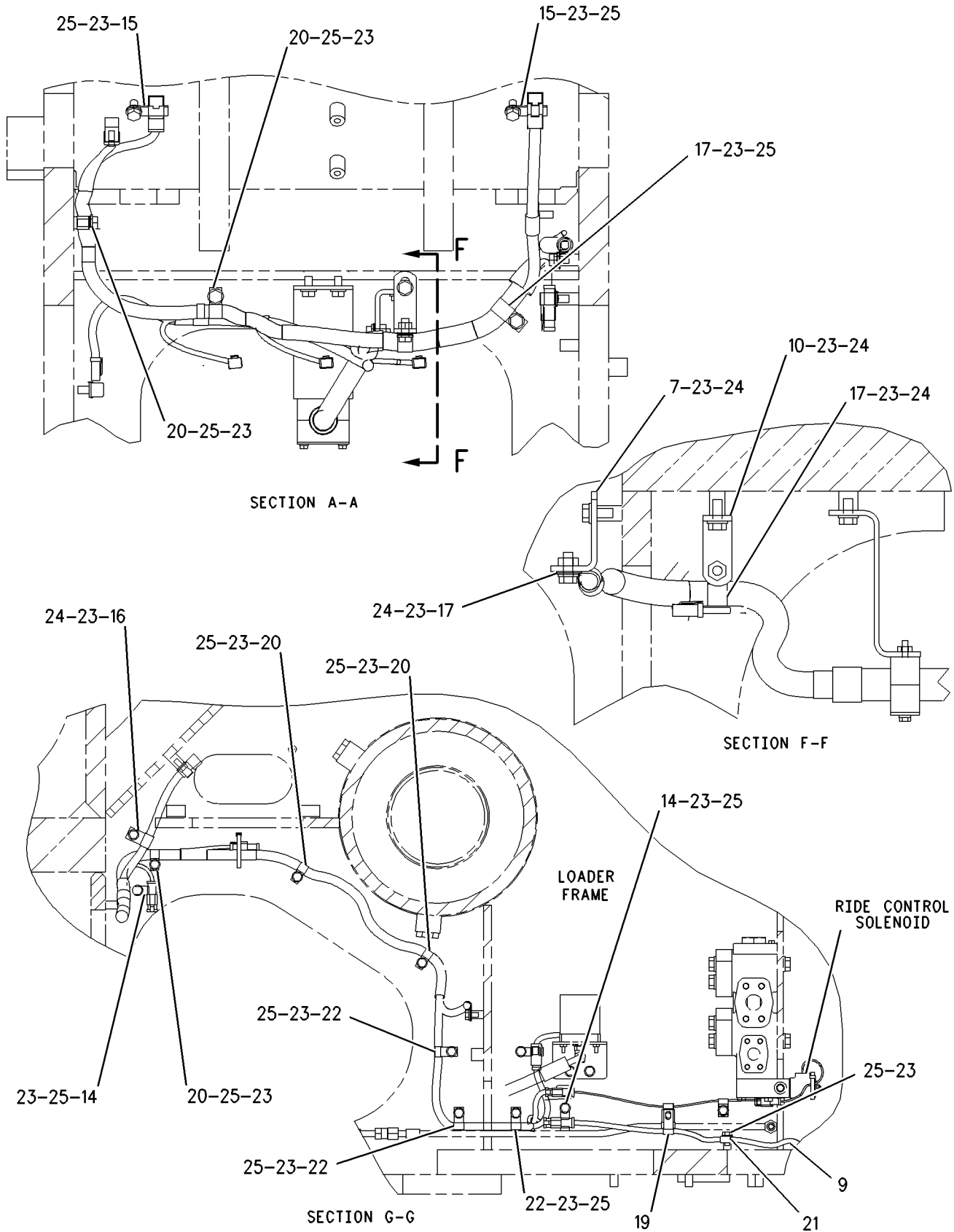
GRAPHIC #1

g00935557

# ELECTRICAL AND STARTING SYSTEM

221-9752 WIRING GP-FRONT (contd.)

i01767362



GRAPHIC #2

<END>

g00935567



# ELECTRICAL AND STARTING SYSTEM

## 203-1597 WIRING GP-MACHINE

S/N: BNH1-UP

PART OF 203-1579 ELECTRICAL AR

SMCS-1408

i01946243

NOTE	REF NO	GRAPHIC REF	PART NUMBER	QTY	PART NAME						SEE PAGE
					1	2	3	4	5	6 (PRODUCT LEVEL)	
	1	1	091-0081	1	SPACER (10.5X20X10-MM THK)						
	2	2,3,4	9U-2277	3	CLIP AS						
	3	3,4	9X-3495	2	CLIP AS						
	4	2,3,4,5	9X-6772	10	STRAP-CABLE						
	5	4	119-7839	1	BRACKET						
Y	6	1	131-0427	1	SENSOR GP-TEMPERATURE (REAR AXLE OIL)						320
	7	3	136-9699	1	BRACKET AS						
	8	3	141-8712	1	HARNESS AS-HYDRAULIC TANK						
		3	102-8805	1	KIT-RECEPTACLE (6-PIN)						
		3	8T-8737	2	PLUG-SEAL						
	9	1	141-8714	1	HARNESS AS-SENSOR (REAR AXLE OIL TEMPERATURE)						
		1	102-8804	1	KIT-RECEPTACLE (4-PIN)						
		1	8T-8737	1	PLUG-SEAL						
	10	2	146-6734	1	PLATE AS						
M		2	8T-3490	2	NUT-WELD (M10X1.5-THD)						
	11	4	148-6729	1	BRACKET AS						
M		4	8T-3490	1	NUT-WELD (M10X1.5-THD)						
M		4	9R-1733	1	BOSS (M10X1.5X66.5-MM)						
	12	4	153-7095	2	BRACKET AS						
					(EACH INCLUDES)						
M		4	8T-3490	1	NUT-WELD (M10X1.5-THD)						
	13	1	154-6626	1	BRACKET AS						
M		1	8T-3490	1	NUT-WELD (M10X1.5-THD)						
Y	14	4	143-9176	1	SENSOR GP-PRESSURE (IMPLEMENT PUMP)						310
Y	15	2	164-7577	1	SWITCH GP-BYPASS (POWER TRAIN OIL)						338
	16	3	175-3244	1	SWITCH AS-PRESSURE (BRAKE ACCUMULATOR)						
		3	102-8803	1	KIT-RECEPTACLE (3-PIN)						
		3	3E-3371	1	WEDGE-RECEPTACLE LOCK (3-PIN)						
		3	5P-6008	1	TUBE-HEAT SHRINK (6.35-MM DIA)						
		3	8T-5677	6	SLEEVE						
		3	186-3735	1	PIN-CONNECTOR (16-GA TO 18-GA)						
	17	2	184-4902	1	GUARD AS						
	18	2	192-7455	1	HARNESS AS-CHASSIS (POW TR FILTER, WINDOW WASHER)						
		2	8T-8737	2	PLUG-SEAL						
		2	9X-6772	1	STRAP-CABLE						
	19	2	227-0867	1	HARNESS AS-CHASSIS (MAIN)						
		2	102-8802	1	KIT-RECEPTACLE (2-PIN)						
		2	102-8803	1	KIT-RECEPTACLE (3-PIN)						
		2	102-8804	1	KIT-RECEPTACLE (4-PIN)						
		2	102-8805	1	KIT-RECEPTACLE (6-PIN)						
		2	102-8806	1	KIT-RECEPTACLE (8-PIN)						
		2	102-8801	1	KIT-RECEPTACLE (12-PIN)						
		2	155-2255	1	KIT-CONNECTING PLUG (12-PIN)						
		2	155-2260	1	KIT-CONNECTING PLUG (3-PIN)						
		2	155-2271	1	KIT-CONNECTING PLUG (4-PIN)						
		2	155-2274	1	KIT-CONNECTING PLUG (6-PIN)						
	20	2	033-8248	1	CLIP						
	21	3	115-3069	2	CLIP AS-CONNECTOR (3-PIN)						
	22	4	115-3070	1	CLIP AS-CONNECT (4-PIN)						
	23	2,5	115-3071	2	CLIP AS-CONNECTOR (6-PIN)						
	24	5	115-3072	2	CLIP AS-CONNECTOR (8-PIN)						
	25	2	115-5579	1	CLIP AS-CONNECT						
	26	3,5	130-5300	4	CLIP						
	27	3	148-8313	1	ADAPTER AS						
		3	3K-0360	1	SEAL-O-RING						
		3	5P-6944	1	ADAPTER						

# ELECTRICAL AND STARTING SYSTEM

203-1597 WIRING GP-MACHINE (contd.)

i01946243

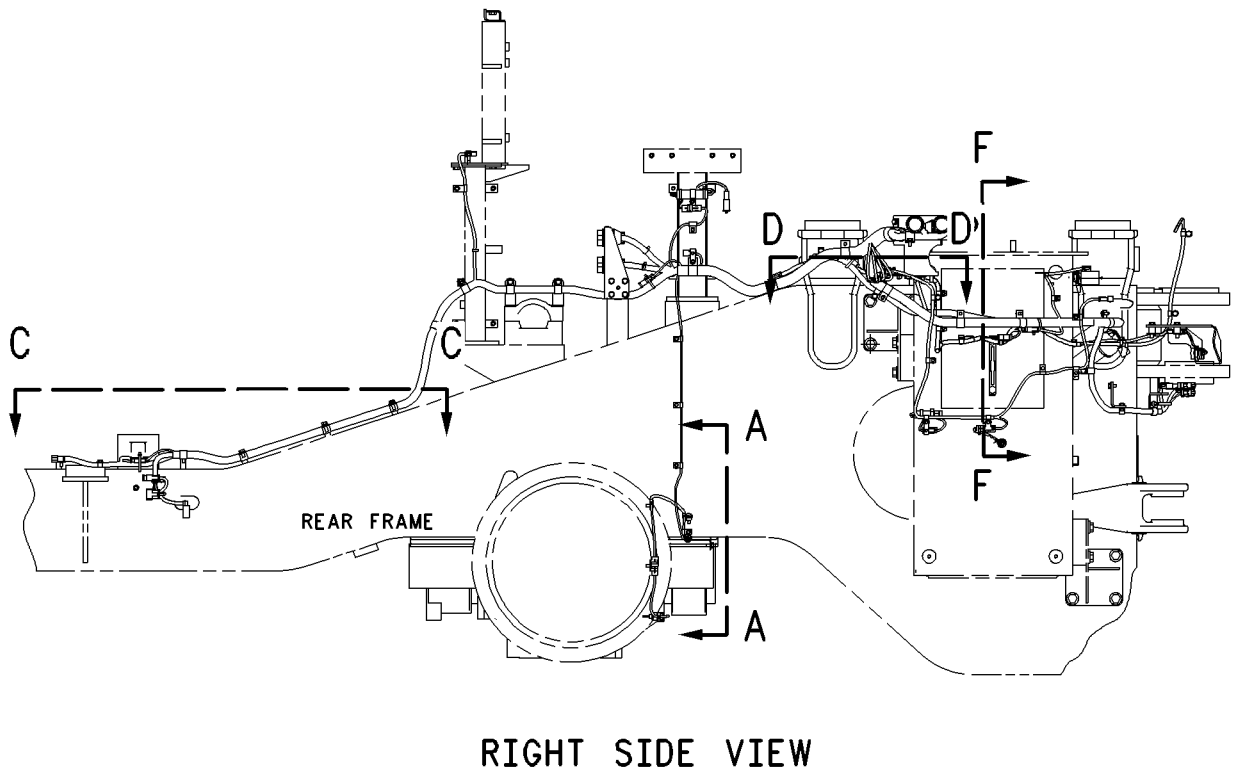
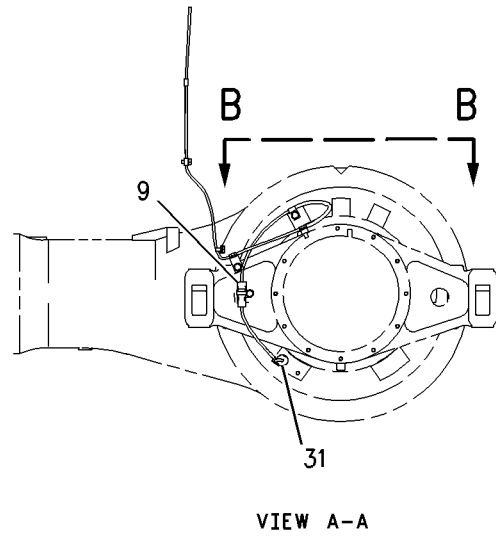
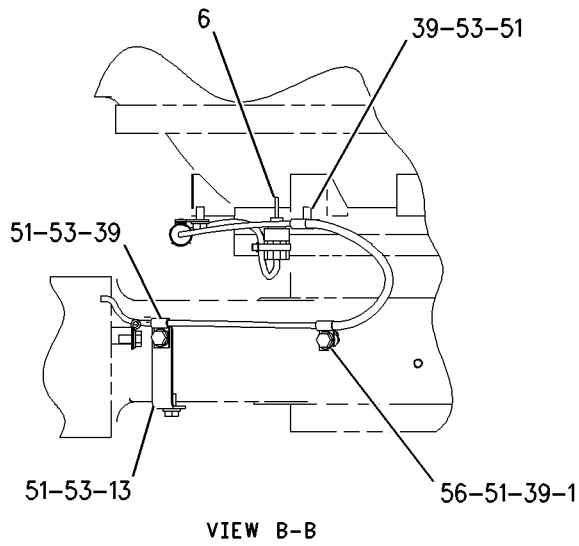
NOTE	REF NO	GRAPHIC REF	PART NUMBER	QTY	PART NAME						SEE PAGE
					1	2	3	4	5	6 (PRODUCT LEVEL)	
	28	3,5	1S-0994	3	CLIP						
	29	2	2S-4078	1	SEAL-O-RING						
	30	2	3D-2824	1	SEAL-O-RING						
	31	1,3	3J-1907	3	SEAL-O-RING						
	32	2,4	4D-7388	4	CLIP						
	33	2,3	4D-7794	6	CLIP						
	34	2,3	4K-8864	2	CLIP						
	35	3,4	4S-1962	9	CLIP						
	36	4	4S-4455	1	CLIP						
	37	2	3T-9549	1	ADAPTER						
	38	2	5P-7854	5	CLIP						
	39	1,2,3,4	5P-9085	12	CLIP						
	40	4	5P-9299	1	CLIP						
	41	4	6B-6205	2	SPACER (0.438X0.875X1.281-IN THK)						
	42	5	6D-3479	1	CLIP						
	43	5	6D-4244	1	CLIP						
	44	5	6D-4246	1	CLIP						
	45	2,4	6V-2383	3	CLIP						
	46	4	6V-3265	1	CLIP						
	47	2	7D-1553	1	CLIP						
	48	4	7J-0204	1	SEAL-O-RING						
	49	2	8M-2770	4	CLIP						
	50	5	8M-2773	1	CLIP						
	51	1,2,3,4,5	8T-4121	67	WASHER-HARD (11X21X2.5-MM THK)						
M	52	5	8T-4136	1	BOLT (M10X1.5X25-MM)						
M	53	1,2,3,4,5	8T-4137	52	BOLT (M10X1.5X20-MM)						
M	54	4	8T-4139	1	BOLT (M12X1.75X30-MM)						
M	55	2	8T-4194	2	BOLT (M12X1.75X50-MM)						
M	56	1,2,3,4,5	8T-4195	12	BOLT (M10X1.5X30-MM)						
	57	2,4	8T-4223	4	WASHER-HARD (13.5X25.5X3-MM THK)						
M	58	2	8T-4244	1	NUT (M12X1.75-THD)						
M	59	4	8T-6466	2	BOLT (M10X1.5X60-MM)						
	60	5	9X-8250	2	CLIP						
Y	61	3	131-0427	1	SENSOR GP-TEMPERATURE (HYDRAULIC OIL)						320
	62	5	125-8534	1	PLATE AS						
M		5	8T-3490	1	NUT-WELD (M10X1.5-THD)						

M - METRIC PART  
Y - SEPARATE ILLUSTRATION

# ELECTRICAL AND STARTING SYSTEM

203-1597 WIRING GP-MACHINE (contd.)

i01946243



REFER TO ALL ILLUSTRATIONS OF THIS GROUP FOR AUXILIARY VIEWS

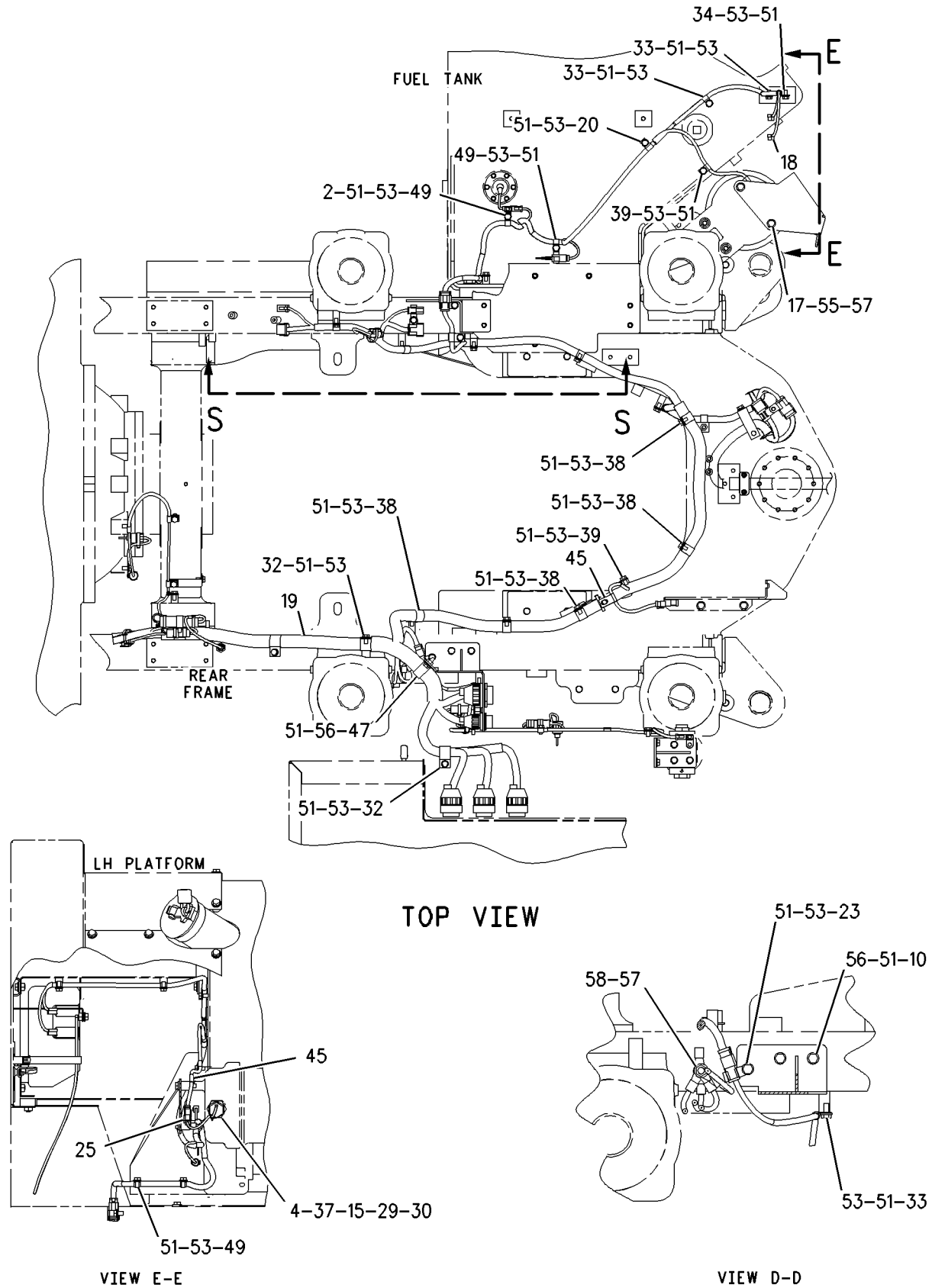
GRAPHIC #1

g00850866

# ELECTRICAL AND STARTING SYSTEM

203-1597 WIRING GP-MACHINE (contd.)

i01946243



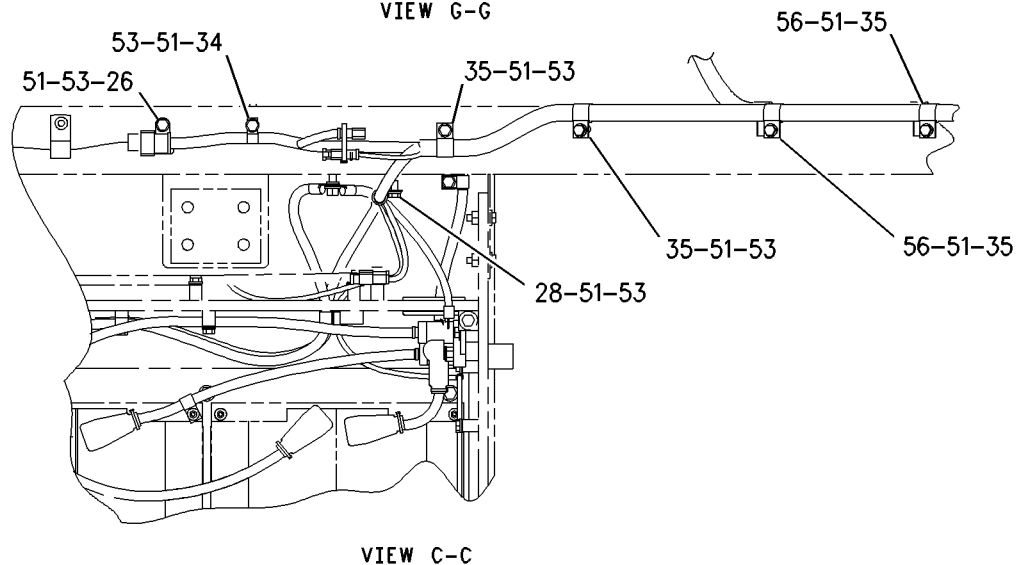
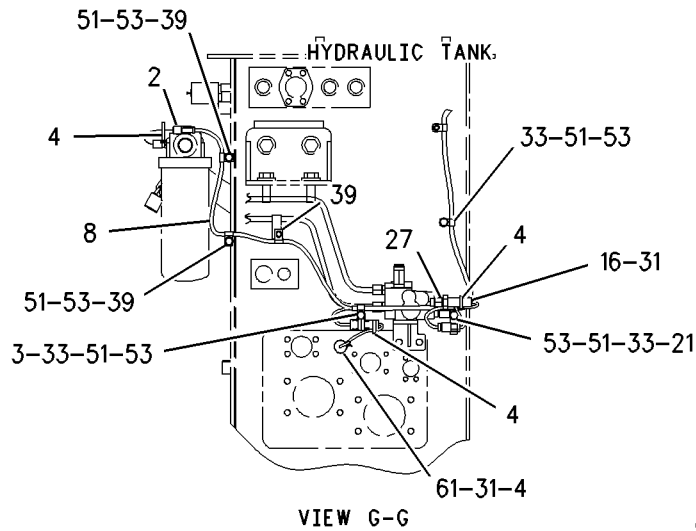
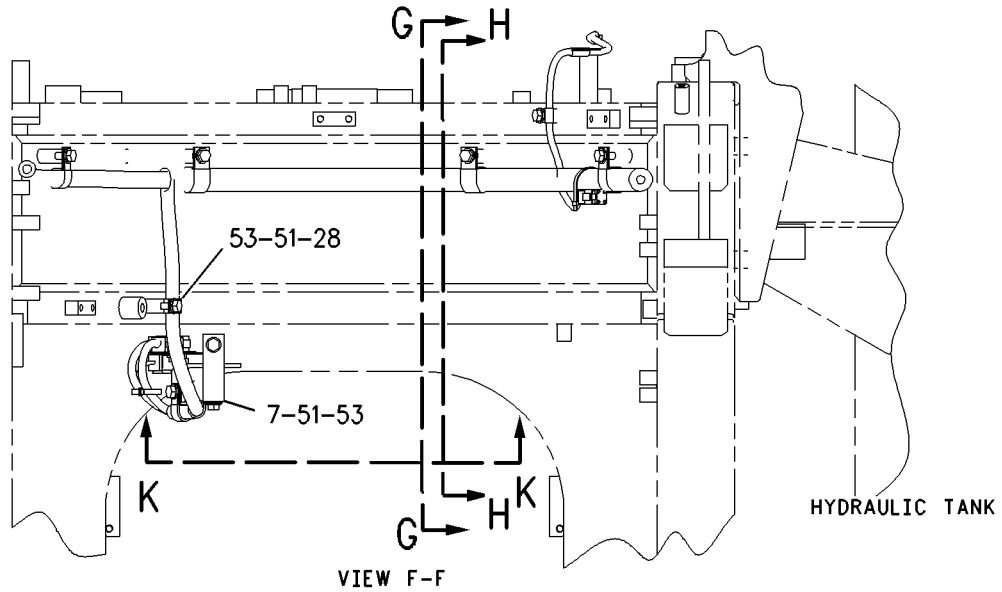
GRAPHIC #2

g00845334

# ELECTRICAL AND STARTING SYSTEM

203-1597 WIRING GP-MACHINE (contd.)

i01946243



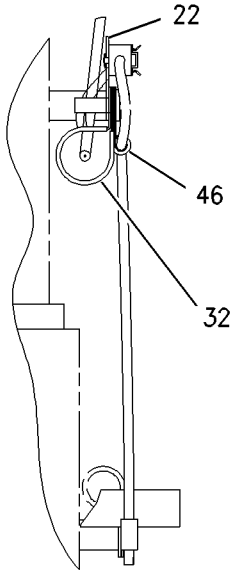
GRAPHIC #3

g00844848

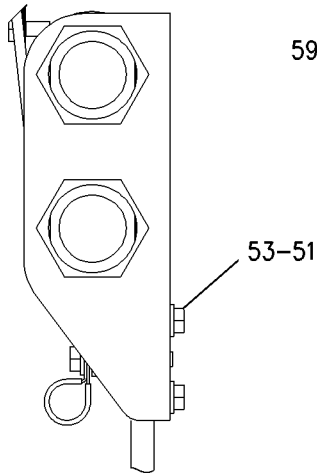
# ELECTRICAL AND STARTING SYSTEM

203-1597 WIRING GP-MACHINE (contd.)

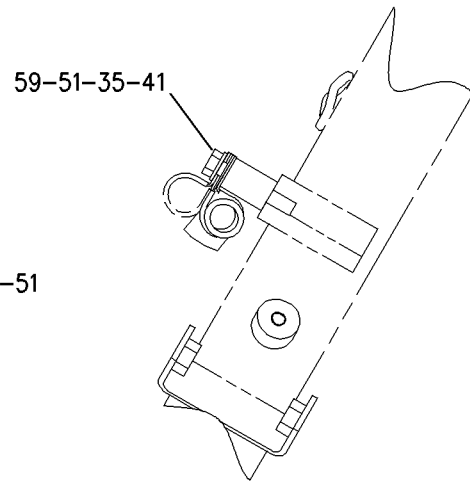
i01946243



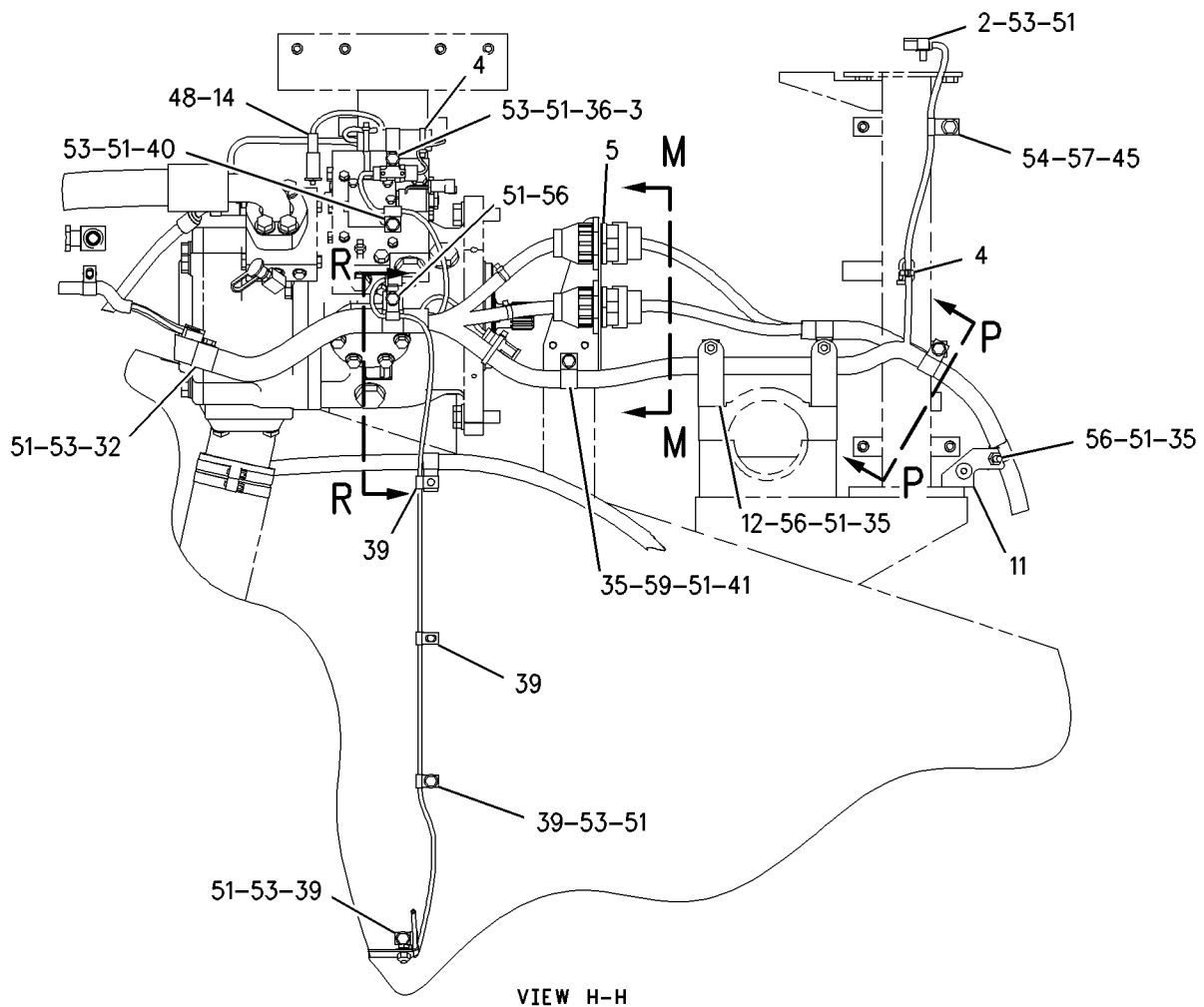
VIEW R-R



VIEW M-M



VIEW P-P



VIEW H-H

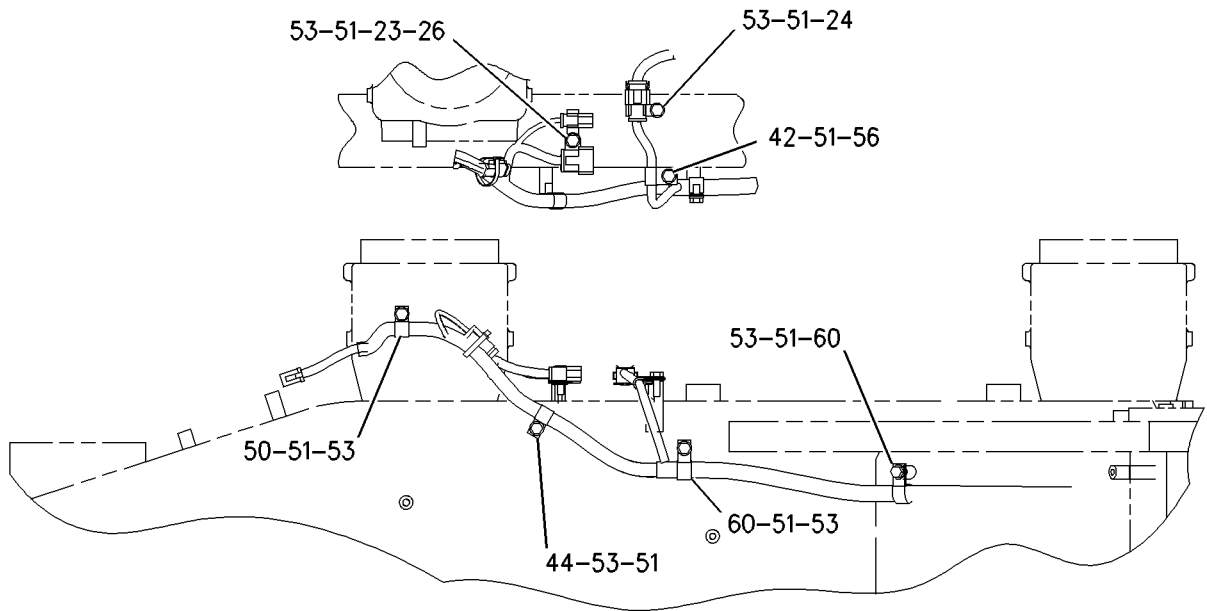
GRAPHIC #4

g00844849

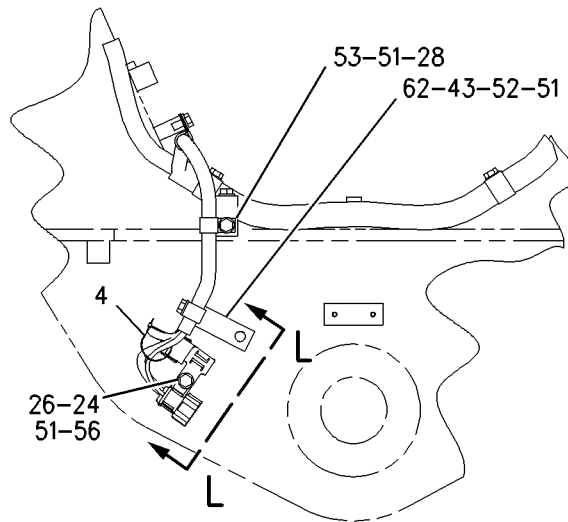
# ELECTRICAL AND STARTING SYSTEM

203-1597 WIRING GP-MACHINE (contd.)

i01946243



VIEW S-S



VIEW K-K

GRAPHIC #5

<END>

g00845412

# ELECTRICAL AND STARTING SYSTEM

## 203-1601 WIRING GP-POWER TRAIN

S/N: BNH1-650

PART OF 203-1579 ELECTRICAL AR

SMCS-1408, 1634

i01630415

NOTE	REF NO	GRAPHIC REF	PART NUMBER	QTY	PART NAME						SEE PAGE
					1	2	3	4	5	6 (PRODUCT LEVEL)	
	1	1	2T-3019	4	CLIP						
	2	1	6V-0852	1	CAP-DUST						
	3	1	8C-7528	1	CLIP						
	4	2	9U-2277	1	CLIP AS						
	5	1	9X-3495	3	CLIP AS						
	6	1,2	9X-6772	4	STRAP-CABLE						
Y	7	2	100-3055	1	SENSOR GP-TEMPERATURE (TRANSMISSION OIL)						318
Y	8	1	131-0427	1	SENSOR GP-TEMPERATURE (TORQUE CONVERTER OIL)						320
	9	1	141-8708	1	HARNESS AS-CONTROL (POWER TRAIN, REAR)						
		1	6D-5256	1	PLUG AS						
	10	1	144-0178	1	SENSOR GP-SPEED						
	11	2	145-9959	1	BRACKET AS						
	12	2	147-8856	1	BRACKET AS						
	13	1	149-8379	1	SPACER (18.85X26.67X32-MM THK)						
Y	14	1	186-4126	1	VALVE GP-MODULATING (TC IMPELLER CLUTCH)						571
	15	1	203-1576	1	HARNESS AS-CONTROL (POWER TRAIN, FRONT)						
		1	102-8802	1	KIT-RECEPTACLE (2-PIN)						
		1	102-8804	1	KIT-RECEPTACLE (4-PIN)						
		1	102-8801	1	KIT-RECEPTACLE (12-PIN)						
		1	8T-8737	10	PLUG-SEAL						
		1	9X-6772	2	STRAP-CABLE						
	16	1	115-3069	1	CLIP AS-CONNECTOR (3-PIN)						
	17	1	115-3070	1	CLIP AS-CONNECT (4-PIN)						
	18	2	115-5579	2	CLIP AS-CONNECT						
	19	1	130-5300	1	CLIP						
	20	2	2P-8421	1	ADAPTER-O-RING						
	21	2	3D-2824	1	SEAL-O-RING						
	22	1,2	3J-1907	3	SEAL-O-RING						
	23	1	3K-0360	1	SEAL-O-RING						
	24	1	5P-9085	2	CLIP						
	25	1,2	6D-4246	4	CLIP						
	26	1	6D-7889	1	SEAL-O-RING						
	27	1	6V-3265	1	CLIP						
	28	1	8M-2773	1	CLIP						
	29	1,2	8T-4121	9	WASHER-HARD (11X21X2.5-MM THK)						
M	30	1	8T-4133	1	NUT (M10X1.5-THD)						
M	31	1	8T-4136	3	BOLT (M10X1.5X25-MM)						
M	32	1,2	8T-4137	5	BOLT (M10X1.5X20-MM)						
M	33	1	8T-4193	1	BOLT (M16X2X50-MM)						
	34	1	8T-4224	2	WASHER-HARD (8.8X16X2-MM THK)						
	35	2	8T-4994	1	WASHER-HARD (20X36.5X3.5-MM THK)						
M	36	1	8T-6869	2	BOLT (M8X1.25X60-MM)						
	37	2	8T-9397	1	BOLT (3/4-10X1.25-IN)						
	38	1,2	9M-8406	3	CLIP						
	39	1	9X-8257	1	WASHER (17.5X30X3.5-MM THK)						
	40	1	4S-4455	1	CLIP						
Y	41	1	100-4311	1	SENSOR GP-PRESSURE (IMPELLER CLUTCH OIL)						308
	42	1	9X-0261	1	ADAPTER						
	43	1	3J-7354	1	SEAL-O-RING						

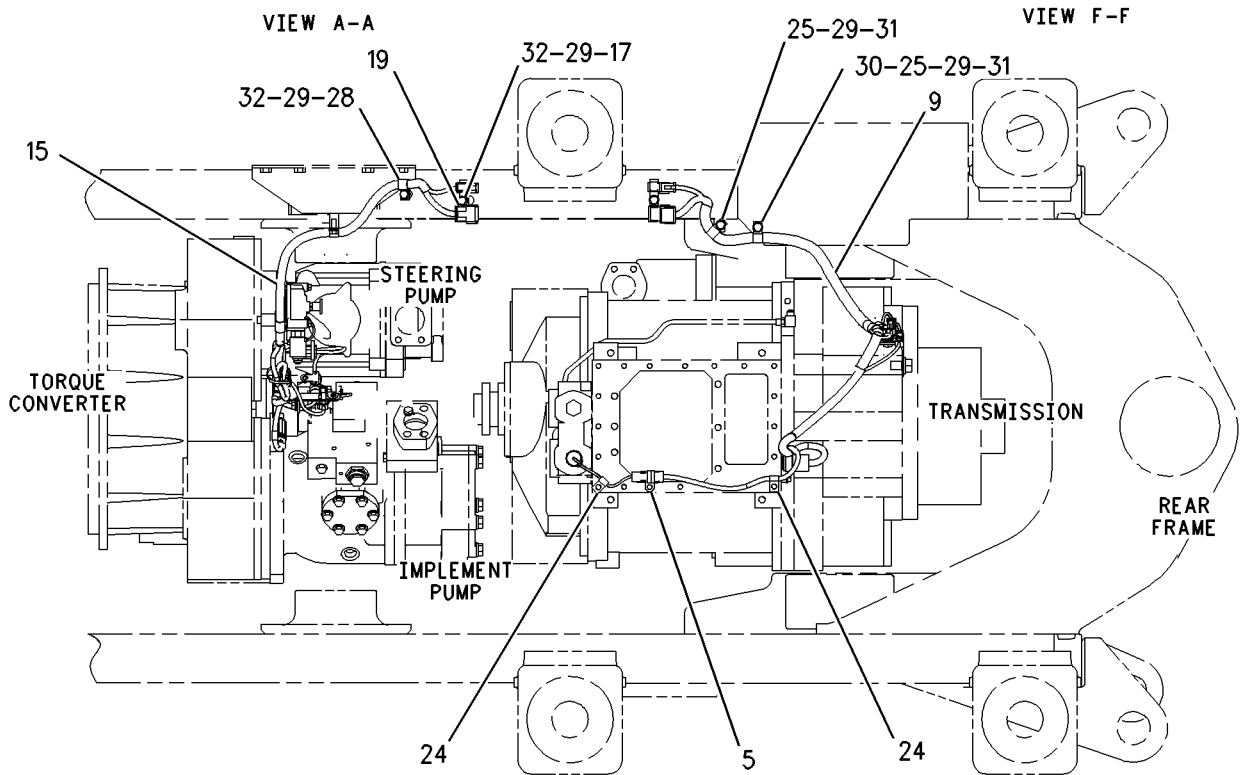
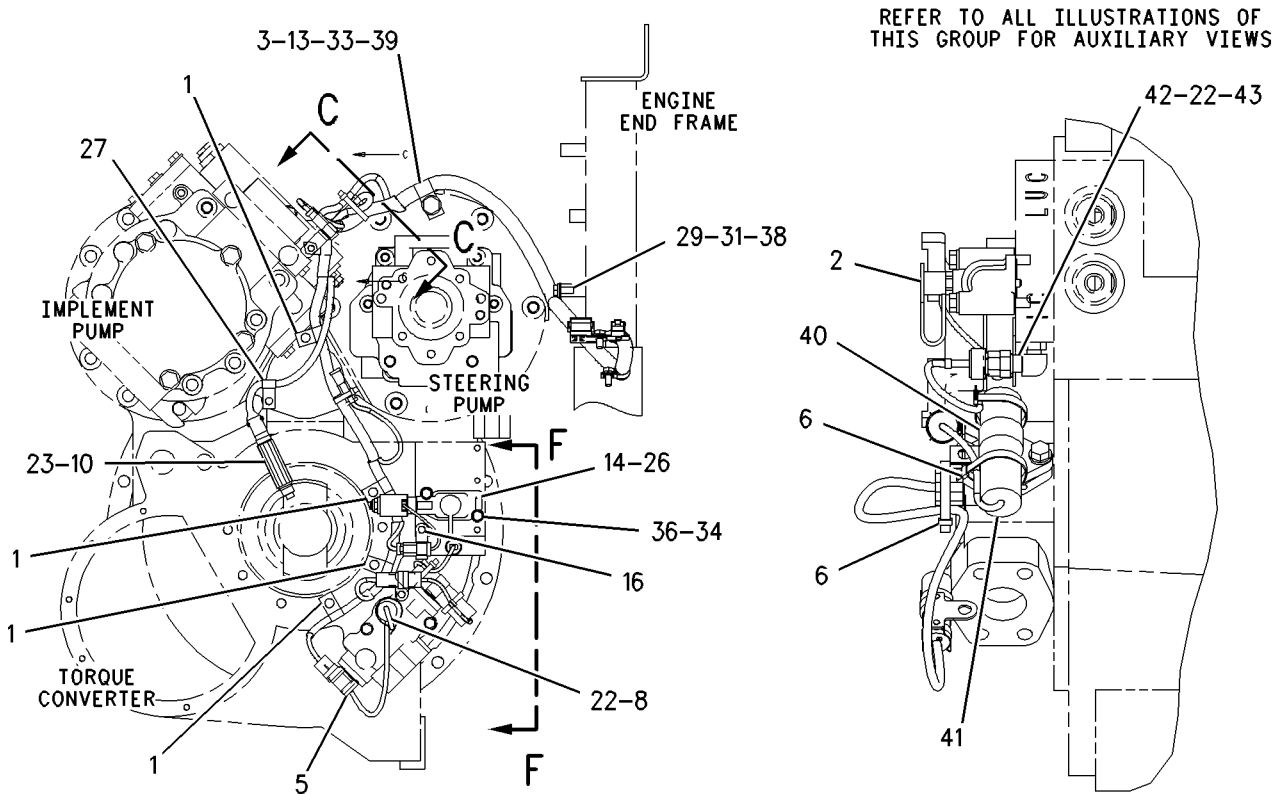
M - METRIC PART  
Y - SEPARATE ILLUSTRATION



# ELECTRICAL AND STARTING SYSTEM

203-1601 WIRING GP-POWER TRAIN (contd.)

i01630415



TOP VIEW

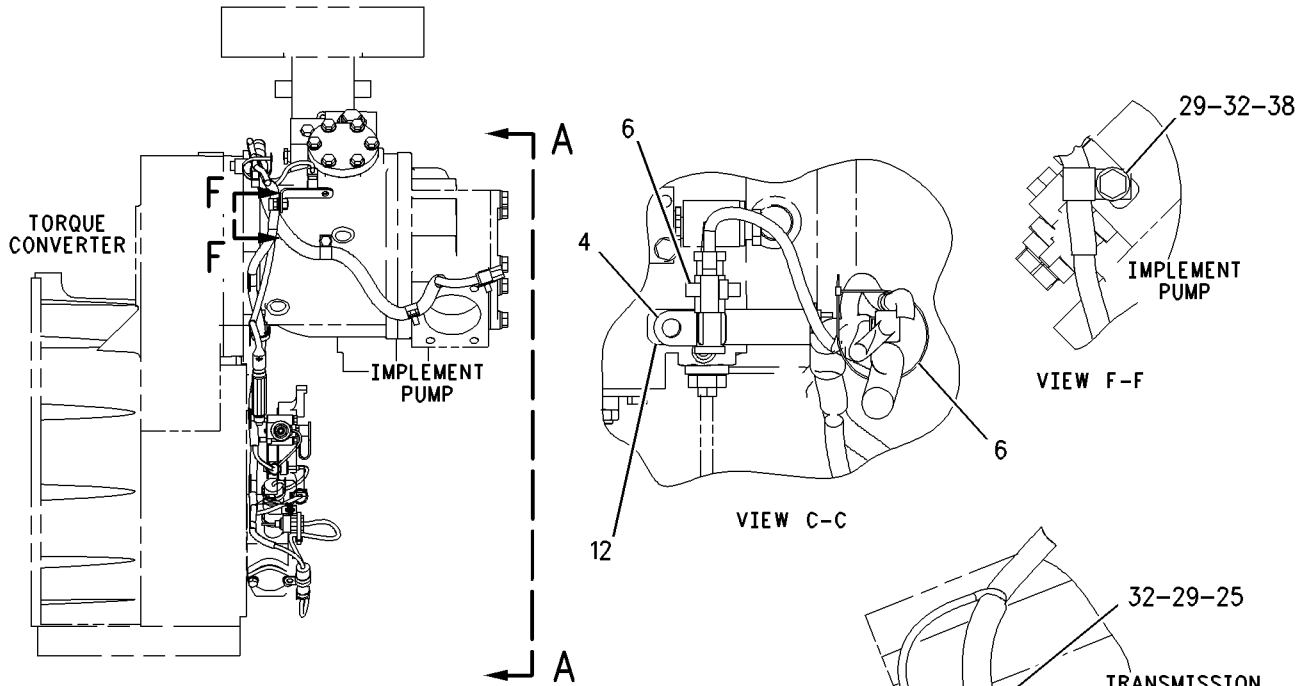
GRAPHIC #1

g00845708

# ELECTRICAL AND STARTING SYSTEM

203-1601 WIRING GP-POWER TRAIN (contd.)

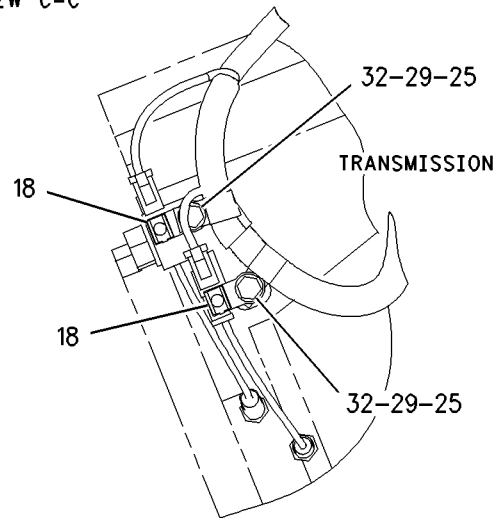
i01630415



RIGHT SIDE VIEW OF TORQUE CONVERTER

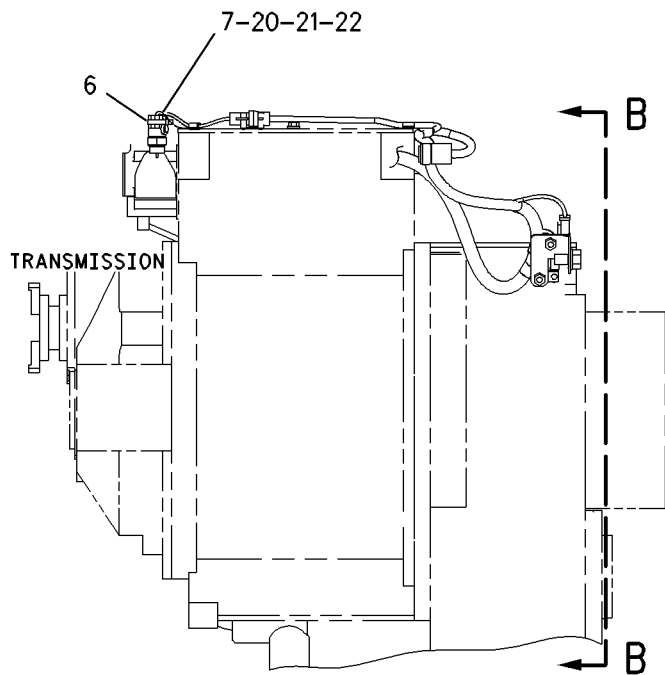
VIEW C-C

VIEW F-F

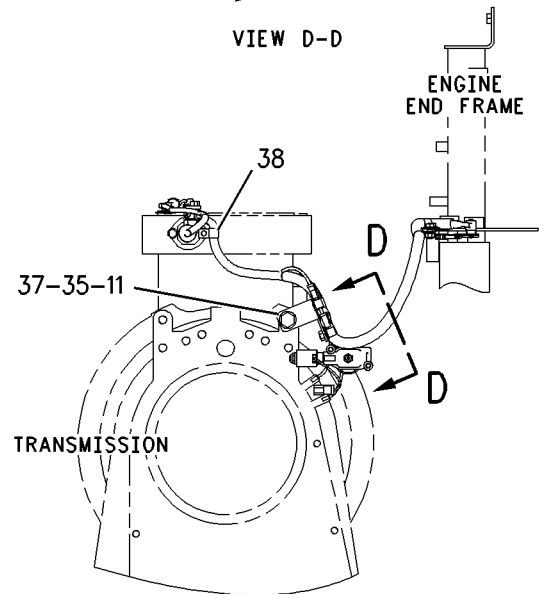


VIEW D-D

TRANSMISSION



RIGHT SIDE VIEW OF TRANSMISSION



VIEW B-B

TRANSMISSION

ENGINE END FRAME

GRAPHIC #2

<END>

g00845707

# ELECTRICAL AND STARTING SYSTEM

## 203-1601 WIRING GP-POWER TRAIN

S/N: BNH651-1061

PART OF 203-1579 ELECTRICAL AR

SMCS-1408, 1634

i01795231

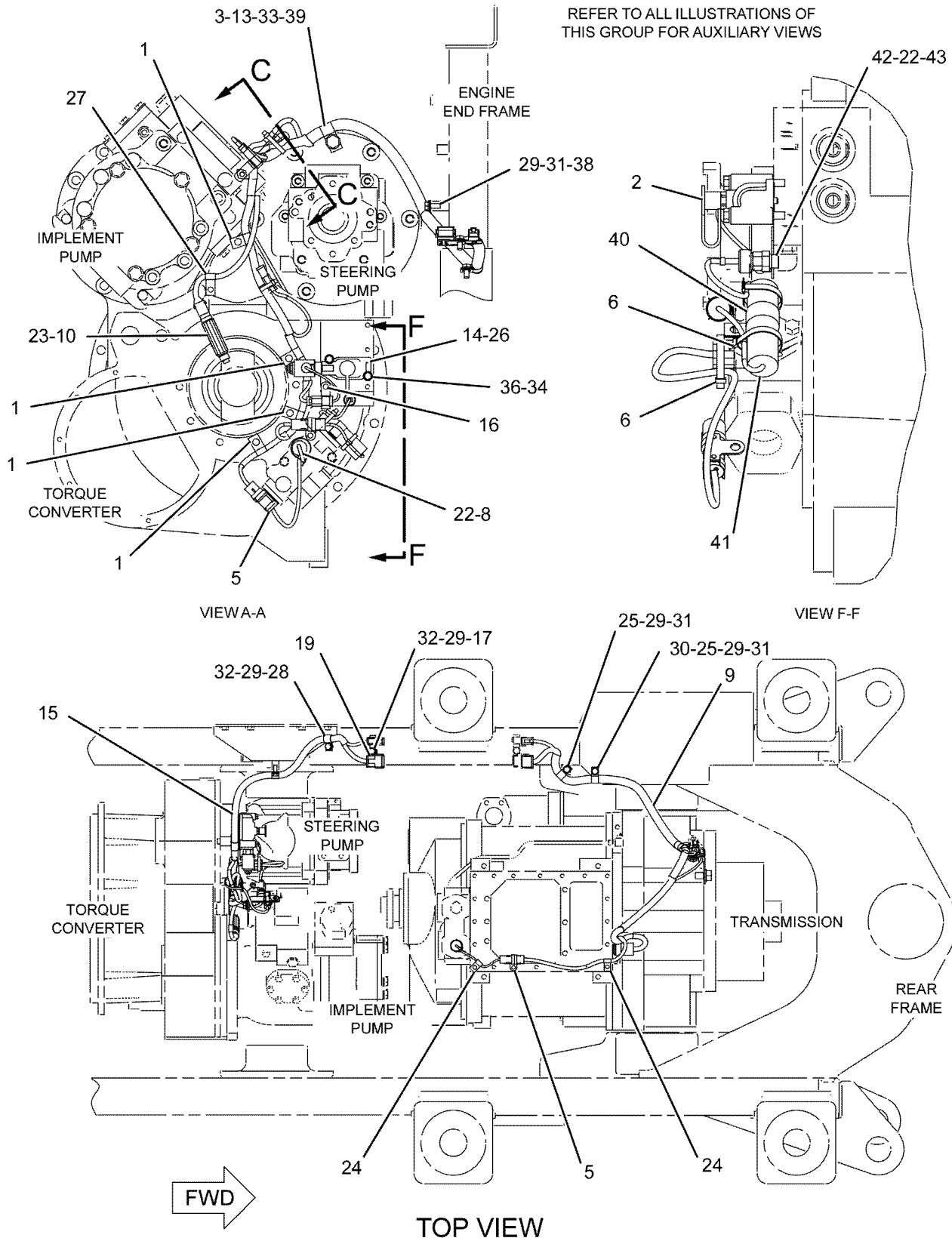
NOTE	REF NO	GRAPHIC REF	PART NUMBER	QTY	PART NAME						SEE PAGE
					1	2	3	4	5	6 (PRODUCT LEVEL)	
	1	1	2T-3019	4	CLIP						
	2	1	6V-0852	1	CAP-DUST						
	3	1	8C-7528	1	CLIP						
	4	2	9U-2277	1	CLIP AS						
	5	1	9X-3495	3	CLIP AS						
	6	1,2	9X-6772	4	STRAP-CABLE						
Y	7	2	100-3055	1	SENSOR GP-TEMPERATURE (TRANSMISSION OIL)						318
Y	8	1	131-0427	1	SENSOR GP-TEMPERATURE (TORQUE CONVERTER OIL)						320
	9	1	141-8708	1	HARNESS AS-CONTROL (POWER TRAIN, REAR)						
		1	6D-5256	1	PLUG AS						
	10	1	144-0178	1	SENSOR GP-SPEED (TORQUE CONVERTER OUTPUT)						
	11	2	145-9959	1	BRACKET AS						
	12	2	147-8856	1	BRACKET AS						
	13	1	149-8379	1	SPACER (18.85X26.67X32-MM THK)						
CY	14	1	217-2708	1	VALVE GP-MODULATING (24-VOLT) (TC IMPELLER CLUTCH)						574
	15	1	203-1576	1	HARNESS AS-CONTROL (POWER TRAIN, FRONT)						
		1	102-8802	1	KIT-RECEPTACLE (2-PIN)						
		1	102-8804	1	KIT-RECEPTACLE (4-PIN)						
		1	102-8801	1	KIT-RECEPTACLE (12-PIN)						
		1	8T-8737	10	PLUG-SEAL						
		1	9X-6772	2	STRAP-CABLE						
	16	1	115-3069	1	CLIP AS-CONNECTOR (3-PIN)						
	17	1	115-3070	1	CLIP AS-CONNECT (4-PIN)						
	18	2	115-5579	2	CLIP AS-CONNECT						
	19	1	130-5300	1	CLIP						
	20	2	2P-8421	1	ADAPTER-O-RING						
	21	2	3D-2824	1	SEAL-O-RING						
	22	1,2	3J-1907	3	SEAL-O-RING						
	23	1	3K-0360	1	SEAL-O-RING						
	24	1	5P-9085	2	CLIP						
	25	1,2	6D-4246	4	CLIP						
	26	1	6D-7889	1	SEAL-O-RING						
	27	1	6V-3265	1	CLIP						
	28	1	8M-2773	1	CLIP						
	29	1,2	8T-4121	9	WASHER-HARD (11X21X2.5-MM THK)						
M	30	1	8T-4133	1	NUT (M10X1.5-THD)						
M	31	1	8T-4136	3	BOLT (M10X1.5X25-MM)						
M	32	1,2	8T-4137	5	BOLT (M10X1.5X20-MM)						
M	33	1	8T-4193	1	BOLT (M16X2X50-MM)						
	34	1	8T-4224	2	WASHER-HARD (8.8X16X2-MM THK)						
	35	2	8T-4994	1	WASHER-HARD (20X36.5X3.5-MM THK)						
M	36	1	8T-6869	2	BOLT (M8X1.25X60-MM)						
	37	2	8T-9397	1	BOLT (3/4-10X1.25-IN)						
	38	1,2	9M-8406	3	CLIP						
	39	1	9X-8257	1	WASHER (17.5X30X3.5-MM THK)						
	40	1	4S-4455	1	CLIP						
Y	41	1	100-4311	1	SENSOR GP-PRESSURE (IMPELLER CLUTCH OIL)						308
	42	1	9X-0261	1	ADAPTER						
	43	1	3J-7354	1	SEAL-O-RING						

C - CHANGE FROM PREVIOUS TYPE  
M - METRIC PART  
Y - SEPARATE ILLUSTRATION

# ELECTRICAL AND STARTING SYSTEM

203-1601 WIRING GP-POWER TRAIN (contd.)

i01795231



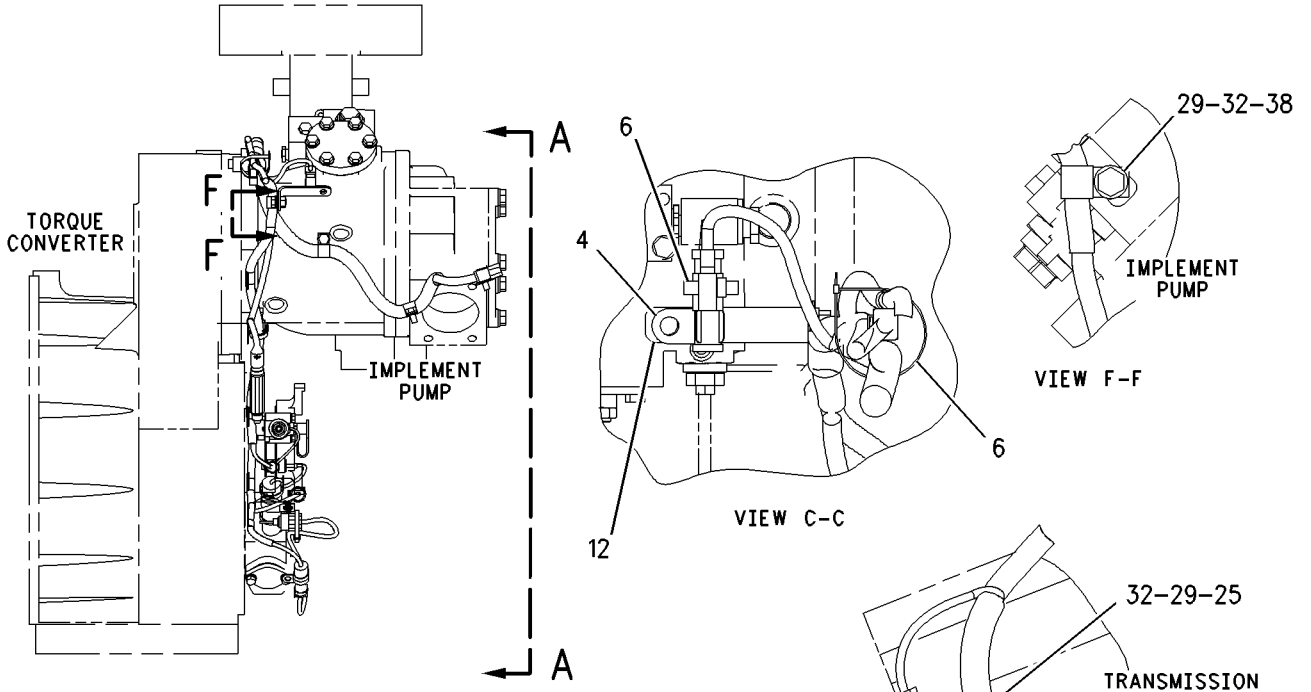
GRAPHIC #1

g01051440

# ELECTRICAL AND STARTING SYSTEM

203-1601 WIRING GP-POWER TRAIN (contd.)

i01795231



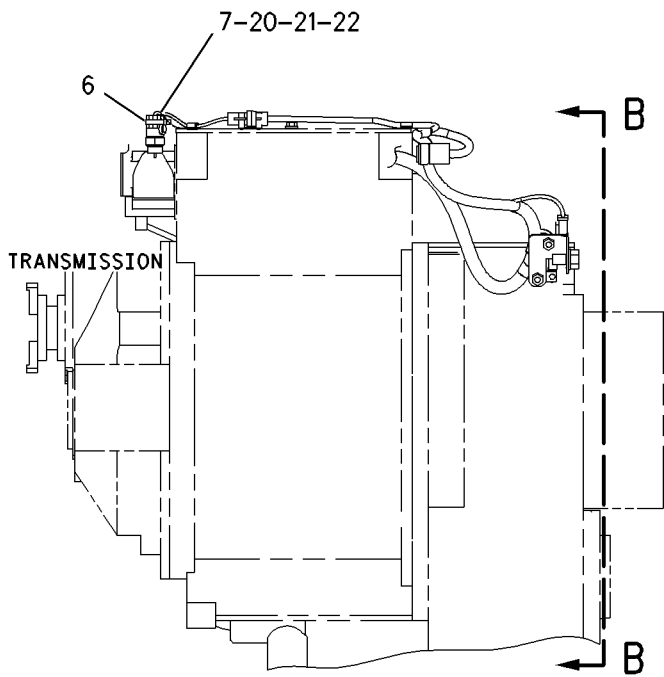
RIGHT SIDE VIEW OF TORQUE CONVERTER

VIEW C-C

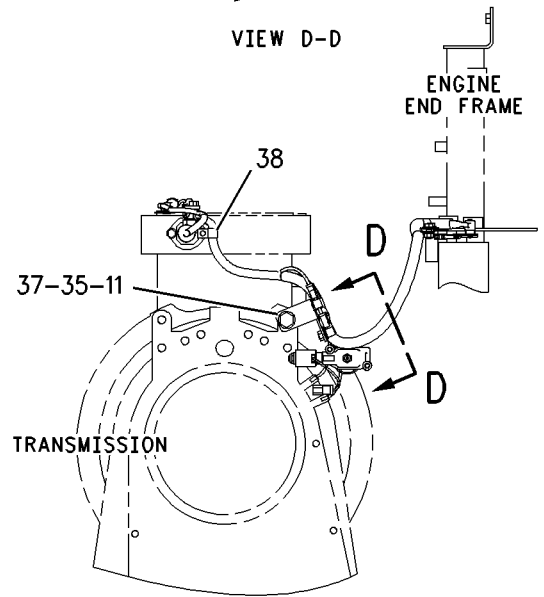
VIEW F-F

TRANSMISSION

VIEW D-D



RIGHT SIDE VIEW OF TRANSMISSION



VIEW B-B

GRAPHIC #2

<END>

g00845707

# ELECTRICAL AND STARTING SYSTEM

## 228-4402 WIRING GP-POWER TRAIN

S/N: BNH1062-UP

PART OF 203-1579 ELECTRICAL AR

SMCS-1408, 1634

i02299145

NOTE	REF NO	GRAPHIC REF	PART NUMBER	QTY	PART NAME						SEE PAGE
					1	2	3	4	5	6 (PRODUCT LEVEL)	
	1	1	2T-3019	4	CLIP						
	2	1	6D-7889	1	SEAL-O-RING						
	3	1	6V-0852	1	CAP-DUST						
	4	1	8C-7528	1	CLIP						
	5	1	9X-3495	3	CLIP AS						
	6	1	9X-6772	5	STRAP-CABLE						
Y	7	1	100-3055	1	SENSOR GP-TEMPERATURE (TRANSMISSION OIL)						318
Y	8	1	100-4311	1	SENSOR GP-PRESSURE (IMPELLER CLUTCH OIL)						308
Y	9	1	131-0427	1	SENSOR GP-TEMPERATURE (TORQUE CONVERTER OIL)						320
	10	1	141-8708	1	HARNES AS-CONTROL (POWER TRAIN, REAR)						
		1	6D-5256	1	PLUG AS						
		1	155-2255	1	KIT-CONNECTING PLUG (12-PIN)						
		1	155-2270	1	KIT-CONNECTING PLUG (2-PIN)						
		1	155-2274	1	KIT-CONNECTING PLUG (6-PIN)						
					(EACH INCLUDES PLUG AS & WEDGE)						
	11	1	144-0178	1	SENSOR GP-SPEED (TORQUE CONVERTER OUTPUT)						
	12	1	145-9959	1	BRACKET AS						
M		1	8T-3490	2	NUT-WELD (M10X1.5-THD)						
	13	1	149-8379	1	SPACER (18.85X26.67X32-MM THK)						
Y	14	1	217-2708	1	VALVE GP-MODULATING (24-VOLT) (TC IMPELLER CLUTCH)						574
	15	1	228-4401	1	HARNES AS-CONTROL (POWER TRAIN, FRONT)						
		1	102-8802	1	KIT-RECEPTACLE (2-PIN)						
		1	102-8804	1	KIT-RECEPTACLE (4-PIN)						
		1	102-8801	1	KIT-RECEPTACLE (12-PIN)						
					(EACH INCLUDES RECEPTACLE AS & WEDGE)						
		1	8T-8667	1	CONNECTOR AS						
		1	155-2260	1	KIT-CONNECTING PLUG (3-PIN)						
		1	155-2270	1	KIT-CONNECTING PLUG (2-PIN)						
					(EACH INCLUDES PLUG AS & WEDGE)						
	16	1	115-3069	1	CLIP AS-CONNECTOR (3-PIN)						
	17	1	115-3070	1	CLIP AS-CONNECT (4-PIN)						
	18	1	115-5579	2	CLIP AS-CONNECT						
	19	1	130-5300	1	CLIP						
	20	1	2P-8421	1	ADAPTER-O-RING						
	21	1	3D-2824	1	SEAL-O-RING						
	22	1	3J-1907	3	SEAL-O-RING						
	23	1	3J-7354	1	SEAL-O-RING						
	24	1	3K-0360	1	SEAL-O-RING						
	25	1	4P-7581	1	CLIP						
	26	1	8M-6146	1	TUBE						
	27	1	5P-9085	2	CLIP						
	28	1	6D-4246	4	CLIP						
	29	1	6V-3265	1	CLIP						
	30	1	8M-2773	1	CLIP						
	31	1	8T-4121	8	WASHER-HARD (11X21X2.5-MM THK)						
M	32	1	8T-4133	1	NUT (M10X1.5-THD)						
M	33	1	8T-4136	3	BOLT (M10X1.5X25-MM)						
M	34	1	8T-4137	4	BOLT (M10X1.5X20-MM)						
M	35	1	8T-4193	1	BOLT (M16X2X50-MM)						
M	36	1	8T-4200	1	BOLT (M8X1.25X16-MM)						
	37	1	8T-4224	3	WASHER-HARD (8.8X16X2-MM THK)						
	38	1	8T-4994	1	WASHER-HARD (20X36.5X3.5-MM THK)						
M	39	1	8T-6869	2	BOLT (M8X1.25X60-MM)						
	40	1	8T-9397	1	BOLT (3/4-10X1.25-IN)						
	41	1	9M-8406	3	CLIP						
	42	1	9X-0261	1	ADAPTER						

# ELECTRICAL AND STARTING SYSTEM

228-4402 WIRING GP-POWER TRAIN (contd.)

i02299145

NOTE	REF NO	GRAPHIC REF	PART NUMBER	QTY	PART NAME						SEE PAGE
					1	2	3	4	5	6 (PRODUCT LEVEL)	
	43	1	<b>9X-8257</b>	1	WASHER (17.5X30X3.5-MM THK)						
M	44	1	<b>8T-3647</b>	1	BOLT (M8X1.25X80-MM)						
	45	1	<b>4S-4455</b>	1	CLIP						

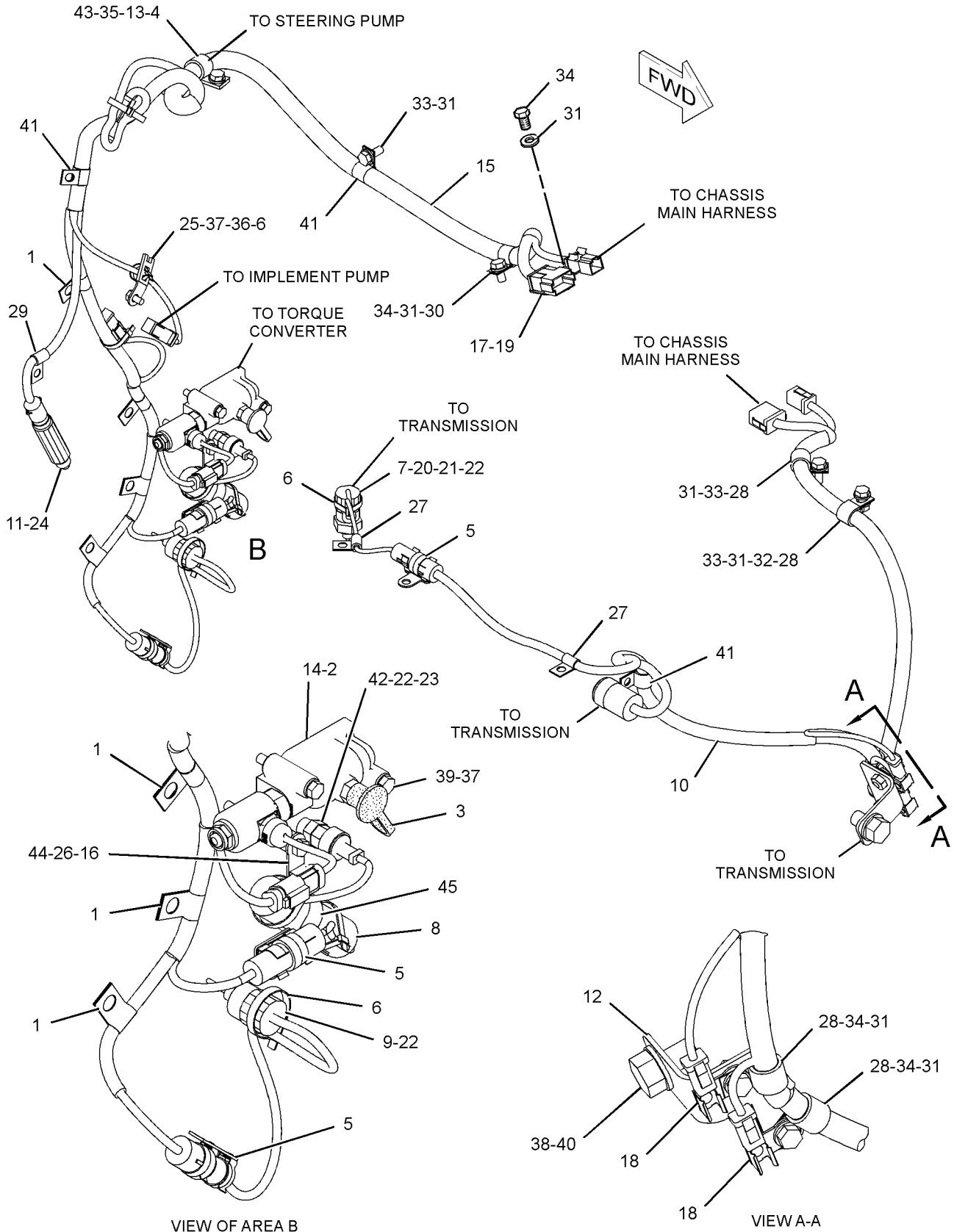
M - METRIC PART

Y - SEPARATE ILLUSTRATION

# ELECTRICAL AND STARTING SYSTEM

228-4402 WIRING GP-POWER TRAIN (contd.)

i02299145



GRAPHIC #1

<END>

g01172311



# ELECTRICAL AND STARTING SYSTEM

## 114-5183 WIRING GP-REAR

S/N: BNH1-UP

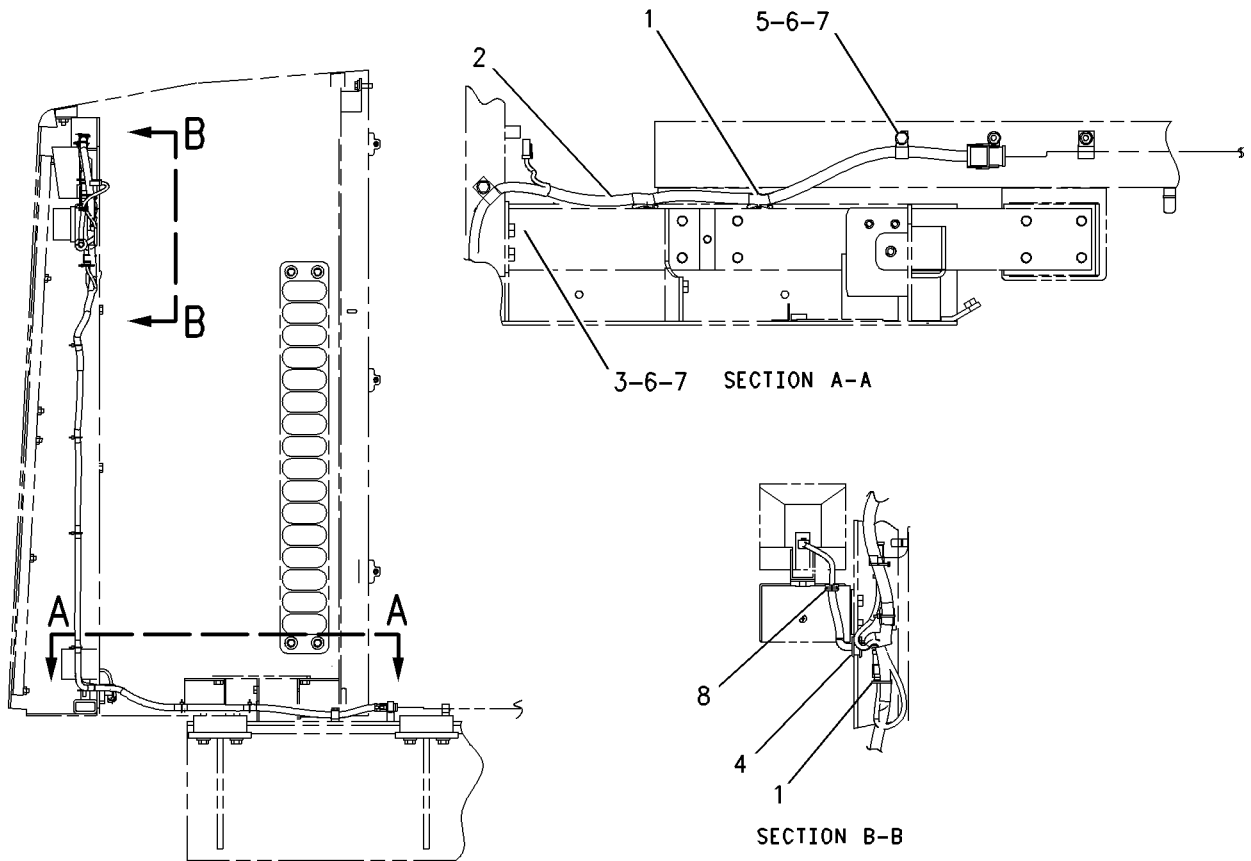
PART OF 203-1579 ELECTRICAL AR

SMCS-1408

i01493015

NOTE	REF NO	GRAPHIC REF	PART NUMBER	QTY	PART NAME						SEE PAGE
					1	2	3	4	5	6 (PRODUCT LEVEL)	
	1	1	<b>9X-6772</b>	17	STRAP-CABLE						
	2	1	<b>141-8716</b>	1	HARNESS AS-REAR						
		1	<b>102-8802</b>	2	KIT-RECEPTACLE (2-PIN)						
					(EACH KIT INCLUDES RECEPTACLE AS & WEDGE)						
		1	<b>155-2270</b>	5	KIT-CONNECTING PLUG (2-PIN)						
		1	<b>155-2260</b>	2	KIT-CONNECTING PLUG (3-PIN)						
		1	<b>155-2255</b>	1	KIT-CONNECTING PLUG (12-PIN)						
					(EACH KIT INCLUDES PLUG AS & WEDGE)						
		1	<b>8T-8737</b>	8	PLUG-SEAL						
		1	<b>9X-6772</b>	2	STRAP-CABLE						
	3	1	<b>124-0174</b>	1	CLIP						
	4	1	<b>7X-4780</b>	2	GROMMET						
	5	1	<b>8M-2773</b>	1	CLIP						
	6	1	<b>8T-4121</b>	2	WASHER-HARD (11X21X2.5-MM THK)						
M	7	1	<b>8T-4137</b>	2	BOLT (M10X1.5X20-MM)						
	8	1	<b>9X-7344</b>	2	GROMMET						

M - METRIC PART



RIGHT SIDE VIEW

GRAPHIC #1

<END>

g00742712

# ELECTRICAL AND STARTING SYSTEM

## 141-8719 WIRING GP-SENSOR-HIGH LIFT

S/N: BNH1-UP

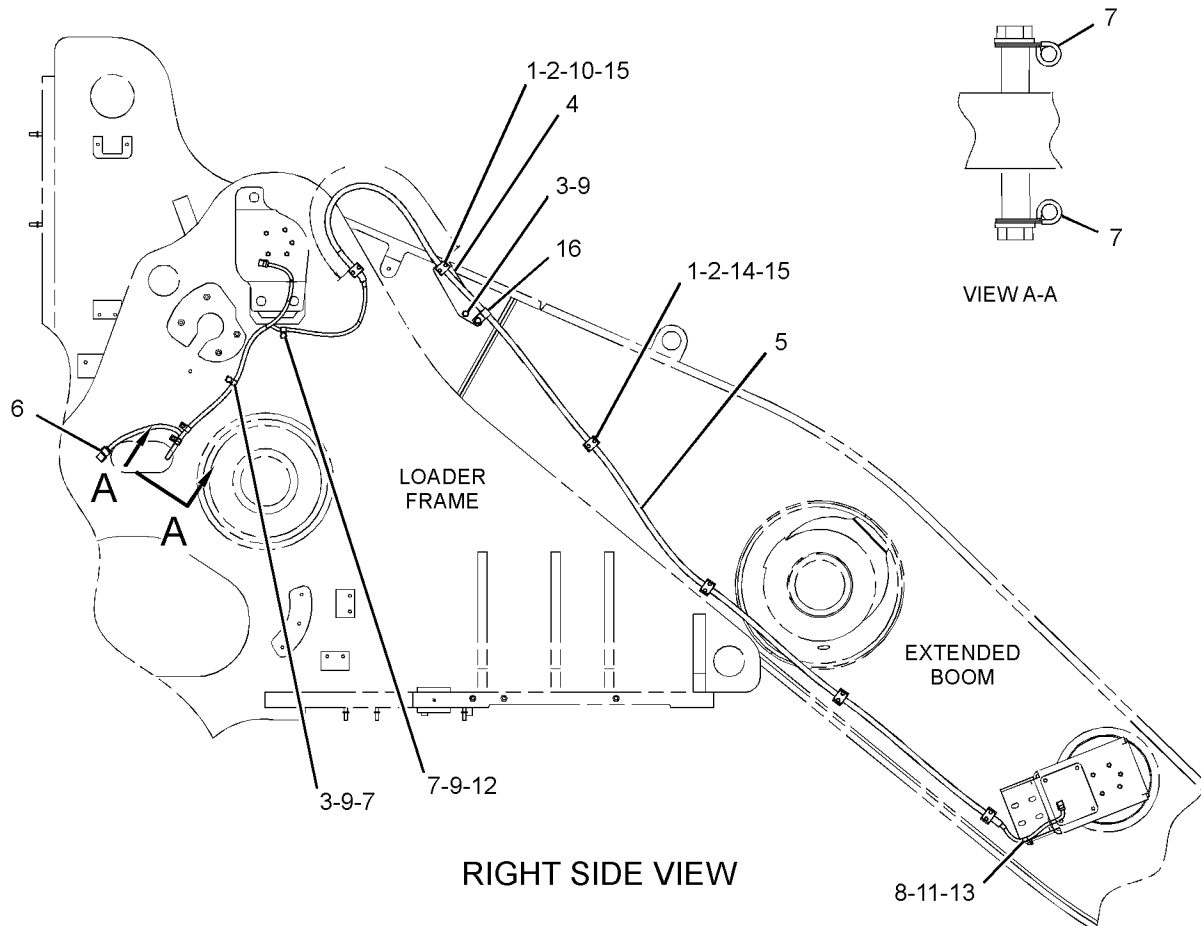
PART OF 203-1579 ELECTRICAL AR

SMCS-1408

i02173374

NOTE	REF NO	GRAPHIC REF	PART NUMBER	QTY	PART NAME						SEE PAGE
					1	2	3	4	5	6	
	1	1	4V-1939	12	CLAMP						
	2	1	5V-6439	6	PLATE						
M	3	1	8T-4137	3	BOLT (M10X1.5X20-MM)						
	4	1	243-5499	1	PLATE AS						
	5	1	141-8703	1	HARNESS AS-SENSOR (LIFT, TILT)						
		1	155-2260	2	KIT-CONNECTING PLUG (3-PIN) (INCLUDES PLUG AS & WEDGE)						
		1	102-8805	1	KIT-RECEPTACLE (6-PIN) (INCLUDES RECEPTACLE AS & WEDGE)						
	6	1	115-3071	1	CLIP AS-CONNECTOR (6-PIN)						
	7	1	4D-7794	4	CLIP						
	8	1	5P-9085	1	CLIP						
	9	1	8T-4121	4	WASHER-HARD (11X21X2.5-MM THK)						
M	10	1	7X-2534	2	BOLT (M6X1X50-MM)						
M	11	1	8T-4189	1	BOLT (M8X1.25X20-MM)						
M	12	1	8T-4196	1	BOLT (M10X1.5X35-MM)						
	13	1	8T-4224	1	WASHER-HARD (8.8X16X2-MM THK)						
M	14	1	9X-2480	10	BOLT (M6X1X45-MM)						
	15	1	9X-8256	12	WASHER (6.6X12X2-MM THK)						
	16	1	4D-7735	1	CLIP						

M - METRIC PART



GRAPHIC #1

<END>

g01166185

# ELECTRICAL AND STARTING SYSTEM

## 198-0976 WIRING GP-SENSOR

S/N: BNH1-UP

PART OF 145-4230 MONITOR AR-PAYLOAD  
AN ATTACHMENT

SMCS-1408

i01493022

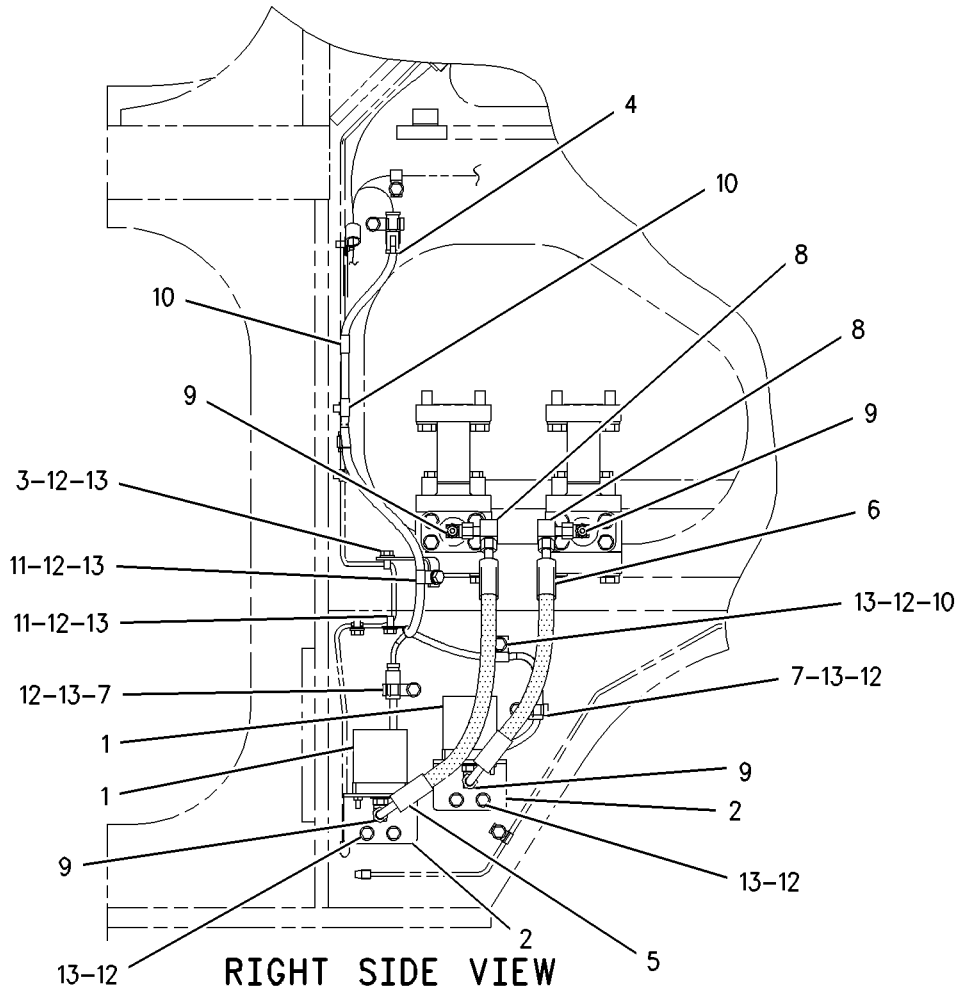
NOTE	REF NO	GRAPHIC REF	PART NUMBER	QTY	PART NAME	SEE PAGE
					1 2 3 4 5 6 (PRODUCT LEVEL)	
Y	1	1	124-4672	2	SENSOR GP-PRESSURE (PAYLOAD CONTROL)	309
	2	1	155-5708	2	PLATE AS	
	3	1	174-4613	1	ANGLE AS	
	4	1	198-0977	1	HARNES AS-SENSOR (HYDRAULIC OIL LIFT LINES)	
		1	155-2260	2	KIT-CONNECTING PLUG (3-PIN)	
		1	155-2271	1	KIT-CONNECTING PLUG (4-PIN)	
					(EACH KIT INCLUDES PLUG AS & WEDGE)	
I	5	1	198-0997	1	HOSE AS	
I	6	1	198-0998	1	HOSE AS	
	7	1	115-3069	2	CLIP AS-CONNECTOR (3-PIN)	
	8	1	148-8367	2	ELBOW AS	
					(EACH INCLUDES)	
		1	6V-9850	1	ELBOW	
		1	6V-8397	1	SEAL-O-RING	
	9	1	148-8378	4	ELBOW AS	
					(EACH INCLUDES)	
		1	6V-8724	1	ELBOW	
		1	3J-1907	1	SEAL-O-RING	
		1	6V-8397	1	SEAL-O-RING	
	10	1	5P-9297	3	CLIP	
	11	1	6V-3265	2	CLIP	
	12	1	8T-4121	10	WASHER-HARD (11X21X2.5-MM THK)	
M	13	1	8T-4137	10	BOLT (M10X1.5X20-MM)	

I - REFER TO HYDRAULIC INFORMATION SYSTEM  
M - METRIC PART  
Y - SEPARATE ILLUSTRATION

# ELECTRICAL AND STARTING SYSTEM

198-0976 WIRING GP-SENSOR (contd.)

i01493022



GRAPHIC #1

<END>

g00746949

# ELECTRICAL AND STARTING SYSTEM

## 221-9751 WIRING GP-SENSOR

S/N: BNH1-UP

PART OF 145-4230 MONITOR AR-PAYLOAD  
AN ATTACHMENT

SMCS-1408

i01952093

NOTE	REF NO	GRAPHIC REF	PART NUMBER	QTY	PART NAME						SEE PAGE
					1	2	3	4	5	6 (PRODUCT LEVEL)	
Y	1	1	124-4672	1	SENSOR GP-PRESSURE (LIFT CYLKINDER POD END OIL)						309
Y	1A	1	124-4672	1	SENSOR GP-PRESSURE (LIFT CYLINDER HEAD END OIL)						309
	2	1	155-5708	2	PLATE AS						
		1	9F-6445	2	NUT-WELD (1/4-20-THD)						
	3	1	174-4613	1	ANGLE AS						
M		1	8T-3490	1	NUT-WELD (M10X1.5-THD)						
I	4	1	198-0997	1	HOSE AS						
	5	1	220-5674	1	HARNESS AS-SENSOR (PAYLOAD CONTROL)						
		1	155-2260	1	KIT-CONNECTING PLUG (3-PIN)						
		1	155-2271	1	KIT-CONNECTING PLUG (4-PIN)						
I	6	1	220-5676	1	HOSE AS						
	7	1	115-3069	2	CLIP AS-CONNECTOR (3-PIN)						
		1	8C-3334	1	RIVET-TUBULAR						
	8	1	148-8367	1	ELBOW AS						
		1	6V-8397	1	SEAL-O-RING						
		1	6V-9850	1	ELBOW						
	9	1	148-8378	2	ELBOW AS						
					(EACH INCLUDES)						
		1	3J-1907	1	SEAL-O-RING						
		1	6V-8397	1	SEAL-O-RING						
		1	6V-8724	1	ELBOW						
	10	1	150-4050	1	ELBOW AS						
		1	3J-1907	1	SEAL-O-RING						
		1	8T-0788	1	ELBOW						
	11	1	153-6249	1	CONNECTOR AS						
		1	3J-1907	1	SEAL-O-RING						
		1	6V-8397	1	SEAL-O-RING						
		1	8T-8887	1	CONNECTOR						
	12	1	164-5570	1	UNION AS						
		1	6V-8397	2	SEAL-O-RING						
		1	6V-8730	1	UNION (FACE SEAL)						
	13	1	5P-9297	1	CLIP						
	14	1	6V-3265	2	CLIP						
	15	1	8T-4121	9	WASHER-HARD (11X21X2.5-MM THK)						
M	16	1	8T-4137	9	BOLT (M10X1.5X20-MM)						
	17	1	164-6871	2	ADAPTER AS						

I - REFER TO HYDRAULIC INFORMATION SYSTEM

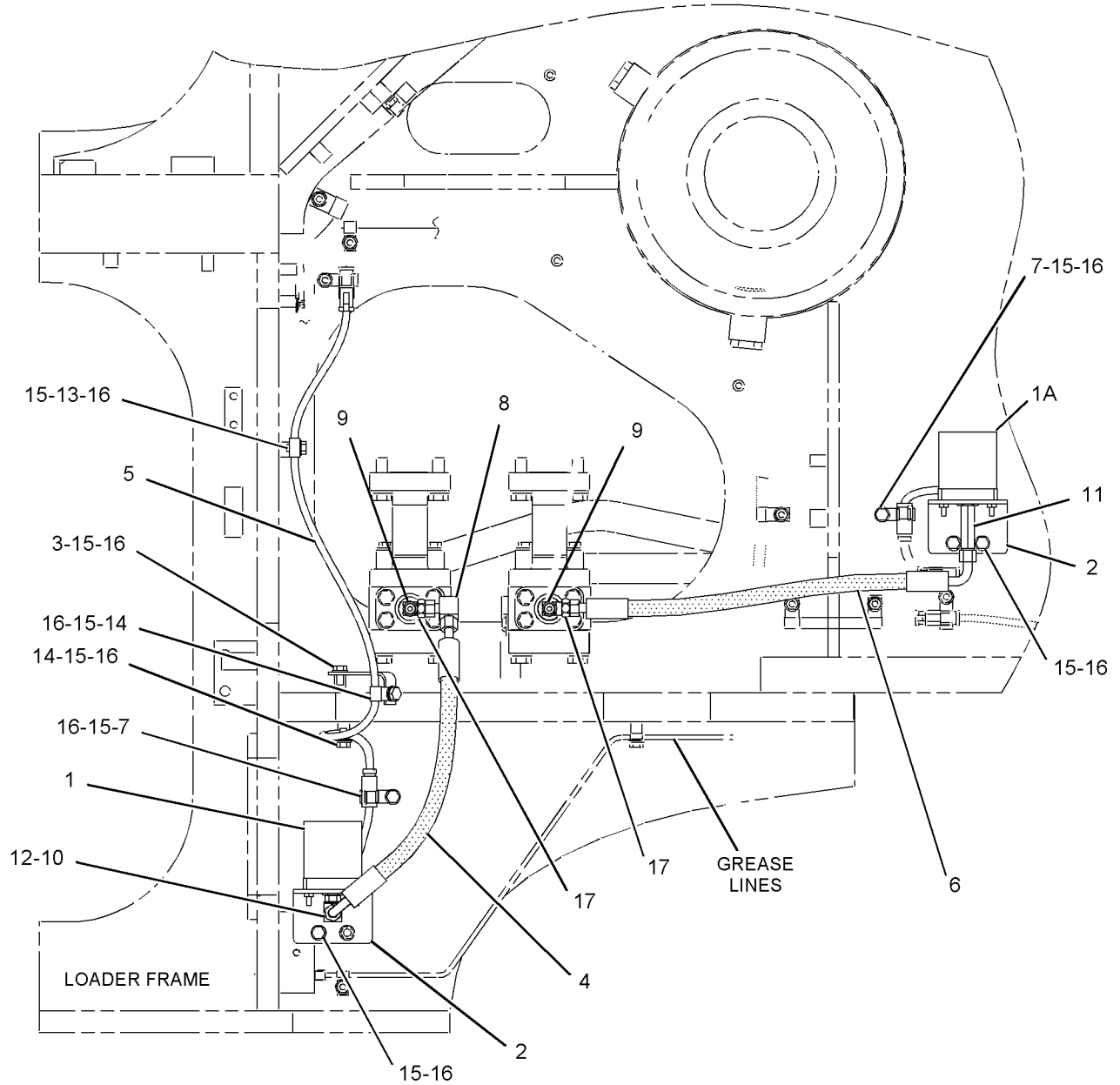
M - METRIC PART

Y - SEPARATE ILLUSTRATION

# ELECTRICAL AND STARTING SYSTEM

221-9751 WIRING GP-SENSOR (contd.)

i01952093



RIGHT SIDE VIEW

<END>

GRAPHIC #1

g01073133

# ELECTRICAL AND STARTING SYSTEM

## 163-3997 WIRING GP-SHUTOFF-GROUND LEVEL

S/N: BNH1-UP

PART OF 203-1579 ELECTRICAL AR

SMCS-1408

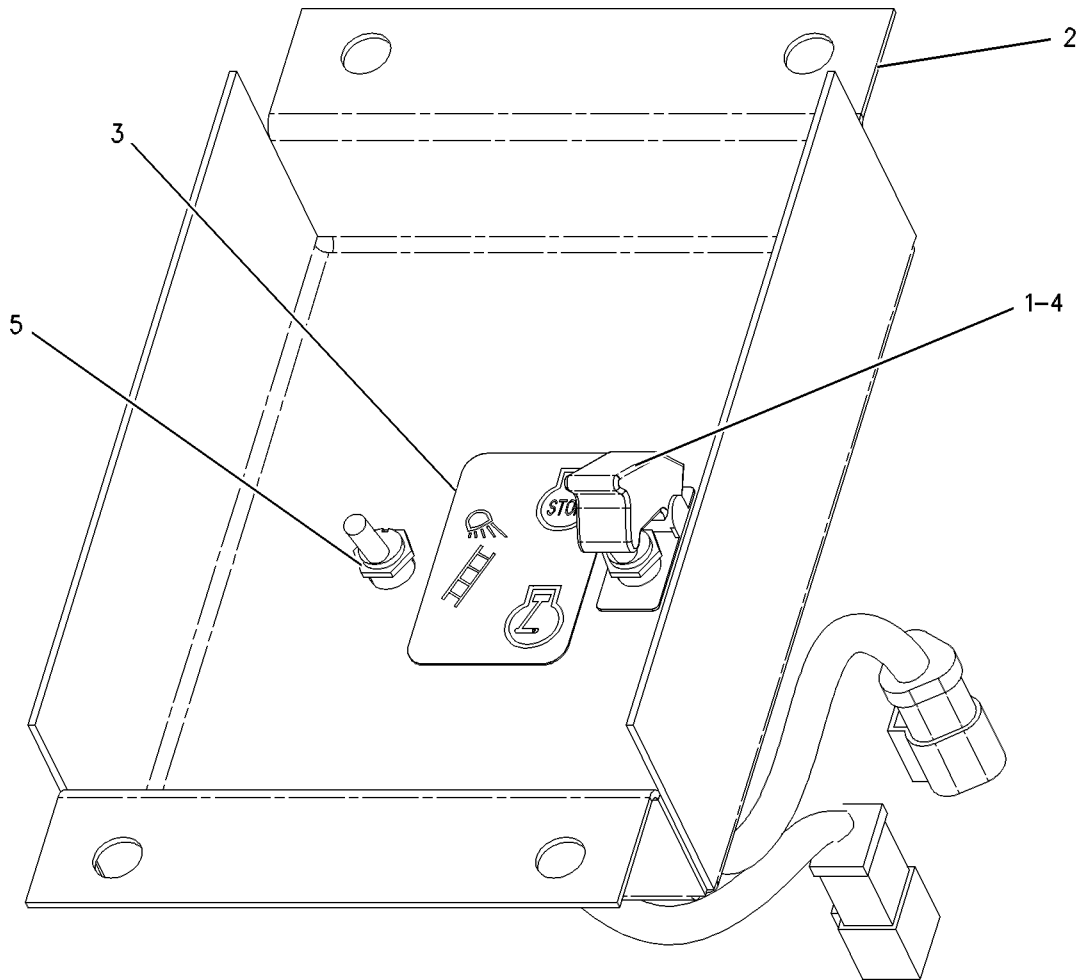
i01493024

NOTE	REF NO	GRAPHIC REF	PART NUMBER	QTY	PART NAME						SEE PAGE
					1	2	3	4	5	6 (PRODUCT LEVEL)	
	1	1	<b>3E-5169</b>	1	GUARD-SWITCH						
	2	1	<b>119-7837</b>	1	PLATE						
	3	1	<b>124-7649</b>	1	PLATE- INSTRUCTION (STAIRWAY LIGHT, SHUTDOWN)						
	4	1	<b>139-2116</b>	1	SWITCH GP-TOGGLE (GROUND LEVEL ENGINE SHUTDOWN)						
		1	<b>3E-3371</b>	1	WEDGE-RECEPTACLE LOCK (3-PIN)						
		1	<b>6T-3631</b>	2	NUT-HEX (15/32-32-THD)						
		1	<b>6T-3632</b>	1	LOCKWASHER						
		1	<b>6T-3633</b>	1	RING-LOCKING						
		1	<b>8T-8729</b>	3	PIN-CONNECTOR (16-GA TO 18-GA)						
		1	<b>102-8803</b>	1	KIT-RECEPTACLE (3-PIN) (INCLUDES RECEPTACLE AS AND WEDGE)						
	5	1	<b>158-6634</b>	1	SWITCH GP-TOGGLE (STAIRWAY ACCESS LIGHTS)						
		1	<b>3E-3377</b>	1	WEDGE-RECEPTACLE LOCK (4-PIN)						
		1	<b>6T-3631</b>	2	NUT-HEX (15/32-32-THD)						
		1	<b>6T-3632</b>	1	LOCKWASHER						
		1	<b>6T-3633</b>	1	RING-LOCKING						
		1	<b>8T-8729</b>	3	PIN-CONNECTOR (16-GA TO 18-GA)						
		1	<b>9G-3695</b>	1	PLUG-SEAL						
		1	<b>102-8804</b>	1	KIT-RECEPTACLE (4-PIN) (INCLUDES RECEPTACLE AS AND WEDGE)						

# ELECTRICAL AND STARTING SYSTEM

163-3997 WIRING GP-SHUTOFF (contd.)

i01493024



GRAPHIC #1

<END>

g00521039



# ELECTRICAL AND STARTING SYSTEM

## 271-7459 WIRING GP-TILT REGEN CONTROL

S/N: BNH1-UP

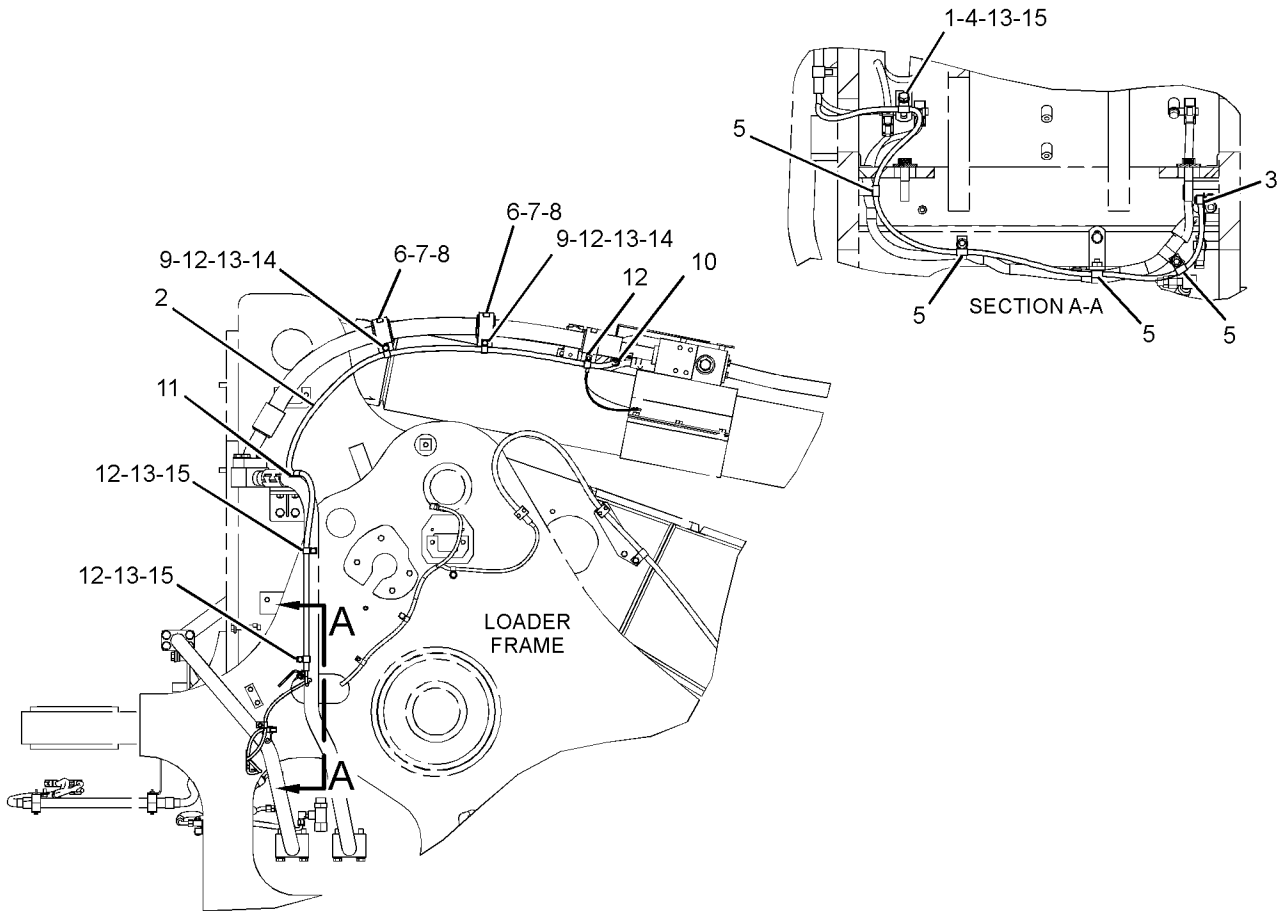
PART OF 275-7839 HYDRAULIC AR-TILT REGENERATION

SMCS-1408

i02446492

NOTE	REF NO	GRAPHIC REF	PART NUMBER	QTY	PART NAME						SEE PAGE
					1	2	3	4	5	6 (PRODUCT LEVEL)	
	1	1	103-0010	1	BRACKET AS						
	2	1	273-6469	1	HARNESS AS-SOLENOID						
		1	102-8802	1	KIT-RECEPTACLE (2-PIN)						
					(INCLUDES RECEPTACLE AS AND WEDGE)						
		1	155-2270	1	KIT-CONNECTING PLUG (2-PIN)						
					(INCLUDES PLUG AS AND WEDGE)						
	3	1	130-5300	1	CLIP						
	4	1	4D-8123	1	CLIP						
	5	1	5P-9085	4	CLIP						
	6	1	6V-1572	2	CLIP (SLOT)						
	7	1	6V-1573	2	CLIP (TAB)						
	8	1	6V-1574	2	GROMMET						
M	9	1	6V-1820	2	BOLT (M10X1.5X30-MM)						
	10	1	7K-1181	2	STRAP-CABLE						
	11	1	8C-7528	1	CLIP						
	12	1	8M-2773	5	CLIP						
	13	1	8T-4121	5	WASHER-HARD (11X21X2.5-MM THK)						
M	14	1	8T-4133	2	NUT (M10X1.5-THD)						
M	15	1	8T-4137	3	BOLT (M10X1.5X20-MM)						

M - METRIC PART



GRAPHIC #1

<END>

g01257028

# POWER TRAIN

## 137-8833 AXLE AR-FIXED-FRONT

S/N: BNH1-UP

PART OF 114-5105 POWER TRAIN AR

SMCS-3013, 3278

i01739788

NOTE	PART NUMBER	QTY	PART NAME						SEE PAGE
			1	2	3	4	5	6 (PRODUCT LEVEL)	
Y	137-8862	1	AXLE GP-FIXED (FRONT)						425
Y	161-9275	2	BRAKE GP-SERVICE						727
Y	137-8851	1	DIFFERENTIAL & BEVEL GEAR GP						457
Y	125-1358	1	LINES GP-SERVICE BRAKE (FRONT AXLE)						770
YR	192-0822	2	WHEEL & FINAL DRIVE GP						580

R - REMFG PART MAY BE AVAILABLE

Y - SEPARATE ILLUSTRATION

<END>

## 137-8832 AXLE AR-OSCILLATING-REAR

S/N: BNH1-UP

PART OF 114-5105 POWER TRAIN AR

SMCS-3013, 3278

i01739786

NOTE	PART NUMBER	QTY	PART NAME						SEE PAGE
			1	2	3	4	5	6 (PRODUCT LEVEL)	
Y	137-8834	1	AXLE GP-OSCILLATING (REAR)						426
Y	161-9275	2	BRAKE GP-SERVICE						727
Y	137-8851	1	DIFFERENTIAL & BEVEL GEAR GP						457
Y	125-1355	1	LINES GP-SERVICE BRAKE (AXLE, REAR)						769
YR	192-0822	2	WHEEL & FINAL DRIVE GP						580

R - REMFG PART MAY BE AVAILABLE

Y - SEPARATE ILLUSTRATION

<END>

# POWER TRAIN

## 137-8862 AXLE GP-FIXED-FRONT

S/N: BNH1-UP

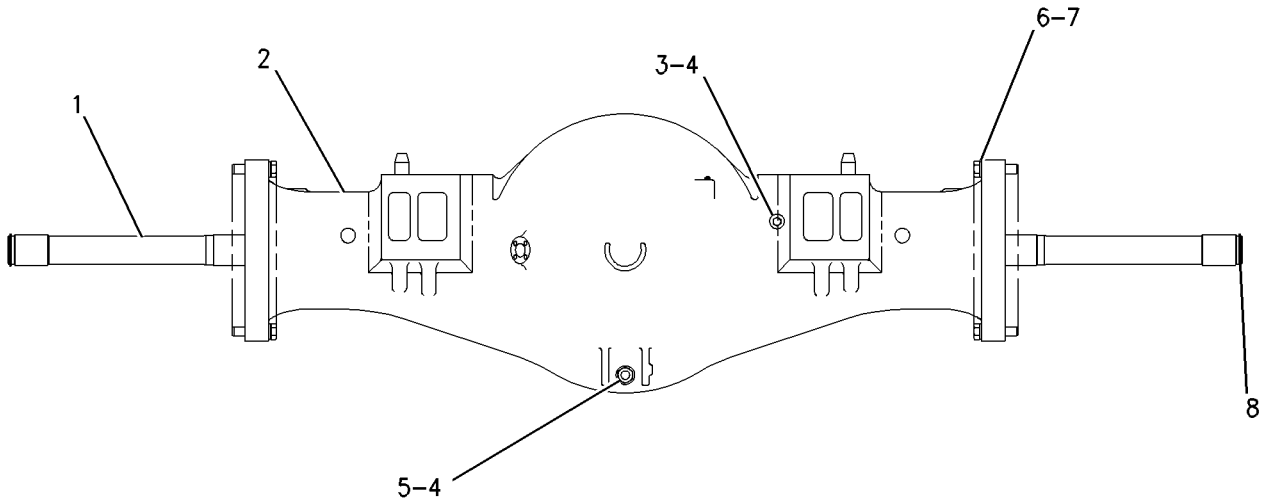
PART OF 137-8833 AXLE AR-FIXED

SMCS-3278

i01574150

NOTE	REF NO	GRAPHIC REF	PART NUMBER	QTY	PART NAME						SEE PAGE
					1	2	3	4	5	6 (PRODUCT LEVEL)	
	1	1	137-8836	2	SHAFT-AXLE						
	2	1	200-0820	1	HOUSING AS						
		1	6M-1622	2	DOWEL						
	3	1	9S-4205	1	PLUG						
	4	1	7M-8485	2	SEAL-O-RING						
	5	1	5P-4484	1	PLUG-MAGNETIC						
M	6	1	173-9684	50	BOLT (M24X3X100-MM)						
	7	1	5P-6604	50	WASHER-HARD (25.4X40X5-MM THK)						
	8	1	1T-0479	2	RING-RETAINING						

M - METRIC PART



GRAPHIC #1

<END>

g00817896

# POWER TRAIN

## 137-8834 AXLE GP-OSCILLATING-REAR

S/N: BNH1-UP

PART OF 137-8832 AXLE AR-OSCILLATING

SMCS-3278

i04751722

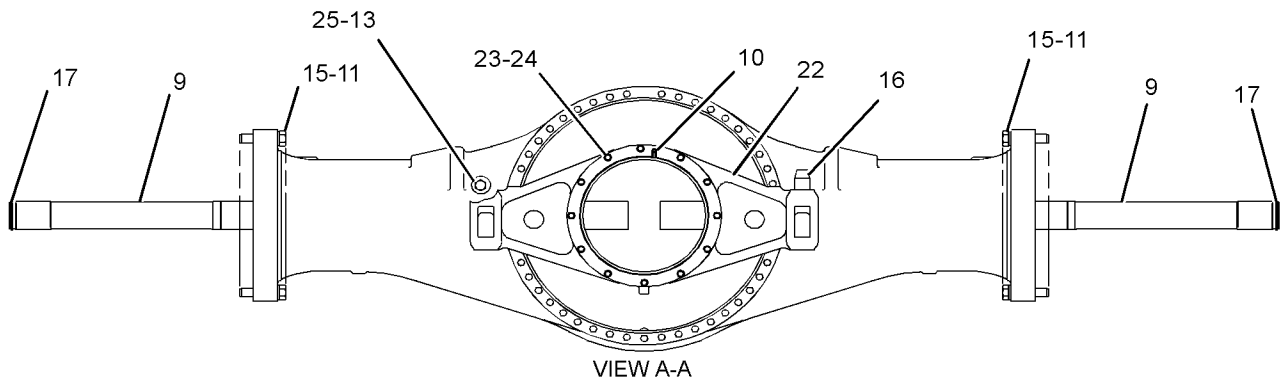
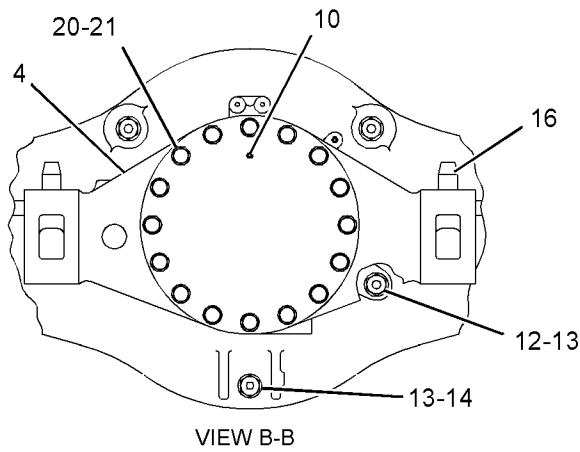
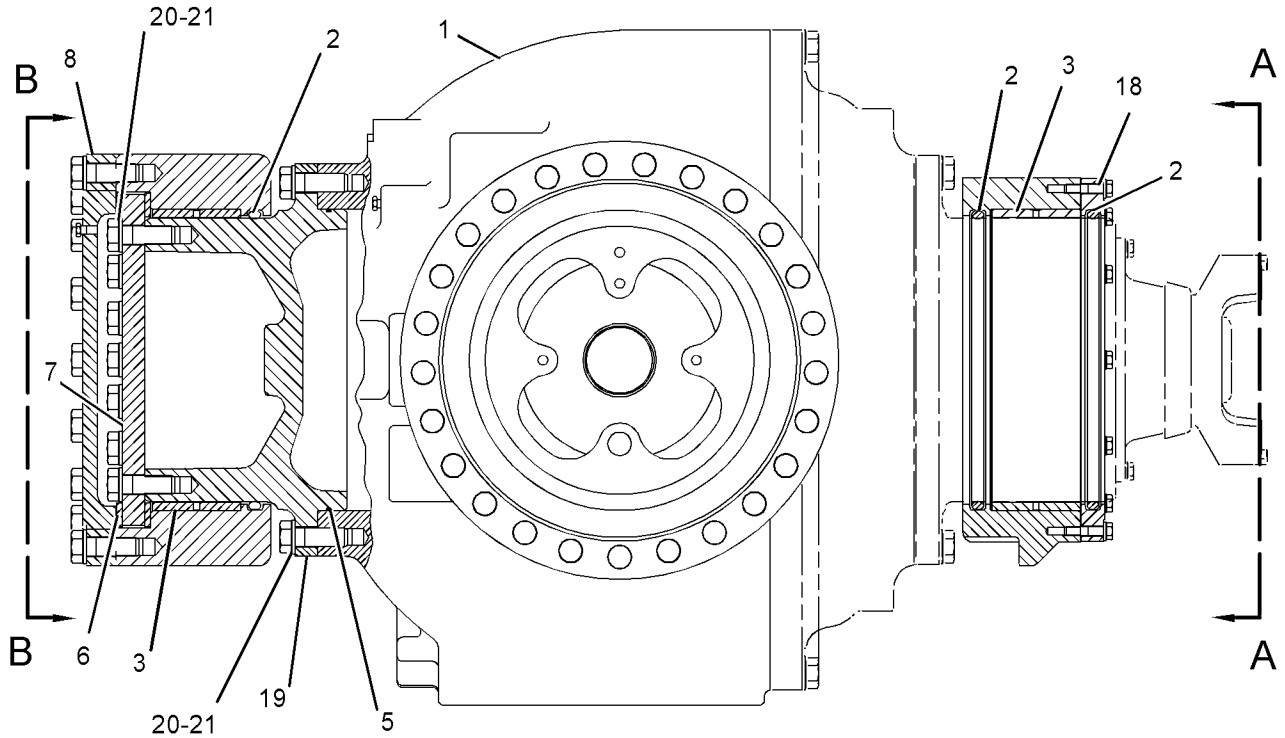
NOTE	REF NO	GRAPHIC REF	PART NUMBER	QTY	PART NAME						SEE PAGE
					1	2	3	4	5	6 (PRODUCT LEVEL)	
	1	1	222-1549	1	HOUSING-AXLE						
	2	1	9M-6097	3	SEAL-O-RING						
	3	1	220-6043	2	BUSHING						
	4	1	331-6210	1	SUPPORT-TRUNNION						
	5	1	2D-6533	1	SEAL-O-RING						
	6	1	5S-0085	2	BEARING-THRUST						
	7	1	164-4175	1	PLATE-THRUST						
	8	1	164-4156	1	COVER						
	9	1	137-8836	2	SHAFT-AXLE						
	10	1	1K-6853	2	FITTING-GREASE						
	11	1	5P-6604	50	WASHER-HARD (25.4X40X5-MM THK)						
	12	1	9S-4181	1	PLUG-O-RING						
	13	1	7M-8485	3	SEAL-O-RING						
	14	1	5P-4484	1	PLUG-MAGNETIC						
M	15	1	173-9684	50	BOLT (M24X3X100-MM)						
	16	1	6M-1622	4	DOWEL						
	17	1	1T-0479	2	RING-RETAINING						
	18	1	119-4258	1	RETAINER-BEARING						
	19	1	209-6694	1	TRUNNION						
M	20	1	160-8510	54	BOLT-SELF-LOCKING (M20X2.5X60-MM)						
	21	1	8T-3282	54	WASHER-HARD (22X35X3.5-MM THK)						
	22	1	331-6206	1	SUPPORT-TRUNNION						
M	23	1	8T-0441	12	BOLT (M10X1.5X45-MM)						
	24	1	8T-4121	12	WASHER-HARD (11X21X2.5-MM THK)						
	25	1	9S-4205	1	PLUG						

M - METRIC PART

# POWER TRAIN

137-8834 AXLE GP-OSCILLATING (contd.)

i04751722



GRAPHIC #1

VIEW A-A

<END>

g02848245

# POWER TRAIN

## 133-8114 CASE & PARTS GP-PLANETARY

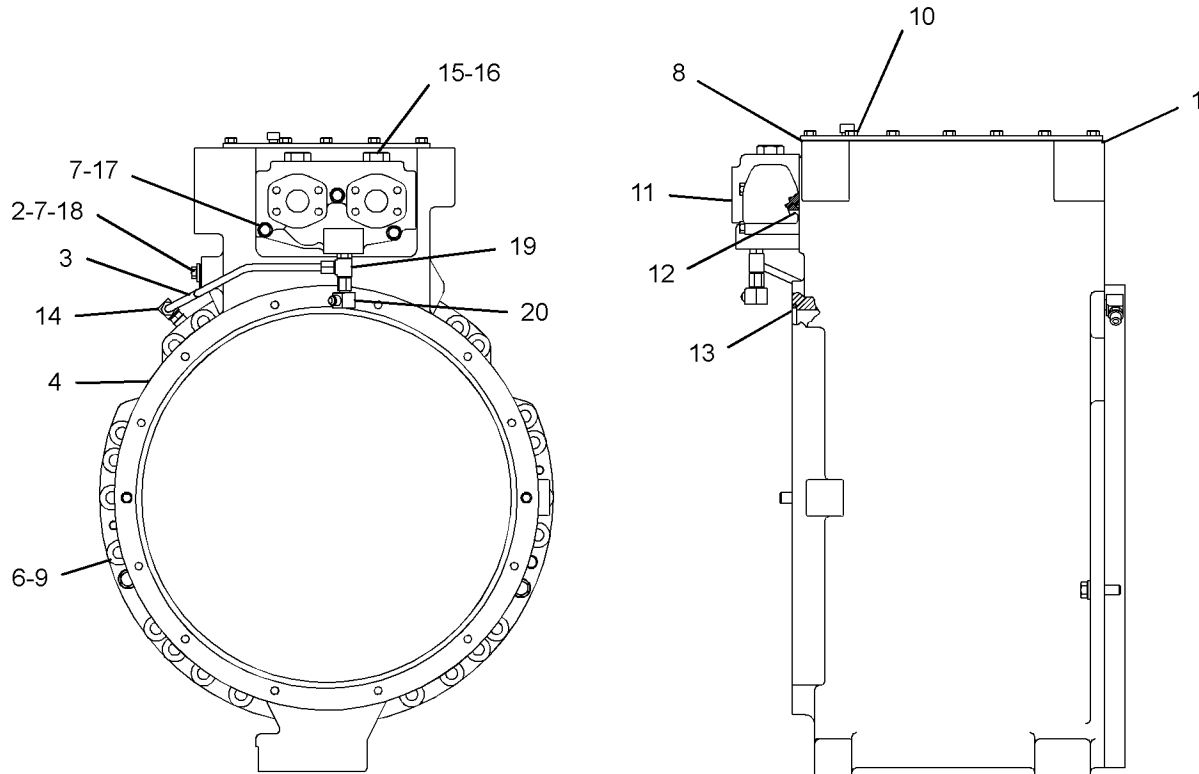
S/N: BJW1-UP

PART OF 192-2914 TRANSMISSION AR

SMCS-3064

i02437097

NOTE	REF NO	GRAPHIC REF	PART NUMBER	QTY	PART NAME						SEE PAGE
					1	2	3	4	5	6 (PRODUCT LEVEL)	
	1	1	<b>8E-9086</b>	1	GASKET						
	2	1	<b>7B-1597</b>	1	CLIP						
	3	1	<b>6T-6791</b>	1	TUBE AS						
	4	1	<b>8E-9080</b>	1	CASE AS-TRANSMISSION						
		1	<b>1A-2223</b>	2	DOWEL						
	6	1	<b>0S-1587</b>	2	BOLT (1/2-13X1.75-IN)						
	7	1	<b>5M-2894</b>	4	WASHER-HARD (10.2X18.5X2.5-MM THK)						
	8	1	<b>193-0635</b>	1	COVER AS						
	9	1	<b>5P-8245</b>	2	WASHER-HARD (13.5X25.5X3-MM THK)						
	10	1	<b>0L-1351</b>	20	BOLT (3/8-16X0.875-IN)						
	11	1	<b>135-6792</b>	1	MANIFOLD						
	12	1	<b>8M-4992</b>	2	SEAL-O-RING						
	13	1	<b>5P-2587</b>	1	SEAL-O-RING						
	14	1	<b>164-6877</b>	1	ELBOW AS						
	15	1	<b>9S-4183</b>	2	PLUG						
	16	1	<b>3D-2824</b>	2	SEAL-O-RING						
	17	1	<b>0T-0065</b>	3	BOLT (3/8-16X3.5-IN)						
	18	1	<b>0T-0102</b>	1	BOLT (3/8-16X0.625-IN)						
	19	1	<b>165-4930</b>	1	TEE AS						
	20	1	<b>6K-9194</b>	1	ELBOW-FLARED						



GRAPHIC #1

<END>

g01217552

# POWER TRAIN

## 165-3621 CONTROL GP-TRANSMISSION HYD

S/N: BJW1-UP

PART OF 192-2914 TRANSMISSION AR

SMCS-3073, 3167

i01553916

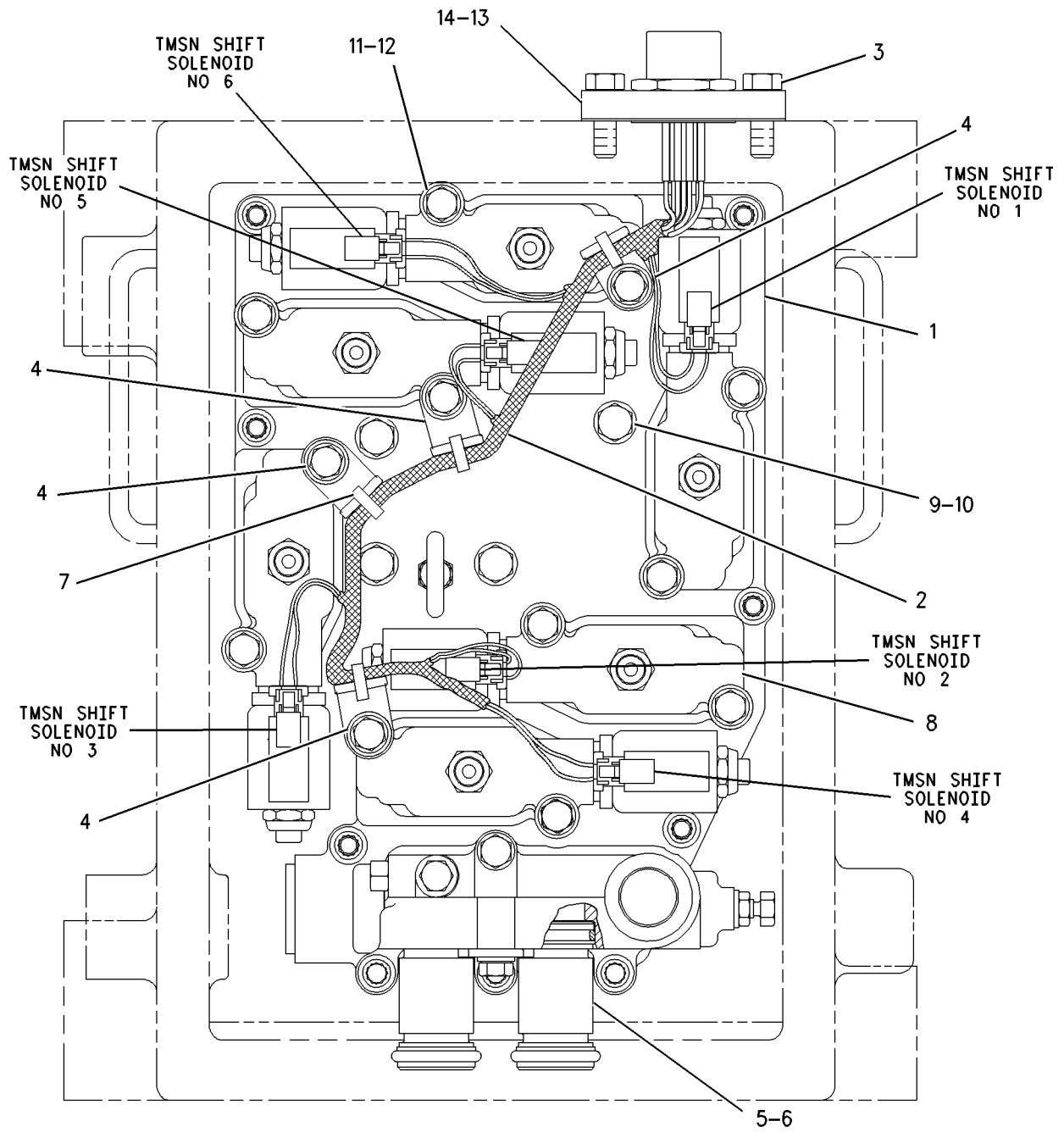
NOTE	REF NO	GRAPHIC REF	PART NUMBER	QTY	PART NAME						SEE PAGE
					1	2	3	4	5	6 (PRODUCT LEVEL)	
Y	1	1	134-5053	1	VALVE GP-RELIEF (TRANSMISSION HYDRAULIC CONTROL)						577
	2	1	179-9445	1	HARNES AS-TRANSMISSION (CONTROL)						
		1	6J-2419	1	SEAL-O-RING						
BE		1	8T-6342		TUBE-HEAT SHRINK (3.2-MM DIA)						
	3	1	1A-2029	2	BOLT (3/8-16X1.125-IN)						
	4	1	132-5789	4	CLIP						
	5	1	6Y-7125	2	SLEEVE						
	6	1	8M-4432	4	SEAL-O-RING						
	7	1	3S-2093	4	STRAP-CABLE						
Y	8	1	160-8408	6	VALVE GP-MODULATING (TRANSMISSION CLUTCH)						569
	9	1	5M-2894	4	WASHER-HARD (10.2X18.5X2.5-MM THK)						
	10	1	0S-1619	4	BOLT (3/8-16X3-IN)						
	11	1	9M-1974	12	WASHER-HARD (8.8X16X2-MM THK)						
	12	1	1D-4540	12	BOLT (5/16-18X2.75-IN)						
	13	1	104-6729	1	RETAINER						
	14	1	104-6730	1	GASKET						

B - USE AS REQUIRED  
 E - ORDER BY THE CENTIMETER  
 Y - SEPARATE ILLUSTRATION

# POWER TRAIN

165-3621 CONTROL GP-TRANSMISSION HYD (contd.)

i01553916



GRAPHIC #1

<END>

g00699633



# POWER TRAIN

## 165-3621 CONTROL GP-TRANSMISSION HYD

S/N: BJW1-2223

PART OF 192-2914 TRANSMISSION AR

SMCS-3073, 3167

i01795241

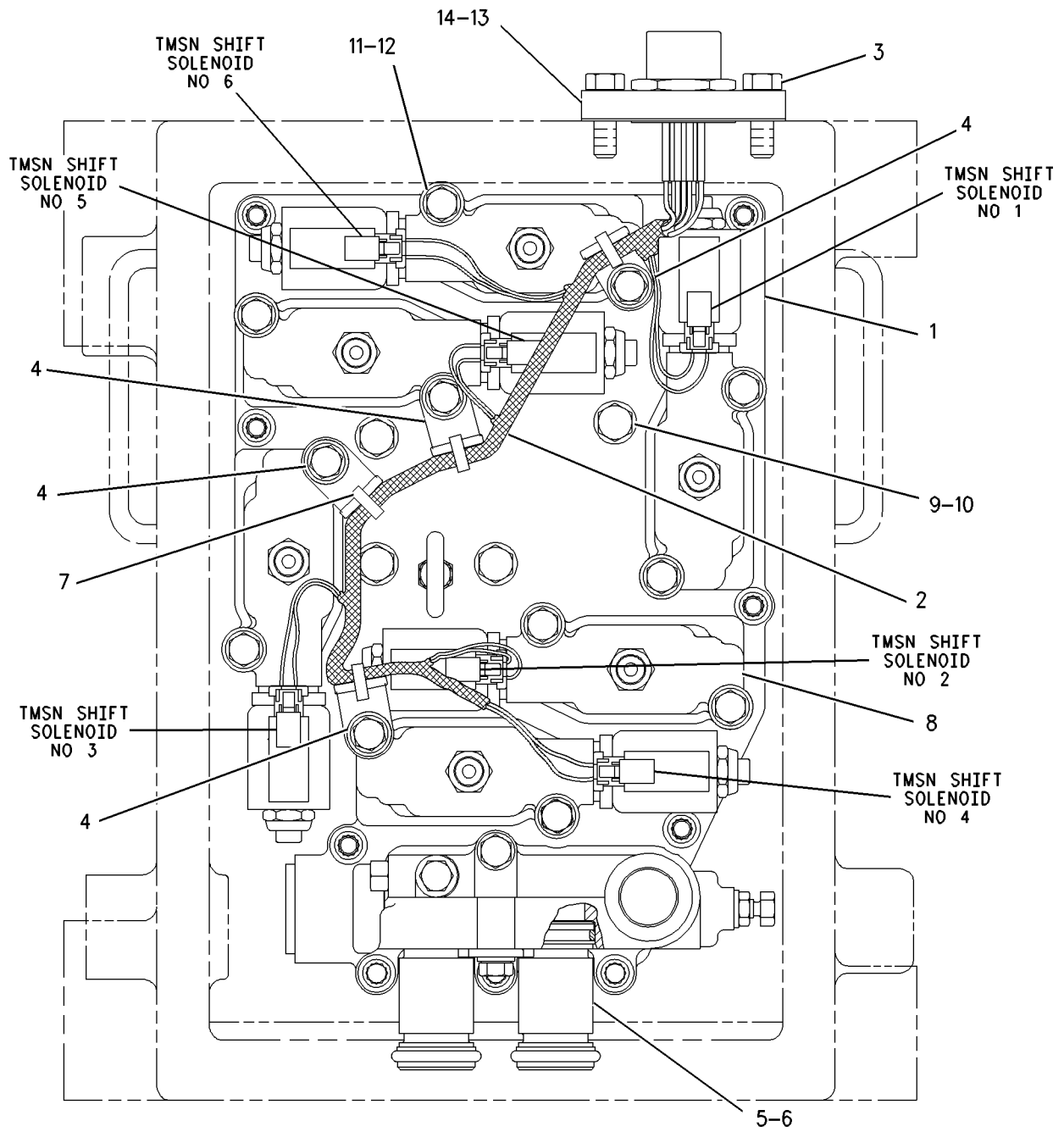
NOTE	REF NO	GRAPHIC REF	PART NUMBER	QTY	PART NAME	SEE PAGE
					1 2 3 4 5 6 (PRODUCT LEVEL)	
Y	1	1	134-5053	1	VALVE GP-RELIEF (TRANSMISSION HYDRAULIC CONTROL)	577
	2	1	179-9445	1	HARNESS AS-TRANSMISSION (CONTROL)	
BE		1	6J-2419	1	SEAL-O-RING	
		1	8T-6342		TUBE-HEAT SHRINK (3.2-MM DIA)	
	3	1	1A-2029	2	BOLT (3/8-16X1.125-IN)	
	4	1	132-5789	4	CLIP	
	5	1	6Y-7125	2	SLEEVE	
	6	1	8M-4432	4	SEAL-O-RING	
	7	1	3S-2093	4	STRAP-CABLE	
CY	8	1	216-5338	6	VALVE GP-MODULATING (24-VOLT) (TRANSMISSION CLUTCH)	572
	9	1	5M-2894	4	WASHER-HARD (10.2X18.5X2.5-MM THK)	
	10	1	0S-1619	4	BOLT (3/8-16X3-IN)	
	11	1	9M-1974	12	WASHER-HARD (8.8X16X2-MM THK)	
	12	1	1D-4540	12	BOLT (5/16-18X2.75-IN)	
	13	1	104-6729	1	RETAINER	
	14	1	104-6730	1	GASKET	

B - USE AS REQUIRED  
 C - CHANGE FROM PREVIOUS TYPE  
 E - ORDER BY THE CENTIMETER  
 Y - SEPARATE ILLUSTRATION

# POWER TRAIN

165-3621 CONTROL GP-TRANSMISSION HYD (contd.)

i01795241



GRAPHIC #1

<END>

g00699633

# POWER TRAIN

## 165-3621 CONTROL GP-TRANSMISSION HYD

S/N: BJW2224-UP

PART OF 192-2914 TRANSMISSION AR

SMCS-3073, 3167

i02303952

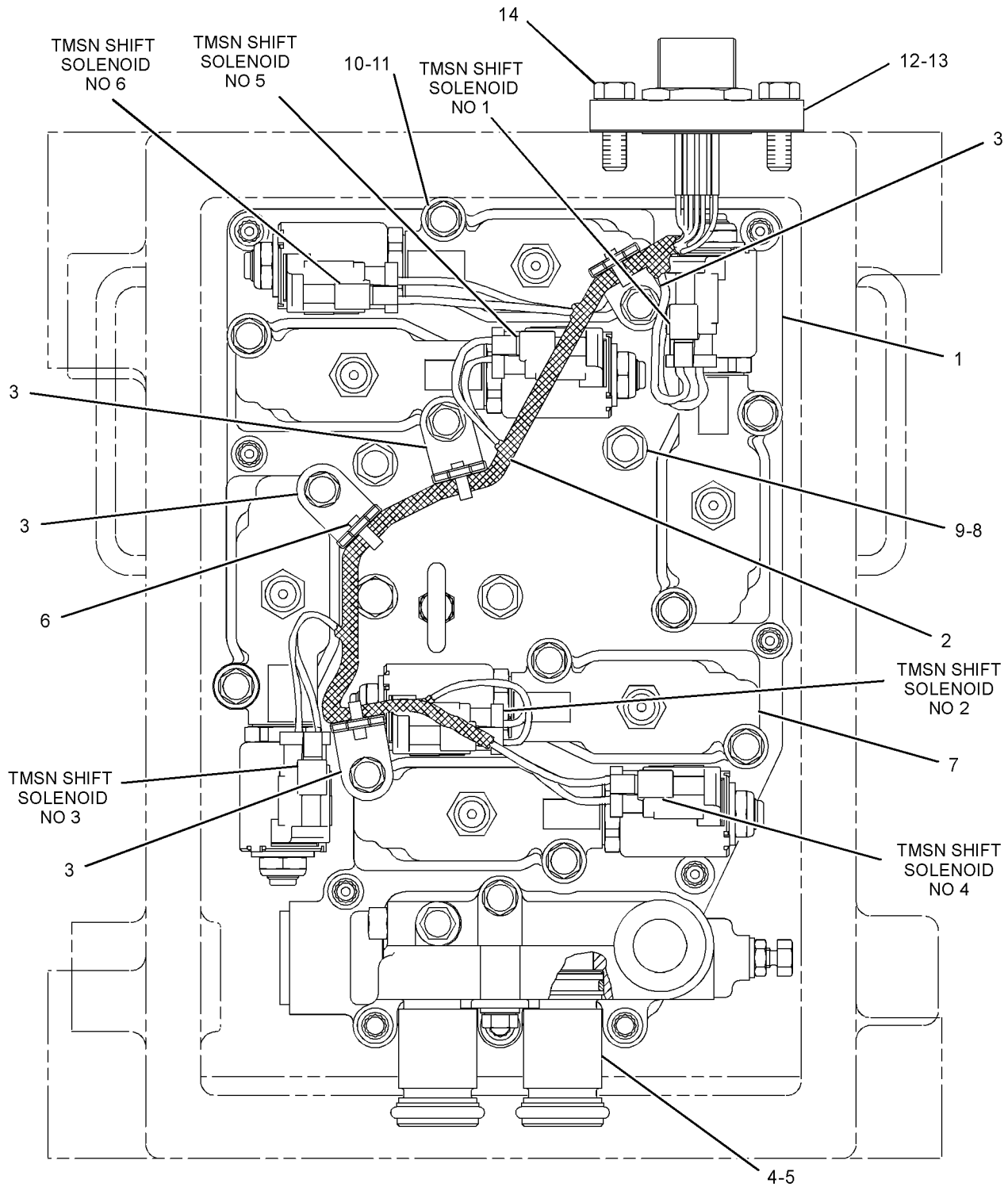
NOTE	REF NO	GRAPHIC REF	PART NUMBER	QTY	PART NAME						SEE PAGE
					1	2	3	4	5	6 (PRODUCT LEVEL)	
Y	1	1	134-5053	1	VALVE GP-RELIEF (TRANSMISSION HYDRAULIC CONTROL)						577
	2	1	179-9445	1	HARNES AS-TRANSMISSION (CONTROL)						
		1	6J-2419	1	SEAL-O-RING						
		1	155-2270	6	KIT-CONNECTING PLUG (2-PIN)						
					(EACH KIT INCLUDES PLUG AS AND WEDGE)						
	3	1	132-5789	4	CLIP						
	4	1	6Y-7125	2	SLEEVE						
	5	1	8M-4432	4	SEAL-O-RING						
	6	1	3S-2093	4	STRAP-CABLE						
CY	7	1	244-3114	6	VALVE GP-MODULATING (24-VOLT) (TRANSMISSION CLUTCH)						575
	8	1	5M-2894	4	WASHER-HARD (10.2X18.5X2.5-MM THK)						
	9	1	0S-1619	4	BOLT (3/8-16X3-IN)						
	10	1	9M-1974	12	WASHER-HARD (8.8X16X2-MM THK)						
	11	1	1D-4540	12	BOLT (5/16-18X2.75-IN)						
	12	1	104-6729	1	RETAINER						
	13	1	104-6730	1	GASKET						
	14	1	1A-2029	2	BOLT (3/8-16X1.125-IN)						

C - CHANGE FROM PREVIOUS TYPE  
Y - SEPARATE ILLUSTRATION

# POWER TRAIN

165-3621 CONTROL GP-TRANSMISSION HYD (contd.)

i02303952



GRAPHIC #1

<END>

g01163973

# POWER TRAIN

## 150-3157 COOLER & FAN GP-AXLE OIL

S/N: BNH1-UP

PART OF 178-4629 COOLER GP-AXLE OIL  
AN ATTACHMENT

SMCS-1356, 1365

i01563715

NOTE	REF NO	GRAPHIC REF	PART NUMBER	QTY	PART NAME						SEE PAGE
					1	2	3	4	5	6 (PRODUCT LEVEL)	
	1	3	<b>6S-6251</b>	4	MOUNT						
	2	3	<b>130-9704</b>	2	VALVE GP-CHECK (AXLE OIL COOLER BYPASS)						
	3	2	<b>138-2237</b>	1	SHROUD AS						
	4	1	<b>138-2238</b>	1	GUARD AS						
Y	5	2	<i>138-2239</i>	1	FAN GP-SUCTION (AXLE OIL COOLER)						144
	6	3	<b>153-6885</b>	4	TUBE AS						
	7	3	<b>153-6886</b>	1	SUPPORT AS						
M		3	<b>8T-3490</b>	4	NUT-WELD (M10X1.5-THD)						
M		3	<b>8T-3597</b>	4	NUT-WELD (M12X1.75-THD)						
M		3	<b>8T-3612</b>	8	NUT-WELD (M8X1.25-THD)						
	8	3	<b>153-9259</b>	1	TUBE AS						
	9	2	<b>153-9265</b>	1	PLATE						
	10	2	<b>163-7451</b>	2	BRACKET						
	11	3	<b>173-6706</b>	1	BAR						
	12	1	<b>178-1602</b>	1	MOTOR GP-GEAR (AXLE OIL COOLER FAN)						
	13	2	<b>178-3228</b>	1	TUBE AS						
	14	2	<b>178-3230</b>	1	TUBE AS						
	15	2	<b>178-4111</b>	1	TUBE AS						
	16	2	<b>188-5038</b>	1	PLATE AS						
	17	2	<i>148-8327</i>	1	CONNECTOR AS						
		2	<b>6V-8637</b>	1	CONNECTOR						
		2	<b>3D-2824</b>	1	SEAL-O-RING						
		2	<b>6V-9746</b>	1	SEAL-O-RING						
	18	3	<i>148-8339</i>	1	CONNECTOR AS						
		3	<b>6V-8716</b>	1	CONNECTOR						
		3	<b>7M-8485</b>	1	SEAL-O-RING						
		3	<b>6V-9746</b>	1	SEAL-O-RING						
	19	2,3	<i>148-8360</i>	3	ELBOW AS						
					(EACH INCLUDES)						
		2,3	<b>6V-9182</b>	1	ELBOW						
		2,3	<b>7M-8485</b>	1	SEAL-O-RING						
		2,3	<b>6V-9746</b>	1	SEAL-O-RING						
	20	2	<i>148-8361</i>	1	ELBOW AS						
		2	<b>6V-9200</b>	1	ELBOW						
		2	<b>3J-7354</b>	1	SEAL-O-RING						
		2	<b>6V-8397</b>	1	SEAL-O-RING						
	21	2,3	<i>148-8392</i>	6	ELBOW AS						
					(EACH INCLUDES)						
		2,3	<b>6V-9853</b>	1	ELBOW						
		2,3	<b>6V-9746</b>	8	SEAL-O-RING						
	22	3	<i>148-8414</i>	4	REDUCER AS						
					(EACH INCLUDES)						
		3	<b>6V-8943</b>	1	REDUCER						
		3	<b>7J-9108</b>	4	SEAL-O-RING						
	23	2	<i>148-8417</i>	1	REDUCER AS						
		2	<b>6V-8941</b>	1	REDUCER						
		2	<b>6V-8397</b>	1	SEAL-O-RING						
	24	2	<i>148-8449</i>	1	TEE AS-SWIVEL						
		2	<b>6V-9839</b>	1	TEE-SWIVEL						
		2	<b>6V-9746</b>	2	SEAL-O-RING						
	25	2,3	<i>153-6259</i>	4	TEE AS						
					(EACH INCLUDES)						
		2,3	<b>6V-8777</b>	1	TEE-FACE SEAL						
		2,3	<b>6V-9746</b>	2	SEAL-O-RING						
		2,3	<b>3D-2824</b>	1	SEAL-O-RING						
	26	2	<b>173-6753</b>	1	CORE AS-AXLE OIL COOLER						
Y	27	1,2	<b>183-6194</b>	2	FILTER GP-OIL (AXLE OIL COOLER)						466

# POWER TRAIN

150-3157 COOLER & FAN GP-AXLE OIL (contd.)

i01563715

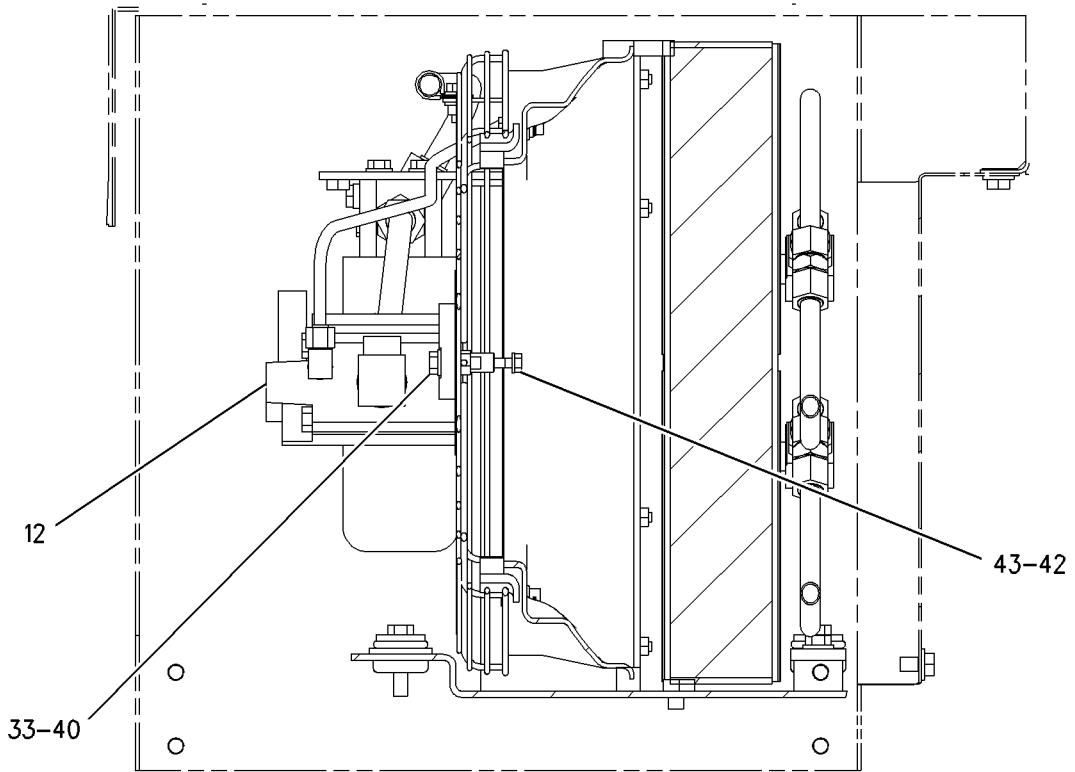
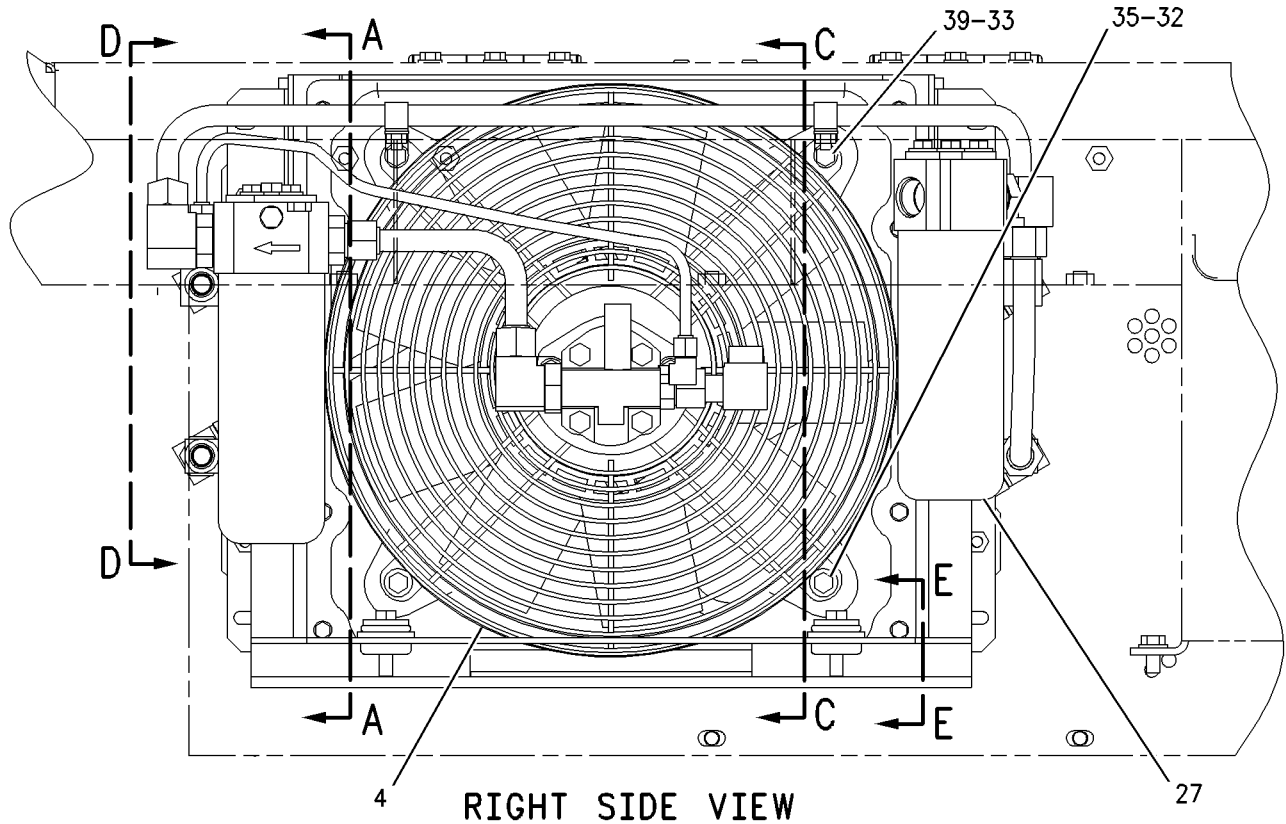
NOTE	REF NO	GRAPHIC REF	PART NUMBER	QTY	PART NAME						SEE PAGE
					1	2	3	4	5	6 (PRODUCT LEVEL)	
	28	2	<b>6D-4246</b>	2	CLIP						
	29	2	<b>6V-8556</b>	1	NUT (1-3/16-12-THD)						
	30	3	<b>7J-9108</b>	4	SEAL-O-RING						
	31	3	<b>7X-0618</b>	4	WASHER-HARD (13.5X40X5-MM THK)						
	32	1,2,3	<b>7X-7729</b>	10	WASHER (11X25X3-MM THK)						
	33	1,2	<b>8T-4121</b>	12	WASHER-HARD (11X21X2.5-MM THK)						
M	34	2	<b>8T-4133</b>	2	NUT (M10X1.5-THD)						
M	35	1,2,3	<b>8T-4136</b>	16	BOLT (M10X1.5X25-MM)						
M	36	2,3	<b>8T-4139</b>	6	BOLT (M12X1.75X30-MM)						
M	37	2	<b>8T-4189</b>	8	BOLT (M8X1.25X20-MM)						
M	38	3	<b>8T-4194</b>	4	BOLT (M12X1.75X50-MM)						
M	39	1	<b>8T-4195</b>	2	BOLT (M10X1.5X30-MM)						
M	40	1	<b>8T-4196</b>	2	BOLT (M10X1.5X35-MM)						
	41	2,3	<b>8T-4223</b>	6	WASHER-HARD (13.5X25.5X3-MM THK)						
	42	1,2	<b>8T-4224</b>	9	WASHER-HARD (8.8X16X2-MM THK)						
M	43	1	<b>8T-7547</b>	1	BOLT (M8X1.25X30-MM)						
D	44	3	<b>5P-5639</b>		SEAL (.565M)						
D	44A	3	<b>5P-5639</b>		SEAL (.64M)						
D	44B	3	<b>5P-5639</b>	2	SEAL (.562M EACH)						
D	45	3	<b>5P-5641</b>	2	SEAL (.517M EACH)						
D	45A	3	<b>5P-5641</b>		SEAL (.482M)						

D - ORDER BY THE METER  
M - METRIC PART  
Y - SEPARATE ILLUSTRATION

# POWER TRAIN

150-3157 COOLER & FAN GP-AXLE OIL (contd.)

i01563715



SECTION C-C

REFER TO ALL ILLUSTRATIONS OF THIS GROUP FOR AUXILIARY VIEWS

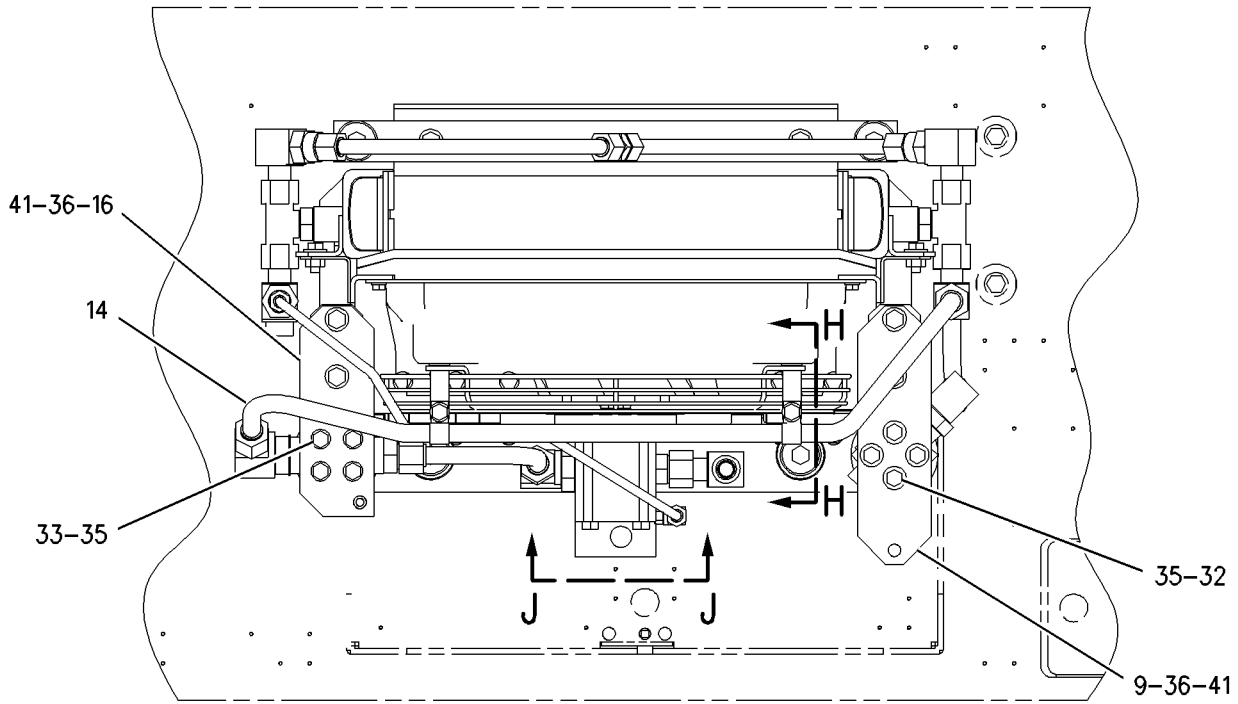
GRAPHIC #1

g00679886

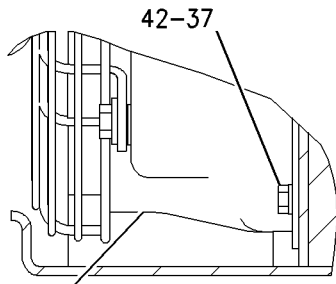
# POWER TRAIN

150-3157 COOLER & FAN GP-AXLE OIL (contd.)

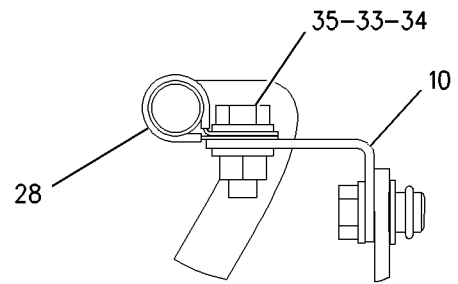
i01563715



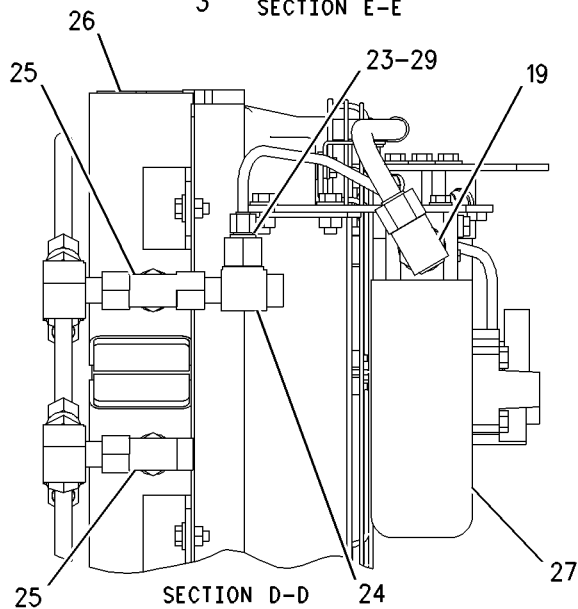
TOP VIEW



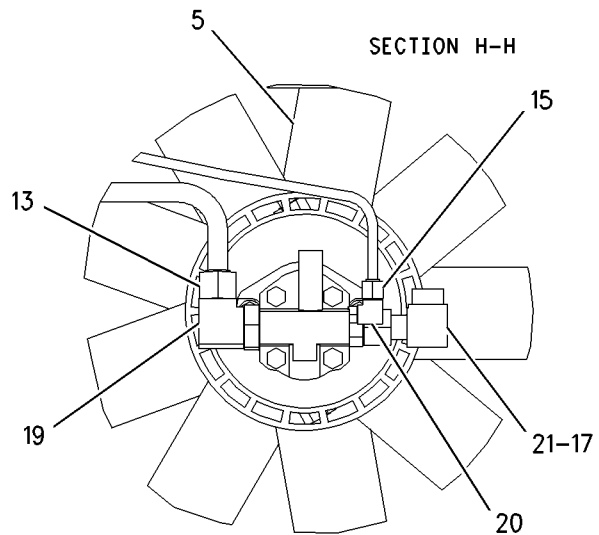
3 SECTION E-E



5 SECTION H-H



SECTION D-D



VIEW J-J

REFER TO ALL ILLUSTRATION OF THIS GROUP FOR AUXILIARY VIEWS

g00679951

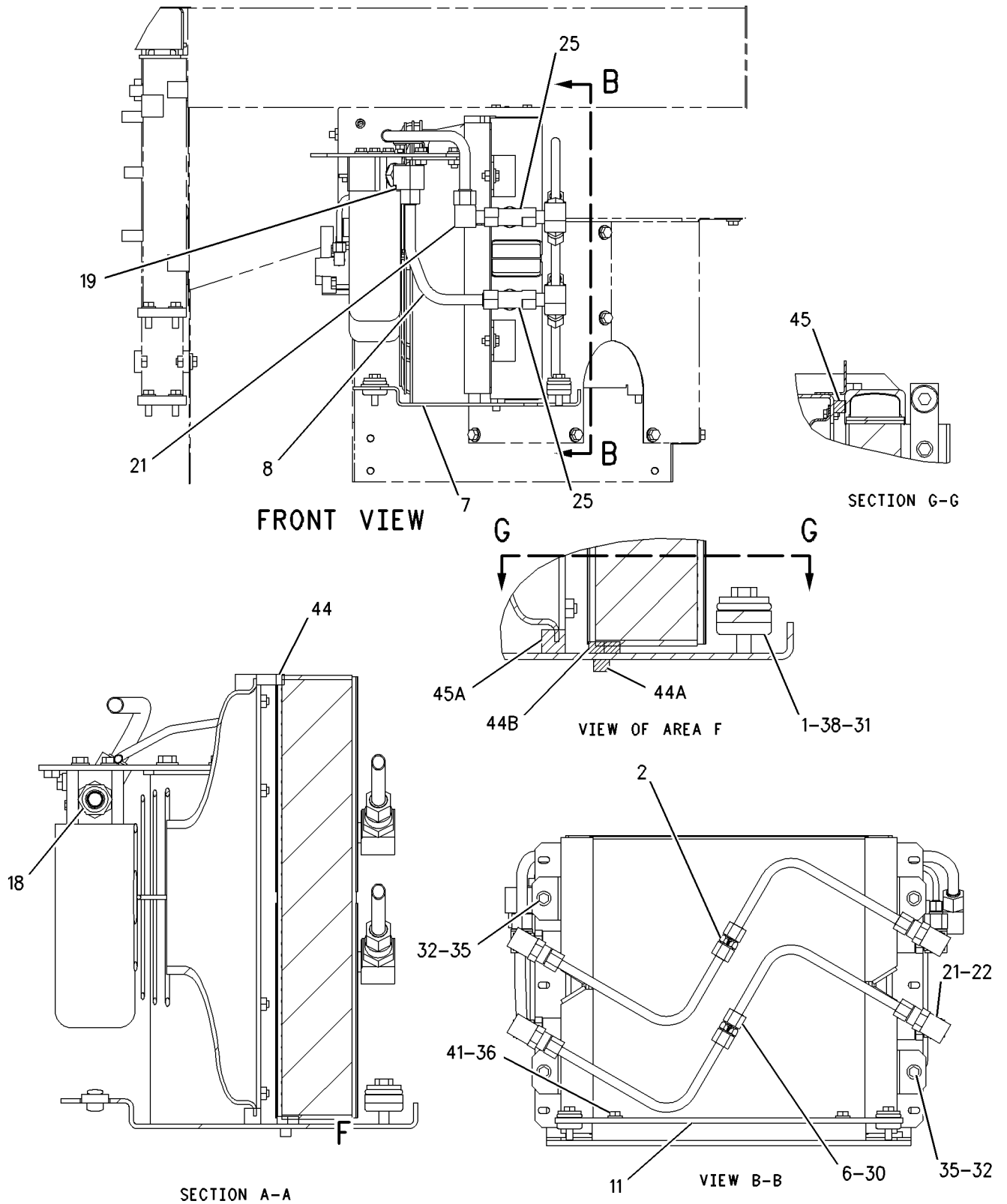
GRAPHIC #2



# POWER TRAIN

150-3157 COOLER & FAN GP-AXLE OIL (contd.)

i01563715



FRONT VIEW

SECTION G-G

VIEW OF AREA F

SECTION A-A

VIEW B-B

REFER TO ALL ILLUSTRATIONS OF THIS GROUP FOR AUXILIARY VIEWS

GRAPHIC #3

<END>

g00812265

# POWER TRAIN

## 150-3157 COOLER & FAN GP-AXLE OIL

S/N: BNH1-867

PART OF 178-4629 COOLER GP-AXLE OIL  
AN ATTACHMENT

SMCS-1356, 1365

i01767415

NOTE	REF NO	GRAPHIC REF	PART NUMBER	QTY	PART NAME						SEE PAGE
					1	2	3	4	5	6 (PRODUCT LEVEL)	
	1	3	<b>6S-6251</b>	4	MOUNT						
	2	3	<b>130-9704</b>	2	VALVE GP-CHECK (AXLE OIL COOLER BYPASS)						
	3	2	<b>138-2237</b>	1	SHROUD AS						
	4	1	<b>138-2238</b>	1	GUARD AS						
Y	5	2	<b>138-2239</b>	1	FAN GP-SUCTION (AXLE OIL COOLER)						144
	6	3	<b>153-6885</b>	4	TUBE AS						
C	7	3	<b>216-4889</b>	1	SUPPORT AS						
C	8	3	<b>216-4887</b>	1	TUBE AS						
C	9	2	<b>216-4885</b>	1	PLATE						
	10	2	<b>163-7451</b>	2	BRACKET						
	11	3	<b>173-6706</b>	1	BAR						
	12	1	<b>178-1602</b>	1	MOTOR GP-GEAR (AXLE OIL COOLER FAN)						
C	13	2	<b>216-4888</b>	1	TUBE AS						
	14	2	<b>178-3230</b>	1	TUBE AS						
	15	2	<b>178-4111</b>	1	TUBE AS						
C	16	2	<b>216-4886</b>	1	PLATE AS						
	17	2	<b>148-8327</b>	1	CONNECTOR AS						
		2	<b>6V-8637</b>	1	CONNECTOR						
		2	<b>3D-2824</b>	1	SEAL-O-RING						
		2	<b>6V-9746</b>	1	SEAL-O-RING						
	18	3	<b>148-8339</b>	1	CONNECTOR AS						
		3	<b>6V-8716</b>	1	CONNECTOR						
		3	<b>7M-8485</b>	1	SEAL-O-RING						
		3	<b>6V-9746</b>	1	SEAL-O-RING						
	19	2,3	<b>148-8360</b>	3	ELBOW AS						
					(EACH INCLUDES)						
		2,3	<b>6V-9182</b>	1	ELBOW						
		2,3	<b>7M-8485</b>	1	SEAL-O-RING						
		2,3	<b>6V-9746</b>	1	SEAL-O-RING						
	20	2	<b>148-8361</b>	1	ELBOW AS						
		2	<b>6V-9200</b>	1	ELBOW						
		2	<b>3J-7354</b>	1	SEAL-O-RING						
		2	<b>6V-8397</b>	1	SEAL-O-RING						
	21	2,3	<b>148-8392</b>	6	ELBOW AS						
					(EACH INCLUDES)						
		2,3	<b>6V-9853</b>	1	ELBOW						
		2,3	<b>6V-9746</b>	8	SEAL-O-RING						
	22	3	<b>148-8414</b>	4	REDUCER AS						
					(EACH INCLUDES)						
		3	<b>6V-8943</b>	1	REDUCER						
		3	<b>7J-9108</b>	4	SEAL-O-RING						
	23	2	<b>148-8417</b>	1	REDUCER AS						
		2	<b>6V-8941</b>	1	REDUCER						
		2	<b>6V-8397</b>	1	SEAL-O-RING						
	24	2	<b>148-8449</b>	1	TEE AS-SWIVEL						
		2	<b>6V-9839</b>	1	TEE-SWIVEL						
		2	<b>6V-9746</b>	2	SEAL-O-RING						
	25	2,3	<b>153-6259</b>	4	TEE AS						
					(EACH INCLUDES)						
		2,3	<b>6V-8777</b>	1	TEE-FACE SEAL						
		2,3	<b>6V-9746</b>	2	SEAL-O-RING						
		2,3	<b>3D-2824</b>	1	SEAL-O-RING						
	26	2	<b>173-6753</b>	1	CORE AS-AXLE OIL COOLER						
Y	27	1,2	<b>183-6194</b>	2	FILTER GP-OIL (AXLE OIL COOLER)						466
	28	2	<b>6D-4246</b>	2	CLIP						
C	29	2	<b>9X-6580</b>	1	NUT (1-3/16-12-THD)						
	30	3	<b>7J-9108</b>	4	SEAL-O-RING						

# POWER TRAIN

150-3157 COOLER & FAN GP-AXLE OIL (contd.)

i01767415

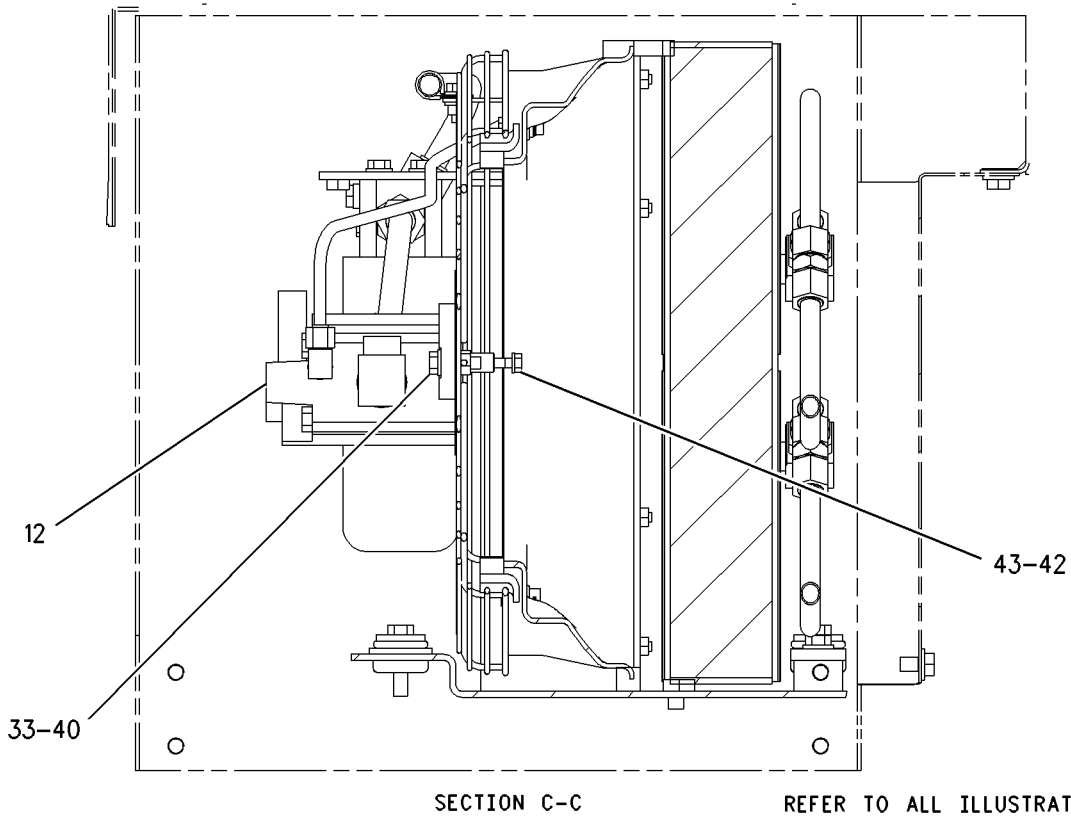
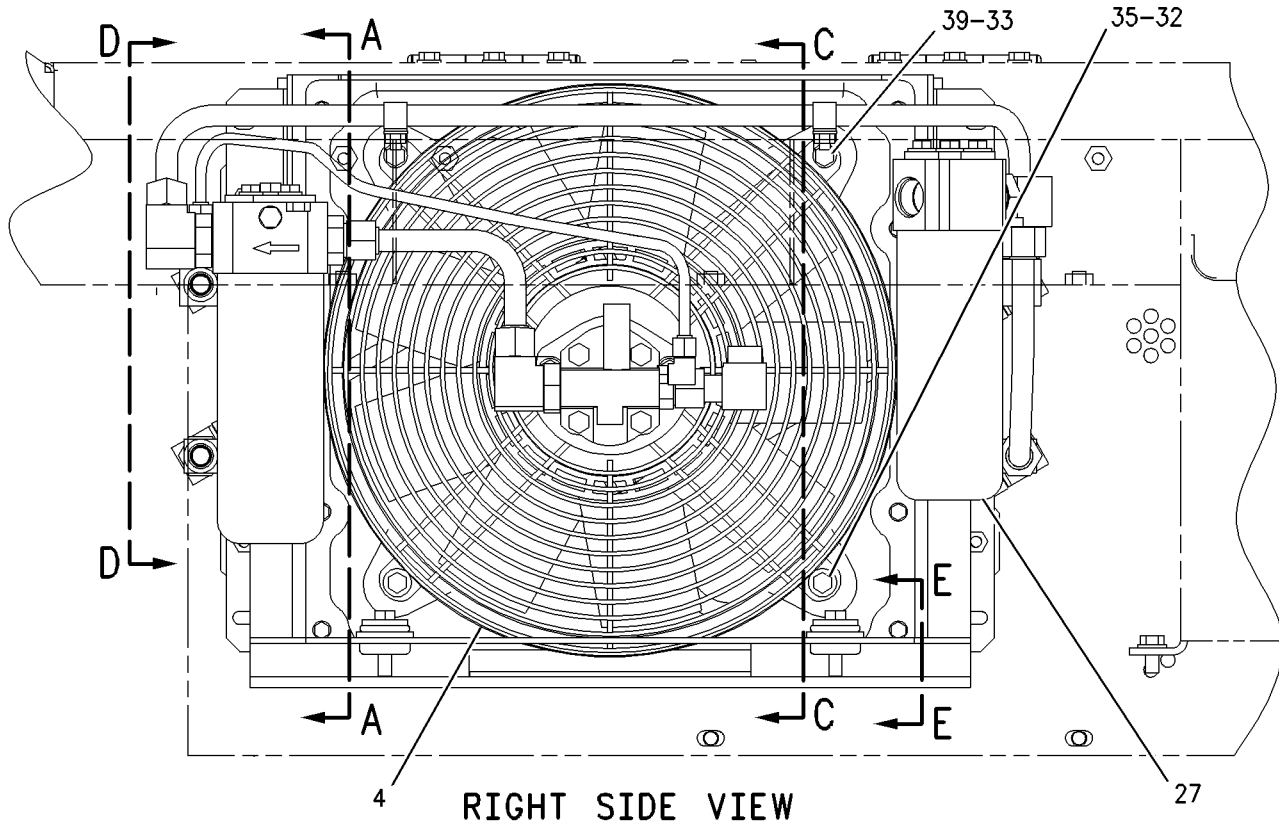
NOTE	REF NO	GRAPHIC REF	PART NUMBER	QTY	PART NAME						SEE PAGE
					1	2	3	4	5	6 (PRODUCT LEVEL)	
	31	3	<b>7X-0618</b>	4	WASHER-HARD (13.5X40X5-MM THK)						
C	32	1,3	<b>7X-7729</b>	6	WASHER (11X25X3-MM THK)						
C	33	1,2	<b>8T-4121</b>	16	WASHER-HARD (11X21X2.5-MM THK)						
M	34	2	<b>8T-4133</b>	2	NUT (M10X1.5-THD)						
M	35	1,2,3	<b>8T-4136</b>	16	BOLT (M10X1.5X25-MM)						
CM	36	2,3	<b>8T-4139</b>	10	BOLT (M12X1.75X30-MM)						
M	37	2	<b>8T-4189</b>	8	BOLT (M8X1.25X20-MM)						
M	38	2,3	<b>8T-4194</b>	4	BOLT (M12X1.75X50-MM)						
M	39	1	<b>8T-4195</b>	2	BOLT (M10X1.5X30-MM)						
M	40	1	<b>8T-4196</b>	2	BOLT (M10X1.5X35-MM)						
	41	2,3	<b>8T-4223</b>	6	WASHER-HARD (13.5X25.5X3-MM THK)						
	42	1	<b>8T-4224</b>	9	WASHER-HARD (8.8X16X2-MM THK)						
M	43	1	<b>8T-7547</b>	1	BOLT (M8X1.25X30-MM)						
D	44	3	<b>5P-5639</b>		SEAL (.565M)						
D	44A	3	<b>5P-5639</b>		SEAL (.64M)						
D	44B	3	<b>5P-5639</b>	2	SEAL (.562M EACH)						
D	45	3	<b>5P-5641</b>	2	SEAL (.517M EACH)						
D	45A	3	<b>5P-5641</b>		SEAL (.482M)						
C	46	2	<b>5P-4116</b>	8	WASHER-HARD (8.8X20.5X2-MM THK)						
C	47	2,3	<b>216-4884</b>	2	BRACKET AS						
C	48	3	<b>5P-1076</b>	4	WASHER-HARD (13.5X30X4-MM THK)						

C - CHANGE FROM PREVIOUS TYPE  
D - ORDER BY THE METER  
M - METRIC PART  
Y - SEPARATE ILLUSTRATION

# POWER TRAIN

150-3157 COOLER & FAN GP-AXLE OIL (contd.)

i01767415



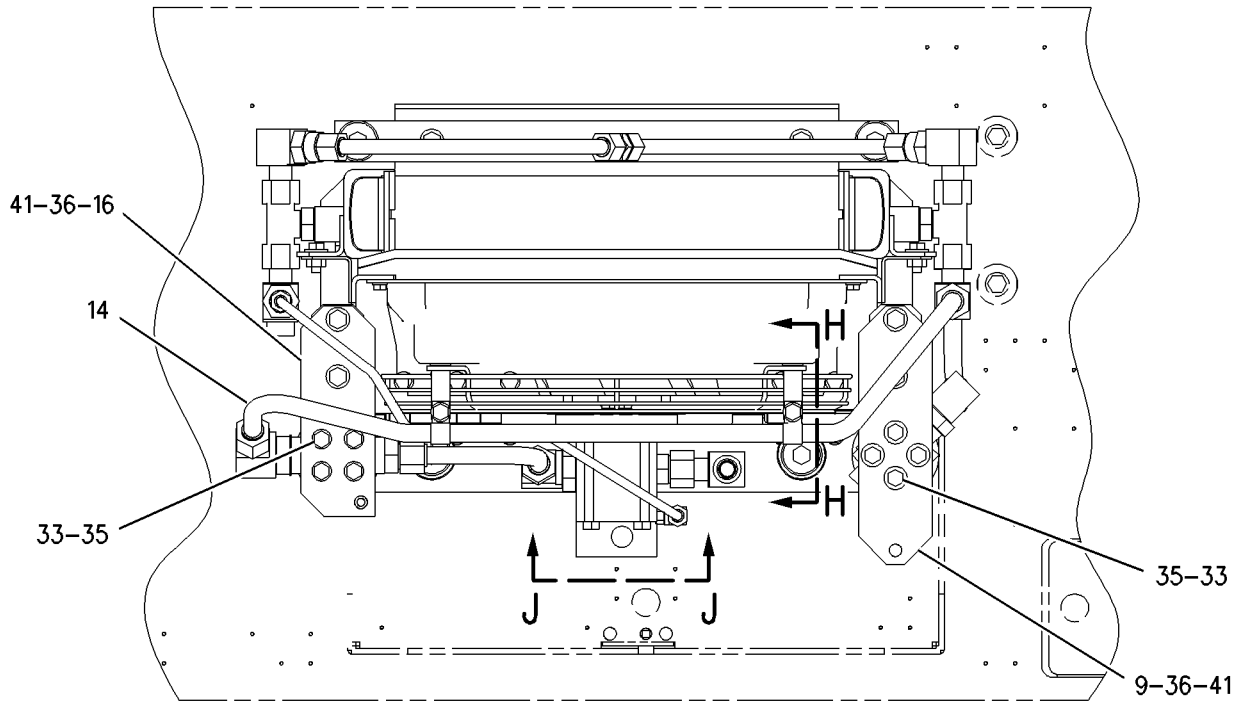
GRAPHIC #1

g00909142

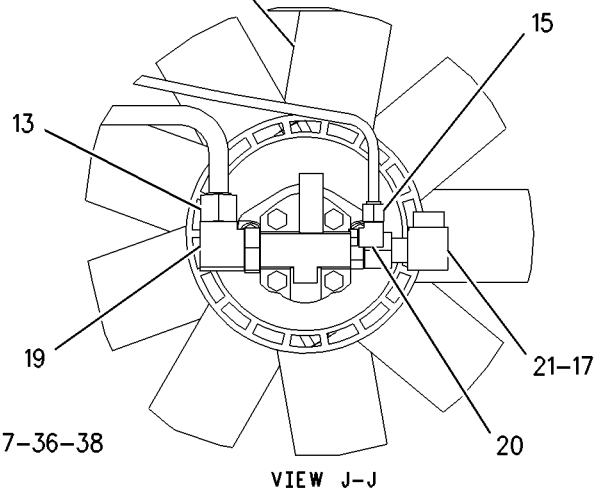
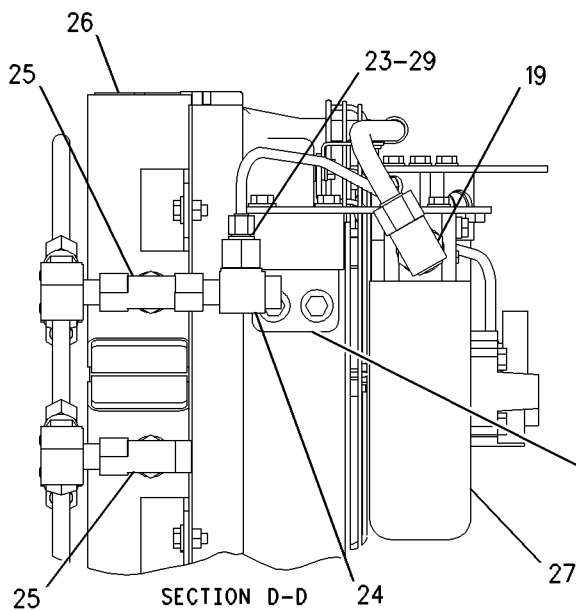
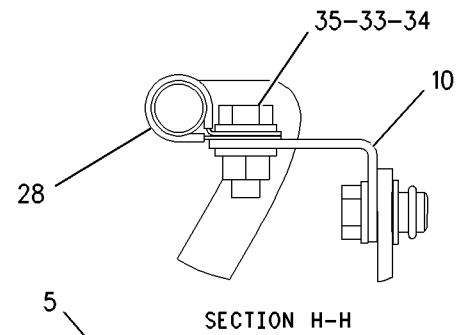
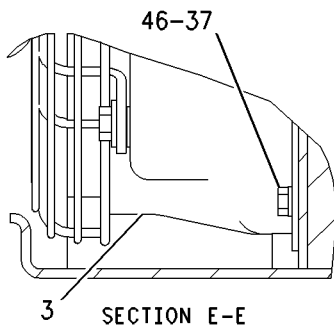
# POWER TRAIN

150-3157 COOLER & FAN GP-AXLE OIL (contd.)

i01767415



TOP VIEW



REFER TO ALL ILLUSTRATION OF THIS GROUP FOR AUXILIARY VIEWS

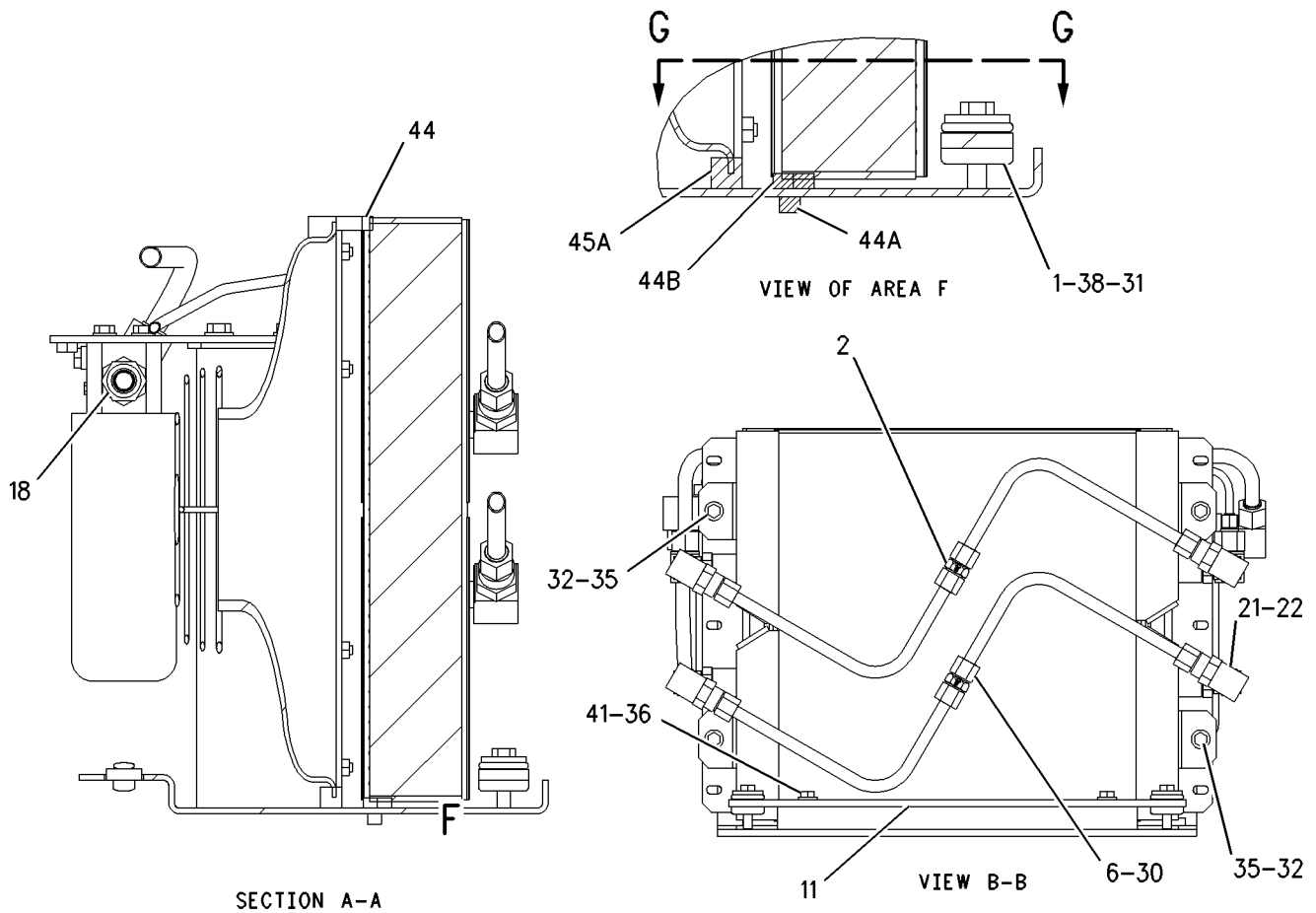
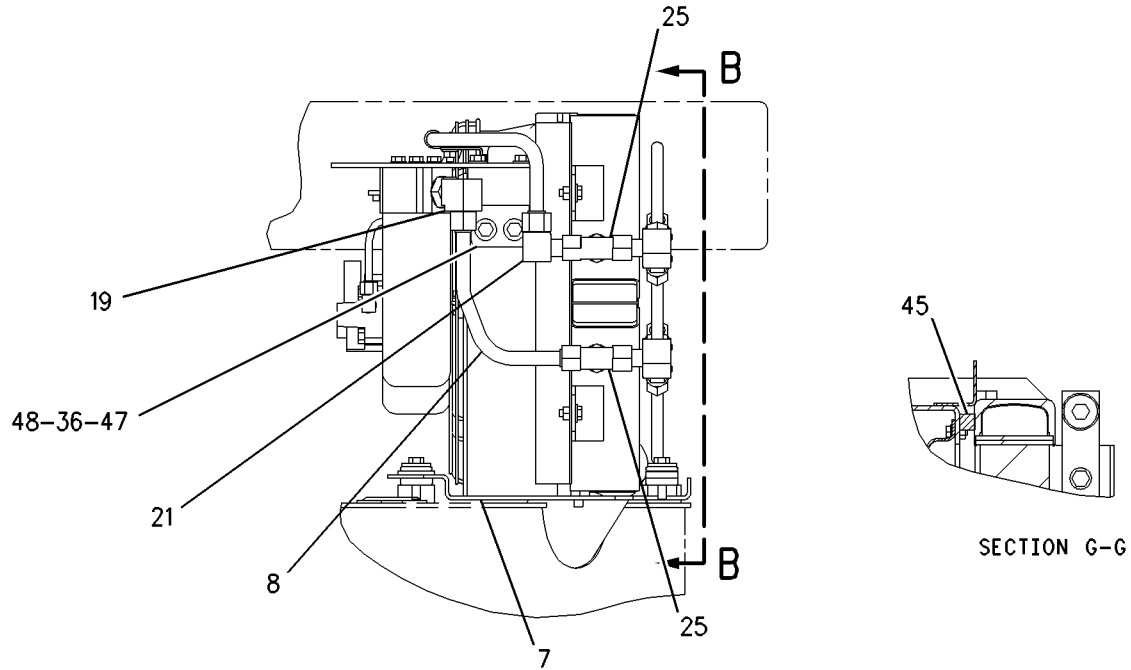
GRAPHIC #2

g00909222

# POWER TRAIN

150-3157 COOLER & FAN GP-AXLE OIL (contd.)

i01767415



REFER TO ALL ILLUSTRATIONS OF THIS GROUP FOR AUXILIARY VIEWS

GRAPHIC #3

<END>

g00909219

# POWER TRAIN

## 150-3157 COOLER & FAN GP-AXLE OIL

S/N: BNH868-UP

PART OF 178-4629 COOLER GP-AXLE OIL  
AN ATTACHMENT

SMCS-1356, 1365

i04694711

NOTE	REF NO	GRAPHIC REF	PART NUMBER	QTY	PART NAME						SEE PAGE
					1	2	3	4	5	6 (PRODUCT LEVEL)	
	1	3	<b>6S-6251</b>	4	MOUNT						
	2	3	<b>130-9704</b>	2	VALVE GP-CHECK (AXLE OIL COOLER BYPASS)						
	3	2	<b>138-2237</b>	1	SHROUD AS						
	4	1	<b>138-2238</b>	1	GUARD AS						
Y	5	2	<b>138-2239</b>	1	FAN GP-SUCTION (AXLE OIL COOLER)						144
C	6	3	<b>234-3556</b>	4	TUBE AS						
	7	3	<b>216-4889</b>	1	SUPPORT AS						
	8	3	<b>216-4887</b>	1	TUBE AS						
	9	2	<b>216-4885</b>	1	PLATE						
	10	2	<b>163-7451</b>	2	BRACKET						
	11	3	<b>173-6706</b>	1	BAR						
	12	1	<b>178-1602</b>	1	MOTOR GP-GEAR (AXLE OIL COOLER FAN)						
	13	2	<b>216-4888</b>	1	TUBE AS						
	14	2	<b>178-3230</b>	1	TUBE AS						
	15	2	<b>178-4111</b>	1	TUBE AS						
	16	2	<b>216-4886</b>	1	PLATE AS						
	17	2	<b>148-8327</b>	1	CONNECTOR AS						
		2	<b>6V-8637</b>	1	CONNECTOR						
		2	<b>3D-2824</b>	1	SEAL-O-RING						
		2	<b>6V-9746</b>	1	SEAL-O-RING						
	18	3	<b>148-8339</b>	1	CONNECTOR AS						
		3	<b>6V-8716</b>	1	CONNECTOR						
		3	<b>7M-8485</b>	1	SEAL-O-RING						
		3	<b>6V-9746</b>	1	SEAL-O-RING						
	19	2,3	<b>148-8360</b>	3	ELBOW AS						
					(EACH INCLUDES)						
		2,3	<b>6V-9182</b>	1	ELBOW						
		2,3	<b>7M-8485</b>	1	SEAL-O-RING						
		2,3	<b>6V-9746</b>	1	SEAL-O-RING						
	20	2	<b>148-8361</b>	1	ELBOW AS						
		2	<b>6V-9200</b>	1	ELBOW						
		2	<b>3J-7354</b>	1	SEAL-O-RING						
		2	<b>6V-8397</b>	1	SEAL-O-RING						
C	21	2,3	<b>148-8392</b>	2	ELBOW AS						
					(EACH INCLUDES)						
		2,3	<b>6V-9853</b>	1	ELBOW						
		2,3	<b>6V-9746</b>	8	SEAL-O-RING						
	22	3	<b>148-8414</b>	4	REDUCER AS						
					(EACH INCLUDES)						
		3	<b>6V-8943</b>	1	REDUCER						
		3	<b>7J-9108</b>	4	SEAL-O-RING						
	23	2	<b>148-8417</b>	1	REDUCER AS						
		2	<b>6V-8941</b>	1	REDUCER						
		2	<b>6V-8397</b>	1	SEAL-O-RING						
	24	2	<b>148-8449</b>	1	TEE AS-SWIVEL						
		2	<b>6V-9839</b>	1	TEE-SWIVEL						
		2	<b>6V-9746</b>	2	SEAL-O-RING						
	25	2,3	<b>153-6259</b>	4	TEE AS						
					(EACH INCLUDES)						
		2,3	<b>6V-8777</b>	1	TEE-FACE SEAL						
		2,3	<b>6V-9746</b>	2	SEAL-O-RING						
		2,3	<b>3D-2824</b>	1	SEAL-O-RING						
	26	2	<b>173-6753</b>	1	CORE AS-AXLE OIL COOLER						
Y	27	1,2	<b>183-6194</b>	2	FILTER GP-OIL (AXLE OIL COOLER)						466
	28	2	<b>6D-4246</b>	2	CLIP						
	29	2	<b>9X-6580</b>	1	NUT (1-3/16-12-THD)						
	30	3	<b>7J-9108</b>	4	SEAL-O-RING						

# POWER TRAIN

150-3157 COOLER & FAN GP-AXLE OIL (contd.)

i04694711

NOTE	REF NO	GRAPHIC REF	PART NUMBER	QTY	PART NAME						SEE PAGE
					1	2	3	4	5	6 (PRODUCT LEVEL)	
	31	3	<b>7X-0618</b>	4	WASHER-HARD (13.5X40X5-MM THK)						
	32	1,3	<b>7X-7729</b>	6	WASHER (11X25X3-MM THK)						
	33	1,2	<b>8T-4121</b>	16	WASHER-HARD (11X21X2.5-MM THK)						
M	34	2	<b>8T-4133</b>	2	NUT (M10X1.5-THD)						
M	35	1,2,3	<b>8T-4136</b>	16	BOLT (M10X1.5X25-MM)						
M	36	2,3	<b>8T-4139</b>	10	BOLT (M12X1.75X30-MM)						
M	37	2	<b>8T-4189</b>	8	BOLT (M8X1.25X20-MM)						
M	38	3	<b>8T-4194</b>	4	BOLT (M12X1.75X50-MM)						
M	39	1	<b>8T-4195</b>	2	BOLT (M10X1.5X30-MM)						
M	40	1	<b>8T-4196</b>	2	BOLT (M10X1.5X35-MM)						
	41	2,3	<b>8T-4223</b>	6	WASHER-HARD (13.5X25.5X3-MM THK)						
	42	1	<b>8T-4224</b>	1	WASHER-HARD (8.8X16X2-MM THK)						
M	43	1	<b>8T-7547</b>	1	BOLT (M8X1.25X30-MM)						
D	44	3	<b>5P-5639</b>		SEAL (.565M)						
D	44A	3	<b>5P-5639</b>		SEAL (.64M)						
D	44B	3	<b>5P-5639</b>	2	SEAL (.562M EACH)						
D	45	3	<b>5P-5755</b>	2	SEAL (.517M EACH)						
D	45A	3	<b>5P-5755</b>		SEAL (.482M)						
	46	2	<b>5P-4116</b>	8	WASHER-HARD (8.8X20.5X2-MM THK)						
	47	2,3	<b>216-4884</b>	2	BRACKET AS						
	48	2,3	<b>5P-1076</b>	4	WASHER-HARD (13.5X30X4-MM THK)						
C	49	3	<i>148-8393</i>	4	ELBOW AS						
					(EACH INCLUDES)						
		3	<b>6V-9852</b>	1	ELBOW						
		3	<b>7J-9108</b>	1	SEAL-O-RING						

C - CHANGE FROM PREVIOUS TYPE

D - ORDER BY THE METER

M - METRIC PART

Y - SEPARATE ILLUSTRATION

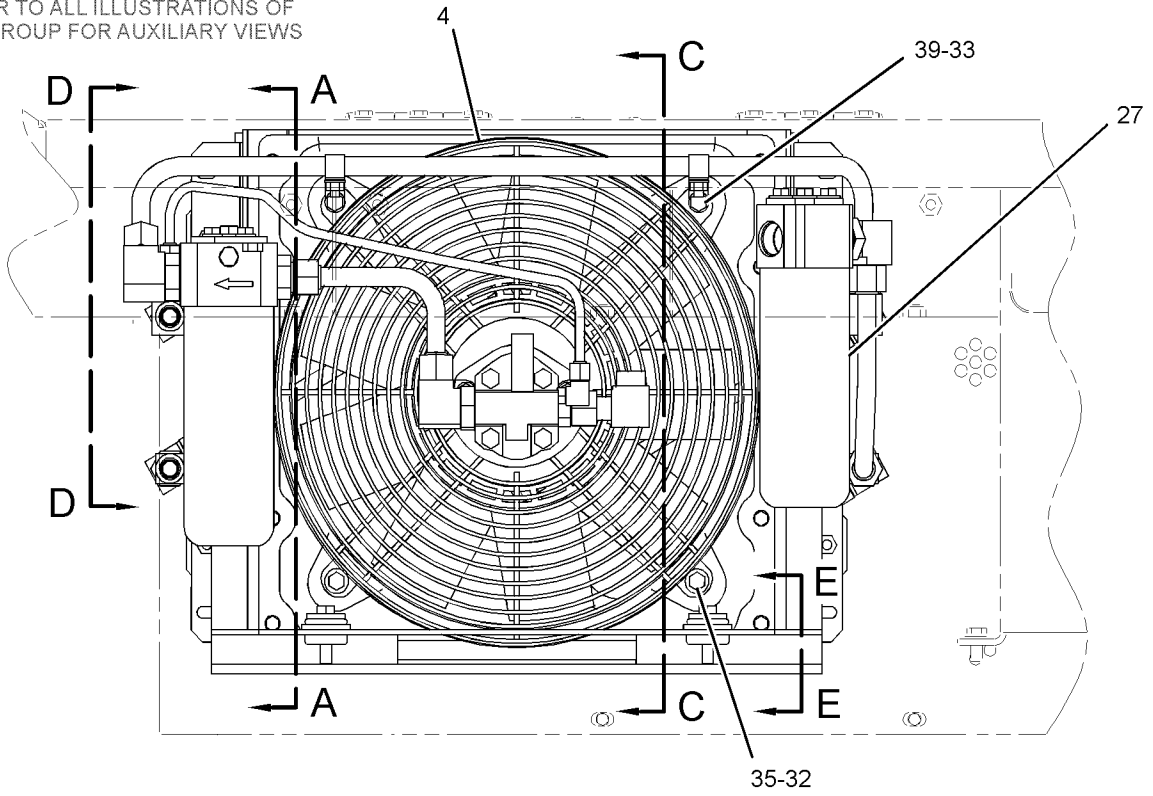


# POWER TRAIN

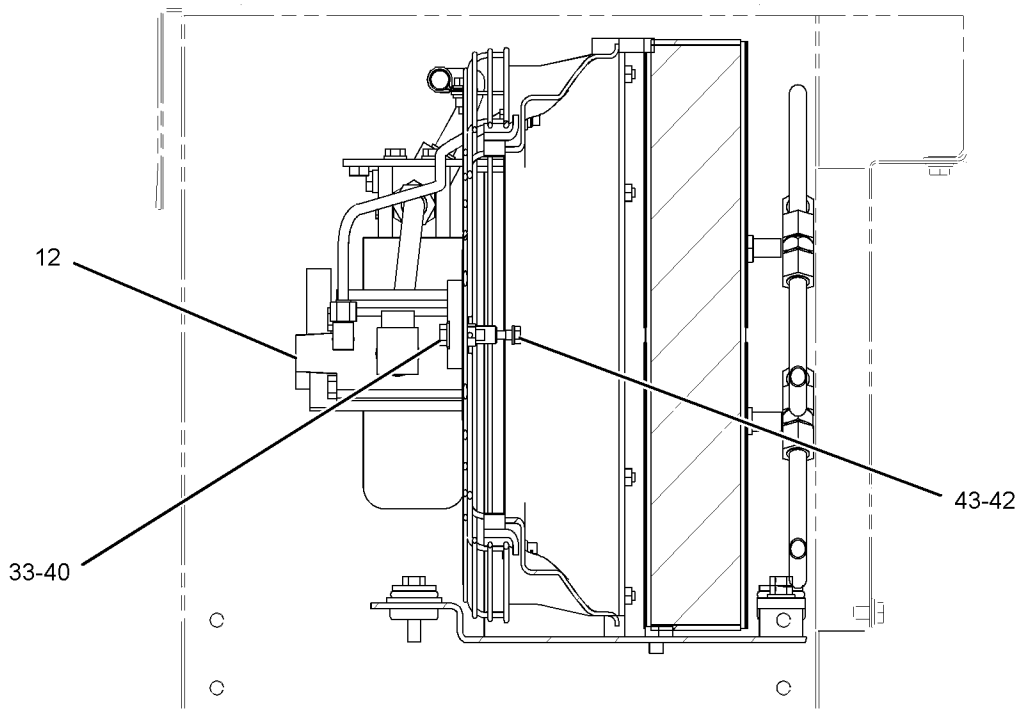
150-3157 COOLER & FAN GP-AXLE OIL (contd.)

i04694711

REFER TO ALL ILLUSTRATIONS OF THIS GROUP FOR AUXILIARY VIEWS



RIGHT SIDE VIEW



SECTION C-C

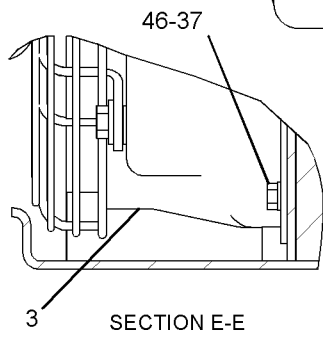
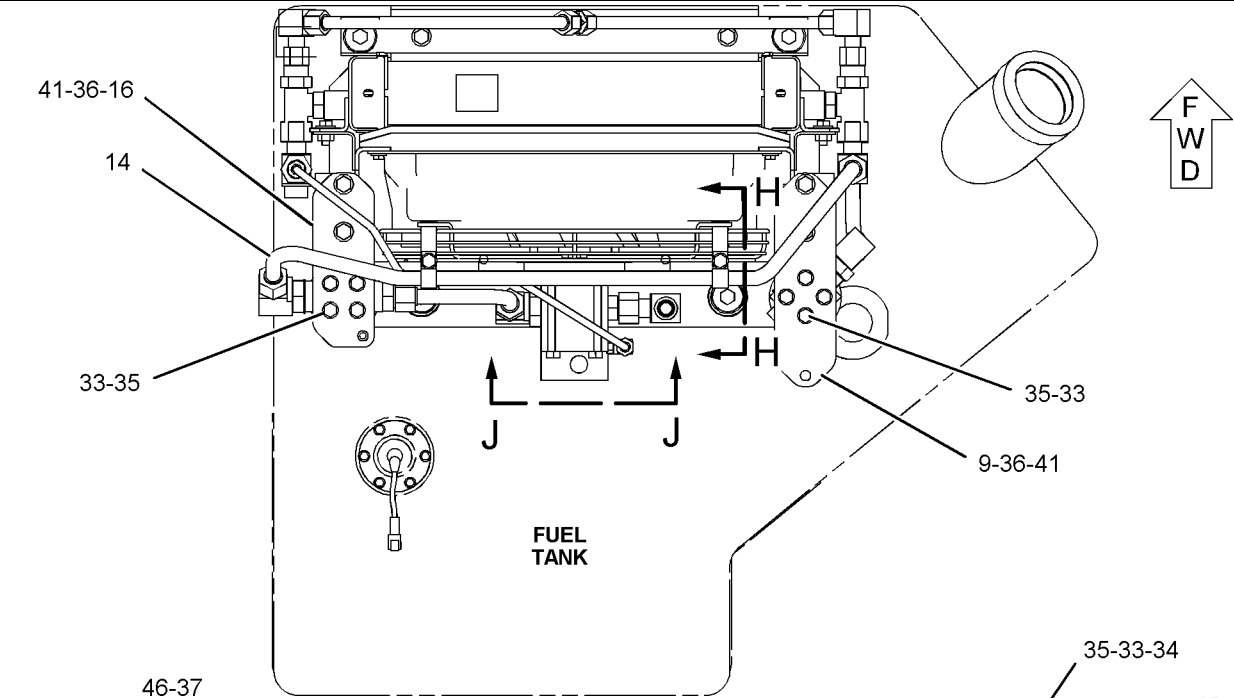
GRAPHIC #1

g02800124

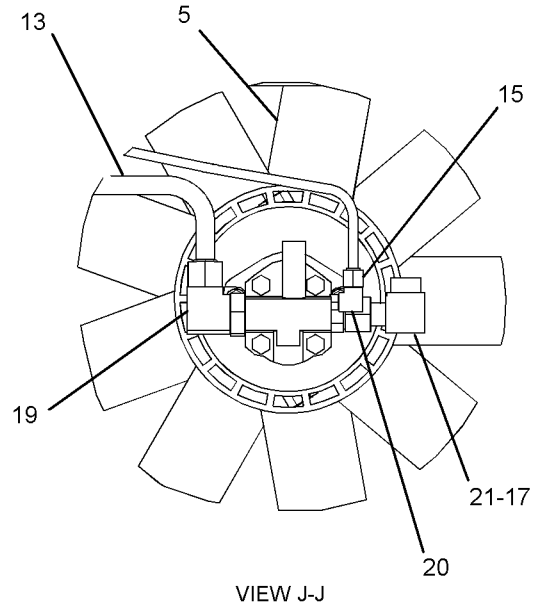
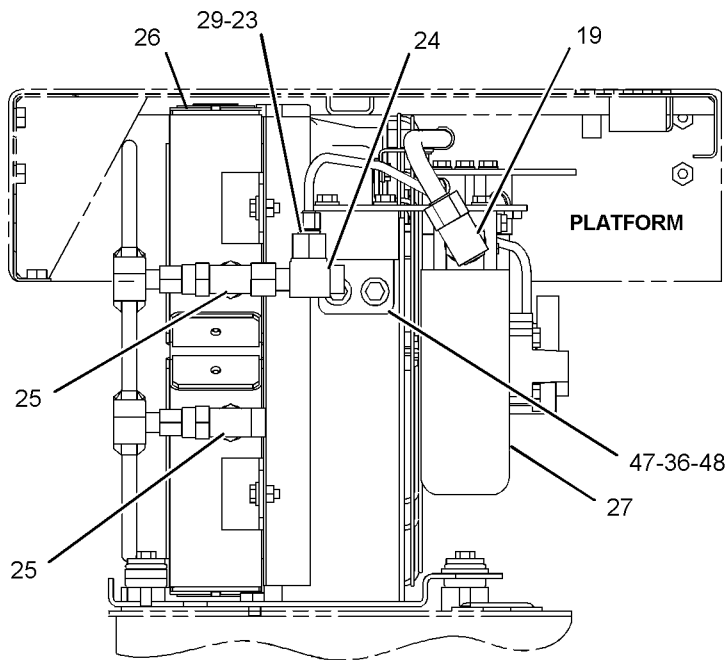
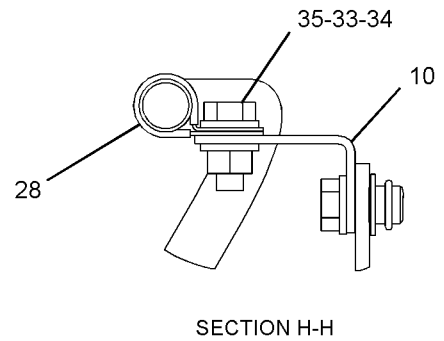
# POWER TRAIN

150-3157 COOLER & FAN GP-AXLE OIL (contd.)

i04694711



TOP VIEW



REFER TO ALL ILLUSTRATIONS OF THIS GROUP FOR AUXILIARY VIEWS

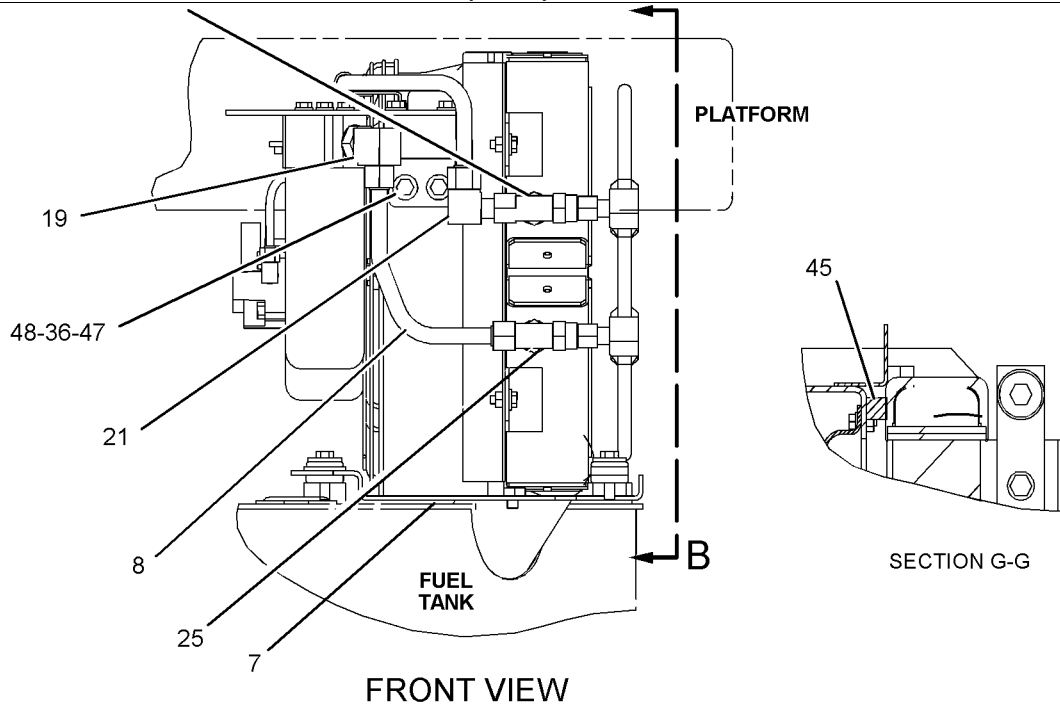
GRAPHIC #2

g01082273

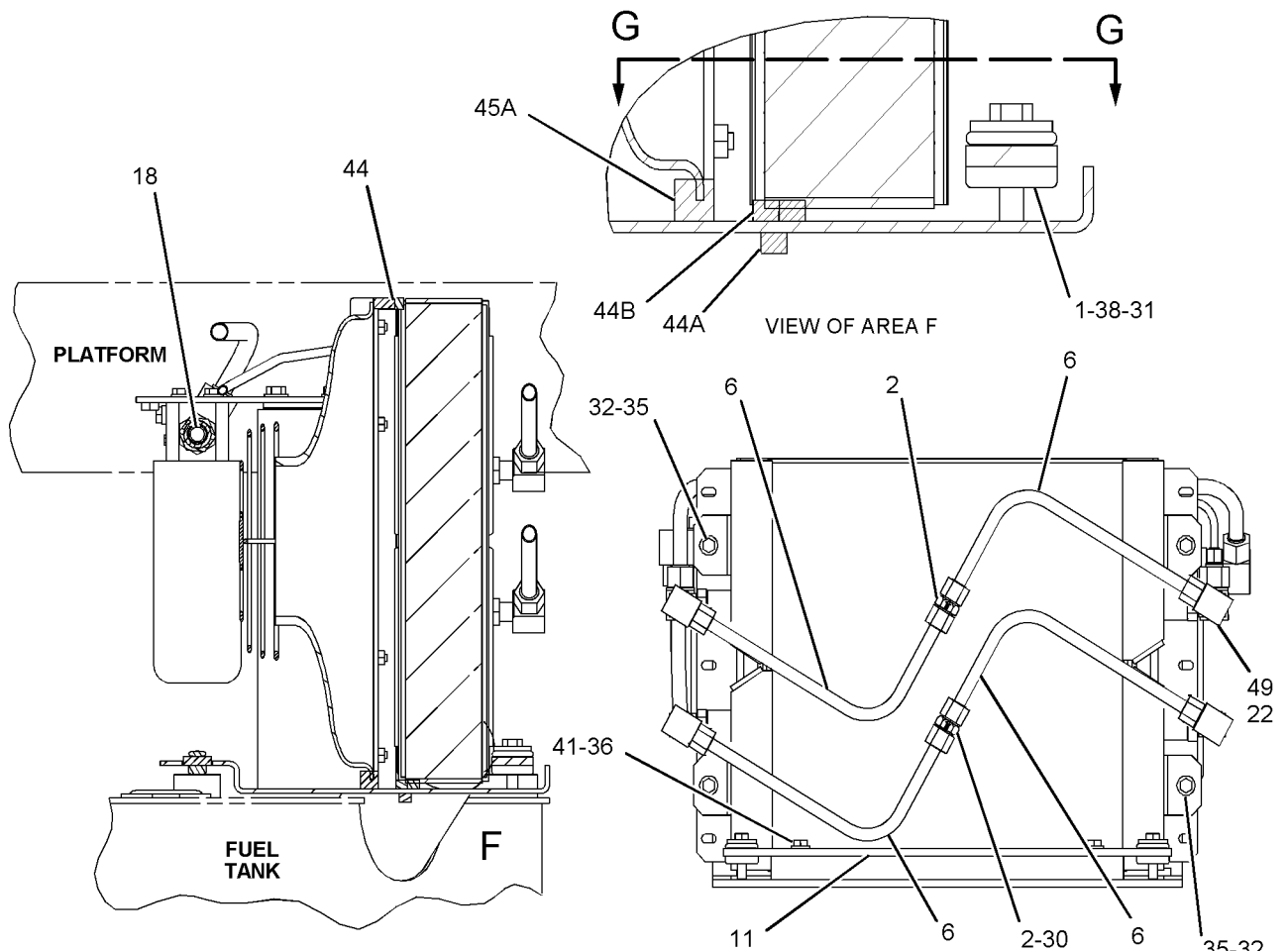
# POWER TRAIN

150-3157 COOLER & FAN GP-AXLE OIL (contd.)

i04694711



FRONT VIEW



GRAPHIC #3

<END>

g01082274

# POWER TRAIN

## 156-4259 COOLER AR-AXLE OIL

S/N: BNH1-UP

CANNOT BE USED WITH 156-1561 CONTROL GP-SERVICE BRAKE  
AN ATTACHMENT

SMCS-1365

i01767263

NOTE	PART NUMBER	QTY	PART NAME						SEE PAGE
			1	2	3	4	5	6 (PRODUCT LEVEL)	
Y	178-4629	1	COOLER GP-AXLE OIL						451
Y	114-5120	1	LINES GP-AXLE OIL COOLER (REAR)						477
			-OR-						
Y	223-4078	1	LINES GP-AXLE OIL COOLER (REAR)						487
Y	195-0456	1	LINES GP-AXLE OIL COOLER (FRONT)						481
			-OR-						
Y	221-1164	1	LINES GP-AXLE OIL COOLER (FRONT)						484
Y - SEPARATE ILLUSTRATION									

<END>

# POWER TRAIN

## 178-4629 COOLER GP-AXLE OIL

S/N: BNH1-867

PART OF 156-4259 COOLER AR-AXLE OIL  
AN ATTACHMENT

SMCS-1365

i01976837

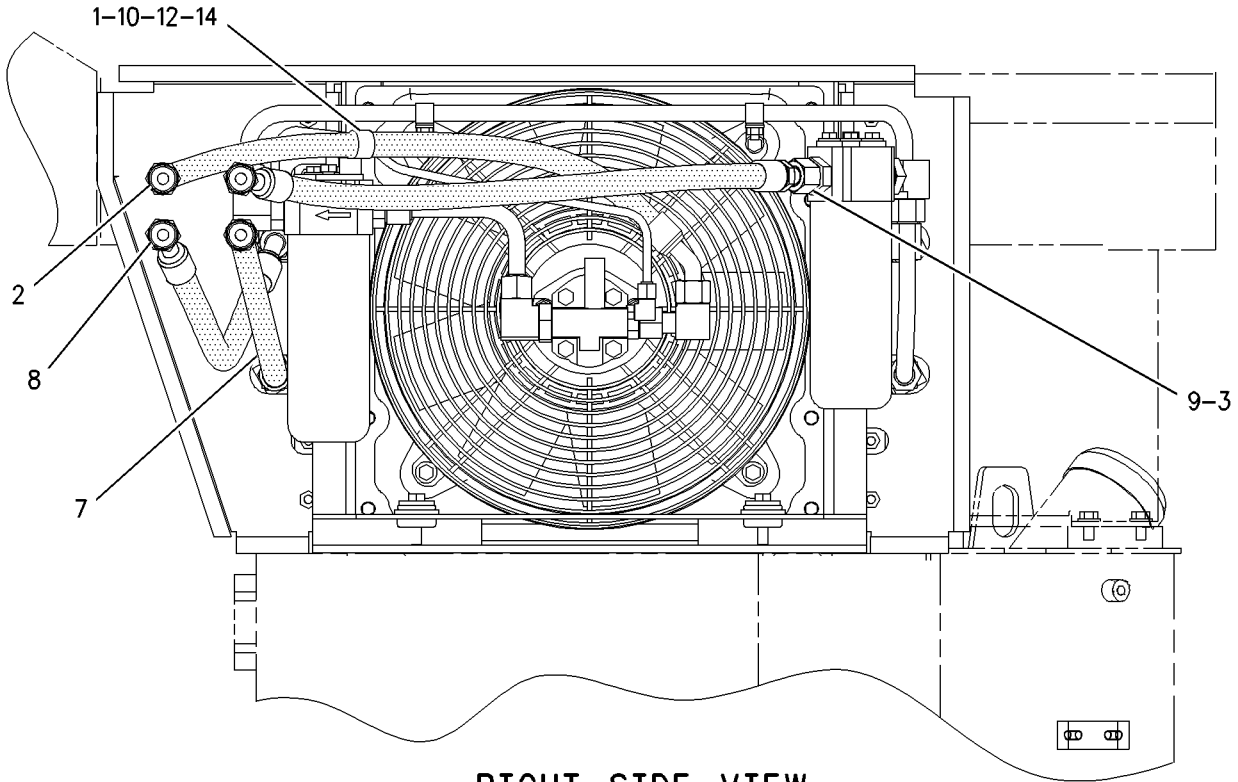
NOTE	REF NO	GRAPHIC REF	PART NUMBER	QTY	PART NAME						SEE PAGE
					1	2	3	4	5	6 (PRODUCT LEVEL)	
	1	1	<b>6H-7062</b>	1	SPACER (13.5X25X19-MM THK)						
I	2	1	<b>124-1872</b>	1	HOSE AS						
I	3	1	<b>135-7902</b>	1	HOSE AS						
Y	4	1	<b>150-3157</b>	1	COOLER & FAN GP-AXLE OIL						435
	5	1	<b>154-6332</b>	1	BAFFLE AS						
	6	1	<b>154-6333</b>	1	BAFFLE AS						
I	7	1	<b>160-3995</b>	1	HOSE AS						
I	8	1	<b>178-7423</b>	1	HOSE AS						
	9	1	<b>148-8339</b>	1	CONNECTOR AS						
		1	<b>6V-8716</b>	1	CONNECTOR						
		1	<b>6V-9746</b>	1	SEAL-O-RING						
		1	<b>7M-8485</b>	1	SEAL-O-RING						
	10	1	<b>6V-1889</b>	1	CLIP						
	11	1	<b>7X-7729</b>	6	WASHER (11X25X3-MM THK)						
	12	1	<b>8T-4121</b>	1	WASHER-HARD (11X21X2.5-MM THK)						
M	13	1	<b>8T-4136</b>	6	BOLT (M10X1.5X25-MM)						
M	14	1	<b>8T-4186</b>	1	BOLT (M10X1.5X40-MM)						
D	15	1	<b>5P-5755</b>		SEAL (.502M)						
D	16	1	<b>5P-5755</b>		SEAL (.09M)						
D	17	1	<b>5P-5755</b>		SEAL (.084M)						
D	18	1	<b>5P-5755</b>		SEAL (.535M)						
D	19	1	<b>5P-5755</b>		SEAL (.919M)						

D - ORDER BY THE METER  
 I - REFER TO HYDRAULIC INFORMATION SYSTEM  
 M - METRIC PART  
 Y - SEPARATE ILLUSTRATION

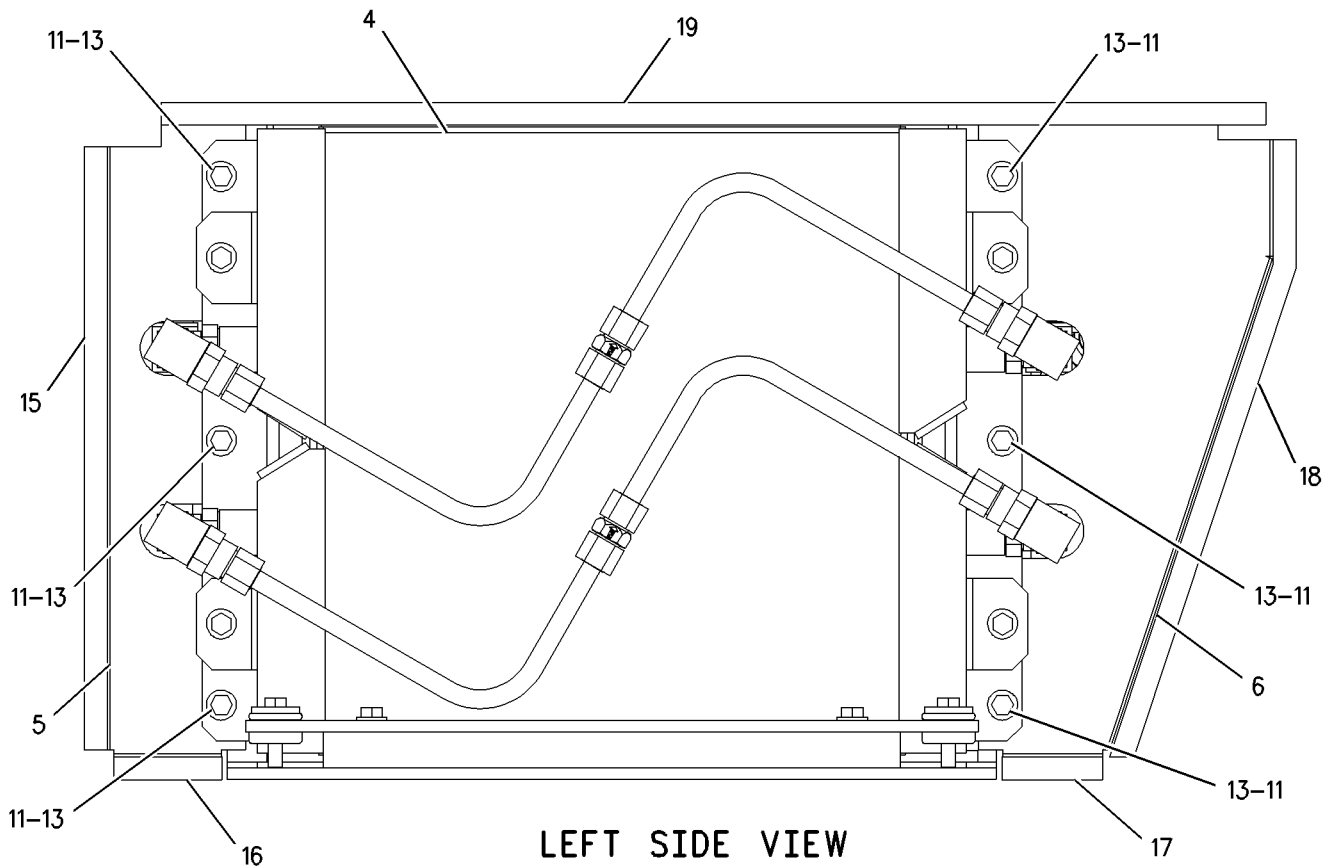
# POWER TRAIN

178-4629 COOLER GP-AXLE OIL (contd.)

i01976837



RIGHT SIDE VIEW



LEFT SIDE VIEW

GRAPHIC #1

<END>

g00680145

# POWER TRAIN

## 178-4629 COOLER GP-AXLE OIL

S/N: BNH868-UP

PART OF 156-4259 COOLER AR-AXLE OIL  
AN ATTACHMENT

SMCS-1365

i02215730

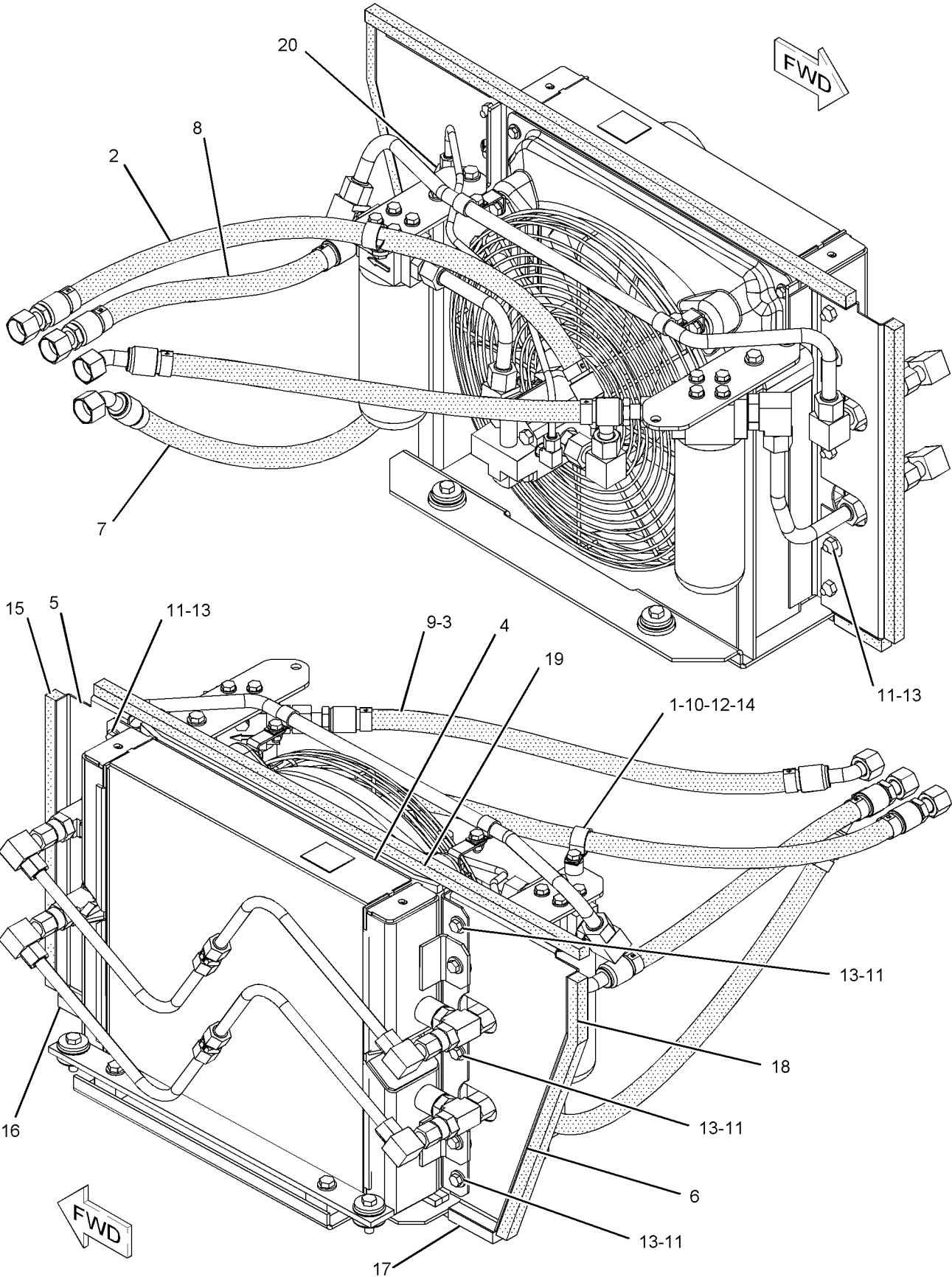
NOTE	REF NO	GRAPHIC REF	PART NUMBER	QTY	PART NAME						SEE PAGE
					1	2	3	4	5	6 (PRODUCT LEVEL)	
	1	1	<b>6H-7062</b>	1	SPACER (13.5X25X19-MM THK)						
I	2	1	<b>124-1872</b>	1	HOSE AS						
I	3	1	<b>234-3555</b>	1	HOSE AS						
Y	4	1	<b>150-3157</b>	1	COOLER & FAN GP-AXLE OIL						435
	5	1	<b>154-6332</b>	1	BAFFLE AS						
	6	1	<b>154-6333</b>	1	BAFFLE AS						
I	7	1	<b>254-6061</b>	1	HOSE AS						
I	8	1	<b>234-3552</b>	1	HOSE AS						
	9	1	<b>148-8339</b>	1	CONNECTOR AS						
		1	<b>6V-8716</b>	1	CONNECTOR						
		1	<b>6V-9746</b>	1	SEAL-O-RING						
		1	<b>7M-8485</b>	1	SEAL-O-RING						
	10	1	<b>6V-1889</b>	1	CLIP						
	11	1	<b>7X-7729</b>	6	WASHER (11X25X3-MM THK)						
	12	1	<b>8T-4121</b>	1	WASHER-HARD (11X21X2.5-MM THK)						
M	13	1	<b>8T-4136</b>	6	BOLT (M10X1.5X25-MM)						
M	14	1	<b>8T-4186</b>	1	BOLT (M10X1.5X40-MM)						
D	15	1	<b>5P-5755</b>		SEAL (0.502-M)						
D	16	1	<b>5P-5755</b>		SEAL (0.09-M)						
D	17	1	<b>5P-5755</b>		SEAL (0.084-M)						
D	18	1	<b>5P-5755</b>		SEAL (0.535-M)						
D	19	1	<b>5P-5755</b>		SEAL (0.919-M)						
	20	1	<b>171-6723</b>	1	ELBOW AS						

D - ORDER BY THE METER  
 I - REFER TO HYDRAULIC INFORMATION SYSTEM  
 M - METRIC PART  
 Y - SEPARATE ILLUSTRATION

# POWER TRAIN

178-4629 COOLER GP-AXLE OIL (contd.)

i02215730



GRAPHIC #1

<END>

g01118180



# POWER TRAIN

## 139-1468 COVER GP-SHIPPING

S/N: BJW1-UP

PART OF 192-2914 TRANSMISSION AR

SMCS-3064

i00978906

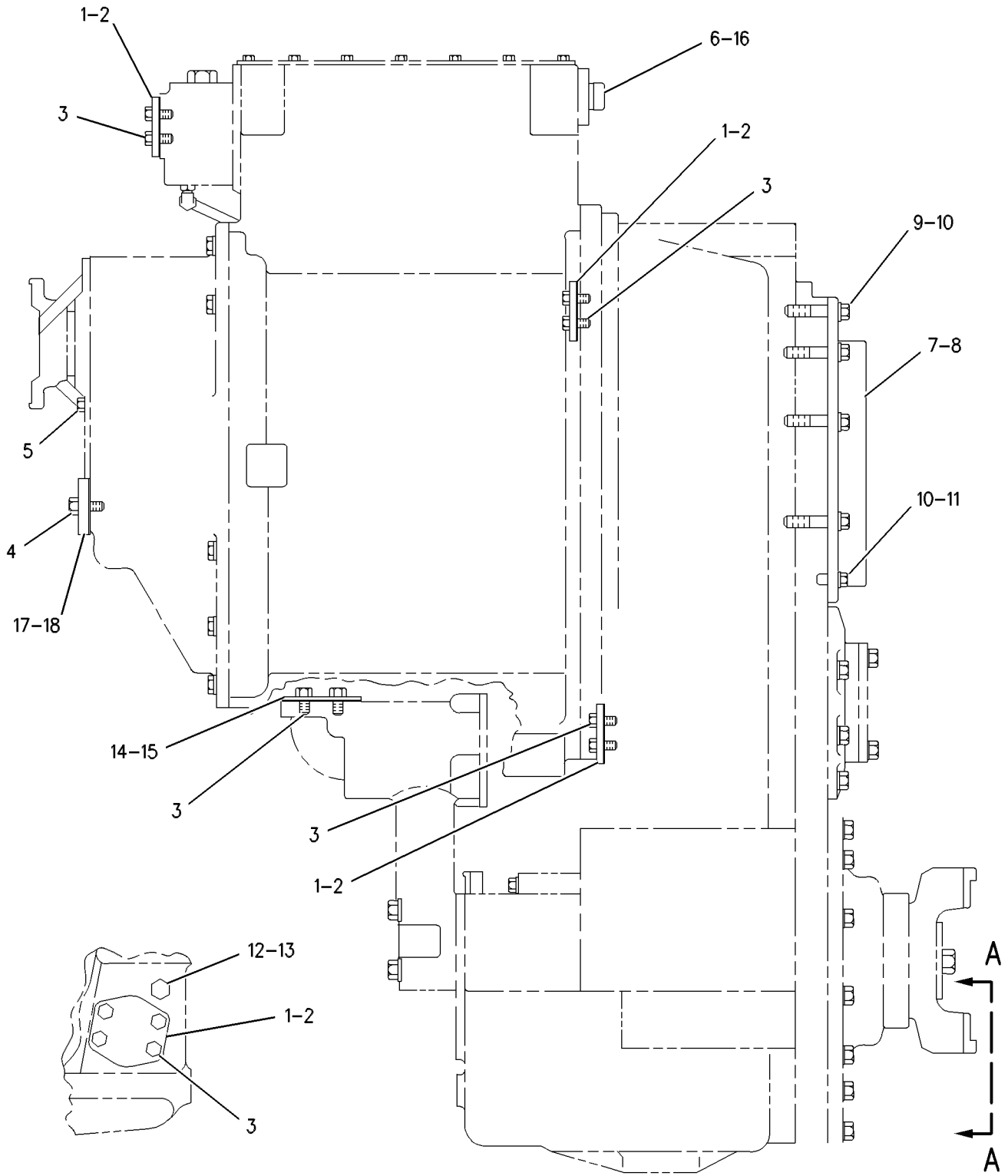
NOTE	REF NO	GRAPHIC REF	PART NUMBER	QTY	PART NAME						SEE PAGE
					1	2	3	4	5	6 (PRODUCT LEVEL)	
	1	1	<b>8X-6166</b>	5	COVER						
	2	1	<b>8E-7366</b>	5	GASKET						
M	3	1	<b>6A-5591</b>	24	BOLT (M12X1.75X25-MM)						
M	4	1	<b>6V-3668</b>	2	BOLT (M12X1.75X30-MM)						
	5	1	<b>0T-0102</b>	2	BOLT (3/8-16X0.625-IN)						
	6	1	<b>3D-2992</b>	1	SEAL						
	7	1	<b>6Y-6848</b>	1	COVER						
	8	1	<b>8H-8257</b>	1	SEAL-O-RING						
	9	1	<b>1A-5822</b>	7	BOLT (1/2-13X2.75-IN)						
	10	1	<b>5P-8245</b>	9	WASHER-HARD (13.5X25.5X3-MM THK)						
	11	1	<b>6H-1717</b>	2	BOLT (1/2-13X1.125-IN)						
	12	1	<b>3J-1907</b>	1	SEAL-O-RING						
	13	1	<b>9S-4191</b>	1	PLUG-O-RING						
	14	1	<b>7J-0402</b>	1	COVER						
	15	1	<b>8E-7367</b>	1	GASKET						
	16	1	<b>3E-4046</b>	1	PLUG						
	17	1	<b>3H-0110</b>	1	COVER						
	18	1	<b>3J-3712</b>	1	GASKET						

M - METRIC PART

# POWER TRAIN

139-1468 COVER GP-SHIPPING (contd.)

i00978906



VIEW A-A

GRAPHIC #1

<END>

g00523865

# POWER TRAIN

## 137-8851 DIFFERENTIAL & BEVEL GEAR GP

S/N: BNH1-UP

PART OF 137-8833 AXLE AR-FIXED, 137-8832 AXLE AR-OSCILLATING

SMCS-3254, 3256, 3258

i04314873

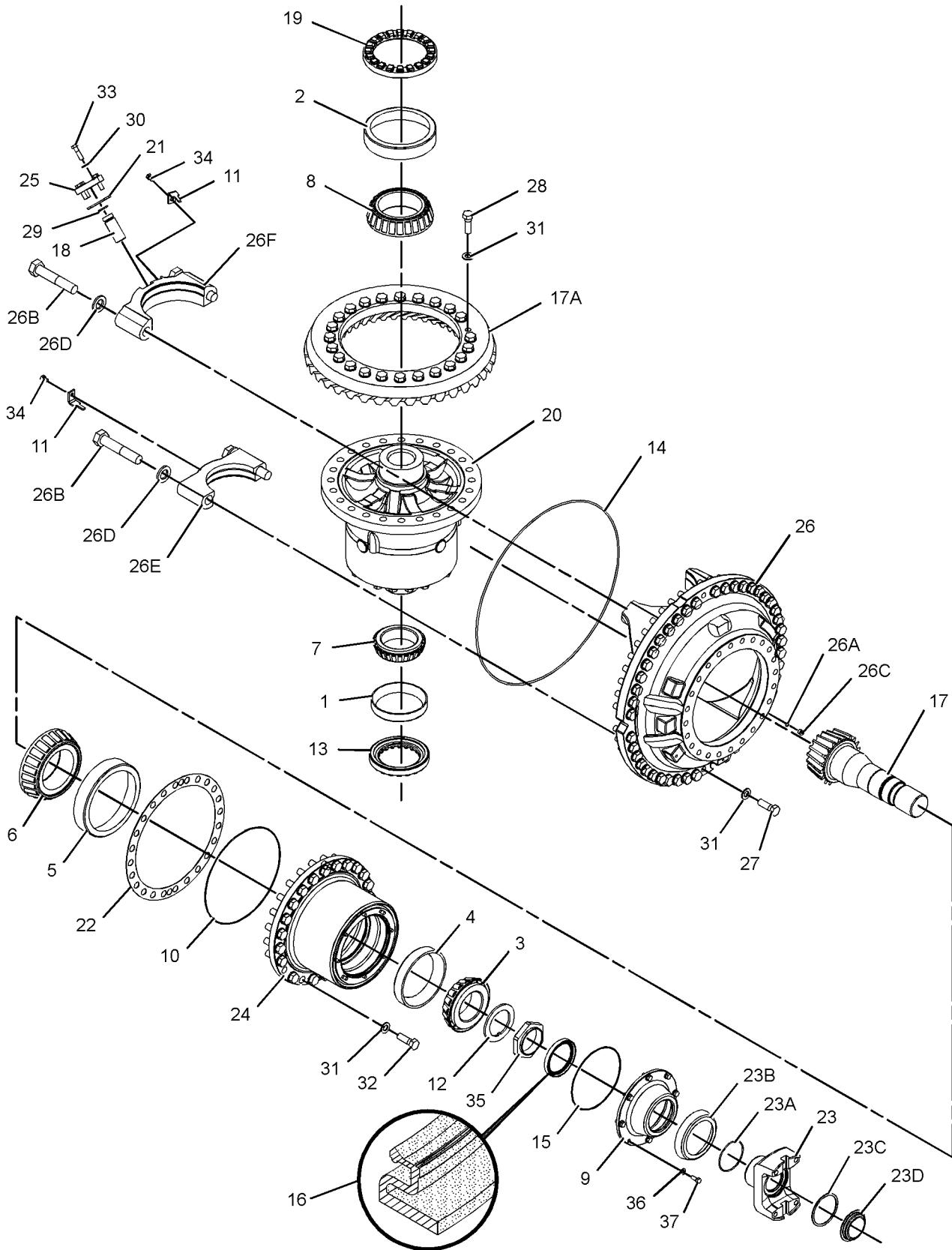
NOTE	REF NO	GRAPHIC REF	PART NUMBER	QTY	PART NAME						SEE PAGE
					1	2	3	4	5	6	
	1	1	<b>4B-9374</b>	1	CUP-BEARING						
	2	1	<b>5M-6592</b>	1	CUP-BEARING (TAPERED ROLLER)						
	3	1	<b>6M-1637</b>	1	CONE-BEARING						
	4	1	<b>6M-1638</b>	1	CUP-BEARING						
	5	1	<b>126-8182</b>	1	CUP-BEARING						
	6	1	<b>165-2135</b>	1	CONE-SPECIAL TAPERED						
	7	1	<b>4B-9373</b>	1	CONE-BEARING						
	8	1	<b>6B-4852</b>	1	CONE-BEARING (TAPERED ROLLER)						
	9	1	<b>4E-1966</b>	1	RETAINER						
	10	1	<b>5J-1086</b>	1	SEAL-O-RING						
	11	1	<b>5K-3661</b>	2	LOCK-BEARING						
	12	1	<b>8R-0053</b>	1	WASHER (91.4X129.8X6.4-MM THK)						
	13	1	<b>8R-2857</b>	1	RING-ADJUSTMENT						
	14	1	<b>8T-3013</b>	1	SEAL-O-RING						
	15	1	<b>9M-5024</b>	1	SEAL-O-RING						
	16	1	<b>133-4292</b>	1	SEAL-LIP TYPE						
	17	1	<b>136-8035</b>	1	SHAFT-BEVEL PINION						
	17A	1	<b>136-8036</b>	1	GEAR-BEVEL (45-TEETH)						
	18	1	<b>137-8856</b>	1	PIN						
	19	1	<b>137-8857</b>	1	RING-ADJUSTING						
Y	20	1	<b>137-8858</b>	1	DIFFERENTIAL GP						459
B	21	1	<b>154-7997</b>	1	SHIM PACK (INCLUDES 16-SHIMS)						
B	22	1	<b>164-9326</b>	1	SHIM PACK (INCLUDES 14-SHIMS)						
	23	1	<b>173-5850</b>	1	YOKE AS						
	23A	1	<b>1H-6227</b>	1	SEAL-O-RING						
	23B	1	<b>4E-3601</b>	1	GUARD						
	23C	1	<b>121-1257</b>	1	RING-RETAINING						
	23D	1	<b>144-4524</b>	1	CUP-DUST						
	24	1	<b>209-6696</b>	1	HOUSING-PINION						
	25	1	<b>154-7998</b>	1	COVER						
	26	1	<b>164-9324</b>	1	CARRIER AS						
	26A	1	<b>3J-1907</b>	1	SEAL-O-RING						
M	26B	1	<b>8C-3236</b>	4	BOLT (M30X3.5X160-MM)						
	26C	1	<b>9S-8004</b>	1	PLUG-O-RING						
	26D	1	<b>9X-8399</b>	4	WASHER (33X56X6-MM THK)						
M	27	1	<b>178-2991</b>	45	BOLT-SELF-LOCKING (M20X2.5X70-MM)						
M	28	1	<b>160-8510</b>	24	BOLT-SELF-LOCKING (M20X2.5X60-MM)						
	29	1	<b>2H-3932</b>	1	SEAL-O-RING						
	30	1	<b>5P-8245</b>	4	WASHER-HARD (13.5X25.5X3-MM THK)						
	31	1	<b>5P-8248</b>	93	WASHER-HARD (20X36.5X3.5-MM THK)						
M	32	1	<b>6V-3532</b>	24	BOLT (M20X2.5X60-MM)						
M	33	1	<b>6V-5684</b>	4	BOLT (M12X1.75X45-MM)						
M	34	1	<b>6V-8455</b>	2	BOLT (M10X1.5X16-MM)						
	35	1	<b>8R-0052</b>	1	NUT-STAKE (M90X2-THD)						
	36	1	<b>8T-4121</b>	8	WASHER-HARD (11X21X2.5-MM THK)						
M	37	1	<b>8T-4136</b>	8	BOLT (M10X1.5X25-MM)						

B - USE AS REQUIRED  
M - METRIC PART  
Y - SEPARATE ILLUSTRATION

# POWER TRAIN

137-8851 DIFFERENTIAL & BEVEL GEAR GP (contd.)

i04314873



GRAPHIC #1

<END>

g01296167

# POWER TRAIN

## 137-8858 DIFFERENTIAL GP

S/N: BNH1-UP

PART OF 137-8851 DIFFERENTIAL & BEVEL GEAR GP

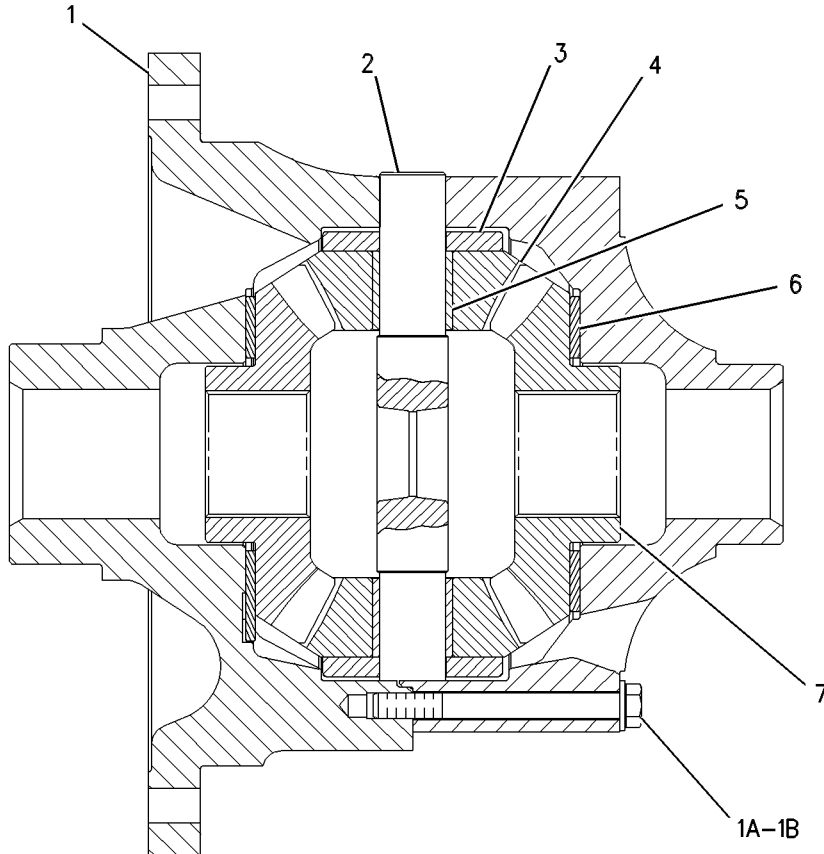
SMCS-3258

i02386888

NOTE	REF NO	GRAPHIC REF	PART NUMBER	QTY	PART NAME						SEE PAGE
					1	2	3	4	5	6	
R	1	1	<b>137-8859</b>	1	CASE AS-DIFFERENTIAL						
	1A	1	<b>5P-8247</b>	16	WASHER-HARD (17X32X3.5-MM THK)						
M	1B	1	<b>8T-0650</b>	16	BOLT (M16X2X160-MM)						
	2	1	<b>140-6554</b>	1	SPIDER						
	3	1	<b>154-4383</b>	4	SPACER-THRUST						
	4	1	<b>139-9391</b>	4	PINION-DIFFERENTIAL BEVEL (13-TEETH)						
	5	1	<b>140-6555</b>	4	BUSHING						
	6	1	<b>140-6553</b>	2	WASHER-THRUST						
	7	1	<b>139-9392</b>	2	GEAR-DIFFERENTIAL BEVEL (20-TEETH)						

M - METRIC PART

R - REMFG PART MAY BE AVAILABLE



GRAPHIC #1

<END>

g00514123

# POWER TRAIN

## 146-4378 DIFFERENTIAL GP-NOSPIN

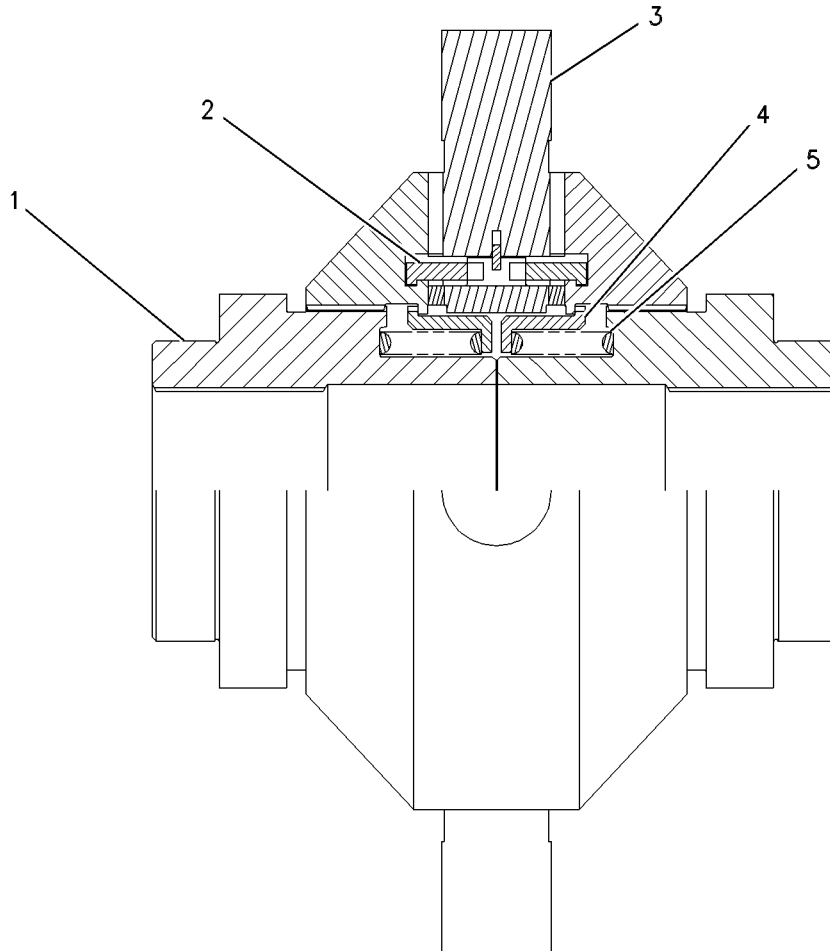
S/N: BNH1-UP

PART OF 146-7271 DIFFERENTIAL GP-NOSPIN  
AN ATTACHMENT

SMCS-3265

i00955835

NOTE	REF NO	GRAPHIC REF	PART NUMBER	QTY	PART NAME						SEE PAGE
					1	2	3	4	5	6 (PRODUCT LEVEL)	
	1	1	<b>146-7274</b>	2	GEAR-SIDE						
	2	1	<b>2G-3747</b>	2	CLUTCH AS						
	3	1	<b>146-7275</b>	1	SPIDER AS						
	4	1	<b>7D-4721</b>	2	RETAINER						
	5	1	<b>7D-4719</b>	2	SPRING						



GRAPHIC #1

<END>

g00495057

# POWER TRAIN

## 146-7271 DIFFERENTIAL GP-NOSPIN

S/N: BNH1-UP

PART OF 146-7272 DIFFERENTIAL GP-NOSPIN  
AN ATTACHMENT

SMCS-3265

i01227876

NOTE	PART NUMBER	QTY	PART NAME						SEE PAGE
			1	2	3	4	5	6 (PRODUCT LEVEL)	
R	137-8859	1	CASE AS-DIFFERENTIAL						
M	8T-0650	16	BOLT (M16X2X160-MM)						
	5P-8247	16	WASHER-HARD (17X32X3.5-MM THK)						
Y	146-4378	1	DIFFERENTIAL GP-NOSPIN						460

M - METRIC PART  
R - REMFG PART MAY BE AVAILABLE  
Y - SEPARATE ILLUSTRATION

<END>

## 146-7272 DIFFERENTIAL GP-NOSPIN

S/N: BNH1-UP

AN ATTACHMENT

SMCS-3265

i00955844

NOTE	PART NUMBER	QTY	PART NAME						SEE PAGE
			1	2	3	4	5	6 (PRODUCT LEVEL)	
Y	146-7271	1	DIFFERENTIAL GP-NOSPIN						461

Y - SEPARATE ILLUSTRATION

<END>

# POWER TRAIN

## 137-8865 FASTENER GP-AXLE MOUNTING

S/N: BNH1-UP

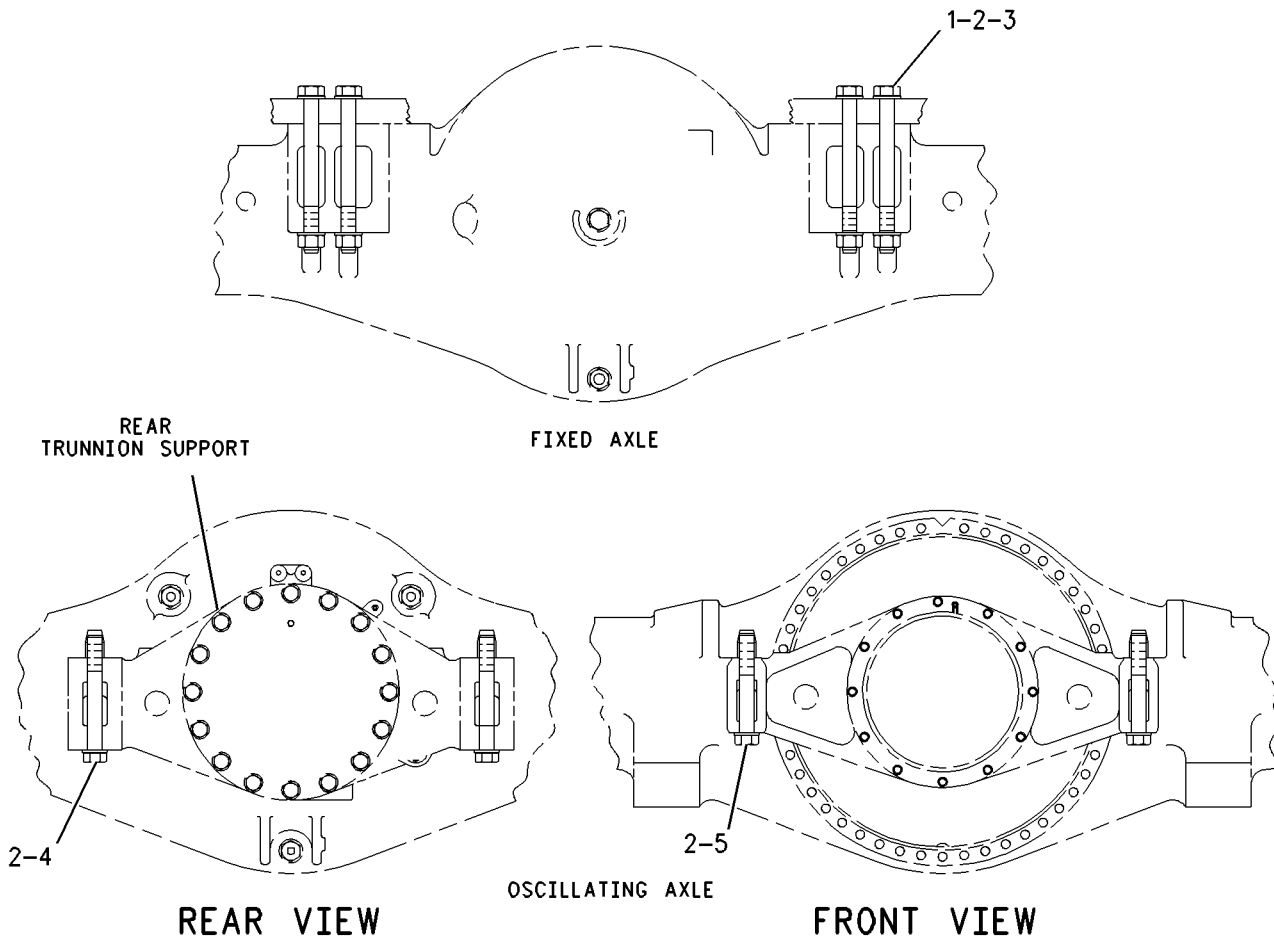
PART OF 114-5105 POWER TRAIN AR

SMCS-3260, 3278

i03477065

NOTE	REF NO	GRAPHIC REF	PART NUMBER	QTY	PART NAME						SEE PAGE
					1	2	3	4	5	6 (PRODUCT LEVEL)	
M	1	1	<b>139-5943</b>	12	BOLT (M30X3.5X320-MM) (FRONT AXLE MTG)						
	2	1	<b>9X-8399</b>	36	WASHER (33X56X6-MM THK)						
M	3	1	<b>8T-1583</b>	12	NUT (M30X3.5-THD) (FRONT AXLE MTG)						
	4	1	<b>334-6836</b>	8	BOLT (M30X3.5X240-MM) (REAR TRUNNION SUPPORT MTG)						
M	5	1	<b>178-2992</b>	4	BOLT (M30X3.5X220-MM) (FRONT TRUNNION SUPPORT MTG)						

M - METRIC PART



GRAPHIC #1

<END>

g00889603



# POWER TRAIN

## 170-4042 FILTER & MTG GP-POWER TRAIN

S/N: BNH1-UP

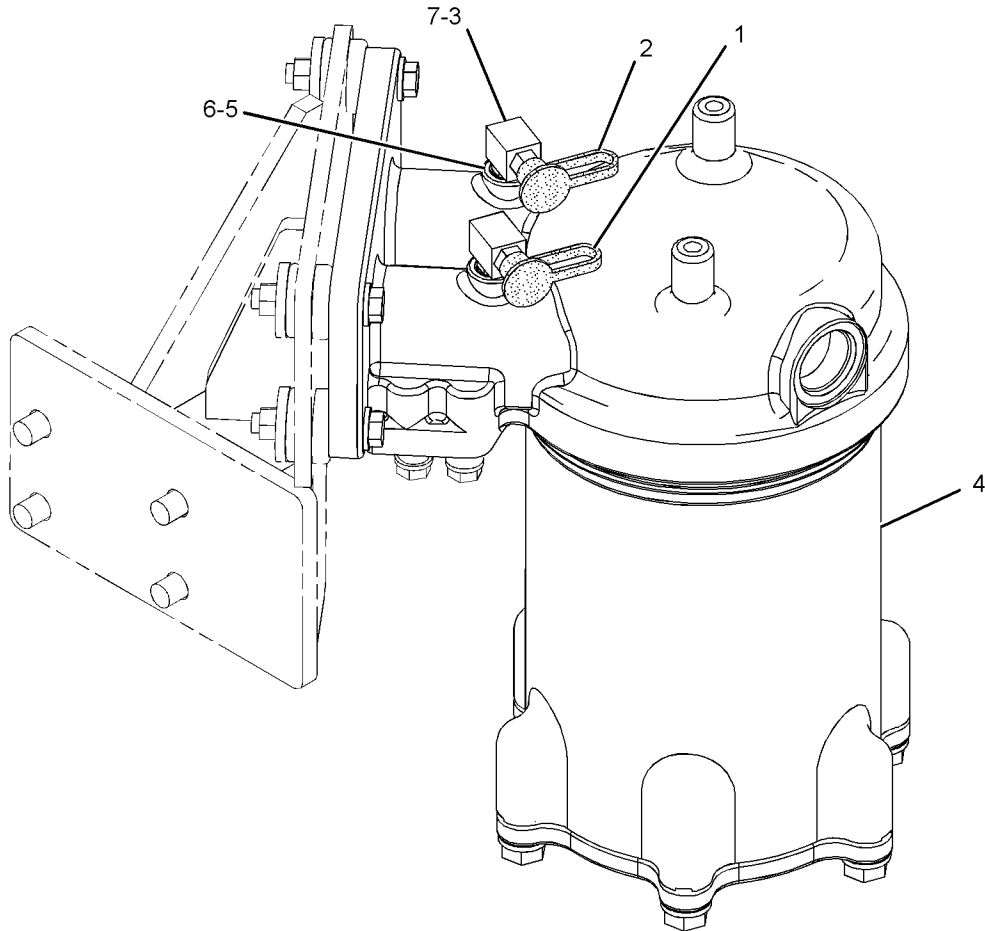
PART OF 196-4519, 228-4398 LINES GP-POWER TRAIN OIL

SMCS-3004, 3067

i02329666

NOTE	REF NO	GRAPHIC REF	PART NUMBER	QTY	PART NAME						SEE PAGE
					1	2	3	4	5	6 (PRODUCT LEVEL)	
	1	1	<b>6V-0852</b>	1	CAP-DUST						
	2	1	<b>8C-3447</b>	1	CAP-DUST						
	3	1	169-5862	1	ELBOW AS						
		1	<b>3J-1907</b>	1	SEAL-O-RING						
		1	<b>8C-6712</b>	1	ELBOW						
Y	4	1	<b>170-3843</b>	1	FILTER GP-OIL (POWER TRAIN)						464
	5	1	150-3065	1	ELBOW AS						
		1	<b>3J-1907</b>	1	SEAL-O-RING						
		1	<b>6V-0484</b>	1	ELBOW						
	6	1	164-5567	1	COUPLER AS-QUICK DISCONNECT (MALE) (QUICK DISCONNECT)						
		1	<b>3J-1907</b>	1	SEAL-O-RING						
		1	<b>6V-3965</b>	1	FITTING (QUICK DISCONNECT)						
	7	1	164-5590	1	VALVE GP-FLUID SAMPLING						
		1	<b>3J-7354</b>	1	SEAL-O-RING						
		1	<b>8C-3446</b>	1	VALVE-FLUID SAMPLING						

Y - SEPARATE ILLUSTRATION



GRAPHIC #1

<END>

g01162984

# POWER TRAIN

## 170-3843 FILTER GP-OIL-POWER TRAIN

S/N: BNH1-UP

PART OF 170-4042 FILTER & MTG GP-POWER TRAIN

SMCS-3004, 3067

i03996004

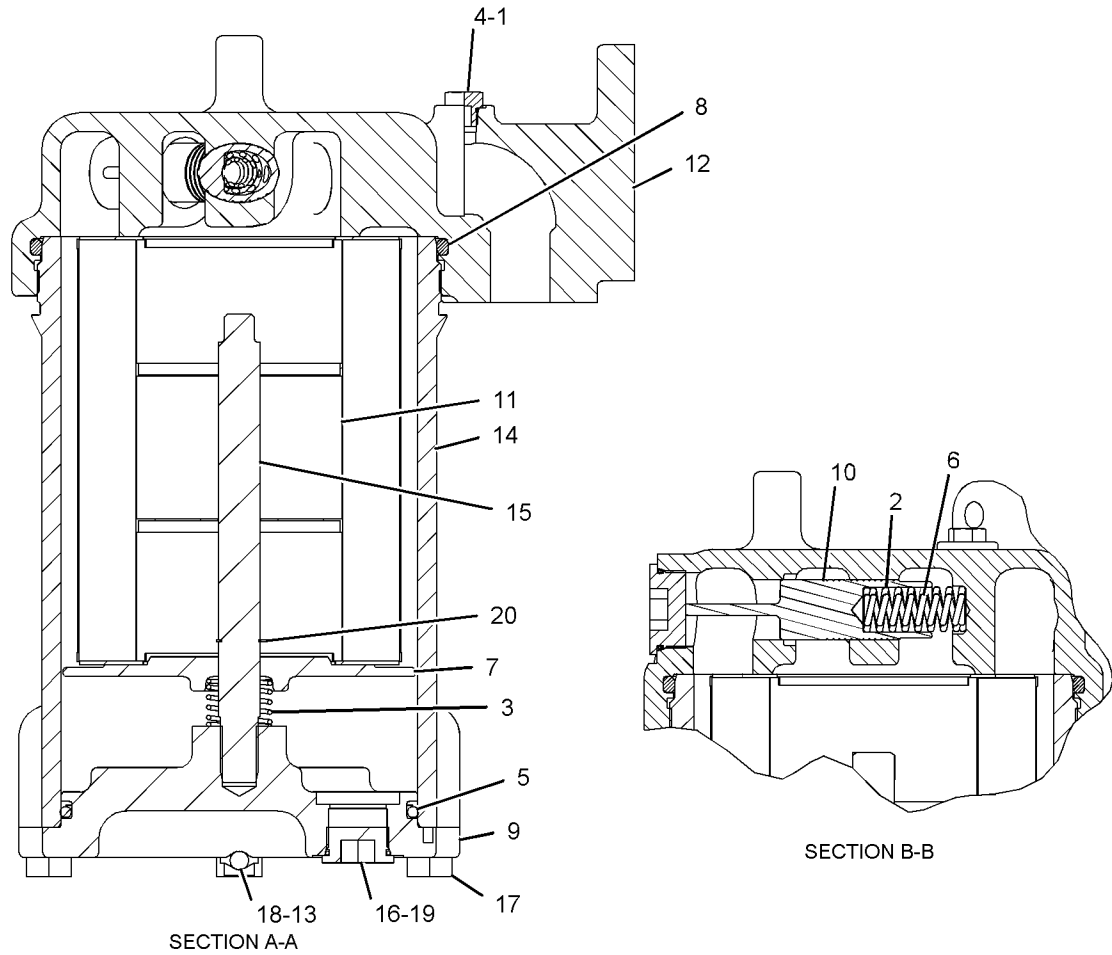
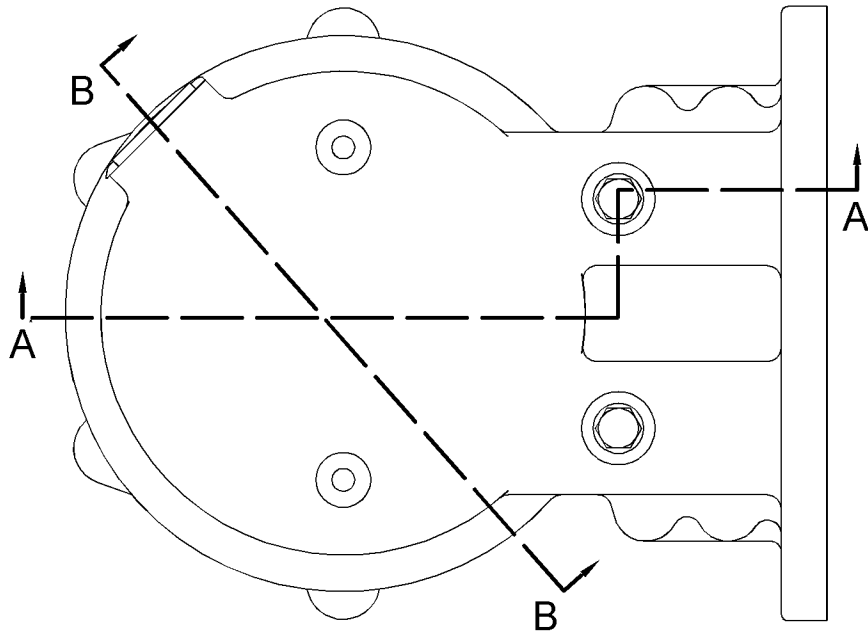
NOTE	REF NO	GRAPHIC REF	PART NUMBER	QTY	PART NAME						SEE PAGE
					1	2	3	4	5	6 (PRODUCT LEVEL)	
	1	1	<b>3J-1907</b>	2	SEAL-O-RING						
	2	1	<b>7M-1297</b>	1	SPRING						
	3	1	<b>7N-1228</b>	1	SPRING						
	4	1	<b>9S-4191</b>	2	PLUG-O-RING						
	5	1	<b>006-8350</b>	1	SEAL-O-RING						
	6	1	<b>133-2198</b>	1	SPRING						
	7	1	<b>152-1130</b>	1	RETAINER						
	8	1	<b>161-4511</b>	1	SEAL-O-RING						
	9	1	<b>161-4515</b>	1	COVER						
	10	1	<b>166-9367</b>	1	SPOOL-BYPASS						
	11	1	<b>167-2009</b>	1	FILTER ELEMENT AS-OIL (ULTRA HIGH EFFICIENCY) (POWER TRAIN)						
	12	1	<b>170-0050</b>	1	BASE-OIL FILTER						
	13	1	<b>173-7760</b>	1	HANDLE						
	14	1	<b>173-8278</b>	1	HOUSING-FILTER						
	15	1	<b>208-8661</b>	1	STUD						
	16	1	<b>3E-2338</b>	1	PLUG-PIPE						
M	17	1	<b>6V-4429</b>	6	BOLT (M16X2X40-MM)						
M	18	1	<b>6V-8212</b>	2	BOLT (M10X1.5X16-MM)						
	19	1	<b>7M-8485</b>	1	SEAL-O-RING						
	20	1	<b>8M-6393</b>	1	RING-RETAINING						
F			<b>154-9731</b>	1	COMPOUND-THREAD LOCK						

F - NOT SHOWN  
M - METRIC PART

# POWER TRAIN

170-3843 FILTER GP-OIL (contd.)

i03996004



GRAPHIC #1

<END>

g01174422

# POWER TRAIN

## 183-6194 FILTER GP-OIL-AXLE OIL COOLER

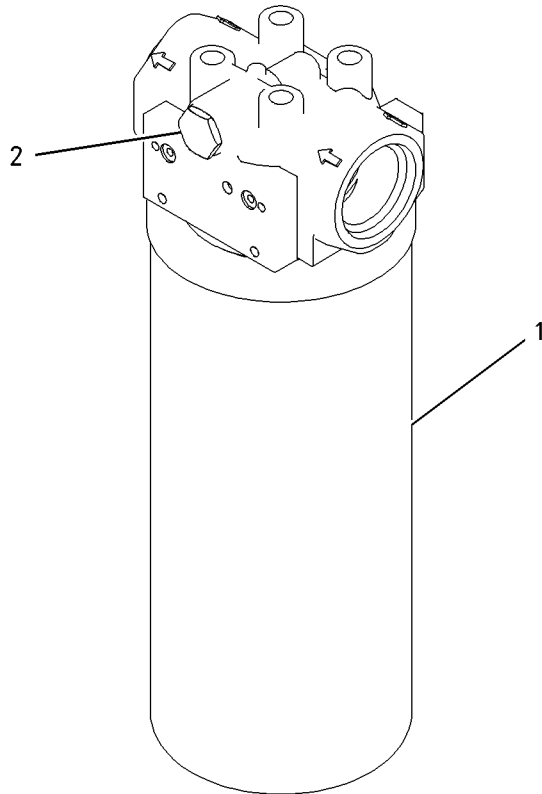
S/N: BNH1-UP

PART OF 150-3157 COOLER & FAN GP-AXLE OIL  
AN ATTACHMENT

SMCS-3004, 3067

i01673513

NOTE	REF NO	GRAPHIC REF	PART NUMBER	QTY	PART NAME						SEE PAGE
					1	2	3	4	5	6 (PRODUCT LEVEL)	
	1	1	1G-8878	1	FILTER-OIL (ADVANCED EFFICIENCY) (AXLE OIL COOLER)						
	2	1	164-6709	1	PLUG AS						



GRAPHIC #1

<END>

g00667341

# POWER TRAIN

## 139-9189 GAUGE GP-SIGHT-POWER TRAIN OIL

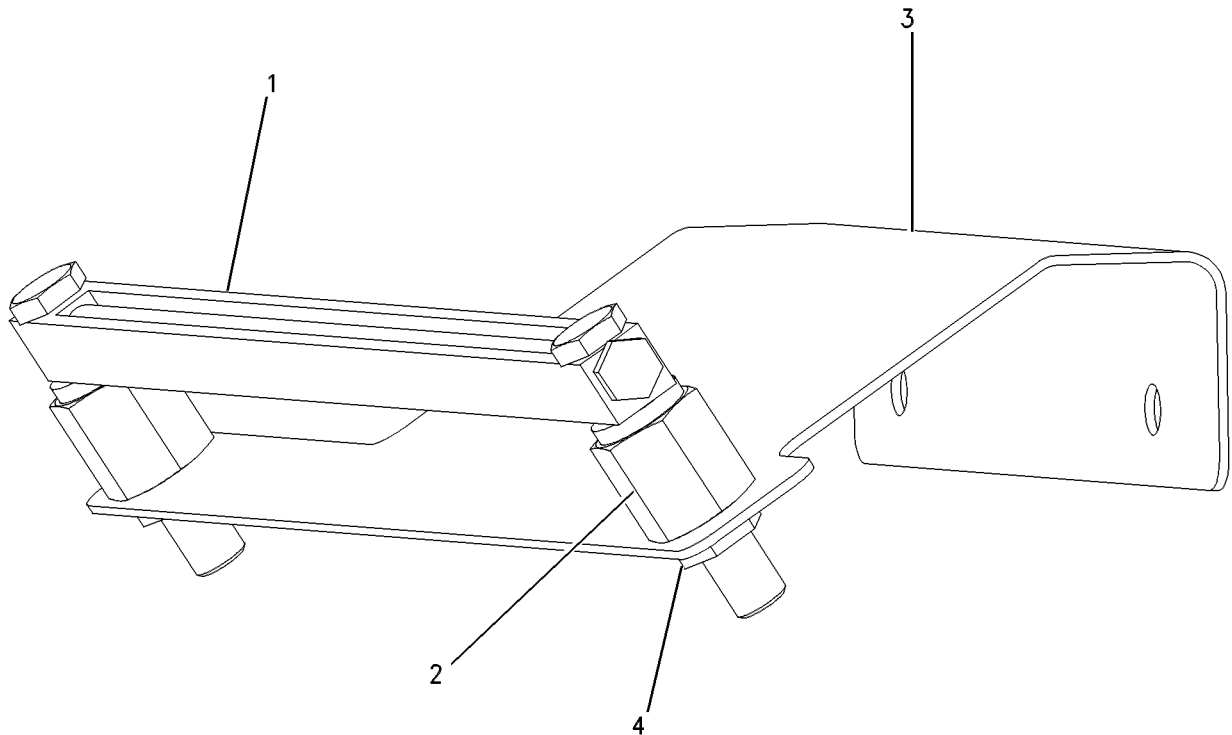
S/N: BNH1-UP

PART OF 196-4519, 228-4398 LINES GP-POWER TRAIN OIL

SMCS-7479

i00933922

NOTE	REF NO	GRAPHIC REF	PART NUMBER	QTY	PART NAME						SEE PAGE
					1	2	3	4	5	6 (PRODUCT LEVEL)	
	1	1	<b>124-0665</b>	1	GAUGE-LIQUID LEVEL						
		1	<b>8F-3469</b>	2	SEAL-O-RING						
		1	<b>121-7958</b>	2	BOLT-MOUNTING (1/2-20X1.75-IN)						
2		1	<b>124-0689</b>	2	ADAPTER						
3		1	<b>158-6153</b>	1	PLATE						
4		1	<b>6V-9168</b>	2	NUT (11/16-16-THD)						



GRAPHIC #1

<END>

g00490743

# POWER TRAIN

## 137-6228 GEAR GP-INPUT TRANSFER

S/N: BJW1-UP

PART OF 192-2914 TRANSMISSION AR

SMCS-3159

i01453775

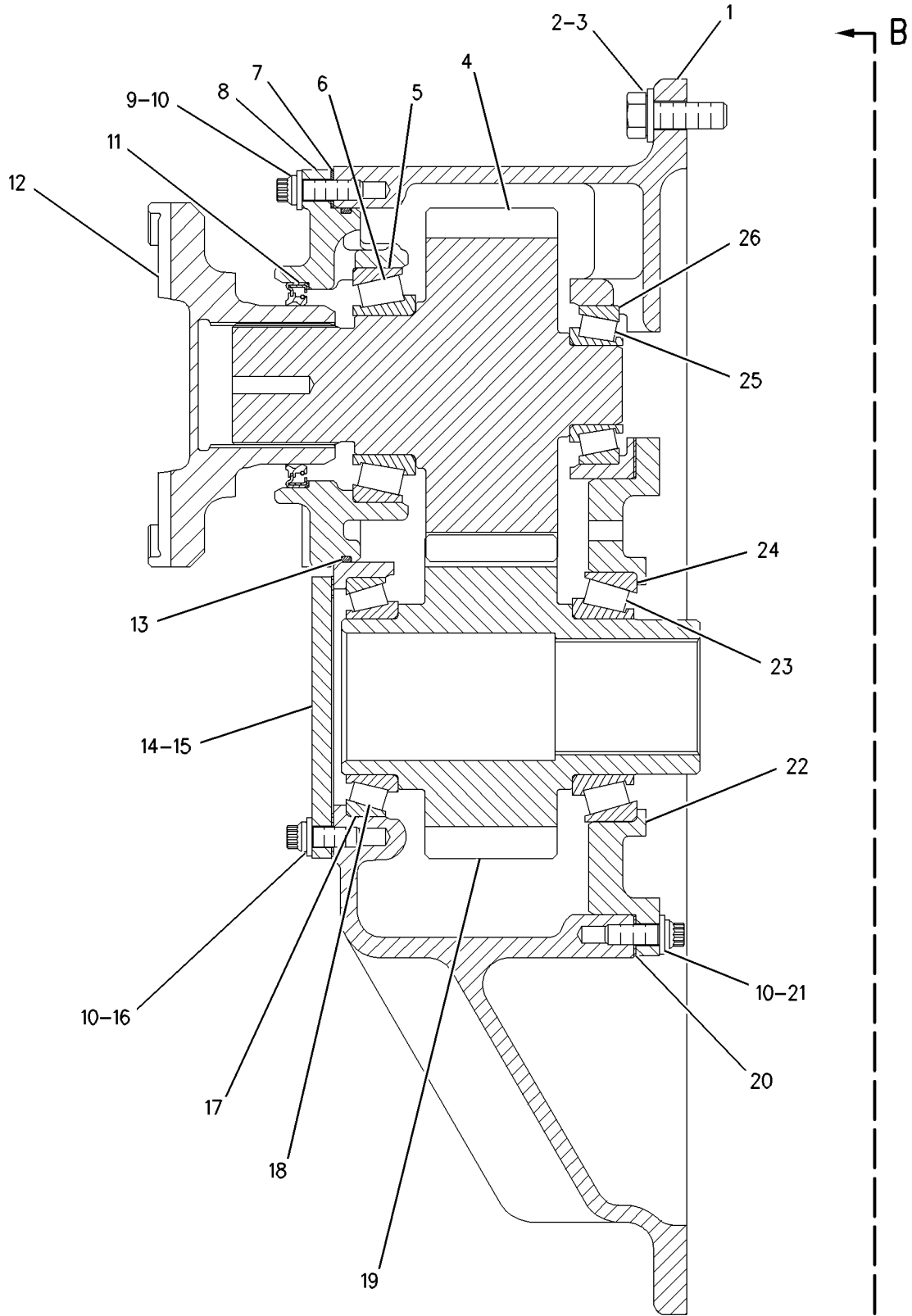
NOTE	REF NO	GRAPHIC REF	PART NUMBER	QTY	PART NAME						SEE PAGE
					1	2	3	4	5	6 (PRODUCT LEVEL)	
	1	1	147-8561	1	CASE-TRANSFER						
	2	1	0S-1585	12	BOLT (1/2-13X1.5-IN)						
	3	1	5P-8245	12	WASHER-HARD (13.5X25.5X3-MM THK)						
	4	1	173-1830	1	GEAR (32 TEETH)						
	5	1	3L-9409	1	CUP-BEARING						
	6	1	3L-9410	1	CONE-BEARING						
B	7	1	147-8563	1	SHIM PACK (INCLUDES 9-SHIMS) (INCLUDES 9 SHIMS)						
	8	1	147-8562	1	CAGE-BEARING						
	9	1	9L-7494	6	BOLT-12 POINT HEAD (3/8-16X1.25-IN)						
	10	1,2	5M-2894	17	WASHER-HARD (10.2X18.5X2.5-MM THK)						
	11	1	9X-7743	1	SEAL-LIP TYPE						
	12	1	148-8889	1	YOKE AS						
		1	8H-2768	1	PLUG-CUP						
	13	1	2K-4472	1	SEAL-O-RING						
	14	1	2N-0822	1	PLATE						
	15	1	3P-6061	1	GASKET						
	16	1	030-8539	4	BOLT-12 POINT HEAD (3/8-16X1.125-IN)						
	17	1	9S-7949	1	CUP-BEARING						
	18	1	9S-7950	1	CONE-BEARING						
	19	1	173-1827	1	GEAR (29 TEETH)						
B	20	1	3P-9658	1	SHIM PACK (INCLUDES 17-SHIMS)						
	21	1	6V-1270	6	BOLT-12 POINT HEAD (3/8-16X1.125-IN)						
	22	1	187-0678	1	CAGE-BEARING						
	23	1	7D-8636	1	CONE-BEARING						
	24	1	7D-8637	1	CUP-BEARING						
	25	1	1B-3953	1	CONE-BEARING						
	26	1	1B-3955	1	CUP-BEARING						
	27	2	7B-1597	1	CLIP						
	28	2	179-6997	1	TUBE AS						
	29	2	030-7947	1	ELBOW						
	30	2	3J-1907	1	SEAL-O-RING						
	31	2	5K-9243	1	ELBOW-FLARED						
	32	2	179-6998	1	TUBE AS						
	33	2	2B-2404	1	CLIP						
	34	2	0T-0102	1	BOLT (3/8-16X0.625-IN)						

B - USE AS REQUIRED

# POWER TRAIN

137-6228 GEAR GP-INPUT TRANSFER (contd.)

i01453775



REFER TO ALL ILLUSTRATIONS OF THIS GROUP FOR AUXILIARY VIEWS

SECTION A-A  
GRAPHIC 2

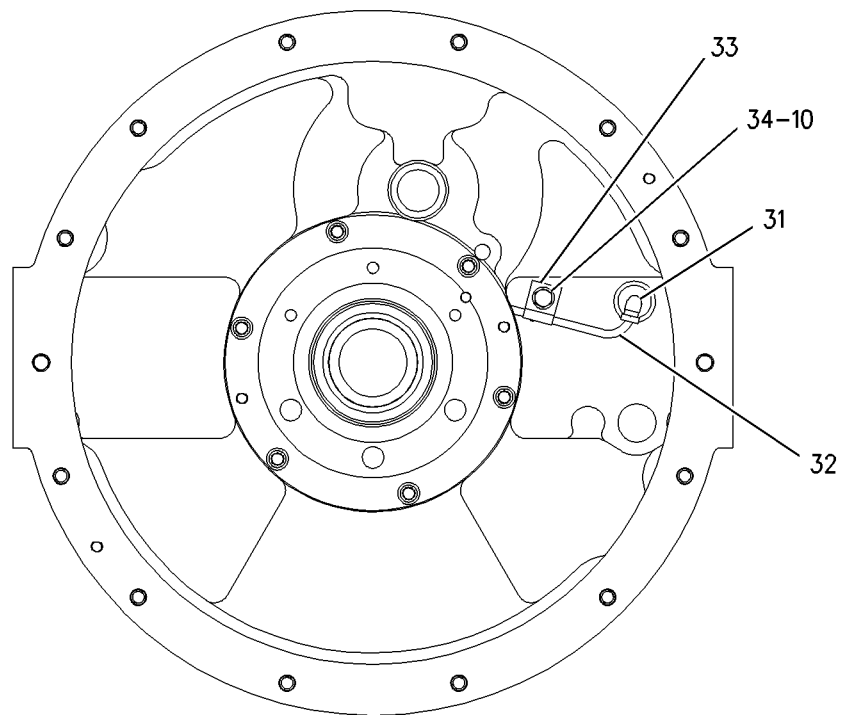
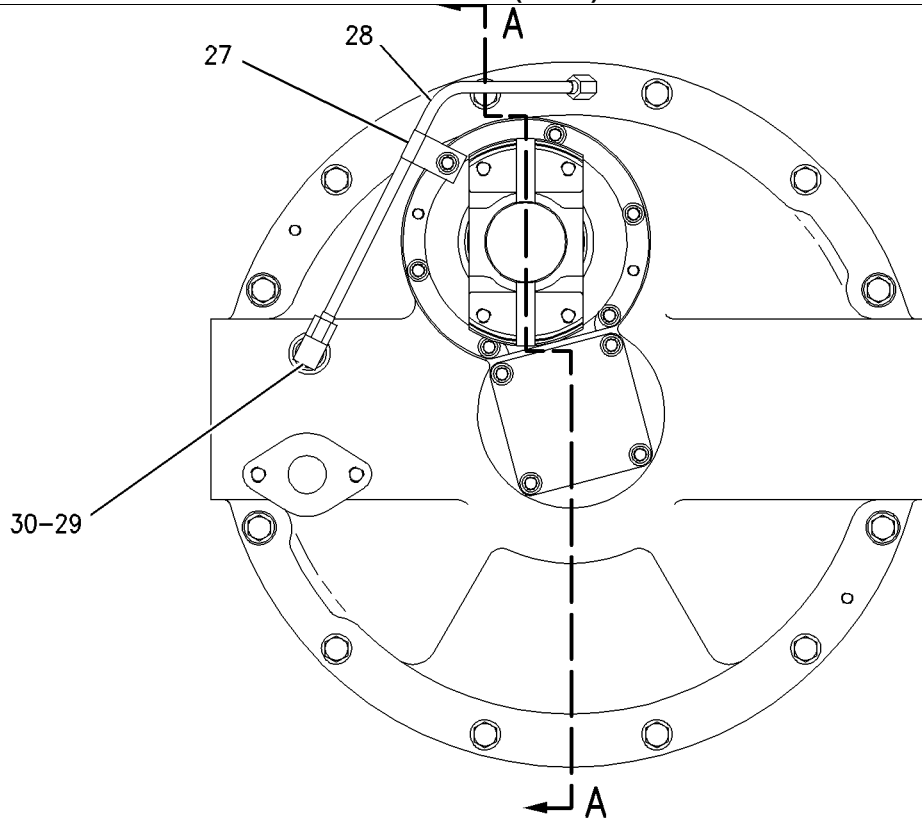
GRAPHIC #1

g00701028

# POWER TRAIN

137-6228 GEAR GP-INPUT TRANSFER (contd.)

i01453775



REFER TO ALL ILLUSTRATIONS OF THIS GROUP FOR AUXILIARY VIEWS

VIEW B-B

GRAPHIC #2

<END>

g00701043



# POWER TRAIN

## 133-8116 GEAR GP-OUTPUT TRANSFER

S/N: BJW1-2234

PART OF 192-2914 TRANSMISSION AR

SMCS-3075, 3159

i03854309

NOTE	REF NO	GRAPHIC REF	PART NUMBER	QTY	PART NAME						SEE PAGE
					1	2	3	4	5	6 (PRODUCT LEVEL)	
	1	2	134-9817	1	CASE AS-TRANSFER						
		2	0S-1594	1	BOLT (3/8-16X1-IN)						
		2	4D-6473	2	DOWEL						
		2	5M-2894	1	WASHER-HARD (10.2X18.5X2.5-MM THK)						
		2	173-2469	1	COVER-TRANSFER						
		2	8M-8659	2	DOWEL						
B	2	2	6Y-6328	1	SHIM PACK (INCLUDES 13-SHIMS)						
	3	1,2	0S-1587	11	BOLT (1/2-13X1.75-IN)						
	4	1,2	5P-8245	39	WASHER-HARD (13.5X25.5X3-MM THK)						
	5	2	123-5298	1	CAGE-BEARING						
B	6	2	6Y-6329	1	SHIM PACK (INCLUDES 13-SHIMS)						
	7	2	123-2997	1	CAGE AS-BEARING						
		2	3D-0490	4	STUD-TAPERLOCK (1/2-13X1.97-IN)						
	8	2	3F-5792	1	SEAL-O-RING						
	9	2	1P-9269	1	COVER						
	10	2	1F-7958	4	NUT-FULL (1/2-13-THD)						
	11	2	1A-1460	7	BOLT (1/2-13X2-IN)						
	12	2	173-0715	1	YOKE AS						
	13	2	1P-4079	1	CAGE-BEARING						
	14	2	178-4641	2	CUP-BEARING						
	15	2	178-4640	2	CONE-BEARING						
	16	2	5J-1086	1	SEAL-O-RING						
	17	2	1P-4078	1	SPACER (90.47X107.95X10.08-MM THK)						
	18	2	6P-4947	1	RETAINER						
	19	2	2A-4639	6	BOLT (3/8-16X1.625-IN)						
	20	2	5M-2894	14	WASHER-HARD (10.2X18.5X2.5-MM THK)						
	21	2	6Y-6441	1	SHAFT-TRANSFER						
	22	2	129-0987	1	DRAIN AS						
		2	6J-2419	1	SEAL-O-RING						
		2	8F-0212	1	SEAL-O-RING						
		2	129-0988	1	PLUG						
	23	2	5F-8000	1	SEAL-O-RING						
	24	2	2H-6490	1	BEARING-INNER						
	25	2	2H-6489	1	RACE-BEARING OUTER						
	26	2	2K-4472	1	SEAL-O-RING						
	27	2	1P-4082	1	CAGE-BEARING						
	28	2	173-0714	1	YOKE						
	29	2	266-9266	2	RETAINER						
	30	2	0L-1328	2	BOLT (3/4-16X4-IN)						
	31	2	2H-3933	2	SEAL-O-RING						
	32	2	034-3557	8	BOLT-LOCKING (3/8-16X1.125-IN)						
	33	2	3T-6175	1	GEAR (35-TEETH)						
	34	2	123-2877	1	GEAR-TRANSFER (35-TEETH)						
	35	2	124-0503	2	CONE-SPECIAL TAPERED						
	36	2	124-0504	2	CUP-TAPERED						
	37	2	7L-2181	1	SEAL-O-RING						
	38	2	123-2876	1	GEAR-TRANSFER (30-TEETH) (30 TEETH)						
	39	2	1A-8651	2	BOLT (5/8-11X4.5-IN)						
	40	2	5P-8247	20	WASHER-HARD (17X32X3.5-MM THK)						
	41	2	5P-2587	1	SEAL-O-RING						
	42	2	124-0501	2	CONE						
	43	2	124-0502	2	CUP-TAPERED						
	44	2	216-0273	2	SEAL-LIP TYPE						
	45	1	9X-8873	8	BOLT (1/2-13X2.25-IN)						
	46	1	170-7309	3	SPACER (13.5X25.5X11-MM THK)						
	47	1	9X-8874	8	BOLT (1/2-13X3-IN)						
B	48	1	6V-6640		SEALANT						
	49	2	1B-4367	18	BOLT (5/8-11X3-IN)						

# POWER TRAIN

133-8116 GEAR GP-OUTPUT TRANSFER (contd.)

i03854309

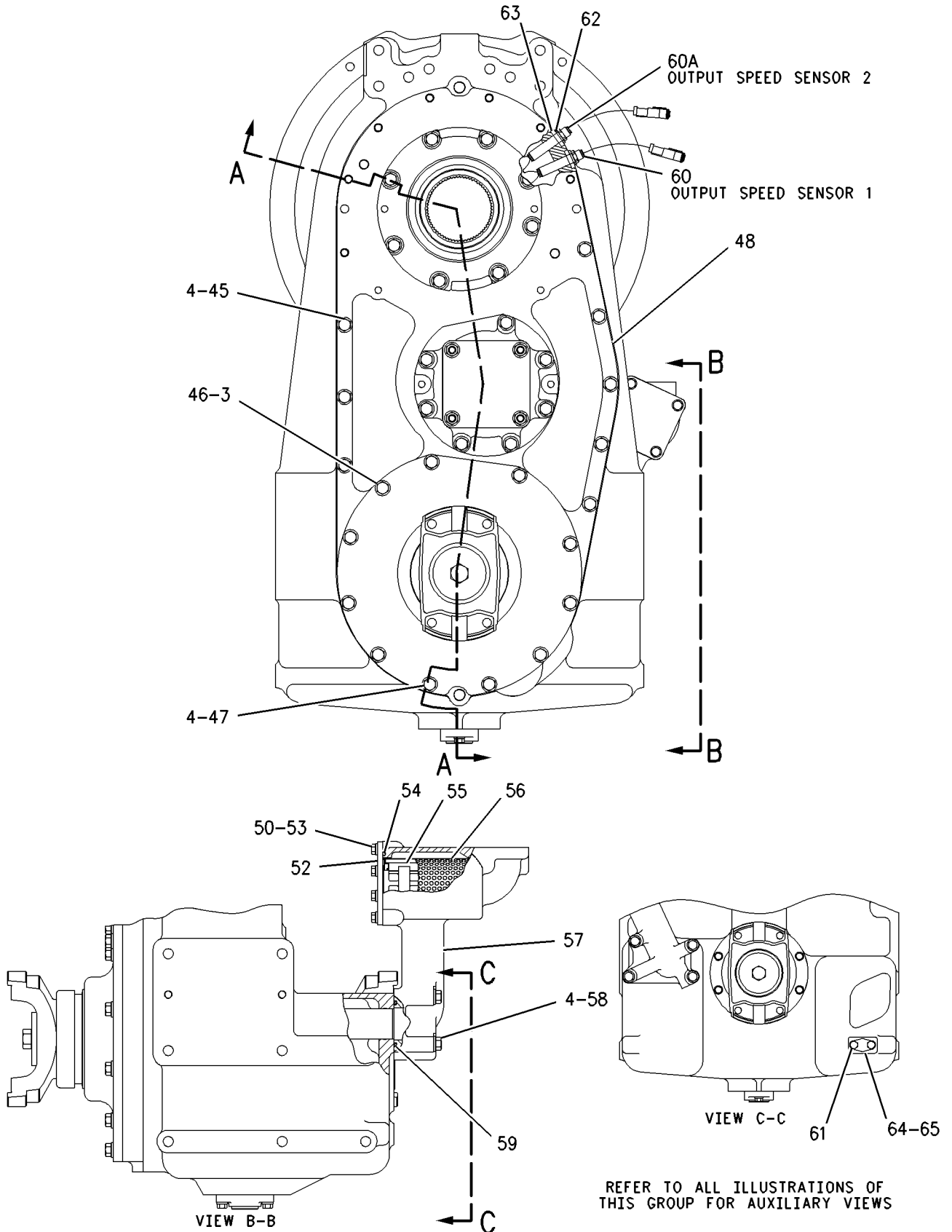
NOTE	REF NO	GRAPHIC REF	PART NUMBER	QTY	PART NAME						SEE PAGE
					1	2	3	4	5	6 (PRODUCT LEVEL)	
M	50	1	<b>6V-4248</b>	4	BOLT (M10X1.5X25-MM)						
M	51	2	<b>8T-0722</b>	2	BOLT-LOCKING (M10X1.5X30-MM)						
	52	1	<b>6P-4903</b>	1	PLATE AS						
		1	<b>7B-3028</b>	2	SCREW-DRIVE (NO 4X 3/16-IN)						
		1	<b>7S-2962</b>	1	WASHER-SPRING (52.3X82.5X9.1-MM THK)						
	53	1,2	<b>6V-5839</b>	6	WASHER (11X21X2.5-MM THK)						
	54	1	<b>5F-0149</b>	1	SEAL-O-RING						
	55	1	<b>4S-8603</b>	1	SCREEN GP-MAGNETIC						
	56	1	<b>4S-8598</b>	1	SCREEN-SUCTION						
	57	1	<b>160-1638</b>	1	HOUSING-SCREEN						
	58	1	<b>9X-8875</b>	4	BOLT (1/2-13X3.5-IN)						
	59	1	<b>2H-2665</b>	1	SEAL-O-RING						
Y	60	1	<b>193-2550</b>	1	SENSOR GP-SPEED (MAGNETIC, HIGH OUTPUT) (TRANSMISSION OUTPUT 1)						314
Y	60A	1	<b>193-2550</b>	1	SENSOR GP-SPEED (MAGNETIC, HIGH OUTPUT) (TRANSMISSION OUTPUT 2)						314
M	61	1	<b>6V-6317</b>	2	BOLT (M10X1.5X20-MM)						
	62	1	<b>9X-8268</b>	2	WASHER (17.5X30X3.5-MM THK)						
	63	1	<b>1V-6341</b>	2	SEAL						
	64	1	<b>1S-6595</b>	1	GASKET-OIL SUPPLY						
	65	1	<b>5M-3154</b>	1	COVER						

B - USE AS REQUIRED  
M - METRIC PART  
Y - SEPARATE ILLUSTRATION

# POWER TRAIN

133-8116 GEAR GP-OUTPUT TRANSFER (contd.)

i03854309



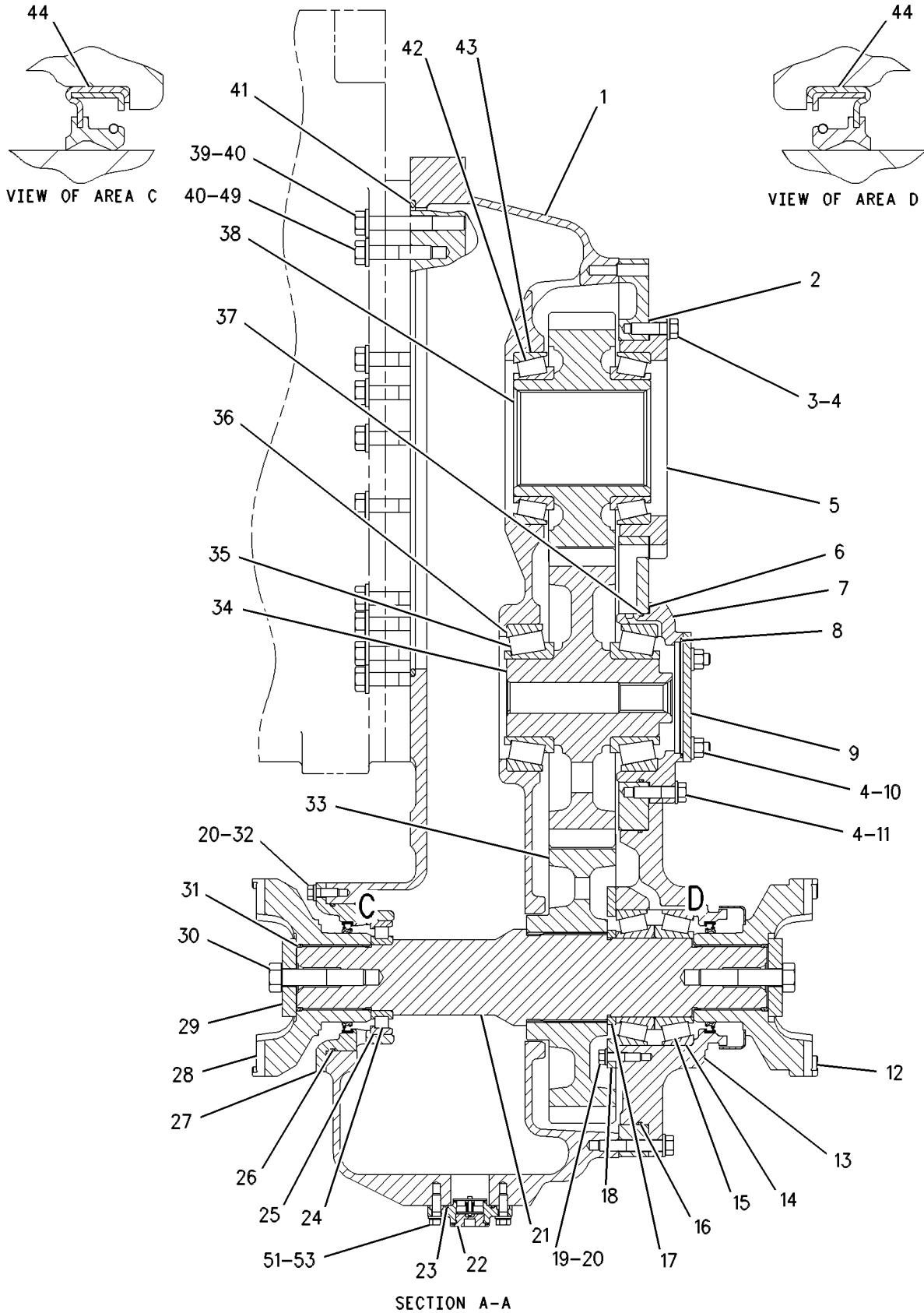
GRAPHIC #1

g00848343

# POWER TRAIN

133-8116 GEAR GP-OUTPUT TRANSFER (contd.)

i03854309



GRAPHIC #2

<END>

g00625923

# POWER TRAIN

## 252-7043 KIT-TORQUE CONVERTER BEARING

S/N: BNH1-UP  
FIELD INSTALLATION

SMCS-3101, 3127, 7551

i04959833

NOTE	PART NUMBER	QTY	PART NAME						SEE PAGE
			1	2	3	4	5	6 (PRODUCT LEVEL)	
	6V-7423	1	BEARING AS-ROLLER						
	309-8477	1	BALL BEARING						
	6V-9176	1	BALL BEARING						
	8E-2882	1	BUSHING						
	1T-0786	3	BEARING-THRUST						
	5P-2504	4	CONE-BEARING						
	5P-2503	4	CUP						
	1T-0847	1	LOCK PIN						
	1T-1910	2	PLATE						
	133-7134	1	RACE-BEARING						
	9U-9100	1	RACE-FREEWHEEL						
	133-7133	1	RACE-ROLLER						
	1T-0807	4	RACE-THRUST BEARING						
	1T-1401	1	RING-SEAL						
	1T-1410	13	ROLLER-FREEWHEEL						
	1T-0680	13	SPRING-FREEWHEEL						
			<END>						

## 252-7044 KIT-TORQUE CONVERTER BEARING

S/N: BNH1-UP  
FIELD INSTALLATION

SMCS-3101, 3127, 7551

i04775842

NOTE	PART NUMBER	QTY	PART NAME						SEE PAGE
			1	2	3	4	5	6 (PRODUCT LEVEL)	
	6V-9176	1	BALL BEARING						
	6V-7423	1	BEARING AS-ROLLER						
	1T-0786	4	BEARING-THRUST						
	1T-0766	1	BUSHING						
	8E-2882	1	BUSHING						
	5P-2504	4	CONE-BEARING						
	5P-2503	4	CUP						
	1T-0787	2	PLATE						
	133-7134	1	RACE-BEARING						
	133-7133	1	RACE-ROLLER						
	1T-0807	6	RACE-THRUST BEARING						
	1T-1401	1	RING-SEAL						
			<END>						

# POWER TRAIN

## 252-7045 KIT-TORQUE CONVERTER BEARING

S/N: BNH1-UP  
FIELD INSTALLATION

SMCS-3101, 3127, 7551

i02194418

NOTE	PART NUMBER	QTY	PART NAME						SEE PAGE
			1	2	3	4	5	6 (PRODUCT LEVEL)	
	6V-9191	1	BALL BEARING						
	7F-6013	1	BALL BEARING						
	6V-7423	1	BEARING AS-ROLLER						
	8E-2882	1	BEARING-SLEEVE						
	1T-0786	3	BEARING-THRUST						
	5P-2504	4	CONE-BEARING						
	5P-2503	4	CUP						
	1T-0847	1	LOCK PIN						
	1T-0787	2	PLATE						
	133-7134	1	RACE-BEARING						
	133-7133	1	RACE-ROLLER						
	1T-0807	4	RACE-THRUST BEARING						
	1T-1401	1	RING-SEAL						
<END>									

## 343-4893 KIT-TORQUE CONVERTER BEARING-OVERHAUL

S/N: BNH1-UP  
FIELD INSTALLATION

SMCS-3101, 3127, 7551

i04775841

NOTE	PART NUMBER	QTY	PART NAME						SEE PAGE
			1	2	3	4	5	6 (PRODUCT LEVEL)	
	6V-7423	1	BEARING AS-ROLLER						
	6V-9176	1	BALL BEARING						
	309-8477	1	BALL BEARING						
	8E-2882	1	BUSHING						
	1T-0786	3	BEARING-THRUST						
	5P-2504	4	CONE-BEARING						
	5P-2503	4	CUP						
	1T-0847	1	LOCK PIN						
	1T-0787	2	PLATE						
	133-7134	1	RACE-BEARING						
	133-7133	1	RACE-ROLLER						
	1T-0807	4	RACE-THRUST BEARING						
	1T-1401	1	RING-SEAL						
<END>									

# POWER TRAIN

## 114-5120 LINES GP-AXLE OIL COOLER-REAR

S/N: BNH1-UP

PART OF 156-4259 COOLER AR-AXLE OIL  
AN ATTACHMENT

SMCS-1365, 3016

i01661646

NOTE	REF NO	GRAPHIC REF	PART NUMBER	QTY	PART NAME						SEE PAGE	
					1	2	3	4	5	6 (PRODUCT LEVEL)		
C	1	2	7S-3998	1	SPACER (2.47-IN THK)							
	2	1	6K-5290	2	CLIP (TAB)							
	3	1	8C-6162	1	MANIFOLD							
	4	1	9T-5134	1	VALVE-CHECK							
	5	1	9U-2277	1	CLIP AS							
	6	1	9X-6772	1	STRAP-CABLE							
	7	2	136-0021	1	TUBE AS							
	8	2	136-0022	1	TUBE AS							
	9	2	138-4050	1	BRACKET AS							
M		2	8T-3490	2	NUT-WELD (M10X1.5-THD)							
	10	2	141-7072	1	BLOCK							
CI	11	1	203-9365	1	HOSE AS							
	12	1	142-8159	1	TUBE AS							
	13	1	142-8160	1	TUBE AS							
I	14	2	142-8162	1	HOSE AS							
Y	15	1	149-2610	1	VALVE GP-SOLENOID (24-VOLT) (AXLE OIL COOLER)						1041	
I	16	1	149-7297	1	HOSE AS							
	17	2	154-8052	1	PLATE							
	18	1	155-0054	1	PLATE							
	19	1	171-5415	1	TUBE AS							
	20	1	187-3707	1	PUMP GP-GEAR (AXLE OIL COOLER)							
			1	190-3821	1	KIT-SEAL						
			1	190-3822	1	KIT-RELIEF VALVE						
	CI	21	1	190-7486	1	HOSE AS						
	CI	22	1	203-9366	1	HOSE AS						
	CI	23	1	203-9367	1	HOSE AS						
C	24	1	203-9364	1	BRACKET AS							
C	25	1	203-9369	1	TUBE AS							
CI	26	1	203-9368	1	HOSE AS							
	27	1,2	148-8327	2	CONNECTOR AS							
					(EACH INCLUDES)							
			1,2	6V-8637	1	CONNECTOR						
			1,2	3D-2824	1	SEAL-O-RING						
			1,2	6V-9746	1	SEAL-O-RING						
	28	2	148-8328	2	CONNECTOR AS							
					(EACH INCLUDES)							
			2	6V-8633	1	CONNECTOR						
			2	3D-2824	1	SEAL-O-RING						
			2	6V-8398	1	SEAL-O-RING						
	29	2	148-8333	1	CONNECTOR AS							
			2	8T-7927	1	CONNECTOR						
		2	6V-8400	1	SEAL-O-RING							
		2	7M-8485	1	SEAL-O-RING							
30	1	1	148-8335	1	CONNECTOR AS							
			1	6V-8635	1	CONNECTOR						
			1	5K-9090	1	SEAL-O-RING						
			1	7M-8485	1	SEAL-O-RING						
C	31	2	148-8339	1	CONNECTOR AS							
			2	6V-8716	1	CONNECTOR (STRAIGHT)						
			2	6V-9746	1	SEAL-O-RING						
			2	7M-8485	1	SEAL-O-RING						
32	2	2	148-8355	1	ELBOW AS							
			2	6V-9005	1	ELBOW						
			2	5K-9090	1	SEAL-O-RING						
			2	7M-8485	1	SEAL-O-RING						
	33	2	148-8360	1	ELBOW AS							
		2	6V-9182	1	ELBOW							

# POWER TRAIN

114-5120 LINES GP-AXLE OIL COOLER (contd.)

i01661646

NOTE	REF NO	GRAPHIC REF	PART NUMBER	QTY	PART NAME						SEE PAGE
					1	2	3	4	5	6 (PRODUCT LEVEL)	
		2	6V-9746	1	SEAL-O-RING						
		2	7M-8485	1	SEAL-O-RING						
	34	2	148-8364	2	ELBOW AS						
					(EACH INCLUDES)						
		2	6V-8625	1	ELBOW						
		2	3K-0360	1	SEAL-O-RING						
		2	6V-8398	1	SEAL-O-RING						
	35	2	148-8387	1	ELBOW AS						
		2	6V-9855	1	ELBOW						
		2	6V-8400	1	SEAL-O-RING						
	36	2	148-8392	1	ELBOW AS						
		2	6V-9853	1	ELBOW						
		2	6V-9746	1	SEAL-O-RING						
	37	1	148-8449	1	TEE AS-SWIVEL						
		1	6V-9839	1	TEE-SWIVEL						
		1	6V-9746	2	SEAL-O-RING						
	38	2	148-8455	2	UNION AS						
					(EACH INCLUDES)						
		2	6V-8997	1	UNION						
		2	6V-9746	2	SEAL-O-RING						
	39	1	3D-2824	1	SEAL-O-RING						
	40	1	1P-3703	1	SEAL-RECTANGULAR						
	41	1	1P-3704	1	SEAL-RECTANGULAR						
	42	1,2	2H-3926	8	LOCKWASHER						
	43	2	2P-1293	4	LOCKNUT (1-3/16-12-THD)						
	44	1	7Y-1863	1	SPACER (20.5X38X34-MM THK)						
	45	1	4J-0522	1	SEAL-O-RING						
	46	1	4S-4455	3	CLIP						
	47	1	5P-9085	1	CLIP						
	48	1	6D-1004	1	GASKET						
	49	1	6K-4934	1	CLIP (SLOT)						
	50	1	6K-4935	1	CLIP (TAB)						
	51	1	6K-5291	2	CLIP (SLOT)						
	52	1	6V-0397	2	FLANGE-HALF						
	53	1,2	6V-1889	2	CLIP						
	54	1	6V-8400	1	SEAL-O-RING						
	55	1	6V-8990	2	ELBOW						
	56	1,2	6V-9746	5	SEAL-O-RING						
	57	2	053-0558	1	CLIP						
	58	1	7R-0042	1	ADAPTER						
	59	1,2	8T-4121	22	WASHER-HARD (11X21X2.5-MM THK)						
M	60	1	8T-4136	4	BOLT (M10X1.5X25-MM)						
M	61	1,2	8T-4137	6	BOLT (M10X1.5X20-MM)						
M	62	1	8T-4139	1	BOLT (M12X1.75X30-MM)						
M	63	1	8T-4183	7	BOLT (M12X1.75X40-MM)						
	64	1,2	8T-4223	9	WASHER-HARD (13.5X25.5X3-MM THK)						
M	65	1,2	8T-5005	8	BOLT (M10X1.5X70-MM)						
M	66	1	8T-6466	4	BOLT (M10X1.5X60-MM)						
M	67	2	7X-2549	1	BOLT (M12X1.75X100-MM)						
M	68	1	8T-4140	1	BOLT (M16X2X60-MM)						
	69	1	9X-8257	1	WASHER (17.5X30X3.5-MM THK)						
	70	1	148-8442	1	TEE AS						
		1	8T-1685	1	TEE						
		1	6V-9746	2	SEAL-O-RING						
		1	7M-8485	1	SEAL-O-RING						
	71	1	150-4049	1	ELBOW AS						
		1	8T-4149	1	ELBOW						
		1	6V-9746		SEAL-O-RING						
		1	7M-8485	1	SEAL-O-RING						

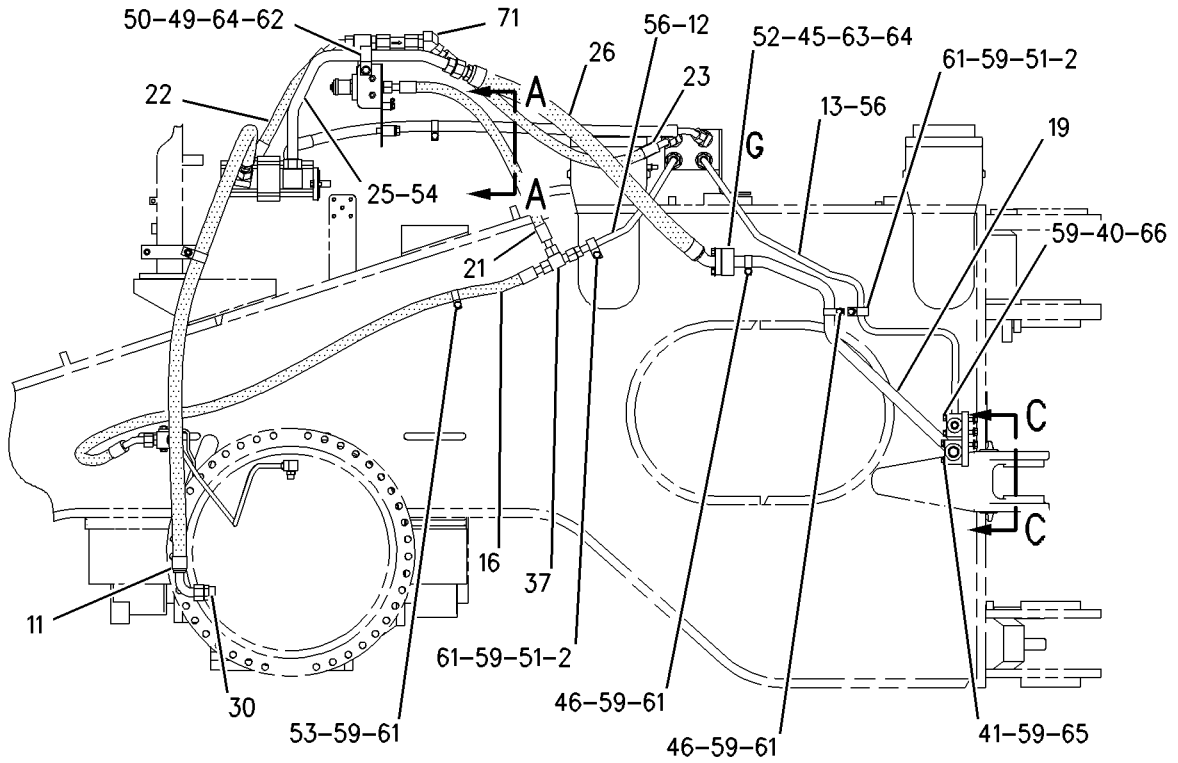
C - CHANGE FROM PREVIOUS TYPE  
 I - REFER TO HYDRAULIC INFORMATION SYSTEM  
 M - METRIC PART  
 Y - SEPARATE ILLUSTRATION



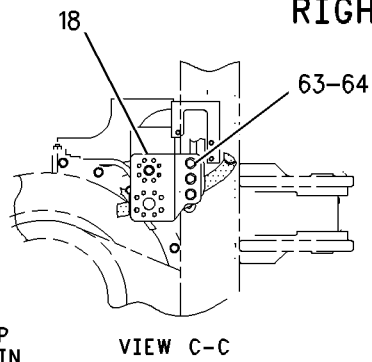
# POWER TRAIN

114-5120 LINES GP-AXLE OIL COOLER (contd.)

i01661646

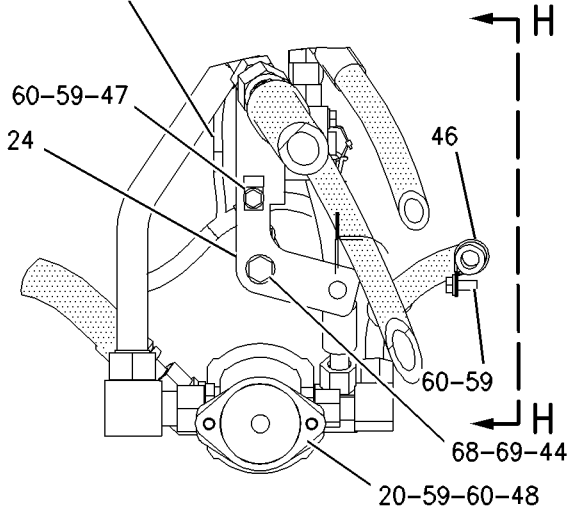


RIGHT SIDE VIEW

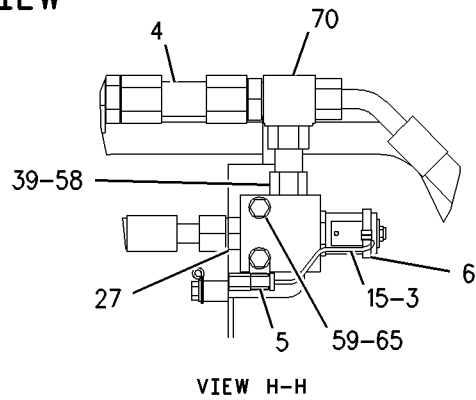


VIEW C-C

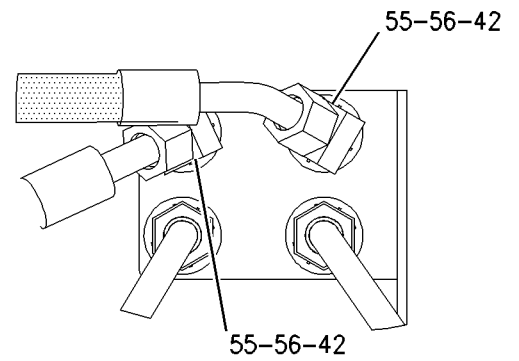
WIRING GP  
POWERTRAIN



SECTION A-A



VIEW H-H



VIEW OF AREA G

REFER TO ALL ILLUSTRATIONS OF  
THIS GROUP FOR AUXILIARY VIEWS

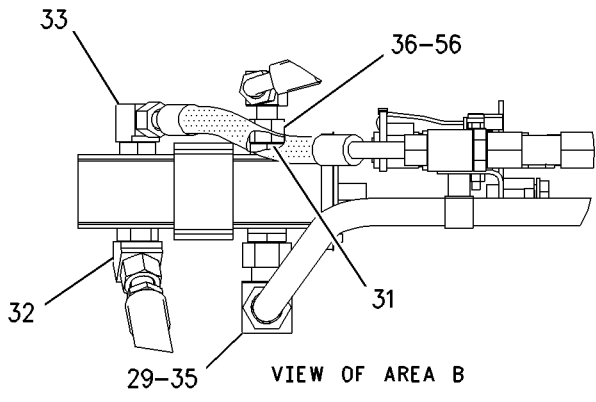
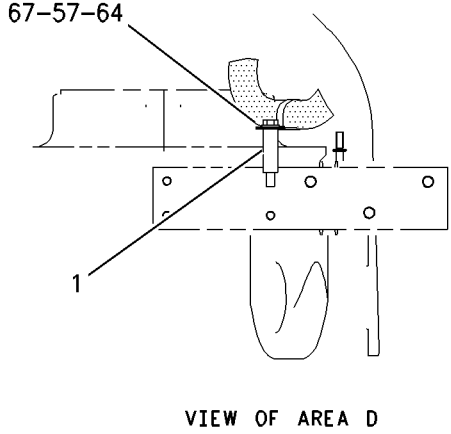
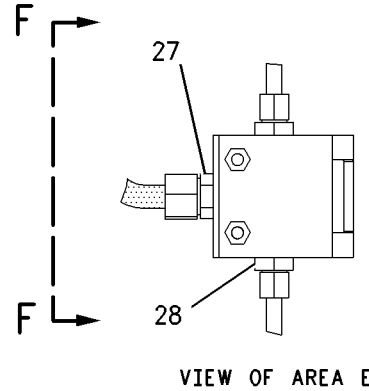
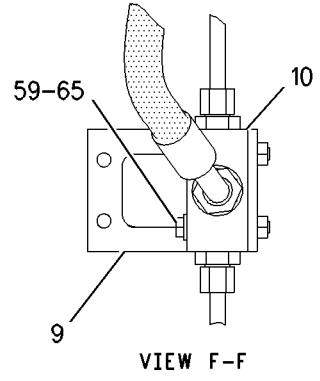
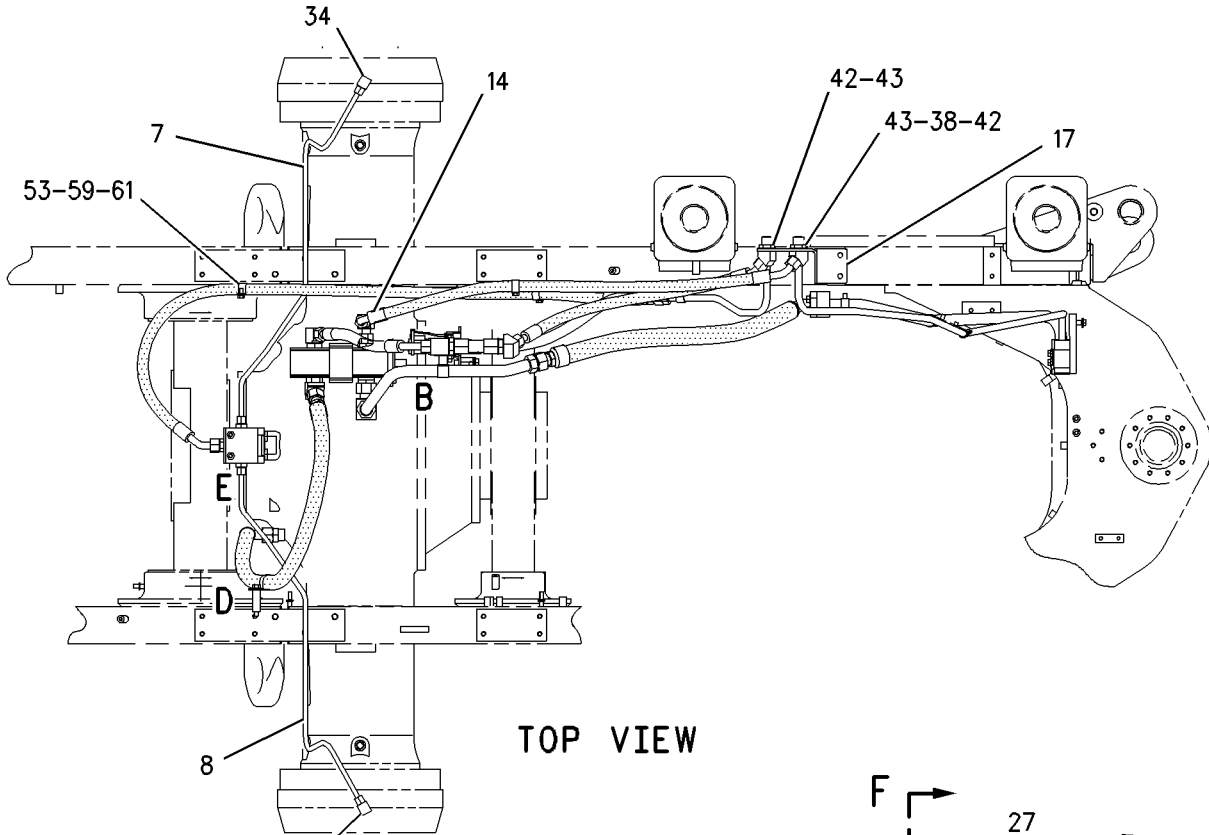
GRAPHIC #1

g00787170

# POWER TRAIN

114-5120 LINES GP-AXLE OIL COOLER (contd.)

i01661646



GRAPHIC #2

<END>

g00857623

# POWER TRAIN

## 195-0456 LINES GP-AXLE OIL COOLER-FRONT

S/N: BNH1-UP

PART OF 156-4259 COOLER AR-AXLE OIL  
AN ATTACHMENT

SMCS-1365, 3016

i01545315

NOTE	REF NO	GRAPHIC REF	PART NUMBER	QTY	PART NAME						SEE PAGE
					1	2	3	4	5	6 (PRODUCT LEVEL)	
	1	1	141-7072	1	BLOCK						
	2	1	159-8614	1	PLATE AS						
	3	1	159-8615	1	PLATE AS						
	4	1	173-4539	1	TUBE AS						
	5	1	173-4540	1	TUBE AS						
	6	1	195-0460	1	BRACKET						
	7	1	195-0461	1	TUBE AS						
I	8	1	198-3406	1	HOSE AS						
I	9	1	198-3407	1	HOSE AS						
	10	1	201-9677	1	PLATE						
	11	1	198-3409	1	TUBE AS						
	12	1	198-3410	1	TUBE AS						
	13	1	198-3411	1	TUBE AS						
	14	1	148-8328	2	CONNECTOR AS						
					(EACH INCLUDES)						
		1	6V-8633	1	CONNECTOR						
		1	6V-8398	1	SEAL-O-RING						
		1	3D-2824	1	SEAL-O-RING						
15	1	1	148-8333	1	CONNECTOR AS						
		1	8T-7927	1	CONNECTOR						
		1	7M-8485	1	SEAL-O-RING						
		1	6V-8400	1	SEAL-O-RING						
16	1	1	148-8347	2	ELBOW AS						
					(EACH INCLUDES)						
		1	6V-9007	1	ELBOW						
		1	3D-2824	1	SEAL-O-RING						
		1	6V-9746	1	SEAL-O-RING						
17	1	1	148-8364	2	ELBOW AS						
					(EACH INCLUDES)						
		1	6V-8625	1	ELBOW						
		1	6V-8398	1	SEAL-O-RING						
		1	3K-0360	1	SEAL-O-RING						
18	1	1	148-8387	1	ELBOW AS						
		1	6V-9855	1	ELBOW						
		1	6V-8400	1	SEAL-O-RING						
C	19	1	197-3295	4	FLANGE -HALF						
	20	1	3E-9411	2	WASHER-HARD (17.5X38X6-MM THK)						
	21	1	4J-0520	1	SEAL-O-RING						
	22	1	4J-0522	2	SEAL-O-RING						
	23	1	4J-5267	1	SEAL-O-RING						
	24	1	5K-9660	2	CLIP						
	25	1	5P-7854	3	CLIP						
	26	1	6V-8400	1	SEAL-O-RING						
	27	1	6V-9746	1	SEAL-O-RING						
	28	1	8C-3205	2	FLANGE -HALF						
	29	1	8C-3206	2	FLANGE -HALF						
	30	1	8T-4121	25	WASHER-HARD (11X21X2.5-MM THK)						
M	31	1	8T-4133	2	NUT (M10X1.5-THD)						
M	32	1	8T-4136	11	BOLT (M10X1.5X25-MM)						
M	33	1	8T-4140	2	BOLT (M16X2X60-MM)						
CM	34	1	8T-4183	2	BOLT (M12X1.75X40-MM)						
M	35	1	8T-4196	10	BOLT (M10X1.5X35-MM)						
C	36	1	8T-4223	2	WASHER-HARD (13.5X25.5X3-MM THK)						
M	37	1	8T-4956	4	BOLT (M12X1.75X35-MM)						
M	38	1	8T-5005	2	BOLT (M10X1.5X70-MM)						
	39	1	9M-7173	2	CLIP						

# POWER TRAIN

195-0456 **LINES GP-AXLE OIL COOLER (contd.)**

**i01545315**

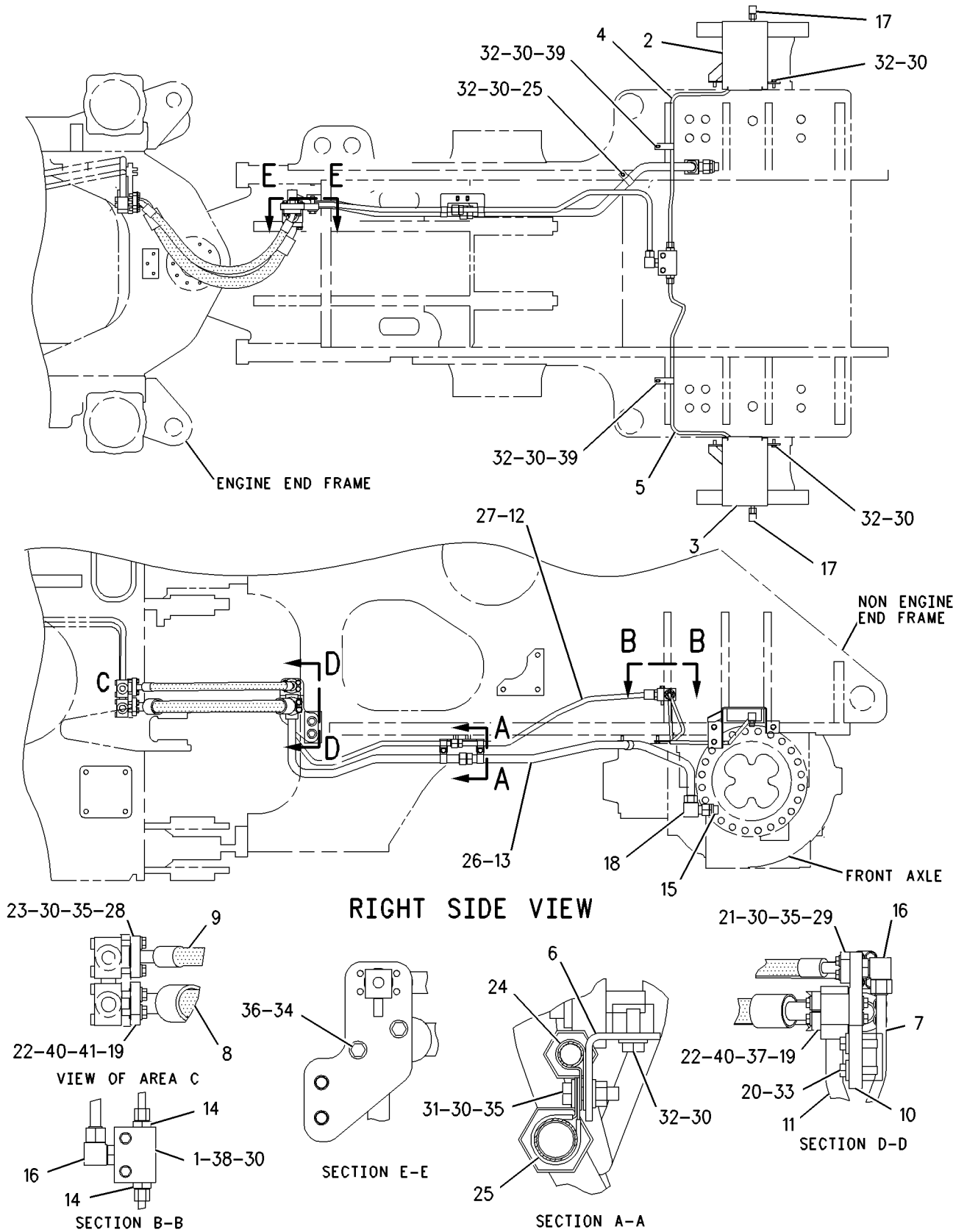
NOTE	REF NO	GRAPHIC REF	PART NUMBER	QTY	PART NAME						SEE PAGE
					1	2	3	4	5	6 (PRODUCT LEVEL)	
CM	40	1	<b>8T-4139</b>	4	BOLT (M12X1.75X30-MM)						
C	41	1	<b>7X-3392</b>	8	WASHER-HARD (13.5X22.5X3-MM THK)						

C - CHANGE FROM PREVIOUS TYPE  
 I - REFER TO HYDRAULIC INFORMATION SYSTEM  
 M - METRIC PART

# POWER TRAIN

195-0456 LINES GP-AXLE OIL COOLER (contd.)

i01545315



GRAPHIC #1

<END>

g00804342

# POWER TRAIN

## 221-1164 LINES GP-AXLE OIL COOLER-FRONT

S/N: BNH1-UP

PART OF 156-4259 COOLER AR-AXLE OIL  
AN ATTACHMENT

SMCS-1365, 3016

i01767259

NOTE	REF NO	GRAPHIC REF	PART NUMBER	QTY	PART NAME						SEE PAGE
					1	2	3	4	5	6 (PRODUCT LEVEL)	
	1	1	141-7072	1	BLOCK						
	2	1	159-8614	1	PLATE AS						
	3	1	159-8615	1	PLATE AS						
	4	1	173-4540	1	TUBE AS						
	5	1	197-3295	4	FLANGE-HALF						
I	6	1	198-3406	1	HOSE AS						
I	7	1	198-3407	1	HOSE AS						
	8	1	220-8796	1	BRACKET AS						
M		1	8T-3490	2	NUT-WELD (M10X1.5-THD)						
	9	1	221-1879	1	TUBE AS						
	10	1	221-1880	1	TUBE AS						
	11	1	221-1881	1	TUBE AS						
	12	1	221-1882	1	TUBE AS						
	13	1	221-3330	1	TUBE AS						
	14	1	148-8328	1	CONNECTOR AS						
		1	3D-2824	1	SEAL-O-RING						
		1	6V-8398	1	SEAL-O-RING						
		1	6V-8633	1	CONNECTOR						
15	1	1	148-8333	1	CONNECTOR AS						
		1	6V-8400	1	SEAL-O-RING						
		1	7M-8485	1	SEAL-O-RING						
		1	8T-7927	1	CONNECTOR						
16	1	1	148-8347	1	ELBOW AS						
		1	3D-2824	1	SEAL-O-RING						
		1	6V-9007	1	ELBOW						
		1	6V-9746	1	SEAL-O-RING						
17	1	1	148-8364	2	ELBOW AS						
					(EACH INCLUDES)						
		1	3K-0360	1	SEAL-O-RING						
		1	6V-8398	1	SEAL-O-RING						
		1	6V-8625	1	ELBOW						
18	1	1	148-8387	1	ELBOW AS						
		1	6V-8400	1	SEAL-O-RING						
		1	6V-9855	1	ELBOW						
19	1	1	153-6237	1	ELBOW AS						
		1	3D-2824	1	SEAL-O-RING						
		1	6V-9004	1	ELBOW						
		1	6V-9746	1	SEAL-O-RING						
20	1	1	155-6258	1	ELBOW AS						
		1	3D-2824	1	SEAL-O-RING						
		1	6V-8398	1	SEAL-O-RING						
		1	127-1647	1	ELBOW						
21	1	1	201-9677	1	PLATE						
22	1	1	3E-9411	2	WASHER-HARD (17.5X38X6-MM THK)						
23	1	1	4J-0520	1	SEAL-O-RING						
24	1	1	4J-0522	2	SEAL-O-RING						
25	1	1	4J-5267	1	SEAL-O-RING						
26	1	1	5P-7462	2	CLIP (SLOT)						
27	1	1	5P-7463	2	CLIP (TAB)						
28	1	1	5P-7468	2	CLIP (SLOT)						
29	1	1	5P-7469	2	CLIP (TAB)						
30	1	1	6V-0683	2	GROMMET (19-MM ID)						
31	1	1	6V-1874	2	GROMMET						
32	1	1	6V-8400	1	SEAL-O-RING						
33	1	1	6V-9746	1	SEAL-O-RING						
34	1	1	7X-3392	8	WASHER-HARD (13.5X22.5X3-MM THK)						
35	1	1	8C-3205	2	FLANGE-HALF						
36	1	1	8C-3206	2	FLANGE-HALF						

# POWER TRAIN

221-1164 LINES GP-AXLE OIL COOLER (contd.)

i01767259

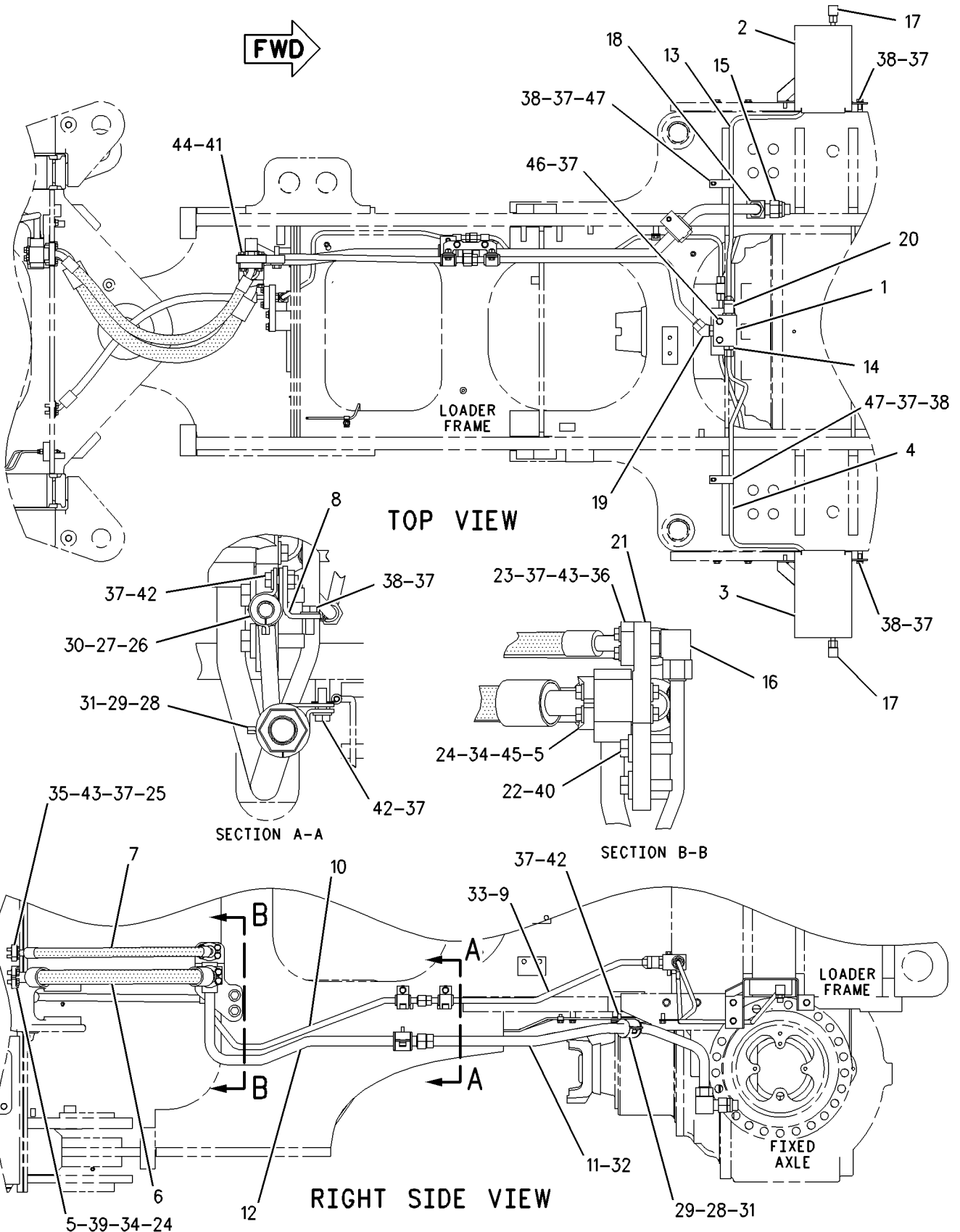
NOTE	REF NO	GRAPHIC REF	PART NUMBER	QTY	PART NAME						SEE PAGE
					1	2	3	4	5	6 (PRODUCT LEVEL)	
	37	1	<b>8T-4121</b>	24	WASHER-HARD (11X21X2.5-MM THK)						
M	38	1	<b>8T-4136</b>	10	BOLT (M10X1.5X25-MM)						
M	39	1	<b>8T-4139</b>	4	BOLT (M12X1.75X30-MM)						
M	40	1	<b>8T-4140</b>	2	BOLT (M16X2X60-MM)						
M	41	1	<b>8T-4183</b>	2	BOLT (M12X1.75X40-MM)						
M	42	1	<b>8T-4195</b>	4	BOLT (M10X1.5X30-MM)						
M	43	1	<b>8T-4196</b>	8	BOLT (M10X1.5X35-MM)						
	44	1	<b>8T-4223</b>	2	WASHER-HARD (13.5X25.5X3-MM THK)						
M	45	1	<b>8T-4956</b>	4	BOLT (M12X1.75X35-MM)						
M	46	1	<b>8T-5005</b>	2	BOLT (M10X1.5X70-MM)						
	47	1	<b>9M-7173</b>	2	CLIP						

I - REFER TO HYDRAULIC INFORMATION SYSTEM  
M - METRIC PART

# POWER TRAIN

221-1164 LINES GP-AXLE OIL COOLER (contd.)

i01767259



GRAPHIC #1

<END>

g00935111



# POWER TRAIN

## 223-4078 LINES GP-AXLE OIL COOLER-REAR

S/N: BNH1-867

PART OF 156-4259 COOLER AR-AXLE OIL  
AN ATTACHMENT

SMCS-1365, 3016

i01767257

NOTE	REF NO	GRAPHIC REF	PART NUMBER	QTY	PART NAME						SEE PAGE
					1	2	3	4	5	6 (PRODUCT LEVEL)	
	4	1	6K-5290	2	CLIP (TAB)						
	5	2	7R-0042	1	ADAPTER						
	6	2	7Y-1863	1	SPACER (20.5X38X34-MM THK)						
	7	2	8C-6162	1	MANIFOLD						
	8	2	9T-5134	1	VALVE-CHECK						
	9	2	9U-2277	1	CLIP AS						
		2	8C-3334	1	RIVET-TUBULAR						
	10	2	9X-6772	1	STRAP-CABLE						
	11	1	136-0021	1	TUBE AS						
	12	1	136-0022	1	TUBE AS						
	13	1	138-4050	1	BRACKET AS						
M		1	8T-3490	2	NUT-WELD (M10X1.5-THD)						
	14	1	141-7072	1	BLOCK						
	15	1	142-8159	1	TUBE AS						
	16	1	142-8160	1	TUBE AS						
I	17	1	142-8162	1	HOSE AS						
Y	18	2	149-2610	1	VALVE GP-SOLENOID (24-VOLT) (AXLE OIL COOLER)						1041
I	19	1	149-7297	1	HOSE AS						
	20	1	154-8052	1	PLATE						
	21	2	155-0054	1	PLATE						
	22	1	171-5415	1	TUBE AS						
	23	2	172-4622	1	UNION AS						
		2	7M-8485	2	SEAL-O-RING						
		2	8C-9029	1	UNION						
	24	2	187-3707	1	PUMP GP-GEAR (AXLE OIL COOLER)						
	25	1	197-3295	2	FLANGE-HALF						
	26	2	203-9364	1	BRACKET AS						
M		2	8T-3490	2	NUT-WELD (M10X1.5-THD)						
M		2	9R-2613	1	BOSS-WELD (M10X1.5X25-MM)						
I	27	1	203-9365	1	HOSE AS						
I	28	1	203-9366	1	HOSE AS						
I	29	1	203-9368	1	HOSE AS						
	30	1	203-9369	1	TUBE AS						
I	31	1	223-2111	1	HOSE AS						
I	32	1	223-2112	1	HOSE AS						
	33	1	053-0558	1	CLIP						
	34	1	148-8327	1	CONNECTOR AS						
		1	3D-2824	1	SEAL-O-RING						
		1	6V-8637	1	CONNECTOR						
		1	6V-9746	1	SEAL-O-RING						
	35	1	148-8328	2	CONNECTOR AS						
					(EACH INCLUDES)						
		1	3D-2824	1	SEAL-O-RING						
		1	6V-8398	1	SEAL-O-RING						
		1	6V-8633	1	CONNECTOR						
	36	2	148-8333	1	CONNECTOR AS						
		2	6V-8400	1	SEAL-O-RING						
		2	7M-8485	1	SEAL-O-RING						
		2	8T-7927	1	CONNECTOR						
	37	1	148-8335	1	CONNECTOR AS						
		1	5K-9090	1	SEAL-O-RING						
		1	6V-8635	1	CONNECTOR						
		1	7M-8485	1	SEAL-O-RING						
	38	2	148-8339	2	CONNECTOR AS						
					(EACH INCLUDES)						
		2	6V-8716	1	CONNECTOR (STRAIGHT)						
		2	6V-9746	1	SEAL-O-RING						
		2	7M-8485	1	SEAL-O-RING						

# POWER TRAIN

223-4078 LINES GP-AXLE OIL COOLER (contd.)

i01767257

NOTE	REF NO	GRAPHIC REF	PART NUMBER	QTY	PART NAME						SEE PAGE
					1	2	3	4	5	6 (PRODUCT LEVEL)	
	39	2	148-8355	1	ELBOW AS						
		2	5K-9090	1	SEAL-O-RING						
		2	6V-9005	1	ELBOW						
		2	7M-8485	1	SEAL-O-RING						
	40	2	148-8360	1	ELBOW AS						
		2	6V-9182	1	ELBOW						
		2	6V-9746	1	SEAL-O-RING						
		2	7M-8485	1	SEAL-O-RING						
	41	1	148-8364	2	ELBOW AS						
		1	3K-0360	1	SEAL-O-RING						
		1	6V-8398	1	SEAL-O-RING						
		1	6V-8625	1	ELBOW						
	42	2	148-8387	1	ELBOW AS						
		2	6V-8400	1	SEAL-O-RING						
		2	6V-9855	1	ELBOW						
	43	2	148-8392	1	ELBOW AS						
		2	6V-9746	1	SEAL-O-RING						
		2	6V-9853	1	ELBOW						
	44	1	148-8449	1	TEE AS-SWIVEL						
		1	6V-9746	2	SEAL-O-RING						
		1	6V-9839	1	TEE-SWIVEL						
	45	2	148-8451	1	TEE AS						
		2	6V-8791	1	TEE-FACE SEAL						
		2	6V-9746	3	SEAL-O-RING						
	46	2	148-8455	2	UNION AS						
					(EACH INCLUDES)						
		2	6V-8997	1	UNION						
		2	6V-9746	2	SEAL-O-RING						
	47	1	1P-3703	1	SEAL-RECTANGULAR						
	48	1	1P-3704	1	SEAL-RECTANGULAR						
	49	2	2H-3926	8	LOCKWASHER						
	50	2	2P-1293	4	LOCKNUT (1-3/16-12-THD)						
	51	2	3D-2824	2	SEAL-O-RING						
	52	1	4J-0522	1	SEAL-O-RING						
	54	1,2	4S-4455	3	CLIP						
	55	2	5P-9085	1	CLIP						
	56	2	6D-1004	1	GASKET						
	57	1	6K-4934	1	CLIP (SLOT)						
	58	1	6K-4935	1	CLIP (TAB)						
	59	1	6K-5291	2	CLIP (SLOT)						
	60	1	6V-1889	2	CLIP						
	61	2	6V-5258	1	ADAPTER						
	62	1	6V-8400	1	SEAL-O-RING						
	63	2	6V-8990	2	ELBOW						
	64	1,2	6V-9746	5	SEAL-O-RING						
	65	1	7S-3998	1	SPACER (2.47-IN THK)						
M	66	1	7X-2549	1	BOLT (M12X1.75X100-MM)						
	67	1,2	8T-4121	22	WASHER-HARD (11X21X2.5-MM THK)						
M	68	2	8T-4136	4	BOLT (M10X1.5X25-MM)						
M	69	1	8T-4137	6	BOLT (M10X1.5X20-MM)						
M	70	1	8T-4139	1	BOLT (M12X1.75X30-MM)						
M	71	2	8T-4140	1	BOLT (M16X2X60-MM)						
M	72	1,2	8T-4183	7	BOLT (M12X1.75X40-MM)						
	73	1,2	8T-4223	9	WASHER-HARD (13.5X25.5X3-MM THK)						
M	74	1,2	8T-5005	8	BOLT (M10X1.5X70-MM)						
M	75	1	8T-6466	4	BOLT (M10X1.5X60-MM)						
	76	2	9X-8257	1	WASHER (17.5X30X3.5-MM THK)						

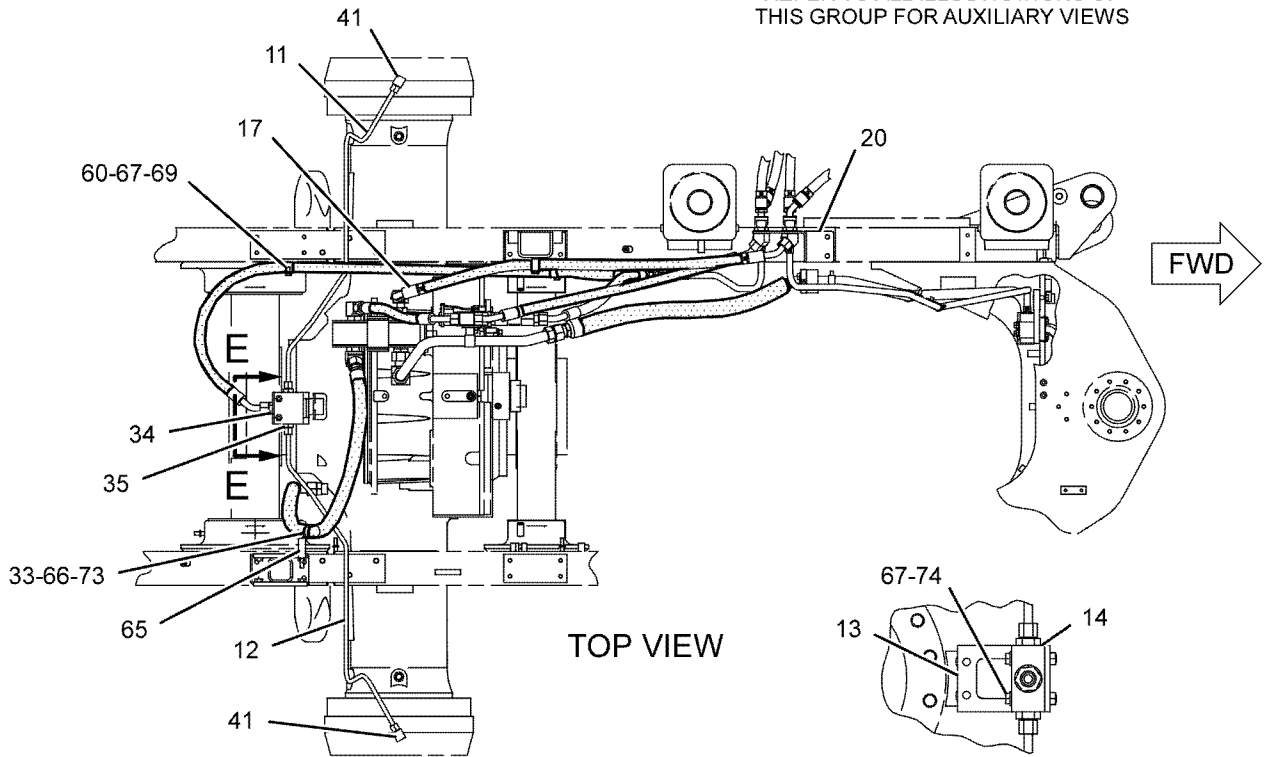
I - REFER TO HYDRAULIC INFORMATION SYSTEM  
M - METRIC PART  
Y - SEPARATE ILLUSTRATION

# POWER TRAIN

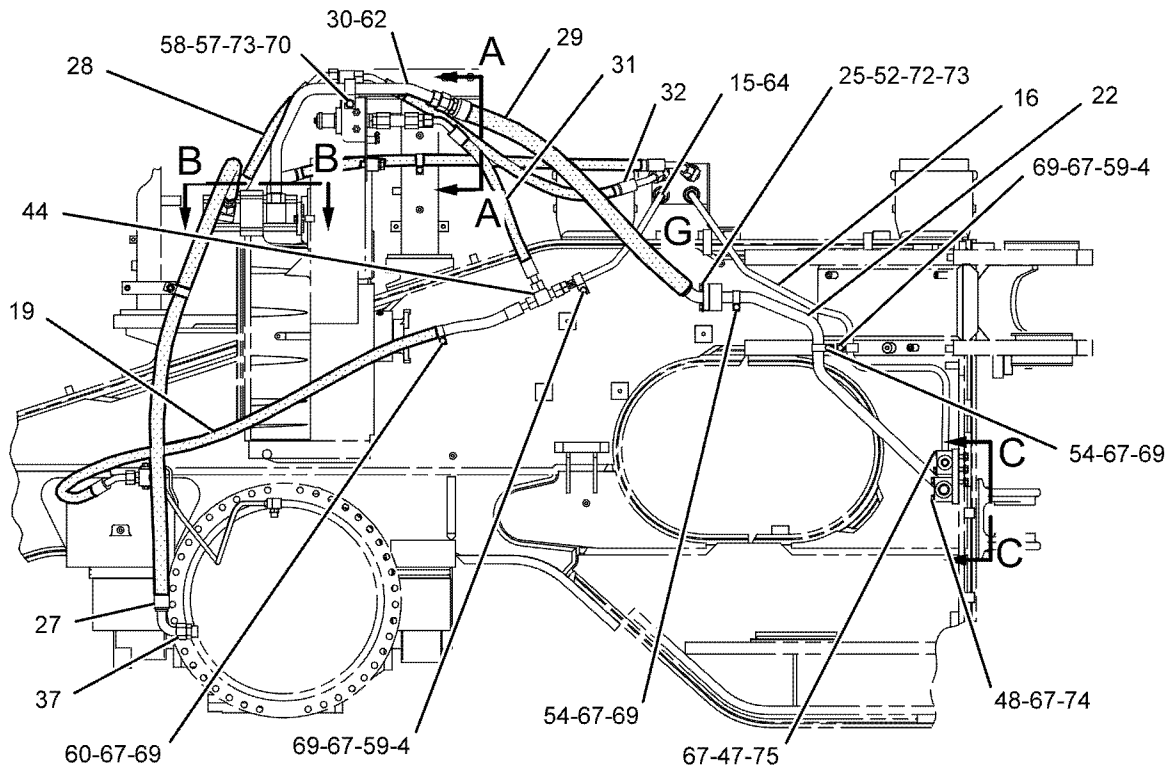
223-4078 LINES GP-AXLE OIL COOLER (contd.)

i01767257

REFER TO ALL ILLUSTRATIONS OF THIS GROUP FOR AUXILIARY VIEWS



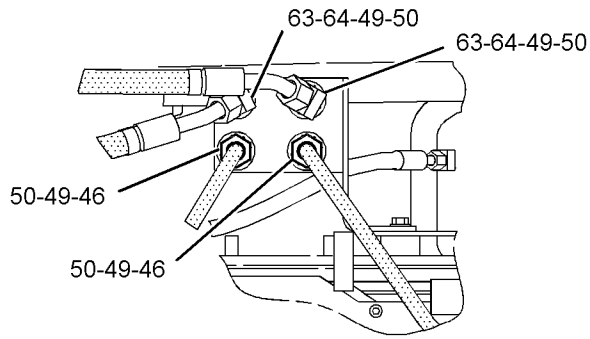
SECTION E-E



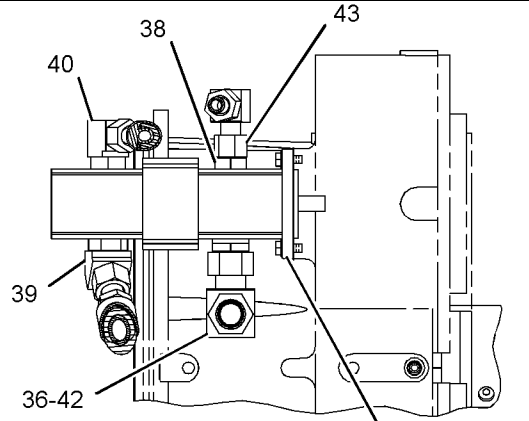
# POWER TRAIN

223-4078 LINES GP-AXLE OIL COOLER (contd.)

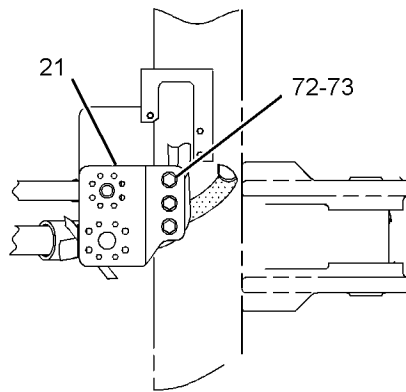
i01767257



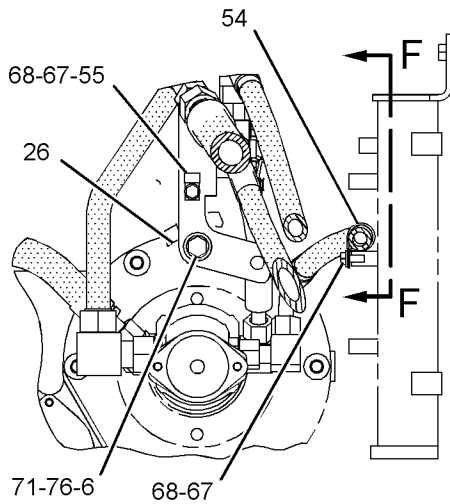
VIEW OF AREA G



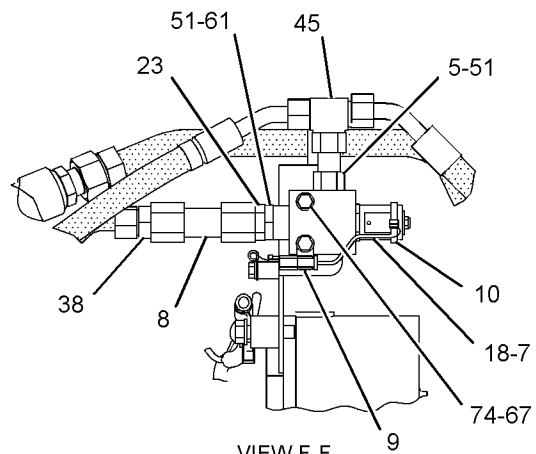
SECTION B-B



VIEW C-C



SECTION A-A



VIEW F-F

GRAPHIC #2

<END>

g01021154

# POWER TRAIN

## 223-4078 LINES GP-AXLE OIL COOLER-REAR

S/N: BNH868-UP

PART OF 156-4259 COOLER AR-AXLE OIL  
AN ATTACHMENT

SMCS-1365, 3016

i02687456

NOTE	REF NO	GRAPHIC REF	PART NUMBER	QTY	PART NAME						SEE PAGE
					1	2	3	4	5	6 (PRODUCT LEVEL)	
	4	1	6K-5290	2	CLIP (TAB)						
	5	2	7R-0042	1	ADAPTER						
	6	2	7Y-1863	1	SPACER (20.5X38X34-MM THK)						
	7	2	8C-6162	1	MANIFOLD						
	8	2	9T-5134	1	VALVE-CHECK (HYDRAULIC OIL COOLER BYPASS)						
	9	2	9U-2277	1	CLIP AS						
	10	2	9X-6772	1	STRAP-CABLE						
	11	1	136-0021	1	TUBE AS						
	12	1	136-0022	1	TUBE AS						
	13	2	138-4050	1	BRACKET AS						
	14	2	141-7072	1	BLOCK						
C	15	1	234-3549	1	TUBE AS						
C	16	1	234-3550	1	TUBE AS						
CI	17	1	234-3551	1	HOSE AS						
Y	18	2	149-2610	1	VALVE GP-SOLENOID (24-VOLT) (AXLE OIL COOLER)						1041
I	19	1	149-7297	1	HOSE AS						
C	20	2	155-0054	1	PLATE						
C	21	1	234-3548	1	BRACKET						
	22	1	171-5415	1	TUBE AS						
	23	2	172-4622	1	UNION AS						
		2	7M-8485	2	SEAL-O-RING						
		2	8C-9029	1	UNION						
J	24	2	293-9113	1	PUMP GP-GEAR (AXLE OIL COOLER)						
		2	132-7551	4	SPACER (11X19X6-MM THK)						
		2	295-8888	4	BOLT						
	25	1	197-3295	2	FLANGE-HALF						
	26	2	203-9364	1	BRACKET AS						
I	27	1	203-9365	1	HOSE AS						
I	28	1	203-9366	1	HOSE AS						
I	29	1	203-9368	1	HOSE AS						
	30	1	203-9369	1	TUBE AS						
I	31	1	223-2111	1	HOSE AS						
I	32	1	223-2112	1	HOSE AS						
	33	1	053-0558	1	CLIP						
	34	1	148-8327	1	CONNECTOR AS						
		1	3D-2824	1	SEAL-O-RING						
		1	6V-8637	1	CONNECTOR						
		1	6V-9746	1	SEAL-O-RING						
	35	1	148-8328	2	CONNECTOR AS						
					(EACH INCLUDES)						
		1	3D-2824	1	SEAL-O-RING						
		1	6V-8398	1	SEAL-O-RING						
		1	6V-8633	1	CONNECTOR						
	36	2	148-8333	1	CONNECTOR AS						
		2	6V-8400	1	SEAL-O-RING						
		2	7M-8485	1	SEAL-O-RING						
		2	8T-7927	1	CONNECTOR						
	37	1	148-8335	1	CONNECTOR AS						
		1	5K-9090	1	SEAL-O-RING						
		1	6V-8635	1	CONNECTOR						
		1	7M-8485	1	SEAL-O-RING						
	38	2	148-8339	2	CONNECTOR AS						
					(EACH INCLUDES)						
		2	6V-8716	1	CONNECTOR (STRAIGHT)						
		2	6V-9746	1	SEAL-O-RING						
		2	7M-8485	1	SEAL-O-RING						
	39	2	148-8355	1	ELBOW AS						
		2	5K-9090	1	SEAL-O-RING						

# POWER TRAIN

223-4078 LINES GP-AXLE OIL COOLER (contd.)

i02687456

NOTE	REF NO	GRAPHIC REF	PART NUMBER	QTY	PART NAME						SEE PAGE
					1	2	3	4	5	6 (PRODUCT LEVEL)	
		2	<b>6V-9005</b>	1	ELBOW						
		2	<b>7M-8485</b>	1	SEAL-O-RING						
40		2	148-8360	1	ELBOW AS						
		2	<b>6V-9182</b>	1	ELBOW						
		2	<b>6V-9746</b>	1	SEAL-O-RING						
		2	<b>7M-8485</b>	1	SEAL-O-RING						
41		1	148-8364	2	ELBOW AS						
					(EACH INCLUDES)						
		1	<b>3K-0360</b>	1	SEAL-O-RING						
		1	<b>6V-8398</b>	1	SEAL-O-RING						
		1	<b>6V-8625</b>	1	ELBOW						
42		2	148-8387	1	ELBOW AS						
		2	<b>6V-8400</b>	1	SEAL-O-RING						
		2	<b>6V-9855</b>	1	ELBOW						
43		2	148-8392	1	ELBOW AS						
		2	<b>6V-9746</b>	1	SEAL-O-RING						
		2	<b>6V-9853</b>	1	ELBOW						
44		1	148-8449	1	TEE AS-SWIVEL						
		1	<b>6V-9746</b>	2	SEAL-O-RING						
		1	<b>6V-9839</b>	1	TEE-SWIVEL						
45		2	148-8451	1	TEE AS						
		2	<b>6V-8791</b>	1	TEE-FACE SEAL						
		2	<b>6V-9746</b>	3	SEAL-O-RING						
46		2	148-8455	2	UNION AS						
					(EACH INCLUDES)						
		2	<b>6V-8997</b>	1	UNION						
		2	<b>6V-9746</b>	2	SEAL-O-RING						
47		1	<b>1P-3703</b>	1	SEAL-RECTANGULAR						
48		1	<b>1P-3704</b>	1	SEAL-RECTANGULAR						
49		2	<b>2H-3926</b>	8	LOCKWASHER						
50		2	<b>2P-1293</b>	4	LOCKNUT (1-3/16-12-THD)						
51		2	<b>3D-2824</b>	2	SEAL-O-RING						
52		1	<b>4J-0522</b>	1	SEAL-O-RING						
54		1,2	<b>4S-4455</b>	3	CLIP						
55		2	<b>5P-9085</b>	1	CLIP						
56		2	<b>6D-1004</b>	1	GASKET						
57		1	<b>6K-4934</b>	1	CLIP (SLOT)						
58		1	<b>6K-4935</b>	1	CLIP (TAB)						
59		1	<b>6K-5291</b>	2	CLIP (SLOT)						
60		1	<b>6V-1889</b>	2	CLIP						
61		2	<b>6V-5258</b>	1	ADAPTER						
62		1	<b>6V-8400</b>	1	SEAL-O-RING						
63		2	<b>6V-8990</b>	2	ELBOW						
64		1,2	<b>6V-9746</b>	5	SEAL-O-RING						
65		1	<b>7S-3998</b>	1	SPACER (2.47-IN THK)						
M		1	<b>7X-2549</b>	1	BOLT (M12X1.75X100-MM)						
		1,2	<b>8T-4121</b>	22	WASHER-HARD (11X21X2.5-MM THK)						
M		2	<b>8T-4136</b>	4	BOLT (M10X1.5X25-MM)						
M		1	<b>8T-4137</b>	6	BOLT (M10X1.5X20-MM)						
M		1	<b>8T-4139</b>	1	BOLT (M12X1.75X30-MM)						
M		2	<b>8T-4140</b>	1	BOLT (M16X2X60-MM)						
M		1,2	<b>8T-4183</b>	7	BOLT (M12X1.75X40-MM)						
		1,2	<b>8T-4223</b>	9	WASHER-HARD (13.5X25.5X3-MM THK)						
M		1,2	<b>8T-5005</b>	8	BOLT (M10X1.5X70-MM)						
M		1	<b>8T-6466</b>	4	BOLT (M10X1.5X60-MM)						
		2	<b>9X-8257</b>	1	WASHER (17.5X30X3.5-MM THK)						
					AVAILABLE REPAIR KIT(S):						
J			<b>190-3822</b>	1	KIT-RELIEF VALVE						
J			<b>204-0156</b>	1	KIT-SEAL						
					INCLUDES DOWEL PINS, FLANGE SHAFT SEALS, E-SEALS, PLATE SHAFT SEAL, SEAL-O-RINGS, WASHER, SNAP RINGS AND RETAINING RING						

# POWER TRAIN

223-4078 LINES GP-AXLE OIL COOLER (contd.)

i02687456

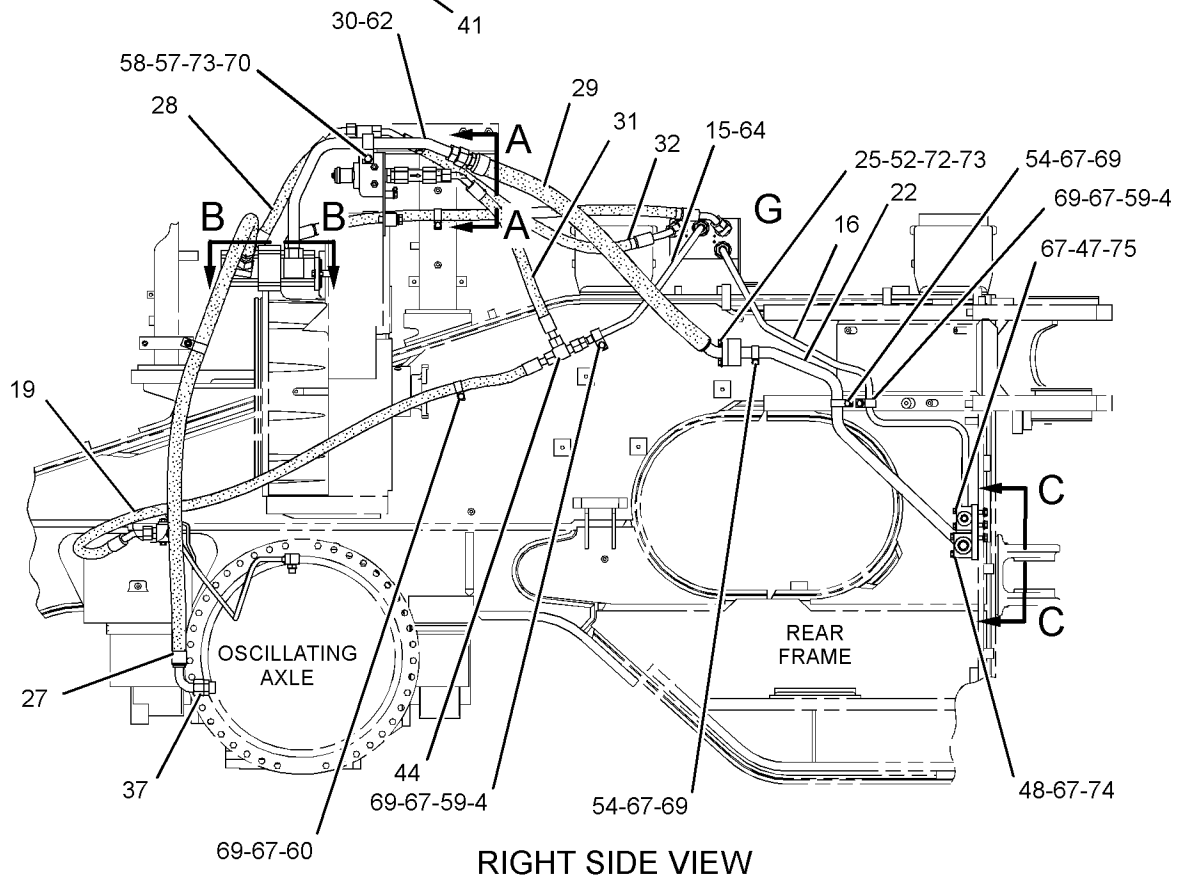
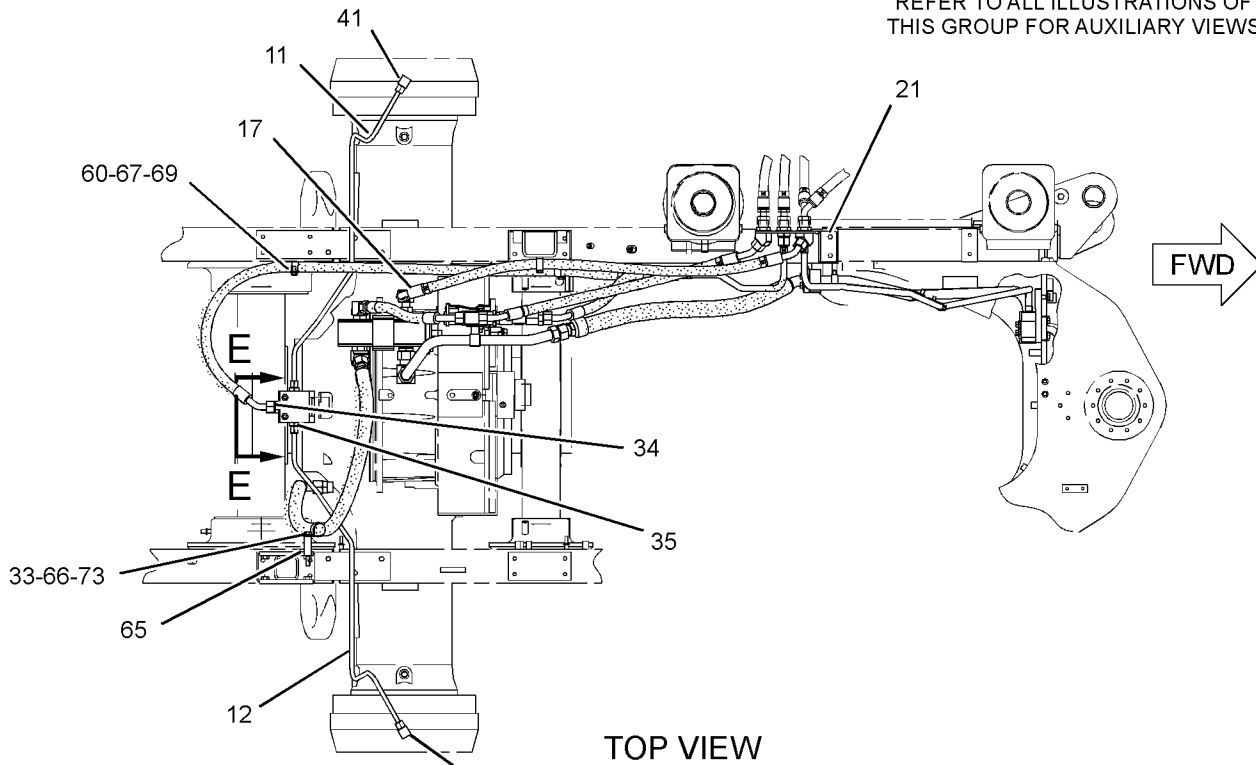
NOTE	REF NO	GRAPHIC REF	PART NUMBER	QTY	PART NAME						SEE PAGE
					1	2	3	4	5	6 (PRODUCT LEVEL)	
C - CHANGE FROM PREVIOUS TYPE											
I - REFER TO HYDRAULIC INFORMATION SYSTEM											
J - KIT(S) MARKED J SERVICES PART(S) MARKED J											
M - METRIC PART											
Y - SEPARATE ILLUSTRATION											

# POWER TRAIN

223-4078 LINES GP-AXLE OIL COOLER (contd.)

i02687456

REFER TO ALL ILLUSTRATIONS OF THIS GROUP FOR AUXILIARY VIEWS



GRAPHIC #1

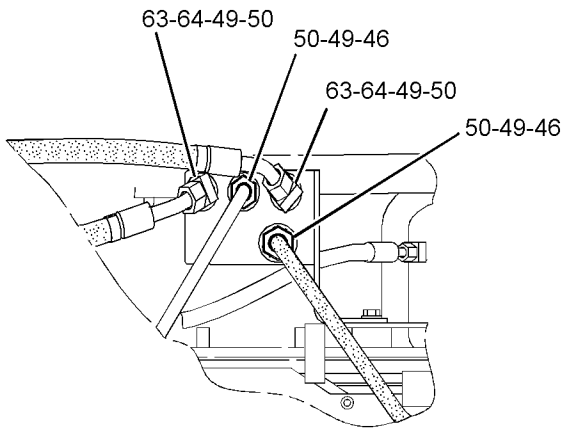
g01299299



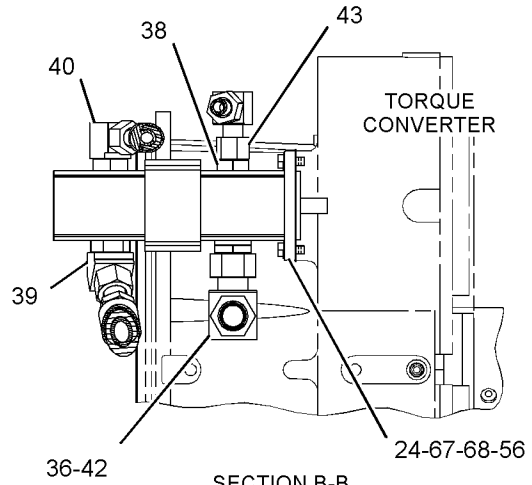
# POWER TRAIN

223-4078 LINES GP-AXLE OIL COOLER (contd.)

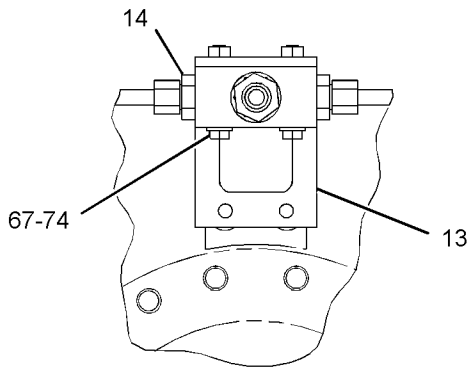
i02687456



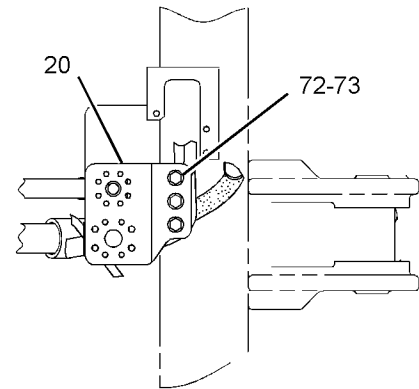
VIEW OF AREA G



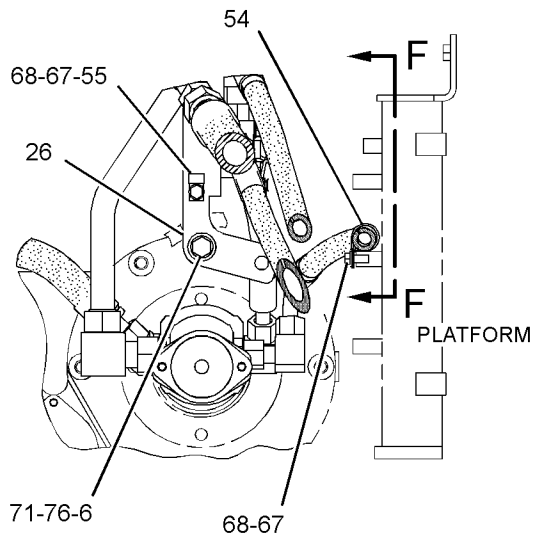
SECTION B-B



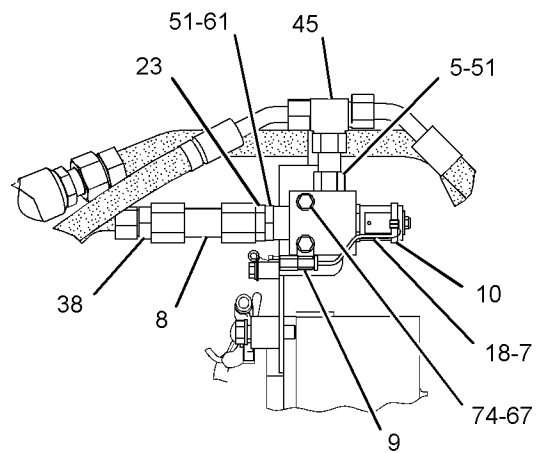
SECTION E-E



VIEW C-C



SECTION A-A



VIEW F-F

GRAPHIC #2

<END>

g01299300

# POWER TRAIN

## 266-3260 LINES GP-AXLE OIL COOLER

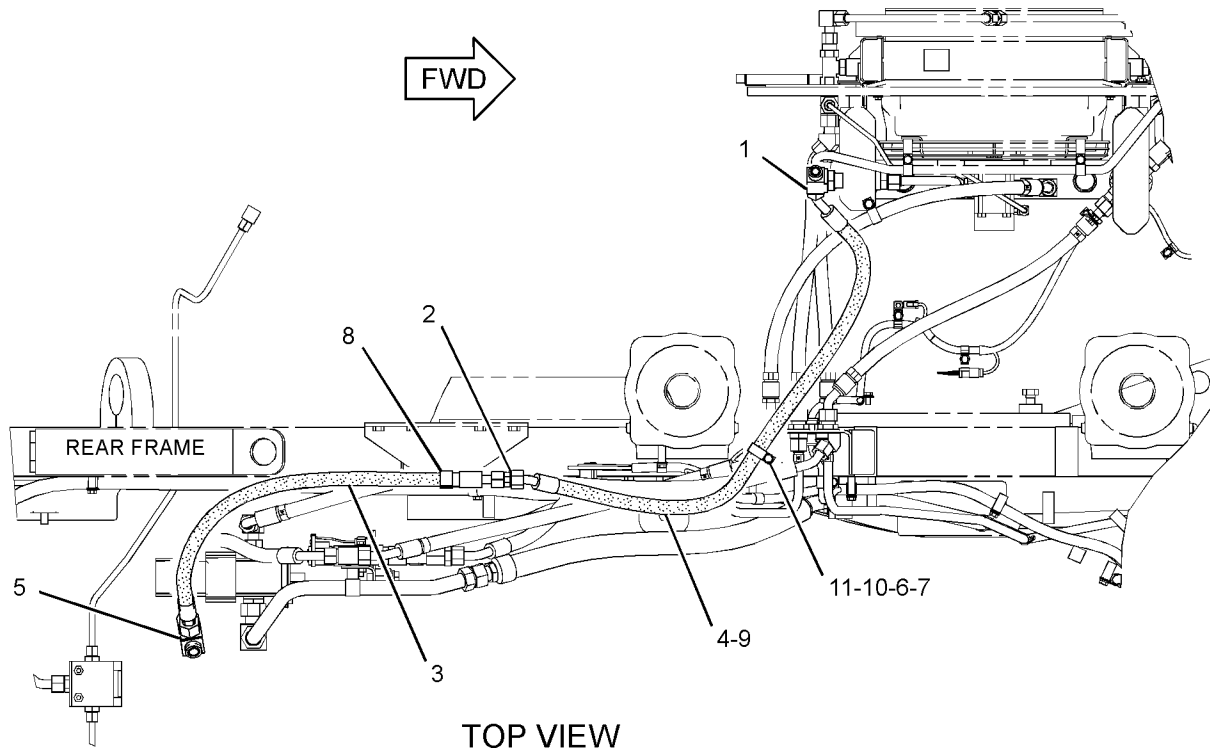
S/N: BNH1-UP  
FIELD INSTALLATION

SMCS-1365, 3016

i02464383

NOTE	REF NO	GRAPHIC REF	PART NUMBER	QTY	PART NAME						SEE PAGE
					1	2	3	4	5	6 (PRODUCT LEVEL)	
	1	1	241-6151	1	TEE AS						
		1	6V-9746	2	SEAL-O-RING						
		1	7M-8485	1	SEAL-O-RING						
		1	102-1384	1	TEE-FACE SEAL						
	2	1	259-0558	1	VALVE GP-CHECK						
		1	6V-9746	2	SEAL-O-RING						
I	3	1	266-3252	1	HOSE AS						
I	4	1	266-3253	1	HOSE AS						
	5	1	148-8429	1	TEE AS						
		1	5K-9090	2	SEAL-O-RING						
		1	6V-9840	1	TEE-SWIVEL						
	6	1	1V-9365	1	SPACER (0.493X0.675X1.19-IN THK)						
	7	1	4S-4455	1	CLIP						
	8	1	5P-7854	1	CLIP						
	9	1	6V-9746	2	SEAL-O-RING						
	10	1	8T-4121	1	WASHER-HARD (11X21X2.5-MM THK)						
M	11	1	8T-4185	1	BOLT (M10X1.5X50-MM)						

I - REFER TO HYDRAULIC INFORMATION SYSTEM  
M - METRIC PART



GRAPHIC #1

<END>

g01279776

# POWER TRAIN

## 193-8224 LINES GP-AXLE VENT

S/N: BNH1-596

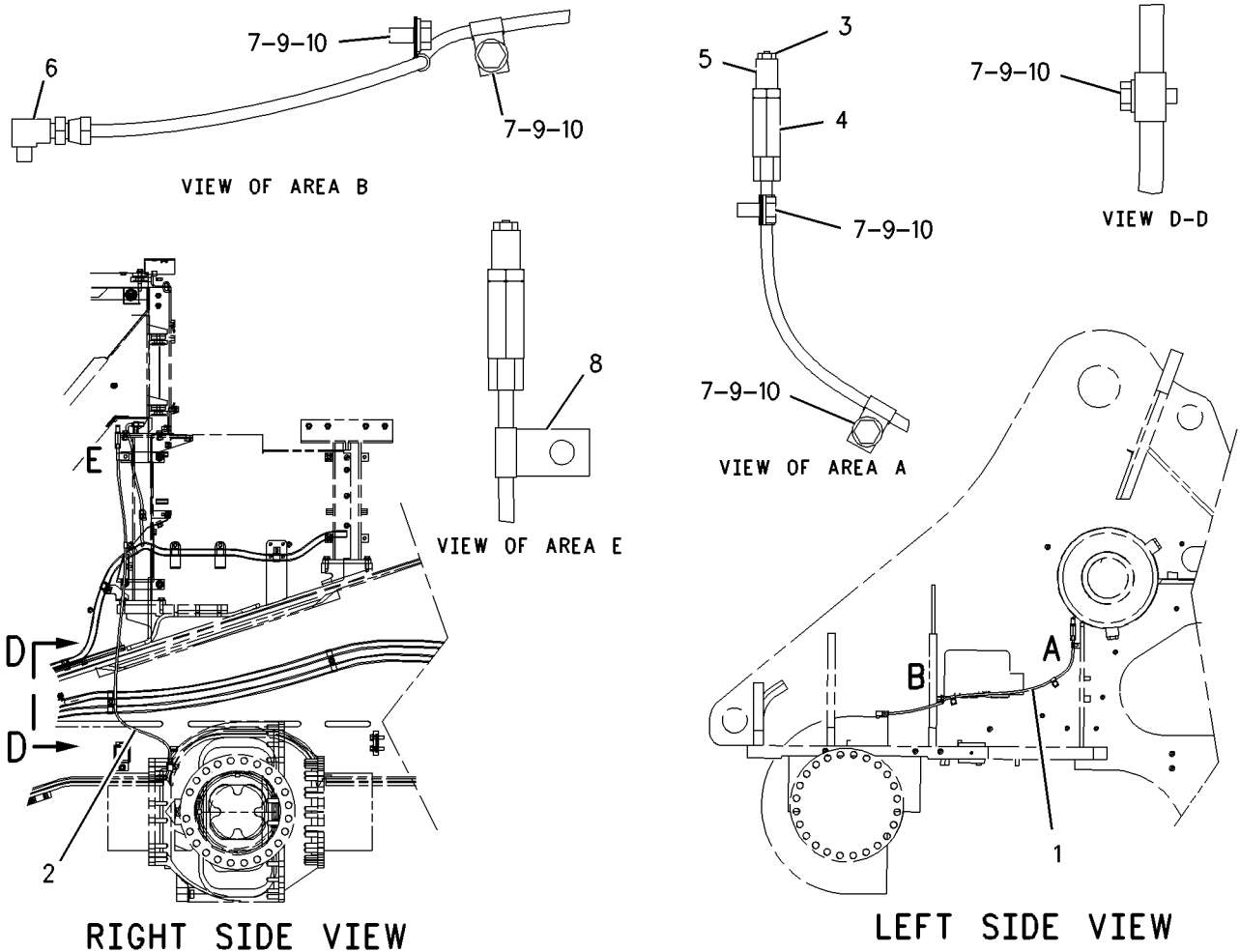
PART OF 114-5105 POWER TRAIN AR

SMCS-3260, 5118

i01555334

NOTE	REF NO	GRAPHIC REF	PART NUMBER	QTY	PART NAME						SEE PAGE
					1	2	3	4	5	6 (PRODUCT LEVEL)	
	1	1	<b>2T-1051</b>	1	HOSE AS						
	2	1	<b>2T-2927</b>	1	HOSE AS						
	3	1	<b>8T-0336</b>	2	FITTING-PRESSURE RELIEF						
	4	1	<b>194-7264</b>	2	BREATHER AS						
	5	1	<b>3B-6487</b>	2	COUPLING (PIPE)						
	6	1	<b>3B-6552</b>	2	ELBOW-PIPE						
	7	1	<b>5P-9085</b>	5	CLIP						
	8	1	<b>6V-2383</b>	1	CLIP						
	9	1	<b>8T-4121</b>	5	WASHER-HARD (11X21X2.5-MM THK)						
M	10	1	<b>8T-4137</b>	5	BOLT (M10X1.5X20-MM)						

M - METRIC PART



GRAPHIC #1

<END>

g00808393

# POWER TRAIN

## 223-4254 LINES GP-AXLE VENT

S/N: BNH597-UP

PART OF 114-5105 POWER TRAIN AR

SMCS-3260, 5118

i02746237

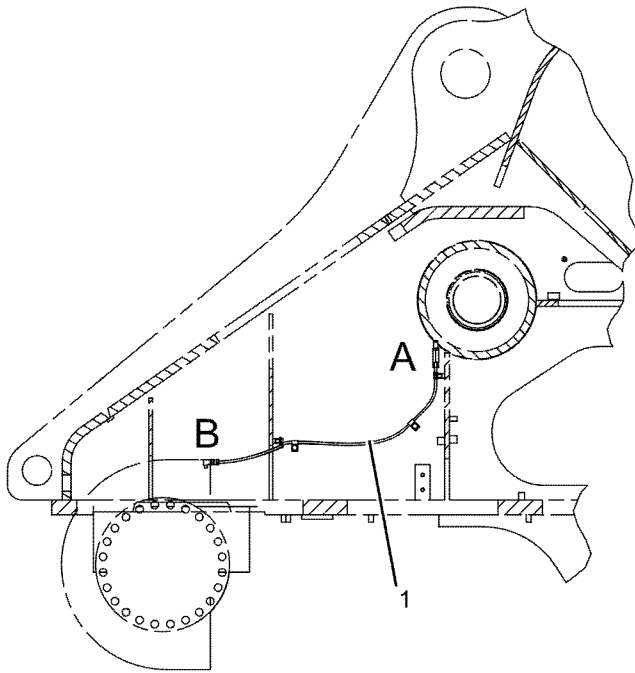
NOTE	REF NO	GRAPHIC REF	PART NUMBER	QTY	PART NAME						SEE PAGE
					1	2	3	4	5	6 (PRODUCT LEVEL)	
	1	1	<b>2T-1051</b>	1	HOSE AS						
	2	1	<b>8T-0336</b>	2	FITTING-PRESSURE RELIEF						
	3	1	<b>194-7264</b>	2	BREATHER AS (AXLE VENT)						
	4	1	<b>220-2779</b>	1	TUBE AS						
	5	1	<b>236-5420</b>	1	BRACKET AS						
	6	1	<b>097-4896</b>	1	SPACER (12X20X23-MM THK)						
	7	1	<i>171-6731</i>	1	CONNECTOR AS						
		1	<b>6V-8398</b>	1	SEAL-O-RING						
		1	<b>8C-6871</b>	1	CONNECTOR						
	8	1	<i>208-1629</i>	1	ELBOW AS						
		1	<b>2T-2396</b>	1	ELBOW						
		1	<b>6V-8398</b>	1	SEAL-O-RING						
	9	1	<b>3B-6487</b>	2	COUPLING (PIPE)						
	10	1	<b>3B-6552</b>	1	ELBOW-PIPE						
	11	1	<b>3B-7262</b>	1	NIPPLE-PIPE						
	12	1	<b>3B-7720</b>	1	COUPLING						
	13	1	<b>5P-9085</b>	4	CLIP						
	14	1	<b>7B-1480</b>	1	ELBOW-REDUCING						
	15	1	<b>8M-2770</b>	1	CLIP						
	16	1	<b>8T-4121</b>	5	WASHER-HARD (11X21X2.5-MM THK)						
M	17	1	<b>8T-4137</b>	4	BOLT (M10X1.5X20-MM)						
M	18	1	<b>8T-4185</b>	1	BOLT (M10X1.5X50-MM)						

M - METRIC PART

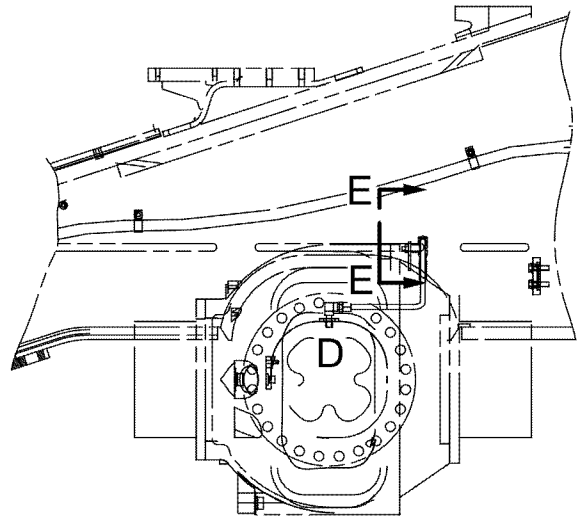
# POWER TRAIN

223-4254 LINES GP-AXLE VENT (contd.)

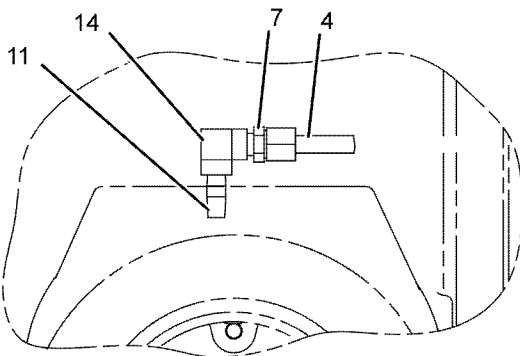
i02746237



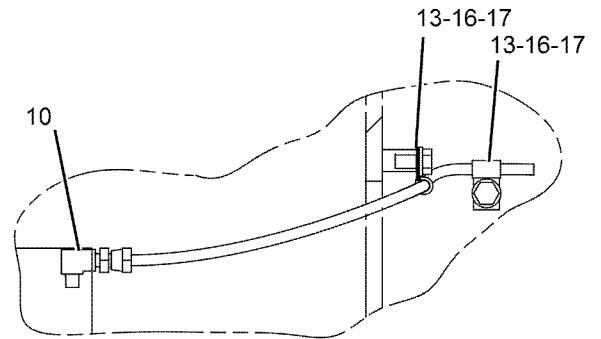
LEFT SIDE VIEW



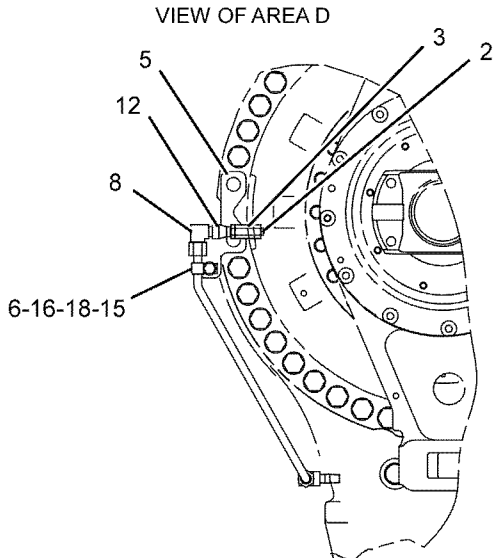
RIGHT SIDE VIEW



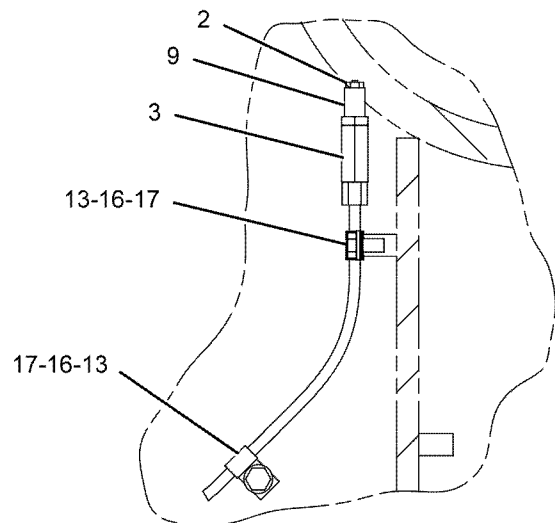
VIEW OF AREA D



VIEW OF AREA B



VIEW E-E



VIEW OF AREA A

GRAPHIC #1

<END>

g01035861

# POWER TRAIN

## 196-4519 LINES GP-POWER TRAIN OIL

S/N: BNH1-352

PART OF 203-1582 HYDRAULIC AR

SMCS-3016

i04128270

NOTE	REF NO	GRAPHIC REF	PART NUMBER	QTY	PART NAME						SEE PAGE
					1	2	3	4	5	6 (PRODUCT LEVEL)	
Y	1	1	1N-4296	1	PROTECTION GP-VANDALISM						1396
	2	2	4H-6112	1	BREATHER (POWER TRAIN)						
	3	1	5P-1291	1	HOSE						
C	4	1	5P-0597	4	CLAMP-HOSE						
	5	1	6S-6251	4	MOUNT						
	6	2	6V-0852	2	CAP-DUST						
	7	2	4S-1962	1	CLIP						
	8	1	7S-1801	1	ANCHOR-CHAIN						
	9	2	8C-8533	1	CLIP						
Y	10	2	8E-8427	1	VALVE GP-TORQUE CONV PRIORITY						579
	11	2	8X-4886	1	ELBOW						
Y	12	2	104-5013	1	VALVE GP-RELIEF (TORQUE CONVERTER OUTLET)						576
	13	2	134-8297	1	BRACKET AS						
M		2	8T-3490	1	NUT-WELD (M10X1.5-THD)						
I	14	2	135-7052	1	HOSE AS						
I	15	2	135-7053	1	HOSE AS						
C	16	1	205-9184	1	TUBE AS						
Y	17	1	139-9189	1	GAUGE GP-SIGHT (POWER TRAIN OIL)						467
I	18	1	140-5856	1	HOSE AS						
	19	2	157-6138	1	TUBE AS						
I	20	1	201-1051	1	HOSE AS						
C	21	1	207-1462	1	TUBE						
	22	2	164-5567	2	COUPLER AS-QUICK DISCONNECT (MALE)						
					(EACH INCLUDES)						
		2	6V-3965	1	FITTING (QUICK DISCONNECT)						
		2	3J-1907	1	SEAL-O-RING						
	23	2	165-0373	1	BRACKET						
Y	24	1	170-4042	1	FILTER & MTG GP-POWER TRAIN						463
	25	1	176-5504	1	BRACKET AS						
I	26	1	179-6876	1	HOSE AS						
	27	1	179-6878	1	BRACKET AS						
	28	1	180-5021	1	BRACKET AS						
	29	2	180-9595	1	BRACKET AS						
M		2	8T-3597	1	NUT-WELD (M12X1.75-THD)						
I	30	2	187-0589	1	HOSE AS						
I	31	2	187-0590	1	HOSE AS						
I	32	2	200-6261	1	HOSE AS						
I	33	2	194-2905	1	HOSE AS						
I	34	2	194-2906	1	HOSE AS						
I	35	2	194-2909	1	HOSE AS						
I	36	1	194-2910	1	HOSE AS						
Y	37	2	195-5979	1	PUMP GP-TRANSMISSION						526
	38	1	148-8336	1	CONNECTOR AS						
		1	6V-8636	1	CONNECTOR						
		1	3J-1907	1	SEAL-O-RING						
		1	6V-8397	1	SEAL-O-RING						
	39	2	148-8353	1	ELBOW AS						
		2	6V-9001	1	ELBOW						
		2	3J-1907	1	SEAL-O-RING						
		2	6V-8397	1	SEAL-O-RING						
	40	1	148-8367	1	ELBOW AS						
		1	6V-9850	1	ELBOW						
		1	6V-8397	1	SEAL-O-RING						
	41	2	148-8347	1	ELBOW AS						
		2	3D-2824	1	SEAL-O-RING						
		2	6V-9007	1	ELBOW						
		2	6V-9746	1	SEAL-O-RING						
C	42	1,2	197-3295	12	FLANGE-HALF						
	43	2	148-8327	1	CONNECTOR AS						

# POWER TRAIN

196-4519 LINES GP-POWER TRAIN OIL (contd.)

i04128270

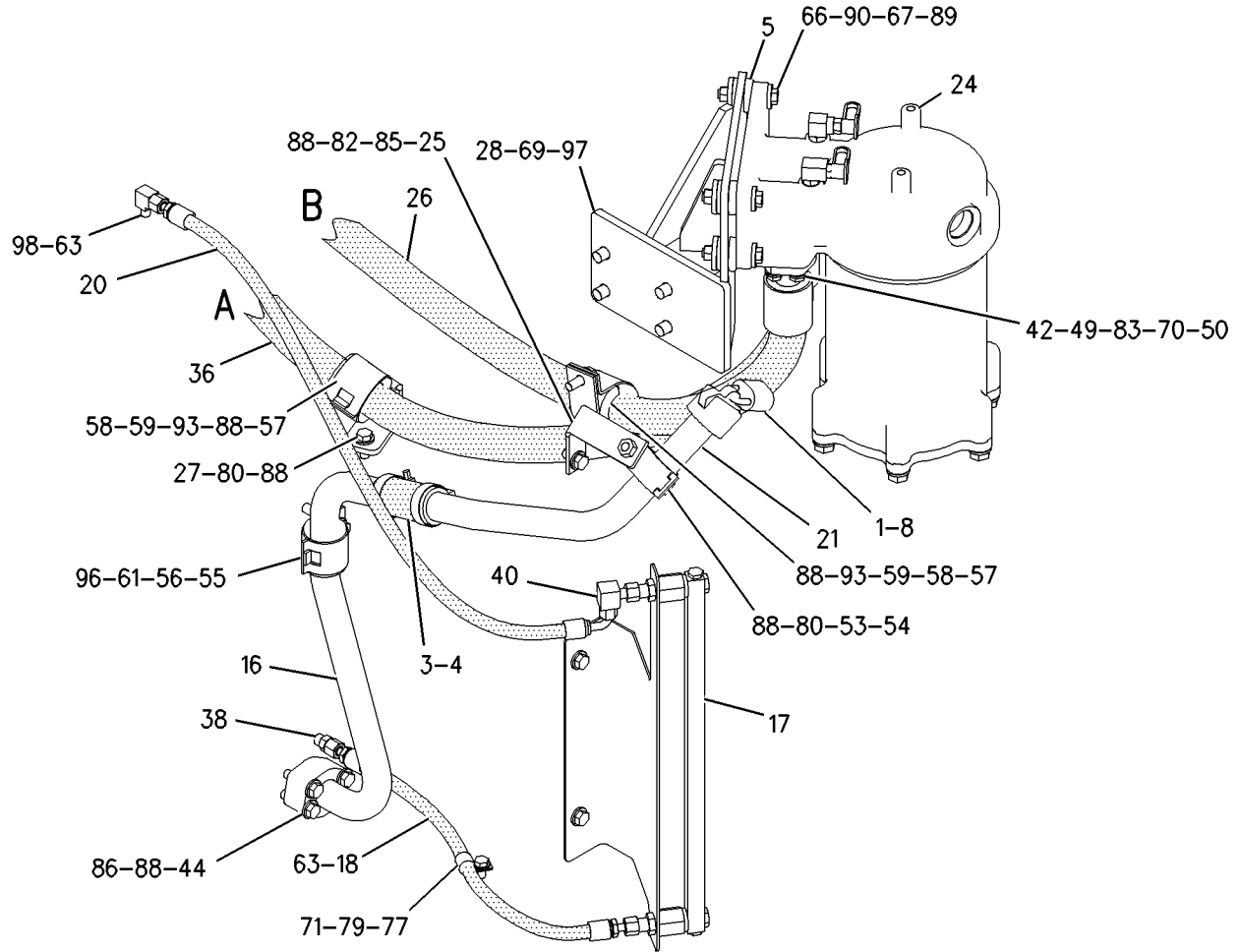
NOTE	REF NO	GRAPHIC REF	PART NUMBER	QTY	PART NAME						SEE PAGE
					1	2	3	4	5	6 (PRODUCT LEVEL)	
		2	3D-2824	1	SEAL - O - RING						
		2	6V-8637	1	CONNECTOR						
		2	6V-9746	1	SEAL - O - RING						
	44	1,2	1P-3705	2	SEAL - RECTANGULAR						
	45	2	1P-4579	14	FLANGE - HALF						
	46	2	1P-4582	2	FLANGE - HALF						
	47	2	1P-4584	2	FLANGE - HALF						
	49	1,2	4J-0522	9	SEAL - O - RING						
	50	1,2	4J-0524	8	SEAL - O - RING						
	51	2	4J-0527	1	SEAL - O - RING						
C	52	2	210-5692	1	BLOCK						
	53	1	5P-7464	1	CLIP (SLOT)						
	54	1	5P-7465	1	CLIP (TAB)						
	55	1	5P-7468	1	CLIP (SLOT)						
	56	1	5P-7469	1	CLIP (TAB)						
	57	1,2	5P-7470	8	CLIP (SLOT)						
	58	1,2	5P-7471	8	CLIP (TAB)						
	59	1,2	5P-8182	8	GROMMET						
	61	1	5P-8444	1	GROMMET						
	62	2	6J-2680	1	SEAL - O - RING						
	63	1,2	6V-8397	3	SEAL - O - RING						
	64	2	7K-1401	1	CLIP						
	65	2	7K-1402	1	BRACKET						
	66	1	7X-0550	4	WASHER - HARD (13.5X32X5-MM THK)						
	67	1	7X-0590	4	WASHER - HARD (13.5X44.5X6-MM THK)						
M	68	2	7X-2549	4	BOLT (M12X1.75X100-MM)						
M	69	1	7X-2552	4	BOLT (M16X2X30-MM)						
C	70	1,2	7X-3392	1	WASHER - HARD (13.5X22.5X3-MM THK)						
	71	1	8M-2773	1	CLIP						
	72	2	8M-4443	1	SEAL - O - RING						
	73	2	8M-4986	1	SEAL - O - RING						
	74	2	8M-5127	1	SEAL - O - RING						
	75	2	8M-8157	1	SEAL - O - RING						
CM	76	2	8T-6869	1	BOLT (M8X1.25X60-MM)						
C	77	1,2	8T-4121	5	WASHER - HARD (11X21X2.5-MM THK)						
M	78	2	8T-4133	1	NUT (M10X1.5-THD)						
M	79	1	8T-4137	1	BOLT (M10X1.5X20-MM)						
M	80	1	8T-4139	2	BOLT (M12X1.75X30-MM)						
M	81	2	8T-4178	3	BOLT (M10X1.5X90-MM)						
M	82	1,2	8T-4179	3	BOLT (M12X1.75X20-MM)						
CM	83	1,2	8T-4183	49	BOLT (M12X1.75X40-MM)						
M	85	1,2	8T-4192	2	BOLT (M12X1.75X25-MM)						
M	86	1	8T-4194	4	BOLT (M12X1.75X50-MM)						
M	87	2	8T-4195	1	BOLT (M10X1.5X30-MM)						
C	88	1,2	8T-4223	65	WASHER - HARD (13.5X25.5X3-MM THK)						
M	89	1,2	8T-4244	5	NUT (M12X1.75-THD)						
M	90	1	8T-4648	4	BOLT (M12X1.75X70-MM)						
CI	91	2	175-0271	1	HOSE AS						
M	92	2	8T-4910	3	BOLT (M12X1.75X60-MM)						
CM	93	1,2	8T-4956	18	BOLT (M12X1.75X35-MM)						
M	94	2	8T-6868	6	BOLT (M12X1.75X80-MM)						
C	95	2	8T-4224	1	WASHER - HARD (8.8X16X2-MM THK)						
C	96	1	7X-0325	1	BOLT (1/2-13X2.5-IN)						
	97	1	9X-8257	4	WASHER (17.5X30X3.5-MM THK)						
	98	1	2T-2305	1	ELBOW						
	99	2	3K-0360	1	SEAL - O - RING						
	100	2	6V-9746	1	SEAL - O - RING						
	101	2	8T-0076	1	CONNECTOR						
CM	102	2	8T-4136	1	BOLT (M10X1.5X25-MM)						
	103	2	9X-2289	1	TEE - SWIVEL						

# POWER TRAIN

196-4519 LINES GP-POWER TRAIN OIL (contd.)

i04128270

NOTE	REF NO	GRAPHIC REF	PART NUMBER	QTY	PART NAME						SEE PAGE
					1	2	3	4	5	6 (PRODUCT LEVEL)	
C - CHANGE FROM PREVIOUS TYPE											
I - REFER TO HYDRAULIC INFORMATION SYSTEM											
M - METRIC PART											
Y - SEPARATE ILLUSTRATION											



GRAPHIC #1

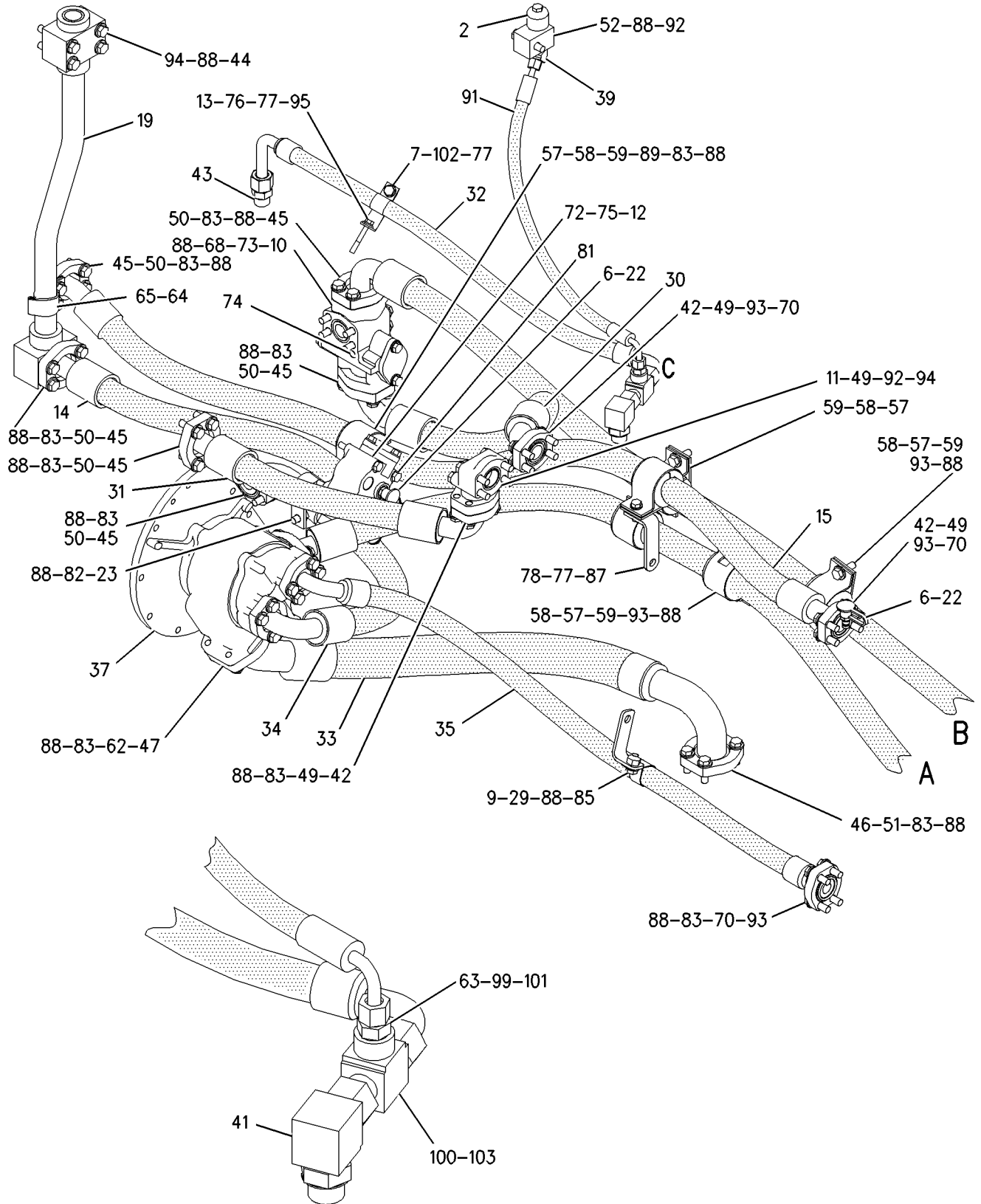
g00850061



# POWER TRAIN

196-4519 LINES GP-POWER TRAIN OIL (contd.)

i04128270



VIEW OF AREA C

GRAPHIC #2

<END>

g00850035

# POWER TRAIN

## 196-4519 LINES GP-POWER TRAIN OIL

S/N: BNH353-393

PART OF 203-1582 HYDRAULIC AR

SMCS-3016

i04128269

NOTE	REF NO	GRAPHIC REF	PART NUMBER	QTY	PART NAME 1 2 3 4 5 6 (PRODUCT LEVEL)	SEE PAGE
Y	1	1	1N-4296	1	PROTECTION GP-VANDALISM	1396
	2	2	4H-6112	1	BREATHER (POWER TRAIN)	
	3	1	5P-1291	1	HOSE	
	4	1	5P-0597	4	CLAMP-HOSE	
	5	1	6S-6251	4	MOUNT	
	6	2	6V-0852	2	CAP-DUST	
	7	2	4S-1962	1	CLIP	
	8	1	7S-1801	1	ANCHOR-CHAIN	
	9	2	8C-8533	1	CLIP	
Y	10	2	8E-8427	1	VALVE GP-TORQUE CONV PRIORITY	579
	11	2	8X-4886	1	ELBOW	
Y	12	2	104-5013	1	VALVE GP-RELIEF (TORQUE CONVERTER OUTLET)	576
	13	2	134-8297	1	BRACKET AS	
M		2	8T-3490	1	NUT-WELD (M10X1.5-THD)	
I	14	2	135-7052	1	HOSE AS	
I	15	2	135-7053	1	HOSE AS	
	16	1	205-9184	1	TUBE AS	
Y	17	1	139-9189	1	GAUGE GP-SIGHT (POWER TRAIN OIL)	467
I	18	1	140-5856	1	HOSE AS	
	19	2	157-6138	1	TUBE AS	
CI	20	1	196-0056	1	HOSE AS	
	21	1	207-1462	1	TUBE	
	22	2	164-5567	2	COUPLER AS-QUICK DISCONNECT (MALE) (EACH INCLUDES)	
		2	6V-3965	1	FITTING (QUICK DISCONNECT)	
		2	3J-1907	1	SEAL-O-RING	
	23	2	165-0373	1	BRACKET	
Y	24	1	170-4042	1	FILTER & MTG GP-POWER TRAIN	463
	25	1	176-5504	1	BRACKET AS	
I	26	1	179-6876	1	HOSE AS	
	27	1	179-6878	1	BRACKET AS	
	28	1	180-5021	1	BRACKET AS	
	29	2	180-9595	1	BRACKET AS	
M		2	8T-3597	1	NUT-WELD (M12X1.75-THD)	
I	30	2	187-0589	1	HOSE AS	
I	31	2	187-0590	1	HOSE AS	
I	32	2	200-6261	1	HOSE AS	
I	33	2	194-2905	1	HOSE AS	
I	34	2	194-2906	1	HOSE AS	
I	35	2	194-2909	1	HOSE AS	
I	36	1	194-2910	1	HOSE AS	
Y	37	2	195-5979	1	PUMP GP-TRANSMISSION	526
	38	1	148-8336	1	CONNECTOR AS	
		1	6V-8636	1	CONNECTOR	
		1	3J-1907	1	SEAL-O-RING	
		1	6V-8397	1	SEAL-O-RING	
	39	2	148-8353	1	ELBOW AS	
		2	6V-9001	1	ELBOW	
		2	3J-1907	1	SEAL-O-RING	
		2	6V-8397	1	SEAL-O-RING	
	40	1	148-8367	1	ELBOW AS	
		1	6V-9850	1	ELBOW	
		1	6V-8397	1	SEAL-O-RING	
	41	2	148-8347	1	ELBOW AS	
		2	3D-2824	1	SEAL-O-RING	
		2	6V-9007	1	ELBOW	
		2	6V-9746	1	SEAL-O-RING	
	42	1,2	197-3295	12	FLANGE-HALF	
	43	2	148-8327	1	CONNECTOR AS	

# POWER TRAIN

196-4519 LINES GP-POWER TRAIN OIL (contd.)

i04128269

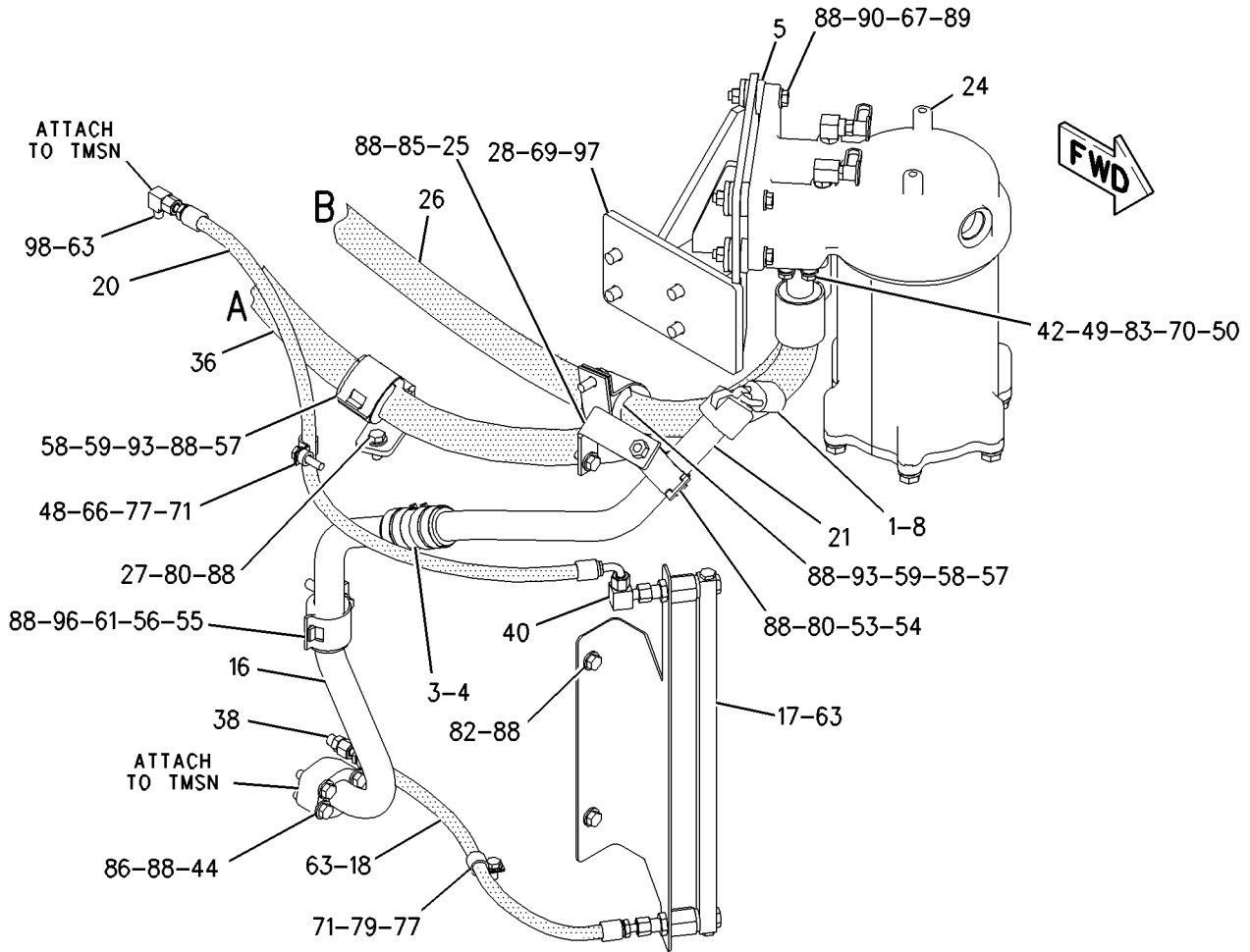
NOTE	REF NO	GRAPHIC REF	PART NUMBER	QTY	PART NAME						SEE PAGE
					1	2	3	4	5	6 (PRODUCT LEVEL)	
		2	3D-2824	1	SEAL-O-RING						
		2	6V-8637	1	CONNECTOR						
		2	6V-9746	1	SEAL-O-RING						
	44	1,2	1P-3705	2	SEAL-RECTANGULAR						
	45	2	1P-4579	14	FLANGE-HALF						
	46	2	1P-4582	2	FLANGE-HALF						
	47	2	1P-4584	2	FLANGE-HALF						
C	48	1	118-9901	1	SPACER (12X20X10-MM THK)						
	49	1,2	4J-0522	9	SEAL-O-RING						
	50	1,2	4J-0524	8	SEAL-O-RING						
	51	2	4J-0527	1	SEAL-O-RING						
	52	2	210-5692	1	BLOCK						
	53	1	5P-7464	1	CLIP (SLOT)						
	54	1	5P-7465	1	CLIP (TAB)						
	55	1,2	5P-7468	1	CLIP (SLOT)						
	56	1	5P-7469	1	CLIP (TAB)						
	57	1,2	5P-7470	8	CLIP (SLOT)						
	58	1,2	5P-7471	8	CLIP (TAB)						
	59	1,2	5P-8182	8	GROMMET						
	61	1	5P-8444	1	GROMMET						
	62	2	6J-2680	1	SEAL-O-RING						
C	63	1,2	6V-8397	4	SEAL-O-RING						
	64	2	7K-1401	1	CLIP						
	65	2	7K-1402	1	BRACKET						
CM	66	1	8T-4186	1	BOLT (M10X1.5X40-MM)						
	67	1	7X-0590	4	WASHER-HARD (13.5X44.5X6-MM THK)						
M	68	2	7X-2549	4	BOLT (M12X1.75X100-MM)						
M	69	1	7X-2552	4	BOLT (M16X2X30-MM)						
	70	1,2	7X-3392	1	WASHER-HARD (13.5X22.5X3-MM THK)						
C	71	1	8M-2773	2	CLIP						
	72	2	8M-4443	1	SEAL-O-RING						
	73	2	8M-4986	1	SEAL-O-RING						
	74	2	8M-5127	1	SEAL-O-RING						
	75	2	8M-8157	1	SEAL-O-RING						
M	76	2	8T-6869	1	BOLT (M8X1.25X60-MM)						
C	77	1,2	8T-4121	6	WASHER-HARD (11X21X2.5-MM THK)						
M	78	2	8T-4133	1	NUT (M10X1.5-THD)						
M	79	1	8T-4137	1	BOLT (M10X1.5X20-MM)						
M	80	1	8T-4139	2	BOLT (M12X1.75X30-MM)						
M	81	2	8T-4178	3	BOLT (M10X1.5X90-MM)						
M	82	1,2	8T-4179	3	BOLT (M12X1.75X20-MM)						
M	83	1,2	8T-4183	49	BOLT (M12X1.75X40-MM)						
M	85	1,2	8T-4192	2	BOLT (M12X1.75X25-MM)						
M	86	1	8T-4194	4	BOLT (M12X1.75X50-MM)						
M	87	2	8T-4195	1	BOLT (M10X1.5X30-MM)						
C	88	1,2	8T-4223	69	WASHER-HARD (13.5X25.5X3-MM THK)						
M	89	1,2	8T-4244	5	NUT (M12X1.75-THD)						
M	90	1	8T-4648	4	BOLT (M12X1.75X70-MM)						
I	91	2	175-0271	1	HOSE AS						
M	92	2	8T-4910	3	BOLT (M12X1.75X60-MM)						
M	93	1,2	8T-4956	18	BOLT (M12X1.75X35-MM)						
M	94	2	8T-6868	6	BOLT (M12X1.75X80-MM)						
	95	2	8T-4224	1	WASHER-HARD (8.8X16X2-MM THK)						
	96	1	7X-0325	1	BOLT (1/2-13X2.5-IN)						
	97	1	9X-8257	4	WASHER (17.5X30X3.5-MM THK)						
	98	1	2T-2305	1	ELBOW						
	99	2	3K-0360	1	SEAL-O-RING						
	100	2	6V-9746	1	SEAL-O-RING						
	101	2	8T-0076	1	CONNECTOR						
M	102	2	8T-4136	1	BOLT (M10X1.5X25-MM)						
	103	2	9X-2289	1	TEE-SWIVEL						

# POWER TRAIN

196-4519 LINES GP-POWER TRAIN OIL (contd.)

i04128269

NOTE	REF NO	GRAPHIC REF	PART NUMBER	QTY	PART NAME						SEE PAGE
					1	2	3	4	5	6 (PRODUCT LEVEL)	
C - CHANGE FROM PREVIOUS TYPE											
I - REFER TO HYDRAULIC INFORMATION SYSTEM											
M - METRIC PART											
Y - SEPARATE ILLUSTRATION											



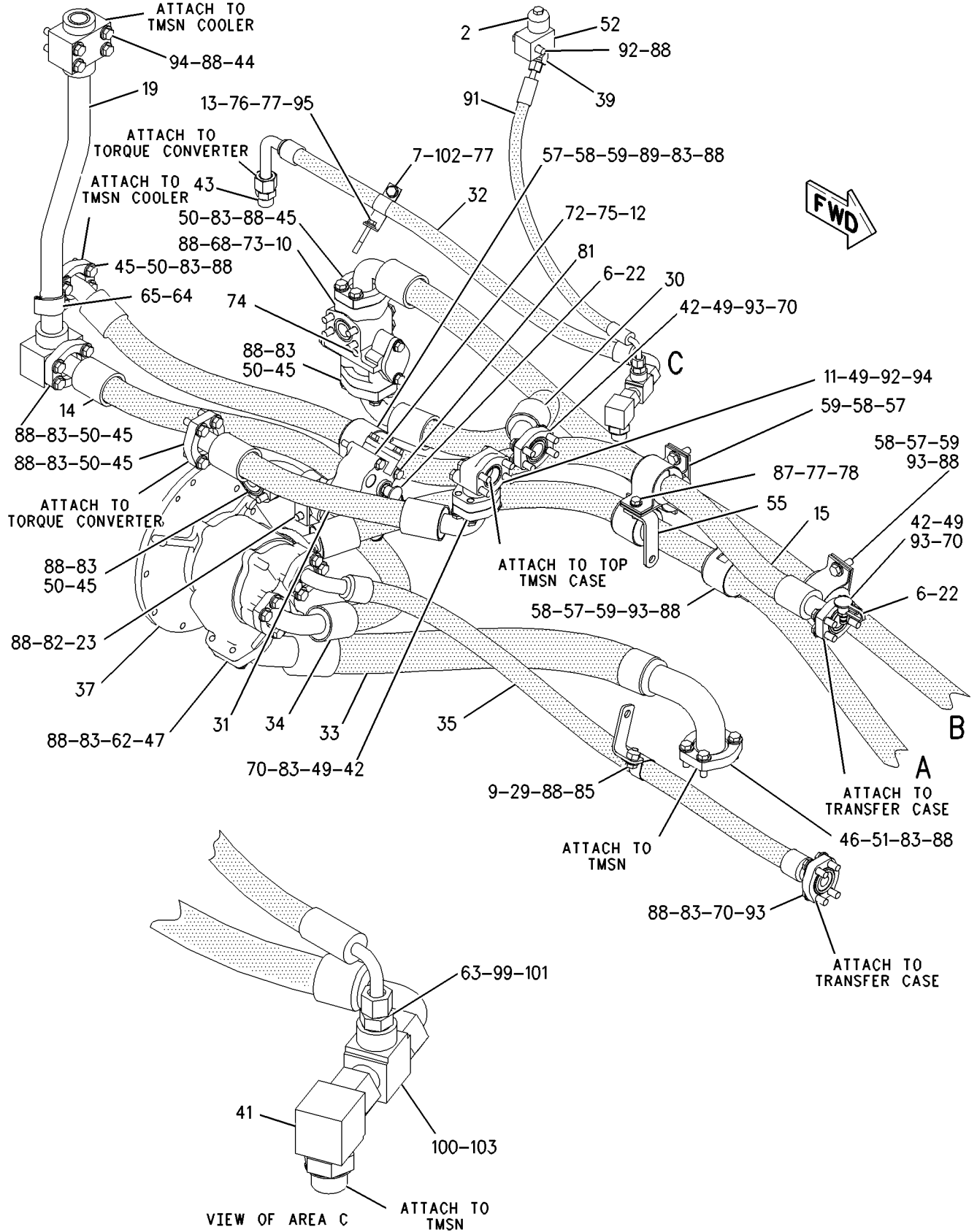
GRAPHIC #1

g00889608

# POWER TRAIN

196-4519 LINES GP-POWER TRAIN OIL (contd.)

i04128269



GRAPHIC #2

<END>

g00889635

# POWER TRAIN

## 196-4519 LINES GP-POWER TRAIN OIL

S/N: BNH394-1061

PART OF 203-1582 HYDRAULIC AR

SMCS-3016

i01735296

NOTE	REF NO	GRAPHIC REF	PART NUMBER	QTY	PART NAME						SEE PAGE
					1	2	3	4	5	6 (PRODUCT LEVEL)	
Y	1	1	1N-4296	1	PROTECTION GP-VANDALISM						1396
	2	2	4H-6112	1	BREATHER						
	3	1	5P-1291	1	HOSE						
	4	1	5P-0597	4	CLAMP-HOSE						
	5	1	6S-6251	4	MOUNT						
	6	2	6V-0852	2	CAP-DUST						
	7	2	4S-1962	1	CLIP						
	8	1	7S-1801	1	ANCHOR-CHAIN						
	9	2	8C-8533	1	CLIP						
Y	10	2	8E-8427	1	VALVE GP-TORQUE CONV PRIORITY						579
	11	2	8X-4886	1	ELBOW						
Y	12	2	104-5013	1	VALVE GP-RELIEF (TORQUE CONVERTER OUTLET)						576
	13	2	134-8297	1	BRACKET AS						
M		2	8T-3490	1	NUT-WELD (M10X1.5-THD)						
I	14	2	135-7052	1	HOSE AS						
I	15	2	135-7053	1	HOSE AS						
	16	1	205-9184	1	TUBE AS						
Y	17	1	139-9189	1	GAUGE GP-SIGHT (POWER TRAIN OIL)						467
I	18	1	140-5856	1	HOSE AS						
	19	2	157-6138	1	TUBE AS						
I	20	1	196-0056	1	HOSE AS						
	21	1	207-1462	1	TUBE						
	22	2	164-5567	2	COUPLER AS-QUICK DISCONNECT (MALE)						
					(EACH INCLUDES)						
		2	6V-3965	1	FITTING (QUICK DISCONNECT)						
		2	3J-1907	1	SEAL-O-RING						
	23	2	165-0373	1	BRACKET						
Y	24	1	170-4042	1	FILTER & MTG GP-POWER TRAIN						463
	25	1	176-5504	1	BRACKET AS						
I	26	1	179-6876	1	HOSE AS						
	27	1	179-6878	1	BRACKET AS						
	28	1	180-5021	1	BRACKET AS						
	29	2	180-9595	1	BRACKET AS						
M		2	8T-3597	1	NUT-WELD (M12X1.75-THD)						
I	30	2	187-0589	1	HOSE AS						
I	31	2	187-0590	1	HOSE AS						
I	32	2	200-6261	1	HOSE AS						
I	33	2	194-2905	1	HOSE AS						
I	34	2	194-2906	1	HOSE AS						
I	35	2	194-2909	1	HOSE AS						
I	36	1	194-2910	1	HOSE AS						
Y	37	2	195-5979	1	PUMP GP-TRANSMISSION						526
	38	1	148-8336	1	CONNECTOR AS						
		1	6V-8636	1	CONNECTOR						
		1	3J-1907	1	SEAL-O-RING						
		1	6V-8397	1	SEAL-O-RING						
	39	2	148-8353	1	ELBOW AS						
		2	6V-9001	1	ELBOW						
		2	3J-1907	1	SEAL-O-RING						
		2	6V-8397	1	SEAL-O-RING						
	40	1	148-8367	1	ELBOW AS						
		1	6V-9850	1	ELBOW						
		1	6V-8397	1	SEAL-O-RING						
	41	2	148-8347	1	ELBOW AS						
		2	3D-2824	1	SEAL-O-RING						
		2	6V-9007	1	ELBOW						
		2	6V-9746	1	SEAL-O-RING						
	42	1,2	197-3295	12	FLANGE-HALF						
	43	2	148-8327	1	CONNECTOR AS						

# POWER TRAIN

196-4519 LINES GP-POWER TRAIN OIL (contd.)

i01735296

NOTE	REF NO	GRAPHIC REF	PART NUMBER	QTY	PART NAME						SEE PAGE
					1	2	3	4	5	6 (PRODUCT LEVEL)	
		2	3D-2824	1	SEAL - O - RING						
		2	6V-8637	1	CONNECTOR						
		2	6V-9746	1	SEAL - O - RING						
44		1,2	1P-3705	2	SEAL - RECTANGULAR						
45		2	1P-4579	14	FLANGE - HALF						
46		2	1P-4582	2	FLANGE - HALF						
47		2	1P-4584	2	FLANGE - HALF						
48		1	118-9901	1	SPACER (12X20X10-MM THK)						
49		1,2	4J-0522	9	SEAL - O - RING						
50		1,2	4J-0524	8	SEAL - O - RING						
51		2	4J-0527	1	SEAL - O - RING						
52		2	210-5692	1	BLOCK						
53		1	5P-7464	1	CLIP (SLOT)						
54		1	5P-7465	1	CLIP (TAB)						
55		1,2	5P-7468	1	CLIP (SLOT)						
56		1	5P-7469	1	CLIP (TAB)						
57		1,2	5P-7470	8	CLIP (SLOT)						
58		1,2	5P-7471	8	CLIP (TAB)						
59		1,2	5P-8182	8	GROMMET						
61		1	5P-8444	1	GROMMET						
62		2	6J-2680	1	SEAL - O - RING						
C	63	1	6V-8397	2	SEAL - O - RING						
	64	2	7K-1401	1	CLIP						
	65	2	7K-1402	1	BRACKET						
M	66	1	8T-4186	1	BOLT (M10X1.5X40-MM)						
	67	1	7X-0590	4	WASHER - HARD (13.5X44.5X6-MM THK)						
M	68	2	7X-2549	4	BOLT (M12X1.75X100-MM)						
M	69	1	7X-2552	4	BOLT (M16X2X30-MM)						
	70	1,2	7X-3392	1	WASHER - HARD (13.5X22.5X3-MM THK)						
	71	1	8M-2773	2	CLIP						
	72	2	8M-4443	1	SEAL - O - RING						
	73	2	8M-4986	1	SEAL - O - RING						
	74	2	8M-5127	1	SEAL - O - RING						
	75	2	8M-8157	1	SEAL - O - RING						
M	76	2	8T-6869	1	BOLT (M8X1.25X60-MM)						
	77	1,2	8T-4121	6	WASHER - HARD (11X21X2.5-MM THK)						
M	78	2	8T-4133	1	NUT (M10X1.5-THD)						
M	79	1	8T-4137	1	BOLT (M10X1.5X20-MM)						
M	80	1	8T-4139	2	BOLT (M12X1.75X30-MM)						
M	81	2	8T-4178	3	BOLT (M10X1.5X90-MM)						
M	82	1,2	8T-4179	3	BOLT (M12X1.75X20-MM)						
M	83	1,2	8T-4183	49	BOLT (M12X1.75X40-MM)						
M	85	1,2	8T-4192	2	BOLT (M12X1.75X25-MM)						
M	86	1	8T-4194	4	BOLT (M12X1.75X50-MM)						
M	87	2	8T-4195	1	BOLT (M10X1.5X30-MM)						
	88	1,2	8T-4223	69	WASHER - HARD (13.5X25.5X3-MM THK)						
M	89	1,2	8T-4244	5	NUT (M12X1.75-THD)						
M	90	1	8T-4648	4	BOLT (M12X1.75X70-MM)						
CI	91	2	171-2513	1	HOSE AS						
M	92	2	8T-4910	3	BOLT (M12X1.75X60-MM)						
M	93	1,2	8T-4956	18	BOLT (M12X1.75X35-MM)						
M	94	2	8T-6868	6	BOLT (M12X1.75X80-MM)						
	95	2	8T-4224	1	WASHER - HARD (8.8X16X2-MM THK)						
	96	1	7X-0325	1	BOLT (1/2-13X2.5-IN)						
	97	1	9X-8257	4	WASHER (17.5X30X3.5-MM THK)						
C	98	1	199-6290	1	ELBOW AS						
		1	2T-2305	1	ELBOW						
		1	6V-8397	1	SEAL - O - RING						
C	101	2	148-8318	1	CONNECTOR AS						
		2	3K-0360	1	SEAL - O - RING						
		2	6V-8397	1	SEAL - O - RING						

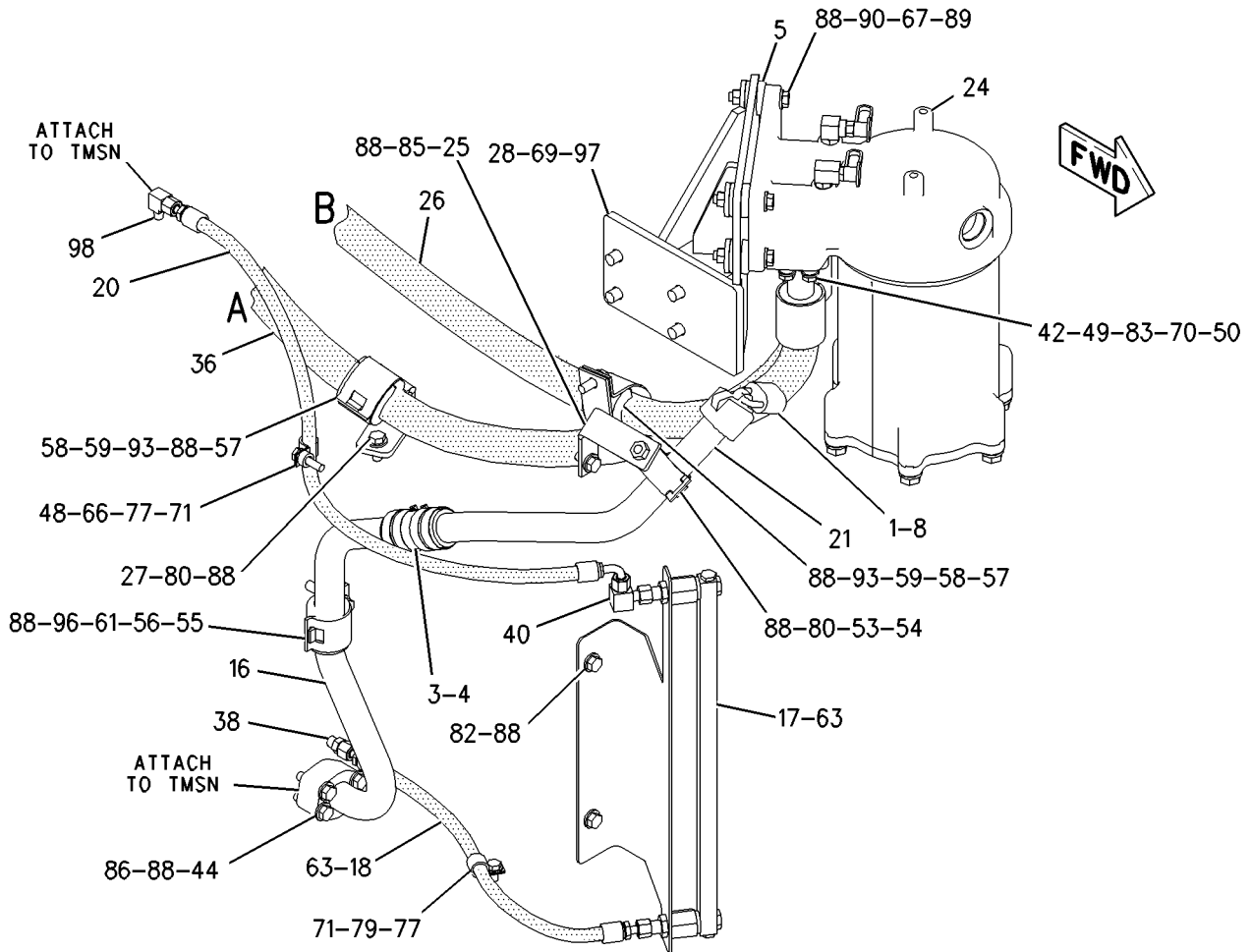
# POWER TRAIN

196-4519 LINES GP-POWER TRAIN OIL (contd.)

i01735296

NOTE	REF NO	GRAPHIC REF	PART NUMBER	QTY	PART NAME						SEE PAGE
					1	2	3	4	5	6 (PRODUCT LEVEL)	
		2	6V-8634	1	CONNECTOR						
M	102	2	8T-4136	1	BOLT (M10X1.5X25-MM)						
C	103	2	107-8265	1	TEE AS-SWIVEL						
		2	6V-9746	1	SEAL-O-RING						
		2	9X-2289	1	TEE-SWIVEL						

C - CHANGE FROM PREVIOUS TYPE  
 I - REFER TO HYDRAULIC INFORMATION SYSTEM  
 M - METRIC PART  
 Y - SEPARATE ILLUSTRATION



GRAPHIC #1

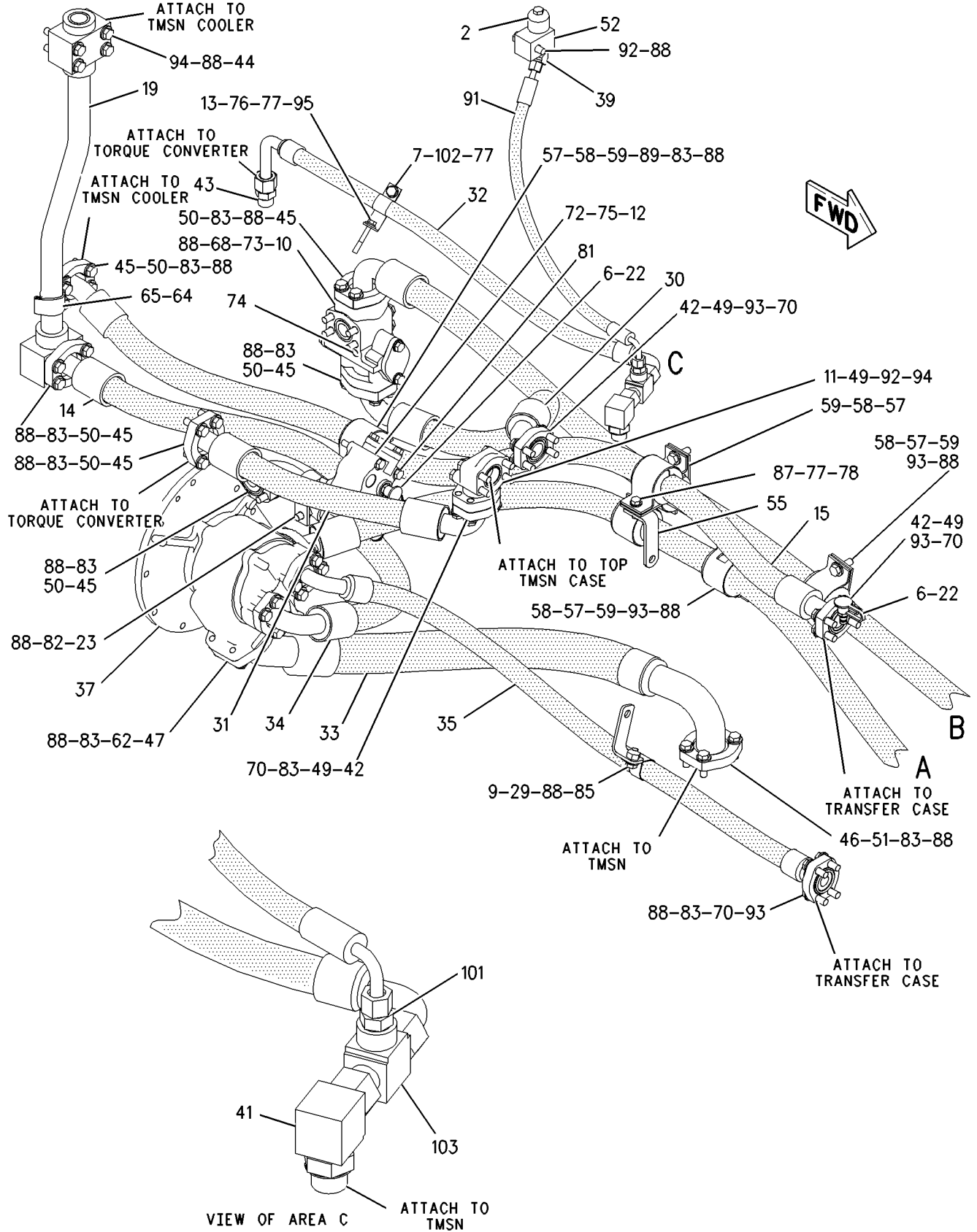
g00895786



# POWER TRAIN

196-4519 LINES GP-POWER TRAIN OIL (contd.)

i01735296



GRAPHIC #2

<END>

g00895788

# POWER TRAIN

## 228-4398 LINES GP-POWER TRAIN OIL

S/N: BNH1062-UP

PART OF 203-1582 HYDRAULIC AR

SMCS-3016

i02518421

NOTE	REF NO	GRAPHIC REF	PART NUMBER	QTY	PART NAME						SEE PAGE
					1	2	3	4	5	6 (PRODUCT LEVEL)	
Y	1	1	1N-4296	1	PROTECTION GP-VANDALISM						1396
	2	1	4H-6112	1	BREATHER (POWER TRAIN)						
E	3	1	5P-1291	1	HOSE						
	4	1	5P-0597	4	CLAMP-HOSE						
	5	2	6S-6251	4	MOUNT						
	6	1,2	6V-0852	2	CAP-DUST						
	7	1	7S-1801	1	ANCHOR-CHAIN						
	8	1	8C-8533	1	CLIP						
	9	1	8X-4886	1	ELBOW						
Y	10	1	104-5013	1	VALVE GP-RELIEF (TORQUE CONVERTER OUTLET)						576
	11	1	118-9901	1	SPACER (12X20X10-MM THK)						
	12	1	127-4667	1	STRIP AS						
M		1	8T-3490	1	NUT-WELD (M10X1.5-THD)						
I	13	1	135-7052	1	HOSE AS						
I	14	1	135-7053	1	HOSE AS						
Y	15	1	139-9189	1	GAUGE GP-SIGHT (POWER TRAIN OIL)						467
I	16	1	140-5856	1	HOSE AS						
	17	2	157-6138	1	TUBE AS						
	18	1,2	164-5567	2	COUPLER AS-QUICK DISCONNECT (MALE)						
					(EACH INCLUDES)						
		1,2	3J-1907	1	SEAL-O-RING						
		1,2	6V-3965	1	FITTING (QUICK DISCONNECT)						
	19	2	165-0373	1	BRACKET						
Y	20	2	170-4042	1	FILTER & MTG GP-POWER TRAIN						463
	21	1	176-5504	1	BRACKET AS						
M		1	8T-3597	1	NUT-WELD (M12X1.75-THD)						
I	22	1	225-6714	1	HOSE AS						
	23	1,2	179-6878	1	BRACKET AS						
M		1,2	8T-3597	1	NUT-WELD (M12X1.75-THD)						
	24	1	180-5021	1	BRACKET AS						
	25	1	180-9595	1	BRACKET AS						
M		1	8T-3597	1	NUT-WELD (M12X1.75-THD)						
I	26	1	236-9784	1	HOSE AS						
I	27	1	194-2905	1	HOSE AS						
I	28	1	194-2906	1	HOSE AS						
I	29	1	194-2909	1	HOSE AS						
I	30	1	194-2910	1	HOSE AS						
Y	31	1	195-5979	1	PUMP GP-TRANSMISSION						526
	32	1,2	197-3295	12	FLANGE-HALF						
I	33	1	200-6261	1	HOSE AS						
	34	1	205-9184	1	TUBE AS						
	35	1	207-1462	1	TUBE						
	36	1	210-5692	1	BLOCK						
	37	1	229-8122	1	TEE						
I	38	1	242-3558	1	HOSE AS						
	39	1	107-8265	1	TEE AS-SWIVEL						
		1	6V-9746	1	SEAL-O-RING						
		1	9X-2289	1	TEE-SWIVEL						
	40	1	148-8318	1	CONNECTOR AS						
		1	3K-0360	1	SEAL-O-RING						
		1	6V-8397	1	SEAL-O-RING						
		1	6V-8634	1	CONNECTOR						
	41	2	148-8327	1	CONNECTOR AS						
		2	3D-2824	1	SEAL-O-RING						
		2	6V-8637	1	CONNECTOR						
		2	6V-9746	1	SEAL-O-RING						
	42	1	148-8336	1	CONNECTOR AS						
		1	3J-1907	1	SEAL-O-RING						
		1	6V-8397	1	SEAL-O-RING						

# POWER TRAIN

228-4398 LINES GP-POWER TRAIN OIL (contd.)

i02518421

NOTE	REF NO	GRAPHIC REF	PART NUMBER	QTY	PART NAME						SEE PAGE
					1	2	3	4	5	6 (PRODUCT LEVEL)	
		1	6V-8636	1	CONNECTOR						
	43	1	148-8347	1	ELBOW AS						
		1	3D-2824	1	SEAL-O-RING						
		1	6V-9007	1	ELBOW						
		1	6V-9746	1	SEAL-O-RING						
	44	1	148-8353	1	ELBOW AS						
		1	3J-1907	1	SEAL-O-RING						
		1	6V-8397	1	SEAL-O-RING						
		1	6V-9001	1	ELBOW						
	45	1	148-8367	1	ELBOW AS						
		1	6V-8397	1	SEAL-O-RING						
		1	6V-9850	1	ELBOW						
I	46	1	171-2513	1	HOSE AS						
I	47	1	196-0056	1	HOSE AS						
	48	1	199-6290	1	ELBOW AS						
		1	2T-2305	1	ELBOW						
		1	6V-8397	1	SEAL-O-RING						
	49	1,2	1P-3705	2	SEAL-RECTANGULAR						
	50	1,2	1P-4579	14	FLANGE-HALF						
	51	2	1P-4582	2	FLANGE-HALF						
	52	1	1P-4584	2	FLANGE-HALF						
	53	1	2W-5568	1	BRACKET						
	54	1	3P-2404	1	CLIP						
	55	1,2	4J-0522	9	SEAL-O-RING						
	56	1,2	4J-0524	8	SEAL-O-RING						
	57	2	4J-0527	1	SEAL-O-RING						
	58	1	5P-7464	1	CLIP (SLOT)						
	59	1	5P-7465	1	CLIP (TAB)						
	60	1	5P-7468	1	CLIP (SLOT)						
	61	1	5P-7469	1	CLIP (TAB)						
	62	1,2	5P-7470	8	CLIP (SLOT)						
	63	1,2	5P-7471	8	CLIP (TAB)						
	64	1,2	5P-8182	8	GROMMET						
	65	1	5P-8444	1	GROMMET						
	66	1	6J-2680	1	SEAL-O-RING						
	67	1	6V-8397	2	SEAL-O-RING						
	68	2	7K-1401	1	CLIP						
	69	2	7K-1402	1	BRACKET						
	70	1	7X-0325	1	BOLT (1/2-13X2.5-IN)						
	71	2	7X-0590	4	WASHER-HARD (13.5X44.5X6-MM THK)						
M	72	1	7X-2549	4	BOLT (M12X1.75X100-MM)						
M	73	1	7X-2552	4	BOLT (M16X2X30-MM)						
	74	1,2	7X-3392	24	WASHER-HARD (13.5X22.5X3-MM THK)						
	75	1	8M-2773	2	CLIP						
	76	1	8M-4443	1	SEAL-O-RING						
	77	1	8M-4986	1	SEAL-O-RING						
	78	1	8M-5127	1	SEAL-O-RING						
	79	1	8M-8157	1	SEAL-O-RING						
	80	1	8T-4121	5	WASHER-HARD (11X21X2.5-MM THK)						
M	81	1	8T-4133	1	NUT (M10X1.5-THD)						
M	82	1	8T-4136	1	BOLT (M10X1.5X25-MM)						
M	83	1	8T-4137	1	BOLT (M10X1.5X20-MM)						
M	84	1,2	8T-4139	2	BOLT (M12X1.75X30-MM)						
M	85	1	8T-4178	3	BOLT (M10X1.5X90-MM)						
M	86	1,2	8T-4179	3	BOLT (M12X1.75X20-MM)						
M	87	1,2	8T-4183	49	BOLT (M12X1.75X40-MM)						
M	88	1	8T-4186	1	BOLT (M10X1.5X40-MM)						
M	89	1	8T-4192	2	BOLT (M12X1.75X25-MM)						
M	90	1	8T-4194	4	BOLT (M12X1.75X50-MM)						
M	91	1	8T-4195	1	BOLT (M10X1.5X30-MM)						
	92	1,2	8T-4223	69	WASHER-HARD (13.5X25.5X3-MM THK)						
M	93	2	8T-4244	5	NUT (M12X1.75-THD)						

# POWER TRAIN

228-4398 **LINES GP-POWER TRAIN OIL (contd.)**

**i02518421**

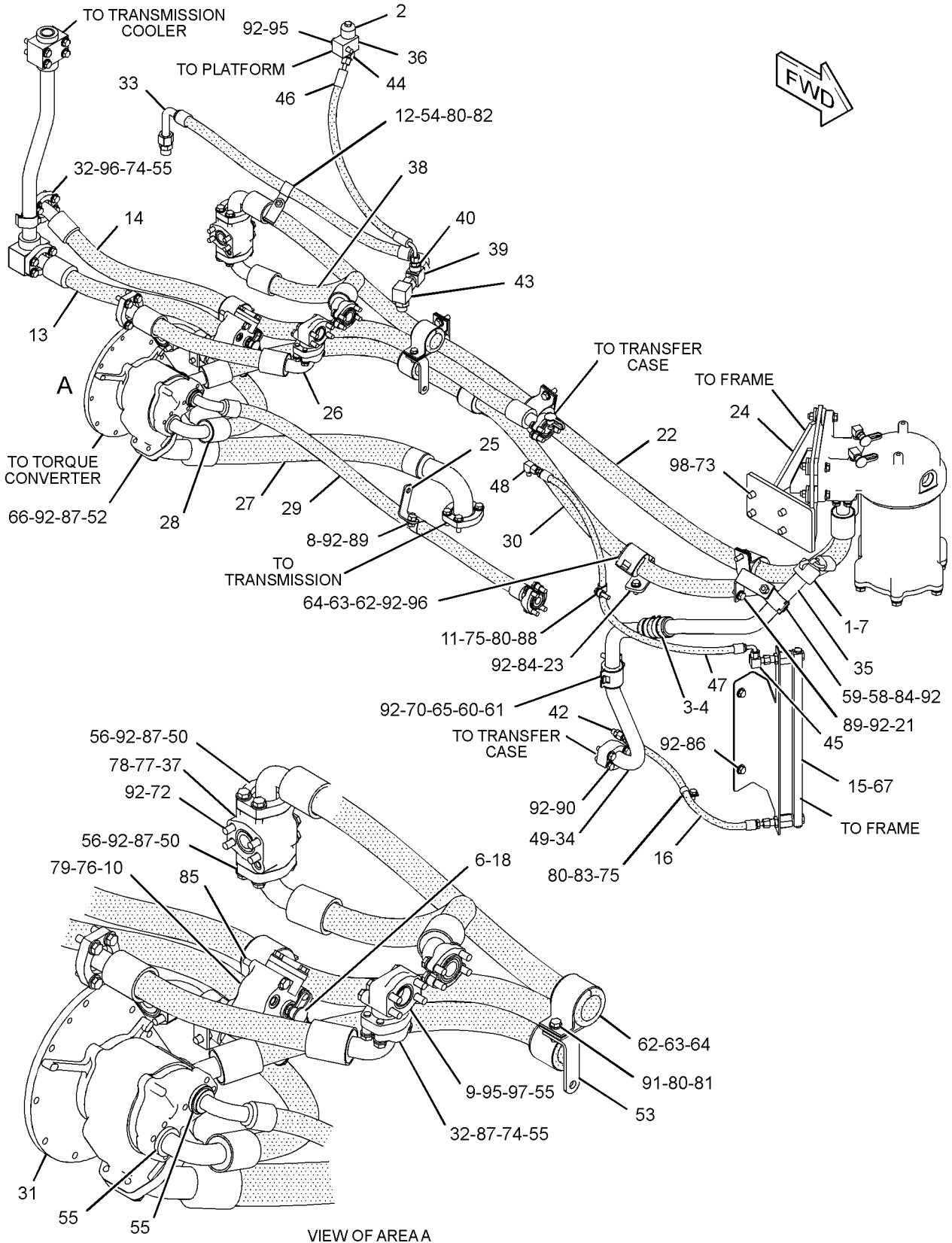
NOTE	REF NO	GRAPHIC REF	PART NUMBER	QTY	PART NAME						SEE PAGE
					1	2	3	4	5	6 (PRODUCT LEVEL)	
M	94	2	<b>8T-4648</b>	4	BOLT (M12X1.75X70-MM)						
M	95	1	<b>8T-4910</b>	3	BOLT (M12X1.75X60-MM)						
M	96	1,2	<b>8T-4956</b>	18	BOLT (M12X1.75X35-MM)						
M	97	1,2	<b>8T-6868</b>	6	BOLT (M12X1.75X80-MM)						
	98	1	<b>9X-8257</b>	4	WASHER (17.5X30X3.5-MM THK)						

E - ORDER BY THE CENTIMETER  
 I - REFER TO HYDRAULIC INFORMATION SYSTEM  
 M - METRIC PART  
 Y - SEPARATE ILLUSTRATION

# POWER TRAIN

228-4398 LINES GP-POWER TRAIN OIL (contd.)

i02518421



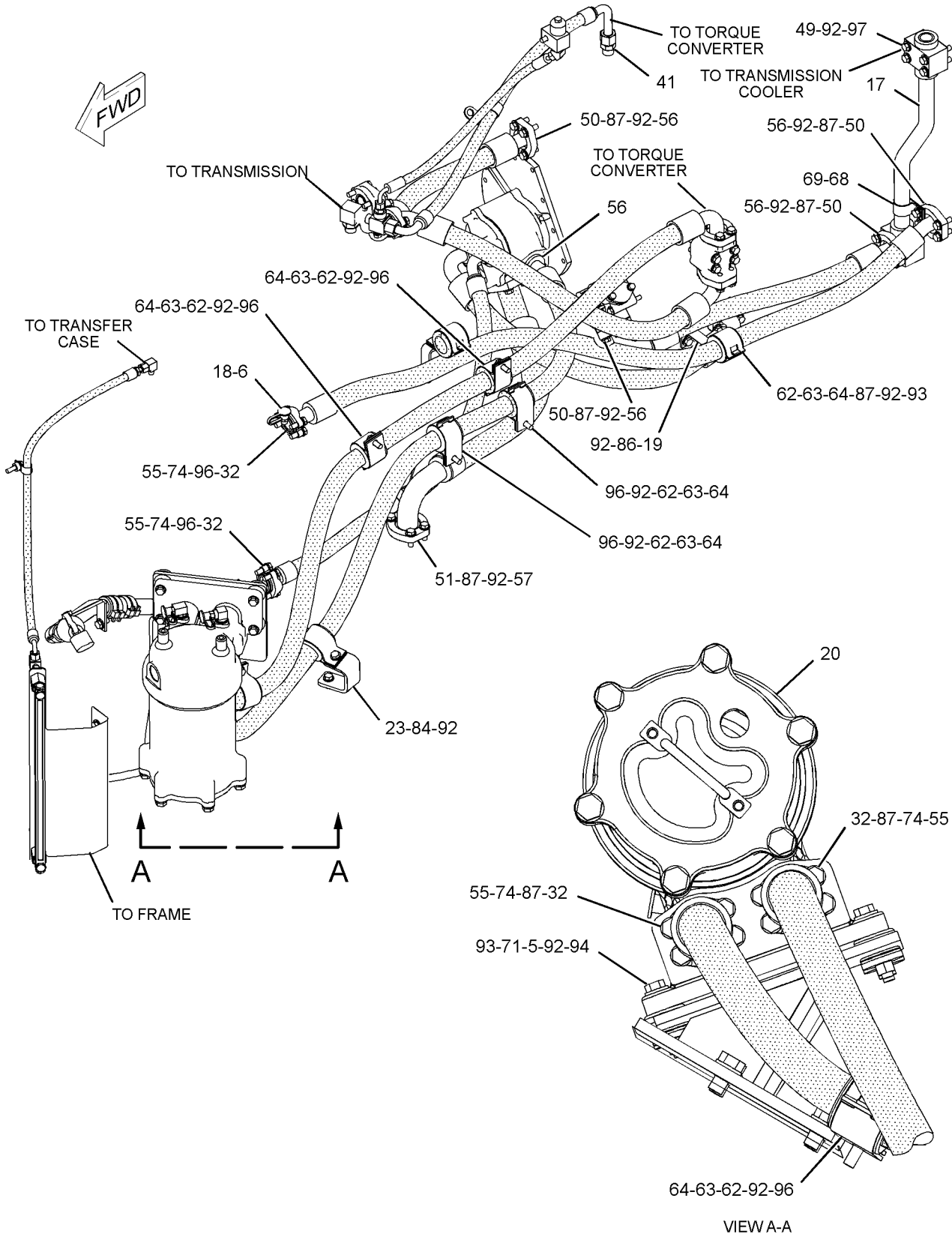
GRAPHIC #1

g01263978

# POWER TRAIN

228-4398 LINES GP-POWER TRAIN OIL (contd.)

i02518421



GRAPHIC #2

<END>

g01263979

# POWER TRAIN

## 144-7263 MOUNTING GP-RIM

S/N: BNH1-UP

FOR USE WITH 40-MM THK CIRCLE FLANGE, 357-6258-PAGE: 530

CANNOT BE USED WITH 262-1557-PAGE: 527

PART OF 141-9811 RIM AR

AN ATTACHMENT

SMCS-4202, 4209

i00978696

NOTE	PART NUMBER	QTY	PART NAME						SEE PAGE
			1	2	3	4	5	6 (PRODUCT LEVEL)	
M	6V-8132	32	BOLT (M24X3.0X120MM)						
	6V-8237	32	WASHER (4.0MM THK)						

M - METRIC PART

<END>

## 261-3857 MOUNTING GP-RIM

S/N: BNH1-UP

FOR USE WITH 50-MM THK CIRCLE FLANGE, 262-1557-PAGE: 527

CANNOT BE USED WITH 357-6258-PAGE: 530

PART OF 141-9811 RIM AR

AN ATTACHMENT

SMCS-4202, 4209

i02226477

NOTE	PART NUMBER	QTY	PART NAME						SEE PAGE
			1	2	3	4	5	6 (PRODUCT LEVEL)	
M	8T-0669	128	BOLT (M24X3X130-MM)						
	6V-8237	128	WASHER (26X44X4-MM THK)						

M - METRIC PART

<END>

## 114-5147 MOUNTING GP-TORQUE CONVERTER

S/N: BNH1-UP

PART OF 114-5105 POWER TRAIN AR

SMCS-3101

i00946213

NOTE	PART NUMBER	QTY	PART NAME						SEE PAGE
			1	2	3	4	5	6 (PRODUCT LEVEL)	
M	8T-0375	11	BOLT (M16X2X45-MM)						
	9X-8257	11	WASHER (17.5X30X3.5-MM THK)						

M - METRIC PART

<END>

# POWER TRAIN

## 192-2913 PLANETARY GP-TRANSMISSION

S/N: BJW1-UP

PART OF 192-2914 TRANSMISSION AR

SMCS-3160

i05151990

NOTE	REF NO	GRAPHIC REF	PART NUMBER	QTY	PART NAME						SEE PAGE
					1	2	3	4	5	6 (PRODUCT LEVEL)	
	1	2	9W-1572	1	SHAFT-TRANSMISSION INPUT						
	2	2	7G-2928	1	PLATE-RETAINER						
	3	2	0L-2315	1	BOLT (1/2-20X3.5-IN)						
	4	2	3P-4051	1	SPACER-SPECIAL						
	5	2	6Y-1616	1	CARRIER AS						
	5A	2	4S-8537	1	DOWEL						
	6	2	8T-1141	2	RING-RETAINING						
	7	1,2	6Y-3484	3	BALL BEARING						
	8	1,2	6V-0836	3	RING-RETAINING						
	9	2	6F-0156	1	RING-METAL SEAL						
	10	2	187-0844	1	HOUSING AS-CLUTCH (REVERSE)						
	10A	2	9S-1343	1	PLUG-CUP						
	11	2	3P-3321	2	SEAL-METAL RING						
	12	2	108-2736	2	RING-LOCK						
	13	2	7G-4818	1	RING-SEAL						
	14	2	164-3302	1	PISTON-CLUTCH						
	15	1,2	3P-2793	5	SEAL-RING						
	16	2	6T-3720	1	GEAR-RING (80-TEETH) (80 TEETH)						
	17	2	9F-3788	1	RING-METAL SEAL						
	18	2	106-7798	2	BALL BEARING						
	19	2	8S-9104	2	RING-RETAINING						
	20	2	8P-4617	1	SEAL-METAL RING						
	21	2	164-4891	1	PLATE AS						
	21A	2	2D-6642	2	BALL						
	21B	2	7M-8479	2	DOWEL						
	22	2	7G-5746	1	HOUSING-CLUTCH (FORWARD LOW)						
	23	2	3P-3059	1	GEAR-SUN (42-TEETH)						
	24	2	164-3303	1	PISTON-CLUTCH						
	25	2	7G-4817	1	RING-SEAL						
	26	1	6P-5751	1	GEAR-RING (90-TEETH)						
	27	2	8F-8544	2	BOLT (3/8-16X6.25-IN)						
	28	2	5M-6187	1	RING-METAL SEAL						
	29	2	108-2735	1	RING-LOCK						
	30	1	9M-4355	20	DAMPER-BOLT						
	31	1	3P-3738	1	HOUSING AS-CLUTCH (FORWARD HIGH)						
	31A	1	7M-8480	4	DOWEL						
	32	1,2	3P-2685	3	PISTON-CLUTCH						
	33	1,2	3P-2794	3	SEAL-RING						
	34	2	9M-1503	1	RING-METAL SEAL						
	35	2	7G-6772	1	CARRIER AS						
	35A	2	2D-6642	2	BALL						
	36	1	3P-2791	1	HOUSING-CLUTCH (SECOND & THIRD SPEED)						
	37	2	3P-3098	1	GEAR-RING (90-TEETH)						
	38	1	9W-2977	1	HUB AS						
	38A	1	4S-8537	1	DOWEL						
	39	1	133-2904	1	RING-RETAINING (89.5-MM ID)						
	40	1	3P-3304	1	PLATE-RETAINER						
	41	1	9M-2095	1	RING-RETAINING						
	42	1	373-6708	3	SPRING-DISC						
	43	1	160-0595	1	MANIFOLD AS						
	43A	1	3D-2824	2	SEAL-O-RING						
	43B	1	3F-3442	1	DOWEL						
	43C	1	6T-6052	1	PLUG-ORIFICE						
	43D	1	7M-8480	4	DOWEL						
	43E	1	9S-8008	2	PLUG-O-RING						
	44	1	0T-0065	20	BOLT (3/8-16X3.5-IN)						
	45	1	5M-2894	20	WASHER-HARD (10.2X18.5X2.5-MM THK)						
	46	1	6Y-5793	2	RING-SEAL						



# POWER TRAIN

192-2913 PLANETARY GP-TRANSMISSION (contd.)

i05151990

NOTE	REF NO	GRAPHIC REF	PART NUMBER	QTY	PART NAME						SEE PAGE
					1	2	3	4	5	6 (PRODUCT LEVEL)	
	47	1	0S-1617	10	BOLT (5/16-18X0.75-IN)						
	48	1	136-4839	5	LOCK						
	49	1	136-4840	1	SLINGER						
	50	1	136-4841	1	GASKET						
	51	1	6J-6721	18	BOLT (1/2-13X19.25-IN)						
	52	1	5P-8245	20	WASHER-HARD (13.5X25.5X3-MM THK)						
	53	1	3P-2761	1	HOUSING-CLUTCH (FIRST SPEED)						
	54	1	7G-0283	1	GEAR-RING (80-TEETH)						
	55	1	136-4838	1	CARRIER-PLANETARY						
	56	1	3P-3060	1	GEAR-SUN (50-TEETH)						
	57	1	1N-5410	1	RING-RETAINING						
	58	1	3P-3735	1	HOUSING AS-CARRIER						
	58A	1	4S-8537	1	DOWEL						
	58B	1	6B-6863	1	PIN-SPRING						
	58C	1	6P-7705	1	CARRIER-RING						
	59	1	338-4562	2	BOLT-12 POINT HEAD (1/2-13X3.5 IN)						
	60	1	8S-6212	2	BOLT (1/2-13X13-IN)						
	61	2	164-5079	1	SHAFT AS-OUTPUT						
	61A	2	3P-3103	1	CARRIER-RING						
	61B	2	5P-0403	1	BEARING-ROLLER						
	62	1	3P-4050	1	SPACER (2.9X3.3X0.125-IN THK)						
	63	1	3P-3743	1	RING-RETAINING						
	64	2	1P-0014	1	RING-LOCK						
	65	1	3P-3242	5	SHAFT-PLANETARY						
	66	1	5M-2054	10	BEARING						
	67	1,2	8E-8304	18	DISC-THRUST						
	68	1	7G-2486	5	GEAR-PLANETARY (20-TEETH)						
	69	1,2	3S-2708	12	PIN-SPRING						
	70	1	1S-9989	6	DOWEL-REACTION						
	71	1,2	9H-5537	36	SPRING						
	72	1	1P-9261	1	SEAL-RING						
	73	1	3P-2768	1	PISTON-CLUTCH						
	74	1	3P-2792	1	SEAL-RING						
	75	1	7F-2122	2	SEAL-O-RING						
	76	1	2D-8363	1	SEAL-O-RING						
	77	1	370-8592	4	PLATE-CLUTCH						
	78	1	234-6707	5	DISC-FRICTION						
	79	1	6P-7379	1	HOUSING AS						
	79A	1	8B-1312	3	DOWEL						
	80	1	9W-8298	6	DOWEL						
	81	1,2	233-9748	8	DISC-FRICTION						
R	82	1,2	3P-7447	11	PLATE-CLUTCH						
	83	2	7G-2476	4	GEAR-PLANETARY (20-TEETH)						
	84	2	5M-6126	4	BEARING AS-ROLLER						
	85	2	6P-6739	4	SHAFT-PLANETARY						
	86	2	9P-5531	1	GEAR-SUN (50-TEETH)						
	87	2	6S-1753	1	RING-RETAINING						
	88	2	9W-1579	1	SPACER (65.3X75.9X3.2-MM THK)						
	89	2	112-7309	4	SHAFT-PLANETARY						
	90	2	112-4511	4	PIN-SPRING						
	91	2	7G-0897	16	DISC-THRUST						
	92	2	5M-7925	8	BEARING AS-ROLLER						
	93	2	7G-3457	8	GEAR (25-TEETH)						
	94	2	3T-7138	1	GEAR-RING (80-TEETH)						
	95	2	112-7308	1	CARRIER-PLANETARY						
	96	2	9W-9856	8	DISC AS-FRICTION						
	97	2	7H-7658	12	SPRING						
	98	2	9W-8297	6	DOWEL						
	99	2	3P-3418	1	GEAR-RING (88-TEETH)						
	100	2	9W-3898	3	GEAR (28-TEETH)						
	101	2	1P-3958	3	ROLLER AS-SPECIAL						
	102	2	8E-8316	6	DISC-THRUST						

# POWER TRAIN

192-2913 **PLANETARY GP-TRANSMISSION (contd.)**

**i05151990**

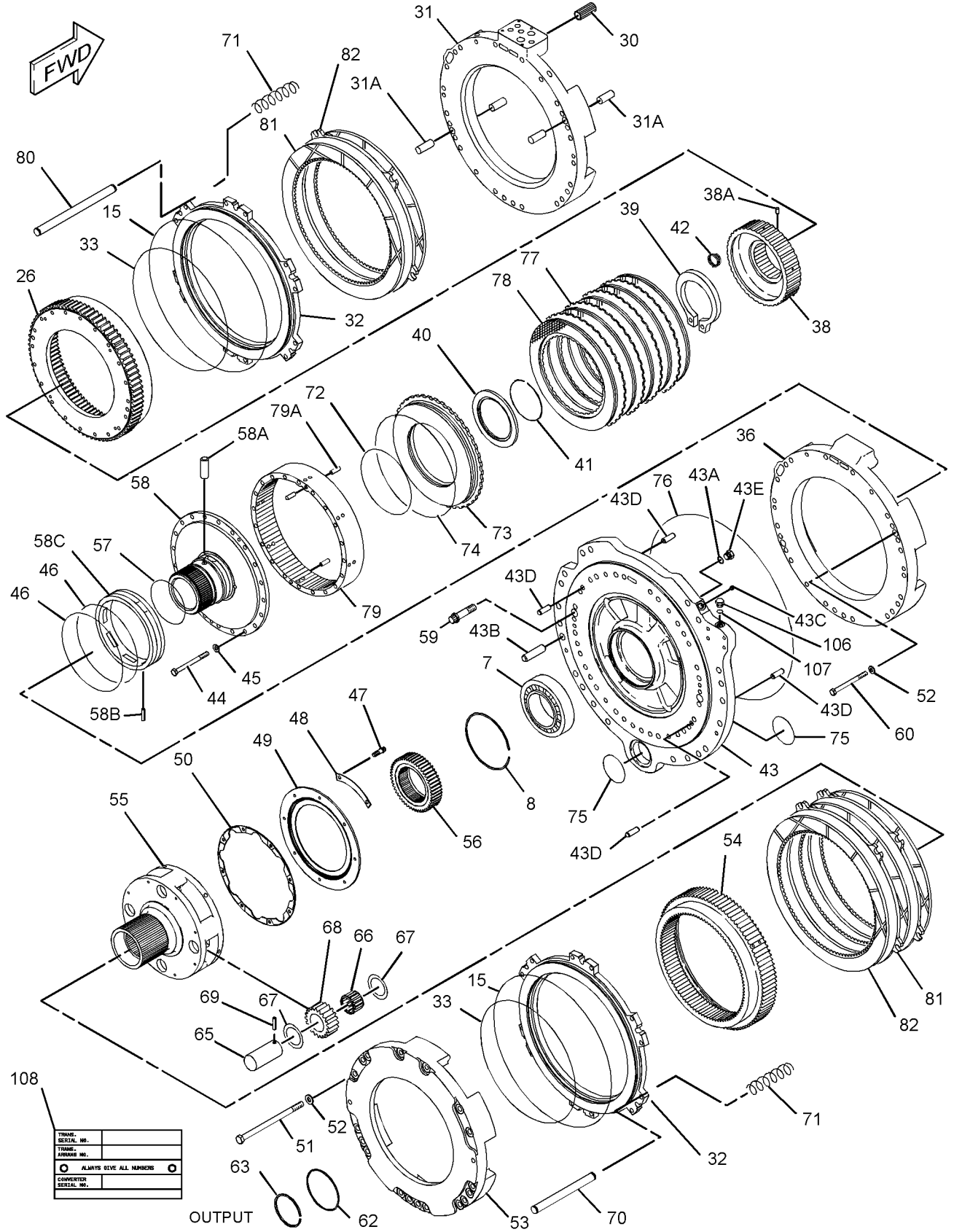
NOTE	REF NO	GRAPHIC REF	PART NUMBER	QTY	PART NAME						SEE PAGE
					1	2	3	4	5	6 (PRODUCT LEVEL)	
	103	2	<b>3P-3246</b>	3	SHAFT-PLANETARY						
	104	2	<b>8M-4390</b>	2	SEAL-O-RING						
	105	2	<b>3P-2983</b>	1	GEAR-SUN (32-TEETH)						
	106	1	<b>9S-4191</b>	1	PLUG-O-RING						
	107	1	<b>3J-1907</b>	1	SEAL-O-RING						
	108	1	<b>6V-1720</b>	1	PLATE-SERIAL NUMBER (TRANSMISSION)						

R - REMFG PART MAY BE AVAILABLE

# POWER TRAIN

192-2913 PLANETARY GP-TRANSMISSION (contd.)

i05151990



TRNG. SERIAL NO.	
TRNG. INDEX NO.	
O ALWAYS GIVE ALL NUMBERS	
CONVERTER SERIAL NO.	

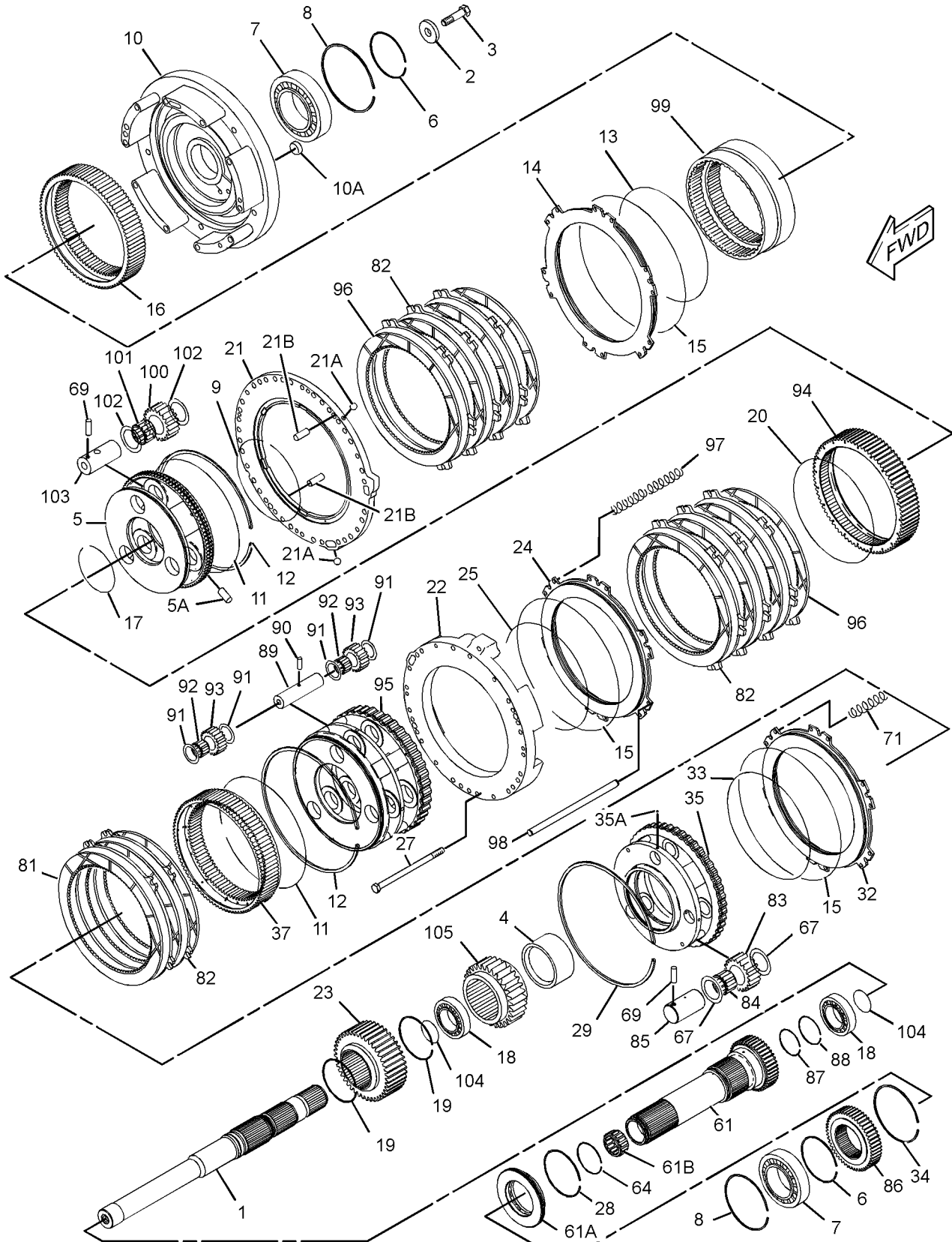
GRAPHIC #1

g02776042

# POWER TRAIN

192-2913 PLANETARY GP-TRANSMISSION (contd.)

i05151990



GRAPHIC #2

<END>

g02776436

# POWER TRAIN

## 114-5105 POWER TRAIN AR

S/N: BNH1-UP

PART OF 203-1564 COMMON AR

SMCS-3000, 4000

i01767273

NOTE	PART NUMBER	QTY	PART NAME						SEE PAGE
			1	2	3	4	5	6 (PRODUCT LEVEL)	
Y	137-8833	1	AXLE AR-FIXED (FRONT)						424
Y	137-8832	1	AXLE AR-OSCILLATING						424
Y	174-1552	1	BRAKE GP-PARKING						725
Y	137-8865	1	FASTENER GP-AXLE MOUNTING						462
Y	223-4254	1	LINES GP-AXLE VENT						498
Y	114-5147	1	MOUNTING GP-TORQUE CONVERTER						517
Y	136-1722	1	SHAFT GP-DRIVE						531
Y	136-1754	1	SHAFT GP-INPUT DRIVE						537
YR	192-2914	1	TRANSMISSION AR						563

R - REMFG PART MAY BE AVAILABLE

Y - SEPARATE ILLUSTRATION

<END>

# POWER TRAIN

## 193-0980 PUMP GP-TRANSMISSION\*R

S/N: BNH1-UP

PART OF 195-5979 PUMP GP-TRANSMISSION

SMCS-3066

i03935792

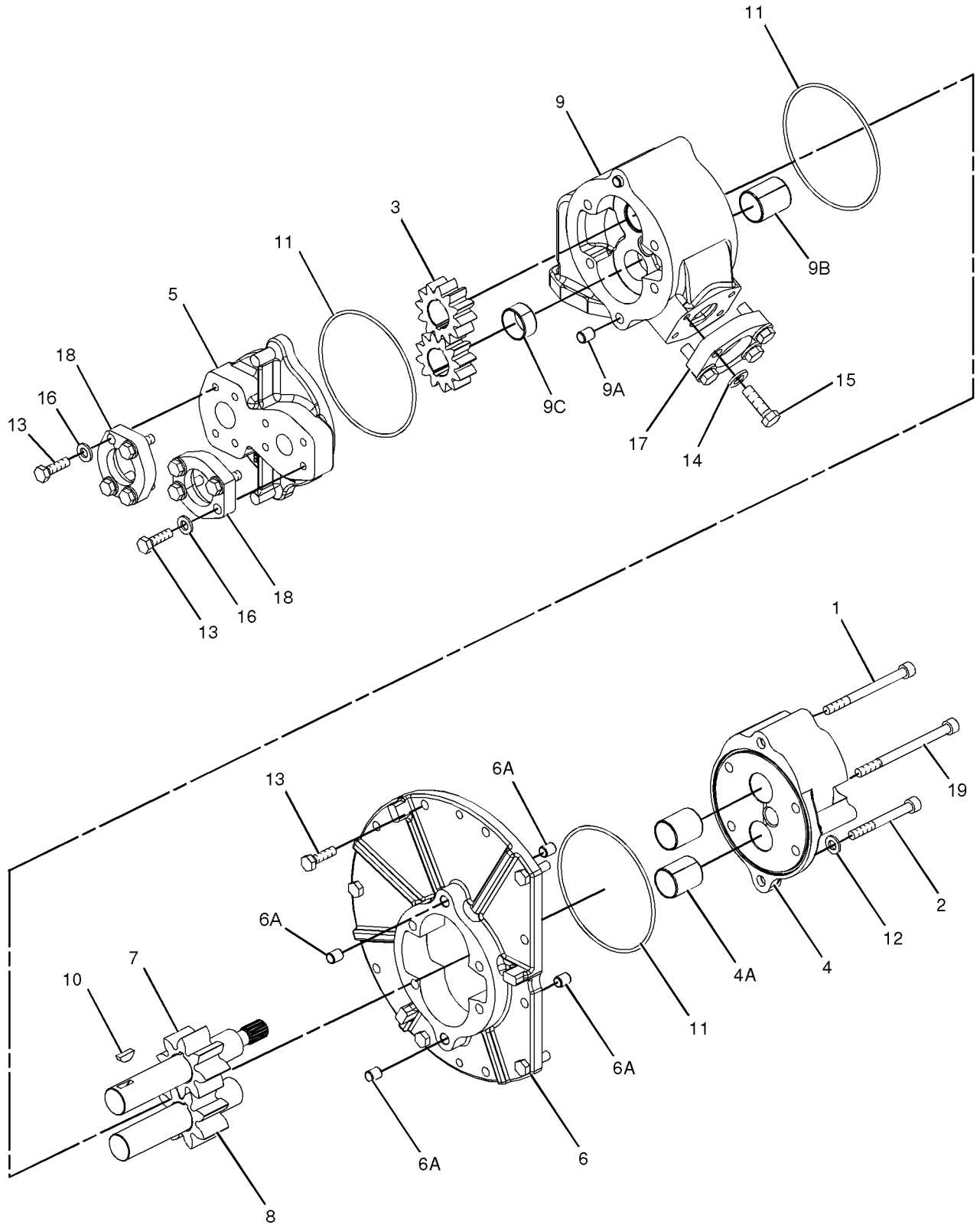
NOTE	REF NO	GRAPHIC REF	PART NUMBER	QTY	PART NAME						SEE PAGE
					1	2	3	4	5	6 (PRODUCT LEVEL)	
M	1	1	096-1331	1	BOLT-SOCKET HEAD (M10X1.5X120-MM)						
M	2	1	9X-2158	1	BOLT-SOCKET HEAD (M10X1.5X90-MM)						
	3	1	3P-0747	2	GEAR-OIL PUMP (12-TEETH)						
	4	1	134-5623	1	COVER AS						
	4A	1	1M-3909	2	BUSHING						
	5	1	193-9179	1	MANIFOLD-OIL PUMP						
	6	1	194-6626	1	BODY AS-OIL PUMP						
	6A	1	8M-8489	4	DOWEL						
	7	1	195-5981	1	GEAR AS (8-TEETH)						
		1	1B-8736	1	KEY-WOODRUFF						
	8	1	195-5985	1	GEAR AS (8-TEETH)						
		1	1B-8736	1	KEY-WOODRUFF						
	9	1	195-5988	1	BODY AS						
	9A	1	8M-8489	2	DOWEL						
	9B	1	1M-3909	2	BUSHING						
	9C	1	9M-4370	2	BEARING						
	10	1	1B-8736	1	KEY-WOODRUFF						
	11	1	161-8068	3	SEAL-O-RING						
	12	1	6V-5839	1	WASHER (11X21X2.5-MM THK)						
M	13	1	8T-4196	13	BOLT (M10X1.5X35-MM)						
	14	1	8T-4223	4	WASHER-HARD (13.5X25.5X3-MM THK)						
M	15	1	8T-4183	4	BOLT (M12X1.75X40-MM)						
	16	1	8T-4121	8	WASHER-HARD (11X21X2.5-MM THK)						
	17	1	1P-4579	2	FLANGE-HALF						
	18	1	1P-4578	4	FLANGE-HALF						
M	19	1	183-8004	4	BOLT-SOCKET HEAD						

M - METRIC PART

# POWER TRAIN

193-0980 PUMP GP-TRANSMISSION (contd.)

i03935792



GRAPHIC #1

<END>

g01056795

# POWER TRAIN

## 195-5979 PUMP GP-TRANSMISSION

S/N: BNH1-UP

PART OF 196-4519, 228-4398 LINES GP-POWER TRAIN OIL

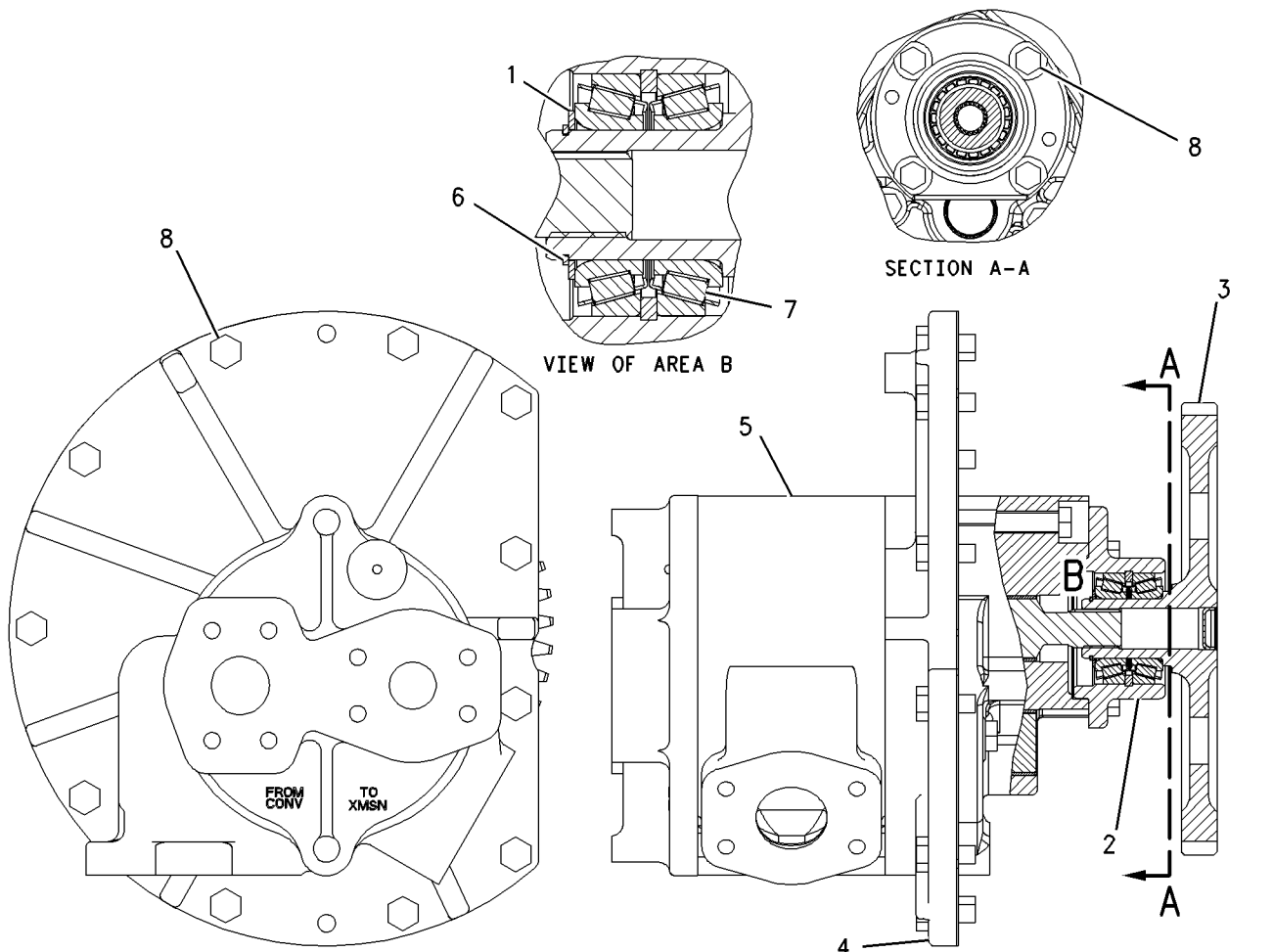
SMCS-3066

i01463110

NOTE	REF NO	GRAPHIC REF	PART NUMBER	QTY	PART NAME						SEE PAGE
					1	2	3	4	5	6 (PRODUCT LEVEL)	
	1	1	<b>8P-8701</b>	1	WASHER - THRUST						
	2	1	<b>134-5628</b>	1	CAGE - BEARING						
	3	1	<b>135-1844</b>	1	GEAR AS						
		1	<b>4N-0952</b>	1	PLUG - CUP						
	4	1	<b>135-1845</b>	1	GASKET						
Y	5	1	<b>193-0980</b>	1	PUMP GP-TRANSMISSION						524
	6	1	<b>2M-4287</b>	1	RING-SNAP						
	7	1	<b>5P-7068</b>	1	BEARING AS-ROLLER						
M	8	1	<b>6V-4248</b>	15	BOLT (M10X1.50X25MM)						

M - METRIC PART

Y - SEPARATE ILLUSTRATION



GRAPHIC #1

<END>

g00765823



# POWER TRAIN

## 141-9811 RIM AR

S/N: BNH1-UP

28.00X33

FOR USE WITH 35/65-33 TIRES

PART OF 200-4170, 256-7582, 267-2075 TIRE & RIM AR  
AN ATTACHMENT

SMCS-4209

i03909113

NOTE	PART NUMBER	QTY	PART NAME						SEE PAGE
			1	2	3	4	5	6 (PRODUCT LEVEL)	
Y	261-3857	1	MOUNTING GP-RIM						517
			-OR-						
Y	144-7263	4	MOUNTING GP-RIM						517
Y	262-1557	4	RIM GP-DEMOUNTABLE						527
			-OR-						
Y	357-6258	4	RIM GP-DEMOUNTABLE						530
Y - SEPARATE ILLUSTRATION									

<END>

## 262-1557 RIM GP-DEMOUNTABLE

S/N: BNH1-UP

50-MM THK CIRCLE FLANGE

FOR USE WITH 261-3857-PAGE: 517

CANNOT BE USED WITH 144-7263-PAGE: 517

PART OF 141-9811 RIM AR  
AN ATTACHMENT

SMCS-4209

i03092142

NOTE	PART NUMBER	QTY	PART NAME						SEE PAGE
			1	2	3	4	5	6 (PRODUCT LEVEL)	
Y	273-1639	1	RIM GP-DEMOUNTABLE						528
	144-0290	1	VALVE AS						
	1J-4246	1	SEAL-O-RING						
Y - SEPARATE ILLUSTRATION									

<END>

# POWER TRAIN

## 273-1639 RIM GP-DEMOUNTABLE

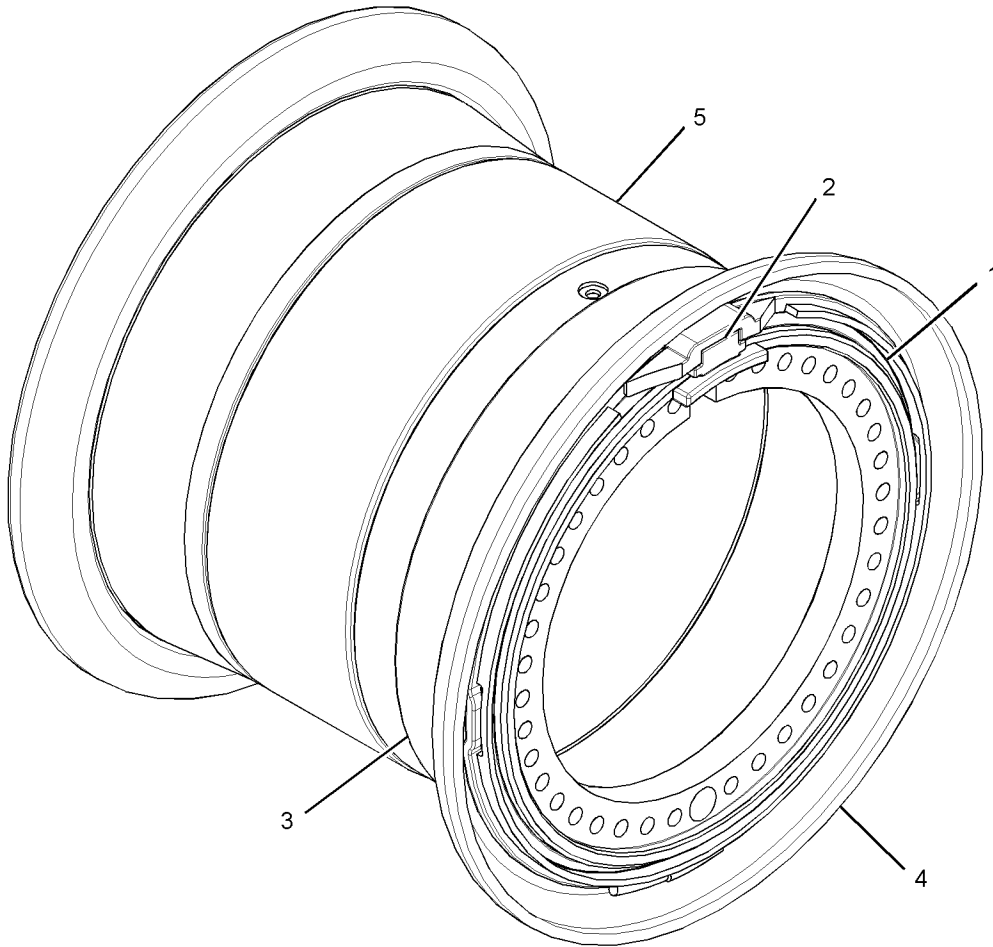
S/N: BNH1-UP

PART OF 262-1557 RIM GP-DEMOUNTABLE  
AN ATTACHMENT

SMCS-4209

i03092207

NOTE	REF NO	GRAPHIC REF	PART NUMBER	QTY	PART NAME						SEE PAGE
					1	2	3	4	5	6 (PRODUCT LEVEL)	
	1	1	<b>8X-4086</b>	1	RING-LOCK						
	2	1	<b>133-5209</b>	1	DRIVER						
	3	1	<b>144-5385</b>	1	BAND-BEAD SEAT						
	4	1	<b>259-0576</b>	2	FLANGE						
	5	1	<b>273-1640</b>	1	RIM AS (28X33)						



GRAPHIC #1

<END>

g01619929

# POWER TRAIN

## 355-9717 RIM GP-DEMOUNTABLE

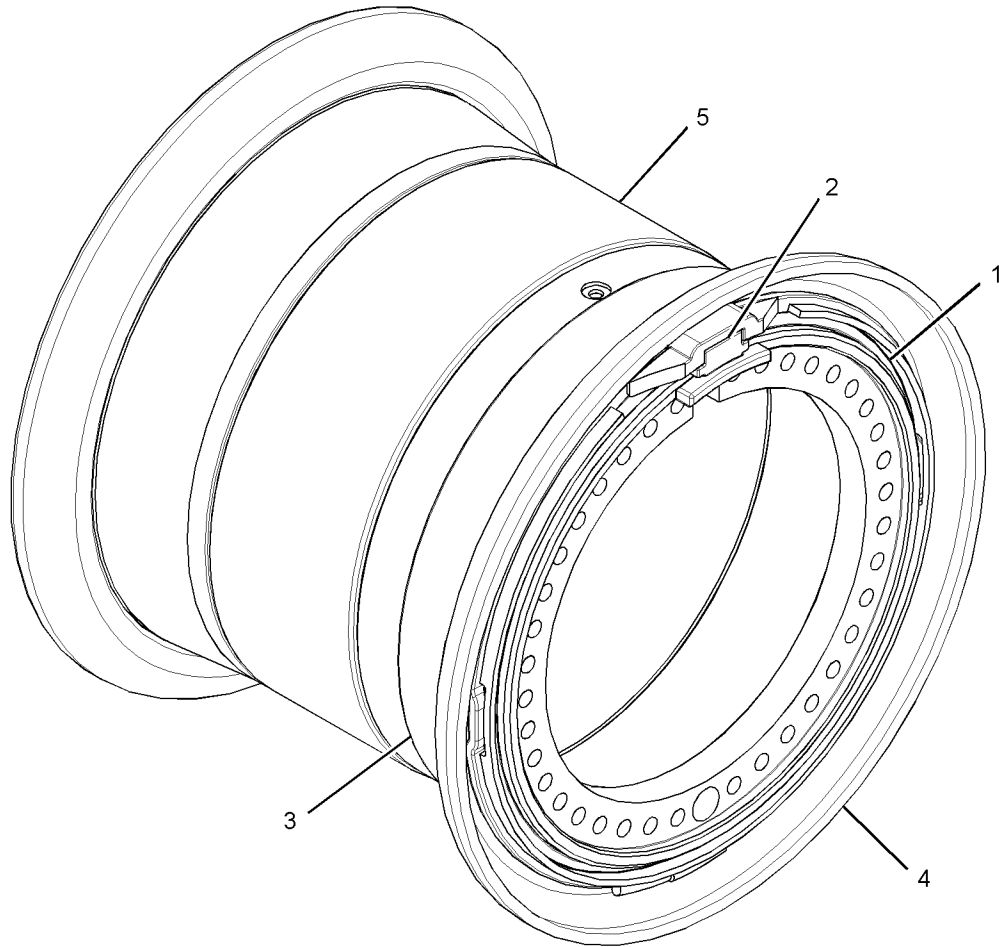
S/N: BNH1-UP

PART OF 357-6258 RIM GP-DEMOUNTABLE  
AN ATTACHMENT

SMCS-4209

i03909273

NOTE	REF NO	GRAPHIC REF	PART NUMBER	QTY	PART NAME						SEE PAGE
					1	2	3	4	5	6 (PRODUCT LEVEL)	
	1	1	<b>8X-4086</b>	1	RING-LOCK						
	2	1	<b>133-5209</b>	1	DRIVER						
	3	1	<b>144-5385</b>	1	BAND-BEAD SEAT						
	4	1	<b>259-0576</b>	2	FLANGE						
	5	1	<b>355-9715</b>	1	RIM AS (28X33)						



GRAPHIC #1

<END>

g01619929

# POWER TRAIN

## 357-6258 RIM GP-DEMOUNTABLE

S/N: BNH1-UP

40-MM THK CIRCLE FLANGE

FOR USE WITH 144-7263-PAGE: 517

CANNOT BE USED WITH 261-3857-PAGE: 517

PART OF 141-9811 RIM AR

AN ATTACHMENT

SMCS-4209

i03909162

NOTE	PART NUMBER	QTY	PART NAME						SEE PAGE
			1	2	3	4	5	6 (PRODUCT LEVEL)	
Y	355-9717	1	RIM GP-DEMOUNTABLE						529
	144-0290	1	VALVE AS						
	1J-4246	1	SEAL-O-RING						
Y - SEPARATE ILLUSTRATION									

<END>

# POWER TRAIN

## 136-1722 SHAFT GP-DRIVE

S/N: BNH1-UP

PART OF 114-5105 POWER TRAIN AR

TYPE 1

SMCS-3253

i01478798

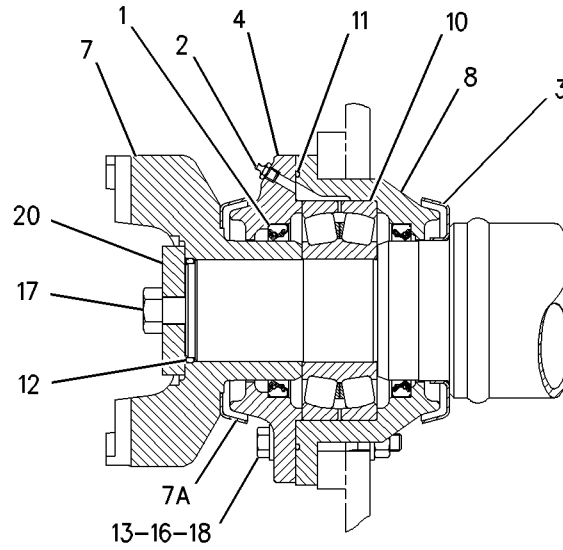
NOTE	REF NO	GRAPHIC REF	PART NUMBER	QTY	PART NAME						SEE PAGE
					1	2	3	4	5	6 (PRODUCT LEVEL)	
	1	1	<b>2D-8540</b>	2	SEAL-LIP TYPE						
	2	1	<b>3B-8489</b>	1	FITTING-GREASE						
	3	1	<b>3K-9608</b>	1	GUARD						
	4	1	<b>5K-3968</b>	1	RETAINER-BEARING						
YR	5	1	<b>136-1747</b>	1	UNIVERSAL JOINT GP						564
YR	6	1	<b>136-1749</b>	1	UNIVERSAL JOINT GP						565
	7	1	<b>176-7289</b>	1	YOKE AS						
	7A	1	<b>9U-3928</b>	1	GUARD						
	8	1	<b>136-1753</b>	1	CAGE-BEARING						
YR	9	1	<b>201-7245</b>	1	SLIP JOINT GP						538
	10	1	<b>159-3945</b>	1	BEARING						
	11	1	<b>1H-8278</b>	1	SEAL-O-RING						
	12	1	<b>2H-3933</b>	1	SEAL-O-RING						
	13	1	<b>5P-8245</b>	12	WASHER-HARD (13.5X25.5X3-MM THK)						
M	14	1	<b>6V-1820</b>	2	BOLT (M10X1.5X30-MM)						
	15	1	<b>6V-5839</b>	2	WASHER (11X21X2.5-MM THK)						
M	16	1	<b>6V-8149</b>	6	NUT (M12X1.75-THD)						
M	17	1	<b>112-3927</b>	1	BOLT (M20X2.5X90-MM)						
M	18	1	<b>8T-0106</b>	6	BOLT (M12X1.75X100-MM)						
M	19	1	<b>8T-0281</b>	20	BOLT (M16X2X80-MM)						
	20	1	<b>8V-5386</b>	1	RETAINER						

M - METRIC PART  
R - REMFG PART MAY BE AVAILABLE  
Y - SEPARATE ILLUSTRATION

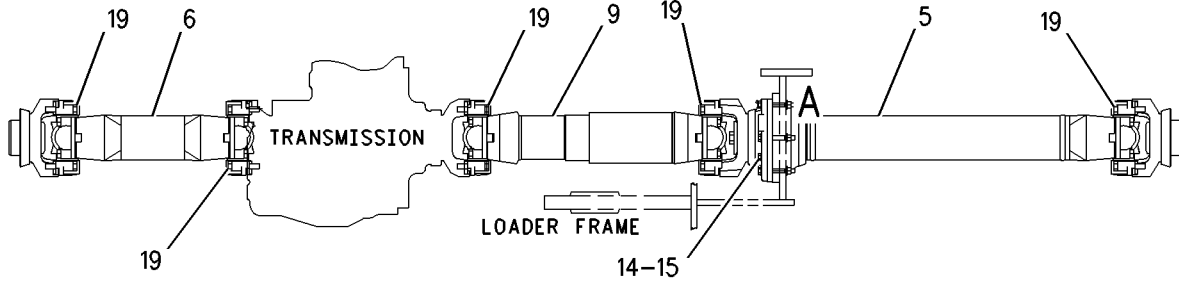
# POWER TRAIN

136-1722 SHAFT GP-DRIVE (contd.)

i01478798



SECTION VIEW OF AREA A



GRAPHIC #1

<END>

g00770091

# POWER TRAIN

## 136-1722 SHAFT GP-DRIVE

S/N: BNH1-UP

PART OF 114-5105 POWER TRAIN AR

TYPE 2

SMCS-3253

i03630928

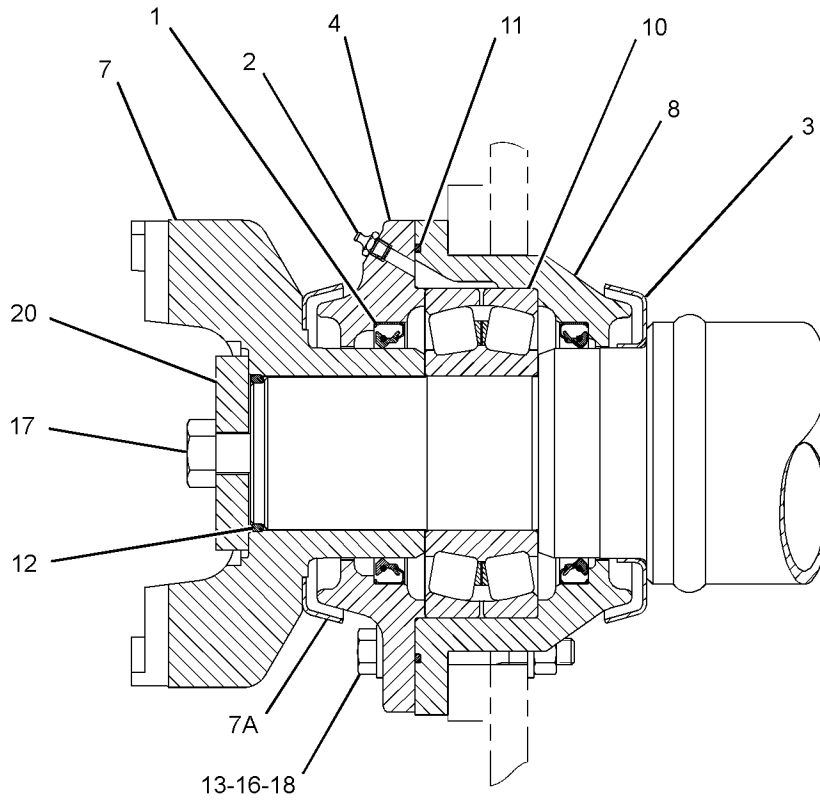
NOTE	REF NO	GRAPHIC REF	PART NUMBER	QTY	PART NAME						SEE PAGE
					1	2	3	4	5	6 (PRODUCT LEVEL)	
	1	1	<b>2D-8540</b>	2	SEAL-LIP TYPE						
	2	1	<b>3B-8489</b>	1	FITTING-GREASE						
	3	1	<b>3K-9608</b>	1	GUARD						
	4	1	<b>5K-3968</b>	1	RETAINER-BEARING						
YR	5	1	<b>136-1747</b>	1	UNIVERSAL JOINT GP						564
YR	6	1	<b>136-1749</b>	1	UNIVERSAL JOINT GP						565
	7	1	<b>176-7289</b>	1	YOKE AS						
	7A	1	<b>9U-3928</b>	1	GUARD						
	8	1	<b>136-1753</b>	1	CAGE-BEARING						
CYR	9	1	<b>338-2051</b>	1	SLIP JOINT GP						539
	10	1	<b>159-3945</b>	1	BEARING						
	11	1	<b>1H-8278</b>	1	SEAL-O-RING						
	12	1	<b>2H-3933</b>	1	SEAL-O-RING						
	13	1	<b>5P-8245</b>	12	WASHER-HARD (13.5X25.5X3-MM THK)						
M	14	1	<b>6V-1820</b>	2	BOLT (M10X1.5X30-MM)						
	15	1	<b>6V-5839</b>	2	WASHER (11X21X2.5-MM THK)						
M	16	1	<b>6V-8149</b>	6	NUT (M12X1.75-THD)						
M	17	1	<b>112-3927</b>	1	BOLT (M20X2.5X90-MM)						
M	18	1	<b>8T-0106</b>	6	BOLT (M12X1.75X100-MM)						
M	19	1	<b>8T-0281</b>	20	BOLT (M16X2X80-MM)						
	20	1	<b>8V-5386</b>	1	RETAINER						

C - CHANGE FROM PREVIOUS TYPE  
M - METRIC PART  
R - REMFG PART MAY BE AVAILABLE  
Y - SEPARATE ILLUSTRATION

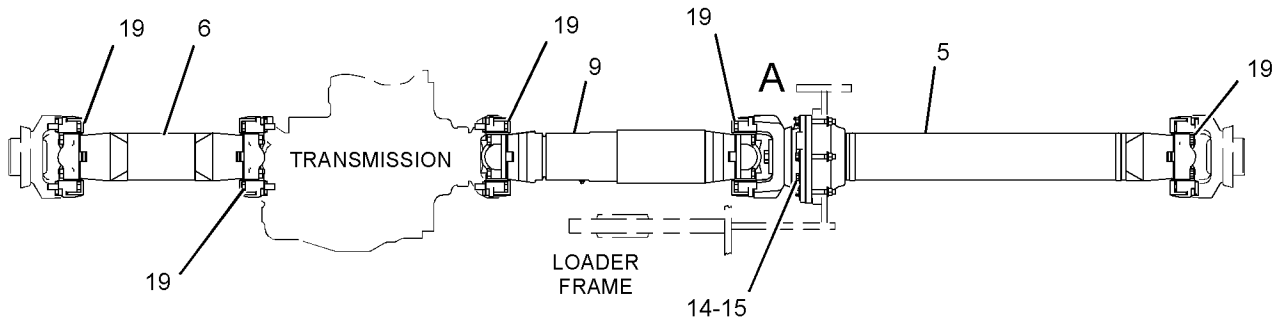
# POWER TRAIN

136-1722 SHAFT GP-DRIVE (contd.)

i03630928



SECTION VIEW OF AREA A



RIGHT SIDE VIEW

GRAPHIC #1

<END>

g02054874



# POWER TRAIN

## 136-1722 SHAFT GP-DRIVE

S/N: BNH1-UP

PART OF 114-5105 POWER TRAIN AR

TYPE 3

SMCS-3253

i04940979

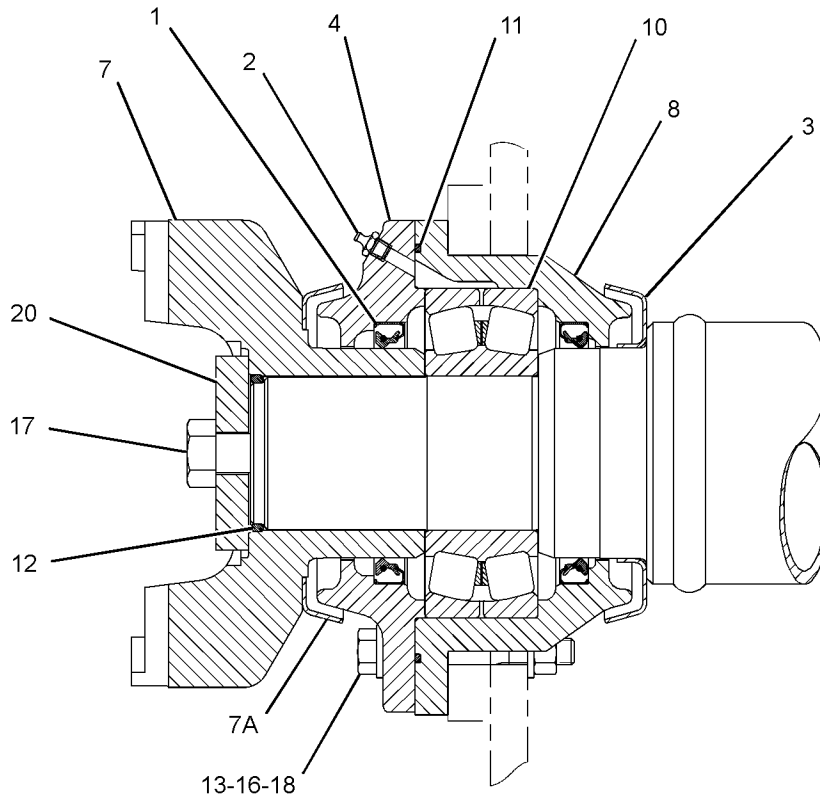
NOTE	REF NO	GRAPHIC REF	PART NUMBER	QTY	PART NAME						SEE PAGE
					1	2	3	4	5	6 (PRODUCT LEVEL)	
	1	1	<b>2D-8540</b>	2	SEAL-LIP TYPE						
	2	1	<b>3B-8489</b>	1	FITTING-GREASE						
	3	1	<b>3K-9608</b>	1	GUARD						
	4	1	<b>5K-3968</b>	1	RETAINER-BEARING						
YR	5	1	<b>136-1747</b>	1	UNIVERSAL JOINT GP						564
YR	6	1	<b>136-1749</b>	1	UNIVERSAL JOINT GP						565
	7	1	<b>176-7289</b>	1	YOKE AS						
	7A	1	<b>9U-3928</b>	1	GUARD						
	8	1	<b>136-1753</b>	1	CAGE-BEARING						
CR	9	1	<b>314-7840</b>	1	SLIP JOINT GP						
M		1	<b>8T-0281</b>	8	BOLT (M16X2X80-MM)						
		1	<b>106-0933</b>	2	SPIDER & BEARING GP						
		1	<b>314-7839</b>	1	SHAFT AS						
		1	<b>3B-8489</b>	2	FITTING-GREASE						
		1	<b>8C-8771</b>	1	FITTING-PRESSURE RELIEF						
	10	1	<b>159-3945</b>	1	BEARING						
	11	1	<b>1H-8278</b>	1	SEAL-O-RING						
	12	1	<b>2H-3933</b>	1	SEAL-O-RING						
	13	1	<b>5P-8245</b>	12	WASHER-HARD (13.5X25.5X3-MM THK)						
M	14	1	<b>6V-1820</b>	2	BOLT (M10X1.5X30-MM)						
	15	1	<b>6V-5839</b>	2	WASHER (11X21X2.5-MM THK)						
M	16	1	<b>6V-8149</b>	6	NUT (M12X1.75-THD)						
M	17	1	<b>112-3927</b>	1	BOLT (M20X2.5X90-MM)						
M	18	1	<b>8T-0106</b>	6	BOLT (M12X1.75X100-MM)						
M	19	1	<b>8T-0281</b>	20	BOLT (M16X2X80-MM)						
	20	1	<b>8V-5386</b>	1	RETAINER						

C - CHANGE FROM PREVIOUS TYPE  
M - METRIC PART  
R - REMFG PART MAY BE AVAILABLE  
Y - SEPARATE ILLUSTRATION

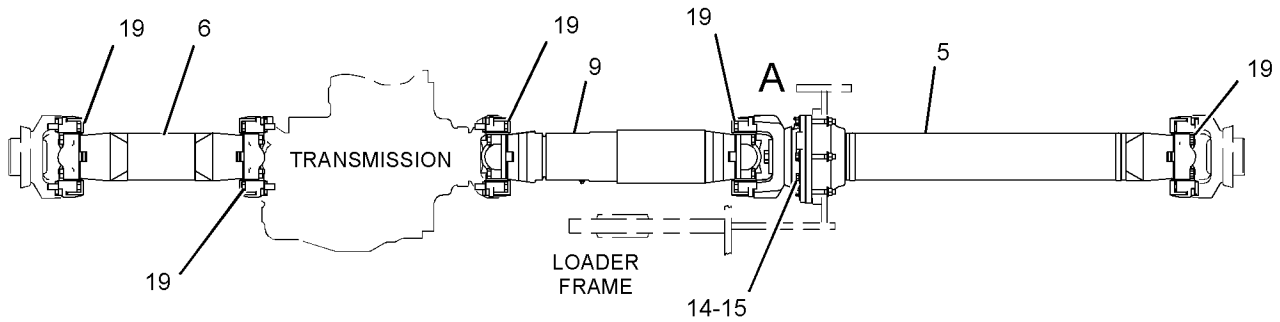
# POWER TRAIN

136-1722 SHAFT GP-DRIVE (contd.)

i04940979



SECTION VIEW OF AREA A



RIGHT SIDE VIEW

GRAPHIC #1

<END>

g02054874

# POWER TRAIN

## 136-1754 SHAFT GP-INPUT DRIVE

S/N: BNH1-UP

PART OF 114-5105 POWER TRAIN AR

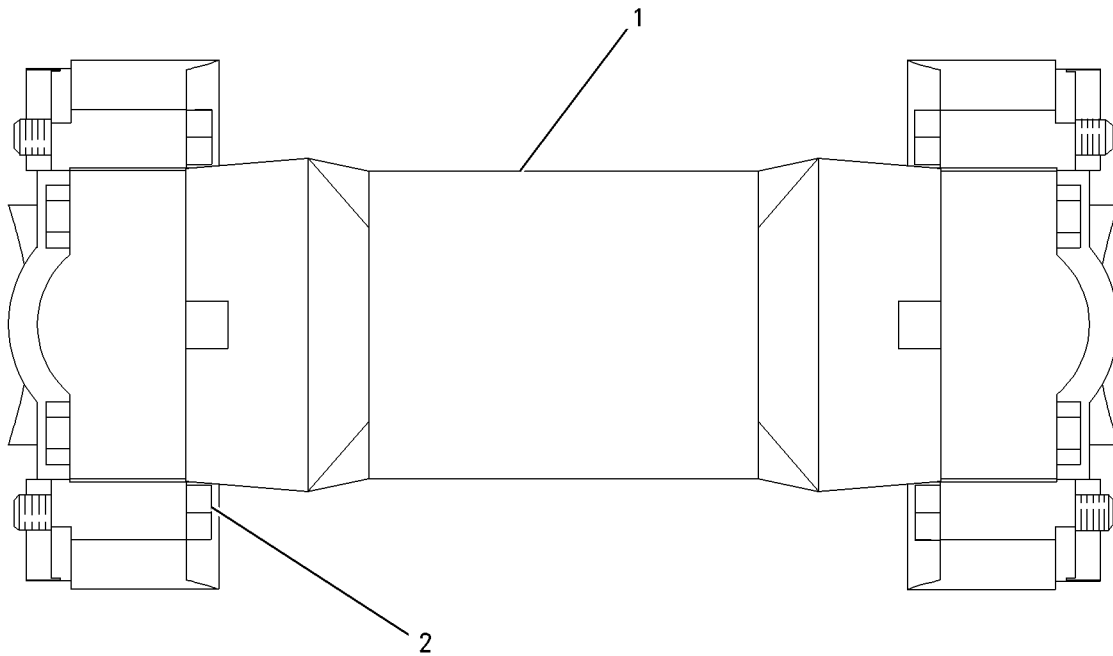
SMCS-3253

i01626108

NOTE	REF NO	GRAPHIC REF	PART NUMBER	QTY	PART NAME						SEE PAGE
					1	2	3	4	5	6 (PRODUCT LEVEL)	
Y	1	1	136-1754	1	UNIVERSAL JOINT GP (INPUT DRIVE SHAFT)						566
M	2	1	6V-3823	8	BOLT (M12X1.75X60MM)						

M - METRIC PART

Y - SEPARATE ILLUSTRATION



GRAPHIC #1

<END>

g00841994

# POWER TRAIN

## 201-7245 SLIP JOINT GP\*R

S/N: BNH1-UP

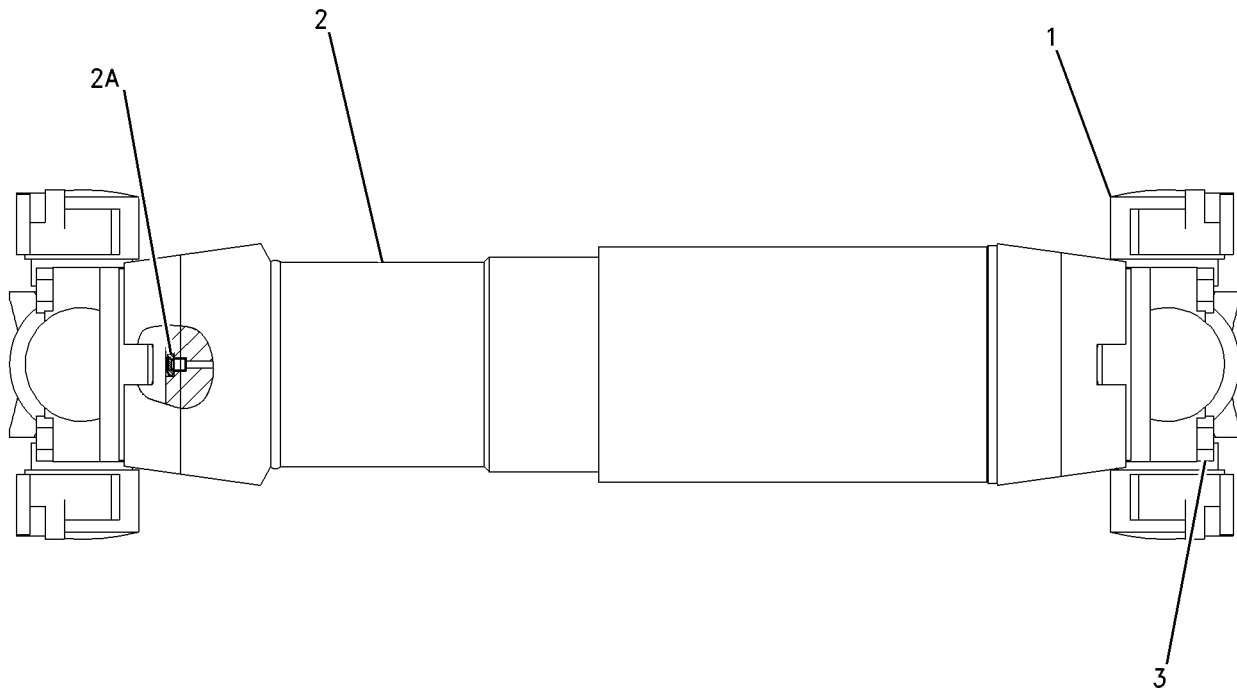
PART OF 136-1722 SHAFT GP-DRIVE

SMCS-3251

i01469231

NOTE	REF NO	GRAPHIC REF	PART NUMBER	QTY	PART NAME						SEE PAGE
					1	2	3	4	5	6 (PRODUCT LEVEL)	
	1	1	<b>106-0933</b>	2	SPIDER & BEARING GP						
	2	1	<b>201-7244</b>	1	SHAFT AS						
	2A	1	<b>8S-7374</b>	1	FILTER AS-AIR						
M	3	1	<b>8T-0281</b>	8	BOLT (M16X2X80-MM)						

M - METRIC PART



GRAPHIC #1

<END>

g00767784

# POWER TRAIN

## 338-2051 SLIP JOINT GP\*R

S/N: BNH1-UP

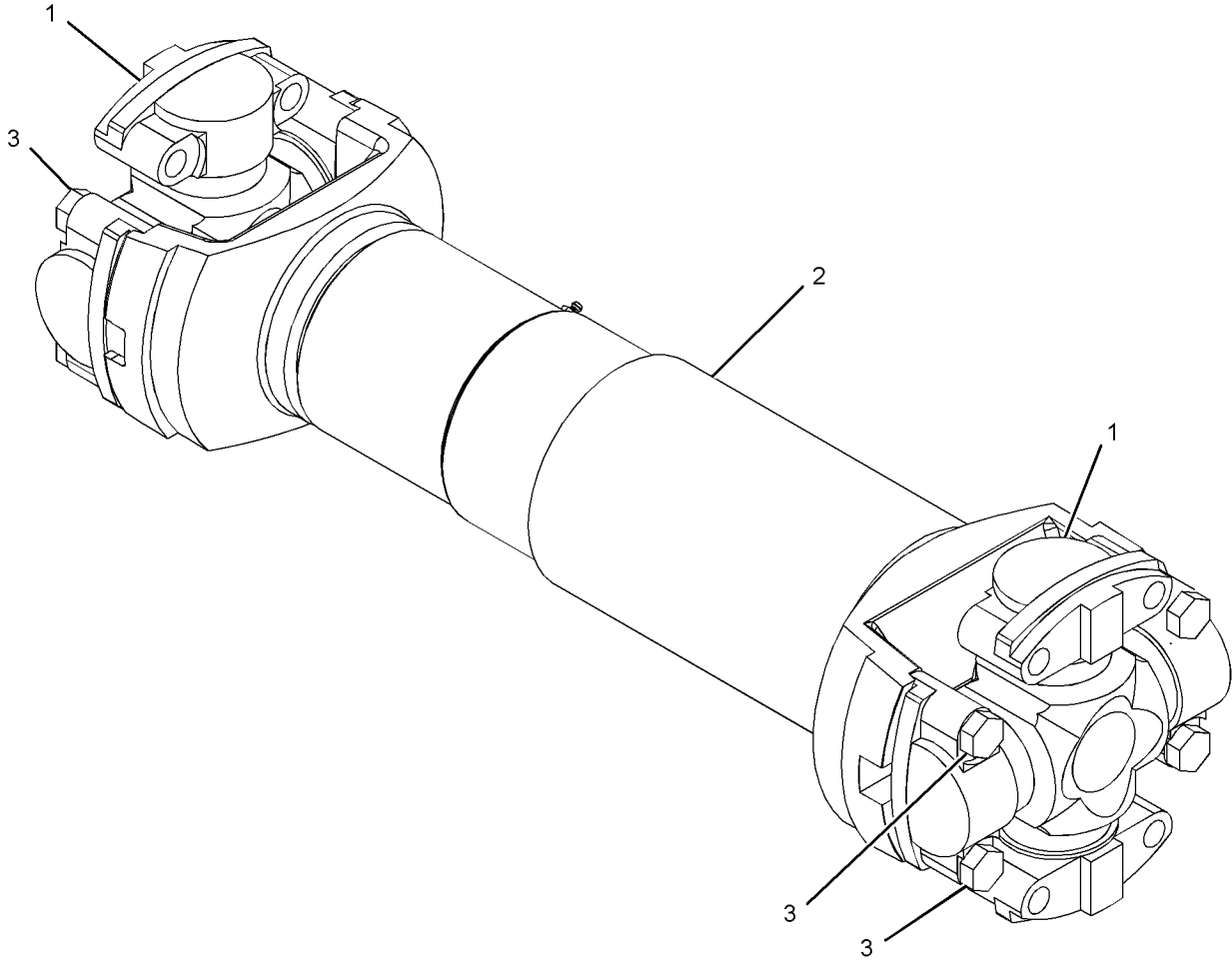
PART OF 136-1722 SHAFT GP-DRIVE

SMCS-3251

i03631160

NOTE	REF NO	GRAPHIC REF	PART NUMBER	QTY	PART NAME						SEE PAGE
					1	2	3	4	5	6 (PRODUCT LEVEL)	
	1	1	<b>106-0933</b>	2	SPIDER & BEARING GP						
	2	1	<b>338-2116</b>	1	SHAFT AS-SLIP						
		1	<b>3B-8489</b>	2	FITTING-GREASE						
		1	<b>8C-8771</b>	1	FITTING-PRESSURE RELIEF						
M	3	1	<b>8T-0281</b>	8	BOLT (M16X2X80-MM)						

M - METRIC PART



GRAPHIC #1

<END>

g01954829

# POWER TRAIN

## 114-5138 SUPPORT GP-TRANSMISSION

S/N: BNH1-UP

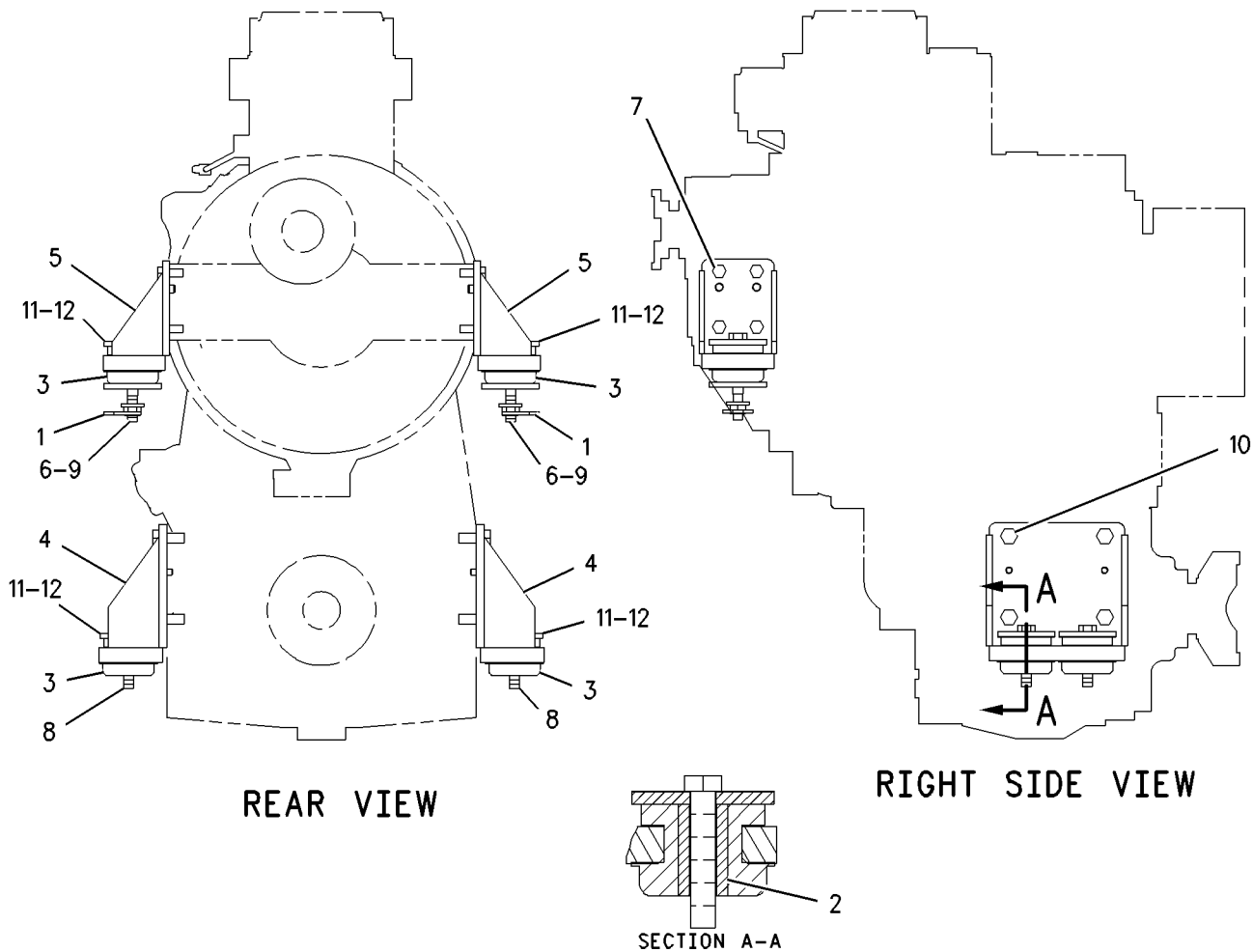
PART OF 203-1567 CHASSIS AR

SMCS-3082

i03020228

NOTE	REF NO	GRAPHIC REF	PART NUMBER	QTY	PART NAME						SEE PAGE
					1	2	3	4	5	6	
	1	1	<b>173-6640</b>	2	SUPPORT AS						
	2	1	<b>9W-6582</b>	6	SLEEVE						
	3	1	<b>9W-9930</b>	6	MOUNT AS						
	4	1	<b>132-2925</b>	2	SUPPORT AS-LOWER						
					(EACH INCLUDES)						
		1	<b>1A-2223</b>	2	DOWEL						
	5	1	<b>132-2927</b>	2	SUPPORT AS-UPPER						
					(EACH INCLUDES)						
		1	<b>4D-8148</b>	2	DOWEL						
M	6	1	<b>7X-2488</b>	2	BOLT (M20X2.5X160-MM)						
M	7	1	<b>7X-2553</b>	8	BOLT (M16X2X40-MM)						
M	8	1	<b>7X-2566</b>	4	BOLT (M20X2.5X110-MM)						
	9	1	<b>8T-5439</b>	2	WASHER-HARD (21.5X45X6-MM THK)						
M	10	1	<b>8T-6430</b>	8	BOLT (M20X2.5X50-MM)						
	11	1	<b>9W-6584</b>	8	WASHER (20.5X114X10-MM THK)						
	12	1	<b>8T-4123</b>	6	WASHER (22X35X3.5-MM THK)						

M - METRIC PART



GRAPHIC #1

<END>

g00914750

# POWER TRAIN

**200-4170 TIRE & RIM AR**  
S/N: BNH1-UP  
35/65 33 L-5S(FRONT), 35/65 33 L5(REAR)  
AN ATTACHMENT

SMCS-4202

i01441709

NOTE	PART NUMBER	QTY	PART NAME 1 2 3 4 5 6 (PRODUCT LEVEL)	SEE PAGE
Y	141-9811	1	RIM AR	527
Y - SEPARATE ILLUSTRATION				

<END>

**256-7582 TIRE & RIM AR**  
S/N: BNH1-UP  
AN ATTACHMENT

SMCS-4202

i02303738

NOTE	PART NUMBER	QTY	PART NAME 1 2 3 4 5 6 (PRODUCT LEVEL)	SEE PAGE
Y	141-9811	1	RIM AR	527
	256-7583	4	TIRE (35/65-R33)	
Y - SEPARATE ILLUSTRATION				

<END>

**267-2075 TIRE & RIM AR**  
S/N: BNH1-UP  
AN ATTACHMENT

SMCS-4202

i02303607

NOTE	PART NUMBER	QTY	PART NAME 1 2 3 4 5 6 (PRODUCT LEVEL)	SEE PAGE
Y	141-9811	1	RIM AR	527
	267-2074	4	TIRE (28-R33)	
Y - SEPARATE ILLUSTRATION				

<END>

# POWER TRAIN

## 126-5483 TORQUE CONVERTER & HOUSING GP-FREEWHEEL STATOR, LOCKUP\*R

S/N: BNH1-935

PART OF 145-4225 TORQUE CONVERTER AR-LOCKUP  
AN ATTACHMENT

SMCS-3101, 3105

i01643809

NOTE	REF NO	GRAPHIC REF	PART NUMBER	QTY	PART NAME 1 2 3 4 5 6 (PRODUCT LEVEL)	SEE PAGE
YR	1	1	126-5482	1	TORQUE CONVERTER GP (FREEWHEEL STATOR, LOCKUP)	550
	2	1	132-4454	1	HOUSING AS-TORQUE CONVERTER	
		1	1F-1006	2	DOWEL	
M	3	1	8T-4956	11	BOLT (M12X1.75X35-MM)	
	4	1	8T-4223	11	WASHER-HARD (13.5X25.5X3-MM THK)	
	5	1	5P-2503	4	CUP	
	6	1	5P-2504	4	CONE-BEARING	
	7	1	131-7419	2	GEAR-PUMP DRIVE	
	8	1	133-6588	1	ADAPTER-PUMP	
M	9	1	8T-7338	13	BOLT (M16X2X45-MM)	
	10	1	9X-8257	13	WASHER (17.5X30X3.5-MM THK)	
	11	1	133-7221	1	ADAPTER-PUMP	
	12	1	130-7093	1	COVER	
	13	1	6V-7423	1	BEARING AS-ROLLER	
	14	1	133-6347	1	SHAFT-IDLER	
M	15	1	6V-7675	1	BOLT (M16X2X140-MM)	
	16	1	5K-9065	1	RING-RETAINING	
	17	1	8J-6815	2	PLUG-ORIFICE	
	18	1	212-8739	1	MANIFOLD	
M	19	1	7X-0818	4	BOLT (M8X1.25X45-MM)	
	20	1	8T-4224	4	WASHER-HARD (8.8X16X2-MM THK)	
	21	1	132-4460	1	ADAPTER-SPLINED	
M	22	1	8T-4195	3	BOLT (M10X1.5X30-MM)	
	23	1	7M-9909	1	SEAL-O-RING	
	24	1	9S-4191	3	PLUG-O-RING	
	25	1	3J-1907	4	SEAL-O-RING	
	26	1	9S-4181	2	PLUG-O-RING	
	27	1	7M-8485	2	SEAL-O-RING	
	28	1	6V-0852	1	CAP-DUST	
	29	1	6V-3965	1	FITTING (QUICK DISCONNECT)	
	30	1	3S-1349	2	WASHER-HARD (31X52.5X6-MM THK)	
	31	1	6V-3935	2	RING-RETAINING	
	32	1	132-4455	1	ADAPTER	
	33	1	205-6051	2	SEAL-O-RING	
B	34	1	132-4458	2	SHIM PACK (INCLUDES 10-SHIMS)	
	35	1	133-9928	1	ADAPTER-LUBE	
	36	1	7D-1979	4	SEAL-O-RING	
	37	1	9X-8268	1	WASHER (17.5X30X3.5-MM THK)	
	38	1	8T-4121	3	WASHER-HARD (11X21X2.5-MM THK)	
	39	1	7F-8607	5	SEAL-O-RING	
	40	1	131-7418	1	GEAR-IDLER	
	41	1	8H-3981	2	RING-RETAINING	
	42	1	4H-6730	1	SEAL-O-RING	
	43	1	1D-4327	2	SEAL-LIP TYPE	
	44	1	1T-1639	1	RING	
	45	1	3J-7354	1	SEAL-O-RING	
	46	1	135-9941	1	ADAPTER	

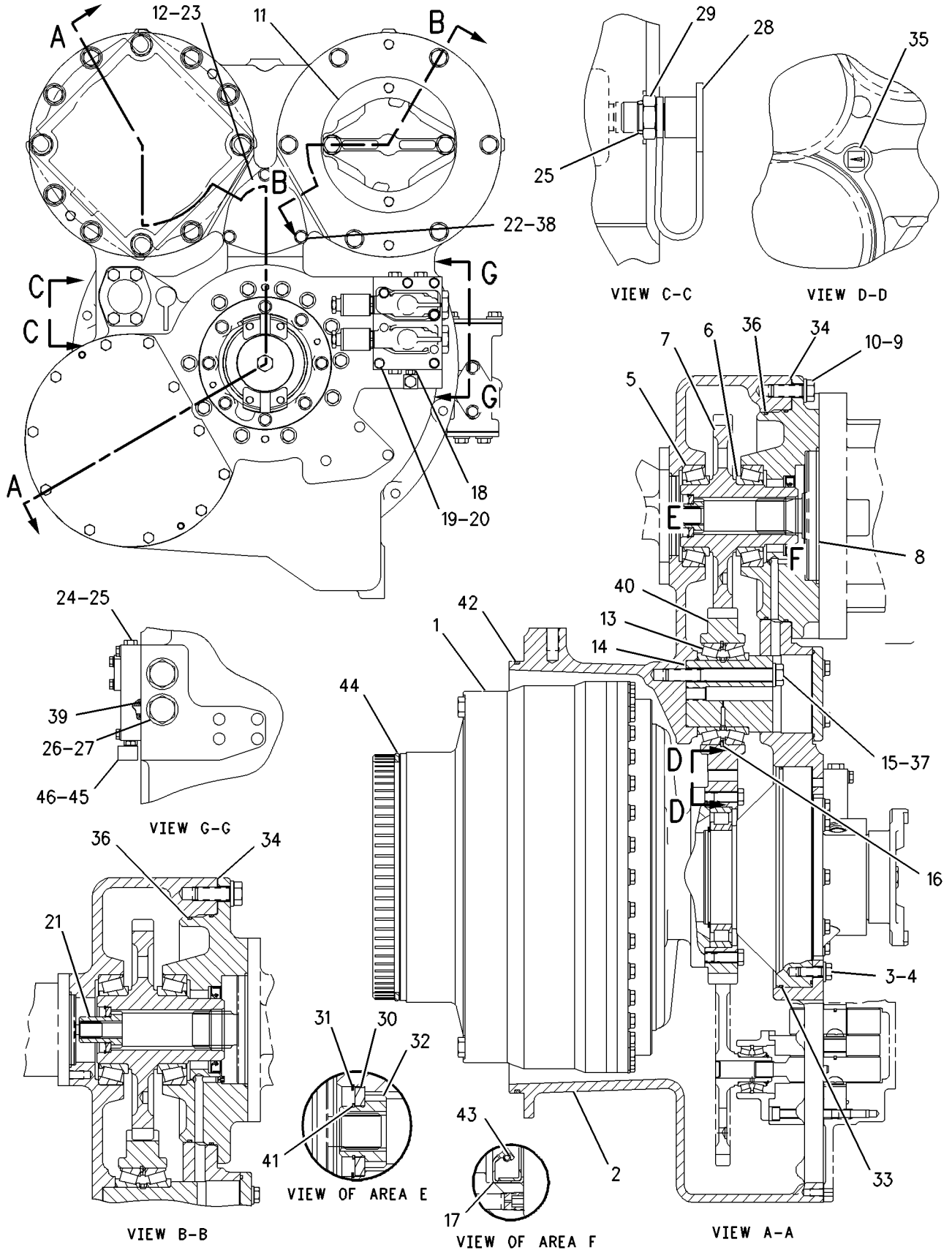
B - USE AS REQUIRED  
M - METRIC PART  
R - REMFG PART MAY BE AVAILABLE  
Y - SEPARATE ILLUSTRATION



# POWER TRAIN

126-5483 TORQUE CONVERTER & HOUSING GP (contd.)

i01643809



GRAPHIC #1

<END>

g00849640

# POWER TRAIN

## 126-5483 TORQUE CONVERTER & HOUSING GP-FREEWHEEL STATOR, LOCKUP\*R

S/N: BNH936-UP

PART OF 145-4225 TORQUE CONVERTER AR-LOCKUP  
AN ATTACHMENT

SMCS-3101, 3105

i02882209

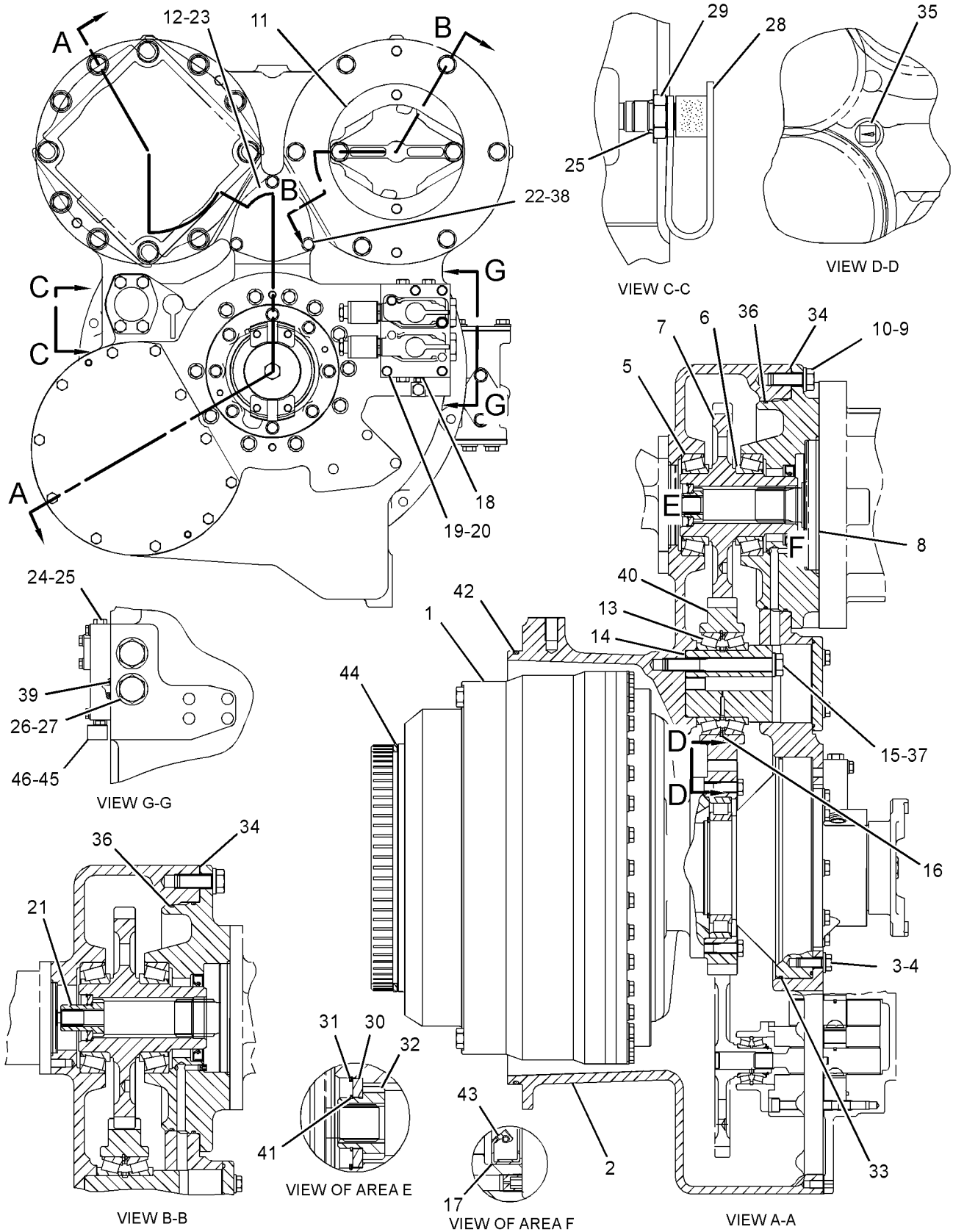
NOTE	REF NO	GRAPHIC REF	PART NUMBER	QTY	PART NAME 1 2 3 4 5 6 (PRODUCT LEVEL)	SEE PAGE
YR	1	1	231-2307	1	TORQUE CONVERTER GP (FREEWHEEL STATOR, LOCKUP)	558
	2	1	132-4454	1	HOUSING AS-TORQUE CONVERTER	
		1	1F-1006	2	DOWEL	
M	3	1	8T-4956	11	BOLT (M12X1.75X35-MM)	
	4	1	8T-4223	11	WASHER-HARD (13.5X25.5X3-MM THK)	
	5	1	5P-2503	4	CUP	
	6	1	5P-2504	4	CONE-BEARING	
	7	1	131-7419	2	GEAR-PUMP DRIVE	
	8	1	133-6588	1	ADAPTER-PUMP	
M	9	1	8T-7338	13	BOLT (M16X2X45-MM)	
	10	1	9X-8257	13	WASHER (17.5X30X3.5-MM THK)	
	11	1	133-7221	1	ADAPTER-PUMP	
	12	1	130-7093	1	COVER	
	13	1	6V-7423	1	BEARING AS-ROLLER	
	14	1	133-6347	1	SHAFT-IDLER	
M	15	1	6V-7675	1	BOLT (M16X2X140-MM)	
	16	1	5K-9065	1	RING-RETAINING	
	17	1	8J-6815	2	PLUG-ORIFICE	
	18	1	212-8739	1	MANIFOLD	
M	19	1	7X-0818	4	BOLT (M8X1.25X45-MM)	
	20	1	8T-4224	4	WASHER-HARD (8.8X16X2-MM THK)	
	21	1	132-4460	1	ADAPTER-SPLINED	
M	22	1	8T-4195	3	BOLT (M10X1.5X30-MM)	
	23	1	7M-9909	1	SEAL-O-RING	
	24	1	9S-4191	3	PLUG-O-RING	
	25	1	3J-1907	4	SEAL-O-RING	
	26	1	9S-4181	2	PLUG-O-RING	
	27	1	7M-8485	2	SEAL-O-RING	
	28	1	6V-0852	1	CAP-DUST	
	29	1	6V-3965	1	FITTING (QUICK DISCONNECT)	
	30	1	3S-1349	2	WASHER-HARD (31X52.5X6-MM THK)	
	31	1	6V-3935	2	RING-RETAINING	
	32	1	132-4455	1	ADAPTER	
	33	1	205-6051	2	SEAL-O-RING	
B	34	1	132-4458	2	SHIM PACK (INCLUDES 10-SHIMS)	
	35	1	133-9928	1	ADAPTER-LUBE	
	36	1	7D-1979	4	SEAL-O-RING	
	37	1	9X-8268	1	WASHER (17.5X30X3.5-MM THK)	
	38	1	8T-4121	3	WASHER-HARD (11X21X2.5-MM THK)	
	39	1	7L-9061	5	SEAL-O-RING	
	40	1	131-7418	1	GEAR-IDLER	
	41	1	8H-3981	2	RING-RETAINING	
	42	1	4H-6730	1	SEAL-O-RING	
	43	1	1D-4327	2	SEAL-LIP TYPE	
	44	1	1T-1639	1	RING	
	45	1	3J-7354	1	SEAL-O-RING	
	46	1	135-9941	1	ADAPTER	
F		1	7X-7816	1	PLATE-SERIAL NUMBER	

B - USE AS REQUIRED  
 F - NOT SHOWN  
 M - METRIC PART  
 R - REMFG PART MAY BE AVAILABLE  
 Y - SEPARATE ILLUSTRATION

# POWER TRAIN

126-5483 TORQUE CONVERTER & HOUSING GP (contd.)

i02882209



GRAPHIC #1

<END>

g01435616

# POWER TRAIN

## 128-5303 TORQUE CONVERTER & HOUSING GP\*R

S/N: BNH1-UP

PART OF 147-1155 TORQUE CONVERTER AR  
AN ATTACHMENT

SMCS-3101, 3105

i03539223

NOTE	REF NO	GRAPHIC REF	PART NUMBER	QTY	PART NAME						SEE PAGE
					1	2	3	4	5	6 (PRODUCT LEVEL)	
YR	1	2	128-5302	1	TORQUE CONVERTER GP						552
	2	2	132-4454	1	HOUSING AS-TORQUE CONVERTER						
			1F-1006	2	DOWEL						
M	3	2	8T-4956	11	BOLT (M12X1.75X35-MM)						
	4	2	8T-4223	11	WASHER-HARD (13.5X25.5X3-MM THK)						
	5	2	5P-2503	4	CUP						
	6	2	5P-2504	4	CONE-BEARING						
	7	2	131-7419	2	GEAR-PUMP DRIVE						
	8	2	133-6588	1	ADAPTER-PUMP						
M	9	2	8T-7338	13	BOLT (M16X2X45-MM)						
	10	2	9X-8257	13	WASHER (17.5X30X3.5-MM THK)						
	11	1	133-7221	1	ADAPTER-PUMP						
	12	1	130-7093	1	COVER						
	13	2	6V-7423	1	BEARING AS-ROLLER						
	14	2	133-6347	1	SHAFT-IDLER						
M	15	2	6V-7675	1	BOLT (M16X2X140-MM)						
	16	2	5K-9065	1	RING-RETAINING						
	17	2	8J-6815	2	PLUG-ORIFICE						
	18	1	323-4071	1	MANIFOLD						
M	19	1	8T-6912	4	BOLT (M8X1.25X50-MM)						
	20	1	8T-4224	6	WASHER-HARD (8.8X16X2-MM THK)						
	21	1	132-4460	1	ADAPTER-SPLINED						
M	22	1	8T-4195	3	BOLT (M10X1.5X30-MM)						
	23	1	7M-9909	1	SEAL-O-RING						
	24	1	9S-4191	3	PLUG-O-RING						
	25	1	3J-1907	4	SEAL-O-RING						
	26	1	9S-4181	2	PLUG-O-RING						
	27	1	7M-8485	2	SEAL-O-RING						
	28	1	6V-0852	1	CAP-DUST						
	29	1	6V-3965	1	FITTING (QUICK DISCONNECT)						
	30	2	3S-1349	2	WASHER-HARD (31X52.5X6-MM THK)						
	31	2	6V-3935	2	RING-RETAINING						
	32	2	132-4455	1	ADAPTER						
	33	2	205-6051	2	SEAL-O-RING						
B	34	1,2	132-4458	2	SHIM PACK (INCLUDES 10-SHIMS)						
	35	2	133-9928	1	ADAPTER-LUBE						
	36	1,2	7D-1979	4	SEAL-O-RING						
	37	2	2S-5658	1	WASHER-HARD (17X29X3-MM THK)						
	38	1	8T-4121	3	WASHER-HARD (11X21X2.5-MM THK)						
	39	1	7L-9061	5	SEAL-O-RING						
	40	2	131-7418	1	GEAR-IDLER						
	41	2	8H-3981	2	RING-RETAINING						
	42	2	4H-6730	1	SEAL-O-RING						
	43	2	1D-4327	2	SEAL-LIP TYPE						
	44	2	1T-1639	1	RING						
	45	1	126-3883	1	COVER						
	46	1	6D-7889	1	SEAL-O-RING						
M	47	1	8T-4908	2	BOLT (M8X1.25X25-MM)						
F			7X-7816	1	PLATE-SERIAL NUMBER						

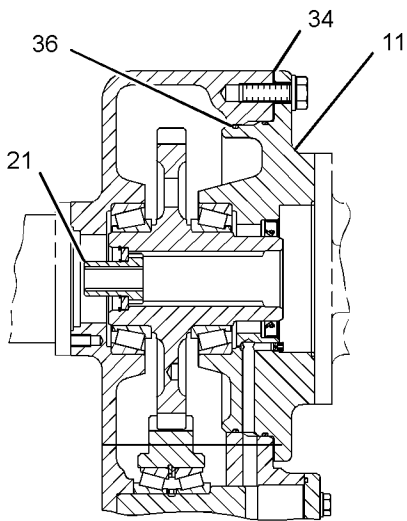
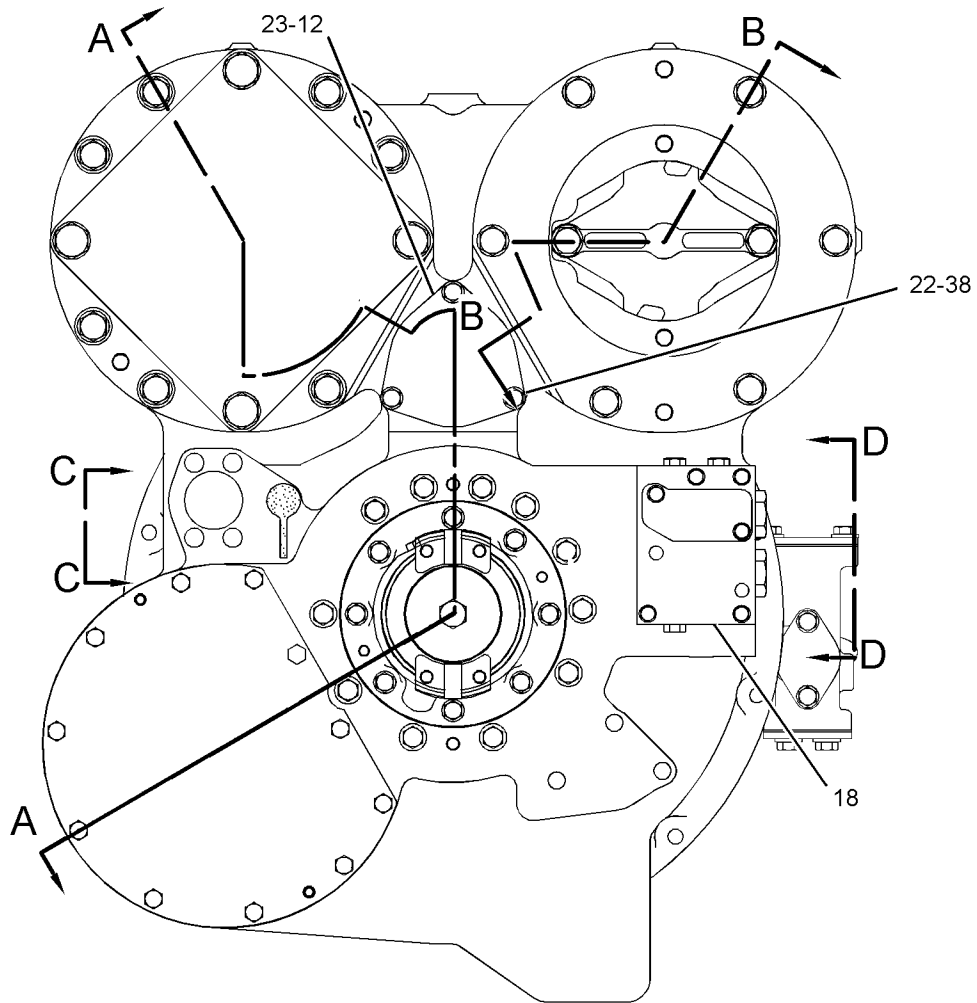
B - USE AS REQUIRED  
 F - NOT SHOWN  
 M - METRIC PART  
 R - REMFG PART MAY BE AVAILABLE  
 Y - SEPARATE ILLUSTRATION

# POWER TRAIN

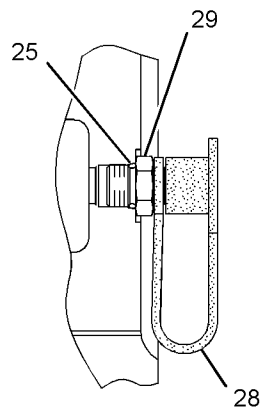
128-5303 TORQUE CONVERTER & HOUSING GP (contd.)

i03539223

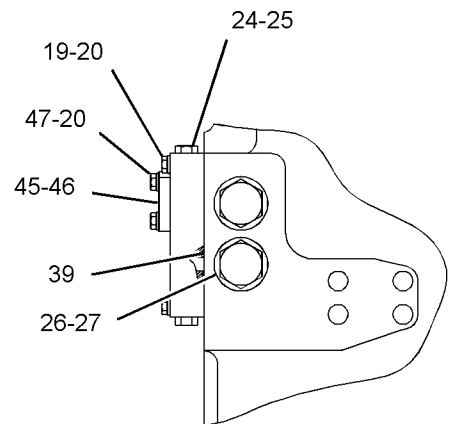
REFER TO ALL ILLUSTRATIONS OF THIS GROUP FOR AUXILIARY VIEWS



SECTION B-B



VIEW C-C



VIEW D-D

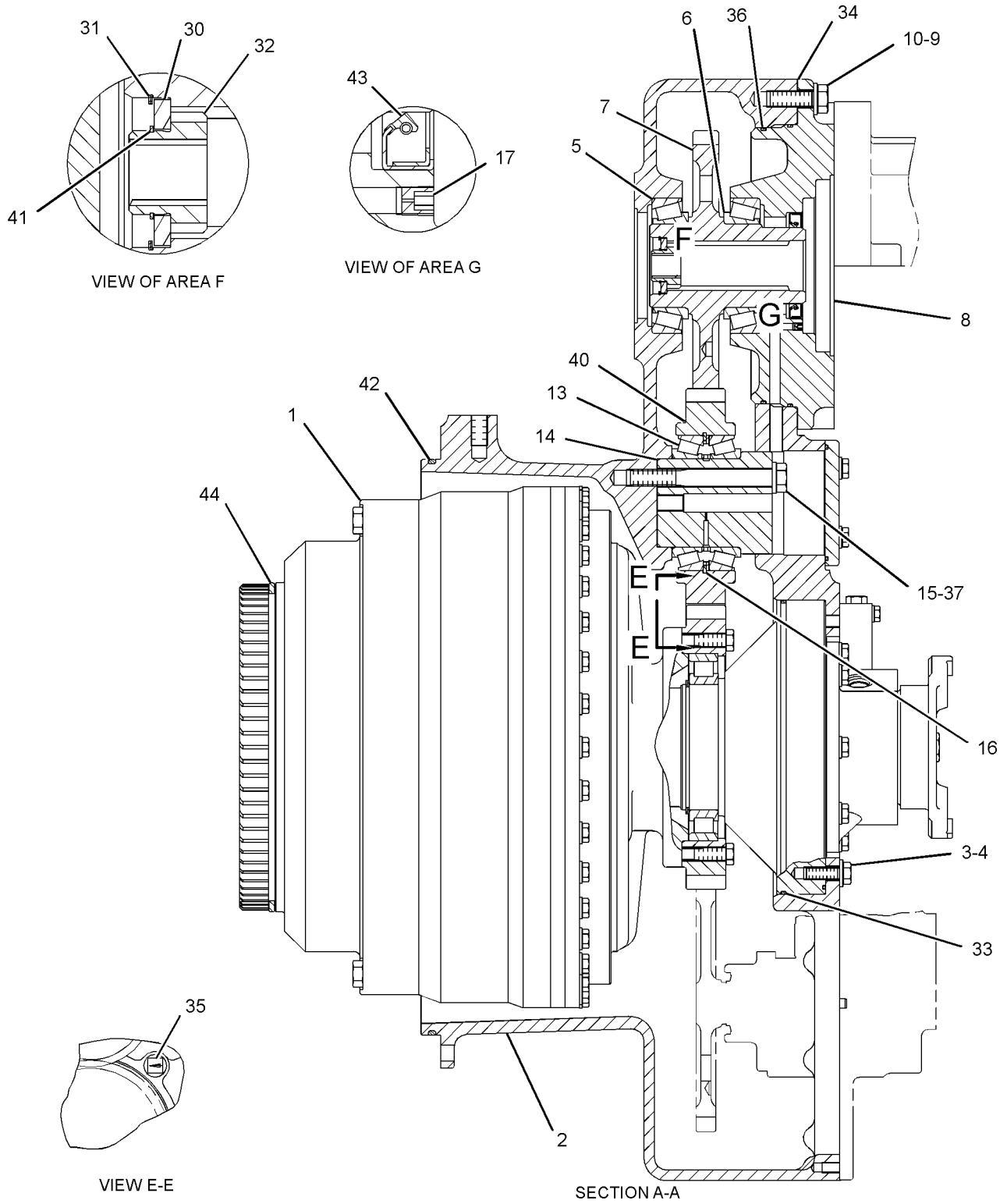
GRAPHIC #1

g01780753

# POWER TRAIN

128-5303 TORQUE CONVERTER & HOUSING GP (contd.)

i03539223



GRAPHIC #2

<END>

g01780754

# POWER TRAIN

## 147-1155 TORQUE CONVERTER AR

S/N: BNH1-UP  
AN ATTACHMENT

SMCS-3101

i01105697

NOTE	PART NUMBER	QTY	PART NAME 1 2 3 4 5 6 (PRODUCT LEVEL)	SEE PAGE
Y	128-5303	1	TORQUE CONVERTER & HOUSING GP	546

Y - SEPARATE ILLUSTRATION

<END>

## 145-4225 TORQUE CONVERTER AR-LOCKUP\*R

S/N: BNH1-UP  
AN ATTACHMENT

SMCS-3101

i01643408

NOTE	PART NUMBER	QTY	PART NAME 1 2 3 4 5 6 (PRODUCT LEVEL)	SEE PAGE
Y	208-0545	1	SWITCH GP-ROCKER (TORQUE CONVERTER LOCKUP CLUTCH) (TORQUE CONVERTER LOCKUP)	351
YR	126-5483	1	TORQUE CONVERTER & HOUSING GP (FREEWHEEL STATOR, LOCKUP)	542
Y	164-4856	1	VALVE & MTG GP-LOCKUP CLUTCH	567

R - REMFG PART MAY BE AVAILABLE

Y - SEPARATE ILLUSTRATION

<END>

# POWER TRAIN

## 126-5482 TORQUE CONVERTER GP-FREEWHEEL STATOR, LOCKUP\*R

S/N: 5ZT1-935

PART OF 126-5483 TORQUE CONVERTER & HOUSING GP  
AN ATTACHMENT

SMCS-3101

i01984650

NOTE	REF NO	GRAPHIC REF	PART NUMBER	QTY	PART NAME						SEE PAGE
					1	2	3	4	5	6 (PRODUCT LEVEL)	
	1	1	128-8795	1	CARRIER-STATOR						
	2	1	132-4452	1	GASKET						
	3	1	129-0822	1	RETAINER-BEARING						
M	4	1	8T-4195	8	BOLT (M10X1.5X30-MM)						
	5	1	8T-4121	8	WASHER-HARD (11X21X2.5-MM THK)						
	6	1	9X-4605	1	SEAL-LIP TYPE						
	7	1	155-2077	1	YOKE						
	8	1	8M-4989	1	SEAL-O-RING						
M	9	1	7X-2555	1	BOLT (M16X2X80-MM)						
	10	1	9S-4372	1	RETAINER						
	11	1	7F-6013	1	BALL BEARING						
	12	1	8J-6815	1	PLUG-ORIFICE						
	13	1	6Y-1414	1	CARRIER-RING						
	14	1	3T-6246	4	RING-SEAL						
	15	1	133-7134	1	RACE-BEARING						
	16	1	133-7133	1	RACE-ROLLER						
	17	1	6H-6043	1	RING-RETAINING						
M	18	1	8T-1158	8	BOLT-SOCKET HEAD (M8X1.25X20-MM)						
	19	1	132-4451	1	PISTON-CLUTCH						
	20	1	132-4450	1	HOUSING AS-CLUTCH						
			0L-2061	2	DOWEL						
	21	1	128-8704	1	PLATE-REACTION						
	22	1	9P-6476	1	IMPELLER-CONVERTER						
M	23	1	6V-5684	12	BOLT (M12X1.75X45-MM)						
	24	1	5P-8245	12	WASHER-HARD (13.5X25.5X3-MM THK)						
	25	1	6Y-0806	1	HUB-IMPELLER						
	26	1	6Y-0803	1	STATOR-CONVERTER						
	27	1	2P-4470	1	TURBINE-CONVERTER						
	28	1	9S-4185	2	PLUG-O-RING						
	29	1	8L-2786	2	SEAL-O-RING						
	30	1	6P-9553	1	PLATE-CLUTCH BACKING						
	31	1	1T-1315	2	PLATE-CLUTCH						
	32	1	1T-0887	2	DISC AS-CLUTCH						
	33	1	1T-1426	1	PISTON-LOCKUP CLUTCH						
	34	1	6Y-0802	1	ADAPTER-CLUTCH						
	35	1	128-7348	1	HUB						
M	36	1	6V-4248	8	BOLT (M10X1.5X25-MM)						
	37	1	1T-1356	1	RING-SEAL						
	38	1	6V-9191	1	BALL BEARING						
	39	1	1T-1616	1	WASHER-SPRING (54.9X86.4X6.1-MM)						
	40	1	132-4457	1	COVER						
	41	1	1T-1617	1	PLATE-RETAINER						
	42	1	1T-0895	1	RING-RETAINING						
	43	1	1T-0936	1	PLUG-PIPE						
M	44	1	8T-0273	24	BOLT-SOCKET HEAD (M12X1.75X40-MM)						
	45	1	8S-3371	1	RING-SEAL						
	46	1	7G-0141	2	RING-SEAL						
	47	1	1T-0847	1	LOCK PIN						
	48	1	9S-4368	2	RING-RETAINING						
	49	1	128-7349	1	HOUSING-CLUTCH						
	50	1	1T-1910	2	PLATE						
	51	1	1T-1423	1	CAM-FREEWHEEL						
	52	1	9U-9100	1	RACE-FREEWHEEL						
	53	1	1T-0795	3	RING-RETAINING						
	54	1	1T-1401	1	RING-SEAL						
	55	1	8E-8328	2	DISC-FRICTION						
	56	1	1T-1897	1	PLATE-CLUTCH						
M	57	1	6V-5843	36	BOLT (M10X1.5X45-MM)						



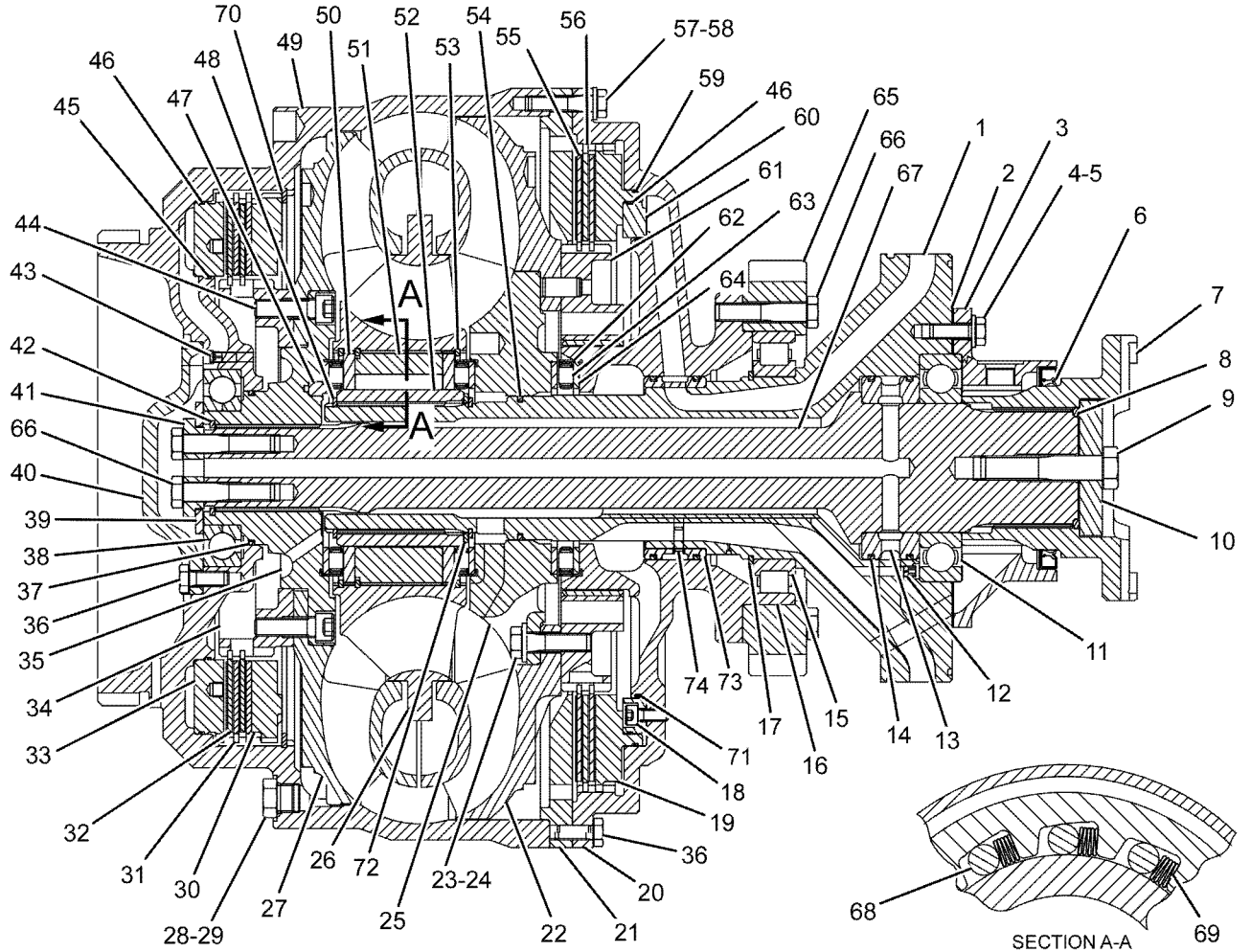
# POWER TRAIN

126-5482 TORQUE CONVERTER GP (contd.)

i01984650

NOTE	REF NO	GRAPHIC REF	PART NUMBER	QTY	PART NAME						SEE PAGE
					1	2	3	4	5	6 (PRODUCT LEVEL)	
	58	1	6V-5839	36	WASHER (11X21X2.5-MM THK)						
	59	1	3S-1284	1	RING-SEAL						
	60	1	132-4463	1	SLEEVE						
	61	1	133-5587	1	ADAPTER AS						
			8E-2882	1	BUSHING						
			9M-4007	2	DOWEL						
	62	1	1T-0806	3	RETAINER-BEARING						
	63	1	1T-0786	3	BEARING-THRUST						
	64	1	1T-0807	4	RACE-THRUST BEARING						
	65	1	131-7417	1	GEAR-DRIVE (57-TEETH)						
M	66	1	6V-3823	14	BOLT (M12X1.75X60-MM)						
	67	1	127-1001	1	SHAFT-OUTPUT						
	68	1	1T-1410	13	ROLLER-FREEWHEEL						
	69	1	1T-0680	13	SPRING-FREEWHEEL						
	70	1	1T-0896	1	RING-RETAINING						
	71	1	2R-0239	1	SEAL-O-RING						
	72	1	172-0084	1	SPACER (85.64X98X3-MM THK)						
	73	1	108-4441	1	CARRIER-RING						
	74	1	2H-2255	1	DOWEL						

M - METRIC PART



GRAPHIC #1

<END>

g01056822

# POWER TRAIN

## 128-5302 TORQUE CONVERTER GP\*R

S/N: 6AT1-828

PART OF 128-5303 TORQUE CONVERTER & HOUSING GP  
AN ATTACHMENT

SMCS-3101

i01984625

NOTE	REF NO	GRAPHIC REF	PART NUMBER	QTY	PART NAME						SEE PAGE
					1	2	3	4	5	6 (PRODUCT LEVEL)	
	1	1	129-1598	1	CARRIER-SEAL						
	2	1	3T-6246	3	RING-SEAL						
	3	1	132-4452	1	GASKET						
	4	1	129-0822	1	RETAINER-BEARING						
M	5	1	8T-4195	8	BOLT (M10X1.5X30-MM)						
	6	1	8T-4121	8	WASHER-HARD (11X21X2.5-MM THK)						
	7	1	9X-4605	1	SEAL-LIP TYPE						
	8	1	155-2077	1	YOKE						
	9	1	8M-4989	1	SEAL-O-RING						
	10	1	9S-4372	1	RETAINER						
M	11	1	7X-2555	1	BOLT (M16X2X80-MM)						
	12	1	7F-6013	1	BALL BEARING						
	13	1	8J-6815	1	PLUG-ORIFICE						
	14	1	128-8795	1	CARRIER-STATOR						
	15	1	133-7134	1	RACE-BEARING						
	16	1	133-7133	1	RACE-ROLLER						
	17	1	131-7417	1	GEAR-DRIVE (57-TEETH)						
	18	1	6H-6043	1	RING-RETAINING						
M	19	1	8T-1158	8	BOLT-SOCKET HEAD (M8X1.25X20-MM)						
	20	1	3S-1284	1	RING-SEAL						
	21	1	8E-8328	2	DISC-FRICTION						
	22	1	1T-1897	1	PLATE-CLUTCH						
	23	1	128-8704	1	PLATE-REACTION						
M	24	1	6V-5684	12	BOLT (M12X1.75X45-MM)						
	25	1	5P-8245	36	WASHER-HARD (13.5X25.5X3-MM THK)						
	26	1	6Y-0806	1	HUB-IMPELLER						
	27	1	2P-4470	1	TURBINE-CONVERTER						
	28	1	9S-4185	2	PLUG-O-RING						
	29	1	8L-2786	2	SEAL-O-RING						
M	30	1	6V-3668	24	BOLT (M12X1.75X30-MM)						
	31	1	9S-4368	2	RING-RETAINING						
	32	1	1T-0806	4	RETAINER-BEARING						
	33	1	1T-0786	4	BEARING-THRUST						
	34	1	1T-0807	6	RACE-THRUST BEARING						
	35	1	128-7115	1	HUB						
	36	1	128-7116	1	SHAFT-OUTPUT						
	37	1	128-7114	1	HOUSING AS						
		1	1T-0766	1	BUSHING						
	38	1	1T-0795	3	RING-RETAINING						
	39	1	1T-0787	2	PLATE						
	40	1	133-6589	1	ADAPTER-STATOR						
	41	1	6Y-0803	1	STATOR-CONVERTER						
	42	1	9P-6476	1	IMPELLER-CONVERTER						
	43	1	1T-1401	1	RING-SEAL						
	44	1	132-4450	1	HOUSING AS-CLUTCH						
		1	0L-2061	2	DOWEL						
M	45	1	6V-5843	36	BOLT (M10X1.5X45-MM)						
	46	1	6V-5839	36	WASHER (11X21X2.5-MM THK)						
	47	1	132-4451	1	PISTON-CLUTCH						
	48	1	7G-0141	1	RING-SEAL						
	49	1	132-4463	1	SLEEVE						
	50	1	133-5587	1	ADAPTER AS						
		1	8E-2882	1	BUSHING						
		1	9M-4007	2	DOWEL						
M	51	1	6V-3823	12	BOLT (M12X1.75X60-MM)						
M	52	1	6V-4248	2	BOLT (M10X1.5X25-MM)						
	53	1	2R-0239	1	SEAL-O-RING						
	54	1	172-0084	1	SPACER (85.64X98X3-MM THK)						

# POWER TRAIN

128-5302 TORQUE CONVERTER GP (contd.)

i01984625

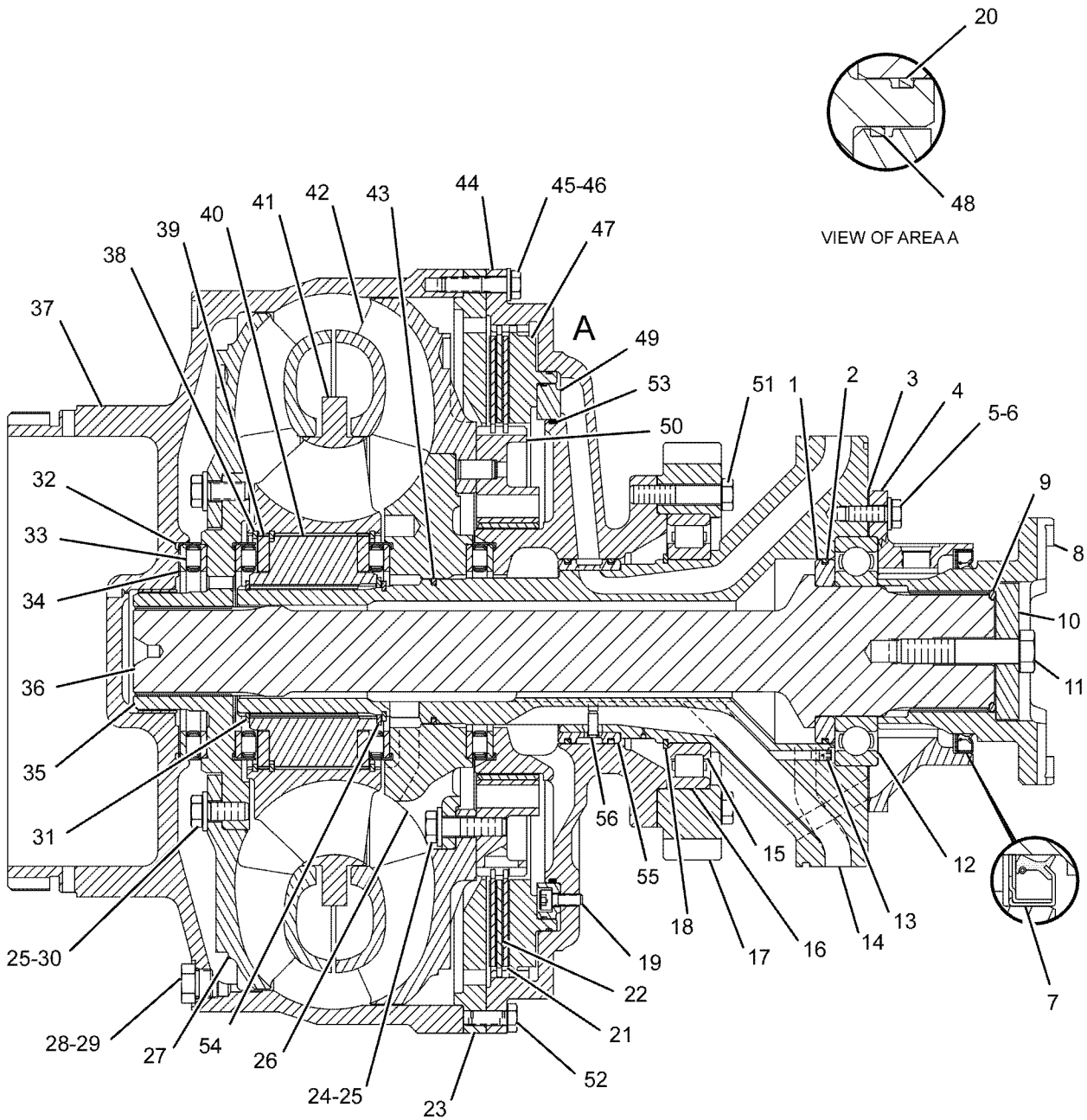
NOTE	REF NO	GRAPHIC REF	PART NUMBER	QTY	PART NAME						SEE PAGE
					1	2	3	4	5	6 (PRODUCT LEVEL)	
	55	1	108-4441	1	CARRIER-RING						
	56	1	2H-2255	1	DOWEL						

M - METRIC PART

# POWER TRAIN

128-5302 TORQUE CONVERTER GP (contd.)

i01984625



GRAPHIC #1

<END>

g01074534

# POWER TRAIN

## 128-5302 TORQUE CONVERTER GP\*R

S/N: 6AT829-UP

PART OF 128-5303 TORQUE CONVERTER & HOUSING GP  
AN ATTACHMENT

SMCS-3101

i04528389

NOTE	REF NO	GRAPHIC REF	PART NUMBER	QTY	PART NAME						SEE PAGE
					1	2	3	4	5	6 (PRODUCT LEVEL)	
	1	1	129-1598	1	CARRIER-SEAL						
	2	1	3T-6246	3	RING-SEAL						
	3	1	132-4452	1	GASKET						
	4	1	129-0822	1	RETAINER-BEARING						
M	5	1	8T-4195	8	BOLT (M10X1.5X30-MM)						
	6	1	8T-4121	8	WASHER-HARD (11X21X2.5-MM THK)						
	7	1	9X-4605	1	SEAL-LIP TYPE						
	8	1	155-2077	1	YOKE						
	9	1	8M-4989	1	SEAL-O-RING						
	10	1	9S-4372	1	RETAINER						
M	11	1	7X-2555	1	BOLT (M16X2X80-MM)						
	12	1	6V-9176	1	BALL BEARING						
	13	1	8J-6815	1	PLUG-ORIFICE						
	14	1	128-8795	1	CARRIER-STATOR						
	15	1	133-7134	1	RACE-BEARING						
	16	1	133-7133	1	RACE-ROLLER						
	17	1	131-7417	1	GEAR-DRIVE (57-TEETH)						
	18	1	6H-6043	1	RING-RETAINING						
M	19	1	8T-1158	8	BOLT-SOCKET HEAD (M8X1.25X20-MM)						
	20	1	3S-1284	1	RING-SEAL						
	21	1	336-9318	2	DISC-FRICTION						
	22	1	1T-1897	1	PLATE-CLUTCH						
	23	1	128-8704	1	PLATE-REACTION						
M	24	1	6V-5684	12	BOLT (M12X1.75X45-MM)						
	25	1	5P-8245	36	WASHER-HARD (13.5X25.5X3-MM THK)						
	26	1	6Y-0806	1	HUB-IMPELLER						
	27	1	2P-4470	1	TURBINE-CONVERTER						
M	30	1	6V-3668	24	BOLT (M12X1.75X30-MM)						
	31	1	9S-4368	2	RING-RETAINING						
	32	1	1T-0806	4	RETAINER-BEARING						
	33	1	1T-0786	4	BEARING-THRUST						
	34	1	1T-0807	6	RACE-THRUST BEARING						
	35	1	128-7115	1	HUB						
	36	1	128-7116	1	SHAFT-OUTPUT						
C	37	1	235-2418	1	HOUSING AS						
		1	1T-0766	1	BUSHING						
	38	1	1T-0795	3	RING-RETAINING						
	39	1	1T-0787	2	PLATE						
	40	1	133-6589	1	ADAPTER-STATOR						
	41	1	6Y-0803	1	STATOR-CONVERTER						
	42	1	9P-6476	1	IMPELLER-CONVERTER						
	43	1	1T-1401	1	RING-SEAL						
	44	1	132-4450	1	HOUSING AS-CLUTCH						
		1	0L-2061	2	DOWEL						
M	45	1	6V-5843	36	BOLT (M10X1.5X45-MM)						
	46	1	6V-5839	36	WASHER (11X21X2.5-MM THK)						
	47	1	132-4451	1	PISTON-CLUTCH						
	48	1	7G-0141	1	RING-SEAL						
	49	1	132-4463	1	SLEEVE						
	50	1	133-5587	1	ADAPTER AS						
		1	8E-2882	1	BUSHING						
		1	9M-4007	2	DOWEL						
M	51	1	6V-3823	12	BOLT (M12X1.75X60-MM)						
M	52	1	6V-4248	2	BOLT (M10X1.5X25-MM)						
	53	1	2R-0239	1	SEAL-O-RING						
	54	1	172-0084	1	SPACER (85.64X98X3-MM THK)						
	55	1	108-4441	1	CARRIER-RING						
	56	1	2H-2255	1	DOWEL						

# POWER TRAIN

128-5302 TORQUE CONVERTER GP (contd.)

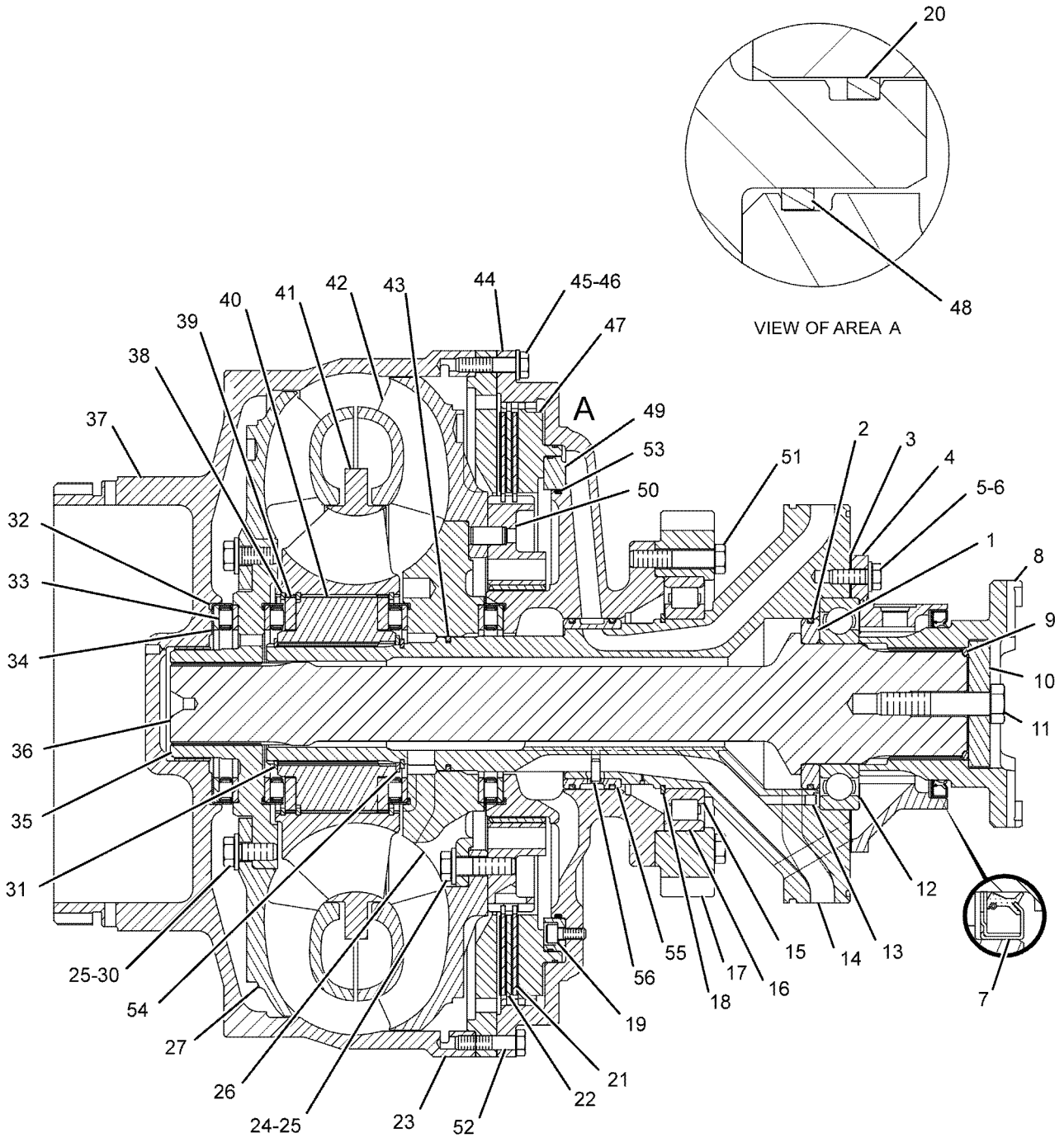
i04528389

NOTE	REF NO	GRAPHIC REF	PART NUMBER	QTY	PART NAME						SEE PAGE
					1	2	3	4	5	6 (PRODUCT LEVEL)	
C - CHANGE FROM PREVIOUS TYPE											
M - METRIC PART											

# POWER TRAIN

128-5302 TORQUE CONVERTER GP (contd.)

i04528389



GRAPHIC #1

<END>

g01128839

# POWER TRAIN

## 231-2307 TORQUE CONVERTER GP-LOCKUP\*R

S/N: TCR1-UP

PART OF 126-5483 TORQUE CONVERTER & HOUSING GP  
AN ATTACHMENT

SMCS-3101

i03353240

NOTE	REF NO	GRAPHIC REF	PART NUMBER	QTY	PART NAME						SEE PAGE
					1	2	3	4	5	6 (PRODUCT LEVEL)	
	1	1,2	1T-0787	2	PLATE						
	2	1,2	1T-0795	3	RING-RETAINING						
	3	1,2	1T-0806	3	RETAINER-BEARING						
	4	1,2	1T-0807	4	RACE-THRUST BEARING						
	5	1	1T-0847	1	LOCK PIN						
	6	1	1T-0887	2	DISC AS-CLUTCH						
	7	1	1T-0895	1	RING-RETAINING						
	8	1	1T-0896	1	RING-RETAINING						
	9	1	1T-0936	1	PLUG-PIPE						
	10	1	1T-1315	2	PLATE-CLUTCH						
	11	2	1T-1401	1	RING-SEAL						
	12	1	1T-1426	1	PISTON-LOCKUP CLUTCH						
	13	1	1T-1617	1	PLATE-RETAINER						
	14	2	1T-1897	1	PLATE-CLUTCH						
	15	1	2P-4470	1	TURBINE-CONVERTER						
	16	2	2R-0239	1	SEAL-O-RING						
	17	2	3S-1284	1	RING-SEAL						
	18	3	3T-6246	4	RING-SEAL						
	19	1	6P-9553	1	PLATE-CLUTCH BACKING						
	20	1	6Y-0802	1	ADAPTER-CLUTCH						
	21	2	6Y-0803	1	STATOR-CONVERTER						
	22	2	6Y-0806	1	HUB-IMPELLER						
	23	3	6Y-1414	1	CARRIER-RING						
	24	1,2	7G-0141	2	RING-SEAL						
	25	2	8E-8328	2	DISC-FRICTION						
	26	3	8J-6815	1	PLUG-ORIFICE						
	27	1	8S-3371	1	RING-SEAL						
	28	2	9P-6476	1	IMPELLER-CONVERTER						
	29	3	9S-4372	1	RETAINER						
	30	3	108-4441	1	CARRIER-RING						
	31	3	127-1001	1	SHAFT-OUTPUT						
	32	1	128-7348	1	HUB						
	33	2	128-8704	1	PLATE-REACTION						
	34	3	128-8795	1	CARRIER-STATOR						
	35	3	129-0822	1	RETAINER-BEARING						
	36	3	131-7417	1	GEAR-DRIVE (57-TEETH)						
	37	2	132-4450	1	HOUSING AS-CLUTCH						
		2	0L-2061	2	DOWEL						
	38	2	132-4451	1	PISTON-CLUTCH						
	39	3	132-4452	1	GASKET						
	40	1	132-4457	1	COVER						
	41	2	132-4463	1	SLEEVE						
	42	2	133-5587	1	ADAPTER AS						
		2	8E-2882	1	BUSHING						
		2	9M-4007	2	DOWEL						
	43	3	155-2077	1	YOKE						
	44	1	235-2415	1	HOUSING-CLUTCH						
	45	2	304-8401	1	ADAPTER-STATOR						
	46	3	133-7133	1	RACE-ROLLER						
	47	3	133-7134	1	RACE-BEARING						
	48	1,2	1T-0786	3	BEARING-THRUST						
	49	1	1T-1356	1	RING-SEAL						
	50	1	1T-1616	1	WASHER-SPRING (54.9X86.4X6.1-MM)						
	51	3	2H-2255	1	DOWEL						
	52	2	5P-8245	12	WASHER-HARD (13.5X25.5X3-MM THK)						
	53	3	6H-6043	1	RING-RETAINING						
M	54	1,3	6V-3823	14	BOLT (M12X1.75X60-MM)						
M	55	1	6V-4248	8	BOLT (M10X1.5X25-MM)						



# POWER TRAIN

231-2307 TORQUE CONVERTER GP (contd.)

i03353240

NOTE	REF NO	GRAPHIC REF	PART NUMBER	QTY	PART NAME						SEE PAGE
					1	2	3	4	5	6 (PRODUCT LEVEL)	
M	56	2	<b>6V-5684</b>	12	BOLT (M12X1.75X45-MM)						
	57	2	<b>6V-5839</b>	36	WASHER (11X21X2.5-MM THK)						
M	58	2	<b>6V-5843</b>	36	BOLT (M10X1.5X45-MM)						
	59	1	<b>309-8477</b>	1	BALL BEARING						
	60	3	<b>7F-6013</b>	1	BALL BEARING						
M	61	3	<b>7X-2555</b>	1	BOLT (M16X2X80-MM)						
	62	3	<b>8M-4989</b>	1	SEAL-O-RING						
M	63	1	<b>8T-0273</b>	24	BOLT-SOCKET HEAD (M12X1.75X40-MM)						
M	64	2	<b>8T-1158</b>	8	BOLT-SOCKET HEAD (M8X1.25X20-MM)						
	65	3	<b>8T-4121</b>	8	WASHER-HARD (11X21X2.5-MM THK)						
M	66	3	<b>8T-4195</b>	8	BOLT (M10X1.5X30-MM)						
	67	1,2	<b>9S-4368</b>	2	RING-RETAINING						
	68	3	<b>9X-4605</b>	1	SEAL-LIP TYPE						

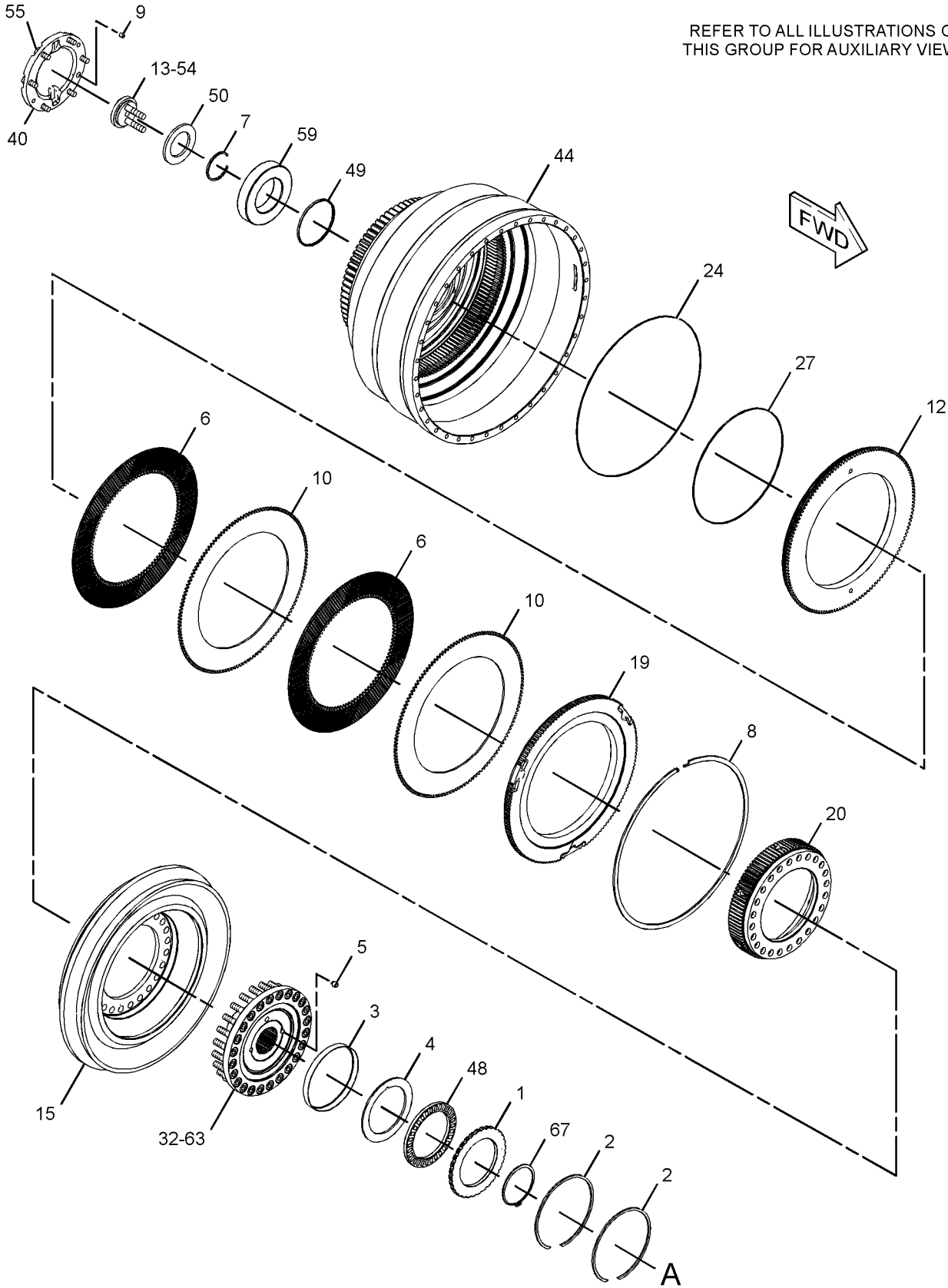
M - METRIC PART

# POWER TRAIN

231-2307 TORQUE CONVERTER GP (contd.)

i03353240

REFER TO ALL ILLUSTRATIONS OF THIS GROUP FOR AUXILIARY VIEWS



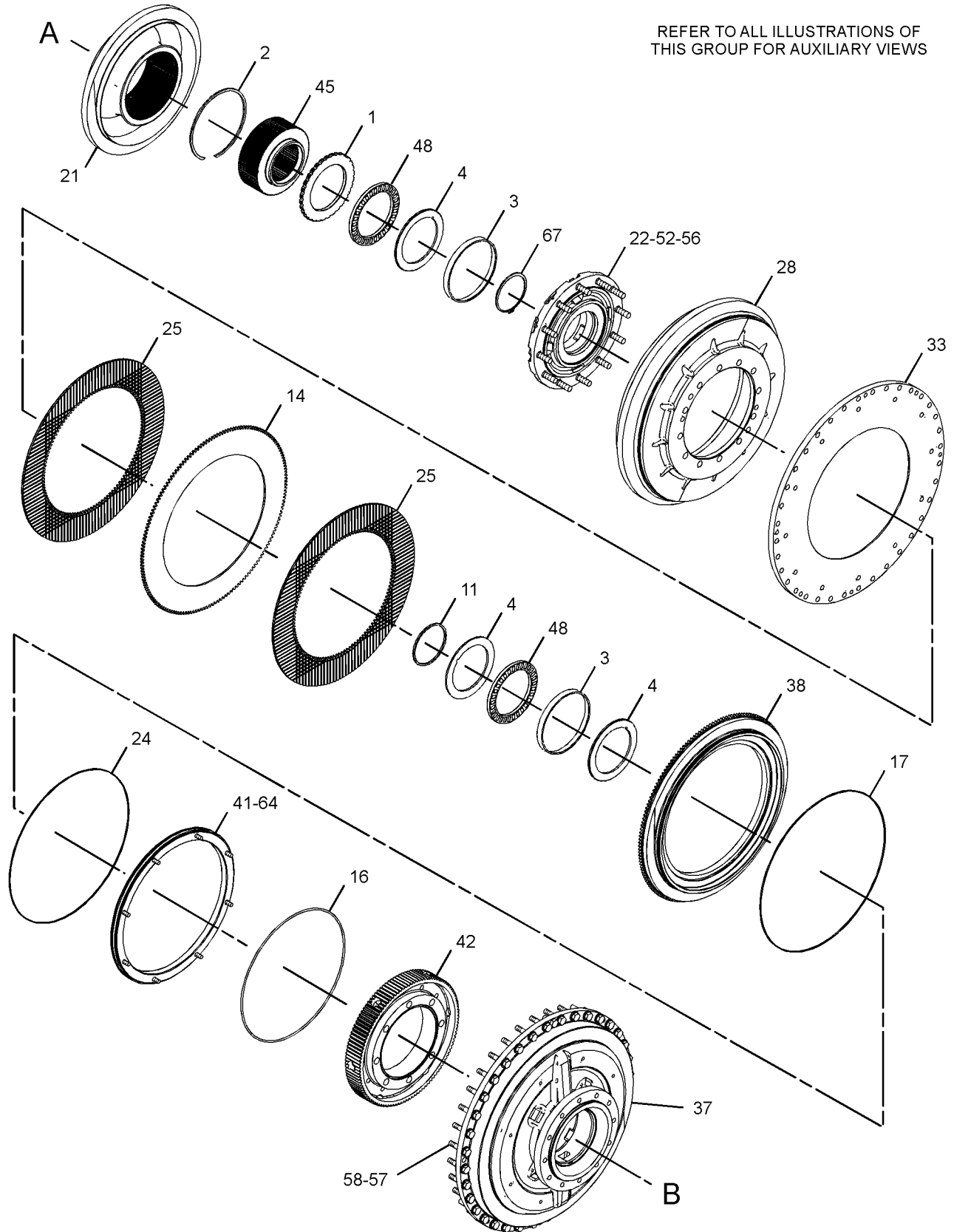
GRAPHIC #1

g01357337

# POWER TRAIN

231-2307 TORQUE CONVERTER GP (contd.)

i03353240



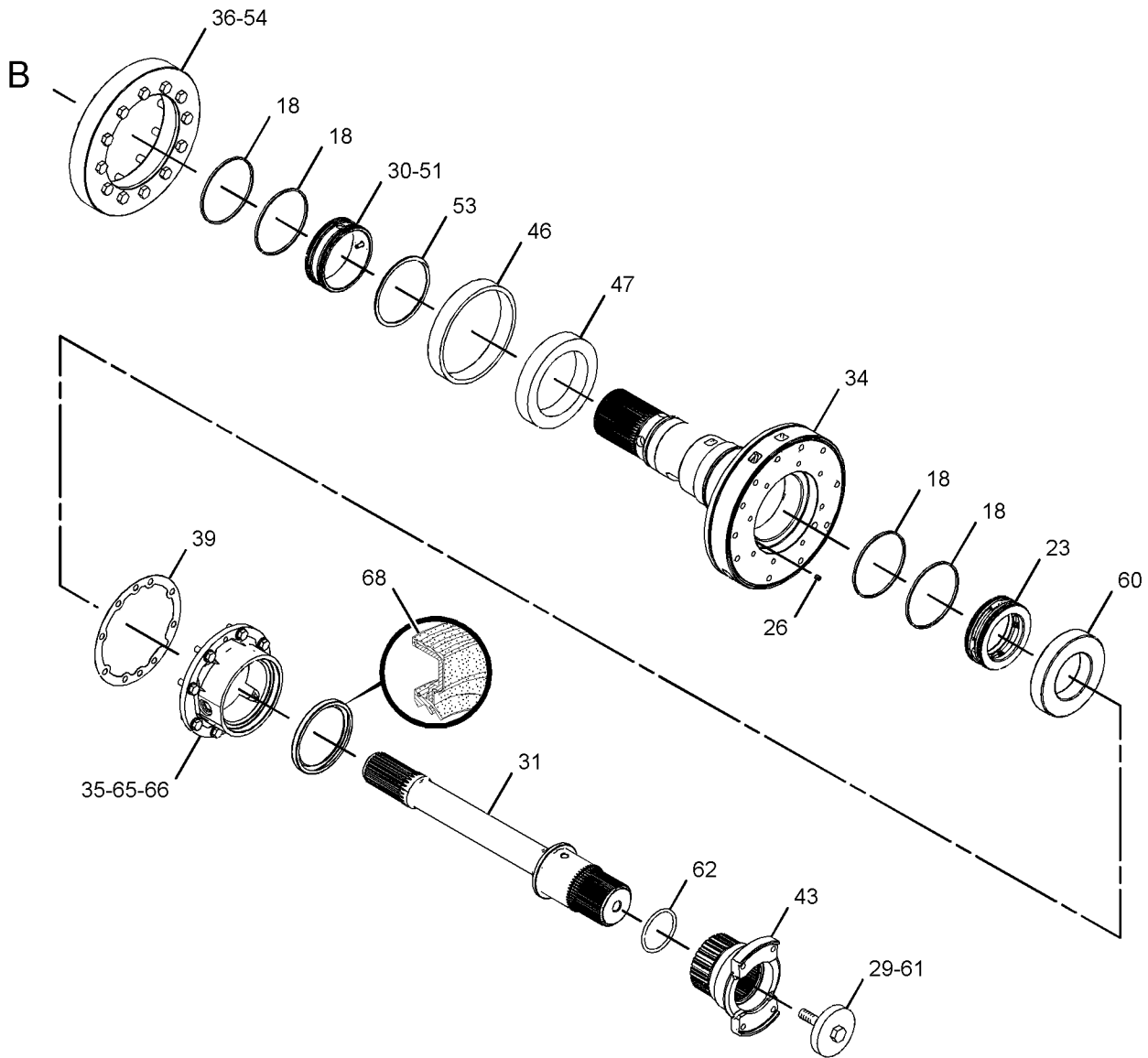
GRAPHIC #2

g01357338

# POWER TRAIN

231-2307 TORQUE CONVERTER GP (contd.)

i03353240



GRAPHIC #3

<END>

g01357339

# POWER TRAIN

## 192-2914 TRANSMISSION AR

S/N: BJW1-UP

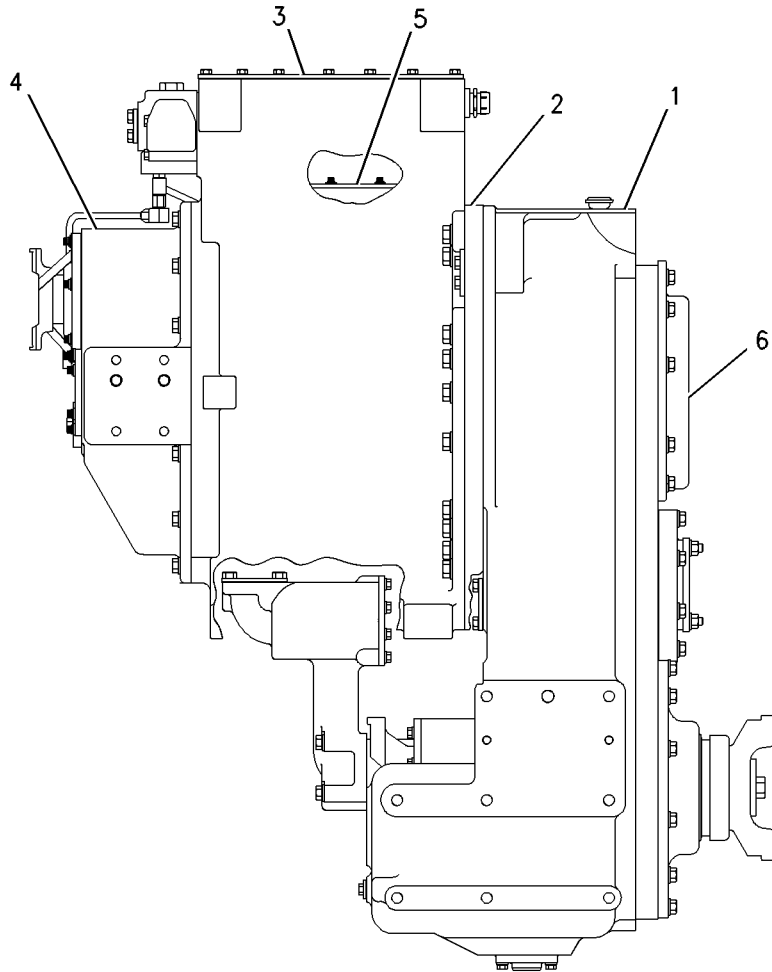
PART OF 114-5105 POWER TRAIN AR

SMCS-3030

i01375322

NOTE	REF NO	GRAPHIC REF	PART NUMBER	QTY	PART NAME						SEE PAGE
					1	2	3	4	5	6 (PRODUCT LEVEL)	
Y	1	1	133-8116	1	GEAR GP-OUTPUT TRANSFER						471
Y	2	1	192-2913	1	PLANETARY GP-TRANSMISSION						518
Y	3	1	133-8114	1	CASE & PARTS GP-PLANETARY						428
Y	4	1	137-6228	1	GEAR GP-INPUT TRANSFER						468
Y	5	1	165-3621	1	CONTROL GP-TRANSMISSION HYD						429
Y	6	1	139-1468	1	COVER GP-SHIPPING						455

Y - SEPARATE ILLUSTRATION



GRAPHIC #1

<END>

g00726901

# POWER TRAIN

## 136-1747 UNIVERSAL JOINT GP\*R

S/N: BNH1-UP

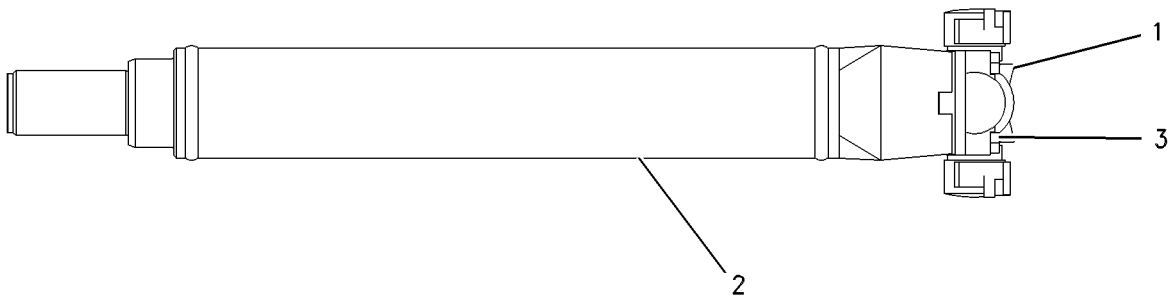
PART OF 136-1722 SHAFT GP-DRIVE

SMCS-3251, 3253

i00939835

NOTE	REF NO	GRAPHIC REF	PART NUMBER	QTY	PART NAME						SEE PAGE
					1	2	3	4	5	6 (PRODUCT LEVEL)	
	1	1	<b>106-0933</b>	1	SPIDER & BEARING GP						
	2	1	<b>136-1748</b>	1	SHAFT						
M	3	1	<b>8T-0281</b>	4	BOLT (M16X2X80-MM)						

M - METRIC PART



GRAPHIC #1

<END>

g00511742

# POWER TRAIN

## 136-1749 UNIVERSAL JOINT GP\*R

S/N: BNH1-UP

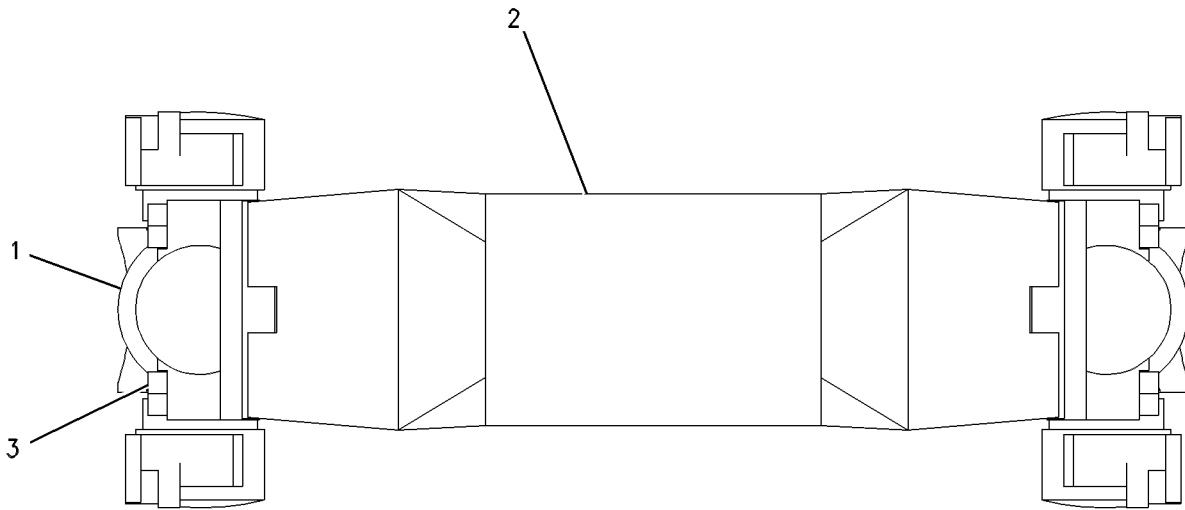
PART OF 136-1722 SHAFT GP-DRIVE

SMCS-3251, 3253

i00939832

NOTE	REF NO	GRAPHIC REF	PART NUMBER	QTY	PART NAME						SEE PAGE
					1	2	3	4	5	6 (PRODUCT LEVEL)	
	1	1	<b>106-0933</b>	2	SPIDER & BEARING GP						
	2	1	<b>136-1750</b>	1	SHAFT AS						
M	3	1	<b>8T-0281</b>	8	BOLT (M16X2X80-MM)						

M - METRIC PART



GRAPHIC #1

<END>

g00509536

# POWER TRAIN

## 136-1755 UNIVERSAL JOINT GP-INPUT DRIVE SHAFT

S/N: BNH1-UP

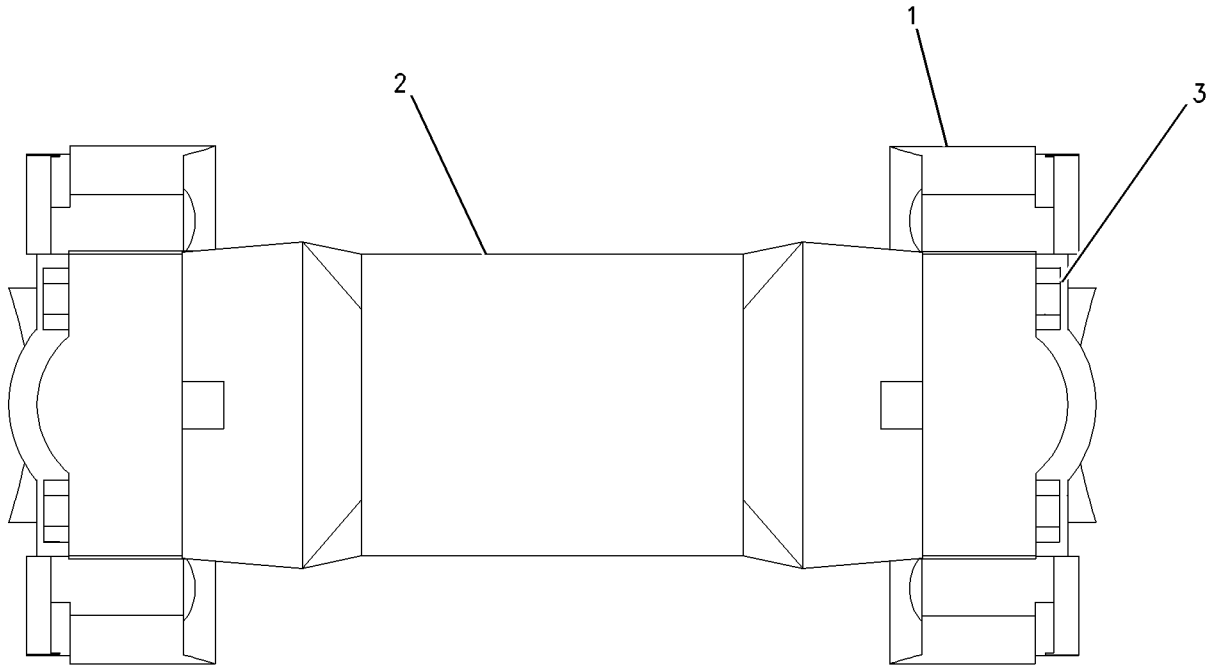
PART OF 136-1754 SHAFT GP-INPUT DRIVE

SMCS-3251, 3253

i01626185

NOTE	REF NO	GRAPHIC REF	PART NUMBER	QTY	PART NAME						SEE PAGE
					1	2	3	4	5	6 (PRODUCT LEVEL)	
	1	1	<b>2T-3013</b>	2	SPIDER & BEARING GP						
	2	1	<b>136-1756</b>	1	SHAFT						
M	3	1	<b>6V-3823</b>	8	BOLT (M12X1.75X60-MM)						

M - METRIC PART



GRAPHIC #1

<END>

g00838821



# POWER TRAIN

## 164-4856 VALVE & MTG GP-LOCKUP CLUTCH

S/N: BNH1-UP

PART OF 145-4225 TORQUE CONVERTER AR-LOCKUP

AN ATTACHMENT

TYPE 1

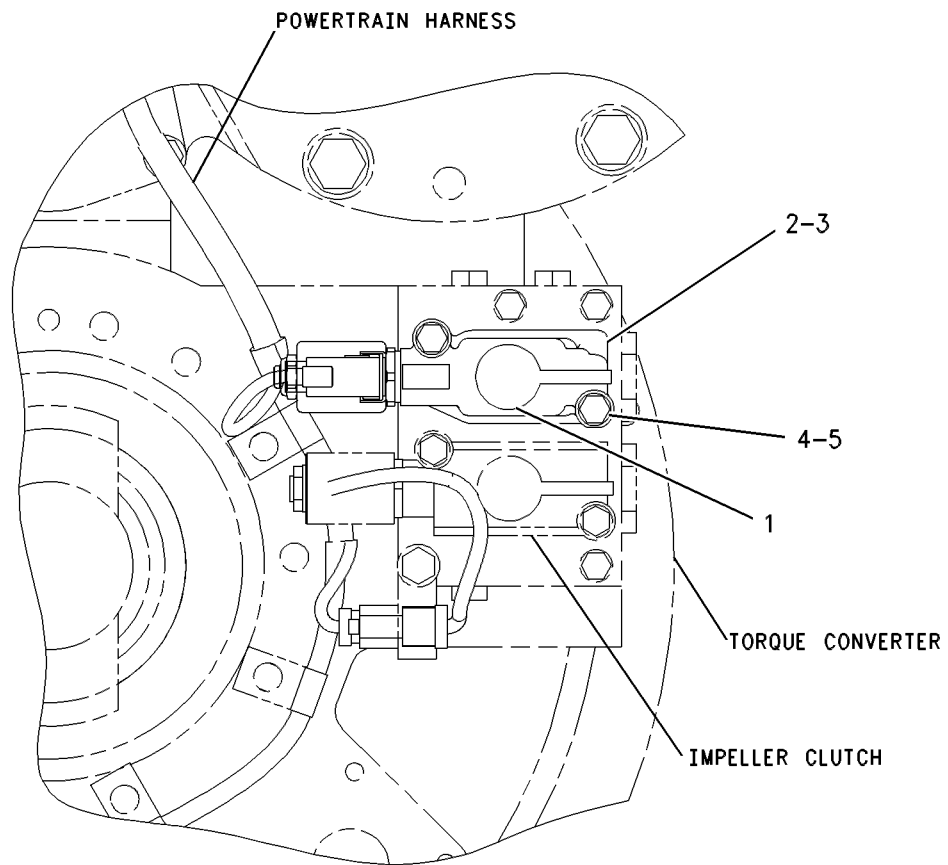
SMCS-3124, 3139

i01178145

NOTE	REF NO	GRAPHIC REF	PART NUMBER	QTY	PART NAME						SEE PAGE
					1	2	3	4	5	6 (PRODUCT LEVEL)	
	1	1	<b>6V-0852</b>	1	CAP-DUST						
Y	2	1	<b>170-0761</b>	1	VALVE GP-MODULATING (TC LOCKUP CLUTCH)						570
	3	1	<b>6D-7889</b>	1	SEAL-O-RING						
	4	1	<b>8T-4224</b>	2	WASHER-HARD (8.8X16X2-MM THK)						
M	5	1	<b>8T-6869</b>	2	BOLT (M8X1.25X60-MM)						

M - METRIC PART

Y - SEPARATE ILLUSTRATION



FRONT VIEW

GRAPHIC #1

<END>

g00545867

# POWER TRAIN

## 164-4856 VALVE & MTG GP-LOCKUP CLUTCH

S/N: BNH1-UP

PART OF 145-4225 TORQUE CONVERTER AR-LOCKUP

AN ATTACHMENT

TYPE 2

SMCS-3124, 3139

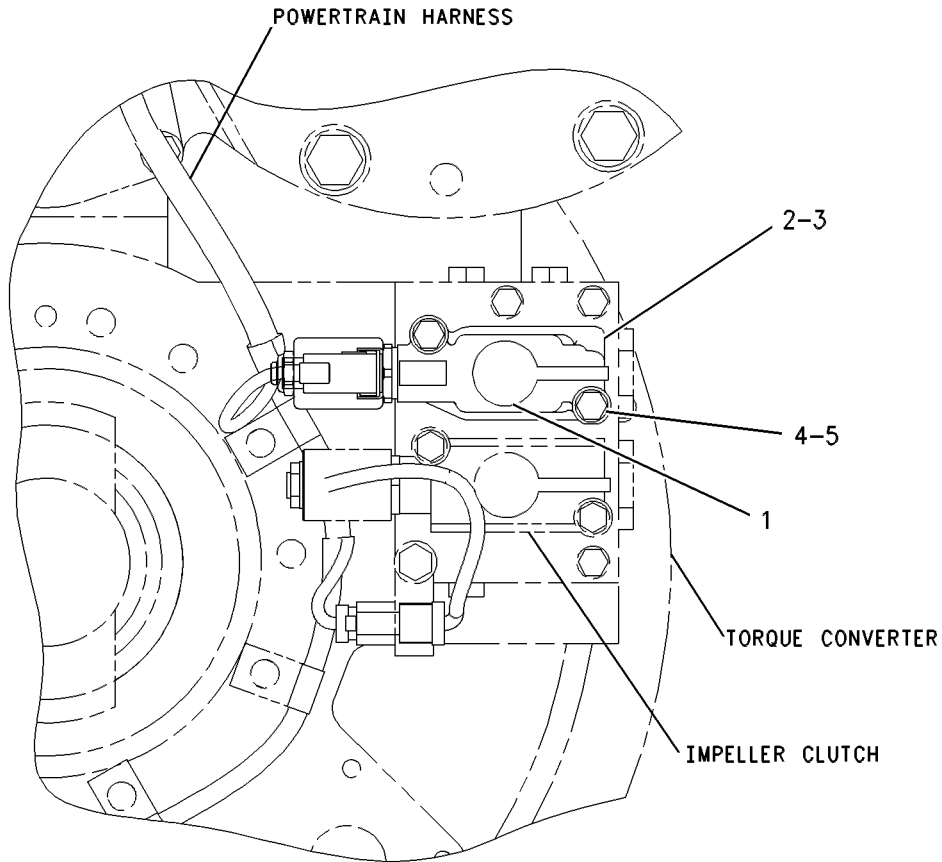
i01795218

NOTE	REF NO	GRAPHIC REF	PART NUMBER	QTY	PART NAME						SEE PAGE
					1	2	3	4	5	6 (PRODUCT LEVEL)	
	1	1	<b>6V-0852</b>	1	CAP-DUST						
CY	2	1	<b>216-5342</b>	1	VALVE GP-MODULATING (24-VOLT) (TC LOCKUP CLUTCH)						573
	3	1	<b>6D-7889</b>	1	SEAL-O-RING						
	4	1	<b>8T-4224</b>	2	WASHER-HARD (8.8X16X2-MM THK)						
M	5	1	<b>8T-6869</b>	2	BOLT (M8X1.25X60-MM)						

C - CHANGE FROM PREVIOUS TYPE

M - METRIC PART

Y - SEPARATE ILLUSTRATION



FRONT VIEW

GRAPHIC #1

<END>

g00545867

# POWER TRAIN

## 160-8408 VALVE GP-MODULATING-TRANSMISSION CLUTCH

S/N: BJW1-UP

24-VOLTS

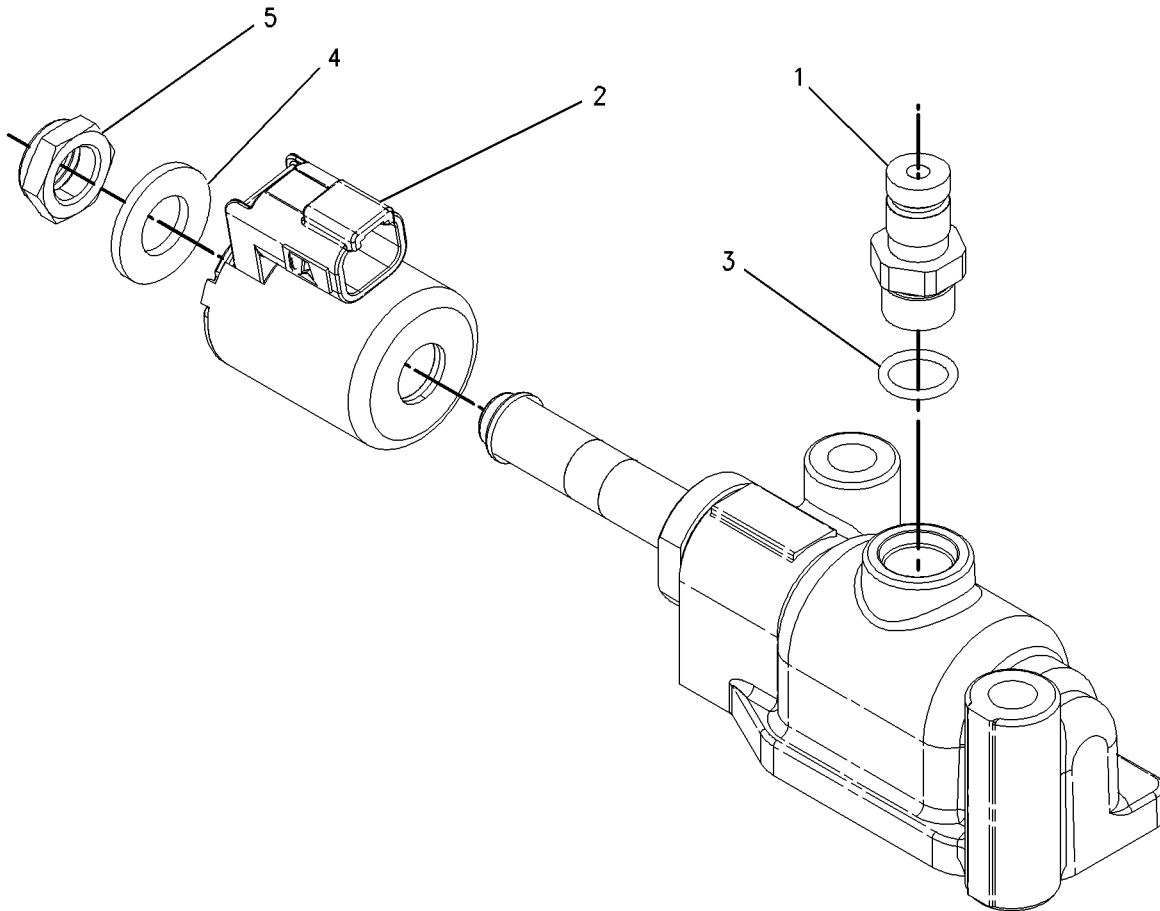
FIELD REPLACEMENT ORDER 216-5338-PAGE: 572

PART OF 165-3621 CONTROL GP-TRANSMISSION HYD

SMCS-3139

i01684159

NOTE	REF NO	GRAPHIC REF	PART NUMBER	QTY	PART NAME						SEE PAGE
					1	2	3	4	5	6	
	1	1	<b>6V-3965</b>	1	FITTING (QUICK DISCONNECT)						
	2	1	<b>145-1144</b>	1	COIL AS						
	3	1	<b>3J-1907</b>	1	SEAL-O-RING						
	4	1	<b>164-2108</b>	1	WASHER (13.03X25.4X2.38-MM THK)						
	5	1	<b>167-9524</b>	1	NUT-SELF-LOCKING (1/2-28-THD)						



GRAPHIC #1

<END>

g00868266

# POWER TRAIN

## 170-0761 VALVE GP-MODULATING-TC LOCKUP CLUTCH

S/N: BNH1-UP

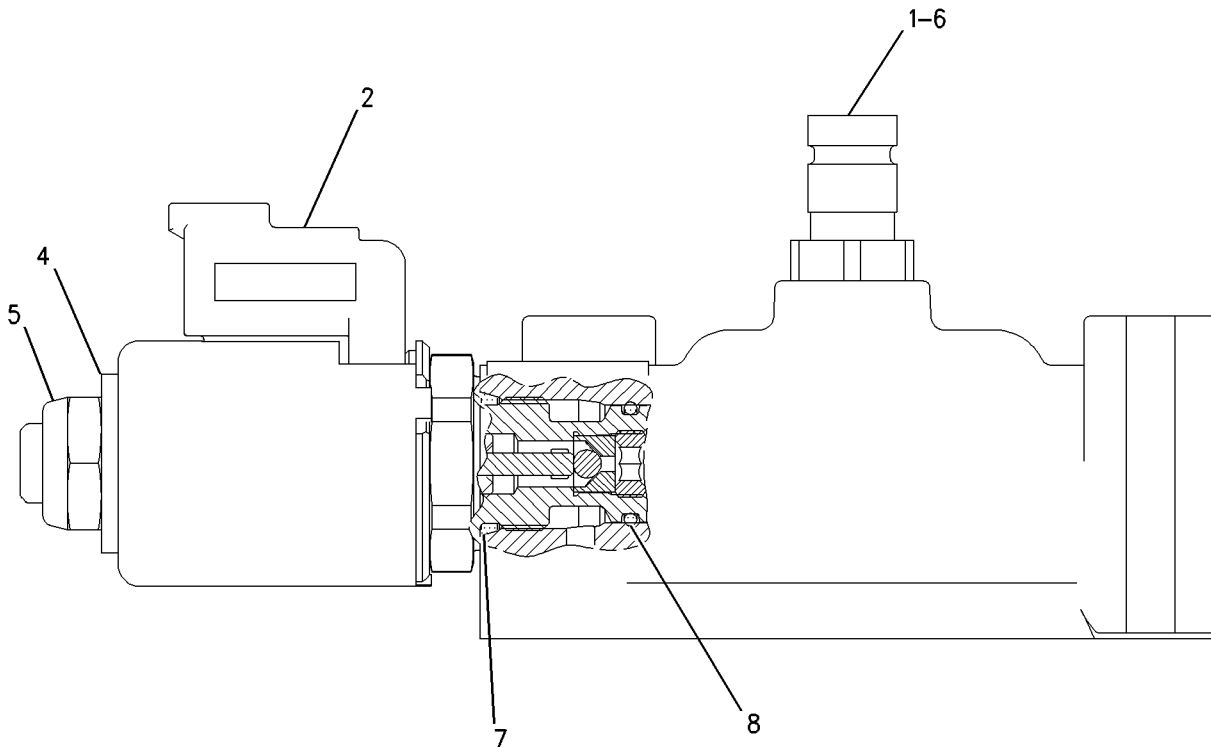
24-VOLT

PART OF 164-4856 VALVE & MTG GP-LOCKUP CLUTCH  
AN ATTACHMENT

SMCS-3139

i01554040

NOTE	REF NO	GRAPHIC REF	PART NUMBER	QTY	PART NAME						SEE PAGE
					1	2	3	4	5	6 (PRODUCT LEVEL)	
	1	1	<b>6V-3965</b>	1	FITTING (QUICK DISCONNECT)						
	2	1	<b>145-1144</b>	1	COIL AS						
	4	1	<b>164-2108</b>	1	WASHER (13.03X25.4X2.38-MM THK)						
	5	1	<b>167-9524</b>	1	NUT-SELF-LOCKING (1/2-28-THD)						
	6	1	<b>3J-1907</b>	1	SEAL-O-RING						
	7	1	<b>112-5282</b>	1	SEAL-O-RING						
	8	1	<b>117-2983</b>	1	SEAL-O-RING						



GRAPHIC #1

<END>

g00809670

# POWER TRAIN

## 186-4126 VALVE GP-MODULATING-TC IMPELLER CLUTCH

S/N: BNH1-650

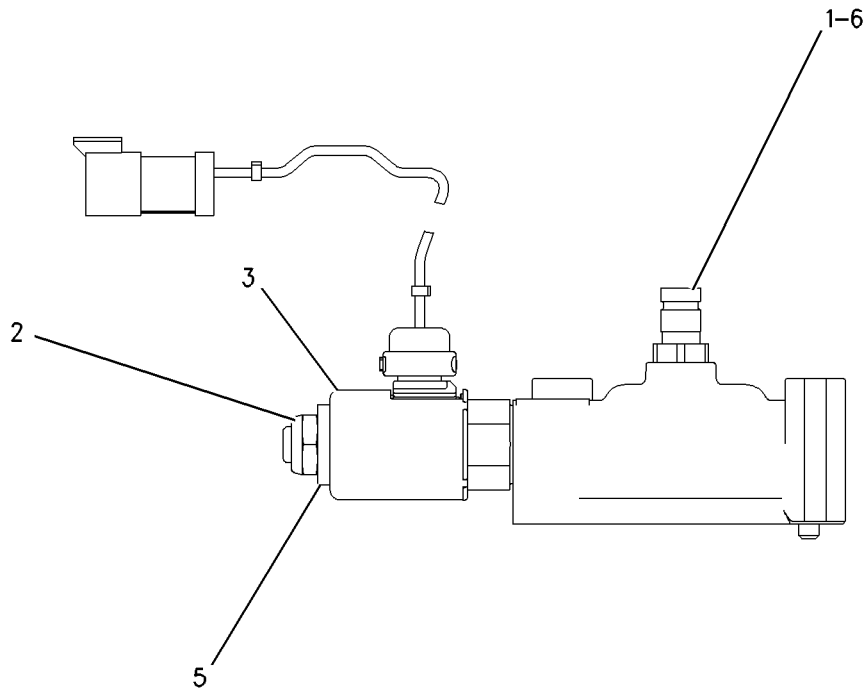
24 VDC

PART OF 203-1601 WIRING GP-POWER TRAIN

SMCS-3139

i01462443

NOTE	REF NO	GRAPHIC REF	PART NUMBER	QTY	PART NAME						SEE PAGE
					1	2	3	4	5	6 (PRODUCT LEVEL)	
1	1	1	<b>6V-3965</b>	1	FITTING (QUICK DISCONNECT)						
2	1	1	<b>167-9524</b>	1	NUT-SELF-LOCKING (1/2-28-THD)						
3	1	1	<b>176-6495</b>	1	COIL AS						
5	1	1	<b>187-2710</b>	1	WASHER						
6	1	1	<b>3J-1907</b>	1	SEAL-O-RING						



GRAPHIC #1

<END>

g00766177

# POWER TRAIN

## 216-5338 VALVE GP-MODULATING-TRANSMISSION CLUTCH

S/N: BJW1-2223

24-VOLT

FIELD REPLACEMENT ORDER 244-3114-PAGE: 575

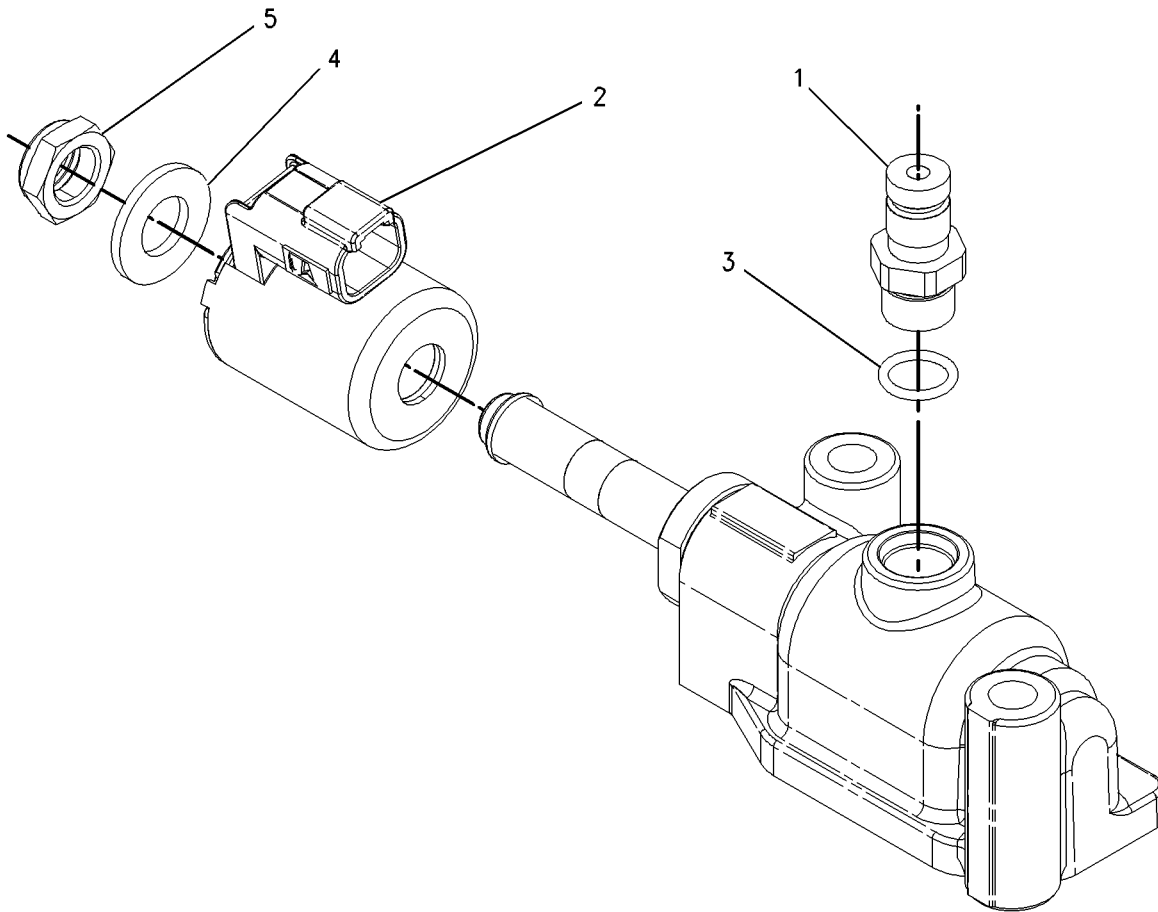
FIELD REPLACEMENT FOR 160-8408-PAGE: 569

PART OF 165-3621 CONTROL GP-TRANSMISSION HYD

SMCS-3139

i01795187

NOTE	REF NO	GRAPHIC REF	PART NUMBER	QTY	PART NAME						SEE PAGE
					1	2	3	4	5	6 (PRODUCT LEVEL)	
	1	1	<b>6V-3965</b>	1	FITTING (QUICK DISCONNECT)						
	2	1	<b>145-1144</b>	1	COIL AS						
	3	1	<b>3J-1907</b>	1	SEAL-O-RING						
	4	1	<b>164-2108</b>	1	WASHER (13.03X25.4X2.38-MM THK)						
	5	1	<b>167-9524</b>	1	NUT-SELF-LOCKING (1/2-28-THD)						



GRAPHIC #1

<END>

g00919065

# POWER TRAIN

## 216-5342 VALVE GP-MODULATING-TORQUE CONVERTER LOCKUP CLUTCH

S/N: BNH1-UP

24-VOLT

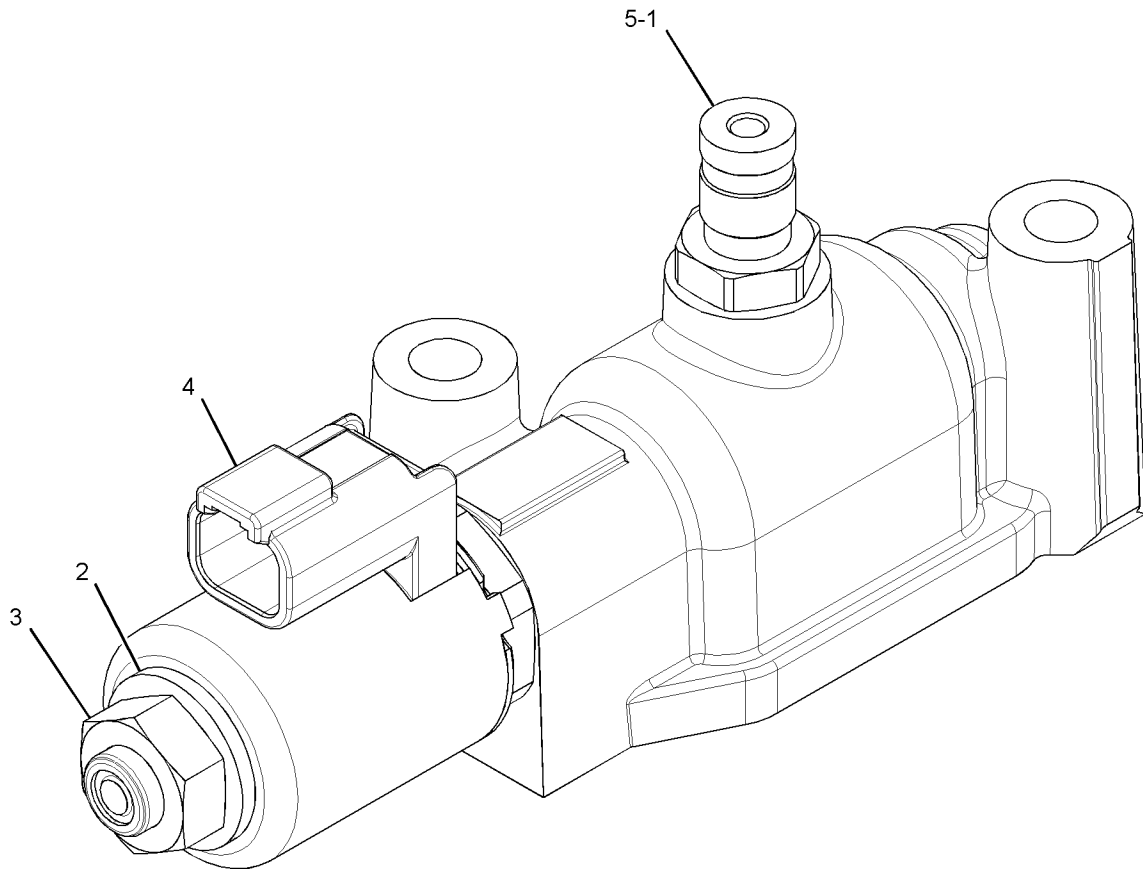
PART OF 164-4856 VALVE & MTG GP-LOCKUP CLUTCH

AN ATTACHMENT

SMCS-3139

i04528384

NOTE	REF NO	GRAPHIC REF	PART NUMBER	QTY	PART NAME						SEE PAGE
					1	2	3	4	5	6 (PRODUCT LEVEL)	
	1	1	<b>6V-3965</b>	1	FITTING (QUICK DISCONNECT)						
	2	1	<b>164-2108</b>	1	WASHER (13.03X25.4X2.38-MM THK)						
	3	1	<b>218-2373</b>	1	NUT (1/2-28-THD)						
	4	1	<b>323-9531</b>	1	COIL AS (24-VOLT)						
	5	1	<b>214-7568</b>	1	SEAL-O-RING						



GRAPHIC #1

<END>

g02711591

# POWER TRAIN

## 217-2708 VALVE GP-MODULATING-TC IMPELLER CLUTCH

S/N: BNH651-UP

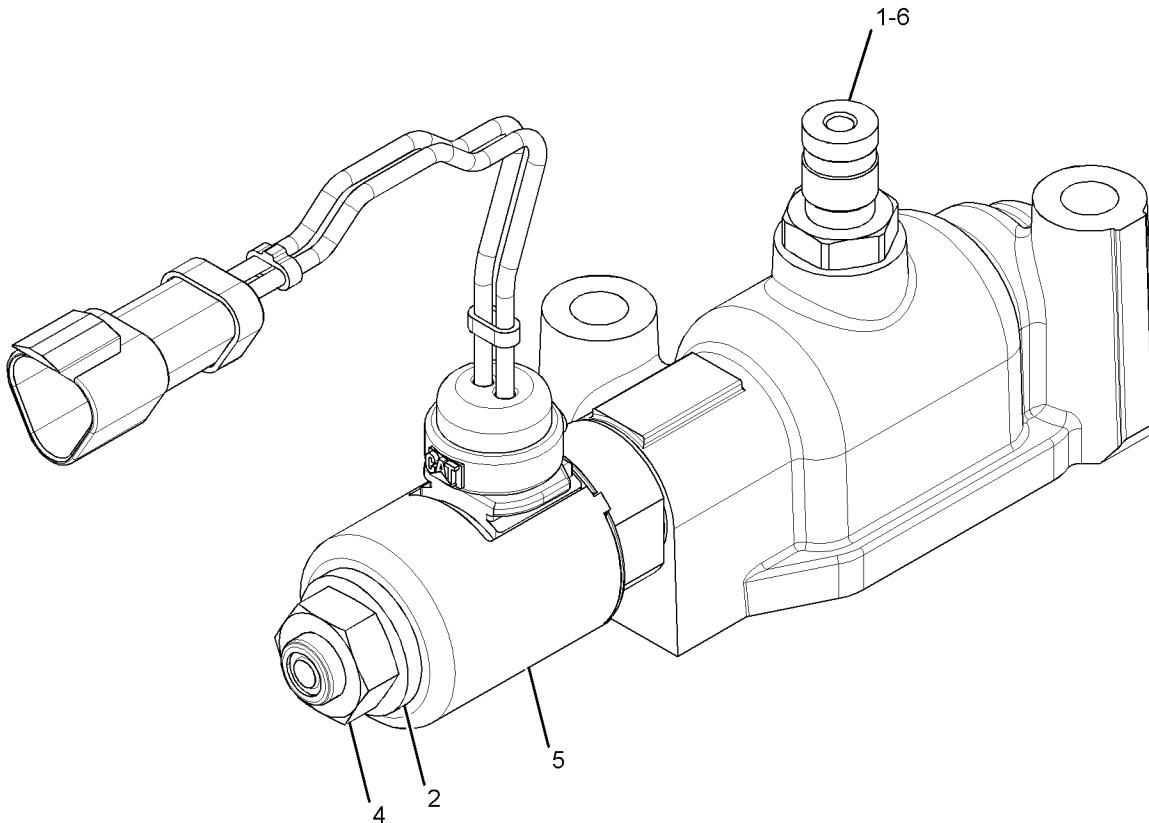
24-VOLT

PART OF 203-1601, 228-4402 WIRING GP-POWER TRAIN

SMCS-3139

i03367622

NOTE	REF NO	GRAPHIC REF	PART NUMBER	QTY	PART NAME						SEE PAGE
					1	2	3	4	5	6 (PRODUCT LEVEL)	
	1	1	<b>6V-3965</b>	1	FITTING (QUICK DISCONNECT)						
	2	1	<b>187-2710</b>	1	WASHER						
	4	1	<b>218-2373</b>	1	NUT (1/2-28-THD)						
	5	1	<b>245-7465</b>	1	COIL AS						
		1	<b>1S-9593</b>	2	STRAP-CABLE						
		1	<b>8T-8737</b>	1	PLUG-SEAL						
		1	<b>102-8803</b>	1	KIT-RECEPTACLE (3-PIN)						
					(INCLUDES RECEPTACLE AS & WEDGE)						
		1	<b>186-3735</b>	1	PIN-CONNECTOR (16-GA TO 18-GA)						
6	1	1	<b>214-7568</b>	1	SEAL-O-RING						



GRAPHIC #1

<END>

g01819717



# POWER TRAIN

## 244-3114 VALVE GP-MODULATING-TRANSMISSION CLUTCH

S/N: BJW2224-UP

24-VOLT

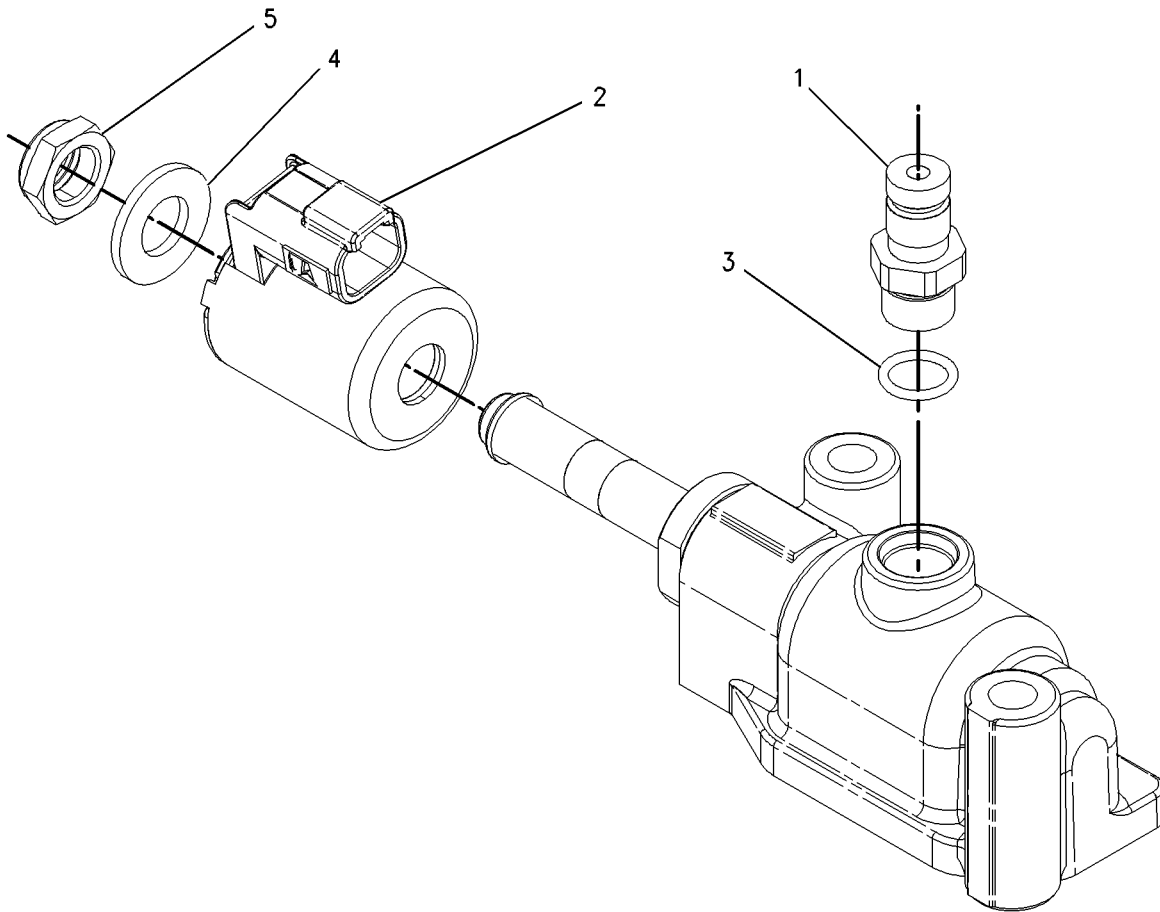
FIELD REPLACEMENT FOR 216-5338-PAGE: 572  
PART OF 165-3621 CONTROL GP-TRANSMISSION HYD

SMCS-3139

i04905200

NOTE	REF NO	GRAPHIC REF	PART NUMBER	QTY	PART NAME						SEE PAGE
					1	2	3	4	5	6	
	1	1	<b>6V-3965</b>	1	FITTING (QUICK DISCONNECT)						
	2	1	<b>323-9531</b>	1	COIL AS (24-VOLT)						
	3	1	<b>214-7568</b>	1	SEAL-O-RING						
	4	1	<b>164-2108</b>	1	WASHER (13.03X25.4X2.38-MM THK)						
	5	1	<b>218-2373</b>	1	NUT (1/2-28-THD)						

PARTS SHOWN IN GRAPHIC(S) WITHOUT A REFERENCE NUMBER ARE NOT SERVICED SEPARATELY



GRAPHIC #1

<END>

g00919065

# POWER TRAIN

## 104-5013 VALVE GP-RELIEF-TORQUE CONVERTER OUTLET

S/N: BNH1-UP

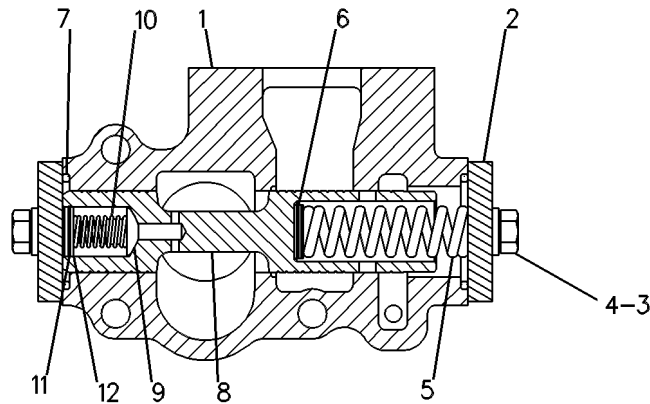
PART OF 196-4519, 228-4398 LINES GP-POWER TRAIN OIL

SMCS-3133, 3182, 3210, 3213

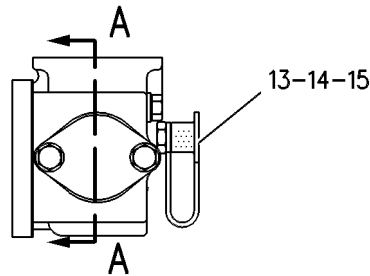
i00174173

NOTE	REF NO	GRAPHIC REF	PART NUMBER	QTY	PART NAME						SEE PAGE
					1	2	3	4	5	6 (PRODUCT LEVEL)	
	1	1	<b>104-5014</b>	1	BODY-RELIEF VALVE						
	2	1	<b>4M-8239</b>	2	COVER						
	3	1	<b>0S-1594</b>	4	BOLT (3/8-16X1-IN)						
	4	1	<b>5M-2894</b>	4	WASHER-HARD (10.2X18.5X2.5-MM THK)						
	5	1	<b>8M-8627</b>	1	SPRING						
B	6	1	<b>5M-9622</b>	2	SHIM (1.6-MM THK)						
B		1	<b>5M-9623</b>	3	SHIM (0.9-MM THK)						
B		1	<b>5M-9624</b>	1	SHIM (0.25-MM THK)						
	7	1	<b>8M-4986</b>	2	SEAL-O-RING						
	8	1	<b>2P-4538</b>	1	SPOOL AS-RELIEF						
	9	1	<b>9M-4313</b>	1	POPPET						
	10	1	<b>5M-9548</b>	1	SPRING						
	11	1	<b>1L-3162</b>	1	RING-RETAINING						
	12	1	<b>8M-2537</b>	1	RETAINER						
	13	1	<b>6V-0852</b>	1	CAP-DUST						
	14	1	<b>3J-1907</b>	1	SEAL-O-RING						
	15	1	<b>6V-3965</b>	1	FITTING (QUICK DISCONNECT)						

B - USE AS REQUIRED



SECTION A-A



GRAPHIC #1

<END>

g00122362

# POWER TRAIN

## 134-5053 VALVE GP-RELIEF-TRANSMISSION HYDRAULIC CONTROL

S/N: BJW1-UP

PART OF 165-3621 CONTROL GP-TRANSMISSION HYD

SMCS-3133, 3182, 3210, 3213

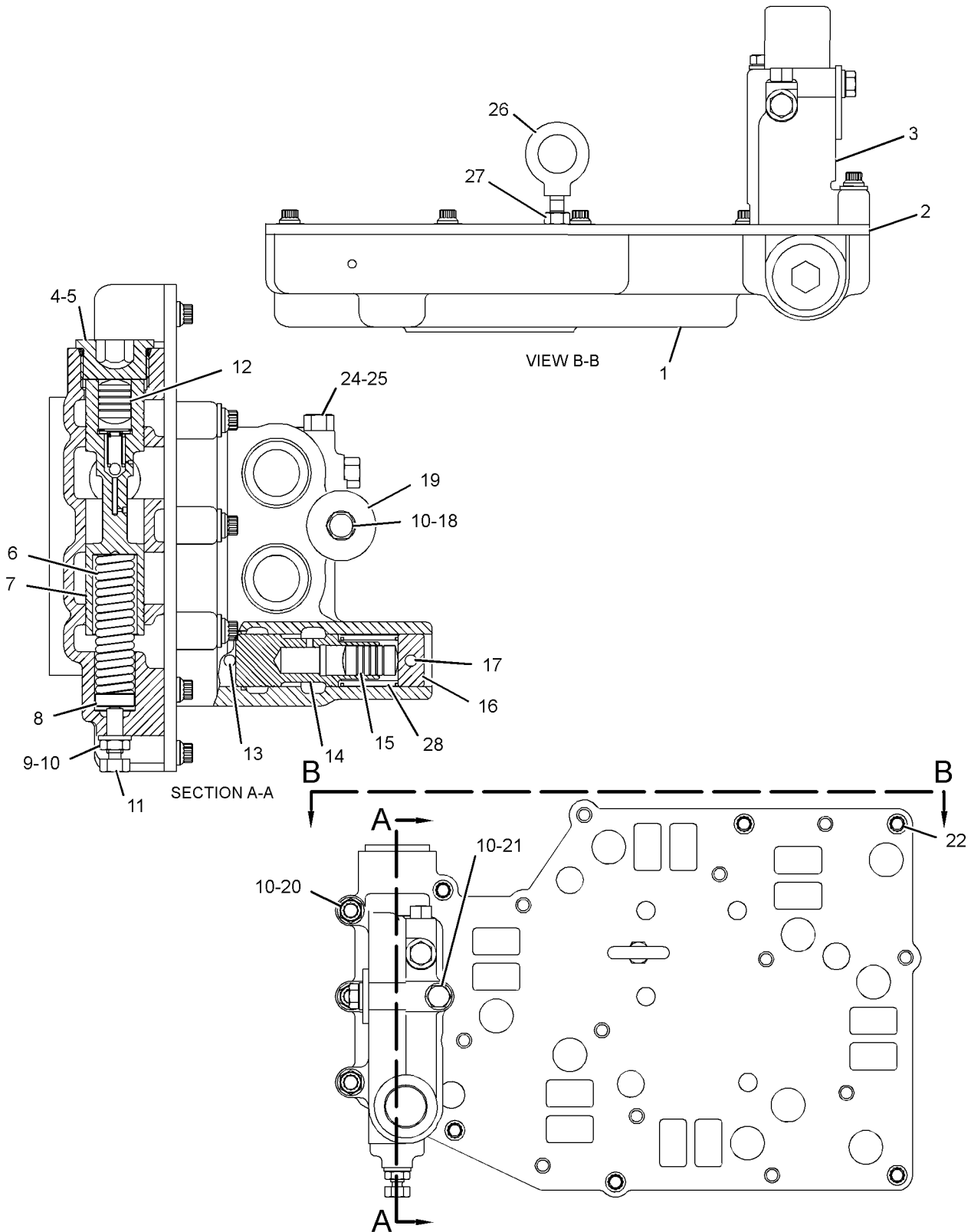
i02312076

NOTE	REF NO	GRAPHIC REF	PART NUMBER	QTY	PART NAME						SEE PAGE
					1	2	3	4	5	6 (PRODUCT LEVEL)	
	1	1	133-4772	1	MANIFOLD						
	2	1	133-0772	1	PLATE						
	3	1	134-1265	1	ELBOW						
	4	1	6Y-4638	1	PLUG-HEX SOCKET (1-5/16-12-THD)						
	5	1	7M-8485	1	SEAL-O-RING						
	6	1	106-9212	1	SPRING						
	7	1	133-6567	1	SPOOL AS-RELIEF						
	8	1	109-3969	1	STOP						
	9	1	5B-3180	1	NUT (5/16-18-THD)						
	10	1	9M-1974	6	WASHER-HARD (8.8X16X2-MM THK)						
	11	1	4M-5905	1	SCREW-ADJUSTMENT (5/16-18X1-IN)						
	12	1	9W-5568	1	SLUG						
	13	1	2S-0696	1	DOWEL						
	14	1	6P-4943	1	SPOOL-RATIO						
	15	1	5S-7816	1	SLUG						
	16	1	2S-4872	1	STOP						
	17	1	8H-9189	1	DOWEL						
	18	1	8L-5922	1	BOLT-LOCKING (5/16-18X0.563-IN)						
	19	1	141-8466	1	RETAINER						
	20	1	8M-8162	3	BOLT-12 POINT HEAD (5/16-18X1.5-IN)						
	21	1	8H-8769	1	BOLT (5/16-18X4.25-IN)						
	22	1	1T-0416	6	BOLT (5/16-18X0.75-IN)						
	24	1	1N-5999	2	PLUG-O-RING						
	25	1	7J-0204	2	SEAL-O-RING						
	26	1	1P-7404	1	EYEBOLT (5/16-18X1.15-IN)						
	27	1	5S-0003	1	NUT (5/16-18-THD)						
	28	1	6P-4978	1	SPRING						

# POWER TRAIN

134-5053 VALVE GP-RELIEF (contd.)

i02312076



GRAPHIC #1

<END>

g01158295

# POWER TRAIN

## 8E-8427 VALVE GP-TORQUE CONV PRIORITY

S/N: BNH1-1061

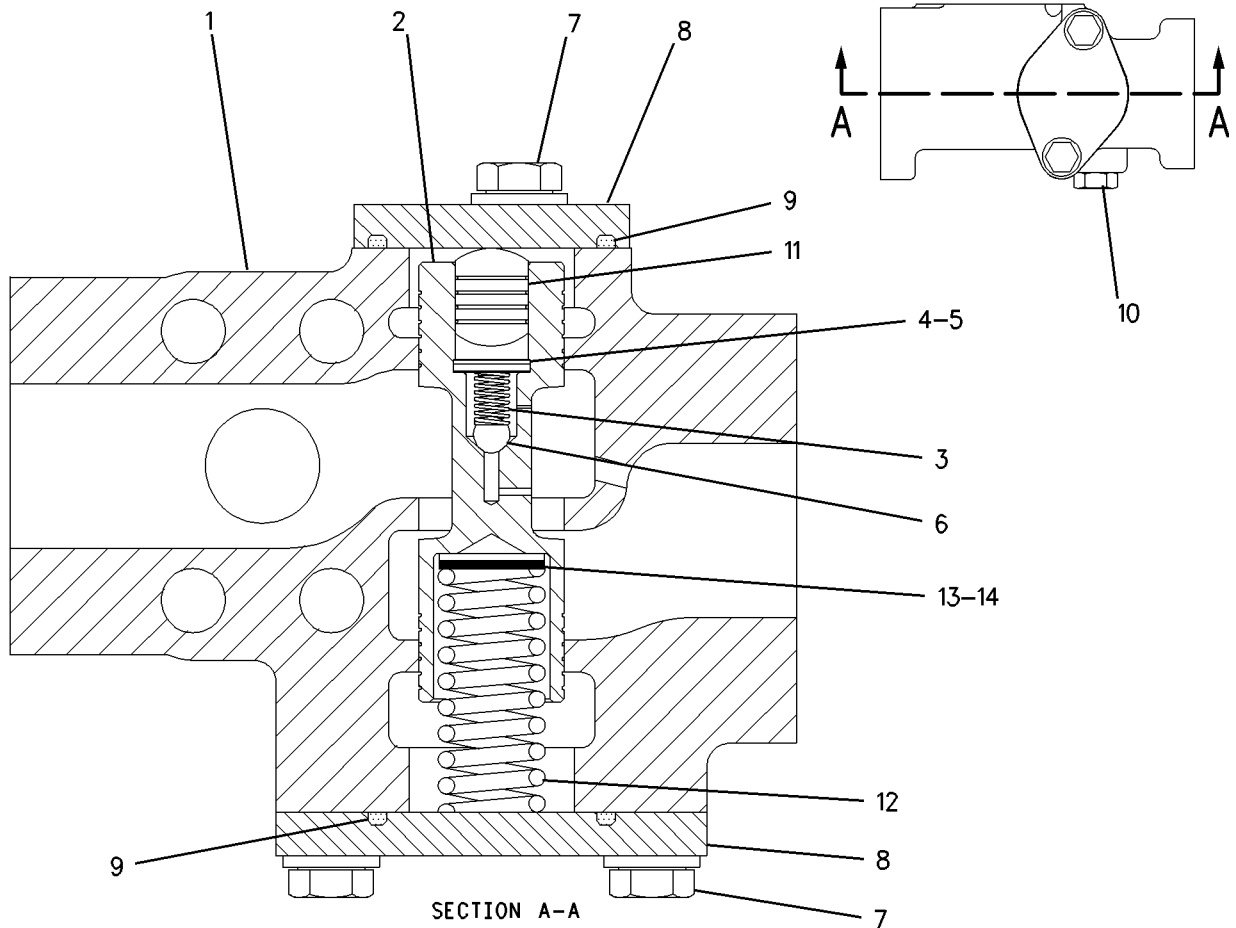
PART OF 196-4519 LINES GP-POWER TRAIN OIL

SMCS-3180

i01227901

NOTE	REF NO	GRAPHIC REF	PART NUMBER	QTY	PART NAME						SEE PAGE
					1	2	3	4	5	6 (PRODUCT LEVEL)	
	1	1	8E-9277	1	BODY AS-VALVE						
		1	2D-6642	1	BALL						
	2	1	8E-8275	1	SPOOL AS						
	3	1	4M-2381	1	SPRING						
	4	1	3D-8317	1	RING-RETAINING						
	5	1	8M-1013	1	RETAINER						
	6	1	4B-9880	1	BALL						
M	7	1	8T-4136	4	BOLT (M10X1.5X25-MM)						
		1	8T-4121	4	WASHER-HARD (11X21X2.5-MM THK)						
	8	1	9M-1164	2	COVER						
	9	1	8M-5661	2	SEAL-O-RING						
	10	1	9S-4191	1	PLUG-O-RING						
		1	3J-1907	1	SEAL-O-RING						
	11	1	2M-7041	1	SLUG						
	12	1	8E-8273	1	SPRING						
B	13	1	8S-6214	3	SPACER (11.12X23X0.4-MM THK)						
B	14	1	8S-6215	3	SPACER (11.2X23X0.9-MM THK)						

B - USE AS REQUIRED  
M - METRIC PART



GRAPHIC #1

<END>

g00656463

# POWER TRAIN

## 192-0822 WHEEL & FINAL DRIVE GP\*R

S/N: BNH1-1391

PART OF 137-8833 AXLE AR-FIXED, 137-8832 AXLE AR-OSCILLATING

SMCS-4051

i02217518

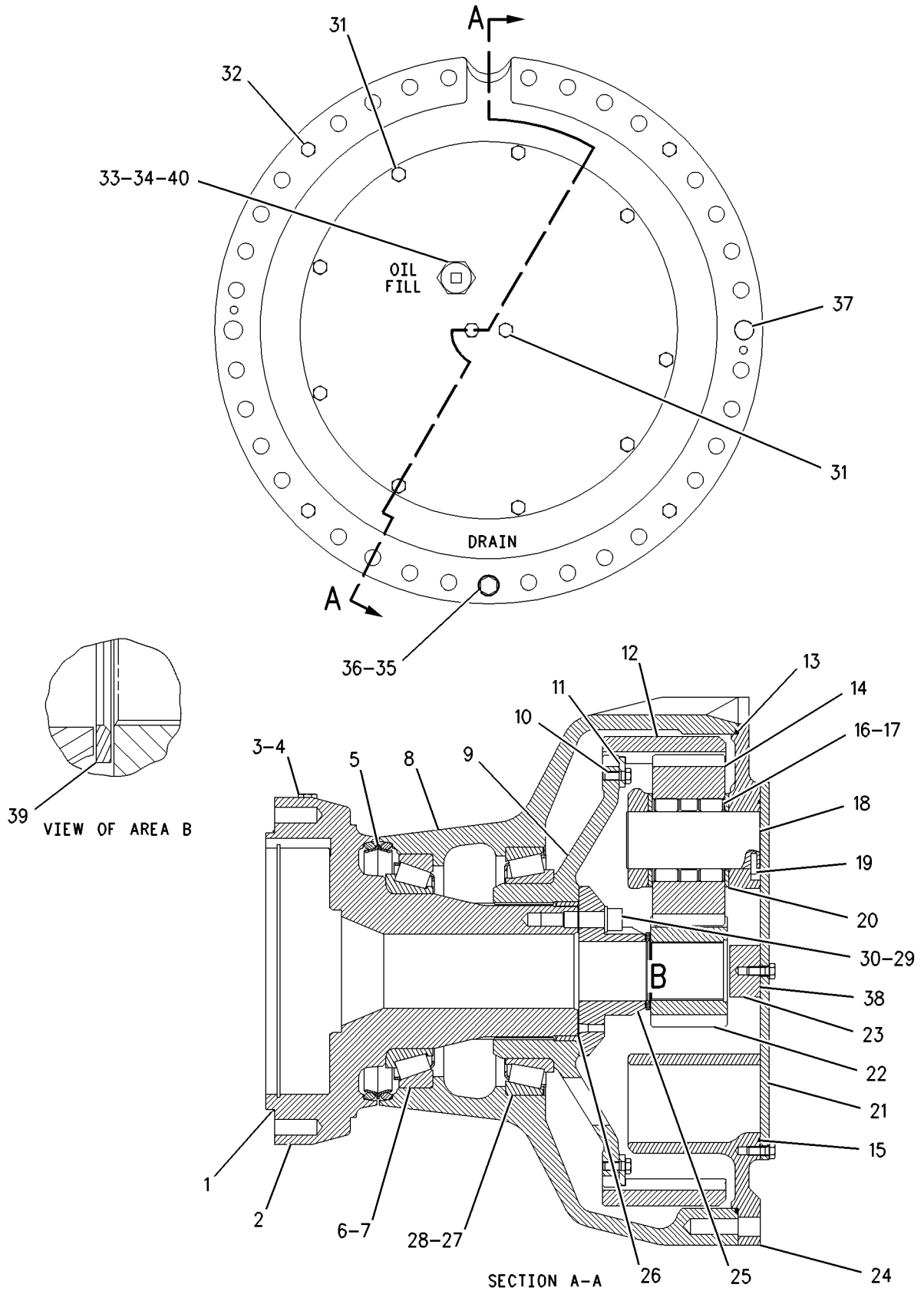
NOTE	REF NO	GRAPHIC REF	PART NUMBER	QTY	PART NAME						SEE PAGE
					1	2	3	4	5	6 (PRODUCT LEVEL)	
	1	1	<b>6D-0692</b>	1	SEAL-O-RING						
R	2	1	<b>147-6457</b>	1	SPINDLE						
	3	1	<b>3K-0360</b>	1	SEAL-O-RING						
	4	1	<b>9S-8005</b>	1	PLUG-O-RING						
	5	1	<b>9G-5321</b>	1	SEAL GP-DUO-CONE						
	6	1	<b>148-1546</b>	1	CONE						
	7	1	<b>5D-6298</b>	1	CUP-BEARING						
	8	1	<b>137-8845</b>	1	WHEEL						
	9	1	<b>137-8846</b>	1	HUB AS						
		1	<b>137-8837</b>	1	BUSHING						
M	10	1	<b>8C-8992</b>	8	BOLT-LOCKING (M12X1.75X30-MM)						
	11	1	<b>5T-7676</b>	4	RETAINER						
	12	1	<b>137-8843</b>	1	GEAR-RING (81-TEETH)						
	13	1	<b>9H-6832</b>	1	SEAL-O-RING						
	14	1	<b>192-0816</b>	3	GEAR-PLANETARY (30-TEETH)						
	15	1	<b>2R-0098</b>	1	SEAL-O-RING						
	16	1	<b>6Y-9885</b>	6	BEARING AS-ROLLER						
	17	1	<b>8K-0067</b>	3	SPACER (0.875-IN THK)						
	18	1	<b>223-5836</b>	3	SHAFT						
	19	1	<b>6T-5545</b>	3	DOWEL						
	20	1	<b>8X-4552</b>	6	WASHER (78X127X5-MM THK)						
	21	1	<b>200-0818</b>	1	COVER						
	22	1	<b>192-0815</b>	1	GEAR-SUN (18-TEETH)						
	23	1	<b>137-8849</b>	1	PLATE						
	24	1	<b>200-0819</b>	1	CARRIER-PLANETARY						
	25	1	<b>163-4572</b>	1	PLATE-BEARING						
B	26	1	<b>175-2853</b>	1	SHIM PACK (INCLUDES 14-SHIMS)						
	27	1	<b>6V-8281</b>	1	CUP-BEARING						
	28	1	<b>143-4512</b>	1	CONE						
M	29	1	<b>9X-2404</b>	10	BOLT-SOCKET HEAD (M20X2.5X90-MM)						
	30	1	<b>8T-3282</b>	10	WASHER-HARD (22X35X3.5-MM THK)						
M	31	1	<b>6V-3668</b>	11	BOLT (M12X1.75X30-MM)						
M	32	1	<b>8T-4194</b>	4	BOLT (M12X1.75X50-MM)						
	33	1	<b>8M-3837</b>	1	PLUG-MAGNETIC						
	34	1	<b>5F-1678</b>	1	SEAL-O-RING						
	35	1	<b>5K-7696</b>	1	PLUG						
	36	1	<b>3J-1907</b>	1	SEAL-O-RING						
	37	1	<b>6V-1746</b>	2	DOWEL						
B	38	1	<b>1U-8846</b>		SEALANT-GASKET						
	39	1	<b>185-3653</b>	1	WASHER-THRUST						
	40	1	<b>1S-3889</b>	1	WASHER-PLUG						

B - USE AS REQUIRED  
M - METRIC PART  
R - REMFG PART MAY BE AVAILABLE

# POWER TRAIN

192-0822 WHEEL & FINAL DRIVE GP (contd.)

i02217518



GRAPHIC #1

<END>

g00775695

# POWER TRAIN

## 192-0822 WHEEL & FINAL DRIVE GP\*R

S/N: BNH1392-UP

PART OF 137-8833 AXLE AR-FIXED, 137-8832 AXLE AR-OSCILLATING

SMCS-4051

i04775260

NOTE	REF NO	GRAPHIC REF	PART NUMBER	QTY	PART NAME						SEE PAGE
					1	2	3	4	5	6 (PRODUCT LEVEL)	
	1	1	<b>1S-3889</b>	1	WASHER-PLUG						
	2	1	<b>5D-6298</b>	1	CUP-BEARING						
	3	2	<b>5K-7696</b>	1	PLUG						
	4	2	<b>5T-7676</b>	4	RETAINER						
	5	1	<b>8M-3837</b>	1	PLUG-MAGNETIC (FINAL DRIVE, OIL FILL)						
	6	1	<b>9G-5321</b>	1	SEAL GP-DUO-CONE						
	7	1	<b>137-8843</b>	1	GEAR-RING (81-TEETH)						
	8	2	<b>137-8846</b>	1	HUB AS						
		2	<b>137-8837</b>	1	BUSHING						
	9	1	<b>137-8849</b>	1	PLATE						
R	10	1	<b>147-6457</b>	1	SPINDLE						
	11	2	<b>163-4572</b>	1	PLATE-BEARING						
	12	1	<b>185-3653</b>	1	WASHER-THRUST						
	13	2	<b>192-0815</b>	1	GEAR-SUN (18-TEETH)						
	14	2	<b>237-0974</b>	3	GEAR-PLANETARY (30-TEETH)						
	15	1	<b>200-0818</b>	1	COVER						
	16	1	<b>200-0819</b>	1	CARRIER-PLANETARY						
C	17	2	<b>239-4258</b>	3	BUSHING						
C	18	2	<b>239-4259</b>	6	WASHER-THRUST						
	19	1	<b>366-2153</b>	1	WHEEL						
	20	2	<b>223-5836</b>	3	SHAFT						
	21	1	<b>143-4512</b>	1	CONE						
	22	1	<b>148-1546</b>	1	CONE						
B	23	2	<b>175-2853</b>	1	SHIM PACK (INCLUDES 14-SHIMS)						
	24	1	<b>2R-0098</b>	1	SEAL-O-RING						
	25	2	<b>3J-1907</b>	1	SEAL-O-RING						
	26	1	<b>3K-0360</b>	1	SEAL-O-RING						
	27	1	<b>5F-1678</b>	1	SEAL-O-RING						
	28	1	<b>6D-0692</b>	1	SEAL-O-RING						
	29	2	<b>6T-5545</b>	3	DOWEL						
	30	2	<b>6V-1746</b>	2	DOWEL						
M	31	1	<b>6V-3668</b>	11	BOLT (M12X1.75X30-MM)						
	32	1	<b>6V-8281</b>	1	CUP-BEARING						
M	33	2	<b>8C-8992</b>	8	BOLT-LOCKING (M12X1.75X30-MM)						
	34	2	<b>8T-3282</b>	10	WASHER-HARD (22X35X3.5-MM THK)						
M	35	1	<b>8T-4194</b>	4	BOLT (M12X1.75X50-MM)						
	36	1	<b>9H-6832</b>	1	SEAL-O-RING						
	37	1	<b>9S-8005</b>	1	PLUG-O-RING						
M	38	2	<b>9X-2404</b>	10	BOLT-SOCKET HEAD (M20X2.5X90-MM)						
B	39	1	<b>1U-8846</b>	1	SEALANT-GASKET						

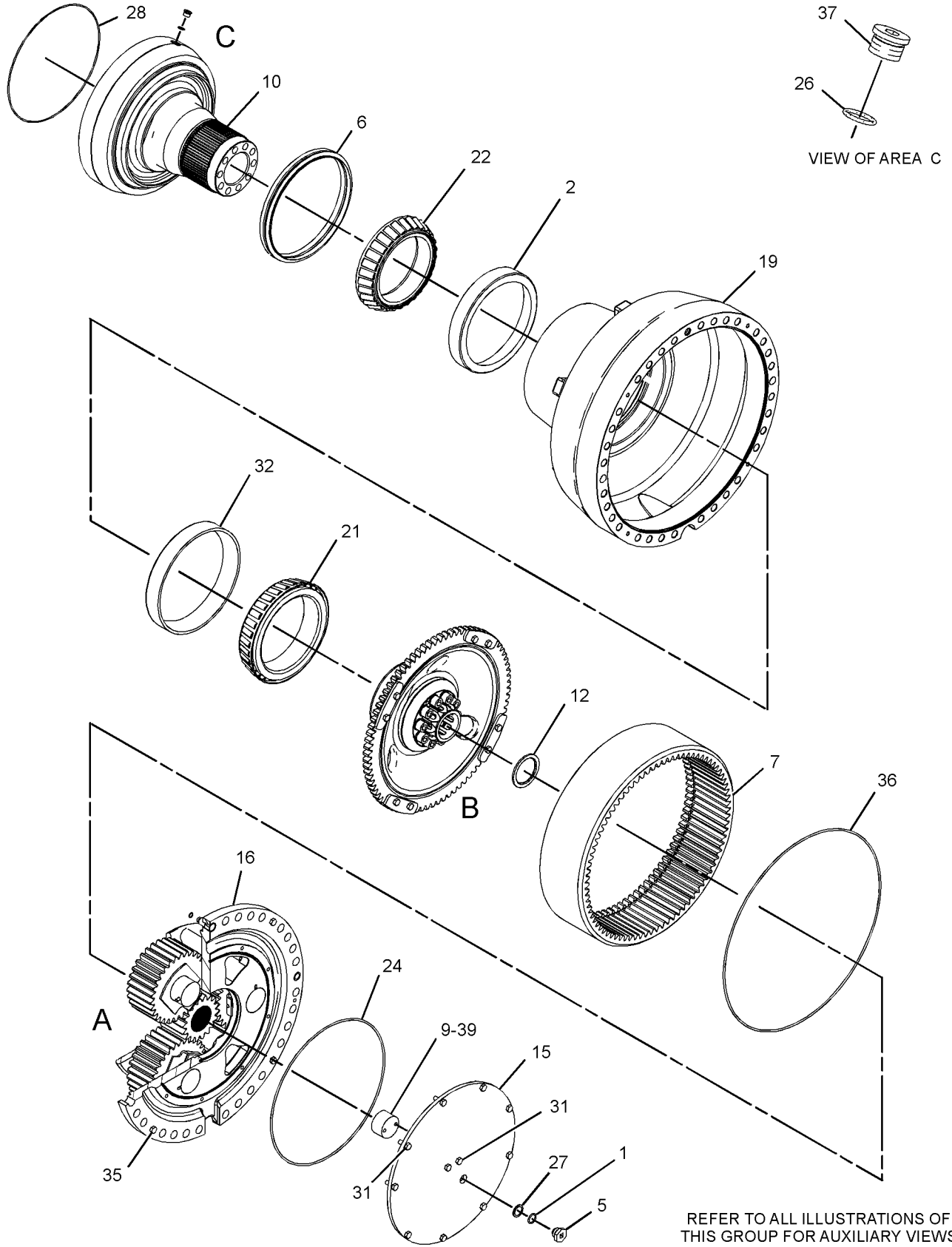
B - USE AS REQUIRED  
 C - CHANGE FROM PREVIOUS TYPE  
 M - METRIC PART  
 R - REMFG PART MAY BE AVAILABLE



# POWER TRAIN

192-0822 WHEEL & FINAL DRIVE GP (contd.)

i04775260



GRAPHIC #1

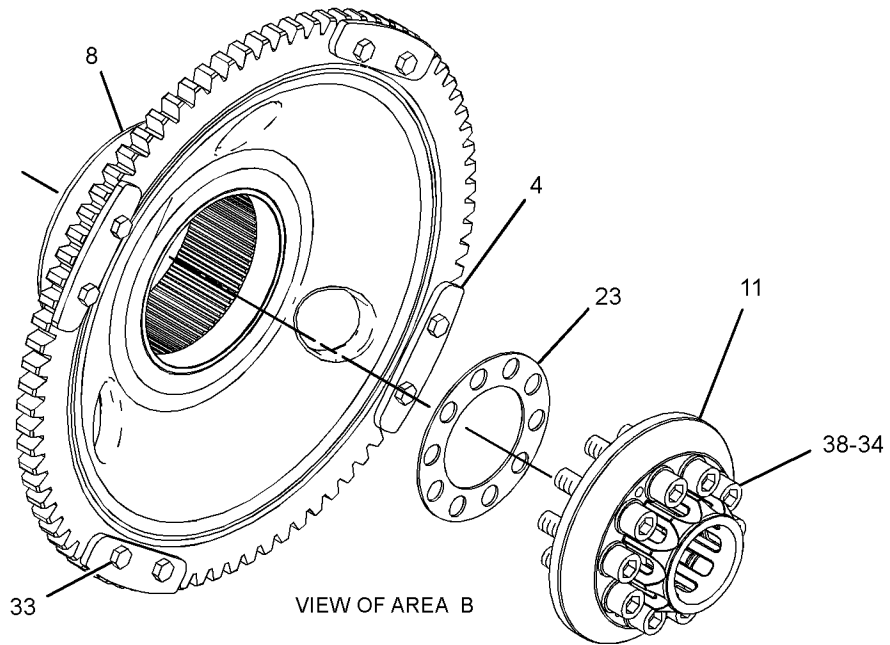
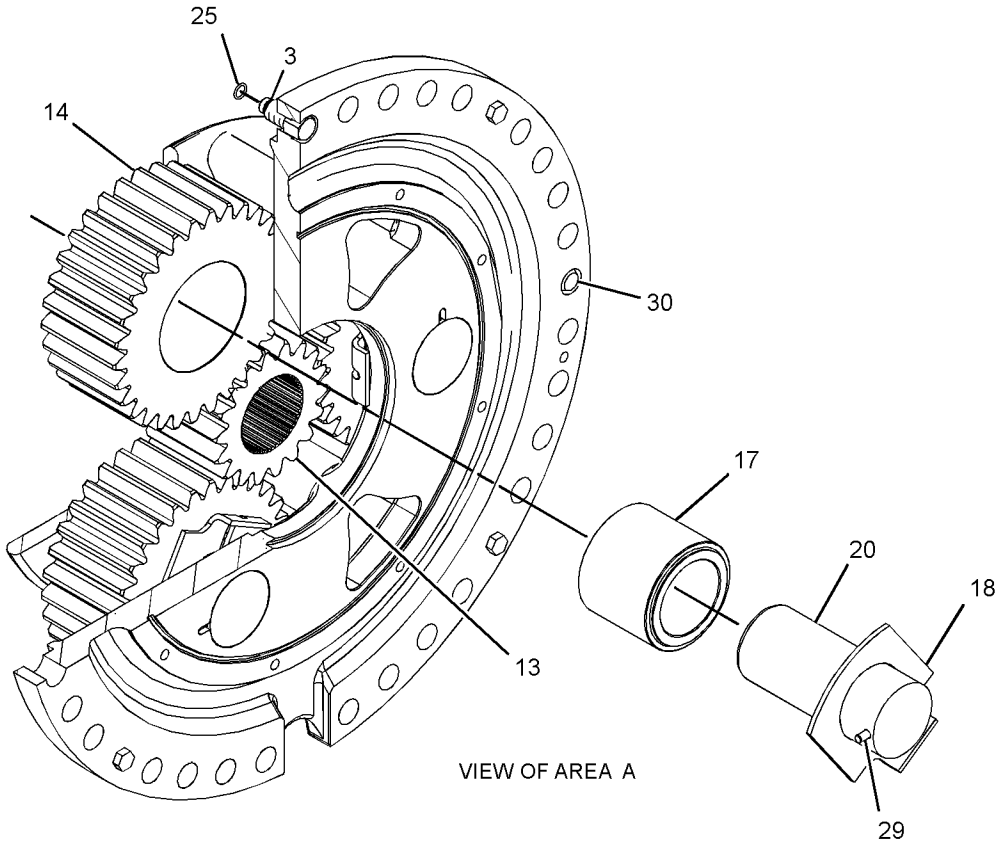
REFER TO ALL ILLUSTRATIONS OF THIS GROUP FOR AUXILIARY VIEWS

g01342366

# POWER TRAIN

192-0822 WHEEL & FINAL DRIVE GP (contd.)

i04775260



GRAPHIC #2

<END>

g01342203

# FRAME AND BODY

## 114-5129 BUMPER GP-REAR

S/N: BNH1-UP

PART OF 203-1567 CHASSIS AR

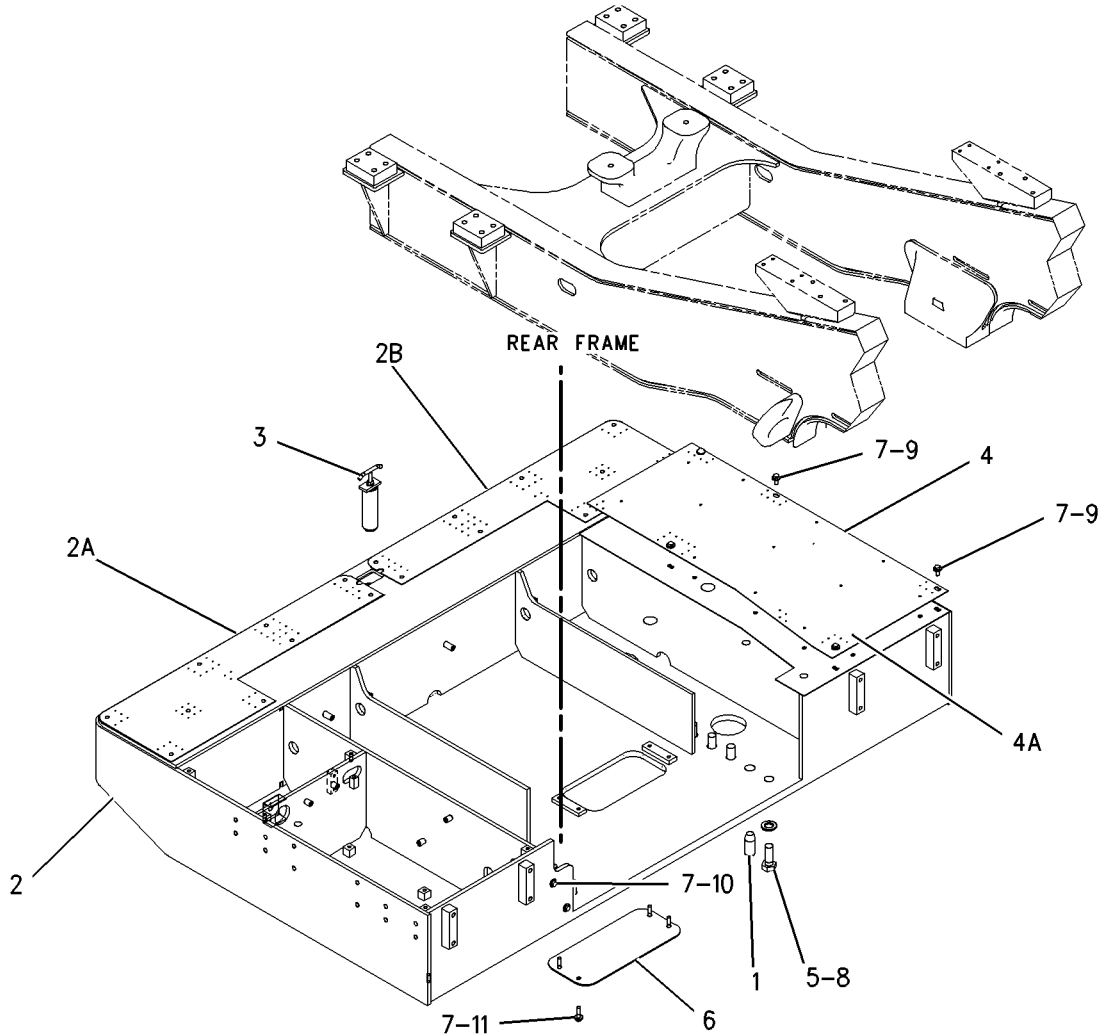
SMCS-7156

i01592239

NOTE	REF NO	GRAPHIC REF	PART NUMBER	QTY	PART NAME						SEE PAGE
					1	2	3	4	5	6	
	1	1	6M-1622	2	DOWEL						
	2	1	166-2833	1	BUMPER AS						
		1	174-5807	18	RIVET-POP						
	2A	1	173-5986	1	TREAD (RH)						
	2B	1	173-5987	1	TREAD (LH)						
Y	3	1	136-5049	1	DRAWBAR GP						601
	4	1	192-8848	1	PLATE AS						
	4A	1	6V-2370	13	RIVET-POP						
	5	1	9X-8258	18	WASHER (33X56X6-MM THK)						
	6	1	160-4357	1	PLATE						
	7	1	5P-1076	11	WASHER-HARD (13.5X30X4-MM THK)						
M	8	1	8C-8723	18	BOLT (M30X3.5X80-MM)						
M	9	1	8T-4139	5	BOLT (M12X1.75X30-MM)						
M	10	1	8T-4183	2	BOLT (M12X1.75X40-MM)						
M	11	1	8T-4194	4	BOLT (M12X1.75X50-MM)						

M - METRIC PART

Y - SEPARATE ILLUSTRATION



GRAPHIC #1

<END>

g00825765

# FRAME AND BODY

## 153-4805 CONTROL GP-AUTOMATIC LUBE

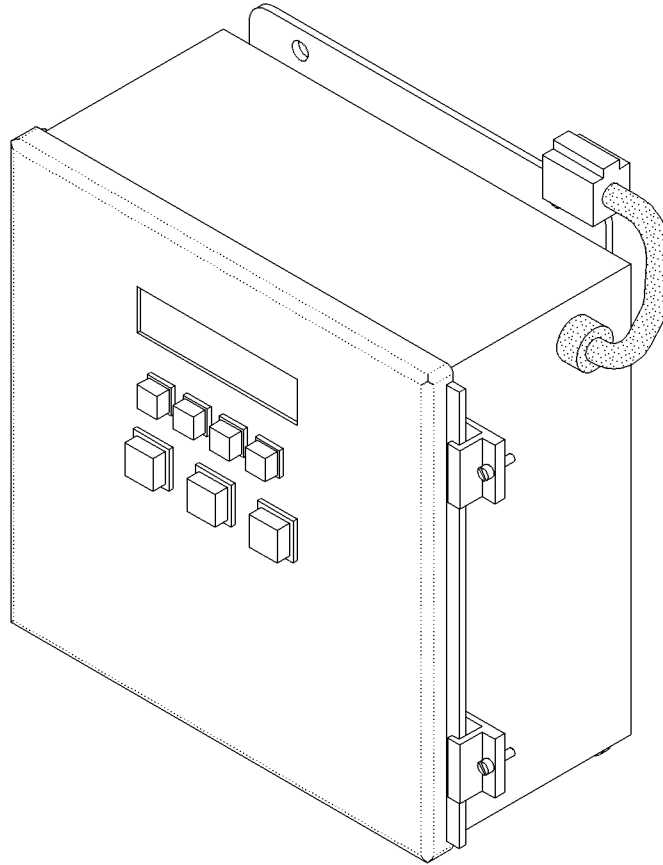
S/N: BNH1-UP

PART OF 189-7446 WIRING GP-AUTOLUBE CONTROL  
AN ATTACHMENT

SMCS-7540

i01073707

NOTE	REF NO	GRAPHIC REF	PART NUMBER	QTY	PART NAME						SEE PAGE
					1	2	3	4	5	6	
(NO SERVICED PARTS)											



GRAPHIC #1

<END>

g00560417

# FRAME AND BODY

## 192-8851 COVER GP-BUMPER-BATTERY COMPARTMENT ACCESS, RH S/N: BNH1-UP PART OF 153-7044 LADDER GP AN ATTACHMENT

SMCS-7156

i03996659

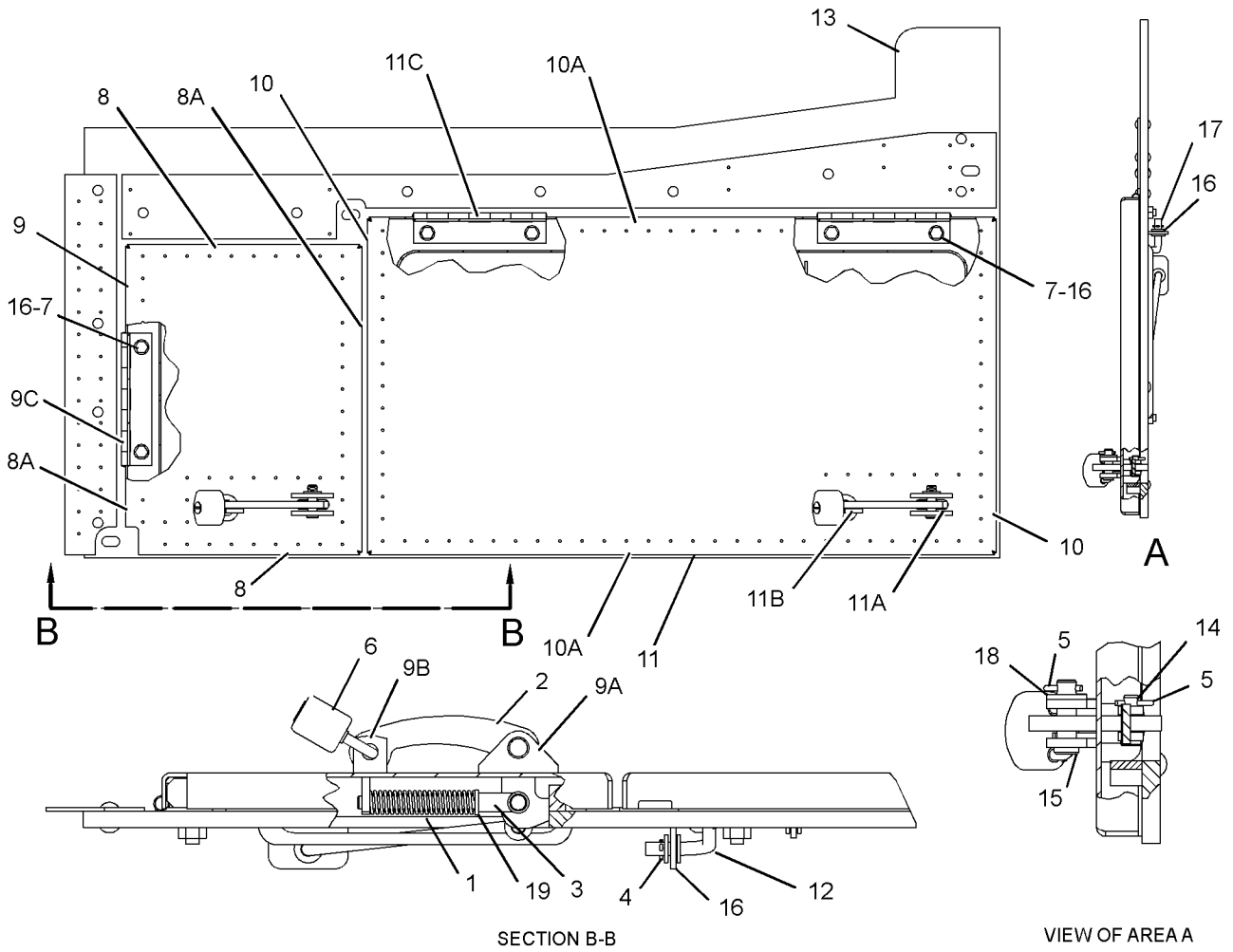
NOTE	REF NO	GRAPHIC REF	PART NUMBER	QTY	PART NAME						SEE PAGE
					1	2	3	4	5	6 (PRODUCT LEVEL)	
	1	1	<b>1B-9920</b>	2	SPRING						
	2	1	<b>1H-7365</b>	2	HANDLE-LATCH						
	3	1	<b>1H-7366</b>	2	ROD						
	4	1	<b>3B-4610</b>	2	PIN-COTTER						
	5	1	<b>3B-4617</b>	4	PIN-COTTER						
	6	1	<b>246-2641</b>	2	PADLOCK GP						
					(EACH INCLUDES)						
		1	<b>5P-8500</b>	1	KEY						
M	7	1	<b>8T-4195</b>	6	BOLT (M10X1.5X30-MM)						
D	8	1	<b>6V-1392</b>		SEAL (0.3-M EACH)						
D	8A	1	<b>6V-1392</b>		SEAL (0.5-M EACH)						
	9	1	<b>198-9403</b>	1	DOOR AS-ACCESS (DISC SWITCH, AUX RECEPTACLE)						
	9A	1	<b>1H-7262</b>	2	LUG						
	9B	1	<b>1H-7263</b>	2	LUG						
	9C	1	<b>106-9010</b>	1	HINGE						
D	10	1	<b>6V-1392</b>		SEAL (0.4-M EACH)						
D	10A	1	<b>6V-1392</b>		SEAL (0.9-M EACH)						
	11	1	<b>198-9406</b>	1	DOOR AS-ACCESS (BATTERY COMPARTMENT)						
	11A	1	<b>1H-7262</b>	2	LUG						
	11B	1	<b>1H-7263</b>	2	LUG						
	11C	1	<b>106-9010</b>	2	HINGE						
	12	1	<b>149-8452</b>	1	ROD AS						
	13	1	<b>198-9397</b>	1	PLATE AS						
	14	1	<b>1B-0676</b>	2	PIN						
	15	1	<b>3B-8153</b>	2	PIN-CLEVIS						
	16	1	<b>8T-4121</b>	8	WASHER-HARD (11X21X2.5-MM THK)						
	17	1	<b>198-9407</b>	1	ROD AS						
	18	1	<b>8T-4223</b>	2	WASHER-HARD (13.5X25.5X3-MM THK)						
	19	1	<b>8T-4896</b>	2	WASHER-HARD (10.2X18.5X2.5-MM THK)						

D - ORDER BY THE METER  
M - METRIC PART

# FRAME AND BODY

192-8851 COVER GP-BUMPER (contd.)

i03996659



GRAPHIC #1

<END>

g01288034

# FRAME AND BODY

**192-8852 COVER GP-BUMPER-BATTERY COMPARTMENT ACCESS, RH**  
**S/N: BNH1-UP**  
**PART OF 142-5799 LADDER GP**  
**AN ATTACHMENT**  
**TYPE 1**

SMCS-7156

i03901254

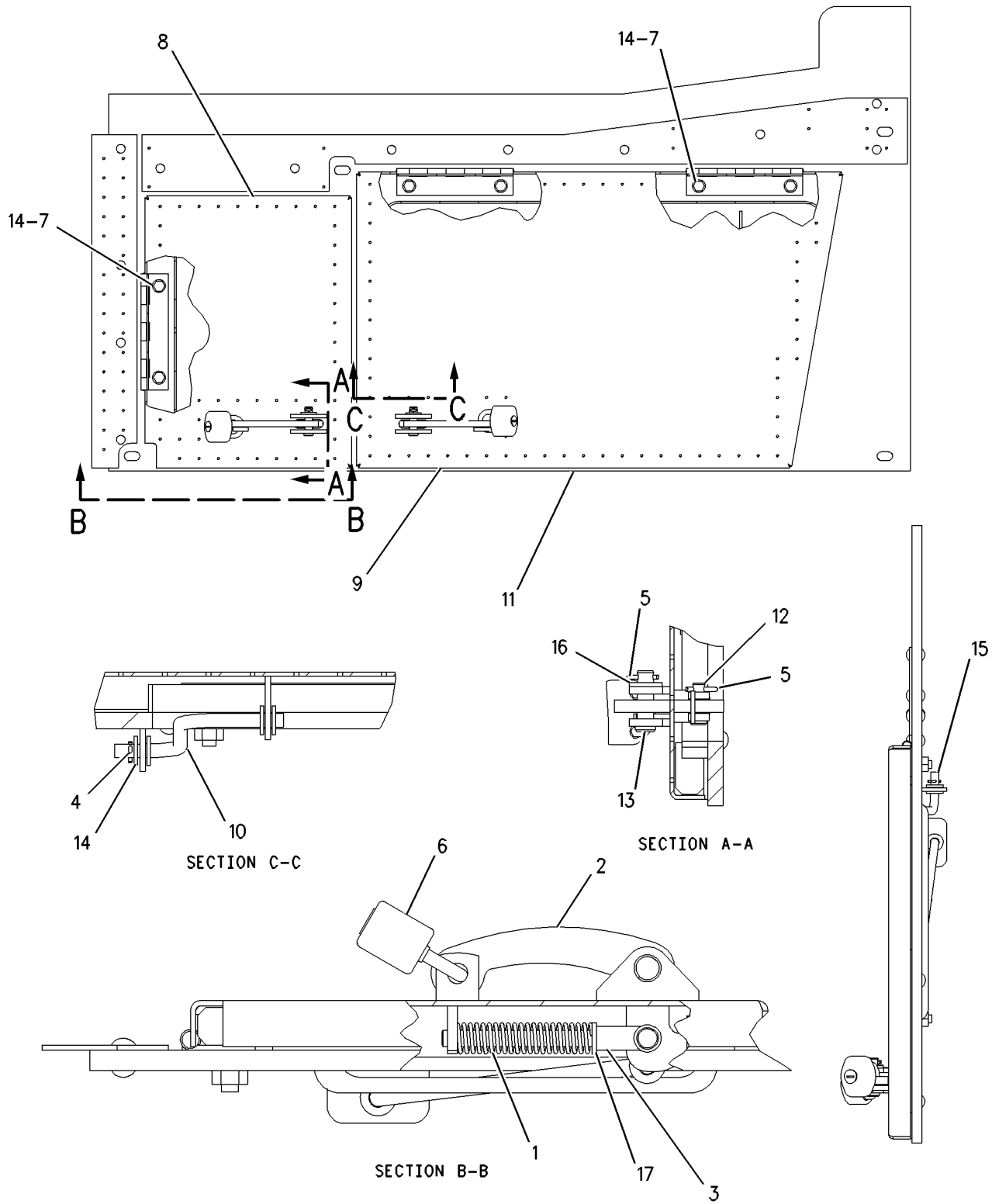
NOTE	REF NO	GRAPHIC REF	PART NUMBER	QTY	PART NAME						SEE PAGE
					1	2	3	4	5	6 (PRODUCT LEVEL)	
	1	1	<b>1B-9920</b>	2	SPRING						
	2	1	<b>1H-7365</b>	2	HANDLE-LATCH						
	3	1	<b>1H-7366</b>	2	ROD						
	4	1	<b>3B-4610</b>	2	PIN-COTTER						
	5	1	<b>3B-4617</b>	4	PIN-COTTER						
	6	1	<b>246-2641</b>	2	PADLOCK GP						
					(EACH INCLUDES)						
		1	<b>5P-8500</b>	1	KEY						
M	7	1	<b>8T-4195</b>	6	BOLT (M10X1.5X30-MM)						
	8	1	<b>198-9403</b>	1	DOOR AS-ACCESS (DISC SWITCH, AUX RECEPTACLE)						
	9	1	<b>198-9412</b>	1	DOOR AS-ACCESS (BATTERY COMPARTMENT)						
					(EACH DOOR ASSEMBLY INCLUDES)						
		1	<b>1H-7262</b>	2	LUG						
		1	<b>1H-7263</b>	2	LUG						
		1	<b>106-9010</b>	2	HINGE						
	10	1	<b>149-8452</b>	1	ROD AS						
	11	1	<b>198-9408</b>	1	PLATE AS						
	12	1	<b>1B-0676</b>	2	PIN						
	13	1	<b>3B-8153</b>	2	PIN-CLEVIS						
	14	1	<b>8T-4121</b>	8	WASHER-HARD (11X21X2.5-MM THK)						
	15	1	<b>198-9407</b>	1	ROD AS						
	16	1	<b>8T-4223</b>	2	WASHER-HARD (13.5X25.5X3-MM THK)						
	17	1	<b>8T-4896</b>	2	WASHER-HARD (10.2X18.5X2.5-MM THK)						

M - METRIC PART

# FRAME AND BODY

192-8852 COVER GP-BUMPER (contd.)

i03901254



GRAPHIC #1

<END>

g00770162



# FRAME AND BODY

**192-8852 COVER GP-BUMPER-BATTERY COMPARTMENT ACCESS, RH**  
**S/N: BNH1-UP**  
**PART OF 142-5799 LADDER GP**  
**AN ATTACHMENT**  
**TYPE 2**

**SMCS-7156**

**i03818751**

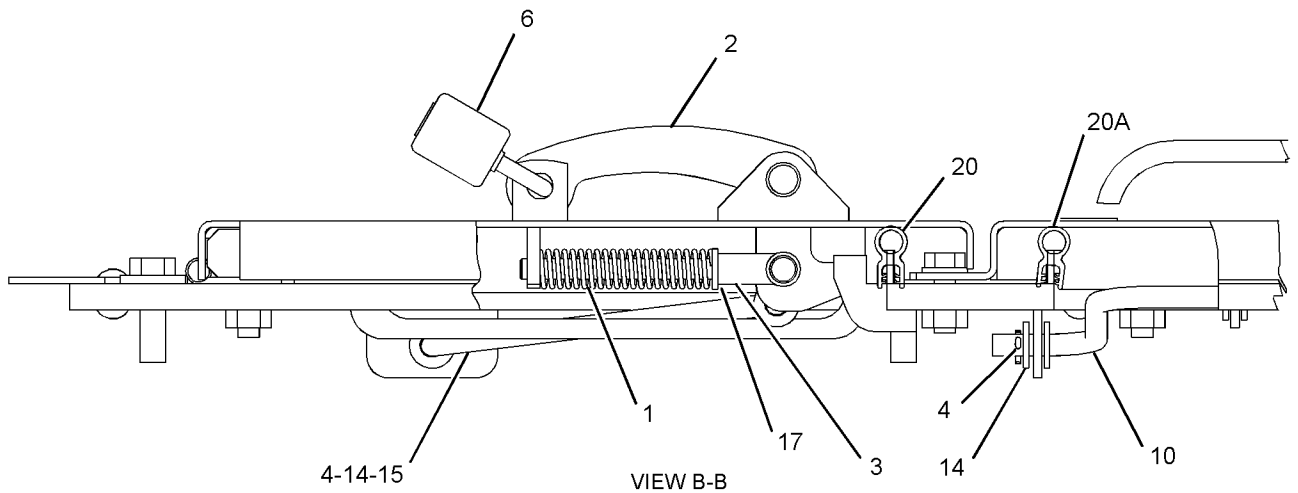
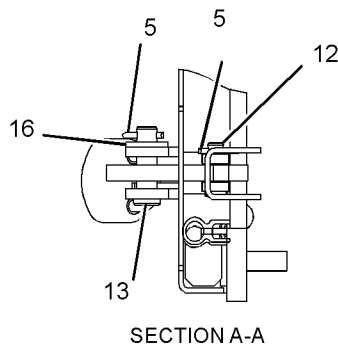
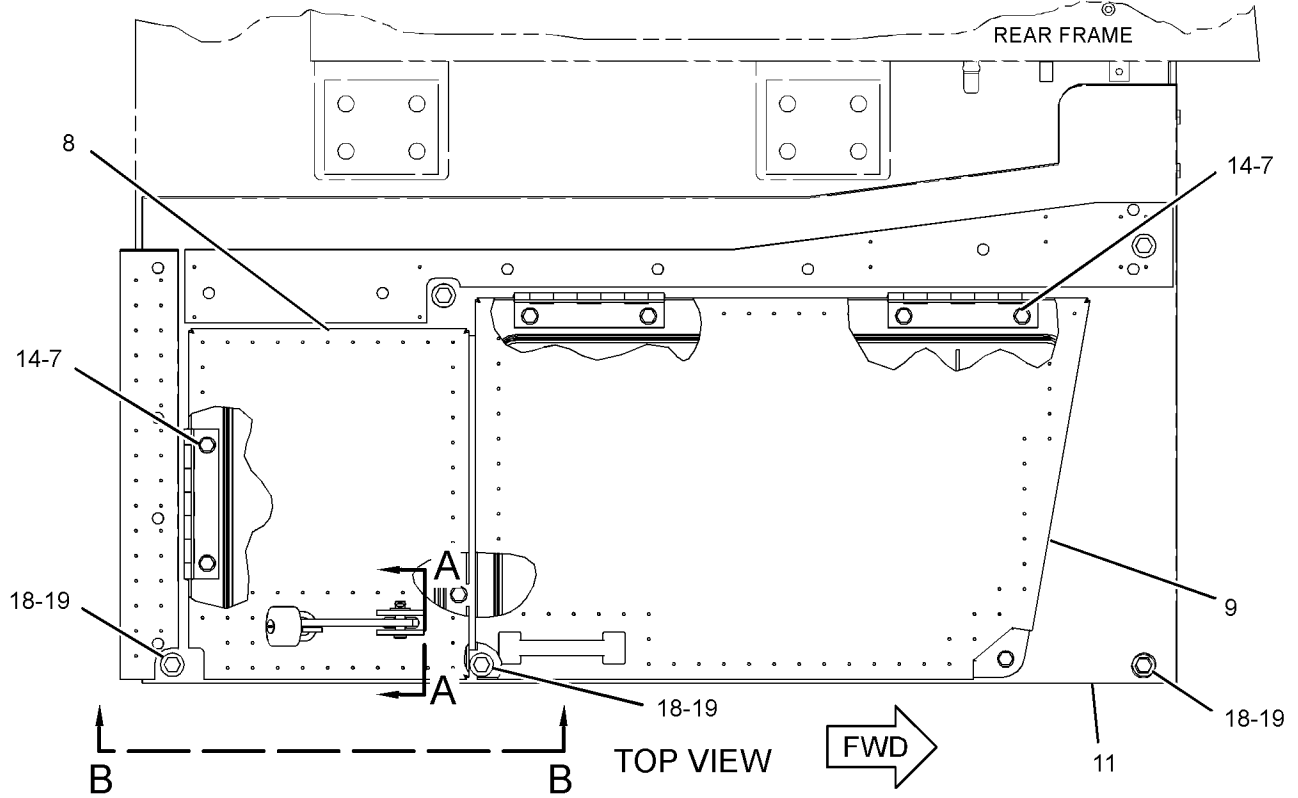
NOTE	REF NO	GRAPHIC REF	PART NUMBER	QTY	PART NAME						SEE PAGE
					1	2	3	4	5	6 (PRODUCT LEVEL)	
C	1	1	<b>1B-9920</b>	1	SPRING						
C	2	1	<b>1H-7365</b>	1	HANDLE-LATCH						
C	3	1	<b>1H-7366</b>	1	ROD						
	4	1	<b>3B-4610</b>	2	PIN-COTTER						
C	5	1	<b>3B-4617</b>	2	PIN-COTTER						
C	6	1	<b>246-2641</b>	1	PADLOCK GP						
		1	<b>5P-8500</b>	1	KEY						
CM	7	1	<b>8T-4195</b>	8	BOLT (M10X1.5X30-MM)						
C	8	1	<b>327-9346</b>	1	DOOR AS-ACCESS (DISC SWITCH, AUX RECEPTACLE)						
C	9	1	<b>327-9349</b>	1	DOOR AS-ACCESS (BATTERY COMPARTMENT)						
	10	1	<b>149-8452</b>	1	ROD AS						
C	11	1	<b>327-4310</b>	1	PLATE AS						
C	12	1	<b>1B-0676</b>	1	PIN						
C	13	1	<b>3B-8153</b>	1	PIN-CLEVIS						
C	14	1	<b>8T-4121</b>	10	WASHER-HARD (11X21X2.5-MM THK)						
	15	1	<b>198-9407</b>	1	ROD AS						
C	16	1	<b>8T-4223</b>	1	WASHER-HARD (13.5X25.5X3-MM THK)						
C	17	1	<b>8T-4896</b>	1	WASHER-HARD (10.2X18.5X2.5-MM THK)						
	18	1	<b>5P-1076</b>	5	WASHER-HARD (13.5X30X4-MM THK)						
M	19	1	<b>8T-4183</b>	5	BOLT (M12X1.75X40-MM)						
CH	20	1	<b>308-9131</b>		SEAL (1306-MM)						
CH	20A	1	<b>308-9131</b>		SEAL (2137-MM)						

C - CHANGE FROM PREVIOUS TYPE  
H - ORDER BY THE MILLIMETER  
M - METRIC PART

# FRAME AND BODY

192-8852 COVER GP-BUMPER (contd.)

i03818751



GRAPHIC #1

<END>

g02079836

# FRAME AND BODY

## 239-7447 DEFLECTOR GP-HOOD

S/N: BNH1156-UP

PART OF 215-2353 COOLING AR, 215-2339 COOLING AR-HIGH AMBIENT TEMP  
AN ATTACHMENT

SMCS-7251

i02055460

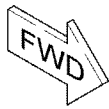
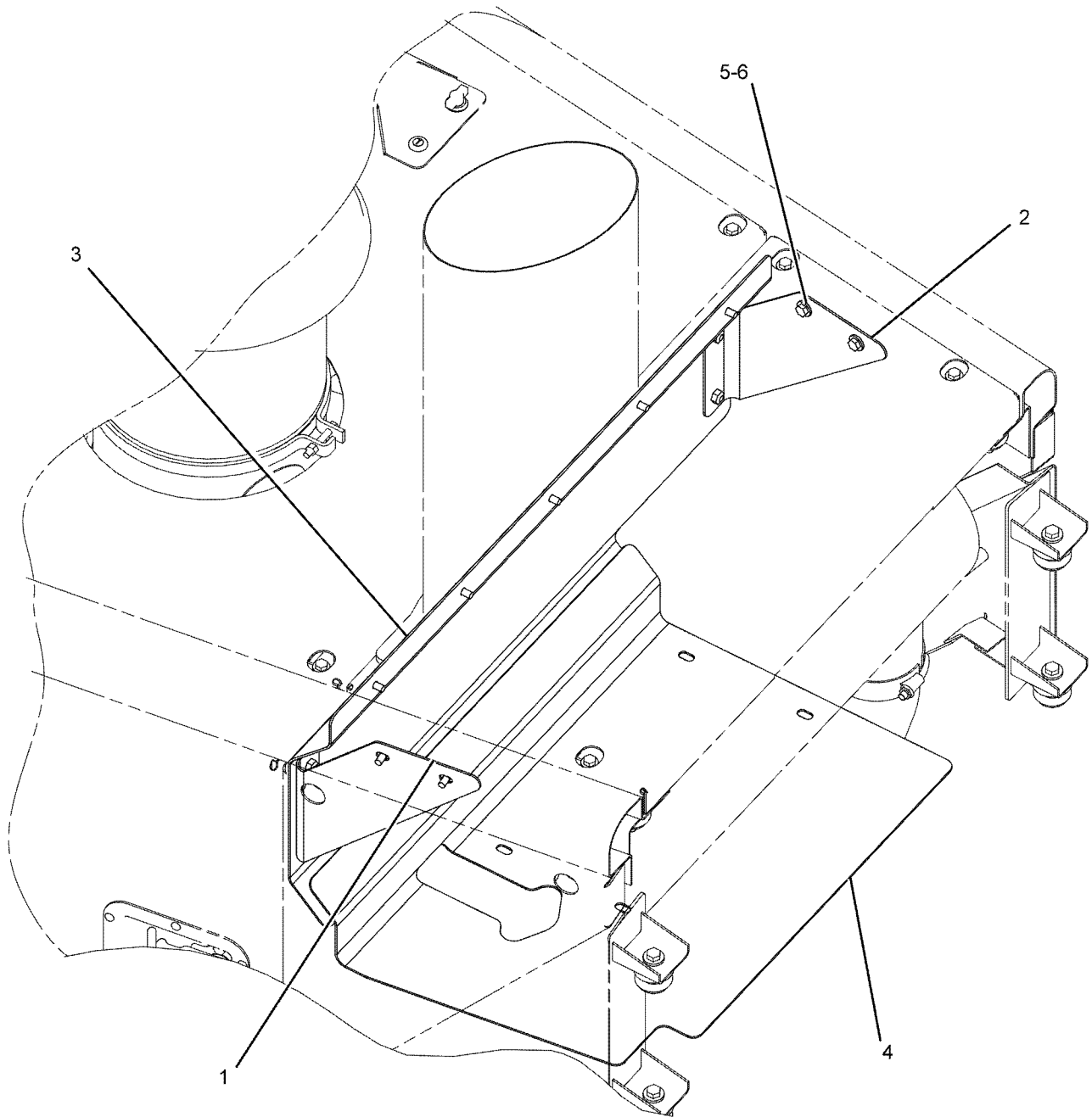
NOTE	REF NO	GRAPHIC REF	PART NUMBER	QTY	PART NAME						SEE PAGE
					1	2	3	4	5	6	
	1	1	239-7440	1	SHEET AS						
M		1	8T-3490	2	NUT-WELD (M10X1.5 THD)						
	2	1	239-7441	1	SHEET AS						
M		1	8T-3490	2	NUT-WELD (M10X1.5 THD)						
	3	1	239-7443	1	SHEET						
	4	1	239-7444	1	SHEET						
	5	1	7X-7729	13	WASHER (11X25X3-MM THK)						
M	6	1	8T-4137	13	BOLT (M10X1.5X20-MM)						

M - METRIC PART

# FRAME AND BODY

239-7447 DEFLECTOR GP-HOOD (contd.)

i02055460



GRAPHIC #1

<END>

g01071332

# FRAME AND BODY

## 163-8033 DOOR GP-ACCESS-HOOD SIDE, REAR, RH

S/N: BNH1-UP

PART OF 114-5122 HOOD & GUARD GP

TYPE 1

SMCS-7273

i01505338

NOTE	REF NO	GRAPHIC REF	PART NUMBER	QTY	PART NAME						SEE PAGE
					1	2	3	4	5	6 (PRODUCT LEVEL)	
	1	1	<b>6V-2370</b>	12	RIVET-POP						
M	2	1	<b>139-6366</b>	4	NUT (M14X2-THD)						
	3	1	<b>8T-1578</b>	2	PAWL						
	4	1	<b>9R-8538</b>	2	PLUNGER (LATCH)						
	6	1	<b>142-7008</b>	1	DOOR AS						
	7	1	<b>142-7009</b>	1	DOOR AS						
	8	1	<b>160-6328</b>	2	LATCH AS						
					(EACH INCLUDES)						
		1	<b>7X-0766</b>	1	SPRING-LATCH						
		1	<b>8Y-3999</b>	1	BRACKET-MOUNTING						
		1	<b>8Y-3998</b>	1	HANDLE-LATCH						
		1	<b>8Y-3966</b>	1	WASHER (14.7X35X1.57-MM THK)						
		1	<b>8Y-8306</b>	1	SHAFT-LATCH						
		1	<b>6H-3956</b>	1	PIN						
M	9	1	<b>5C-2890</b>	2	NUT (M6X1-THD)						
	10	1	<b>5P-4115</b>	2	WASHER-HARD (7.2X19X2-MM THK)						
M	11	1	<b>6V-7744</b>	4	LOCKNUT (M10X1.5-THD)						
	12	1	<b>7X-7729</b>	4	WASHER (11X25X3-MM THK)						
M	13	1	<b>8T-4195</b>	4	BOLT (M10X1.5X30-MM)						
M	14	1	<b>8T-4971</b>	2	BOLT (M6X1X30-MM)						
D	15	1	<b>5P-7483</b>		SEAL (1.3M)						

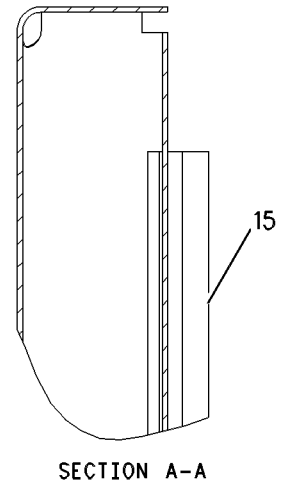
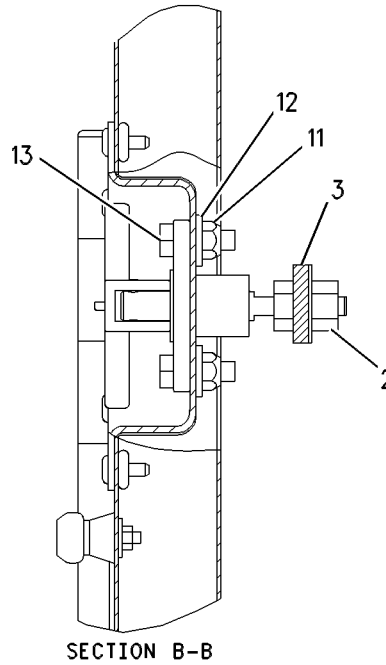
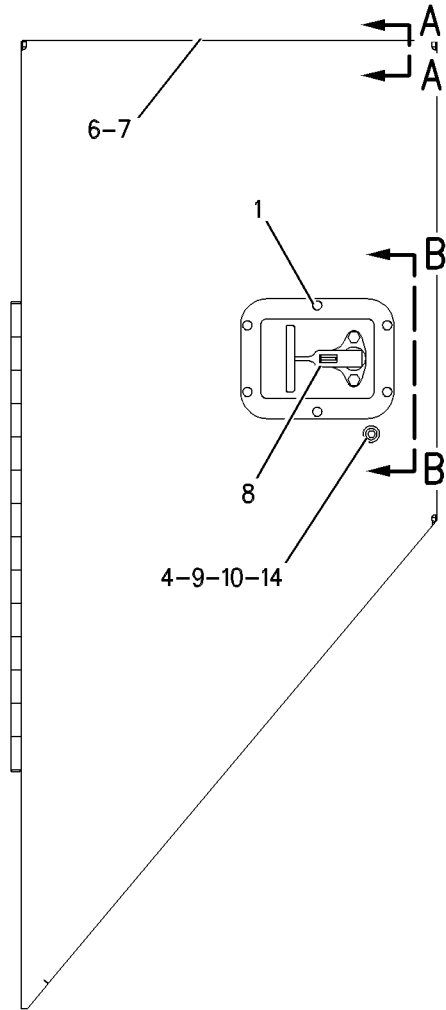
D - ORDER BY THE METER

M - METRIC PART

# FRAME AND BODY

163-8033 DOOR GP-ACCESS (contd.)

i01505338



GRAPHIC #1

<END>

g00554599

# FRAME AND BODY

**163-8033 DOOR GP-ACCESS-HOOD SIDE, REAR, RH**

S/N: BNH1-UP

PART OF 114-5122 HOOD & GUARD GP

TYPE 2

SMCS-7273

i04943139

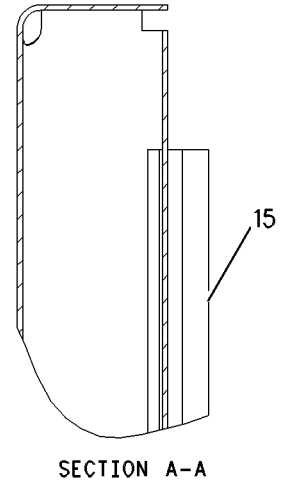
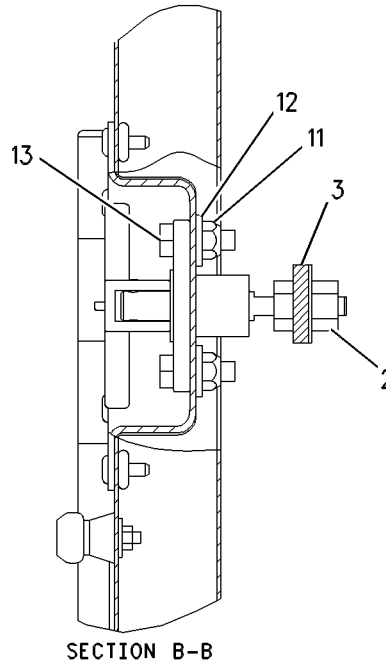
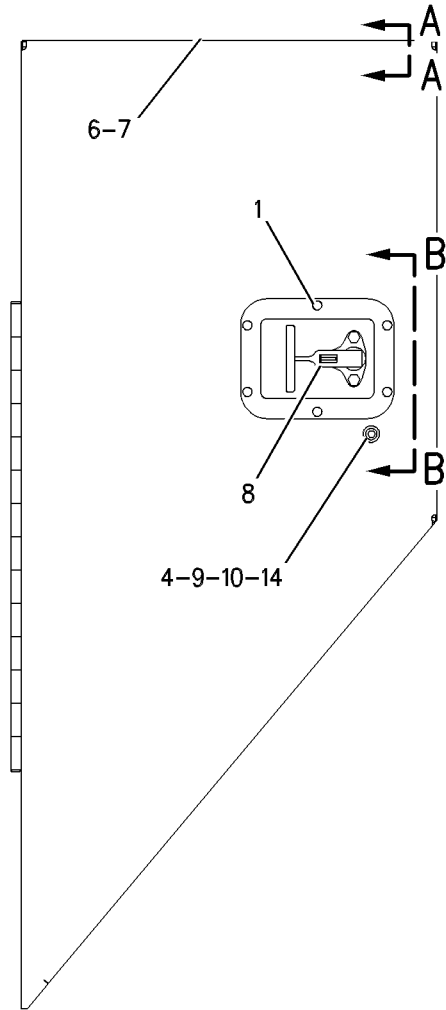
NOTE	REF NO	GRAPHIC REF	PART NUMBER	QTY	PART NAME						SEE PAGE
					1	2	3	4	5	6 (PRODUCT LEVEL)	
	1	1	<b>6V-2370</b>	12	RIVET-POP						
CM	2	1	<b>096-4876</b>	4	NUT (M14X2-THD)						
	3	1	<b>8T-1578</b>	2	PAWL						
	4	1	<b>9R-8538</b>	2	PLUNGER (LATCH)						
	6	1	<b>142-7008</b>	1	DOOR AS						
	7	1	<b>142-7009</b>	1	DOOR AS						
	8	1	<b>160-6328</b>	2	LATCH AS						
					(EACH INCLUDES)						
		1	<b>7X-0766</b>	1	SPRING-LATCH						
		1	<b>8Y-3999</b>	1	BRACKET-MOUNTING						
		1	<b>8Y-3998</b>	1	HANDLE-LATCH						
		1	<b>8Y-3966</b>	1	WASHER (14.7X35X1.57-MM THK)						
		1	<b>8Y-8306</b>	1	SHAFT-LATCH						
		1	<b>6H-3956</b>	1	PIN						
M	9	1	<b>5C-2890</b>	2	NUT (M6X1-THD)						
	10	1	<b>5P-4115</b>	2	WASHER-HARD (7.2X19X2-MM THK)						
M	11	1	<b>6V-7744</b>	4	LOCKNUT (M10X1.5-THD)						
	12	1	<b>7X-7729</b>	4	WASHER (11X25X3-MM THK)						
M	13	1	<b>8T-4195</b>	4	BOLT (M10X1.5X30-MM)						
M	14	1	<b>8T-4971</b>	2	BOLT (M6X1X30-MM)						
D	15	1	<b>5P-7483</b>		SEAL (1.3M)						

C - CHANGE FROM PREVIOUS TYPE  
D - ORDER BY THE METER  
M - METRIC PART

# FRAME AND BODY

163-8033 DOOR GP-ACCESS (contd.)

i04943139



GRAPHIC #1

<END>

g00554599



# FRAME AND BODY

## 178-8883 DOOR GP-ACCESS-RADIATOR GUARD SIDE

S/N: BNH1-UP

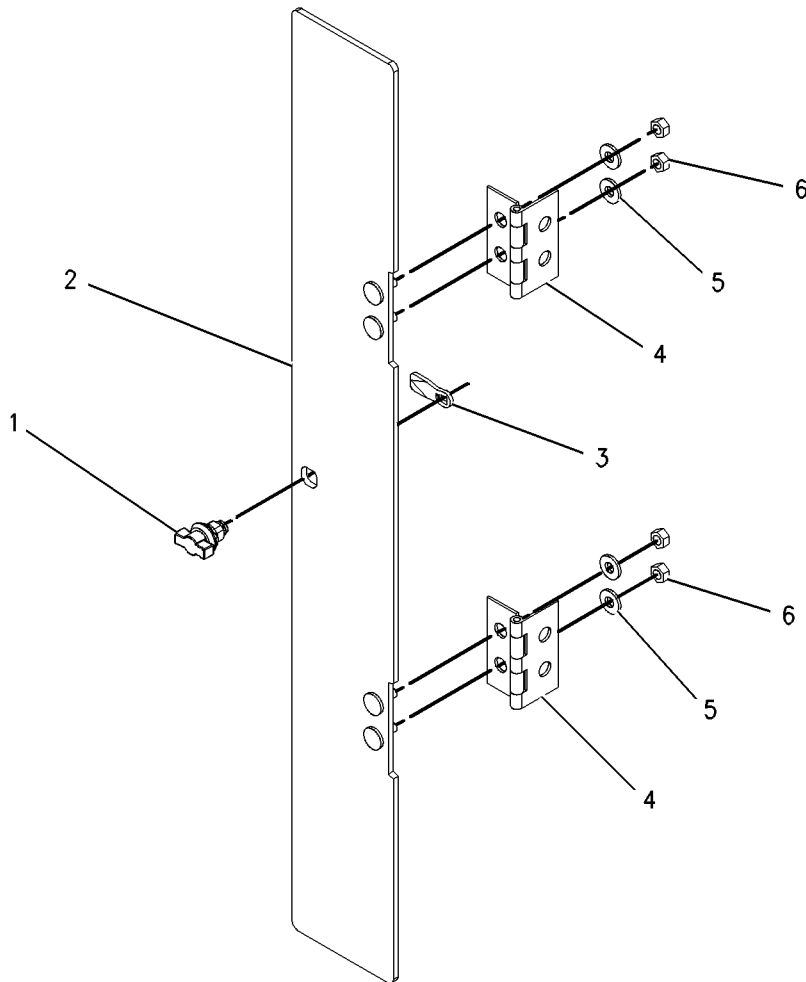
PART OF 114-5123 GUARD GP-RADIATOR

SMCS-7273

i01345818

NOTE	REF NO	GRAPHIC REF	PART NUMBER	QTY	PART NAME						SEE PAGE
					1	2	3	4	5	6	
	1	1	174-6381	1	LATCH AS						
	2	1	178-8884	1	PLATE AS						
M		1	8T-5413	4	STUD-WELD (M10X1.5X25-MM OAL)						
	3	1	178-8885	1	CAM-LATCH						
	4	1	178-8886	2	HINGE AS						
	5	1	7X-7729	4	WASHER (11X25X3-MM THK)						
M	6	1	8T-4133	4	NUT (M10X1.5-THD)						

M - METRIC PART



GRAPHIC #1

<END>

g00712540

# FRAME AND BODY

## 180-9272 DOOR GP-ACCESS-HOOD TOP

S/N: BNH1-UP

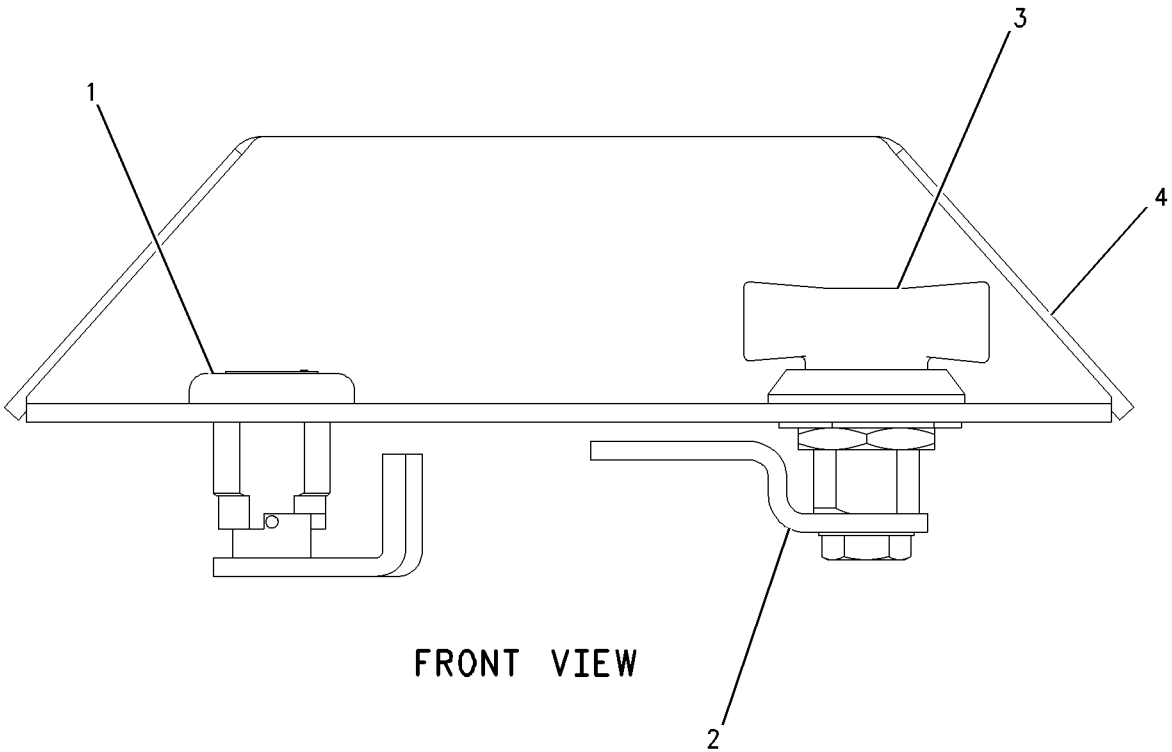
PART OF 114-5122 HOOD & GUARD GP

SMCS-7273

i01758993

NOTE	REF NO	GRAPHIC REF	PART NUMBER	QTY	PART NAME						SEE PAGE
					1	2	3	4	5	6 (PRODUCT LEVEL)	
J	1	1	126-7168	1	LOCK AS						
		1	7F-9223	1	LOCKWASHER						
		1	8T-5004	2	SCREW-MACHINE (1/4-28X0.375 IN)						
	2	1	125-8176	1	CAM-LATCH						
	3	1	174-6381	1	LATCH AS						
	4	1	180-9270	1	COVER AS						
		1	9V-3659	1	HINGE						

J - REQUIRES 5P8500 KEY



GRAPHIC #1

<END>

g00900170

# FRAME AND BODY

## 136-5049 DRAWBAR GP

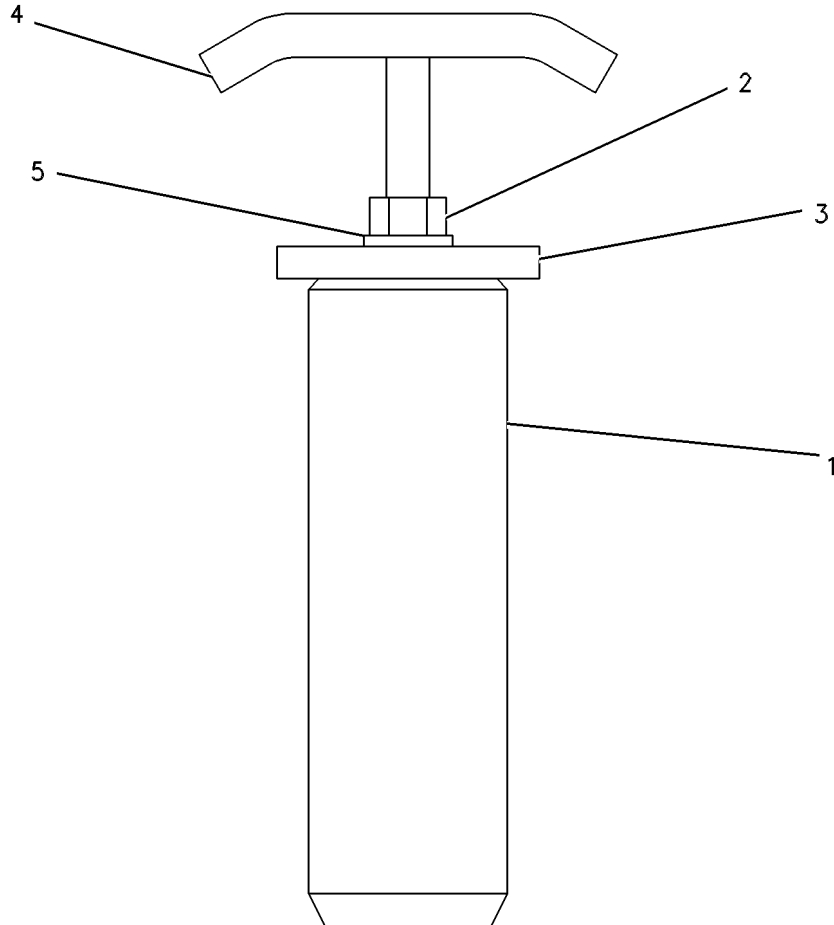
S/N: BNH1-UP

PART OF 114-5129 BUMPER GP-REAR

SMCS-7105, 7119

i00778711

NOTE	REF NO	GRAPHIC REF	PART NUMBER	QTY	PART NAME						SEE PAGE
					1	2	3	4	5	6 (PRODUCT LEVEL)	
	1	1	1V-0134	1	PIN						
	2	1	6V-8188	1	NUT (1/2-13-THD)						
	3	1	4V-1074	1	PLATE						
	4	1	140-3673	1	HANDLE AS						
	5	1	8T-4223	1	WASHER-HARD (13.5X25.5X3-MM THK)						



GRAPHIC #1

<END>

g00296184

# FRAME AND BODY

## 313-5472 FENDER GP

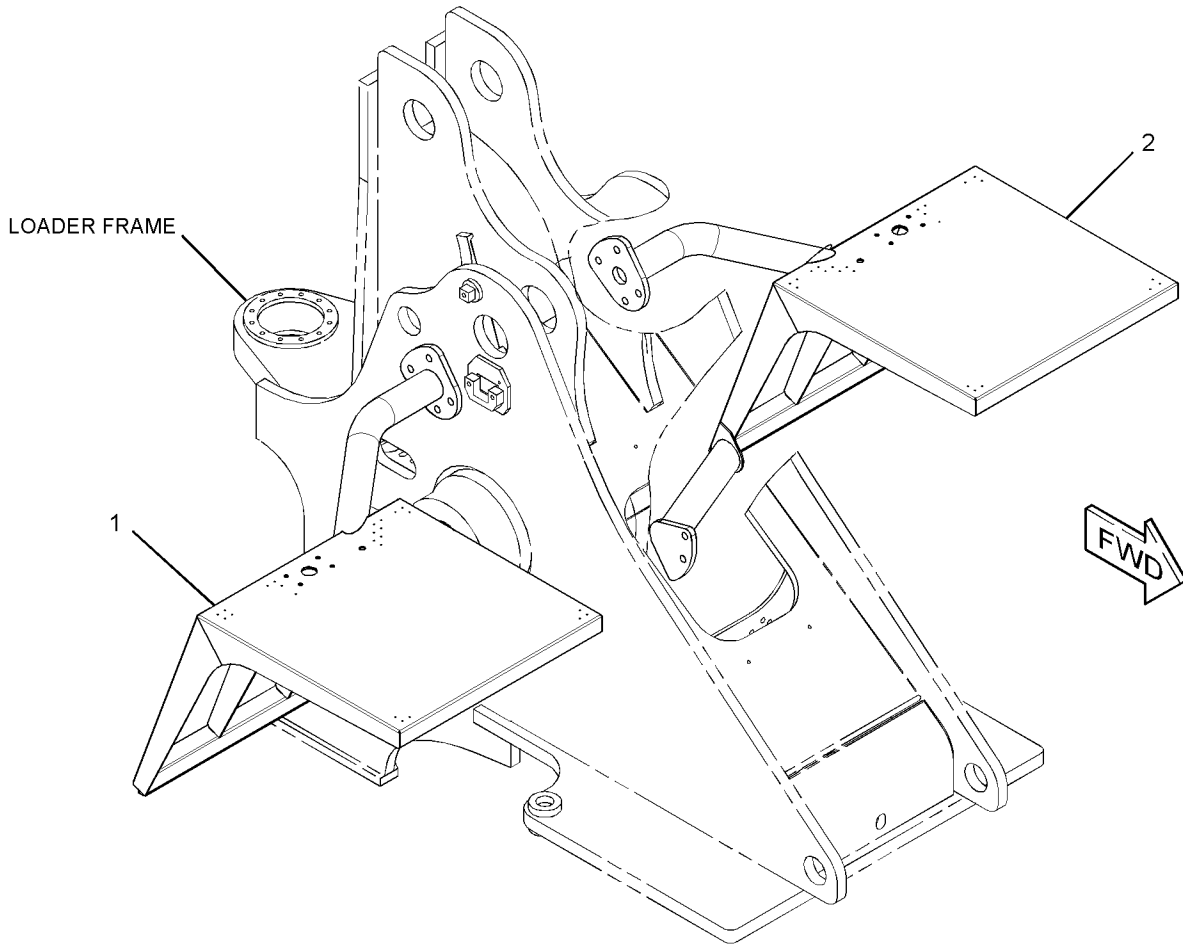
S/N: BNH1-UP

PART OF 170-7339 FENDER GP-FRONT  
AN ATTACHMENT

SMCS-7252

i03013454

NOTE	REF NO	GRAPHIC REF	PART NUMBER	QTY	PART NAME						SEE PAGE
					1	2	3	4	5	6 (PRODUCT LEVEL)	
	1	1	215-2425	1	FENDER AS (RH)						
	2	1	215-2426	1	FENDER AS (LH)						
					(EACH FENDER AS INCLUDES)						
		1	211-0248	1	PLATE						



GRAPHIC #1

<END>

g01526454

# FRAME AND BODY

## 114-5125 FENDER GP-FRONT

S/N: BNH1-UP

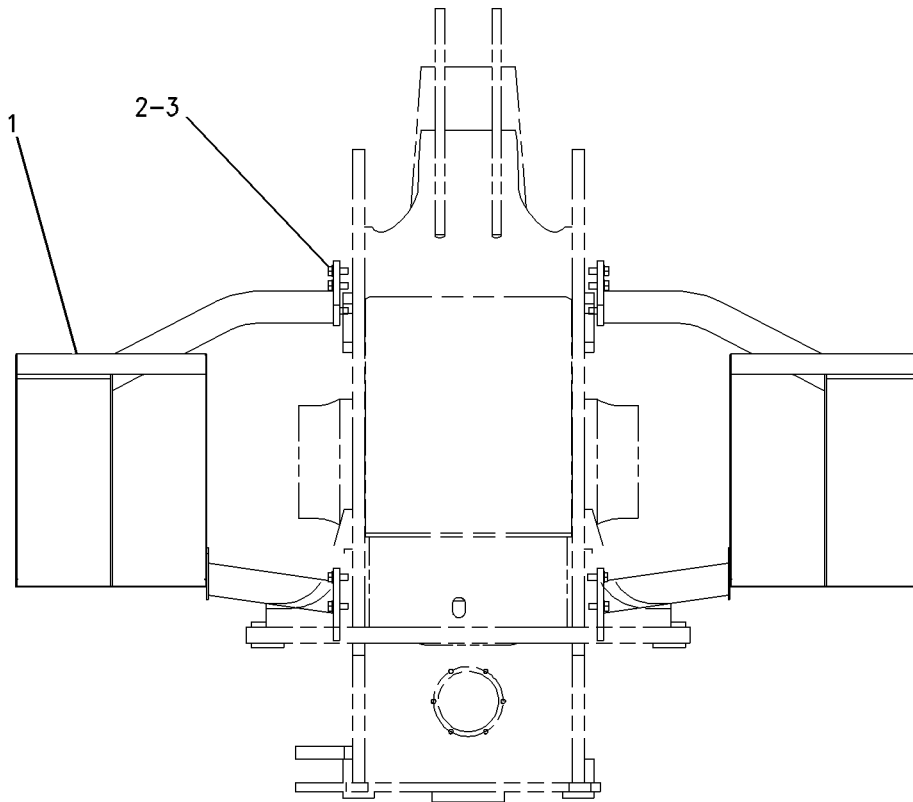
PART OF 164-6084, 164-6085 LADDER & FENDER AR  
AN ATTACHMENT

SMCS-7252

i01771992

NOTE	REF NO	GRAPHIC REF	PART NUMBER	QTY	PART NAME						SEE PAGE
					1	2	3	4	5	6 (PRODUCT LEVEL)	
Y	1	1	224-4229	1	FENDER GP-FRONT						605
	2	1	8T-4123	12	WASHER (22X35X3.5-MM THK)						
M	3	1	8T-6430	12	BOLT (M20X2.5X50-MM)						

M - METRIC PART  
Y - SEPARATE ILLUSTRATION



GRAPHIC #1

<END>

g00906015

# FRAME AND BODY

## 170-7339 FENDER GP-FRONT

S/N: BNH1-UP

PART OF 170-7340 LADDER & FENDER AR  
AN ATTACHMENT

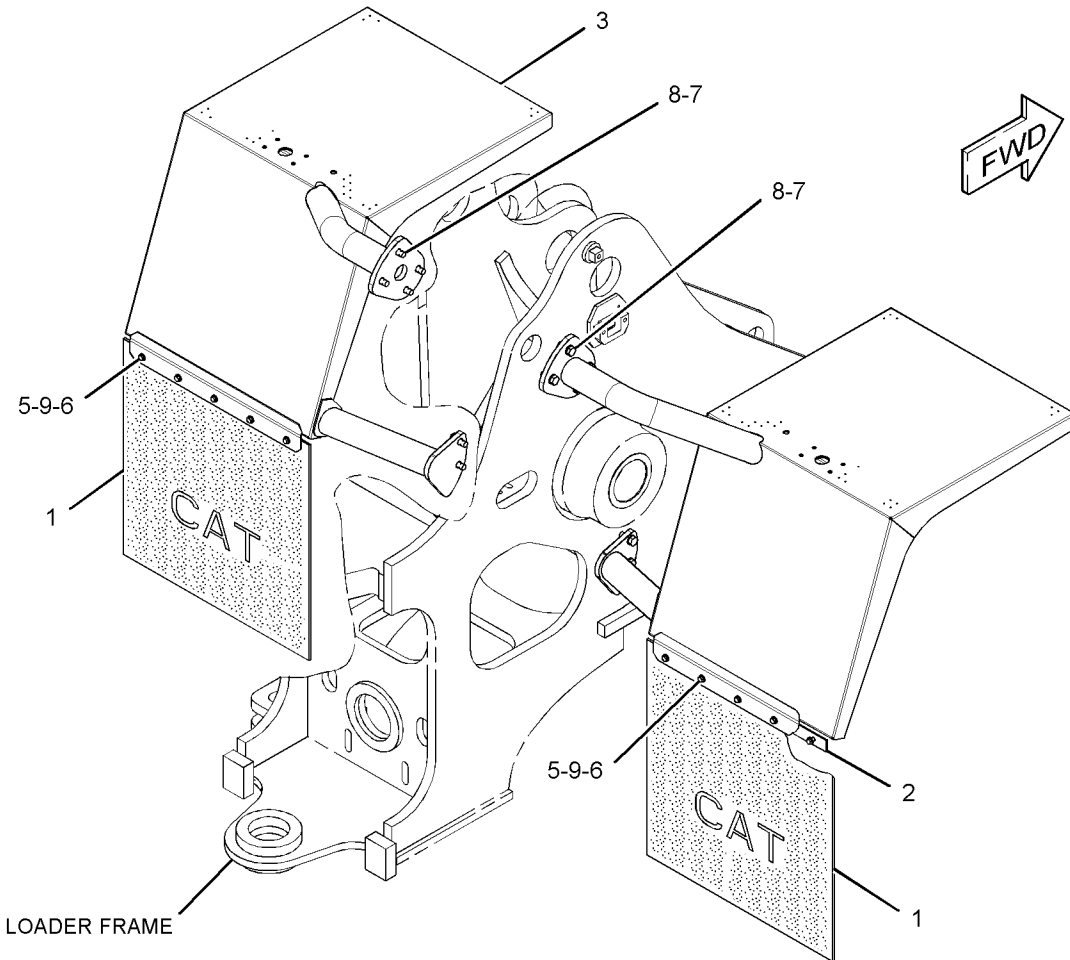
SMCS-7252

i03013319

NOTE	REF NO	GRAPHIC REF	PART NUMBER	QTY	PART NAME						SEE PAGE
					1	2	3	4	5	6	
	1	1	<b>8J-2962</b>	2	FLAP						
	2	1	<b>146-8349</b>	2	STRIP						
Y	3	1	<b>313-5472</b>	1	FENDER GP						602
M	5	1	<b>6V-7687</b>	10	LOCKNUT (M12X1.75-THD)						
M	6	1	<b>8T-4956</b>	10	BOLT (M12X1.75X35-MM)						
	7	1	<b>8T-4123</b>	12	WASHER (22X35X3.5-MM THK)						
M	8	1	<b>8T-6430</b>	12	BOLT (M20X2.5X50-MM)						
	9	1	<b>8T-4223</b>	10	WASHER-HARD (13.5X25.5X3-MM THK)						

M - METRIC PART

Y - SEPARATE ILLUSTRATION



GRAPHIC #1

<END>

g01526480

# FRAME AND BODY

## 224-4229 FENDER GP-FRONT

S/N: BNH1-UP

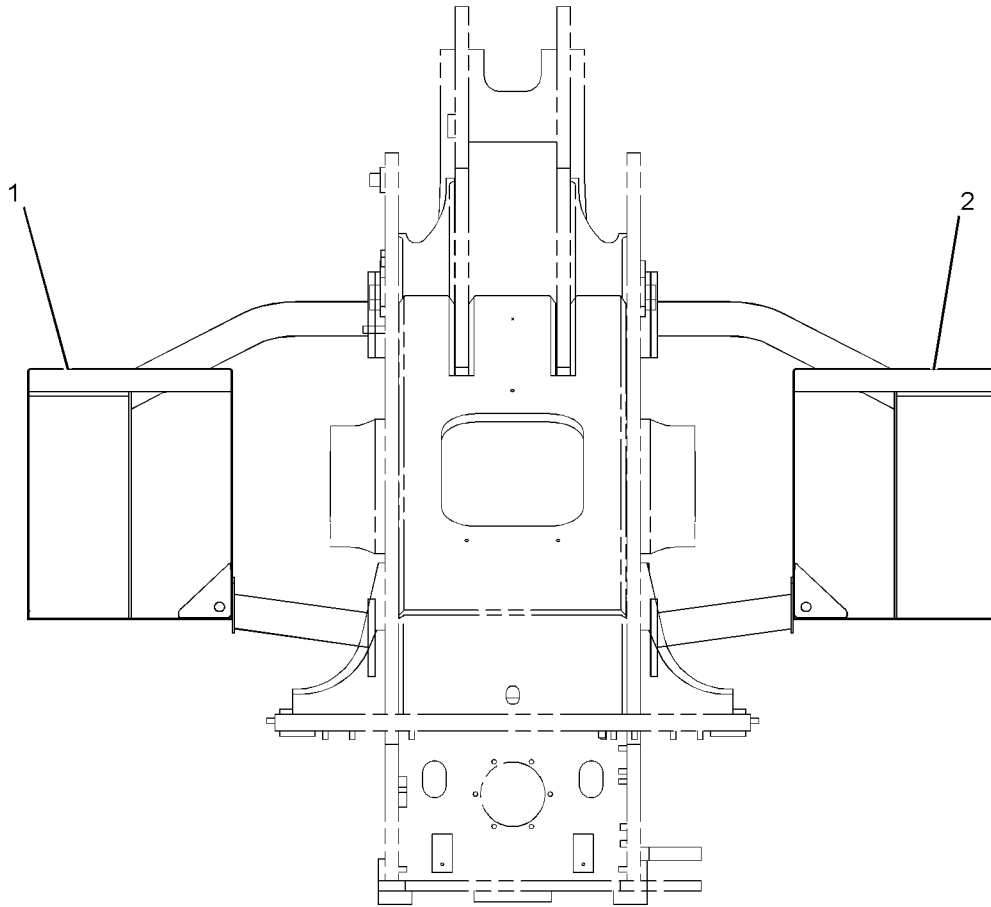
PART OF 114-5125 FENDER GP-FRONT  
AN ATTACHMENT

SMCS-7252

i02387623

NOTE	REF NO	GRAPHIC REF	PART NUMBER	QTY	PART NAME						SEE PAGE
					1	2	3	4	5	6 (PRODUCT LEVEL)	
	1	1	215-2423	1	FENDER AS-FRONT (RH)						
M		1	8T-3490	4	NUT-WELD (M10X1.5-THD)						
		1	211-0248	1	PLATE						
	2	1	215-2424	1	FENDER AS-FRONT (LH)						
M		1	8T-3490	4	NUT-WELD (M10X1.5-THD)						
		1	211-0248	1	PLATE						

M - METRIC PART



FRONT VIEW

GRAPHIC #1

<END>

g01191973

# FRAME AND BODY

## 142-5800 FENDER GP-REAR

S/N: BNH1-UP

CANNOT BE USED WITH 153-7044-PAGE: 651

PART OF 170-7340 LADDER & FENDER AR

AN ATTACHMENT

TYPE 1

SMCS-7252

i02022476

NOTE	REF NO	GRAPHIC REF	PART NUMBER	QTY	PART NAME						SEE PAGE
					1	2	3	4	5	6 (PRODUCT LEVEL)	
	1	1	<b>142-5795</b>	1	SHEET AS-LH						
			<b>6V-1635</b>	4	RIVET-POP						
	2	1	<b>142-5797</b>	1	SHEET AS-LH						
			<b>6V-1635</b>	4	RIVET-POP						
	3	1	<b>142-5798</b>	1	PLATE AS (LH)						
Y	4	1	<i>142-5799</i>	1	LADDER GP (RH)						649
	5	1	<b>142-5804</b>	2	SHEET						
	6	1	<b>142-5805</b>	1	SHEET AS (RH)						
			<b>6V-1635</b>	4	RIVET-POP						
	7	1	<b>142-5807</b>	1	SHEET AS-RH						
			<b>6V-1635</b>	4	RIVET-POP						
	8	1	<b>142-5808</b>	1	PLATE AS (RH)						
	9	1	<b>146-8351</b>	1	SHEET-LH						
	10	1	<b>146-8352</b>	1	SHEET-RH						
	11	1	<b>146-8353</b>	1	SHEET-LH						
	12	1	<b>146-8354</b>	1	SHEET-RH						
	13	1	<b>7X-7729</b>	32	WASHER (11X25X3-MM THK)						
M	14	1	<b>8T-4133</b>	36	NUT (M10X1.5-THD)						
M	15	1	<b>8T-4136</b>	36	BOLT (M10X1.5X25-MM)						
	16	1	<b>174-5807</b>	16	RIVET-POP						
	17	1	<b>142-5803</b>	4	STRIP						
	18	1	<b>142-5809</b>	4	FLAP						

M - METRIC PART

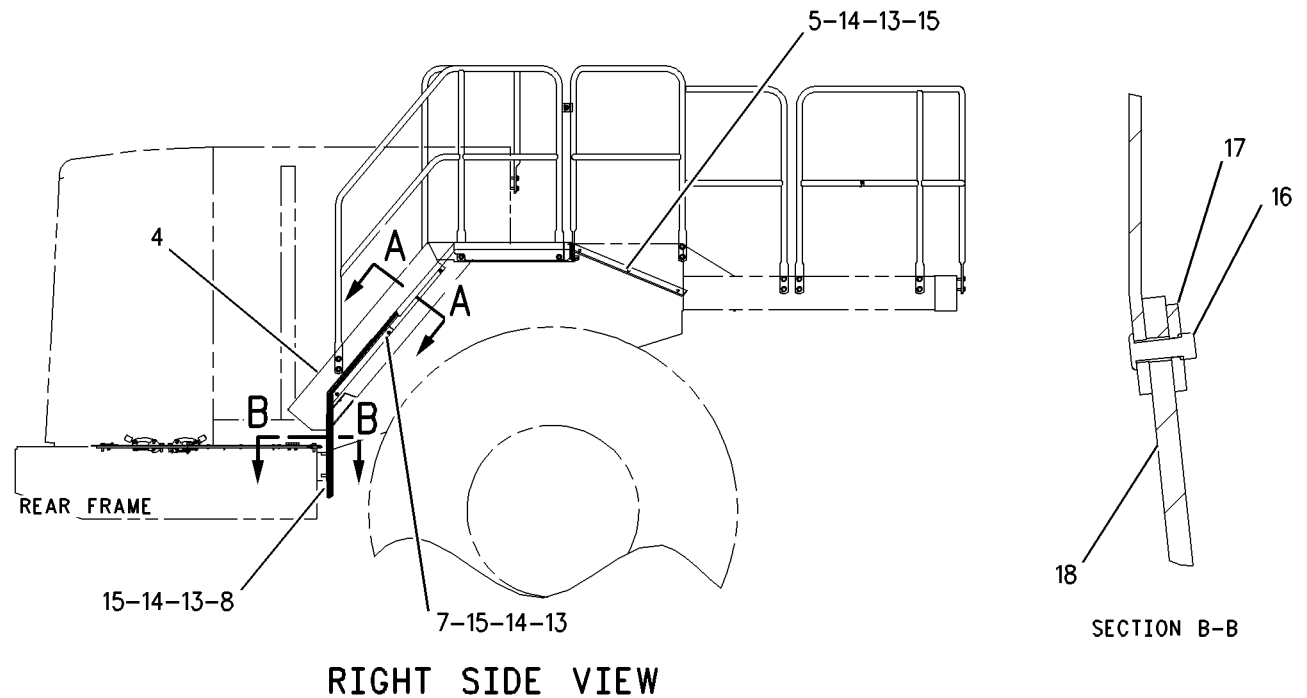
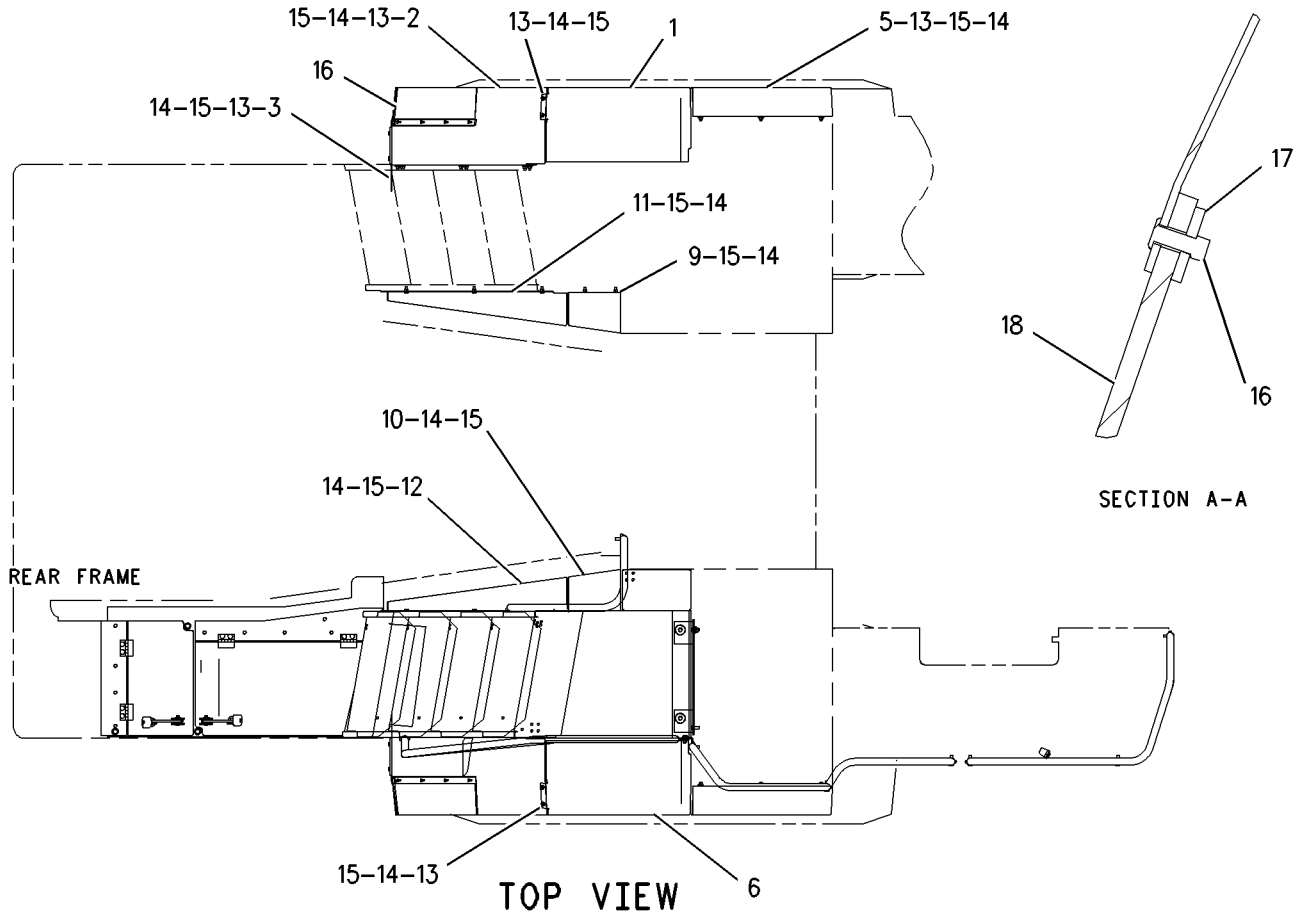
Y - SEPARATE ILLUSTRATION



# FRAME AND BODY

142-5800 FENDER GP-REAR (contd.)

i02022476



GRAPHIC #1

<END>

g00826899

# FRAME AND BODY

## 142-5800 FENDER GP-REAR

S/N: BNH1-UP

CANNOT BE USED WITH 153-7044-PAGE: 651

PART OF 170-7340 LADDER & FENDER AR

AN ATTACHMENT

TYPE 2

SMCS-7252

i04143085

NOTE	REF NO	GRAPHIC REF	PART NUMBER	QTY	PART NAME						SEE PAGE
					1	2	3	4	5	6 (PRODUCT LEVEL)	
C	1	1	<b>336-9438</b>	1	PLATE AS (LH)						
M		1	<b>8T-3490</b>	2	NUT-WELD (M10X1.5-THD)						
	2	1	<b>142-5797</b>	1	SHEET AS-LH						
	3	1	<b>142-5798</b>	1	PLATE AS (LH)						
C	4	1	<b>8T-4121</b>	78	WASHER-HARD (11X21X2.5-MM THK)						
	5	1	<b>142-5804</b>	2	SHEET						
C	6	1	<b>336-9437</b>	1	PLATE AS (RH)						
M		1	<b>8T-3490</b>	2	NUT-WELD (M10X1.5-THD)						
	7	1	<b>142-5807</b>	1	SHEET AS-RH						
	8	1	<b>142-5808</b>	1	PLATE AS (RH)						
	9	1	<b>146-8351</b>	1	SHEET-LH						
	10	1	<b>146-8352</b>	1	SHEET-RH						
	11	1	<b>146-8353</b>	1	SHEET-LH						
	12	1	<b>146-8354</b>	1	SHEET-RH						
CM	14	1	<b>8T-4133</b>	40	NUT (M10X1.5-THD)						
CM	15	1	<b>8T-4136</b>	44	BOLT (M10X1.5X25-MM)						
	16	1	<b>174-5807</b>	16	RIVET-POP						
	17	1	<b>142-5803</b>	4	STRIP						
	18	1	<b>142-5809</b>	4	FLAP						

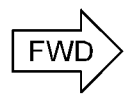
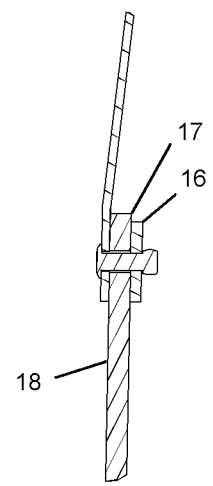
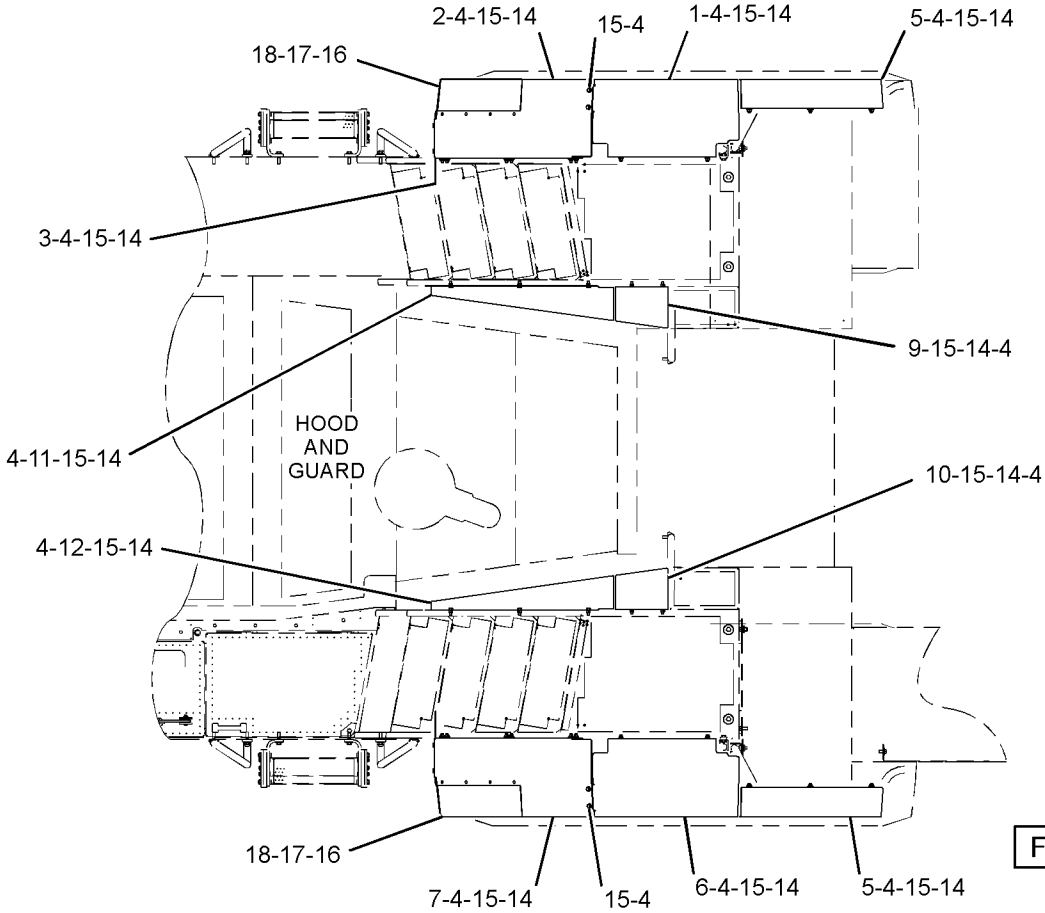
C - CHANGE FROM PREVIOUS TYPE

M - METRIC PART

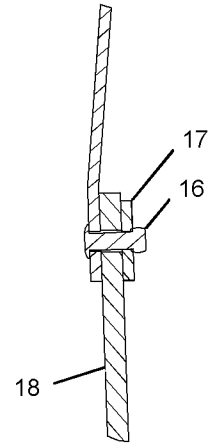
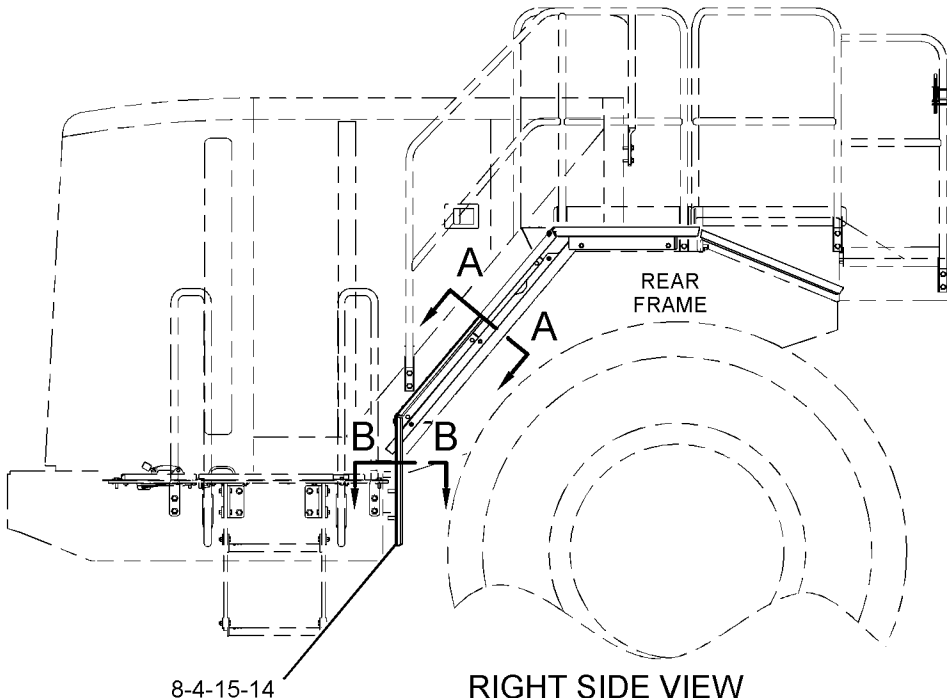
# FRAME AND BODY

142-5800 FENDER GP-REAR (contd.)

i04143085



TOP VIEW



SECTION B-B

RIGHT SIDE VIEW

GRAPHIC #1

<END>

g02478270

# FRAME AND BODY

## 114-5126 FIREWALL GP

S/N: BNH1-UP

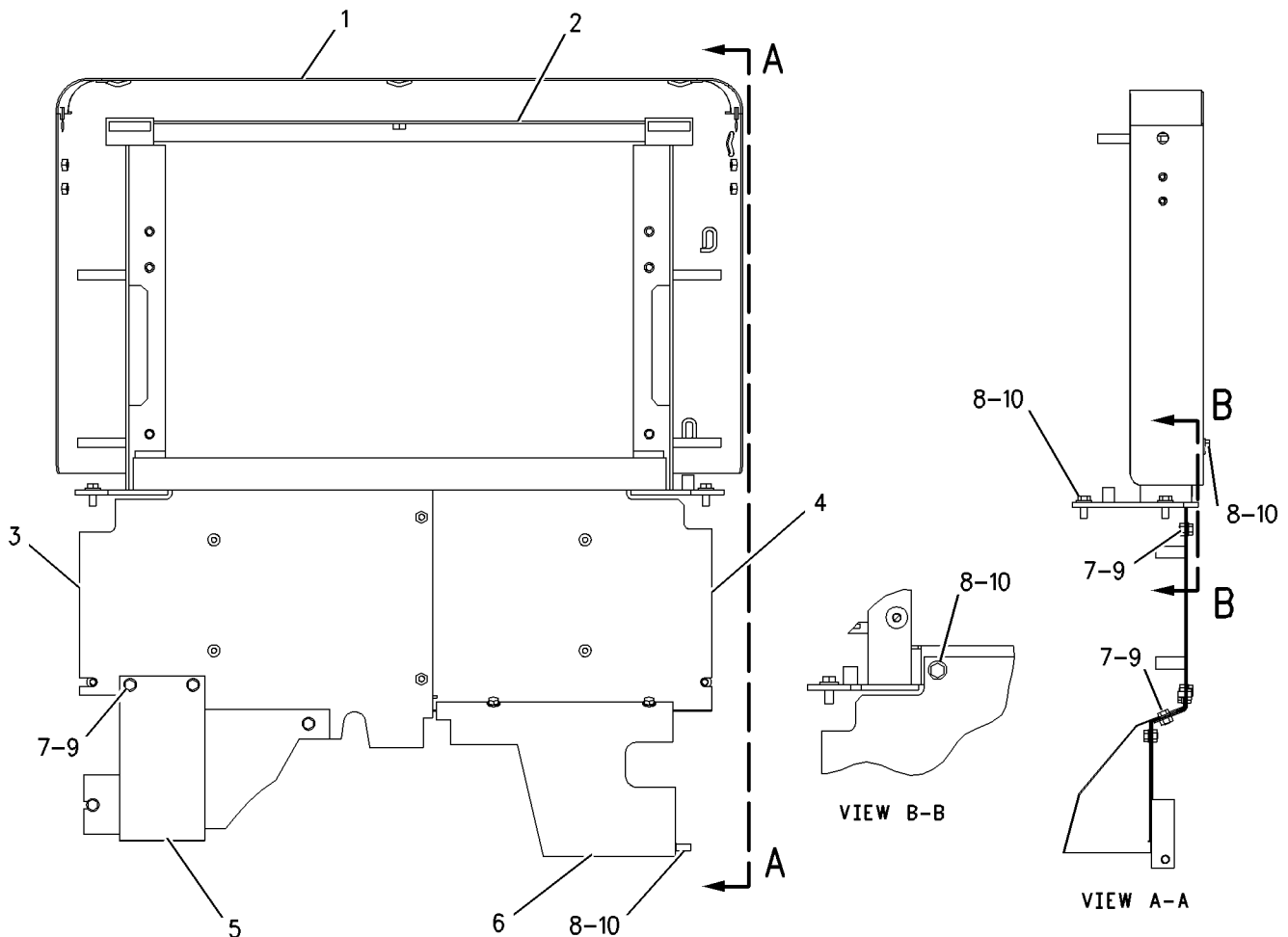
PART OF 203-1567 CHASSIS AR

SMCS-7262

i01493701

NOTE	REF NO	GRAPHIC REF	PART NUMBER	QTY	PART NAME						SEE PAGE
					1	2	3	4	5	6	
	1	1	<b>180-4533</b>	1	PANEL AS						
		1	<b>7T-1099</b>	6	LINK						
M		1	<b>8T-3490</b>	4	NUT-WELD (M10X1.5-THD)						
	2	1	<b>142-5017</b>	1	SUPPORT AS						
M		1	<b>8T-3597</b>	4	NUT-WELD (M12X1.75-THD)						
M		1	<b>9R-2613</b>	1	BOSS-WELD (M10X1.5X25-MM)						
	3	1	<b>144-9528</b>	1	SHEET AS						
		1	<b>138-6108</b>	2	SPACER (8.7X20X45-MM THK)						
M		1	<b>8T-3490</b>	5	NUT-WELD (M10X1.5-THD)						
	4	1	<b>144-9529</b>	1	SHEET AS						
		1	<b>138-6108</b>	2	SPACER (8.7X20X45-MM THK)						
M		1	<b>8T-3490</b>	2	NUT-WELD (M10X1.5-THD)						
	5	1	<b>144-9530</b>	1	SHEET AS						
	6	1	<b>144-9531</b>	1	SHEET						
	7	1	<b>8T-4121</b>	10	WASHER-HARD (11X21X2.5-MM THK)						
M	8	1	<b>8T-4139</b>	10	BOLT (M12X1.75X30-MM)						
M	9	1	<b>8T-4191</b>	10	BOLT (M10X1.5X16-MM)						
	10	1	<b>8T-4223</b>	10	WASHER-HARD (13.5X25.5X3-MM THK)						

M - METRIC PART



GRAPHIC #1

<END>

g00775576

# FRAME AND BODY

## 198-4270 FRAME AS-LOADER

S/N: BNH1-UP

PART OF 203-1567 CHASSIS AR

SMCS-7054

i03642465

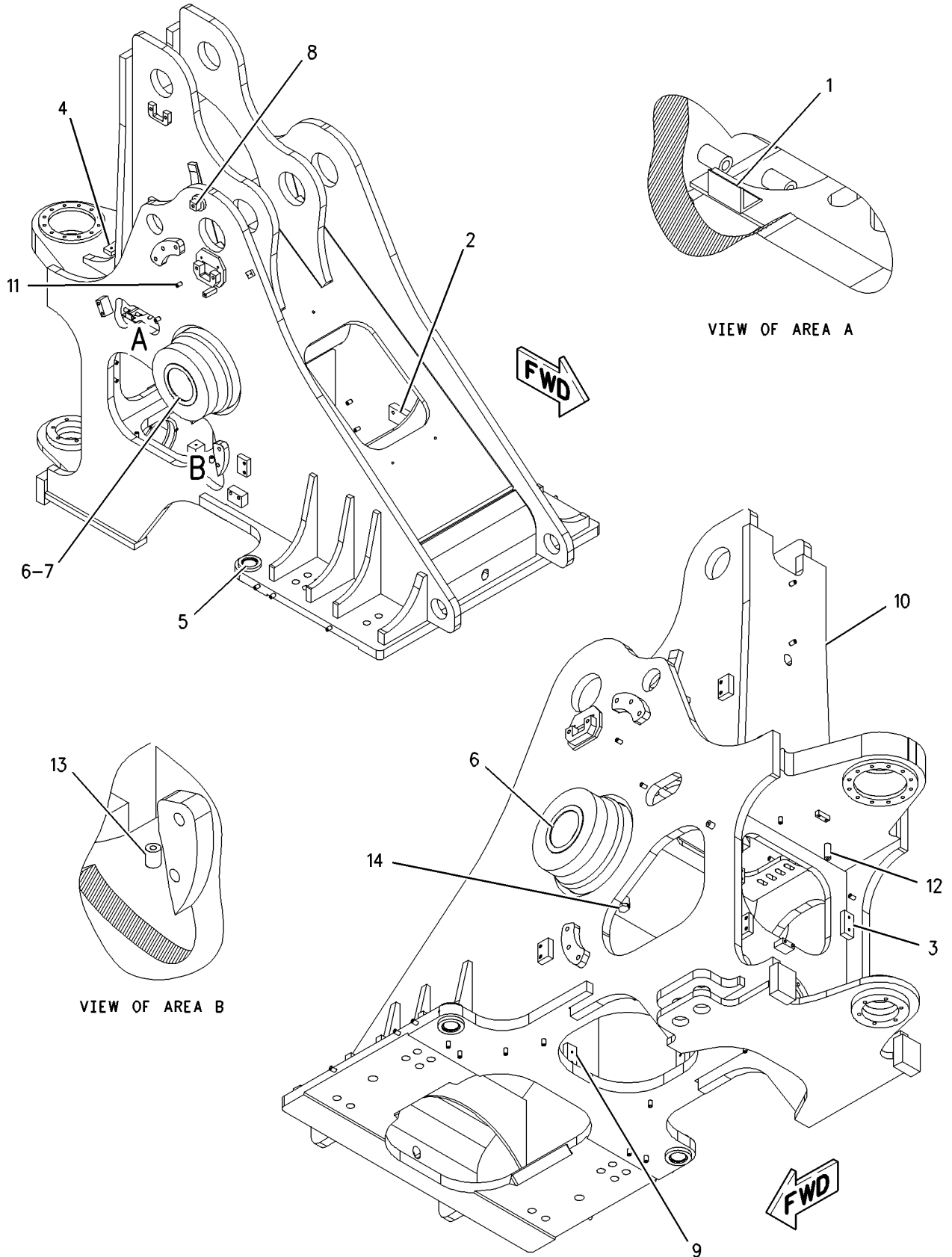
NOTE	REF NO	GRAPHIC REF	PART NUMBER	QTY	PART NAME						SEE PAGE
					1	2	3	4	5	6	
	1	1	<b>3K-8681</b>	4	ANGLE						
	2	1	<b>8X-4719</b>	1	BAR						
	3	1	<b>9C-7863</b>	1	BLOCK						
	4	1	<b>9U-0853</b>	1	BAR						
	5	1	<b>138-1873</b>	2	BUSHING						
	6	1	<b>339-0313</b>	2	BEARING						
	7	1	<b>152-3752</b>	1	SPACER						
	8	1	<b>156-1817</b>	1	BLOCK						
	9	1	<b>197-7361</b>	2	BLOCK						
	10	1	<i>198-4266</i>	1	PLATE AS						
		1	<b>3K-8681</b>	2	ANGLE						
M		1	<b>9R-2613</b>	4	BOSS-WELD (M10X1.5X25-MM)						
M	11	1	<b>8T-3851</b>	62	BOSS-WELD (M10X1.5X17.5-MM)						
M	12	1	<b>9R-1733</b>	1	BOSS (M10X1.5X66.5-MM)						
M	13	1	<b>9R-2613</b>	1	BOSS-WELD (M10X1.5X25-MM)						
	14	1	<i>164-4180</i>	2	PLUG AS						
					(EACH INCLUDES)						
		1	<b>7M-8485</b>	1	SEAL-O-RING						
		1	<b>9S-4181</b>	1	PLUG-O-RING						

M - METRIC PART

# FRAME AND BODY

198-4270 FRAME AS-LOADER (contd.)

i03642465



GRAPHIC #1

<END>

g00754127

# FRAME AND BODY

## 221-7967 FRAME AS-LOADER

S/N: BNH1-UP

CUSTOM

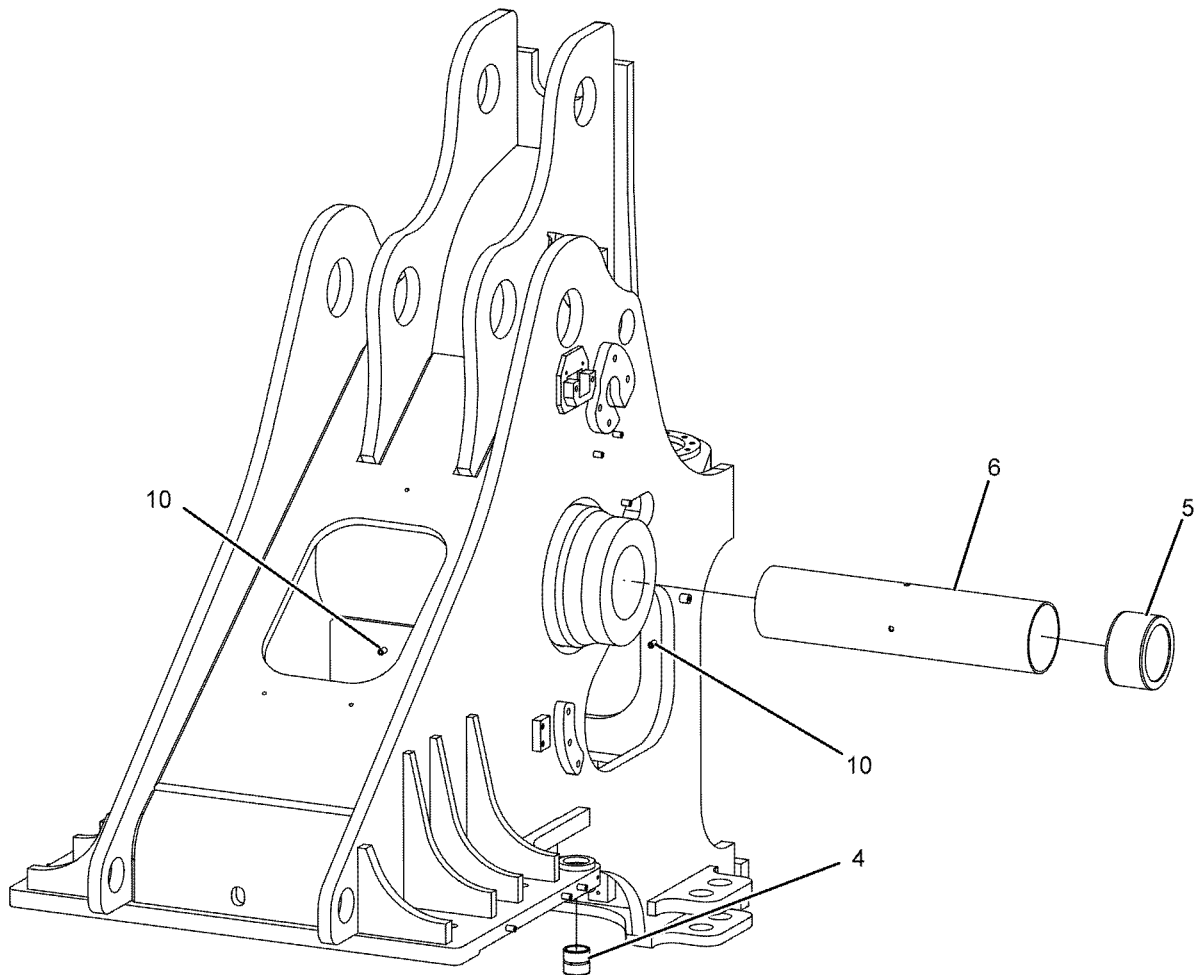
PART OF 203-1567 CHASSIS AR

SMCS-7054

i03642466

NOTE	REF NO	GRAPHIC REF	PART NUMBER	QTY	PART NAME						SEE PAGE
					1	2	3	4	5	6 (PRODUCT LEVEL)	
	1	2	<b>3K-8681</b>	4	ANGLE						
	2	2	<b>9C-7863</b>	1	BLOCK						
	3	2	<b>9U-0853</b>	1	BAR						
	4	1	<b>138-1873</b>	2	BUSHING						
	5	1	<b>339-0313</b>	2	BEARING						
	6	1	<b>152-3752</b>	1	SPACER						
	7	1	<b>156-1817</b>	1	BLOCK						
	8	2	<b>164-4180</b>	2	PLUG AS						
					(EACH INCLUDES)						
		2	<b>7M-8485</b>	1	SEAL-O-RING						
		2	<b>9S-4181</b>	1	PLUG-O-RING						
M	9	2	<b>9R-1733</b>	2	BOSS (M10X1.5X66.5-MM)						
M	10	2	<b>8T-3851</b>	59	BOSS-WELD (M10X1.5X17.5-MM)						
M	11	2	<b>9R-2640</b>	1	BOSS (M12X1.75X25-MM)						
	12	2	<b>211-0247</b>	2	PLATE						
	13	2	<b>103-5350</b>	6	PLATE						

M - METRIC PART



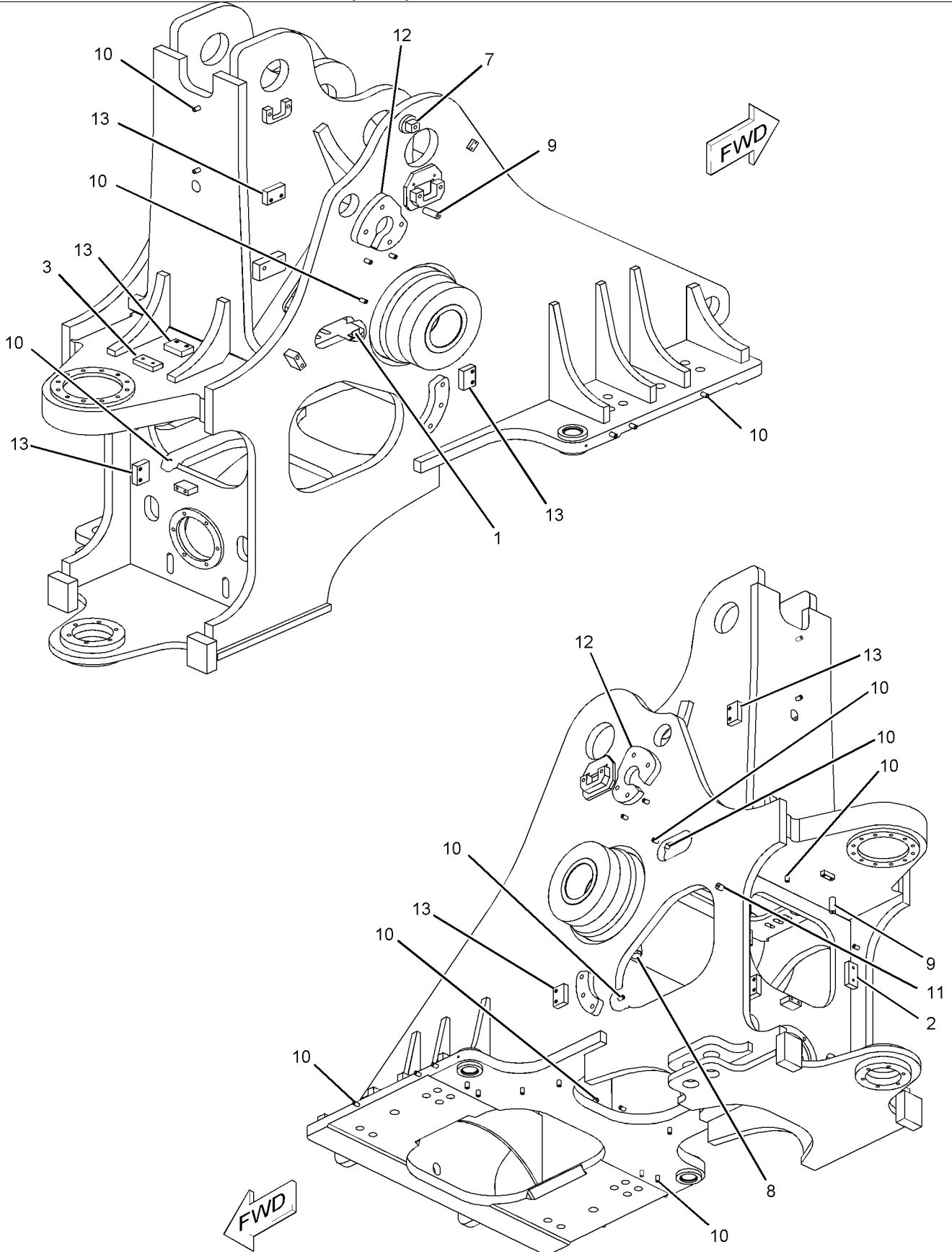
GRAPHIC #1

g01015992

# FRAME AND BODY

221-7967 FRAME AS-LOADER (contd.)

i03642466



GRAPHIC #2

<END>

g01016032



# FRAME AND BODY

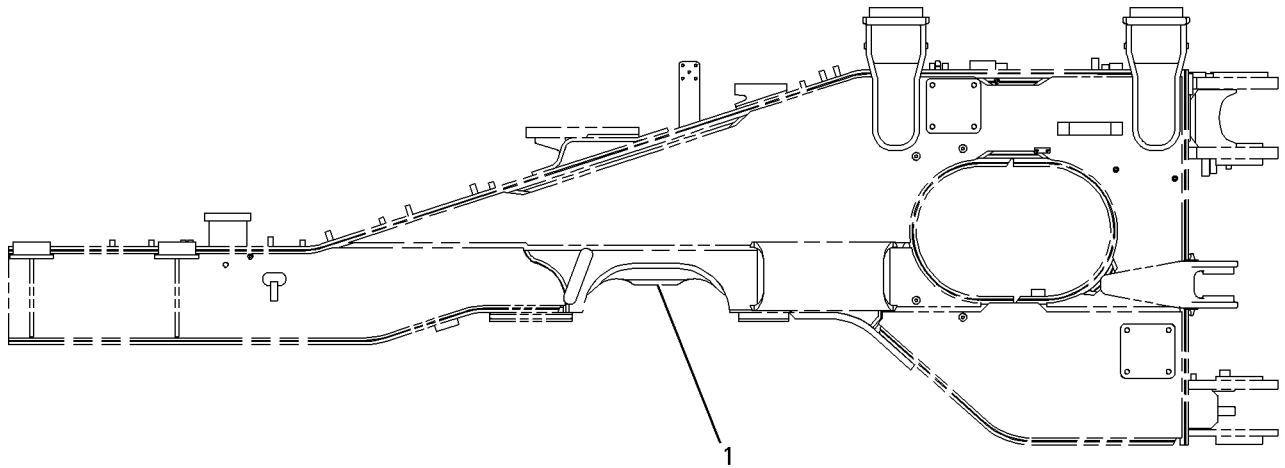
## 199-3066 FRAME AS-REAR-AXLE OSCILLATION

S/N: BNH1-UP  
AN ATTACHMENT

SMCS-7051

i01504205

NOTE	REF NO	GRAPHIC REF	PART NUMBER	QTY	PART NAME						SEE PAGE
					1	2	3	4	5	6 (PRODUCT LEVEL)	
	1	1	204-1505	2	STOP						



RIGHT SIDE VIEW

GRAPHIC #1

<END>

g00781282

# FRAME AND BODY

## 208-2379 FRAME AS-REAR

S/N: BNH1-760

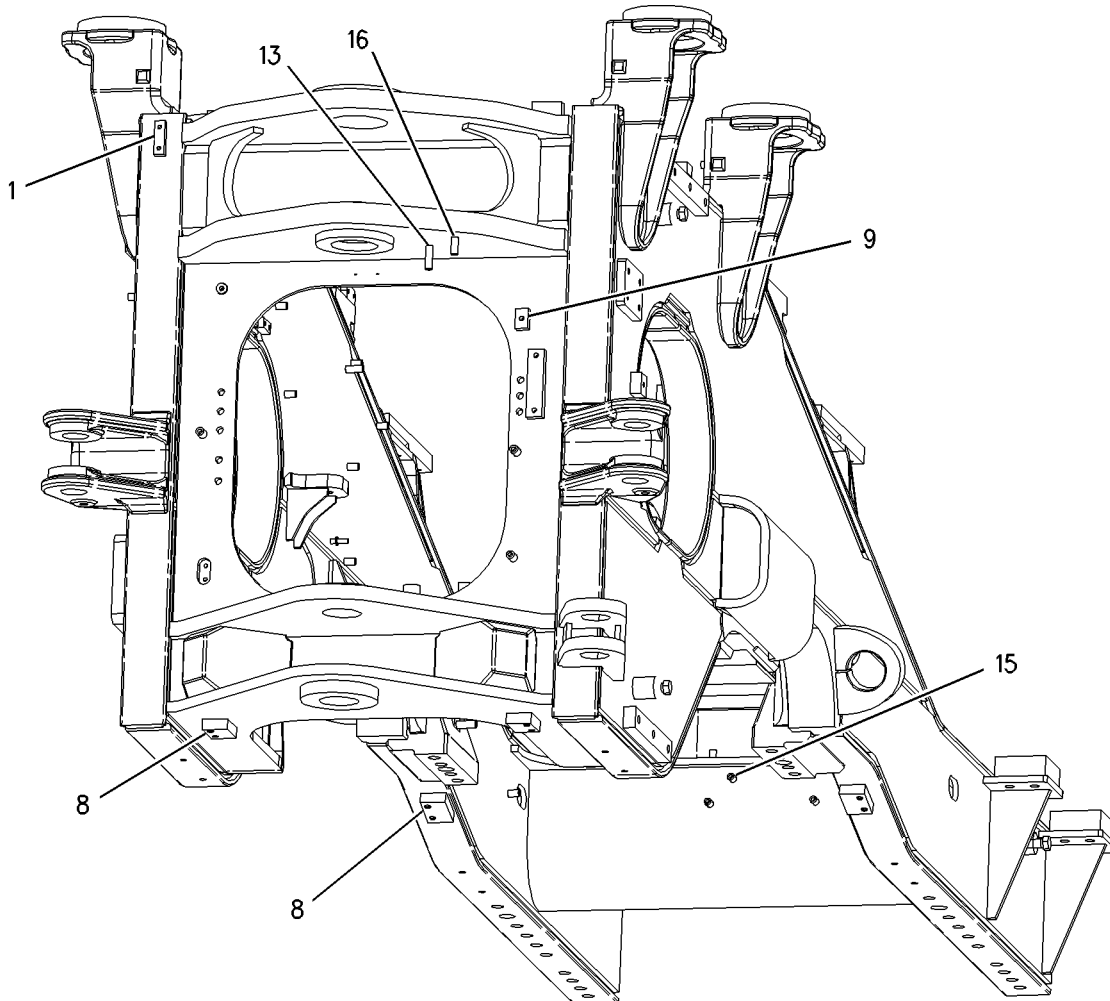
PART OF 203-1567 CHASSIS AR

SMCS-7051

i05109117

NOTE	REF NO	GRAPHIC REF	PART NUMBER	QTY	PART NAME						SEE PAGE
					1	2	3	4	5	6 (PRODUCT LEVEL)	
	1	1,2	<b>4I-6289</b>	4	PLATE						
	2	2	<b>7K-1972</b>	2	EYE						
	3	2	<b>7Y-2436</b>	1	PLATE						
	4	2	<b>9C-4935</b>	1	PLATE						
M	5	2	<b>9C-6809</b>	1	BLOCK (M10X1.5-MM)						
	6	2	<b>9C-7863</b>	2	BLOCK						
	7	2	<b>9T-6943</b>	1	BLOCK						
	8	1,2	<b>103-5350</b>	6	PLATE						
	9	1	<b>131-6593</b>	1	BOSS (M12X1.75X20-MM)						
	10	2	<b>199-1293</b>	2	BLOCK						
M	11	2	<b>110-2023</b>	3	STUD-WELD (M10X1.5X25-MM)						
	12	2	<b>4I-7077</b>	1	BOSS						
M	13	1,2	<b>7X-0751</b>	3	BOSS-WELD (M10X1.5-THD)						
M	14	2	<b>8T-3635</b>	4	STUD-WELD (M12X1.75X34.93-MM)						
M	15	1,2	<b>8T-3851</b>	47	BOSS-WELD (M10X1.5X17.5-MM)						
M	16	1,2	<b>8T-4935</b>	23	BOSS-WELD (M10X1.5X45-MM)						
M	17	2	<b>8T-6911</b>	1	BOSS-WELD (M12X1.75X50-MM)						
	18	2	<b>8X-4719</b>	1	BAR						

M - METRIC PART



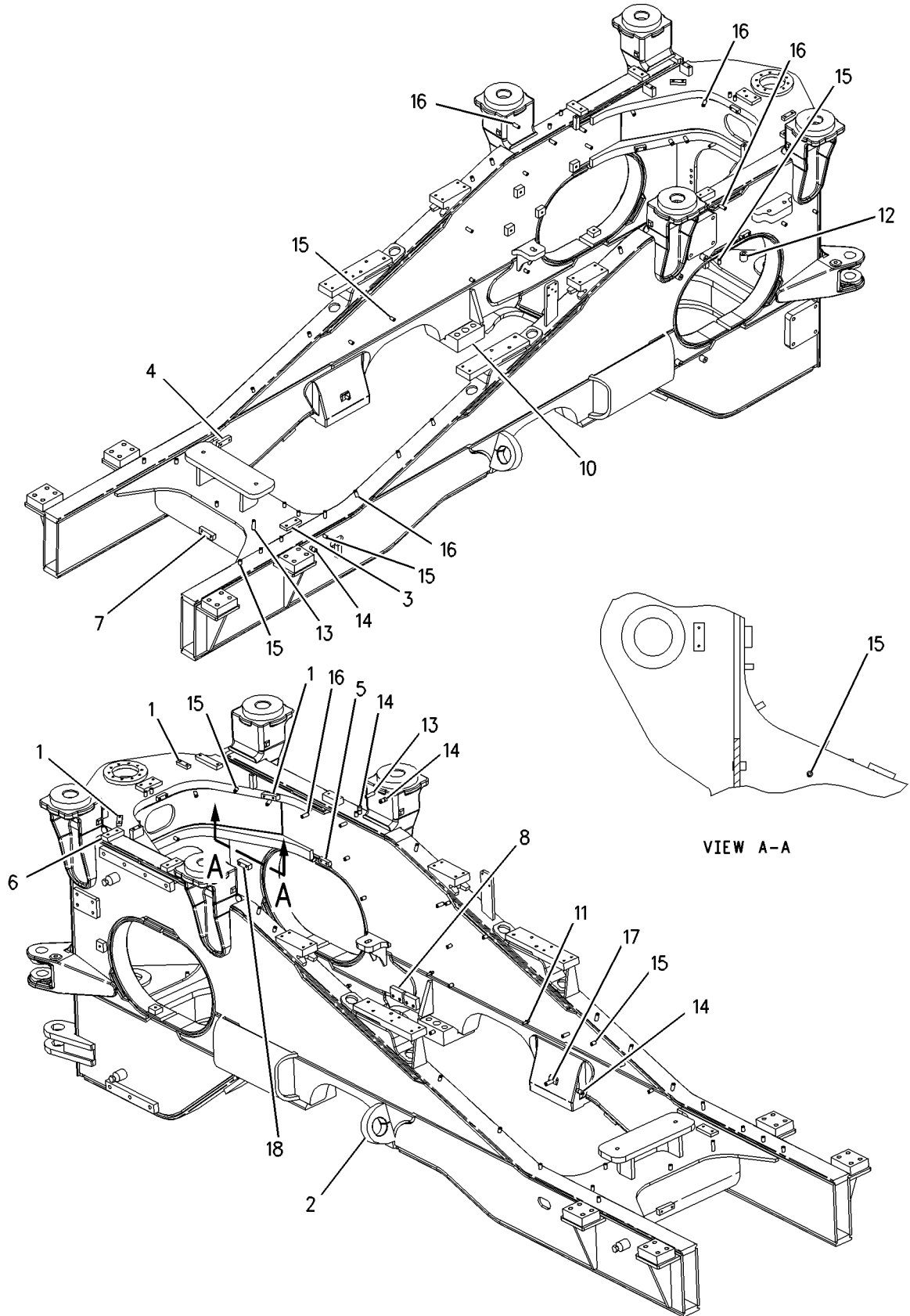
GRAPHIC #1

g00850073

# FRAME AND BODY

208-2379 FRAME AS-REAR (contd.)

i05109117



GRAPHIC #2

<END>

g00850290

# FRAME AND BODY

## 208-2379 FRAME AS-REAR

S/N: BNH761-UP

PART OF 203-1567 CHASSIS AR

SMCS-7051

i02375028

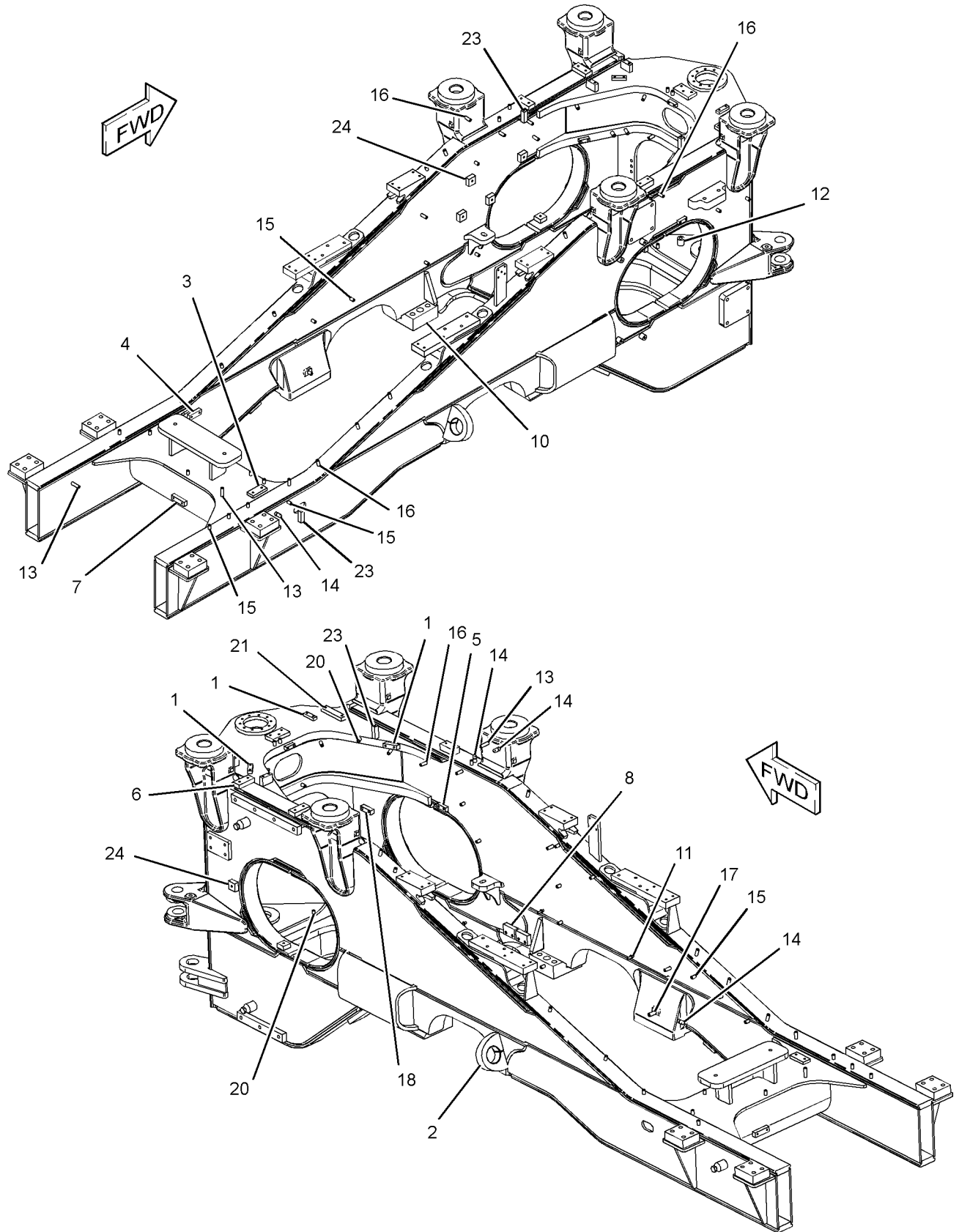
NOTE	REF NO	GRAPHIC REF	PART NUMBER	QTY	PART NAME						SEE PAGE
					1	2	3	4	5	6 (PRODUCT LEVEL)	
	1	1,2	<b>4I-6289</b>	4	PLATE						
	2	1	<b>7K-1972</b>	2	EYE						
	3	1	<b>7Y-2436</b>	1	PLATE						
	4	1	<b>9C-4935</b>	1	PLATE						
M	5	1	<b>9C-6809</b>	1	BLOCK (M10X1.5-MM)						
	6	1	<b>9C-7863</b>	2	BLOCK						
	7	1	<b>9T-6943</b>	1	BLOCK						
	8	1,2	<b>103-5350</b>	6	PLATE						
	9	2	<b>131-6593</b>	1	BOSS (M12X1.75X20-MM)						
	10	1	<b>199-1293</b>	2	BLOCK						
M	11	1	<b>110-2023</b>	3	STUD-WELD (M10X1.5X25-MM)						
	12	1	<b>4I-7077</b>	1	BOSS						
M	13	2	<b>7X-0751</b>	3	BOSS-WELD (M10X1.5-THD)						
M	14	1	<b>8T-3635</b>	4	STUD-WELD (M12X1.75X34.93-MM)						
M	15	1,2	<b>8T-3851</b>	42	BOSS-WELD (M10X1.5X17.5-MM)						
M	16	1,2	<b>8T-4935</b>	17	BOSS-WELD (M10X1.5X45-MM)						
M	17	1	<b>8T-6911</b>	1	BOSS-WELD (M12X1.75X50-MM)						
	18	1	<b>8X-4719</b>	1	BAR						
	19	2	<b>203-6490</b>	1	BOSS						
M	20	1	<b>9R-2613</b>	5	BOSS-WELD (M10X1.5X25-MM)						
	21	1,2	<b>4I-3398</b>	2	PLATE						
	22	2	<b>121-1905</b>	1	PLATE						
	23	1	<b>3W-9117</b>	4	BAR						
	24	1	<b>9U-1793</b>	6	BLOCK						

M - METRIC PART

# FRAME AND BODY

208-2379 FRAME AS-REAR (contd.)

i02375028



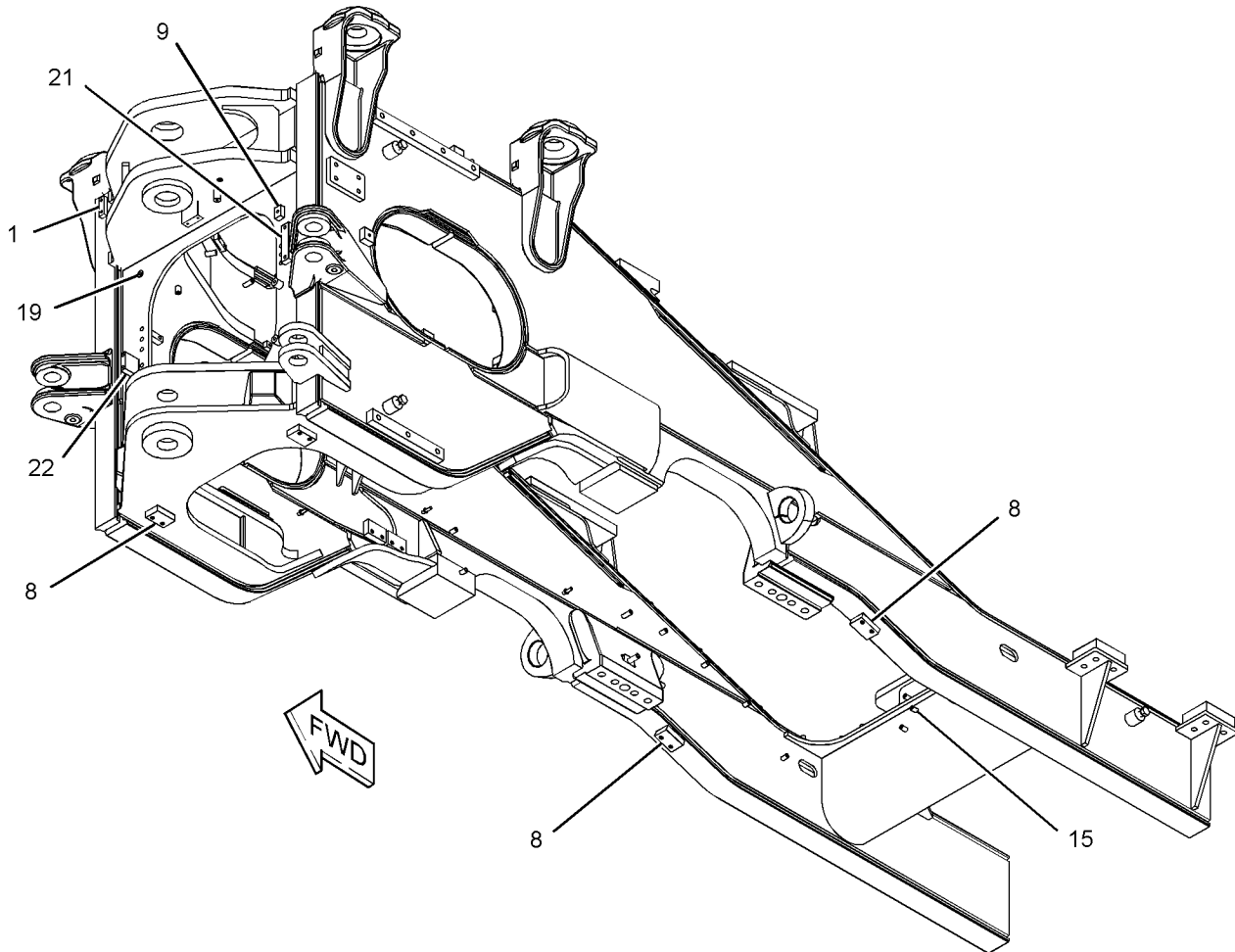
GRAPHIC #1

g01185272

# FRAME AND BODY

208-2379 FRAME AS-REAR (contd.)

i02375028



GRAPHIC #2

<END>

g01306537

# FRAME AND BODY

## 168-6464 GUARD AR-STEERING CYLINDER

S/N: BNH1-UP  
AN ATTACHMENT

SMCS-4303

i01499587

NOTE	PART NUMBER	QTY	PART NAME						SEE PAGE
			1	2	3	4	5	6 (PRODUCT LEVEL)	
Y	167-4322	1	GUARD GP-STEERING CYLINDER						786
	168-6497	1	PLATE AS-LOADER FRAME						
	103-5350	4	PLATE						

Y - SEPARATE ILLUSTRATION

<END>

# FRAME AND BODY

## 221-9174 GUARD GP-BOTTOM

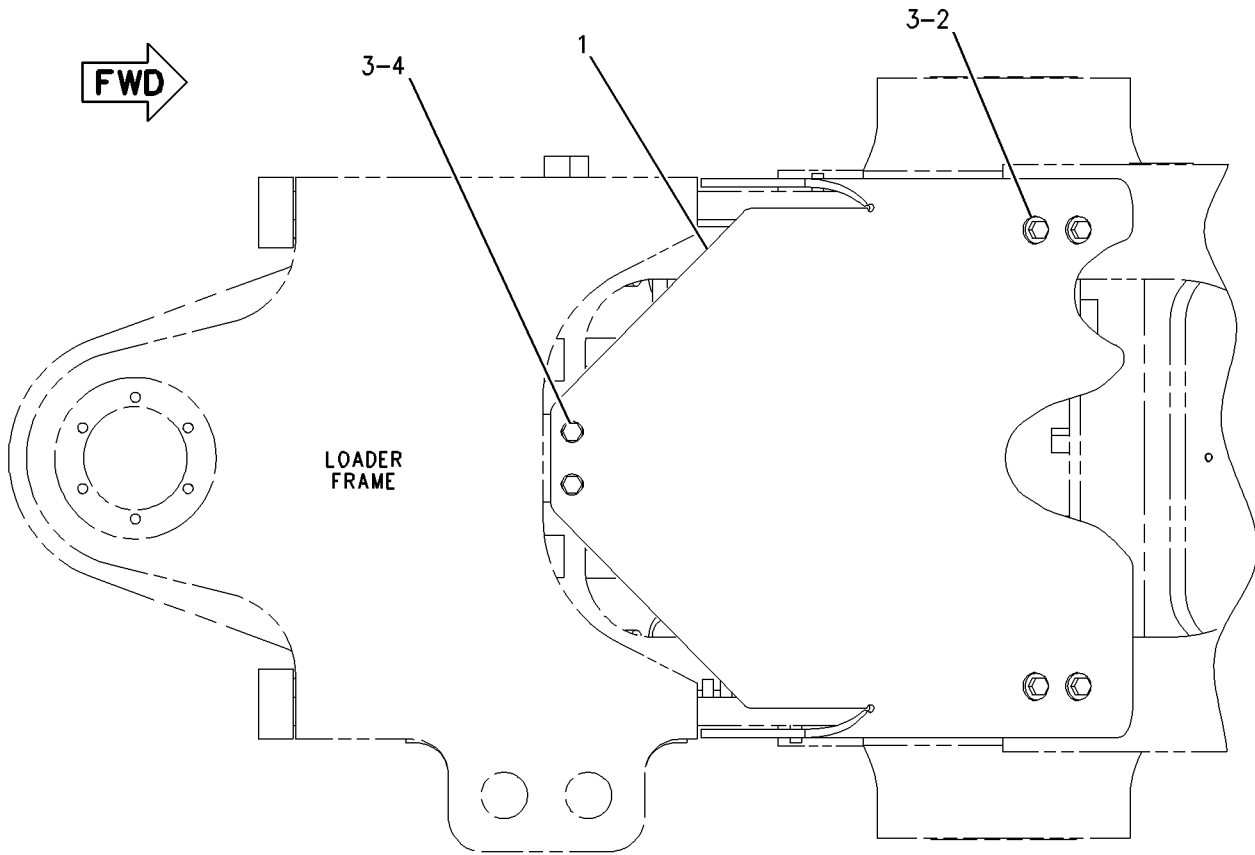
S/N: BNH592-UP  
PART OF 220-6026 CONTROL AR-RIDE  
AN ATTACHMENT

SMCS-7153

i01985379

NOTE	REF NO	GRAPHIC REF	PART NUMBER	QTY	PART NAME						SEE PAGE
					1	2	3	4	5	6 (PRODUCT LEVEL)	
	1	1	231-4016	1	GUARD						
	2	1	3E-9411	4	WASHER-HARD (17.5X38X6-MM THK)						
M	3	1	8T-7338	6	BOLT (M16X2X45-MM)						
	4	1	9X-8257	2	WASHER (17.5X30X3.5-MM THK)						

M - METRIC PART



GRAPHIC #1

<END>

g00915225



# FRAME AND BODY

## 150-1541 GUARD GP-CRANKCASE

S/N: BNH1-UP

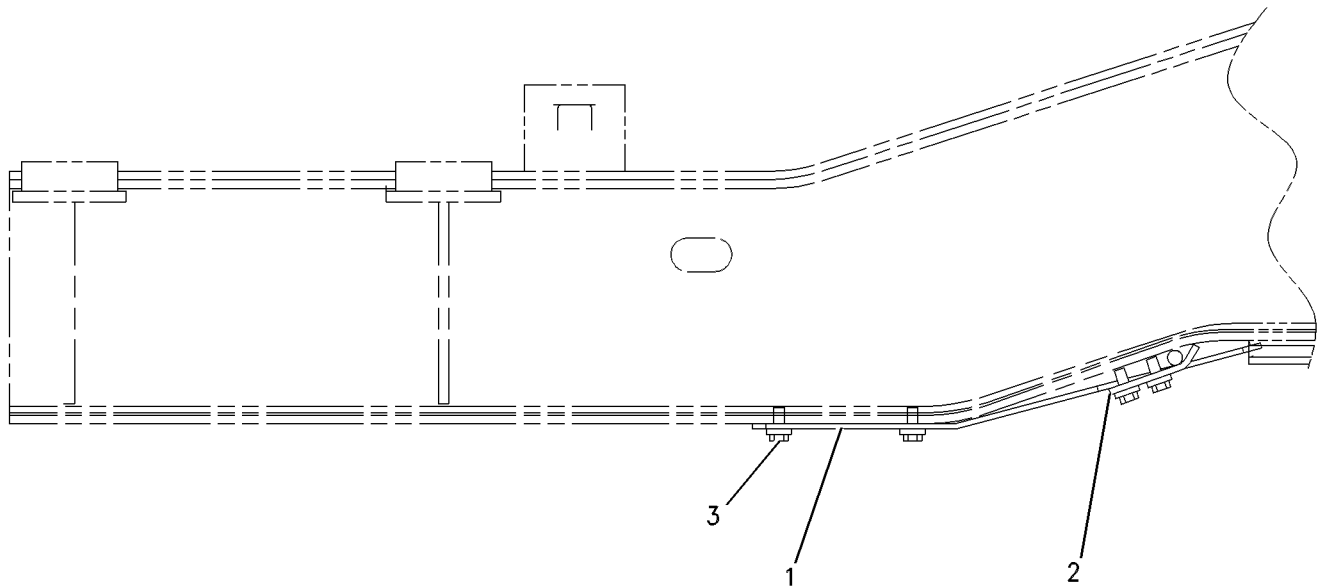
PART OF 164-4871 SUPPRESSION AR-SOUND  
AN ATTACHMENT

SMCS-7151

i01323696

NOTE	REF NO	GRAPHIC REF	PART NUMBER	QTY	PART NAME						SEE PAGE
					1	2	3	4	5	6 (PRODUCT LEVEL)	
	1	1	132-7487	1	GUARD AS						
	2	1	185-9956	2	PLATE						
M	3	1	100-3866	8	BOLT-Self LOCKING (M16X2X40MM)						

M - METRIC PART



RIGHT SIDE VIEW

GRAPHIC #1

<END>

g00510782

# FRAME AND BODY

## 198-9229 GUARD GP-FRONT

S/N: BNH1-UP

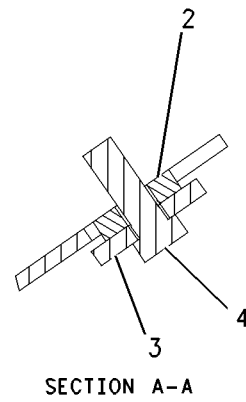
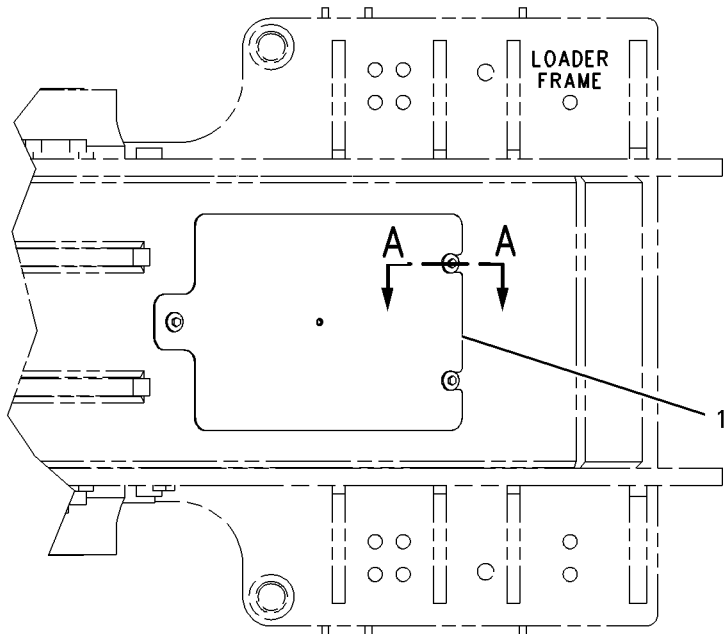
PART OF 203-1567 CHASSIS AR

SMCS-7167

i01437645

NOTE	REF NO	GRAPHIC REF	PART NUMBER	QTY	PART NAME						SEE PAGE
					1	2	3	4	5	6 (PRODUCT LEVEL)	
	1	1	<b>198-9230</b>	1	GUARD AS						
	2	1	<b>118-0275</b>	3	WASHER						
	3	1	<b>2S-1654</b>	3	WASHER ((13.5X44.5X6MM THK)						
M	4	1	<b>8T-4956</b>	3	BOLT (M12X1.75X35MM)						

M - METRIC PART



GRAPHIC #1

<END>

g00754146

# FRAME AND BODY

## 158-8785 GUARD GP-HYDRAULIC TANK

S/N: BNH1-UP

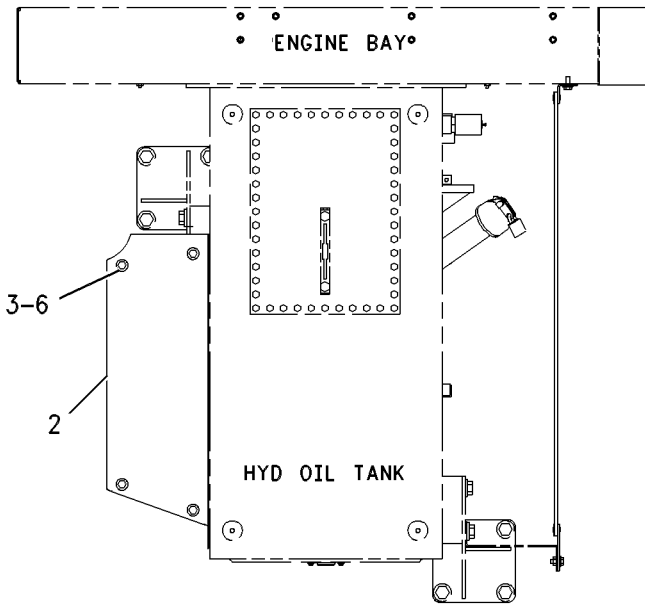
PART OF 203-1567 CHASSIS AR

SMCS-5056

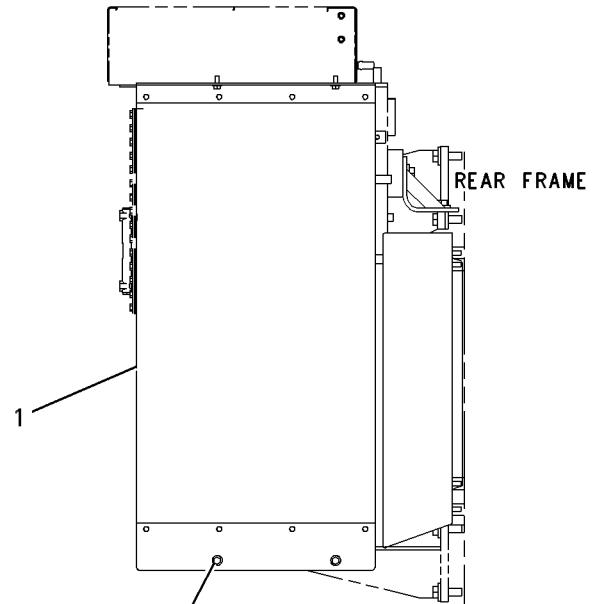
i01157742

NOTE	REF NO	GRAPHIC REF	PART NUMBER	QTY	PART NAME						SEE PAGE
					1	2	3	4	5	6 (PRODUCT LEVEL)	
	1	1	<b>158-8032</b>	1	GUARD AS						
		1	<b>6V-1635</b>	8	RIVET-POP						
	2	1	<b>168-0287</b>	1	GUARD						
	3	1	<b>8T-4223</b>	4	WASHER-HARD (13.5X25.5X3-MM THK)						
	4	1	<b>7X-7729</b>	4	WASHER (11X25X3-MM THK)						
M	5	1	<b>8T-4136</b>	4	BOLT (M10X1.5X25-MM)						
M	6	1	<b>8T-4192</b>	4	BOLT (M12X1.75X25-MM)						

M - METRIC PART



RIGHT SIDE VIEW



FRONT VIEW

GRAPHIC #1

<END>

g00528094

# FRAME AND BODY

## 114-5137 GUARD GP-POWER TRAIN

S/N: BNH1-UP

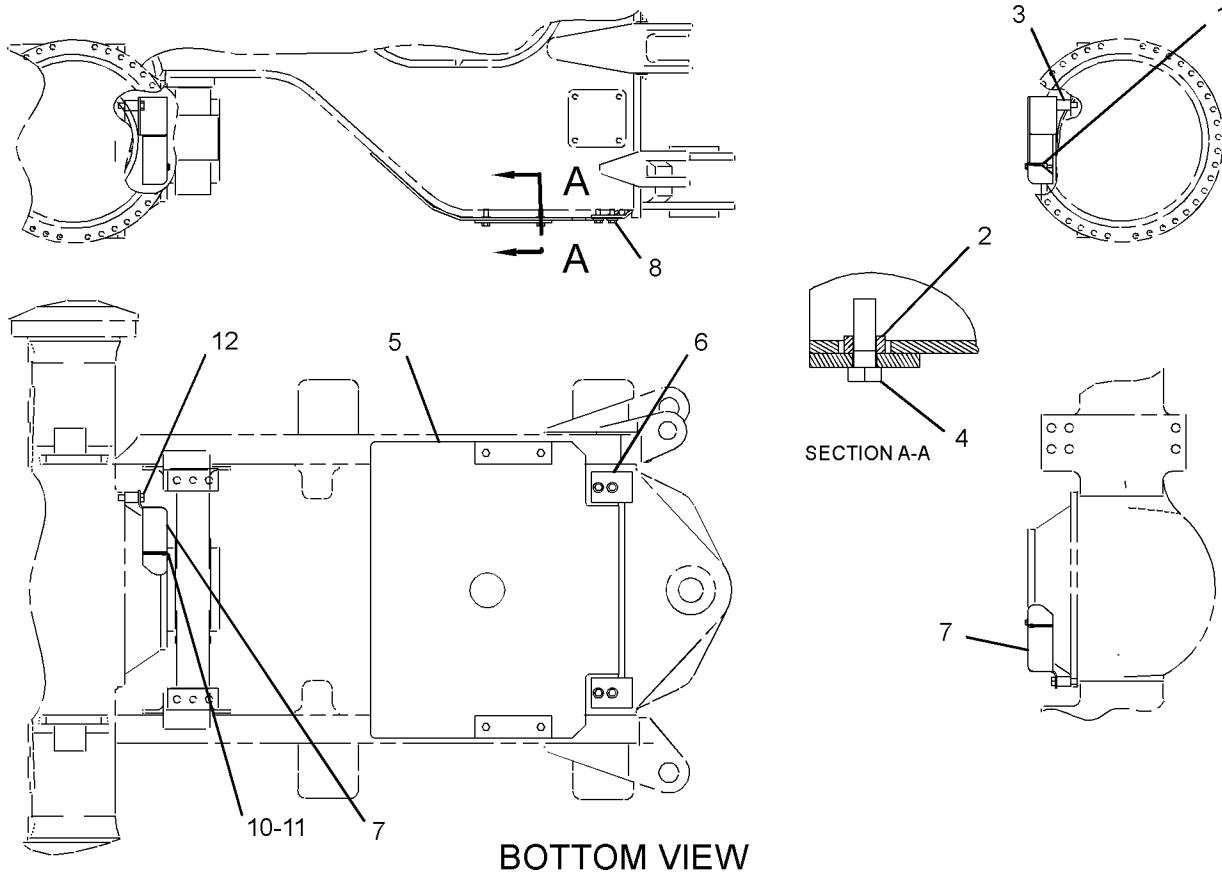
PART OF 203-1567 CHASSIS AR

SMCS-7153

i04534599

NOTE	REF NO	GRAPHIC REF	PART NUMBER	QTY	PART NAME						SEE PAGE
					1	2	3	4	5	6	
	1	1	<b>7S-3998</b>	2	SPACER (2.47-IN THK)						
	2	1	<b>9D-6134</b>	4	SPACER (16.66X30.18X12.7-MM THK)						
	3	1	<b>9R-8185</b>	2	SPACER (51-MM THK)						
M	4	1	<b>8T-4193</b>	4	BOLT (M16X2X50-MM)						
	5	1	<b>364-8722</b>	1	GUARD AS						
	6	1	<b>185-9956</b>	2	PLATE						
	7	1	<b>161-0114</b>	2	GUARD						
M	8	1	<b>100-3866</b>	4	BOLT-SELF-LOCKING (M16X2X40-MM)						
	10	1	<b>7X-7729</b>	2	WASHER (11X25X3-MM THK)						
M	11	1	<b>8T-4178</b>	2	BOLT (M10X1.5X90-MM)						
M	12	1	<b>8T-4187</b>	2	BOLT (M20X2.5X80-MM)						

M - METRIC PART



GRAPHIC #1

<END>

g02794281

# FRAME AND BODY

## 114-5123 GUARD GP-RADIATOR

S/N: BNH1-432

PART OF 203-1567 CHASSIS AR

SMCS-7155

i01500775

NOTE	REF NO	GRAPHIC REF	PART NUMBER	QTY	PART NAME						SEE PAGE
					1	2	3	4	5	6 (PRODUCT LEVEL)	
	1	1	<b>8Y-5743</b>	2	SOCKET-LATCH						
	2	1	<b>134-2782</b>	4	BRACKET AS						
					(EACH INCLUDES)						
M		1	<b>8T-3597</b>	2	NUT-WELD (M12X1.75-THD)						
	3	1	<b>138-0966</b>	1	GUARD AS						
	4	1	<b>142-7022</b>	1	COVER AS						
	5	1	<b>153-1804</b>	1	GRILL AS-BOTTOM						
	6	1	<b>153-3570</b>	1	GRILL AS-TOP						
Y	7	1	178-8883	2	DOOR GP-ACCESS (RADIATOR GUARD SIDE) (RADIATOR GUARD SIDE)						599
M	8	1	<b>5C-9553</b>	2	BOLT (M6X1X16-MM)						
	9	1	<b>5P-1076</b>	12	WASHER-HARD (13.5X30X4-MM THK)						
	10	1	<b>5P-4115</b>	2	WASHER-HARD (7.2X19X2-MM THK)						
	11	1	<b>7X-0515</b>	16	WASHER-HARD (17X35X5-MM THK)						
	12	1	<b>8T-4121</b>	12	WASHER-HARD (11X21X2.5-MM THK)						
M	13	1	<b>7X-2556</b>	16	BOLT (M16X2X100-MM)						
M	14	1	<b>8T-4183</b>	12	BOLT (M12X1.75X40-MM)						
M	15	1	<b>8T-4195</b>	12	BOLT (M10X1.5X30-MM)						
D	16	1	<b>5P-7211</b>		SEAL (1.495M EACH)						
M	17	1	<b>8T-4137</b>	8	BOLT (M10X1.5X20-MM)						
	18	1	<b>7X-7729</b>	8	WASHER (11X25X3-MM THK)						
D	19	1	<b>5P-7211</b>		SEAL (1.162M)						

D - ORDER BY THE METER

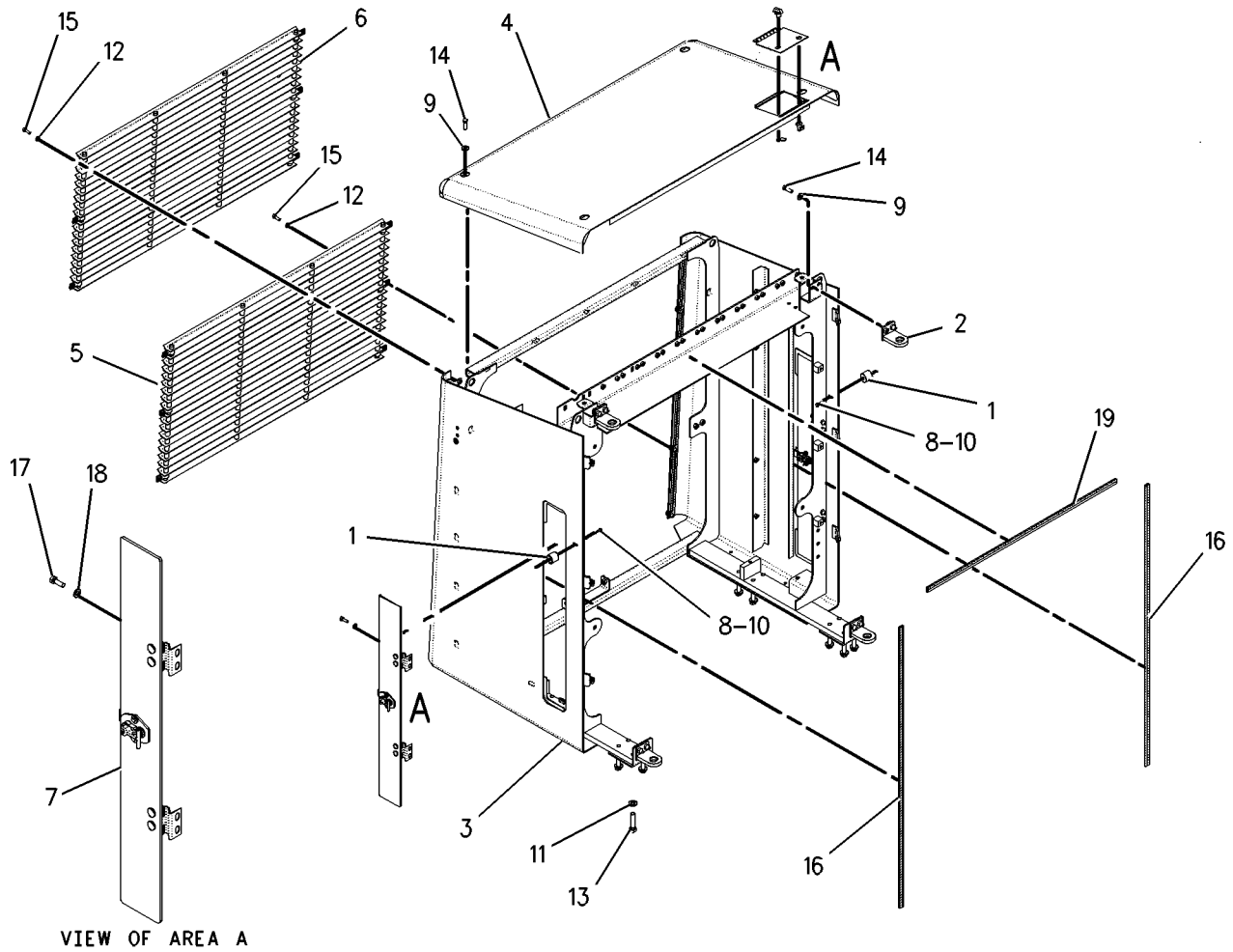
M - METRIC PART

Y - SEPARATE ILLUSTRATION

# FRAME AND BODY

114-5123 GUARD GP-RADIATOR (contd.)

i01500775



VIEW OF AREA A

GRAPHIC #1

<END>

g00721123

# FRAME AND BODY

## 114-5123 GUARD GP-RADIATOR

S/N: BNH433-UP

PART OF 203-1567 CHASSIS AR

SMCS-7155

i01831100

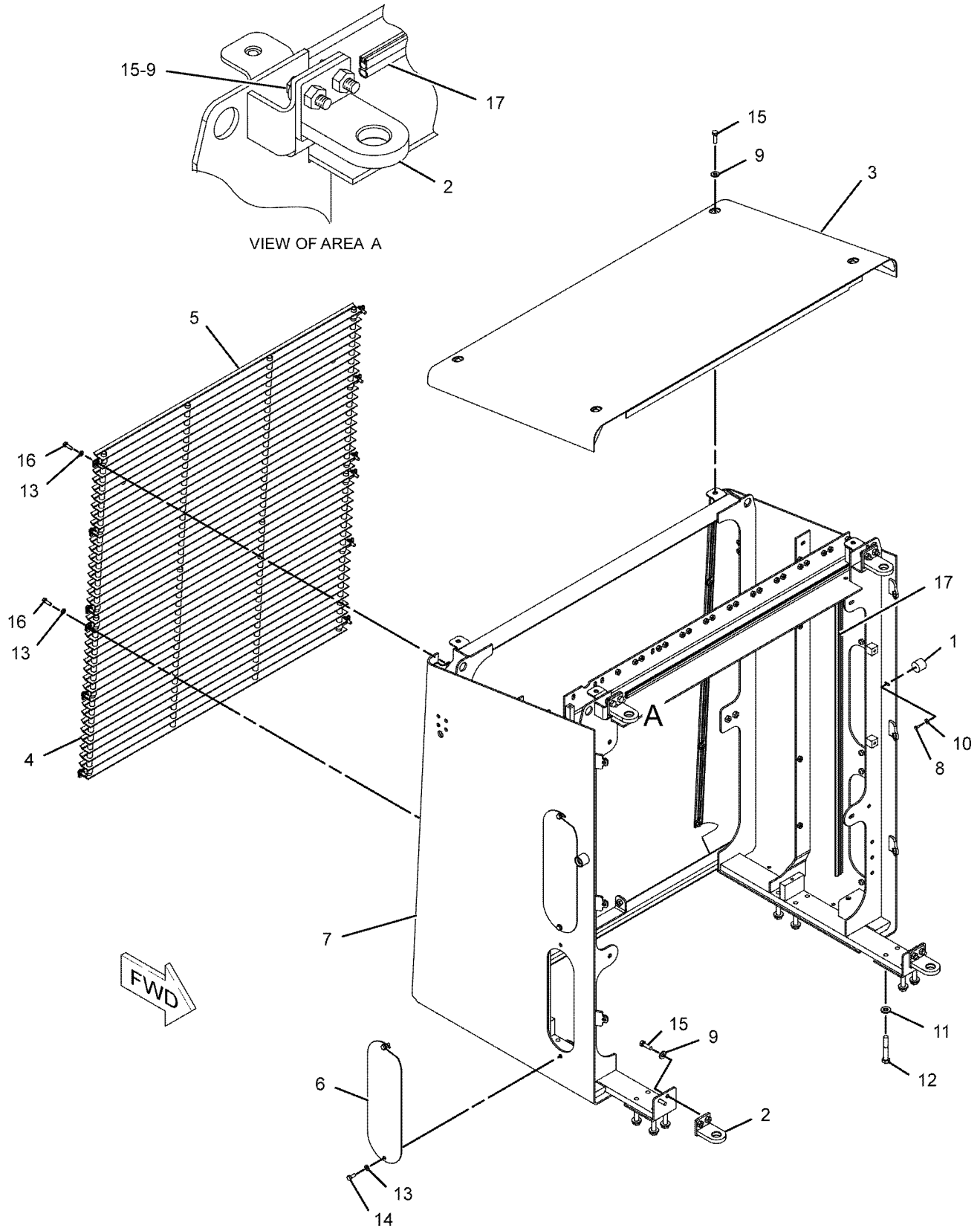
NOTE	REF NO	GRAPHIC REF	PART NUMBER	QTY	PART NAME						SEE PAGE
					1	2	3	4	5	6 (PRODUCT LEVEL)	
	1	1	<b>8Y-5743</b>	2	SOCKET - LATCH						
	2	1	<b>134-2782</b>	4	BRACKET AS						
					(EACH INCLUDES)						
M		1	<b>8T-3597</b>	2	NUT-WELD (M12X1.75-THD)						
	3	1	<b>142-7022</b>	1	COVER AS						
	4	1	<b>153-1804</b>	1	GRILL AS-BOTTOM						
	5	1	<b>153-3570</b>	1	GRILL AS-TOP						
C	6	1	<b>215-9554</b>	4	COVER						
C	7	1	<b>217-1557</b>	1	GUARD AS						
M	8	1	<b>5C-9553</b>	2	BOLT (M6X1X16-MM)						
	9	1	<b>5P-1076</b>	12	WASHER-HARD (13.5X30X4-MM THK)						
	10	1	<b>5P-4115</b>	2	WASHER-HARD (7.2X19X2-MM THK)						
	11	1	<b>7X-0515</b>	16	WASHER-HARD (17X35X5-MM THK)						
M	12	1	<b>7X-2556</b>	16	BOLT (M16X2X100-MM)						
C	13	1	<b>8T-4121</b>	20	WASHER-HARD (11X21X2.5-MM THK)						
CM	14	1	<b>8T-4136</b>	8	BOLT (M10X1.5X25-MM)						
M	15	1	<b>8T-4183</b>	12	BOLT (M12X1.75X40-MM)						
M	16	1	<b>8T-4195</b>	12	BOLT (M10X1.5X30-MM)						
BD	17	1	<b>5P-7211</b>		SEAL						

B - USE AS REQUIRED  
 C - CHANGE FROM PREVIOUS TYPE  
 D - ORDER BY THE METER  
 M - METRIC PART

# FRAME AND BODY

114-5123 GUARD GP-RADIATOR (contd.)

i01831100



GRAPHIC #1

<END>

g01072655



# FRAME AND BODY

## 171-6786 GUARD GP-REAR

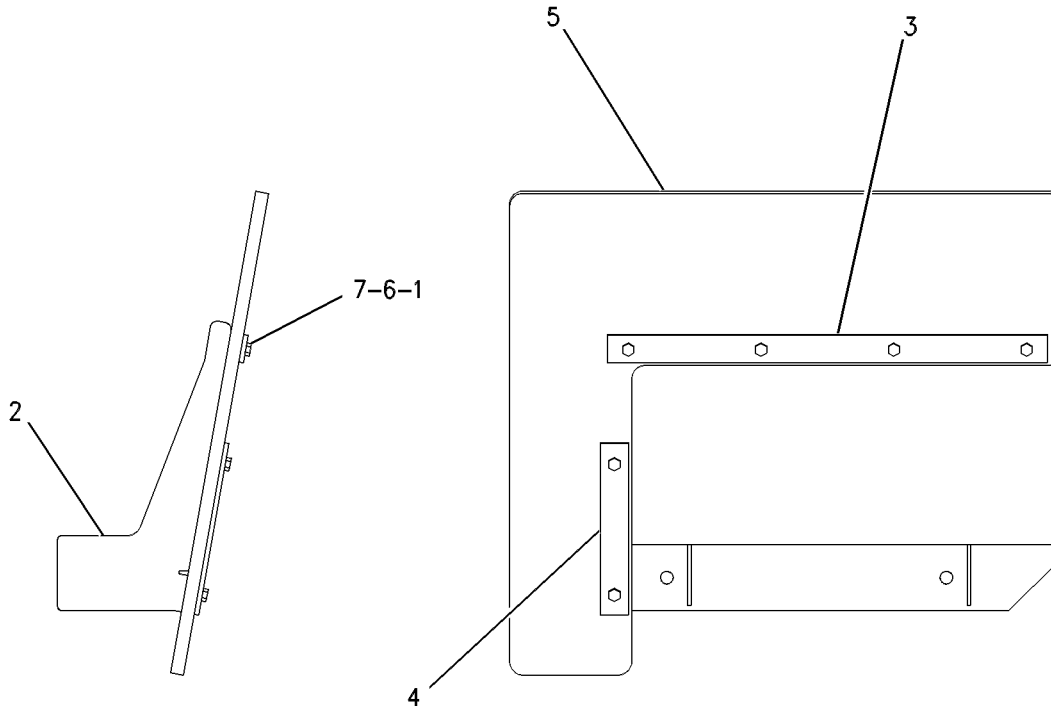
S/N: BNH1-UP  
PART OF 153-7044 LADDER GP  
AN ATTACHMENT

SMCS-7187

i02908859

NOTE	REF NO	GRAPHIC REF	PART NUMBER	QTY	PART NAME						SEE PAGE
					1	2	3	4	5	6 (PRODUCT LEVEL)	
	1	1	9C-5344	6	SPACER (10.5X20X18-MM THK)						
	2	1	171-6021	1	SHEET AS						
	3	1	171-6022	1	BAR						
	4	1	171-6023	1	BAR						
	5	1	171-6024	1	FLAP						
M	6	1	8T-4133	6	NUT (M10X1.5-THD)						
M	7	1	8T-4186	6	BOLT (M10X1.5X40-MM)						

M - METRIC PART



GRAPHIC #1

<END>

g00560823

# FRAME AND BODY

## 222-3185 HARDWARE GP-LOADER FRAME

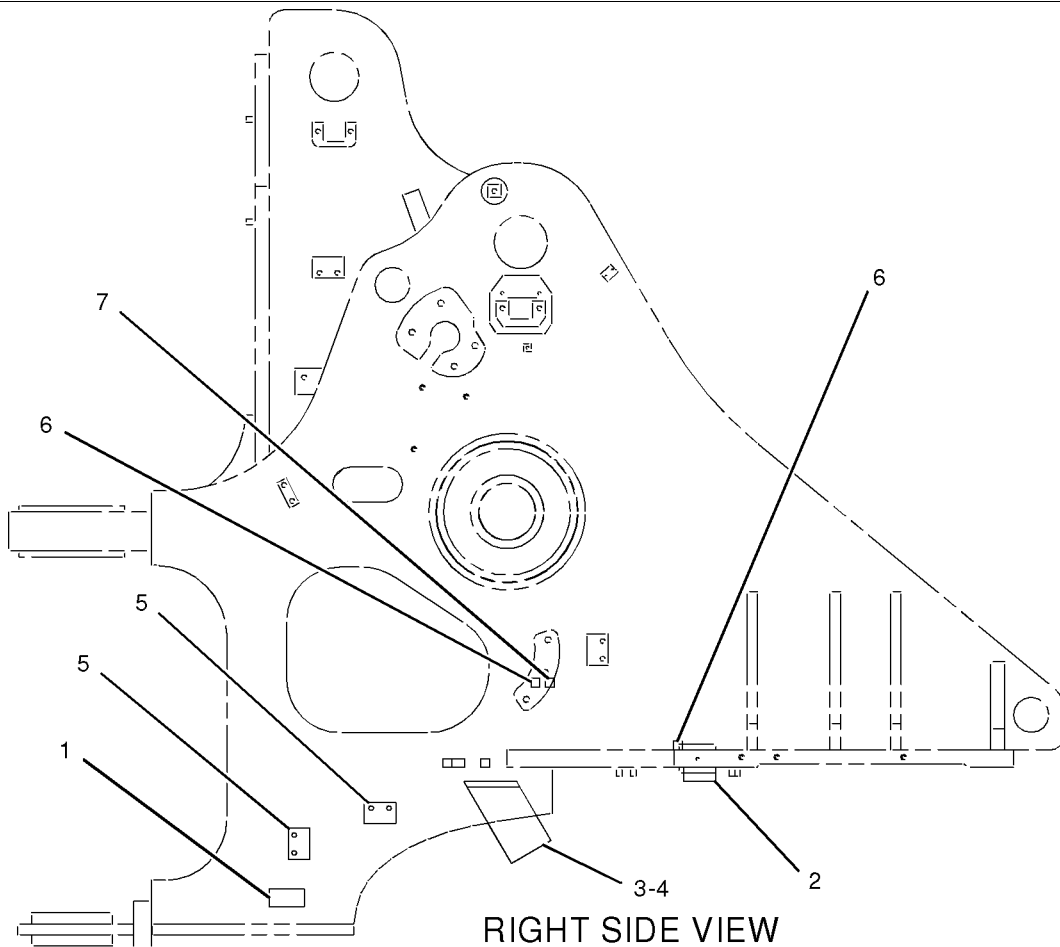
S/N: BNH592-UP  
PART OF 220-6026 CONTROL AR-RIDE  
AN ATTACHMENT

SMCS-7054, 7553

i02053352

NOTE	REF NO	GRAPHIC REF	PART NUMBER	QTY	PART NAME						SEE PAGE
					1	2	3	4	5	6 (PRODUCT LEVEL)	
	1	1	133-3630	1	BLOCK						
	2	1	167-0080	1	BLOCK						
	3	1	222-3583	1	BLOCK						
	4	1	222-3584	1	BLOCK						
	5	1	103-5350	3	PLATE						
M	6	1	9R-2640	4	BOSS						
	7	1	9C-7929	1	BLOCK						

M - METRIC PART



GRAPHIC #1

g01053388

# FRAME AND BODY

## 189-7441 HARDWARE GP-REAR FRAME

S/N: BNH1-UP

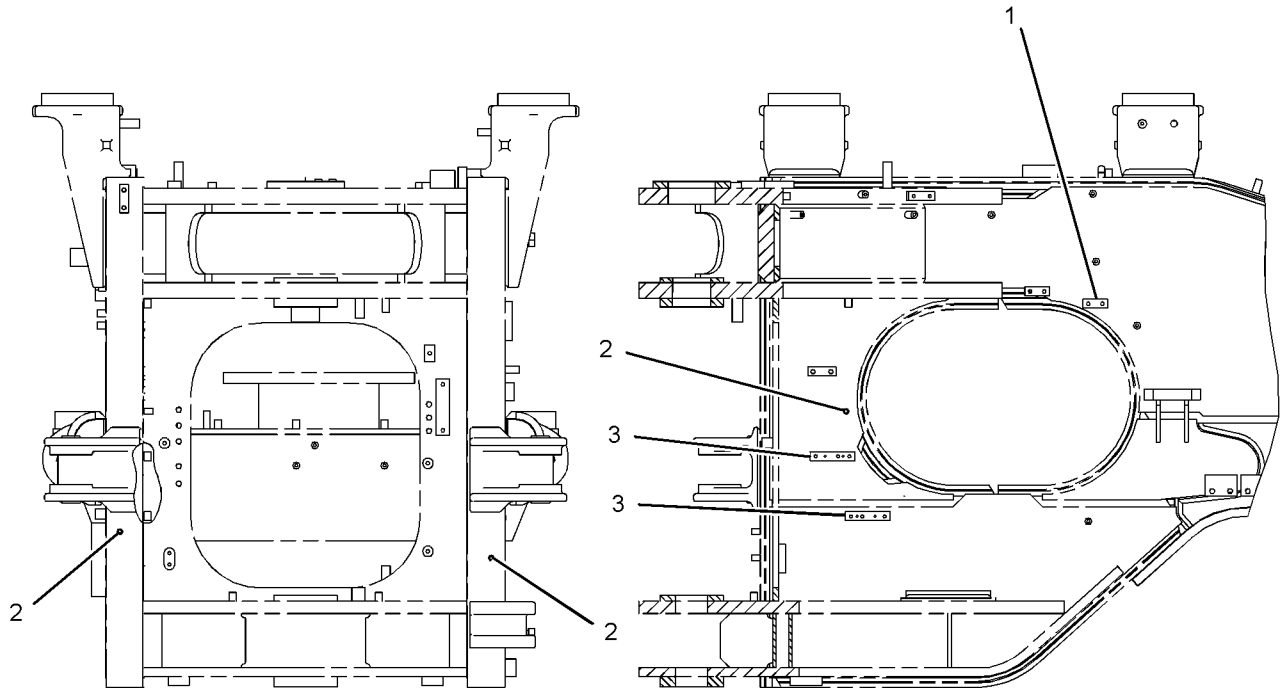
PART OF 2Q-8429 LUBRICATION AR-AUTOMATIC  
AN ATTACHMENT

SMCS-7051, 7553

i02260272

NOTE	REF NO	GRAPHIC REF	PART NUMBER	QTY	PART NAME						SEE PAGE
					1	2	3	4	5	6 (PRODUCT LEVEL)	
M	1	1	<b>9C-6809</b>	1	BLOCK (M10X1.5-MM)						
M	2	1	<b>8T-3851</b>	3	BOSS-WELD (M10X1.5X17.5-MM)						
	3	1	153-4806	2	BLOCK						

M - METRIC PART



FRONT VIEW

LEFT SIDE VIEW

GRAPHIC #1

<END>

g01135984

# FRAME AND BODY

## 114-5118 HITCH GP-ARTICULATING

S/N: BNH1-363

PART OF 203-1567 CHASSIS AR

SMCS-7057, 7100

i01329730

NOTE	REF NO	GRAPHIC REF	PART NUMBER	QTY	PART NAME						SEE PAGE
					1	2	3	4	5	6 (PRODUCT LEVEL)	
B	1	1	<b>3K-6401</b>	1	SHIM PACK (INCLUDES 19-SHIMS)						
	2	1	<b>4B-4550</b>	2	FITTING-PRESSURE RELIEF (1/8-27 PTF)						
	3	1	<b>5P-2525</b>	2	CUP-BEARING						
	4	1	<b>5P-2673</b>	2	SEAL-LIP TYPE						
	5	1	<b>5P-3723</b>	2	CONE-BEARING						
	6	1	<b>5P-9769</b>	2	CONE-BEARING						
	7	1	<b>6D-7690</b>	2	CUP-BEARING						
	8	1	<b>7K-9212</b>	2	SEAL-LIP TYPE						
B	9	1	<b>9K-0721</b>	1	SHIM PACK (INCLUDES 20-SHIMS)						
	10	1	<b>9K-0803</b>	1	SPACER (4.25X5.25X1.35-MM THK)						
	11	1	<b>136-0139</b>	1	CAP						
M	12	1	<b>137-3300</b>	10	BOLT (M16X2X90-MM)						
	13	1	<b>141-2150</b>	1	PIN						
	14	1	<b>141-2151</b>	1	PLATE						
	15	1	<b>141-2152</b>	1	PLATE						
	16	1	<b>141-2153</b>	1	PIN						
	17	1	<b>141-2154</b>	1	PLATE						
B	18	1	<b>141-2155</b>	1	SHIM PACK (INCLUDES 26-SHIMS) (INCLUDES 20 SHIMS)						
B	19	1	<b>141-2156</b>	1	SHIM PACK (INCLUDES 26-SHIMS) (INCLUDES 26 SHIMS)						
	20	1	<b>142-6984</b>	1	CAP						
	21	1	<b>142-6985</b>	1	CAP						
	22	1	<b>142-6988</b>	1	CAP						
	23	1	<b>142-6989</b>	1	CAP						
	24	1	<b>5P-8247</b>	10	WASHER-HARD (17X32X3.5-MM THK)						
M	25	1	<b>8T-4194</b>	10	BOLT (M12X1.75X50-MM)						
	26	1	<b>8T-4223</b>	32	WASHER-HARD (13.5X25.5X3-MM THK)						
M	27	1	<b>8T-4956</b>	8	BOLT (M12X1.75X35-MM)						
M	28	1	<b>8T-5001</b>	6	BOLT (M12X1.75X130-MM)						
M	29	1	<b>8T-6991</b>	12	BOLT (M12X1.75X180-MM)						
	30	1	<b>5P-1076</b>	4	WASHER-HARD (13.5X30X4-MM THK)						
	31	1	<b>1P-2841</b>	4	SPACER (0.531X1X0.69-IN THK)						

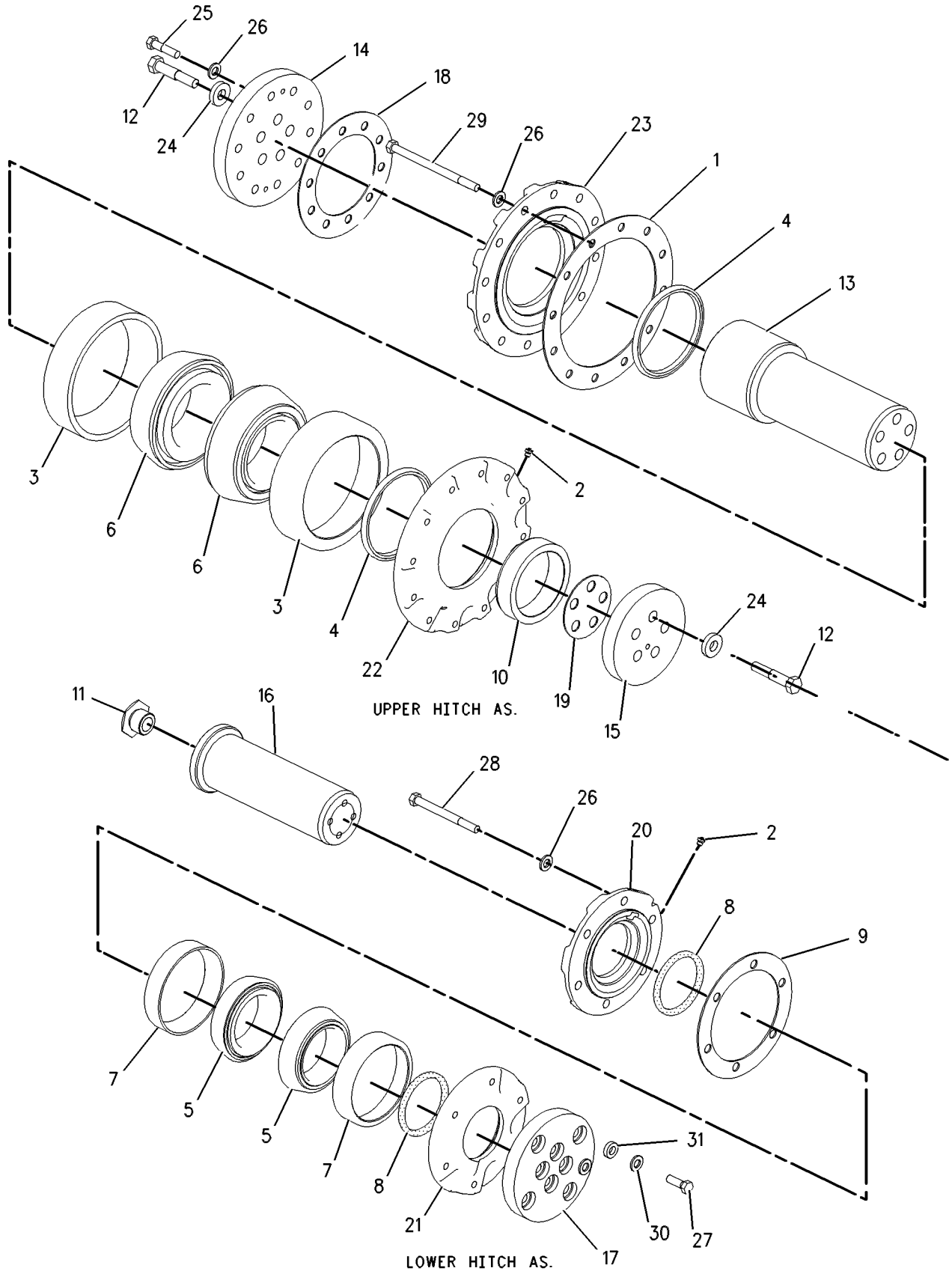
B - USE AS REQUIRED

M - METRIC PART

# FRAME AND BODY

114-5118 HITCH GP-ARTICULATING (contd.)

i01329730



GRAPHIC #1

<END>

g00550727

# FRAME AND BODY

## 197-6303 HITCH GP-ARTICULATING

S/N: BNH364-UP

PART OF 203-1567 CHASSIS AR

SMCS-7057, 7100

i01459453

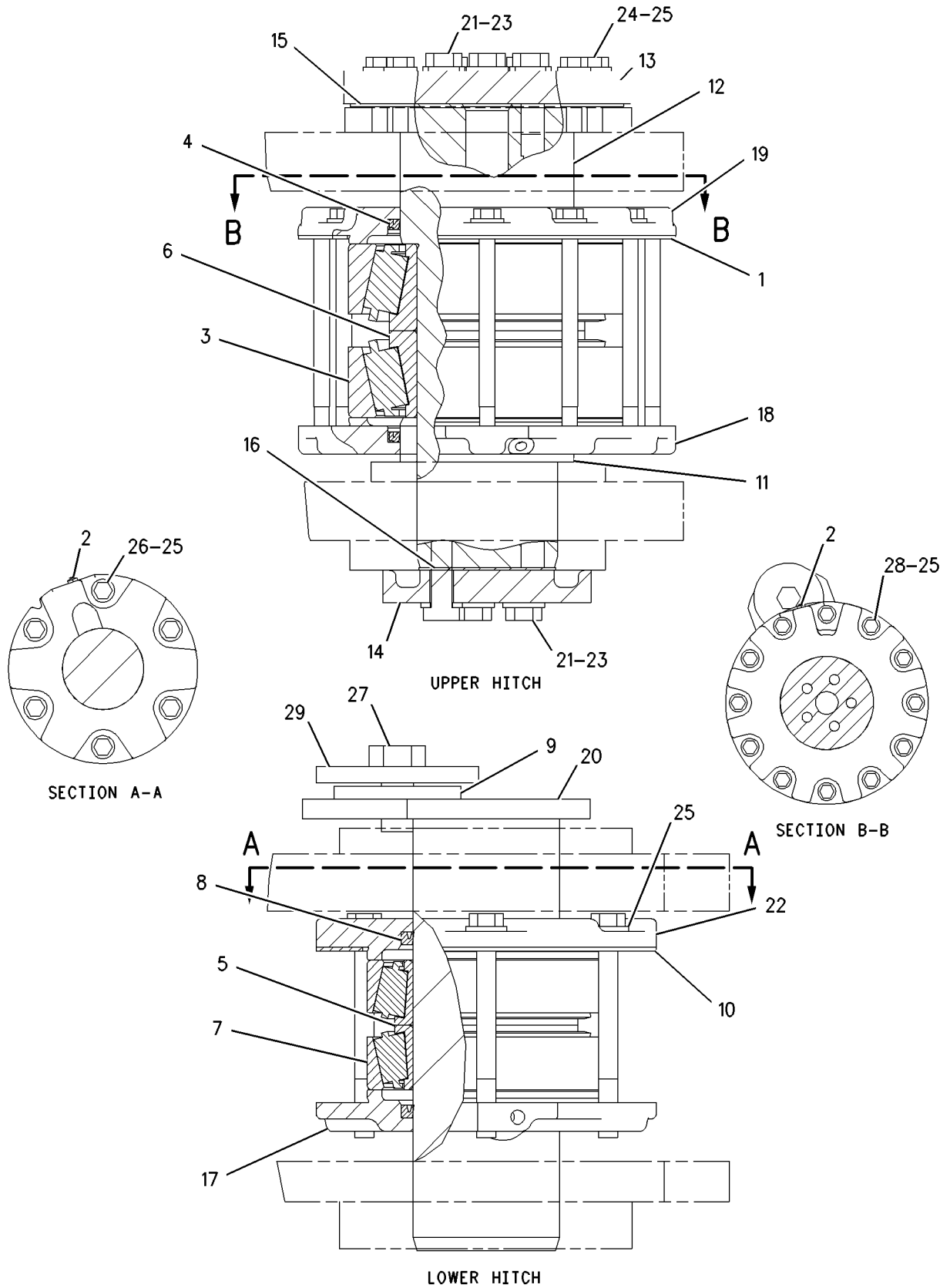
NOTE	REF NO	GRAPHIC REF	PART NUMBER	QTY	PART NAME						SEE PAGE
					1	2	3	4	5	6 (PRODUCT LEVEL)	
	1	1	<b>3K-6401</b>	1	SHIM PACK (INCLUDES 19-SHIMS)						
	2	1	<b>4B-4550</b>	2	FITTING-PRESSURE RELIEF (1/8-27 PTF)						
	3	1	<b>5P-2525</b>	2	CUP-BEARING						
	4	1	<b>5P-2673</b>	2	SEAL-LIP TYPE						
	5	1	<b>5P-3723</b>	2	CONE-BEARING						
	6	1	<b>5P-9769</b>	2	CONE-BEARING						
	7	1	<b>6D-7690</b>	2	CUP-BEARING						
	8	1	<b>7K-9212</b>	2	SEAL-LIP TYPE						
	9	1	<b>7X-7740</b>	1	WASHER (45X78X8-MM THK)						
	10	1	<b>9K-0721</b>	1	SHIM PACK (INCLUDES 20-SHIMS)						
	11	1	<b>9K-0803</b>	1	SPACER (4.25X5.25X1.35-MM THK)						
	12	1	<b>141-2150</b>	1	PIN						
	13	1	<b>141-2151</b>	1	PLATE						
	14	1	<b>141-2152</b>	1	PLATE						
	15	1	<b>141-2155</b>	1	SHIM PACK (INCLUDES 26-SHIMS)						
	16	1	<b>141-2156</b>	1	SHIM PACK (INCLUDES 26-SHIMS)						
	17	1	<b>142-6985</b>	1	CAP						
	18	1	<b>142-6988</b>	1	CAP						
	19	1	<b>142-6989</b>	1	CAP						
	20	1	<b>197-5251</b>	1	PIN AS						
M	21	1	<b>137-3300</b>	10	BOLT (M16X2X90-MM)						
	22	1	<b>142-6984</b>	1	CAP						
	23	1	<b>5P-8247</b>	10	WASHER-HARD (17X32X3.5-MM THK)						
M	24	1	<b>8T-4194</b>	10	BOLT (M12X1.75X50-MM)						
	25	1	<b>8T-4223</b>	28	WASHER-HARD (13.5X25.5X3-MM THK)						
M	26	1	<b>8T-5001</b>	6	BOLT (M12X1.75X130-MM)						
M	27	1	<b>8T-5460</b>	1	BOLT (M20X2.5X40-MM)						
M	28	1	<b>8T-6991</b>	12	BOLT (M12X1.75X180-MM)						
	29	1	<b>8X-0674</b>	1	WASHER (22X100X10-MM THK)						

M - METRIC PART

# FRAME AND BODY

197-6303 HITCH GP-ARTICULATING (contd.)

i01459453



GRAPHIC #1

<END>

g00763086

# FRAME AND BODY

## 114-5122 HOOD & GUARD GP

S/N: BNH1-1130

PART OF 203-1567 CHASSIS AR

SMCS-7251

i04237500

NOTE	REF NO	GRAPHIC REF	PART NUMBER	QTY	PART NAME						SEE PAGE
					1	2	3	4	5	6 (PRODUCT LEVEL)	
	1	1	<b>5P-8502</b>	2	PADLOCK GP						
					(EACH INCLUDES)						
		1	<b>5P-8500</b>	1	KEY						
		1	<b>8Y-6364</b>	1	SLEEVE						
	2	1	<b>5V-3854</b>	16	BUMPER						
	3	1	<b>6S-6251</b>	8	MOUNT						
	4	2	<b>7G-8839</b>	6	SPACER (13.5X57X6-MM THK)						
	5	1,2	<b>7T-8331</b>	10	MOUNT AS						
	7	1	<b>134-2775</b>	1	RAIL AS (RH)						
	8	1	<b>134-2777</b>	1	RAIL AS (LH)						
	9	1	<b>134-2778</b>	1	POST AS-RH						
	10	1	<b>134-2779</b>	1	POST AS-LH						
	11	1	<b>134-2780</b>	1	SUPPORT AS (RH)						
	12	1	<b>134-2781</b>	1	SUPPORT AS (LH)						
	13	1	<b>143-3669</b>	1	STACK AS-EXHAUST						
Y	14	1	<i>143-9361</i>	1	PANEL GP-SIDE (HOOD SIDE, FRONT, RH)						696
	15	1	<b>145-8130</b>	1	PANEL AS-FLOOR						
M		1	<b>8T-3490</b>	2	NUT-WELD (M10X1.5-THD)						
	16	1	<b>146-8902</b>	1	PANEL AS-HOOD (FRONT)						
	17	1	<b>146-8903</b>	1	PANEL AS-HOOD (REAR)						
	18	1	<b>151-6008</b>	1	GRILL AS-TOP						
	19	1	<b>151-6009</b>	2	GRILL AS-SIDE						
					(EACH INCLUDES)						
		1	<b>8R-7858</b>	6	CLAMP						
Y	20	1	<i>163-8033</i>	1	DOOR GP-ACCESS (HOOD SIDE, REAR, RH)						595
M	21	1,2	<b>8T-4648</b>	10	BOLT (M12X1.75X70-MM)						
	22	1,2	<b>5P-1076</b>	14	WASHER-HARD (13.5X30X4-MM THK)						
	24	1	<b>6B-6205</b>	8	SPACER (0.438X0.875X1.281-IN THK)						
	25	1,2	<b>7X-0590</b>	12	WASHER-HARD (13.5X44.5X6-MM THK)						
	26	1,2	<b>7X-7729</b>	38	WASHER (11X25X3-MM THK)						
M	27	2	<b>8T-4139</b>	4	BOLT (M12X1.75X30-MM)						
M	28	1	<b>8T-4183</b>	4	BOLT (M12X1.75X40-MM)						
M	29	1	<b>8T-4185</b>	6	BOLT (M10X1.5X50-MM)						
M	31	1,2	<b>8T-4195</b>	30	BOLT (M10X1.5X30-MM)						
	32	1	<b>8T-4222</b>	6	WASHER-PLATED (11X32X2.5-MM THK)						
	33	1,2	<b>8T-4223</b>	4	WASHER-HARD (13.5X25.5X3-MM THK)						
M	34	1,2	<b>8T-4244</b>	10	NUT (M12X1.75-THD)						
M	35	1	<b>8T-4910</b>	2	BOLT (M12X1.75X60-MM)						
M	36	1	<b>8T-6466</b>	8	BOLT (M10X1.5X60-MM)						
Y	37	1	<i>180-9272</i>	1	DOOR GP-ACCESS (HOOD TOP)						600

M - METRIC PART

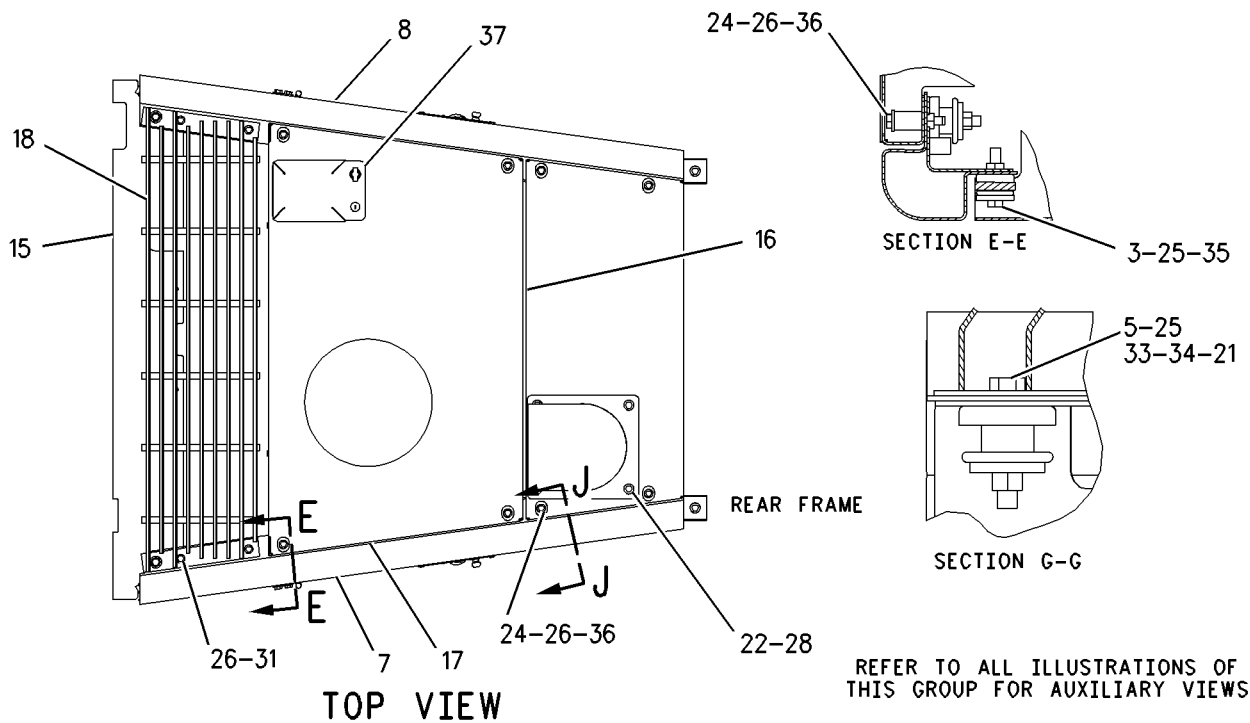
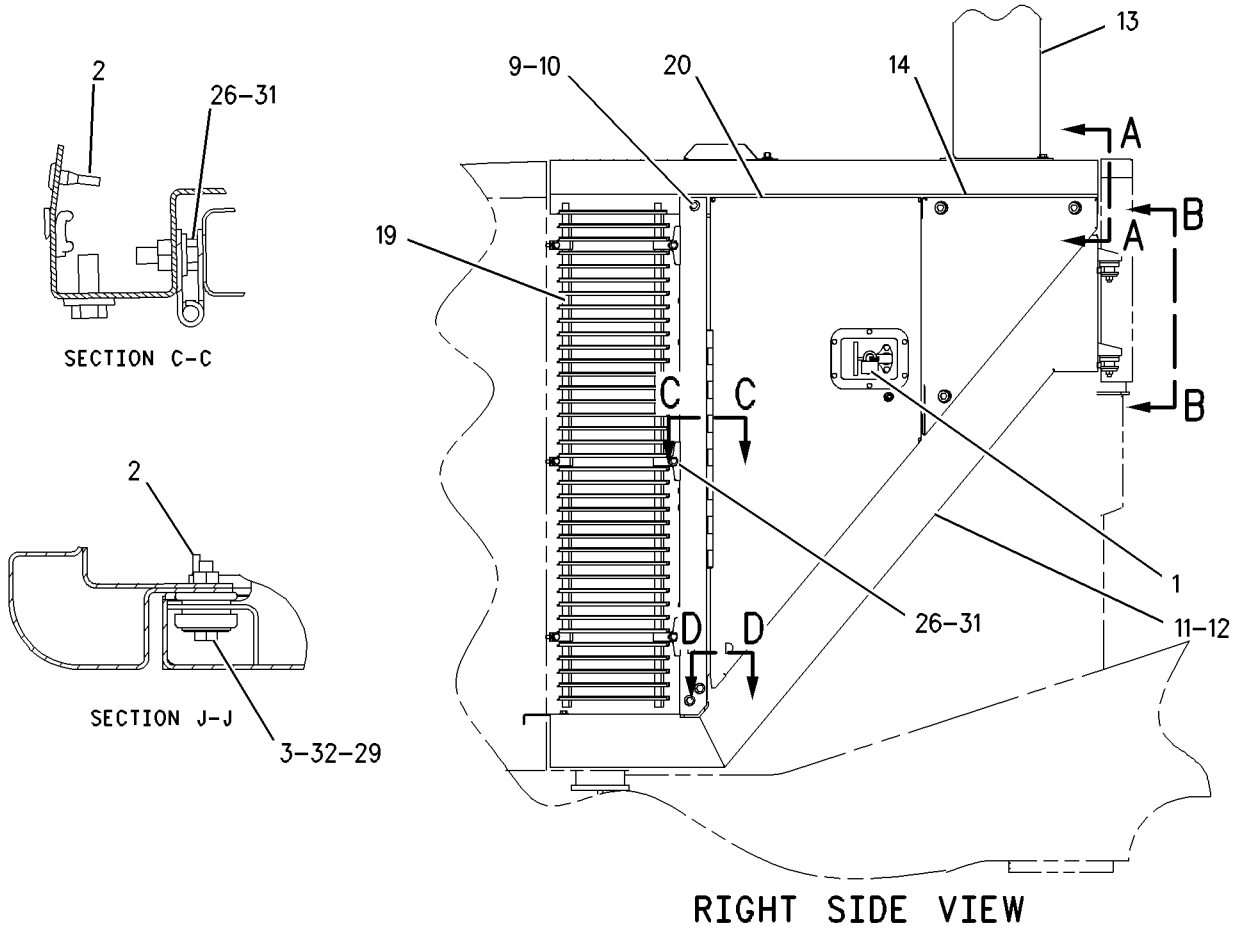
Y - SEPARATE ILLUSTRATION



# FRAME AND BODY

114-5122 HOOD & GUARD GP (contd.)

i04237500



GRAPHIC #1

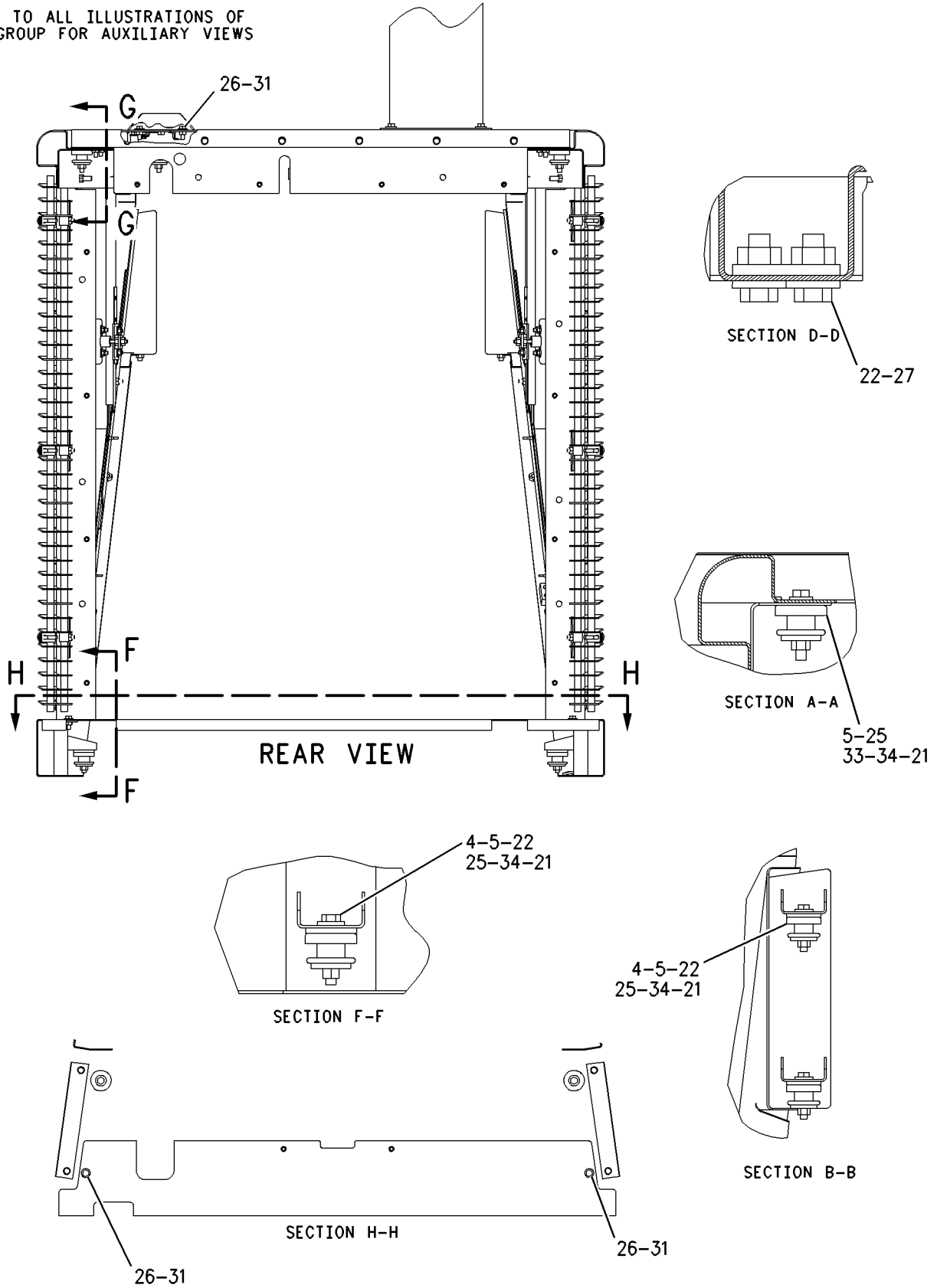
g00786794

# FRAME AND BODY

114-5122 HOOD & GUARD GP (contd.)

i04237500

REFER TO ALL ILLUSTRATIONS OF THIS GROUP FOR AUXILIARY VIEWS



GRAPHIC #2

<END>

g00786795

# FRAME AND BODY

## 114-5122 HOOD & GUARD GP

S/N: BNH1131-UP

PART OF 203-1567 CHASSIS AR

SMCS-7251

i04237501

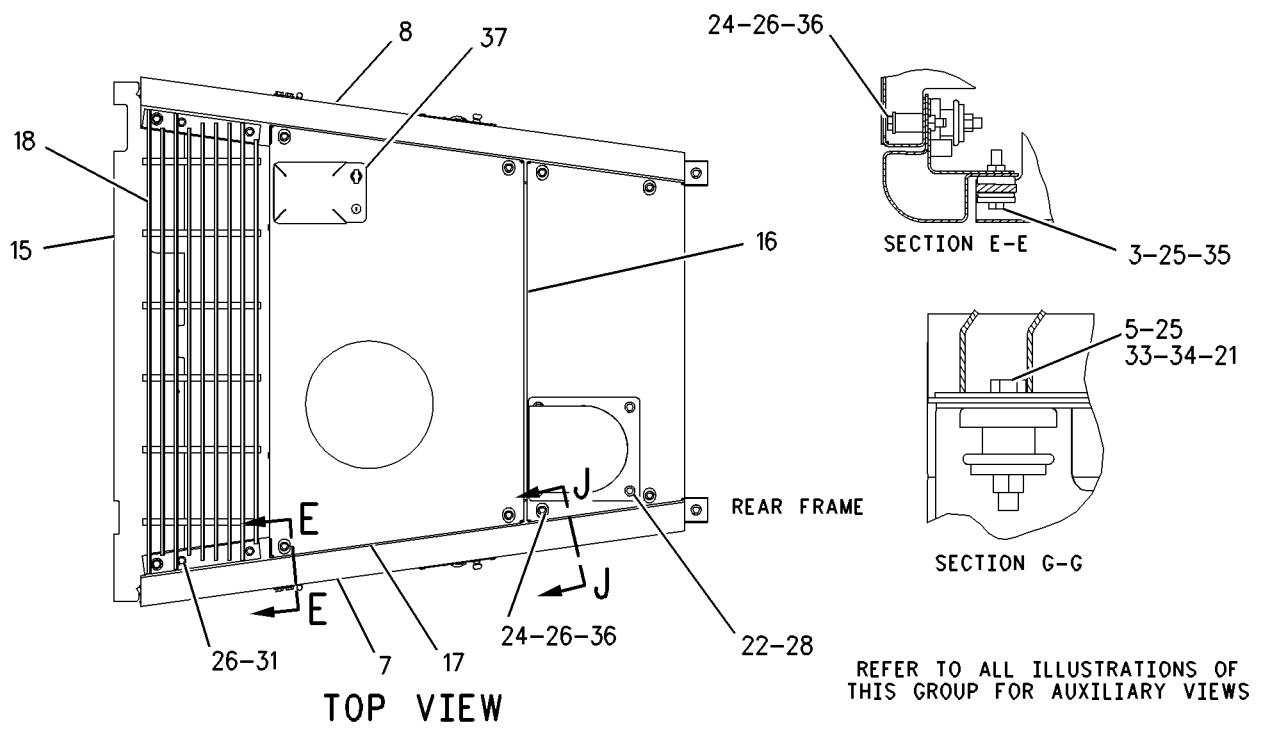
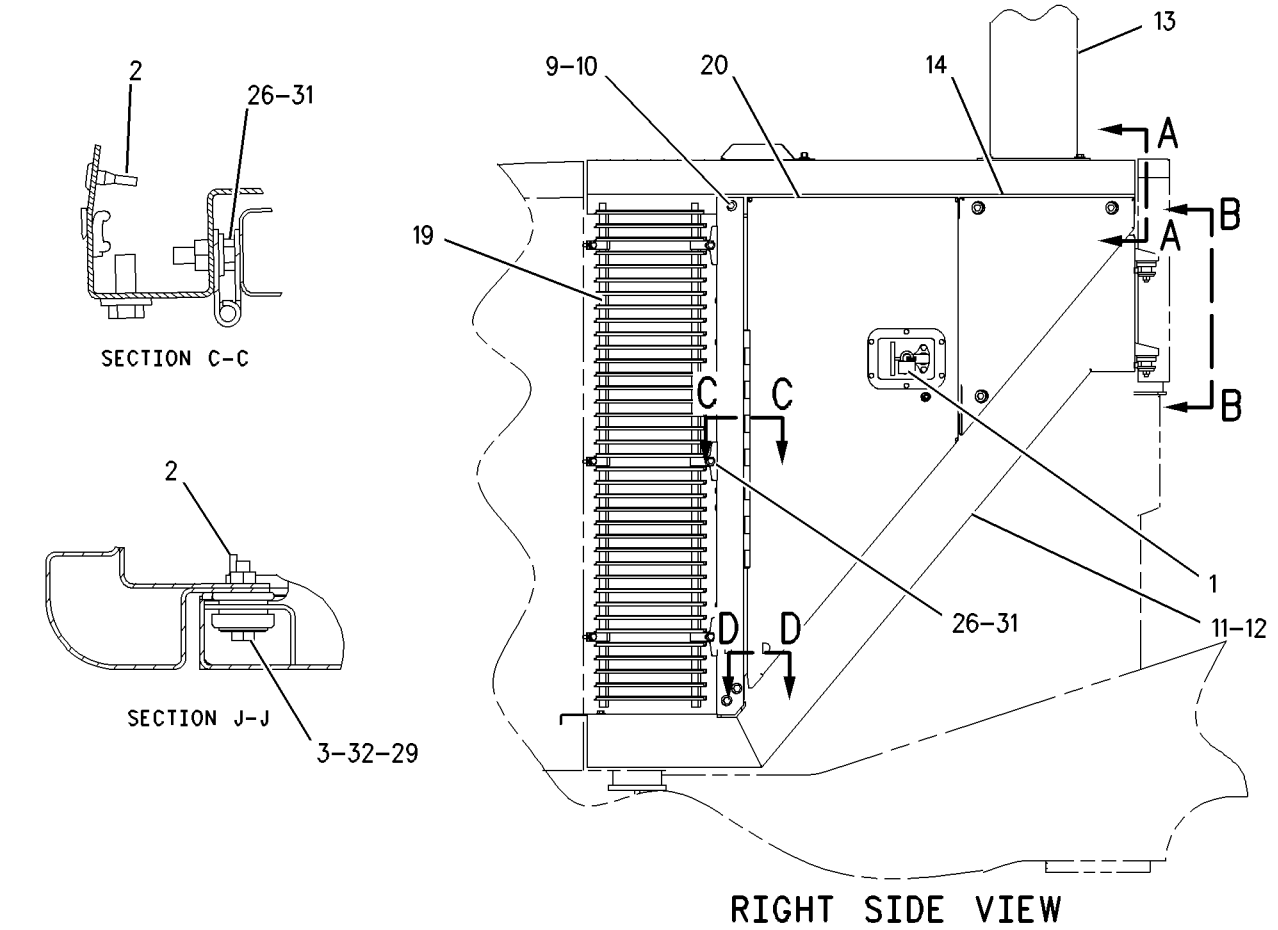
NOTE	REF NO	GRAPHIC REF	PART NUMBER	QTY	PART NAME						SEE PAGE
					1	2	3	4	5	6 (PRODUCT LEVEL)	
	1	1	<b>5P-8502</b>	2	PADLOCK GP						
					(EACH INCLUDES)						
		1	<b>5P-8500</b>	1	KEY						
		1	<b>8Y-6364</b>	1	SLEEVE						
	2	1	<b>5V-3854</b>	16	BUMPER						
	3	1	<b>6S-6251</b>	8	MOUNT						
	4	2	<b>7G-8839</b>	6	SPACER (13.5X57X6-MM THK)						
	5	1,2	<b>7T-8331</b>	10	MOUNT AS						
C	7	1	<b>243-0647</b>	1	RAIL AS (RH)						
C	8	1	<b>243-0648</b>	1	RAIL AS (LH)						
	9	1	<b>134-2778</b>	1	POST AS-RH						
	10	1	<b>134-2779</b>	1	POST AS-LH						
	11	1	<b>134-2780</b>	1	SUPPORT AS (RH)						
	12	1	<b>134-2781</b>	1	SUPPORT AS (LH)						
	13	1	<b>143-3669</b>	1	STACK AS-EXHAUST						
Y	14	1	<i>143-9361</i>	1	PANEL GP-SIDE (HOOD SIDE, FRONT, RH)						696
	15	1	<b>145-8130</b>	1	PANEL AS-FLOOR						
M		1	<b>8T-3490</b>	2	NUT-WELD (M10X1.5-THD)						
C	16	1	<b>243-0649</b>	1	PANEL AS-HOOD (FRONT)						
C	17	1	<b>246-7981</b>	1	PANEL AS						
	18	1	<b>151-6008</b>	1	GRILL AS-TOP						
	19	1	<b>151-6009</b>	2	GRILL AS-SIDE						
					(EACH INCLUDES)						
		1	<b>8R-7858</b>	6	CLAMP						
Y	20	1	<i>163-8033</i>	1	DOOR GP-ACCESS (HOOD SIDE, REAR, RH)						595
M	21	1,2	<b>8T-4648</b>	10	BOLT (M12X1.75X70-MM)						
	22	1,2	<b>5P-1076</b>	14	WASHER-HARD (13.5X30X4-MM THK)						
	24	1	<b>6B-6205</b>	8	SPACER (0.438X0.875X1.281-IN THK)						
	25	1,2	<b>7X-0590</b>	12	WASHER-HARD (13.5X44.5X6-MM THK)						
	26	1,2	<b>7X-7729</b>	38	WASHER (11X25X3-MM THK)						
M	27	2	<b>8T-4139</b>	4	BOLT (M12X1.75X30-MM)						
M	28	1	<b>8T-4183</b>	4	BOLT (M12X1.75X40-MM)						
M	29	1	<b>8T-4185</b>	6	BOLT (M10X1.5X50-MM)						
M	31	1,2	<b>8T-4195</b>	30	BOLT (M10X1.5X30-MM)						
	32	1	<b>8T-4222</b>	6	WASHER-PLATED (11X32X2.5-MM THK)						
	33	1,2	<b>8T-4223</b>	4	WASHER-HARD (13.5X25.5X3-MM THK)						
M	34	1,2	<b>8T-4244</b>	10	NUT (M12X1.75-THD)						
M	35	1	<b>8T-4910</b>	2	BOLT (M12X1.75X60-MM)						
M	36	1	<b>8T-6466</b>	8	BOLT (M10X1.5X60-MM)						
Y	37	1	<i>180-9272</i>	1	DOOR GP-ACCESS (HOOD TOP)						600

C - CHANGE FROM PREVIOUS TYPE  
M - METRIC PART  
Y - SEPARATE ILLUSTRATION

# FRAME AND BODY

114-5122 HOOD & GUARD GP (contd.)

i04237501



GRAPHIC #1

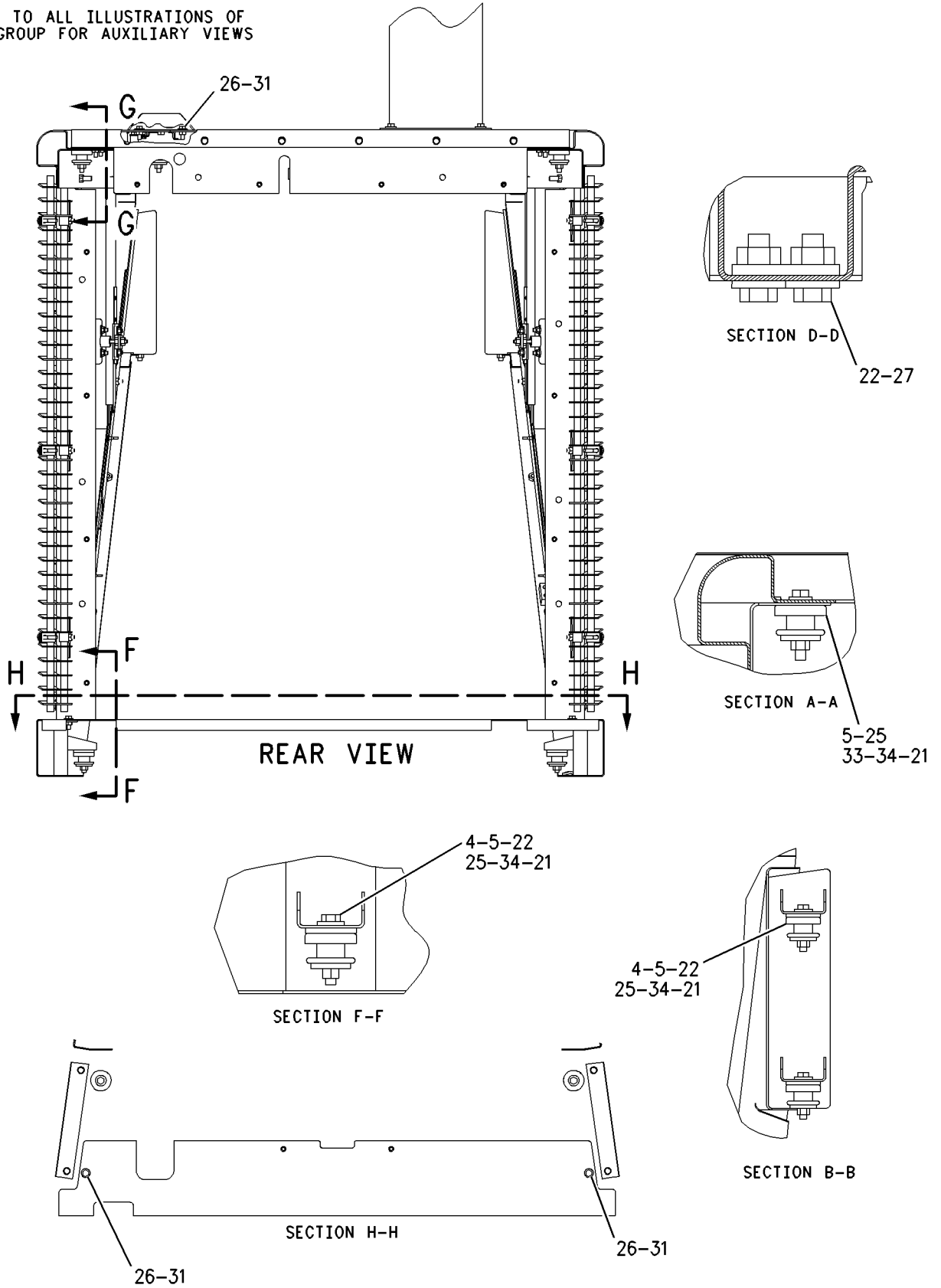
g00786794

# FRAME AND BODY

114-5122 HOOD & GUARD GP (contd.)

i04237501

REFER TO ALL ILLUSTRATIONS OF THIS GROUP FOR AUXILIARY VIEWS



GRAPHIC #2

<END>

g00786795

# FRAME AND BODY

## 164-6084 LADDER & FENDER AR

S/N: BNH1-UP

CANNOT BE USED WITH 164-6085 LADDER & FENDER AR, 142-5800 FENDER GP-REAR  
AN ATTACHMENT

SMCS-7252, 7254

i01048740

NOTE	PART NUMBER	QTY	PART NAME						SEE PAGE
			1	2	3	4	5	6 (PRODUCT LEVEL)	
Y	114-5125	1						FENDER GP-FRONT	603
Y	153-7044	1						LADDER GP (RH)	651
Y	170-7314	1						LADDER GP (ALTERNATE EXIT)	657

Y - SEPARATE ILLUSTRATION

<END>

## 164-6085 LADDER & FENDER AR-RH STAIRS

S/N: BNH1-UP

CANNOT BE USED WITH 142-5800 FENDER GP, 164-6084 LADDER & FENDER AR  
AN ATTACHMENT

SMCS-7252, 7254

i01001785

NOTE	PART NUMBER	QTY	PART NAME						SEE PAGE
			1	2	3	4	5	6 (PRODUCT LEVEL)	
Y	114-5125	1						FENDER GP-FRONT	603
Y	142-5799	1						LADDER GP (RH)	649

Y - SEPARATE ILLUSTRATION

<END>

## 170-7340 LADDER & FENDER AR

S/N: BNH1-UP

CANNOT BE USED WITH 164-6085 LADDER & FENDER AR, 164-6084 LADDER & FENDER AR  
AN ATTACHMENT

SMCS-7252, 7254

i01381639

NOTE	PART NUMBER	QTY	PART NAME						SEE PAGE
			1	2	3	4	5	6 (PRODUCT LEVEL)	
Y	170-7339	1						FENDER GP-FRONT	604
Y	142-5800	1						FENDER GP-REAR	606

Y - SEPARATE ILLUSTRATION

<END>

# FRAME AND BODY

## 114-5133 LADDER GP-LH

S/N: BNH1-UP

PART OF 203-1567 CHASSIS AR

TYPE 1

SMCS-7254

i03146781

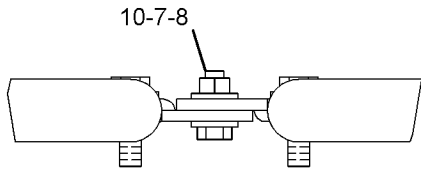
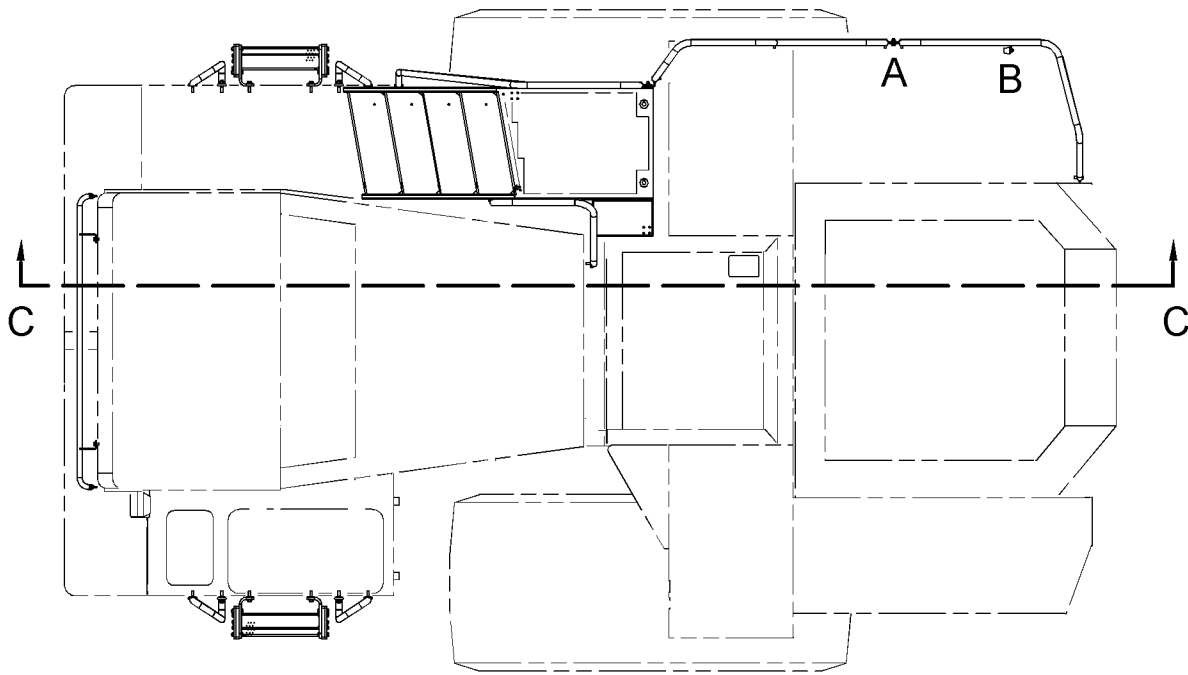
NOTE	REF NO	GRAPHIC REF	PART NUMBER	QTY	PART NAME						SEE PAGE
					1	2	3	4	5	6 (PRODUCT LEVEL)	
	1	1	<b>7X-2393</b>	1	BUMPER-CONICAL						
	2	1	<b>136-9718</b>	1	HANDRAIL AS						
	3	1	<b>136-9719</b>	1	HANDRAIL AS						
Y	4	1	<i>170-7313</i>	1	LADDER GP						653
M	5	1	<b>5C-7261</b>	1	NUT (M8X1.25-THD)						
	6	1	<b>5P-1076</b>	12	WASHER-HARD (13.5X30X4-MM THK)						
	7	1	<b>7X-7729</b>	2	WASHER (11X25X3-MM THK)						
M	8	1	<b>8T-4133</b>	1	NUT (M10X1.5-THD)						
M	9	1	<b>8T-4183</b>	12	BOLT (M12X1.75X40-MM)						
M	10	1	<b>8T-4195</b>	1	BOLT (M10X1.5X30-MM)						
	11	1	<b>8T-4224</b>	1	WASHER-HARD (8.8X16X2-MM THK)						

M - METRIC PART  
Y - SEPARATE ILLUSTRATION

# FRAME AND BODY

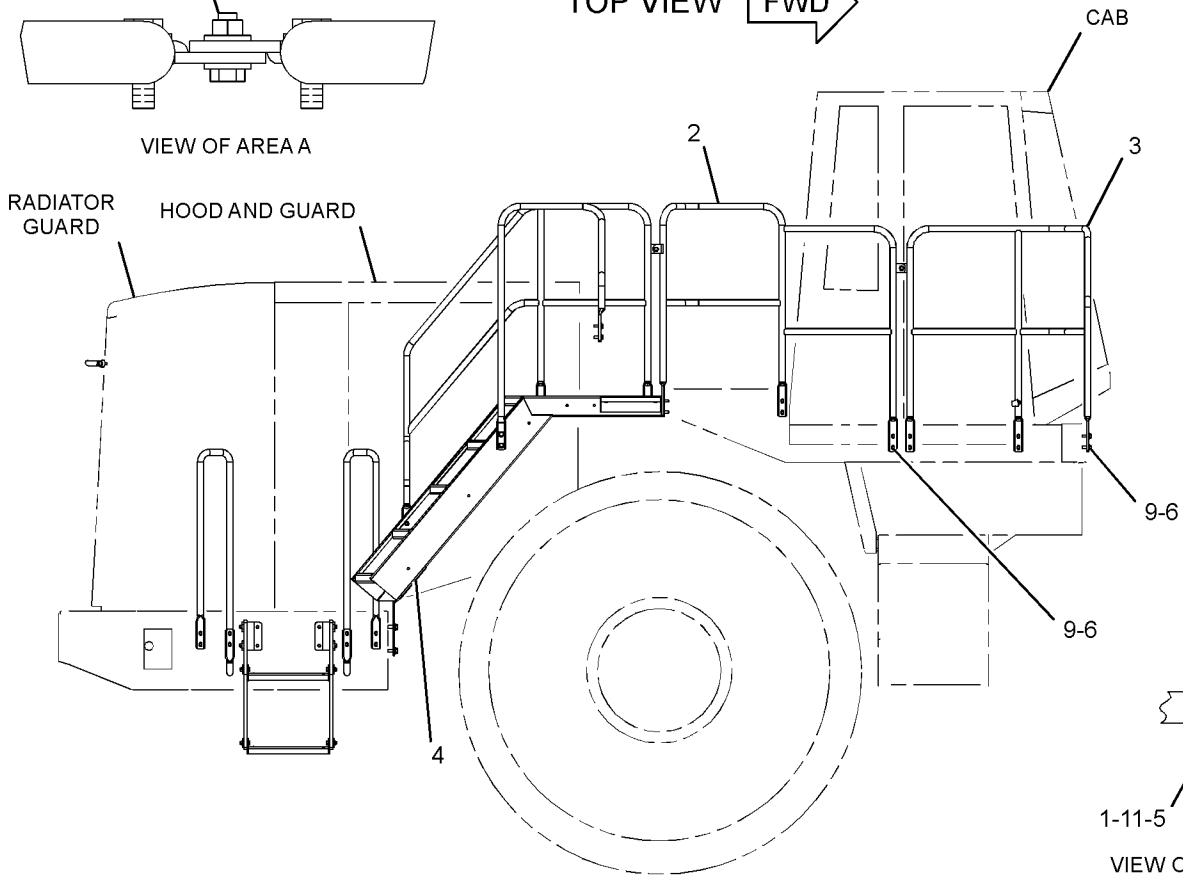
114-5133 LADDER GP (contd.)

i03146781



VIEW OF AREA A

TOP VIEW 



SECTION C-C  
<END>

GRAPHIC #1

g01619456



# FRAME AND BODY

## 114-5133 LADDER GP-LH

S/N: BNH1-UP

PART OF 203-1567 CHASSIS AR

TYPE 2

SMCS-7254

i03146782

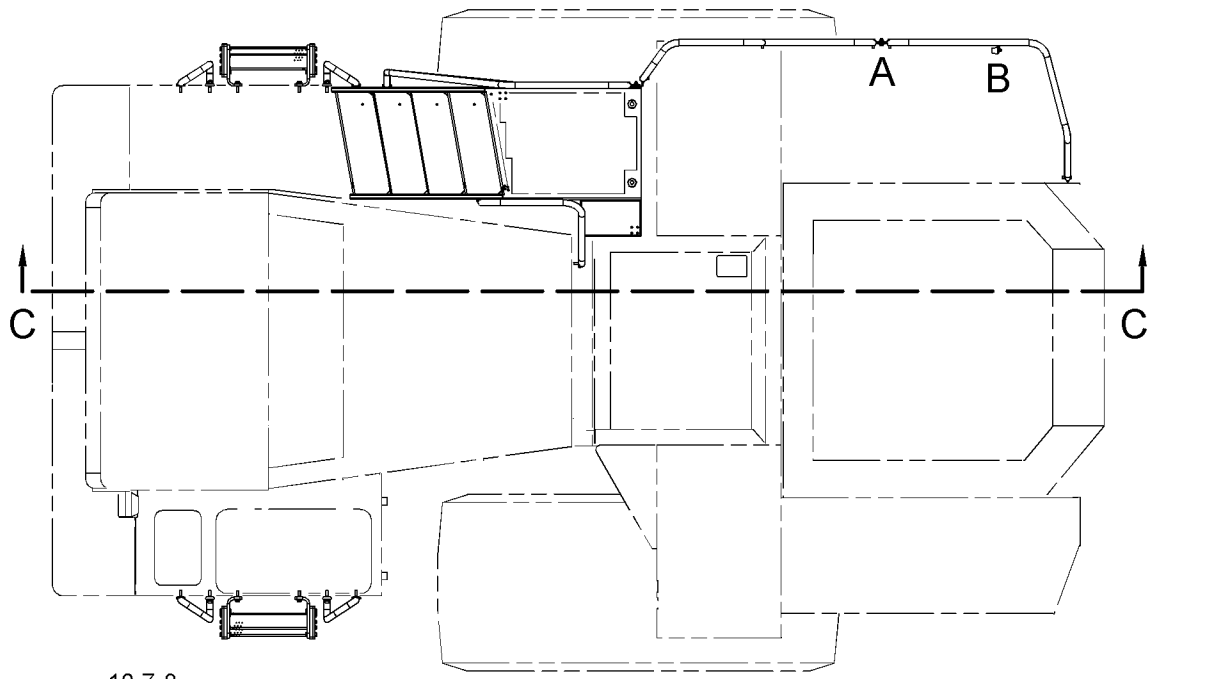
NOTE	REF NO	GRAPHIC REF	PART NUMBER	QTY	PART NAME						SEE PAGE
					1	2	3	4	5	6 (PRODUCT LEVEL)	
	1	1	<b>7X-2393</b>	1	BUMPER-CONICAL						
	2	1	<b>136-9718</b>	1	HANDRAIL AS						
	3	1	<b>136-9719</b>	1	HANDRAIL AS						
CY	4	1	<i>170-7313</i>	1	LADDER GP						653
M	5	1	<b>131-3540</b>	1	LOCKNUT (M8X1.25-THD)						
	6	1	<b>5P-1076</b>	12	WASHER-HARD (13.5X30X4-MM THK)						
	7	1	<b>7X-7729</b>	2	WASHER (11X25X3-MM THK)						
M	8	1	<b>8T-4133</b>	1	NUT (M10X1.5-THD)						
M	9	1	<b>8T-4183</b>	12	BOLT (M12X1.75X40-MM)						
M	10	1	<b>8T-4195</b>	1	BOLT (M10X1.5X30-MM)						
	11	1	<b>8T-4224</b>	1	WASHER-HARD (8.8X16X2-MM THK)						

C - CHANGE FROM PREVIOUS TYPE  
M - METRIC PART  
Y - SEPARATE ILLUSTRATION

# FRAME AND BODY

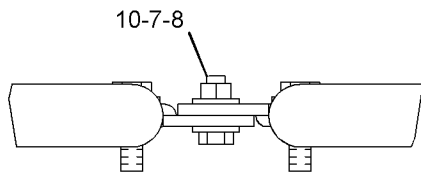
114-5133 LADDER GP (contd.)

i03146782



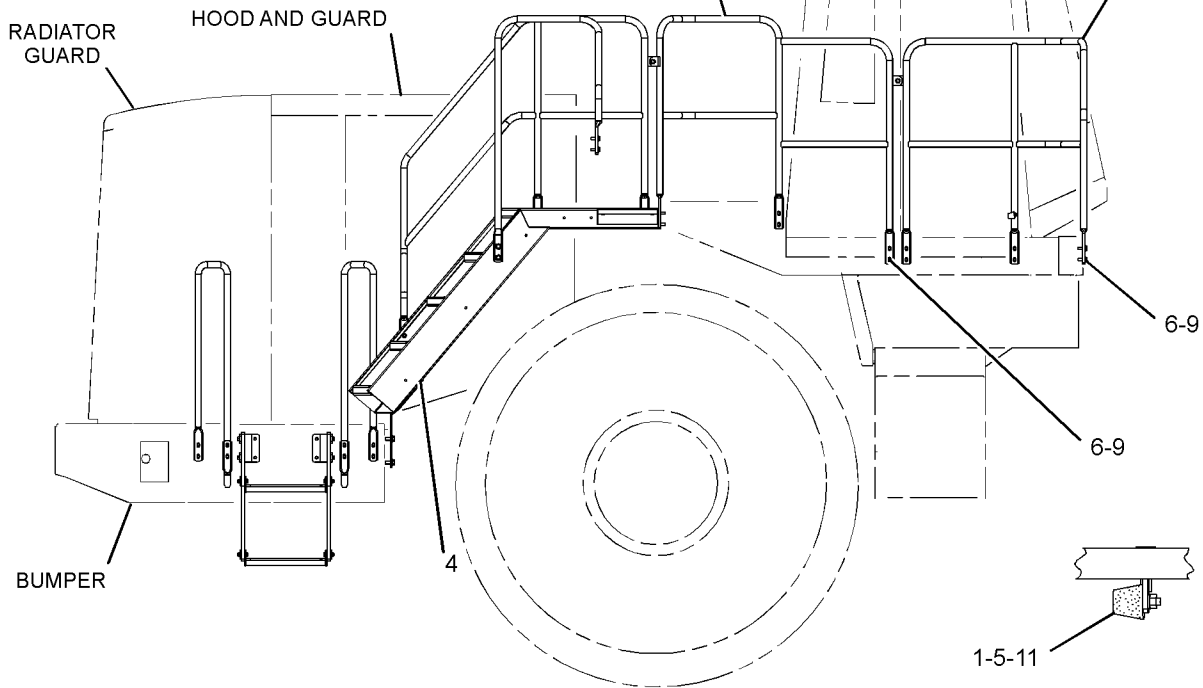
TOP VIEW

FWD



10-7-8

VIEW OF AREA A



VIEW C-C

<END>

VIEW OF AREA B

1-5-11

GRAPHIC #1

g01619367

# FRAME AND BODY

## 142-5799 LADDER GP-RH

S/N: BNH1-UP

CANNOT BE USED WITH 142-5800-PAGE: 606

PART OF 142-5800 FENDER GP-REAR, 164-6085 LADDER & FENDER AR  
AN ATTACHMENT

SMCS-7254

i01493397

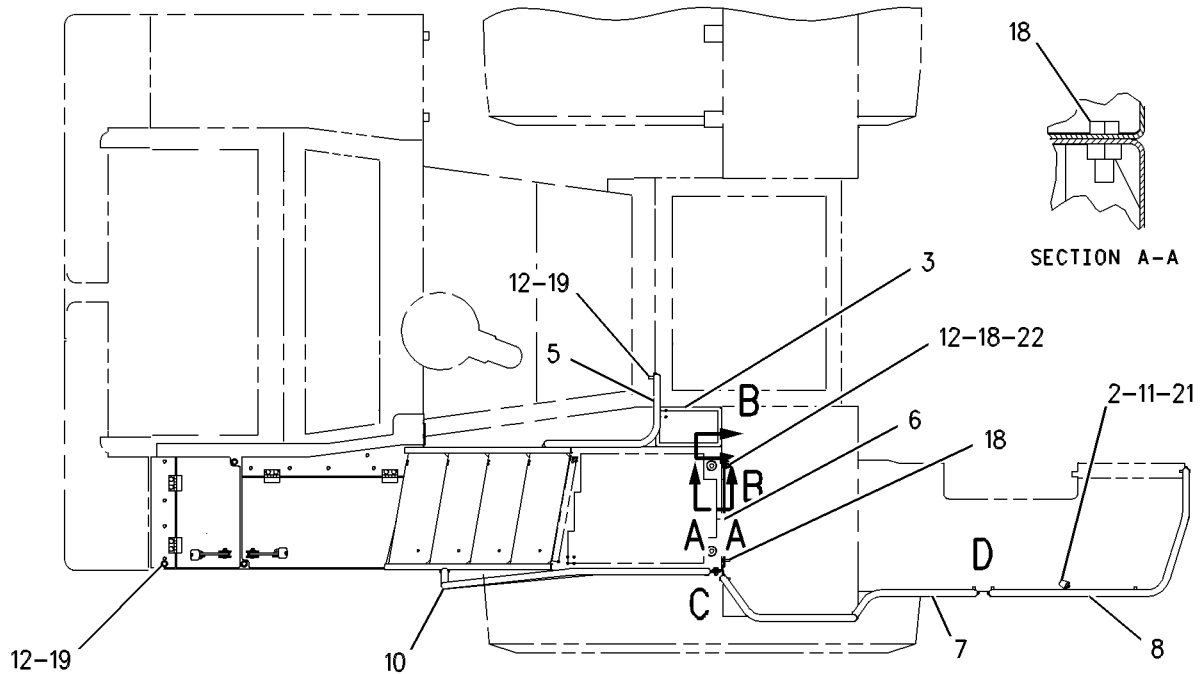
NOTE	REF NO	GRAPHIC REF	PART NUMBER	QTY	PART NAME						SEE PAGE
					1	2	3	4	5	6 (PRODUCT LEVEL)	
	1	1	7T-8331	2	MOUNT AS						
	2	1	7X-2393	1	BUMPER-CONICAL						
	3	1	136-9466	1	SHEET						
	4	1	142-5801	1	STAIR AS						
M		1	8T-3597	10	NUT-WELD (M12X1.75-THD)						
	5	1	142-5802	1	HANDRAIL AS						
	6	1	146-8350	1	BRACKET AS						
M		1	8T-3597	2	NUT-WELD (M12X1.75-THD)						
	7	1	151-2766	1	HANDRAIL AS						
	8	1	151-2767	1	HANDRAIL AS						
Y	9	1	192-8852	1	COVER GP-BUMPER (BATTERY COMPARTMENT ACCESS, RH)						589
	10	1	155-2079	1	HANDRAIL AS						
M	11	1	5C-7261	1	NUT (M8X1.25-THD)						
	12	1	5P-1076	29	WASHER-HARD (13.5X30X4-MM THK)						
	13	1	7X-0515	4	WASHER-HARD (17X35X5-MM THK)						
	14	1	7X-0590	2	WASHER-HARD (13.5X44.5X6-MM THK)						
M	15	1	7X-2553	4	BOLT (M16X2X40-MM)						
	16	1	7X-7729	4	WASHER (11X25X3-MM THK)						
M	17	1	8T-4133	2	NUT (M10X1.5-THD)						
M	18	1	8T-4139	6	BOLT (M12X1.75X30-MM)						
M	19	1	8T-4183	27	BOLT (M12X1.75X40-MM)						
M	20	1	8T-4195	2	BOLT (M10X1.5X30-MM)						
	21	1	8T-4224	1	WASHER-HARD (8.8X16X2-MM THK)						
M	22	1	8T-4244	2	NUT (M12X1.75-THD)						
M	23	1	8T-4910	2	BOLT (M12X1.75X60-MM)						

M - METRIC PART  
Y - SEPARATE ILLUSTRATION

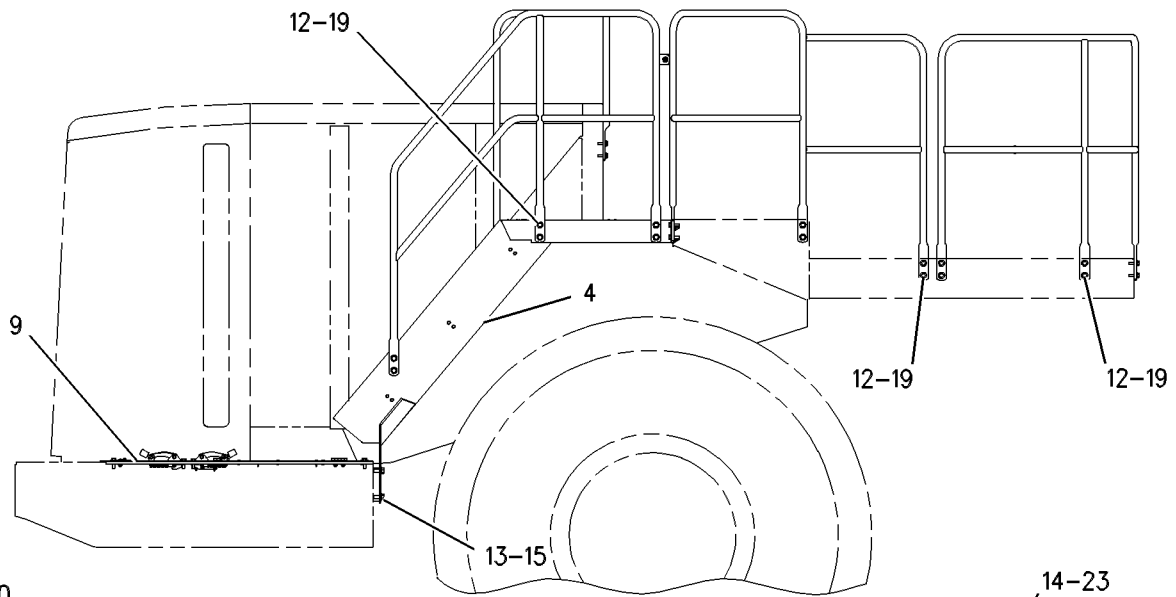
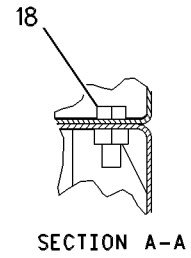
# FRAME AND BODY

142-5799 LADDER GP (contd.)

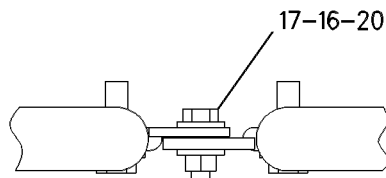
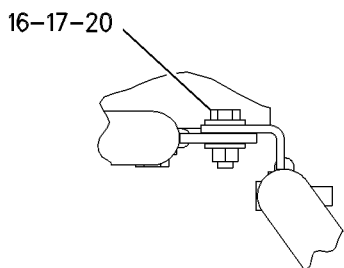
i01493397



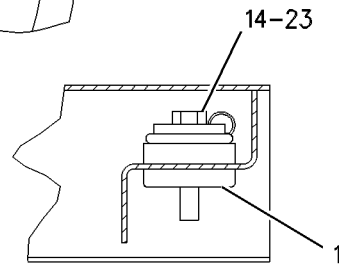
TOP VIEW



RIGHT SIDE VIEW



VIEW OF AREA D



SECTION B-B

GRAPHIC #1

<END>

g00545371

# FRAME AND BODY

## 153-7044 LADDER GP

S/N: BNH1-UP

PART OF 164-6084 LADDER & FENDER AR  
AN ATTACHMENT

SMCS-7254

i02387750

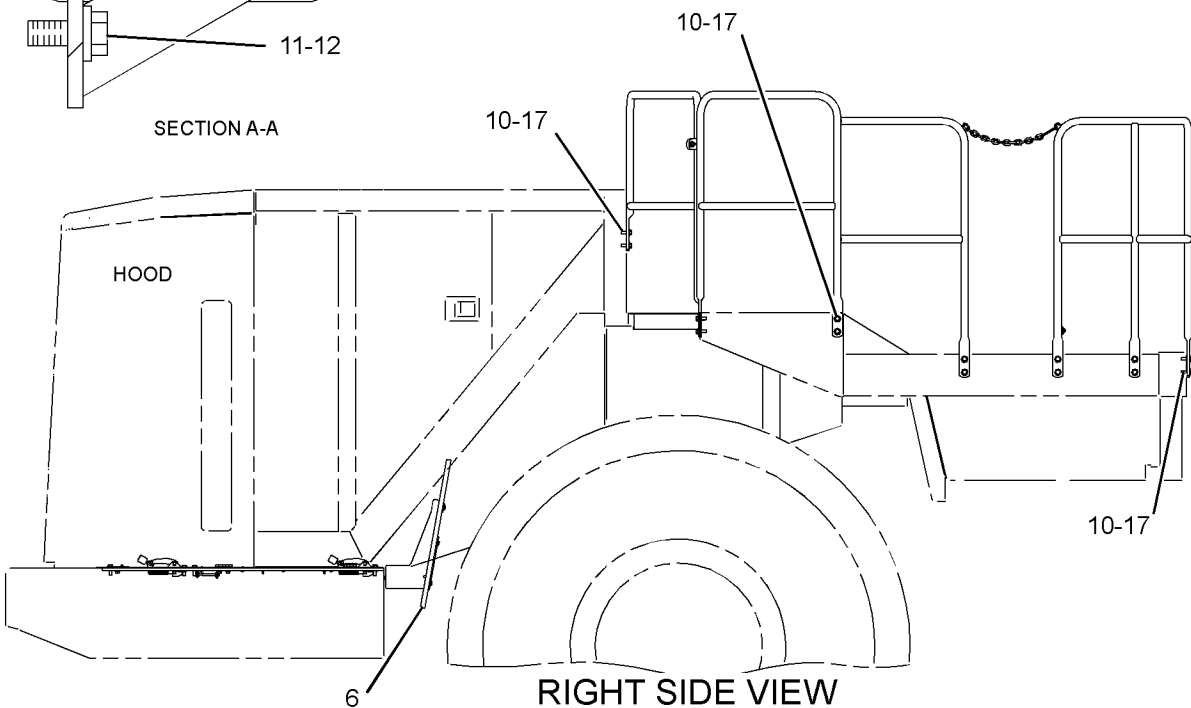
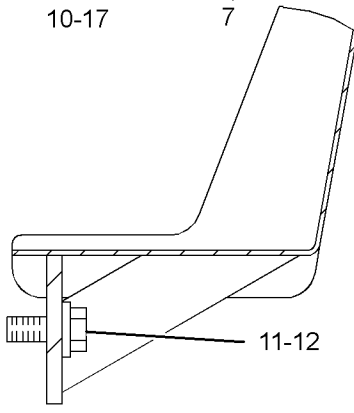
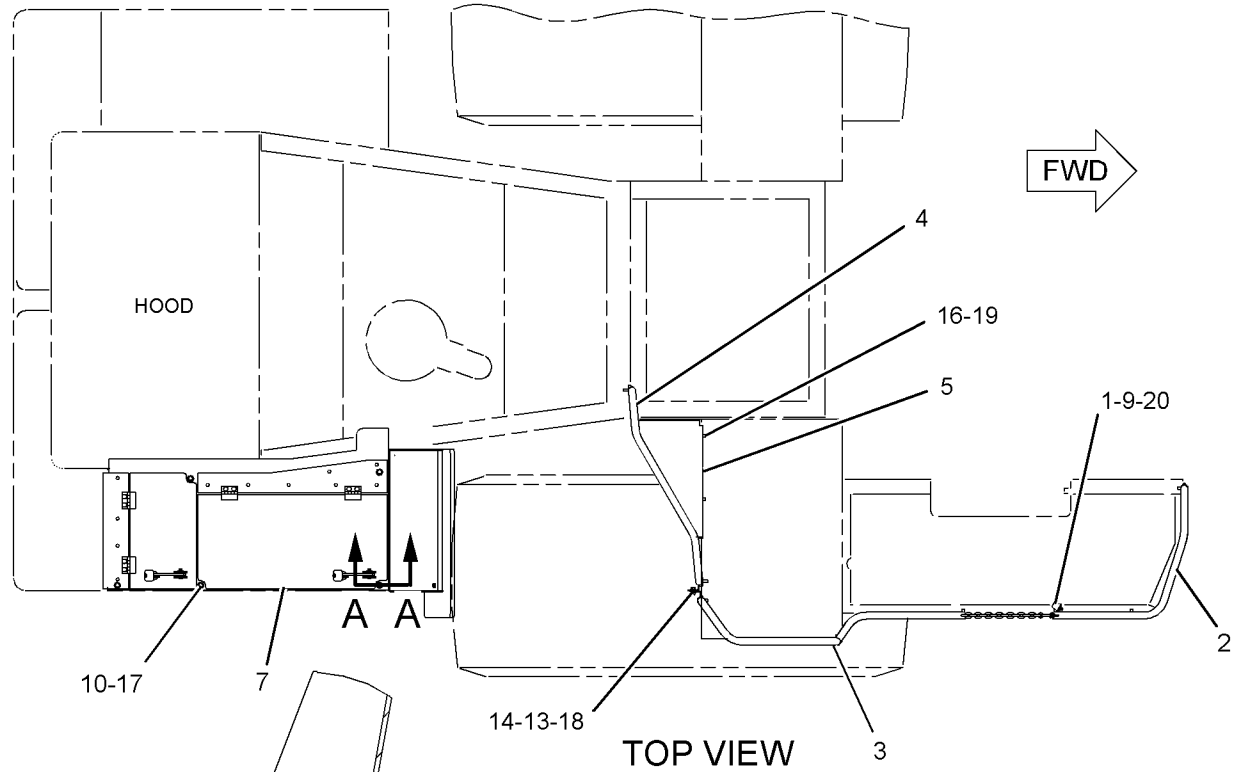
NOTE	REF NO	GRAPHIC REF	PART NUMBER	QTY	PART NAME						SEE PAGE
					1	2	3	4	5	6 (PRODUCT LEVEL)	
	1	1	<b>7X-2393</b>	1	BUMPER-CONICAL						
	2	1	<b>136-9720</b>	1	HANDRAIL AS						
	3	1	<b>136-9721</b>	1	HANDRAIL AS						
		1	<b>6B-8085</b>	1	SNAP-CHAIN						
		1	<b>106-6434</b>	1	CHAIN						
	4	1	<b>136-9722</b>	1	HANDRAIL AS						
	5	1	<b>136-9759</b>	1	PANEL AS						
Y	6	1	<b>171-6786</b>	1	GUARD GP-REAR						631
Y	7	1	<b>192-8851</b>	1	COVER GP-BUMPER (BATTERY COMPARTMENT ACCESS, RH)						587
M	9	1	<b>5C-7261</b>	1	NUT (M8X1.25-THD)						
	10	1	<b>5P-1076</b>	21	WASHER-HARD (13.5X30X4-MM THK)						
	11	1	<b>7X-0515</b>	2	WASHER-HARD (17X35X5-MM THK)						
M	12	1	<b>7X-2553</b>	2	BOLT (M16X2X40-MM)						
	13	1	<b>7X-7729</b>	2	WASHER (11X25X3-MM THK)						
M	14	1	<b>8T-4133</b>	1	NUT (M10X1.5-THD)						
M	16	1	<b>8T-4179</b>	2	BOLT (M12X1.75X20-MM)						
M	17	1	<b>8T-4183</b>	21	BOLT (M12X1.75X40-MM)						
M	18	1	<b>8T-4195</b>	1	BOLT (M10X1.5X30-MM)						
	19	1	<b>8T-4223</b>	2	WASHER-HARD (13.5X25.5X3-MM THK)						
	20	1	<b>8T-4224</b>	1	WASHER-HARD (8.8X16X2-MM THK)						

M - METRIC PART  
Y - SEPARATE ILLUSTRATION

# FRAME AND BODY

153-7044 LADDER GP (contd.)

i02387750



GRAPHIC #1

<END>

g01191946

# FRAME AND BODY

## 170-7313 LADDER GP

S/N: BNH1-UP

PART OF 114-5133 LADDER GP

TYPE 1

SMCS-7254

i03001672

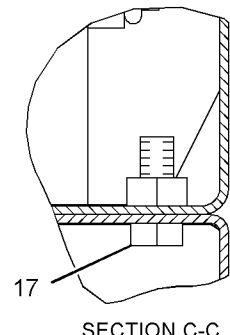
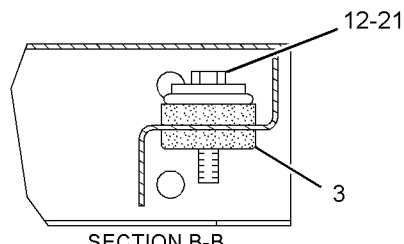
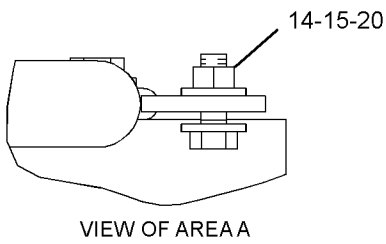
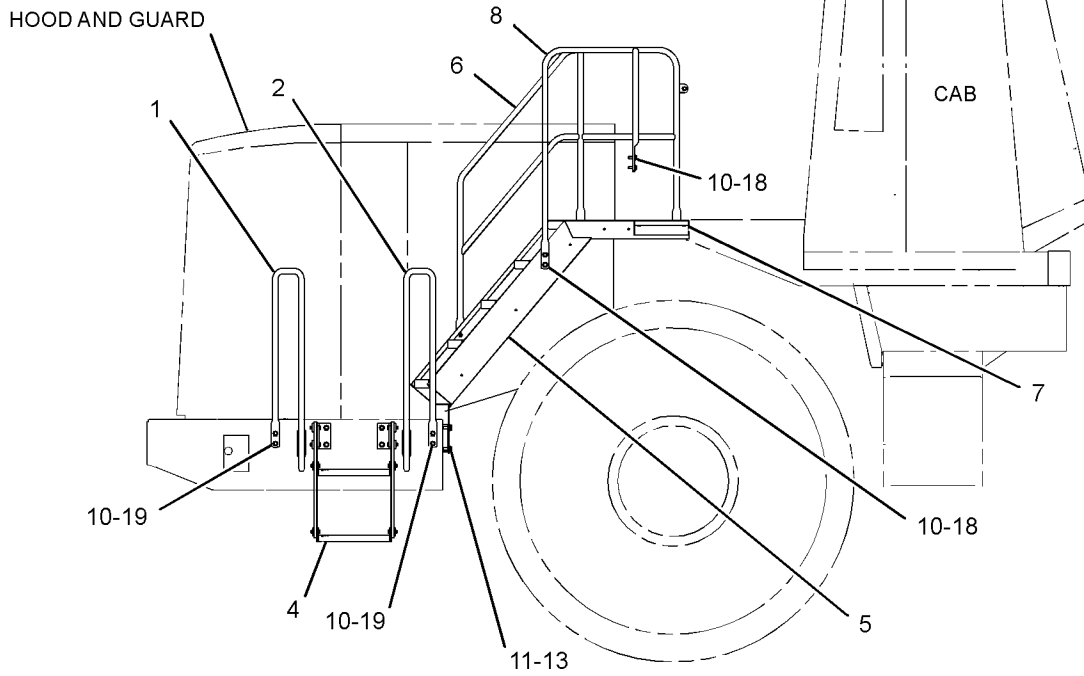
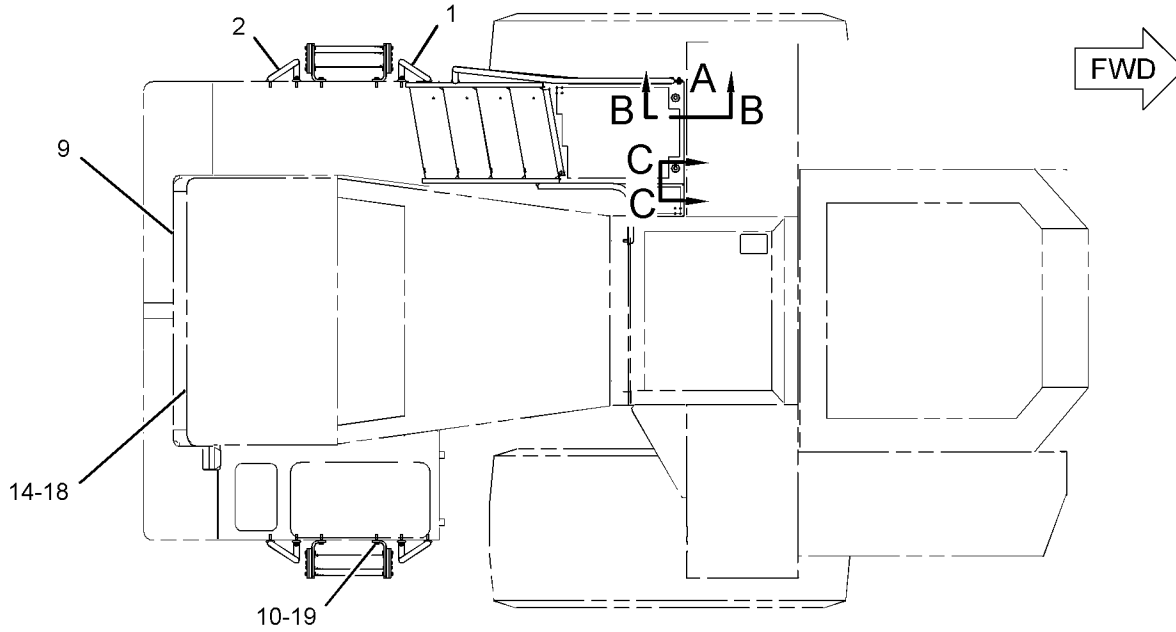
NOTE	REF NO	GRAPHIC REF	PART NUMBER	QTY	PART NAME						SEE PAGE
					1	2	3	4	5	6 (PRODUCT LEVEL)	
	1	1	<b>4E-8852</b>	2	HANDLE (LH)						
	2	1	<b>4E-8892</b>	2	HANDLE (RH)						
	3	1	<b>7T-8331</b>	2	MOUNT AS						
Y	4	1	<i>134-2554</i>	2	STEP GP						706
	5	1	<b>134-4821</b>	1	STAIR AS						
M		1	<b>8T-3597</b>	10	NUT-WELD (M12X1.75-THD)						
	6	1	<b>135-6931</b>	1	HANDRAIL AS						
	7	1	<b>136-9466</b>	1	SHEET						
	8	1	<b>136-9723</b>	1	HANDRAIL AS						
	9	1	<b>150-8993</b>	1	HANDLE AS						
	10	1	<b>5P-1076</b>	34	WASHER-HARD (13.5X30X4-MM THK)						
	11	1	<b>7X-0515</b>	4	WASHER-HARD (17X35X5-MM THK)						
	12	1	<b>7X-0590</b>	2	WASHER-HARD (13.5X44.5X6-MM THK)						
M	13	1	<b>7X-2553</b>	4	BOLT (M16X2X40-MM)						
	14	1	<b>7X-7729</b>	4	WASHER (11X25X3-MM THK)						
M	15	1	<b>8T-4133</b>	1	NUT (M10X1.5-THD)						
M	16	1	<b>8T-4137</b>	2	BOLT (M10X1.5X20-MM)						
M	17	1	<b>8T-4139</b>	2	BOLT (M12X1.75X30-MM)						
M	18	1	<b>8T-4183</b>	10	BOLT (M12X1.75X40-MM)						
M	19	1	<b>8T-4194</b>	24	BOLT (M12X1.75X50-MM)						
M	20	1	<b>8T-4195</b>	1	BOLT (M10X1.5X30-MM)						
M	21	1	<b>8T-4910</b>	2	BOLT (M12X1.75X60-MM)						

M - METRIC PART  
Y - SEPARATE ILLUSTRATION

# FRAME AND BODY

170-7313 LADDER GP (contd.)

i03001672



GRAPHIC #1

<END>

g01521442



# FRAME AND BODY

## 170-7313 LADDER GP

S/N: BNH1-UP

PART OF 114-5133 LADDER GP

TYPE 2

SMCS-7254

i02998129

NOTE	REF NO	GRAPHIC REF	PART NUMBER	QTY	PART NAME						SEE PAGE
					1	2	3	4	5	6 (PRODUCT LEVEL)	
	1	1	<b>4E-8852</b>	2	HANDLE (LH)						
	2	1	<b>4E-8892</b>	2	HANDLE (RH)						
	3	1	<b>7T-8331</b>	2	MOUNT AS						
Y	4	1	<i>134-2554</i>	2	STEP GP						706
	5	1	<b>134-4821</b>	1	STAIR AS						
M		1	<b>8T-3597</b>	10	NUT-WELD (M12X1.75-THD)						
	6	1	<b>135-6931</b>	1	HANDRAIL AS						
	7	1	<b>136-9466</b>	1	SHEET						
	8	1	<b>136-9723</b>	1	HANDRAIL AS						
	9	1	<b>5P-1076</b>	34	WASHER-HARD (13.5X30X4-MM THK)						
	10	1	<b>7X-0515</b>	4	WASHER-HARD (17X35X5-MM THK)						
	11	1	<b>7X-0590</b>	2	WASHER-HARD (13.5X44.5X6-MM THK)						
M	12	1	<b>7X-2553</b>	4	BOLT (M16X2X40-MM)						
	13	1	<b>7X-7729</b>	2	WASHER (11X25X3-MM THK)						
M	14	1	<b>8T-4133</b>	1	NUT (M10X1.5-THD)						
M	15	1	<b>8T-4139</b>	2	BOLT (M12X1.75X30-MM)						
M	16	1	<b>8T-4183</b>	10	BOLT (M12X1.75X40-MM)						
M	17	1	<b>8T-4194</b>	24	BOLT (M12X1.75X50-MM)						
M	18	1	<b>8T-4195</b>	1	BOLT (M10X1.5X30-MM)						
M	19	1	<b>8T-4910</b>	2	BOLT (M12X1.75X60-MM)						

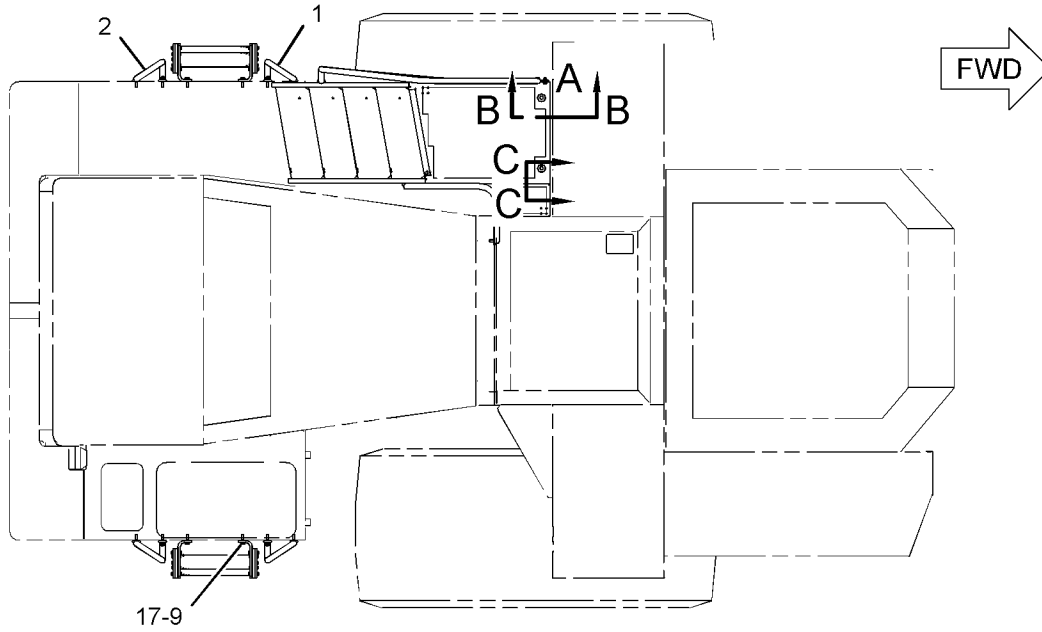
M - METRIC PART

Y - SEPARATE ILLUSTRATION

# FRAME AND BODY

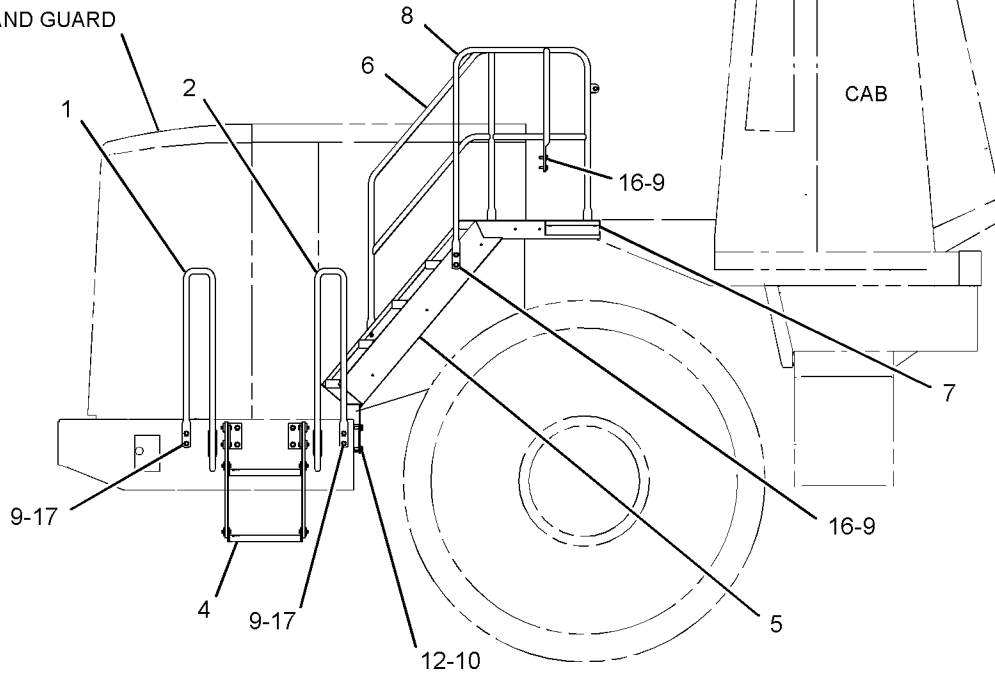
170-7313 LADDER GP (contd.)

i02998129

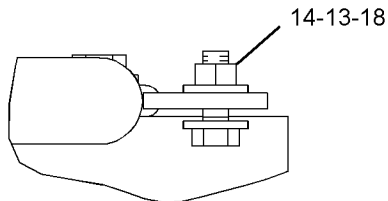


TOP VIEW

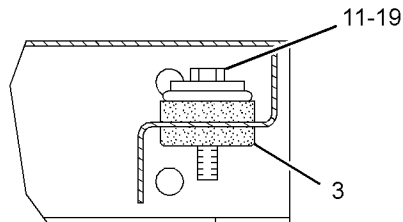
HOOD AND GUARD



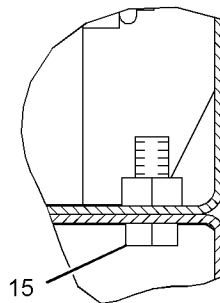
RIGHT SIDE VIEW



VIEW OF AREA A



SECTION B-B



SECTION C-C

GRAPHIC #1

<END>

g01520360

# FRAME AND BODY

## 170-7314 LADDER GP-ALTERNATE EXIT

S/N: BNH1-UP

PART OF 164-6084 LADDER & FENDER AR  
AN ATTACHMENT

SMCS-7254

i01048821

NOTE	PART NUMBER	QTY	PART NAME						SEE PAGE
			1	2	3	4	5	6 (PRODUCT LEVEL)	
M	8T-4139	4	BOLT (M12X1.75X30-MM)						
	138-1523	1	LADDER AS						
	5P-1076	4	WASHER-HARD (13.5X30X4-MM THK)						

M - METRIC PART

<END>

# FRAME AND BODY

## 189-7433 LINES GP-AUTOMATIC LUBRICATION-REAR FRAME

S/N: BNH1-UP

CUSTOM

PART OF 2Q-8429 LUBRICATION AR-AUTOMATIC  
AN ATTACHMENT

SMCS-7510, 7540

i01562168

NOTE	REF NO	GRAPHIC REF	PART NUMBER	QTY	PART NAME						SEE PAGE
					1	2	3	4	5	6 (PRODUCT LEVEL)	
	1	1	<b>3E-2345</b>	1	TEE-O-RING						
B	2	1	<b>3S-2093</b>	1	STRAP-CABLE						
	3	1	<b>5K-9979</b>	2	CONNECTOR						
Y	4	1	<b>153-4804</b>	1	SWITCH GP-PRESSURE (AUTOLUBE ACTUATION) (LUBRICATION SIGNAL SUPPLY OIL)						348
	5	1	<b>160-1744</b>	2	BRACKET						
	6	1	<b>189-7038</b>	1	GUARD						
Y	7	1	189-7434	1	LINES GP-LUBRICATION (SUPPLY, RETURN LINES)						684
Y	8	1	189-7435	1	LINES GP-LUBRICATION (STEER CYL, AXLE TRUNNION)						685
Y	9	1	189-7481	1	LINES GP-FILL (AUTOMATIC LUBRICATION)						671
	10	1	<b>189-7482</b>	1	SHEET AS						
M		1	<b>8T-4219</b>	1	STUD-WELD (M10X1.5X17.5-MM)						
	11	1	<b>189-7483</b>	1	SHEET AS						
M		1	<b>8T-3490</b>	1	NUT-WELD (M10X1.5-THD)						
	12	1	<b>189-7486</b>	1	SPACER (33.5-MM THK)						
	13	1	<b>189-7487</b>	1	SPACER (34-MM THK)						
	14	1	<b>189-7488</b>	1	BRACKET						
I	15	1	<b>189-7501</b>	1	HOSE AS						
	16	1	<b>093-2065</b>	2	GROMMET						
	17	1	148-8366	1	ELBOW AS						
		1	<b>6V-8397</b>	2	SEAL-O-RING						
		1	<b>6V-8987</b>	1	ELBOW						
	18	1	148-8371	1	ELBOW AS						
		1	<b>6V-8397</b>	1	SEAL-O-RING						
		1	<b>8C-8988</b>	1	ELBOW						
	19	1	148-8380	1	ELBOW AS						
		1	<b>6V-8398</b>	2	SEAL-O-RING						
		1	<b>6V-8988</b>	1	ELBOW						
	20	1	153-6241	1	ELBOW AS						
		1	<b>6V-8398</b>	1	SEAL-O-RING						
		1	<b>8C-8989</b>	1	ELBOW						
	21	1	<b>1P-4579</b>	2	FLANGE-HALF						
	22	1	<b>1S-0994</b>	1	CLIP						
	23	1	<b>2S-1647</b>	1	GROMMET						
	24	1	<b>3D-2824</b>	1	SEAL-O-RING						
	25	1	<b>4D-7794</b>	4	CLIP						
	26	1	<b>4J-0520</b>	1	SEAL-O-RING						
	27	1	<b>4J-0524</b>	1	SEAL-O-RING						
	28	1	<b>4S-1962</b>	1	CLIP						
M	29	1	<b>5C-9553</b>	2	BOLT (M6X1X16-MM)						
	30	1	<b>5P-7464</b>	1	CLIP (SLOT)						
	31	1	<b>5P-7465</b>	1	CLIP (TAB)						
	32	1	<b>5P-7468</b>	1	CLIP (SLOT)						
	33	1	<b>5P-7469</b>	1	CLIP (TAB)						
	34	1	<b>6B-6205</b>	1	SPACER (0.438X0.875X1.281-IN THK)						
	35	1	<b>6D-1641</b>	3	CLIP						
	36	1	<b>6V-1249</b>	1	GROMMET						
	37	1	<b>6V-2235</b>	2	CLIP						
	38	1	<b>6V-4349</b>	1	GROMMET						
	39	1	<b>6V-9168</b>	1	NUT (11/16-16-THD)						
	40	1	<b>6V-9169</b>	1	NUT (13/16-16-THD)						
	41	1	<b>6V-9746</b>	1	SEAL-O-RING						
	42	1	<b>8C-3206</b>	2	FLANGE-HALF						
	43	1	<b>8S-0948</b>	1	CLIP						
	44	1	<b>8T-4121</b>	32	WASHER-HARD (11X21X2.5-MM THK)						
M	45	1	<b>8T-4133</b>	5	NUT (M10X1.5-THD)						

# FRAME AND BODY

189-7433 **LINES GP-AUTOMATIC LUBRICATION (contd.)**

**i01562168**

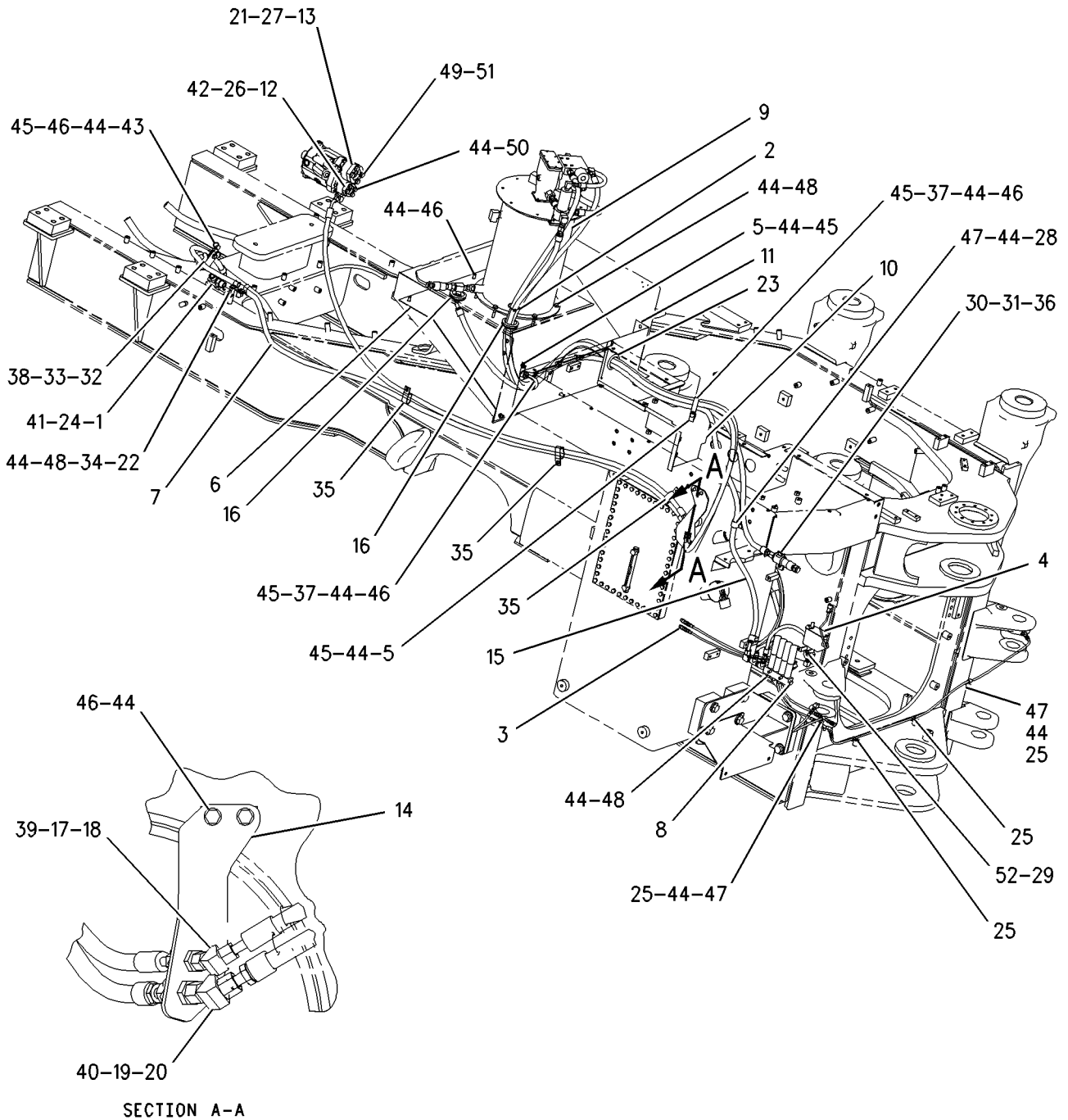
NOTE	REF NO	GRAPHIC REF	PART NUMBER	QTY	PART NAME						SEE PAGE
					1	2	3	4	5	6 (PRODUCT LEVEL)	
M	46	1	<b>8T-4136</b>	11	BOLT (M10X1.5X25-MM)						
M	47	1	<b>8T-4137</b>	3	BOLT (M10X1.5X20-MM)						
M	48	1	<b>8T-4185</b>	9	BOLT (M10X1.5X50-MM)						
	49	1	<b>8T-4223</b>	4	WASHER-HARD (13.5X25.5X3-MM THK)						
M	50	1	<b>8T-5005</b>	4	BOLT (M10X1.5X70-MM)						
M	51	1	<b>8T-6868</b>	4	BOLT (M12X1.75X80-MM)						
	52	1	<b>9X-8256</b>	2	WASHER (6.6X12X2-MM THK)						

B - USE AS REQUIRED  
 I - REFER TO HYDRAULIC INFORMATION SYSTEM  
 M - METRIC PART  
 Y - SEPARATE ILLUSTRATION

# FRAME AND BODY

189-7433 LINES GP-AUTOMATIC LUBRICATION (contd.)

i01562168



GRAPHIC #1

<END>

g00811381

# FRAME AND BODY

## 189-7533 LINES GP-AUTOMATIC LUBRICATION-LOADER FRAME

S/N: BNH1-UP

CUSTOM

PART OF 2Q-8429 LUBRICATION AR-AUTOMATIC

AN ATTACHMENT

SMCS-7510, 7540

i01984571

NOTE	REF NO	GRAPHIC REF	PART NUMBER	QTY	PART NAME						SEE PAGE
					1	2	3	4	5	6 (PRODUCT LEVEL)	
	1	1	<b>5K-9243</b>	1	ELBOW-FLARED						
	2	1	<b>6L-3616</b>	3	CONNECTOR						
Y	3	1	189-7436	1	LINES GP-LUBRICATION (TILT, R ST CYL, LOWER HITCH)						687
Y	4	1	189-7437	1	LINES GP-LUBRICATION (LEFT STEER CYL; UPPER HITCH)						689
I	5	1	<b>189-7494</b>	1	HOSE AS						
I	6	1	<b>189-7495</b>	1	HOSE AS						
I	7	1	<b>189-7496</b>	1	HOSE AS						
	8	1	<b>189-7503</b>	1	TUBE AS						
	9	1	<b>189-7504</b>	1	TUBE AS						
	10	1	<b>189-7508</b>	1	TUBE AS						
	11	1	<b>189-7509</b>	1	TUBE AS						
	12	1	148-8458	2	UNION AS						
					(EACH INCLUDES)						
		1	<b>6V-8397</b>	2	SEAL-O-RING						
		1	<b>6V-9807</b>	1	UNION						
	13	1	<b>4D-7735</b>	3	CLIP						
	14	1	<b>4D-7794</b>	4	CLIP						
	15	1	<b>5P-7464</b>	1	CLIP (SLOT)						
	16	1	<b>5P-7465</b>	1	CLIP (TAB)						
	17	1	<b>6V-1249</b>	1	GROMMET						
	18	1	<b>6V-8397</b>	1	SEAL-O-RING						
	19	1	<b>8C-6869</b>	1	CONNECTOR						
	20	1	<b>8L-5008</b>	1	ELBOW-PIPE						
	21	1	<b>8M-2772</b>	5	CLIP						
	22	1	<b>8T-4121</b>	13	WASHER-HARD (11X21X2.5-MM THK)						
M	23	1	<b>8T-4133</b>	1	NUT (M10X1.5-THD)						
M	24	1	<b>8T-4137</b>	10	BOLT (M10X1.5X20-MM)						
M	25	1	<b>8T-4185</b>	2	BOLT (M10X1.5X50-MM)						
M	26	1	<b>8T-4195</b>	1	BOLT (M10X1.5X30-MM)						
	27	1	<b>7X-0732</b>	1	WASHER-HARD (10X22.5X8-MM THK)						

I - REFER TO HYDRAULIC INFORMATION SYSTEM

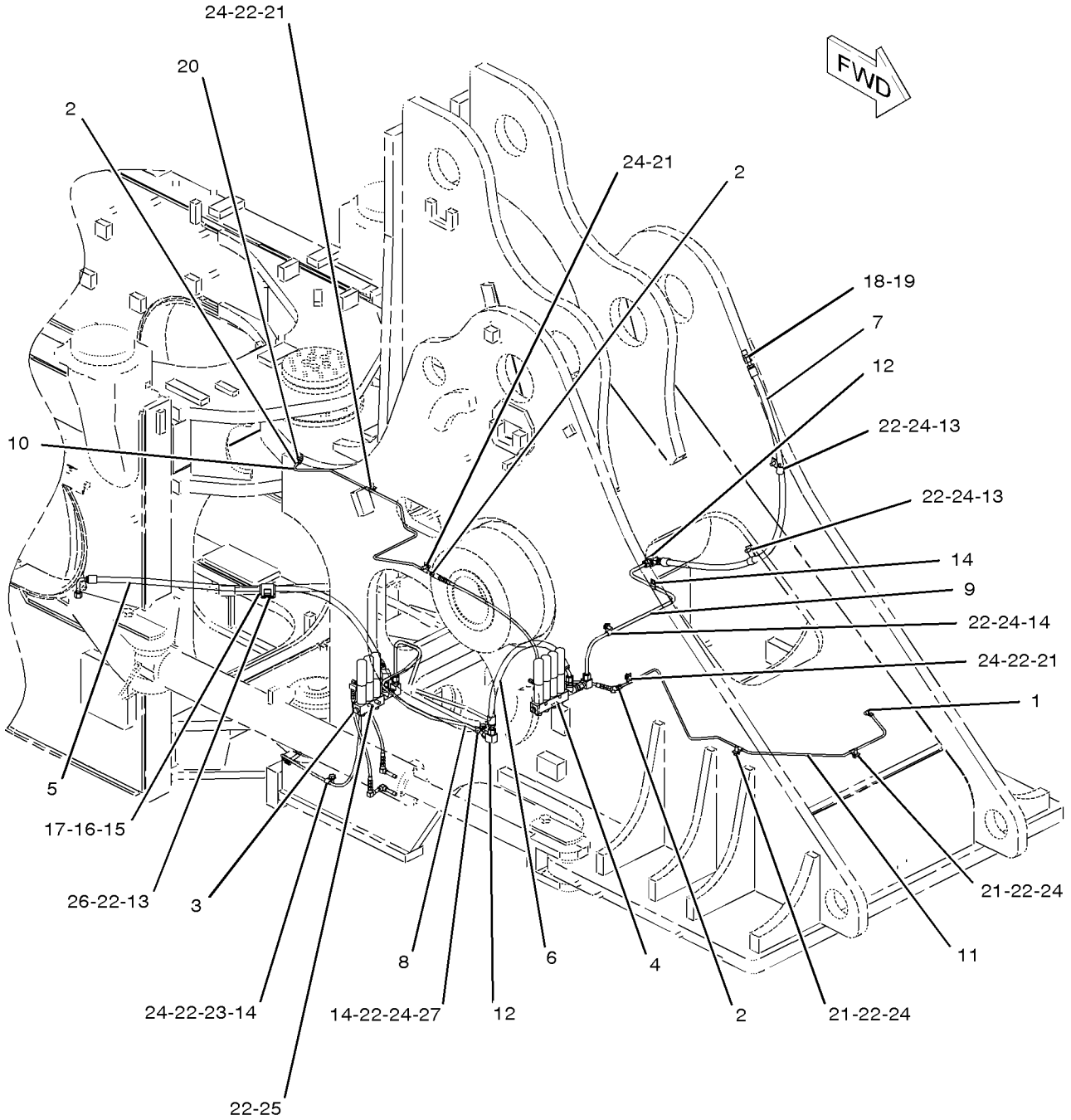
M - METRIC PART

Y - SEPARATE ILLUSTRATION

# FRAME AND BODY

189-7533 LINES GP-AUTOMATIC LUBRICATION (contd.)

i01984571



GRAPHIC #1

<END>

g01028430



# FRAME AND BODY

## 229-2621 LINES GP-AUTOMATIC LUBRICATION-BOOM

S/N: BNH1-1366

CUSTOM

PART OF 2Q-8429 LUBRICATION AR-AUTOMATIC  
AN ATTACHMENT

SMCS-7510, 7540

i01952122

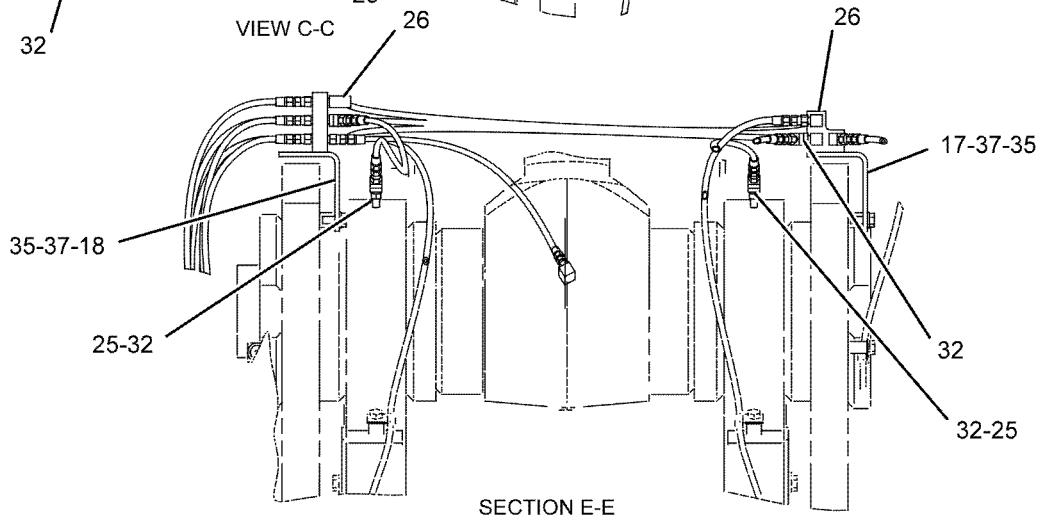
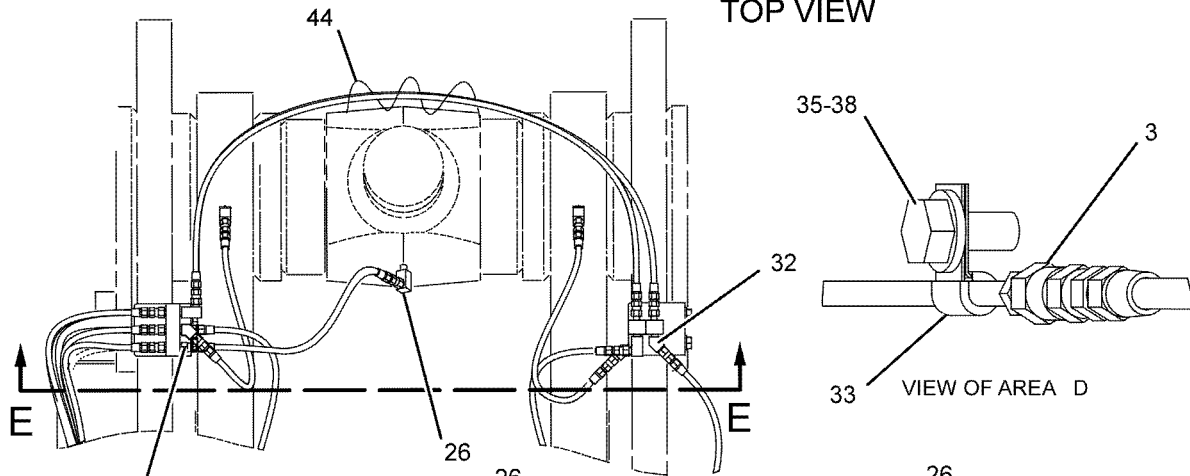
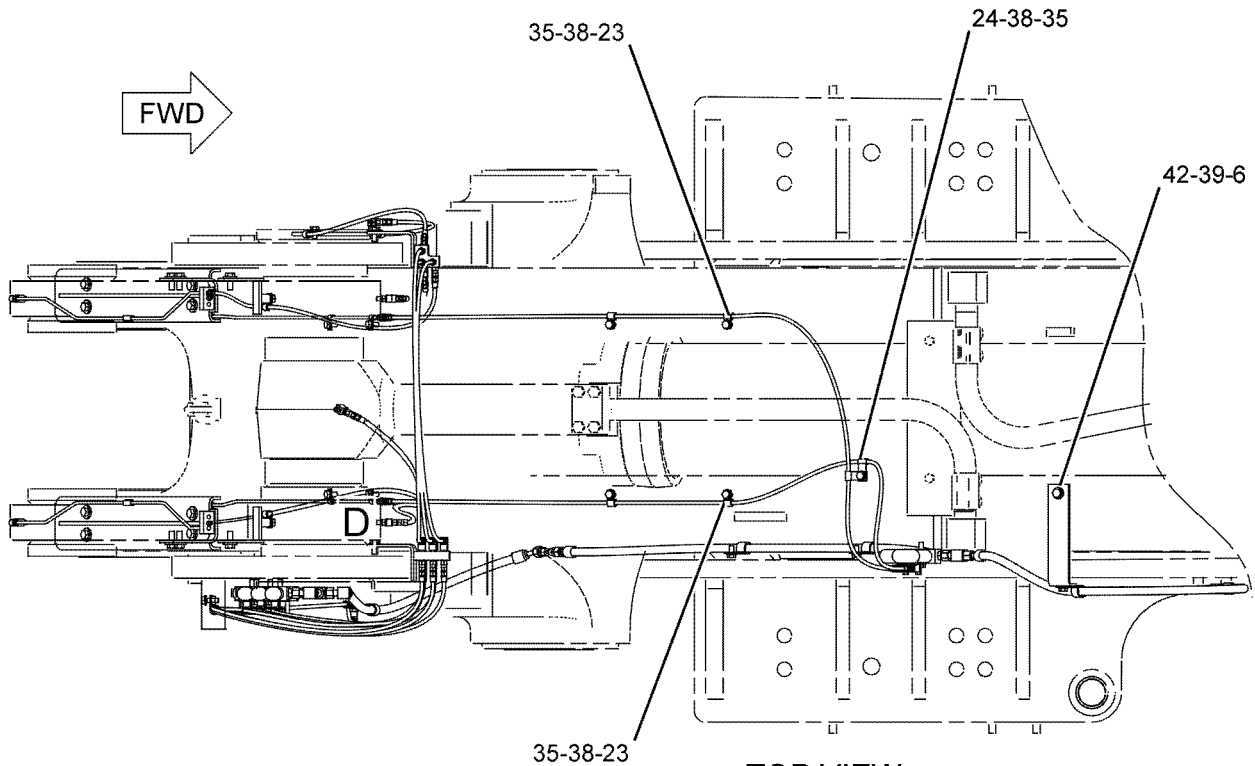
NOTE	REF NO	GRAPHIC REF	PART NUMBER	QTY	PART NAME						SEE PAGE
					1	2	3	4	5	6 (PRODUCT LEVEL)	
	1	2	<b>3B-8489</b>	2	FITTING-GREASE						
	2	3	<b>5K-9243</b>	2	ELBOW-FLARED						
	3	1	<b>5K-9979</b>	2	CONNECTOR						
	4	2	<b>5P-3422</b>	2	TEE-PIPE						
	5	2	<b>6L-3616</b>	8	CONNECTOR						
	6	1	<b>172-5306</b>	1	PLATE						
I	7	2	<b>189-7497</b>	1	HOSE AS						
I	8	2	<b>189-7500</b>	1	HOSE AS						
	9	3	<b>189-7603</b>	1	TUBE AS						
	10	2	<b>189-7604</b>	1	TUBE AS						
I	11	2	<b>189-7609</b>	1	HOSE AS						
I	12	2	<b>189-7610</b>	1	HOSE AS						
	13	2,3	<b>197-6660</b>	2	BRACKET AS (EACH INCLUDES)						
		2,3	<b>157-8957</b>	1	BLOCK						
	14	2,3	<b>197-7863</b>	2	BRACKET AS (EACH INCLUDES)						
M		2,3	<b>9R-2613</b>	1	BOSS-WELD (M10X1.5X25-MM)						
	15	3	<b>219-5073</b>	2	TUBE AS						
	16	2	<b>219-5074</b>	2	TUBE AS						
	17	1	<b>224-4416</b>	1	BRACKET AS						
	18	1	<b>224-4417</b>	1	BRACKET AS						
	19	2	<b>227-3250</b>	2	GUARD AS						
Y	20	2	229-2622	1	VALVE & LINES GP-LUBRICATION (B-PIN, RH, LH)						717
Y	21	2	229-2623	1	LINES GP-LUBRICATION (TILT CYL, LINK PINS, LH C-PIN)						691
Y	22	2	229-2624	1	LINES GP-LUBRICATION (LINK PINS, RH, LH, C-PIN, RH)						692
	23	1,3	<b>4D-7794</b>	6	CLIP						
	24	1	<b>4D-8123</b>	2	CLIP						
	25	1,2	<b>4K-3026</b>	5	EXTENSION						
	26	1,2	<b>4M-8973</b>	10	ELBOW						
	27	2,3	<b>5P-1076</b>	14	WASHER-HARD (13.5X30X4-MM THK)						
	28	2,3	<b>5P-9297</b>	3	CLIP						
	29	3	<b>6K-6967</b>	2	ADAPTER-PIPE						
	30	2	<b>6V-8397</b>	3	SEAL-O-RING						
	31	2	<b>8C-6869</b>	3	CONNECTOR						
	32	1	<b>8L-5008</b>	5	ELBOW-PIPE						
	33	1,2,3	<b>8M-2772</b>	6	CLIP						
	34	2	<b>8S-0948</b>	4	CLIP						
	35	1,2,3	<b>8T-4121</b>	29	WASHER-HARD (11X21X2.5-MM THK)						
M	36	2,3	<b>8T-4133</b>	4	NUT (M10X1.5-THD)						
M	37	1,2,3	<b>8T-4136</b>	5	BOLT (M10X1.5X25-MM)						
M	38	1,2,3	<b>8T-4137</b>	16	BOLT (M10X1.5X20-MM)						
M	39	1,2,3	<b>8T-4139</b>	15	BOLT (M12X1.75X30-MM)						
M	40	2	<b>8T-4185</b>	5	BOLT (M10X1.5X50-MM)						
M	41	2	<b>8T-4195</b>	1	BOLT (M10X1.5X30-MM)						
	42	1	<b>8T-4223</b>	1	WASHER-HARD (13.5X25.5X3-MM THK)						
	43	2	<b>9M-8406</b>	1	CLIP						
E	44	1,2	<b>7I-1024</b>		GUARD-HOSE (198CM)						

E - ORDER BY THE CENTIMETER  
I - REFER TO HYDRAULIC INFORMATION SYSTEM  
M - METRIC PART  
Y - SEPARATE ILLUSTRATION

# FRAME AND BODY

229-2621 LINES GP-AUTOMATIC LUBRICATION (contd.)

i01952122



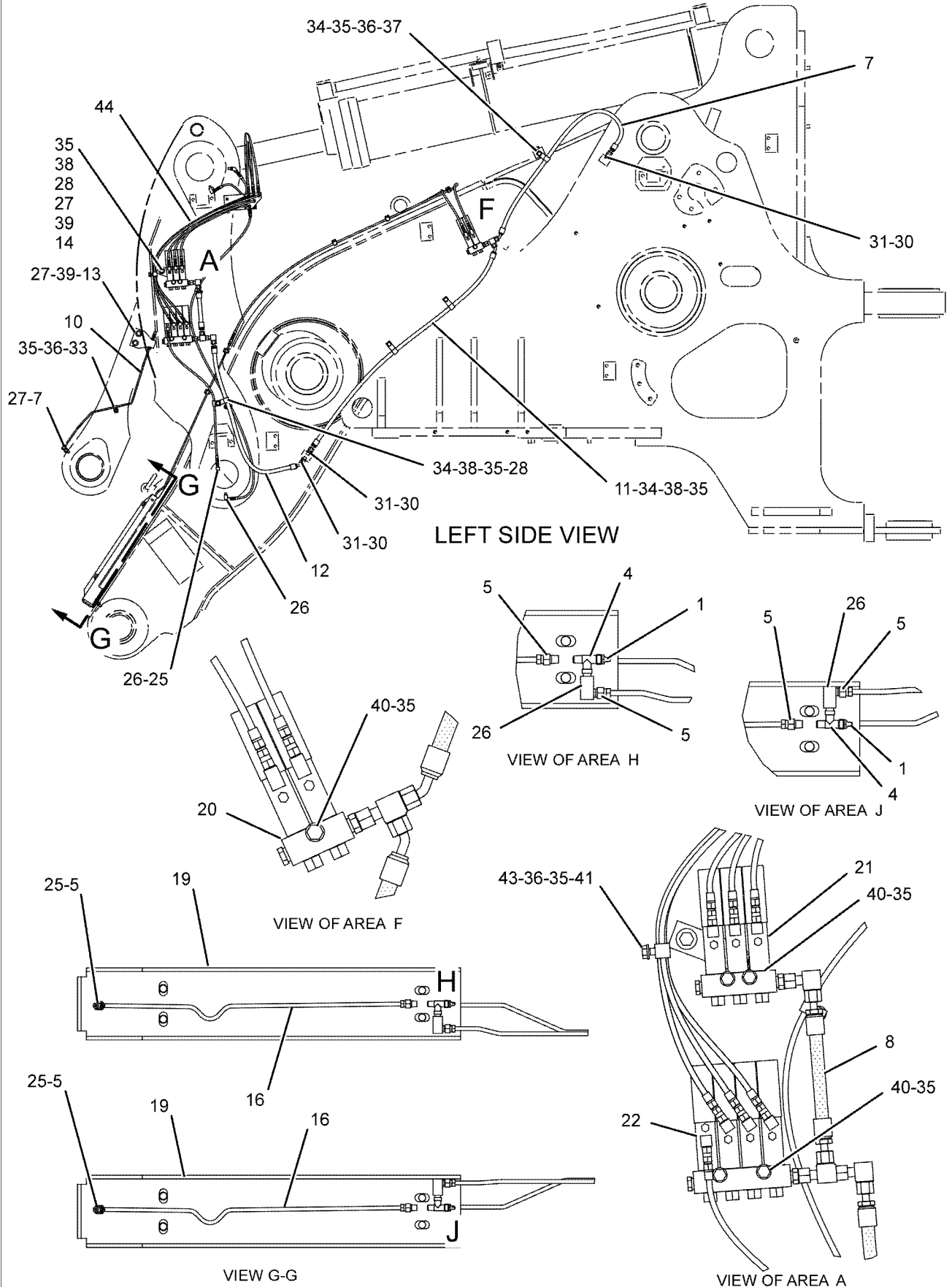
GRAPHIC #1

g01016791

# FRAME AND BODY

229-2621 LINES GP-AUTOMATIC LUBRICATION (contd.)

i01952122



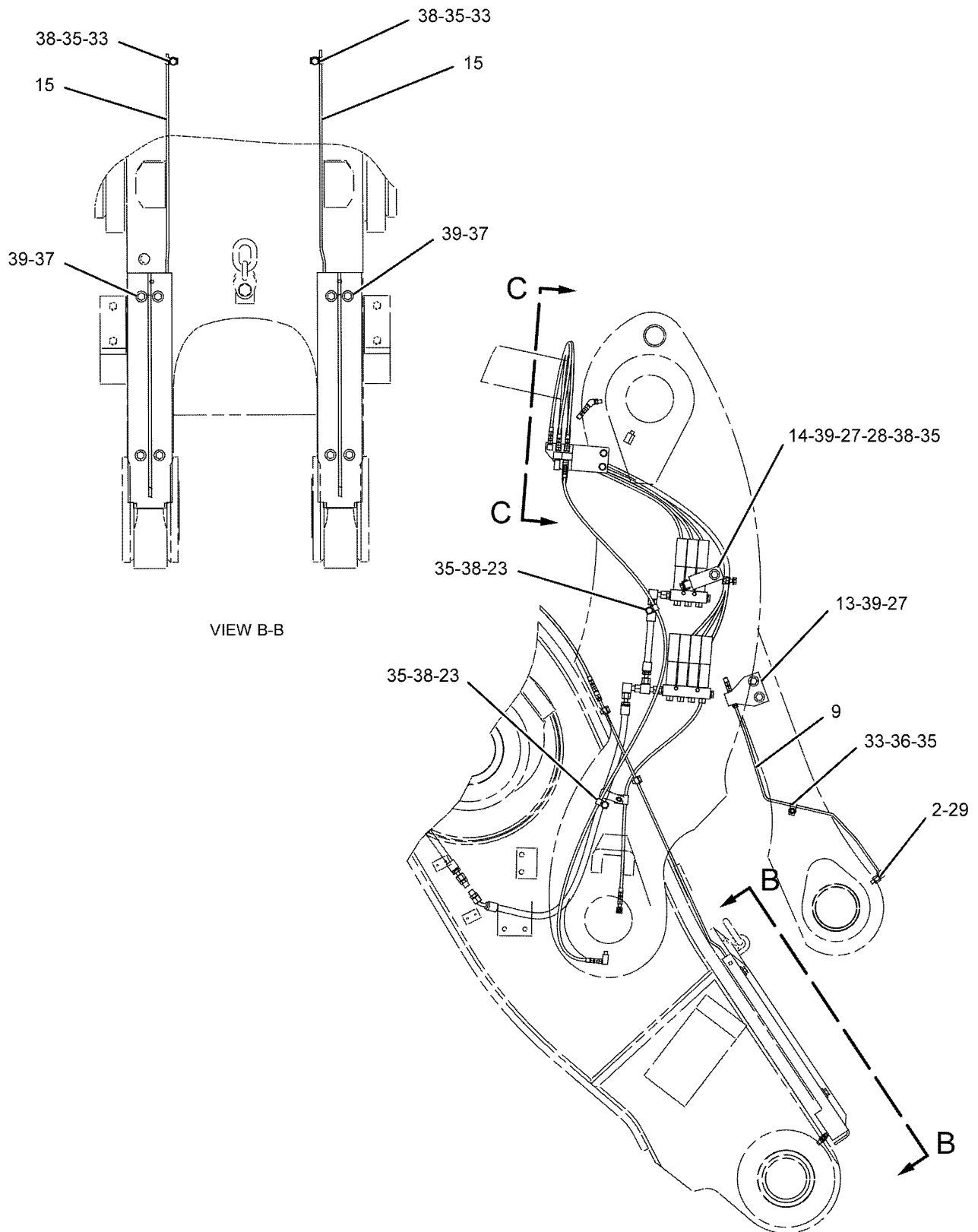
GRAPHIC #2

g01016793

# FRAME AND BODY

229-2621 LINES GP-AUTOMATIC LUBRICATION (contd.)

i01952122



VIEW B-B

RIGHT SIDE VIEW

REFER TO ALL ILLUSTRATIONS OF THIS GROUP FOR AUXILIARY VIEWS

GRAPHIC #3

<END>

g01016790

# FRAME AND BODY

## 229-2621 LINES GP-AUTOMATIC LUBRICATION-BOOM

S/N: BNH1367-UP

CUSTOM

PART OF 2Q-8429 LUBRICATION AR-AUTOMATIC  
AN ATTACHMENT

SMCS-7510, 7540

i02155045

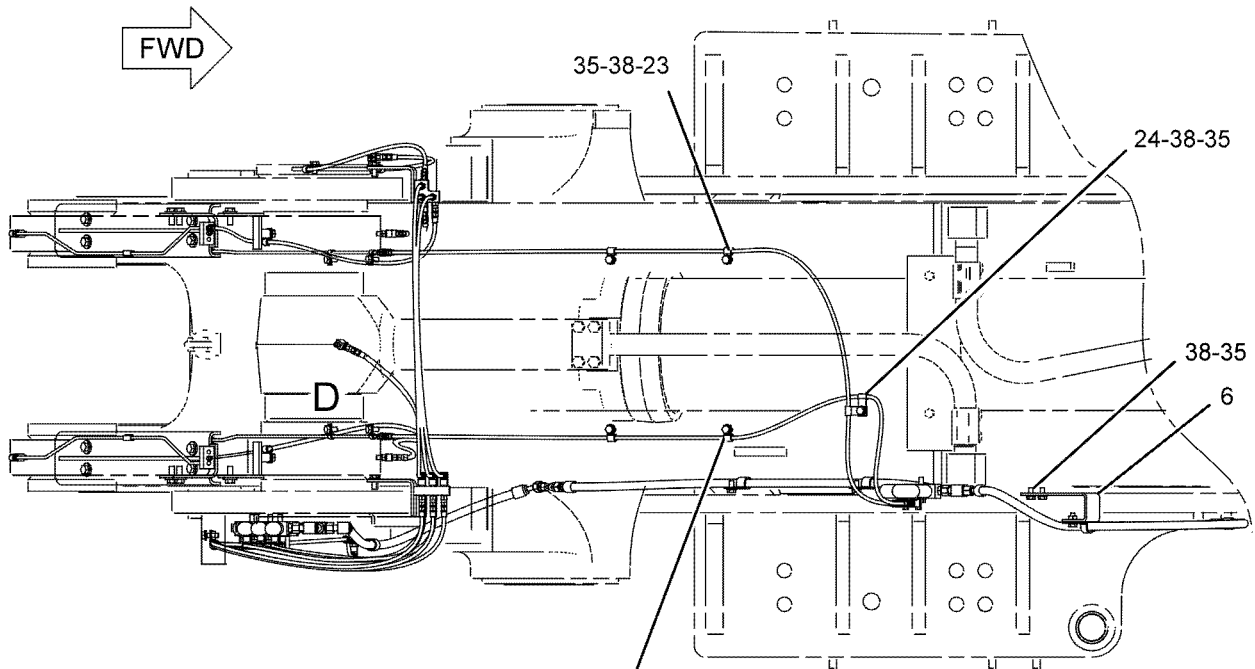
NOTE	REF NO	GRAPHIC REF	PART NUMBER	QTY	PART NAME						SEE PAGE
					1	2	3	4	5	6 (PRODUCT LEVEL)	
	1	2	<b>3B-8489</b>	2	FITTING-GREASE						
	2	3	<b>5K-9243</b>	2	ELBOW-FLARED						
	3	1	<b>5K-9979</b>	2	CONNECTOR						
	4	2	<b>5P-3422</b>	2	TEE-PIPE						
	5	2	<b>6L-3616</b>	8	CONNECTOR						
	6	1	<b>255-0614</b>	1	PLATE AS						
M		1	<b>8T-3490</b>	1	NUT-WELD (M10X1.5-THD)						
I	7	2	<b>189-7497</b>	1	HOSE AS						
I	8	2	<b>189-7500</b>	1	HOSE AS						
	9	3	<b>189-7603</b>	1	TUBE AS						
	10	2	<b>189-7604</b>	1	TUBE AS						
I	11	2	<b>189-7609</b>	1	HOSE AS						
I	12	2	<b>189-7610</b>	1	HOSE AS						
	13	2,3	<b>197-6660</b>	2	BRACKET AS (EACH INCLUDES)						
		2,3	<b>157-8957</b>	1	BLOCK						
	14	2,3	<b>197-7863</b>	2	BRACKET AS (EACH INCLUDES)						
M		2,3	<b>9R-2613</b>	1	BOSS-WELD (M10X1.5X25-MM)						
	15	3	<b>219-5073</b>	2	TUBE AS						
	16	2	<b>219-5074</b>	2	TUBE AS						
	17	1	<b>224-4416</b>	1	BRACKET AS						
	18	1	<b>224-4417</b>	1	BRACKET AS						
	19	2	<b>227-3250</b>	2	GUARD AS						
Y	20	2	229-2622	1	VALVE & LINES GP-LUBRICATION (B-PIN, RH, LH)						717
Y	21	2	229-2623	1	LINES GP-LUBRICATION (TILT CYL, LINK PINS, LH C-PIN)						691
Y	22	2	229-2624	1	LINES GP-LUBRICATION (LINK PINS, RH, LH, C-PIN, RH)						692
	23	1,3	<b>4D-7794</b>	6	CLIP						
	24	1	<b>4D-8123</b>	2	CLIP						
	25	1,2	<b>4K-3026</b>	5	EXTENSION						
	26	1,2	<b>4M-8973</b>	10	ELBOW						
	27	2,3	<b>5P-1076</b>	14	WASHER-HARD (13.5X30X4-MM THK)						
	28	2,3	<b>5P-9297</b>	3	CLIP						
	29	3	<b>6K-6967</b>	2	ADAPTER-PIPE						
	30	2	<b>6V-8397</b>	3	SEAL-O-RING						
	31	2	<b>8C-6869</b>	3	CONNECTOR						
	32	1	<b>8L-5008</b>	5	ELBOW-PIPE						
	33	1,2,3	<b>8M-2772</b>	6	CLIP						
	34	2	<b>8S-0948</b>	4	CLIP						
	35	1,2,3	<b>8T-4121</b>	31	WASHER-HARD (11X21X2.5-MM THK)						
M	36	2,3	<b>8T-4133</b>	3	NUT (M10X1.5-THD)						
M	37	1,2,3	<b>8T-4136</b>	5	BOLT (M10X1.5X25-MM)						
M	38	1,2,3	<b>8T-4137</b>	18	BOLT (M10X1.5X20-MM)						
M	39	1,2,3	<b>8T-4139</b>	14	BOLT (M12X1.75X30-MM)						
M	40	2	<b>8T-4185</b>	5	BOLT (M10X1.5X50-MM)						
M	41	2	<b>8T-4195</b>	1	BOLT (M10X1.5X30-MM)						
	43	2	<b>9M-8406</b>	1	CLIP						
E	44	1,2	<b>7I-1024</b>		GUARD-HOSE (198CM)						

E - ORDER BY THE CENTIMETER  
I - REFER TO HYDRAULIC INFORMATION SYSTEM  
M - METRIC PART  
Y - SEPARATE ILLUSTRATION

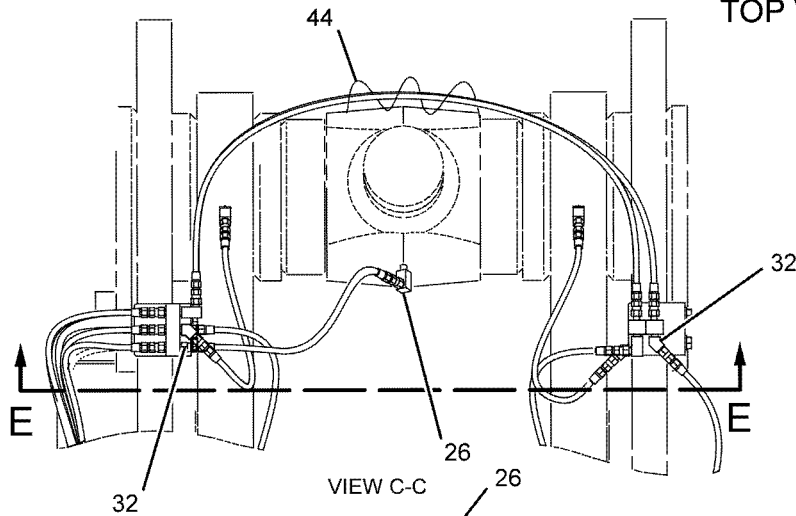
# FRAME AND BODY

229-2621 LINES GP-AUTOMATIC LUBRICATION (contd.)

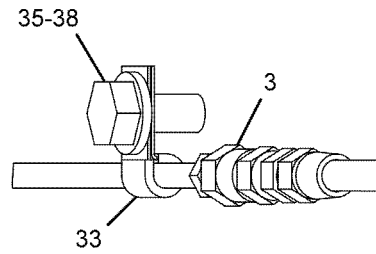
i02155045



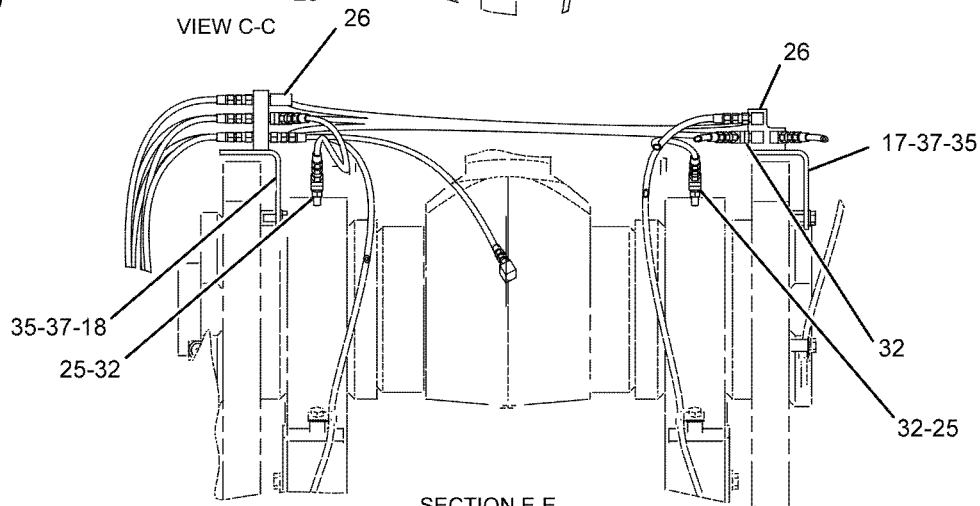
TOP VIEW



VIEW C-C



VIEW OF AREA D



SECTION E-E

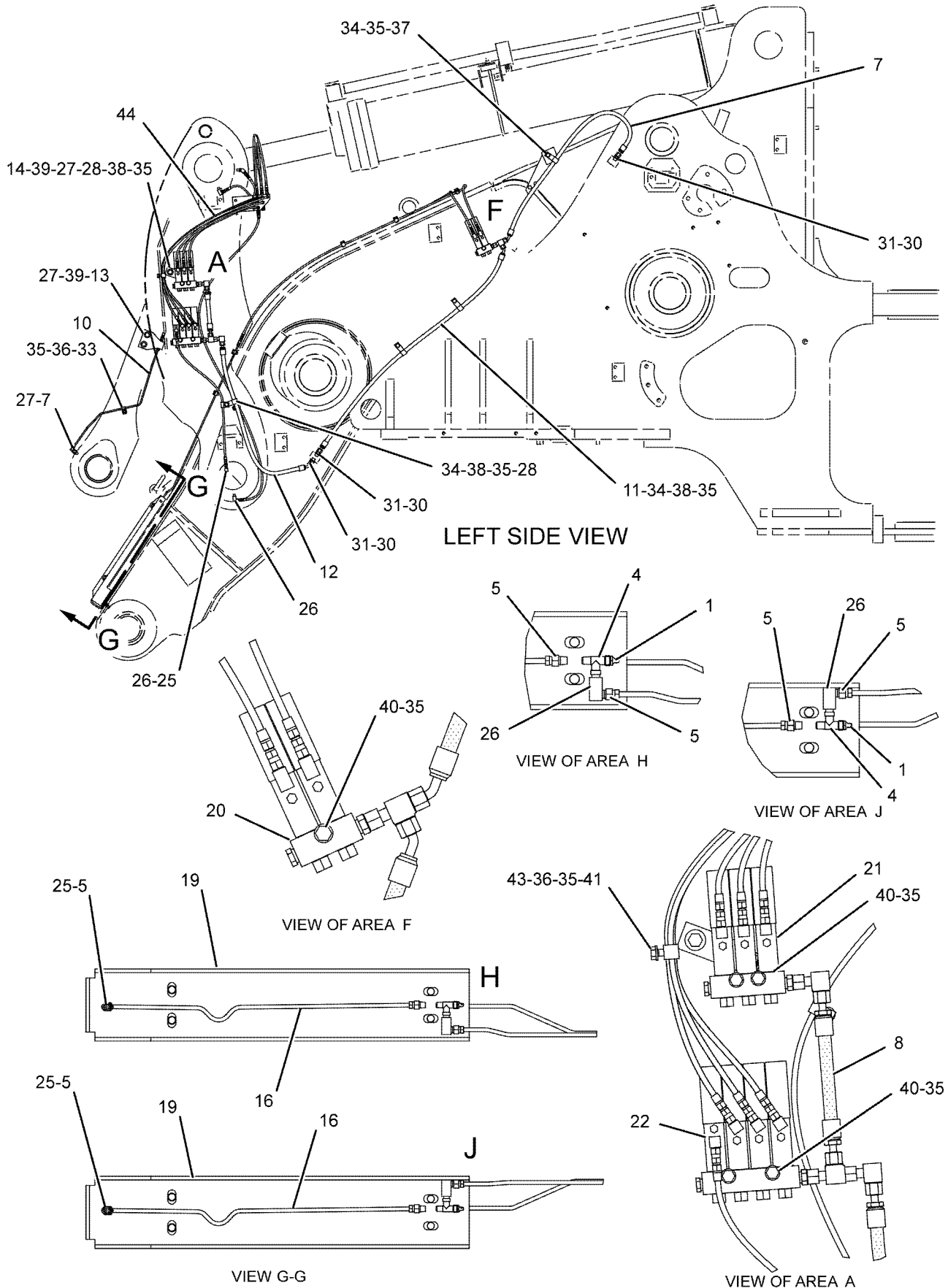
GRAPHIC #1

g01097313

# FRAME AND BODY

229-2621 LINES GP-AUTOMATIC LUBRICATION (contd.)

i02155045



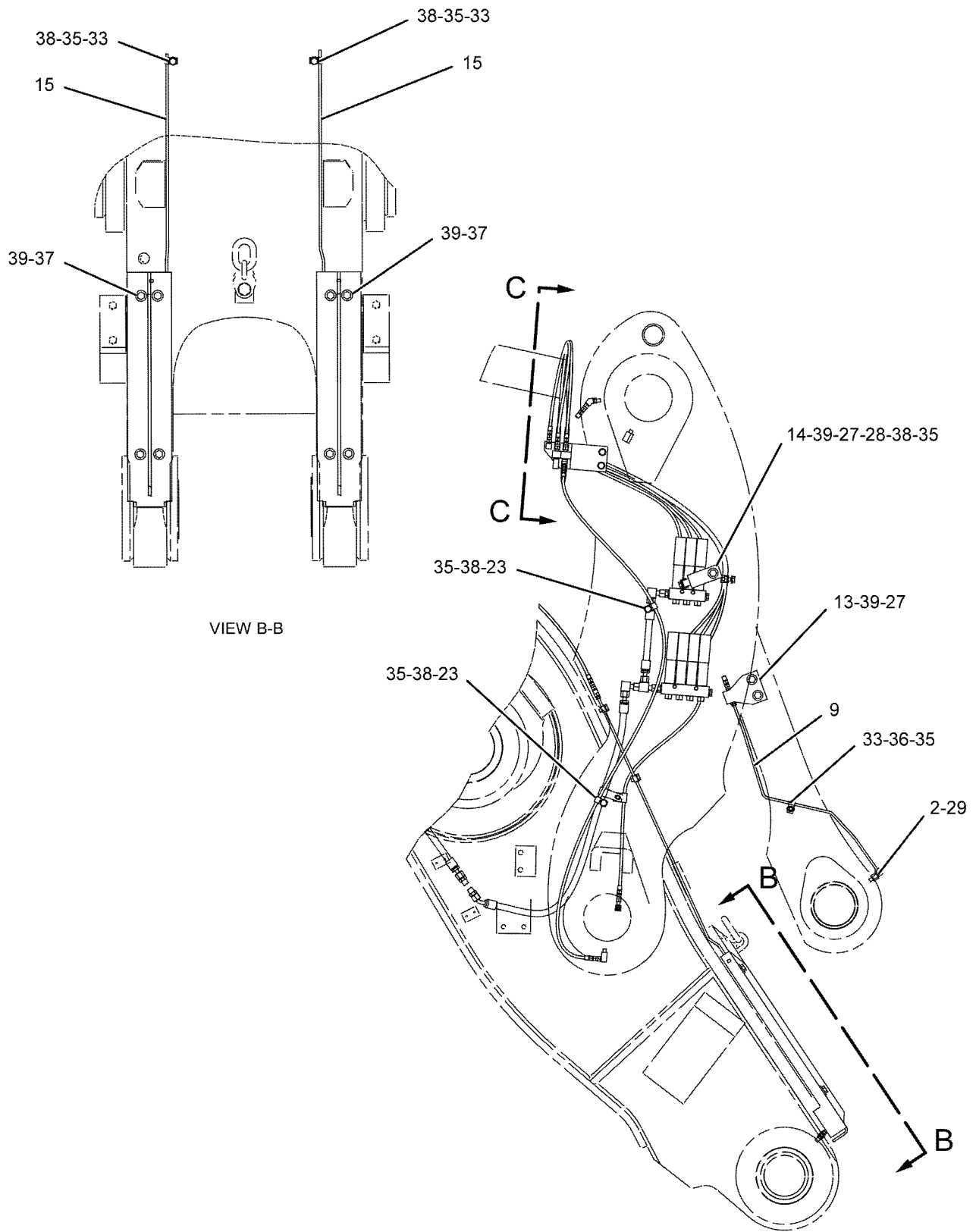
GRAPHIC #2

g01097312

# FRAME AND BODY

229-2621 LINES GP-AUTOMATIC LUBRICATION (contd.)

i02155045



VIEW B-B

RIGHT SIDE VIEW

REFER TO ALL ILLUSTRATIONS OF THIS GROUP FOR AUXILIARY VIEWS

GRAPHIC #3

<END>

g01016790



# FRAME AND BODY

## 189-7481 LINES GP-FILL

S/N: BNH1-UP

AUTOMATIC LUBRICATION, CUSTOM

PART OF 189-7433 LINES GP-AUTOMATIC LUBRICATION

AN ATTACHMENT

TYPE 1

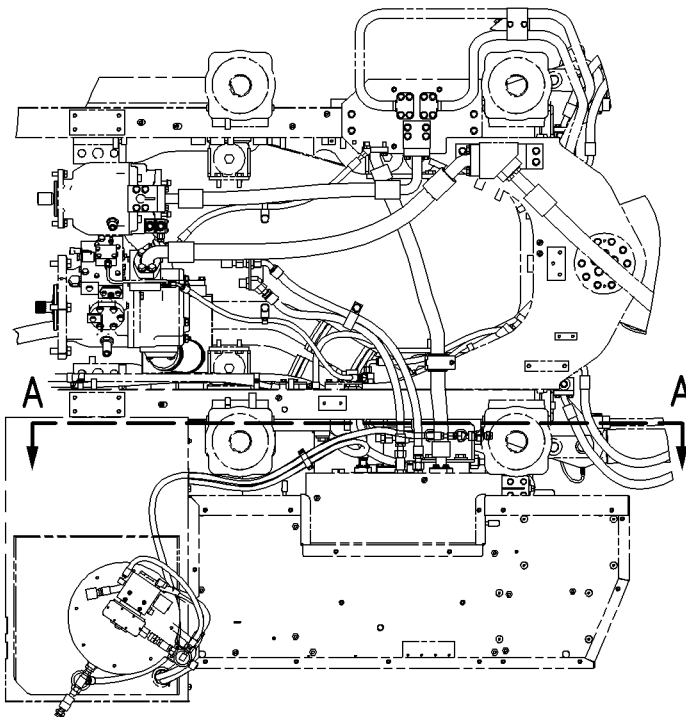
SMCS-7510, 7540

i01540320

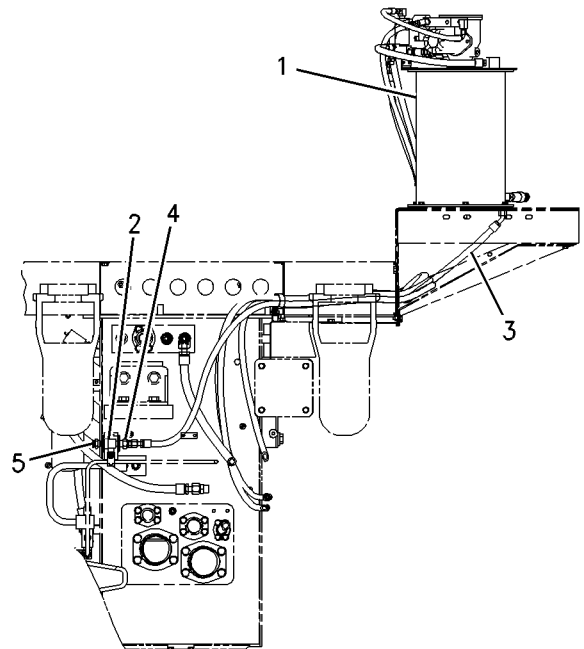
NOTE	REF NO	GRAPHIC REF	PART NUMBER	QTY	PART NAME						SEE PAGE
					1	2	3	4	5	6 (PRODUCT LEVEL)	
Y	1	1	070-0643	1	PUMP GP-LUBRICATION						699
	2	1	189-1858	1	COUPLER AS						
I	3	1	189-7502	1	HOSE AS						
	4	1	169-4279	1	CONNECTOR AS						
		1	6V-8398	1	SEAL-O-RING						
		1	8C-6872	1	CONNECTOR						
	5	1	3J-5389	1	PLUG						

I - REFER TO HYDRAULIC INFORMATION SYSTEM

Y - SEPARATE ILLUSTRATION



TOP VIEW



VIEW A-A

GRAPHIC #1

<END>

g00808777

# FRAME AND BODY

## 189-7481 LINES GP-FILL

S/N: BNH1-UP

AUTOMATIC LUBRICATION, CUSTOM

PART OF 189-7433 LINES GP-AUTOMATIC LUBRICATION

AN ATTACHMENT

TYPE 2

SMCS-7510, 7540

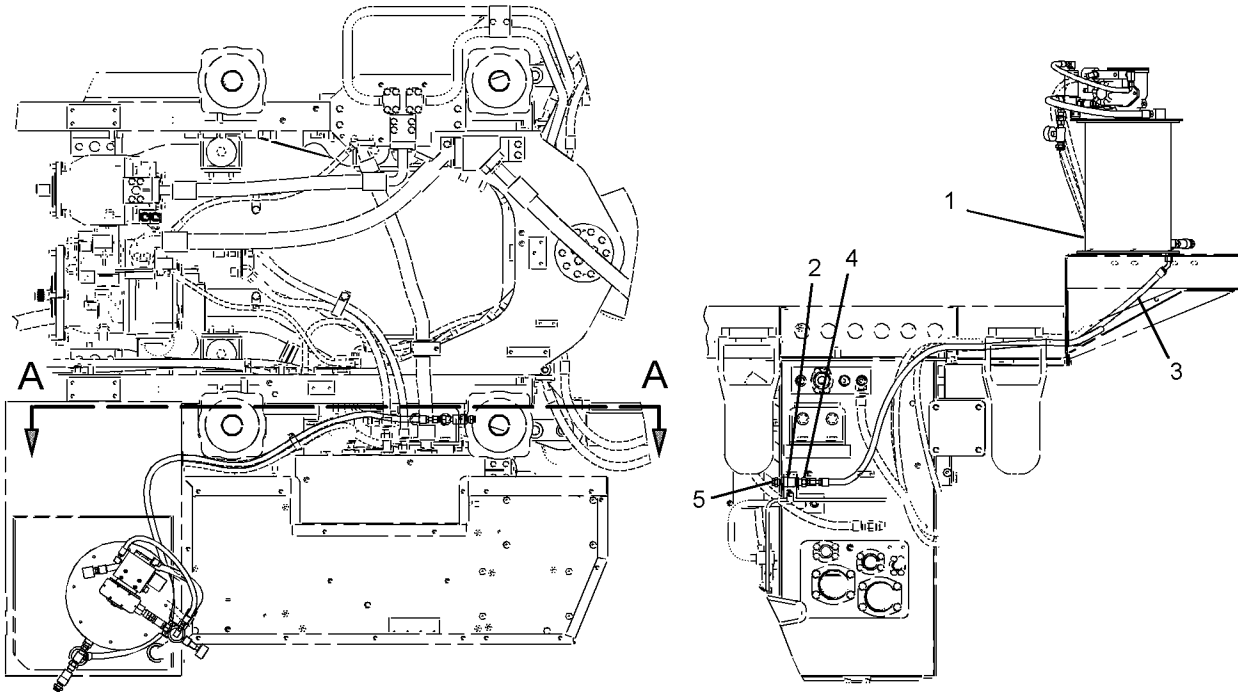
i02394662

NOTE	REF NO	GRAPHIC REF	PART NUMBER	QTY	PART NAME						SEE PAGE
					1	2	3	4	5	6 (PRODUCT LEVEL)	
CY	1	1	189-7651	1	TANK & PUMP GP-LUBRICATION						713
	2	1	189-1858	1	COUPLER AS						
I	3	1	189-7502	1	HOSE AS						
	4	1	169-4279	1	CONNECTOR AS						
		1	6V-8398	1	SEAL-O-RING						
		1	8C-6872	1	CONNECTOR						
	5	1	3J-5389	1	PLUG						

C - CHANGE FROM PREVIOUS TYPE

I - REFER TO HYDRAULIC INFORMATION SYSTEM

Y - SEPARATE ILLUSTRATION



TOP VIEW

VIEW A-A

GRAPHIC #1

<END>

g01195851

# FRAME AND BODY

**158-6185 LINES GP-GREASE-TILT LINK PINS**

S/N: BNH1-UP

PART OF 203-1567 CHASSIS AR

SMCS-7510

i01496427

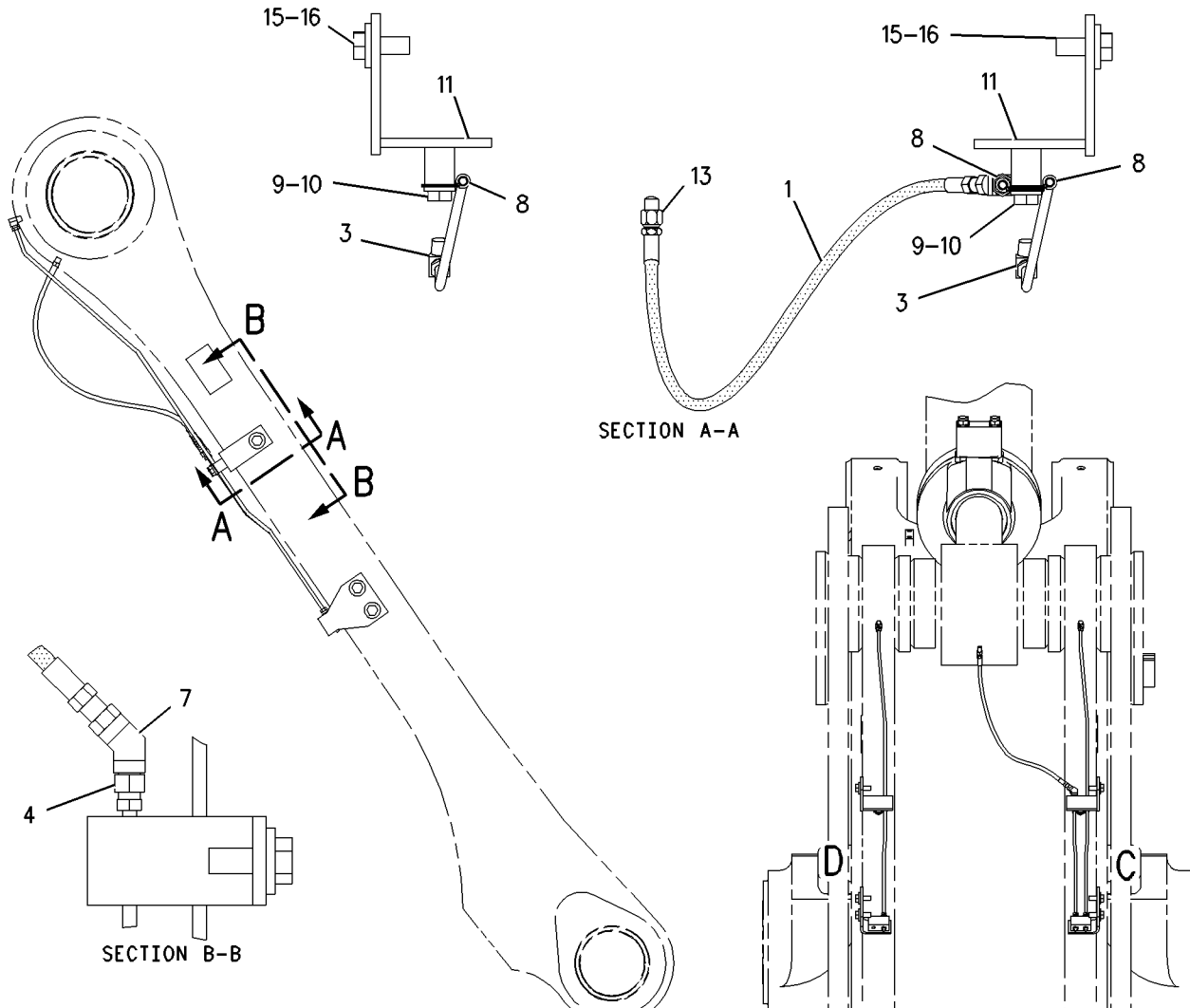
NOTE	REF NO	GRAPHIC REF	PART NUMBER	QTY	PART NAME						SEE PAGE
					1	2	3	4	5	6 (PRODUCT LEVEL)	
	1	1	<b>5V-5476</b>	1	HOSE AS						
	2	1	<b>3B-8489</b>	7	FITTING-GREASE						
	3	1	<b>5K-9243</b>	2	ELBOW-FLARED						
	4	1	<b>6L-3616</b>	4	CONNECTOR						
	5	1	<b>157-8954</b>	2	TUBE AS						
	6	1	<b>157-8955</b>	1	TUBE AS						
	7	1	<b>3B-6493</b>	1	ELBOW						
	8	1	<b>8M-2772</b>	3	CLIP						
	9	1	<b>8T-4121</b>	2	WASHER-HARD (11X21X2.5-MM THK)						
M	10	1	<b>8T-4137</b>	2	BOLT (M10X1.5X20-MM)						
	11	1	<b>197-7863</b>	2	BRACKET AS						
	12	1	<b>197-6660</b>	2	BRACKET AS						
	13	1	<b>4K-3026</b>	1	EXTENSION						
M	15	1	<b>8T-4139</b>	6	BOLT (M12X1.75X30-MM)						
	16	1	<b>5P-1076</b>	6	WASHER-HARD (13.5X30X4-MM THK)						

M - METRIC PART

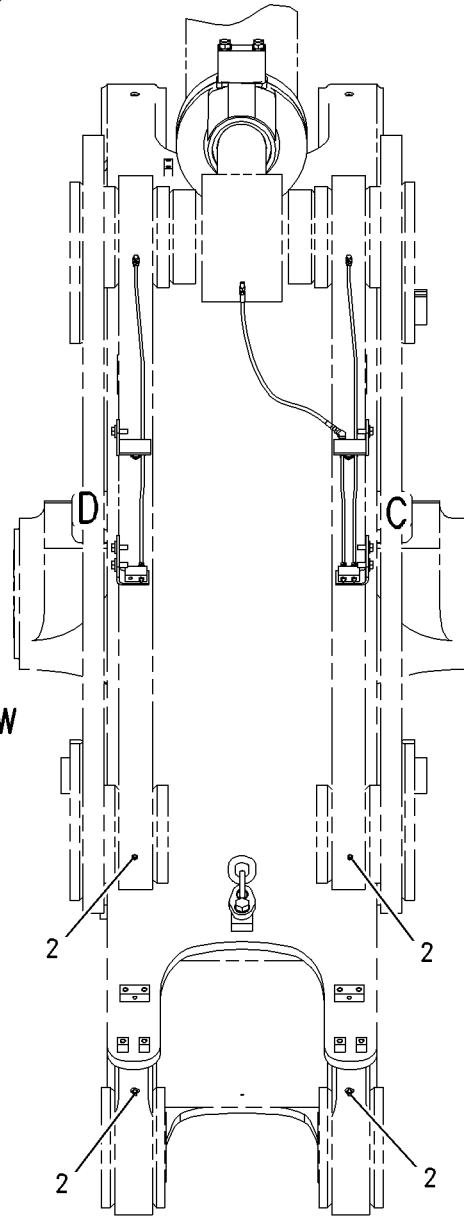
# FRAME AND BODY

158-6185 LINES GP-GREASE (contd.)

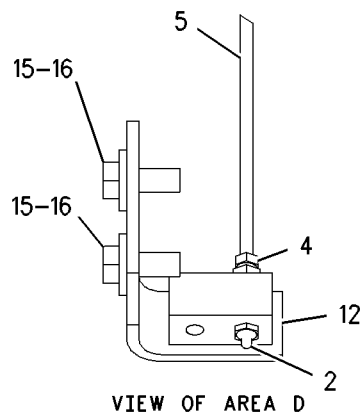
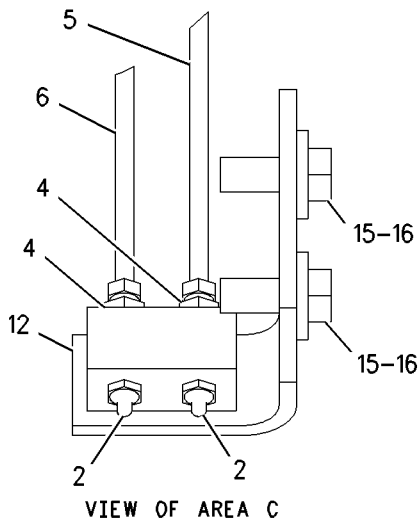
i01496427



RIGHT SIDE VIEW



FRONT VIEW



GRAPHIC #1

<END>

g00776787

# FRAME AND BODY

## 198-2625 LINES GP-GREASE

S/N: BNH1-UP

PART OF 203-1567 CHASSIS AR

SMCS-7510

i01739755

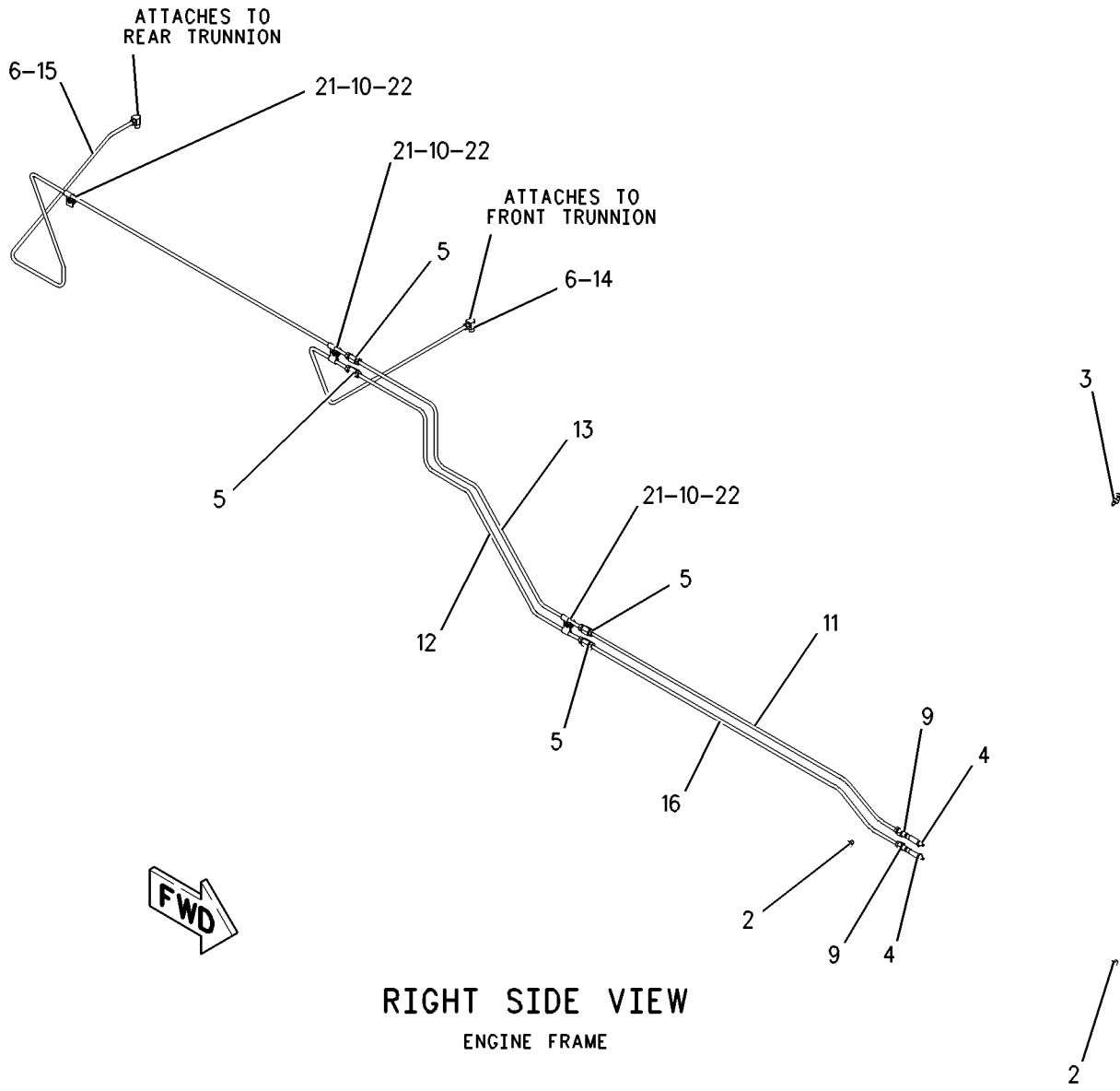
NOTE	REF NO	GRAPHIC REF	PART NUMBER	QTY	PART NAME						SEE PAGE
					1	2	3	4	5	6 (PRODUCT LEVEL)	
M	1	2	8T-4137	21	BOLT (M10X1.5X20-MM)						
	2	1,2	3B-8489	3	FITTING-GREASE						
	3	1	3B-8686	1	FITTING-GREASE						
	4	1,2	5B-0651	5	FITTING-STRAIGHT						
	5	1,2	5K-9242	6	UNION-FLARED						
	6	1,2	5K-9243	7	ELBOW-FLARED						
	7	2	5K-9979	1	CONNECTOR						
	8	2	5V-5476	1	HOSE AS						
	9	1	6L-3616	2	CONNECTOR						
M	10	1	8T-4133	3	NUT (M10X1.5-THD)						
	11	1	142-6991	1	TUBE AS						
	12	1	142-6994	1	TUBE AS						
	13	1	142-6995	1	TUBE AS						
	14	1	142-6996	1	TUBE AS						
	15	1	145-4922	1	TUBE AS						
	16	1	150-4065	1	TUBE AS						
	17	2	157-0518	1	TUBE AS						
	18	2	159-8612	1	PLATE AS						
M		2	8T-3490	2	NUT-WELD (M10X1.5-THD)						
	19	2	159-8613	1	PLATE AS						
M		2	8T-3490	2	NUT-WELD (M10X1.5-THD)						
	20	2	198-1317	1	TUBE AS						
	21	1,2	8T-4121	20	WASHER-HARD (11X21X2.5-MM THK)						
	22	1,2	8M-2772	22	CLIP						
	23	2	7X-7729	4	WASHER (11X25X3-MM THK)						
	24	2	198-2622	1	TUBE AS						
	25	2	4K-3026	1	EXTENSION						
	26	2	198-2624	1	TUBE AS						
	27	2	198-2790	1	TUBE AS						

M - METRIC PART

# FRAME AND BODY

198-2625 LINES GP-GREASE (contd.)

i01739755



REFER TO ALL ILLUSTRATIONS OF THIS GROUP FOR AUXILIARY VIEWS

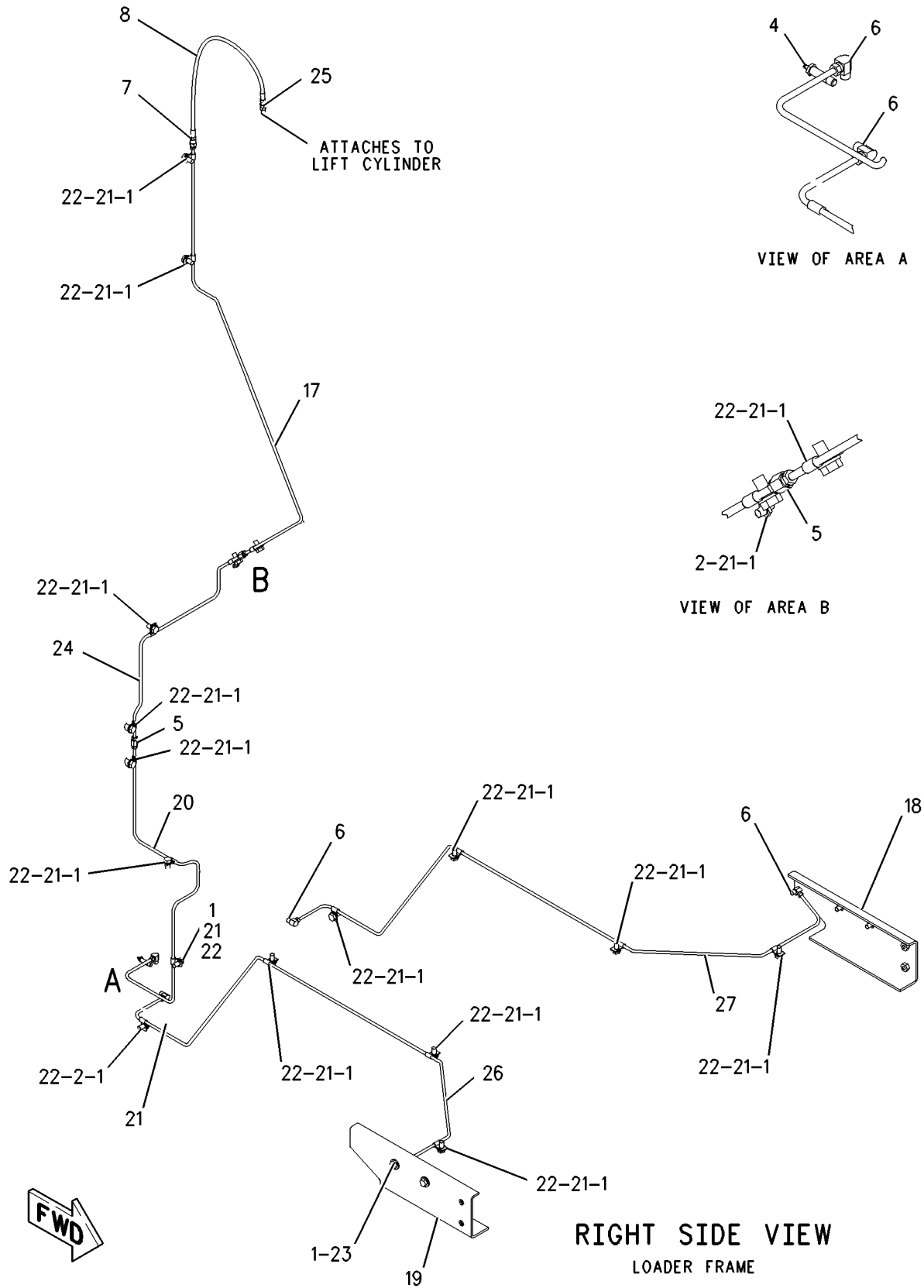
GRAPHIC #1

g00890958

# FRAME AND BODY

198-2625 LINES GP-GREASE (contd.)

i01739755



GRAPHIC #2

<END>

g00890961

# FRAME AND BODY

## 217-7846 LINES GP-GREASE

S/N: BNH1-1404

PART OF 203-1567 CHASSIS AR

SMCS-7510

i01767411

NOTE	REF NO	GRAPHIC REF	PART NUMBER	QTY	PART NAME						SEE PAGE
					1	2	3	4	5	6 (PRODUCT LEVEL)	
	1	1	<b>3B-8489</b>	3	FITTING-GREASE						
	2	1	<b>3B-8686</b>	1	FITTING-GREASE						
	3	1,2	<b>5B-0651</b>	5	FITTING-STRAIGHT						
	4	1	<b>5K-9242</b>	4	UNION-FLARED						
	5	1	<b>5K-9243</b>	2	ELBOW-FLARED						
	6	1	<b>5V-5476</b>	1	HOSE AS						
	7	1	<b>6L-3616</b>	2	CONNECTOR						
	8	1	<b>142-6991</b>	1	TUBE AS						
	9	1	<b>142-6994</b>	1	TUBE AS						
	10	1	<b>142-6995</b>	1	TUBE AS						
	11	1	<b>142-6996</b>	1	TUBE AS						
	12	1	<b>145-4922</b>	1	TUBE AS						
	13	1	<b>150-4065</b>	1	TUBE AS						
	14	2	<b>159-8612</b>	1	PLATE AS						
M		2	<b>8T-3490</b>	2	NUT-WELD (M10X1.5-THD)						
	15	2	<b>159-8613</b>	1	PLATE AS						
M		2	<b>8T-3490</b>	2	NUT-WELD (M10X1.5-THD)						
	16	2	<b>220-3444</b>	1	TUBE AS						
	17	2	<b>220-3445</b>	1	TUBE AS						
	18	1	<b>220-3446</b>	1	TUBE AS						
	19	1	<b>222-2029</b>	1	TUBE AS						
	20	1	<b>222-2030</b>	1	TUBE AS						
	21	1,2	<b>148-8389</b>	5	ELBOW AS						
					(EACH INCLUDES)						
		1,2	<b>7X-0492</b>	1	ELBOW						
		1,2	<b>4J-5477</b>	1	SEAL-O-RING						
	22	1	<b>4J-5477</b>	3	SEAL-O-RING						
	23	1	<b>4K-3026</b>	1	EXTENSION						
	24	2	<b>7X-7729</b>	4	WASHER (11X25X3-MM THK)						
	25	1,2	<b>8M-2772</b>	22	CLIP						
	26	1,2	<b>8T-4121</b>	19	WASHER-HARD (11X21X2.5-MM THK)						
	27	1	<b>8T-4128</b>	1	ADAPTER						
M	28	1	<b>8T-4133</b>	3	NUT (M10X1.5-THD)						
M	29	1,2	<b>8T-4137</b>	20	BOLT (M10X1.5X20-MM)						
	30	2	<b>8T-7934</b>	1	WASHER-HARD (11X21X5-MM THK)						

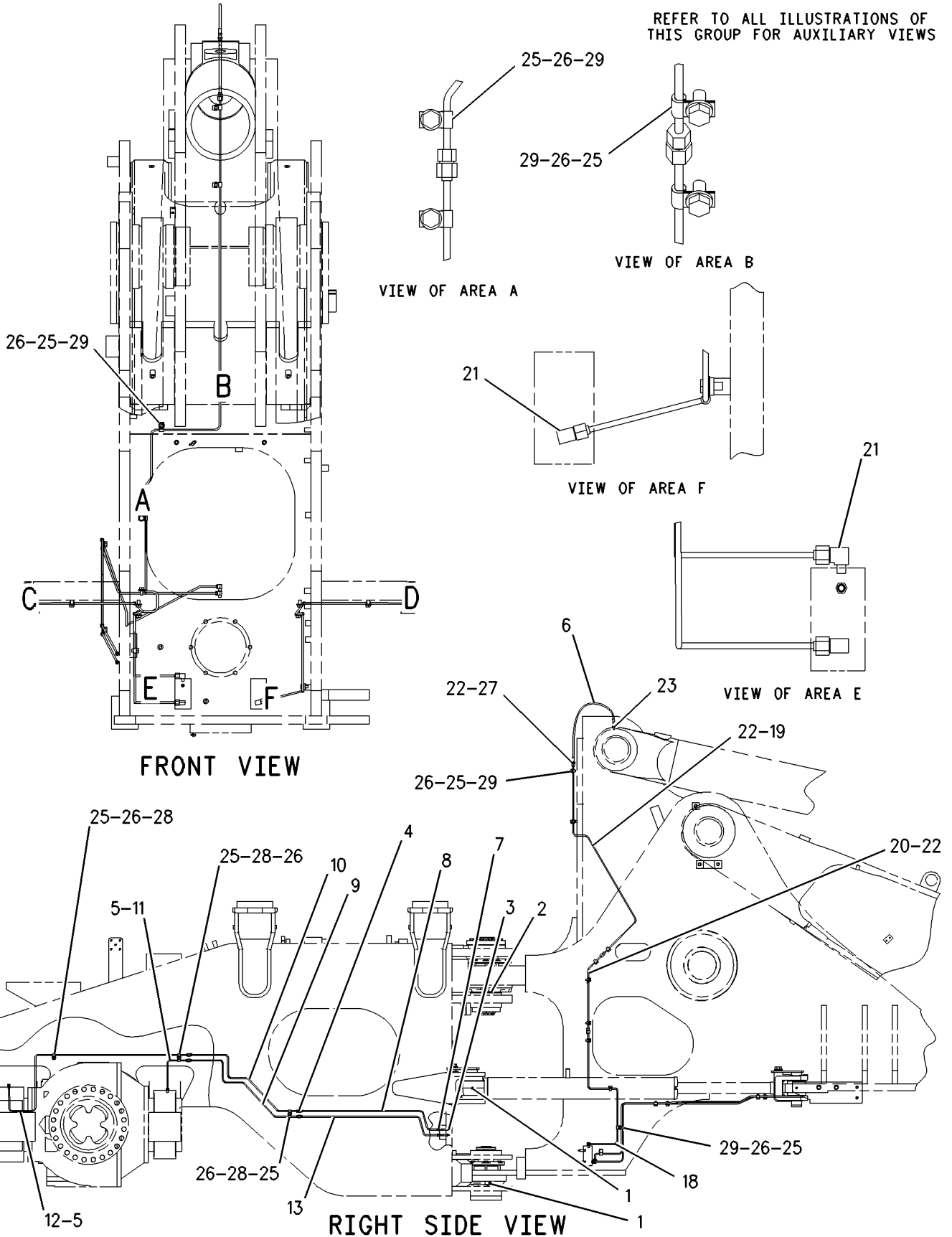
M - METRIC PART



# FRAME AND BODY

217-7846 LINES GP-GREASE (contd.)

i01767411



GRAPHIC #1

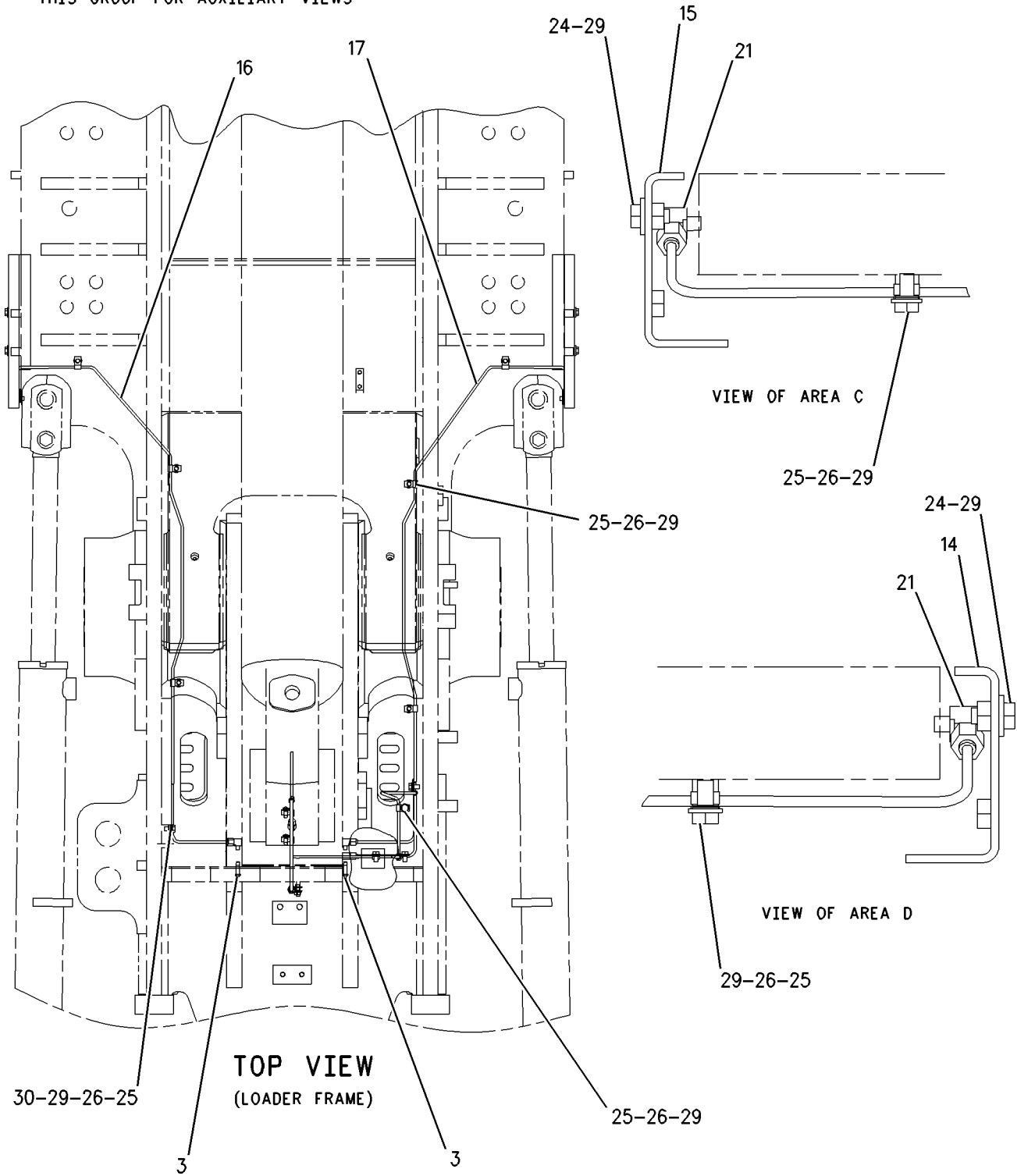
g00913839

# FRAME AND BODY

217-7846 LINES GP-GREASE (contd.)

i01767411

REFER TO ALL ILLUSTRATIONS OF THIS GROUP FOR AUXILIARY VIEWS



GRAPHIC #2

<END>

g00913842

# FRAME AND BODY

## 217-7846 LINES GP-GREASE

S/N: BNH1405-UP

PART OF 203-1567 CHASSIS AR

SMCS-7510

i02274957

NOTE	REF NO	GRAPHIC REF	PART NUMBER	QTY	PART NAME						SEE PAGE
					1	2	3	4	5	6 (PRODUCT LEVEL)	
	1	1,2	<b>3B-8489</b>	3	FITTING-GREASE						
	2	1	<b>3B-8686</b>	1	FITTING-GREASE						
C	3	2	<b>5B-0651</b>	3	FITTING-STRAIGHT						
	4	1	<b>5K-9242</b>	4	UNION-FLARED						
	5	1	<b>5K-9243</b>	2	ELBOW-FLARED						
	6	1	<b>5V-5476</b>	1	HOSE AS						
	7	1	<b>6L-3616</b>	2	CONNECTOR						
	8	1	<b>142-6991</b>	1	TUBE AS						
	9	1	<b>142-6994</b>	1	TUBE AS						
	10	1	<b>142-6995</b>	1	TUBE AS						
	11	1	<b>142-6996</b>	1	TUBE AS						
	12	1	<b>145-4922</b>	1	TUBE AS						
	13	1	<b>150-4065</b>	1	TUBE AS						
	14	2	<b>159-8612</b>	1	PLATE AS						
M		2	<b>8T-3490</b>	2	NUT-WELD (M10X1.5-THD)						
	15	2	<b>159-8613</b>	1	PLATE AS						
M		2	<b>8T-3490</b>	2	NUT-WELD (M10X1.5-THD)						
	16	2	<b>220-3444</b>	1	TUBE AS						
	17	2	<b>220-3445</b>	1	TUBE AS						
	18	1	<b>220-3446</b>	1	TUBE AS						
	19	1	<b>222-2029</b>	1	TUBE AS						
	20	1	<b>222-2030</b>	1	TUBE AS						
	21	1,2	<b>148-8389</b>	5	ELBOW AS						
					(EACH INCLUDES)						
		1,2	<b>7X-0492</b>	1	ELBOW						
		1,2	<b>4J-5477</b>	1	SEAL-O-RING						
	22	1	<b>4J-5477</b>	3	SEAL-O-RING						
	23	1	<b>4K-3026</b>	1	EXTENSION						
	24	2	<b>7X-7729</b>	4	WASHER (11X25X3-MM THK)						
	25	1,2	<b>8M-2772</b>	22	CLIP						
	26	1,2	<b>8T-4121</b>	19	WASHER-HARD (11X21X2.5-MM THK)						
	27	1	<b>8T-4128</b>	1	ADAPTER						
M	28	1	<b>8T-4133</b>	3	NUT (M10X1.5-THD)						
M	29	1,2	<b>8T-4137</b>	20	BOLT (M10X1.5X20-MM)						
	30	2	<b>8T-7934</b>	1	WASHER-HARD (11X21X5-MM THK)						
C	31	1	<b>4B-8440</b>	2	FITTING-GREASE						

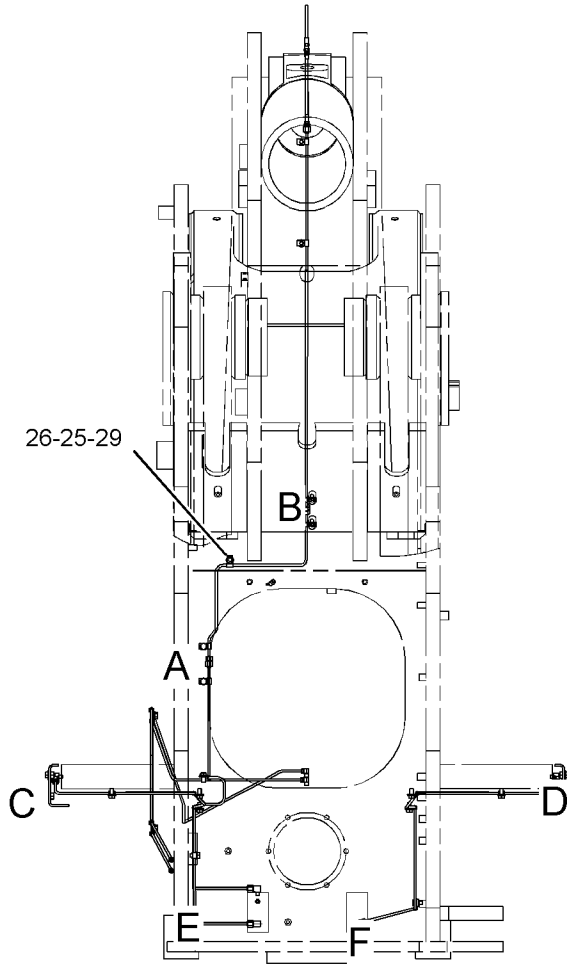
C - CHANGE FROM PREVIOUS TYPE  
M - METRIC PART

# FRAME AND BODY

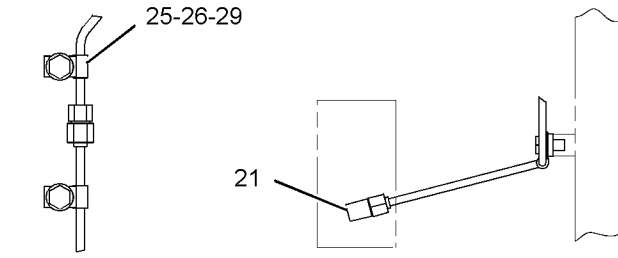
217-7846 LINES GP-GREASE (contd.)

i02274957

REFER TO ALL ILLUSTRATIONS OF THIS GROUP FOR AUXILIARY VIEWS

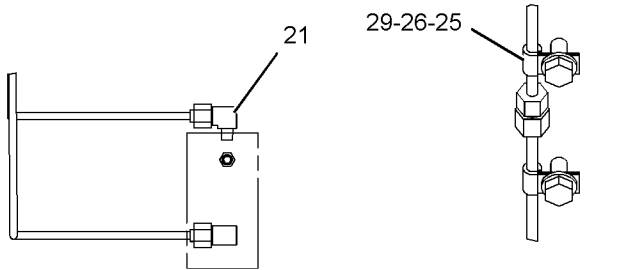


FRONT VIEW



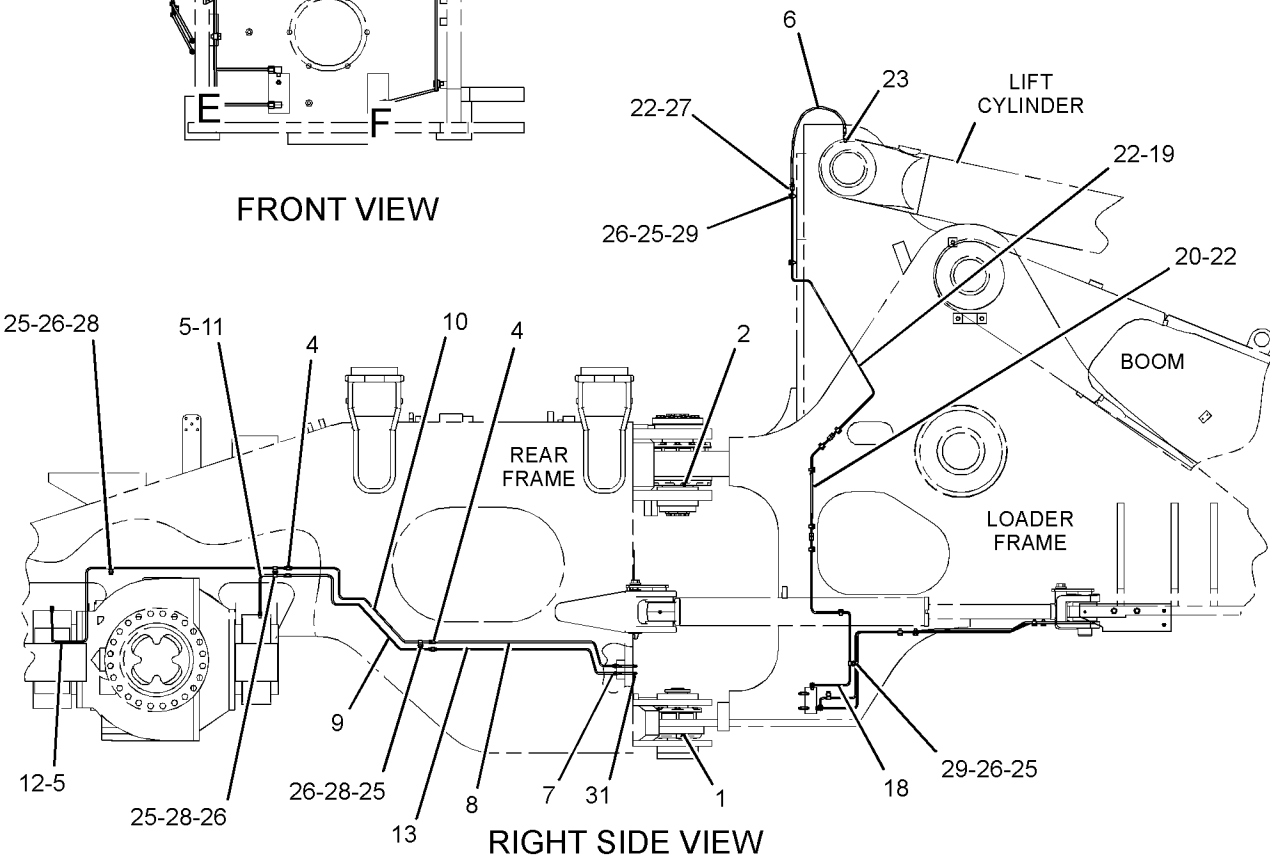
VIEW OF AREA A

VIEW OF AREA F



VIEW OF AREA E

VIEW OF AREA B



RIGHT SIDE VIEW

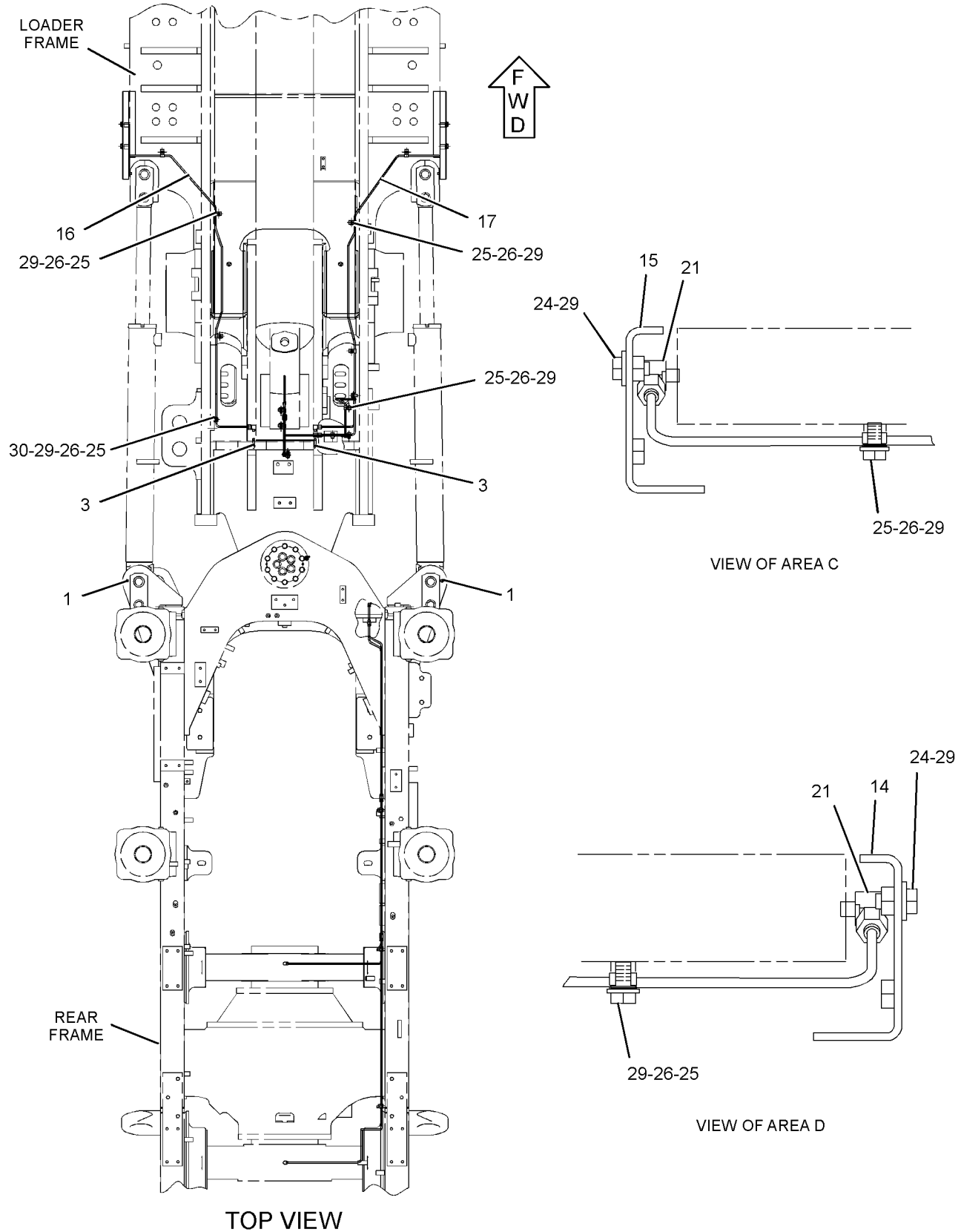
GRAPHIC #1

g01146868

# FRAME AND BODY

217-7846 LINES GP-GREASE (contd.)

i02274957



GRAPHIC #2

<END>

g01280758

# FRAME AND BODY

## 189-7434 LINES GP-LUBRICATION-SUPPLY, RETURN LINES

S/N: BNH1-UP

CUSTOM

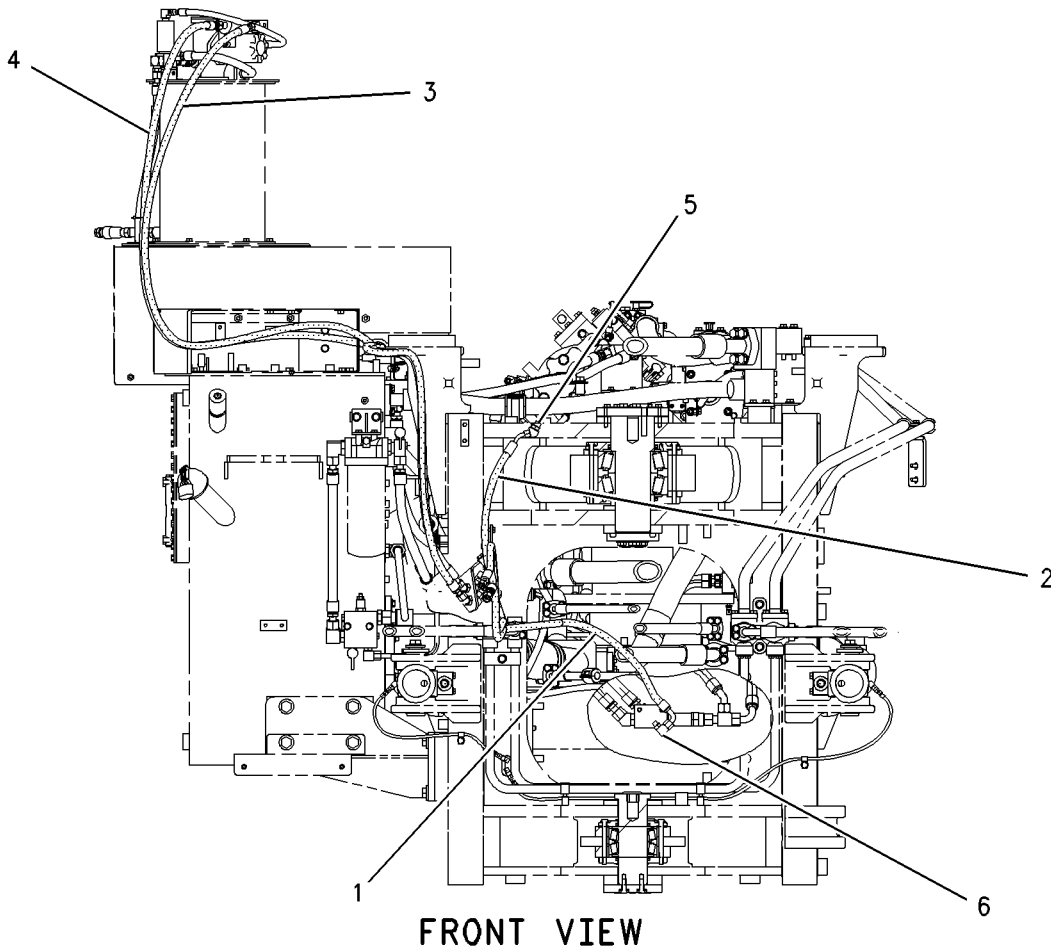
PART OF 189-7433 LINES GP-AUTOMATIC LUBRICATION  
AN ATTACHMENT

SMCS-7510, 7540

i01540325

NOTE	REF NO	GRAPHIC REF	PART NUMBER	QTY	PART NAME						SEE PAGE
					1	2	3	4	5	6 (PRODUCT LEVEL)	
I	1	1	189-7490	1	HOSE AS						
I	2	1	189-7491	1	HOSE AS						
I	3	1	189-7492	1	HOSE AS						
I	4	1	189-7493	1	HOSE AS						
	5	1	148-8363	1	ELBOW AS						
		1	3K-0360	1	SEAL-O-RING						
		1	6V-8397	1	SEAL-O-RING						
		1	6V-9876	1	ELBOW						
	6	1	148-8365	1	ELBOW AS						
		1	3J-1907	1	SEAL-O-RING						
		1	6V-8398	1	SEAL-O-RING						
		1	8T-6876	1	ELBOW						

I - REFER TO HYDRAULIC INFORMATION SYSTEM



GRAPHIC #1

<END>

g00803024

# FRAME AND BODY

**189-7435 LINES GP-LUBRICATION-R, L STEER CYL; AXLE TRUNNION**

S/N: BNH1-UP

CUSTOM

PART OF 189-7433 LINES GP-AUTOMATIC LUBRICATION

AN ATTACHMENT

SMCS-7510, 7540

i01584924

NOTE	REF NO	GRAPHIC REF	PART NUMBER	QTY	PART NAME						SEE PAGE
					1	2	3	4	5	6 (PRODUCT LEVEL)	
	1	1	<b>5T-5012</b>	4	CAP-PROTECTION						
	2	1	<b>8L-6005</b>	2	TEE-PIPE						
Y	3	1	<b>8W-2597</b>	1	VALVE GP-LUBE DISTRIBUTION (4-INJECTOR)						720
I	4	1	<b>183-5825</b>	1	HOSE AS						
I	5	1	<b>189-7530</b>	1	HOSE AS						
I	6	1	<b>189-7531</b>	1	HOSE AS						
I	7	1	<b>189-7543</b>	1	HOSE AS						
I	8	1	<b>189-7546</b>	1	HOSE AS						
I	9	1	<b>189-7552</b>	1	HOSE AS						
I	10	1	<b>189-7554</b>	1	HOSE AS						
	11	1	<b>001-6449</b>	1	CONNECTOR						
	12	1	<b>2T-2396</b>	1	ELBOW						
	13	1	<b>3B-7733</b>	2	FITTING						
	14	1	<b>3J-5390</b>	1	PLUG						
	15	1	<b>4M-8973</b>	4	ELBOW						
	16	1	<b>6V-8397</b>	1	SEAL-O-RING						
	17	1	<b>6V-8398</b>	1	SEAL-O-RING						
	18	1	<b>8B-4884</b>	2	ELBOW						
	19	1	<b>8C-6869</b>	1	CONNECTOR						
	20	1	<b>8L-5008</b>	2	ELBOW-PIPE						

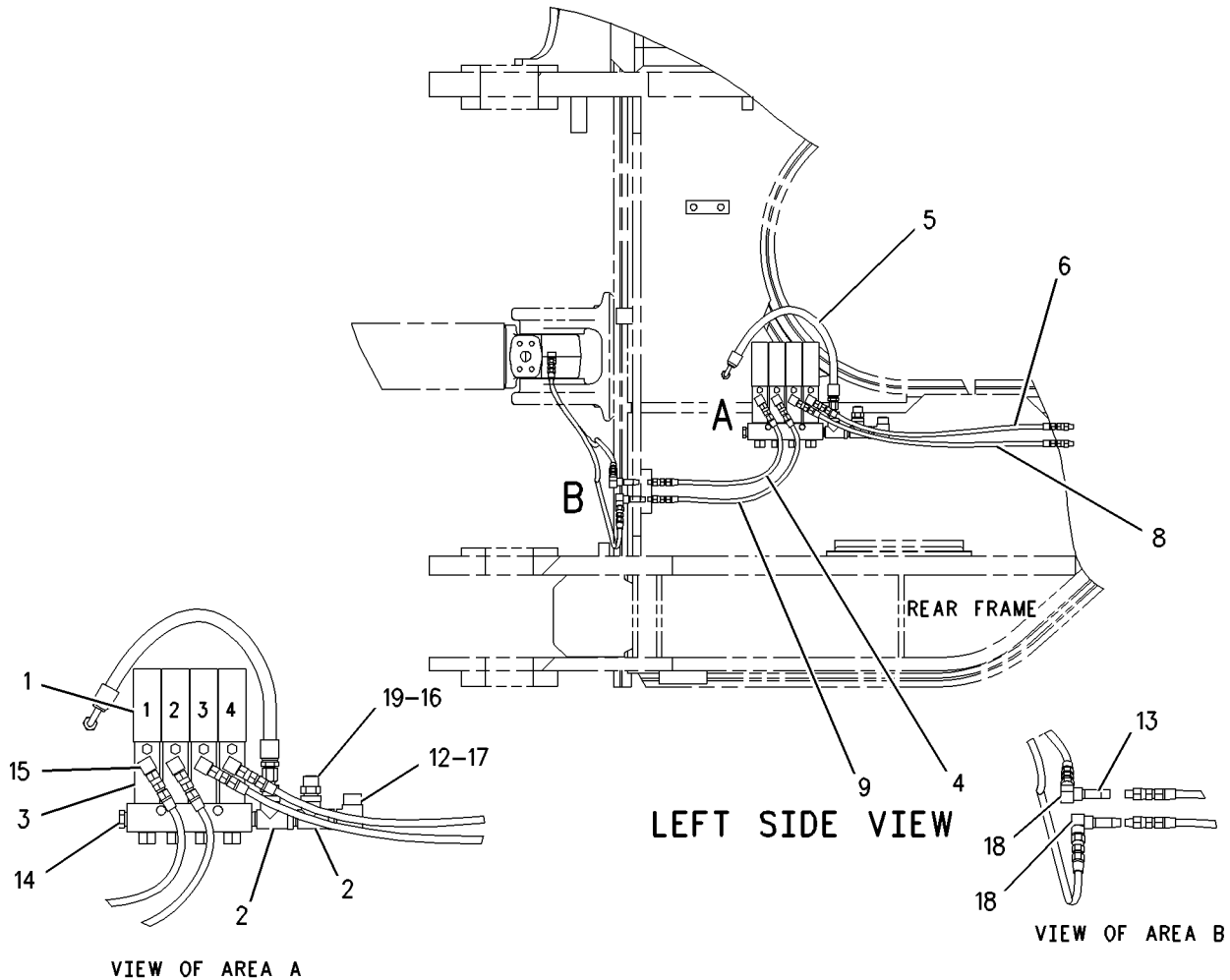
I - REFER TO HYDRAULIC INFORMATION SYSTEM

Y - SEPARATE ILLUSTRATION

# FRAME AND BODY

189-7435 LINES GP-LUBRICATION (contd.)

i01584924

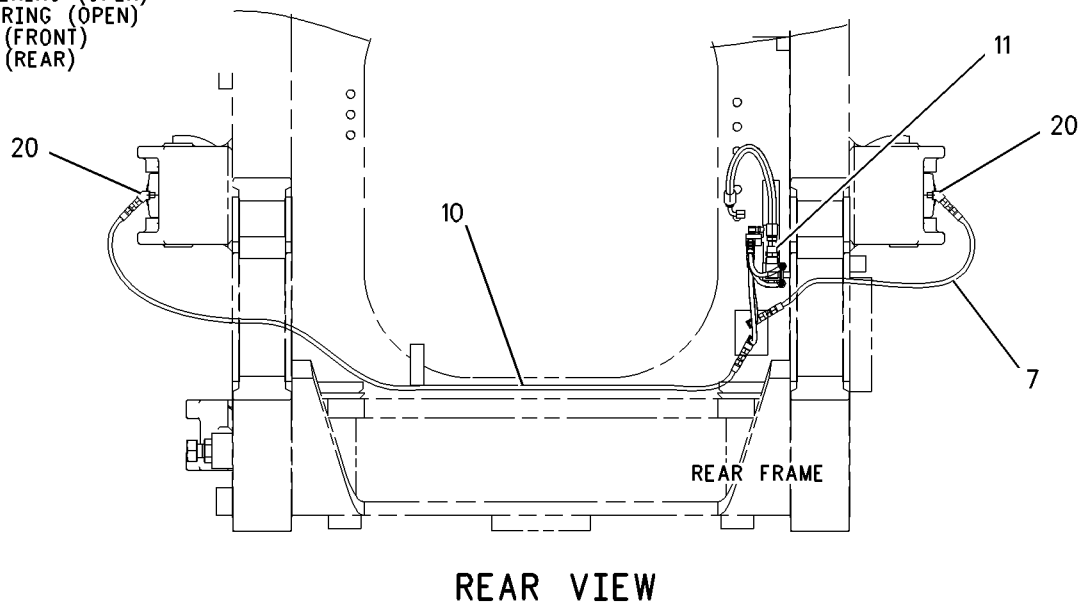


LEFT SIDE VIEW

VIEW OF AREA B

THESE INJECTORS APPLY GREASE TO:

- 1) RIGHT STEERING (OPEN)
- 2) LEFT STEERING (OPEN)
- 3) TRUNNION (FRONT)
- 4) TRUNNION (REAR)



REAR VIEW

GRAPHIC #1

<END>

g00822310



# FRAME AND BODY

## 189-7436 LINES GP-LUBRICATION-TILT, R ST CYL; LOWER HITCH

S/N: BNH1-UP

CUSTOM

PART OF 189-7533 LINES GP-AUTOMATIC LUBRICATION  
AN ATTACHMENT

SMCS-7510, 7540

i01562760

NOTE	REF NO	GRAPHIC REF	PART NUMBER	QTY	PART NAME						SEE PAGE
					1	2	3	4	5	6 (PRODUCT LEVEL)	
Y	1	1	<b>5T-5009</b>	1	VALVE GP-LUBE DISTRIBUTION (3-INJECTOR)						719
	2	1	<b>5T-5012</b>	3	CAP-PROTECTION						
	3	1	<b>8L-6005</b>	1	TEE-PIPE						
I	4	1	<b>070-0617</b>	1	HOSE AS						
I	5	1	<b>189-7535</b>	1	HOSE AS						
I	6	1	<b>189-7536</b>	1	HOSE AS						
	7	1	<b>003-2143</b>	1	ELBOW						
	8	1	<i>148-8367</i>	1	ELBOW AS						
		1	<b>6V-8397</b>	1	SEAL-O-RING						
		1	<b>6V-9850</b>	1	ELBOW						
	9	1	<b>3B-6493</b>	1	ELBOW						
	10	1	<b>3B-7263</b>	2	NIPPLE-PIPE						
	11	1	<b>3B-7285</b>	1	NIPPLE-PIPE						
	12	1	<b>3B-7733</b>	1	FITTING						
	13	1	<b>3J-5390</b>	1	PLUG						
	14	1	<b>4M-8973</b>	3	ELBOW						
	15	1	<b>6V-8397</b>	2	SEAL-O-RING						
	16	1	<b>8B-4884</b>	3	ELBOW						
	17	1	<b>8C-6869</b>	2	CONNECTOR						

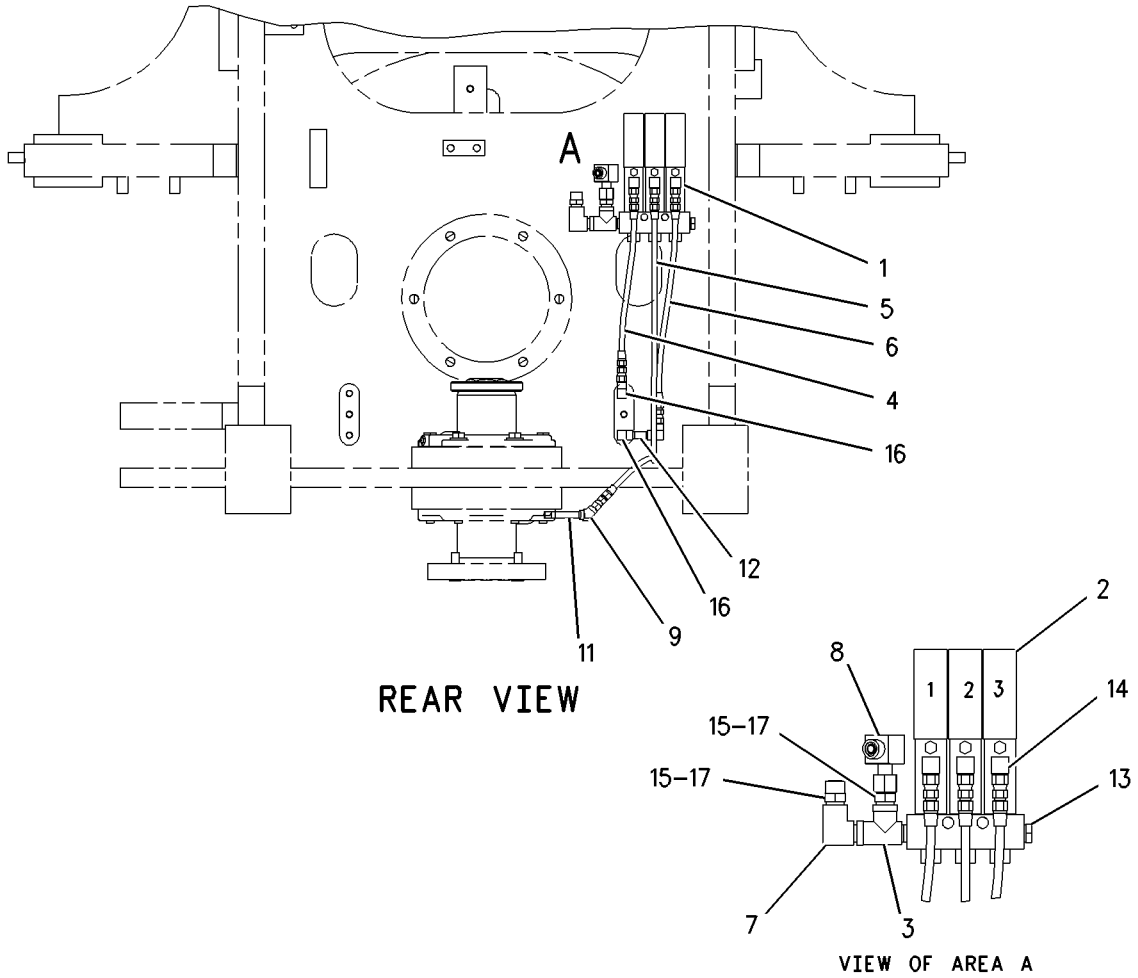
I - REFER TO HYDRAULIC INFORMATION SYSTEM

Y - SEPARATE ILLUSTRATION

# FRAME AND BODY

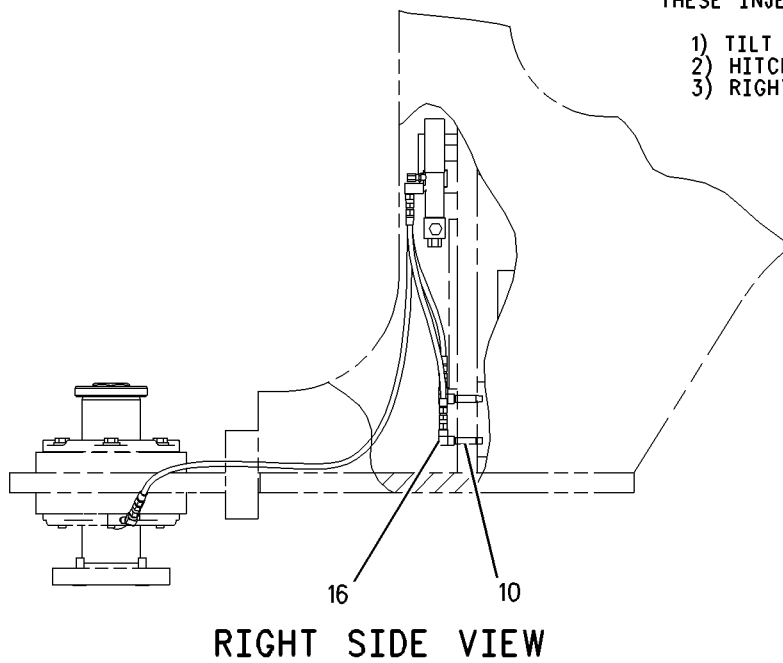
189-7436 LINES GP-LUBRICATION (contd.)

i01562760



THESE INJECTORS APPLY GREASE TO:

- 1) TILT (CLOSED)
- 2) HITCH (LOWER)
- 3) RIGHT STEERING (CLOSED)



GRAPHIC #1

<END>

g00801136

# FRAME AND BODY

## 189-7437 LINES GP-LUBRICATION-LEFT STEER CYL; UPPER HITCH

S/N: BNH1-UP

CUSTOM

PART OF 189-7533 LINES GP-AUTOMATIC LUBRICATION  
AN ATTACHMENT

SMCS-7510, 7540

i01562767

NOTE	REF NO	GRAPHIC REF	PART NUMBER	QTY	PART NAME						SEE PAGE
					1	2	3	4	5	6 (PRODUCT LEVEL)	
	1	1	<b>5T-5012</b>	4	CAP-PROTECTION						
	2	1	<b>8L-6005</b>	1	TEE-PIPE						
Y	3	1	<b>8W-2597</b>	1	VALVE GP-LUBE DISTRIBUTION (4-INJECTOR)						720
I	4	1	<b>183-5825</b>	1	HOSE AS						
I	5	1	<b>189-7546</b>	1	HOSE AS						
	6	1	<i>148-8367</i>	1	ELBOW AS						
		1	<b>6V-8397</b>	1	SEAL-O-RING						
		1	<b>6V-9850</b>	1	ELBOW						
7		1	<b>3B-6487</b>	1	COUPLING (PIPE)						
8		1	<b>3B-6493</b>	1	ELBOW						
9		1	<b>3J-5390</b>	1	PLUG						
10		1	<b>4M-8973</b>	1	ELBOW						
11		1	<b>5M-6214</b>	2	PLUG-PIPE						
12		1	<b>6V-8397</b>	2	SEAL-O-RING						
13		1	<b>8C-6869</b>	2	CONNECTOR						
	14	1	<b>8L-5008</b>	1	ELBOW-PIPE						

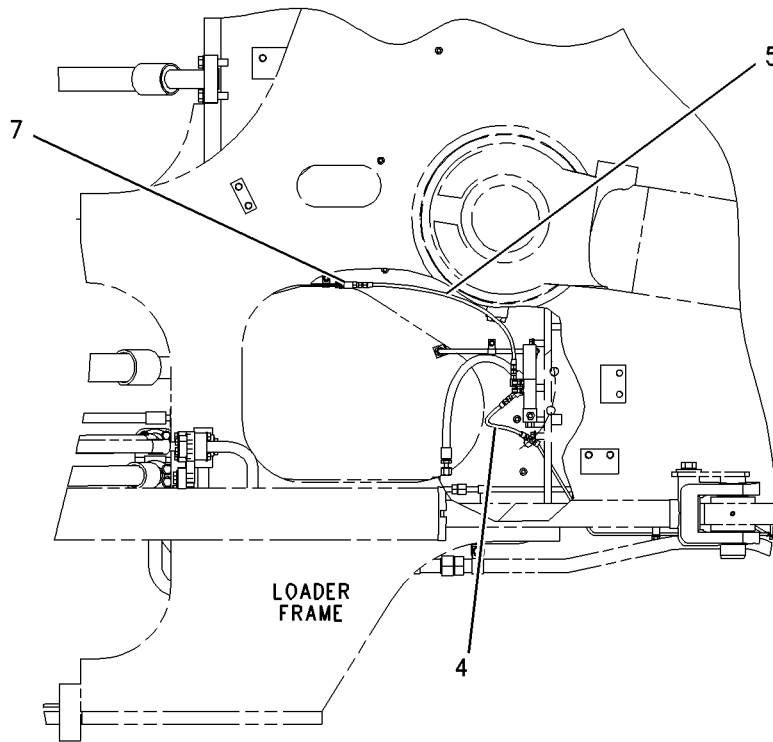
I - REFER TO HYDRAULIC INFORMATION SYSTEM

Y - SEPARATE ILLUSTRATION

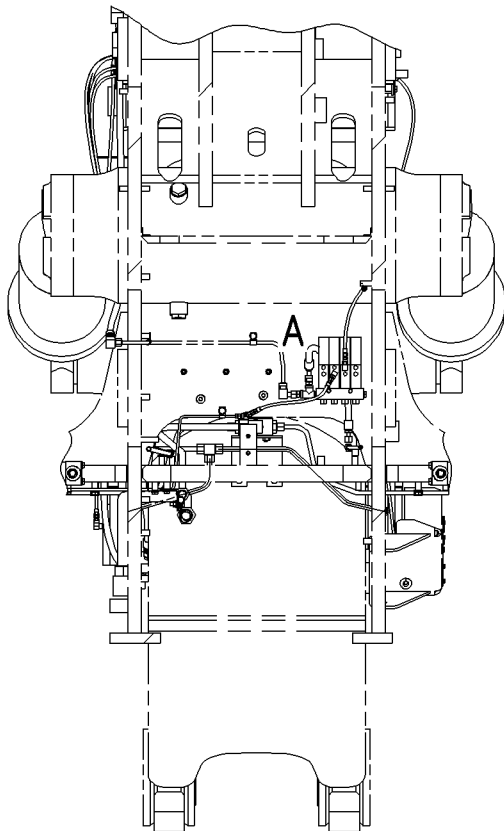
# FRAME AND BODY

189-7437 LINES GP-LUBRICATION (contd.)

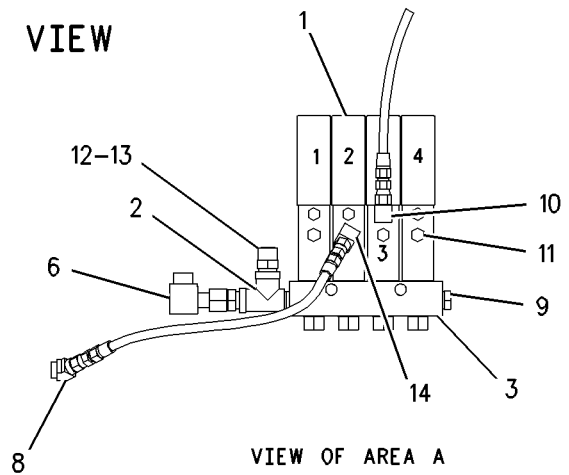
i01562767



RIGHT SIDE VIEW



REAR VIEW



VIEW OF AREA A

THESE INJECTORS APPLY GREASE TO:

- 1) CLOSED
- 2) LEFT STEERING (CLOSED)
- 3) HITCH (UPPER)
- 4) CLOSED

GRAPHIC #1

<END>

g00801144

# FRAME AND BODY

## 229-2623 LINES GP-LUBRICATION-TILT CYL, LINK PINS, LH C-PIN

S/N: BNH1-UP

CUSTOM

PART OF 229-2621 LINES GP-AUTOMATIC LUBRICATION

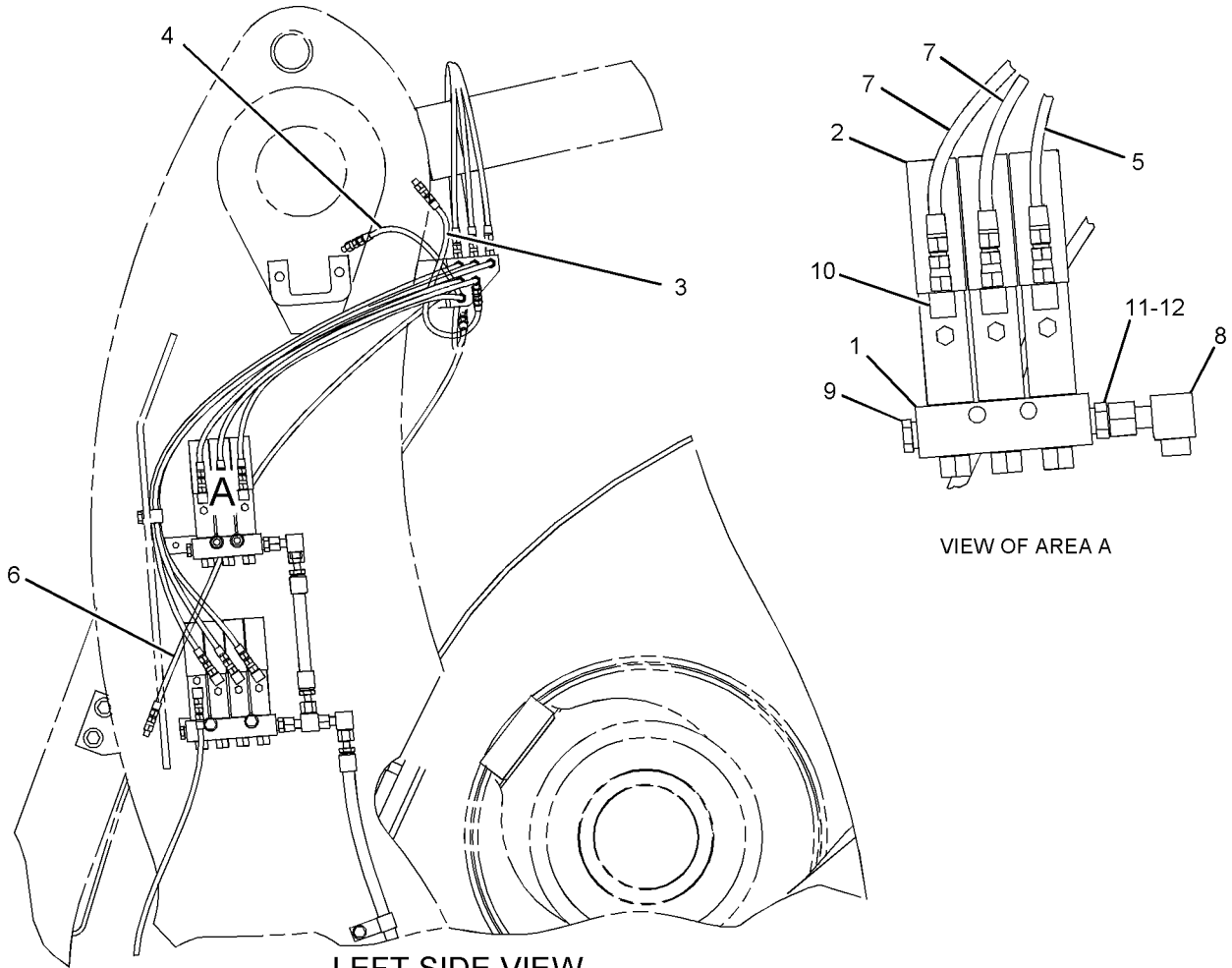
AN ATTACHMENT

SMCS-7510, 7540

i01952139

NOTE	REF NO	GRAPHIC REF	PART NUMBER	QTY	PART NAME						SEE PAGE
					1	2	3	4	5	6 (PRODUCT LEVEL)	
Y	1	1	<b>5T-5009</b>	1	VALVE GP-LUBE DISTRIBUTION (3-INJECTOR)						719
	2	1	<b>5T-5012</b>	3	CAP-PROTECTION						
	3	1	<i>070-0617</i>	1	HOSE AS						
	4	1	<i>189-7531</i>	1	HOSE AS						
	5	1	<i>189-7543</i>	1	HOSE AS						
	6	1	<i>189-7718</i>	1	HOSE AS						
	7	1	<i>189-7981</i>	2	HOSE AS						
	8	1	<i>148-8367</i>	1	ELBOW AS						
		1	<b>6V-8397</b>	1	SEAL-O-RING						
		1	<b>6V-9850</b>	1	ELBOW						
	9	1	<b>3J-5390</b>	1	PLUG						
	10	1	<b>4M-8973</b>	3	ELBOW						
	11	1	<b>6V-8397</b>	1	SEAL-O-RING						
	12	1	<b>8C-6869</b>	1	CONNECTOR						

Y - SEPARATE ILLUSTRATION



GRAPHIC #1

<END>

g01017496

# FRAME AND BODY

**229-2624 LINES GP-LUBRICATION-LINK PINS, RH, LH, C-PIN, RH**

S/N: BNH1-UP

CUSTOM

PART OF 229-2621 LINES GP-AUTOMATIC LUBRICATION  
AN ATTACHMENT

SMCS-7510, 7540

i01952135

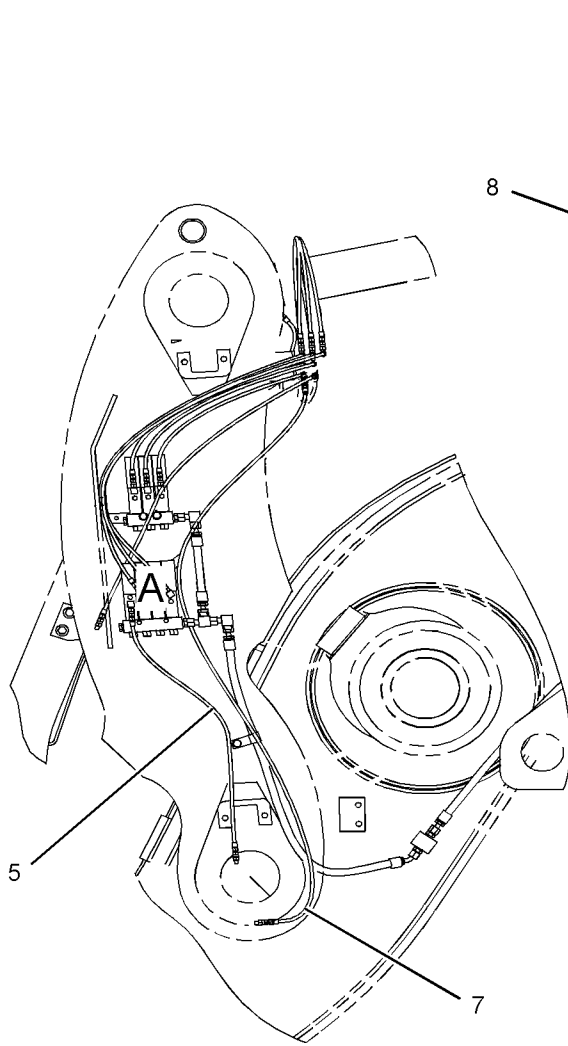
NOTE	REF NO	GRAPHIC REF	PART NUMBER	QTY	PART NAME						SEE PAGE
					1	2	3	4	5	6 (PRODUCT LEVEL)	
	1	1	<b>5T-5012</b>	4	CAP-PROTECTION						
Y	2	1	<b>8W-2597</b>	1	VALVE GP-LUBE DISTRIBUTION (4-INJECTOR)						720
	3	1	<i>070-0617</i>	1	HOSE AS						
	4	1	<i>189-7540</i>	5	HOSE AS						
	5	1	<i>189-7547</i>	1	HOSE AS						
	6	1	<i>189-7548</i>	1	HOSE AS						
	7	1	<i>189-7553</i>	1	HOSE AS						
	8	1	<i>189-7718</i>	1	HOSE AS						
	9	1	<i>148-8367</i>	1	ELBOW AS						
		1	<b>6V-8397</b>	1	SEAL-O-RING						
		1	<b>6V-9850</b>	1	ELBOW						
10		1	<i>148-8433</i>	1	TEE AS						
		1	<b>6V-8397</b>	2	SEAL-O-RING						
		1	<b>6V-9836</b>	1	TEE-SWIVEL						
11		1	<b>3J-5390</b>	1	PLUG						
12		1	<b>4M-8973</b>	4	ELBOW						
13		1	<b>6V-8397</b>	1	SEAL-O-RING						
14		1	<b>8C-6869</b>	1	CONNECTOR						

Y - SEPARATE ILLUSTRATION

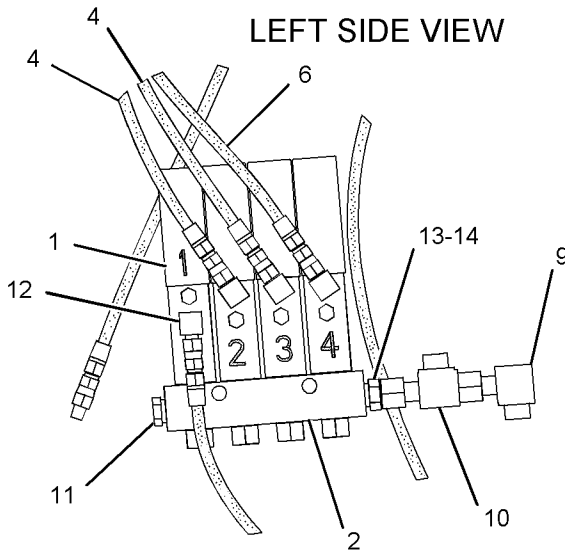
# FRAME AND BODY

229-2624 LINES GP-LUBRICATION (contd.)

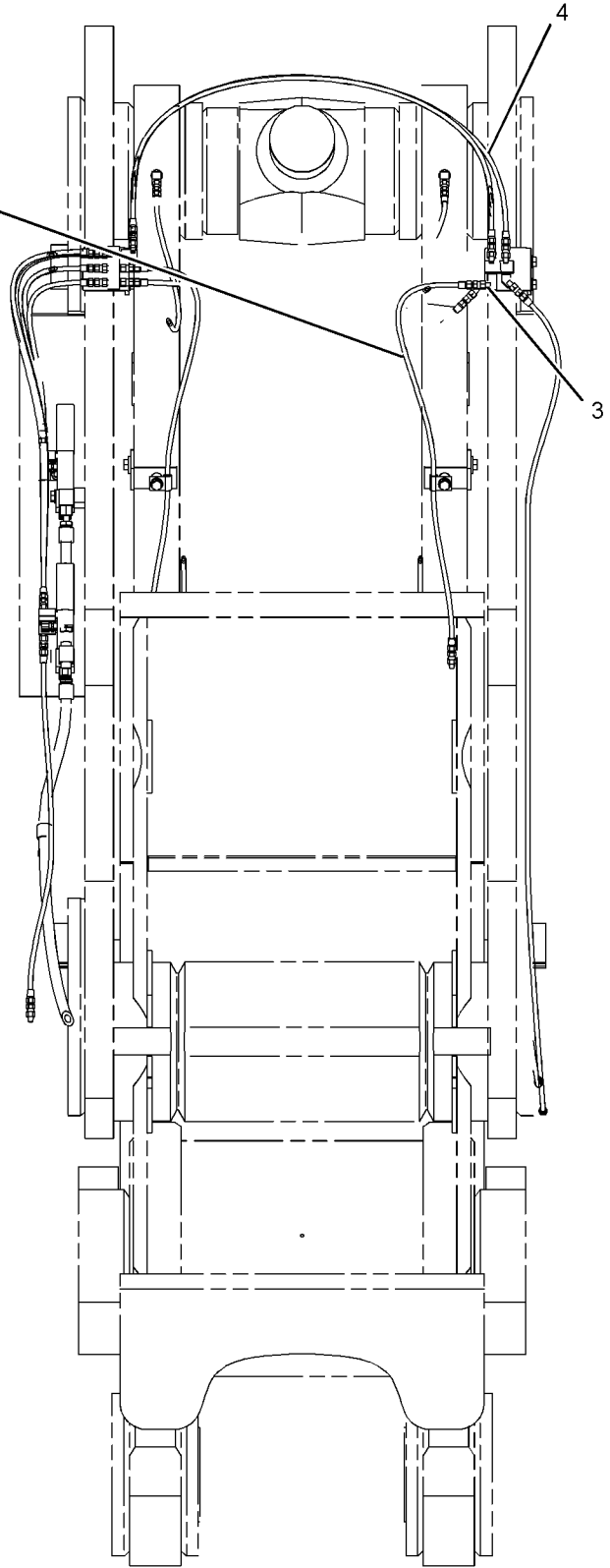
i01952135



LEFT SIDE VIEW



VIEW OF AREA A



REAR VIEW

GRAPHIC #1

<END>

g01016040

# FRAME AND BODY

## 114-5121 LINK GP-STEERING FRAME LOCK

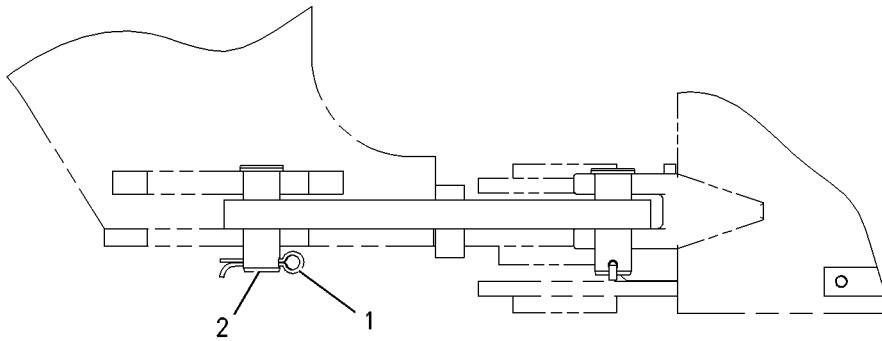
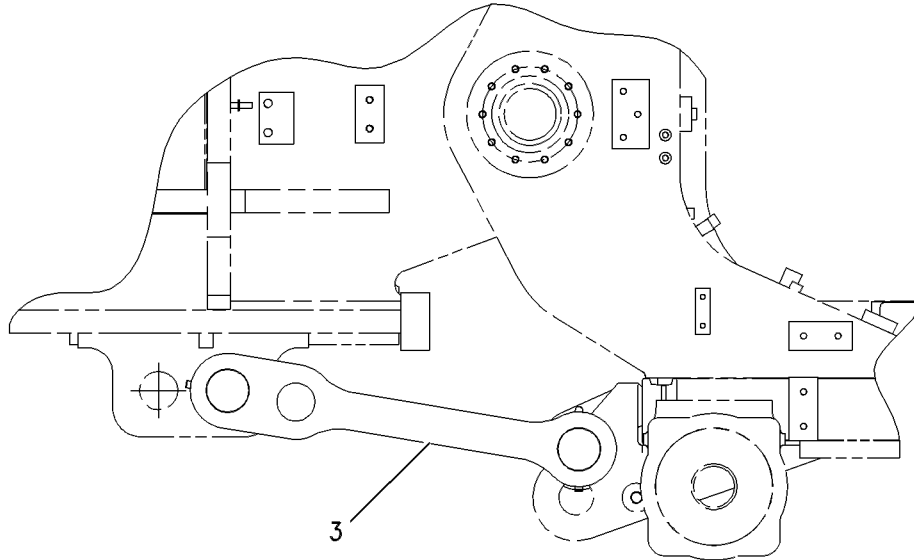
S/N: BNH1-UP

PART OF 203-1567 CHASSIS AR

SMCS-7506

i01044404

NOTE	REF NO	GRAPHIC REF	PART NUMBER	QTY	PART NAME						SEE PAGE
					1	2	3	4	5	6 (PRODUCT LEVEL)	
1	1	1	<b>1J-2919</b>	2	COTTER						
2	1	1	<b>4E-6015</b>	2	PIN						
3	1	1	<b>141-2158</b>	1	LINK						



GRAPHIC #1

<END>

g00542678



# FRAME AND BODY

## 2Q-8429 LUBRICATION AR-AUTOMATIC

S/N: BNH1-UP

CUSTOM

CANNOT BE USED WITH 2Q-8428 LUBRICATION AR-AUTOMATIC  
AN ATTACHMENT

SMCS-7540

i02197104

NOTE	PART NUMBER	QTY	PART NAME						SEE PAGE
			1	2	3	4	5	6 (PRODUCT LEVEL)	
Y	<b>189-7589</b>	1	BOSS GP-LIFT ARM						1048
Y	189-7441	1	HARDWARE GP-REAR FRAME						633
Y	189-7433	1	LINES GP-AUTOMATIC LUBRICATION (REAR FRAME)						658
Y	189-7533	1	LINES GP-AUTOMATIC LUBRICATION (LOADER FRAME)						661
Y	229-2621	1	LINES GP-AUTOMATIC LUBRICATION (BOOM)						663
Y	189-7446	1	WIRING GP-AUTOLUBE CONTROL						358
M	<b>8T-4183</b>	5	BOLT (M12X1.75X40-MM)						
	<b>093-2064</b>	2	GROMMET						
	<b>096-5863</b>	2	GROMMET						
	189-7442	1	HARDWARE GP-LOADER FRAME						
M	<b>8T-3851</b>	8	BOSS-WELD (M10X1.5X17.5-MM)						
	<b>189-7288</b>	1	PLATFORM AS (RH)						
M	<b>8T-3490</b>	5	NUT-WELD (M10X1.5-THD)						
M	<b>8T-3597</b>	13	NUT-WELD (M12X1.75-THD)						
M	<b>8T-4219</b>	1	STUD-WELD (M10X1.5X17.5-MM)						
M	<b>8T-3490</b>	6	NUT-WELD (M10X1.5-THD)						
	<b>261-0547</b>	1	TUBE AS						
	<b>6K-5040</b>	5	WASHER-HARD						
*****STANDARD REMOVAL*****									
J	<b>134-6723</b>	1	PLATFORM AS (RH)						
L	158-6185	1	LINES GP-GREASE (TILT LINK PINS)						
N	<b>3B-8489</b>	3	FITTING-GREASE						
N	<b>3B-8686</b>	1	FITTING-GREASE						
N	<b>5B-0651</b>	3	FITTING-STRAIGHT						
N	<b>5K-9242</b>	2	UNION-FLARED						
N	<b>5K-9243</b>	2	ELBOW-FLARED						
N	<b>6L-3616</b>	2	CONNECTOR						
N	<b>7X-7729</b>	1	WASHER (11X25X3-MM THK)						
N	<b>8M-2772</b>	4	CLIP						
N	<b>8T-4121</b>	4	WASHER-HARD (11X21X2.5-MM THK)						
NM	<b>8T-4137</b>	5	BOLT (M10X1.5X20-MM)						
N	<b>142-6991</b>	1	TUBE AS						
N	<b>150-4065</b>	1	TUBE AS						
N	<b>220-3444</b>	1	TUBE AS						
S	148-8347	1	ELBOW AS						
U	<b>252-1286</b>	1	TUBE AS						
*****ATTACHMENT REMOVAL*****									
TM	<b>8T-4139</b>	7	BOLT (M12X1.75X30-MM)						
T	<b>8T-4223</b>	7	WASHER-HARD (13.5X25.5X3-MM THK)						
T	<b>236-1059</b>	1	PLATE						

J - PART OF STANDARD PLATFORM GP-OPERATOR  
L - PART OF STANDARD CHASSIS AR  
M - METRIC PART  
N - PART OF STANDARD LINES GP-GREASE  
S - PART OF STANDARD LINES GP-HYDRAULIC FAN  
T - PART OF ATTACHMENT TANK GP-EXPANSION  
U - PART OF STANDARD LINES GP-STEERING  
Y - SEPARATE ILLUSTRATION

<END>

# FRAME AND BODY

## 143-9361 PANEL GP-SIDE-HOOD SIDE, FRONT, RH

S/N: BNH1-UP

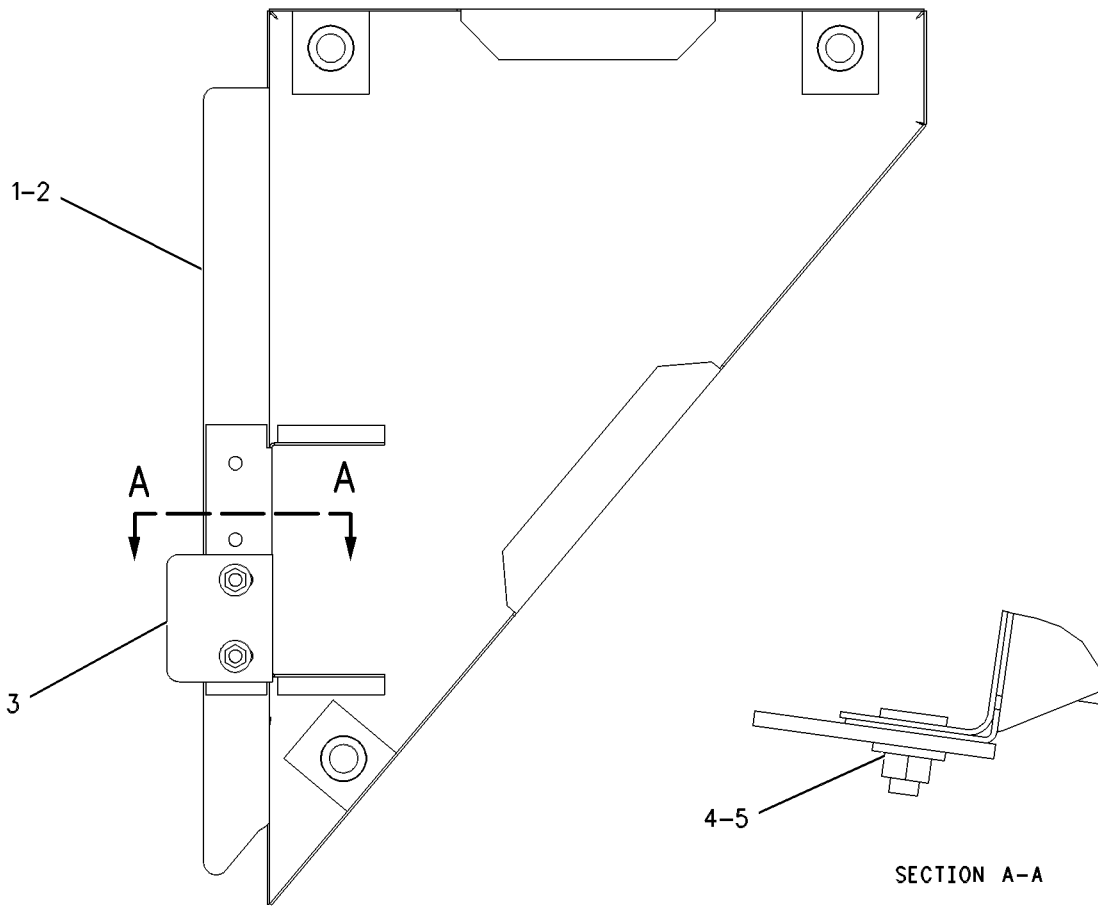
PART OF 114-5122 HOOD & GUARD GP

SMCS-7267

i01505357

NOTE	REF NO	GRAPHIC REF	PART NUMBER	QTY	PART NAME						SEE PAGE
					1	2	3	4	5	6 (PRODUCT LEVEL)	
	1	1	142-7010	1	PANEL AS-RH						
M		1	8T-5413	2	STUD-WELD (M10X1.5X25-MM OAL)						
	2	1	142-7011	1	PANEL AS-LH						
M		1	8T-5413	2	STUD-WELD (M10X1.5X25-MM OAL)						
	3	1	164-0327	2	PLATE						
	4	1	7X-7729	4	WASHER (11X25X3-MM THK)						
M	5	1	8T-4133	4	NUT (M10X1.5-THD)						

M - METRIC PART



GRAPHIC #1

<END>

g00506980

# FRAME AND BODY

## 163-1034 PANEL GP-SIDE-RH

S/N: BNH1-UP

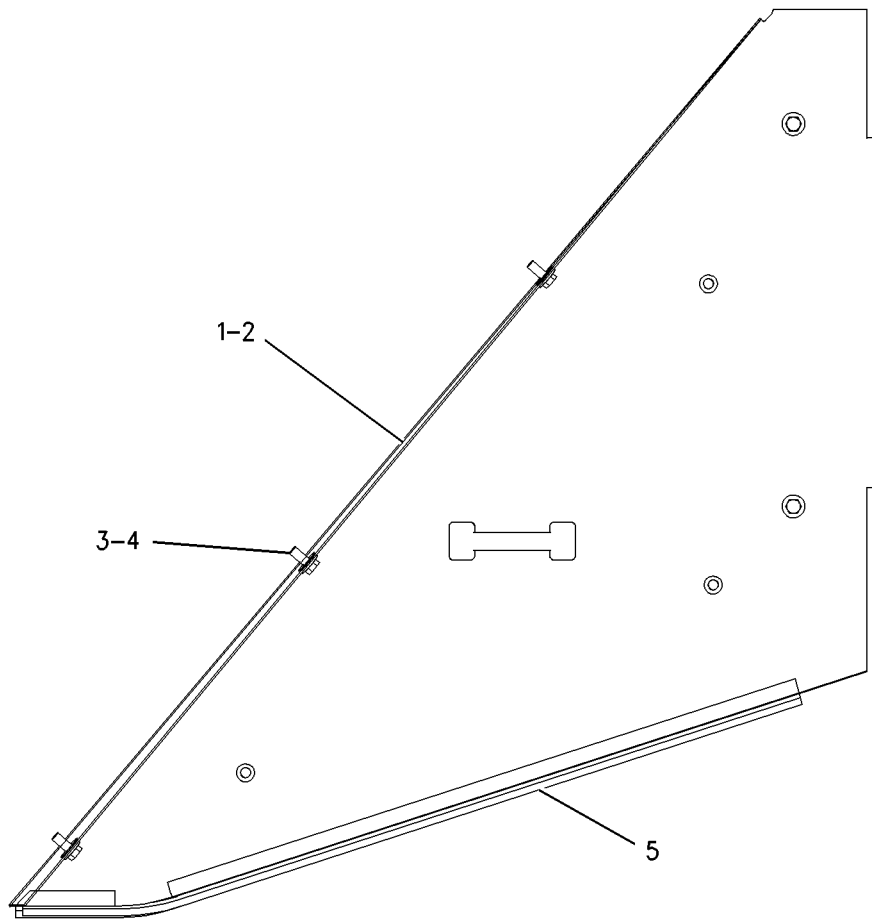
PART OF 203-1567 CHASSIS AR

SMCS-7267

i01228695

NOTE	REF NO	GRAPHIC REF	PART NUMBER	QTY	PART NAME						SEE PAGE
					1	2	3	4	5	6 (PRODUCT LEVEL)	
	1	1	142-7012	1	PANEL AS (RH)						
		1	1V-8732	1	HANDLE						
	2	1	142-7013	1	PANEL AS (LH)						
		1	1V-8732	1	HANDLE						
	3	1	5P-1076	10	WASHER - HARD (13.5X30X4-MM THK)						
M	4	1	8T-4139	10	BOLT (M12X1.75X30-MM)						
D	5	1	5P-7483		SEAL (2.4M)						

D - ORDER BY THE METER  
M - METRIC PART



GRAPHIC #1

<END>

g00656966

# FRAME AND BODY

## 070-0641 PUMP GP-LUBRICATION

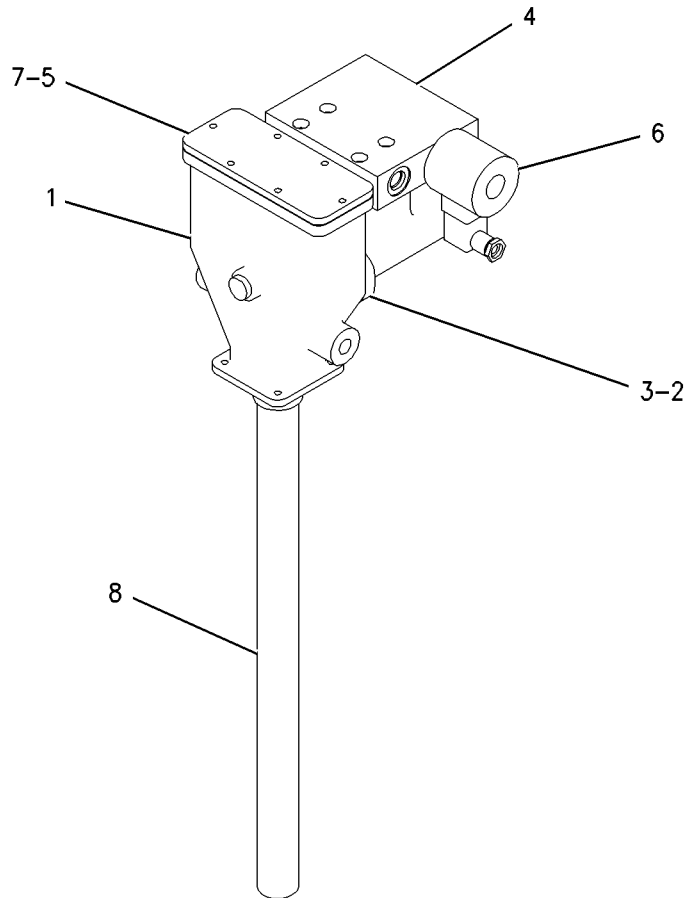
S/N: BNH1-UP

PART OF 070-0643 PUMP GP-LUBRICATION  
AN ATTACHMENT

SMCS-7516, 7540

i01494197

NOTE	REF NO	GRAPHIC REF	PART NUMBER	QTY	PART NAME						SEE PAGE
					1	2	3	4	5	6 (PRODUCT LEVEL)	
	1	1	<b>189-4383</b>	1	HOUSING - PUMP						
	2	1	<b>189-4384</b>	1	GASKET						
	3	1	<b>189-4386</b>	1	MOTOR - HYDRAULIC						
	4	1	<b>189-4387</b>	1	MANIFOLD						
	5	1	<b>189-4388</b>	1	GASKET						
	6	1	<b>189-4389</b>	1	SOLENOID						
	7	1	<b>189-4390</b>	1	COVER						
	8	1	<b>189-4391</b>	1	TUBE						



GRAPHIC #1

<END>

g00793561

# FRAME AND BODY

## 070-0643 PUMP GP-LUBRICATION

S/N: BNH1-UP

CUSTOM

PART OF 189-7481 LINES GP-FILL

AN ATTACHMENT

SMCS-7516, 7540

i01543417

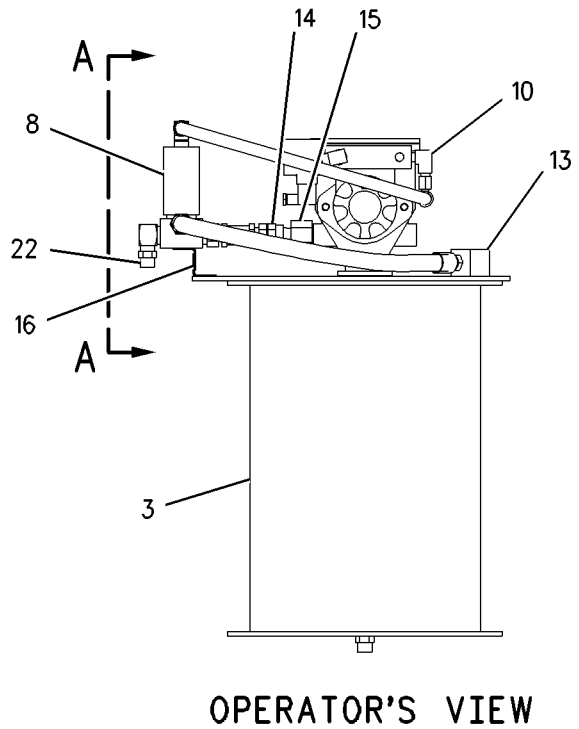
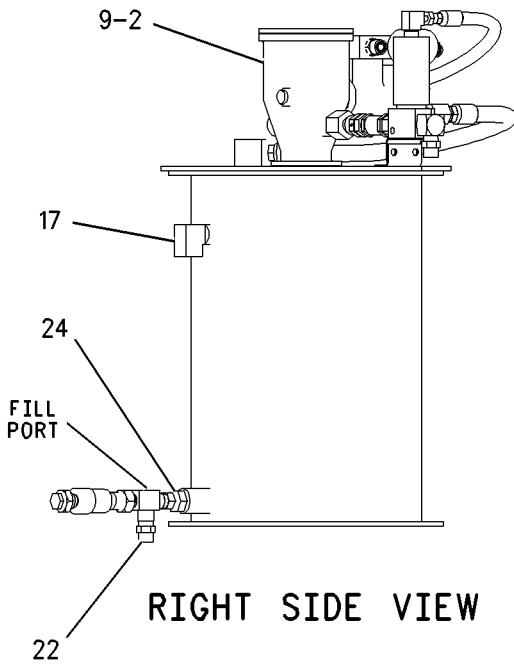
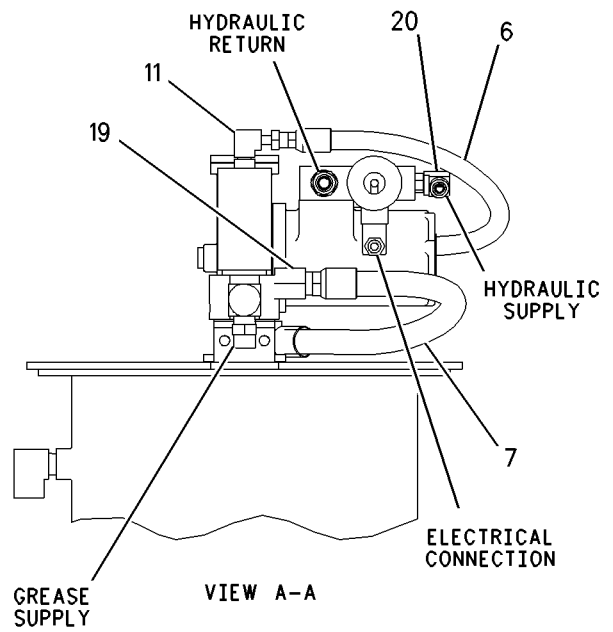
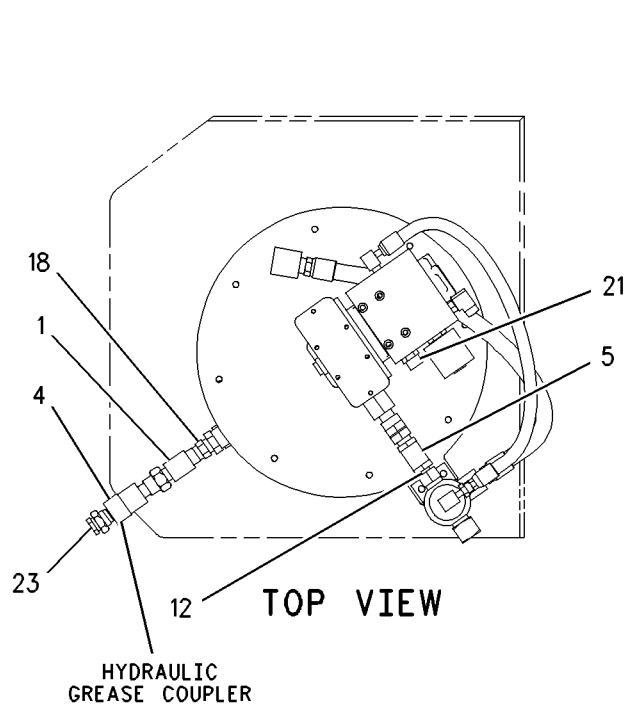
NOTE	REF NO	GRAPHIC REF	PART NUMBER	QTY	PART NAME						SEE PAGE
					1	2	3	4	5	6 (PRODUCT LEVEL)	
	1	1	<b>5L-5502</b>	1	FITTING						
Y	2	1	<b>070-0641</b>	1	PUMP GP-LUBRICATION						698
	3	1	<b>070-0642</b>	1	TANK-GREASE						
	4	1	<b>189-1858</b>	1	COUPLER AS						
	5	1	<b>189-4393</b>	1	ADAPTER-UNION						
	6	1	<b>189-4394</b>	1	HOSE AS						
	7	1	<b>189-4395</b>	1	HOSE AS						
	8	1	<b>189-4396</b>	1	VENT						
	9	1	<b>189-4398</b>	1	GASKET						
	10	1	<b>189-4399</b>	1	ELBOW-PIPE						
	11	1	<b>189-4401</b>	1	ELBOW						
	12	1	<b>189-4402</b>	1	ADAPTER-PIPE						
	13	1	<b>189-4404</b>	1	FITTING						
	14	1	<b>189-4407</b>	1	VALVE GP-CHECK (LUBRICATION PUMP)						
	15	1	<b>189-4408</b>	1	ADAPTER-PIPE						
	16	1	<b>189-4409</b>	2	BRACKET						
	17	1	<b>002-6453</b>	1	ELBOW						
	18	1	<b>002-6454</b>	1	NIPPLE-PIPE						
	19	1	<b>032-3506</b>	1	ADAPTER-PIPE						
	20	1	<i>148-8361</i>	1	ELBOW AS						
		1	<b>3J-7354</b>	1	SEAL-O-RING						
		1	<b>6V-8397</b>	1	SEAL-O-RING						
		1	<b>6V-9200</b>	1	ELBOW						
	21	1	<i>150-4043</i>	1	CONNECTOR AS						
		1	<b>3J-1907</b>	1	SEAL-O-RING						
		1	<b>6V-8398</b>	1	SEAL-O-RING						
		1	<b>6V-9873</b>	1	CONNECTOR						
	22	1	<i>169-4279</i>	2	CONNECTOR AS						
					(EACH INCLUDES)						
		1	<b>6V-8398</b>	1	SEAL-O-RING						
		1	<b>8C-6872</b>	1	CONNECTOR						
	23	1	<b>3J-5389</b>	1	PLUG						
	24	1	<b>8B-2664</b>	1	BUSHING-REDUCER						

Y - SEPARATE ILLUSTRATION

# FRAME AND BODY

070-0643 PUMP GP-LUBRICATION (contd.)

i01543417



GRAPHIC #1

<END>

g00793576

# FRAME AND BODY

## 194-7925 PUMP GP-LUBRICATION

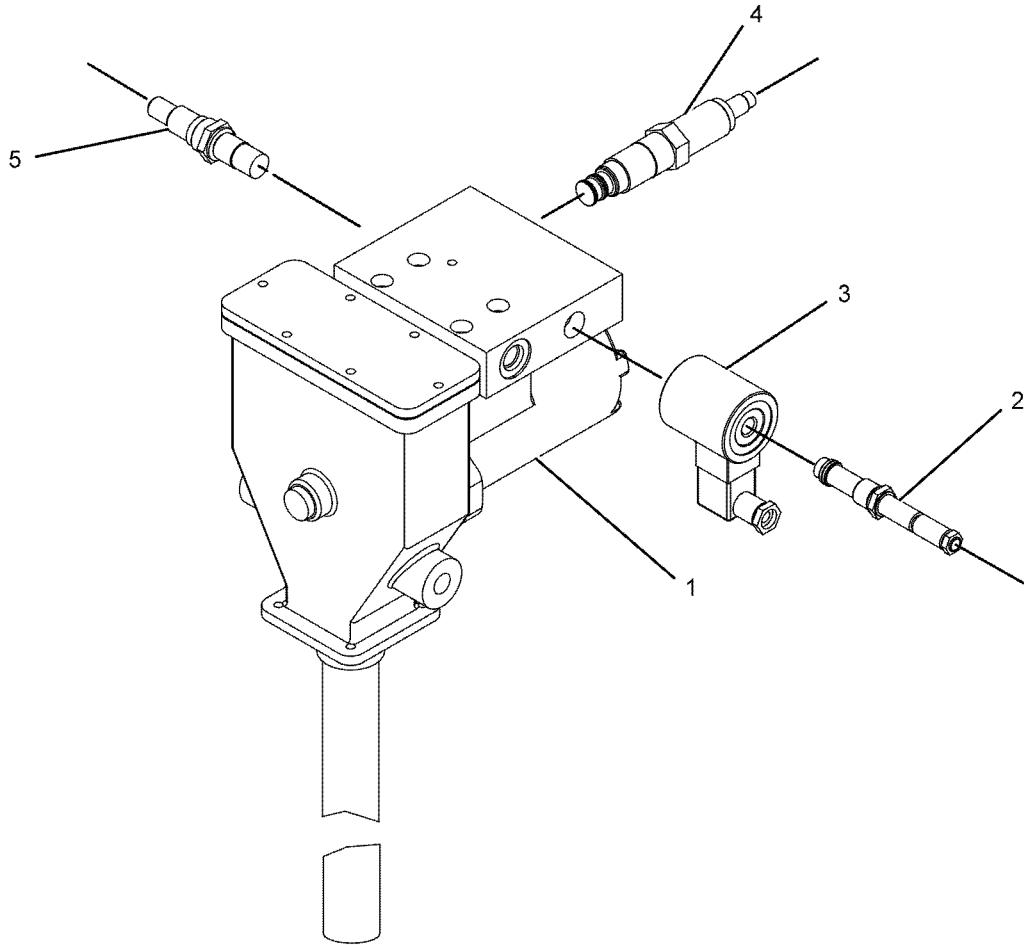
S/N: BNH1-UP

PART OF 189-7651 TANK & PUMP GP-LUBRICATION  
AN ATTACHMENT

SMCS-7516, 7540

i02068533

NOTE	REF NO	GRAPHIC REF	PART NUMBER	QTY	PART NAME						SEE PAGE
					1	2	3	4	5	6 (PRODUCT LEVEL)	
	1	1	194-7928	1	MOTOR AS-HYDRAULIC						
	2	1	195-8695	1	VALVE						
	3	1	195-8696	1	COIL AS-SOLENOID						
	4	1	195-8697	1	VALVE AS-PRESSURE REDUCING						
	5	1	195-8698	1	VALVE AS-FLOW CONTROL						



GRAPHIC #1

<END>

g01071290

# FRAME AND BODY

## 275-0702 PUMP GP-LUBRICATION-AUTOMATIC LUBRICATION SYSTEM

S/N: BNH1-UP

PART OF 189-7651 TANK & PUMP GP-LUBRICATION  
AN ATTACHMENT

SMCS-7516, 7540

i03317460

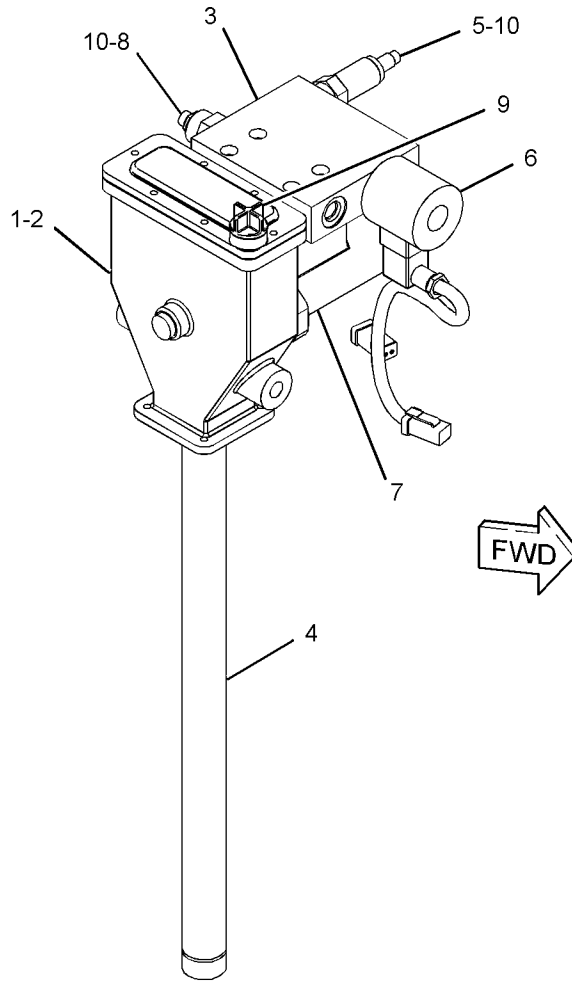
NOTE	REF NO	GRAPHIC REF	PART NUMBER	QTY	PART NAME						SEE PAGE
					1	2	3	4	5	6 (PRODUCT LEVEL)	
	1	1	<b>189-4383</b>	1	HOUSING-PUMP						
	2	1	<b>189-4384</b>	1	GASKET						
	3	1	<b>189-4387</b>	1	MANIFOLD						
	4	1	<b>189-4391</b>	1	TUBE						
	5	1	<b>195-8697</b>	1	VALVE AS-PRESSURE REDUCING						
	6	1	<b>241-8538</b>	1	SOLENOID AS						
		1	<b>155-2270</b>	1	KIT-CONNECTING PLUG (2-PIN) (INCLUDES PLUG AS & WEDGE)						
	7	1	<b>275-0701</b>	1	MOTOR-HYDRAULIC						
	8	1	<b>290-2694</b>	1	VALVE-FLOW CONTROL						
	9	1	<b>333-9967</b>	1	GAUGE-OIL LEVEL (DIPSTICK)						
	10	1	<b>2M-9780</b>	2	SEAL-O-RING						
					AVAILABLE REPAIR KIT(S):						
			<b>217-3549</b>	1	KIT-PUMP REPAIR (INCLUDES GASKET, O-RINGS, U-CUPS, WASHER-BACKUPS, RING-BACKUPS, COVER GASKET & MOTOR GASKET)						
			<b>235-8631</b>	1	KIT-REPAIR (MOTOR) (INCLUDES COUNTER WEIGHTS, SCREWS, RETAINING RINGS, CRANK ROD, CRANK ECCENTRIC, BALL BEARING, OUTLET PIN, PLUNGER TUBE, WRIST PIN BUSHINGS, WRIST PIN ANCHOR & O-RING (NITRILE))						



# FRAME AND BODY

275-0702 PUMP GP-LUBRICATION (contd.)

i03317460



GRAPHIC #1

<END>

g01705715

# FRAME AND BODY

## 164-4865 SHIELD GP-ENGINE COMPARTMENT

S/N: BNH1-UP

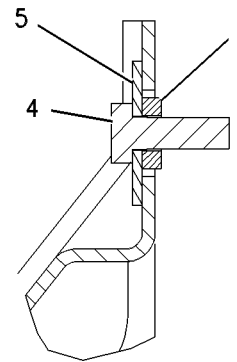
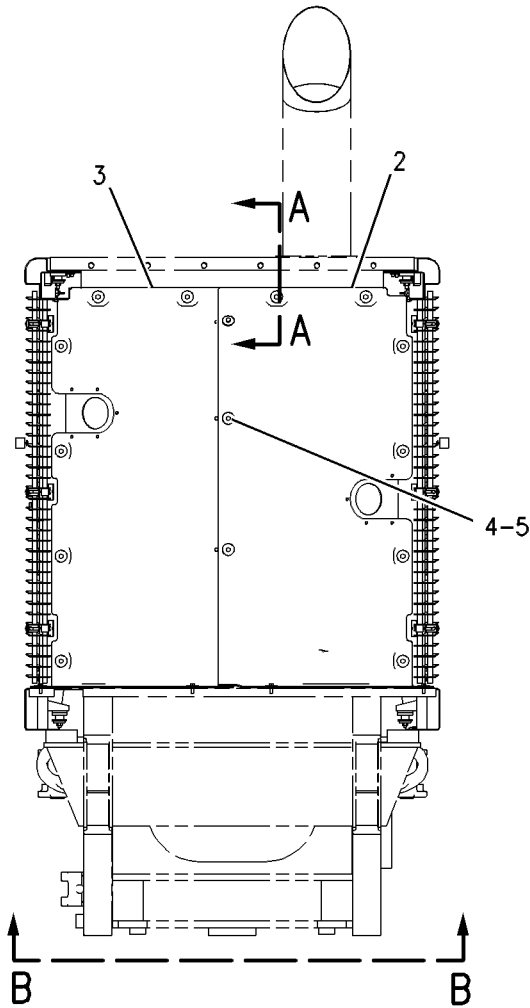
PART OF 164-4872 SUPPRESSION AR-SOUND  
AN ATTACHMENT

SMCS-7154, 7263

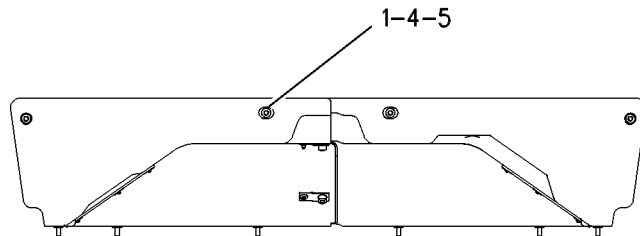
i02387047

NOTE	REF NO	GRAPHIC REF	PART NUMBER	QTY	PART NAME						SEE PAGE
					1	2	3	4	5	6 (PRODUCT LEVEL)	
	1	1	<b>4H-1225</b>	15	WASHER (11X22X6-MM THK)						
	2	1	<b>131-7810</b>	1	SHIELD AS (RH)						
	3	1	<b>131-7811</b>	1	SHIELD AS (LH)						
M		1	<b>9R-2613</b>	1	BOSS-WELD (M10X1.5X25-MM)						
M	4	1	<b>8T-4195</b>	18	BOLT (M10X1.5X30-MM)						
	5	1	<b>8T-4226</b>	18	WASHER-PLATED (10.5X45X3-MM THK)						

M - METRIC PART



SECTION A-A



VIEW B-B

GRAPHIC #1

<END>

g00509542

# FRAME AND BODY

## 164-4866 SHIELD GP-ENGINE COMPARTMENT

S/N: BNH1-UP

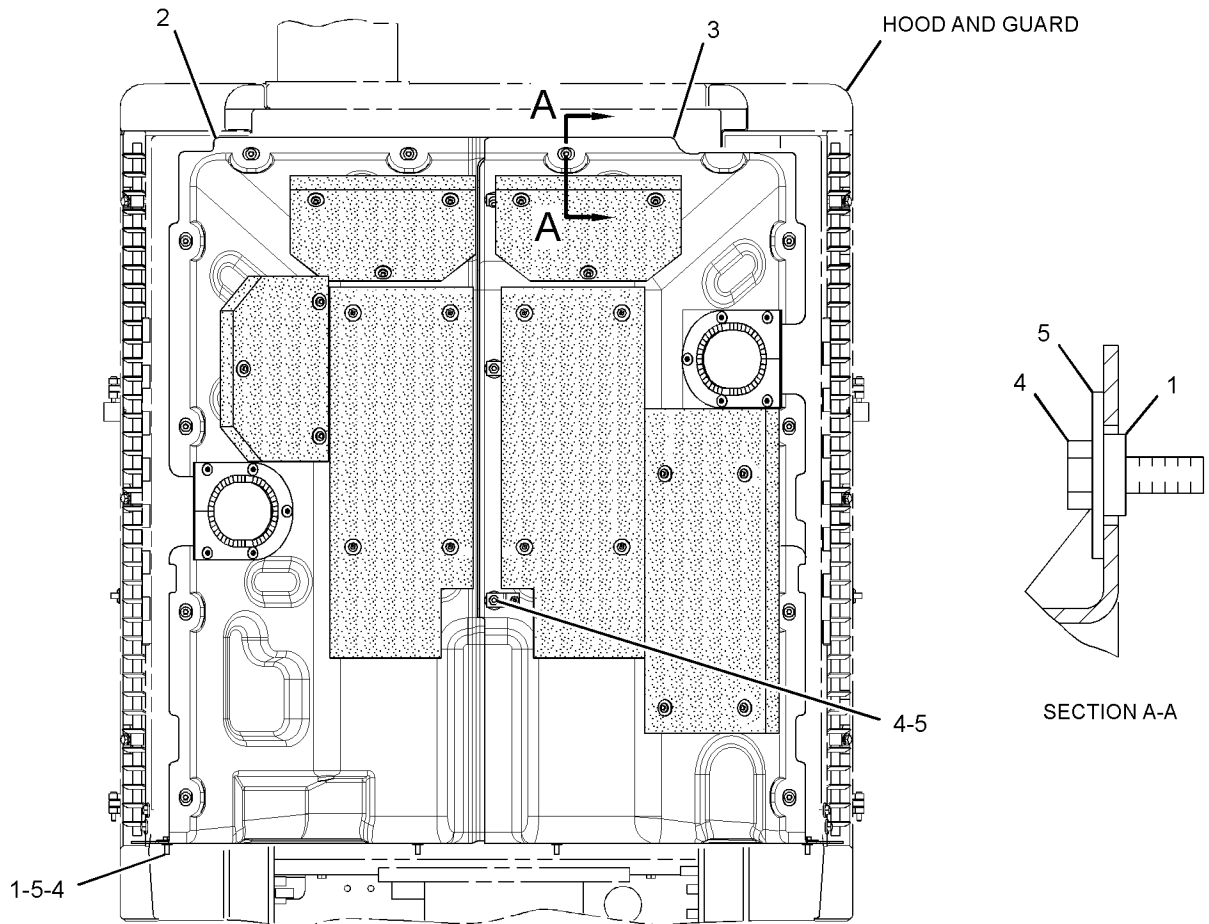
PART OF 164-4871 SUPPRESSION AR-SOUND  
AN ATTACHMENT

SMCS-7154, 7263

i02928815

NOTE	REF NO	GRAPHIC REF	PART NUMBER	QTY	PART NAME						SEE PAGE
					1	2	3	4	5	6 (PRODUCT LEVEL)	
	1	1	4H-1225	15	WASHER (11X22X6-MM THK)						
	2	1	164-4817	1	SHIELD AS						
		1	7X-0603	10	WASHER-HARD (9.9X35X2.5-MM THK)						
		1	133-1643	20	SPACER (8.1X13X22.2-MM THK)						
		1	148-8240	10	CLIP						
		1	133-1645	10	WASHER (7.2X19.1X3.1-MM THK)						
		1	183-7228	1	INSULATION						
		1	164-4769	2	INSULATION						
	3	1	164-4831	1	SHIELD AS						
		1	7X-0603	11	WASHER-HARD (9.9X35X2.5-MM THK)						
M		1	9R-2613	1	BOSS-WELD (M10X1.5X25-MM)						
		1	133-1643	22	SPACER (8.1X13X22.2-MM THK)						
		1	148-8240	11	CLIP						
		1	133-1645	11	WASHER (7.2X19.1X3.1-MM THK)						
		1	164-4767	1	INSULATION						
		1	164-4769	1	INSULATION						
		1	183-7228	1	INSULATION						
M	4	1	8T-4195	18	BOLT (M10X1.5X30-MM)						
	5	1	8T-4226	18	WASHER-PLATED (10.5X45X3-MM THK)						

M - METRIC PART



FRONT VIEW

GRAPHIC #1

<END>

g01455260

# FRAME AND BODY

## 134-2554 STEP GP

S/N: BNH1-UP

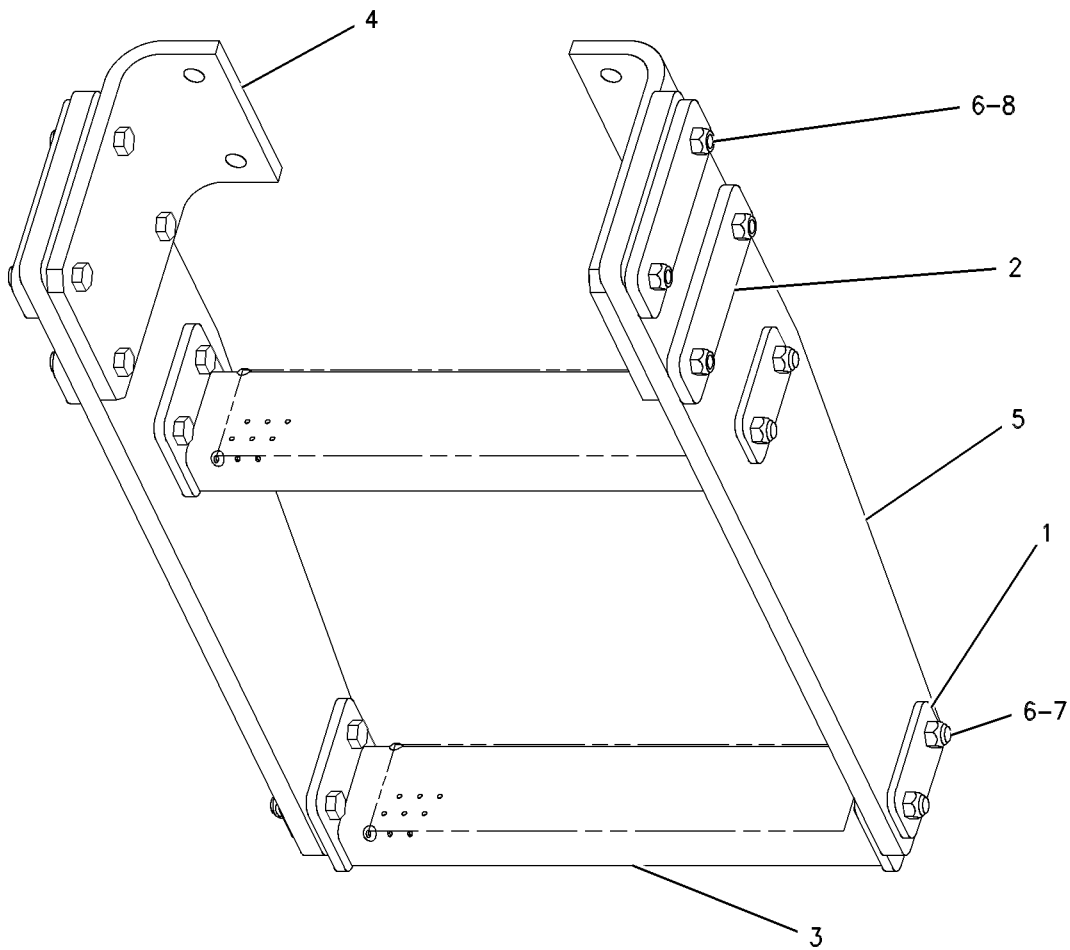
PART OF 170-7313 LADDER GP

SMCS-7254

i01065145

NOTE	REF NO	GRAPHIC REF	PART NUMBER	QTY	PART NAME						SEE PAGE
					1	2	3	4	5	6 (PRODUCT LEVEL)	
	1	1	4V-9803	4	PLATE						
	2	1	112-4558	4	PLATE						
	3	1	134-2552	2	STEP AS						
	4	1	135-5154	2	BRACKET						
	5	1	135-5155	2	SUPPORT-STEP (RUBBER)						
M	6	1	6V-7687	16	LOCKNUT (M12X1.75-THD)						
M	7	1	8T-4184	8	BOLT (M12X1.75X45-MM)						
M	8	1	8T-4194	8	BOLT (M12X1.75X50-MM)						

M - METRIC PART



GRAPHIC #1

<END>

g00554668

# FRAME AND BODY

## 164-4871 SUPPRESSION AR-SOUND

S/N: BNH1-UP

CANNOT BE USED WITH 164-4872-PAGE: 707, 150-1541-PAGE: 623  
AN ATTACHMENT

SMCS-7261

i01624158

NOTE	PART NUMBER	QTY	PART NAME						SEE PAGE
			1	2	3	4	5	6 (PRODUCT LEVEL)	
Y	150-1541	1	GUARD GP-CRANKCASE						623
Y	185-1933	1	PANEL GP-SOUND SUPPRESSION (ENGINE OIL PAN)						101
Y	164-4866	1	SHIELD GP-ENGINE COMPARTMENT						705
Y	164-3706	1	SUPPRESSION GP-SOUND (HOOD)						708
Y	164-4870	1	SUPPRESSION GP-SOUND (POWER TRAIN GUARD)						712

Y - SEPARATE ILLUSTRATION

<END>

## 164-4872 SUPPRESSION AR-SOUND

S/N: BNH1-UP

CANNOT BE USED WITH 164-4871-PAGE: 707  
AN ATTACHMENT

SMCS-7261

i01320811

NOTE	PART NUMBER	QTY	PART NAME						SEE PAGE
			1	2	3	4	5	6 (PRODUCT LEVEL)	
Y	164-4865	1	SHIELD GP-ENGINE COMPARTMENT						704

Y - SEPARATE ILLUSTRATION

<END>

# FRAME AND BODY

## 164-3706 SUPPRESSION GP-SOUND

S/N: BNH1-UP

HOOD

PART OF 164-4871 SUPPRESSION AR-SOUND

AN ATTACHMENT

SMCS-7076, 7261

i01724550

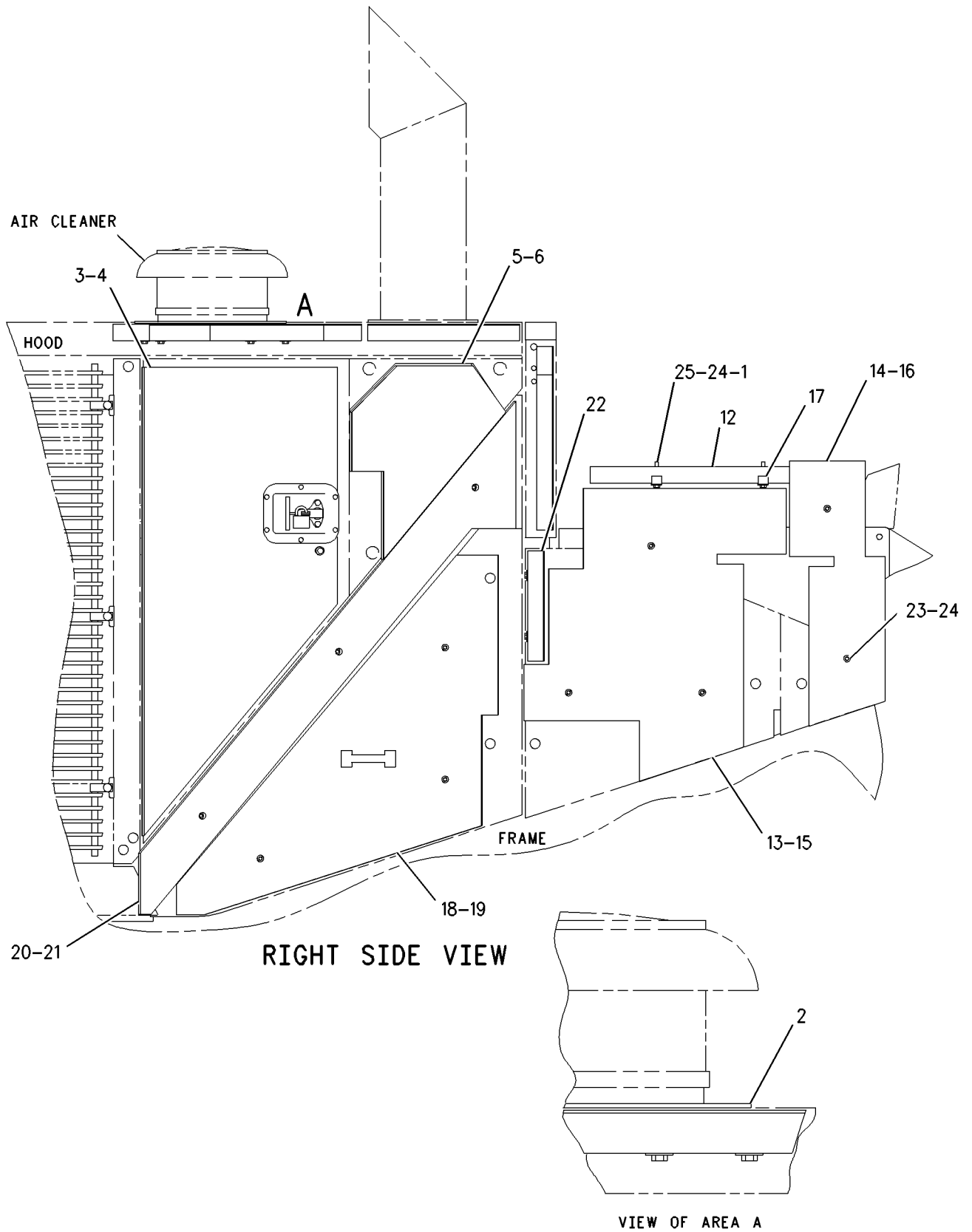
NOTE	REF NO	GRAPHIC REF	PART NUMBER	QTY	PART NAME						SEE PAGE
					1	2	3	4	5	6 (PRODUCT LEVEL)	
	1	1	20-3691	4	SPACER						
	2	1	163-4796	1	BAFFLE						
	3	1	163-4797	1	INSULATION-RH						
	4	1	163-4798	1	INSULATION-LH						
	5	1	163-7902	1	INSULATION-RH						
	6	1	163-7903	1	INSULATION-LH						
	7	3	163-7904	1	INSULATION						
	8	3	163-7905	1	INSULATION						
	9	3	163-7906	1	INSULATION						
	10	2	163-7908	1	INSULATION						
	11	3	163-7909	1	INSULATION						
	12	1	183-7535	1	INSULATION						
	13	1	183-7536	1	INSULATION						
	14	1	183-7537	1	INSULATION						
	15	1	183-7538	1	INSULATION						
	16	1	183-7539	1	INSULATION						
	17	1	183-7540	1	BRACKET						
	18	1	183-9409	1	INSULATION						
	19	1	183-9411	1	INSULATION						
	20	1	183-9412	1	INSULATION						
	21	1	183-9413	1	INSULATION						
	22	1	183-9414	1	INSULATION						
M	23	1	8T-4137	29	BOLT (M10X1.5X20MM)						
	24	1	8T-4222	33	WASHER-PLATED (11X32X2.5MM THK)						
M	25	1	8T-5005	4	BOLT (M10X1.50X70MM)						

M - METRIC PART

# FRAME AND BODY

164-3706 SUPPRESSION GP-SOUND (contd.)

i01724550



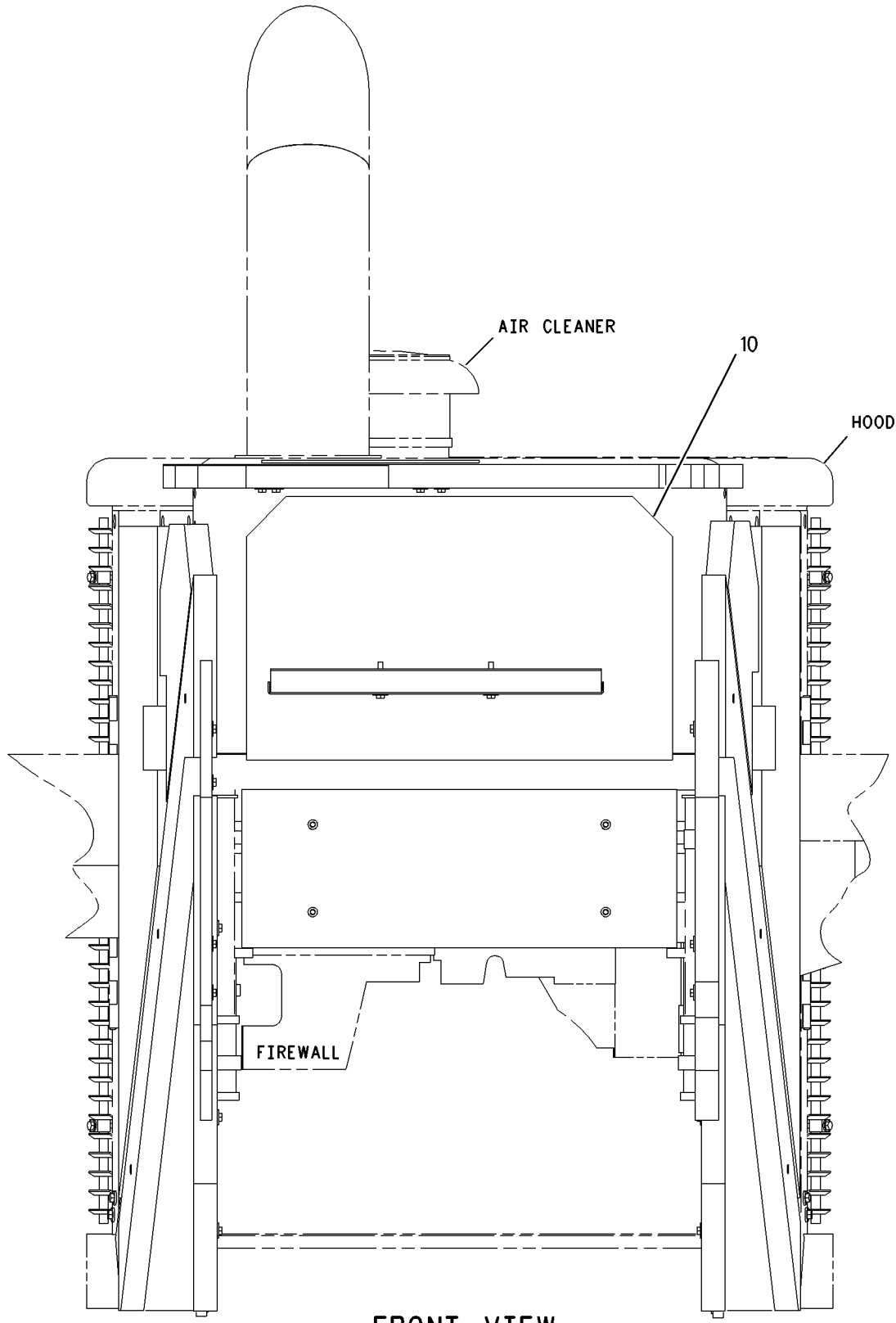
GRAPHIC #1

g00889587

# FRAME AND BODY

164-3706 SUPPRESSION GP-SOUND (contd.)

i01724550



FRONT VIEW

GRAPHIC #2

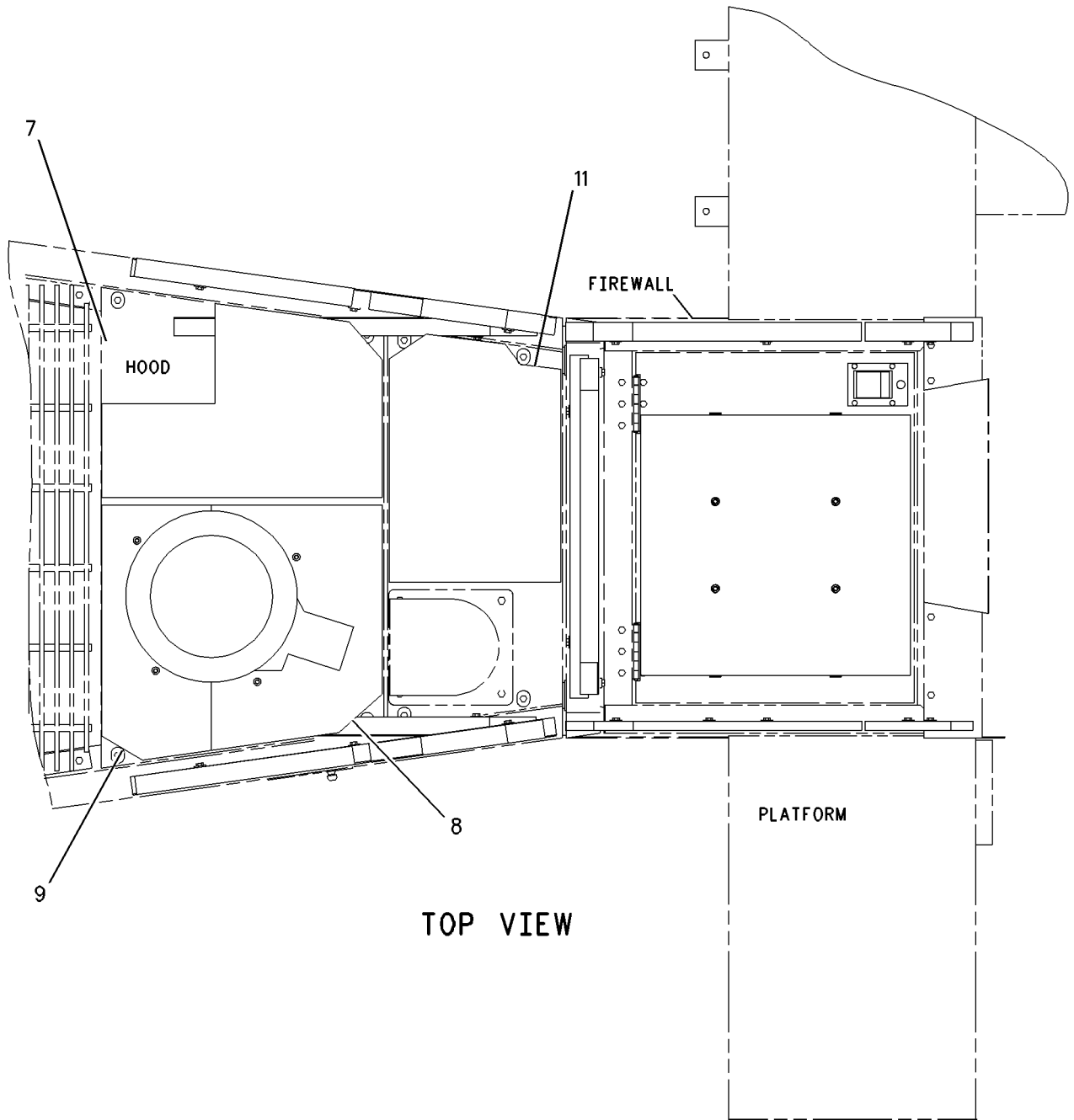
g00889588



# FRAME AND BODY

164-3706 SUPPRESSION GP-SOUND (contd.)

i01724550



GRAPHIC #3

<END>

g00889589

# FRAME AND BODY

## 164-4870 SUPPRESSION GP-SOUND

S/N: BNH1-UP

POWERTRAIN GUARD

PART OF 164-4871 SUPPRESSION AR-SOUND

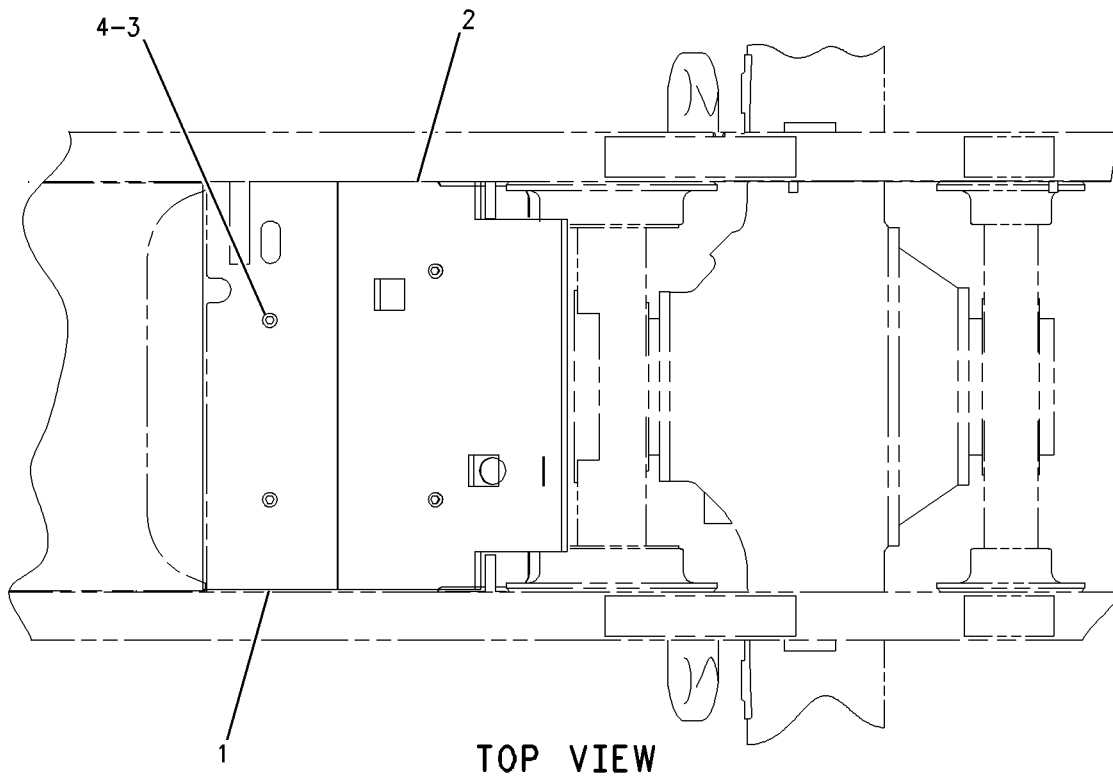
AN ATTACHMENT

SMCS-7076, 7261

i01551502

NOTE	REF NO	GRAPHIC REF	PART NUMBER	QTY	PART NAME						SEE PAGE
					1	2	3	4	5	6 (PRODUCT LEVEL)	
	1	1	183-9415	1	INSULATION						
	2	1	183-9416	1	INSULATION						
M	3	1	8T-4137	4	BOLT (M10X1.5X20MM)						
	4	1	8T-4222	4	WASHER-PLATED (11X32X2.5MM THK)						

M - METRIC PART



GRAPHIC #1

<END>

g00817720

# FRAME AND BODY

## 189-7651 TANK & PUMP GP-LUBRICATION

S/N: BNH1-UP  
PART OF 189-7481 LINES GP-FILL  
AN ATTACHMENT  
TYPE 1

SMCS-7516, 7540

i02135552

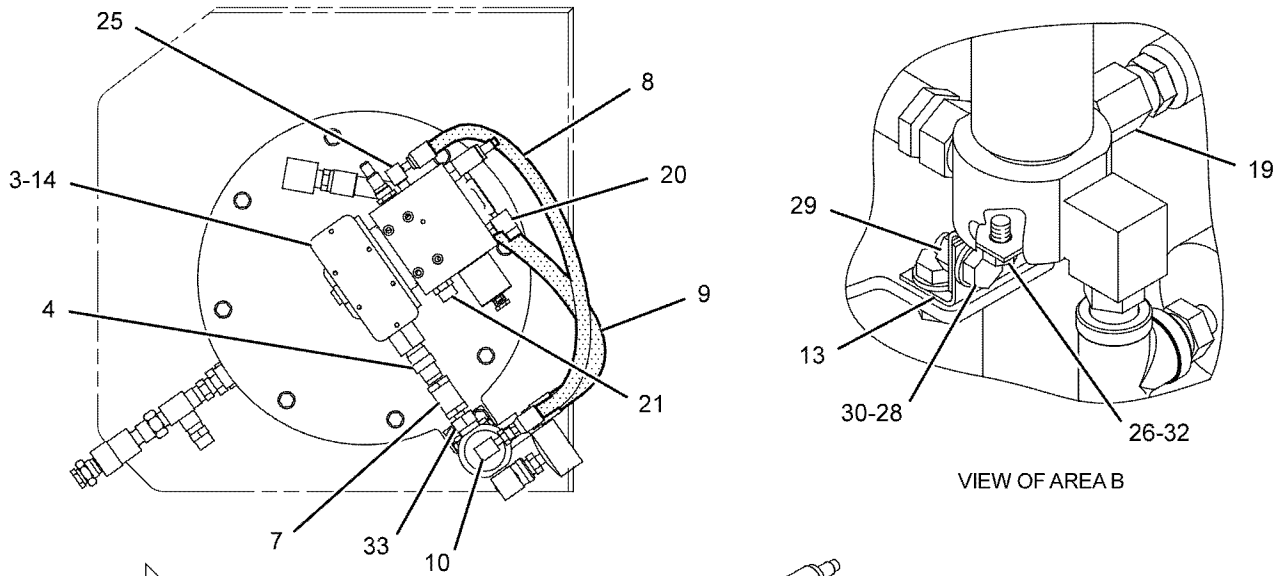
NOTE	REF NO	GRAPHIC REF	PART NUMBER	QTY	PART NAME						SEE PAGE
					1	2	3	4	5	6 (PRODUCT LEVEL)	
	1	1	1Y-0413	1	TEE						
	2	1	5L-5502	1	FITTING						
	3	1	8X-2318	1	GASKET						
	4	1	8X-2321	1	VALVE GP-CHECK						
	5	1	070-0642	1	TANK-GREASE						
	6	1	189-1858	1	COUPLER AS						
	7	1	189-4393	1	ADAPTER-UNION						
	8	1	189-4394	1	HOSE AS						
	9	1	189-4395	1	HOSE AS						
	10	1	189-4401	1	ELBOW						
	11	1	189-4404	1	FITTING						
	12	1	189-4408	1	ADAPTER-PIPE						
	13	1	189-4409	2	BRACKET						
Y	14	1	194-7925	1	PUMP GP-LUBRICATION						701
	15	1	197-1563	1	VALVE AS-VENT						
	16	1	228-0755	1	GAUGE-PRESSURE						
	17	1	002-6453	1	ELBOW						
	18	1	002-6454	2	NIPPLE-PIPE						
	19	1	032-3506	1	ADAPTER-PIPE						
	20	1	148-8361	1	ELBOW AS						
		1	3J-7354	1	SEAL-O-RING						
		1	6V-8397	1	SEAL-O-RING						
		1	6V-9200	1	ELBOW						
	21	1	150-4043	1	CONNECTOR AS						
		1	3J-1907	1	SEAL-O-RING						
		1	6V-8398	1	SEAL-O-RING						
		1	6V-9873	1	CONNECTOR						
	22	1	169-4279	2	CONNECTOR AS						
					(EACH INCLUDES)						
		1	6V-8398	1	SEAL-O-RING						
		1	8C-6872	1	CONNECTOR						
	23	1	3J-5389	1	PLUG						
	24	1	6B-5072	1	BUSHING-REDUCING						
	25	1	6K-1972	1	ELBOW-FLARED						
M	26	1	6V-2316	2	BOLT (M8X1.25X12-MM)						
	27	1	8B-2664	1	BUSHING-REDUCER						
	28	1	8T-4121	12	WASHER-HARD (11X21X2.5-MM THK)						
M	29	1	8T-4133	12	NUT (M10X1.5-THD)						
M	30	1	8T-4137	4	BOLT (M10X1.5X20-MM)						
M	31	1	8T-4195	8	BOLT (M10X1.5X30-MM)						
	32	1	8T-4224	2	WASHER-HARD (8.8X16X2-MM THK)						
	33	1	8X-3316	1	FITTING						

M - METRIC PART  
Y - SEPARATE ILLUSTRATION

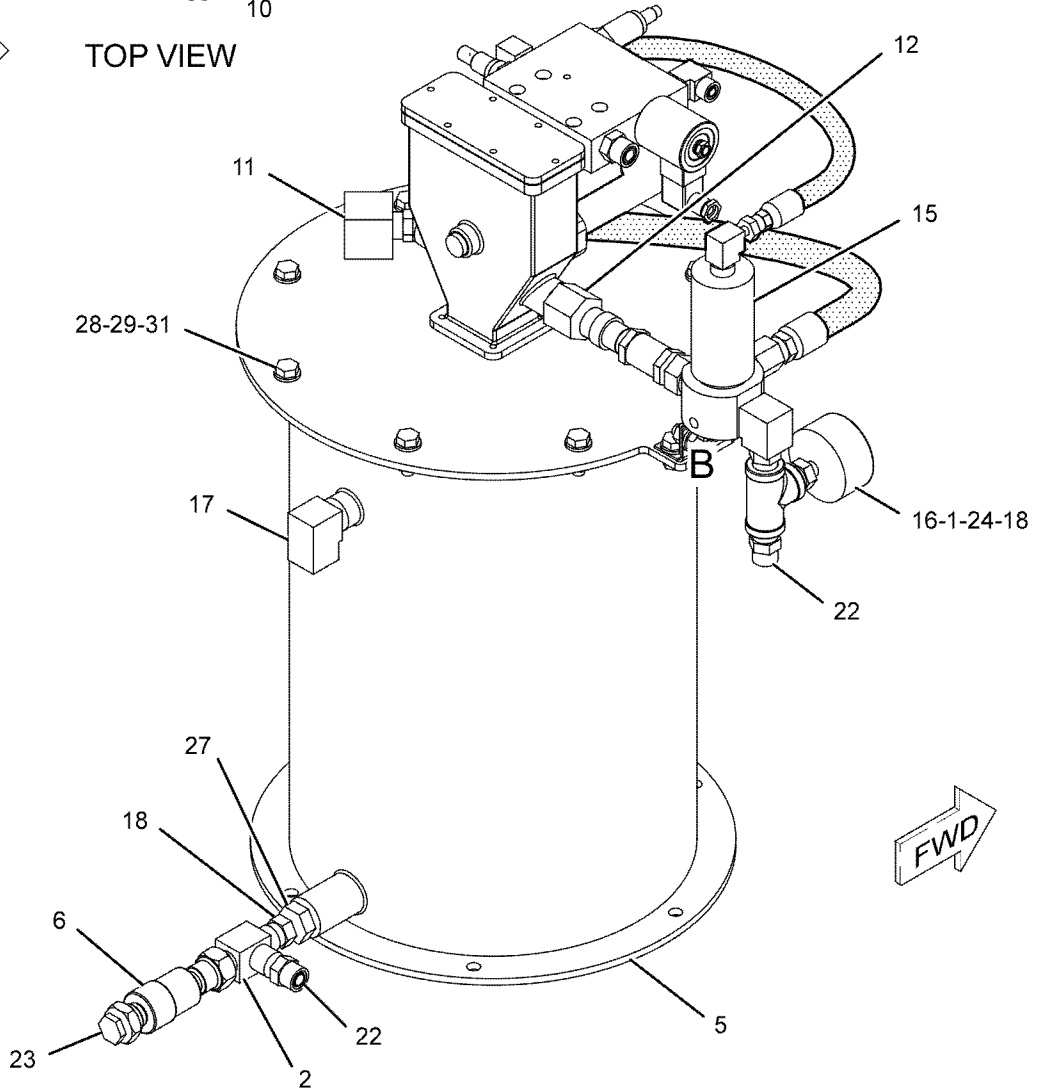
# FRAME AND BODY

189-7651 TANK & PUMP GP-LUBRICATION (contd.)

i02135552



TOP VIEW



GRAPHIC #1

<END>

g01088059

# FRAME AND BODY

## 189-7651 TANK & PUMP GP-LUBRICATION

S/N: BNH1-UP  
PART OF 189-7481 LINES GP-FILL  
AN ATTACHMENT  
TYPE 2

SMCS-7516, 7540

i02404302

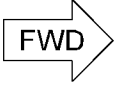
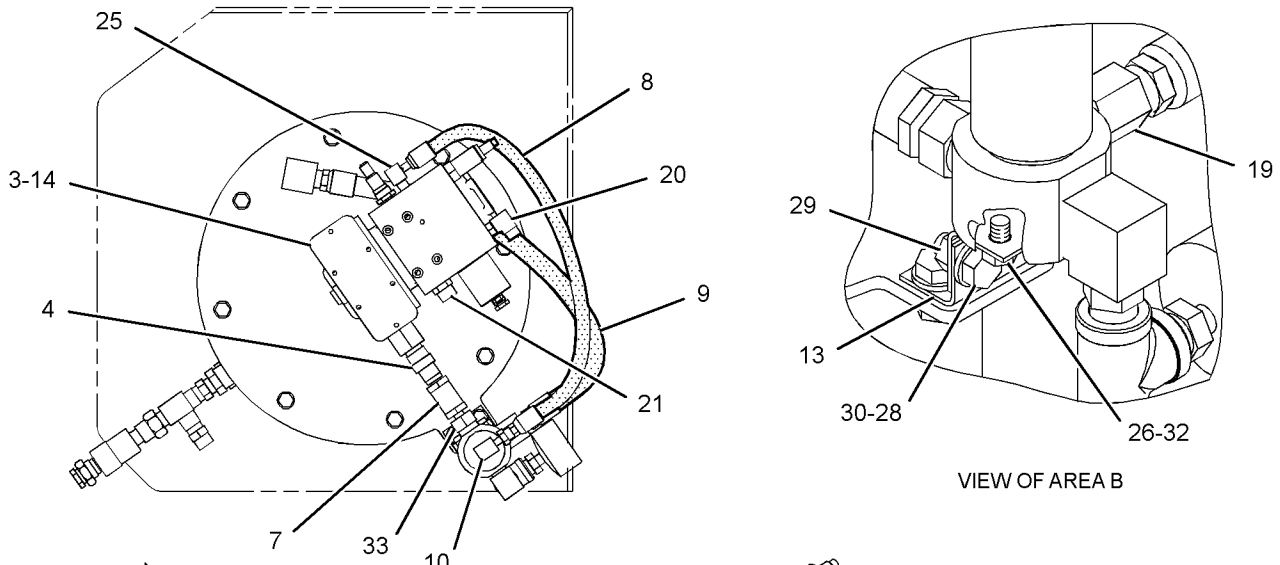
NOTE	REF NO	GRAPHIC REF	PART NUMBER	QTY	PART NAME						SEE PAGE
					1	2	3	4	5	6 (PRODUCT LEVEL)	
	1	1	1Y-0413	1	TEE						
	2	1	5L-5502	1	FITTING						
	3	1	8X-2318	1	GASKET						
	4	1	8X-2321	1	VALVE GP-CHECK						
	5	1	272-5068	1	TANK						
	6	1	189-1858	1	COUPLER AS						
	7	1	189-4393	1	ADAPTER-UNION						
	8	1	189-4394	1	HOSE AS						
	9	1	189-4395	1	HOSE AS						
	10	1	189-4401	1	ELBOW						
	11	1	189-4404	1	FITTING						
	12	1	189-4408	1	ADAPTER-PIPE						
	13	1	189-4409	2	BRACKET						
Y	14	1	275-0702	1	PUMP GP-LUBRICATION (AUTOMATIC LUBRICATION SYSTEM)						702
	15	1	197-1563	1	VALVE AS-VENT						
	16	1	228-0755	1	GAUGE -PRESSURE						
	17	1	002-6453	1	ELBOW						
	18	1	002-6454	2	NIPPLE-PIPE						
	19	1	032-3506	1	ADAPTER-PIPE						
	20	1	148-8361	1	ELBOW AS						
		1	3J-7354	1	SEAL-O-RING						
		1	6V-8397	1	SEAL-O-RING						
		1	6V-9200	1	ELBOW						
	21	1	150-4043	1	CONNECTOR AS						
		1	3J-1907	1	SEAL-O-RING						
		1	6V-8398	1	SEAL-O-RING						
		1	6V-9873	1	CONNECTOR						
	22	1	169-4279	2	CONNECTOR AS						
					(EACH INCLUDES)						
		1	6V-8398	1	SEAL-O-RING						
		1	8C-6872	1	CONNECTOR						
	23	1	3J-5389	1	PLUG						
	24	1	6B-5072	1	BUSHING-REDUCING						
	25	1	6K-1972	1	ELBOW-FLARED						
M	26	1	6V-2316	2	BOLT (M8X1.25X12-MM)						
	27	1	8B-2664	1	BUSHING-REDUCER						
	28	1	8T-4121	12	WASHER-HARD (11X21X2.5-MM THK)						
M	29	1	8T-4133	12	NUT (M10X1.5-THD)						
M	30	1	8T-4137	4	BOLT (M10X1.5X20-MM)						
M	31	1	8T-4195	8	BOLT (M10X1.5X30-MM)						
	32	1	8T-4224	2	WASHER-HARD (8.8X16X2-MM THK)						
	33	1	8X-3316	1	FITTING						
	34	1	276-5725	1	COVER						
	35	1	240-9689	1	GASKET						

M - METRIC PART  
Y - SEPARATE ILLUSTRATION

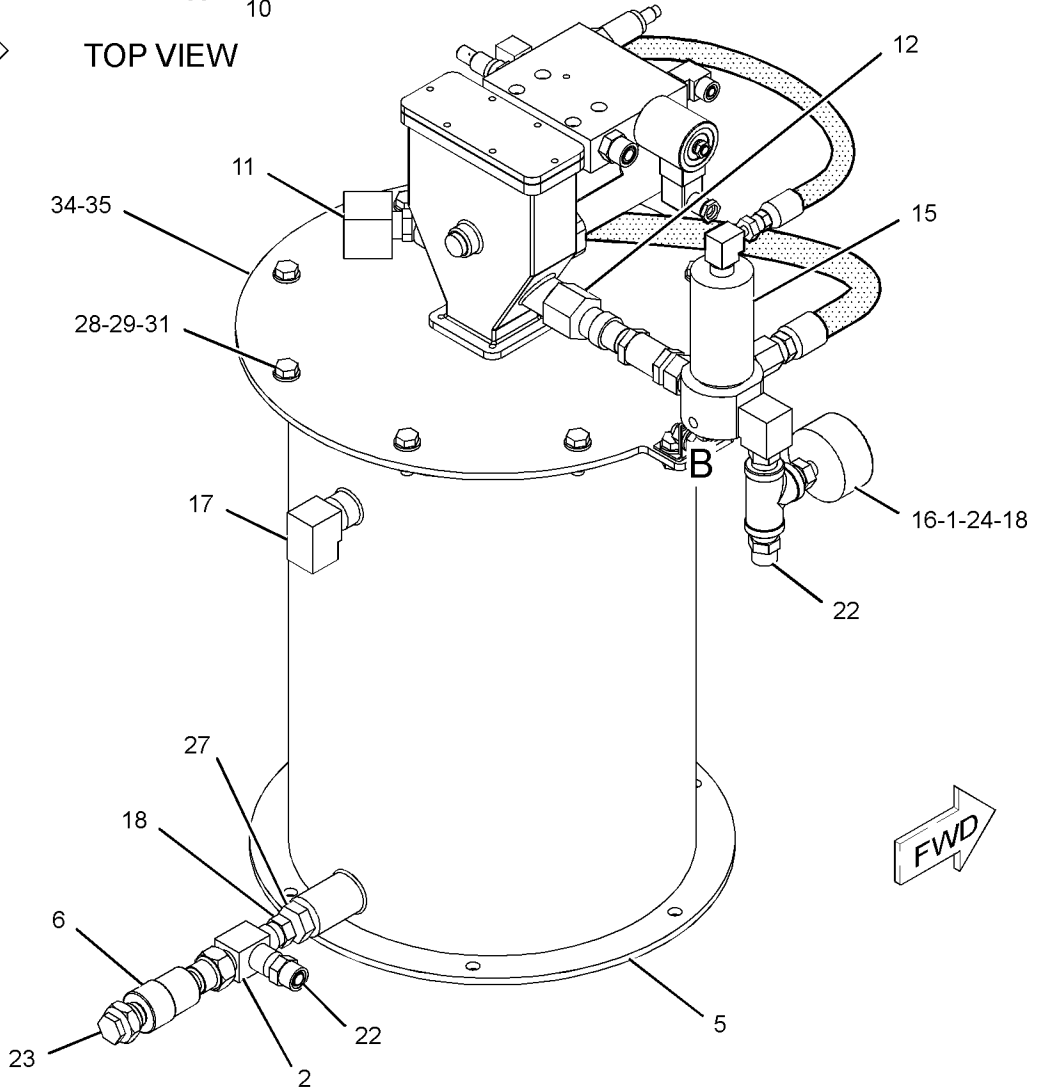
# FRAME AND BODY

189-7651 TANK & PUMP GP-LUBRICATION (contd.)

i02404302



TOP VIEW



GRAPHIC #1

<END>

g01200912

# FRAME AND BODY

## 229-2622 VALVE & LINES GP-LUBRICATION-B-PIN, RH, LH

S/N: BNH1-UP

PART OF 229-2621 LINES GP-AUTOMATIC LUBRICATION  
AN ATTACHMENT

SMCS-7540

i01952140

NOTE	REF NO	GRAPHIC REF	PART NUMBER	QTY	PART NAME						SEE PAGE
					1	2	3	4	5	6 (PRODUCT LEVEL)	
	1	1	<b>5T-5012</b>	2	CAP-PROTECTION						
Y	2	1	<b>141-2107</b>	1	VALVE GP-LUBE DISTRIBUTION (2-INJECTOR)						721
I	3	1	<b>183-5382</b>	1	HOSE AS						
	4	1	<b>189-7553</b>	1	HOSE AS						
	5	1	<b>148-8433</b>	1	TEE AS						
		1	<b>6V-8397</b>	2	SEAL-O-RING						
		1	<b>6V-9836</b>	1	TEE-SWIVEL						
	6	1	<b>3B-6552</b>	2	ELBOW-PIPE						
	7	1	<b>3J-5390</b>	1	PLUG						
	8	1	<b>6V-8397</b>	1	SEAL-O-RING						
	9	1	<b>8C-6869</b>	1	CONNECTOR						

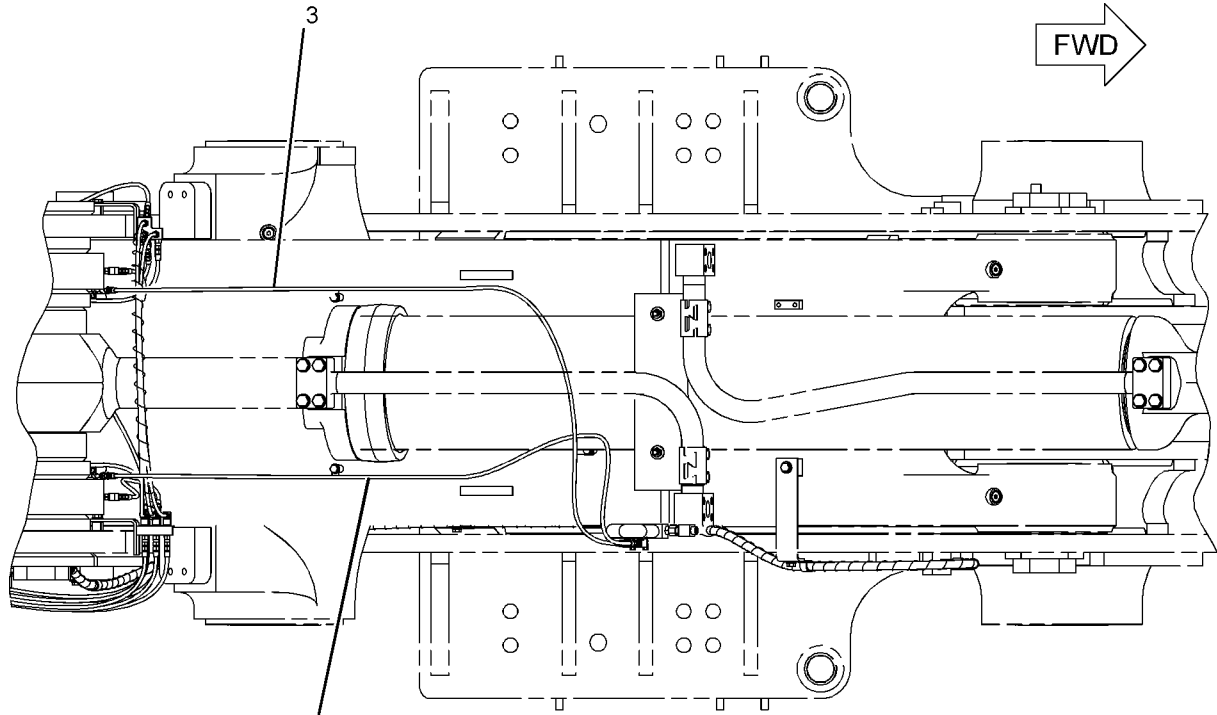
I - REFER TO HYDRAULIC INFORMATION SYSTEM

Y - SEPARATE ILLUSTRATION

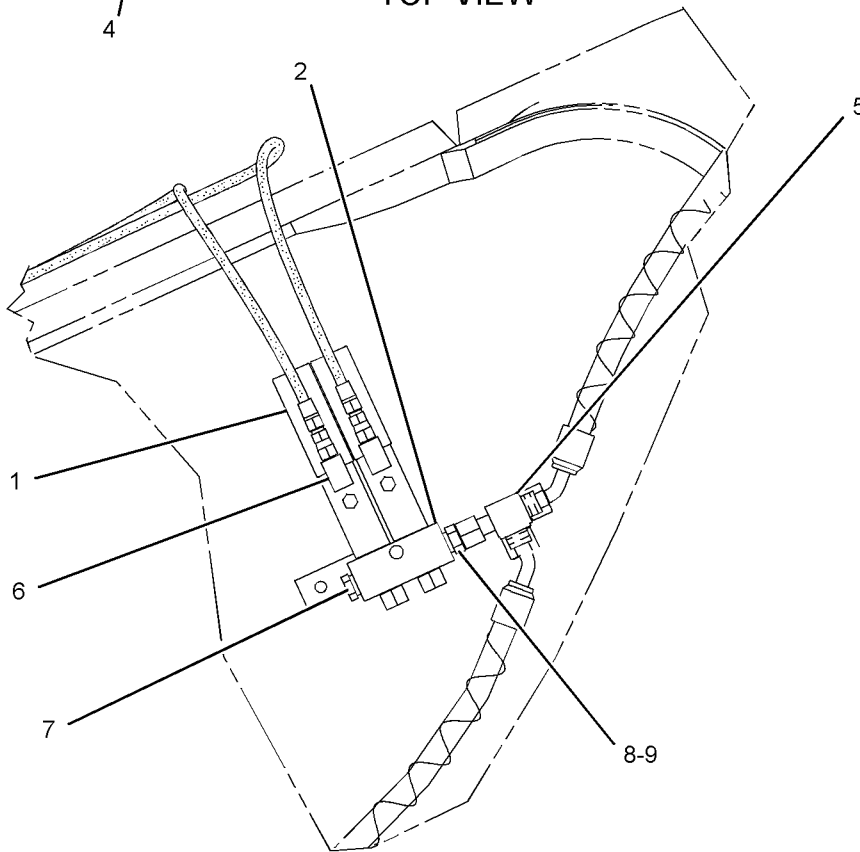
# FRAME AND BODY

229-2622 VALVE & LINES GP-LUBRICATION (contd.)

i01952140



TOP VIEW



RIGHT SIDE VIEW

<END>

GRAPHIC #1

g01016244



# FRAME AND BODY

## 5T-5009 VALVE GP-LUBE DISTRIBUTION-3-INJECTOR

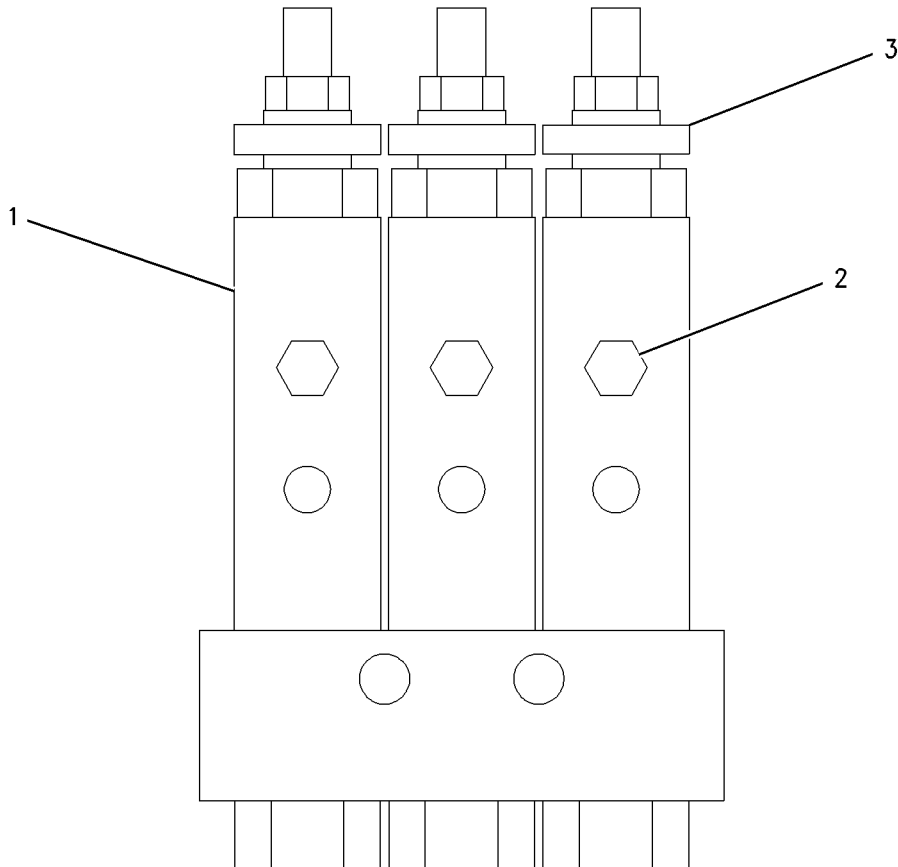
S/N: BNH1-UP

PART OF 189-7436, 229-2623 LINES GP-LUBRICATION  
AN ATTACHMENT

SMCS-7540

i03410283

NOTE	REF NO	GRAPHIC REF	PART NUMBER	QTY	PART NAME						SEE PAGE
					1	2	3	4	5	6 (PRODUCT LEVEL)	
J	1	1	<b>5T-5045</b>	3	INJECTOR GP-LUBRICATION (EACH INCLUDES)						
	2	1	<b>8X-1106</b>	1	FITTING AS-GREASE (1/8-27-THD)						
	3	1	<b>191-0554</b>	1	PACKING						
AVAILABLE REPAIR KIT(S):											
J			<b>8W-2555</b>	1	KIT-INJECTOR (LUBE) (INCLUDES PLUNGER, PISTON ROD, SPRING, & PACKING)						
J - KIT MARKED J SERVICES PART MARKED J											



GRAPHIC #1

<END>

g00752550

# FRAME AND BODY

## 8W-2597 VALVE GP-LUBE DISTRIBUTION-4-INJECTOR

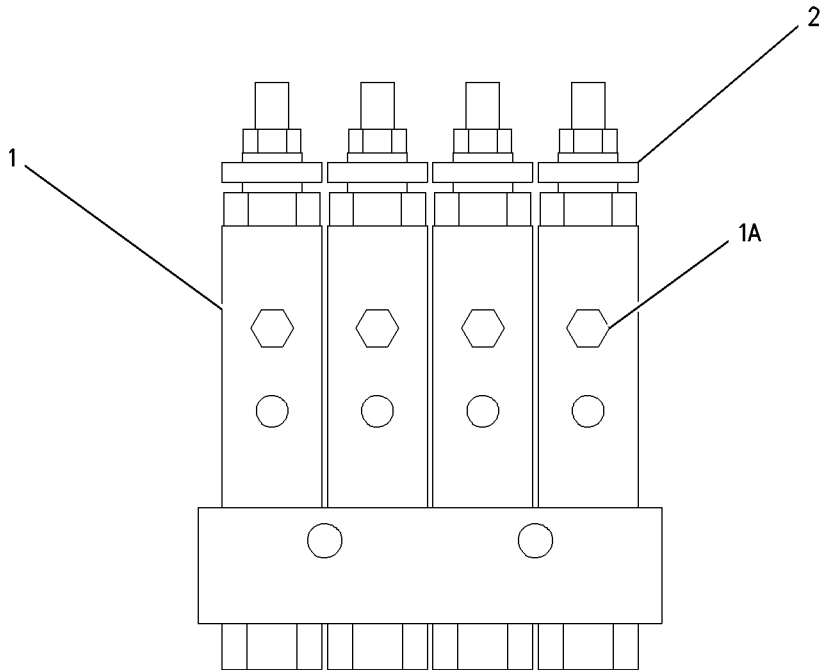
S/N: BNH1-UP

PART OF 189-7435, 189-7437, 229-2624 LINES GP-LUBRICATION  
AN ATTACHMENT

SMCS-7540

i03410286

NOTE	REF NO	GRAPHIC REF	PART NUMBER	QTY	PART NAME						SEE PAGE
					1	2	3	4	5	6 (PRODUCT LEVEL)	
J	1	1	<b>5T-5045</b>	4	INJECTOR GP-LUBRICATION (EACH INCLUDES)						
	1A	1	<b>8X-1106</b>	1	FITTING AS-GREASE (1/8-27-THD)						
	2	1	<b>191-0554</b>	4	PACKING						
AVAILABLE REPAIR KIT(S):											
J			<b>8W-2555</b>	1	KIT-INJECTOR (LUBE) (INCLUDES PLUNGER, PISTON ROD, SPRING & PACKING)						
J - KIT MARKED J SERVICES PART MARKED J											



GRAPHIC #1

<END>

g00752264

# FRAME AND BODY

## 141-2107 VALVE GP-LUBE DISTRIBUTION-2-INJECTOR

S/N: BNH1-UP

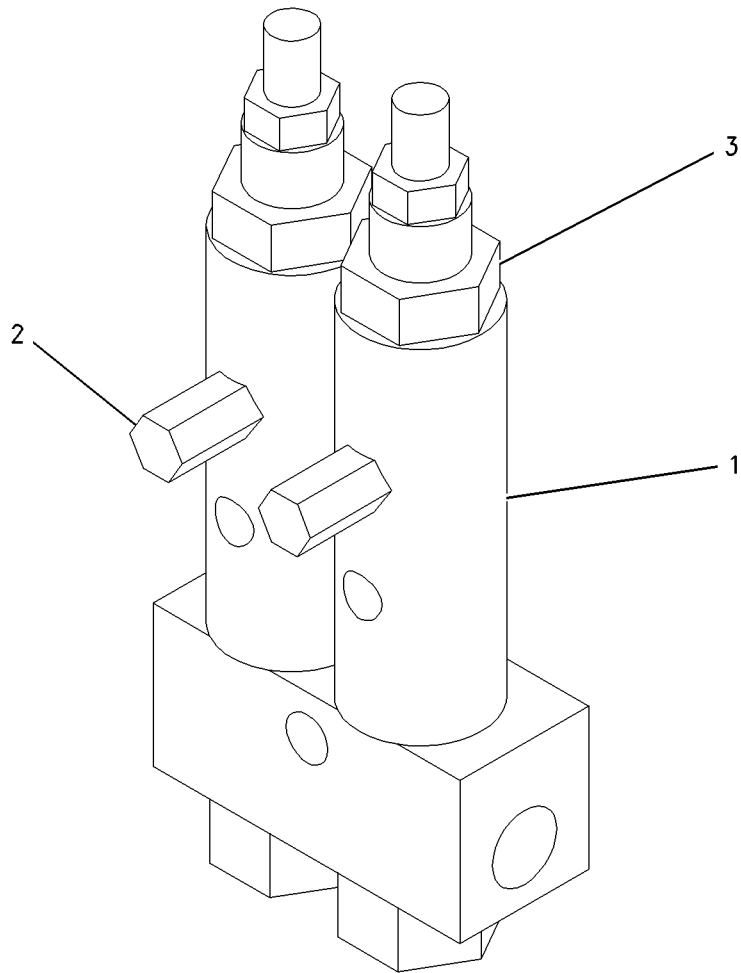
PART OF 229-2622 VALVE & LINES GP-LUBRICATION  
AN ATTACHMENT

SMCS-7540

i03410300

NOTE	REF NO	GRAPHIC REF	PART NUMBER	QTY	PART NAME						SEE PAGE
					1	2	3	4	5	6 (PRODUCT LEVEL)	
J	1	1	<b>5T-5045</b>	2	INJECTOR GP-LUBRICATION (EACH INCLUDES)						
	2	1	<b>8X-1106</b>	1	FITTING AS-GREASE (1/8-27-THD)						
	3	1	<b>191-0554</b>	2	PACKING						
AVAILABLE REPAIR KIT(S):											
J			<b>8W-2555</b>	1	KIT-INJECTOR (LUBE) (INCLUDES PLUNGER, PISTON, ROD, SPRING & PACKING)						

J - KIT MARKED J SERVICES PART MARKED J



GRAPHIC #1

<END>

g00804476

# BRAKING SYSTEM

## 111-9040 ACCUMULATOR GP-BRAKE-CHARGED

S/N: BNH1-513

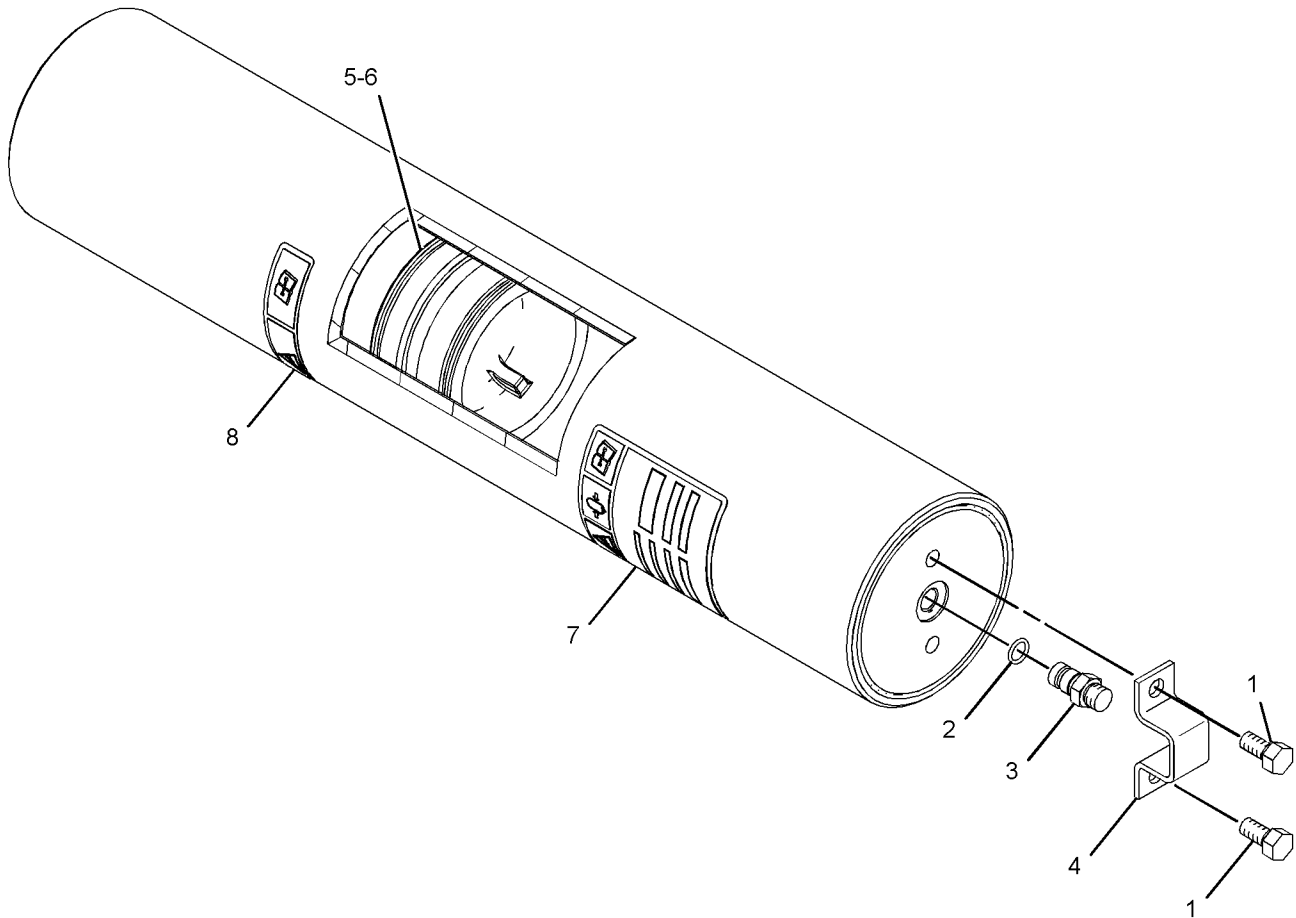
FIELD REPLACEMENT ORDER 283-1137-PAGE: 724

PART OF 132-6139 CONTROL GP-SERVICE BRAKE

SMCS-4263

i02944858

NOTE	REF NO	GRAPHIC REF	PART NUMBER	QTY	PART NAME						SEE PAGE
					1	2	3	4	5	6 (PRODUCT LEVEL)	
	1	1	<b>5M-3062</b>	2	BOLT (3/8-16X0.75-IN)						
	2	1	<b>1J-9671</b>	1	SEAL-O-RING						
	3	1	<b>069-2535</b>	1	VALVE-GAS (BRAKE ACCUMULATOR)						
	4	1	<b>111-9110</b>	1	PROTECTOR-GAS VALVE						
	5	1	<b>8R-2972</b>	1	KIT-SEAL (BRAKE ACCUMULATOR) (INCLUDES O-RINGS, END SEAL, PISTON RING, BACKUP WASHER)						
	6	1	<b>135-7123</b>	1	PISTON						
	7	1	<b>241-0037</b>	1	FILM-WARNING (HIGH PRESSURE, READ OMM)						
	8	1	<b>224-0672</b>	1	FILM-WARNING (HIGH PRESSURE, READ OMM, INTL)						



GRAPHIC #1

<END>

g01465987

# BRAKING SYSTEM

## 220-1432 ACCUMULATOR GP-BRAKE-CHARGED

S/N: BNH1062-UP

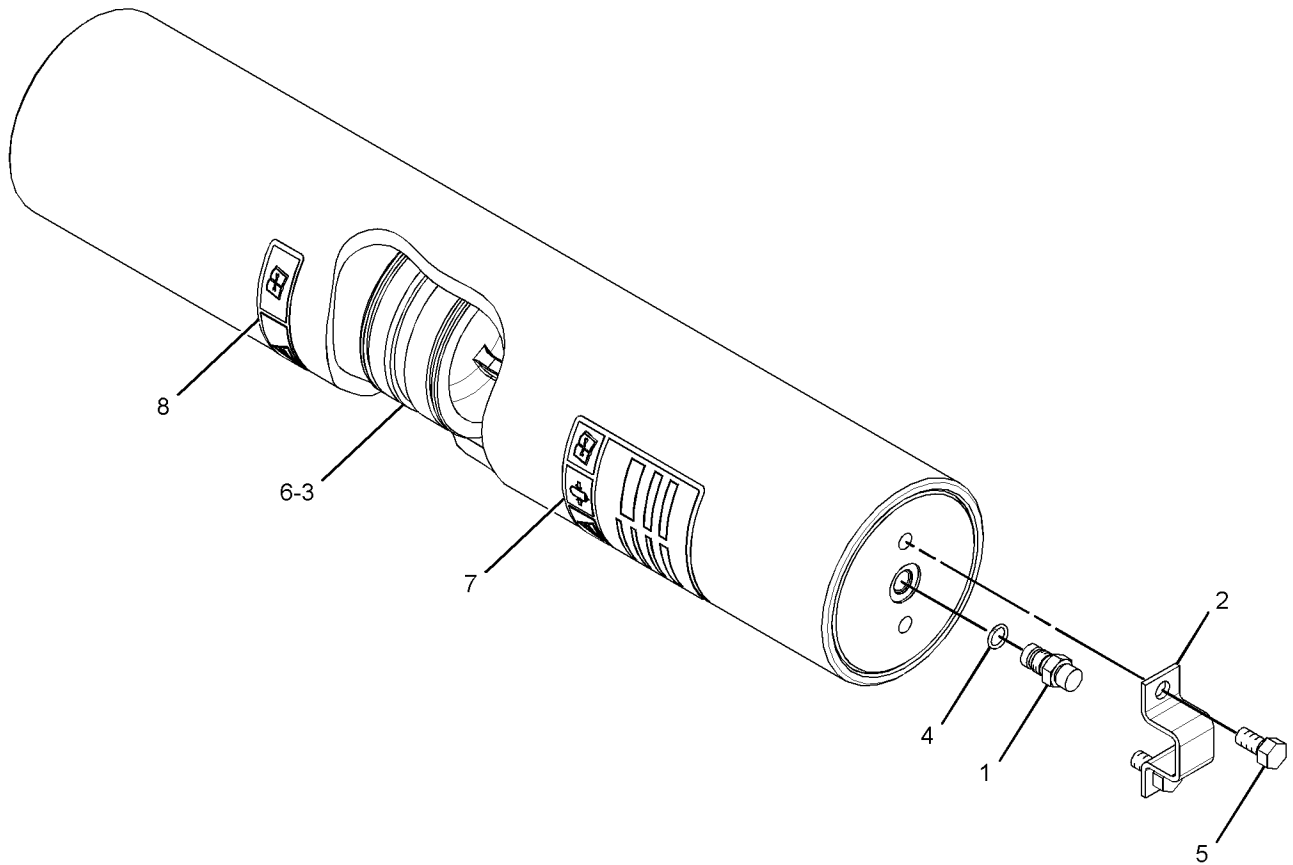
FIELD REPLACEMENT ORDER 283-1137-PAGE: 724

PART OF 228-4399 CONTROL GP-SERVICE BRAKE

SMCS-4263

i02906341

NOTE	REF NO	GRAPHIC REF	PART NUMBER	QTY	PART NAME						SEE PAGE
					1	2	3	4	5	6 (PRODUCT LEVEL)	
	1	1	<b>069-2535</b>	1	VALVE-GAS						
	2	1	<b>111-9110</b>	1	PROTECTOR-GAS VALVE						
	3	1	<b>135-7123</b>	1	PISTON						
	4	1	<b>1J-9671</b>	1	SEAL-O-RING						
	5	1	<b>5M-3062</b>	2	BOLT (3/8-16X0.75-IN)						
	6	1	<b>170-0493</b>	1	KIT-SEAL (HYDRAULIC ACCUMULATOR) (INCLUDES RINGS, SEALS, & WASHERS)						
	7	1	<b>241-0037</b>	1	FILM-WARNING (HIGH PRESSURE, READ OMM)						
	8	1	<b>224-0672</b>	1	FILM-WARNING (HIGH PRESSURE, READ OMM, INTL)						



GRAPHIC #1

<END>

g01514194

# BRAKING SYSTEM

## 283-1137 ACCUMULATOR GP-BRAKE-UNCHARGED

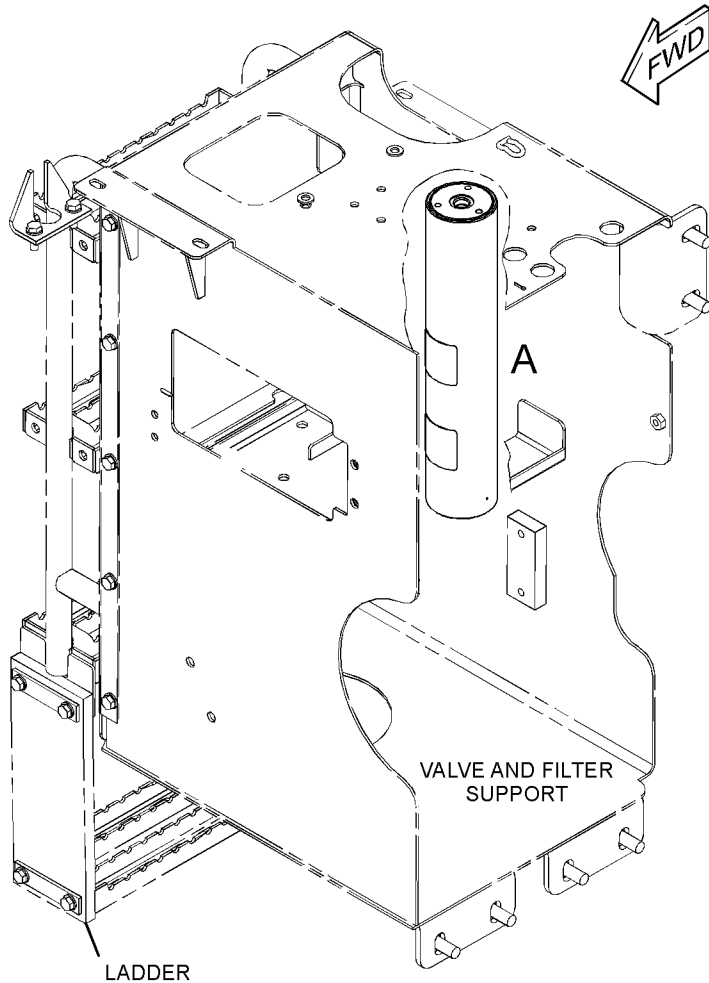
S/N: BNH1-513, 1062-UP

FIELD REPLACEMENT FOR 111-9040-PAGE: 722, 220-1432-PAGE: 723

SMCS-4263

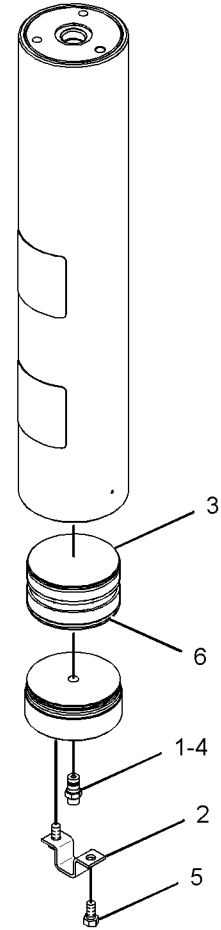
i02518326

NOTE	REF NO	GRAPHIC REF	PART NUMBER	QTY	PART NAME						SEE PAGE
					1	2	3	4	5	6 (PRODUCT LEVEL)	
	1	1	<b>069-2535</b>	1	VALVE-GAS						
	2	1	<b>111-9110</b>	1	PROTECTOR-GAS VALVE						
	3	1	<b>135-7123</b>	1	PISTON						
	4	1	<b>1J-9671</b>	1	SEAL-O-RING						
	5	1	<b>5M-3062</b>	2	BOLT (3/8-16X0.75-IN)						
	6	1	<b>170-0493</b>	1	KIT-SEAL (HYDRAULIC ACCUMULATOR)						
(KIT INCLUDES SEALS, WASHERS, AND PISTON)											



GRAPHIC #1

<END>



VIEW OF AREA A  
(EXPLODED)

g01331047

# BRAKING SYSTEM

## 174-1552 BRAKE GP-PARKING

S/N: BNH1-UP

PART OF 114-5105 POWER TRAIN AR

SMCS-4267

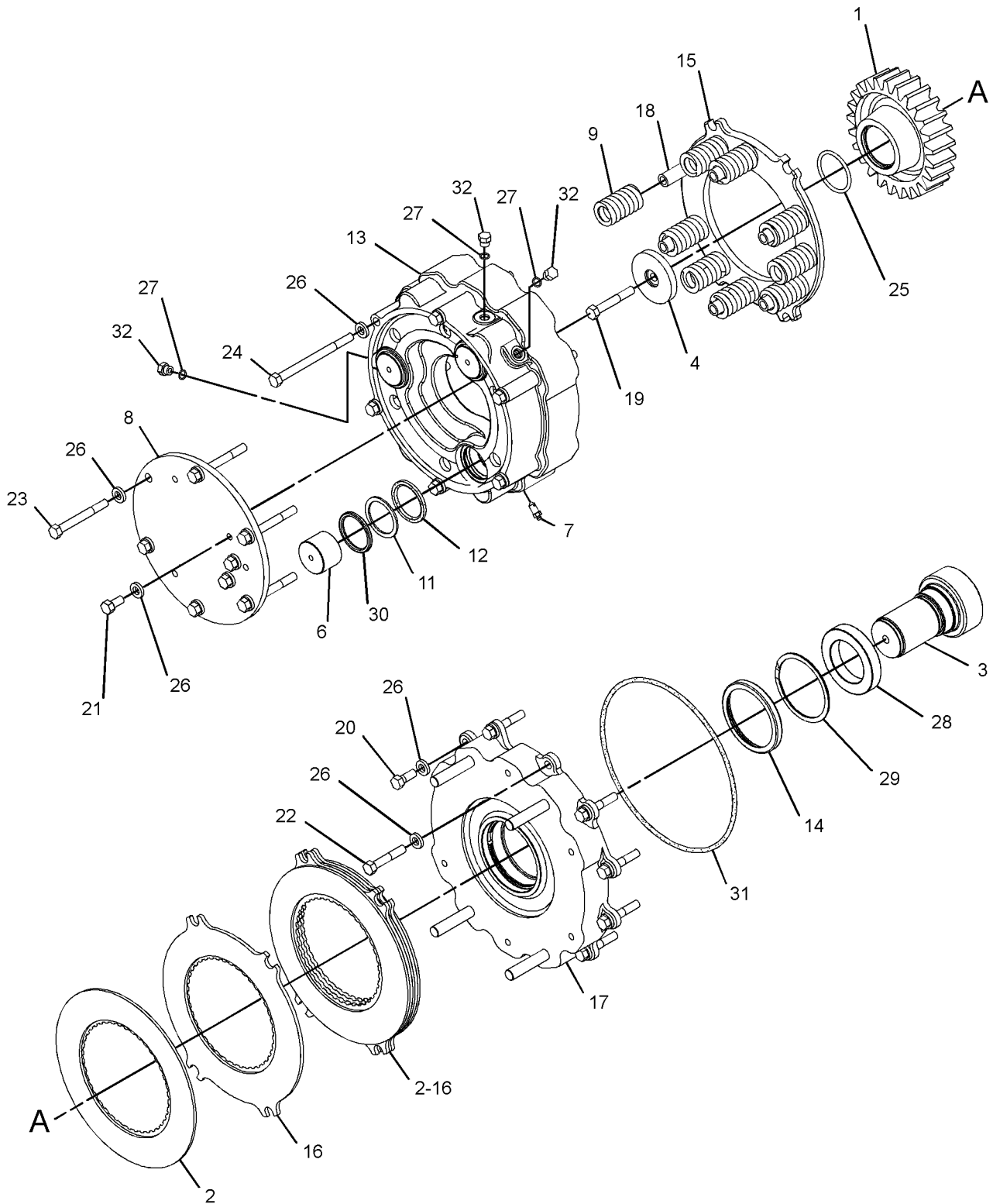
i04943184

NOTE	REF NO	GRAPHIC REF	PART NUMBER	QTY	PART NAME						SEE PAGE
					1	2	3	4	5	6	
	1	1	<b>284-0001</b>	1	HUB						
	2	1	<b>236-8675</b>	4	DISC-FRICTION						
	3	1	<b>3P-3505</b>	1	SHAFT-BRAKE						
	4	1	<b>3S-1262</b>	1	RETAINER						
	6	1	<b>4E-8583</b>	3	PISTON						
	7	1	<b>7K-4942</b>	1	SCREW-PURGE						
	8	1	<b>7S-3996</b>	1	PLATE-RETAINING						
	9	1	<b>7S-3997</b>	9	SPRING						
	11	1	<b>170-6712</b>	3	RING-BACKUP						
	12	1	<b>171-1391</b>	3	SEAL						
	13	1	<b>174-1550</b>	1	HOUSING-BRAKE						
	14	1	<b>177-1483</b>	1	SEAL-LIP TYPE						
	15	1	<b>184-3675</b>	1	PLATE-PRESSURE						
	16	1	<b>184-3677</b>	3	PLATE-REACTION						
	17	1	<b>184-4617</b>	1	CAGE AS						
	18	1	<b>188-0960</b>	6	SPACER (13.88X21.34X63-MM THK)						
	19	1	<b>0L-1558</b>	1	BOLT (1/2-20X3.25-IN)						
	20	1	<b>0S-1595</b>	2	BOLT (1/2-13X1.25-IN)						
	21	1	<b>0S-1621</b>	3	BOLT (1/2-13X1-IN)						
	22	1	<b>1A-5822</b>	7	BOLT (1/2-13X2.75-IN)						
	23	1	<b>1D-4569</b>	6	BOLT (1/2-13X4.25-IN)						
	24	1	<b>2A-1531</b>	6	BOLT (1/2-13X6.5-IN)						
	25	1	<b>2H-2665</b>	1	SEAL-O-RING						
	26	1	<b>2M-0849</b>	24	WASHER-HARD (13.5X25.5X5-MM THK)						
	27	1	<b>3J-1907</b>	3	SEAL-O-RING						
	28	1	<b>3K-2518</b>	1	BALL BEARING						
	29	1	<b>3K-2556</b>	1	RING-RETAINING						
	30	1	<b>7K-9204</b>	3	SEAL-LIP TYPE						
	31	1	<b>8H-8257</b>	1	SEAL-O-RING						
	32	1	<b>9S-4191</b>	3	PLUG-O-RING						

# BRAKING SYSTEM

174-1552 BRAKE GP-PARKING (contd.)

i04943184



GRAPHIC #1

<END>

g03142279



# BRAKING SYSTEM

## 161-9275 BRAKE GP-SERVICE

S/N: BNH1-UP

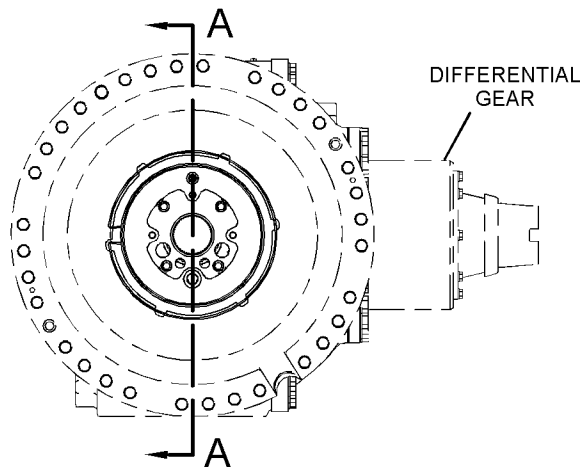
PART OF 137-8833 AXLE AR-FIXED, 137-8832 AXLE AR-OSCILLATING

SMCS-4251

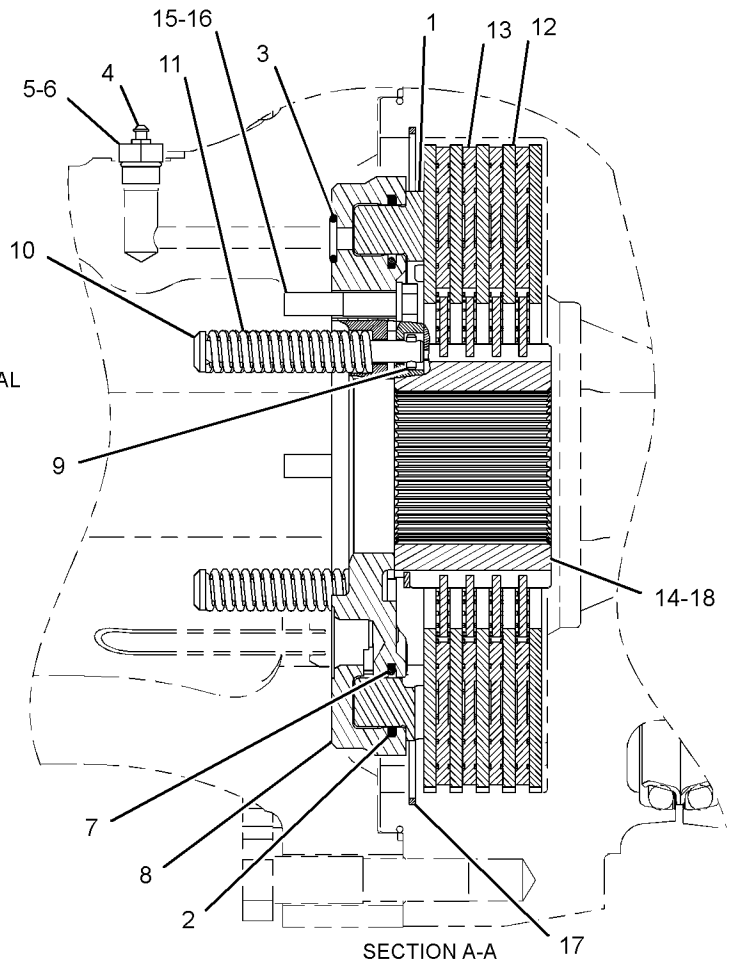
i03767289

NOTE	REF NO	GRAPHIC REF	PART NUMBER	QTY	PART NAME						SEE PAGE
					1	2	3	4	5	6 (PRODUCT LEVEL)	
	1	1	107-9172	1	PISTON						
	2	1	151-6251	1	SEAL-D-RING						
	3	1	5P-8119	1	SEAL-O-RING						
	4	1	9F-2167	1	SCREW-PURGE (3/8-24X1.164-IN)						
	5	1	110-2446	1	ADAPTER						
	6	1	3K-0360	1	SEAL-O-RING						
	7	1	151-6250	1	SEAL-D-RING						
	8	1	134-0039	1	HOUSING						
	9	1	6M-9155	4	PIN						
	10	1	7V-8346	4	SPRING-GUIDE						
	11	1	8V-3609	4	SPRING-RETRACTOR						
	12	1	118-6606	5	PLATE-OUTER						
	13	1	201-0737	4	DISC-FRICTION (EXTENDED LIFE)						
	14	1	134-0037	1	HUB						
M	15	1	6V-8150	3	BOLT (M12X1.75X60-MM)						
	16	1	3H-7654	3	WASHER-HARD (13.5X22.5X3.0-MM THK)						
	17	1	9M-2076	1	RING-SNAP						
	18	1	8T-1141	1	RING-RETAINING						

M - METRIC PART



GRAPHIC #1



<END>

g02051193

# BRAKING SYSTEM

## 169-8258 CONTROL GP-FOOT BRAKE

S/N: BNH1-UP

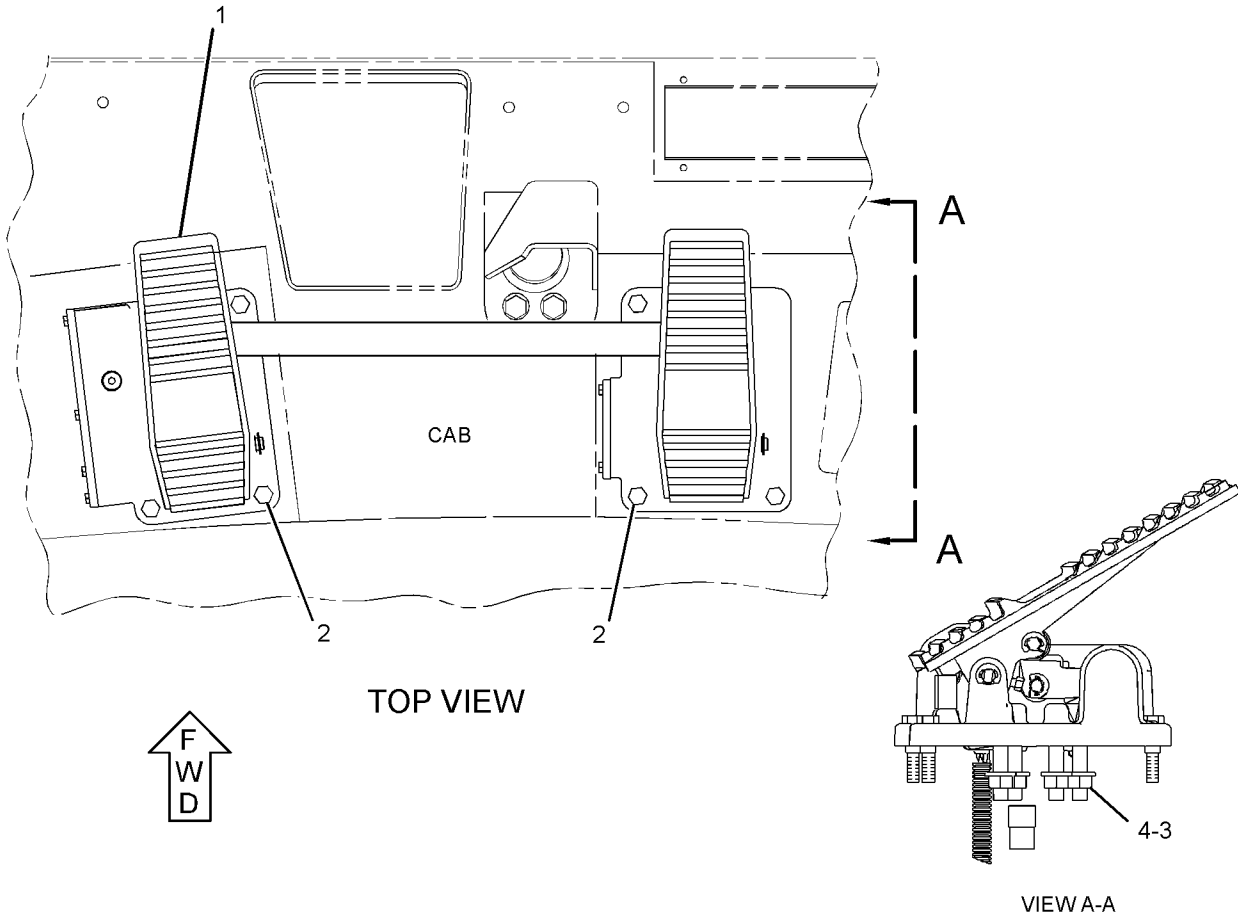
PART OF 202-9742, 346-3845 CAB AR

SMCS-4269

i02614696

NOTE	REF NO	GRAPHIC REF	PART NUMBER	QTY	PART NAME						SEE PAGE
					1	2	3	4	5	6 (PRODUCT LEVEL)	
Y	1	1	180-3999	1	CONTROL GP-FOOT BRAKE						729
M	2	1	099-3649	6	BOLT (M8X1.25X40-MM)						
	3	1	8T-4121	4	WASHER-HARD (11X21X2.5-MM THK)						
M	4	1	8T-4133	4	NUT (M10X1.5-THD)						

M - METRIC PART  
Y - SEPARATE ILLUSTRATION



GRAPHIC #1

<END>

g01311768

# BRAKING SYSTEM

## 180-3999 CONTROL GP-FOOT BRAKE

S/N: BNH1-UP

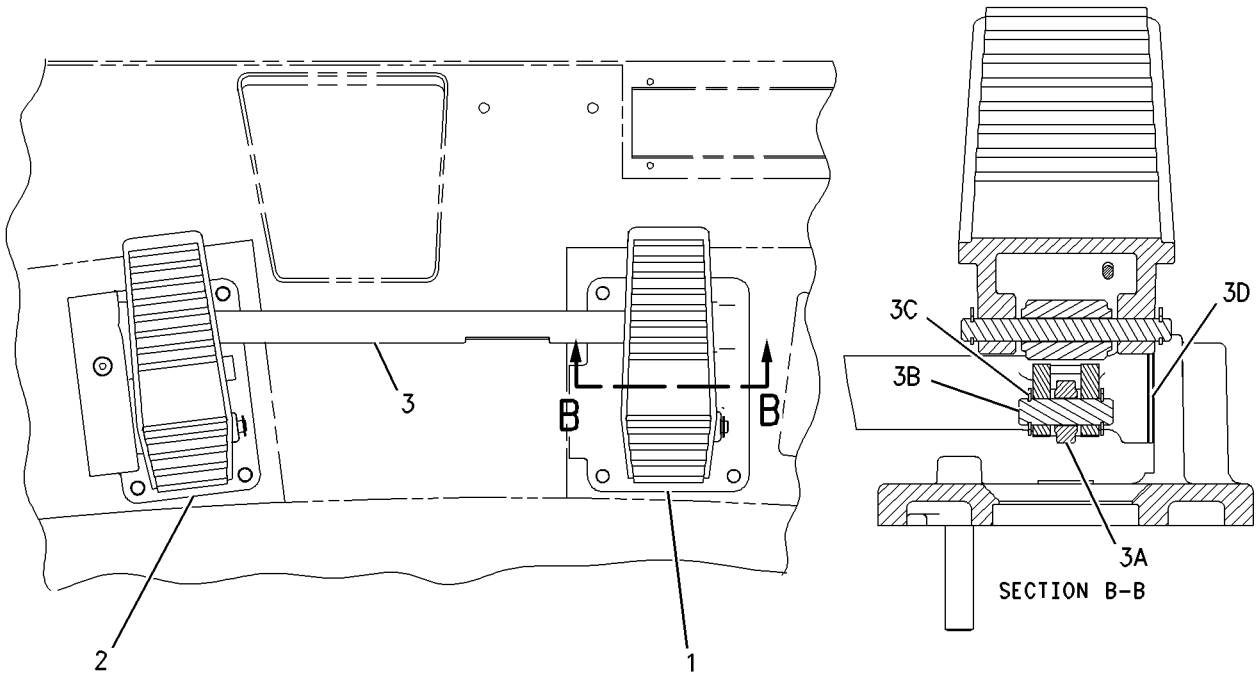
PART OF 169-8258 CONTROL GP-FOOT BRAKE

SMCS-4269

i01465414

NOTE	REF NO	GRAPHIC REF	PART NUMBER	QTY	PART NAME						SEE PAGE
					1	2	3	4	5	6 (PRODUCT LEVEL)	
Y	1	1	180-4000	1	BASE GP-FOOT BRAKE (RH PEDAL)						1212
Y	2	1	180-4001	1	BASE GP-FOOT BRAKE (LH PEDAL)						1213
	3	1	180-3994	1	SHAFT AS						
	3A	1	4E-9667	2	ROLLER						
	3B	1	4E-9668	4	PIN						
	3C	1	009-3101	4	RING-RETAINING						
	3D	1	114-9491	4	WASHER						

Y - SEPARATE ILLUSTRATION



GRAPHIC #1

<END>

g00765500

# BRAKING SYSTEM

## 141-4644 CONTROL GP-PARKING BRAKE

S/N: BNH1-UP

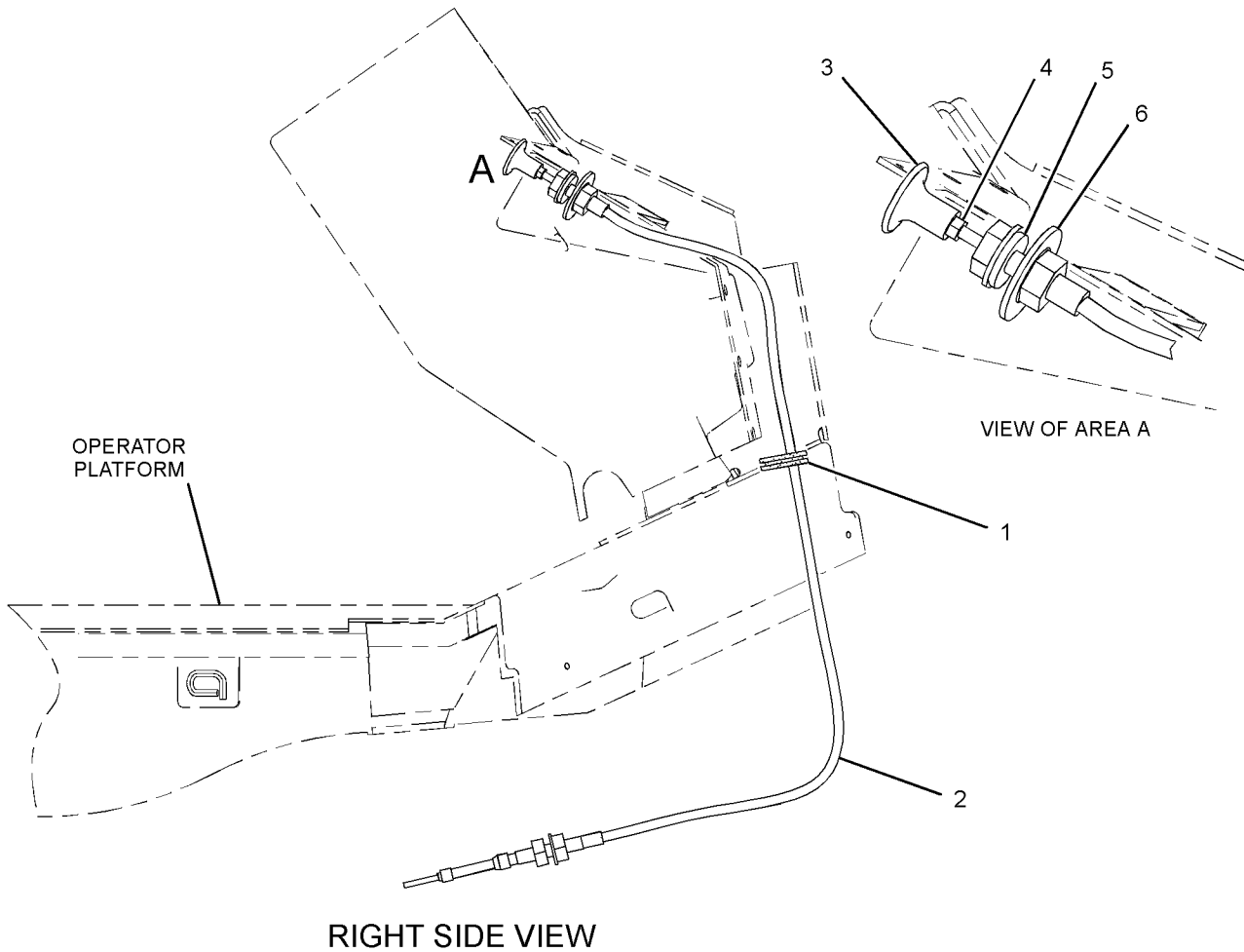
PART OF 202-9742, 346-3845 CAB AR

SMCS-4282, 4284

i04041889

NOTE	REF NO	GRAPHIC REF	PART NUMBER	QTY	PART NAME						SEE PAGE
					1	2	3	4	5	6	
	1	1	<b>310-7198</b>	1	GROMMET						
	2	1	<b>153-6224</b>	1	CABLE AS-PARKING BRAKE CONTROL						
		1	<b>8T-4223</b>	3	WASHER-HARD (13.5X25.5X3-MM THK)						
M		1	<b>8T-4244</b>	4	NUT (M12X1.75-THD)						
		1	<b>9B-0453</b>	2	LOCKWASHER						
	3	1	<b>122-1671</b>	1	KNOB						
M	4	1	<b>5C-2890</b>	1	NUT (M6X1-THD)						
	5	1	<b>5P-1076</b>	1	WASHER-HARD (13.5X30X4-MM THK)						
	6	1	<b>8R-0126</b>	1	WASHER (12.2X50X3-MM THK)						

M - METRIC PART



GRAPHIC #1

<END>

g02284796

# BRAKING SYSTEM

## 132-6139 CONTROL GP-SERVICE BRAKE

S/N: BNH1-UP

PART OF 203-1582 HYDRAULIC AR

SMCS-4257, 4258, 4263, 4265, 4269, 4280

i01512084

NOTE	REF NO	GRAPHIC REF	PART NUMBER	QTY	PART NAME						SEE PAGE
					1	2	3	4	5	6 (PRODUCT LEVEL)	
	1	1	6H-7062	2	SPACER (13.5X25X19-MM THK)						
	2	1	6K-5290	1	CLIP (TAB)						
	3	1,2,3	6V-0852	5	CAP-DUST						
	4	1,2,3	6V-3965	5	FITTING (QUICK DISCONNECT)						
	5	1,2	7X-0871	4	TEE						
	6	3	7X-0873	1	TEE						
Y	7	2	111-9040	2	ACCUMULATOR GP-BRAKE (CHARGED)						722
	8	3	116-4798	1	ANGLE AS						
	9	1	116-9331	1	JUNCTION BLOCK						
J	10	3	133-7102	1	VALVE GP-ACCUMULATOR CHARGING						
	11	1	136-0003	1	TUBE AS						
	12	1	136-0007	1	TUBE AS						
	13	1	136-0008	1	TUBE AS						
	14	2	136-0019	1	TUBE AS						
I	15	3	136-0028	1	HOSE AS						
I	16	1	136-0036	1	HOSE AS						
I	17	1	202-8038	1	HOSE AS						
	18	2	136-9698	1	BRACKET AS						
	19	3	138-4048	1	BRACKET AS						
	20	2	140-0205	1	CLAMP AS						
	21	1	140-0206	2	PLATE						
	22	1	141-7909	1	TUBE AS						
	23	1	141-7911	1	TUBE AS						
	24	3	141-7913	1	TUBE AS						
Y	25	1	146-3725	1	VALVE & MTG GP-BRAKE CONTROL (PARKING)						773
I	26	3	147-3324	1	HOSE AS						
Y	27	1	177-8924	1	PUMP GP-GEAR (PILOT & BRAKING)						965
I	28	3	153-7655	1	HOSE AS						
I	29	1	153-7656	1	HOSE AS						
	30	3	153-7738	1	BRACKET						
	31	1	153-7739	1	BRACKET						
I	32	2	153-8921	1	HOSE AS						
I	33	2	153-8922	1	HOSE AS						
	34	2	155-0055	1	PLATE						
	35	2	155-1838	1	BRACKET						
I	36	3	159-0250	1	HOSE AS						
	37	1	200-0866	1	VALVE GP-BRAKE CONTROL (SERVICE)						
I	38	2	175-1370	1	HOSE AS						
I	39	2	175-1371	1	HOSE AS						
I	40	2	175-1372	1	HOSE AS						
I	41	2	175-1373	1	HOSE AS						
I	42	2	175-1374	1	HOSE AS						
I	43	2	175-1375	1	HOSE AS						
I	44	2	175-1376	1	HOSE AS						
	45	1	148-8336	1	CONNECTOR AS						
		1	6V-8636	1	CONNECTOR						
		1	3J-1907	1	SEAL-O-RING						
		1	6V-8397	1	SEAL-O-RING						
	46	2,3	148-8340	6	CONNECTOR AS						
					(EACH INCLUDES)						
		2,3	6V-8639	1	CONNECTOR						
		2,3	3K-0360	1	SEAL-O-RING						
		2,3	6V-8398	1	SEAL-O-RING						
	47	3	148-8347	1	ELBOW AS						
		3	6V-9007	1	ELBOW						
		3	3D-2824	1	SEAL-O-RING						
		3	6V-9746	1	SEAL-O-RING						
	48	1,3	148-8364	4	ELBOW AS						

# BRAKING SYSTEM

132-6139 CONTROL GP-SERVICE BRAKE (contd.)

i01512084

NOTE	REF NO	GRAPHIC REF	PART NUMBER	QTY	PART NAME						SEE PAGE
					1	2	3	4	5	6 (PRODUCT LEVEL)	
					(EACH INCLUDES)						
		1,3	6V-8625	1	ELBOW						
		1,3	3K-0360	1	SEAL-O-RING						
		1,3	6V-8398	1	SEAL-O-RING						
	49	1,2,3	148-8370	5	ELBOW AS						
					(EACH INCLUDES)						
		1,2,3	6V-9851	1	ELBOW						
		1,2,3	6V-8398	1	SEAL-O-RING						
	50	3	148-8375	2	ELBOW AS						
					(EACH INCLUDES)						
		3	6V-8981	1	ELBOW						
		3	6V-8398	2	SEAL-O-RING						
	51	3	148-8428	1	TEE AS						
		3	6V-8782	1	TEE						
		3	3K-0360	1	SEAL-O-RING						
		3	6V-8398	2	SEAL-O-RING						
	52	1,2	148-8444	4	TEE AS-SWIVEL						
					(EACH INCLUDES)						
		1,2	6V-9837	1	TEE-SWIVEL						
		1,2	6V-8398	2	SEAL-O-RING						
	53	2	148-8457	2	UNION AS (STRAIGHT)						
					(EACH INCLUDES)						
		2	6V-8995	1	UNION (STRAIGHT)						
		2	6V-8398	2	SEAL-O-RING						
	54	1	1H-6227	1	SEAL-O-RING						
	55	1	1P-4578	2	FLANGE-HALF						
	56	1,2,3	3J-1907	5	SEAL-O-RING						
	57	3	4J-0520	1	SEAL-O-RING						
	58	1	4J-0522	2	SEAL-O-RING						
	59	1	5P-7470	1	CLIP (SLOT)						
	60	1	5P-7471	1	CLIP (TAB)						
	61	1	5P-7854	1	CLIP						
	62	1	5P-8182	1	GROMMET						
	63	1	6B-6205	1	SPACER (0.438X0.875X1.281-IN THK)						
	64	1	6D-4636	3	CLIP						
	65	1	6K-5291	1	CLIP (SLOT)						
	66	1	6V-0397	2	FLANGE-HALF						
	67	3	6V-8397	1	SEAL-O-RING						
	68	1,2,3	6V-8398	14	SEAL-O-RING						
	69	2,3	6V-9169	4	NUT (13/16-16-THD)						
	70	1,3	6V-9746	3	SEAL-O-RING						
	71	1,2	7M-8485	4	SEAL-O-RING						
	73	2	7X-7729	2	WASHER (11X25X3-MM THK)						
	74	3	8C-3206	2	FLANGE-HALF						
	76	2,3	8C-8989	2	ELBOW						
	77	1,2,3	8T-1885	6	CLIP (SLOT)						
	78	1,2,3	8T-1886	6	CLIP (TAB)						
	79	1,2,3	8T-4121	28	WASHER-HARD (11X21X2.5-MM THK)						
M	80	1,2	8T-4133	2	NUT (M10X1.5-THD)						
M	81	1,2,3	8T-4136	14	BOLT (M10X1.5X25-MM)						
M	82	3	8T-4137	4	BOLT (M10X1.5X20-MM)						
M	83	1	8T-4139	2	BOLT (M12X1.75X30-MM)						
M	84	2	8T-4179	2	BOLT (M12X1.75X20-MM)						
M	85	2	8T-4182	2	BOLT (M10X1.5X45-MM)						
M	86	1,2	8T-4183	11	BOLT (M12X1.75X40-MM)						
M	87	1	8T-4192	6	BOLT (M12X1.75X25-MM)						
M	88	2,3	8T-4196	5	BOLT (M10X1.5X35-MM)						
	89	1,2,3	8T-4223	33	WASHER-HARD (13.5X25.5X3-MM THK)						
M	90	1	8T-4244	2	NUT (M12X1.75-THD)						
M	92	1,3	8T-4956	10	BOLT (M12X1.75X35-MM)						
M	93	1	8T-5005	1	BOLT (M10X1.5X70-MM)						

# BRAKING SYSTEM

132-6139 CONTROL GP-SERVICE BRAKE (contd.)

i01512084

NOTE	REF NO	GRAPHIC REF	PART NUMBER	QTY	PART NAME						SEE PAGE
					1	2	3	4	5	6 (PRODUCT LEVEL)	
M	95	1	<b>8T-6466</b>	2	BOLT (M10X1.5X60-MM)						
	96	3	<b>8T-8899</b>	1	ELBOW						
	97	1,2	<b>9X-8408</b>	4	CONNECTOR						
	98	1	<i>148-8306</i>	2	ADAPTER AS						
					(EACH INCLUDES)						
		1	<b>5P-5777</b>	1	ADAPTER-O-RING						
		1	<b>7M-8485</b>	1	SEAL-O-RING						
AVAILABLE REPAIR KIT(S):											
J			<b>143-9148</b>	1	KIT-REPAIR						

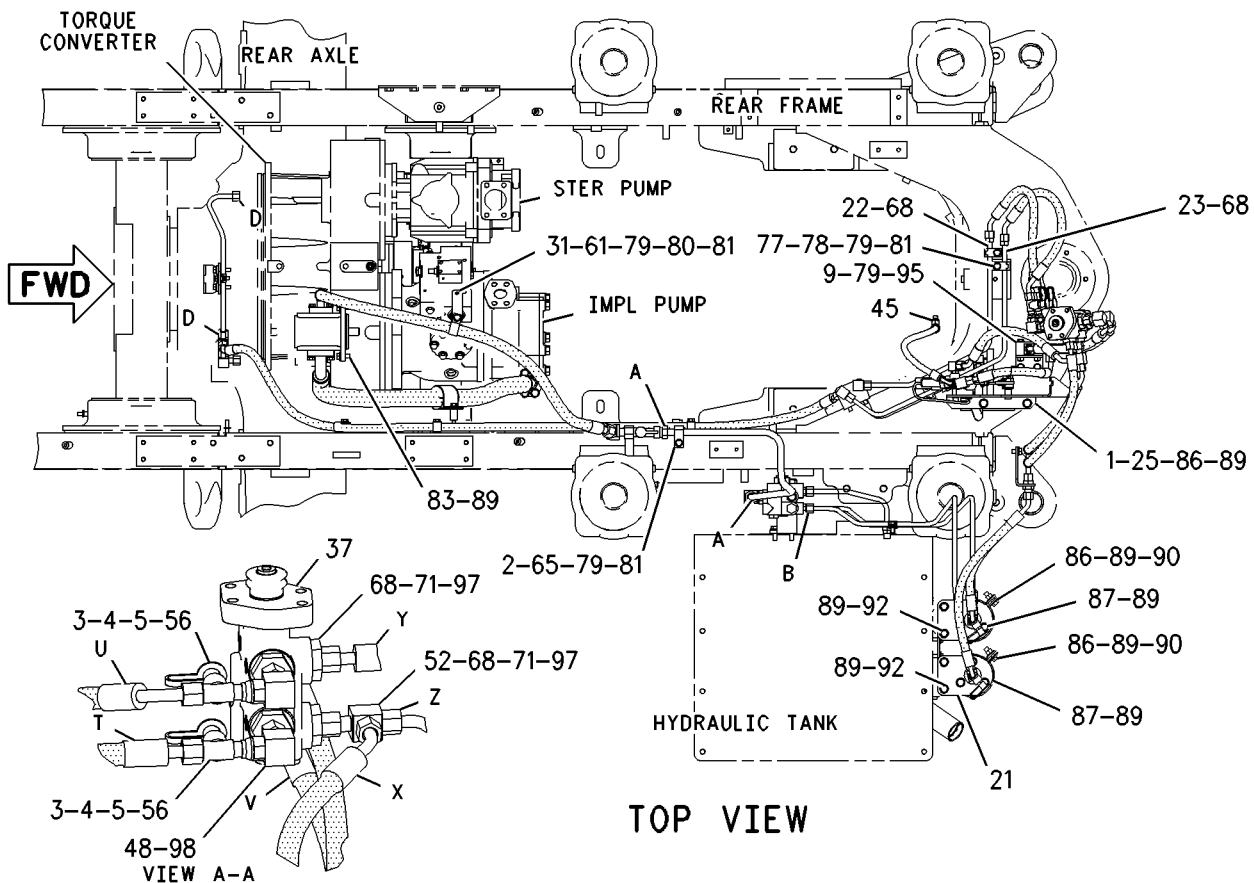
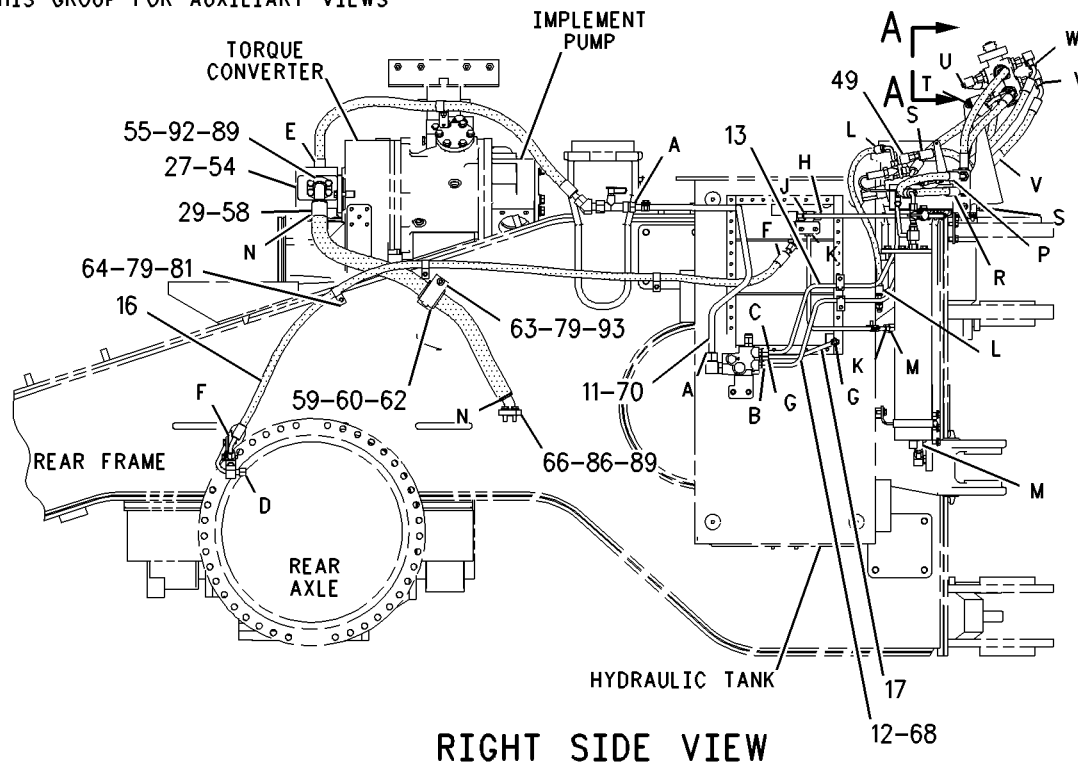
I - REFER TO HYDRAULIC INFORMATION SYSTEM  
 J - PART MARKED J INCLUDES KIT MARKED J  
 M - METRIC PART  
 Y - SEPARATE ILLUSTRATION

# BRAKING SYSTEM

132-6139 CONTROL GP-SERVICE BRAKE (contd.)

i01512084

REFER TO ALL ILLUSTRATIONS OF THIS GROUP FOR AUXILIARY VIEWS



GRAPHIC #1

g00784751

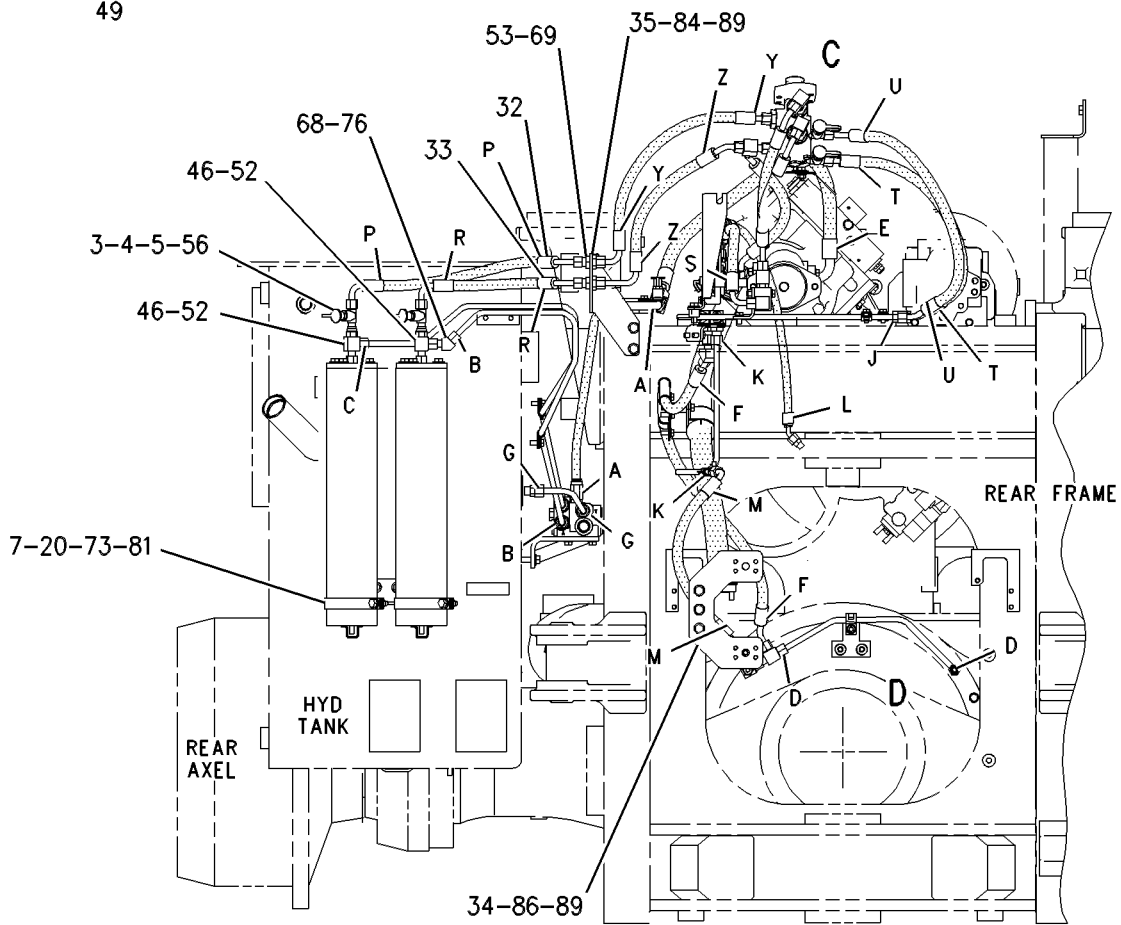
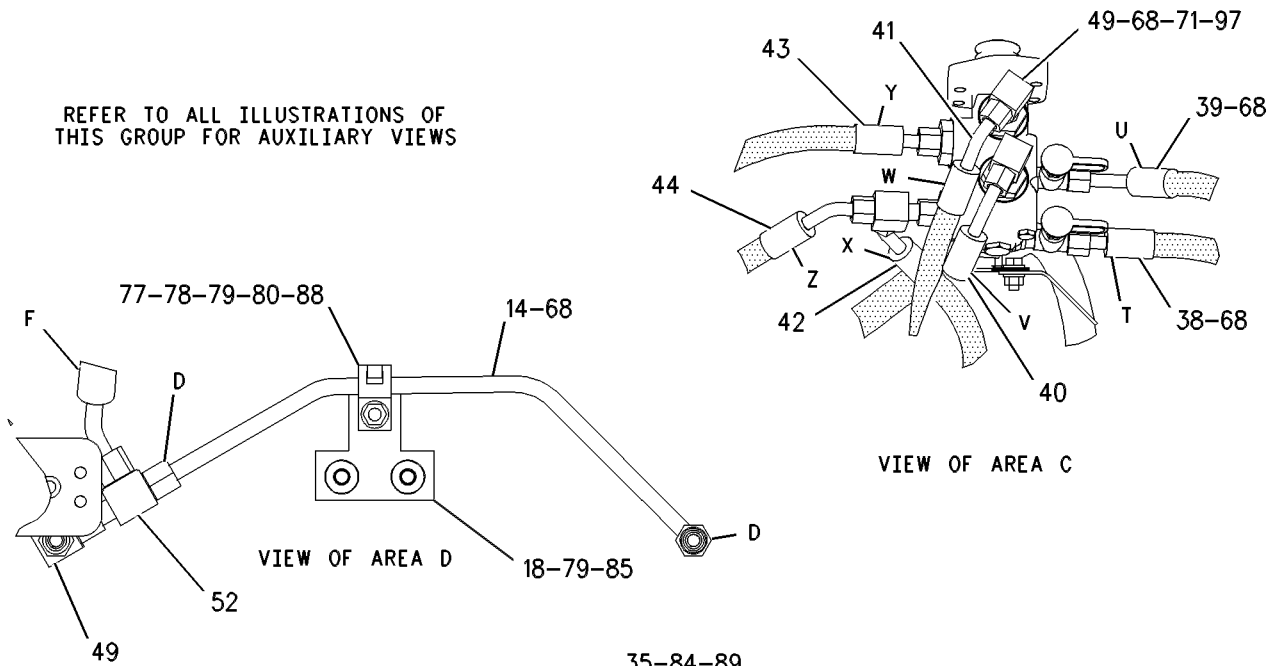


# BRAKING SYSTEM

132-6139 CONTROL GP-SERVICE BRAKE (contd.)

i01512084

REFER TO ALL ILLUSTRATIONS OF THIS GROUP FOR AUXILIARY VIEWS



FRONT VIEW

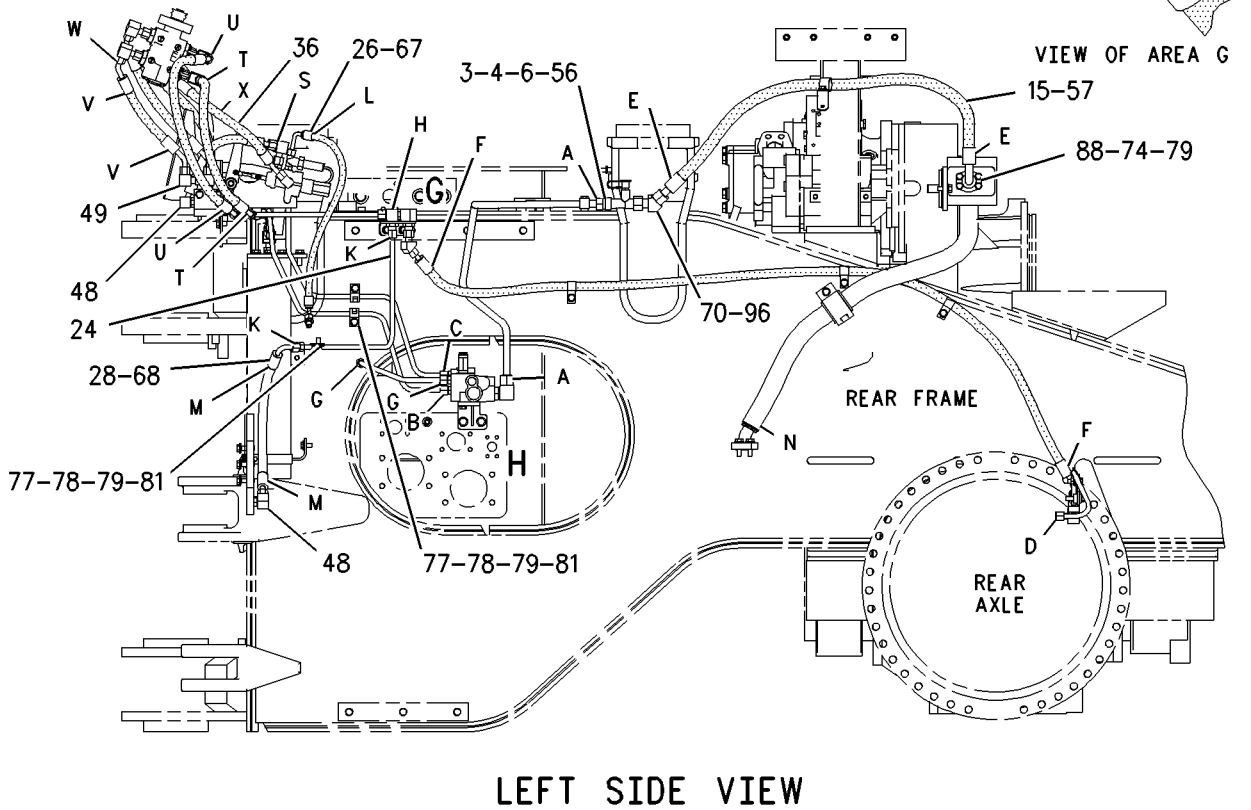
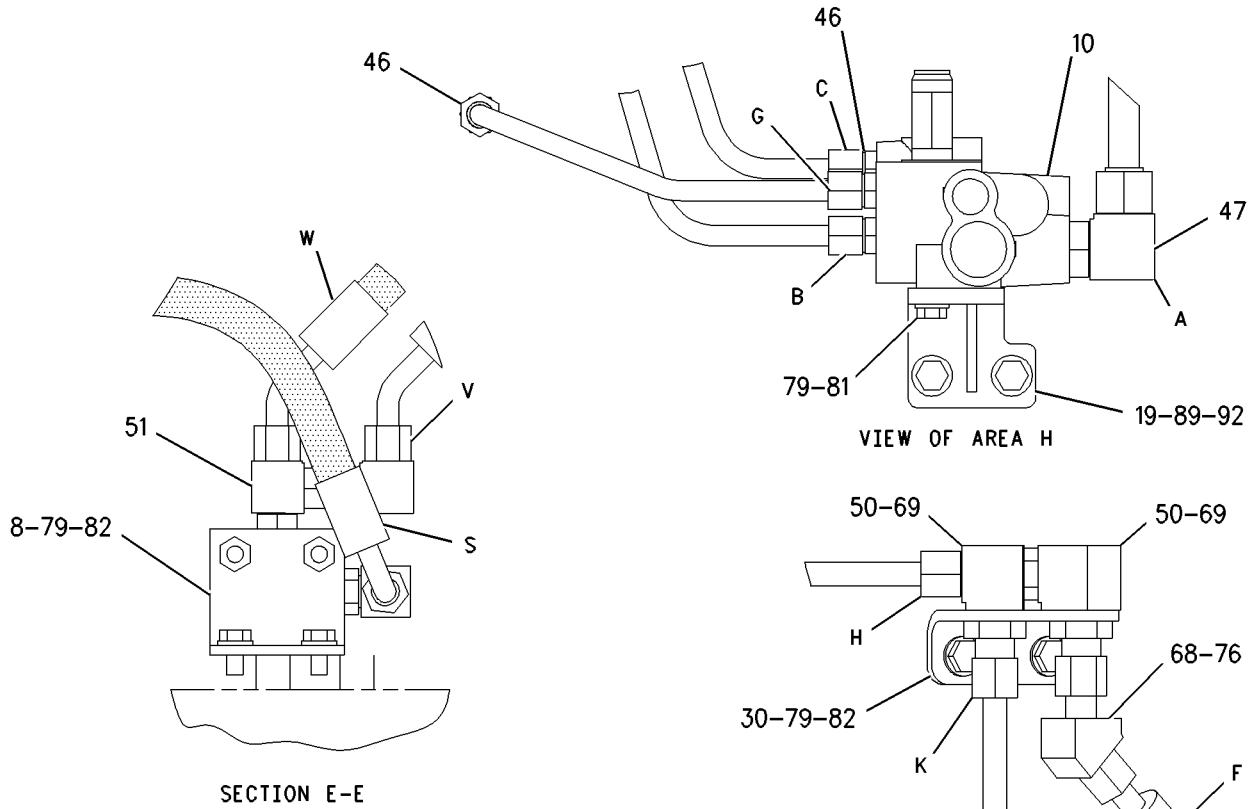
GRAPHIC #2

g00630683

# BRAKING SYSTEM

132-6139 CONTROL GP-SERVICE BRAKE (contd.)

i01512084



GRAPHIC #3

<END>

g00658696

# BRAKING SYSTEM

## 132-6139 CONTROL GP-SERVICE BRAKE

S/N: BNH1-394

PART OF 203-1582 HYDRAULIC AR

SMCS-4257, 4258, 4263, 4265, 4269, 4280

i01661675

NOTE	REF NO	GRAPHIC REF	PART NUMBER	QTY	PART NAME						SEE PAGE
					1	2	3	4	5	6 (PRODUCT LEVEL)	
	1	1	<b>6H-7062</b>	2	SPACER (13.5X25X19-MM THK)						
	2	1	<b>6K-5290</b>	1	CLIP (TAB)						
	3	1,2,3	<b>6V-0852</b>	5	CAP-DUST						
	4	1,2,3	164-5567	5	COUPLER AS-QUICK DISCONNECT (MALE)						
					(EACH INCLUDES)						
		1,2,3	<b>6V-3965</b>	1	FITTING (QUICK DISCONNECT)						
		1,2,3	<b>3J-1907</b>	1	SEAL-O-RING						
	5	1,2	164-5586	4	TEE AS						
					(EACH INCLUDES)						
		1,2	<b>7X-0871</b>	1	TEE						
		1,2	<b>6V-8398</b>	1	SEAL-O-RING						
	6	3	148-8430	1	TEE AS						
		3	<b>7X-0873</b>	1	TEE						
		3	<b>6V-9746</b>	1	SEAL-O-RING						
Y	7	2	<b>111-9040</b>	2	ACCUMULATOR GP-BRAKE (CHARGED)						722
	8	3	<b>116-4798</b>	1	ANGLE AS						
	9	1	<b>116-9331</b>	1	JUNCTION BLOCK						
J	10	3	<b>133-7102</b>	1	VALVE GP-ACCUMULATOR CHARGING						
	11	1	<b>136-0003</b>	1	TUBE AS						
	12	1	<b>136-0007</b>	1	TUBE AS						
	13	1	<b>136-0008</b>	1	TUBE AS						
	14	2	<b>136-0019</b>	1	TUBE AS						
I	15	3	<b>136-0028</b>	1	HOSE AS						
I	16	1	<b>136-0036</b>	1	HOSE AS						
I	17	1	<b>202-8038</b>	1	HOSE AS						
	18	2	<b>136-9698</b>	1	BRACKET AS						
	19	3	<b>138-4048</b>	1	BRACKET AS						
	20	2	<b>140-0205</b>	1	CLAMP AS						
	21	1	<b>140-0206</b>	2	PLATE						
	22	1	<b>141-7909</b>	1	TUBE AS						
C	23	1	<b>210-8620</b>	1	TUBE AS						
	24	3	<b>141-7913</b>	1	TUBE AS						
Y	25	1	<b>146-3725</b>	1	VALVE & MTG GP-BRAKE CONTROL (PARKING)						773
I	26	3	<b>147-3324</b>	1	HOSE AS						
Y	27	3	<b>177-8924</b>	1	PUMP GP-GEAR (PILOT & BRAKING)						965
I	28	3	<b>153-7655</b>	1	HOSE AS						
I	29	1	<b>153-7656</b>	1	HOSE AS						
	30	3	<b>153-7738</b>	1	BRACKET						
	31	1	<b>153-7739</b>	1	BRACKET						
I	32	2	<b>153-8921</b>	1	HOSE AS						
I	33	2	<b>153-8922</b>	1	HOSE AS						
	34	2	<b>155-0055</b>	1	PLATE						
	35	2	<b>155-1838</b>	1	BRACKET						
I	36	3	<b>159-0250</b>	1	HOSE AS						
	37	1	<b>200-0866</b>	1	VALVE GP-BRAKE CONTROL (SERVICE)						
CI	38	2	<b>175-1370</b>	2	HOSE AS						
	39	1	<b>146-2274</b>	1	COLLAR						
I	40	2	<b>175-1372</b>	1	HOSE AS						
I	41	2	<b>175-1373</b>	1	HOSE AS						
I	42	2	<b>175-1374</b>	1	HOSE AS						
I	43	2	<b>175-1375</b>	1	HOSE AS						
I	44	2	<b>175-1376</b>	1	HOSE AS						
	45	1	148-8336	1	CONNECTOR AS						
		1	<b>6V-8636</b>	1	CONNECTOR						
		1	<b>3J-1907</b>	1	SEAL-O-RING						
		1	<b>6V-8397</b>	1	SEAL-O-RING						
	46	2,3	148-8340	6	CONNECTOR AS						
					(EACH INCLUDES)						

# BRAKING SYSTEM

132-6139 CONTROL GP-SERVICE BRAKE (contd.)

i01661675

NOTE	REF NO	GRAPHIC REF	PART NUMBER	QTY	PART NAME						SEE PAGE
					1	2	3	4	5	6 (PRODUCT LEVEL)	
		2,3	6V-8639	1	CONNECTOR						
		2,3	3K-0360	1	SEAL-O-RING						
		2,3	6V-8398	1	SEAL-O-RING						
47		3	148-8347	1	ELBOW AS						
		3	6V-9007	1	ELBOW						
		3	3D-2824	1	SEAL-O-RING						
		3	6V-9746	1	SEAL-O-RING						
48		1,3	148-8364	4	ELBOW AS						
					(EACH INCLUDES)						
		1,3	6V-8625	1	ELBOW						
		1,3	3K-0360	1	SEAL-O-RING						
		1,3	6V-8398	1	SEAL-O-RING						
49		1,2,3	148-8370	5	ELBOW AS						
					(EACH INCLUDES)						
		1,2,3	6V-9851	1	ELBOW						
		1,2,3	6V-8398	1	SEAL-O-RING						
50		3	148-8375	2	ELBOW AS						
					(EACH INCLUDES)						
		3	6V-8981	1	ELBOW						
		3	6V-8398	2	SEAL-O-RING						
51		3	148-8428	1	TEE AS						
		3	6V-8782	1	TEE						
		3	3K-0360	1	SEAL-O-RING						
		3	6V-8398	2	SEAL-O-RING						
52		1,2	148-8444	4	TEE AS-SWIVEL						
					(EACH INCLUDES)						
		1,2	6V-9837	1	TEE-SWIVEL						
		1,2	6V-8398	2	SEAL-O-RING						
53		2	148-8457	2	UNION AS (STRAIGHT)						
					(EACH INCLUDES)						
		2	6V-8995	1	UNION (STRAIGHT)						
		2	6V-8398	2	SEAL-O-RING						
54		3	1H-6227	1	SEAL-O-RING						
55		1	1P-4578	2	FLANGE-HALF						
56		3	6V-3265	1	CLIP						
57		3	4J-0520	1	SEAL-O-RING						
58		1	4J-0522	2	SEAL-O-RING						
59		1	5P-7470	1	CLIP (SLOT)						
60		1	5P-7471	1	CLIP (TAB)						
61		1	5P-7854	1	CLIP						
62		1	5P-8182	1	GROMMET						
64		1	6D-4636	3	CLIP						
65		1	6K-5291	1	CLIP (SLOT)						
66		1	6V-0397	2	FLANGE-HALF						
C	67	3	6V-8397	2	SEAL-O-RING						
C	68	1,2,3	6V-8398	4	SEAL-O-RING						
	69	2,3	6V-9169	4	NUT (13/16-16-THD)						
C	70	1	6V-9746	1	SEAL-O-RING						
C	71	3	7K-4942	1	SCREW-PURGE (PARKING BRAKE SYSTEM AIR)						
C	72	3	187-0682	1	CONNECTOR AS						
		3	187-0681	1	CONNECTOR						
		3	3J-7354	1	SEAL-O-RING						
		3	6V-8397	1	SEAL-O-RING						
73		2	7X-7729	2	WASHER (11X25X3-MM THK)						
	74	3	8C-3206	2	FLANGE-HALF						
CI	75	3	203-5870	1	HOSE AS (REMOTE PARKING BRAKE AIR PURGE)						
C	76	2,3	153-6241	2	ELBOW AS						
					(EACH INCLUDES)						
		2,3	8C-8989	1	ELBOW						
		2,3	6V-8398	1	SEAL-O-RING						
77		1,2,3	8T-1885	6	CLIP (SLOT)						

# BRAKING SYSTEM

132-6139 CONTROL GP-SERVICE BRAKE (contd.)

i01661675

NOTE	REF NO	GRAPHIC REF	PART NUMBER	QTY	PART NAME						SEE PAGE
					1	2	3	4	5	6 (PRODUCT LEVEL)	
	78	1,2,3	<b>8T-1886</b>	6	CLIP (TAB)						
C	79	1,2,3	<b>8T-4121</b>	27	WASHER-HARD (11X21X2.5-MM THK)						
M	80	1,2	<b>8T-4133</b>	2	NUT (M10X1.5-THD)						
M	81	1,2,3	<b>8T-4136</b>	9	BOLT (M10X1.5X25-MM)						
M	82	1,3	<b>8T-4137</b>	8	BOLT (M10X1.5X20-MM)						
M	83	1	<b>8T-4139</b>	2	BOLT (M12X1.75X30-MM)						
M	84	2	<b>8T-4179</b>	2	BOLT (M12X1.75X20-MM)						
M	85	2	<b>8T-4182</b>	2	BOLT (M10X1.5X45-MM)						
M	86	1,2	<b>8T-4183</b>	11	BOLT (M12X1.75X40-MM)						
M	87	1	<b>8T-4192</b>	6	BOLT (M12X1.75X25-MM)						
M	88	2,3	<b>8T-4196</b>	5	BOLT (M10X1.5X35-MM)						
	89	1,2,3	<b>8T-4223</b>	33	WASHER-HARD (13.5X25.5X3-MM THK)						
M	90	1	<b>8T-4244</b>	2	NUT (M12X1.75-THD)						
C	91	3	<b>203-5871</b>	1	TUBE AS (REMOTE PARKING BRAKE AIR PURGE)						
M	92	1,3	<b>8T-4956</b>	10	BOLT (M12X1.75X35-MM)						
M	93	1	<b>8T-5005</b>	1	BOLT (M10X1.5X70-MM)						
C	94	3	148-8378	1	ELBOW AS						
		3	<b>6V-8724</b>	1	ELBOW						
		3	<b>3J-1907</b>	1	SEAL-O-RING						
		3	<b>6V-8397</b>	1	SEAL-O-RING						
M	95	1	<b>8T-6466</b>	2	BOLT (M10X1.5X60-MM)						
C	96	3	171-6723	1	ELBOW AS						
		3	<b>8T-8899</b>	1	ELBOW						
		3	<b>6V-9746</b>	1	SEAL-O-RING						
C	97	1,2	153-6252	4	CONNECTOR AS						
					(EACH INCLUDES)						
		1,2	<b>9X-8408</b>	1	CONNECTOR						
		1,2	<b>6V-8398</b>	1	SEAL-O-RING						
		1,2	<b>7M-8485</b>	1	SEAL-O-RING						
	98	1	148-8306	2	ADAPTER AS						
					(EACH INCLUDES)						
		1	<b>5P-5777</b>	1	ADAPTER-O-RING						
		1	<b>7M-8485</b>	1	SEAL-O-RING						
AVAILABLE REPAIR KIT(S) :											
J			<b>143-9148</b>	1	KIT-REPAIR						

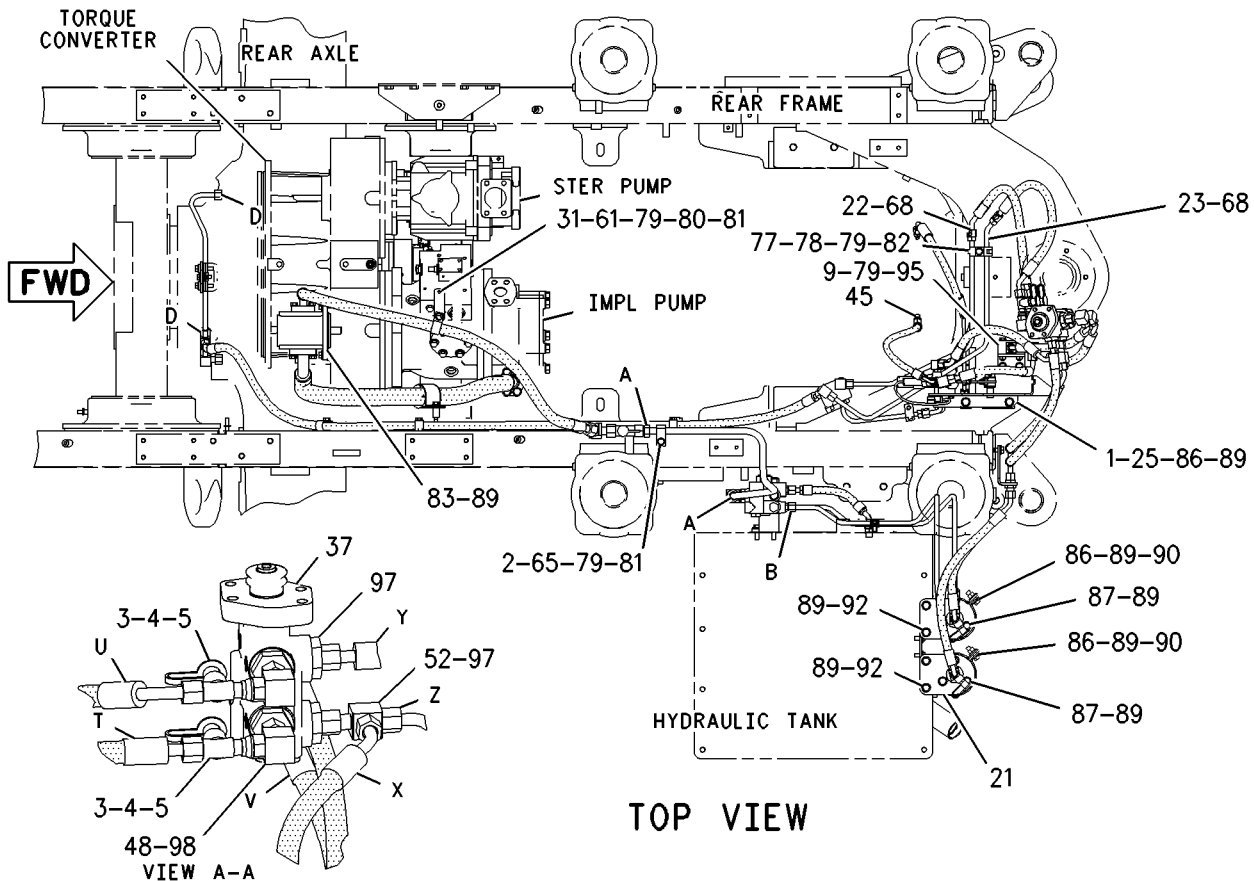
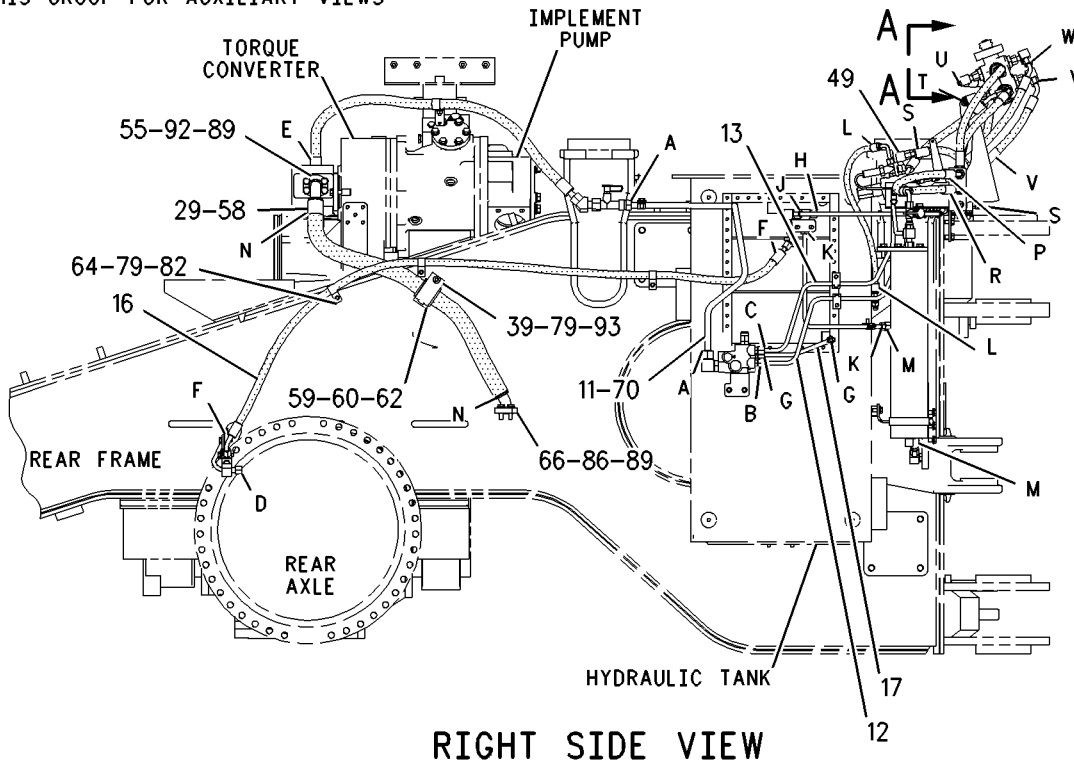
C - CHANGE FROM PREVIOUS TYPE  
 I - REFER TO HYDRAULIC INFORMATION SYSTEM  
 J - PART MARKED J INCLUDES KIT MARKED J  
 M - METRIC PART  
 Y - SEPARATE ILLUSTRATION

# BRAKING SYSTEM

132-6139 CONTROL GP-SERVICE BRAKE (contd.)

i01661675

REFER TO ALL ILLUSTRATIONS OF THIS GROUP FOR AUXILIARY VIEWS



GRAPHIC #1

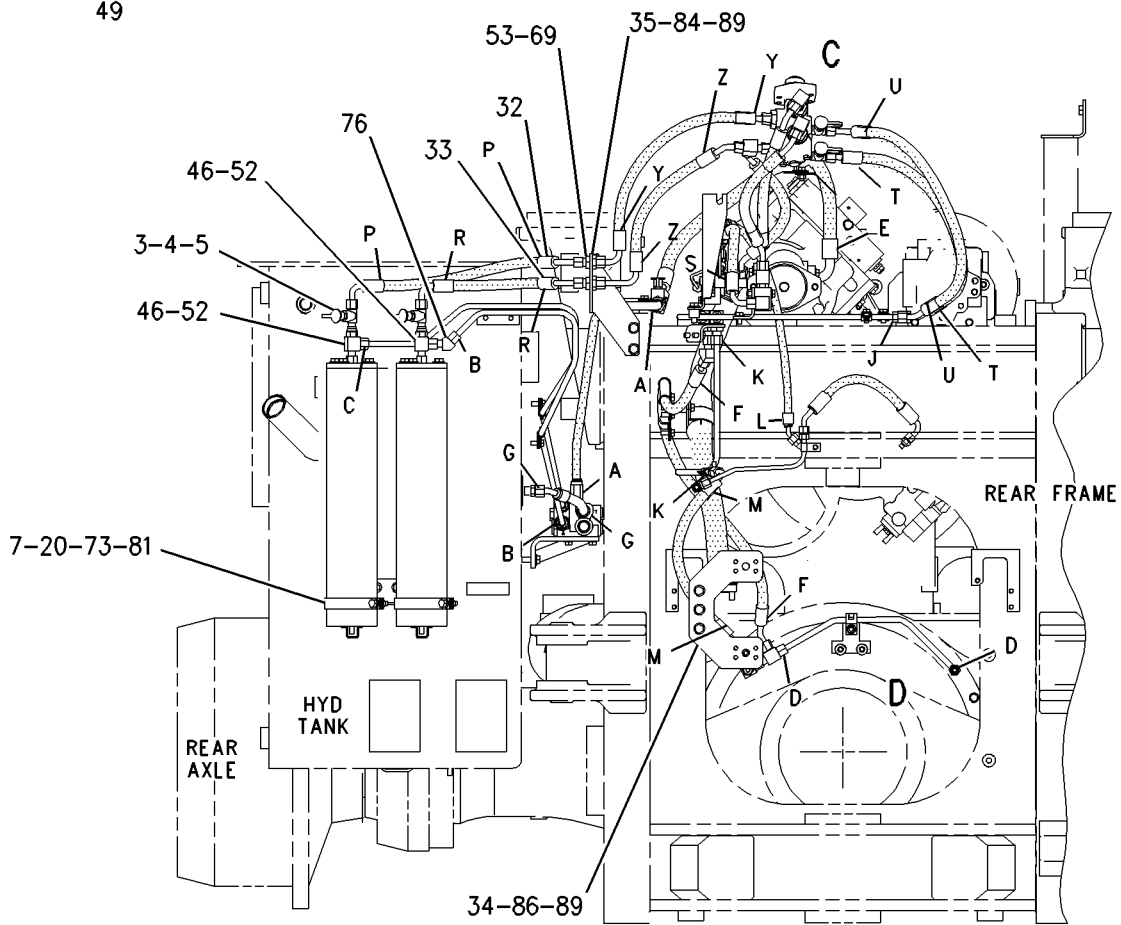
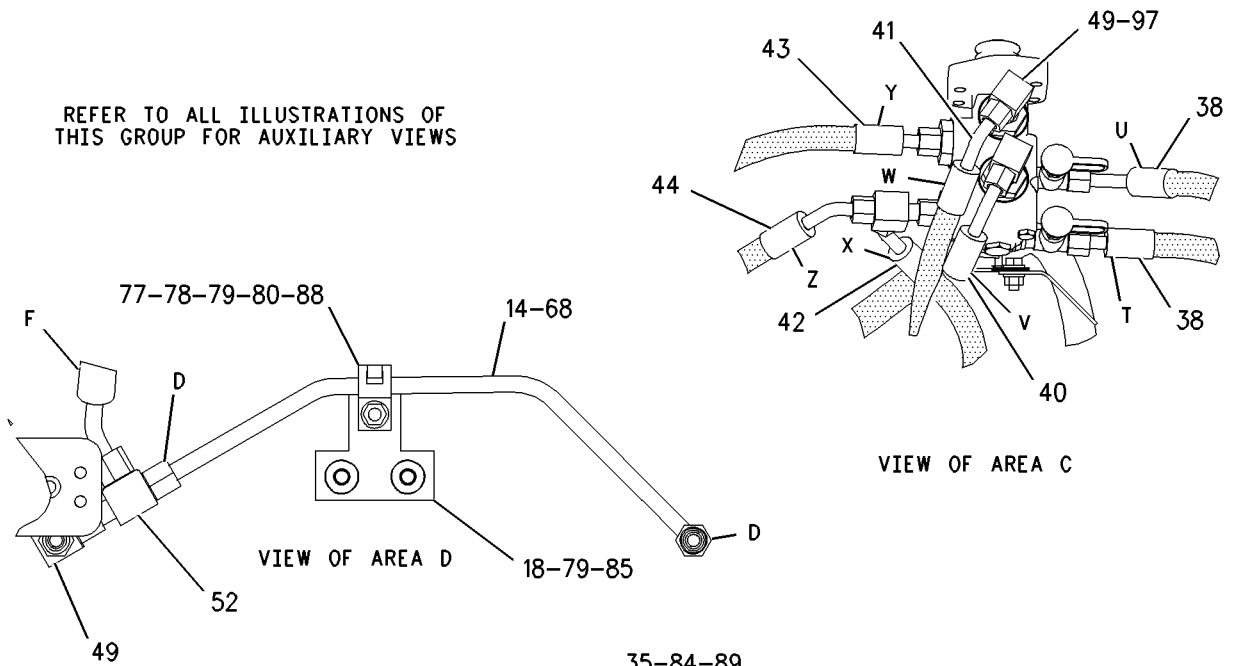
g00858129

# BRAKING SYSTEM

132-6139 CONTROL GP-SERVICE BRAKE (contd.)

i01661675

REFER TO ALL ILLUSTRATIONS OF THIS GROUP FOR AUXILIARY VIEWS



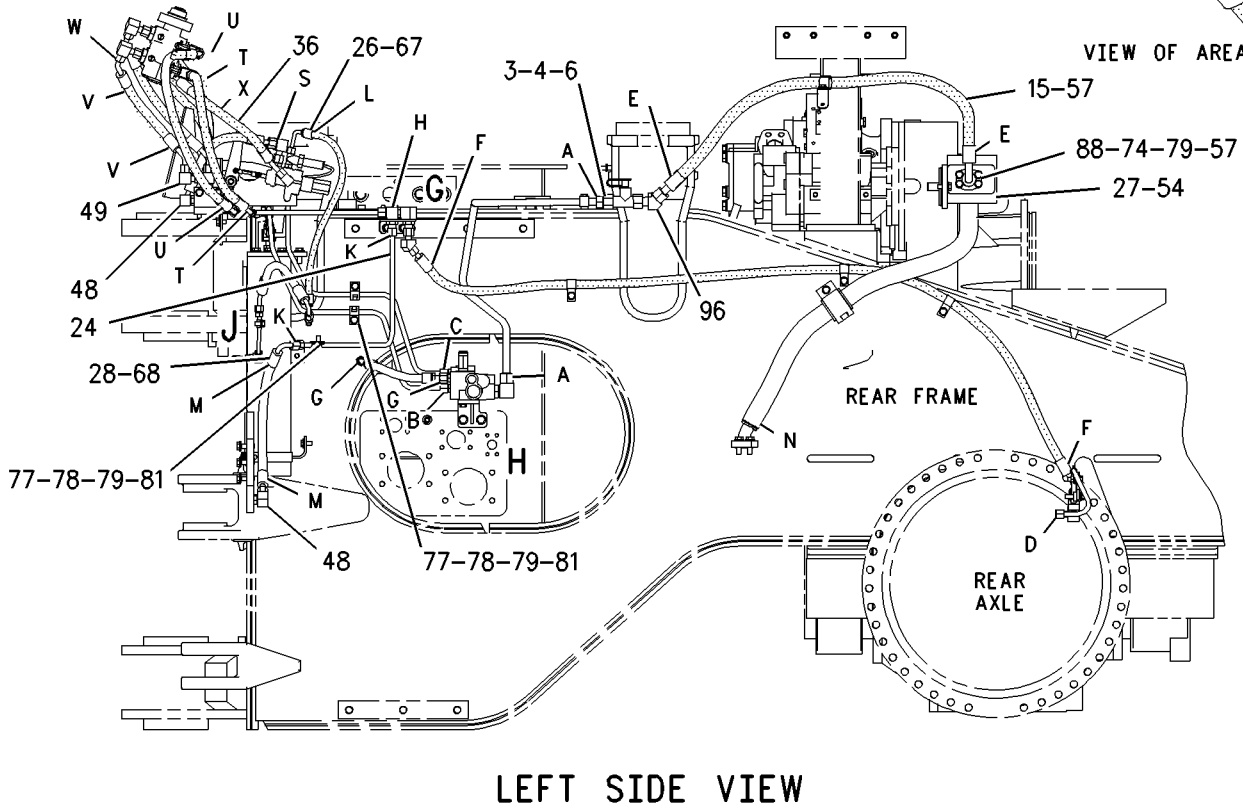
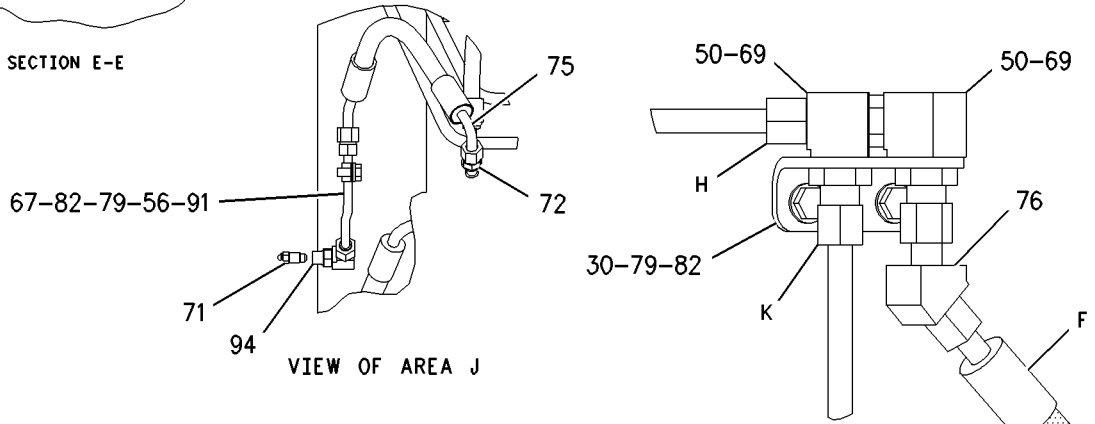
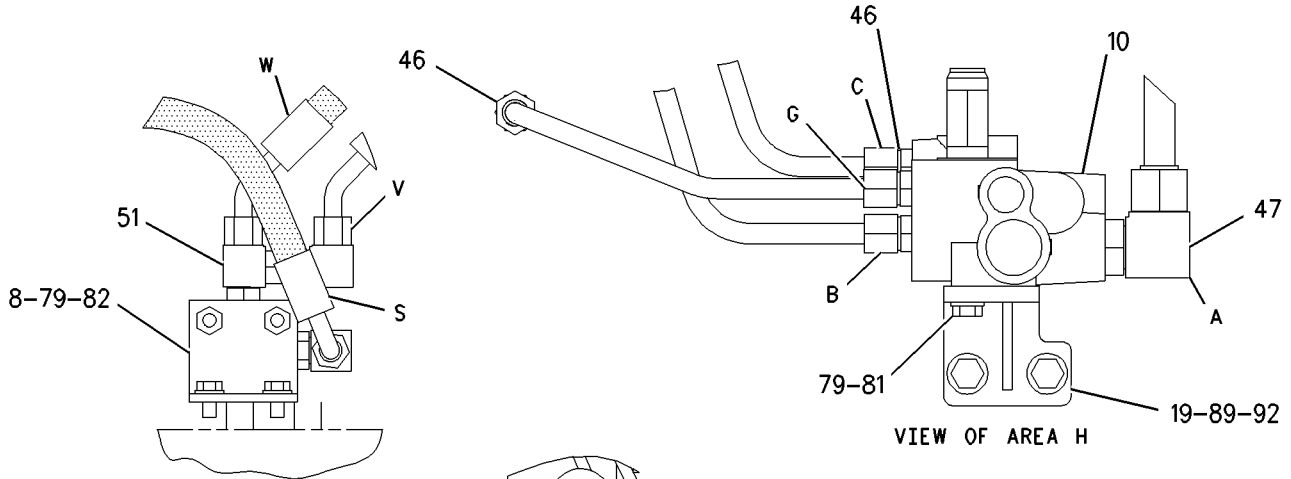
GRAPHIC #2

g00858130

# BRAKING SYSTEM

132-6139 CONTROL GP-SERVICE BRAKE (contd.)

i01661675



GRAPHIC #3

<END>

g00858131



# BRAKING SYSTEM

## 132-6139 CONTROL GP-SERVICE BRAKE

S/N: BNH395-513

PART OF 203-1582 HYDRAULIC AR

SMCS-4257, 4258, 4263, 4265, 4269, 4280

i01674216

NOTE	REF NO	GRAPHIC REF	PART NUMBER	QTY	PART NAME						SEE PAGE
					1	2	3	4	5	6 (PRODUCT LEVEL)	
	1	1	<b>6H-7062</b>	2	SPACER (13.5X25X19-MM THK)						
	2	1	<b>6K-5290</b>	1	CLIP (TAB)						
	3	1,2,3	<b>6V-0852</b>	5	CAP-DUST						
	4	1,2,3	<b>164-5567</b>	5	COUPLER AS-QUICK DISCONNECT (MALE)						
					(EACH INCLUDES)						
		1,2,3	<b>6V-3965</b>	1	FITTING (QUICK DISCONNECT)						
		1,2,3	<b>3J-1907</b>	1	SEAL-O-RING						
	5	1,2	<b>164-5586</b>	4	TEE AS						
					(EACH INCLUDES)						
		1,2	<b>7X-0871</b>	1	TEE						
		1,2	<b>6V-8398</b>	1	SEAL-O-RING						
	6	3	<b>148-8430</b>	1	TEE AS						
		3	<b>7X-0873</b>	1	TEE						
		3	<b>6V-9746</b>	1	SEAL-O-RING						
Y	7	2	<b>111-9040</b>	2	ACCUMULATOR GP-BRAKE (CHARGED)						722
	8	3	<b>116-4798</b>	1	ANGLE AS						
	9	1	<b>116-9331</b>	1	JUNCTION BLOCK						
J	10	3	<b>133-7102</b>	1	VALVE GP-ACCUMULATOR CHARGING						
	11	1	<b>136-0003</b>	1	TUBE AS						
	12	1	<b>136-0007</b>	1	TUBE AS						
	13	1	<b>136-0008</b>	1	TUBE AS						
	14	2	<b>136-0019</b>	1	TUBE AS						
CI	15	3	<b>213-7464</b>	1	HOSE AS						
I	16	1	<b>136-0036</b>	1	HOSE AS						
I	17	3	<b>202-8038</b>	1	HOSE AS						
	18	2	<b>136-9698</b>	1	BRACKET AS						
	19	3	<b>138-4048</b>	1	BRACKET AS						
	20	2	<b>140-0205</b>	1	CLAMP AS						
	21	1	<b>140-0206</b>	2	PLATE						
	22	1	<b>141-7909</b>	1	TUBE AS						
	23	1	<b>210-8620</b>	1	TUBE AS						
	24	3	<b>141-7913</b>	1	TUBE AS						
Y	25	1	<b>146-3725</b>	1	VALVE & MTG GP-BRAKE CONTROL (PARKING)						773
I	26	3	<b>147-3324</b>	1	HOSE AS						
Y	27	3	<b>177-8924</b>	1	PUMP GP-GEAR (PILOT & BRAKING)						965
I	28	3	<b>153-7655</b>	1	HOSE AS						
I	29	1	<b>153-7656</b>	1	HOSE AS						
	30	3	<b>153-7738</b>	1	BRACKET						
	31	1	<b>153-7739</b>	1	BRACKET						
I	32	2	<b>153-8921</b>	1	HOSE AS						
I	33	2	<b>153-8922</b>	1	HOSE AS						
	34	2	<b>155-0055</b>	1	PLATE						
	35	2	<b>155-1838</b>	1	BRACKET						
I	36	3	<b>159-0250</b>	1	HOSE AS						
	37	1	<b>200-0866</b>	1	VALVE GP-BRAKE CONTROL (SERVICE)						
I	38	2	<b>175-1370</b>	2	HOSE AS						
	39	1	<b>146-2274</b>	1	COLLAR						
I	40	2	<b>175-1372</b>	1	HOSE AS						
I	41	2	<b>175-1373</b>	1	HOSE AS						
I	42	2	<b>175-1374</b>	1	HOSE AS						
I	43	2	<b>175-1375</b>	1	HOSE AS						
I	44	2	<b>175-1376</b>	1	HOSE AS						
	45	1	<b>148-8336</b>	1	CONNECTOR AS						
		1	<b>6V-8636</b>	1	CONNECTOR						
		1	<b>3J-1907</b>	1	SEAL-O-RING						
		1	<b>6V-8397</b>	1	SEAL-O-RING						
	46	2,3	<b>148-8340</b>	6	CONNECTOR AS						
					(EACH INCLUDES)						

# BRAKING SYSTEM

132-6139 CONTROL GP-SERVICE BRAKE (contd.)

i01674216

NOTE	REF NO	GRAPHIC REF	PART NUMBER	QTY	PART NAME						SEE PAGE
					1	2	3	4	5	6 (PRODUCT LEVEL)	
		2,3	6V-8639	1	CONNECTOR						
		2,3	3K-0360	1	SEAL-O-RING						
		2,3	6V-8398	1	SEAL-O-RING						
47		3	148-8347	1	ELBOW AS						
		3	6V-9007	1	ELBOW						
		3	3D-2824	1	SEAL-O-RING						
		3	6V-9746	1	SEAL-O-RING						
48		1,3	148-8364	4	ELBOW AS						
					(EACH INCLUDES)						
		1,3	6V-8625	1	ELBOW						
		1,3	3K-0360	1	SEAL-O-RING						
		1,3	6V-8398	1	SEAL-O-RING						
49		1,2,3	148-8370	5	ELBOW AS						
					(EACH INCLUDES)						
		1,2,3	6V-9851	1	ELBOW						
		1,2,3	6V-8398	1	SEAL-O-RING						
50		3	148-8375	2	ELBOW AS						
					(EACH INCLUDES)						
		3	6V-8981	1	ELBOW						
		3	6V-8398	2	SEAL-O-RING						
51		3	148-8428	1	TEE AS						
		3	6V-8782	1	TEE						
		3	3K-0360	1	SEAL-O-RING						
		3	6V-8398	2	SEAL-O-RING						
52		1,2	148-8444	4	TEE AS-SWIVEL						
					(EACH INCLUDES)						
		1,2	6V-9837	1	TEE-SWIVEL						
		1,2	6V-8398	2	SEAL-O-RING						
53		2	148-8457	2	UNION AS (STRAIGHT)						
					(EACH INCLUDES)						
		2	6V-8995	1	UNION (STRAIGHT)						
		2	6V-8398	2	SEAL-O-RING						
54		3	1H-6227	1	SEAL-O-RING						
55		1	1P-4578	2	FLANGE-HALF						
56		3	6V-3265	1	CLIP						
C		3	4J-0520	2	SEAL-O-RING						
		1	4J-0522	2	SEAL-O-RING						
		1	5P-7470	1	CLIP (SLOT)						
		1	5P-7471	1	CLIP (TAB)						
		1	5P-7854	1	CLIP						
		1	5P-8182	1	GROMMET						
C		2	9J-3866	1	ADAPTER						
		1	6D-4636	3	CLIP						
		1	6K-5291	1	CLIP (SLOT)						
		1	6V-0397	2	FLANGE-HALF						
		3	6V-8397	2	SEAL-O-RING						
		1,2,3	6V-8398	4	SEAL-O-RING						
		2,3	6V-9169	4	NUT (13/16-16-THD)						
		1	6V-9746	1	SEAL-O-RING						
		3	7K-4942	1	SCREW-PURGE (PARKING BRAKE SYSTEM AIR)						
		3	187-0682	1	CONNECTOR AS						
		3	187-0681	1	CONNECTOR						
		3	3J-7354	1	SEAL-O-RING						
		3	6V-8397	1	SEAL-O-RING						
73		2	7X-7729	2	WASHER (11X25X3-MM THK)						
		3	8C-3206	2	FLANGE-HALF						
I		3	203-5870	1	HOSE AS (REMOTE PARKING BRAKE AIR PURGE)						
		2,3	153-6241	2	ELBOW AS						
					(EACH INCLUDES)						
		2,3	8C-8989	1	ELBOW						
		2,3	6V-8398	1	SEAL-O-RING						

# BRAKING SYSTEM

132-6139 CONTROL GP-SERVICE BRAKE (contd.)

i01674216

NOTE	REF NO	GRAPHIC REF	PART NUMBER	QTY	PART NAME						SEE PAGE
					1	2	3	4	5	6 (PRODUCT LEVEL)	
	77	1,2,3	<b>8T-1885</b>	6	CLIP (SLOT)						
	78	1,2,3	<b>8T-1886</b>	6	CLIP (TAB)						
C	79	1,2,3	<b>8T-4121</b>	28	WASHER-HARD (11X21X2.5-MM THK)						
M	80	1,2	<b>8T-4133</b>	2	NUT (M10X1.5-THD)						
M	81	1,2,3	<b>8T-4136</b>	9	BOLT (M10X1.5X25-MM)						
M	82	1,3	<b>8T-4137</b>	8	BOLT (M10X1.5X20-MM)						
M	83	1	<b>8T-4139</b>	2	BOLT (M12X1.75X30-MM)						
M	84	2	<b>8T-4179</b>	2	BOLT (M12X1.75X20-MM)						
M	85	2	<b>8T-4182</b>	2	BOLT (M10X1.5X45-MM)						
M	86	1,2	<b>8T-4183</b>	11	BOLT (M12X1.75X40-MM)						
M	87	1	<b>8T-4192</b>	6	BOLT (M12X1.75X25-MM)						
CM	88	2,3	<b>8T-4196</b>	1	BOLT (M10X1.5X35-MM)						
	89	1,2,3	<b>8T-4223</b>	33	WASHER-HARD (13.5X25.5X3-MM THK)						
M	90	1	<b>8T-4244</b>	2	NUT (M12X1.75-THD)						
	91	3	<b>203-5871</b>	1	TUBE AS (REMOTE PARKING BRAKE AIR PURGE)						
M	92	1,3	<b>8T-4956</b>	10	BOLT (M12X1.75X35-MM)						
CM	93	1	<b>8T-5005</b>	4	BOLT (M10X1.5X70-MM)						
	94	3	148-8378	1	ELBOW AS						
		3	<b>6V-8724</b>	1	ELBOW						
		3	<b>3J-1907</b>	1	SEAL-O-RING						
		3	<b>6V-8397</b>	1	SEAL-O-RING						
CM	95	1	<b>8T-6466</b>	3	BOLT (M10X1.5X60-MM)						
	96	3	171-6723	1	ELBOW AS						
		3	<b>8T-8899</b>	1	ELBOW						
		3	<b>6V-9746</b>	1	SEAL-O-RING						
	97	1,2	153-6252	4	CONNECTOR AS						
					(EACH INCLUDES)						
		1,2	<b>9X-8408</b>	1	CONNECTOR						
		1,2	<b>6V-8398</b>	1	SEAL-O-RING						
		1,2	<b>7M-8485</b>	1	SEAL-O-RING						
	98	1	148-8306	2	ADAPTER AS						
					(EACH INCLUDES)						
		1	<b>5P-5777</b>	1	ADAPTER-O-RING						
		1	<b>7M-8485</b>	1	SEAL-O-RING						
C	99	2	148-8307	1	ADAPTER AS						
		2	<b>3J-1907</b>	1	SEAL-O-RING						
		2	<b>5P-8874</b>	1	ADAPTER						
C	100	2	189-5719	1	ADAPTER AS						
		2	<b>3K-0360</b>	2	SEAL-O-RING						
		2	<b>6V-0467</b>	1	CONNECTOR						
CY	101	2	<b>4T-2698</b>	1	VALVE GP-CHECK						782
C	102	2	148-8318	1	CONNECTOR AS						
		2	<b>3K-0360</b>	1	SEAL-O-RING						
		2	<b>6V-8397</b>	1	SEAL-O-RING						
		2	<b>6V-8634</b>	1	CONNECTOR						
CI	103	1	<b>138-9651</b>	1	HOSE AS						
					AVAILABLE REPAIR KIT(S) :						
J			<b>143-9148</b>	1	KIT-REPAIR						

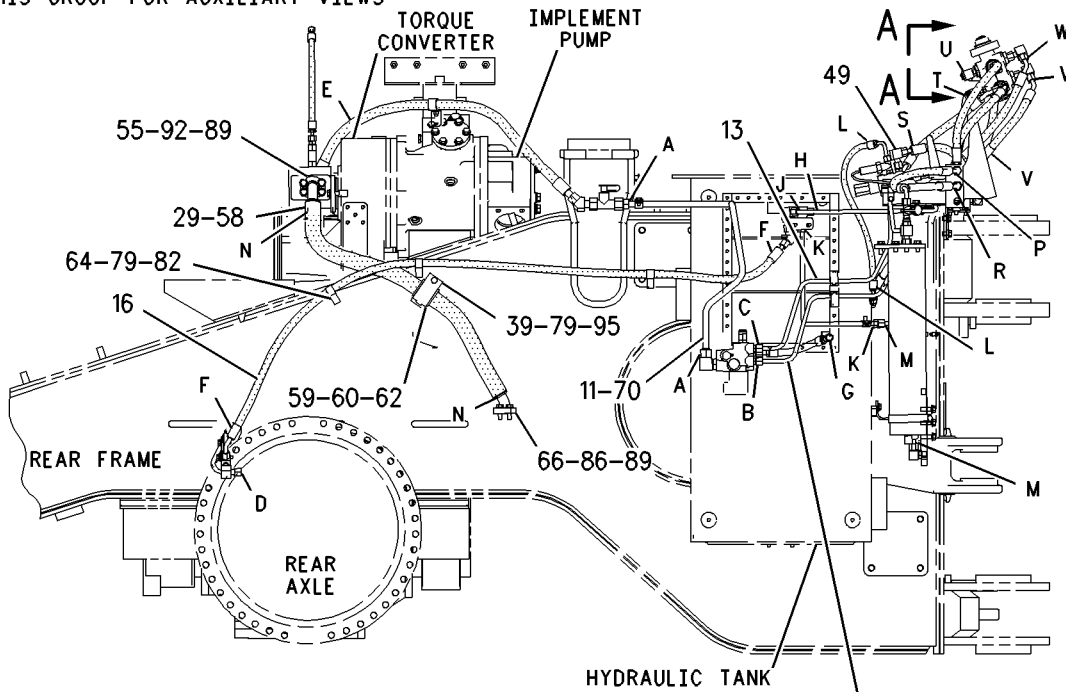
C - CHANGE FROM PREVIOUS TYPE  
 I - REFER TO HYDRAULIC INFORMATION SYSTEM  
 J - PART MARKED J INCLUDES KIT MARKED J  
 M - METRIC PART  
 Y - SEPARATE ILLUSTRATION

# BRAKING SYSTEM

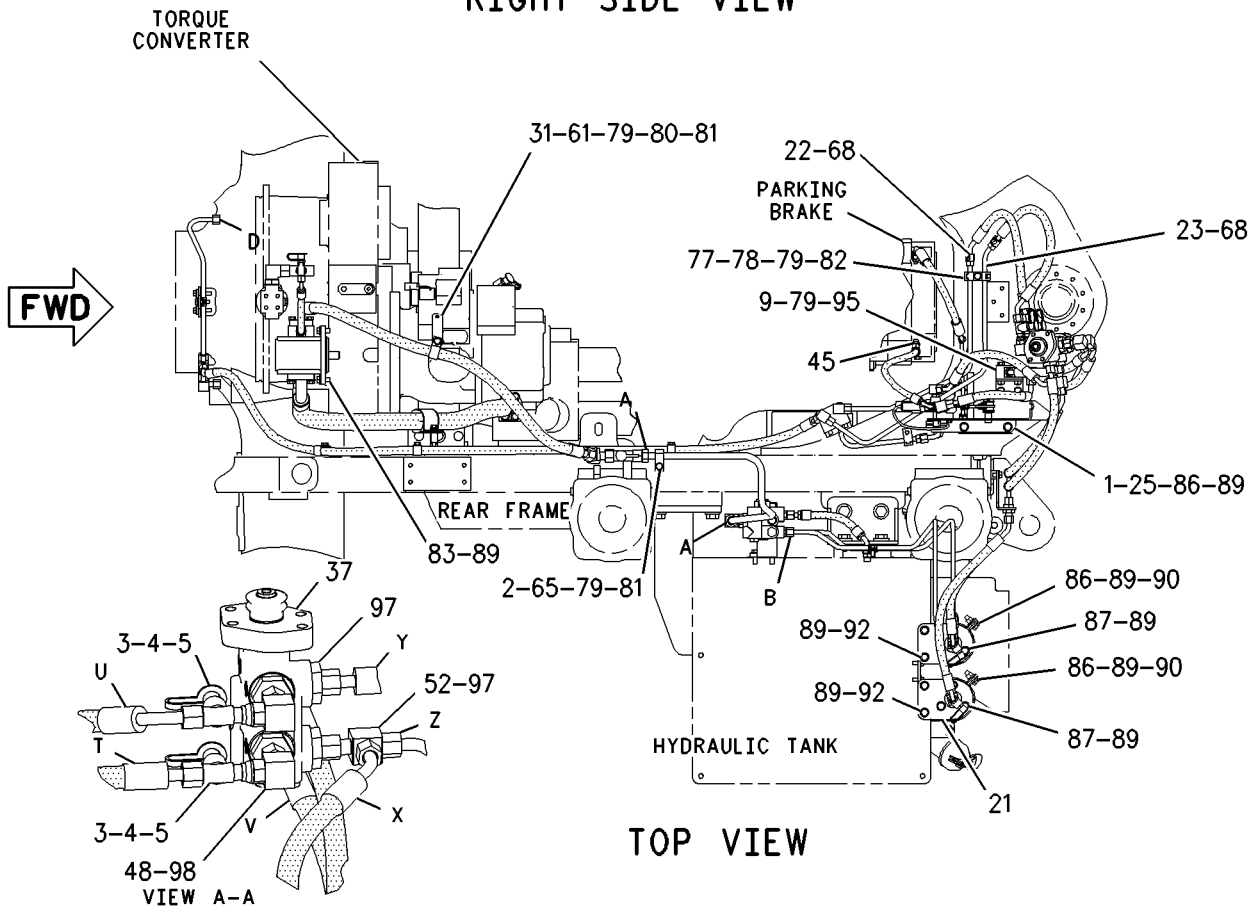
132-6139 CONTROL GP-SERVICE BRAKE (contd.)

i01674216

REFER TO ALL ILLUSTRATIONS OF THIS GROUP FOR AUXILIARY VIEWS



RIGHT SIDE VIEW



TOP VIEW

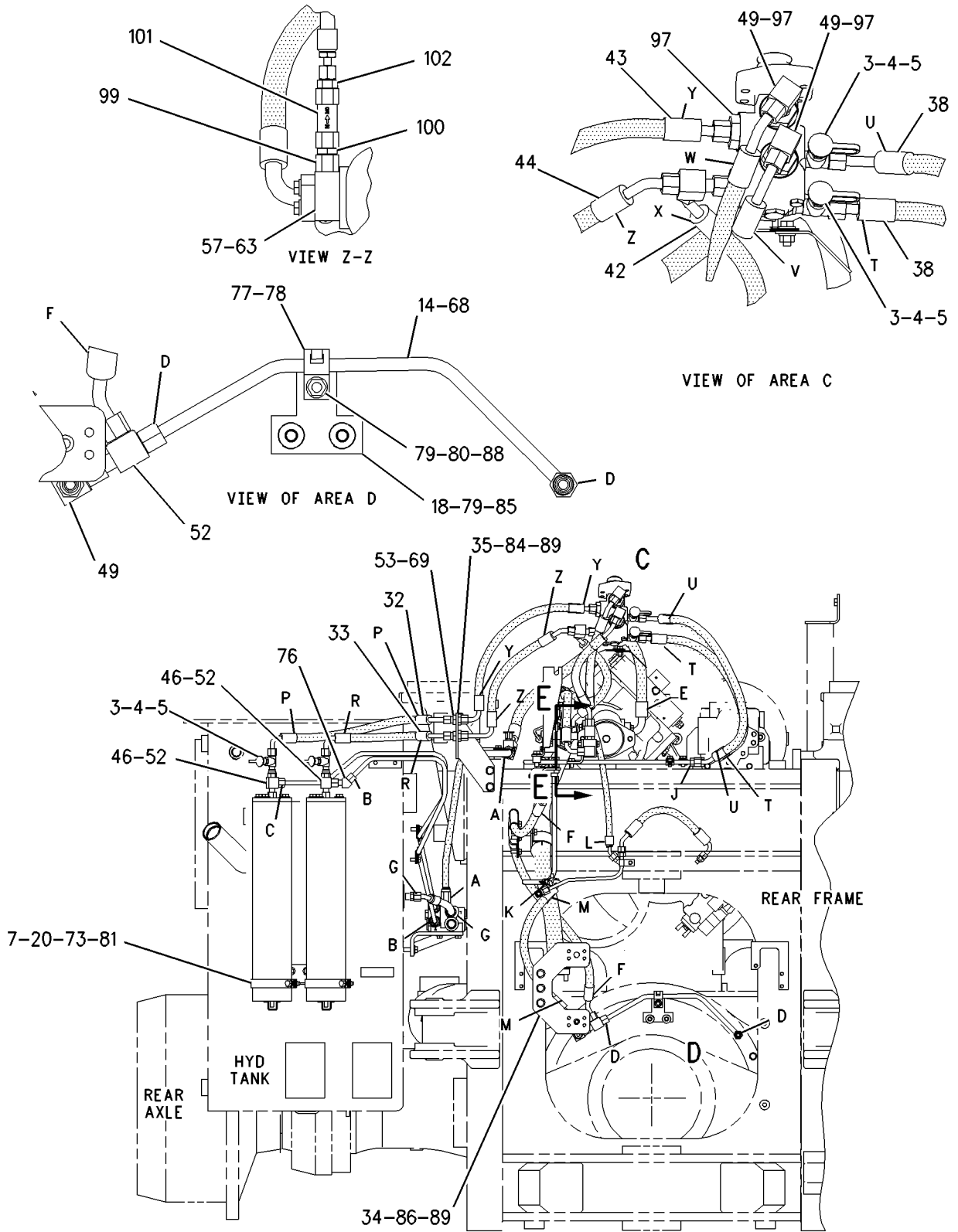
GRAPHIC #1

g00876238

# BRAKING SYSTEM

132-6139 CONTROL GP-SERVICE BRAKE (contd.)

i01674216



REFER TO ALL ILLUSTRATIONS OF THIS GROUP FOR AUXILIARY VIEWS

FRONT VIEW

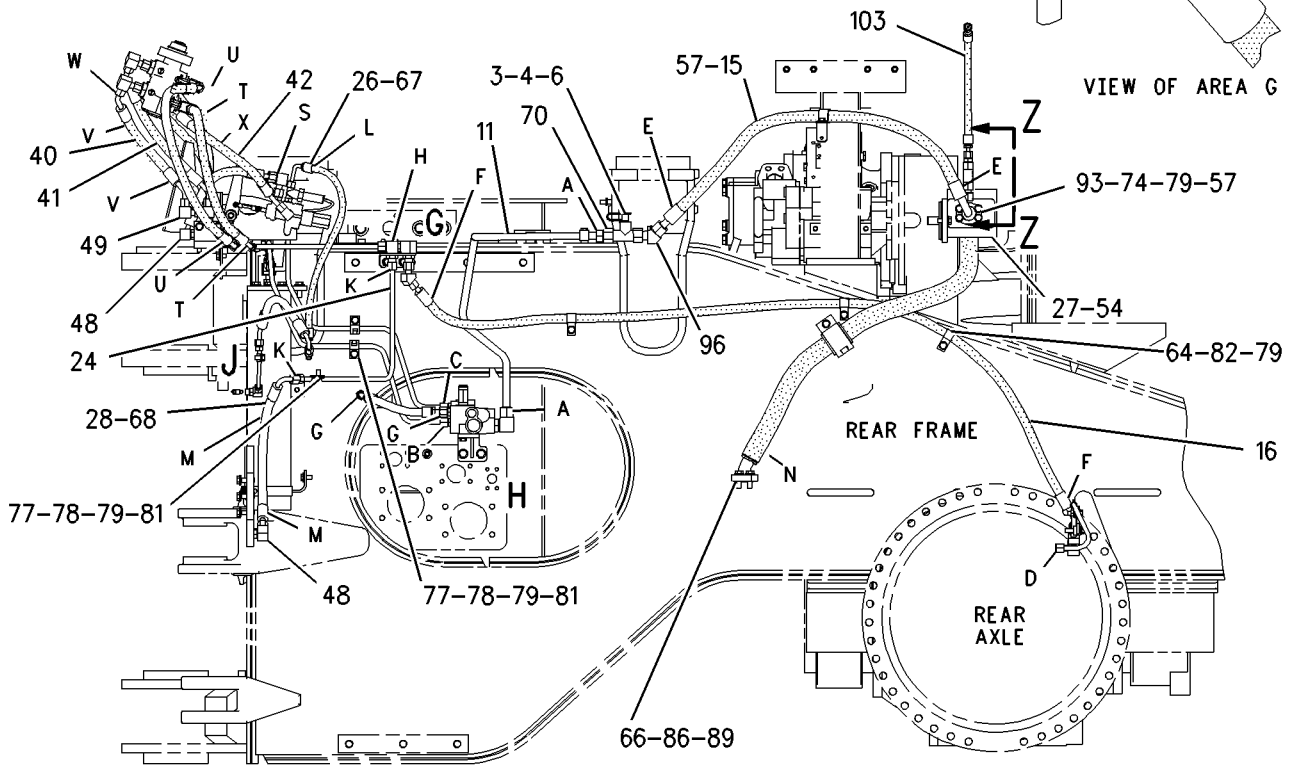
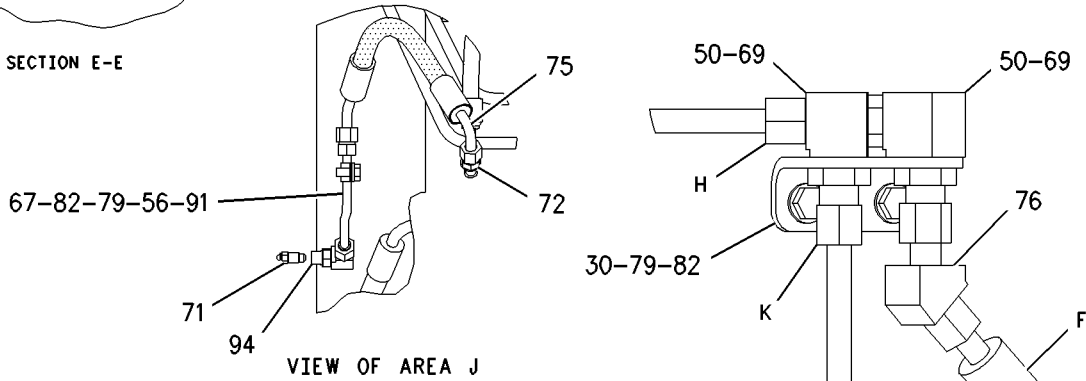
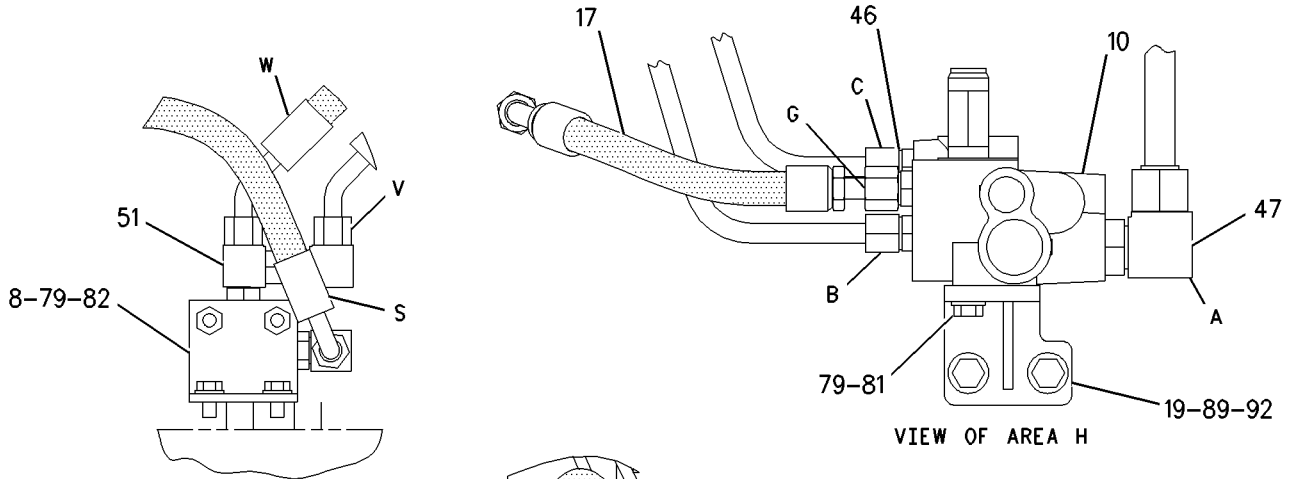
GRAPHIC #2

g00876402

# BRAKING SYSTEM

132-6139 CONTROL GP-SERVICE BRAKE (contd.)

i01674216



GRAPHIC #3

<END>

g00876404

# BRAKING SYSTEM

## 217-7850 CONTROL GP-SERVICE BRAKE-FRONT

S/N: BNH1-UP

PART OF 203-1582 HYDRAULIC AR

SMCS-4257, 4258, 4263, 4265, 4269, 4280

i01767458

NOTE	REF NO	GRAPHIC REF	PART NUMBER	QTY	PART NAME						SEE PAGE
					1	2	3	4	5	6 (PRODUCT LEVEL)	
	1	1	<b>3E-6909</b>	4	CLIP						
	2	1	<b>136-0012</b>	1	TUBE AS						
	3	1	<b>136-0013</b>	1	TUBE AS						
	4	1	<b>160-2425</b>	1	BRACKET AS						
M		1	<b>8T-3490</b>	3	NUT-WELD (M10X1.5-THD)						
I	5	1	<b>195-0462</b>	1	HOSE AS						
	6	1	<b>198-6439</b>	1	PLATE						
	7	1	<b>220-3447</b>	1	TUBE AS						
	8	1	<b>220-3448</b>	1	TUBE AS						
	9	1	<i>148-8364</i>	1	ELBOW AS						
		1	<b>3K-0360</b>	1	SEAL-O-RING						
		1	<b>6V-8398</b>	1	SEAL-O-RING						
		1	<b>6V-8625</b>	1	ELBOW						
10		1	<i>148-8454</i>	1	TEE AS						
		1	<b>6V-8398</b>	3	SEAL-O-RING						
		1	<b>6V-8789</b>	1	TEE						
11		1	<b>4J-5267</b>	2	SEAL-O-RING						
12		1	<b>6V-8398</b>	3	SEAL-O-RING						
13		1	<b>8C-3205</b>	4	FLANGE-HALF						
14		1	<b>8T-4121</b>	12	WASHER-HARD (11X21X2.5-MM THK)						
M	15	1	<b>8T-4137</b>	4	BOLT (M10X1.5X20-MM)						
M	16	1	<b>8T-4183</b>	2	BOLT (M12X1.75X40-MM)						
M	17	1	<b>8T-4196</b>	8	BOLT (M10X1.5X35-MM)						
	18	1	<b>8T-4223</b>	2	WASHER-HARD (13.5X25.5X3-MM THK)						

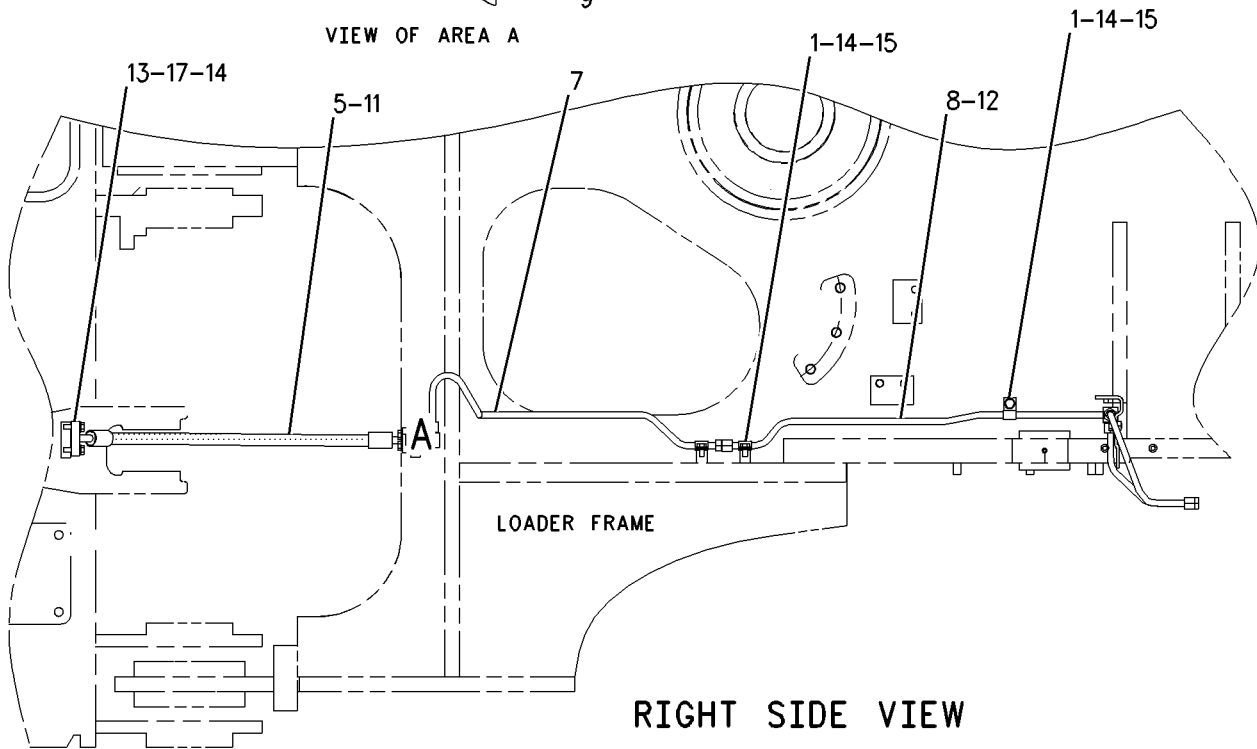
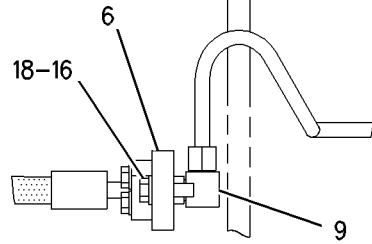
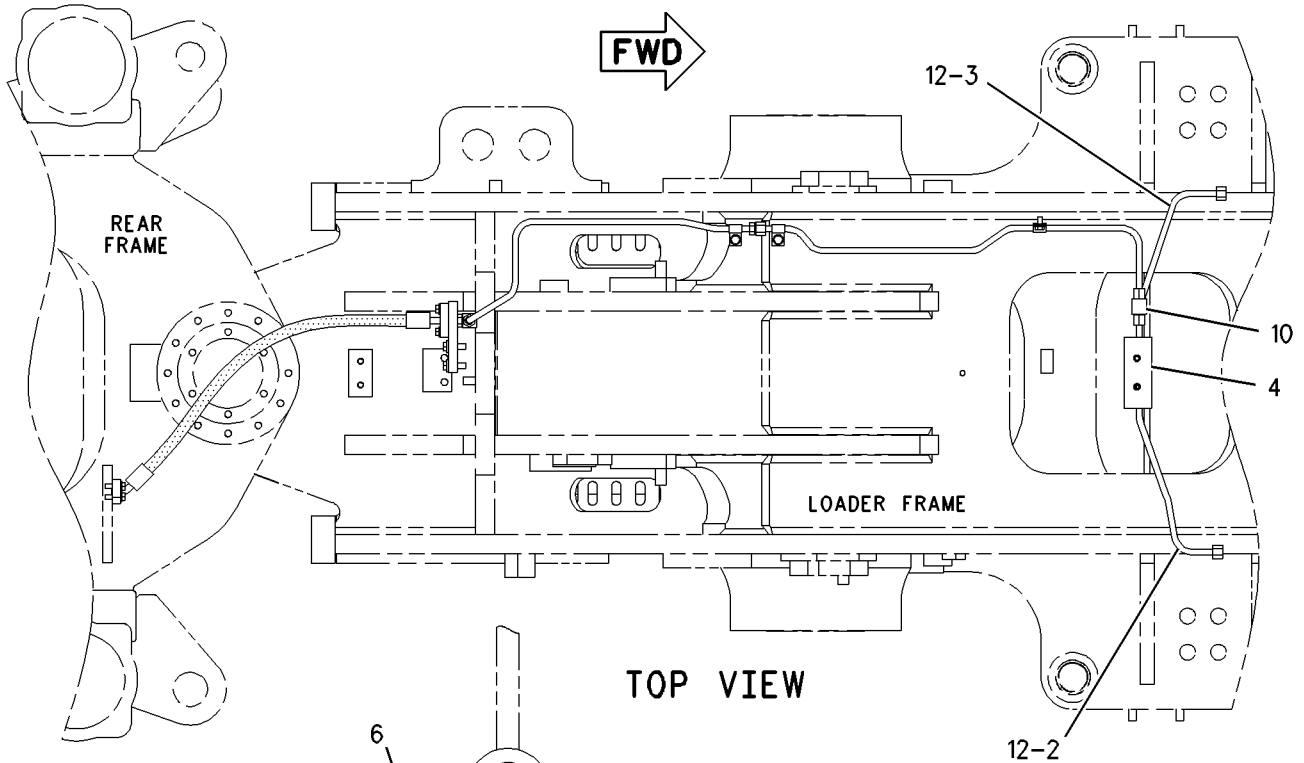
I - REFER TO HYDRAULIC INFORMATION SYSTEM

M - METRIC PART

# BRAKING SYSTEM

217-7850 CONTROL GP-SERVICE BRAKE (contd.)

i01767458



GRAPHIC #1

<END>

g00911750



# BRAKING SYSTEM

## 220-3818 CONTROL GP-SERVICE BRAKE

S/N: BNH514-1061

PART OF 203-1582 HYDRAULIC AR

SMCS-4257, 4258, 4263, 4265, 4269, 4280

i01727839

NOTE	REF NO	GRAPHIC REF	PART NUMBER	QTY	PART NAME						SEE PAGE	
					1	2	3	4	5	6 (PRODUCT LEVEL)		
Y	1	3	4T-2698	1	VALVE GP-CHECK						782	
	2	1	6H-7062	2	SPACER (13.5X25X19-MM THK)							
	3	1	6K-5290	1	CLIP (TAB)							
	4	2,3	6V-0852	5	CAP-DUST							
	5	3	7K-4942	1	SCREW-PURGE (PARKING BRAKE SYSTEM AIR)							
	6	3	9J-3866	1	ADAPTER							
	7	1	116-4798	1	ANGLE AS							
	8	1	116-9331	1	JUNCTION BLOCK							
J	9	3	133-7102	1	VALVE GP-ACCUMULATOR CHARGING							
	10	3	136-0003		TUBE AS							
	11	2	136-0007	1	TUBE AS							
	12	2	136-0008	1	TUBE AS							
	13	2	136-0019	1	TUBE AS							
	I	14	3	136-0036	1	HOSE AS						
		15	2	136-9698	1	BRACKET AS						
16		3	138-4048	1	BRACKET AS							
17		2	140-0205	1	CLAMP AS							
18		1	140-0206	2	PLATE							
19		1	141-7909	1	TUBE AS							
20		1	141-7913	1	TUBE AS							
Y		21	1	146-3725	1	VALVE & MTG GP-BRAKE CONTROL (PARKING)						773
		I	22	1	147-3324	1	HOSE AS					
23			3	148-8430	1	TEE AS						
			3	6V-9746	1	SEAL-O-RING						
I	24	3	7X-0873	1	TEE							
		1	153-7655	1	HOSE AS							
		1	153-7656	1	HOSE AS							
	26	1	153-7738	1	BRACKET							
	27	1	153-7739	1	BRACKET							
	I	28	2	153-8921	1	HOSE AS						
		I	29	2	153-8922	1	HOSE AS					
	30		1	155-0055	1	PLATE						
	I	31	2	155-1838	1	BRACKET						
		32	1	159-0250	1	HOSE AS						
	33		2,3	164-5567	5	COUPLER AS-QUICK DISCONNECT (MALE) (QUICK DISCONNECT)						
		(EACH INCLUDES)										
		2,3	3J-1907	1	SEAL-O-RING							
2,3					6V-3965	1	FITTING (QUICK DISCONNECT)					
		34	2	164-5586			4	TEE AS				
(EACH INCLUDES)												
2	6V-8398				1	SEAL-O-RING						
		2	7X-0871	1		TEE						
I	35	1	175-1370	2	HOSE AS							
	36	3	175-1372	1	HOSE AS							
	37	3	175-1373	1	HOSE AS							
	38	3	175-1374	1	HOSE AS							
	39	1	175-1375	1	HOSE AS							
	40	1	175-1376	1	HOSE AS							
	Y	41	3	177-8924	1	PUMP GP-GEAR (PILOT & BRAKING)						965
		42	1	187-0682	1	CONNECTOR AS						
			1	3J-7354	1	SEAL-O-RING						
	1		6V-8397	1	SEAL-O-RING							
43	1	187-0681	1	CONNECTOR								
				ADAPTER AS								
				SEAL-O-RING								
	3	3K-0360	2	CONNECTOR								
				CONNECTOR								
44	3	197-3295	2	FLANGE-HALF								
45	2	200-0866	1	VALVE GP-BRAKE CONTROL (SERVICE)								

# BRAKING SYSTEM

220-3818 CONTROL GP-SERVICE BRAKE (contd.)

i01727839

NOTE	REF NO	GRAPHIC REF	PART NUMBER	QTY	PART NAME						SEE PAGE
					1	2	3	4	5	6 (PRODUCT LEVEL)	
I	46	3	202-8038	1	HOSE AS						
I	47	1	203-5870	1	HOSE AS (REMOTE PARKING BRAKE AIR PURGE)						
	48	1	203-5871	1	TUBE AS (REMOTE PARKING BRAKE AIR PURGE)						
	49	1	210-8620	1	TUBE AS						
I	50	3	213-7464	1	HOSE AS						
	51	2	220-1432	2	ACCUMULATOR GP-BRAKE (CHARGED)						
I	52	3	138-9651	1	HOSE AS						
	53	3	146-2274	1	COLLAR						
	54	1	148-8306	2	ADAPTER AS						
					(EACH INCLUDES)						
		1	5P-5777	1	ADAPTER-O-RING						
		1	7M-8485	1	SEAL-O-RING						
	55	3	148-8307	1	ADAPTER AS						
		3	3J-1907	1	SEAL-O-RING						
		3	5P-8874	1	ADAPTER						
	56	3	148-8318	1	CONNECTOR AS						
		3	3K-0360	1	SEAL-O-RING						
		3	6V-8397	1	SEAL-O-RING						
		3	6V-8634	1	CONNECTOR						
	57	1	148-8336	1	CONNECTOR AS						
		1	3J-1907	1	SEAL-O-RING						
		1	6V-8397	1	SEAL-O-RING						
		1	6V-8636	1	CONNECTOR						
	58	1,2,3	148-8340	6	CONNECTOR AS						
					(EACH INCLUDES)						
		1,2,3	3K-0360	1	SEAL-O-RING						
		1,2,3	6V-8398	1	SEAL-O-RING						
		1,2,3	6V-8639	1	CONNECTOR						
	59	3	148-8347	1	ELBOW AS						
		3	3D-2824	1	SEAL-O-RING						
		3	6V-9007	1	ELBOW						
		3	6V-9746	1	SEAL-O-RING						
	60	1,3	148-8364	4	ELBOW AS						
					(EACH INCLUDES)						
		1,3	3K-0360	1	SEAL-O-RING						
		1,3	6V-8398	1	SEAL-O-RING						
		1,3	6V-8625	1	ELBOW						
	61	2,3	148-8370	5	ELBOW AS						
					(EACH INCLUDES)						
		2,3	6V-8398	1	SEAL-O-RING						
		2,3	6V-9851	1	ELBOW						
	62	1	148-8375	2	ELBOW AS						
					(EACH INCLUDES)						
		1	6V-8398	2	SEAL-O-RING						
		1	6V-8981	1	ELBOW						
	63	3	148-8378	1	ELBOW AS						
		3	3J-1907	1	SEAL-O-RING						
		3	6V-8397	1	SEAL-O-RING						
		3	6V-8724	1	ELBOW						
	64	3	148-8428	1	TEE AS						
		3	3K-0360	1	SEAL-O-RING						
		3	6V-8398	2	SEAL-O-RING						
		3	6V-8782	1	TEE						
	65	2	148-8444	4	TEE AS-SWIVEL						
					(EACH INCLUDES)						
		2	6V-8398	2	SEAL-O-RING						
		2	6V-9837	1	TEE-SWIVEL						
	66	2	148-8457	2	UNION AS (STRAIGHT)						
					(EACH INCLUDES)						
		2	6V-8398	2	SEAL-O-RING						
		2	6V-8995	1	UNION (STRAIGHT)						
	67	1,2	153-6241	2	ELBOW AS						

# BRAKING SYSTEM

220-3818 CONTROL GP-SERVICE BRAKE (contd.)

i01727839

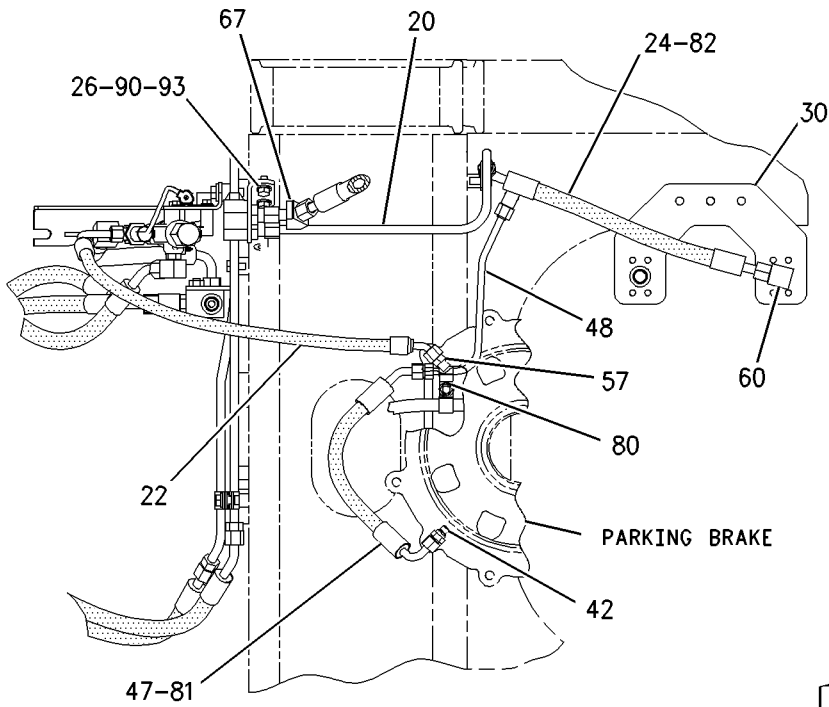
NOTE	REF NO	GRAPHIC REF	PART NUMBER	QTY	PART NAME						SEE PAGE
					1	2	3	4	5	6 (PRODUCT LEVEL)	
					(EACH INCLUDES)						
		1,2	<b>6V-8398</b>	1	SEAL-O-RING						
		1,2	<b>8C-8989</b>	1	ELBOW						
	68	2	153-6252	4	CONNECTOR AS						
					(EACH INCLUDES)						
		2	<b>6V-8398</b>	1	SEAL-O-RING						
		2	<b>7M-8485</b>	1	SEAL-O-RING						
		2	<b>9X-8408</b>	1	CONNECTOR						
	69	3	171-6723	1	ELBOW AS						
					(EACH INCLUDES)						
		3	<b>6V-9746</b>	1	SEAL-O-RING						
		3	<b>8T-8899</b>	1	ELBOW						
	70	3	<b>1H-6227</b>	1	SEAL-O-RING						
	71	1	<b>1P-4578</b>	2	FLANGE-HALF						
	72	3	<b>4J-0520</b>	2	SEAL-O-RING						
	73	1	<b>4J-0522</b>	2	SEAL-O-RING						
	74	3	<b>5P-7470</b>	1	CLIP (SLOT)						
	75	3	<b>5P-7471</b>	1	CLIP (TAB)						
	76	1	<b>5P-7854</b>	1	CLIP						
	77	3	<b>5P-8182</b>	1	GROMMET						
	78	3	<b>6D-4636</b>	3	CLIP						
	79	1	<b>6K-5291</b>	1	CLIP (SLOT)						
	80	1	<b>6V-3265</b>	1	CLIP						
	81	1,3	<b>6V-8397</b>	2	SEAL-O-RING						
	82	1,2	<b>6V-8398</b>	4	SEAL-O-RING						
	83	1,2	<b>6V-9169</b>	4	NUT (13/16-16-THD)						
	84	3	<b>6V-9746</b>	1	SEAL-O-RING						
	85	3	<b>7X-3392</b>	4	WASHER-HARD (13.5X22.5X3-MM THK)						
	86	2	<b>7X-7729</b>	2	WASHER (11X25X3-MM THK)						
	87	3	<b>8C-3206</b>	2	FLANGE-HALF						
	88	1,2,3	<b>8T-1885</b>	6	CLIP (SLOT)						
	89	1,2,3	<b>8T-1886</b>	6	CLIP (TAB)						
	90	1,2,3	<b>8T-4121</b>	28	WASHER-HARD (11X21X2.5-MM THK)						
M	91	1,2	<b>8T-4133</b>	2	NUT (M10X1.5-THD)						
M	92	1,2,3	<b>8T-4136</b>	9	BOLT (M10X1.5X25-MM)						
M	93	1,3	<b>8T-4137</b>	8	BOLT (M10X1.5X20-MM)						
M	94	1	<b>8T-4139</b>	2	BOLT (M12X1.75X30-MM)						
M	95	2	<b>8T-4179</b>	2	BOLT (M12X1.75X20-MM)						
M	96	2	<b>8T-4182</b>	2	BOLT (M10X1.5X45-MM)						
M	97	1,3	<b>8T-4183</b>	7	BOLT (M12X1.75X40-MM)						
M	98	1	<b>8T-4192</b>	6	BOLT (M12X1.75X25-MM)						
M	99	2	<b>8T-4196</b>	1	BOLT (M10X1.5X35-MM)						
	100	1,2,3	<b>8T-4223</b>	29	WASHER-HARD (13.5X25.5X3-MM THK)						
M	101	1	<b>8T-4244</b>	2	NUT (M12X1.75-THD)						
M	102	1,3	<b>8T-4956</b>	14	BOLT (M12X1.75X35-MM)						
M	103	3	<b>8T-5005</b>	4	BOLT (M10X1.5X70-MM)						
M	104	1,3	<b>8T-6466</b>	3	BOLT (M10X1.5X60-MM)						
AVAILABLE REPAIR KIT(S) :											
J			<b>143-9148</b>	1	KIT-REPAIR						
I - REFER TO HYDRAULIC INFORMATION SYSTEM											
J - PART MARKED J INCLUDES KIT MARKED J											
M - METRIC PART											
Y - SEPARATE ILLUSTRATION											

# BRAKING SYSTEM

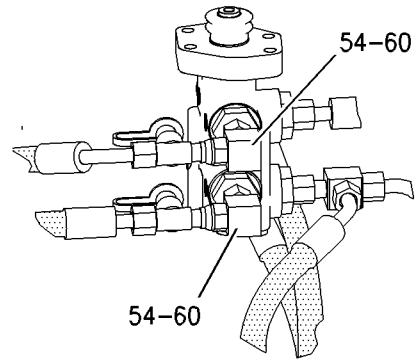
220-3818 CONTROL GP-SERVICE BRAKE (contd.)

i01727839

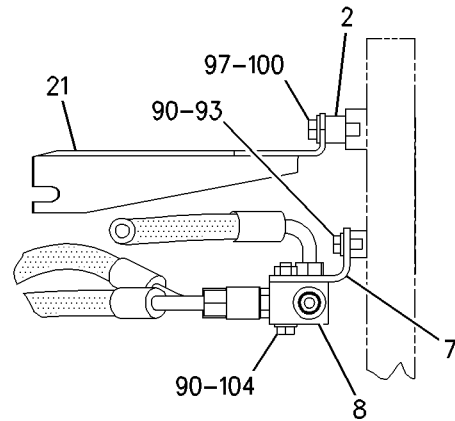
REFER TO ALL ILLUSTRATIONS OF THIS GROUP FOR AUXILIARY VIEWS



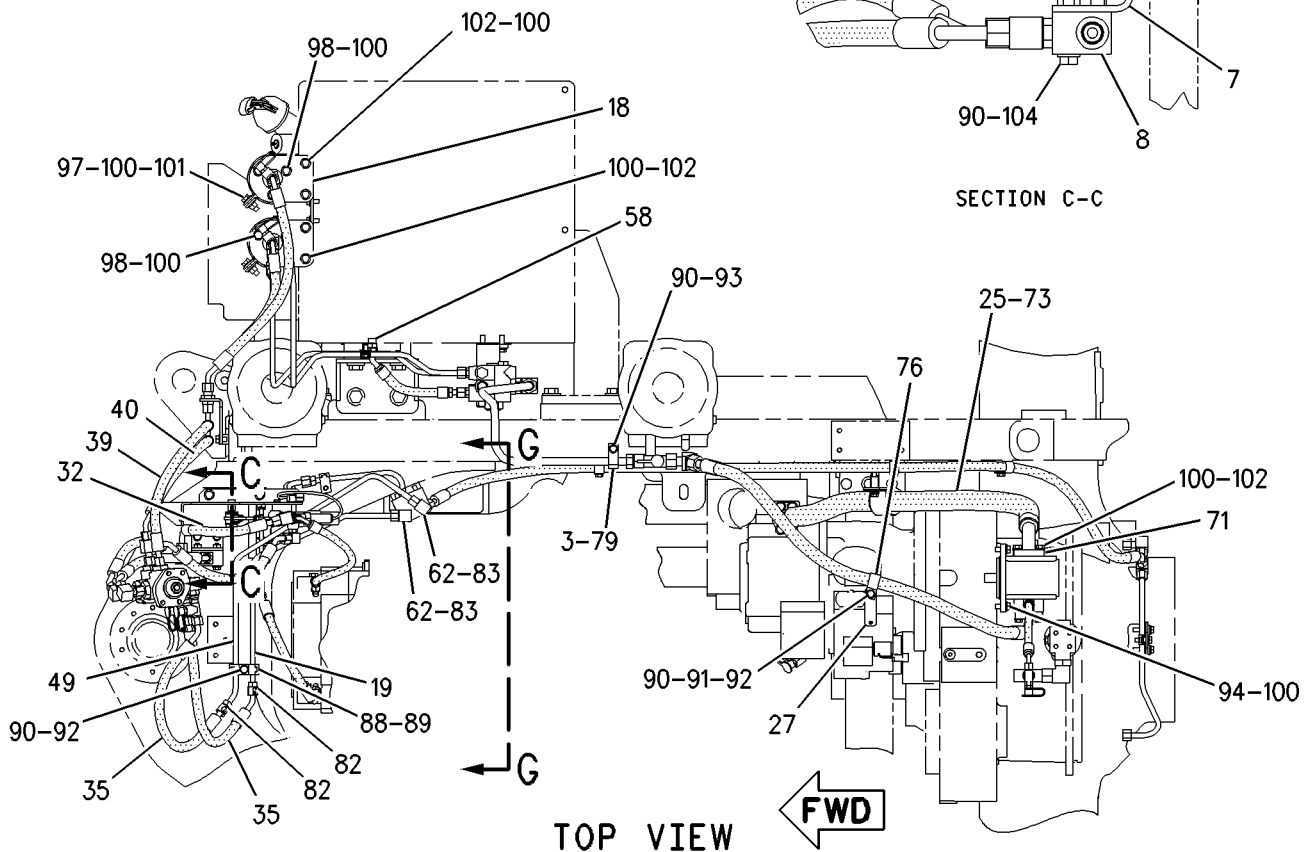
SECTION G-G



VIEW H-H



SECTION C-C



TOP VIEW

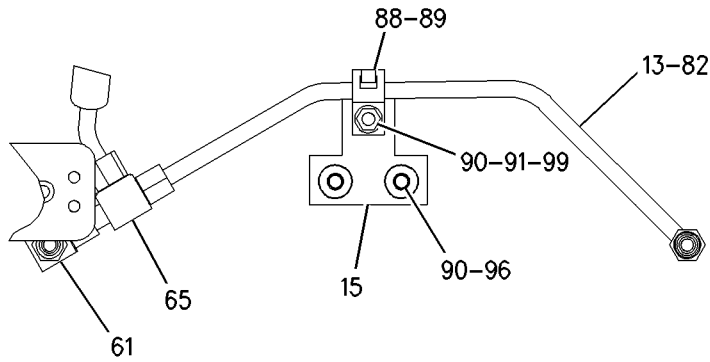
GRAPHIC #1

g00889970

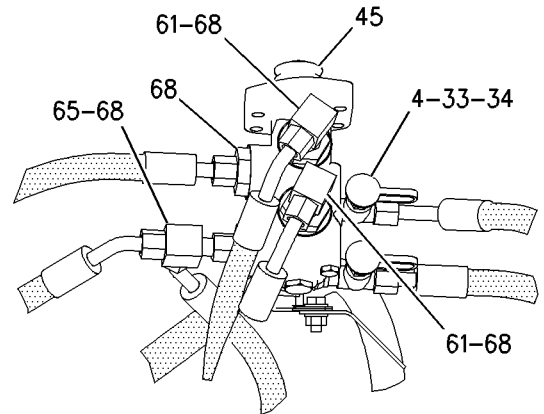
# BRAKING SYSTEM

220-3818 CONTROL GP-SERVICE BRAKE (contd.)

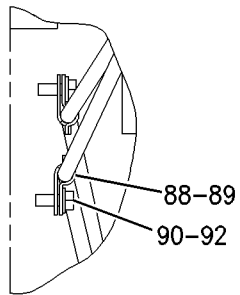
i01727839



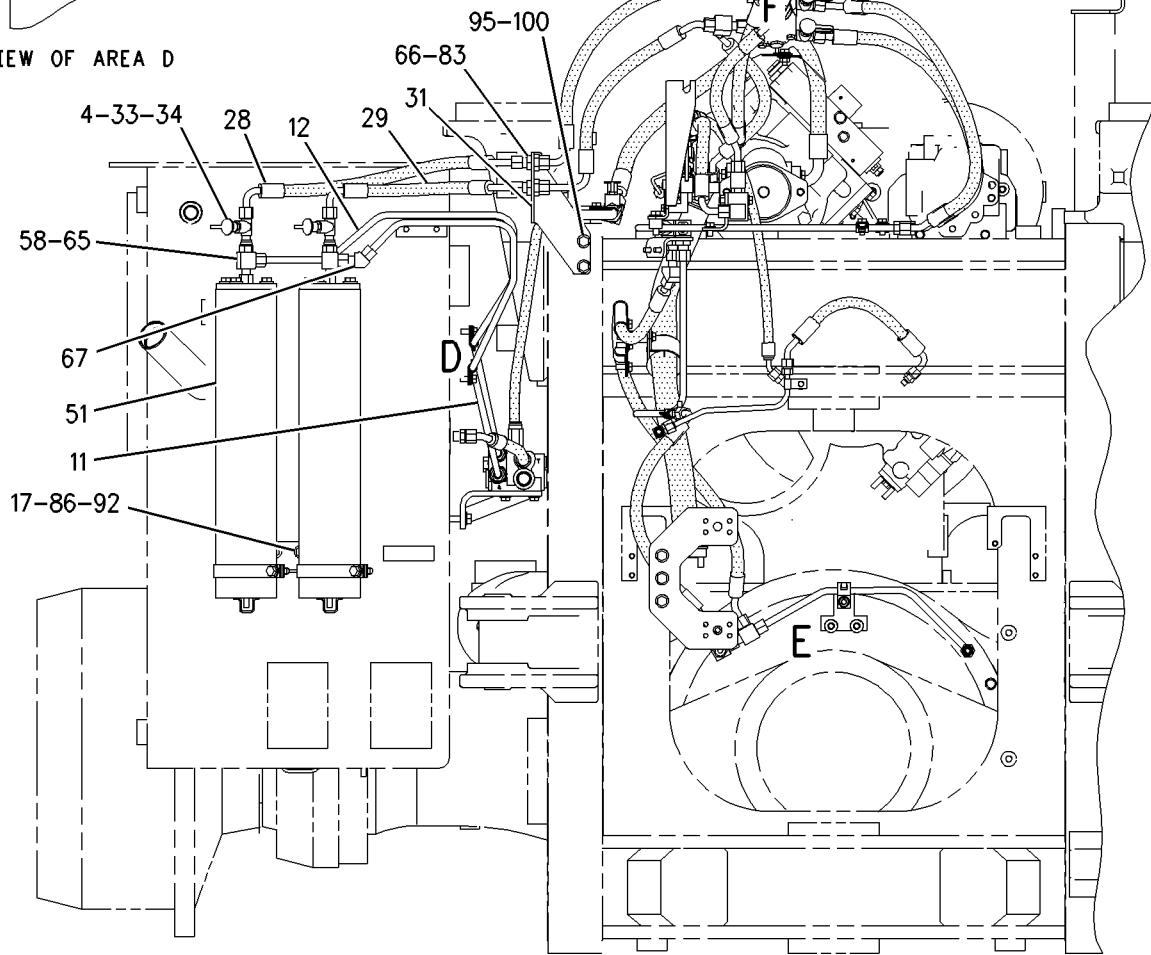
VIEW OF AREA E



VIEW OF AREA F



VIEW OF AREA D



FRONT VIEW

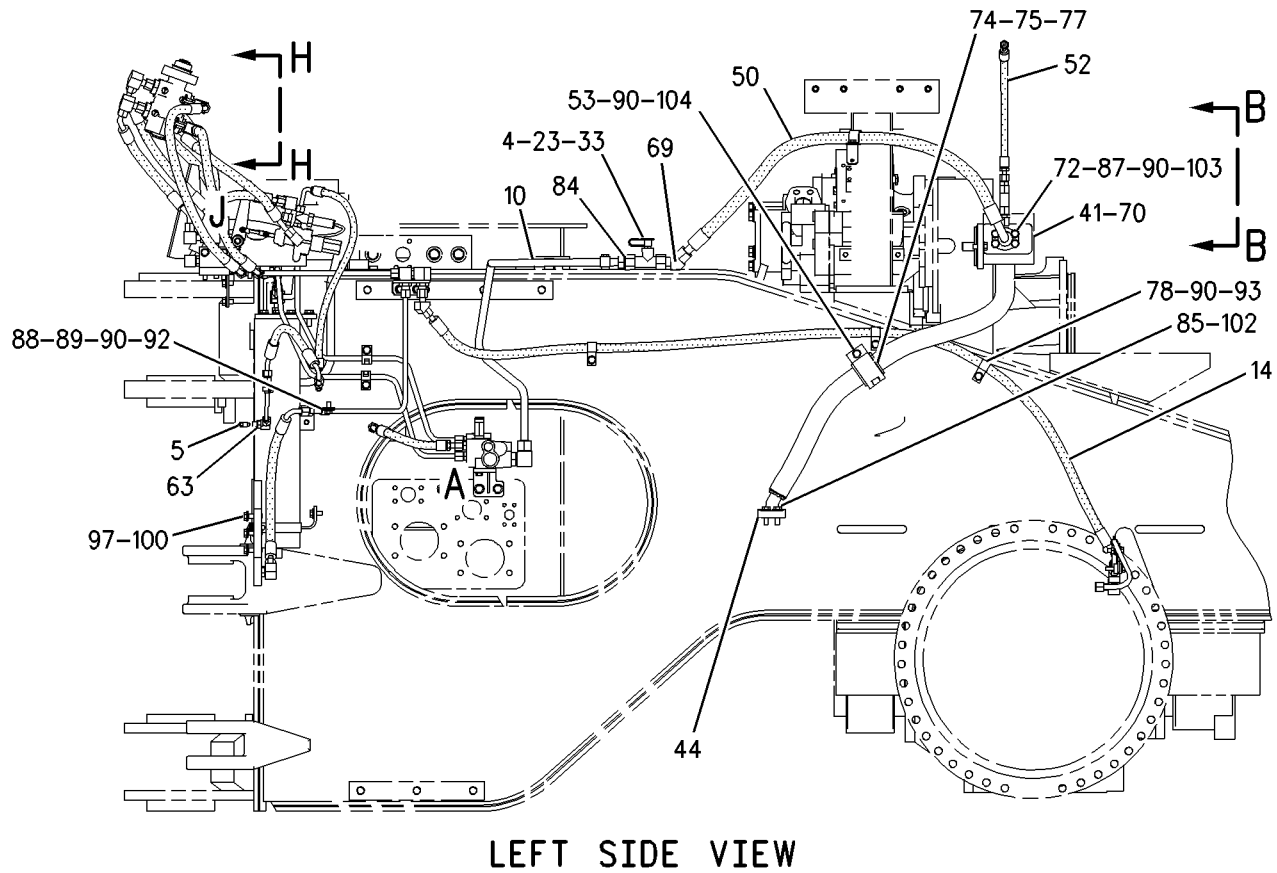
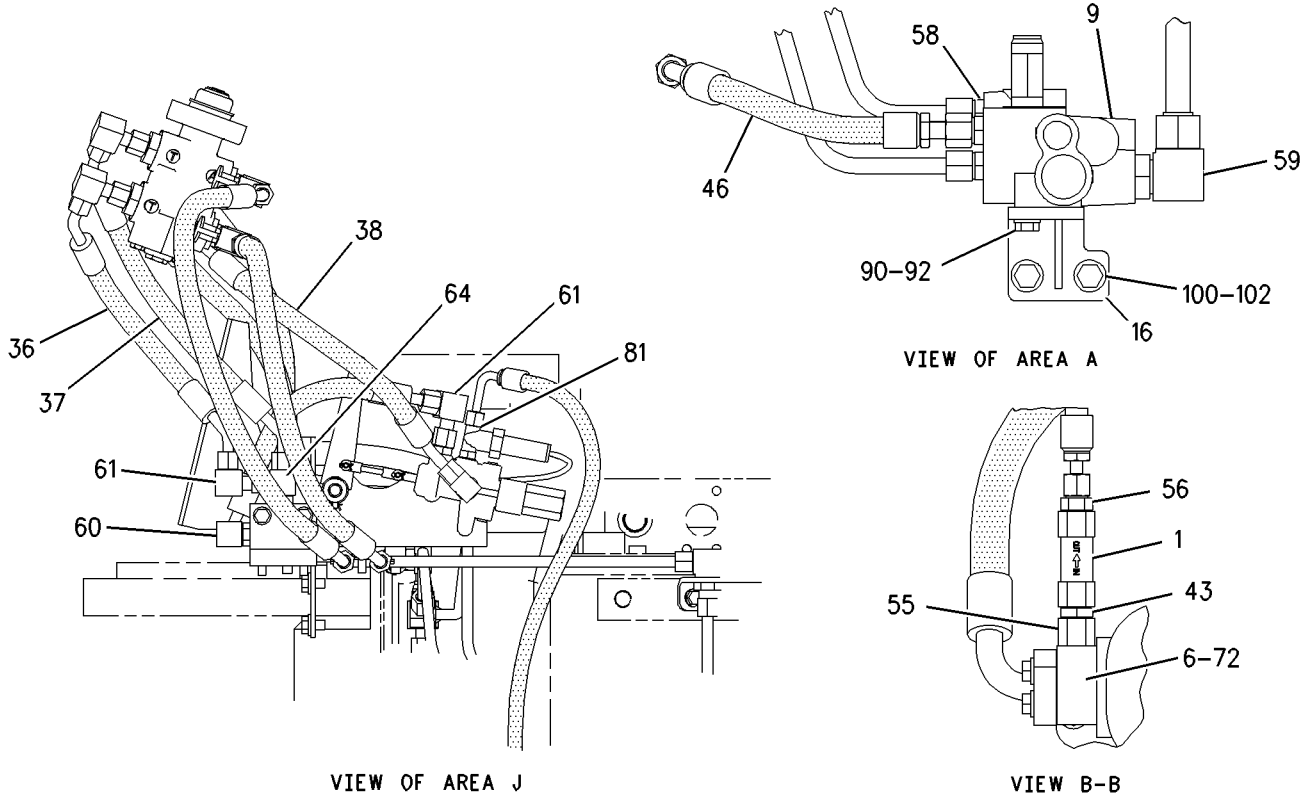
GRAPHIC #2

g00889971

# BRAKING SYSTEM

220-3818 CONTROL GP-SERVICE BRAKE (contd.)

i01727839



GRAPHIC #3

<END>

g00889972

# BRAKING SYSTEM

## 228-4399 CONTROL GP-SERVICE BRAKE

S/N: BNH1062-1390

PART OF 203-1582 HYDRAULIC AR

SMCS-4257, 4258, 4263, 4265, 4269, 4280

i02100308

NOTE	REF NO	GRAPHIC REF	PART NUMBER	QTY	PART NAME						SEE PAGE
					1	2	3	4	5	6 (PRODUCT LEVEL)	
	1	3	<b>3G-8607</b>	1	VALVE GP-CHECK (AIR PURGE)						
	2	3	<b>6H-7062</b>	2	SPACER (13.5X25X19-MM THK)						
	3	1	<b>6K-5290</b>	1	CLIP (TAB)						
	4	2,3	<b>6V-0852</b>	5	CAP-DUST						
	5	2	<b>7K-4942</b>	1	SCREW-PURGE						
	6	3	<b>9J-3866</b>	1	ADAPTER						
	7	3	<b>116-4798</b>	1	ANGLE AS						
M		3	<b>8T-3490</b>	2	NUT-WELD (M10X1.5-THD)						
	8	3	<b>116-9331</b>	1	JUNCTION BLOCK						
	9	2	<b>133-7102</b>	1	VALVE GP-ACCUMULATOR CHARGING						
	10	2	<b>136-0003</b>	1	TUBE AS						
	11	3	<b>136-0007</b>	1	TUBE AS						
	12	3	<b>136-0008</b>	1	TUBE AS						
	13	3	<b>136-0019</b>	1	TUBE AS						
I	14	2	<b>136-0036</b>	1	HOSE AS						
	15	3	<b>136-9698</b>	1	BRACKET AS						
	16	2	<b>138-4048</b>	1	BRACKET AS						
	17	1	<b>140-0205</b>	1	CLAMP AS						
	18	1	<b>140-0206</b>	2	PLATE						
	19	1	<b>141-7909</b>	1	TUBE AS						
	20	2	<b>141-7913</b>	1	TUBE AS						
Y	21	3	<b>146-3725</b>	1	VALVE & MTG GP-BRAKE CONTROL (PARKING)						773
I	22	2	<b>147-3324</b>	1	HOSE AS						
	23	2	<i>148-8430</i>	1	TEE AS						
		2	<b>6V-9746</b>	1	SEAL-O-RING						
		2	<b>7X-0873</b>	1	TEE						
I	24	2	<b>153-7655</b>	1	HOSE AS						
I	25	1	<b>153-7656</b>	1	HOSE AS						
	26	2	<b>153-7738</b>	1	BRACKET						
I	27	3	<b>153-8921</b>	1	HOSE AS						
I	28	3	<b>153-8922</b>	1	HOSE AS						
	29	2	<b>155-0055</b>	1	PLATE						
	30	3	<b>155-1838</b>	1	BRACKET						
I	31	1	<b>159-0250</b>	1	HOSE AS						
	32	2,3	<i>164-5567</i>	5	COUPLER AS-QUICK DISCONNECT (MALE)						
					(EACH INCLUDES)						
		2,3	<b>3J-1907</b>	1	SEAL-O-RING						
		2,3	<b>6V-3965</b>	1	FITTING (QUICK DISCONNECT)						
	33	3	<i>164-5586</i>	4	TEE AS						
					(EACH INCLUDES)						
		3	<b>6V-8398</b>	1	SEAL-O-RING						
		3	<b>7X-0871</b>	1	TEE						
I	34	1	<b>175-1370</b>	2	HOSE AS						
I	35	2	<b>175-1372</b>	1	HOSE AS						
I	36	2	<b>175-1373</b>	1	HOSE AS						
I	37	2	<b>175-1374</b>	1	HOSE AS						
I	38	1	<b>175-1375</b>	1	HOSE AS						
I	39	1	<b>175-1376</b>	1	HOSE AS						
Y	40	2	<b>177-8924</b>	1	PUMP GP-GEAR						965
	41	2	<i>187-0682</i>	1	CONNECTOR AS						
		2	<b>3J-7354</b>	1	SEAL-O-RING						
		2	<b>6V-8397</b>	1	SEAL-O-RING						
		2	<b>187-0681</b>	1	CONNECTOR						
	42	3	<i>189-5719</i>	1	ADAPTER AS						
		3	<b>3K-0360</b>	2	SEAL-O-RING						
		3	<b>6V-0467</b>	1	CONNECTOR						
	43	2	<b>197-3295</b>	2	FLANGE-HALF						
	44	3	<b>200-0866</b>	1	VALVE GP-BRAKE CONTROL (SERVICE)						
I	45	2	<b>202-8038</b>	1	HOSE AS						

# BRAKING SYSTEM

228-4399 CONTROL GP-SERVICE BRAKE (contd.)

i02100308

NOTE	REF NO	GRAPHIC REF	PART NUMBER	QTY	PART NAME						SEE PAGE
					1	2	3	4	5	6 (PRODUCT LEVEL)	
I	46	2	203-5870	1	HOSE AS						
	47	2	203-5871	1	TUBE AS						
	48	1	210-8620	1	TUBE AS						
I	49	2	213-7464	1	HOSE AS						
Y	50	3	220-1432	2	ACCUMULATOR GP-BRAKE (CHARGED)						723
I	51	2	138-9651	1	HOSE AS						
	52	2	146-2274	1	COLLAR						
	53	3	148-8306	2	ADAPTER AS						
					(EACH INCLUDES)						
		3	5P-5777	1	ADAPTER-O-RING						
		3	7M-8485	1	SEAL-O-RING						
	54	3	148-8307	1	ADAPTER AS						
					(EACH INCLUDES)						
		3	3J-1907	1	SEAL-O-RING						
		3	5P-8874	1	ADAPTER						
	55	3	148-8318	1	CONNECTOR AS						
		3	3K-0360	1	SEAL-O-RING						
		3	6V-8397	1	SEAL-O-RING						
		3	6V-8634	1	CONNECTOR						
	56	2	148-8336	1	CONNECTOR AS						
		2	3J-1907	1	SEAL-O-RING						
		2	6V-8397	1	SEAL-O-RING						
		2	6V-8636	1	CONNECTOR						
	57	1,2,3	148-8340	6	CONNECTOR AS						
					(EACH INCLUDES)						
		1,2,3	3K-0360	1	SEAL-O-RING						
		1,2,3	6V-8398	1	SEAL-O-RING						
		1,2,3	6V-8639	1	CONNECTOR						
	58	2	148-8347	1	ELBOW AS						
		2	3D-2824	1	SEAL-O-RING						
		2	6V-9007	1	ELBOW						
		2	6V-9746	1	SEAL-O-RING						
	59	2,3	148-8364	4	ELBOW AS						
					(EACH INCLUDES)						
		2,3	3K-0360	1	SEAL-O-RING						
		2,3	6V-8398	1	SEAL-O-RING						
		2,3	6V-8625	1	ELBOW						
	60	3	148-8370	5	ELBOW AS						
					(EACH INCLUDES)						
		3	6V-8398	1	SEAL-O-RING						
		3	6V-9851	1	ELBOW						
	61	1	148-8375	2	ELBOW AS						
					(EACH INCLUDES)						
		1	6V-8398	2	SEAL-O-RING						
		1	6V-8981	1	ELBOW						
	62	2	148-8378	1	ELBOW AS						
		2	3J-1907	1	SEAL-O-RING						
		2	6V-8397	1	SEAL-O-RING						
		2	6V-8724	1	ELBOW						
	63	3	148-8428	1	TEE AS						
		3	3K-0360	1	SEAL-O-RING						
		3	6V-8398	2	SEAL-O-RING						
		3	6V-8782	1	TEE						
	64	3	148-8444	4	TEE AS-SWIVEL						
					(EACH INCLUDES)						
		3	6V-8398	2	SEAL-O-RING						
		3	6V-9837	1	TEE-SWIVEL						
	65	3	148-8457	2	UNION AS (STRAIGHT)						
					(EACH INCLUDES)						
		3	6V-8398	2	SEAL-O-RING						
		3	6V-8995	1	UNION (STRAIGHT)						
	66	2,3	153-6241	2	ELBOW AS						



# BRAKING SYSTEM

228-4399 CONTROL GP-SERVICE BRAKE (contd.)

i02100308

NOTE	REF NO	GRAPHIC REF	PART NUMBER	QTY	PART NAME						SEE PAGE
					1	2	3	4	5	6 (PRODUCT LEVEL)	
					(EACH INCLUDES)						
		2,3	<b>6V-8398</b>	1	SEAL-O-RING						
		2,3	<b>8C-8989</b>	1	ELBOW						
	67	3	<b>153-6252</b>	4	CONNECTOR AS						
					(EACH INCLUDES)						
		3	<b>6V-8398</b>	1	SEAL-O-RING						
		3	<b>7M-8485</b>	1	SEAL-O-RING						
		3	<b>9X-8408</b>	1	CONNECTOR						
	68	2	<b>171-6723</b>	1	ELBOW AS						
		2	<b>6V-9746</b>	1	SEAL-O-RING						
		2	<b>8T-8899</b>	1	ELBOW						
	69	2	<b>1H-6227</b>	1	SEAL-O-RING						
	70	1	<b>1P-4578</b>	2	FLANGE-HALF						
	71	2,3	<b>4J-0520</b>	2	SEAL-O-RING						
	72	1	<b>4J-0522</b>	2	SEAL-O-RING						
	73	2	<b>5P-7470</b>	1	CLIP (SLOT)						
	74	2	<b>5P-7471</b>	1	CLIP (TAB)						
	75	2	<b>5P-8182</b>	1	GROMMET						
	76	2	<b>6D-4636</b>	3	CLIP						
	77	1	<b>6K-5291</b>	1	CLIP (SLOT)						
	78	2	<b>6V-3265</b>	1	CLIP						
	79	2,3	<b>6V-8397</b>	2	SEAL-O-RING						
	80	1,2,3	<b>6V-8398</b>	4	SEAL-O-RING						
	81	1,3	<b>6V-9169</b>	4	NUT (13/16-16-THD)						
	82	2	<b>6V-9746</b>	1	SEAL-O-RING						
	83	1	<b>7C-4355</b>	1	CLIP						
	84	2	<b>7X-3392</b>	4	WASHER-HARD (13.5X22.5X3-MM THK)						
	85	1	<b>7X-7729</b>	2	WASHER (11X25X3-MM THK)						
	86	2	<b>8C-3206</b>	2	FLANGE-HALF						
	87	1,2,3	<b>8T-1885</b>	6	CLIP (SLOT)						
	88	1,2,3	<b>8T-1886</b>	6	CLIP (TAB)						
	89	1,2,3	<b>8T-4121</b>	26	WASHER-HARD (11X21X2.5-MM THK)						
M	90	3	<b>8T-4133</b>	1	NUT (M10X1.5-THD)						
M	91	1,2	<b>8T-4136</b>	8	BOLT (M10X1.5X25-MM)						
M	92	1,2,3	<b>8T-4137</b>	8	BOLT (M10X1.5X20-MM)						
M	93	1	<b>8T-4139</b>	2	BOLT (M12X1.75X30-MM)						
M	94	3	<b>8T-4179</b>	2	BOLT (M12X1.75X20-MM)						
M	95	3	<b>8T-4182</b>	2	BOLT (M10X1.5X45-MM)						
M	96	1,2,3	<b>8T-4183</b>	7	BOLT (M12X1.75X40-MM)						
M	97	1	<b>8T-4192</b>	6	BOLT (M12X1.75X25-MM)						
M	98	3	<b>8T-4196</b>	1	BOLT (M10X1.5X35-MM)						
	99	1,2,3	<b>8T-4223</b>	29	WASHER-HARD (13.5X25.5X3-MM THK)						
M	100	1	<b>8T-4244</b>	2	NUT (M12X1.75-THD)						
M	101	1,2	<b>8T-4956</b>	14	BOLT (M12X1.75X35-MM)						
M	102	2	<b>8T-5005</b>	4	BOLT (M10X1.5X70-MM)						
M	103	2,3	<b>8T-6466</b>	3	BOLT (M10X1.5X60-MM)						

I - REFER TO HYDRAULIC INFORMATION SYSTEM

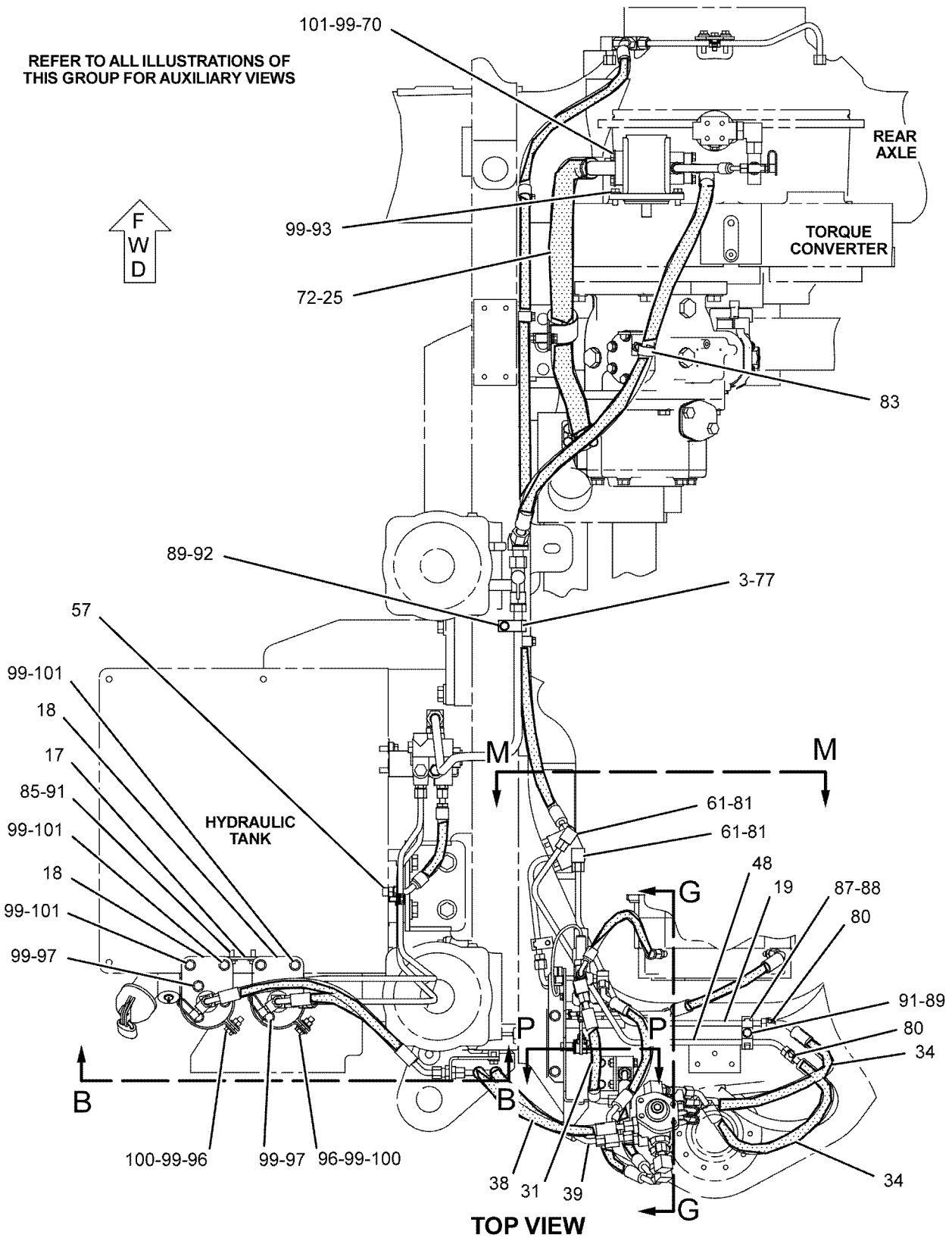
M - METRIC PART

Y - SEPARATE ILLUSTRATION

# BRAKING SYSTEM

228-4399 CONTROL GP-SERVICE BRAKE (contd.)

i02100308



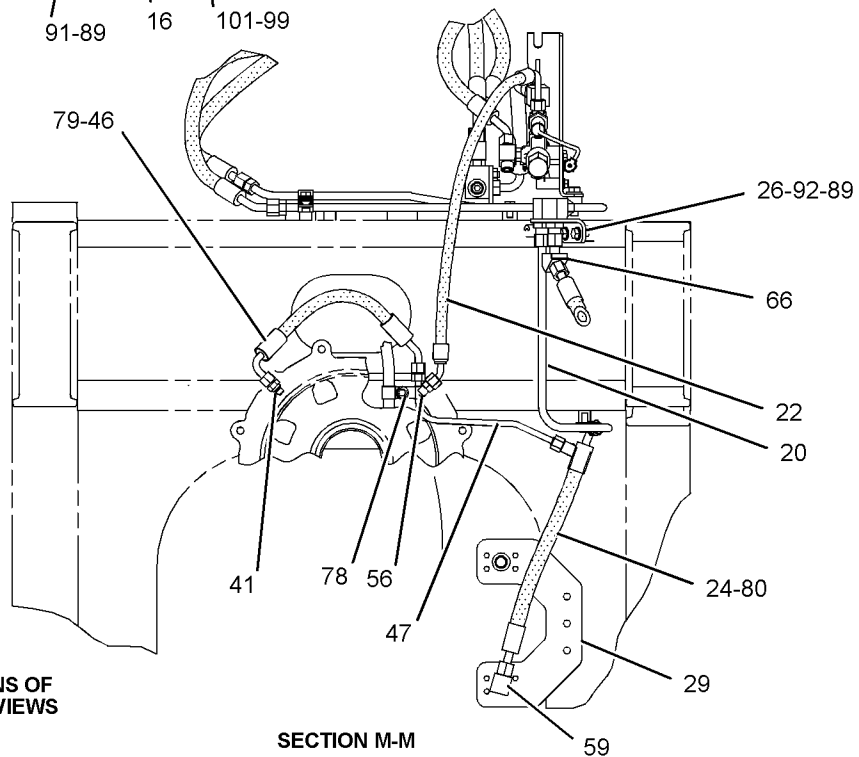
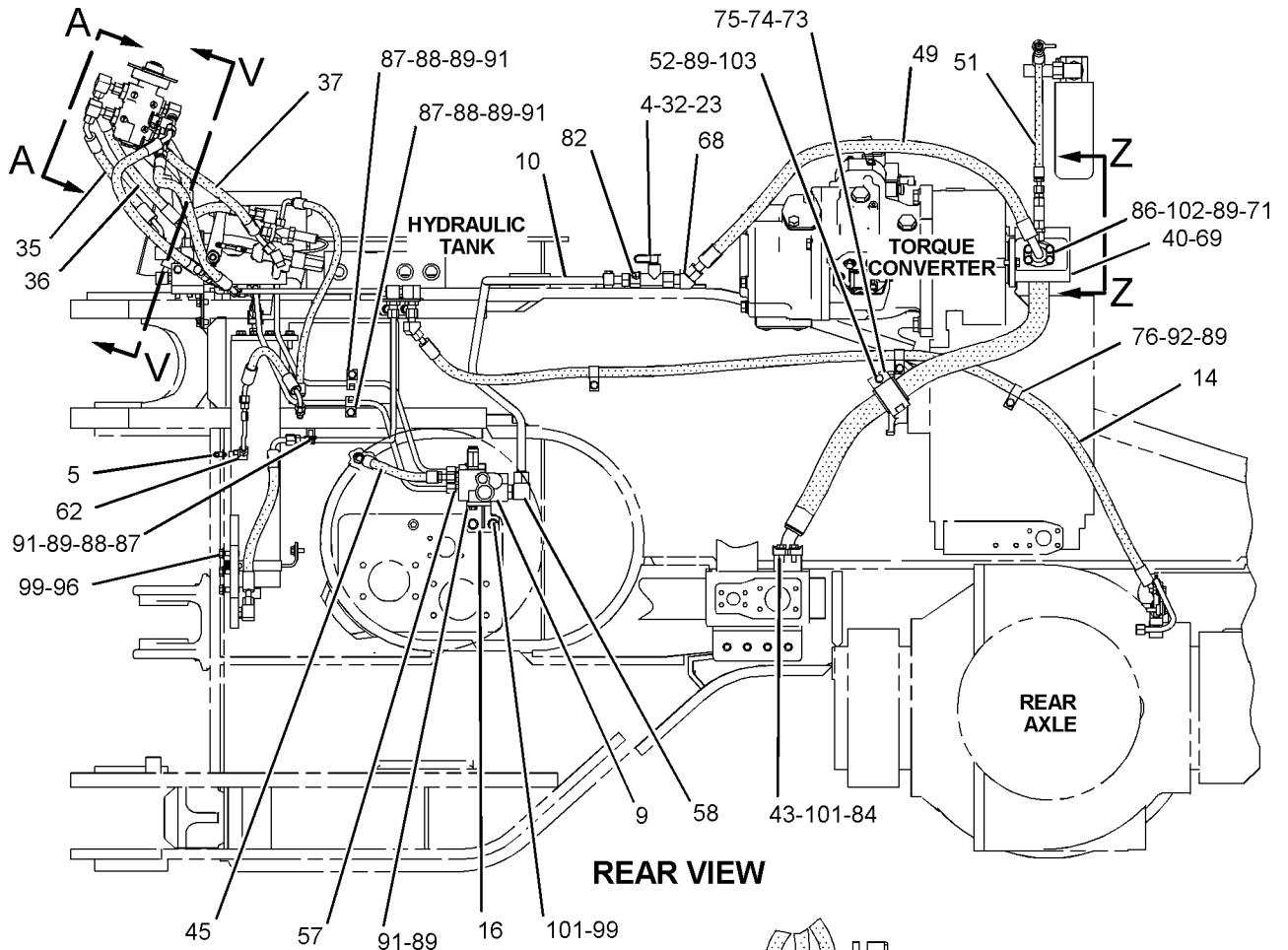
GRAPHIC #1

g01083125

# BRAKING SYSTEM

228-4399 CONTROL GP-SERVICE BRAKE (contd.)

i02100308



REFER TO ALL ILLUSTRATIONS OF THIS GROUP FOR AUXILIARY VIEWS

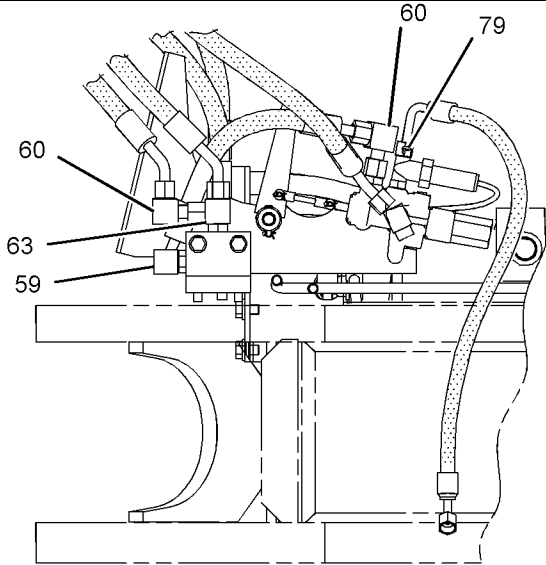
GRAPHIC #2

g01083127

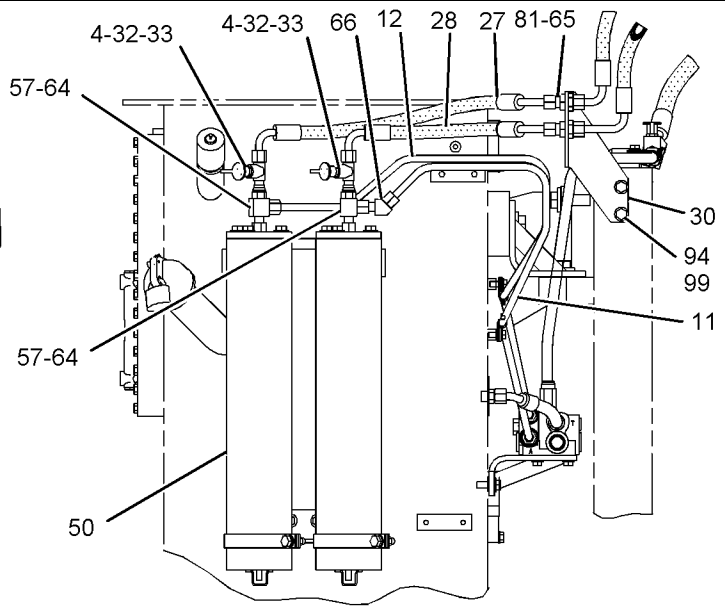
# BRAKING SYSTEM

228-4399 CONTROL GP-SERVICE BRAKE (contd.)

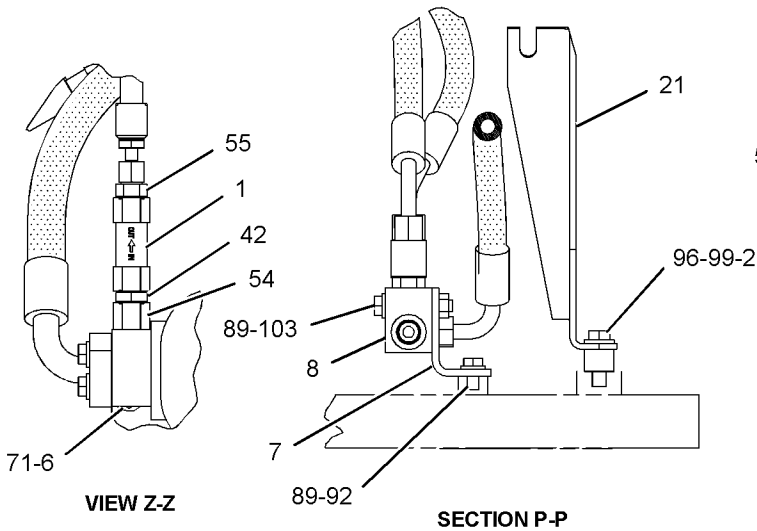
i02100308



SECTION G-G

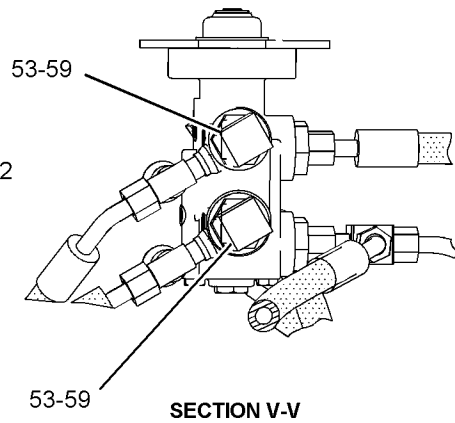


VIEW B-B

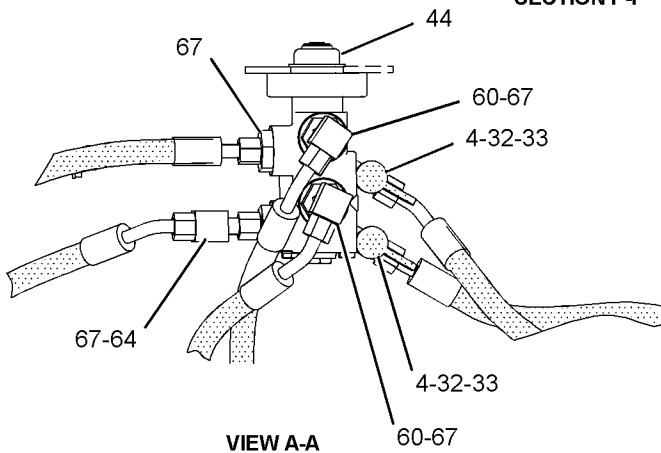


VIEW Z-Z

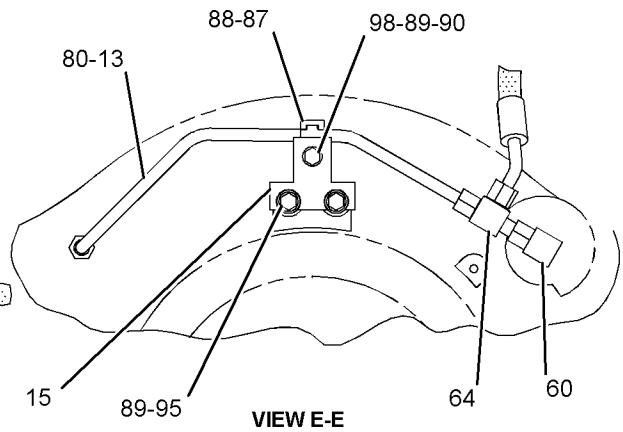
SECTION P-P



SECTION V-V



VIEW A-A



VIEW E-E

GRAPHIC #3

<END>

g01083129

# BRAKING SYSTEM

## 228-4399 CONTROL GP-SERVICE BRAKE

S/N: BNH1391-UP

PART OF 203-1582 HYDRAULIC AR

SMCS-4257, 4258, 4263, 4265, 4269, 4280

i02188194

NOTE	REF NO	GRAPHIC REF	PART NUMBER	QTY	PART NAME						SEE PAGE
					1	2	3	4	5	6 (PRODUCT LEVEL)	
	1	3	<b>3G-8607</b>	1	VALVE GP-CHECK (AIR PURGE)						
	2	3	<b>6H-7062</b>	2	SPACER (13.5X25X19-MM THK)						
	3	1	<b>6K-5290</b>	1	CLIP (TAB)						
	4	2,3	<b>6V-0852</b>	5	CAP-DUST						
	5	2	<b>7K-4942</b>	1	SCREW-PURGE						
	6	3	<b>9J-3866</b>	1	ADAPTER						
	7	3	<b>116-4798</b>	1	ANGLE AS						
M		3	<b>8T-3490</b>	2	NUT-WELD (M10X1.5-THD)						
	8	3	<b>116-9331</b>	1	JUNCTION BLOCK						
C	9	2	<b>235-0251</b>	1	VALVE GP-ACCUMULATOR CHARGING						
	10	2	<b>136-0003</b>	1	TUBE AS						
	11	3	<b>136-0007</b>	1	TUBE AS						
	12	3	<b>136-0008</b>	1	TUBE AS						
	13	3	<b>136-0019</b>	1	TUBE AS						
I	14	2	<b>136-0036</b>	1	HOSE AS						
	15	3	<b>136-9698</b>	1	BRACKET AS						
	16	2	<b>138-4048</b>	1	BRACKET AS						
	17	1	<b>140-0205</b>	1	CLAMP AS						
	18	1	<b>140-0206</b>	2	PLATE						
	19	1	<b>141-7909</b>	1	TUBE AS						
	20	2	<b>141-7913</b>	1	TUBE AS						
Y	21	3	<b>146-3725</b>	1	VALVE & MTG GP-BRAKE CONTROL (PARKING)						773
I	22	2	<b>147-3324</b>	1	HOSE AS						
	23	2	<i>148-8430</i>	1	TEE AS						
		2	<b>6V-9746</b>	1	SEAL-O-RING						
		2	<b>7X-0873</b>	1	TEE						
I	24	2	<b>153-7655</b>	1	HOSE AS						
I	25	1	<b>153-7656</b>	1	HOSE AS						
	26	2	<b>153-7738</b>	1	BRACKET						
I	27	3	<b>153-8921</b>	1	HOSE AS						
I	28	3	<b>153-8922</b>	1	HOSE AS						
C	29	2	<b>254-7018</b>	1	PLATE						
	30	3	<b>155-1838</b>	1	BRACKET						
I	31	1	<b>159-0250</b>	1	HOSE AS						
	32	2,3	<i>164-5567</i>	5	COUPLER AS-QUICK DISCONNECT (MALE)						
					(EACH INCLUDES)						
		2,3	<b>3J-1907</b>	1	SEAL-O-RING						
		2,3	<b>6V-3965</b>	1	FITTING (QUICK DISCONNECT)						
	33	3	<i>164-5586</i>	4	TEE AS						
					(EACH INCLUDES)						
		3	<b>6V-8398</b>	1	SEAL-O-RING						
		3	<b>7X-0871</b>	1	TEE						
I	34	1	<b>175-1370</b>	2	HOSE AS						
I	35	2	<b>175-1372</b>	1	HOSE AS						
I	36	2	<b>175-1373</b>	1	HOSE AS						
I	37	2	<b>175-1374</b>	1	HOSE AS						
I	38	1	<b>175-1375</b>	1	HOSE AS						
I	39	1	<b>175-1376</b>	1	HOSE AS						
Y	40	2	<b>177-8924</b>	1	PUMP GP-GEAR						965
	41	2	<i>187-0682</i>	1	CONNECTOR AS						
		2	<b>3J-7354</b>	1	SEAL-O-RING						
		2	<b>6V-8397</b>	1	SEAL-O-RING						
		2	<b>187-0681</b>	1	CONNECTOR						
	42	3	<i>189-5719</i>	1	ADAPTER AS						
		3	<b>3K-0360</b>	2	SEAL-O-RING						
		3	<b>6V-0467</b>	1	CONNECTOR						
	43	2	<b>197-3295</b>	2	FLANGE-HALF						
	44	3	<b>200-0866</b>	1	VALVE GP-BRAKE CONTROL (SERVICE)						
I	45	2	<b>202-8038</b>	1	HOSE AS						

# BRAKING SYSTEM

228-4399 CONTROL GP-SERVICE BRAKE (contd.)

i02188194

NOTE	REF NO	GRAPHIC REF	PART NUMBER	QTY	PART NAME						SEE PAGE
					1	2	3	4	5	6 (PRODUCT LEVEL)	
I	46	2	203-5870	1	HOSE AS						
	47	2	203-5871	1	TUBE AS						
	48	1	210-8620	1	TUBE AS						
I	49	2	213-7464	1	HOSE AS						
Y	50	3	220-1432	2	ACCUMULATOR GP-BRAKE (CHARGED)						723
I	51	2	138-9651	1	HOSE AS						
	52	2	146-2274	1	COLLAR						
	53	3	148-8306	2	ADAPTER AS						
					(EACH INCLUDES)						
		3	5P-5777	1	ADAPTER-O-RING						
		3	7M-8485	1	SEAL-O-RING						
	54	3	148-8307	1	ADAPTER AS						
					(EACH INCLUDES)						
		3	3J-1907	1	SEAL-O-RING						
		3	5P-8874	1	ADAPTER						
	55	3	148-8318	1	CONNECTOR AS						
		3	3K-0360	1	SEAL-O-RING						
		3	6V-8397	1	SEAL-O-RING						
		3	6V-8634	1	CONNECTOR						
	56	2	148-8336	1	CONNECTOR AS						
		2	3J-1907	1	SEAL-O-RING						
		2	6V-8397	1	SEAL-O-RING						
		2	6V-8636	1	CONNECTOR						
	57	1,2,3	148-8340	6	CONNECTOR AS						
					(EACH INCLUDES)						
		1,2,3	3K-0360	1	SEAL-O-RING						
		1,2,3	6V-8398	1	SEAL-O-RING						
		1,2,3	6V-8639	1	CONNECTOR						
	58	2	148-8347	1	ELBOW AS						
		2	3D-2824	1	SEAL-O-RING						
		2	6V-9007	1	ELBOW						
		2	6V-9746	1	SEAL-O-RING						
	59	2,3	148-8364	4	ELBOW AS						
					(EACH INCLUDES)						
		2,3	3K-0360	1	SEAL-O-RING						
		2,3	6V-8398	1	SEAL-O-RING						
		2,3	6V-8625	1	ELBOW						
	60	3	148-8370	5	ELBOW AS						
					(EACH INCLUDES)						
		3	6V-8398	1	SEAL-O-RING						
		3	6V-9851	1	ELBOW						
	61	1	148-8375	2	ELBOW AS						
					(EACH INCLUDES)						
		1	6V-8398	2	SEAL-O-RING						
		1	6V-8981	1	ELBOW						
	62	2	148-8378	1	ELBOW AS						
		2	3J-1907	1	SEAL-O-RING						
		2	6V-8397	1	SEAL-O-RING						
		2	6V-8724	1	ELBOW						
	63	3	148-8428	1	TEE AS						
		3	3K-0360	1	SEAL-O-RING						
		3	6V-8398	2	SEAL-O-RING						
		3	6V-8782	1	TEE						
	64	3	148-8444	4	TEE AS-SWIVEL						
					(EACH INCLUDES)						
		3	6V-8398	2	SEAL-O-RING						
		3	6V-9837	1	TEE-SWIVEL						
	65	3	148-8457	2	UNION AS (STRAIGHT)						
					(EACH INCLUDES)						
		3	6V-8398	2	SEAL-O-RING						
		3	6V-8995	1	UNION (STRAIGHT)						
	66	2,3	153-6241	2	ELBOW AS						

# BRAKING SYSTEM

228-4399 CONTROL GP-SERVICE BRAKE (contd.)

i02188194

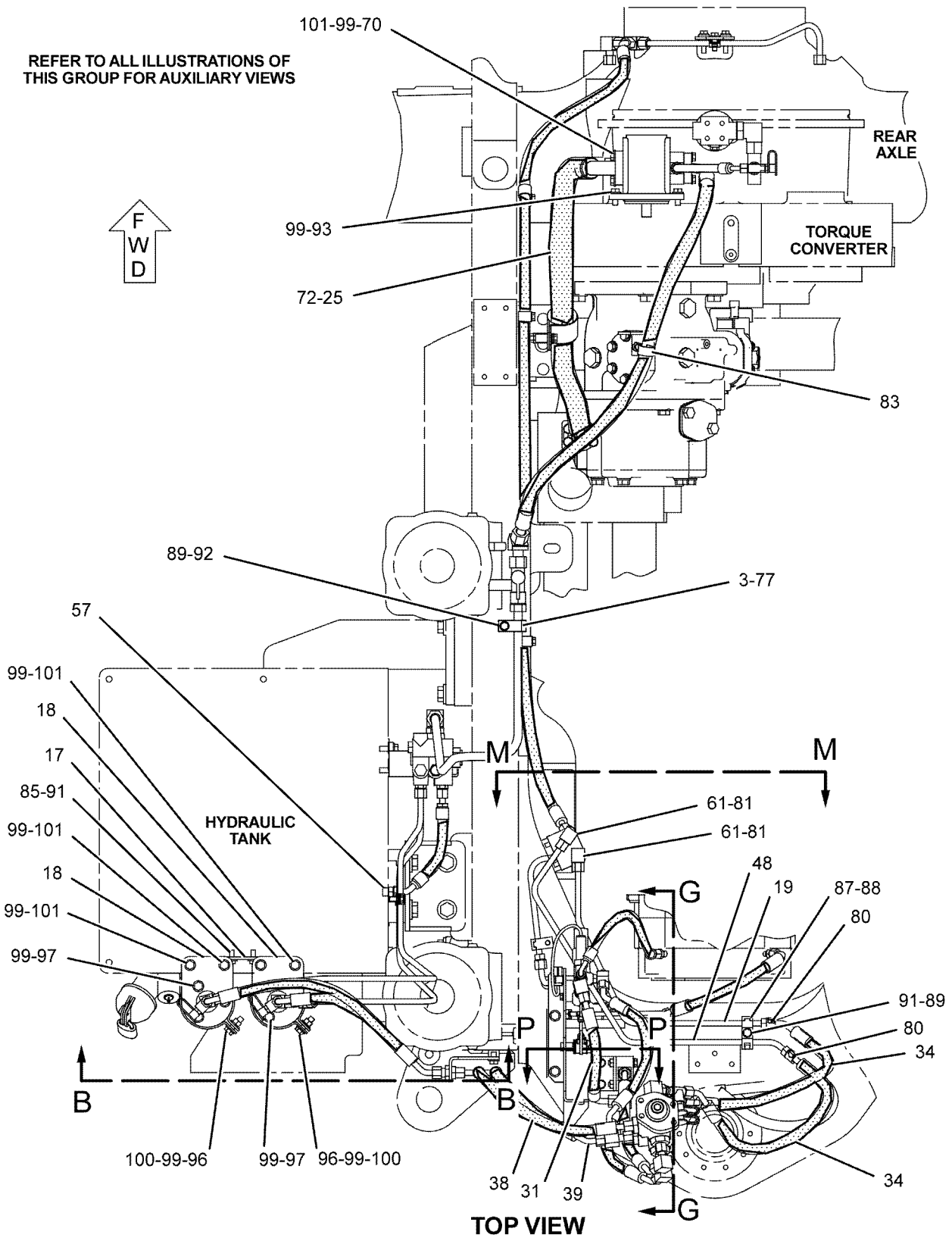
NOTE	REF NO	GRAPHIC REF	PART NUMBER	QTY	PART NAME						SEE PAGE
					1	2	3	4	5	6 (PRODUCT LEVEL)	
					(EACH INCLUDES)						
		2,3	<b>6V-8398</b>	1	SEAL-O-RING						
		2,3	<b>8C-8989</b>	1	ELBOW						
	67	3	<b>153-6252</b>	4	CONNECTOR AS						
					(EACH INCLUDES)						
		3	<b>6V-8398</b>	1	SEAL-O-RING						
		3	<b>7M-8485</b>	1	SEAL-O-RING						
		3	<b>9X-8408</b>	1	CONNECTOR						
	68	2	<b>171-6723</b>	1	ELBOW AS						
		2	<b>6V-9746</b>	1	SEAL-O-RING						
		2	<b>8T-8899</b>	1	ELBOW						
	69	2	<b>1H-6227</b>	1	SEAL-O-RING						
	70	1	<b>1P-4578</b>	2	FLANGE-HALF						
	71	2,3	<b>4J-0520</b>	2	SEAL-O-RING						
	72	1	<b>4J-0522</b>	2	SEAL-O-RING						
	73	2	<b>5P-7470</b>	1	CLIP (SLOT)						
	74	2	<b>5P-7471</b>	1	CLIP (TAB)						
	75	2	<b>5P-8182</b>	1	GROMMET						
	76	2	<b>6D-4636</b>	3	CLIP						
	77	1	<b>6K-5291</b>	1	CLIP (SLOT)						
	78	2	<b>6V-3265</b>	1	CLIP						
	79	2,3	<b>6V-8397</b>	2	SEAL-O-RING						
	80	1,2,3	<b>6V-8398</b>	4	SEAL-O-RING						
	81	1,3	<b>6V-9169</b>	4	NUT (13/16-16-THD)						
	82	2	<b>6V-9746</b>	1	SEAL-O-RING						
	83	1	<b>7C-4355</b>	1	CLIP						
	84	2	<b>7X-3392</b>	4	WASHER-HARD (13.5X22.5X3-MM THK)						
	85	1	<b>7X-7729</b>	2	WASHER (11X25X3-MM THK)						
	86	2	<b>8C-3206</b>	2	FLANGE-HALF						
	87	1,2,3	<b>8T-1885</b>	6	CLIP (SLOT)						
	88	1,2,3	<b>8T-1886</b>	6	CLIP (TAB)						
	89	1,2,3	<b>8T-4121</b>	26	WASHER-HARD (11X21X2.5-MM THK)						
M	90	3	<b>8T-4133</b>	1	NUT (M10X1.5-THD)						
M	91	1,2	<b>8T-4136</b>	8	BOLT (M10X1.5X25-MM)						
M	92	1,2,3	<b>8T-4137</b>	8	BOLT (M10X1.5X20-MM)						
M	93	1	<b>8T-4139</b>	2	BOLT (M12X1.75X30-MM)						
M	94	3	<b>8T-4179</b>	2	BOLT (M12X1.75X20-MM)						
M	95	3	<b>8T-4182</b>	2	BOLT (M10X1.5X45-MM)						
M	96	1,2,3	<b>8T-4183</b>	7	BOLT (M12X1.75X40-MM)						
M	97	1	<b>8T-4192</b>	6	BOLT (M12X1.75X25-MM)						
M	98	3	<b>8T-4196</b>	1	BOLT (M10X1.5X35-MM)						
	99	1,2,3	<b>8T-4223</b>	29	WASHER-HARD (13.5X25.5X3-MM THK)						
M	100	1	<b>8T-4244</b>	2	NUT (M12X1.75-THD)						
M	101	1,2	<b>8T-4956</b>	14	BOLT (M12X1.75X35-MM)						
M	102	2	<b>8T-5005</b>	4	BOLT (M10X1.5X70-MM)						
M	103	2,3	<b>8T-6466</b>	3	BOLT (M10X1.5X60-MM)						

C - CHANGE FROM PREVIOUS TYPE  
 I - REFER TO HYDRAULIC INFORMATION SYSTEM  
 M - METRIC PART  
 Y - SEPARATE ILLUSTRATION

# BRAKING SYSTEM

228-4399 CONTROL GP-SERVICE BRAKE (contd.)

i02188194



GRAPHIC #1

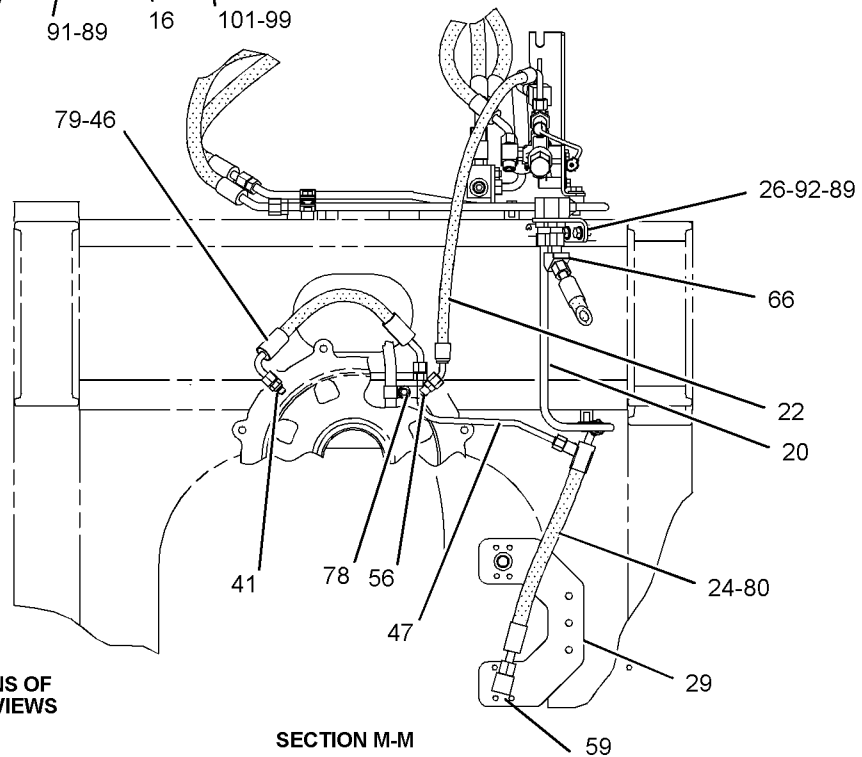
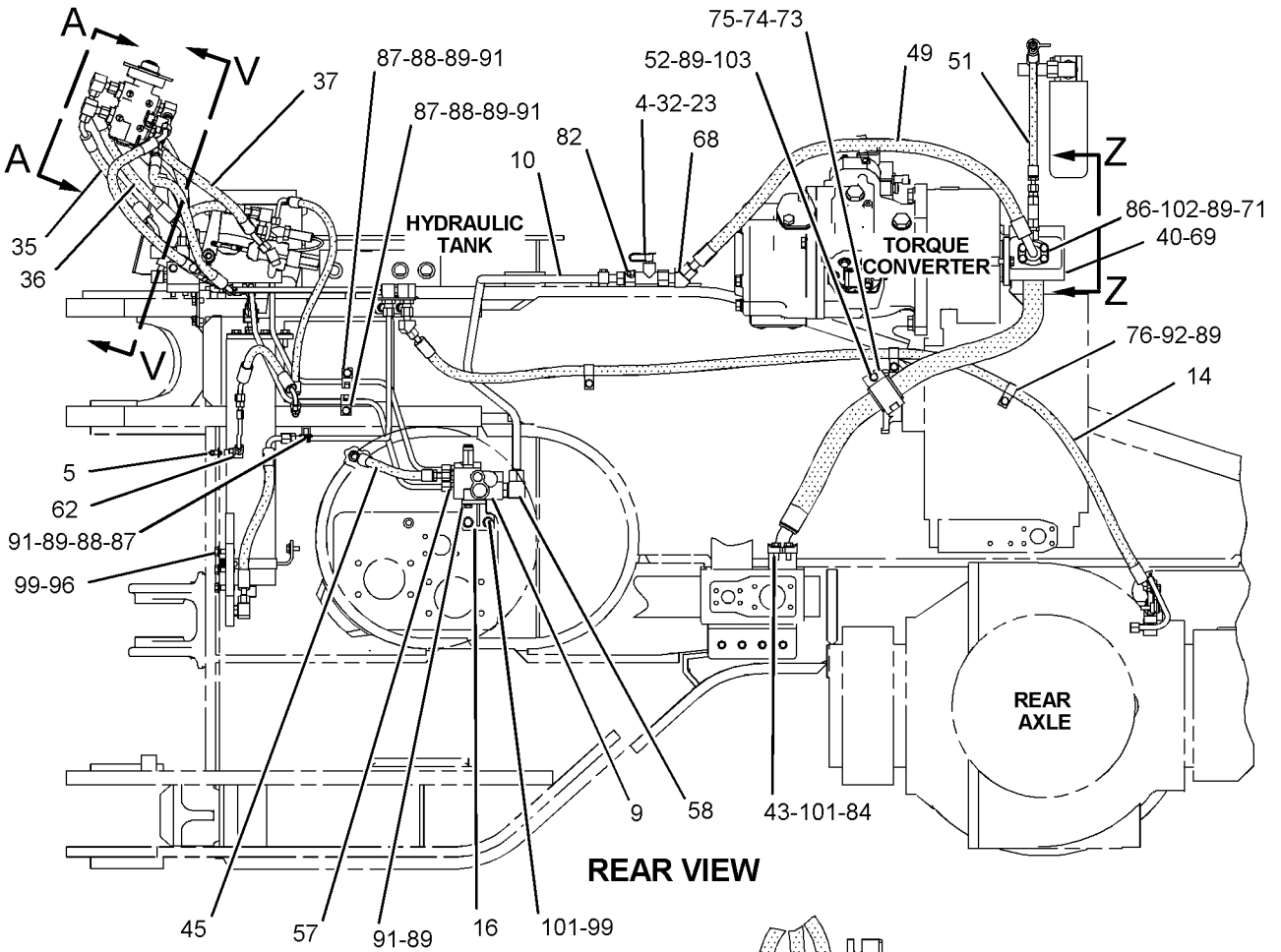
g01083125



# BRAKING SYSTEM

228-4399 CONTROL GP-SERVICE BRAKE (contd.)

i02188194



REFER TO ALL ILLUSTRATIONS OF THIS GROUP FOR AUXILIARY VIEWS

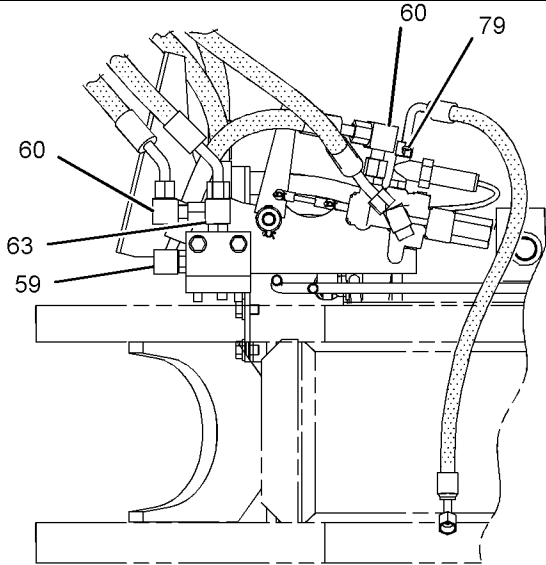
GRAPHIC #2

g01107292

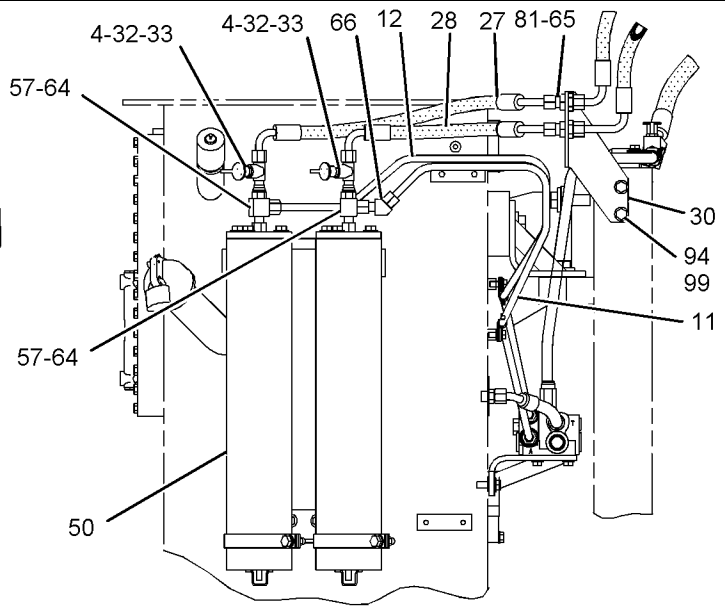
# BRAKING SYSTEM

228-4399 CONTROL GP-SERVICE BRAKE (contd.)

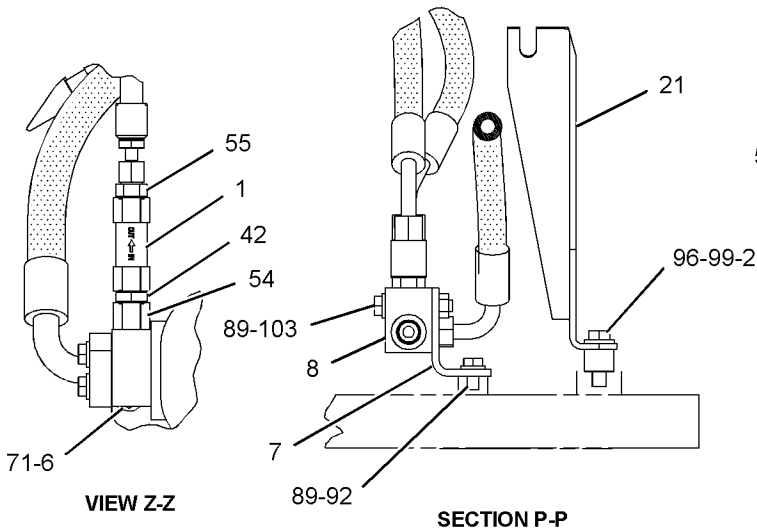
i02188194



SECTION G-G

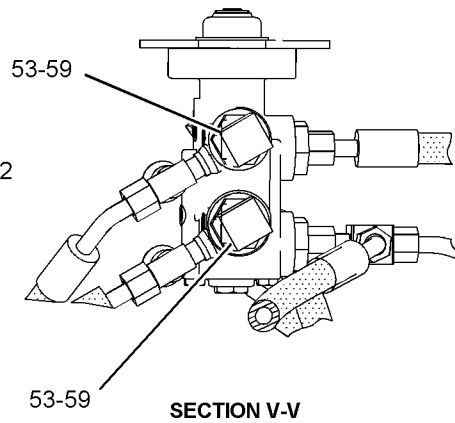


VIEW B-B

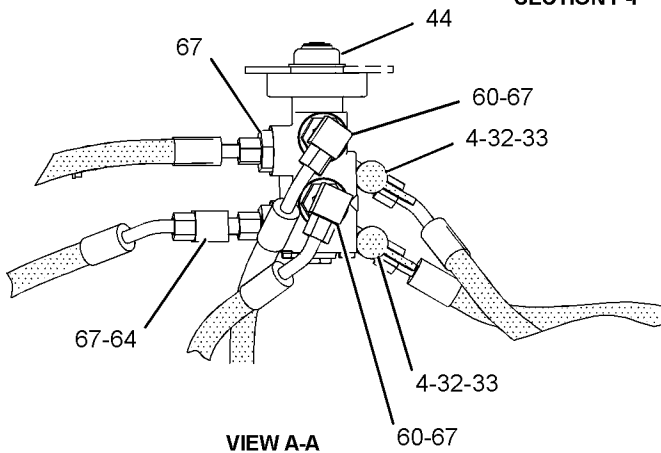


VIEW Z-Z

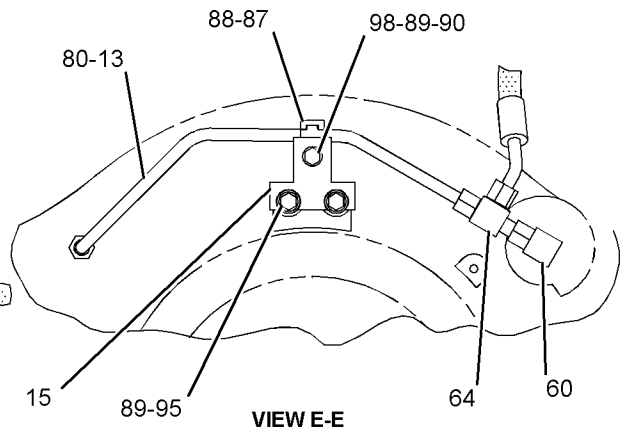
SECTION P-P



SECTION V-V



VIEW A-A



VIEW E-E

GRAPHIC #3

<END>

g01083129

# BRAKING SYSTEM

## 125-1355 LINES GP-SERVICE BRAKE-REAR AXLE

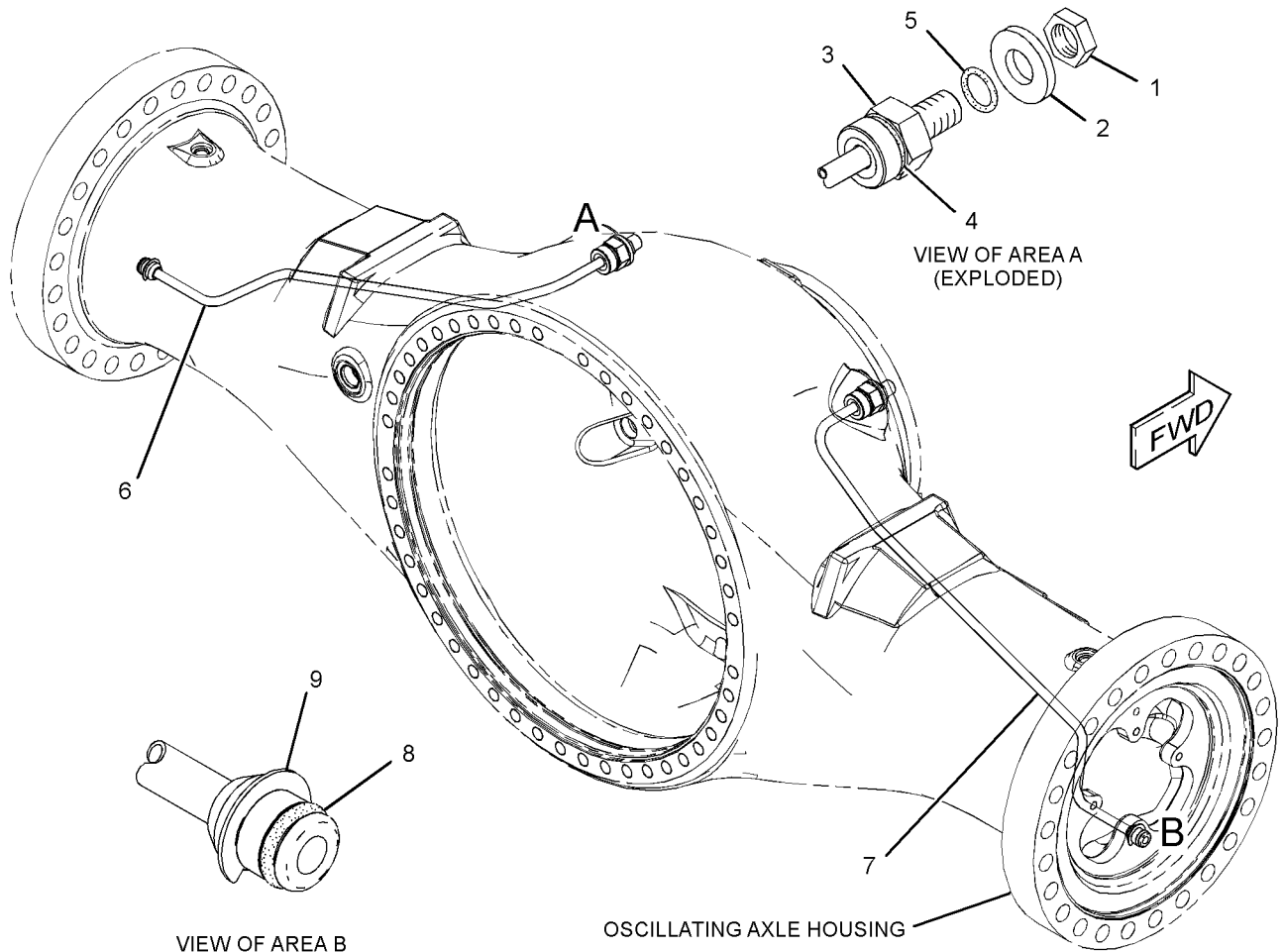
S/N: BNH1-UP

PART OF 137-8832 AXLE AR-OSCILLATING

SMCS-4257

i02986042

NOTE	REF NO	GRAPHIC REF	PART NUMBER	QTY	PART NAME						SEE PAGE
					1	2	3	4	5	6	
	1	1	<b>6V-9169</b>	2	NUT (13/16-16-THD)						
	2	1	<b>8T-5439</b>	2	WASHER-HARD (21.5X45X6-MM THK)						
	3	1	<b>125-0966</b>	2	PLUG						
	4	1	<b>7M-8485</b>	2	SEAL-O-RING						
	5	1	<b>1H-8171</b>	2	SEAL-O-RING						
	6	1	<b>290-2299</b>	1	TUBE AS						
	7	1	<b>290-2298</b>	1	TUBE AS						
	8	1	<b>5P-8119</b>	2	SEAL-O-RING						
	9	1	<b>125-0965</b>	2	RING-RETAINING						



GRAPHIC #1

<END>

g01513328

# BRAKING SYSTEM

## 125-1358 LINES GP-SERVICE BRAKE-FRONT AXLE

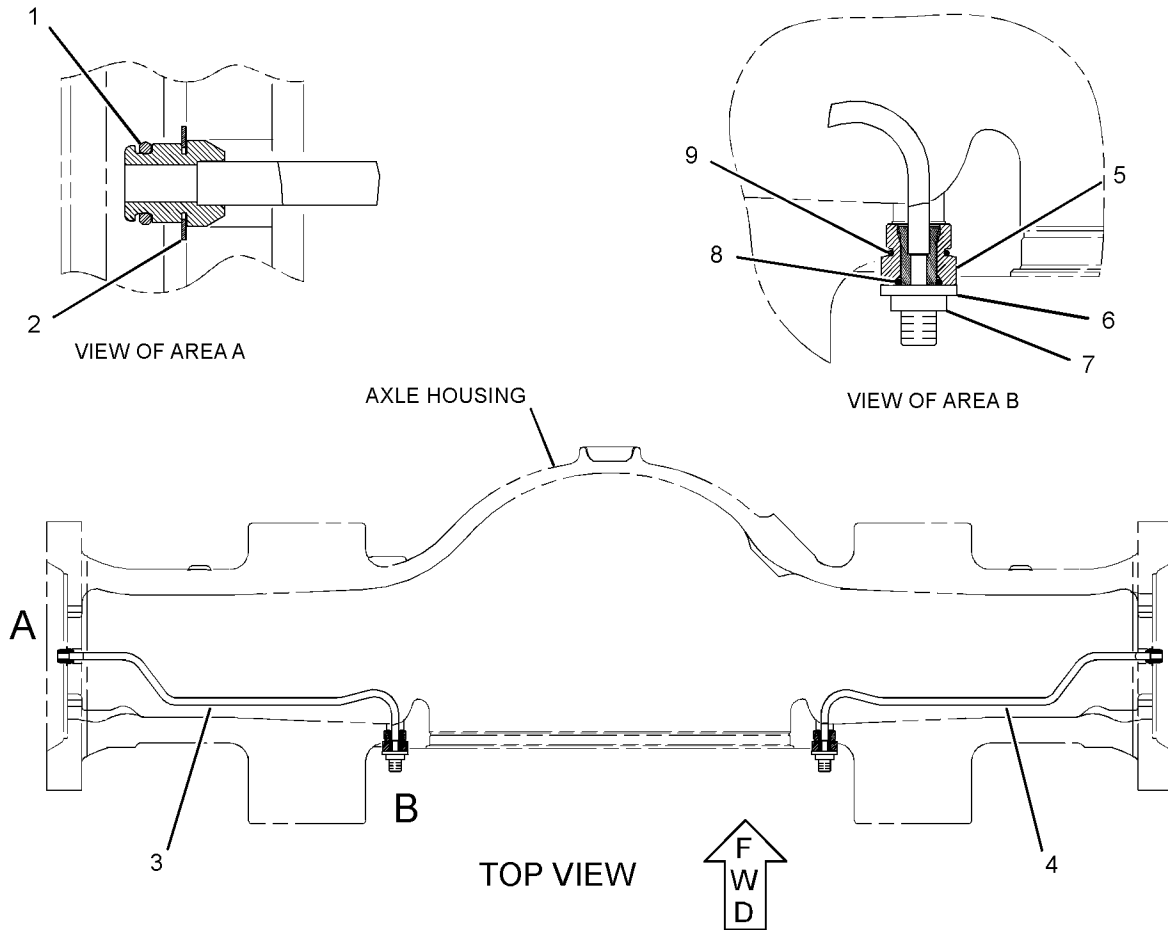
S/N: BNH1-UP

PART OF 137-8833 AXLE AR-FIXED

SMCS-4257

i02947143

NOTE	REF NO	GRAPHIC REF	PART NUMBER	QTY	PART NAME						SEE PAGE
					1	2	3	4	5	6	
	1	1	<b>5P-8119</b>	2	SEAL-O-RING						
	2	1	<b>125-0965</b>	2	RING-RETAINING						
	3	1	<b>290-2302</b>	1	TUBE AS						
	4	1	<b>290-2301</b>	1	TUBE AS						
	5	1	<b>125-0966</b>	2	PLUG						
	6	1	<b>8T-5439</b>	2	WASHER-HARD (21.5X45X6-MM THK)						
	7	1	<b>6V-9169</b>	2	NUT (13/16-16-THD)						
	8	1	<b>1H-8171</b>	2	SEAL-O-RING						
	9	1	<b>7M-8485</b>	2	SEAL-O-RING						



GRAPHIC #1

<END>

g01463327

# BRAKING SYSTEM

## 195-0459 LINES GP-SERVICE BRAKE-LOADER FRAME

S/N: BNH1-UP

PART OF 203-1582 HYDRAULIC AR

SMCS-4257

i01630938

NOTE	REF NO	GRAPHIC REF	PART NUMBER	QTY	PART NAME						SEE PAGE
					1	2	3	4	5	6 (PRODUCT LEVEL)	
	1	1	<b>3E-6909</b>	4	CLIP						
	2	1	<b>136-0012</b>	1	TUBE AS						
	3	1	<b>136-0013</b>	1	TUBE AS						
	4	1	<b>160-2425</b>	1	BRACKET AS						
M		1	<b>8T-3490</b>	3	NUT-WELD (M10X1.5-THD)						
I	5	1	<b>195-0462</b>	1	HOSE AS						
	6	1	<b>198-3412</b>	1	TUBE AS						
	7	1	<b>198-3413</b>	1	TUBE AS						
	8	1	<b>198-6439</b>	1	PLATE						
	9	1	<i>148-8364</i>	1	ELBOW AS						
		1	<b>3K-0360</b>	1	SEAL-O-RING						
		1	<b>6V-8398</b>	1	SEAL-O-RING						
		1	<b>6V-8625</b>	1	ELBOW						
	10	1	<i>148-8454</i>	1	TEE AS						
		1	<b>6V-8398</b>	3	SEAL-O-RING						
		1	<b>6V-8789</b>	1	TEE						
	11	1	<b>4J-5267</b>	2	SEAL-O-RING						
	12	1	<b>6V-8398</b>	3	SEAL-O-RING						
	13	1	<b>8C-3205</b>	4	FLANGE-HALF						
	14	1	<b>8T-4121</b>	12	WASHER-HARD (11X21X2.5-MM THK)						
M	15	1	<b>8T-4137</b>	4	BOLT (M10X1.5X20-MM)						
M	16	1	<b>8T-4183</b>	2	BOLT (M12X1.75X40-MM)						
M	17	1	<b>8T-4196</b>	8	BOLT (M10X1.5X35-MM)						
	18	1	<b>8T-4223</b>	2	WASHER-HARD (13.5X25.5X3-MM THK)						

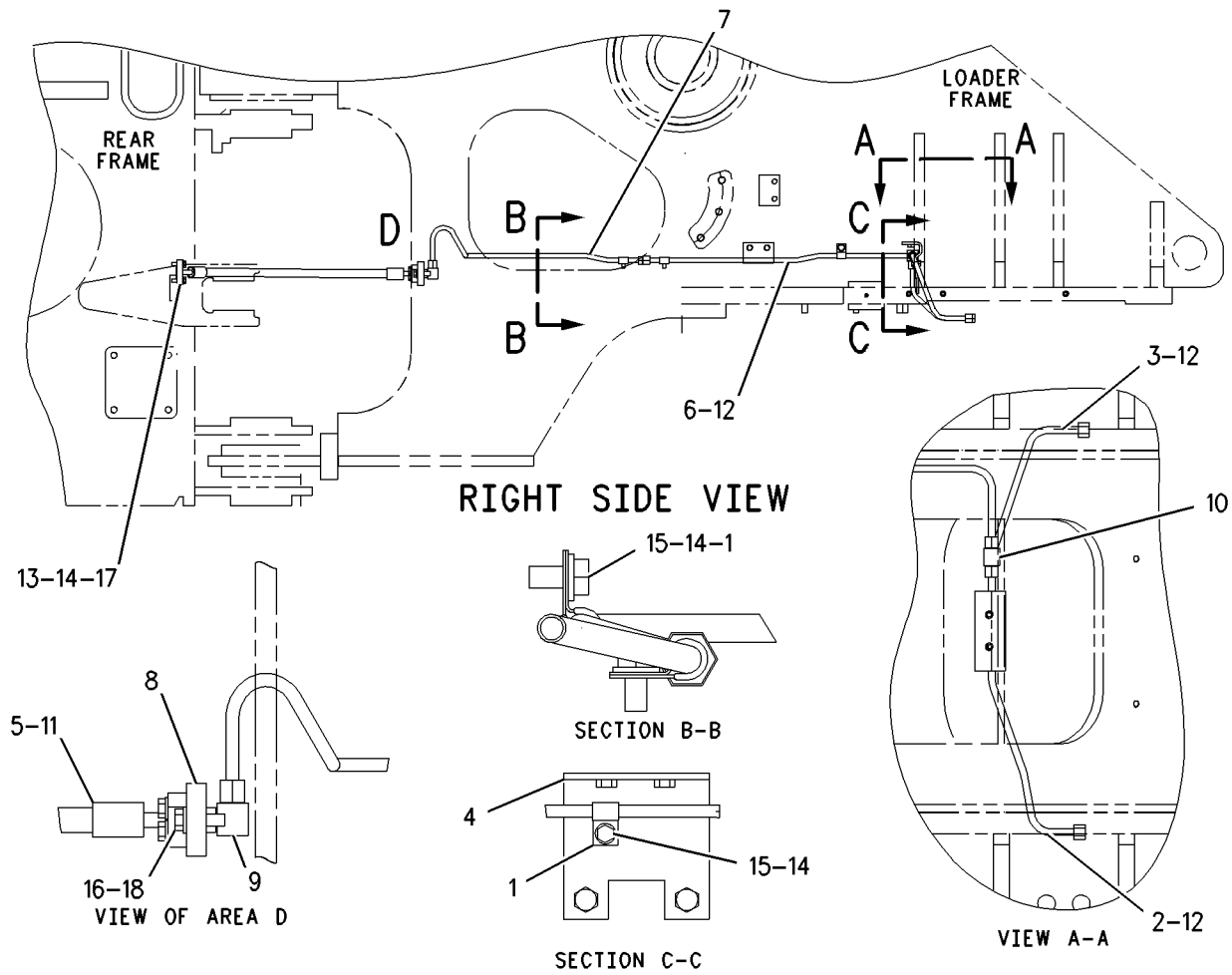
I - REFER TO HYDRAULIC INFORMATION SYSTEM

M - METRIC PART

# BRAKING SYSTEM

195-0459 LINES GP-SERVICE BRAKE (contd.)

i01630938



GRAPHIC #1

<END>

g00844825

# BRAKING SYSTEM

## 146-3725 VALVE & MTG GP-BRAKE CONTROL-PARKING

S/N: BNH1-UP

PART OF 132-6139, 220-3818, 228-4399 CONTROL GP-SERVICE BRAKE

SMCS-4265, 4282

i02328401

NOTE	REF NO	GRAPHIC REF	PART NUMBER	QTY	PART NAME						SEE PAGE
					1	2	3	4	5	6 (PRODUCT LEVEL)	
	1	1	<b>1A-4790</b>	4	WASHER (16.7X31.8X1.6-MM THK)						
	2	1	<b>3B-4607</b>	3	PIN-COTTER						
	3	1	150-4027	1	TEE AS						
	3A	1	<b>3E-2310</b>	1	TEE						
	3B	1	<b>3J-1907</b>	1	SEAL-O-RING						
	3C	1	<b>6V-8397</b>	1	SEAL-O-RING						
	4	1	<b>174-4312</b>	1	SWITCH AS-PRESSURE (PARKING BRAKE OIL)						
	4A	1	<b>102-8803</b>	1	KIT-RECEPTACLE (3-PIN) (INCLUDES RECEPTACLE AS & WEDGE)						
	4B	1	<b>3E-3371</b>	1	WEDGE-RECEPTACLE LOCK (3-PIN)						
	4C	1	<b>8T-8729</b>	3	PIN-CONNECTOR (16-GA TO 18-GA)						
	5	1	<b>4B-2913</b>	1	PIN-CLEVIS						
	6	1	<b>4V-1541</b>	1	COLLAR						
	7	1	<b>5P-6724</b>	1	BEARING-ROLLER						
	8	1	<b>7X-2618</b>	2	PIN						
	9	1	<b>8T-0741</b>	2	SEAL-LIP TYPE						
	10	1	<b>101-3846</b>	1	ROD-CONTROL						
Y	11	1	<b>106-1774</b>	1	VALVE GP-BRAKE CONTROL (PARKING)						781
	12	1	<b>146-9408</b>	1	BRACKET AS						
	13	1	<b>160-0222</b>	1	LEVER AS						
	14	1	<b>115-3069</b>	1	CLIP AS-CONNECTOR (3-PIN)						
	16	1	150-4043	1	CONNECTOR AS						
	16A	1	<b>3J-1907</b>	1	SEAL-O-RING						
	16B	1	<b>6V-8398</b>	1	SEAL-O-RING						
	16C	1	<b>6V-9873</b>	1	CONNECTOR						
M	17	1	<b>8T-4189</b>	2	BOLT (M8X1.25X20-MM)						
	18	1	<b>8T-4224</b>	2	WASHER-HARD (8.8X16X2-MM THK)						
	19	1	148-8365	1	ELBOW AS						
	19A	1	<b>8T-6876</b>	1	ELBOW						
	19B	1	<b>6V-8397</b>	1	SEAL-O-RING						
	19C	1	<b>3J-1907</b>	1	SEAL-O-RING						

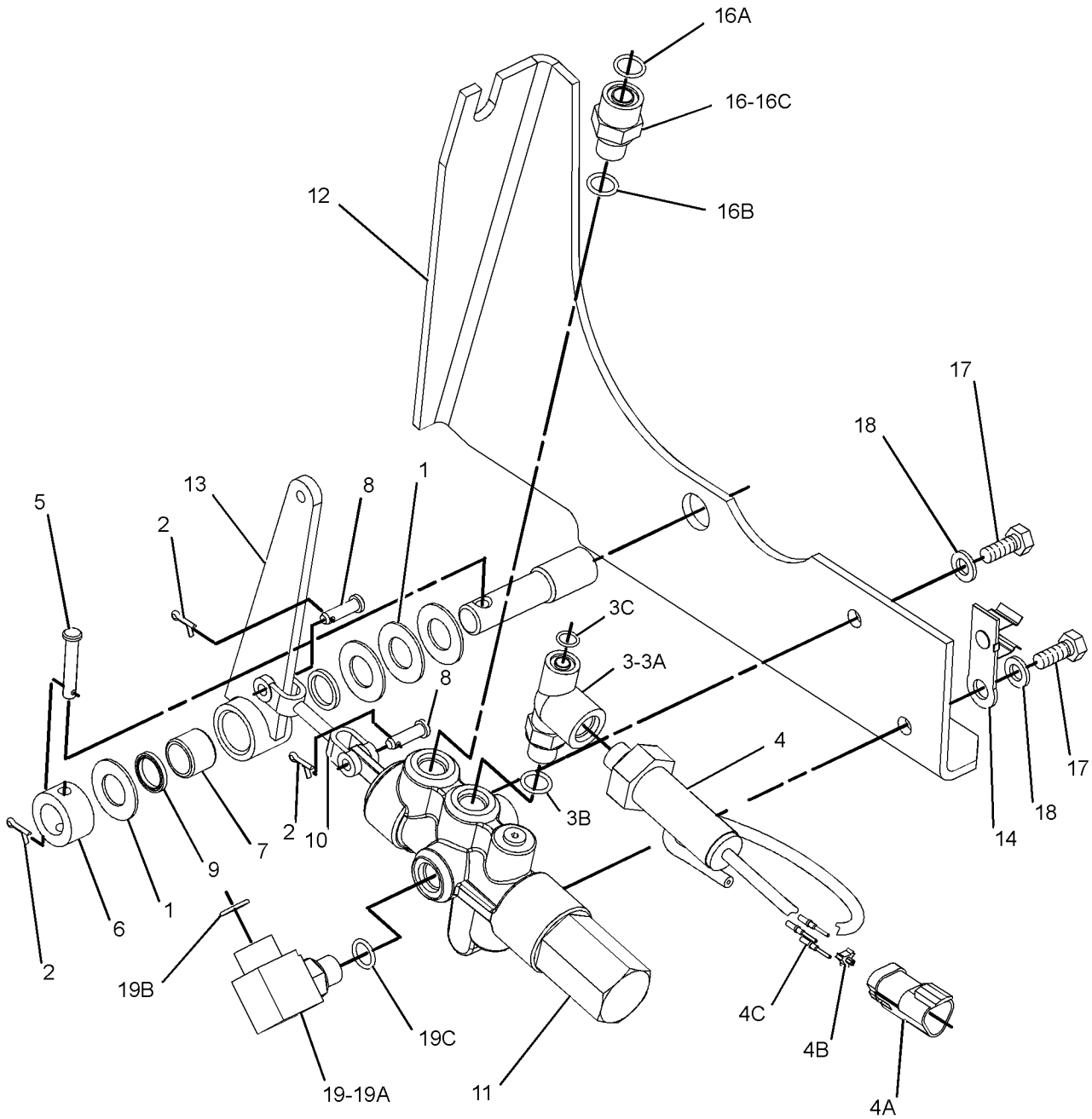
M - METRIC PART

Y - SEPARATE ILLUSTRATION

# BRAKING SYSTEM

146-3725 VALVE & MTG GP-BRAKE CONTROL (contd.)

i02328401



GRAPHIC #1

<END>

g01178638



# BRAKING SYSTEM

## 146-3725 VALVE & MTG GP-BRAKE CONTROL-PARKING

S/N: BNH1062-UP

PART OF 228-4399 CONTROL GP-SERVICE BRAKE

SMCS-4265, 4282

i05322190

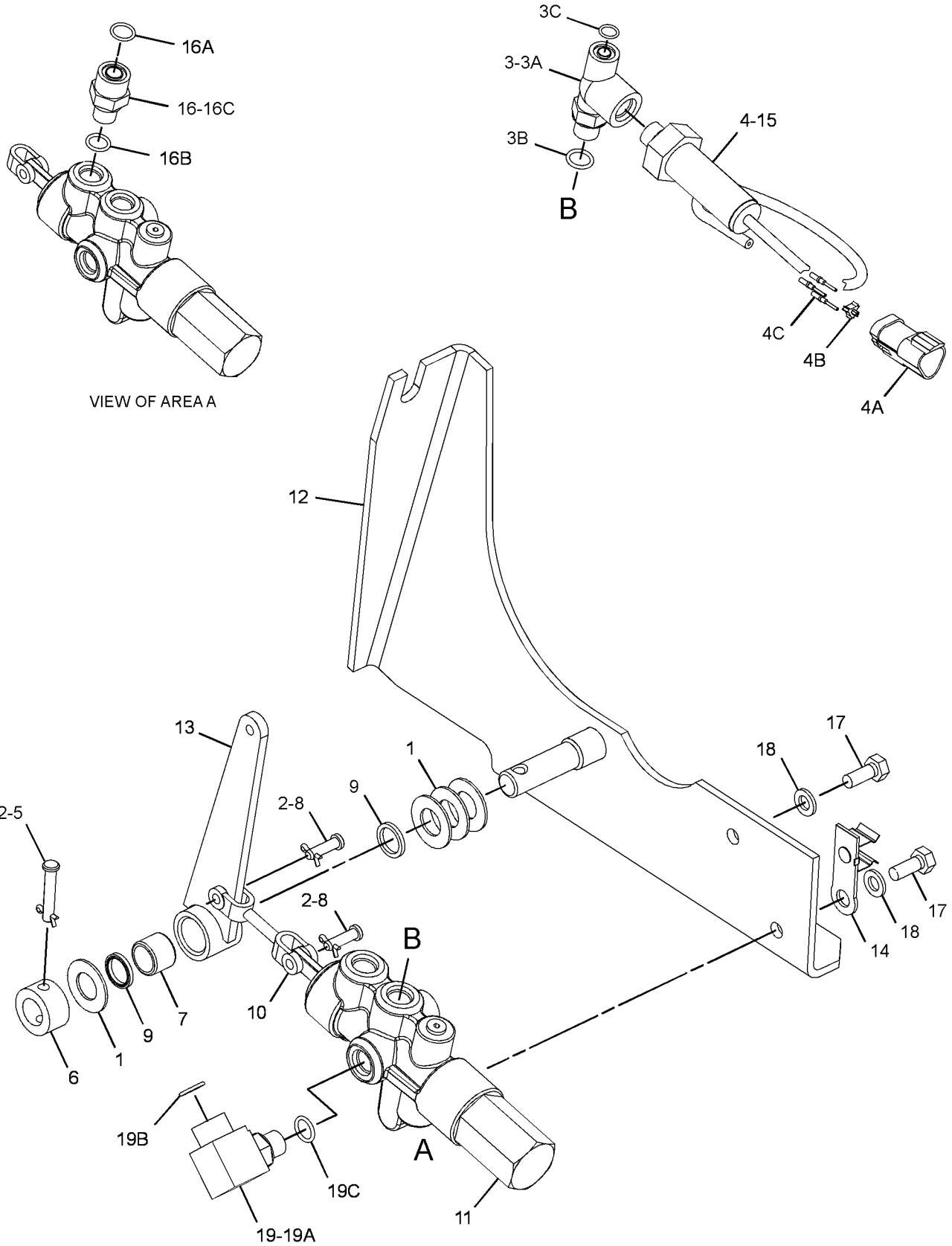
NOTE	REF NO	GRAPHIC REF	PART NUMBER	QTY	PART NAME						SEE PAGE
					1	2	3	4	5	6 (PRODUCT LEVEL)	
	1	1	<b>1A-4790</b>	4	WASHER (16.7X31.8X1.6-MM THK)						
	2	1	<b>3B-4607</b>	3	PIN-COTTER						
	3	1	<i>150-4027</i>	1	TEE AS						
	3A	1	<b>3E-2310</b>	1	TEE						
	3B	1	<b>3J-1907</b>	1	SEAL-O-RING						
	3C	1	<b>6V-8397</b>	1	SEAL-O-RING						
	4	1	<b>327-4608</b>	1	SWITCH AS-PRESSURE (PARKING BRAKE OIL)						
	4A	1	<b>102-8803</b>	1	KIT-RECEPTACLE (3-PIN) (KIT INCLUDES RECEPTACLE AS & WEDGE)						
E	4B	1	<b>9X-1813</b>		SLEEVE (28-CM)						
	4C	1	<b>8T-8729</b>	3	PIN-CONNECTOR (16-GA TO 18-GA)						
	5	1	<b>4B-2913</b>	1	PIN-CLEVIS						
	6	1	<b>4V-1541</b>	1	COLLAR						
	7	1	<b>5P-6724</b>	1	BEARING-ROLLER						
	8	1	<b>7X-2618</b>	2	PIN						
	9	1	<b>8T-0741</b>	2	SEAL-LIP TYPE						
	10	1	<b>101-3846</b>	1	ROD-CONTROL						
Y	11	1	<b>106-1774</b>	1	VALVE GP-BRAKE CONTROL (PARKING)						781
	12	1	<b>146-9408</b>	1	BRACKET AS						
	13	1	<b>160-0222</b>	1	LEVER AS						
	14	1	<b>115-3069</b>	1	CLIP AS-CONNECTOR (3-PIN)						
	15	1	<b>3J-1907</b>	1	SEAL-O-RING						
C	16	1	<i>357-4372</i>	1	CONNECTOR AS						
	16A	1	<b>3J-1907</b>	1	SEAL-O-RING						
	16B	1	<b>6V-8398</b>	1	SEAL-O-RING						
	16C	1	<b>6V-9873</b>	1	CONNECTOR						
M	17	1	<b>8T-4189</b>	2	BOLT (M8X1.25X20-MM)						
	18	1	<b>8T-4224</b>	2	WASHER-HARD (8.8X16X2-MM THK)						
C	19	1	<i>357-4439</i>	1	ELBOW AS						
	19A	1	<b>8T-6876</b>	1	ELBOW						
	19B	1	<b>6V-8398</b>	1	SEAL-O-RING						
	19C	1	<b>3J-1907</b>	1	SEAL-O-RING						

C - CHANGE FROM PREVIOUS TYPE  
 E - ORDER BY THE CENTIMETER  
 M - METRIC PART  
 Y - SEPARATE ILLUSTRATION

# BRAKING SYSTEM

146-3725 VALVE & MTG GP-BRAKE CONTROL (contd.)

i05322190



g03378592

# BRAKING SYSTEM

## 326-7291 VALVE & MTG GP-BRAKE CONTROL

S/N: BNH1-UP  
PART OF 346-3845 CAB AR  
TYPE 1

SMCS-4265, 4282

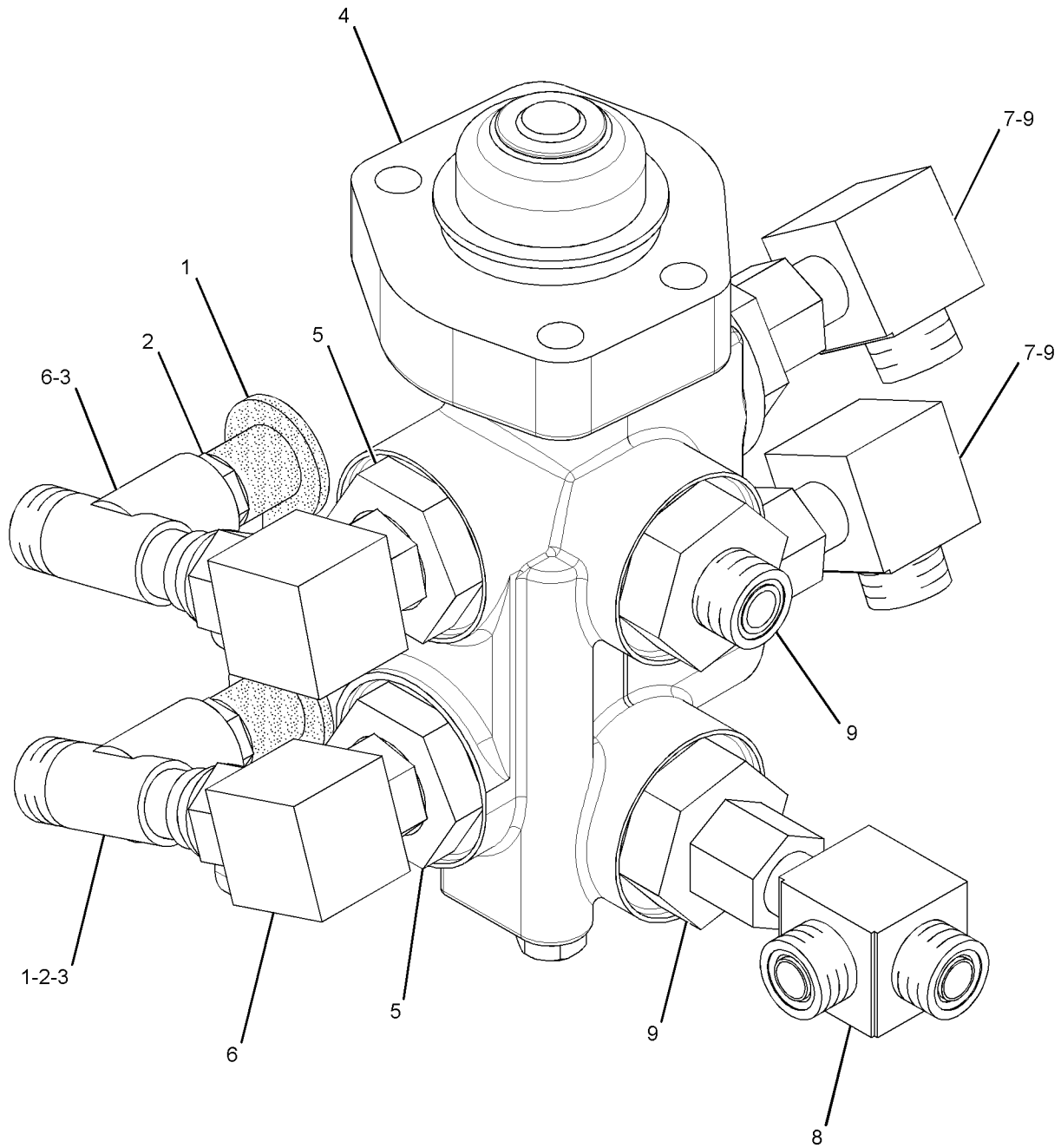
i03079720

NOTE	REF NO	GRAPHIC REF	PART NUMBER	QTY	PART NAME						SEE PAGE
					1	2	3	4	5	6 (PRODUCT LEVEL)	
	1	1	<b>6V-0852</b>	2	CAP-DUST						
	2	1	164-5567	2	COUPLER AS-QUICK DISCONNECT (MALE)						
					(EACH INCLUDES)						
		1	<b>3J-1907</b>	1	SEAL-O-RING						
		1	<b>6V-3965</b>	1	FITTING (QUICK DISCONNECT)						
	3	1	164-5586	2	TEE AS						
					(EACH INCLUDES)						
		1	<b>6V-8398</b>	1	SEAL-O-RING						
		1	<b>7X-0871</b>	1	TEE						
	4	1	<b>200-0866</b>	1	VALVE GP-BRAKE CONTROL (SERVICE)						
	5	1	148-8306	2	ADAPTER AS						
					(EACH INCLUDES)						
		1	<b>5P-5777</b>	1	ADAPTER-O-RING						
		1	<b>7M-8485</b>	1	SEAL-O-RING						
	6	1	148-8364	2	ELBOW AS						
					(EACH INCLUDES)						
		1	<b>3K-0360</b>	1	SEAL-O-RING						
		1	<b>6V-8398</b>	1	SEAL-O-RING						
		1	<b>6V-8625</b>	1	ELBOW						
	7	1	148-8370	2	ELBOW AS						
					(EACH INCLUDES)						
		1	<b>6V-8398</b>	1	SEAL-O-RING						
		1	<b>6V-9851</b>	1	ELBOW						
	8	1	148-8444	1	TEE AS-SWIVEL						
		1	<b>6V-8398</b>	2	SEAL-O-RING						
		1	<b>6V-9837</b>	1	TEE-SWIVEL						
	9	1	153-6252	4	CONNECTOR AS						
					(EACH INCLUDES)						
		1	<b>6V-8398</b>	1	SEAL-O-RING						
		1	<b>7M-8485</b>	1	SEAL-O-RING						
		1	<b>9X-8408</b>	1	CONNECTOR						

# BRAKING SYSTEM

326-7291 VALVE & MTG GP-BRAKE CONTROL (contd.)

i03079720



GRAPHIC #1

<END>

g01617997

# BRAKING SYSTEM

## 326-7291 VALVE & MTG GP-BRAKE CONTROL

S/N: BNH1-UP

PART OF 346-3845 CAB AR

TYPE 2

SMCS-4265, 4282

i04939942

NOTE	REF NO	GRAPHIC REF	PART NUMBER	QTY	PART NAME						SEE PAGE
					1	2	3	4	5	6 (PRODUCT LEVEL)	
	1	1	<b>6V-0852</b>	2	CAP-DUST						
	2	1	164-5567	2	COUPLER AS-QUICK DISCONNECT (MALE)						
					(EACH INCLUDES)						
		1	<b>214-7568</b>	1	SEAL-O-RING						
		1	<b>6V-3965</b>	1	FITTING (QUICK DISCONNECT)						
	3	1	164-5586	2	TEE AS						
					(EACH INCLUDES)						
		1	<b>6V-8398</b>	1	SEAL-O-RING						
		1	<b>7X-0871</b>	1	TEE						
	4	1	<b>200-0866</b>	1	VALVE GP-BRAKE CONTROL (SERVICE)						
		1	<b>4E-5542</b>	1	BOOT						
		1	<b>8T-4121</b>	2	WASHER-HARD (11X21X2.5-MM THK)						
M		1	<b>8T-4178</b>	2	BOLT (M10X1.5X90-MM)						
	5	1	148-8306	2	ADAPTER AS						
					(EACH INCLUDES)						
		1	<b>5P-5777</b>	1	ADAPTER-O-RING						
		1	<b>7M-8485</b>	1	SEAL-O-RING						
C	6	1	357-4437	2	ELBOW AS						
					(EACH INCLUDES)						
		1	<b>3K-0360</b>	1	SEAL-O-RING						
		1	<b>6V-8398</b>	1	SEAL-O-RING						
		1	<b>6V-8625</b>	1	ELBOW						
C	7	1	357-4460	2	ELBOW AS						
					(EACH INCLUDES)						
		1	<b>6V-8398</b>	1	SEAL-O-RING						
		1	<b>6V-9851</b>	1	ELBOW						
C	8	1	357-4540	1	TEE AS						
		1	<b>6V-8398</b>	2	SEAL-O-RING						
		1	<b>6V-9837</b>	1	TEE-SWIVEL						
	9	1	153-6252	4	CONNECTOR AS						
					(EACH INCLUDES)						
		1	<b>6V-8398</b>	1	SEAL-O-RING						
		1	<b>7M-8485</b>	1	SEAL-O-RING						
		1	<b>9X-8408</b>	1	CONNECTOR						

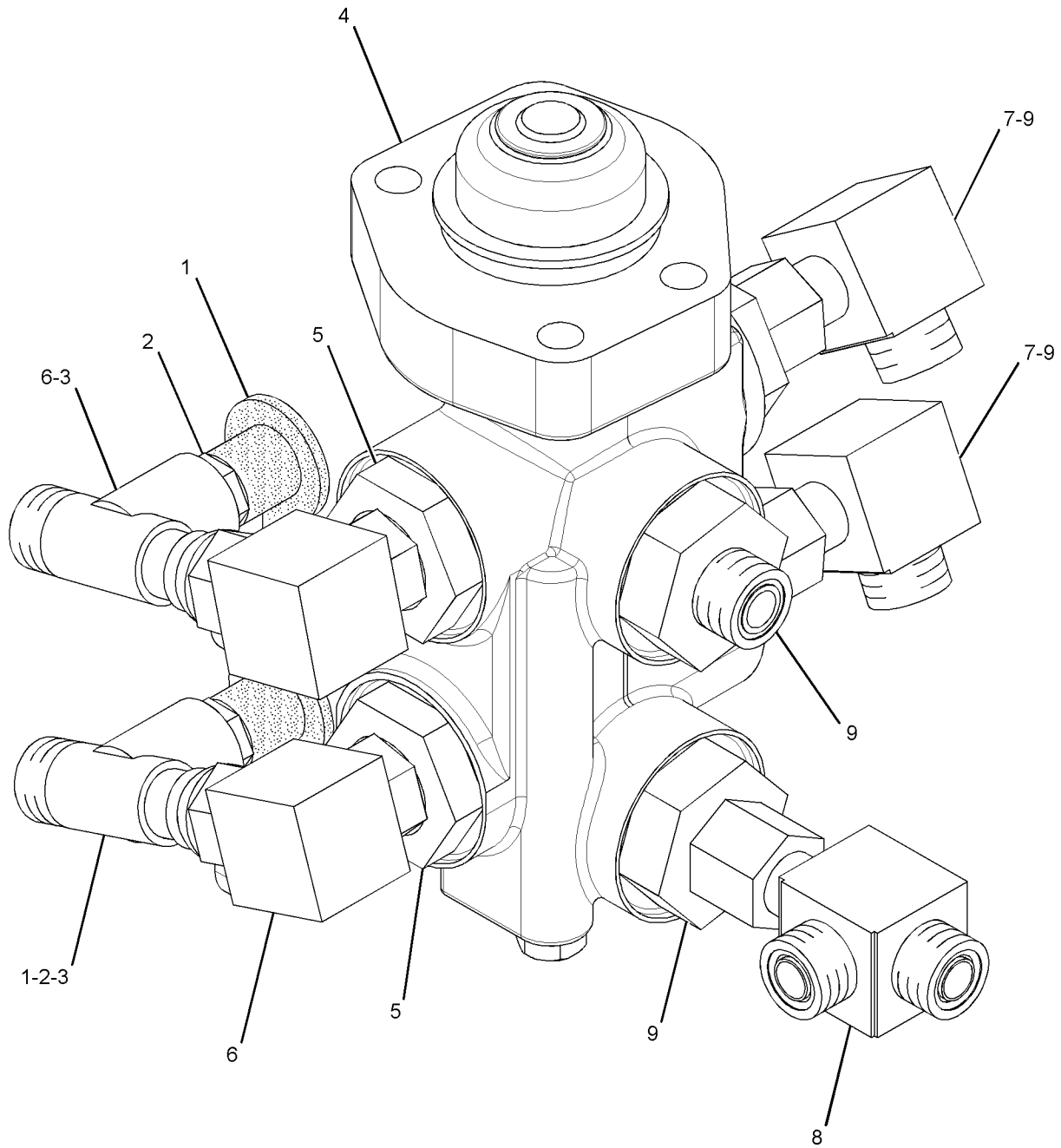
C - CHANGE FROM PREVIOUS TYPE

M - METRIC PART

# BRAKING SYSTEM

326-7291 VALVE & MTG GP-BRAKE CONTROL (contd.)

i04939942



GRAPHIC #1

<END>

g01617997

# BRAKING SYSTEM

## 106-1774 VALVE GP-BRAKE CONTROL-PARKING

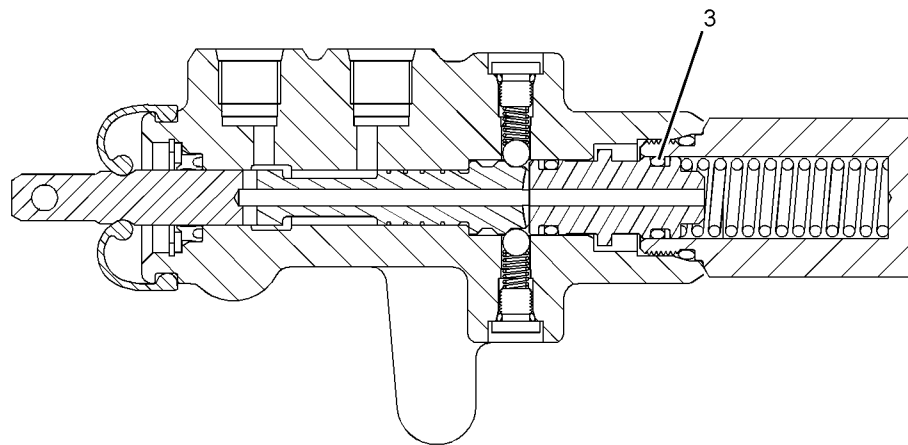
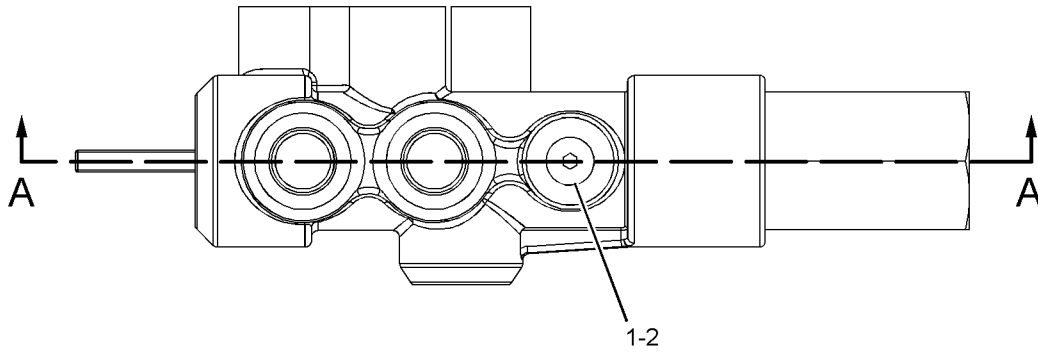
S/N: BNH1-UP

PART OF 146-3725 VALVE & MTG GP-BRAKE CONTROL

SMCS-4265, 4282

i02216715

NOTE	REF NO	GRAPHIC REF	PART NUMBER	QTY	PART NAME						SEE PAGE
					1	2	3	4	5	6 (PRODUCT LEVEL)	
	1	1	<b>4J-7533</b>	2	SEAL-O-RING						
	2	1	<b>9S-8001</b>	2	PLUG-O-RING						
	3	1	<b>257-7676</b>	1	KIT-REPAIR						
(INCLUDES BOOT, SEALS, RETAINING, DETENT BALLS AND SPRINGS)											



SECTION A-A

GRAPHIC #1

<END>

g01118794

# BRAKING SYSTEM

## 4T-2698 VALVE GP-CHECK-AIR PURGE

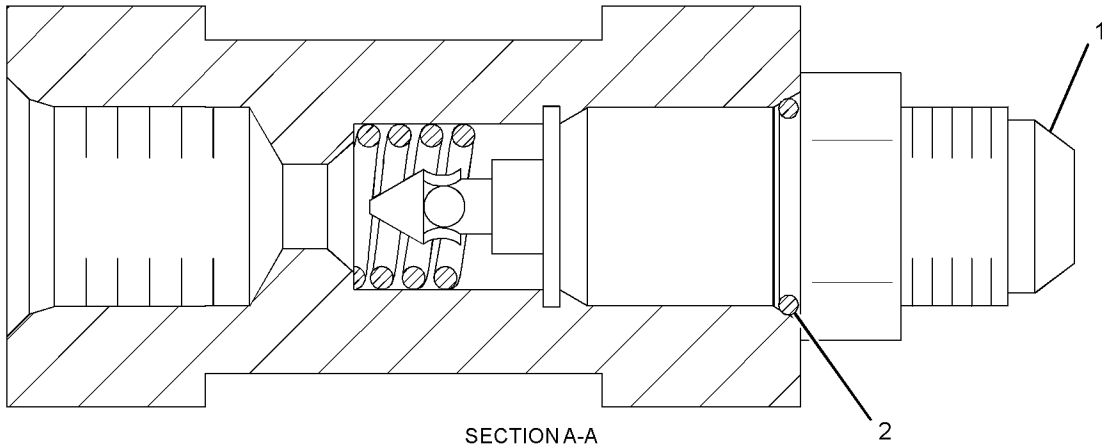
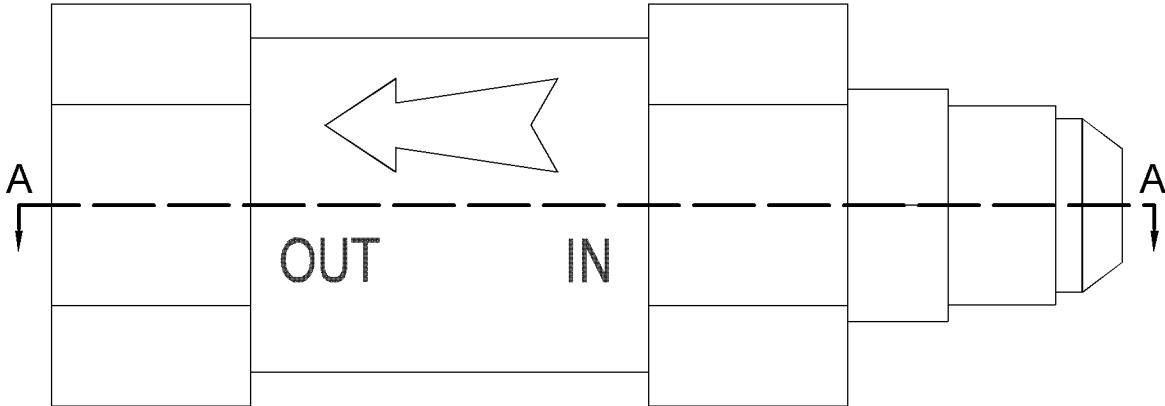
S/N: BNH395-1061

PART OF 132-6139, 220-3818 CONTROL GP-SERVICE BRAKE

SMCS-4275, 5067

i02618321

NOTE	REF NO	GRAPHIC REF	PART NUMBER	QTY	PART NAME						SEE PAGE
					1	2	3	4	5	6 (PRODUCT LEVEL)	
	1	1	<b>8M-0505</b>	1	CONNECTOR						
	2	1	<b>3K-0360</b>	1	SEAL-O-RING						



GRAPHIC #1

SECTION A-A  
<END>

g01315892



# STEERING SYSTEM

## 132-6140 CYLINDER & MTG GP-STEERING

S/N: BNH1-UP

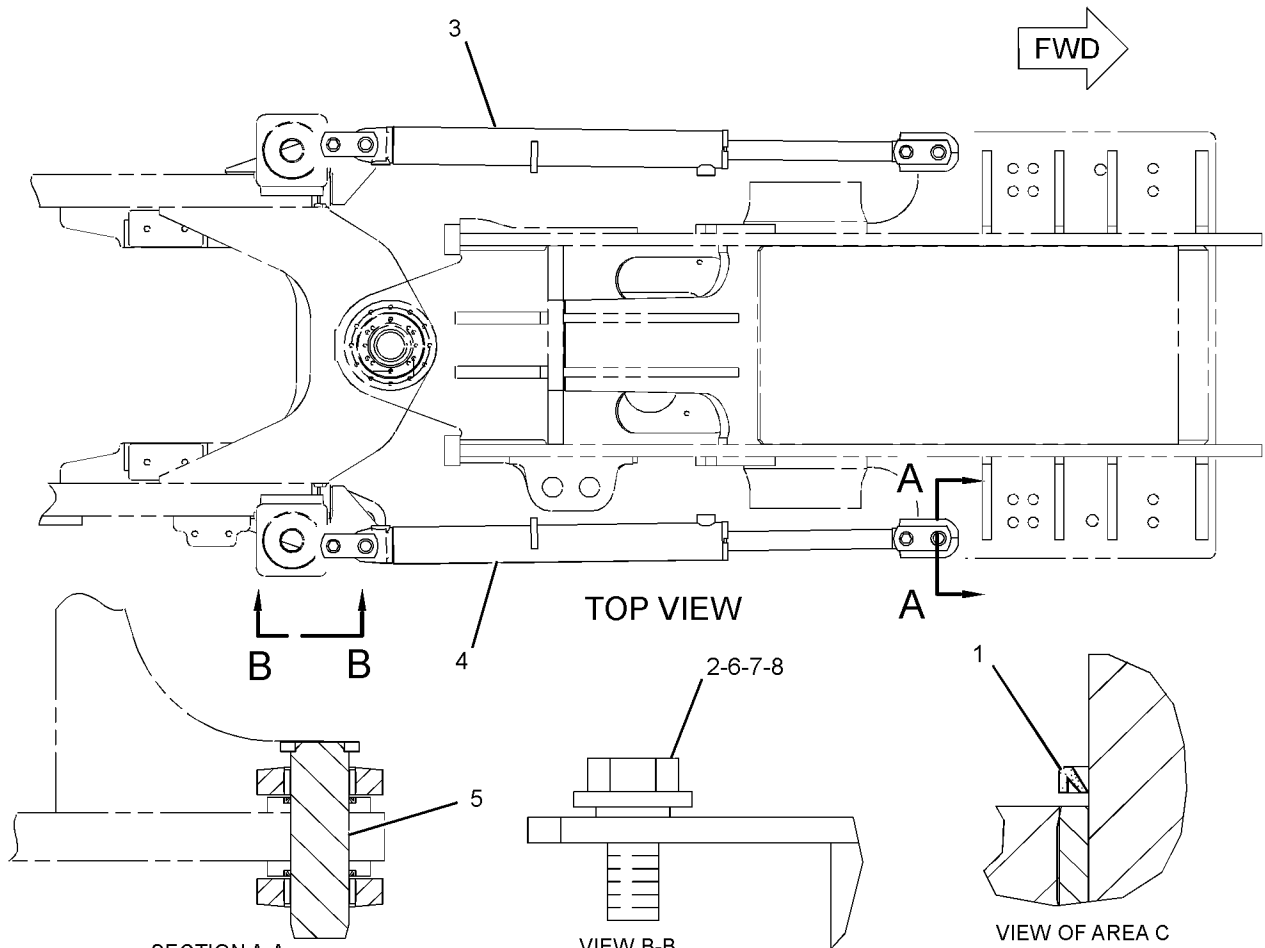
PART OF 203-1582 HYDRAULIC AR

SMCS-4303

i02387624

NOTE	REF NO	GRAPHIC REF	PART NUMBER	QTY	PART NAME						SEE PAGE
					1	2	3	4	5	6 (PRODUCT LEVEL)	
	1	1	<b>8T-7535</b>	8	SEAL-LIP TYPE						
	2	1	<b>8T-4123</b>	4	WASHER (22X35X3.5-MM THK)						
Y	3	1	<b>259-4733</b>	1	CYLINDER GP-STEERING (LH)						784
Y	4	1	<b>259-4737</b>	1	CYLINDER GP-STEERING (RH)						785
	5	1	<b>138-1870</b>	4	PIN AS						
	6	1	<b>093-0349</b>	4	WASHER (22X60X6-MM THK)						
M	7	1	<b>8T-6430</b>	4	BOLT (M20X2.5X50-MM)						
	8	1	<b>4F-6568</b>	4	SPACER (0.813X1.5X0.625-IN THK)						

M - METRIC PART  
Y - SEPARATE ILLUSTRATION



GRAPHIC #1

<END>

g01191880

# STEERING SYSTEM

## 259-4733 CYLINDER GP-STEERING-LH

S/N: BNH1-UP

101.6-MM BORE X 928-MM STROKE

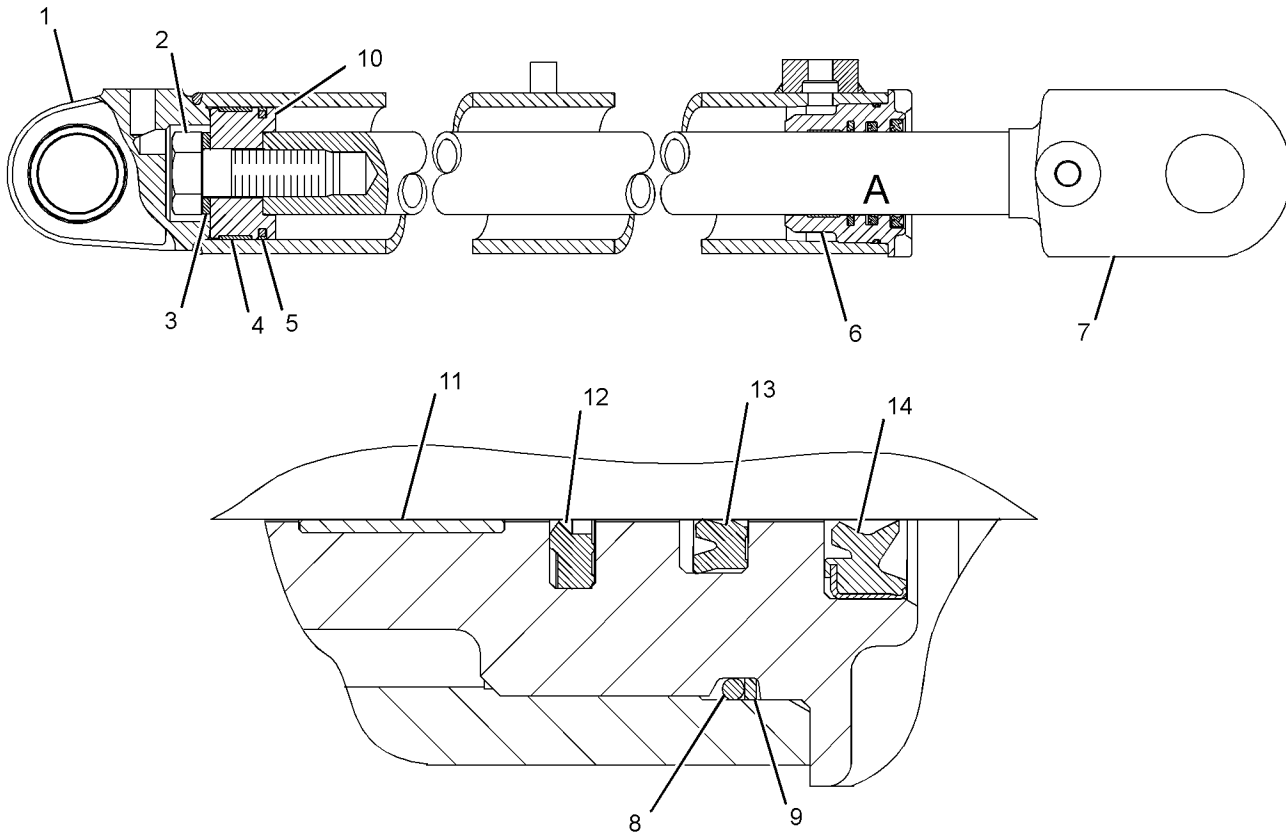
PART OF 132-6140 CYLINDER & MTG GP-STEERING

SMCS-4303

i02909923

NOTE	REF NO	GRAPHIC REF	PART NUMBER	QTY	PART NAME						SEE PAGE
					1	2	3	4	5	6 (PRODUCT LEVEL)	
	1	1	259-4739	1	CYLINDER AS						
		1	135-3161	2	BEARING						
M	2	1	173-9682	1	BOLT (M36X4X100-MM)						
	3	1	7D-5238	1	WASHER (37.5X62X6-MM THK)						
	4	1	6J-2797	1	RING-WEAR						
	5	1	8C-9160	1	SEAL AS						
	6	1	172-9981	1	HEAD						
R	7	1	172-6409	1	ROD AS						
	8	1	175-7900	1	SEAL-O-RING						
	9	1	2K-6830	1	RING-BACKUP						
	10	1	117-7865	1	PISTON						
	11	1	8T-0785	1	RING-WEAR						
	12	1	167-2201	1	SEAL AS-BUFFER						
	13	1	167-2312	1	SEAL-U-CUP						
	14	1	225-3281	1	SEAL-WIPER						

M - METRIC PART  
R - REMFG PART MAY BE AVAILABLE



VIEW OF AREA A

GRAPHIC #1

<END>

g01451337

# STEERING SYSTEM

## 259-4737 CYLINDER GP-STEERING-RH

S/N: BNH1-UP

101.6-MM BORE X 928-MM STROKE

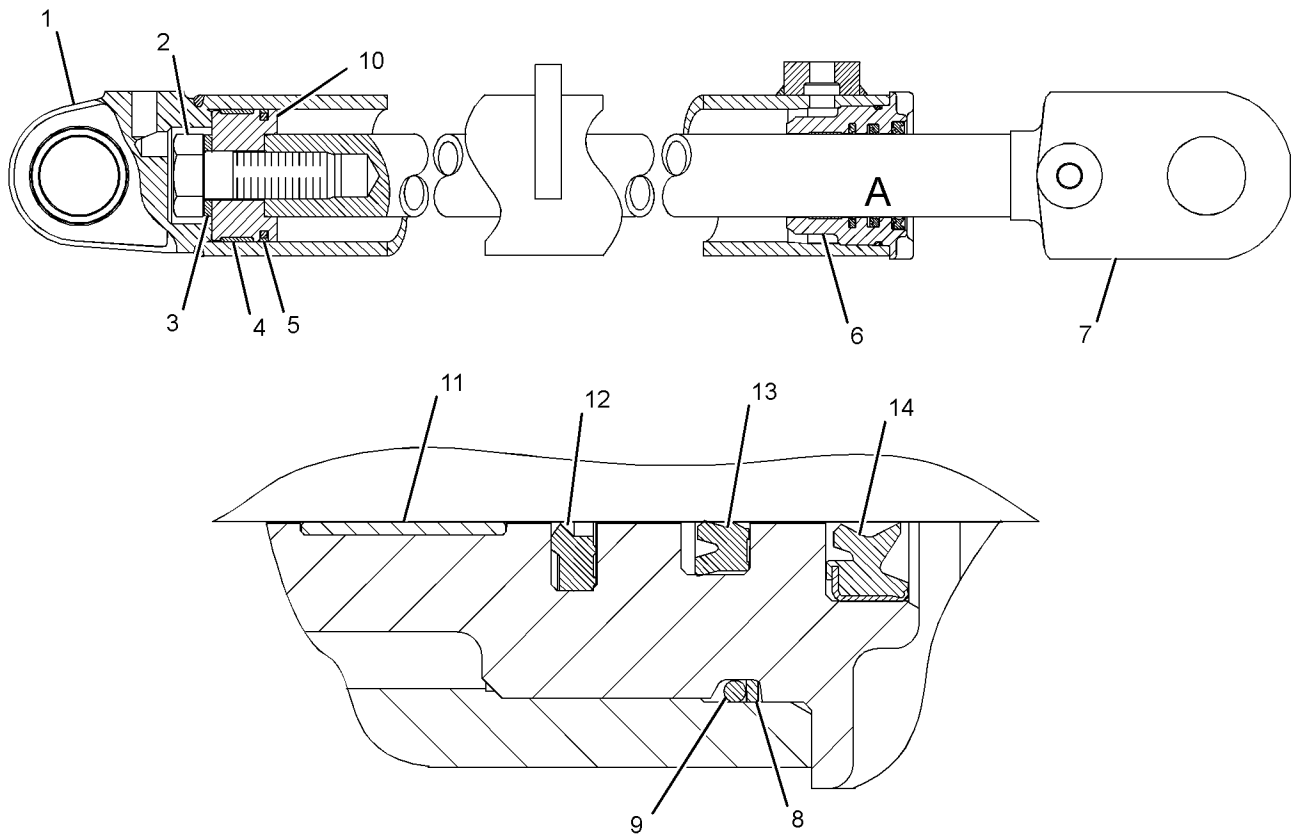
PART OF 132-6140 CYLINDER & MTG GP-STEERING

SMCS-4303

i02908867

NOTE	REF NO	GRAPHIC REF	PART NUMBER	QTY	PART NAME						SEE PAGE
					1	2	3	4	5	6 (PRODUCT LEVEL)	
	1	1	<b>259-4738</b>	1	CYLINDER AS						
		1	<b>135-3161</b>	2	BEARING						
M	2	1	<b>173-9682</b>	1	BOLT (M36X4X100-MM)						
	3	1	<b>7D-5238</b>	1	WASHER (37.5X62X6-MM THK)						
	4	1	<b>6J-2797</b>	1	RING-WEAR						
	5	1	<b>8C-9160</b>	1	SEAL AS						
	6	1	<b>172-9981</b>	1	HEAD						
R	7	1	<b>172-6409</b>	1	ROD AS						
	8	1	<b>2K-6830</b>	1	RING-BACKUP						
	9	1	<b>175-7900</b>	1	SEAL-O-RING						
	10	1	<b>117-7865</b>	1	PISTON						
	11	1	<b>8T-0785</b>	1	RING-WEAR						
	12	1	<b>167-2201</b>	1	SEAL AS-BUFFER						
	13	1	<b>167-2312</b>	1	SEAL-U-CUP						
	14	1	<b>225-3281</b>	1	SEAL-WIPER						

M - METRIC PART  
R - REMFG PART MAY BE AVAILABLE



VIEW OF AREA A

GRAPHIC #1

<END>

g01451368

# STEERING SYSTEM

## 167-4322 GUARD GP-STEERING CYLINDER

S/N: BNH1-UP

PART OF 168-6464 GUARD AR-STEERING CYLINDER

AN ATTACHMENT

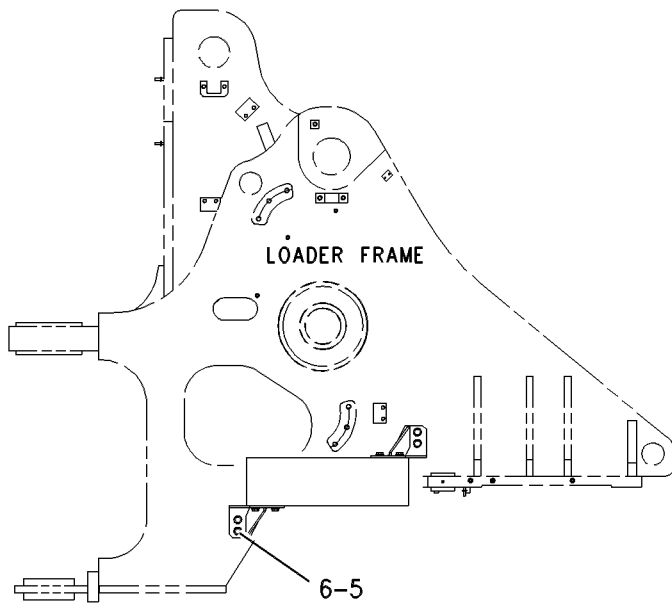
TYPE 1

SMCS-4303, 7164

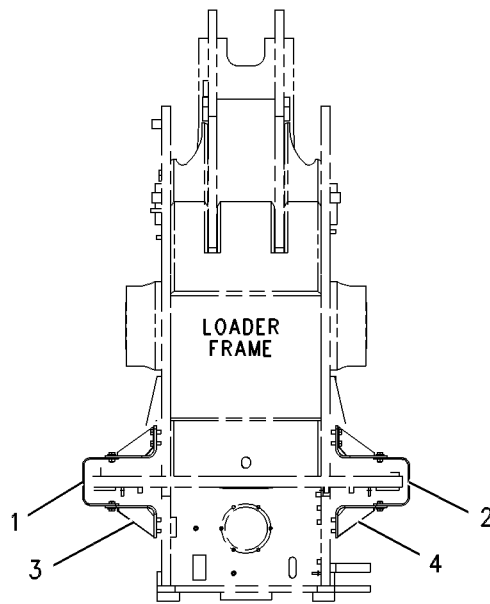
i01158223

NOTE	REF NO	GRAPHIC REF	PART NUMBER	QTY	PART NAME						SEE PAGE
					1	2	3	4	5	6 (PRODUCT LEVEL)	
	1	1	167-4323	1	GUARD AS						
	2	1	167-4324	1	GUARD AS						
	3	1	168-4658	2	BRACKET AS						
	4	1	168-4659	2	BRACKET AS						
	5	1	7X-0515	16	WASHER (5MM THK)						
M	6	1	8T-4779	16	BOLT (M16X2.0X35MM)						

M - METRIC PART



RIGHT SIDE VIEW



FRONT VIEW

GRAPHIC #1

<END>

g00550192

# STEERING SYSTEM

## 167-4322 GUARD GP-STEERING CYLINDER

S/N: BNH1-UP

PART OF 168-6464 GUARD AR-STEERING CYLINDER

AN ATTACHMENT

TYPE 2

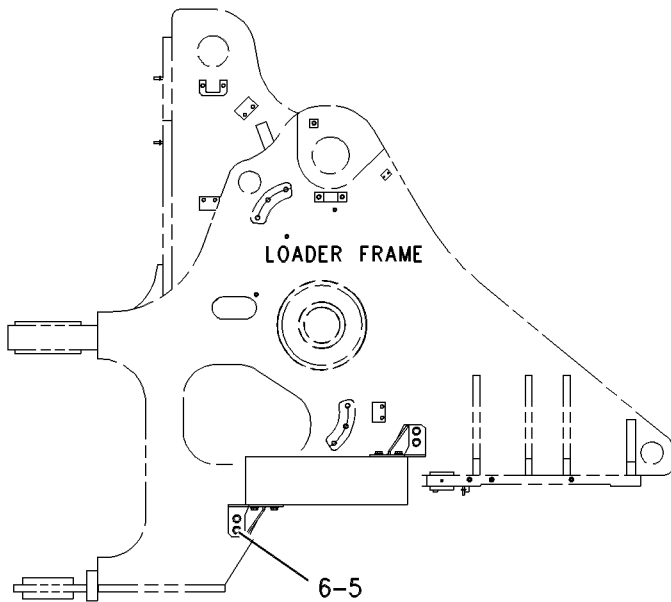
SMCS-4303, 7164

i04888743

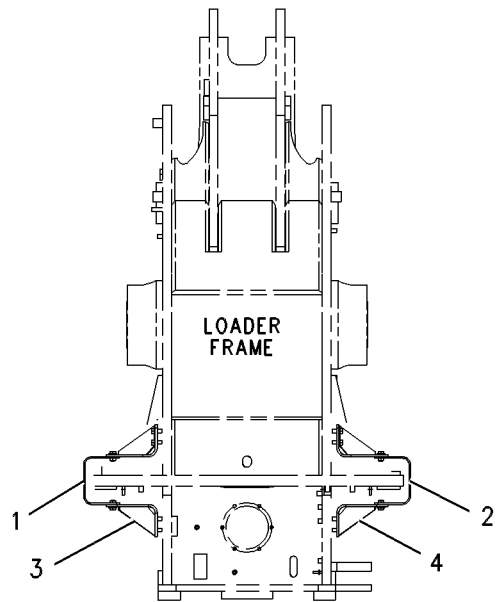
NOTE	REF NO	GRAPHIC REF	PART NUMBER	QTY	PART NAME						SEE PAGE
					1	2	3	4	5	6 (PRODUCT LEVEL)	
C	1	1	314-7644	1	GUARD AS (RH)						
C	2	1	314-7642	1	GUARD AS (LH)						
	3	1	168-4658	2	BRACKET AS						
	4	1	168-4659	2	BRACKET AS						
	5	1	7X-0515	16	WASHER - HARD (17X35X5-MM THK)						
M	6	1	8T-4779	16	BOLT (M16X2X35-MM)						

C - CHANGE FROM PREVIOUS TYPE

M - METRIC PART



RIGHT SIDE VIEW



FRONT VIEW

GRAPHIC #1

<END>

g00550192

# STEERING SYSTEM

## 132-6144 LINES GP-SECONDARY STEERING

S/N: BNH1-432

CANNOT BE USED WITH 151-2384-PAGE: 816

AN ATTACHMENT

SMCS-4304

i01493072

NOTE	REF NO	GRAPHIC REF	PART NUMBER	QTY	PART NAME						SEE PAGE
					1	2	3	4	5	6 (PRODUCT LEVEL)	
	1	1	8T-8887	1	CONNECTOR						
	2	1	3E-6450	1	SWITCH AS-PRESSURE (PRIMARY STEERING)						
		1	102-8803	1	KIT-RECEPTACLE (3-PIN)						
					(INCLUDES RECEPTACLE AS AND WEDGE)						
		1	3E-3371	1	WEDGE-RECEPTACLE LOCK (3-PIN)						
		1	8T-8729	3	PIN-CONNECTOR (16-GA TO 18-GA)						
	3	1	141-9666	1	MANIFOLD						
	4	1	154-6659	1	TUBE AS						
I	5	1	155-9457	1	HOSE AS						
I	6	1	157-6195	1	HOSE AS						
I	7	1	179-3274	1	HOSE AS						
	8	1	5P-4295	1	CLIP						
	9	1	115-3069	1	CLIP AS-CONNECTOR (3-PIN)						
Y	10	1	133-8609	1	VALVE GP-STEERING						825
Y	11	1	150-7585	1	PUMP GP-GEAR (SECONDARY STEERING)						811
	12	1	1P-4577	4	FLANGE-HALF						
	13	1	1P-4579	2	FLANGE-HALF						
	14	1	3J-1907	1	SEAL-O-RING						
	15	1	3K-0360	1	SEAL-O-RING						
	16	1	148-8367	1	ELBOW AS						
		1	8C-8988	1	ELBOW						
		1	6V-8397	1	SEAL-O-RING						
	17	1	4J-0520	2	SEAL-O-RING						
	18	1	4J-0521	1	SEAL-O-RING						
	19	1	4J-0524	2	SEAL-O-RING						
	20	1	5F-3106	1	SEAL-O-RING						
	21	1	5P-7468	1	CLIP (SLOT)						
	22	1	5P-7469	1	CLIP (TAB)						
	23	1	5P-8444	1	GROMMET						
	24	1	148-8354	1	ELBOW AS						
		1	6V-9002		ELBOW						
		1	3K-0360	1	SEAL-O-RING						
		1	6V-8398	1	SEAL-O-RING						
	25	1	148-8365	1	ELBOW AS						
		1	8T-6876	1	ELBOW						
		1	3J-1907	1	SEAL-O-RING						
		1	6V-8398	1	SEAL-O-RING						
Y	26	1	6E-5566	1	VALVE GP-SELECTOR & PRESS CONT (SECONDARY STEERING)						824
	27	1	6V-8397	1	SEAL-O-RING						
	28	1	148-8307	1	ADAPTER AS						
		1	5P-8874	1	ADAPTER						
		1	3J-1907	1	SEAL-O-RING						
	29	1	148-8378	1	ELBOW AS						
		1	6V-8724	1	ELBOW						
		1	3J-1907	1	SEAL-O-RING						
		1	6V-8397	1	SEAL-O-RING						
	30	1	8T-4223	12	WASHER-HARD (13.5X25.5X3-MM THK)						
M	31	1	8T-5041	3	BOLT (M12X1.75X120-MM)						
	32	1	9X-6772	1	STRAP-CABLE						
	33	1	8T-4121	14	WASHER-HARD (11X21X2.5-MM THK)						
	34	1	6V-8188	4	NUT (1/2-13-THD)						
M	35	1	8T-4139	1	BOLT (M12X1.75X30-MM)						
M	36	1	8T-4172	4	BOLT (M10X1.5X80-MM)						
M	37	1	8T-4184	4	BOLT (M12X1.75X45-MM)						
M	38	1	8T-4185	2	BOLT (M10X1.5X50-MM)						
M	39	1	8T-4196	8	BOLT (M10X1.5X35-MM)						

# STEERING SYSTEM

132-6144 LINES GP-SECONDARY STEERING (contd.)

i01493072

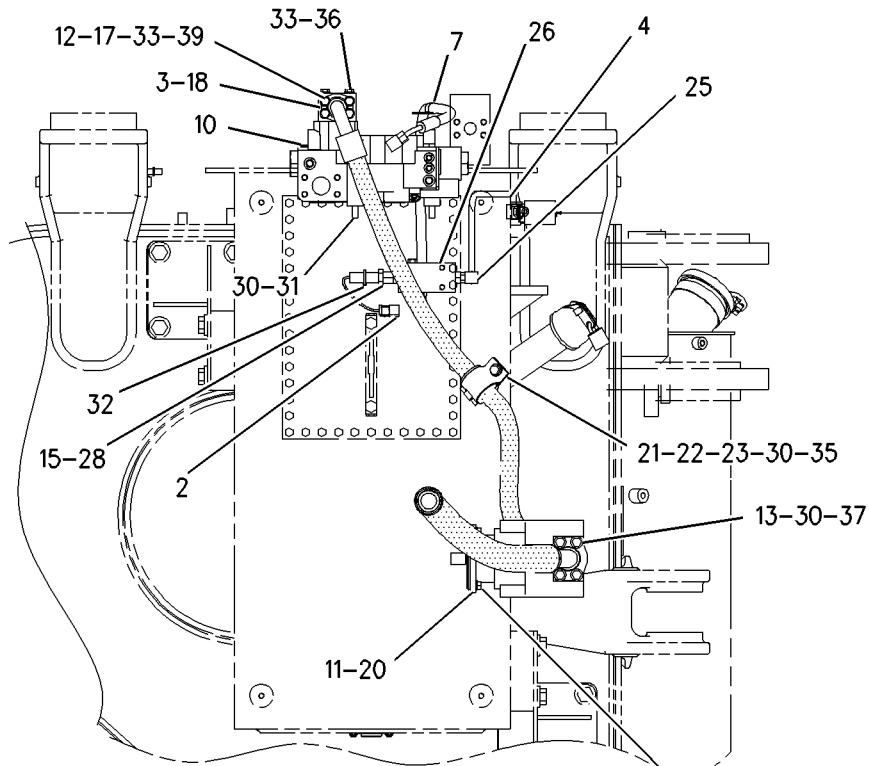
NOTE	REF NO	GRAPHIC REF	PART NUMBER	QTY	PART NAME						SEE PAGE
					1	2	3	4	5	6 (PRODUCT LEVEL)	
I											
M											
Y											

I - REFER TO HYDRAULIC INFORMATION SYSTEM  
M - METRIC PART  
Y - SEPARATE ILLUSTRATION

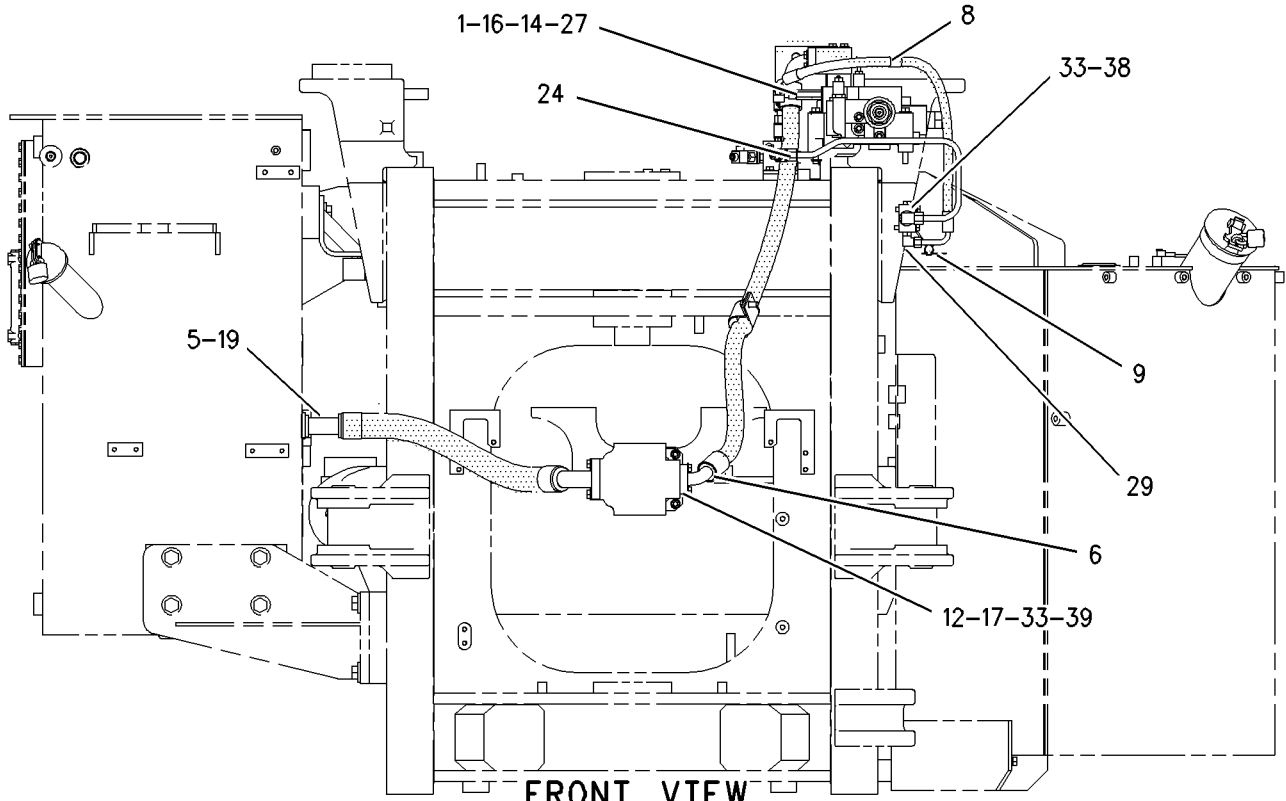
# STEERING SYSTEM

132-6144 LINES GP-SECONDARY STEERING (contd.)

i01493072



RIGHT SIDE VIEW



FRONT VIEW

GRAPHIC #1

<END>

g00720753



# STEERING SYSTEM

## 132-6144 LINES GP-SECONDARY STEERING

S/N: BNH433-UP

CANNOT BE USED WITH 151-2384-PAGE: 816

AN ATTACHMENT

SMCS-4304

i03083250

NOTE	REF NO	GRAPHIC REF	PART NUMBER	QTY	PART NAME						SEE PAGE		
					1	2	3	4	5	6 (PRODUCT LEVEL)			
C	1	1	153-6249	1	CONNECTOR AS								
		1	3J-1907		SEAL-O-RING								
		1	6V-8397	1	SEAL-O-RING								
		1	8T-8887	1	CONNECTOR								
		2	2	230-5771	1	SWITCH AS-PRESSURE (PRIMARY STEERING OIL)							
		2	102-8803	1	KIT-RECEPTACLE (3-PIN) (INCLUDES RECEPTACLE AS & WEDGE)								
		2	186-3735	3	PIN-CONNECTOR (16-GA TO 18-GA)								
E		2	9X-1813		SLEEVE (30-CM)								
	3	2	141-9666	1	MANIFOLD								
	4	2	154-6659	1	TUBE AS								
I	5	1	155-9457	1	HOSE AS								
CI	6	1	213-7465	1	HOSE AS								
I	7	2	179-3274	1	HOSE AS								
		8	1	5P-4295	1	CLIP							
		9	1	115-3069	1	CLIP AS-CONNECTOR (3-PIN)							
Y	10	2	301-4602	1	VALVE GP-STEERING (WITH SECONDARY STEERING)						831		
Y	11	2	150-7585	1	PUMP GP-GEAR (SECONDARY STEERING)						811		
		12	1,2	1P-4577	4	FLANGE-HALF							
		13	2	1P-4579	2	FLANGE-HALF							
		14	1	213-7466	1	BRACKET AS							
C	15	2	3K-0360	1	SEAL-O-RING								
		16	1	148-8367	1	ELBOW AS							
		1	8C-8988	1	ELBOW								
		1	6V-8397	1	SEAL-O-RING								
		17	1,2	4J-0520	2	SEAL-O-RING							
		18	2	4J-0521	1	SEAL-O-RING							
		19	1	4J-0524	2	SEAL-O-RING							
		20	2	5F-3106	1	SEAL-O-RING							
		21	1	5P-7468	1	CLIP (SLOT)							
		22	1	5P-7469	1	CLIP (TAB)							
		23	1	5P-8444	1	GROMMET							
		24	1	148-8354	1	ELBOW AS							
1	6V-9002				ELBOW								
1	3K-0360			1	SEAL-O-RING								
1	6V-8398			1	SEAL-O-RING								
25	2			148-8365	1	ELBOW AS							
2	8T-6876			1	ELBOW								
2	3J-1907			1	SEAL-O-RING								
2	6V-8398			1	SEAL-O-RING								
Y	26			2	6E-5566	1	VALVE GP-SELECTOR & PRESS CONT (SECONDARY STEERING)						824
CM	27			1	8T-4136	1	BOLT (M10X1.5X25-MM)						
		28	2	148-8307	1	ADAPTER AS							
		2	5P-8874	1	ADAPTER								
		2	3J-1907	1	SEAL-O-RING								
29	1	148-8378	1	ELBOW AS									
		1	6V-8724	1	ELBOW								
		1	3J-1907	1	SEAL-O-RING								
		1	6V-8397	1	SEAL-O-RING								
C	30	2	8T-4223	11	WASHER-HARD (13.5X25.5X3-MM THK)								
M	31	2	8T-5041	3	BOLT (M12X1.75X120-MM)								
		32	2	9X-6772	1	STRAP-CABLE							
C	33	1,2	8T-4121	16	WASHER-HARD (11X21X2.5-MM THK)								
		34	2	6V-8188	4	NUT (1/2-13-THD)							
M	36	2	8T-4172	4	BOLT (M10X1.5X80-MM)								
M	37	2	8T-4184	4	BOLT (M12X1.75X45-MM)								
M	38	1	8T-4185	2	BOLT (M10X1.5X50-MM)								

# STEERING SYSTEM

132-6144 LINES GP-SECONDARY STEERING (contd.)

i03083250

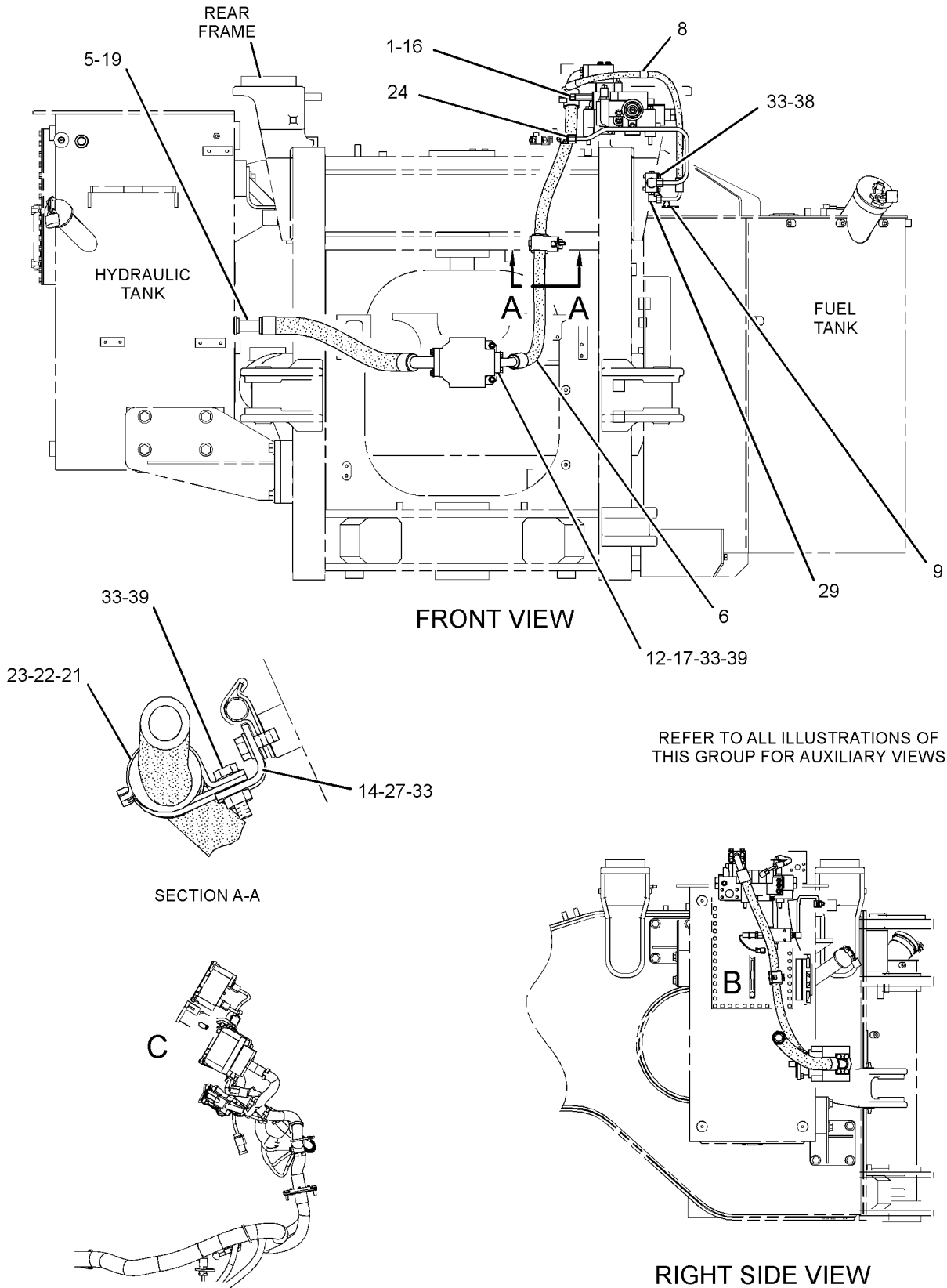
NOTE	REF NO	GRAPHIC REF	PART NUMBER	QTY	PART NAME						SEE PAGE
					1	2	3	4	5	6 (PRODUCT LEVEL)	
CM	39	1,2	8T-4196	9	BOLT (M10X1.5X35-MM)						
Y	40	2	327-8026	1	LAMP GP-INDICATOR						268

C - CHANGE FROM PREVIOUS TYPE  
E - ORDER BY THE CENTIMETER  
I - REFER TO HYDRAULIC INFORMATION SYSTEM  
M - METRIC PART  
Y - SEPARATE ILLUSTRATION

# STEERING SYSTEM

132-6144 LINES GP-SECONDARY STEERING (contd.)

i03083250



REFER TO ALL ILLUSTRATIONS OF THIS GROUP FOR AUXILIARY VIEWS

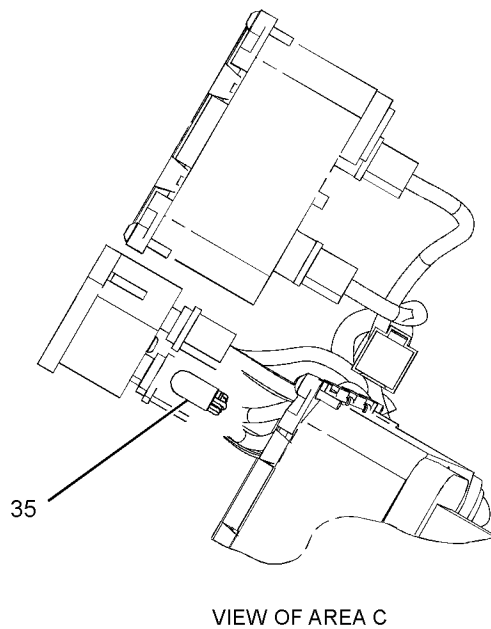
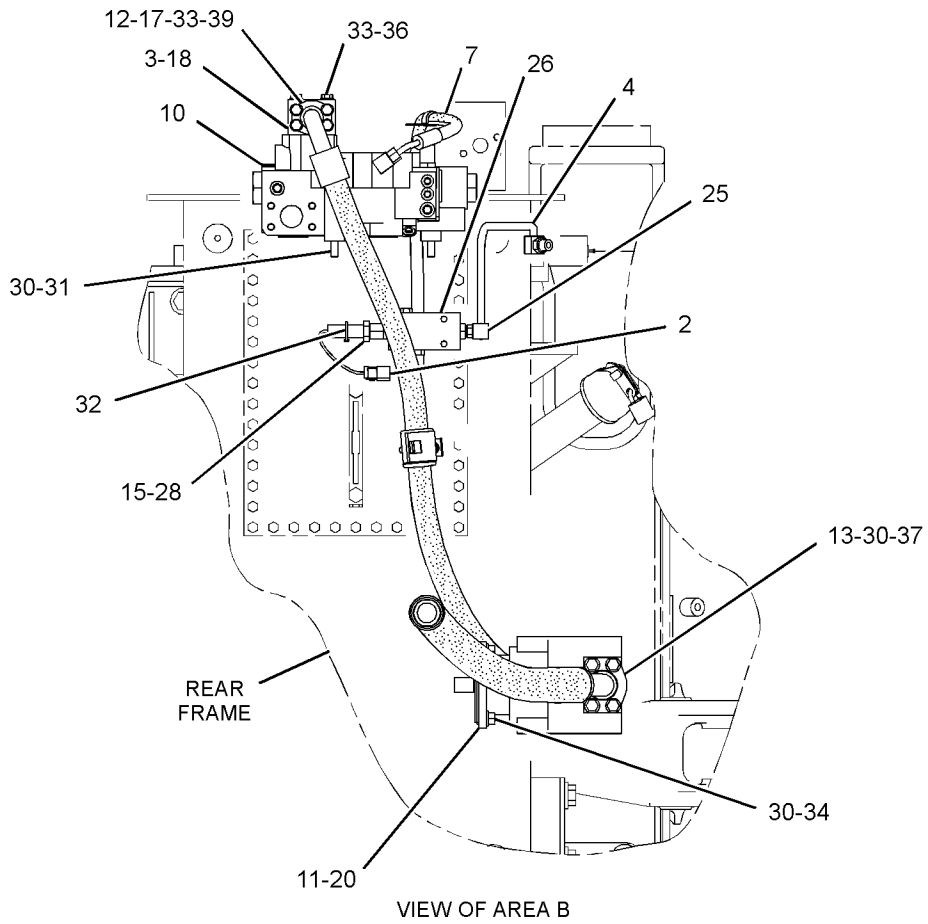
GRAPHIC #1

g01231970

# STEERING SYSTEM

132-6144 LINES GP-SECONDARY STEERING (contd.)

i03083250



GRAPHIC #2

<END>

g01232136

# STEERING SYSTEM

## 132-6135 LINES GP-STEERING

S/N: BNH1-393

PART OF 203-1582 HYDRAULIC AR

SMCS-4304

i01646188

NOTE	REF NO	GRAPHIC REF	PART NUMBER	QTY	PART NAME						SEE PAGE
					1	2	3	4	5	6 (PRODUCT LEVEL)	
	1	1	6V-0852	1	CAP-DUST						
	2	1	165-4931	1	ELBOW AS						
		1	3J-1907	1	SEAL-O-RING						
		1	6V-8077	1	ELBOW						
	4	1	108-7550	2	CLIP						
	5	1	127-4667	1	STRIP AS						
M		1	8T-3490	1	NUT-WELD (M10X1.5-THD)						
I	6	1	134-8435	2	HOSE AS						
	7	2	134-8459	2	PLATE						
I	8	1	141-9520	1	HOSE AS						
	9	1	151-2680	1	PLATE AS						
M		1	8T-3597	3	NUT-WELD (M12X1.75-THD)						
YR	10	1	153-9624	1	PUMP GP-PISTON (STEERING)						813
	11	1	155-3169	1	TUBE AS						
	12	1	155-3170	1	TUBE AS						
	13	1	155-3172	1	TUBE AS						
	14	1	155-3173	1	TUBE AS						
	15	2	7C-6921	1	SPACER (11X20X22.8-MM THK)						
I	16	1	156-9627	1	HOSE AS						
	17	1	160-8613	1	MANIFOLD						
	18	2	198-9376	1	TUBE AS						
	19	2	198-9375	1	TUBE AS						
	20	1	162-2127	1	TUBE AS						
	21	1	162-2128	1	TUBE AS						
I	22	1	162-8081	2	HOSE AS						
I	23	1	162-8455	1	HOSE AS						
	24	1	163-5442	1	BRACKET AS						
	25	2	163-5596	1	MANIFOLD						
I	27	1	141-9521	1	HOSE AS						
	29	2	176-2452	1	MANIFOLD						
	30	1	148-8327	1	CONNECTOR AS						
		1	6V-8637	1	CONNECTOR						
		1	3D-2824	1	SEAL-O-RING						
		1	6V-9746	1	SEAL-O-RING						
	31	2	148-8353	1	ELBOW AS						
		2	6V-9001	1	ELBOW						
		2	3J-1907	1	SEAL-O-RING						
		2	6V-8397	1	SEAL-O-RING						
	32	1	148-8378	1	ELBOW AS						
		1	6V-8724	1	ELBOW						
		1	3J-1907	1	SEAL-O-RING						
		1	6V-8397	1	SEAL-O-RING						
	33	1,2	1P-3703	8	SEAL-RECTANGULAR						
	34	1,2	1P-3704	5	SEAL-RECTANGULAR						
	35	1	1P-3705	1	SEAL-RECTANGULAR						
	36	1	1P-4579	4	FLANGE-HALF						
	37	1	1P-4584	4	FLANGE-HALF						
	38	1,2	1P-5767	4	FLANGE-HALF						
	39	2	1S-0724	4	CLIP						
	40	1	3J-1907	1	SEAL-O-RING						
	41	2	4J-0519	4	SEAL-O-RING						
	42	1	4J-0524	2	SEAL-O-RING						
	43	1,2	4J-5267	8	SEAL-O-RING						
	44	1	5F-3106	1	SEAL-O-RING						
	45	2	6V-1572	1	CLIP (SLOT)						
	46	2	6V-1573	1	CLIP (TAB)						
	47	2	5P-7703	1	GROMMET						
	48	1	6D-4246	1	CLIP						
	49	1	6J-2680	3	SEAL-O-RING						

# STEERING SYSTEM

132-6135 **LINES GP-STEERING (contd.)**

**i01646188**

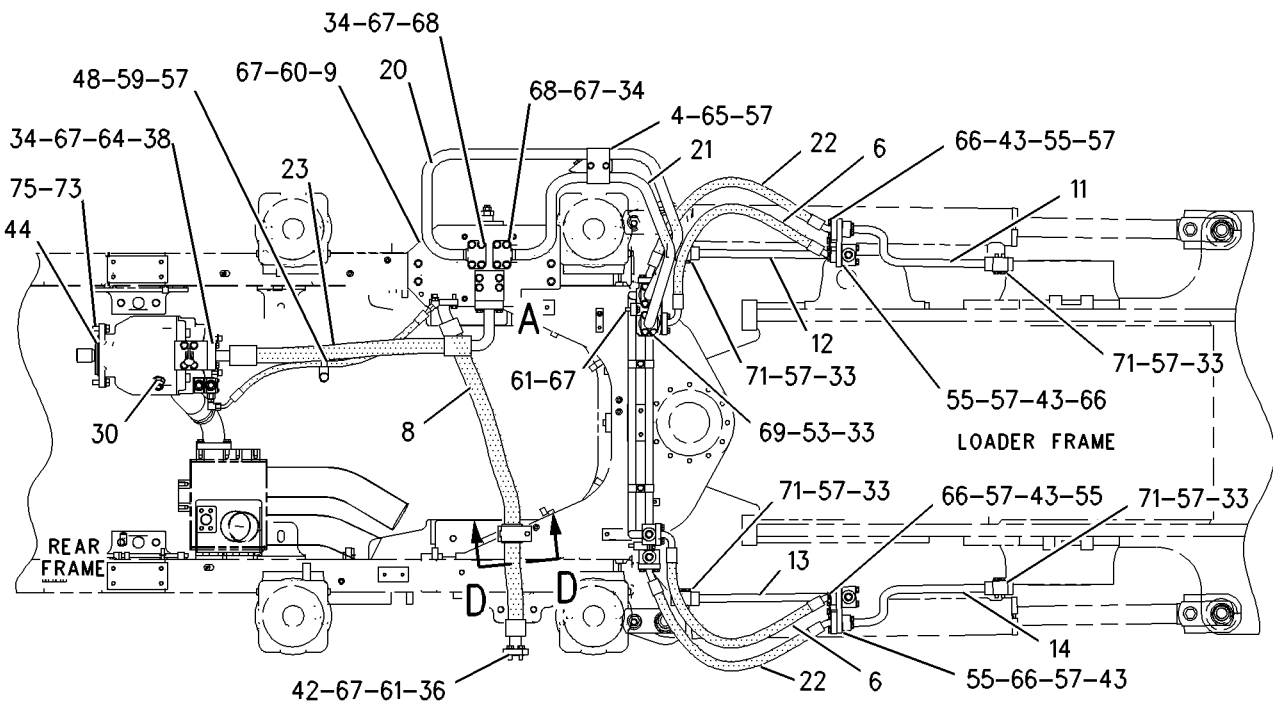
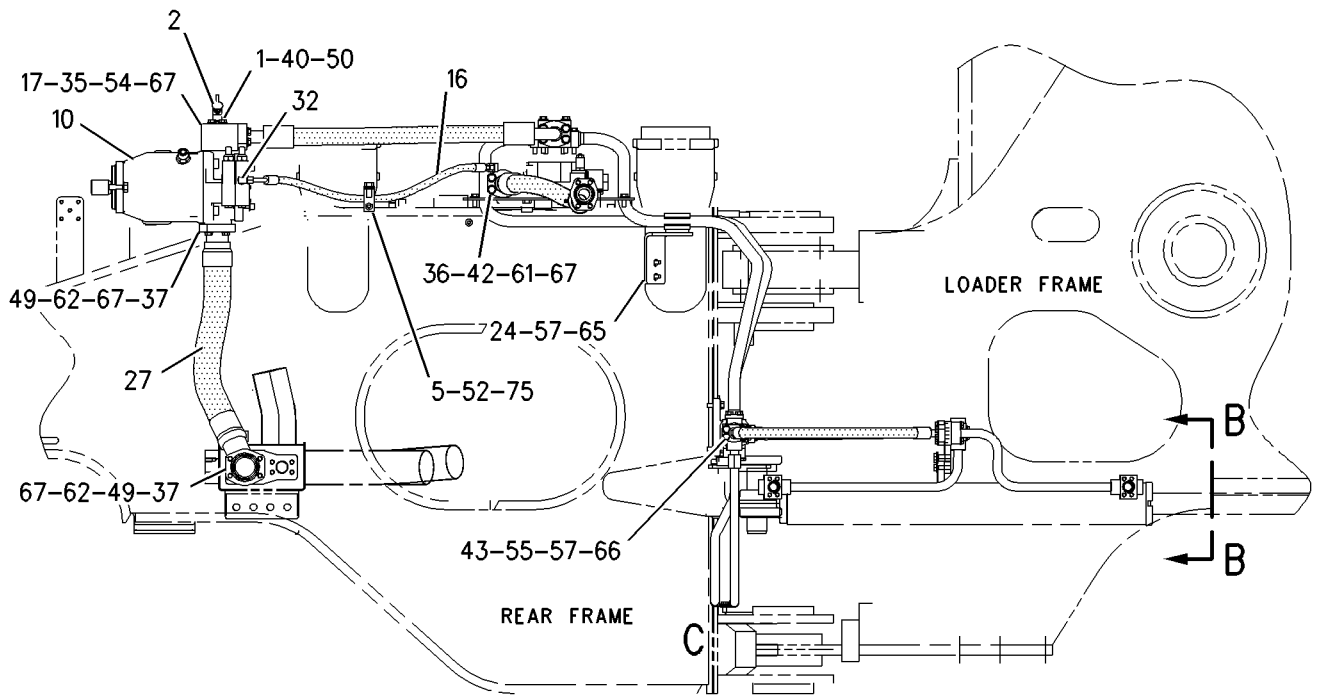
NOTE	REF NO	GRAPHIC REF	PART NUMBER	QTY	PART NAME						SEE PAGE
					1	2	3	4	5	6 (PRODUCT LEVEL)	
	50	1	<b>6V-3965</b>	1	FITTING (QUICK DISCONNECT)						
	52	1	<b>7X-0343</b>	1	BOLT (5/8-11X1.25-IN)						
	53	2	<b>7X-0584</b>	8	WASHER-HARD (13.5X20.5X2-MM THK)						
M	54	1,2	<b>7X-2549</b>	8	BOLT (M12X1.75X100-MM)						
	55	1,2	<b>8C-3205</b>	16	FLANGE-HALF						
	57	1,2	<b>8T-4121</b>	79	WASHER-HARD (11X21X2.5-MM THK)						
M	58	2	<b>8T-4136</b>	2	BOLT (M10X1.5X25-MM)						
M	59	1	<b>8T-4137</b>	1	BOLT (M10X1.5X20-MM)						
M	60	1	<b>8T-4139</b>	4	BOLT (M12X1.75X30-MM)						
M	61	1,2	<b>8T-4183</b>	16	BOLT (M12X1.75X40-MM)						
M	62	1	<b>8T-4184</b>	8	BOLT (M12X1.75X45-MM)						
M	63	2	<b>8T-4186</b>	16	BOLT (M10X1.5X40-MM)						
M	64	1,2	<b>8T-4194</b>	8	BOLT (M12X1.75X50-MM)						
M	65	1	<b>8T-4195</b>	4	BOLT (M10X1.5X30-MM)						
M	66	1,2	<b>8T-4196</b>	32	BOLT (M10X1.5X35-MM)						
	67	1,2	<b>8T-4223</b>	53	WASHER-HARD (13.5X25.5X3-MM THK)						
M	68	1	<b>8T-4648</b>	8	BOLT (M12X1.75X70-MM)						
M	69	2	<b>8T-4956</b>	8	BOLT (M12X1.75X35-MM)						
M	71	1,2	<b>8T-6466</b>	24	BOLT (M10X1.5X60-MM)						
M	72	2	<b>8T-6868</b>	1	BOLT (M12X1.75X80-MM)						
M	73	1	<b>8T-7338</b>	2	BOLT (M16X2X45-MM)						
	74	2	<b>9S-6803</b>	2	CLAMP						
	75	1	<b>9X-8257</b>	3	WASHER (17.5X30X3.5-MM THK)						

I - REFER TO HYDRAULIC INFORMATION SYSTEM  
M - METRIC PART  
R - REMFG PART MAY BE AVAILABLE  
Y - SEPARATE ILLUSTRATION

# STEERING SYSTEM

132-6135 LINES GP-STEERING (contd.)

i01646188



REFER TO ALL ILLUSTRATIONS OF THIS GROUP FOR AUXILIARY VIEWS

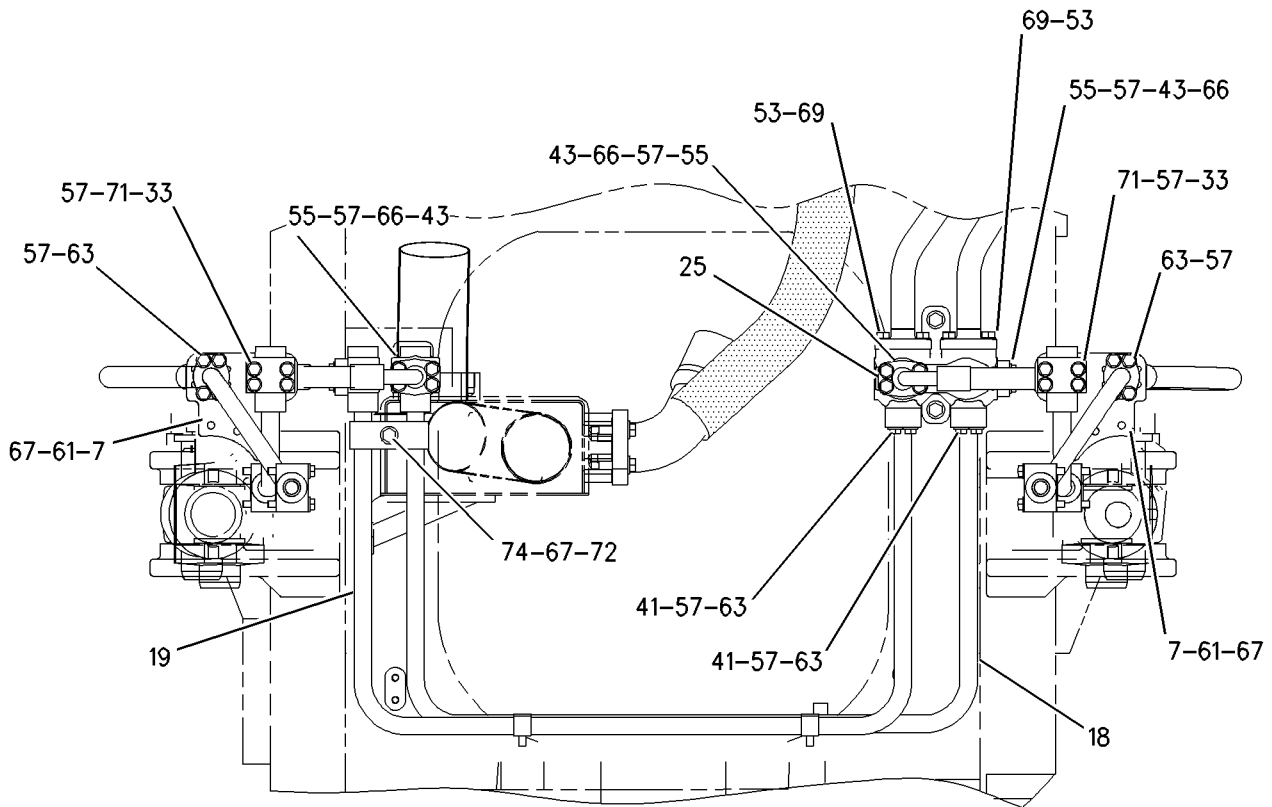
GRAPHIC #1

g00850875

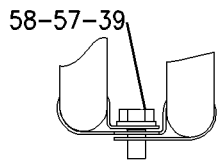
# STEERING SYSTEM

132-6135 LINES GP-STEERING (contd.)

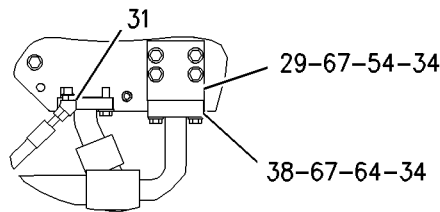
i01646188



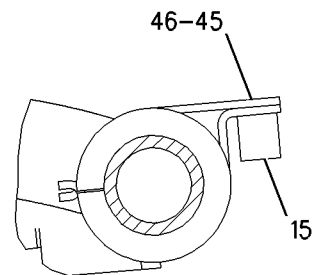
SECTION B-B



VIEW OF AREA C



AREA OF AREA A



VIEW D-D

REFER TO ALL ILLUSTRATIONS OF THIS GROUP FOR AUXILIARY VIEWS

GRAPHIC #2

<END>

g00850877



# STEERING SYSTEM

## 132-6135 LINES GP-STEERING

S/N: BNH394-1366

PART OF 203-1582 HYDRAULIC AR

SMCS-4304

i01995308

NOTE	REF NO	GRAPHIC REF	PART NUMBER	QTY	PART NAME						SEE PAGE
					1	2	3	4	5	6 (PRODUCT LEVEL)	
	1	1	6V-0852	2	CAP-DUST						
	2	1	165-4931	1	ELBOW AS						
		1	6V-8077	1	ELBOW						
		1	3J-1907	1	SEAL-O-RING						
	4	1	108-7550	2	CLIP						
	5	1	127-4667	1	STRIP AS						
M		1	8T-3490	1	NUT-WELD (M10X1.5-THD)						
I	6	1	134-8435	2	HOSE AS						
	7	2	134-8459	2	PLATE						
I	8	1	141-9520	1	HOSE AS						
	9	1	151-2680	1	PLATE AS						
M		1	8T-3597	3	NUT-WELD (M12X1.75-THD)						
YR	10	1	153-9624	1	PUMP GP-PISTON (STEERING)						813
	11	1	155-3169	1	TUBE AS						
	12	1	155-3170	1	TUBE AS						
	13	1	155-3172	1	TUBE AS						
	14	1	155-3173	1	TUBE AS						
	15	2	7C-6921	1	SPACER (11X20X22.8-MM THK)						
I	16	1	156-9627	1	HOSE AS						
C	17	1,2	216-9195	2	MANIFOLD						
	18	2	198-9376	1	TUBE AS						
	19	2	198-9375	1	TUBE AS						
	20	1	162-2127	1	TUBE AS						
	21	1	162-2128	1	TUBE AS						
I	22	1	162-8081	2	HOSE AS						
I	23	1	162-8455	1	HOSE AS						
	24	1	163-5442	1	BRACKET AS						
	25	2	163-5596	1	MANIFOLD						
I	27	1	141-9521	1	HOSE AS						
C	29	2	9S-4191	1	PLUG-O-RING						
	30	1	148-8327	1	CONNECTOR AS						
		1	6V-8637	1	CONNECTOR						
		1	3D-2824	1	SEAL-O-RING						
		1	6V-9746	1	SEAL-O-RING						
	31	2	148-8353	1	ELBOW AS						
		2	6V-9001	1	ELBOW						
		2	3J-1907	1	SEAL-O-RING						
		2	6V-8397	1	SEAL-O-RING						
	32	1	148-8443	1	TEE AS						
		1	7X-2459	1	TEE-O-RING						
		1	3J-1907	1	SEAL-O-RING						
		1	6V-8397	1	SEAL-O-RING						
	33	1,2	1P-3703	8	SEAL-RECTANGULAR						
	34	1,2	1P-3704	6	SEAL-RECTANGULAR						
	36	1	1P-4579	4	FLANGE-HALF						
	37	1	1P-4584	4	FLANGE-HALF						
	38	1,2	1P-5767	4	FLANGE-HALF						
	39	2	1S-0724	4	CLIP						
C	40	1,2	3J-1907	1	SEAL-O-RING						
	41	2	4J-0519	4	SEAL-O-RING						
	42	1	4J-0524	2	SEAL-O-RING						
	43	1,2	4J-5267	8	SEAL-O-RING						
	44	1	5F-3106	1	SEAL-O-RING						
	45	2	6V-1572	1	CLIP (SLOT)						
	46	2	6V-1573	1	CLIP (TAB)						
	47	2	5P-7703	1	GROMMET						
	48	1	6D-4246	1	CLIP						
	49	1	6J-2680	3	SEAL-O-RING						
	50	1	164-5567	2	COUPLER AS-QUICK DISCONNECT (MALE)						

# STEERING SYSTEM

132-6135 LINES GP-STEERING (contd.)

i01995308

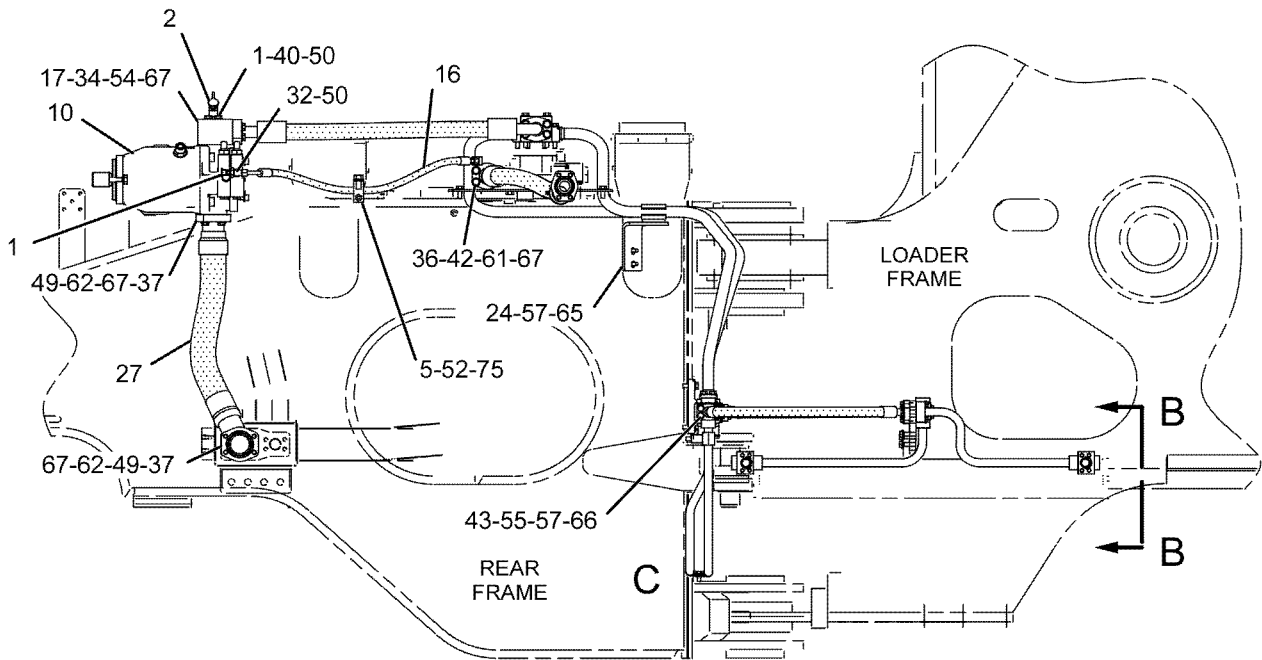
NOTE	REF NO	GRAPHIC REF	PART NUMBER	QTY	PART NAME						SEE PAGE
					1	2	3	4	5	6 (PRODUCT LEVEL)	
					(EACH INCLUDES)						
		1	<b>3J-1907</b>	1	SEAL-O-RING						
		1	<b>6V-3965</b>	1	FITTING (QUICK DISCONNECT)						
	52	1	<b>7X-0343</b>	1	BOLT (5/8-11X1.25-IN)						
	53	2	<b>7X-0584</b>	8	WASHER-HARD (13.5X20.5X2-MM THK)						
M	54	1,2	<b>7X-2549</b>	8	BOLT (M12X1.75X100-MM)						
	55	1,2	<b>8C-3205</b>	16	FLANGE-HALF						
	57	1,2	<b>8T-4121</b>	79	WASHER-HARD (11X21X2.5-MM THK)						
M	58	2	<b>8T-4136</b>	2	BOLT (M10X1.5X25-MM)						
M	59	1	<b>8T-4137</b>	1	BOLT (M10X1.5X20-MM)						
M	60	1	<b>8T-4139</b>	4	BOLT (M12X1.75X30-MM)						
M	61	1,2	<b>8T-4183</b>	16	BOLT (M12X1.75X40-MM)						
M	62	1	<b>8T-4184</b>	8	BOLT (M12X1.75X45-MM)						
M	63	2	<b>8T-4186</b>	16	BOLT (M10X1.5X40-MM)						
M	64	1,2	<b>8T-4194</b>	8	BOLT (M12X1.75X50-MM)						
M	65	1	<b>8T-4195</b>	4	BOLT (M10X1.5X30-MM)						
M	66	1,2	<b>8T-4196</b>	32	BOLT (M10X1.5X35-MM)						
	67	1,2	<b>8T-4223</b>	53	WASHER-HARD (13.5X25.5X3-MM THK)						
M	68	1	<b>8T-4648</b>	8	BOLT (M12X1.75X70-MM)						
M	69	2	<b>8T-4956</b>	8	BOLT (M12X1.75X35-MM)						
M	71	1,2	<b>8T-6466</b>	24	BOLT (M10X1.5X60-MM)						
M	72	2	<b>8T-6868</b>	1	BOLT (M12X1.75X80-MM)						
M	73	1	<b>8T-7338</b>	2	BOLT (M16X2X45-MM)						
	74	2	<b>9S-6803</b>	2	CLAMP						
	75	1	<b>9X-8257</b>	3	WASHER (17.5X30X3.5-MM THK)						

C - CHANGE FROM PREVIOUS TYPE  
 I - REFER TO HYDRAULIC INFORMATION SYSTEM  
 M - METRIC PART  
 R - REMFG PART MAY BE AVAILABLE  
 Y - SEPARATE ILLUSTRATION

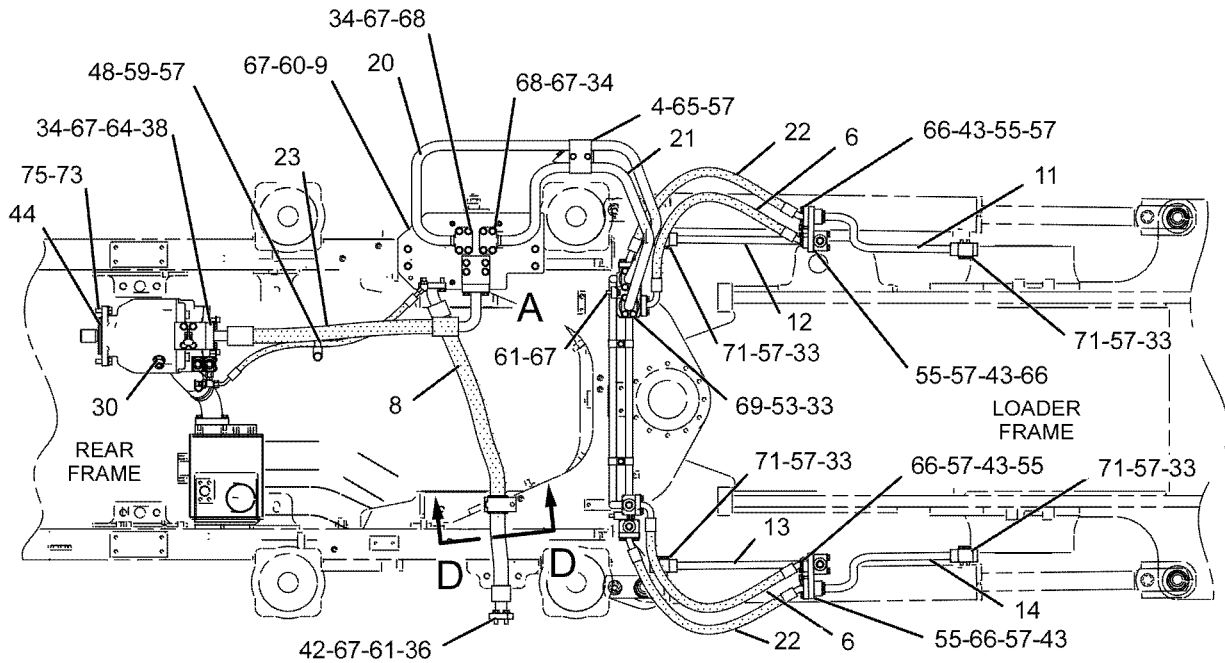
# STEERING SYSTEM

132-6135 LINES GP-STEERING (contd.)

i01995308



RIGHT SIDE VIEW



TOP VIEW

REFER TO ALL ILLUSTRATIONS OF THIS GROUP FOR AUXILIARY VIEWS

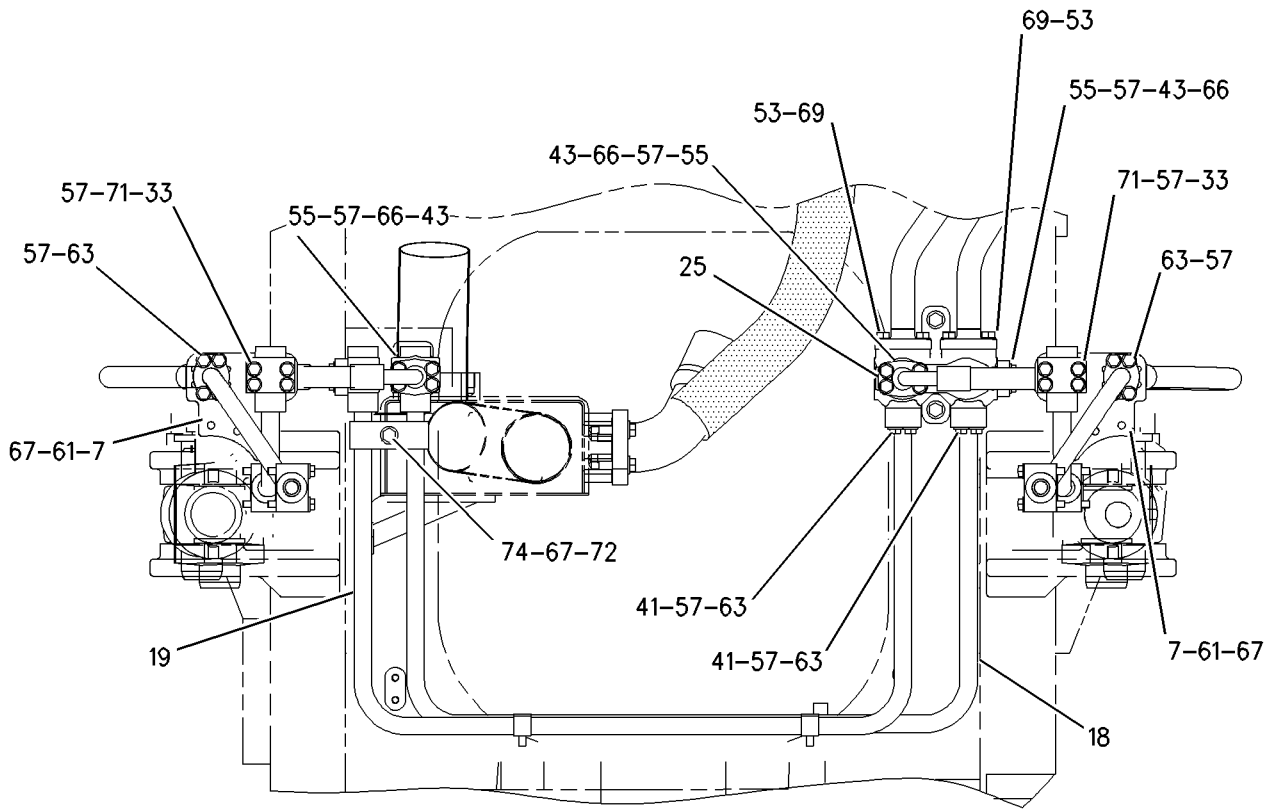
GRAPHIC #1

g01074452

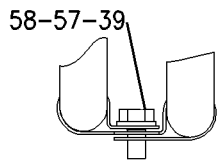
# STEERING SYSTEM

132-6135 LINES GP-STEERING (contd.)

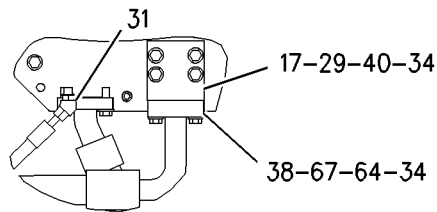
i01995308



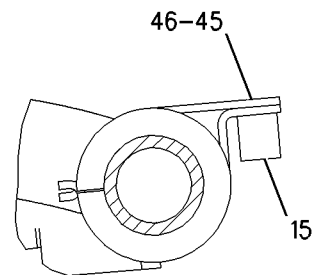
SECTION B-B



VIEW OF AREA C



AREA OF AREA A



VIEW D-D

REFER TO ALL ILLUSTRATIONS OF THIS GROUP FOR AUXILIARY VIEWS

GRAPHIC #2

<END>

g00863534

# STEERING SYSTEM

## 132-6135 LINES GP-STEERING

S/N: BNH1367-UP

PART OF 203-1582 HYDRAULIC AR

SMCS-4304

i02202820

NOTE	REF NO	GRAPHIC REF	PART NUMBER	QTY	PART NAME						SEE PAGE
					1	2	3	4	5	6	
C	1	2	0A-3721	4	CLIP						
C	2	1,2	6V-0852	3	CAP-DUST						
C	3	1	091-0081	1	SPACER (10.5X20X10-MM THK)						
	4	1	108-7550	2	CLIP						
C	5	1	116-4731	4	ELBOW						
	6	3	127-4667	1	STRIP AS						
M		3	8T-3490	1	NUT-WELD (M10X1.5-THD)						
	7	3	134-8459	2	PLATE						
I	8	1	141-9520	1	HOSE AS						
I	9	2	141-9521	1	HOSE AS						
C	10	3	143-4158	2	CLIP						
	11	2	151-2680	1	PLATE AS						
M		2	8T-3597	3	NUT-WELD (M12X1.75-THD)						
I	12	1	156-9627	1	HOSE AS						
	13	1	162-2127	1	TUBE AS						
	14	1	162-2128	1	TUBE AS						
I	15	1	162-8455	1	HOSE AS						
	16	2	163-5442	1	BRACKET AS						
	17	3	163-5596	1	MANIFOLD						
	18	2	165-4931	1	ELBOW AS						
		2	6V-8077	1	ELBOW						
		2	3J-1907	1	SEAL-O-RING						
	19	2	216-9195	2	MANIFOLD						
	20	1	241-6215	2	ELBOW AS						
					(EACH INCLUDES)						
		1	3J-1907	1	SEAL-O-RING						
		1	6V-8076	1	ELBOW						
C	21	1	247-8531	1	TUBE AS						
C	22	1	247-8532	1	TUBE AS						
CI	23	1	247-8536	1	HOSE AS						
CI	24	1	247-8537	1	HOSE AS						
CI	25	1	247-8538	1	HOSE AS						
C	26	3	252-1285	1	TUBE AS						
C	27	3	252-1286	1	TUBE AS						
	28	3	253-4280	2	ELBOW						
	29	2	148-8353	1	ELBOW AS						
		2	6V-9001	1	ELBOW						
		2	3J-1907	1	SEAL-O-RING						
		2	6V-8397	1	SEAL-O-RING						
C	30	1	148-8378	1	ELBOW AS						
		1	3J-1907	1	SEAL-O-RING						
		1	6V-8397	1	SEAL-O-RING						
		1	6V-8724	1	ELBOW						
	31	1	153-6236	2	REDUCER AS						
					(EACH INCLUDES)						
		1	6V-8946	1	REDUCER						
		1	6V-9746	1	SEAL-O-RING						
YR	32	2	153-9624	1	PUMP GP-PISTON (STEERING)						813
C	33	1,2	164-5567	3	COUPLER AS-QUICK DISCONNECT (MALE)						
					(EACH INCLUDES)						
		1,2	3J-1907	1	SEAL-O-RING						
		1,2	6V-3965	1	FITTING (QUICK DISCONNECT)						
C	34	1	247-8529	1	TUBE AS						
C	35	1	247-8530	1	TUBE AS						
CI	36	1	247-8535	1	HOSE AS						
C	37	1,2	1P-3702	6	SEAL-RECTANGULAR						
C	38	2	1P-3703	2	SEAL-RECTANGULAR						
	39	1,2	1P-3704	6	SEAL-RECTANGULAR						
	40	1,2	1P-4579	4	FLANGE-HALF						

# STEERING SYSTEM

132-6135 LINES GP-STEERING (contd.)

i02202820

NOTE	REF NO	GRAPHIC REF	PART NUMBER	QTY	PART NAME						SEE PAGE
					1	2	3	4	5	6 (PRODUCT LEVEL)	
	41	1,2	<b>1P-4584</b>	4	FLANGE - HALF						
	42	1,2	<b>1P-5767</b>	4	FLANGE - HALF						
C	43	3	<b>1S-0994</b>	1	CLIP						
	44	2	<b>3J-1907</b>	1	SEAL - O - RING						
	45	1,2	<b>4J-0524</b>	2	SEAL - O - RING						
	46	1,3	<b>4J-5267</b>	10	SEAL - O - RING						
	47	1	<b>5F-3106</b>	1	SEAL - O - RING						
C	48	1	<b>5K-9090</b>	8	SEAL - O - RING						
	49	1	<b>5P-7703</b>	1	GROMMET						
	50	1,2	<b>6J-2680</b>	2	SEAL - O - RING						
	51	1	<b>6V-1572</b>	1	CLIP (SLOT)						
	52	1	<b>6V-1573</b>	1	CLIP (TAB)						
C	53	1	<b>6V-9746</b>	5	SEAL - O - RING						
	54	2	<b>7X-0584</b>	8	WASHER - HARD (13.5X20.5X2-MM THK)						
M	55	2	<b>7X-2549</b>	8	BOLT (M12X1.75X100-MM)						
	56	1,2	<b>7Y-3729</b>	5	FLANGE - SPECIAL						
C	57	3	<b>8C-3205</b>	2	FLANGE - HALF						
C	58	1,2,3	<b>8T-4121</b>	55	WASHER - HARD (11X21X2.5-MM THK)						
M	59	2	<b>8T-4136</b>	2	BOLT (M10X1.5X25-MM)						
M	60	2	<b>8T-4139</b>	4	BOLT (M12X1.75X30-MM)						
CM	61	1,2,3	<b>8T-4183</b>	18	BOLT (M12X1.75X40-MM)						
M	62	1,2	<b>8T-4184</b>	8	BOLT (M12X1.75X45-MM)						
CM	63	3	<b>8T-4191</b>	1	BOLT (M10X1.5X16-MM)						
M	64	1,2	<b>8T-4194</b>	8	BOLT (M12X1.75X50-MM)						
CM	65	1,2,3	<b>8T-4195</b>	12	BOLT (M10X1.5X30-MM)						
CM	66	1	<b>8T-4196</b>	16	BOLT (M10X1.5X35-MM)						
C	67	1,2,3	<b>8T-4223</b>	56	WASHER - HARD (13.5X25.5X3-MM THK)						
M	68	2	<b>8T-4648</b>	8	BOLT (M12X1.75X70-MM)						
M	69	2	<b>8T-4956</b>	8	BOLT (M12X1.75X35-MM)						
CM	70	1,3	<b>8T-6466</b>	24	BOLT (M10X1.5X60-MM)						
M	71	1	<b>8T-7338</b>	2	BOLT (M16X2X45-MM)						
	72	2	<b>9S-4191</b>	1	PLUG - O - RING						
M	73	1,3	<b>9X-6032</b>	16	BOLT - SOCKET HEAD (M10X1.5X30-MM)						
C	74	1	<b>9X-8257</b>	2	WASHER (17.5X30X3.5-MM THK)						

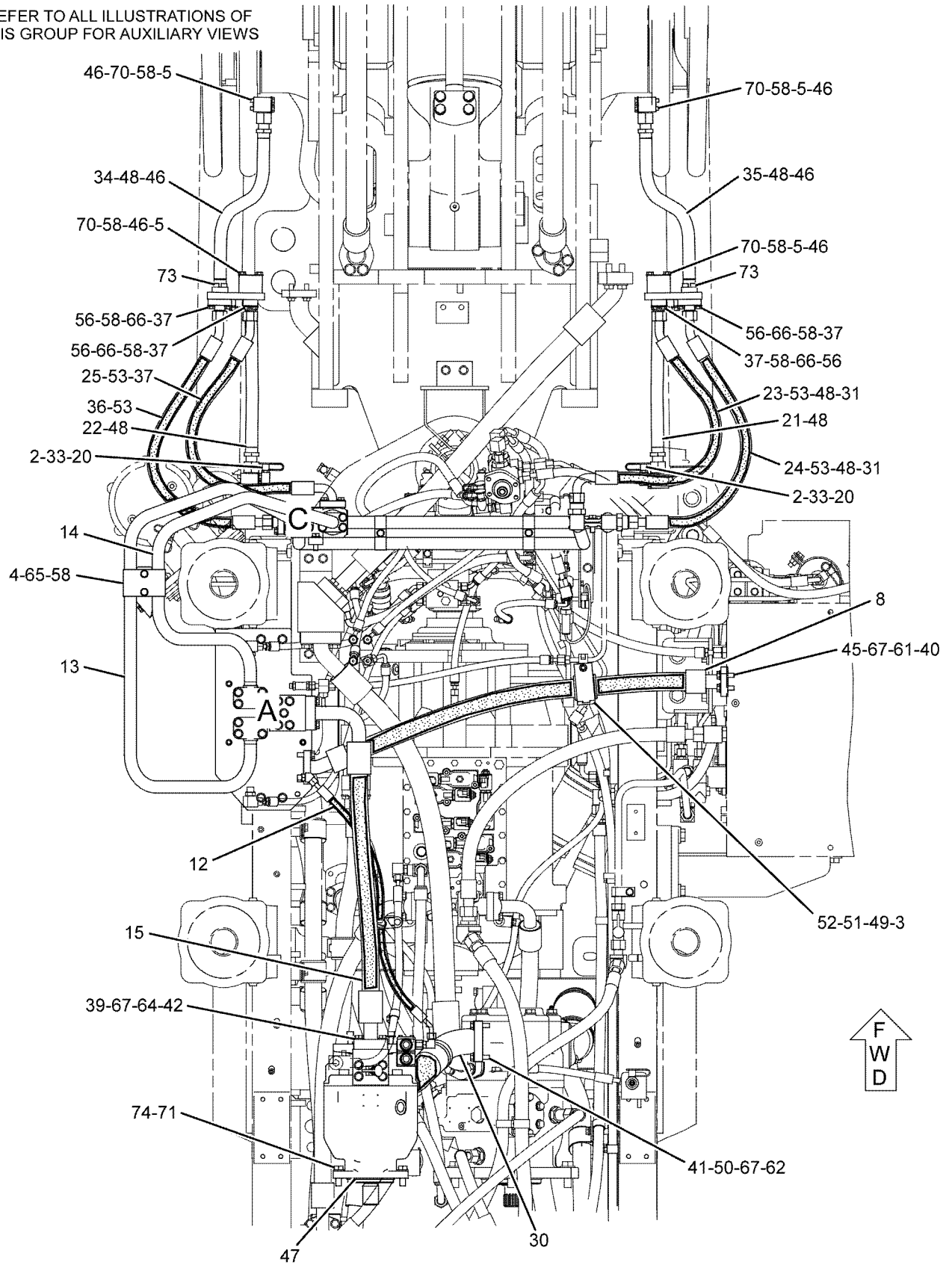
C - CHANGE FROM PREVIOUS TYPE  
 I - REFER TO HYDRAULIC INFORMATION SYSTEM  
 M - METRIC PART  
 R - REMFG PART MAY BE AVAILABLE  
 Y - SEPARATE ILLUSTRATION

# STEERING SYSTEM

132-6135 LINES GP-STEERING (contd.)

i02202820

REFER TO ALL ILLUSTRATIONS OF THIS GROUP FOR AUXILIARY VIEWS



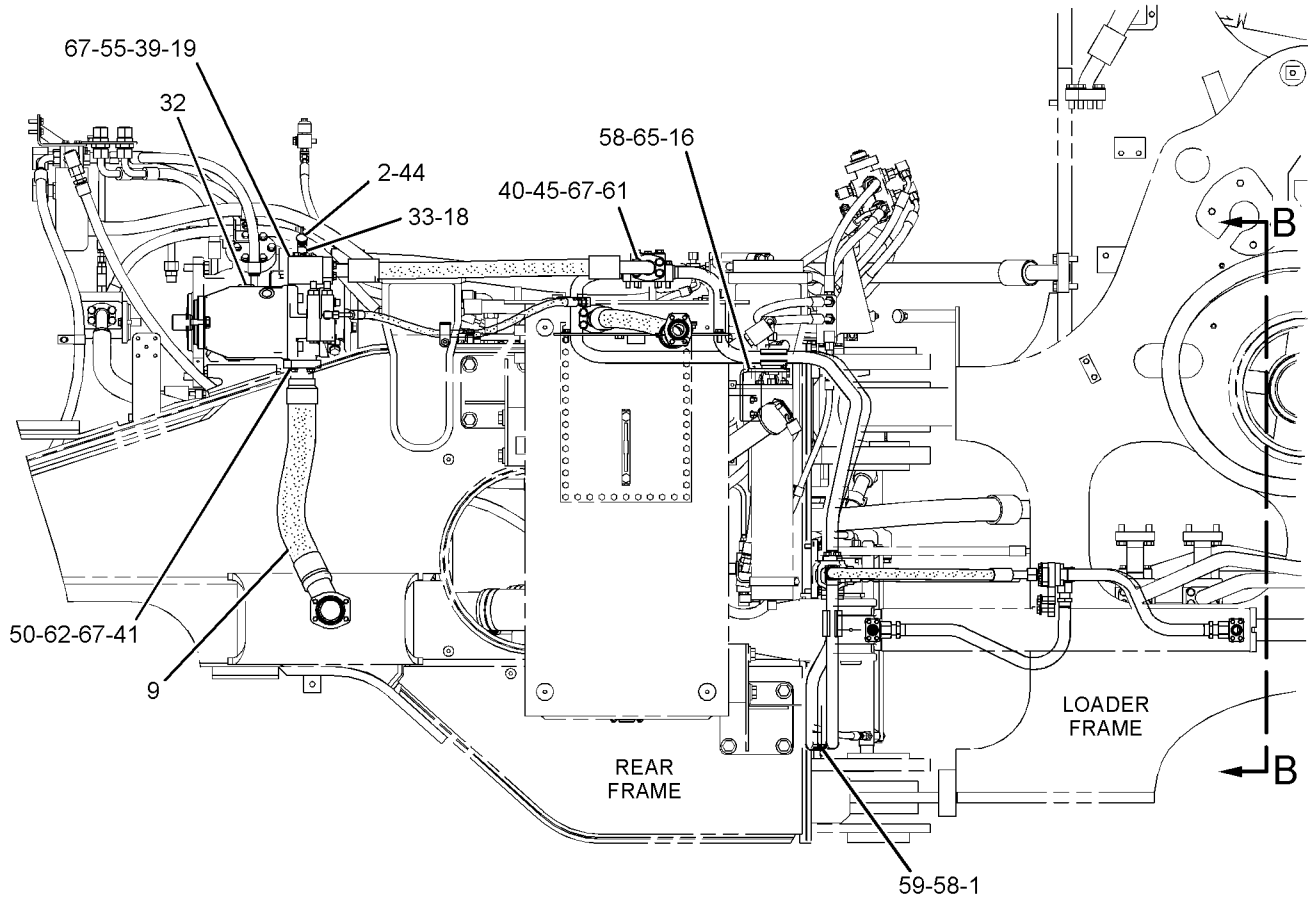
GRAPHIC #1

g01133873

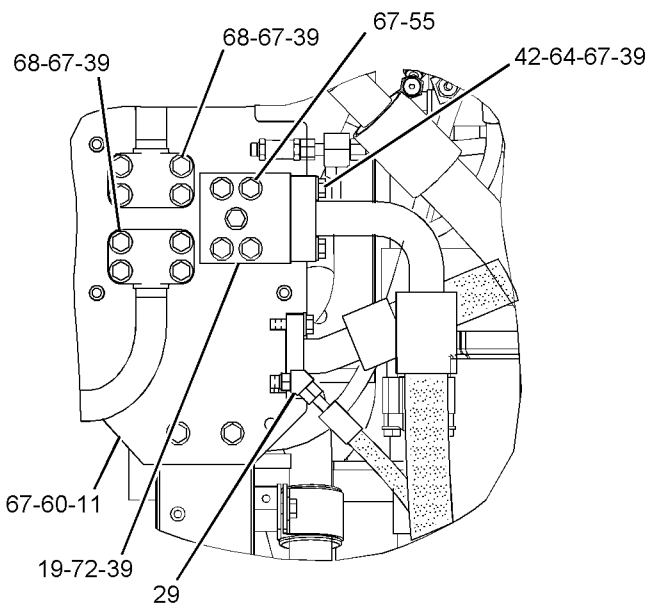
# STEERING SYSTEM

132-6135 LINES GP-STEERING (contd.)

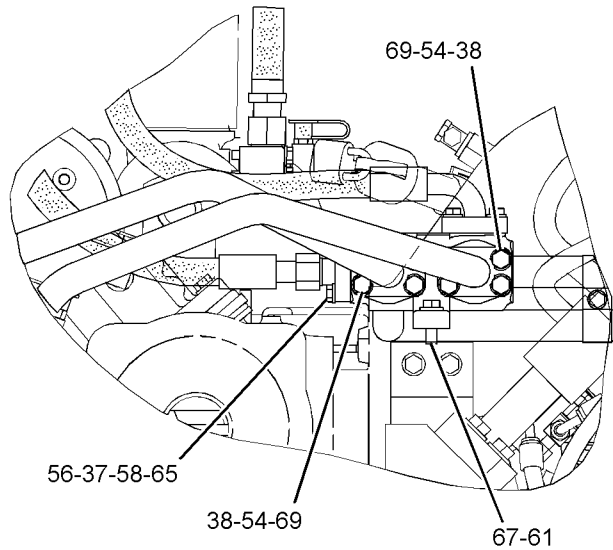
i02202820



RIGHT SIDE VIEW



VIEW OF AREA A



VIEW OF AREA C

GRAPHIC #2

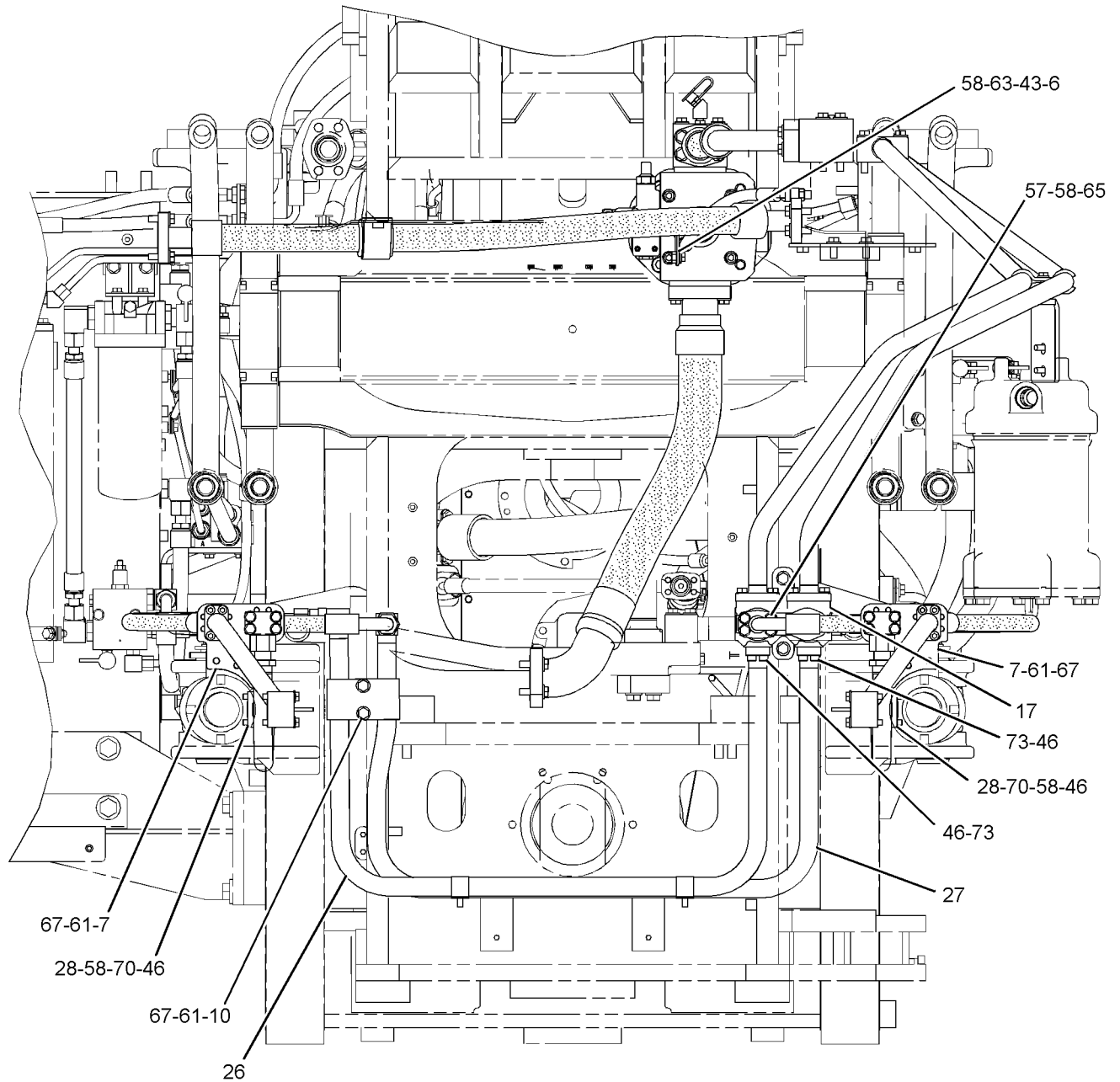
g01133877



# STEERING SYSTEM

132-6135 LINES GP-STEERING (contd.)

i02202820



SECTION B-B

GRAPHIC #3

<END>

g01133878

# STEERING SYSTEM

## 132-6142 LINES GP-STEERING NEUTRALIZER

S/N: BNH1-UP

PART OF 203-1582 HYDRAULIC AR

SMCS-4304, 4330

i03815291

NOTE	REF NO	GRAPHIC REF	PART NUMBER	QTY	PART NAME						SEE PAGE
					1	2	3	4	5	6 (PRODUCT LEVEL)	
Y	1	1	9T-3096	1	VALVE GP-CHECK (STEERING PILOT)						1003
	2	1	104-7108	1	VALVE GP-CHECK (STEERING PILOT)						
	3	1	116-4798	1	ANGLE AS						
M		1	8T-3490	2	NUT-WELD (M10X1.5-THD)						
	4	1	116-9331	1	JUNCTION BLOCK						
Y	5	1	146-7571	2	VALVE GP-STEERING NEUTRALIZER						834
Y	6	1	149-4617	1	VALVE GP-CHECK (STEERING QUAD)						817
	7	1	154-0350	1	STOP GP-STEERING						
		1	154-0351	1	PLATE AS						
M		1	8T-3597	2	NUT-WELD (M12X1.75-THD)						
M		1	8T-4244	2	NUT (M12X1.75-THD)						
		1	8X-3467	2	STUD AS						
	8	1	154-0352	1	BRACKET AS						
M		1	8T-3490	4	NUT-WELD (M10X1.5-THD)						
I	9	1	154-7532	1	HOSE AS						
I	10	1	155-3677	1	HOSE AS						
I	11	1	155-3678	1	HOSE AS						
I	12	1	155-3679	1	HOSE AS						
	13	1	155-3680	1	TUBE AS						
I	14	1	155-3681	1	HOSE AS						
I	15	1	155-3683	1	HOSE AS						
	16	1	155-4320	1	ANGLE AS						
M		1	8T-3612	2	NUT-WELD (M8X1.25-THD)						
I	17	1	161-1382	1	HOSE AS						
I	18	1	161-1383	1	HOSE AS						
I	19	1	178-2999	1	HOSE AS						
I	20	1	178-3000	1	HOSE AS						
I	21	1	178-3001	1	HOSE AS						
I	22	1	178-3002	1	HOSE AS						
I	23	1	180-2624	1	HOSE AS						
I	24	1	180-2625	1	HOSE AS						
	25	1	148-8318	5	CONNECTOR AS						
					(EACH INCLUDES)						
		1	6V-8634	1	CONNECTOR						
		1	3K-0360	1	SEAL-O-RING						
		1	6V-8397	1	SEAL-O-RING						
	26	1	148-8336	3	CONNECTOR AS						
					(EACH INCLUDES)						
		1	6V-8636	1	CONNECTOR						
		1	3J-1907	1	SEAL-O-RING						
		1	6V-8397	1	SEAL-O-RING						
	27	1	148-8341	1	CONNECTOR AS						
		1	6V-8713	1	CONNECTOR						
		1	3D-2824	1	SEAL-O-RING						
		1	7J-9108	1	SEAL-O-RING						
	28	1	148-8342	1	CONNECTOR AS						
		1	6V-8632	1	CONNECTOR						
		1	3K-0360	1	SEAL-O-RING						
		1	7J-9108	1	SEAL-O-RING						
	29	1	148-8353	2	ELBOW AS						
					(EACH INCLUDES)						
		1	6V-9001	1	ELBOW						
		1	3J-1907	1	SEAL-O-RING						
		1	6V-8397	1	SEAL-O-RING						
	30	1	148-8367	1	ELBOW AS						
		1	6V-9850	1	ELBOW						
		1	6V-8397	1	SEAL-O-RING						
	31	1	148-8370	1	ELBOW AS						
		1	6V-8398	1	SEAL-O-RING						

# STEERING SYSTEM

132-6142 **LINES GP-STEERING NEUTRALIZER (contd.)**

**i03815291**

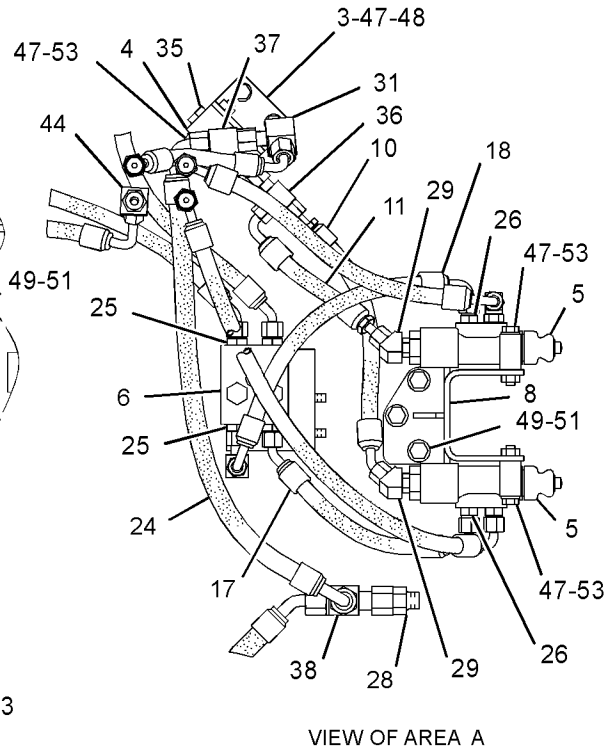
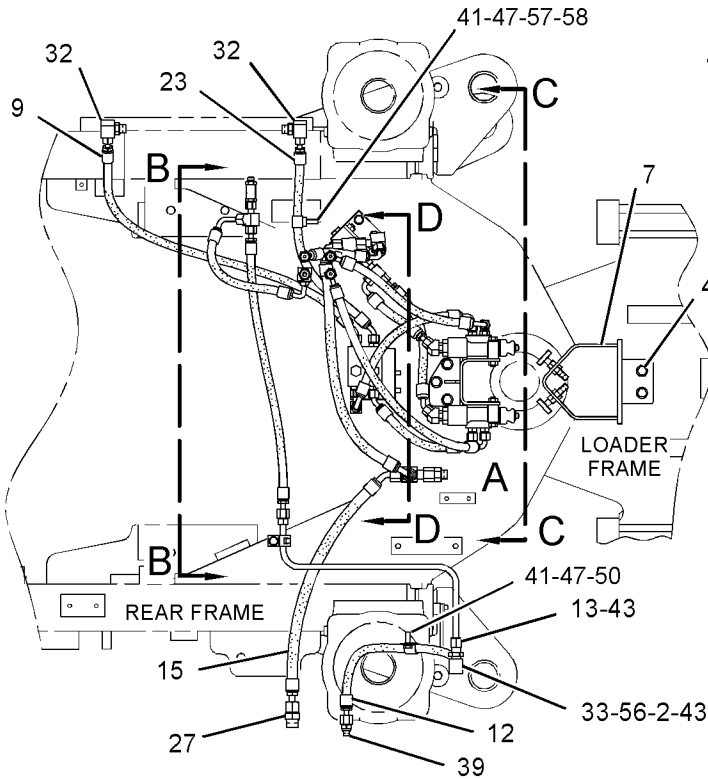
NOTE	REF NO	GRAPHIC REF	PART NUMBER	QTY	PART NAME						SEE PAGE
					1	2	3	4	5	6 (PRODUCT LEVEL)	
		1	<b>6V-9851</b>	1	ELBOW						
	32	1	148-8374	2	ELBOW AS						
					(EACH INCLUDES)						
		1	<b>6V-8723</b>	1	ELBOW						
		1	<b>3K-0360</b>	1	SEAL-O-RING						
		1	<b>6V-8397</b>	1	SEAL-O-RING						
	33	1	148-8375	1	ELBOW AS						
		1	<b>6V-8981</b>	1	ELBOW						
		1	<b>6V-8398</b>	2	SEAL-O-RING						
	34	1	148-8378	1	ELBOW AS						
		1	<b>6V-8724</b>	1	ELBOW						
		1	<b>3J-1907</b>	1	SEAL-O-RING						
		1	<b>6V-8397</b>	1	SEAL-O-RING						
	35	1	148-8411	1	PLUG AS						
		1	<b>9S-4185</b>	1	PLUG-O-RING						
		1	<b>3K-0360</b>	1	SEAL-O-RING						
	36	1	148-8433	2	TEE AS						
					(EACH INCLUDES)						
		1	<b>6V-9836</b>	1	TEE-SWIVEL						
		1	<b>6V-8397</b>	2	SEAL-O-RING						
	37	1	148-8436	1	TEE AS						
		1	<b>3K-0360</b>	1	SEAL-O-RING						
		1	<b>6V-8398</b>	2	SEAL-O-RING						
		1	<b>6V-8775</b>	1	TEE-FACE SEAL						
	38	1	148-8446	1	TEE AS-SWIVEL						
		1	<b>6V-9838</b>	1	TEE-SWIVEL						
		1	<b>7J-9108</b>	2	SEAL-O-RING						
	39	1	150-4043	1	CONNECTOR AS						
		1	<b>6V-9873</b>	1	CONNECTOR						
		1	<b>3J-1907</b>	1	SEAL-O-RING						
		1	<b>6V-8398</b>	1	SEAL-O-RING						
	40	1	<b>3J-1907</b>	1	SEAL-O-RING						
	41	1	<b>3S-8664</b>	2	CLIP						
	42	1	<b>6V-8397</b>	1	SEAL-O-RING						
	43	1	<b>6V-8398</b>	2	SEAL-O-RING						
	44	1	153-6241	1	ELBOW AS						
		1	<b>6V-8398</b>	1	SEAL-O-RING						
		1	<b>8C-8989</b>	1	ELBOW						
	45	1	<b>8T-1885</b>	1	CLIP (SLOT)						
	46	1	<b>8T-1886</b>	1	CLIP (TAB)						
	47	1	<b>8T-4121</b>	13	WASHER-HARD (11X21X2.5-MM THK)						
M	48	1	<b>8T-4137</b>	4	BOLT (M10X1.5X20-MM)						
M	49	1	<b>8T-4192</b>	5	BOLT (M12X1.75X25-MM)						
M	50	1	<b>8T-4195</b>	1	BOLT (M10X1.5X30-MM)						
	51	1	<b>8T-4223</b>	5	WASHER-HARD (13.5X25.5X3-MM THK)						
	52	1	<b>8T-4224</b>	2	WASHER-HARD (8.8X16X2-MM THK)						
M	53	1	<b>8T-6466</b>	6	BOLT (M10X1.5X60-MM)						
M	54	1	<b>8T-6870</b>	2	BOLT (M8X1.25X70-MM)						
M	55	1	<b>8T-4185</b>	1	BOLT (M10X1.5X50-MM)						
	56	1	<b>6V-9169</b>	1	NUT (13/16-16-THD)						
	57	1	<b>118-9901</b>	1	SPACER (12X20X10-MM THK)						
M	58	1	<b>8T-4186</b>	1	BOLT (M10X1.5X40-MM)						

I - REFER TO HYDRAULIC INFORMATION SYSTEM  
M - METRIC PART  
Y - SEPARATE ILLUSTRATION

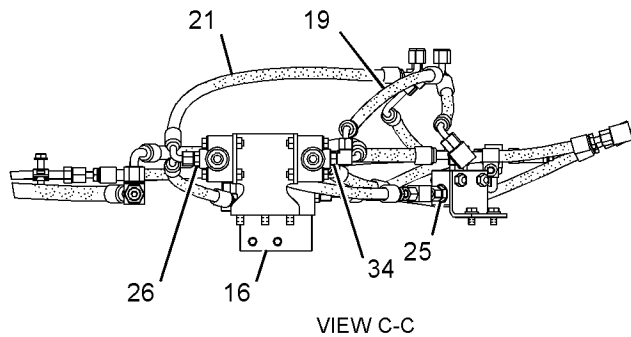
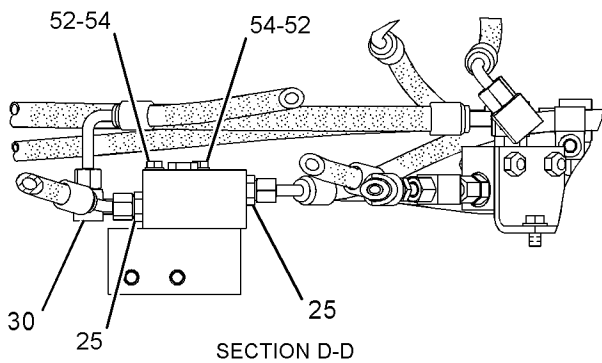
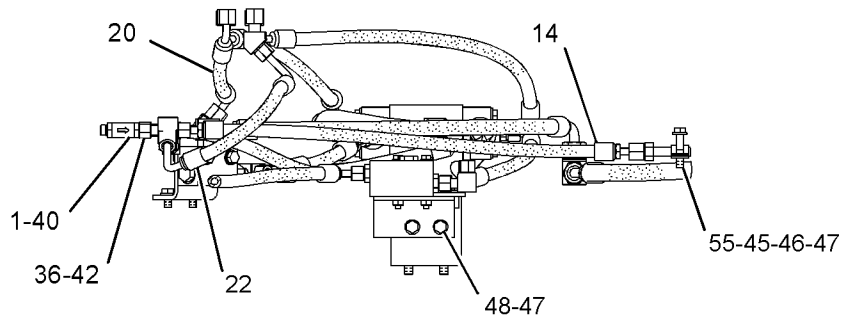
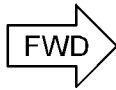
# STEERING SYSTEM

132-6142 LINES GP-STEERING NEUTRALIZER (contd.)

i03815291



TOP VIEW



GRAPHIC #1

<END>

g01455749

# STEERING SYSTEM

## 150-7585 PUMP GP-GEAR-SECONDARY STEERING

S/N: BNH1-UP

PART OF 132-6144 LINES GP-SECONDARY STEERING

AN ATTACHMENT

SMCS-4268, 4306, 5073

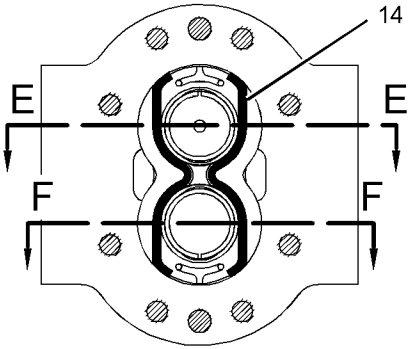
i05153769

NOTE	REF NO	GRAPHIC REF	PART NUMBER	QTY	PART NAME						SEE PAGE
					1	2	3	4	5	6 (PRODUCT LEVEL)	
1		1	139-3213	2	SEAL						
2		1	008-3214	1	RING-RETAINING (INTERNAL)						
3		1	9T-1258	1	SHAFT-DRIVE						
4		1	4T-9300	1	BUSHING-TERMINAL						
5		1	4T-9301	1	BUSHING-TERMINAL						
6		1	6J-2386	2	DOWEL						
7		1	153-6480	1	FLANGE AS						
8		1	384-7250	2	PLATE-PRESSURE						
9		1	142-2133	1	SPACER						
10		1	107-2889	2	SPACER (13X14.3X6.4-MM THK)						
11		1	4T-8761	1	GEAR-IDLER (8-TEETH)						
12		1	1B-2886	6	BOLT (1/2-13X3.75-IN)						
13		1	142-2137	1	PLUG						
14		1	077-3790	4	SEAL						
15		1	4T-9298	2	BUSHING-TERMINAL						
17		1	6E-2943	1	PLUG						
18		1	0S-1595	8	BOLT (1/2-13X1.25-IN)						
19		1	9X-7722	1	SEAL-O-RING						
20		1	384-7249	2	PLATE-PRESSURE						
21		1	107-2891	2	PISTON						
22		1	107-2893	2	SPRING						
23		1	107-2887	2	PISTON						
24		1	107-2888	2	SPRING						
25		1	153-6479	1	BODY AS						
26		1	107-2890	1	BODY-VALVE						
27		1	9S-8005	1	PLUG-O-RING						
28		1	033-6042	1	SEAL-O-RING						
29		1	133-6578	1	SEAL-O-RING						
30		1	6V-3551	1	SEAL-O-RING						
31		1	8C-5197	2	SEAL-O-RING						
					AVAILABLE REPAIR KIT(S):						
			153-6481	1	KIT-SEAL (INCLUDES SEALS, O-RINGS, BACK-UP RINGS, END SEPARATORS, RING, PLUG, SEALING STRIPS & CENTER SEPARATORS)						

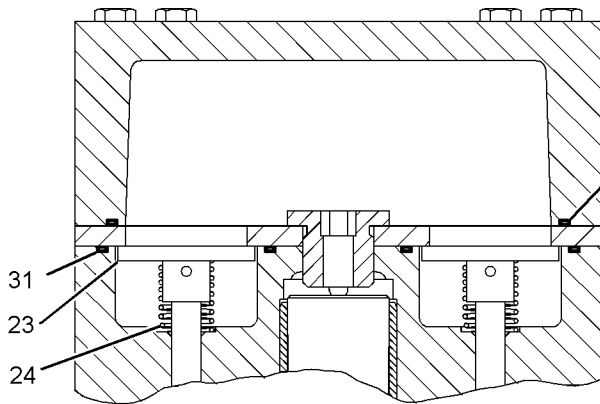
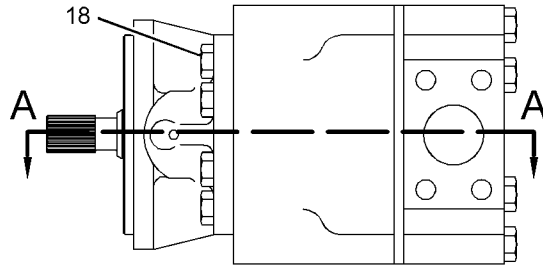
# STEERING SYSTEM

150-7585 PUMP GP-GEAR (contd.)

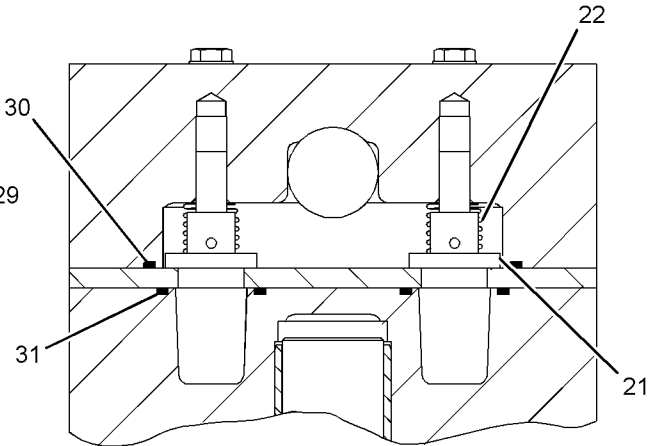
i05153769



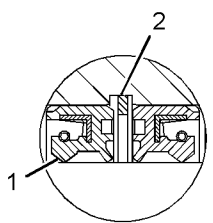
SECTION B-B



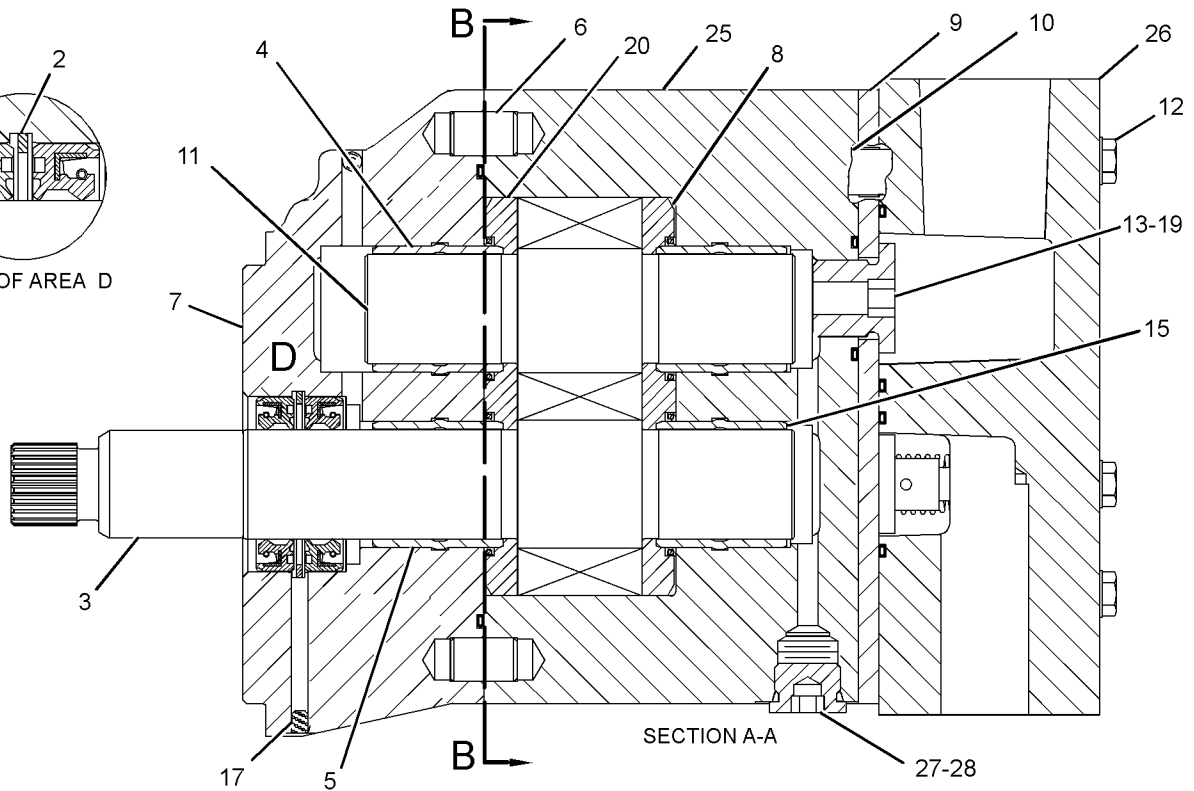
SECTION E-E



SECTION F-F



VIEW OF AREA D



SECTION A-A

GRAPHIC #1

<END>

g03316137

# STEERING SYSTEM

## 153-9624 PUMP GP-PISTON-STEERING\*R

S/N: BNH1-UP

PART OF 132-6135 LINES GP-STEERING

SMCS-4268, 4306, 5070

i03896658

NOTE	REF NO	GRAPHIC REF	PART NUMBER	QTY	PART NAME						SEE PAGE
					1	2	3	4	5	6 (PRODUCT LEVEL)	
	1	1	<b>095-0942</b>	1	RING-RETAINING						
	2	1	<b>176-7507</b>	2	BEARING-CRADLE						
	3	1	<b>176-7508</b>	1	HOUSING-PUMP						
Y	4	1	<b>176-7509</b>	1	ROTATING GP-PUMP (STEERING)						815
	5	1	<b>5P-9186</b>	4	SEAL-O-RING						
M	6	1	<b>7Y-0467</b>	4	BOLT-SOCKET HEAD (M18X2.5X55-MM)						
	7	1	<b>6Y-2736</b>	1	CONE-BEARING						
	8	1	<b>6Y-2737</b>	1	CUP-BEARING						
	9	1	<b>176-7510</b>	1	SPACER-BEARING						
	10	1	<b>107-3114</b>	1	SEAL-O-RING						
	11	1	<b>176-7511</b>	1	GUIDE-PLUNGER						
	12	1	<b>176-7512</b>	1	SPRING						
	13	1	<b>176-7513</b>	1	PLUNGER						
	14	1	<b>9S-8008</b>	1	PLUG-O-RING						
	15	1	<b>3D-2824</b>	1	SEAL-O-RING						
	16	1	<b>176-7514</b>	1	SHAFT-PUMP						
	17	1	<b>1B-3908</b>	1	CONE-BEARING						
	18	1	<b>1B-3909</b>	1	CUP-BEARING						
	19	1	<b>203-1095</b>	1	SEAL						
	20	1	<b>176-7516</b>	1	SWASHPLATE AS						
	21	1	<b>176-7517</b>	1	PISTON-CONTROL						
	22	1	<b>176-7518</b>	1	GUIDE-PISTON						
	23	1	<b>120-4394</b>	1	PLUG-BREAK OFF						
	24	1	<b>7X-2438</b>	1	DOWEL						
	25	1	<b>176-7519</b>	1	HEAD-PUMP						
Y	26	1	<b>176-7520</b>	1	VALVE GP-PUMP CONTROL (PRESSURE COMPENSATOR) (STEERING)						821
J	27	1	<b>176-7521</b>	1	VALVE GP-PUMP CONTROL (PRESSURE, FLOW COMPENSATOR)						
M	28	1	<b>127-4832</b>	4	BOLT-SOCKET HEAD (M5X0.8X90-MM)						
	29	1	<b>355-4073</b>	10	SEAL-RECTANGULAR						
	30	1	<b>176-7692</b>	1	SLEEVE-STOP						
	31	1	<b>176-7693</b>	1	RING-BEARING						

AVAILABLE REPAIR KIT(S):

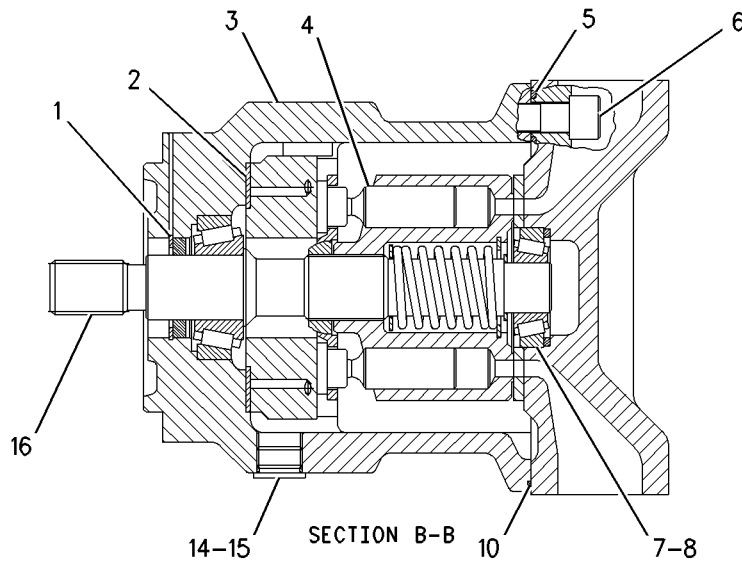
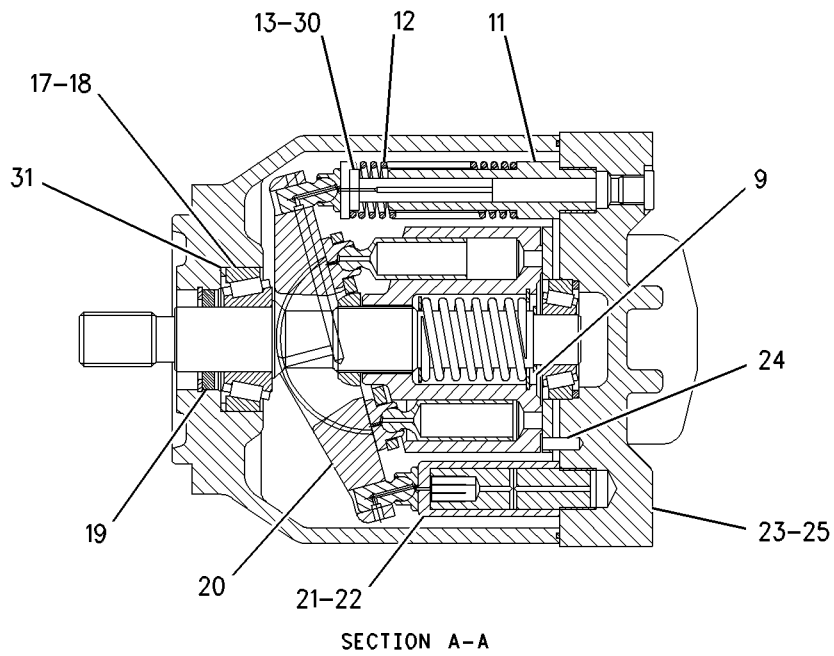
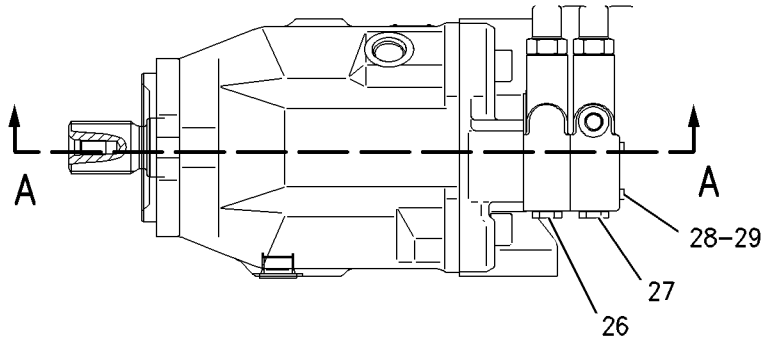
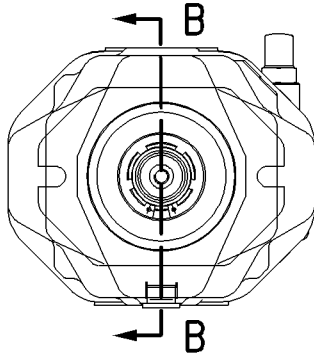
J	<b>176-7696</b>	1	KIT-VALVE REPAIR
---	-----------------	---	------------------

J - REPAIR KIT MARKED J SERVICES PART MARKED J  
M - METRIC PART  
Y - SEPARATE ILLUSTRATION

# STEERING SYSTEM

153-9624 PUMP GP-PISTON (contd.)

i03896658



GRAPHIC #1

<END>

g00840838



# STEERING SYSTEM

## 176-7509 ROTATING GP-PUMP-STEERING

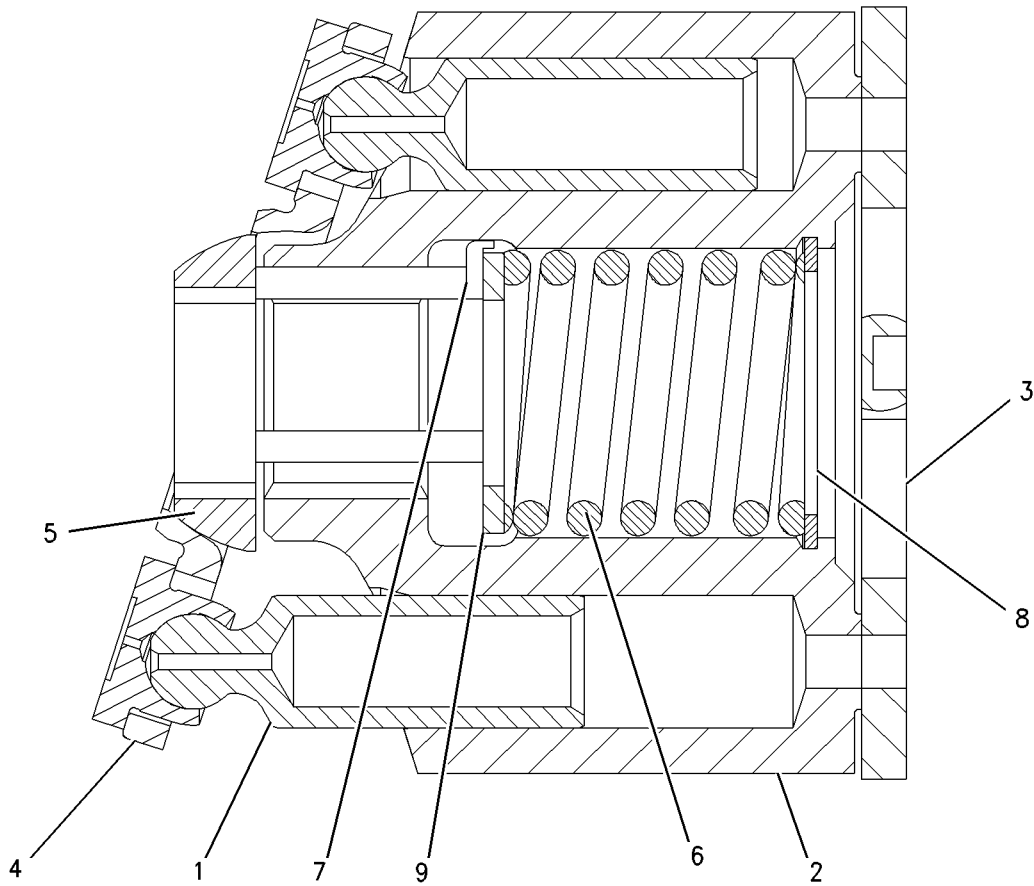
S/N: BNH1-UP

PART OF 153-9624 PUMP GP-PISTON

SMCS-5070

i02651199

NOTE	REF NO	GRAPHIC REF	PART NUMBER	QTY	PART NAME						SEE PAGE
					1	2	3	4	5	6 (PRODUCT LEVEL)	
	1	1	191-7587	9	PISTON AS						
	2	1	191-7589	1	BARREL						
	3	1	191-7585	1	PLATE-DISTRIBUTOR						
	4	1	191-7591	1	PLATE-RETAINING						
	5	1	290-0461	1	BEARING						
	6	1	191-7594	1	SPRING						
	7	1	191-7596	3	PIN						
	8	1	095-0939	1	RING-RETAINING						
	9	1	191-7597	1	SPACER (55X3-MM THK)						



GRAPHIC #1

<END>

g00745979

# STEERING SYSTEM

## 151-2384 STEERING AR

S/N: BNH1-UP

**CANNOT BE USED WITH 132-6144 LINES GP-SECONDARY STEERING  
AN ATTACHMENT**

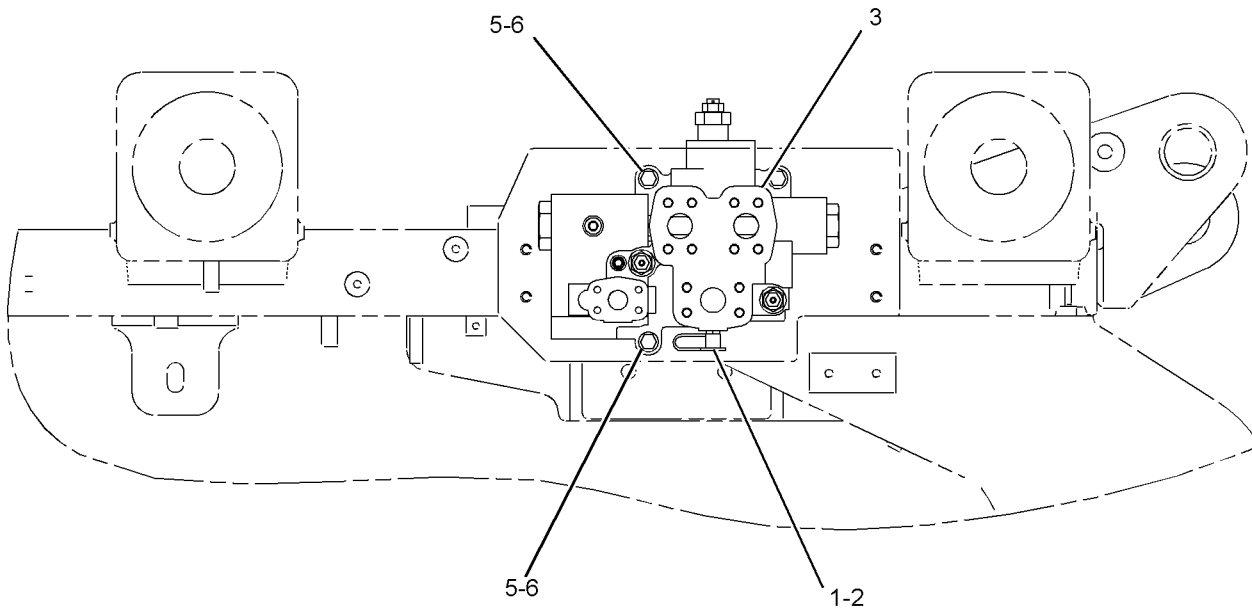
SMCS-4300

i02854711

NOTE	REF NO	GRAPHIC REF	PART NUMBER	QTY	PART NAME						SEE PAGE
					1	2	3	4	5	6 (PRODUCT LEVEL)	
	1	1	<b>6V-0852</b>	1	CAP-DUST						
	2	1	164-5567	1	COUPLER AS-QUICK DISCONNECT (MALE)						
		1	<b>6V-3965</b>	1	FITTING (QUICK DISCONNECT)						
		1	<b>3J-1907</b>	1	SEAL-O-RING						
Y	3	1	<b>301-4599</b>	1	VALVE GP-STEERING						828
	5	1	<b>8T-4223</b>	3	WASHER-HARD (13.5X25.5X3-MM THK)						
M	6	1	<b>8T-5041</b>	3	BOLT (M12X1.75X120-MM)						

M - METRIC PART

Y - SEPARATE ILLUSTRATION



GRAPHIC #1

<END>

g01072648

# STEERING SYSTEM

## 149-4617 VALVE GP-CHECK-STEERING QUAD

S/N: BNH1-UP

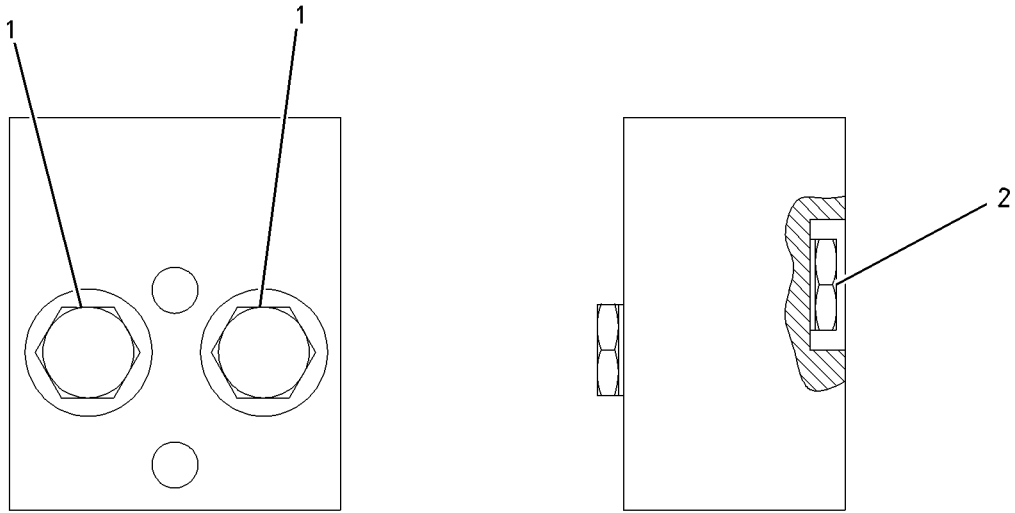
PART OF 132-6142 LINES GP-STEERING NEUTRALIZER

SMCS-4275, 5067

i02387055

NOTE	REF NO	GRAPHIC REF	PART NUMBER	QTY	PART NAME						SEE PAGE
					1	2	3	4	5	6 (PRODUCT LEVEL)	
Y	1	1	<b>176-9369</b>	2	VALVE GP-CHECK (STEERING)						818
Y	2	1	<b>176-9370</b>	2	VALVE GP-CHECK (STEERING)						819

Y - SEPARATE ILLUSTRATION



GRAPHIC #1

<END>

g00696391

# STEERING SYSTEM

## 176-9369 VALVE GP-CHECK-STEERING

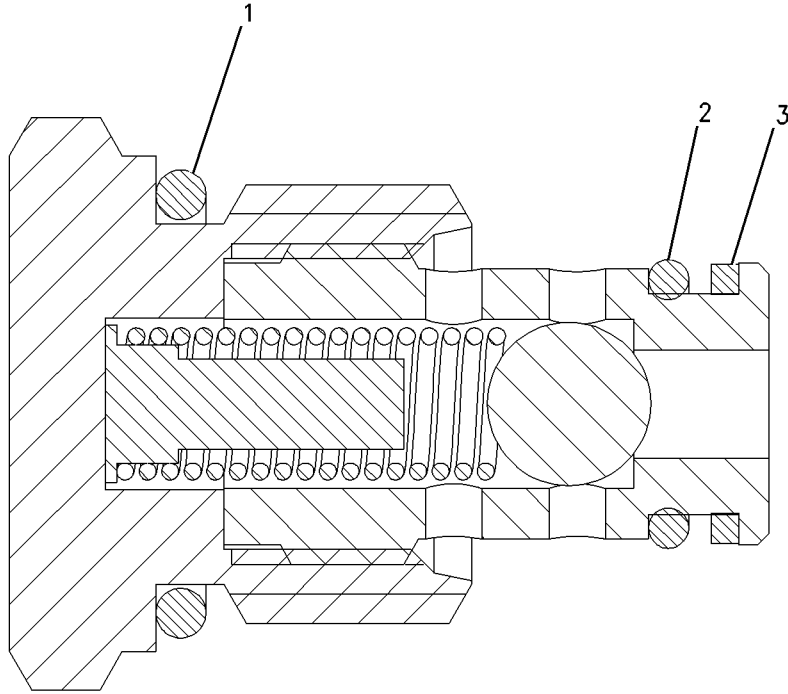
S/N: BNH1-UP

PART OF 149-4617 VALVE GP-CHECK

SMCS-4275, 5067

i01432567

NOTE	REF NO	GRAPHIC REF	PART NUMBER	QTY	PART NAME						SEE PAGE
					1	2	3	4	5	6 (PRODUCT LEVEL)	
	1	1	<b>3K-0360</b>	1	SEAL-O-RING						
	2	1	<b>161-6154</b>	1	SEAL-O-RING						
	3	1	<b>6E-0381</b>	1	RING-BACKUP						



GRAPHIC #1

<END>

g00707403

# STEERING SYSTEM

## 176-9370 VALVE GP-CHECK-STEERING

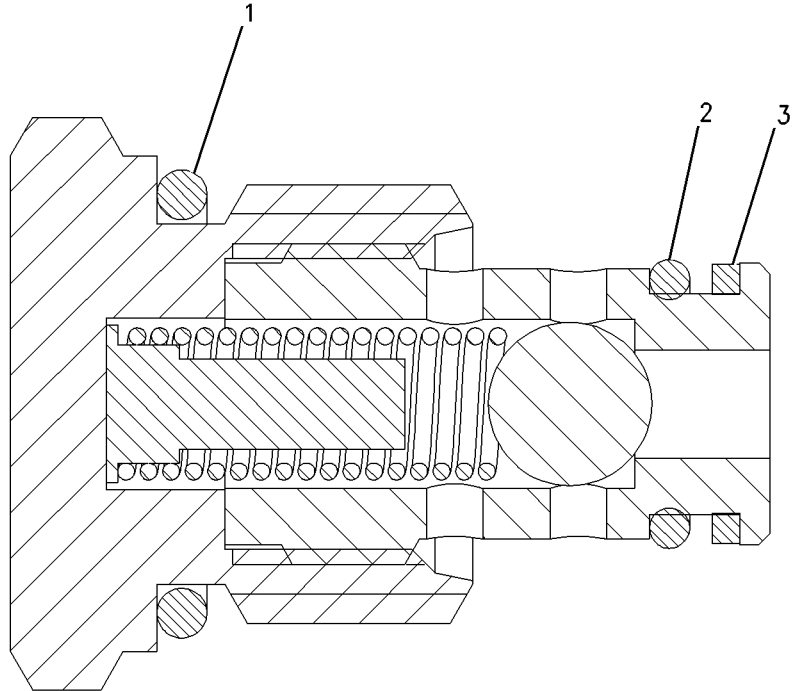
S/N: BNH1-UP

PART OF 149-4617 VALVE GP-CHECK

SMCS-4275, 5067

i01426282

NOTE	REF NO	GRAPHIC REF	PART NUMBER	QTY	PART NAME						SEE PAGE
					1	2	3	4	5	6 (PRODUCT LEVEL)	
	1	1	<b>3K-0360</b>	1	SEAL-O-RING						
	2	1	<b>161-6154</b>	1	SEAL-O-RING						
	3	1	<b>6E-0381</b>	1	RING-BACKUP						



GRAPHIC #1

<END>

g00707403

# STEERING SYSTEM

## 249-5615 VALVE GP-PILOT-STIC STEERING

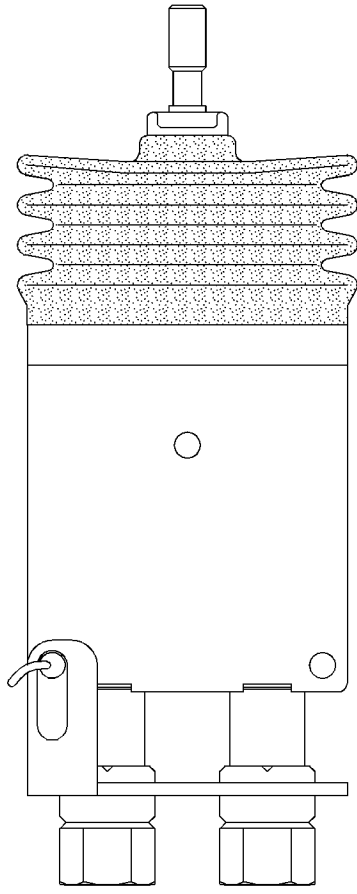
S/N: BNH1-UP

PART OF 141-4940 CONTROL GP-STEERING

SMCS-4342

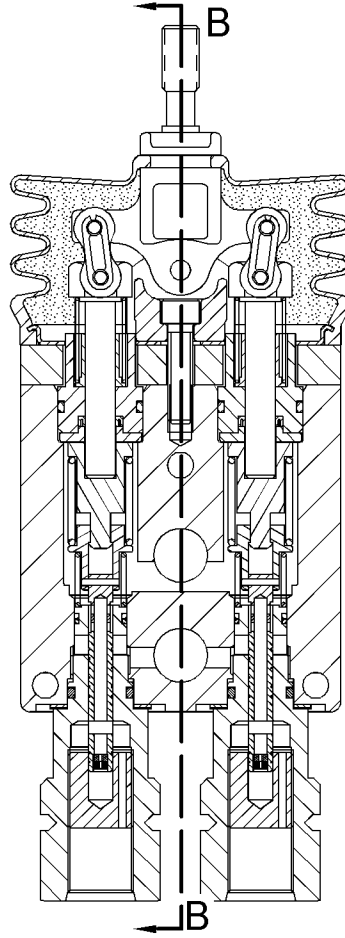
i04942577

NOTE	REF NO	GRAPHIC REF	PART NUMBER	QTY	PART NAME 1 2 3 4 5 6 (PRODUCT LEVEL)	SEE PAGE
(NO SERVICED PARTS)						



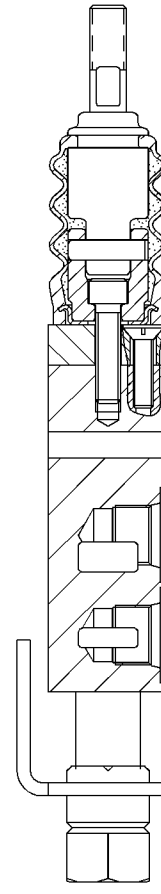
A

GRAPHIC #1



VIEW OF AREA A  
(SECTIONED)

<END>



SECTION B-B

g03113616

# STEERING SYSTEM

## 176-7520 VALVE GP-PUMP CONTROL-PRESSURE COMPENSATOR-STEERING

S/N: BNH1-UP

PART OF 153-9624 PUMP GP-PISTON

SMCS-5455

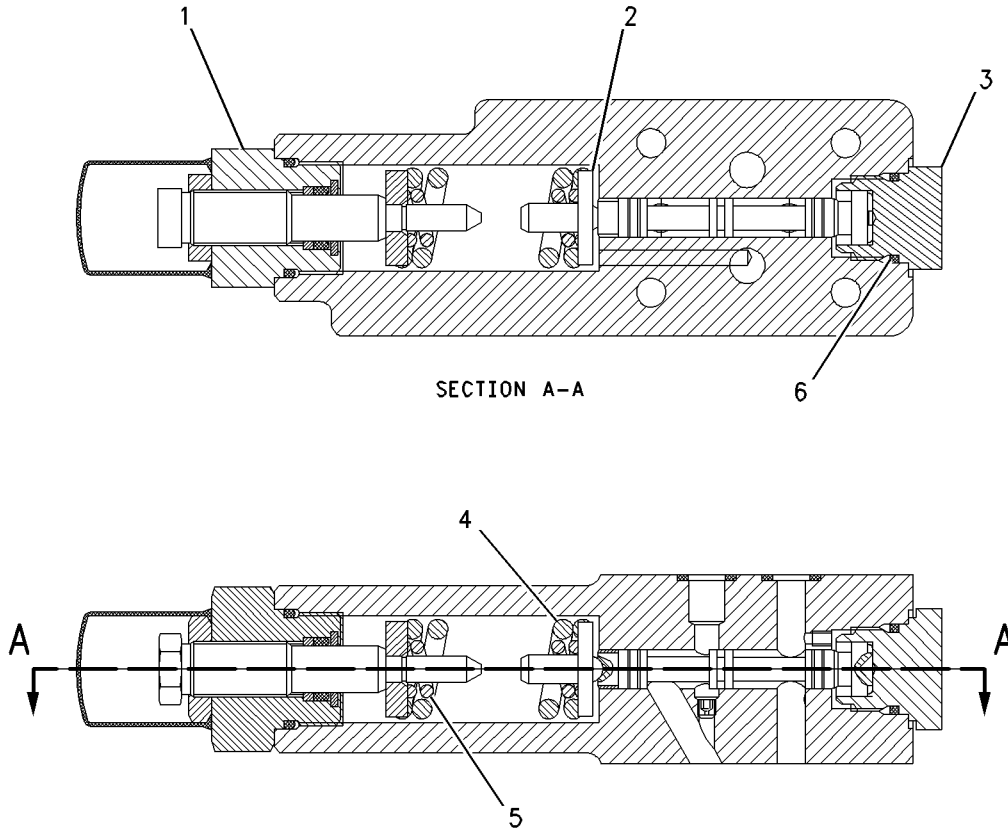
i04575716

NOTE	REF NO	GRAPHIC REF	PART NUMBER	QTY	PART NAME						SEE PAGE
					1	2	3	4	5	6 (PRODUCT LEVEL)	
JY	1	1	<b>194-3286</b>	1	PLUG GP-CONTROL VALVE (PRESSURE COMPENSATOR)						960
	2	1	<b>194-3285</b>	1	RETAINER						
J	3	1	<b>194-3287</b>	1	PLUG						
	4	1	<b>194-3288</b>	1	SPRING						
	5	1	<b>194-3289</b>	1	SPRING						
J	6	1	<b>6V-5142</b>	1	SEAL-O-RING						

AVAILABLE REPAIR KIT(S) :

J			<b>191-7607</b>	1	KIT-VALVE REPAIR (PRESSURE COMPENSATOR VALVE) (INCLUDES PLUG ASSEMBLIES, SEAL-O-RINGS, RING-BACKUP, & PARTS MARKED J)					
---	--	--	-----------------	---	--	--	--	--	--	--

J - KIT MARKED J SERVICES PARTS MARKED J  
Y - SEPARATE ILLUSTRATION



GRAPHIC #1

<END>

g00751359

# STEERING SYSTEM

## 6E-3986 VALVE GP-RELIEF-SECONDARY STEERING

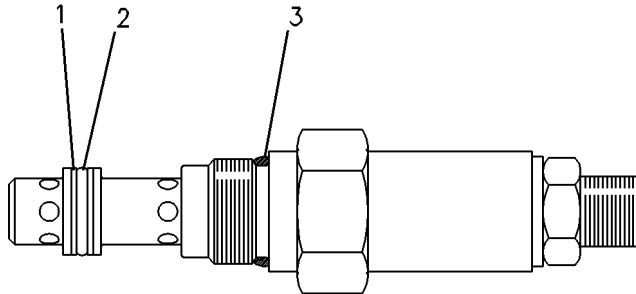
S/N: BNH1-UP

PART OF 133-8609, 301-4602 VALVE GP-STEERING  
AN ATTACHMENT

SMCS-4322, 5069, 7428

i03482062

NOTE	REF NO	GRAPHIC REF	PART NUMBER	QTY	PART NAME						SEE PAGE
					1	2	3	4	5	6 (PRODUCT LEVEL)	
	1	1	<b>7X-4776</b>	2	RING-BACKUP						
	2	1	<b>8C-3097</b>	1	SEAL-O-RING						
	3	1	<b>3K-0360</b>	1	SEAL-O-RING						
AVAILABLE REPAIR KIT(S) :											
			<b>6E-4753</b>	1	KIT-SEAL						



GRAPHIC #1

<END>

g00119845



# STEERING SYSTEM

## 6E-6188 VALVE GP-RELIEF-PUMP BACKUP

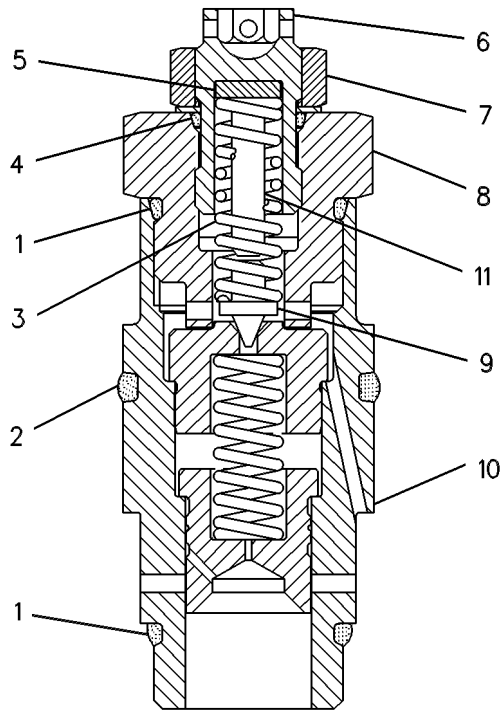
S/N: BNH1-UP

PART OF 133-8609, 301-4599, 301-4602 VALVE GP-STEERING  
AN ATTACHMENT

SMCS-4322, 5069, 7428

i02225228

NOTE	REF NO	GRAPHIC REF	PART NUMBER	QTY	PART NAME						SEE PAGE
					1	2	3	4	5	6 (PRODUCT LEVEL)	
	1	1	<b>7M-8485</b>	2	SEAL-O-RING						
	2	1	<b>4J-0522</b>	1	SEAL-O-RING						
	3	1	<b>4T-2770</b>	1	SPRING						
	4	1	<b>3K-0360</b>	1	SEAL-O-RING						
	5	1	<b>4Y-5812</b>	1	PLATE						
	6	1	<b>6E-5510</b>	1	RETAINER AS						
	7	1	<b>9X-6395</b>	1	NUT (3/4-16-THD)						
	8	1	<b>6E-1127</b>	1	CAP						
	9	1	<b>8J-0331</b>	1	VALVE						
	10	1	<b>6E-6138</b>	1	VALVE GP-RELIEF (MAIN)						
		1	<b>8H-3532</b>	1	SPRING-VALVE						
	11	1	<b>7J-2546</b>	1	PISTON						



GRAPHIC #1

<END>

g00120937

# STEERING SYSTEM

## 6E-5566 VALVE GP-SELECTOR & PRESS CONT-SECONDARY STEERING

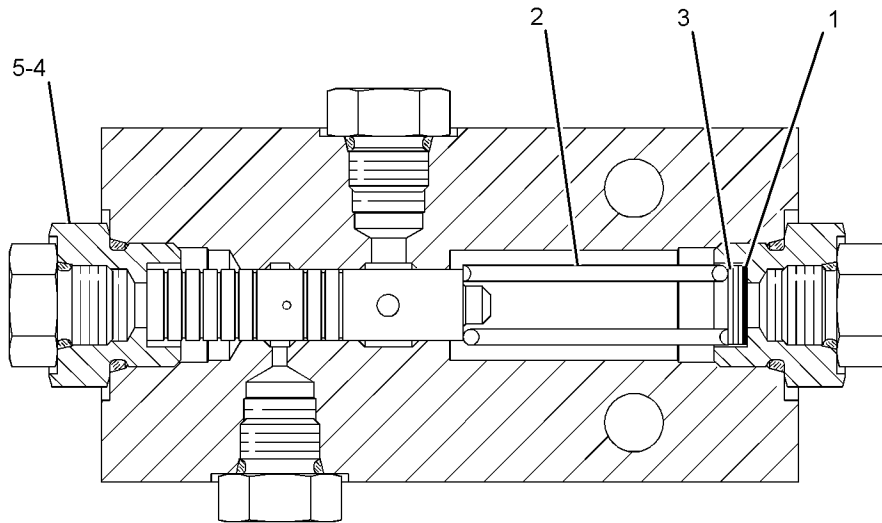
S/N: BNH1-UP  
PART OF 132-6144 LINES GP-SECONDARY STEERING  
AN ATTACHMENT

SMCS-4349

i05283850

NOTE	REF NO	GRAPHIC REF	PART NUMBER	QTY	PART NAME						SEE PAGE
					1	2	3	4	5	6 (PRODUCT LEVEL)	
B	1	1	<b>5S-7018</b>	3	SPACER (7.54X14.15X0.25-MM THK)						
	2	1	<b>7S-8553</b>	1	SPRING						
B	3	1	<b>5S-7001</b>	3	SPACER (7.54X14.15X0.9-MM THK)						
	4	1	<b>108-3866</b>	2	ADAPTER						
	5	1	<b>2M-9780</b>	2	SEAL-O-RING						

B - USE AS REQUIRED



GRAPHIC #1

<END>

g02650436

# STEERING SYSTEM

## 133-8609 VALVE GP-STEERING-WITH SECONDARY STEERING

S/N: BNH1-UP

PART OF 132-6144 LINES GP-SECONDARY STEERING

AN ATTACHMENT

SMCS-4307

i01528258

NOTE	REF NO	GRAPHIC REF	PART NUMBER	QTY	PART NAME						SEE PAGE
					1	2	3	4	5	6 (PRODUCT LEVEL)	
	1	1	2S-4078	3	SEAL-O-RING						
	2	2	2U-7345	1	VALVE-DIVERTER						
		2	2U-7354	1	KIT-SEAL (DIVERTER VALVE)						
	3	1	7S-8491	1	SPRING						
	4	1	1P-4579	2	FLANGE-HALF						
	5	1	8T-4223	9	WASHER-HARD (13.5X25.5X3-MM THK)						
M	6	1	8T-4183	8	BOLT (M12X1.75X40-MM)						
	7	1	9S-4191	3	PLUG-O-RING						
	8	1	6E-4286	1	VALVE GP-PRESSURE REDUCING						
		1	6E-4287	1	KIT-SEAL (PRESSURE REDUCING VALVE)						
	9	2	9S-8008	3	PLUG-O-RING						
	10	2	3D-2824	3	SEAL-O-RING						
	11	2	4B-9782	2	BALL						
	12	2	2S-2596	2	SPRING						
	13	1	1P-5767	2	FLANGE-HALF						
	14	1,2	3J-1907	5	SEAL-O-RING						
	15	1	6E-4513	1	ADAPTER-O-RING						
	16	2	9J-9821	2	SEAT						
	17	1	6E-4514	1	ADAPTER-O-RING						
	18	1	6K-6307	1	SEAL-O-RING						
Y	19	2	4T-1860	1	VALVE GP-SHUTTLE						1038
	20	2	9T-7419	1	VALVE GP-RELIEF (STEERING CYLINDER CROSSOVER)						
B	21	1	4J-8224	5	SHIM (0.254-MM THK)						
B	22	1	5J-4776	1	SHIM (0.127-MM THK)						
	23	1	7J-2927	1	WASHER (16.66X39.37X3.96-MM THK)						
	24	1	4J-8634	1	RETAINER-SPRING						
	25	1	3K-6113	1	WASHER-HARD (12X18.5X3-MM THK)						
	26	1	6E-4499	1	SPRING						
	27	1	6E-4500	1	SPRING						
M	28	1	8T-2223	1	BOLT-SOCKET HEAD (M10X1.5X45-MM)						
	29	1	6E-3775	1	RETAINER						
Y	30	1	6E-6188	1	VALVE GP-RELIEF (PUMP BACKUP)						823
	31	1,2	3J-7354	17	SEAL-O-RING						
	32	1,2	9S-8002	17	PLUG-O-RING						
	33	2	1T-0936	2	PLUG-PIPE						
	34	1	7J-7423	1	VALVE						
	35	1	1U-0323	1	PLUG AS						
		1	1U-0322	1	BUSHING						
Y	36	1	6E-3986	1	VALVE GP-RELIEF (SECONDARY STEERING)						822
	37	1	9S-8010	1	PLUG						
	38	1	5J-3419	1	SPRING						
	39	1	6E-3780	1	VALVE						

B - USE AS REQUIRED

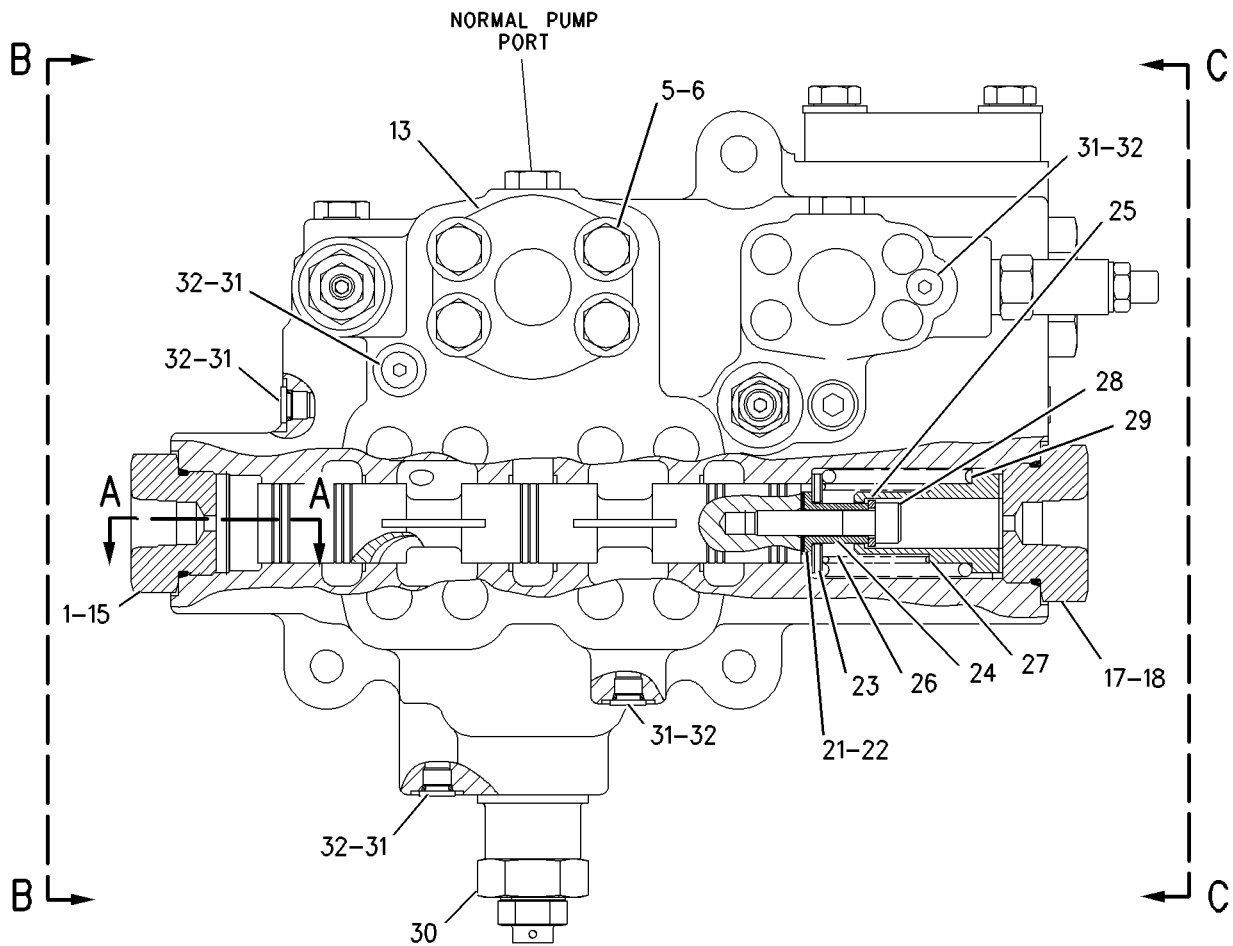
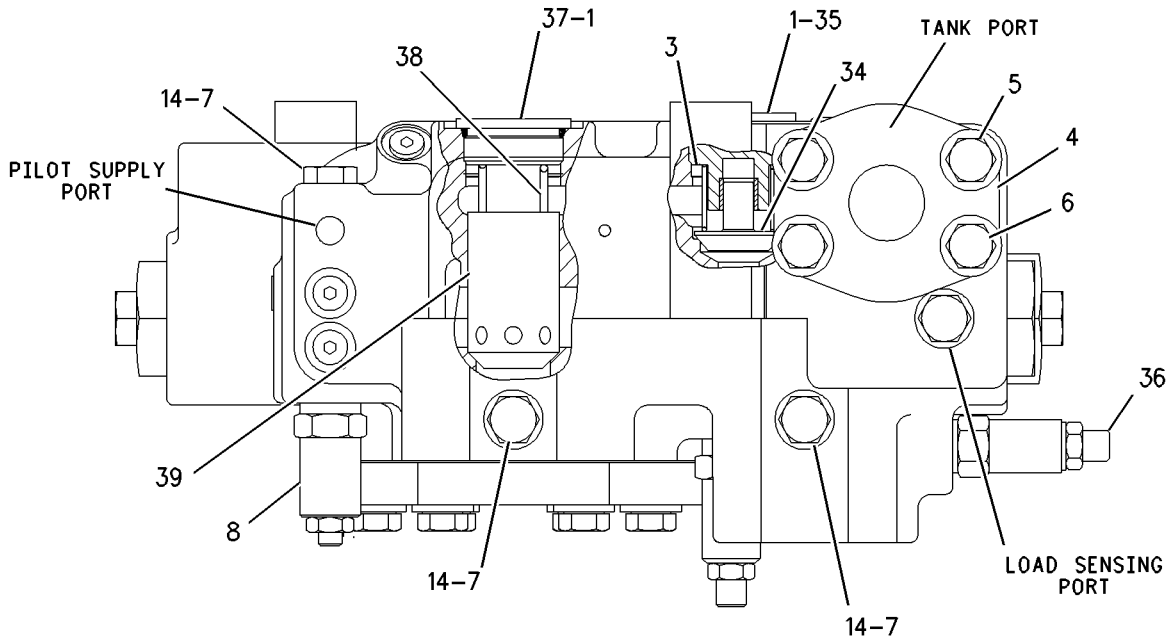
M - METRIC PART

Y - SEPARATE ILLUSTRATION

# STEERING SYSTEM

133-8609 VALVE GP-STEERING (contd.)

i01528258



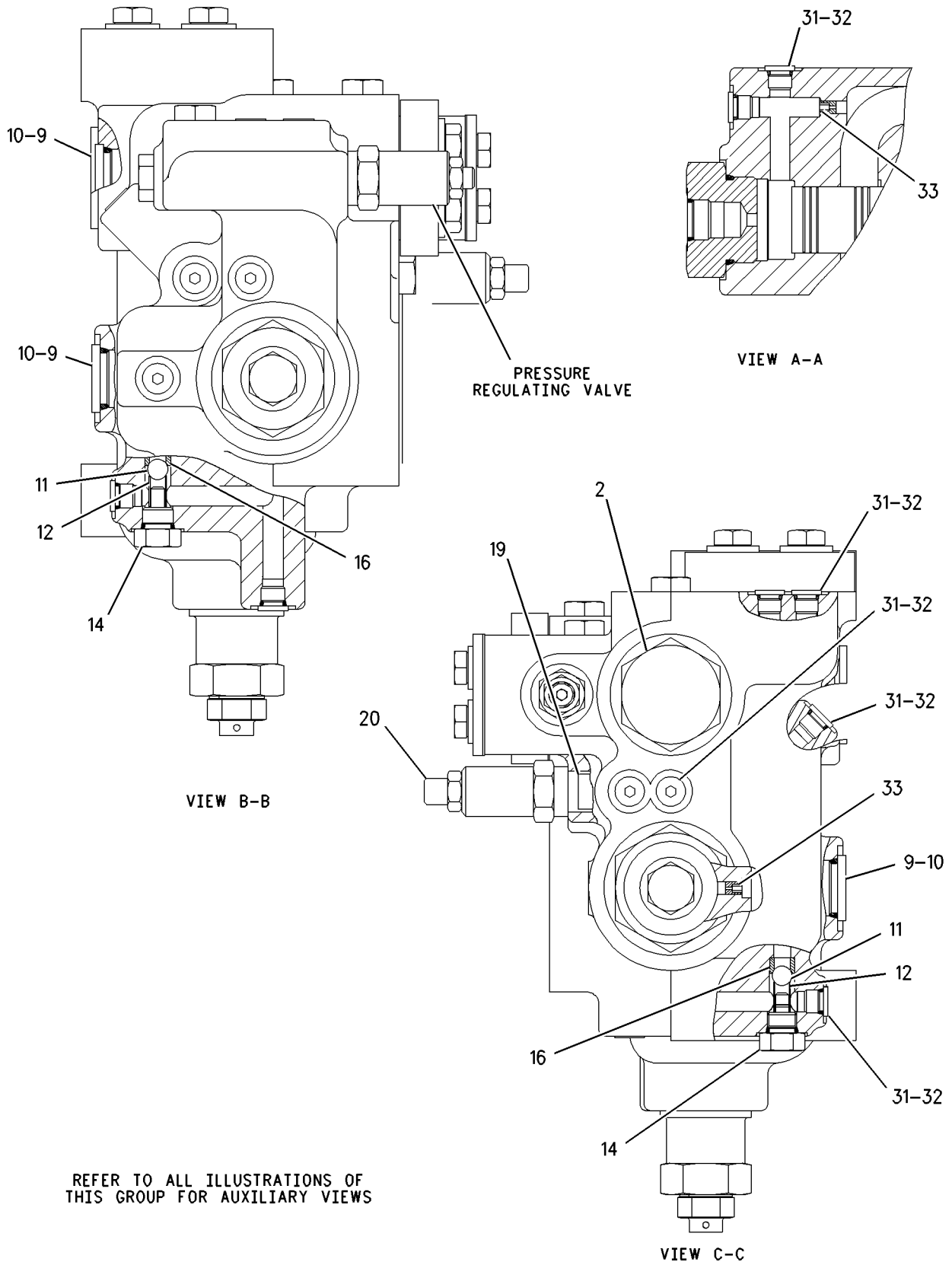
GRAPHIC #1

g00793222

# STEERING SYSTEM

133-8609 VALVE GP-STEERING (contd.)

i01528258



REFER TO ALL ILLUSTRATIONS OF THIS GROUP FOR AUXILIARY VIEWS

GRAPHIC #2

<END>

g00793209

# STEERING SYSTEM

## 301-4599 VALVE GP-STEERING

S/N: BNH1-UP

PART OF 151-2384 STEERING AR  
AN ATTACHMENT

SMCS-4307

i02910259

NOTE	REF NO	GRAPHIC REF	PART NUMBER	QTY	PART NAME	SEE PAGE
					1 2 3 4 5 6 (PRODUCT LEVEL)	
	1	2	<b>1T-0936</b>	2	PLUG-PIPE	
	2	2	<b>2S-2596</b>	2	SPRING	
Y	4	2	<b>4T-1860</b>	1	VALVE GP-SHUTTLE (LOAD SIGNAL, STEERING CYLINDER)	1038
	5	1	<b>6E-3775</b>	1	RETAINER	
	6	2	<b>6E-3779</b>	2	PLUG AS	
					(EACH INCLUDES)	
		2	<b>7J-1089</b>	1	PLUG	
		2	<b>7M-5130</b>	1	PIN-SPRING	
	7	1	<b>6E-4499</b>	1	SPRING	
	8	1	<b>6E-4513</b>	1	ADAPTER-O-RING	
	9	1	<b>6E-4514</b>	1	ADAPTER-O-RING	
Y	10	1	<b>6E-6188</b>	1	VALVE GP-RELIEF (PUMP BACKUP)	823
	11	1	<b>7J-2927</b>	1	WASHER (16.66X39.37X3.96-MM THK)	
	12	2	<b>9T-7419</b>	1	VALVE GP-RELIEF (STEERING CYLINDER CROSSOVER)	
		2	<b>2M-9780</b>	1	SEAL-O-RING	
		2	<b>5P-2199</b>	2	RING-BACKUP	
		2	<b>6E-0410</b>	1	SEAL-O-RING	
L	14	2	<b>152-9152</b>	1	PLUG GP	
	17	2	<b>307-6457</b>	1	SCREEN AS	
	18	2	<b>307-6458</b>	1	SPRING	
	19	2	<b>148-8407</b>	2	PLUG AS	
					(EACH INCLUDES)	
		2	<b>3J-1907</b>	1	SEAL-O-RING	
		2	<b>9S-4191</b>	1	PLUG-O-RING	
	20	2	<b>148-8409</b>	3	PLUG AS	
					(EACH INCLUDES)	
		2	<b>3D-2824</b>	1	SEAL-O-RING	
		2	<b>9S-8008</b>	1	PLUG-O-RING	
	21	1,2	<b>155-3624</b>	15	PLUG AS	
					(EACH INCLUDES)	
		1,2	<b>3J-7354</b>	1	SEAL-O-RING	
		1,2	<b>9S-4182</b>	1	PLUG-O-RING	
	22	2	<b>162-0177</b>	1	PLUG AS	
		2	<b>3J-1907</b>	1	SEAL-O-RING	
		2	<b>9S-8004</b>	1	PLUG-O-RING	
	23	1	<b>8T-4896</b>	1	WASHER-HARD (10.2X18.5X2.5-MM THK)	
	24	2	<b>183-7262</b>	2	PLUG AS	
					(EACH INCLUDES)	
		2	<b>2S-4078</b>	1	SEAL-O-RING	
		2	<b>9S-8010</b>	1	PLUG	
	25	2	<b>1P-4579</b>	2	FLANGE-HALF	
	26	1	<b>292-4307</b>	1	RETAINER	
	27	1	<b>2S-4078</b>	1	SEAL-O-RING	
	28	2	<b>3J-1907</b>	2	SEAL-O-RING	
	29	2	<b>4B-9782</b>	2	BALL	
B	30	1	<b>4J-8224</b>	5	SHIM (0.254-MM THK)	
B	31	1	<b>5J-4776</b>	1	SHIM (0.127-MM THK)	
J	32	2	<b>6E-4286</b>	1	VALVE GP-PRESSURE REDUCING (STEERING PILOT OIL REGULATOR)	
	33	1	<b>6E-4500</b>	1	SPRING	
	34	1	<b>6K-6307</b>	1	SEAL-O-RING	
M	35	1	<b>8T-2223</b>	1	BOLT-SOCKET HEAD (M10X1.5X45-MM)	
M	36	2	<b>8T-4183</b>	4	BOLT (M12X1.75X40-MM)	
	37	2	<b>8T-4223</b>	5	WASHER-HARD (13.5X25.5X3-MM THK)	
	38	2	<b>9J-9821</b>	2	SEAT	

AVAILABLE REPAIR KIT(S) :

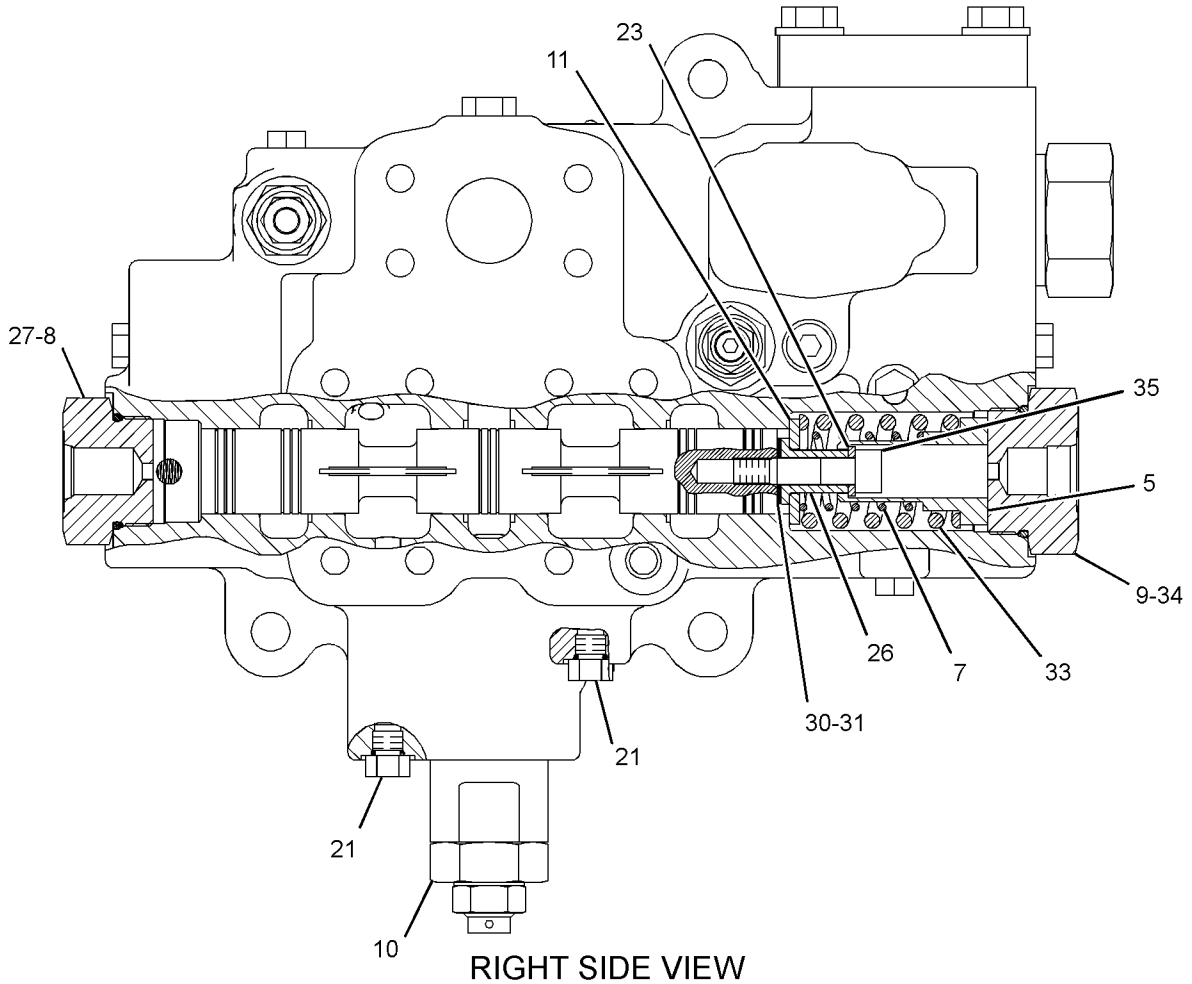
# STEERING SYSTEM

301-4599 VALVE GP-STEERING (contd.)

i02910259

NOTE	REF NO	GRAPHIC REF	PART NUMBER	QTY	PART NAME						SEE PAGE
					1	2	3	4	5	6 (PRODUCT LEVEL)	
J			<b>6E-4287</b>	1	KIT-SEAL (PRESSURE REDUCING VALVE) (INCLUDES SEALS & RINGS)						
L			<b>2U-7354</b>	1	KIT-SEAL (DIVERter VALVE) (INCLUDES SEAL-O-RINGS & BACKUP RINGS)						

B - USE AS REQUIRED  
 J - KIT MARKED J SERVICES PART MARKED J  
 L - KIT MARKED L SERVICES PART MARKED L  
 M - METRIC PART  
 Y - SEPARATE ILLUSTRATION



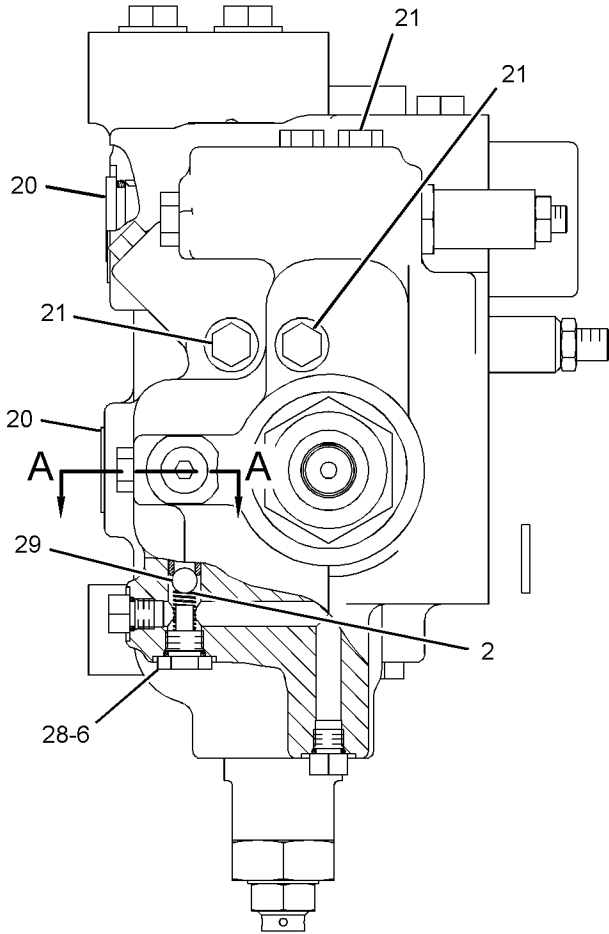
GRAPHIC #1

g01423184

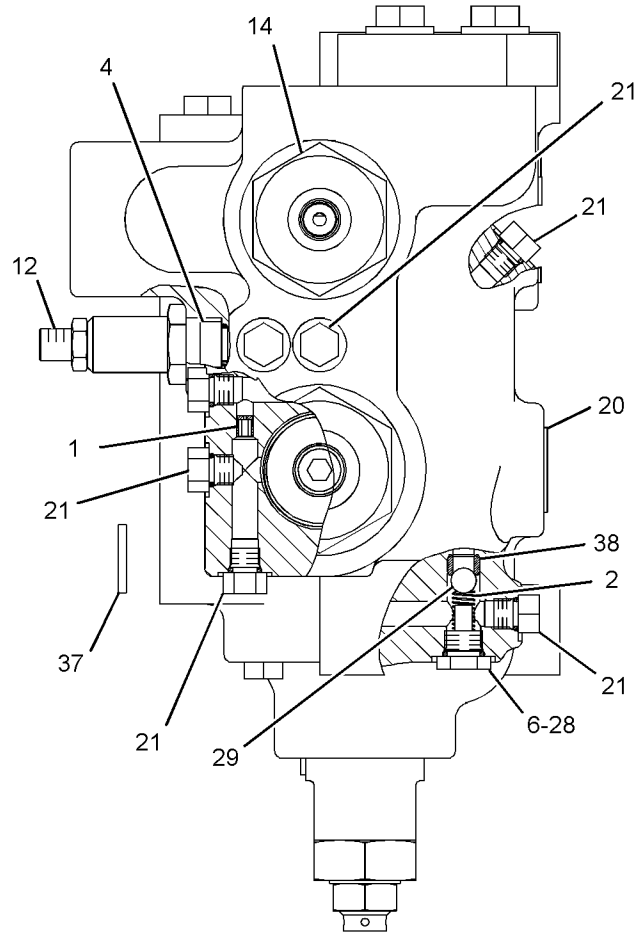
# STEERING SYSTEM

301-4599 VALVE GP-STEERING (contd.)

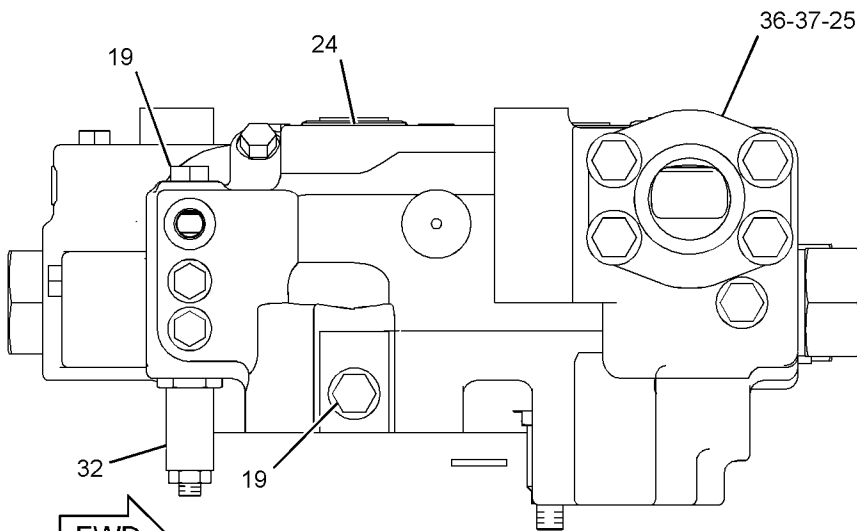
i02910259



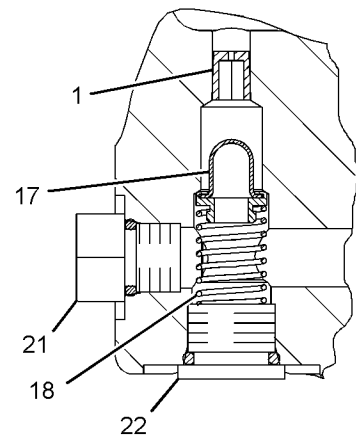
REAR VIEW



FRONT VIEW



TOP VIEW



SECTION A-A

GRAPHIC #2

<END>

g01426683



# STEERING SYSTEM

## 301-4602 VALVE GP-STEERING-WITH SECONDARY STEERING

S/N: BNH433-UP

PART OF 132-6144 LINES GP-SECONDARY STEERING

AN ATTACHMENT

SMCS-4307

i02910258

NOTE	REF NO	GRAPHIC REF	PART NUMBER	QTY	PART NAME						SEE PAGE
					1	2	3	4	5	6 (PRODUCT LEVEL)	
	1	2	<b>1T-0936</b>	2	PLUG-PIPE						
	2	2	<b>1U-0323</b>	1	PLUG AS						
		2	<b>1U-0322</b>	1	BUSHING						
		2	<b>3G-2683</b>	1	PLUG						
	3	2	<b>2S-2596</b>	2	SPRING						
J	4	2	<b>2U-7345</b>	1	VALVE-DIVERTER (SECONDARY STEERING)						
	5	2	<b>4B-4158</b>	1	SCREW-DRIVE (NO 4X0.25-IN)						
Y	6	2	<b>4T-1860</b>	1	VALVE GP-SHUTTLE (LOAD SIGNAL, STEERING CYLINDER)						1038
	7	1	<b>6E-3775</b>	1	RETAINER						
	8	2	<b>6E-3779</b>	2	PLUG AS						
					(EACH INCLUDES)						
		2	<b>7J-1089</b>	1	PLUG						
		2	<b>7M-5130</b>	1	PIN-SPRING						
	9	2	<b>6E-3780</b>	1	VALVE (PRIMARY STEERING PUMP CHECK)						
	10	1	<b>6E-4499</b>	1	SPRING						
	11	1	<b>6E-4513</b>	1	ADAPTER-O-RING						
	12	1	<b>6E-4514</b>	1	ADAPTER-O-RING						
Y	13	1	<b>6E-6188</b>	1	VALVE GP-RELIEF (PUMP BACKUP)						823
	14	1	<b>7J-2927</b>	1	WASHER (16.66X39.37X3.96-MM THK)						
	15	2	<b>7J-7423</b>	1	VALVE (SECONDARY STEERING PUMP CHECK)						
	16	2	<b>7S-8491</b>	1	SPRING						
	17	2	<b>9T-7419</b>	1	VALVE GP-RELIEF (STEERING CYLINDER CROSSOVER)						
	21	2	<b>307-6457</b>	1	SCREEN AS						
	22	2	<b>307-6458</b>	1	SPRING						
	23	2	<b>148-8407</b>	3	PLUG AS						
					(EACH INCLUDES)						
		2	<b>3J-1907</b>	1	SEAL-O-RING						
		2	<b>9S-4191</b>	1	PLUG-O-RING						
	24	2	<b>148-8409</b>	3	PLUG AS						
					(EACH INCLUDES)						
		2	<b>3D-2824</b>	1	SEAL-O-RING						
		2	<b>9S-8008</b>	1	PLUG-O-RING						
	25	1,2	<b>155-3624</b>	15	PLUG AS						
					(EACH INCLUDES)						
		1,2	<b>3J-7354</b>	1	SEAL-O-RING						
		1,2	<b>9S-4182</b>	1	PLUG-O-RING						
	26	1	<b>8T-4896</b>	1	WASHER-HARD (10.2X18.5X2.5-MM THK)						
	27	2	<b>162-0177</b>	1	PLUG AS						
		2	<b>3J-1907</b>	1	SEAL-O-RING						
		2	<b>9S-8004</b>	1	PLUG-O-RING						
	28	2	<b>183-7262</b>	1	PLUG AS						
		2	<b>2S-4078</b>	1	SEAL-O-RING						
		2	<b>9S-8010</b>	1	PLUG						
	29	1,2	<b>292-4307</b>	1	RETAINER						
	30	1	<b>183-7263</b>	1	PLUG AS						
		1	<b>3J-7354</b>	1	SEAL-O-RING						
		1	<b>9S-8002</b>	1	PLUG-O-RING						
	31	2	<b>1P-4579</b>	2	FLANGE-HALF						
	32	1,2	<b>2S-4078</b>	2	SEAL-O-RING						
	33	2	<b>3J-1907</b>	2	SEAL-O-RING						
	34	2	<b>4B-9782</b>	2	BALL						
B	35	1	<b>4J-8224</b>	5	SHIM (0.254-MM THK)						
	36	2	<b>5J-3419</b>	1	SPRING						
B	37	1	<b>5J-4776</b>	1	SHIM (0.127-MM THK)						
Y	38	2	<b>6E-3986</b>	1	VALVE GP-RELIEF (SECONDARY STEERING)						822
L	39	2	<b>6E-4286</b>	1	VALVE GP-PRESSURE REDUCING (STEERING PILOT OIL REGULATOR)						

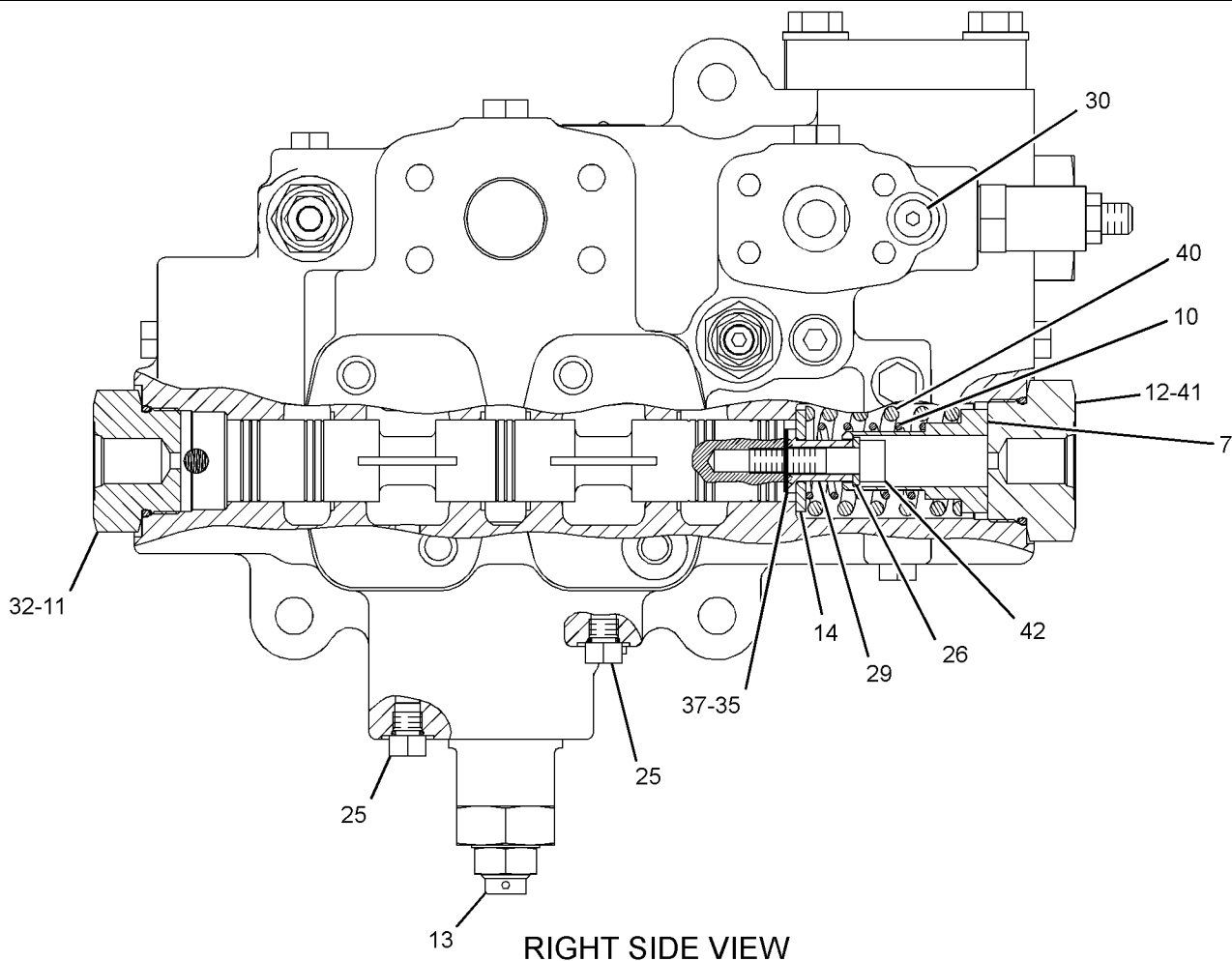
# STEERING SYSTEM

301-4602 VALVE GP-STEERING (contd.)

i02910258

NOTE	REF NO	GRAPHIC REF	PART NUMBER	QTY	PART NAME						SEE PAGE
					1	2	3	4	5	6 (PRODUCT LEVEL)	
	40	1	<b>6E-4500</b>	1	SPRING						
	41	1	<b>6K-6307</b>	1	SEAL-O-RING						
M	42	1	<b>8T-2223</b>	1	BOLT-SOCKET HEAD (M10X1.5X45-MM)						
M	43	2	<b>8T-4183</b>	4	BOLT (M12X1.75X40-MM)						
	44	2	<b>8T-4223</b>	5	WASHER-HARD (13.5X25.5X3-MM THK)						
	45	2	<b>9J-9821</b>	2	SEAT						
AVAILABLE REPAIR KIT(S) :											
J			<b>2U-7354</b>	1	KIT-SEAL (DIVERTER VALVE) (INCLUDES SEAL-O-RINGS & BACKUP RINGS)						
L			<b>6E-4287</b>	1	KIT-SEAL (PRESSURE REDUCING VALVE) (INCLUDES SEALS & RINGS)						

B - USE AS REQUIRED  
 J - KIT MARKED J SERVICES PART MARKED J  
 L - KIT MARKED L SERVICES PART MARKED L  
 M - METRIC PART  
 Y - SEPARATE ILLUSTRATION



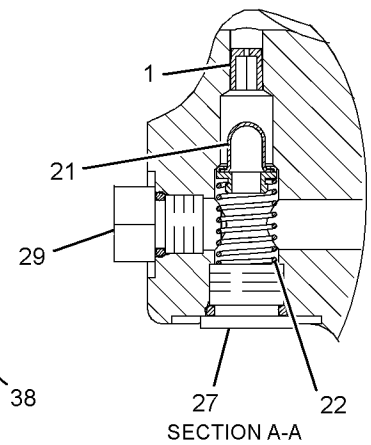
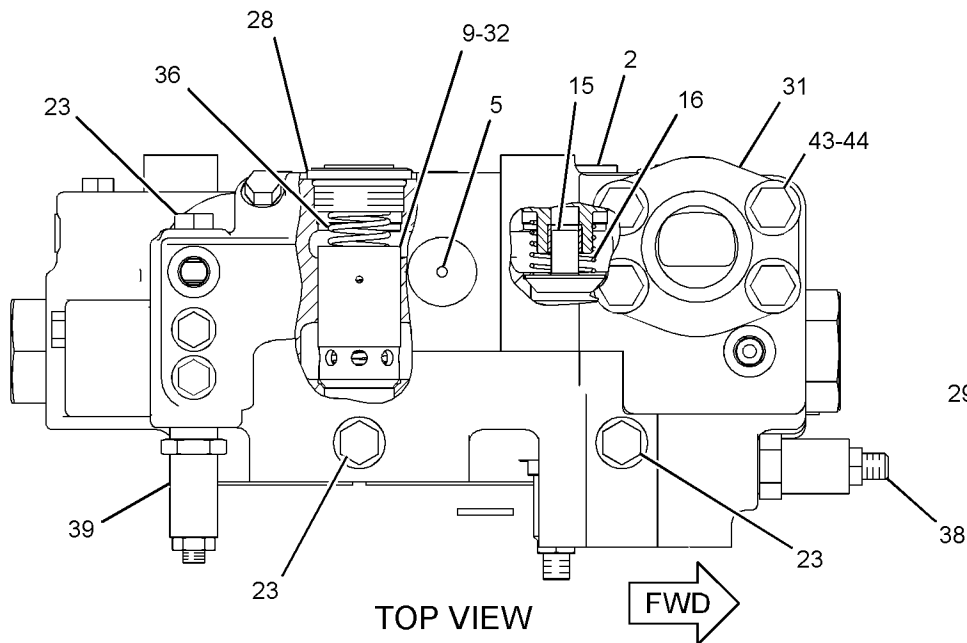
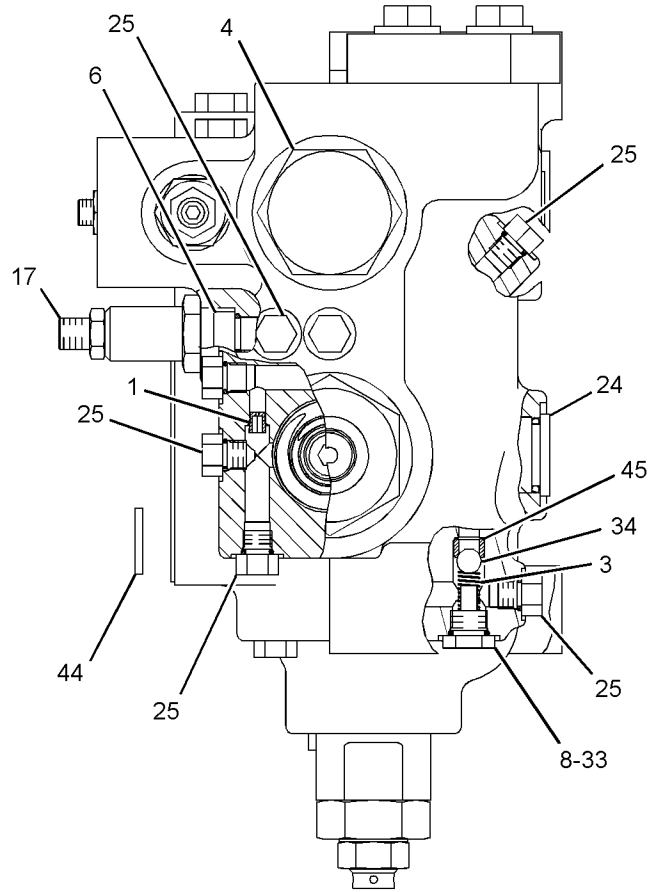
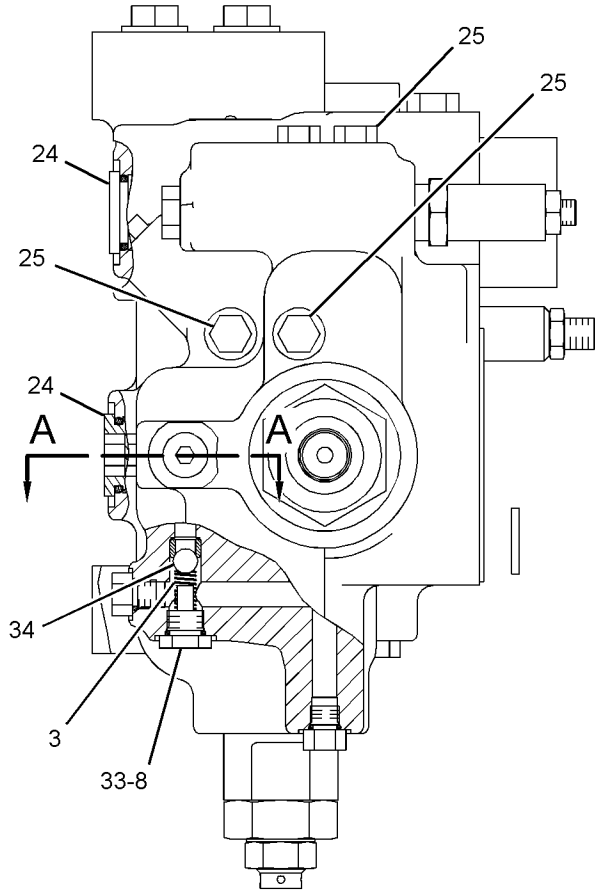
GRAPHIC #1

g01423147

# STEERING SYSTEM

301-4602 VALVE GP-STEERING (contd.)

i02910258



GRAPHIC #2

<END>

g01423129

# STEERING SYSTEM

## 146-7571 VALVE GP-STEERING NEUTRALIZER

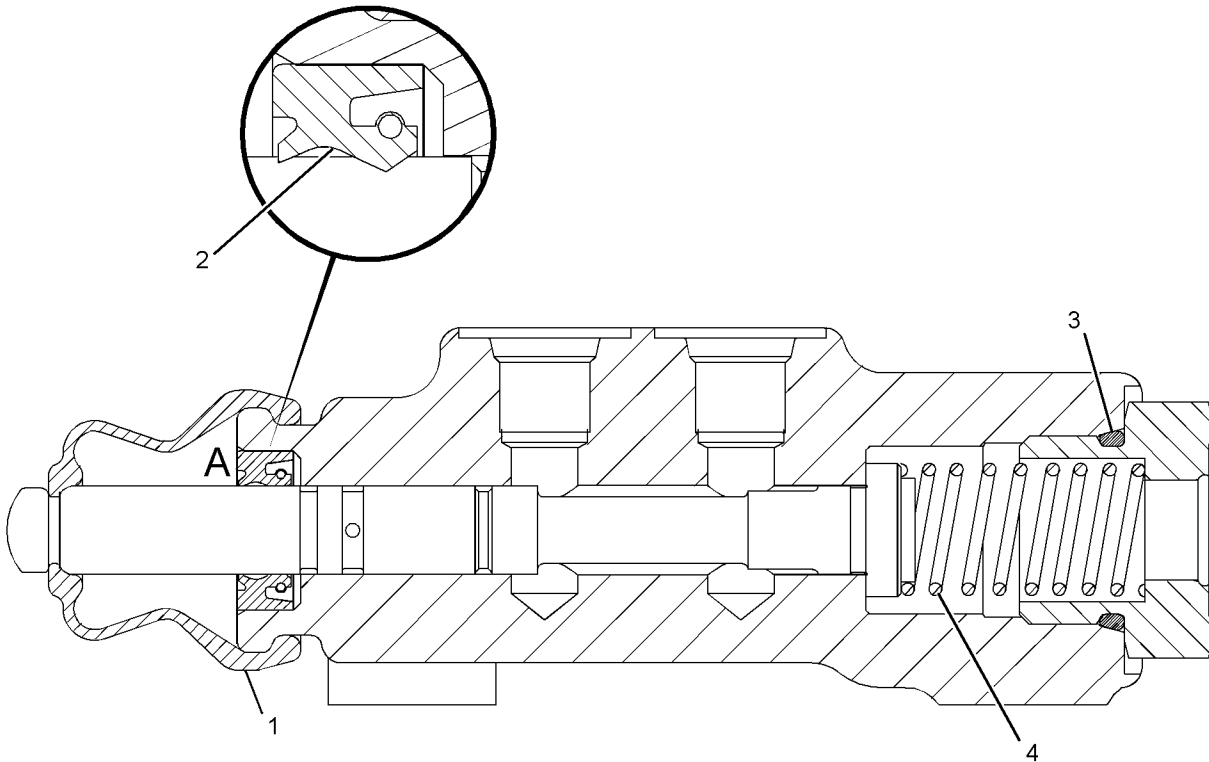
S/N: BNH1-UP

PART OF 132-6142 LINES GP-STEERING NEUTRALIZER

SMCS-4330

i02624467

NOTE	REF NO	GRAPHIC REF	PART NUMBER	QTY	PART NAME						SEE PAGE
					1	2	3	4	5	6 (PRODUCT LEVEL)	
	1	1	<b>6J-4568</b>	1	BOOT						
	2	1	<b>6V-1949</b>	1	SEAL-LIP TYPE						
	3	1	<b>3D-2824</b>	1	SEAL-O-RING						
	4	1	<b>5F-9035</b>	1	SPRING						



GRAPHIC #1

<END>

g01317840

# HYDRAULIC SYSTEM

## 176-3847 ACCUMULATOR GP-RIDE CONTROL-CHARGED

S/N: BNH1-UP

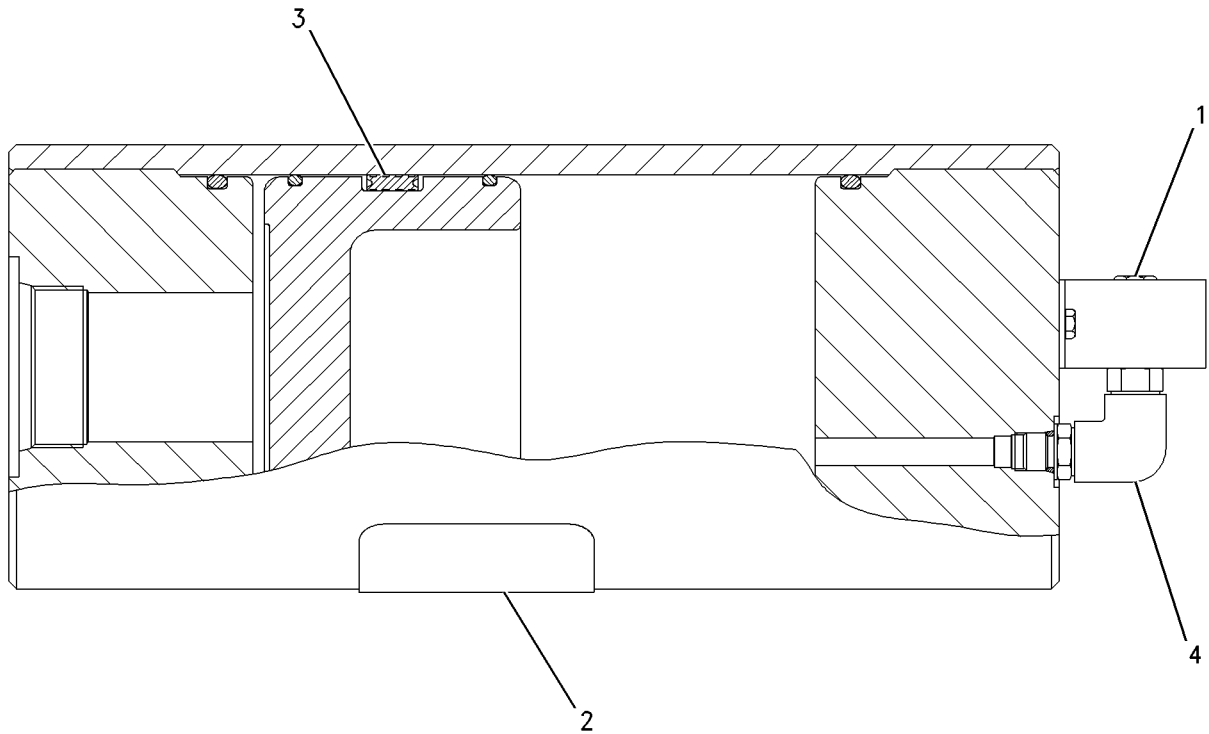
FIELD REPLACEMENT ORDER 185-7398-PAGE: 836

PART OF 185-7398 ACCUMULATOR GP-RIDE CONTROL, 197-7356 CONTROL & LINES GP-RIDE  
AN ATTACHMENT

SMCS-5004, 5077

i01706372

NOTE	REF NO	GRAPHIC REF	PART NUMBER	QTY	PART NAME						SEE PAGE
					1	2	3	4	5	6 (PRODUCT LEVEL)	
1	1	1	<b>158-2336</b>	1	VALVE-GAS						
2	1	1	<b>170-0503</b>	1	FILM-WARNING (ACCUM, HIGH PRESS, READ OMM)						
3	1	1	<b>170-0493</b>	1	KIT-SEAL						
4	1	1	<b>183-4063</b>	1	ELBOW (WITH VENT HOLE)						



GRAPHIC #1

<END>

g00880141

# HYDRAULIC SYSTEM

## 185-7398 ACCUMULATOR GP-RIDE CONTROL-UNCHARGED

S/N: BNH1-UP

FIELD REPLACEMENT FOR 176-3847-PAGE: 835

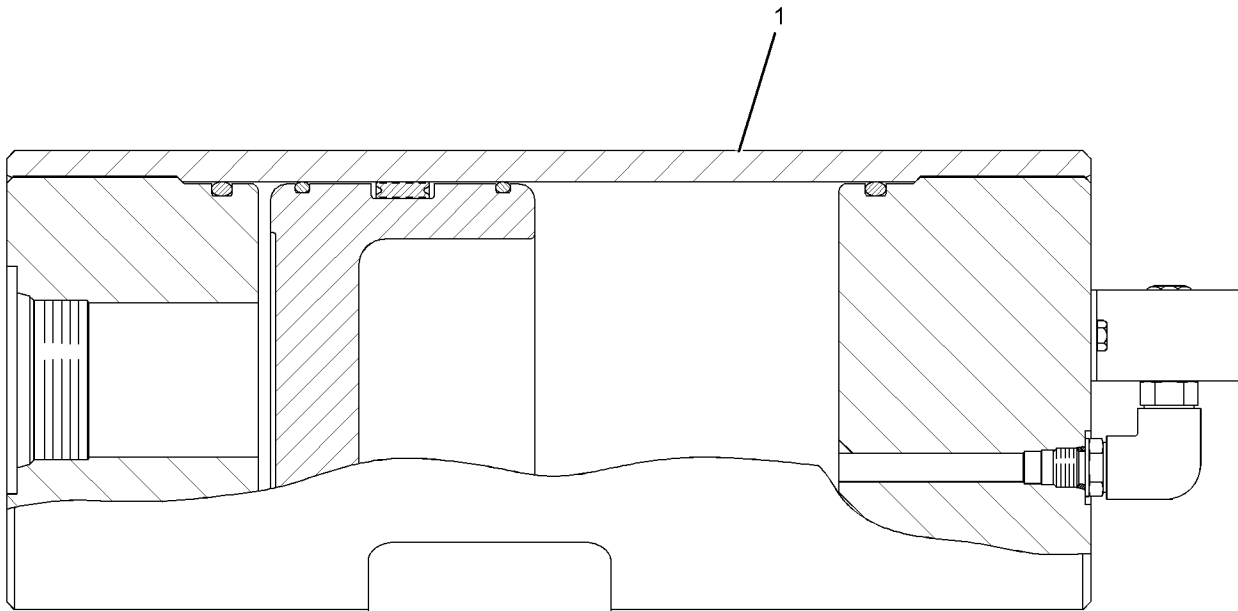
FIELD INSTALLATION

SMCS-5004, 5077

i02371149

NOTE	REF NO	GRAPHIC REF	PART NUMBER	QTY	PART NAME						SEE PAGE
					1	2	3	4	5	6 (PRODUCT LEVEL)	
Y	1	1	176-3847	1	ACCUMULATOR GP-RIDE CONTROL (CHARGED)						835

Y - SEPARATE ILLUSTRATION



GRAPHIC #1

<END>

g01263053

# HYDRAULIC SYSTEM

## 219-7983 ACCUMULATOR GP-RIDE CONTROL-CHARGED

S/N: BNH592-UP

FIELD REPLACEMENT ORDER 219-7987-PAGE: 838

PART OF 220-1643 CONTROL & LINES GP-RIDE

AN ATTACHMENT

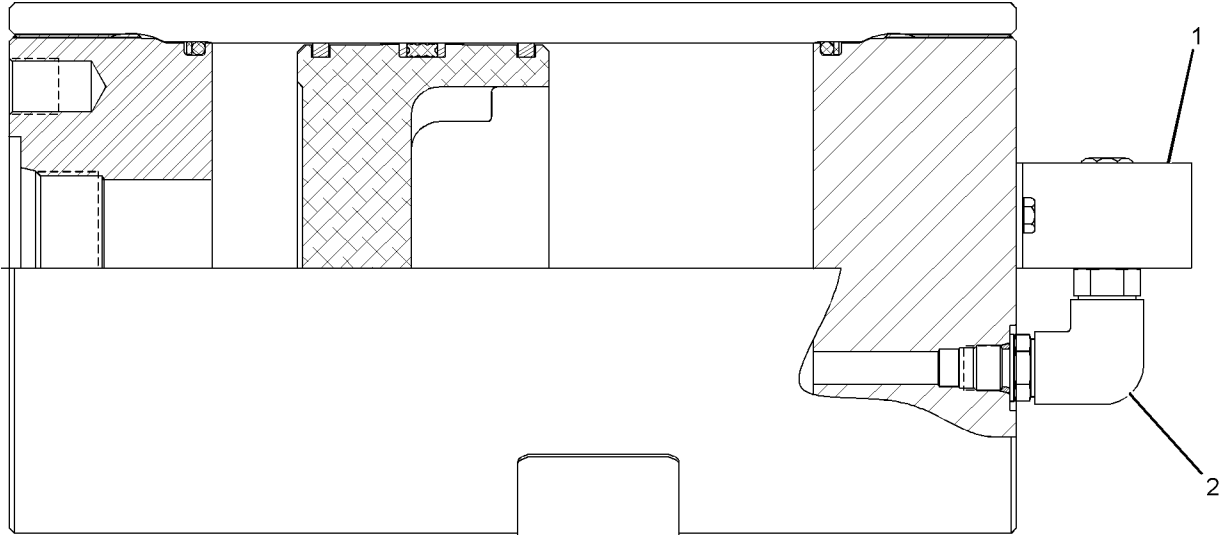
SMCS-5004, 5077

i02254020

NOTE	REF NO	GRAPHIC REF	PART NUMBER	QTY	PART NAME						SEE PAGE
					1	2	3	4	5	6 (PRODUCT LEVEL)	
	1	1	<b>158-2336</b>	1	VALVE-GAS						
	2	1	<b>183-4063</b>	1	ELBOW (WITH VENT HOLE)						

AVAILABLE REPAIR KIT(S):

**170-0493**    1    KIT-SEAL



GRAPHIC #1

<END>

g01025924

# HYDRAULIC SYSTEM

## 219-7987 ACCUMULATOR GP-RIDE CONTROL-UNCHARGED

S/N: BNH1-UP

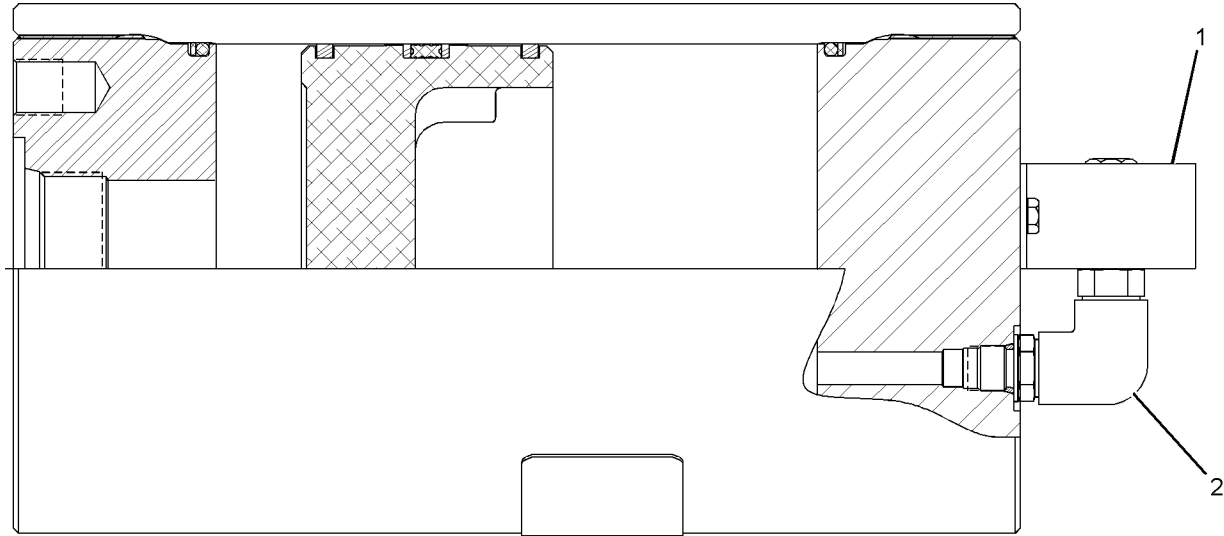
FIELD REPLACEMENT FOR 219-7983-PAGE: 837

SMCS-5004, 5077

i02277719

NOTE	REF NO	GRAPHIC REF	PART NUMBER	QTY	PART NAME						SEE PAGE
					1	2	3	4	5	6 (PRODUCT LEVEL)	
	1	1	<b>158-2336</b>	1	VALVE-GAS						
	2	1	<b>183-4063</b>	1	ELBOW (WITH VENT HOLE)						
F		1	<b>241-0037</b>	1	FILM-WARNING (HIGH PRESSURE, READ OMM)						
AVAILABLE REPAIR KIT(S):											
			<b>170-0493</b>	1	KIT-SEAL						

F - NOT SHOWN



GRAPHIC #1

g01025924



# HYDRAULIC SYSTEM

## 217-6719 ACTUATOR GP-PILOT CONTROL-PROPORTIONAL SOLENOID- REGENERATION VALVE

S/N: BNH1-UP

PART OF 212-8712, 212-8746 VALVE GP-MAIN CONTROL, 273-2130 VALVE GP-REGENERATION  
AN ATTACHMENT

SMCS-5078

i02531192

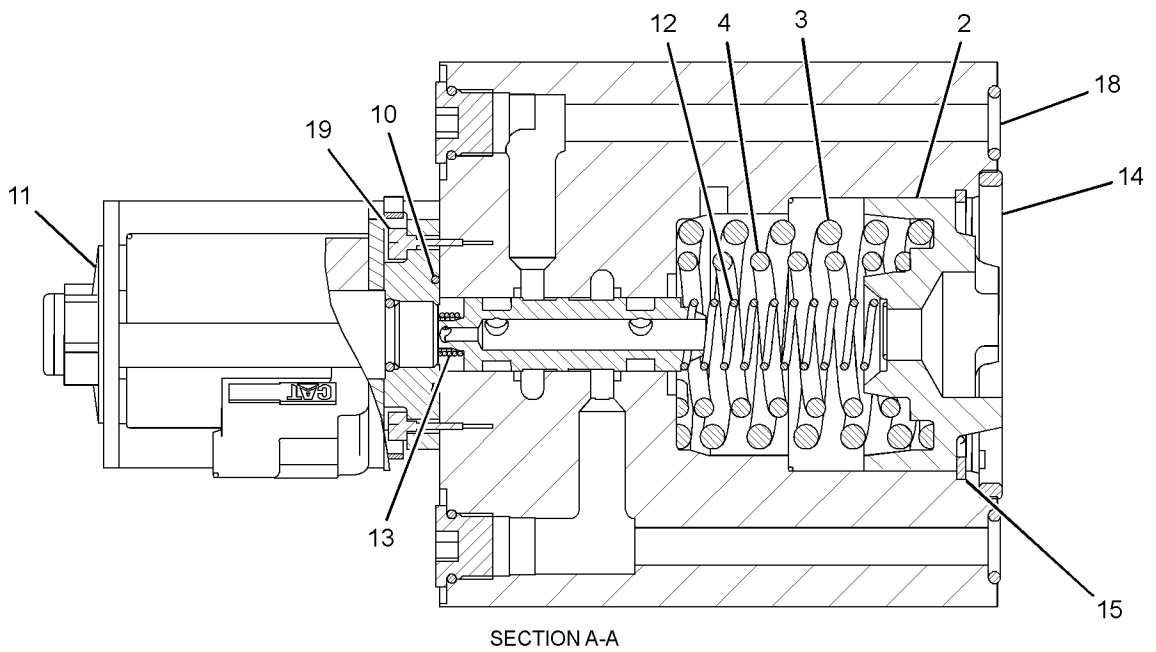
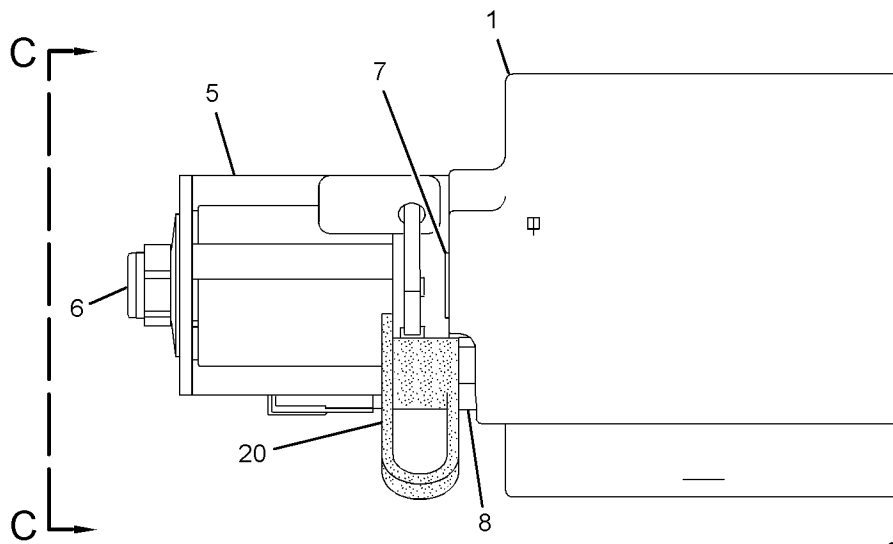
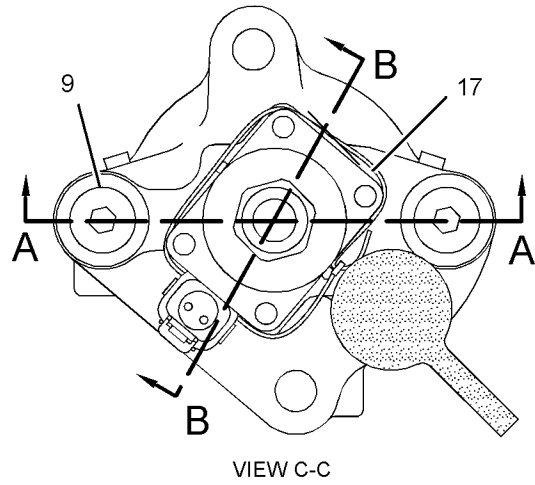
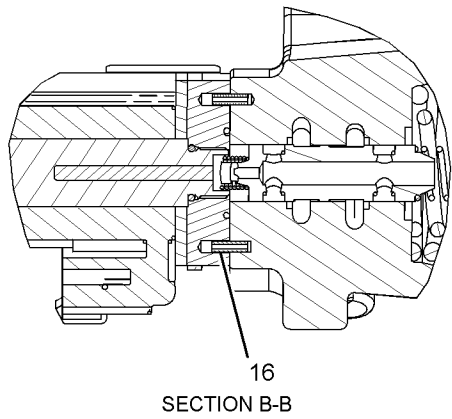
NOTE	REF NO	GRAPHIC REF	PART NUMBER	QTY	PART NAME						SEE PAGE
					1	2	3	4	5	6 (PRODUCT LEVEL)	
	1	1	<b>118-5083</b>	1	HOUSING						
	2	1	<b>118-5085</b>	1	RETAINER						
	3	1	<b>118-5086</b>	1	SPRING						
	4	1	<b>118-5087</b>	1	SPRING						
	5	1	<b>148-2350</b>	1	COIL AS						
	6	1	<b>154-4133</b>	1	CARTRIDGE AS						
	7	1	<b>155-2251</b>	1	PLATE						
	8	1	<b>6V-3965</b>	1	FITTING (QUICK DISCONNECT)						
	9	1	<i>162-0177</i>	2	PLUG AS						
					(EACH INCLUDES)						
		1	<b>3J-1907</b>	1	SEAL-O-RING						
		1	<b>9S-8004</b>	1	PLUG-O-RING						
	10	1	<b>030-4605</b>	1	SEAL-O-RING						
	11	1	<b>146-3728</b>	1	WASHER-SPRING						
	12	1	<b>121-2051</b>	1	SPRING						
	13	1	<b>177-1405</b>	1	SPRING						
	14	1	<b>1P-3709</b>	1	SEAL-RECTANGULAR						
	15	1	<b>2D-6648</b>	1	RING-RETAINING						
	16	1	<b>3C-8388</b>	2	PIN-ROLL						
	17	1	<b>6K-0806</b>	1	STRAP-CABLE						
	18	1	<b>5H-6005</b>	2	SEAL-O-RING						
M	19	1	<b>8T-3998</b>	4	BOLT (M4X0.7X12-MM)						
	20	1	<b>6V-0852</b>	1	CAP-DUST						

M - METRIC PART

# HYDRAULIC SYSTEM

217-6719 ACTUATOR GP-PILOT CONTROL (contd.)

i02531192



GRAPHIC #1

<END>

g01275553

# HYDRAULIC SYSTEM

## 217-6720 ACTUATOR GP-PILOT CONTROL-HOIST CONTROL VALVE

S/N: BNH1-UP

PART OF 212-8712, 212-8746 VALVE GP-MAIN CONTROL  
AN ATTACHMENT

SMCS-5078

i03662137

NOTE	REF NO	GRAPHIC REF	PART NUMBER	QTY	PART NAME						SEE PAGE
					1	2	3	4	5	6 (PRODUCT LEVEL)	
	1	1	<b>118-5083</b>	1	HOUSING						
	2	1	<b>118-5085</b>	1	RETAINER						
	3	1	<b>118-5086</b>	1	SPRING						
	4	1	<b>118-5087</b>	1	SPRING						
	5	1	<b>326-5212</b>	1	COIL AS (24-VOLT)						
	6	1	<b>316-1438</b>	1	CARTRIDGE AS						
		1	<b>214-7568</b>	2	SEAL-O-RING						
	7	1	<b>155-2251</b>	1	PLATE						
	8	1	<b>164-5567</b>	1	COUPLER AS-QUICK DISCONNECT (MALE)						
		1	<b>6V-3965</b>	1	FITTING (QUICK DISCONNECT)						
		1	<b>214-7568</b>	1	SEAL-O-RING						
	9	1	<b>162-0177</b>	2	PLUG AS						
					(EACH INCLUDES)						
		1	<b>9S-8004</b>	1	PLUG-O-RING						
		1	<b>3J-1907</b>	1	SEAL-O-RING						
	10	1	<b>030-4605</b>	1	SEAL-O-RING						
	11	1	<b>191-9247</b>	1	WASHER (19.15X31.65X2.36-MM THK)						
	12	1	<b>121-2051</b>	1	SPRING						
	13	1	<b>177-1405</b>	1	SPRING						
	14	1	<b>1P-3709</b>	1	SEAL-RECTANGULAR						
	15	1	<b>2D-6648</b>	1	RING-RETAINING						
	16	1	<b>3C-8388</b>	2	PIN-ROLL						
	18	1	<b>5H-6005</b>	2	SEAL-O-RING						
M	19	1	<b>8T-3998</b>	4	BOLT (M4X0.7X12-MM)						
	20	1	<b>6V-0852</b>	1	CAP-DUST						
	21	1	<b>6K-0806</b>	1	STRAP-CABLE						
	22	1	<b>198-2914</b>	1	NUT (3/4-32-THD)						
	F		<b>1H-5728</b>	1	SEAL-O-RING						

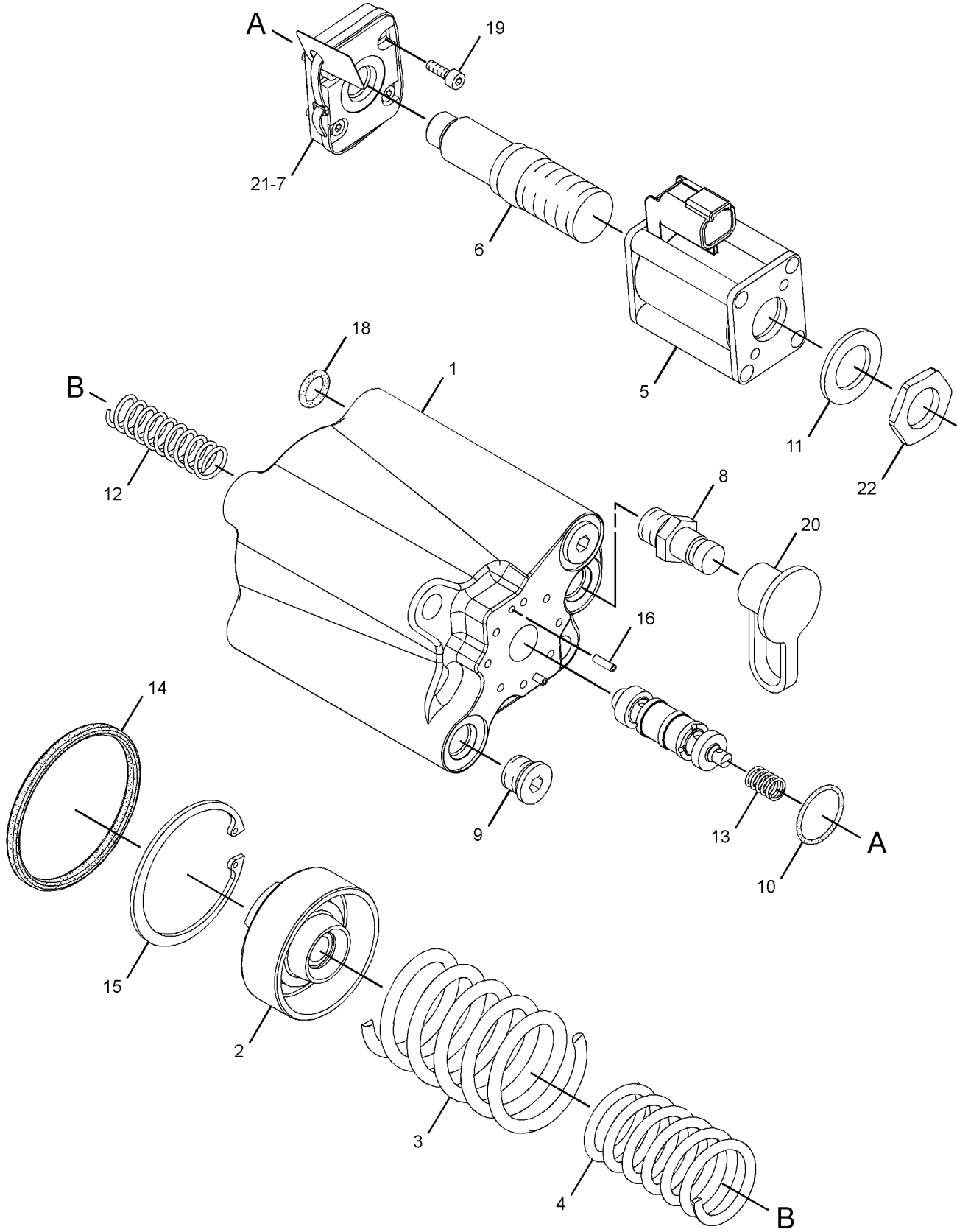
PARTS SHOWN IN GRAPHIC(S) WITHOUT A REFERENCE NUMBER ARE NOT SERVICED SEPARATELY

F - NOT SHOWN  
M - METRIC PART

# HYDRAULIC SYSTEM

217-6720 ACTUATOR GP-PILOT CONTROL (contd.)

i03662137



GRAPHIC #1

<END>

g01875120

# HYDRAULIC SYSTEM

## 197-7356 CONTROL & LINES GP-RIDE

S/N: BNH1-334

PART OF 155-6034 CONTROL AR-RIDE

AN ATTACHMENT

SMCS-5004, 5057

i01706112

NOTE	REF NO	GRAPHIC REF	PART NUMBER	QTY	PART NAME						SEE PAGE
					1	2	3	4	5	6 (PRODUCT LEVEL)	
Y	1	1	9T-9552	1	VALVE GP-RIDE CONTROL						1034
	2	1	154-8894	1	BRACKET AS						
I	3	1	154-8896	1	HOSE AS						
	4	3	159-8091	1	BRACKET						
	5	3	167-0140	1	BRACKET AS						
	6	3	174-9667	1	BRACKET						
	7	2,3	174-9670	2	CLAMP AS						
Y	8	1	176-3847	1	ACCUMULATOR GP-RIDE CONTROL (CHARGED)						835
	9	1	179-0469	1	SPACER (11X20X40-MM THK)						
	10	1	197-7357	1	TUBE AS						
I	11	3	197-7359	1	HOSE AS						
	12	1	197-7360	2	SPACER						
	13	2	197-7362	1	BRACKET AS						
	14	3	197-7365	1	SPACER						
I	15	1	198-6752	1	HOSE AS						
I	16	1	198-6753	1	HOSE AS						
	17	2	198-8195	1	BRACKET AS						
	18	1	198-8871	1	TUBE AS						
	19	2	198-9189	1	BRACKET AS						
	20	3	201-1003	1	TUBE AS						
	21	1	201-1005	1	TUBE AS						
	22	2	206-5027	1	BRACKET AS						
	23	2	103-1303	4	CLAMP - HALF						
	24	2	148-8335	1	CONNECTOR AS						
		2	5K-9090	1	SEAL - O - RING						
		2	6V-8635	1	CONNECTOR						
		2	7M-8485	1	SEAL - O - RING						
	25	3	148-8352	2	ELBOW AS						
					(EACH INCLUDES)						
		3	5K-9090	1	SEAL - O - RING						
		3	6V-9854	1	ELBOW						
	26	1	148-8378	1	ELBOW AS						
		1	3J-1907	1	SEAL - O - RING						
		1	6V-8397	1	SEAL - O - RING						
		1	6V-8724	1	ELBOW						
	27	3	148-8415	1	REDUCER AS						
		3	6V-8397	1	SEAL - O - RING						
		3	6V-8936	1	REDUCER						
	28	1	148-8428	1	TEE AS						
		1	3K-0360	1	SEAL - O - RING						
		1	6V-8398	2	SEAL - O - RING						
		1	6V-8782	1	TEE						
	29	1	1P-3704	1	SEAL - RECTANGULAR						
	30	1,2,3	1P-3705	4	SEAL - RECTANGULAR						
	31	1,3	1P-3706	5	SEAL - RECTANGULAR						
	32	1	1P-4577	2	FLANGE - HALF						
	33	1	1P-5767	2	FLANGE - HALF						
	34	3	3E-9411	6	WASHER - HARD (17.5X38X6-MM THK)						
	35	1	4J-0520	1	SEAL - O - RING						
	36	1,2,3	9X-8257	32	WASHER (17.5X30X3.5-MM THK)						
	37	2	5P-1076	8	WASHER - HARD (13.5X30X4-MM THK)						
	38	2	5P-7464	2	CLIP (SLOT)						
	39	2	5P-7465	2	CLIP (TAB)						
	40	2,3	5P-7468	2	CLIP (SLOT)						
	41	2,3	5P-7469	2	CLIP (TAB)						
	42	2,3	5P-8077	4	FLANGE - HALF						
	43	2,3	5P-8444	2	GROMMET						

# HYDRAULIC SYSTEM

197-7356 CONTROL & LINES GP-RIDE (contd.)

i01706112

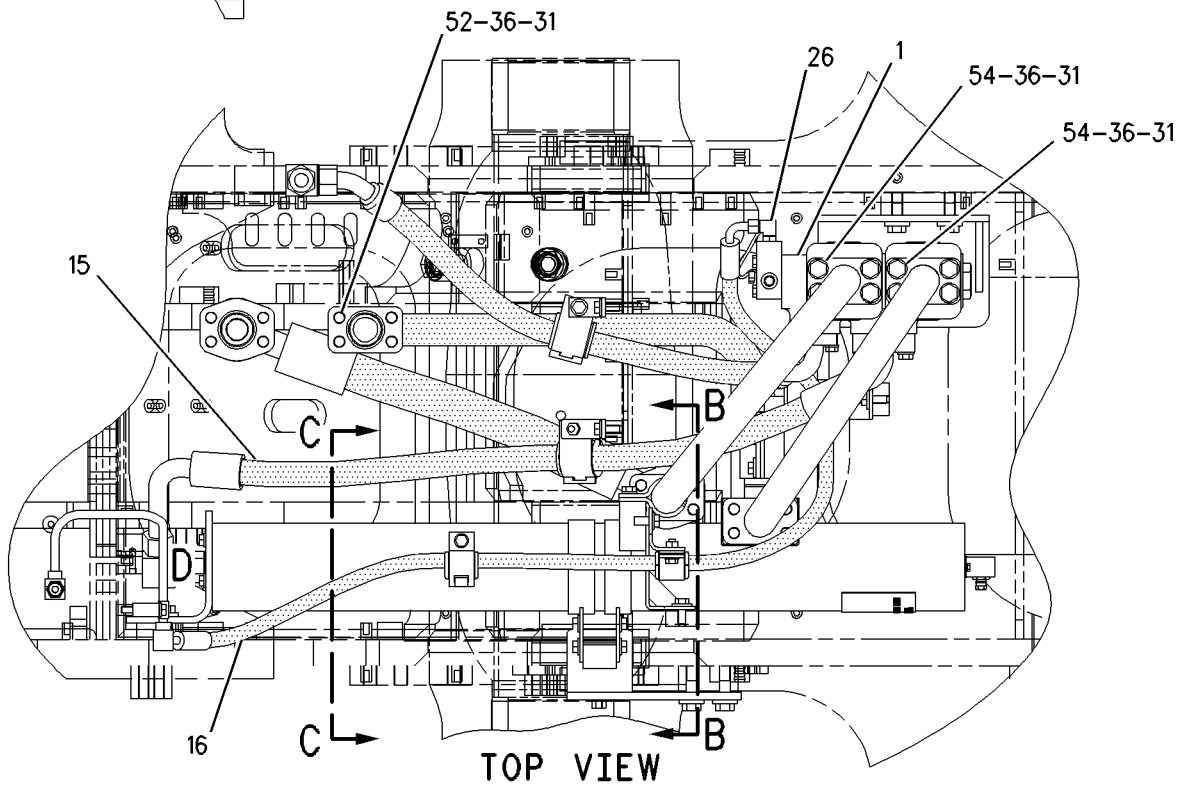
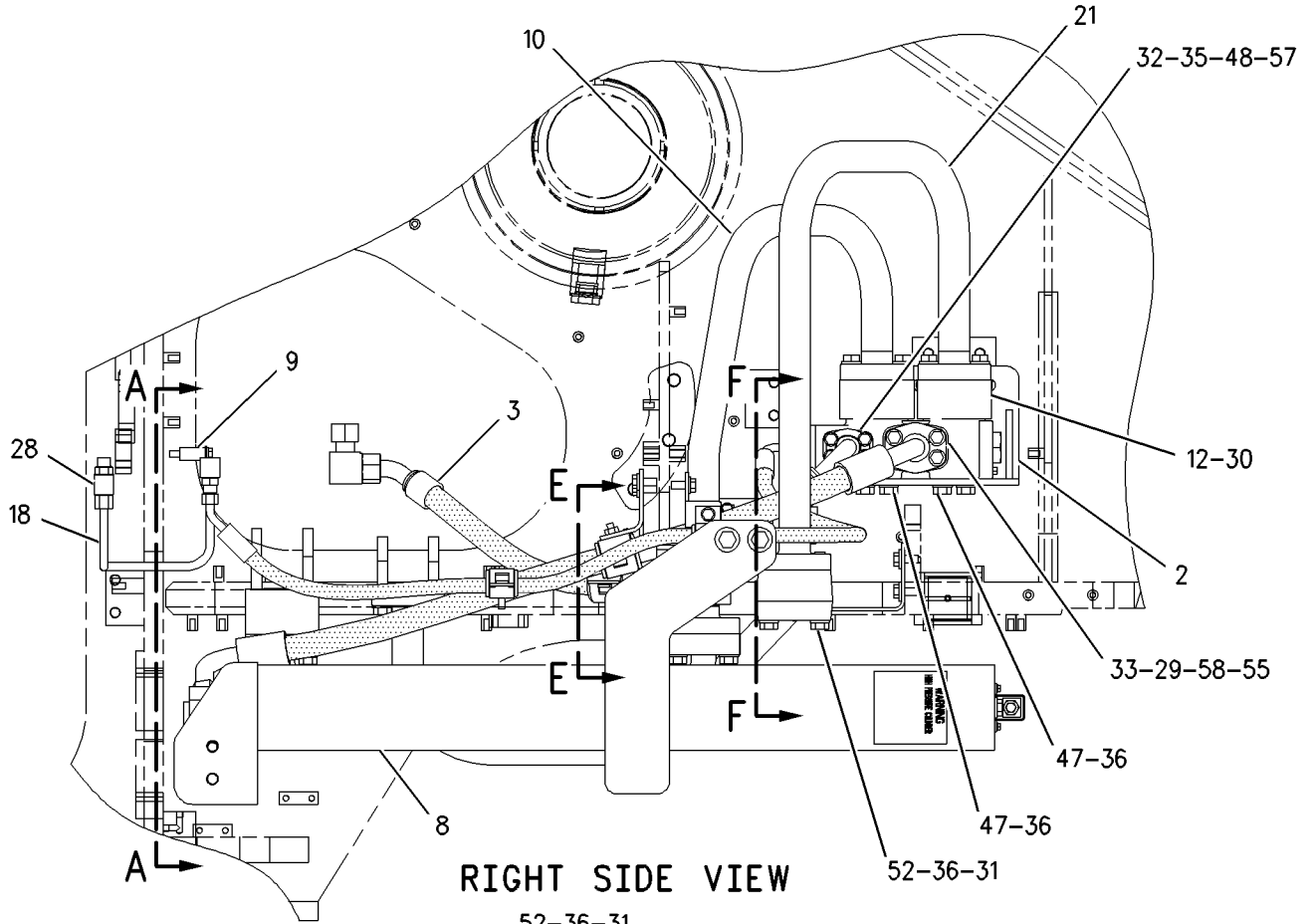
NOTE	REF NO	GRAPHIC REF	PART NUMBER	QTY	PART NAME						SEE PAGE
					1	2	3	4	5	6 (PRODUCT LEVEL)	
	44	3	<b>5P-9299</b>	1	CLIP						
	45	2	<b>6V-1249</b>	2	GROMMET (22-MM ID)						
	46	3	<b>6V-8398</b>	1	SEAL-O-RING						
M	47	1	<b>7X-2475</b>	8	BOLT (M16X2X130-MM)						
	48	1,2,3	<b>8T-4121</b>	11	WASHER-HARD (11X21X2.5-MM THK)						
M	49	3	<b>8T-4136</b>	3	BOLT (M10X1.5X25-MM)						
M	50	2,3	<b>8T-4139</b>	13	BOLT (M12X1.75X30-MM)						
M	51	2	<b>8T-4140</b>	4	BOLT (M16X2X60-MM)						
M	52	1	<b>8T-4173</b>	8	BOLT (M16X2X110-MM)						
M	53	2,3	<b>8T-4183</b>	3	BOLT (M12X1.75X40-MM)						
M	54	1	<b>8T-4193</b>	8	BOLT (M16X2X50-MM)						
M	55	1	<b>8T-4194</b>	4	BOLT (M12X1.75X50-MM)						
M	56	2	<b>8T-4195</b>	2	BOLT (M10X1.5X30-MM)						
M	57	1,2	<b>8T-4196</b>	5	BOLT (M10X1.5X35-MM)						
	58	1,2,3	<b>8T-4223</b>	17	WASHER-HARD (13.5X25.5X3-MM THK)						
M	59	2,3	<b>8T-4244</b>	3	NUT (M12X1.75-THD)						
M	60	3	<b>8T-4779</b>	6	BOLT (M16X2X35-MM)						
M	61	3	<b>8T-6383</b>	4	BOLT (M16X2X200-MM)						
M	62	3	<b>8T-6466</b>	1	BOLT (M10X1.5X60-MM)						

I - REFER TO HYDRAULIC INFORMATION SYSTEM  
M - METRIC PART  
Y - SEPARATE ILLUSTRATION

# HYDRAULIC SYSTEM

197-7356 CONTROL & LINES GP-RIDE (contd.)

i01706112



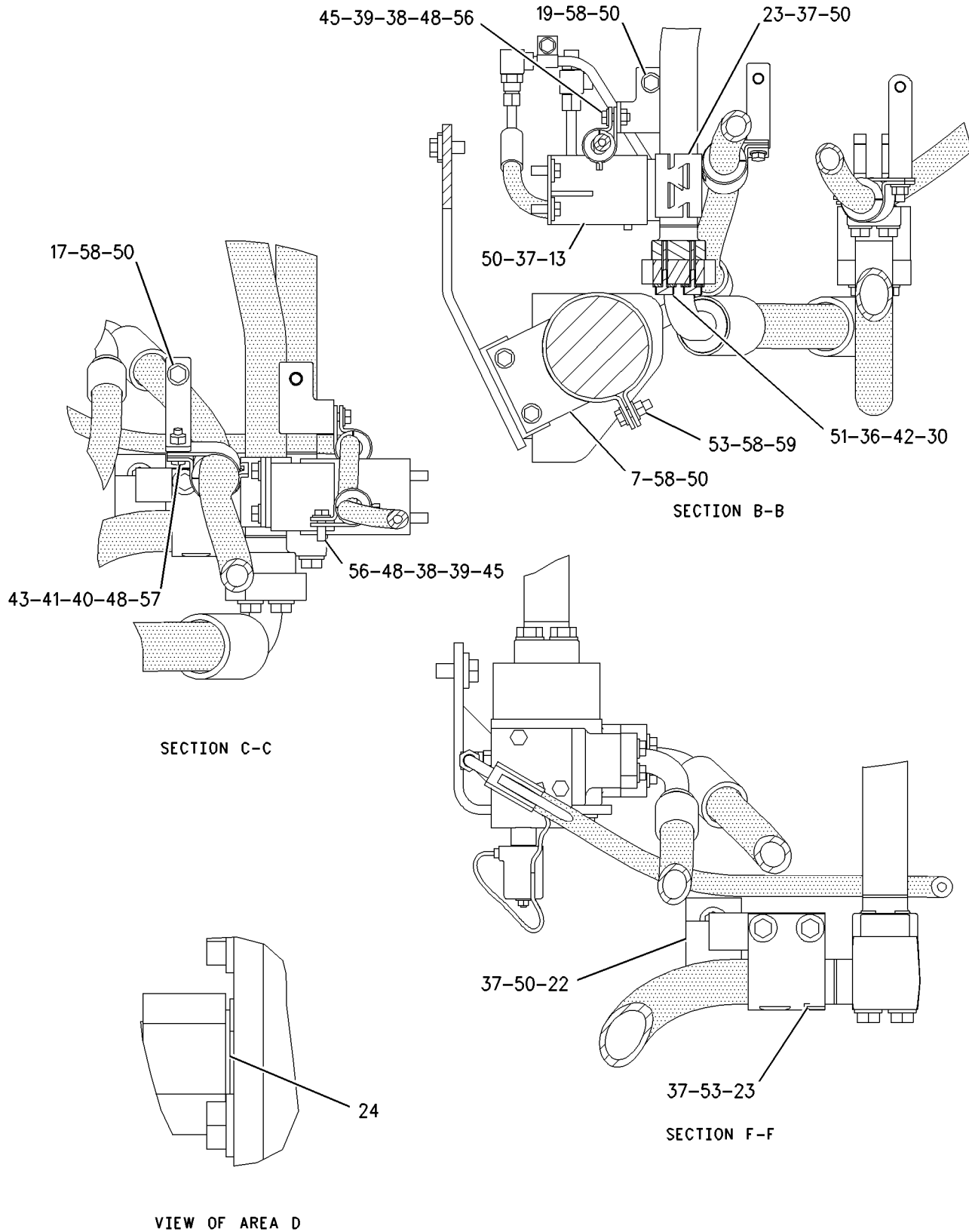
GRAPHIC #1

g00776319

# HYDRAULIC SYSTEM

197-7356 CONTROL & LINES GP-RIDE (contd.)

i01706112



GRAPHIC #2

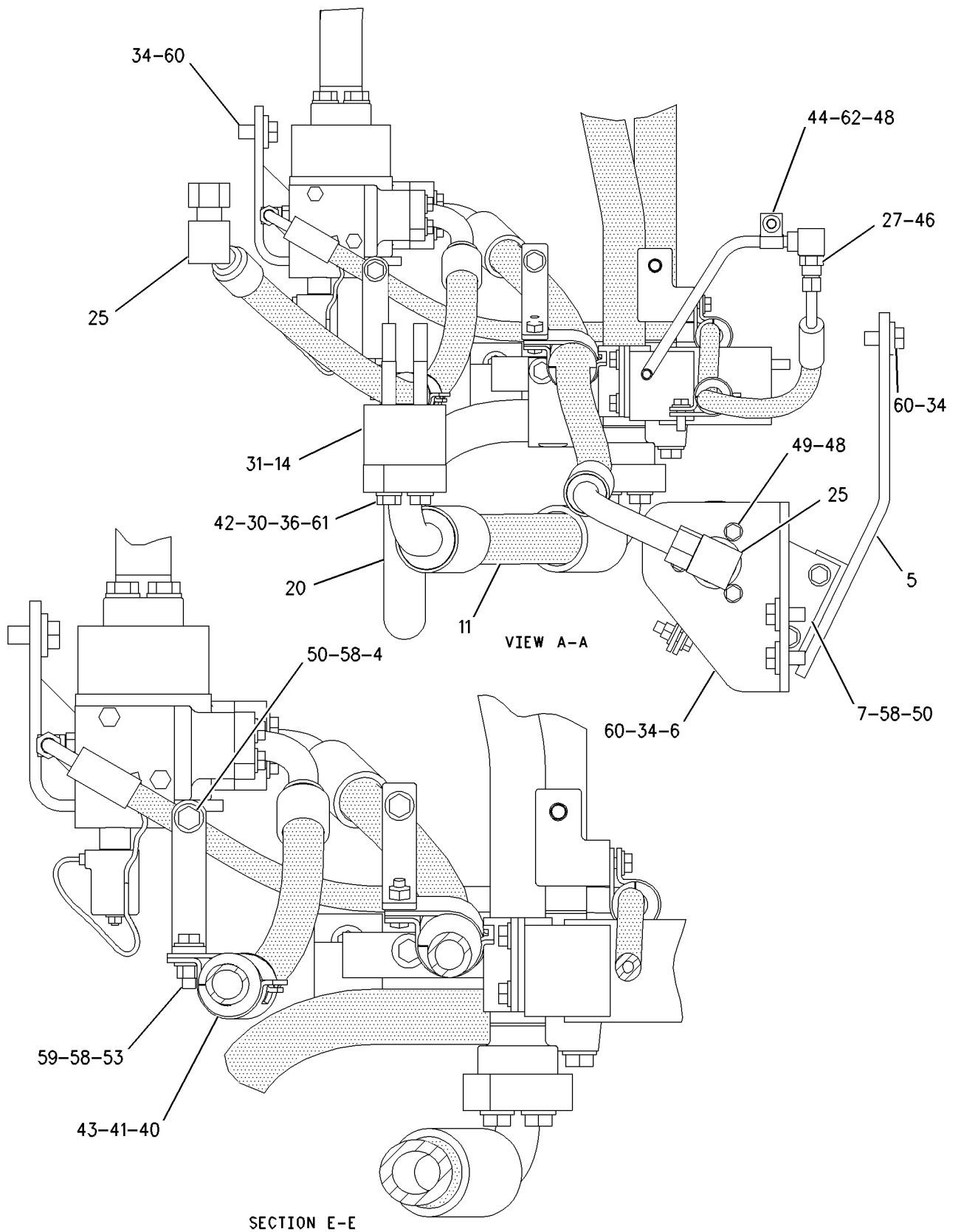
g00804209



# HYDRAULIC SYSTEM

197-7356 CONTROL & LINES GP-RIDE (contd.)

i01706112



GRAPHIC #3

<END>

g00776387

# HYDRAULIC SYSTEM

## 197-7356 CONTROL & LINES GP-RIDE

S/N: BNH335-UP

PART OF 155-6034 CONTROL AR-RIDE

AN ATTACHMENT

TYPE 1

SMCS-5004, 5057

i01710502

NOTE	REF NO	GRAPHIC REF	PART NUMBER	QTY	PART NAME						SEE PAGE
					1	2	3	4	5	6 (PRODUCT LEVEL)	
Y	1	1	9T-9552	1	VALVE GP-RIDE CONTROL						1034
C	2	1	124-1718	1	SLEEVE						
	3	1	154-8894	1	BRACKET AS						
I	4	2	154-8896	1	HOSE AS						
	5	1	159-8091	1	BRACKET						
	6	2	167-0140	1	BRACKET AS						
	7	1	174-9667	1	BRACKET						
	8	2	174-9670	2	CLAMP AS						
Y	9	1	176-3847	1	ACCUMULATOR GP-RIDE CONTROL (CHARGED)						835
	10	1	197-7360	2	SPACER						
I	11	1	198-6752	1	HOSE AS						
I	12	1	198-6753	1	HOSE AS						
	13	2	198-8195	1	BRACKET AS						
	14	1	198-8871	1	TUBE AS						
	15	2	198-9189	1	BRACKET AS						
	16	2	201-1003	1	TUBE AS						
	17	1	201-1005	1	TUBE AS						
	18	2	206-5027	1	BRACKET AS						
C	19	2	211-9013	1	SPACER						
C	20	2	212-7790	1	BRACKET AS						
C	21	1	212-7791	1	TUBE AS						
CI	22	1	212-7792	1	HOSE AS						
C	23	1	212-7793	1	BRACKET AS						
	24	2	103-1303	4	CLAMP-HALF						
	25	1	148-8335	1	CONNECTOR AS						
		1	5K-9090	1	SEAL-O-RING						
		1	6V-8635	1	CONNECTOR						
		1	7M-8485	1	SEAL-O-RING						
	26	1	148-8352	2	ELBOW AS						
					(EACH INCLUDES)						
		1	5K-9090	1	SEAL-O-RING						
		1	6V-9854	1	ELBOW						
	27	1	148-8378	1	ELBOW AS						
		1	3J-1907	1	SEAL-O-RING						
		1	6V-8397	1	SEAL-O-RING						
		1	6V-8724	1	ELBOW						
	28	1	148-8415	1	REDUCER AS						
		1	6V-8397	1	SEAL-O-RING						
		1	6V-8936	1	REDUCER						
	29	1	148-8428	1	TEE AS						
		1	3K-0360	1	SEAL-O-RING						
		1	6V-8398	2	SEAL-O-RING						
		1	6V-8782	1	TEE						
	30	1	1P-3704	1	SEAL-RECTANGULAR						
	31	1,2	1P-3705	4	SEAL-RECTANGULAR						
	32	1,2	1P-3706	5	SEAL-RECTANGULAR						
	33	1	1P-4577	2	FLANGE-HALF						
	34	1	1P-5767	2	FLANGE-HALF						
	35	1,2	3E-9411	6	WASHER-HARD (17.5X38X6-MM THK)						
	36	1	4J-0520	1	SEAL-O-RING						
	37	2	5P-1075	2	WASHER-HARD (10.2X22.5X3-MM THK)						
	38	2	5P-1076	6	WASHER-HARD (13.5X30X4-MM THK)						
	39	1,2	5P-7464	2	CLIP (SLOT)						
	40	1,2	5P-7465	2	CLIP (TAB)						
C	41	1,2	5P-7468	3	CLIP (SLOT)						
C	42	1,2	5P-7469	3	CLIP (TAB)						

# HYDRAULIC SYSTEM

197-7356 CONTROL & LINES GP-RIDE (contd.)

i01710502

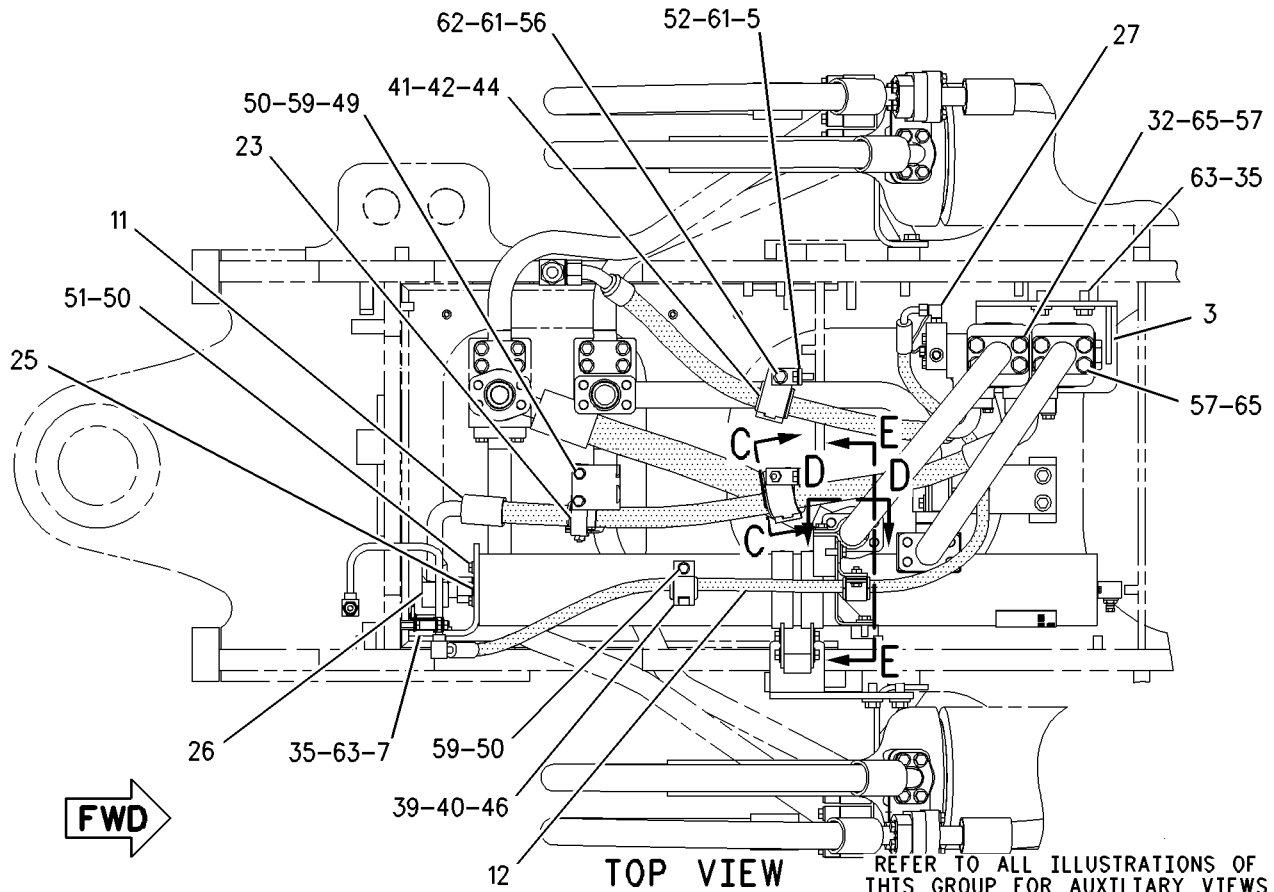
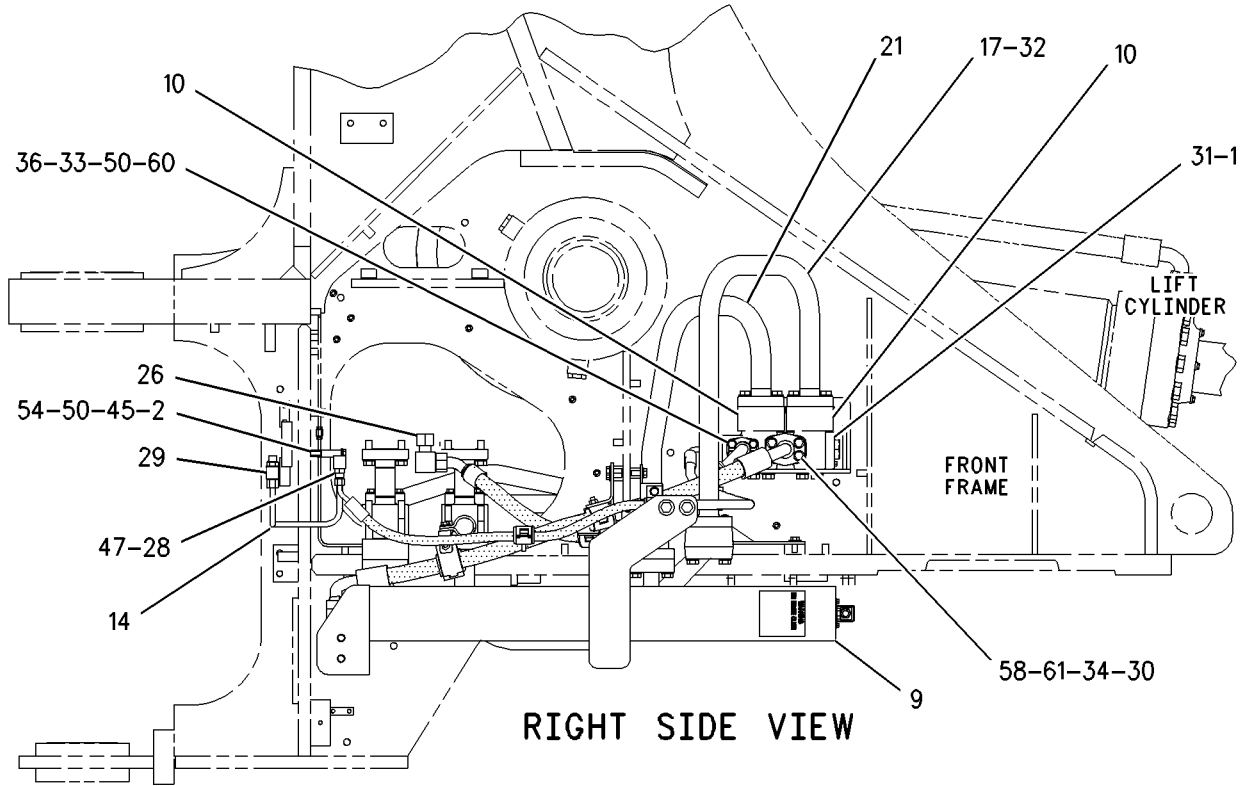
NOTE	REF NO	GRAPHIC REF	PART NUMBER	QTY	PART NAME						SEE PAGE
					1	2	3	4	5	6 (PRODUCT LEVEL)	
	43	2	5P-8077	4	FLANGE - HALF						
C	44	1,2	5P-8444	3	GROMMET						
	45	1	5P-9299	1	CLIP						
	46	1,2	6V-1249	2	GROMMET (22-MM ID)						
	47	1	6V-8398	1	SEAL - O - RING						
M	48	2	7X-2475	8	BOLT (M16X2X130-MM)						
C	49	1	7Y-4038	2	CLAMP - HALF						
C	50	1,2	8T-4121	14	WASHER - HARD (11X21X2.5-MM THK)						
M	51	1	8T-4136	3	BOLT (M10X1.5X25-MM)						
M	52	1,2	8T-4139	13	BOLT (M12X1.75X30-MM)						
M	53	2	8T-4140	4	BOLT (M16X2X60-MM)						
CM	54	1	8T-4172	1	BOLT (M10X1.5X80-MM)						
M	55	2	8T-4173	8	BOLT (M16X2X110-MM)						
M	56	1,2	8T-4183	5	BOLT (M12X1.75X40-MM)						
M	57	1	8T-4193	8	BOLT (M16X2X50-MM)						
M	58	1	8T-4194	4	BOLT (M12X1.75X50-MM)						
CM	59	1,2	8T-4195	5	BOLT (M10X1.5X30-MM)						
M	60	1,2	8T-4196	5	BOLT (M10X1.5X35-MM)						
	61	1,2	8T-4223	17	WASHER - HARD (13.5X25.5X3-MM THK)						
M	62	1,2	8T-4244	3	NUT (M12X1.75-THD)						
M	63	1,2	8T-4779	6	BOLT (M16X2X35-MM)						
CM	64	2	8T-6385	4	BOLT (M16X2X180-MM)						
	65	1,2	9X-8257	32	WASHER (17.5X30X3.5-MM THK)						

C - CHANGE FROM PREVIOUS TYPE  
 I - REFER TO HYDRAULIC INFORMATION SYSTEM  
 M - METRIC PART  
 Y - SEPARATE ILLUSTRATION

# HYDRAULIC SYSTEM

197-7356 CONTROL & LINES GP-RIDE (contd.)

i01710502



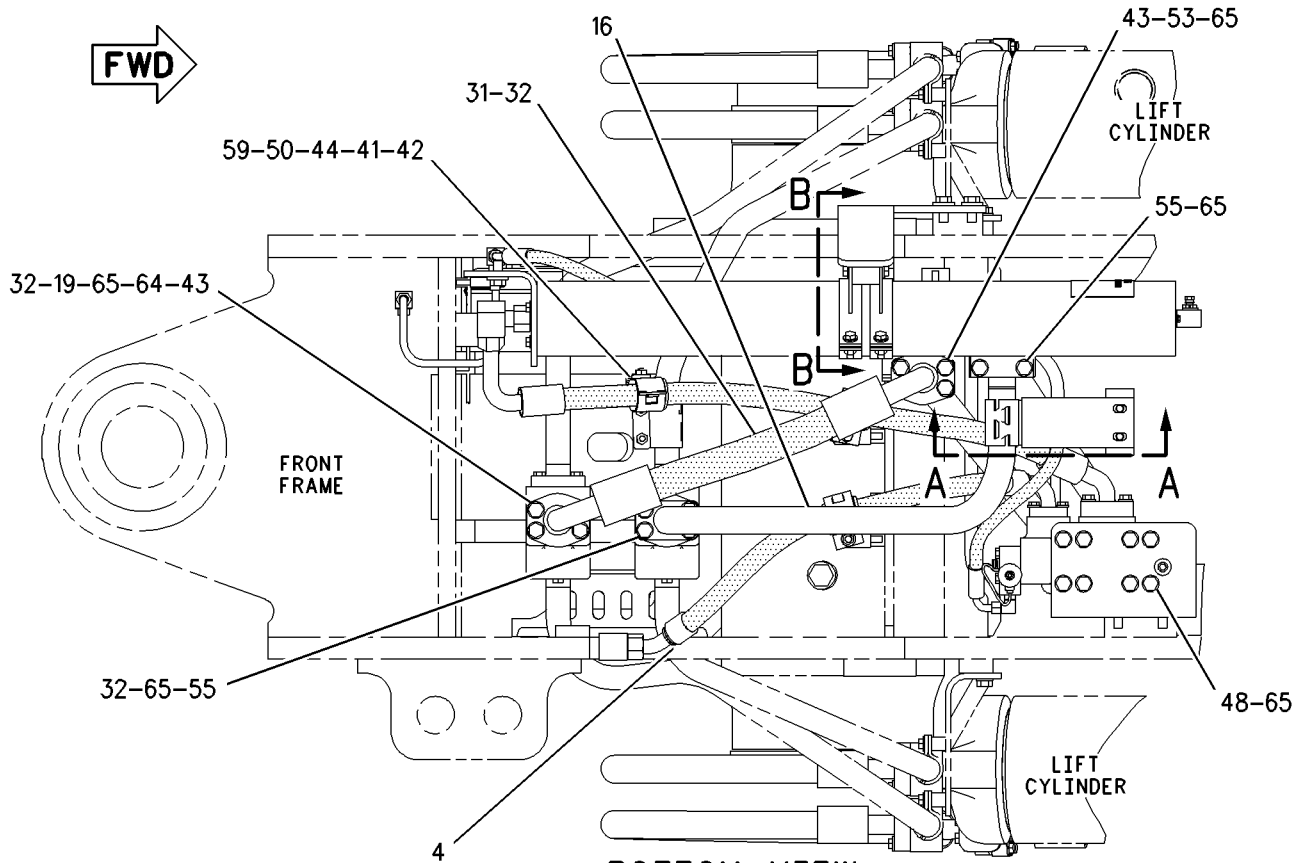
GRAPHIC #1

g00880653

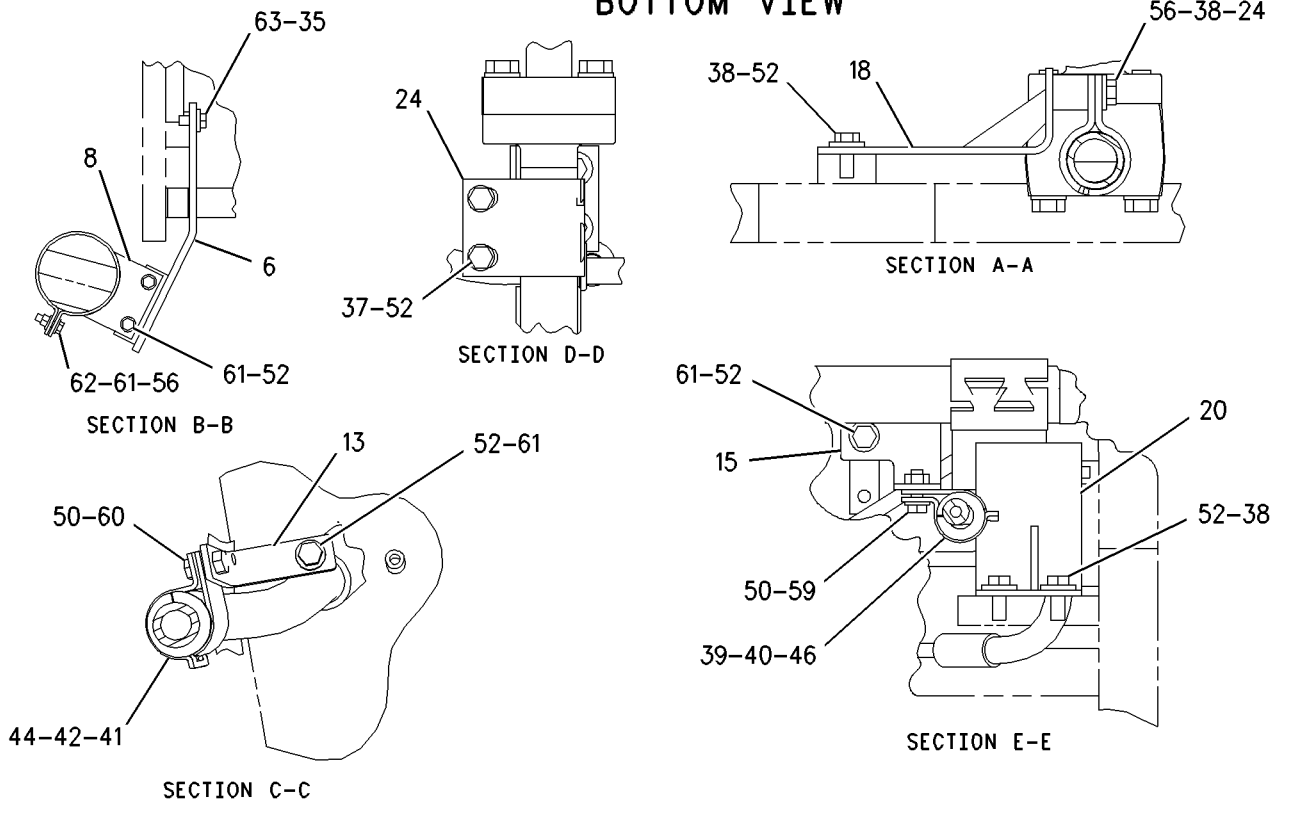
# HYDRAULIC SYSTEM

197-7356 CONTROL & LINES GP-RIDE (contd.)

i01710502



**BOTTOM VIEW**



GRAPHIC #2

<END>

g00880654

# HYDRAULIC SYSTEM

## 197-7356 CONTROL & LINES GP-RIDE

S/N: BNH335-UP

PART OF 155-6034 CONTROL AR-RIDE

AN ATTACHMENT

TYPE 2

SMCS-5004, 5057

i01940905

NOTE	REF NO	GRAPHIC REF	PART NUMBER	QTY	PART NAME						SEE PAGE
					1	2	3	4	5	6 (PRODUCT LEVEL)	
Y	1	3	9T-9552	1	VALVE GP-RIDE CONTROL						1034
	2	3	124-1718	1	SLEEVE						
	3	3	154-8894	1	BRACKET AS						
	4	2	159-8091	1	BRACKET						
	5	2	167-0140	1	BRACKET AS						
	6	3	174-9667	1	BRACKET						
	7	2	174-9670	2	CLAMP AS						
Y	8	1	176-3847	1	ACCUMULATOR GP-RIDE CONTROL (CHARGED)						835
	9	3	197-7360	2	SPACER						
	10	2	198-9189	1	BRACKET AS						
	11	2	206-5027	1	BRACKET AS						
	12	2	211-9013	1	SPACER						
	13	2	212-7790	1	BRACKET AS						
C	14	2	231-7717	1	ANGLE AS						
C	15	3	231-7722	1	CLAMP AS						
C	16	3	231-7724	1	CLAMP AS						
C	17	1	231-7727	1	TUBE AS						
	18	2,3	103-1303	4	CLAMP - HALF						
C	19	3	148-8333	1	CONNECTOR AS						
C	20	1	148-8352	1	ELBOW AS						
			5K-9090	1	SEAL - O-RING						
			6V-9854	1	ELBOW						
	21	1	148-8378	1	ELBOW AS						
			3J-1907	1	SEAL - O-RING						
			6V-8397	1	SEAL - O-RING						
			6V-8724	1	ELBOW						
C	22	3	148-8387	1	ELBOW AS						
	23	3	148-8415	1	REDUCER AS						
		3	6V-8397	1	SEAL - O-RING						
		3	6V-8936	1	REDUCER						
	24	1	148-8428	1	TEE AS						
			3K-0360	1	SEAL - O-RING						
			6V-8398	2	SEAL - O-RING						
			6V-8782	1	TEE						
C	25	1	164-4058	1	REDUCER AS						
	26	3	1P-3704	1	SEAL - RECTANGULAR						
	27	2,3	1P-3705	4	SEAL - RECTANGULAR						
	28	1,2	1P-3706	5	SEAL - RECTANGULAR						
	29	3	1P-4577	2	FLANGE - HALF						
	30	3	1P-5767	2	FLANGE - HALF						
	31	2,3	3E-9411	6	WASHER - HARD (17.5X38X6-MM THK)						
	32	3	4J-0520	1	SEAL - O-RING						
	33	3	5P-1075	2	WASHER - HARD (10.2X22.5X3-MM THK)						
	34	2	5P-1076	6	WASHER - HARD (13.5X30X4-MM THK)						
	35	1,2	5P-7464	2	CLIP (SLOT)						
	36	1,2	5P-7465	2	CLIP (TAB)						
	37	2,3	5P-7468	3	CLIP (SLOT)						
	38	2,3	5P-7469	3	CLIP (TAB)						
	39	2	5P-8077	4	FLANGE - HALF						
	40	2	5P-8444	2	GROMMET (37-MM ID)						
	41	3	5P-9299	1	CLIP						
	42	1,2	6V-1249	2	GROMMET (22-MM ID)						
C	43	3	6V-1874	1	GROMMET						
	44	3	6V-8398	1	SEAL - O-RING						
C	45	1	6V-8400	1	SEAL - O-RING						
M	46	2	7X-2475	8	BOLT (M16X2X130-MM)						
C	47	2	7X-7729	2	WASHER (11X25X3-MM THK)						

# HYDRAULIC SYSTEM

197-7356 CONTROL & LINES GP-RIDE (contd.)

i01940905

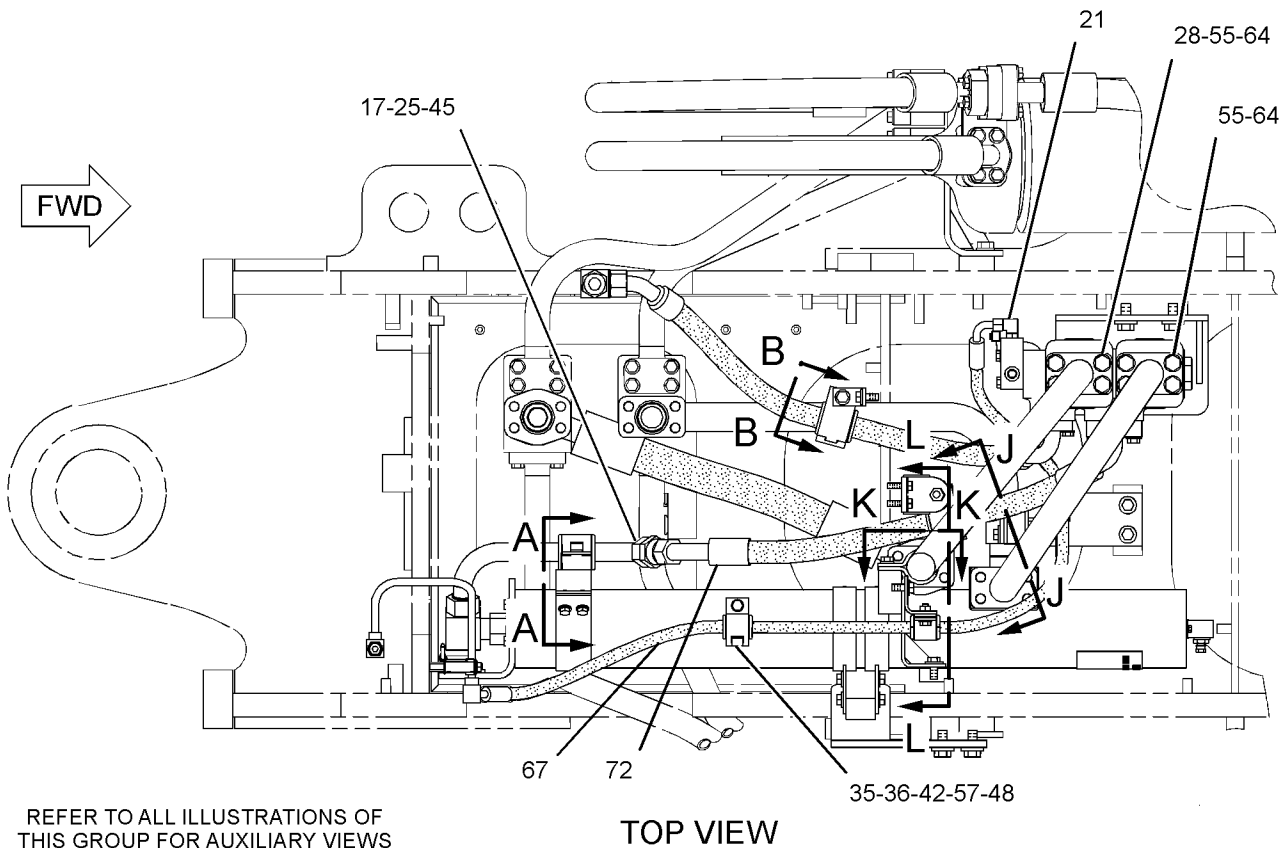
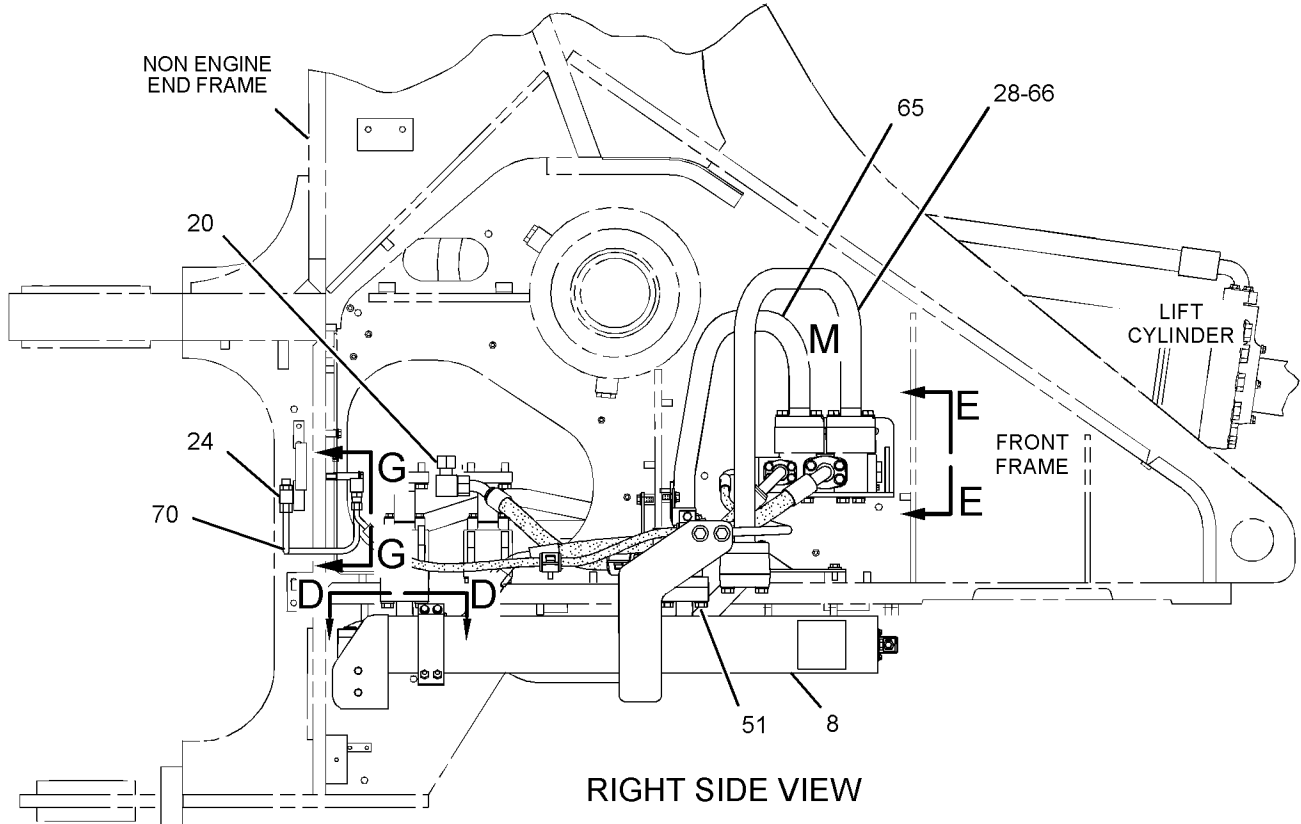
NOTE	REF NO	GRAPHIC REF	PART NUMBER	QTY	PART NAME						SEE PAGE
					1	2	3	4	5	6 (PRODUCT LEVEL)	
	48	1,2,3	8T-4121	14	WASHER-HARD (11X21X2.5-MM THK)						
M	49	3	8T-4136	3	BOLT (M10X1.5X25-MM)						
CM	50	2,3	8T-4139	12	BOLT (M12X1.75X30-MM)						
M	51	1,2	8T-4140	4	BOLT (M16X2X60-MM)						
M	52	3	8T-4172	1	BOLT (M10X1.5X80-MM)						
M	53	2	8T-4173	8	BOLT (M16X2X110-MM)						
M	54	2	8T-4183	5	BOLT (M12X1.75X40-MM)						
M	55	1	8T-4193	8	BOLT (M16X2X50-MM)						
M	56	3	8T-4194	4	BOLT (M12X1.75X50-MM)						
CM	57	1,2	8T-4195	2	BOLT (M10X1.5X30-MM)						
CM	58	2,3	8T-4196	2	BOLT (M10X1.5X35-MM)						
C	59	2,3	8T-4223	18	WASHER-HARD (13.5X25.5X3-MM THK)						
M	60	2	8T-4244	3	NUT (M12X1.75-THD)						
M	61	2,3	8T-4779	6	BOLT (M16X2X35-MM)						
CM	62	2,3	8T-4956	2	BOLT (M12X1.75X35-MM)						
M	63	2	8T-6385	4	BOLT (M16X2X180-MM)						
	64	1,2	9X-8257	32	WASHER (17.5X30X3.5-MM THK)						
	65	1	212-7791	1	TUBE AS						
	66	1	201-1005	1	TUBE AS						
I	67	1	198-6753	1	HOSE AS						
I	68	2	154-8896	1	HOSE AS						
	69	2	201-1003	1	TUBE AS						
	70	1	198-8871	1	TUBE AS						
I	71	2	212-7792	1	HOSE AS						
CI	72	1	231-7725	1	HOSE AS						

C - CHANGE FROM PREVIOUS TYPE  
 I - REFER TO HYDRAULIC INFORMATION SYSTEM  
 M - METRIC PART  
 Y - SEPARATE ILLUSTRATION

# HYDRAULIC SYSTEM

197-7356 CONTROL & LINES GP-RIDE (contd.)

i01940905



REFER TO ALL ILLUSTRATIONS OF THIS GROUP FOR AUXILIARY VIEWS

GRAPHIC #1

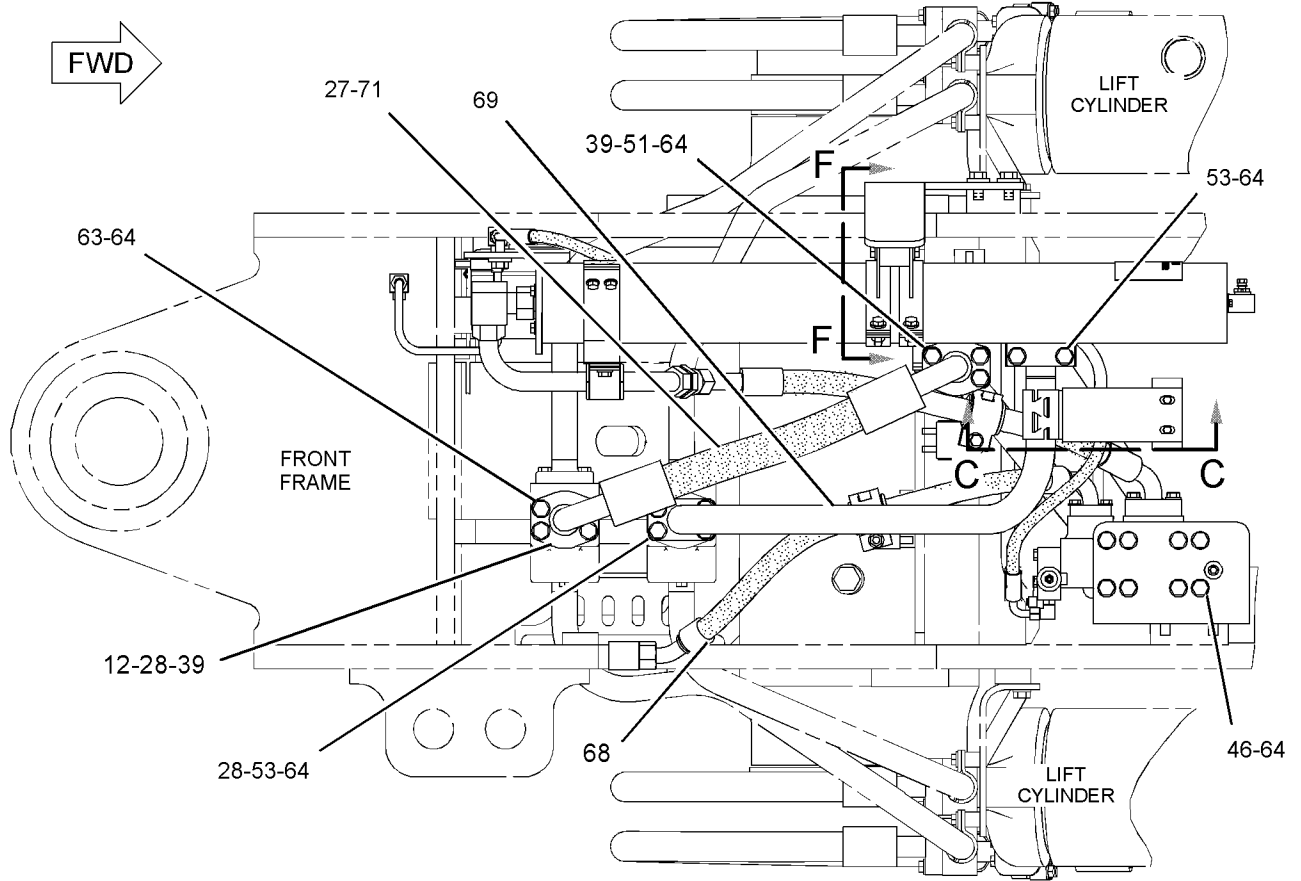
g01087345



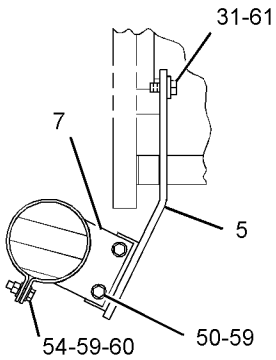
# HYDRAULIC SYSTEM

197-7356 CONTROL & LINES GP-RIDE (contd.)

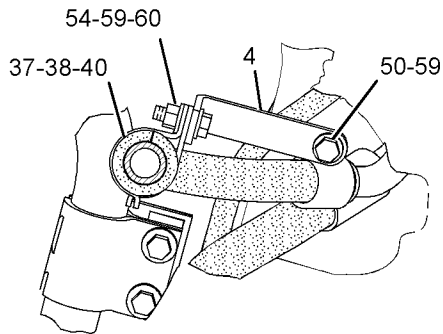
i01940905



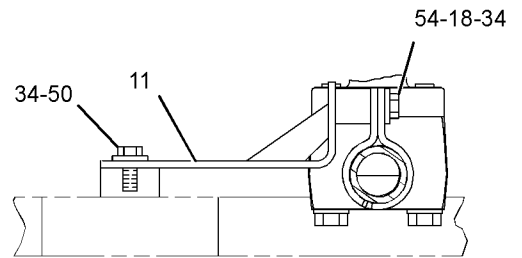
## BOTTOM VIEW



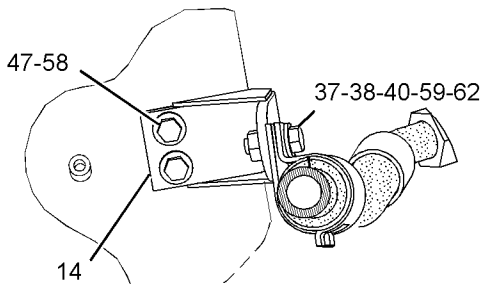
SECTION F-F



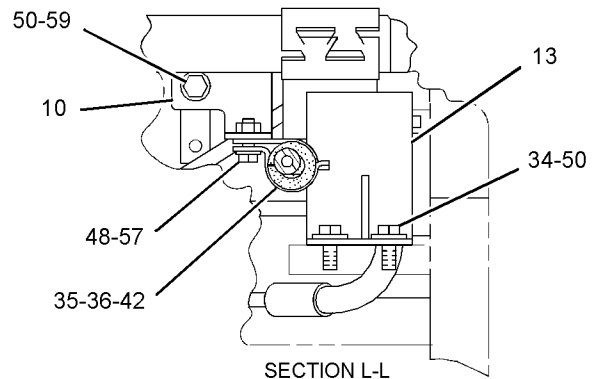
SECTION B-B



SECTION C-C



SECTION J-J



SECTION L-L

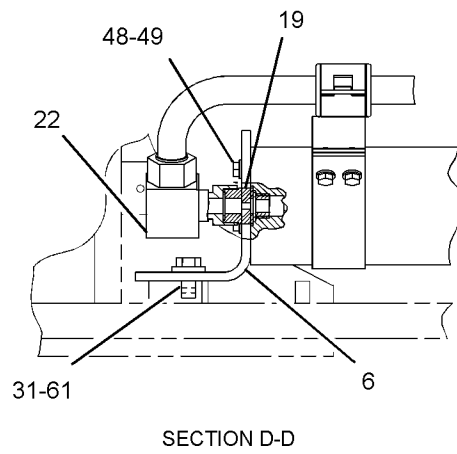
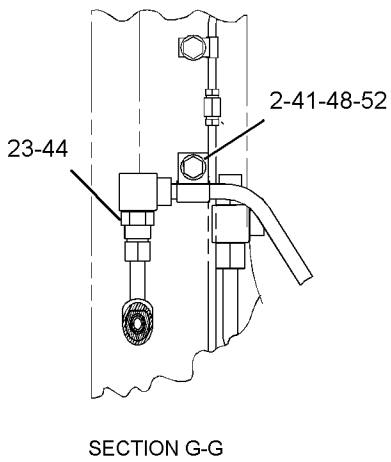
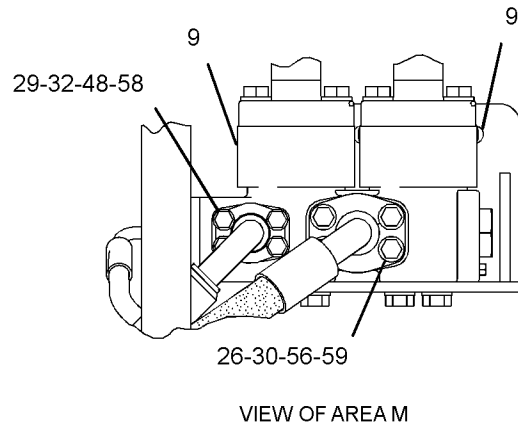
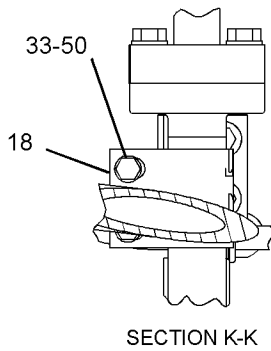
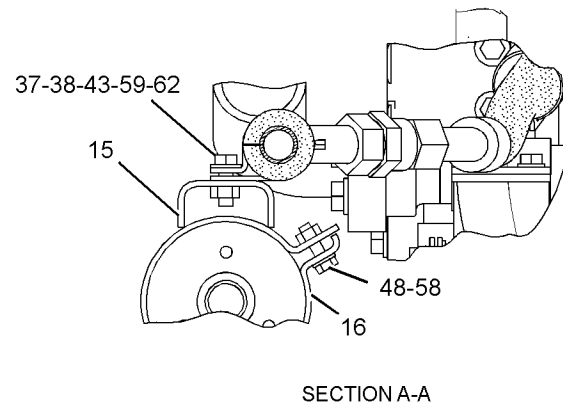
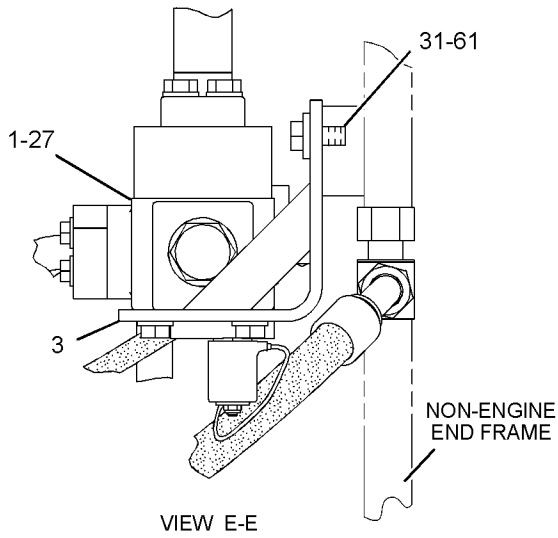
GRAPHIC #2

g01087346

# HYDRAULIC SYSTEM

197-7356 CONTROL & LINES GP-RIDE (contd.)

i01940905



GRAPHIC #3

<END>

g01087611

# HYDRAULIC SYSTEM

## 220-1643 CONTROL & LINES GP-RIDE

S/N: BNH592-818

PART OF 220-6026 CONTROL AR-RIDE  
AN ATTACHMENT

SMCS-5004, 5057

i02253986

NOTE	REF NO	GRAPHIC REF	PART NUMBER	QTY	PART NAME						SEE PAGE
					1	2	3	4	5	6 (PRODUCT LEVEL)	
	1	1	9X-6772	1	STRAP-CABLE						
	2	1	124-1718	1	SLEEVE						
	3	1	130-5300	2	CLIP						
	4	1	198-8871	1	TUBE AS						
Y	5	1	199-3131	1	VALVE GP-RIDE CONTROL						1036
	6	1	213-3436	1	U-BOLT						
Y	7	1	219-7983	1	ACCUMULATOR GP-RIDE CONTROL (CHARGED)						837
	8	1	220-1645	1	TUBE AS						
	9	1	220-1646	1	TUBE AS						
I	10	1	220-1650	2	HOSE AS						
	11	1	220-1657	1	BRACKET AS						
	12	1	220-1659	1	BRACKET AS						
	13	1	220-5082	1	BRACKET AS						
	14	1	220-6024	1	BRACKET						
	15	1	221-0130	1	BRACKET AS						
M		1	8T-3597	1	NUT-WELD (M12X1.75-THD)						
I	16	1	221-0133	1	HOSE AS						
I	17	1	221-0134	1	HOSE AS						
I	18	1	221-0135	1	HOSE AS						
	19	1	221-0835	1	BRACKET AS						
M		1	8T-3597	1	NUT-WELD (M12X1.75-THD)						
	20	1	221-0868	1	BRACKET AS						
M		1	8T-3597	1	NUT-WELD (M12X1.75-THD)						
	21	1	221-5377	1	HARNESS AS-RIDE CONTROL						
		1	102-8802	1	KIT-RECEPTACLE (2-PIN)						
					(INCLUDES RECEPTACLE AS AND WEDGE)						
		1	155-2270	1	KIT-CONNECTING PLUG (2-PIN)						
					(INCLUDES PLUG AS AND WEDGE)						
	22	1	103-1303	4	CLAMP-HALF						
M	23	1	129-3180	2	LOCKNUT (M12X1.75-THD)						
	24	1	148-8335	1	CONNECTOR AS						
		1	5K-9090	1	SEAL-O-RING						
		1	6V-8635	1	CONNECTOR						
		1	7M-8485	1	SEAL-O-RING						
	25	1	148-8352	2	ELBOW AS						
					(EACH INCLUDES)						
		1	5K-9090	1	SEAL-O-RING						
		1	6V-9854	1	ELBOW						
	26	1	148-8378	1	ELBOW AS						
		1	3J-1907	1	SEAL-O-RING						
		1	6V-8397	1	SEAL-O-RING						
		1	6V-8724	1	ELBOW						
	27	1	148-8415	1	REDUCER AS						
		1	6V-8397	1	SEAL-O-RING						
		1	6V-8936	1	REDUCER						
	28	1	148-8428	1	TEE AS						
		1	3K-0360	1	SEAL-O-RING						
		1	6V-8398	2	SEAL-O-RING						
		1	6V-8782	1	TEE						
	29	1	1P-3704	1	SEAL-RECTANGULAR						
	30	1	1P-3705	4	SEAL-RECTANGULAR						
	31	1	1P-3706	2	SEAL-RECTANGULAR						
	32	1	1P-5767	2	FLANGE-HALF						
	33	1	4J-0520	1	SEAL-O-RING						
	34	1	5P-7464	2	CLIP (SLOT)						
	35	1	5P-7465	2	CLIP (TAB)						
	36	1	5P-7468	3	CLIP (SLOT)						

# HYDRAULIC SYSTEM

220-1643 CONTROL & LINES GP-RIDE (contd.)

i02253986

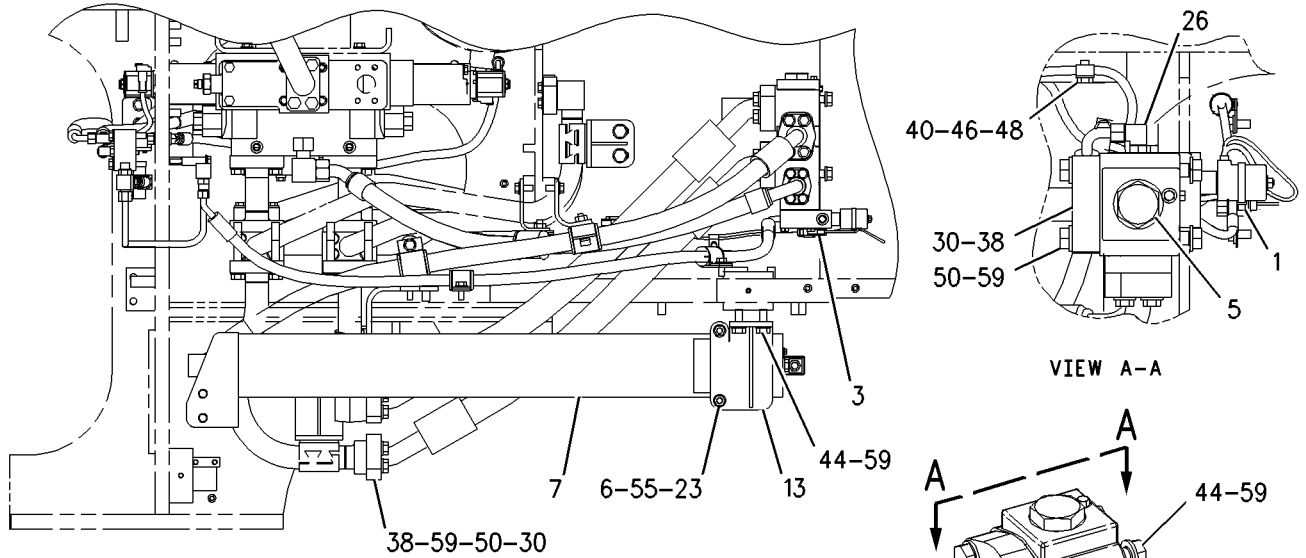
NOTE	REF NO	GRAPHIC REF	PART NUMBER	QTY	PART NAME						SEE PAGE
					1	2	3	4	5	6 (PRODUCT LEVEL)	
	37	1	5P-7469	3	CLIP (TAB)						
	38	1	5P-8077	8	FLANGE - HALF						
	39	1	5P-8444	2	GROMMET						
	40	1	5P-9085	2	CLIP						
	41	1	5P-9299	1	CLIP						
	42	1	6V-1249	2	GROMMET (22-MM ID)						
	43	1	6V-8398	1	SEAL - O - RING						
M	44	1	7X-2553	10	BOLT (M16X2X40-MM)						
	45	1	8C-3206	2	FLANGE - HALF						
	46	1	8T-4121	9	WASHER - HARD (11X21X2.5-MM THK)						
M	47	1	8T-4136	3	BOLT (M10X1.5X25-MM)						
M	48	1	8T-4137	1	BOLT (M10X1.5X20-MM)						
M	49	1	8T-4139	5	BOLT (M12X1.75X30-MM)						
M	50	1	8T-4140	16	BOLT (M16X2X60-MM)						
M	51	1	8T-4172	1	BOLT (M10X1.5X80-MM)						
M	52	1	8T-4173	8	BOLT (M16X2X110-MM)						
M	53	1	8T-4194	4	BOLT (M12X1.75X50-MM)						
M	54	1	8T-4196	4	BOLT (M10X1.5X35-MM)						
	55	1	8T-4223	14	WASHER - HARD (13.5X25.5X3-MM THK)						
M	56	1	8T-4779	6	BOLT (M16X2X35-MM)						
M	57	1	8T-4956	3	BOLT (M12X1.75X35-MM)						
	58	1	8T-7087	1	GROMMET						
	59	1	9X-8257	40	WASHER (17.5X30X3.5-MM THK)						

I - REFER TO HYDRAULIC INFORMATION SYSTEM  
M - METRIC PART  
Y - SEPARATE ILLUSTRATION

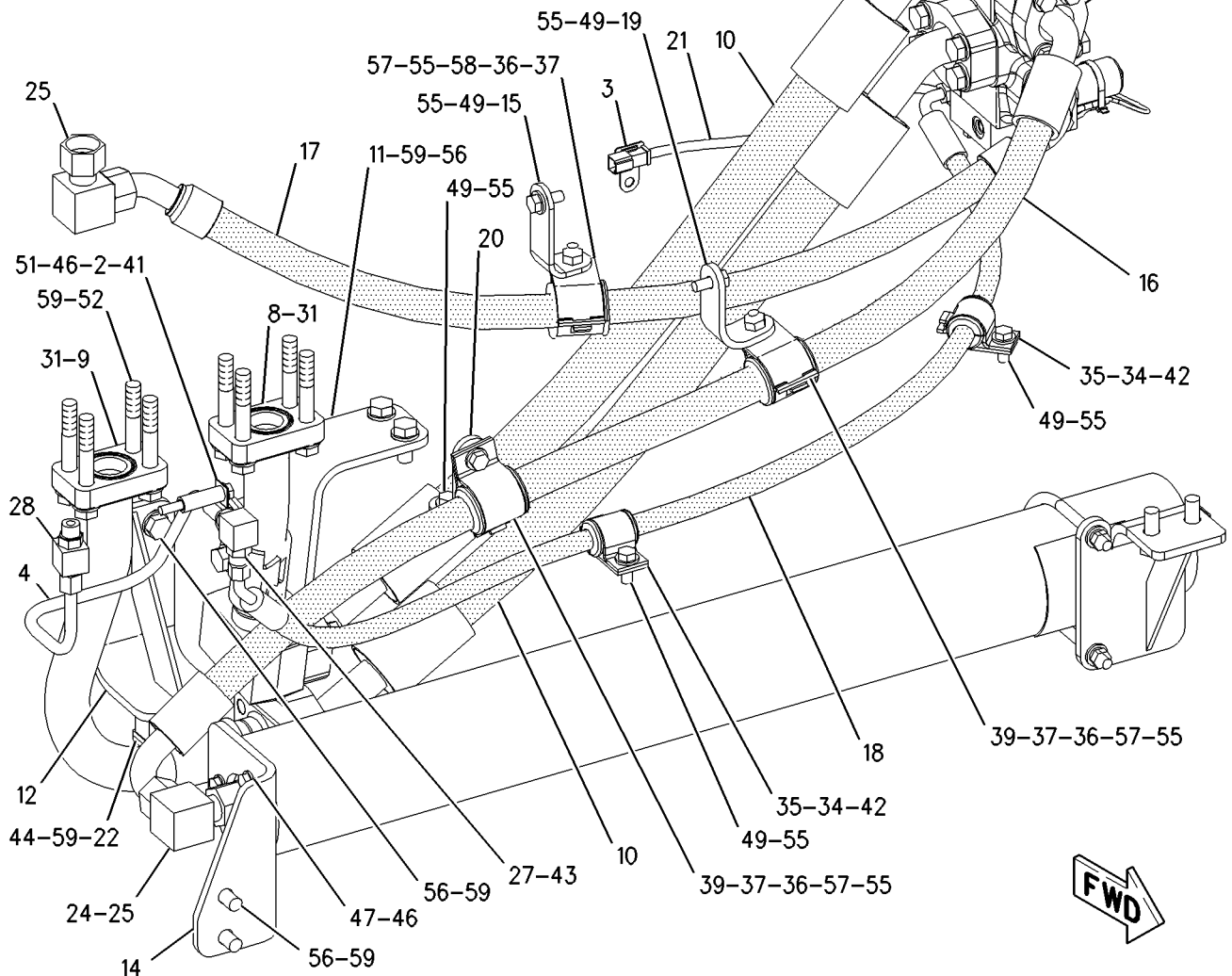
# HYDRAULIC SYSTEM

220-1643 CONTROL & LINES GP-RIDE (contd.)

i02253986



FRONT VIEW



GRAPHIC #1

<END>

g00954745

# HYDRAULIC SYSTEM

## 220-1643 CONTROL & LINES GP-RIDE

S/N: BNH819-1125

PART OF 220-6026 CONTROL AR-RIDE  
AN ATTACHMENT

SMCS-5004, 5057

i02253987

NOTE	REF NO	GRAPHIC REF	PART NUMBER	QTY	PART NAME						SEE PAGE
					1	2	3	4	5	6 (PRODUCT LEVEL)	
	1	2	9X-6772	1	STRAP-CABLE						
	2	2	124-1718	1	SLEEVE						
	3	2	130-5300	2	CLIP						
Y	4	3	199-3131	1	VALVE GP-RIDE CONTROL						1036
Y	5	1	219-7983	1	ACCUMULATOR GP-RIDE CONTROL (CHARGED)						837
	6	3	220-1657	1	BRACKET AS						
	7	2	220-1659	1	BRACKET AS						
	8	3	221-0130	1	BRACKET AS						
M		3	8T-3597	1	NUT-WELD (M12X1.75-THD)						
	9	2	221-5377	1	HARNESS AS-RIDE CONTROL						
		2	102-8802	1	KIT-RECEPTACLE (2-PIN)						
					(INCLUDES RECEPTACLE AS AND WEDGE)						
		2	155-2270	1	KIT-CONNECTING PLUG (2-PIN)						
					(INCLUDES PLUG AS AND WEDGE)						
C	10	1	228-7024	1	U-BOLT						
C	11	1	230-4932	11	BRACKET AS						
C	12	1	231-7717	1	ANGLE AS						
C	13	2	231-7719	1	BRACKET						
C	14	2	231-7722	1	CLAMP AS						
C	15	2	231-7724	1	CLAMP AS						
	16	2	103-1303	4	CLAMP-HALF						
C	17	2	148-8333	1	CONNECTOR AS						
C		2	6V-8400	1	SEAL-O-RING						
		2	7M-8485	1	SEAL-O-RING						
		2	8T-7927	1	CONNECTOR						
	18	3	148-8352	1	ELBOW AS						
		3	5K-9090	1	SEAL-O-RING						
		3	6V-9854	1	ELBOW						
	19	1	148-8378	1	ELBOW AS						
		1	3J-1907	1	SEAL-O-RING						
		1	6V-8397	1	SEAL-O-RING						
		1	6V-8724	1	ELBOW						
C	20	2	148-8387	1	ELBOW AS						
		2	6V-8400	1	SEAL-O-RING						
		2	6V-9855	1	ELBOW						
	21	2	148-8415	1	REDUCER AS						
		2	6V-8397	1	SEAL-O-RING						
		2	6V-8936	1	REDUCER						
	22	1	148-8428	1	TEE AS						
		1	3K-0360	1	SEAL-O-RING						
		1	6V-8398	2	SEAL-O-RING						
		1	6V-8782	1	TEE						
C	23	2	164-4058	1	REDUCER AS						
		2	5K-9090	1	SEAL-O-RING						
		2	6V-8948	1	REDUCER						
	24	3	1P-3704	1	SEAL-RECTANGULAR						
	25	3	1P-3705	4	SEAL-RECTANGULAR						
	26	2,3	1P-3706	2	SEAL-RECTANGULAR						
	27	3	1P-5767	2	FLANGE-HALF						
	28	3	4J-0520	1	SEAL-O-RING						
	29	1	5P-7464	2	CLIP (SLOT)						
	30	1	5P-7465	2	CLIP (TAB)						
	31	1,2,3	5P-7468	3	CLIP (SLOT)						
	32	1,2,3	5P-7469	3	CLIP (TAB)						
	33	3	5P-8077	8	FLANGE-HALF						
	34	1	5P-8444	1	GROMMET (37-MM ID)						
	35	2	5P-9085	2	CLIP						

# HYDRAULIC SYSTEM

220-1643 CONTROL & LINES GP-RIDE (contd.)

i02253987

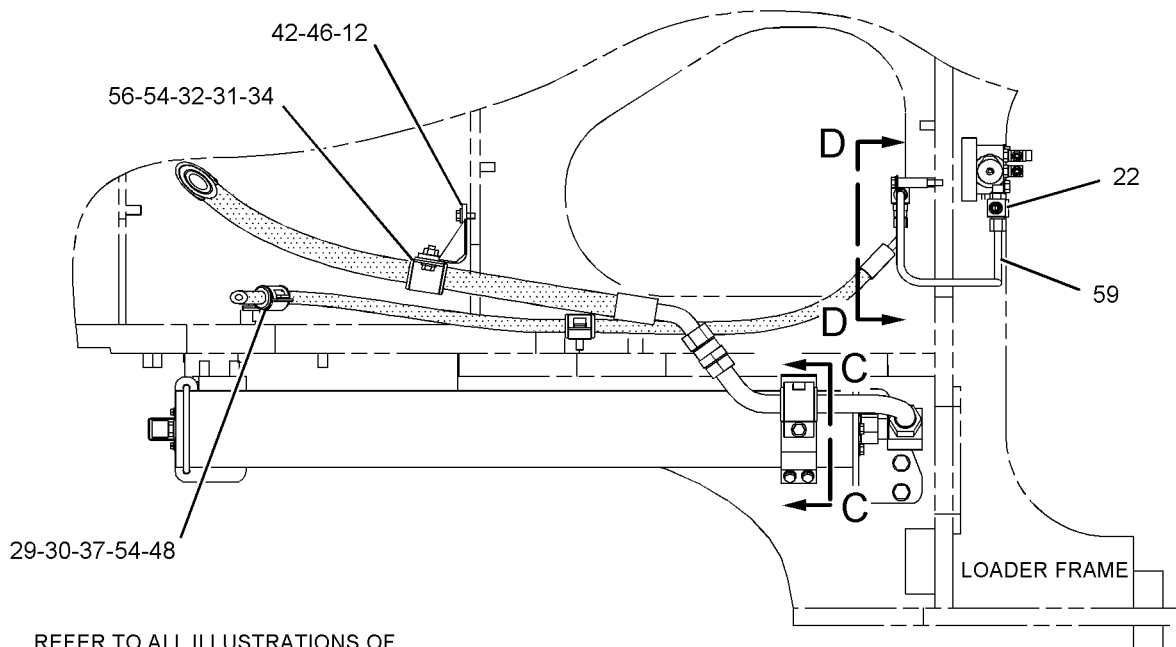
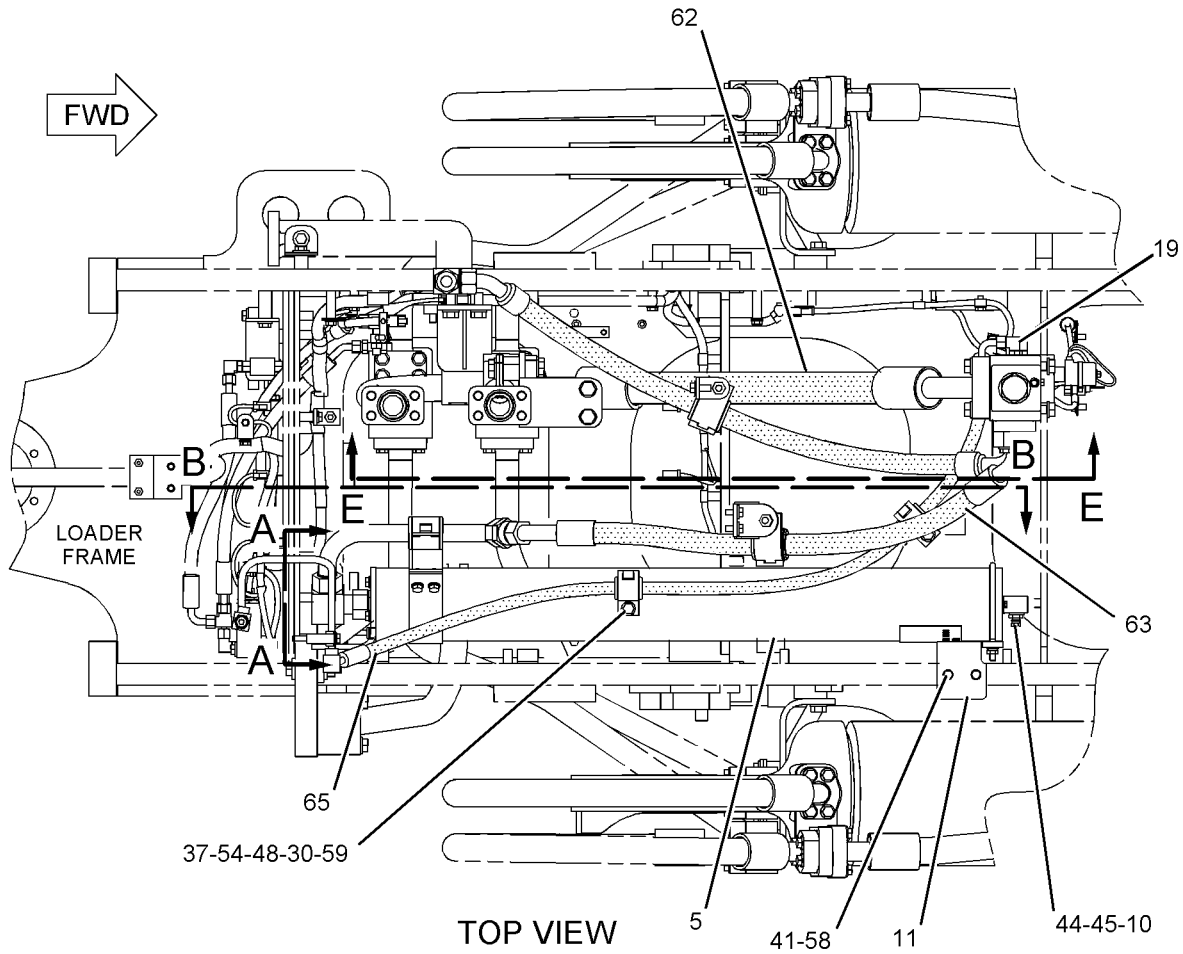
NOTE	REF NO	GRAPHIC REF	PART NUMBER	QTY	PART NAME						SEE PAGE
					1	2	3	4	5	6 (PRODUCT LEVEL)	
	36	2	<b>5P-9299</b>	1	CLIP						
	37	1	<b>6V-1249</b>	2	GROMMET (22-MM ID)						
C	38	2	<b>6V-1874</b>	1	GROMMET						
	39	2	<b>6V-8398</b>	1	SEAL-O-RING						
C	40	2	<b>6V-8400</b>	1	SEAL-O-RING						
M	41	1,2,3	<b>7X-2553</b>	10	BOLT (M16X2X40-MM)						
C	42	1	<b>7X-7729</b>	2	WASHER (11X25X3-MM THK)						
	43	3	<b>8C-3206</b>	2	FLANGE-HALF						
CM	44	1	<b>8T-0389</b>	2	LOCKNUT (M10X1.5-THD)						
C	45	1,2,3	<b>8T-4121</b>	15	WASHER-HARD (11X21X2.5-MM THK)						
CM	46	1,2	<b>8T-4136</b>	5	BOLT (M10X1.5X25-MM)						
M	47	2	<b>8T-4137</b>	1	BOLT (M10X1.5X20-MM)						
M	48	1,3	<b>8T-4139</b>	3	BOLT (M12X1.75X30-MM)						
M	49	3	<b>8T-4140</b>	16	BOLT (M16X2X60-MM)						
M	50	2	<b>8T-4172</b>	1	BOLT (M10X1.5X80-MM)						
M	51	2,3	<b>8T-4173</b>	8	BOLT (M16X2X110-MM)						
M	52	3	<b>8T-4194</b>	4	BOLT (M12X1.75X50-MM)						
CM	53	2,3	<b>8T-4196</b>	8	BOLT (M10X1.5X35-MM)						
	54	1,2,3	<b>8T-4223</b>	10	WASHER-HARD (13.5X25.5X3-MM THK)						
M	55	2,3	<b>8T-4779</b>	6	BOLT (M16X2X35-MM)						
M	56	1,2,3	<b>8T-4956</b>	3	BOLT (M12X1.75X35-MM)						
	57	3	<b>8T-7087</b>	1	GROMMET (34-MM ID)						
	58	1,2,3	<b>9X-8257</b>	40	WASHER (17.5X30X3.5-MM THK)						
	59	1	<b>198-8871</b>	1	TUBE AS						
	60	2	<b>220-1645</b>	1	TUBE AS						
	61	3	<b>220-1646</b>	1	TUBE AS						
I	62	1,3	<b>220-1650</b>	2	HOSE AS						
CI	63	1	<b>231-7726</b>	1	HOSE AS						
I	64	3	<b>221-0134</b>	1	HOSE AS						
I	65	1	<b>221-0135</b>	1	HOSE AS						
C	66	2	<b>231-7727</b>	1	TUBE AS						

C - CHANGE FROM PREVIOUS TYPE  
 I - REFER TO HYDRAULIC INFORMATION SYSTEM  
 M - METRIC PART  
 Y - SEPARATE ILLUSTRATION

# HYDRAULIC SYSTEM

220-1643 CONTROL & LINES GP-RIDE (contd.)

i02253987



REFER TO ALL ILLUSTRATIONS OF THIS GROUP FOR AUXILIARY VIEWS

GRAPHIC #1

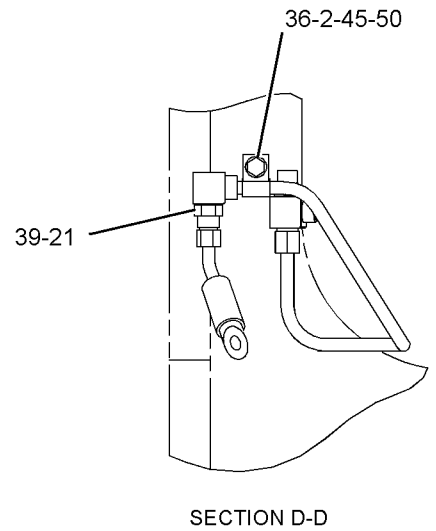
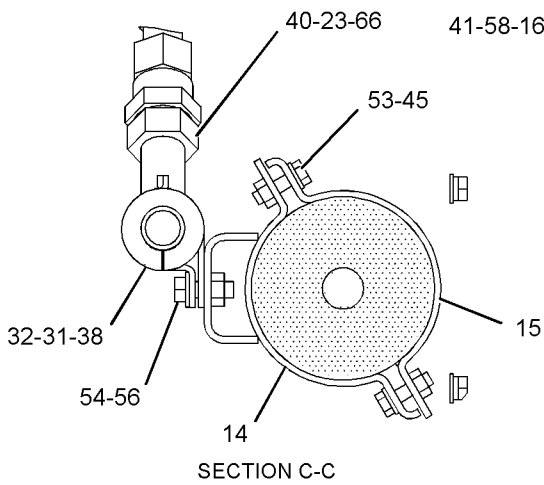
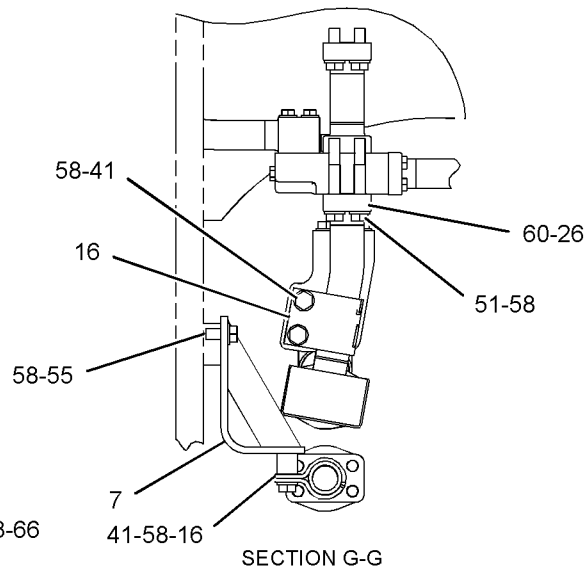
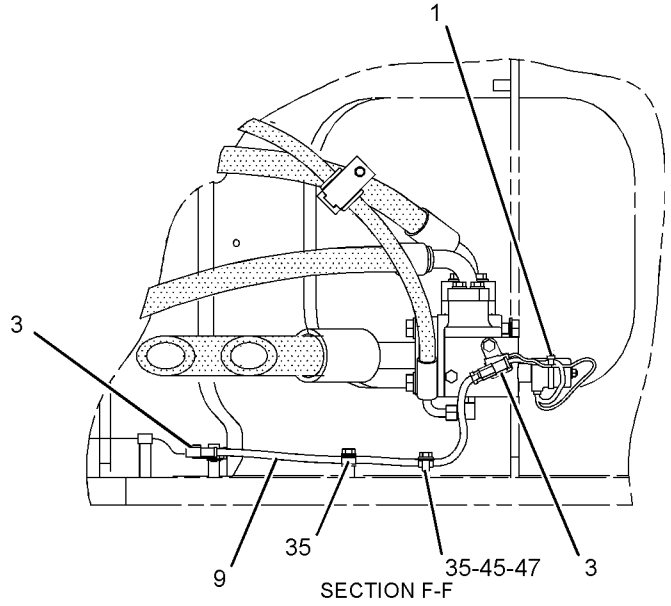
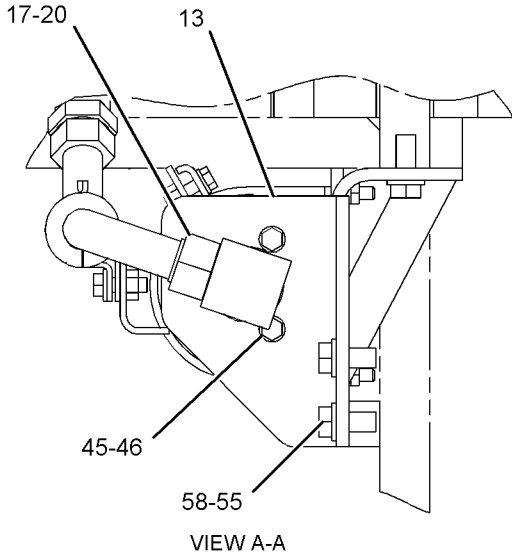
g01025146



# HYDRAULIC SYSTEM

220-1643 CONTROL & LINES GP-RIDE (contd.)

i02253987



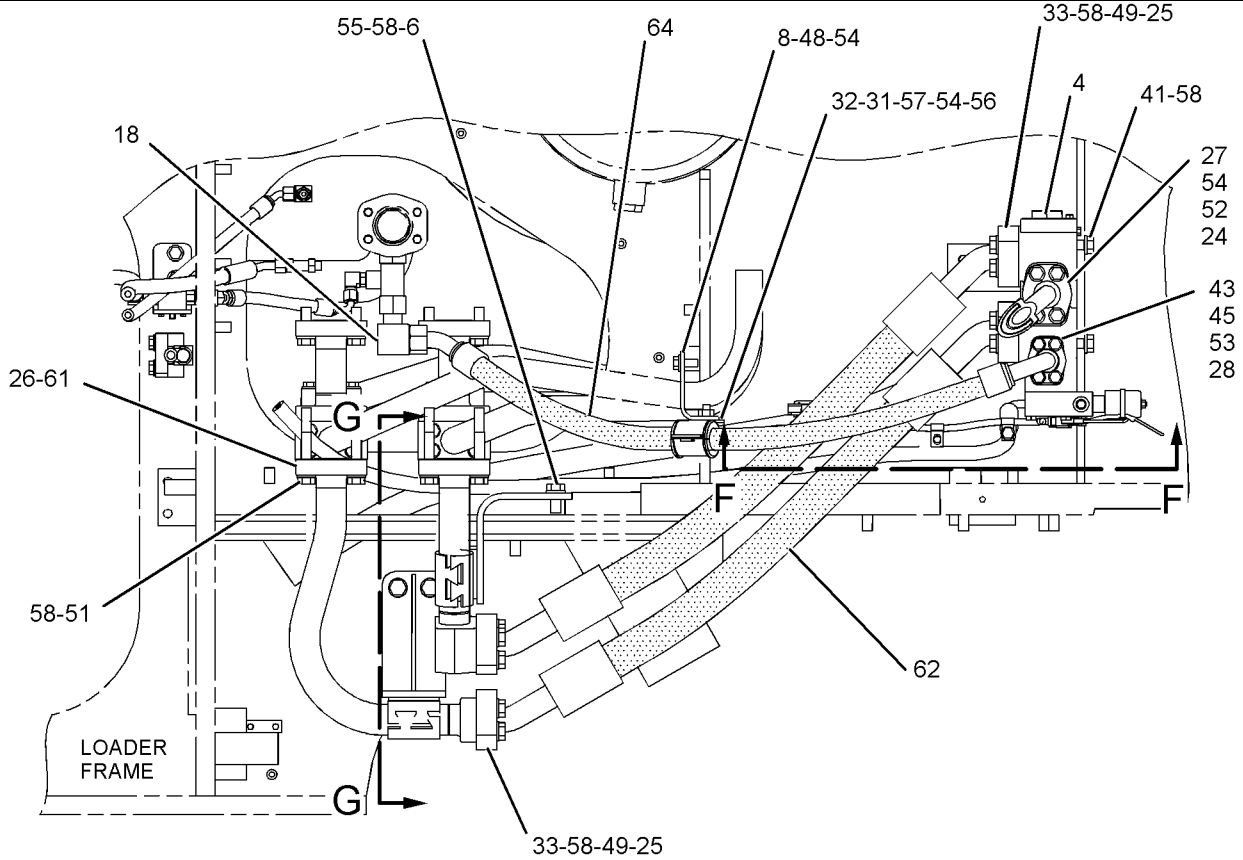
GRAPHIC #2

g01025147

# HYDRAULIC SYSTEM

220-1643 CONTROL & LINES GP-RIDE (contd.)

i02253987



SECTION E-E

REFER TO ALL ILLUSTRATIONS OF THIS GROUP FOR AUXILIARY VIEWS

GRAPHIC #3

<END>

g01025150

# HYDRAULIC SYSTEM

## 220-1643 CONTROL & LINES GP-RIDE

S/N: BNH1126-UP

PART OF 220-6026 CONTROL AR-RIDE

AN ATTACHMENT

SMCS-5004, 5057

i02126122

NOTE	REF NO	GRAPHIC REF	PART NUMBER	QTY	PART NAME						SEE PAGE
					1	2	3	4	5	6 (PRODUCT LEVEL)	
	1	2	9X-6772	1	STRAP-CABLE						
	2	2	124-1718	1	SLEEVE						
	3	2	130-5300	2	CLIP						
Y	4	3	199-3131	1	VALVE GP-RIDE CONTROL						1036
Y	5	1	219-7983	1	ACCUMULATOR GP-RIDE CONTROL (CHARGED)						837
	6	3	220-1657	1	BRACKET AS						
	7	2	220-1659	1	BRACKET AS						
	8	3	221-0130	1	BRACKET AS						
M		3	8T-3597	1	NUT-WELD (M12X1.75-THD)						
	9	2	221-5377	1	HARNESS AS-RIDE CONTROL						
		2	102-8802	1	KIT-RECEPTACLE (2-PIN)						
		2	155-2270	1	KIT-CONNECTING PLUG (2-PIN)						
	10	1	228-7024	1	U-BOLT						
	11	1	230-4932	11	BRACKET AS						
	12	1	231-7717	1	ANGLE AS						
	13	2	231-7719	1	BRACKET						
	14	2	231-7722	1	CLAMP AS						
	15	2	231-7724	1	CLAMP AS						
	16	2	103-1303	4	CLAMP-HALF						
	17	2	148-8333	1	CONNECTOR AS						
		2	6V-8400	1	SEAL-O-RING						
		2	7M-8485	1	SEAL-O-RING						
		2	8T-7927	1	CONNECTOR						
	18	3	148-8352	1	ELBOW AS						
		3	5K-9090	1	SEAL-O-RING						
		3	6V-9854	1	ELBOW						
	19	1	148-8378	1	ELBOW AS						
		1	3J-1907	1	SEAL-O-RING						
		1	6V-8397	1	SEAL-O-RING						
		1	6V-8724	1	ELBOW						
	20	2	148-8387	1	ELBOW AS						
		2	6V-8400	1	SEAL-O-RING						
		2	6V-9855	1	ELBOW						
	21	2	148-8415	1	REDUCER AS						
		2	6V-8397	1	SEAL-O-RING						
		2	6V-8936	1	REDUCER						
	22	1	148-8428	1	TEE AS						
		1	3K-0360	1	SEAL-O-RING						
		1	6V-8398	2	SEAL-O-RING						
		1	6V-8782	1	TEE						
	23	2	164-4058	1	REDUCER AS						
		2	5K-9090	1	SEAL-O-RING						
		2	6V-8948	1	REDUCER						
	24	3	1P-3704	1	SEAL-RECTANGULAR						
	25	3	1P-3705	4	SEAL-RECTANGULAR						
	26	2,3	1P-3706	2	SEAL-RECTANGULAR						
	27	3	1P-5767	2	FLANGE-HALF						
	28	3	4J-0520	1	SEAL-O-RING						
	29	1	5P-7464	2	CLIP (SLOT)						
	30	1	5P-7465	2	CLIP (TAB)						
	31	1,2,3	5P-7468	3	CLIP (SLOT)						
	32	1,2,3	5P-7469	3	CLIP (TAB)						
	33	3	5P-8077	8	FLANGE-HALF						
	34	1	5P-8444	1	GROMMET (37-MM ID)						
	35	2	5P-9085	2	CLIP						
	36	2	5P-9299	1	CLIP						
	37	1	6V-1249	2	GROMMET (22-MM ID)						
	38	2	6V-1874	1	GROMMET						

# HYDRAULIC SYSTEM

220-1643 CONTROL & LINES GP-RIDE (contd.)

i02126122

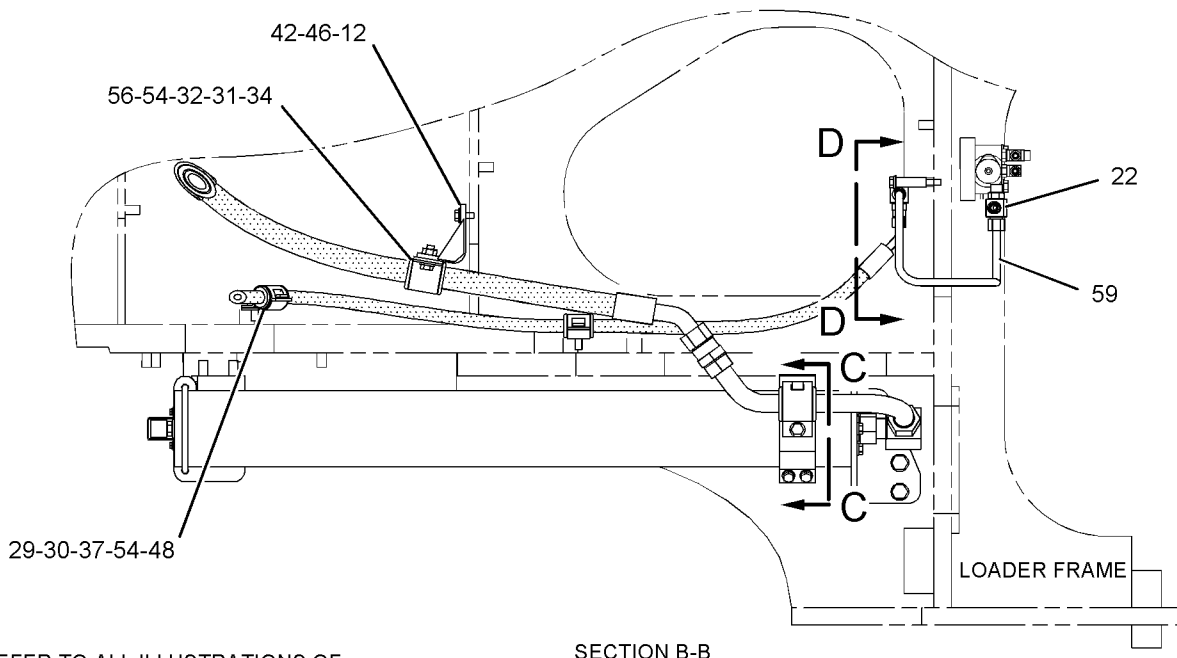
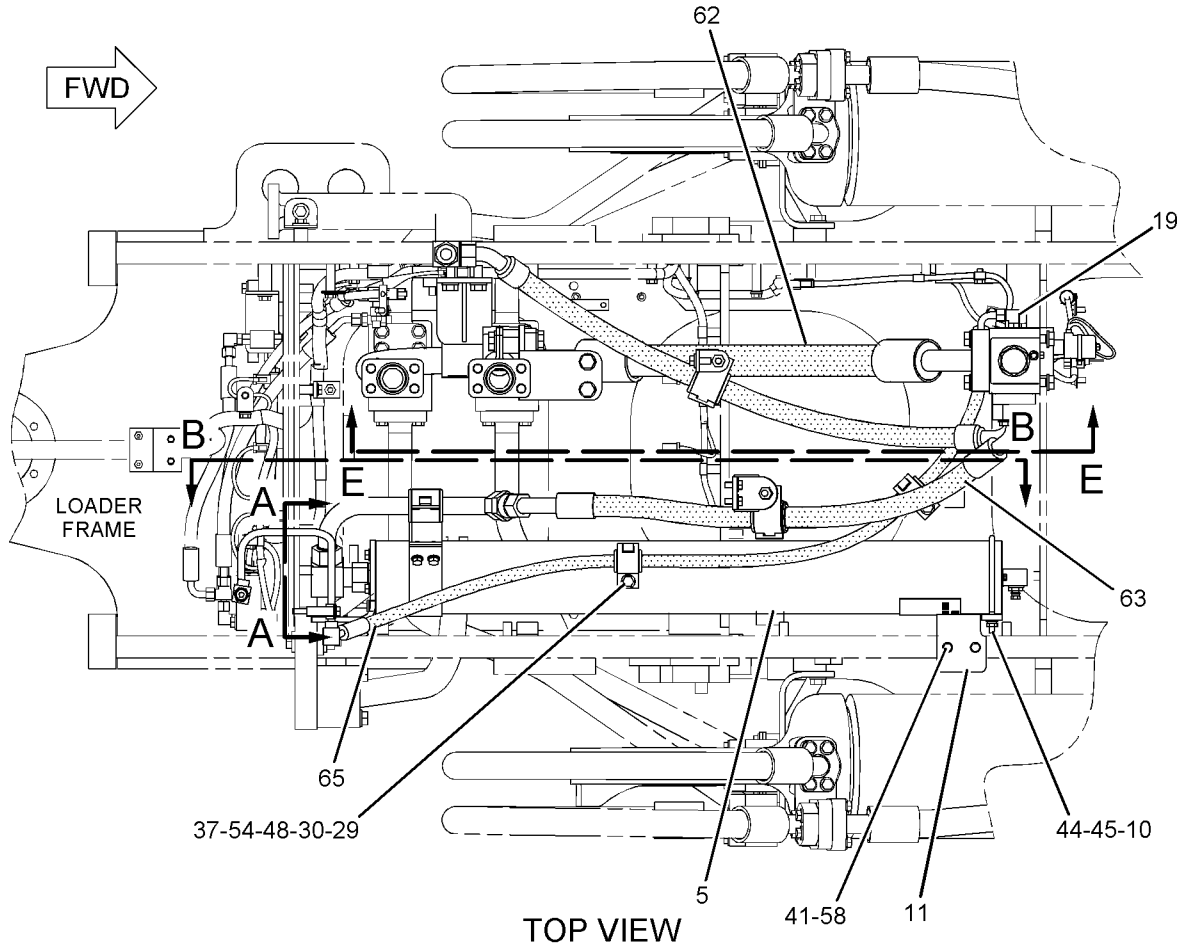
NOTE	REF NO	GRAPHIC REF	PART NUMBER	QTY	PART NAME						SEE PAGE
					1	2	3	4	5	6 (PRODUCT LEVEL)	
	39	2	<b>6V-8398</b>	1	SEAL-O-RING						
	40	2	<b>6V-8400</b>	1	SEAL-O-RING						
CM	41	1,2	<b>7X-2553</b>	6	BOLT (M16X2X40-MM)						
	42	1	<b>7X-7729</b>	2	WASHER (11X25X3-MM THK)						
	43	3	<b>8C-3206</b>	2	FLANGE-HALF						
M	44	1	<b>8T-0389</b>	2	LOCKNUT (M10X1.5-THD)						
	45	1,2,3	<b>8T-4121</b>	15	WASHER-HARD (11X21X2.5-MM THK)						
M	46	1,2	<b>8T-4136</b>	5	BOLT (M10X1.5X25-MM)						
M	47	2	<b>8T-4137</b>	1	BOLT (M10X1.5X20-MM)						
M	48	1,3	<b>8T-4139</b>	3	BOLT (M12X1.75X30-MM)						
M	49	3	<b>8T-4140</b>	19	BOLT (M16X2X60-MM)						
M	50	2	<b>8T-4172</b>	1	BOLT (M10X1.5X80-MM)						
M	51	2,3	<b>8T-4173</b>	8	BOLT (M16X2X110-MM)						
M	52	3	<b>8T-4194</b>	4	BOLT (M12X1.75X50-MM)						
M	53	2,3	<b>8T-4196</b>	8	BOLT (M10X1.5X35-MM)						
	54	1,2,3	<b>8T-4223</b>	10	WASHER-HARD (13.5X25.5X3-MM THK)						
M	55	2,3	<b>8T-4779</b>	6	BOLT (M16X2X35-MM)						
M	56	1,2,3	<b>8T-4956</b>	3	BOLT (M12X1.75X35-MM)						
	57	3	<b>8T-7087</b>	1	GROMMET (34-MM ID)						
	58	1,2,3	<b>9X-8257</b>	36	WASHER (17.5X30X3.5-MM THK)						
	59	1	<b>198-8871</b>	1	TUBE AS						
	60	2	<b>220-1645</b>	1	TUBE AS						
	61	3	<b>220-1646</b>	1	TUBE AS						
I	62	1,3	<b>220-1650</b>	2	HOSE AS						
I	63	1	<b>231-7726</b>	1	HOSE AS						
I	64	3	<b>221-0134</b>	1	HOSE AS						
I	65	1	<b>221-0135</b>	1	HOSE AS						
	66	2	<b>231-7727</b>	1	TUBE AS						
	67	3	<b>246-0561</b>	1	PLATE						
	68	3	<b>7X-0515</b>	6	WASHER-HARD (17X35X5-MM THK)						

C - CHANGE FROM PREVIOUS TYPE  
 I - REFER TO HYDRAULIC INFORMATION SYSTEM  
 M - METRIC PART  
 Y - SEPARATE ILLUSTRATION

# HYDRAULIC SYSTEM

220-1643 CONTROL & LINES GP-RIDE (contd.)

i02126122



REFER TO ALL ILLUSTRATIONS OF THIS GROUP FOR AUXILIARY VIEWS

SECTION B-B

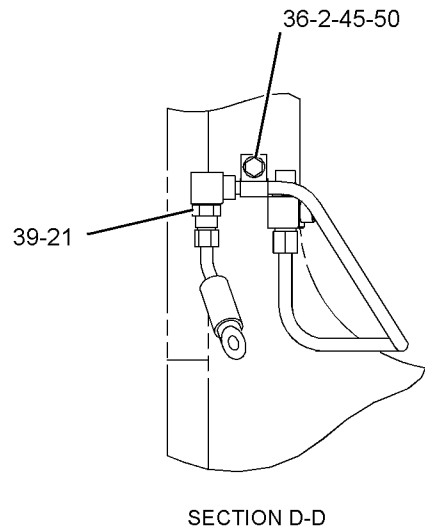
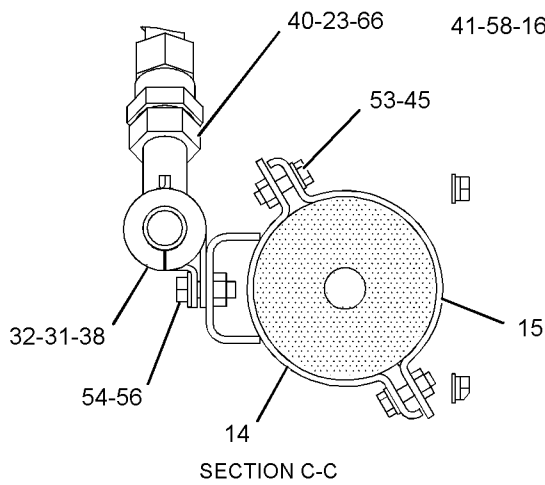
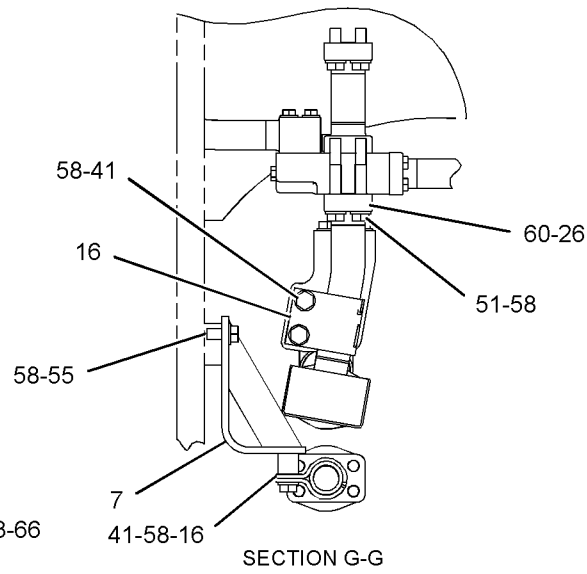
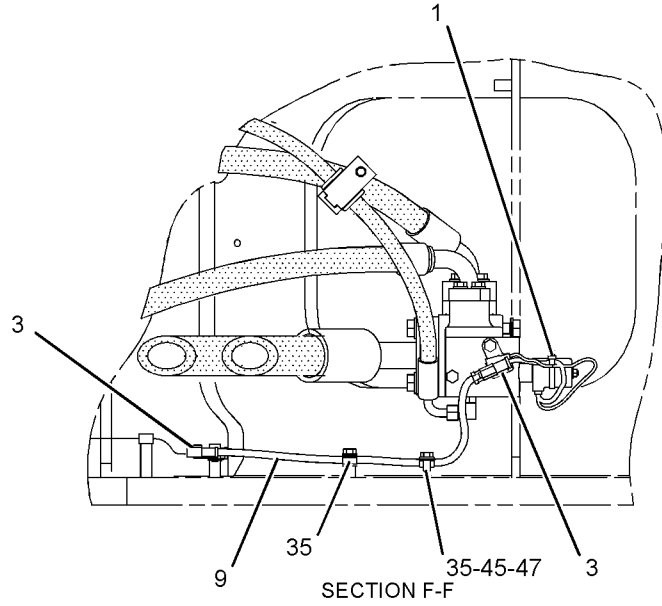
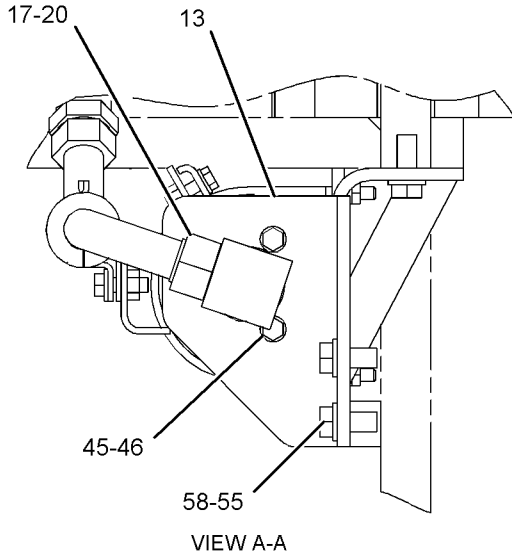
GRAPHIC #1

g01132824

# HYDRAULIC SYSTEM

220-1643 CONTROL & LINES GP-RIDE (contd.)

i02126122



GRAPHIC #2

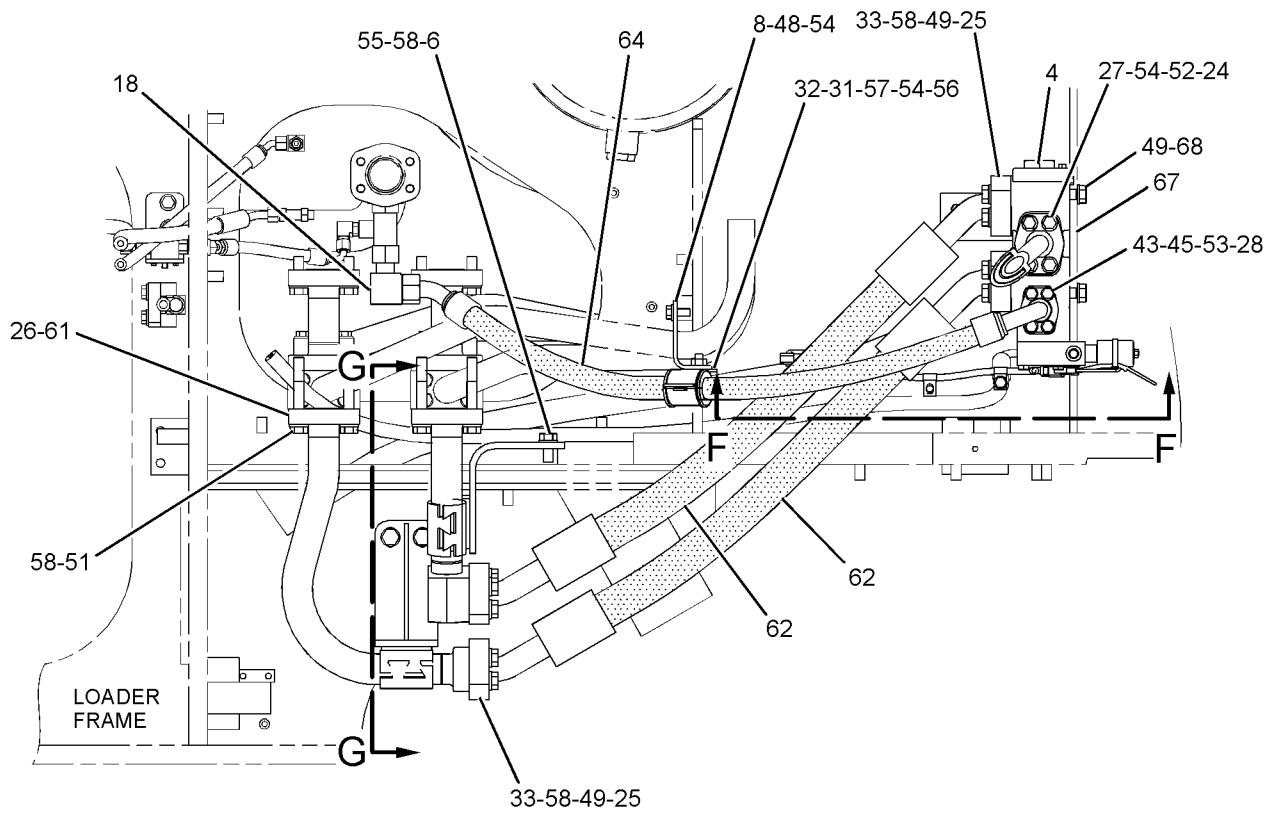
g01025147

# HYDRAULIC SYSTEM

220-1643 CONTROL & LINES GP-RIDE (contd.)

i02126122

REFER TO ALL ILLUSTRATIONS OF THIS GROUP FOR AUXILIARY VIEWS



SECTION E-E

GRAPHIC #3

<END>

g01082385

# HYDRAULIC SYSTEM

## 155-6034 CONTROL AR-RIDE

S/N: BNH1-UP  
AN ATTACHMENT

SMCS-5004

i01972513

NOTE	PART NUMBER	QTY	PART NAME						SEE PAGE
			1	2	3	4	5	6 (PRODUCT LEVEL)	
Y	197-7356	1	CONTROL & LINES GP-RIDE						843
			-OR-						
Y	220-5571	1	HYDRAULIC AR-RIDE CONTROL						892
Y	208-0546	1	SWITCH GP-RIDE CONTROL						349

Y - SEPARATE ILLUSTRATION

<END>

## 220-6026 CONTROL AR-RIDE

S/N: BNH1-UP  
AN ATTACHMENT

SMCS-5004

i01933386

NOTE	PART NUMBER	QTY	PART NAME						SEE PAGE
			1	2	3	4	5	6 (PRODUCT LEVEL)	
Y	220-5571	1	HYDRAULIC AR-RIDE CONTROL						892
			S/N: BNH1-591						
Y	220-1643	1	CONTROL & LINES GP-RIDE						857
			S/N: BNH592-UP						
Y	221-9174	1	GUARD GP-BOTTOM						622
			S/N: BNH592-UP						
Y	222-3185	1	HARDWARE GP-MOUNTING						632
			S/N: BNH592-UP						
	208-0546	1	SWITCH GP-RIDE CONTROL						

Y - SEPARATE ILLUSTRATION

<END>



# HYDRAULIC SYSTEM

## 164-0058 COOLER GP-HYDRAULIC OIL

S/N: BNH1-UP

PART OF 203-1567 CHASSIS AR

SMCS-1374

i01646246

NOTE	REF NO	GRAPHIC REF	PART NUMBER	QTY	PART NAME						SEE PAGE
					1	2	3	4	5	6 (PRODUCT LEVEL)	
	1	1	<b>1M-6298</b>	4	CLAMP-MOUNTING						
	2	1	<b>1P-5411</b>	2	SLEEVE						
	3	1	<b>1P-5412</b>	4	BUSHING-TERMINAL						
	4	1	<b>3H-8726</b>	2	MOUNT AS						
	5	1	<b>4S-8875</b>	2	SPACER (13.5X38X22.6-MM THK)						
	6	1	<b>204-2640</b>	1	CORE AS-HYDRAULIC OIL COOLER						
	7	1	<b>7X-0590</b>	2	WASHER-HARD (13.5X44.5X6-MM THK)						
M	8	1	<b>7X-2549</b>	2	BOLT (M12X1.75X100-MM)						
	9	1	<b>8T-4121</b>	8	WASHER-HARD (11X21X2.5-MM THK)						
M	10	1	<b>8T-4172</b>	6	BOLT (M10X1.5X80-MM)						
M	11	1	<b>8T-4194</b>	2	BOLT (M12X1.75X50-MM)						
	12	1	<b>8T-4223</b>	4	WASHER-HARD (13.5X25.5X3-MM THK)						
M	13	1	<b>8T-4244</b>	2	NUT (M12X1.75-THD)						
I	14	1	<b>204-0341</b>	1	HOSE AS						
	15	1	<i>148-8327</i>	1	CONNECTOR AS						
		1	<b>3D-2824</b>	1	SEAL-O-RING						
		1	<b>6V-8637</b>	1	CONNECTOR						
		1	<b>6V-9746</b>	1	SEAL-O-RING						
	16	1	<i>148-8347</i>	1	ELBOW AS						
		1	<b>3D-2824</b>	1	SEAL-O-RING						
		1	<b>6V-9007</b>	1	ELBOW						
		1	<b>6V-9746</b>	1	SEAL-O-RING						
	17	1	<b>4S-4455</b>	2	CLIP						
M	18	1	<b>8T-4137</b>	2	BOLT (M10X1.5X20-MM)						

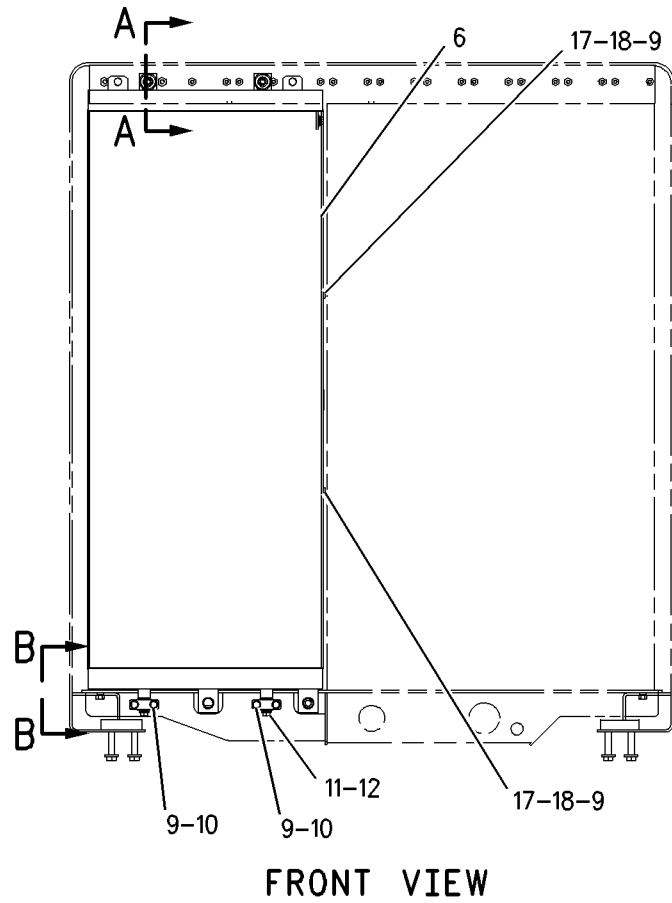
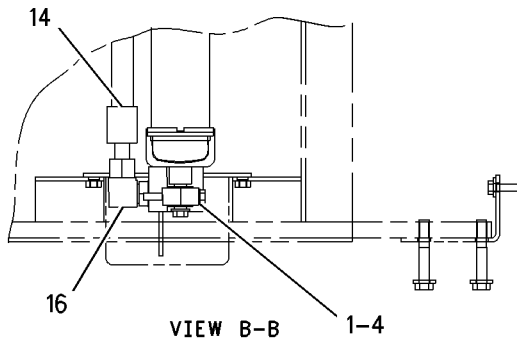
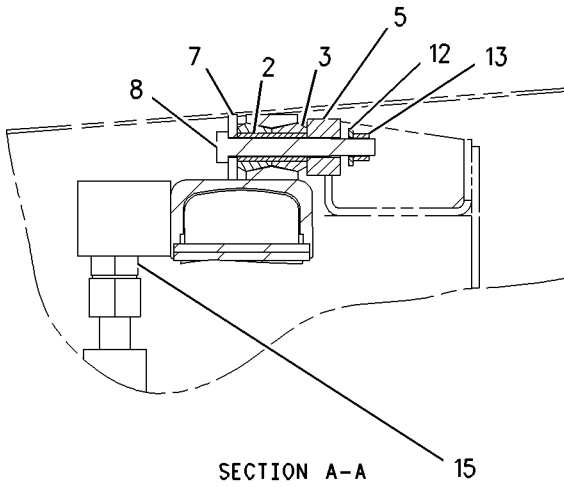
I - REFER TO HYDRAULIC INFORMATION SYSTEM

M - METRIC PART

# HYDRAULIC SYSTEM

164-0058 COOLER GP-HYDRAULIC OIL (contd.)

i01646246



GRAPHIC #1

<END>

g00814585

# HYDRAULIC SYSTEM

## 173-8612 CYLINDER GP-LIFT-RH

S/N: BNH1-UP

220MM BORE X 911MM STROKE

PART OF 132-6136 LINES GP-LIFT CYLINDER

SMCS-5102

i04855510

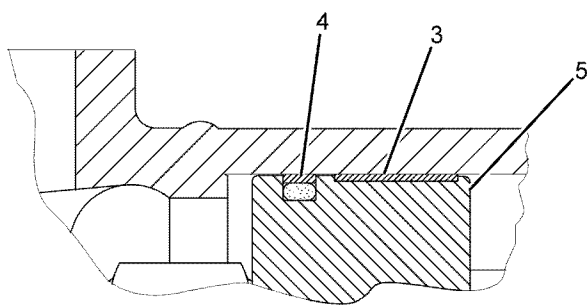
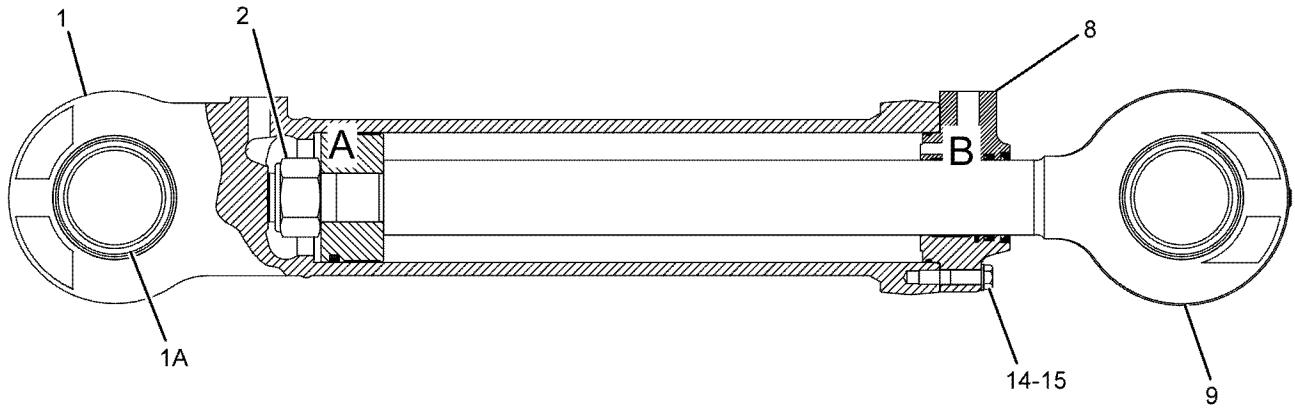
NOTE	REF NO	GRAPHIC REF	PART NUMBER	QTY	PART NAME						SEE PAGE
					1	2	3	4	5	6 (PRODUCT LEVEL)	
R	1	1	<b>173-8615</b>	1	CYLINDER AS						
	1A	1	<b>152-3750</b>	1	BEARING						
	2	1	<b>7J-9250</b>	1	LOCKNUT (3-1/4X12-THD)						
J	3	1	<b>6E-0496</b>	1	RING-WEAR						
J	4	1	<b>219-1438</b>	1	SEAL AS						
	5	1	<b>276-0478</b>	1	PISTON						
J	6	1	<b>9M-5894</b>	1	SEAL-O-RING						
J	7	1	<b>108-0122</b>	1	RING-BACKUP						
	8	1	<b>173-8614</b>	1	HEAD						
R	9	1	<b>135-7816</b>	1	ROD AS						
		1	<b>152-3750</b>	1	BEARING						
J	10	1	<b>346-9383</b>	1	SEAL-WIPER						
J	11	1	<b>167-2339</b>	1	SEAL-U-CUP						
J	12	1	<b>346-9381</b>	1	SEAL AS-BUFFER						
J	13	1	<b>8T-3331</b>	1	RING-WEAR						
M	14	1	<b>8T-0668</b>	11	BOLT (M24X3X110-MM)						
	15	1	<b>6V-8237</b>	11	WASHER (26X44X4-MM THK)						
AVAILABLE REPAIR KIT(S):											
J			<b>229-5549</b>	1	KIT-SEAL (CYLINDER)						
(INCLUDES SEALS & RINGS)											
(FOR USE WITH REHS1392)											

J - KIT MARKED J SERVICES PARTS MARKED J  
M - METRIC PART  
R - REMFG PART MAY BE AVAILABLE

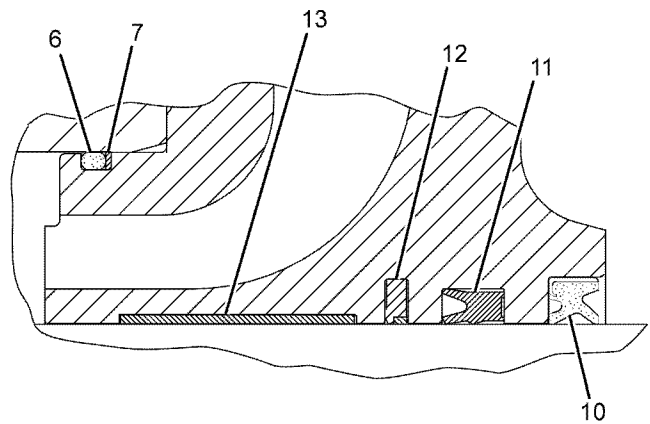
# HYDRAULIC SYSTEM

173-8612 CYLINDER GP-LIFT (contd.)

i04855510



VIEW OF AREA A



VIEW OF AREA B

GRAPHIC #1

<END>

g01021002

# HYDRAULIC SYSTEM

## 173-8613 CYLINDER GP-LIFT-LH

S/N: BNH1-UP

220MM BORE X 911MM STROKE

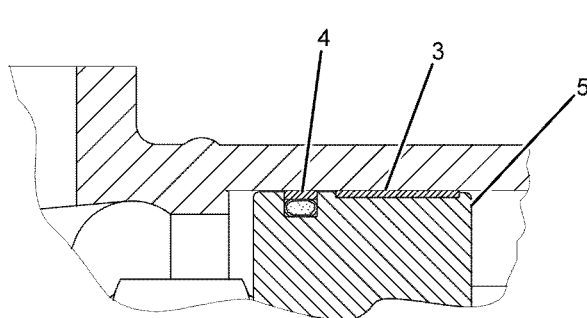
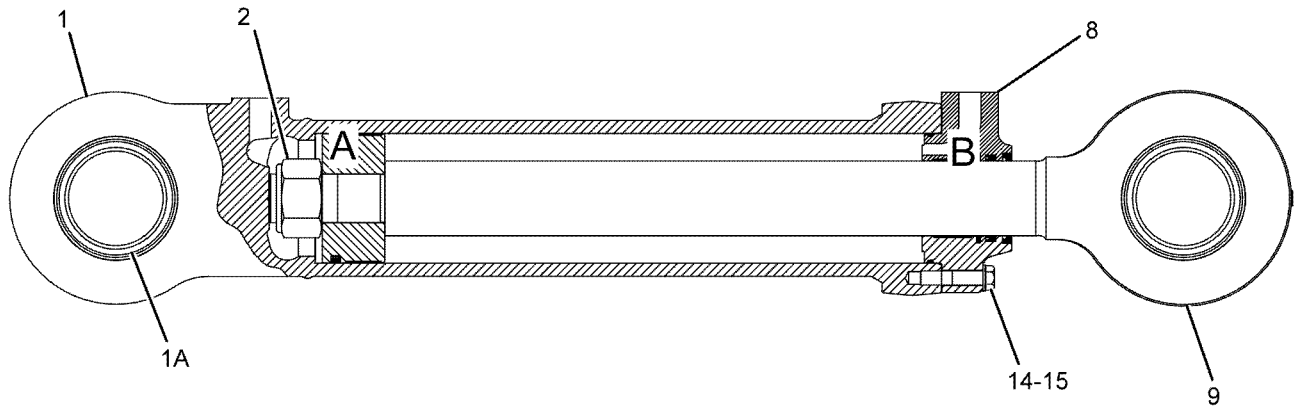
PART OF 132-6136 LINES GP-LIFT CYLINDER

SMCS-5102

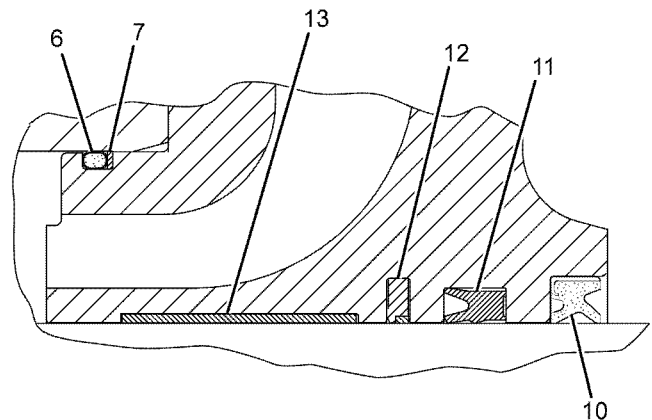
i02375189

NOTE	REF NO	GRAPHIC REF	PART NUMBER	QTY	PART NAME						SEE PAGE
					1	2	3	4	5	6	
	1	1	173-8616	1	CYLINDER AS						
	1A	1	152-3750	1	BEARING						
	2	1	7J-9250	1	LOCKNUT (3-1/4X12-THD)						
	3	1	6E-0496	1	RING-WEAR						
	4	1	219-1438	1	SEAL AS						
	5	1	276-0478	1	PISTON						
	6	1	9M-5894	1	SEAL-O-RING						
	7	1	108-0122	1	RING-BACKUP						
	8	1	173-8614	1	HEAD						
	9	1	135-7816	1	ROD AS						
		1	152-3750	1	BEARING						
	10	1	225-3290	1	SEAL-WIPER						
	11	1	167-2339	1	SEAL-U-CUP						
	12	1	167-2222	1	SEAL AS-BUFFER						
	13	1	8T-3331	1	RING-WEAR						
M	14	1	8T-0668	11	BOLT (M24X3X110-MM)						
	15	1	6V-8237	11	WASHER (26X44X4-MM THK)						

M - METRIC PART



VIEW OF AREA A



VIEW OF AREA B

GRAPHIC #1

<END>

g01020962

# HYDRAULIC SYSTEM

## 152-1644 CYLINDER GP-TILT-HIGH LIFT MACHINES

S/N: BNH1-1090

220MM BORE X 1770MM STROKE

PART OF 156-5519 LINES GP-TILT CYLINDER

SMCS-5104

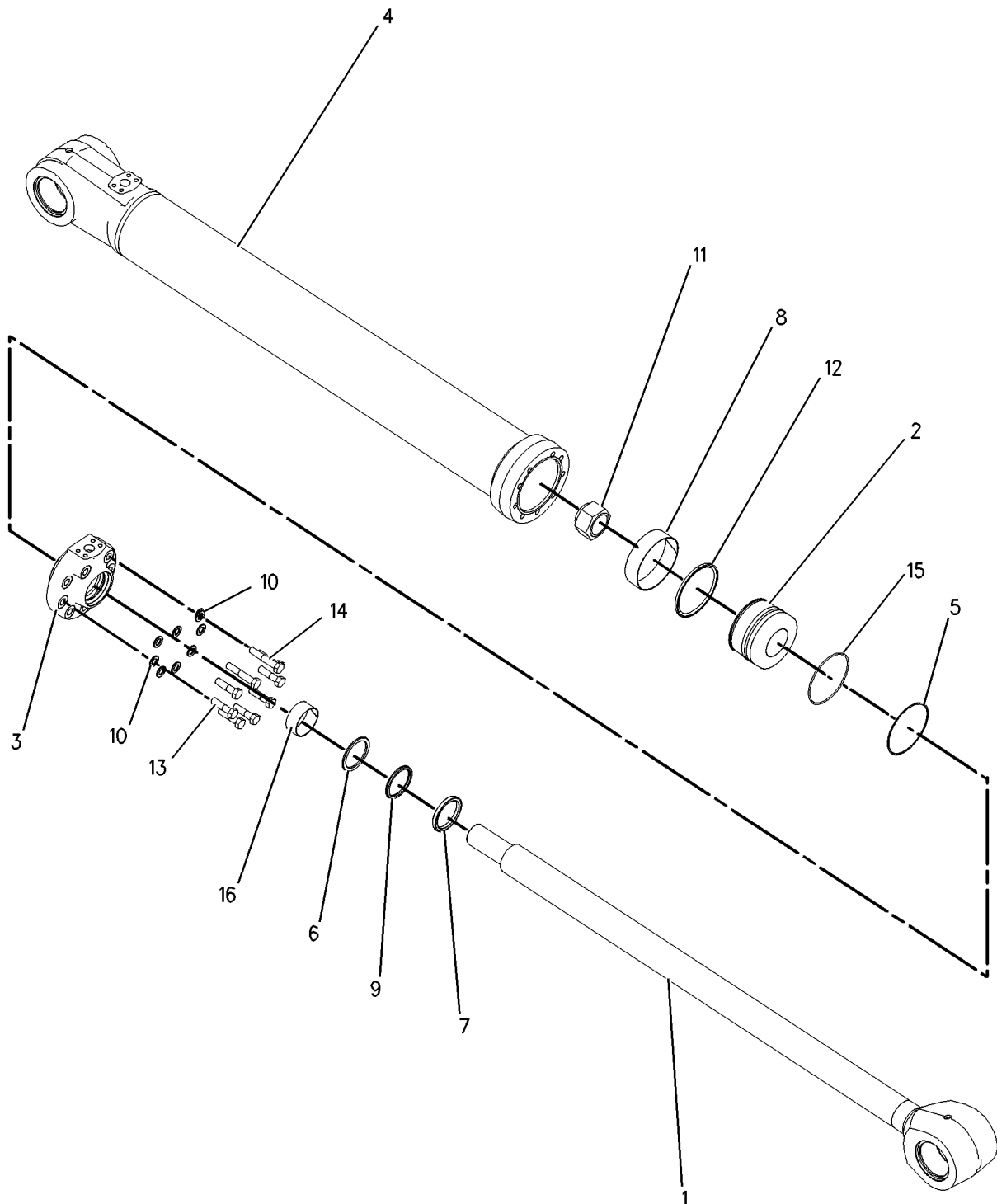
i02109986

NOTE	REF NO	GRAPHIC REF	PART NUMBER	QTY	PART NAME						SEE PAGE
					1	2	3	4	5	6 (PRODUCT LEVEL)	
	1	1	<b>152-1646</b>	1	ROD AS						
		1	<b>152-3739</b>	2	BEARING-SLEEVE						
	2	1	<b>136-1082</b>	1	PISTON						
	3	1	<b>196-2332</b>	1	HEAD						
	4	1	<b>152-1645</b>	1	CYLINDER AS						
		1	<b>152-3739</b>	2	BEARING-SLEEVE						
J	5	1	<b>108-0122</b>	1	RING-BACKUP						
J	6	1	<b>167-2220</b>	1	SEAL AS-BUFFER						
J	7	1	<b>225-3289</b>	1	SEAL-WIPER						
J	8	1	<b>6E-0496</b>	1	RING-WEAR						
J	9	1	<b>167-2440</b>	1	SEAL AS						
	10	1	<b>6V-8237</b>	9	WASHER (26X44X4-MM THK)						
	11	1	<b>7J-9250</b>	1	LOCKNUT (3-1/4X12-THD)						
J	12	1	<b>192-1425</b>	1	SEAL AS						
M	13	1	<b>8T-0666</b>	7	BOLT (M24X3X90-MM)						
M	14	1	<b>8T-0669</b>	2	BOLT (M24X3X130-MM)						
J	15	1	<b>9M-5894</b>	1	SEAL-O-RING						
J	16	1	<b>9X-3579</b>	1	RING-WEAR						
					AVAILABLE REPAIR KIT(S) :						
			<b>229-5546</b>	1	KIT-GASKET						
J - PARTS MARKED J INCLUDED IN KIT MARKED J M - METRIC PART											

# HYDRAULIC SYSTEM

152-1644 CYLINDER GP-TILT (contd.)

i02109986



GRAPHIC #1

<END>

g00998667

# HYDRAULIC SYSTEM

## 231-1955 CYLINDER GP-TILT

S/N: BNH1091-UP

220-MM BORE X 1770-MM STROKE

PART OF 156-5519 LINES GP-TILT CYLINDER

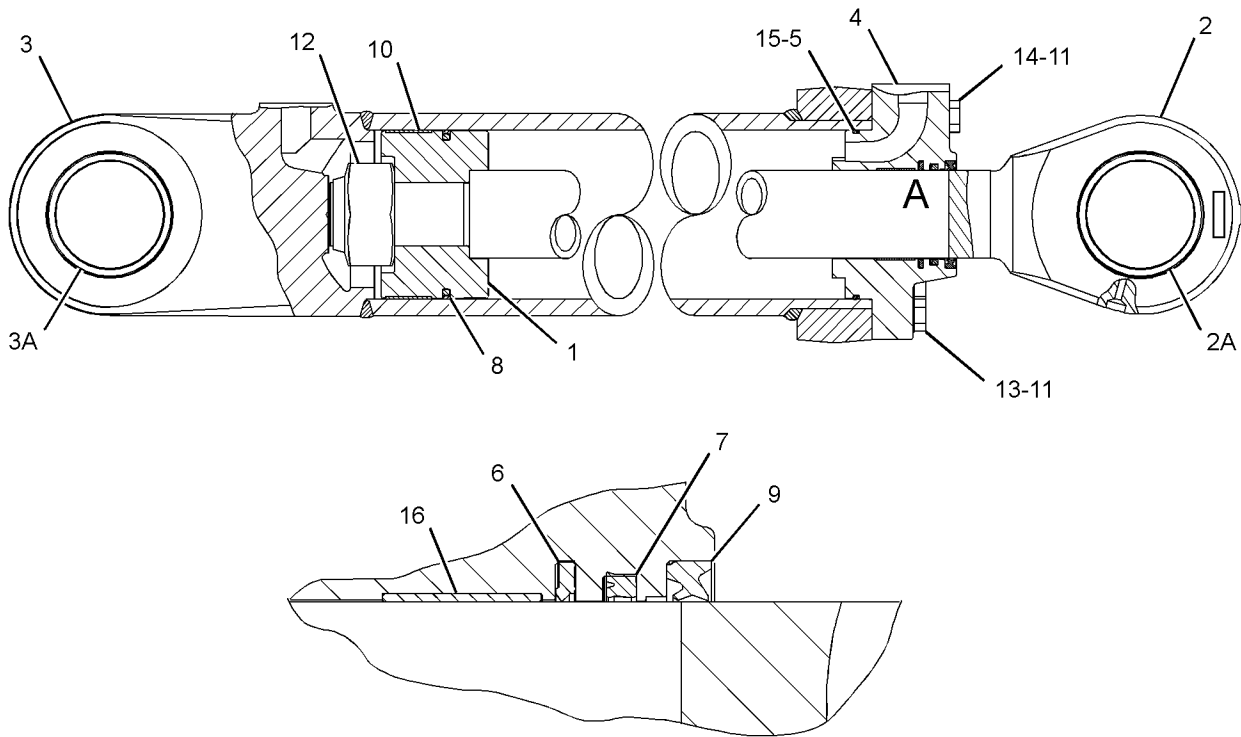
SMCS-5104

i02928069

NOTE	REF NO	GRAPHIC REF	PART NUMBER	QTY	PART NAME						SEE PAGE
					1	2	3	4	5	6	
	1	1	136-1082	1	PISTON						
R	2	1	152-1646	1	ROD AS						
	2A	1	152-3739	2	BEARING-SLEEVE						
R	3	1	231-1957	1	CYLINDER AS						
	3A	1	152-3739	2	BEARING-SLEEVE						
	4	1	231-1960	1	HEAD						
	5	1	108-0122	1	RING-BACKUP						
	6	1	167-2220	1	SEAL AS-BUFFER						
	7	1	167-2336	1	SEAL-U-CUP						
	8	1	192-1425	1	SEAL AS						
	9	1	225-3289	1	SEAL-WIPER						
	10	1	6E-0496	1	RING-WEAR						
	11	1	6V-8237	12	WASHER (26X44X4-MM THK)						
	12	1	7J-9250	1	LOCKNUT (3-1/4X12-THD)						
M	13	1	8T-0666	10	BOLT (M24X3X90-MM)						
M	14	1	8T-0669	2	BOLT (M24X3X130-MM)						
	15	1	9M-5894	1	SEAL-O-RING						
	16	1	9X-3579	1	RING-WEAR						

M - METRIC PART

R - REMFG PART MAY BE AVAILABLE



VIEW OF AREA A

GRAPHIC #1

<END>

g01458303



# HYDRAULIC SYSTEM

## 179-1557 FILTER & LINES GP-HYDRAULIC-CASE DRAIN

S/N: BNH1-393

PART OF 179-1561 FILTER & MTG GP-HYDRAULIC

SMCS-5057, 5068

i02232887

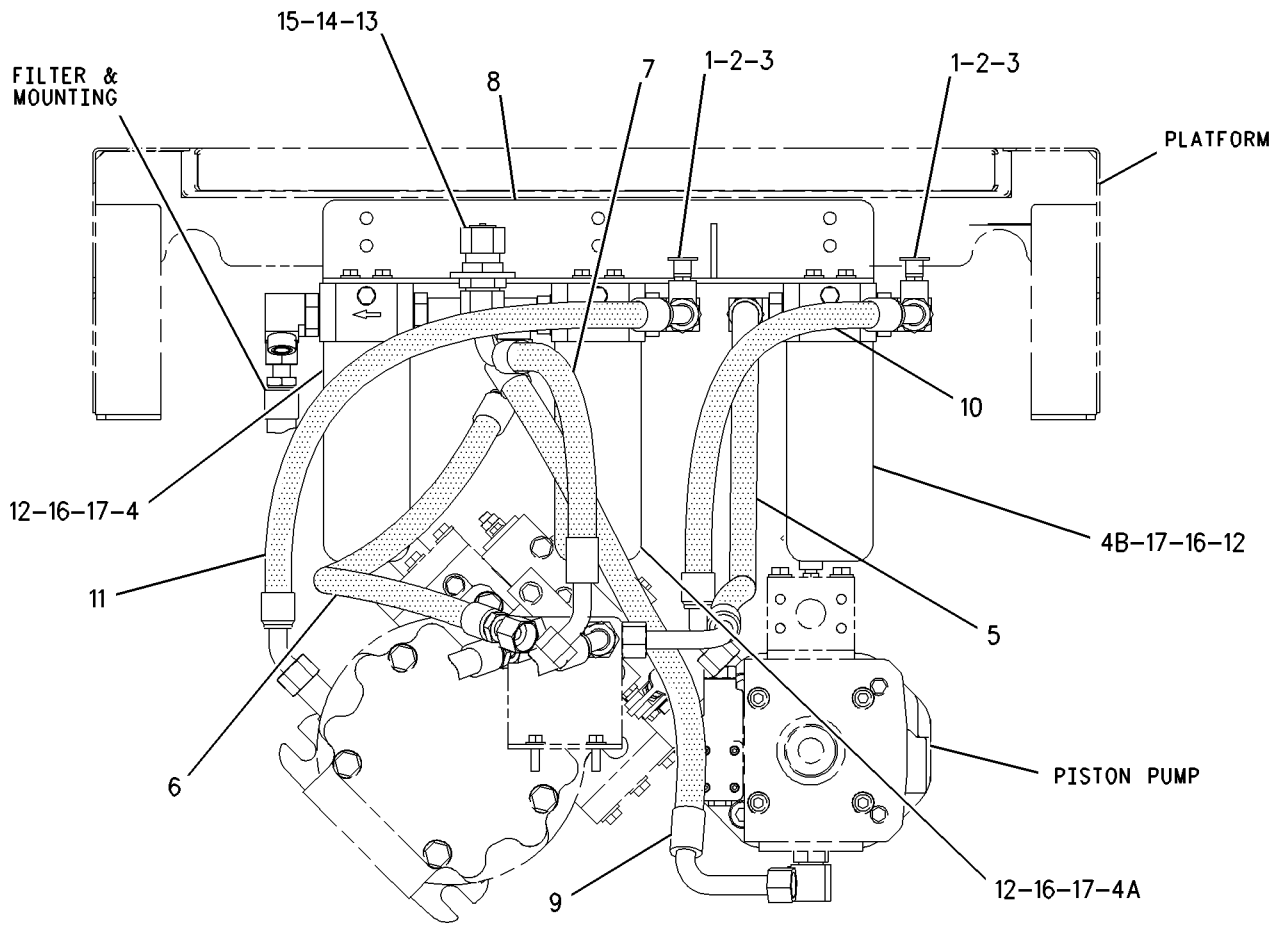
NOTE	REF NO	GRAPHIC REF	PART NUMBER	QTY	PART NAME						SEE PAGE
					1	2	3	4	5	6 (PRODUCT LEVEL)	
C	1	1	<b>6V-0852</b>	2	CAP-DUST						
C	2	1	148-8430	2	TEE AS						
					(EACH INCLUDES)						
		1	<b>7X-0873</b>	1	TEE						
		1	<b>6V-9746</b>	1	SEAL-O-RING						
C	3	1	164-5567	2	COUPLER AS-QUICK DISCONNECT (MALE)						
					(EACH INCLUDES)						
		1	<b>6V-3965</b>	1	FITTING (QUICK DISCONNECT)						
		1	<b>3J-1907</b>	1	SEAL-O-RING						
Y	4	1	<b>166-4647</b>	1	FILTER GP-OIL (HYD FAN PUMP, MOTOR CASE DRAIN)						888
Y	4A	1	<b>166-4647</b>	1	FILTER GP-OIL (HYDRAULIC PUMP CASE DRAIN)						888
Y	4B	1	<b>166-4647</b>	1	FILTER GP-OIL (STEERING PUMP CASE DRAIN)						888
I	5	1	<b>179-2213</b>	1	HOSE AS						
I	6	1	<b>179-2214</b>	1	HOSE AS						
CI	7	1	<b>203-4811</b>	1	HOSE AS						
C	8	1	<b>203-5535</b>	1	BRACKET AS						
CI	9	1	<b>203-9088</b>	1	HOSE AS						
CI	10	1	<b>204-0134</b>	1	HOSE AS						
CI	11	1	<b>204-0135</b>	1	HOSE AS						
	12	1	148-8360	6	ELBOW AS						
					(EACH INCLUDES)						
		1	<b>6V-9182</b>	1	ELBOW						
		1	<b>6V-9746</b>	1	SEAL-O-RING						
		1	<b>7M-8485</b>	1	SEAL-O-RING						
C	13	1	155-2026	2	UNION AS						
					(EACH INCLUDES)						
		1	<b>6V-8998</b>	1	UNION						
		1	<b>5K-9090</b>	2	SEAL-O-RING						
C	14	1	<b>6V-9172</b>	2	NUT (1-7/16-12-THD)						
C	15	1	<b>6V-9833</b>	2	CAP AS						
	16	1	<b>8T-4121</b>	12	WASHER-HARD (11X21X2.5-MM THK)						
M	17	1	<b>8T-4136</b>	12	BOLT (M10X1.5X25-MM)						

C - CHANGE FROM PREVIOUS TYPE  
 I - REFER TO HYDRAULIC INFORMATION SYSTEM  
 M - METRIC PART  
 Y - SEPARATE ILLUSTRATION

# HYDRAULIC SYSTEM

179-1557 FILTER & LINES GP-HYDRAULIC (contd.)

i02232887



GRAPHIC #1

<END>

g00866911

# HYDRAULIC SYSTEM

## 179-1557 FILTER & LINES GP-HYDRAULIC-CASE DRAIN

S/N: BNH394-UP

PART OF 179-1561, 228-4400 FILTER & MTG GP-HYDRAULIC

SMCS-5057, 5068

i02232888

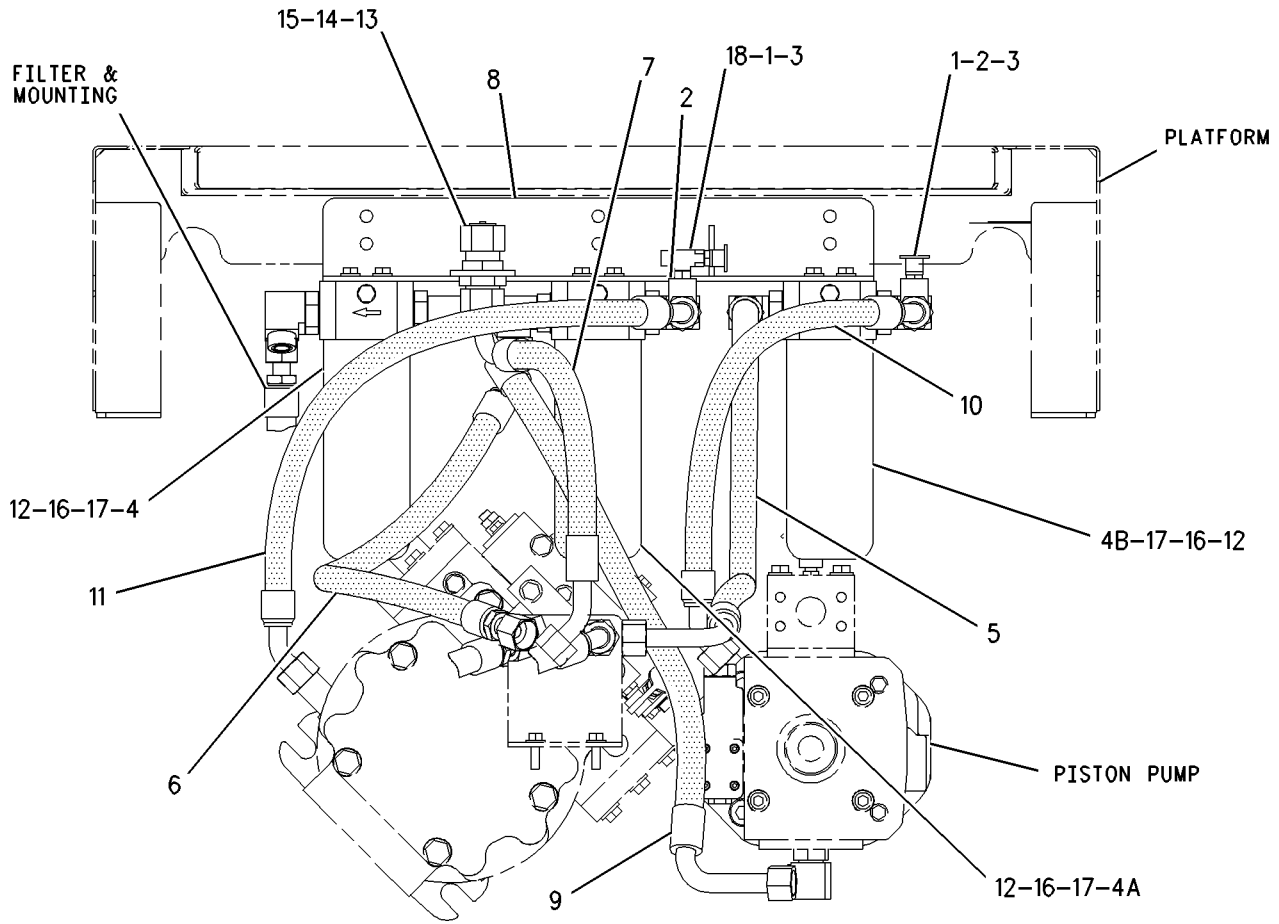
NOTE	REF NO	GRAPHIC REF	PART NUMBER	QTY	PART NAME						SEE PAGE
					1	2	3	4	5	6 (PRODUCT LEVEL)	
	1	1	<b>6V-0852</b>	2	CAP-DUST						
	2	1	<i>148-8430</i>	2	TEE AS						
					(EACH INCLUDES)						
		1	<b>7X-0873</b>	1	TEE						
		1	<b>6V-9746</b>	1	SEAL-O-RING						
	3	1	<i>164-5567</i>	2	COUPLER AS-QUICK DISCONNECT (MALE)						
					(EACH INCLUDES)						
		1	<b>6V-3965</b>	1	FITTING (QUICK DISCONNECT)						
		1	<b>3J-1907</b>	1	SEAL-O-RING						
Y	4	1	<b>166-4647</b>	1	FILTER GP-OIL (HYD FAN PUMP, MOTOR CASE DRAIN)						888
Y	4A	1	<b>166-4647</b>	1	FILTER GP-OIL (HYDRAULIC PUMP CASE DRAIN)						888
Y	4B	1	<b>166-4647</b>	1	FILTER GP-OIL (STEERING PUMP CASE DRAIN)						888
I	5	1	<b>179-2213</b>	1	HOSE AS						
I	6	1	<b>179-2214</b>	1	HOSE AS						
I	7	1	<b>203-4811</b>	1	HOSE AS						
	8	1	<b>203-5535</b>	1	BRACKET AS						
I	9	1	<b>203-9088</b>	1	HOSE AS						
I	10	1	<b>204-0134</b>	1	HOSE AS						
I	11	1	<b>204-0135</b>	1	HOSE AS						
	12	1	<i>148-8360</i>	6	ELBOW AS						
					(EACH INCLUDES)						
		1	<b>6V-9182</b>	1	ELBOW						
		1	<b>6V-9746</b>	1	SEAL-O-RING						
		1	<b>7M-8485</b>	1	SEAL-O-RING						
	13	1	<i>155-2026</i>	2	UNION AS						
					(EACH INCLUDES)						
		1	<b>6V-8998</b>	1	UNION						
		1	<b>5K-9090</b>	2	SEAL-O-RING						
	14	1	<b>6V-9172</b>	2	NUT (1-7/16-12-THD)						
	15	1	<b>6V-9833</b>	2	CAP AS						
	16	1	<b>8T-4121</b>	12	WASHER-HARD (11X21X2.5-MM THK)						
M	17	1	<b>8T-4136</b>	12	BOLT (M10X1.5X25-MM)						
C	18	1	<i>148-8443</i>	1	TEE AS						
		1	<b>3J-1907</b>	1	SEAL-O-RING						
		1	<b>6V-8397</b>	1	SEAL-O-RING						
		1	<b>7X-2459</b>	1	TEE-O-RING						

C - CHANGE FROM PREVIOUS TYPE  
 I - REFER TO HYDRAULIC INFORMATION SYSTEM  
 M - METRIC PART  
 Y - SEPARATE ILLUSTRATION

# HYDRAULIC SYSTEM

179-1557 FILTER & LINES GP-HYDRAULIC (contd.)

i02232888



GRAPHIC #1

<END>

g00873565

# HYDRAULIC SYSTEM

## 179-1561 FILTER & MTG GP-HYDRAULIC-CASE DRAIN

S/N: BNH1-1061

CANNOT BE USED WITH 179-4202 LINES GP-HYDRAULIC  
PART OF 203-1582 HYDRAULIC AR

SMCS-5068

i01935631

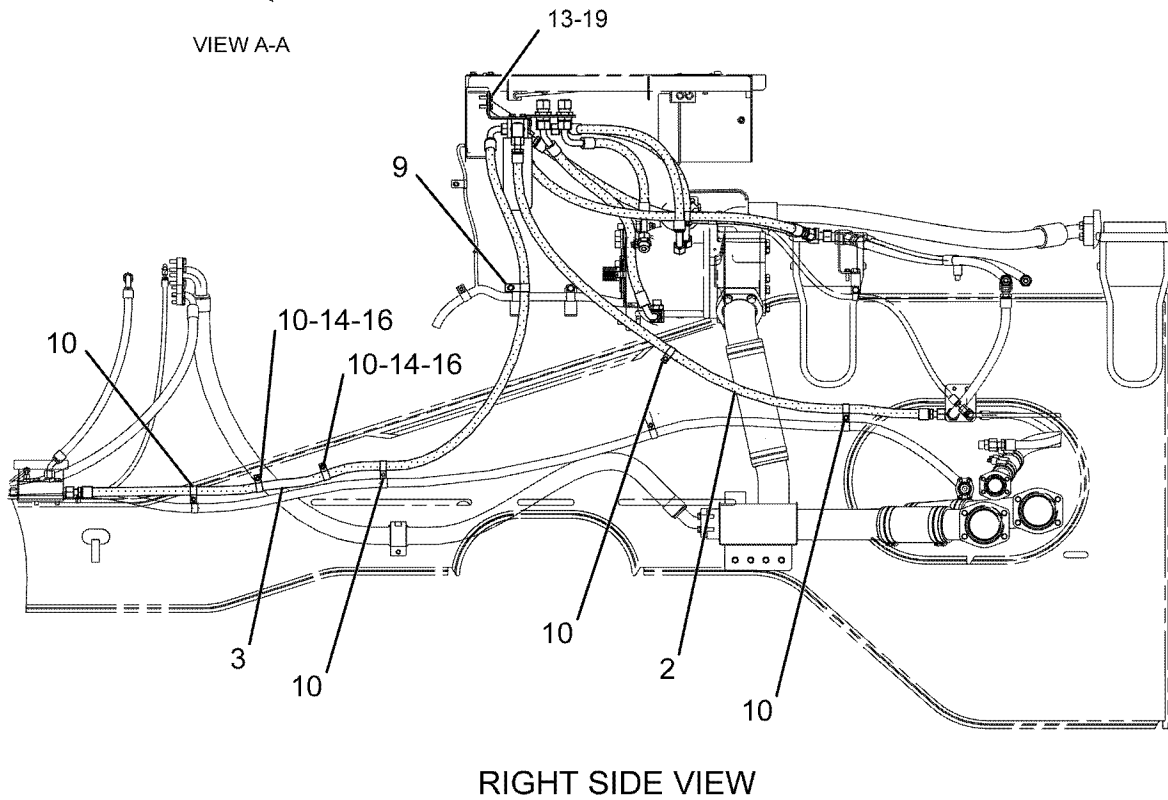
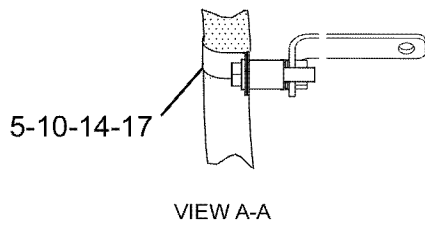
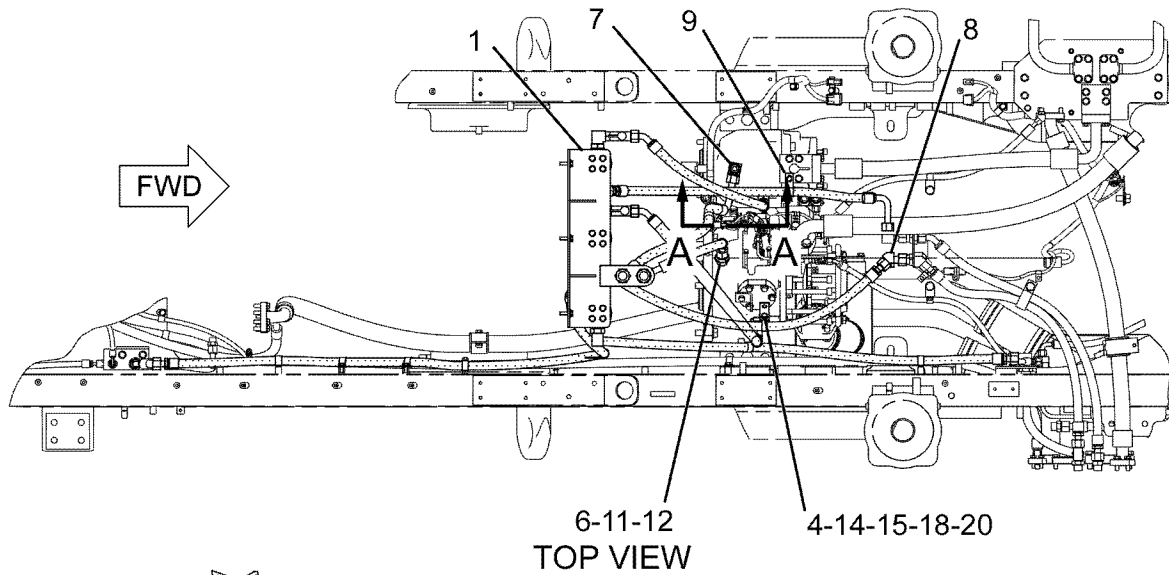
NOTE	REF NO	GRAPHIC REF	PART NUMBER	QTY	PART NAME						SEE PAGE
					1	2	3	4	5	6 (PRODUCT LEVEL)	
Y	1	1	179-1557	1	FILTER & LINES GP-HYDRAULIC (CASE DRAIN)						879
I	2	1	179-2209	1	HOSE AS						
I	3	1	179-2212	1	HOSE AS						
	4	1	179-2805	1	BRACKET						
	5	1	097-4896	1	SPACER (12X20X23-MM THK)						
	6	1	109-7074	1	CONNECTOR						
	7	1	148-8347	1	ELBOW AS						
		1	6V-9007	1	ELBOW						
		1	3D-2824	1	SEAL-O-RING						
		1	6V-9746	1	SEAL-O-RING						
	8	1	171-6723	1	ELBOW AS						
		1	8T-8899	1	ELBOW						
		1	6V-9746	1	SEAL-O-RING						
	9	1	3P-2404	2	CLIP						
	10	1	6V-1889	7	CLIP						
	11	1	6V-9746	1	SEAL-O-RING						
	12	1	7M-8485	1	SEAL-O-RING						
	13	1	7X-7729	6	WASHER (11X25X3-MM THK)						
	14	1	8T-4121	5	WASHER-HARD (11X21X2.5-MM THK)						
M	15	1	8T-4133	1	NUT (M10X1.5-THD)						
M	16	1	8T-4137	2	BOLT (M10X1.5X20-MM)						
M	17	1	8T-4185	1	BOLT (M10X1.5X50-MM)						
M	18	1	8T-4195	1	BOLT (M10X1.5X30-MM)						
M	19	1	8T-4196	6	BOLT (M10X1.5X35-MM)						
	20	1	9M-4972	1	CLIP						

I - REFER TO HYDRAULIC INFORMATION SYSTEM  
M - METRIC PART  
Y - SEPARATE ILLUSTRATION

# HYDRAULIC SYSTEM

179-1561 FILTER & MTG GP-HYDRAULIC (contd.)

i01935631



GRAPHIC #1

<END>

g01054721

# HYDRAULIC SYSTEM

## 228-4400 FILTER & MTG GP-HYDRAULIC-CASE DRAIN

S/N: BNH1062-UP

PART OF 203-1582 HYDRAULIC AR

SMCS-5068

i02320566

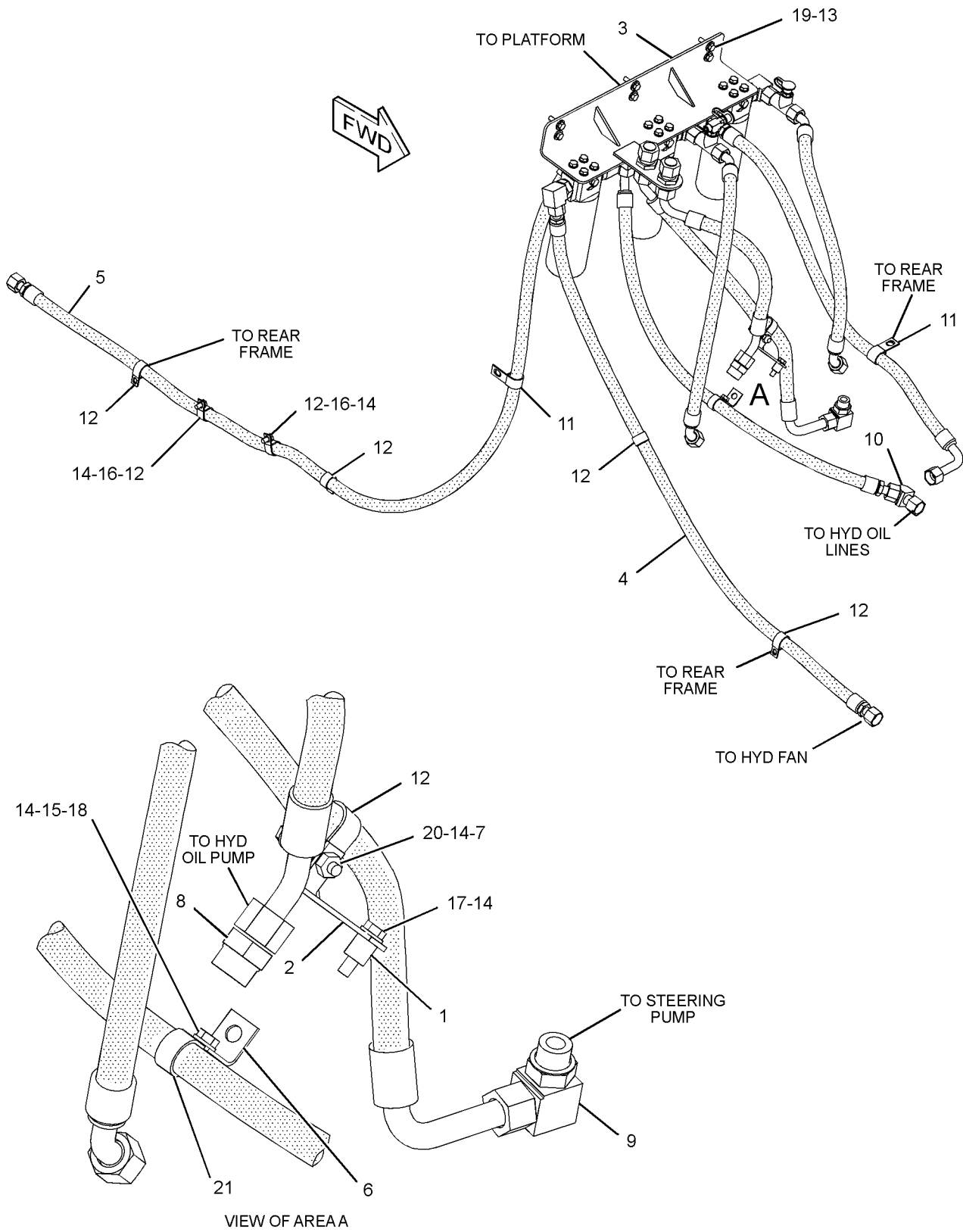
NOTE	REF NO	GRAPHIC REF	PART NUMBER	QTY	PART NAME						SEE PAGE
					1	2	3	4	5	6 (PRODUCT LEVEL)	
	1	1	<b>2B-0941</b>	1	SPACER (10.5X19X19-MM THK)						
	2	1	<b>142-1657</b>	1	BRACKET AS						
M		1	<b>8T-3490</b>	1	NUT-WELD (M10X1.5-THD)						
Y	3	1	<b>179-1557</b>	1	FILTER & LINES GP-HYDRAULIC (CASE DRAIN)						879
I	4	1	<b>9W-1698</b>	1	HOSE AS						
I	5	1	<b>251-9297</b>	1	HOSE AS						
	6	1	<b>179-2805</b>	1	BRACKET						
	7	1	<b>118-9902</b>	1	SPACER (12X20X43-MM THK)						
	8	1	<b>148-8339</b>	1	CONNECTOR AS						
		1	<b>6V-8716</b>	1	CONNECTOR						
		1	<b>6V-9746</b>	1	SEAL-O-RING						
		1	<b>7M-8485</b>	1	SEAL-O-RING						
	9	1	<b>148-8347</b>	1	ELBOW AS						
		1	<b>3D-2824</b>	1	SEAL-O-RING						
		1	<b>6V-9007</b>	1	ELBOW						
		1	<b>6V-9746</b>	1	SEAL-O-RING						
	10	1	<b>171-6723</b>	1	ELBOW AS						
		1	<b>6V-9746</b>	1	SEAL-O-RING						
		1	<b>8T-8899</b>	1	ELBOW						
	11	1	<b>3P-2404</b>	2	CLIP						
	12	1	<b>6V-1889</b>	7	CLIP						
	13	1	<b>7X-7729</b>	6	WASHER (11X25X3-MM THK)						
	14	1	<b>8T-4121</b>	6	WASHER-HARD (11X21X2.5-MM THK)						
M	15	1	<b>8T-4133</b>	1	NUT (M10X1.5-THD)						
M	16	1	<b>8T-4137</b>	2	BOLT (M10X1.5X20-MM)						
M	17	1	<b>8T-4186</b>	1	BOLT (M10X1.5X40-MM)						
M	18	1	<b>8T-4195</b>	1	BOLT (M10X1.5X30-MM)						
M	19	1	<b>8T-4196</b>	6	BOLT (M10X1.5X35-MM)						
M	20	1	<b>8T-5005</b>	1	BOLT (M10X1.5X70-MM)						
	21	1	<b>9M-4972</b>	1	CLIP						

I - REFER TO HYDRAULIC INFORMATION SYSTEM  
M - METRIC PART  
Y - SEPARATE ILLUSTRATION

# HYDRAULIC SYSTEM

228-4400 FILTER & MTG GP-HYDRAULIC (contd.)

i02320566



GRAPHIC #1

<END>

g01160913



# HYDRAULIC SYSTEM

## 115-2129 FILTER GP-OIL-STEERING, IMPLEMENT, PILOT

S/N: BNH1-UP

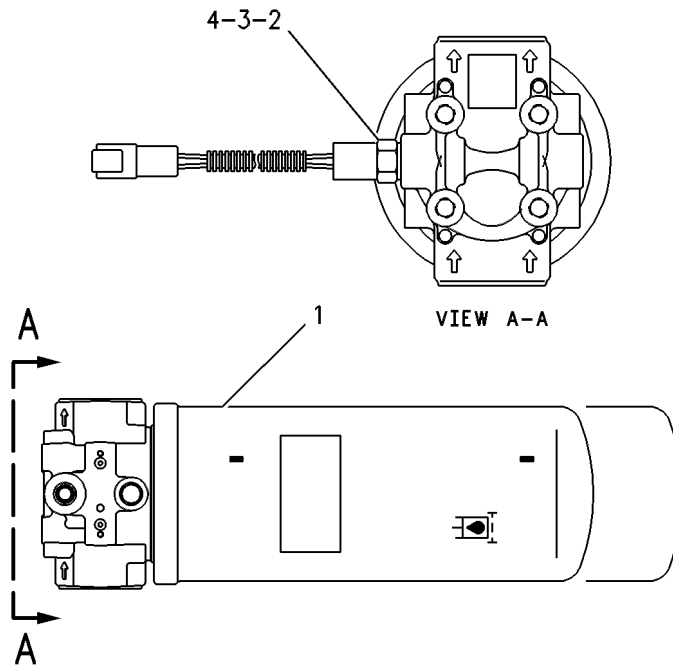
PART OF 203-1588, 228-3173 LINES GP-HYDRAULIC

SMCS-5068, 5091, 5092

i04929469

NOTE	REF NO	GRAPHIC REF	PART NUMBER	QTY	PART NAME						SEE PAGE
					1	2	3	4	5	6 (PRODUCT LEVEL)	
	1	1	<b>126-1817</b>	1	FILTER-OIL (ULTRA HIGH EFFICIENCY)						
	2	1	<b>376-7257</b>	1	SWITCH AS-PRESSURE (OIL FILTER BYPASS)						
		1	<b>102-8802</b>	1	KIT-RECEPTACLE (2-PIN)						
					(INCLUDES RECEPTACLE AS AND WEDGE)						
		1	<b>3J-1907</b>	1	SEAL-O-RING						
		1	<b>8T-8729</b>	2	PIN-CONNECTOR (16-GA TO 18-GA)						
		1	<b>5F-9144</b>	1	SEAL-O-RING						
E		1	<b>9X-1813</b>		SLEEVE (19-CM)						
	3	1	<b>3J-1907</b>	1	SEAL-O-RING						
	4	1	<b>5F-9144</b>	1	SEAL-O-RING						

E - ORDER BY THE CENTIMETER



GRAPHIC #1

<END>

g00255748

# HYDRAULIC SYSTEM

## 166-4647 FILTER GP-OIL-CASE DRAIN

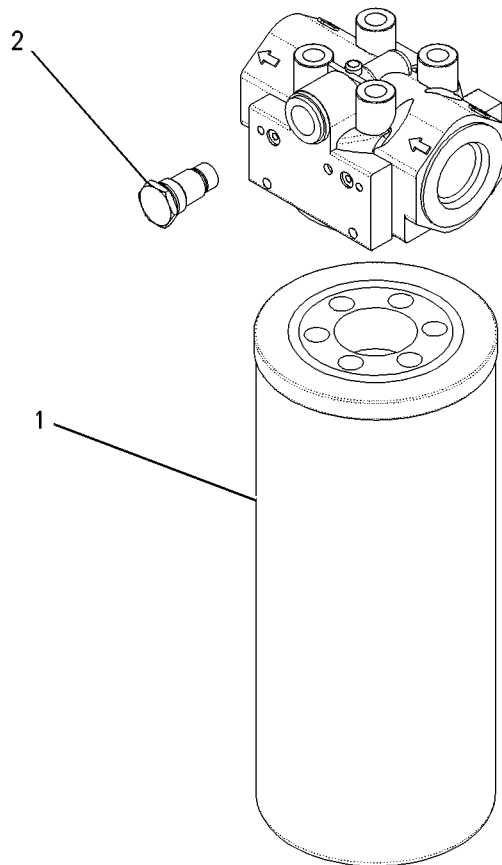
S/N: BNH1-UP

PART OF 179-1557 FILTER & LINES GP-HYDRAULIC

SMCS-5068, 5091, 5092

i03120526

NOTE	REF NO	GRAPHIC REF	PART NUMBER	QTY	PART NAME						SEE PAGE
					1	2	3	4	5	6 (PRODUCT LEVEL)	
	1	1	<b>1G-8878</b>	1	FILTER-OIL (ADVANCED EFFICIENCY)						
	2	1	<b>164-6709</b>	1	PLUG AS						
		1	<b>3J-1907</b>	1	SEAL-O-RING						
		1	<b>5F-9144</b>	1	SEAL-O-RING						



GRAPHIC #1

<END>

g00545272

# HYDRAULIC SYSTEM

## 253-4787 GUARD GP-TILT CYLINDER

S/N: BNH1-UP

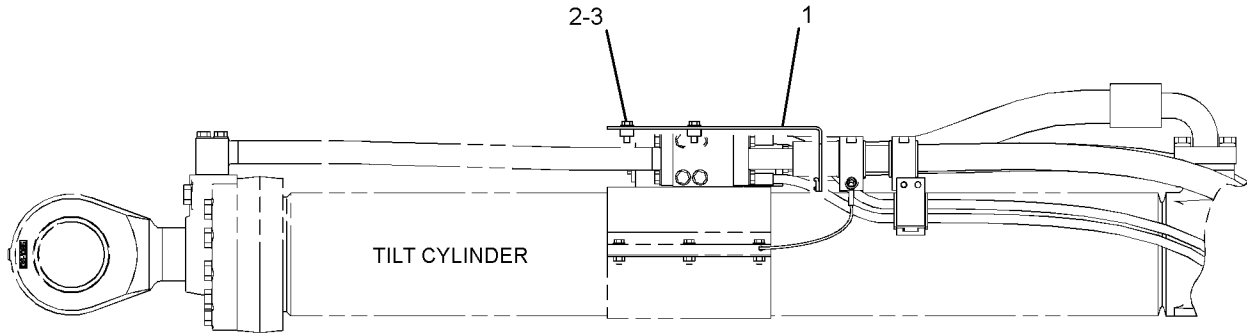
PART OF 275-7839 HYDRAULIC AR-TILT REGENERATION

SMCS-5104, 7164

i02463708

NOTE	REF NO	GRAPHIC REF	PART NUMBER	QTY	PART NAME						SEE PAGE
					1	2	3	4	5	6 (PRODUCT LEVEL)	
	1	1	<b>271-4578</b>	1	BRACKET AS						
		1	<b>6W-3731</b>	3	SPACER (19.07X26.99X14-MM THK)						
		1	<b>7T-1099</b>	2	LINK						
	2	1	<b>8T-4223</b>	3	WASHER-HARD (13.5X25.5X3-MM THK)						
M	3	1	<b>8T-4956</b>	3	BOLT (M12X1.75X35-MM)						

M - METRIC PART



LEFT SIDE VIEW

GRAPHIC #1

<END>

g01257988

# HYDRAULIC SYSTEM

## 203-1582 HYDRAULIC AR

S/N: BNH1-UP

PART OF 203-1564 COMMON AR

SMCS-5051

i04891211

NOTE	PART NUMBER	QTY	PART NAME 1 2 3 4 5 6 (PRODUCT LEVEL)	SEE PAGE
Y	132-6139	1	CONTROL GP-SERVICE BRAKE S/N: BNH1-513	731
Y	220-3818	1	CONTROL GP-SERVICE BRAKE S/N: BNH514-591	751
Y	217-7850	1	CONTROL GP-SERVICE BRAKE (FRONT) S/N: BNH592-UP	749
Y	132-6140	1	CYLINDER & MTG GP-STEERING	783
Y	179-1561	1	FILTER & MTG GP-HYDRAULIC (CASE DRAIN) S/N: BNH1-1061	883
CY	228-4400	1	FILTER & MTG GP-HYDRAULIC (CASE DRAIN) S/N: BNH1062-UP	885
Y	203-1588	1	LINES GP-HYDRAULIC S/N: BNH1-1061	907
CY	228-3173	1	LINES GP-HYDRAULIC S/N: BNH1062-UP	913
Y	132-6136	1	LINES GP-LIFT CYLINDER	938
Y	196-4519	1	LINES GP-POWER TRAIN OIL S/N: BNH1-1061	500
CY	228-4398	1	LINES GP-POWER TRAIN OIL S/N: BNH1062-UP	512
Y	195-0459	1	LINES GP-SERVICE BRAKE (LOADER FRAME) S/N: BNH1-591	771
Y	220-3818	1	CONTROL GP-SERVICE BRAKE S/N: BNH592-1061	751
CY	228-4399	1	CONTROL GP-SERVICE BRAKE S/N: BNH1062-UP	757
Y	132-6135	1	LINES GP-STEERING	795
Y	132-6142	1	LINES GP-STEERING NEUTRALIZER	808
Y	132-6137	1	LINES GP-TILT CYLINDER	942
Y	156-5519	1	LINES GP-TILT CYLINDER (CYLINDER MOUNTED)	944
Y	203-1606	1	PUMP & MTG GP-IMPLEMENT S/N: BNH1-1061	963
CY	228-3174	1	PUMP & MTG GP-IMPLEMENT S/N: BNH1062-UP	964
Y	132-6143	1	TANK & MTG GP-HYDRAULIC	983

C - CHANGE FROM PREVIOUS TYPE  
Y - SEPARATE ILLUSTRATION

<END>

## 201-0837 HYDRAULIC AR-2 VALVE

S/N: BNH1-UP

CANNOT BE USED WITH 201-0808-PAGE: 891  
AN ATTACHMENT

SMCS-5051

i02174674

NOTE	PART NUMBER	QTY	PART NAME 1 2 3 4 5 6 (PRODUCT LEVEL)	SEE PAGE
Y	231-8177	1	ARM & BEARING AS-LIFT	1047
Y	179-9380	1	CONTROL GP-ELECTROHYDRAULIC (2-FUNCTION)	1078
Y	174-3468	1	LINES GP-TILT CYLINDER	948
Y	132-6133	1	VALVE & MTG GP-MAIN CONTROL (2-FUNCTION)	995

Y - SEPARATE ILLUSTRATION

<END>

# HYDRAULIC SYSTEM

## 201-0808 HYDRAULIC AR-3 VALVE

S/N: BNH1-UP

CANNOT BE USED WITH 201-0837-PAGE: 890  
AN ATTACHMENT

SMCS-5051

i01707388

NOTE	PART NUMBER	QTY	PART NAME						SEE PAGE
			1	2	3	4	5	6 (PRODUCT LEVEL)	
	200-5219	1	BLOCK AS						
	103-5350	2	PLATE						
Y	201-1049	1	ARM & BEARING AS-LIFT (4.25-M)						1046
Y	183-5045	1	CONTROL GP-ELECTROHYDRAULIC (3-FUNCTION)						1090
Y	201-0377	1	LINES GP-FRONT						900
Y	174-3620	1	LINES GP-TILT CYLINDER						951
Y	201-0218	1	VALVE & MTG GP-MAIN CONTROL (3-FUNCTION)						998

Y - SEPARATE ILLUSTRATION

<END>

# HYDRAULIC SYSTEM

## 220-5571 HYDRAULIC AR-RIDE CONTROL

S/N: BNH1-591

PART OF 220-6026 CONTROL AR-RIDE  
AN ATTACHMENT

SMCS-5077

i01756664

NOTE	REF NO	GRAPHIC REF	PART NUMBER	QTY	PART NAME						SEE PAGE
					1	2	3	4	5	6 (PRODUCT LEVEL)	
Y	1	1	9T-9552	1	VALVE GP-RIDE CONTROL						1034
	2	1	124-1718	1	SLEEVE						
	3	1	154-8894	1	BRACKET AS						
I	4	1	154-8896	1	HOSE AS						
	5	1	159-8091	1	BRACKET						
	6	1	167-0140	1	BRACKET AS						
	7	1	174-9667	1	BRACKET						
	8	1	174-9670	2	CLAMP AS						
	9	1	197-7360	2	SPACER						
I	10	1	198-6752	1	HOSE AS						
I	11	1	198-6753	1	HOSE AS						
	12	1	198-8195	1	BRACKET AS						
M		1	8T-3490	1	NUT-WELD (M10X1.5-THD)						
	13	1	198-8871	1	TUBE AS						
	14	1	198-9189	1	BRACKET AS						
M		1	8T-3490	1	NUT-WELD (M10X1.5-THD)						
	15	1	201-1003	1	TUBE AS						
	16	1	201-1005	1	TUBE AS						
	17	1	206-5027	1	BRACKET AS						
	18	1	211-9013	1	SPACER						
	19	1	212-7790	1	BRACKET AS						
	20	1	212-7791	1	TUBE AS						
I	21	1	212-7792	1	HOSE AS						
	22	1	212-7793	1	BRACKET AS						
M		1	8T-3490	3	NUT-WELD (M10X1.5-THD)						
	23	1	219-7983	1	ACCUMULATOR GP-RIDE CONTROL (CHARGED)						
	24	1	103-1303	4	CLAMP-HALF						
	25	1	148-8335	1	CONNECTOR AS						
		1	5K-9090	1	SEAL-O-RING						
		1	6V-8635	1	CONNECTOR						
		1	7M-8485	1	SEAL-O-RING						
	26	1	148-8352	2	ELBOW AS						
					(EACH INCLUDES)						
		1	5K-9090	1	SEAL-O-RING						
		1	6V-9854	1	ELBOW						
	27	1	148-8378	1	ELBOW AS						
		1	3J-1907	1	SEAL-O-RING						
		1	6V-8397	1	SEAL-O-RING						
		1	6V-8724	1	ELBOW						
	28	1	148-8415	1	REDUCER AS						
		1	6V-8397	1	SEAL-O-RING						
		1	6V-8936	1	REDUCER						
	29	1	148-8428	1	TEE AS						
		1	3K-0360	1	SEAL-O-RING						
		1	6V-8398	2	SEAL-O-RING						
		1	6V-8782	1	TEE						
	30	1	1P-3704	1	SEAL-RECTANGULAR						
	31	1	1P-3705	4	SEAL-RECTANGULAR						
	32	1	1P-3706	5	SEAL-RECTANGULAR						
	33	1	1P-4577	2	FLANGE-HALF						
	34	1	1P-5767	2	FLANGE-HALF						
	35	1	3E-9411	6	WASHER-HARD (17.5X38X6-MM THK)						
	36	1	4J-0520	1	SEAL-O-RING						
	37	1	5P-1075	2	WASHER-HARD (10.2X22.5X3-MM THK)						
	38	1	5P-1076	6	WASHER-HARD (13.5X30X4-MM THK)						
	39	1	5P-7464	2	CLIP (SLOT)						
	40	1	5P-7465	2	CLIP (TAB)						
	41	1	5P-7468	3	CLIP (SLOT)						

# HYDRAULIC SYSTEM

220-5571 HYDRAULIC AR-RIDE CONTROL (contd.)

i01756664

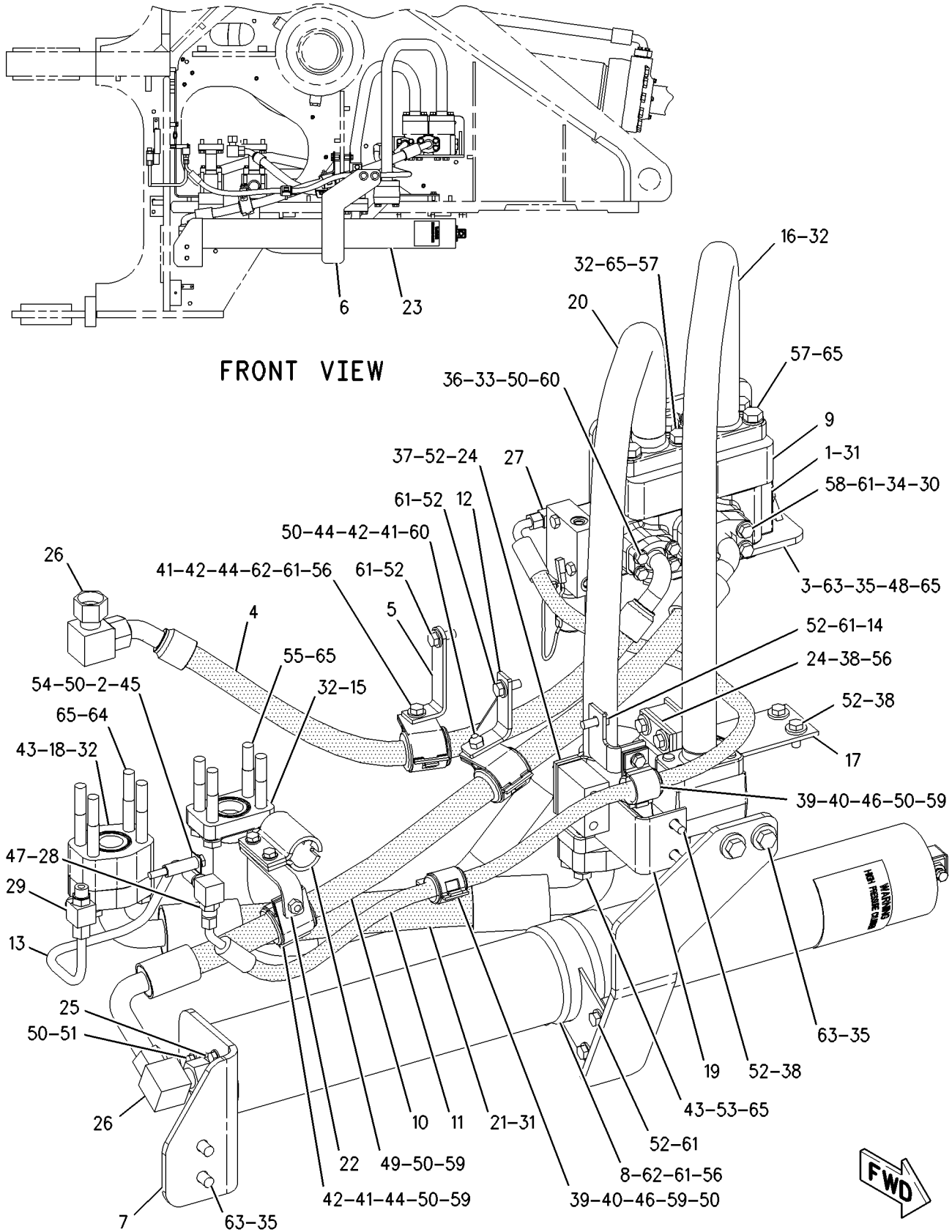
NOTE	REF NO	GRAPHIC REF	PART NUMBER	QTY	PART NAME						SEE PAGE
					1	2	3	4	5	6 (PRODUCT LEVEL)	
	42	1	<b>5P-7469</b>	3	CLIP (TAB)						
	43	1	<b>5P-8077</b>	4	FLANGE - HALF						
	44	1	<b>5P-8444</b>	3	GROMMET						
	45	1	<b>5P-9299</b>	1	CLIP						
	46	1	<b>6V-1249</b>	2	GROMMET (22-MM ID)						
	47	1	<b>6V-8398</b>	1	SEAL-O-RING						
M	48	1	<b>7X-2475</b>	8	BOLT (M16X2X130-MM)						
	49	1	<b>7Y-4038</b>	2	CLAMP - HALF						
	50	1	<b>8T-4121</b>	14	WASHER-HARD (11X21X2.5-MM THK)						
M	51	1	<b>8T-4136</b>	3	BOLT (M10X1.5X25-MM)						
M	52	1	<b>8T-4139</b>	13	BOLT (M12X1.75X30-MM)						
M	53	1	<b>8T-4140</b>	4	BOLT (M16X2X60-MM)						
M	54	1	<b>8T-4172</b>	1	BOLT (M10X1.5X80-MM)						
M	55	1	<b>8T-4173</b>	8	BOLT (M16X2X110-MM)						
M	56	1	<b>8T-4183</b>	5	BOLT (M12X1.75X40-MM)						
M	57	1	<b>8T-4193</b>	8	BOLT (M16X2X50-MM)						
M	58	1	<b>8T-4194</b>	4	BOLT (M12X1.75X50-MM)						
M	59	1	<b>8T-4195</b>	5	BOLT (M10X1.5X30-MM)						
M	60	1	<b>8T-4196</b>	5	BOLT (M10X1.5X35-MM)						
	61	1	<b>8T-4223</b>	17	WASHER-HARD (13.5X25.5X3-MM THK)						
M	62	1	<b>8T-4244</b>	3	NUT (M12X1.75-THD)						
M	63	1	<b>8T-4779</b>	6	BOLT (M16X2X35-MM)						
M	64	1	<b>8T-6385</b>	4	BOLT (M16X2X180-MM)						
	65	1	<b>9X-8257</b>	32	WASHER (17.5X30X3.5-MM THK)						

I - REFER TO HYDRAULIC INFORMATION SYSTEM  
M - METRIC PART  
Y - SEPARATE ILLUSTRATION

# HYDRAULIC SYSTEM

220-5571 HYDRAULIC AR-RIDE CONTROL (contd.)

i01756664



FRONT VIEW

GRAPHIC #1

<END>

g00954668



# HYDRAULIC SYSTEM

## 220-5571 HYDRAULIC AR-RIDE CONTROL

S/N: BNH1-UP

PART OF 155-6034 CONTROL AR-RIDE  
AN ATTACHMENT

SMCS-5077

i01972518

NOTE	REF NO	GRAPHIC REF	PART NUMBER	QTY	PART NAME						SEE PAGE
					1	2	3	4	5	6 (PRODUCT LEVEL)	
Y	1	2	9T-9552	1	VALVE GP-RIDE CONTROL						1034
	2	1	124-1718	1	SLEEVE						
	3	2	154-8894	1	BRACKET AS						
I	4	2	154-8896	1	HOSE AS						
	5	1	159-8091	1	BRACKET						
	6	1	167-0140	1	BRACKET AS						
	7	1	174-9667	1	BRACKET						
	8	2	174-9670	2	CLAMP AS						
	9	1	197-7360	2	SPACER						
I	10	1	198-6753	1	HOSE AS						
	11	1	198-8871	1	TUBE AS						
	12	1	198-9189	1	BRACKET AS						
M		1	8T-3490	1	NUT-WELD (M10X1.5-THD)						
	13	2	201-1003	1	TUBE AS						
	14	1	201-1005	1	TUBE AS						
	15	2	206-5027	1	BRACKET AS						
	16	2	211-9013	1	SPACER						
	17	1	212-7790	1	BRACKET AS						
	18	1	212-7791	1	TUBE AS						
I	19	2	212-7792	1	HOSE AS						
	20	1	219-7983	1	ACCUMULATOR GP-RIDE CONTROL (CHARGED)						
C	21	1	231-7717	1	ANGLE AS						
M		1	8T-3597		NUT-WELD (M12X1.75-THD)						
C	22	1	231-7722	11	CLAMP AS						
C	23	1	231-7724	1	CLAMP AS						
CI	24	1	231-7725	1	HOSE AS						
C	25	1	231-7727	1	TUBE AS						
	26	1,2	103-1303	4	CLAMP-HALF						
C	27	1	148-8333	1	CONNECTOR AS						
		1	6V-8400	1	SEAL-O-RING						
		1	7M-8485	1	SEAL-O-RING						
		1	8T-7927	1	CONNECTOR						
C	28	1	148-8352	1	ELBOW AS						
		1	5K-9090	1	SEAL-O-RING						
		1	6V-9854	1	ELBOW						
	29	1	148-8378	1	ELBOW AS						
		1	3J-1907	1	SEAL-O-RING						
		1	6V-8397	1	SEAL-O-RING						
		1	6V-8724	1	ELBOW						
C	30	1	148-8387	1	ELBOW AS						
		1	6V-8400	1	SEAL-O-RING						
		1	6V-9855	1	ELBOW						
	31	1	148-8415	1	REDUCER AS						
		1	6V-8397	1	SEAL-O-RING						
		1	6V-8936	1	REDUCER						
	32	1	148-8428	1	TEE AS						
		1	3K-0360	1	SEAL-O-RING						
		1	6V-8398	2	SEAL-O-RING						
		1	6V-8782	1	TEE						
C	33	1	164-4058	1	REDUCER AS						
		1	5K-9090	1	SEAL-O-RING						
		1	6V-8948	1	REDUCER						
	34	1	1P-3704	1	SEAL-RECTANGULAR						
	35	2	1P-3705	4	SEAL-RECTANGULAR						
	36	1,2	1P-3706	5	SEAL-RECTANGULAR						
	37	1	1P-4577	2	FLANGE-HALF						
	38	1	1P-5767	2	FLANGE-HALF						
	39	1,2	3E-9411	6	WASHER-HARD (17.5X38X6-MM THK)						

# HYDRAULIC SYSTEM

220-5571 HYDRAULIC AR-RIDE CONTROL (contd.)

i01972518

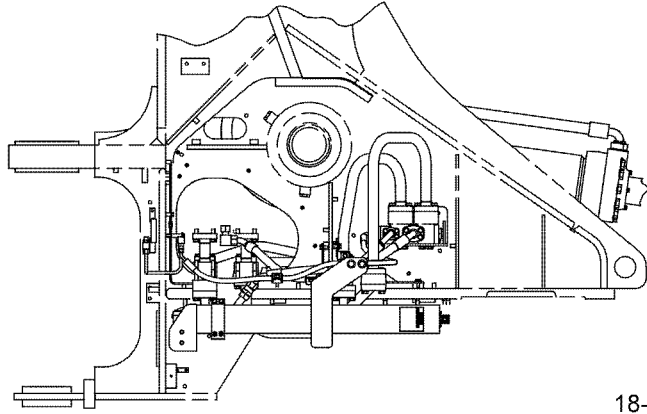
NOTE	REF NO	GRAPHIC REF	PART NUMBER	QTY	PART NAME						SEE PAGE
					1	2	3	4	5	6 (PRODUCT LEVEL)	
	40	1	<b>4J-0520</b>	1	SEAL-O-RING						
	41	1	<b>5P-1075</b>	2	WASHER-HARD (10.2X22.5X3-MM THK)						
	42	1,2	<b>5P-1076</b>	6	WASHER-HARD (13.5X30X4-MM THK)						
	43	1	<b>5P-7464</b>	2	CLIP (SLOT)						
	44	1	<b>5P-7465</b>	2	CLIP (TAB)						
	45	1	<b>5P-7468</b>	3	CLIP (SLOT)						
	46	1	<b>5P-7469</b>	3	CLIP (TAB)						
	47	2	<b>5P-8077</b>	4	FLANGE-HALF						
C	48	1	<b>5P-8444</b>	2	GROMMET (37-MM ID)						
	49	1	<b>5P-9299</b>	1	CLIP						
	50	1	<b>6V-1249</b>	2	GROMMET (22-MM ID)						
C	51	1	<b>6V-1874</b>	1	GROMMET						
	52	1	<b>6V-8398</b>	1	SEAL-O-RING						
C	53	1	<b>6V-8400</b>	1	SEAL-O-RING						
M	54	2	<b>7X-2475</b>	8	BOLT (M16X2X130-MM)						
C	55	1	<b>7X-7729</b>	2	WASHER (11X25X3-MM THK)						
	56	1	<b>8T-4121</b>	14	WASHER-HARD (11X21X2.5-MM THK)						
CM	57	1	<b>8T-4136</b>	5	BOLT (M10X1.5X25-MM)						
CM	58	1,2	<b>8T-4139</b>	12	BOLT (M12X1.75X30-MM)						
M	59	2	<b>8T-4140</b>	4	BOLT (M16X2X60-MM)						
M	60	1	<b>8T-4172</b>	1	BOLT (M10X1.5X80-MM)						
M	61	2	<b>8T-4173</b>	8	BOLT (M16X2X110-MM)						
M	62	1,2	<b>8T-4183</b>	5	BOLT (M12X1.75X40-MM)						
M	63	1	<b>8T-4193</b>	8	BOLT (M16X2X50-MM)						
M	64	1	<b>8T-4194</b>	4	BOLT (M12X1.75X50-MM)						
CM	65	1	<b>8T-4195</b>	2	BOLT (M10X1.5X30-MM)						
CM	66	1	<b>8T-4196</b>	8	BOLT (M10X1.5X35-MM)						
C	67	1,2	<b>8T-4223</b>	18	WASHER-HARD (13.5X25.5X3-MM THK)						
M	68	1,2	<b>8T-4244</b>	3	NUT (M12X1.75-THD)						
M	69	1,2	<b>8T-4779</b>	6	BOLT (M16X2X35-MM)						
CM	70	1	<b>8T-4956</b>	2	BOLT (M12X1.75X35-MM)						
M	71	2	<b>8T-6385</b>	4	BOLT (M16X2X180-MM)						
	72	1,2	<b>9X-8257</b>	32	WASHER (17.5X30X3.5-MM THK)						

C - CHANGE FROM PREVIOUS TYPE  
 I - REFER TO HYDRAULIC INFORMATION SYSTEM  
 M - METRIC PART  
 Y - SEPARATE ILLUSTRATION

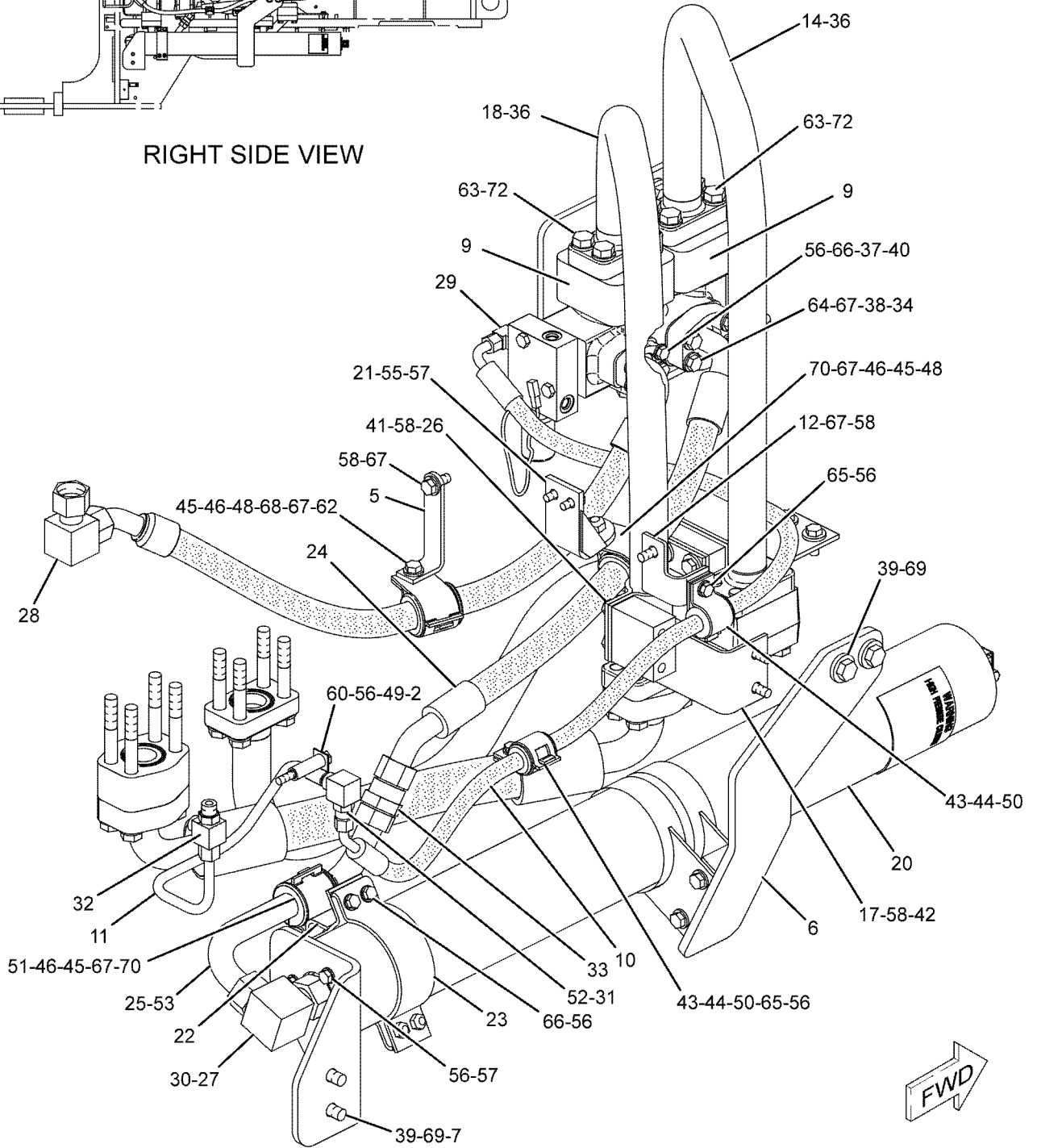
# HYDRAULIC SYSTEM

220-5571 HYDRAULIC AR-RIDE CONTROL (contd.)

i01972518



RIGHT SIDE VIEW



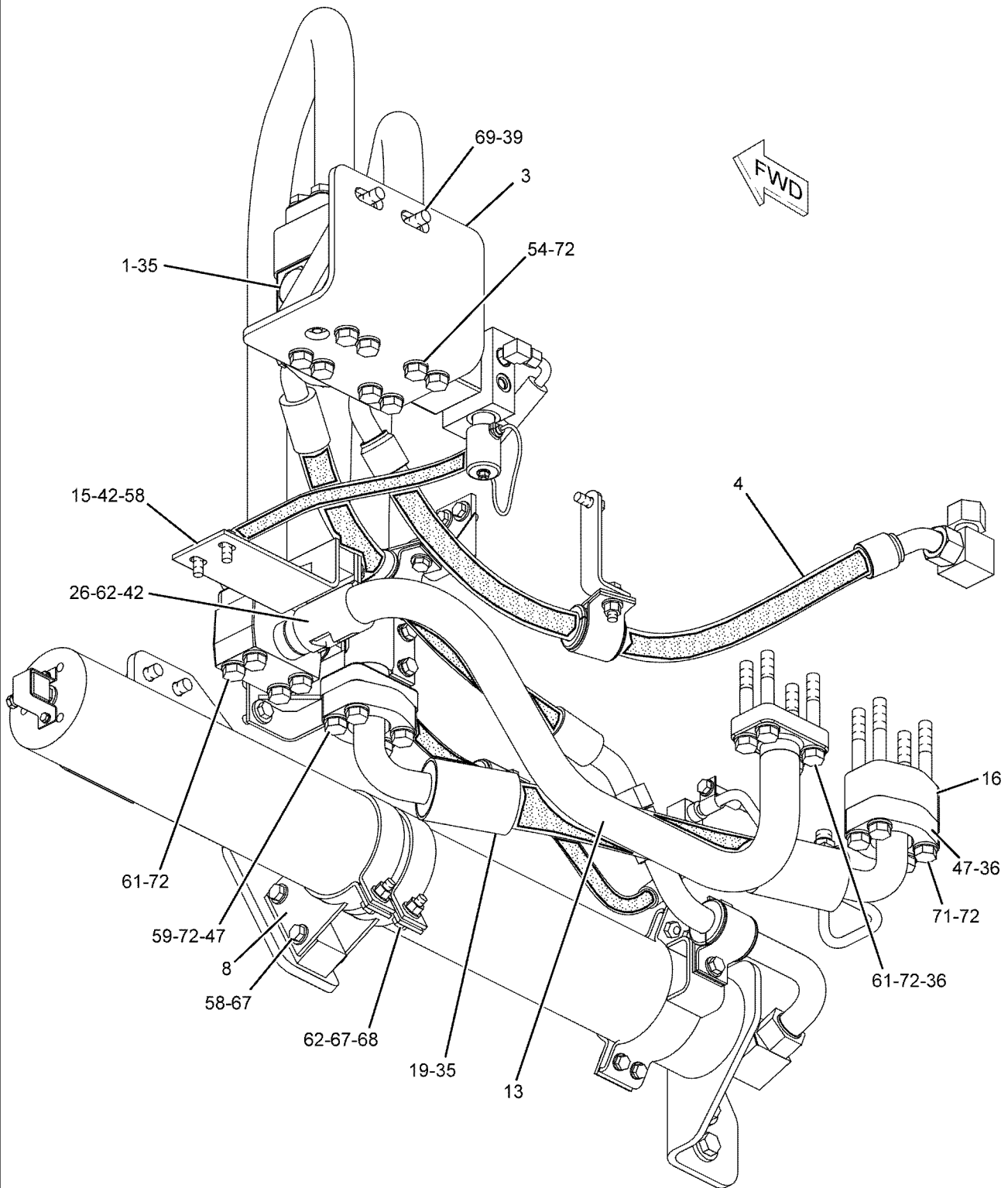
GRAPHIC #1

g01044655

# HYDRAULIC SYSTEM

220-5571 HYDRAULIC AIR-RIDE CONTROL (contd.)

i01972518



GRAPHIC #2

<END>

g01044656

# HYDRAULIC SYSTEM

## 275-7839 HYDRAULIC AR-TILT REGENERATION-REGENERATION

S/N: BNH1-UP  
FIELD INSTALLATION

SMCS-1408, 5057, 512R

i03331380

NOTE	PART NUMBER	QTY	PART NAME						SEE PAGE
			1	2	3	4	5	6 (PRODUCT LEVEL)	
Y	253-4787	1	GUARD GP-TILT CYLINDER (REGENERATION)						889
Y	251-3113	1	LINES GP-PILOT (REGENERATION)						940
Y	296-7785	1	LINES GP-TILT CYLINDER						957
Y	253-4788	1	VALVE & MTG GP-REGENERATION (TILT CYLINDER)						1001
Y	271-7459	1	WIRING GP-TILT REGEN CONTROL						423

Y - SEPARATE ILLUSTRATION

<END>

# HYDRAULIC SYSTEM

## 201-0377 LINES GP-FRONT

S/N: BNH1-334

PART OF 201-0808 HYDRAULIC AR-3 VALVE  
AN ATTACHMENT

SMCS-5057

i01474426

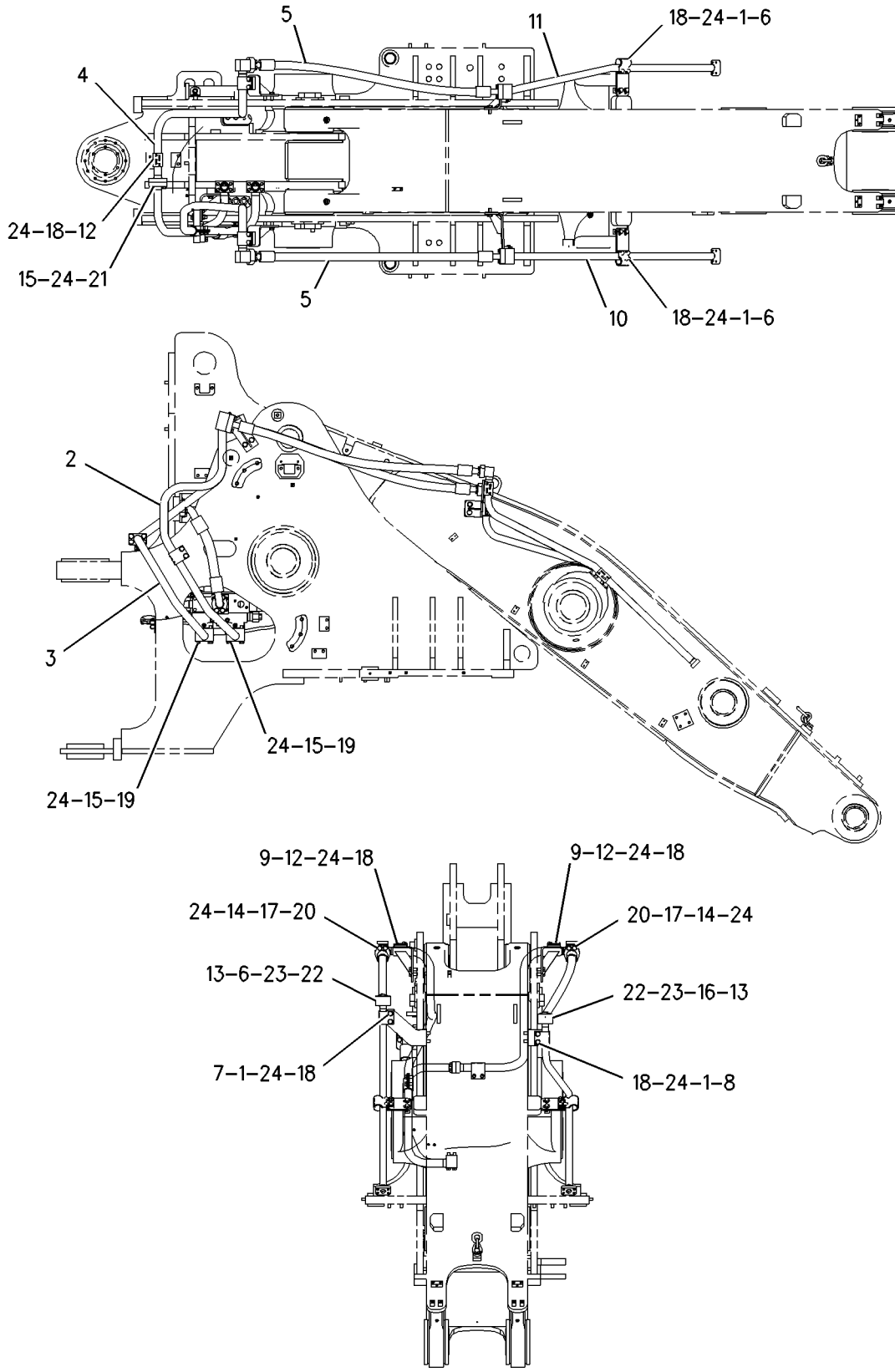
NOTE	REF NO	GRAPHIC REF	PART NUMBER	QTY	PART NAME						SEE PAGE
					1	2	3	4	5	6 (PRODUCT LEVEL)	
	1	1	<b>7I-8640</b>	8	CLAMP - HALF						
	2	1	<b>174-0830</b>	1	TUBE AS						
	3	1	<b>174-0831</b>	1	TUBE AS						
	4	1	<b>174-0832</b>	1	TUBE AS						
I	5	1	<b>174-0833</b>	2	HOSE AS						
	6	1	<b>174-2434</b>	2	PLATE AS (LH)						
	7	1	<b>174-2435</b>	1	BRACKET AS						
	8	1	<b>188-7007</b>	1	BRACKET AS						
	9	1	<b>200-5254</b>	2	BRACKET AS						
	10	1	<b>201-0378</b>	1	TUBE AS						
	11	1	<b>201-0379</b>	1	TUBE AS						
	12	1	<b>103-1303</b>	8	CLAMP - HALF						
	13	1	<b>1P-3704</b>	2	SEAL - RECTANGULAR						
	14	1	<b>1P-3705</b>	2	SEAL - RECTANGULAR						
	15	1	<b>1P-3706</b>	3	SEAL - RECTANGULAR						
	16	1	<b>1P-5767</b>	4	FLANGE - HALF						
	17	1	<b>5P-8077</b>	4	FLANGE - HALF						
M	18	1	<b>7X-2553</b>	28	BOLT (M16X2X40-MM)						
M	19	1	<b>7X-2556</b>	8	BOLT (M16X2X100-MM)						
M	20	1	<b>8T-4140</b>	8	BOLT (M16X2X60-MM)						
M	21	1	<b>8T-4193</b>	4	BOLT (M16X2X50-MM)						
M	22	1	<b>8T-4194</b>	8	BOLT (M12X1.75X50-MM)						
	23	1	<b>8T-4223</b>	8	WASHER - HARD (13.5X25.5X3-MM THK)						
	24	1	<b>9X-8257</b>	48	WASHER (17.5X30X3.5-MM THK)						

I - REFER TO HYDRAULIC INFORMATION SYSTEM  
M - METRIC PART

# HYDRAULIC SYSTEM

201-0377 LINES GP-FRONT (contd.)

i01474426



FRONT VIEW

GRAPHIC #1

<END>

g00771849

# HYDRAULIC SYSTEM

## 201-0377 LINES GP-FRONT

S/N: BNH335-650

PART OF 201-0808 HYDRAULIC AR-3 VALVE  
AN ATTACHMENT

SMCS-5057

i01662688

NOTE	REF NO	GRAPHIC REF	PART NUMBER	QTY	PART NAME						SEE PAGE
					1	2	3	4	5	6 (PRODUCT LEVEL)	
	1	1	<b>7I-8640</b>	8	CLAMP - HALF						
	2	1	<b>174-0830</b>	1	TUBE AS						
	3	1	<b>174-0831</b>	1	TUBE AS						
	4	1	<b>174-0832</b>	1	TUBE AS						
CI	5	1	<b>174-0833</b>	1	HOSE AS						
	6	1	<b>174-2434</b>	2	PLATE AS (LH)						
	7	1	<b>174-2435</b>	1	BRACKET AS						
	8	1	<b>188-7007</b>	1	BRACKET AS						
	9	1	<b>200-5254</b>	2	BRACKET AS						
	10	1	<b>201-0378</b>	1	TUBE AS						
	11	1	<b>201-0379</b>	1	TUBE AS						
	12	1	<b>103-1303</b>	8	CLAMP - HALF						
	13	1	<b>1P-3704</b>	2	SEAL - RECTANGULAR						
	14	1	<b>1P-3705</b>	2	SEAL - RECTANGULAR						
	15	1	<b>1P-3706</b>	3	SEAL - RECTANGULAR						
C	16	1	<b>1P-5767</b>	8	FLANGE - HALF						
	17	1	<b>5P-8077</b>	4	FLANGE - HALF						
CM	18	1	<b>7X-2553</b>	20	BOLT (M16X2X40-MM)						
M	19	1	<b>7X-2556</b>	8	BOLT (M16X2X100-MM)						
M	20	1	<b>8T-4140</b>	8	BOLT (M16X2X60-MM)						
M	21	1	<b>8T-4193</b>	4	BOLT (M16X2X50-MM)						
CM	22	1	<b>8T-4194</b>	16	BOLT (M12X1.75X50-MM)						
C	23	1	<b>8T-4223</b>	16	WASHER - HARD (13.5X25.5X3-MM THK)						
	24	1	<b>9X-8257</b>	48	WASHER (17.5X30X3.5-MM THK)						
CM	25	1	<b>8T-4779</b>	8	BOLT (M16X2X35-MM)						
CI	26	1	<b>212-6862</b>	1	HOSE AS						

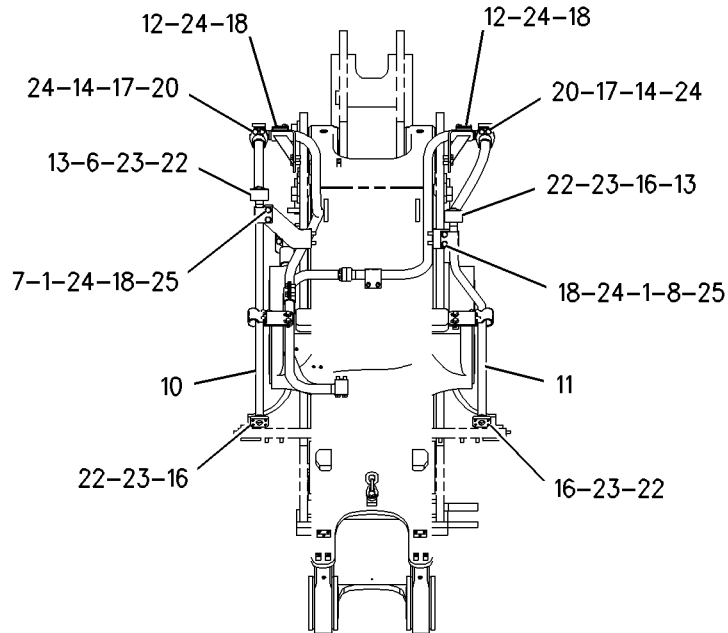
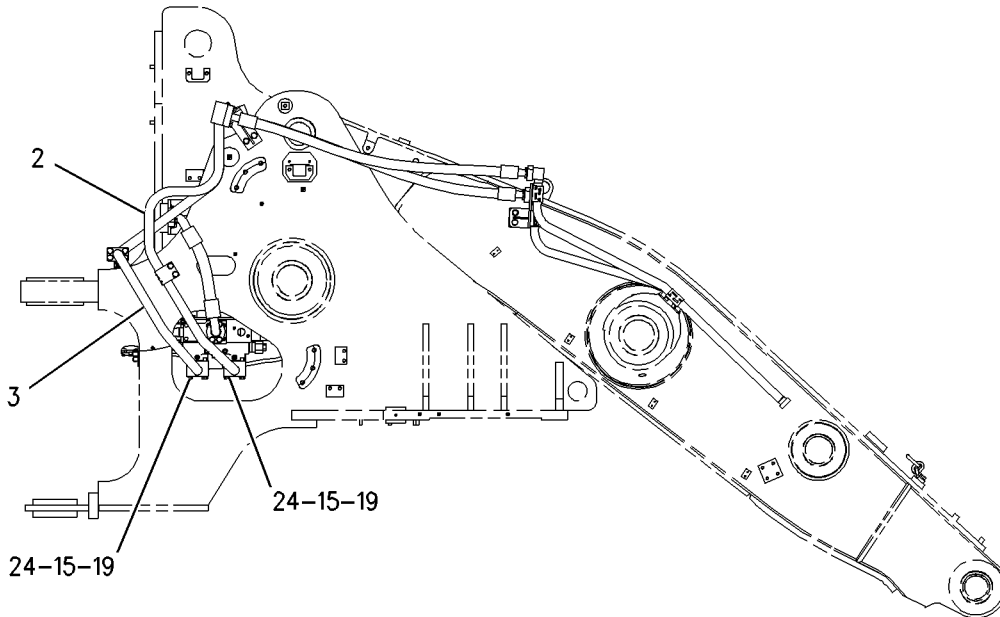
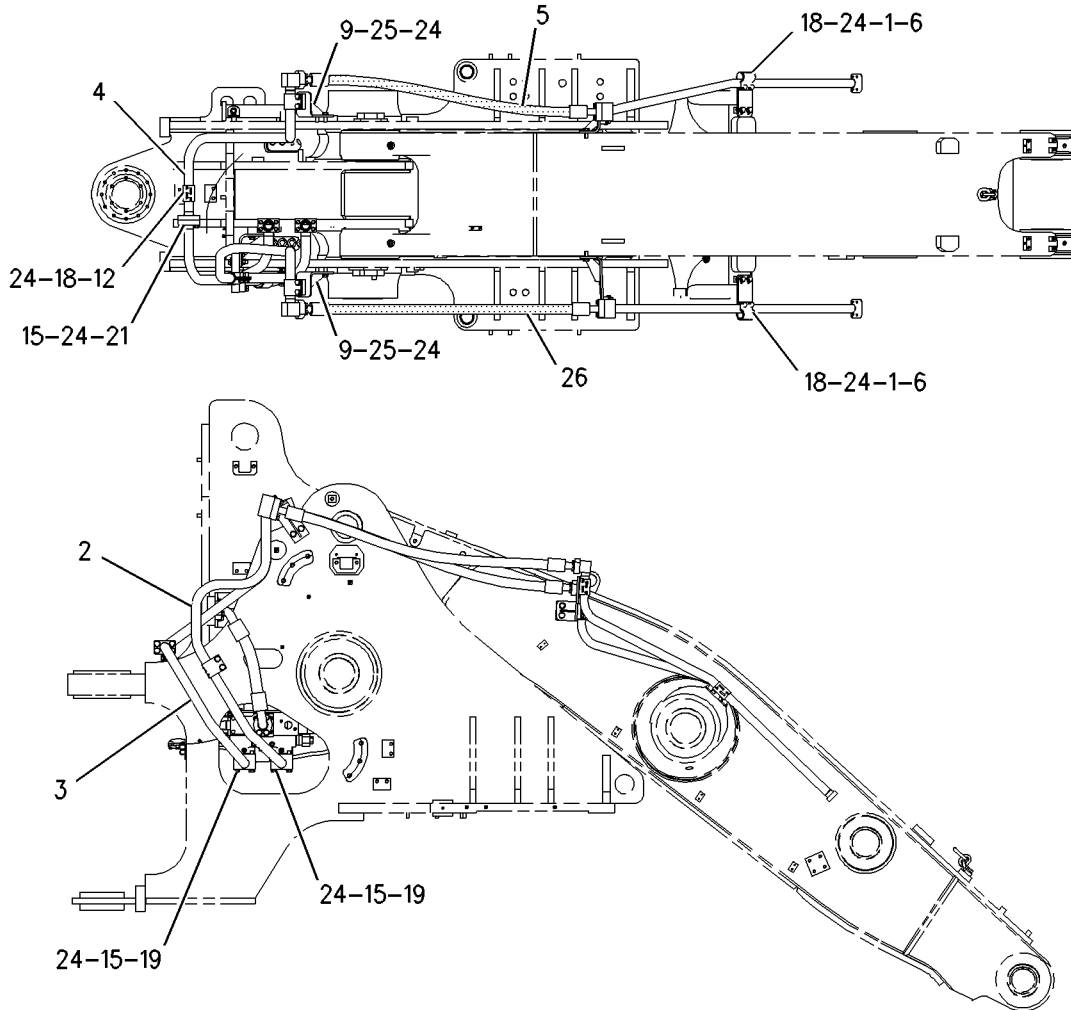
C - CHANGE FROM PREVIOUS TYPE  
I - REFER TO HYDRAULIC INFORMATION SYSTEM  
M - METRIC PART



# HYDRAULIC SYSTEM

201-0377 LINES GP-FRONT (contd.)

i01662688



FRONT VIEW

GRAPHIC #1

<END>

g00858225

# HYDRAULIC SYSTEM

## 201-0377 LINES GP-FRONT

S/N: BNH651-UP

PART OF 201-0808 HYDRAULIC AR-3 VALVE  
AN ATTACHMENT

SMCS-5057

i01795151

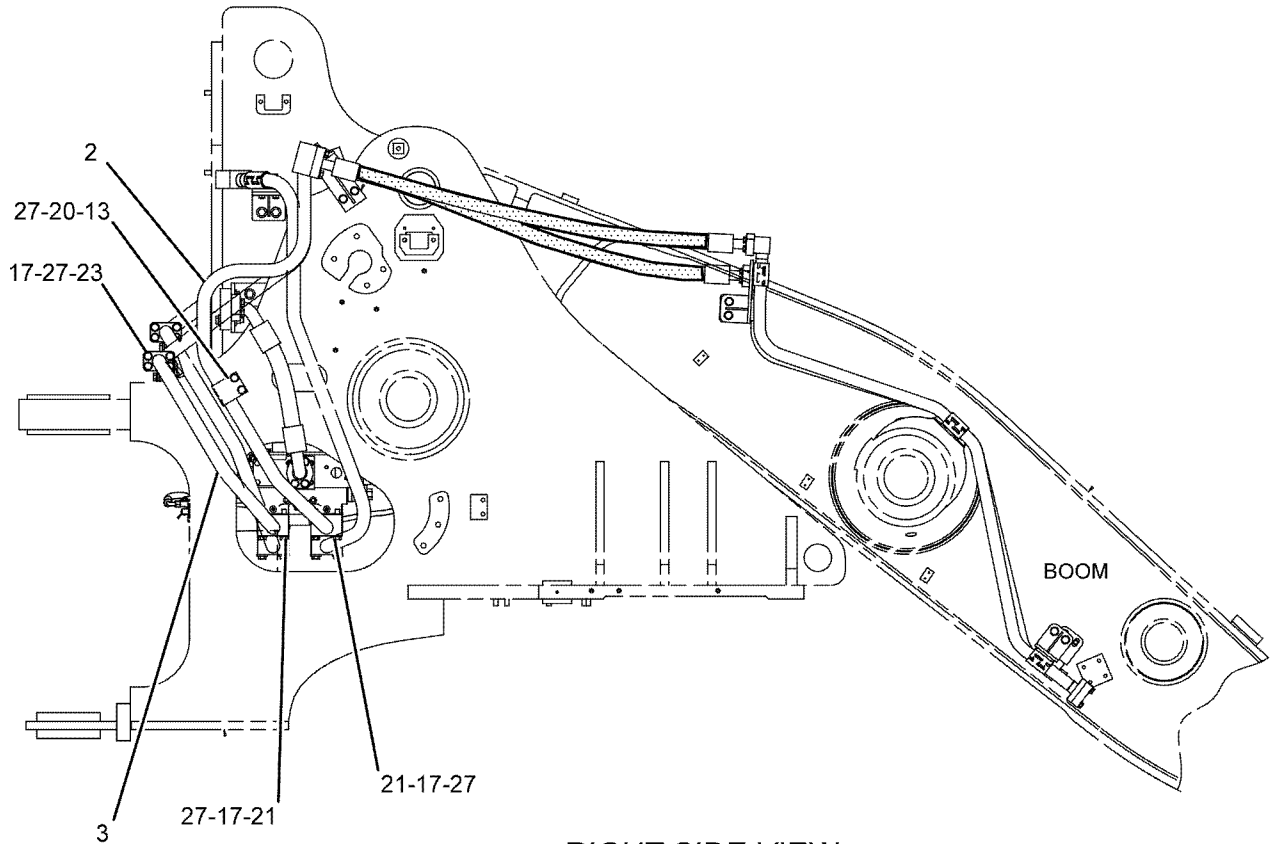
NOTE	REF NO	GRAPHIC REF	PART NUMBER	QTY	PART NAME						SEE PAGE
					1	2	3	4	5	6 (PRODUCT LEVEL)	
C	1	2	<b>7I-8640</b>	12	CLAMP - HALF						
	2	1	<b>174-0830</b>	1	TUBE AS						
	3	1	<b>174-0831</b>	1	TUBE AS						
	4	1	<b>174-0832</b>	1	TUBE AS						
I	5	1	<b>174-0833</b>	1	HOSE AS						
	6	2	<b>174-2435</b>	1	BRACKET AS						
	7	2	<b>188-7007</b>	1	BRACKET AS						
	8	1	<b>200-5254</b>	2	BRACKET AS						
I	9	1	<b>212-6862</b>	1	HOSE AS						
C	10	2	<b>217-0641</b>	1	TUBE AS						
C	11	2	<b>217-0642</b>	1	TUBE AS						
C	12	2	<b>217-0643</b>	2	BRACKET AS						
	13	1	<b>103-1303</b>	8	CLAMP - HALF						
C	14	2	<b>117-8704</b>	1	PLATE						
	15	1	<b>1P-3704</b>	2	SEAL - RECTANGULAR						
	16	1	<b>1P-3705</b>	2	SEAL - RECTANGULAR						
	17	1	<b>1P-3706</b>	3	SEAL - RECTANGULAR						
	18	1,2	<b>1P-5767</b>	8	FLANGE - HALF						
	19	1	<b>5P-8077</b>	4	FLANGE - HALF						
CM	20	1,2	<b>7X-2553</b>	18	BOLT (M16X2X40-MM)						
M	21	1	<b>7X-2556</b>	8	BOLT (M16X2X100-MM)						
CM	22	1,2	<b>8T-4140</b>	10	BOLT (M16X2X60-MM)						
M	23	1	<b>8T-4193</b>	4	BOLT (M16X2X50-MM)						
M	24	1,2	<b>8T-4194</b>	16	BOLT (M12X1.75X50-MM)						
	25	1,2	<b>8T-4223</b>	16	WASHER - HARD (13.5X25.5X3-MM THK)						
CM	26	1,2	<b>8T-4779</b>	12	BOLT (M16X2X35-MM)						
C	27	1,2	<b>9X-8257</b>	52	WASHER (17.5X30X3.5-MM THK)						

C - CHANGE FROM PREVIOUS TYPE  
I - REFER TO HYDRAULIC INFORMATION SYSTEM  
M - METRIC PART

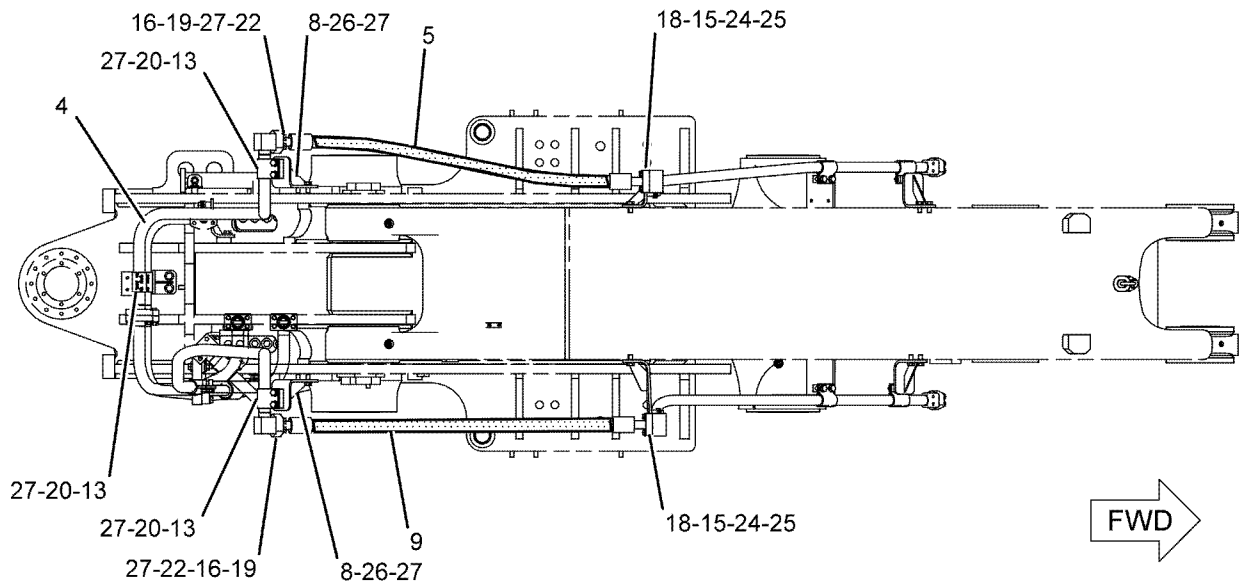
# HYDRAULIC SYSTEM

201-0377 LINES GP-FRONT (contd.)

i01795151



RIGHT SIDE VIEW



TOP VIEW

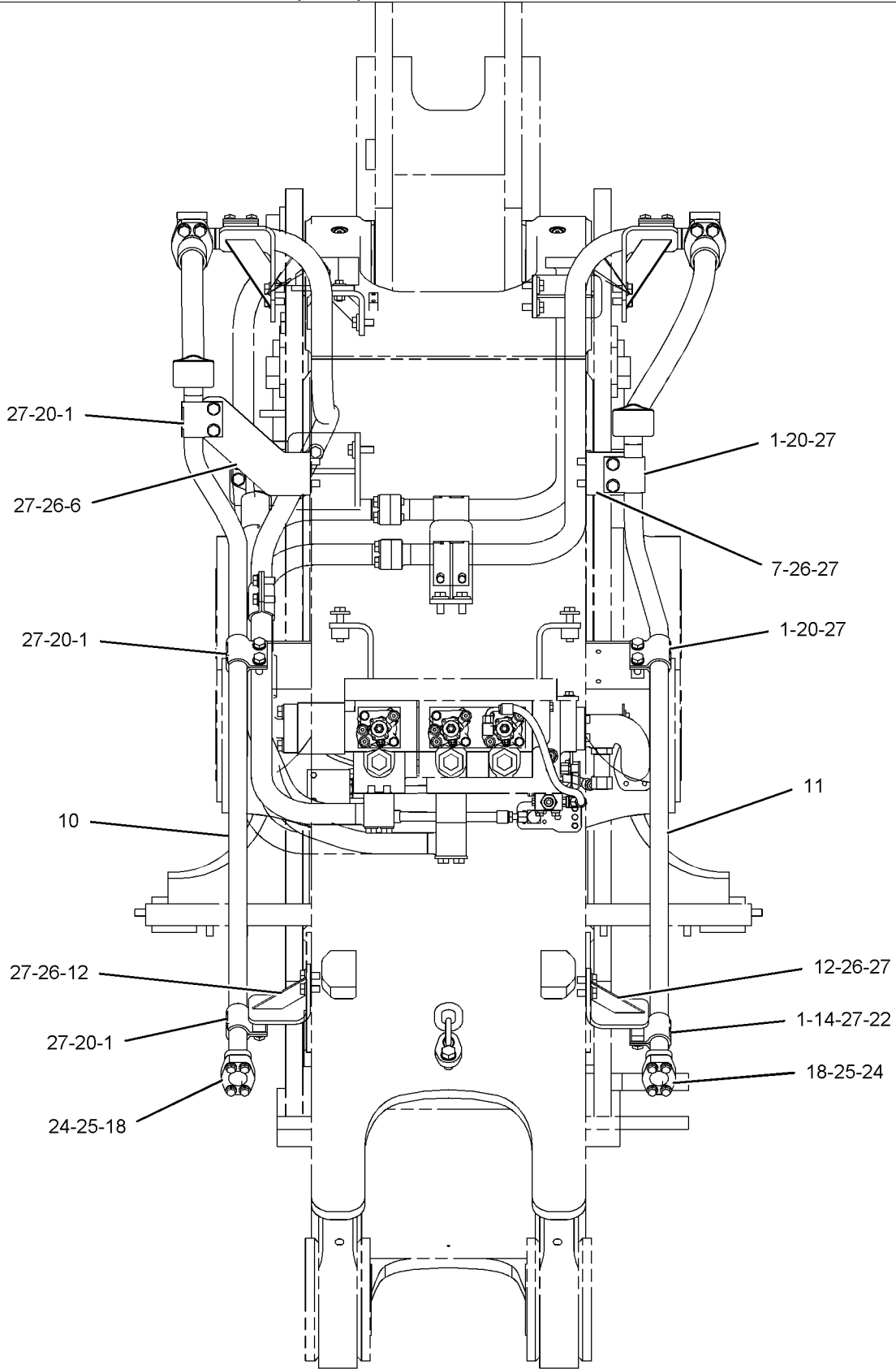
GRAPHIC #1

g01023978

# HYDRAULIC SYSTEM

201-0377 LINES GP-FRONT (contd.)

i01795151



FRONT VIEW

<END>

GRAPHIC #2

g01023979

# HYDRAULIC SYSTEM

## 203-1588 LINES GP-HYDRAULIC

S/N: BNH1-1061

PART OF 203-1582 HYDRAULIC AR

SMCS-5057

i01644194

NOTE	REF NO	GRAPHIC REF	PART NUMBER	QTY	PART NAME						SEE PAGE
					1	2	3	4	5	6 (PRODUCT LEVEL)	
I	1	2	4E-3447	1	HOSE AS						
	2	1	6V-0484	1	ELBOW						
	3	1	6V-0852	2	CAP-DUST						
	4	1	8C-3446	1	VALVE-FLUID SAMPLING						
	5	1	8C-3451	1	CAP-DUST						
	6	1	8C-6712	1	ELBOW						
	7	1	8T-3312	1	TEE						
	8	1	8T-4986	12	CLAMP-HOSE						
I	9	1	9C-1079	1	HOSE AS						
Y	10	1	115-2129	1	FILTER GP-OIL (STEERING & IMPLEMENT PILOT)						887
I	11	2	116-9345	1	HOSE AS						
I	12	1	126-0197	1	HOSE AS						
	13	1	127-4667	1	STRIP AS						
	14	1	138-4049	1	BRACKET AS						
	15	1	141-7405	2	HOSE						
	16	2	7X-3392	4	WASHER-HARD (13.5X22.5X3-MM THK)						
	17	2	152-3870	1	TANK AS						
	18	1	152-5713	1	TUBE AS						
	19	2	152-5714	1	TUBE AS						
	20	2	152-5715	1	TUBE AS						
	21	1	152-5716	1	HOSE						
I	22	2	155-9451	1	HOSE AS						
I	23	1	155-9452	1	HOSE AS						
	24	1	155-9458	1	TUBE AS						
	25	1	155-9461	1	TUBE AS						
I	26	1	155-9462	1	HOSE AS						
	27	1	164-5567	2	COUPLER AS-QUICK DISCONNECT (MALE)						
					(EACH INCLUDES)						
		1	6V-3965	1	FITTING (QUICK DISCONNECT)						
		1	3J-1907	1	SEAL-O-RING						
	28	1,2	177-4155	3	FLANGE						
	29	3	179-6791	1	MANIFOLD						
I	30	2	179-6792	1	HOSE AS						
I	31	1	179-6793	1	HOSE AS						
	32	3	179-6794	1	PLATE AS						
M		3	8T-3490	1	NUT-WELD (M10X1.5-THD)						
	33	2	183-3626	1	BRACKET AS						
M		2	8T-3597	2	NUT-WELD (M12X1.75-THD)						
I	34	3	183-4491	1	HOSE AS						
Y	35	1	186-6218	1	VALVE GP-RELIEF (STEERING & IMPLEMENT PILOT)						1032
	36	2	203-3072	1	TUBE AS						
I	37	1	204-7140	1	HOSE AS						
	38	1	204-7141	1	BRACKET AS						
	39	3	204-7143	1	ADAPTER						
I	40	1	121-3286	1	HOSE AS						
	41	1	148-8327	2	CONNECTOR AS						
					(EACH INCLUDES)						
		1	6V-8637	1	CONNECTOR						
		1	3D-2824	1	SEAL-O-RING						
		1	6V-9746	1	SEAL-O-RING						
	42	2	148-8336	1	CONNECTOR AS						
		2	6V-8636	1	CONNECTOR						
		2	3J-1907	1	SEAL-O-RING						
		2	6V-8397	1	SEAL-O-RING						
	43	2	148-8340	1	CONNECTOR AS						
		2	6V-8639	1	CONNECTOR						
		2	3K-0360	1	SEAL-O-RING						
		2	6V-8398	1	SEAL-O-RING						
	44	1	148-8347	3	ELBOW AS						

# HYDRAULIC SYSTEM

203-1588 LINES GP-HYDRAULIC (contd.)

i01644194

NOTE	REF NO	GRAPHIC REF	PART NUMBER	QTY	PART NAME						SEE PAGE	
					1	2	3	4	5	6 (PRODUCT LEVEL)		
					(EACH INCLUDES)							
		1	6V-9007	1	ELBOW							
		1	3D-2824	1	SEAL-O-RING							
		1	6V-9746	1	SEAL-O-RING							
45		1	148-8360	1	ELBOW AS							
		1	6V-9182	1	ELBOW							
		1	6V-9746	1	SEAL-O-RING							
		1	7M-8485	1	SEAL-O-RING							
46		1	148-8364	1	ELBOW AS							
		1	6V-8625	1	ELBOW							
		1	3K-0360	1	SEAL-O-RING							
		1	6V-8398	1	SEAL-O-RING							
47		1	148-8374	1	ELBOW AS							
		1	6V-8723	1	ELBOW							
		1	3K-0360	1	SEAL-O-RING							
		1	6V-8397	1	SEAL-O-RING							
48		1	148-8392	1	ELBOW AS							
		1	6V-9853	1	ELBOW							
		1	6V-9746	1	SEAL-O-RING							
49		3	148-8407	1	PLUG AS							
		3	9S-4191	1	PLUG-O-RING							
		3	3J-1907	1	SEAL-O-RING							
50		2	148-8427	1	TEE AS							
		2	8T-6895	1	TEE-UNION							
		2	6V-8398	3	SEAL-O-RING							
51		1	148-8435	1	TEE AS							
		1	6V-8781	1	TEE							
		1	3J-1907	1	SEAL-O-RING							
		1	6V-8397	2	SEAL-O-RING							
52		1	148-8455	1	UNION AS							
		1	6V-8997	1	UNION							
		1	6V-9746	2	SEAL-O-RING							
53		3	150-3036	1	ELBOW AS							
		3	8T-1905	1	ELBOW							
		3	3J-1907	1	SEAL-O-RING							
		3	6V-8397	1	SEAL-O-RING							
54		1	165-4933	1	ELBOW AS							
		1	6V-8990	1	ELBOW							
		1	6V-9746	2	SEAL-O-RING							
55		2	197-3295	2	FLANGE-HALF							
56		2	177-8839	1	CLIP							
57		2	6C-9083	1	SPACER							
58		1,2	1P-3705	4	SEAL-RECTANGULAR							
59		2,3	1P-4582	6	FLANGE-HALF							
60		1	2P-1293	2	LOCKNUT (1-3/16-12-THD)							
61		2	2V-0600	2	CLAMP-HALF							
62		1	3D-2824	1	SEAL-O-RING							
63		1	3J-1907	2	SEAL-O-RING							
64		1	3J-7354	1	SEAL-O-RING							
65		3	3K-0360	1	SEAL-O-RING							
66		2	4J-0522	1	SEAL-O-RING							
67		2,3	4J-0527	3	SEAL-O-RING							
68		1	4J-5267	2	SEAL-O-RING							
69		2	5H-4020	1	COVER							
70		1,2	5P-8077	8	FLANGE-HALF							
71		1	6D-4246	1	CLIP							
72		1	6V-8784	1	TEE-FACE SEAL							
73		2	6V-9169	1	NUT (13/16-16-THD)							
74		1,2	6V-9746	4	SEAL-O-RING							
75		1,2	7M-8485	2	SEAL-O-RING							
76		1	7X-0343	1	BOLT (5/8-11X1.25-IN)							
77		2	7X-0347	1	BOLT (5/8-11X2.25-IN)							
M		78	2	7X-2552	4	BOLT (M16X2X30-MM)						

# HYDRAULIC SYSTEM

203-1588 **LINES GP-HYDRAULIC** (contd.)

**i01644194**

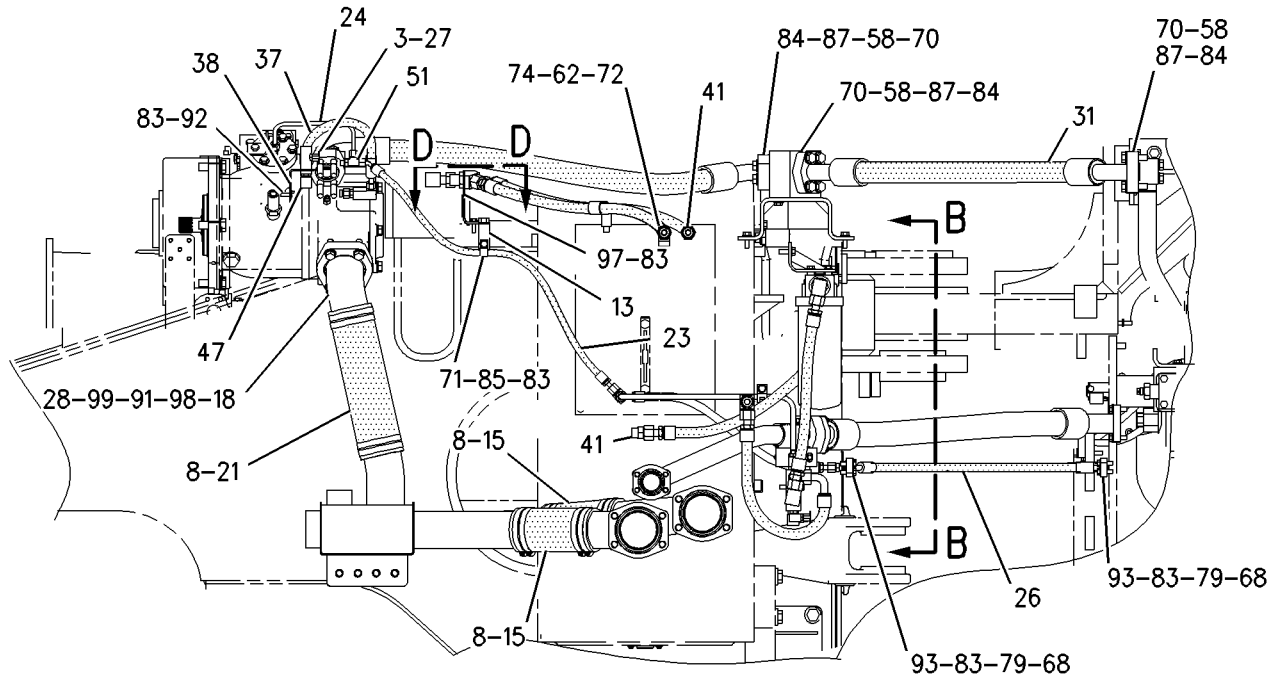
NOTE	REF NO	GRAPHIC REF	PART NUMBER	QTY	PART NAME						SEE PAGE
					1	2	3	4	5	6 (PRODUCT LEVEL)	
	79	1	<b>8C-3205</b>	4	FLANGE - HALF						
	80	2	<b>8T-0197</b>	1	CONNECTOR						
	81	1	<b>8T-1885</b>	1	CLIP (SLOT)						
	82	1	<b>8T-1886</b>	1	CLIP (TAB)						
	83	1	<b>8T-4121</b>	19	WASHER - HARD (11X21X2.5-MM THK)						
	84	1,2	<b>8T-4122</b>	16	WASHER - HARD (17X32X3.5-MM THK)						
M	85	1	<b>8T-4137</b>	6	BOLT (M10X1.5X20-MM)						
M	86	2	<b>8T-4139</b>	2	BOLT (M12X1.75X30-MM)						
M	87	1	<b>8T-4140</b>	12	BOLT (M16X2X60-MM)						
M	88	2	<b>8T-4175</b>	4	BOLT (M16X2X90-MM)						
M	89	2,3	<b>8T-4183</b>	8	BOLT (M12X1.75X40-MM)						
M	90	3	<b>8T-4184</b>	4	BOLT (M12X1.75X45-MM)						
M	91	1,2	<b>8T-4193</b>	12	BOLT (M16X2X50-MM)						
M	92	1	<b>8T-4195</b>	1	BOLT (M10X1.5X30-MM)						
M	93	1	<b>8T-4196</b>	8	BOLT (M10X1.5X35-MM)						
	94	1,2,3	<b>8T-4223</b>	25	WASHER - HARD (13.5X25.5X3-MM THK)						
M	95	1,2,3	<b>8T-4956</b>	15	BOLT (M12X1.75X35-MM)						
M	96	1	<b>8T-6466</b>	2	BOLT (M10X1.5X60-MM)						
	97	1	<b>9B-7237</b>	2	BOLT (3/8-16X1.25-IN)						
	98	1,2	<b>9F-7283</b>	3	SEAL - O-RING						
	99	1,2	<b>9X-8257</b>	18	WASHER (17.5X30X3.5-MM THK)						

I - REFER TO HYDRAULIC INFORMATION SYSTEM  
M - METRIC PART  
Y - SEPARATE ILLUSTRATION

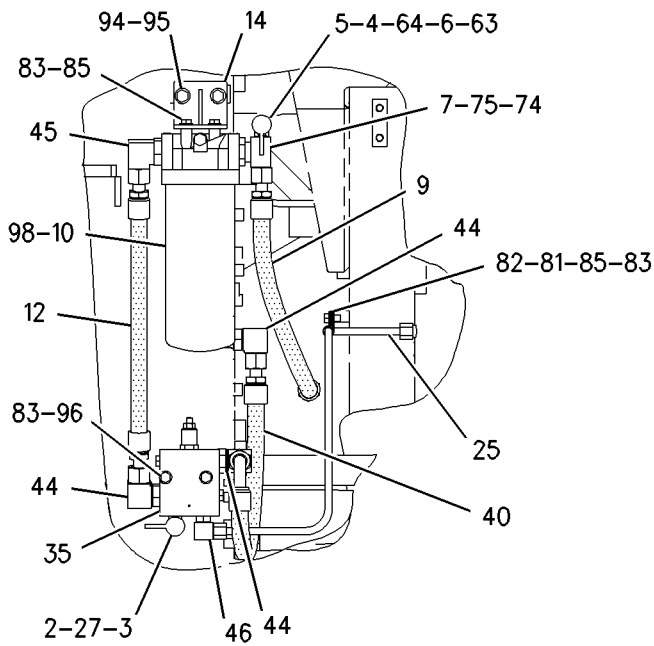
# HYDRAULIC SYSTEM

203-1588 LINES GP-HYDRAULIC (contd.)

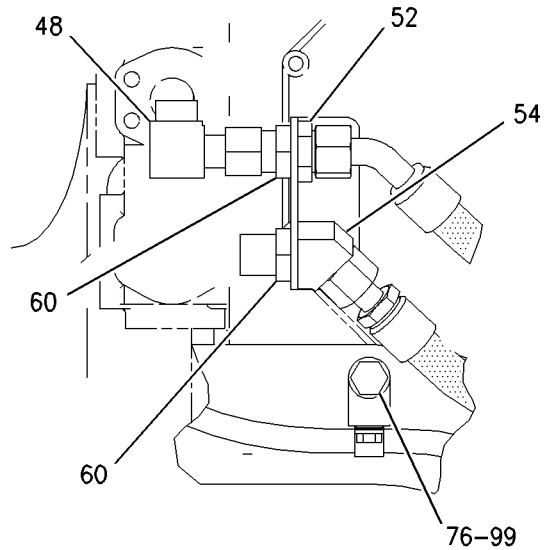
i01644194



RIGHT SIDE VIEW



VIEW B-B



VIEW D-D

GRAPHIC #1

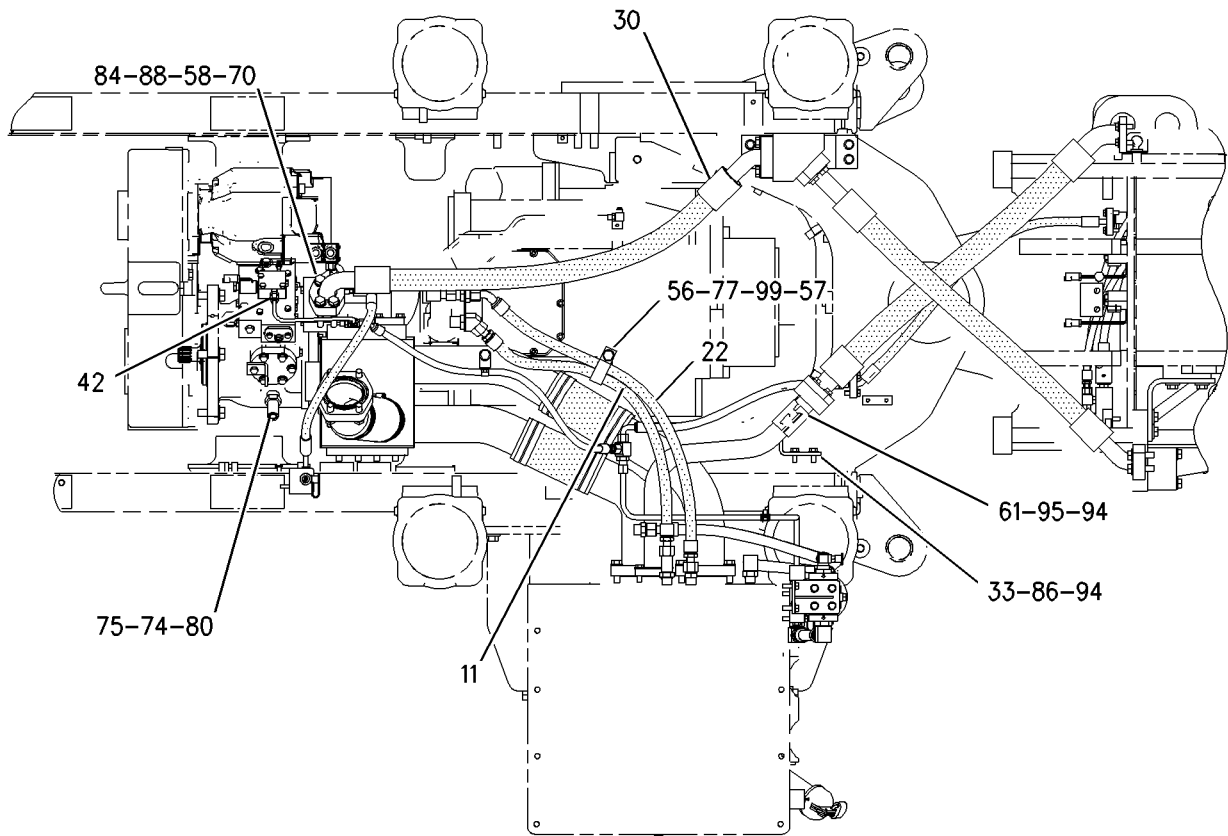
g00782525



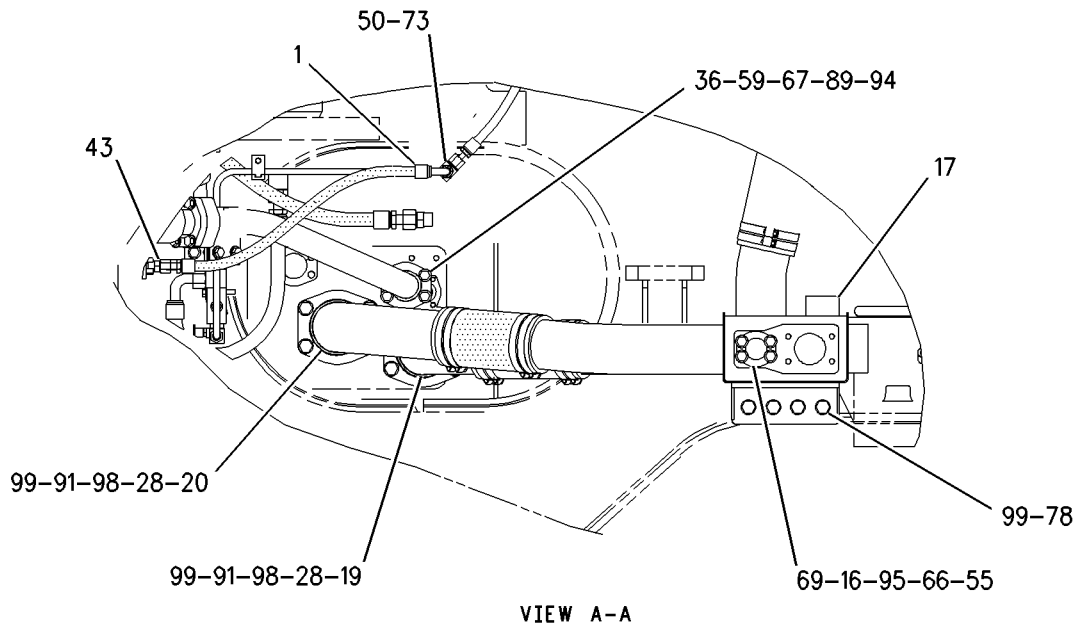
# HYDRAULIC SYSTEM

203-1588 LINES GP-HYDRAULIC (contd.)

i01644194



TOP VIEW



VIEW A-A

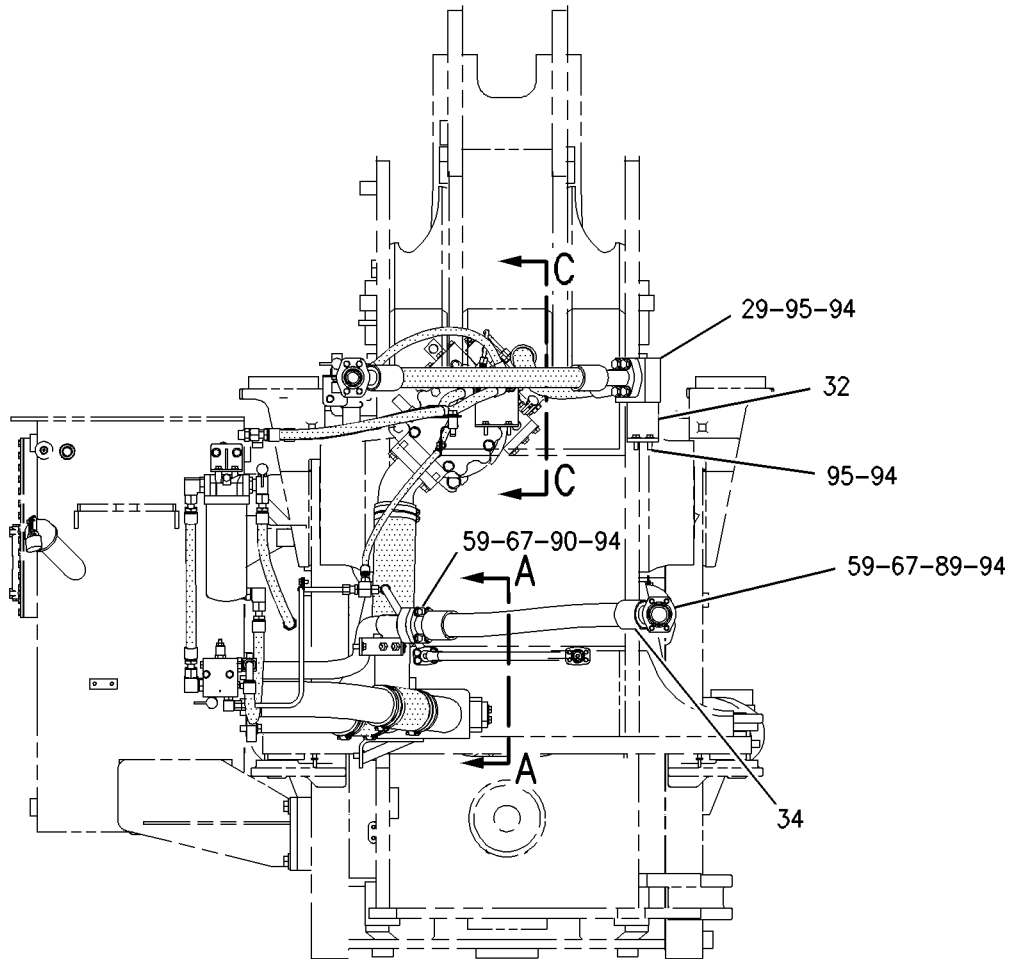
GRAPHIC #2

g00849810

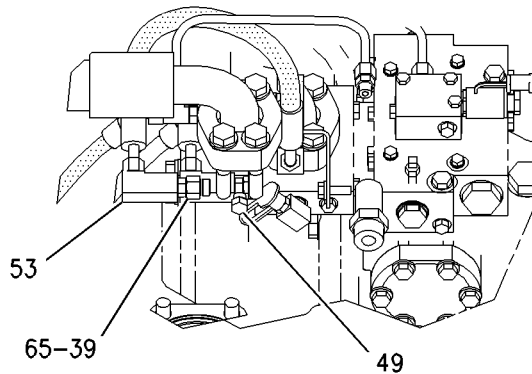
# HYDRAULIC SYSTEM

203-1588 LINES GP-HYDRAULIC (contd.)

i01644194



FRONT VIEW



VIEW C-C

GRAPHIC #3

<END>

g00782527

# HYDRAULIC SYSTEM

## 228-3173 LINES GP-HYDRAULIC

S/N: BNH1062-UP

PART OF 203-1582 HYDRAULIC AR

SMCS-5057

i04776094

NOTE	REF NO	GRAPHIC REF	PART NUMBER	QTY	PART NAME						SEE PAGE	
					1	2	3	4	5	6 (PRODUCT LEVEL)		
I	1	2	4E-3447	1	HOSE AS							
	2	1	6C-9083	1	SPACER							
	3	2	150-3065	1	ELBOW AS							
		2	3J-1907	1	SEAL-O-RING							
		2	6V-0484	1	ELBOW							
4	2	2	6V-0852	2	CAP-DUST							
	5	2	164-5590	1	VALVE GP-FLUID SAMPLING							
		2	3J-7354	1	SEAL-O-RING							
		2	8C-3446	1	VALVE-FLUID SAMPLING							
	6	2	8C-3451	1	CAP-DUST							
7	2	2	169-5862	1	ELBOW AS							
		2	3J-1907	1	SEAL-O-RING							
		2	8C-6712	1	ELBOW							
8	2	2	164-5611	1	TEE AS							
		2	6V-9746	1	SEAL-O-RING							
		2	7M-8485	1	SEAL-O-RING							
		2	8T-3312	1	TEE							
9	2	8T-4986	12	CLAMP-HOSE								
I	10	2	9C-1079	1	HOSE AS							
Y	11	2	115-2129	1	FILTER GP-OIL (STEERING, IMPLEMENT PILOT)						887	
I	12	2	126-0197	1	HOSE AS							
	13	2	127-4667	1	STRIP AS							
M	2	2	8T-3490	1	NUT-WELD (M10X1.5-THD)							
	14	2	138-4049	1	BRACKET AS							
	15	2	141-7405	2	HOSE							
	16	2	375-4546	1	TANK AS							
	17	2	152-5713	1	TUBE AS							
	18	2	152-5714	1	TUBE AS							
	19	2	152-5715	1	TUBE AS							
	20	2	152-5716	1	HOSE							
	I	21	1	171-5364	1	HOSE AS						
		22	2	155-9461	1	TUBE AS						
	I	23	2	155-9462	1	HOSE AS						
24		2	164-5567	2	COUPLER AS-QUICK DISCONNECT (MALE) (EACH INCLUDES)							
		2	3J-1907	1	SEAL-O-RING							
		2	6V-3965	1	FITTING (QUICK DISCONNECT)							
	25	2	177-4155	3	FLANGE							
	26	1	179-6791	1	MANIFOLD							
I	27	1	179-6792	1	HOSE AS							
I	28	2	179-6793	1	HOSE AS							
	29	1	179-6794	1	PLATE AS							
M	1	1	8T-3490	1	NUT-WELD (M10X1.5-THD)							
	30	1	183-3626	1	BRACKET AS							
M	1	1	8T-3597	2	NUT-WELD (M12X1.75-THD)							
I	31	2	183-4491	1	HOSE AS							
Y	32	2	186-6218	1	VALVE GP-RELIEF (STEERING, IMPLEMENT PILOT)						1032	
	33	2	197-3295	2	FLANGE-HALF							
	34	2	203-3072	1	TUBE AS							
I	35	1	223-4263	1	HOSE AS							
I	36	1	223-4264	1	HOSE AS							
	37	2	374-8283	1	MAGNET AS							
	38	2	249-8963	1	BRACKET AS							
I	39	2	104-5912	1	HOSE AS							
	40	1,2	148-8327	2	CONNECTOR AS (EACH INCLUDES)							
		1,2	3D-2824	1	SEAL-O-RING							
	1,2	6V-8637	1	CONNECTOR								
	1,2	6V-9746	1	SEAL-O-RING								

# HYDRAULIC SYSTEM

228-3173 LINES GP-HYDRAULIC (contd.)

i04776094

NOTE	REF NO	GRAPHIC REF	PART NUMBER	QTY	PART NAME						SEE PAGE
					1	2	3	4	5	6 (PRODUCT LEVEL)	
	41	2	148-8340	1	CONNECTOR AS						
		2	3K-0360	1	SEAL-O-RING						
		2	6V-8398	1	SEAL-O-RING						
		2	6V-8639	1	CONNECTOR						
	42	2	148-8347	3	ELBOW AS						
					(EACH INCLUDES)						
		2	3D-2824	1	SEAL-O-RING						
		2	6V-9007	1	ELBOW						
		2	6V-9746	1	SEAL-O-RING						
	43	2	148-8360	1	ELBOW AS						
		2	6V-9182	1	ELBOW						
		2	6V-9746	1	SEAL-O-RING						
		2	7M-8485	1	SEAL-O-RING						
	44	2	148-8364	1	ELBOW AS						
		2	3K-0360	1	SEAL-O-RING						
		2	6V-8398	1	SEAL-O-RING						
		2	6V-8625	1	ELBOW						
	45	2	148-8374	1	ELBOW AS						
		2	3K-0360	1	SEAL-O-RING						
		2	6V-8397	1	SEAL-O-RING						
		2	6V-8723	1	ELBOW						
	46	1	148-8392	1	ELBOW AS						
		1	6V-9746	1	SEAL-O-RING						
		1	6V-9853	1	ELBOW						
	47	2	148-8427	1	TEE AS						
		2	6V-8398	3	SEAL-O-RING						
		2	8T-6895	1	TEE-UNION						
	48	1	148-8455	1	UNION AS						
		1	6V-8997	1	UNION						
		1	6V-9746	2	SEAL-O-RING						
	49	1	164-5574	1	TEE AS						
		1	3D-2824	1	SEAL-O-RING						
		1	6V-8784	1	TEE-FACE SEAL						
		1	6V-9746	2	SEAL-O-RING						
	50	1	148-8353	1	ELBOW AS						
		1	3J-1907	1	SEAL-O-RING						
		1	6V-8397	1	SEAL-O-RING						
		1	6V-9001	1	ELBOW						
	51	1	165-4933	1	ELBOW AS						
		1	6V-8990	1	ELBOW						
		1	6V-9746	2	SEAL-O-RING						
I	52	1	173-2546	1	HOSE AS						
	53	1	177-8839	1	CLIP						
	54	1,2	1P-3705	4	SEAL-RECTANGULAR						
	55	1,2	1P-4582	8	FLANGE-HALF						
	56	1	222-6869	1	CONNECTOR AS						
		1	3J-1907	1	SEAL-O-RING						
		1	6V-8397	1	SEAL-O-RING						
		1	9X-2614	1	CONNECTOR						
	57	1	2P-1293	2	LOCKNUT (1-3/16-12-THD)						
	58	1	2V-0600	2	CLAMP-HALF						
	61	2	4J-0522	1	SEAL-O-RING						
	62	1,2	4J-0527	4	SEAL-O-RING						
	63	2	4J-5267	2	SEAL-O-RING						
	64	2	5H-4020	1	COVER						
	65	1,2	5P-8077	8	FLANGE-HALF						
	66	2	6D-4246	1	CLIP						
	67	2	6V-9169	1	NUT (13/16-16-THD)						
	70	1	7X-0343	1	BOLT (5/8-11X1.25-IN)						
	71	1	7X-0347	1	BOLT (5/8-11X2.25-IN)						
M	72	2	7X-2552	4	BOLT (M16X2X30-MM)						
	73	2	7X-3392	4	WASHER-HARD (13.5X22.5X3-MM THK)						
	74	2	8C-3205	4	FLANGE-HALF						

# HYDRAULIC SYSTEM

228-3173 LINES GP-HYDRAULIC (contd.)

i04776094

NOTE	REF NO	GRAPHIC REF	PART NUMBER	QTY	PART NAME						SEE PAGE
					1	2	3	4	5	6 (PRODUCT LEVEL)	
	75	1	153-6242	1	CONNECTOR AS						
		1	6V-9746	1	SEAL-O-RING						
		1	7M-8485	1	SEAL-O-RING						
		1	8T-0197	1	CONNECTOR						
	76	2	8T-1885	1	CLIP (SLOT)						
	77	2	8T-1886	1	CLIP (TAB)						
	78	2	8T-4121	19	WASHER-HARD (11X21X2.5-MM THK)						
	79	1,2	8T-4122	16	WASHER-HARD (17X32X3.5-MM THK)						
M	80	2	8T-4137	6	BOLT (M10X1.5X20-MM)						
M	81	1	8T-4139	2	BOLT (M12X1.75X30-MM)						
M	82	2	8T-4140	12	BOLT (M16X2X60-MM)						
M	83	1	8T-4175	4	BOLT (M16X2X90-MM)						
M	84	2	8T-4183	12	BOLT (M12X1.75X40-MM)						
M	85	1	8T-4184	4	BOLT (M12X1.75X45-MM)						
M	86	2	8T-4193	12	BOLT (M16X2X50-MM)						
M	87	2	8T-4195	1	BOLT (M10X1.5X30-MM)						
M	88	2	8T-4196	8	BOLT (M10X1.5X35-MM)						
	89	1,2	8T-4223	29	WASHER-HARD (13.5X25.5X3-MM THK)						
M	90	1,2	8T-4956	15	BOLT (M12X1.75X35-MM)						
M	91	2	8T-6466	2	BOLT (M10X1.5X60-MM)						
	92	2	9B-7237	2	BOLT (3/8-16X1.25-IN)						
	93	2	9F-7283	3	SEAL-O-RING						
	94	1,2	9X-8257	18	WASHER (17.5X30X3.5-MM THK)						

I - REFER TO HYDRAULIC INFORMATION SYSTEM

M - METRIC PART

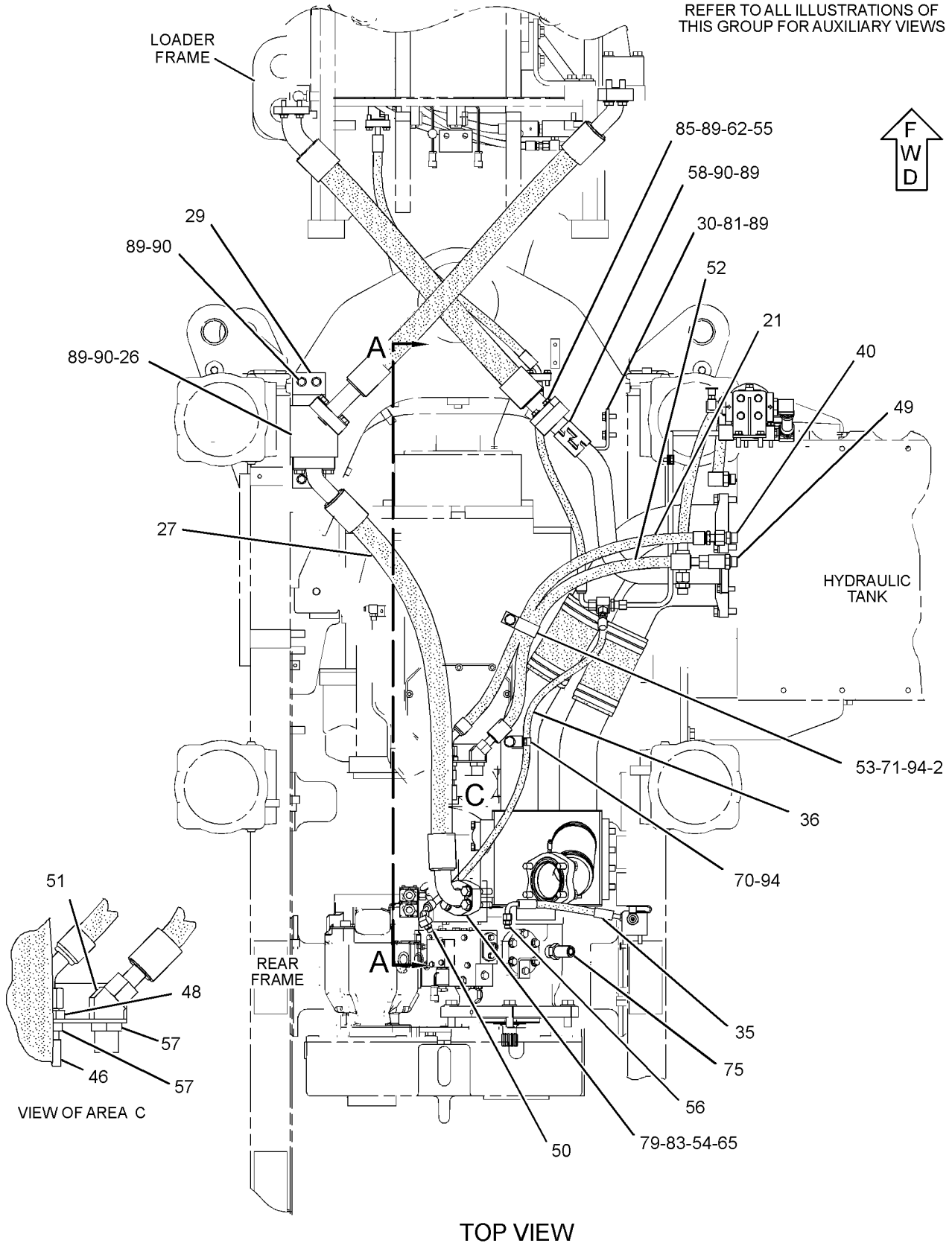
Y - SEPARATE ILLUSTRATION

# HYDRAULIC SYSTEM

228-3173 LINES GP-HYDRAULIC (contd.)

i04776094

REFER TO ALL ILLUSTRATIONS OF THIS GROUP FOR AUXILIARY VIEWS



TOP VIEW

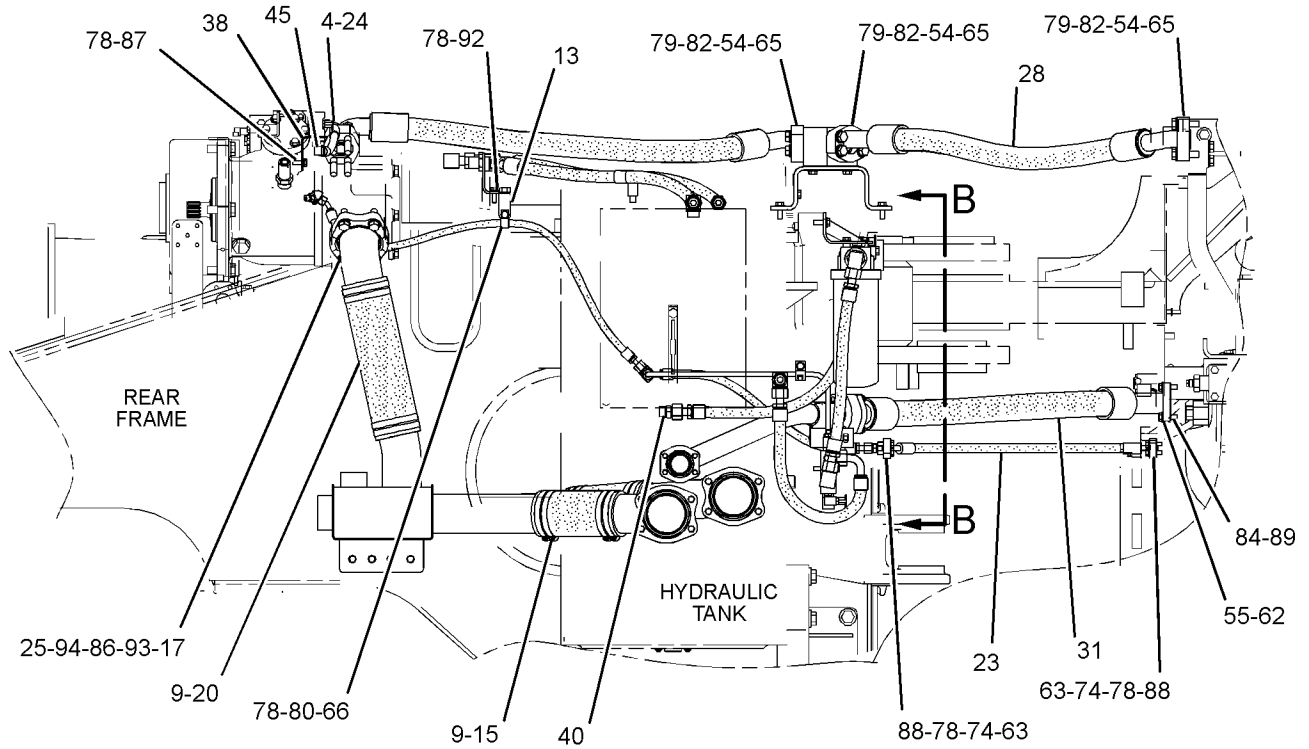
GRAPHIC #1

g02725632

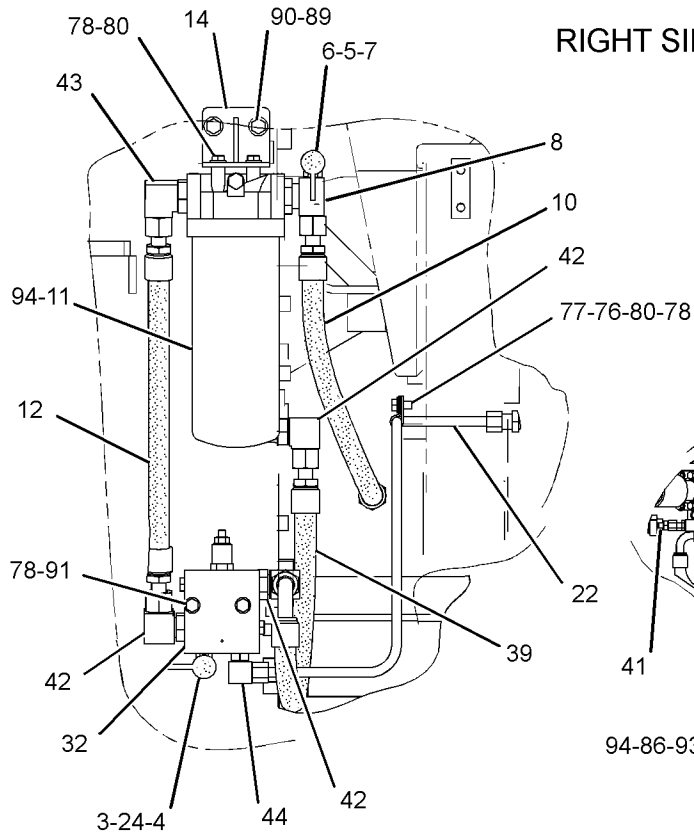
# HYDRAULIC SYSTEM

228-3173 LINES GP-HYDRAULIC (contd.)

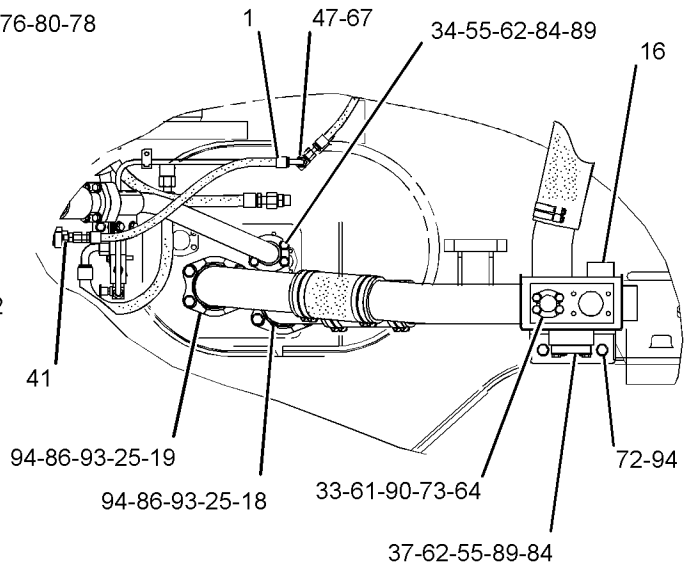
i04776094



RIGHT SIDE VIEW



VIEW B-B



VIEW A-A

GRAPHIC #2

<END>

g02725608

# HYDRAULIC SYSTEM

## 132-6138 LINES GP-HYDRAULIC FAN

S/N: BNH1-1061

PART OF 215-2334, 215-2353 COOLING AR  
AN ATTACHMENT

SMCS-1386, 1387, 5057

i01670339

NOTE	REF NO	GRAPHIC REF	PART NUMBER	QTY	PART NAME						SEE PAGE
					1	2	3	4	5	6 (PRODUCT LEVEL)	
	1	1,2	<b>1F-1609</b>	2	SPACER (13.5X25.4X39.7-MM THK)						
	2	1	<b>6E-1454</b>	1	VALVE GP-CHECK (COOLER BYPASS)						
Y	4	1	<b>139-6825</b>	1	MOTOR GP-GEAR (HYDRAULIC FAN)						958
	6	1,2	<b>145-3319</b>	2	BRACKET AS (EACH INCLUDES)						
M		1,2	<b>8T-3597</b>	1	NUT-WELD (M12X1.75-THD)						
	7	1	<b>152-7202</b>	1	VALVE-THERMOSTAT (HYDRAULIC FAN)						
		1	<b>3D-2824</b>	1	SEAL-O-RING						
I	8	2	<b>155-7518</b>	1	HOSE AS						
I	10	1	<b>155-7520</b>	1	HOSE AS						
I	11	1	<b>155-2340</b>	1	HOSE AS						
I	12	1	<b>155-7523</b>	1	HOSE AS						
I	13	1	<b>155-7524</b>	1	HOSE AS						
I	14	1	<b>155-7525</b>	1	HOSE AS						
I	15	1	<b>155-7526</b>	1	HOSE AS						
I	16	2	<b>155-7527</b>	1	HOSE AS						
	17	1	<b>156-7472</b>	1	MANIFOLD						
	18	1	<b>159-0842</b>	1	MANIFOLD						
	19	2	<b>148-8407</b>	1	PLUG AS						
		2	<b>9S-4191</b>	1	PLUG-O-RING						
		2	<b>3J-1907</b>	1	SEAL-O-RING						
	20	1	<b>109-1633</b>	1	CLIP (SLOT)						
	21	1	<b>109-1634</b>	1	CLIP (TAB)						
	22	1	<b>112-9783</b>	1	ADAPTER						
	23	1	<b>148-8315</b>	1	CONNECTOR AS						
		1	<b>6V-8642</b>	1	CONNECTOR						
		1	<b>2M-9780</b>	1	SEAL-O-RING						
		1	<b>7J-9108</b>	1	SEAL-O-RING						
	24	1	<b>148-8316</b>	3	CONNECTOR AS (EACH INCLUDES)						
		1	<b>6V-8647</b>	1	CONNECTOR						
		1	<b>3J-7354</b>	1	SEAL-O-RING						
		1	<b>4J-5477</b>	1	SEAL-O-RING						
	25	1,2	<b>148-8327</b>	3	CONNECTOR AS (EACH INCLUDES)						
		1,2	<b>6V-8637</b>	1	CONNECTOR						
		1,2	<b>3D-2824</b>	1	SEAL-O-RING						
		1,2	<b>6V-9746</b>	1	SEAL-O-RING						
	26	1	<b>148-8340</b>	1	CONNECTOR AS						
		1	<b>6V-8639</b>	1	CONNECTOR						
		1	<b>3K-0360</b>	1	SEAL-O-RING						
		1	<b>6V-8398</b>	1	SEAL-O-RING						
	27	1	<b>148-8341</b>	1	CONNECTOR AS						
		1	<b>6V-8713</b>	1	CONNECTOR						
		1	<b>3D-2824</b>	1	SEAL-O-RING						
		1	<b>7J-9108</b>	1	SEAL-O-RING						
	28	1	<b>148-8347</b>	1	ELBOW AS						
		1	<b>6V-9007</b>	1	ELBOW						
		1	<b>3D-2824</b>	1	SEAL-O-RING						
		1	<b>6V-9746</b>	1	SEAL-O-RING						
	29	2	<b>148-8376</b>	1	ELBOW AS						
		2	<b>6V-8983</b>	1	ELBOW						
		2	<b>6V-9746</b>	1	SEAL-O-RING						
	30	1	<b>148-8449</b>	1	TEE AS-SWIVEL						
		1	<b>6V-9839</b>	1	TEE-SWIVEL						
		1	<b>6V-9746</b>	2	SEAL-O-RING						
	31	1	<b>153-6237</b>	1	ELBOW AS						



# HYDRAULIC SYSTEM

132-6138 LINES GP-HYDRAULIC FAN (contd.)

i01670339

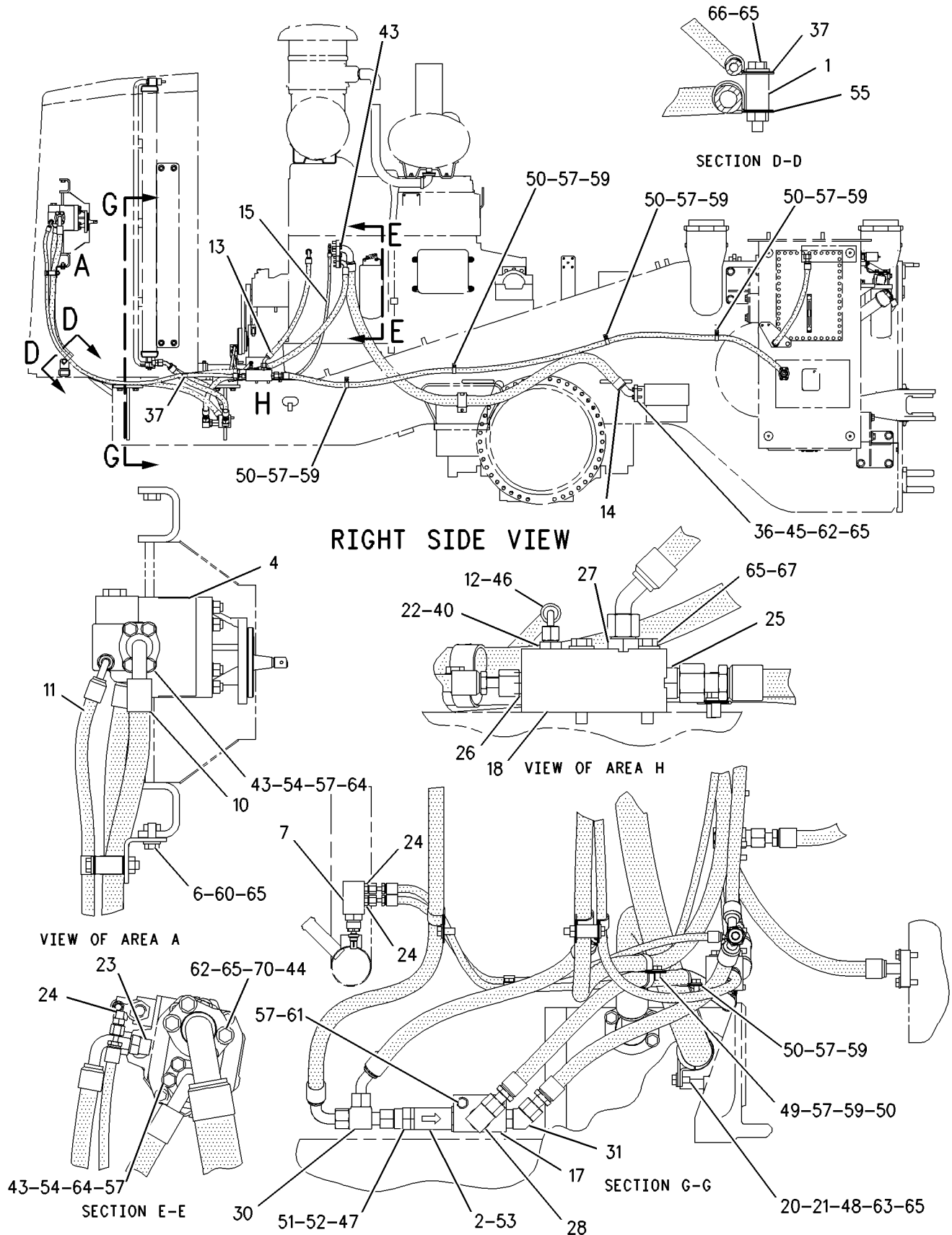
NOTE	REF NO	GRAPHIC REF	PART NUMBER	QTY	PART NAME						SEE PAGE
					1	2	3	4	5	6 (PRODUCT LEVEL)	
		1	6V-9004	1	ELBOW						
		1	3D-2824	1	SEAL-O-RING						
		1	6V-9746	1	SEAL-O-RING						
I	32	2	155-7517	1	HOSE AS						
I	33	2	155-7521	1	HOSE AS						
I	34	2	155-7528	1	HOSE AS						
	36	1	1P-4582	2	FLANGE-HALF						
	37	1,2	1S-6420	3	CLIP						
	38	2	2P-1293	1	LOCKNUT (1-3/16-12-THD)						
	39	2	3D-2824	1	SEAL-O-RING						
	40	1	3K-0360	1	SEAL-O-RING						
	41	2	3P-2404	2	CLIP						
	42	2	3T-4965	1	ADAPTER-O-RING						
	43	1,2	4J-0520	4	SEAL-O-RING						
	44	1	4J-0524	1	SEAL-O-RING						
	45	1	4J-0527	1	SEAL-O-RING						
	46	1	4J-5477	1	SEAL-O-RING						
	47	1	5K-9090	1	SEAL-O-RING						
	48	1	5P-7703	1	GROMMET						
	49	1	5P-7854	1	CLIP						
	50	1	6V-1889	6	CLIP						
	51	1	6V-8946	1	REDUCER						
	52	1,2	6V-9746	2	SEAL-O-RING						
	53	1	7M-8485	1	SEAL-O-RING						
	54	1,2	8C-3206	8	FLANGE-HALF						
	55	1,2	8D-9947	2	CLIP						
	57	1,2	8T-4121	28	WASHER-HARD (11X21X2.5-MM THK)						
M	58	2	8T-4136	2	BOLT (M10X1.5X25-MM)						
M	59	1,2	8T-4137	8	BOLT (M10X1.5X20-MM)						
M	60	1,2	8T-4139	2	BOLT (M12X1.75X30-MM)						
M	61	1	8T-4178	2	BOLT (M10X1.5X90-MM)						
M	62	1	8T-4184	4	BOLT (M12X1.75X45-MM)						
M	63	1,2	8T-4192	3	BOLT (M12X1.75X25-MM)						
M	64	1,2	8T-4196	16	BOLT (M10X1.5X35-MM)						
	65	1,2	8T-4223	17	WASHER-HARD (13.5X25.5X3-MM THK)						
M	66	1,2	8T-4648	2	BOLT (M12X1.75X70-MM)						
M	67	1	8T-6868	2	BOLT (M12X1.75X80-MM)						
	68	2	148-8336	1	CONNECTOR AS						
		2	6V-8636	1	CONNECTOR						
		2	3J-1907	1	SEAL-O-RING						
		2	6V-8397	1	SEAL-O-RING						
	69	2	9M-8406	3	CLIP						
	70	1	1P-4579	2	FLANGE-HALF						

I - REFER TO HYDRAULIC INFORMATION SYSTEM  
M - METRIC PART  
Y - SEPARATE ILLUSTRATION

# HYDRAULIC SYSTEM

132-6138 LINES GP-HYDRAULIC FAN (contd.)

i01670339



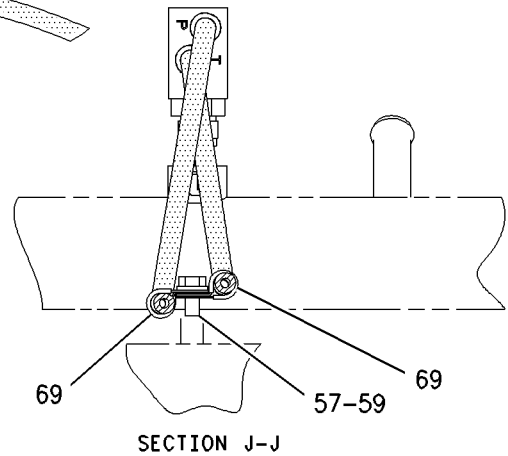
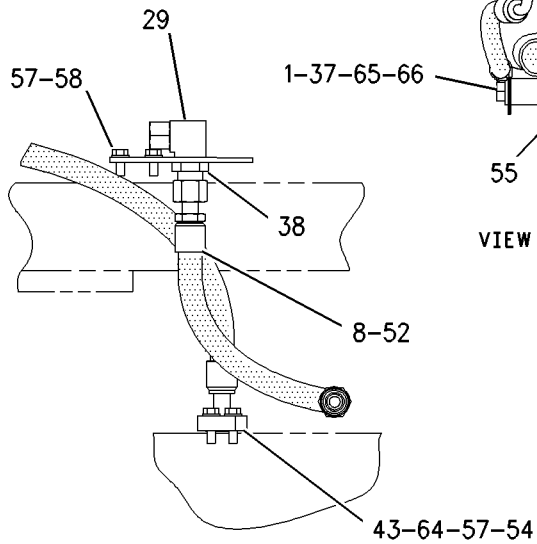
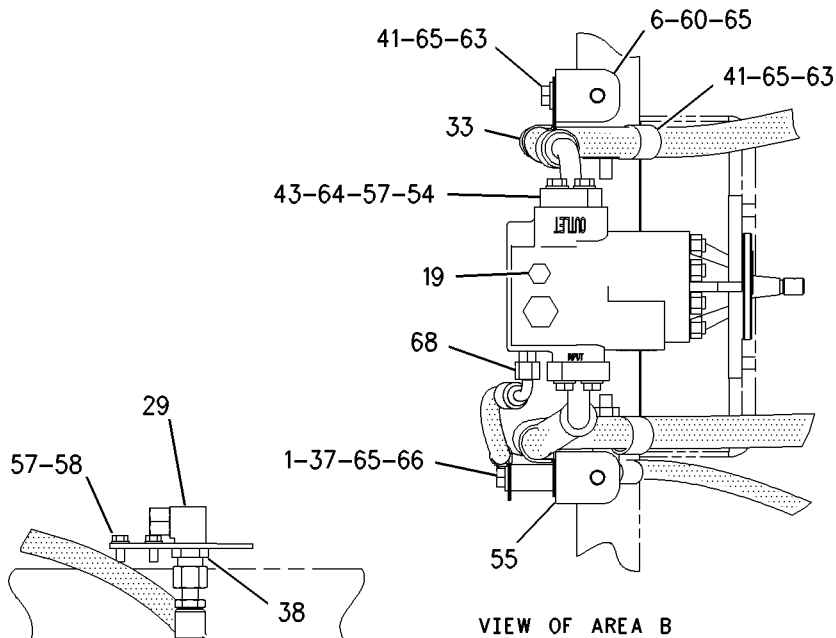
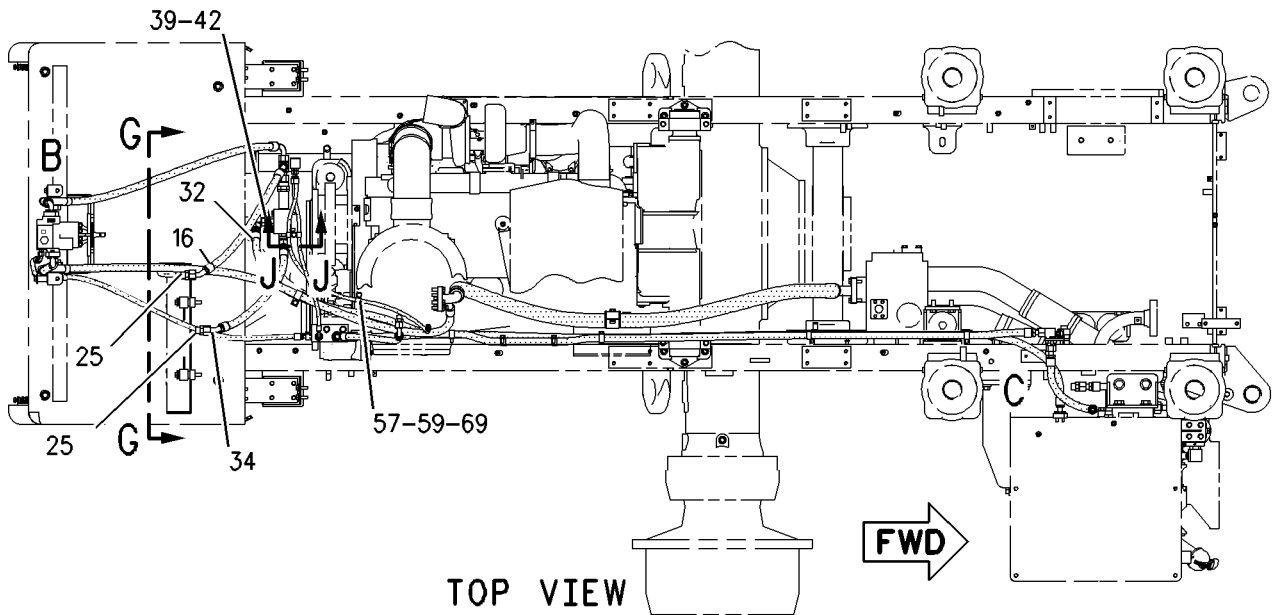
GRAPHIC #1

g00863180

# HYDRAULIC SYSTEM

132-6138 LINES GP-HYDRAULIC FAN (contd.)

i01670339



REFER TO ALL ILLUSTRATIONS OF THIS GROUP FOR AUXILIARY VIEWS

GRAPHIC #2

<END>

g00863153

# HYDRAULIC SYSTEM

## 132-6138 LINES GP-HYDRAULIC FAN

S/N: BNH1062-UP

PART OF 215-2334, 215-2353 COOLING AR  
AN ATTACHMENT

SMCS-1386, 1387, 5057

i02103074

NOTE	REF NO	GRAPHIC REF	PART NUMBER	QTY	PART NAME						SEE PAGE
					1	2	3	4	5	6 (PRODUCT LEVEL)	
	1	1,2	<b>1F-1609</b>	2	SPACER (13.5X25.4X39.7-MM THK)						
	2	1	<b>6E-1454</b>	1	VALVE GP-CHECK (COOLER BYPASS)						
CM	3	1	<b>8T-5005</b>	4	BOLT (M10X1.5X70-MM)						
Y	4	1	<b>139-6825</b>	1	MOTOR GP-GEAR (HYDRAULIC FAN)						958
C	5	1	<i>164-6874</i>	1	FITTING AS-ELBOW (QUICK DISCONNECT, MALE)						
			<b>3J-1907</b>	1	SEAL-O-RING						
			<b>085-7356</b>	1	FITTING						
	6	1,2	<b>145-3319</b>	2	BRACKET AS						
					(EACH INCLUDES)						
M		1,2	<b>8T-3597</b>	1	NUT-WELD (M12X1.75-THD)						
	7	1	<b>152-7202</b>	1	VALVE-THERMOSTAT (HYDRAULIC FAN)						
			<b>3D-2824</b>	1	SEAL-O-RING						
I	8	2	<b>155-7518</b>	1	HOSE AS						
C	9	1	<i>164-5567</i>	1	COUPLER AS-QUICK DISCONNECT (MALE)						
			<b>3J-1907</b>	1	SEAL-O-RING						
			<b>6V-3965</b>	1	FITTING (QUICK DISCONNECT)						
I	10	1	<b>155-7520</b>	1	HOSE AS						
I	11	1,2	<b>155-2340</b>	1	HOSE AS						
I	12	1	<b>155-7523</b>	1	HOSE AS						
I	13	1	<b>155-7524</b>	1	HOSE AS						
I	14	1	<b>155-7525</b>	1	HOSE AS						
I	15	1	<b>155-7526</b>	1	HOSE AS						
I	16	2	<b>155-7527</b>	1	HOSE AS						
	17	1	<b>156-7472</b>	1	MANIFOLD						
	18	1	<b>159-0842</b>	1	MANIFOLD						
	19	2	<i>148-8407</i>	1	PLUG AS						
			<b>9S-4191</b>	1	PLUG-O-RING						
			<b>3J-1907</b>	1	SEAL-O-RING						
20	1		<b>109-1633</b>	1	CLIP (SLOT)						
21	1		<b>109-1634</b>	1	CLIP (TAB)						
22	1		<b>112-9783</b>	1	ADAPTER						
23	1		<i>148-8315</i>	1	CONNECTOR AS						
			<b>6V-8642</b>	1	CONNECTOR						
			<b>2M-9780</b>	1	SEAL-O-RING						
			<b>7J-9108</b>	1	SEAL-O-RING						
24	1		<i>148-8316</i>	3	CONNECTOR AS						
					(EACH INCLUDES)						
			<b>6V-8647</b>	1	CONNECTOR						
			<b>3J-7354</b>	1	SEAL-O-RING						
			<b>4J-5477</b>	1	SEAL-O-RING						
25	1,2		<i>148-8327</i>	3	CONNECTOR AS						
					(EACH INCLUDES)						
		1,2	<b>6V-8637</b>	1	CONNECTOR						
		1,2	<b>3D-2824</b>	1	SEAL-O-RING						
		1,2	<b>6V-9746</b>	1	SEAL-O-RING						
26	1		<i>148-8340</i>	1	CONNECTOR AS						
			<b>6V-8639</b>	1	CONNECTOR						
			<b>3K-0360</b>	1	SEAL-O-RING						
			<b>6V-8398</b>	1	SEAL-O-RING						
27	1		<i>148-8341</i>	1	CONNECTOR AS						
			<b>6V-8713</b>	1	CONNECTOR						
			<b>3D-2824</b>	1	SEAL-O-RING						
			<b>7J-9108</b>	1	SEAL-O-RING						
28	1		<i>148-8347</i>	1	ELBOW AS						
			<b>6V-9007</b>	1	ELBOW						
			<b>3D-2824</b>	1	SEAL-O-RING						
			<b>6V-9746</b>	1	SEAL-O-RING						

# HYDRAULIC SYSTEM

132-6138 LINES GP-HYDRAULIC FAN (contd.)

i02103074

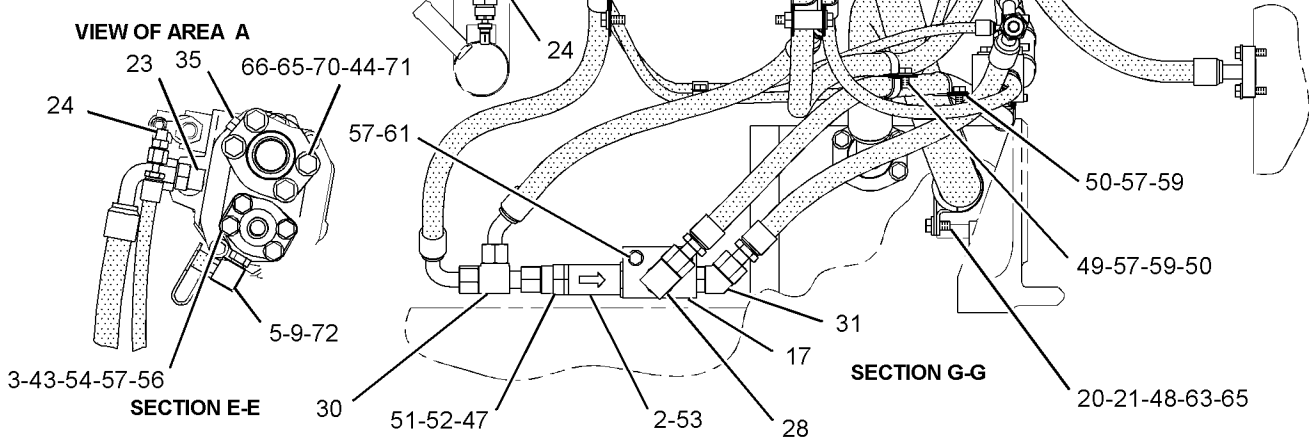
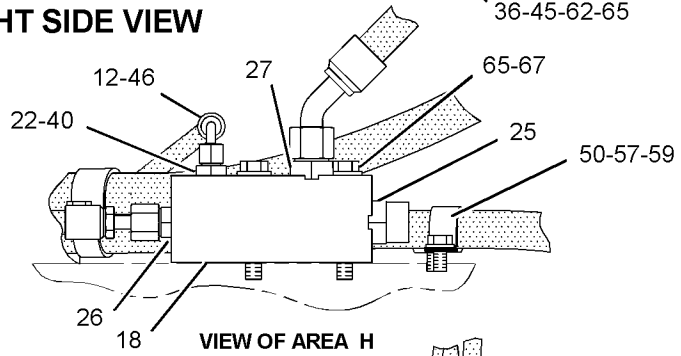
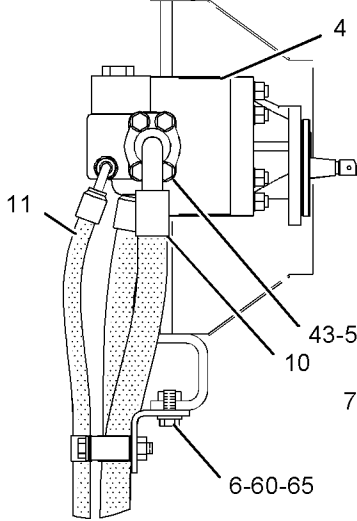
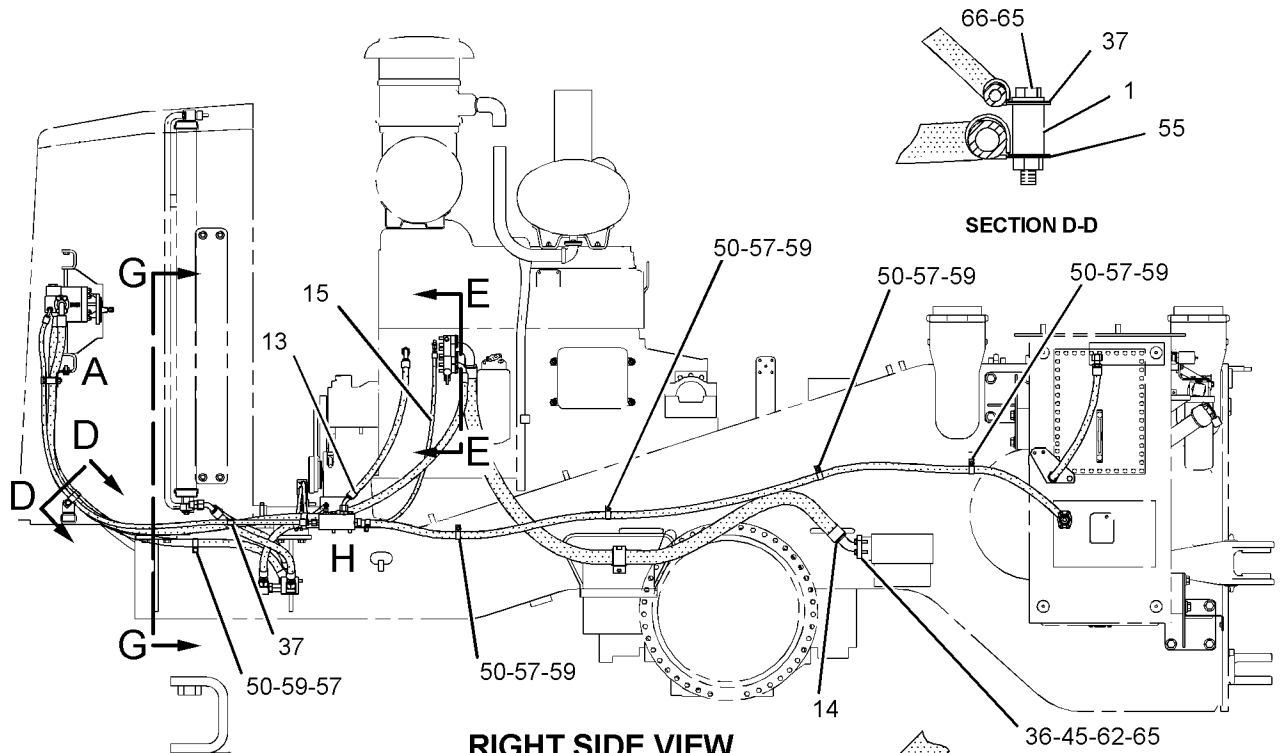
NOTE	REF NO	GRAPHIC REF	PART NUMBER	QTY	PART NAME						SEE PAGE
					1	2	3	4	5	6 (PRODUCT LEVEL)	
	29	2	148-8376	1	ELBOW AS						
		2	6V-8983	1	ELBOW						
		2	6V-9746	1	SEAL-O-RING						
	30	1	148-8449	1	TEE AS-SWIVEL						
		1	6V-9839	1	TEE-SWIVEL						
		1	6V-9746	2	SEAL-O-RING						
	31	1	153-6237	1	ELBOW AS						
		1	6V-9004	1	ELBOW						
		1	3D-2824	1	SEAL-O-RING						
		1	6V-9746	1	SEAL-O-RING						
I	32	2	155-7517	1	HOSE AS						
CI	33	2	239-9230	1	HOSE AS						
I	34	2	155-7528	1	HOSE AS						
C	35	1	155-3624	1	PLUG AS						
		1	3J-7354	1	SEAL-O-RING						
		1	9S-4182	1	PLUG-O-RING						
	36	1	1P-4582	2	FLANGE-HALF						
	37	1,2	1S-6420	3	CLIP						
	38	2	2P-1293	1	LOCKNUT (1-3/16-12-THD)						
	39	2	3D-2824	1	SEAL-O-RING						
	40	1	3K-0360	1	SEAL-O-RING						
	41	2	3P-2404	2	CLIP						
	42	2	3T-4965	1	ADAPTER-O-RING						
C	43	1,2	4J-0520	5	SEAL-O-RING						
C	44	1	4J-0524	2	SEAL-O-RING						
	45	1	4J-0527	1	SEAL-O-RING						
	46	1	4J-5477	1	SEAL-O-RING						
	47	1	5K-9090	1	SEAL-O-RING						
	48	1	5P-7703	1	GROMMET						
	49	1	5P-7854	1	CLIP						
C	50	1,2	6V-1889	7	CLIP						
	51	1	6V-8946	1	REDUCER						
	52	1,2	6V-9746	2	SEAL-O-RING						
	53	1	7M-8485	1	SEAL-O-RING						
	54	1,2	8C-3206	8	FLANGE-HALF						
	55	1,2	8D-9947	2	CLIP						
C	56	1	9J-3866	1	ADAPTER						
C	57	1,2	8T-4121	29	WASHER-HARD (11X21X2.5-MM THK)						
M	58	2	8T-4136	2	BOLT (M10X1.5X25-MM)						
CM	59	1,2	8T-4137	9	BOLT (M10X1.5X20-MM)						
M	60	1,2	8T-4139	2	BOLT (M12X1.75X30-MM)						
M	61	1	8T-4178	2	BOLT (M10X1.5X90-MM)						
CM	62	1	8T-4184	4	BOLT (M12X1.75X45-MM)						
M	63	1,2	8T-4192	3	BOLT (M12X1.75X25-MM)						
CM	64	1,2	8T-4196	12	BOLT (M10X1.5X35-MM)						
	65	1,2	8T-4223	17	WASHER-HARD (13.5X25.5X3-MM THK)						
CM	66	1,2	8T-4648	6	BOLT (M12X1.75X70-MM)						
M	67	1	8T-6868	2	BOLT (M12X1.75X80-MM)						
	68	2	148-8336	1	CONNECTOR AS						
		2	6V-8636	1	CONNECTOR						
		2	3J-1907	1	SEAL-O-RING						
		2	6V-8397	1	SEAL-O-RING						
	69	2	9M-8406	3	CLIP						
	70	1	1P-4579	2	FLANGE-HALF						
C	71	1	8R-0752	1	ADAPTER						
C	72	1	8C-3451	1	CAP-DUST						

C - CHANGE FROM PREVIOUS TYPE  
 I - REFER TO HYDRAULIC INFORMATION SYSTEM  
 M - METRIC PART  
 Y - SEPARATE ILLUSTRATION

# HYDRAULIC SYSTEM

132-6138 LINES GP-HYDRAULIC FAN (contd.)

i02103074



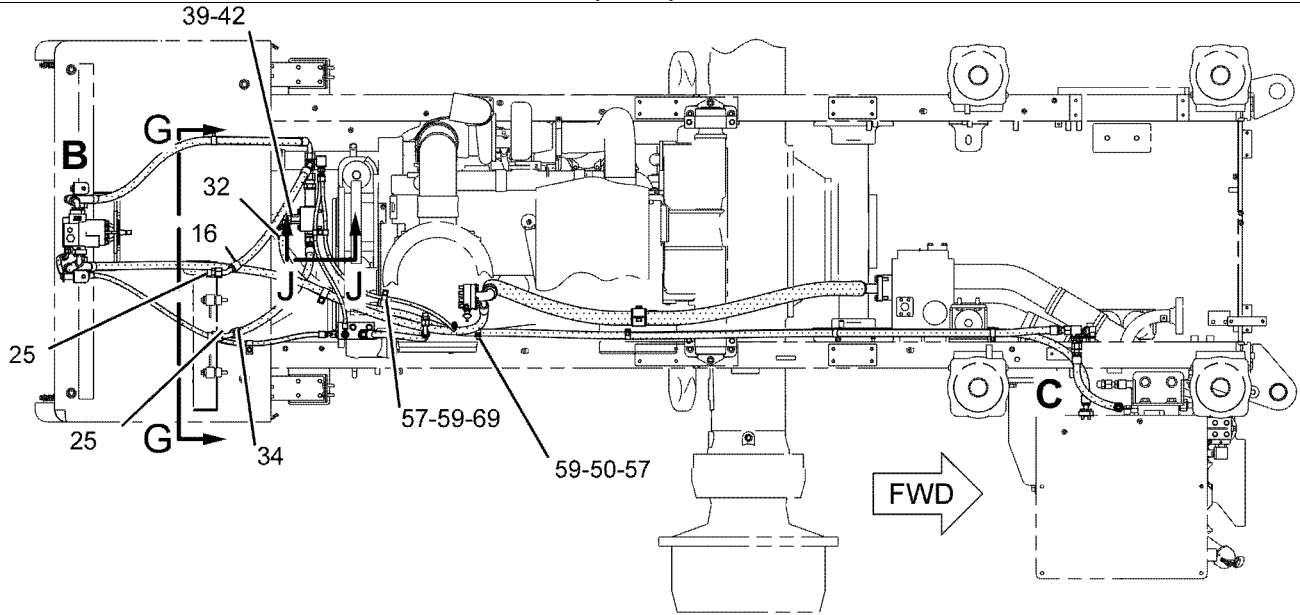
GRAPHIC #1

g01082018

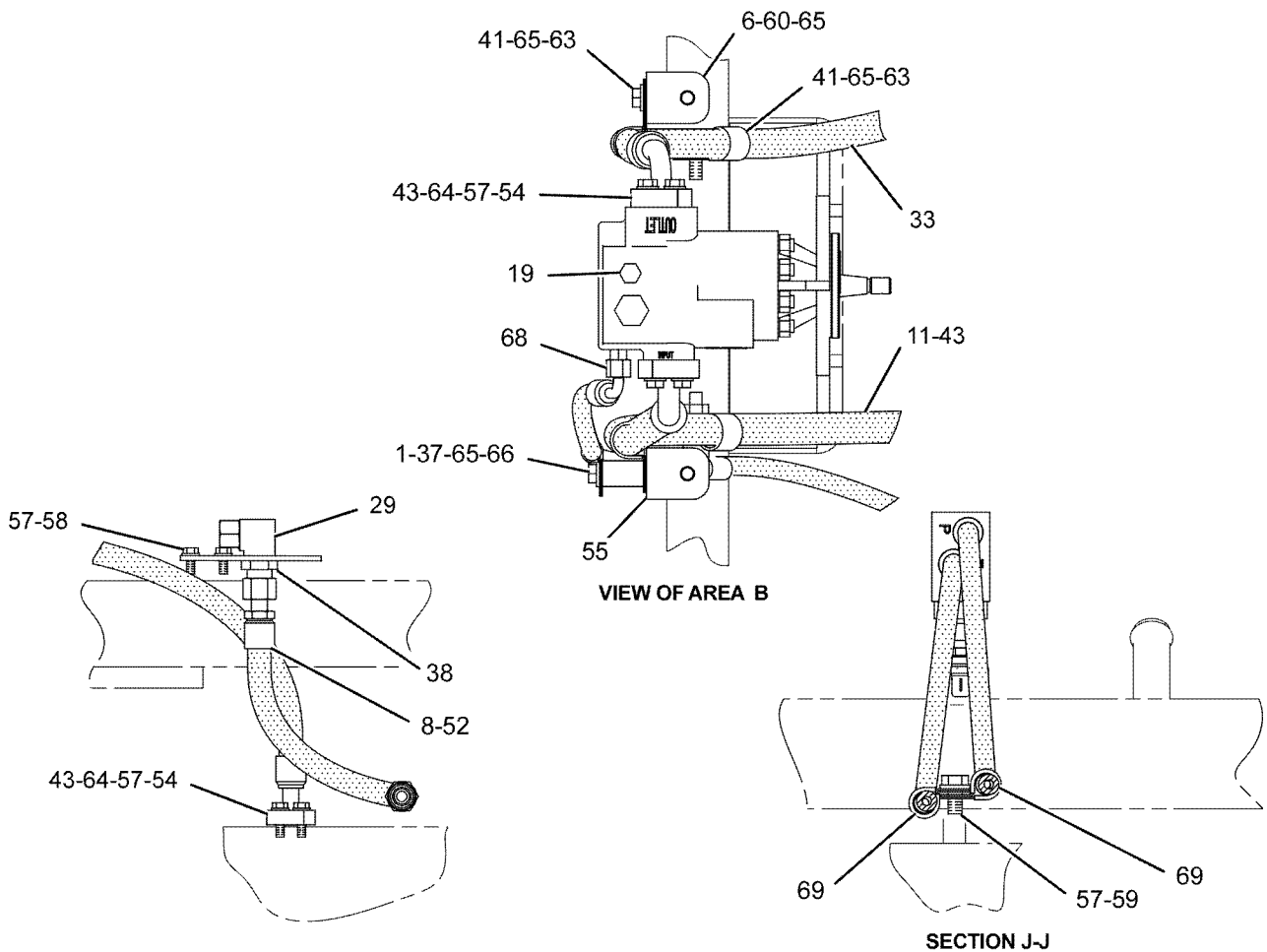
# HYDRAULIC SYSTEM

132-6138 LINES GP-HYDRAULIC FAN (contd.)

i02103074



TOP VIEW



VIEW OF AREA B

VIEW OF AREA C

SECTION J-J

REFER TO ALL ILLUSTRATIONS OF THIS GROUP FOR AUXILIARY VIEWS  
<END>

GRAPHIC #2

g01082020

# HYDRAULIC SYSTEM

## 215-2356 LINES GP-HYDRAULIC FAN

S/N: BNH1-1061

HIGH AMBIENT TEMPERATURE COOLING

PART OF 215-2339 COOLING AR-HIGH AMBIENT TEMP

AN ATTACHMENT

SMCS-1386, 1387, 5057

i01669570

NOTE	REF NO	GRAPHIC REF	PART NUMBER	QTY	PART NAME						SEE PAGE
					1	2	3	4	5	6 (PRODUCT LEVEL)	
	1	2	<b>1F-1609</b>	2	SPACER (13.5X25.4X39.7-MM THK)						
	2	2	<b>6E-1454</b>	1	VALVE GP-CHECK (HYDRAULIC OIL COOLER BYPASS)						
I	3	3	<b>8E-0143</b>	1	HOSE AS (LABELED B)						
	4	3	<b>9T-3752</b>	1	VALVE-CHECK (HYDRAULIC FAN)						
	5	2	<b>145-3319</b>	2	BRACKET AS (EACH INCLUDES)						
M		2	<b>8T-3597</b>	1	NUT-WELD (M12X1.75-THD)						
	6	3	<b>152-7202</b>	1	VALVE-THERMOSTAT						
	7	1	<i>154-5232</i>	1	ADAPTER AS						
		1	<b>112-9783</b>	1	ADAPTER						
		1	<b>3K-0360</b>	1	SEAL-O-RING						
		1	<b>4J-5477</b>	1	SEAL-O-RING						
I	8	2	<b>155-7518</b>	1	HOSE AS (LABELED A)						
I	9	1	<b>155-7523</b>	1	HOSE AS (LABELED E)						
I	10	1	<b>155-7524</b>	1	HOSE AS (LABELED F)						
I	11	1	<b>155-7525</b>	1	HOSE AS (LABELED G)						
I	12	1	<b>155-7526</b>	1	HOSE AS (LABELED H)						
I	13	1	<b>155-7527</b>	1	HOSE AS (LABELED J)						
	14	2	<b>156-7472</b>	1	MANIFOLD						
	15	1	<b>159-0842</b>	1	MANIFOLD						
I	16	3	<b>162-7365</b>	1	HOSE AS (LABELED C)						
	17	3	<i>167-1795</i>	1	ELBOW AS						
		3	<b>8T-3491</b>	1	ELBOW						
		3	<b>3D-2824</b>	1	SEAL-O-RING						
	18	3	<i>172-5277</i>	1	TEE AS						
		3	<b>8T-8901</b>	1	TEE-O-RING PORT						
		3	<b>3D-2824</b>	1	SEAL-O-RING						
		3	<b>6V-9746</b>	1	SEAL-O-RING						
	19	2	<i>198-1854</i>	1	PLATE						
I	20	3	<b>215-7177</b>	1	HOSE AS (LABELED D)						
I	21	3	<b>215-7178</b>	1	HOSE AS (LABELED L)						
	22	2	<b>109-1633</b>	1	CLIP (SLOT)						
	23	2	<b>109-1634</b>	1	CLIP (TAB)						
	24	1	<i>148-8312</i>	1	ADAPTER AS						
		1	<b>3T-4965</b>	1	ADAPTER-O-RING						
		1	<b>3D-2824</b>	1	SEAL-O-RING						
	25	1	<i>148-8315</i>	1	CONNECTOR AS						
		1	<b>6V-8642</b>	1	CONNECTOR						
		1	<b>2M-9780</b>	1	SEAL-O-RING						
		1	<b>7J-9108</b>	1	SEAL-O-RING						
	26	1,3	<i>148-8316</i>	3	CONNECTOR AS (EACH INCLUDES)						
		1,3	<b>6V-8647</b>	1	CONNECTOR						
		1,3	<b>3J-7354</b>	1	SEAL-O-RING						
		1,3	<b>4J-5477</b>	1	SEAL-O-RING						
	27	1	<i>148-8327</i>	3	CONNECTOR AS (EACH INCLUDES)						
		1	<b>6V-8637</b>	1	CONNECTOR						
		1	<b>3D-2824</b>	1	SEAL-O-RING						
		1	<b>6V-9746</b>	1	SEAL-O-RING						
	28	1	<i>148-8340</i>	1	CONNECTOR AS						
		1	<b>6V-8639</b>	1	CONNECTOR						
		1	<b>3K-0360</b>	1	SEAL-O-RING						
		1	<b>6V-8398</b>	1	SEAL-O-RING						
	29	1	<i>148-8341</i>	1	CONNECTOR AS						



# HYDRAULIC SYSTEM

215-2356 LINES GP-HYDRAULIC FAN (contd.)

i01669570

NOTE	REF NO	GRAPHIC REF	PART NUMBER	QTY	PART NAME						SEE PAGE
					1	2	3	4	5	6 (PRODUCT LEVEL)	
		1	6V-8713	1	CONNECTOR						
		1	3D-2824	1	SEAL-O-RING						
		1	7J-9108	1	SEAL-O-RING						
	30	2	148-8347	1	ELBOW AS						
		2	6V-9007	1	ELBOW						
		2	3D-2824	1	SEAL-O-RING						
		2	6V-9746	1	SEAL-O-RING						
	31	3	148-8372	1	ELBOW AS						
		3	6V-8721	1	ELBOW						
		3	2M-9780	1	SEAL-O-RING						
		3	6V-8398	1	SEAL-O-RING						
	32	2	148-8376	1	ELBOW AS						
		2	6V-8983	1	ELBOW						
		2	6V-9746	2	SEAL-O-RING						
	33	2	148-8449	1	TEE AS-SWIVEL						
		2	6V-9839	1	TEE-SWIVEL						
		2	6V-9746	2	SEAL-O-RING						
	34	2	153-6236	1	REDUCER AS						
		2	6V-8946	1	REDUCER						
		2	6V-9746	1	SEAL-O-RING						
	35	2	153-6237	1	ELBOW AS						
		2	6V-9004	1	ELBOW						
		2	3D-2824	1	SEAL-O-RING						
		2	6V-9746	1	SEAL-O-RING						
I	36	1	155-7517	1	HOSE AS (LABELED K)						
I	37	1	155-7528	1	HOSE AS (LABELED M)						
	38	3	164-5574	1	TEE AS						
		3	6V-8784	1	TEE-FACE SEAL						
		3	3D-2824	1	SEAL-O-RING						
		3	6V-9746	2	SEAL-O-RING						
	39	1	1P-4579	2	FLANGE-HALF						
	40	2	1P-4582	2	FLANGE-HALF						
	41	1,2	1S-0994	3	CLIP						
YR	42	1	213-5268	1	MOTOR GP-PISTON (HYDRAULIC FAN)						959
	43	2	2P-1293	1	LOCKNUT (1-3/16-12-THD)						
	44	3	3D-2824	1	SEAL-O-RING						
	45	2	3P-2404	2	CLIP						
	46	1,2	4J-0520	2	SEAL-O-RING						
	47	1	4J-0524	1	SEAL-O-RING						
	48	2	4J-0527	1	SEAL-O-RING						
	49	2	5K-9090	1	SEAL-O-RING						
	50	2	5P-7703	1	GROMMET						
	51	3	5P-7854	1	CLIP						
	52	1,2,3	6V-1889	6	CLIP						
	53	2,3	6V-9746	2	SEAL-O-RING						
	54	2	7M-8485	1	SEAL-O-RING						
	55	1,2	8C-3206	4	FLANGE-HALF						
	56	2	8D-9947	2	CLIP						
	57	1,2,3	8T-4121	20	WASHER-HARD (11X21X2.5-MM THK)						
M	58	2	8T-4136	2	BOLT (M10X1.5X25-MM)						
M	59	1,2,3	8T-4137	8	BOLT (M10X1.5X20-MM)						
M	60	2	8T-4139	2	BOLT (M12X1.75X30-MM)						
M	61	2	8T-4178	2	BOLT (M10X1.5X90-MM)						
M	62	1,2	8T-4184	8	BOLT (M12X1.75X45-MM)						
M	63	2	8T-4192	3	BOLT (M12X1.75X25-MM)						
M	64	1,2	8T-4196	8	BOLT (M10X1.5X35-MM)						
	65	1,2	8T-4223	17	WASHER-HARD (13.5X25.5X3-MM THK)						
M	66	2	8T-4648	2	BOLT (M12X1.75X70-MM)						
M	67	1	8T-6868	2	BOLT (M12X1.75X80-MM)						
	68	1	9M-8406	3	CLIP						

# HYDRAULIC SYSTEM

215-2356 LINES GP-HYDRAULIC FAN (contd.)

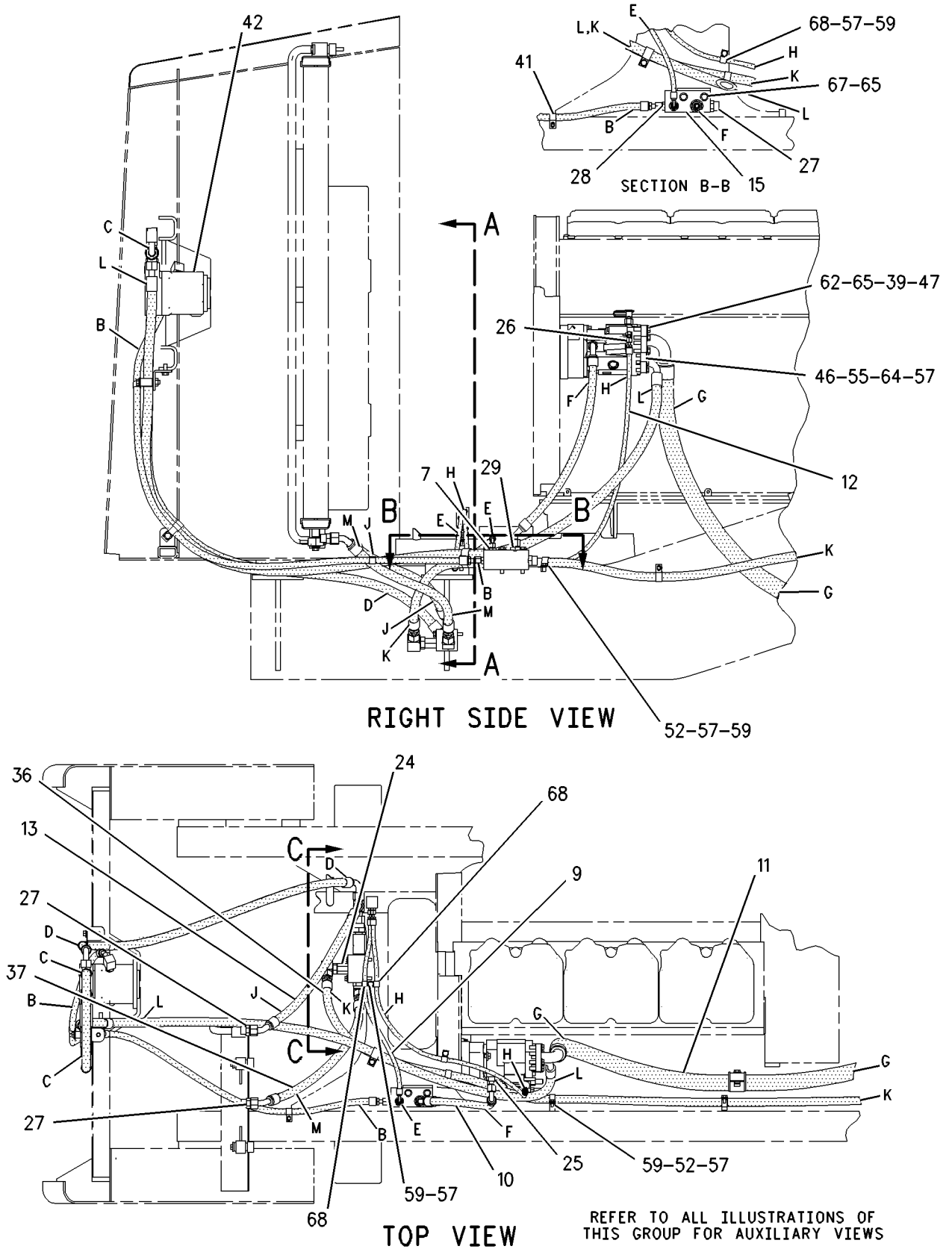
i01669570

NOTE	REF NO	GRAPHIC REF	PART NUMBER	QTY	PART NAME						SEE PAGE
					1	2	3	4	5	6 (PRODUCT LEVEL)	
I - REFER TO HYDRAULIC INFORMATION SYSTEM											
M - METRIC PART											
R - REMFG PART MAY BE AVAILABLE											
Y - SEPARATE ILLUSTRATION											

# HYDRAULIC SYSTEM

215-2356 LINES GP-HYDRAULIC FAN (contd.)

i01669570



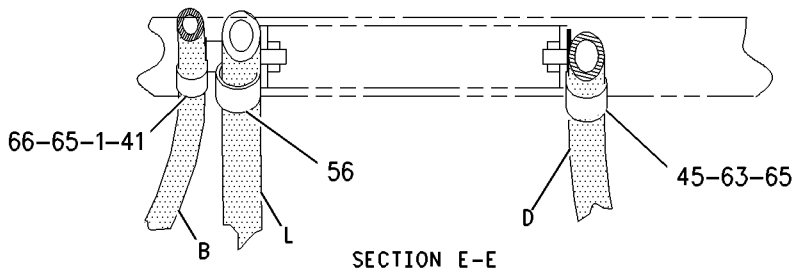
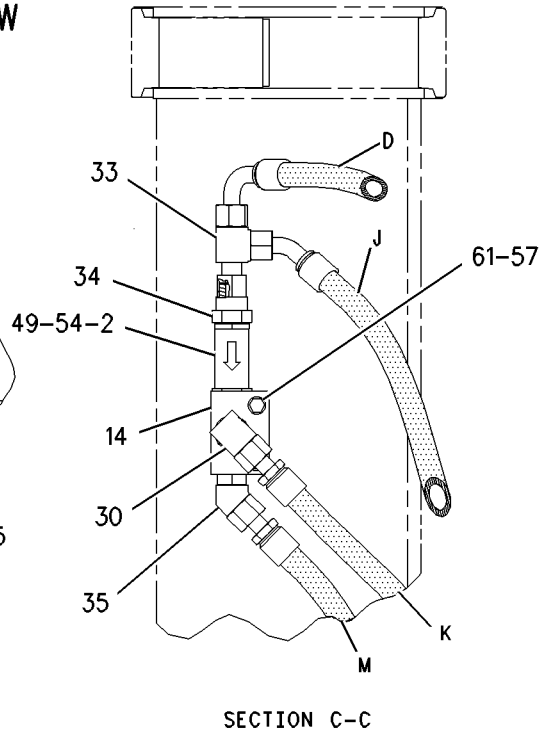
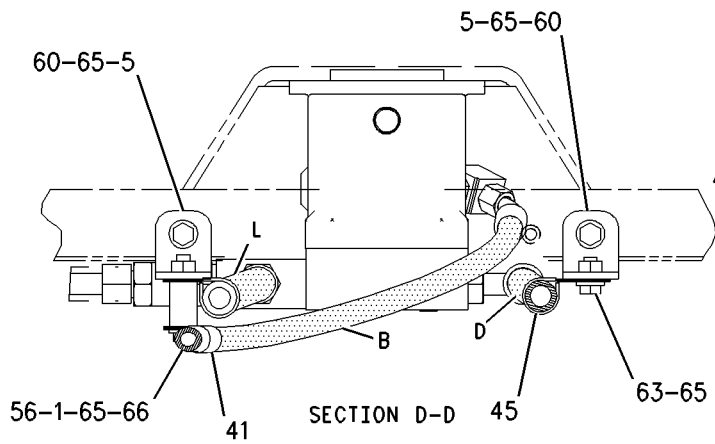
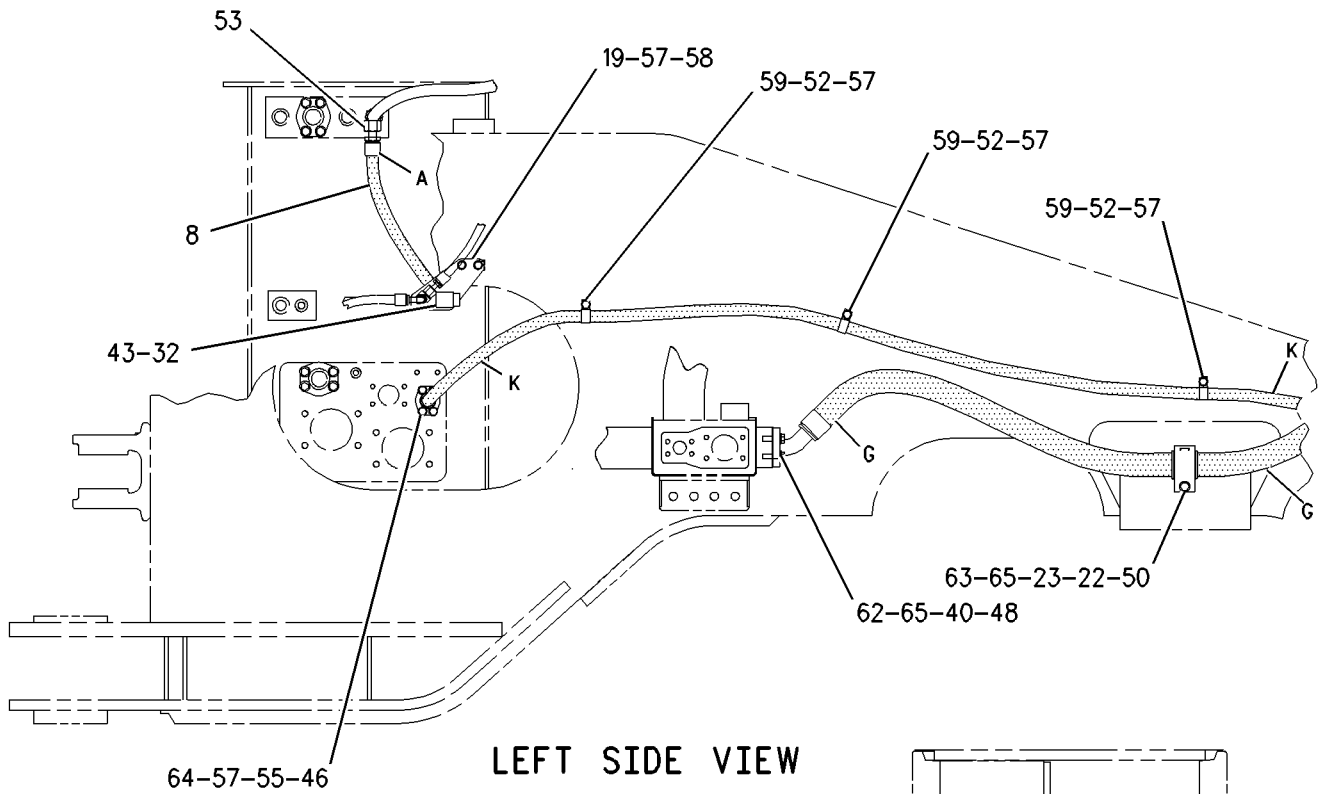
GRAPHIC #1

g00850380

# HYDRAULIC SYSTEM

215-2356 LINES GP-HYDRAULIC FAN (contd.)

i01669570



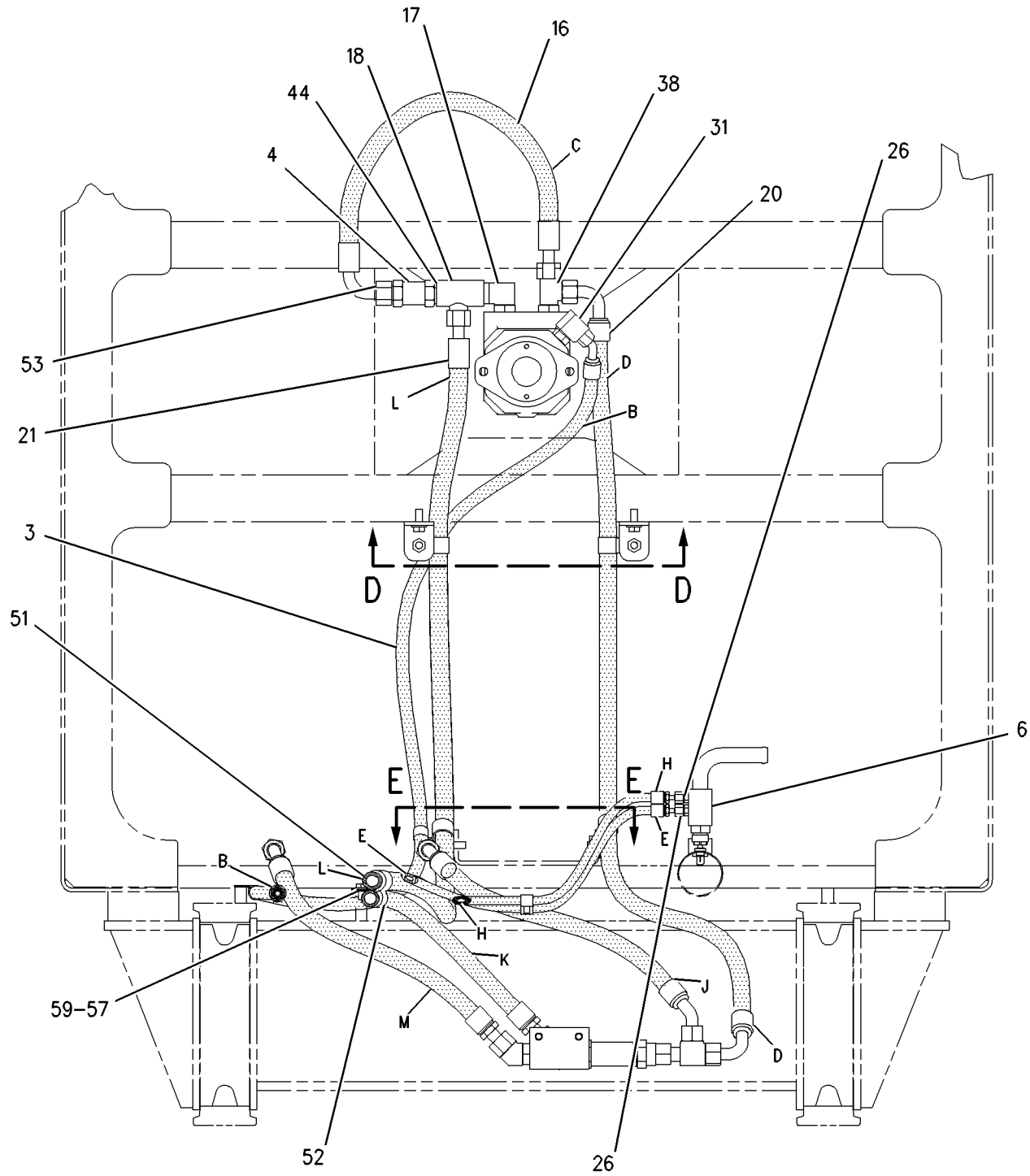
GRAPHIC #2

g00845652

# HYDRAULIC SYSTEM

215-2356 LINES GP-HYDRAULIC FAN (contd.)

i01669570



SECTION A-A

REFER TO ALL ILLUSTRATIONS OF THIS GROUP FOR AUXILIARY VIEWS

GRAPHIC #3

<END>

g00845653

# HYDRAULIC SYSTEM

## 215-2356 LINES GP-HYDRAULIC FAN

S/N: BNH1062-UP

HIGH AMBIENT TEMPERATURE COOLING

PART OF 215-2339 COOLING AR-HIGH AMBIENT TEMP

AN ATTACHMENT

SMCS-1386, 1387, 5057

i02103086

NOTE	REF NO	GRAPHIC REF	PART NUMBER	QTY	PART NAME						SEE PAGE
					1	2	3	4	5	6 (PRODUCT LEVEL)	
	1	2	<b>1F-1609</b>	2	SPACER (13.5X25.4X39.7-MM THK)						
	2	2	<b>6E-1454</b>	1	VALVE GP-CHECK (HYDRAULIC OIL COOLER BYPASS)						
I	3	3	<b>8E-0143</b>	1	HOSE AS (LABELED B)						
	4	3	<b>9T-3752</b>	1	VALVE-CHECK (HYDRAULIC FAN)						
	5	2	<b>145-3319</b>	2	BRACKET AS (EACH INCLUDES)						
M		2	<b>8T-3597</b>	1	NUT-WELD (M12X1.75-THD)						
	6	3	<b>152-7202</b>	1	VALVE-THERMOSTAT						
	7	1	<i>154-5232</i>	1	ADAPTER AS						
		1	<b>112-9783</b>	1	ADAPTER						
		1	<b>3K-0360</b>	1	SEAL-O-RING						
		1	<b>4J-5477</b>	1	SEAL-O-RING						
I	8	2	<b>155-7518</b>	1	HOSE AS (LABELED A)						
I	9	1	<b>155-7523</b>	1	HOSE AS (LABELED E)						
I	10	1	<b>155-7524</b>	1	HOSE AS (LABELED F)						
I	11	1	<b>155-7525</b>	1	HOSE AS (LABELED G)						
I	12	1	<b>155-7526</b>	1	HOSE AS (LABELED H)						
I	13	1	<b>155-7527</b>	1	HOSE AS (LABELED J)						
	14	2	<b>156-7472</b>	1	MANIFOLD						
	15	1	<b>159-0842</b>	1	MANIFOLD						
I	16	3	<b>162-7365</b>	1	HOSE AS (LABELED C)						
	17	3	<i>167-1795</i>	1	ELBOW AS						
		3	<b>8T-3491</b>	1	ELBOW						
		3	<b>3D-2824</b>	1	SEAL-O-RING						
	18	3	<i>172-5277</i>	1	TEE AS						
		3	<b>8T-8901</b>	1	TEE-O-RING PORT						
		3	<b>3D-2824</b>	1	SEAL-O-RING						
		3	<b>6V-9746</b>	1	SEAL-O-RING						
	19	2	<i>198-1854</i>	1	PLATE						
CI	20	3	<b>239-9233</b>	1	HOSE AS (LABELED D)						
CI	21	3	<b>225-6720</b>	1	HOSE AS (LABELED L)						
	22	2	<b>109-1633</b>	1	CLIP (SLOT)						
	23	2	<b>109-1634</b>	1	CLIP (TAB)						
	24	1	<i>148-8312</i>	1	ADAPTER AS						
		1	<b>3T-4965</b>	1	ADAPTER-O-RING						
		1	<b>3D-2824</b>	1	SEAL-O-RING						
	25	1	<i>148-8315</i>	1	CONNECTOR AS						
		1	<b>6V-8642</b>	1	CONNECTOR						
		1	<b>2M-9780</b>	1	SEAL-O-RING						
		1	<b>7J-9108</b>	1	SEAL-O-RING						
	26	1,3	<i>148-8316</i>	3	CONNECTOR AS (EACH INCLUDES)						
		1,3	<b>6V-8647</b>	1	CONNECTOR						
		1,3	<b>3J-7354</b>	1	SEAL-O-RING						
		1,3	<b>4J-5477</b>	1	SEAL-O-RING						
	27	1	<i>148-8327</i>	3	CONNECTOR AS (EACH INCLUDES)						
		1	<b>6V-8637</b>	1	CONNECTOR						
		1	<b>3D-2824</b>	1	SEAL-O-RING						
		1	<b>6V-9746</b>	1	SEAL-O-RING						
	28	1	<i>148-8340</i>	1	CONNECTOR AS						
		1	<b>6V-8639</b>	1	CONNECTOR						
		1	<b>3K-0360</b>	1	SEAL-O-RING						
		1	<b>6V-8398</b>	1	SEAL-O-RING						
	29	1	<i>148-8341</i>	1	CONNECTOR AS						

# HYDRAULIC SYSTEM

215-2356 LINES GP-HYDRAULIC FAN (contd.)

i02103086

NOTE	REF NO	GRAPHIC REF	PART NUMBER	QTY	PART NAME						SEE PAGE
					1	2	3	4	5	6 (PRODUCT LEVEL)	
		1	6V-8713	1	CONNECTOR						
		1	3D-2824	1	SEAL-O-RING						
		1	7J-9108	1	SEAL-O-RING						
	30	2	148-8347	1	ELBOW AS						
		2	6V-9007	1	ELBOW						
		2	3D-2824	1	SEAL-O-RING						
		2	6V-9746	1	SEAL-O-RING						
	31	3	148-8372	1	ELBOW AS						
		3	6V-8721	1	ELBOW						
		3	2M-9780	1	SEAL-O-RING						
		3	6V-8398	1	SEAL-O-RING						
	32	2	148-8376	1	ELBOW AS						
		2	6V-8983	1	ELBOW						
		2	6V-9746	2	SEAL-O-RING						
	33	2	148-8449	1	TEE AS-SWIVEL						
		2	6V-9839	1	TEE-SWIVEL						
		2	6V-9746	2	SEAL-O-RING						
	34	2	153-6236	1	REDUCER AS						
		2	6V-8946	1	REDUCER						
		2	6V-9746	1	SEAL-O-RING						
	35	2	153-6237	1	ELBOW AS						
		2	6V-9004	1	ELBOW						
		2	3D-2824	1	SEAL-O-RING						
		2	6V-9746	1	SEAL-O-RING						
I	36	1	155-7517	1	HOSE AS (LABELED K)						
I	37	1	155-7528	1	HOSE AS (LABELED M)						
	38	3	164-5574	1	TEE AS						
		3	6V-8784	1	TEE-FACE SEAL						
		3	3D-2824	1	SEAL-O-RING						
		3	6V-9746	2	SEAL-O-RING						
	39	1	1P-4579	2	FLANGE-HALF						
	40	2	1P-4582	2	FLANGE-HALF						
	41	1,2	1S-0994	3	CLIP						
YR	42	1	213-5268	1	MOTOR GP-PISTON (HYDRAULIC FAN)						959
	43	2	2P-1293	1	LOCKNUT (1-3/16-12-THD)						
	44	3	3D-2824	1	SEAL-O-RING						
	45	2	3P-2404	2	CLIP						
C	46	1,2	4J-0520	3	SEAL-O-RING						
C	47	1	4J-0524	2	SEAL-O-RING						
	48	2	4J-0527	1	SEAL-O-RING						
	49	2	5K-9090	1	SEAL-O-RING						
	50	2	5P-7703	1	GROMMET						
	51	3	5P-7854	1	CLIP						
C	52	1,2,3	6V-1889	7	CLIP						
	53	2,3	6V-9746	2	SEAL-O-RING						
	54	2	7M-8485	1	SEAL-O-RING						
	55	1,2	8C-3206	4	FLANGE-HALF						
	56	2	8D-9947	2	CLIP						
C	57	1,2,3	8T-4121	21	WASHER-HARD (11X21X2.5-MM THK)						
M	58	2	8T-4136	2	BOLT (M10X1.5X25-MM)						
CM	59	1,2,3	8T-4137	9	BOLT (M10X1.5X20-MM)						
M	60	2	8T-4139	2	BOLT (M12X1.75X30-MM)						
M	61	2	8T-4178	2	BOLT (M10X1.5X90-MM)						
CM	62	2	8T-4184	4	BOLT (M12X1.75X45-MM)						
M	63	2	8T-4192	3	BOLT (M12X1.75X25-MM)						
CM	64	2	8T-4196	4	BOLT (M10X1.5X35-MM)						
	65	1,2	8T-4223	17	WASHER-HARD (13.5X25.5X3-MM THK)						
CM	66	1,2	8T-4648	6	BOLT (M12X1.75X70-MM)						
M	67	1	8T-6868	2	BOLT (M12X1.75X80-MM)						
	68	1	9M-8406	3	CLIP						
CM	69	1	8T-5005	4	BOLT (M10X1.5X70-MM)						
C	70	1	164-6874	1	FITTING AS-ELBOW (QUICK DISCONNECT, MALE)						
C	71	1	8C-3451	1	CAP-DUST						

# HYDRAULIC SYSTEM

215-2356 LINES GP-HYDRAULIC FAN (contd.)

i02103086

NOTE	REF NO	GRAPHIC REF	PART NUMBER	QTY	PART NAME						SEE PAGE
					1	2	3	4	5	6 (PRODUCT LEVEL)	
C	72	1	<b>8R-0752</b>	1	ADAPTER						
C	73	1	<b>9J-3866</b>	1	ADAPTER						
C	74	1	<b>155-3624</b>	1	PLUG AS						
C	75	1	<b>164-5567</b>	1	COUPLER AS-QUICK DISCONNECT (MALE)						

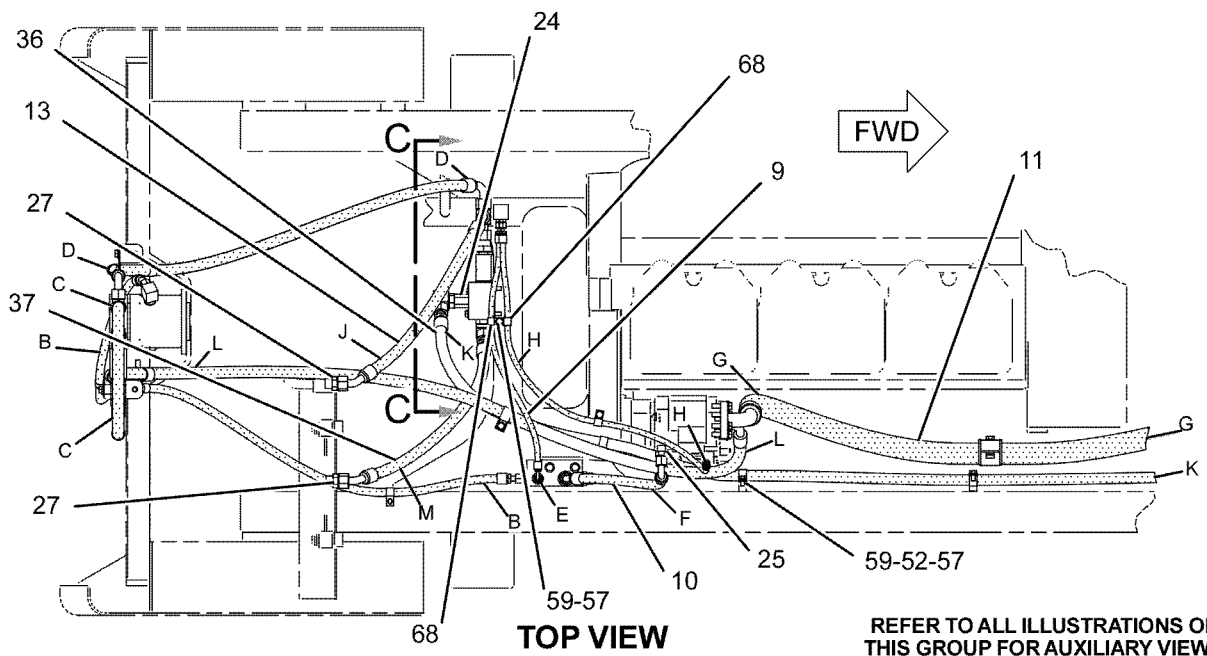
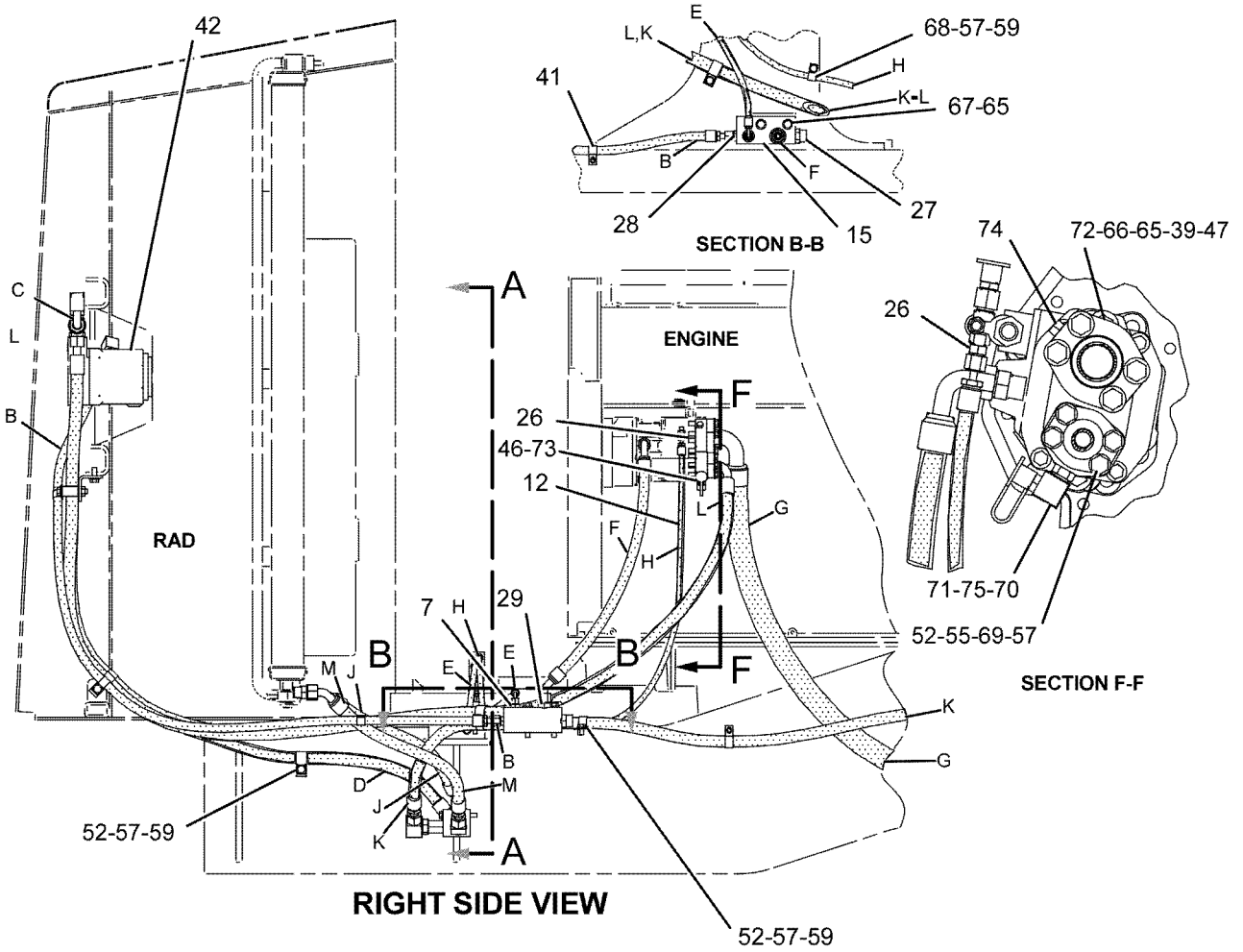
C - CHANGE FROM PREVIOUS TYPE  
 I - REFER TO HYDRAULIC INFORMATION SYSTEM  
 M - METRIC PART  
 R - REMFG PART MAY BE AVAILABLE  
 Y - SEPARATE ILLUSTRATION



# HYDRAULIC SYSTEM

215-2356 LINES GP-HYDRAULIC FAN (contd.)

i02103086



REFER TO ALL ILLUSTRATIONS OF THIS GROUP FOR AUXILIARY VIEWS

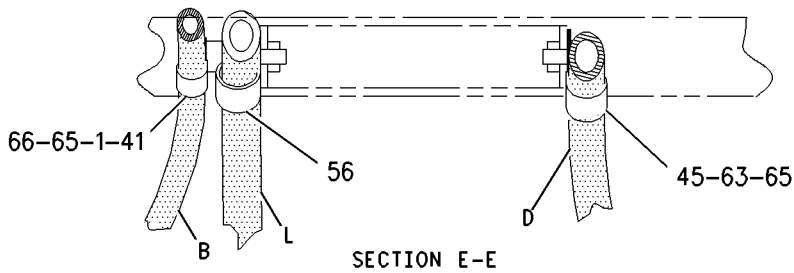
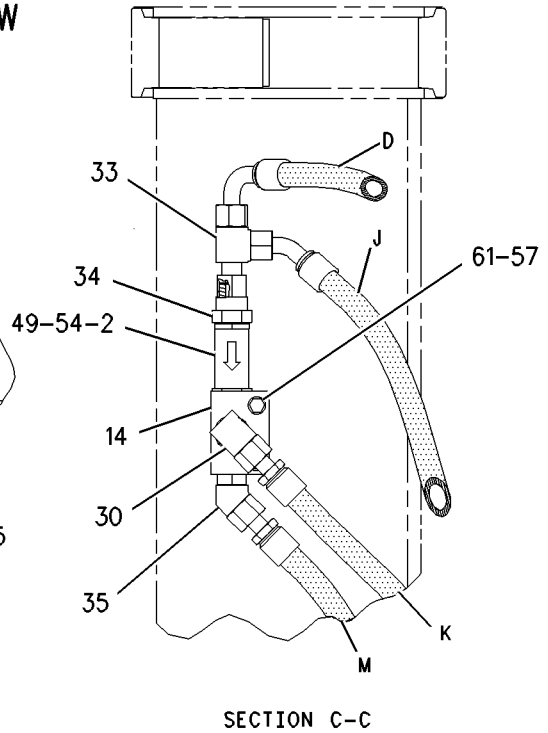
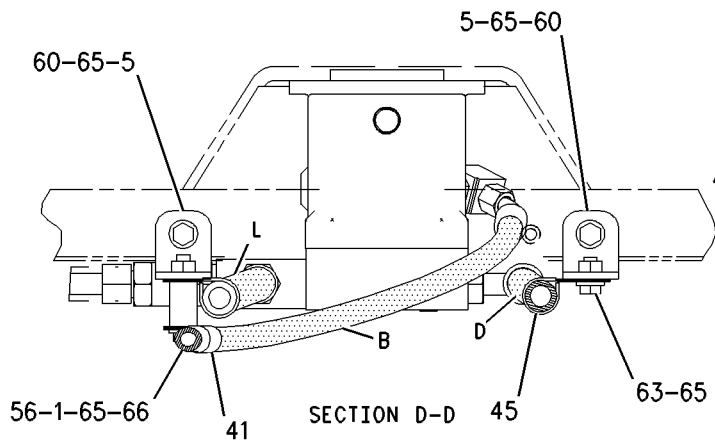
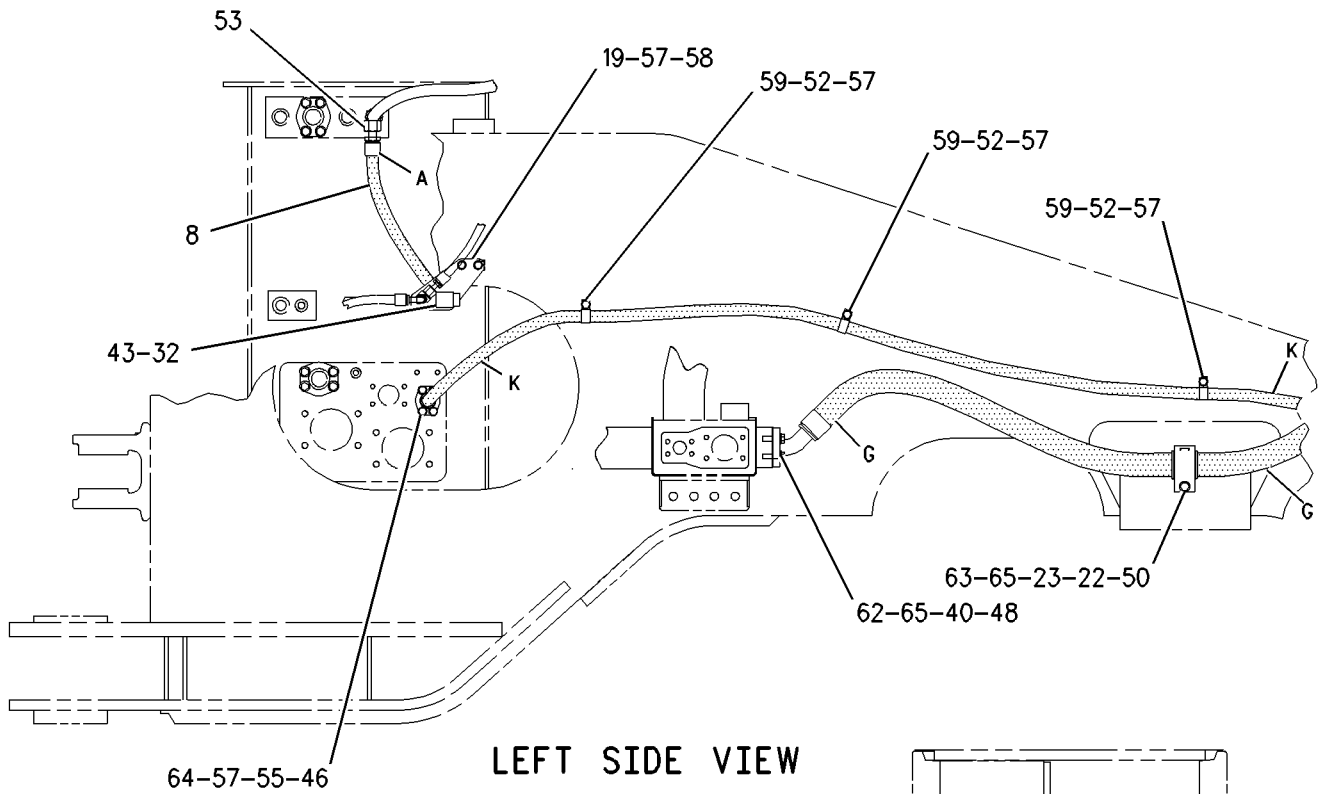
GRAPHIC #1

g01083382

# HYDRAULIC SYSTEM

215-2356 LINES GP-HYDRAULIC FAN (contd.)

i02103086



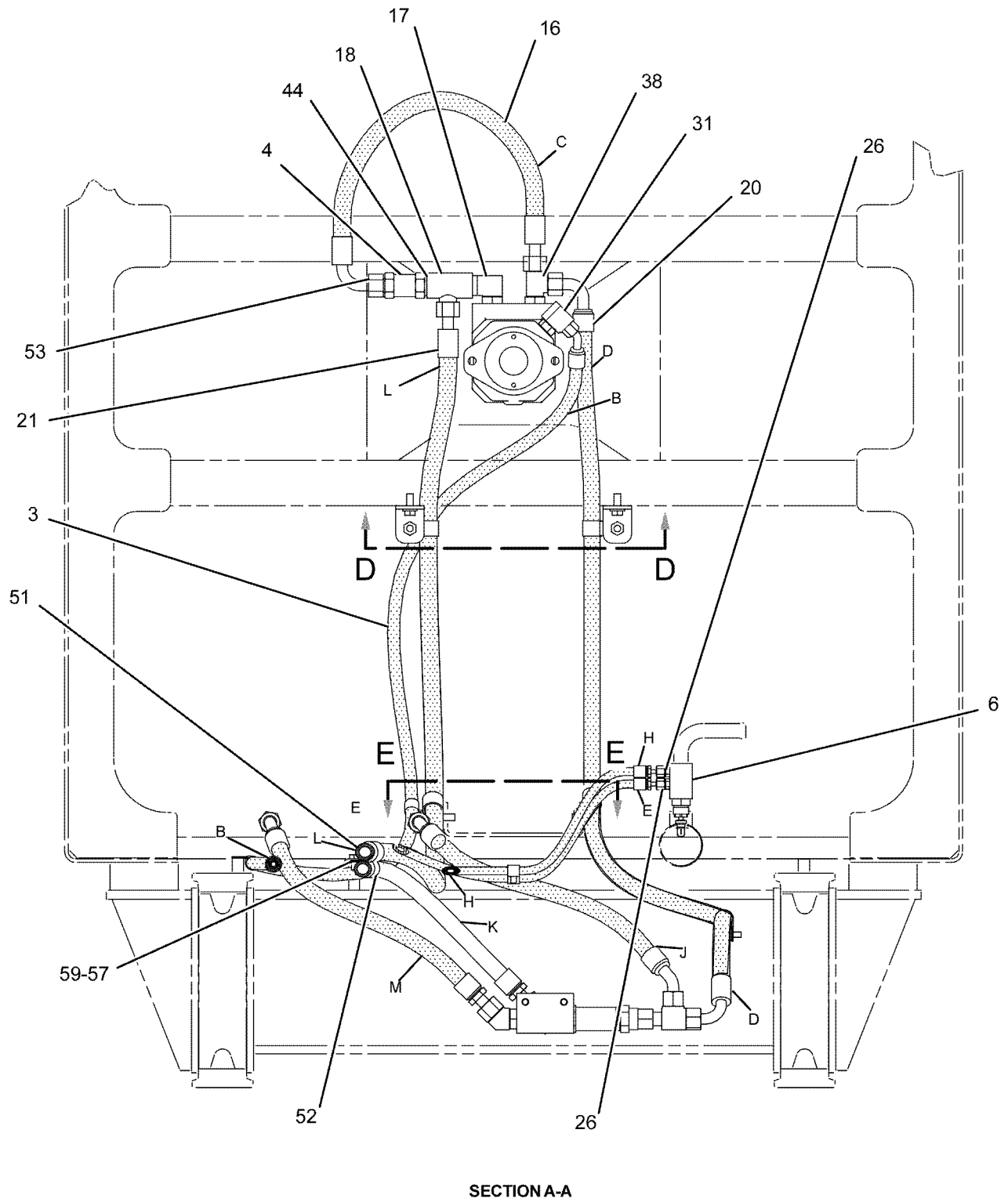
GRAPHIC #2

g00845652

# HYDRAULIC SYSTEM

215-2356 LINES GP-HYDRAULIC FAN (contd.)

i02103086



GRAPHIC #3

<END>

g01083384

# HYDRAULIC SYSTEM

## 132-6136 LINES GP-LIFT CYLINDER

S/N: BNH1-UP

PART OF 203-1582 HYDRAULIC AR

SMCS-5057, 5102

i02261207

NOTE	REF NO	GRAPHIC REF	PART NUMBER	QTY	PART NAME						SEE PAGE
					1	2	3	4	5	6 (PRODUCT LEVEL)	
Y	1	1	173-8612	1	CYLINDER GP-LIFT (RH)						873
Y	2	1	173-8613	1	CYLINDER GP-LIFT (LH)						875
I	3	1	153-8474	2	HOSE AS						
I	4	1	153-8475	2	HOSE AS						
I	5	1	153-8476	2	HOSE AS						
	6	1	153-8477	2	TUBE AS						
	7	1	153-8478	1	TUBE AS						
	8	1	153-8479	1	TUBE AS						
	9	1	153-8480	1	TUBE AS						
	10	1	153-8481	1	TUBE AS						
	11	1	153-8482	2	MANIFOLD						
	12	1	153-8483	2	PLATE AS						
	13	1	153-8484	2	BRACKET AS						
					(EACH INCLUDES)						
		1	8X-4719	2	BAR						
	14	1	1P-3704	12	SEAL - RECTANGULAR						
	15	1	1P-3705	6	SEAL - RECTANGULAR						
	16	1	1P-3706	6	SEAL - RECTANGULAR						
	17	1	1P-5767	24	FLANGE - HALF						
	19	1	5P-0049	2	COVER						
	20	1	5P-8077	4	FLANGE - HALF						
	21	1	7Y-4038	8	CLAMP - HALF						
M	22	1	8T-4174	8	BOLT (M16X2X120-MM)						
M	23	1	8T-4183	8	BOLT (M12X1.75X40-MM)						
M	25	1	8T-4193	8	BOLT (M16X2X50-MM)						
M	26	1	8T-4194	40	BOLT (M12X1.75X50-MM)						
	27	1	8T-4223	64	WASHER - HARD (13.5X25.5X3-MM THK)						
M	28	1	8T-4648	8	BOLT (M12X1.75X70-MM)						
M	29	1	8T-4779	4	BOLT (M16X2X35-MM)						
M	30	1	8T-4910	8	BOLT (M12X1.75X60-MM)						
M	31	1	8T-4956	8	BOLT (M12X1.75X35-MM)						
	32	1	148-8407	2	PLUG AS						
	33	1	9X-8257	20	WASHER (17.5X30X3.5-MM THK)						

I - REFER TO HYDRAULIC INFORMATION SYSTEM

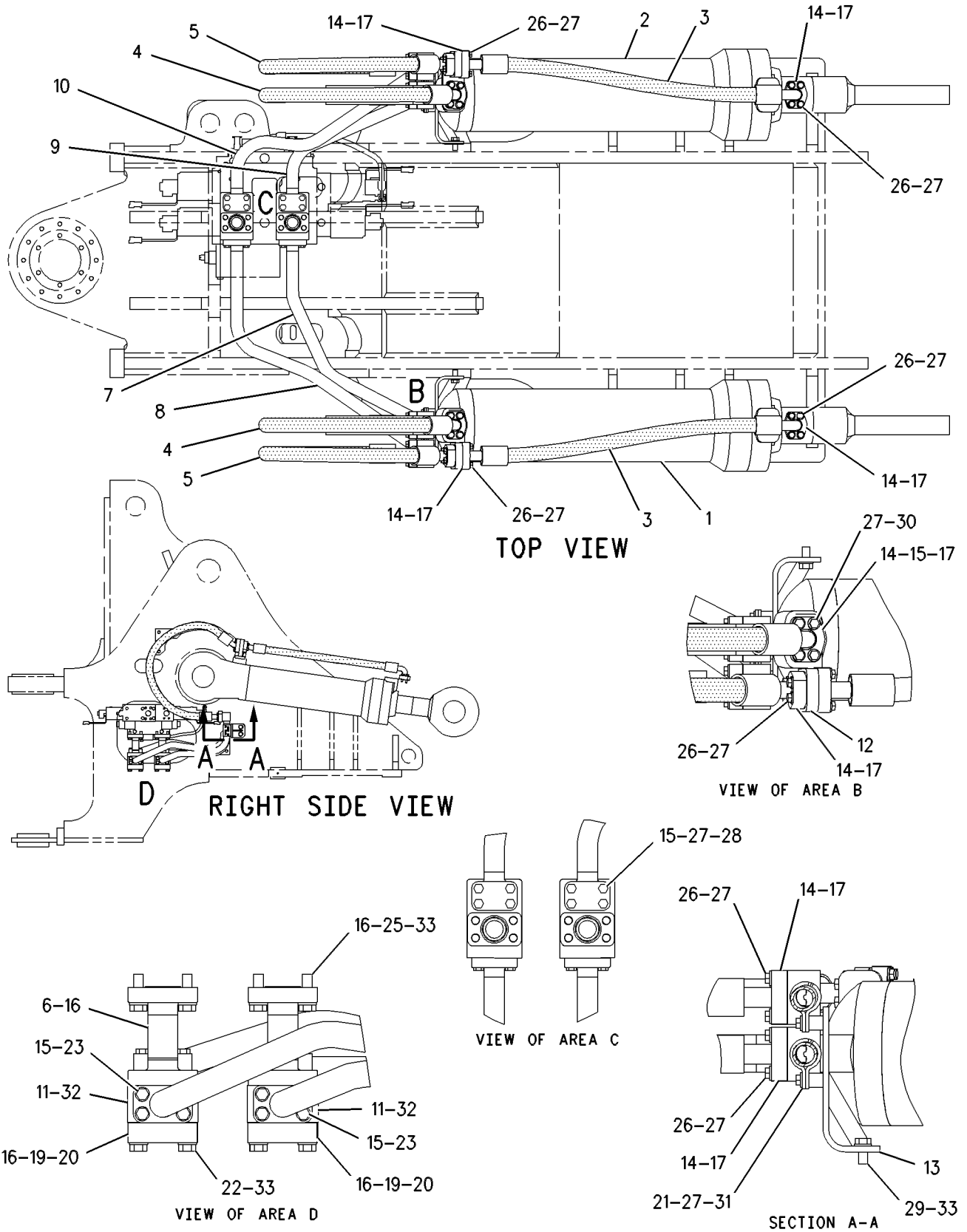
M - METRIC PART

Y - SEPARATE ILLUSTRATION

# HYDRAULIC SYSTEM

132-6136 LINES GP-LIFT CYLINDER (contd.)

i02261207



GRAPHIC #1

<END>

g00614938

# HYDRAULIC SYSTEM

## 251-3113 LINES GP-PILOT

S/N: BNH1-UP

PART OF 275-7839 HYDRAULIC AR-TILT REGENERATION

SMCS-5057, 5059

i02578694

NOTE	REF NO	GRAPHIC REF	PART NUMBER	QTY	PART NAME						SEE PAGE
					1	2	3	4	5	6 (PRODUCT LEVEL)	
	1	1	<b>7K-1181</b>	2	STRAP-CABLE						
I	2	1	<b>271-4585</b>	1	HOSE AS						
I	3	1	<b>271-4586</b>	1	HOSE AS						
	4	1	<i>148-8336</i>	1	CONNECTOR AS						
		1	<b>3J-1907</b>	1	SEAL-O-RING						
		1	<b>6V-8397</b>	1	SEAL-O-RING						
		1	<b>6V-8636</b>	1	CONNECTOR						
	5	1	<i>148-8435</i>	2	TEE AS						
					(EACH INCLUDES)						
		1	<b>3J-1907</b>	1	SEAL-O-RING						
		1	<b>6V-8397</b>	2	SEAL-O-RING						
		1	<b>6V-8781</b>	1	TEE						
	6	1	<b>3G-8054</b>	2	CLIP (TAB)						
	7	1	<b>3G-8057</b>	2	CLIP (SLOT)						
	8	1	<b>5K-5338</b>	2	CLIP						
	9	1	<b>6V-0974</b>	2	GROMMET						
	10	1	<b>6V-1572</b>	2	CLIP (SLOT)						
	11	1	<b>6V-1573</b>	2	CLIP (TAB)						
	12	1	<b>6V-1574</b>	2	GROMMET						
	13	1	<b>8T-4121</b>	6	WASHER-HARD (11X21X2.5-MM THK)						
M	14	1	<b>8T-4133</b>	2	NUT (M10X1.5-THD)						
M	15	1	<b>8T-4136</b>	2	BOLT (M10X1.5X25-MM)						
M	16	1	<b>8T-4186</b>	2	BOLT (M10X1.5X40-MM)						
	17	1	<i>148-8378</i>	1	ELBOW AS						
		1	<b>3J-1907</b>	1	SEAL-O-RING						
		1	<b>6V-8397</b>	1	SEAL-O-RING						
		1	<b>6V-8724</b>	1	ELBOW						

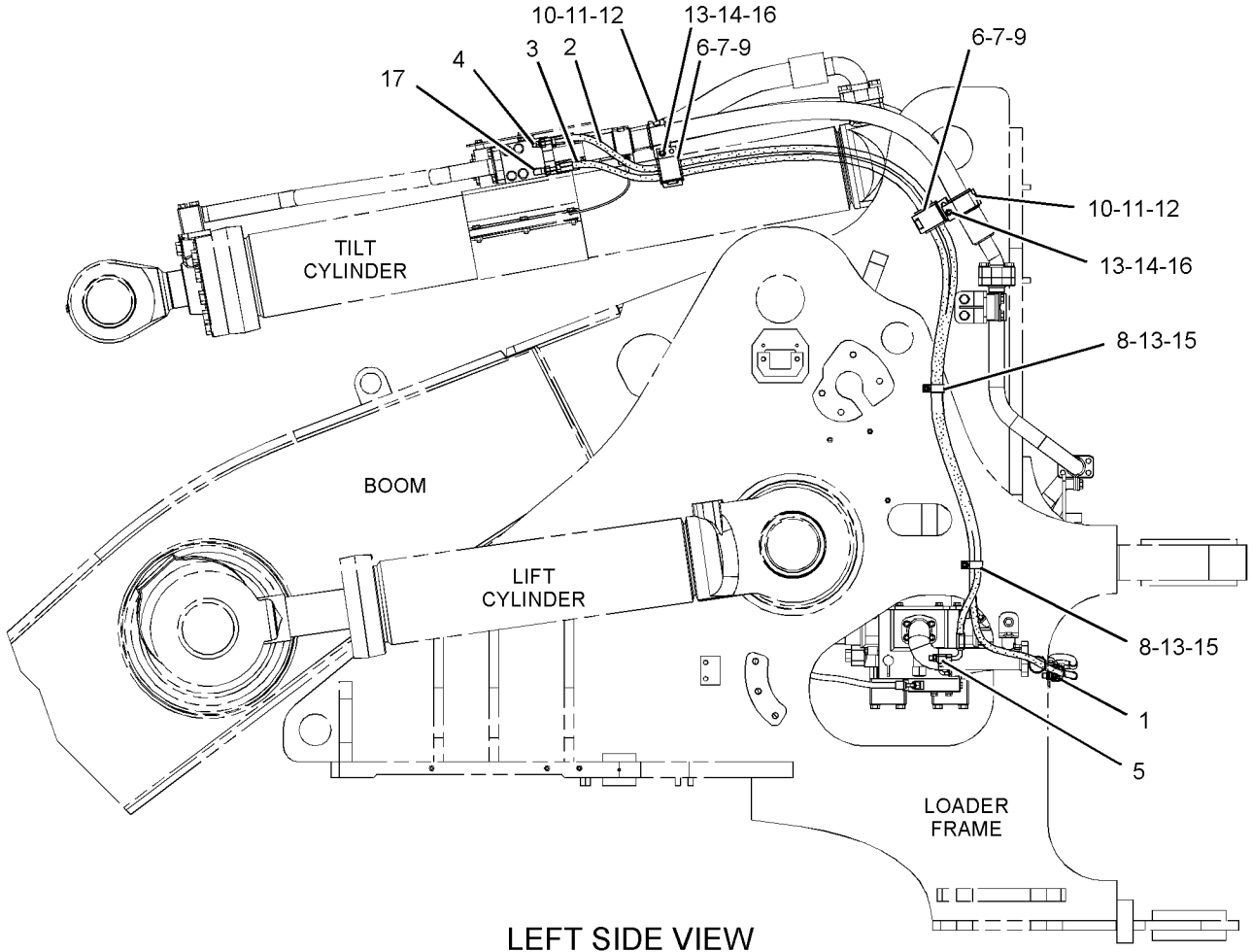
I - REFER TO HYDRAULIC INFORMATION SYSTEM

M - METRIC PART

# HYDRAULIC SYSTEM

251-3113 LINES GP-PILOT (contd.)

i02578694



LEFT SIDE VIEW

GRAPHIC #1

<END>

g01296836

# HYDRAULIC SYSTEM

## 132-6137 LINES GP-TILT CYLINDER

S/N: BNH1-472

PART OF 203-1582 HYDRAULIC AR

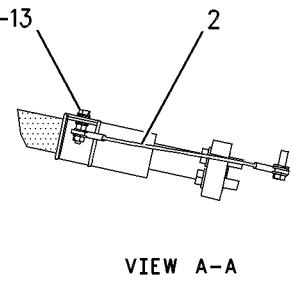
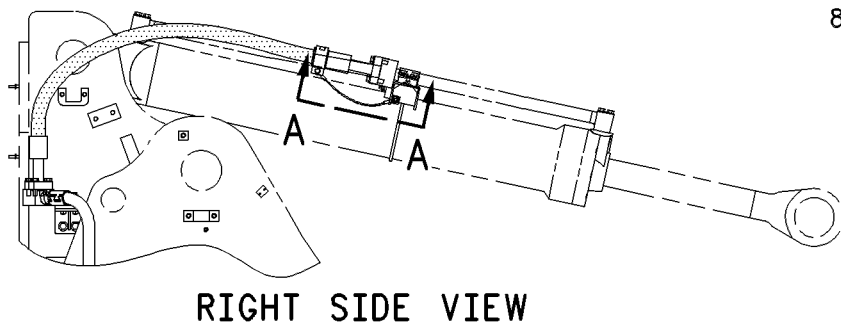
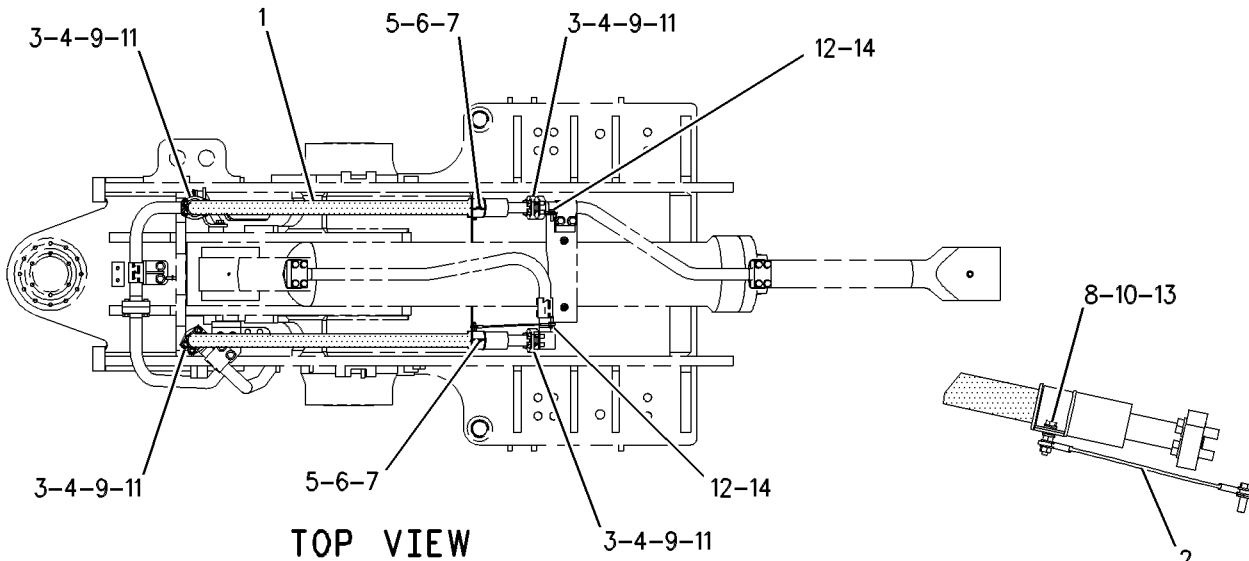
SMCS-5057, 5104

i01628379

NOTE	REF NO	GRAPHIC REF	PART NUMBER	QTY	PART NAME						SEE PAGE	
					1	2	3	4	5	6 (PRODUCT LEVEL)		
I	1	1	165-1562	2	HOSE AS							
	2	1	179-2229	2	CABLE AS							
	3	1	1P-3705	4	SEAL-RECTANGULAR							
	4	1	5P-8077	8	FLANGE-HALF							
	5	1	6V-1572	2	CLIP (SLOT)							
	6	1	6V-1573	2	CLIP (TAB)							
	7	1	6V-1574	2	GROMMET							
	8	1	8T-4121	8	WASHER-HARD (11X21X2.5-MM THK)							
	9	1	8T-4122	16	WASHER-HARD (17X32X3.5-MM THK)							
	M	10	1	8T-4133	4	NUT (M10X1.5-THD)						
	M	11	1	8T-4140	16	BOLT (M16X2X60-MM)						
	M	12	1	8T-4183	2	BOLT (M12X1.75X40-MM)						
	M	13	1	180-4686	2	BOLT (M10X1.5X60-MM)						
		14	1	8T-4223	6	WASHER-HARD (13.5X25.5X3-MM THK)						

I - REFER TO HYDRAULIC INFORMATION SYSTEM

M - METRIC PART



GRAPHIC #1

<END>

g00636034



# HYDRAULIC SYSTEM

## 132-6137 LINES GP-TILT CYLINDER

S/N: BNH473-UP

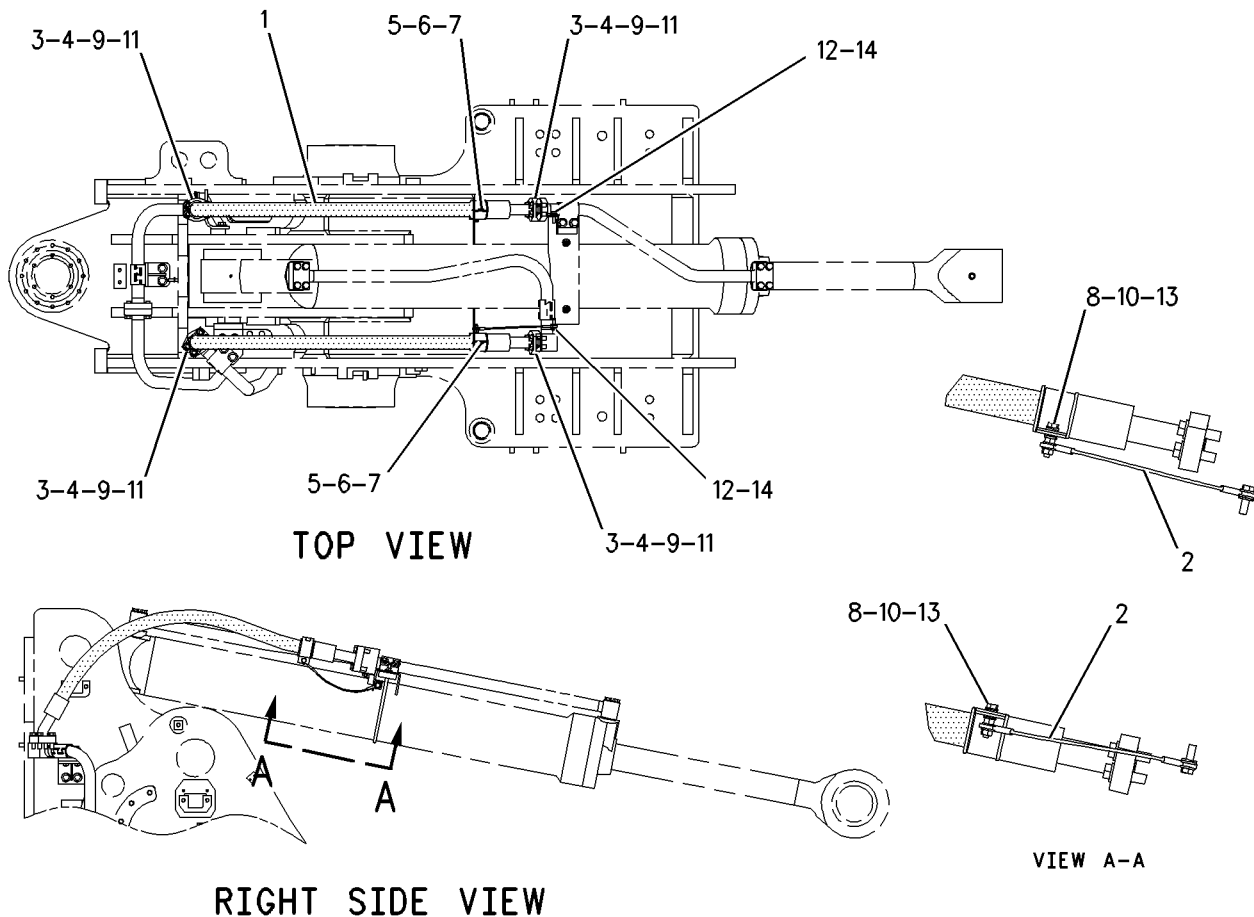
PART OF 203-1582 HYDRAULIC AR

SMCS-5057, 5104

i01724972

NOTE	REF NO	GRAPHIC REF	PART NUMBER	QTY	PART NAME						SEE PAGE	
					1	2	3	4	5	6 (PRODUCT LEVEL)		
CI	1	1	214-9522	2	HOSE AS							
	2	1	179-2229	2	CABLE AS							
	3	1	1P-3705	4	SEAL-RECTANGULAR							
	4	1	5P-8077	8	FLANGE-HALF							
	5	1	6V-1572	2	CLIP (SLOT)							
	6	1	6V-1573	2	CLIP (TAB)							
	7	1	6V-1574	2	GROMMET							
	8	1	8T-4121	8	WASHER-HARD (11X21X2.5-MM THK)							
	9	1	8T-4122	16	WASHER-HARD (17X32X3.5-MM THK)							
	M	10	1	8T-4133	4	NUT (M10X1.5-THD)						
	M	11	1	8T-4140	16	BOLT (M16X2X60-MM)						
	M	12	1	8T-4183	2	BOLT (M12X1.75X40-MM)						
	M	13	1	180-4686	2	BOLT (M10X1.5X60-MM)						
		14	1	8T-4223	6	WASHER-HARD (13.5X25.5X3-MM THK)						

C - CHANGE FROM PREVIOUS TYPE  
 I - REFER TO HYDRAULIC INFORMATION SYSTEM  
 M - METRIC PART



GRAPHIC #1

<END>

g00889714

# HYDRAULIC SYSTEM

## 156-5519 LINES GP-TILT CYLINDER-CYLINDER MOUNTED

S/N: BNH1-1090

PART OF 203-1582 HYDRAULIC AR

SMCS-5057, 5104

i02679296

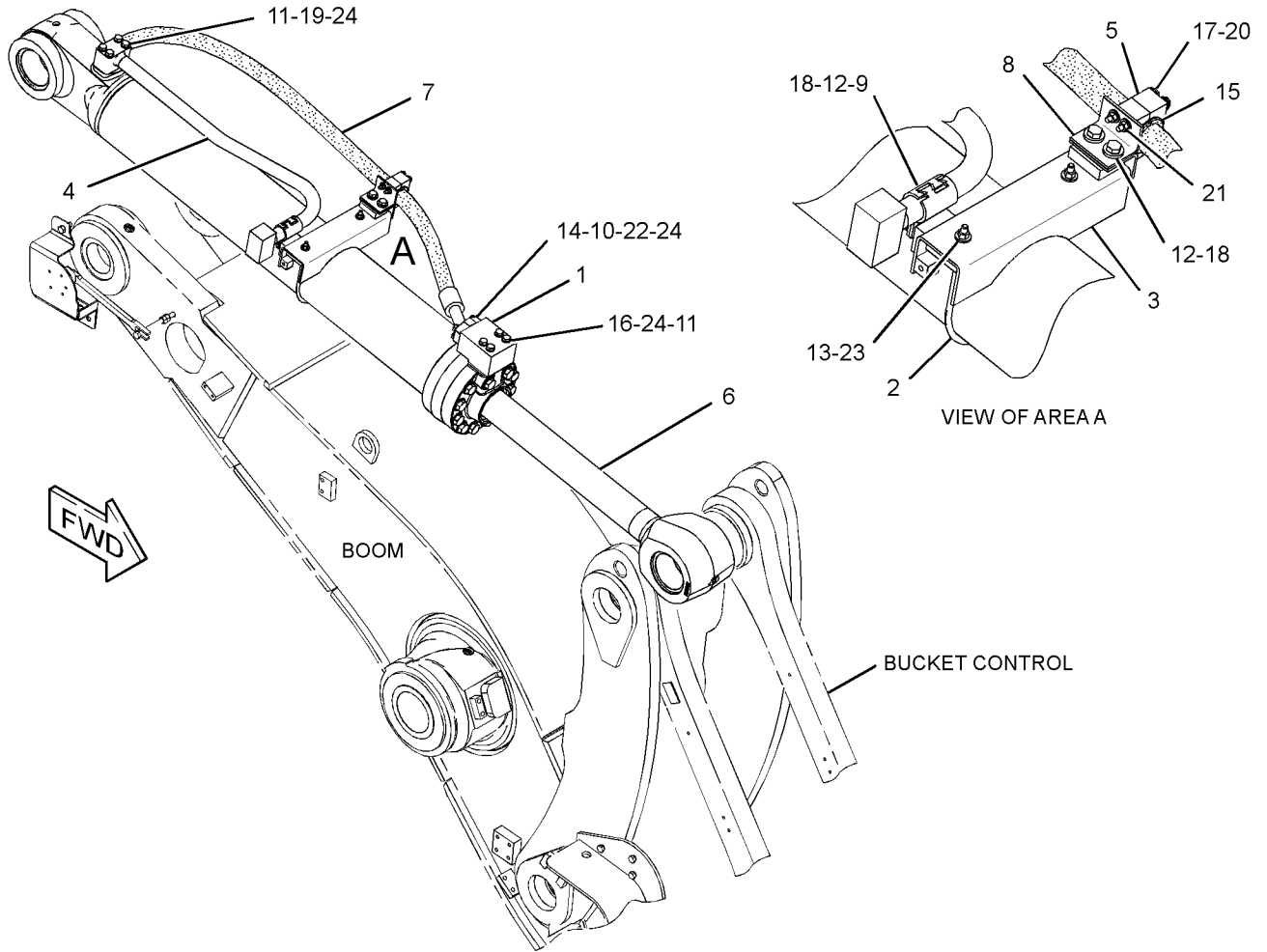
NOTE	REF NO	GRAPHIC REF	PART NUMBER	QTY	PART NAME						SEE PAGE
					1	2	3	4	5	6 (PRODUCT LEVEL)	
	1	1	115-1392	1	MANIFOLD						
	2	1	156-4403	1	U-BOLT						
	3	1	165-2093	1	BRACKET AS						
	4	1	165-2096	1	TUBE AS						
	5	1	243-3720	2	CLAMP						
Y	6	1	152-1644	1	CYLINDER GP-TILT (HIGH LIFT MACHINES)						876
I	7	1	304-7225	1	HOSE AS						
	8	1	304-7226	2	BRACKET						
	9	1	103-1303	2	CLAMP-HALF						
	10	1	1P-3705	2	SEAL-RECTANGULAR						
	11	1	1P-3706	2	SEAL-RECTANGULAR						
	12	1	3E-9411	4	WASHER-HARD (17.5X38X6-MM THK)						
	13	1	5P-1076	2	WASHER-HARD (13.5X30X4-MM THK)						
	14	1	5P-8077	4	FLANGE-HALF						
	15	1	6V-1574	1	GROMMET						
M	16	1	7X-2475	4	BOLT (M16X2X130-MM)						
M	17	1	7X-2543	4	BOLT (M10X1.5X120-MM)						
M	18	1	7X-2553	4	BOLT (M16X2X40-MM)						
M	19	1	7X-2556	4	BOLT (M16X2X100-MM)						
	20	1	7X-7729	8	WASHER (11X25X3-MM THK)						
M	21	1	8T-4133	4	NUT (M10X1.5-THD)						
M	22	1	8T-4140	8	BOLT (M16X2X60-MM)						
M	23	1	8T-4244	2	NUT (M12X1.75-THD)						
	24	1	9X-8257	16	WASHER (17.5X30X3.5-MM THK)						

I - REFER TO HYDRAULIC INFORMATION SYSTEM  
M - METRIC PART  
Y - SEPARATE ILLUSTRATION

# HYDRAULIC SYSTEM

156-5519 LINES GP-TILT CYLINDER (contd.)

i02679296



GRAPHIC #1

<END>

g01346241

# HYDRAULIC SYSTEM

## 156-5519 LINES GP-TILT CYLINDER-CYLINDER MOUNTED

S/N: BNH1091-UP

PART OF 203-1582 HYDRAULIC AR

SMCS-5057, 5104

i02908858

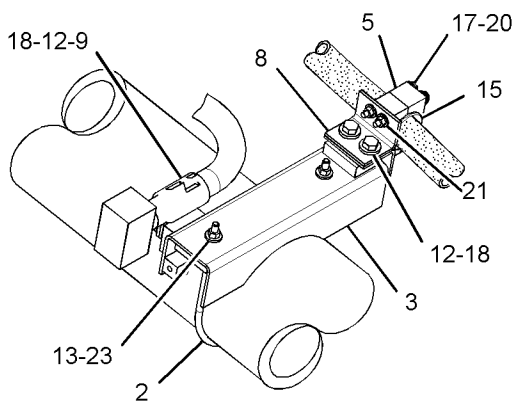
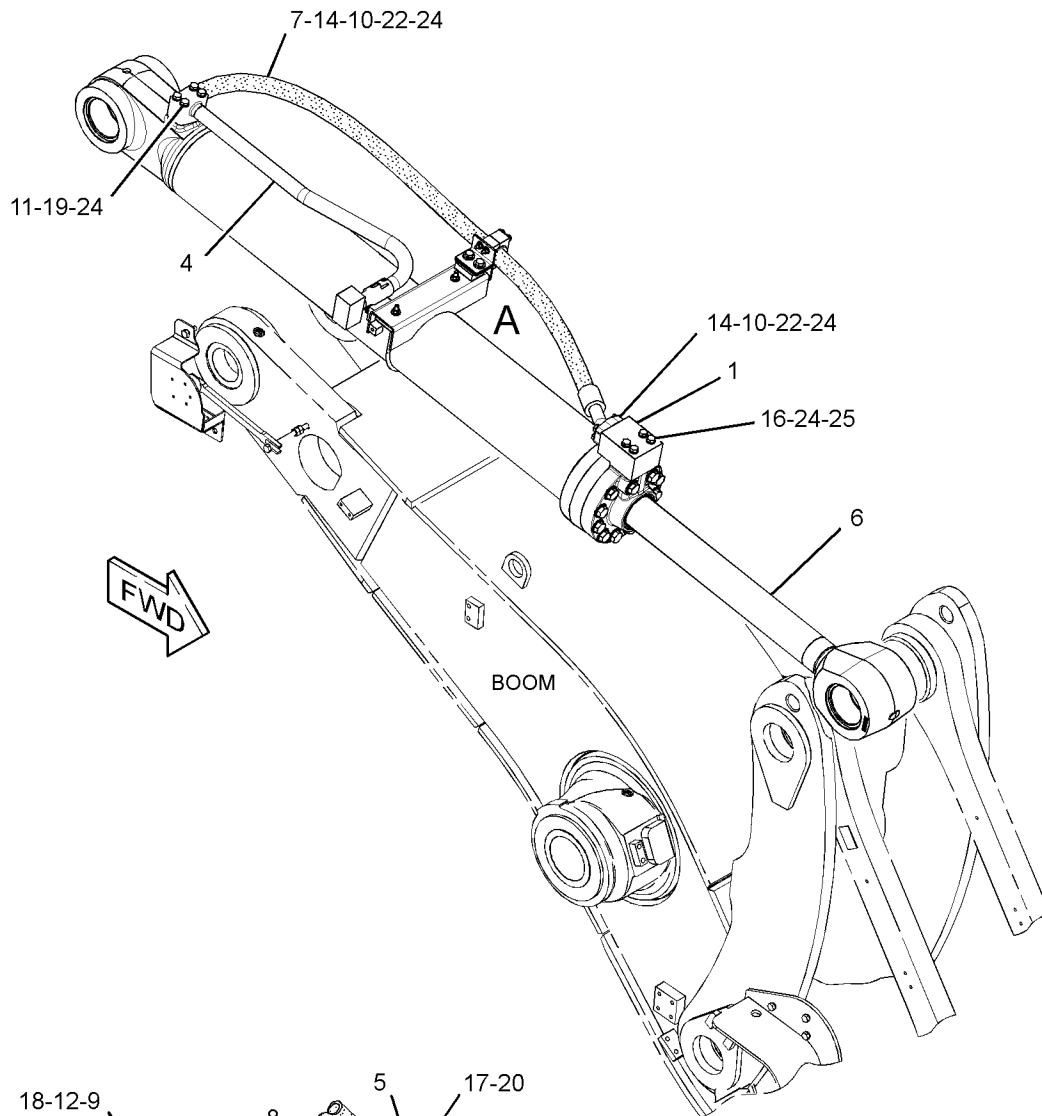
NOTE	REF NO	GRAPHIC REF	PART NUMBER	QTY	PART NAME						SEE PAGE
					1	2	3	4	5	6 (PRODUCT LEVEL)	
	1	1	115-1392	1	MANIFOLD						
	2	1	156-4403	1	U-BOLT						
	3	1	165-2093	1	BRACKET AS						
	4	1	165-2096	1	TUBE AS						
	5	1	243-3720	2	CLAMP						
CY	6	1	231-1955	1	CYLINDER GP-TILT (HIGH LIFT MACHINES)						878
I	7	1	304-7225	1	HOSE AS						
	8	1	304-7226	2	BRACKET						
	9	1	103-1303	2	CLAMP-HALF						
	10	1	1P-3705	2	SEAL-RECTANGULAR						
	11	1	1P-3706	1	SEAL-RECTANGULAR						
	12	1	3E-9411	4	WASHER-HARD (17.5X38X6-MM THK)						
	13	1	5P-1076	2	WASHER-HARD (13.5X30X4-MM THK)						
	14	1	5P-8077	4	FLANGE-HALF						
	15	1	6V-1574	1	GROMMET						
M	16	1	7X-2475	4	BOLT (M16X2X130-MM)						
M	17	1	7X-2543	4	BOLT (M10X1.5X120-MM)						
M	18	1	7X-2553	4	BOLT (M16X2X40-MM)						
M	19	1	7X-2556	4	BOLT (M16X2X100-MM)						
	20	1	7X-7729	8	WASHER (11X25X3-MM THK)						
M	21	1	8T-4133	4	NUT (M10X1.5-THD)						
M	22	1	8T-4140	8	BOLT (M16X2X60-MM)						
M	23	1	8T-4244	2	NUT (M12X1.75-THD)						
	24	1	9X-8257	16	WASHER (17.5X30X3.5-MM THK)						
	25	1	1P-3707	1	SEAL-RECTANGULAR						

C - CHANGE FROM PREVIOUS TYPE  
 I - REFER TO HYDRAULIC INFORMATION SYSTEM  
 M - METRIC PART  
 Y - SEPARATE ILLUSTRATION

# HYDRAULIC SYSTEM

156-5519 LINES GP-TILT CYLINDER (contd.)

i02908858



VIEW OF AREA A

GRAPHIC #1

<END>

g01458333

# HYDRAULIC SYSTEM

## 174-3468 LINES GP-TILT CYLINDER

S/N: BNH1-472

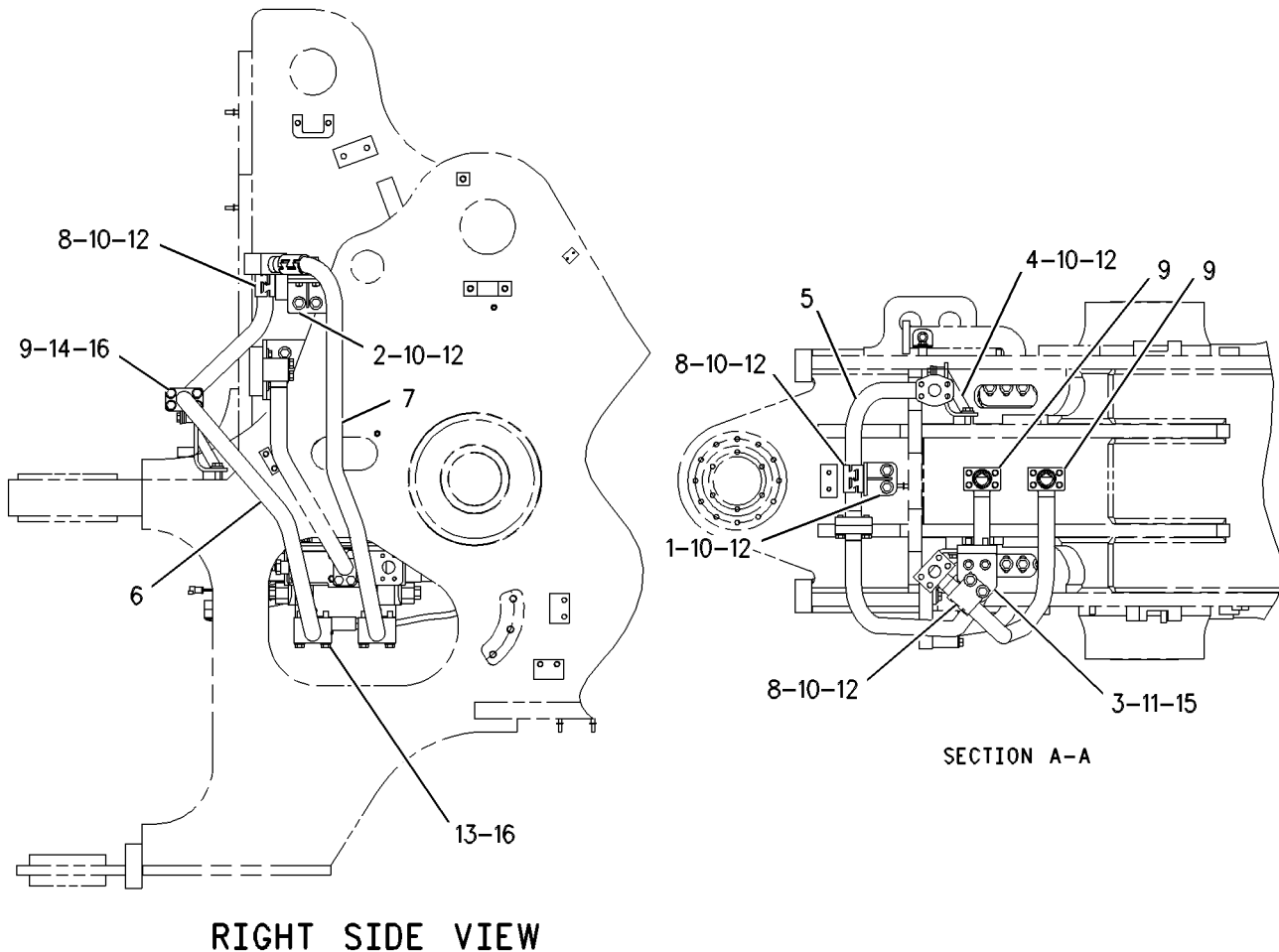
PART OF 201-0837 HYDRAULIC AR-2 VALVE  
AN ATTACHMENT

SMCS-5057, 5104

i01157033

NOTE	REF NO	GRAPHIC REF	PART NUMBER	QTY	PART NAME						SEE PAGE
					1	2	3	4	5	6 (PRODUCT LEVEL)	
	1	1	156-2842	1	BRACKET AS						
	2	1	165-2357	1	BRACKET AS						
M		1	8T-3597	2	NUT-WELD (M12X1.75-THD)						
	3	1	165-2358	1	BRACKET AS						
	4	1	165-3825	1	BRACKET AS						
	5	1	165-3826	1	TUBE AS						
	6	1	165-3827	1	TUBE AS						
	7	1	165-3828	1	TUBE AS						
	8	1	103-1303	6	CLAMP-HALF						
	9	1	1P-3706	3	SEAL-RECTANGULAR						
	10	1	3E-9411	12	WASHER-HARD (17.5X38X6-MM THK)						
	11	1	5P-1076	2	WASHER-HARD (13.5X30X4-MM THK)						
M	12	1	7X-2553	12	BOLT (M16X2X40-MM)						
M	13	1	7X-2556	8	BOLT (M16X2X100-MM)						
M	14	1	8T-4140	4	BOLT (M16X2X60-MM)						
M	15	1	8T-4183	2	BOLT (M12X1.75X40-MM)						
	16	1	9X-8257	12	WASHER (17.5X30X3.5-MM THK)						

M - METRIC PART



RIGHT SIDE VIEW

SECTION A-A

GRAPHIC #1

<END>

g00632459

# HYDRAULIC SYSTEM

## 174-3468 LINES GP-TILT CYLINDER

S/N: BNH473-785

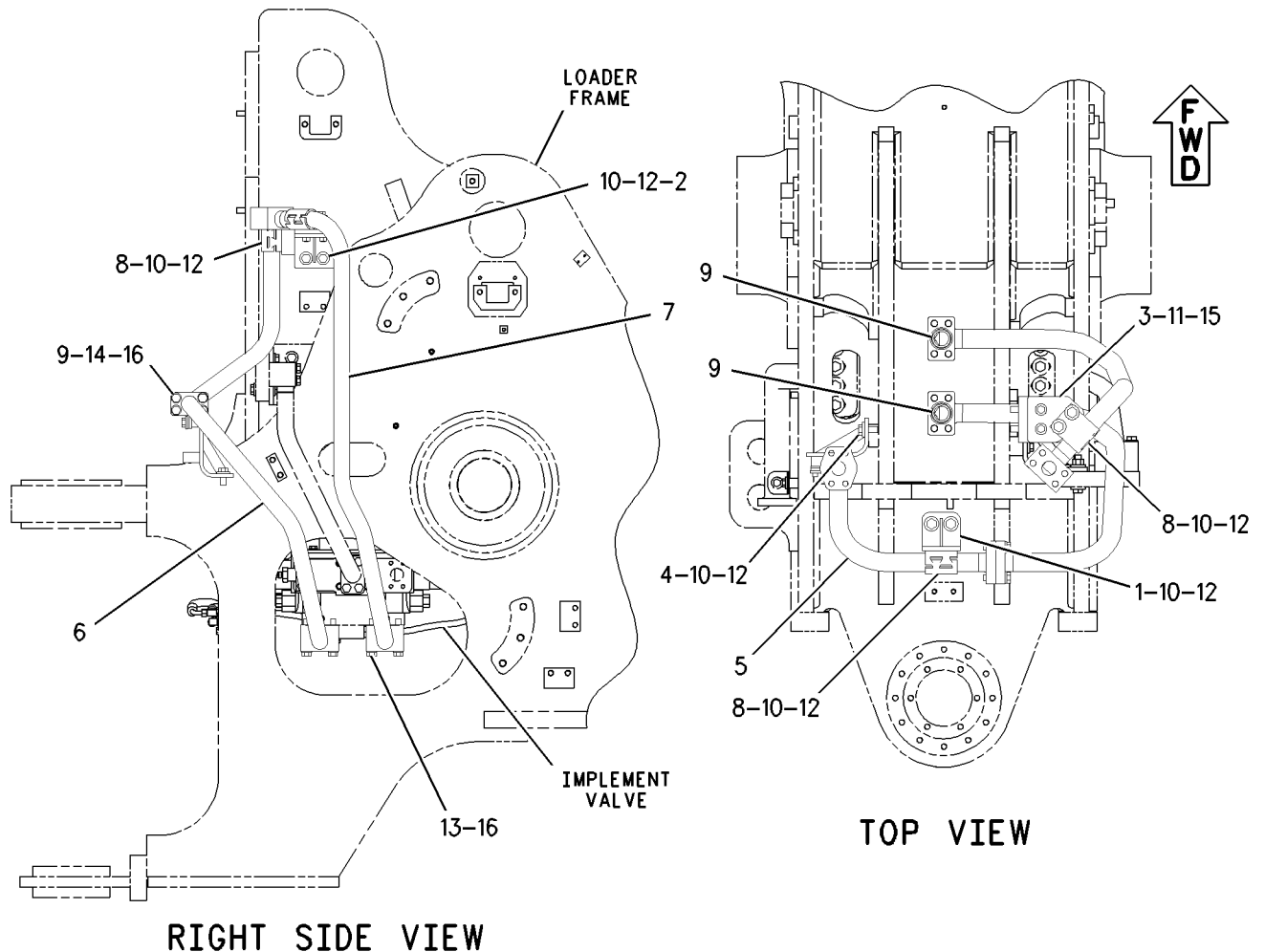
PART OF 201-0837 HYDRAULIC AR-2 VALVE  
AN ATTACHMENT

SMCS-5057, 5104

i01725016

NOTE	REF NO	GRAPHIC REF	PART NUMBER	QTY	PART NAME						SEE PAGE
					1	2	3	4	5	6 (PRODUCT LEVEL)	
	1	1	156-2842	1	BRACKET AS						
	2	1	165-2357	1	BRACKET AS						
M		1	8T-3597	2	NUT-WELD (M12X1.75-THD)						
	3	1	165-2358	1	BRACKET AS						
	4	1	165-3825	1	BRACKET AS						
C	5	1	214-9523	1	TUBE AS						
	6	1	165-3827	1	TUBE AS						
C	7	1	214-9524	1	TUBE AS						
	8	1	103-1303	6	CLAMP-HALF						
	9	1	1P-3706	3	SEAL-RECTANGULAR						
	10	1	3E-9411	12	WASHER-HARD (17.5X38X6-MM THK)						
	11	1	5P-1076	2	WASHER-HARD (13.5X30X4-MM THK)						
M	12	1	7X-2553	12	BOLT (M16X2X40-MM)						
M	13	1	7X-2556	8	BOLT (M16X2X100-MM)						
M	14	1	8T-4140	4	BOLT (M16X2X60-MM)						
M	15	1	8T-4183	2	BOLT (M12X1.75X40-MM)						
	16	1	9X-8257	12	WASHER (17.5X30X3.5-MM THK)						

C - CHANGE FROM PREVIOUS TYPE  
M - METRIC PART



GRAPHIC #1

<END>

g00889721

# HYDRAULIC SYSTEM

## 174-3468 LINES GP-TILT CYLINDER

S/N: BNH786-UP

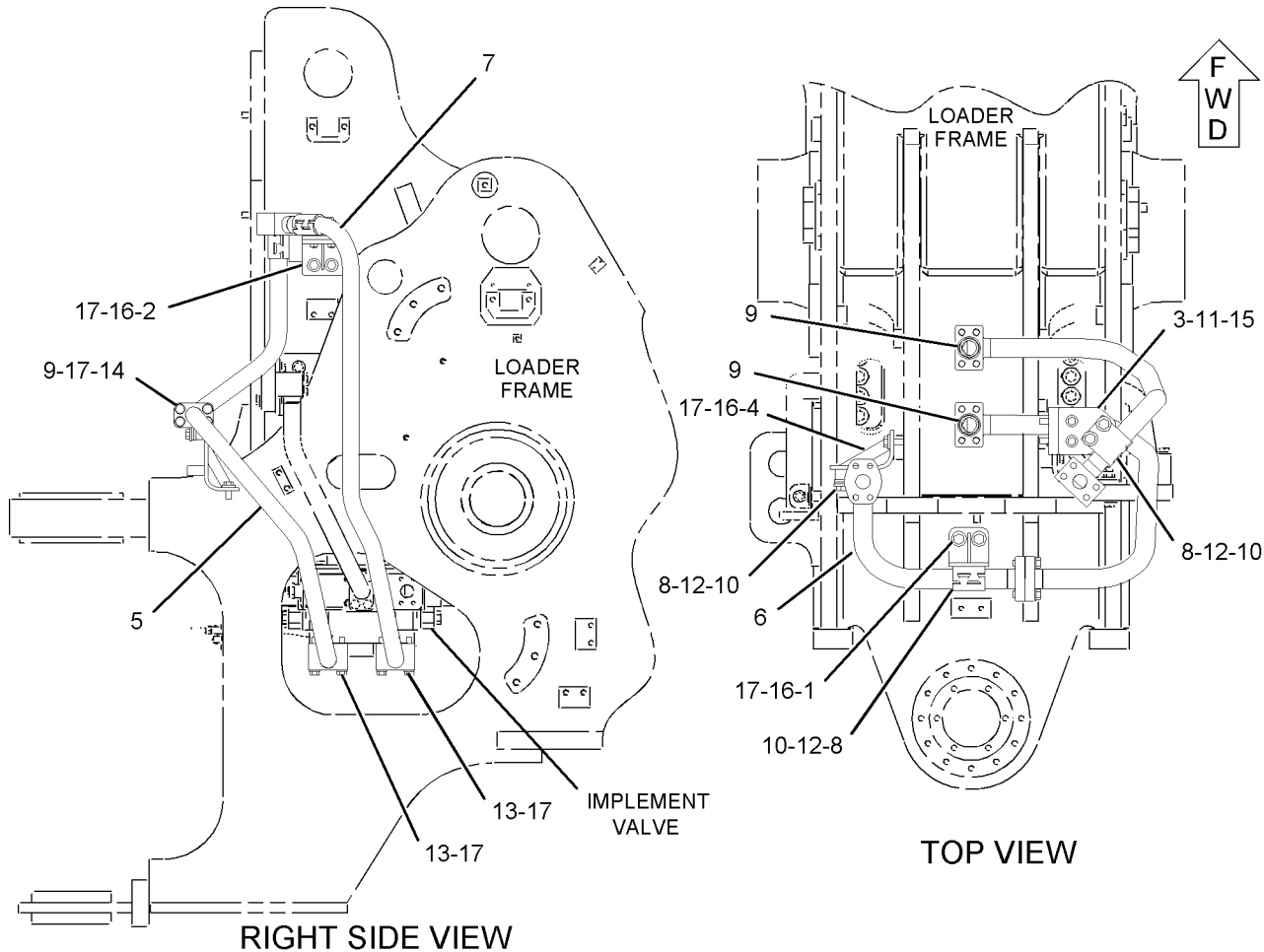
PART OF 201-0837 HYDRAULIC AR-2 VALVE  
AN ATTACHMENT

SMCS-5057, 5104

i01963490

NOTE	REF NO	GRAPHIC REF	PART NUMBER	QTY	PART NAME						SEE PAGE
					1	2	3	4	5	6 (PRODUCT LEVEL)	
	1	1	156-2842	1	BRACKET AS						
	2	1	165-2357	1	BRACKET AS						
M		1	8T-3597	2	NUT-WELD (M12X1.75-THD)						
	3	1	165-2358	1	BRACKET AS						
	4	1	165-3825	1	BRACKET AS						
	5	1	165-3827	1	TUBE AS						
	6	1	214-9523	1	TUBE AS						
	7	1	214-9524	1	TUBE AS						
	8	1	103-1303	6	CLAMP-HALF						
	9	1	1P-3706	3	SEAL-RECTANGULAR						
C	10	1	3E-9411	6	WASHER-HARD (17.5X38X6-MM THK)						
	11	1	5P-1076	2	WASHER-HARD (13.5X30X4-MM THK)						
M	12	1	7X-2553	6	BOLT (M16X2X40-MM)						
M	13	1	7X-2556	8	BOLT (M16X2X100-MM)						
M	14	1	8T-4140	4	BOLT (M16X2X60-MM)						
M	15	1	8T-4183	2	BOLT (M12X1.75X40-MM)						
CM	16	1	8T-4779	6	BOLT (M16X2X35-MM)						
C	17	1	9X-8257	18	WASHER (17.5X30X3.5-MM THK)						

C - CHANGE FROM PREVIOUS TYPE  
M - METRIC PART



GRAPHIC #1

<END>

g01073677



# HYDRAULIC SYSTEM

## 174-3620 LINES GP-TILT CYLINDER

S/N: BNH1-472

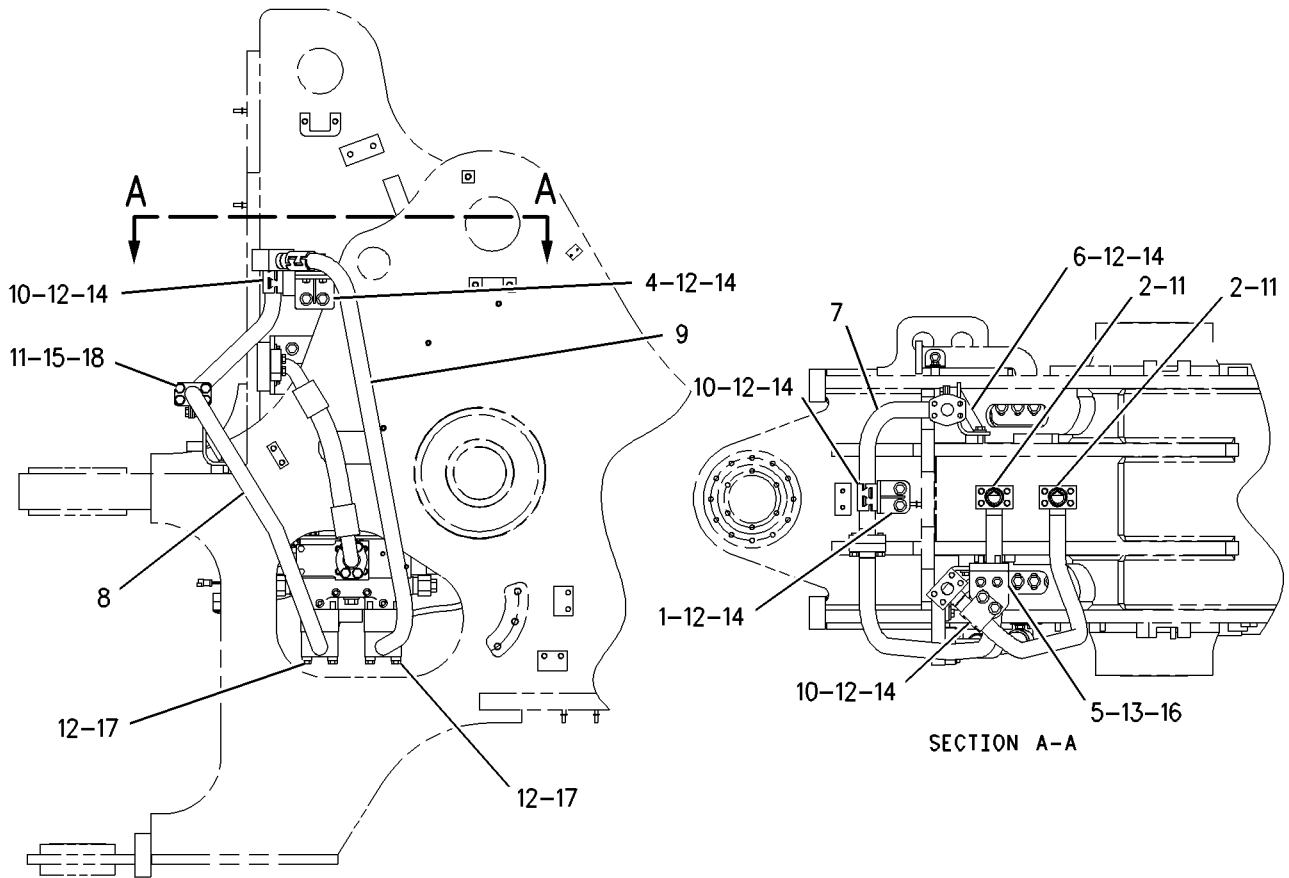
PART OF 201-0808 HYDRAULIC AR-3 VALVE  
AN ATTACHMENT

SMCS-5057, 5104

i01504804

NOTE	REF NO	GRAPHIC REF	PART NUMBER	QTY	PART NAME						SEE PAGE
					1	2	3	4	5	6 (PRODUCT LEVEL)	
	1	1	156-2842	1	BRACKET AS						
	2	1	156-5781	2	MANIFOLD						
	4	1	165-2357	1	BRACKET AS						
M		1	8T-3597	2	NUT-WELD (M12X1.75-THD)						
	5	1	165-2358	1	BRACKET AS						
	6	1	165-3825	1	BRACKET AS						
	7	1	165-3826	1	TUBE AS						
	8	1	166-2101	1	TUBE AS						
	9	1	166-2102	1	TUBE AS						
	10	1	103-1303	6	CLAMP - HALF						
	11	1	1P-3706	5	SEAL - RECTANGULAR						
	12	1	3E-9411	20	WASHER - HARD (17.5X38X6-MM THK)						
	13	1	5P-1076	2	WASHER - HARD (13.5X30X4-MM THK)						
M	14	1	7X-2553	12	BOLT (M16X2X40-MM)						
M	15	1	8T-4140	4	BOLT (M16X2X60-MM)						
M	16	1	8T-4183	2	BOLT (M12X1.75X40-MM)						
M	17	1	8T-6385	8	BOLT (M16X2X180-MM)						
	18	1	9X-8257	4	WASHER (17.5X30X3.5-MM THK)						

M - METRIC PART



RIGHT SIDE VIEW

SECTION A-A

GRAPHIC #1

<END>

q00780726

# HYDRAULIC SYSTEM

## 174-3620 LINES GP-TILT CYLINDER

S/N: BNH473-UP

PART OF 201-0808 HYDRAULIC AR-3 VALVE  
AN ATTACHMENT

SMCS-5057, 5104

i01725007

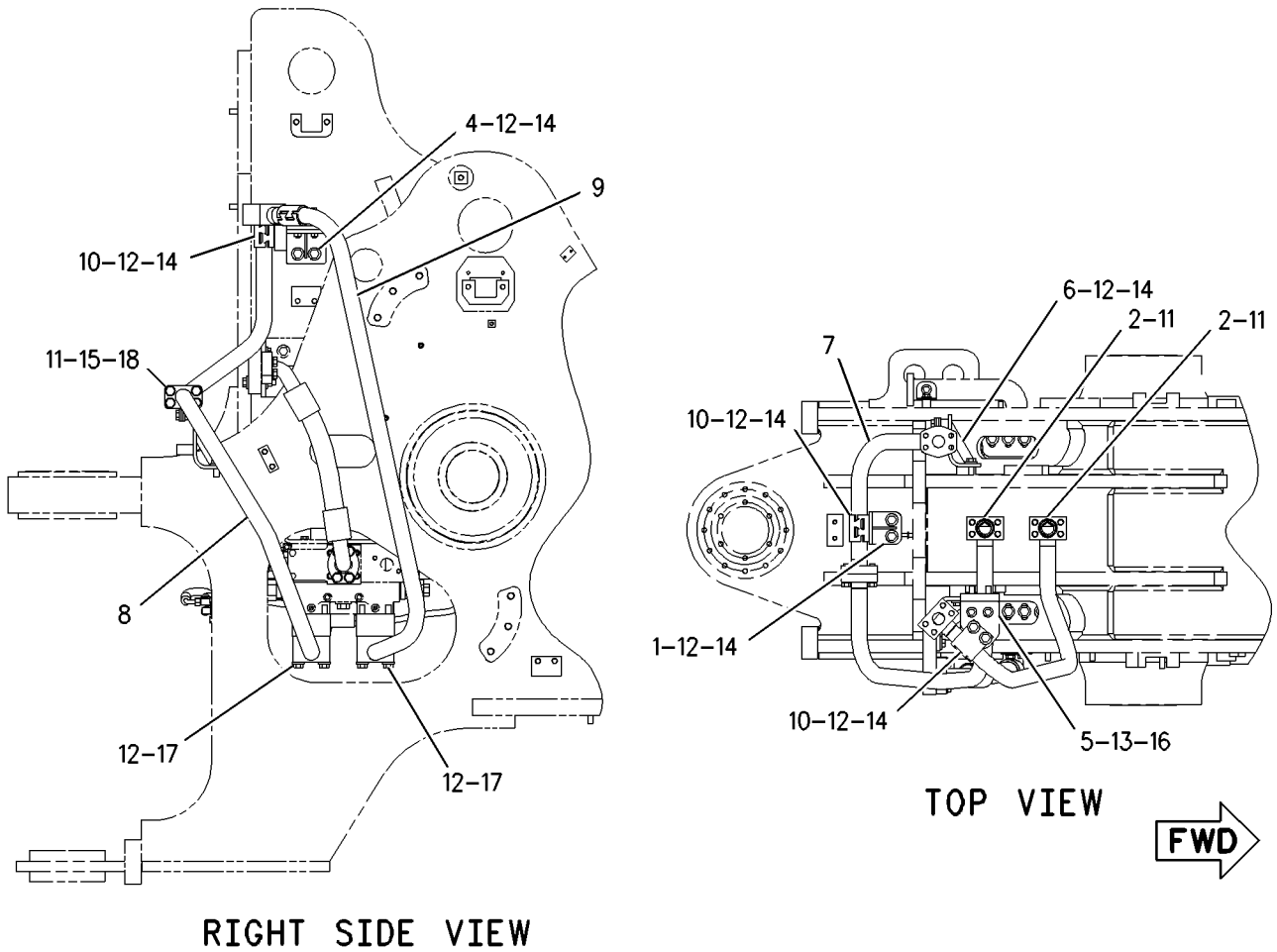
NOTE	REF NO	GRAPHIC REF	PART NUMBER	QTY	PART NAME						SEE PAGE
					1	2	3	4	5	6 (PRODUCT LEVEL)	
	1	1	<b>156-2842</b>	1	BRACKET AS						
	2	1	<b>156-5781</b>	2	MANIFOLD						
	4	1	<b>165-2357</b>	1	BRACKET AS						
M		1	<b>8T-3597</b>	2	NUT-WELD (M12X1.75-THD)						
	5	1	<b>165-2358</b>	1	BRACKET AS						
	6	1	<b>165-3825</b>	1	BRACKET AS						
C	7	1	<b>214-9523</b>	1	TUBE AS						
	8	1	<b>166-2101</b>	1	TUBE AS						
C	9	1	<b>214-9525</b>	1	TUBE AS						
	10	1	<b>103-1303</b>	6	CLAMP - HALF						
	11	1	<b>1P-3706</b>	5	SEAL - RECTANGULAR						
	12	1	<b>3E-9411</b>	20	WASHER-HARD (17.5X38X6-MM THK)						
	13	1	<b>5P-1076</b>	2	WASHER-HARD (13.5X30X4-MM THK)						
M	14	1	<b>7X-2553</b>	12	BOLT (M16X2X40-MM)						
M	15	1	<b>8T-4140</b>	4	BOLT (M16X2X60-MM)						
M	16	1	<b>8T-4183</b>	2	BOLT (M12X1.75X40-MM)						
M	17	1	<b>8T-6385</b>	8	BOLT (M16X2X180-MM)						
	18	1	<b>9X-8257</b>	4	WASHER (17.5X30X3.5-MM THK)						

C - CHANGE FROM PREVIOUS TYPE  
M - METRIC PART

# HYDRAULIC SYSTEM

174-3620 LINES GP-TILT CYLINDER (contd.)

i01725007



GRAPHIC #1

<END>

g00889722

# HYDRAULIC SYSTEM

## 174-3620 LINES GP-TILT CYLINDER

S/N: BNH473-785

PART OF 201-0808 HYDRAULIC AR-3 VALVE  
AN ATTACHMENT

SMCS-5057, 5104

i01788197

NOTE	REF NO	GRAPHIC REF	PART NUMBER	QTY	PART NAME						SEE PAGE
					1	2	3	4	5	6 (PRODUCT LEVEL)	
	1	1	<b>156-2842</b>	1	BRACKET AS						
	2	1	<b>156-5781</b>	2	MANIFOLD						
	4	1	<b>165-2357</b>	1	BRACKET AS						
M		1	<b>8T-3597</b>	2	NUT-WELD (M12X1.75-THD)						
	5	1	<b>165-2358</b>	1	BRACKET AS						
	6	1	<b>165-3825</b>	1	BRACKET AS						
C	7	1	<b>214-9523</b>	1	TUBE AS						
	8	1	<b>166-2101</b>	1	TUBE AS						
C	9	1	<b>224-3872</b>	1	TUBE AS						
	10	1	<b>103-1303</b>	6	CLAMP - HALF						
	11	1	<b>1P-3706</b>	5	SEAL - RECTANGULAR						
	12	1	<b>3E-9411</b>	20	WASHER - HARD (17.5X38X6-MM THK)						
	13	1	<b>5P-1076</b>	2	WASHER - HARD (13.5X30X4-MM THK)						
M	14	1	<b>7X-2553</b>	12	BOLT (M16X2X40-MM)						
M	15	1	<b>8T-4140</b>	4	BOLT (M16X2X60-MM)						
M	16	1	<b>8T-4183</b>	2	BOLT (M12X1.75X40-MM)						
M	17	1	<b>8T-6385</b>	8	BOLT (M16X2X180-MM)						
	18	1	<b>9X-8257</b>	4	WASHER (17.5X30X3.5-MM THK)						

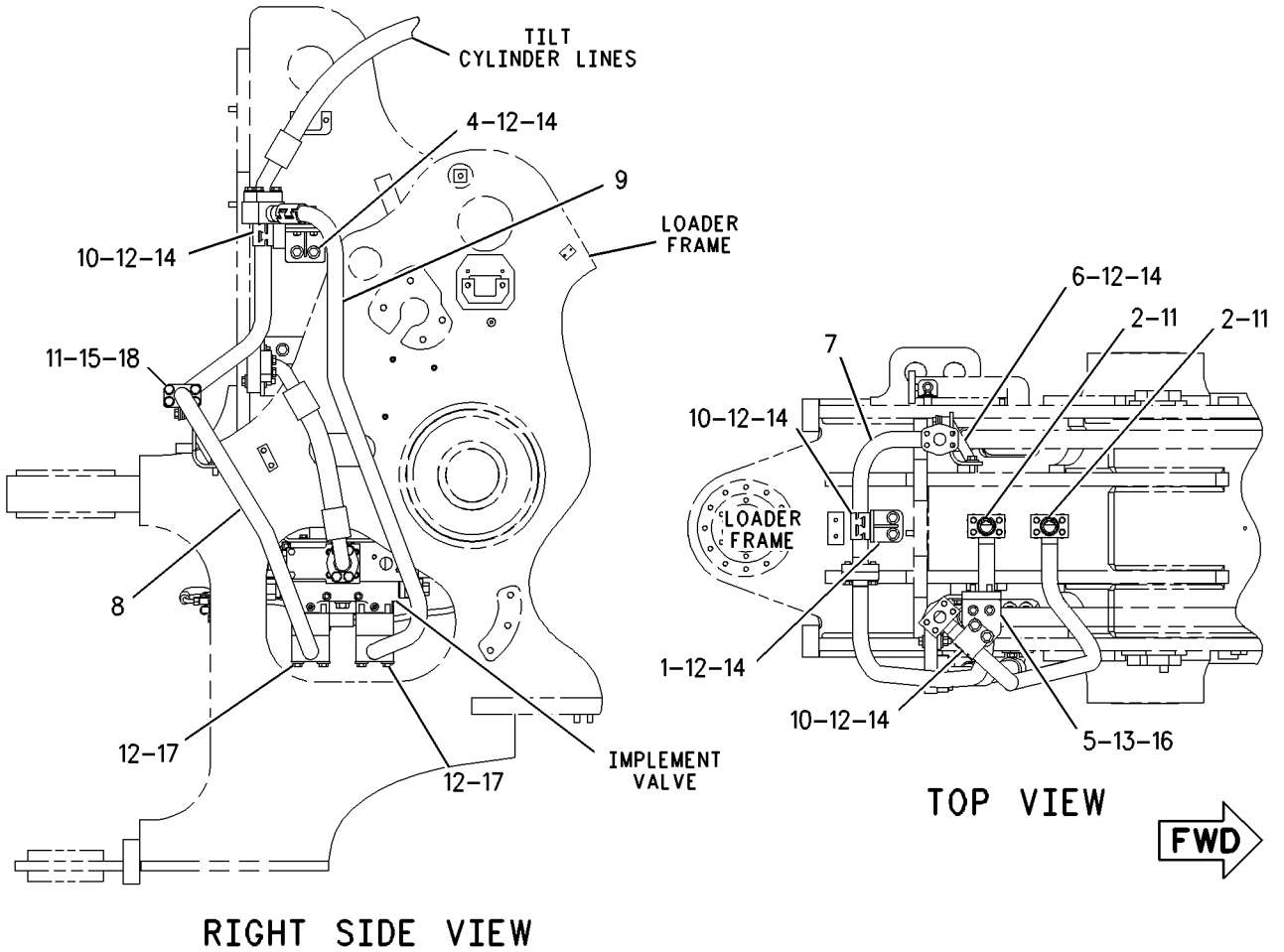
C - CHANGE FROM PREVIOUS TYPE

M - METRIC PART

# HYDRAULIC SYSTEM

174-3620 LINES GP-TILT CYLINDER (contd.)

i01788197



GRAPHIC #1

<END>

g00923372

# HYDRAULIC SYSTEM

## 174-3620 LINES GP-TILT CYLINDER

S/N: BNH786-UP

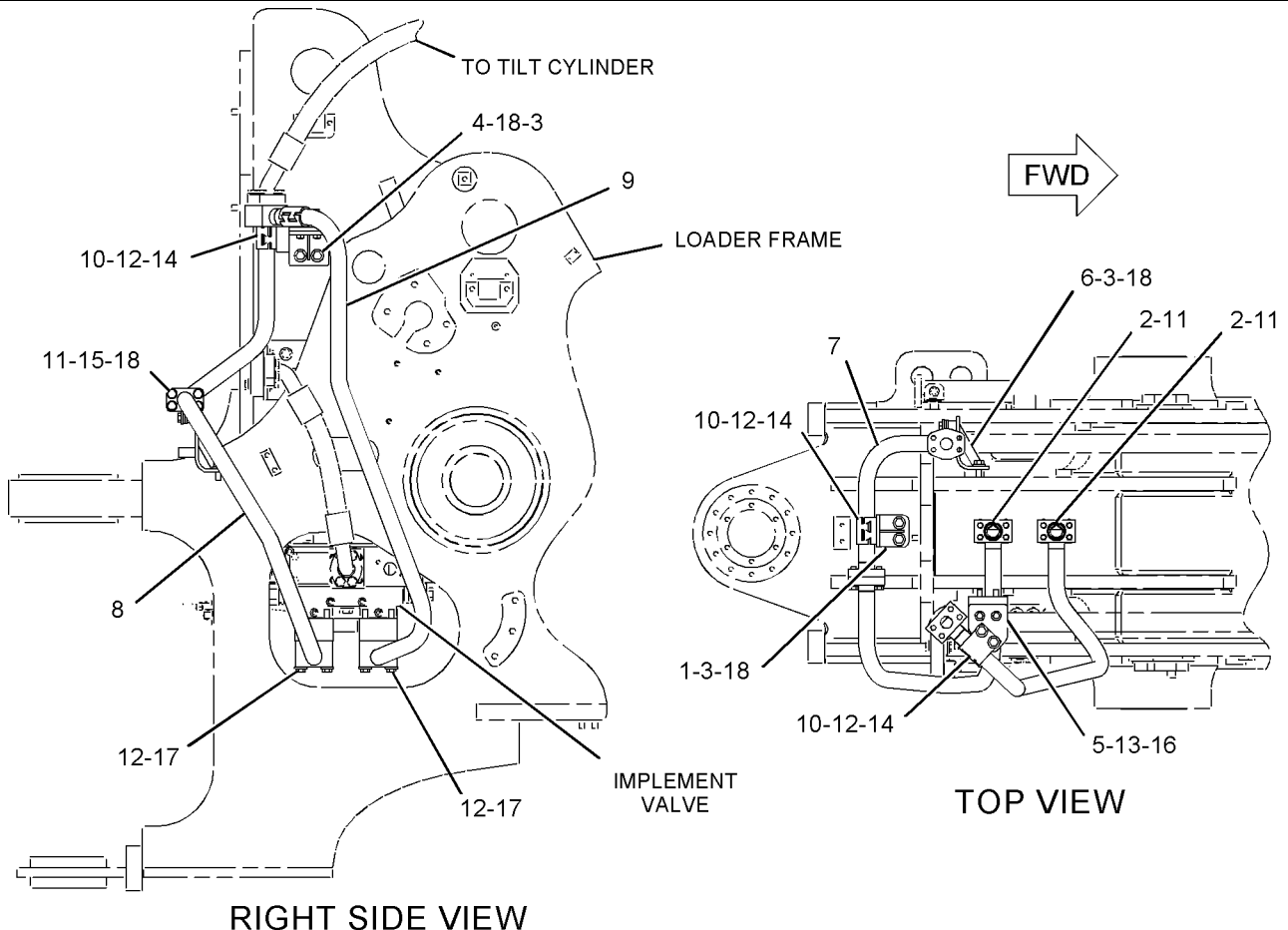
PART OF 201-0808 HYDRAULIC AR-3 VALVE  
AN ATTACHMENT

SMCS-5057, 5104

i01963494

NOTE	REF NO	GRAPHIC REF	PART NUMBER	QTY	PART NAME						SEE PAGE
					1	2	3	4	5	6 (PRODUCT LEVEL)	
	1	1	156-2842	1	BRACKET AS						
	2	1	156-5781	2	MANIFOLD						
CM	3	1	8T-4779	6	BOLT (M16X2X35-MM)						
	4	1	165-2357	1	BRACKET AS						
M		1	8T-3597	2	NUT-WELD (M12X1.75-THD)						
	5	1	165-2358	1	BRACKET AS						
	6	1	165-3825	1	BRACKET AS						
	7	1	214-9523	1	TUBE AS						
	8	1	166-2101	1	TUBE AS						
	9	1	224-3872	1	TUBE AS						
	10	1	103-1303	6	CLAMP - HALF						
	11	1	1P-3706	5	SEAL - RECTANGULAR						
C	12	1	3E-9411	14	WASHER - HARD (17.5X38X6-MM THK)						
	13	1	5P-1076	2	WASHER - HARD (13.5X30X4-MM THK)						
CM	14	1	7X-2553	6	BOLT (M16X2X40-MM)						
M	15	1	8T-4140	4	BOLT (M16X2X60-MM)						
M	16	1	8T-4183	2	BOLT (M12X1.75X40-MM)						
M	17	1	8T-6385	8	BOLT (M16X2X180-MM)						
C	18	1	9X-8257	10	WASHER (17.5X30X3.5-MM THK)						

C - CHANGE FROM PREVIOUS TYPE  
M - METRIC PART



GRAPHIC #1

<END>

g01073655

# HYDRAULIC SYSTEM

## 296-7785 LINES GP-TILT CYLINDER

S/N: BNH1-UP

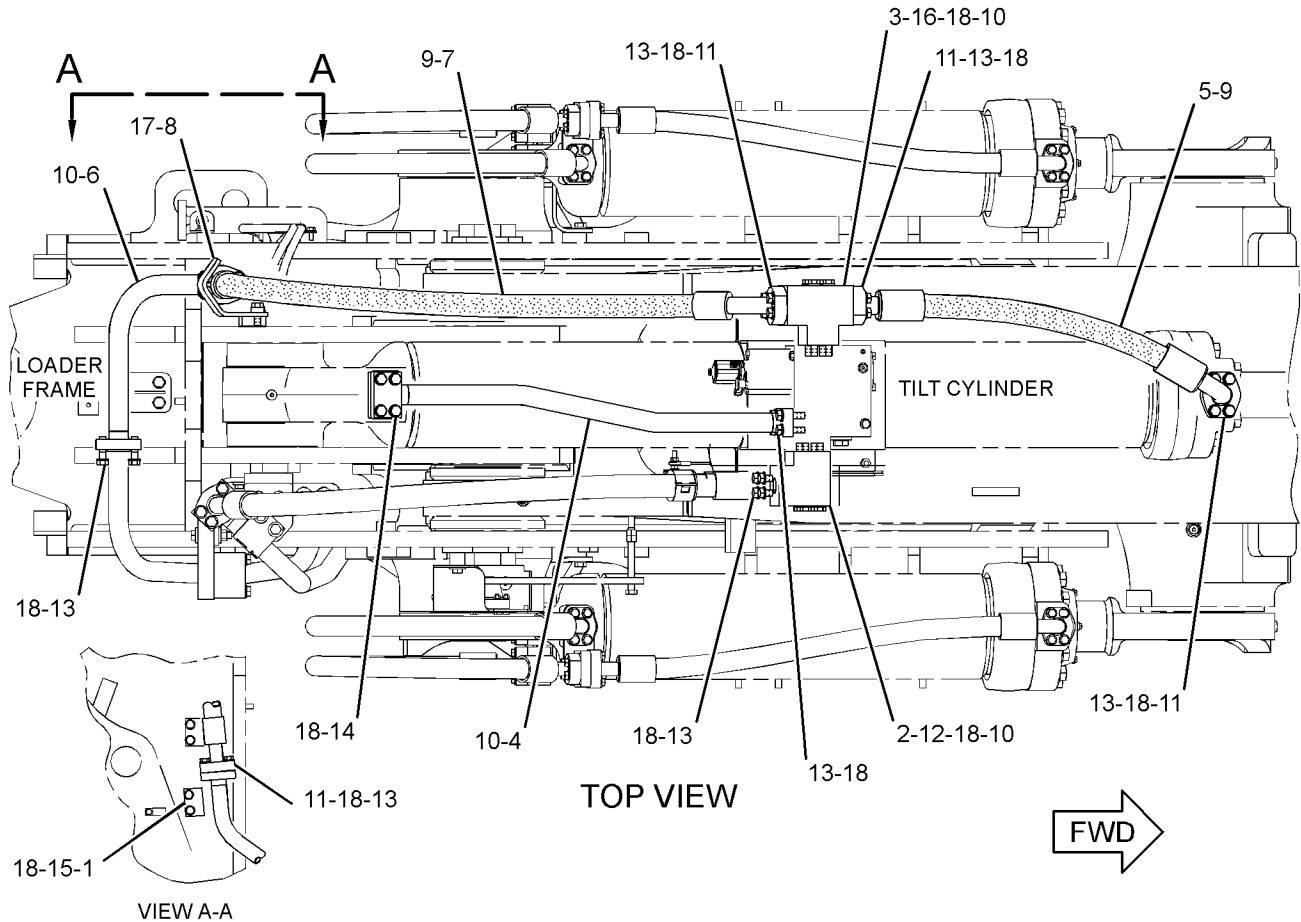
PART OF 275-7839 HYDRAULIC AR-TILT REGENERATION

SMCS-5057, 5104

i03323773

NOTE	REF NO	GRAPHIC REF	PART NUMBER	QTY	PART NAME						SEE PAGE
					1	2	3	4	5	6 (PRODUCT LEVEL)	
	1	1	103-5350	1	PLATE						
	2	1	271-4587	1	BLOCK						
	3	1	283-0130	1	BLOCK						
	4	1	291-3014	1	TUBE AS						
I	5	1	291-3018	1	HOSE AS						
	6	1	304-4540	1	TUBE AS						
I	7	1	312-4790	1	HOSE AS						
	8	1	319-6688	1	GUARD AS						
		1	5T-8224	2	SPACER (17X32X12.7-MM THK)						
	9	1	1P-3705	4	SEAL - RECTANGULAR						
	10	1	1P-3706	5	SEAL - RECTANGULAR						
	11	1	5P-8077	8	FLANGE - HALF						
M	12	1	7X-2559	4	BOLT (M16X2X160-MM)						
M	13	1	8T-4140	28	BOLT (M16X2X60-MM)						
M	14	1	8T-4173	4	BOLT (M16X2X110-MM)						
M	15	1	8T-4779	2	BOLT (M16X2X35-MM)						
M	16	1	8T-6385	4	BOLT (M16X2X180-MM)						
M	17	1	8T-7338	2	BOLT (M16X2X45-MM)						
	18	1	9X-8257	42	WASHER (17.5X30X3.5-MM THK)						

I - REFER TO HYDRAULIC INFORMATION SYSTEM  
M - METRIC PART



GRAPHIC #1

<END>

g01784821

# HYDRAULIC SYSTEM

## 139-6825 MOTOR GP-GEAR-HYDRAULIC FAN

S/N: BNH1-UP

PART OF 132-6138 LINES GP-HYDRAULIC FAN  
AN ATTACHMENT

SMCS-1386, 5061

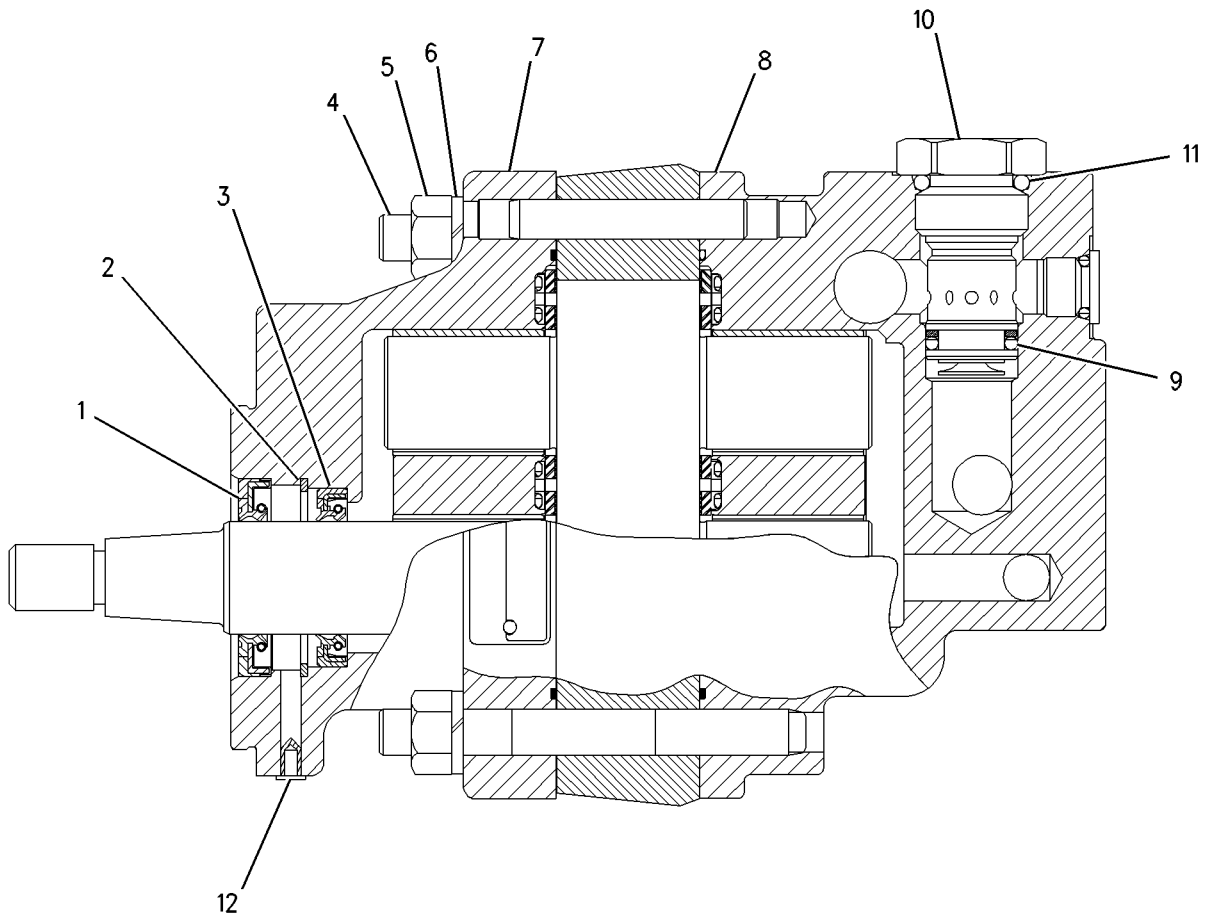
i03645061

NOTE	REF NO	GRAPHIC REF	PART NUMBER	QTY	PART NAME						SEE PAGE
					1	2	3	4	5	6 (PRODUCT LEVEL)	
J	1	1	<b>6V-3676</b>	1	SEAL-LIP TYPE						
J	2	1	<b>8Q-2979</b>	1	RING						
J	3	1	<b>6V-3675</b>	1	SEAL-LIP TYPE						
	4	1	<b>1U-3192</b>	8	STUD						
	5	1	<b>5B-3254</b>	8	NUT-JAM (7/16-20-THD)						
	6	1	<b>5P-8244</b>	8	WASHER-HARD (12X22.5X2.5-MM THK)						
	7	1	<b>196-1170</b>	1	FLANGE AS						
	8	1	<b>196-1171</b>	1	COVER AS						
	9	1	<b>6V-8351</b>	1	SEAL-O-RING						
	10	1	<b>196-1172</b>	1	VALVE GP-CHECK						
		1	<b>033-6036</b>	1	SEAL-O-RING						
		1	<b>6V-8351</b>	1	SEAL-O-RING						
	11	1	<b>033-6036</b>	1	SEAL-O-RING						
J	12	1	<b>3G-7242</b>	1	PLUG						

AVAILABLE REPAIR KIT(S) :

J	<b>6E-3687</b>	KIT-SEAL (INCLUDES RETAINER)
---	----------------	---------------------------------

J - KIT(S) MARKED J INCLUDES PART(S) MARKED J



GRAPHIC #1

<END>

g00739395



# HYDRAULIC SYSTEM

## 213-5268 MOTOR GP-PISTON-HYDRAULIC FAN\*R

S/N: BNH1-UP

PART OF 215-2356 LINES GP-HYDRAULIC FAN  
AN ATTACHMENT

SMCS-1386, 5058

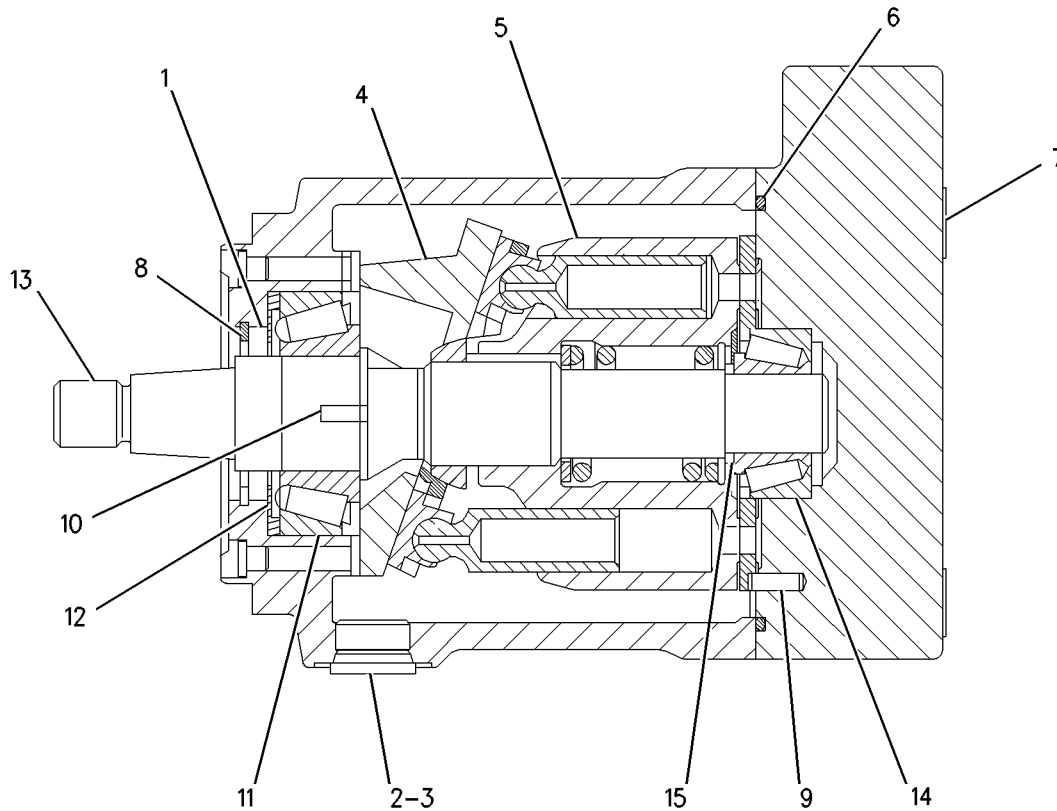
i03853652

NOTE	REF NO	GRAPHIC REF	PART NUMBER	QTY	PART NAME						SEE PAGE
					1	2	3	4	5	6	
	1	1	168-7319	1	SEAL-SHAFT						
	2	1	9S-8006	1	PLUG-O-RING						
	3	1	2M-9780	1	SEAL-O-RING						
	4	1	185-0278	1	SWASHPLATE						
Y	5	1	185-0275	1	ROTATING GP-MOTOR (HYDRAULIC FAN)						980
	6	1	192-7470	1	SEAL-O-RING						
M	7	1	095-0690	4	BOLT-SOCKET HEAD (M14X2X60-MM)						
	8	1	7Y-5267	1	RING-RETAINING						
	9	1	188-6280	1	DOWEL						
	10	1	101-2862	2	DOWEL						
	11	1	185-0295	1	BEARING						
	12	1	185-0280	1	PLATE						
	13	1	216-2515	1	SHAFT						
	14	1	185-0296	1	BEARING						
B	15	1	168-2203	1	SHIM-SHAFT						

B - USE AS REQUIRED

M - METRIC PART

Y - SEPARATE ILLUSTRATION



GRAPHIC #1

<END>

g00954879

# HYDRAULIC SYSTEM

## 194-3286 PLUG GP-CONTROL VALVE-PRESSURE, FLOW COMPENSATOR- STEERING OIL PRESSURE

S/N: BNH1-UP

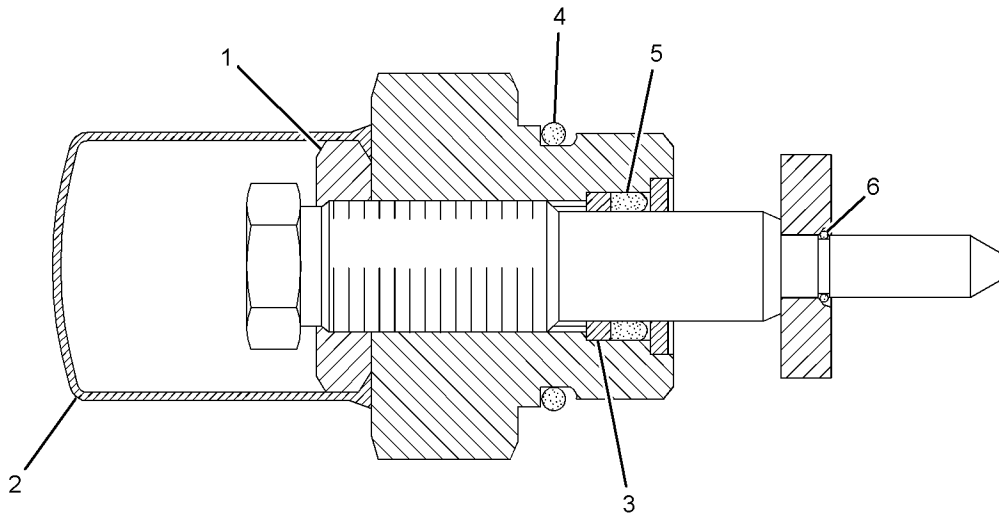
PART OF 176-7520 VALVE GP-PUMP CONTROL

SMCS-5086, 5117

i02774580

NOTE	REF NO	GRAPHIC REF	PART NUMBER	QTY	PART NAME						SEE PAGE
					1	2	3	4	5	6 (PRODUCT LEVEL)	
M	1	1	<b>5C-2873</b>	1	NUT (M12X1-THD)						
	2	1	<b>195-3324</b>	1	CAP						
	3	1	<b>195-3325</b>	1	RING						
	4	1	<b>3E-6761</b>	1	SEAL-O-RING						
	5	1	<b>187-8567</b>	1	SEAL-O-RING						
	6	1	<b>194-6849</b>	1	RETAINER						

M - METRIC PART



GRAPHIC #1

<END>

g01388986

# HYDRAULIC SYSTEM

## 170-6047 PUMP & MTG GP-HYDRAULIC FAN

S/N: BNH1-UP

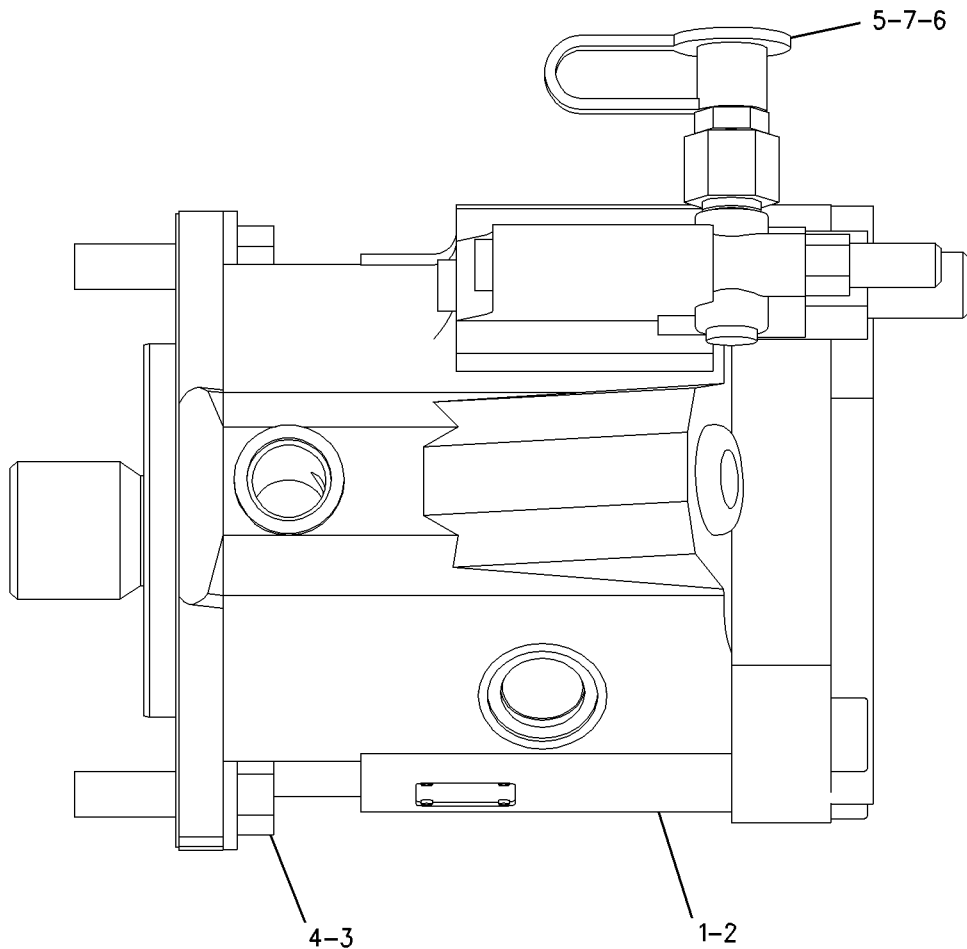
PART OF 215-2334, 215-2353 COOLING AR  
AN ATTACHMENT

SMCS-1387

i01504304

NOTE	REF NO	GRAPHIC REF	PART NUMBER	QTY	PART NAME						SEE PAGE
					1	2	3	4	5	6	
YR	1	1	152-7767	1	PUMP GP-PISTON (HYDRAULIC FAN)						966
	2	1	9H-8872	1	GASKET						
	3	1	5P-1076	2	WASHER-HARD (13.5X30X4-MM THK)						
	4	1	8T-8919	2	BOLT (1/2-13X1.75-IN)						
	5	1	6V-0852	1	CAP-DUST						
	6	1	150-4047	1	ADAPTER AS						
		1	8T-2353	1	ADAPTER						
		1	3J-7354	1	SEAL-O-RING						
	7	1	164-5567	1	COUPLER AS-QUICK DISCONNECT (MALE)						
		1	6V-3965	1	FITTING (QUICK DISCONNECT)						
		1	3J-1907	1	SEAL-O-RING						

R - REMFG PART MAY BE AVAILABLE  
Y - SEPARATE ILLUSTRATION



GRAPHIC #1

<END>

g0077328

# HYDRAULIC SYSTEM

## 215-2349 PUMP & MTG GP-HYDRAULIC FAN

S/N: BNH1-UP

HIGH AMBIENT TEMPERATURE COOLING

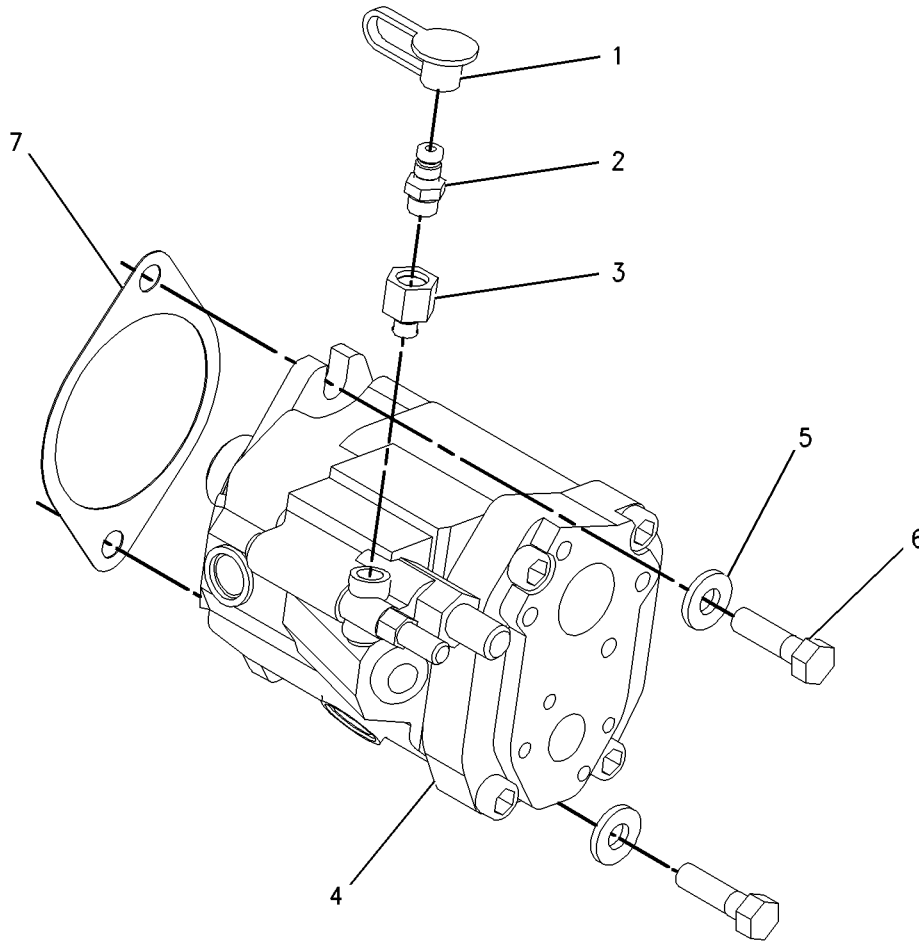
PART OF 215-2339 COOLING AR-HIGH AMBIENT TEMP  
AN ATTACHMENT

SMCS-1387

i01630070

NOTE	REF NO	GRAPHIC REF	PART NUMBER	QTY	PART NAME						SEE PAGE
					1	2	3	4	5	6	
	1	1	<b>6V-0852</b>	1	CAP-DUST						
	2	1	<b>164-5567</b>	1	COUPLER AS-QUICK DISCONNECT (MALE)						
		1	<b>3J-1907</b>	1	SEAL-O-RING						
		1	<b>6V-3965</b>	1	FITTING (QUICK DISCONNECT)						
	3	1	<b>150-4047</b>	1	ADAPTER AS						
		1	<b>3J-7354</b>	1	SEAL-O-RING						
		1	<b>8T-2353</b>	1	ADAPTER						
YR	4	1	<b>215-5721</b>	1	PUMP GP-PISTON (HYDRAULIC FAN)						968
	5	1	<b>5P-1076</b>	2	WASHER-HARD (13.5X30X4-MM THK)						
	6	1	<b>8T-8919</b>	2	BOLT (1/2-13X1.75-IN)						
	7	1	<b>9H-8872</b>	1	GASKET						

R - REMFG PART MAY BE AVAILABLE  
Y - SEPARATE ILLUSTRATION



GRAPHIC #1

<END>

g00845497

# HYDRAULIC SYSTEM

## 203-1606 PUMP & MTG GP-IMPLEMENT

S/N: BNH1-1061

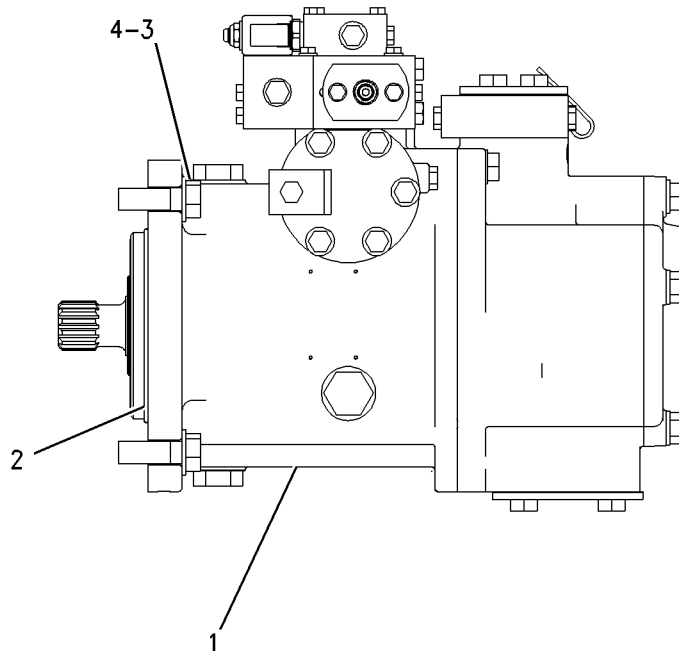
PART OF 203-1582 HYDRAULIC AR

SMCS-5084

i01767424

NOTE	REF NO	GRAPHIC REF	PART NUMBER	QTY	PART NAME						SEE PAGE
					1	2	3	4	5	6	
CY	1	1	219-7225	1	PUMP GP-PISTON (IMPLEMENT)						975
	2	1	6V-7681	1	SEAL-O-RING						
M	3	1	7X-2563	4	BOLT (M20X2.5X60MM)						
	4	1	8T-1739	4	WASHER-HARD (21X40X3.5MM THK)						

C - CHANGE FROM PREVIOUS TYPE  
M - METRIC PART  
Y - SEPARATE ILLUSTRATION



GRAPHIC #1

<END>

g00782647

# HYDRAULIC SYSTEM

## 228-3174 PUMP & MTG GP-IMPLEMENT

S/N: BNH1062-UP

PART OF 203-1582 HYDRAULIC AR

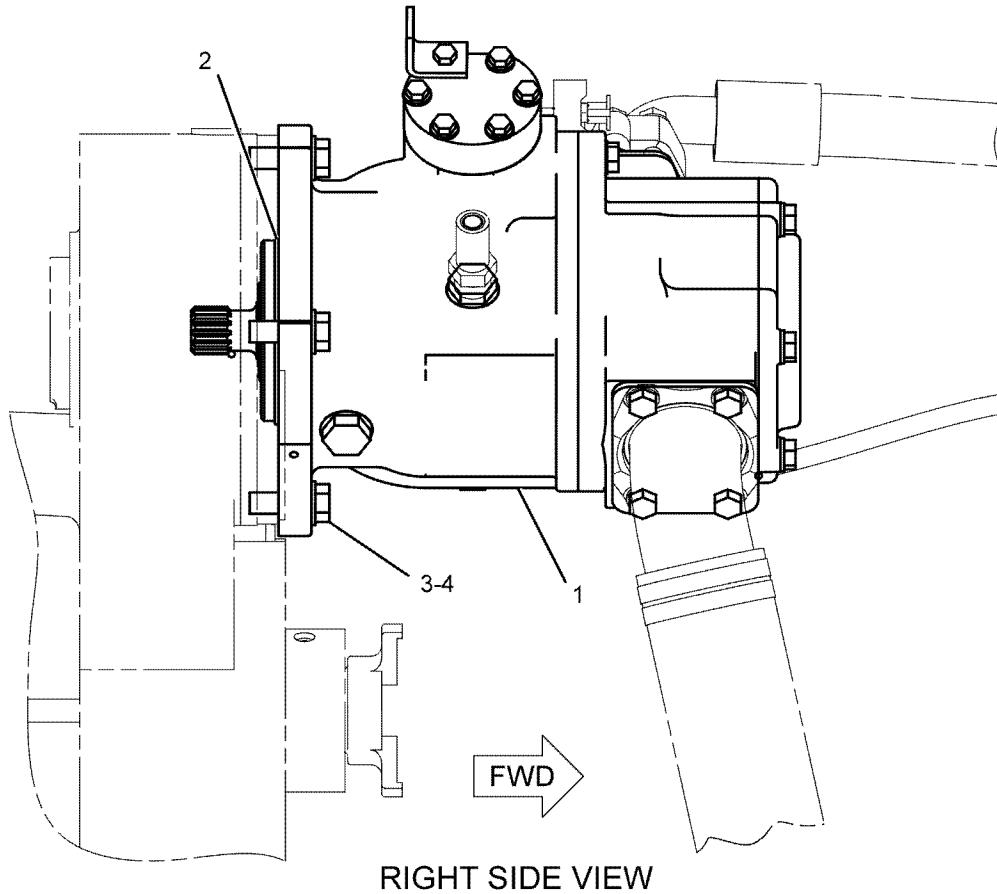
SMCS-5084

i02100317

NOTE	REF NO	GRAPHIC REF	PART NUMBER	QTY	PART NAME						SEE PAGE
					1	2	3	4	5	6	
Y	1	1	<b>216-8978</b>	1	PUMP GP-PISTON (IMPLEMENT)						970
	2	1	<b>6V-7681</b>	1	SEAL-O-RING						
M	3	1	<b>7X-2563</b>	4	BOLT (M20X2.5X60-MM)						
	4	1	<b>8T-1739</b>	4	WASHER-HARD (21X40X3.5-MM THK)						

M - METRIC PART

Y - SEPARATE ILLUSTRATION



GRAPHIC #1

<END>

g01073125

# HYDRAULIC SYSTEM

## 177-8924 PUMP GP-GEAR-PILOT, BRAKE

S/N: BNH1-UP

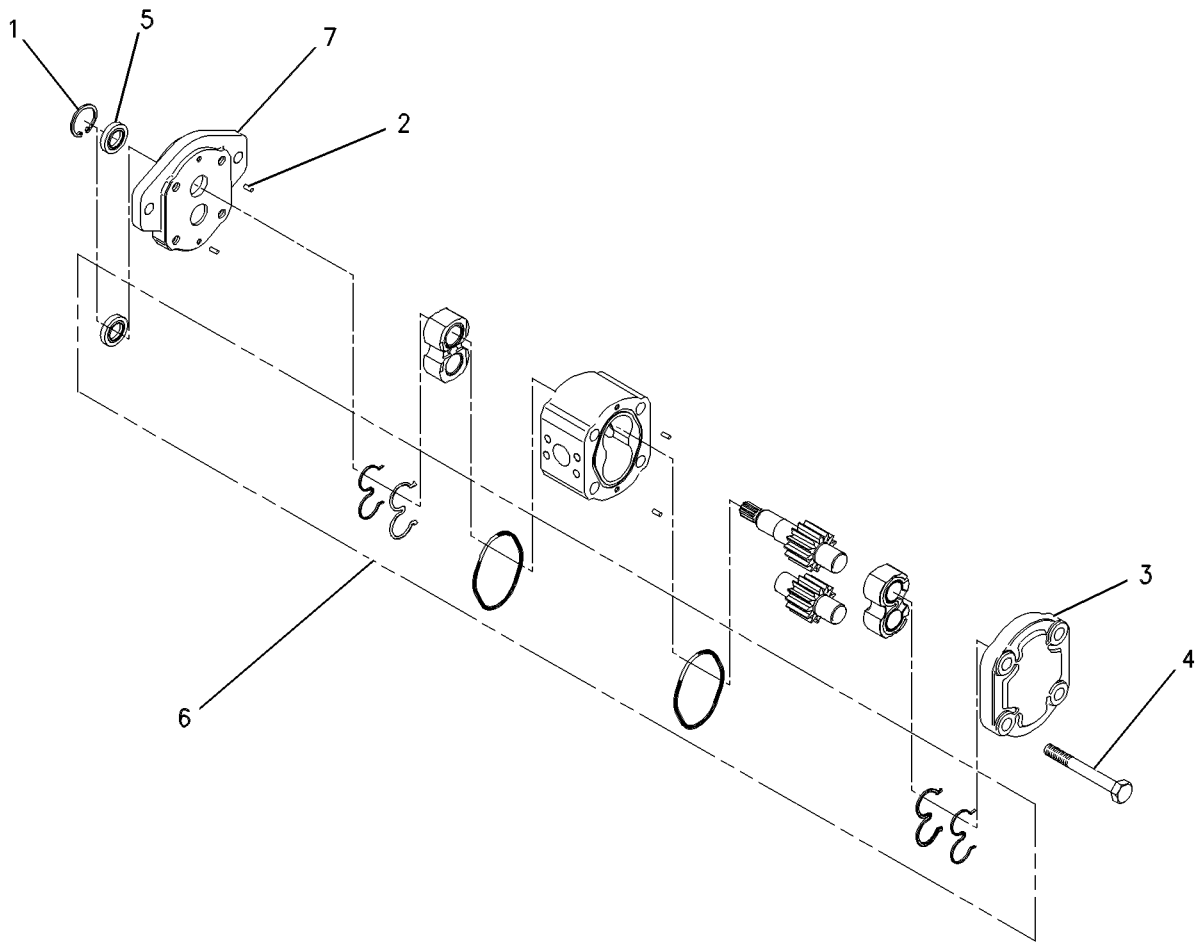
PART OF 132-6139, 220-3818, 228-4399 CONTROL GP-SERVICE BRAKE

SMCS-5073

i01220010

NOTE	REF NO	GRAPHIC REF	PART NUMBER	QTY	PART NAME						SEE PAGE
					1	2	3	4	5	6	
	1	1	<b>109-1641</b>	1	RING-SNAP						
	2	1	<b>099-3095</b>	2	DOWEL						
	3	1	<b>135-3490</b>	1	COVER						
M	4	1	<b>8T-5001</b>	4	BOLT (M12X1.75X130-MM)						
L	5	1	<b>135-3573</b>	1	SEAL-LIP TYPE						
L	6	1	<b>135-3489</b>	1	KIT-SEAL						
	7	1	<b>136-3842</b>	1	FLANGE						

L - KIT MARKED L INCLUDES PART MARKED L  
M - METRIC PART



GRAPHIC #1

<END>

g00606857

# HYDRAULIC SYSTEM

## 152-7767 PUMP GP-PISTON-HYDRAULIC FAN\*R

S/N: BNH1-UP

PART OF 170-6047 PUMP & MTG GP-HYDRAULIC FAN  
AN ATTACHMENT

SMCS-5070

i01630285

NOTE	REF NO	GRAPHIC REF	PART NUMBER	QTY	PART NAME						SEE PAGE
					1	2	3	4	5	6 (PRODUCT LEVEL)	
	1	1	175-6801	1	SHAFT-PUMP						
	2	1	8C-3110	1	RING-RETAINING						
	3	1	166-0344	1	SEAL-SHAFT						
	4	1	9S-8006	1	PLUG-O-RING						
	5	1	2M-9780	1	SEAL-O-RING						
	6	1	127-9490	1	SPRING (BIAS)						
	7	1	168-2198	1	LINK-CONTROL						
	8	1	168-7861	1	PISTON-ACTUATOR						
	9	1	168-7863	1	PLUG-CONTROL						
	10	1	8T-7525	1	SEAL-O-RING						
	11	1	083-4419	1	PIN						
	12	1	168-3504	1	SEAL						
	13	1	136-8423	1	PLUG-BREAK OFF						
M	14	1	095-0670	4	BOLT (M12X1.75X45-MM)						
	15	1	105-3035	1	CONE-BEARING						
	16	1	203-8609	1	CUP-BEARING						
	17	1	127-9485	1	SEAL-O-RING						
B	18	1	127-9483	1	SHIM (PRELOAD)						
Y	19	1	189-9379	1	ROTATING GP-PUMP						981
	20	1	175-6795	1	SWASHPLATE						
	21	1	168-7869	2	BEARING-CRADLE						
	22	1	203-9163	1	CONE-BEARING						
	23	1	6V-4636	1	CUP-BEARING						
	24	1	168-7871	1	HOUSING-PUMP						
Y	25	1	191-2929	1	VALVE GP-PUMP CONTROL (PRESSURE, FLOW COMPENSATOR)						1022
	26	1	9X-7680	3	SEAL-O-RING						
M	27	1	8T-8442	4	BOLT-SOCKET HEAD (M6X1X30-MM)						
	28	1	9S-8002	1	PLUG-O-RING						
	29	1	3J-7354	1	SEAL-O-RING						

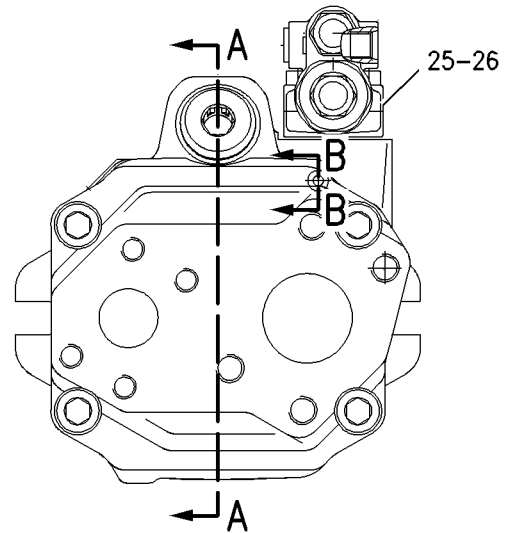
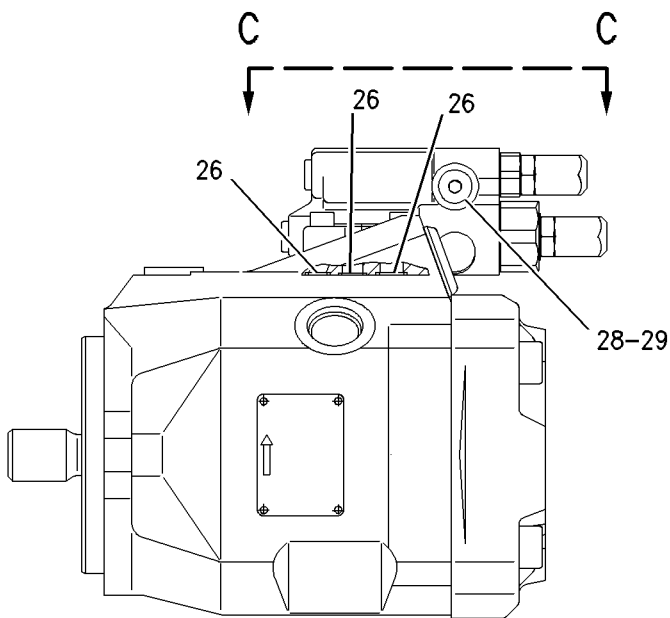
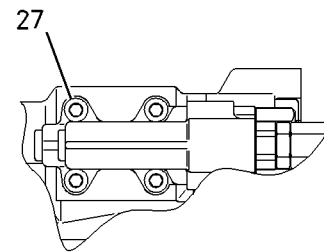
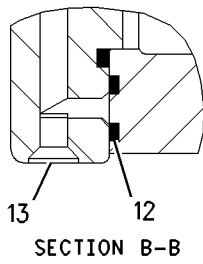
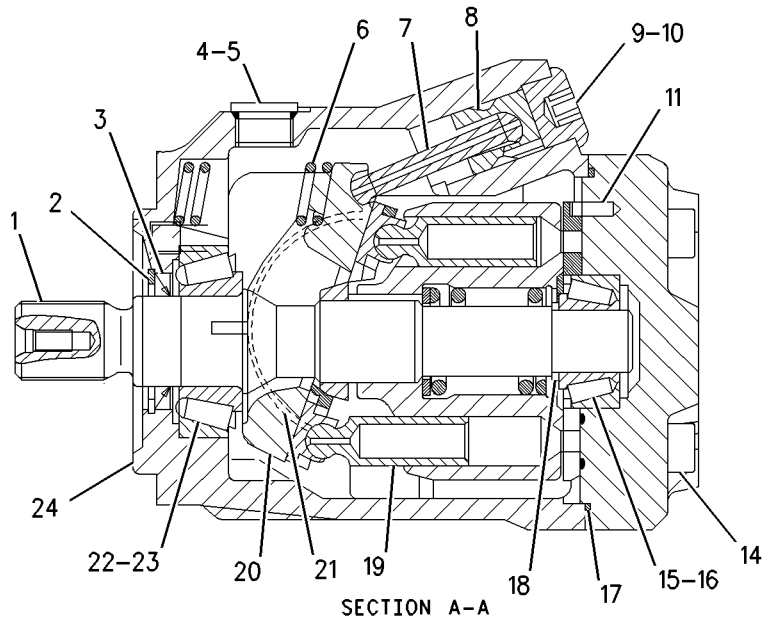
B - USE AS REQUIRED  
M - METRIC PART  
Y - SEPARATE ILLUSTRATION



# HYDRAULIC SYSTEM

152-7767 PUMP GP-PISTON (contd.)

i01630285



GRAPHIC #1

<END>

g00718823

# HYDRAULIC SYSTEM

## 215-5721 PUMP GP-PISTON-HYDRAULIC FAN\*R

S/N: BNH1-UP

PART OF 215-2349 PUMP & MTG GP-HYDRAULIC FAN  
AN ATTACHMENT

SMCS-5070

i01630068

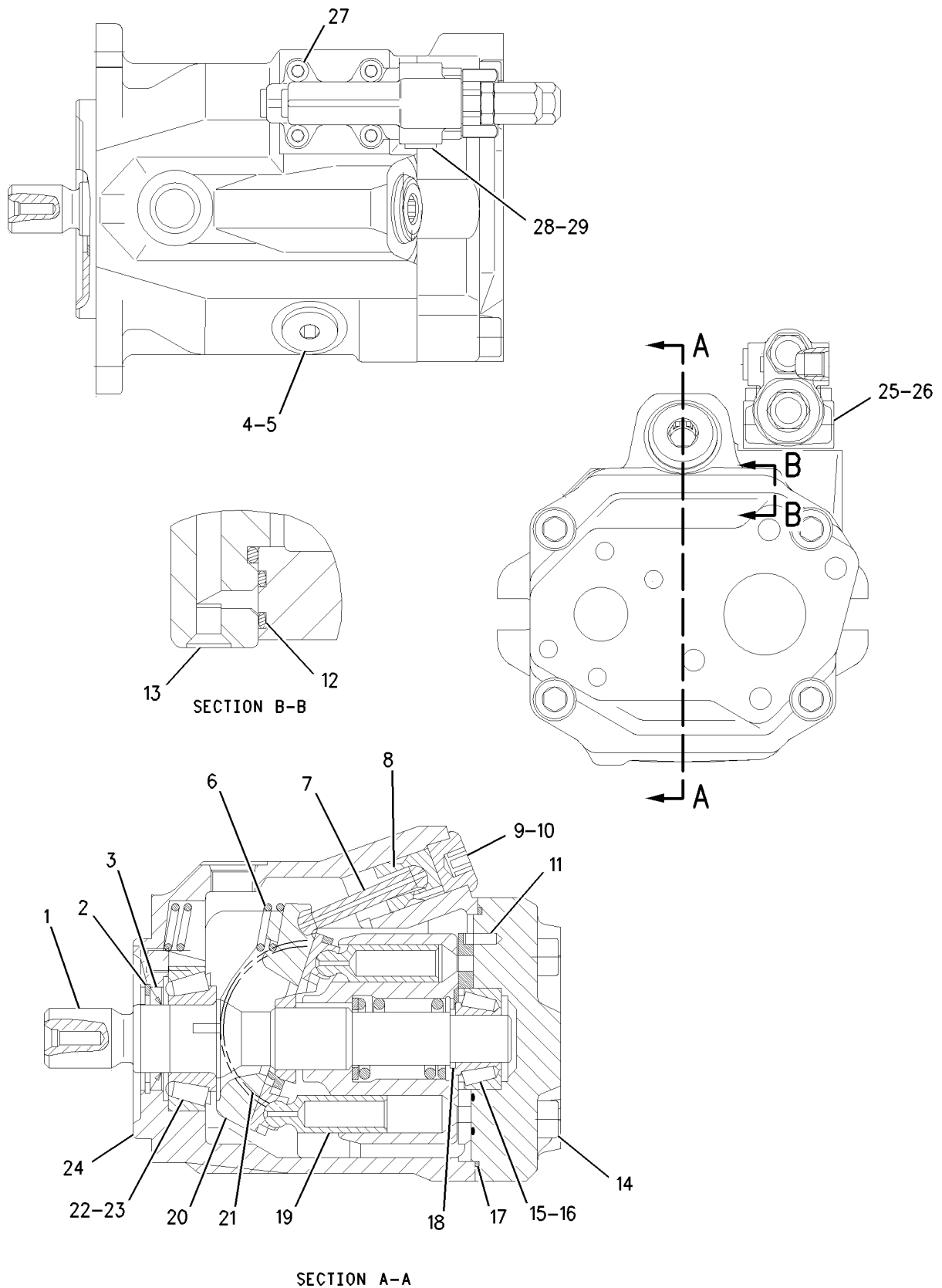
NOTE	REF NO	GRAPHIC REF	PART NUMBER	QTY	PART NAME						SEE PAGE
					1	2	3	4	5	6 (PRODUCT LEVEL)	
	1	1	175-6801	1	SHAFT-PUMP						
	2	1	8C-3110	1	RING-RETAINING						
	3	1	166-0344	1	SEAL-SHAFT						
	4	1	9S-8006	1	PLUG-O-RING						
	5	1	2M-9780	1	SEAL-O-RING						
	6	1	127-9490	1	SPRING (BIAS)						
	7	1	168-2198	1	LINK-CONTROL						
	8	1	168-7861	1	PISTON-ACTUATOR						
	9	1	168-7863	1	PLUG-CONTROL						
	10	1	8T-7525	1	SEAL-O-RING						
	11	1	083-4419	1	PIN						
	12	1	168-3504	1	SEAL						
	13	1	136-8423	1	PLUG-BREAK OFF						
M	14	1	095-0670	4	BOLT (M12X1.75X45-MM)						
	15	1	105-3035	1	CONE-BEARING						
	16	1	203-8609	1	CUP-BEARING						
	17	1	127-9485	1	SEAL-O-RING						
	18	1	127-9483	1	SHIM (PRELOAD)						
Y	19	1	189-9379	1	ROTATING GP-PUMP						981
	20	1	175-6795	1	SWASHPLATE						
	21	1	168-7869	2	BEARING-CRADLE						
	22	1	203-9163	1	CONE-BEARING						
	23	1	6V-4636	1	CUP-BEARING						
	24	1	168-7871	1	HOUSING-PUMP						
Y	25	1	191-2929	1	VALVE GP-PUMP CONTROL (PRESSURE, FLOW COMPENSATOR)						1022
	26	1	9X-7680	3	SEAL-O-RING						
M	27	1	8T-8442	4	BOLT-SOCKET HEAD (M6X1X30-MM)						
	28	1	9S-8002	1	PLUG-O-RING						
	29	1	3J-7354	1	SEAL-O-RING						

M - METRIC PART  
Y - SEPARATE ILLUSTRATION

# HYDRAULIC SYSTEM

215-5721 PUMP GP-PISTON (contd.)

i01630068



GRAPHIC #1

<END>

g00844950

# HYDRAULIC SYSTEM

## 216-8978 PUMP GP-PISTON-IMPLEMENT\*R

S/N: BNH1062-UP

PART OF 228-3174 PUMP & MTG GP-IMPLEMENT

SMCS-5070

i04375692

NOTE	REF NO	GRAPHIC REF	PART NUMBER	QTY	PART NAME						SEE PAGE
					1	2	3	4	5	6 (PRODUCT LEVEL)	
	1	2	4B-4158	4	SCREW-DRIVE (NO 4X0.25-IN)						
	2	2	8J-0101	1	PLATE-NOTICE (HYDRAULIC OIL FILL)						
	3	2	006-0136	1	KEY (SQUARE)						
	4	1	110-2973	2	BEARING-SPECIAL ROLLER						
	5	2	110-3971	1	SWASHPLATE						
	6	2	110-3978	1	SPRING-WAVE						
	7	2	118-5805	1	BEARING-SPECIAL RACE						
	8	2	137-5646	1	SPACER (70.4X87.5X7.6-MM THK)						
	9	2	143-2006	1	COVER AS						
	10	3	146-3728	1	WASHER-SPRING						
	11	2	146-8990	1	IMPELLER						
	12	2	146-8991	1	SPACER (29X38X1.57-MM THK)						
	13	3	148-2350	1	COIL AS						
	14	2	148-3548	1	BEARING-SPECIAL RACE						
	15	2	150-4355	9	PISTON AS						
	16	3	155-2251	1	PLATE						
	17	2	155-4326	1	COVER						
	18	3	158-3504	1	SPOOL-CONTROL						
	19	2	159-7320	1	PLATE-RETAINER						
	20	1	164-3256	1	PLATE-PORT						
	21	3	165-6062	2	LINK (TIMING)						
	22	2	175-7887	2	DOWEL						
	23	3	179-2006	1	RETAINER AS						
		3	6V-3382	2	SEAL-LIP TYPE						
		3	124-1555	1	PLUG						
	24	1	184-3635	1	SLIDE-ACTUATOR						
	25	2	185-3889	1	SHAFT						
	26	2	187-9116	1	BARREL AS-PUMP						
	27	1	213-3221	1	ACTUATOR						
	28	1	264-0010	1	RETAINER						
	29	1	214-2445	1	SPRING						
	30	2	214-6489	1	BALL (HOLD DOWN)						
	31	2	269-5755	1	COVER						
	32	1	250-9329	1	BODY AS						
		1	124-1555	1	PLUG						
	33	1	252-4537	1	HEAD-PUMP						
	34	3	263-7732	1	HOUSING AS						
		3	124-1555	1	PLUG						
	35	2	142-0149	1	SPACER (70.75X80X1.07-MM THK)						
	36	3	030-4605	1	SEAL-O-RING						
M	37	2	096-0008	6	BOLT-SOCKET HEAD (M16X2X140-MM)						
	38	2	110-5281	1	ANGLE						
	39	2	143-7319	1	RACE-ROLLER BEARING						
	40	3	154-4133	1	CARTRIDGE AS						
	41	3	177-1403	1	SPRING						
	42	3	177-1405	1	SPRING						
	43	1	1P-3709	1	SEAL-RECTANGULAR						
	44	1	2A-3630	2	PIN						
	45	2	2R-0239	1	SEAL-O-RING						
	46	2	3C-8388	2	PIN-ROLL						
	47	2	3J-0634	1	SEAL-O-RING						
	48	2	3J-1907	2	SEAL-O-RING						
	49	3	3J-7354	1	SEAL-O-RING						
	50	1,2,3	4J-5309	3	SEAL-O-RING						
M	51	3	5A-3604	3	BOLT-SOCKET HEAD (M8X1.25X25-MM)						
	52	3	5H-8848	1	SEAL-O-RING						
	53	1	5P-8245	6	WASHER-HARD (13.5X25.5X3-MM THK)						
	54	3	6F-5559	1	SEAL-O-RING						
	55	1	6F-7061	2	DOWEL						

# HYDRAULIC SYSTEM

216-8978 PUMP GP-PISTON (contd.)

i04375692

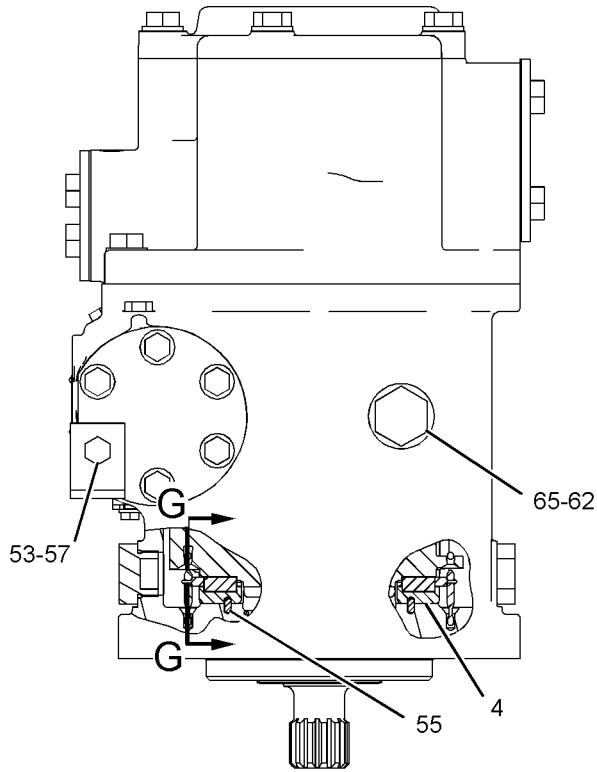
NOTE	REF NO	GRAPHIC REF	PART NUMBER	QTY	PART NAME						SEE PAGE
					1	2	3	4	5	6 (PRODUCT LEVEL)	
	56	3	<b>6S-3002</b>	1	SEAL-O-RING						
M	57	1	<b>6V-3823</b>	6	BOLT (M12X1.75X60-MM)						
M	58	1	<b>6V-5684</b>	6	BOLT (M12X1.75X45-MM)						
M	59	2	<b>6V-5686</b>	7	BOLT (M16X2X50-MM)						
	60	2	<b>6V-8243</b>	1	RING-RETAINING						
	61	1	<b>7F-8607</b>	6	SEAL-O-RING						
	62	1	<b>7M-8485</b>	4	SEAL-O-RING						
M	63	2	<b>8T-0267</b>	5	BOLT-SOCKET HEAD (M6X1X12-MM)						
M	64	2	<b>162-2165</b>	4	BOLT-SOCKET HEAD (M4X0.7X16-MM)						
	65	1	<b>9S-4181</b>	4	PLUG-O-RING						
	66	2	<b>9S-4191</b>	2	PLUG-O-RING						
	67	3	<b>9S-8002</b>	1	PLUG-O-RING						
	68	2	<b>9X-8268</b>	7	WASHER (17.5X30X3.5-MM THK)						
	69	2	<b>3D-4603</b>	1	PLUG-PIPE						
					AVAILABLE REPAIR KIT(S):						
			<b>185-5352</b>	1	KIT-SEAL						
					INCLUDES PIN, SEAL-ORINGS, RING-BACKUP, CAP-DUST, SEAL-LIP, AND RING-RETAINING						
			<b>185-5354</b>		KIT-SPACER						
					INCLUDES THREE SPACERS						
			<b>227-1069</b>		KIT-SPRING						

M - METRIC PART

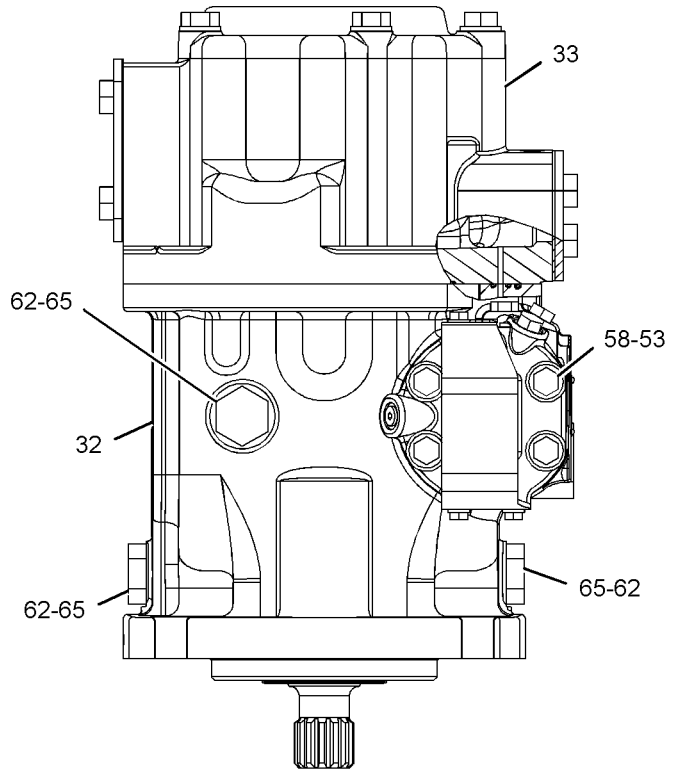
# HYDRAULIC SYSTEM

216-8978 PUMP GP-PISTON (contd.)

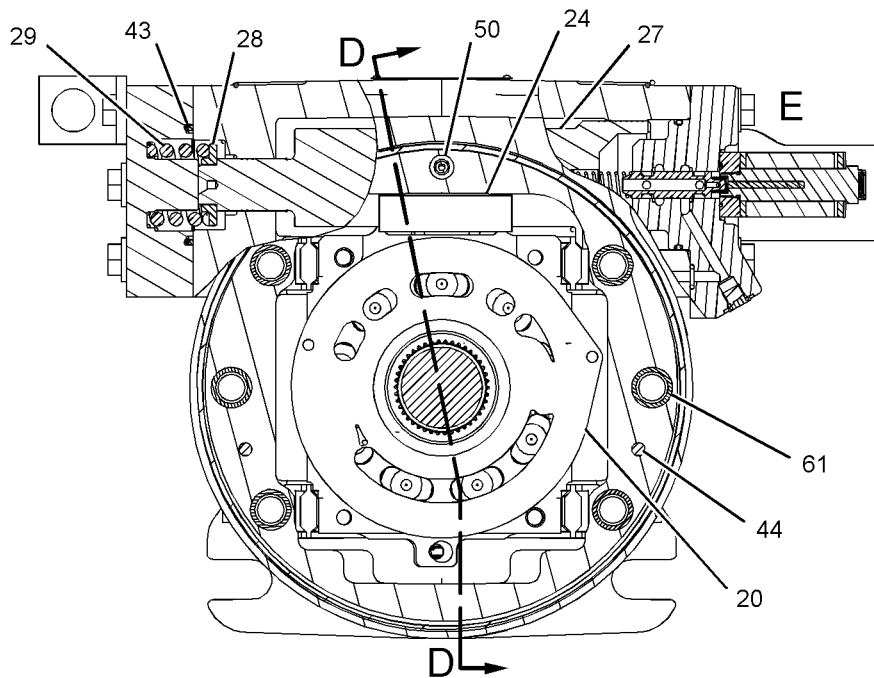
i04375692



LEFT SIDE VIEW



RIGHT SIDE VIEW



SECTION B-B

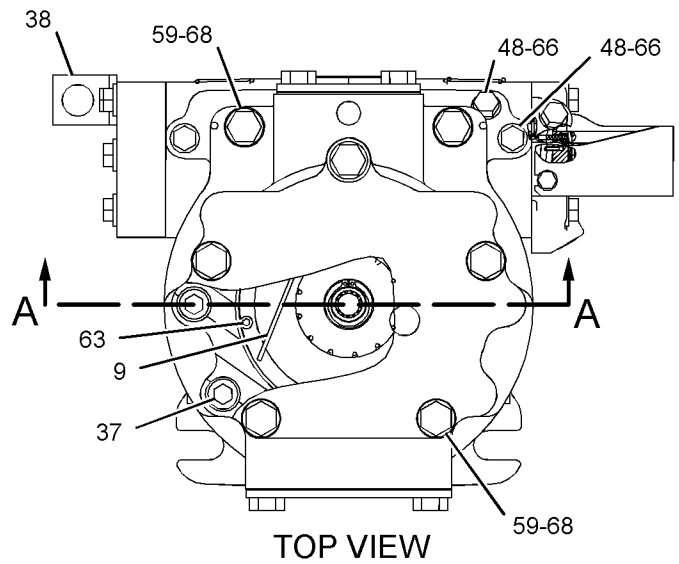
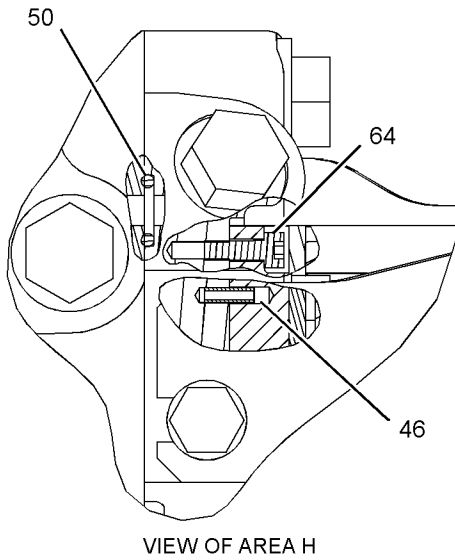
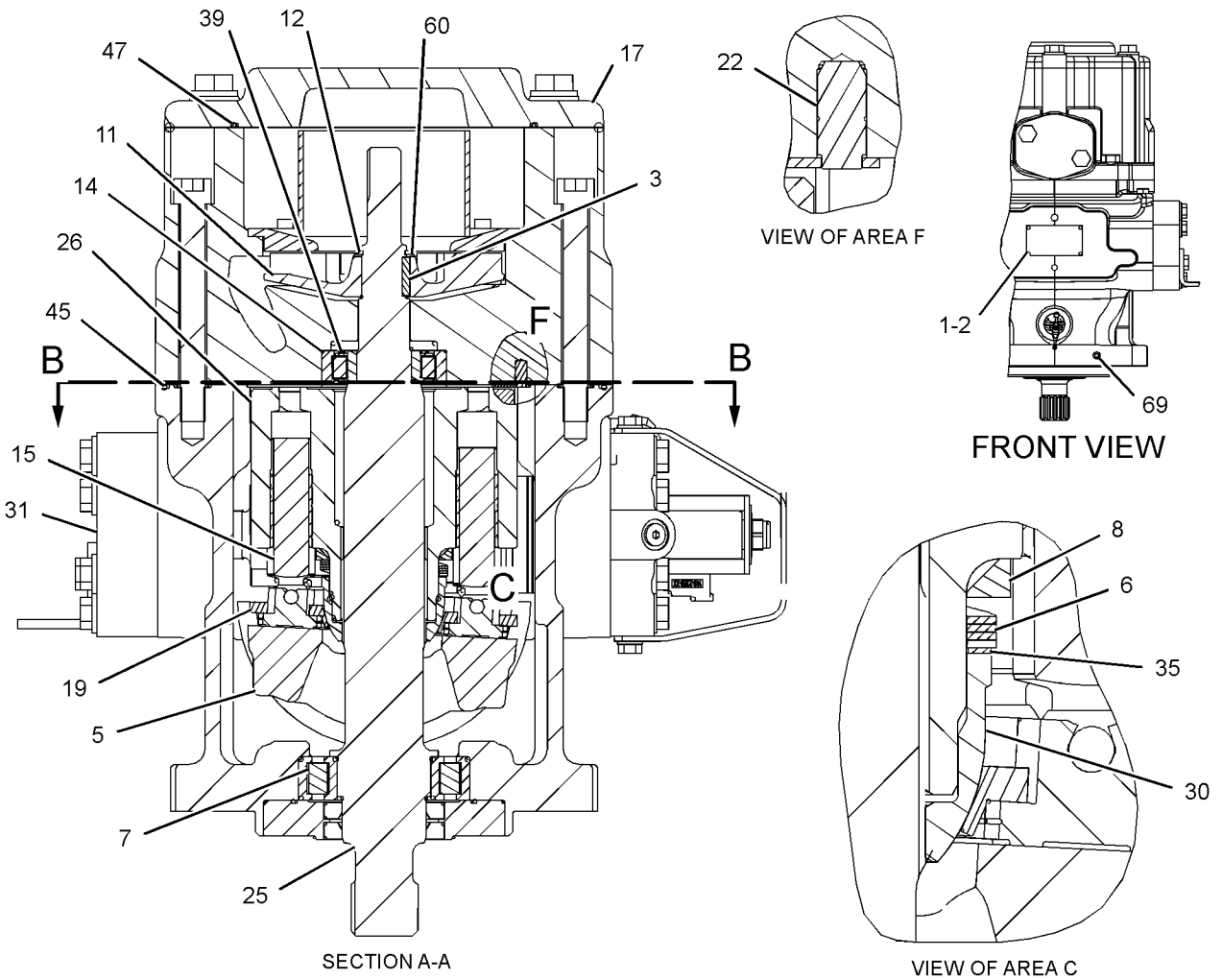
GRAPHIC #1

g01126525

# HYDRAULIC SYSTEM

216-8978 PUMP GP-PISTON (contd.)

i04375692



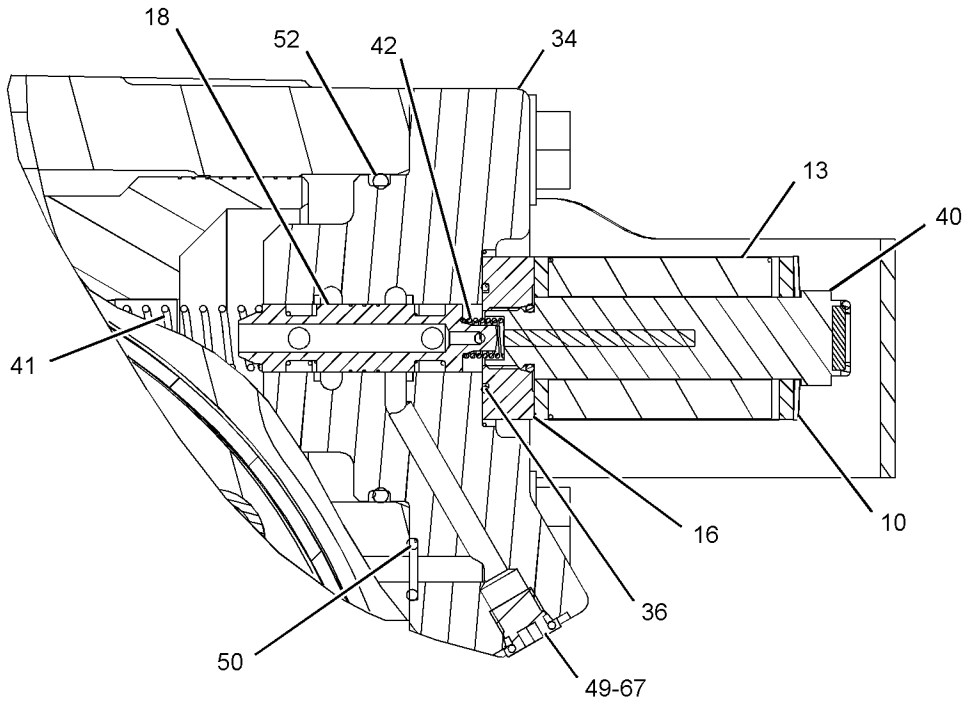
GRAPHIC #2

g02538957

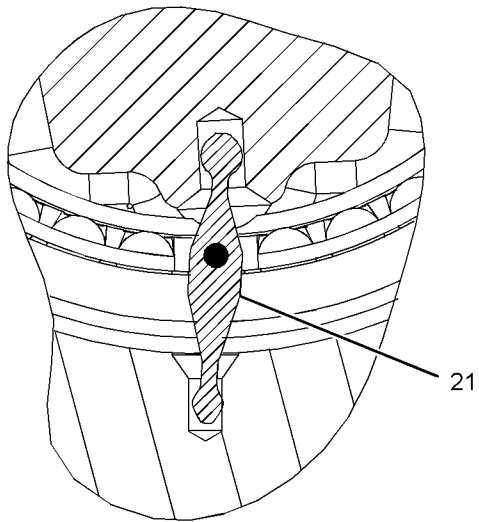
# HYDRAULIC SYSTEM

216-8978 PUMP GP-PISTON (contd.)

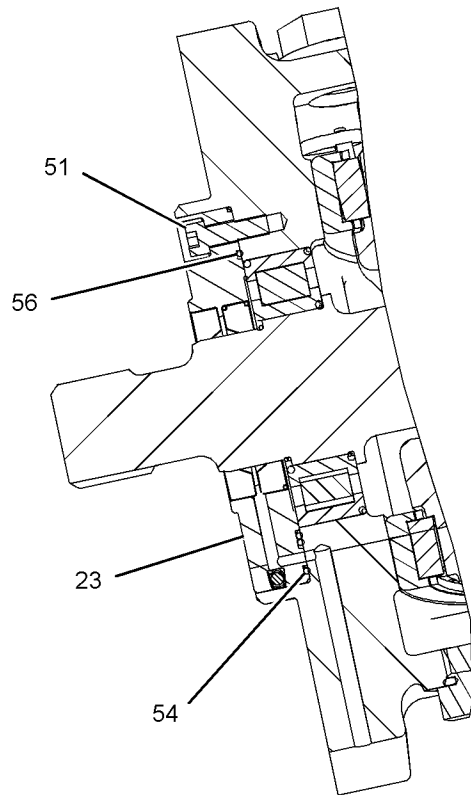
i04375692



VIEW OF AREA E



SECTION G-G



SECTION D-D

GRAPHIC #3

<END>

g02539423



# HYDRAULIC SYSTEM

## 219-7225 PUMP GP-PISTON-IMPLEMENT

S/N: BNH592-1061

PART OF 203-1606 PUMP & MTG GP-IMPLEMENT

SMCS-5070

i04385694

NOTE	REF NO	GRAPHIC REF	PART NUMBER	QTY	PART NAME 1 2 3 4 5 6 (PRODUCT LEVEL)	SEE PAGE
	1	2	4B-4158	4	SCREW-DRIVE (NO 4X0.25-IN)	
	2	2	4J-9780	1	PLUG-ORIFICE	
	3	3	6V-0852	1	CAP-DUST	
	4	2	8J-0101	1	PLATE-NOTICE (HYDRAULIC OIL FILL)	
	5	2	006-0136	1	KEY (SQUARE)	
	6	2	110-2973	2	BEARING-SPECIAL ROLLER	
	7	1	314-3243	1	SWASHPLATE	
	8	3	110-3978	1	SPRING-WAVE	
	9	1	118-5805	1	BEARING-SPECIAL RACE	
	10	3	137-5646	1	SPACER (70.4X87.5X7.6-MM THK)	
	11	3	143-2006	1	COVER AS	
	12	2	144-0167	1	COVER	
	13	3	146-8990	1	IMPELLER	
	14	3	146-8991	1	SPACER (29X38X1.57-MM THK)	
	15	3	334-2596	1	HEAD-PUMP	
	16	3	148-3548	1	BEARING-SPECIAL RACE	
	17	2	149-0231	1	SEAL-O-RING	
	18	3	159-7320	1	PLATE-RETAINER	
	19	3	150-3065	1	ELBOW AS	
	19A	3	3J-1907	1	SEAL-O-RING	
	19B	3	6V-0484	1	ELBOW	
	20	3	150-4355	9	PISTON AS	
	21	3	155-4326	1	COVER	
	22	2	158-1922	1	ACTUATOR	
	23	3	251-7828	1	PLATE-PORT	
	24	3	164-5567	1	COUPLER AS-QUICK DISCONNECT (MALE)	
	24A	3	3J-1907	1	SEAL-O-RING	
	24B	3	6V-3965	1	FITTING (QUICK DISCONNECT)	
	25	2	165-6062	2	LINK (TIMING)	
Y	26	3	175-2791	1	VALVE GP-SHUTTLE	1040
	27	3	175-7887	2	DOWEL	
	28	2	179-1955	1	BODY AS	
	28A	2	124-1555	1	PLUG	
	29	1	313-1284	1	RETAINER AS	
	29A	1	6V-3382	2	SEAL-LIP TYPE	
	29B	1	124-1555	1	PLUG	
	30	2	322-2018	1	SLIDE-ACTUATOR	
	31	1	185-3889	1	SHAFT	
	32	3	187-9116	1	BARREL AS-PUMP	
	33	2	192-3677	1	COVER-ACTUATOR	
Y	34	2	205-3998	1	VALVE GP-PUMP CONTROL (PRESSURE, FLOW COMPENSATOR)	1024
	35	2	214-6489	1	BALL (HOLD DOWN)	
	36	3	142-0149	1	SPACER (70.75X80X1.07-MM THK)	
	37	2	110-5281	1	ANGLE	
M	38	3	136-4192	1	BOLT (M6X1X35-MM)	
	39	3	143-7319	1	RACE-ROLLER BEARING	
	40	2	2A-3630	2	PIN	
	41	3	2R-0239	1	SEAL-O-RING	
	42	3	3J-0634	1	SEAL-O-RING	
	43	2	3J-1907	1	SEAL-O-RING	
	44	3	3K-0360	1	SEAL-O-RING	
	45	2	4J-0526	1	SEAL-O-RING	
	46	2	4J-5309	1	SEAL-O-RING	
M	47	1	5A-3604	3	BOLT-SOCKET HEAD (M8X1.25X25-MM)	
	48	2	5P-8245	11	WASHER-HARD (13.5X25.5X3-MM THK)	
	49	1	189-9763	1	SEAL-O-RING	
	50	2	6F-7061	2	DOWEL	
	51	1	6S-3002	1	SEAL-O-RING	

# HYDRAULIC SYSTEM

219-7225 PUMP GP-PISTON (contd.)

i04385694

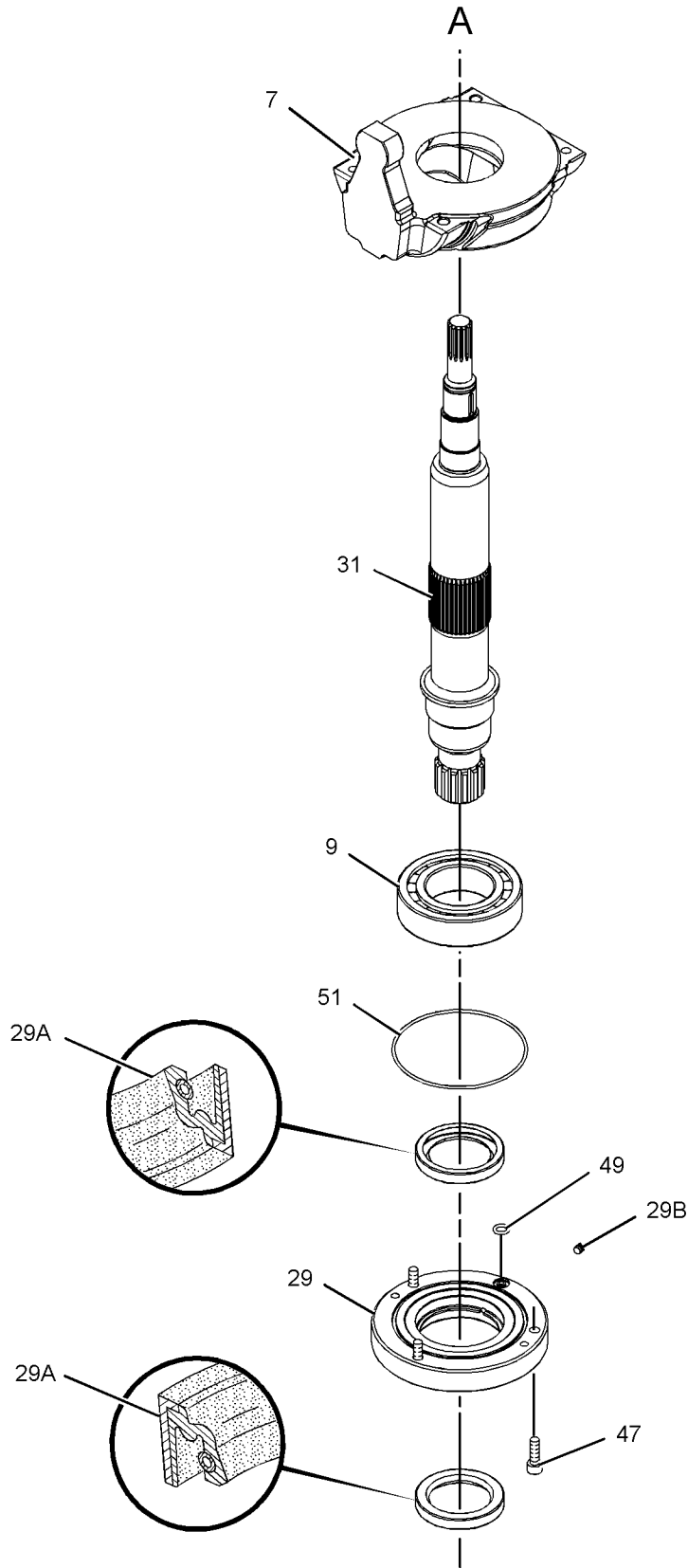
NOTE	REF NO	GRAPHIC REF	PART NUMBER	QTY	PART NAME						SEE PAGE
					1	2	3	4	5	6 (PRODUCT LEVEL)	
M	52	2	<b>6V-5221</b>	4	BOLT (M8X1.25X80-MM)						
M	53	2	<b>6V-5684</b>	12	BOLT (M12X1.75X45-MM)						
M	54	3	<b>6V-5686</b>	7	BOLT (M16X2X50-MM)						
	55	3	<b>6V-8243</b>	1	RING-RETAINING						
	56	2	<b>6V-9746</b>	6	SEAL-O-RING						
	57	2	<b>7M-8485</b>	4	SEAL-O-RING						
M	58	3	<b>8C-7587</b>	6	BOLT-SOCKET HEAD (M16X2X160-MM)						
M	59	3	<b>8T-0267</b>	5	BOLT-SOCKET HEAD (M6X1X12-MM)						
	60	2	<b>9M-1974</b>	4	WASHER-HARD (8.8X16X2-MM THK)						
	61	2	<b>9S-4181</b>	4	PLUG-O-RING						
	62	3	<b>9S-4185</b>	1	PLUG-O-RING						
	63	2	<b>9S-4191</b>	1	PLUG-O-RING						
	64	3	<b>9X-8268</b>	7	WASHER (17.5X30X3.5-MM THK)						
					AVAILABLE REPAIR KIT(S) :						
				<b>185-5352</b>	1	KIT-SEAL					
				INCLUDES SEAL-O-RINGS, SEAL-LIP TYPES & SEAL RECTANGULR							
				<b>185-5354</b>	1	KIT-SPACER					
				INCLUDES FIVE SPACERS							
M - METRIC PART											
Y - SEPARATE ILLUSTRATION											

# HYDRAULIC SYSTEM

219-7225 PUMP GP-PISTON (contd.)

i04385694

REFER TO ALL ILLUSTRATIONS OF THIS GROUP FOR AUXILIARY VIEWS



GRAPHIC #1

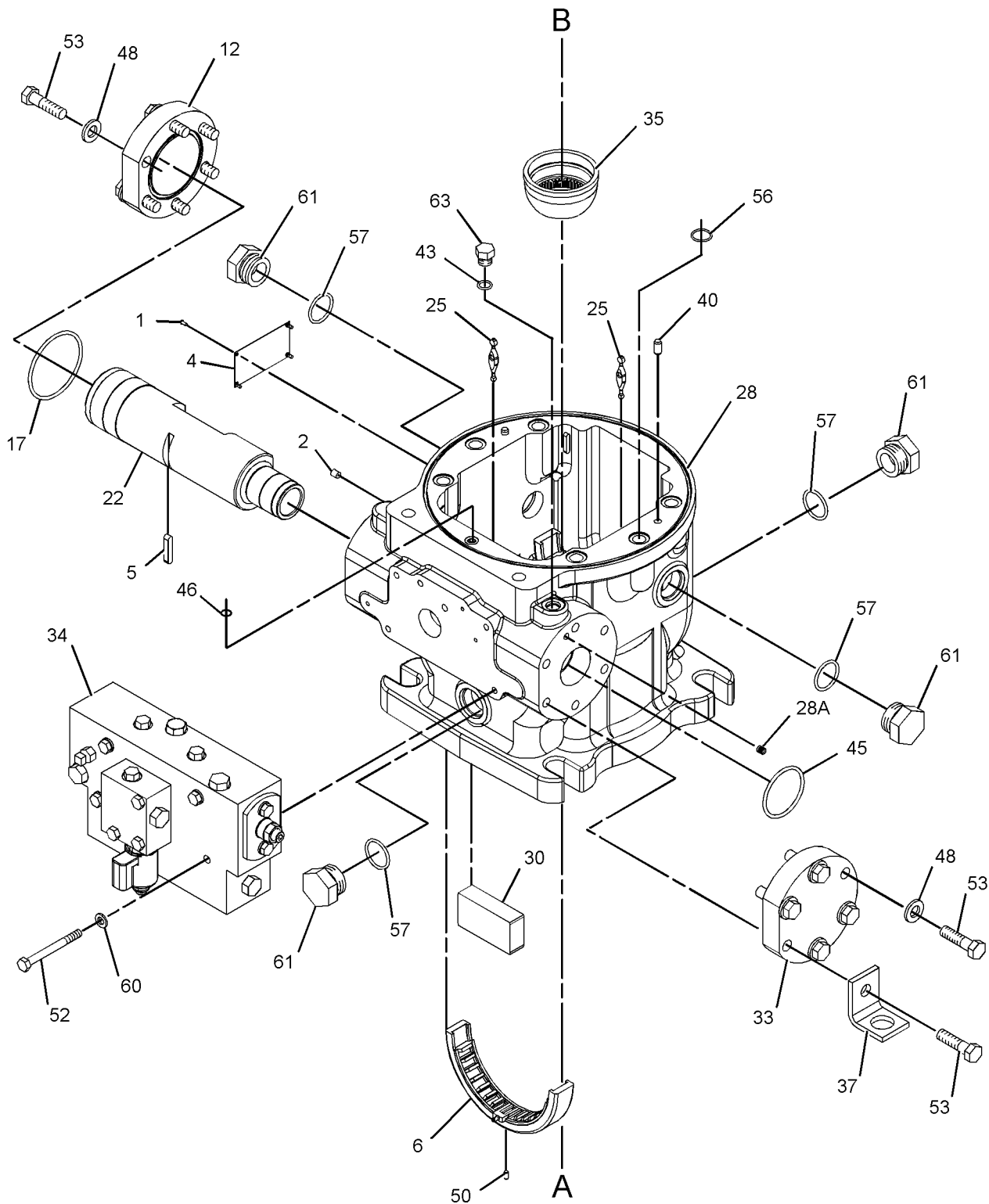
g01280519

# HYDRAULIC SYSTEM

219-7225 PUMP GP-PISTON (contd.)

i04385694

REFER TO ALL ILLUSTRATIONS OF THIS GROUP FOR AUXILIARY VIEWS



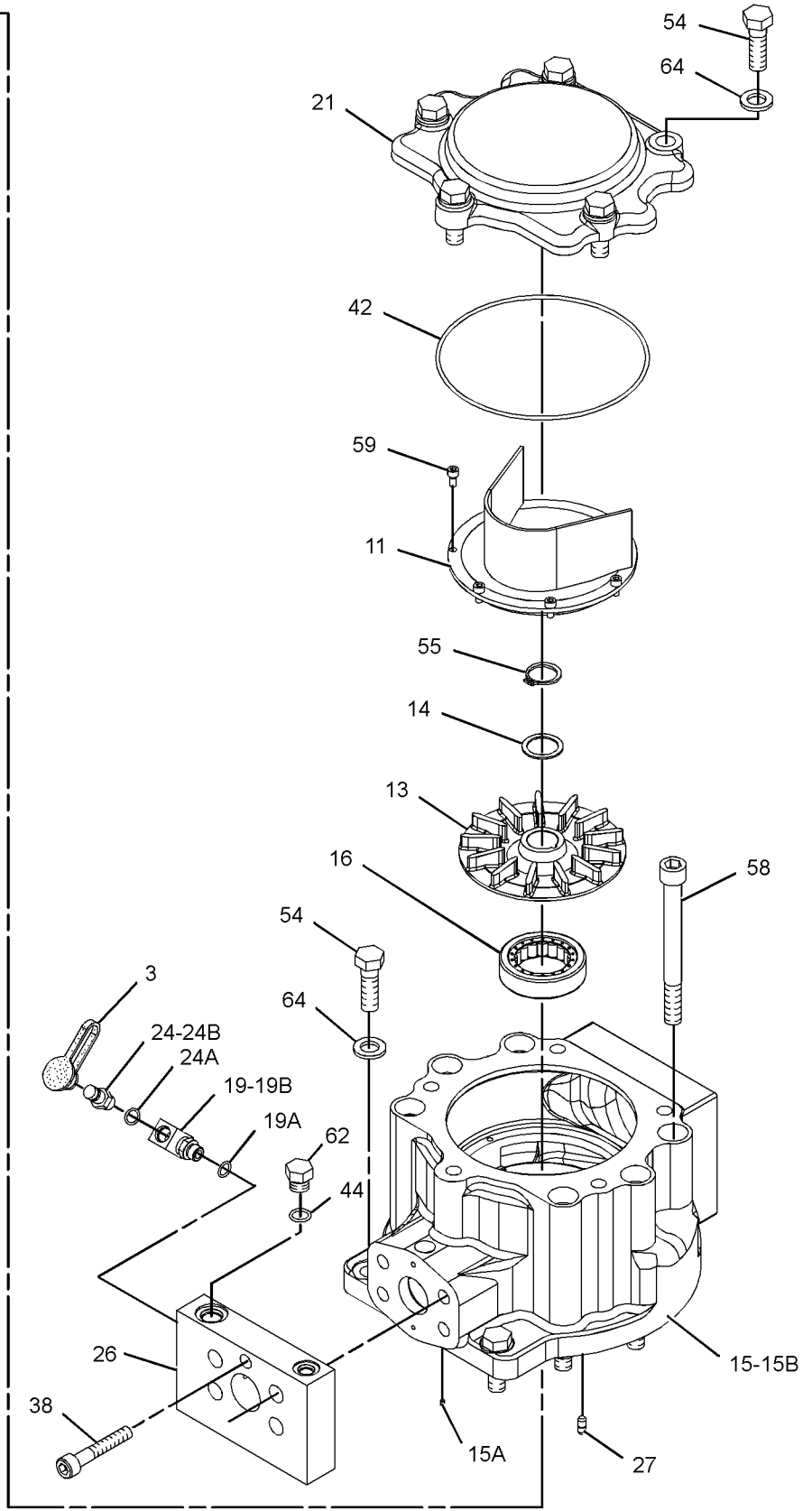
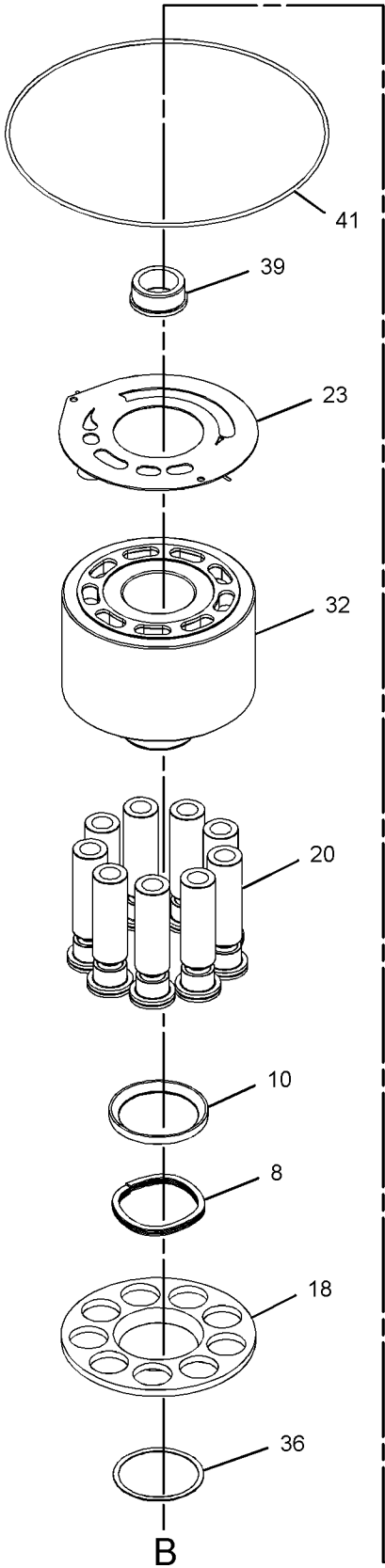
GRAPHIC #2

g01280520

# HYDRAULIC SYSTEM

219-7225 PUMP GP-PISTON (contd.)

i04385694



GRAPHIC #3

<END>

g01280521

# HYDRAULIC SYSTEM

## 185-0275 ROTATING GP-MOTOR-HYDRAULIC FAN

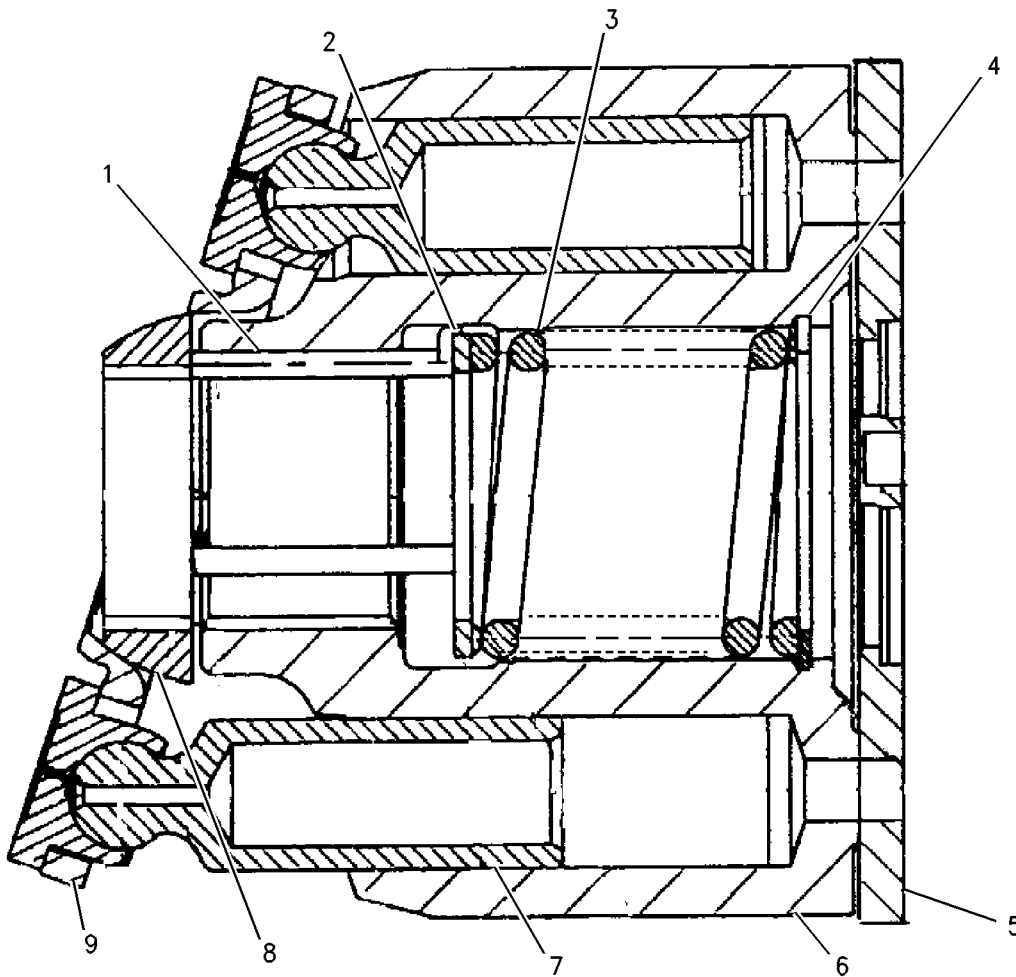
S/N: BNH1-UP

PART OF 213-5268 MOTOR GP-PISTON  
AN ATTACHMENT

SMCS-1386, 5058

i02023021

NOTE	REF NO	GRAPHIC REF	PART NUMBER	QTY	PART NAME						SEE PAGE
					1	2	3	4	5	6 (PRODUCT LEVEL)	
1	1	1	168-3379	3	PIN						
2	1	1	168-3382	1	WASHER (42-MM ODX2.7-MM THK)						
3	1	1	185-0292	1	SPRING						
4	1	1	6V-7723	1	RING-RETAINING						
5	1	1	185-0287	1	PLATE-VALVE						
6	1	1	185-0289	1	BARREL						
7	1	1	168-3384	9	PISTON AS-PUMP						
8	1	1	168-3378	1	BEARING-SPHERICAL						
9	1	1	168-3385	1	PLATE-RETRACTION						



GRAPHIC #1

<END>

g00790134

# HYDRAULIC SYSTEM

## 189-9379 ROTATING GP-PUMP-HYDRAULIC FAN

S/N: BNH1-UP

FIELD REPLACEMENT ORDER 273-5073-PAGE: 982

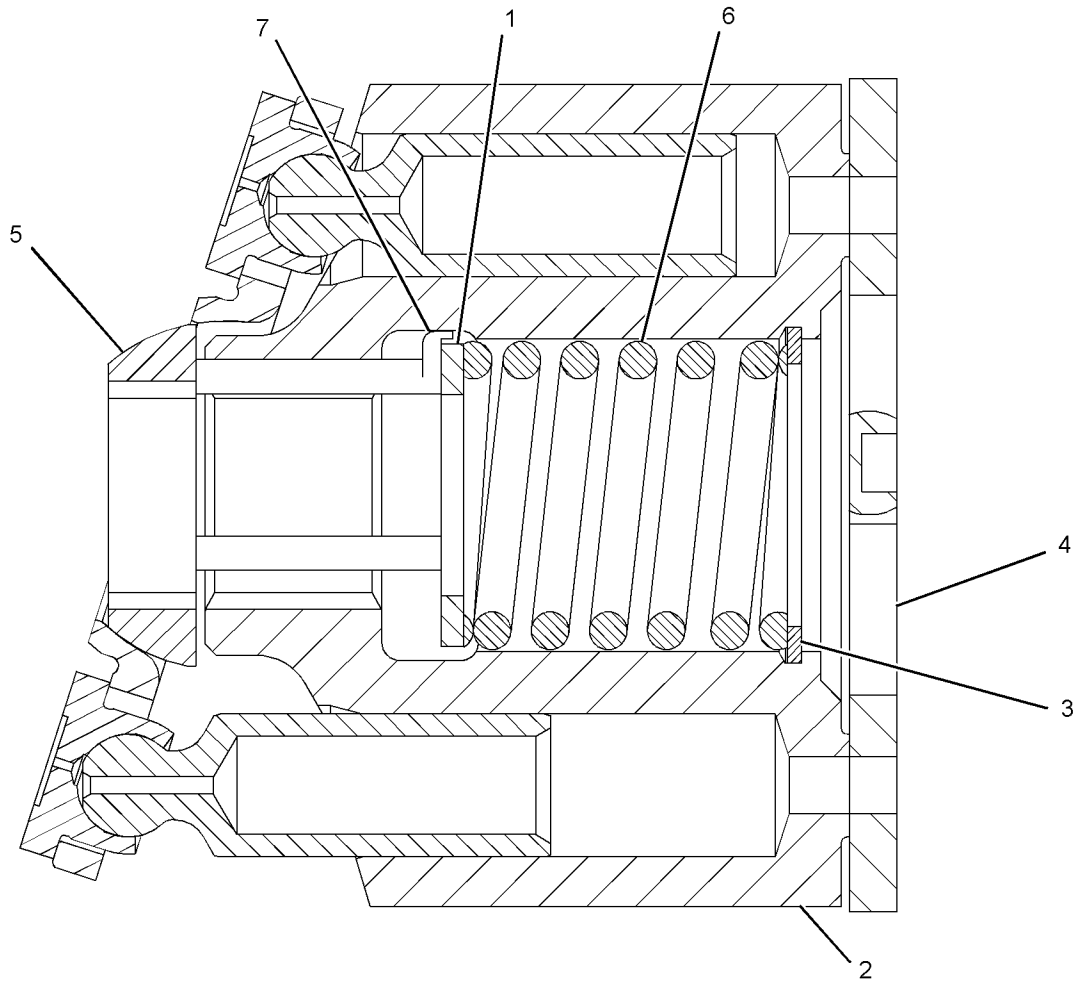
PART OF 152-7767, 215-5721 PUMP GP-PISTON

AN ATTACHMENT

SMCS-1387, 5070, 5084

i03553124

NOTE	REF NO	GRAPHIC REF	PART NUMBER	QTY	PART NAME						SEE PAGE
					1	2	3	4	5	6	
	1	1	168-7942	1	WASHER (36.5-MM ODX2.0-MM THK)						
	2	1	128-7069	1	BARREL-CYLINDER						
	3	1	096-0015	1	RING-RETAINING						
	4	1	138-8173	1	PLATE-VALVE						
	5	1	138-8175	1	BEARING-SPHERICAL						
	6	1	168-7941	1	SPRING						
	7	1	168-7940	3	PIN						



GRAPHIC #1

<END>

g01958464

# HYDRAULIC SYSTEM

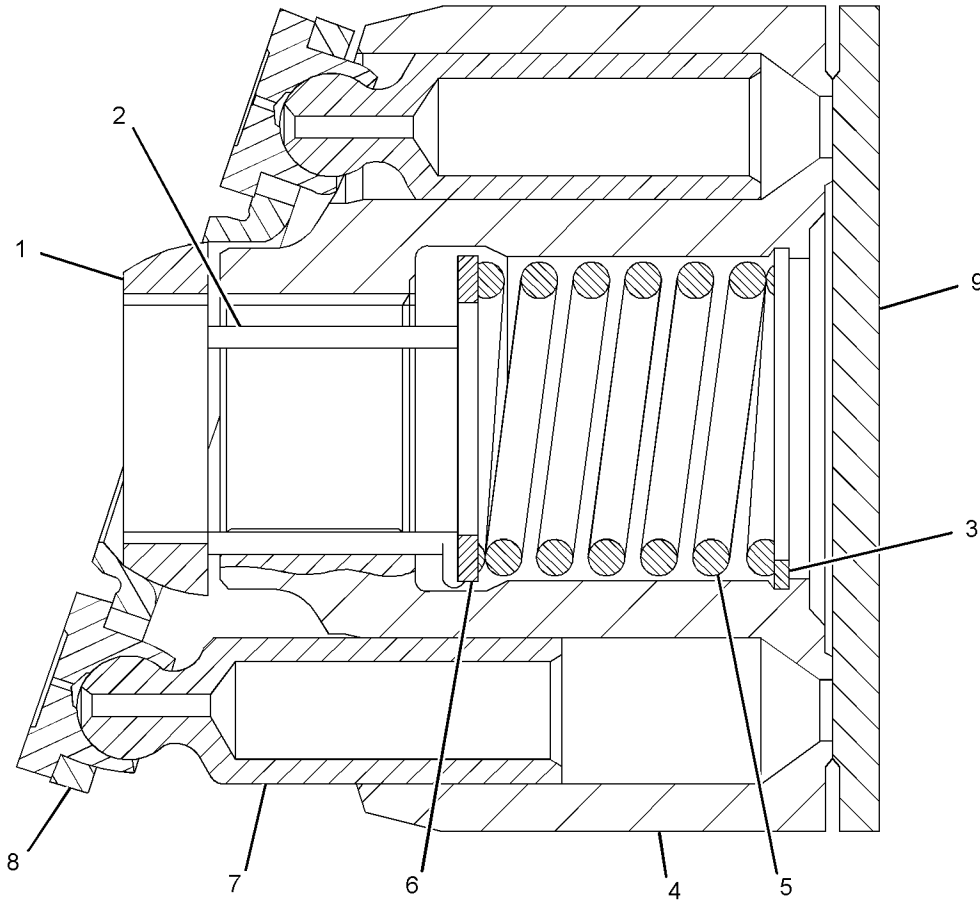
## 273-5073 ROTATING GP-PUMP

S/N: BNH1-UP

SMCS-1387, 5070, 5084

i02550811

NOTE	REF NO	GRAPHIC REF	PART NUMBER	QTY	PART NAME						SEE PAGE
					1	2	3	4	5	6 (PRODUCT LEVEL)	
	1	1	<b>138-8175</b>	1	BEARING- SPHERICAL						
	2	1	<b>168-7940</b>	3	PIN						
	3	1	<b>096-0015</b>	1	RING-RETAINING						
	4	1	<b>233-0455</b>	1	BARREL						
	5	1	<b>168-7941</b>	1	SPRING						
	6	1	<b>168-7942</b>	1	WASHER (36.5-MM ODX2.0-MM THK)						
	7	1	<b>168-7943</b>	9	PISTON AS-PUMP						
	8	1	<b>258-5194</b>	1	PLATE						
	9	1	<b>138-8173</b>	1	PLATE-VALVE						



GRAPHIC #1

<END>

g01277345



# HYDRAULIC SYSTEM

## 132-6143 TANK & MTG GP-HYDRAULIC

S/N: BNH1-UP

PART OF 203-1582 HYDRAULIC AR

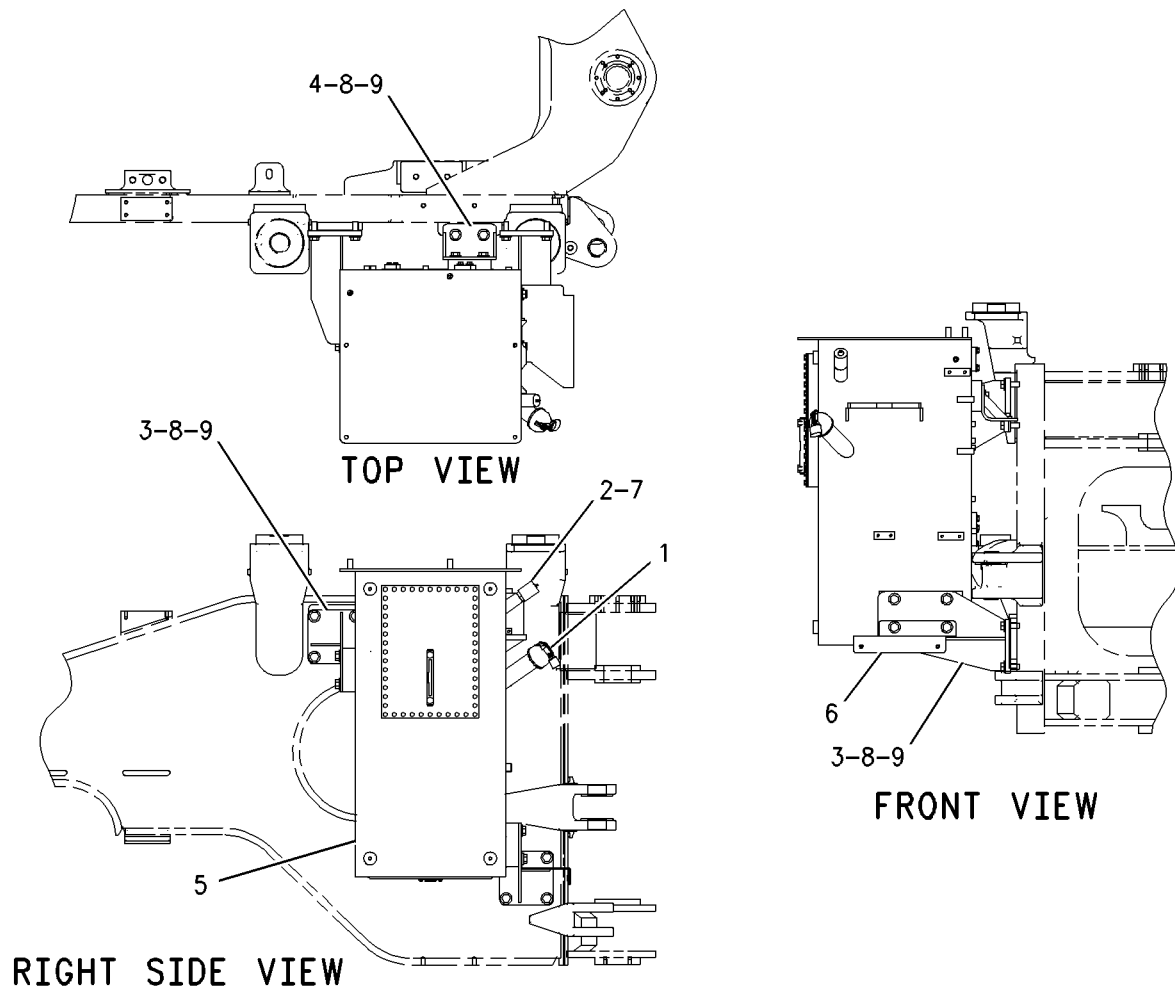
TYPE 1

SMCS-5056

i01280380

NOTE	REF NO	GRAPHIC REF	PART NUMBER	QTY	PART NAME						SEE PAGE
					1	2	3	4	5	6 (PRODUCT LEVEL)	
Y	1	1	9G-9288	1	CAP GP-PROTECTION						1388
	2	1	9T-0818	1	VALVE-BREAKER RELIEF						
	3	1	138-7496	2	BRACKET AS						
	4	1	138-7497	1	BRACKET AS						
Y	5	1	153-3602	1	TANK GP-HYDRAULIC						992
	6	1	158-8033	1	BRACKET AS						
	7	1	3D-2824	1	SEAL-O-RING						
M	8	1	7X-2563	20	BOLT (M20X2.5X60-MM)						
	9	1	8T-5439	20	WASHER-HARD (21.5X45X6-MM THK)						

M - METRIC PART  
Y - SEPARATE ILLUSTRATION



GRAPHIC #1

<END>

g00678987

# HYDRAULIC SYSTEM

## 132-6143 TANK & MTG GP-HYDRAULIC

S/N: BNH1-UP

PART OF 203-1582 HYDRAULIC AR

TYPE 2

SMCS-5056

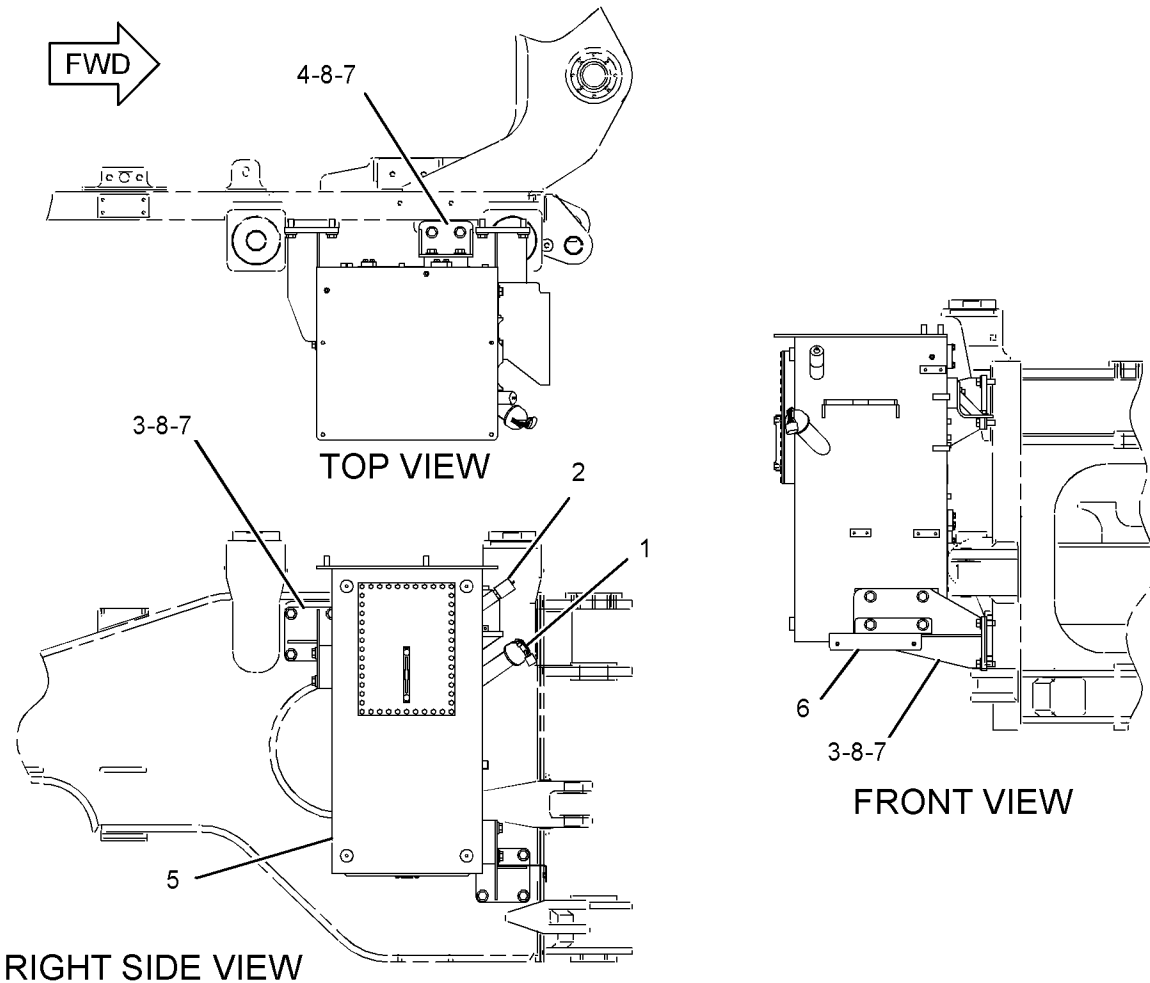
i05163627

NOTE	REF NO	GRAPHIC REF	PART NUMBER	QTY	PART NAME						SEE PAGE
					1	2	3	4	5	6 (PRODUCT LEVEL)	
Y	1	1	9G-9288	1	CAP GP-PROTECTION						1388
CY	2	1	<b>358-9476</b>	1	VALVE AS-RELIEF						1002
	3	1	<b>138-7496</b>	2	BRACKET AS						
	4	1	<b>138-7497</b>	1	BRACKET AS						
Y	5	1	153-3602	1	TANK GP-HYDRAULIC						992
	6	1	<b>158-8033</b>	1	BRACKET AS						
	7	1	<b>8T-5439</b>	20	WASHER-HARD (21.5X45X6-MM THK)						
M	8	1	<b>7X-2563</b>	20	BOLT (M20X2.5X60-MM)						

C - CHANGE FROM PREVIOUS TYPE

M - METRIC PART

Y - SEPARATE ILLUSTRATION



GRAPHIC #1

<END>

g03332313

# HYDRAULIC SYSTEM

## 221-6807 TANK AR-EXPANSION-AIR

S/N: BNH1-UP

CANNOT BE USED WITH 221-6808-PAGE: 985, 164-6085-PAGE: 644  
AN ATTACHMENT

SMCS-5505

i02243415

NOTE	PART NUMBER	QTY	PART NAME						SEE PAGE
			1	2	3	4	5	6 (PRODUCT LEVEL)	
Y	221-4201	1	TANK GP-EXPANSION (AIR)						986
	221-5470	1	HANDRAIL AS						
	161-8900	1	CONNECTOR						
	161-9901	1	SNAP						
	220-6079	1	CHAIN						
	221-5471	1	HANDRAIL AS						
	221-5459	1	PANEL AS						

Y - SEPARATE ILLUSTRATION

<END>

## 221-6808 TANK AR-EXPANSION-AIR

S/N: BNH1-UP

CANNOT BE USED WITH 164-6084 LADDER & FENDER AR  
AN ATTACHMENT

SMCS-5505

i01728108

NOTE	PART NUMBER	QTY	PART NAME						SEE PAGE
			1	2	3	4	5	6 (PRODUCT LEVEL)	
	221-5472	1	HANDRAIL AS						
Y	221-4201	1	TANK GP-EXPANSION (AIR)						986

Y - SEPARATE ILLUSTRATION

<END>

# HYDRAULIC SYSTEM

## 221-4201 TANK GP-EXPANSION-AIR

S/N: BNH1-867

FOR USE WITH 349-4486 LUBRICATION AR-AUTOMATIC, 349-4484 LUBRICATION AR-AUTOMATIC,  
349-4485 LUBRICATION AR-AUTOMATIC  
PART OF 221-6807, 221-6808 TANK AR-EXPANSION  
AN ATTACHMENT

SMCS-5505

i01754401

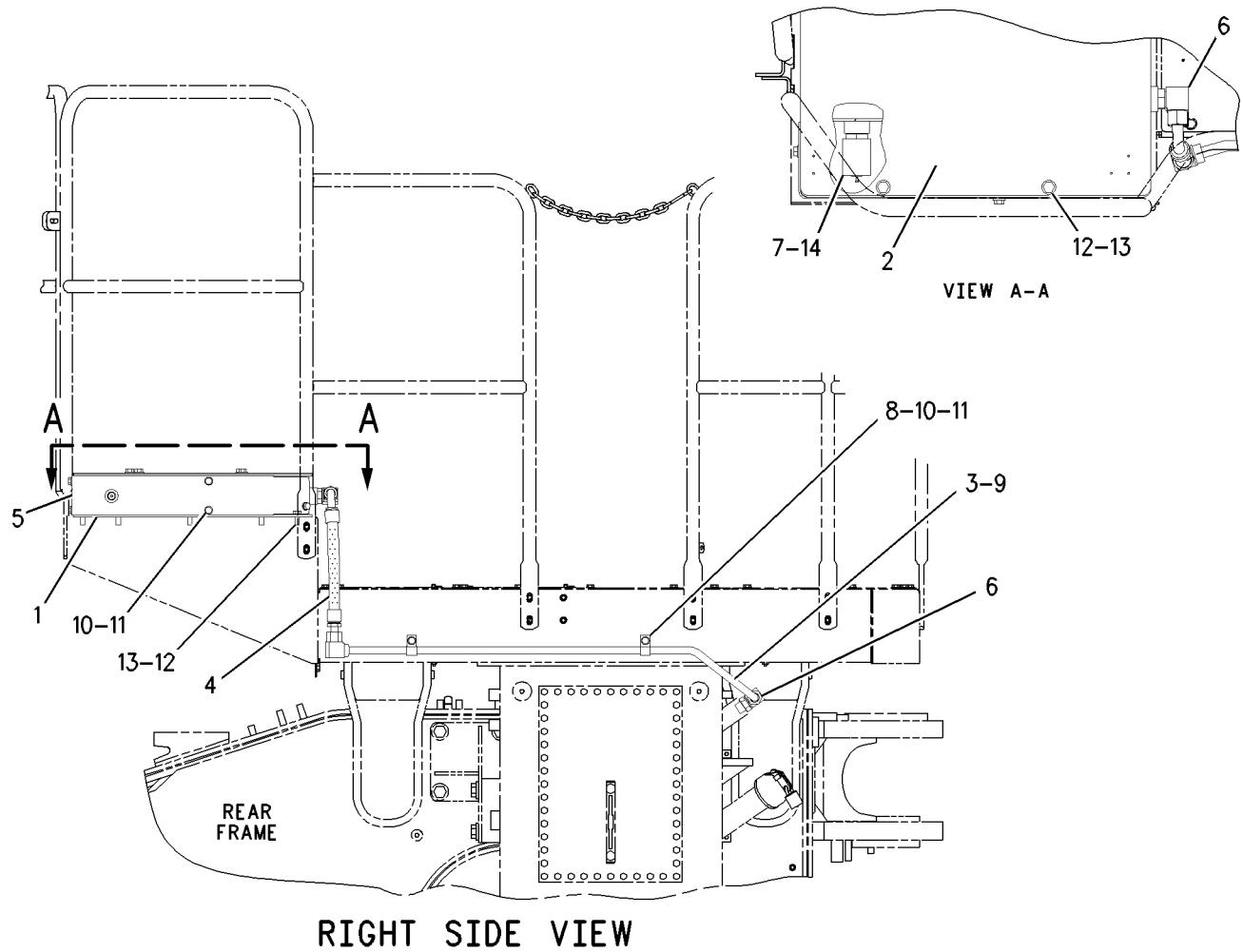
NOTE	REF NO	GRAPHIC REF	PART NUMBER	QTY	PART NAME						SEE PAGE
					1	2	3	4	5	6 (PRODUCT LEVEL)	
	1	1	<b>220-2948</b>	1	TANK AS-EXPANSION						
	2	1	<b>221-2575</b>	1	PLATE						
	3	1	<b>221-3440</b>	1	TUBE AS						
I	4	1	<b>221-3481</b>	1	HOSE AS						
	5	1	<b>221-4015</b>	1	SHEET						
	6	1	<i>148-8347</i>	2	ELBOW AS						
					(EACH INCLUDES)						
		1	<b>3D-2824</b>	1	SEAL-O-RING						
		1	<b>6V-9007</b>	1	ELBOW						
		1	<b>6V-9746</b>	1	SEAL-O-RING						
	7	1	<b>220-0812</b>	1	VALVE-BREAKER RELIEF						
	8	1	<b>5P-4295</b>	2	CLIP						
	9	1	<b>6V-9746</b>	1	SEAL-O-RING						
	10	1	<b>8T-4121</b>	7	WASHER-HARD (11X21X2.5-MM THK)						
M	11	1	<b>8T-4137</b>	7	BOLT (M10X1.5X20-MM)						
M	12	1	<b>8T-4139</b>	11	BOLT (M12X1.75X30-MM)						
	13	1	<b>8T-4223</b>	11	WASHER-HARD (13.5X25.5X3-MM THK)						
	14	1	<b>3D-2824</b>	1	SEAL-O-RING						

I - REFER TO HYDRAULIC INFORMATION SYSTEM  
M - METRIC PART

# HYDRAULIC SYSTEM

221-4201 TANK GP-EXPANSION (contd.)

i01754401



GRAPHIC #1

<END>

g00897466

# HYDRAULIC SYSTEM

## 221-4201 TANK GP-EXPANSION-AIR

S/N: BNH868-UP

FOR USE WITH 349-4486 LUBRICATION AR-AUTOMATIC, 349-4484 LUBRICATION AR-AUTOMATIC,  
349-4485 LUBRICATION AR-AUTOMATIC  
PART OF 221-6807, 221-6808 TANK AR-EXPANSION  
AN ATTACHMENT  
TYPE 1

SMCS-5505

i03775473

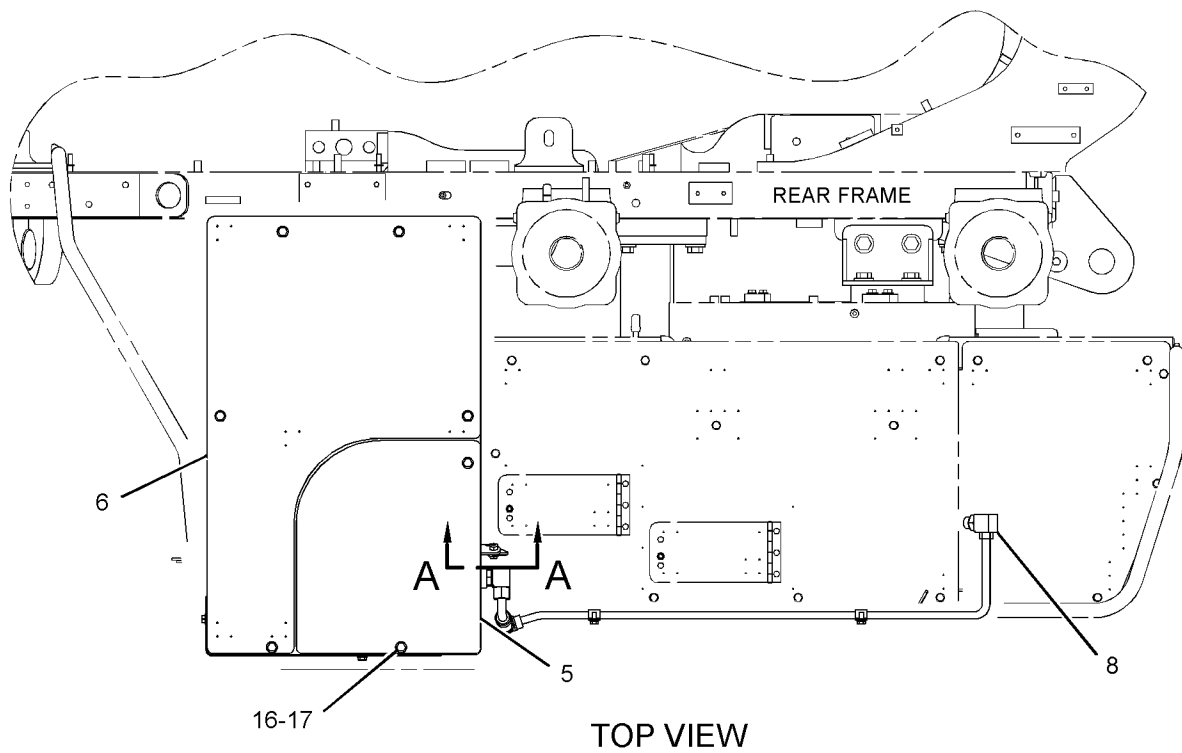
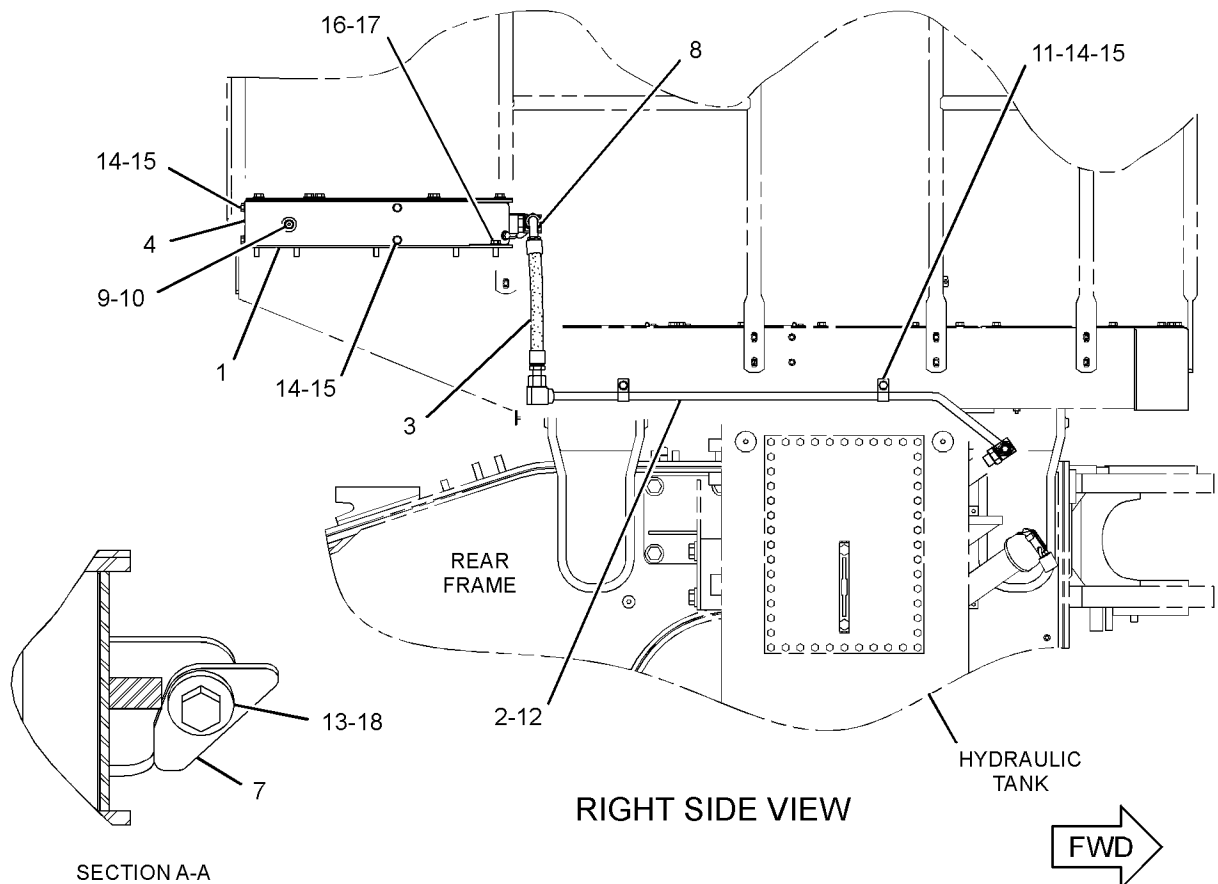
NOTE	REF NO	GRAPHIC REF	PART NUMBER	QTY	PART NAME						SEE PAGE
					1	2	3	4	5	6 (PRODUCT LEVEL)	
	1	1	<b>220-2948</b>	1	TANK AS-EXPANSION						
		1	<b>7J-5225</b>	2	FITTING (1-1/16-12-THD)						
M		1	<b>8T-3490</b>	1	NUT-WELD (M10X1.5-THD)						
		1	<b>087-5841</b>	1	PLATE						
		1	<b>090-8247</b>	4	BLOCK						
		1	<b>272-5605</b>	1	BRACKET						
	2	1	<b>221-3440</b>	1	TUBE AS						
I	3	1	<b>221-3481</b>	1	HOSE AS						
	4	1	<b>221-4015</b>	1	SHEET						
C	5	1	<b>236-1059</b>	1	PLATE						
C	6	1	<b>236-1239</b>	1	PLATE						
	7	1	<b>272-5606</b>	1	CAM						
	8	1	<b>148-8347</b>	2	ELBOW AS						
					(EACH INCLUDES)						
		1	<b>3D-2824</b>	1	SEAL-O-RING						
		1	<b>6V-9007</b>	1	ELBOW						
		1	<b>6V-9746</b>	1	SEAL-O-RING						
	9	1	<b>220-0812</b>	1	VALVE-BREAKER RELIEF						
	10	1	<b>3D-2824</b>	1	SEAL-O-RING						
	11	1	<b>6D-4246</b>	2	CLIP						
	12	1	<b>6V-9746</b>	1	SEAL-O-RING						
	13	1	<b>8T-2561</b>	1	WASHER-HARD (10.5X28.5X5-MM THK)						
	14	1	<b>8T-4121</b>	7	WASHER-HARD (11X21X2.5-MM THK)						
M	15	1	<b>8T-4137</b>	7	BOLT (M10X1.5X20-MM)						
CM	16	1	<b>8T-4139</b>	14	BOLT (M12X1.75X30-MM)						
C	17	1	<b>8T-4223</b>	14	WASHER-HARD (13.5X25.5X3-MM THK)						
M	18	1	<b>9X-2125</b>	1	BOLT-LOCKING (M10X1.5X25-MM)						

C - CHANGE FROM PREVIOUS TYPE  
I - REFER TO HYDRAULIC INFORMATION SYSTEM  
M - METRIC PART

# HYDRAULIC SYSTEM

221-4201 TANK GP-EXPANSION (contd.)

i03775473



GRAPHIC #1

<END>

g01231629

# HYDRAULIC SYSTEM

## 221-4201 TANK GP-EXPANSION-AIR

S/N: BNH868-UP

FOR USE WITH 349-4486 LUBRICATION AR-AUTOMATIC, 349-4484 LUBRICATION AR-AUTOMATIC,  
349-4485 LUBRICATION AR-AUTOMATIC  
PART OF 221-6807 TANK AR-EXPANSION  
AN ATTACHMENT  
TYPE 2

SMCS-5505

i05290795

NOTE	REF NO	GRAPHIC REF	PART NUMBER	QTY	PART NAME						SEE PAGE
					1	2	3	4	5	6 (PRODUCT LEVEL)	
C	1	1	<b>366-5988</b>	1	TANK AS-EXPANSION						
		1	<b>4H-9027</b>	2	PLUG-PIPE						
		1	<b>6G-7724</b>	2	FLANGE						
		1	<b>7J-5225</b>	2	FITTING (1-1/16-12-THD)						
		1	<b>7X-0515</b>	6	WASHER-HARD (17X35X5-MM THK)						
M		1	<b>8T-3490</b>	4	NUT-WELD (M10X1.5-THD)						
		1	<b>272-5605</b>	1	BRACKET						
	2	1	<b>221-3440</b>	1	TUBE AS						
I	3	1	<b>221-3481</b>	1	HOSE AS						
C	4	1	<b>366-5995</b>	1	PLATE						
	7	1	<b>272-5606</b>	1	CAM						
	8	1	<b>357-4444</b>	2	ELBOW AS						
					(EACH INCLUDES)						
		1	<b>3D-2824</b>	1	SEAL-O-RING						
		1	<b>6V-9007</b>	1	ELBOW						
		1	<b>6V-9746</b>	1	SEAL-O-RING						
	9	1	<b>358-9475</b>	1	VALVE AS-BREAKER RELIEF						
	10	1	<b>3D-2824</b>	1	SEAL-O-RING						
	11	1	<b>6D-4246</b>	2	CLIP						
	12	1	<b>6V-9746</b>	1	SEAL-O-RING						
	13	1	<b>8T-2561</b>	1	WASHER-HARD (10.5X28.5X5-MM THK)						
	14	1	<b>8T-4121</b>	7	WASHER-HARD (11X21X2.5-MM THK)						
M	15	1	<b>8T-4137</b>	7	BOLT (M10X1.5X20-MM)						
C	17	1	<b>8T-4223</b>	7	WASHER-HARD (13.5X25.5X3-MM THK)						
M	18	1	<b>9X-2125</b>	1	BOLT-LOCKING (M10X1.5X25-MM)						
C	19	1	<b>8V-1521</b>	5	BLOCK						
CM	20	1	<b>8T-4183</b>	7	BOLT (M12X1.75X40-MM)						
C	21	1	<b>366-5996</b>	1	SHEET						

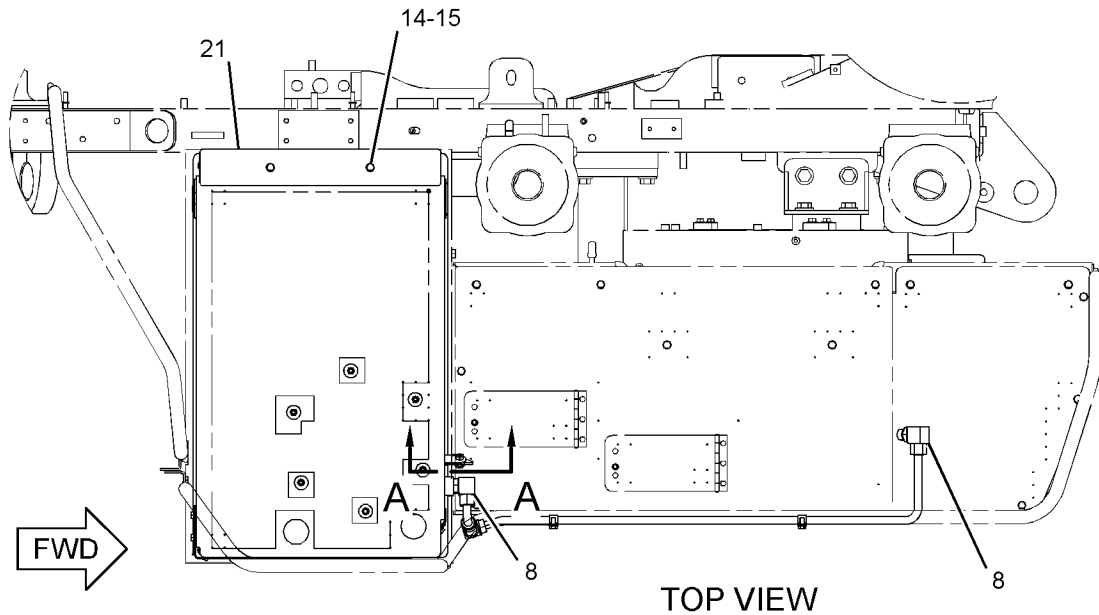
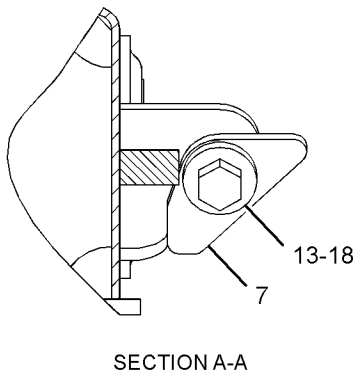
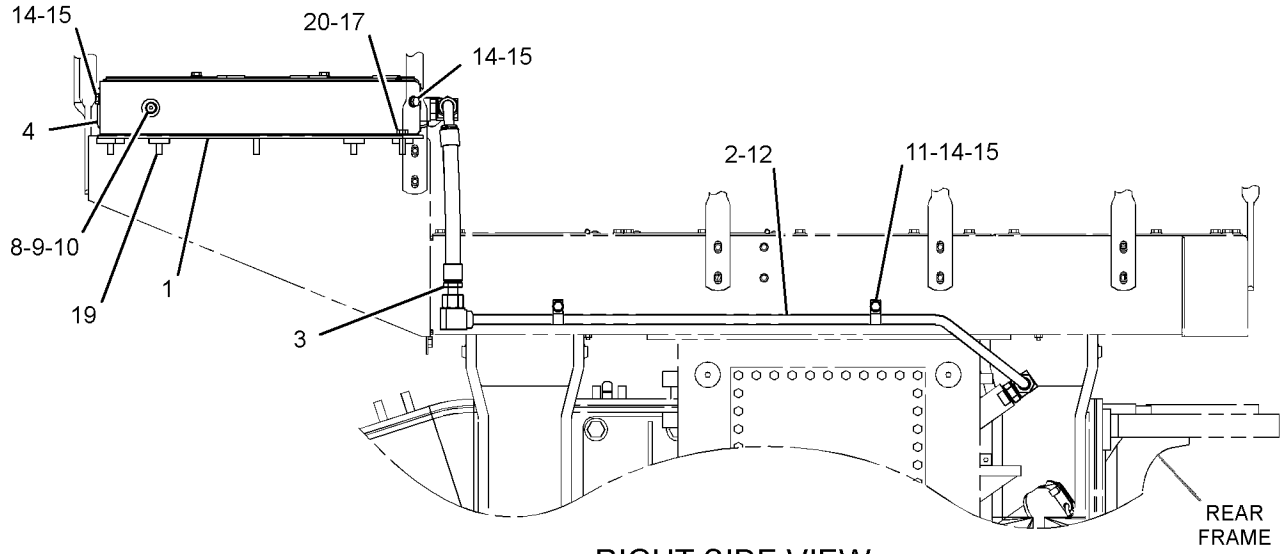
C - CHANGE FROM PREVIOUS TYPE  
I - REFER TO HYDRAULIC INFORMATION SYSTEM  
M - METRIC PART



# HYDRAULIC SYSTEM

221-4201 TANK GP-EXPANSION (contd.)

i05290795



GRAPHIC #1

<END>

g03339596

# HYDRAULIC SYSTEM

## 153-3602 TANK GP-HYDRAULIC

S/N: BNH1-UP

PART OF 132-6143 TANK & MTG GP-HYDRAULIC

SMCS-5056

i05314570

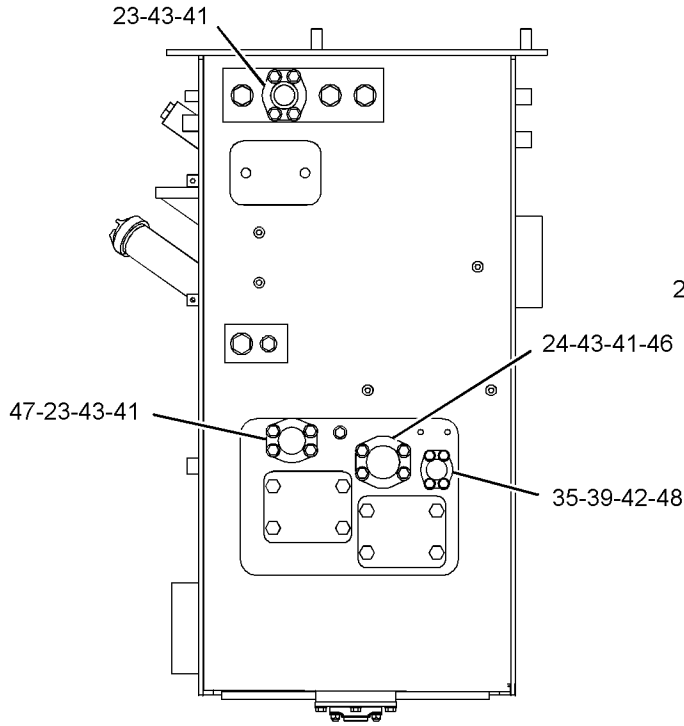
NOTE	REF NO	GRAPHIC REF	PART NUMBER	QTY	PART NAME						SEE PAGE
					1	2	3	4	5	6	
	1	2	1U-2827	1	GUIDE-VALVE						
	2	2	2D-4202	1	PLATE						
	3	1	6E-6550	1	GAUGE AS-LIQUID LEVEL						
		1	8F-3469	4	SEAL-O-RING						
		1	121-7958	2	BOLT-MOUNTING (1/2-20X1.75-IN)						
	4	2	7B-3039	1	SPRING						
	5	2	7H-1447	1	CAP-FILLER (HYDRAULIC TANK)						
	6	2	7J-2656	3	SCREEN GP						
	7	2	8J-8782	1	BODY-DRAIN VALVE						
	8	2	8J-8783	1	VALVE						
	9	2	8T-3298	1	SEAL-RECTANGULAR						
	10	2	9J-3047	1	STRAINER						
	11	2	9J-7031	1	PLUG-DRAIN						
	12	2	9T-9226	1	PLATE						
	13	2	9T-9227	2	SCREEN AS						
	14	2	138-3909	1	COVER AS						
	15	2	142-0203	1	TUBE AS						
	16	1	153-9063	1	TANK AS						
	17	2	153-9784	1	TUBE AS						
	18	2	154-0930	3	TUBE AS						
	19	1	177-0093	1	COVER AS						
		1	6B-6684	2	NUT-FULL (1/2-20-THD)						
	20	1	178-0182	1	SCREEN-DIFFUSER						
	21	1	304-9540	1	GASKET						
	22	2	1H-9696	4	SEAL-O-RING						
	23	1	1P-4579	4	FLANGE-HALF						
	24	1	1P-4582	2	FLANGE-HALF						
	25	2	1U-1570	1	TUBE						
	26	2	3G-0361	1	GASKET						
	27	1	3V-9862	2	SPACER						
	28	2	4J-0527	1	SEAL-O-RING						
	29	2	4M-0189	1	SEAL-O-RING						
	30	2	4T-8698	3	WASHER (12.2X62X3.5-MM THK)						
	31	2	5M-2057	1	SEAL-O-RING						
	32	2	5P-8245	4	WASHER-HARD (13.5X25.5X3-MM THK)						
	33	1	6V-5839	2	WASHER (11X21X2.5-MM THK)						
M	34	1,2	6V-7744	9	LOCKNUT (M10X1.5-THD)						
	35	1	8C-3206	2	FLANGE-HALF						
M	36	2	8T-0558	2	BOLT-SELF-LOCKING (M12X1.75X100-MM)						
M	37	2	8T-0722	8	BOLT-LOCKING (M10X1.5X30-MM)						
	38	2	8T-2275	1	BALL						
	39	1,2	8T-4121	57	WASHER-HARD (11X21X2.5-MM THK)						
M	40	1,2	8T-4137	51	BOLT (M10X1.5X20-MM)						
M	41	1	8T-4183	12	BOLT (M12X1.75X40-MM)						
M	42	1	8T-4196	4	BOLT (M10X1.5X35-MM)						
	43	1	8T-4223	12	WASHER-HARD (13.5X25.5X3-MM THK)						
	44	2	9H-6454	1	GASKET						
	45	2	6E-5101	1	PLATE						
	46	1	380-3833	1	COVER						
	47	1	380-3832	1	COVER						
	48	1	380-3830	1	COVER						

M - METRIC PART

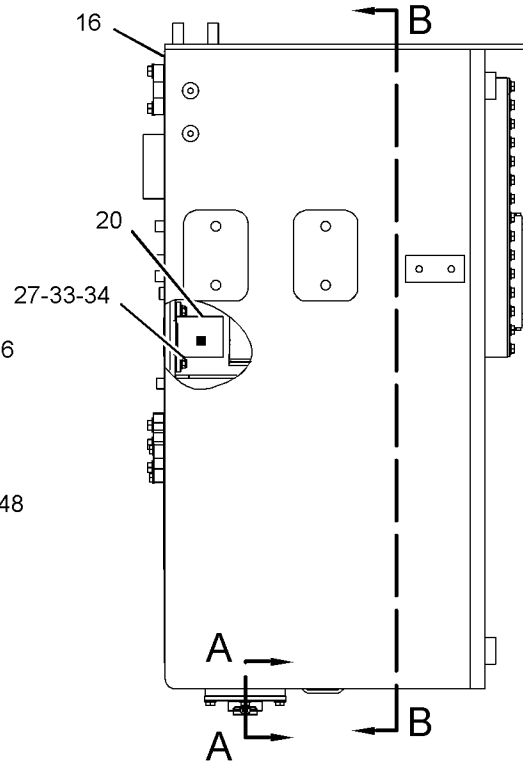
# HYDRAULIC SYSTEM

153-3602 TANK GP-HYDRAULIC (contd.)

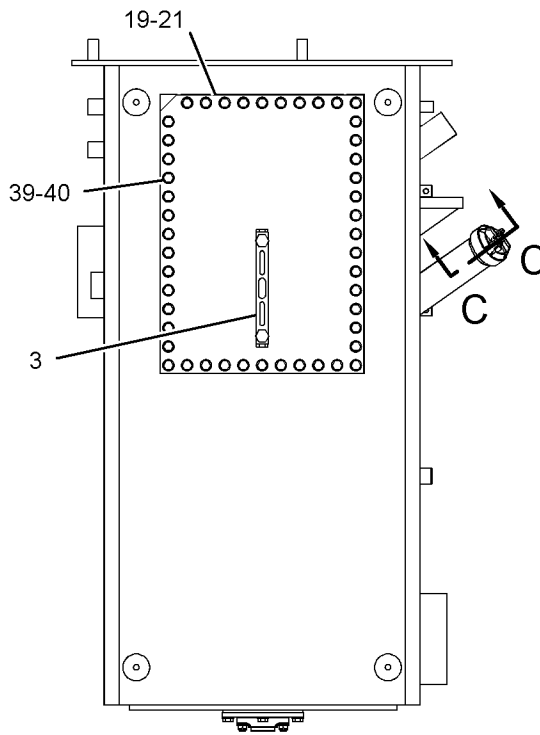
i05314570



LEFT SIDE VIEW



REAR VIEW



RIGHT SIDE VIEW

REFER TO ALL ILLUSTRATIONS OF THIS GROUP FOR AUXILIARY VIEWS

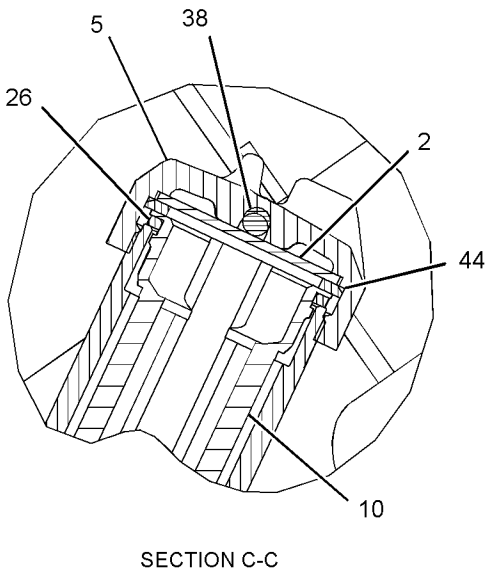
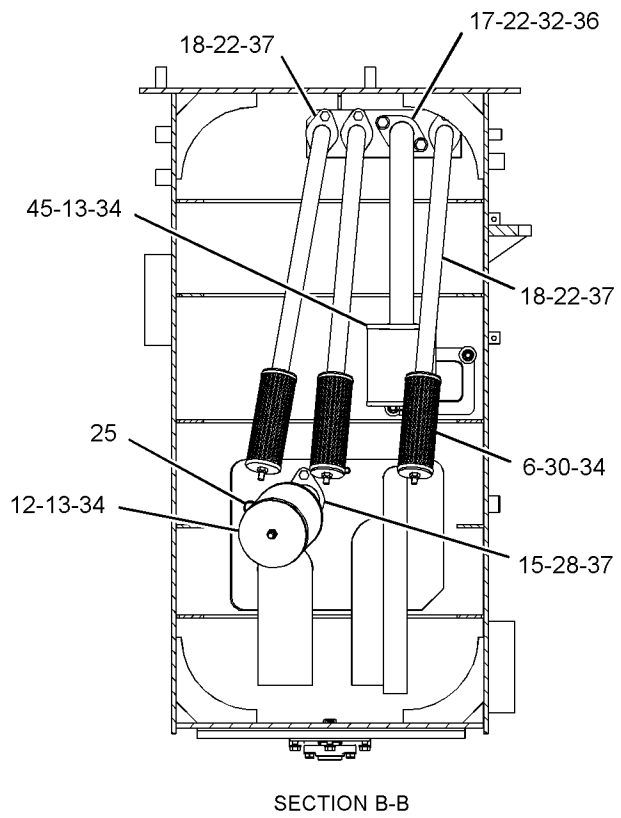
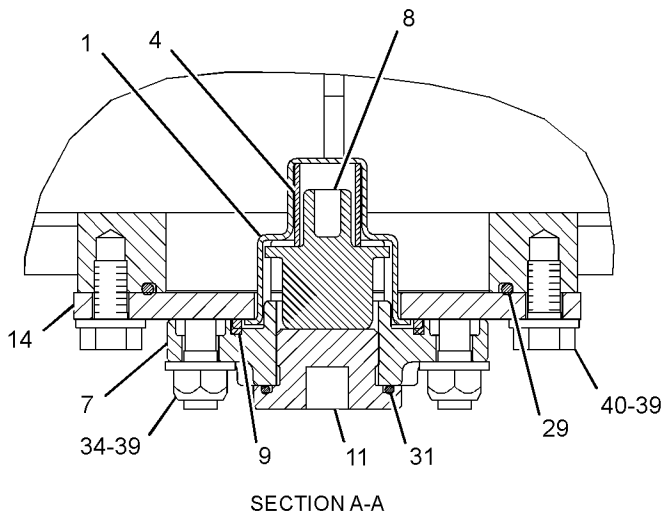
GRAPHIC #1

g03379428

# HYDRAULIC SYSTEM

153-3602 TANK GP-HYDRAULIC (contd.)

i05314570



GRAPHIC #2

<END>

g03379430

# HYDRAULIC SYSTEM

## 132-6133 VALVE & MTG GP-MAIN CONTROL-2-FUNCTION

S/N: BNH1-UP

PART OF 201-0837 HYDRAULIC AR-2 VALVE

AN ATTACHMENT

SMCS-5051

i03153620

NOTE	REF NO	GRAPHIC REF	PART NUMBER	QTY	PART NAME						SEE PAGE
					1	2	3	4	5	6 (PRODUCT LEVEL)	
	1	2	8T-1674	1	TEE						
Y	2	2	9T-3096	1	VALVE GP-CHECK (PILOT)						1003
I	3	2	198-7669	1	HOSE AS						
	4	2	104-7108	1	VALVE GP-CHECK (PILOT)						
Y	5	2	112-1817	1	VALVE GP-MANUAL (LOWERING CONTROL)						1021
Y	6	1	212-8712	1	VALVE GP-MAIN CONTROL (2-FUNCTION)						1004
I	7	2	198-7667	1	HOSE AS						
Y	8	2	151-7455	1	VALVE GP-SOLENOID (24-VOLT) (HYDRAULIC LOCKOUT)						1042
	9	2	153-6293	1	ELBOW						
I	10	2	198-8196	1	HOSE AS						
	11	2	154-5512	1	BRACKET AS						
	12	1	154-6819	1	BRACKET AS						
	13	1	154-6820	1	PLATE						
I	14	1	156-9156	1	HOSE AS						
	15	2	154-7179	1	BRACKET						
	16	2	198-6434	1	PLATE						
I	17	2	198-7670	1	HOSE AS						
I	18	2	198-7668	1	HOSE AS						
	19	2	148-8353	1	ELBOW AS						
		2	3J-1907	1	SEAL-O-RING						
		2	6V-8397	1	SEAL-O-RING						
		2	6V-9001	1	ELBOW						
	20	2	148-8364	2	ELBOW AS						
					(EACH INCLUDES)						
		2	6V-8625	1	ELBOW						
		2	6V-8398	1	SEAL-O-RING						
		2	3K-0360	1	SEAL-O-RING						
	21	2	148-8378	3	ELBOW AS						
					(EACH INCLUDES)						
		2	6V-8724	1	ELBOW						
		2	6V-8397	1	SEAL-O-RING						
		2	3J-1907	1	SEAL-O-RING						
	22	2	148-8435	1	TEE AS						
		2	6V-8781	1	TEE						
		2	6V-8397	2	SEAL-O-RING						
		2	3J-1907	1	SEAL-O-RING						
	23	1	1P-3705	3	SEAL-RECTANGULAR						
	24	1	3E-9411	5	WASHER-HARD (17.5X38X6-MM THK)						
	25	2	3J-1907	1	SEAL-O-RING						
	26	2	096-6166	4	WASHER-HARD (4.5X9X1-MM THK)						
	27	2	4J-0527	1	SEAL-O-RING						
	28	2	5K-9090	1	SEAL-O-RING						
	29	2	5P-1076	2	WASHER-HARD (13.5X30X4-MM THK)						
M	30	2	6V-8200	4	BOLT-SOCKET HEAD (M12X1.75X35-MM)						
	31	2	6V-8397	1	SEAL-O-RING						
	32	2	6V-8398	1	SEAL-O-RING						
	33	2	6V-9833	1	CAP AS						
	34	2	7M-8485	1	SEAL-O-RING						
	35	1,2	7X-0583	8	WASHER-HARD (17X45X6-MM THK)						
M	36	1,2	7X-2554	8	BOLT (M16X2X70-MM)						
M	37	2	8T-0285	4	SCREW-MACHINE (M4X0.7X12-MM)						
	38	2	198-6439	2	PLATE						
M	39	1	8T-4132	1	NUT (M16X2-THD)						
M	40	2	8T-4184	2	BOLT (M12X1.75X45-MM)						
M	41	1,2	8T-4139	8	BOLT (M12X1.75X30-MM)						
M	42	1	8T-4140	8	BOLT (M16X2X60-MM)						
M	43	1	8T-4175	1	BOLT (M16X2X90-MM)						

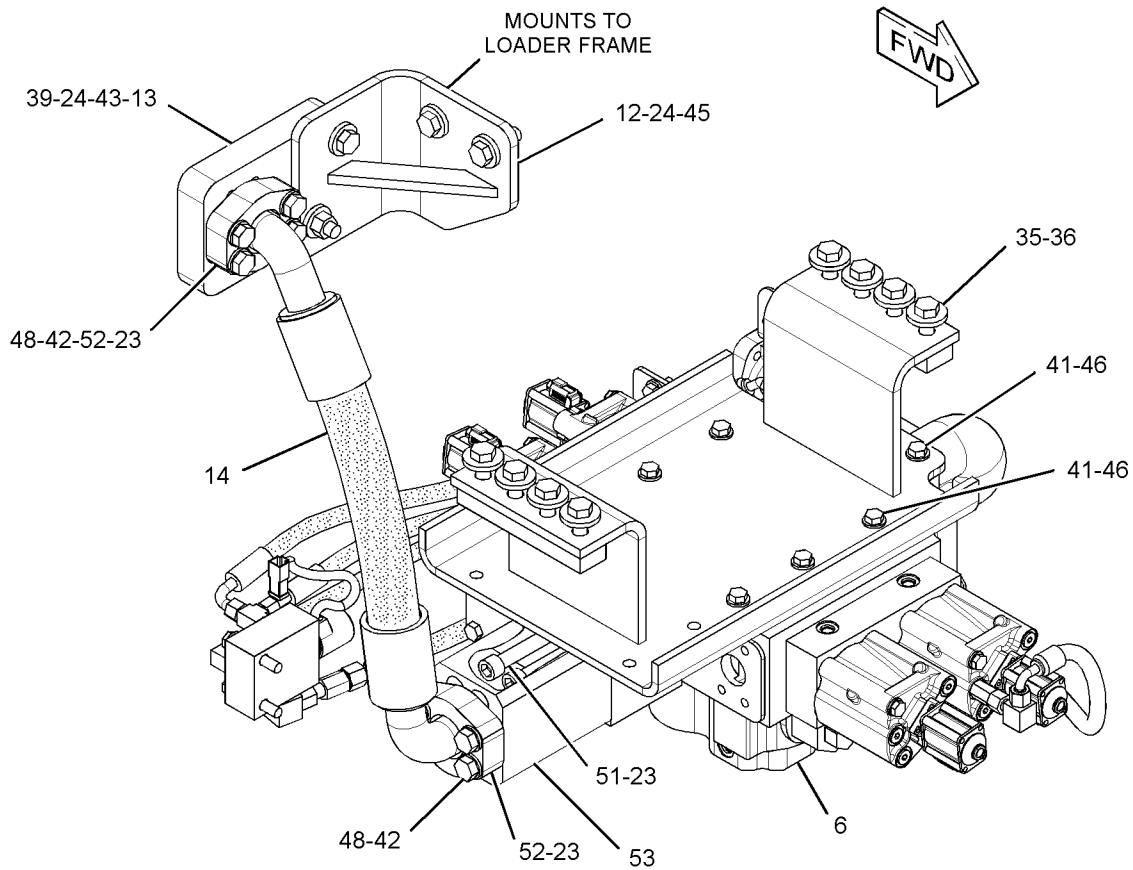
# HYDRAULIC SYSTEM

132-6133 VALVE & MTG GP-MAIN CONTROL (contd.)

i03153620

NOTE	REF NO	GRAPHIC REF	PART NUMBER	QTY	PART NAME						SEE PAGE
					1	2	3	4	5	6 (PRODUCT LEVEL)	
M	44	2	<b>8T-4192</b>	4	BOLT (M12X1.75X25-MM)						
M	45	1	<b>8T-4193</b>	3	BOLT (M16X2X50-MM)						
	46	1,2	<b>8T-4223</b>	14	WASHER-HARD (13.5X25.5X3-MM THK)						
M	47	2	<b>8T-4648</b>	2	BOLT (M12X1.75X70-MM)						
	48	1	<b>9X-8257</b>	8	WASHER (17.5X30X3.5-MM THK)						
	49	2	148-8336	1	CONNECTOR AS						
		2	<b>3J-1907</b>	1	SEAL-O-RING						
		2	<b>6V-8397</b>	1	SEAL-O-RING						
		2	<b>6V-8636</b>	1	CONNECTOR						
	50	2	148-8367	1	ELBOW AS						
		2	<b>6V-8397</b>	1	SEAL-O-RING						
		2	<b>6V-9850</b>	1	ELBOW						
M	51	1	<b>108-1785</b>	4	BOLT-SOCKET HEAD (M16X2X130-MM)						
	52	1	<b>5P-8077</b>	4	FLANGE-HALF						
	53	1	<b>321-0619</b>	1	MANIFOLD						

I - REFER TO HYDRAULIC INFORMATION SYSTEM  
M - METRIC PART  
Y - SEPARATE ILLUSTRATION



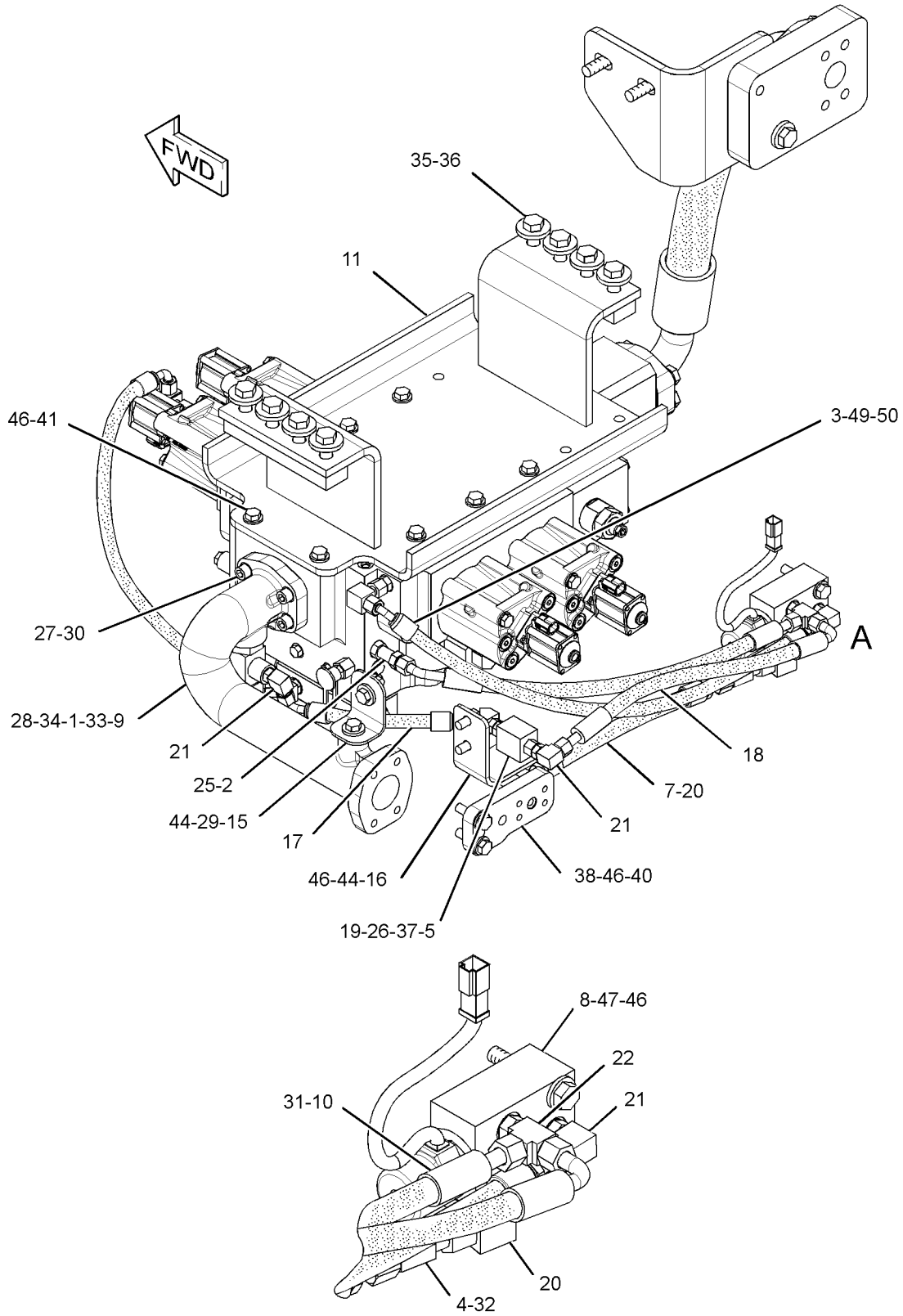
GRAPHIC #1

g01905493

# HYDRAULIC SYSTEM

132-6133 VALVE & MTG GP-MAIN CONTROL (contd.)

i03153620



VIEW OF AREA A

GRAPHIC #2

<END>

g01848340

# HYDRAULIC SYSTEM

## 201-0218 VALVE & MTG GP-MAIN CONTROL-3-FUNCTION

S/N: BNH1-UP

PART OF 201-0808 HYDRAULIC AR-3 VALVE  
AN ATTACHMENT

SMCS-5051

i02703571

NOTE	REF NO	GRAPHIC REF	PART NUMBER	QTY	PART NAME						SEE PAGE
					1	2	3	4	5	6 (PRODUCT LEVEL)	
	1	1	8T-1674	1	TEE						
Y	2	1	9T-3096	1	VALVE GP-CHECK (PILOT)						1003
	3	1	104-7108	1	VALVE GP-CHECK (PILOT)						
Y	4	1	112-1817	1	VALVE GP-MANUAL (LOWERING CONTROL)						1021
Y	5	1	151-7455	1	VALVE GP-SOLENOID (24-VOLT) (HYDRAULIC LOCKOUT)						1042
	6	1	153-6293	1	ELBOW						
	7	1	154-5512	1	BRACKET AS						
	8	1	154-6819	1	BRACKET AS						
	9	1	154-6820	1	PLATE						
	10	1	154-7179	1	BRACKET						
I	11	1	156-9156	1	HOSE AS						
	12	1	198-6434	1	PLATE						
	13	1	198-6439	1	PLATE						
I	14	1	198-7667	1	HOSE AS						
I	15	1	198-7668	1	HOSE AS						
I	16	1	198-7669	1	HOSE AS						
I	17	1	198-7670	1	HOSE AS						
I	18	1	198-8196	1	HOSE AS						
Y	19	1	212-8746	1	VALVE GP-MAIN CONTROL (3-FUNCTION)						1012
	20	1	096-6166	4	WASHER-HARD (4.5X9X1-MM THK)						
	21	1	148-8336	1	CONNECTOR AS						
		1	6V-8636	1	CONNECTOR						
		1	3J-1907	1	SEAL-O-RING						
		1	6V-8397	1	SEAL-O-RING						
	22	1	148-8353	1	ELBOW AS						
		1	6V-9001	1	ELBOW						
		1	3J-1907	1	SEAL-O-RING						
		1	6V-8397	1	SEAL-O-RING						
	23	1	148-8364	2	ELBOW AS						
					(EACH INCLUDES)						
		1	3K-0360	1	SEAL-O-RING						
		1	6V-8398	1	SEAL-O-RING						
		1	6V-8625	1	ELBOW						
	24	1	148-8367	1	ELBOW AS						
		1	6V-8397	1	SEAL-O-RING						
		1	6V-9850	1	ELBOW						
	25	1	148-8378	3	ELBOW AS						
					(EACH INCLUDES)						
		1	3J-1907	1	SEAL-O-RING						
		1	6V-8397	1	SEAL-O-RING						
		1	6V-8724	1	ELBOW						
	26	1	148-8435	1	TEE AS						
		1	3J-1907	1	SEAL-O-RING						
		1	6V-8397	2	SEAL-O-RING						
		1	6V-8781	1	TEE						
	27	1	1P-3705	2	SEAL-RECTANGULAR						
	28	1	3E-9411	5	WASHER-HARD (17.5X38X6-MM THK)						
	29	1	3J-1907	1	SEAL-O-RING						
	30	1	4J-0527	1	SEAL-O-RING						
	31	1	5K-9090	1	SEAL-O-RING						
	32	1	5P-1076	2	WASHER-HARD (13.5X30X4-MM THK)						
	33	1	5P-8077	4	FLANGE-HALF						
M	34	1	6V-8200	4	BOLT-SOCKET HEAD (M12X1.75X35-MM)						
	35	1	6V-8397	1	SEAL-O-RING						
	36	1	6V-8398	1	SEAL-O-RING						
	37	1	6V-9833	1	CAP AS						
	38	1	7M-8485	1	SEAL-O-RING						



# HYDRAULIC SYSTEM

201-0218 VALVE & MTG GP-MAIN CONTROL (contd.)

i02703571

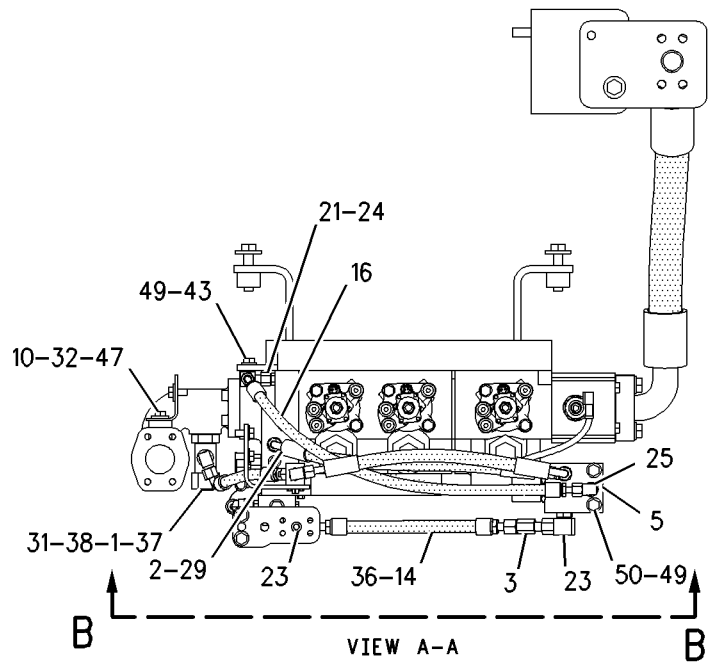
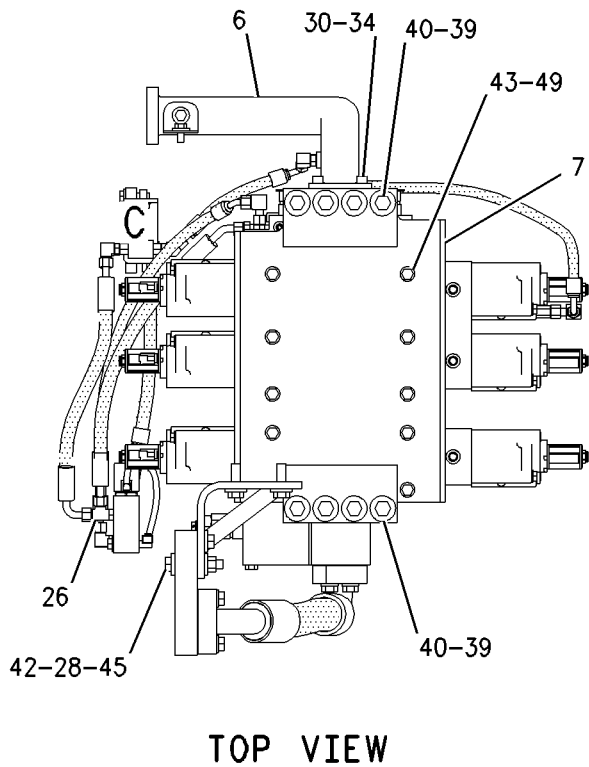
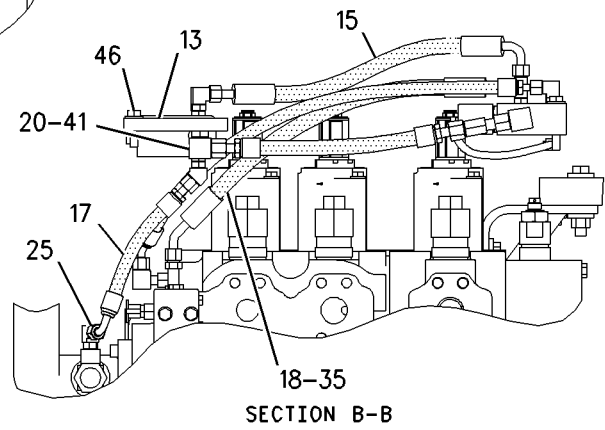
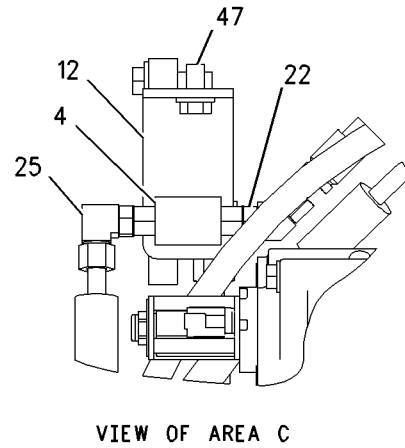
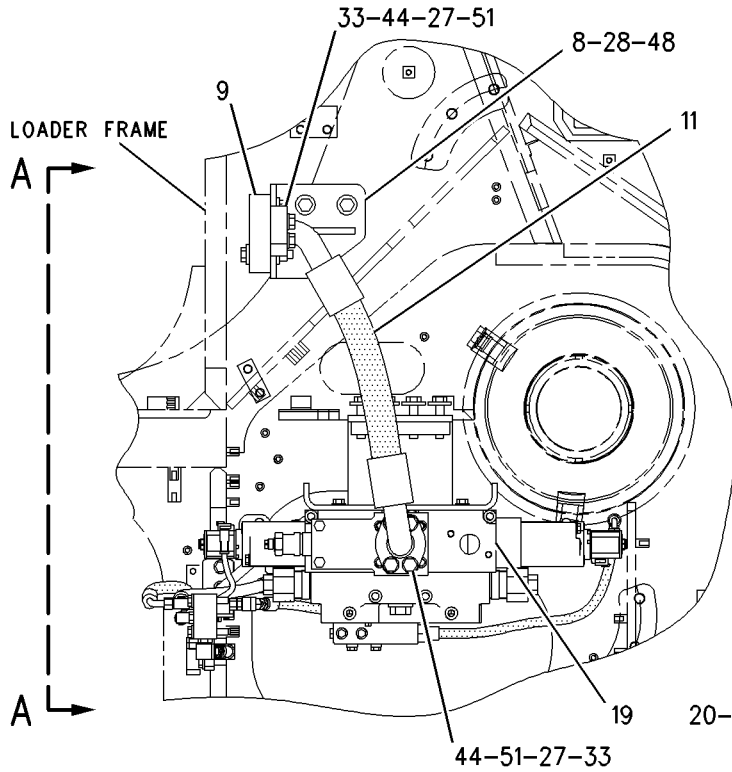
NOTE	REF NO	GRAPHIC REF	PART NUMBER	QTY	PART NAME						SEE PAGE
					1	2	3	4	5	6 (PRODUCT LEVEL)	
	39	1	<b>7X-0583</b>	8	WASHER-HARD (17X45X6-MM THK)						
M	40	1	<b>7X-2554</b>	8	BOLT (M16X2X70-MM)						
M	41	1	<b>8T-0285</b>	4	SCREW-MACHINE (M4X0.7X12-MM)						
M	42	1	<b>8T-4132</b>	1	NUT (M16X2-THD)						
M	43	1	<b>8T-4139</b>	12	BOLT (M12X1.75X30-MM)						
M	44	1	<b>8T-4140</b>	8	BOLT (M16X2X60-MM)						
M	45	1	<b>8T-4175</b>	1	BOLT (M16X2X90-MM)						
M	46	1	<b>8T-4184</b>	2	BOLT (M12X1.75X45-MM)						
M	47	1	<b>8T-4192</b>	4	BOLT (M12X1.75X25-MM)						
M	48	1	<b>8T-4193</b>	3	BOLT (M16X2X50-MM)						
	49	1	<b>8T-4223</b>	18	WASHER-HARD (13.5X25.5X3-MM THK)						
M	50	1	<b>8T-4648</b>	2	BOLT (M12X1.75X70-MM)						
	51	1	<b>9X-8257</b>	8	WASHER (17.5X30X3.5-MM THK)						

I - REFER TO HYDRAULIC INFORMATION SYSTEM  
M - METRIC PART  
Y - SEPARATE ILLUSTRATION

# HYDRAULIC SYSTEM

201-0218 VALVE & MTG GP-MAIN CONTROL (contd.)

i02703571



GRAPHIC #1

<END>

g00849394

# HYDRAULIC SYSTEM

## 253-4788 VALVE & MTG GP-REGENERATION-TILT CYLINDER

S/N: BNH1-UP

PART OF 275-7839 HYDRAULIC AR-TILT REGENERATION

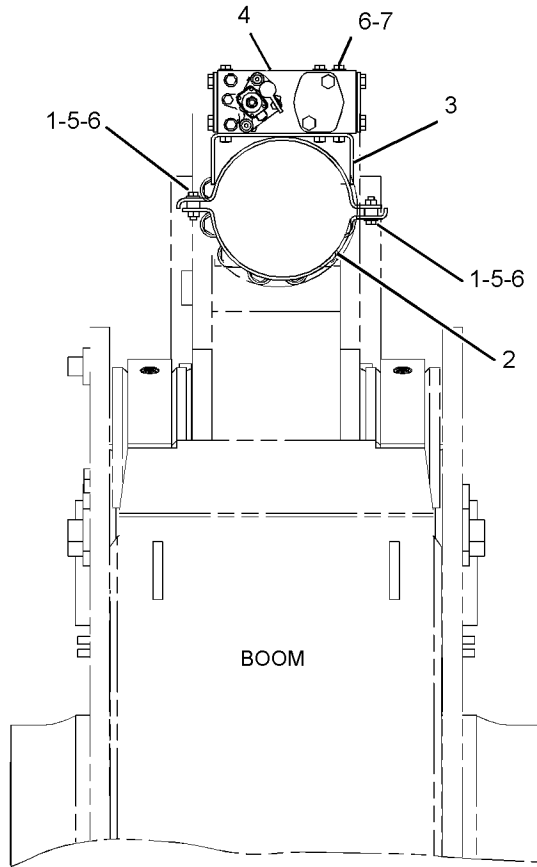
SMCS-512R

i02463709

NOTE	REF NO	GRAPHIC REF	PART NUMBER	QTY	PART NAME						SEE PAGE
					1	2	3	4	5	6	
	1	1	6Y-8112	6	SPACER (17X25X14-MM THK)						
	2	1	271-4571	1	SUPPORT AS						
	3	1	271-4594	1	BRACKET AS						
Y	4	1	273-2130	1	VALVE GP-REGENERATION (TILT CYLINDER)						1026
M	5	1	8T-4184	6	BOLT (M12X1.75X45-MM)						
	6	1	8T-4223	9	WASHER-HARD (13.5X25.5X3-MM THK)						
M	7	1	8T-5412	3	BOLT (M12X1.75X140-MM)						

M - METRIC PART

Y - SEPARATE ILLUSTRATION



FRONT VIEW

GRAPHIC #1

<END>

g01258379

# HYDRAULIC SYSTEM

## 358-9476 VALVE AS-RELIEF

S/N: BNH1-UP

PART OF 132-6143 TANK & MTG GP-HYDRAULIC

SMCS-5069

i05118569

NOTE	PART NUMBER	QTY	PART NAME						SEE PAGE
			1	2	3	4	5	6 (PRODUCT LEVEL)	
	3D-2824	1	SEAL-O-RING						
<END>									

# HYDRAULIC SYSTEM

## 9T-3096 VALVE GP-CHECK-PILOT

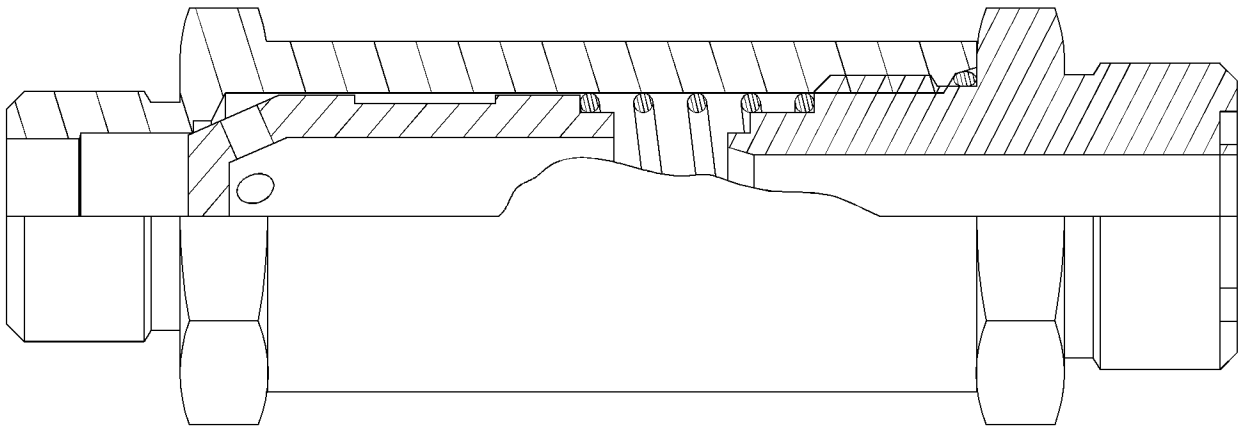
S/N: BNH1-UP

PART OF 132-6142 LINES GP-STEERING NEUTRALIZER, 132-6133, 201-0218 VALVE & MTG GP-MAIN CONTROL  
ALSO AN ATTACHMENT

SMCS-4275, 5067

i03410623

NOTE	REF NO	GRAPHIC REF	PART NUMBER	QTY	PART NAME						SEE PAGE
					1	2	3	4	5	6 (PRODUCT LEVEL)	
(NO SERVICED PARTS)											



GRAPHIC #1

<END>

g01770194

# HYDRAULIC SYSTEM

## 212-8712 VALVE GP-MAIN CONTROL-2-FUNCTION

S/N: BNH1-UP

PART OF 132-6133 VALVE & MTG GP-MAIN CONTROL

AN ATTACHMENT

TYPE 1

SMCS-5051

i03254958

NOTE	REF NO	GRAPHIC REF	PART NUMBER	QTY	PART NAME						SEE PAGE
					1	2	3	4	5	6 (PRODUCT LEVEL)	
M	1	1	8T-6466	3	BOLT (M10X1.5X60-MM)						
	2	1	6V-5759	2	SEAL-O-RING						
	3	1	4J-5309	1	SEAL-O-RING						
	4	1	100-6731	1	STEM						
	5	1	9S-4182	7	PLUG-O-RING						
	6	1,2	3J-1907	13	SEAL-O-RING						
	7	1	6E-2140	1	RETAINER AS						
	8	1	7D-8508	1	NUT-FULL (7/8-14-THD)						
	9	1	2M-9780	1	SEAL-O-RING						
	10	1	9G-4733	1	TUBE						
	11	2	9S-8002	4	PLUG-O-RING						
	12	1,2	3J-7354	13	SEAL-O-RING						
	13	1	185-5626	1	SPRING						
	14	1	8T-4205	1	WASHER-HARD (7.2X14.5X2-MM THK)						
	15	1	4J-0523	1	SEAL-O-RING						
	16	1	1P-3705	1	SEAL-RECTANGULAR						
M	17	1	095-9804	4	BOLT-SOCKET HEAD (M12X1.75X110-MM)						
	18	1	8T-2353	2	ADAPTER						
I	19	1	9R-7996	1	HOSE AS						
Y	20	2	117-0161	1	VALVE GP-RELIEF (LINE, LIFT)						1029
Y	20A	2	117-0161	1	VALVE GP-RELIEF (LINE, TILT)						1029
	21	2	102-4158	2	PLUG AS						
					(EACH INCLUDES)						
		2	3G-5003	1	BUSHING						
	22	2	2S-4078	2	SEAL-O-RING						
	23	2	102-4156	2	VALVE						
	24	2	9L-9188	2	SPRING-VALVE						
	25	2	1H-5728	6	SEAL-O-RING						
	26	1	9S-4180	1	PLUG						
Y	27	1	217-6719	2	ACTUATOR GP-PILOT CONTROL (REGENERATION VALVE)						839
	28	1	7X-2459	1	TEE-O-RING						
	29	1	9R-5008	19	SPACER (11X20X6-MM THK)						
	30	1	4J-7533	1	SEAL-O-RING						
J	31	1	6E-4286	1	VALVE GP-PRESSURE REDUCING						
Y	32	1	148-2341	1	VALVE GP-SHUTTLE (BALL RESOLVER)						1039
	33	2	9S-9334	3	PLUG-O-RING						
	34	2	7M-8485	3	SEAL-O-RING						
	35	2	6E-1291	1	VALVE						
	36	2	7J-7852	1	SPRING						
	37	1	117-9341	1	BODY						
Y	38	2	117-0160	1	VALVE GP-RELIEF (LINE, TILT)						1028
	39	2	113-8263	2	PISTON						
	40	1	112-8244	1	HOUSING						
M	41	1	6V-3668	2	BOLT (M12X1.75X30-MM)						
	42	1	4J-0525	1	SEAL-O-RING						
	43	1	8T-4223	4	WASHER-HARD (13.5X25.5X3-MM THK)						
	44	1	8L-6565	4	PIN-SPRING						
M	45	1	7X-2546	4	BOLT (M10X1.5X180-MM)						
	46	1	6V-8397	2	SEAL-O-RING						
Y	47	1	117-0159	1	VALVE GP-RELIEF (MAIN)						1027
	48	1	4B-4158	4	SCREW-DRIVE (NO 4X0.25-IN)						
M	49	1	8T-4139	4	BOLT (M12X1.75X30-MM)						
	50	1	203-8482	1	MANIFOLD						
M	51	1	8T-5436	4	BOLT (M10X1.5X130-MM)						
M	52	1	7X-2549	2	BOLT (M12X1.75X100-MM)						
	53	1	2J-6274	4	SEAL-O-RING						

# HYDRAULIC SYSTEM

212-8712 VALVE GP-MAIN CONTROL (contd.)

i03254958

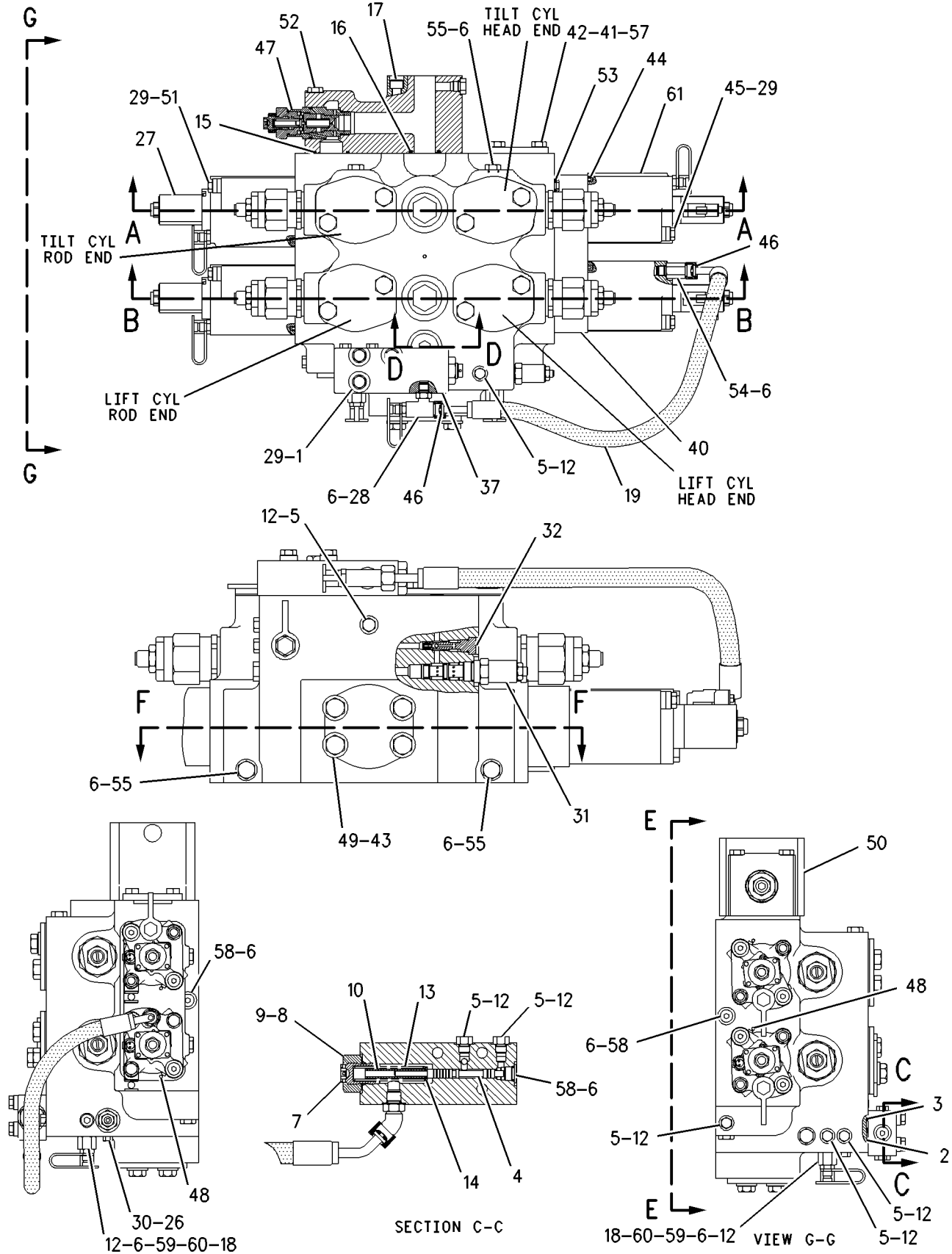
NOTE	REF NO	GRAPHIC REF	PART NUMBER	QTY	PART NAME						SEE PAGE
					1	2	3	4	5	6 (PRODUCT LEVEL)	
	54	1	<b>8T-0075</b>	1	CONNECTOR						
	55	1,2	<b>9S-4191</b>	6	PLUG-O-RING						
Y	56	2	<b>125-9349</b>	1	VALVE GP-RELIEF (LINE, LIFT)						1030
	57	1	<b>8W-2966</b>	1	COVER						
	58	1	<b>9S-8004</b>	3	PLUG-O-RING						
	59	1	<b>6V-0852</b>	2	CAP-DUST						
	60	1	<b>6V-3965</b>	2	FITTING (QUICK DISCONNECT)						
Y	61	1	<b>217-6720</b>	2	ACTUATOR GP-PILOT CONTROL						841
					AVAILABLE REPAIR KIT(S):						
J			<b>6E-4287</b>	1	KIT-SEAL (PRESSURE REDUCING VALVE) (INCLUDES RINGS & SEAL)						

I - REFER TO HYDRAULIC INFORMATION SYSTEM  
 J - KIT MARKED J SERVICES PART MARKED J  
 M - METRIC PART  
 Y - SEPARATE ILLUSTRATION

# HYDRAULIC SYSTEM

212-8712 VALVE GP-MAIN CONTROL (contd.)

i03254958



GRAPHIC #1

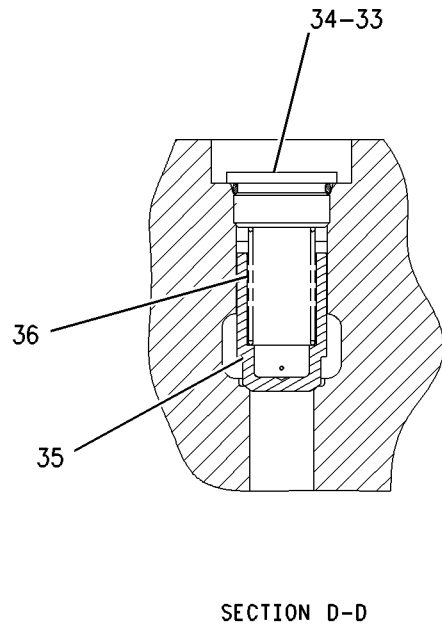
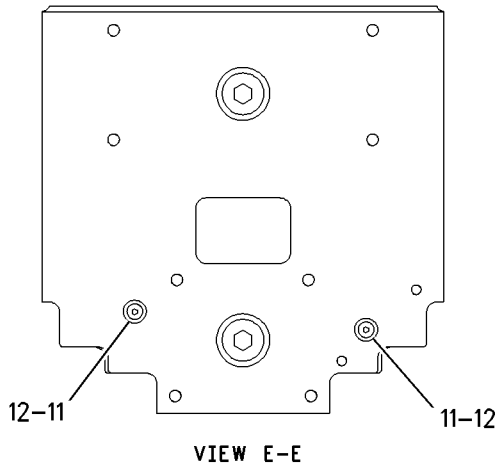
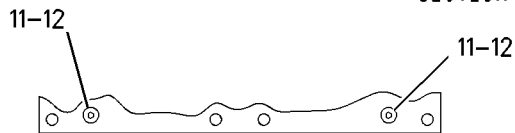
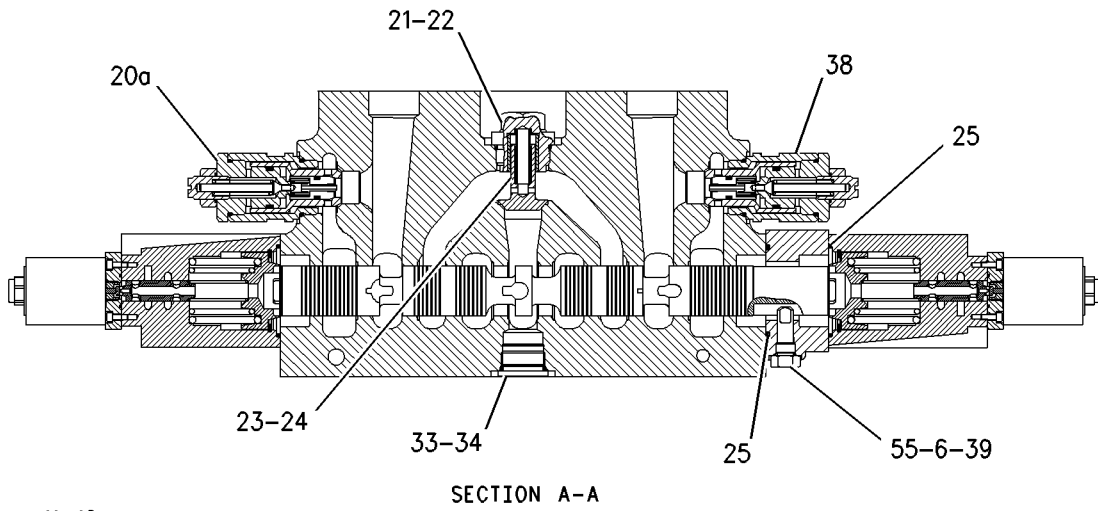
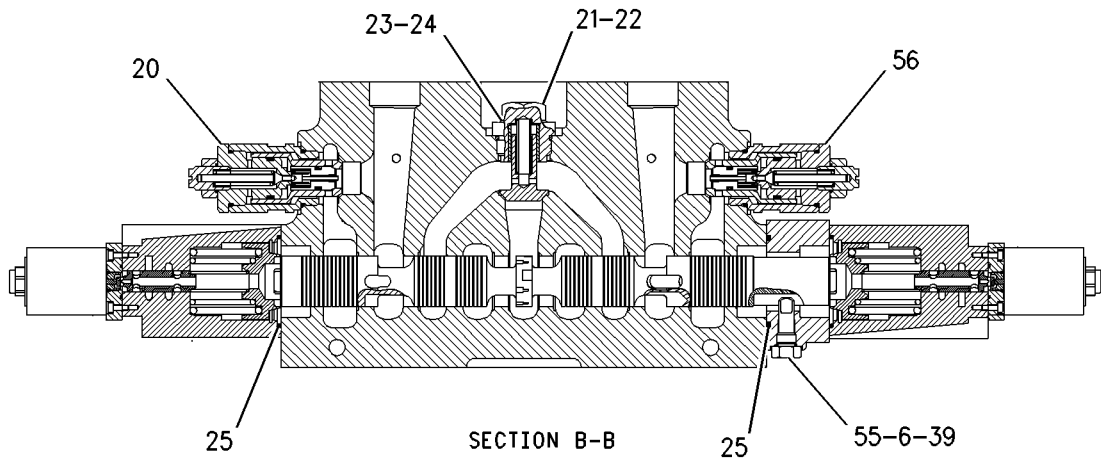
g00862604



# HYDRAULIC SYSTEM

212-8712 VALVE GP-MAIN CONTROL (contd.)

i03254958



GRAPHIC #2

<END>

g00850923

# HYDRAULIC SYSTEM

## 212-8712 VALVE GP-MAIN CONTROL-2-FUNCTION

S/N: BNH1-UP

PART OF 132-6133 VALVE & MTG GP-MAIN CONTROL

AN ATTACHMENT

TYPE 2

SMCS-5051

i05215183

NOTE	REF NO	GRAPHIC REF	PART NUMBER	QTY	PART NAME						SEE PAGE
					1	2	3	4	5	6 (PRODUCT LEVEL)	
	1	1	<b>4B-4158</b>	4	SCREW-DRIVE (NO 4X0.25-IN)						
Y	2	1	<b>4T-1860</b>	1	VALVE GP-SHUTTLE (BALL RESOLVER)						1038
	3	2	<b>6E-1291</b>	1	VALVE						
	4	1	<b>7D-8508</b>	1	NUT-FULL (7/8-14-THD)						
	5	1	<b>7X-2459</b>	1	TEE-O-RING						
	6	1	<b>9G-4733</b>	1	TUBE						
	7	2	<b>9L-9188</b>	2	SPRING-VALVE						
	8	1	<b>9R-5008</b>	19	SPACER (11X20X6-MM THK)						
I	9	1	<b>9R-7996</b>	1	HOSE AS						
	10	1	<b>100-6731</b>	1	STEM						
	11	2	<b>102-4156</b>	2	VALVE						
	12	1	<b>112-8244</b>	1	HOUSING						
	13	2	<b>113-8263</b>	2	PISTON						
Y	14	1	<b>117-0159</b>	1	VALVE GP-RELIEF (MAIN)						1027
Y	15	2	<b>117-0160</b>	1	VALVE GP-RELIEF (LINE, TILT)						1028
	16	1	<b>117-9341</b>	1	BODY						
Y	17	2	<b>125-9349</b>	1	VALVE GP-RELIEF (LINE, LIFT)						1030
	20	1	<b>185-5626</b>	1	SPRING						
	21	1	<b>203-8482</b>	1	MANIFOLD						
Y	24	1	<b>217-6719</b>	2	ACTUATOR GP-PILOT CONTROL (REGENERATION VALVE)						839
Y	25	1	<b>217-6720</b>	2	ACTUATOR GP-PILOT CONTROL						841
C	26	1	<b>222-4737</b>	1	PLUG AS						
		1	<b>4J-7533</b>	1	SEAL-O-RING						
		1	<b>9S-4180</b>	1	PLUG						
M	27	1	<b>095-9804</b>	4	BOLT-SOCKET HEAD (M12X1.75X110-MM)						
	28	2	<b>102-4158</b>	2	PLUG AS						
					(EACH INCLUDES)						
		2	<b>3G-5003</b>	1	BUSHING						
Y	29	2	<b>117-0161</b>	1	VALVE GP-RELIEF (LINE, LIFT)						1029
Y	29A	2	<b>117-0161</b>	1	VALVE GP-RELIEF (LINE, TILT)						1029
C	30	2	<b>148-8406</b>	3	PLUG AS						
					(EACH INCLUDES)						
		2	<b>7M-8485</b>	1	SEAL-O-RING						
		2	<b>9S-9334</b>	1	PLUG-O-RING						
C	31	1,2	<b>148-8407</b>	6	PLUG AS						
					(EACH INCLUDES)						
		1,2	<b>3J-1907</b>	1	SEAL-O-RING						
		1,2	<b>9S-4191</b>	1	PLUG-O-RING						
C	32	1	<b>155-3624</b>	7	PLUG AS						
					(EACH INCLUDES)						
		1	<b>3J-7354</b>	1	SEAL-O-RING						
		1	<b>9S-4182</b>	1	PLUG-O-RING						
C	33	1,2	<b>162-0177</b>	5	PLUG AS						
					(EACH INCLUDES)						
		1,2	<b>3J-1907</b>	1	SEAL-O-RING						
		1,2	<b>9S-8004</b>	1	PLUG-O-RING						
C	34	2	<b>183-7263</b>	4	PLUG AS						
					(EACH INCLUDES)						
		2	<b>3J-7354</b>	1	SEAL-O-RING						
		2	<b>9S-8002</b>	1	PLUG-O-RING						
	35	2	<b>1H-5728</b>	2	SEAL-O-RING						
	36	1	<b>1P-3705</b>	1	SEAL-RECTANGULAR						
	37	1	<b>2J-6274</b>	4	SEAL-O-RING						
	38	1	<b>2M-9780</b>	1	SEAL-O-RING						
	39	2	<b>2S-4078</b>	2	SEAL-O-RING						
C	40	1	<b>3J-1907</b>	4	SEAL-O-RING						

# HYDRAULIC SYSTEM

212-8712 VALVE GP-MAIN CONTROL (contd.)

i05215183

NOTE	REF NO	GRAPHIC REF	PART NUMBER	QTY	PART NAME						SEE PAGE
					1	2	3	4	5	6 (PRODUCT LEVEL)	
C	41	1	<b>3J-7354</b>	2	SEAL-O-RING						
	42	1	<b>4J-0523</b>	1	SEAL-O-RING						
	43	1	<b>4J-0525</b>	1	SEAL-O-RING						
	44	1	<b>4J-5309</b>	1	SEAL-O-RING						
	45	1	<b>6E-2140</b>	1	RETAINER AS						
J	46	1	<b>6E-4286</b>	1	VALVE GP-PRESSURE REDUCING						
	47	1	<b>6V-0852</b>	2	CAP-DUST						
M	48	1	<b>6V-3668</b>	2	BOLT (M12X1.75X30-MM)						
	49	1	<b>6V-3965</b>	2	FITTING (QUICK DISCONNECT)						
	50	1	<b>6V-5759</b>	2	SEAL-O-RING						
	51	1	<b>6V-8397</b>	2	SEAL-O-RING						
	52	2	<b>7J-7852</b>	1	SPRING						
M	53	1	<b>7X-2546</b>	4	BOLT (M10X1.5X180-MM)						
M	54	1	<b>7X-2549</b>	2	BOLT (M12X1.75X100-MM)						
	55	1	<b>8L-6565</b>	4	PIN-SPRING						
M	56	1	<b>8T-0075</b>	1	CONNECTOR						
	57	1	<b>8T-2353</b>	2	ADAPTER						
	58	1	<b>8T-4139</b>	4	BOLT (M12X1.75X30-MM)						
	59	1	<b>8T-4205</b>	1	WASHER-HARD (7.2X14.5X2-MM THK)						
	60	1	<b>8T-4223</b>	4	WASHER-HARD (13.5X25.5X3-MM THK)						
M	61	1	<b>8T-5436</b>	4	BOLT (M10X1.5X130-MM)						
M	62	1	<b>8T-6466</b>	3	BOLT (M10X1.5X60-MM)						
	63	1	<b>8W-2966</b>	1	COVER						

AVAILABLE REPAIR KIT(S) :

J		<b>6E-4287</b>	1	KIT-SEAL (PRESSURE REDUCING VALVE) (INCLUDES RINGS & SEALS)
---	--	----------------	---	--

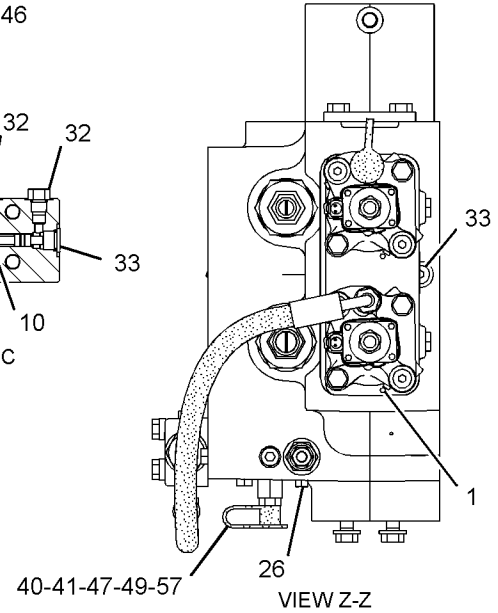
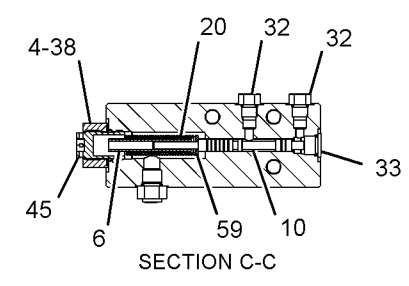
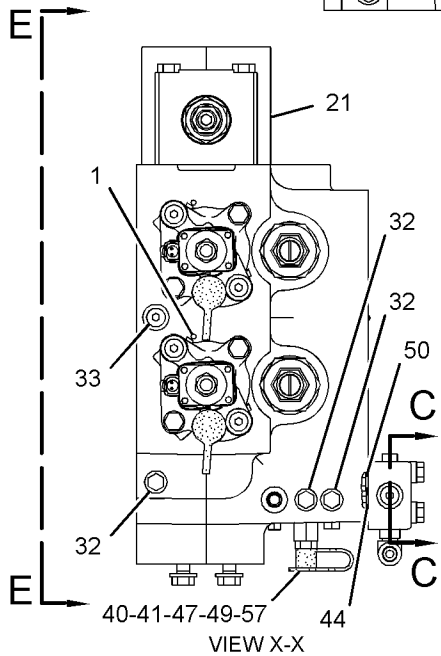
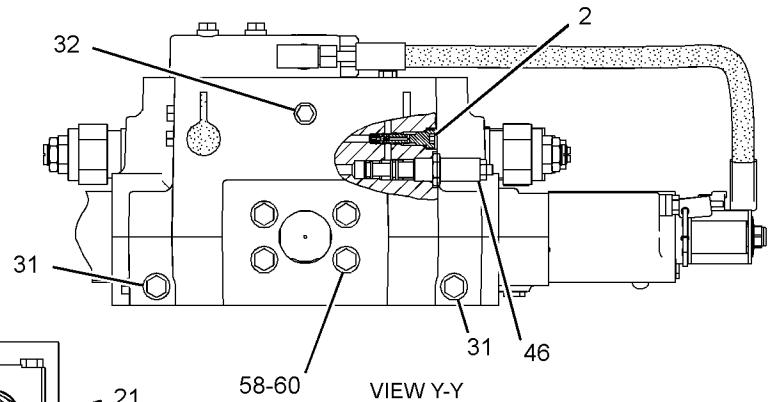
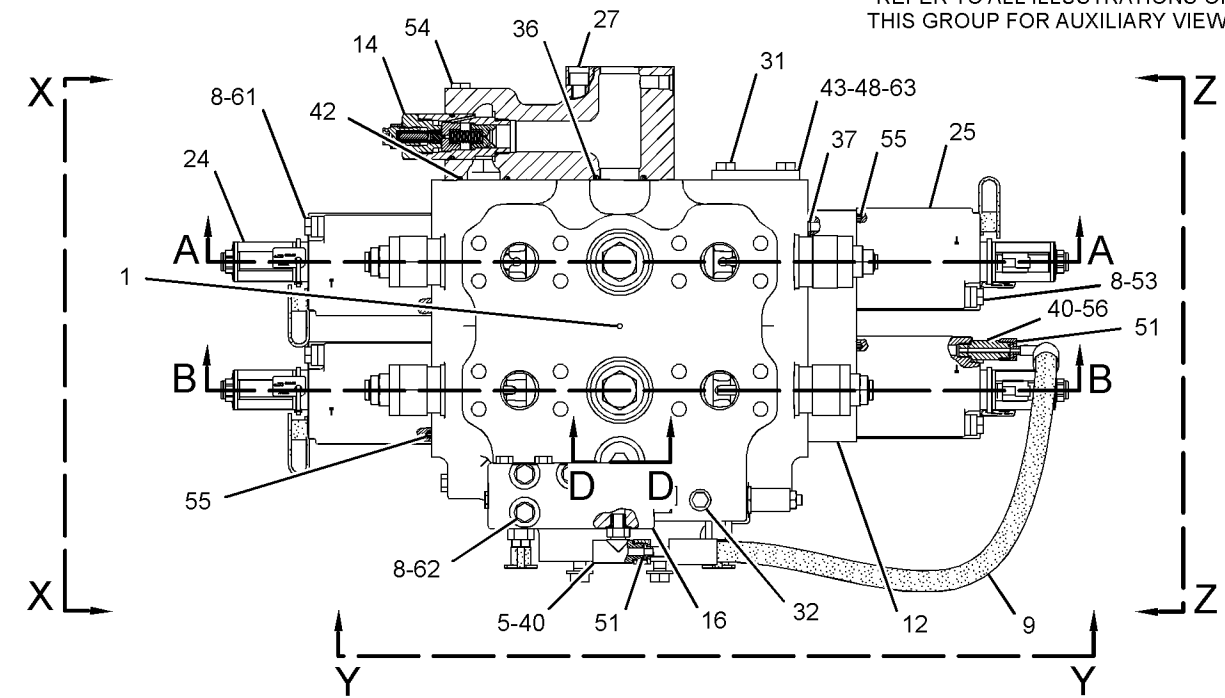
C - CHANGE FROM PREVIOUS TYPE  
 I - REFER TO HYDRAULIC INFORMATION SYSTEM  
 J - KIT MARKED J SERVICES PART MARKED J  
 M - METRIC PART  
 Y - SEPARATE ILLUSTRATION

# HYDRAULIC SYSTEM

212-8712 VALVE GP-MAIN CONTROL (contd.)

i05215183

REFER TO ALL ILLUSTRATIONS OF THIS GROUP FOR AUXILIARY VIEWS



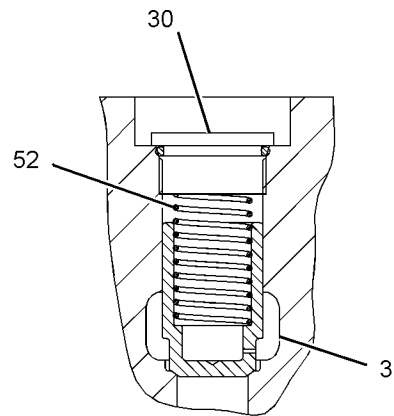
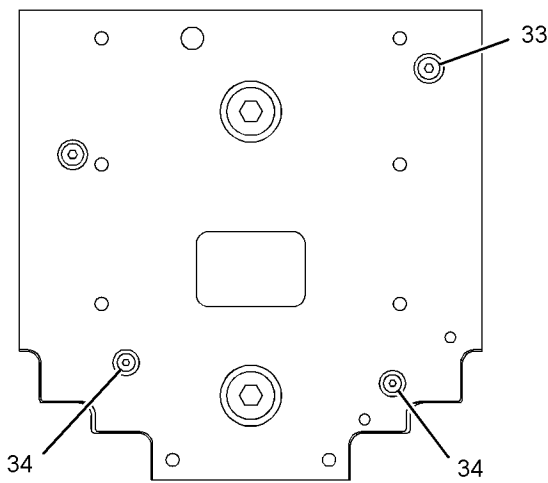
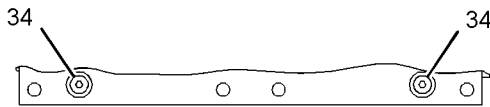
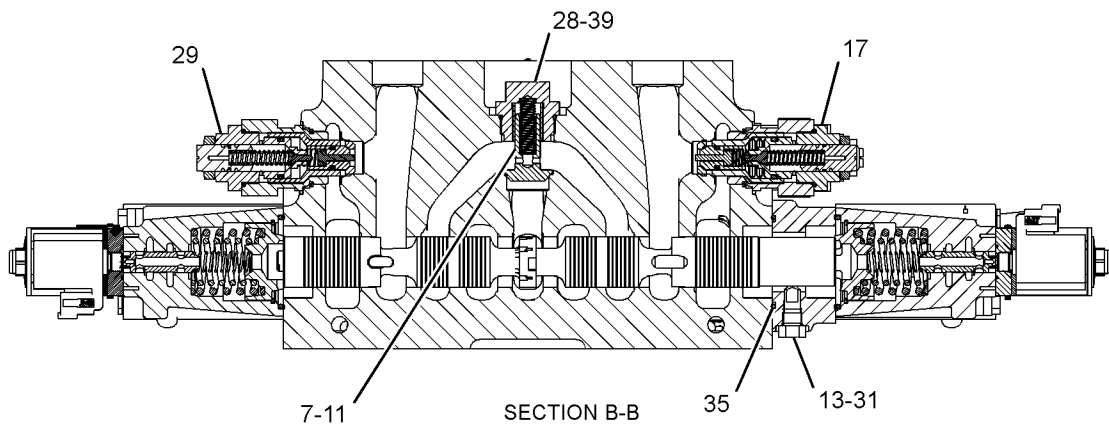
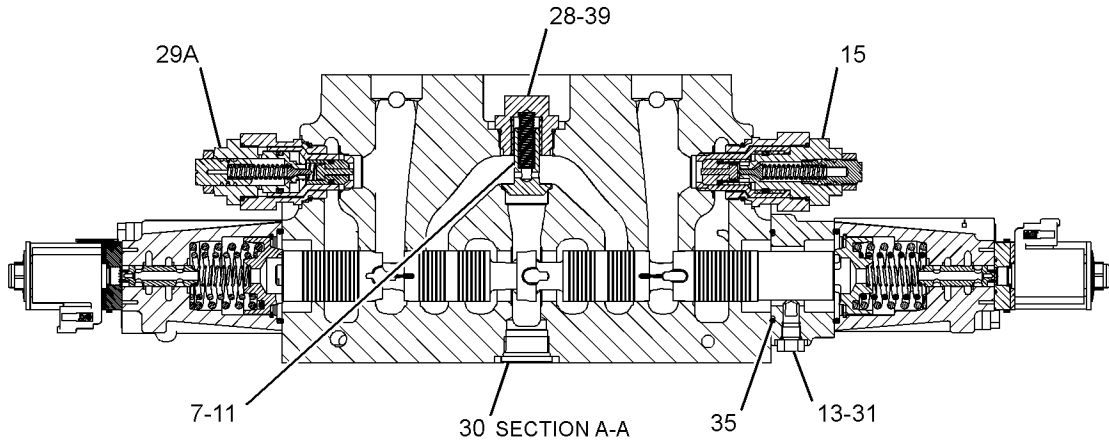
GRAPHIC #1

g01261988

# HYDRAULIC SYSTEM

212-8712 VALVE GP-MAIN CONTROL (contd.)

i05215183



GRAPHIC #2

<END>

g03336661

# HYDRAULIC SYSTEM

## 212-8746 VALVE GP-MAIN CONTROL-3-FUNCTION

S/N: BNH1-UP

PART OF 201-0218 VALVE & MTG GP-MAIN CONTROL

AN ATTACHMENT

TYPE 1

SMCS-5051

i04430613

NOTE	REF NO	GRAPHIC REF	PART NUMBER	QTY	PART NAME						SEE PAGE
					1	2	3	4	5	6 (PRODUCT LEVEL)	
	1	1,2	5P-8077	6	FLANGE-HALF						
	2	1	4B-4158	7	SCREW-DRIVE (NO 4X0.25-IN)						
	3	1	185-5626	1	SPRING						
M	4	1,2	8T-4140	12	BOLT (M16X2X60-MM)						
	5	1,2	8T-4122	12	WASHER-HARD (17X32X3.5-MM THK)						
	6	1	203-8482	1	MANIFOLD						
Y	7	1	217-6720	3	ACTUATOR GP-PILOT CONTROL						841
	8	1	112-8244	1	HOUSING						
	9	1	155-2291	1	HOUSING						
	10	1	117-9341	1	BODY						
	11	1	100-6731	1	STEM						
Y	12	1	217-6719	3	ACTUATOR GP-PILOT CONTROL						839
Y	13	1	117-0159	1	VALVE GP-RELIEF (MAIN)						1027
	14	1	6E-2140	1	RETAINER AS						
	15	1	7D-8508	1	NUT-FULL (7/8-14-THD)						
	16	1	2M-9780	1	SEAL-O-RING						
	17	1	9G-4733	1	TUBE						
	18	1,2	9S-4182	7	PLUG-O-RING						
	19	2	9S-8002	4	PLUG-O-RING						
M	20	1	8T-6466	3	BOLT (M10X1.5X60-MM)						
	21	1	9R-5008	27	SPACER (11X20X6-MM THK)						
	22	1	4J-5309	1	SEAL-O-RING						
	23	1	8T-2353	2	ADAPTER						
	24	1,2	3J-7354	13	SEAL-O-RING						
	25	1	8T-4205	1	WASHER-HARD (7.2X14.5X2-MM THK)						
	26	1,2	1P-3704	1	SEAL-RECTANGULAR						
	27	1,2	4J-0523	4	SEAL-O-RING						
M	28	1	095-9804	4	BOLT-SOCKET HEAD (M12X1.75X110-MM)						
Y	29	1	117-0161	1	VALVE GP-RELIEF (LINE, LIFT CYL ROD END PORT)						1029
Y	29A	1	117-0161	1	VALVE GP-RELIEF (LINE, TILT CYL ROD END PORT)						1029
	30	1,2	102-4158	3	PLUG AS						
					(EACH INCLUDES)						
		1,2	3G-5003	1	BUSHING						
		1,2	102-4157	1	PLUG						
	31	1,2	2S-4078	3	SEAL-O-RING						
	32	1,2	102-4156	3	VALVE						
	33	1,2	9L-9188	3	SPRING-VALVE						
	34	1,2	1H-5728	3	SEAL-O-RING						
	35	1	7J-1592	1	COVER						
	36	1	9S-4180	1	PLUG						
	37	1	4J-7533	1	SEAL-O-RING						
	38	2	6E-4286	1	VALVE GP-PRESSURE REDUCING						
Y	39	2	148-2341	1	VALVE GP-SHUTTLE (BALL RESOLVER)						1039
	40	1,2	9S-9334	3	PLUG-O-RING						
	41	1,2	7M-8485	3	SEAL-O-RING						
	42	1	6E-1291	1	VALVE						
	43	1	7J-7852	1	SPRING						
Y	44	1	117-0160	1	VALVE GP-RELIEF (LINE, TILT CYL HEAD END PORT)						1028
	45	1,2	113-8263	3	PISTON						
M	46	1	8T-4192	2	BOLT (M12X1.75X25-MM)						
Y	47	1	125-9349	1	VALVE GP-RELIEF (LINE, LIFT CYL HEAD END PORT)						1030
	48	2	1P-3705	1	SEAL-RECTANGULAR						
	49	1	8L-6565	6	PIN-SPRING						
M	50	1	7X-2546	6	BOLT (M10X1.5X180-MM)						
	51	1	6V-8397	2	SEAL-O-RING						

# HYDRAULIC SYSTEM

212-8746 VALVE GP-MAIN CONTROL (contd.)

i04430613

NOTE	REF NO	GRAPHIC REF	PART NUMBER	QTY	PART NAME						SEE PAGE
					1	2	3	4	5	6 (PRODUCT LEVEL)	
I	52	1	<b>9R-7996</b>	1	HOSE AS						
	53	1	<b>7X-2459</b>	1	TEE-O-RING						
M	54	1	<b>7X-2549</b>	2	BOLT (M12X1.75X100-MM)						
M	55	1	<b>8T-5436</b>	6	BOLT (M10X1.5X130-MM)						
Y	56	2	<b>172-5481</b>	1	VALVE GP-RELIEF (LINE, AUX CYL ROD END PORT)						1031
Y	56A	2	<b>172-5481</b>	1	VALVE GP-RELIEF (LINE, AUX CYL HEAD END PORT)						1031
	57	1	<b>2J-6274</b>	6	SEAL-O-RING						
	58	1	<b>6V-0484</b>	2	ELBOW						
	59	1	<b>8T-0075</b>	1	CONNECTOR						
	60	1,2	<b>9S-4191</b>	5	PLUG-O-RING						
	61	1	<b>9S-8004</b>	3	PLUG-O-RING						
	62	1	<b>6V-3965</b>	5	FITTING (QUICK DISCONNECT)						
	63	1,2	<b>3J-1907</b>	17	SEAL-O-RING						
	64	1	<b>6V-0852</b>	5	CAP-DUST						
	65	1	<b>6V-5759</b>	2	SEAL-O-RING						
	66	2	<b>3H-3385</b>	2	SEAL-O-RING						
M	67	1	<b>165-5085</b>	6	BOLT-SOCKET HEAD (M12X1.75X160-MM)						

AVAILABLE REPAIR KIT(S):

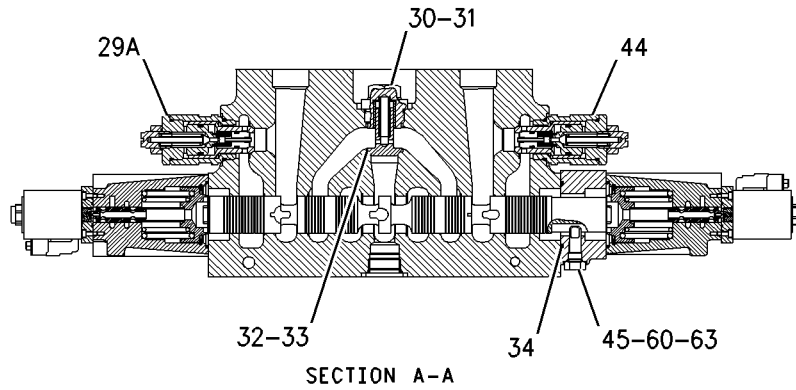
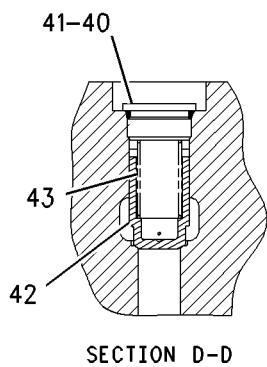
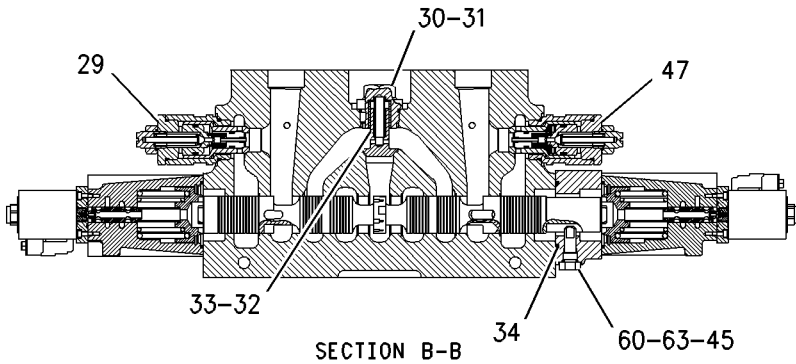
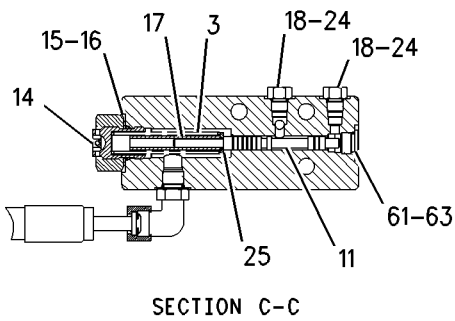
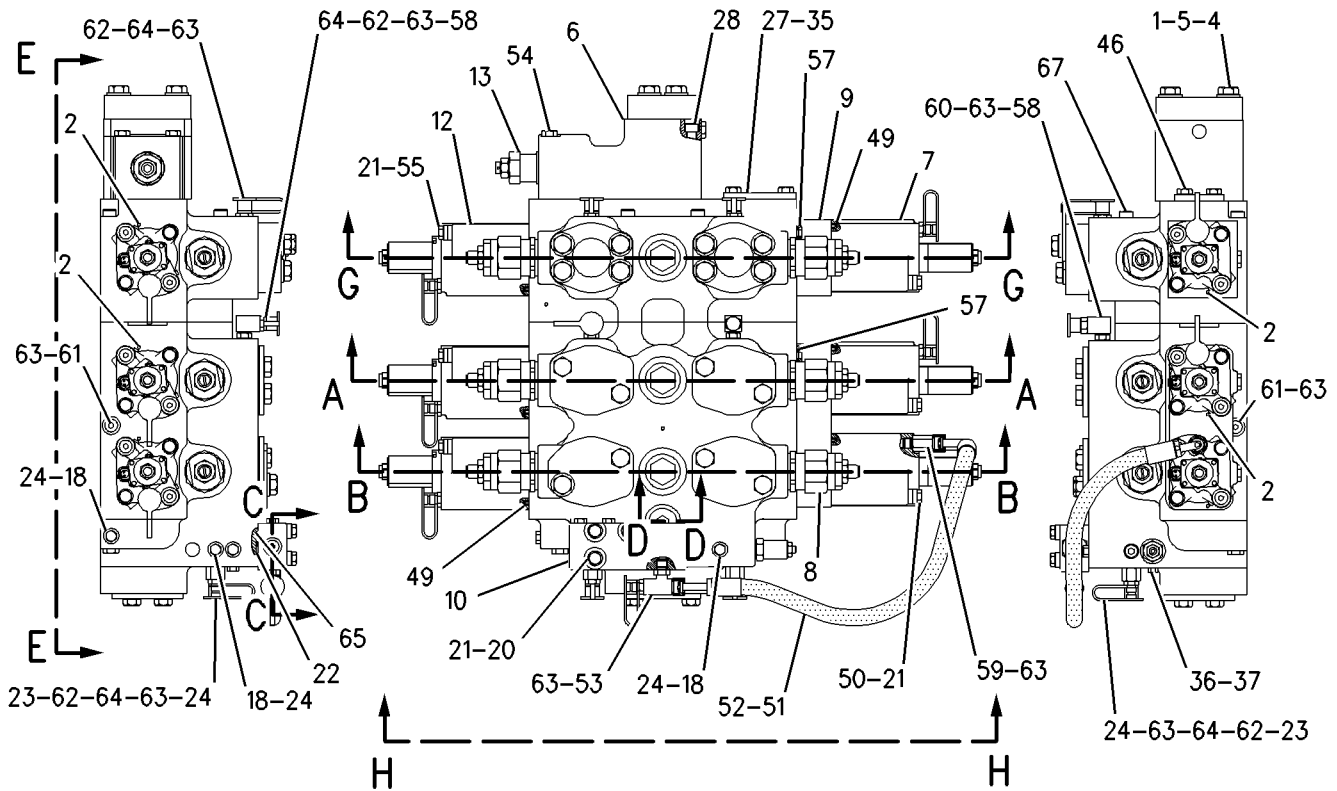
<b>155-2270</b>	1	KIT-CONNECTING PLUG (2-PIN) (INCLUDES PLUG AS & WEDGE)
-----------------	---	---

I - REFER TO HYDRAULIC INFORMATION SYSTEM  
M - METRIC PART  
Y - SEPARATE ILLUSTRATION

# HYDRAULIC SYSTEM

212-8746 VALVE GP-MAIN CONTROL (contd.)

i04430613



REFER TO ALL ILLUSTRATIONS OF THIS GROUP FOR AUXILIARY VIEWS

GRAPHIC #1

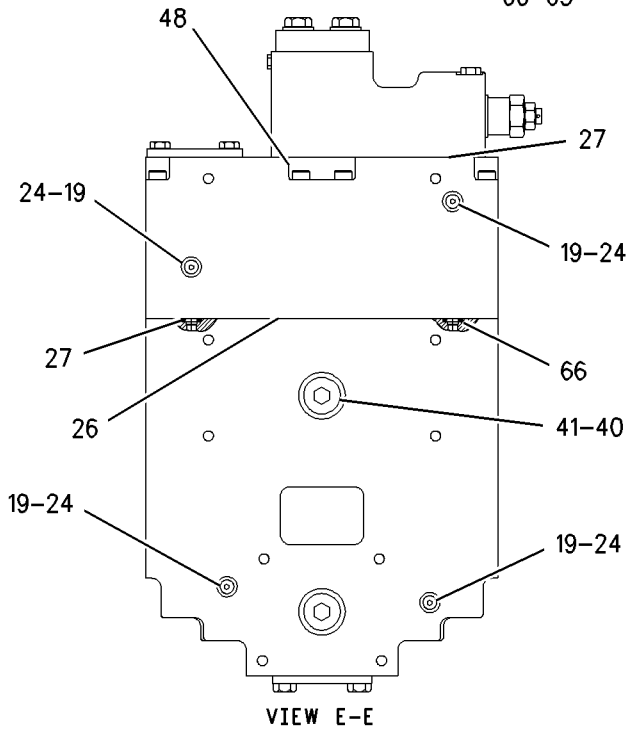
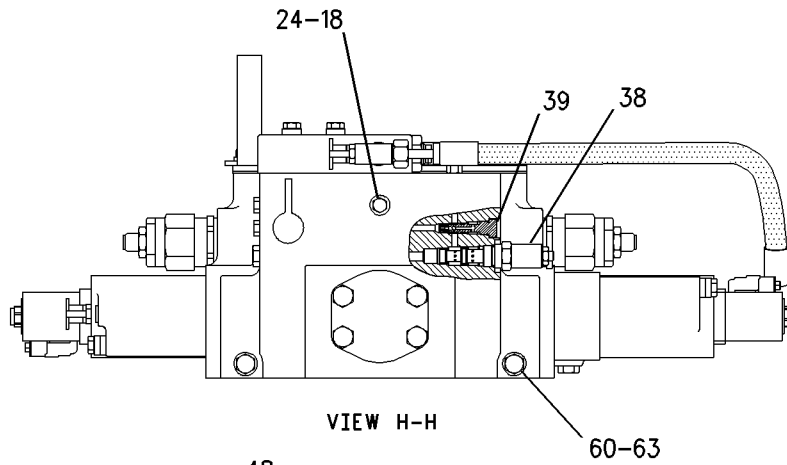
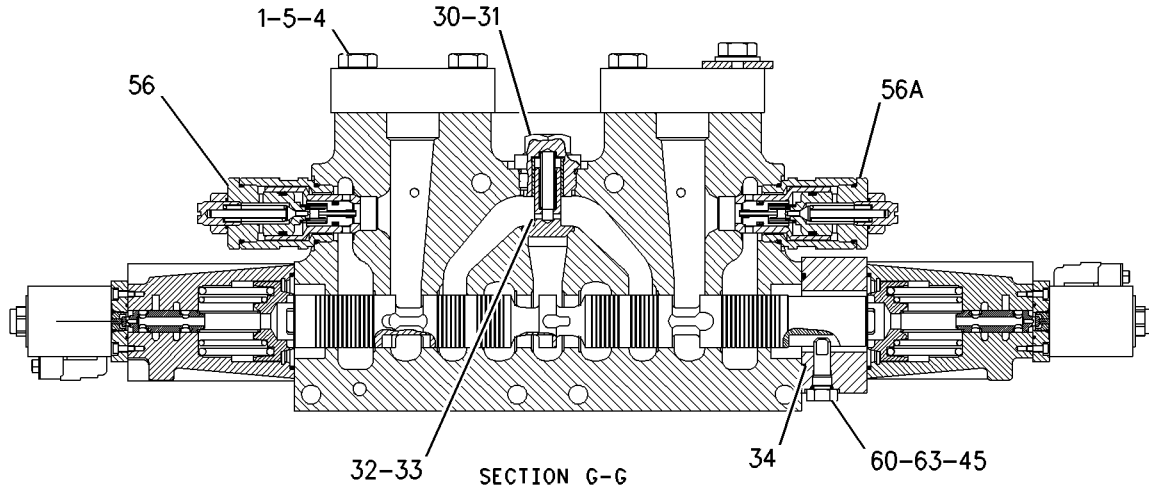
g00860024



# HYDRAULIC SYSTEM

212-8746 VALVE GP-MAIN CONTROL (contd.)

i04430613



GRAPHIC #2

<END>

g00862343

# HYDRAULIC SYSTEM

## 212-8746 VALVE GP-MAIN CONTROL-3-FUNCTION

S/N: BNH1-UP

PART OF 201-0218 VALVE & MTG GP-MAIN CONTROL

AN ATTACHMENT

TYPE 2

SMCS-5051

i04430612

NOTE	REF NO	GRAPHIC REF	PART NUMBER	QTY	PART NAME						SEE PAGE
					1	2	3	4	5	6 (PRODUCT LEVEL)	
	1	1	<b>4B-4158</b>	6	SCREW-DRIVE (NO 4X0.25-IN)						
Y	2	3	<b>4T-1860</b>	1	VALVE GP-SHUTTLE (BALL RESOLVER)						1038
	3	3	<b>6E-1291</b>	1	VALVE						
	4	3	<b>7D-8508</b>	1	NUT-FULL (7/8-14-THD)						
	5	1	<b>7X-2459</b>	1	TEE-O-RING						
	6	3	<b>9G-4733</b>	1	TUBE						
	7	2	<b>9L-9188</b>	3	SPRING-VALVE						
	8	1	<b>9R-5008</b>	27	SPACER (11X20X6-MM THK)						
I	9	1	<b>9R-7996</b>	1	HOSE AS						
	10	3	<b>100-6731</b>	1	STEM						
	11	2	<b>102-4156</b>	3	VALVE						
	12	1	<b>112-8244</b>	1	HOUSING						
	13	2	<b>113-8263</b>	3	PISTON						
Y	14	1	<b>117-0159</b>	1	VALVE GP-RELIEF (MAIN)						1027
Y	15	2	<b>117-0160</b>	1	VALVE GP-RELIEF (LINE, TILT CYL HEAD END PORT)						1028
	16	1	<b>117-9341</b>	1	BODY						
Y	17	2	<b>125-9349</b>	1	VALVE GP-RELIEF (LINE, LIFT CYL HEAD END PORT)						1030
	21	1	<b>155-2291</b>	1	HOUSING						
Y	22	2	<b>172-5481</b>	1	VALVE GP-RELIEF (LINE, AUX CYL ROD END PORT)						1031
Y	22A	2	<b>172-5481</b>	1	VALVE GP-RELIEF (LINE, AUX CYL HEAD END PORT)						1031
	24	3	<b>185-5626</b>	1	SPRING						
	25	1	<b>203-8482</b>	1	MANIFOLD						
Y	28	1	<b>217-6719</b>	3	ACTUATOR GP-PILOT CONTROL (REGENERATION VALVE)						839
Y	29	1	<b>217-6720</b>	3	ACTUATOR GP-PILOT CONTROL						841
C	30	1	<b>222-4737</b>	1	PLUG AS						
		1	<b>4J-7533</b>		SEAL-O-RING						
		1	<b>9S-4180</b>	1	PLUG						
M	31	3	<b>095-9804</b>	4	BOLT-SOCKET HEAD (M12X1.75X110-MM)						
	32	2	<b>102-4158</b>	3	PLUG AS						
					(EACH INCLUDES)						
		2	<b>3G-5003</b>	1	BUSHING						
		2	<b>102-4157</b>	1	PLUG						
Y	33	2	<b>117-0161</b>	1	VALVE GP-RELIEF (LINE, LIFT CYL ROD END PORT)						1029
Y	33A	2	<b>117-0161</b>	1	VALVE GP-RELIEF (LINE, TILT CYL ROD END PORT)						1029
C	34	2,3	<b>148-8406</b>	3	PLUG AS						
					(EACH INCLUDES)						
		2,3	<b>7M-8485</b>	1	SEAL-O-RING						
		2,3	<b>9S-9334</b>	1	PLUG-O-RING						
C	35	2,3,1	<b>148-8407</b>	5	PLUG AS						
					(EACH INCLUDES)						
		2,3,1	<b>3J-1907</b>	1	SEAL-O-RING						
		2,3,1	<b>9S-4191</b>	1	PLUG-O-RING						
C	36	3,1	<b>155-3624</b>	7	PLUG AS						
					(EACH INCLUDES)						
		3,1	<b>3J-7354</b>		SEAL-O-RING						
		3,1	<b>9S-4182</b>		PLUG-O-RING						
C	37	3,1	<b>162-0177</b>	5	PLUG AS						
					(EACH INCLUDES)						
		3,1	<b>3J-1907</b>	1	SEAL-O-RING						
		3,1	<b>9S-8004</b>	1	PLUG-O-RING						
M	38	1	<b>165-5085</b>	6	BOLT-SOCKET HEAD (M12X1.75X160-MM)						
C	39	3	<b>183-7263</b>	4	PLUG AS						
					(EACH INCLUDES)						
		3	<b>3J-7354</b>	1	SEAL-O-RING						
		3	<b>9S-8002</b>	1	PLUG-O-RING						

# HYDRAULIC SYSTEM

212-8746 VALVE GP-MAIN CONTROL (contd.)

i04430612

NOTE	REF NO	GRAPHIC REF	PART NUMBER	QTY	PART NAME						SEE PAGE
					1	2	3	4	5	6 (PRODUCT LEVEL)	
	40	2	1H-5728	3	SEAL-O-RING						
	41	3	1P-3704	1	SEAL-RECTANGULAR						
	42	3	1P-3705	1	SEAL-RECTANGULAR						
	43	1	2J-6274	6	SEAL-O-RING						
	44	3	2M-9780	1	SEAL-O-RING						
	45	2	2S-4078	3	SEAL-O-RING						
	46	3	3H-3385	2	SEAL-O-RING						
	47	1	3J-1907	9	SEAL-O-RING						
C	48	1	3J-7354	2	SEAL-O-RING						
	49	3,1	4J-0523	4	SEAL-O-RING						
	50	1	4J-5309	1	SEAL-O-RING						
	51	2,3	5P-8077	6	FLANGE-HALF						
	52	3	6E-2140	1	RETAINER AS						
J	53	3	6E-4286	1	VALVE GP-PRESSURE REDUCING						
	54	1	6V-0484	2	ELBOW						
	55	1	6V-0852	5	CAP-DUST						
	56	1	6V-3965	5	FITTING (QUICK DISCONNECT)						
	57	1	6V-5759	2	SEAL-O-RING						
	58	1	6V-8397	2	SEAL-O-RING						
	59	1	7J-1592	1	COVER						
	60	3	7J-7852	1	SPRING						
M	61	1	7X-2546	6	BOLT (M10X1.5X180-MM)						
M	62	1	7X-2549	2	BOLT (M12X1.75X100-MM)						
	63	1	8L-6565	6	PIN-SPRING						
	64	1	8T-0075	1	CONNECTOR						
	65	1	8T-2353	2	ADAPTER						
	66	2,3	8T-4122	12	WASHER-HARD (17X32X3.5-MM THK)						
M	67	2,3,1	8T-4140	12	BOLT (M16X2X60-MM)						
M	68	1	8T-4192	2	BOLT (M12X1.75X25-MM)						
	69	3	8T-4205	1	WASHER-HARD (7.2X14.5X2-MM THK)						
M	70	1	8T-5436	6	BOLT (M10X1.5X130-MM)						
M	71	1	8T-6466	3	BOLT (M10X1.5X60-MM)						

AVAILABLE REPAIR KIT(S):

J		<b>6E-4287</b>	1	KIT-SEAL (PRESSURE REDUCING VALVE)
		<b>155-2270</b>	1	KIT-CONNECTING PLUG (2-PIN) (INCLUDES PLUG AS & WEDGE)

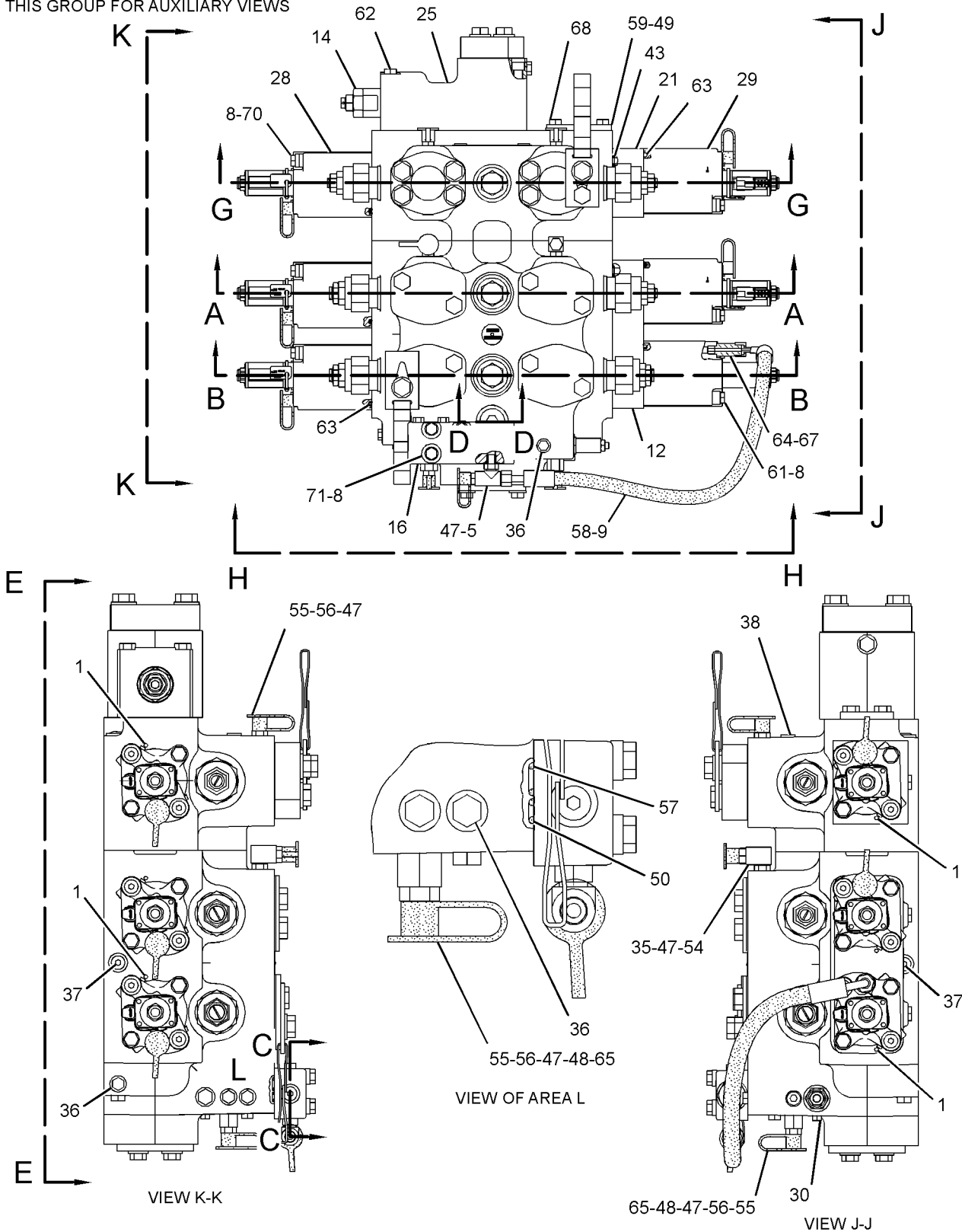
C - CHANGE FROM PREVIOUS TYPE  
 I - REFER TO HYDRAULIC INFORMATION SYSTEM  
 J - KIT MARKED J SERVICES PART MARKED J  
 M - METRIC PART  
 Y - SEPARATE ILLUSTRATION

# HYDRAULIC SYSTEM

212-8746 VALVE GP-MAIN CONTROL (contd.)

i04430612

REFER TO ALL ILLUSTRATIONS OF THIS GROUP FOR AUXILIARY VIEWS



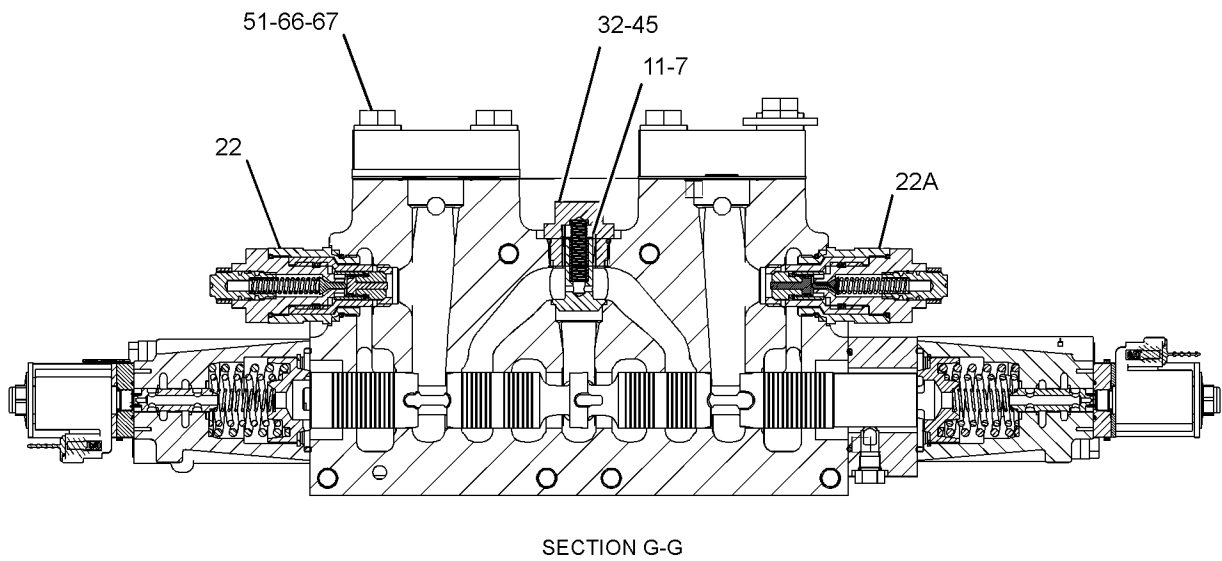
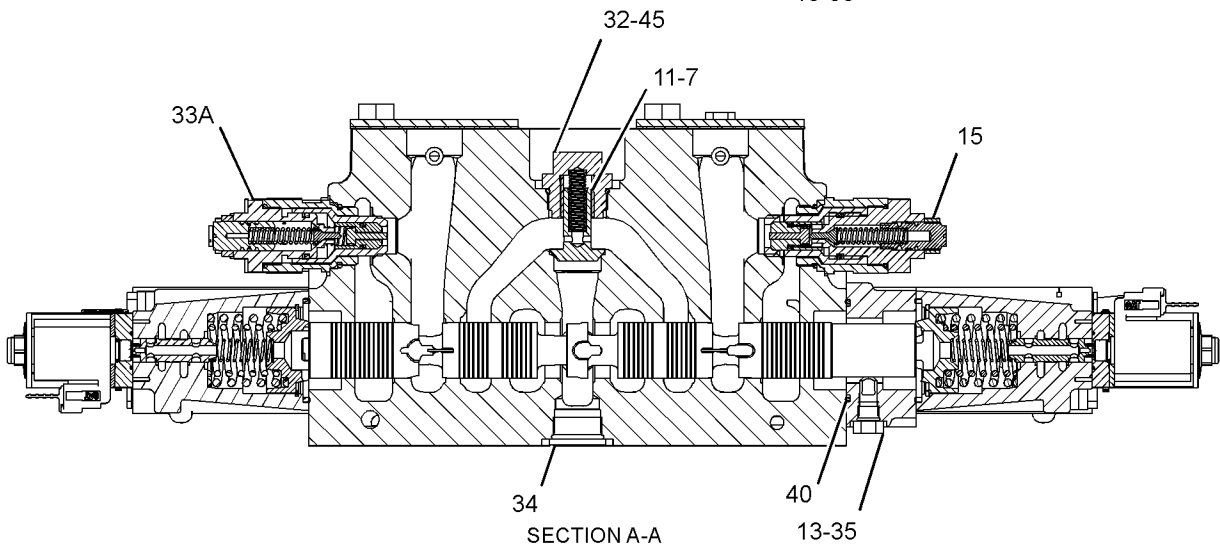
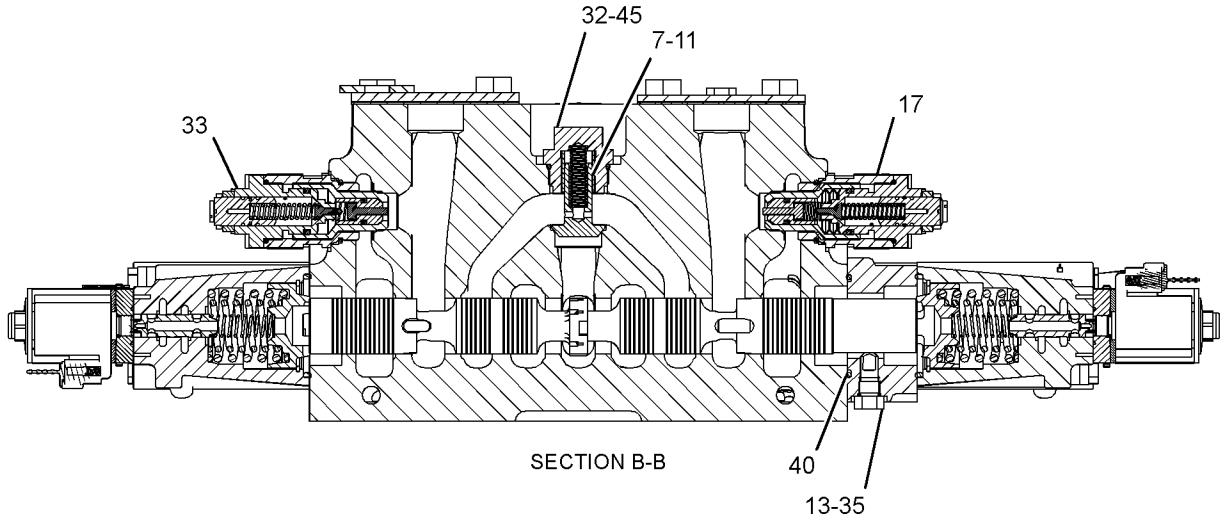
GRAPHIC #1

g01274256

# HYDRAULIC SYSTEM

212-8746 VALVE GP-MAIN CONTROL (contd.)

i04430612



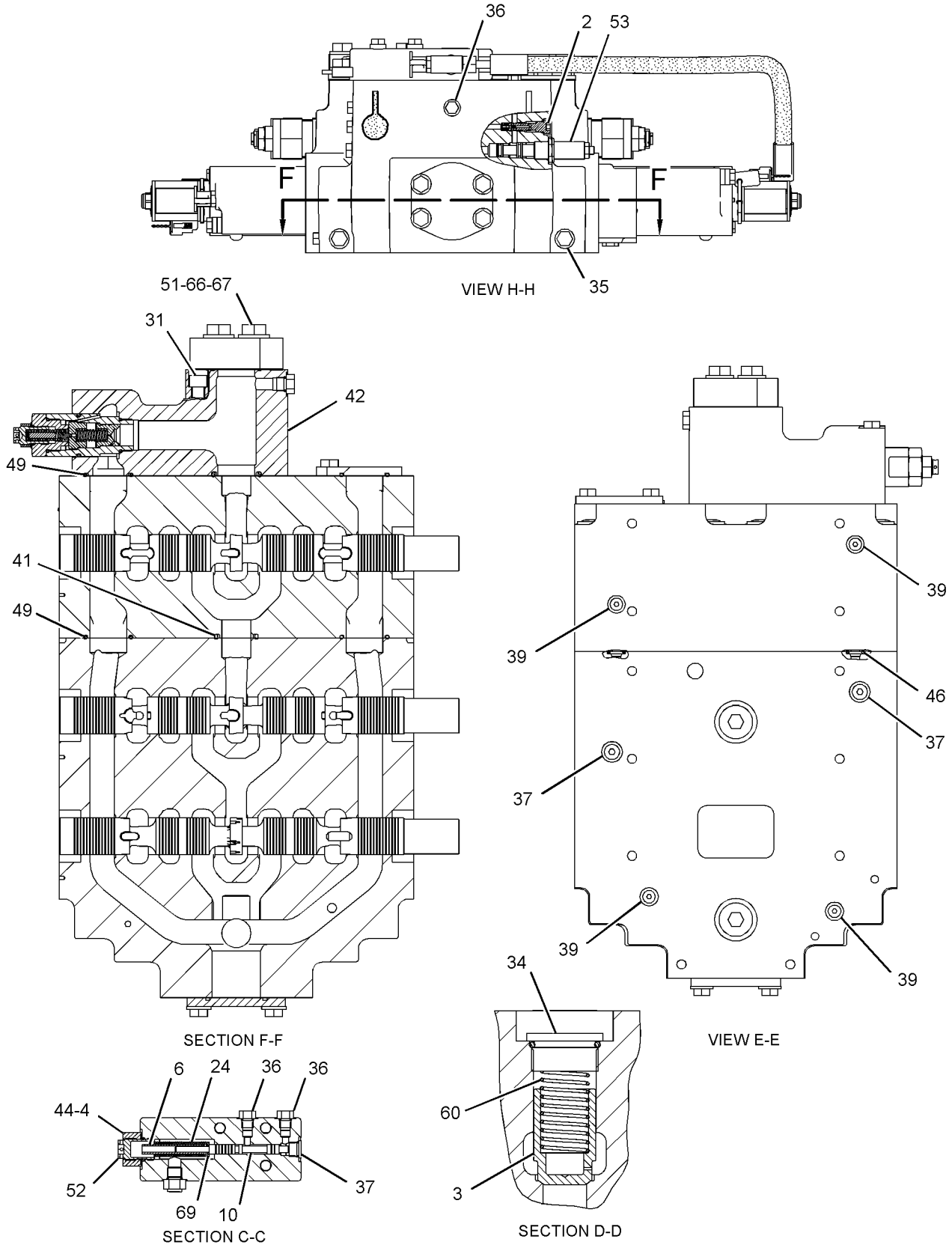
GRAPHIC #2

g01256061

# HYDRAULIC SYSTEM

212-8746 VALVE GP-MAIN CONTROL (contd.)

i04430612



GRAPHIC #3

<END>

g01256062

# HYDRAULIC SYSTEM

## 112-1817 VALVE GP-MANUAL-LOWERING CONTROL

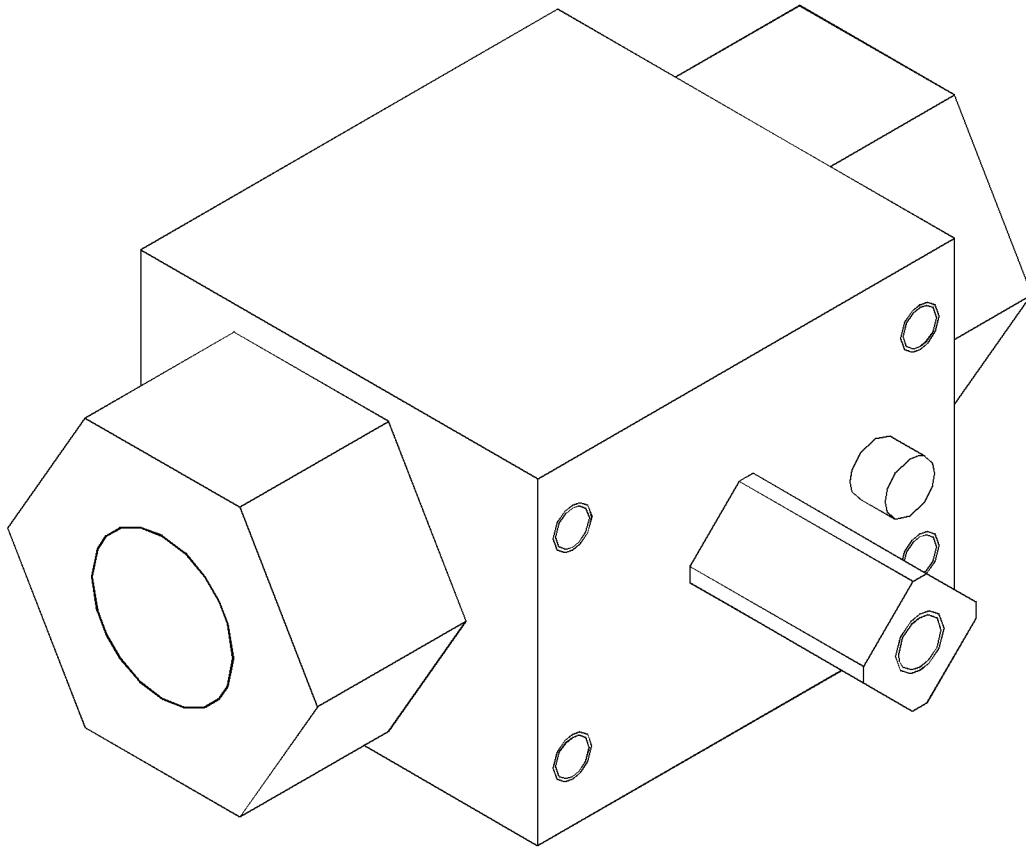
S/N: BNH1-UP

PART OF 132-6133, 201-0218 VALVE & MTG GP-MAIN CONTROL  
AN ATTACHMENT

SMCS-5001, 5130, 5147

i04949594

NOTE	REF NO	GRAPHIC REF	PART NUMBER	QTY	PART NAME						SEE PAGE
					1	2	3	4	5	6 (PRODUCT LEVEL)	
(NO SERVICED PARTS)											



GRAPHIC #1

<END>

g03135742

# HYDRAULIC SYSTEM

## 191-2929 VALVE GP-PUMP CONTROL-PRESSURE, FLOW COMPENSATOR- HYDRAULIC FAN

S/N: BNH1-UP

PART OF 152-7767, 215-5721 PUMP GP-PISTON  
AN ATTACHMENT

SMCS-5455

i01522792

NOTE	REF NO	GRAPHIC REF	PART NUMBER	QTY	PART NAME						SEE PAGE
					1	2	3	4	5	6 (PRODUCT LEVEL)	
	1	1	6E-6528	6	SEAL						
	2	1	6E-6527	2	PLUG						
	3	1	6E-3268	1	RETAINER-SPRING						
	4	1	6E-3275	1	SPRING						
	5	1	6E-3274	1	SPRING						
	6	1	033-6043	1	SEAL-O-RING						
	7	1	6E-3272	1	SEAT						
	8	1	6E-6540	1	PLUG						
M	9	1	6E-6538	2	NUT-ADJUSTMENT (M8X1-THD)						
M	10	1	6E-6537	2	SCREW-ADJUSTMENT (M8X1X28-MM)						
M	11	1	6E-6539	2	NUT-CAP (M8X1-THD)						
	12	1	6E-3273	1	SEAT						
	13	1	6E-6536	1	PLUG						
	14	1	6V-8352	1	SEAL-O-RING						
	15	1	9S-8002	1	PLUG-O-RING						
	16	1	3J-7354	1	SEAL-O-RING						
	17	1	193-1036	1	SPRING						
	18	1	6E-3276	1	SPRING						
	19	1	6E-3269	1	RETAINER-SPRING						
	20	1	201-0780	1	ORIFICE						
	21	1	105-2145	1	VALVE-ORIFICE						
	22	1	5P-9262	1	SEAL-O-RING						

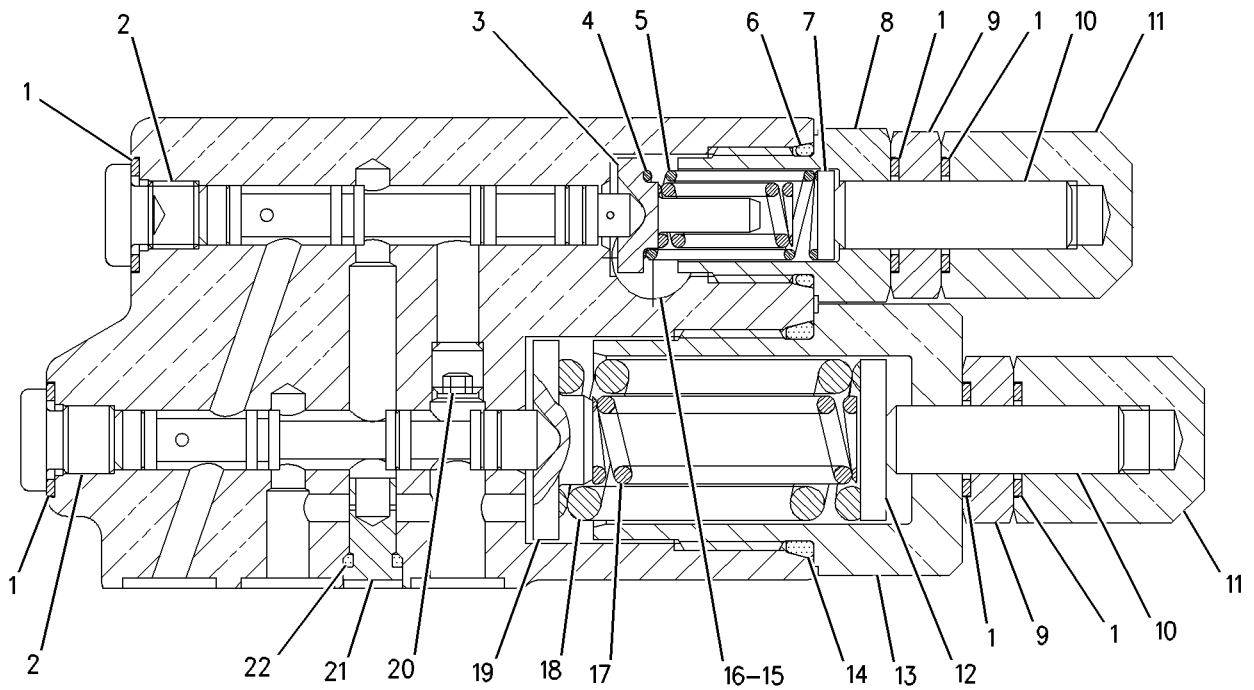
M - METRIC PART



# HYDRAULIC SYSTEM

191-2929 VALVE GP-PUMP CONTROL (contd.)

i01522792



GRAPHIC #1

<END>

g00719835

# HYDRAULIC SYSTEM

## 205-3998 VALVE GP-PUMP CONTROL-PRESSURE, FLOW COMPENSATOR- IMPLEMENT S/N: BNH1-UP PART OF 219-7225 PUMP GP-PISTON

SMCS-5455

i01721865

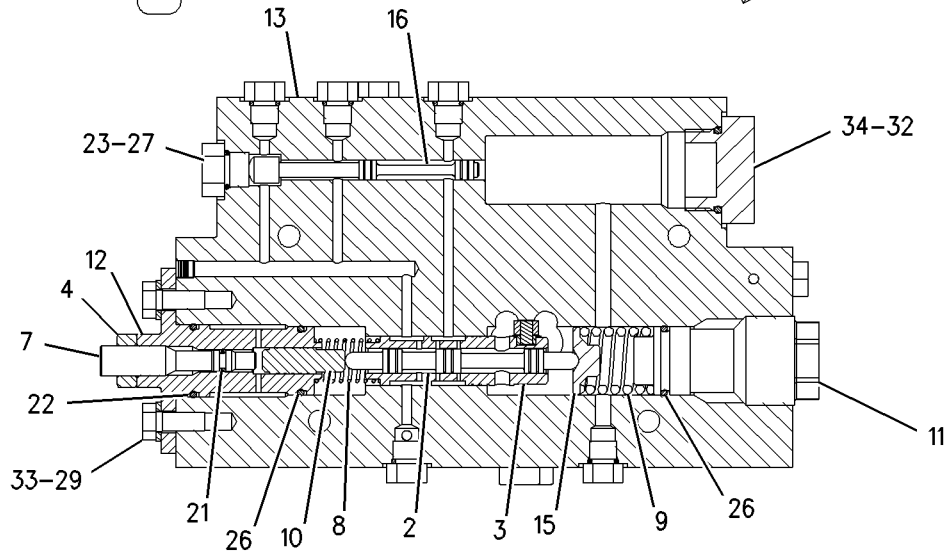
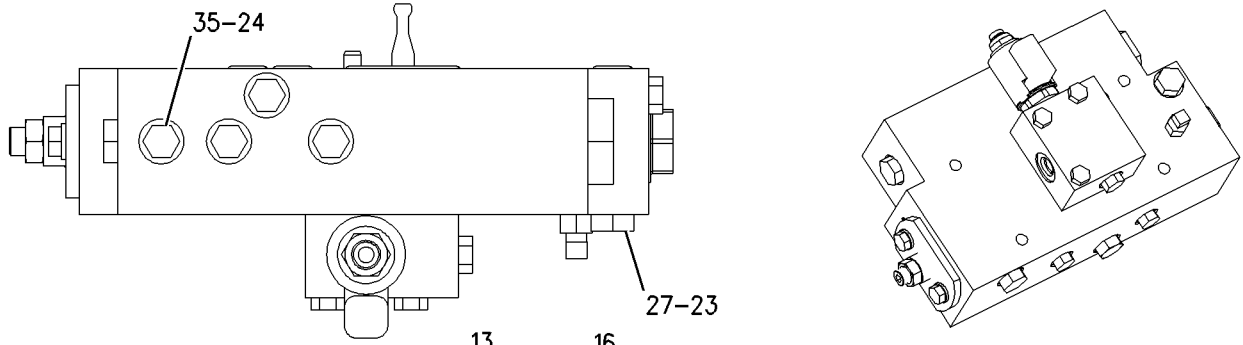
NOTE	REF NO	GRAPHIC REF	PART NUMBER	QTY	PART NAME						SEE PAGE
					1	2	3	4	5	6 (PRODUCT LEVEL)	
	1	1	094-1881	1	PLATE-SLIDE						
	2	1	108-3060	1	SPOOL-TORQUE						
	3	1	108-3061	1	SLEEVE-FOLLOW UP						
	4	1	108-3071	1	NUT						
	5	1	115-8205	1	ARM-FEEDBACK						
	6	1	116-4916	1	PIVOT						
	7	1	136-8401	1	ADJUSTER						
	8	1	139-3555	1	SPRING						
	9	1	143-3968	1	SPRING						
	10	1	143-8887	1	SPOOL						
	11	1	143-8888	1	STOP-ADJUSTER						
	12	1	149-6289	1	CARTRIDGE						
	13	1	149-7574	1	BODY AS						
		1	124-1555	2	PLUG						
		1	140-7966	2	PLUG						
	14	1	149-7575	1	MANIFOLD						
	15	1	168-8598	1	RETAINER						
	16	1	178-6359	1	SPOOL						
Y	17	1	195-3739	1	VALVE GP-SOLENOID (PUMP CONTROL) (PUMP CONTROL)						1044
	18	1	094-1875	1	DOWEL						
	19	1	1H-9696	1	SEAL-O-RING						
	20	1	2A-3630	1	PIN						
	21	1	2D-6392	1	SEAL-O-RING						
	22	1	3D-4245	1	SEAL-O-RING						
	23	1	3J-1907	4	SEAL-O-RING						
	24	1	3J-7354	9	SEAL-O-RING						
	25	1	4B-3576	1	SETSCREW-SQUARE HEAD						
	26	1	4D-9986	2	SEAL-O-RING						
	27	1	5P-6719	3	PLUG						
M	28	1	6V-3918	3	BOLT (M8X1.25X50-MM)						
M	29	1	6V-5217	2	BOLT (M8X1.25X20-MM)						
	30	1	6V-5759	5	SEAL-O-RING						
	31	1	6V-8801	1	NUT (3/8-16-THD)						
	32	1	7M-8485	1	SEAL-O-RING						
	33	1	9M-1974	2	WASHER-HARD (8.8X16X2-MM THK)						
	34	1	9S-4181	1	PLUG-O-RING						
	35	1	9S-4182	9	PLUG-O-RING						
					AVAILABLE REPAIR KIT(S):						
			185-5353	1	KIT-SEAL (PUMP CONTROL VALVE)						
					(INCLUDES SEAL-O-RINGS AND RING-BACKUP)						

M - METRIC PART  
Y - SEPARATE ILLUSTRATION

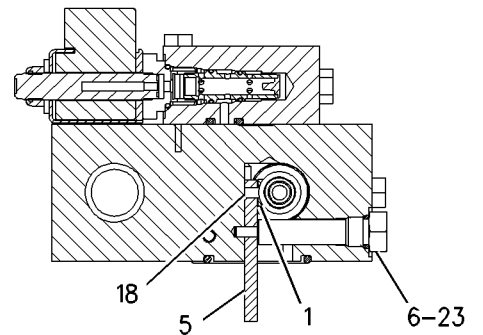
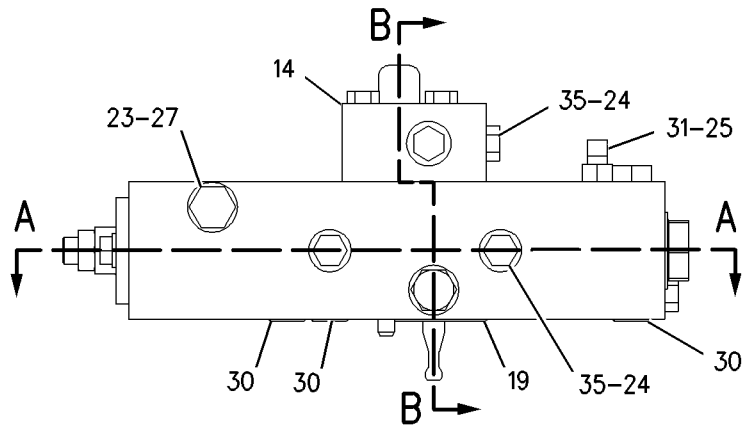
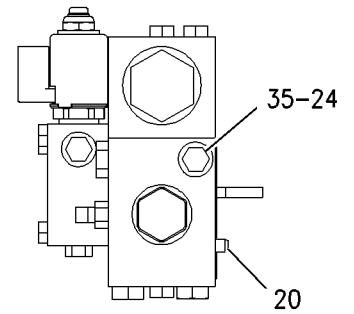
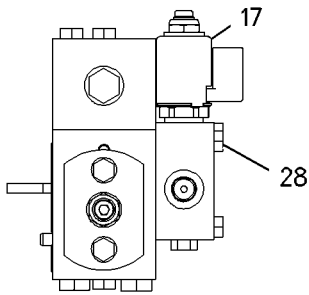
# HYDRAULIC SYSTEM

205-3998 VALVE GP-PUMP CONTROL (contd.)

i01721865



VIEW A-A



VIEW B-B

GRAPHIC #1

<END>

g00850907

# HYDRAULIC SYSTEM

## 273-2130 VALVE GP-REGENERATION-TILT CYLINDER

S/N: BNH1-UP

PART OF 253-4788 VALVE & MTG GP-REGENERATION

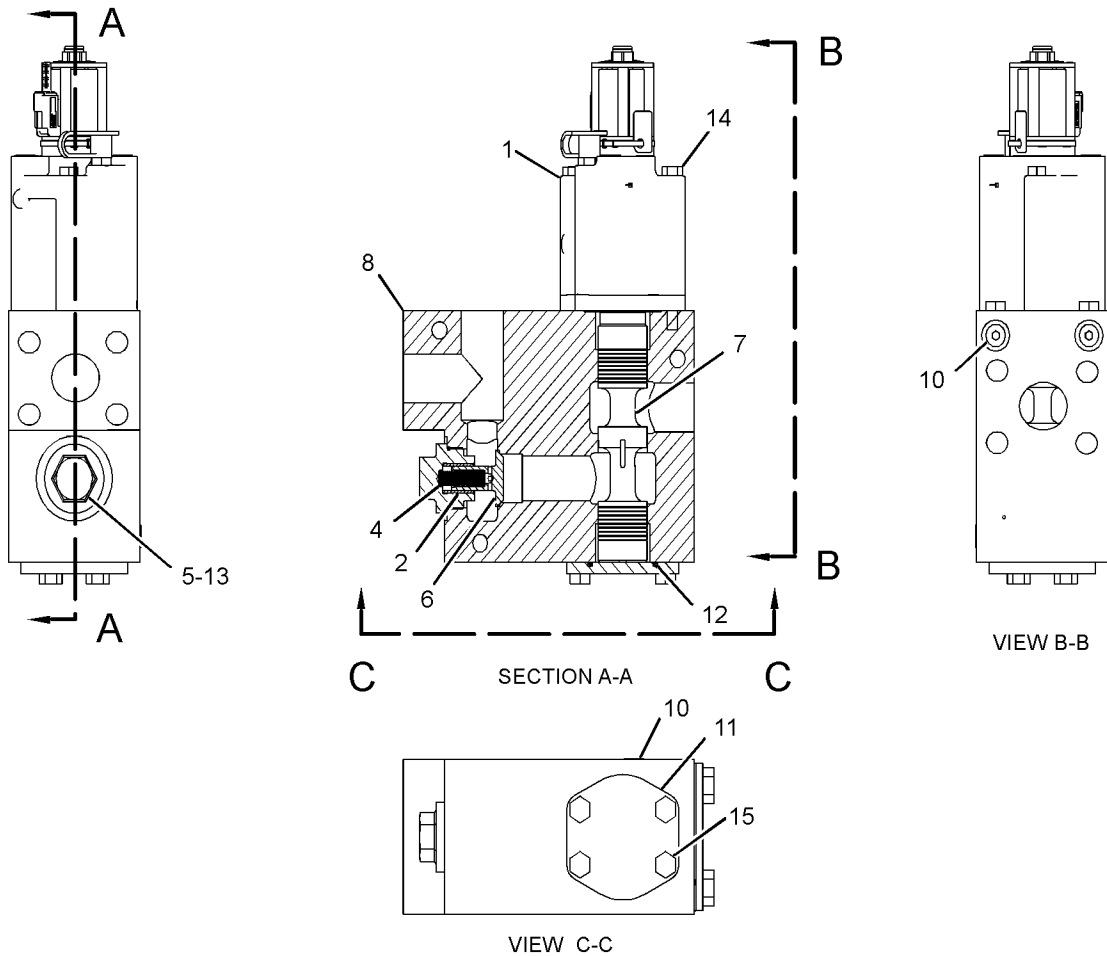
SMCS-512R

i02391222

NOTE	REF NO	GRAPHIC REF	PART NUMBER	QTY	PART NAME						SEE PAGE
					1	2	3	4	5	6	
Y	1	1	217-6719	1	ACTUATOR GP-PILOT CONTROL (REGEN CONTROL VALVE)						839
	2	1	3G-5003	1	BUSHING						
	4	1	9L-9188	1	SPRING-VALVE						
	5	1	153-9989	1	PLUG						
	6	1	153-9990	1	VALVE						
	7	1	204-1340	1	STEM						
	8	1	273-2128	1	BODY-VALVE						
	10	1	162-0177	3	PLUG AS						
					(EACH INCLUDES)						
		1	3J-1907	1	SEAL-O-RING						
		1	9S-8004	1	PLUG-O-RING						
	11	1	3J-2903	1	COVER						
	12	1	4J-0527	1	SEAL-O-RING						
	13	1	6K-6307	1	SEAL-O-RING						
M	14	1	7X-2543	2	BOLT (M10X1.5X120-MM)						
M	15	1	8T-4139	4	BOLT (M12X1.75X30-MM)						

M - METRIC PART

Y - SEPARATE ILLUSTRATION



GRAPHIC #1

<END>

g01249845

# HYDRAULIC SYSTEM

## 117-0159 VALVE GP-RELIEF-MAIN

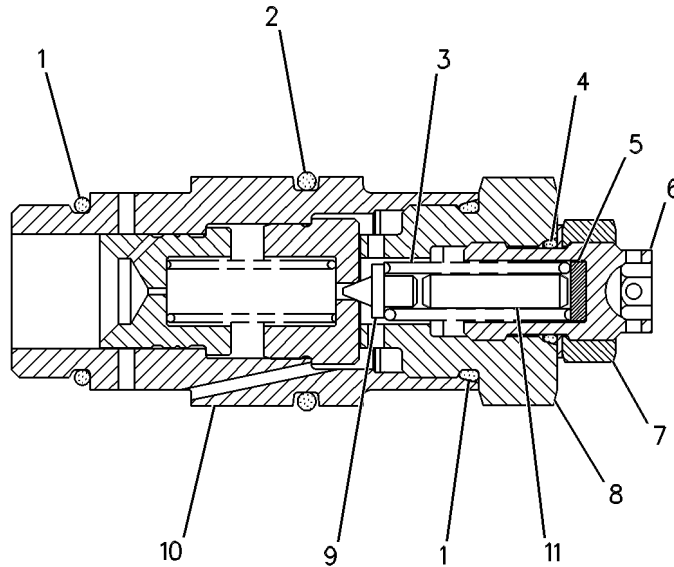
S/N: BNH1-UP

PART OF 212-8712, 212-8746 VALVE GP-MAIN CONTROL  
AN ATTACHMENT

SMCS-5069, 5117

i02259286

NOTE	REF NO	GRAPHIC REF	PART NUMBER	QTY	PART NAME						SEE PAGE
					1	2	3	4	5	6 (PRODUCT LEVEL)	
	1	1	<b>7M-8485</b>	2	SEAL-O-RING						
	2	1	<b>4J-0522</b>	1	SEAL-O-RING						
	3	1	<b>4T-2770</b>	1	SPRING						
	4	1	<b>3K-0360</b>	1	SEAL-O-RING						
	5	1	<b>4Y-5812</b>	1	PLATE						
	6	1	<b>6E-5510</b>	1	RETAINER AS						
	7	1	<b>9X-6395</b>	1	NUT (3/4-16-THD)						
	8	1	<b>6E-1127</b>	1	CAP						
	9	1	<b>8J-0331</b>	1	VALVE						
	10	1	<b>6E-6138</b>	1	VALVE GP-RELIEF (MAIN)						
		1	<b>8H-3532</b>	1	SPRING-VALVE						
	11	1	<b>185-7876</b>	1	DOWEL						



GRAPHIC #1

<END>

g00255864

# HYDRAULIC SYSTEM

## 117-0160 VALVE GP-RELIEF-LINE

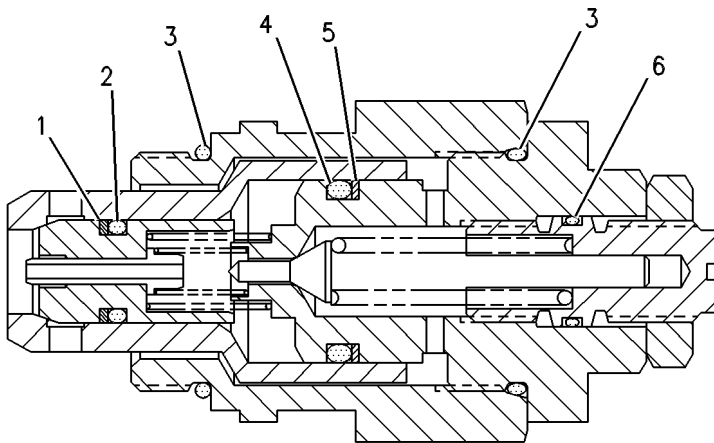
S/N: BNH1-UP

PART OF 212-8712, 212-8746 VALVE GP-MAIN CONTROL  
AN ATTACHMENT

SMCS-5069, 5117

i03163900

NOTE	REF NO	GRAPHIC REF	PART NUMBER	QTY	PART NAME						SEE PAGE
					1	2	3	4	5	6 (PRODUCT LEVEL)	
1	1	1	<b>9T-9992</b>	1	RING-BACKUP						
2	1	1	<b>032-9313</b>	1	SEAL-O-RING						
3	1	1	<b>2S-4078</b>	2	SEAL-O-RING						
4	1	1	<b>3P-1155</b>	1	SEAL-O-RING						
5	1	1	<b>117-0775</b>	1	RING-BACKUP						
6	1	1	<b>2P-2975</b>	1	SEAL-O-RING						



GRAPHIC #1

<END>

g00263227

# HYDRAULIC SYSTEM

## 117-0161 VALVE GP-RELIEF-LINE

S/N: BNH1-UP

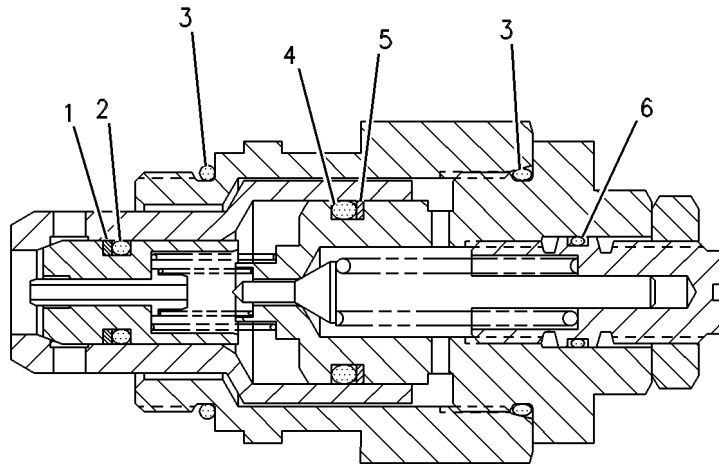
LINE, TILT

PART OF 212-8712, 212-8746 VALVE GP-MAIN CONTROL  
AN ATTACHMENT

SMCS-5069, 5117

i03163920

NOTE	REF NO	GRAPHIC REF	PART NUMBER	QTY	PART NAME						SEE PAGE
					1	2	3	4	5	6 (PRODUCT LEVEL)	
	1	1	<b>9T-9992</b>	1	RING-BACKUP						
	2	1	<b>032-9313</b>	1	SEAL-O-RING						
	3	1	<b>2S-4078</b>	2	SEAL-O-RING						
	4	1	<b>3P-1155</b>	1	SEAL-O-RING						
	5	1	<b>117-0775</b>	1	RING-BACKUP						
	6	1	<b>2P-2975</b>	1	SEAL-O-RING						



GRAPHIC #1

<END>

g00263240

# HYDRAULIC SYSTEM

## 125-9349 VALVE GP-RELIEF-LINE

S/N: BNH1-UP

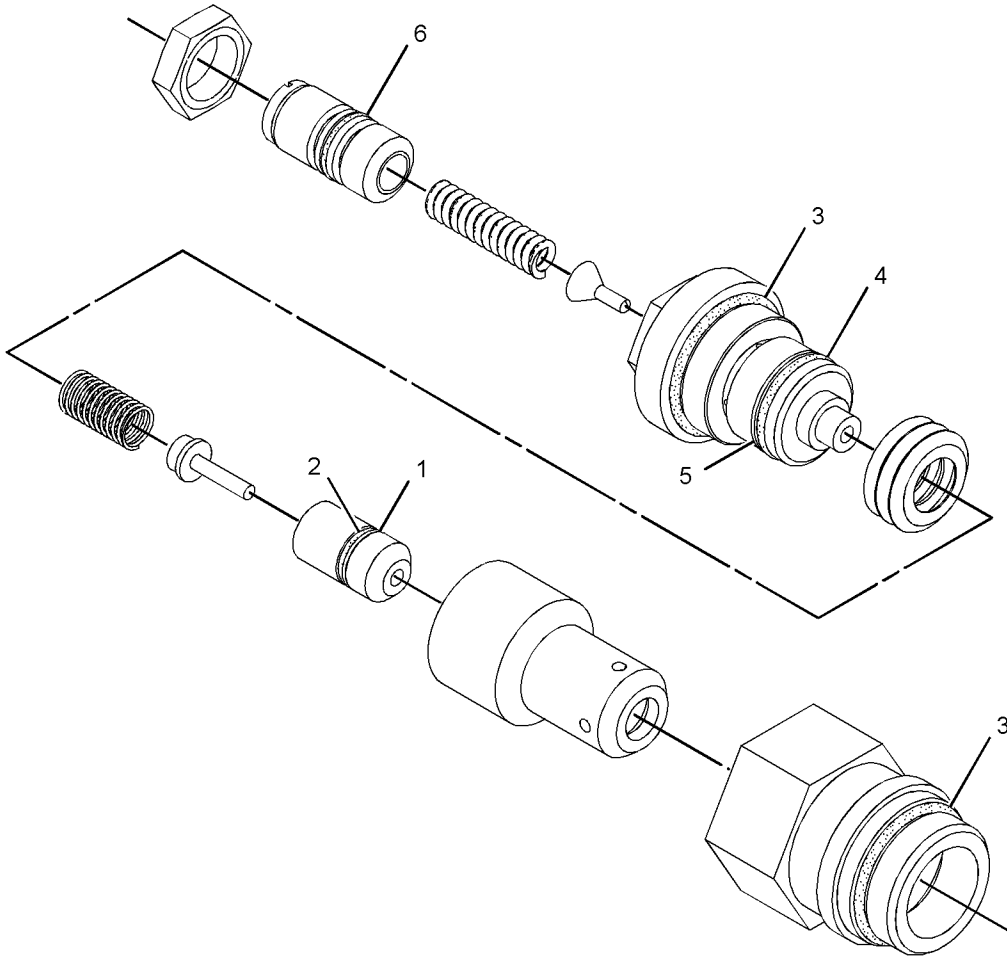
PART OF 212-8712, 212-8746 VALVE GP-MAIN CONTROL  
AN ATTACHMENT

SMCS-5069, 5117

i03163946

NOTE	REF NO	GRAPHIC REF	PART NUMBER	QTY	PART NAME						SEE PAGE
					1	2	3	4	5	6 (PRODUCT LEVEL)	
1	1	1	<b>9T-9992</b>	1	RING-BACKUP						
2	1	1	<b>032-9313</b>	1	SEAL-O-RING						
3	1	1	<b>2S-4078</b>	2	SEAL-O-RING						
4	1	1	<b>3P-1155</b>	1	SEAL-O-RING						
5	1	1	<b>117-0775</b>	1	RING-BACKUP						
6	1	1	<b>2P-2975</b>	1	SEAL-O-RING						

PARTS SHOWN IN GRAPHIC(S) WITHOUT A REFERENCE NUMBER ARE NOT SERVICED SEPARATELY



GRAPHIC #1

<END>

g01691413



# HYDRAULIC SYSTEM

## 172-5481 VALVE GP-RELIEF-LINE

S/N: BNH1-UP

LINE, TILT

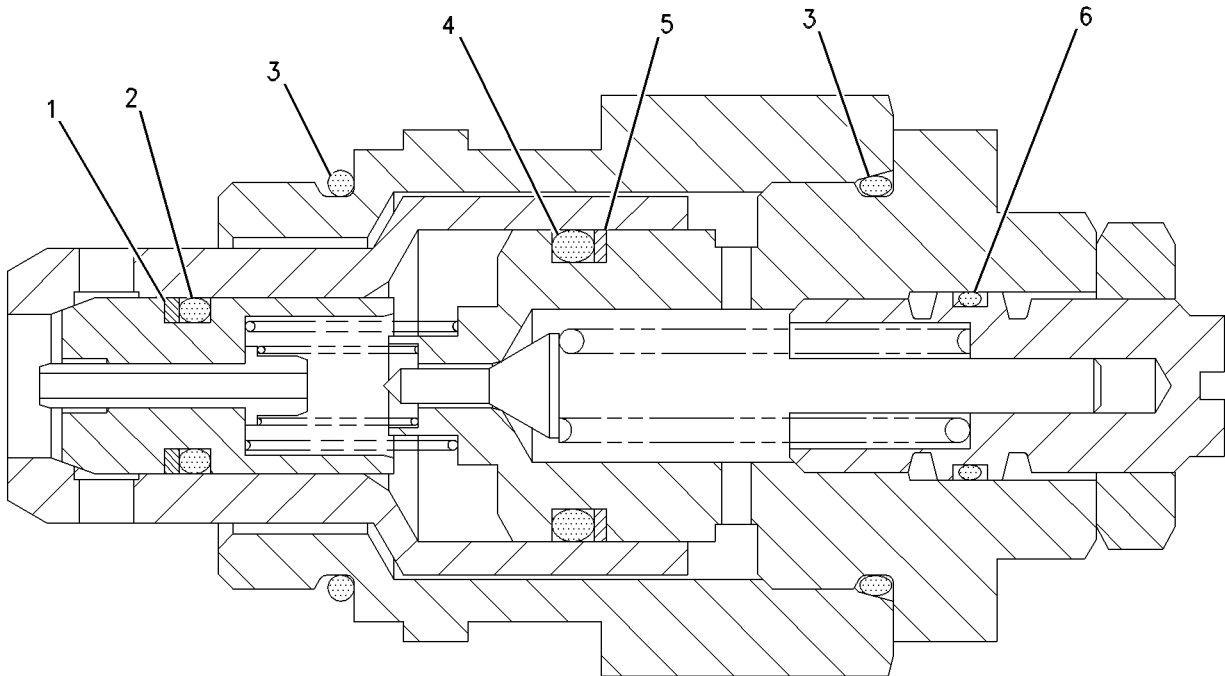
PART OF 212-8746 VALVE GP-MAIN CONTROL

AN ATTACHMENT

SMCS-5069, 5117

i01206866

NOTE	REF NO	GRAPHIC REF	PART NUMBER	QTY	PART NAME						SEE PAGE
					1	2	3	4	5	6 (PRODUCT LEVEL)	
1	1	1	<b>9T-9992</b>	1	RING-BACKUP						
2	1	1	<b>8T-9522</b>	1	SEAL-O-RING						
3	1	1	<b>2S-4078</b>	2	SEAL-O-RING						
4	1	1	<b>3P-1155</b>	1	SEAL-O-RING						
5	1	1	<b>117-0775</b>	1	RING-BACKUP						
6	1	1	<b>2P-2975</b>	1	SEAL-O-RING						



GRAPHIC #1

<END>

g00586275

# HYDRAULIC SYSTEM

## 186-6218 VALVE GP-RELIEF-STEERING, IMPLEMENT PILOT

S/N: BNH1-UP

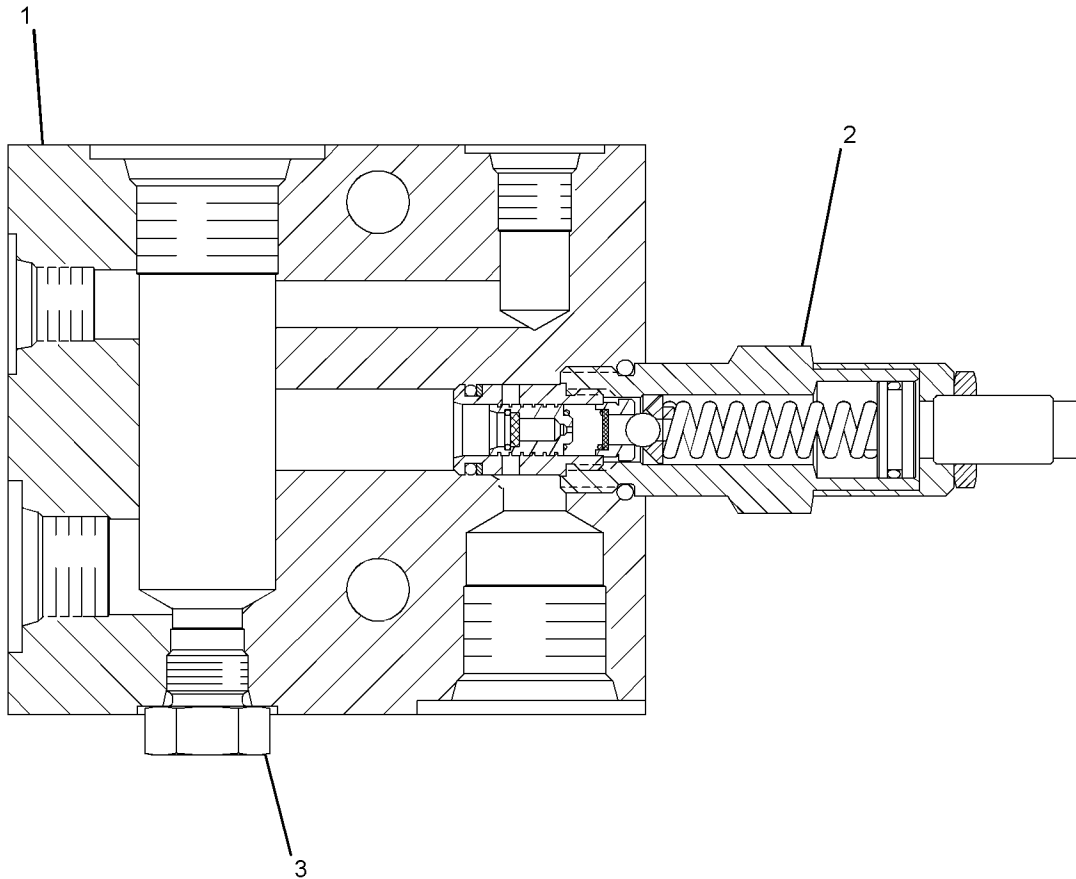
PART OF 203-1588, 228-3173 LINES GP-HYDRAULIC

SMCS-5069, 5117

i05111511

NOTE	REF NO	GRAPHIC REF	PART NUMBER	QTY	PART NAME						SEE PAGE
					1	2	3	4	5	6 (PRODUCT LEVEL)	
	1	1	<b>138-3815</b>	1	MANIFOLD						
Y	2	1	<b>376-9450</b>	1	VALVE GP-RELIEF (STEERING & IMPLEMENT PILOT)						1033
	3	1	<i>148-8407</i>	1	PLUG AS						
		1	<b>3J-1907</b>	1	SEAL-O-RING						
		1	<b>9S-4191</b>	1	PLUG-O-RING						

Y - SEPARATE ILLUSTRATION



GRAPHIC #1

<END>

g02049533

# HYDRAULIC SYSTEM

## 376-9450 VALVE GP-RELIEF

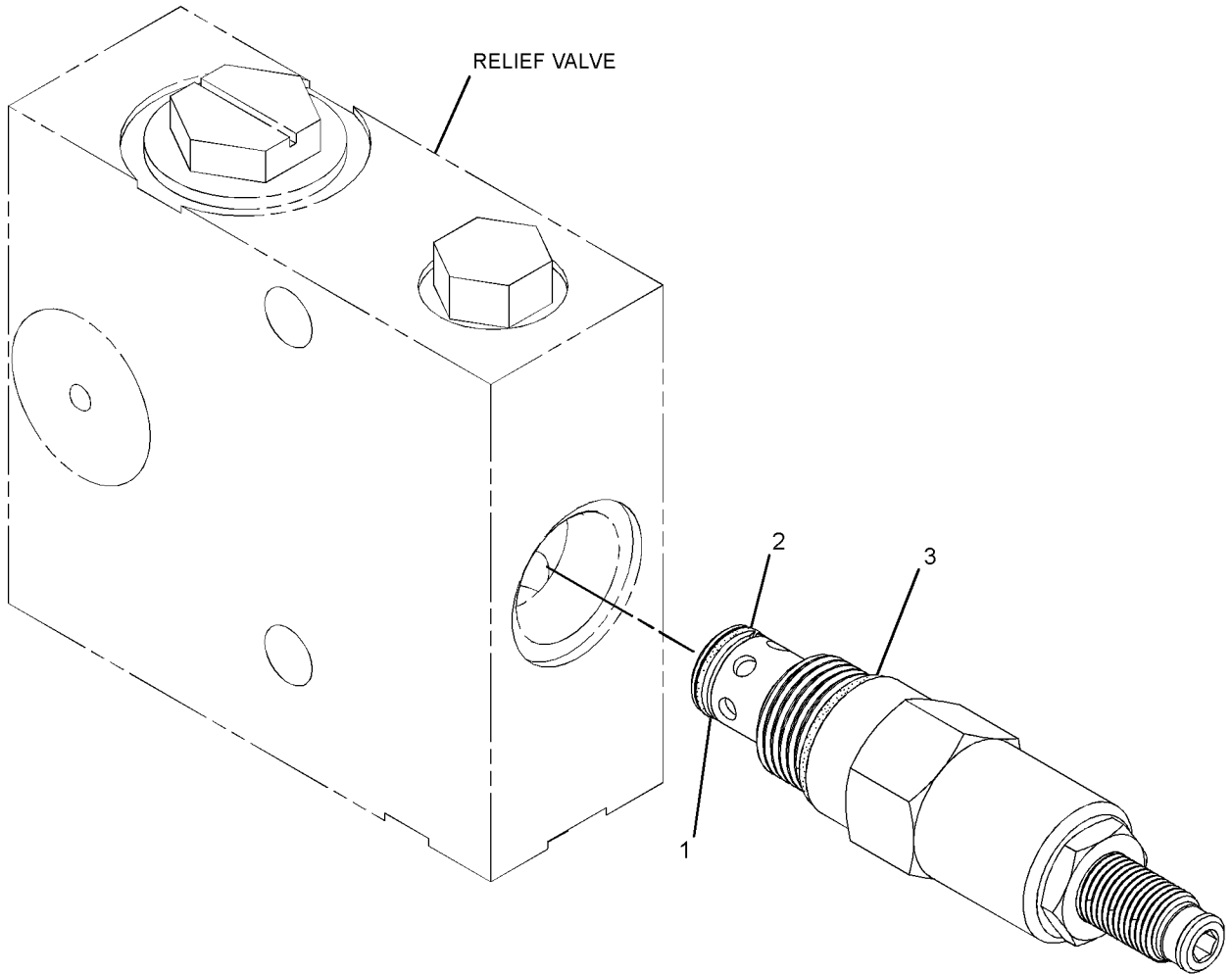
S/N: BNH1-UP

PART OF 186-6218 VALVE GP-RELIEF

SMCS-5069, 5117

i04955140

NOTE	REF NO	GRAPHIC REF	PART NUMBER	QTY	PART NAME						SEE PAGE
					1	2	3	4	5	6 (PRODUCT LEVEL)	
	1	1	<b>6V-6923</b>	1	RING-BACKUP						
	2	1	<b>033-6033</b>	1	SEAL-O-RING						
	3	1	<b>2M-9780</b>	1	SEAL-O-RING						



GRAPHIC #1

<END>

g03165100

# HYDRAULIC SYSTEM

## 9T-9552 VALVE GP-RIDE CONTROL

S/N: BNH1-UP

PART OF 197-7356 CONTROL & LINES GP-RIDE, 220-5571 HYDRAULIC AR-RIDE CONTROL  
AN ATTACHMENT

SMCS-5004, 5054, 5066

i02933481

NOTE	REF NO	GRAPHIC REF	PART NUMBER	QTY	PART NAME						SEE PAGE
					1	2	3	4	5	6 (PRODUCT LEVEL)	
	1	1	<b>4T-1701</b>	1	SPRING						
	2	1	<b>6E-3303</b>	1	STEM						
Y	3	1	<b>152-8340</b>	1	VALVE GP-SOLENOID (24-VOLT) (RIDE CONTROL)						1043
	4	1	<b>222-4737</b>	2	PLUG AS						
					(EACH INCLUDES)						
		1	<b>4J-7533</b>	1	SEAL-O-RING						
		1	<b>9S-4180</b>	1	PLUG						
	5	1	<b>148-8407</b>	3	PLUG AS						
					(EACH INCLUDES)						
		1	<b>3J-1907</b>	1	SEAL-O-RING						
		1	<b>9S-4191</b>	1	PLUG-O-RING						
	6	1	<b>164-5616</b>	1	PLUG AS						
		1	<b>2S-4078</b>	1	SEAL-O-RING						
		1	<b>9S-6130</b>	1	PLUG						
	7	1	<b>1P-3705</b>	2	SEAL-RECTANGULAR						
	8	1	<b>4J-0522</b>	1	SEAL-O-RING						
	9	1	<b>6V-5555</b>	1	SEAL-O-RING						
M	10	1	<b>8T-4185</b>	2	BOLT (M10X1.5X50-MM)						

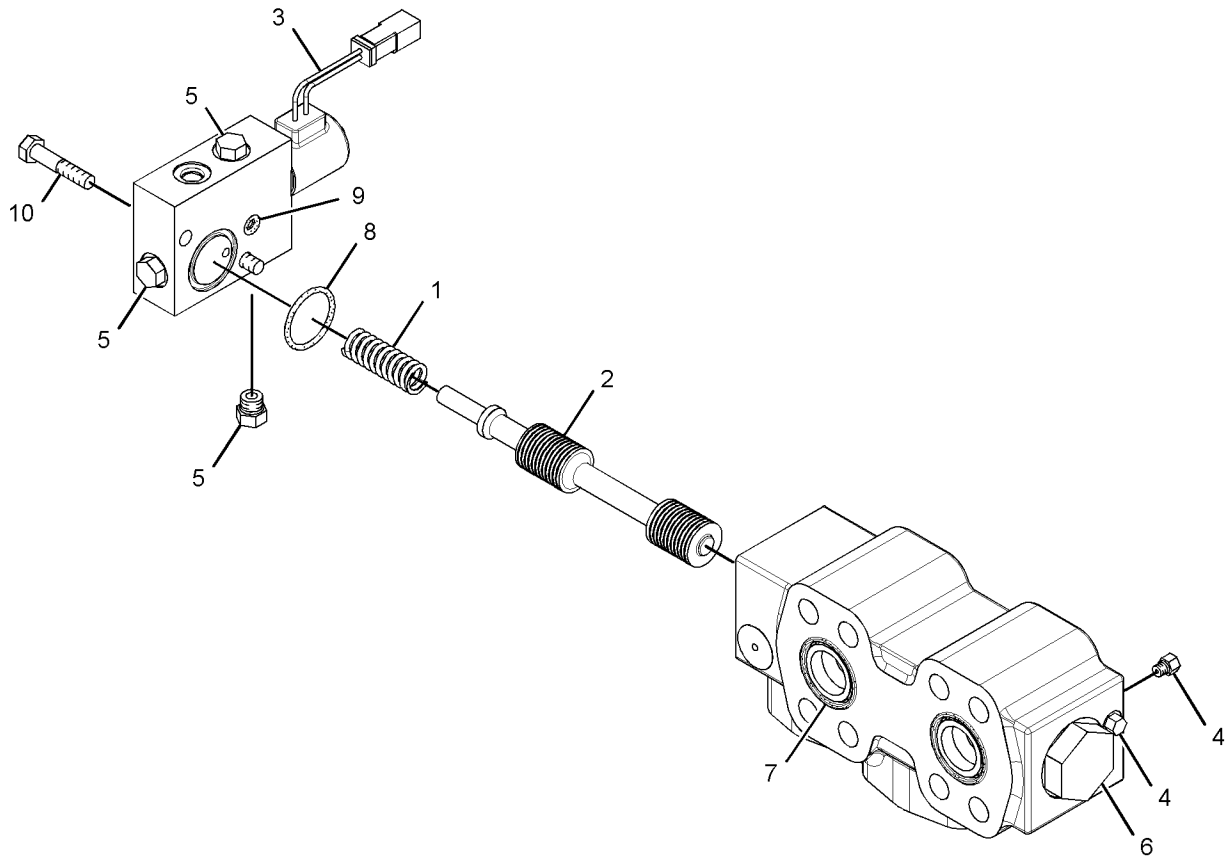
PARTS SHOWN IN GRAPHIC(S) WITHOUT A REFERENCE NUMBER ARE NOT SERVICED SEPARATELY

M - METRIC PART  
Y - SEPARATE ILLUSTRATION

# HYDRAULIC SYSTEM

9T-9552 VALVE GP-RIDE CONTROL (contd.)

i02933481



GRAPHIC #1

<END>

g01455683

# HYDRAULIC SYSTEM

## 199-3131 VALVE GP-RIDE CONTROL

S/N: BNH592-UP

PART OF 220-1643 CONTROL & LINES GP-RIDE  
AN ATTACHMENT

SMCS-5004, 5054, 5066

i03092237

NOTE	REF NO	GRAPHIC REF	PART NUMBER	QTY	PART NAME						SEE PAGE
					1	2	3	4	5	6 (PRODUCT LEVEL)	
M	1	1	<b>8T-4185</b>	2	BOLT (M10X1.5X50-MM)						
	2	1	<b>4T-1701</b>	1	SPRING						
	3	1	<b>6E-3303</b>	1	STEM						
	4	1	<b>6V-5555</b>	1	SEAL-O-RING						
Y	5	1	<b>152-8340</b>	1	VALVE GP-SOLENOID (24-VOLT) (RIDE CONTROL)						1043
	6	1	<b>4J-0522</b>	1	SEAL-O-RING						
	7	1	<i>164-5616</i>	1	PLUG AS						
		1	<b>2S-4078</b>	1	SEAL-O-RING						
		1	<b>9S-6130</b>	1	PLUG						
	8	1	<i>222-4737</i>	2	PLUG AS						
					(EACH INCLUDES)						
		1	<b>4J-7533</b>	1	SEAL-O-RING						
		1	<b>9S-4180</b>	1	PLUG						
	9	1	<i>148-8407</i>	3	PLUG AS						
				(EACH INCLUDES)							
	1	<b>3J-1907</b>	1	SEAL-O-RING							
	1	<b>9S-4191</b>	1	PLUG-O-RING							

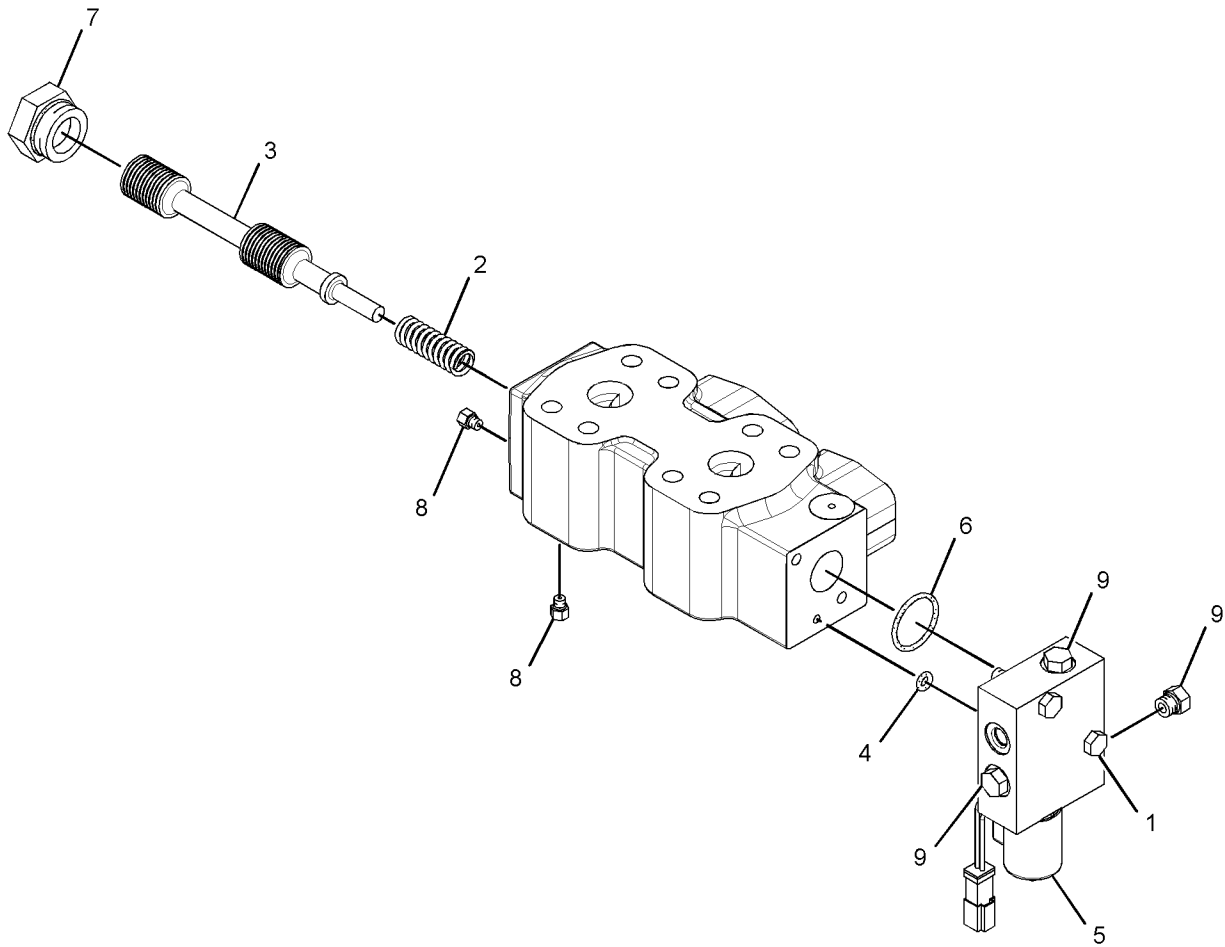
PARTS SHOWN IN GRAPHIC(S) WITHOUT A REFERENCE NUMBER ARE NOT SERVICED SEPARATELY

M - METRIC PART  
Y - SEPARATE ILLUSTRATION

# HYDRAULIC SYSTEM

199-3131 VALVE GP-RIDE CONTROL (contd.)

i03092237



GRAPHIC #1

<END>

g01609037

# HYDRAULIC SYSTEM

## 4T-1860 VALVE GP-SHUTTLE

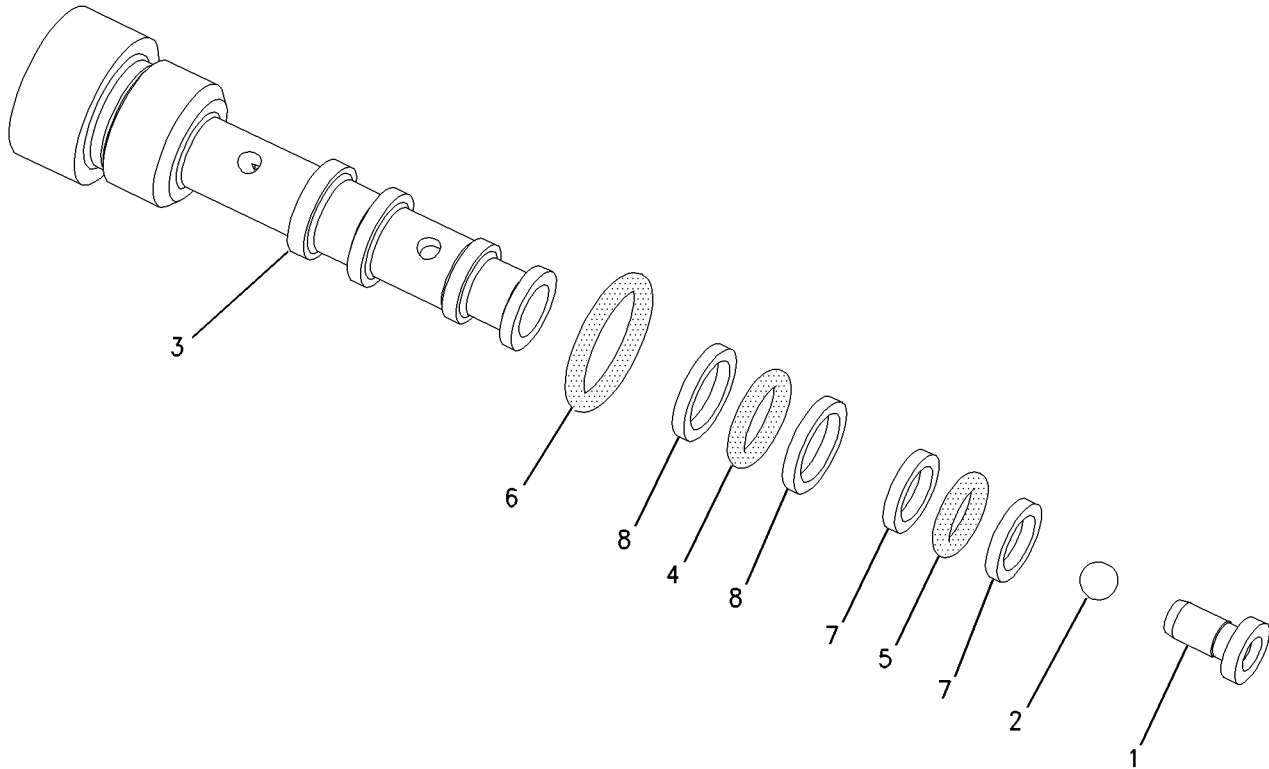
S/N: BNH1-UP

PART OF 212-8712, 212-8746 VALVE GP-MAIN CONTROL, 133-8609, 301-4599, 301-4602 VALVE  
GP-STEERING  
AN ATTACHMENT

SMCS-4289, 5079

i03247064

NOTE	REF NO	GRAPHIC REF	PART NUMBER	QTY	PART NAME						SEE PAGE
					1	2	3	4	5	6 (PRODUCT LEVEL)	
	1	1	<b>4T-0925</b>	1	SEAT						
	2	1	<b>1M-6718</b>	1	BALL						
	3	1	<b>4T-0928</b>	1	VALVE						
	4	1	<b>6V-5324</b>	1	SEAL-O-RING						
	5	1	<b>147-6603</b>	1	SEAL-O-RING						
	6	1	<b>3J-1907</b>	1	SEAL-O-RING						
	7	1	<b>147-6604</b>	2	RING-BACKUP						
	8	1	<b>147-6605</b>	2	RING-BACKUP						



GRAPHIC #1

<END>

g00775006



# HYDRAULIC SYSTEM

## 148-2341 VALVE GP-SHUTTLE

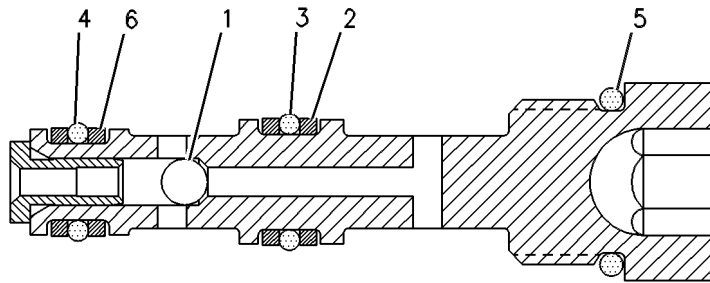
S/N: BNH1-UP

PART OF 212-8712, 212-8746 VALVE GP-MAIN CONTROL  
AN ATTACHMENT

SMCS-4289, 5079

i00757758

NOTE	REF NO	GRAPHIC REF	PART NUMBER	QTY	PART NAME						SEE PAGE	
					1	2	3	4	5	6 (PRODUCT LEVEL)		
	1	1	<b>1M-6718</b>	1	BALL							
	2	1	<b>147-6605</b>	2	RING-BACKUP							
	3	1	<b>6V-5324</b>	1	SEAL-O-RING							
	4	1	<b>147-6603</b>	1	SEAL-O-RING							
	5	1	<b>3J-1907</b>	1	SEAL-O-RING							
	6	1	<b>147-6604</b>	2	RING-BACKUP							



GRAPHIC #1

<END>

g00281743

# HYDRAULIC SYSTEM

## 175-2791 VALVE GP-SHUTTLE

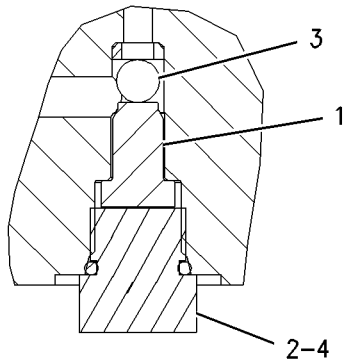
S/N: BNH1-UP

PART OF 219-7225 PUMP GP-PISTON

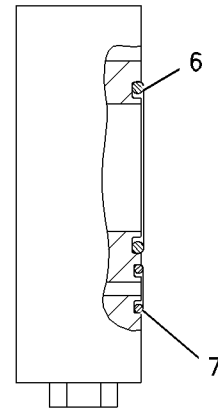
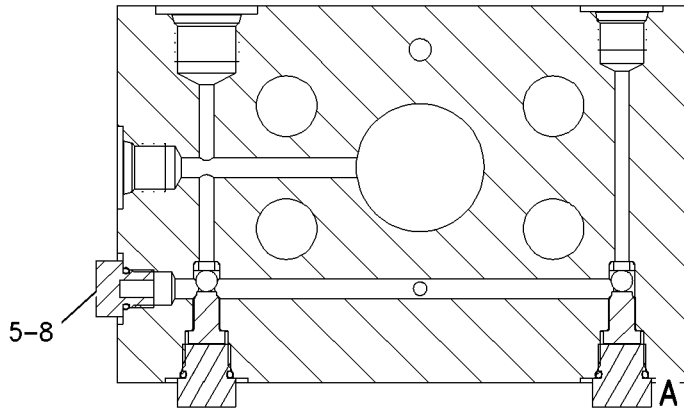
SMCS-5079

i01468560

NOTE	REF NO	GRAPHIC REF	PART NUMBER	QTY	PART NAME						SEE PAGE
					1	2	3	4	5	6 (PRODUCT LEVEL)	
	1	1	<b>201-7329</b>	2	RETAINER						
	2	1	<b>5P-6719</b>	2	PLUG						
	3	1	<b>2D-6642</b>	2	BALL						
	4	1	<b>3J-1907</b>	2	SEAL-O-RING						
	5	1	<b>3J-7354</b>	1	SEAL-O-RING						
	6	1	<b>4J-0523</b>	1	SEAL-O-RING						
	7	1	<b>4J-5309</b>	1	SEAL-O-RING						
	8	1	<b>9S-4182</b>	1	PLUG-O-RING						



VIEW OF AREA A



GRAPHIC #1

<END>

g00766185

# HYDRAULIC SYSTEM

## 149-2610 VALVE GP-SOLENOID

S/N: BNH1-UP

24-VOLT

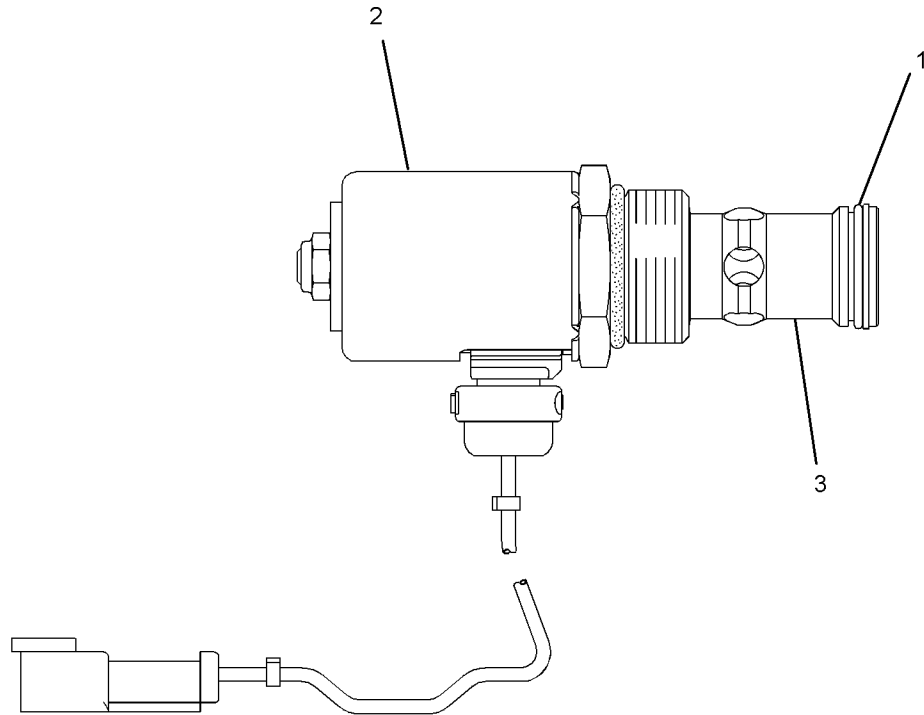
FIELD REPLACEMENT ORDER 279-6528-PAGE: 1045

PART OF 114-5120, 223-4078 LINES GP-AXLE OIL COOLER, 151-7455 VALVE GP-SOLENOID  
AN ATTACHMENT

SMCS-3174, 4804, 4805, 5132, 5479

i03996029

NOTE	REF NO	GRAPHIC REF	PART NUMBER	QTY	PART NAME						SEE PAGE
					1	2	3	4	5	6 (PRODUCT LEVEL)	
1	1	1	<b>3G-8175</b>	1	KIT-SEAL (INCLUDES O-RINGS & BACK-UP RING)						
2	1	1	<b>218-9894</b>	1	COIL AS (24-VOLT)						
		1	<b>1S-9593</b>	2	STRAP-CABLE						
		1	<b>8T-8729</b>	2	PIN-CONNECTOR (16-GA TO 18-GA)						
		1	<b>102-8802</b>	1	KIT-RECEPTACLE (2-PIN) (INCLUDES RECEPTACLE AS & WEDGE)						
3	1	1	<b>355-1470</b>	1	CARTRIDGE AS						



GRAPHIC #1

<END>

g02126881

# HYDRAULIC SYSTEM

## 151-7455 VALVE GP-SOLENOID

S/N: BNH1-UP

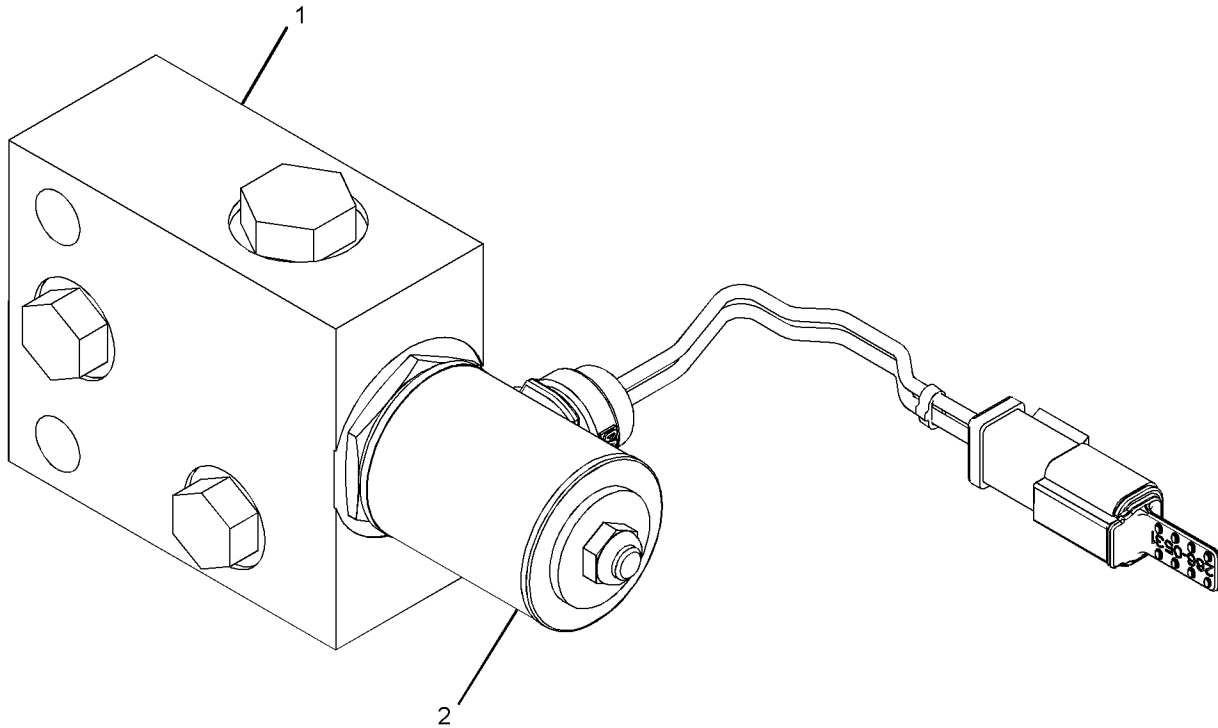
PART OF 132-6133, 201-0218 VALVE & MTG GP-MAIN CONTROL  
AN ATTACHMENT

SMCS-5132, 5479

i03743572

NOTE	REF NO	GRAPHIC REF	PART NUMBER	QTY	PART NAME						SEE PAGE
					1	2	3	4	5	6 (PRODUCT LEVEL)	
	1	1	<b>138-0549</b>	1	BODY						
Y	2	1	<b>149-2610</b>	1	VALVE GP-SOLENOID (24-VOLT) (HYDRAULIC LOCKOUT)						1041

Y - SEPARATE ILLUSTRATION



GRAPHIC #1

<END>

g02061464

# HYDRAULIC SYSTEM

## 152-8340 VALVE GP-SOLENOID

S/N: BNH1-UP

24-VOLT

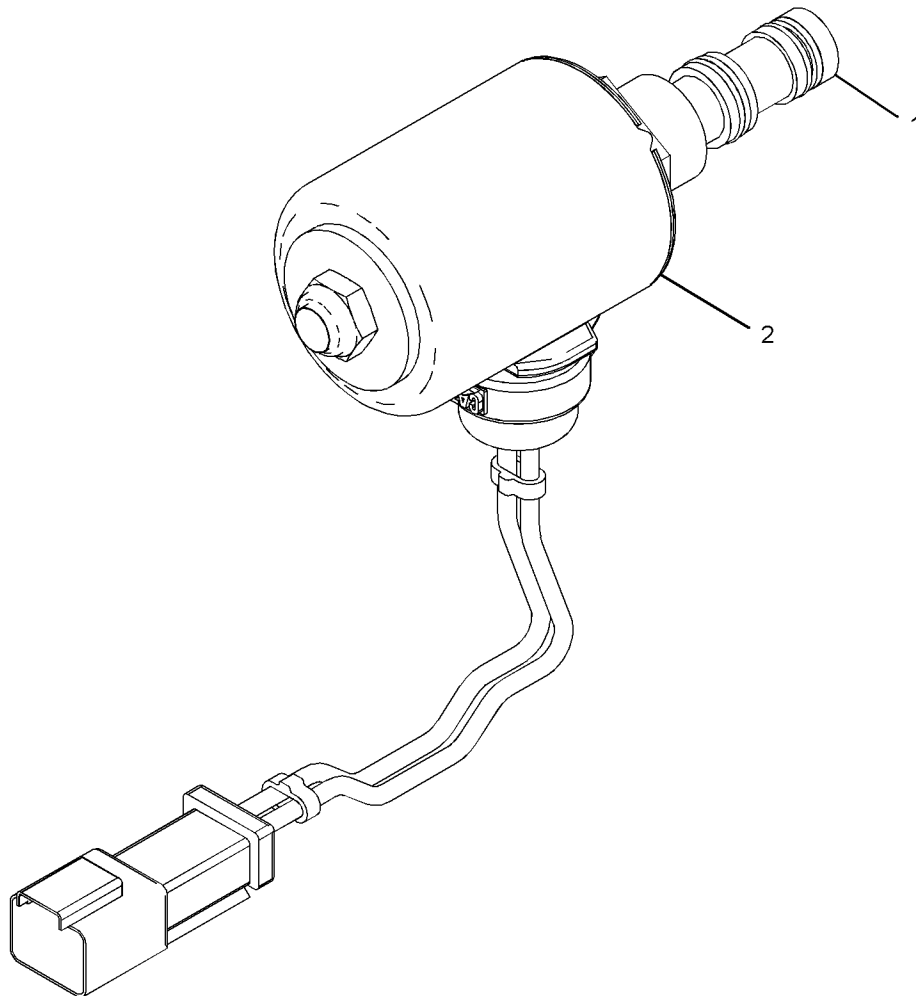
PART OF 199-3131, 9T-9552 VALVE GP-RIDE CONTROL  
AN ATTACHMENT

SMCS-5132, 5479

i04169412

NOTE	REF NO	GRAPHIC REF	PART NUMBER	QTY	PART NAME						SEE PAGE
					1	2	3	4	5	6 (PRODUCT LEVEL)	
J	1	1	<b>152-8338</b>	1	CARTRIDGE AS						
		1	<b>8C-9987</b>	1	WASHER (8.3X28X2.5-MM THK)						
		1	<b>111-0343</b>	1	LOCKNUT (5/16-18-THD)						
	2	1	<b>218-9894</b>	1	COIL AS (24-VOLT)						
AVAILABLE REPAIR KIT(S):											
J			<b>197-7701</b>	1	KIT-SEAL (SOLENOID VALVE)						
(INCLUDES SEALS & RINGS)											

J - KIT MARKED J SERVICES PARTS MARKED J



GRAPHIC #1

<END>

g02360296

# HYDRAULIC SYSTEM

## 195-3739 VALVE GP-SOLENOID

S/N: BNH1-UP

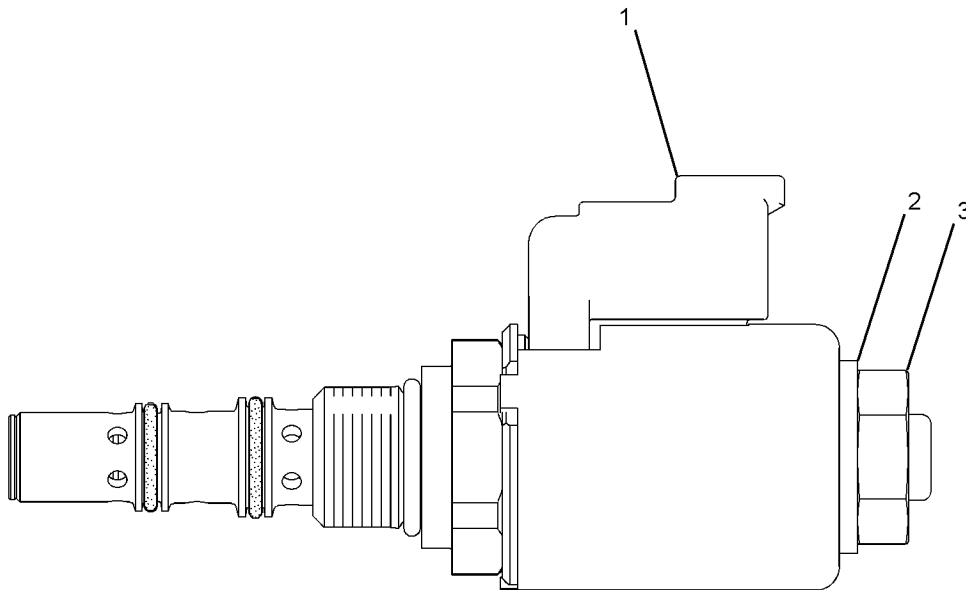
24-VOLT

PART OF 205-3998 VALVE GP-PUMP CONTROL

SMCS-5132, 5479

i03996250

NOTE	REF NO	GRAPHIC REF	PART NUMBER	QTY	PART NAME						SEE PAGE
					1	2	3	4	5	6 (PRODUCT LEVEL)	
	1	1	<b>226-9622</b>	1	COIL AS-SOLENOID (24-VOLT)						
	2	1	<b>164-2108</b>	1	WASHER (13.03X25.4X2.38-MM THK)						
	3	1	<b>218-2373</b>	1	NUT (1/2-28-THD)						
AVAILABLE REPAIR KIT(S):											
			<b>175-3892</b>	1	KIT-SEAL (SOLENOID VALVE)						



GRAPHIC #1

<END>

g02174094

# HYDRAULIC SYSTEM

## 279-6528 VALVE GP-SOLENOID

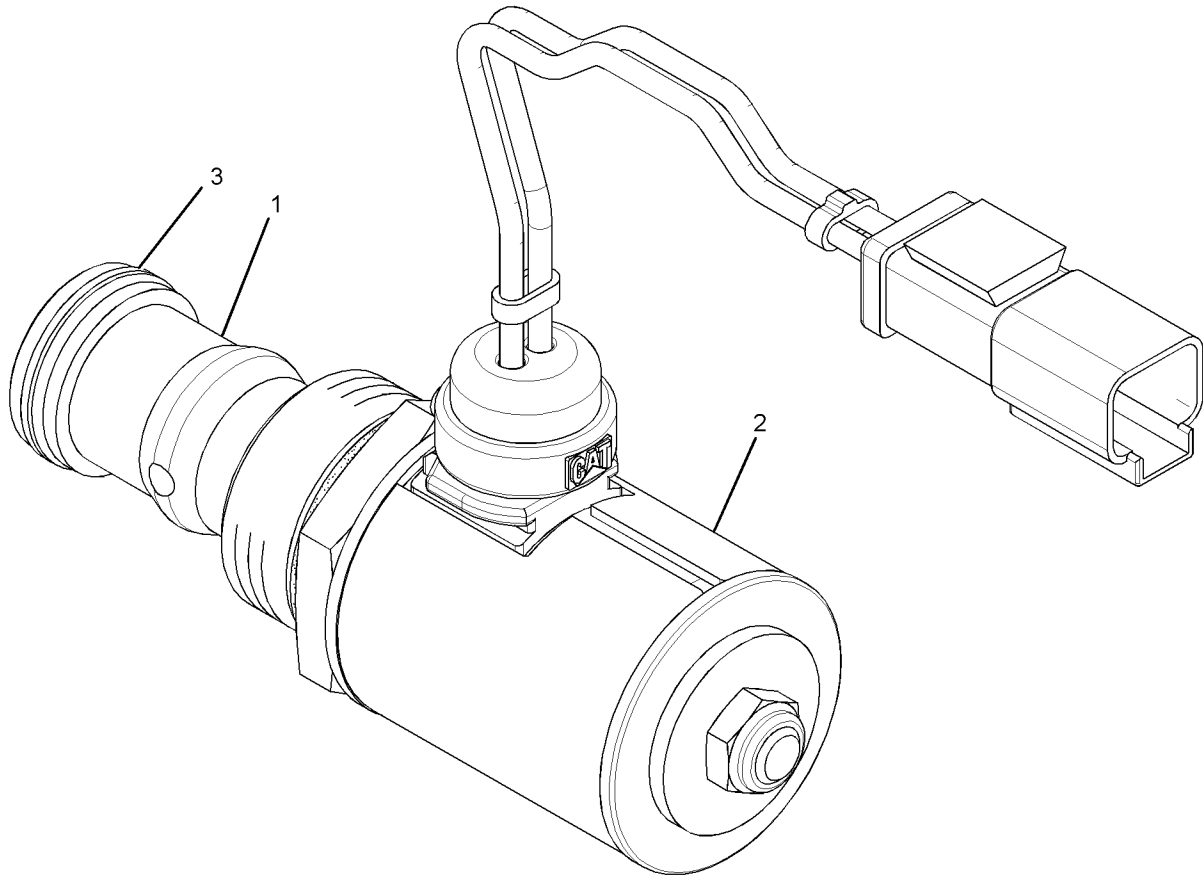
S/N: BNH1-UP

FIELD REPLACEMENT FOR 149-2610-PAGE: 1041

SMCS-3174, 4804, 4805, 5132, 5479

i04574176

NOTE	REF NO	GRAPHIC REF	PART NUMBER	QTY	PART NAME						SEE PAGE
					1	2	3	4	5	6 (PRODUCT LEVEL)	
	1	1	<b>355-1470</b>	1	CARTRIDGE AS						
	2	1	<b>218-9894</b>	1	COIL AS (24-VOLT)						
	3	1	<b>3G-8175</b>	1	KIT-SEAL (INCLUDES SEAL-O-RINGS & BACK UP RING)						



GRAPHIC #1

<END>

g02731866

# IMPLEMENTS

## 201-1049 ARM & BEARING AS-LIFT

S/N: BNH1-UP

4.25-M

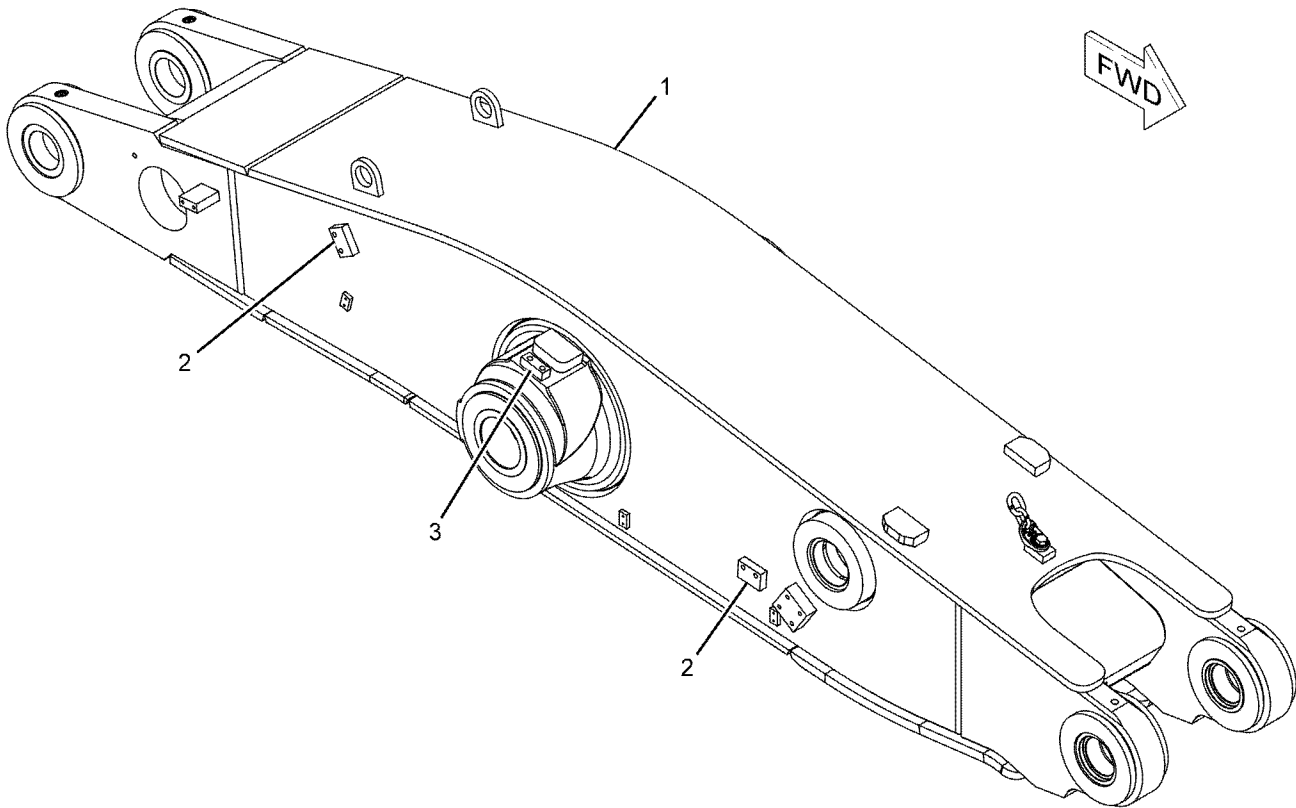
PART OF 201-0808 HYDRAULIC AR-3 VALVE  
AN ATTACHMENT

SMCS-6118, 6119, 7069

i02174627

NOTE	REF NO	GRAPHIC REF	PART NUMBER	QTY	PART NAME						SEE PAGE
					1	2	3	4	5	6 (PRODUCT LEVEL)	
Y	1	1	231-8177	1	ARM & BEARING AS-LIFT						1047
	2	1	103-5350	4	PLATE						
	3	1	6C-6739	2	BLOCK						

Y - SEPARATE ILLUSTRATION



GRAPHIC #1

<END>

g01111106



# IMPLEMENTS

## 231-8177 ARM & BEARING AS-LIFT

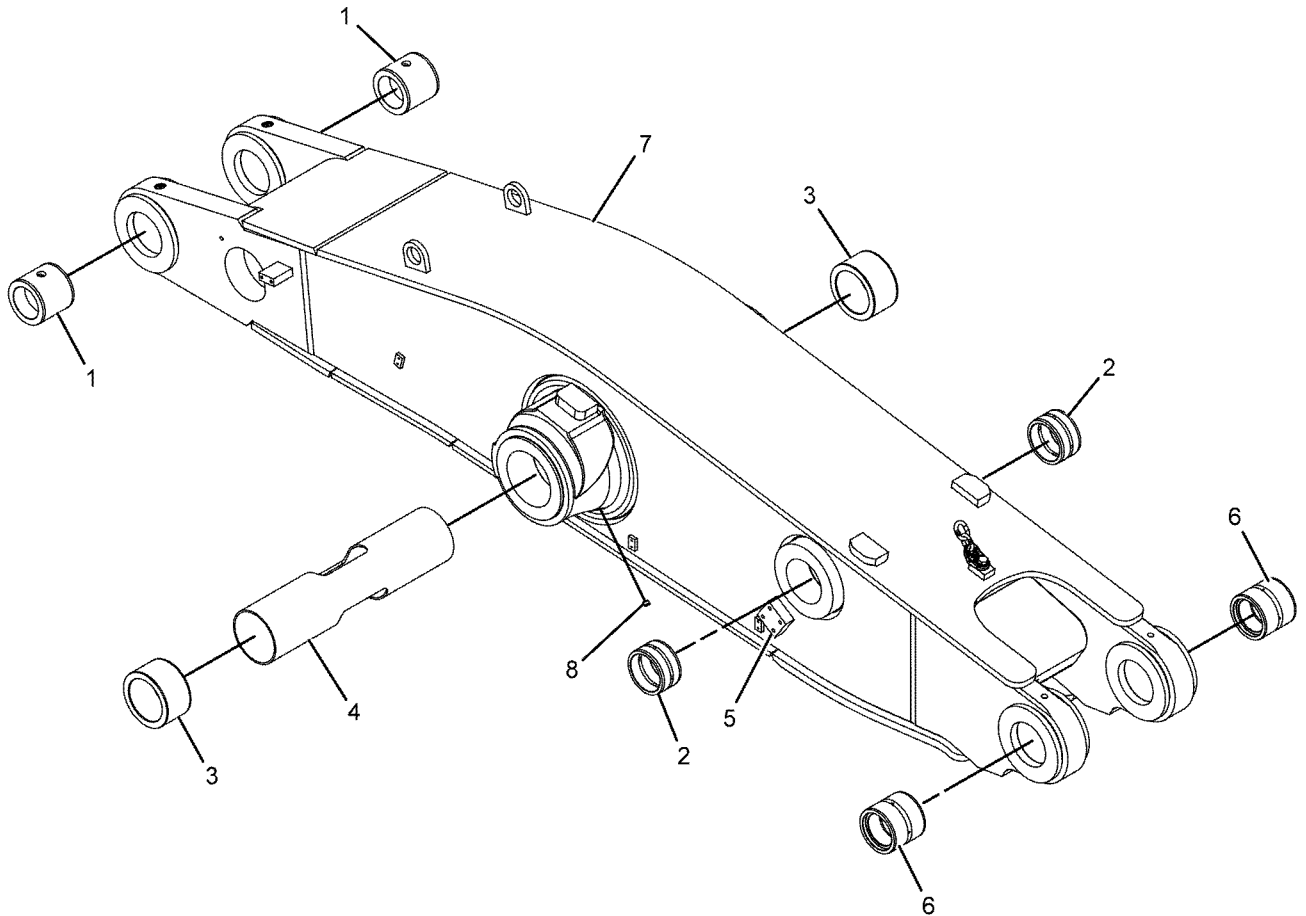
S/N: BNH1-UP

PART OF 201-1049 ARM & BEARING AS-LIFT, 201-0837 HYDRAULIC AR-2 VALVE  
AN ATTACHMENT

SMCS-6118, 6119, 7069

i03642468

NOTE	REF NO	GRAPHIC REF	PART NUMBER	QTY	PART NAME						SEE PAGE
					1	2	3	4	5	6	
	1	1	<b>339-0314</b>	2	BEARING						
	2	1	<b>152-3743</b>	2	BEARING						
	3	1	<b>339-0313</b>	2	BEARING						
	4	1	<b>152-3752</b>	1	SPACER						
	5	1	<b>157-3612</b>	1	BLOCK						
	6	1	<b>171-5427</b>	2	BEARING						
	7	1	<b>231-8178</b>	1	BOOM AS						
	8	1	<b>148-8395</b>	4	PLUG AS						
(EACH INCLUDES)											
		1	<b>3K-0360</b>	1	SEAL-O-RING						
		1	<b>9S-8005</b>	1	PLUG-O-RING						



GRAPHIC #1

<END>

g01113230

# IMPLEMENTS

## 189-7589 BOSS GP-LIFT ARM

S/N: BNH1-UP

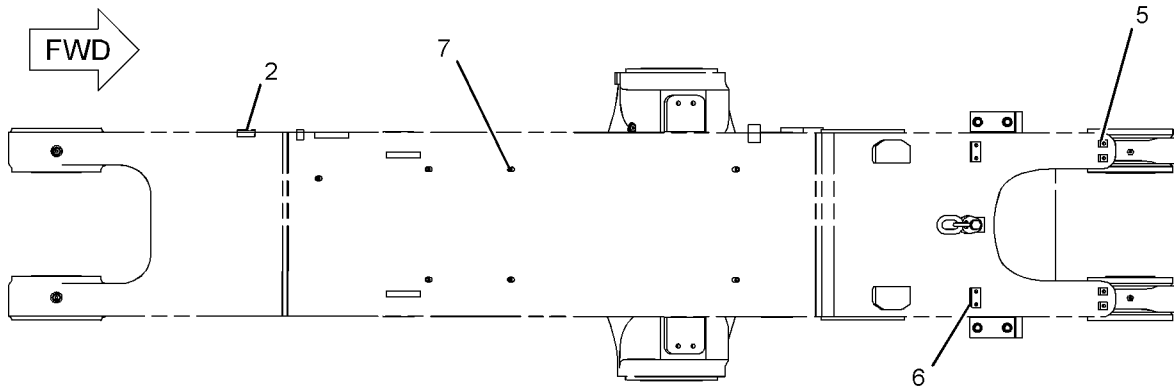
PART OF 2Q-8429 LUBRICATION AR-AUTOMATIC  
AN ATTACHMENT

SMCS-6118, 6119, 6501, 7553

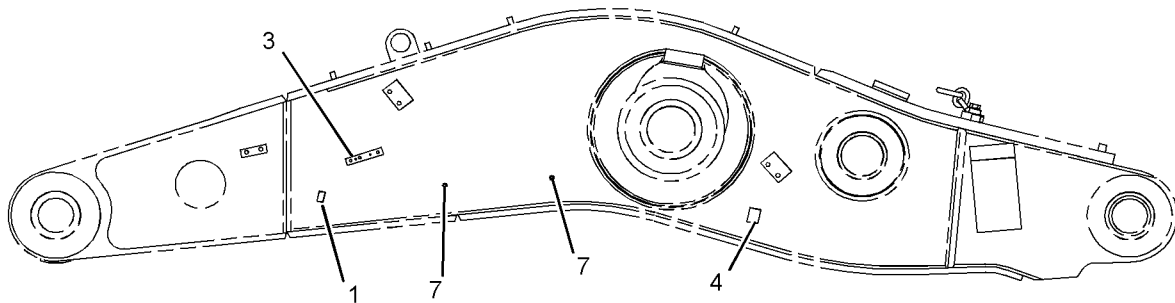
i02224588

NOTE	REF NO	GRAPHIC REF	PART NUMBER	QTY	PART NAME						SEE PAGE
					1	2	3	4	5	6	
	1	1	<b>2R-1920</b>	1	BLOCK						
	2	1	091-1735	1	BLOCK						
	3	1	153-4806	1	BLOCK						
	4	1	188-9657	1	BLOCK						
	5	1	225-2646	4	BLOCK						
	6	1	225-2647	2	BLOCK						
M	7	1	<b>8T-3851</b>	9	BOSS-WELD (M10X1.5X17.5-MM)						

M - METRIC PART



TOP VIEW



RIGHT SIDE VIEW

GRAPHIC #1

<END>

g01122556

# IMPLEMENTS

## 114-5196 CONTROL GP-BUCKET

S/N: BNH1-UP

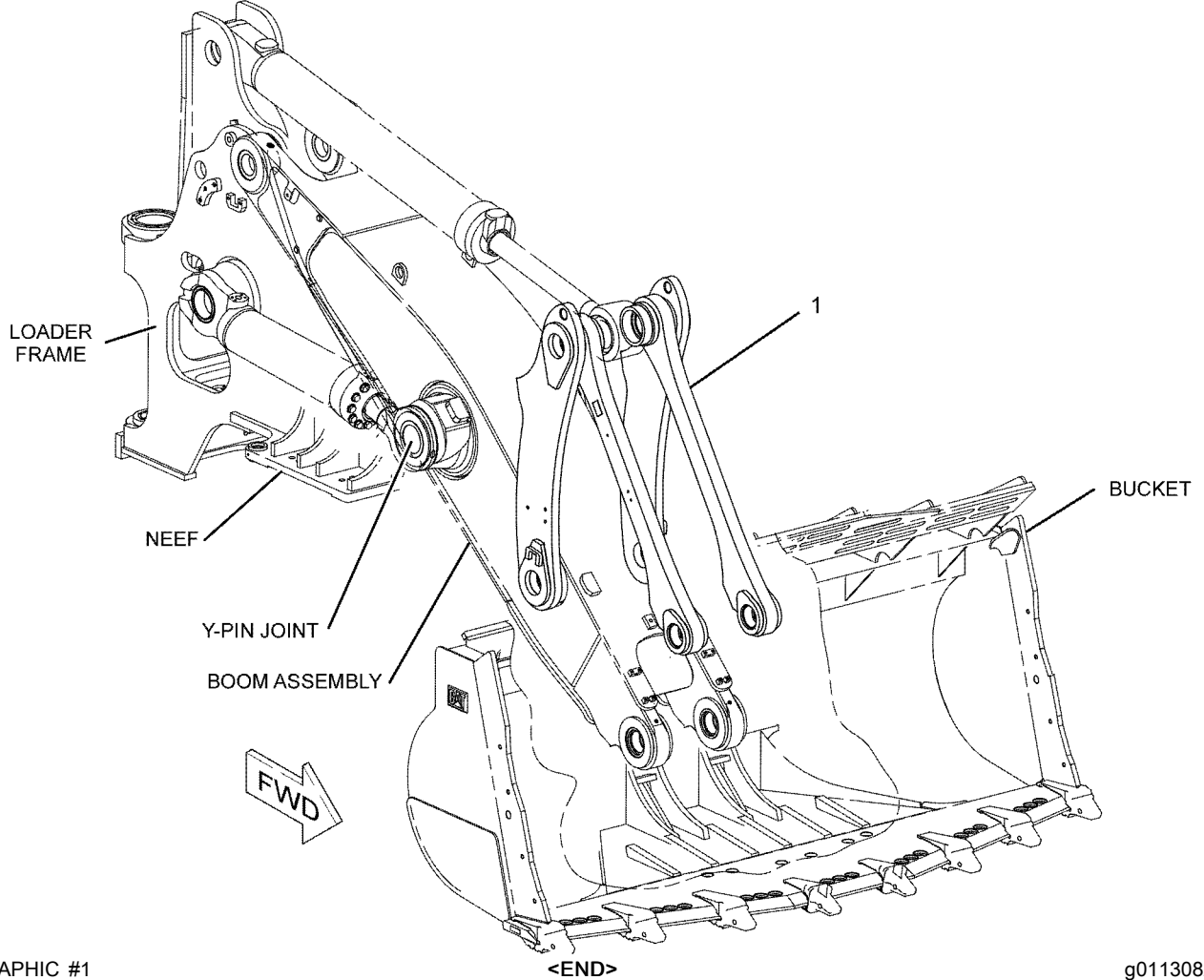
PART OF 203-1567 CHASSIS AR

SMCS-6107

i04610389

NOTE	REF NO	GRAPHIC REF	PART NUMBER	QTY	PART NAME						SEE PAGE
					1	2	3	4	5	6 (PRODUCT LEVEL)	
Y	1	1	197-0679	1	LINKAGE GP-BUCKET						1050

Y - SEPARATE ILLUSTRATION



# IMPLEMENTS

## 197-0679 LINKAGE GP-BUCKET

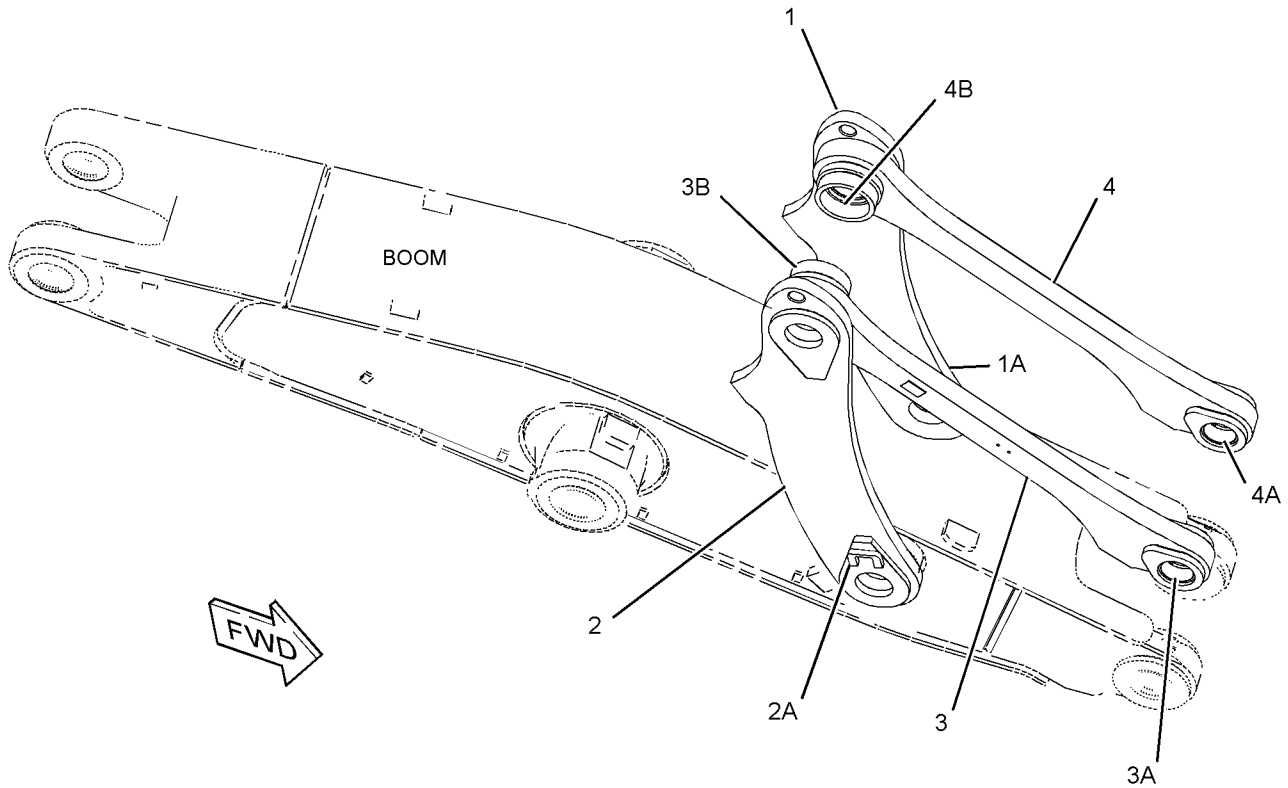
S/N: BNH1-UP

PART OF 114-5196 CONTROL GP-BUCKET

SMCS-6107, 6117

i02461905

NOTE	REF NO	GRAPHIC REF	PART NUMBER	QTY	PART NAME						SEE PAGE
					1	2	3	4	5	6 (PRODUCT LEVEL)	
	1	1	<b>153-9839</b>	1	LINK AS-LH						
	1A	1	<b>9U-0585</b>	1	RETAINER						
	2	1	<b>153-9840</b>	1	LINK AS (RH)						
	2A	1	<b>9U-0585</b>	1	RETAINER						
	3	1	<b>153-9844</b>	1	LINK & BEARING AS (RH)						
	3A	1	<b>152-3735</b>	1	BEARING						
	3B	1	<b>152-3740</b>	1	BEARING						
	4	1	<b>154-6879</b>	1	LINK & BEARING AS (LH)						
	4A	1	<b>152-3735</b>	1	BEARING						
	4B	1	<b>152-3740</b>	1	BEARING						



GRAPHIC #1

<END>

g01228484

# IMPLEMENTS

## 154-7531 PIN & SEAL GP-LINKAGE

S/N: BNH1-UP

BUCKET CONTROL

PART OF 203-1567 CHASSIS AR

SMCS-6118

i03370721

NOTE	REF NO	GRAPHIC REF	PART NUMBER	QTY	PART NAME						SEE PAGE
					1	2	3	4	5	6 (PRODUCT LEVEL)	
	1	2	<b>1R-1052</b>	4	SEAL AS						
	2	1	<b>1R-1060</b>	10	SEAL AS						
	3	2	<b>2D-4867</b>	1	FITTING-GREASE						
B	4	2	<b>2H-3933</b>	2	SEAL-O-RING						
	5	2	<b>3B-8489</b>	1	FITTING-GREASE						
B	6	2	<b>4E-5609</b>	5	PLATE						
B	7	2	<b>4F-7507</b>	4	SEAL-O-RING						
	8	1,2	<b>5K-5959</b>	5	SEAL-O-RING						
	9	2	<b>9X-4599</b>	8	SEAL-LIP TYPE						
	10	2	<b>9X-4601</b>	8	SEAL-LIP TYPE						
	11	2	<b>343-6813</b>	4	COLLAR						
	12	2	<b>152-3730</b>	2	PLATE						
	13	2	<b>152-3732</b>	4	PLATE-SEAL						
	14	2	<b>152-3738</b>	1	PIN (F PIN)						
	15	2	<b>152-3741</b>	1	PIN (E PIN)						
	16	2	<b>152-3742</b>	1	PLATE						
	17	1	<b>152-3748</b>	2	PLATE AS						
	18	1	<b>152-3751</b>	2	PLATE AS						
	19	1	<b>152-3753</b>	2	PLATE						
	20	2	<b>167-6769</b>	2	PLATE						
	21	2	<b>167-6771</b>	3	PLATE AS						
					(EACH INCLUDES)						
		2	<b>8C-4403</b>	2	DOWEL						
	22	2	<b>168-4331</b>	2	PIN AS (C PIN)						
	23	2	<b>168-4332</b>	1	PIN AS (G PIN)						
	24	2	<b>168-8508</b>	2	SEAL-LIP TYPE						
	25	1	<b>171-6757</b>	2	PIN (K & Y PINS)						
	26	1	<b>187-0565</b>	2	SEAL-V-RING						
	27	2	<b>190-1701</b>	4	COLLAR						
	28	2	<b>194-1674</b>	2	PLATE						
	29	2	<b>196-7365</b>	2	PIN AS (A PIN)						
	30	2	<b>196-7369</b>	2	PIN AS (B PIN)						
M	31	1	<b>147-2001</b>	4	BOLT (M36X4X100-MM)						
	32	2	<b>177-1449</b>	4	BOLT						
M	35	2	<b>7X-2552</b>	10	BOLT (M16X2X30-MM)						
M	36	2	<b>7X-2553</b>	4	BOLT (M16X2X40-MM)						
M	37	2	<b>7X-2575</b>	4	BOLT (M24X3X60-MM)						
M	38	2	<b>7X-2583</b>	3	BOLT (M30X3.5X120-MM)						
M	39	2	<b>8C-8722</b>	4	NUT (M30X3.5-THD)						
M	40	2	<b>8T-4140</b>	4	BOLT (M16X2X60-MM)						
	41	2	<b>8T-4167</b>	4	WASHER-HARD (26X44X4-MM THK)						
	42	2	<b>9X-8257</b>	18	WASHER (17.5X30X3.5-MM THK)						
	43	2	<b>9X-8258</b>	11	WASHER (33X56X6-MM THK)						
	44	1	<b>9X-8259</b>	4	WASHER (39X66X6-MM THK)						
B	46	2	<b>279-6102</b>	6	SHIM (1-MM THK)						
B	47	2	<b>279-6103</b>	6	SHIM (2-MM THK)						

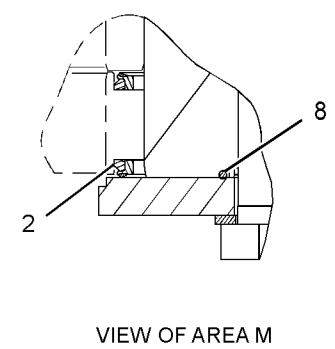
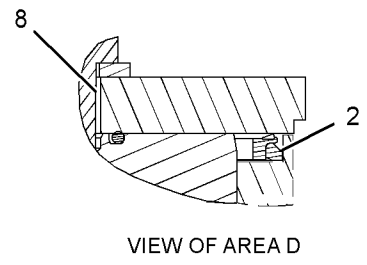
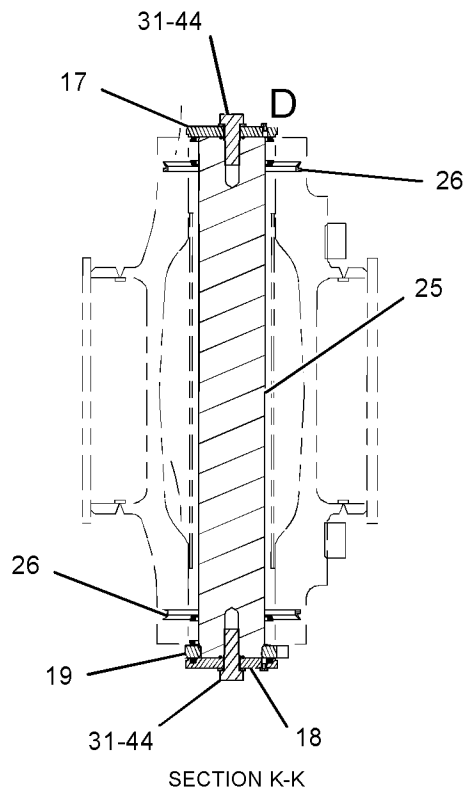
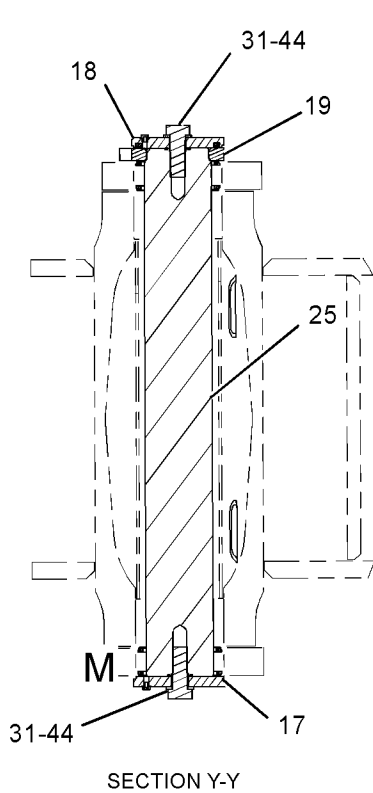
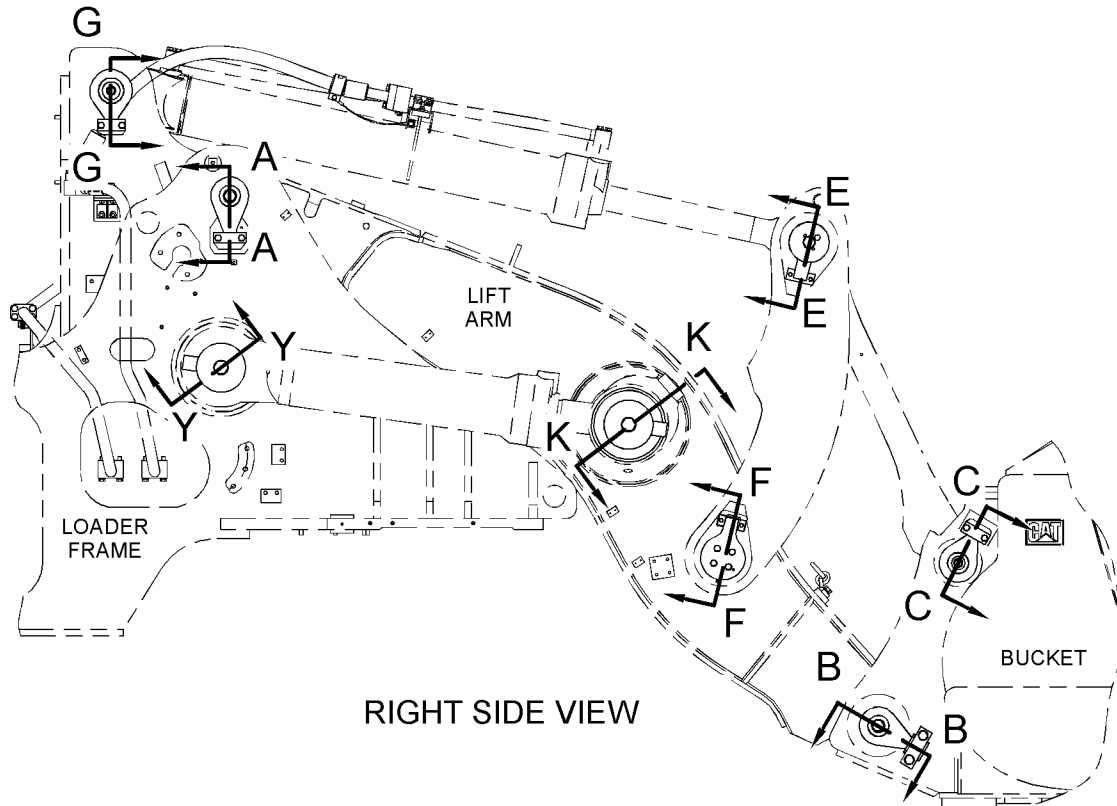
B - USE AS REQUIRED

M - METRIC PART

# IMPLEMENTS

154-7531 PIN & SEAL GP-LINKAGE (contd.)

i03370721



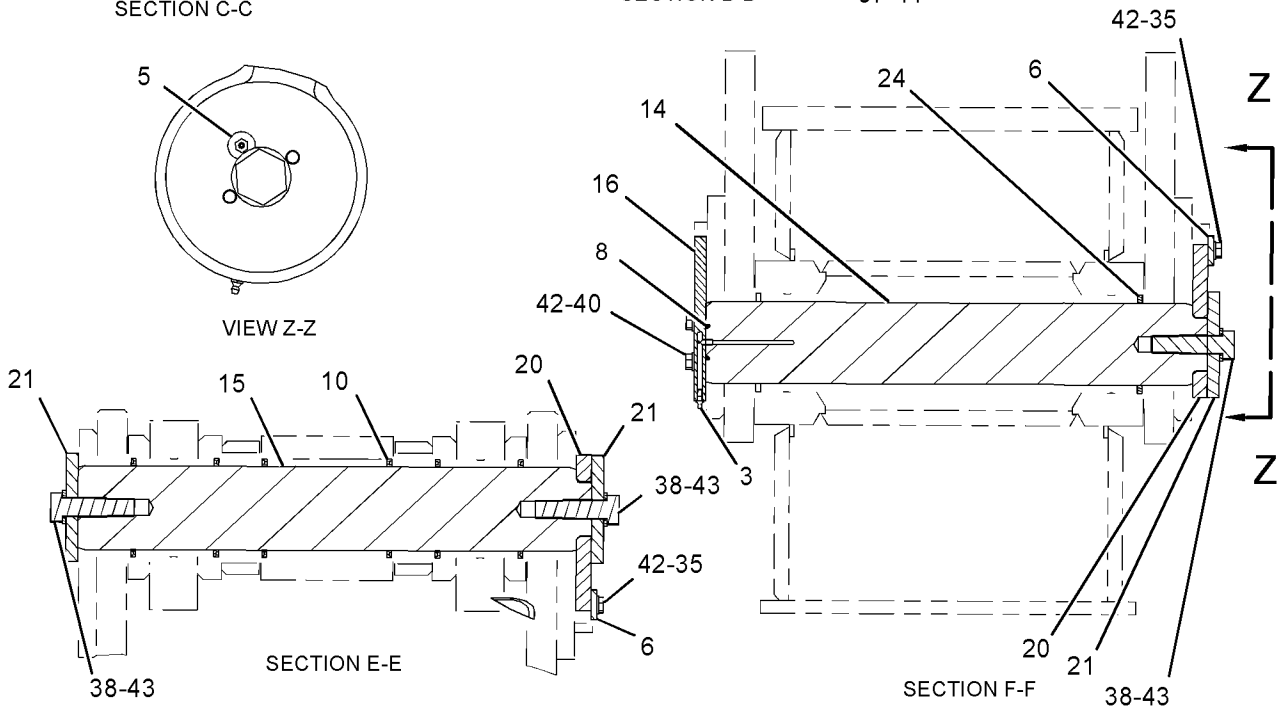
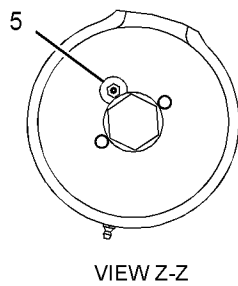
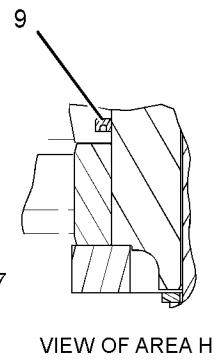
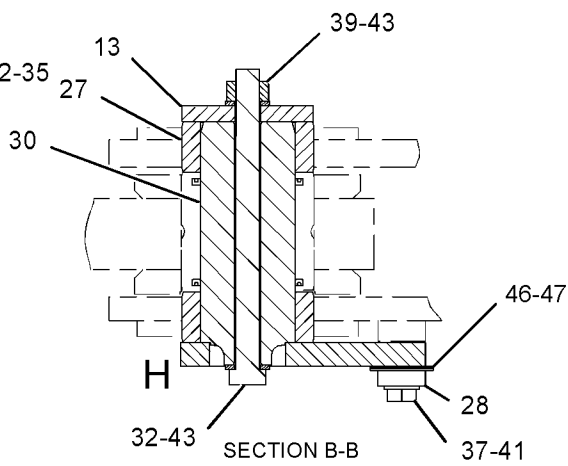
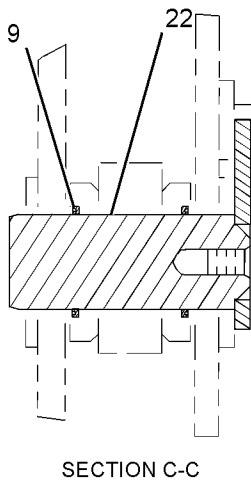
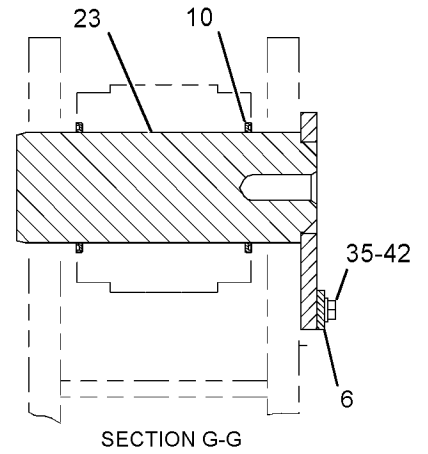
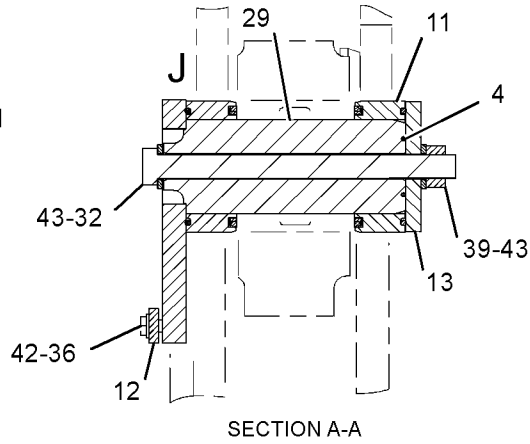
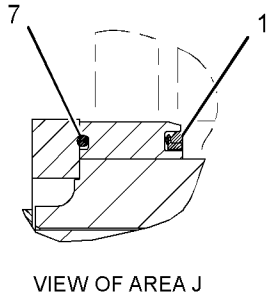
GRAPHIC #1

g02056596

# IMPLEMENTS

154-7531 PIN & SEAL GP-LINKAGE (contd.)

i03370721



GRAPHIC #2

<END>

g02057176

# OPERATOR STATION

## 173-1028 ADJUSTER GP-SEAT

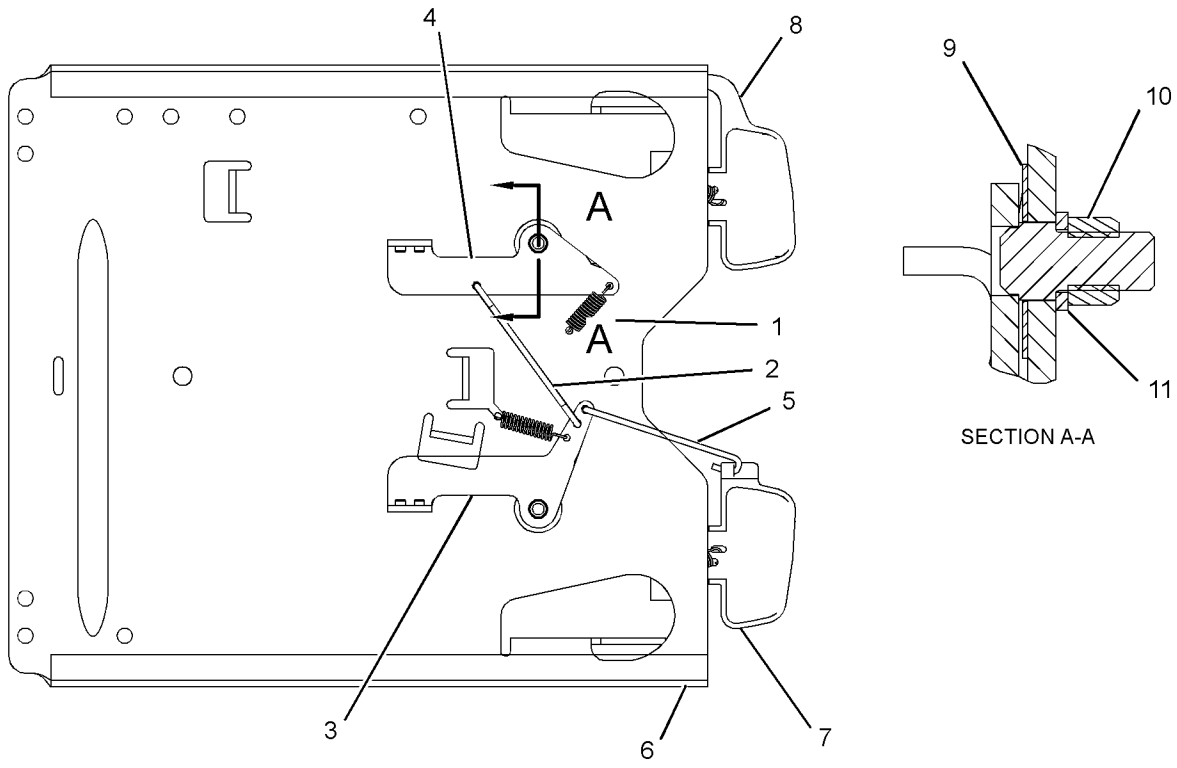
S/N: BNH1-UP

PART OF 178-0603 SEAT GP

SMCS-7321

i03396461

NOTE	REF NO	GRAPHIC REF	PART NUMBER	QTY	PART NAME						SEE PAGE
					1	2	3	4	5	6 (PRODUCT LEVEL)	
	1	1	<b>4V-8256</b>	4	SPRING						
	2	1	<b>117-4492</b>	1	ROD						
	3	1	<b>136-1544</b>	1	LATCH AS (LH)						
	4	1	<b>156-5545</b>	1	LATCH AS (RH)						
	5	1	<b>164-4531</b>	1	ROD						
	6	1	<b>170-1112</b>	1	PLATE AS						
	7	1	<b>170-1114</b>	1	HANDLE (SLIDE ADJUSTMENT)						
	8	1	<b>170-1115</b>	1	HANDLE (TILT ADJUSTMENT)						
	9	1	<b>132-0338</b>	2	WASHER-PLASTIC (13X31.7X0.8-MM THK)						
	10	1	<b>2K-4973</b>	2	LOCKNUT (3/8-16-THD)						
	11	1	<b>7X-0608</b>	2	WASHER-HARD (10.2X16X2-MM THK)						



BOTTOM VIEW

SECTION A-A

GRAPHIC #1

<END>

g01191495



# OPERATOR STATION

## 214-0783 AIR COMPRESSOR GP-SEAT-HEAVY-DUTY

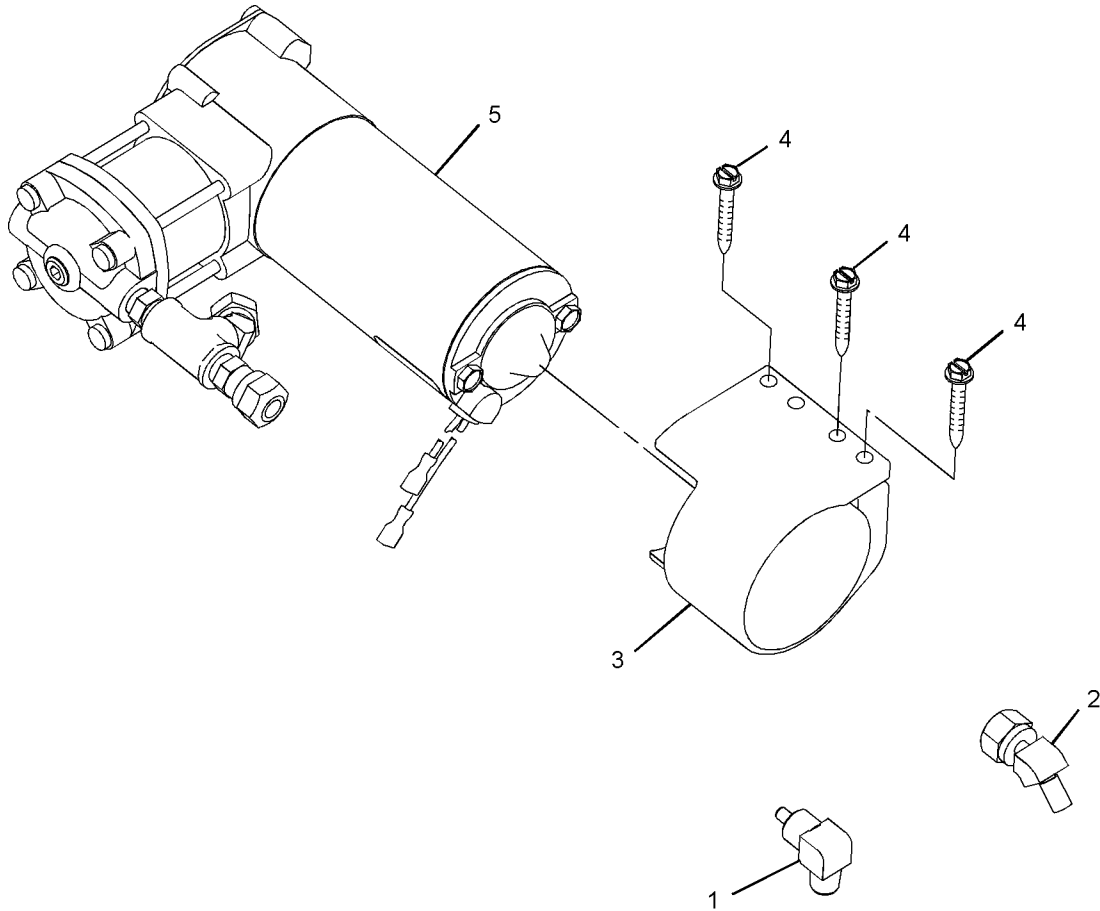
S/N: BNH1-UP

FIELD REPLACEMENT FOR 237-3970-PAGE: 1056

SMCS-731S, 7324

i02638502

NOTE	REF NO	GRAPHIC REF	PART NUMBER	QTY	PART NAME						SEE PAGE
					1	2	3	4	5	6 (PRODUCT LEVEL)	
	1	1	<b>5P-4423</b>	1	ELBOW						
	2	1	<b>5P-4432</b>	1	ELBOW-AIR BRAKE						
	3	1	<b>175-5058</b>	1	MOUNT						
	4	1	<b>186-5107</b>	3	SCREW-DRIVE (NO 8-16X1.25-IN)						
	5	1	<b>214-0784</b>	1	COMPRESSOR AS						



GRAPHIC #1

<END>

g01040572

# OPERATOR STATION

## 237-3970 AIR COMPRESSOR GP-SEAT-HEAVY-DUTY

S/N: BNH1-UP

FOR OPTIONAL FIELD REPLACEMENT ORDER 211-5358 CONDUIT (100-CM), 5P-6010 TUBE (1-M)

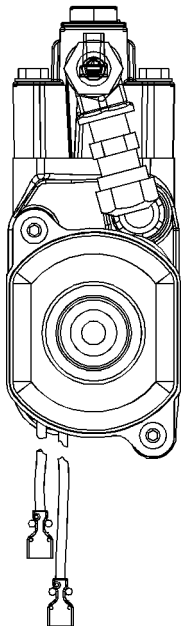
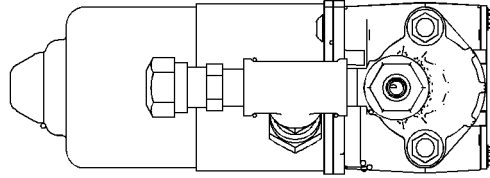
FIELD REPLACEMENT ORDER 397-6405-PAGE: 1146, 214-0783-PAGE: 1055

PART OF 191-2933 SUSPENSION GP-SEAT

SMCS-731S, 7324

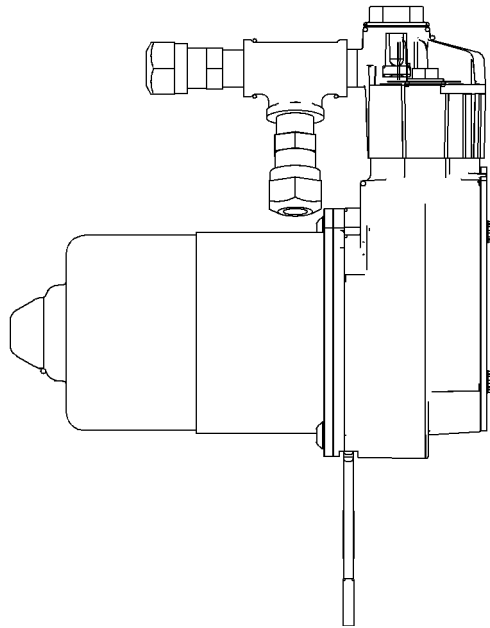
i02012095

NOTE	REF NO	GRAPHIC REF	PART NUMBER	QTY	PART NAME 1 2 3 4 5 6 (PRODUCT LEVEL)	SEE PAGE
(NO SERVICED PARTS)						



GRAPHIC #1

<END>



g01040576

# OPERATOR STATION

## 147-3120 AIR CONDITIONER & MOUNTING GP

S/N: BNH1-UP  
PART OF 202-9742 CAB AR  
TYPE 1

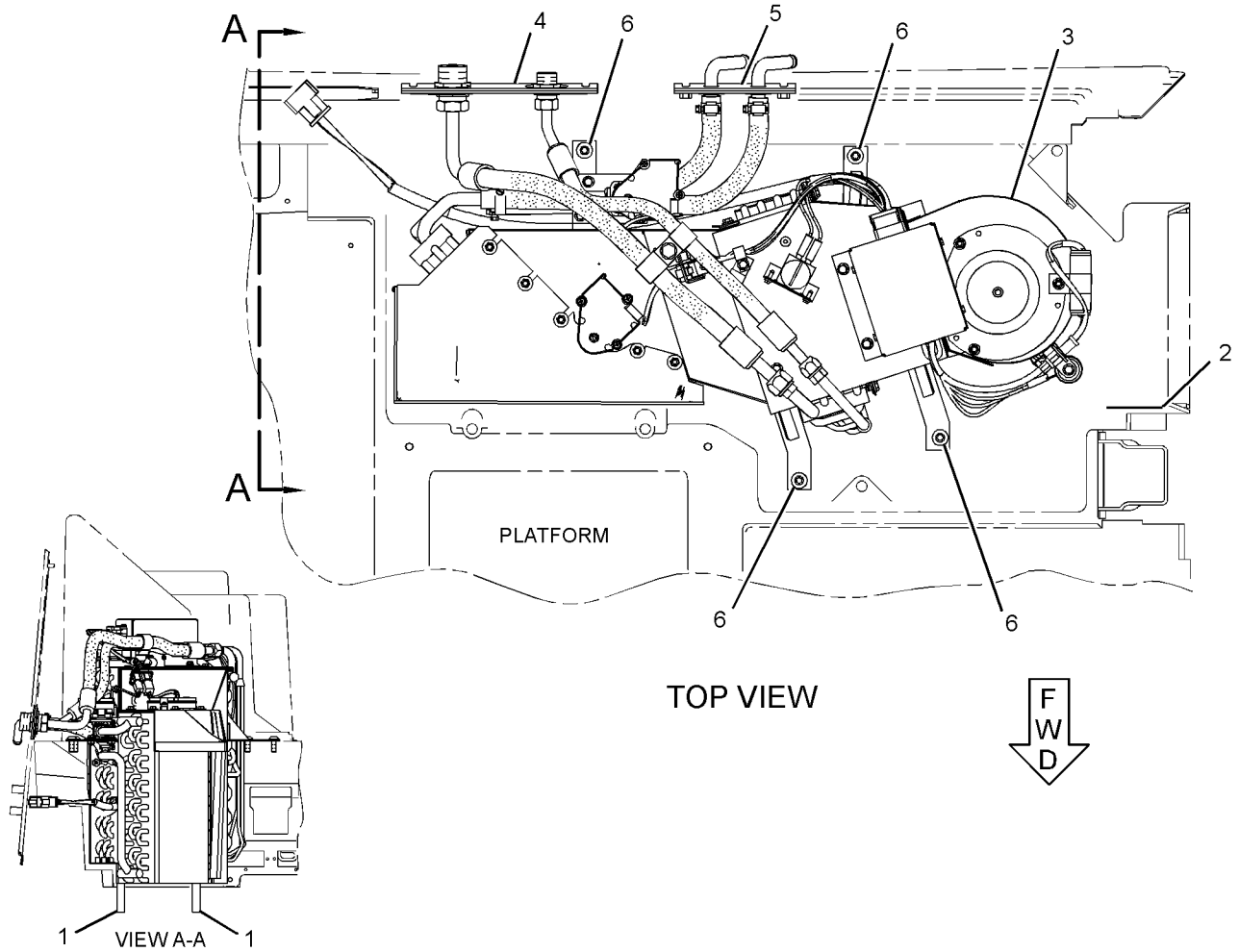
SMCS-7320

i02933482

NOTE	REF NO	GRAPHIC REF	PART NUMBER	QTY	PART NAME						SEE PAGE
					1	2	3	4	5	6 (PRODUCT LEVEL)	
	1	1	<b>2G-0395</b>	2	TUBE						
	2	1	<b>110-6393</b>	1	PLATE-INSTRUCTION (AIR CONDITIONER)						
Y	3	1	<b>115-0627</b>	1	AIR CONDITIONER GP						1062
Y	4	1	<b>131-1274</b>	1	LINES GP-AIR CONDITIONER						1158
Y	5	1	<b>162-5812</b>	1	LINES GP-CAB HEATER						1164
M	6	1	<b>9X-2040</b>	4	SCREW-TRUSS HEAD (M10X1.5X25-MM)						

M - METRIC PART

Y - SEPARATE ILLUSTRATION



GRAPHIC #1

<END>

g01456090

# OPERATOR STATION

## 147-3120 AIR CONDITIONER & MOUNTING GP

S/N: BNH1-UP

PART OF 202-9742 CAB AR

TYPE 2

SMCS-7320

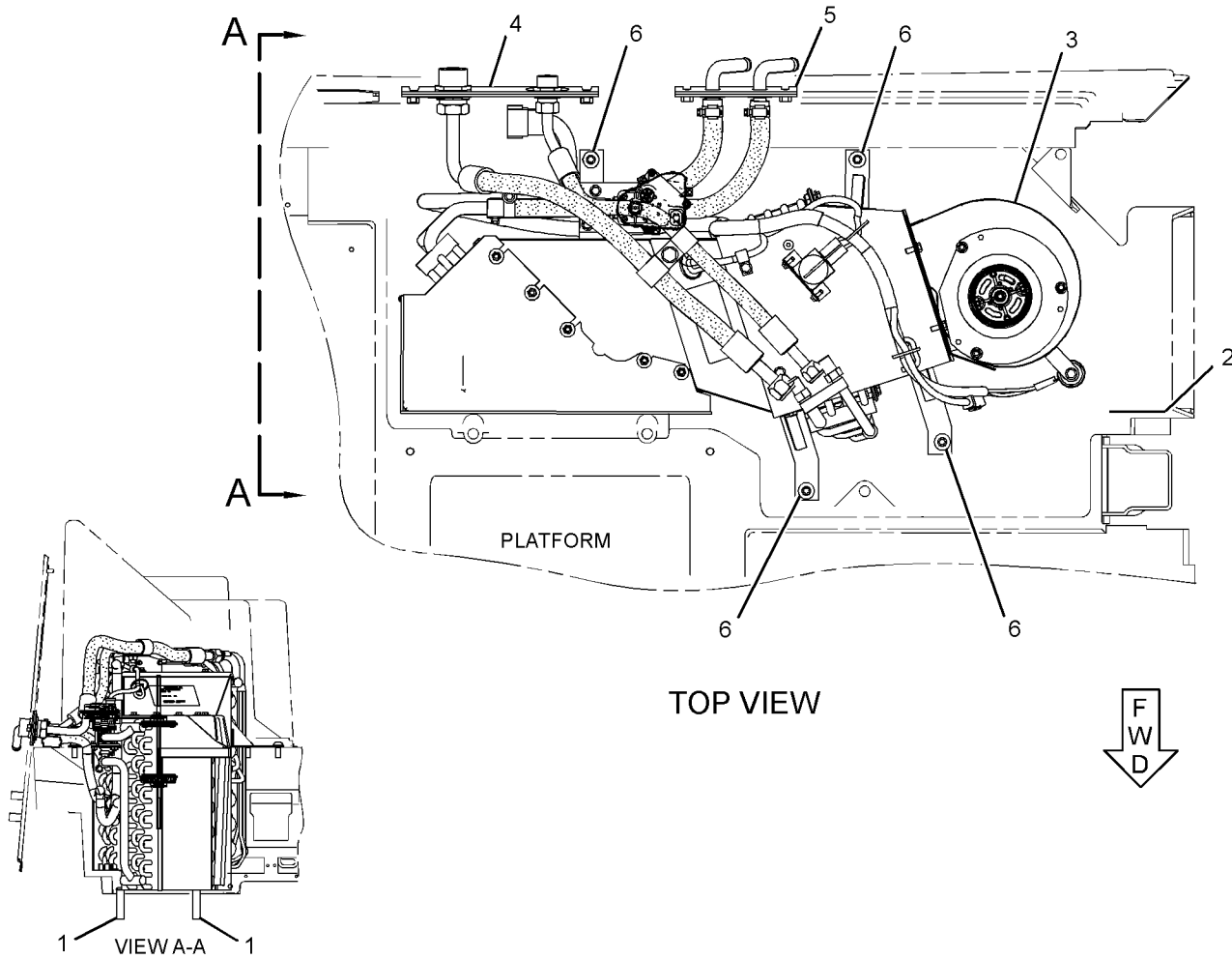
i04537011

NOTE	REF NO	GRAPHIC REF	PART NUMBER	QTY	PART NAME						SEE PAGE
					1	2	3	4	5	6 (PRODUCT LEVEL)	
	1	1	<b>2G-0395</b>	2	TUBE						
	2	1	<b>110-6393</b>	1	PLATE-INSTRUCTION (AIR CONDITIONER)						
CY	3	1	<b>361-1288</b>	1	AIR CONDITIONER GP						1065
Y	4	1	<b>131-1274</b>	1	LINES GP-AIR CONDITIONER						1158
Y	5	1	<b>162-5812</b>	1	LINES GP-CAB HEATER						1164
M	6	1	<b>9X-2040</b>	4	SCREW-TRUSS HEAD (M10X1.5X25-MM)						

C - CHANGE FROM PREVIOUS TYPE

M - METRIC PART

Y - SEPARATE ILLUSTRATION



GRAPHIC #1

<END>

g02928296

# OPERATOR STATION

## 331-0314 AIR CONDITIONER AR

S/N: BNH1-UP

PART OF 346-3845 CAB AR

TYPE 1

SMCS-7320

i03471301

NOTE	REF NO	GRAPHIC REF	PART NUMBER	QTY	PART NAME						SEE PAGE
					1	2	3	4	5	6 (PRODUCT LEVEL)	
	1	1	<b>2G-0395</b>	2	TUBE						
Y	2	1	<b>115-0627</b>	1	AIR CONDITIONER GP						1062
Y	3	1	<b>229-0066</b>	1	LINES GP-CAB HEATER						1165
Y	4	1	<b>331-0315</b>	1	LINES GP-AIR CONDITIONER						1160
M	5	1	<b>9X-2040</b>	4	SCREW-TRUSS HEAD (M10X1.5X25-MM)						

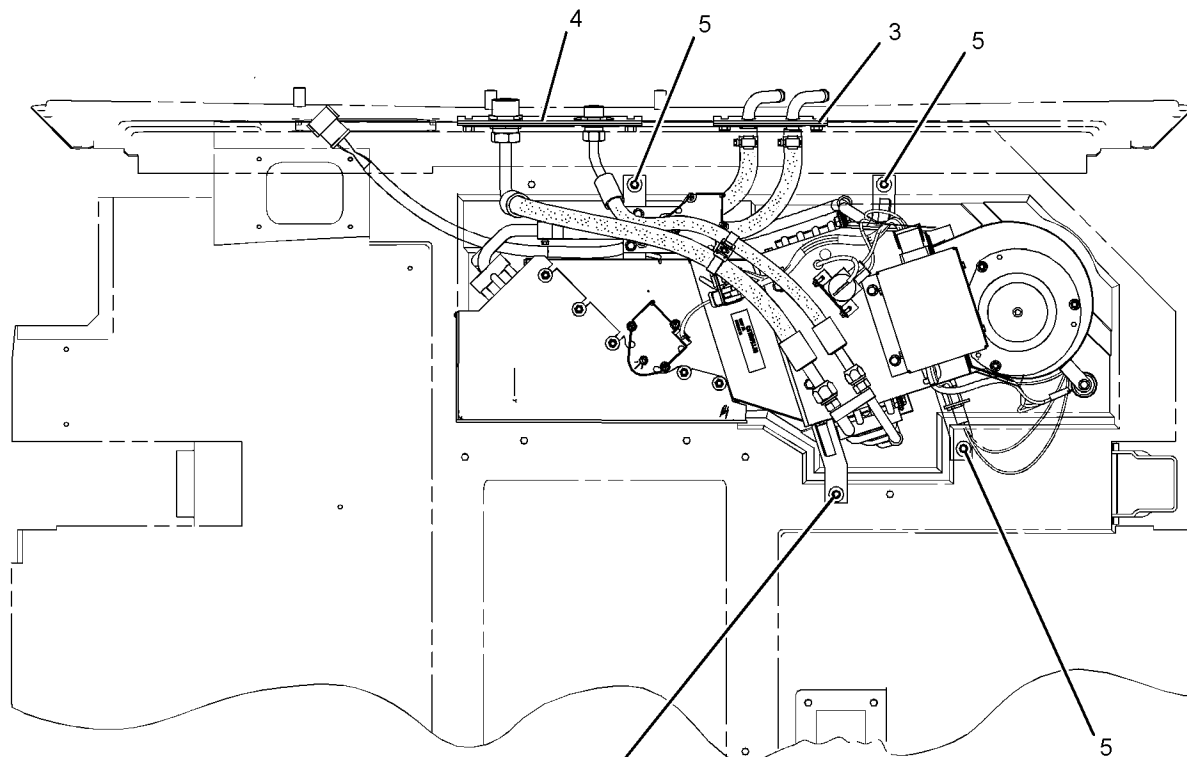
M - METRIC PART

Y - SEPARATE ILLUSTRATION

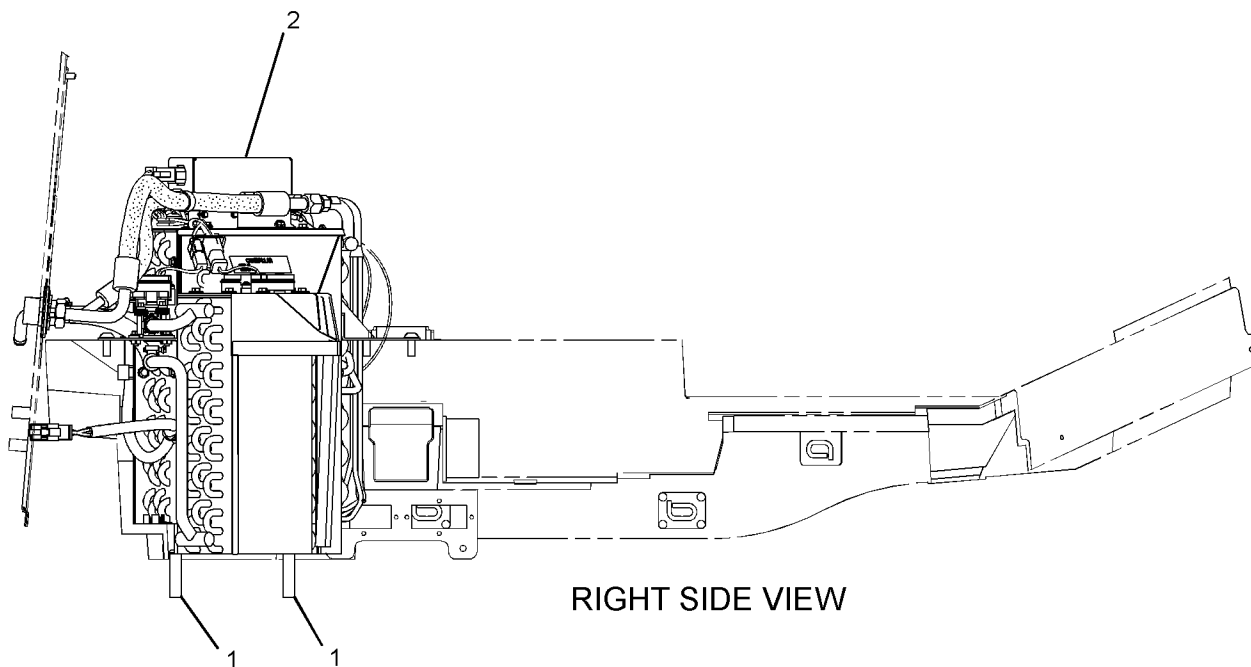
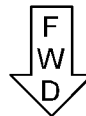
# OPERATOR STATION

331-0314 AIR CONDITIONER AR (contd.)

i03471301



5 TOP VIEW



RIGHT SIDE VIEW

GRAPHIC #1

<END>

g01876423

# OPERATOR STATION

## 331-0314 AIR CONDITIONER AR

S/N: BNH1-UP

PART OF 346-3845 CAB AR

TYPE 2

SMCS-7320

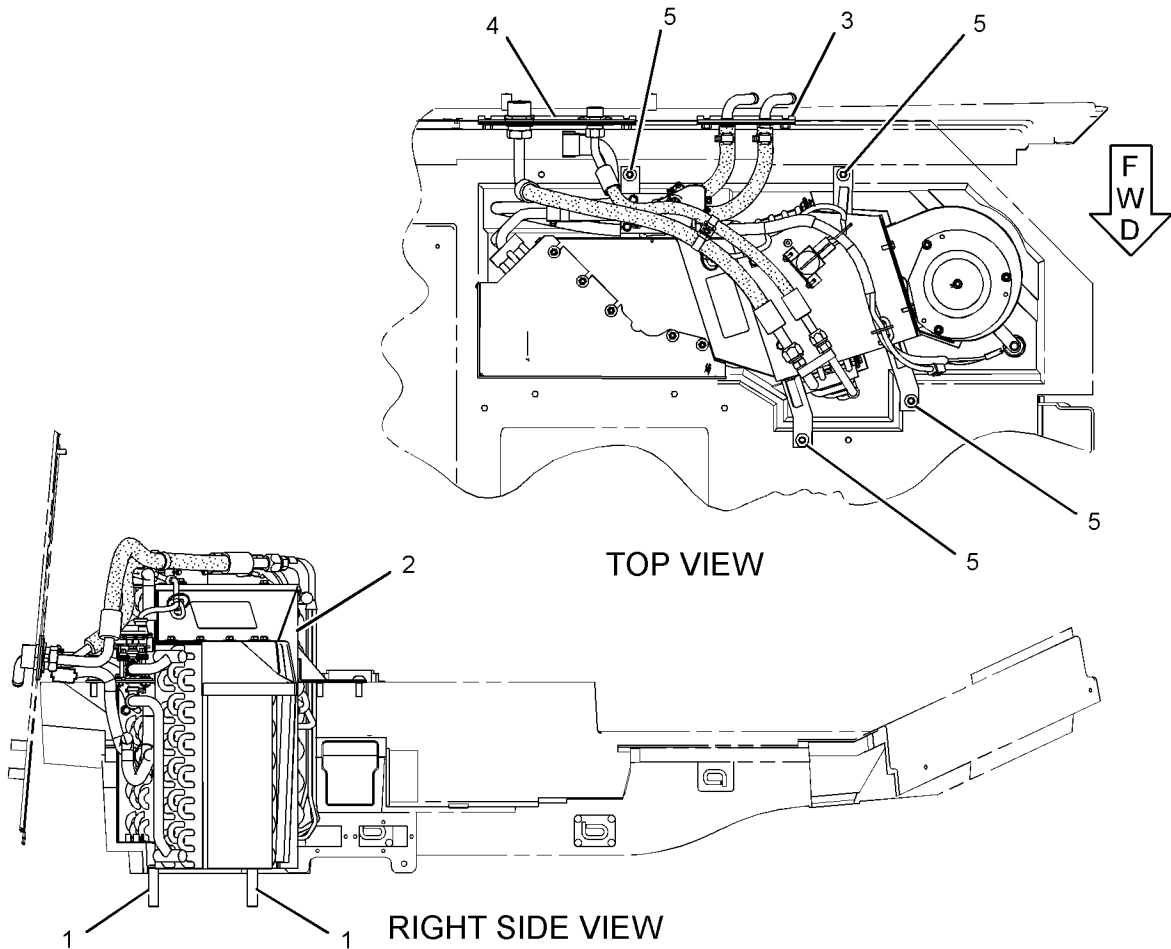
i04537014

NOTE	REF NO	GRAPHIC REF	PART NUMBER	QTY	PART NAME						SEE PAGE
					1	2	3	4	5	6 (PRODUCT LEVEL)	
	1	1	<b>2G-0395</b>	2	TUBE						
CY	2	1	<b>361-1288</b>	1	AIR CONDITIONER GP						1065
Y	3	1	<b>229-0066</b>	1	LINES GP-CAB HEATER						1165
Y	4	1	<b>331-0315</b>	1	LINES GP-AIR CONDITIONER						1160
M	5	1	<b>9X-2040</b>	4	SCREW-TRUSS HEAD (M10X1.5X25-MM)						

C - CHANGE FROM PREVIOUS TYPE

M - METRIC PART

Y - SEPARATE ILLUSTRATION



GRAPHIC #1

<END>

g02754877

# OPERATOR STATION

## 115-0627 AIR CONDITIONER GP

S/N: BNH1-UP

PART OF 147-3120 AIR CONDITIONER & MOUNTING GP, 331-0314 AIR CONDITIONER AR

SMCS-7320

i03387640

NOTE	REF NO	GRAPHIC REF	PART NUMBER	QTY	PART NAME						SEE PAGE	
					1	2	3	4	5	6 (PRODUCT LEVEL)		
C	1	1	2V-3216	1	CLIP							
	2	1	3B-4501	2	LOCKWASHER (#8)							
	3	1	3E-0400	2	BLOWER AS							
	4	1	3E-5464	1	THERMOSTAT (HVAC) (REFRIGERANT)							
CM	5	1	3S-2093	4	STRAP-CABLE							
	6	1	5C-9553	19	BOLT (M6X1X16-MM)							
	7	1	5P-4115	5	WASHER-HARD (7.2X19X2-MM THK)							
	8	1	6V-1668	2	WASHER (6.5X29.1X3-MM THK)							
	9	1	6V-7646	1	WASHER-HARD (7.2X25X2-MM THK)							
	10	1	8C-3756	1	FILM-IDENTIFICATION (GROUP NO., SEQUENCE NO.)							
	11	1	8C-4586	2	CLAMP							
	12	1	8P-5141	2	PLATE-ORIFICE							
	M	13	1	8T-0337	3	SCREW-MACHINE (M4X0.7X12-MM)						
		14	1	8T-4205	30	WASHER-HARD (7.2X14.5X2-MM THK)						
		15	1	8T-6631	2	SCREW-MACHINE (8-32X0.5-IN)						
		16	1	9G-1950	1	RESISTOR						
C	17	1	9M-8406	2	CLIP							
	18	1	9X-2185	4	SCREW (8-15X0.44-IN)							
C	19	1	9X-2488	2	CLAMP-HOSE							
M	20	1	9X-8498	1	BOLT (M6X1X180-MM)							
	21	1	068-8993	1	GROMMET							
	22	1	113-8113	1	ROD							
	23	1	126-5606	1	COIL AS-EVAPORATOR							
	24	1	126-5607	1	COIL AS-HEATER							
	25	1	126-5608	1	HOUSING AS							
	26	1	126-5609	1	PLATE AS							
	27	1	126-5612	1	HARNES AS-HEATER & AIR COND							
		1	8T-8737	4	PLUG-SEAL							
		1	102-8801	1	KIT-RECEPTACLE (12-PIN) (INCLUDES RECEPTACLE AS & WEDGE)							
		1	155-2255	1	KIT-CONNECTING PLUG (12-PIN)							
		1	155-2270	2	KIT-CONNECTING PLUG (2-PIN) (TO BLOWER MOTOR & WATER VALVE MOTOR)							
		1	155-2274	1	KIT-CONNECTING PLUG (6-PIN) (EACH KIT INCLUDES PLUG AS & WEDGE)							
		28	1	126-6006	1	DOOR AS						
		29	1	126-6009	1	COVER						
	30	1	126-6010	1	CONTROL AS							
	31	1	127-6422	1	PLATE AS							
	32	1	127-6423	1	PLATE							
M	33	1	129-3178	12	LOCKNUT (M6X1-THD)							
	34	1	130-1888	1	GASKET							
	35	1	130-1890	6	GASKET							
	36	1	131-0820	1	GASKET							
	37	1	131-0821	1	GASKET							
	38	1	131-0822	1	GASKET							
	39	1	131-3093	1	BUSHING							
	40	1	211-9047	1	VALVE AS-WATER							
	41	1	220-1828	1	MOTOR-ACTUATOR							
	42	1	316-1927	1	MOTOR AS-BLOWER (24-VOLT, A/C, HEATER)							
	1	9W-0852	2	PIN-CONNECTOR (14-GA TO 16-GA)								
	1	102-8802	1	KIT-RECEPTACLE (2-PIN) (INCLUDES RECEPTACLE AS & WEDGE)								
M	43	1	6V-7728	1	BOLT (M6X1X45-MM)							
CM	44	1	8T-4138	2	BOLT (M6X1X20-MM)							
D	45	1	6V-2496		SEAL (0.54-M)							
CE	46	1	136-1953		HOSE (16-CM)							



# OPERATOR STATION

115-0627 AIR CONDITIONER GP (contd.)

i03387640

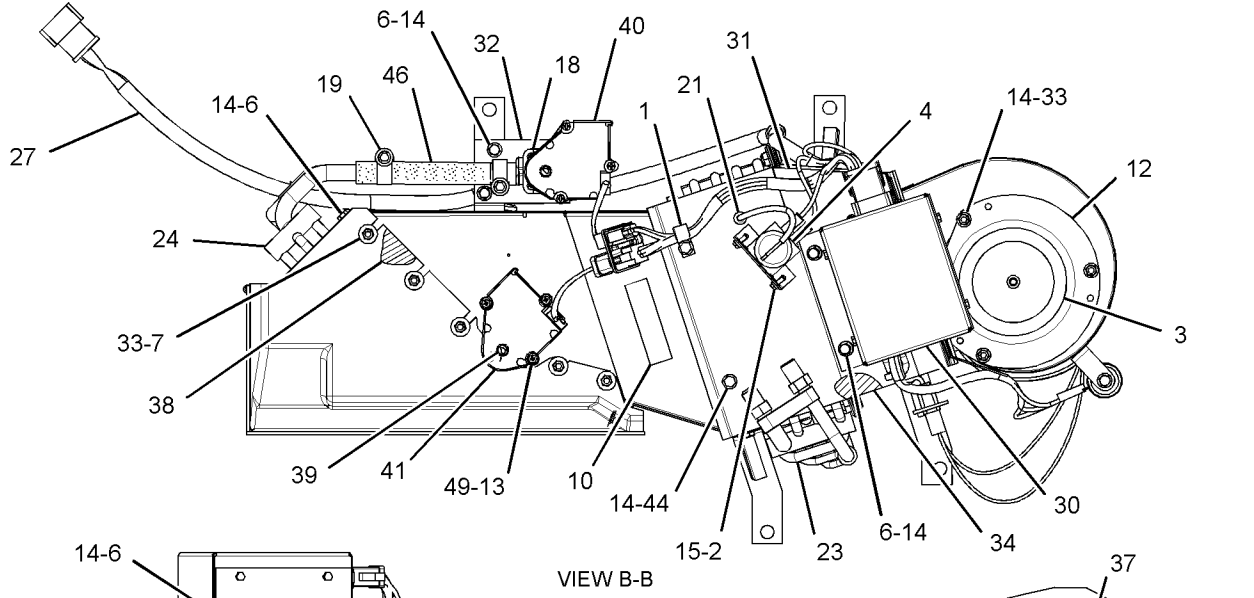
NOTE	REF NO	GRAPHIC REF	PART NUMBER	QTY	PART NAME						SEE PAGE
					1	2	3	4	5	6 (PRODUCT LEVEL)	
E	47	1	<b>126-8472</b>		SEAL (38.1-CM EACH)						
D	48	1	<b>5P-5908</b>		SEAL (1.15-M)						
	49	1	<b>4F-2320</b>	3	WASHER (5.5X11X1.6-MM THK)						

C - CHANGE FROM PREVIOUS TYPE  
D - ORDER BY THE METER  
E - ORDER BY THE CENTIMETER  
M - METRIC PART

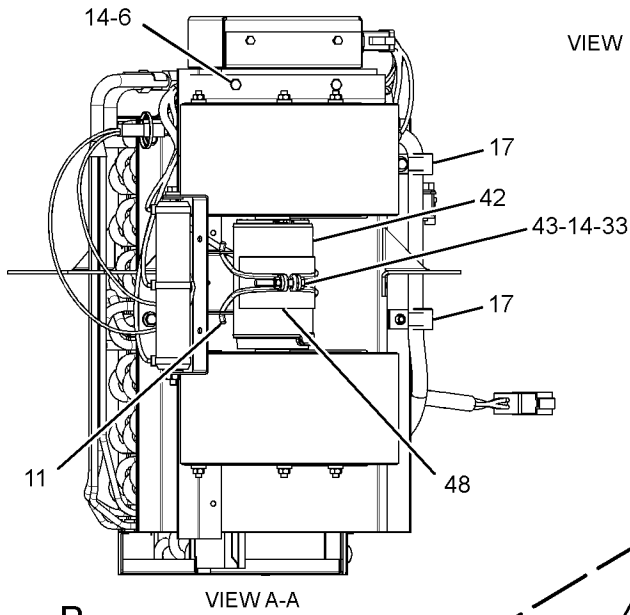
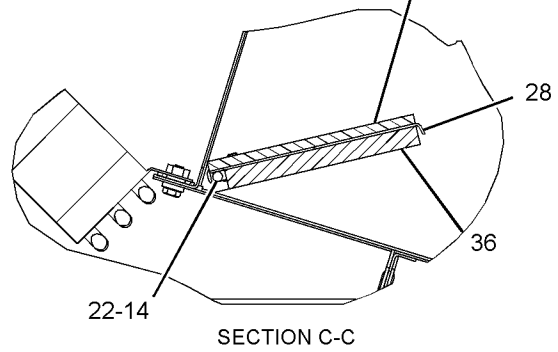
# OPERATOR STATION

115-0627 AIR CONDITIONER GP (contd.)

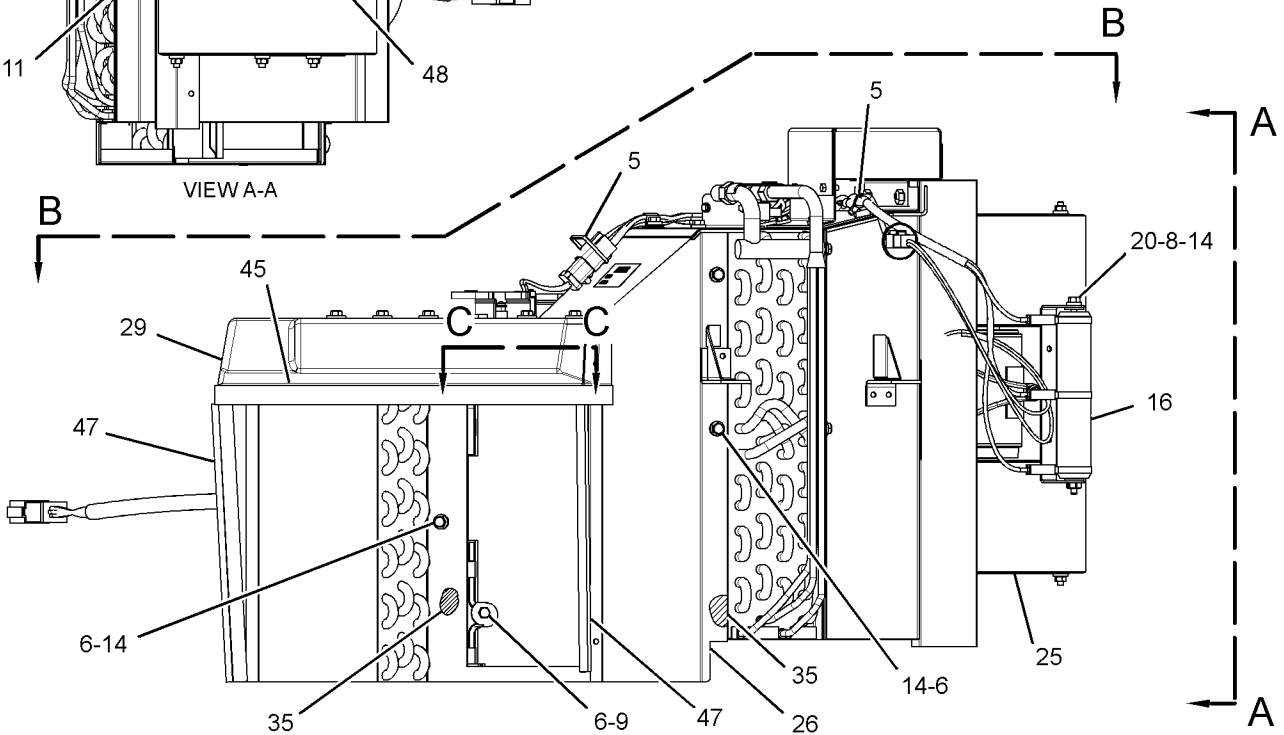
i03387640



VIEW B-B



VIEW A-A



GRAPHIC #1

<END>

g01862415

# OPERATOR STATION

## 361-1288 AIR CONDITIONER GP

S/N: BNH1-UP

PART OF 147-3120 AIR CONDITIONER & MOUNTING GP, 331-0314 AIR CONDITIONER AR

SMCS-7320

i04537021

NOTE	REF NO	GRAPHIC REF	PART NUMBER	QTY	PART NAME						SEE PAGE
					1	2	3	4	5	6 (PRODUCT LEVEL)	
	1	1	<b>2V-3216</b>	1	CLIP						
	2	1	<b>3B-4501</b>	2	LOCKWASHER						
	3	1	<b>3E-0400</b>	2	BLOWER AS						
					(EACH INCLUDES)						
		1	<b>037-4838</b>	1	CLAMP						
	4	1	<b>3E-5464</b>	1	THERMOSTAT (HVAC)						
	5	1	<b>3S-2093</b>	4	STRAP-CABLE						
M	6	1	<b>5C-9553</b>	16	BOLT (M6X1X16-MM)						
	7	1	<b>5P-4115</b>	5	WASHER-HARD (7.2X19X2-MM THK)						
	8	1	<b>6T-6708</b>	2	WASHER (7X28.6X4.1-MM THK)						
	9	1	<b>6V-1668</b>	2	WASHER (6.5X29.1X3-MM THK)						
	10	1	<b>8C-4586</b>	2	CLAMP						
	11	1	<b>8P-5141</b>	2	PLATE-ORIFICE						
	12	1	<b>8T-4205</b>	27	WASHER-HARD (7.2X14.5X2-MM THK)						
	13	1	<b>8T-6631</b>	2	SCREW-MACHINE (8-32X0.5-IN)						
	14	1	<b>9G-1950</b>	1	RESISTOR						
	15	1	<b>9M-8406</b>	2	CLIP						
	16	1	<b>9X-2185</b>	4	SCREW (8-15X0.44-IN)						
	17	1	<b>9X-2488</b>	2	CLAMP-HOSE						
	18	1	<b>037-4838</b>	2	CLAMP						
	19	1	<b>068-8993</b>	1	GROMMET						
	20	1	<b>126-5606</b>	1	COIL AS-EVAPORATOR						
	21	1	<b>126-5607</b>	1	COIL AS-HEATER						
	22	1	<b>126-5608</b>	1	HOUSING AS						
	23	1	<b>126-6009</b>	1	COVER						
	24	1	<b>127-6423</b>	1	PLATE						
M	25	1	<b>129-3178</b>	12	LOCKNUT (M6X1-THD)						
	26	1	<b>130-1888</b>	1	GASKET						
	27	1	<b>130-1890</b>	6	GASKET						
	28	1	<b>131-0822</b>	1	GASKET						
	29	1	<b>316-1927</b>	1	MOTOR AS-BLOWER (24-VOLT, A/C, HEATER)						
		1	<b>9W-0852</b>	2	PIN-CONNECTOR (14-GA TO 16-GA)						
B		1	<b>100-3426</b>	2	WHEEL AS-BLOWER						
					(EACH INCLUDES)						
		1	<b>037-4838</b>	2	CLAMP						
		1	<b>102-8802</b>	1	KIT-RECEPTACLE (2-PIN)						
					(INCLUDES RECEPTACLE AS & WEDGE)						
	31	1	<b>360-5150</b>	1	HARNES AS-HEATER & AIR COND						
		1	<b>102-8801</b>	1	KIT-RECEPTACLE (12-PIN)						
					(INCLUDES RECEPTACLE AS & WEDGE)						
		1	<b>6T-6505</b>	5	HOUSING-RECEPTACLE (BLADE, POSITIVE LOCK)						
		1	<b>6T-6506</b>	5	TERMINAL-BLADE (14-GA TO 18-GA)						
		1	<b>8T-8737</b>	4	PLUG-SEAL						
		1	<b>9X-3401</b>	1	PIN-CONNECTOR (16-GA TO 18-GA)						
		1	<b>9X-3402</b>	1	SOCKET-CONNECTOR (16-GA TO 18-GA)						
E		1	<b>119-3662</b>		TUBE-HEAT SHRINK (10.85-MM DIA) (20-CM)						
		1	<b>126-1767</b>	8	PIN-CONNECTOR (14-GA TO 16-GA)						
		1	<b>126-1768</b>	4	SOCKET-CONNECTOR (14-GA TO 16-GA)						
		1	<b>155-2270</b>	1	KIT-CONNECTING PLUG (2-PIN)						
		1	<b>155-2271</b>	1	KIT-CONNECTING PLUG (4-PIN)						
					(EACH KIT INCLUDES PLUG AS & WEDGE)						
	32	1	<b>361-1289</b>	1	VALVE AS-WATER						
	33	1	<b>361-1290</b>	1	PLATE AS						
	34	1	<b>361-1291</b>	1	PLATE AS						
M		1	<b>6V-9632</b>	2	NUT-WELD (M6X1-THD)						
		1	<b>7T-1099</b>	1	LINK						
M	35	1	<b>141-9784</b>	1	BOLT (M6X1X190-MM)						
M	36	1	<b>6V-7728</b>	1	BOLT (M6X1X45-MM)						

# OPERATOR STATION

361-1288 AIR CONDITIONER GP (contd.)

i04537021

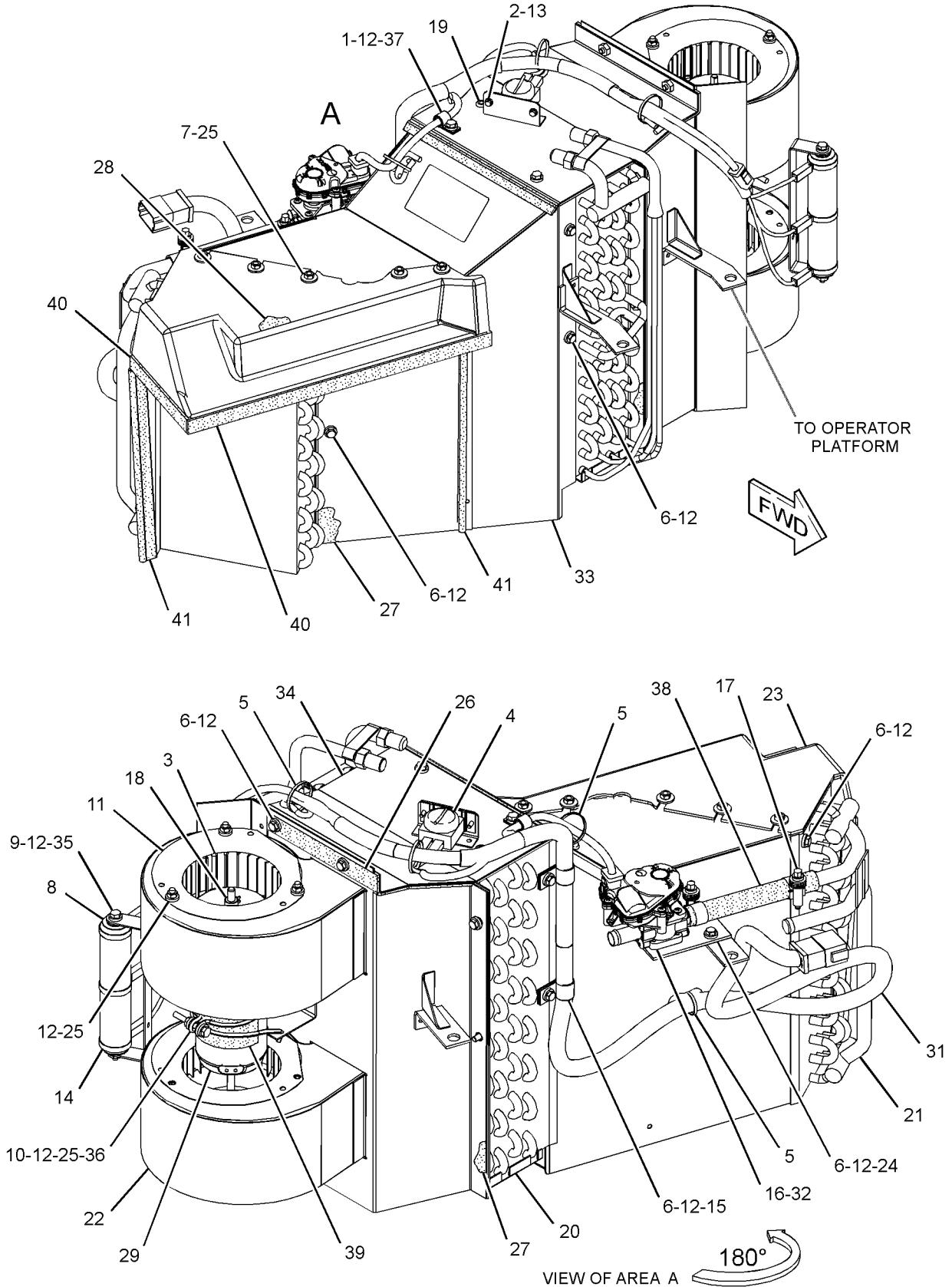
NOTE	REF NO	GRAPHIC REF	PART NUMBER	QTY	PART NAME						SEE PAGE
					1	2	3	4	5	6 (PRODUCT LEVEL)	
M	37	1	<b>8T-4138</b>	2	BOLT (M6X1X20-MM)						
E	38	1	<b>136-1953</b>		HOSE (16-CM)						
D	39	1	<b>5P-5908</b>		SEAL (0.2-M)						
D	40	1	<b>6V-2496</b>		SEAL (0.6-M)						
E	41	1	<b>126-8472</b>		SEAL (77-CM)						

B - USE AS REQUIRED  
D - ORDER BY THE METER  
E - ORDER BY THE CENTIMETER  
M - METRIC PART

# OPERATOR STATION

361-1288 AIR CONDITIONER GP (contd.)

i04537021



GRAPHIC #1

<END>

g03055016

# OPERATOR STATION

## 214-7634 ARM GP-WINDOW WIPER

S/N: BNH823-UP

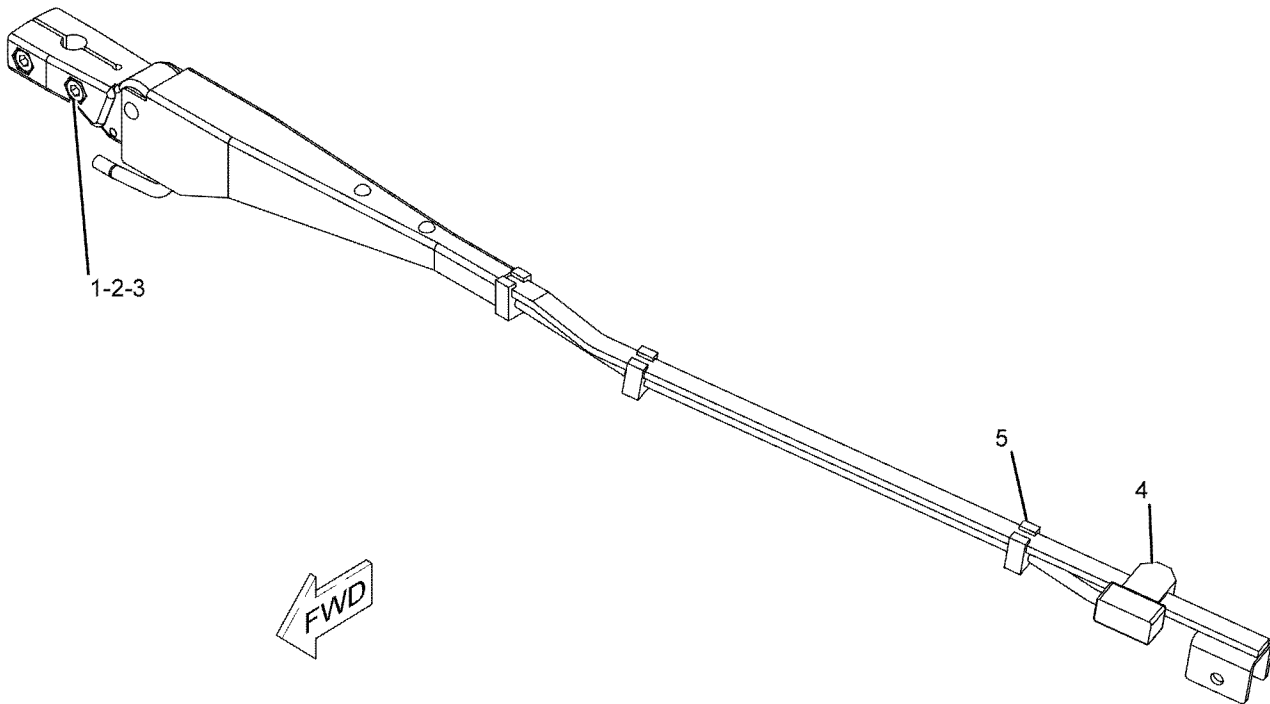
PART OF 109-8196 WIPER GP-WINDOW

SMCS-7305

i02023663

NOTE	REF NO	GRAPHIC REF	PART NUMBER	QTY	PART NAME						SEE PAGE
					1	2	3	4	5	6 (PRODUCT LEVEL)	
M	1	1	191-8921	2	BOLT-SOCKET HEAD (M6X1X25-MM)						
	2	1	227-7392	2	WASHER (6.3X10.3X0.4-MM THK)						
M	3	1	6V-8225	2	NUT (M6X1 - THD)						
	4	1	136-3195	1	NOZZLE AS-WASHER						
	5	1	136-3188	3	CLIP						

M - METRIC PART



GRAPHIC #1

<END>

g01024688

# OPERATOR STATION

## 214-7635 ARM GP-WINDOW WIPER-FRONT

S/N: BNH823-UP

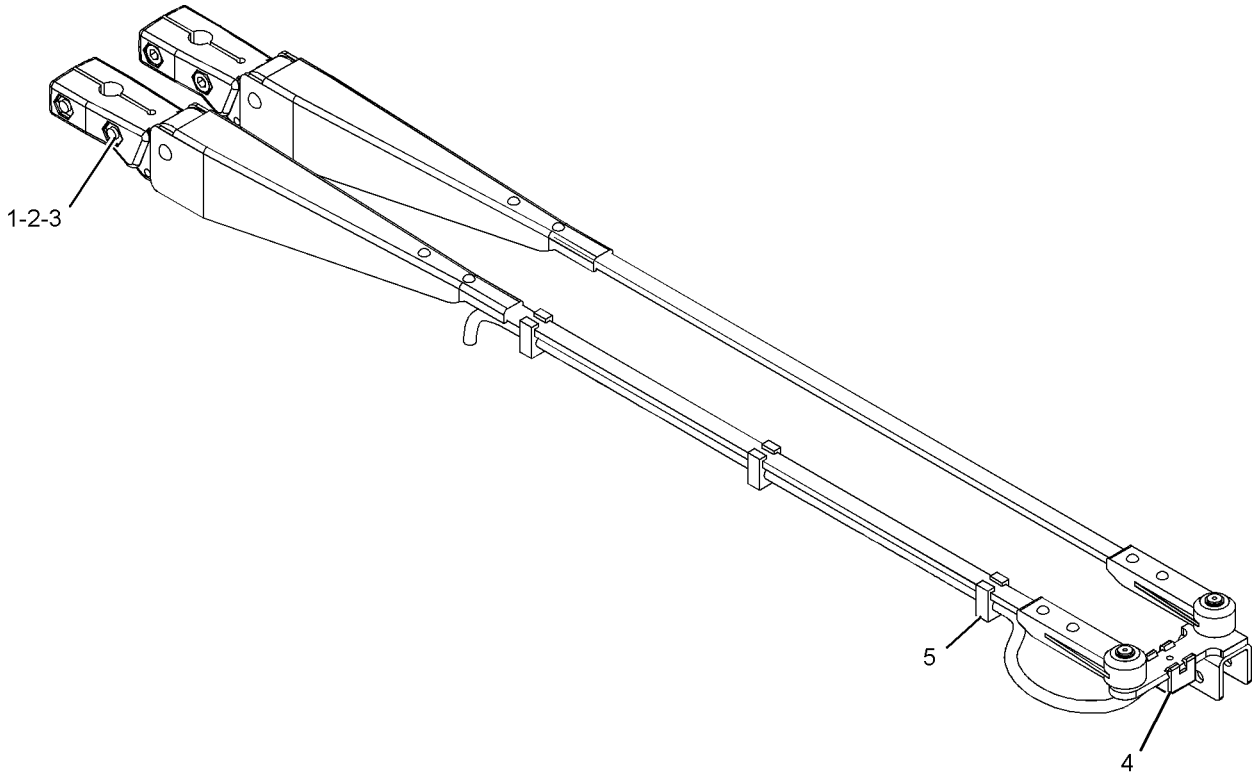
PART OF 109-8196 WIPER GP-WINDOW

SMCS-7305

i02023666

NOTE	REF NO	GRAPHIC REF	PART NUMBER	QTY	PART NAME						SEE PAGE
					1	2	3	4	5	6 (PRODUCT LEVEL)	
M	1	1	<b>191-8921</b>	4	BOLT-SOCKET HEAD (M6X1X25-MM)						
	2	1	<b>227-7392</b>	4	WASHER (6.3X10.3X0.4-MM THK)						
M	3	1	<b>6V-8225</b>	4	NUT (M6X1 - THD)						
	4	1	<b>136-3190</b>	1	NOZZLE AS-WASHER						
	5	1	<b>136-3188</b>	3	CLIP						

M - METRIC PART



GRAPHIC #1

<END>

g01021918

# OPERATOR STATION

## 170-7118 BRACKET GP-MOUNTING

S/N: BNH1-UP

PART OF 203-1567 CHASSIS AR

SMCS-0635

i01174809

NOTE	REF NO	GRAPHIC REF	PART NUMBER	QTY	PART NAME						SEE PAGE
					1	2	3	4	5	6 (PRODUCT LEVEL)	
	1	1	170-7117	1	BRACKET AS						
M	2	1	096-4879	1	NUT (M36X4-THD)						
	3	1	7Y-8806	1	WASHER						
M	4	1	8T-1605	1	BOLT (M36X4X100-MM)						
M	5	1	8T-4183	2	BOLT (M12X1.75X40-MM)						
	6	1	8T-4223	2	WASHER-HARD (13.5X25.5X3-MM THK)						
	7	1	9X-8259	2	WASHER (39X66X6-MM THK)						

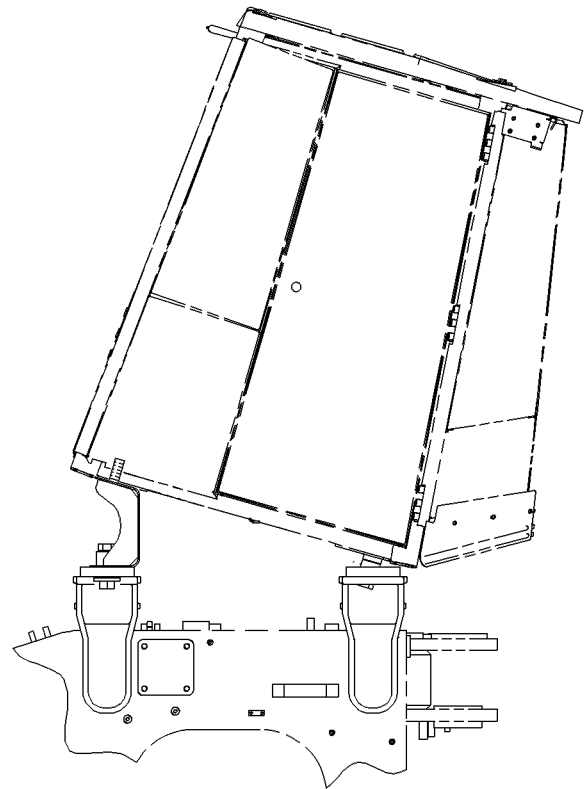
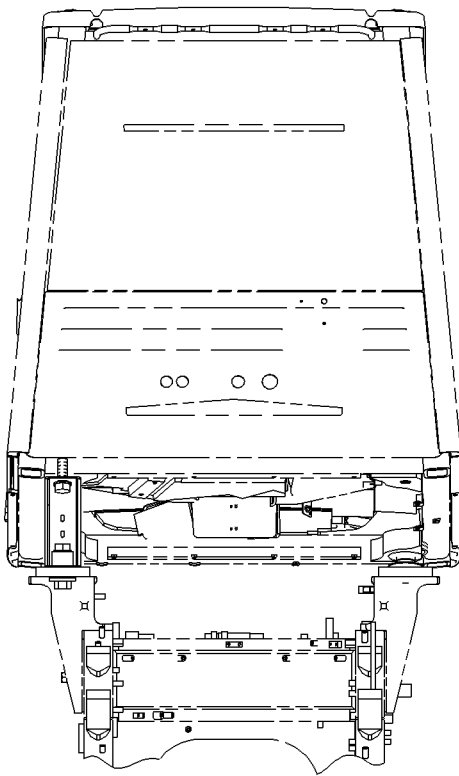
M - METRIC PART



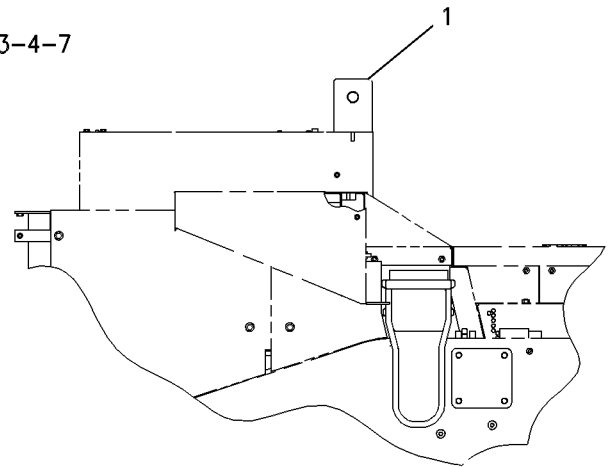
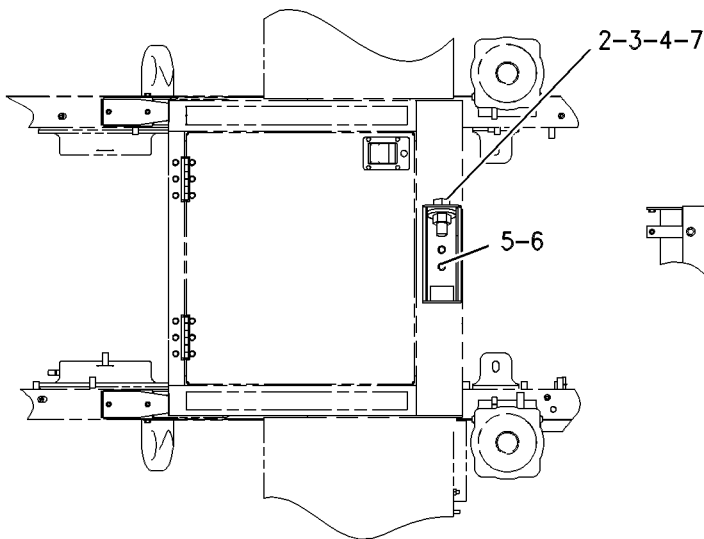
# OPERATOR STATION

170-7118 BRACKET GP-MOUNTING (contd.)

i01174809



## SUPPORT POSITION



## STORE POSITION

GRAPHIC #1

<END>

g00630283

# OPERATOR STATION

## 202-9742 CAB AR

S/N: BNH1-UP

PART OF 202-9738 OPERATOR AR

SMCS-7301

i01795181

NOTE	PART NUMBER	QTY	PART NAME						SEE PAGE
			1	2	3	4	5	6 (PRODUCT LEVEL)	
Y	147-3120	1	AIR CONDITIONER & MOUNTING GP						1057
Y	169-8258	1	CONTROL GP-FOOT BRAKE						728
Y	141-4644	1	CONTROL GP-PARKING BRAKE						730
Y	141-4940	1	CONTROL GP-STEERING (STIC)						1111
Y	4E-8413	1	CONTROL GP-STIC						1116
Y	164-4237	1	COVER GP-DASH						1120
Y	165-6769	1	DUCT & FILTER GP-CAB AIR						1129
Y	165-6560	1	DUCT GP-CAB AIR						1131
Y	109-8199	1	INSTALLATION GP-RADIO						1137
Y	152-9028	1	LIGHTING GP-FLOOD (CAB)						282
Y	144-2617	1	LINER GP-CAB						1147
Y	187-0738	1	CONTROL GP-STIC LOCKOUT						1117
Y	136-2626	1	PANEL GP-INSTRUMENT (UPPER)						1191
Y	202-9746	1	PANEL GP-INSTRUMENT (LOWER)						1203
Y	141-4645	1	PEDAL GP-GOVERNOR						1216
Y	128-9664	1	ROPS GP-ENCLOSED						1229
Y	117-1410	1	SEALING GP-GLASS						1235
Y	200-3174	1	SEAT GP-SUSPENSION (CLOTH, AIR)						1245
Y	179-9575	1	SUPPORT GP-HYDRAULIC CONTROL						1246
Y	173-1905	1	SUPPORT GP-SEAT						1250
Y	171-3897	1	SUPPORT GP-STEERING CONTROL						1251
Y	173-9375	1	SUPPRESSION GP-CAB SOUND						1254
Y	109-8196	1	WIPER GP-WINDOW						1262
Y	210-1649	1	WIRING GP-CAB						362
Y - SEPARATE ILLUSTRATION									
<END>									

# OPERATOR STATION

## 346-3845 CAB AR

S/N: BNH1-UP

FOR USE WITH RETROFIT UPGRADE CAB PACKAGE FOR 988G SERIES MACHINES, REHS4984  
PART OF 380-9189 CAB AR  
FIELD INSTALLATION

SMCS-7301

i04549330

NOTE	PART NUMBER	QTY	PART NAME						SEE PAGE
			1	2	3	4	5	6 (PRODUCT LEVEL)	
Y	331-0314	1	AIR CONDITIONER AR						1059
Y	179-9380	1	CONTROL GP-ELECTROHYDRAULIC (2-FUNCTION)						1078
Y	169-8258	1	CONTROL GP-FOOT BRAKE						728
Y	141-4644	1	CONTROL GP-PARKING BRAKE						730
Y	141-4940	1	CONTROL GP-STEERING (STIC)						1111
Y	4E-8413	1	CONTROL GP-STIC						1116
Y	187-0738	1	CONTROL GP-STIC LOCKOUT						1117
Y	164-4237	1	COVER GP-DASH						1120
Y	165-6769	1	DUCT & FILTER GP-CAB AIR						1129
Y	165-6560	1	DUCT GP-CAB AIR						1131
Y	346-3851	1	FILM GP						1391
Y	326-3071	1	FLOOR MAT GP						1133
Y	228-9628	1	INSTALLATION GP-RADIO						1140
Y	305-9186	1	INSTALLATION GP-RADIO						1142
Y	346-3842	1	INSTALLATION GP-RADIO						1144
Y	346-3858	1	LIGHTING GP-FLOOD						283
Y	228-0920	1	LINER GP-CAB						1150
Y	346-3850	1	MIRROR GP-REAR VIEW						1170
Y	227-3192	1	PANEL GP-INSTRUMENT (UPPER)						1209
Y	346-3848	1	PANEL GP-INSTRUMENT						1211
Y	141-4645	1	PEDAL GP-GOVERNOR						1216
Y	326-3073	1	ROOF GP-CAB						1228
Y	292-6893	1	ROPS GP-ENCLOSED						1232
Y	117-1410	1	SEALING GP-GLASS						1235
Y	200-3174	1	SEAT GP-SUSPENSION (CLOTH, AIR)						1245
Y	179-9575	1	SUPPORT GP-HYDRAULIC CONTROL						1246
Y	173-1905	1	SUPPORT GP-SEAT						1250
Y	171-3897	1	SUPPORT GP-STEERING CONTROL						1251
Y	173-9375	1	SUPPRESSION GP-CAB SOUND						1254
Y	326-7291	1	VALVE & MTG GP-BRAKE CONTROL						777
Y	109-8196	1	WIPER GP-WINDOW						1262
Y	346-3849	1	WIRING GP-CAB						372
Y - SEPARATE ILLUSTRATION									
<END>									

## 380-9189 CAB AR

S/N: BNH1-UP

RETROFIT UPGRADE CAB PACKAGE FOR 988G SERIES MACHINES  
FOR USE WITH REHS4984 FOR INSTALLATION OF KIT & REHS4993 PRODUCT SUPPORT INFORMATION  
FIELD INSTALLATION

SMCS-7301

i04572231

NOTE	PART NUMBER	QTY	PART NAME						SEE PAGE
			1	2	3	4	5	6 (PRODUCT LEVEL)	
Y	346-3844	1	OPERATOR AR (KIT)						1185
JY	346-3845	1	CAB AR						1073
J - REFER TO REHS4984 FOR INSTALLATION OF KIT & REHS4993 PRODUCT SUPPORT INFORMATION									
Y - SEPARATE ILLUSTRATION									
<END>									

# OPERATOR STATION

## 172-1248 COMPRESSOR GP-REFRIGERANT

S/N: BNH1-UP

FOR USE WITH 190-6563-PAGE: 14, 170-1757-PAGE: 111, 190-6564-PAGE: 218

PART OF 201-4341 INSTALLATION AR-ENGINE

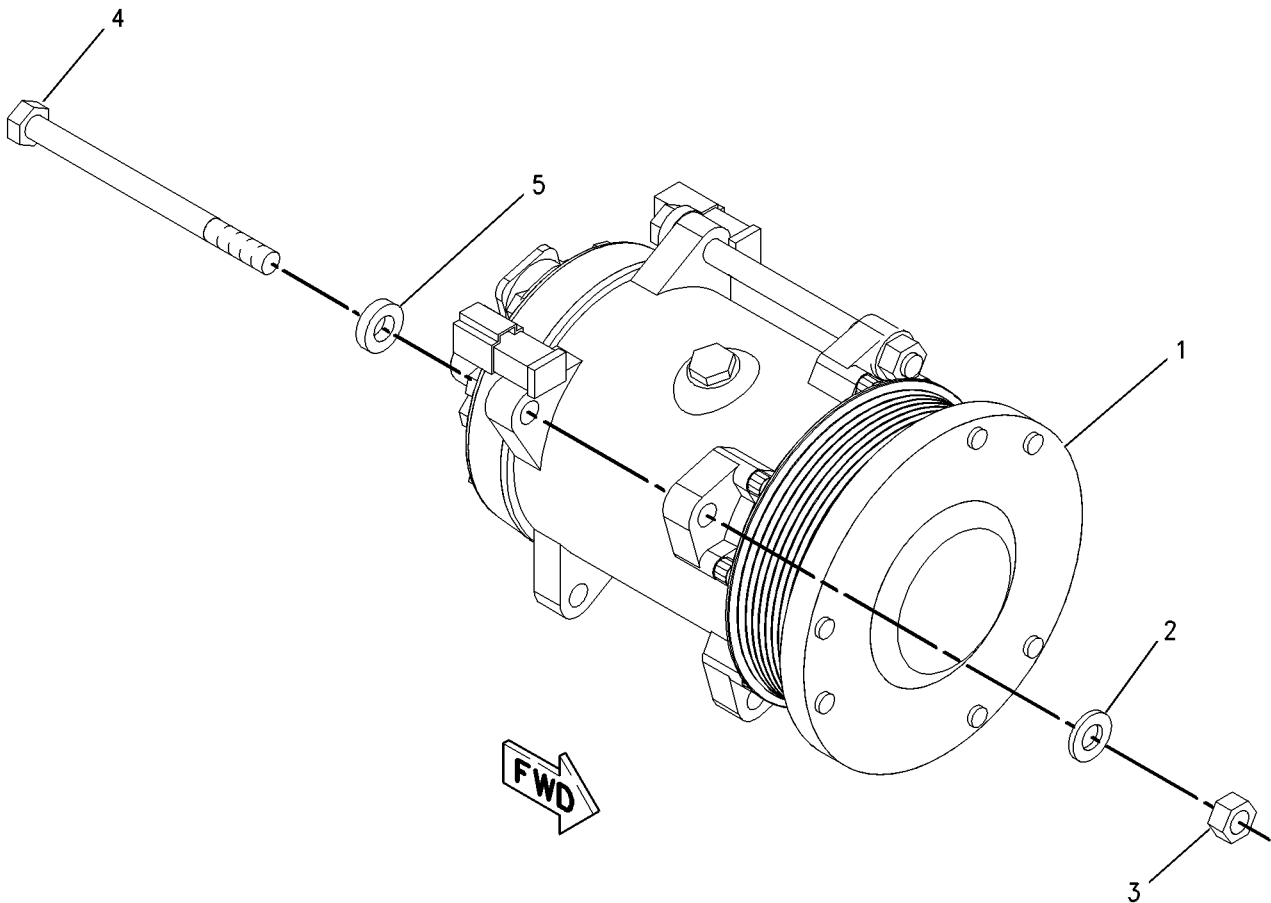
SMCS-1802

i03912489

NOTE	REF NO	GRAPHIC REF	PART NUMBER	QTY	PART NAME						SEE PAGE
					1	2	3	4	5	6 (PRODUCT LEVEL)	
Y	1	1	<b>218-0324</b>	1	COMPRESSOR GP-REFRIGERANT						1075
	2	1	<b>6V-5839</b>	2	WASHER (11X21X2.5-MM THK)						
M	3	1	<b>2Y-5829</b>	2	NUT (M10X1.5-THD)						
	4	1	<b>210-4460</b>	2	BOLT (M10X1.5X130-MM)						
	5	1	<b>4S-9191</b>	2	WASHER (12X22.5X5-MM THK)						

M - METRIC PART

Y - SEPARATE ILLUSTRATION



GRAPHIC #1

<END>

g00688540

# OPERATOR STATION

## 218-0324 COMPRESSOR GP-REFRIGERANT

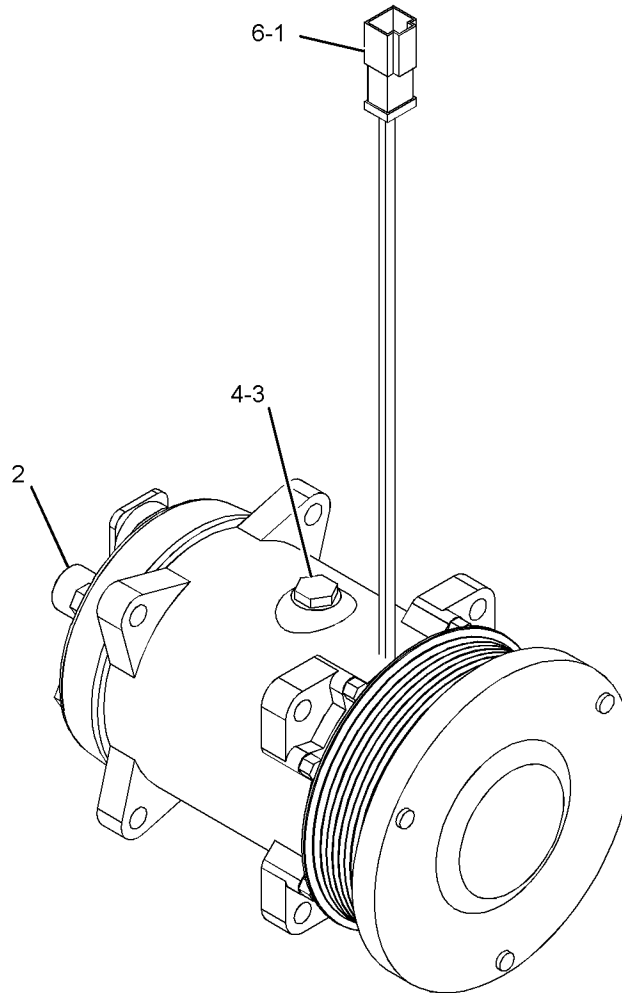
S/N: BNH1-UP

PART OF 172-1248, 262-4948 COMPRESSOR GP-REFRIGERANT

SMCS-1802

i02930106

NOTE	REF NO	GRAPHIC REF	PART NUMBER	QTY	PART NAME						SEE PAGE
					1	2	3	4	5	6 (PRODUCT LEVEL)	
	1	1	<b>102-8802</b>	1	KIT-RECEPTACLE (2-PIN) (INCLUDES RECEPTACLE AS & WEDGE)						
	2	1	<b>314-4018</b>	1	VALVE AS-PRESSURE RELIEF (REFRIGERANT COMPRESSOR)						
		1	<b>9X-7378</b>	1	SEAL-O-RING						
	3	1	<b>7T-4532</b>	1	PLUG AS						
	4	1	<b>9X-7385</b>	2	SEAL-O-RING						
	6	1	<b>180-9339</b>	2	PIN-CONNECTOR (14-GA TO 18-GA)						



GRAPHIC #1

<END>

g0145552

# OPERATOR STATION

## 262-4948 COMPRESSOR GP-REFRIGERANT

S/N: BNH936-UP

PART OF 201-4341 INSTALLATION AR-ENGINE

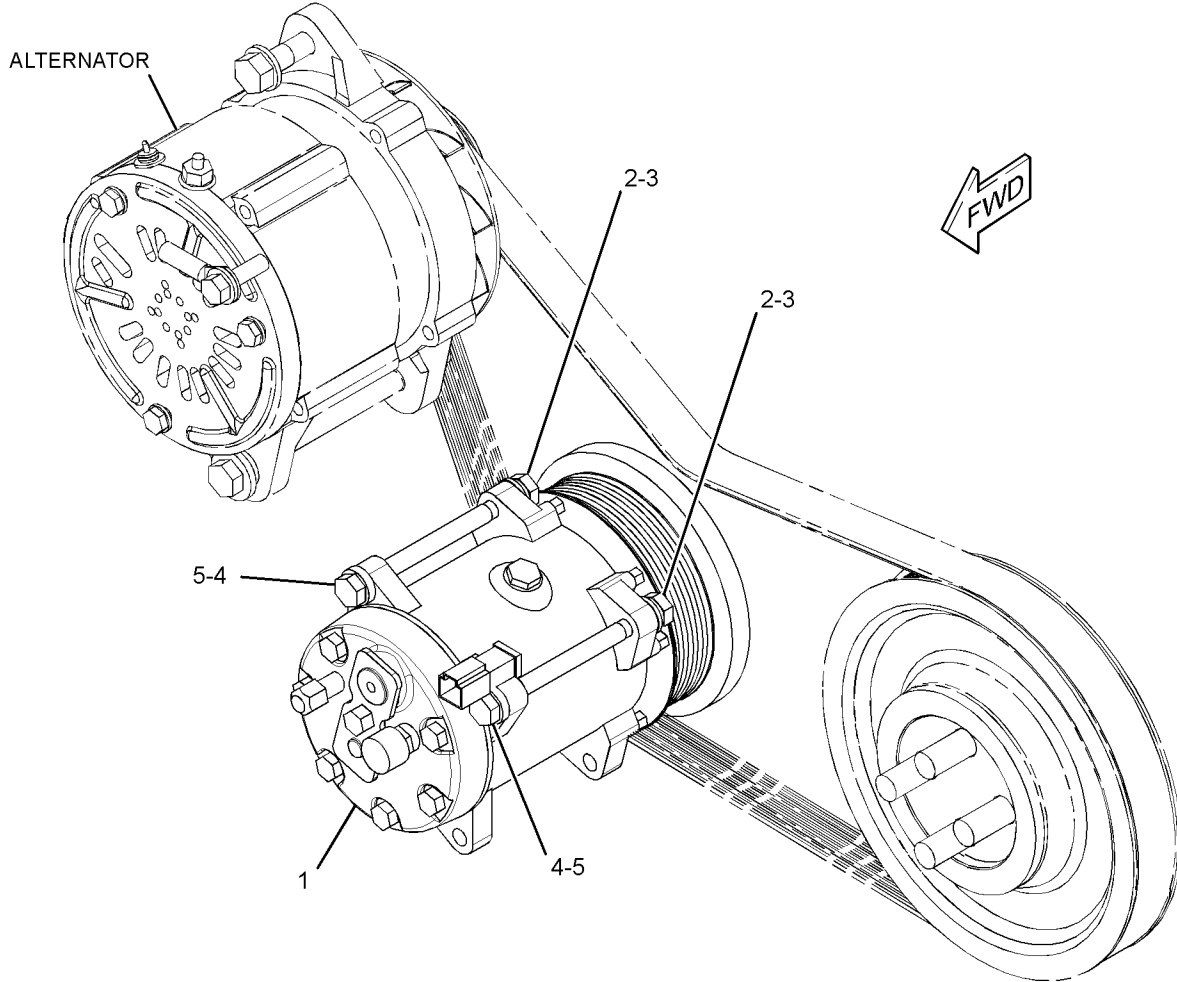
SMCS-1802

i02961476

NOTE	REF NO	GRAPHIC REF	PART NUMBER	QTY	PART NAME						SEE PAGE
					1	2	3	4	5	6 (PRODUCT LEVEL)	
Y	1	1	<b>218-0324</b>	1	COMPRESSOR GP-REFRIGERANT						1075
M	2	1	<b>8T-0389</b>	2	LOCKNUT (M10X1.5-THD)						
	3	1	<b>8T-4121</b>	2	WASHER-HARD (11X21X2.5-MM THK)						
M	4	1	<b>8T-5436</b>	2	BOLT (M10X1.5X130-MM)						
	5	1	<b>8T-7934</b>	2	WASHER-HARD (11X21X5-MM THK)						

M - METRIC PART

Y - SEPARATE ILLUSTRATION



GRAPHIC #1

<END>

g01514239

# OPERATOR STATION

## 114-5172 CONDENSER GP-REFRIGERANT

S/N: BNH1-UP

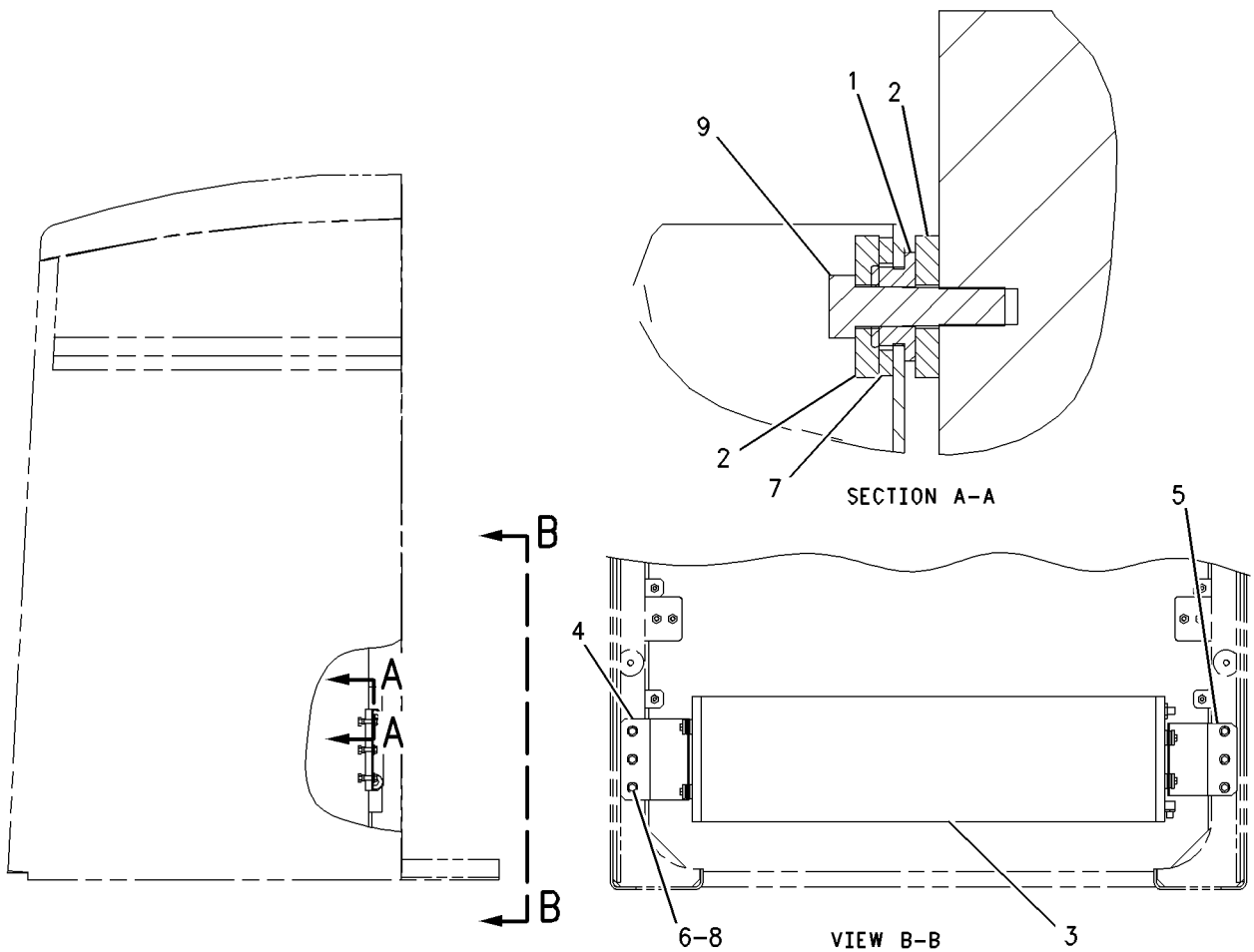
PART OF 203-1567 CHASSIS AR

SMCS-1805

i01468802

NOTE	REF NO	GRAPHIC REF	PART NUMBER	QTY	PART NAME						SEE PAGE
					1	2	3	4	5	6	
	1	1	<b>6N-8744</b>	4	MOUNT						
	2	1	<b>7X-0632</b>	8	WASHER-HARD (11X36X6-MM THK)						
	3	1	<b>132-3968</b>	1	CORE AS-CONDENSER						
	4	1	<b>135-6925</b>	1	ANGLE						
	5	1	<b>135-6926</b>	1	ANGLE						
	6	1	<b>7X-7729</b>	6	WASHER (11X25X3-MM THK)						
	7	1	<b>8T-4123</b>	4	WASHER (22X35X3.5-MM THK)						
M	8	1	<b>8T-4136</b>	6	BOLT (M10X1.5X25-MM)						
M	9	1	<b>8T-4186</b>	4	BOLT (M10X1.5X40-MM)						

M - METRIC PART



GRAPHIC #1

<END>

g00766337

# OPERATOR STATION

## 179-9380 CONTROL GP-ELECTROHYDRAULIC-2-FUNCTION

S/N: BNH1-UP

PART OF 201-0837 HYDRAULIC AR-2 VALVE

AN ATTACHMENT

TYPE 1

SMCS-5702

i01631012

NOTE	REF NO	GRAPHIC REF	PART NUMBER	QTY	PART NAME						SEE PAGE
					1	2	3	4	5	6 (PRODUCT LEVEL)	
	1	1	2M-4009	1	PLUG-BUTTON						
	2	2	3E-3377	1	WEDGE-RECEPTACLE LOCK (4-PIN)						
	3	2	3E-5239	1	RELAY AS (24-VOLT) (HORN)						
M	4	2	5C-2874	4	NUT (M5X0.8-THD)						
	5	1	8L-8413	11	STRAP-CABLE						
	6	2	8T-0328	8	WASHER-HARD (5.5X10X1-MM THK)						
	7	2	8T-8737	2	PLUG-SEAL						
	8	1,2	9X-2026	10	WASHER (6.5X17X1-MM THK)						
M	9	1	9X-2042	10	SCREW-TRUSS HEAD (M6X1X12-MM)						
	10	2	105-3372	1	SPRING						
	11	2	106-1582	1	HOUSING						
	12	2	106-1583	2	ROD						
	13	2	106-1584	2	SPACER (6.22X9.52X85-MM THK)						
	14	2	114-4244	2	PLATE						
	15	2	114-4247	4	BRACKET AS						
	16	2	124-0792	1	HARNES AS-CONTROL (E/H-KICKOUT, POSITIONER CON)						
		2	3S-2093	5	STRAP-CABLE						
		2	102-8801	1	KIT-RECEPTACLE (12-PIN) (INCLUDES RECEPTACLE AS AND WEDGE)						
		2	155-2270	1	KIT-CONNECTING PLUG (2-PIN)						
		2	155-2260	1	KIT-CONNECTING PLUG (3-PIN) (EACH KIT INCLUDES WEDGE AND PLUG AS)						
	17	1	188-3984	1	SWITCH AS-PUSH BUTTON (THROTTLE LOCK SET)						
		1	6F-0253	1	LOCKWASHER						
		1	186-3735	3	PIN-CONNECTOR (16-GA TO 18-GA)						
		1	3E-3371	3	WEDGE-RECEPTACLE LOCK (3-PIN)						
		1	3K-0835	1	NUT (5/8-24-THD)						
		1	102-8803	1	KIT-RECEPTACLE (3-PIN) (INCLUDES RECEPTACLE AS AND WEDGE)						
	18	1	188-3983	1	SWITCH AS-PUSH BUTTON (THROTTLE LOCK RESUME)						
		1	3K-0835	1	NUT (5/8-24-THD)						
		1	6F-0253	1	LOCKWASHER						
		1	155-2260	1	KIT-CONNECTING PLUG (3-PIN) (INCLUDES WEDGE AND PLUG AS)						
		1	155-2276	1	WEDGE-PLUG LOCK (3-PIN)						
		1	186-3736	3	SOCKET-CONNECTOR (16-GA TO 18-GA)						
	19	2	133-7215	2	DEFLECTOR						
	20	2	139-1378	4	BEARING						
	21	2	147-2577	3	DETENT AS (CONTROL LEVER)						
		2	8T-8729	2	PIN-CONNECTOR (16-GA TO 18-GA)						
		2	1S-9593	2	STRAP-CABLE						
		2	3E-3365	1	WEDGE-RECEPTACLE LOCK (2-PIN)						
	22	2	149-3949	2	LEVER-CONTROL						
	23	2	152-9832	1	HARNES AS-CONTROL (ELECTROHYDRAULIC)						
		2	3S-2093	9	STRAP-CABLE						
		2	8T-8737	3	PLUG-SEAL						
		2	155-2265	1	KIT-CONNECTING PLUG (8-PIN)						
		2	155-2271	1	KIT-CONNECTING PLUG (4-PIN)						
		2	155-2260	1	KIT-CONNECTING PLUG (3-PIN) (EACH KIT INCLUDES PLUG AS AND WEDGE)						
		2	102-8803	1	KIT-RECEPTACLE (3-PIN)						
		2	102-8806	1	KIT-RECEPTACLE (8-PIN) (EACH KIT INCLUDES RECEPTACLE AS AND WEDGE)						
Y	24	2	161-8979	1	SENSOR GP-POSITION (TILT LEVER)						302



# OPERATOR STATION

179-9380 CONTROL GP-ELECTROHYDRAULIC (contd.)

i01631012

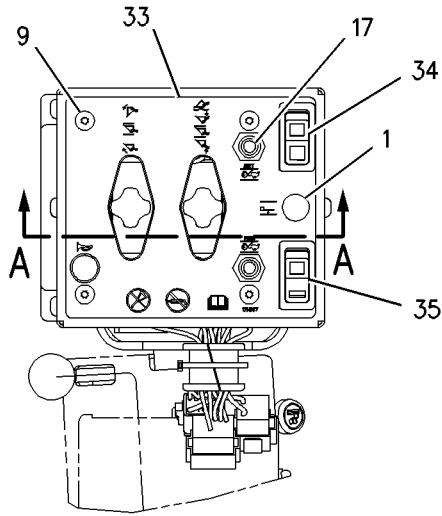
NOTE	REF NO	GRAPHIC REF	PART NUMBER	QTY	PART NAME						SEE PAGE
					1	2	3	4	5	6 (PRODUCT LEVEL)	
	25	1	163-8119	2	SPRING						
	26	1	166-4804	1	COVER AS						
	27	1	166-4805	1	GUARD AS						
	28	1	170-0970	1	CUSHION AS						
	29	1	170-0980	1	BRACKET						
	30	1	170-1821	1	SWITCH AS-PUSH BUTTON (HORN)						
		1	6F-0253	1	LOCKWASHER						
		1	172-3511	1	NUT (5/8-24-THD)						
		1	8T-8729	2	PIN-CONNECTOR (16-GA TO 18-GA)						
	31	1	170-7096	1	GUARD AS						
	32	2	171-1055	1	BRACKET AS						
	33	1	171-1147	1	FILM-CONTROL (IMPLEMENT CONTROLS POD)						
	34	1	180-2559	1	SWITCH AS-ROCKER (REDUCED/MAXIMUM RIMPULL)						
	35	1	180-2562	1	SWITCH AS-ROCKER (IMPLEMENT LOCKOUT)						
	36	2	102-8804	1	KIT-RECEPTACLE (4-PIN) (INCLUDES RECEPTACLE AS AND WEDGE)						
M	37	1	5C-2890	1	NUT (M6X1-THD)						
	38	2	6V-3341	1	GROMMET						
M	39	1	6V-7357	3	BOLT (M6X1X25-MM)						
M	40	1	6V-7743	4	LOCKNUT (M6X1-THD)						
M	41	2	7X-2619	1	BOLT (M6X1X10-MM)						
	42	1	8M-2771	2	CLIP						
M	43	1,2	8T-4970	8	BOLT (M6X1X14-MM)						
M	44	1	8T-4971	1	BOLT (M6X1X30-MM)						
M	45	2	9X-2044	4	SCREW-TRUSS HEAD (M6X1X16-MM)						
Y	46	2	161-8979	1	SENSOR GP-POSITION (LIFT LEVER)						302

M - METRIC PART  
Y - SEPARATE ILLUSTRATION

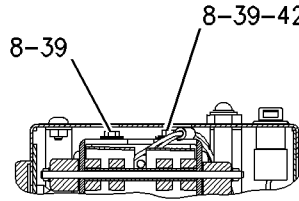
# OPERATOR STATION

179-9380 CONTROL GP-ELECTROHYDRAULIC (contd.)

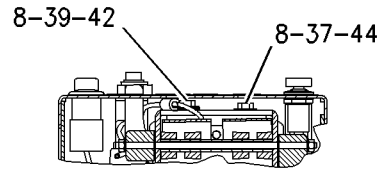
i01631012



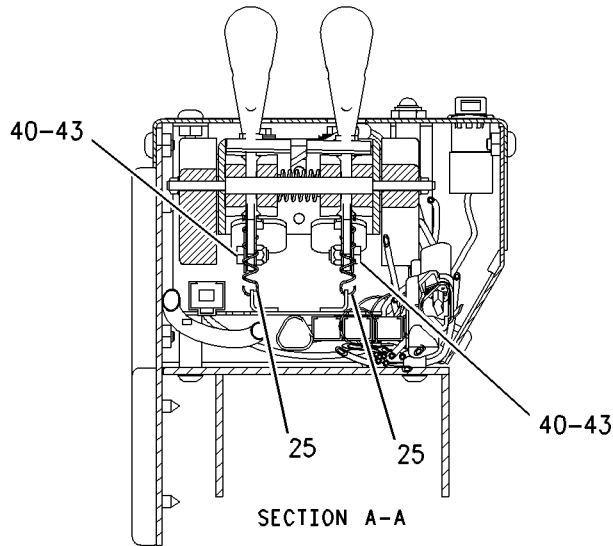
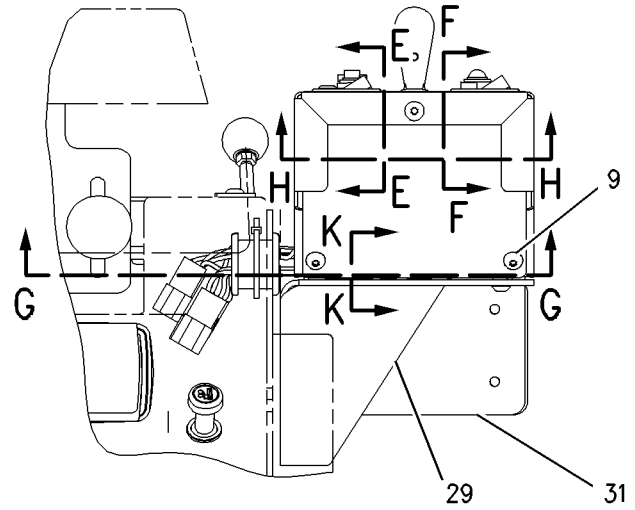
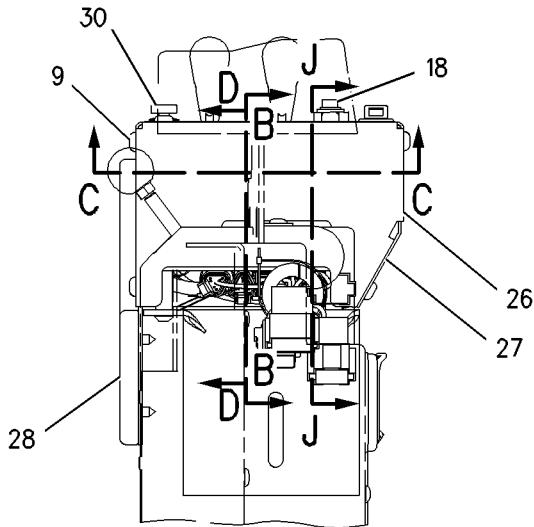
REFER TO ALL ILLUSTRATIONS OF THIS GROUP FOR AUXILIARY VIEWS



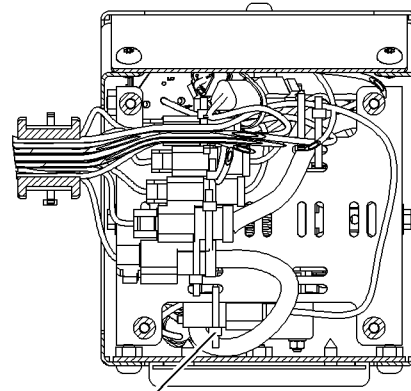
SECTION F-F



SECTION E-E



SECTION A-A



SECTION G-G

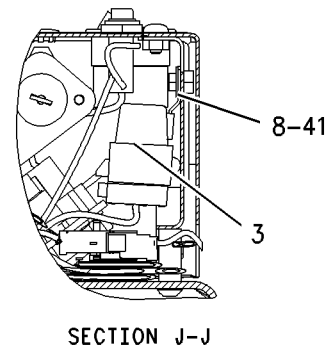
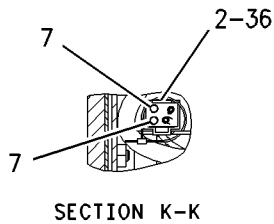
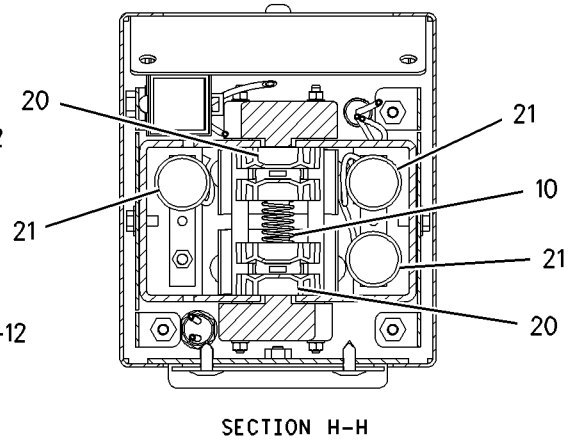
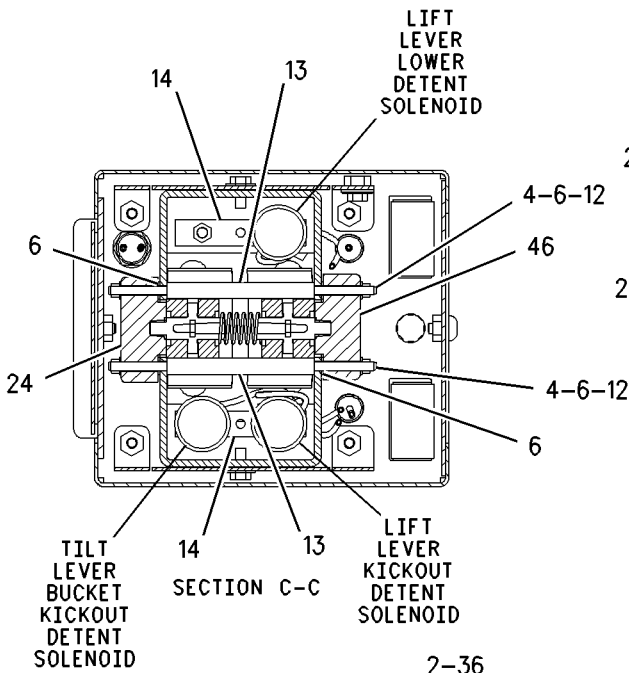
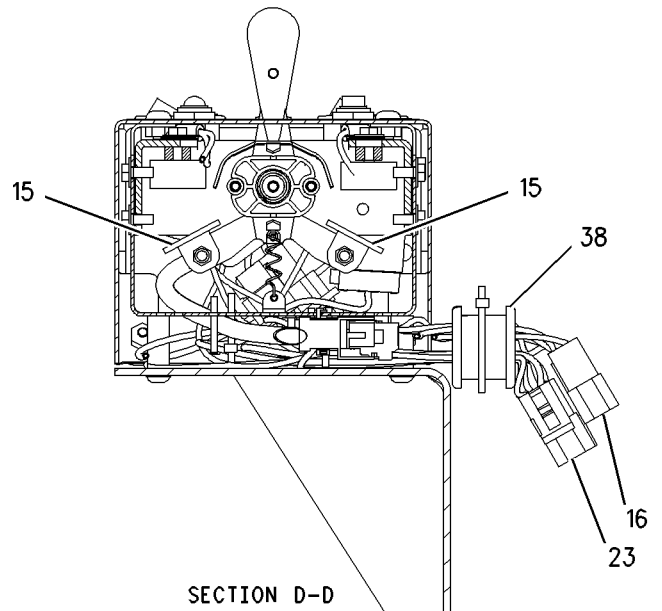
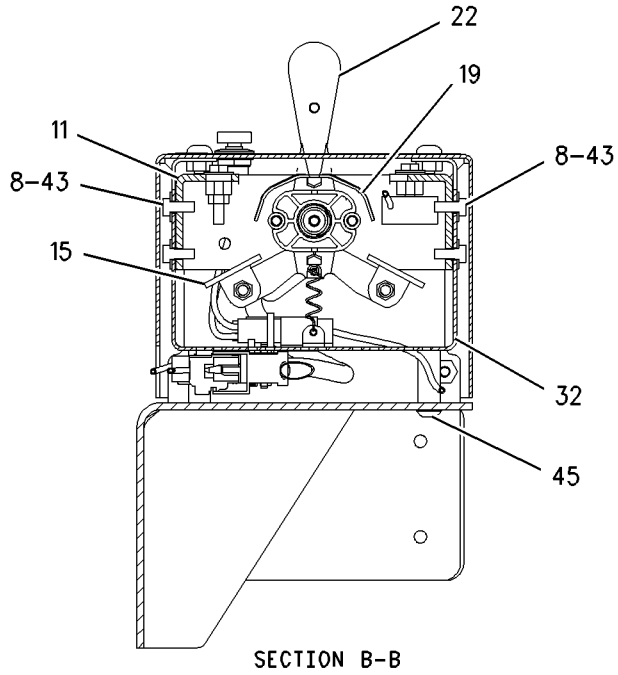
GRAPHIC #1

g00763636

# OPERATOR STATION

179-9380 CONTROL GP-ELECTROHYDRAULIC (contd.)

i01631012



GRAPHIC #2

<END>

g00763630

# OPERATOR STATION

## 179-9380 CONTROL GP-ELECTROHYDRAULIC-2-FUNCTION

S/N: BNH1-UP

PART OF 201-0837 HYDRAULIC AR-2 VALVE

AN ATTACHMENT

TYPE 2

SMCS-5702

i01767335

NOTE	REF NO	GRAPHIC REF	PART NUMBER	QTY	PART NAME						SEE PAGE
					1	2	3	4	5	6 (PRODUCT LEVEL)	
	1	1	2M-4009	1	PLUG-BUTTON						
	2	2	3E-3377	1	WEDGE-RECEPTACLE LOCK (4-PIN)						
	3	2	3E-5239	1	RELAY AS (24-VOLT) (HORN)						
M	4	2	5C-2874	4	NUT (M5X0.8-THD)						
	5	1	8L-8413	11	STRAP-CABLE						
	6	2	8T-0328	8	WASHER-HARD (5.5X10X1-MM THK)						
	7	2	8T-8737	2	PLUG-SEAL						
	8	1,2	9X-2026	10	WASHER (6.5X17X1-MM THK)						
M	9	1	9X-2042	10	SCREW-TRUSS HEAD (M6X1X12-MM)						
	10	2	105-3372	1	SPRING						
	11	2	106-1582	1	HOUSING						
	12	2	106-1583	2	ROD						
	13	2	106-1584	2	SPACER (6.22X9.52X85-MM THK)						
	14	2	114-4244	2	PLATE						
	15	2	114-4247	4	BRACKET AS						
	16	2	124-0792	1	HARNES AS-CONTROL (E/H-KICKOUT, POSITIONER CON)						
		2	3S-2093	5	STRAP-CABLE						
		2	102-8801	1	KIT-RECEPTACLE (12-PIN) (INCLUDES RECEPTACLE AS AND WEDGE)						
		2	155-2270	1	KIT-CONNECTING PLUG (2-PIN)						
		2	155-2260	1	KIT-CONNECTING PLUG (3-PIN) (EACH KIT INCLUDES WEDGE AND PLUG AS)						
	17	1	188-3984	1	SWITCH AS-PUSH BUTTON (THROTTLE LOCK SET)						
		1	6F-0253	1	LOCKWASHER						
		1	186-3735	3	PIN-CONNECTOR (16-GA TO 18-GA)						
		1	3E-3371	3	WEDGE-RECEPTACLE LOCK (3-PIN)						
		1	3K-0835	1	NUT (5/8-24-THD)						
		1	102-8803	1	KIT-RECEPTACLE (3-PIN) (INCLUDES RECEPTACLE AS AND WEDGE)						
	18	1	188-3983	1	SWITCH AS-PUSH BUTTON (THROTTLE LOCK RESUME)						
		1	3K-0835	1	NUT (5/8-24-THD)						
		1	6F-0253	1	LOCKWASHER						
		1	155-2260	1	KIT-CONNECTING PLUG (3-PIN) (INCLUDES WEDGE AND PLUG AS)						
		1	155-2276	1	WEDGE-PLUG LOCK (3-PIN)						
		1	186-3736	3	SOCKET-CONNECTOR (16-GA TO 18-GA)						
	19	2	133-7215	2	DEFLECTOR						
	20	2	139-1378	4	BEARING						
	21	2	147-2577	3	DETENT AS (CONTROL LEVER)						
		2	8T-8729	2	PIN-CONNECTOR (16-GA TO 18-GA)						
		2	1S-9593	2	STRAP-CABLE						
		2	3E-3365	1	WEDGE-RECEPTACLE LOCK (2-PIN)						
	22	2	149-3949	2	LEVER-CONTROL						
	23	2	152-9832	1	HARNES AS-CONTROL (ELECTROHYDRAULIC)						
		2	3S-2093	9	STRAP-CABLE						
		2	8T-8737	3	PLUG-SEAL						
		2	155-2265	1	KIT-CONNECTING PLUG (8-PIN)						
		2	155-2271	1	KIT-CONNECTING PLUG (4-PIN)						
		2	155-2260	1	KIT-CONNECTING PLUG (3-PIN) (EACH KIT INCLUDES PLUG AS AND WEDGE)						
		2	102-8803	1	KIT-RECEPTACLE (3-PIN)						
		2	102-8806	1	KIT-RECEPTACLE (8-PIN) (EACH KIT INCLUDES RECEPTACLE AS AND WEDGE)						
CY	24	2	214-4862	1	SENSOR GP-POSITION (TILT LEVER)						305

# OPERATOR STATION

179-9380 CONTROL GP-ELECTROHYDRAULIC (contd.)

i01767335

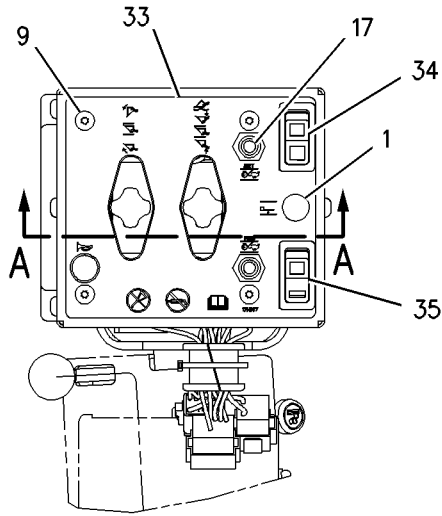
NOTE	REF NO	GRAPHIC REF	PART NUMBER	QTY	PART NAME						SEE PAGE
					1	2	3	4	5	6 (PRODUCT LEVEL)	
	25	1	163-8119	2	SPRING						
	26	1	166-4804	1	COVER AS						
	27	1	166-4805	1	GUARD AS						
	28	1	170-0970	1	CUSHION AS						
	29	1	170-0980	1	BRACKET						
	30	1	170-1821	1	SWITCH AS-PUSH BUTTON (HORN)						
		1	6F-0253	1	LOCKWASHER						
		1	172-3511	1	NUT (5/8-24-THD)						
		1	8T-8729	2	PIN-CONNECTOR (16-GA TO 18-GA)						
	31	1	170-7096	1	GUARD AS						
	32	2	171-1055	1	BRACKET AS						
	33	1	171-1147	1	FILM-CONTROL (IMPLEMENT CONTROLS POD)						
	34	1	180-2559	1	SWITCH AS-ROCKER (REDUCED/MAXIMUM RIMPULL)						
	35	1	180-2562	1	SWITCH AS-ROCKER (IMPLEMENT LOCKOUT)						
	36	2	102-8804	1	KIT-RECEPTACLE (4-PIN) (INCLUDES RECEPTACLE AS AND WEDGE)						
M	37	1	5C-2890	1	NUT (M6X1-THD)						
	38	2	6V-3341	1	GROMMET						
M	39	1	6V-7357	3	BOLT (M6X1X25-MM)						
M	40	1	6V-7743	4	LOCKNUT (M6X1-THD)						
M	41	2	7X-2619	1	BOLT (M6X1X10-MM)						
	42	1	8M-2771	2	CLIP						
M	43	1,2	8T-4970	8	BOLT (M6X1X14-MM)						
M	44	1	8T-4971	1	BOLT (M6X1X30-MM)						
M	45	2	9X-2044	4	SCREW-TRUSS HEAD (M6X1X16-MM)						
Y	46	2	161-8979	1	SENSOR GP-POSITION (LIFT LEVER)						302

C - CHANGE FROM PREVIOUS TYPE  
M - METRIC PART  
Y - SEPARATE ILLUSTRATION

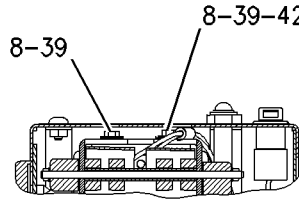
# OPERATOR STATION

179-9380 CONTROL GP-ELECTROHYDRAULIC (contd.)

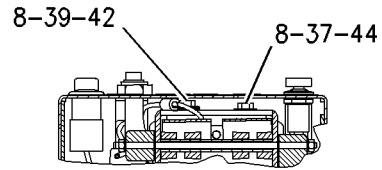
i01767335



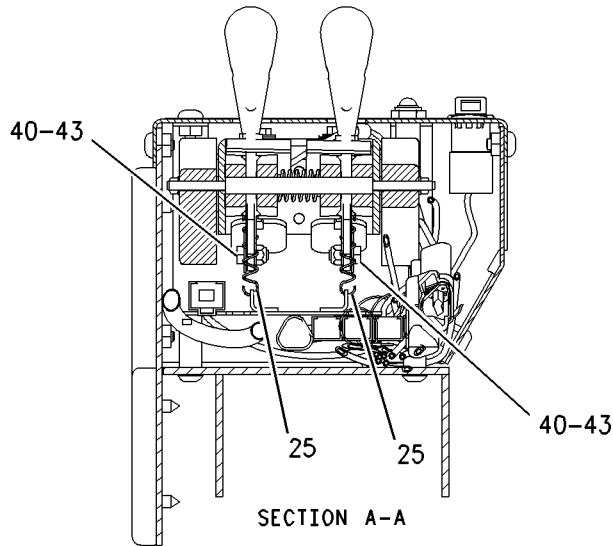
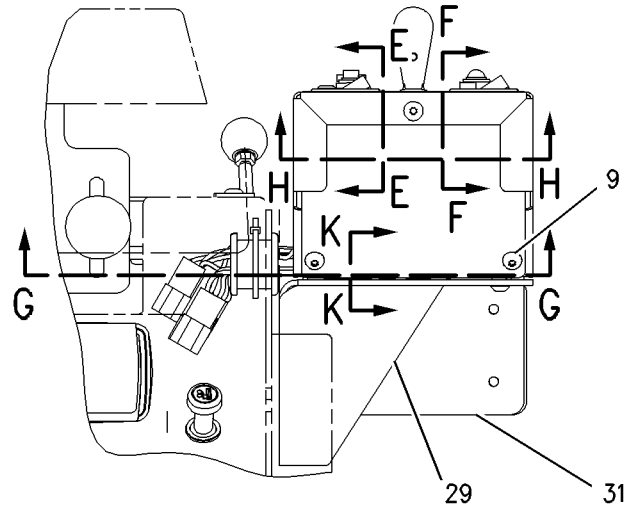
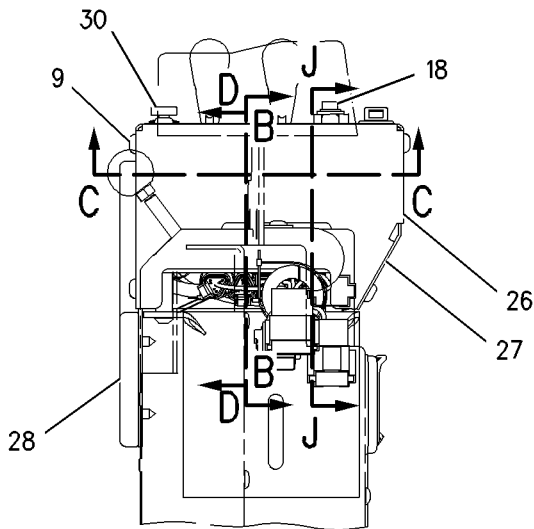
REFER TO ALL ILLUSTRATIONS OF THIS GROUP FOR AUXILIARY VIEWS



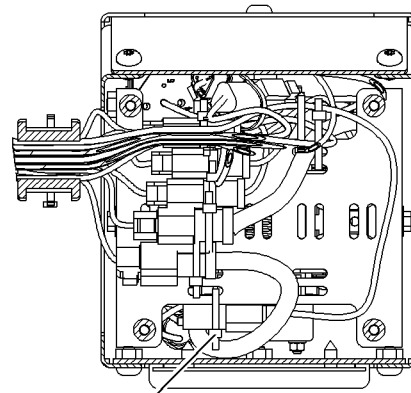
SECTION F-F



SECTION E-E



SECTION A-A



SECTION G-G

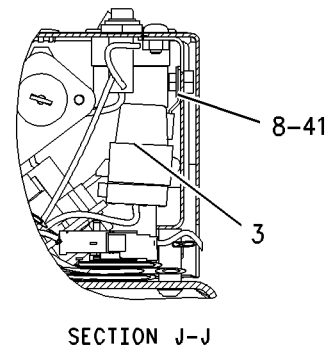
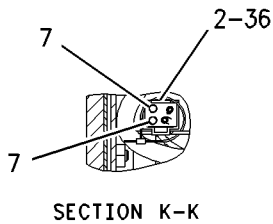
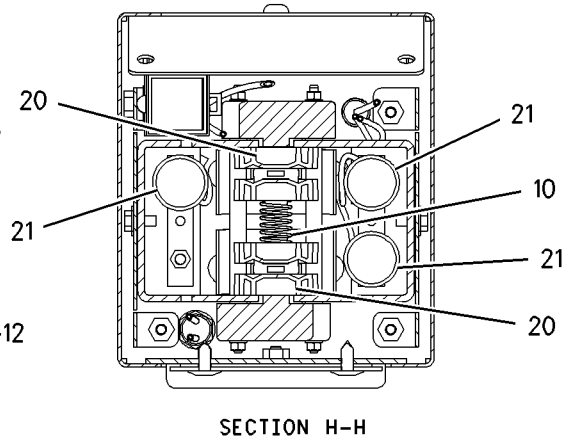
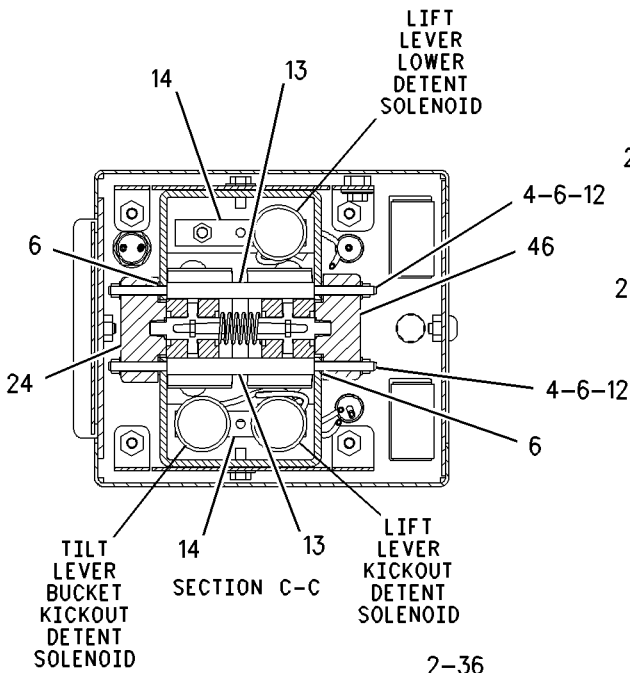
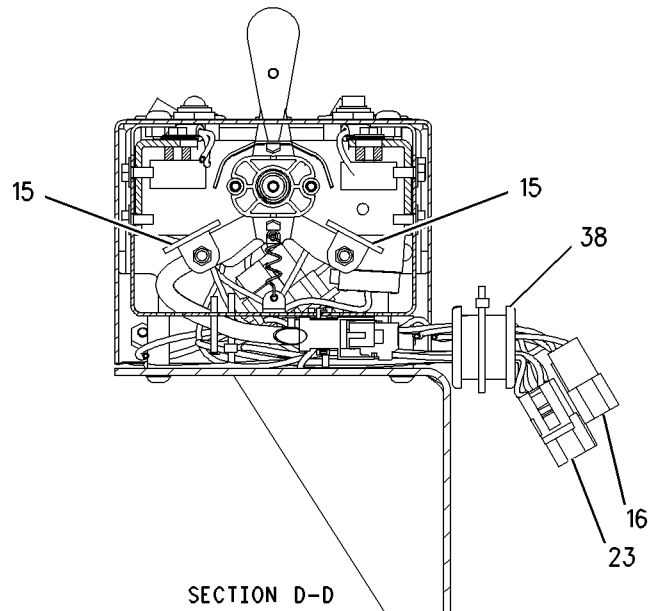
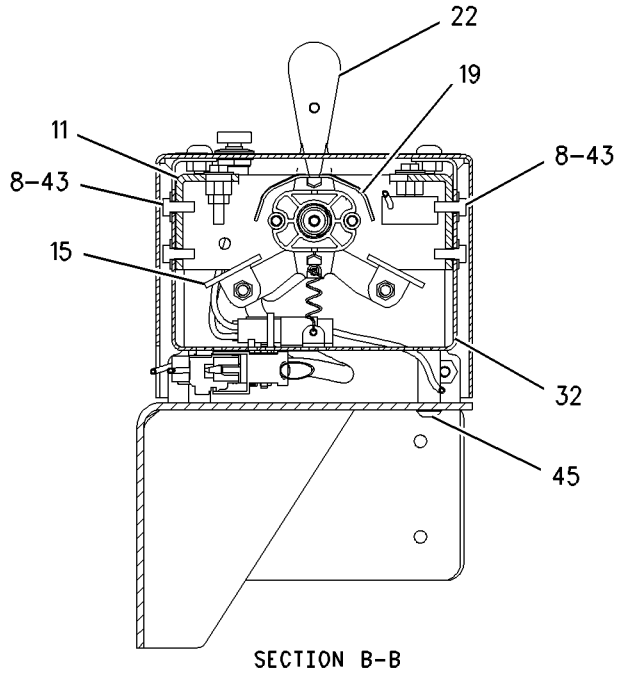
GRAPHIC #1

g00763636

# OPERATOR STATION

179-9380 CONTROL GP-ELECTROHYDRAULIC (contd.)

i01767335



GRAPHIC #2

<END>

g00763630

# OPERATOR STATION

## 179-9380 CONTROL GP-ELECTROHYDRAULIC-2-FUNCTION

S/N: BNH1-UP

PART OF 346-3845 CAB AR, 201-0837 HYDRAULIC AR-2 VALVE

AN ATTACHMENT

TYPE 3

SMCS-5702

i05185624

NOTE	REF NO	GRAPHIC REF	PART NUMBER	QTY	PART NAME						SEE PAGE
					1	2	3	4	5	6 (PRODUCT LEVEL)	
	1	1	2M-4009	1	PLUG-BUTTON						
	2	2	3E-3377	1	WEDGE-RECEPTACLE LOCK (4-PIN)						
	3	2	3E-5239	1	RELAY AS (24-VOLT) (HORN)						
M	4	2	5C-2874	4	NUT (M5X0.8-THD)						
	5	1	8L-8413	11	STRAP-CABLE						
	6	2	8T-0328	8	WASHER-HARD (5.5X10X1-MM THK)						
	7	2	8T-8737	2	PLUG-SEAL						
	8	1,2	9X-2026	10	WASHER (6.5X17X1-MM THK)						
M	9	1	9X-2042	10	SCREW-TRUSS HEAD (M6X1X12-MM)						
	10	2	105-3372	1	SPRING						
	11	2	106-1582	1	HOUSING						
	12	2	106-1583	2	ROD						
	13	2	106-1584	2	SPACER (6.22X9.52X85-MM THK)						
	14	2	114-4244	2	PLATE						
	15	2	114-4247	4	BRACKET AS						
	16	2	124-0792	1	HARNES AS-CONTROL (E/H-KICKOUT, POSITIONER CON)						
		2	3S-2093	5	STRAP-CABLE						
		2	102-8801	1	KIT-RECEPTACLE (12-PIN) (INCLUDES RECEPTACLE AS AND WEDGE)						
		2	155-2270	1	KIT-CONNECTING PLUG (2-PIN)						
		2	155-2260	1	KIT-CONNECTING PLUG (3-PIN) (EACH KIT INCLUDES WEDGE AND PLUG AS)						
		2	8T-8729	12	PIN-CONNECTOR (16-GA TO 18-GA)						
		2	8T-8730	12	SOCKET-CONNECTOR (16-GA TO 18-GA)						
	17	1	188-3984	1	SWITCH AS-PUSH BUTTON (THROTTLE LOCK SET)						
		1	6F-0253	1	LOCKWASHER						
		1	186-3735	3	PIN-CONNECTOR (16-GA TO 18-GA)						
		1	3E-3371	1	WEDGE-RECEPTACLE LOCK (3-PIN)						
		1	3K-0835	1	NUT (5/8-24-THD)						
		1	102-8803	1	KIT-RECEPTACLE (3-PIN) (INCLUDES RECEPTACLE AS AND WEDGE)						
	18	1	188-3983	1	SWITCH AS-PUSH BUTTON (THROTTLE LOCK RESUME)						
		1	3K-0835	1	NUT (5/8-24-THD)						
		1	6F-0253	1	LOCKWASHER						
		1	155-2260	1	KIT-CONNECTING PLUG (3-PIN) (INCLUDES WEDGE AND PLUG AS)						
		1	155-2276	1	WEDGE-PLUG LOCK (3-PIN)						
		1	186-3736	3	SOCKET-CONNECTOR (16-GA TO 18-GA)						
	19	2	133-7215	2	DEFLECTOR						
	20	2	139-1378	4	BEARING						
	21	2	147-2577	3	DETENT AS (CONTROL LEVER)						
		2	8T-8729	2	PIN-CONNECTOR (16-GA TO 18-GA)						
		2	1S-9593	2	STRAP-CABLE						
		2	102-8802	1	KIT-RECEPTACLE (2-PIN)						
	22	2	149-3949	2	LEVER-CONTROL						
	23	2	152-9832	1	HARNES AS-CONTROL (ELECTROHYDRAULIC)						
		2	3E-7790	7	TERMINAL-BLADE (18-GA TO 20-GA)						
		2	3E-7996	3	PLUG-CONNECTOR (6-PIN)						
		2	3E-7998	10	TERMINAL-BLADE (12-GA)						
		2	3S-2093	9	STRAP-CABLE						
		2	8T-8729	11	PIN-CONNECTOR (16-GA TO 18-GA)						
		2	8T-8730	14	SOCKET-CONNECTOR (16-GA TO 18-GA)						
		2	8T-8737	3	PLUG-SEAL						
		2	9X-1054	1	PLUG AS-CONNECTOR (4-PIN)						



# OPERATOR STATION

179-9380 CONTROL GP-ELECTROHYDRAULIC (contd.)

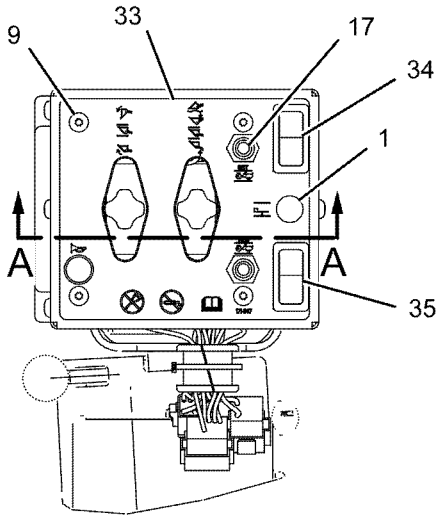
i05185624

NOTE	REF NO	GRAPHIC REF	PART NUMBER	QTY	PART NAME						SEE PAGE
					1	2	3	4	5	6 (PRODUCT LEVEL)	
		2	<b>9X-1056</b>	4	TERMINAL-RECEPTACLE (14-GA TO 16-GA)						
		2	<b>065-5071</b>	1	TERMINAL-BLADE (14-GA TO 16-GA)						
		2	<b>155-2265</b>	1	KIT-CONNECTING PLUG (8-PIN)						
		2	<b>155-2271</b>	1	KIT-CONNECTING PLUG (4-PIN)						
		2	<b>155-2260</b>	1	KIT-CONNECTING PLUG (3-PIN)						
					(EACH KIT INCLUDES PLUG AS AND WEDGE)						
		2	<b>102-8803</b>	1	KIT-RECEPTACLE (3-PIN)						
		2	<b>102-8806</b>	1	KIT-RECEPTACLE (8-PIN)						
					(EACH KIT INCLUDES RECEPTACLE AS AND WEDGE)						
CY	24	2	<b>266-1477</b>	1	SENSOR GP-POSITION (TILT LEVER)						306
	25	1	<b>163-8119</b>	2	SPRING						
	26	1	<b>166-4804</b>	1	COVER AS						
	27	1	<b>166-4805</b>	1	GUARD AS						
	28	1	<b>170-0970</b>	1	CUSHION AS						
	29	1	<b>170-0980</b>	1	BRACKET						
	30	1	<b>170-1821</b>	1	SWITCH AS-PUSH BUTTON (HORN)						
		1	<b>6F-0253</b>	1	LOCKWASHER						
		1	<b>172-3511</b>	1	NUT (5/8-24-THD)						
		1	<b>8T-8729</b>	2	PIN-CONNECTOR (16-GA TO 18-GA)						
	31	1	<b>170-7096</b>	1	GUARD AS						
	32	2	<b>171-1055</b>	1	BRACKET AS						
	33	1	<b>171-1147</b>	1	FILM-CONTROL (IMPLEMENT CONTROLS POD)						
C	34	1	<b>223-8976</b>	1	SWITCH AS-ROCKER (REDUCED/MAXIMUM RIMPULL)						
C	35	1	<b>219-9533</b>	1	SWITCH AS-ROCKER (24-VOLT) (IMPLEMENT LOCKOUT)						
	36	2	<b>102-8804</b>	1	KIT-RECEPTACLE (4-PIN)						
					(INCLUDES RECEPTACLE AS AND WEDGE)						
M	37	1	<b>5C-2890</b>	1	NUT (M6X1-THD)						
	38	2	<b>6V-3341</b>	1	GROMMET						
M	39	1	<b>6V-7357</b>	3	BOLT (M6X1X25-MM)						
M	40	1	<b>6V-7743</b>	4	LOCKNUT (M6X1-THD)						
M	41	2	<b>7X-2619</b>	1	BOLT (M6X1X10-MM)						
	42	1	<b>8M-2771</b>	2	CLIP						
M	43	1,2	<b>8T-4970</b>	8	BOLT (M6X1X14-MM)						
M	44	1	<b>8T-4971</b>	1	BOLT (M6X1X30-MM)						
M	45	2	<b>9X-2044</b>	4	SCREW-TRUSS HEAD (M6X1X16-MM)						
C - CHANGE FROM PREVIOUS TYPE M - METRIC PART Y - SEPARATE ILLUSTRATION											

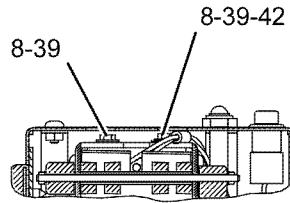
# OPERATOR STATION

179-9380 CONTROL GP-ELECTROHYDRAULIC (contd.)

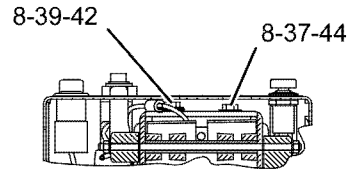
i05185624



TOP VIEW

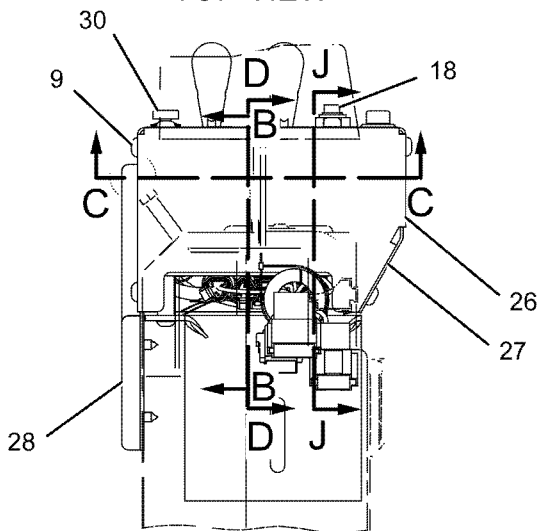


SECTION F-F

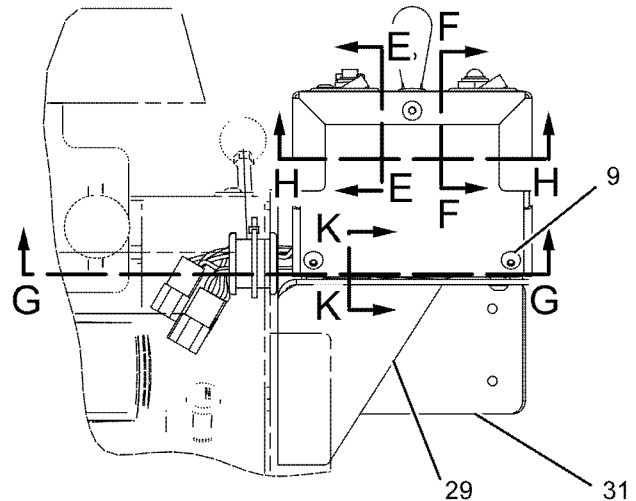


SECTION E-E

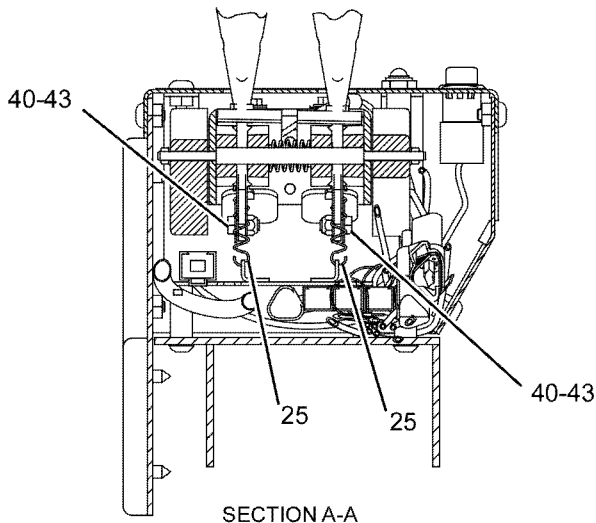
REFER TO ALL ILLUSTRATIONS OF THIS GROUP FOR AUXILIARY VIEWS



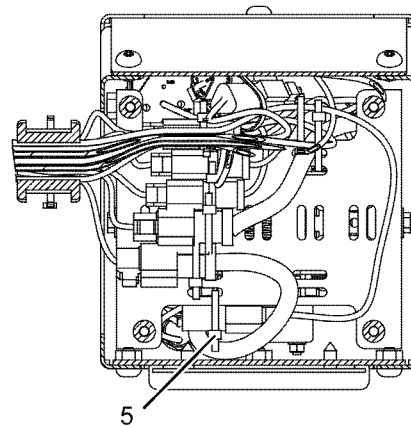
REAR VIEW



RIGHT SIDE VIEW



SECTION A-A



SECTION G-G

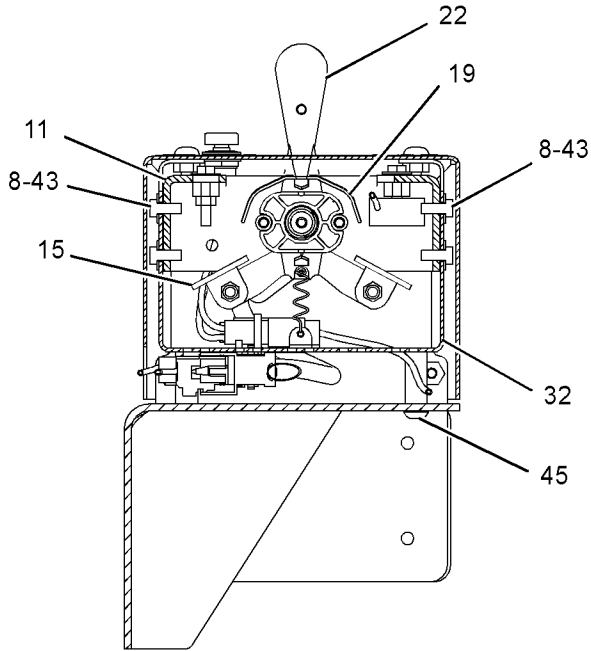
GRAPHIC #1

g01071289

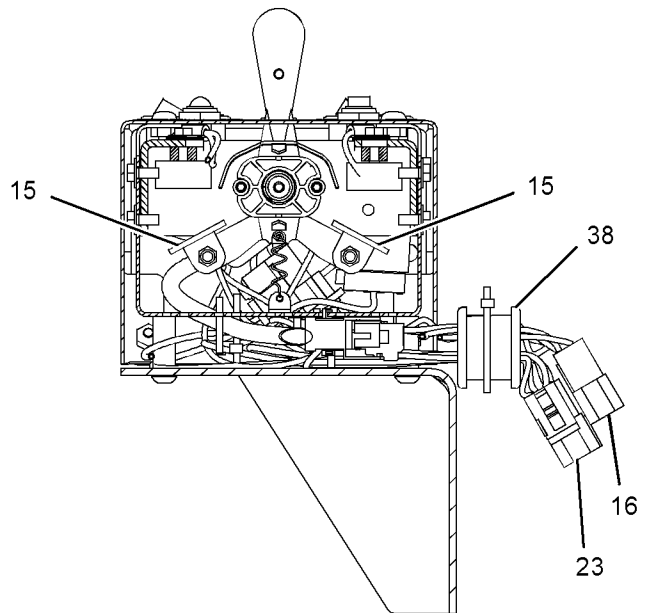
# OPERATOR STATION

179-9380 CONTROL GP-ELECTROHYDRAULIC (contd.)

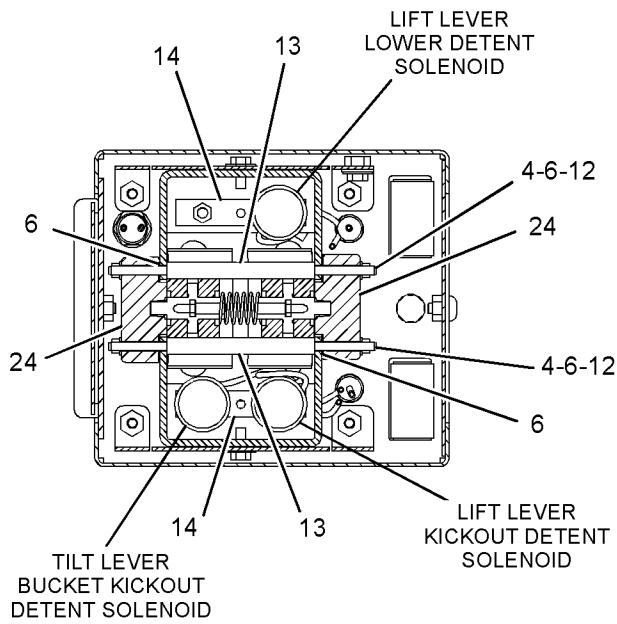
i05185624



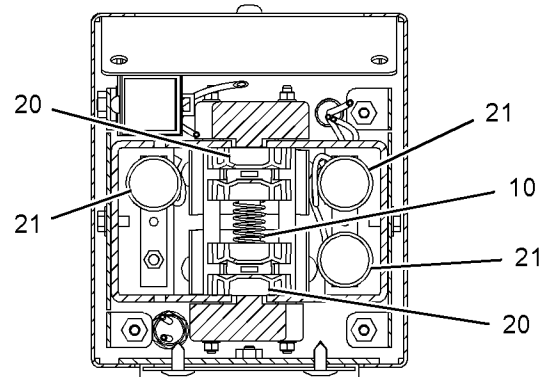
SECTION B-B



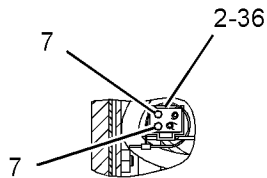
SECTION D-D



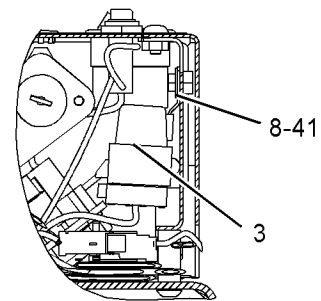
SECTION C-C



SECTION H-H



SECTION K-K



SECTION J-J

GRAPHIC #2

<END>

g03333309

# OPERATOR STATION

## 183-5045 CONTROL GP-ELECTROHYDRAULIC-3-FUNCTION

S/N: BNH1-UP

PART OF 201-0808 HYDRAULIC AR-3 VALVE

AN ATTACHMENT

TYPE 1

SMCS-5702

i01631039

NOTE	REF NO	GRAPHIC REF	PART NUMBER	QTY	PART NAME						SEE PAGE
					1	2	3	4	5	6 (PRODUCT LEVEL)	
	1	2	2M-4009	1	PLUG-BUTTON						
	2	1	3E-0109	1	PLUG (ROCKER SWITCH)						
	3	3	3E-3377	1	WEDGE-RECEPTACLE LOCK (4-PIN)						
	4	2	3E-5239	1	RELAY AS (24-VOLT) (HORN SWITCH)						
M	5	2	5C-2874	4	NUT (M5X0.8-THD)						
	6	1,3	8L-8413	12	STRAP-CABLE						
	7	2	8T-0328	6	WASHER-HARD (5.5X10X1-MM THK)						
	8	3	8T-8737	2	PLUG-SEAL						
	9	2	208-2479	2	SPACER (10X13.1X5.5-MM THK)						
	10	2	9T-4735	1	SPRING						
	11	1	9X-2026	9	WASHER (6.5X17X1-MM THK)						
	12	1	097-9169	1	SPACER (7.5X12X12-MM THK)						
	13	2	105-2976	4	FLANGE						
	14	2	105-3372	1	SPRING						
	15	2	106-1582	1	HOUSING						
	16	2	106-1584	2	SPACER (6.22X9.52X85-MM THK)						
	17	1	114-4244	2	PLATE						
	18	1	114-4247	4	BRACKET AS						
	19	2	114-8165	2	ROD						
	20	1	114-8167	1	BRACKET AS						
M		1	6V-9632	10	NUT-WELD (M6X1-THD)						
	21	3	124-0792	1	HARNESS AS-CONTROL (E/H-KICKOUT, POSITIONER CON)						
		3	155-2270	3	KIT-CONNECTING PLUG (2-PIN)						
		3	155-2260	2	KIT-CONNECTING PLUG (3-PIN)						
		3	102-8801	1	KIT-RECEPTACLE (12-PIN)						
		3	3S-2093	5	STRAP-CABLE						
	22	1	188-3984	1	SWITCH AS-PUSH BUTTON (THROTTLE LOCK SET)						
		1	186-3735	3	PIN-CONNECTOR (16-GA TO 18-GA)						
		1	102-8803	1	KIT-RECEPTACLE (3-PIN)						
		1	3E-3371	1	WEDGE-RECEPTACLE LOCK (3-PIN)						
		1	3K-0835	1	NUT (5/8-24-THD)						
		1	6F-0253	1	LOCKWASHER						
	23	1	188-3983	1	SWITCH AS-PUSH BUTTON (THROTTLE LOCK RESUME)						
		1	186-3736	3	SOCKET-CONNECTOR (16-GA TO 18-GA)						
		1	155-2260	1	KIT-CONNECTING PLUG (3-PIN)						
		1	155-2276	1	WEDGE-PLUG LOCK (3-PIN)						
		1	3K-0835	1	NUT (5/8-24-THD)						
		1	6F-0253	1	LOCKWASHER						
	24	1	133-7215	3	DEFLECTOR						
	25	2	139-1378	6	BEARING						
	26	1	147-2577	3	DETENT AS (CONTROL LEVER)						
					(EACH INCLUDES)						
		1	1S-9593	2	STRAP-CABLE						
		1	102-8802	1	KIT-RECEPTACLE (2-PIN)						
		1	3E-3365	1	WEDGE-RECEPTACLE LOCK (2-PIN)						
		1	8T-8729	2	PIN-CONNECTOR (16-GA TO 18-GA)						
	27	1	149-3949	3	LEVER-CONTROL						
	28	2	150-6287	2	SPACER (6.22X9.52X31-MM THK)						
	29	3	152-9832	1	HARNESS AS-CONTROL (ELECTROHYDRAULIC)						
Y	30	2	161-8979	3	SENSOR GP-POSITION (CONTROL LEVER)						302
	31	2	163-8119	3	SPRING						
	32	2	170-0970	1	CUSHION AS						
	33	3	170-1821	1	SWITCH AS-PUSH BUTTON (HORN)						
		3	6F-0253	1	LOCKWASHER						

# OPERATOR STATION

183-5045 CONTROL GP-ELECTROHYDRAULIC (contd.)

i01631039

NOTE	REF NO	GRAPHIC REF	PART NUMBER	QTY	PART NAME						SEE PAGE
					1	2	3	4	5	6 (PRODUCT LEVEL)	
		3	<b>8T-8729</b>	2	PIN-CONNECTOR (16-GA TO 18-GA)						
		3	<b>172-3511</b>	1	NUT (5/8-24-THD)						
	34	2	<b>170-7096</b>	1	GUARD AS						
M		2	<b>6V-9632</b>	3	NUT-WELD (M6X1-THD)						
	35	1	<b>180-2559</b>	1	SWITCH AS-ROCKER (REDUCED/MAX RIM PULL)						
	36	1	<b>180-2562</b>	1	SWITCH AS-ROCKER (IMPL FUNCTION SELECTOR)						
	37	1	<b>185-3521</b>	1	BRACKET						
	38	1	<b>185-3522</b>	1	COVER AS						
		1	<b>6F-0698</b>	2	DOWEL						
	39	2	<b>185-3523</b>	1	GUARD						
	40	1	<b>185-4018</b>	1	FILM-PANEL						
	41	3	<b>102-8804</b>	1	KIT-RECEPTACLE (4-PIN)						
M	42	1	<b>3E-8020</b>	1	SCREW-TRUSS HEAD (M6X1X25-MM)						
M	43	2	<b>5C-2890</b>	1	NUT (M6X1-THD)						
	44	1	<b>6V-3341</b>	1	GROMMET						
M	45	1	<b>6V-7357</b>	3	BOLT (M6X1X25-MM)						
M	46	1	<b>6V-7743</b>	4	LOCKNUT (M6X1-THD)						
	47	1	<b>8M-2771</b>	2	CLIP						
M	48	1	<b>8T-4970</b>	8	BOLT (M6X1X14-MM)						
M	49	1	<b>8T-4971</b>	1	BOLT (M6X1X30-MM)						
M	50	1	<b>9X-2042</b>	8	SCREW-TRUSS HEAD (M6X1X12-MM)						
M	51	1	<b>9X-2044</b>	3	SCREW-TRUSS HEAD (M6X1X16-MM)						

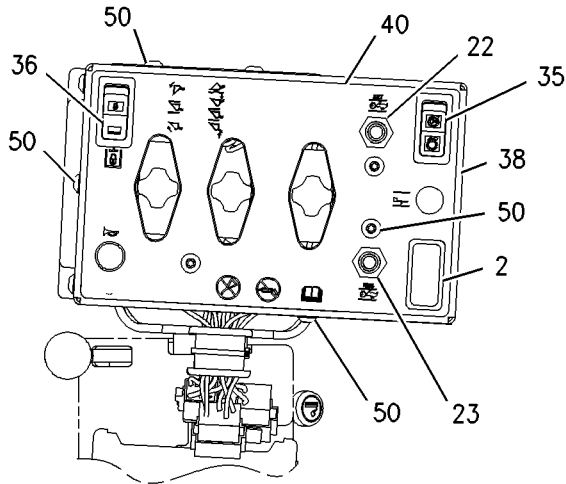
M - METRIC PART  
Y - SEPARATE ILLUSTRATION

# OPERATOR STATION

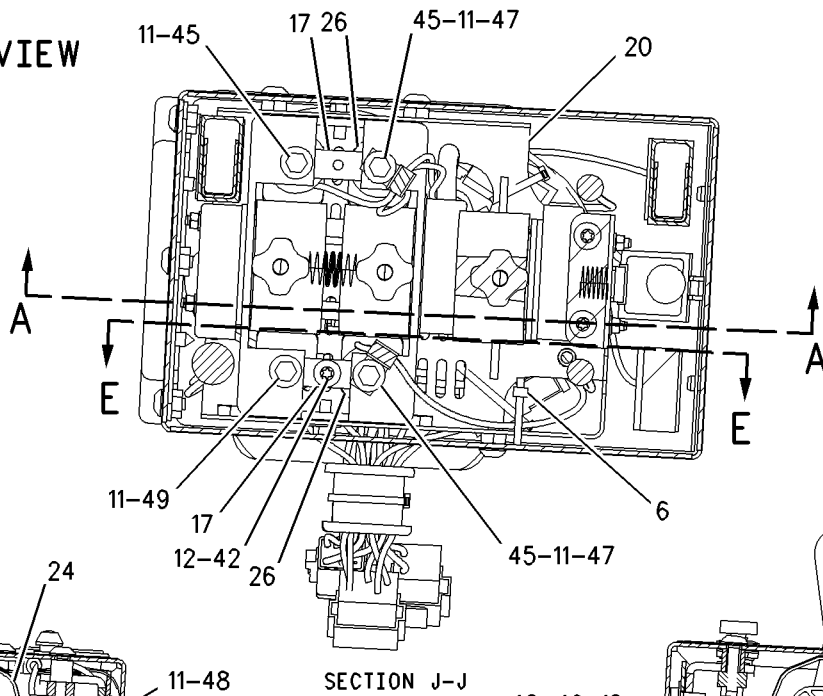
183-5045 CONTROL GP-ELECTROHYDRAULIC (contd.)

i01631039

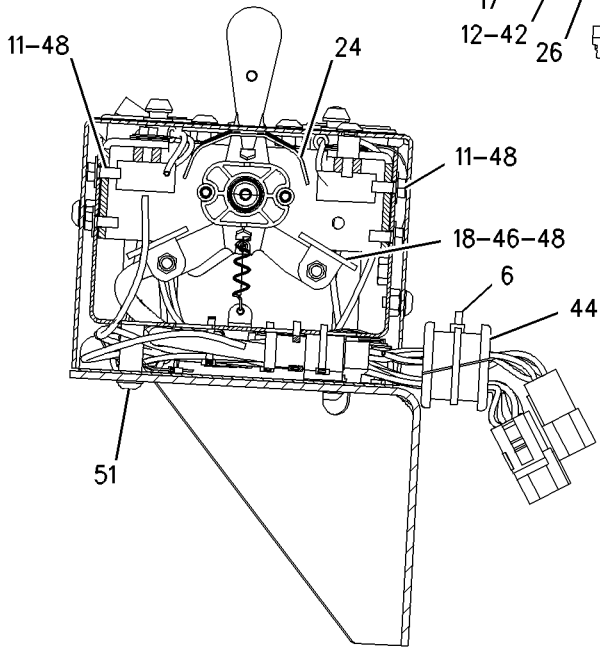
REFER TO ALL ILLUSTRATIONS OF THIS GROUP FOR AUXILIARY VIEWS



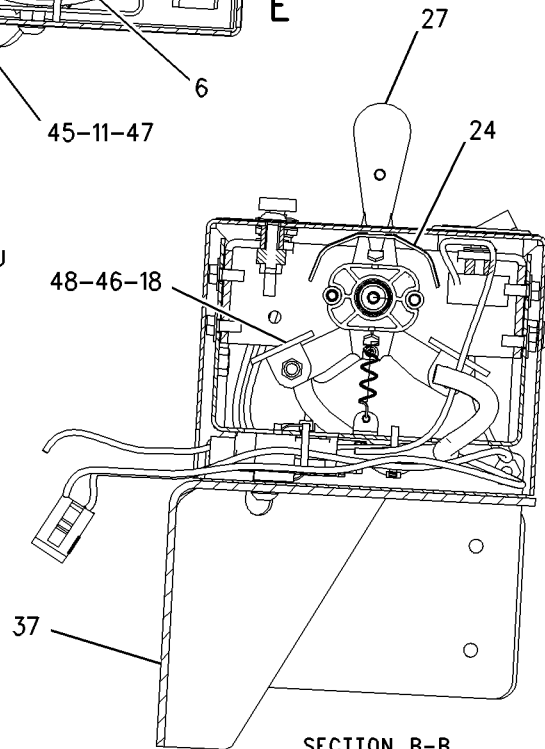
TOP VIEW



SECTION J-J



SECTION D-D



SECTION B-B

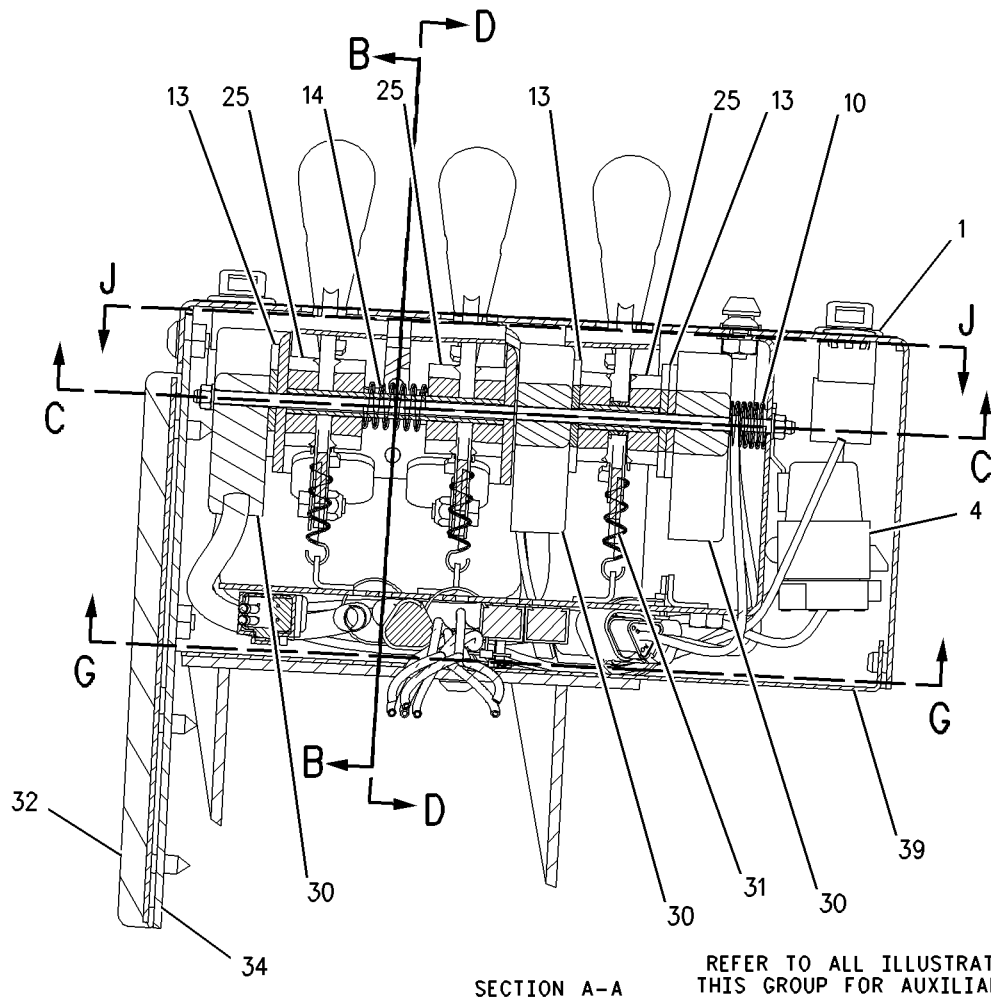
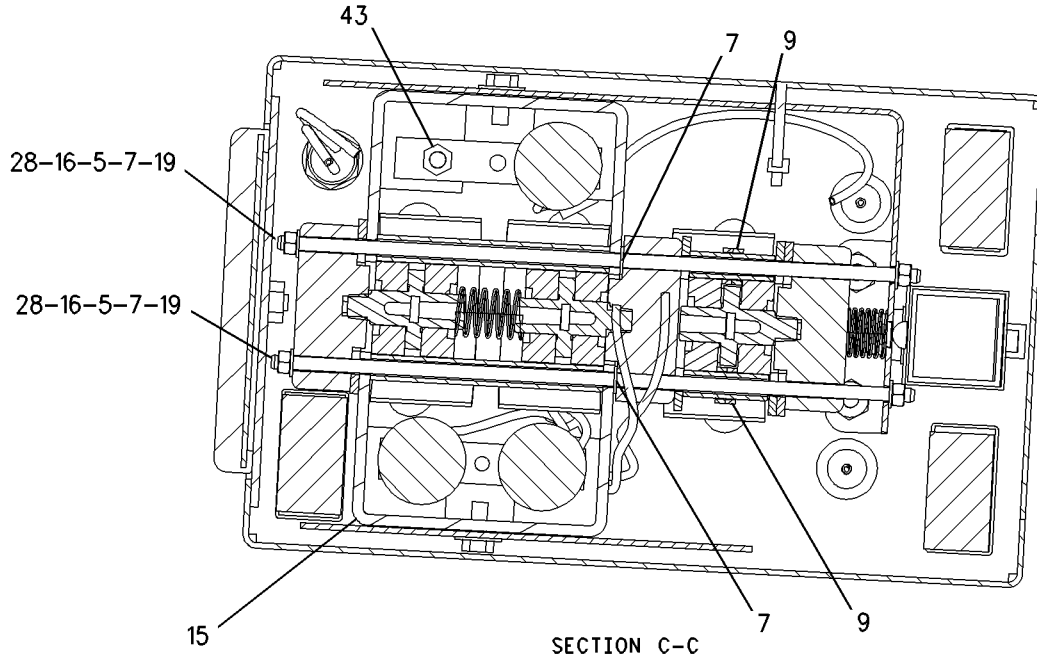
GRAPHIC #1

g00777575

# OPERATOR STATION

183-5045 CONTROL GP-ELECTROHYDRAULIC (contd.)

i01631039



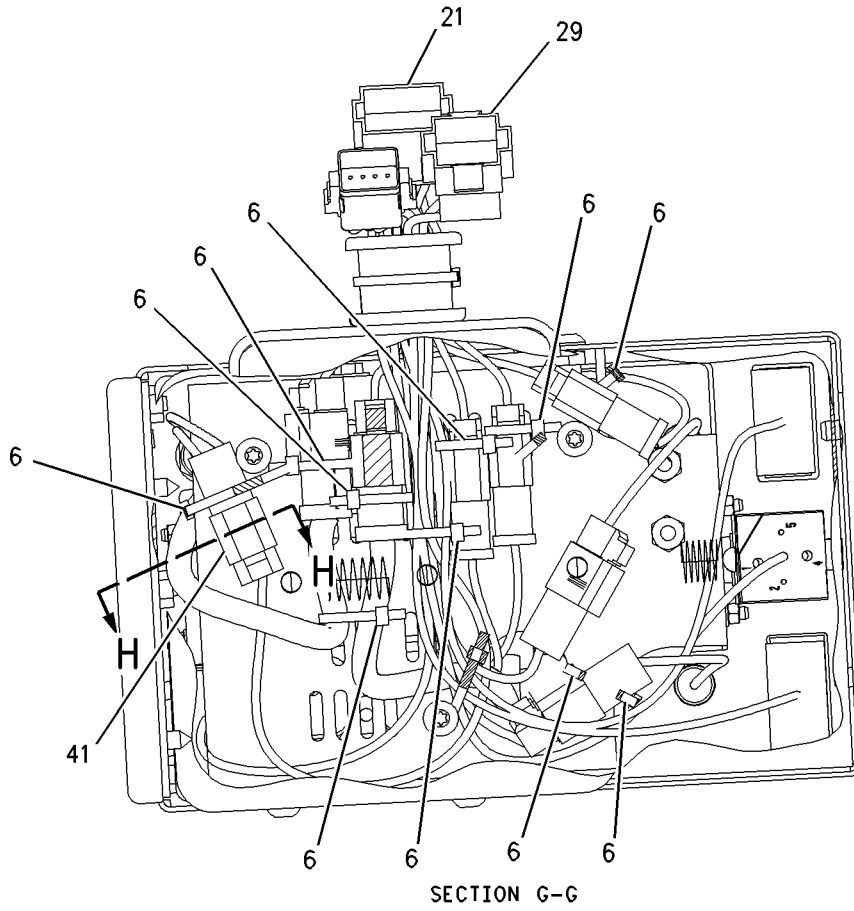
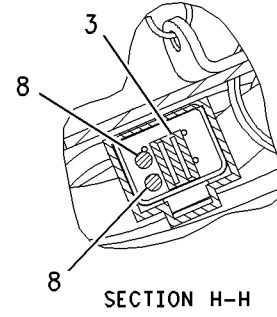
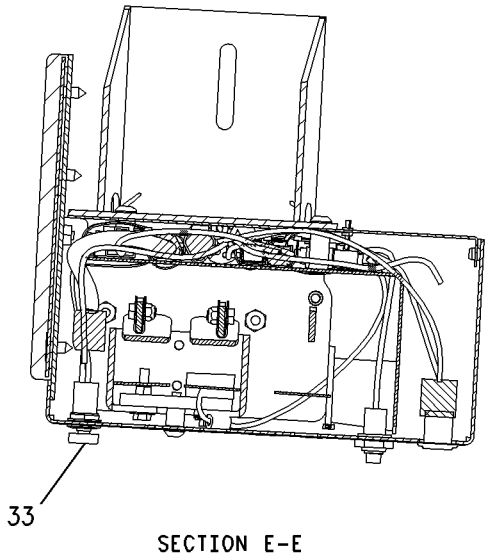
GRAPHIC #2

g00777576

# OPERATOR STATION

183-5045 CONTROL GP-ELECTROHYDRAULIC (contd.)

i01631039



GRAPHIC #3

<END>

g00777577



# OPERATOR STATION

## 183-5045 CONTROL GP-ELECTROHYDRAULIC-3-FUNCTION

S/N: BNH1-UP

PART OF 201-0808 HYDRAULIC AR-3 VALVE

AN ATTACHMENT

TYPE 2

SMCS-5702

i03662143

NOTE	REF NO	GRAPHIC REF	PART NUMBER	QTY	PART NAME						SEE PAGE
					1	2	3	4	5	6 (PRODUCT LEVEL)	
	1	2	2M-4009	1	PLUG-BUTTON						
	2	1	3E-0109	1	PLUG (ROCKER SWITCH)						
	3	3	3E-3377	1	WEDGE-RECEPTACLE LOCK (4-PIN)						
	4	2	3E-5239	1	RELAY AS (24-VOLT) (HORN SWITCH)						
M	5	2	5C-2874	4	NUT (M5X0.8-THD)						
	6	1,3	8L-8413	12	STRAP-CABLE						
	7	2	8T-0328	6	WASHER-HARD (5.5X10X1-MM THK)						
	8	3	8T-8737	2	PLUG-SEAL						
	9	2	208-2479	2	SPACER (10X13.1X5.5-MM THK)						
	10	2	9T-4735	1	SPRING						
	11	1	9X-2026	9	WASHER (6.5X17X1-MM THK)						
	12	1	097-9169	1	SPACER (7.5X12X12-MM THK)						
	13	2	105-2976	4	FLANGE						
	14	2	105-3372	1	SPRING						
	15	2	106-1582	1	HOUSING						
	16	2	106-1584	2	SPACER (6.22X9.52X85-MM THK)						
	17	1	114-4244	2	PLATE						
	18	1	114-4247	4	BRACKET AS						
	19	2	114-8165	2	ROD						
	20	1	114-8167	1	BRACKET AS						
M		1	6V-9632	10	NUT-WELD (M6X1-THD)						
	21	3	124-0792	1	HARNESS AS-CONTROL (E/H-KICKOUT, POSITIONER CON)						
		3	155-2270	3	KIT-CONNECTING PLUG (2-PIN)						
		3	155-2260	2	KIT-CONNECTING PLUG (3-PIN)						
					(EACH PLUG KIT INCLUDES PLUG AS & WEDGE)						
		3	102-8801	1	KIT-RECEPTACLE (12-PIN)						
					(INCLUDES RECEPTACLE AS & WEDGE)						
		3	3S-2093	5	STRAP-CABLE						
22		1	188-3984	1	SWITCH AS-PUSH BUTTON (THROTTLE LOCK SET)						
		1	186-3735	3	PIN-CONNECTOR (16-GA TO 18-GA)						
		1	102-8803	1	KIT-RECEPTACLE (3-PIN)						
					(INCLUDES RECEPTACLE AS & WEDGE)						
		1	3E-3371	1	WEDGE-RECEPTACLE LOCK (3-PIN)						
		1	3K-0835	1	NUT (5/8-24-THD)						
		1	6F-0253	1	LOCKWASHER						
23		1	188-3983	1	SWITCH AS-PUSH BUTTON (THROTTLE LOCK RESUME)						
		1	186-3736	3	SOCKET-CONNECTOR (16-GA TO 18-GA)						
		1	155-2260	1	KIT-CONNECTING PLUG (3-PIN)						
					(INCLUDES PLUG AS & WEDGE)						
		1	155-2276	1	WEDGE-PLUG LOCK (3-PIN)						
		1	3K-0835	1	NUT (5/8-24-THD)						
		1	6F-0253	1	LOCKWASHER						
24		1	133-7215	3	DEFLECTOR						
25		2	139-1378	6	BEARING						
26		1	147-2577	3	DETENT AS (CONTROL LEVER)						
					(EACH INCLUDES)						
		1	1S-9593	2	STRAP-CABLE						
		1	102-8802	1	KIT-RECEPTACLE (2-PIN)						
					(INCLUDES RECEPTACLE AS & WEDGE)						
		1	3E-3365	1	WEDGE-RECEPTACLE LOCK (2-PIN)						
		1	8T-8729	2	PIN-CONNECTOR (16-GA TO 18-GA)						
27		1	149-3949	3	LEVER-CONTROL						
28		2	150-6287	2	SPACER (6.22X9.52X31-MM THK)						
29		3	152-9832	1	HARNESS AS-CONTROL (ELECTROHYDRAULIC)						

# OPERATOR STATION

183-5045 CONTROL GP-ELECTROHYDRAULIC (contd.)

i03662143

NOTE	REF NO	GRAPHIC REF	PART NUMBER	QTY	PART NAME						SEE PAGE	
					1	2	3	4	5	6 (PRODUCT LEVEL)		
CY	30	2	214-4862	3	SENSOR GP-POSITION (CONTROL LEVER)						305	
	31	2	163-8119	3	SPRING							
	32	2	170-0970	1	CUSHION AS							
	33	3		170-1821	1	SWITCH AS-PUSH BUTTON (HORN)						
						LOCKWASHER						
						PIN-CONNECTOR (16-GA TO 18-GA)						
	3		172-3511	1	NUT (5/8-24-THD)							
					GUARD AS							
					NUT-WELD (M6X1-THD)							
M	34	2	170-7096	1	GUARD AS							
	35	1	180-2559	1	SWITCH AS-ROCKER (REDUCED/MAX RIM PULL)							
					SWITCH AS-ROCKER (IMPL FUNCTION SELECTOR)							
	36	1	180-2562	1	SWITCH AS-ROCKER (IMPL FUNCTION SELECTOR)							
	37	1	185-3521	1	BRACKET							
	38	1	185-3522	1	COVER AS							
					DOWEL							
	39	2	185-3523	1	GUARD							
	40	1	185-4018	1	FILM-PANEL							
	41	3		102-8804	1	KIT-RECEPTACLE (4-PIN)						
						(INCLUDES RECEPTACLE AS & WEDGE)						
M	42	1	3E-8020	1	SCREW-TRUSS HEAD (M6X1X25-MM)							
M	43	2	5C-2890	1	NUT (M6X1-THD)							
					GROMMET							
M	45	1	6V-7357	3	BOLT (M6X1X25-MM)							
M	46	1	6V-7743	4	LOCKNUT (M6X1-THD)							
					CLIP							
M	48	1	8T-4970	8	BOLT (M6X1X14-MM)							
M	49	1	8T-4971	1	BOLT (M6X1X30-MM)							
M	50	1	9X-2042	8	SCREW-TRUSS HEAD (M6X1X12-MM)							
M	51	1	9X-2044	3	SCREW-TRUSS HEAD (M6X1X16-MM)							

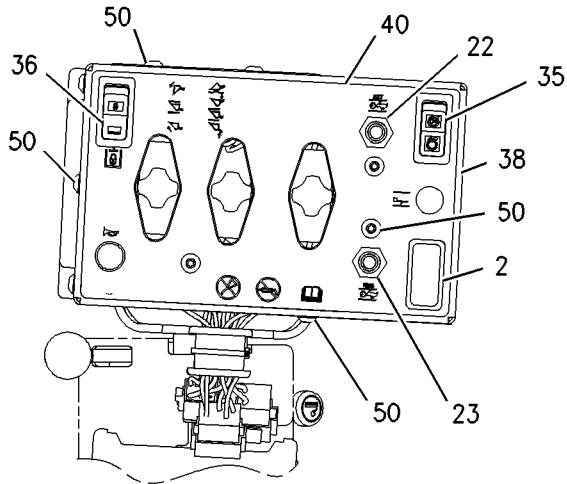
C - CHANGE FROM PREVIOUS TYPE  
M - METRIC PART  
Y - SEPARATE ILLUSTRATION

# OPERATOR STATION

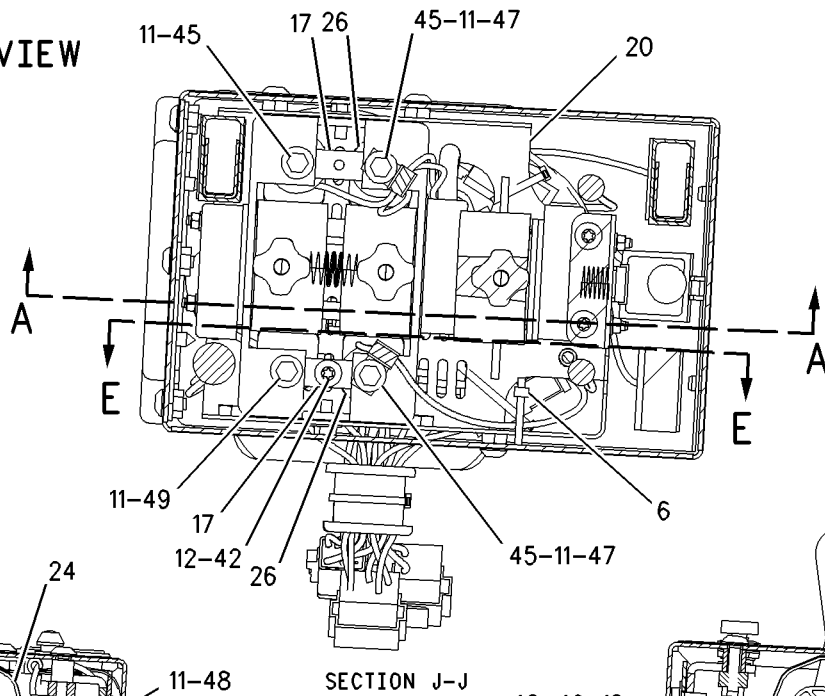
183-5045 CONTROL GP-ELECTROHYDRAULIC (contd.)

i03662143

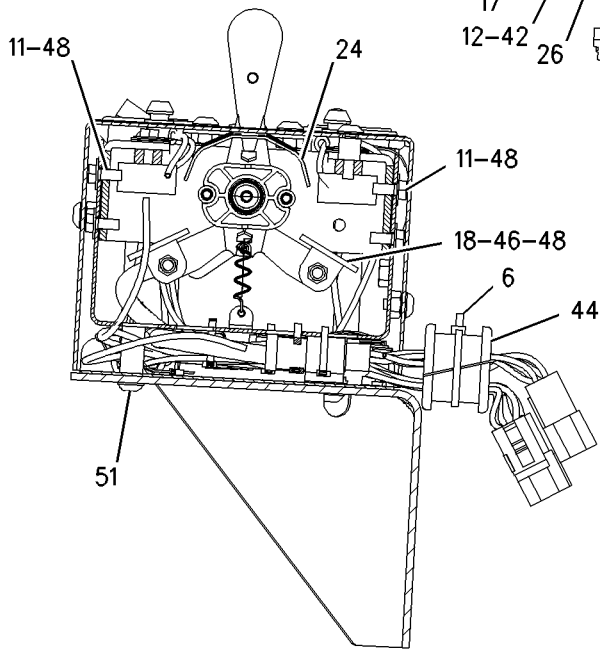
REFER TO ALL ILLUSTRATIONS OF THIS GROUP FOR AUXILIARY VIEWS



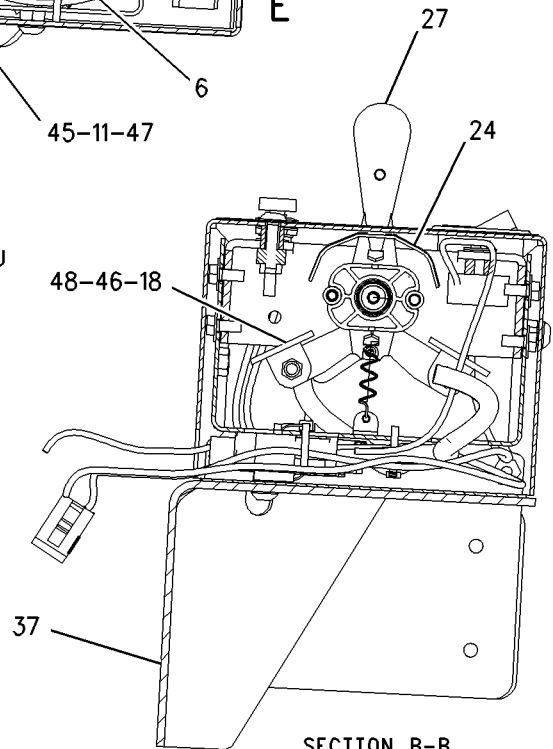
TOP VIEW



SECTION J-J



SECTION D-D



SECTION B-B

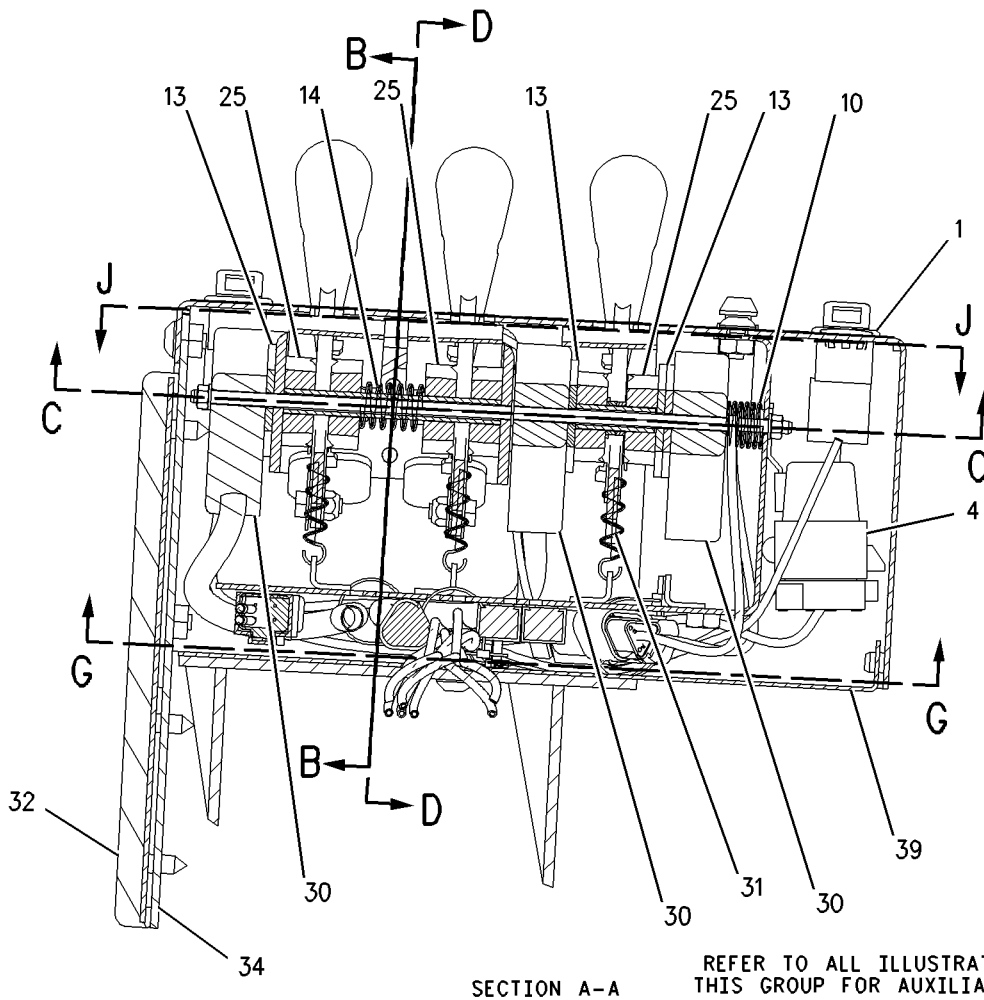
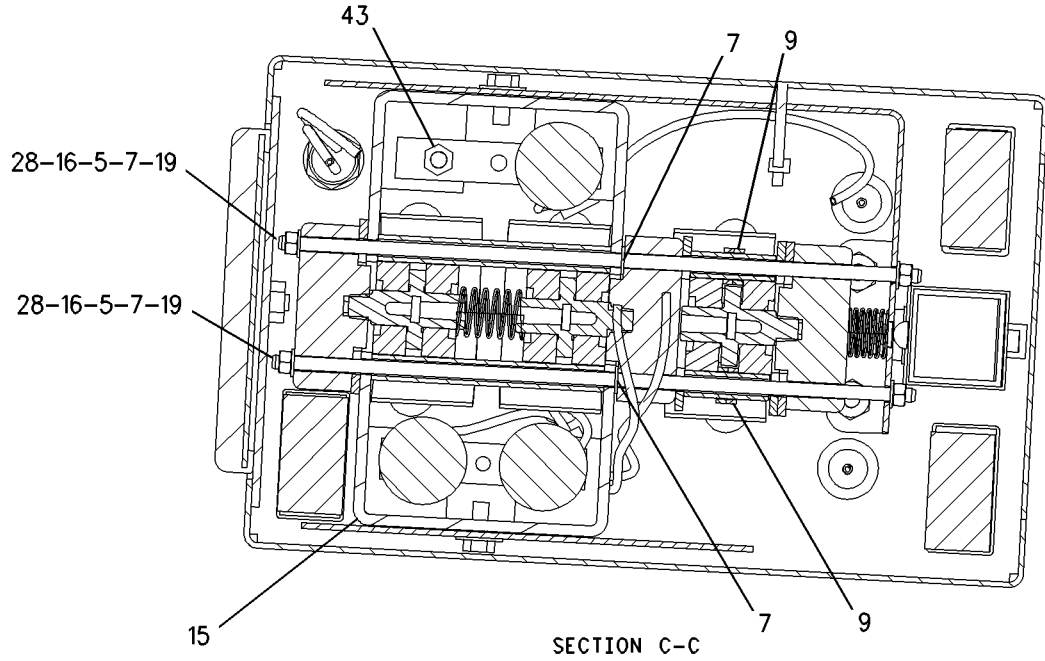
GRAPHIC #1

g00777575

# OPERATOR STATION

183-5045 CONTROL GP-ELECTROHYDRAULIC (contd.)

i03662143



REFER TO ALL ILLUSTRATIONS OF THIS GROUP FOR AUXILIARY VIEWS

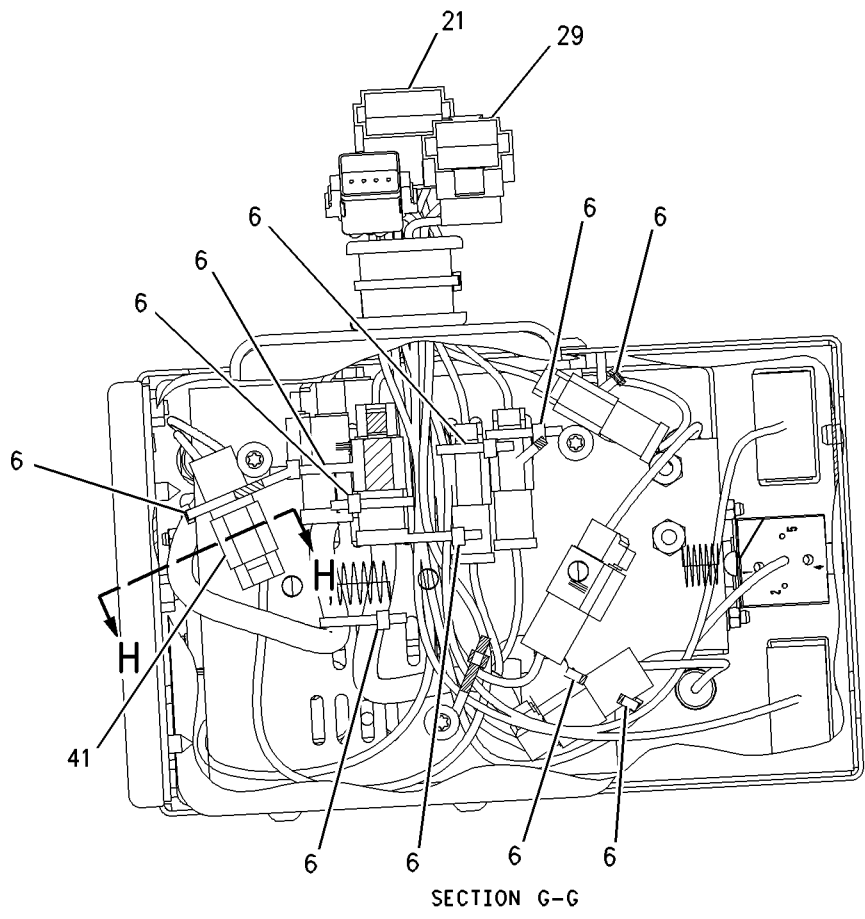
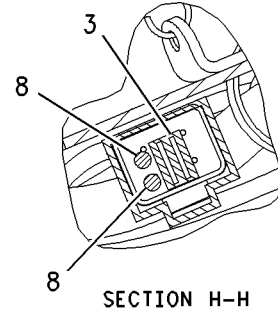
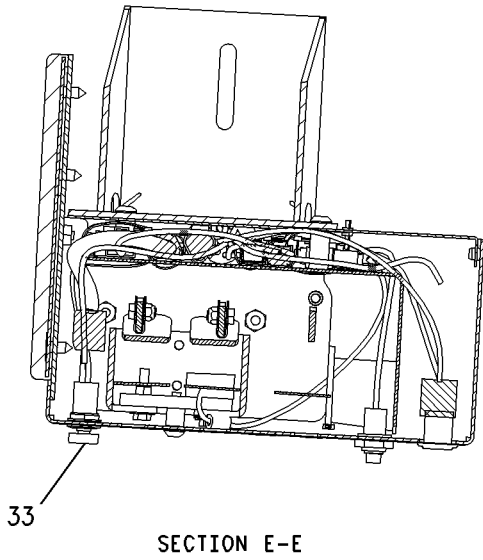
GRAPHIC #2

g00777576

# OPERATOR STATION

183-5045 CONTROL GP-ELECTROHYDRAULIC (contd.)

i03662143



GRAPHIC #3

<END>

g0077577

# OPERATOR STATION

## 183-5045 CONTROL GP-ELECTROHYDRAULIC-3-FUNCTION

S/N: BNH1-UP

PART OF 201-0808 HYDRAULIC AR-3 VALVE

AN ATTACHMENT

TYPE 3

SMCS-5702

i03645063

NOTE	REF NO	GRAPHIC REF	PART NUMBER	QTY	PART NAME						SEE PAGE
					1	2	3	4	5	6 (PRODUCT LEVEL)	
	1	2	2M-4009	1	PLUG-BUTTON						
	2	1	3E-0109	1	PLUG (ROCKER SWITCH)						
	3	3	3E-3377	1	WEDGE-RECEPTACLE LOCK (4-PIN)						
	4	2	3E-5239	1	RELAY AS (24-VOLT) (HORN SWITCH)						
M	5	2	5C-2874	4	NUT (M5X0.8-THD)						
	6	1,3	8L-8413	12	STRAP-CABLE						
	7	2	8T-0328	6	WASHER-HARD (5.5X10X1-MM THK)						
	8	3	8T-8737	2	PLUG-SEAL						
	9	2	208-2479	2	SPACER (10X13.1X5.5-MM THK)						
	10	2	9T-4735	1	SPRING						
	11	1	9X-2026	9	WASHER (6.5X17X1-MM THK)						
	12	1	097-9169	1	SPACER (7.5X12X12-MM THK)						
	13	2	105-2976	4	FLANGE						
	14	2	105-3372	1	SPRING						
	15	2	106-1582	1	HOUSING						
	16	2	106-1584	2	SPACER (6.22X9.52X85-MM THK)						
	17	1	114-4244	2	PLATE						
	18	1	114-4247	4	BRACKET AS						
	19	2	114-8165	2	ROD						
	20	1	114-8167	1	BRACKET AS						
M		1	6V-9632	10	NUT-WELD (M6X1-THD)						
	21	3	124-0792	1	HARNESS AS-CONTROL (E/H-KICKOUT, POSITIONER CON)						
		3	155-2270	3	KIT-CONNECTING PLUG (2-PIN)						
		3	155-2260	2	KIT-CONNECTING PLUG (3-PIN)						
					(EACH PLUG KIT INCLUDES PLUG AS AND WEDGE)						
		3	102-8801	1	KIT-RECEPTACLE (12-PIN)						
					(INCLUDES RECEPTACLE AS AND WEDGE)						
		3	3S-2093	5	STRAP-CABLE						
22		1	188-3984	1	SWITCH AS-PUSH BUTTON (THROTTLE LOCK SET)						
		1	186-3735	3	PIN-CONNECTOR (16-GA TO 18-GA)						
		1	102-8803	1	KIT-RECEPTACLE (3-PIN)						
					(INCLUDES RECEPTACLE AS AND WEDGE)						
		1	3K-0835	1	NUT (5/8-24-THD)						
		1	6F-0253	1	LOCKWASHER						
23		1	188-3983	1	SWITCH AS-PUSH BUTTON (THROTTLE LOCK RESUME)						
		1	186-3736	3	SOCKET-CONNECTOR (16-GA TO 18-GA)						
		1	155-2260	1	KIT-CONNECTING PLUG (3-PIN)						
					(INCLUDES PLUG AS AND WEDGE)						
		1	3K-0835	1	NUT (5/8-24-THD)						
		1	6F-0253	1	LOCKWASHER						
24		1	133-7215	3	DEFLECTOR						
25		2	139-1378	6	BEARING						
26		1	147-2577	3	DETENT AS (CONTROL LEVER)						
					(EACH INCLUDES)						
		1	1S-9593	2	STRAP-CABLE						
		1	102-8802	1	KIT-RECEPTACLE (2-PIN)						
					(INCLUDES RECEPTACLE AS AND WEDGE)						
		1	8T-8729	2	PIN-CONNECTOR (16-GA TO 18-GA)						
27		1	149-3949	3	LEVER-CONTROL						
28		2	150-6287	2	SPACER (6.22X9.52X31-MM THK)						
29		3	152-9832	1	HARNESS AS-CONTROL (ELECTROHYDRAULIC)						
		3	155-2260	2	KIT-CONNECTING PLUG (3-PIN)						
		3	155-2271	2	KIT-CONNECTING PLUG (4-PIN)						
		3	155-2265	2	KIT-CONNECTING PLUG (8-PIN)						

# OPERATOR STATION

183-5045 CONTROL GP-ELECTROHYDRAULIC (contd.)

i03645063

NOTE	REF NO	GRAPHIC REF	PART NUMBER	QTY	PART NAME						SEE PAGE
					1	2	3	4	5	6 (PRODUCT LEVEL)	
					(EACH PLUG KIT INCLUDES PLUG AS AND WEDGE)						
		3	<b>102-8803</b>	1	KIT-RECEPTACLE (3-PIN)						
		3	<b>102-8806</b>	1	KIT-RECEPTACLE (8-PIN)						
					(INCLUDES RECEPTACLE AS AND WEDGE)						
		3	<b>9X-1054</b>	1	PLUG AS-CONNECTOR (4-PIN)						
Y	30	2	<b>214-4862</b>	3	SENSOR GP-POSITION (CONTROL LEVER)						305
	31	2	<b>163-8119</b>	3	SPRING						
	32	2	<b>170-0970</b>	1	CUSHION AS						
	33	3	<b>170-1821</b>	1	SWITCH AS-PUSH BUTTON (HORN)						
		3	<b>6F-0253</b>	1	LOCKWASHER						
		3	<b>186-3735</b>	2	PIN-CONNECTOR (16-GA TO 18-GA)						
		3	<b>172-3511</b>	1	NUT (5/8-24-THD)						
	34	2	<b>170-7096</b>	1	GUARD AS						
C	35	1	<b>223-8976</b>	1	SWITCH AS-ROCKER (REDUCED, MAX RIMPULL ON/OFF)						
C	36	1	<b>219-9533</b>	1	SWITCH AS-ROCKER (24-VOLT) (HYDRAULIC LOCKOUT)						
	37	1	<b>185-3521</b>	1	BRACKET						
	38	1	<b>185-3522</b>	1	COVER AS						
	39	2	<b>185-3523</b>	1	GUARD						
	40	1	<b>185-4018</b>	1	FILM-PANEL						
	41	3	<b>102-8804</b>	1	KIT-RECEPTACLE (4-PIN)						
					(INCLUDES RECEPTACLE AS AND WEDGE)						
M	42	1	<b>3E-8020</b>	1	SCREW-TRUSS HEAD (M6X1X25-MM)						
M	43	2	<b>5C-2890</b>	1	NUT (M6X1-THD)						
	44	1	<b>6V-3341</b>	1	GROMMET						
M	45	1	<b>6V-7357</b>	3	BOLT (M6X1X25-MM)						
M	46	1	<b>6V-7743</b>	4	LOCKNUT (M6X1-THD)						
	47	1	<b>8M-2771</b>	2	CLIP						
M	48	1	<b>8T-4970</b>	8	BOLT (M6X1X14-MM)						
M	49	1	<b>8T-4971</b>	1	BOLT (M6X1X30-MM)						
M	50	1	<b>9X-2042</b>	8	SCREW-TRUSS HEAD (M6X1X12-MM)						
M	51	1	<b>9X-2044</b>	3	SCREW-TRUSS HEAD (M6X1X16-MM)						

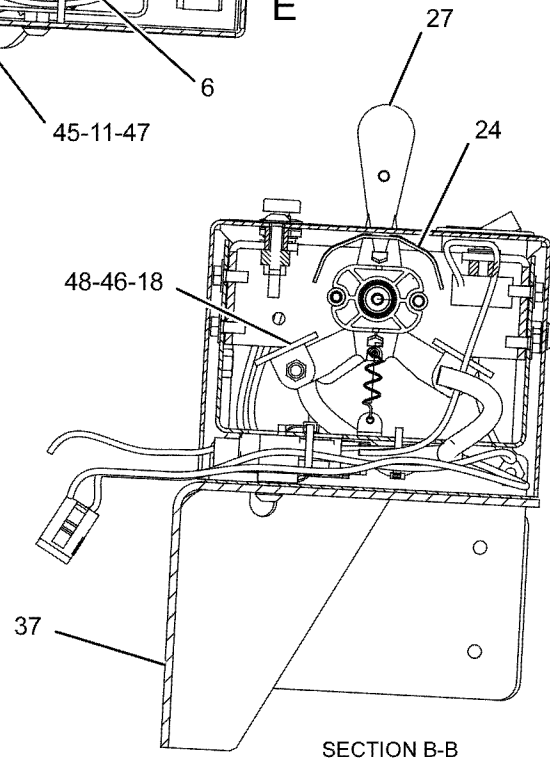
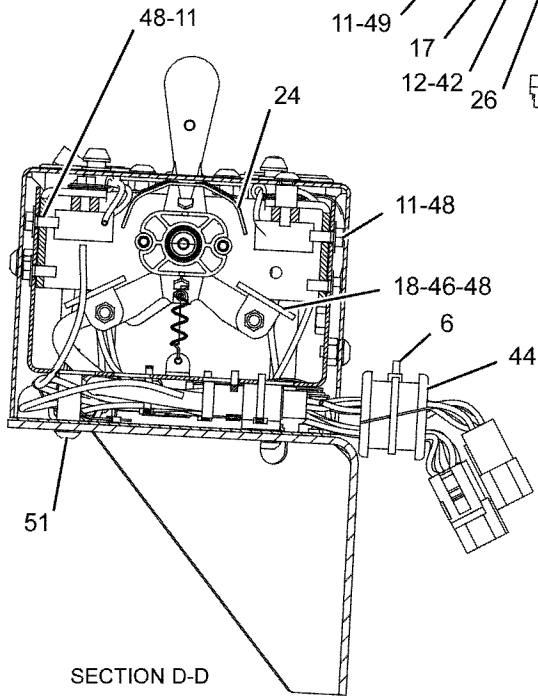
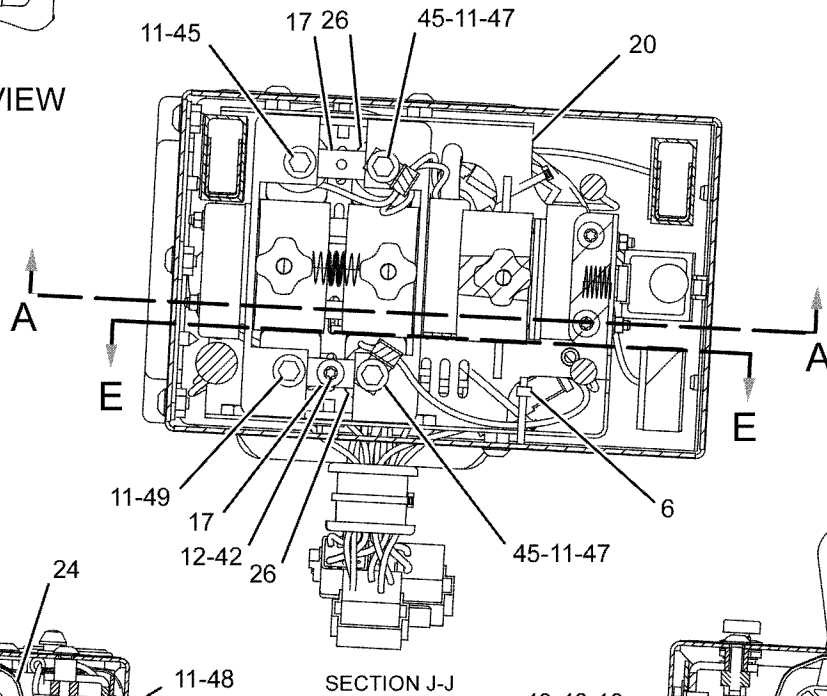
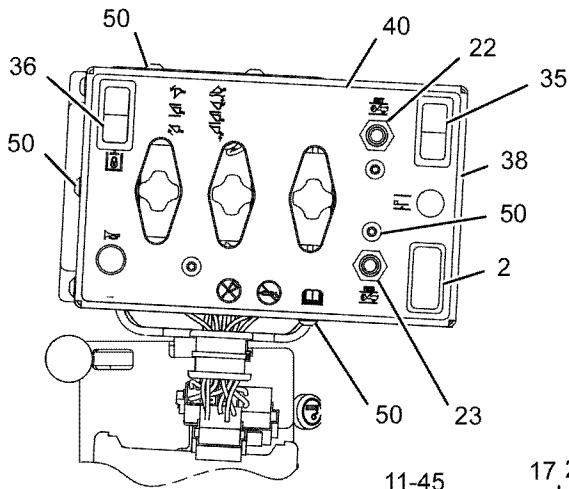
C - CHANGE FROM PREVIOUS TYPE  
M - METRIC PART  
Y - SEPARATE ILLUSTRATION

# OPERATOR STATION

183-5045 CONTROL GP-ELECTROHYDRAULIC (contd.)

i03645063

REFER TO ALL ILLUSTRATIONS OF THIS GROUP FOR AUXILIARY VIEWS



GRAPHIC #1

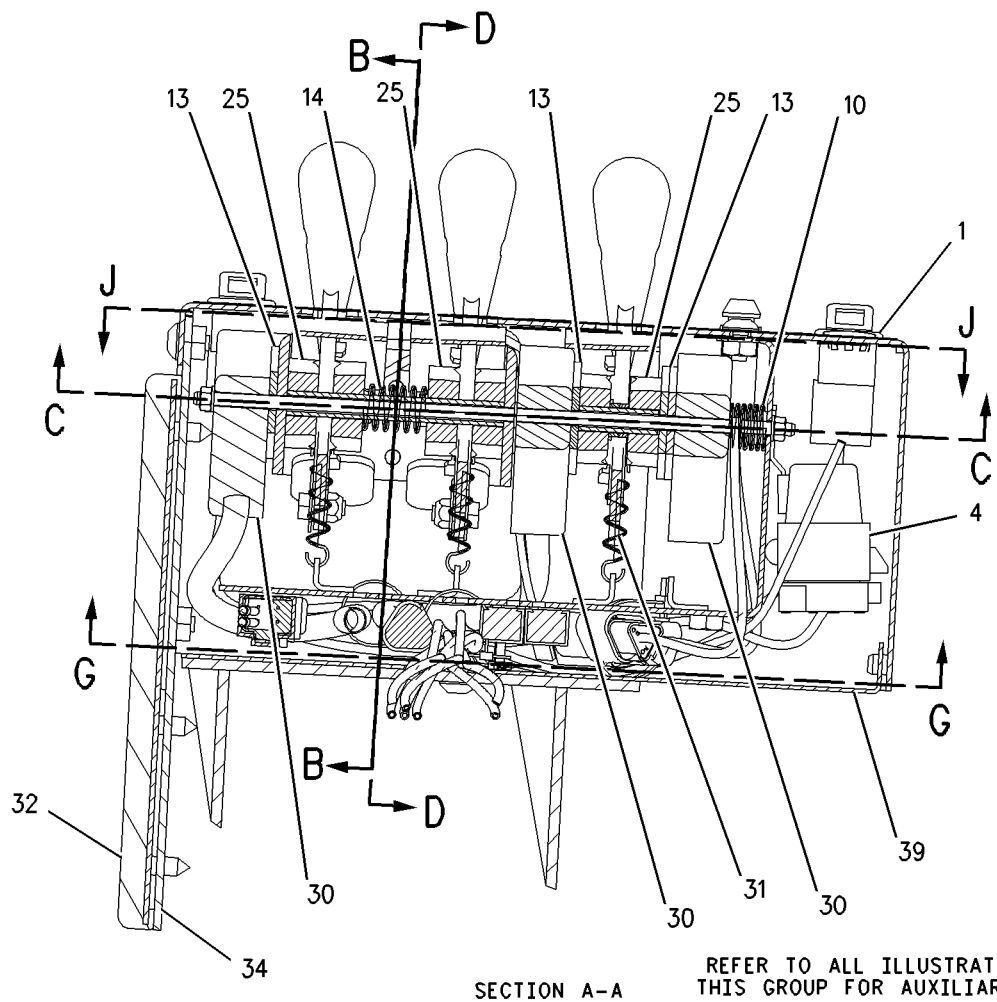
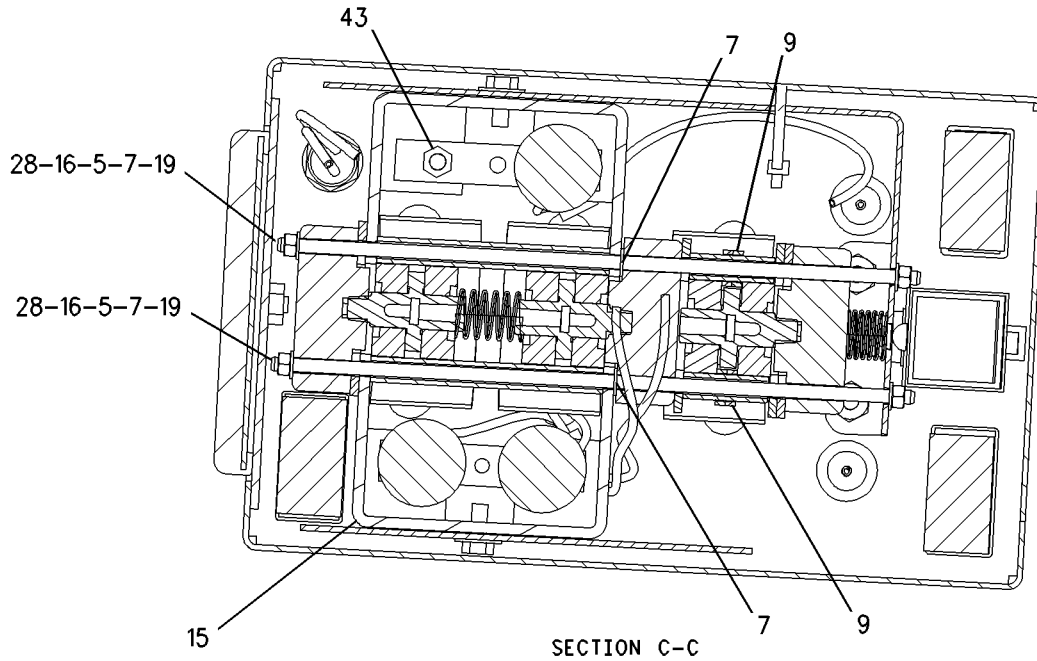
g01056910



# OPERATOR STATION

183-5045 CONTROL GP-ELECTROHYDRAULIC (contd.)

i03645063



REFER TO ALL ILLUSTRATIONS OF THIS GROUP FOR AUXILIARY VIEWS

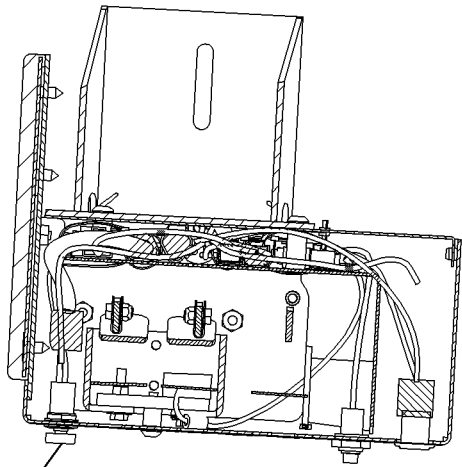
GRAPHIC #2

g0077576

# OPERATOR STATION

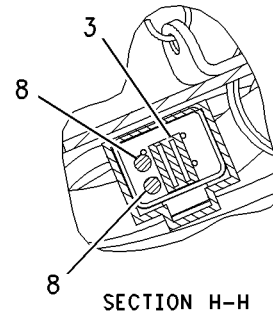
183-5045 CONTROL GP-ELECTROHYDRAULIC (contd.)

i03645063

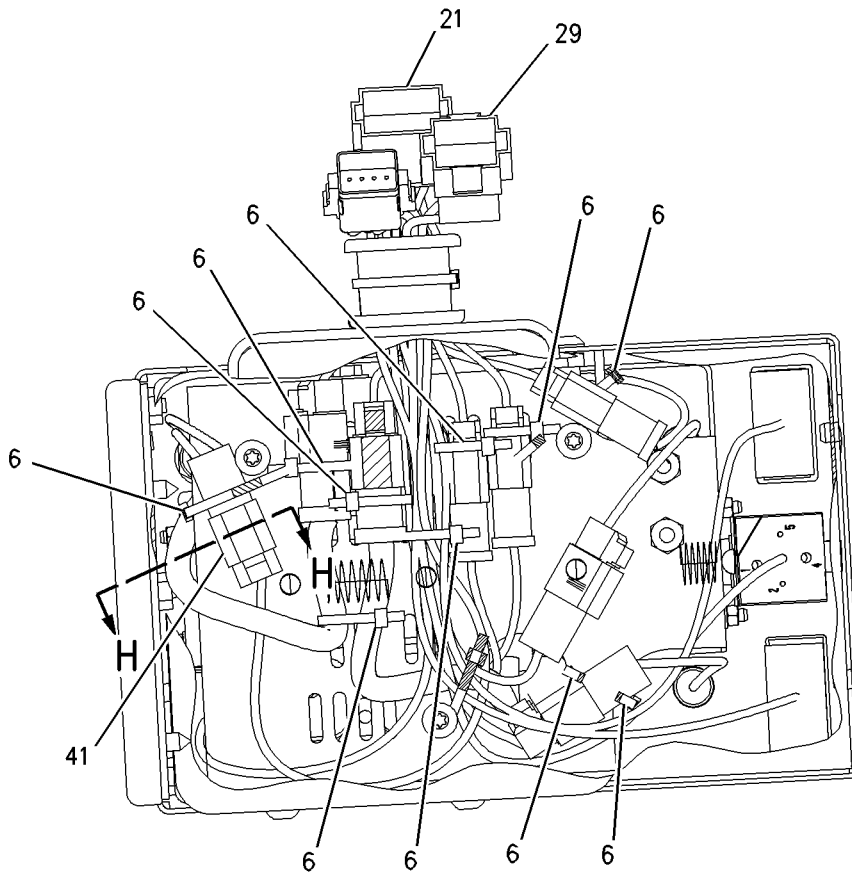


33

SECTION E-E



SECTION H-H



SECTION G-G

GRAPHIC #3

<END>

g0077577

# OPERATOR STATION

## 177-4113 CONTROL GP-HANDLE

S/N: BNH1-UP

PART OF 4E-8413 CONTROL GP-STIC

SMCS-5063, 5705

i03413045

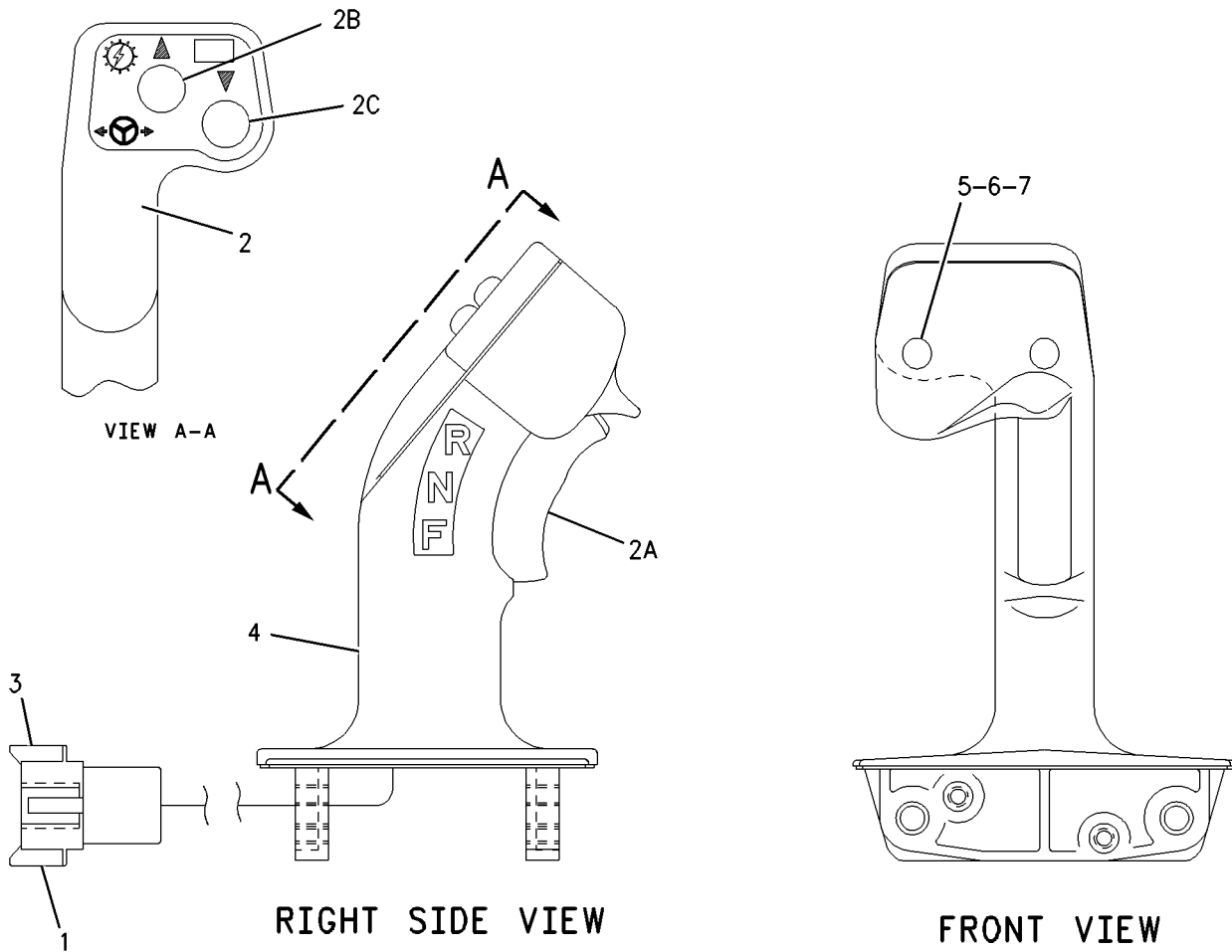
NOTE	REF NO	GRAPHIC REF	PART NUMBER	QTY	PART NAME						SEE PAGE
					1	2	3	4	5	6 (PRODUCT LEVEL)	
	1	1	<b>160-3518</b>	1	KIT-RECEPTACLE (8-PIN)						
					(INCLUDES RECEPTACLE AS AND WEDGE)						
	2	1	<b>177-4112</b>	1	SWITCH GP-TRANSMISSION						
	2A	1	<b>177-2374</b>	1	SWITCH AS-ROCKER (TRANSMISSION DIRECTION)						
		1	<b>5S-4246</b>	2	LOCKWASHER						
		1	<b>8T-8729</b>	3	PIN-CONNECTOR (16-GA TO 18-GA)						
		1	<b>9X-8917</b>	2	SCREW-MACHINE (4-40X9.52-MM)						
		1	<b>096-5962</b>	2	WASHER-HARD (3.4X7X0.8-MM THK)						
		1	<b>105-8029</b>	1	ACTUATOR						
	2B	1	<b>159-8664</b>	1	SWITCH AS (TRANSMISSION UPSHIFT)						
	2C	1	<b>159-8665</b>	1	SWITCH AS (TRANSMISSION DOWNSHIFT)						
					(EACH SWITCH AS INCLUDES)						
		1	<b>3K-0835</b>	1	NUT (5/8-24-THD)						
		1	<b>6F-0253</b>	1	LOCKWASHER						
		1	<b>8T-8729</b>	2	PIN-CONNECTOR (16-GA TO 18-GA)						
	3	1	<b>3E-3389</b>	1	WEDGE-RECEPTACLE LOCK (8-PIN)						
	4	1	<b>105-9073</b>	1	GRIP						
M	5	1	<b>7Y-3173</b>	2	SCREW-BUTTON HEAD (M4X0.7X12-MM)						
	6	1	<b>8C-7508</b>	2	LOCKWASHER						
	7	1	<b>8C-9660</b>	2	WASHER (4.6X7.9X0.8-MM THK)						

M - METRIC PART

# OPERATOR STATION

177-4113 CONTROL GP-HANDLE (contd.)

i03413045



GRAPHIC #1

<END>

g00898020

# OPERATOR STATION

## 103-5526 CONTROL GP-MONITOR-~~BACKLIGHT~~ DIMMER

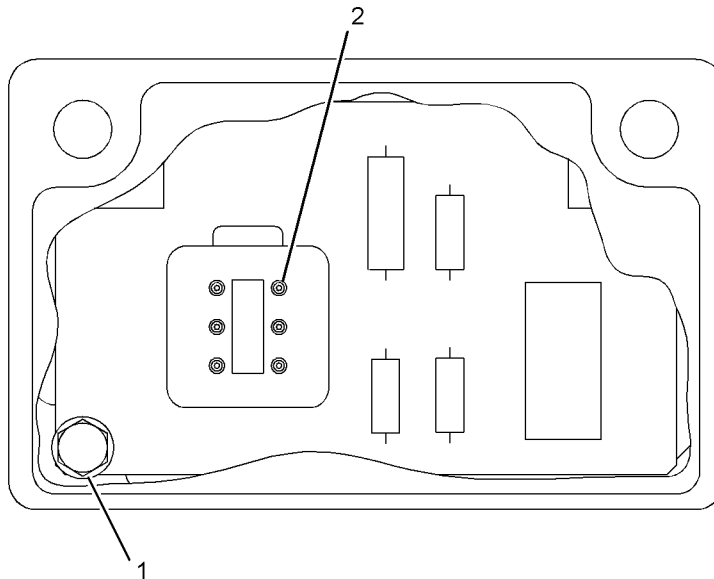
S/N: BNH1-UP

PART OF 136-2626 PANEL GP-INSTRUMENT, 346-3849 WIRING GP-CAB

SMCS-7490, 7494, 7601

i04167489

NOTE	REF NO	GRAPHIC REF	PART NUMBER	QTY	PART NAME						SEE PAGE
					1	2	3	4	5	6 (PRODUCT LEVEL)	
	1	1	<b>5P-9132</b>	2	SCREW-HEX FLANGE (6-32X0.187-IN)						
	2	1	103-5525	1	BOARD AS						
		1	<b>102-8805</b>	1	KIT-RECEPTACLE (6-PIN) (INCLUDES RECEPTACLE AS & WEDGE)						
		1	<b>8T-8729</b>	6	PIN-CONNECTOR (16-GA TO 18-GA)						



GRAPHIC #1

<END>

g01126720

# OPERATOR STATION

## 165-4077 CONTROL GP-MONITOR-PAYLOAD

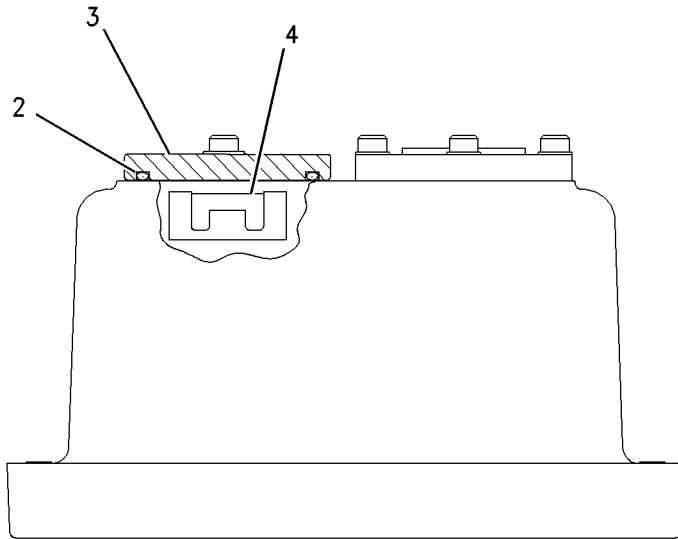
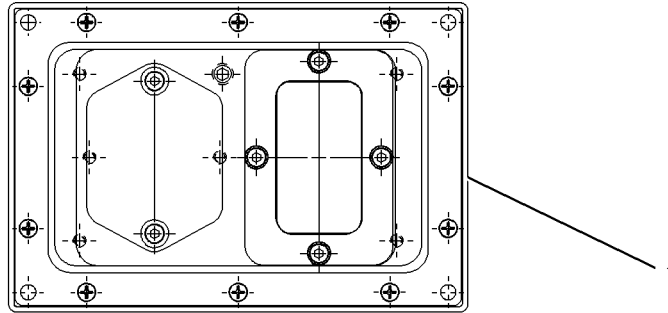
S/N: BNH1-UP

PART OF 155-6649 MONITOR GP-PAYLOAD  
AN ATTACHMENT

SMCS-7490, 7494, 7601

i02135551

NOTE	REF NO	GRAPHIC REF	PART NUMBER	QTY	PART NAME						SEE PAGE
					1	2	3	4	5	6 (PRODUCT LEVEL)	
1	1	1	<b>165-4078</b>	1	SOFTWARE GP-MONITOR (PAYLOAD)						
2	1	1	<b>8C-3078</b>	1	SEAL-O-RING						
3	1	1	<b>129-9690</b>	1	COVER						
4	1	1	<b>101-1785</b>	1	BATTERY (LITHIUM)						



GRAPHIC #1

<END>

g00626271

# OPERATOR STATION

## 213-8800 CONTROL GP-MONITOR-PAYLOAD

S/N: BNH335-726

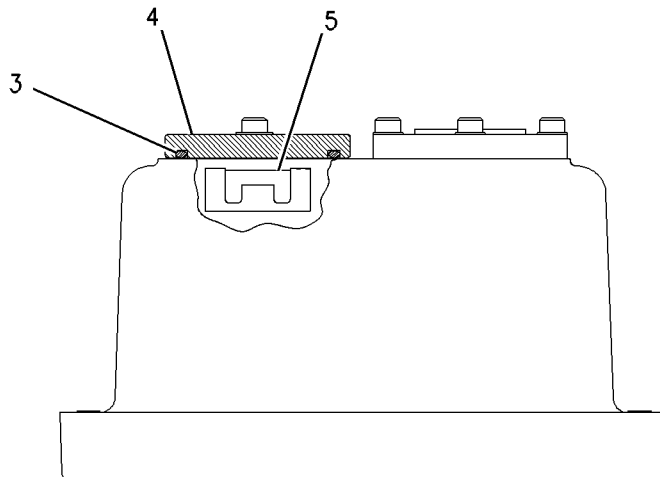
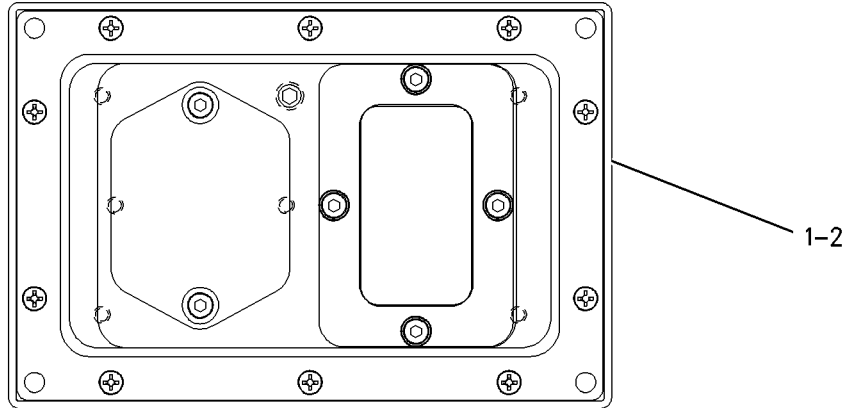
PART OF 155-6649 MONITOR GP-PAYLOAD  
AN ATTACHMENT

SMCS-7490, 7494, 7601

i02135549

NOTE	REF NO	GRAPHIC REF	PART NUMBER	QTY	PART NAME						SEE PAGE
					1	2	3	4	5	6 (PRODUCT LEVEL)	
Z	1	1		1	CONTROL AS-ELECTRONIC						
	2	1	213-8799	1	SOFTWARE GP-MONITOR (PAYLOAD CONTROL SYSTEM)						
	3	1	8C-3078	1	SEAL-O-RING						
	4	1	129-9690	1	COVER						
	5	1	101-1785	1	BATTERY (LITHIUM)						

Z - NOT SERVICED SEPARATELY



GRAPHIC #1

<END>

g00845134

# OPERATOR STATION

## 228-6563 CONTROL GP-MONITOR-PAYLOAD

S/N: BNH727-UP

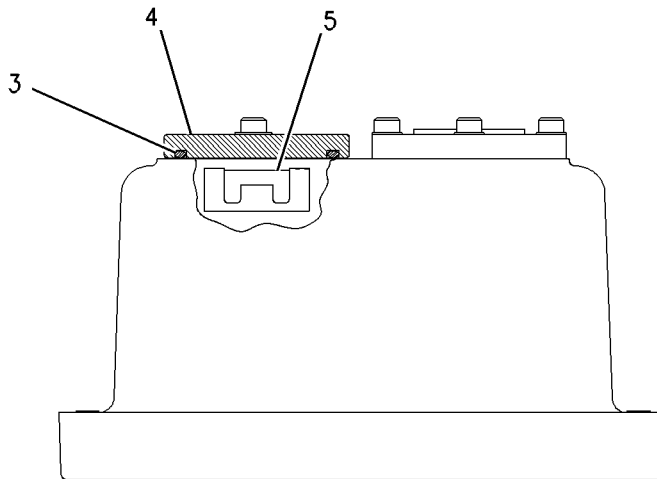
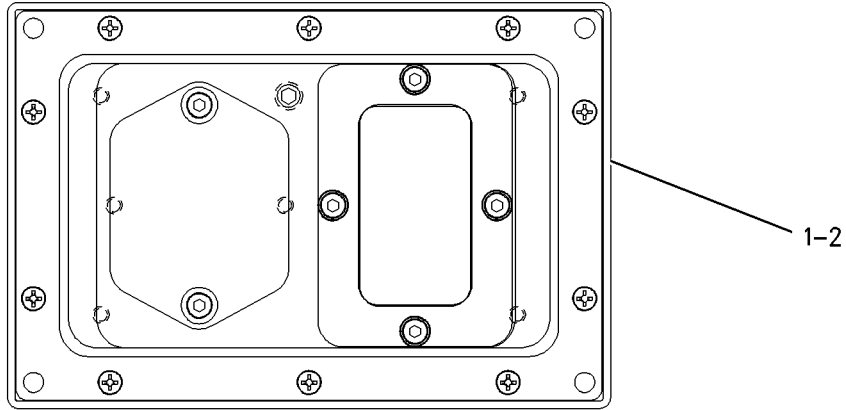
PART OF 155-6649 MONITOR GP-PAYLOAD  
AN ATTACHMENT

SMCS-7490, 7494, 7601

i02135547

NOTE	REF NO	GRAPHIC REF	PART NUMBER	QTY	PART NAME						SEE PAGE
					1	2	3	4	5	6 (PRODUCT LEVEL)	
Z	1	1		1	CONTROL AS-ELECTRONIC						
	2	1	228-6562	1	SOFTWARE GP-MONITOR (PAYLOAD CONTROL)						
	3	1	8C-3078	1	SEAL-O-RING						
	4	1	129-9690	1	COVER						
	5	1	101-1785	1	BATTERY (LITHIUM)						

Z - NOT SERVICED SEPARATELY



GRAPHIC #1

<END>

g00845134



# OPERATOR STATION

## 141-4940 CONTROL GP-STEERING-STIC

S/N: BNH1-UP

PART OF 202-9742, 346-3845 CAB AR

TYPE 1

SMCS-4310, 4338, 4343

i03373764

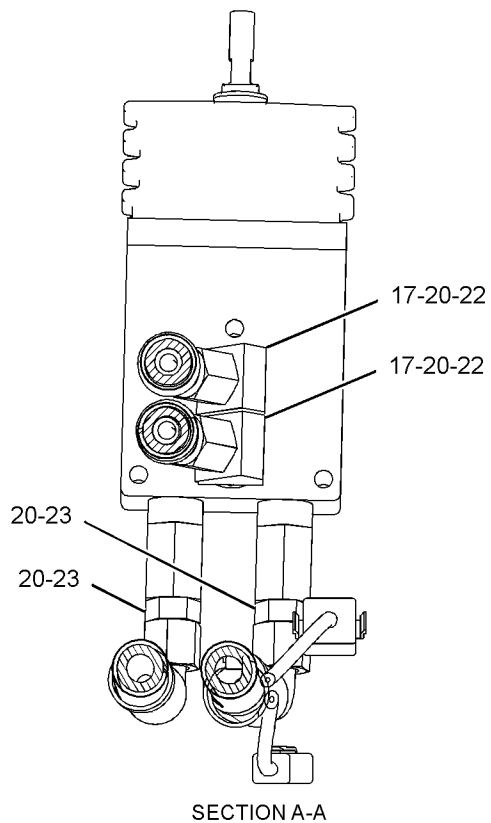
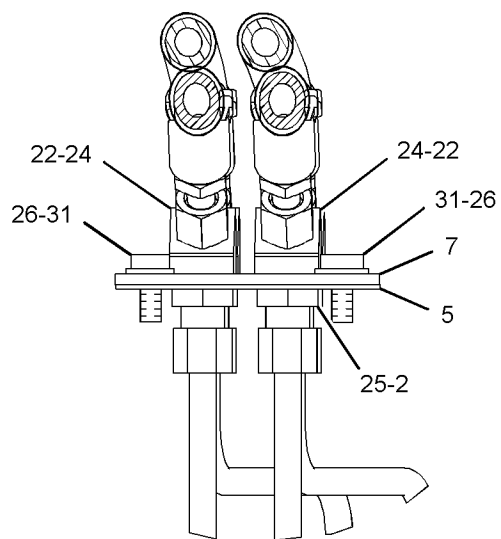
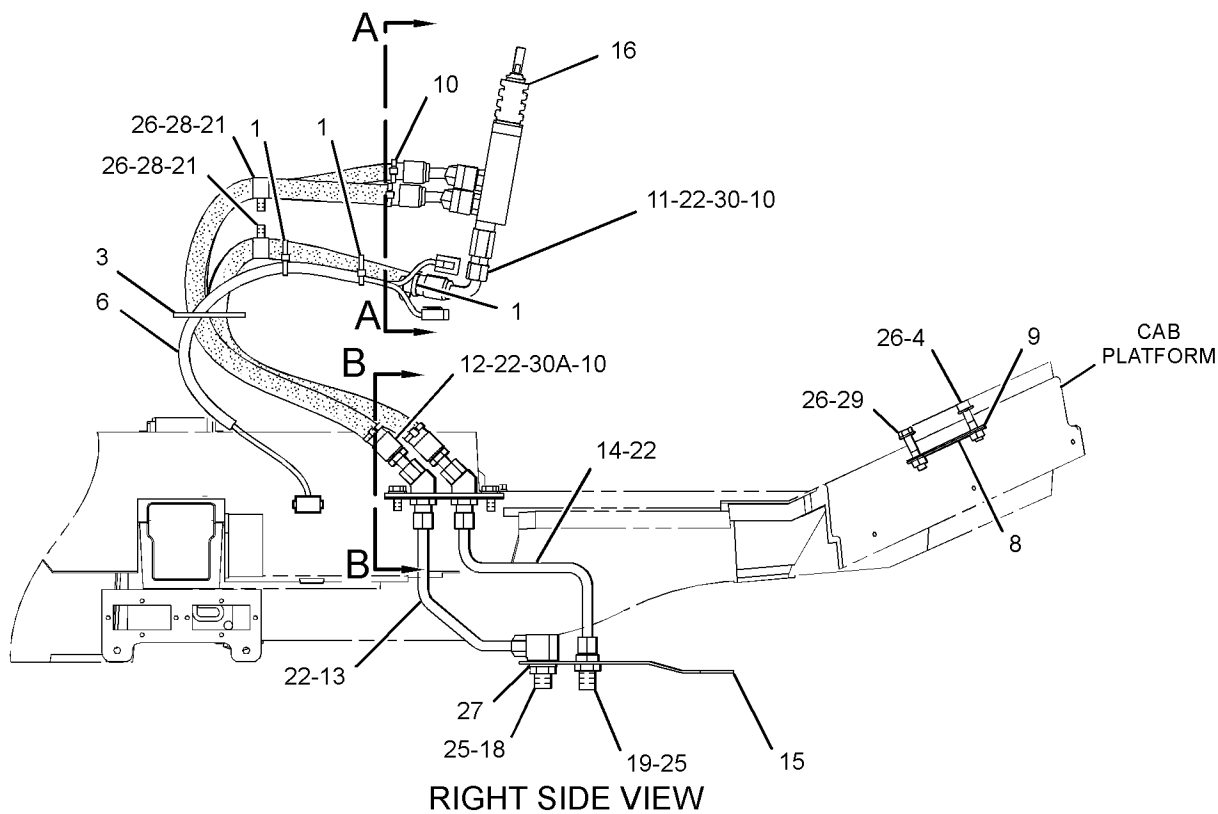
NOTE	REF NO	GRAPHIC REF	PART NUMBER	QTY	PART NAME						SEE PAGE
					1	2	3	4	5	6 (PRODUCT LEVEL)	
	1	1	<b>3S-2093</b>	3	STRAP-CABLE						
	2	1	<b>5K-1094</b>	4	LOCKWASHER						
	3	1	<b>7K-1181</b>	1	STRAP-CABLE						
M	4	1	<b>105-3477</b>	1	BOLT-SOCKET HEAD (M10X1.5X45-MM)						
	5	1	<b>141-4936</b>	1	PAD						
	6	1	<b>151-2094</b>	1	HARNESS AS-STEERING (STIC CONTROL)						
		1	<b>102-8801</b>	1	KIT-RECEPTACLE (12-PIN) (INCLUDES RECEPTACLE AS & WEDGE)						
		1	<b>155-2265</b>	1	KIT-CONNECTING PLUG (8-PIN)						
		1	<b>155-2271</b>	1	KIT-CONNECTING PLUG (4-PIN) (EACH KIT-CONNECTING PLUG INCLUDES PLUG AS & WEDGE)						
		1	<b>8T-8737</b>	2	PLUG-SEAL						
	7	1	<b>155-6563</b>	1	PLATE						
	8	1	<b>163-5646</b>	1	PLATE AS						
M		1	<b>8T-3490</b>	3	NUT-WELD (M10X1.5-THD)						
	9	1	<b>163-5647</b>	1	GASKET						
	10	1	<b>163-8811</b>	8	CLAMP						
I	11	1	<b>180-2595</b>	2	HOSE AS						
I	12	1	<b>180-2596</b>	2	HOSE AS						
	13	1	<b>180-9971</b>	2	TUBE AS						
	14	1	<b>180-9972</b>	2	TUBE AS						
	15	1	<b>187-1867</b>	1	PLATE						
Y	16	1	<b>249-5615</b>	1	VALVE GP-PILOT (STIC STEERING)						820
	17	1	<b>136-3607</b>	2	ELBOW						
	18	1	<b>148-8375</b>	2	ELBOW AS (EACH INCLUDES)						
		1	<b>6V-8981</b>	1	ELBOW						
		1	<b>6V-8398</b>	2	SEAL-O-RING						
	19	1	<b>148-8457</b>	2	UNION AS (STRAIGHT) (EACH INCLUDES)						
		1	<b>6V-8995</b>	1	UNION (STRAIGHT)						
		1	<b>6V-8398</b>	2	SEAL-O-RING						
	20	1	<b>3K-0360</b>	4	SEAL-O-RING						
	21	1	<b>6D-4247</b>	2	CLIP						
	22	1	<b>6V-8398</b>	12	SEAL-O-RING						
	23	1	<b>6V-8639</b>	2	CONNECTOR						
	24	1	<b>6V-8988</b>	4	ELBOW						
	25	1	<b>6V-9169</b>	8	NUT (13/16-16-THD)						
	26	1	<b>8T-4121</b>	9	WASHER-HARD (11X21X2.5-MM THK)						
	27	1	<b>8T-4123</b>	2	WASHER (22X35X3.5-MM THK)						
M	28	1	<b>8T-4136</b>	2	BOLT (M10X1.5X25-MM)						
M	29	1	<b>8T-4185</b>	2	BOLT (M10X1.5X50-MM)						
G	30	1	<b>160-2243</b>		SLEEVE-ABRASION (6.7-INCH)						
G	30A	1	<b>160-2243</b>		SLEEVE-ABRASION (7.1-INCH)						
M	31	1	<b>8T-4137</b>	4	BOLT (M10X1.5X20-MM)						

G - ORDER BY THE INCH  
 I - REFER TO HYDRAULIC INFORMATION SYSTEM  
 M - METRIC PART  
 Y - SEPARATE ILLUSTRATION

# OPERATOR STATION

141-4940 CONTROL GP-STEERING (contd.)

i03373764



GRAPHIC #1

<END>

g01859014

# OPERATOR STATION

## 141-4940 CONTROL GP-STEERING-STIC

S/N: BNH1-UP

PART OF 202-9742, 346-3845 CAB AR

TYPE 2

SMCS-4310, 4338, 4343

i05267899

NOTE	REF NO	GRAPHIC REF	PART NUMBER	QTY	PART NAME						SEE PAGE
					1	2	3	4	5	6 (PRODUCT LEVEL)	
	1	1	3S-2093	3	STRAP-CABLE						
	2	1	5K-1094	4	LOCKWASHER						
	3	1	7K-1181	1	STRAP-CABLE						
M	4	1	105-3477	1	BOLT-SOCKET HEAD (M10X1.5X45-MM)						
	5	1	141-4936	1	PAD						
	6	1	151-2094	1	HARNES AS-STEERING (STIC CONTROL)						
		1	8T-8729	10	PIN-CONNECTOR (16-GA TO 18-GA)						
		1	8T-8730	12	SOCKET-CONNECTOR (16-GA TO 18-GA)						
D		1	6V-2722		TUBE-HEAT SHRINK (25.4-MM DIA) (0.1-M)						
		1	102-8801	1	KIT-RECEPTACLE (12-PIN) (INCLUDES RECEPTACLE AS & WEDGE)						
		1	155-2265	1	KIT-CONNECTING PLUG (8-PIN)						
		1	155-2271	1	KIT-CONNECTING PLUG (4-PIN) (EACH KIT INCLUDES PLUG AS, WEDGE & INTERFACE SEAL)						
		1	8T-8737	2	PLUG-SEAL						
	7	1	155-6563	1	PLATE						
	8	1	163-5646	1	PLATE AS						
M		1	8T-3490	3	NUT-WELD (M10X1.5-THD)						
	9	1	163-5647	1	GASKET						
	10	1	158-3294	8	TIE-HOSE						
I	11	1	180-2595	2	HOSE AS						
I	12	1	180-2596	2	HOSE AS						
	13	1	180-9971	2	TUBE AS						
	14	1	180-9972	2	TUBE AS						
	15	1	187-1867	1	PLATE						
Y	16	1	249-5615	1	VALVE GP-PILOT (STIC STEERING)						820
C	17	1	358-6162	2	ELBOW AS (EACH INCLUDES)						
		1	3K-0360	1	SEAL-O-RING						
		1	6V-9002	1	ELBOW						
	18	1	148-8375	2	ELBOW AS (EACH INCLUDES)						
		1	6V-8981	1	ELBOW						
		1	6V-8398	2	SEAL-O-RING						
	19	1	148-8457	2	UNION AS (STRAIGHT) (EACH INCLUDES)						
		1	6V-8995	1	UNION (STRAIGHT)						
		1	6V-8398	2	SEAL-O-RING						
	21	1	6D-4247	2	CLIP						
C	22	1	6V-8398	2	SEAL-O-RING						
C	23	1	148-8340	2	CONNECTOR AS (EACH INCLUDES)						
		1	3K-0360	1	SEAL-O-RING						
		1	6V-8398	1	SEAL-O-RING						
		1	6V-8639	1	CONNECTOR						
C	24	1	148-8380	4	ELBOW AS (EACH INCLUDES)						
		1	6V-8398	2	SEAL-O-RING						
		1	6V-8988	1	ELBOW						
	25	1	6V-9169	8	NUT (13/16-16-THD)						
	26	1	8T-4121	9	WASHER-HARD (11X21X2.5-MM THK)						
	27	1	8T-4123	2	WASHER (22X35X3.5-MM THK)						
M	28	1	8T-4136	2	BOLT (M10X1.5X25-MM)						
M	29	1	8T-4185	2	BOLT (M10X1.5X50-MM)						
G	30	1	160-2243		SLEEVE-ABRASION (6.7-INCH)						
G	30A	1	160-2243		SLEEVE-ABRASION (7.1-INCH)						

# OPERATOR STATION

141-4940 CONTROL GP-STEERING (contd.)

i05267899

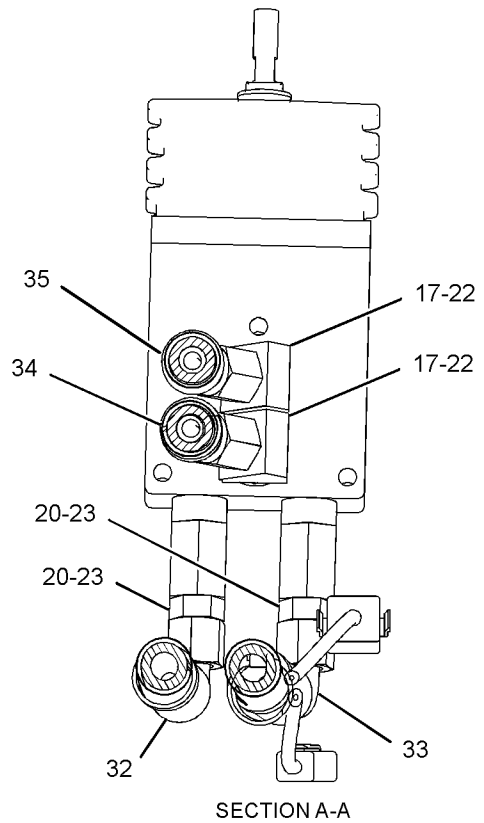
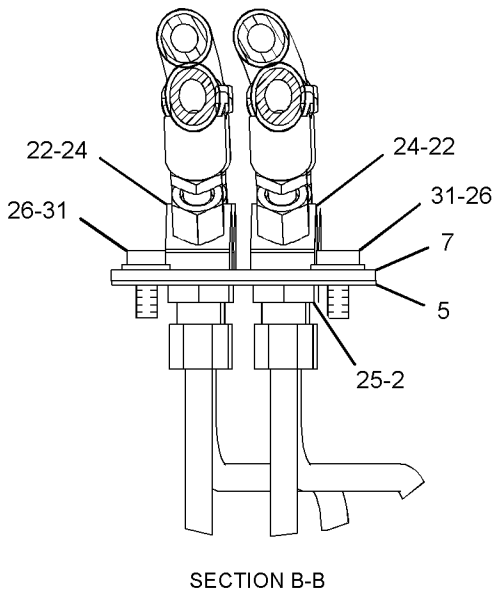
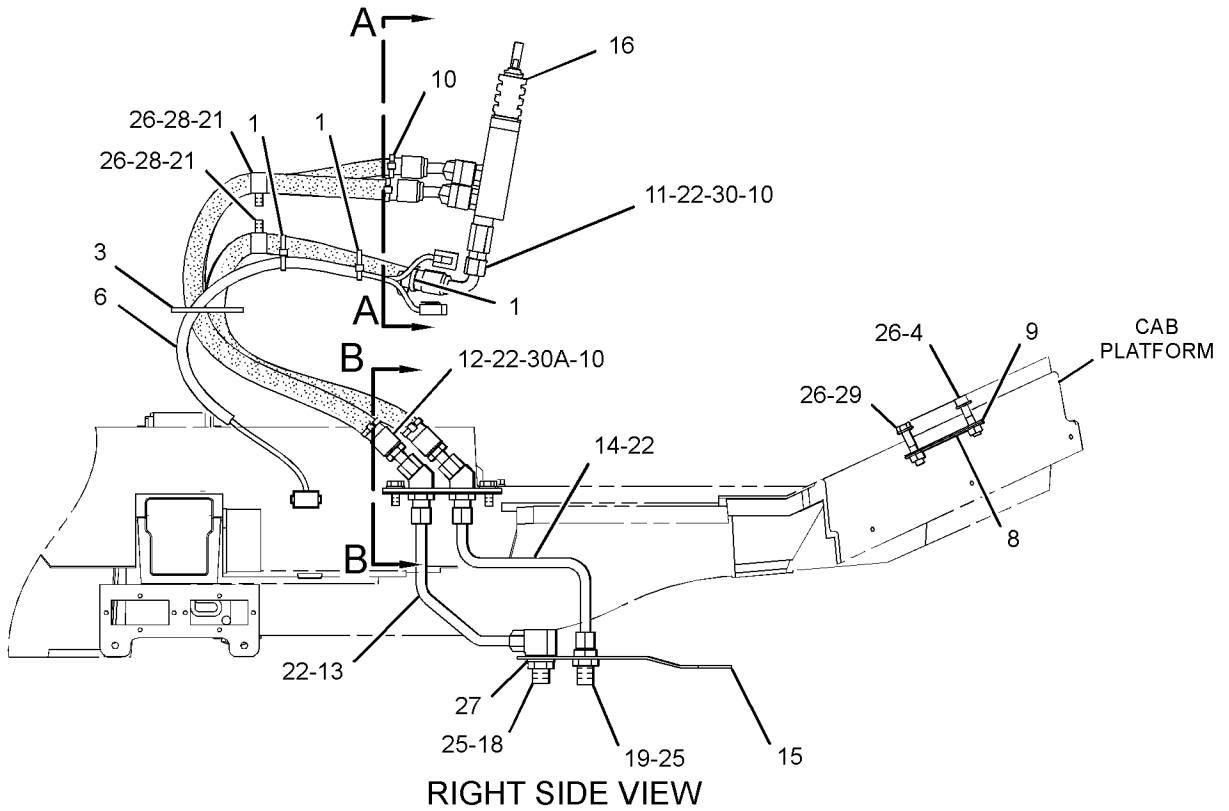
NOTE	REF NO	GRAPHIC REF	PART NUMBER	QTY	PART NAME						SEE PAGE
					1	2	3	4	5	6 (PRODUCT LEVEL)	
M	31	1	<b>8T-4137</b>	4	BOLT (M10X1.5X20-MM)						
C	32	1	<b>4I-9523</b>	1	BAND-MARKER (BLUE, L3)						
C	33	1	<b>4I-9524</b>	1	BAND-MARKER (BROWN, L4)						
C	34	1	<b>4I-9525</b>	1	BAND-MARKER (ORANGE, R1)						
C	35	1	<b>4I-9526</b>	1	BAND-MARKER (WHITE, R2)						

C - CHANGE FROM PREVIOUS TYPE  
D - ORDER BY THE METER  
G - ORDER BY THE INCH  
I - REFER TO HYDRAULIC INFORMATION SYSTEM  
M - METRIC PART  
Y - SEPARATE ILLUSTRATION

# OPERATOR STATION

141-4940 CONTROL GP-STEERING (contd.)

i05267899



GRAPHIC #1

<END>

g03283638

# OPERATOR STATION

## 4E-8413 CONTROL GP-STIC

S/N: BNH1-UP

PART OF 202-9742, 346-3845 CAB AR

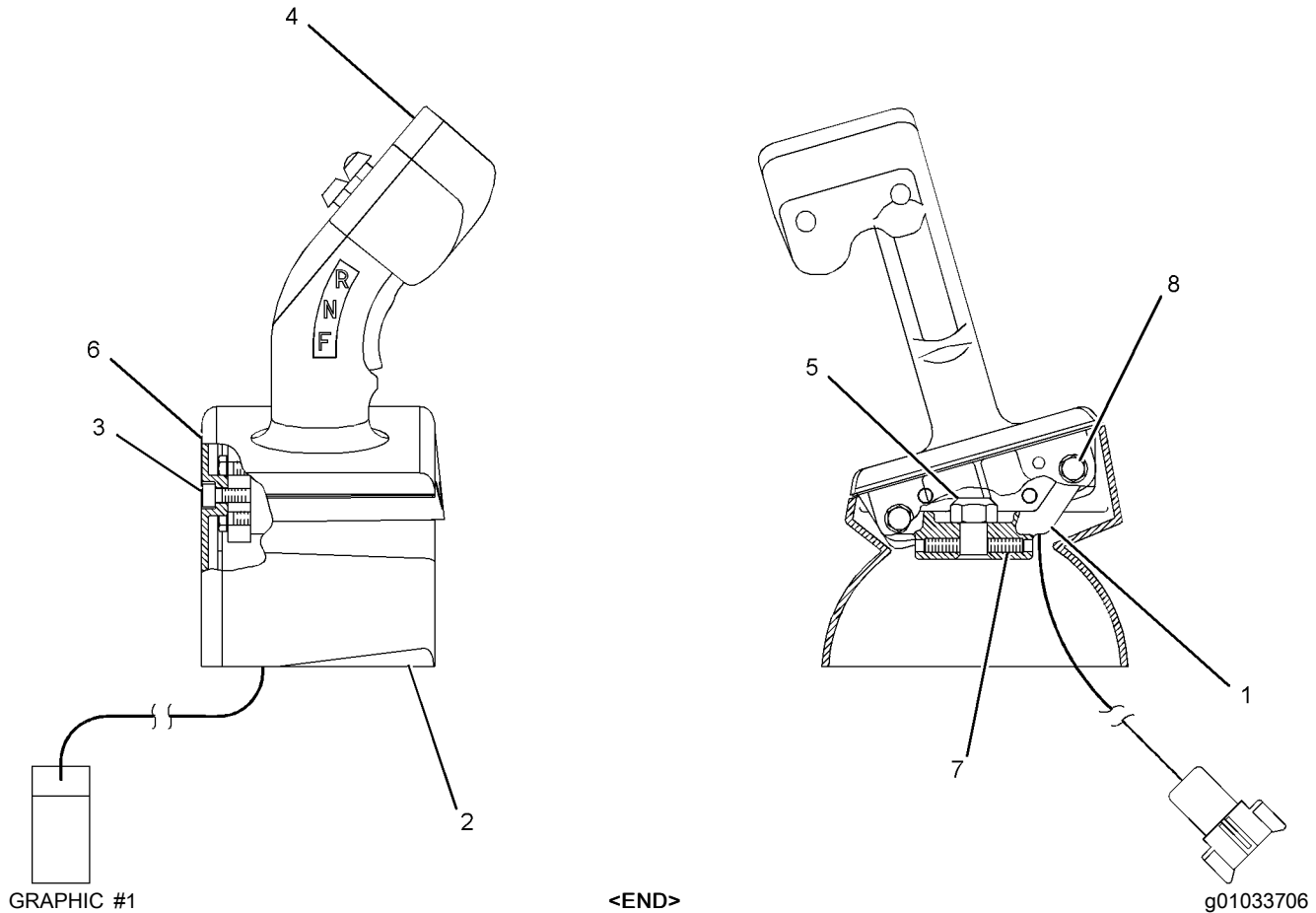
SMCS-3033

i02364975

NOTE	REF NO	GRAPHIC REF	PART NUMBER	QTY	PART NAME						SEE PAGE
					1	2	3	4	5	6	
	1	1	<b>4E-7520</b>	1	BASE						
	2	1	<b>4E-7627</b>	1	HOUSING						
	3	1	<b>4E-7628</b>	1	COVER						
Y	4	1	<b>177-4113</b>	1	CONTROL GP-HANDLE						1105
M	5	1	<b>6V-7687</b>	1	LOCKNUT (M12X1.75-THD)						
M	6	1	<b>8T-0269</b>	4	BOLT-SOCKET HEAD (M6X1X20-MM)						
M	7	1	<b>8T-0723</b>	2	SETSCREW-SOCKET						
M	8	1	<b>8T-4138</b>	4	BOLT (M6X1X20-MM)						

M - METRIC PART

Y - SEPARATE ILLUSTRATION



# OPERATOR STATION

## 187-0738 CONTROL GP-STIC LOCKOUT

S/N: BNH1-UP

PART OF 202-9742, 346-3845 CAB AR

SMCS-3034

i05283837

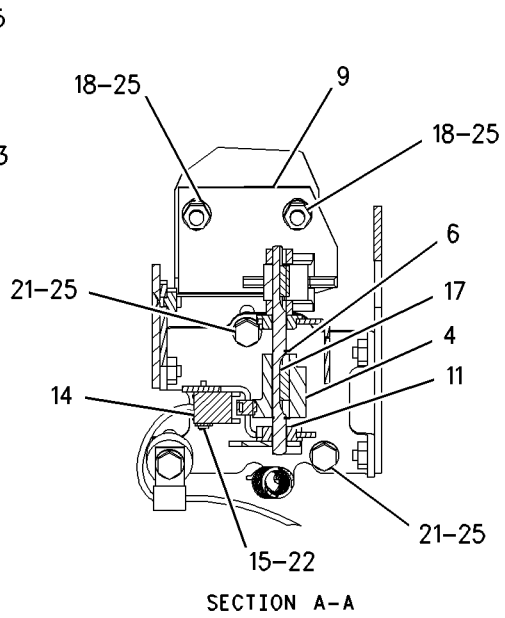
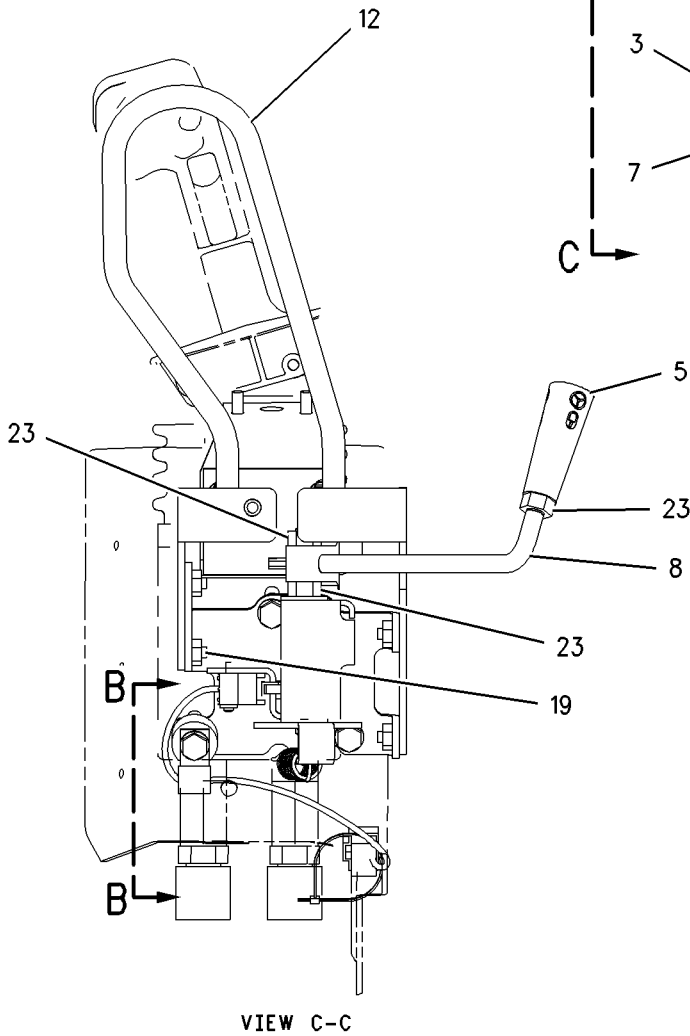
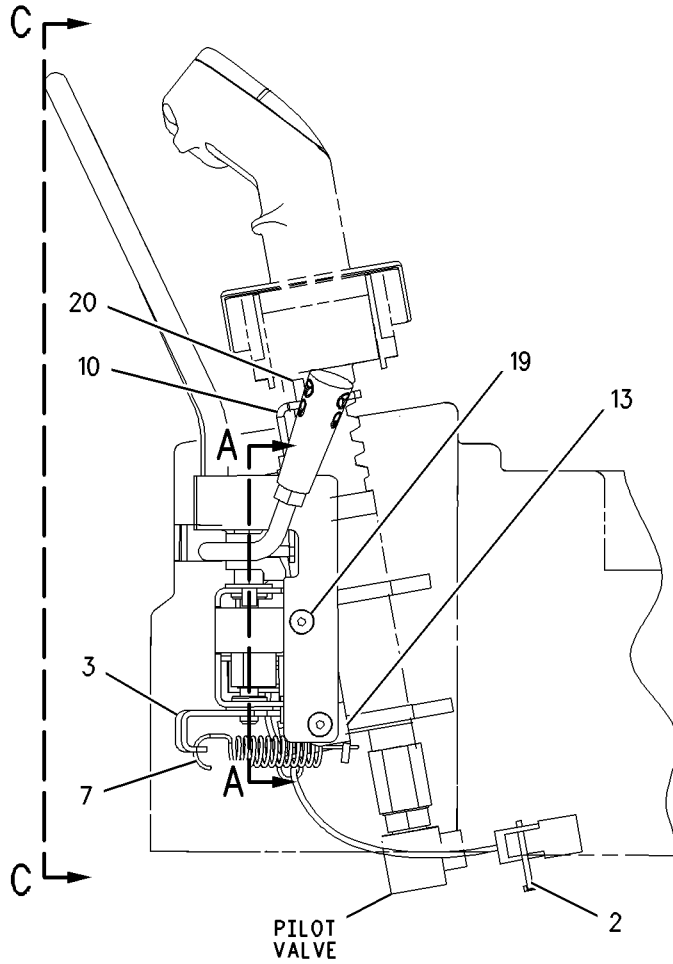
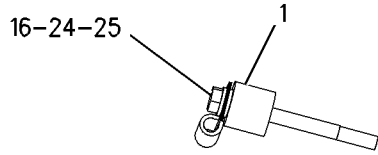
NOTE	REF NO	GRAPHIC REF	PART NUMBER	QTY	PART NAME						SEE PAGE
					1	2	3	4	5	6 (PRODUCT LEVEL)	
	1	1	<b>2V-4387</b>	1	SPACER (10.312X25.4X23.11-MM THK)						
	2	1	<b>3S-2093</b>	1	STRAP-CABLE						
	3	1	<b>4E-8557</b>	1	SHAFT AS						
	4	1	<b>4E-8561</b>	1	CAM						
	5	1	<b>188-2048</b>	1	KNOB						
	6	1	<b>6L-8598</b>	2	RING-RETAINING						
	7	1	<b>8C-3442</b>	1	SPRING-COIL						
	8	1	<b>144-7766</b>	1	LEVER AS-STIC STEER LOCKOUT						
	9	1	<b>145-8951</b>	1	PLATE AS						
	10	1	<b>145-8952</b>	1	PLATE AS						
M		1	<b>3E-6908</b>	2	STUD-WELD (M8X1.25X20-MM)						
	11	1	<b>151-6427</b>	2	BEARING						
	12	1	<b>190-4764</b>	1	GUARD AS						
M		1	<b>6V-9632</b>	1	NUT-WELD (M6X1-THD)						
	13	1	<b>204-3611</b>	1	PLATE AS						
M		1	<b>6V-9632</b>	4	NUT-WELD (M6X1-THD)						
Y	14	1	<b>171-3759</b>	1	SWITCH GP-LIMIT (STIC CONTROL LOCKOUT)						343
	15	1	<b>1P-7326</b>	2	WASHER (4.32X9.52X1.52-MM THK)						
	16	1	<b>4D-7794</b>	1	CLIP						
	17	1	<b>4E-8560</b>	2	KEY-SQUARE						
M	18	1	<b>5C-7261</b>	2	NUT (M8X1.25-THD)						
M	19	1	<b>5C-7423</b>	4	SCREW (M6X1X16-MM)						
M	20	1	<b>5C-9553</b>	2	BOLT (M6X1X16-MM)						
M	21	1	<b>6V-5220</b>	2	BOLT (M8X1.25X65-MM)						
M	22	1	<b>6V-9325</b>	2	SCREW-MACHINE (M3X0.5X30-MM)						
M	23	1	<b>8T-4133</b>	3	NUT (M10X1.5-THD)						
M	24	1	<b>8T-4177</b>	1	BOLT (M8X1.25X90-MM)						
	25	1	<b>8T-4224</b>	6	WASHER-HARD (8.8X16X2-MM THK)						

M - METRIC PART  
Y - SEPARATE ILLUSTRATION

# OPERATOR STATION

187-0738 CONTROL GP-STIC LOCKOUT (contd.)

i05283837



GRAPHIC #1

<END>

g00774513



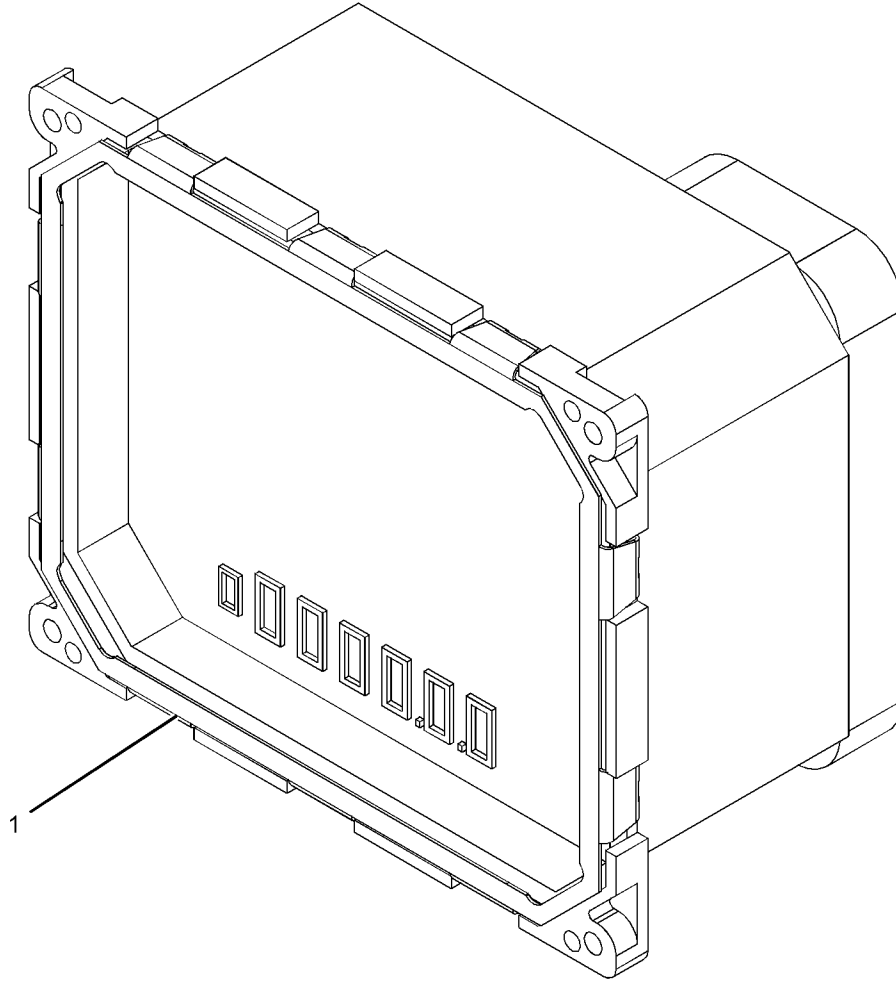
# OPERATOR STATION

**154-7443 CONTROL GP-UNPRGMED MONITOR-CATERPILLAR**  
**MONITORING SYSTEM**  
**S/N: BNH1-UP**  
**PART OF 202-9746 PANEL GP-INSTRUMENT**

**SMCS-7610**

**i02588359**

NOTE	REF NO	GRAPHIC REF	PART NUMBER	QTY	PART NAME 1 2 3 4 5 6 (PRODUCT LEVEL)	SEE PAGE
	1	1	252-4501	1	CONTROL GP-UNPRGMED MONITOR (CATERPILLAR MONITORING SYSTEM)	



GRAPHIC #1

<END>

g01299826

# OPERATOR STATION

## 164-4237 COVER GP-DASH

S/N: BNH1-UP

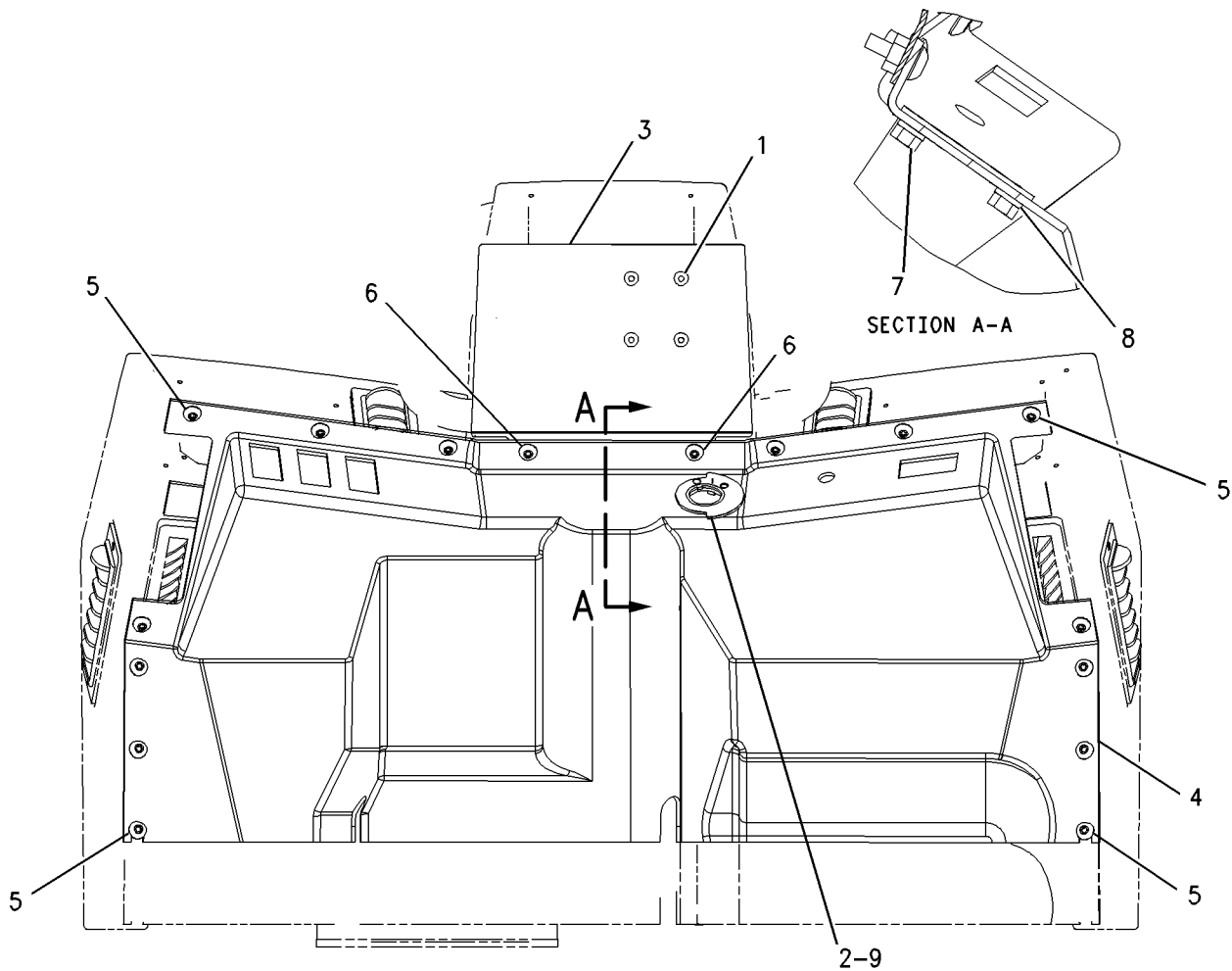
PART OF 202-9742, 346-3845 CAB AR

SMCS-7314

i03362206

NOTE	REF NO	GRAPHIC REF	PART NUMBER	QTY	PART NAME						SEE PAGE
					1	2	3	4	5	6	
	1	1	<b>6V-2491</b>	4	RIVET-POP						
	2	1	<b>129-7184</b>	1	FILM-INSTRUCTION (ENGINE START)						
C	3	1	<b>339-4477</b>	1	PLATE AS						
M		1	<b>6V-9632</b>	2	NUT-WELD (M6X1-THD)						
	4	1	<b>173-5791</b>	1	COVER						
M	5	1	<b>9X-2042</b>	14	SCREW-TRUSS HEAD (M6X1X12-MM)						
M	6	1	<b>9X-2045</b>	2	SCREW-TRUSS HEAD (M6X1X20-MM)						
CM	7	1	<b>5C-2890</b>	2	NUT (M6X1-THD)						
C	8	1	<b>9X-8256</b>	2	WASHER (6.6X12X2-MM THK)						
C	9	1	<b>203-6481</b>	1	PLATE AS						

C - CHANGE FROM PREVIOUS TYPE  
M - METRIC PART



GRAPHIC #1

<END>

g00818172

# OPERATOR STATION

## 165-5576 DOOR GP-CAB-LH

S/N: BNH1-UP

PART OF 128-9664 ROPS GP-ENCLOSED

SMCS-7308

i02613616

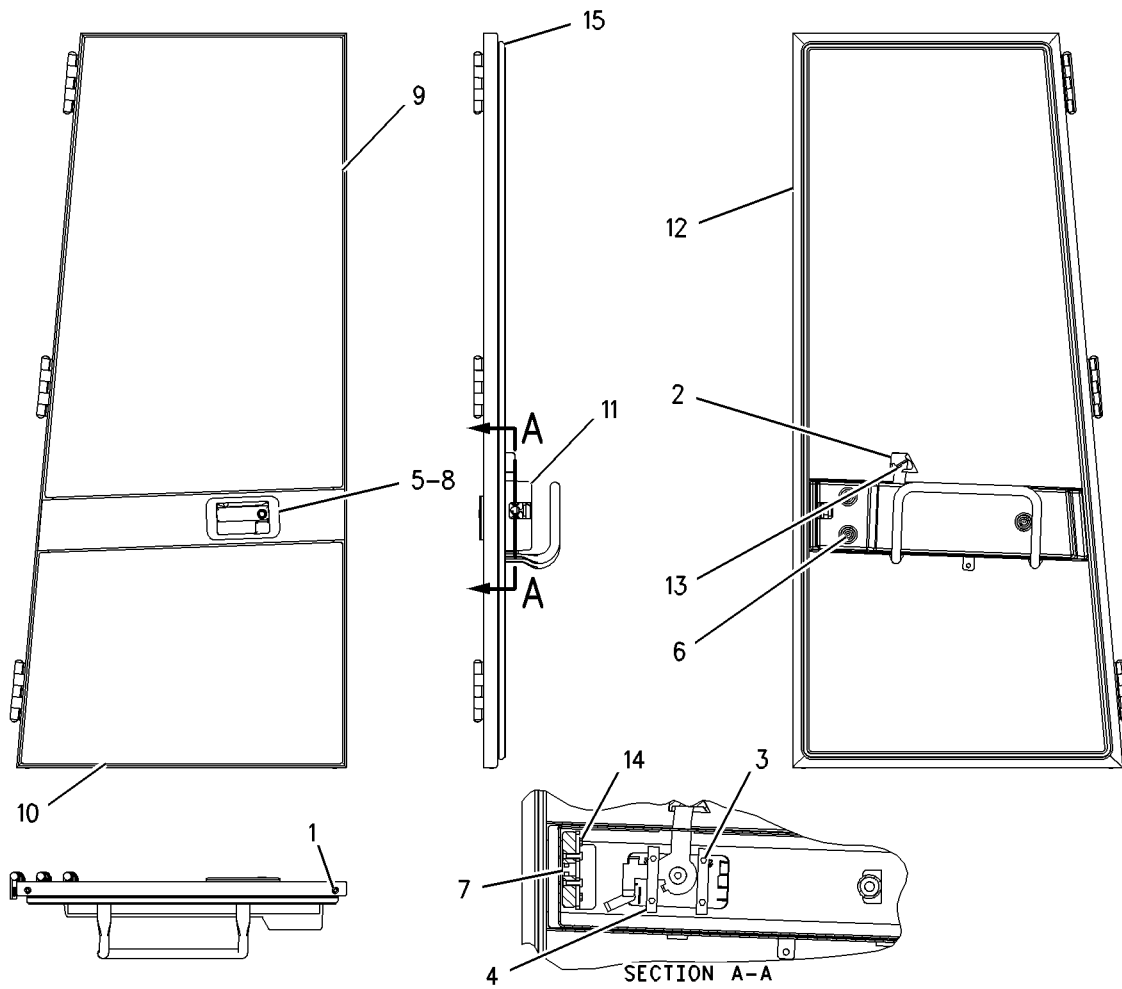
NOTE	REF NO	GRAPHIC REF	PART NUMBER	QTY	PART NAME						SEE PAGE
					1	2	3	4	5	6 (PRODUCT LEVEL)	
	1	1	<b>5P-7803</b>	2	PLUG-BUTTON						
	2	1	<b>7X-2497</b>	1	HANDLE-DOOR						
M	3	1	<b>8T-4180</b>	4	SCREW-MACHINE (M5X0.8X20-MM)						
	4	1	<b>8T-4747</b>	2	BRACKET						
	5	1	<b>8Y-6386</b>	1	SEAL-HANDLE						
M	6	1	<b>9X-2044</b>	3	SCREW-TRUSS HEAD (M6X1X16-MM)						
	7	1	<b>187-3554</b>	1	LATCH AS						
	8	1	<b>111-1354</b>	1	HANDLE AS						
	9	1	<b>129-2567</b>	1	GLASS						
	10	1	<b>129-2568</b>	1	GLASS						
	11	1	<b>129-2578</b>	1	COVER						
	12	1	<b>165-5575</b>	1	DOOR AS						
		1	<b>129-2576</b>	1	BRACKET AS						
M		1	<b>6V-9632</b>	3	NUT-WELD (M6X1-THD)						
		1	<b>129-2584</b>	1	HANDLE						
		1	<b>130-6392</b>	3	HINGE						
M	13	1	<b>8C-3210</b>	1	BOLT (M6X1X16-MM)						
M	14	1	<b>8T-4181</b>	4	BOLT (M6X1X20-MM)						
E	15	1	<b>3E-3805</b>		SEAL (450CM)						

E - ORDER BY THE CENTIMETER  
M - METRIC PART

# OPERATOR STATION

165-5576 DOOR GP-CAB (contd.)

i02613616



GRAPHIC #1

<END>

g00692932

# OPERATOR STATION

## 165-5725 DOOR GP-CAB-RH

S/N: BNH1-UP

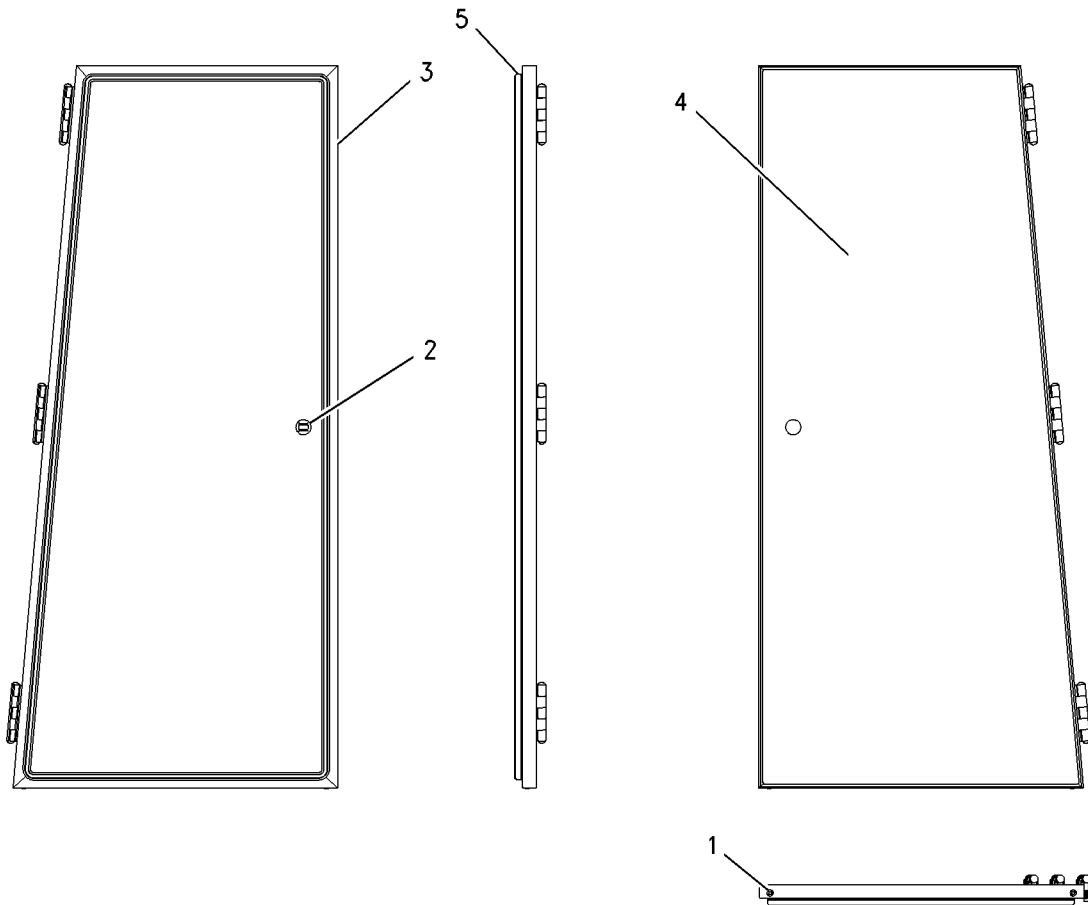
PART OF 128-9664 ROPS GP-ENCLOSED

SMCS-7308

i01662242

NOTE	REF NO	GRAPHIC REF	PART NUMBER	QTY	PART NAME						SEE PAGE
					1	2	3	4	5	6 (PRODUCT LEVEL)	
	1	1	<b>5P-7803</b>	2	PLUG-BUTTON						
	2	1	<b>103-1122</b>	1	MOUNT-LATCH						
	3	1	<b>165-5722</b>	1	DOOR AS						
		1	<b>130-6392</b>	3	HINGE						
	4	1	<b>165-5728</b>	1	GLASS						
E	5	1	<b>3E-3805</b>		SEAL (450CM)						

E - ORDER BY THE CENTIMETER



GRAPHIC #1

<END>

g00860530

# OPERATOR STATION

## 179-3737 DOOR GP-CAB-LH

S/N: BNH1-UP

PART OF 292-6893 ROPS GP-ENCLOSED

SMCS-7308

i01444597

NOTE	REF NO	GRAPHIC REF	PART NUMBER	QTY	PART NAME						SEE PAGE
					1	2	3	4	5	6 (PRODUCT LEVEL)	
	1	1	<b>5P-7803</b>	2	PLUG-BUTTON						
	2	1	<b>7X-2497</b>	1	HANDLE-DOOR						
M	3	1	<b>8T-4180</b>	4	SCREW-MACHINE (M5X0.8X20-MM)						
	4	1	<b>8T-4747</b>	2	BRACKET						
	5	1	<b>8Y-6386</b>	1	SEAL-HANDLE						
	6	1	<b>9R-8538</b>	1	PLUNGER (LATCH)						
	7	1	<b>111-1354</b>	1	HANDLE AS						
		1	<b>8Y-4501</b>	1	SPRING-HANDLE						
	8	1	<b>111-1356</b>	1	LATCH AS-ROTARY						
	9	1	<b>129-2553</b>	1	DOOR AS						
		1	<b>129-2584</b>	1	HANDLE						
		1	<b>130-6392</b>	3	HINGE						
	10	1	<b>129-2567</b>	1	GLASS						
	11	1	<b>129-2578</b>	1	COVER						
	12	1	<b>201-0364</b>	1	SHEET						
M	13	1	<b>5C-2890</b>	1	NUT (M6X1-THD)						
	14	1	<b>5P-4115</b>	1	WASHER-HARD (7.2X19X2-MM THK)						
M	15	1	<b>8C-3210</b>	1	BOLT (M6X1X16-MM)						
M	16	1	<b>8T-4181</b>	4	BOLT (M6X1X20-MM)						
M	17	1	<b>8T-4971</b>	1	BOLT (M6X1X30-MM)						
M	18	1	<b>9X-2044</b>	3	SCREW-TRUSS HEAD (M6X1X16-MM)						
E	19	1	<b>3E-3805</b>		SEAL (450CM)						

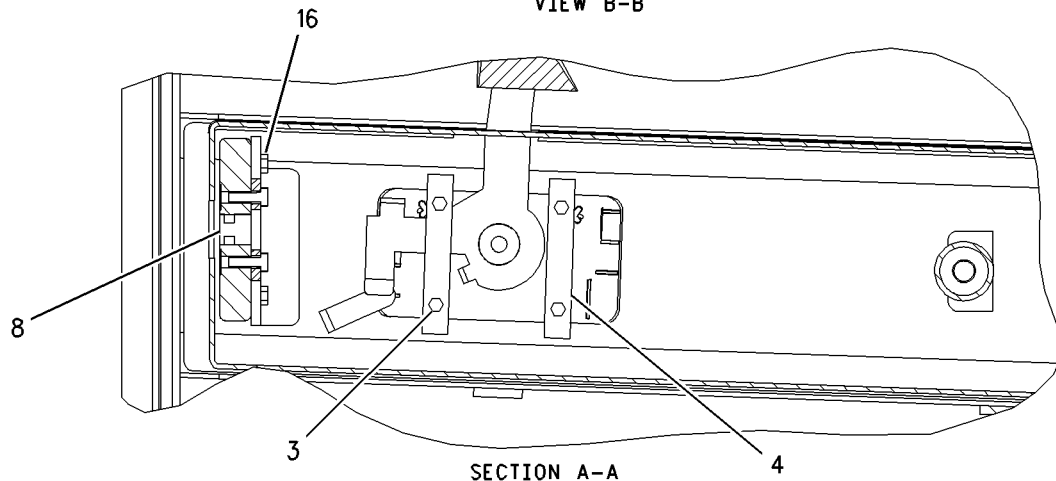
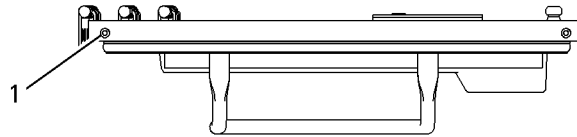
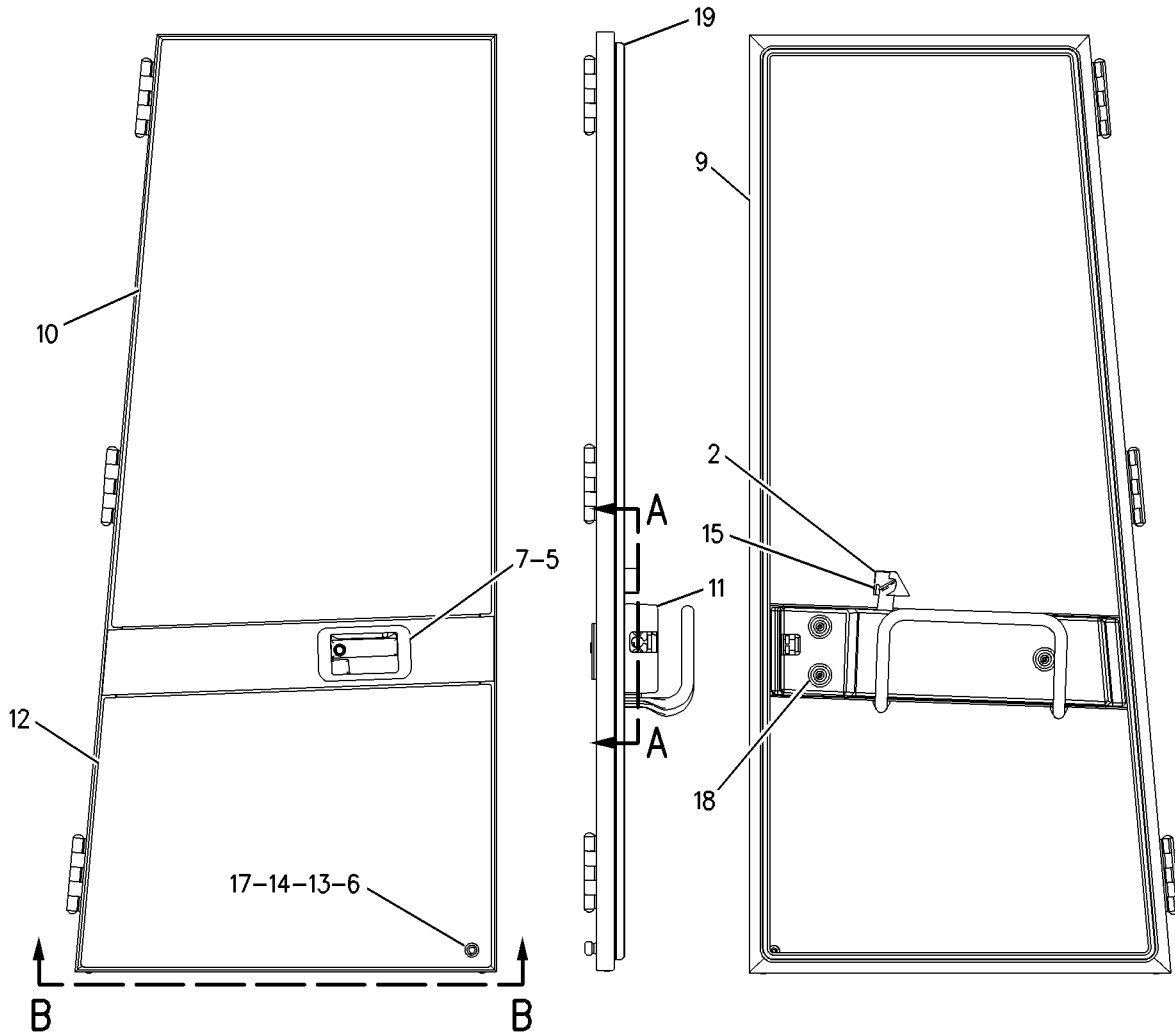
E - ORDER BY THE CENTIMETER

M - METRIC PART

# OPERATOR STATION

179-3737 DOOR GP-CAB (contd.)

i01444597



GRAPHIC #1

<END>

g00775878

# OPERATOR STATION

## 179-3738 DOOR GP-CAB-RH

S/N: BNH1-UP

PART OF 292-6893 ROPS GP-ENCLOSED

SMCS-7308

i02715943

NOTE	REF NO	GRAPHIC REF	PART NUMBER	QTY	PART NAME						SEE PAGE
					1	2	3	4	5	6 (PRODUCT LEVEL)	
	1	1	<b>5P-7803</b>	2	PLUG-BUTTON						
	2	1	<b>7X-2497</b>	1	HANDLE-DOOR						
M	3	1	<b>8T-4180</b>	4	SCREW-MACHINE (M5X0.8X20-MM)						
	4	1	<b>8T-4747</b>	2	BRACKET						
	5	1	<b>8Y-6386</b>	1	SEAL-HANDLE						
	6	1	<b>9R-8538</b>	1	PLUNGER (LATCH)						
	7	1	<b>111-1353</b>	1	HANDLE AS						
		1	<b>8Y-4501</b>	1	SPRING-HANDLE						
	8	1	<b>111-1355</b>	1	LATCH AS-ROTARY						
	9	1	<b>129-2552</b>	1	DOOR AS						
		1	<b>129-2584</b>	1	HANDLE						
		1	<b>130-6392</b>	3	HINGE						
	10	1	<b>129-2565</b>	1	GLASS						
	11	1	<b>129-2577</b>	1	COVER						
	12	1	<b>201-0364</b>	1	SHEET						
M	13	1	<b>5C-2890</b>	1	NUT (M6X1-THD)						
	14	1	<b>5P-4115</b>	1	WASHER-HARD (7.2X19X2-MM THK)						
M	15	1	<b>8C-3210</b>	1	BOLT (M6X1X16-MM)						
M	16	1	<b>8T-4181</b>	4	BOLT (M6X1X20-MM)						
M	17	1	<b>8T-4971</b>	1	BOLT (M6X1X30-MM)						
M	18	1	<b>9X-2044</b>	3	SCREW-TRUSS HEAD (M6X1X16-MM)						
E	19	1	<b>3E-3805</b>		SEAL (450-CM)						

E - ORDER BY THE CENTIMETER

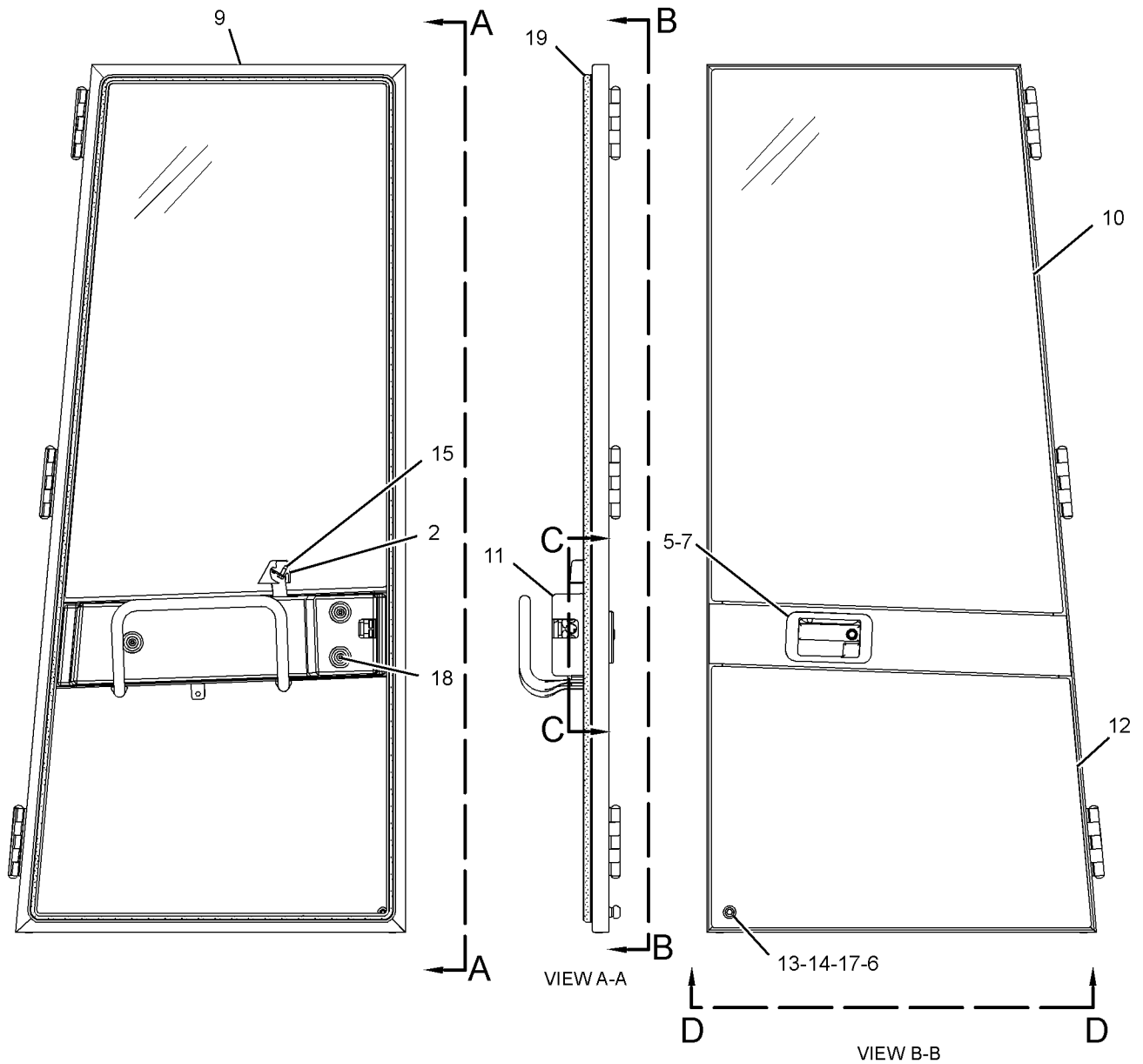
M - METRIC PART



# OPERATOR STATION

179-3738 DOOR GP-CAB (contd.)

i02715943



GRAPHIC #1

SECTION C-C

<END>

g01364843

# OPERATOR STATION

## 178-4139 DOOR GP-STORAGE

S/N: BNH1-UP

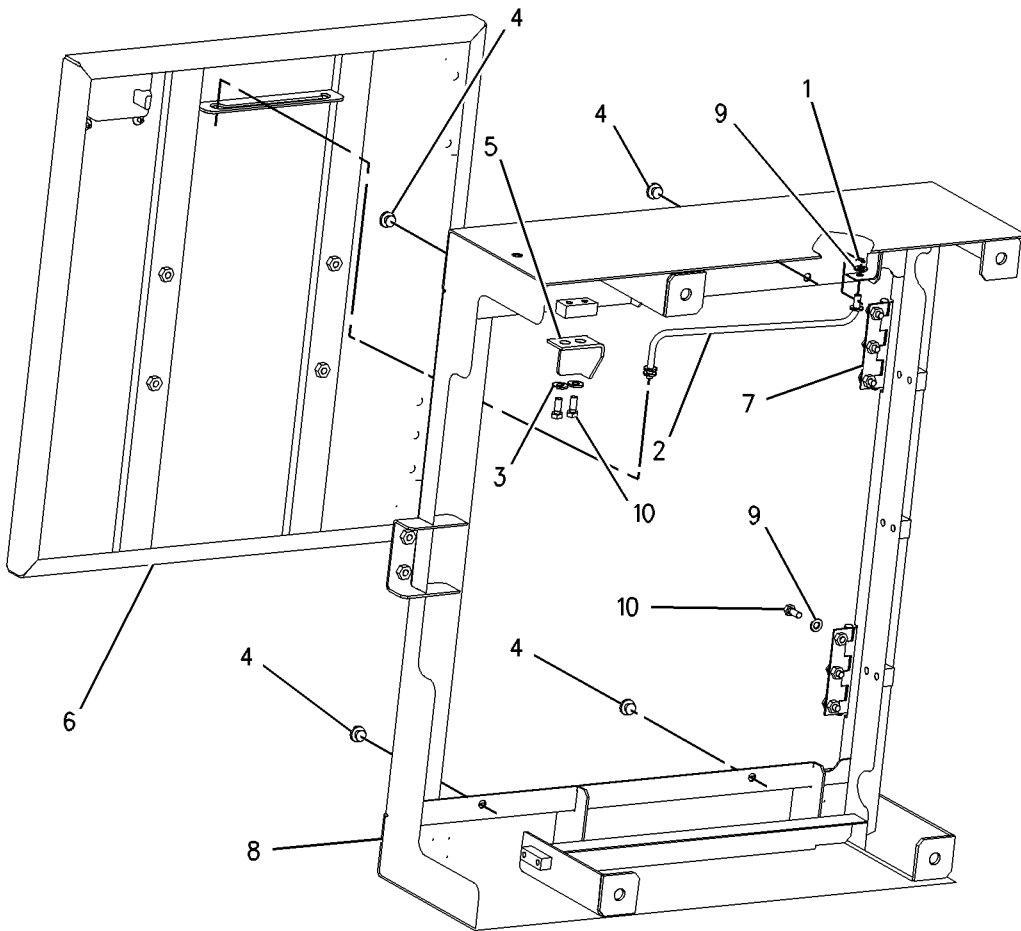
PART OF 114-5124 PLATFORM GP-OPERATOR

SMCS-7268, 7273

i03123663

NOTE	REF NO	GRAPHIC REF	PART NUMBER	QTY	PART NAME						SEE PAGE
					1	2	3	4	5	6 (PRODUCT LEVEL)	
	1	1	<b>3B-4610</b>	1	PIN-COTTER						
	2	1	<b>4E-4450</b>	1	ROD AS						
		1	<b>8T-4121</b>	3	WASHER-HARD (11X21X2.5-MM THK)						
	3	1	<b>7X-7729</b>	2	WASHER (11X25X3-MM THK)						
	4	1	<b>2V-3726</b>	4	BUMPER						
	5	1	<b>9U-1169</b>	1	BRACKET						
	6	1	<b>113-6003</b>	1	DOOR AS						
		1	<b>6V-2370</b>	4	RIVET-POP						
		1	<b>9X-2299</b>	1	LATCH AS						
M		1	<b>8T-3490</b>	2	NUT-WELD (M10X1.5-THD)						
	7	1	<b>119-1151</b>	2	HINGE AS (EACH INCLUDES)						
M		1	<b>8T-3490</b>	6	NUT-WELD (M10X1.5-THD)						
	8	1	<b>323-3545</b>	1	FRAME AS						
	9	1	<b>8T-4121</b>	13	WASHER-HARD (11X21X2.5-MM THK)						
M	10	1	<b>8T-4136</b>	14	BOLT (M10X1.5X25-MM)						

M - METRIC PART



GRAPHIC #1

<END>

g00802480

# OPERATOR STATION

## 165-6769 DUCT & FILTER GP-CAB AIR

S/N: BNH1-UP

PART OF 202-9742, 346-3845 CAB AR

SMCS-7337, 7342

i04939102

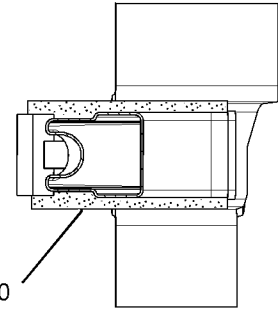
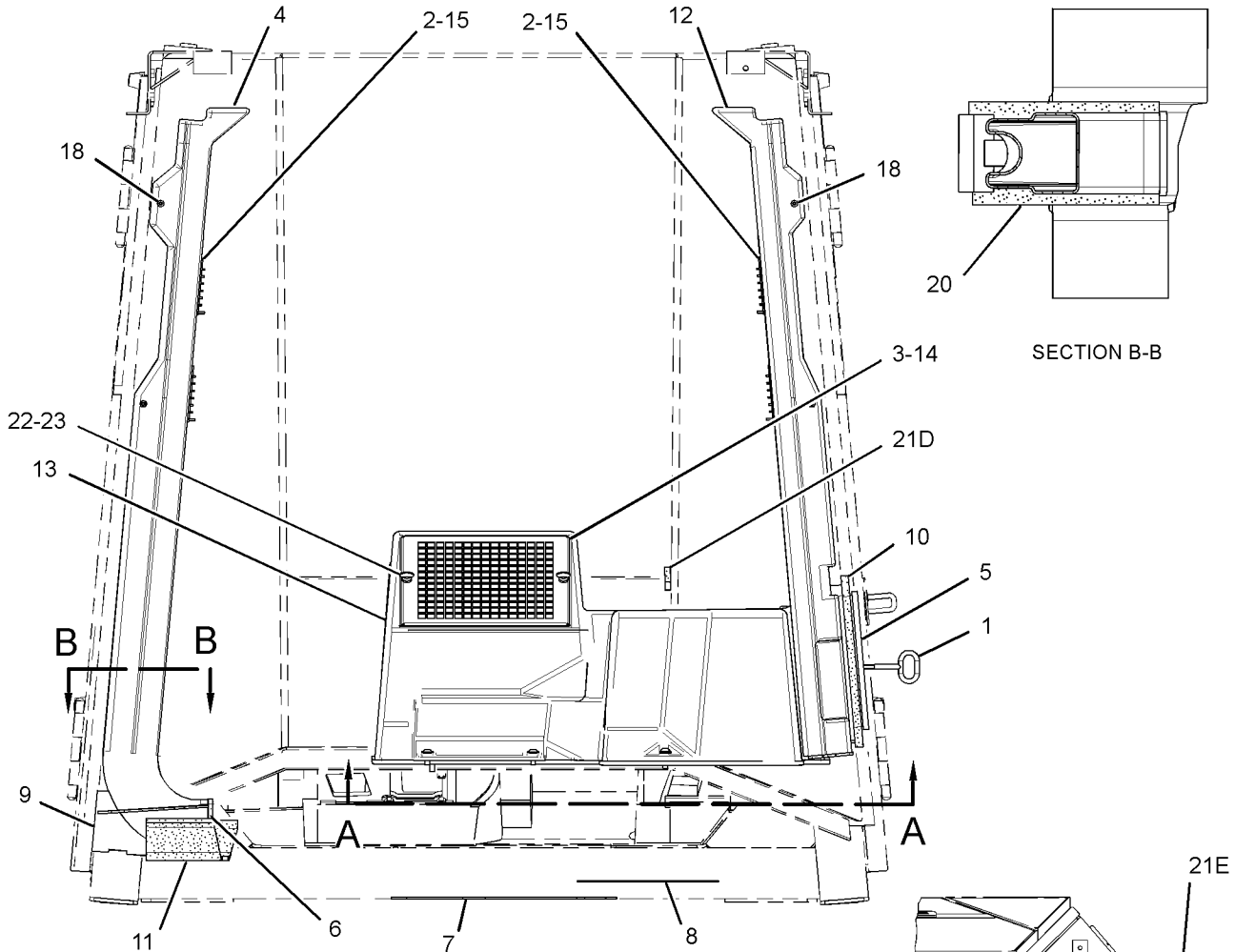
NOTE	REF NO	GRAPHIC REF	PART NUMBER	QTY	PART NAME						SEE PAGE
					1	2	3	4	5	6 (PRODUCT LEVEL)	
	1	1	<b>3V-7476</b>	1	KEY-HANDLE						
	2	1	<b>8Y-6388</b>	4	LOUVER AS-VENT						
	3	1	<b>107-0266</b>	1	FILTER ELEMENT-CAB AIR (STANDARD EFFICIENCY)						
	4	1	<b>107-7308</b>	1	DUCT AS-RH						
M		1	<b>3E-4304</b>	4	INSERT-THREADED (M6X1-THD)						
	5	1	<b>112-7448</b>	1	FILTER ELEMENT-CAB AIR (STANDARD EFFICIENCY)						
	6	1	<b>114-3466</b>	1	SEAL						
	7	1	<b>128-3786</b>	1	SEAL						
	8	1	<b>128-3787</b>	1	SEAL						
	9	1	<b>155-8357</b>	1	PLUG						
	10	1	<b>155-9653</b>	1	SEAL						
	11	1	<b>161-1353</b>	1	INSULATION						
	12	1	<b>184-6673</b>	1	DUCT AS (LH)						
M		1	<b>3E-4304</b>	4	INSERT-THREADED (M6X1-THD)						
	13	1	<b>319-3583</b>	1	COVER AS						
		1	<b>7K-4201</b>	2	NUT-SPEED						
	14	1	<b>330-3495</b>	1	PLATE						
	15	1	<b>104-2091</b>	8	SCREW-FLAT HEAD (6-20X0.5-IN)						
M	16	1	<b>9X-2039</b>	3	SCREW-TRUSS HEAD (M10X1.5X35-MM)						
M	17	1	<b>9X-2040</b>	2	SCREW-TRUSS HEAD (M10X1.5X25-MM)						
M	18	1	<b>9X-2042</b>	8	SCREW-TRUSS HEAD (M6X1X12-MM)						
D	20	1	<b>6V-0723</b>		SEAL (0.25-M EACH)						
E	21	1	<b>227-0213</b>		SEAL (17-CM)						
E	21A	1	<b>227-0213</b>		SEAL (222-CM)						
E	21B	1	<b>227-0213</b>		SEAL (5-CM)						
E	21C	1	<b>227-0213</b>		SEAL (24-CM)						
E	21D	1	<b>227-0213</b>		SEAL (57-CM EACH)						
E	21E	1	<b>227-0213</b>		SEAL (79-CM)						
	22	1	<b>2R-2376</b>	4	WASHER (7X16X0.8-MM THK)						
	23	1	<b>274-2392</b>	2	SCREW-THUMB						

D - ORDER BY THE METER  
 E - ORDER BY THE CENTIMETER  
 M - METRIC PART

# OPERATOR STATION

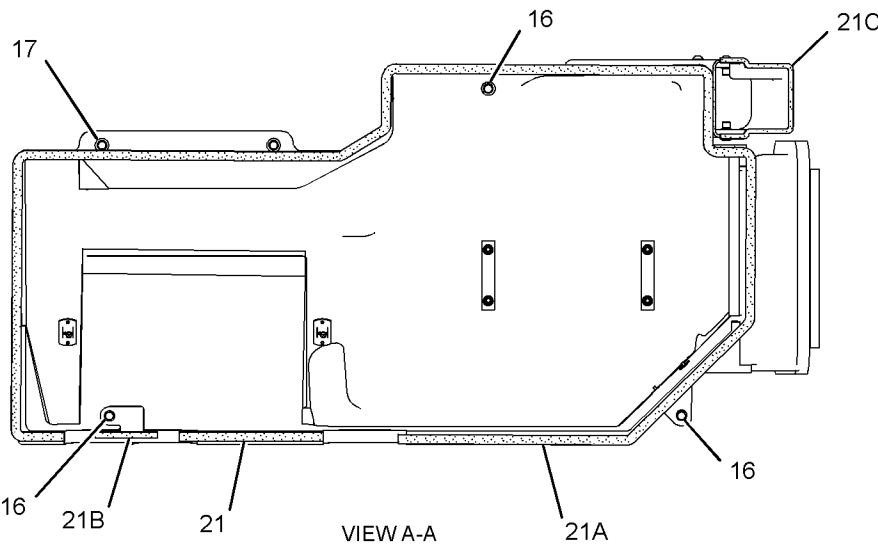
165-6769 DUCT & FILTER GP-CAB AIR (contd.)

i04939102

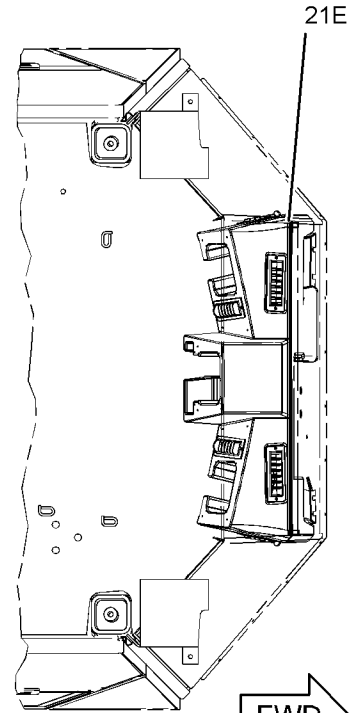


SECTION B-B

FRONT VIEW



VIEW A-A



TOP VIEW



GRAPHIC #1

<END>

g03167917

# OPERATOR STATION

## 165-6560 DUCT GP-CAB AIR

S/N: BNH1-UP

PART OF 202-9742, 346-3845 CAB AR

SMCS-734D

i03626555

NOTE	REF NO	GRAPHIC REF	PART NUMBER	QTY	PART NAME						SEE PAGE
					1	2	3	4	5	6 (PRODUCT LEVEL)	
	1	1	<b>4P-7581</b>	1	CLIP						
	2	1	<b>8Y-6352</b>	2	LOUVER AS						
	3	1	<b>8Y-6388</b>	6	LOUVER AS-VENT						
E	4	1	<b>227-0213</b>		SEAL (68-CM)						
	5	1	<b>165-6561</b>	1	DUCT AS-AIR						
	6	1	<b>104-2091</b>	12	SCREW-FLAT HEAD (6-20X0.5-IN)						
M	7	1	<b>5C-7261</b>	4	NUT (M8X1.25-THD)						
	8	1	<b>9N-0869</b>	4	WASHER-HARD (8.8X25.5X2-MM THK)						

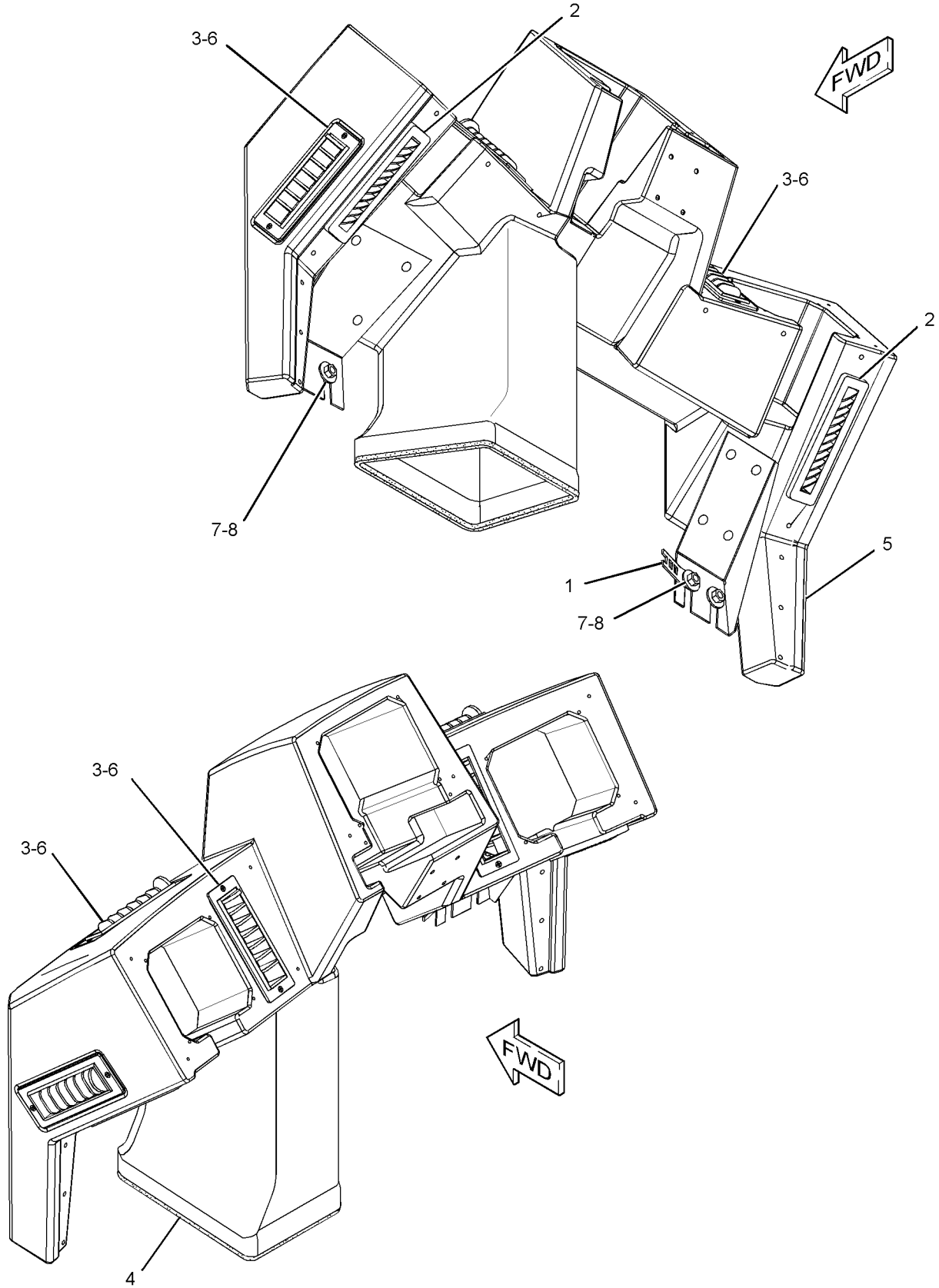
E - ORDER BY THE CENTIMETER

M - METRIC PART

# OPERATOR STATION

165-6560 DUCT GP-CAB AIR (contd.)

i03626555



GRAPHIC #1

<END>

g01341585

# OPERATOR STATION

## 326-3071 FLOOR MAT GP

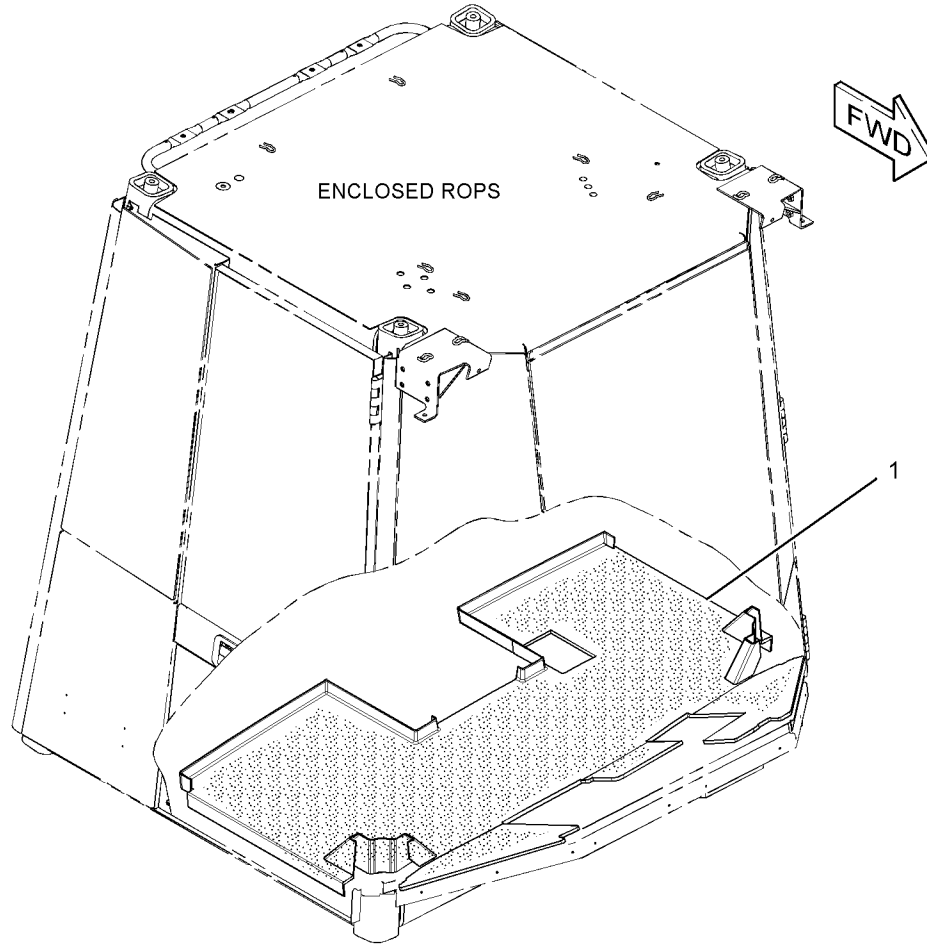
S/N: BNH1-UP

PART OF 346-3845 CAB AR

SMCS-726M

i03079700

NOTE	REF NO	GRAPHIC REF	PART NUMBER	QTY	PART NAME						SEE PAGE
					1	2	3	4	5	6 (PRODUCT LEVEL)	
	1	1	162-6505	1	FLOOR MAT						



GRAPHIC #1

<END>

g01609593

# OPERATOR STATION

## 173-8466 HORN GP-ELECTRIC

S/N: BNH1-UP

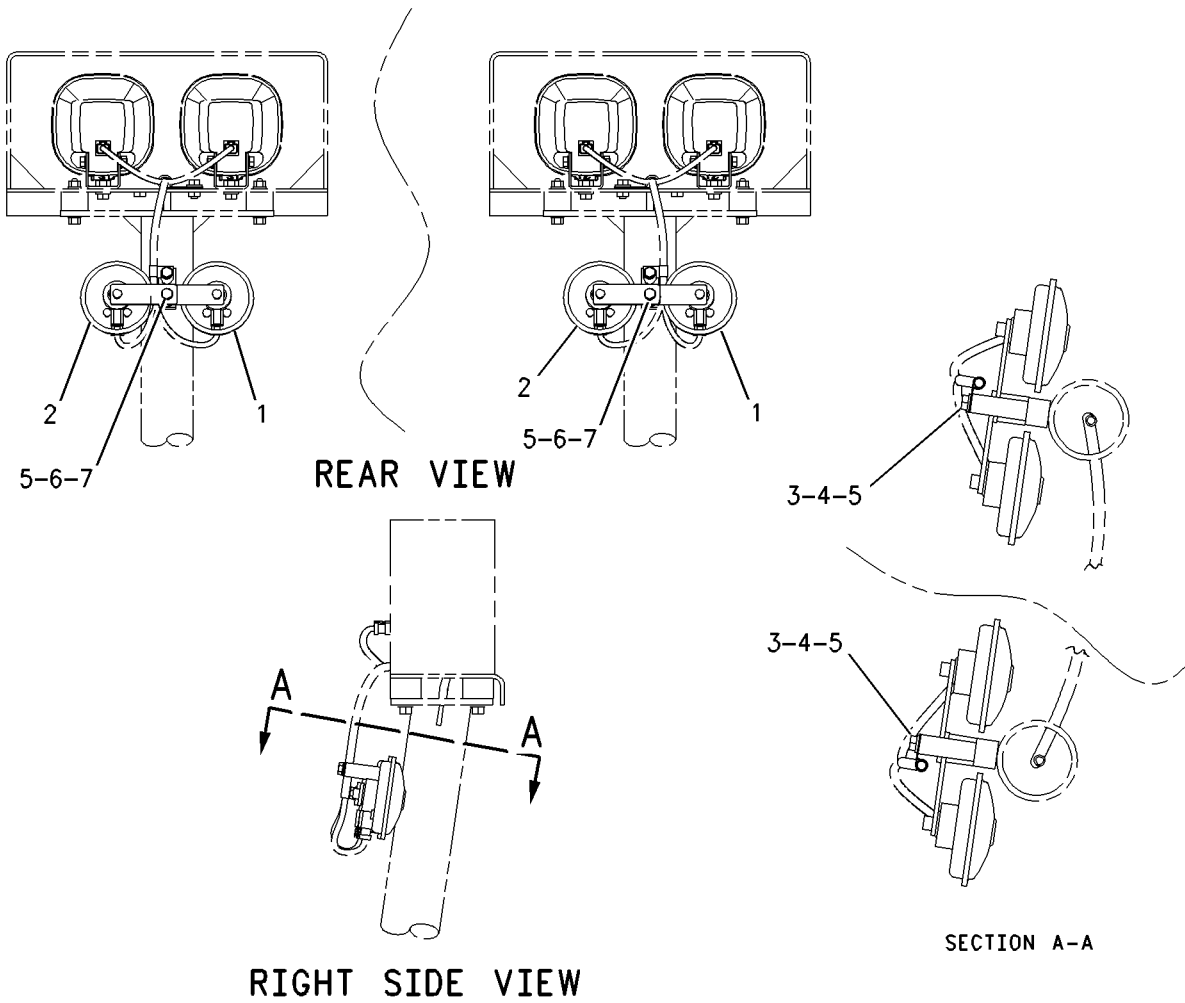
PART OF 203-1579 ELECTRICAL AR

SMCS-7402

i01529557

NOTE	REF NO	GRAPHIC REF	PART NUMBER	QTY	PART NAME						SEE PAGE
					1	2	3	4	5	6	
	1	1	163-1201	2	HORN AS (24-VOLT, LOW TONE)						
	2	1	174-7875	2	HORN AS (24-VOLT, HIGH TONE)						
	3	1	2M-6835	2	PIPE						
M	4	1	8T-6870	2	BOLT (M8X1.25X70-MM)						
	5	1	8T-4224	4	WASHER-HARD (8.8X16X2-MM THK)						
M	6	1	8T-6912	2	BOLT (M8X1.25X50-MM)						
	7	1	1B-4971	2	SPACER (0.406X1X1-IN THK)						

M - METRIC PART



GRAPHIC #1

<END>

g00794049



# OPERATOR STATION

## 162-6884 INSTALLATION GP-CONTROLS

S/N: BNH1-UP

PART OF 202-9738 OPERATOR AR

SMCS-1265, 4284

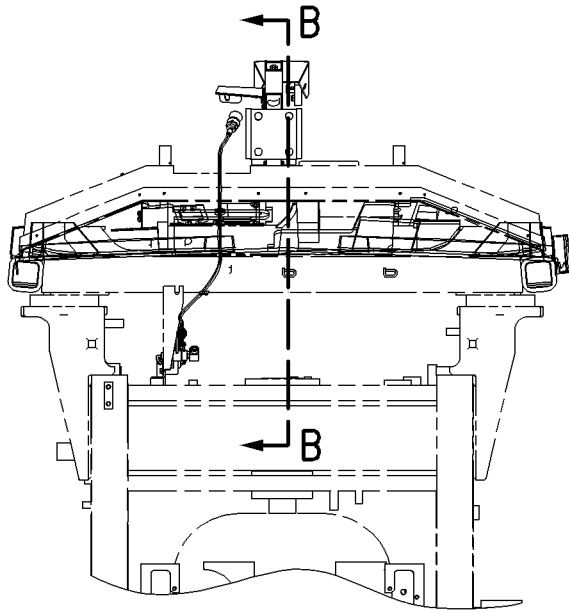
i01013408

NOTE	REF NO	GRAPHIC REF	PART NUMBER	QTY	PART NAME						SEE PAGE
					1	2	3	4	5	6 (PRODUCT LEVEL)	
	1	1	<b>3J-4818</b>	1	LOCKWASHER						
	2	1	<b>9U-0830</b>	1	END-YOKE ROD						
	3	1	<b>096-0067</b>	1	PIN-CLEVIS						
	4	1	<b>162-6505</b>	1	FLOOR MAT						
	5	1	<b>5B-9192</b>	1	PIN-COTTER						
M	6	1	<b>5C-2874</b>	1	NUT (M5X0.8-THD)						
M - METRIC PART											

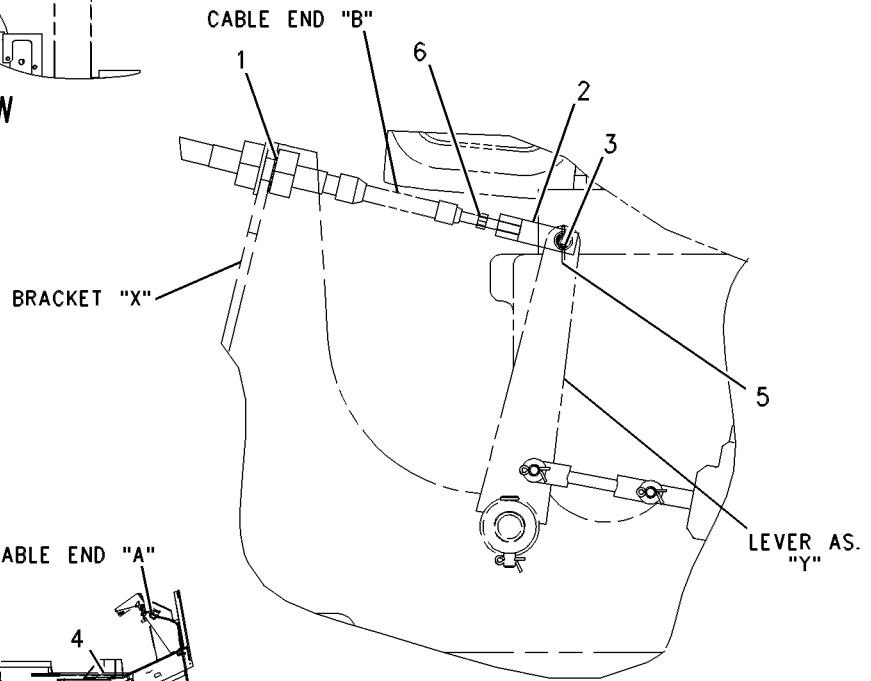
# OPERATOR STATION

162-6884 INSTALLATION GP-CONTROLS (contd.)

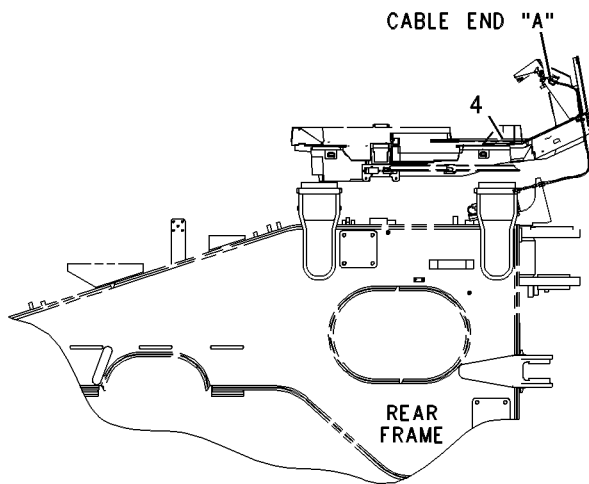
i01013408



FRONT VIEW



SECTION B-B



LEFT SIDE

GRAPHIC #1

<END>

g00545553

# OPERATOR STATION

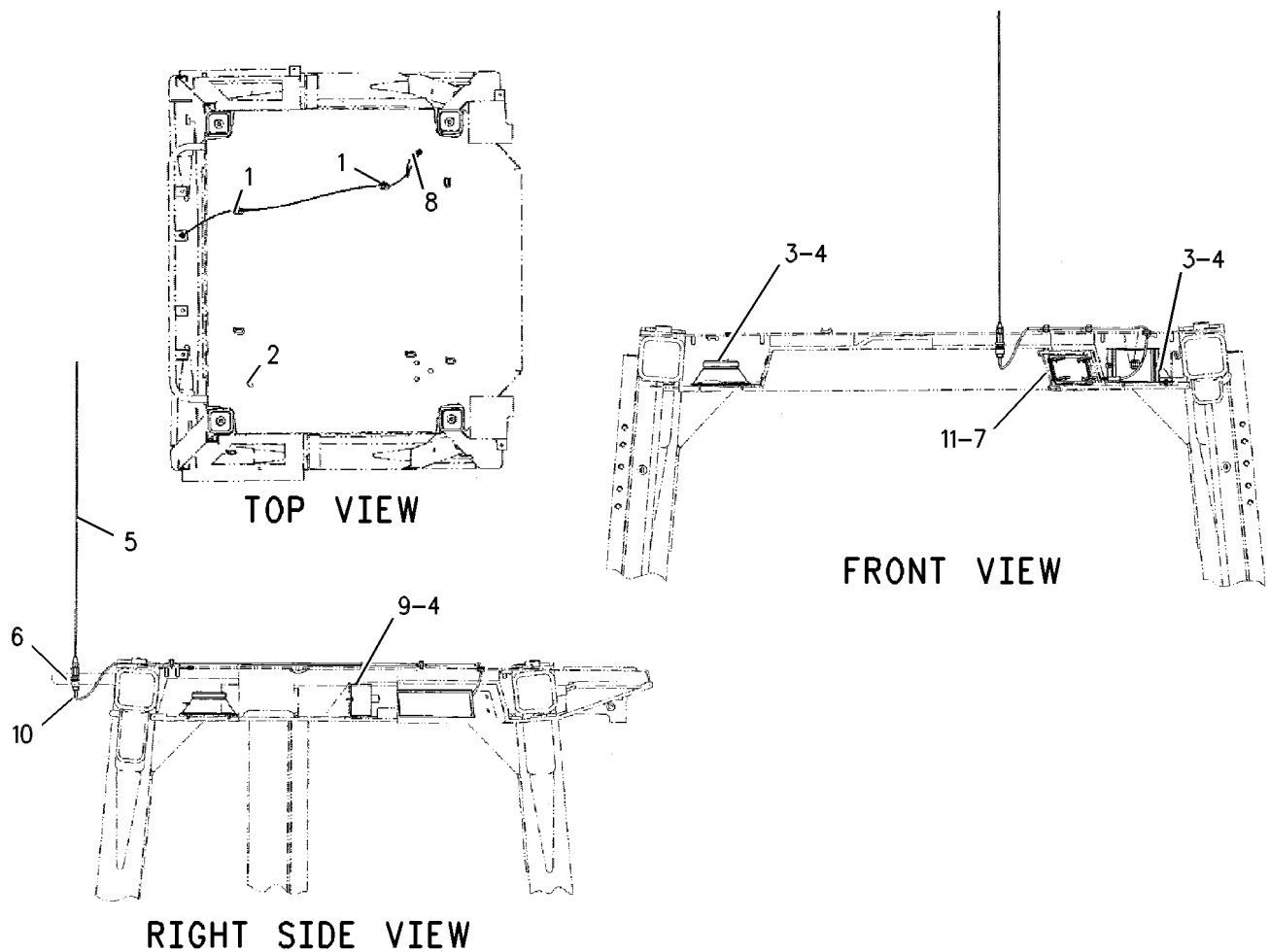
## 109-8199 INSTALLATION GP-RADIO

S/N: BNH1-UP  
PART OF 202-9742 CAB AR  
TYPE 1

SMCS-7338

i01612660

NOTE	REF NO	GRAPHIC REF	PART NUMBER	QTY	PART NAME						SEE PAGE
					1	2	3	4	5	6 (PRODUCT LEVEL)	
	1	1	<b>3S-2093</b>	2	STRAP-CABLE						
	2	1	<b>3V-4694</b>	1	PLUG-BUTTON						
	3	1	<b>6T-7695</b>	2	SPEAKER AS-RADIO						
	4	1	<b>6V-2687</b>	10	SCREW-PAN HEAD (10-24X1-IN)						
	5	1	<b>9U-2331</b>	1	ANTENNA AS (COMMUNICATION RADIO)						
	6	1	<b>9U-4431</b>	1	MOUNT-ANTENNA						
	7	1	<b>9U-8263</b>	1	COVER						
	8	1	<b>011-7960</b>	1	GROMMET						
	9	1	<b>119-1733</b>	1	CONVERTER-POWER (24-VOLT TO 12-VOLT)						
	10	1	<b>124-4884</b>	1	CABLE AS						
	11	1	<b>132-3522</b>	1	PLATE						



GRAPHIC #1

<END>

g00121746

# OPERATOR STATION

## 109-8199 INSTALLATION GP-RADIO

S/N: BNH1-UP

PART OF 202-9742 CAB AR

TYPE 2

SMCS-7338

i04939075

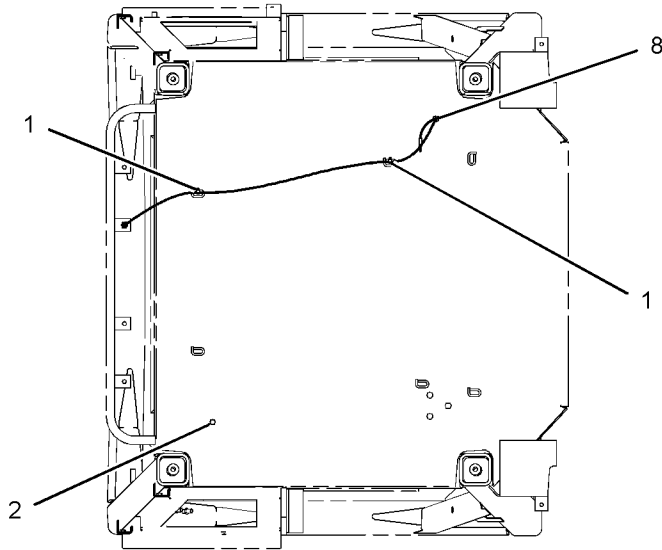
NOTE	REF NO	GRAPHIC REF	PART NUMBER	QTY	PART NAME						SEE PAGE
					1	2	3	4	5	6 (PRODUCT LEVEL)	
	1	1	<b>3S-2093</b>	2	STRAP-CABLE						
	2	1	<b>3V-4694</b>	1	PLUG-BUTTON						
	3	1	<b>6T-7695</b>	2	SPEAKER AS-RADIO						
	4	1	<b>6V-2687</b>	8	SCREW-PAN HEAD (10-24X1-IN)						
	5	1	<b>9U-2331</b>	1	ANTENNA AS (COMMUNICATION RADIO)						
	6	1	<b>9U-4431</b>	1	MOUNT-ANTENNA						
	7	1	<b>9U-8263</b>	1	COVER						
	8	1	<b>011-7960</b>	1	GROMMET						
C	9	1	<b>340-7160</b>	1	CONVERTER-POWER (24-VOLT TO 12-VOLT)						
	10	1	<b>124-4884</b>	1	CABLE AS						
	11	1	<b>132-3522</b>	1	PLATE						
	12	1	<b>8T-9501</b>	2	SCREW (10-16X0.75-IN)						

C - CHANGE FROM PREVIOUS TYPE

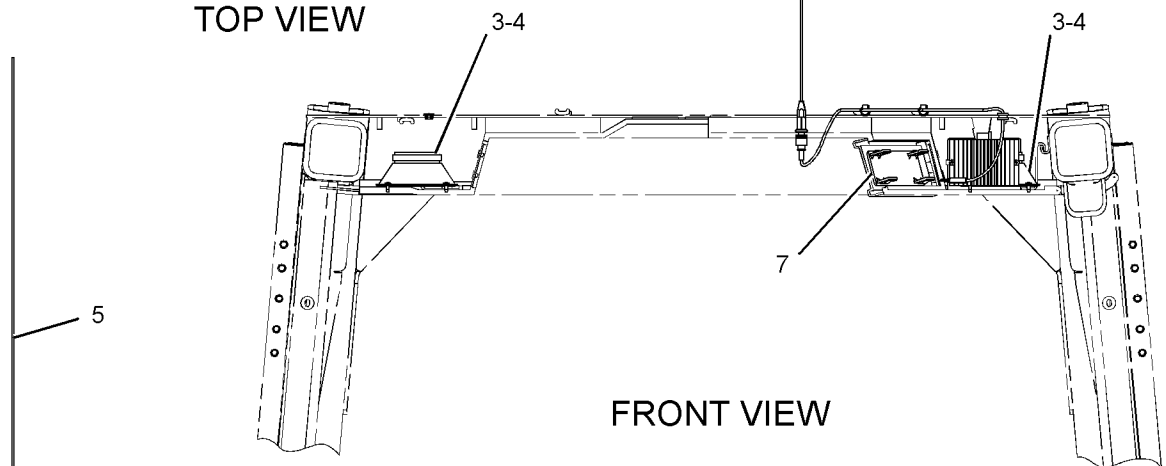
# OPERATOR STATION

109-8199 INSTALLATION GP-RADIO (contd.)

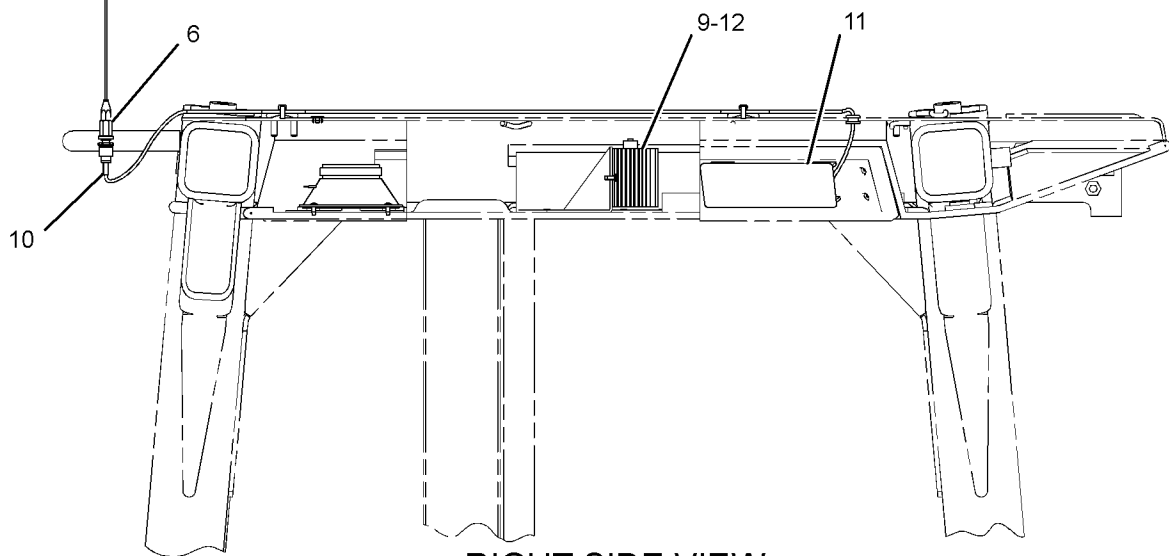
i04939075



TOP VIEW



FRONT VIEW



RIGHT SIDE VIEW

GRAPHIC #1

<END>

g03126878

# OPERATOR STATION

## 228-9628 INSTALLATION GP-RADIO

S/N: BNH1-UP

PART OF 346-3845 CAB AR

SMCS-7338

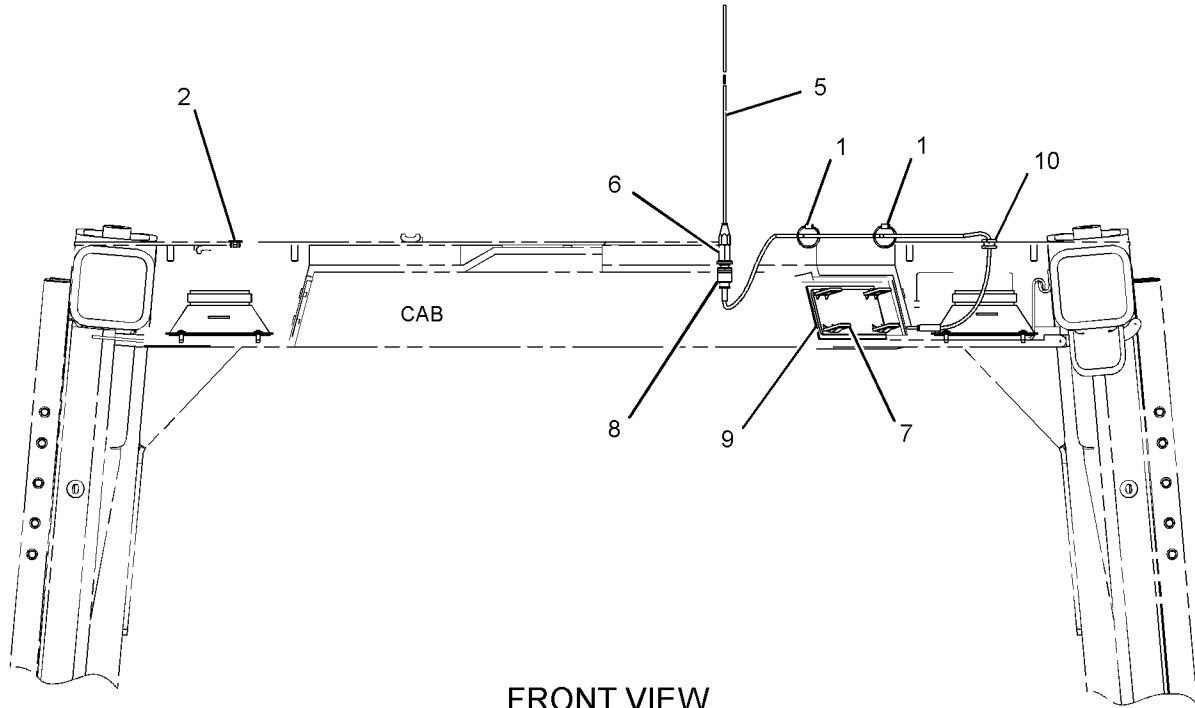
i03373765

NOTE	REF NO	GRAPHIC REF	PART NUMBER	QTY	PART NAME						SEE PAGE
					1	2	3	4	5	6 (PRODUCT LEVEL)	
	1	1	<b>3S-2093</b>	2	STRAP-CABLE						
	2	1	<b>3V-4694</b>	1	PLUG-BUTTON						
	3	1	<b>6T-7695</b>	2	SPEAKER AS-RADIO						
	4	1	<b>6V-2687</b>	8	SCREW-PAN HEAD (10-24X1-IN)						
	5	1	<b>9U-2331</b>	1	ANTENNA AS (COMMUNICATION RADIO)						
	6	1	<b>9U-4431</b>	1	MOUNT-ANTENNA						
	7	1	<b>9U-8263</b>	1	COVER						
	8	1	<b>124-4884</b>	1	CABLE AS						
	9	1	<b>132-3522</b>	1	PLATE						
	10	1	<b>011-7960</b>	1	GROMMET						

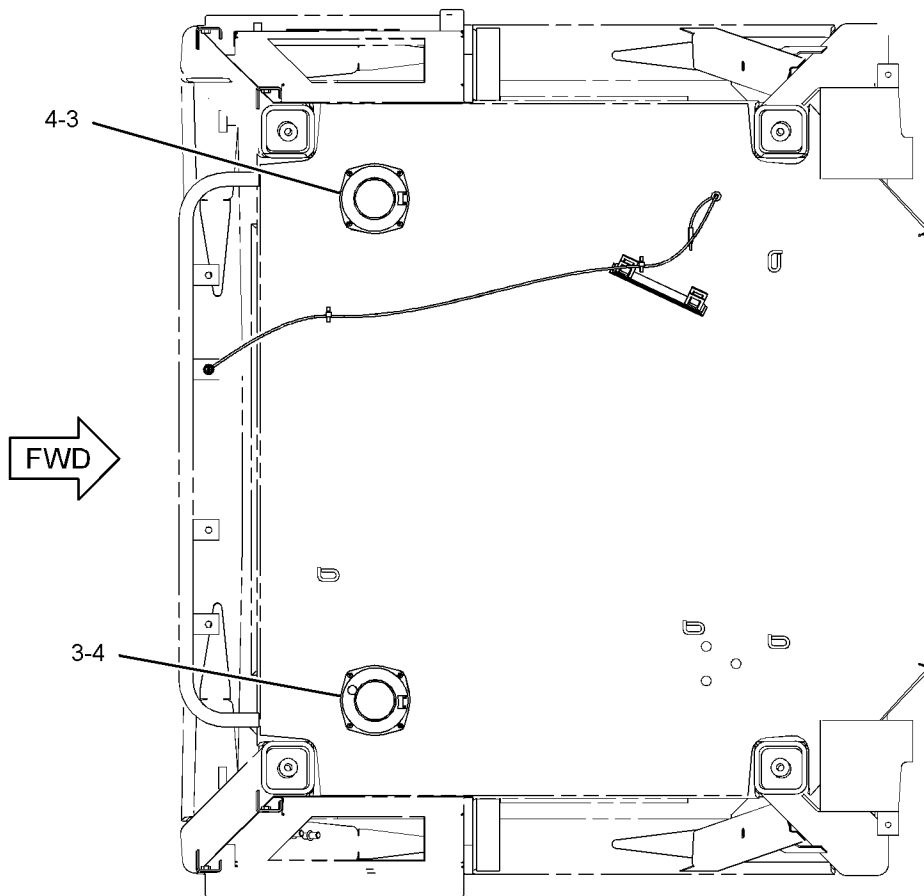
# OPERATOR STATION

228-9628 INSTALLATION GP-RADIO (contd.)

i03373765



FRONT VIEW



TOP VIEW

GRAPHIC #1

<END>

g01856835

# OPERATOR STATION

## 305-9186 INSTALLATION GP-RADIO

S/N: BNH1-UP

PART OF 346-3845 CAB AR

SMCS-7338

i05283842

NOTE	REF NO	GRAPHIC REF	PART NUMBER	QTY	PART NAME						SEE PAGE
					1	2	3	4	5	6 (PRODUCT LEVEL)	
	1	1	<b>3S-2093</b>	2	STRAP-CABLE						
	2	1	<b>9U-2332</b>	2	ANTENNA AS (CB)						
	3	1	<b>9U-4431</b>	2	MOUNT-ANTENNA						
	4	1	<b>191-5114</b>	2	CABLE AS (COAX)						
	5	1	<b>208-3778</b>	1	BRACKET						
	6	1	<b>208-3779</b>	1	BRACKET AS						
	7	1	<b>236-6253</b>	2	GROMMET						
	8	1	<b>304-4173</b>	1	BRACKET						
	9	1	<b>4Y-8003</b>	1	U-BOLT						
M	10	1	<b>6V-7357</b>	4	BOLT (M6X1X25-MM)						
	11	1	<b>8T-4121</b>	3	WASHER-HARD (11X21X2.5-MM THK)						
M	12	1	<b>8T-4133</b>	2	NUT (M10X1.5-THD)						
M	13	1	<b>8T-4195</b>	1	BOLT (M10X1.5X30-MM)						

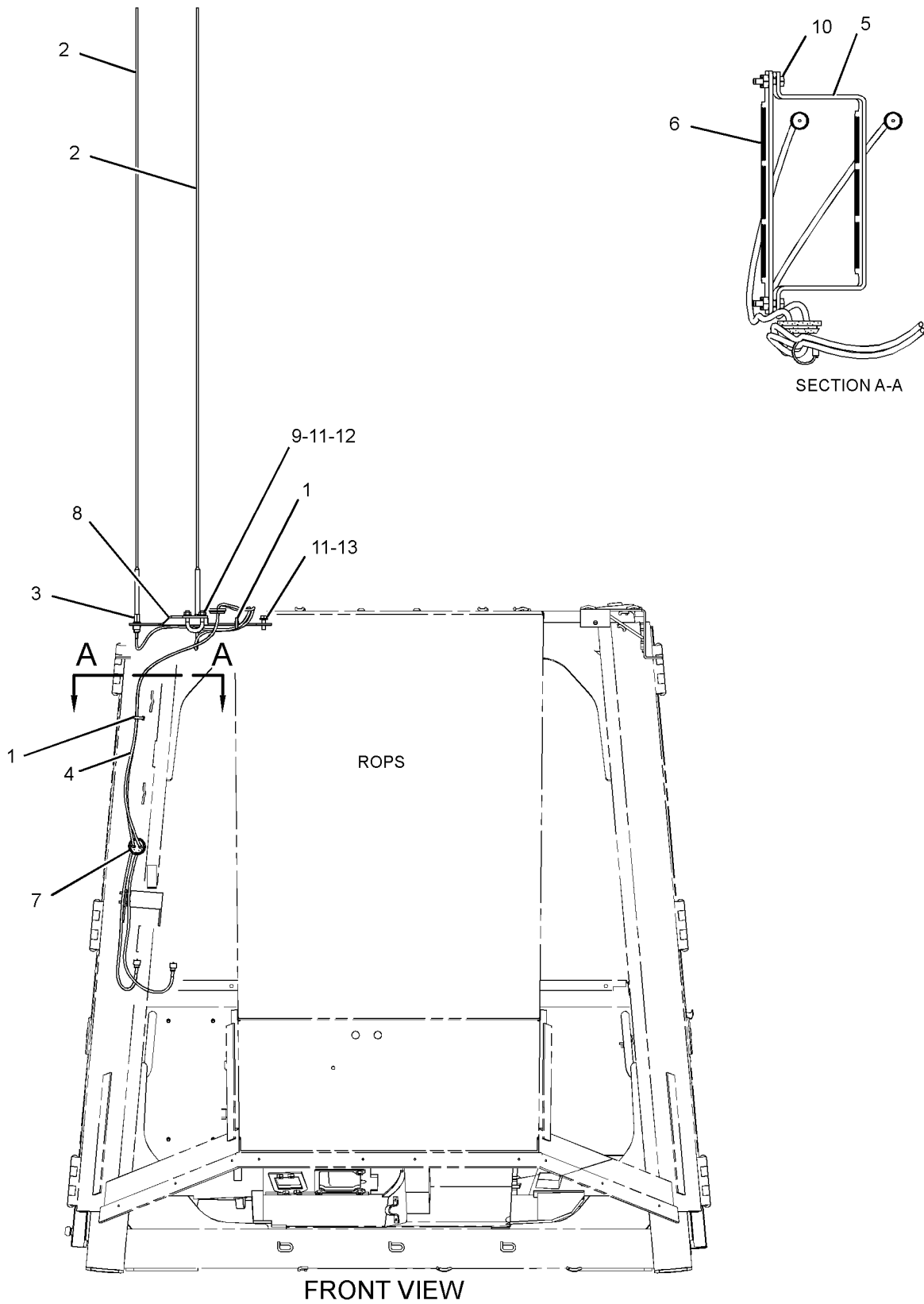
M - METRIC PART



# OPERATOR STATION

305-9186 INSTALLATION GP-RADIO (contd.)

i05283842



GRAPHIC #1

<END>

g01353156

# OPERATOR STATION

## 346-3842 INSTALLATION GP-RADIO

S/N: BNH1-UP

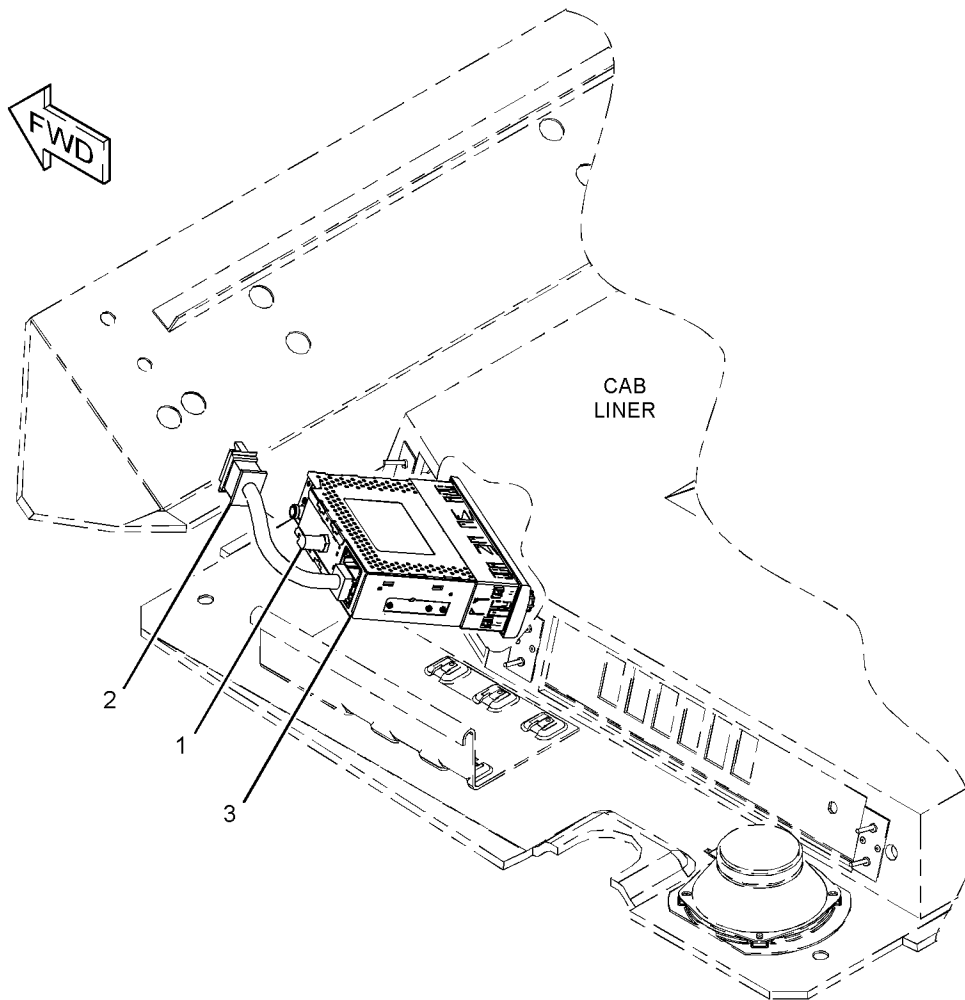
PART OF 346-3845 CAB AR

TYPE 1

SMCS-7338

i03795500

NOTE	REF NO	GRAPHIC REF	PART NUMBER	QTY	PART NAME						SEE PAGE
					1	2	3	4	5	6 (PRODUCT LEVEL)	
	1	1	136-5490	1	BUSHING (RADIO MOUNT)						
	2	1	200-5728	1	HARNESS AS-RADIO						
		1	8T-8737	1	PLUG-SEAL						
		1	160-3518	1	KIT-RECEPTACLE (8-PIN)						
					(INCLUDES RECEPTACLE AS & WEDGE)						
		1	172-8037	1	CONNECTOR (RADIO)						
		1	172-8039	11	TERMINAL (RADIO)						
		1	186-3735	7	PIN-CONNECTOR (16-GA TO 18-GA)						
	3	1	349-7701	1	RADIO GP						
		1	192-7054	1	SLEEVE						



GRAPHIC #1

<END>

g02064193

# OPERATOR STATION

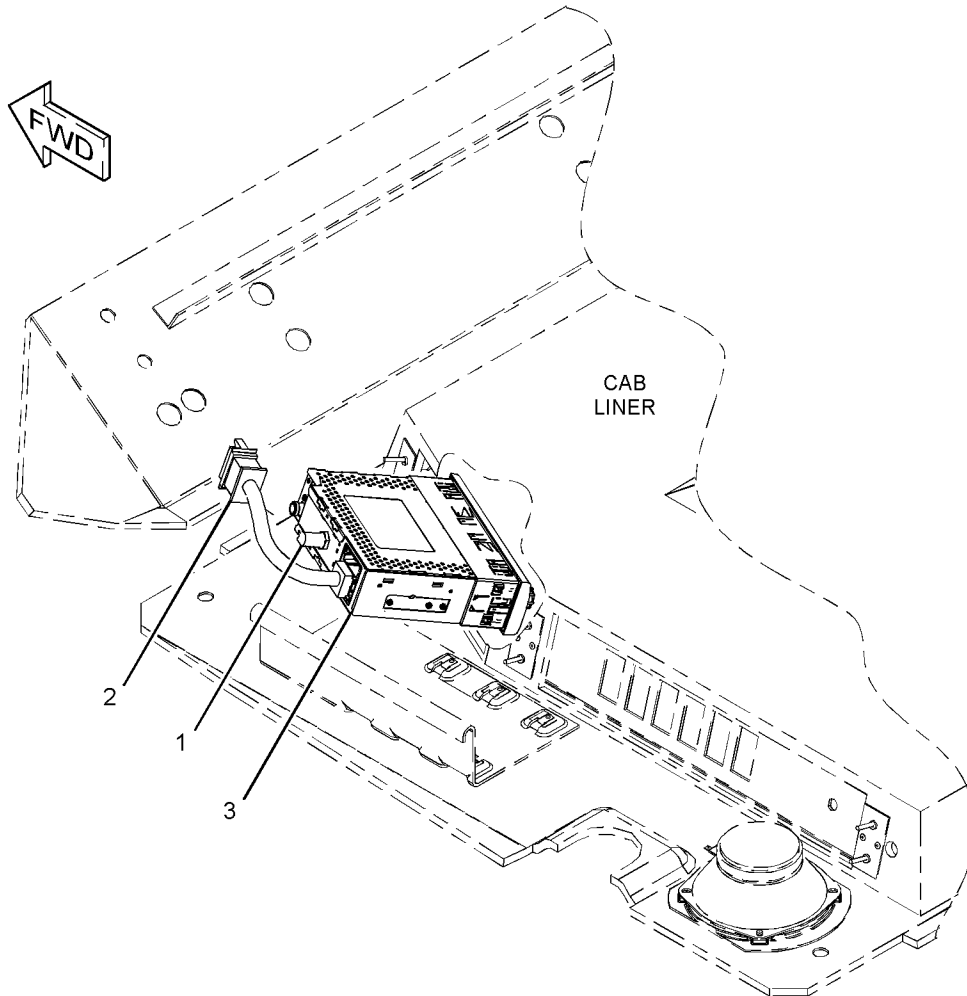
## 346-3842 INSTALLATION GP-RADIO

S/N: BNH1-UP  
PART OF 346-3845 CAB AR  
TYPE 2

SMCS-7338

i04322177

NOTE	REF NO	GRAPHIC REF	PART NUMBER	QTY	PART NAME						SEE PAGE
					1	2	3	4	5	6 (PRODUCT LEVEL)	
	1	1	136-5490	1	BUSHING (RADIO MOUNT)						
	2	1	200-5728	1	HARNESS AS-RADIO						
		1	8T-8737	1	PLUG-SEAL						
		1	160-3518	1	KIT-RECEPTACLE (8-PIN)						
					(INCLUDES RECEPTACLE AS & WEDGE)						
		1	172-8037	1	CONNECTOR (RADIO)						
		1	172-8039	11	TERMINAL (RADIO)						
		1	8T-8729	7	PIN-CONNECTOR (16-GA TO 18-GA)						
3	1		366-8410	1	RADIO GP						



GRAPHIC #1

<END>

g02064193

# OPERATOR STATION

## 397-6405 KIT-SEAT AIR COMPRESSOR

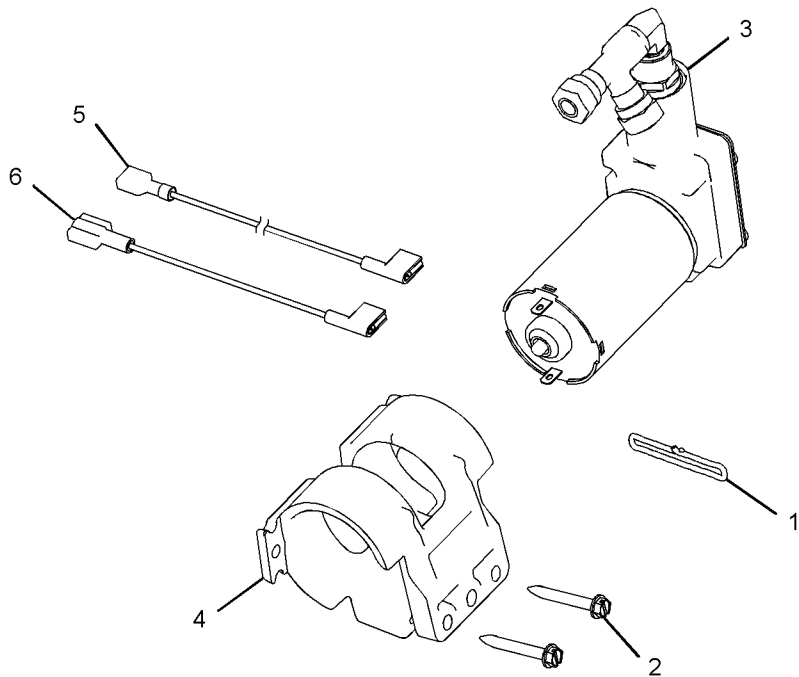
S/N: BNH1-UP

FIELD REPLACEMENT FOR 237-3970-PAGE: 1056

SMCS-731K, 7324

i05235042

NOTE	REF NO	GRAPHIC REF	PART NUMBER	QTY	PART NAME						SEE PAGE
					1	2	3	4	5	6 (PRODUCT LEVEL)	
	1	1	<b>8L-8413</b>	1	STRAP-CABLE						
	2	1	<b>186-5107</b>	2	SCREW-DRIVE (NO 8-16X1.25-IN)						
	3	1	<b>370-9894</b>	1	COMPRESSOR AS						
	4	1	<b>372-2158</b>	1	BRACKET-MOUNTING						
	5	1	<b>387-0314</b>	1	WIRE AS (16-GA, ORANGE)						
	6	1	<b>387-0317</b>	1	WIRE AS (16-GA, BLACK)						



GRAPHIC #1

<END>

g03341849

# OPERATOR STATION

## 144-2617 LINER GP-CAB

S/N: BNH1-UP

PART OF 202-9742 CAB AR

SMCS-7329

i01626026

NOTE	REF NO	GRAPHIC REF	PART NUMBER	QTY	PART NAME						SEE PAGE
					1	2	3	4	5	6 (PRODUCT LEVEL)	
	1	1	<b>3T-4509</b>	2	PLATE						
	2	1	<b>5P-7958</b>	1	SLEEVE-CABLE SPLICE						
	3	1	<b>6V-8928</b>	1	HOOK-COAT						
M	4	2	<b>6V-9606</b>	2	BOLT (M6X1X140-MM)						
M	5	1	<b>8T-7963</b>	8	LOCKNUT (M8X1.25-THD)						
	6	1,2	<b>9X-2038</b>	21	WASHER (7X19X2-MM THK)						
	7	2	<b>116-6810</b>	1	TRIM AS						
		2	<b>2R-2376</b>	2	WASHER (7X16X0.8-MM THK)						
		2	<b>7K-3262</b>	1	SCREW (THUMB)						
		2	<b>7K-4201</b>	1	NUT-SPEED						
		2	<b>8M-7758</b>	2	RIVET-POP						
		2	<b>123-5161</b>	1	DOOR						
	8	1	<b>8T-6842</b>	1	FILM-INSTRUCTION (PULL RING, ALTERNATE EXIT)						
	9	1	<b>120-8878</b>	1	INSULATION						
	10	1	<b>175-3064</b>	1	BRACKET						
	11	2	<b>123-2995</b>	1	PANEL						
	12	1	<b>124-8366</b>	4	ANGLE AS						
	13	1	<b>124-8368</b>	4	BRACKET AS						
M	14	1	<b>8T-4138</b>	2	BOLT (M6X1X20-MM)						
	15	1	<b>156-1028</b>	2	ANGLE AS						
					(EACH INCLUDES)						
M		1	<b>6V-9632</b>	2	NUT-WELD (M6X1-THD)						
	16	1	<b>160-9925</b>	1	LANYARD						
	17	1	<b>202-7652</b>	1	COVER AS						
	18	1	<b>161-3415</b>	1	STRAP						
	19	1	<b>164-7444</b>	2	STUD-BALL						
	20	1	<b>164-7959</b>	2	FITTING						
	21	1	<b>142-7442</b>	1	SPRING-GAS						
	22	2	<b>165-6562</b>	1	LINER AS-CAB						
M	23	1,2	<b>9X-2046</b>	9	SCREW-TRUSS HEAD (M6X1X35-MM)						
	24	2	<b>179-6051</b>	1	TRAY						
	25	1	<b>6V-8189</b>	2	NUT (5/16-18-THD)						
M	26	1	<b>7X-2535</b>	2	BOLT (M6X1X60-MM)						
	27	1	<b>8T-4121</b>	4	WASHER-HARD (11X21X2.5-MM THK)						
M	28	1	<b>8T-4195</b>	4	BOLT (M10X1.5X30-MM)						
	29	1,2	<b>8T-4205</b>	6	WASHER-HARD (7.2X14.5X2-MM THK)						
	30	1	<b>8T-4224</b>	9	WASHER-HARD (8.8X16X2-MM THK)						
M	31	1,2	<b>9X-2045</b>	17	SCREW-TRUSS HEAD (M6X1X20-MM)						
D	32	1	<b>5P-5637</b>	2	SEAL (.265M EACH)						
D	32A	1	<b>5P-5637</b>	2	SEAL (.232M EACH)						
M	33	1	<b>8T-5027</b>	5	NUT (M6X1-THD)						

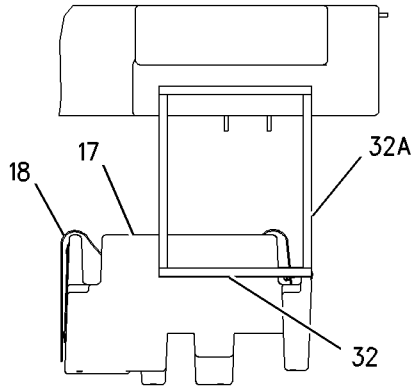
D - ORDER BY THE METER

M - METRIC PART

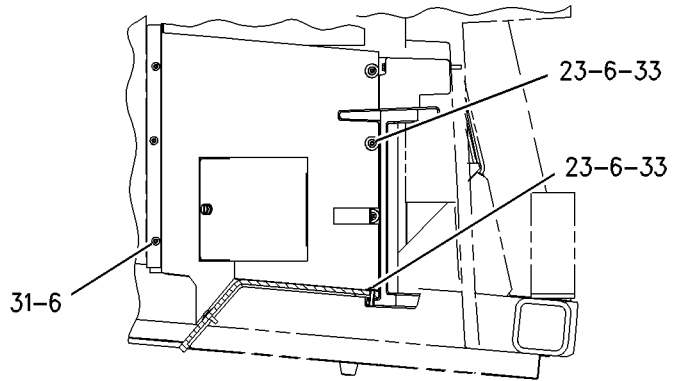
# OPERATOR STATION

144-2617 LINER GP-CAB (contd.)

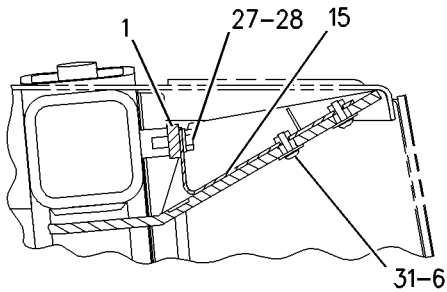
i01626026



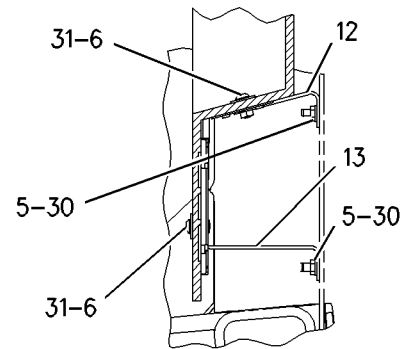
SECTION G-G



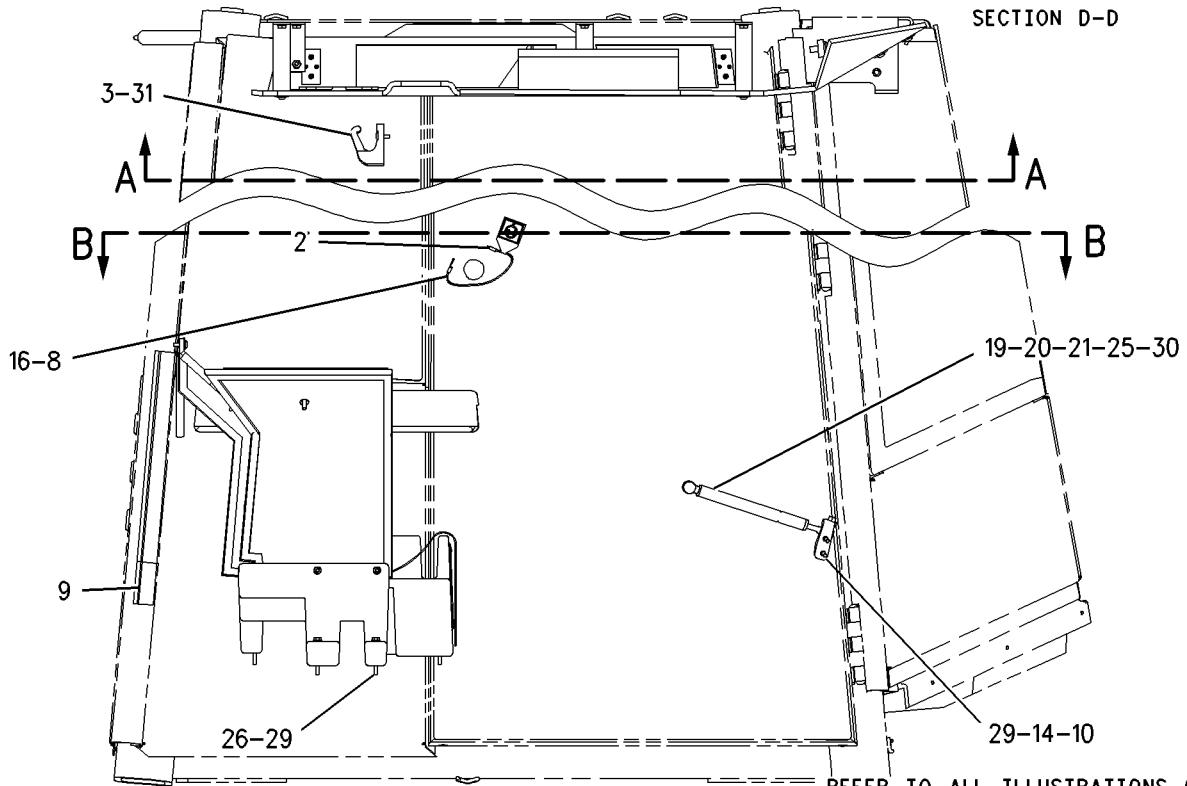
SECTION E-E



SECTION C-C



SECTION D-D



REFER TO ALL ILLUSTRATIONS OF THIS GROUP FOR AUXILIARY VIEWS

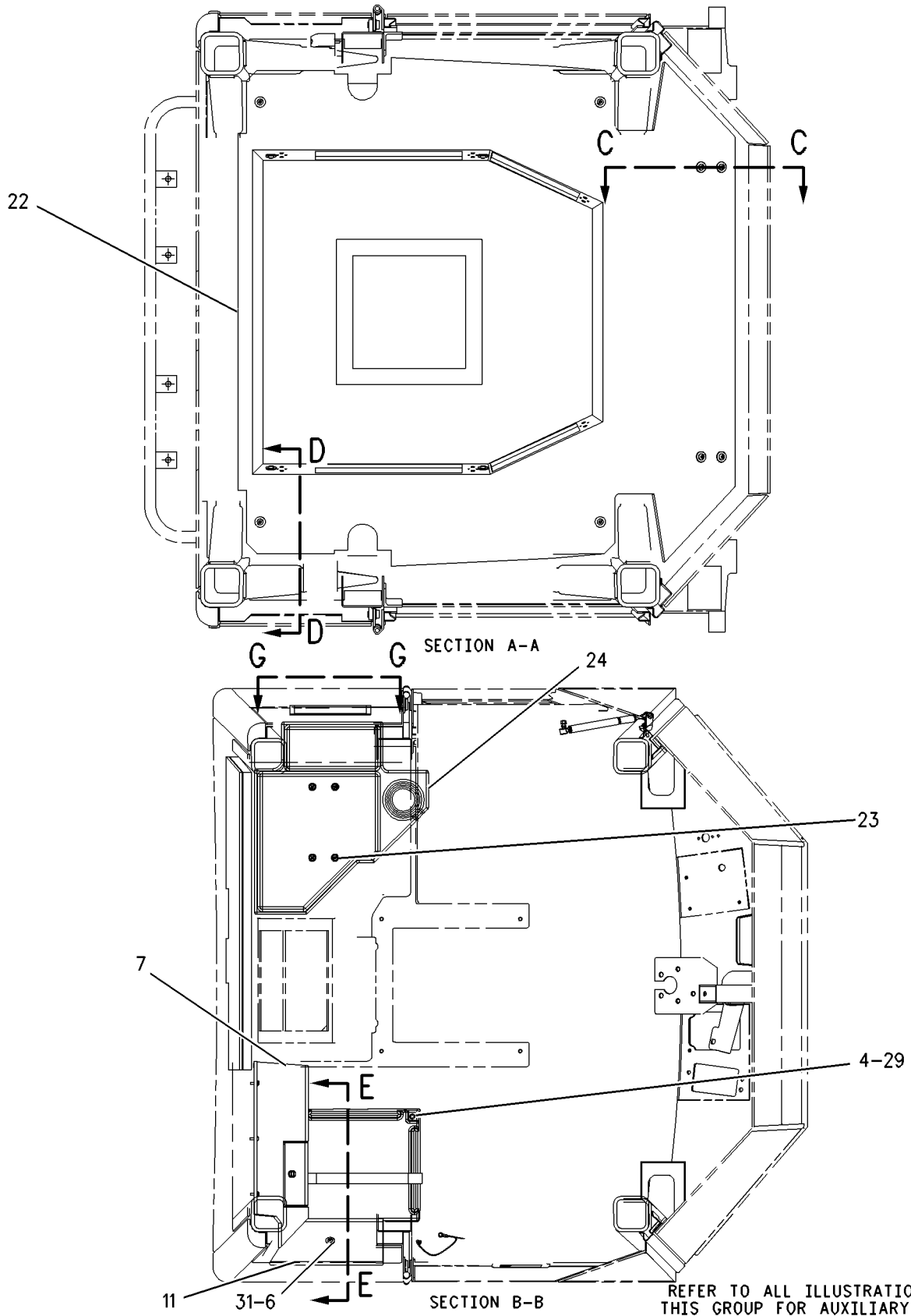
GRAPHIC #1

g00786763

# OPERATOR STATION

144-2617 LINER GP-CAB (contd.)

i01626026



GRAPHIC #2

<END>

g00776411

# OPERATOR STATION

## 228-0920 LINER GP-CAB

S/N: BNH1-UP

PART OF 346-3845 CAB AR

SMCS-7329

i05322191

NOTE	REF NO	GRAPHIC REF	PART NUMBER	QTY	PART NAME						SEE PAGE
					1	2	3	4	5	6 (PRODUCT LEVEL)	
	1	2	<b>2R-2376</b>	2	WASHER (7X16X0.8-MM THK)						
	2	2	<b>6I-1418</b>	2	SPACER (8.2X12.7X28.7-MM THK)						
	3	1	<b>6V-8928</b>	1	HOOK-COAT						
M	4	2	<b>6V-9606</b>	2	BOLT (M6X1X140-MM)						
	5	1	<b>120-8878</b>	1	INSULATION						
	6	2	<b>123-2995</b>	1	PANEL						
	7	1	<b>124-8368</b>	4	BRACKET AS						
	8	2	<b>129-5224</b>	1	BRACKET AS						
	9	2	<b>142-7442</b>	2	SPRING-GAS						
	10	2	<b>161-3415</b>	1	STRAP						
	11	2	<b>164-7444</b>	4	STUD-BALL						
	12	2	<b>164-7959</b>	4	FITTING						
	13	2	<b>175-3064</b>	1	BRACKET						
	14	2	<b>179-6051</b>	1	TRAY						
	15	2	<b>202-7652</b>	1	COVER AS						
	16	1	<b>239-0282</b>	1	BRACKET AS						
M		1	<b>8T-3612</b>	8	NUT-WELD (M8X1.25-THD)						
M		1	<b>6V-9632</b>	4	NUT-WELD (M6X1-THD)						
	17	2	<b>274-2392</b>	1	SCREW-THUMB						
	18	2	<b>309-5053</b>	1	BRACKET						
	19	1	<b>319-6149</b>	4	BRACKET AS						
	20	2	<b>321-5952</b>	1	TRIM AS						
		2	<b>7K-4201</b>	1	NUT-SPEED						
		2	<b>8M-7758</b>	2	RIVET-POP						
		2	<b>321-5920</b>	1	DOOR						
	21	1	<b>330-4984</b>	1	LINER AS-CAB						
C	22	1	<b>101-2867</b>	12	WASHER-HARD (7.2X25X2-MM THK)						
M	23	1	<b>131-3540</b>	8	LOCKNUT (M8X1.25-THD)						
M	24	1,2	<b>3E-8020</b>	17	SCREW-TRUSS HEAD (M6X1X25-MM)						
	25	1	<b>5P-4116</b>	8	WASHER-HARD (8.8X20.5X2-MM THK)						
	26	2	<b>6V-8189</b>	4	NUT (5/16-18-THD)						
M	27	2	<b>7X-0818</b>	2	BOLT (M8X1.25X45-MM)						
M	28	1	<b>7X-2535</b>	2	BOLT (M6X1X60-MM)						
C	29	1	<b>8D-6542</b>	1	GROMMET						
	30	1	<b>8T-4121</b>	6	WASHER-HARD (11X21X2.5-MM THK)						
M	31	2	<b>8T-4138</b>	4	BOLT (M6X1X20-MM)						
M	32	1	<b>8T-4195</b>	6	BOLT (M10X1.5X30-MM)						
	33	2	<b>8T-4205</b>	4	WASHER-HARD (7.2X14.5X2-MM THK)						
	34	2	<b>8T-4224</b>	2	WASHER-HARD (8.8X16X2-MM THK)						
	35	2	<b>9N-0869</b>	2	WASHER-HARD (8.8X25.5X2-MM THK)						
C	36	1,2	<b>9X-2038</b>	13	WASHER (7X19X2-MM THK)						
M	37	2	<b>9X-2046</b>	5	SCREW-TRUSS HEAD (M6X1X35-MM)						
D	38	2	<b>5P-5637</b>		SEAL (0.23-M EACH)						
D	38A	2	<b>5P-5637</b>		SEAL (0.29-M EACH)						
M	39	2	<b>121-9870</b>	4	SCREW-MACHINE (M6X1X40-MM)						
E	40	1	<b>144-0195</b>		HOSE (80-CM EACH)						

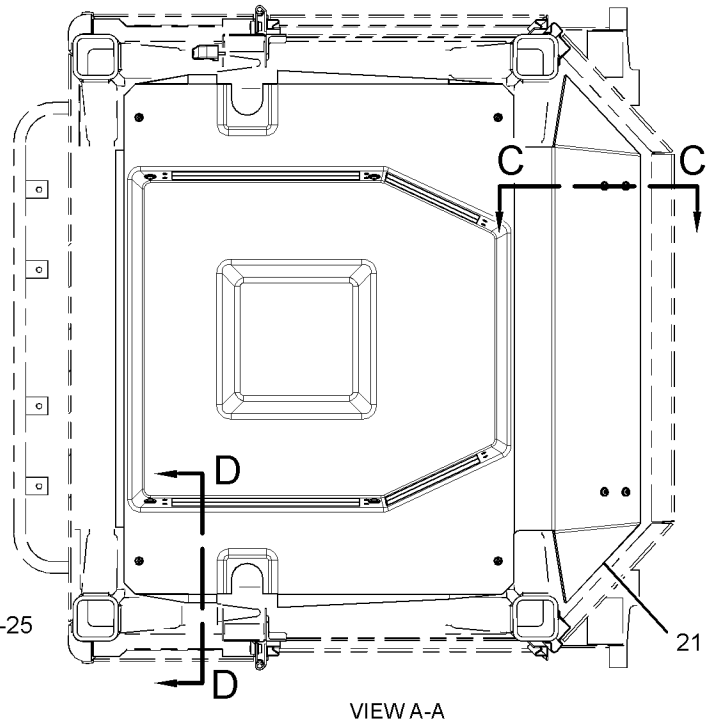
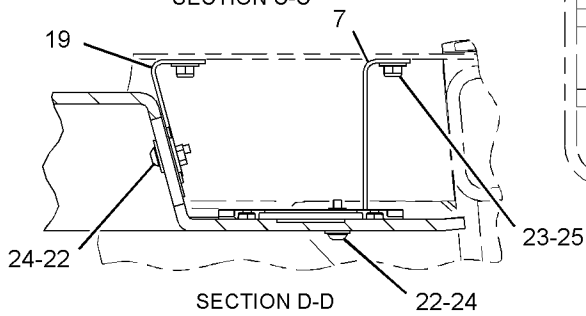
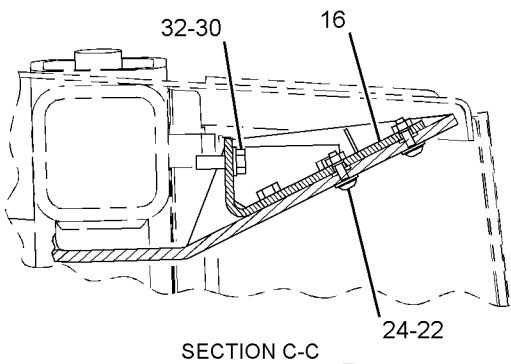
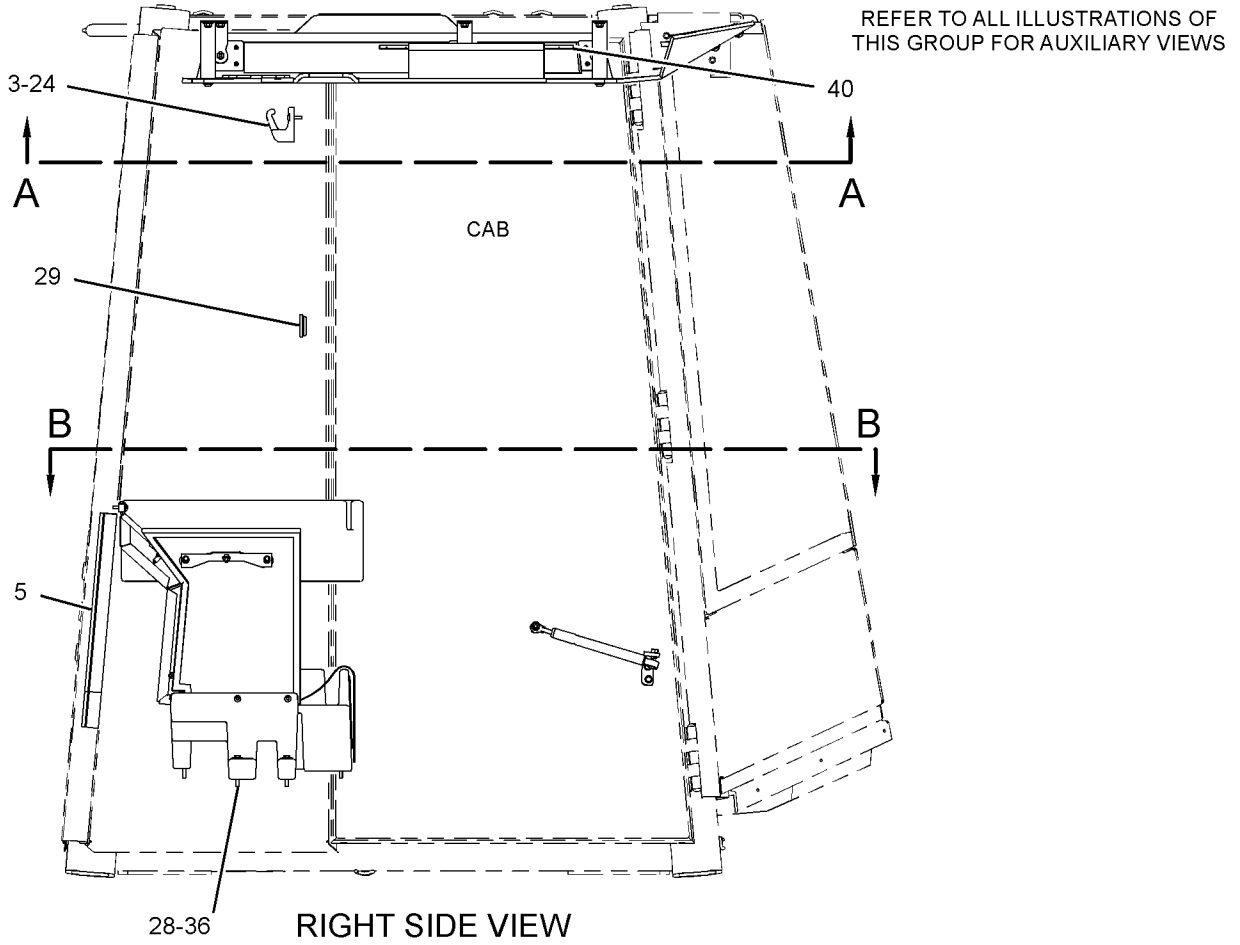
C - CHANGE FROM PREVIOUS TYPE  
D - ORDER BY THE METER  
E - ORDER BY THE CENTIMETER  
M - METRIC PART



# OPERATOR STATION

228-0920 LINER GP-CAB (contd.)

i05322191



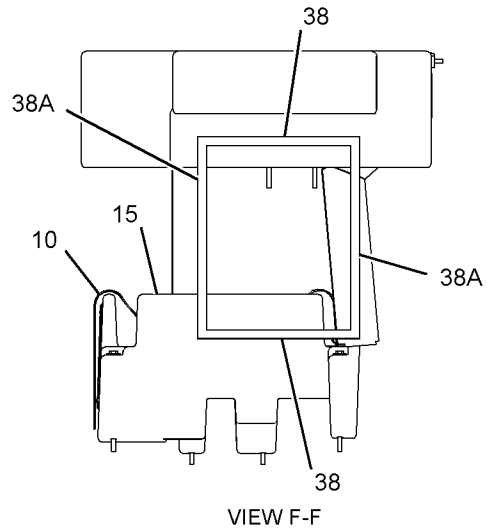
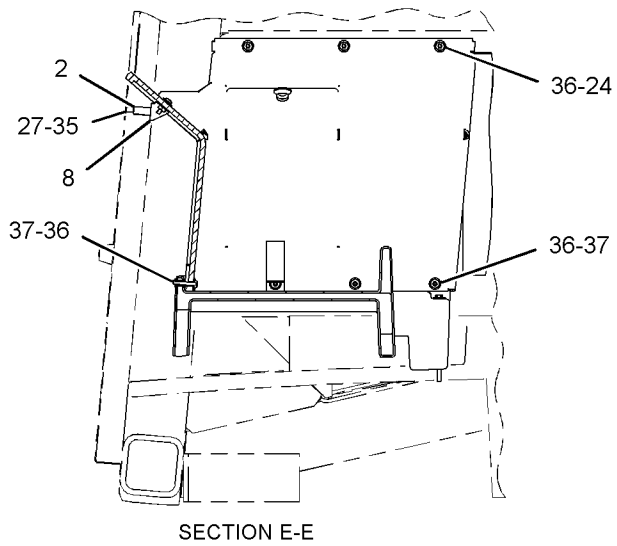
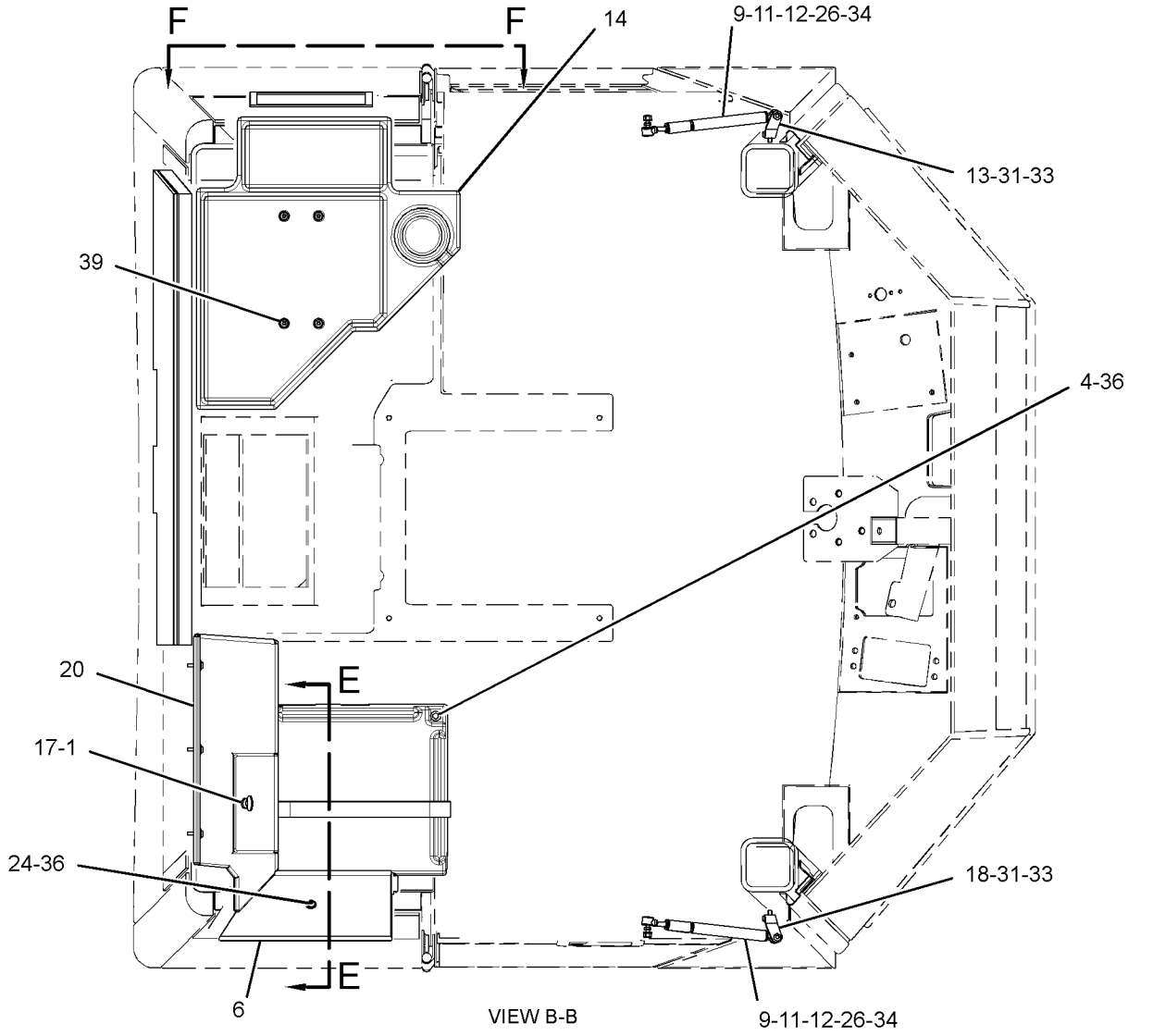
GRAPHIC #1

g03381034

# OPERATOR STATION

228-0920 LINER GP-CAB (contd.)

i05322191



GRAPHIC #2

<END>

g03379392

# OPERATOR STATION

## 114-5142 LINES GP-AIR CONDITIONER

S/N: BNH1-UP

PART OF 203-1567 CHASSIS AR

TYPE 1

SMCS-1808

i01376580

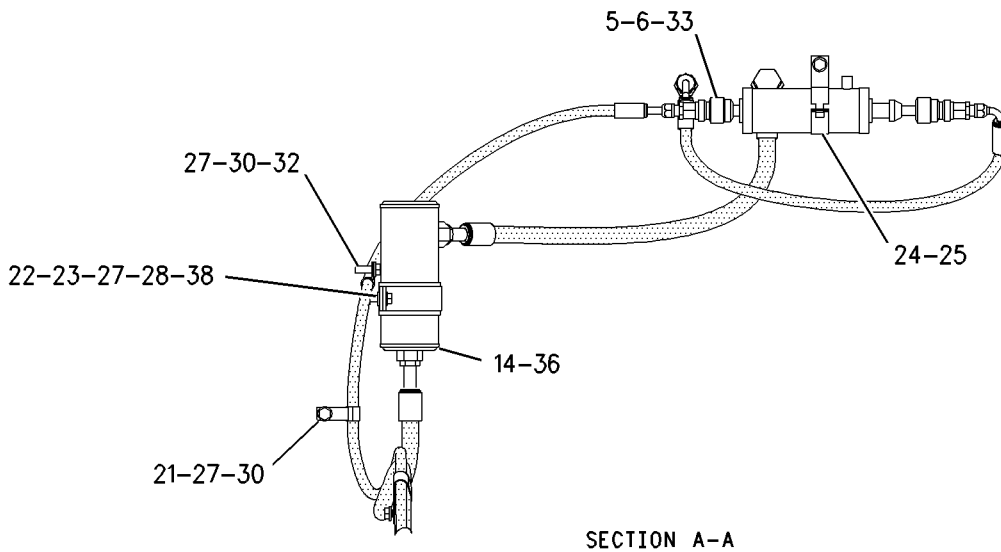
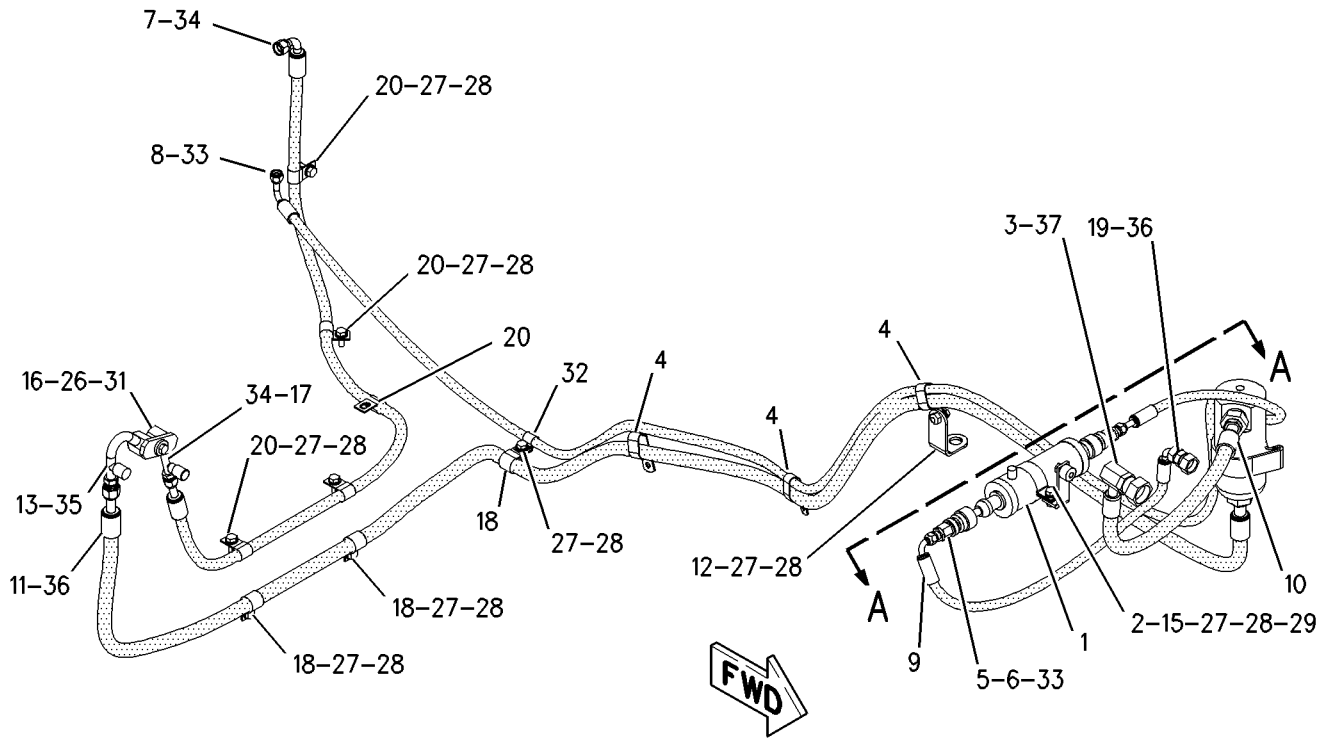
NOTE	REF NO	GRAPHIC REF	PART NUMBER	QTY	PART NAME						SEE PAGE
					1	2	3	4	5	6 (PRODUCT LEVEL)	
	1	1	175-7162	1	DRYER AS-REFRIGERANT (IN-LINE)						
	2	1	5G-7065	1	BOSS (M10X1.5-THD)						
	3	1	5P-3929	1	COUPLING AS-REFRIGERANT (SELF-SEALING)						
		1	8F-9206	1	SEAL-O-RING						
		1	107-4397	1	VALVE AS						
4		1	6D-2667	3	CLIP						
5		1	103-6100	2	FITTING AS-AIR CONDITIONER (QUICK DISCONNECT) (EACH INCLUDES)						
		1	9X-7382	2	SEAL-O-RING						
	6	1	116-6202	2	BOOT						
I	7	1	183-8040	1	HOSE AS						
I	8	1	141-4698	1	HOSE AS						
I	9	1	141-4699	1	HOSE AS						
I	10	1	193-4086	1	HOSE AS						
I	11	1	193-4087	1	HOSE AS						
	12	1	148-3495	1	BRACKET AS						
M		1	8T-3490	1	NUT-WELD (M10X1.5-THD)						
	13	1	149-2491	1	FITTING AS-AIR CONDITIONER						
		1	3E-4051	1	CAP-SEAL (LOW SIDE CHARGE PORT)						
		1	3E-4057	1	VALVE AS (REFRIGERANT, LOW SIDE)						
	14	1	186-6189	1	ACCUMULATOR-REFRIGERANT						
M	15	1	8T-4133	1	NUT (M10X1.5-THD)						
	16	1	1P-6356	1	PLATE						
	17	1	3E-4053	1	FITTING AS-AIR CONDITIONER						
		1	3E-4052	1	CAP-SEAL (HIGH SIDE CHARGE PORT)						
		1	3E-4058	1	VALVE AS (REFRIGERANT, HIGH SIDE)						
	18	1	6V-1889	3	CLIP						
	19	1	5P-3948	1	COUPLING AS-REFRIGERANT (SELF-SEALING)						
		1	7F-8607	1	SEAL-O-RING						
		1	107-4399	1	VALVE AS						
	20	1	5P-4295	5	CLIP						
	21	1	6K-8178	1	CLIP						
	22	1	6V-4356	1	CLIP (SLOT)						
	23	1	6V-4357	1	CLIP (TAB)						
	24	1	8S-6109	1	CLIP (SLOT)						
	25	1	8S-6110	1	CLIP (TAB)						
	26	1	8T-2561	1	WASHER-HARD (10.5X28.5X5-MM THK)						
	27	1	8T-4121	14	WASHER-HARD (11X21X2.5-MM THK)						
M	28	1	8T-4136	11	BOLT (M10X1.5X25-MM)						
	29	1	038-3967	1	BRACKET						
M	30	1	8T-4195	2	BOLT (M10X1.5X30-MM)						
M	31	1	8T-6466	1	BOLT (M10X1.5X60-MM)						
	32	1	9M-8406	2	CLIP						
	33	1	9X-7380	3	SEAL-O-RING						
	34	1	9X-7381	2	SEAL-O-RING						
	35	1	9X-7382	1	SEAL-O-RING						
	36	1	9X-7383	3	SEAL-O-RING						
	37	1	9X-7384	1	SEAL-O-RING						
D	38	1	6V-2495		SEAL (.3 M)						

D - ORDER BY THE METER  
 I - REFER TO HYDRAULIC INFORMATION SYSTEM  
 M - METRIC PART

# OPERATOR STATION

114-5142 LINES GP-AIR CONDITIONER (contd.)

i01376580



GRAPHIC #1

<END>

g00726891

# OPERATOR STATION

## 114-5142 LINES GP-AIR CONDITIONER

S/N: BNH1-UP

PART OF 203-1567 CHASSIS AR

TYPE 2

SMCS-1808

i02312055

NOTE	REF NO	GRAPHIC REF	PART NUMBER	QTY	PART NAME						SEE PAGE
					1	2	3	4	5	6 (PRODUCT LEVEL)	
	1	1	175-7162	1	DRYER AS-REFRIGERANT (IN-LINE)						
		1	7X-2049	1	TUBE AS-REFRIGERANT ORIFICE						
	2	1	5P-3929	1	COUPLING AS-REFRIGERANT (SELF-SEALING)						
		1	8F-9206	1	SEAL-O-RING						
		1	107-4397	1	VALVE AS						
C	3	1	6D-1641	5	CLIP						
	4	1	103-6100	2	FITTING AS-AIR CONDITIONER (QUICK DISCONNECT) (EACH INCLUDES)						
		1	9X-7382	2	SEAL-O-RING						
	5	1	116-6202	2	BOOT						
I	6	1	226-9613	1	HOSE AS						
I	7	1	141-4699	1	HOSE AS						
	8	1	149-2491	1	FITTING AS-AIR CONDITIONER						
		1	3E-4051	1	CAP-SEAL (LOW SIDE CHARGE PORT)						
		1	3E-4057	1	VALVE AS (REFRIGERANT, LOW SIDE)						
I	9	1	183-8040	1	HOSE AS						
	10	1	186-6189	1	ACCUMULATOR-REFRIGERANT						
C	11	1	203-5443	2	BRACKET AS (EACH INCLUDES)						
M		1	8T-3490	1	NUT-WELD (M10X1.5-THD)						
CI	12	1	203-5498	1	HOSE AS						
CI	13	1	203-5499	1	HOSE AS						
C	14	1	038-3967	2	BRACKET						
C	15	1	118-9902	1	SPACER (12X20X43-MM THK)						
C	16	1	162-3858	1	SPACER (12X19X33.5-MM THK)						
	17	1	1P-6356	1	PLATE						
	18	1	3E-4053	1	FITTING AS-AIR CONDITIONER						
		1	3E-4052	1	CAP-SEAL (HIGH SIDE CHARGE PORT)						
		1	3E-4058	1	VALVE AS (REFRIGERANT, HIGH SIDE)						
	19	1	4K-8302	1	CLIP						
	20	1	5P-1076	1	WASHER-HARD (13.5X30X4-MM THK)						
	21	1	5P-3948	1	COUPLING AS-REFRIGERANT (SELF-SEALING)						
		1	7F-8607	1	SEAL-O-RING						
		1	107-4399	1	VALVE AS						
C	22	1	6V-1889	4	CLIP						
	23	1	6V-4356	1	CLIP (SLOT)						
	24	1	6V-4357	1	CLIP (TAB)						
C	25	1	7X-7729	2	WASHER (11X25X3-MM THK)						
	26	1	8M-2773	6	CLIP						
	27	1	8S-6109	1	CLIP (SLOT)						
	28	1	8S-6110	1	CLIP (TAB)						
	29	1	8T-2561	1	WASHER-HARD (10.5X28.5X5-MM THK)						
C	30	1	8T-4121	23	WASHER-HARD (11X21X2.5-MM THK)						
CM	31	1	8T-4133	6	NUT (M10X1.5-THD)						
CM	32	1	8T-4136	5	BOLT (M10X1.5X25-MM)						
M	33	1	8T-4137	11	BOLT (M10X1.5X20-MM)						
M	34	1	8T-4195	2	BOLT (M10X1.5X30-MM)						
CM	35	1	8T-5005	1	BOLT (M10X1.5X70-MM)						
M	36	1	8T-6466	2	BOLT (M10X1.5X60-MM)						
	37	1	9L-1775	3	BRACKET						
C	38	1	9M-8406	2	CLIP						
	39	1	9X-7380	3	SEAL-O-RING						
	40	1	9X-7381	2	SEAL-O-RING						
	41	1	9X-7382	1	SEAL-O-RING						
	42	1	9X-7383	3	SEAL-O-RING						

# OPERATOR STATION

114-5142 **LINES GP-AIR CONDITIONER (contd.)**

**i02312055**

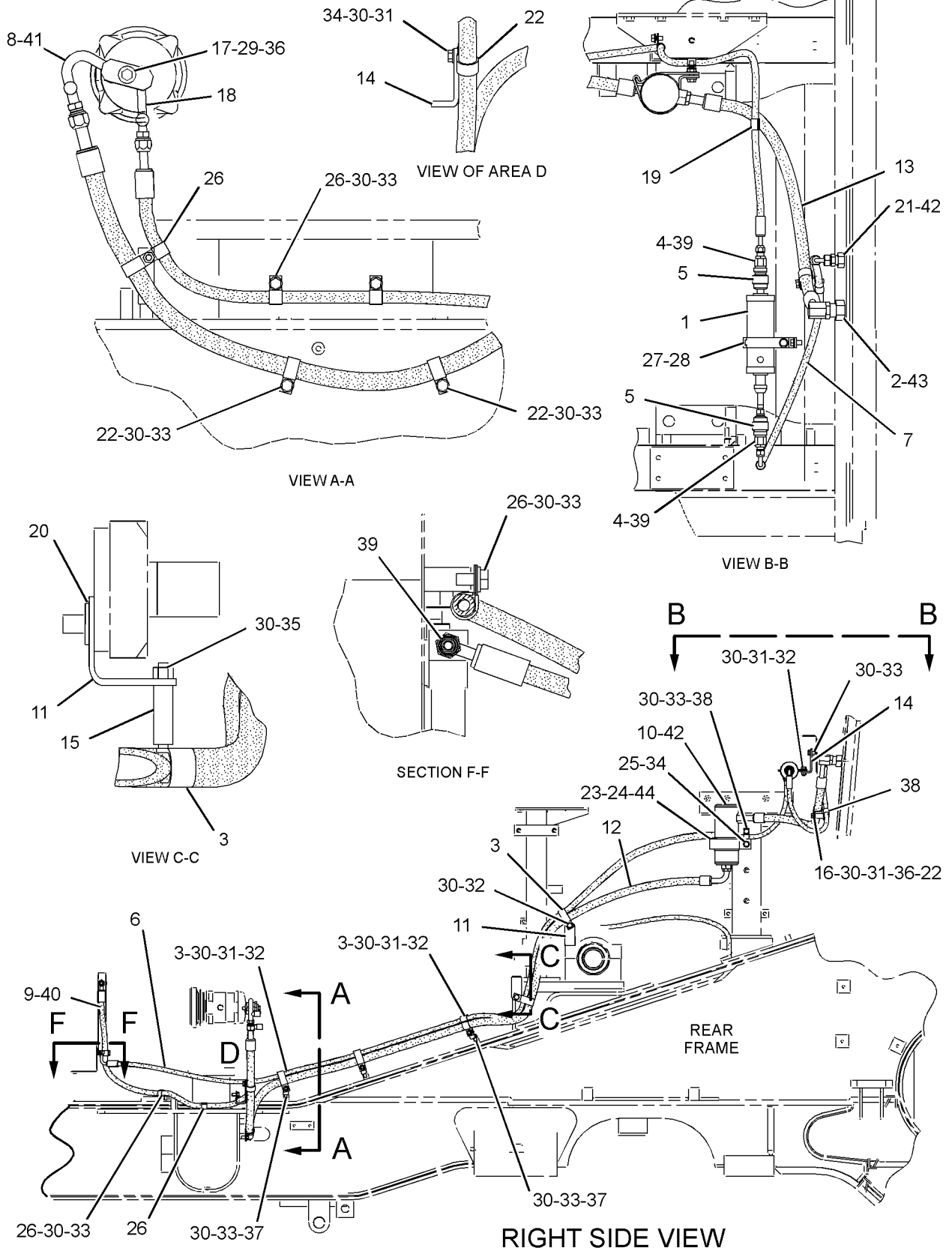
NOTE	REF NO	GRAPHIC REF	PART NUMBER	QTY	PART NAME						SEE PAGE
					1	2	3	4	5	6 (PRODUCT LEVEL)	
	43	1	<b>9X-7384</b>	1	SEAL-O-RING						
D	44	1	<b>6V-2495</b>		SEAL (.3 M)						

C - CHANGE FROM PREVIOUS TYPE  
 D - ORDER BY THE METER  
 I - REFER TO HYDRAULIC INFORMATION SYSTEM  
 M - METRIC PART

# OPERATOR STATION

114-5142 LINES GP-AIR CONDITIONER (contd.)

i02312055



GRAPHIC #1

<END>

g01157864

# OPERATOR STATION

## 131-1274 LINES GP-AIR CONDITIONER

S/N: BNH1-UP

PART OF 147-3120 AIR CONDITIONER & MOUNTING GP

SMCS-1808

i01880260

NOTE	REF NO	GRAPHIC REF	PART NUMBER	QTY	PART NAME						SEE PAGE
					1	2	3	4	5	6 (PRODUCT LEVEL)	
	1	1	<b>5P-3928</b>	1	COUPLING AS-REFRIGERANT (SELF SEALING)						
		1	<b>107-4395</b>	1	VALVE AS						
		1	<b>107-4396</b>	1	GASKET						
	2	1	<b>5P-4106</b>	1	NUT (1-7/16-THD)						
	3	1	<b>7K-3176</b>	1	COUPLING AS-REFRIGERANT (SELF SEALING)						
		1	<b>107-4393</b>	1	VALVE AS						
		1	<b>107-4394</b>	1	GASKET						
	4	1	<b>7K-3304</b>	1	NUT-JAM (1-20-THD)						
	5	1	<b>126-6008</b>	1	PLATE						
	6	1	<b>130-1887</b>	1	GASKET						
	7	1	<b>170-3447</b>	1	PLATE						
	8	1	<b>170-3448</b>	1	PLATE						
I	9	1	<b>227-1369</b>	1	HOSE AS						
I	10	1	<b>227-2441</b>	1	HOSE AS						
	11	1	<b>5P-4295</b>	1	CLIP						
M	12	1	<b>6V-4248</b>	1	BOLT (M10X1.5X25-MM)						
	13	1	<b>6V-5839</b>	2	WASHER (11X21X2.5-MM THK)						
M	14	1	<b>8T-4133</b>	1	NUT (M10X1.5-THD)						
	15	1	<b>8T-7529</b>	1	CLIP						
	16	1	<b>9X-7381</b>	1	SEAL-O-RING						
	17	1	<b>9X-7382</b>	1	SEAL-O-RING						
	18	1	<b>9X-7383</b>	1	SEAL-O-RING						
	19	1	<b>9X-7384</b>	1	SEAL-O-RING						

I - REFER TO HYDRAULIC INFORMATION SYSTEM

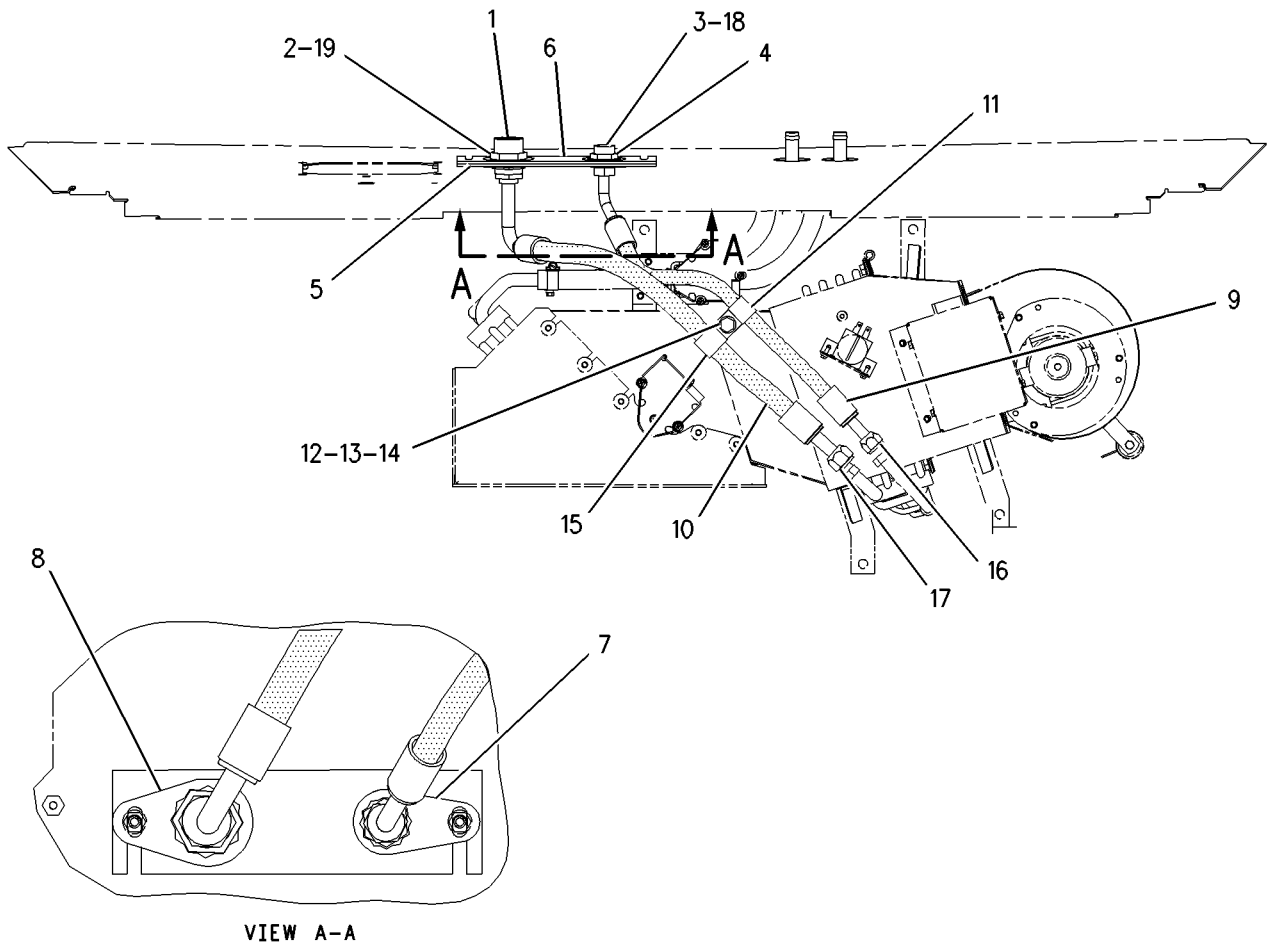
M - METRIC PART



# OPERATOR STATION

131-1274 LINES GP-AIR CONDITIONER (contd.)

i01880260



GRAPHIC #1

<END>

g00975483

# OPERATOR STATION

## 331-0315 LINES GP-AIR CONDITIONER

S/N: BNH1-UP

PART OF 331-0314 AIR CONDITIONER AR

SMCS-1808

i03815469

NOTE	REF NO	GRAPHIC REF	PART NUMBER	QTY	PART NAME						SEE PAGE
					1	2	3	4	5	6 (PRODUCT LEVEL)	
	1	1	<b>5P-3928</b>	1	COUPLING AS-REFRIGERANT (SELF SEALING)						
		1	<b>107-4395</b>	1	VALVE AS						
		1	<b>107-4396</b>	1	GASKET						
	2	1	<b>5P-4106</b>	1	NUT (1-7/16-16-THD)						
	3	1	<b>7K-3176</b>	1	COUPLING AS-REFRIGERANT (SELF SEALING)						
		1	<b>107-4393</b>	1	VALVE AS						
		1	<b>107-4394</b>	1	GASKET						
	4	1	<b>7K-3304</b>	1	NUT-JAM (1-20-THD)						
	5	1	<b>126-6008</b>	1	PLATE						
	6	1	<b>130-1887</b>	1	GASKET						
	7	1	<b>170-3447</b>	1	PLATE						
	8	1	<b>170-3448</b>	1	PLATE						
	9	1	<b>177-2215</b>	1	STRAP-DUAL CLAMP						
I	10	1	<b>227-1369</b>	1	HOSE AS						
I	11	1	<b>227-2441</b>	1	HOSE AS						
M	12	1	<b>5C-7261</b>	2	NUT (M8X1.25-THD)						
	13	1	<b>8T-4224</b>	2	WASHER-HARD (8.8X16X2-MM THK)						
	14	1	<b>9X-7381</b>	1	SEAL-O-RING						
	15	1	<b>9X-7382</b>	1	SEAL-O-RING						
	16	1	<b>9X-7383</b>	1	SEAL-O-RING						
	17	1	<b>9X-7384</b>	1	SEAL-O-RING						

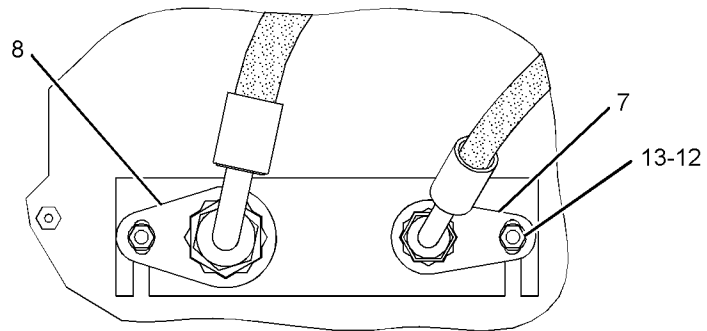
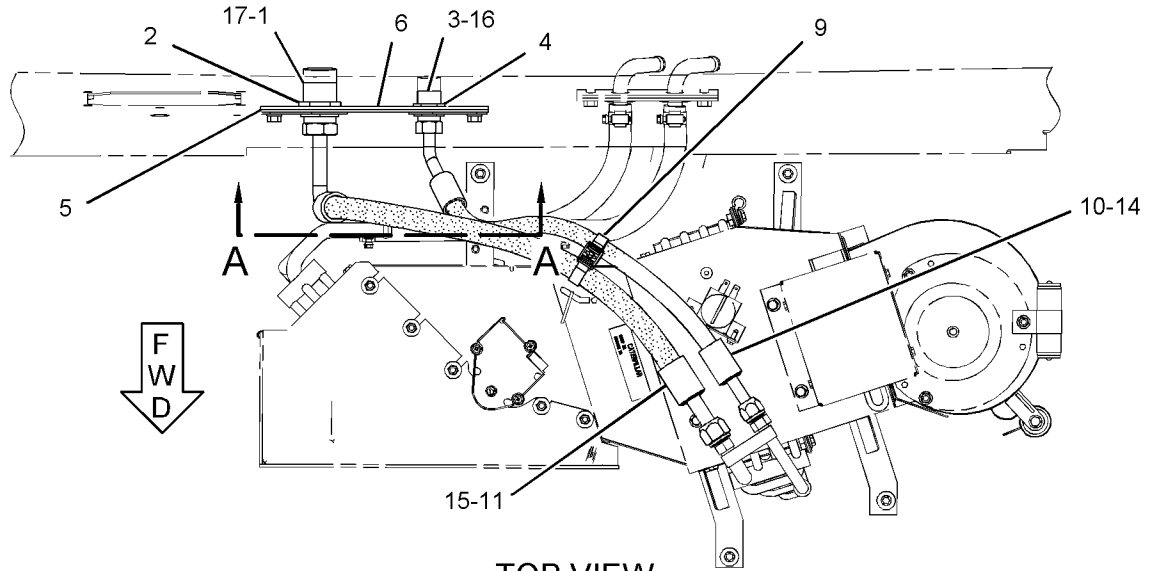
I - REFER TO HYDRAULIC INFORMATION SYSTEM

M - METRIC PART

# OPERATOR STATION

331-0315 LINES GP-AIR CONDITIONER (contd.)

i03815469



GRAPHIC #1

VIEW A-A  
<END>

g01877658

# OPERATOR STATION

## 114-5141 LINES GP-CAB HEATER-COOLANT

S/N: BNH1-UP

PART OF 160-4246 FUEL AR-CONVENTIONAL FILL, 160-4247, 228-4772 FUEL AR-FAST FILL  
AN ATTACHMENT

SMCS-7304

i04528390

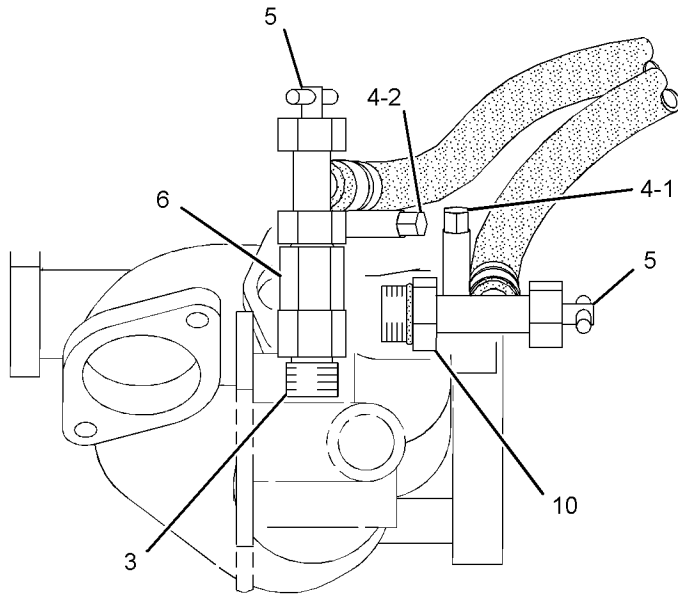
NOTE	REF NO	GRAPHIC REF	PART NUMBER	QTY	PART NAME						SEE PAGE
					1	2	3	4	5	6 (PRODUCT LEVEL)	
	1	1	<b>1V-1122</b>	2	TAG-IDENTIFICATION (LETTERS SPL)						
	2	1	<b>1V-1123</b>	2	TAG-IDENTIFICATION (LETTERS RET)						
	3	1	<b>8C-6523</b>	2	ADAPTER						
	4	1	<b>9X-2488</b>	4	CLAMP-HOSE						
	5	1	<i>165-2273</i>	2	VALVE GP-SHUTOFF (COOLANT)						
					(EACH INCLUDES)						
		1	<b>6V-7238</b>	1	VALVE-SHUTOFF (COOLANT DRAIN)						
		1	<b>3K-0360</b>		SEAL-O-RING						
	6	1	<i>365-0583</i>	1	CONNECTOR AS						
		1	<b>6V-6609</b>	1	SEAL-O-RING						
		1	<b>8T-1715</b>	1	ADAPTER						
	7	1	<b>6D-1641</b>	6	CLIP						
E	8	1	<b>7I-1024</b>		GUARD-HOSE (215-CM)						
E	8A	1	<b>7I-1024</b>		GUARD-HOSE (182-CM)						
E	8B	1	<b>7I-1024</b>		GUARD-HOSE (190-CM)						
E	8C	1	<b>7I-1024</b>		GUARD-HOSE (132-CM)						
E	8D	1	<b>7I-1024</b>		GUARD-HOSE (232-CM)						
E	9	1	<b>5P-0767</b>		HOSE (304.8-CM)						
E	9A	1	<b>5P-0767</b>		HOSE (332.8-CM)						
	10	1	<i>360-3664</i>	1	CONNECTOR AS						
		1	<b>6V-5063</b>	1	SEAL-O-RING						
		1	<b>6V-1722</b>	1	ADAPTER-O-RING						

E - ORDER BY THE CENTIMETER

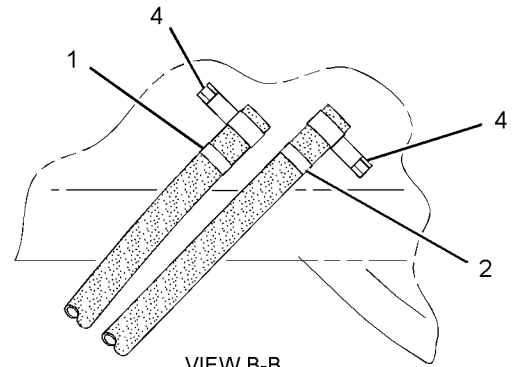
# OPERATOR STATION

114-5141 LINES GP-CAB HEATER (contd.)

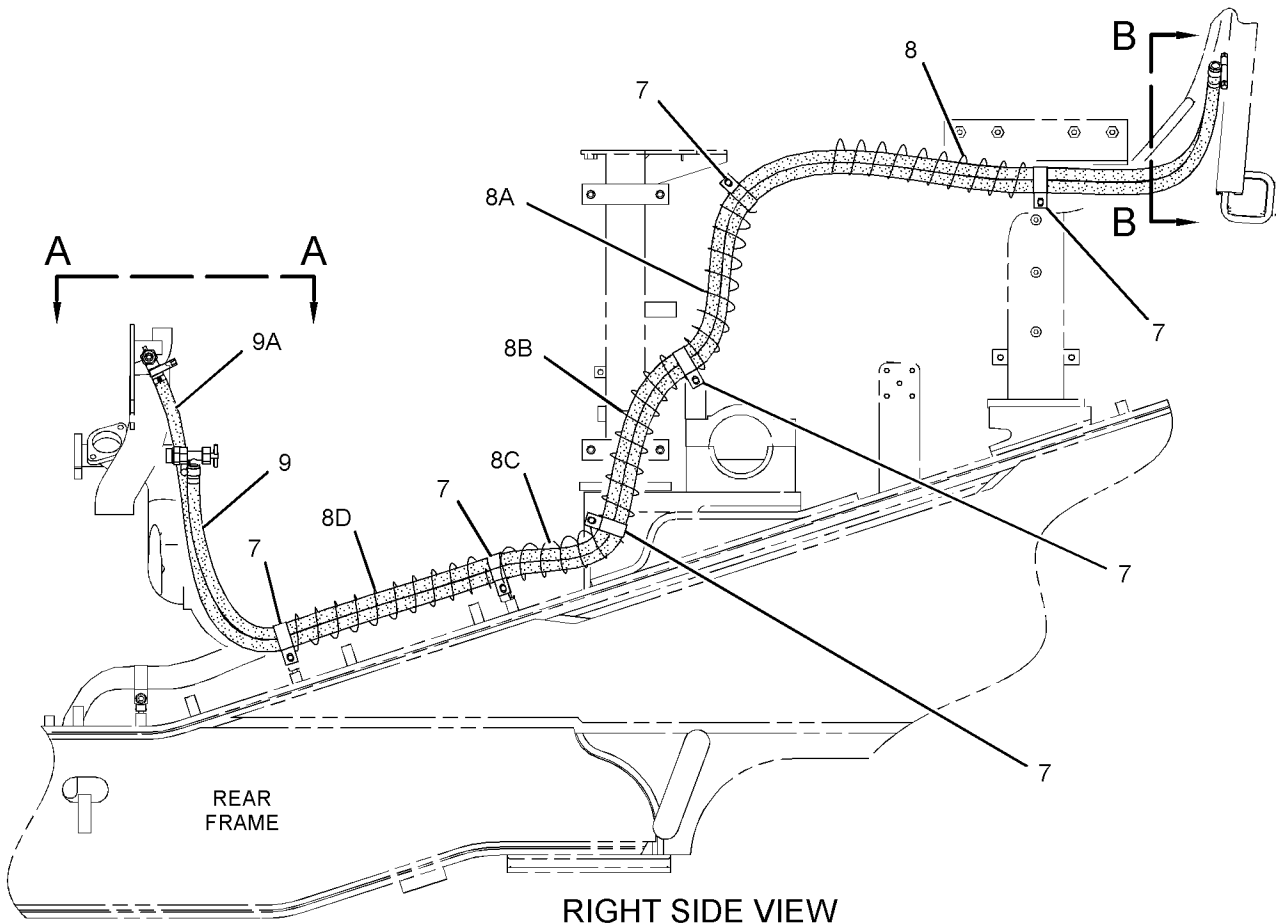
i04528390



VIEW A-A



VIEW B-B



RIGHT SIDE VIEW

GRAPHIC #1

<END>

g02711235

# OPERATOR STATION

## 162-5812 LINES GP-CAB HEATER

S/N: BNH1-UP

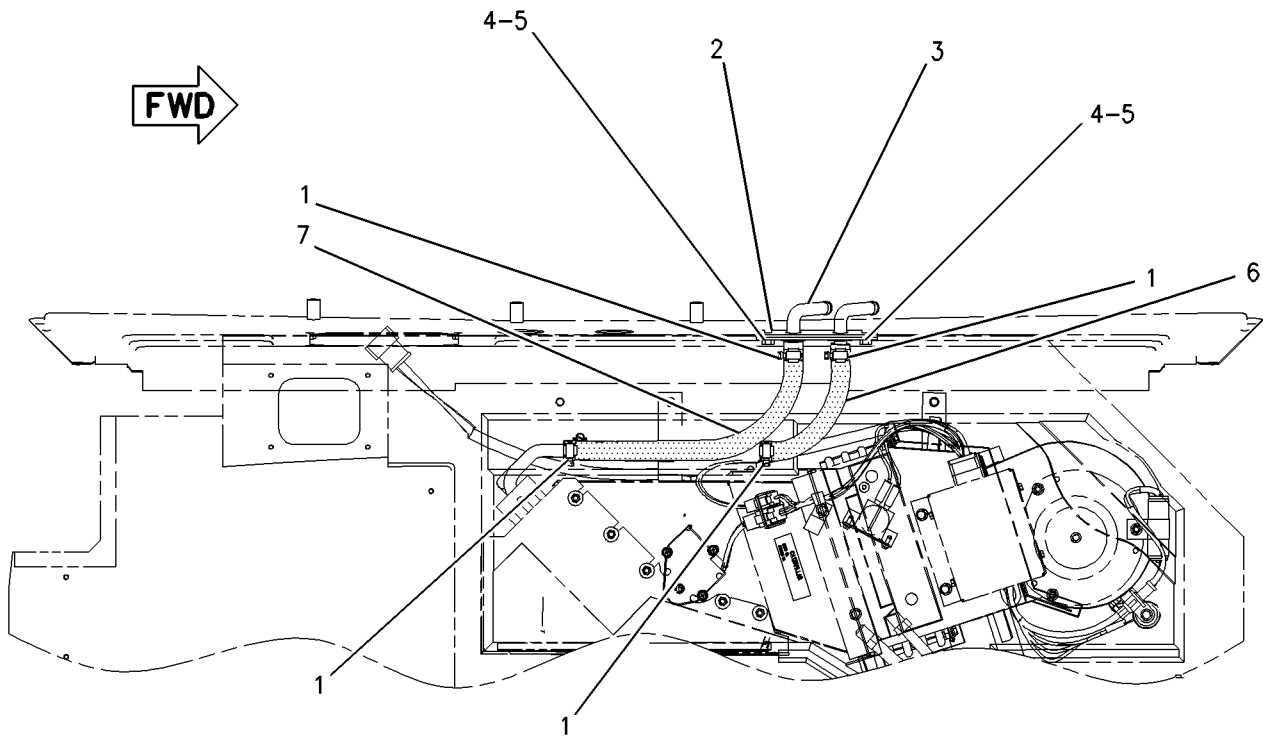
PART OF 147-3120 AIR CONDITIONER & MOUNTING GP

SMCS-7304

i01310067

NOTE	REF NO	GRAPHIC REF	PART NUMBER	QTY	PART NAME						SEE PAGE
					1	2	3	4	5	6 (PRODUCT LEVEL)	
	1	1	<b>9X-2488</b>	4	CLAMP-HOSE						
	2	1	<b>131-7741</b>	1	GASKET						
	3	1	<b>138-8187</b>	1	PLATE AS						
		1	<b>139-9469</b>	2	TUBE AS						
M	4	1	<b>5C-7261</b>	2	NUT (M8X1.25-THD)						
	5	1	<b>8T-4224</b>	2	WASHER-HARD (8.8X16X2-MM THK)						
E	6	1	<b>136-1953</b>		HOSE (22 CM)						
E	7	1	<b>136-1953</b>		HOSE (39 CM)						

E - ORDER BY THE CENTIMETER  
M - METRIC PART



TOP VIEW

GRAPHIC #1

<END>

g00694206

# OPERATOR STATION

## 229-0066 LINES GP-CAB HEATER

S/N: BNH1-UP

PART OF 331-0314 AIR CONDITIONER AR

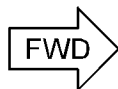
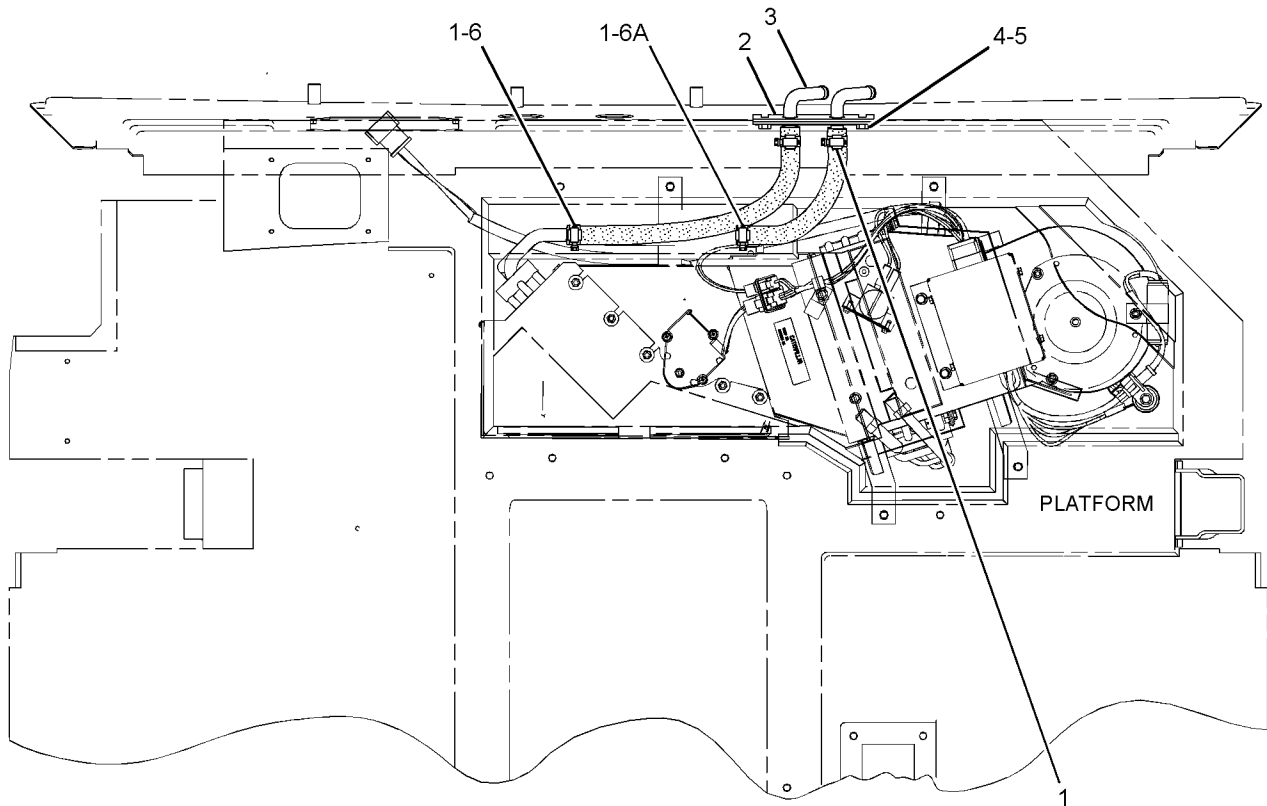
SMCS-7304

i03174188

NOTE	REF NO	GRAPHIC REF	PART NUMBER	QTY	PART NAME						SEE PAGE
					1	2	3	4	5	6 (PRODUCT LEVEL)	
	1	1	<b>9X-2488</b>	4	CLAMP - HOSE						
	2	1	<b>131-7741</b>	1	GASKET						
	3	1	<b>138-8187</b>	1	PLATE AS						
M	4	1	<b>5C-7261</b>	2	NUT (M8X1.25-THD)						
	5	1	<b>8T-4224</b>	2	WASHER-HARD (8.8X16X2-MM THK)						
E	6	1	<b>5P-0767</b>		HOSE (38-CM)						
E	6A	1	<b>5P-0767</b>		HOSE (23-CM)						

E - ORDER BY THE CENTIMETER

M - METRIC PART



TOP VIEW

GRAPHIC #1

<END>

g01247443

# OPERATOR STATION

## 6V-1970 LITERATURE GP

S/N: BNH1-UP

PART OF 203-1567 CHASSIS AR

SMCS-7300, 7400

i02831417

NOTE	PART NUMBER	QTY	PART NAME						SEE PAGE
			1	2	3	4	5	6 (PRODUCT LEVEL)	
	5P-8500	2	KEY (LITERATURE COMPARTMENT)						
	5P-7958	1	SLEEVE-CABLE SPLICE						
<END>									



# OPERATOR STATION

## 115-1527 MIRROR GP-REAR VIEW

S/N: BNH1-UP

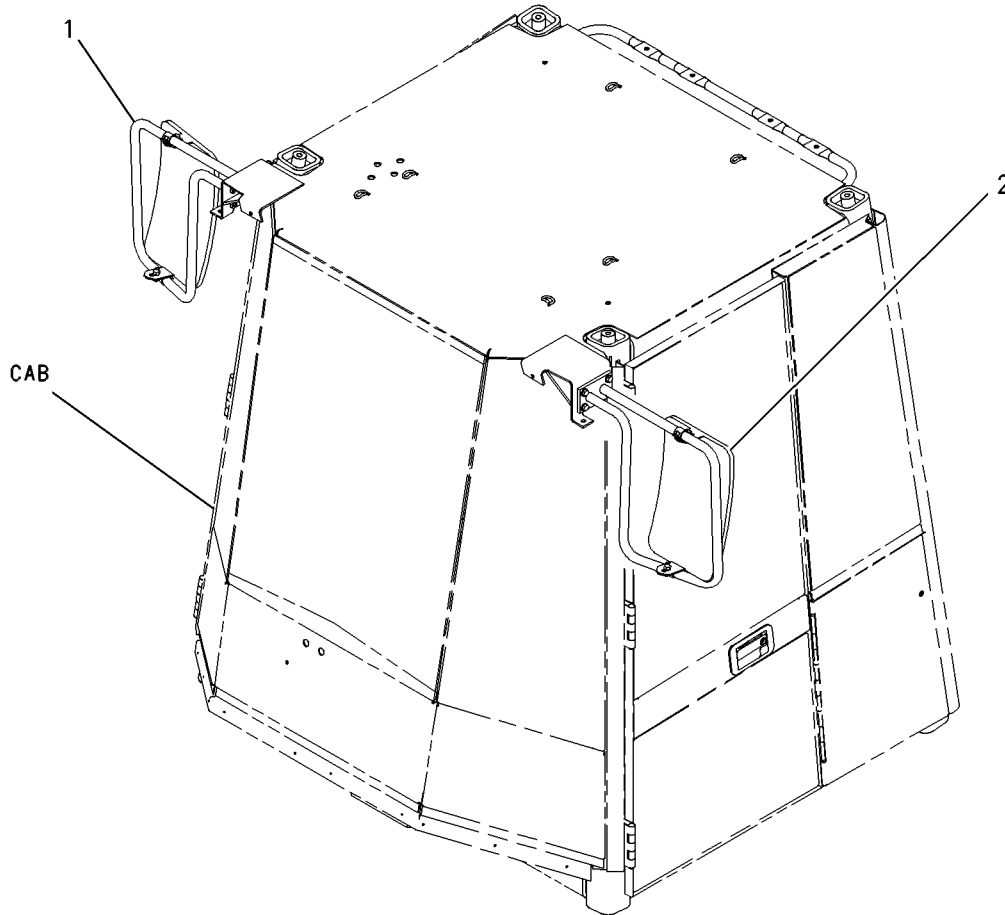
PART OF 203-1567 CHASSIS AR

SMCS-7319

i03254744

NOTE	REF NO	GRAPHIC REF	PART NUMBER	QTY	PART NAME						SEE PAGE
					1	2	3	4	5	6 (PRODUCT LEVEL)	
CY	1	1	166-3416	1	MIRROR GP-REAR VIEW (EXTERIOR, RH)						1168
CY	2	1	166-3417	1	MIRROR GP-REAR VIEW (EXTERIOR, LH)						1169

C - CHANGE FROM PREVIOUS TYPE  
 Y - SEPARATE ILLUSTRATION



GRAPHIC #1

<END>

g00511388

# OPERATOR STATION

## 166-3416 MIRROR GP-REAR VIEW-EXTERIOR, RH

S/N: BNH1-UP

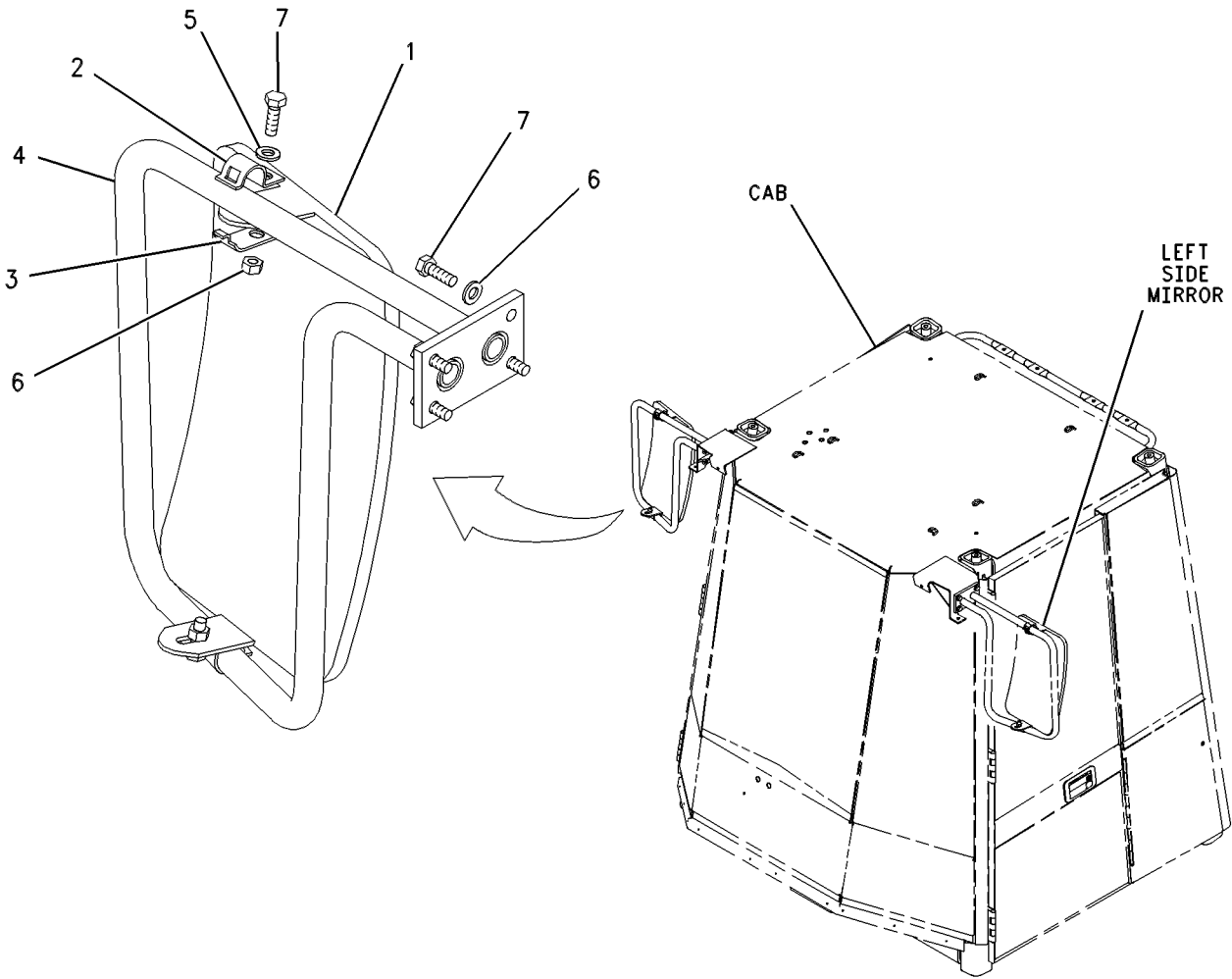
PART OF 115-1527 MIRROR GP-REAR VIEW

SMCS-7319

i00998531

NOTE	REF NO	GRAPHIC REF	PART NUMBER	QTY	PART NAME						SEE PAGE
					1	2	3	4	5	6	
	1	1	<b>5P-6879</b>	1	MIRROR						
	2	1	<b>8T-1889</b>	2	CLIP (SLOT)						
	3	1	<b>8T-1890</b>	2	CLIP (TAB)						
	4	1	<b>154-1981</b>	1	BRACKET AS						
	5	1	<b>8T-4121</b>	6	WASHER-HARD (11X21X2.5-MM THK)						
M	6	1	<b>8T-4133</b>	2	NUT (M10X1.5-THD)						
M	7	1	<b>8T-4195</b>	6	BOLT (M10X1.5X30-MM)						

M - METRIC PART



GRAPHIC #1

<END>

g00511642

# OPERATOR STATION

## 166-3417 MIRROR GP-REAR VIEW-EXTERIOR, LH

S/N: BNH1-UP

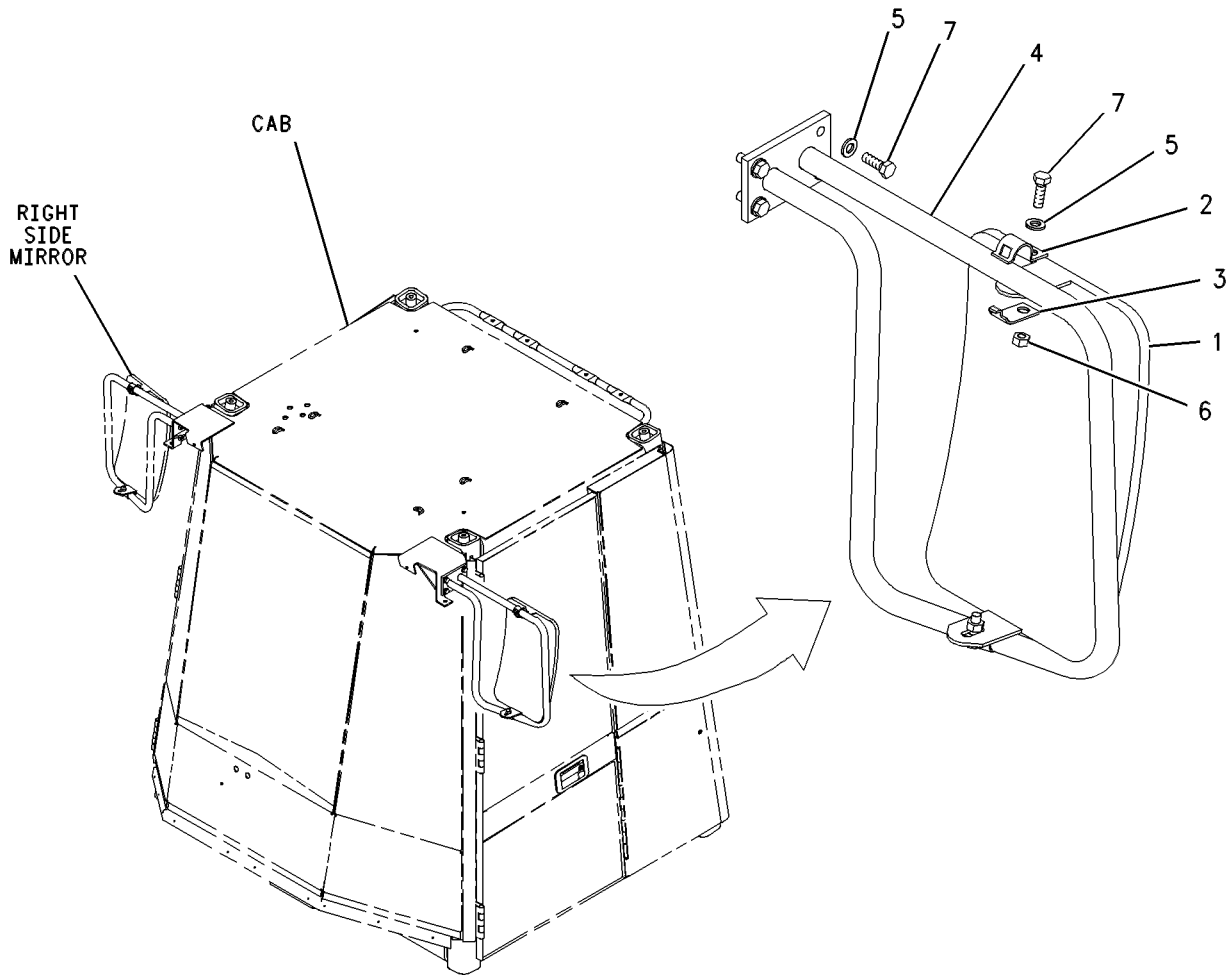
PART OF 115-1527 MIRROR GP-REAR VIEW

SMCS-7319

i00998536

NOTE	REF NO	GRAPHIC REF	PART NUMBER	QTY	PART NAME						SEE PAGE
					1	2	3	4	5	6	
	1	1	<b>5P-6879</b>	1	MIRROR						
	2	1	<b>8T-1889</b>	2	CLIP (SLOT)						
	3	1	<b>8T-1890</b>	2	CLIP (TAB)						
	4	1	<b>154-1982</b>	1	BRACKET AS						
	5	1	<b>8T-4121</b>	6	WASHER - HARD (11X21X2.5-MM THK)						
M	6	1	<b>8T-4133</b>	2	NUT (M10X1.5-THD)						
M	7	1	<b>8T-4195</b>	6	BOLT (M10X1.5X30-MM)						

M - METRIC PART



GRAPHIC #1

<END>

g00511590

# OPERATOR STATION

## 346-3850 MIRROR GP-REAR VIEW

S/N: BNH1-UP

PART OF 346-3845 CAB AR

SMCS-7319

i03765258

NOTE	PART NUMBER	QTY	PART NAME						SEE PAGE
			1	2	3	4	5	6 (PRODUCT LEVEL)	
	332-6679	1	ARM AS (LH)						
	332-6900	1	ARM AS (RH)						
M	8T-4195	16	BOLT (M10X1.5X30-MM)						
	351-1901	2	BRACKET AS						
	185-3874	2	MIRROR AS						
	8T-4121	16	WASHER-HARD (11X21X2.5-MM THK)						

M - METRIC PART

<END>

# OPERATOR STATION

## 166-6928 MODULE GP-QUAD GAUGE

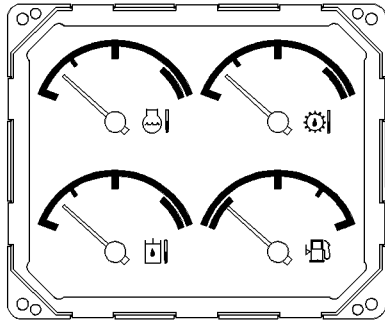
S/N: BNH1-UP

PART OF 202-9746 PANEL GP-INSTRUMENT, 346-3849 WIRING GP-CAB

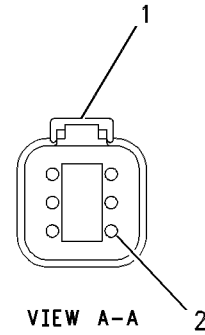
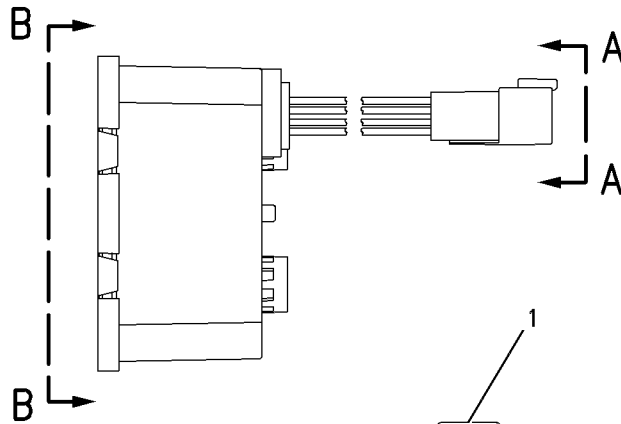
SMCS-7450, 7451, 7490, 7601

i02023668

NOTE	REF NO	GRAPHIC REF	PART NUMBER	QTY	PART NAME						SEE PAGE
					1	2	3	4	5	6 (PRODUCT LEVEL)	
	1	1	<b>102-8805</b>	1	KIT-RECEPTACLE (6-PIN) (INCLUDES RECEPTACLE AS & WEDGE)						
	2	1	<b>8T-8729</b>	6	PIN-CONNECTOR						



VIEW B-B



VIEW A-A

GRAPHIC #1

<END>

g00587276

# OPERATOR STATION

## 145-4230 MONITOR AR-PAYLOAD

S/N: BNH1-UP  
AN ATTACHMENT

SMCS-7494

i01767356

NOTE	PART NUMBER	QTY	PART NAME						SEE PAGE
			1	2	3	4	5	6 (PRODUCT LEVEL)	
Y	155-6649	1	MONITOR GP-PAYLOAD						1173
Y	196-5538	1	SWITCH GP-PAYLOAD STORE (REMOTE)						347
Y	198-0976	1	WIRING GP-SENSOR						417
			-OR-						
Y	221-9751	1	WIRING GP-SENSOR						419
Y - SEPARATE ILLUSTRATION									

<END>

# OPERATOR STATION

## 155-6649 MONITOR GP-PAYLOAD

S/N: BNH1-334

PART OF 145-4230 MONITOR AR-PAYLOAD  
AN ATTACHMENT

SMCS-7494

i01521038

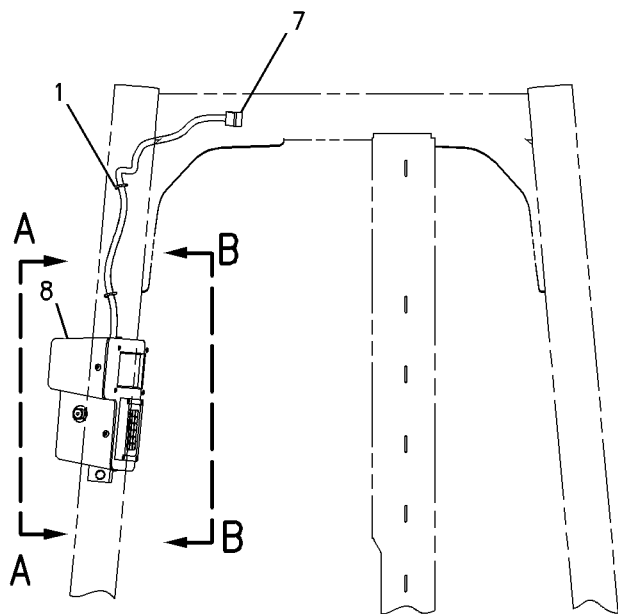
NOTE	REF NO	GRAPHIC REF	PART NUMBER	QTY	PART NAME						SEE PAGE
					1	2	3	4	5	6 (PRODUCT LEVEL)	
	1	1	<b>3S-2093</b>	2	STRAP-CABLE						
	2	1	<b>7N-5876</b>	1	LAMP (24-VOLT, 0.2-AMPERE)						
	3	1	<b>9X-8917</b>	4	SCREW-MACHINE (4-40X9.52-MM)						
M	4	1	<b>113-0919</b>	8	BOLT-SOCKET HEAD (M4X0.7X25-MM)						
	5	1	<b>149-3253</b>	1	MODULE GP-PAYLOAD KEYPAD						
		1	<b>102-8803</b>	1	KIT-RECEPTACLE (3-PIN)						
					(INCLUDES RECEPTACLE AS AND WEDGE)						
		1	<b>3E-3371</b>	1	WEDGE-RECEPTACLE LOCK (3-PIN)						
		1	<b>8T-8729</b>	3	PIN-CONNECTOR (16-GA TO 18-GA)						
Y	6	1	<b>165-4077</b>	1	CONTROL GP-MONITOR (PAYLOAD)						1108
	7	1	<b>151-2092</b>	1	HARNESS AS-MONITOR (PAYLOAD)						
		1	<b>8T-8737</b>	10	PLUG-SEAL						
		1	<b>7X-6222</b>	1	PLUG AS-CONNECTOR (24-PIN)						
		1	<b>3E-4367</b>	1	RING-RETAINING						
M		1	<b>3E-8558</b>	1	BOLT (M5X0.8X39.37-MM)						
		1	<b>9X-3265</b>	2	SEAL-CONNECTOR (24-PIN)						
		1	<b>102-8808</b>	1	KIT-CONNECTING PLUG (3-PIN)						
					(INCLUDES PLUG AS & WEDGE)						
		1	<b>3E-5136</b>	1	RECEPTACLE AS-CONNECTOR (5-PIN)						
		1	<b>102-8801</b>	1	KIT-RECEPTACLE (12-PIN)						
					(INCLUDES RECEPTACLE AS & WEDGE)						
	8	1	<b>193-2653</b>	1	COVER						
	9	1	<b>193-0771</b>	1	BRACKET						
	10	1	<b>193-2652</b>	1	PLATE AS						
M		1	<b>6V-9632</b>	9	NUT-WELD (M6X1-THD)						
	11	1	<b>8T-4121</b>	2	WASHER-HARD (11X21X2.5-MM THK)						
	12	1	<b>2G-1133</b>	2	GROMMET						
M	13	1	<b>8T-4185</b>	2	BOLT (M10X1.5X50-MM)						
M	14	1	<b>9X-2042</b>	4	SCREW-TRUSS HEAD (M6X1X12-MM)						
	15	1	<b>3E-5165</b>	1	CAP AS-PROTECTION						
M	16	1	<b>9X-2045</b>	5	SCREW-TRUSS HEAD (M6X1X20-MM)						

M - METRIC PART  
Y - SEPARATE ILLUSTRATION

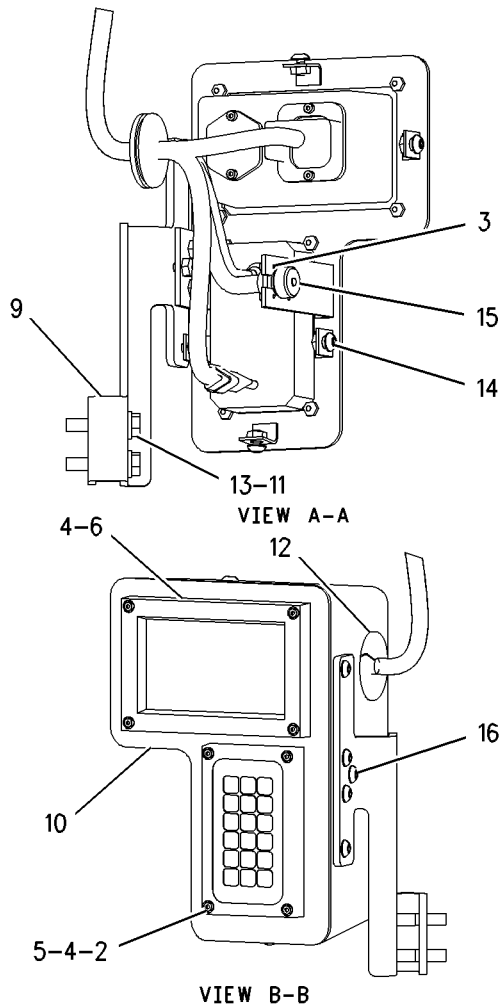
# OPERATOR STATION

155-6649 MONITOR GP-PAYLOAD (contd.)

i01521038



LEFT SIDE VIEW



GRAPHIC #1

<END>

g00745861



# OPERATOR STATION

## 155-6649 MONITOR GP-PAYLOAD

S/N: BNH335-726

PART OF 145-4230 MONITOR AR-PAYLOAD  
AN ATTACHMENT

SMCS-7494

i01662193

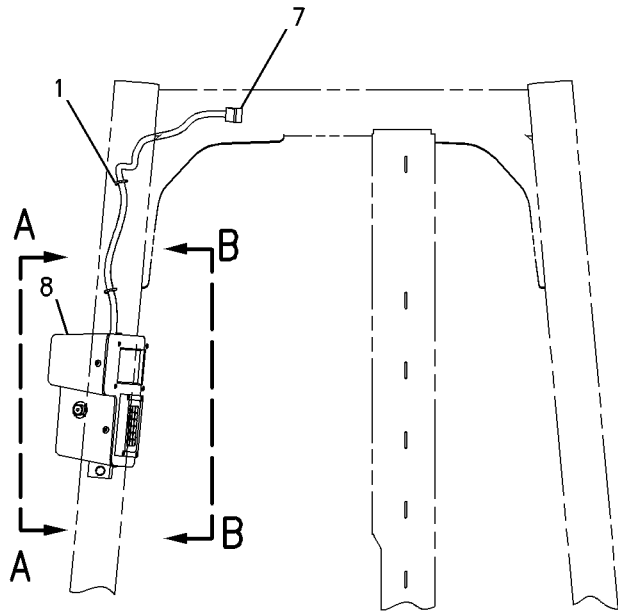
NOTE	REF NO	GRAPHIC REF	PART NUMBER	QTY	PART NAME						SEE PAGE
					1	2	3	4	5	6 (PRODUCT LEVEL)	
	1	1	<b>3S-2093</b>	2	STRAP-CABLE						
	2	1	<b>7N-5876</b>	1	LAMP (24-VOLT, 0.2-AMPERE)						
	3	1	<b>9X-8917</b>	4	SCREW-MACHINE (4-40X9.52-MM)						
M	4	1	<b>113-0919</b>	8	BOLT-SOCKET HEAD (M4X0.7X25-MM)						
	5	1	<b>149-3253</b>	1	MODULE GP-PAYLOAD KEYPAD						
		1	<b>102-8803</b>	1	KIT-RECEPTACLE (3-PIN)						
		1	<b>3E-3371</b>	1	WEDGE-RECEPTACLE LOCK (3-PIN)						
		1	<b>8T-8729</b>	3	PIN-CONNECTOR (16-GA TO 18-GA)						
CY	6	1	<b>213-8800</b>	1	CONTROL GP-MONITOR (PAYLOAD)						1109
	7	1	<b>151-2092</b>	1	HARNESS AS-MONITOR (PAYLOAD)						
		1	<b>8T-8737</b>	10	PLUG-SEAL						
		1	<b>7X-6222</b>	1	PLUG AS-CONNECTOR (24-PIN)						
		1	<b>3E-4367</b>	1	RING-RETAINING						
M		1	<b>3E-8558</b>	1	BOLT (M5X0.8X39.37-MM)						
		1	<b>9X-3265</b>	2	SEAL-CONNECTOR (24-PIN)						
		1	<b>102-8808</b>	1	KIT-CONNECTING PLUG (3-PIN)						
		1	<b>3E-5136</b>	1	RECEPTACLE AS-CONNECTOR (5-PIN)						
		1	<b>102-8801</b>	1	KIT-RECEPTACLE (12-PIN)						
	8	1	<b>193-2653</b>	1	COVER						
	9	1	<b>193-0771</b>	1	BRACKET						
	10	1	<b>193-2652</b>	1	PLATE AS						
M		1	<b>6V-9632</b>	9	NUT-WELD (M6X1-THD)						
	11	1	<b>8T-4121</b>	2	WASHER-HARD (11X21X2.5-MM THK)						
	12	1	<b>2G-1133</b>	2	GROMMET						
M	13	1	<b>8T-4185</b>	2	BOLT (M10X1.5X50-MM)						
M	14	1	<b>9X-2042</b>	4	SCREW-TRUSS HEAD (M6X1X12-MM)						
	15	1	<b>3E-5165</b>	1	CAP AS-PROTECTION						
M	16	1	<b>9X-2045</b>	5	SCREW-TRUSS HEAD (M6X1X20-MM)						

C - CHANGE FROM PREVIOUS TYPE  
M - METRIC PART  
Y - SEPARATE ILLUSTRATION

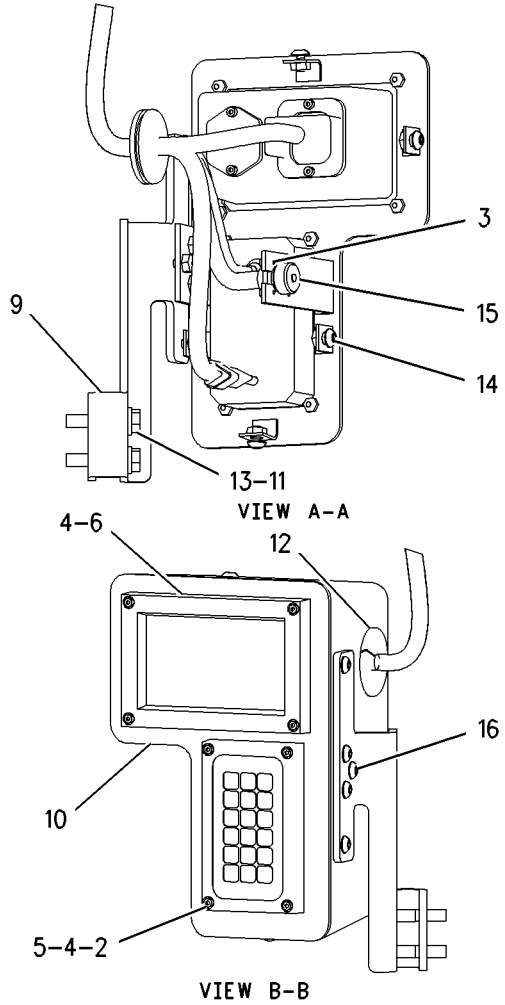
# OPERATOR STATION

155-6649 MONITOR GP-PAYLOAD (contd.)

i01662193



LEFT SIDE VIEW



GRAPHIC #1

<END>

g00745861

# OPERATOR STATION

## 155-6649 MONITOR GP-PAYLOAD

S/N: BNH727-UP

PART OF 145-4230 MONITOR AR-PAYLOAD  
AN ATTACHMENT

SMCS-7494

i01941015

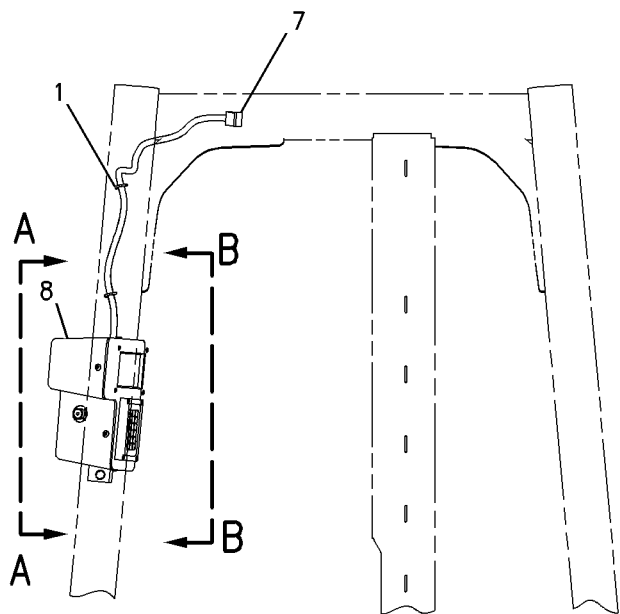
NOTE	REF NO	GRAPHIC REF	PART NUMBER	QTY	PART NAME						SEE PAGE
					1	2	3	4	5	6 (PRODUCT LEVEL)	
	1	1	<b>3S-2093</b>	2	STRAP-CABLE						
	2	1	<b>7N-5876</b>	1	LAMP (24-VOLT, 0.2-AMPERE)						
	3	1	<b>9X-8917</b>	4	SCREW-MACHINE (4-40X9.52-MM)						
M	4	1	<b>113-0919</b>	8	BOLT-SOCKET HEAD (M4X0.7X25-MM)						
	5	1	<b>149-3253</b>	1	MODULE GP-PAYLOAD KEYPAD						
		1	<b>102-8803</b>	1	KIT-RECEPTACLE (3-PIN)						
		1	<b>3E-3371</b>	1	WEDGE-RECEPTACLE LOCK (3-PIN)						
		1	<b>8T-8729</b>	3	PIN-CONNECTOR (16-GA TO 18-GA)						
CY	6	1	<b>228-6563</b>	1	CONTROL GP-MONITOR (PAYLOAD)						1110
	7	1	<b>151-2092</b>	1	HARNESS AS-MONITOR (PAYLOAD)						
		1	<b>8T-8737</b>	10	PLUG-SEAL						
		1	<b>7X-6222</b>	1	PLUG AS-CONNECTOR (24-PIN)						
		1	<b>3E-4367</b>	1	RING-RETAINING						
M		1	<b>3E-8558</b>	1	BOLT (M5X0.8X39.37-MM)						
		1	<b>9X-3265</b>	2	SEAL-CONNECTOR (24-PIN)						
		1	<b>102-8808</b>	1	KIT-CONNECTING PLUG (3-PIN)						
		1	<b>3E-5136</b>	1	RECEPTACLE AS-CONNECTOR (5-PIN)						
		1	<b>102-8801</b>	1	KIT-RECEPTACLE (12-PIN)						
	8	1	<b>193-2653</b>	1	COVER						
	9	1	<b>193-0771</b>	1	BRACKET						
	10	1	<b>193-2652</b>	1	PLATE AS						
M		1	<b>6V-9632</b>	9	NUT-WELD (M6X1-THD)						
	11	1	<b>8T-4121</b>	2	WASHER-HARD (11X21X2.5-MM THK)						
	12	1	<b>2G-1133</b>	2	GROMMET						
M	13	1	<b>8T-4185</b>	2	BOLT (M10X1.5X50-MM)						
M	14	1	<b>9X-2042</b>	4	SCREW-TRUSS HEAD (M6X1X12-MM)						
	15	1	<b>3E-5165</b>	1	CAP AS-PROTECTION						
M	16	1	<b>9X-2045</b>	5	SCREW-TRUSS HEAD (M6X1X20-MM)						

C - CHANGE FROM PREVIOUS TYPE  
M - METRIC PART  
Y - SEPARATE ILLUSTRATION

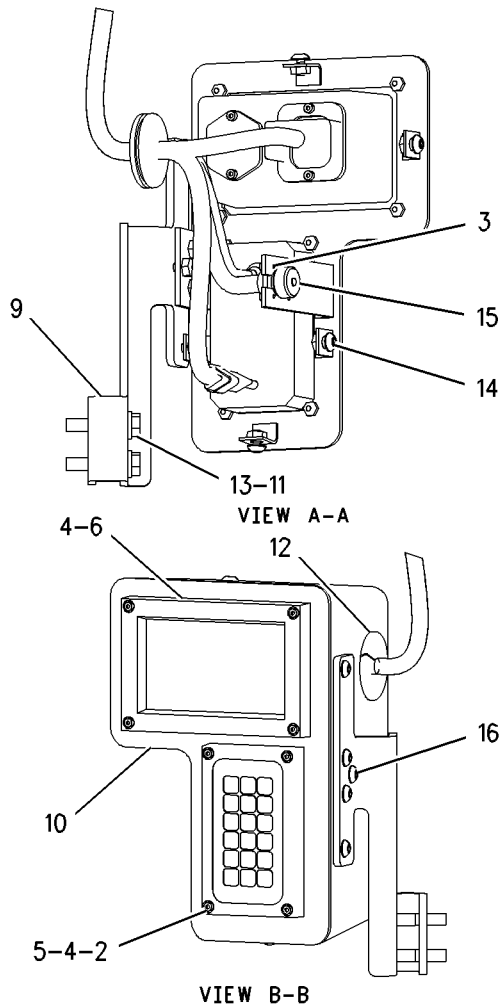
# OPERATOR STATION

155-6649 MONITOR GP-PAYLOAD (contd.)

i01941015



LEFT SIDE VIEW



GRAPHIC #1

<END>

g00745861

# OPERATOR STATION

## 155-5789 MOTOR GP-WINDOW WIPER-REAR

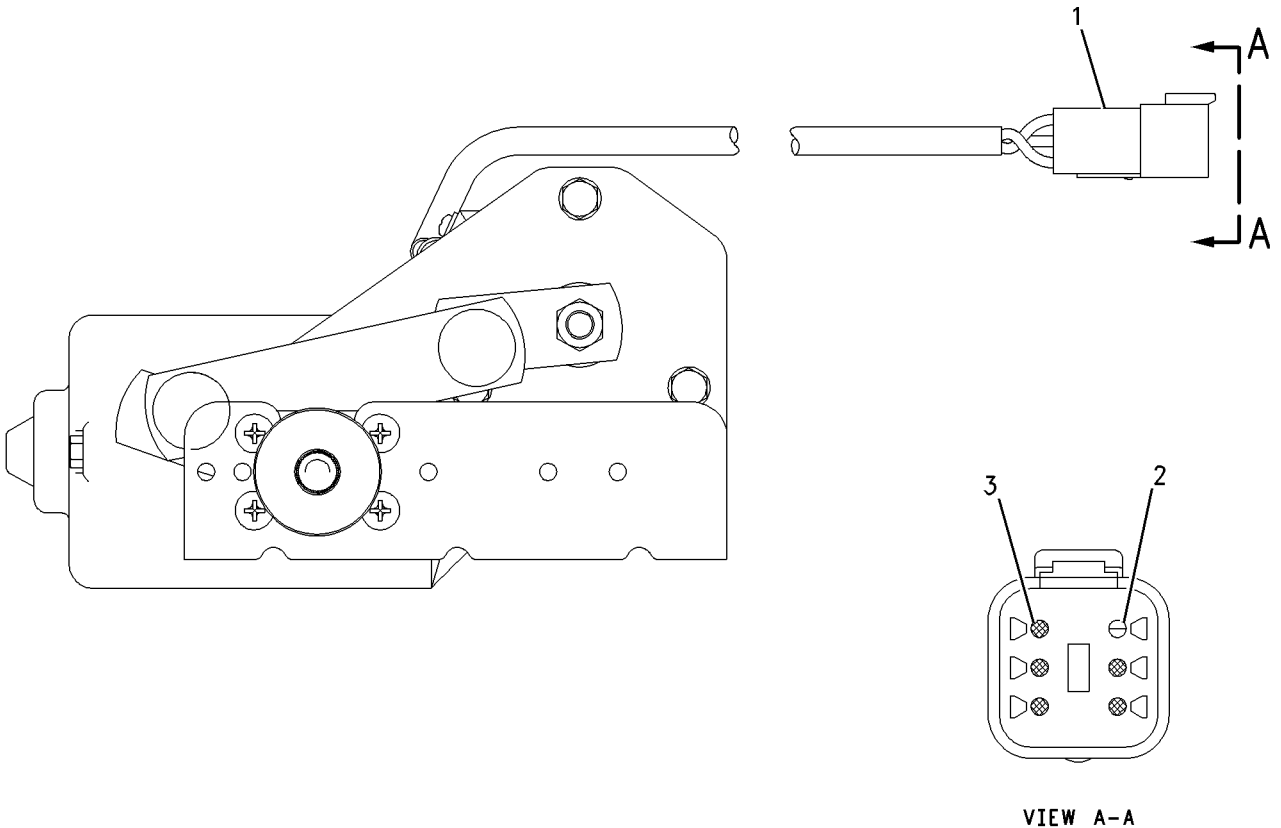
S/N: BNH1-UP

PART OF 109-8196 WIPER GP-WINDOW

SMCS-7305

i02463764

NOTE	REF NO	GRAPHIC REF	PART NUMBER	QTY	PART NAME						SEE PAGE
					1	2	3	4	5	6	
	1	1	102-8805	1	KIT-RECEPTACLE (6-PIN)						
					(INCLUDES RECEPTACLE AS AND WEDGE)						
	2	1	8T-8737	1	PLUG-SEAL						
	3	1	186-3735	5	PIN-CONNECTOR (16-GA TO 18-GA)						



GRAPHIC #1

<END>

g00665801

# OPERATOR STATION

## 155-5790 MOTOR GP-WINDOW WIPER-FRONT

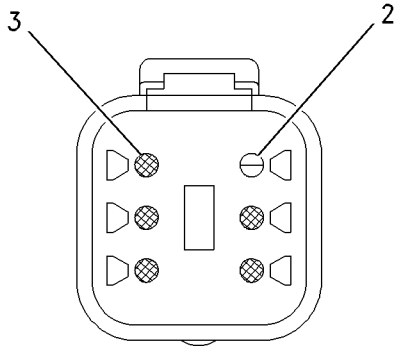
S/N: BNH1-UP

PART OF 109-8196 WIPER GP-WINDOW

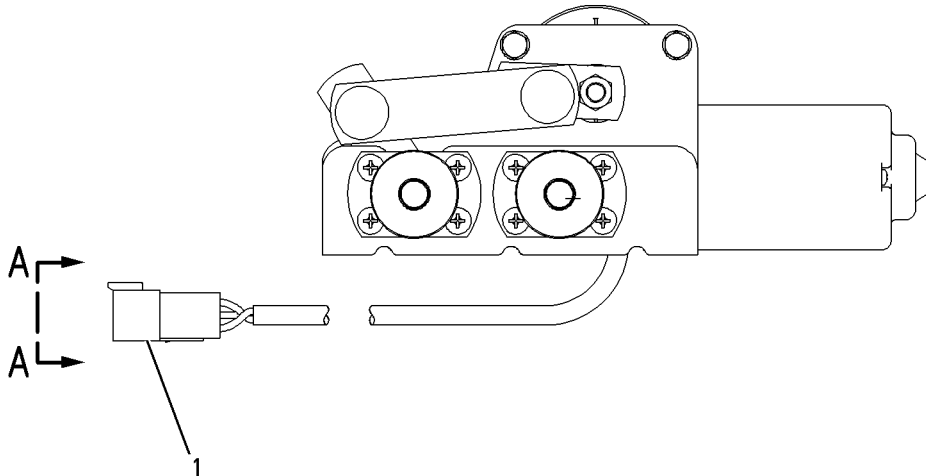
SMCS-7305

i01319138

NOTE	REF NO	GRAPHIC REF	PART NUMBER	QTY	PART NAME						SEE PAGE
					1	2	3	4	5	6 (PRODUCT LEVEL)	
	1	1	102-8805	1	KIT-RECEPTACLE (6-PIN)						
					(INCLUDES RECEPTACLE AS AND WEDGE)						
	2	1	8T-8737	1	PLUG-SEAL						
	3	1	8T-8729	5	PIN-CONNECTOR (16-GA TO 18-GA)						



VIEW A-A



GRAPHIC #1

<END>

g00668134

# OPERATOR STATION

## 330-5050 MOTOR GP-WINDOW WIPER

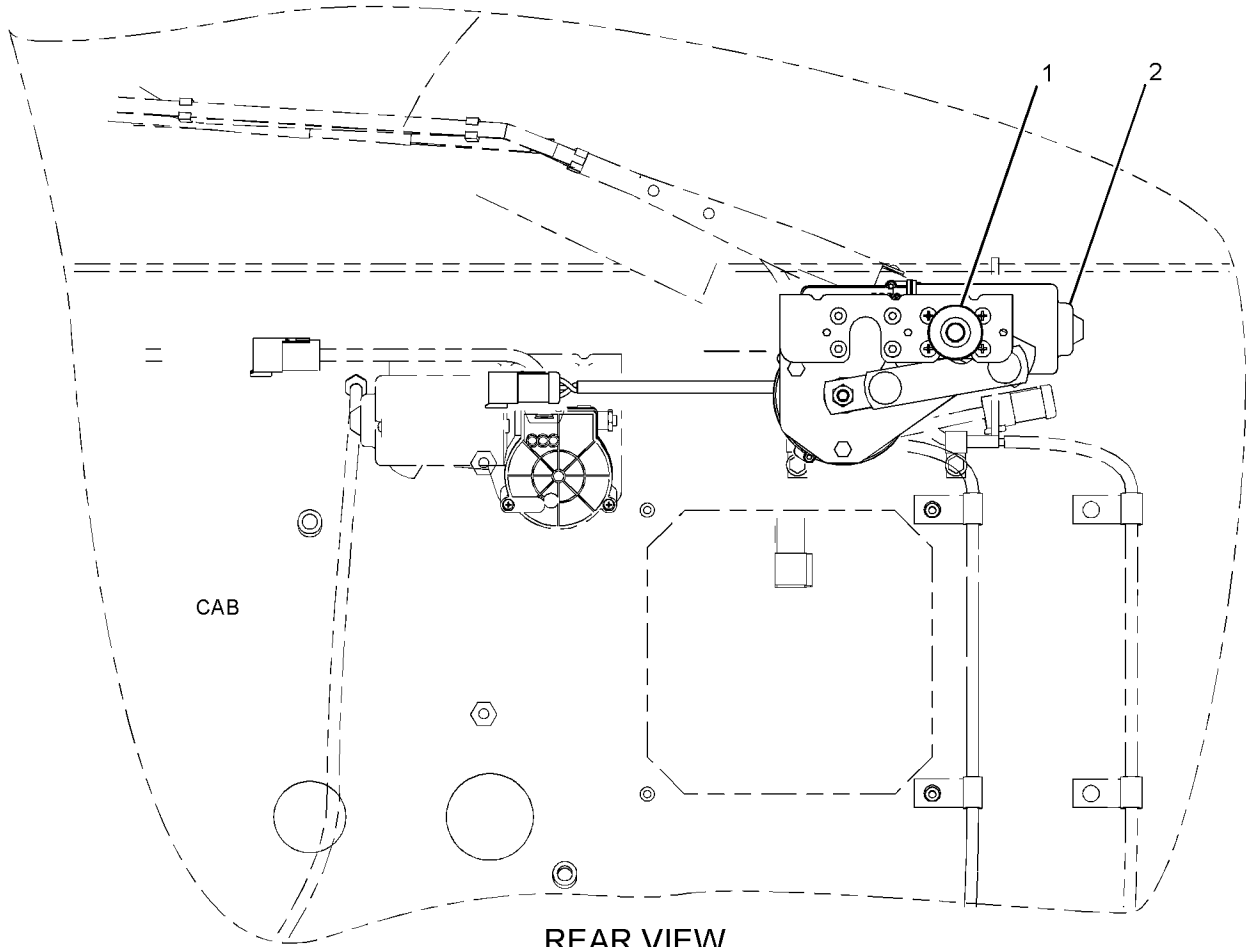
S/N: BNH1-UP

PART OF 109-8196 WIPER GP-WINDOW

SMCS-7305

i03644422

NOTE	REF NO	GRAPHIC REF	PART NUMBER	QTY	PART NAME						SEE PAGE
					1	2	3	4	5	6 (PRODUCT LEVEL)	
	1	1	<b>206-5823</b>	1	CAP						
	2	1	<b>328-2264</b>	1	MOTOR GP-WINDOW WIPER						
		1	<b>8T-8737</b>	1	PLUG-SEAL						
		1	<b>102-8805</b>	1	KIT-RECEPTACLE (6-PIN)						
					(INCLUDES RECEPTACLE AS & WEDGE)						
		1	<b>186-3735</b>	5	PIN-CONNECTOR (16-GA TO 18-GA)						



GRAPHIC #1

<END>

g02053114

# OPERATOR STATION

## 183-4007 MOUNTING GP-CAB

S/N: BNH1-UP

PART OF 202-9738 OPERATOR AR

SMCS-7301

i01372121

NOTE	REF NO	GRAPHIC REF	PART NUMBER	QTY	PART NAME						SEE PAGE
					1	2	3	4	5	6 (PRODUCT LEVEL)	
	1	1	138-8861	4	WASHER AS						
	2	1	138-8862	8	MOUNT						
	3	1	138-8863	4	SLEEVE						
	4	1	138-8864	4	WASHER (39X135X20-MM THK)						
	5	1	177-3579	1	SHROUD						
	6	1	8T-5463	4	WASHER (39X66X5-MM THK)						
M	7	1	9X-2046	5	SCREW-TRUSS HEAD						
M	8	1	9X-6626	4	BOLT (M36X4X200-MM)						

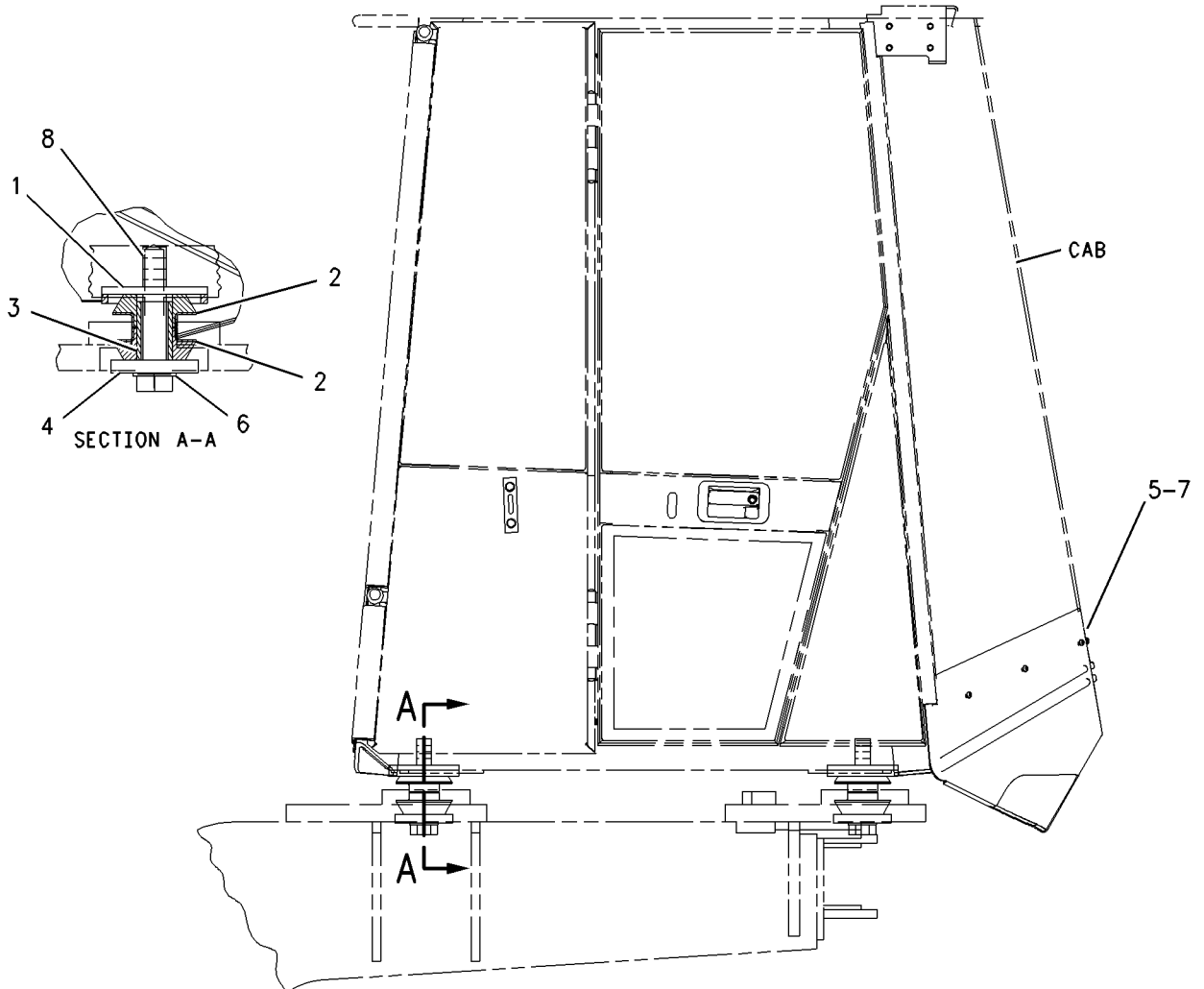
M - METRIC PART



# OPERATOR STATION

183-4007 MOUNTING GP-CAB (contd.)

i01372121



GRAPHIC #1

<END>

g00724154

# OPERATOR STATION

## 202-9738 OPERATOR AR

S/N: BNH1-UP

PART OF 203-1567 CHASSIS AR

SMCS-7301

i01491444

NOTE	PART NUMBER	QTY	PART NAME						SEE PAGE
			1	2	3	4	5	6 (PRODUCT LEVEL)	
Y	202-9742	1	CAB AR						1072
Y	162-6884	1	INSTALLATION GP-CONTROLS						1135
Y	183-4007	1	MOUNTING GP-CAB						1182

Y - SEPARATE ILLUSTRATION

<END>

# OPERATOR STATION

## 346-3844 OPERATOR AR

S/N: BNH1-UP

**988 OPERATOR ARRANGEMENT-KIT FOR RETROFIT  
FOR USE WITH REHS4984 FOR INSTALLATION OF KIT  
PART OF 380-9189 CAB AR**

SMCS-7301

i04549329

NOTE	PART NUMBER	QTY	PART NAME						SEE PAGE
			1	2	3	4	5	6 (PRODUCT LEVEL)	
M	5C-9553	2	BOLT (M6X1X16-MM)						
	202-9723	4	BOLT (M36X4X200-MM)						
	285-3570	1	CABLE AS						
	9U-0830	4	END-YOKE ROD						
	346-3855	1	FILM-IDENTIFICATION (FUSE PANEL)						
	227-7390	1	FILM-WARNING (SEAT BELT)						
	227-7391	1	FILM-WARNING (SEAT BELT, INTERNATIONAL)						
	228-2615	1	FILM-WARNING (UNIVERSAL, U.S.)						
	228-2616	1	FILM-WARNING (UNIVERSAL, READ OMM)						
	260-7652	1	FILM-WARNING (PRODUCT LINK 300, U.S.)						
	260-7653	1	FILM-WARNING (PRODUCT LINK 300, INTL)						
	346-3857	1	HARNESS AS-WIRING (FUSE BOX)						
E	119-3662		TUBE-HEAT SHRINK (10.85-MM DIA) (7-CM)						
E	125-7874		TUBE-HEAT SHRINK (5.72-MM DIA) (10-CM)						
E	125-7875		TUBE-HEAT SHRINK (7.44-MM DIA) (5-CM)						
	128-4123	6	SEAL						
	128-5016	1	SEAL-CABLE						
	155-2255		KIT-CONNECTING PLUG (12-PIN) (INCLUDES PLUG AS, WEDGE, & INTERFACE SEAL)						
	197-7427	1	SOCKET-CONNECTOR						
	128-5016	1	SEAL-CABLE						
	202-0313	1	TERMINAL AS						
	197-7429	16	SOCKET-CONNECTOR						
	7R-2750	1	SEAL-CONNECTOR						
	128-4123	1	SEAL						
	202-0314	1	TERMINAL AS						
	275-7877	1	BLOCK AS-FUSE						
	9W-0844	2	SOCKET-CONNECTOR (14-GA TO 16-GA)						
	9W-0852	3	PIN-CONNECTOR (14-GA TO 16-GA)						
	113-8490	12	FUSE (10-AMPERE)						
	113-8491	7	FUSE (15-AMPERE)						
	113-8492	1	FUSE (20-AMPERE)						
	8N-1540	2	PIN-CONNECTOR (12-GA TO 14-GA)						
	8N-1542	2	PIN-CONNECTOR (10-GA)						
	8T-4205	2	WASHER-HARD (7.2X14.5X2-MM THK)						
	8T-8729	8	PIN-CONNECTOR (16-GA TO 18-GA)						
	8T-8737	6	PLUG-SEAL						
	102-8801		KIT-RECEPTACLE (12-PIN) (INCLUDES RECEPTACLE AS & WEDGE)						
M	5C-2890	2	NUT (M6X1-THD)						
	7R-2750	10	SEAL-CONNECTOR						
	7R-2751	3	PLUG-CONNECTOR						
	8C-3398	2	LOCKWASHER						
	3J-4818	8	LOCKWASHER						
	138-8862	8	MOUNT						
M	5C-2874	4	NUT (M5X0.8-THD)						
	096-0067	9	PIN-CLEVIS						
	5B-9192	4	PIN-COTTER						
	360-7674	1	PLATE						
	110-6393	1	PLATE-INSTRUCTION (AIR CONDITIONER)						
	193-4623	4	SCREW-BUTTON HEAD (10-32X11.11-MM)						
M	9X-2046	10	SCREW-TRUSS HEAD (M6X1X35-MM)						
	177-3579	1	SHROUD						
	138-8863	4	SLEEVE (36-MM)						
	8T-5463	4	WASHER (39X66X5-MM THK)						

# OPERATOR STATION

346-3844 OPERATOR AR (contd.)

i04549329

NOTE	PART NUMBER	QTY	PART NAME						SEE PAGE
			1	2	3	4	5	6 (PRODUCT LEVEL)	
	138-8864	4	WASHER (39X135X20-MM THK)						
	138-8861	4	WASHER AS						
	5P-4115	2	WASHER-HARD (7.2X19X2-MM THK)						
	299-9618	1	WIRE AS						

E - ORDER BY THE CENTIMETER  
M - METRIC PART

<END>

# OPERATOR STATION

## 178-0604 PAN GP-BACKREST-CLOTH

S/N: BNH1-UP

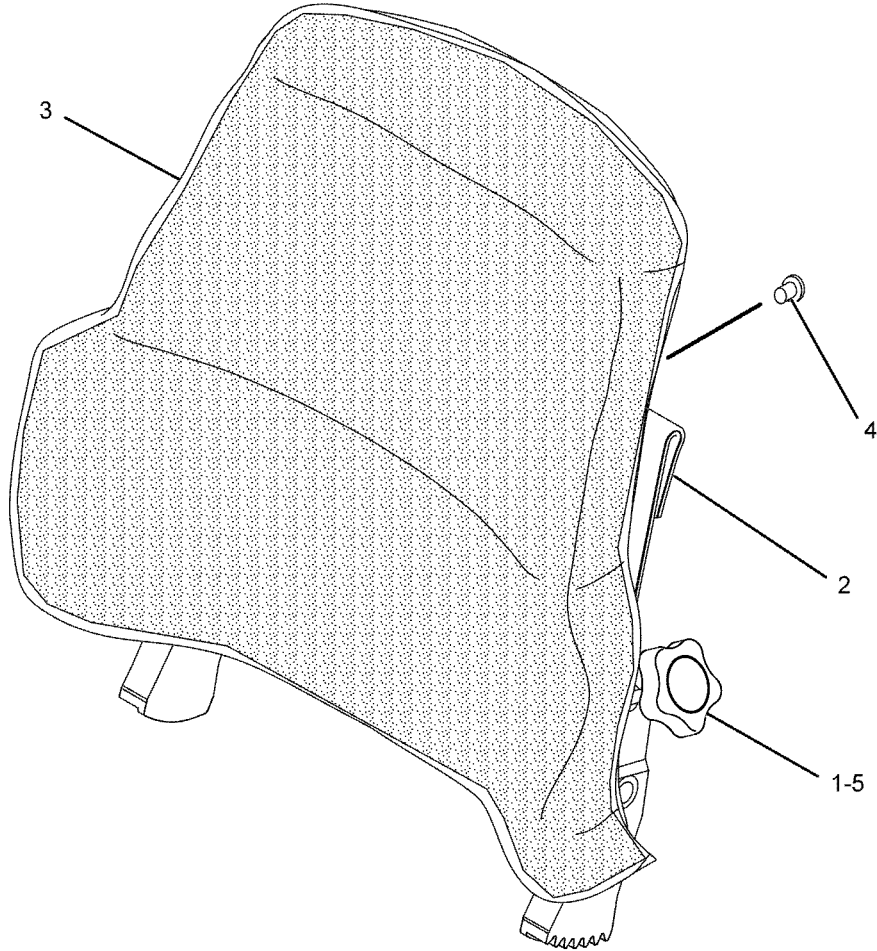
PART OF 178-0603 SEAT GP

SMCS-7312

i02925403

NOTE	REF NO	GRAPHIC REF	PART NUMBER	QTY	PART NAME						SEE PAGE
					1	2	3	4	5	6 (PRODUCT LEVEL)	
	1	1	<b>164-4883</b>	1	KNOB-LUMBAR						
Y	2	1	<b>178-0605</b>	1	PAN GP-BACKREST (LUMBAR)						1188
	3	1	<b>233-6745</b>	1	CUSHION AS (CLOTH)						
	4	1	<b>250-4628</b>	3	PLUG						
	5	1	<b>8T-7566</b>	1	PIN-SPRING						

Y - SEPARATE ILLUSTRATION



GRAPHIC #1

<END>

g01092296

# OPERATOR STATION

## 178-0605 PAN GP-BACKREST-LUMBAR

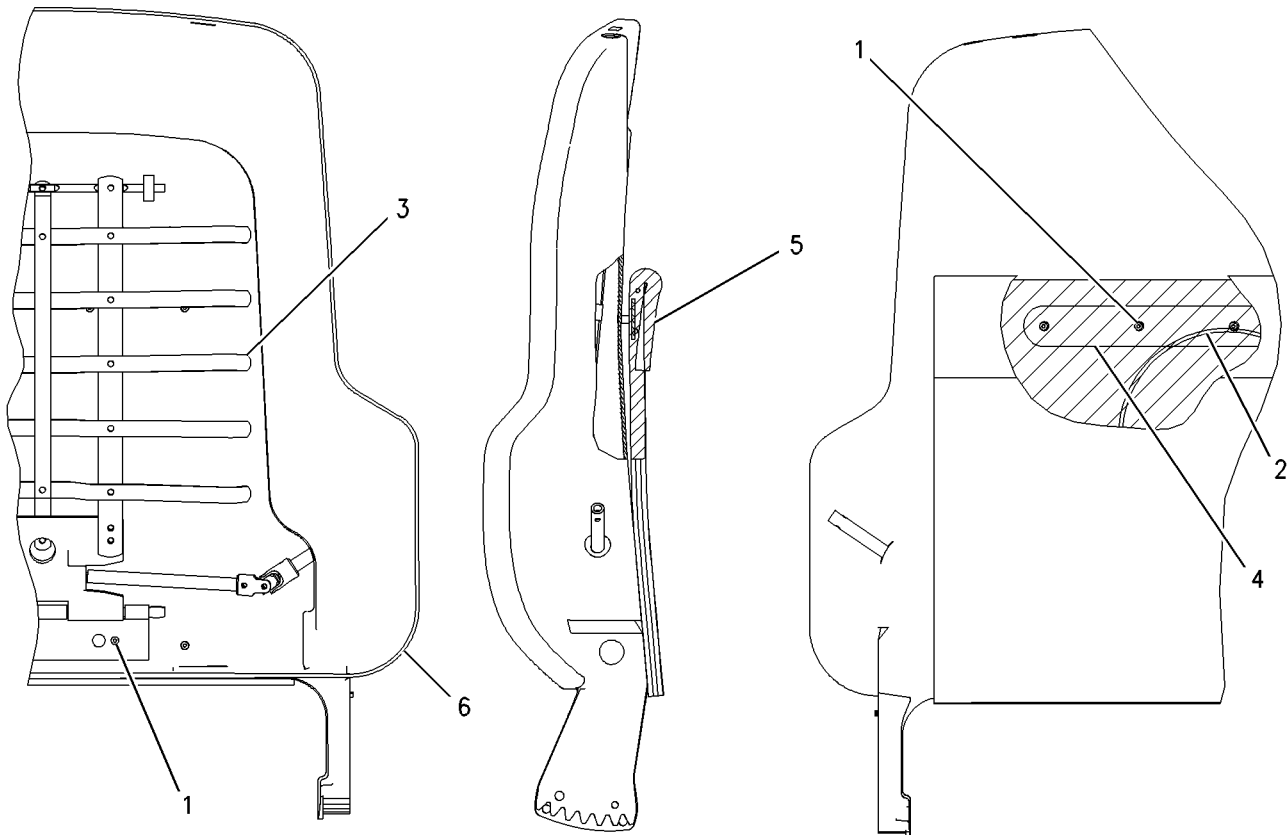
S/N: BNH1-UP

PART OF 178-0604 PAN GP-BACKREST

SMCS-7312

i02475257

NOTE	REF NO	GRAPHIC REF	PART NUMBER	QTY	PART NAME						SEE PAGE
					1	2	3	4	5	6 (PRODUCT LEVEL)	
	1	1	<b>4K-9429</b>	8	RIVET-POP						
	2	1	<b>5P-7957</b>	1	LANYARD						
	3	1	<b>136-1543</b>	1	PLATE AS-LUMBAR						
	4	1	<b>173-2052</b>	1	RETAINER						
	5	1	<b>178-7907</b>	1	HOLDER						
	6	1	<b>261-5694</b>	1	PAN AS-BACKREST						



GRAPHIC #1

<END>

g00716497

# OPERATOR STATION

## 292-6402 PAN GP-BACKREST-LUMBAR

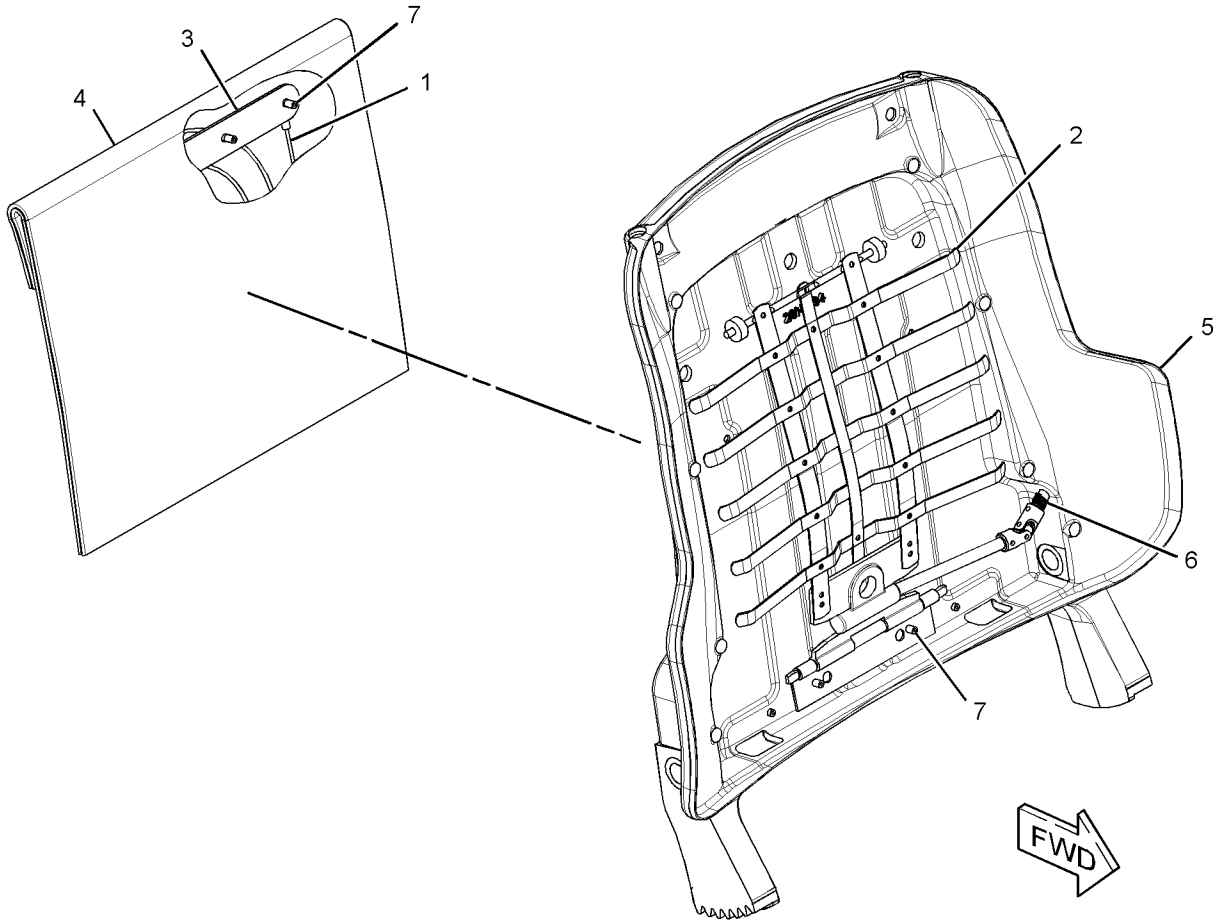
S/N: BNH1-UP

PART OF 292-9237 PAN GP-BACKREST

SMCS-7312

i03095783

NOTE	REF NO	GRAPHIC REF	PART NUMBER	QTY	PART NAME						SEE PAGE
					1	2	3	4	5	6 (PRODUCT LEVEL)	
	1	1	<b>5P-7957</b>	1	LANYARD						
	2	1	<b>136-1543</b>	1	PLATE AS-LUMBAR						
	3	1	<b>173-2052</b>	1	RETAINER						
	4	1	<b>178-7907</b>	1	HOLDER						
	5	1	<b>261-5694</b>	1	PAN AS-BACKREST						
	6	1	<b>322-3161</b>	1	SPRING						
	7	1	<b>4K-9429</b>	8	RIVET-POP						



GRAPHIC #1

<END>

g01577333

# OPERATOR STATION

## 292-9237 PAN GP-BACKREST-CLOTH, LUMBAR

S/N: BNH1-UP

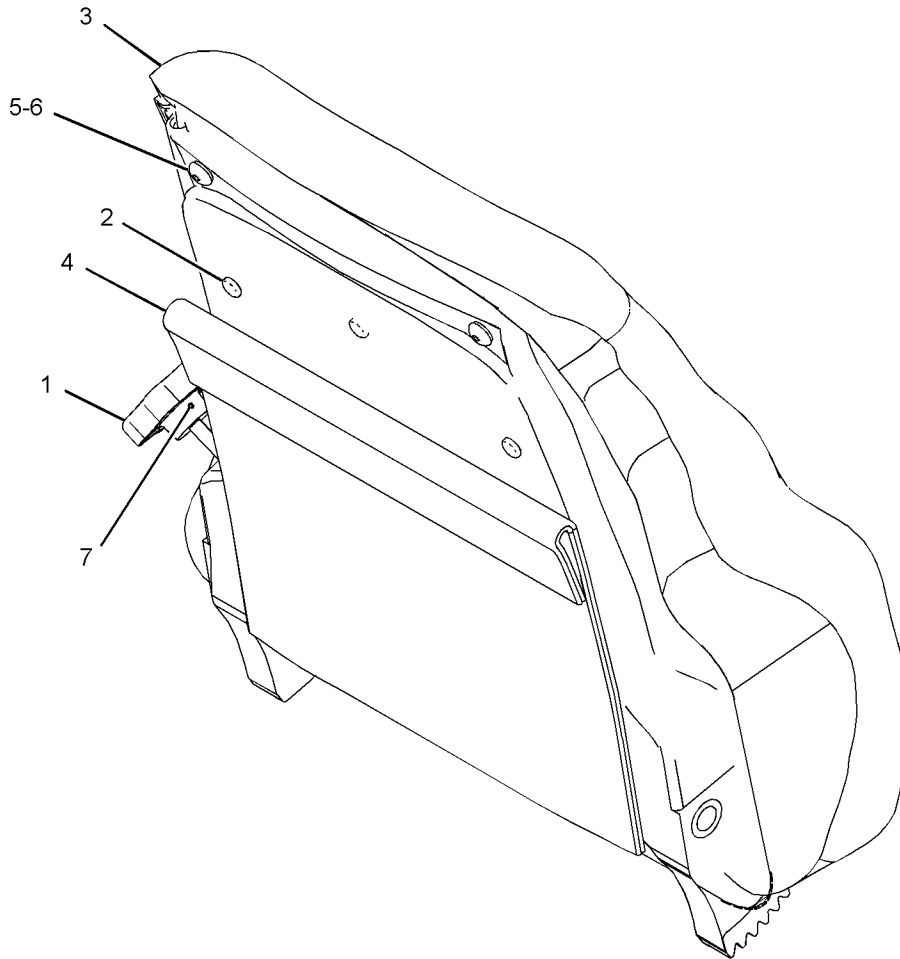
PART OF 178-0603 SEAT GP

SMCS-7312

i02649684

NOTE	REF NO	GRAPHIC REF	PART NUMBER	QTY	PART NAME						SEE PAGE
					1	2	3	4	5	6	
	1	1	<b>164-4883</b>	1	KNOB-LUMBAR						
	2	1	<b>250-4628</b>	3	PLUG						
	3	1	<b>292-6097</b>	1	CUSHION AS-BACK						
Y	4	1	<b>292-6402</b>	1	PAN GP-BACKREST (LUMBAR)						1189
	5	1	<b>5P-0537</b>	2	WASHER-HARD (7.2X14.5X2-MM THK)						
	6	1	<b>6V-8969</b>	2	SCREW-BUTTON HEAD (1/4-20X0.5-IN)						
	7	1	<b>8T-7566</b>	1	PIN-SPRING						

Y - SEPARATE ILLUSTRATION



GRAPHIC #1

<END>

g01336870



# OPERATOR STATION

## 136-2626 PANEL GP-INSTRUMENT-UPPER

S/N: BNH1-UP

PART OF 202-9742 CAB AR

SMCS-7451

i01493106

NOTE	REF NO	GRAPHIC REF	PART NUMBER	QTY	PART NAME						SEE PAGE
					1	2	3	4	5	6 (PRODUCT LEVEL)	
	1	2	2H-3920	2	LOCKWASHER						
	2	2	3E-0109	8	PLUG (ROCKER SWITCH)						
Y	3	2	3E-6328	1	ALARM GP (24-VOLT) (ACTION)						216
Y	4	1	3E-6389	2	LAMP GP-DOME (24-VOLT)						259
	5	2	5S-4245	4	SCREW-MACHINE (4-40X0.5-IN)						
	6	2	6B-4540	4	NUT (4-40-THD)						
	7	2	6V-8369	2	NUT (7/16-28-THD)						
	8	2	7K-1181	4	STRAP-CABLE						
	9	2	7N-5876	2	LAMP (24-VOLT, 0.2-AMPERE)						
	10	2	096-5962	4	WASHER-HARD (3.4X7X0.8-MM THK)						
Y	11	2	103-5526	1	CONTROL GP-MONITOR (BACKLIGHT DIMMER)						1107
	12	2	104-2091	2	SCREW-FLAT HEAD (6-20X0.5-IN)						
	13	2	108-3320	1	SWITCH AS-ROTARY (24-VOLT, 5-POSITION) (RUNNING/FLOOD/PANEL/TAIL LIGHT)						
		2	3E-3389	1	WEDGE-RECEPTACLE LOCK (8-PIN)						
		2	9W-0852	8	PIN-CONNECTOR (14-GA TO 16-GA)						
		2	102-8806	1	KIT-RECEPTACLE (8-PIN)						
					(INCLUDES RECEPTACLE AS AND WEDGE)						
	14	2	110-6109	6	KNOB-CONTROL						
	15	2	110-7886	1	SWITCH AS-WIPER (24-VOLT) (FRONT INTERMITTENT)						
		2	2H-3920	1	LOCKWASHER						
		2	3E-3389	1	WEDGE-RECEPTACLE LOCK (8-PIN)						
		2	6V-8369	1	NUT (7/16-28-THD)						
		2	8T-8729	3	PIN-CONNECTOR (16-GA TO 18-GA)						
		2	8T-8737	1	PLUG-SEAL						
		2	9W-0852	4	PIN-CONNECTOR (14-GA TO 16-GA)						
		2	102-8806	1	KIT-RECEPTACLE (8-PIN)						
					(INCLUDES RECEPTACLE AS AND WEDGE)						
	16	2	112-5419	1	BEZEL (RH)						
	17	2	112-5421	1	STRIP						
	18	2	112-6174	1	SWITCH GP-ROTARY (WIPER, WASHER) (REAR WIPER)						
	19	2	113-0002	2	STRIP AS						
					(EACH INCLUDES)						
M		2	6V-9632	2	NUT-WELD (M6X1-THD)						
	20	2	117-2311	1	SOCKET-AUXILIARY POWER (12-VOLT)						
	21	2	123-6383	1	SWITCH AS-ROTARY (24-VOLT, 4-POSITION) (TMSN AUTO/MANUAL SELECTOR)						
		2	3E-3383	1	WEDGE-RECEPTACLE LOCK (6-PIN)						
		2	8T-8737	1	PLUG-SEAL						
		2	9W-0852	5	PIN-CONNECTOR (14-GA TO 16-GA)						
		2	102-8805	1	KIT-RECEPTACLE (6-PIN)						
					(INCLUDES RECEPTACLE AS AND WEDGE)						
	22	2	127-4540	1	POTENTIOMETER AS (TEMPERATURE SELECTOR)						
		2	3S-2093	1	STRAP-CABLE						
		2	9W-0852	3	PIN-CONNECTOR (14-GA TO 16-GA)						
		2	102-8803	1	KIT-RECEPTACLE (3-PIN)						
					(INCLUDES RECEPTACLE AS AND WEDGE)						
	23	2	130-5300	1	CLIP						
	24	2	136-4802	1	HARNESS AS-POWER (AUXILIARY)						
		2	155-2270	1	KIT-CONNECTING PLUG (2-PIN)						
					(INCLUDES PLUG AS & WEDGE)						
		2	102-8801	1	KIT-RECEPTACLE (12-PIN)						
					(INCLUDES RECEPTACLE AS & WEDGE)						
		2	8C-6354	1	CAP-RECEPTACLE (ET CONNECTOR)						
		2	8L-8413	4	STRAP-CABLE						
		2	8T-8737	5	PLUG-SEAL						
	25	2	137-6432	1	PANEL AS						

# OPERATOR STATION

136-2626 PANEL GP-INSTRUMENT (contd.)

i01493106

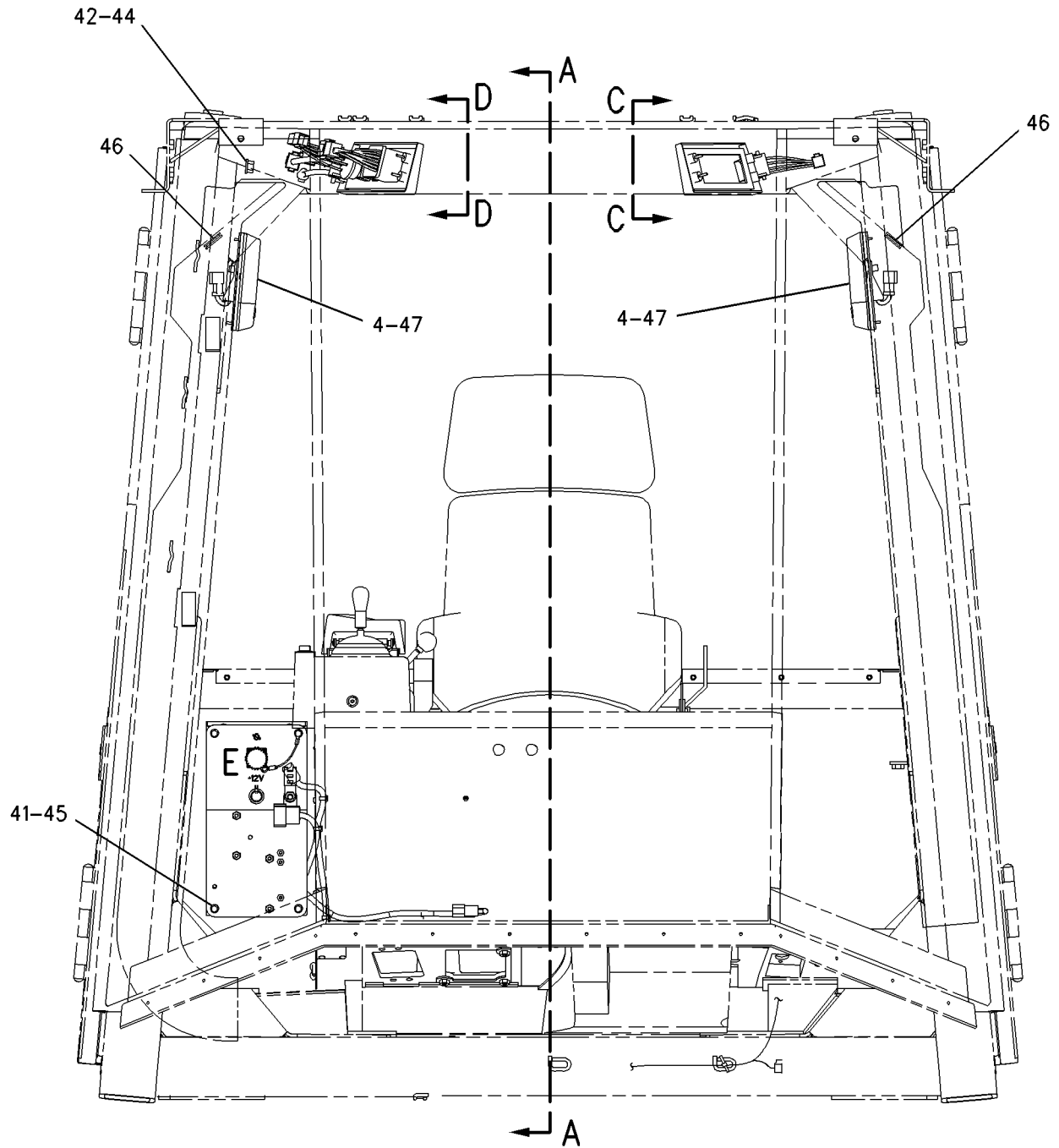
NOTE	REF NO	GRAPHIC REF	PART NUMBER	QTY	PART NAME						SEE PAGE
					1	2	3	4	5	6 (PRODUCT LEVEL)	
M		2	<b>6V-9632</b>	4	NUT-WELD (M6X1-THD)						
M		2	<b>8T-8874</b>	3	NUT-WELD (M5X0.8-THD)						
	26	2	<b>138-4837</b>	1	BEZEL						
	27	2	<b>138-7820</b>	1	FILM-POWER RECEPTACLE PANEL						
	28	2	<b>116-0434</b>	1	FILM-IDENTIFICATION (FRONT UPPER PANEL, RH)						
	29	2	<b>138-7822</b>	1	FILM-IDENTIFICATION (REAR UPPER PANEL, RH)						
	30	2	<b>138-7823</b>	1	FILM-IDENTIFICATION (UPPER PANEL, LH)						
	31	2	<b>180-2554</b>	1	SWITCH AS (KICKOUT SET)						
	32	2	<b>180-2556</b>	1	SWITCH AS (STAIRWAY ACCESS LIGHT)						
	33	2	<b>165-5963</b>	1	SWITCH AS-ROCKER (HEATER/AC SELECTOR)						
	34	2	<b>180-2564</b>	1	SWITCH AS-ROCKER (FAN BLOWER SPEED)						
	36	2	<b>193-5895</b>	1	SWITCH AS-ROCKER (LOOSE MATERIAL SELECTOR)						
	37	2	<b>4P-7581</b>	1	CLIP						
M	38	2	<b>5C-2890</b>	1	NUT (M6X1-THD)						
M	39	2	<b>5C-7261</b>	4	NUT (M8X1.25-THD)						
M	40	2	<b>8T-4133</b>	1	NUT (M10X1.5-THD)						
	41	1,2	<b>8T-4205</b>	5	WASHER-HARD (7.2X14.5X2-MM THK)						
	42	1	<b>8T-4223</b>	1	WASHER-HARD (13.5X25.5X3-MM THK)						
	43	2	<b>8T-4224</b>	4	WASHER-HARD (8.8X16X2-MM THK)						
M	44	1	<b>8T-4244</b>	1	NUT (M12X1.75-THD)						
M	45	1,2	<b>8T-4970</b>	4	BOLT (M6X1X14-MM)						
	46	1	<b>9G-2673</b>	2	GROMMET						
M	47	1,2	<b>9X-1046</b>	18	SCREW (M4X0.7X18-MM)						
M	48	2	<b>9X-2480</b>	2	BOLT (M6X1X45-MM)						
	49	2	<b>123-6383</b>	1	SWITCH AS-ROTARY (24-VOLT, 4-POSITION) (REDUCED RIMPULL SELECTOR)						
		2	<b>3E-3383</b>	1	WEDGE-RECEPTACLE LOCK (6-PIN)						
		2	<b>8T-8737</b>	1	PLUG-SEAL						
		2	<b>9W-0852</b>	5	PIN-CONNECTOR (14-GA TO 16-GA)						
		2	<b>102-8805</b>	1	KIT-RECEPTACLE (6-PIN)						
					(INCLUDES RECEPTACLE AS AND WEDGE)						
	50	2	<b>5P-7958</b>	1	SLEEVE-CABLE SPLICE						

M - METRIC PART  
Y - SEPARATE ILLUSTRATION

# OPERATOR STATION

136-2626 PANEL GP-INSTRUMENT (contd.)

i01493106



FRONT VIEW

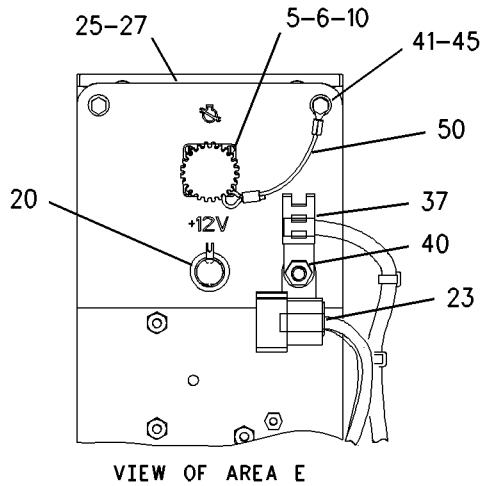
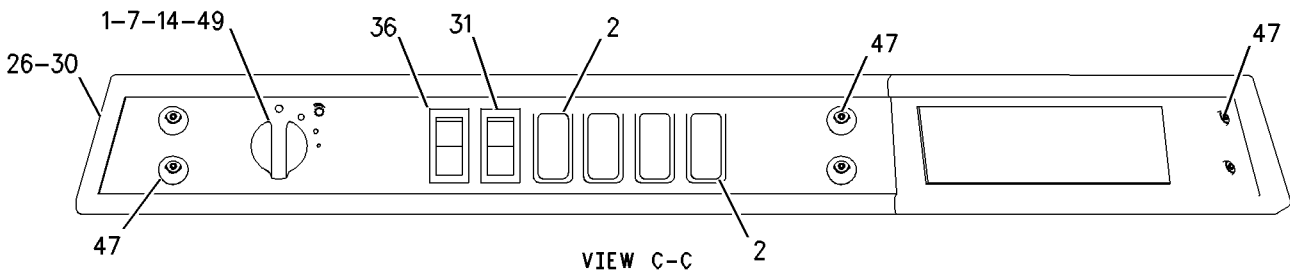
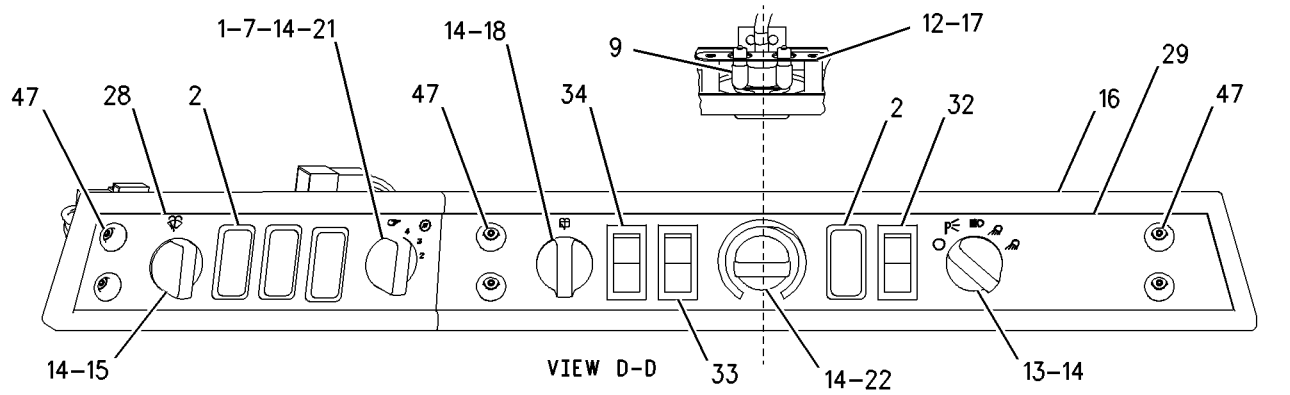
GRAPHIC #1

g00682453

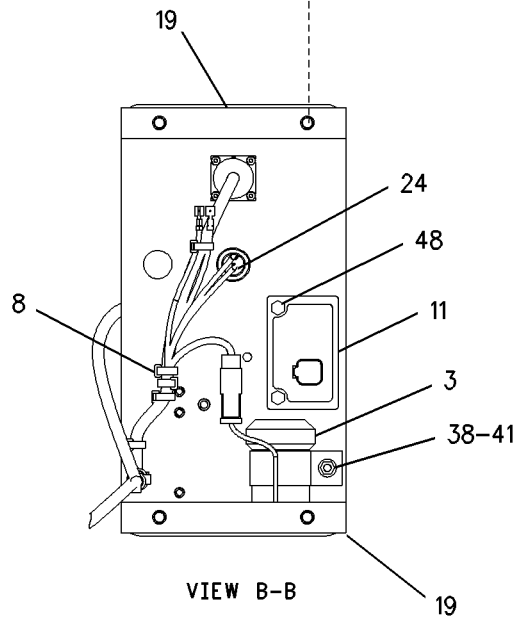
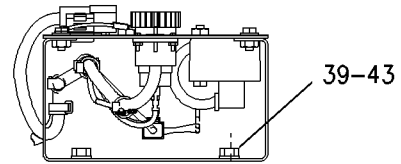
# OPERATOR STATION

136-2626 PANEL GP-INSTRUMENT (contd.)

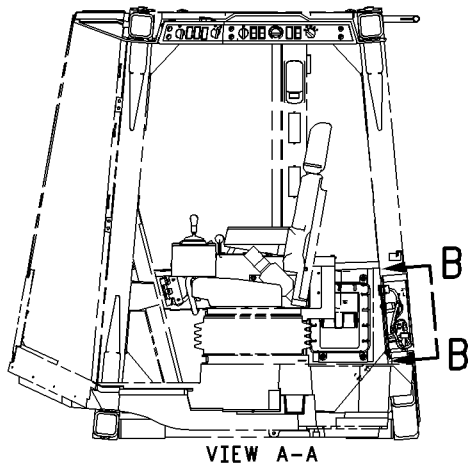
i01493106



VIEW OF AREA E



VIEW B-B



VIEW A-A

GRAPHIC #2

<END>

g00690443

# OPERATOR STATION

## 136-2626 PANEL GP-INSTRUMENT-UPPER

S/N: BNH1-709

PART OF 202-9742 CAB AR

SMCS-7451

i01632425

NOTE	REF NO	GRAPHIC REF	PART NUMBER	QTY	PART NAME						SEE PAGE
					1	2	3	4	5	6 (PRODUCT LEVEL)	
	1	2	2H-3920	2	LOCKWASHER						
	2	2	3E-0109	8	PLUG (ROCKER SWITCH)						
Y	3	2	3E-6328	1	ALARM GP (24-VOLT) (ACTION)						216
Y	4	1	3E-6389	2	LAMP GP-DOME (24-VOLT)						259
	5	2	5S-4245	4	SCREW-MACHINE (4-40X0.5-IN)						
	6	2	6B-4540	4	NUT (4-40-THD)						
	7	2	6V-8369	2	NUT (7/16-28-THD)						
	8	2	7K-1181	4	STRAP-CABLE						
	9	2	7N-5876	2	LAMP (24-VOLT, 0.2-AMPERE)						
	10	2	096-5962	4	WASHER-HARD (3.4X7X0.8-MM THK)						
Y	11	2	103-5526	1	CONTROL GP-MONITOR (BACKLIGHT DIMMER)						1107
	12	2	104-2091	2	SCREW-FLAT HEAD (6-20X0.5-IN)						
	13	2	108-3320	1	SWITCH AS-ROTARY (24-VOLT, 5-POSITION) (RUNNING/FLOOD/PANEL/TAIL LIGHT)						
		2	3E-3389	1	WEDGE-RECEPTACLE LOCK (8-PIN)						
		2	9W-0852	8	PIN-CONNECTOR (14-GA TO 16-GA)						
		2	102-8806	1	KIT-RECEPTACLE (8-PIN)						
	14	2	110-6109	6	KNOB-CONTROL						
	15	2	110-7886	1	SWITCH AS-WIPER (24-VOLT) (FRONT INTERMITTENT)						
		2	2H-3920	1	LOCKWASHER						
		2	3E-3389	1	WEDGE-RECEPTACLE LOCK (8-PIN)						
		2	6V-8369	1	NUT (7/16-28-THD)						
		2	8T-8729	3	PIN-CONNECTOR (16-GA TO 18-GA)						
		2	8T-8737	1	PLUG-SEAL						
		2	9W-0852	4	PIN-CONNECTOR (14-GA TO 16-GA)						
		2	102-8806	1	KIT-RECEPTACLE (8-PIN)						
	16	2	112-5419	1	BEZEL (RH)						
	17	2	112-5421	1	STRIP						
	18	2	112-6174	1	SWITCH GP-ROTARY (WIPER, WASHER) (REAR WIPER)						
	19	2	113-0002	2	STRIP AS						
					(EACH INCLUDES)						
M		2	6V-9632	2	NUT-WELD (M6X1-THD)						
	20	2	117-2311	1	SOCKET-AUXILIARY POWER (12-VOLT)						
	21	2	123-6383	1	SWITCH AS-ROTARY (24-VOLT, 4-POSITION) (TMSN AUTO/MANUAL SELECTOR)						
		2	3E-3383	1	WEDGE-RECEPTACLE LOCK (6-PIN)						
		2	8T-8737	1	PLUG-SEAL						
		2	9W-0852	5	PIN-CONNECTOR (14-GA TO 16-GA)						
		2	102-8805	1	KIT-RECEPTACLE (6-PIN)						
	22	2	127-4540	1	POTENTIOMETER AS (TEMPERATURE SELECTOR)						
		2	3S-2093	1	STRAP-CABLE						
		2	9W-0852	3	PIN-CONNECTOR (14-GA TO 16-GA)						
		2	102-8803	1	KIT-RECEPTACLE (3-PIN)						
	23	2	130-5300	1	CLIP						
	24	2	136-4802	1	HARNESS AS-POWER (AUXILIARY)						
		2	155-2270	1	KIT-CONNECTING PLUG (2-PIN)						
		2	102-8801	1	KIT-RECEPTACLE (12-PIN)						
		2	8C-6354	1	CAP-RECEPTACLE (ET CONNECTOR)						
		2	8L-8413	4	STRAP-CABLE						
		2	8T-8737	5	PLUG-SEAL						
C	25	2	211-4983	1	PANEL AS						
M		2	6V-9632	4	NUT-WELD (M6X1-THD)						
M		2	8T-8874	3	NUT-WELD (M5X0.8-THD)						
	26	2	138-4837	1	BEZEL						
C	27	2	211-3529	1	FILM-IDENTIFICATION (REAR PANEL)						
	28	2	116-0434	1	FILM-IDENTIFICATION (FRONT UPPER PANEL, RH)						
	29	2	138-7822	1	FILM-IDENTIFICATION (REAR UPPER PANEL, RH)						

# OPERATOR STATION

136-2626 PANEL GP-INSTRUMENT (contd.)

i01632425

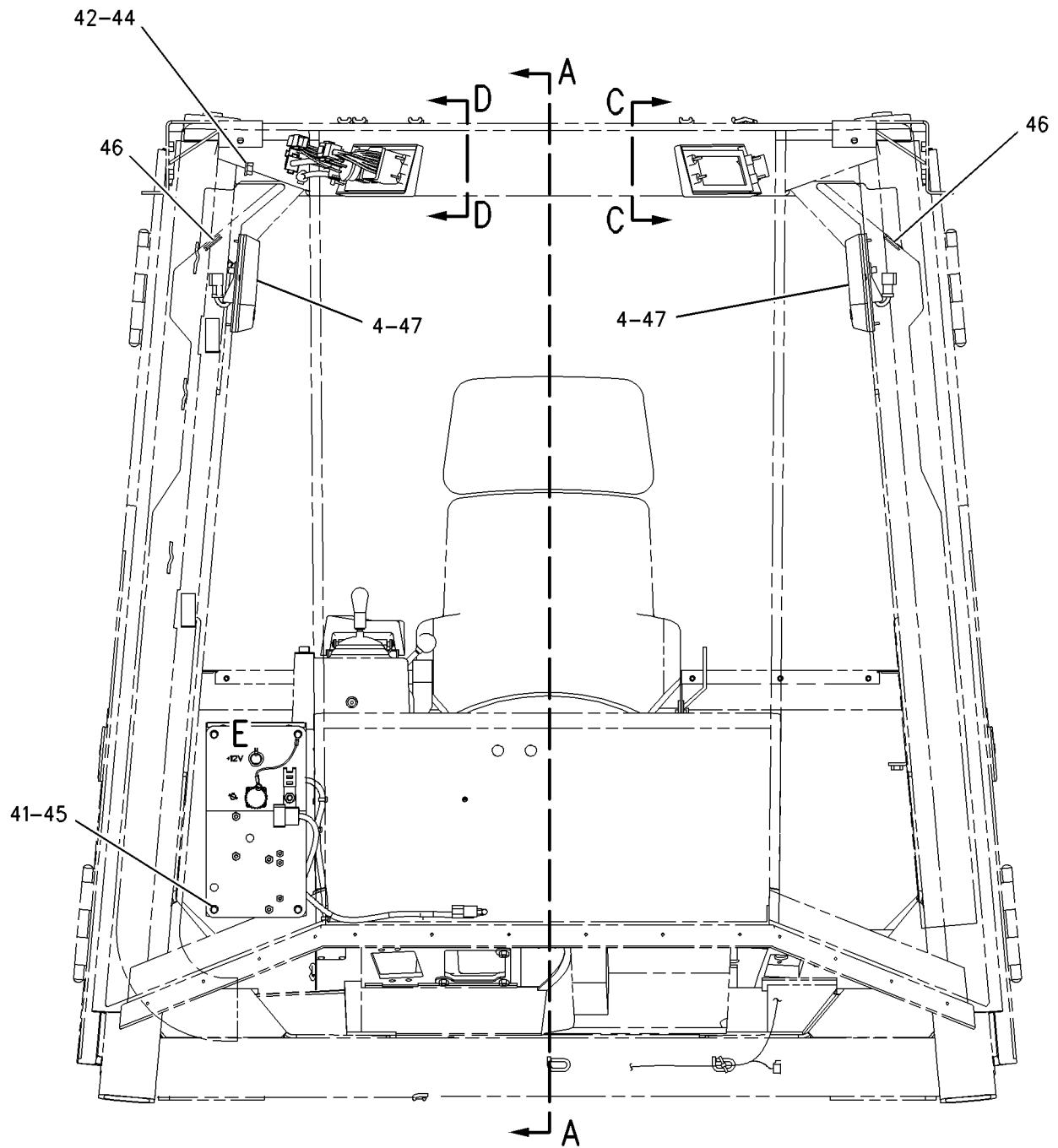
NOTE	REF NO	GRAPHIC REF	PART NUMBER	QTY	PART NAME						SEE PAGE
					1	2	3	4	5	6 (PRODUCT LEVEL)	
	30	2	<b>138-7823</b>	1	FILM-IDENTIFICATION (UPPER PANEL, LH)						
	31	2	<b>180-2554</b>	1	SWITCH AS (KICKOUT SET)						
	32	2	<b>180-2556</b>	1	SWITCH AS (STAIRWAY ACCESS LIGHT)						
	33	2	<b>165-5963</b>	1	SWITCH AS-ROCKER (HEATER/AC SELECTOR)						
	34	2	<b>180-2564</b>	1	SWITCH AS-ROCKER (FAN BLOWER SPEED)						
	36	2	<b>193-5895</b>	1	SWITCH AS-ROCKER (LOOSE MATERIAL SELECTOR)						
	37	2	<b>4P-7581</b>	1	CLIP						
M	38	2	<b>5C-2890</b>	1	NUT (M6X1-THD)						
M	39	2	<b>5C-7261</b>	4	NUT (M8X1.25-THD)						
M	40	2	<b>8T-4133</b>	1	NUT (M10X1.5-THD)						
	41	1,2	<b>8T-4205</b>	5	WASHER-HARD (7.2X14.5X2-MM THK)						
	42	1	<b>8T-4223</b>	1	WASHER-HARD (13.5X25.5X3-MM THK)						
	43	2	<b>8T-4224</b>	4	WASHER-HARD (8.8X16X2-MM THK)						
M	44	1	<b>8T-4244</b>	1	NUT (M12X1.75-THD)						
M	45	1,2	<b>8T-4970</b>	4	BOLT (M6X1X14-MM)						
	46	1	<b>9G-2673</b>	2	GROMMET						
M	47	1,2	<b>9X-1046</b>	18	SCREW (M4X0.7X18-MM)						
M	48	2	<b>9X-2480</b>	2	BOLT (M6X1X45-MM)						
	49	2	<b>123-6383</b>	1	SWITCH AS-ROTARY (24-VOLT, 4-POSITION) (REDUCED RIMPULL SELECTOR)						
		2	<b>3E-3383</b>	1	WEDGE-RECEPTACLE LOCK (6-PIN)						
		2	<b>8T-8737</b>	1	PLUG-SEAL						
		2	<b>9W-0852</b>	5	PIN-CONNECTOR (14-GA TO 16-GA)						
		2	<b>102-8805</b>	1	KIT-RECEPTACLE (6-PIN)						
	50	2	<b>5P-7958</b>	1	SLEEVE-CABLE SPLICE						

C - CHANGE FROM PREVIOUS TYPE  
M - METRIC PART  
Y - SEPARATE ILLUSTRATION

# OPERATOR STATION

136-2626 PANEL GP-INSTRUMENT (contd.)

i01632425



FRONT VIEW

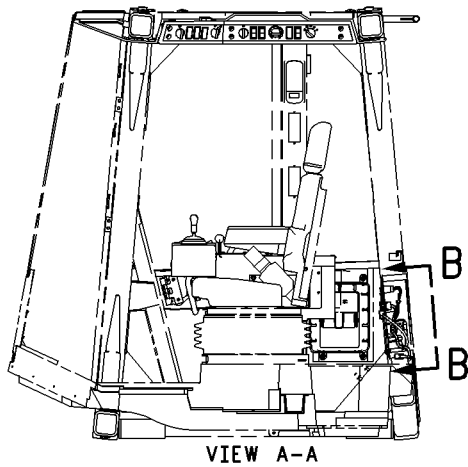
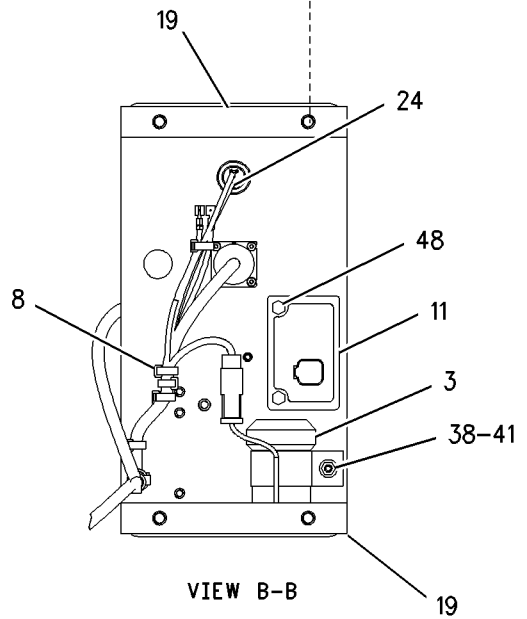
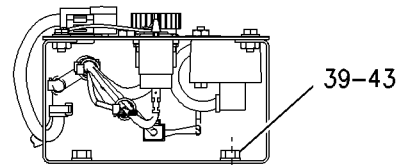
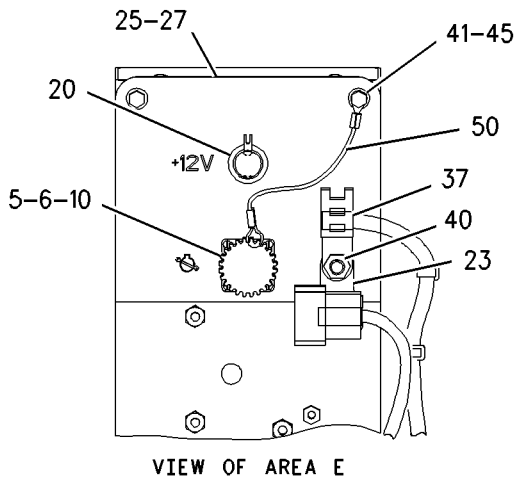
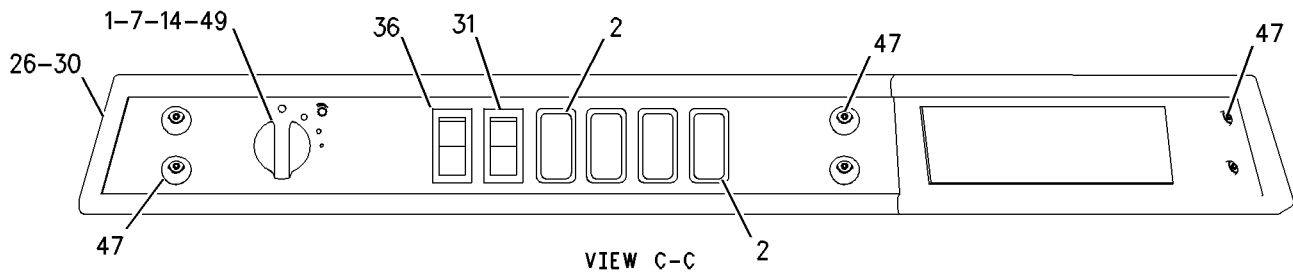
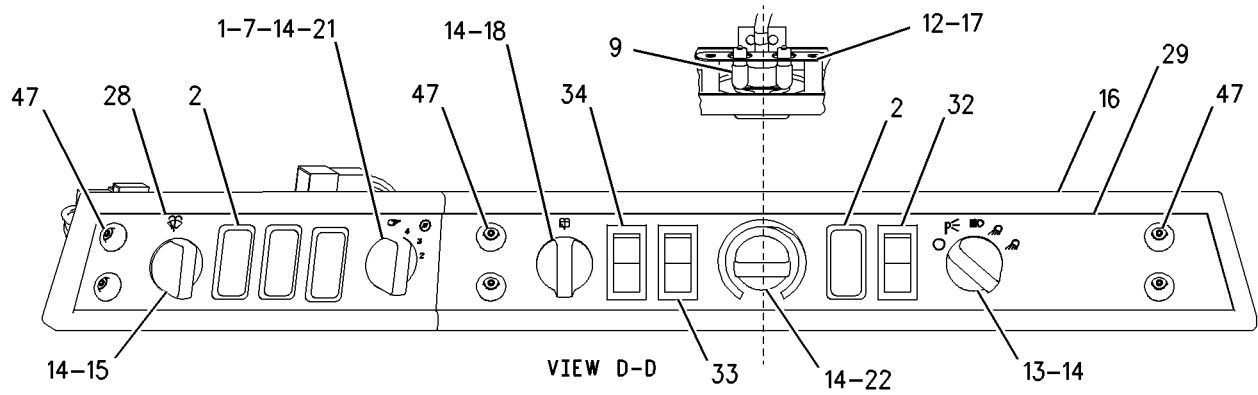
GRAPHIC #1

g00849414

# OPERATOR STATION

136-2626 PANEL GP-INSTRUMENT (contd.)

i01632425



GRAPHIC #2

<END>

g00849415



# OPERATOR STATION

## 136-2626 PANEL GP-INSTRUMENT-UPPER

S/N: BNH710-UP

PART OF 202-9742 CAB AR

SMCS-7451

i01951981

NOTE	REF NO	GRAPHIC REF	PART NUMBER	QTY	PART NAME						SEE PAGE
					1	2	3	4	5	6 (PRODUCT LEVEL)	
	1	2	2H-3920	2	LOCKWASHER						
	2	2	3E-0109	8	PLUG (ROCKER SWITCH)						
Y	3	2	3E-6328	1	ALARM GP (24-VOLT) (ACTION)						216
Y	4	1	3E-6389	2	LAMP GP-DOME (24-VOLT)						259
	5	2	5S-4245	4	SCREW-MACHINE (4-40X0.5-IN)						
	6	2	6B-4540	4	NUT (4-40-THD)						
	7	2	6V-8369	2	NUT (7/16-28-THD)						
	8	2	7K-1181	4	STRAP-CABLE						
	9	2	7N-5876	2	LAMP (24-VOLT, 0.2-AMPERE)						
	10	2	096-5962	4	WASHER-HARD (3.4X7X0.8-MM THK)						
Y	11	2	103-5526	1	CONTROL GP-MONITOR (BACKLIGHT DIMMER)						1107
	12	2	104-2091	2	SCREW-FLAT HEAD (6-20X0.5-IN)						
	13	2	108-3320	1	SWITCH AS-ROTARY (24-VOLT, 5-POSITION) (RUNNING/FLOOD/PANEL/TAIL LIGHT)						
		2	3E-3389	1	WEDGE-RECEPTACLE LOCK (8-PIN)						
		2	9W-0852	8	PIN-CONNECTOR (14-GA TO 16-GA)						
		2	102-8806	1	KIT-RECEPTACLE (8-PIN)						
	14	2	110-6109	6	KNOB-CONTROL						
	15	2	110-7886	1	SWITCH AS-WIPER (24-VOLT) (FRONT INTERMITTENT)						
		2	2H-3920	1	LOCKWASHER						
		2	3E-3389	1	WEDGE-RECEPTACLE LOCK (8-PIN)						
		2	6V-8369	1	NUT (7/16-28-THD)						
		2	8T-8729	3	PIN-CONNECTOR (16-GA TO 18-GA)						
		2	8T-8737	1	PLUG-SEAL						
		2	9W-0852	4	PIN-CONNECTOR (14-GA TO 16-GA)						
		2	102-8806	1	KIT-RECEPTACLE (8-PIN)						
	16	2	112-5419	1	BEZEL (RH)						
	17	2	112-5421	1	STRIP						
	18	2	112-6174	1	SWITCH GP-ROTARY (WIPER, WASHER) (REAR WIPER)						
	19	2	113-0002	2	STRIP AS						
					(EACH INCLUDES)						
M		2	6V-9632	2	NUT-WELD (M6X1-THD)						
	20	2	117-2311	1	SOCKET-AUXILIARY POWER (12-VOLT)						
	21	2	123-6383	1	SWITCH AS-ROTARY (24-VOLT, 4-POSITION) (TMSN AUTO/MANUAL SELECTOR)						
		2	3E-3383	1	WEDGE-RECEPTACLE LOCK (6-PIN)						
		2	8T-8737	1	PLUG-SEAL						
		2	9W-0852	5	PIN-CONNECTOR (14-GA TO 16-GA)						
		2	102-8805	1	KIT-RECEPTACLE (6-PIN)						
	22	2	127-4540	1	POTENTIOMETER AS (TEMPERATURE SELECTOR)						
		2	3S-2093	1	STRAP-CABLE						
		2	9W-0852	3	PIN-CONNECTOR (14-GA TO 16-GA)						
		2	102-8803	1	KIT-RECEPTACLE (3-PIN)						
	23	2	130-5300	1	CLIP						
	24	2	136-4802	1	HARNESS AS-POWER (AUXILIARY)						
		2	155-2270	1	KIT-CONNECTING PLUG (2-PIN)						
		2	102-8801	1	KIT-RECEPTACLE (12-PIN)						
		2	8C-6354	1	CAP-RECEPTACLE (ET CONNECTOR)						
		2	8L-8413	4	STRAP-CABLE						
		2	8T-8737	5	PLUG-SEAL						
	25	2	211-4983	1	PANEL AS						
M		2	6V-9632	4	NUT-WELD (M6X1-THD)						
M		2	8T-8874	3	NUT-WELD (M5X0.8-THD)						
	26	2	138-4837	1	BEZEL						
	27	2	211-3529	1	FILM-IDENTIFICATION (REAR PANEL)						
	28	2	116-0434	1	FILM-IDENTIFICATION (FRONT UPPER PANEL, RH)						
	29	2	138-7822	1	FILM-IDENTIFICATION (REAR UPPER PANEL, RH)						

# OPERATOR STATION

136-2626 PANEL GP-INSTRUMENT (contd.)

i01951981

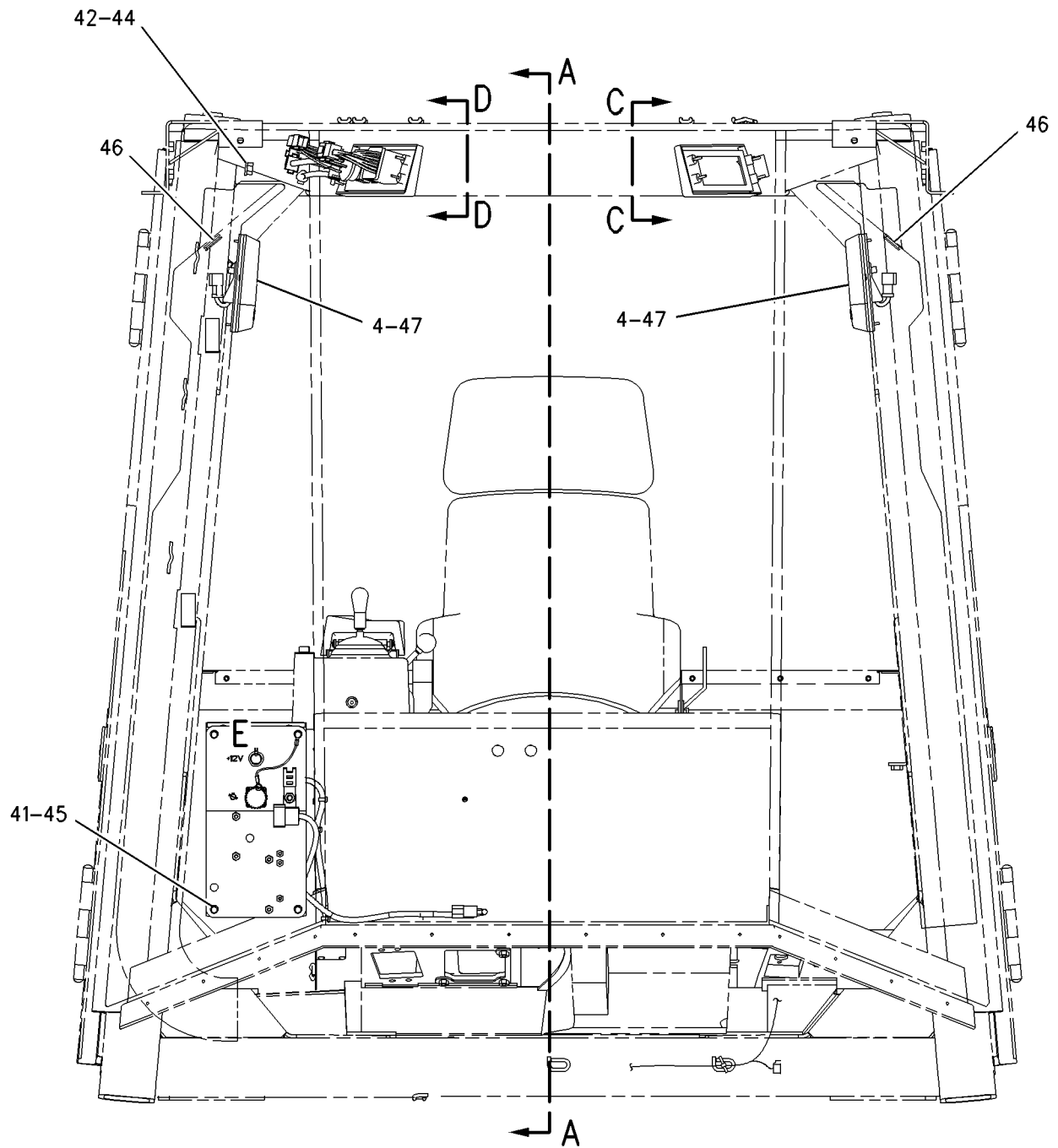
NOTE	REF NO	GRAPHIC REF	PART NUMBER	QTY	PART NAME						SEE PAGE
					1	2	3	4	5	6 (PRODUCT LEVEL)	
	30	2	<b>138-7823</b>	1	FILM-IDENTIFICATION (UPPER PANEL, LH)						
C	31	2	<b>223-8972</b>	1	SWITCH AS-ROCKER (KICKOUT SET)						
C	32	2	<b>223-8971</b>	1	SWITCH AS-ROCKER (24-VOLT) (STAIRWAY ACCESS LIGHT)						
C	33	2	<b>219-9521</b>	1	SWITCH AS-ROCKER (24-VOLT) (HEATER/AC SELECTOR)						
C	34	2	<b>219-9523</b>	1	SWITCH AS-ROCKER (24-VOLT) (FAN BLOWER SPEED)						
C	36	2	<b>232-3243</b>	1	SWITCH AS-ROCKER (LOOSE MATERIAL SELECTOR)						
	37	2	<b>4P-7581</b>	1	CLIP						
M	38	2	<b>5C-2890</b>	1	NUT (M6X1-THD)						
M	39	2	<b>5C-7261</b>	4	NUT (M8X1.25-THD)						
M	40	2	<b>8T-4133</b>	1	NUT (M10X1.5-THD)						
	41	1,2	<b>8T-4205</b>	5	WASHER-HARD (7.2X14.5X2-MM THK)						
	42	1	<b>8T-4223</b>	1	WASHER-HARD (13.5X25.5X3-MM THK)						
	43	2	<b>8T-4224</b>	4	WASHER-HARD (8.8X16X2-MM THK)						
M	44	1	<b>8T-4244</b>	1	NUT (M12X1.75-THD)						
M	45	1,2	<b>8T-4970</b>	4	BOLT (M6X1X14-MM)						
	46	1	<b>9G-2673</b>	2	GROMMET						
M	47	1,2	<b>9X-1046</b>	18	SCREW (M4X0.7X18-MM)						
M	48	2	<b>9X-2480</b>	2	BOLT (M6X1X45-MM)						
	49	2	<b>123-6383</b>	1	SWITCH AS-ROTARY (24-VOLT, 4-POSITION) (REDUCED RIMPULL SELECTOR)						
		2	<b>3E-3383</b>	1	WEDGE-RECEPTACLE LOCK (6-PIN)						
		2	<b>8T-8737</b>	1	PLUG-SEAL						
		2	<b>9W-0852</b>	5	PIN-CONNECTOR (14-GA TO 16-GA)						
		2	<b>102-8805</b>	1	KIT-RECEPTACLE (6-PIN)						
	50	2	<b>5P-7958</b>	1	SLEEVE-CABLE SPLICE						

C - CHANGE FROM PREVIOUS TYPE  
M - METRIC PART  
Y - SEPARATE ILLUSTRATION

# OPERATOR STATION

136-2626 PANEL GP-INSTRUMENT (contd.)

i01951981



FRONT VIEW

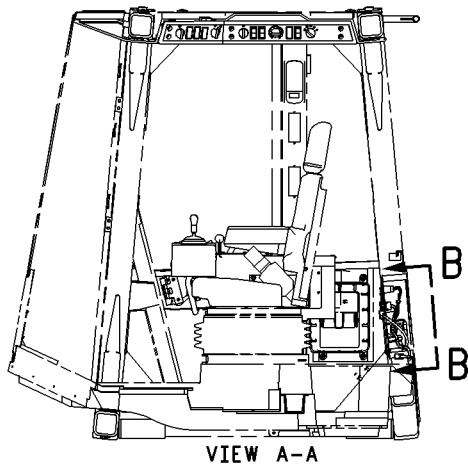
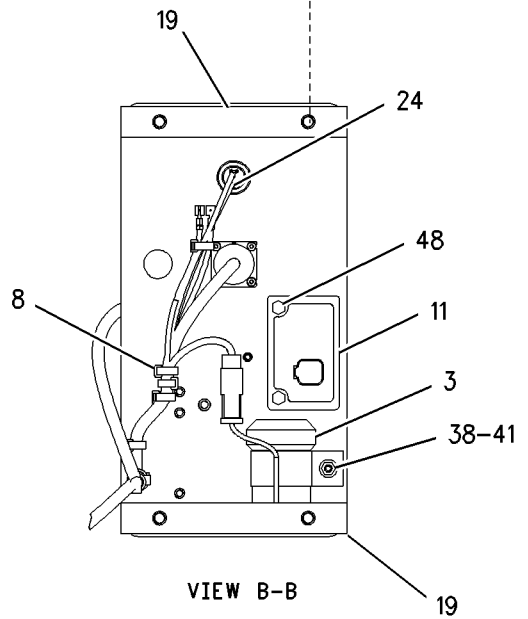
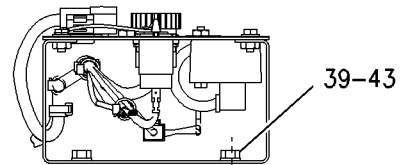
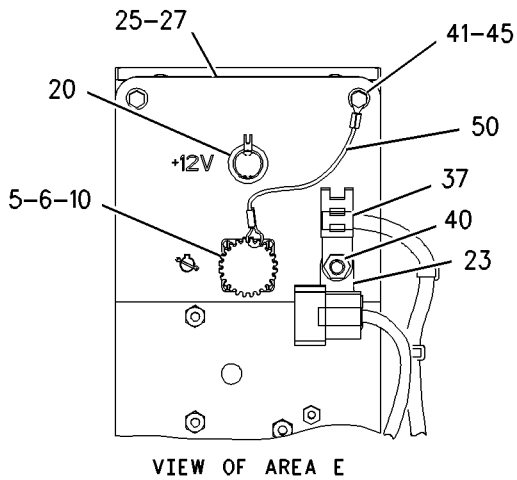
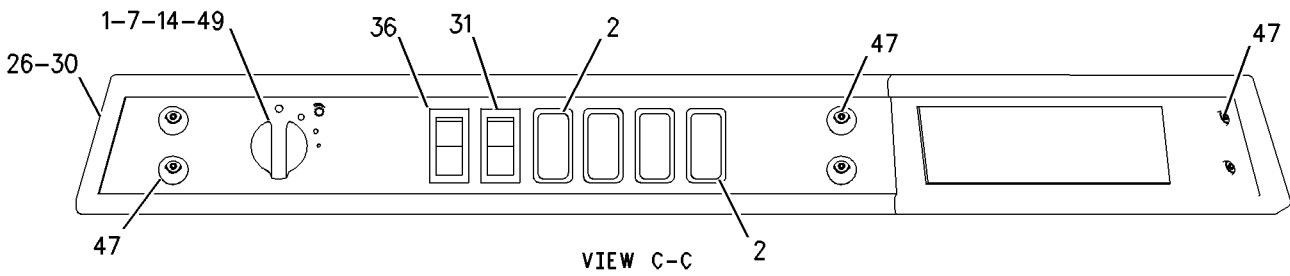
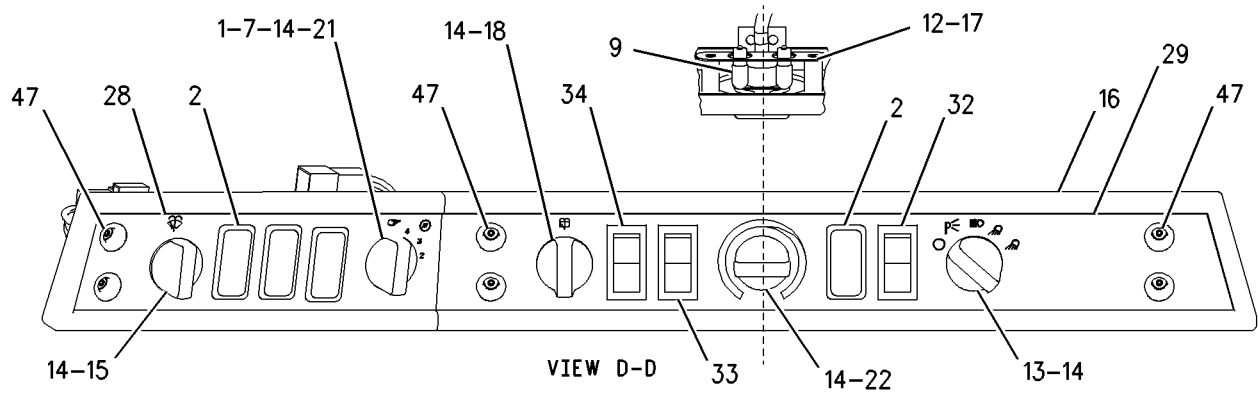
GRAPHIC #1

g00849414

# OPERATOR STATION

136-2626 PANEL GP-INSTRUMENT (contd.)

i01951981



GRAPHIC #2

<END>

g00849415

# OPERATOR STATION

## 202-9746 PANEL GP-INSTRUMENT-LOWER

S/N: BNH1-UP

PART OF 202-9742 CAB AR

TYPE 1

SMCS-7451

i01646230

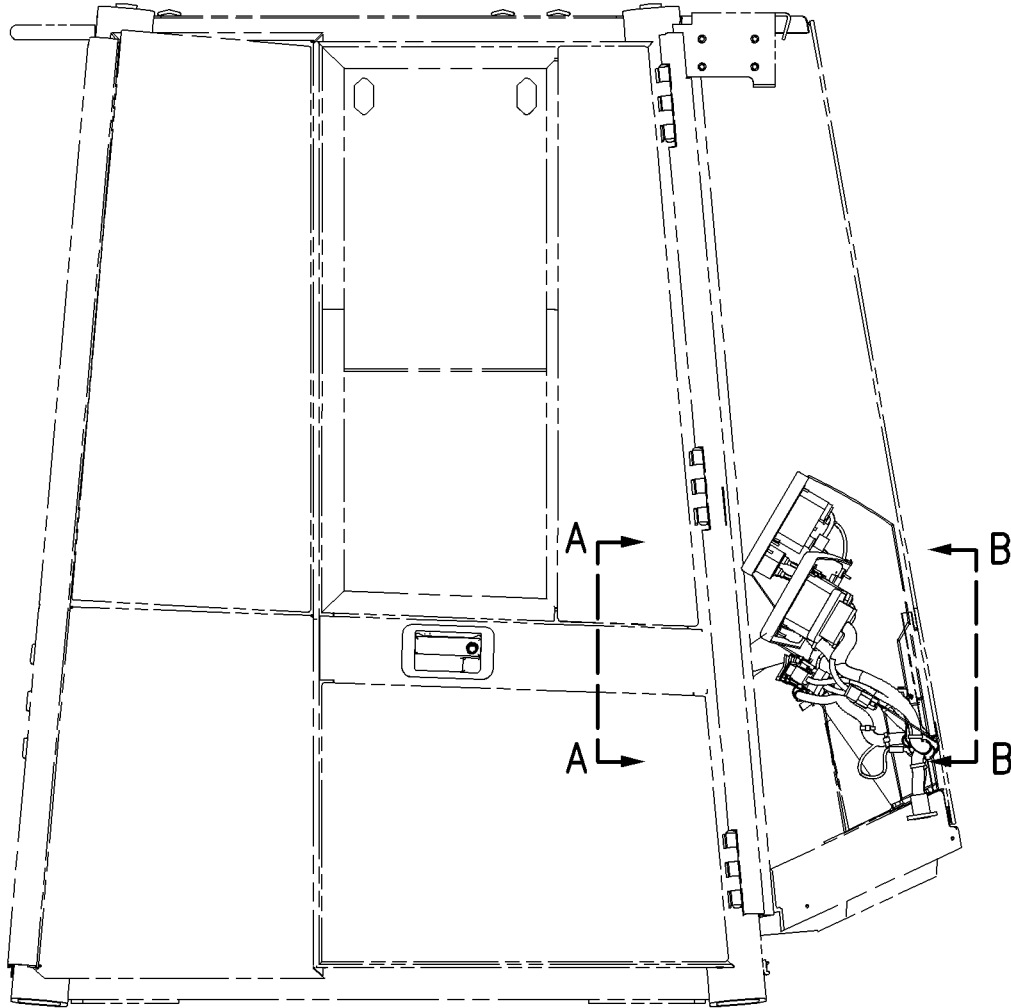
NOTE	REF NO	GRAPHIC REF	PART NUMBER	QTY	PART NAME						SEE PAGE
					1	2	3	4	5	6 (PRODUCT LEVEL)	
	1	2	3E-0109	1	PLUG (ROCKER SWITCH)						
	2	2	3S-2093	2	STRAP-CABLE						
	3	2	7N-5876	4	LAMP (24-VOLT, 0.2-AMPERE)						
	4	1	163-1882	1	LAMP (24-VOLT) (RED)						
	5	2	110-4215	1	BEZEL (CENTER)						
	6	2	110-4216	1	BEZEL (RH)						
	7	2	110-4217	1	BEZEL (LH)						
	8	2	110-7887	1	SWITCH AS-START (KEY)						
		2	3E-3377	1	WEDGE-RECEPTACLE LOCK (4-PIN)						
		2	7T-6799	1	NUT-MOUNTING (1-32-THD)						
		2	186-3735	1	PIN-CONNECTOR (16-GA TO 18-GA)						
		2	102-8804	1	KIT-RECEPTACLE (4-PIN)						
	9	2	110-4218	1	MODULE AS-LIGHT						
M		2	7X-3319	2	SCREW-HEX SOCKET (M4X0.7X6-MM)						
		2	112-5928	1	PLATE						
Y	10	2	154-7443	1	CONTROL GP-UNPRGMED MONITOR (CATERPILLAR MONITORING SYSTEM)						1119
	11	2	155-7447	1	FILM-MONITOR						
Y	12	2	166-6928	1	MODULE GP-QUAD GAUGE						1171
	13	2	170-1303	1	SWITCH AS-ROCKER (ETHER START AID)						
	14	2	170-1307	1	SWITCH AS-ROCKER (OPERATOR MODE SELECTOR)						
	15	2	178-8583	1	MODULE GP-SPEEDOMETER & TACH						
		2	3E-3383	1	WEDGE-RECEPTACLE LOCK (6-PIN)						
		2	8T-8729	6	PIN-CONNECTOR (16-GA TO 18-GA)						
		2	102-8805	1	KIT-RECEPTACLE (6-PIN)						
	16	2	188-3736	1	SWITCH AS-ROCKER (THROTTLE LOCK)						
	17	2	207-7894	1	HARNESS AS-PANEL (INSTRUMENT)						
		2	102-8803	1	KIT-RECEPTACLE (3-PIN)						
		2	102-8806	1	KIT-RECEPTACLE (8-PIN)						
		2	102-8801	1	KIT-RECEPTACLE (12-PIN)						
		2	8L-8413	50	STRAP-CABLE						
		2	8T-8737	39	PLUG-SEAL						
		2	9X-1343	1	RECEPTACLE AS-CONNECTOR (40-PIN)						
		2	9X-7145	1	RECEPTACLE AS-CONNECTOR (24-PIN)						
	18	2	194-2941	1	FILM-PANEL (INDICATOR MODULE)						
	19	2	8T-4223	1	WASHER-HARD (13.5X25.5X3-MM THK)						
M	20	2	8T-4244	1	NUT (M12X1.75-THD)						
	21	2	9M-8406	2	CLIP						
M	22	2	9X-1046	24	SCREW (M4X0.7X18-MM)						
	23	1	163-1883	4	LAMP (24-VOLT)						
	24	2	177-1439	1	PLUG AS						

M - METRIC PART  
Y - SEPARATE ILLUSTRATION

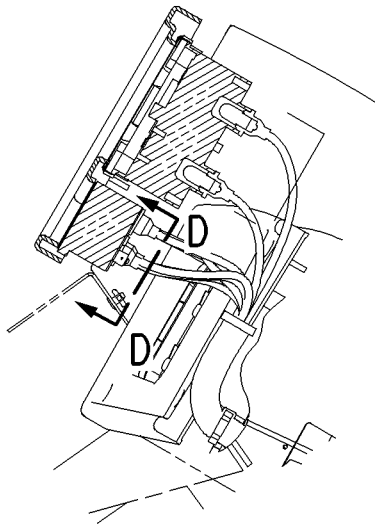
# OPERATOR STATION

202-9746 PANEL GP-INSTRUMENT (contd.)

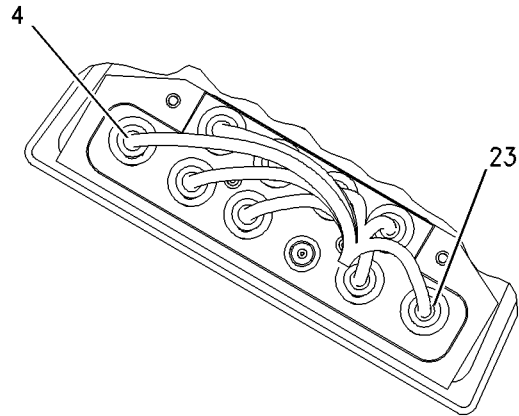
i01646230



REFER TO ALL ILLUSTRATIONS OF THIS GROUP FOR AUXILIARY VIEWS



VIEW C-C



VIEW D-D

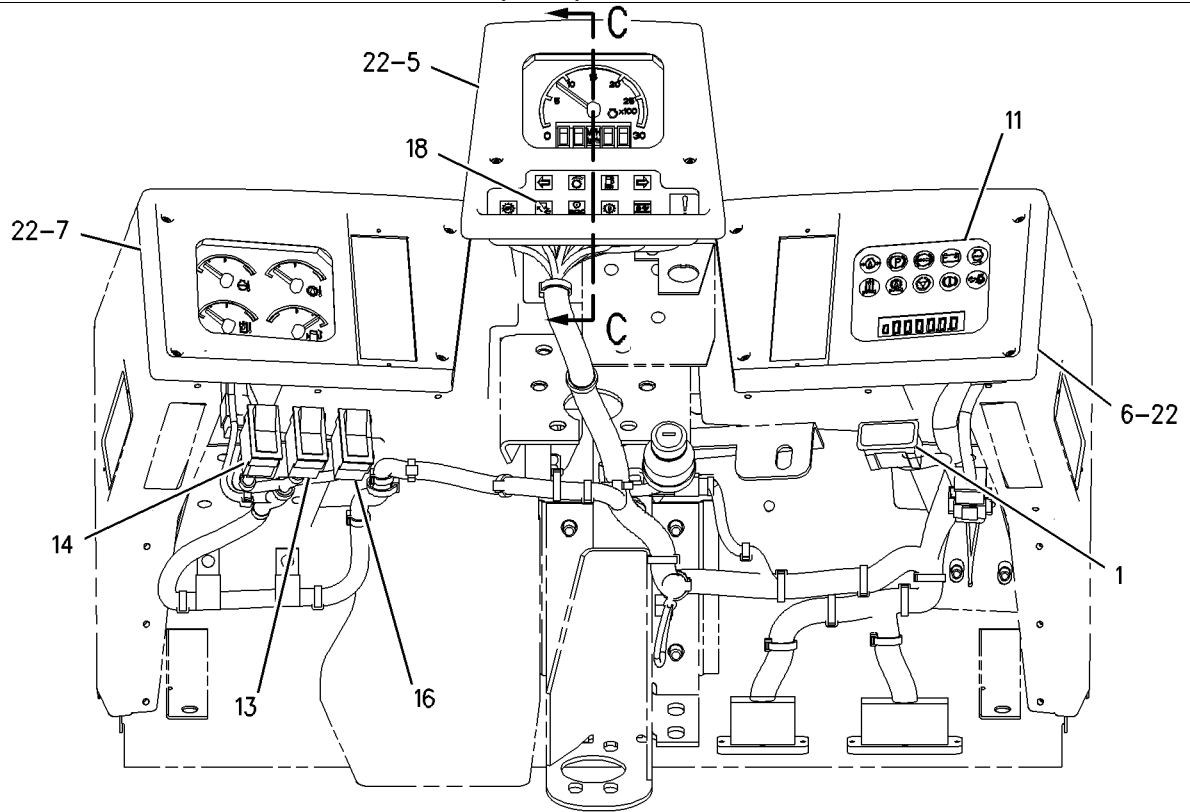
GRAPHIC #1

g00844977

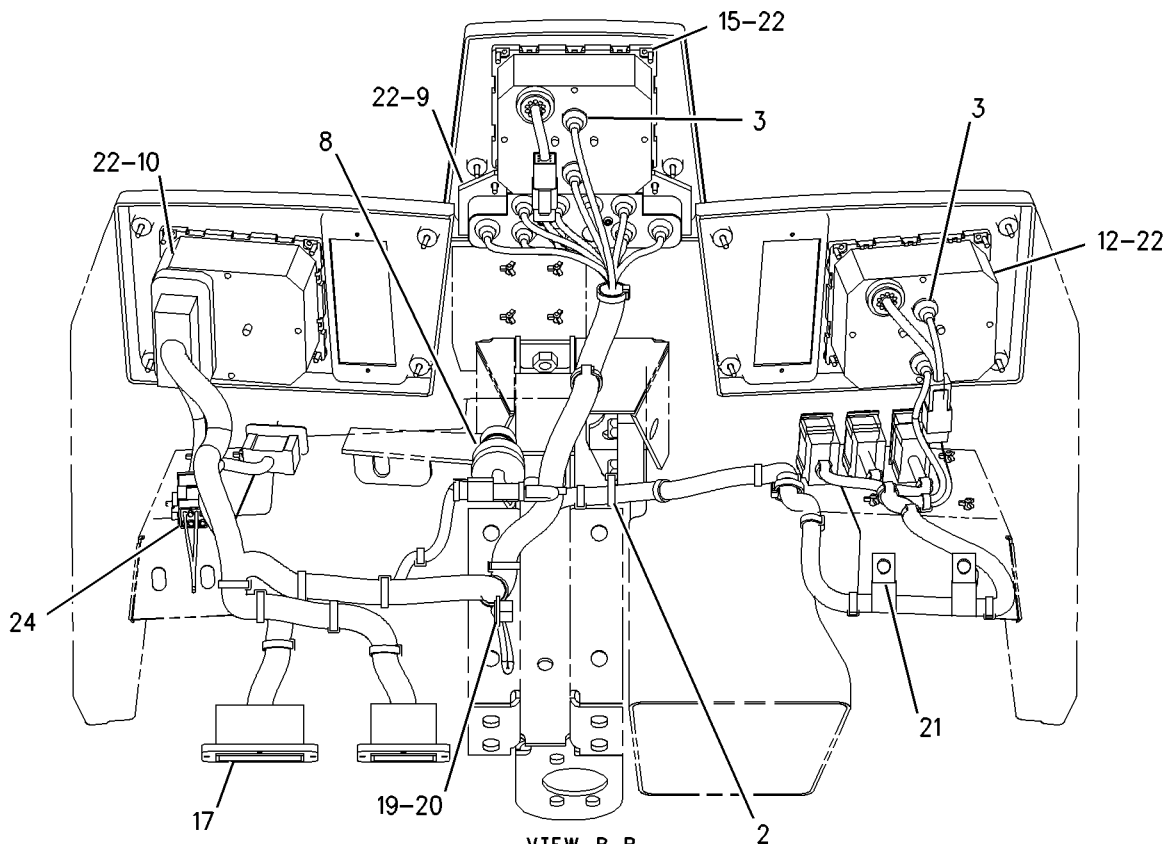
# OPERATOR STATION

202-9746 PANEL GP-INSTRUMENT (contd.)

i01646230



VIEW A-A



VIEW B-B

<END>

GRAPHIC #2

g00844979

# OPERATOR STATION

## 202-9746 PANEL GP-INSTRUMENT-LOWER

S/N: BNH1-UP

PART OF 202-9742 CAB AR

TYPE 2

SMCS-7451

i01945493

NOTE	REF NO	GRAPHIC REF	PART NUMBER	QTY	PART NAME						SEE PAGE
					1	2	3	4	5	6 (PRODUCT LEVEL)	
	1	2	3E-0109	1	PLUG (ROCKER SWITCH)						
	2	2	3S-2093	2	STRAP-CABLE						
	3	2	7N-5876	4	LAMP (24-VOLT, 0.2-AMPERE)						
	4	1	163-1882	1	LAMP (24-VOLT) (RED)						
	5	2	110-4215	1	BEZEL (CENTER)						
	6	2	110-4216	1	BEZEL (RH)						
	7	2	110-4217	1	BEZEL (LH)						
	8	2	110-7887	1	SWITCH AS-START (KEY)						
		2	3E-3377	1	WEDGE-RECEPTACLE LOCK (4-PIN)						
		2	7T-6799	1	NUT-MOUNTING (1-32-THD)						
		2	186-3735	1	PIN-CONNECTOR (16-GA TO 18-GA)						
		2	102-8804	1	KIT-RECEPTACLE (4-PIN)						
	9	2	110-4218	1	MODULE AS-LIGHT						
M			7X-3319	2	SCREW-HEX SOCKET (M4X0.7X6-MM)						
			112-5928	1	PLATE						
Y	10	2	154-7443	1	CONTROL GP-UNPRGMED MONITOR (CATERPILLAR MONITORING SYSTEM)						1119
	11	2	155-7447	1	FILM-MONITOR						
Y	12	2	166-6928	1	MODULE GP-QUAD GAUGE						1171
C	13	2	219-9529	1	SWITCH AS-ROCKER (ETHER START AID)						
C	14	2	220-8358	1	SWITCH AS-ROCKER (24-VOLT) (OPERATOR MODE SELECTOR)						
	15	2	178-8583	1	MODULE GP-SPEEDOMETER & TACH						
		2	3E-3383	1	WEDGE-RECEPTACLE LOCK (6-PIN)						
		2	8T-8729	6	PIN-CONNECTOR (16-GA TO 18-GA)						
		2	102-8805	1	KIT-RECEPTACLE (6-PIN)						
C	16	2	223-8982	1	SWITCH AS-ROCKER (24-VOLT) (THROTTLE LOCK)						
	17	2	207-7894	1	HARNESS AS-PANEL (INSTRUMENT)						
		2	102-8803	1	KIT-RECEPTACLE (3-PIN)						
		2	102-8806	1	KIT-RECEPTACLE (8-PIN)						
		2	102-8801	1	KIT-RECEPTACLE (12-PIN)						
		2	8L-8413	50	STRAP-CABLE						
		2	8T-8737	39	PLUG-SEAL						
		2	9X-1343	1	RECEPTACLE AS-CONNECTOR (40-PIN)						
		2	9X-7145	1	RECEPTACLE AS-CONNECTOR (24-PIN)						
	18	2	194-2941	1	FILM-PANEL (INDICATOR MODULE)						
	19	2	8T-4223	1	WASHER-HARD (13.5X25.5X3-MM THK)						
M	20	2	8T-4244	1	NUT (M12X1.75-THD)						
	21	2	9M-8406	2	CLIP						
M	22	2	9X-1046	24	SCREW (M4X0.7X18-MM)						
	23	1	163-1883	4	LAMP (24-VOLT)						
	24	2	177-1439	1	PLUG AS						

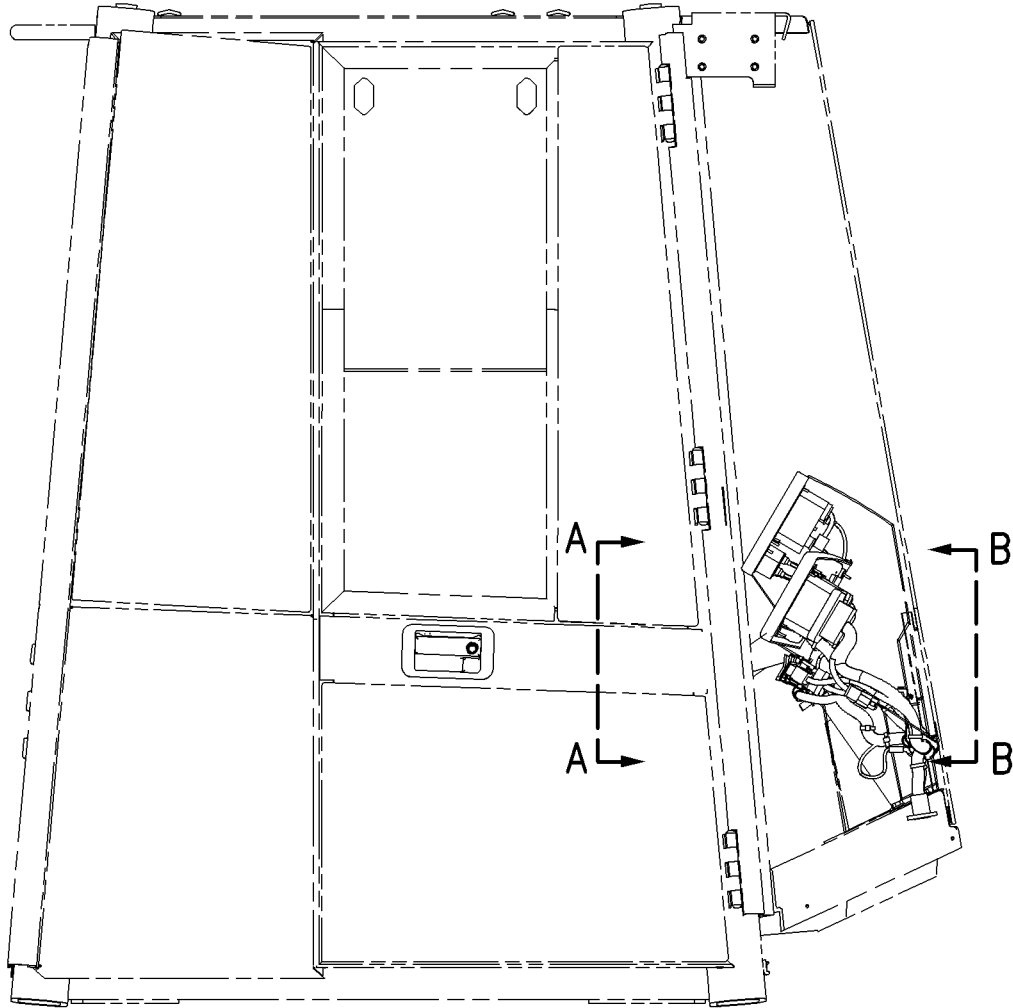
C - CHANGE FROM PREVIOUS TYPE  
M - METRIC PART  
Y - SEPARATE ILLUSTRATION



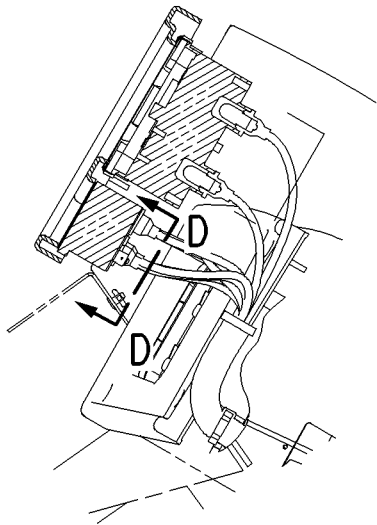
# OPERATOR STATION

202-9746 PANEL GP-INSTRUMENT (contd.)

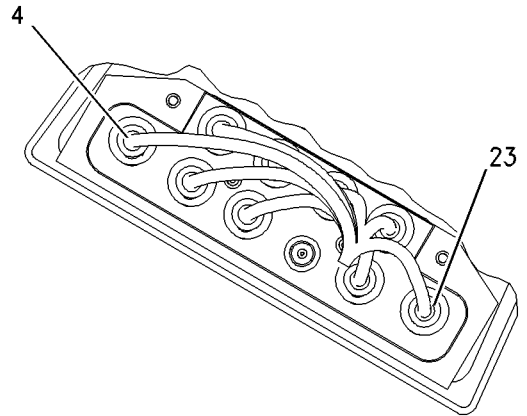
i01945493



REFER TO ALL ILLUSTRATIONS OF THIS GROUP FOR AUXILIARY VIEWS



VIEW C-C



VIEW D-D

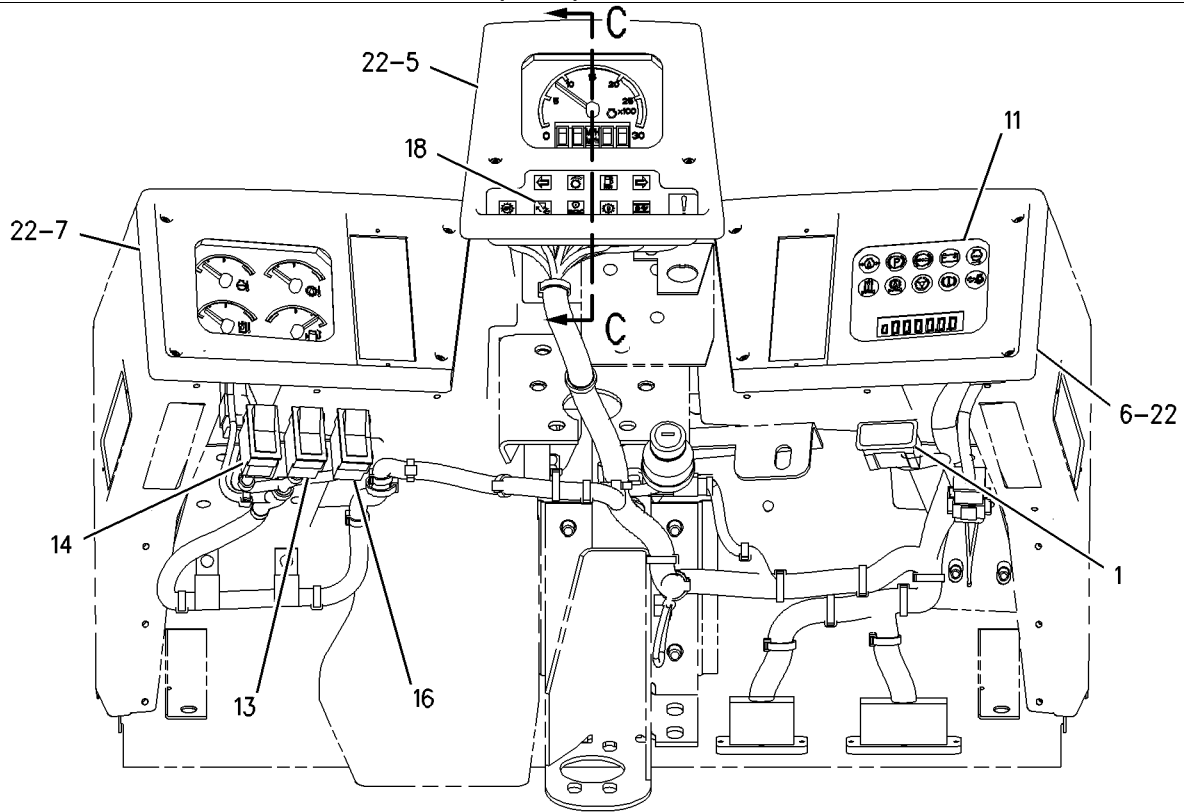
GRAPHIC #1

g00844977

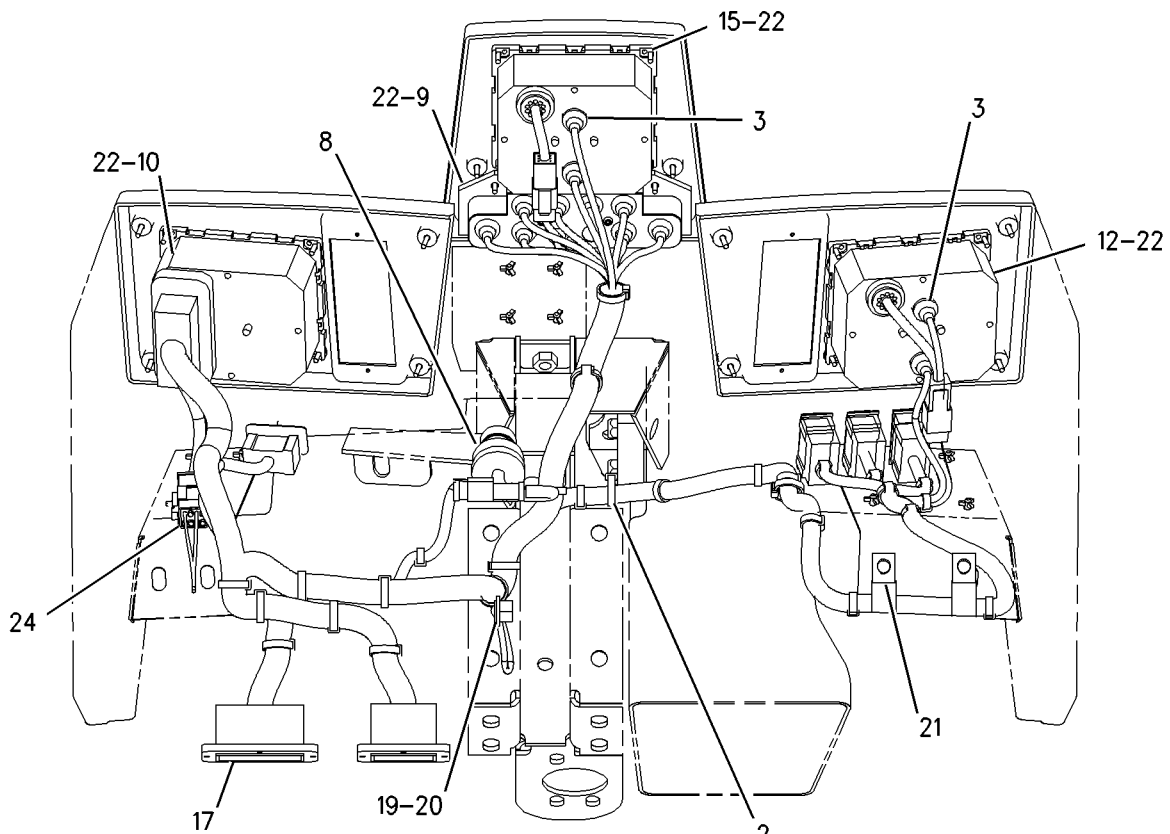
# OPERATOR STATION

202-9746 PANEL GP-INSTRUMENT (contd.)

i01945493



VIEW A-A



VIEW B-B

<END>

GRAPHIC #2

g00844979

# OPERATOR STATION

**227-3192 PANEL GP-INSTRUMENT-UPPER**

S/N: BNH1-UP

PART OF 346-3845 CAB AR

SMCS-7451

i03621242

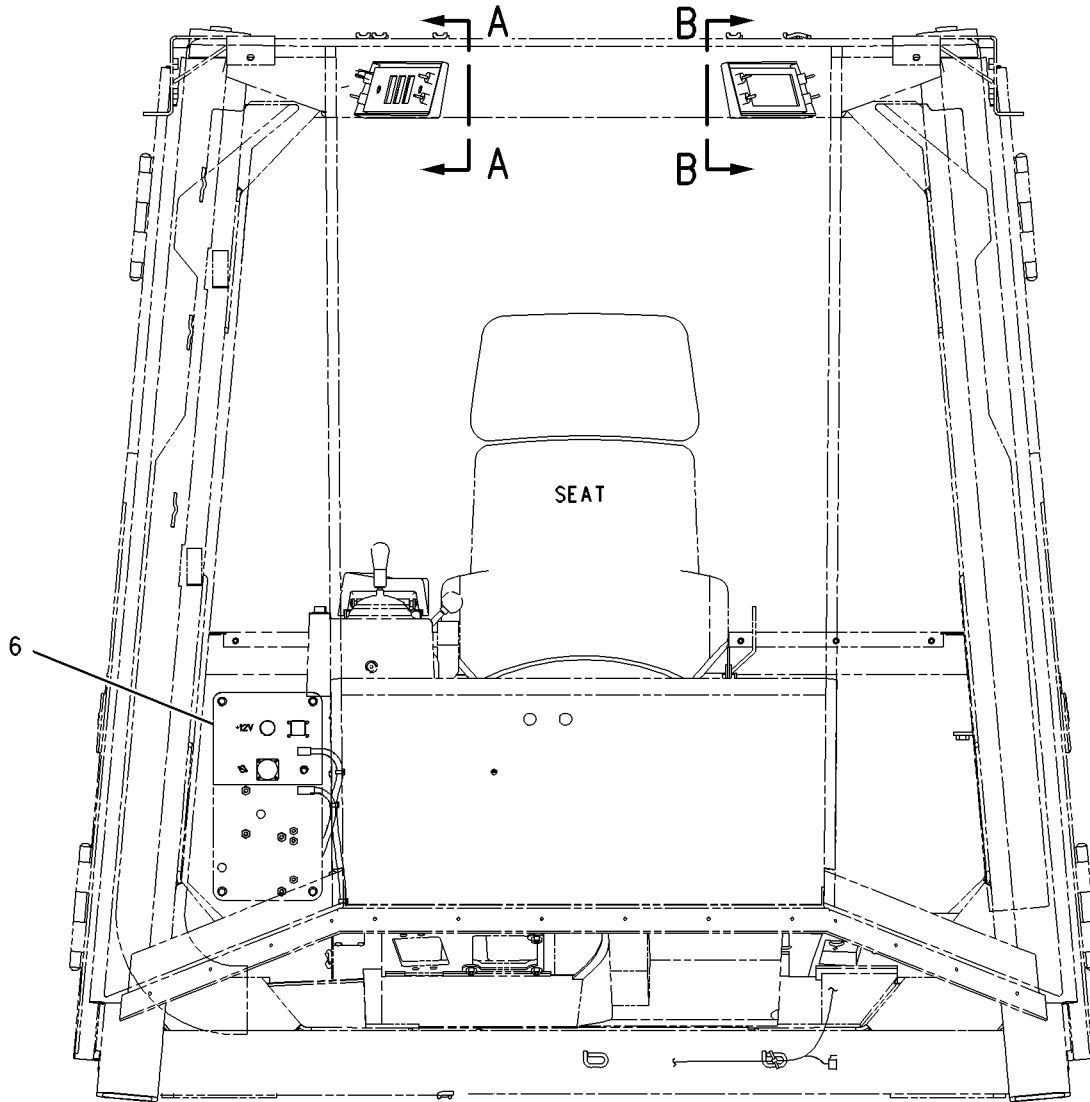
NOTE	REF NO	GRAPHIC REF	PART NUMBER	QTY	PART NAME						SEE PAGE
					1	2	3	4	5	6 (PRODUCT LEVEL)	
	1	1	112-5419	1	BEZEL (RH)						
	2	1	116-0434	1	FILM-IDENTIFICATION (FRONT UPPER PANEL, RH)						
	3	1	138-4837	1	BEZEL (LH)						
	4	1	112-5574	1	FILM-SWITCH PANEL (REAR, RH)						
	5	1	138-7823	1	FILM-IDENTIFICATION (UPPER PANEL, LH)						
	6	1	229-2257	1	FILM-PANEL (REAR)						
M	7	1	7Y-7256	12	SCREW-TRUSS HEAD (M4X0.7X35-MM)						

M - METRIC PART

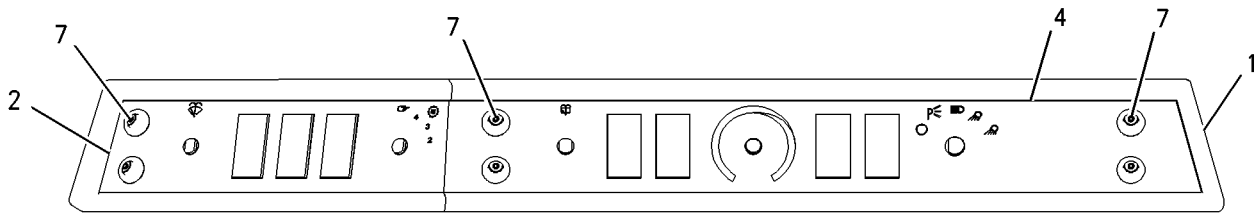
# OPERATOR STATION

227-3192 PANEL GP-INSTRUMENT (contd.)

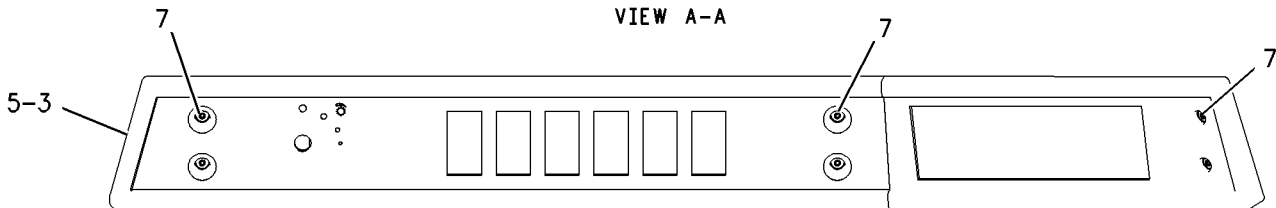
i03621242



FRONT VIEW



VIEW A-A



VIEW B-B

GRAPHIC #1

<END>

g01006038

# OPERATOR STATION

## 346-3848 PANEL GP-INSTRUMENT

S/N: BNH1-UP

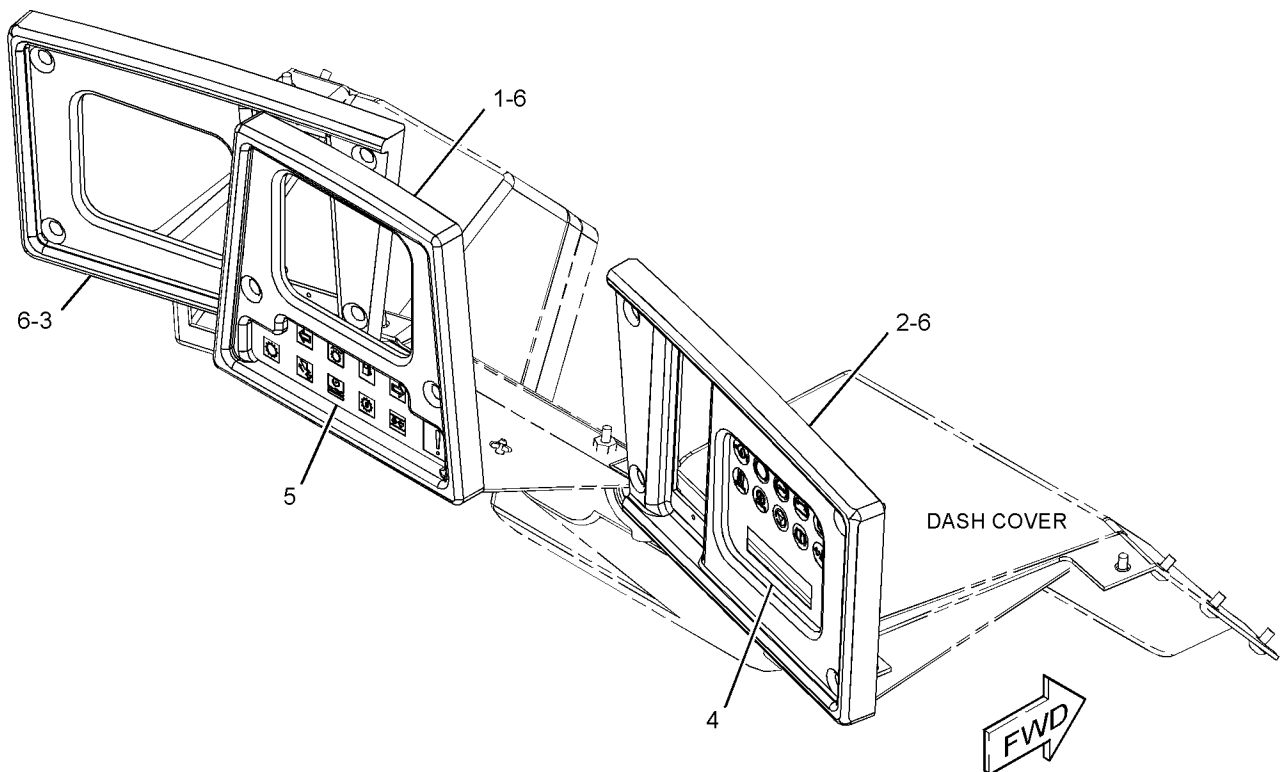
PART OF 346-3845 CAB AR

SMCS-7451

i04557354

NOTE	REF NO	GRAPHIC REF	PART NUMBER	QTY	PART NAME						SEE PAGE
					1	2	3	4	5	6 (PRODUCT LEVEL)	
	1	1	110-4215	1	BEZEL (CENTER)						
	2	1	110-4216	1	BEZEL (RH)						
	3	1	110-4217	1	BEZEL (LH)						
	4	1	155-7447	1	FILM-MONITOR						
	5	1	194-2941	1	FILM-PANEL (INDICATOR MODULE)						
M	6	1	9X-1046	10	SCREW (M4X0.7X18-MM)						

M - METRIC PART



GRAPHIC #1

<END>

g02725276

# OPERATOR STATION

## 180-4000 PEDAL GP-BRAKE-PEDAL, RH

S/N: BNH1-UP

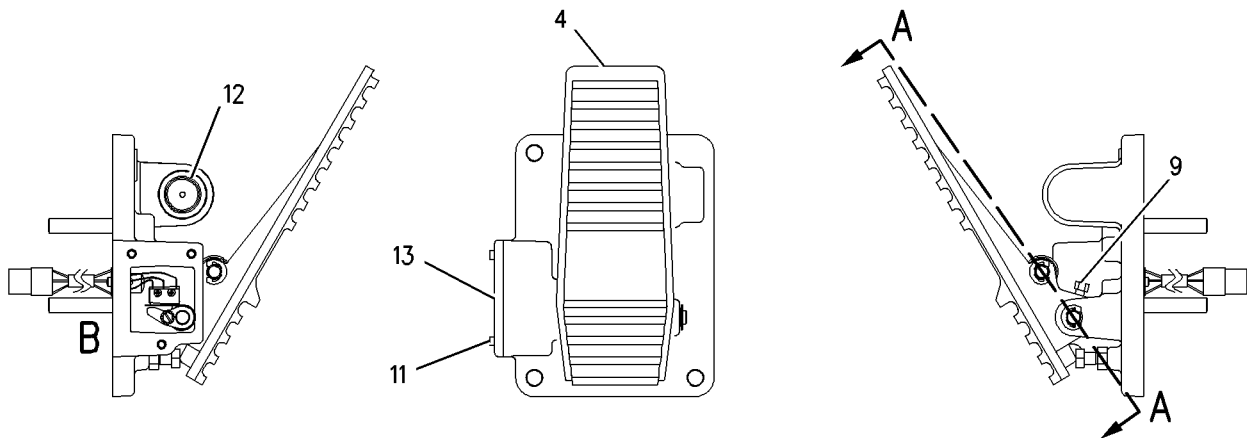
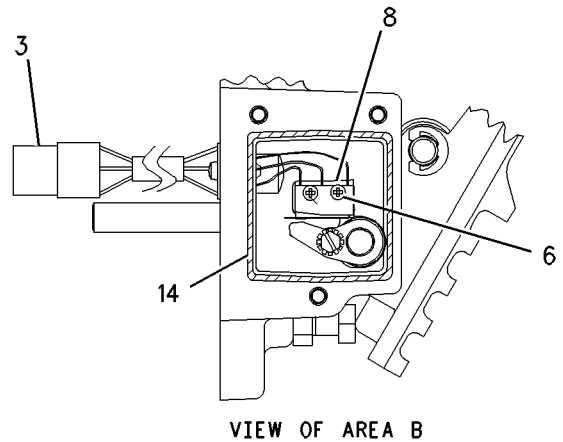
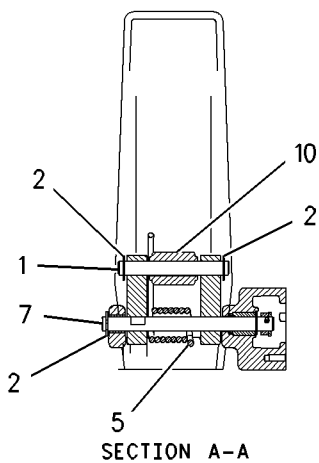
PART OF 180-3999 CONTROL GP-FOOT BRAKE

SMCS-4269, 4290

i03013317

NOTE	REF NO	GRAPHIC REF	PART NUMBER	QTY	PART NAME						SEE PAGE
					1	2	3	4	5	6 (PRODUCT LEVEL)	
	1	1	<b>4E-9664</b>	1	PIN						
	2	1	<b>009-3101</b>	3	RING-RETAINING						
	3	1	<b>112-2276</b>	1	SWITCH AS-LIMIT (RIGHT FT BRAKE BASE)						
	4	1	<b>113-7752</b>	1	PEDAL-BRAKE						
	5	1	<b>115-2247</b>	1	SPRING						
	6	1	<b>307-7603</b>	2	SCREW-MACHINE (2-56X11.11-MM)						
	7	1	<b>146-1891</b>	1	SHAFT AS						
		1	<b>1H-4393</b>	1	LOCKWASHER						
		1	<b>009-3101</b>	1	RING-RETAINING						
M		1	<b>6V-6718</b>	1	SCREW-SELF-TAPPING (8-32X0.25-IN)						
		1	<b>146-1890</b>	1	PIN						
	8	1	<b>148-5581</b>	1	INSULATOR						
M	9	1	<b>153-6273</b>	1	SETSCREW						
	10	1	<b>163-3926</b>	1	ROLLER						
	11	1	<b>5M-6755</b>	3	SCREW-MACHINE (10-24X0.562-IN)						
	12	1	<b>8S-2225</b>	1	SEAL-LIP TYPE						
	13	1	<b>128-0606</b>	1	COVER						
	14	1	<b>128-0607</b>	1	SEAL						

M - METRIC PART



GRAPHIC #1

<END>

g00765563

# OPERATOR STATION

## 180-4001 PEDAL GP-BRAKE-PEDAL, LH

S/N: BNH1-UP

PART OF 180-3999 CONTROL GP-FOOT BRAKE

SMCS-4269, 4290

i04941649

NOTE	REF NO	GRAPHIC REF	PART NUMBER	QTY	PART NAME						SEE PAGE
					1	2	3	4	5	6 (PRODUCT LEVEL)	
	1	1	190-0386	6	BOLT						
Y	2	1	266-1478	1	SENSOR GP-POSITION (ROTARY) (TC IMPELLER CLUTCH)						307
					(LEFT BRAKE PEDAL)						
	3	1	375-6585	1	COVER						
	4	1	4E-9664	1	PIN						
M	5	1	6V-2313	2	BOLT (M5X0.8X30-MM)						
	6	1	8S-2225	1	SEAL-LIP TYPE						
M	7	1	8T-2899	2	SCREW-MACHINE (M2.5X0.45X6-MM)						
	8	1	009-3101	3	RING-RETAINING						
	9	1	105-6117	1	SWITCH AS-LIMIT (NORMALLY CLOSED) (STOP LIGHT)						
	10	1	113-7752	1	PEDAL-BRAKE						
	11	1	115-2247	1	SPRING						
M	12	1	125-3295	2	SCREW-PAN HEAD (M2.5X0.45X12-MM)						
	13	1	146-1892	1	HARNESS AS-BRAKE (STOP LIGHT) (LEFT FOOT BRAKE BASE)						
		1	5P-2957	2	TERMINAL-BLADE (14-GA TO 16-GA)						
					-OR-						
		1	5P-5602	2	TERMINAL-BLADE (18-GA TO 22-GA)						
		1	155-2270	1	KIT-CONNECTING PLUG (2-PIN)						
					(INCLUDES PLUG AS, WEDGE, & INTERFACE SEAL)						
	14	1	146-2598	1	SEAL						
	15	1	149-4925	1	ROLLER						
M	16	1	153-6273	1	SETSCREW						
	17	1	161-0022	1	SWITCH AS-ADJUSTABLE (STOP LIGHT LIMIT)						
	18	1	187-2108	1	TERMINAL						
	19	1	205-3583	1	PIN						
	20	1	3J-7354	1	SEAL-O-RING						
	21	1	8T-3016	2	WASHER (5.3X10X1-MM THK)						
	22	1	9S-8002	1	PLUG-O-RING						

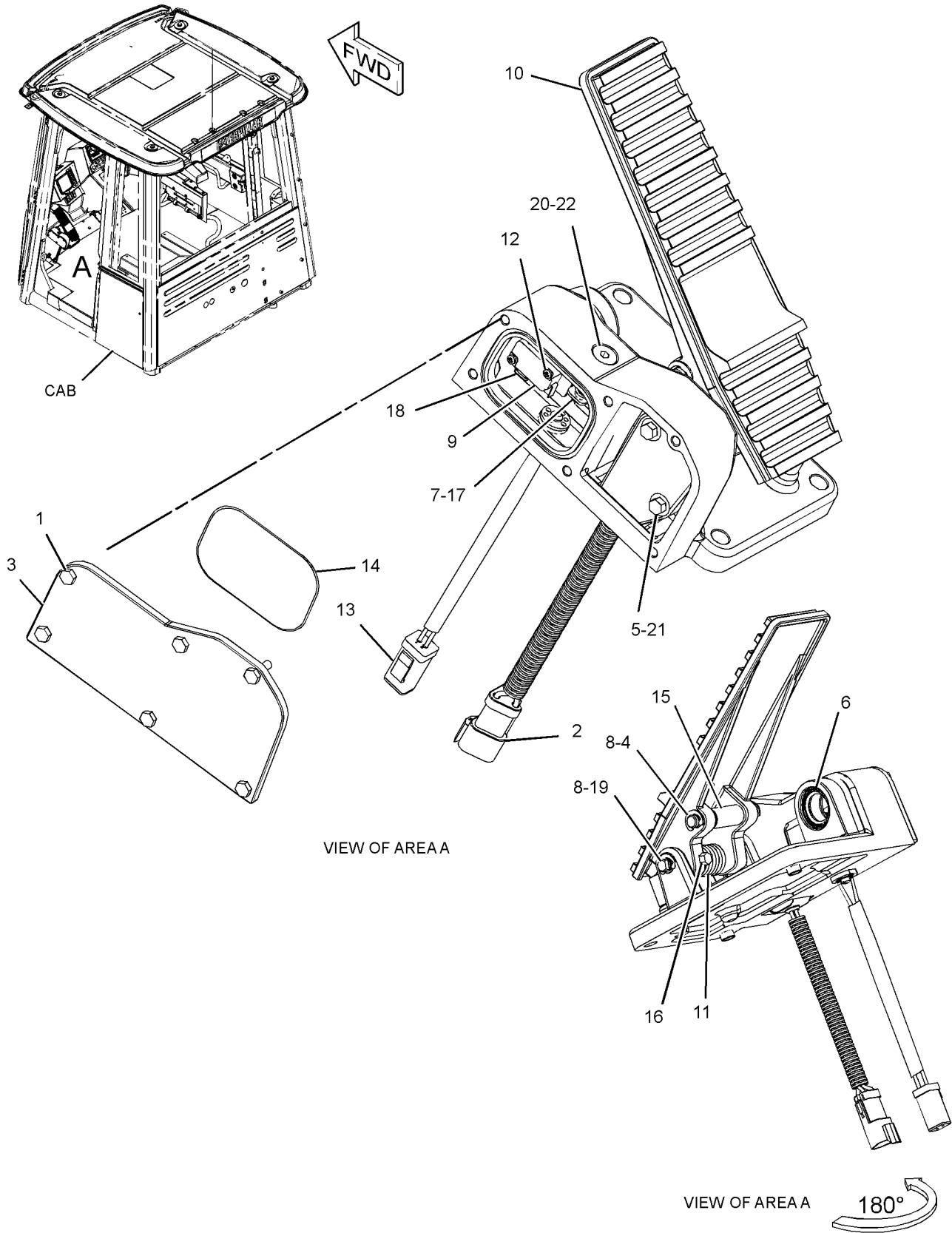
M - METRIC PART

Y - SEPARATE ILLUSTRATION

# OPERATOR STATION

180-4001 PEDAL GP-BRAKE (contd.)

i04941649



GRAPHIC #1

<END>

g03162266



# OPERATOR STATION

## 130-8176 PEDAL GP-GOVERNOR

S/N: BNH1-UP

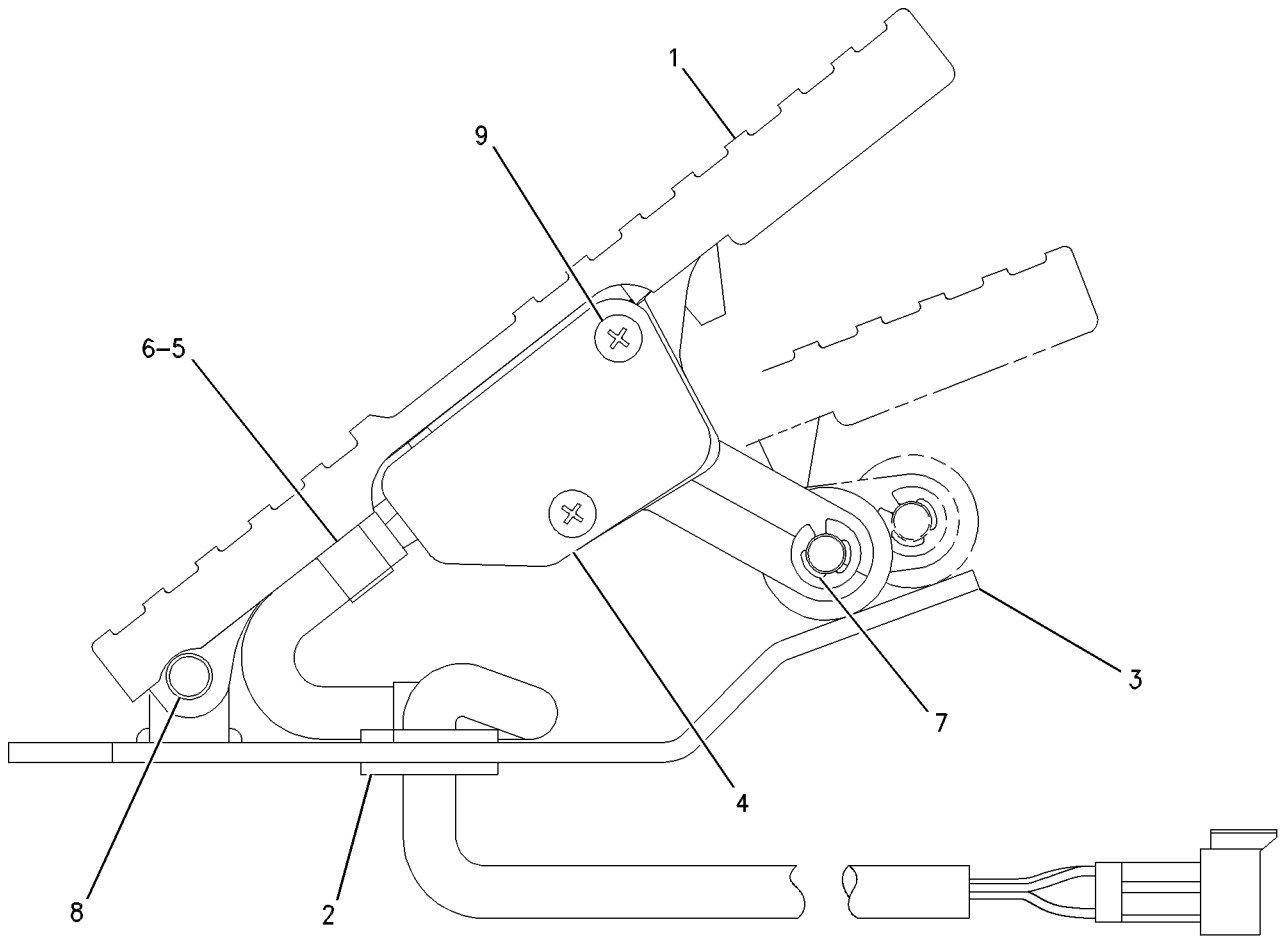
PART OF 141-4645 PEDAL GP-GOVERNOR

SMCS-1276

i03560120

NOTE	REF NO	GRAPHIC REF	PART NUMBER	QTY	PART NAME						SEE PAGE
					1	2	3	4	5	6	
	1	1	123-9431	1	COVER						
	2	1	7G-7053	1	GROMMET						
	3	1	160-6353	1	PLATE AS						
Y	4	1	204-7949	1	SENSOR GP-POSITION (ROTARY) (THROTTLE)						304
	5	1	160-6365	2	SCREW						
	6	1	160-6366	2	CLIP						
	7	1	140-2961	1	KIT-ROLLER (BRAKE CONTROL) (INCLUDES SNAP RING, ROLLER AND ROLLER PIN)						
	8	1	274-9189	1	KIT-TREADLE PIN (BRAKE CONTROL) (INCLUDES BUSHINGS, PIN, AND PUSH NUT)						
	9	1	140-2963	2	SCREW (10-32X1.25-IN)						

Y - SEPARATE ILLUSTRATION



GRAPHIC #1

<END>

g00495129

# OPERATOR STATION

## 141-4645 PEDAL GP-GOVERNOR

S/N: BNH1-UP

PART OF 202-9742, 346-3845 CAB AR

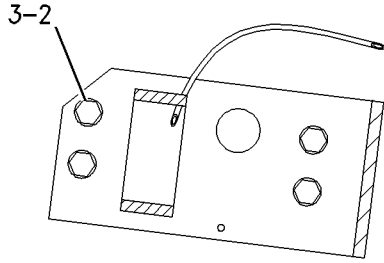
SMCS-1276

i01501848

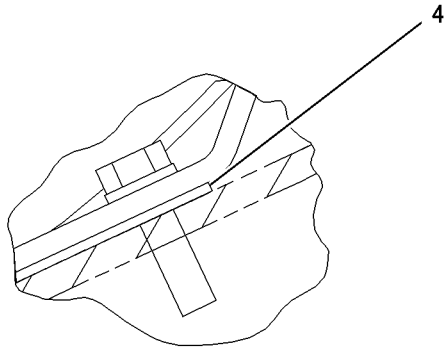
NOTE	REF NO	GRAPHIC REF	PART NUMBER	QTY	PART NAME						SEE PAGE
					1	2	3	4	5	6 (PRODUCT LEVEL)	
Y	1	1	<b>130-8176</b>	1	PEDAL GP-GOVERNOR						1215
	2	1	<b>8T-4224</b>	4	WASHER-HARD (8.8X16X2MM THK)						
M	3	1	<b>8T-7547</b>	4	BOLT (M8X1.25X30MM)						
	4	1	<b>136-3970</b>	1	GASKET						

M - METRIC PART

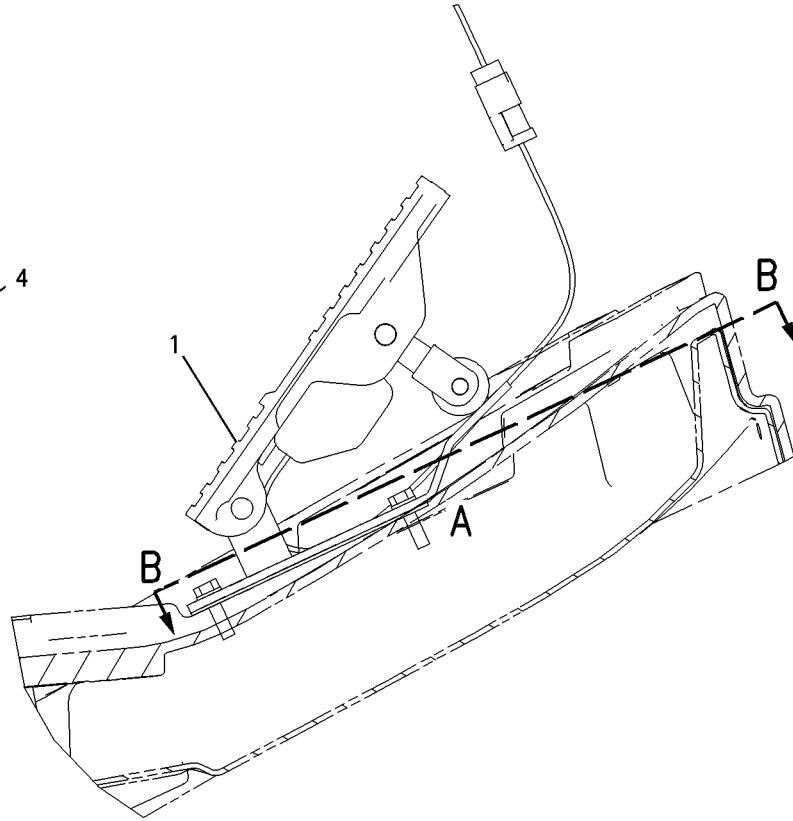
Y - SEPARATE ILLUSTRATION



SECTION B-B



VIEW OF AREA A



GRAPHIC #1

<END>

g00779453

# OPERATOR STATION

## 136-3357 PLATFORM GP

S/N: BNH1-UP

PART OF 172-4387 PLATFORM GP-CAB

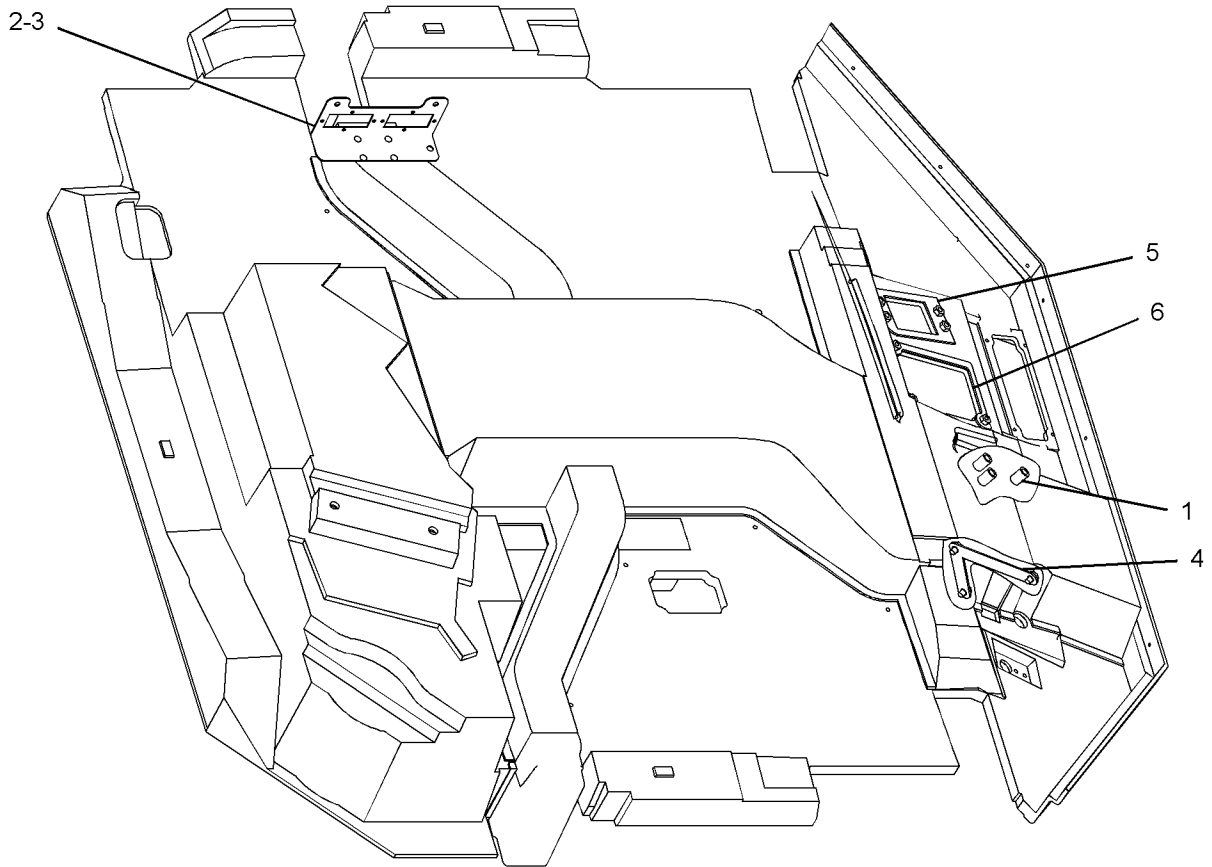
TYPE 1

SMCS-7253

i02394070

NOTE	REF NO	GRAPHIC REF	PART NUMBER	QTY	PART NAME						SEE PAGE
					1	2	3	4	5	6 (PRODUCT LEVEL)	
	1	1	<b>2M-6102</b>	3	PIPE						
	2	1	<b>6V-2491</b>	38	RIVET-POP						
	3	1	<b>118-0040</b>	1	BRACKET						
	4	1	<i>125-3276</i>	1	PLATE AS						
M		1	<b>8T-3612</b>	3	NUT-WELD (M8X1.25-THD)						
	5	1	<i>136-3645</i>	1	PLATE AS						
M		1	<b>8T-3612</b>	4	NUT-WELD (M8X1.25-THD)						
	6	1	<i>163-5515</i>	1	PLATE AS						
M		1	<b>8T-3612</b>	3	NUT-WELD (M8X1.25-THD)						

M - METRIC PART



GRAPHIC #1

<END>

g01195464

# OPERATOR STATION

## 136-3357 PLATFORM GP

S/N: BNH1-UP

PART OF 172-4387 PLATFORM GP-CAB

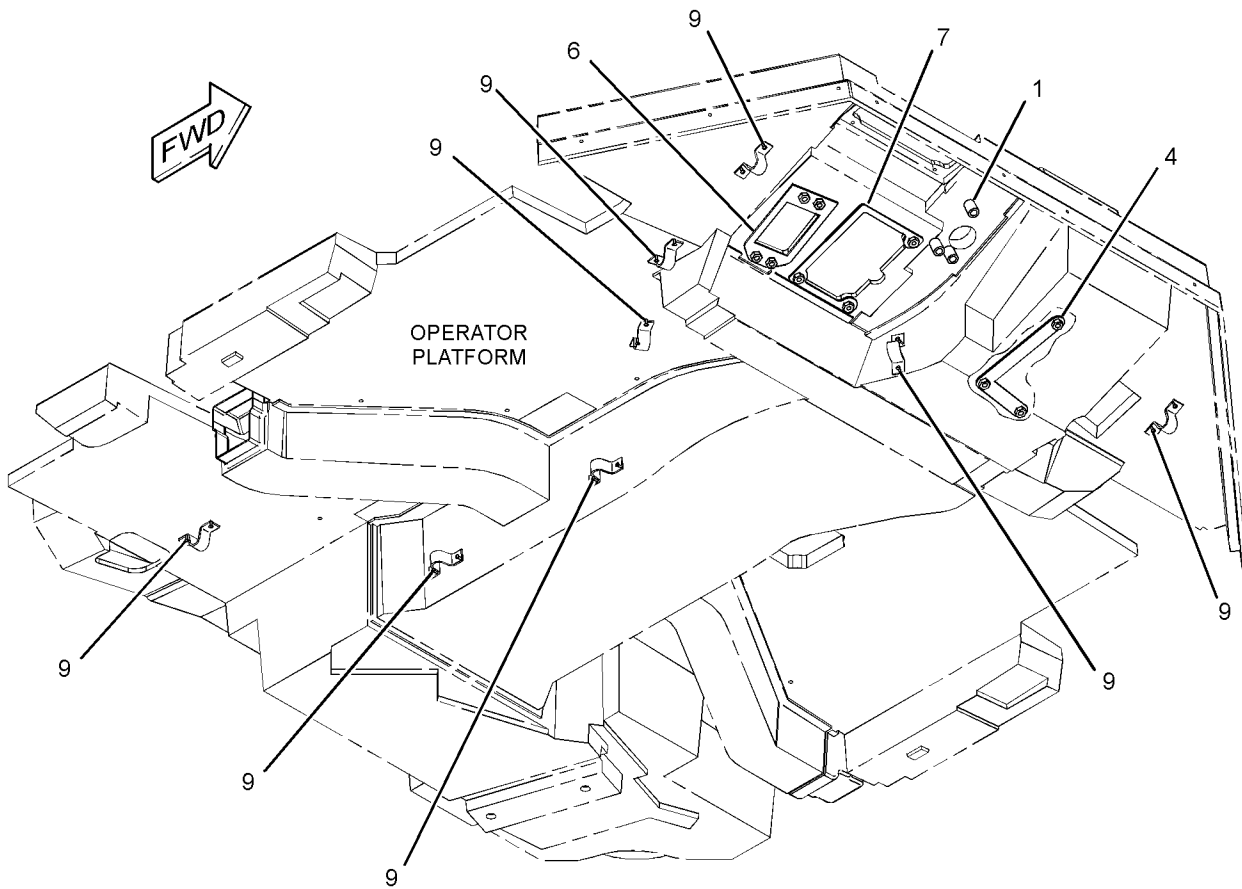
TYPE 2

SMCS-7253

i02751905

NOTE	REF NO	GRAPHIC REF	PART NUMBER	QTY	PART NAME						SEE PAGE
					1	2	3	4	5	6	
	1	1	<b>2M-6102</b>	3	PIPE						
	4	1	<b>125-3276</b>	1	PLATE AS						
M		1	<b>8T-3612</b>	3	NUT-WELD (M8X1.25-THD)						
	6	1	<b>136-3645</b>	1	PLATE AS						
M		1	<b>8T-3612</b>	4	NUT-WELD (M8X1.25-THD)						
	7	1	<b>163-5515</b>	1	PLATE AS						
M		1	<b>8T-3612</b>	3	NUT-WELD (M8X1.25-THD)						
C	9	1	<b>6K-3273</b>	16	RIVET-POP						

C - CHANGE FROM PREVIOUS TYPE  
M - METRIC PART



GRAPHIC #1

<END>

g01382406

# OPERATOR STATION

## 172-4387 PLATFORM GP-CAB

S/N: BNH1-UP

PART OF 128-9664 ROPS GP-ENCLOSED

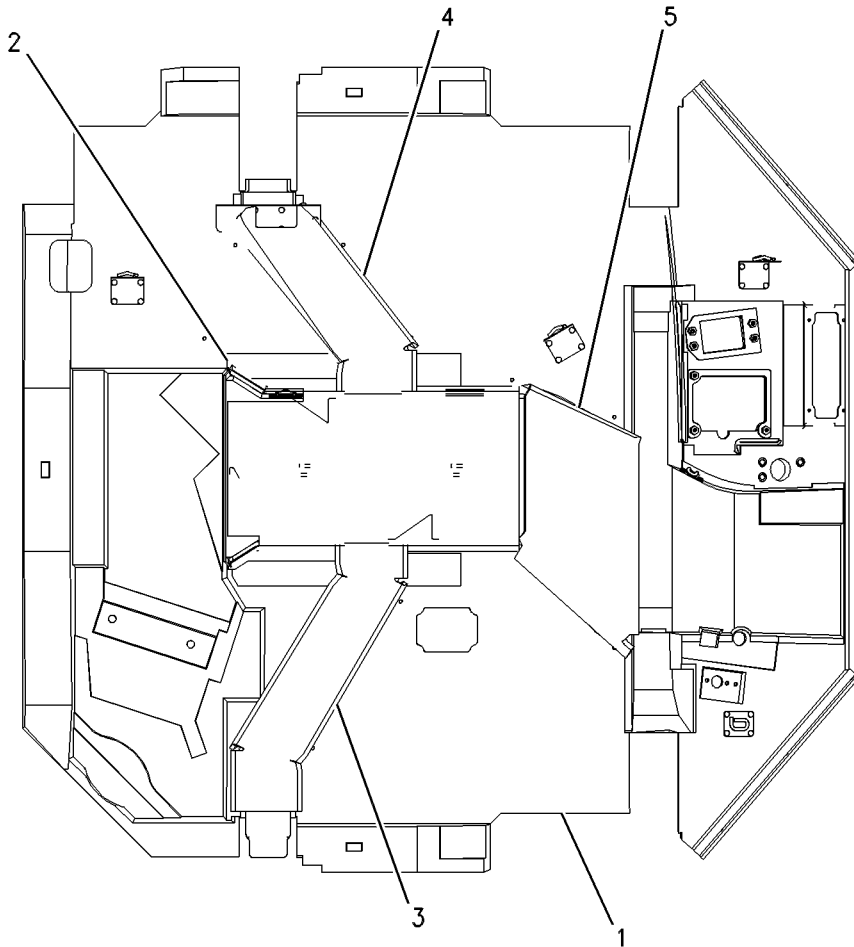
TYPE 1

SMCS-7253

i01158717

NOTE	REF NO	GRAPHIC REF	PART NUMBER	QTY	PART NAME						SEE PAGE
					1	2	3	4	5	6 (PRODUCT LEVEL)	
Y	1	1	136-3357	1	PLATFORM GP						1217
	2	1	155-8354	1	INSULATION						
	3	1	155-8355	1	INSULATION						
	4	1	155-8356	1	INSULATION						
	5	1	159-7234	1	INSULATION						

Y - SEPARATE ILLUSTRATION



GRAPHIC #1

<END>

g00620699

# OPERATOR STATION

## 172-4387 PLATFORM GP-CAB

S/N: BNH1-UP

PART OF 292-6893 ROPS GP-ENCLOSED

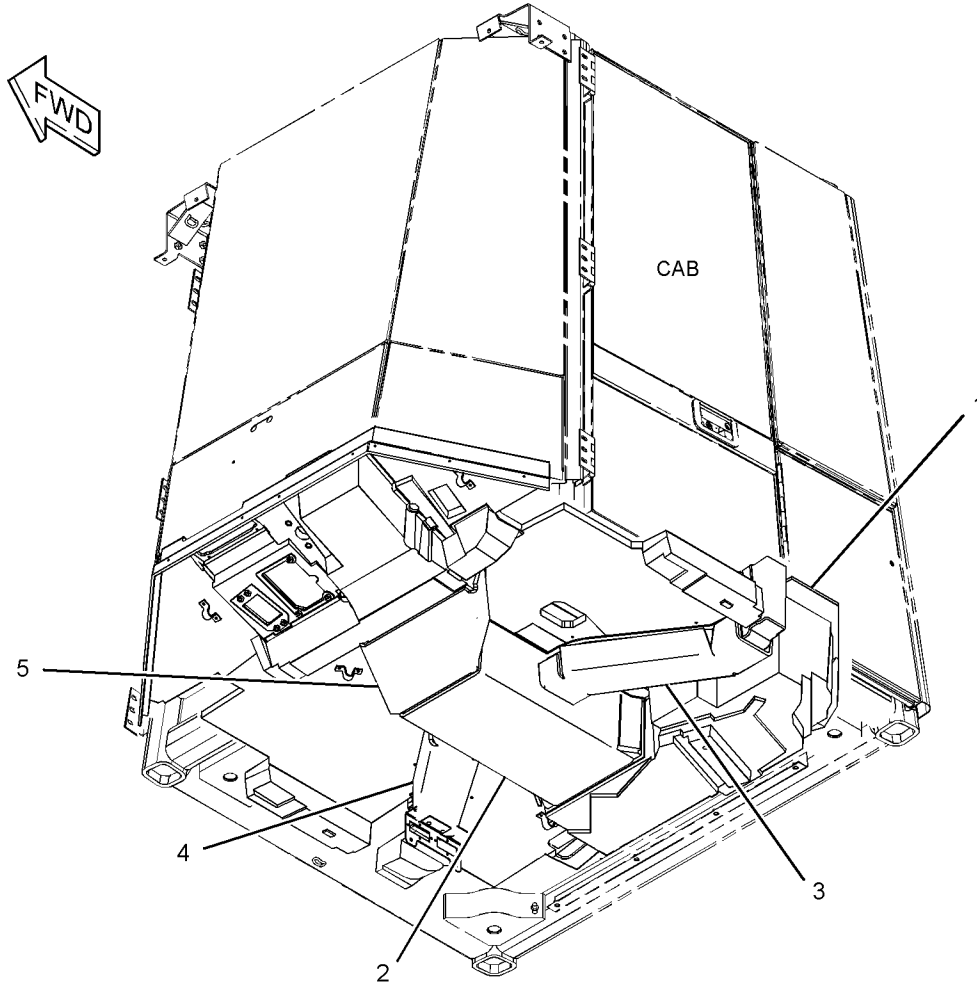
TYPE 2

SMCS-7253

i02715775

NOTE	REF NO	GRAPHIC REF	PART NUMBER	QTY	PART NAME						SEE PAGE
					1	2	3	4	5	6 (PRODUCT LEVEL)	
Y	1	1	136-3357	1	PLATFORM GP						1217
	2	1	155-8354	1	INSULATION						
	3	1	155-8355	1	INSULATION						
	4	1	155-8356	1	INSULATION						
	5	1	159-7234	1	INSULATION						

Y - SEPARATE ILLUSTRATION



GRAPHIC #1

<END>

g01364603

# OPERATOR STATION

## 114-5124 PLATFORM GP-OPERATOR

S/N: BNH1-UP

PART OF 203-1567 CHASSIS AR

SMCS-7253

i02743351

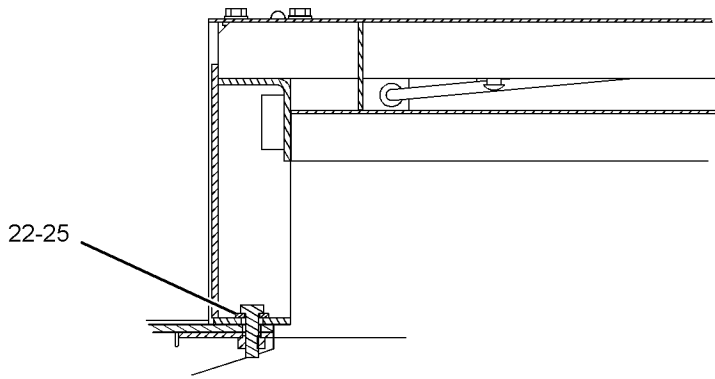
NOTE	REF NO	GRAPHIC REF	PART NUMBER	QTY	PART NAME						SEE PAGE
					1	2	3	4	5	6 (PRODUCT LEVEL)	
	1	2	<b>6V-1635</b>	3	RIVET-POP						
	2	2	<b>134-6051</b>	2	SUPPORT AS						
					(EACH INCLUDES)						
M		2	<b>8T-3597</b>	4	NUT-WELD (M12X1.75-THD)						
M		2	<b>8Y-4489</b>	1	BOSS (M10X1.5-THD)						
M		2	<b>9R-2613</b>	2	BOSS-WELD (M10X1.5X25-MM)						
		2	<b>9R-4595</b>	1	BOSS (M12X1.75X30-MM)						
	3	2	<b>134-6052</b>	2	SUPPORT AS						
					(EACH INCLUDES)						
		2	<b>5G-6787</b>	1	BOSS						
		2	<b>7T-1099</b>	1	LINK						
M		2	<b>8T-3597</b>	11	NUT-WELD (M12X1.75-THD)						
	4	1	<b>134-6722</b>	1	PLATFORM AS (LH)						
M		1	<b>8T-3597</b>	8	NUT-WELD (M12X1.75-THD)						
	5	1	<b>134-6723</b>	1	PLATFORM AS (RH)						
M		1	<b>8T-3597</b>	9	NUT-WELD (M12X1.75-THD)						
	6	2	<b>134-7326</b>	1	SUPPORT AS						
M		2	<b>8T-3597</b>	5	NUT-WELD (M12X1.75-THD)						
	7	2	<b>138-2800</b>	1	PLATE AS						
M		2	<b>9R-2613</b>	2	BOSS-WELD (M10X1.5X25-MM)						
	8	2	<b>139-5544</b>	1	SHEET AS						
M		2	<b>8T-3597</b>	2	NUT-WELD (M12X1.75-THD)						
	9	2	<b>183-7532</b>	1	SHEET AS-RH						
	10	2	<b>184-1700</b>	1	PANEL AS						
	11	2	<b>183-7531</b>	1	SHEET AS-LH						
	12	2	<b>160-5877</b>	1	SHEET AS						
M		2	<b>8T-3597</b>	1	NUT-WELD (M12X1.75-THD)						
Y	13	1	<b>162-7599</b>	1	PLATFORM GP-OPERATOR						1224
	14	2	<b>195-0472</b>	1	SHEET						
	15	1	<b>168-1793</b>	1	BRACKET AS						
	16	2	<b>173-9195</b>	1	SHEET AS						
	17	2	<b>195-3162</b>	1	SHEET AS						
M		2	<b>8T-3597</b>	2	NUT-WELD (M12X1.75-THD)						
	18	2	<b>173-9197</b>	1	FLAP						
Y	19	1	<b>178-4139</b>	1	DOOR GP-STORAGE						1128
	20	1	<b>178-8486</b>	1	SHEET						
	21	1	<b>178-8504</b>	1	SHEET						
	22	1,2	<b>5P-1076</b>	44	WASHER-HARD (13.5X30X4-MM THK)						
M	23	1,2	<b>8T-4139</b>	40	BOLT (M12X1.75X30-MM)						
M	24	1	<b>8T-4179</b>	24	BOLT (M12X1.75X20-MM)						
M	25	1,2	<b>8T-4183</b>	20	BOLT (M12X1.75X40-MM)						
M	26	2	<b>8T-4192</b>	8	BOLT (M12X1.75X25-MM)						
	27	1,2	<b>8T-4223</b>	48	WASHER-HARD (13.5X25.5X3-MM THK)						
	28	2	<b>184-1699</b>	1	PANEL AS						
M	29	2	<b>8T-4137</b>	3	BOLT (M10X1.5X20-MM)						
	30	2	<b>7X-7729</b>	3	WASHER (11X25X3-MM THK)						
	31	2	<b>173-9198</b>	1	STRIP						

M - METRIC PART  
Y - SEPARATE ILLUSTRATION

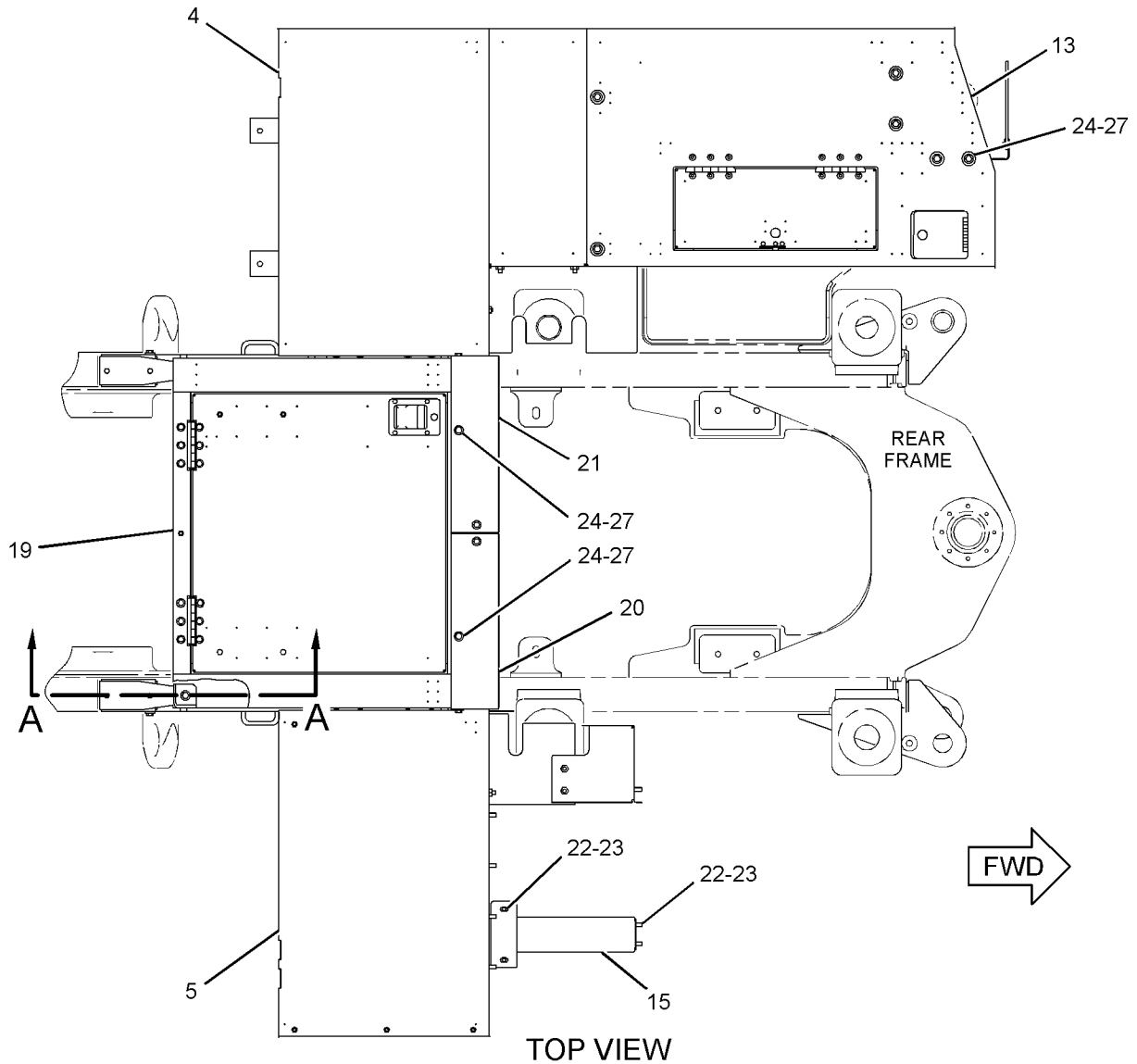
# OPERATOR STATION

114-5124 PLATFORM GP-OPERATOR (contd.)

i02743351



SECTION A-A



TOP VIEW

GRAPHIC #1

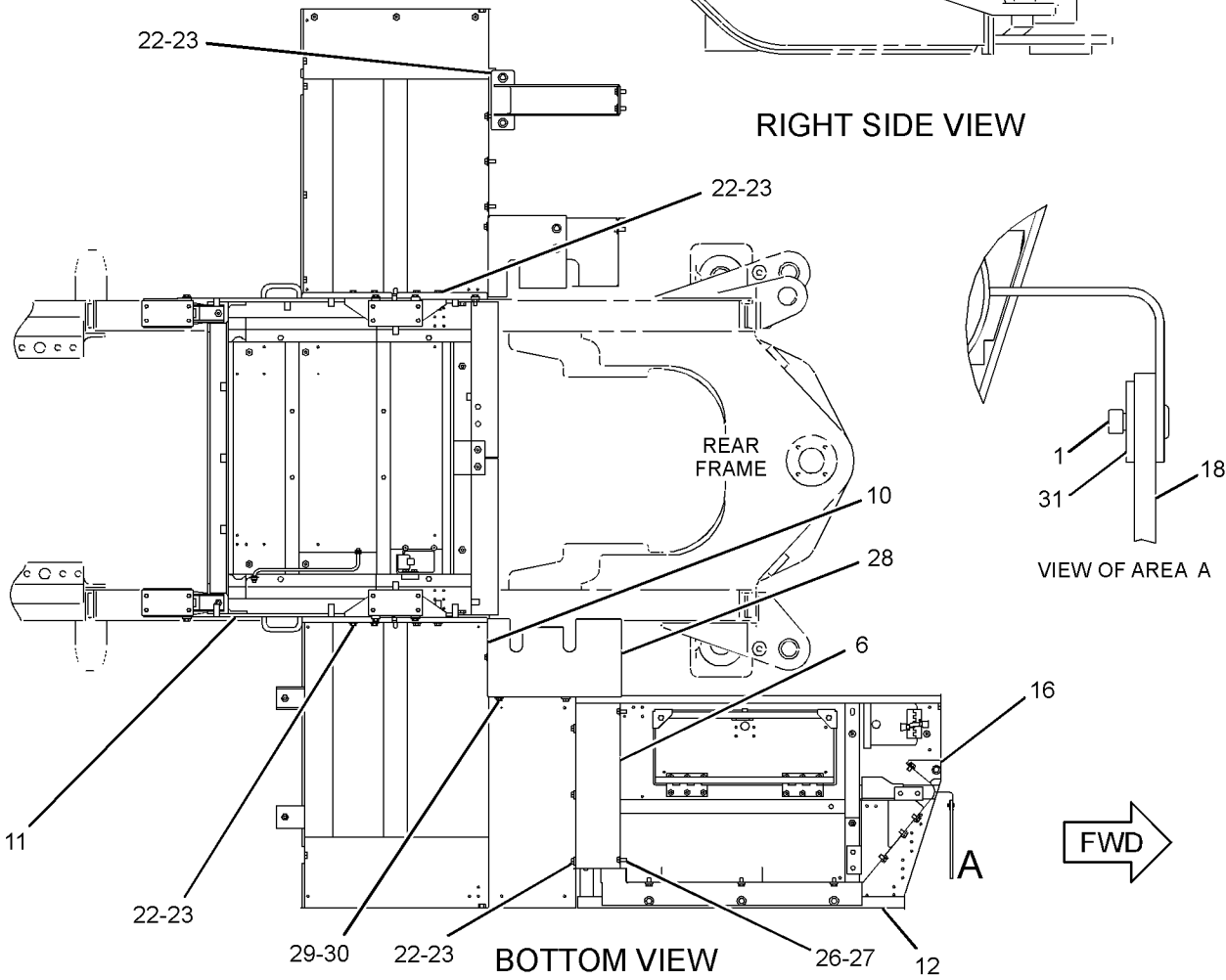
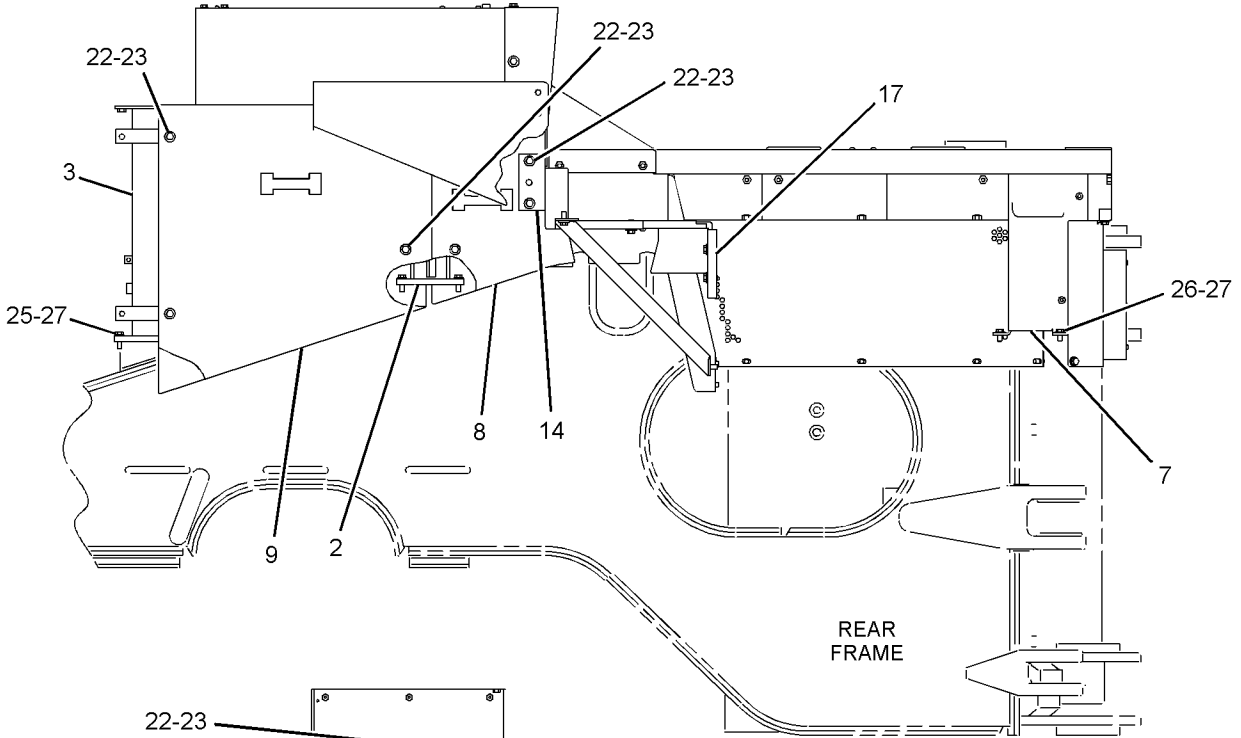
g01231703



# OPERATOR STATION

114-5124 PLATFORM GP-OPERATOR (contd.)

i02743351



GRAPHIC #2

<END>

g01244082

# OPERATOR STATION

## 162-7599 PLATFORM GP-OPERATOR

S/N: BNH1-UP

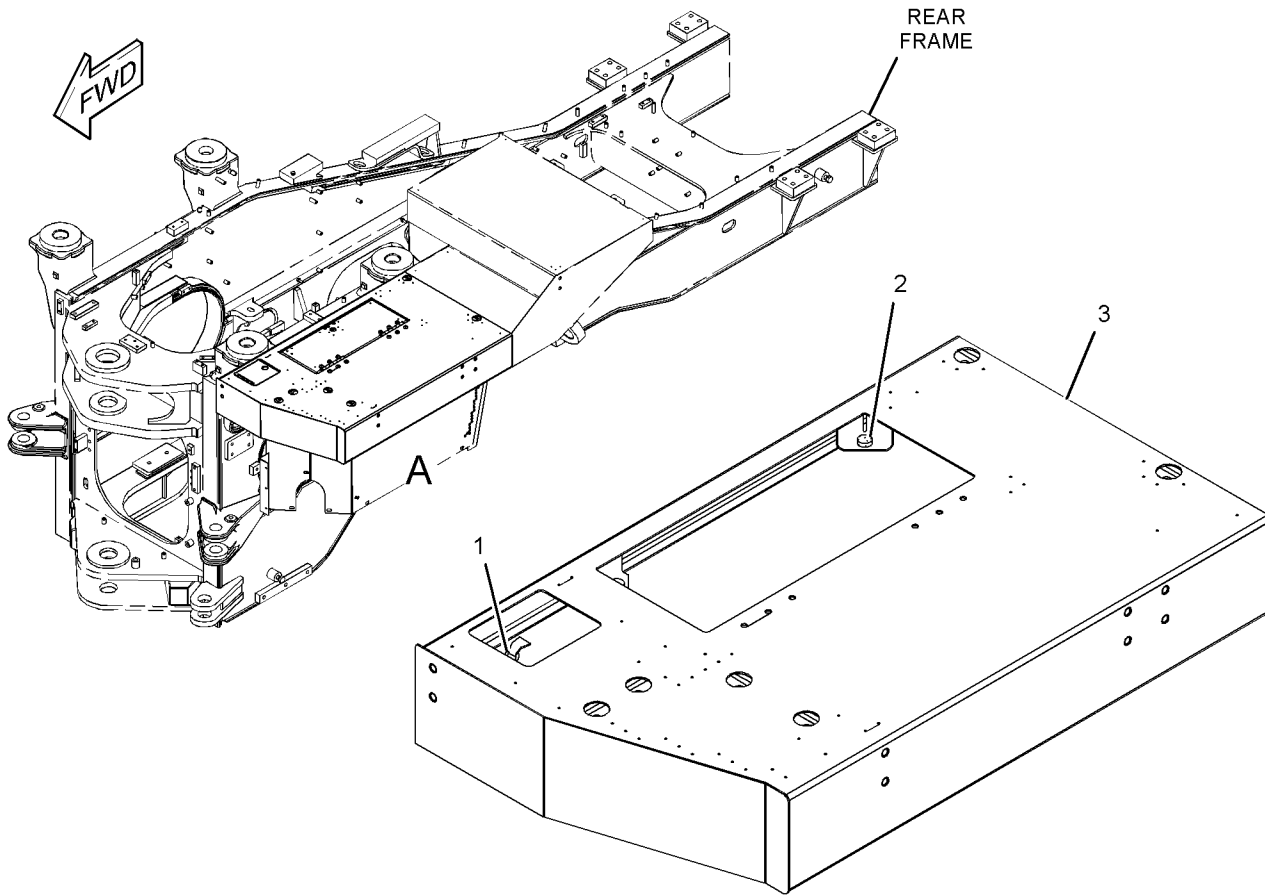
PART OF 114-5124 PLATFORM GP-OPERATOR

SMCS-7253

i04939357

NOTE	REF NO	GRAPHIC REF	PART NUMBER	QTY	PART NAME						SEE PAGE
					1	2	3	4	5	6 (PRODUCT LEVEL)	
	1	1	<b>1K-8850</b>	1	SPRING						
	2	1	<b>2V-3726</b>	2	BUMPER						
	3	1	<b>134-6721</b>	1	PLATFORM AS						
		1	<b>1V-6755</b>	1	LATCH AS						
		1	<b>3R-9322</b>	3	HINGE						
		1	<b>6V-2370</b>	2	RIVET-POP						
M		1	<b>8T-3597</b>	12	NUT-WELD (M12X1.75-THD)						

M - METRIC PART



VIEW OF AREA A  
(PARTS REMOVED FOR CLARITY)

GRAPHIC #1

<END>

g03158576

# OPERATOR STATION

## 210-2270 RECLINER GP-SEAT

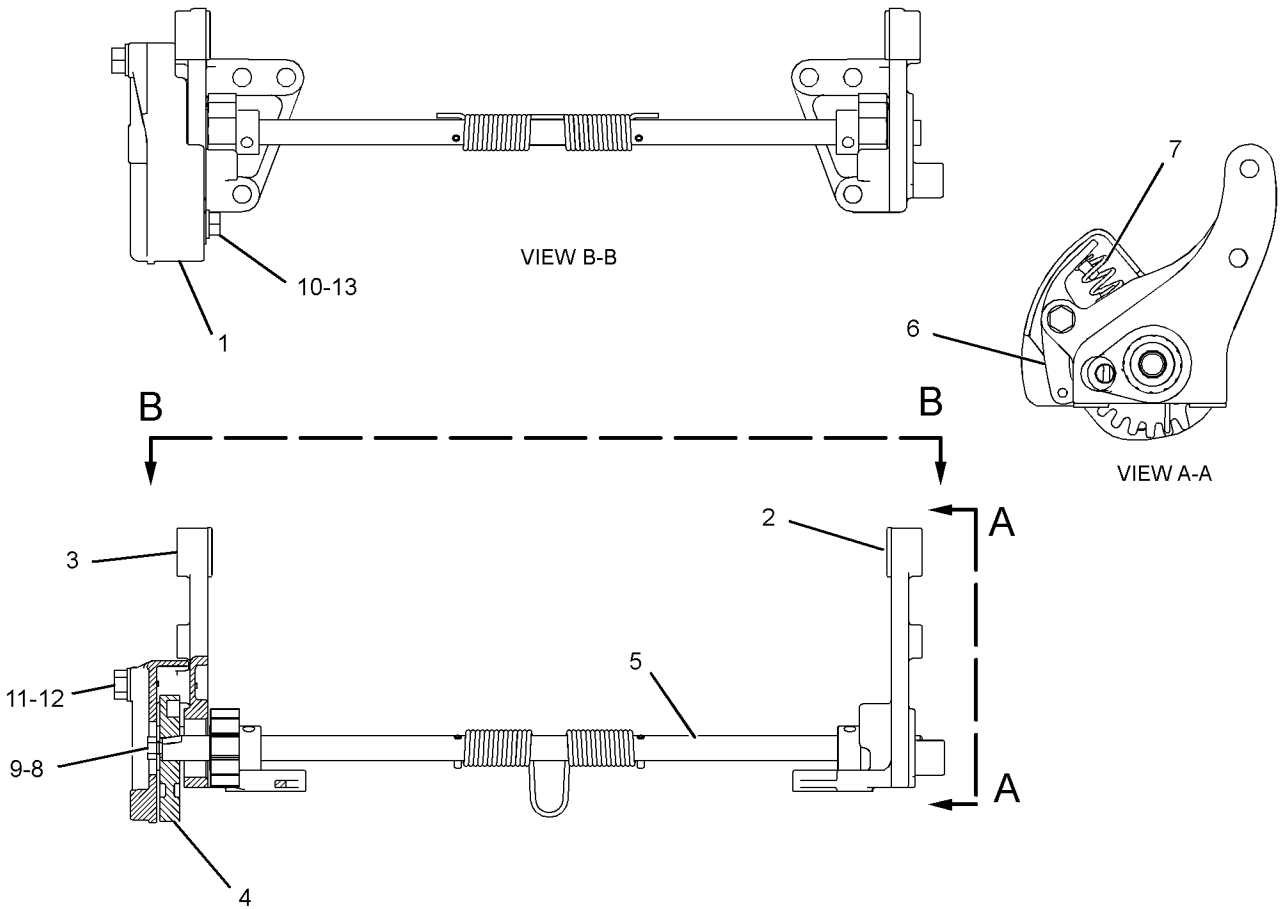
S/N: BNH1-UP

PART OF 178-0603 SEAT GP

SMCS-7312

i02709288

NOTE	REF NO	GRAPHIC REF	PART NUMBER	QTY	PART NAME						SEE PAGE
					1	2	3	4	5	6 (PRODUCT LEVEL)	
	1	1	177-1862	1	BRACKET (SEAT BELT)						
	2	1	210-2262	1	BRACKET AS						
	3	1	210-2263	1	BRACKET AS						
	4	1	210-2266	1	GEAR-LOCK (14-TEETH)						
	5	1	293-2911	1	SHAFT AS						
		1	2L-5893	2	PIN-SPRING						
		1	170-8590	1	SPRING						
	6	1	217-7933	1	LATCH						
	7	1	236-5197	1	SPRING						
	8	1	031-0214	1	BOLT-LOCKING (1/4-20X0.5-IN)						
	9	1	101-2867	1	WASHER-HARD (7.2X25X2-MM THK)						
	10	1	4M-6425	1	BOLT (5/16-18X1-IN)						
	11	1	5M-2894	1	WASHER-HARD (10.2X18.5X2.5-MM THK)						
	12	1	5S-7383	1	BOLT (3/8-16X1.75-IN)						
	13	1	8T-4224	1	WASHER-HARD (8.8X16X2-MM THK)						



GRAPHIC #1

<END>

g01296294

# OPERATOR STATION

## 194-3715 ROOF GP-CAB

S/N: BNH1-UP

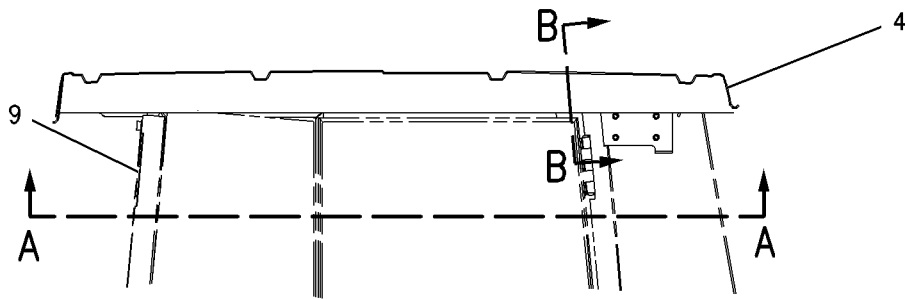
CANNOT BE USED WITH 194-3766-PAGE: 1227  
AN ATTACHMENT

SMCS-7301

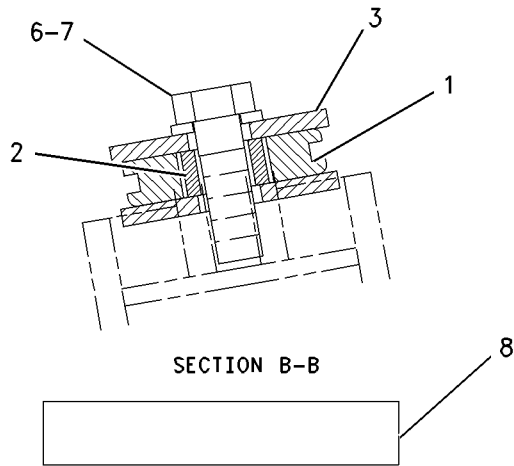
i01497998

NOTE	REF NO	GRAPHIC REF	PART NUMBER	QTY	PART NAME						SEE PAGE
					1	2	3	4	5	6 (PRODUCT LEVEL)	
	1	1	197-5470	4	GROMMET						
	2	1	196-0436	4	SPACER (25X40X12-MM THK)						
	3	1	107-3157	8	WASHER (22X76.2X6-MM THK)						
	4	1	173-2118	1	ROOF						
	5	1	174-2407	1	INSULATION						
	6	1	8T-4122	4	WASHER-HARD (17X32X3.5-MM THK)						
M	7	1	8T-4193	4	BOLT (M16X2X50-MM)						
	8	1	197-4859	1	FILM-IDENTIFICATION (CATERPILLAR, REAR CAB)						
	9	1	136-2186	1	FILM-WINDOW (REAR)						

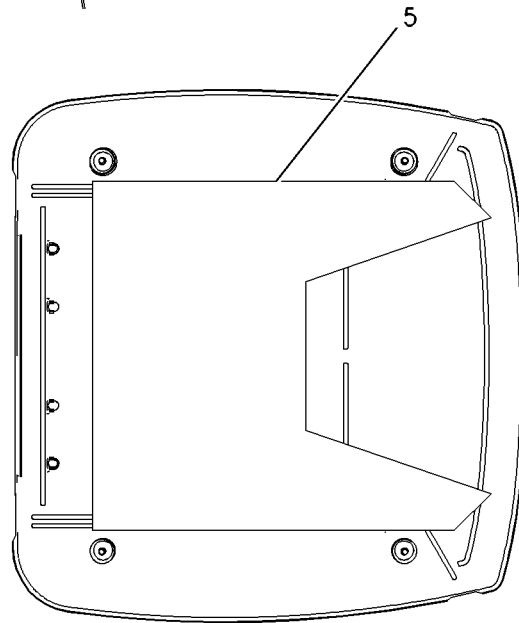
M - METRIC PART



RIGHT SIDE VIEW



SECTION B-B



VIEW A-A

GRAPHIC #1

<END>

g00778054

# OPERATOR STATION

## 194-3766 ROOF GP-CAB

S/N: BNH1-UP

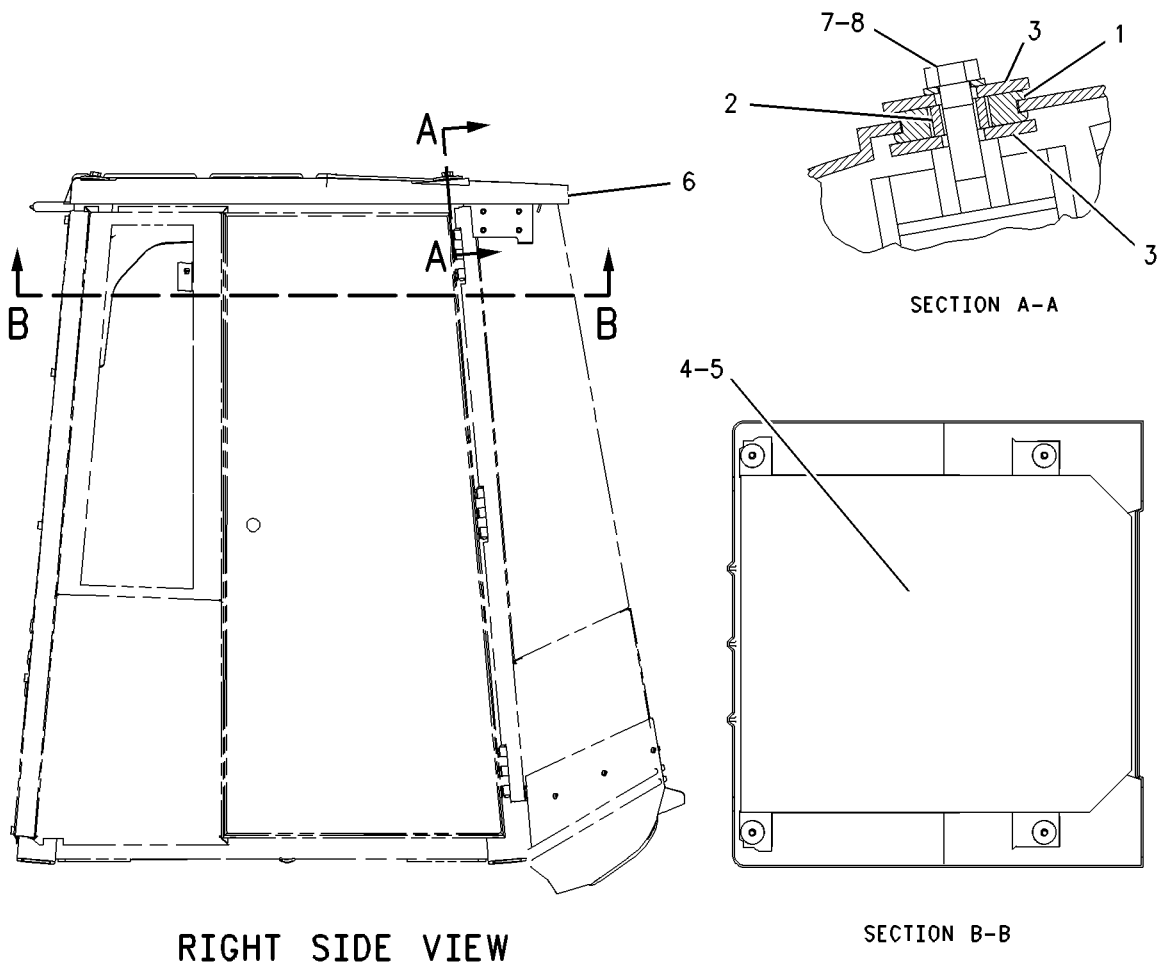
CANNOT BE USED WITH 194-3715 ROOF GP-CAB  
AN ATTACHMENT

SMCS-7301

i01475918

NOTE	REF NO	GRAPHIC REF	PART NUMBER	QTY	PART NAME						SEE PAGE
					1	2	3	4	5	6 (PRODUCT LEVEL)	
	1	1	<b>6D-5729</b>	4	GROMMET						
	2	1	<b>6P-8875</b>	4	SPACER (19X28.5X16-MM THK)						
	3	1	<b>107-3157</b>	8	WASHER (22X76.2X6-MM THK)						
	4	1	<b>174-2407</b>	1	INSULATION						
	5	1	<b>174-2408</b>	1	INSULATION						
	6	1	<b>199-5510</b>	1	ROOF						
	7	1	<b>8T-4122</b>	4	WASHER-HARD (17X32X3.5-MM THK)						
M	8	1	<b>8T-4193</b>	4	BOLT (M16X2X50-MM)						

M - METRIC PART



GRAPHIC #1

<END>

g00743522

# OPERATOR STATION

## 326-3073 ROOF GP-CAB

S/N: BNH1-UP

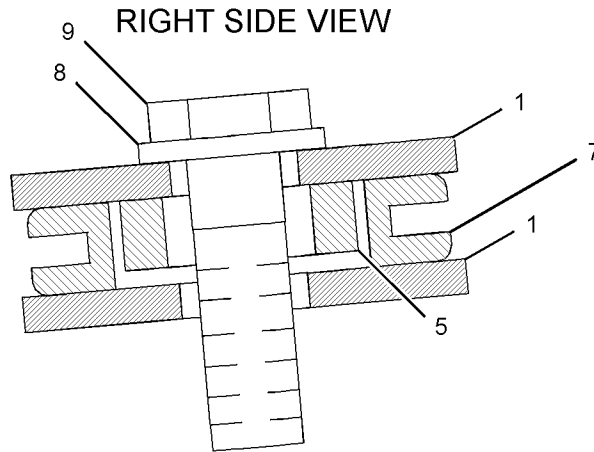
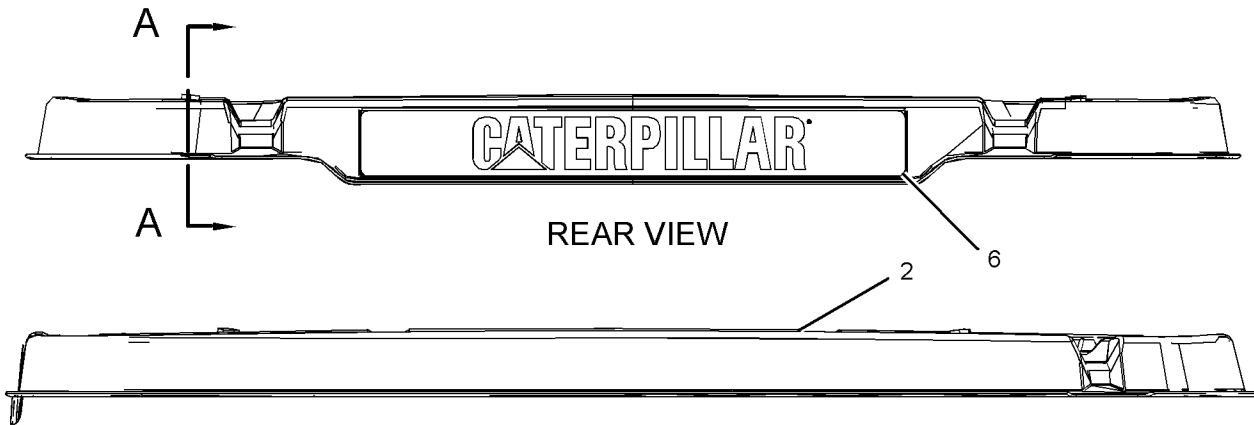
PART OF 346-3845 CAB AR

SMCS-7301

i03765178

NOTE	REF NO	GRAPHIC REF	PART NUMBER	QTY	PART NAME						SEE PAGE
					1	2	3	4	5	6 (PRODUCT LEVEL)	
	1	1	107-3157	8	WASHER (22X76.2X6-MM THK)						
	2	1	173-2118	1	ROOF						
	5	1	196-0436	4	SPACER (25X40X12-MM THK)						
	6	1	197-4859	1	FILM-IDENTIFICATION (CATERPILLAR, REAR CAB)						
	7	1	197-5470	4	GROMMET						
	8	1	8T-4122	4	WASHER-HARD (17X32X3.5-MM THK)						
M	9	1	8T-4193	4	BOLT (M16X2X50-MM)						

M - METRIC PART



SECTION A-A

GRAPHIC #1

<END>

g02061493

# OPERATOR STATION

## 128-9664 ROPS GP-ENCLOSED

S/N: BNH1-UP

PART OF 202-9742 CAB AR

SMCS-7301

i01705447

NOTE	REF NO	GRAPHIC REF	PART NUMBER	QTY	PART NAME						SEE PAGE
					1	2	3	4	5	6 (PRODUCT LEVEL)	
	1	2	7T-0920	1	BLOCK						
M	3	1	9X-2042	2	SCREW-TRUSS HEAD (M6X1X12-MM)						
	4	1	107-4600	1	GLASS (RIGHT SIDE, REAR)						
	5	1	107-4601	1	GLASS (REAR)						
	6	1	107-4602	1	GLASS (LEFT SIDE, REAR)						
	7	1	107-4603	1	GLASS (FRONT)						
	8	2	107-7306	1	SHEET AS						
	9	2	111-0687	1	STRIKER AS						
	10	1	121-3274	1	GLASS (RIGHT SIDE, FRONT)						
	11	1	121-3275	1	GLASS (LEFT SIDE, FRONT)						
	12	1	121-3277	1	SHEET AS (LEFT SIDE, FRONT)						
	13	1	121-3278	1	SHEET AS (RIGHT SIDE, FRONT)						
	14	2	126-1052	1	PIN						
	15	2	128-1026	1	SHIELD-STRIKER						
	16	2	129-2570	1	CHANNEL AS						
	17	2	129-2572	1	CHANNEL						
	18	1	129-2581	1	DOOR AS						
		1	1V-6755	1	LATCH AS						
		1	111-1316	1	HINGE						
	19	1	130-5924	1	CAB AS						
	20	2	136-1725	1	TRIM (RH)						
	21	2	136-1726	1	TRIM (LH)						
	22	2	136-1728	1	TRIM						
	23	2	136-1729	1	TRIM						
	24	2	136-1730	1	TRIM						
	25	2	136-1731	1	BRACKET AS						
	26	1	136-1732	1	SHEET AS						
	27	2	136-1734	1	INSULATION						
Y	28	1	172-4387	1	PLATFORM GP-CAB						1219
	29	1	136-9353	2	TRIM						
	30	2	137-7321	1	TRIM						
	31	2	160-5003	1	BRACKET AS						
	32	2	209-5018	1	LATCH AS						
Y	33	1	165-5576	1	DOOR GP-CAB (LH)						1121
Y	34	1	165-5725	1	DOOR GP-CAB (RH)						1123
	35	2	8T-6842	1	FILM-INSTRUCTION (PULL RING, ALTERNATE EXIT)						
	36	1,2	8T-4121	28	WASHER-HARD (11X21X2.5-MM THK)						
M	37	2	8T-4133	4	NUT (M10X1.5-THD)						
M	38	2	8T-4136	4	BOLT (M10X1.5X25-MM)						
M	39	1,2	8T-4137	20	BOLT (M10X1.5X20-MM)						
M	40	2	9X-2044	2	SCREW-TRUSS HEAD (M6X1X16-MM)						

M - METRIC PART

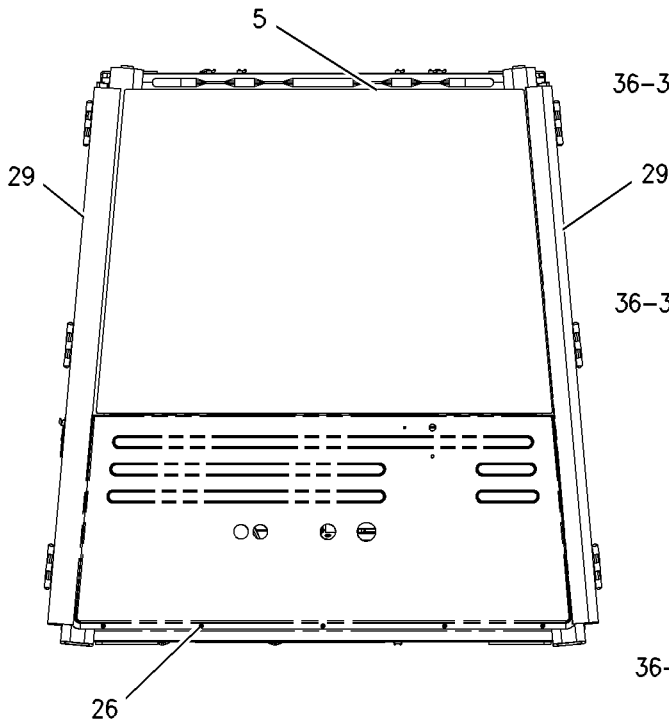
Y - SEPARATE ILLUSTRATION

# OPERATOR STATION

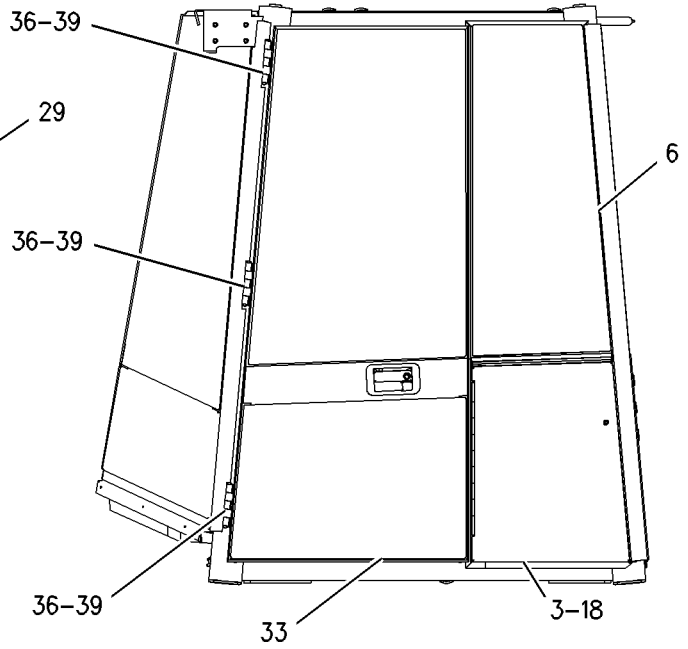
128-9664 ROPS GP-ENCLOSED (contd.)

i01705447

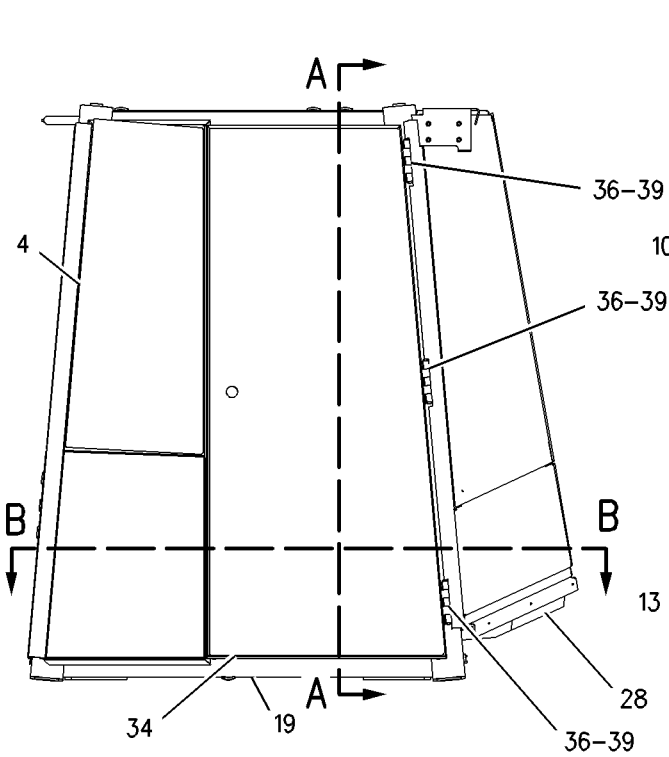
REFER TO ALL ILLUSTRATIONS OF THIS GROUP FOR AUXILIARY VIEWS



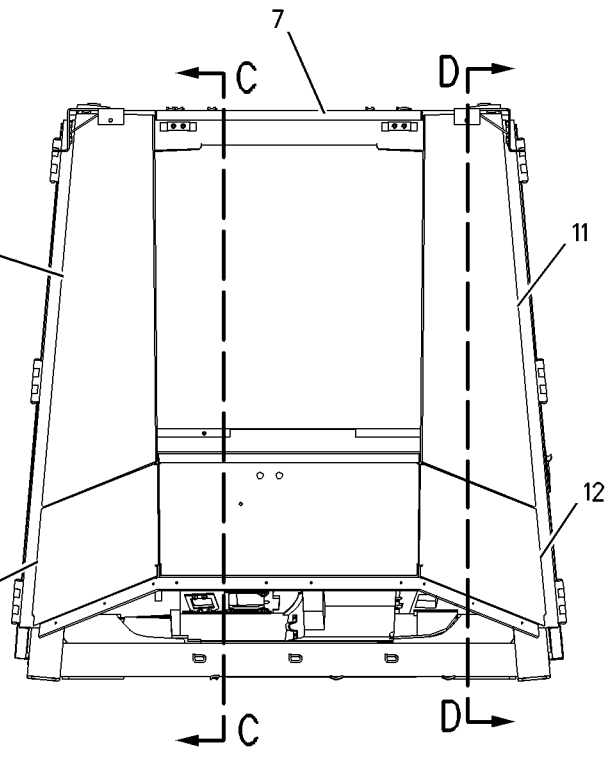
REAR VIEW



LEFT SIDE VIEW



RIGHT SIDE VIEW



FRONT VIEW

GRAPHIC #1

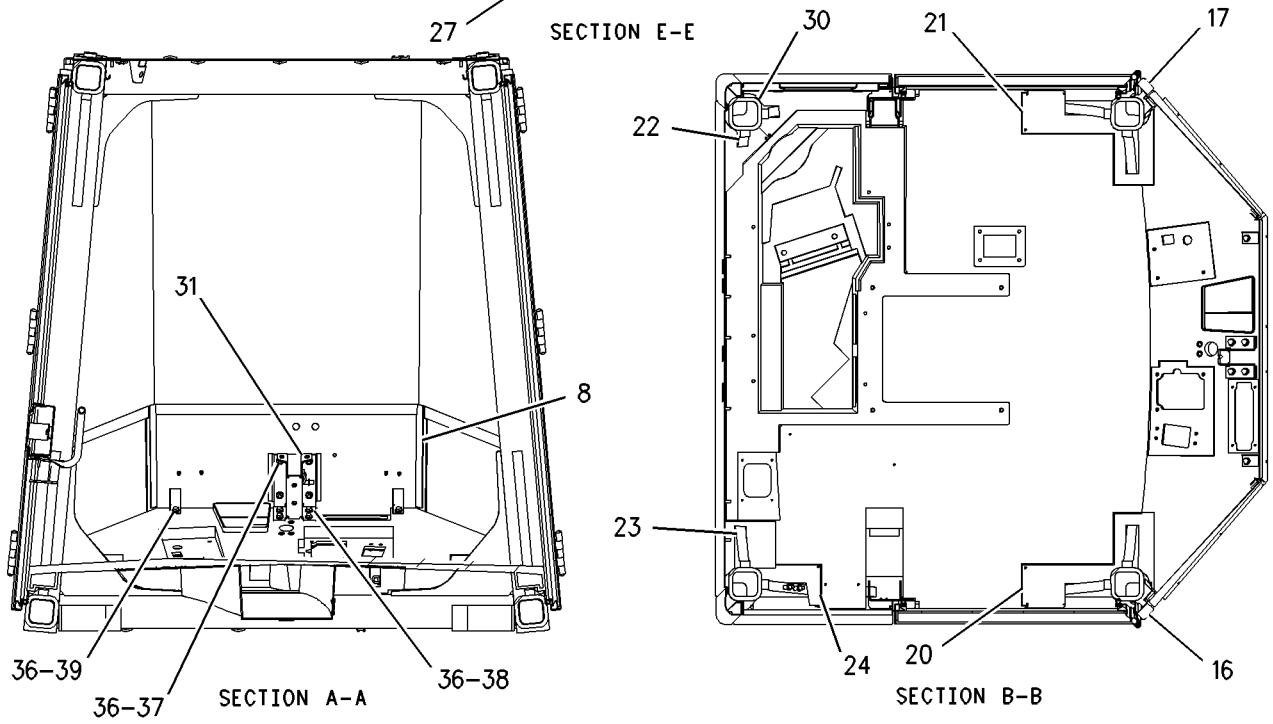
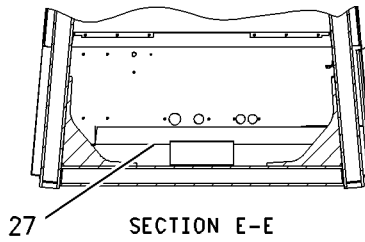
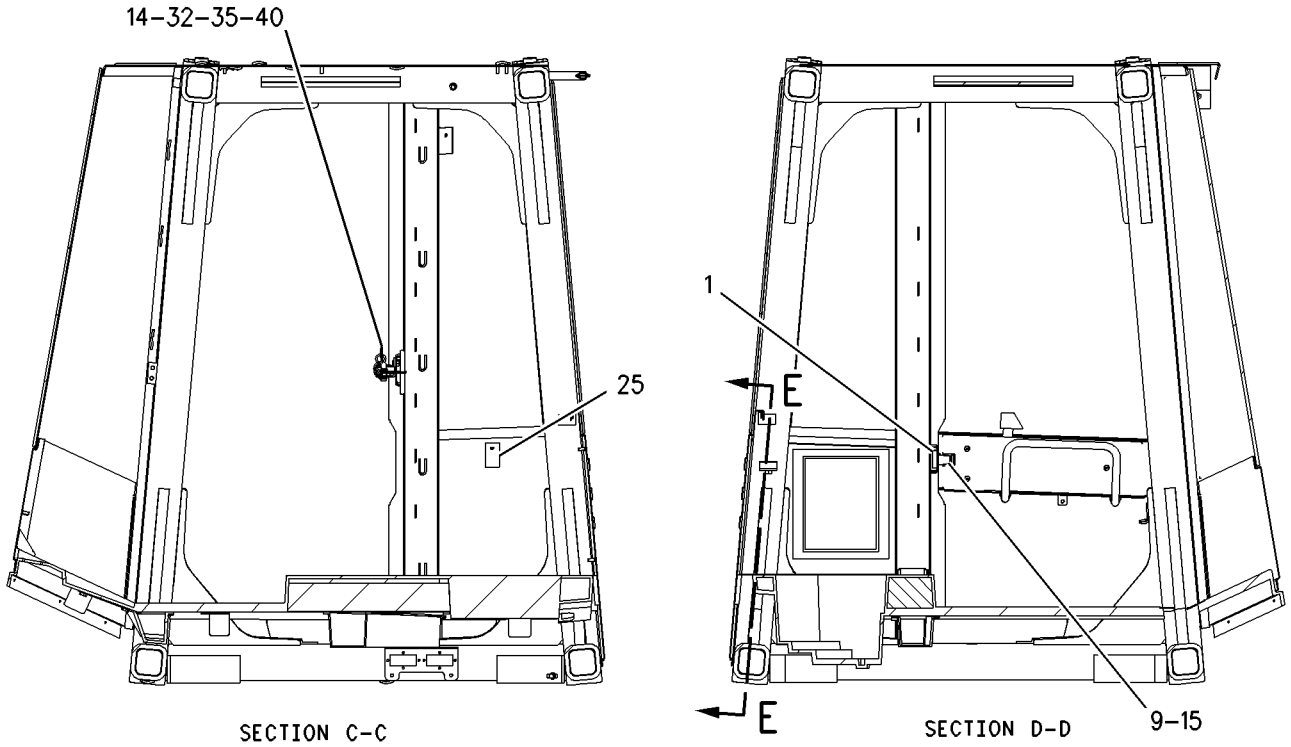
g00877828



# OPERATOR STATION

128-9664 ROPS GP-ENCLOSED (contd.)

i01705447



GRAPHIC #2

<END>

g00878683

# OPERATOR STATION

## 292-6893 ROPS GP-ENCLOSED

S/N: BNH1-UP

PART OF 346-3845 CAB AR

SMCS-7301

i04280855

NOTE	REF NO	GRAPHIC REF	PART NUMBER	QTY	PART NAME						SEE PAGE
					1	2	3	4	5	6 (PRODUCT LEVEL)	
	1	1	351-9959	1	GLASS (RIGHT SIDE, REAR)						
	2	2	351-9958	1	GLASS (REAR)						
	3	2	351-9963	1	GLASS (LEFT SIDE, REAR)						
	4	1	107-4603	1	GLASS (FRONT)						
	5	1	107-7306	1	SHEET AS						
	6	1,2	111-0687	2	STRIKER AS						
	7	1	121-3274	1	GLASS (RIGHT SIDE, FRONT)						
	8	1	121-3275	1	GLASS (LEFT SIDE, FRONT)						
	9	1	121-3277	1	SHEET AS (LEFT SIDE, FRONT)						
	10	1	121-3278	1	SHEET AS (RIGHT SIDE, FRONT)						
	11	1,2	128-1026	2	SHIELD-STRIKER						
	12	1	129-2570	1	CHANNEL AS						
		1	5D-9629	2	ROD						
	13	2	129-2572	1	CHANNEL						
	14	2	129-2581	1	DOOR AS						
		2	111-1316	1	HINGE						
		2	1V-6755	1	LATCH AS						
	15	1	136-1725	1	TRIM (RH)						
	16	2	136-1726	1	TRIM (LH)						
	17	2	136-1728	1	TRIM (LH)						
	18	2	136-1729	1	TRIM (RH)						
	19	2	136-1730	1	TRIM (RH)						
	20	2	114-9252	1	BRACKET AS						
	21	2	136-1732	1	SHEET AS						
	22	2	136-1734	1	INSULATION						
	23	2	136-9353	1	TRIM						
	24	2	137-7321	1	TRIM (LH)						
Y	26	2	179-3737	1	DOOR GP-CAB (LH)						1124
Y	27	2	172-4387	1	PLATFORM GP-CAB (LH)						1219
Y	28	1	179-3738	1	DOOR GP-CAB (RH)						1126
	29	1	240-9499	1	TRIM AS (RH)						
	30	2	343-3145	1	BRACKET AS						
	31	1	301-4549	1	CAB AS-ENCLOSED ROPS						
	32	1,2	7T-0920	2	BLOCK						
	33	1,2	8T-4121	24	WASHER-HARD (11X21X2.5-MM THK)						
M	35	1	8T-4136	4	BOLT (M10X1.5X25-MM)						
M	36	1,2	8T-4137	20	BOLT (M10X1.5X20-MM)						
M	37	1	9X-2044	1	SCREW-TRUSS HEAD (M6X1X16-MM)						
M	38	2	9X-2042	2	SCREW-TRUSS HEAD (M6X1X12-MM)						

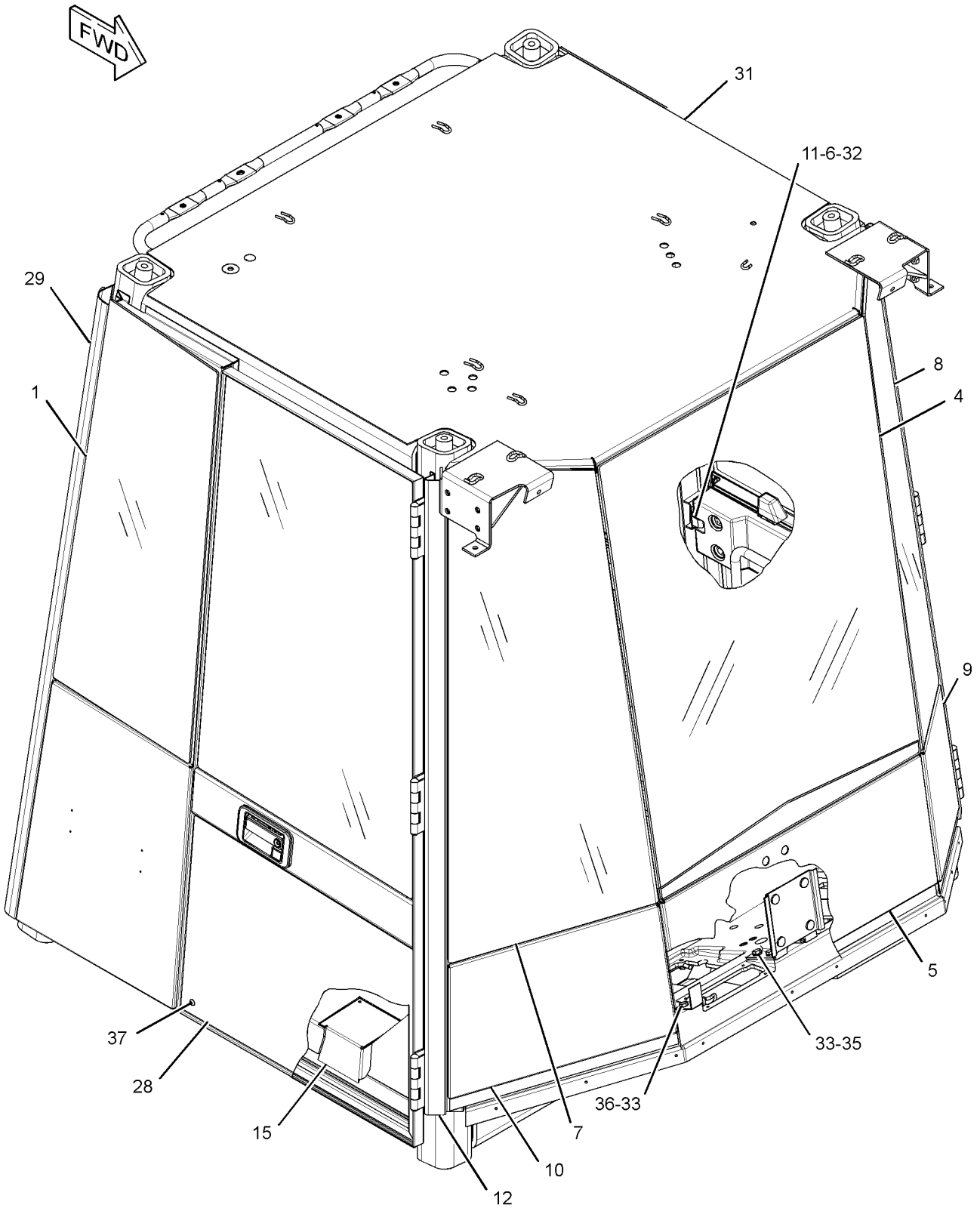
M - METRIC PART

Y - SEPARATE ILLUSTRATION

# OPERATOR STATION

292-6893 ROPS GP-ENCLOSED (contd.)

i04280855



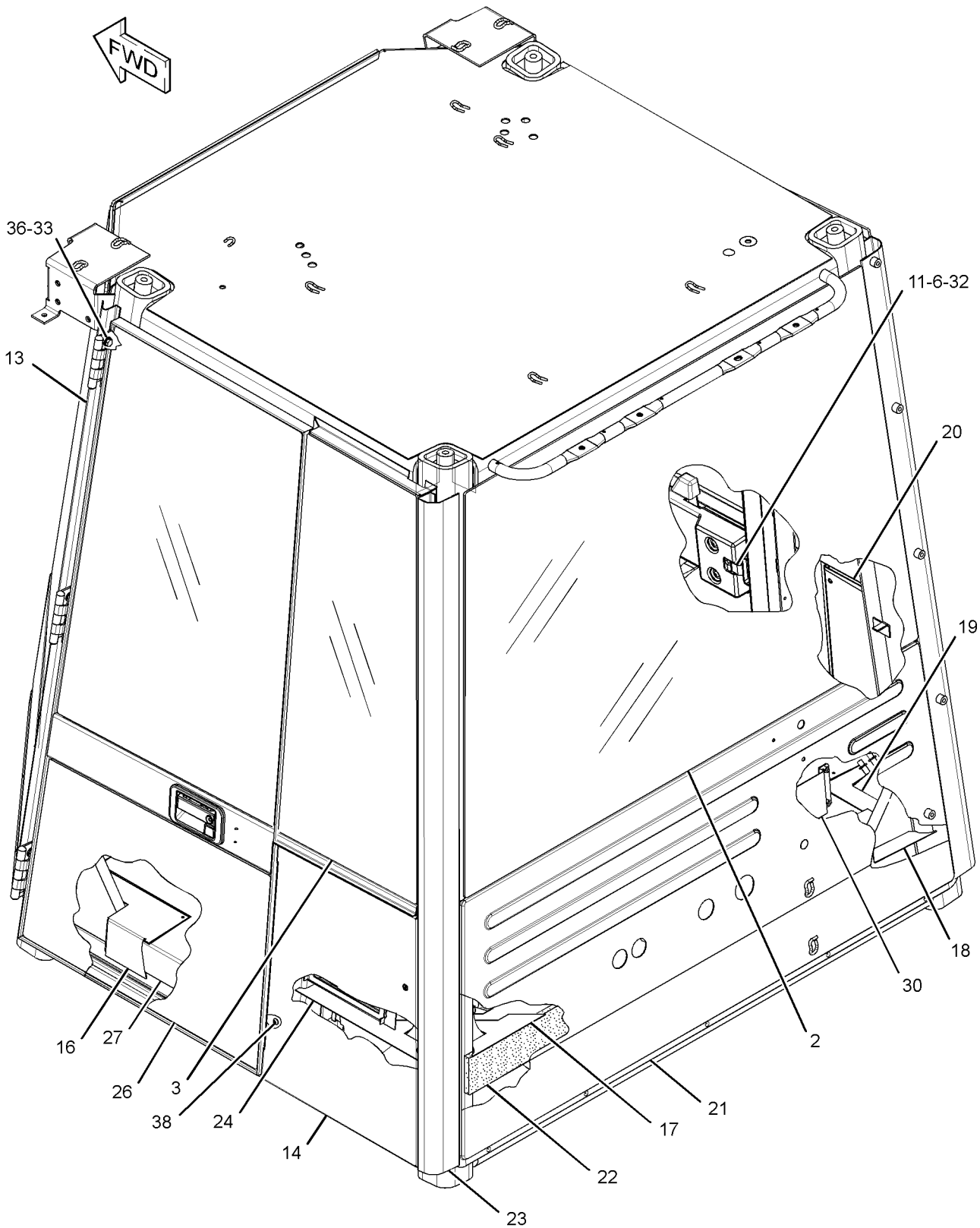
GRAPHIC #1

g02498538

# OPERATOR STATION

292-6893 ROPS GP-ENCLOSED (contd.)

i04280855



GRAPHIC #2

<END>

g02498617

# OPERATOR STATION

## 117-1410 SEALING GP-GLASS

S/N: BNH1-UP

PART OF 202-9742, 346-3845 CAB AR

SMCS-7310, 7340

i02737077

NOTE	PART NUMBER	QTY	PART NAME						SEE PAGE
			1	2	3	4	5	6 (PRODUCT LEVEL)	
B	311-3898	1	ADHESIVE						
B - USE AS REQUIRED									

<END>

# OPERATOR STATION

## 222-0345 SEAT BELT GP-RETRACTABLE

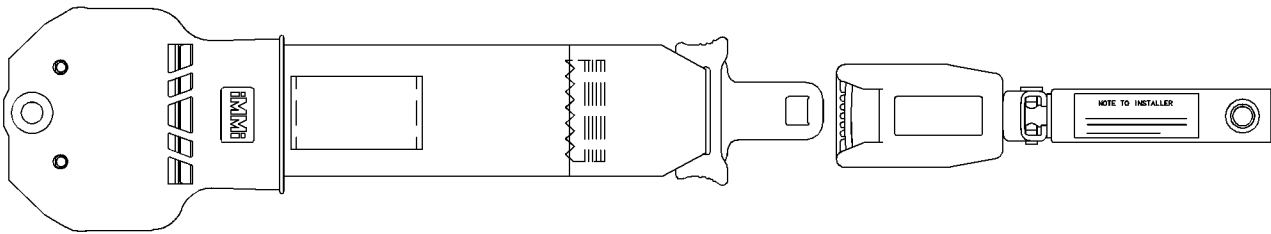
S/N: BNH1-UP

PART OF 178-0606 SEAT GP

SMCS-7327

i04823026

NOTE	REF NO	GRAPHIC REF	PART NUMBER	QTY	PART NAME						SEE PAGE
					1	2	3	4	5	6 (PRODUCT LEVEL)	
F			0T-0244	1	BOLT (7/16-20X1.25-IN)						
F			205-6388	1	BOLT (7/16-20X1.75-IN)						
F - NOT SHOWN											



GRAPHIC #1

<END>

g01196135

# OPERATOR STATION

## 178-0603 SEAT GP-CLOTH

S/N: BNH1-UP

PART OF 178-0606 SEAT GP

TYPE 1

SMCS-7312

i03111120

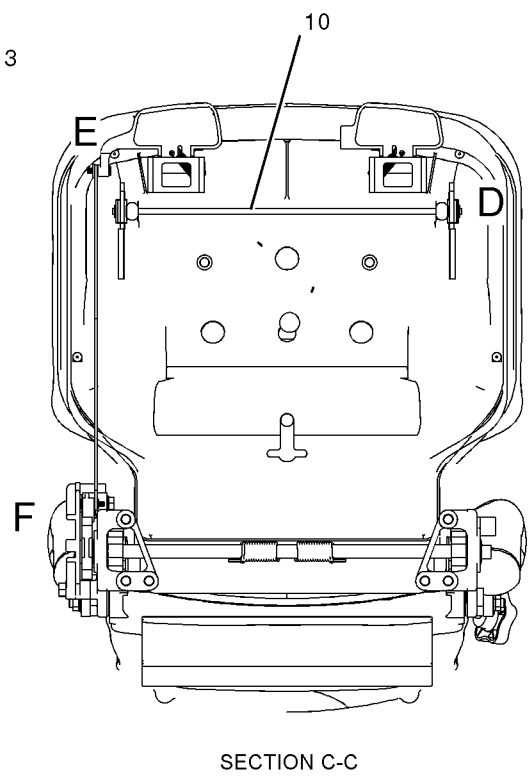
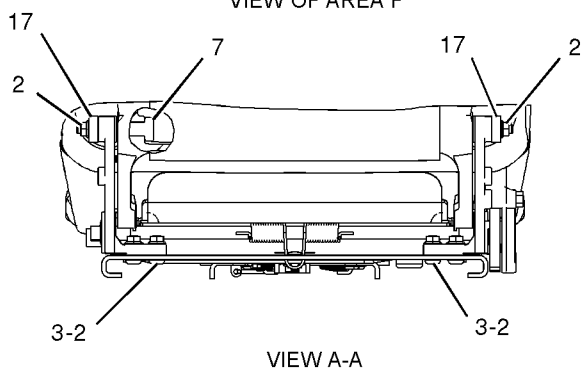
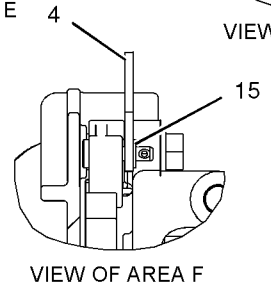
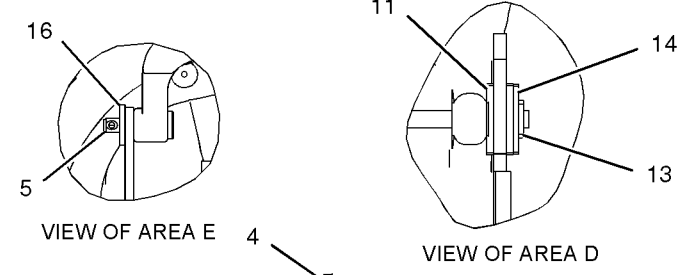
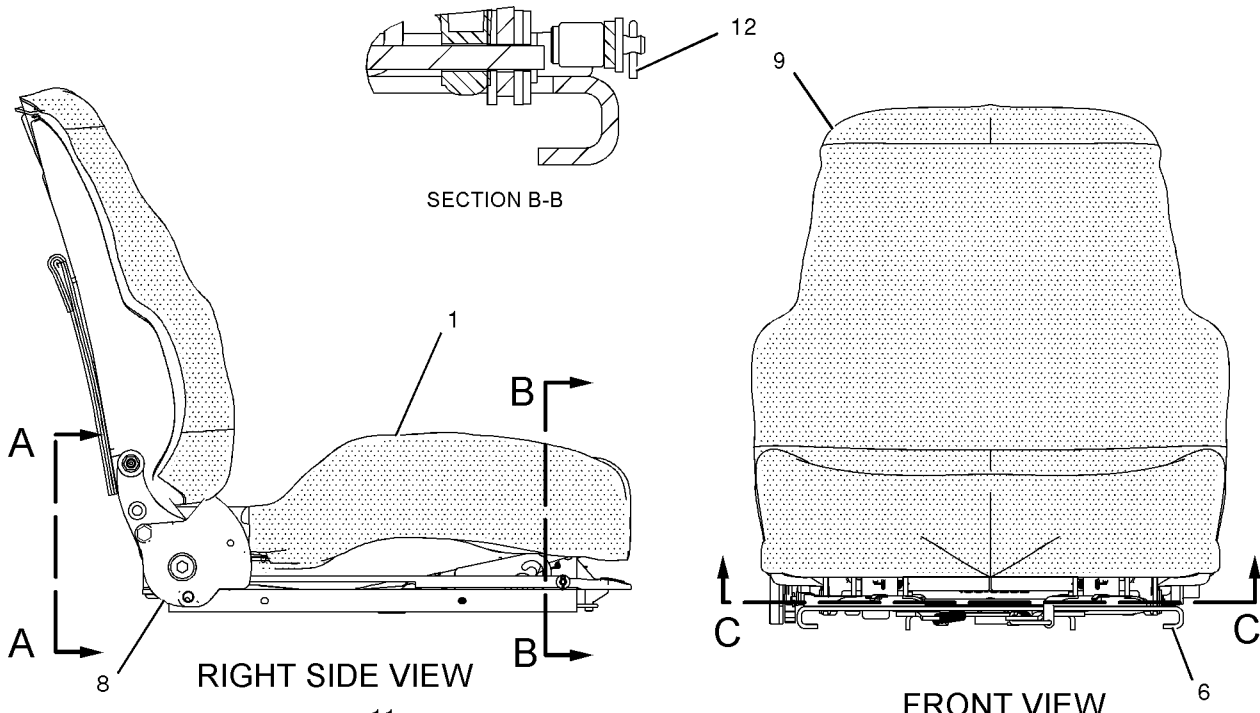
NOTE	REF NO	GRAPHIC REF	PART NUMBER	QTY	PART NAME						SEE PAGE
					1	2	3	4	5	6 (PRODUCT LEVEL)	
	1	1	<b>218-0861</b>	1	PAN AS						
		1	<b>8T-9082</b>	5	RIVET-POP						
		1	<b>217-9049</b>	1	CUSHION AS						
	2	1	<b>143-1288</b>	8	LOCKNUT-FLANGE (3/8-16-THD)						
	3	1	<b>171-1230</b>	6	SCREW-BUTTON HEAD (3/8-16X1-IN)						
	4	1	<b>171-6682</b>	1	BAR						
	5	1	<b>172-2416</b>	2	PIN						
Y	6	1	<i>173-1028</i>	1	ADJUSTER GP-SEAT						1054
	7	1	<b>177-1863</b>	2	BOLT-PIVOT (3/8-16X2.89-IN)						
Y	8	1	<i>210-2270</i>	1	RECLINER GP-SEAT						1225
Y	9	1	<i>178-0604</i>	1	PAN GP-BACKREST (CLOTH)						1187
	10	1	<b>184-2298</b>	1	ROD						
	11	1	<b>184-2299</b>	4	WASHER (7X25.4X2.54-MM THK)						
	12	1	<b>095-0843</b>	2	PIN-COTTER						
	13	1	<b>5V-1496</b>	2	RETAINER						
	14	1	<b>6V-7646</b>	2	WASHER-HARD (7.2X25X2-MM THK)						
	15	1	<b>8T-0328</b>	1	WASHER-HARD (5.5X10X1-MM THK)						
	16	1	<b>8T-4205</b>	1	WASHER-HARD (7.2X14.5X2-MM THK)						
	17	1	<b>8Y-6277</b>	2	SPACER (10.5X28.6X10-MM THK)						

Y - SEPARATE ILLUSTRATION

# OPERATOR STATION

178-0603 SEAT GP (contd.)

i03111120



GRAPHIC #1

<END>

g01023456



# OPERATOR STATION

## 178-0603 SEAT GP-CLOTH

S/N: BNH1-UP

PART OF 178-0606 SEAT GP

TYPE 2

SMCS-7312

i03111121

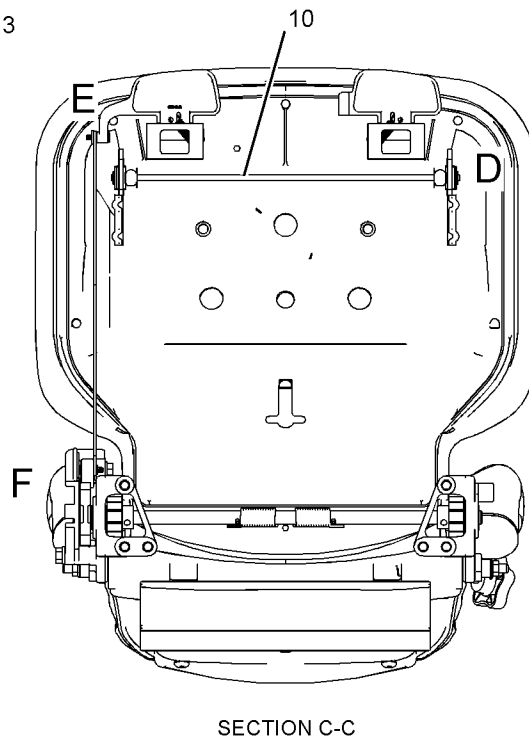
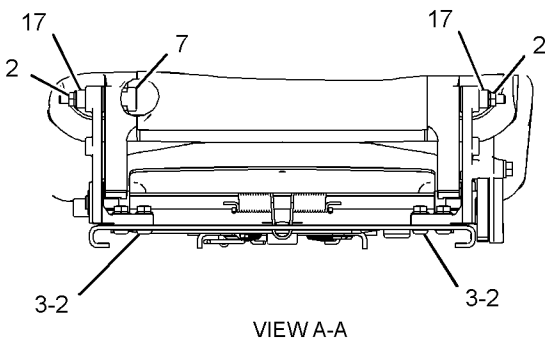
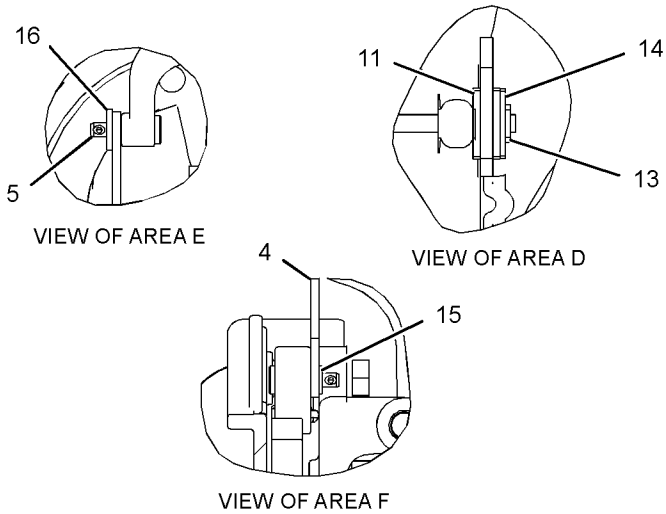
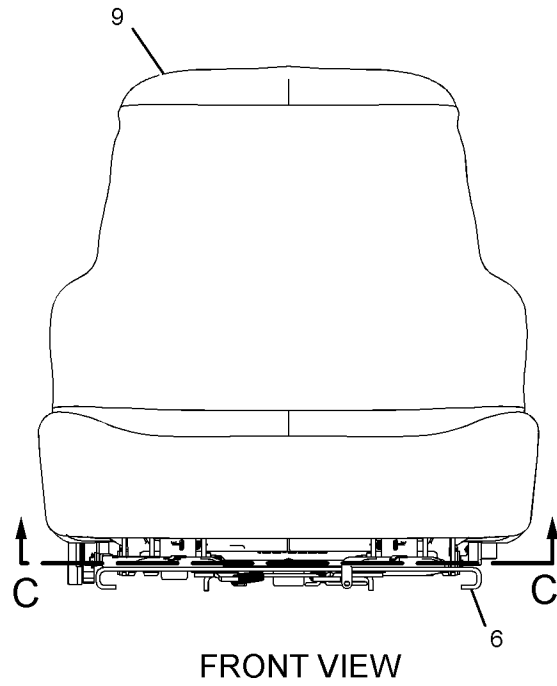
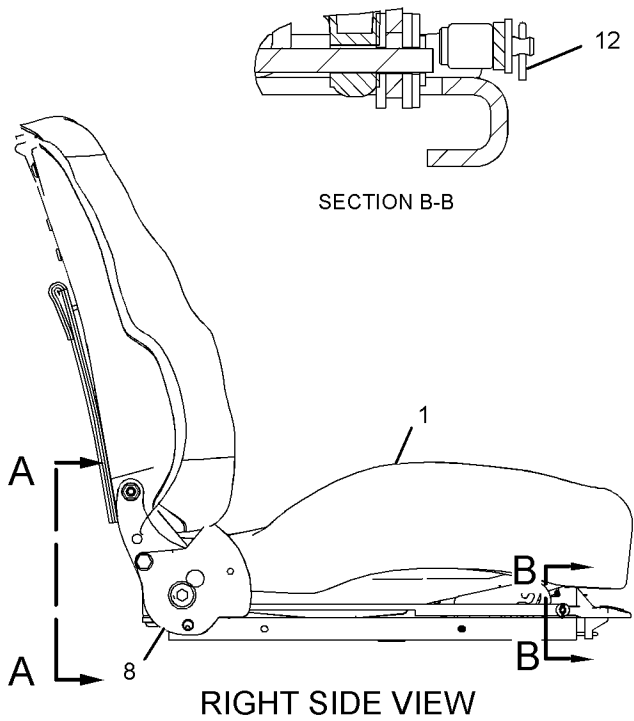
NOTE	REF NO	GRAPHIC REF	PART NUMBER	QTY	PART NAME						SEE PAGE
					1	2	3	4	5	6 (PRODUCT LEVEL)	
	1	1	<b>218-0861</b>	1	PAN AS						
		1	<b>8T-9082</b>	5	RIVET-POP						
		1	<b>217-9049</b>	1	CUSHION AS						
	2	1	<b>143-1288</b>	8	LOCKNUT-FLANGE (3/8-16-THD)						
	3	1	<b>171-1230</b>	6	SCREW-BUTTON HEAD (3/8-16X1-IN)						
	4	1	<b>171-6682</b>	1	BAR						
	5	1	<b>172-2416</b>	2	PIN						
Y	6	1	<i>173-1028</i>	1	ADJUSTER GP-SEAT						1054
	7	1	<b>177-1863</b>	2	BOLT-PIVOT (3/8-16X2.89-IN)						
Y	8	1	<i>210-2270</i>	1	RECLINER GP-SEAT						1225
CY	9	1	<i>292-9237</i>	1	PAN GP-BACKREST (CLOTH)						1190
	10	1	<b>184-2298</b>	1	ROD						
	11	1	<b>184-2299</b>	4	WASHER (7X25.4X2.54-MM THK)						
	12	1	<b>095-0843</b>	2	PIN-COTTER						
	13	1	<b>5V-1496</b>	2	RETAINER						
	14	1	<b>6V-7646</b>	2	WASHER-HARD (7.2X25X2-MM THK)						
	15	1	<b>8T-0328</b>	1	WASHER-HARD (5.5X10X1-MM THK)						
	16	1	<b>8T-4205</b>	1	WASHER-HARD (7.2X14.5X2-MM THK)						
C	17	1	<b>294-5042</b>	2	SPACER (11.1X19.5X9.67-MM THK)						

C - CHANGE FROM PREVIOUS TYPE  
Y - SEPARATE ILLUSTRATION

# OPERATOR STATION

178-0603 SEAT GP (contd.)

i03111121



GRAPHIC #1

<END>

g01336990

# OPERATOR STATION

## 178-0606 SEAT GP-CLOTH

S/N: BNH1-UP

PART OF 160-7188, 200-3174 SEAT GP-SUSPENSION

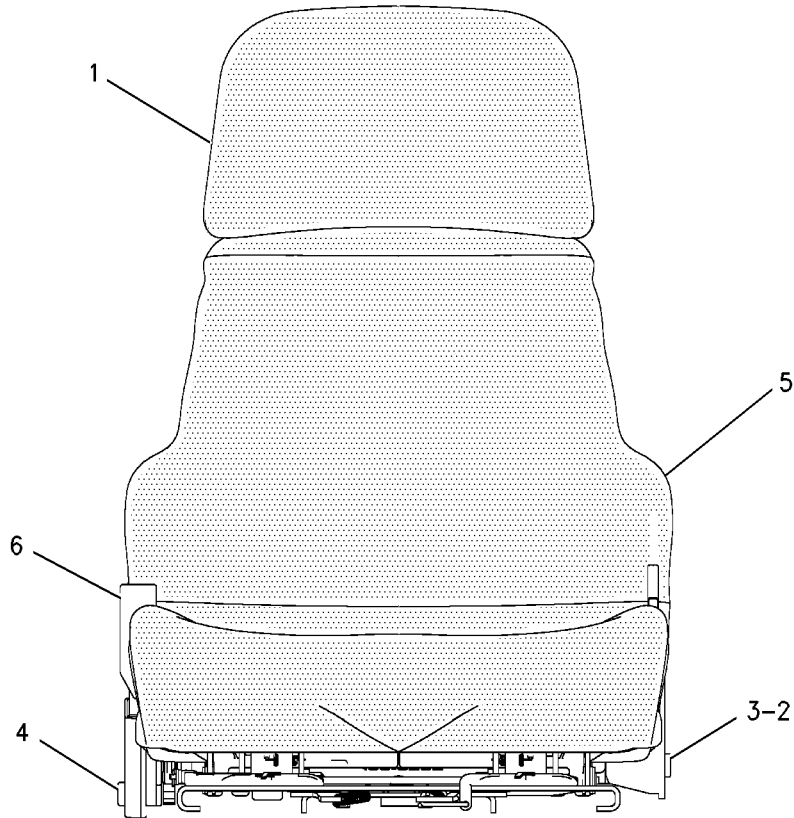
TYPE 1

SMCS-7312

i02926716

NOTE	REF NO	GRAPHIC REF	PART NUMBER	QTY	PART NAME						SEE PAGE
					1	2	3	4	5	6 (PRODUCT LEVEL)	
	1	1	173-3082	1	EXTENSION GP-BACKREST (CLOTH)						
		1	117-4491	1	ROD						
	2	1	177-4937	1	SPACER (11.7X19.8X20.3-MM THK)						
	3	1	205-6388	1	BOLT (7/16-20X1.75-IN)						
	4	1	0T-0244	1	BOLT (7/16-20X1.25-IN)						
Y	5	1	178-0603	1	SEAT GP (CLOTH)						1237
	6	1	222-0345	1	SEAT BELT GP (RETRACTABLE, 3-IN)						

Y - SEPARATE ILLUSTRATION



FRONT VIEW

GRAPHIC #1

<END>

g00683843

# OPERATOR STATION

**178-0606 SEAT GP-CLOTH**

S/N: BNH1-UP

PART OF 200-3174 SEAT GP-SUSPENSION

TYPE 2

SMCS-7312

i03615881

NOTE	REF NO	GRAPHIC REF	PART NUMBER	QTY	PART NAME	SEE PAGE
					1 2 3 4 5 6 (PRODUCT LEVEL)	
	1	1	177-4937	1	SPACER (11.7X19.8X20.3-MM THK)	
Y	2	1	178-0603	1	SEAT GP (CLOTH)	1237
Y	3	1	222-0345	1	SEAT BELT GP (RETRACTABLE, 3-IN)	1236
C	4	1	229-1494	1	EXTENSION GP-BACKREST (CLOTH)	
		1	117-4491	1	ROD	
	5	1	0T-0244	1	BOLT (7/16-20X1.25-IN)	
	6	1	205-6388	1	BOLT (7/16-20X1.75-IN)	

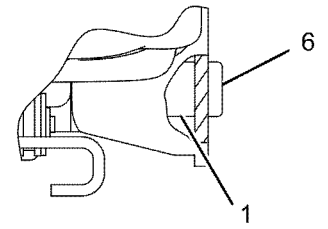
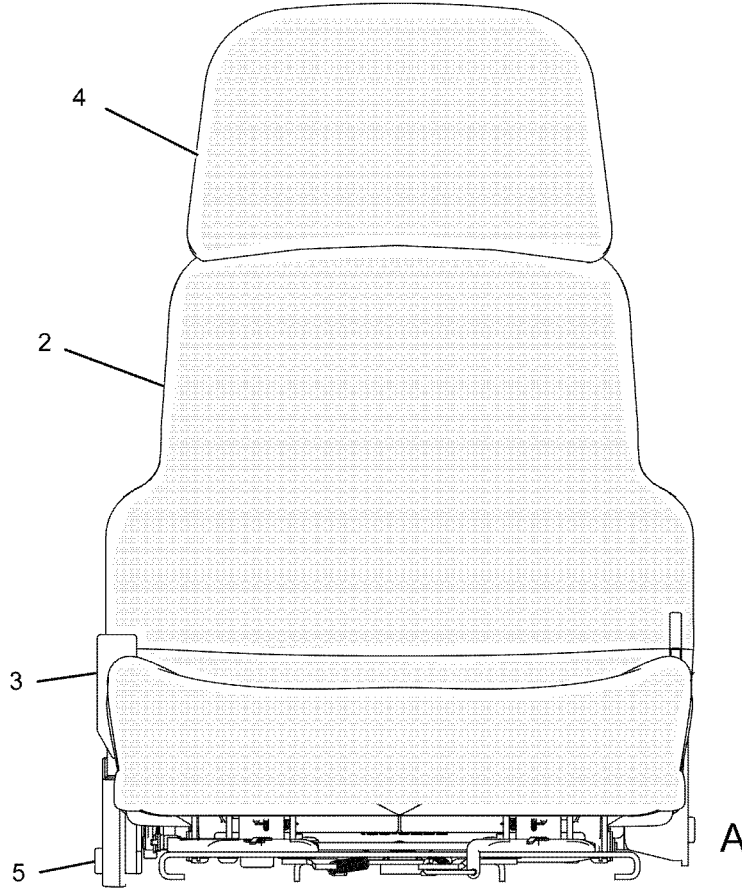
C - CHANGE FROM PREVIOUS TYPE

Y - SEPARATE ILLUSTRATION

# OPERATOR STATION

178-0606 SEAT GP (contd.)

i03615881



VIEW A

FRONT VIEW

GRAPHIC #1

<END>

g01084230

# OPERATOR STATION

## 160-7188 SEAT GP-SUSPENSION-CLOTH, AIR

S/N: BNH1-UP

PART OF 202-9742 CAB AR

SMCS-7324, 7336

i01897605

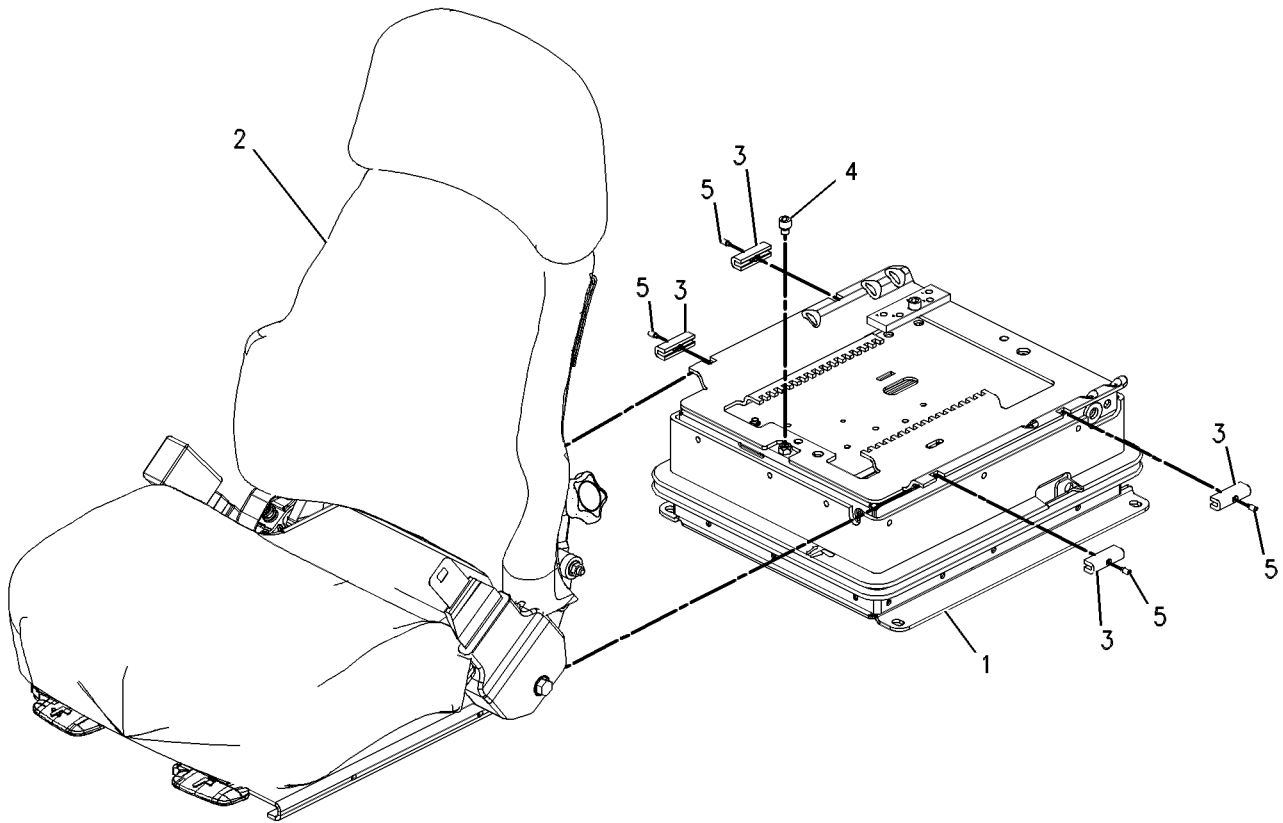
NOTE	REF NO	GRAPHIC REF	PART NUMBER	QTY	PART NAME						SEE PAGE
					1	2	3	4	5	6 (PRODUCT LEVEL)	
Y	1	1	<b>161-7539</b>	1	SUSPENSION GP-SEAT (AIR)						1255
Y	2	1	<i>178-0606</i>	1	SEAT GP						1241
J	3	1	<b>161-9289</b>	4	BLOCK-SLIDER						
	4	1	<b>4F-4879</b>	1	BOLT (3/8-16X0.5-IN)						
		1	<b>203-7703</b>	2	WASHER-HARD (10.2X22.22X2.38-MM THK)						
	5	1	<b>173-5787</b>	4	SETSCREW (1/4-20-THD)						

AVAILABLE REPAIR KIT(S):

J			<b>173-7035</b>	1	KIT-SLIDER BLOCK (SUSPENSION SEAT)					
---	--	--	-----------------	---	------------------------------------	--	--	--	--	--

J - PART MARKED J SERVICED BY KIT MARKED J

Y - SEPARATE ILLUSTRATION



GRAPHIC #1

<END>

g00662344

# OPERATOR STATION

## 200-3174 SEAT GP-SUSPENSION-CLOTH, AIR

S/N: BNH1-UP

PART OF 202-9742, 346-3845 CAB AR

SMCS-7324, 7336

i03129183

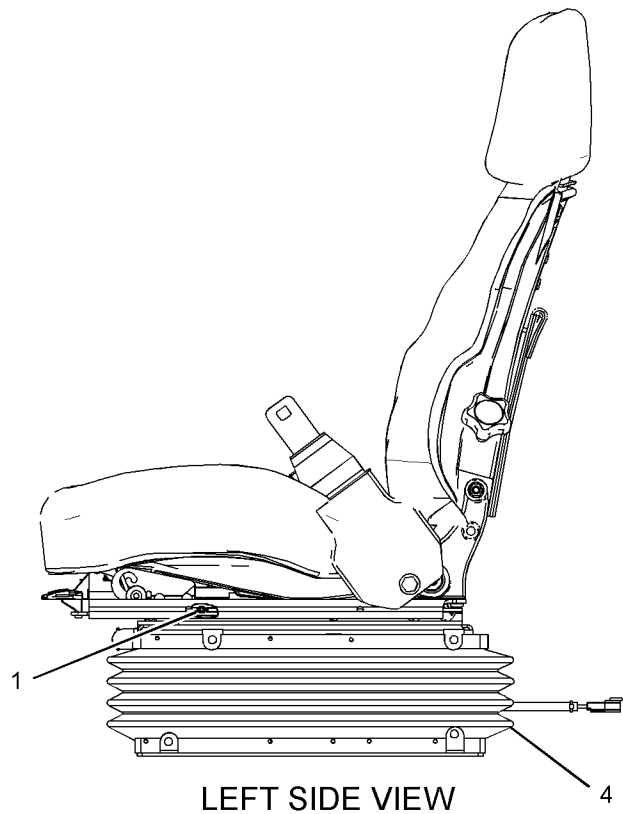
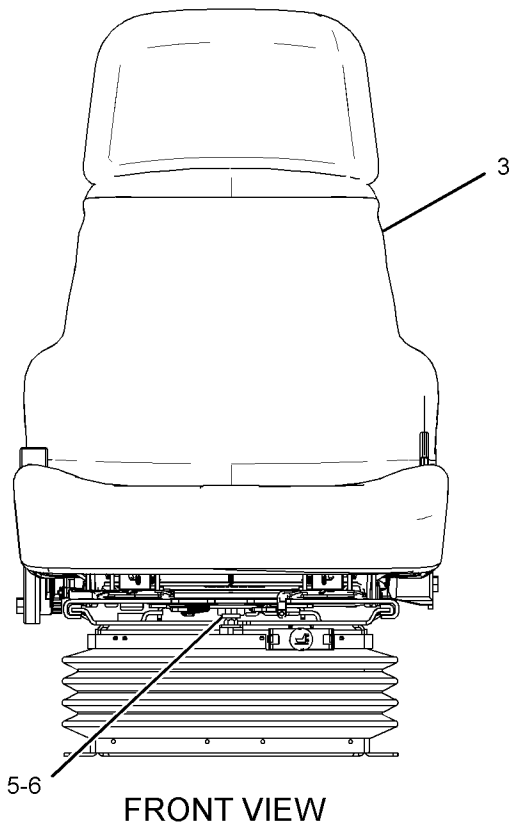
NOTE	REF NO	GRAPHIC REF	PART NUMBER	QTY	PART NAME						SEE PAGE
					1	2	3	4	5	6 (PRODUCT LEVEL)	
J	1	1	<b>173-5787</b>	4	SETSCREW (1/4-20-THD)						
Y	3	1	<b>178-0606</b>	1	SEAT GP (CLOTH)						1241
Y	4	1	<b>191-2933</b>	1	SUSPENSION GP-SEAT (AIR)						1257
J	5	1	<b>203-7703</b>	2	WASHER-HARD (10.2X22.22X2.38-MM THK)						
J	6	1	<b>4F-4879</b>	1	BOLT (3/8-16X0.5-IN)						

AVAILABLE REPAIR KIT(S):

J			<b>173-7035</b>	1	KIT-SLIDER BLOCK (SUSPENSION SEAT)					
---	--	--	-----------------	---	------------------------------------	--	--	--	--	--

J - KIT MARKED J INCLUDES PARTS MARKED J

Y - SEPARATE ILLUSTRATION



GRAPHIC #1

<END>

g01608353

# OPERATOR STATION

## 179-9575 SUPPORT GP-HYDRAULIC CONTROL

S/N: BNH1-UP

PART OF 202-9742, 346-3845 CAB AR

SMCS-5258

i01967301

NOTE	REF NO	GRAPHIC REF	PART NUMBER	QTY	PART NAME						SEE PAGE
					1	2	3	4	5	6 (PRODUCT LEVEL)	
	1	2	3K-4897	1	PIN-SPRING						
	2	2	9X-2027	1	WASHER (11X18X2-MM THK)						
	3	2	4E-6523	1	SUPPORT-SLIDE						
	4	1	4E-6526	1	CUSHION AS (RH)						
	5	1	4E-8722	4	NUT (RETAINER)						
	6	2	4E-9173	2	SHAFT-CONTROL						
	7	1	4E-9174	2	BEARING						
M	8	2	6V-9327	4	SETSCREW-SOCKET (M6X1-THD)						
	9	2	7K-1181	1	STRAP-CABLE						
	10	2	7V-0445	1	SPRING						
	11	1	7X-3310	1	KNOB-BALL						
	12	1	8Y-5746	1	ASHTRAY						
	13	1	8Y-6333	1	GASKET (ASHTRAY)						
	14	2	9U-0952	1	PIN						
	15	2	9U-0953	1	GUIDE						
	16	2	9U-0954	1	STUD						
	17	2	9U-0955	1	PIN						
	18	2	9U-0958	1	SLIDER						
	19	1	9U-3925	4	RING-RETAINING						
	20	2	9U-3926	6	STOP						
	21	1	9U-3927	1	BEARING						
	22	1	9W-0335	1	LIGHTER AS-CIGAR (24-VOLT)						
	23	2	9W-1991	1	SPACER (10.7X17.1X40-MM THK)						
	24	2	127-0323	1	LEVER AS						
	25	2	127-5480	1	BRACKET AS						
M		2	6V-9632	1	NUT-WELD (M6X1-THD)						
B	26	1	137-6841	2	SHIM (0.2-MM THK)						
	27	1	170-0489	1	HOUSING						
	28	1	170-0490	1	HOUSING						
	29	1	170-0976	1	BRACKET AS						
	30	1	170-0978	1	BRACKET AS						
	31	1	211-4942	2	KNOB AS						
	32	1	180-0129	1	HARNES AS-CAB (HYDRAULIC CONTROL SUPPORT)						
		1	102-8803	1	KIT-RECEPTACLE (3-PIN)						
		1	102-8806	1	KIT-RECEPTACLE (8-PIN)						
		1	102-8801	1	KIT-RECEPTACLE (12-PIN)						
		1	3S-2093	2	STRAP-CABLE						
		1	8T-8737	9	PLUG-SEAL						
M	33	1	099-3649	4	BOLT (M8X1.25X40-MM)						
M	34	1	5C-7261	4	NUT (M8X1.25-THD)						
	35	2	7C-4354	1	CLIP						
	36	2	7X-0575	2	WASHER-HARD (10.2X22.5X5-MM THK)						
M	37	2	8T-4138	4	BOLT (M6X1X20-MM)						
M	38	2	8T-4189	2	BOLT (M8X1.25X20-MM)						
M	39	2	8T-4195	4	BOLT (M10X1.5X30-MM)						
	40	2	8T-4205	4	WASHER-HARD (7.2X14.5X2-MM THK)						
	41	2	203-0328	1	SPACER (16X19X9-MM THK)						
	42	1,2	8T-4224	8	WASHER-HARD (8.8X16X2-MM THK)						
M	43	2	8T-6869	1	BOLT (M8X1.25X60-MM)						
	44	1	9N-0869	2	WASHER-HARD (8.8X25.5X2-MM THK)						
	45	1	9X-2038	8	WASHER (7X19X2-MM THK)						
M	46	1	9X-2044	8	SCREW-TRUSS HEAD (M6X1X16-MM)						
M	47	1	9X-2616	2	SCREW-SOCKET (M8X1.25X16-MM)						
	48	1	203-9991	1	KNOB AS						
M		1	9X-8281	1	STUD-TAPERLOCK (M10X1.5X45-MM)						

B - USE AS REQUIRED

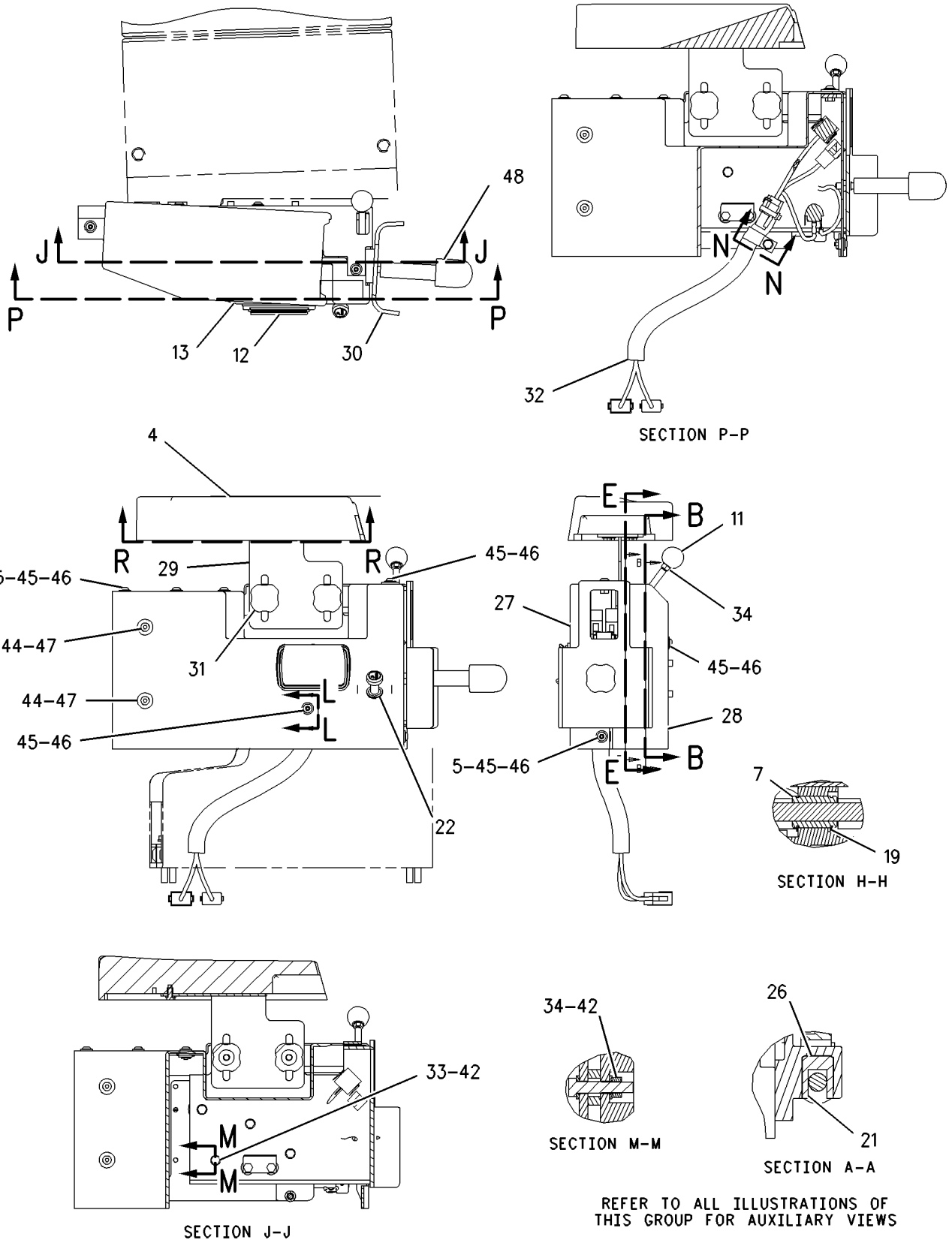
M - METRIC PART



# OPERATOR STATION

179-9575 SUPPORT GP-HYDRAULIC CONTROL (contd.)

i01967301



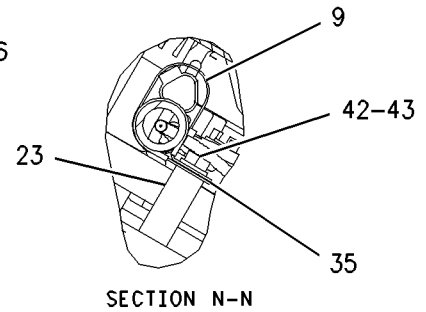
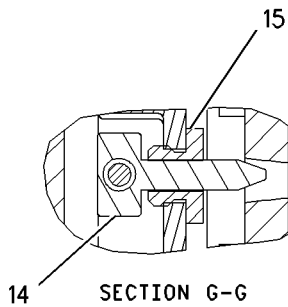
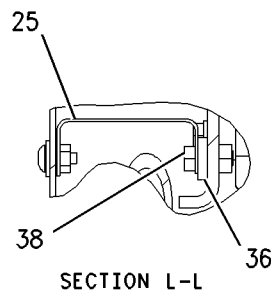
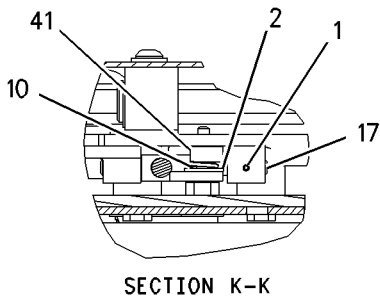
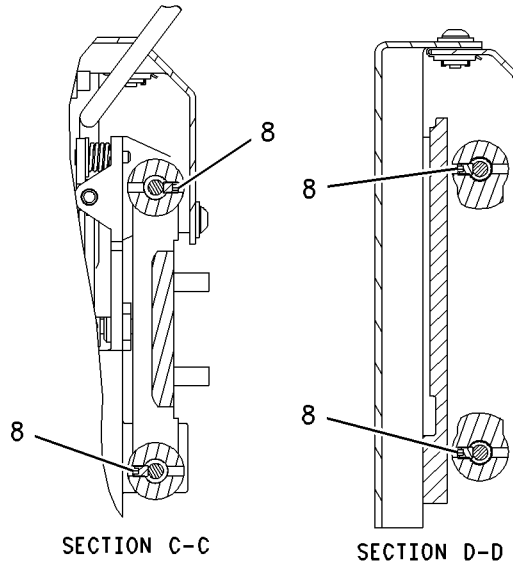
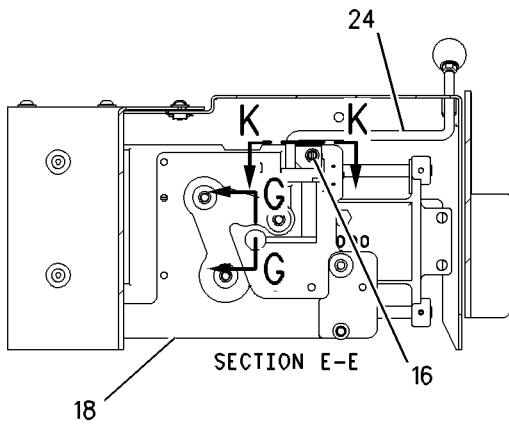
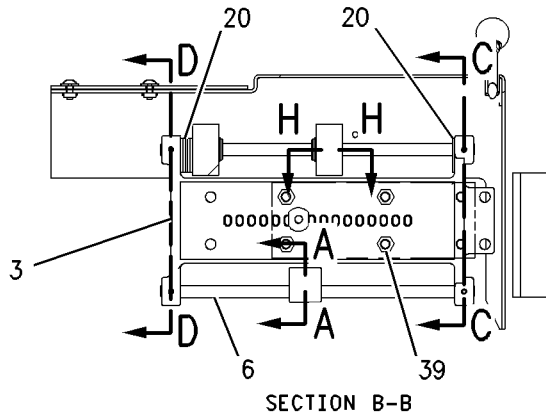
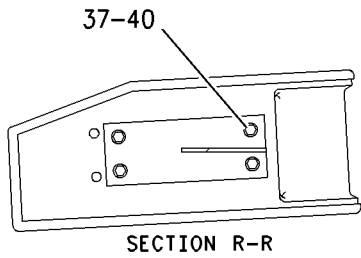
GRAPHIC #1

g00851047

# OPERATOR STATION

179-9575 SUPPORT GP-HYDRAULIC CONTROL (contd.)

i01967301



REFER TO ALL ILLUSTRATIONS OF THIS GROUP FOR AUXILIARY VIEWS

GRAPHIC #2

<END>

g00805154

# OPERATOR STATION

## 253-9969 SUPPORT GP-HYDRAULIC CONTROL

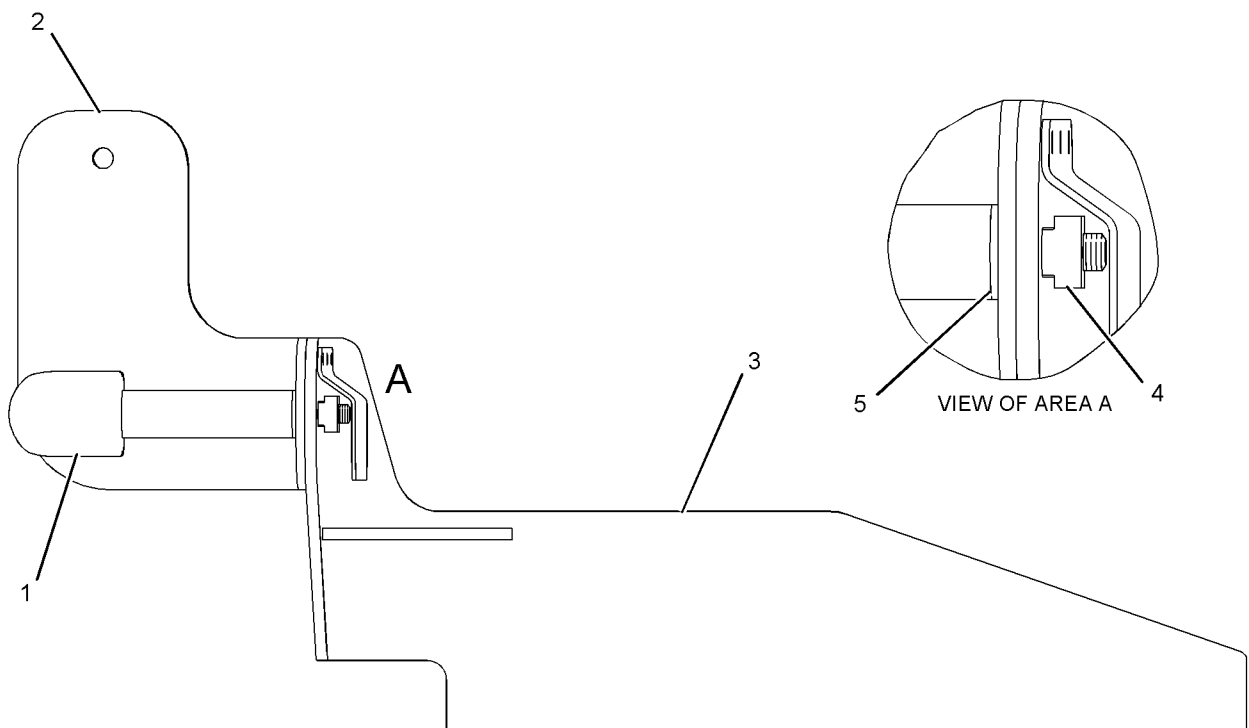
S/N: BNH1-UP  
AN ATTACHMENT

SMCS-5258

i02224622

NOTE	REF NO	GRAPHIC REF	PART NUMBER	QTY	PART NAME						SEE PAGE
					1	2	3	4	5	6 (PRODUCT LEVEL)	
	1	1	<b>203-9991</b>	1	KNOB AS						
M		1	<b>9X-8281</b>	2	STUD-TAPERLOCK (M10X1.5X45-MM)						
	2	1	<b>253-9967</b>	1	BRACKET						
	3	1	<b>253-9968</b>	1	BRACKET AS						
	4	1	<b>254-2162</b>	1	NUT						
	5	1	<b>7X-7729</b>	1	WASHER (11X25X3-MM THK)						

M - METRIC PART



GRAPHIC #1

<END>

g01128116

# OPERATOR STATION

## 173-1905 SUPPORT GP-SEAT

S/N: BNH1-UP

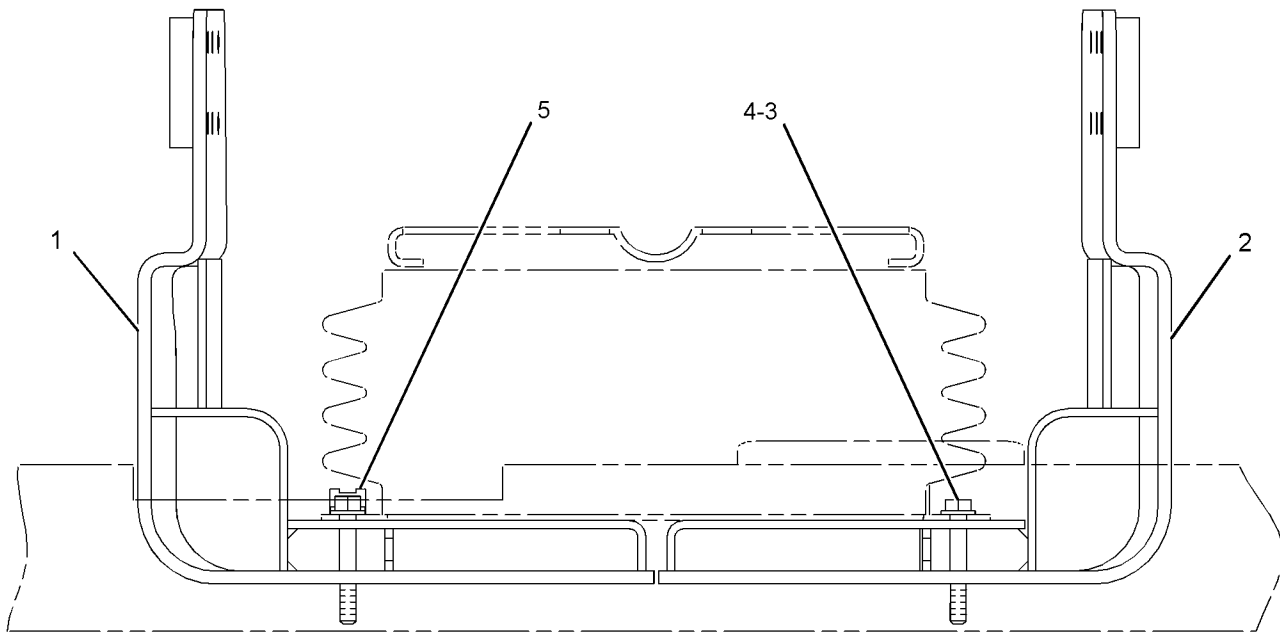
PART OF 202-9742, 346-3845 CAB AR

SMCS-7321

i02677509

NOTE	REF NO	GRAPHIC REF	PART NUMBER	QTY	PART NAME						SEE PAGE
					1	2	3	4	5	6 (PRODUCT LEVEL)	
	1	1	171-9679	1	BRACKET AS (RH)						
	2	1	171-9683	1	BRACKET AS (LH)						
M	3	1	168-4510	4	BOLT (M10X1.5X70-MM)						
	4	1	8T-4121	4	WASHER-HARD (11X21X2.5-MM THK)						
	5	1	4P-7581	1	CLIP						

M - METRIC PART



FRONT VIEW

GRAPHIC #1

<END>

g01354341

# OPERATOR STATION

## 171-3897 SUPPORT GP-STEERING CONTROL

S/N: BNH1-UP

PART OF 202-9742, 346-3845 CAB AR

SMCS-5258

i03413840

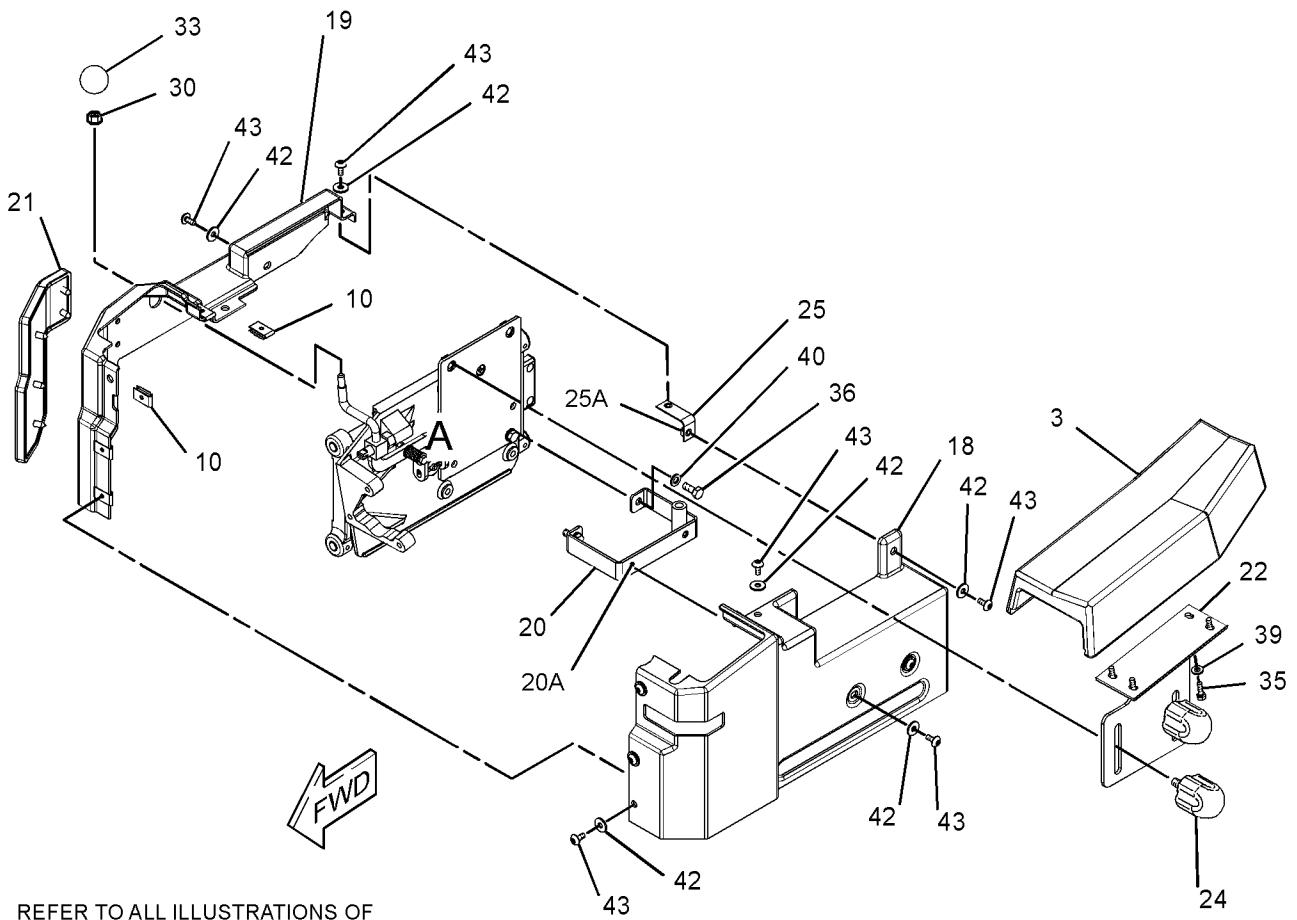
NOTE	REF NO	GRAPHIC REF	PART NUMBER	QTY	PART NAME						SEE PAGE
					1	2	3	4	5	6 (PRODUCT LEVEL)	
	1	2	<b>3G-4711</b>	1	SPRING						
B	2	2	<b>4B-4276</b>	8	WASHER (7X16X1.6-MM THK)						
	3	1	<b>4E-6335</b>	1	CUSHION AS (LH)						
	4	2	<b>4E-6439</b>	1	LEVER AS						
	5	2	<b>4E-6444</b>	1	ROD						
	6	2	<b>4E-6445</b>	1	PIN						
	7	2	<b>4E-6446</b>	1	GUIDE						
	8	2	<b>4E-6523</b>	1	SUPPORT-SLIDE						
	9	2	<b>4E-7163</b>	1	SLIDER						
	10	1	<b>4E-8722</b>	5	NUT (RETAINER)						
	11	2	<b>4E-9173</b>	2	SHAFT-CONTROL						
	12	2	<b>4E-9174</b>	2	BEARING						
	13	2	<b>6E-0923</b>	1	SPACER (7.04X9.52X15.2-MM THK)						
	14	2	<b>9U-3925</b>	4	RING-RETAINING						
	15	2	<b>9U-3926</b>	6	STOP						
	16	2	<b>9U-3927</b>	1	BEARING						
B	17	2	<b>137-6841</b>	2	SHIM (0.2-MM THK)						
	18	1	<b>166-4731</b>	1	HOUSING						
	19	1	<b>166-4732</b>	1	HOUSING						
	20	1	<b>170-0696</b>	1	BRACKET AS						
M	20A	1	<b>6V-9632</b>	2	NUT-WELD (M6X1-THD)						
	21	1	<b>170-0971</b>	1	CUSHION AS						
	22	1	<b>170-0977</b>	1	BRACKET AS						
	23	2	<b>327-5450</b>	1	PLATE AS						
	24	1	<b>211-4942</b>	2	KNOB AS						
	25	1	<b>170-8540</b>	1	BRACKET AS						
M	25A	1	<b>6V-9632</b>	2	NUT-WELD (M6X1-THD)						
	26	2	<b>013-8502</b>	1	LOCKWASHER						
M	27	2	<b>095-0758</b>	1	SCREW-MACHINE (M6X1X14-MM)						
M	28	2	<b>098-5747</b>	1	NUT (M16X2-THD)						
	29	2	<b>1J-5799</b>	1	PIN-SPRING						
M	30	1	<b>5C-7261</b>	1	NUT (M8X1.25-THD)						
M	31	2	<b>6V-9327</b>	4	SETSCREW-SOCKET (M6X1-THD)						
M	32	2	<b>7X-2534</b>	1	BOLT (M6X1X50-MM)						
	33	1	<b>7X-3310</b>	1	KNOB-BALL						
M	34	2	<b>8T-4134</b>	1	NUT (M6X1-THD)						
M	35	1	<b>8T-4138</b>	4	BOLT (M6X1X20-MM)						
M	36	1	<b>8T-4189</b>	2	BOLT (M8X1.25X20-MM)						
M	37	2	<b>8T-4195</b>	6	BOLT (M10X1.5X30-MM)						
M	38	2	<b>8T-4200</b>	2	BOLT (M8X1.25X16-MM)						
	39	1	<b>8T-4205</b>	4	WASHER-HARD (7.2X14.5X2-MM THK)						
	40	1,2	<b>8T-4224</b>	4	WASHER-HARD (8.8X16X2-MM THK)						
M	41	2	<b>8T-4244</b>	1	NUT (M12X1.75-THD)						
	42	1	<b>9X-2038</b>	11	WASHER (7X19X2-MM THK)						
M	43	1	<b>9X-2043</b>	11	SCREW-TRUSS HEAD (M6X1X14-MM)						

B - USE AS REQUIRED  
M - METRIC PART

# OPERATOR STATION

171-3897 SUPPORT GP-STEERING CONTROL (contd.)

i03413840



REFER TO ALL ILLUSTRATIONS OF THIS GROUP FOR AUXILIARY VIEWS

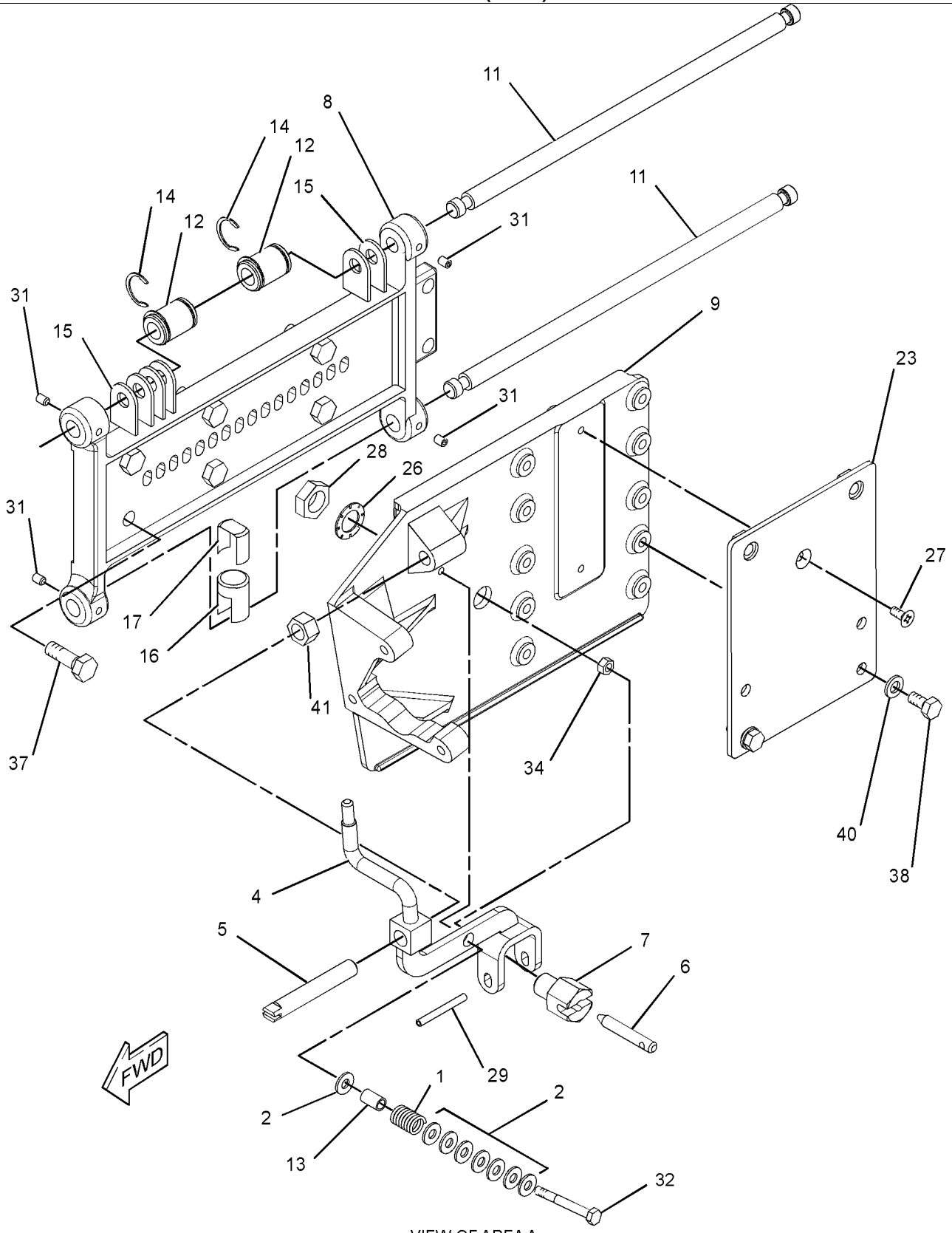
GRAPHIC #1

g01705073

# OPERATOR STATION

171-3897 SUPPORT GP-STEERING CONTROL (contd.)

i03413840



GRAPHIC #2

VIEW OF AREA A

<END>

g01705074

# OPERATOR STATION

## 173-9375 SUPPRESSION GP-CAB SOUND

S/N: BNH1-UP

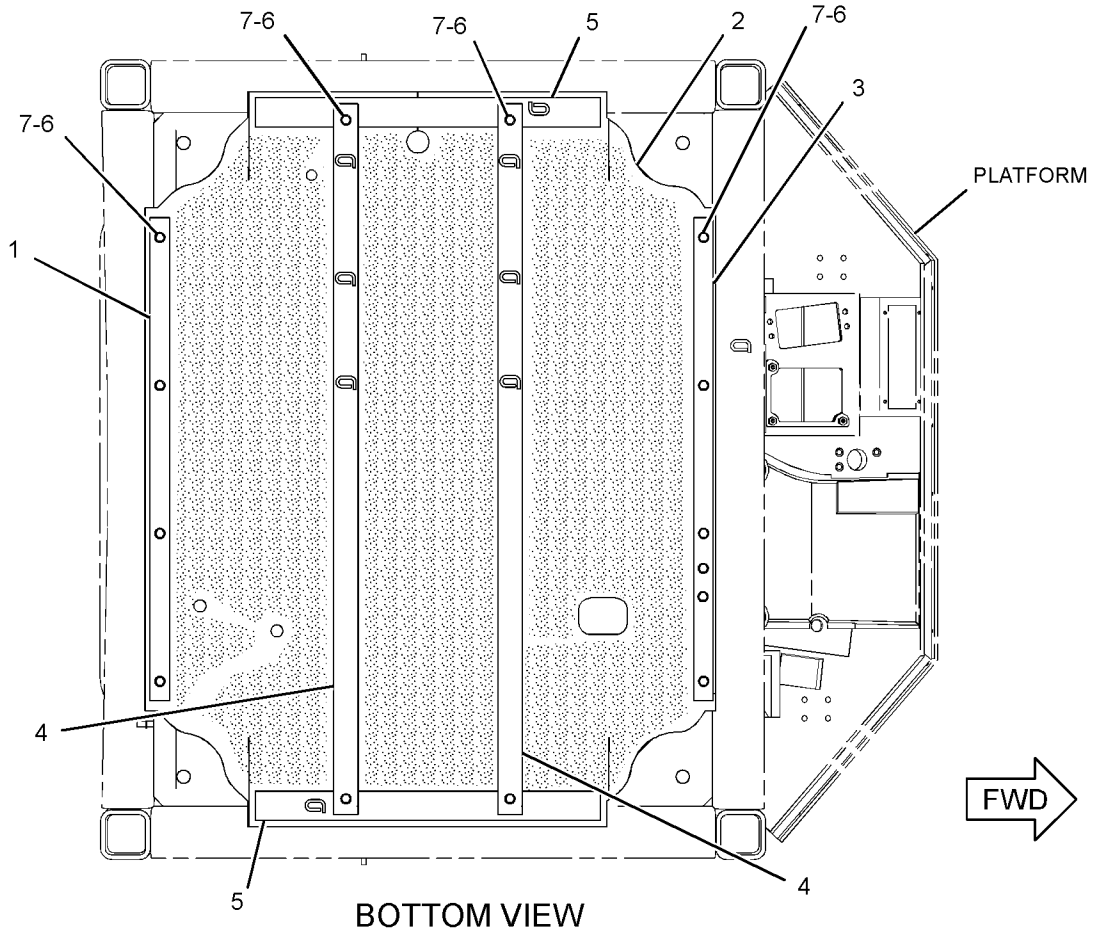
PART OF 202-9742, 346-3845 CAB AR

SMCS-7329

i03516523

NOTE	REF NO	GRAPHIC REF	PART NUMBER	QTY	PART NAME						SEE PAGE
					1	2	3	4	5	6 (PRODUCT LEVEL)	
	1	1	<b>168-9980</b>	1	PLATE						
	2	1	<b>173-9376</b>	1	INSULATION AS						
	3	1	<b>183-1989</b>	1	PLATE						
	4	1	<b>174-3055</b>	2	PLATE AS						
					(EACH INCLUDES)						
		1	<b>7T-1099</b>	3	LINK						
	5	1	<b>313-4573</b>	2	PLATE AS						
					(EACH INCLUDES)						
		1	<b>7T-1099</b>	1	LINK						
M	6	1	<b>8T-0722</b>	14	BOLT-LOCKING (M10X1.5X30-MM)						
	7	1	<b>8T-4121</b>	14	WASHER-HARD (11X21X2.5-MM THK)						

M - METRIC PART



GRAPHIC #1

<END>

g01951115



# OPERATOR STATION

## 161-7539 SUSPENSION GP-SEAT-AIR

S/N: BNH1-UP

24-VOLT

FIELD REPLACEMENT ORDER 191-2933-PAGE: 1257

PART OF 160-7188 SEAT GP-SUSPENSION

SMCS-7324

i01897622

NOTE	REF NO	GRAPHIC REF	PART NUMBER	QTY	PART NAME						SEE PAGE
					1	2	3	4	5	6 (PRODUCT LEVEL)	
	1	1	<b>1B-4430</b>	4	NUT-JAM (1/2-20-THD)						
	2	1	<b>3J-4818</b>	4	LOCKWASHER						
	3	1	<b>4V-7884</b>	2	BEARING						
	4	1	<b>4V-8556</b>	1	BOLT (3/8-16X2.20-IN)						
	5	1	<b>6K-0806</b>	1	STRAP-CABLE						
	6	1	<b>8L-8413</b>	5	STRAP-CABLE						
	7	1	<b>8Y-6917</b>	1	BOOT						
	8	1	<b>166-7401</b>	1	HOUSING AS						
	9	1	<b>9M-0164</b>	1	CLAMP-HOSE						
	10	1	<b>102-6317</b>	4	BUMPER						
	11	1	<b>123-8157</b>	2	SHAFT						
	12	1	<b>123-9131</b>	1	ABSORBER AS-SHOCK						
	13	1	<b>124-7128</b>	1	BUSHING-RELIEF						
	14	1	<b>128-0686</b>	2	SPACER (9.78X15.88X27.8-MM THK)						
	15	1	<b>147-4549</b>	2	FITTING-ELBOW						
	16	1	<b>147-6522</b>	1	SPRING						
	17	1	<b>147-6523</b>	1	COMPRESSOR						
	18	1	<b>148-3749</b>	1	SCISSORS AS						
	19	1	<b>160-7765</b>	1	WASHER (16.26X22.23X1.97-MM THK)						
B	20	1	<b>160-7766</b>	3	WASHER (16.26X22.23X0.51-MM THK)						
B	21	1	<b>160-7767</b>	8	WASHER (3.68X12.57X0.51-MM THK)						
	22	1	<b>164-5951</b>	1	HOUSING AS						
		1	<b>2K-4973</b>	1	LOCKNUT (3/8-16-THD)						
	23	1	<b>2K-4973</b>	3	LOCKNUT (3/8-16-THD)						
	24	1	<b>5P-8167</b>	1	BOLT (3/8-16X0.625-IN)						
	25	1	<b>8M-3267</b>	1	SCREW-HEX SOCKET (3/8-16X0.75-IN)						
	26	1	<b>8T-2501</b>	2	BOLT (3/8-16X2-IN)						
BE	27	1	<b>147-6541</b>		TUBE						
	28	1	<b>128-0613</b>	1	KIT-TETHER (SUSPENSION SEAT) (INCLUDES 2 TETHERS)						
JZ	29	1		27	CLIP						
LZ	30	1		4	ROLLER						
LZ	31	1		4	BEARING						
PZ	32	1		1	HARNESS						
PZ	33	1		1	NUT						
PZ		1		1	WASHER (0.38X0.88X0.06-IN THK)						
PZ		1		1	WASHER						
	34	1	<b>169-7380</b>	1	BOLT-SOCKET HEAD (3/8-16X0.375-IN)						
	35	1	<b>145-0326</b>	1	FILM-INSTRUCTION (SEAT ADJUSTMENT)						
AVAILABLE REPAIR KIT(S):											
J			<b>8Y-6928</b>	1	KIT-FASTENER (SUSPENSION SEAT)						
L			<b>123-9128</b>	1	KIT-ROLLER (SUSPENSION SEAT) (INCLUDES TIE WRAP)						
P			<b>123-8266</b>	1	KIT-WIRING HARNESS (AIR SUSPENSION SEAT) (INCLUDES TIE WRAPS)						

B - USE AS REQUIRED

E - ORDER BY THE CENTIMETER

J - REPAIR KIT MARKED J INCLUDES PART(S) MARKED J

L - REPAIR KIT MARKED L INCLUDES PART(S) MARKED L

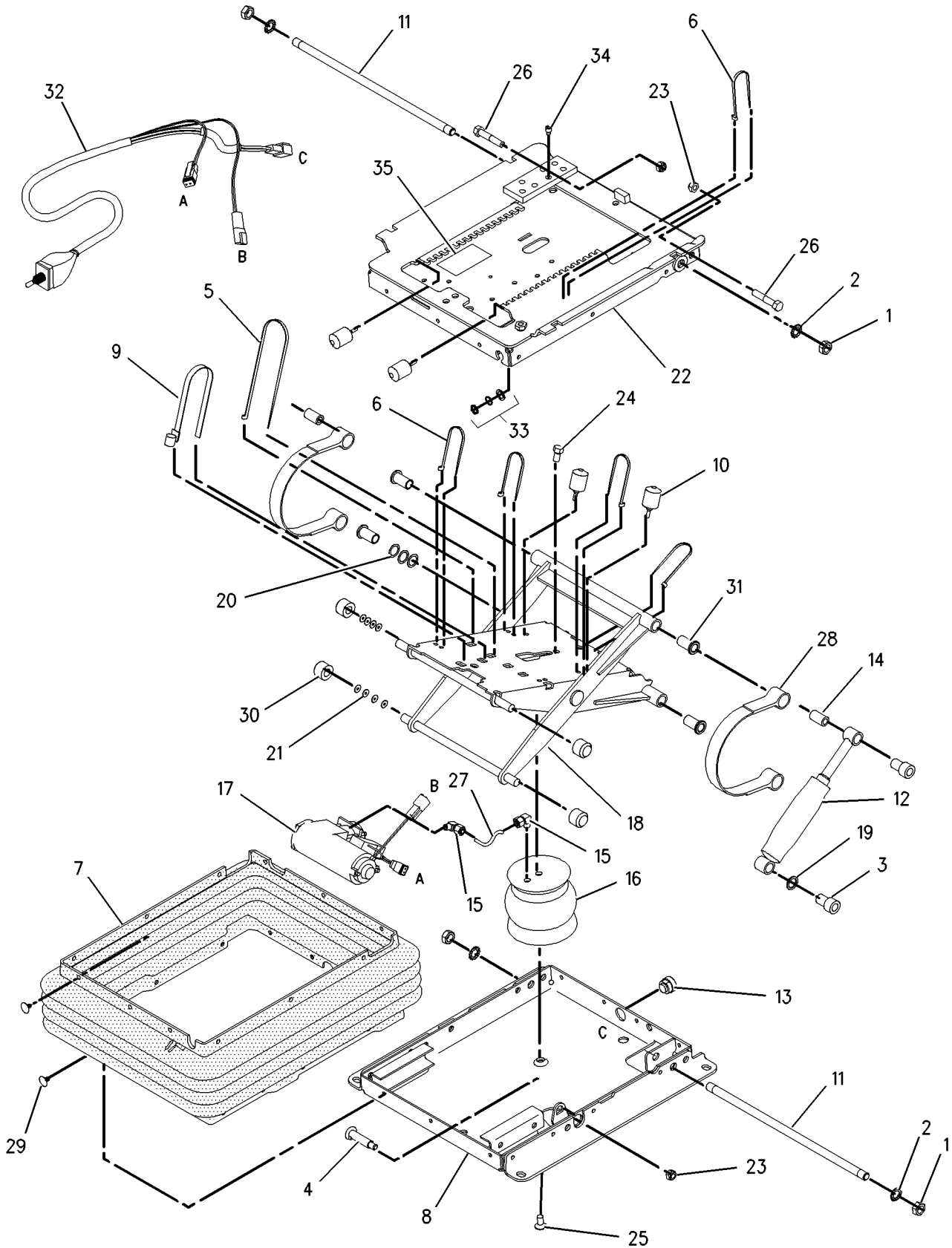
P - REPAIR KIT MARKED P INCLUDES PART(S) MARKED P

Z - NOT SERVICED SEPARATELY

# OPERATOR STATION

161-7539 SUSPENSION GP-SEAT (contd.)

i01897622



GRAPHIC #1

<END>

g00835357

# OPERATOR STATION

## 191-2933 SUSPENSION GP-SEAT-AIR

S/N: BNH1-UP

FIELD REPLACEMENT FOR 161-7539-PAGE: 1255

PART OF 200-3174 SEAT GP-SUSPENSION

TYPE 1

SMCS-7324

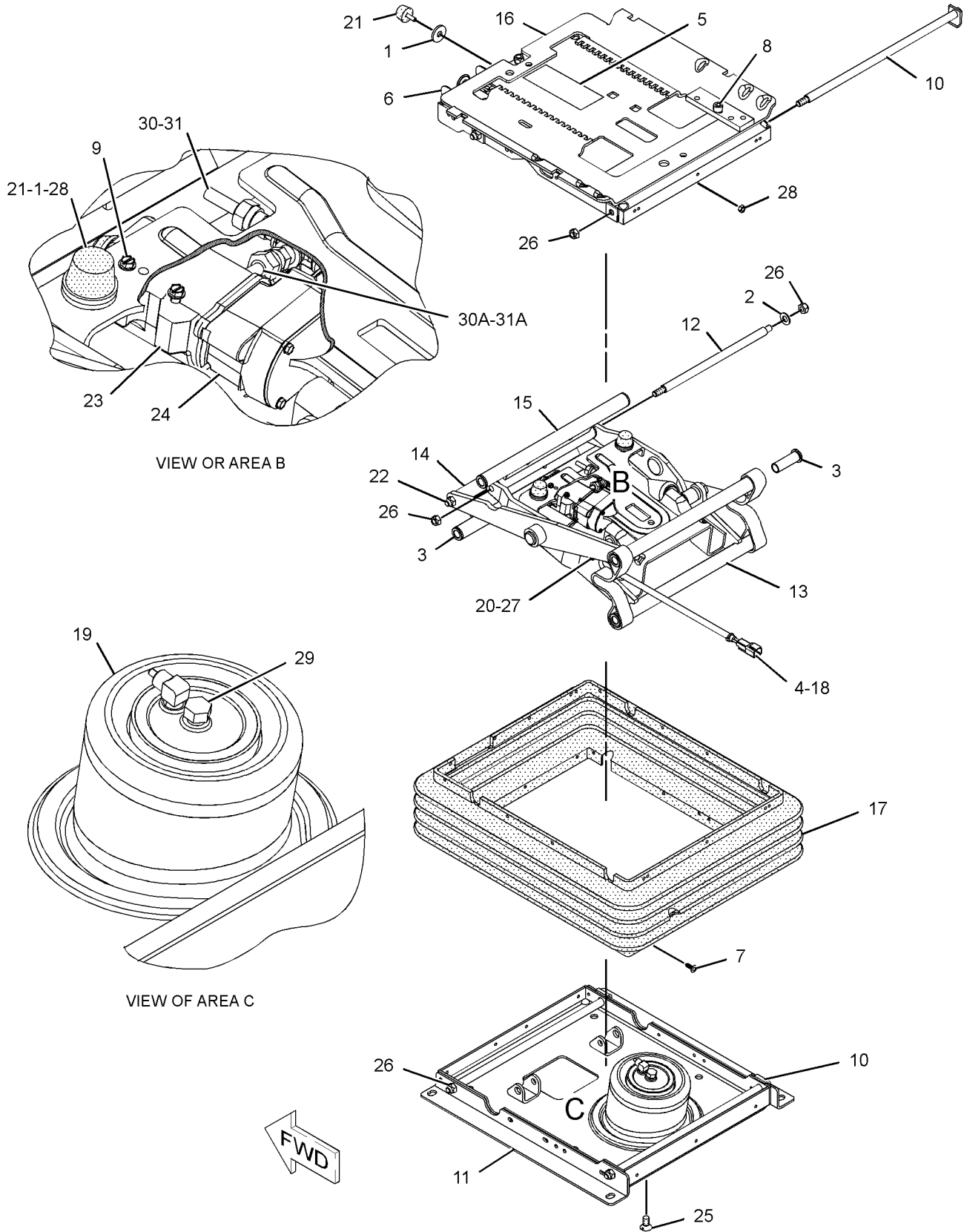
i05283073

NOTE	REF NO	GRAPHIC REF	PART NUMBER	QTY	PART NAME						SEE PAGE
					1	2	3	4	5	6	
	1	1	<b>3P-9900</b>	5	WASHER (10.5X30X3-MM THK)						
	2	1	<b>4B-4278</b>	2	WASHER (10.2X20.5X1.6-MM THK)						
	3	1	<b>4V-8577</b>	12	BEARING						
	4	1	<b>8L-8413</b>	1	STRAP-CABLE						
	5	1	<b>145-0326</b>	1	FILM-INSTRUCTION (SEAT ADJUSTMENT)						
	6	1	<b>164-1234</b>	1	PLATE						
	7	1	<b>101-0003</b>	33	FASTENER						
	8	1	<b>169-7380</b>	1	BOLT-SOCKET HEAD (3/8-16X0.375-IN)						
	9	1	<b>186-5107</b>	2	SCREW-DRIVE (NO 8-16X1.25-IN)						
	10	1	<b>192-7752</b>	4	SHAFT AS						
	11	1	<b>192-7755</b>	1	HOUSING AS (LOWER)						
	12	1	<b>192-7760</b>	1	SHAFT						
	13	1	<b>192-7767</b>	1	SCISSORS AS						
	14	1	<b>192-7783</b>	1	TOGGLE AS (WIDE)						
	15	1	<b>192-7787</b>	1	TOGGLE AS (NARROW)						
	16	1	<b>192-7790</b>	1	HOUSING AS (UPPER)						
	17	1	<b>192-7795</b>	1	BOOT						
	18	1	<b>192-7805</b>	1	HARNES AS-VALVE (SEAT AIR COMPRESSOR)						
		1	<b>186-3735</b>	2	PIN-CONNECTOR (16-GA TO 18-GA)						
		1	<b>102-8802</b>	1	KIT-RECEPTACLE (2-PIN)						
					(INCLUDES RECEPTACLE AS & WEDGE)						
E		1	<b>211-5358</b>		CONDUIT-FLEXIBLE (64-CM)						
	19	1	<b>192-7810</b>	1	SPRING AS-AIR						
		1	<b>5P-4423</b>	1	ELBOW						
		1	<b>163-1135</b>	1	SPRING						
	20	1	<b>192-7812</b>	1	BOLT-SPECIAL						
	21	1	<b>192-7820</b>	3	BUMPER						
	22	1	<b>192-7822</b>	1	SHAFT						
	23	1	<b>237-3943</b>	1	BRACKET						
Y	24	1	<b>237-3970</b>	1	AIR COMPRESSOR GP-SEAT						1056
	25	1	<b>108-4311</b>	1	SCREW-MACHINE (3/8-16X0.75-IN)						
	26	1	<b>2K-4973</b>	8	LOCKNUT (3/8-16-THD)						
	27	1	<b>3J-4818</b>	1	LOCKWASHER						
M	28	1	<b>5C-2890</b>	3	NUT (M6X1-THD)						
	29	1	<b>8T-9371</b>	1	BOLT (3/8-16X0.5-IN)						
E	30	1	<b>211-5358</b>		CONDUIT-FLEXIBLE (26.7-CM)						
E	30A	1	<b>211-5358</b>		CONDUIT-FLEXIBLE (35.6-CM)						
D	31	1	<b>5P-6010</b>		TUBE (0.267-M)						
D	31A	1	<b>5P-6010</b>		TUBE (0.356-M)						
					AVAILABLE REPAIR KIT(S):						
			<b>192-7799</b>	1	KIT-AIR VALVE (SUSPENSION SEAT) (INCLUDES KNOB AS, NUT, VALVE, LOCKWASHER & FITTING)						
			<b>192-7848</b>	1	KIT-SHOCK ABSORBER (SUSPENSION SEAT) (INCLUDES LOCKNUT, LOCKWASHER, SHOCK ABSORBER, BEARINGS, WASHER & BOLTS)						
			<b>211-9294</b>	1	KIT-TETHER (SUSPENSION SEAT) (INCLUDES TETHERS)						
D - ORDER BY THE METER E - ORDER BY THE CENTIMETER M - METRIC PART Y - SEPARATE ILLUSTRATION											

# OPERATOR STATION

191-2933 SUSPENSION GP-SEAT (contd.)

i05283073



GRAPHIC #1

<END>

g01197079

# OPERATOR STATION

## 191-2933 SUSPENSION GP-SEAT-AIR

S/N: BNH1-UP

FIELD REPLACEMENT FOR 161-7539-PAGE: 1255

PART OF 200-3174 SEAT GP-SUSPENSION

TYPE 2

SMCS-7324

i05282832

NOTE	REF NO	GRAPHIC REF	PART NUMBER	QTY	PART NAME						SEE PAGE
					1	2	3	4	5	6 (PRODUCT LEVEL)	
	1	1	<b>3P-9900</b>	5	WASHER (10.5X30X3-MM THK)						
	2	1	<b>4B-4278</b>	2	WASHER (10.2X20.5X1.6-MM THK)						
	3	1	<b>4V-8577</b>	12	BEARING						
	4	1	<b>8L-8413</b>	1	STRAP-CABLE						
	5	1	<b>145-0326</b>	1	FILM-INSTRUCTION (SEAT ADJUSTMENT)						
	6	1	<b>164-1234</b>	1	PLATE						
	7	1	<b>101-0003</b>	26	FASTENER						
	8	1	<b>169-7380</b>	1	BOLT-SOCKET HEAD (3/8-16X0.375-IN)						
	9	1	<b>186-5107</b>	2	SCREW-DRIVE (NO 8-16X1.25-IN)						
	10	1	<b>192-7752</b>	4	SHAFT AS						
	11	1	<b>192-7755</b>	1	HOUSING AS (LOWER)						
	12	1	<b>314-5274</b>	1	SHAFT (INNER)						
	13	1	<b>192-7767</b>	1	SCISSORS AS						
	14	1	<b>192-7783</b>	1	TOGGLE AS (WIDE)						
	15	1	<b>192-7787</b>	1	TOGGLE AS (NARROW)						
	16	1	<b>192-7790</b>	1	HOUSING AS (UPPER)						
	17	1	<b>192-7795</b>	1	BOOT						
	18	1	<b>192-7805</b>	1	HARNES AS-VALVE (SEAT AIR COMPRESSOR)						
		1	<b>8T-8729</b>	2	PIN-CONNECTOR (16-GA TO 18-GA)						
		1	<b>102-8802</b>	1	KIT-RECEPTACLE (2-PIN)						
					(INCLUDES RECEPTACLE AS & WEDGE)						
E		1	<b>211-5358</b>		CONDUIT-FLEXIBLE (64-CM)						
	19	1	<b>192-7810</b>	1	SPRING AS-AIR						
		1	<b>5P-4423</b>	1	ELBOW						
		1	<b>163-1135</b>	1	SPRING						
	20	1	<b>192-7812</b>	1	BOLT-SPECIAL						
	21	1	<b>192-7820</b>	3	BUMPER						
	22	1	<b>314-5275</b>	1	SHAFT (OUTER)						
C	23	1	<b>372-2158</b>	1	BRACKET-MOUNTING						
C	24	1	<b>370-9894</b>	1	COMPRESSOR AS						
	25	1	<b>108-4311</b>	1	SCREW-MACHINE (3/8-16X0.75-IN)						
	26	1	<b>2K-4973</b>	8	LOCKNUT (3/8-16-THD)						
	27	1	<b>3J-4818</b>	1	LOCKWASHER						
M	28	1	<b>5C-2890</b>	3	NUT (M6X1-THD)						
	29	1	<b>8T-9371</b>	1	BOLT (3/8-16X0.5-IN)						
E	30	1	<b>211-5358</b>		CONDUIT-FLEXIBLE (26.7-CM)						
E	30A	1	<b>211-5358</b>		CONDUIT-FLEXIBLE (35.6-CM)						
D	31	1	<b>5P-6010</b>		TUBE (0.27-M)						
D	31A	1	<b>5P-6010</b>		TUBE (0.36-M)						
C	32	1	<b>387-0314</b>	1	WIRE AS (16-GA, ORANGE)						
C	33	1	<b>387-0317</b>	1	WIRE AS (16-GA, BLACK)						

AVAILABLE REPAIR KIT(S):

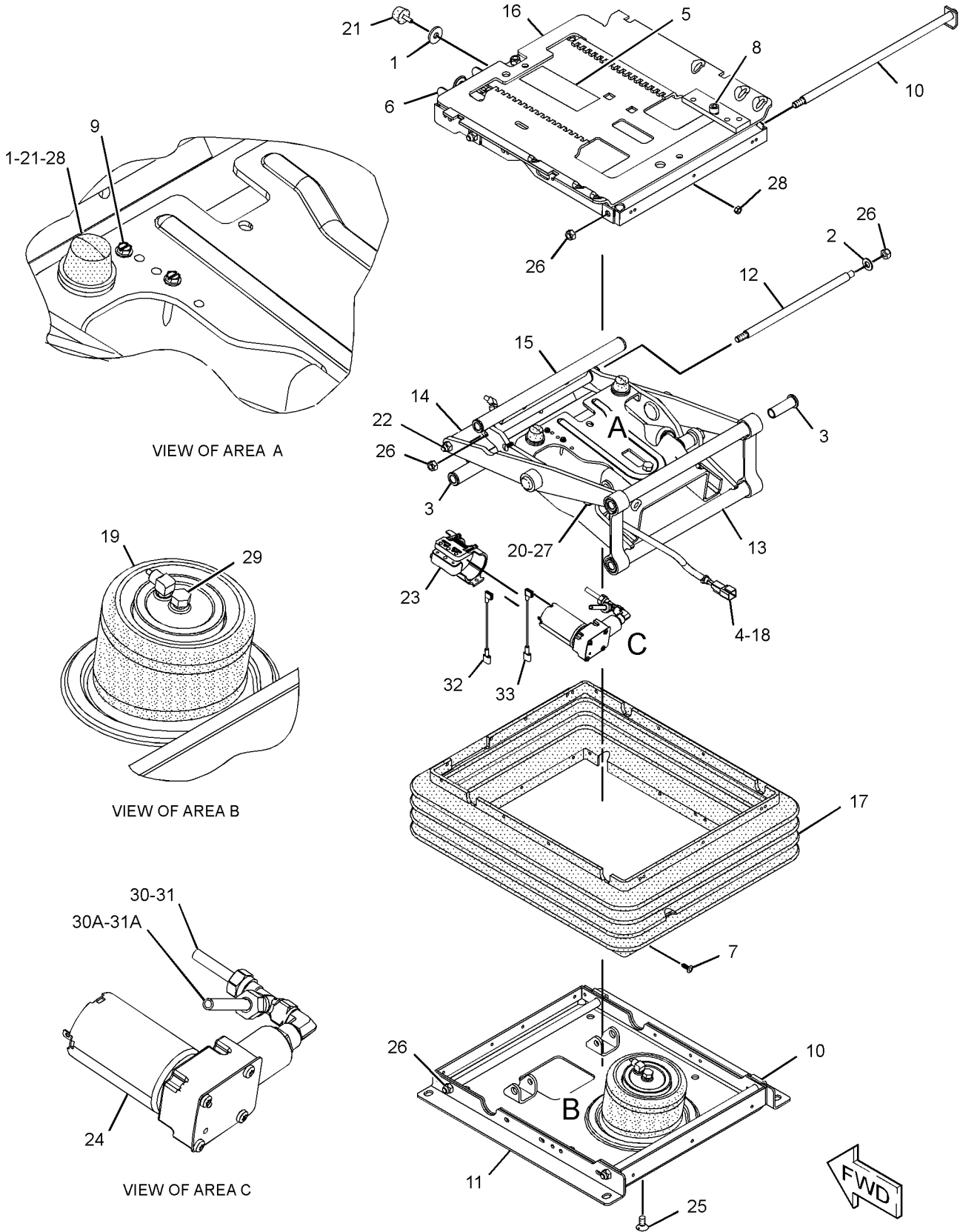
<b>192-7799</b>	1	KIT-AIR VALVE (SUSPENSION SEAT) (INCLUDES KNOB AS, NUT, VALVE, LOCKWASHER & FITTING)
<b>192-7848</b>	1	KIT-SHOCK ABSORBER (SUSPENSION SEAT) (INCLUDES LOCKNUT, LOCKWASHER, SHOCK ABSORBER, BEARINGS, WASHER & BOLTS)
<b>211-9294</b>	1	KIT-TETHER (SUSPENSION SEAT) (INCLUDES TETHERS)

C - CHANGE FROM PREVIOUS TYPE  
D - ORDER BY THE METER  
E - ORDER BY THE CENTIMETER  
M - METRIC PART

# OPERATOR STATION

191-2933 SUSPENSION GP-SEAT (contd.)

i05282832



GRAPHIC #1

<END>

g02883008

# OPERATOR STATION

## 114-5127 WASHER GP-WINDOW

S/N: BNH1-UP

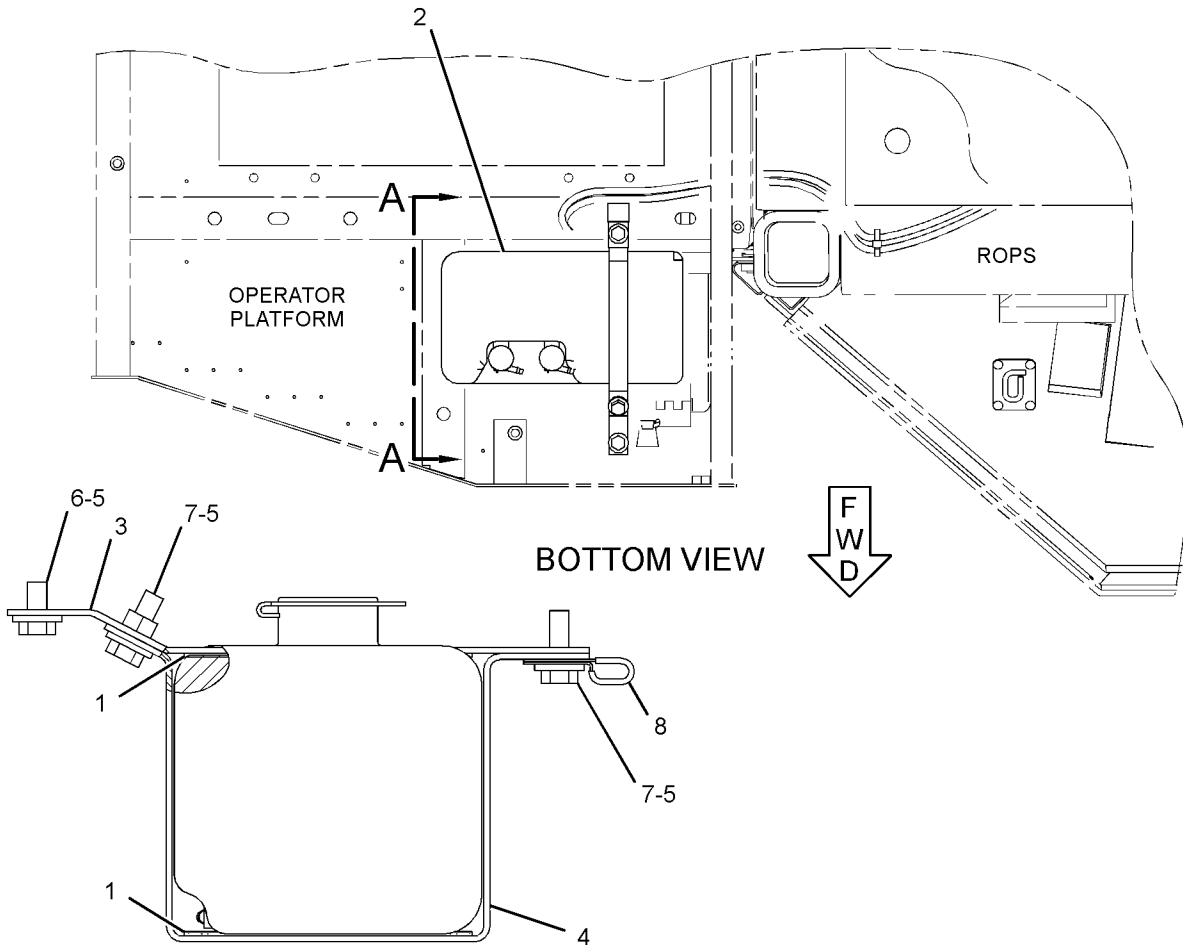
PART OF 203-1567 CHASSIS AR

SMCS-7306

i03627037

NOTE	REF NO	GRAPHIC REF	PART NUMBER	QTY	PART NAME						SEE PAGE
					1	2	3	4	5	6 (PRODUCT LEVEL)	
D	1	1	<b>6V-2496</b>		SEAL (0.15-M EACH)						
	2	1	<b>5G-7398</b>	1	TANK AS-WINDOW WASHER						
		1	<b>3W-6398</b>	1	CAP						
		1	<b>3W-6399</b>	1	PACKING						
		1	<b>7T-8890</b>	2	PUMP AS-WASHER						
		1	<b>8T-5913</b>	2	SCREEN-FILTER (WINDOW WASHER)						
		1	<b>8T-5914</b>	2	GROMMET						
		3	1	<b>201-4221</b>	1	STRIP AS					
	4	1	<b>201-4222</b>	1	STRIP						
	5	1	<b>7X-7729</b>	3	WASHER (11X25X3-MM THK)						
M	6	1	<b>8T-4137</b>	1	BOLT (M10X1.5X20-MM)						
M	7	1	<b>8T-4195</b>	2	BOLT (M10X1.5X30-MM)						
	8	1	<b>7S-4244</b>	1	CLIP						

D - ORDER BY THE METER  
M - METRIC PART



GRAPHIC #1

<END>

g02051673

# OPERATOR STATION

## 109-8196 WIPER GP-WINDOW

S/N: BNH1-822

PART OF 202-9742 CAB AR

SMCS-7305

i04793582

NOTE	REF NO	GRAPHIC REF	PART NUMBER	QTY	PART NAME						SEE PAGE
					1	2	3	4	5	6 (PRODUCT LEVEL)	
	1	2	<b>3S-2093</b>	4	STRAP-CABLE						
	2	1	<b>5P-9297</b>	1	CLIP						
	3	1	<b>6V-6210</b>	1	GASKET-SHAFT						
M	4	1,2	<b>6V-6889</b>	4	NUT (M8X1.25-THD)						
	5	1,2	<b>6V-7419</b>	2	BLADE AS-WIPER (700-MM)						
	6	1,2	<b>8T-5400</b>	4	CONNECTOR AS						
	7	1	<b>124-3637</b>	1	PLATE-WIPER						
	8	2	<b>155-5787</b>	1	ARM AS-WIPER (FRONT)						
	9	1	<b>155-5788</b>	1	ARM AS-WIPER (REAR)						
Y	10	1	<b>155-5789</b>	1	MOTOR GP-WINDOW WIPER (REAR)						1179
Y	11	1	<b>155-5790</b>	1	MOTOR GP-WINDOW WIPER (FRONT)						1180
M	12	1	<b>5C-9553</b>	1	BOLT (M6X1X16-MM)						
	13	1	<b>8T-4205</b>	1	WASHER-HARD (7.2X14.5X2-MM THK)						
E	14	2	<b>144-0195</b>		HOSE (110-CM)						
E	15	2	<b>144-0195</b>		HOSE (190-CM)						

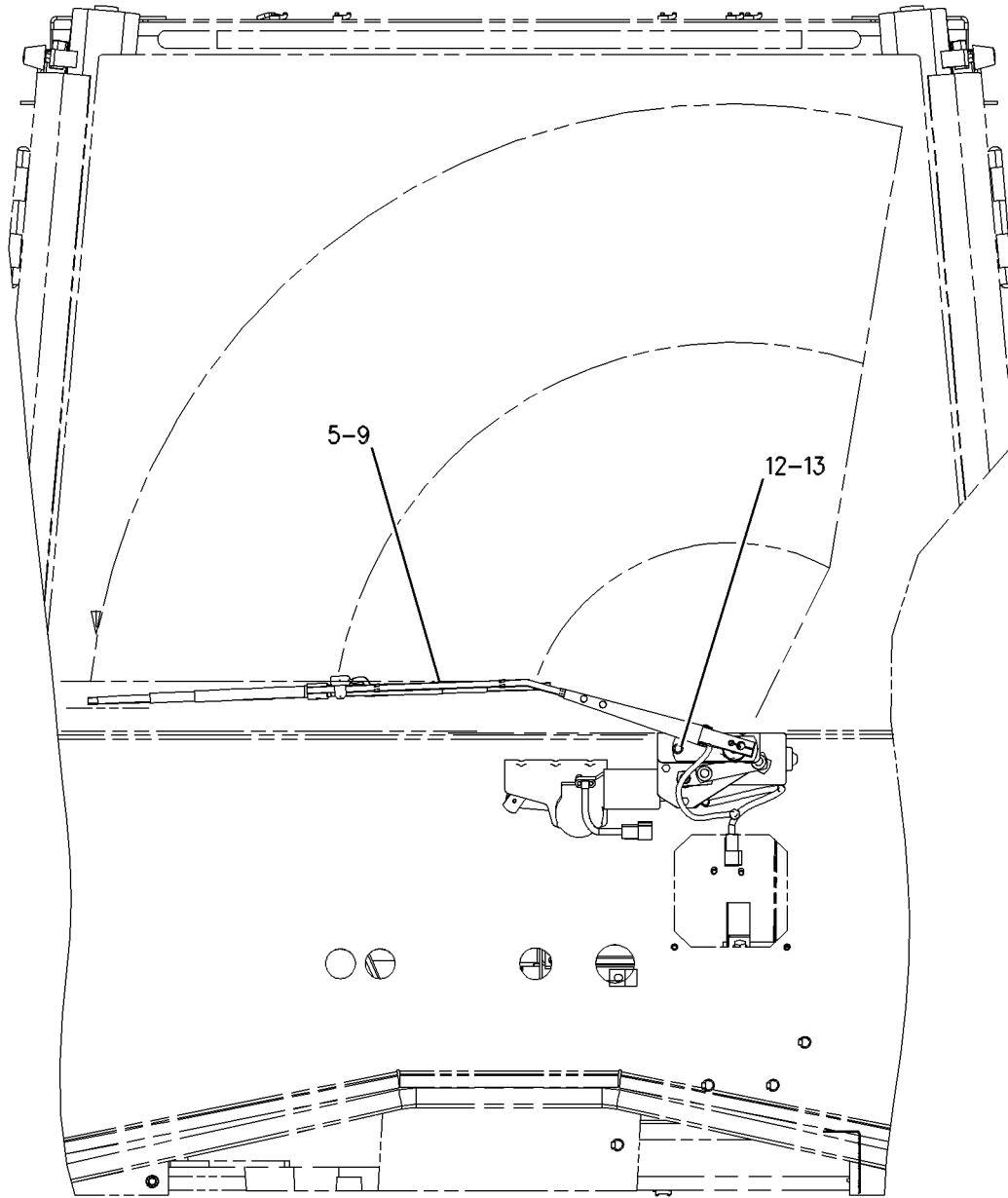
E - ORDER BY THE CENTIMETER  
M - METRIC PART  
Y - SEPARATE ILLUSTRATION



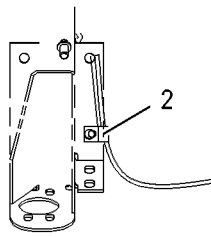
# OPERATOR STATION

109-8196 WIPER GP-WINDOW (contd.)

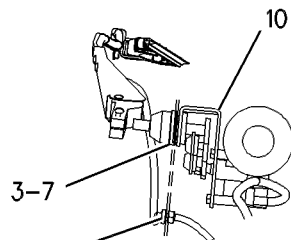
i04793582



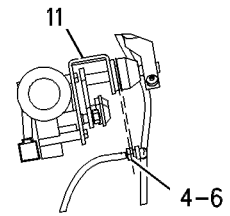
REAR VIEW



VIEW D-D



VIEW OF AREA A



VIEW OF AREA B

REFER TO ALL ILLUSTRATIONS OF THIS GROUP FOR AUXILIARY VIEWS

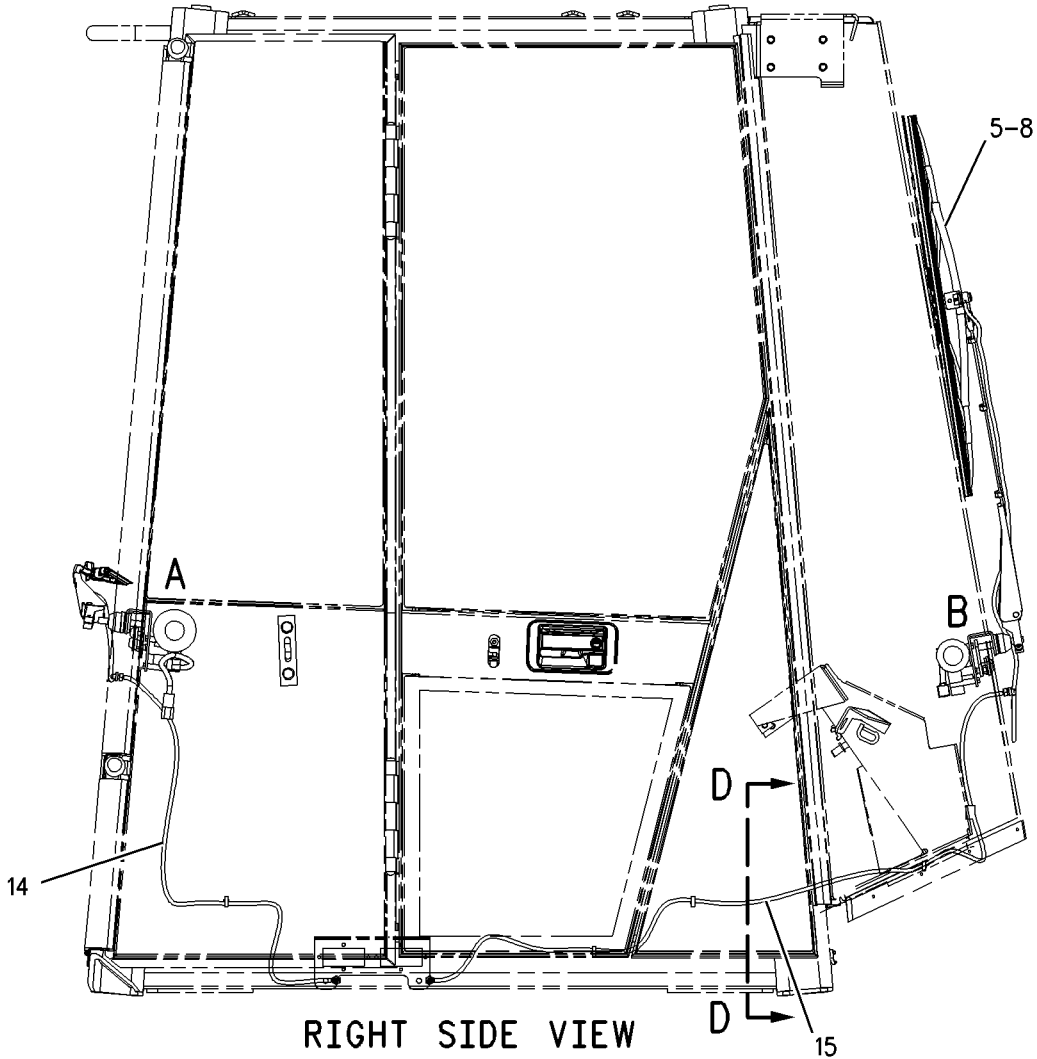
GRAPHIC #1

g00656641

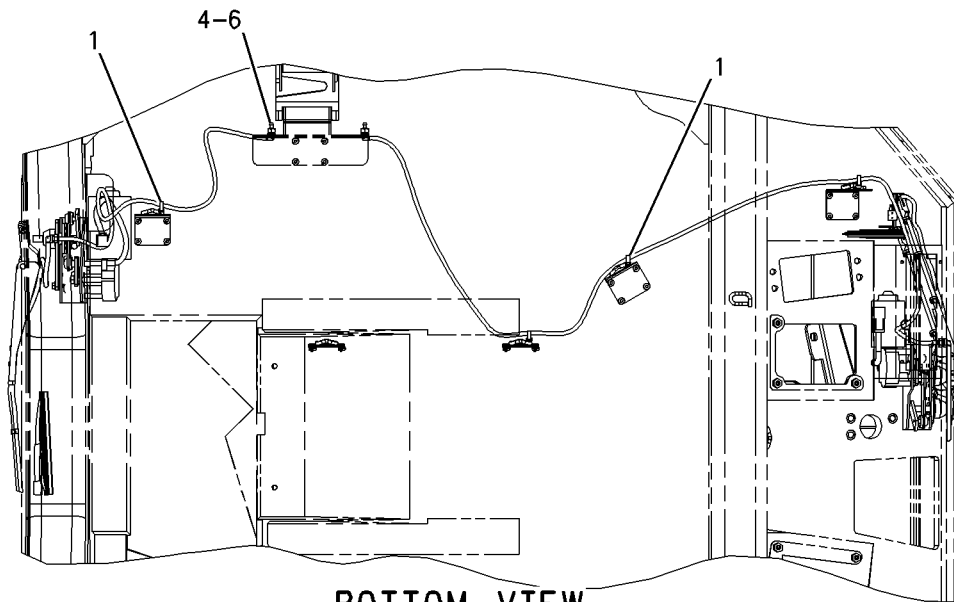
# OPERATOR STATION

109-8196 WIPER GP-WINDOW (contd.)

i04793582



RIGHT SIDE VIEW



BOTTOM VIEW

GRAPHIC #2

<END>

g00656643

# OPERATOR STATION

## 109-8196 WIPER GP-WINDOW

S/N: BNH823-UP  
PART OF 202-9742 CAB AR

SMCS-7305

i04793580

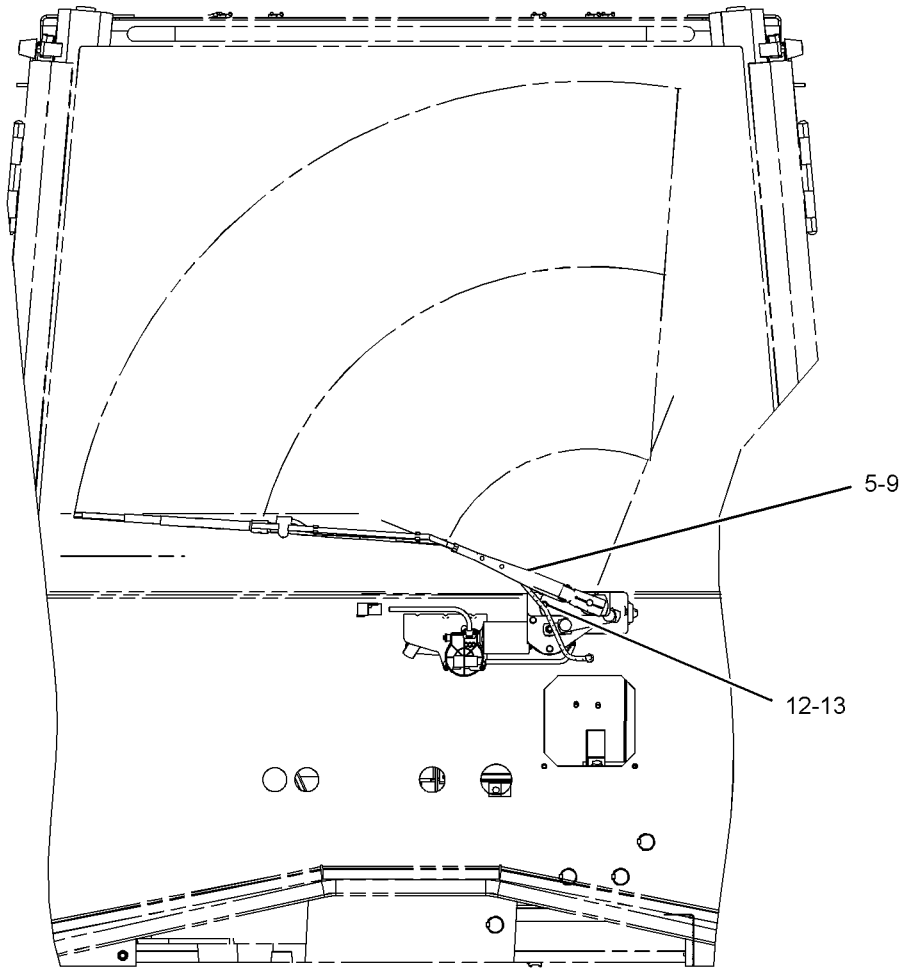
NOTE	REF NO	GRAPHIC REF	PART NUMBER	QTY	PART NAME 1 2 3 4 5 6 (PRODUCT LEVEL)	SEE PAGE
	1	2	<b>3S-2093</b>	4	STRAP-CABLE	
	2	1	<b>5P-9297</b>	1	CLIP	
	3	1	<b>6V-6210</b>	1	GASKET-SHAFT	
M	4	1,2	<b>6V-6889</b>	4	NUT (M8X1.25-THD)	
	5	1,2	<b>6V-7419</b>	2	BLADE AS-WIPER (700-MM)	
	6	1,2	<b>8T-5400</b>	4	CONNECTOR AS	
	7	1	<b>124-3637</b>	1	PLATE-WIPER	
CY	8	2	<b>214-7635</b>	1	ARM GP-WINDOW WIPER (FRONT)	1069
CY	9	1	<b>214-7634</b>	1	ARM GP-WINDOW WIPER	1068
Y	10	1	<b>155-5789</b>	1	MOTOR GP-WINDOW WIPER (REAR)	1179
Y	11	1	<b>155-5790</b>	1	MOTOR GP-WINDOW WIPER (FRONT)	1180
M	12	1	<b>5C-9553</b>	1	BOLT (M6X1X16-MM)	
	13	1	<b>8T-4205</b>	1	WASHER-HARD (7.2X14.5X2-MM THK)	
E	14	2	<b>144-0195</b>		HOSE (110-CM)	
E	15	2	<b>144-0195</b>		HOSE (190-CM)	

C - CHANGE FROM PREVIOUS TYPE  
E - ORDER BY THE CENTIMETER  
M - METRIC PART  
Y - SEPARATE ILLUSTRATION

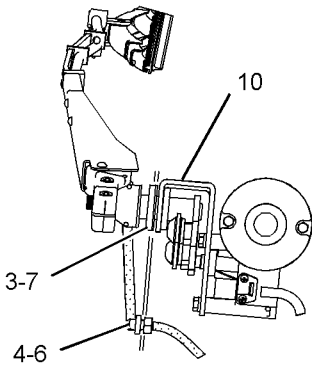
# OPERATOR STATION

109-8196 WIPER GP-WINDOW (contd.)

i04793580

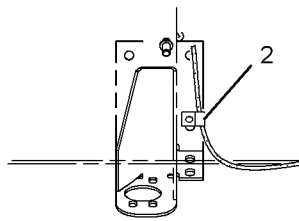


REAR VIEW

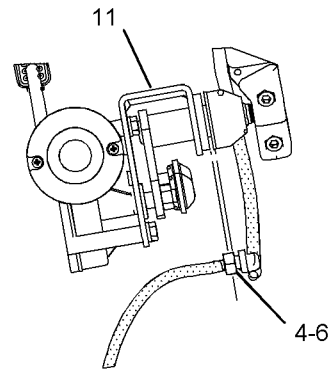


VIEW OF AREA A

GRAPHIC #1



VIEW D-D



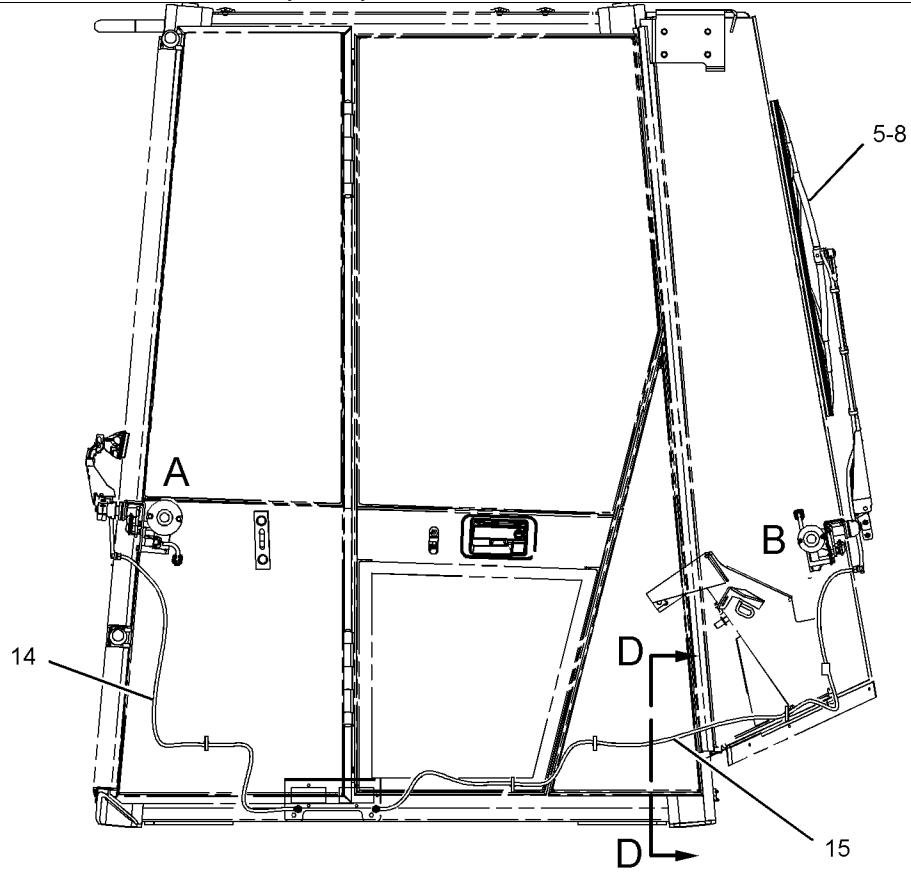
VIEW OF AREA B

g01021908

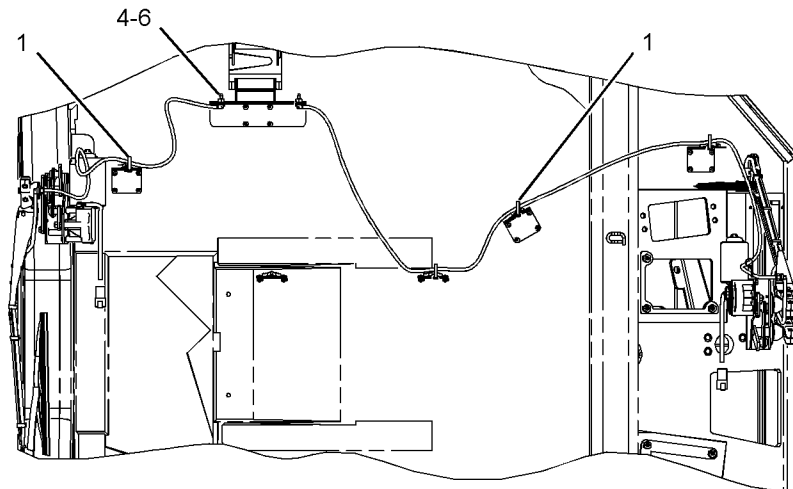
# OPERATOR STATION

109-8196 WIPER GP-WINDOW (contd.)

i04793580



RIGHT SIDE VIEW



BOTTOM VIEW

<END>

GRAPHIC #2

g01021910

# OPERATOR STATION

## 109-8196 WIPER GP-WINDOW

S/N: BNH1-UP

PART OF 346-3845 CAB AR

SMCS-7305

i03602175

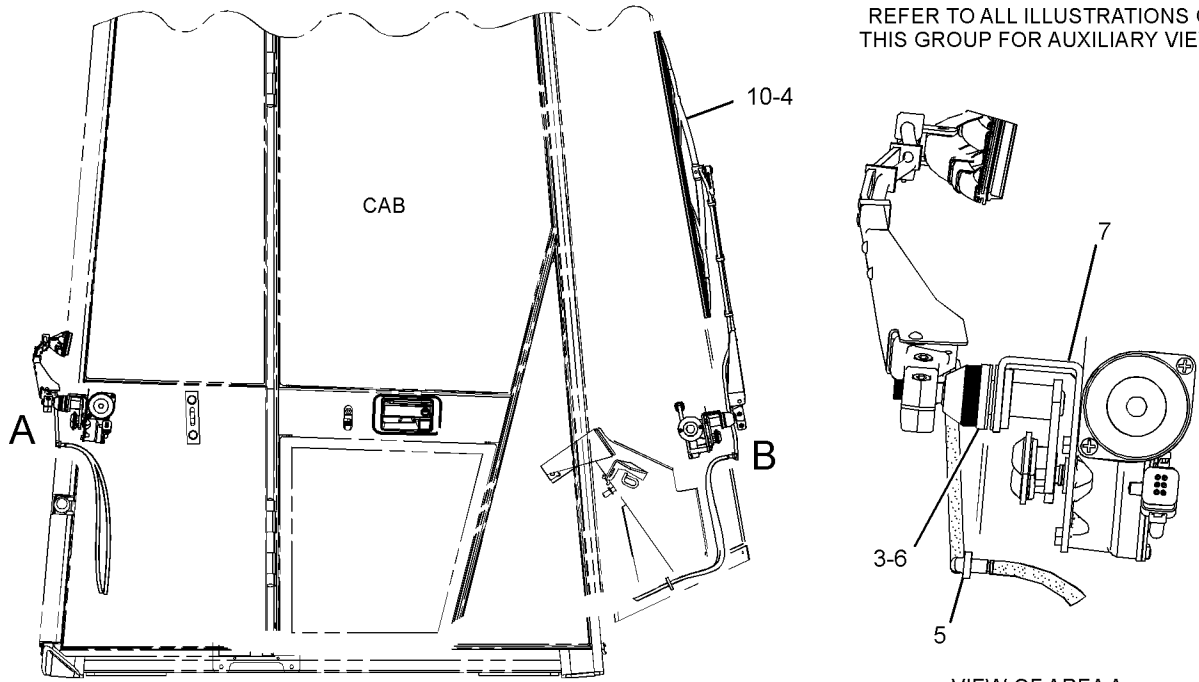
NOTE	REF NO	GRAPHIC REF	PART NUMBER	QTY	PART NAME						SEE PAGE
					1	2	3	4	5	6 (PRODUCT LEVEL)	
	1	1,2,3	<b>3S-2093</b>	16	STRAP-CABLE						
C	3	1	<b>6V-6210</b>	2	GASKET-SHAFT						
	4	1,2	<b>6V-7419</b>	2	BLADE AS-WIPER (700-MM)						
	5	1,2	<b>8T-5400</b>	2	CONNECTOR AS						
	6	1	<b>124-3637</b>	1	PLATE-WIPER						
CY	7	1	<b>330-5050</b>	1	MOTOR GP-WINDOW WIPER (REAR)						1181
Y	8	2	<b>155-5790</b>	1	MOTOR GP-WINDOW WIPER (FRONT)						1180
Y	9	2	<b>214-7634</b>	1	ARM GP-WINDOW WIPER						1068
Y	10	1	<b>214-7635</b>	1	ARM GP-WINDOW WIPER (FRONT)						1069
M	11	2	<b>5C-9553</b>	1	BOLT (M6X1X16-MM)						
	13	2	<b>8T-4205</b>	1	WASHER-HARD (7.2X14.5X2-MM THK)						
E	14	2	<b>144-0195</b>		HOSE (31.7-CM)						
E	14A	2,3	<b>144-0195</b>		HOSE (29.1-CM EACH)						
E	14B	1	<b>144-0195</b>		HOSE (32.8-CM)						
E	14C	1	<b>144-0195</b>		HOSE (30.2-CM)						
E	14D	3	<b>144-0195</b>		HOSE (35.8-CM)						
E	14E	3	<b>144-0195</b>		HOSE (26.3-CM)						
E	14F	3	<b>144-0195</b>		HOSE (34.4-CM)						

C - CHANGE FROM PREVIOUS TYPE  
 E - ORDER BY THE CENTIMETER  
 M - METRIC PART  
 Y - SEPARATE ILLUSTRATION

# OPERATOR STATION

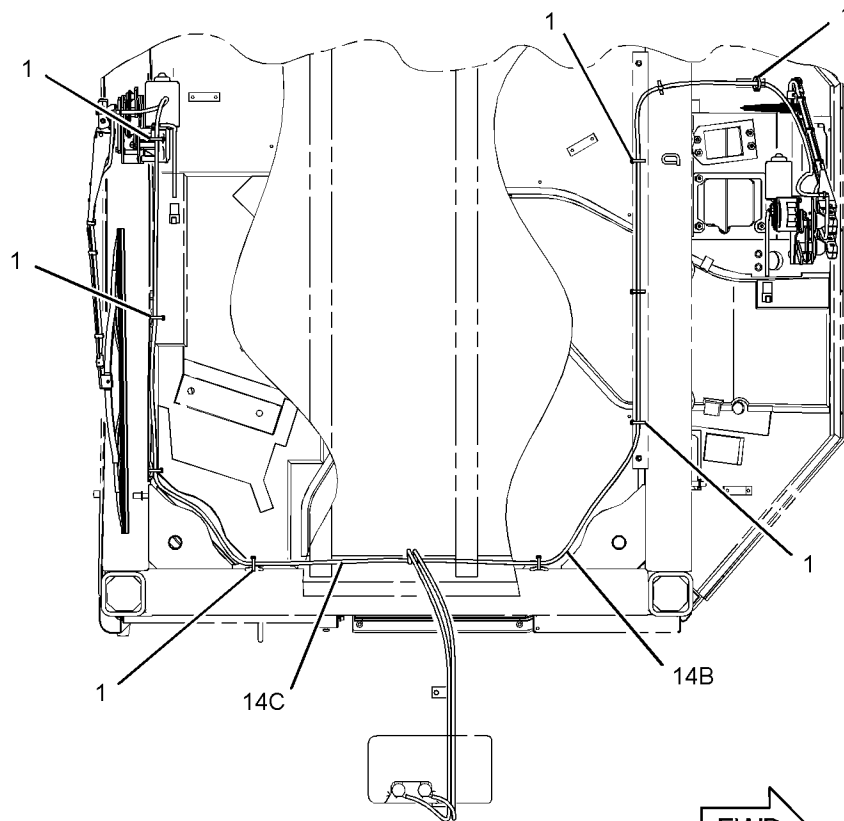
109-8196 WIPER GP-WINDOW (contd.)

i03602175



REFER TO ALL ILLUSTRATIONS OF THIS GROUP FOR AUXILIARY VIEWS

RIGHT SIDE VIEW



BOTTOM VIEW  
(FOR 824 AND 825 SERIES)

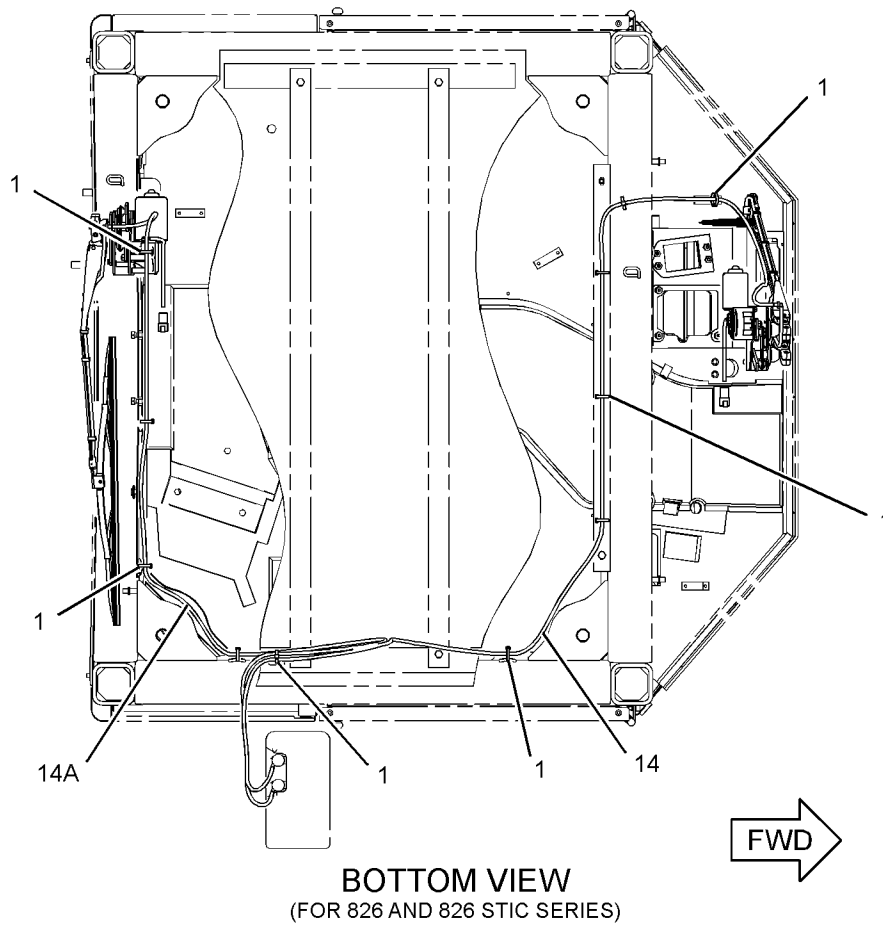
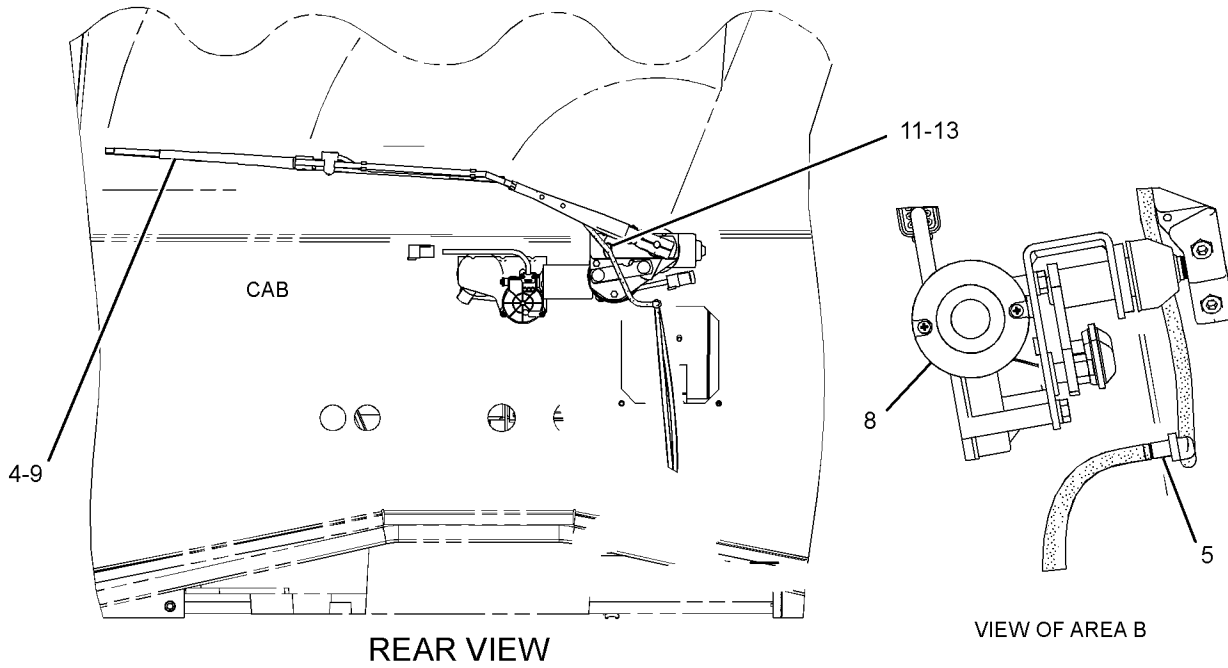
GRAPHIC #1

g02051837

# OPERATOR STATION

109-8196 WIPER GP-WINDOW (contd.)

i03602175



GRAPHIC #2

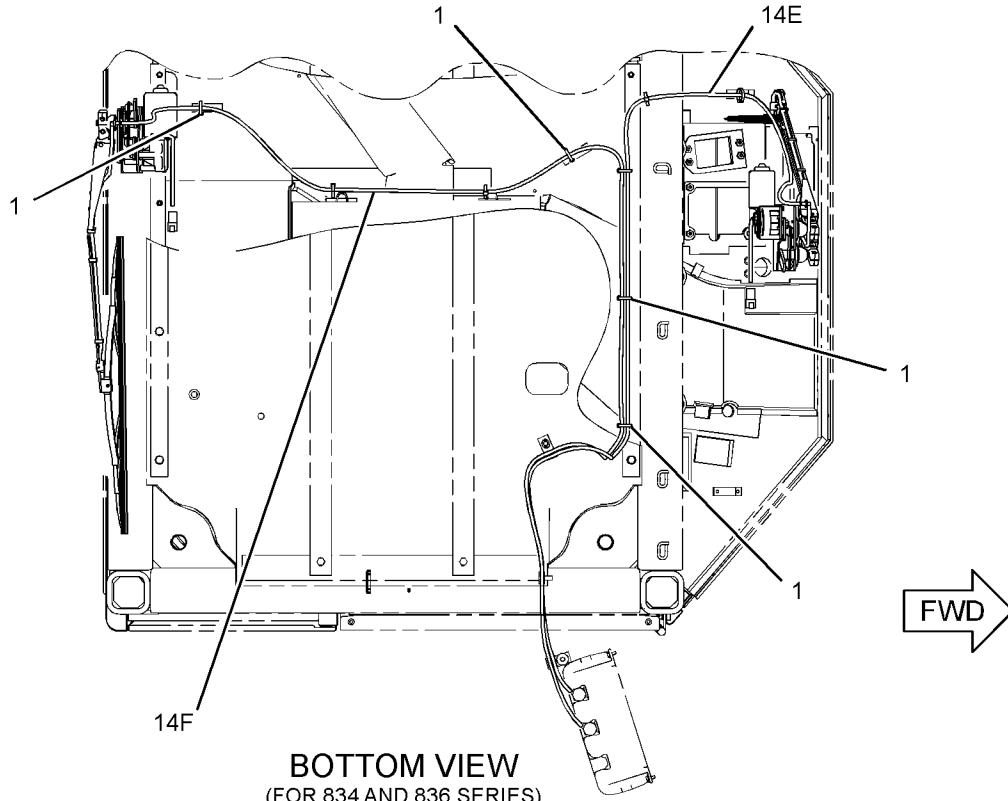
g02051838



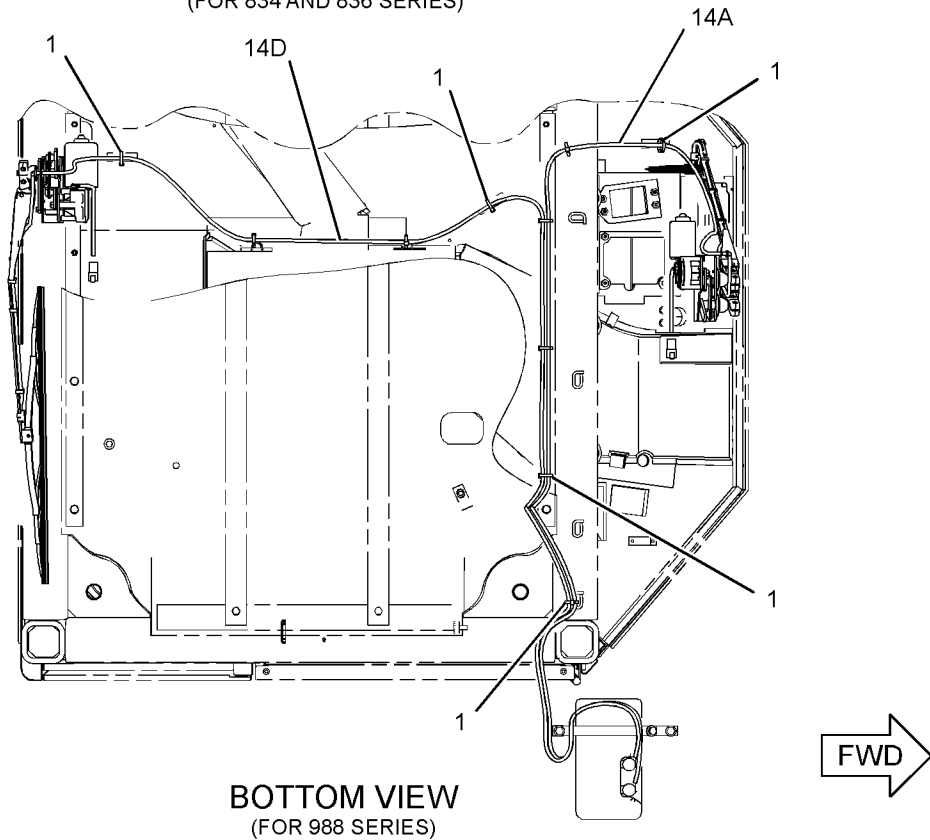
# OPERATOR STATION

109-8196 WIPER GP-WINDOW (contd.)

i03602175



**BOTTOM VIEW**  
(FOR 834 AND 836 SERIES)



**BOTTOM VIEW**  
(FOR 988 SERIES)

GRAPHIC #3

<END>

g01617876

# WORK TOOLS

## 9W-1377 ADAPTER GP-TIP

S/N: BNH1-UP  
AN ATTACHMENT

SMCS-6803

i00177625

NOTE	PART NUMBER	QTY	PART NAME						SEE PAGE
			1	2	3	4	5	6 (PRODUCT LEVEL)	
	8E-2467	6	ADAPTER-STRAP						
	8E-2469	1	ADAPTER-STRAP-LH						
	8E-2468	1	ADAPTER-STRAP-RH						
	5P-8361	12	BOLT-PLOW						
	6V-8360	2	BOLT-PLOW (1-1/4-7X115MM)						
	5P-8362	14	NUT						
<END>									

## 174-4117 ADAPTER GP-TIP

S/N: BNH1-UP  
J460 GET  
FOR USE WITH 171-4056 BUCKET AS  
AN ATTACHMENT

SMCS-6803

i02348744

NOTE	PART NUMBER	QTY	PART NAME						SEE PAGE
			1	2	3	4	5	6 (PRODUCT LEVEL)	
	6I-8298	1	ADAPTER-TIP (LH)						
	6I-8299	1	ADAPTER-TIP (RH)						
	183-4605	6	ADAPTER-TIP (CENTER)						
	5P-8361	14	BOLT-PLOW (1-1/4-7X4.92-IN)						
	6V-6535	2	BOLT-PLOW (1-1/4X3.75-IN)						
	5P-8362	12	NUT (1-1/4-7-THD)						
	3K-9770	4	NUT-FULL (1-1/4-7-THD)						
<END>									

# WORK TOOLS

**223-8114 ADAPTER-TIP-2-STRAP, CENTER**

S/N: BNH1-UP

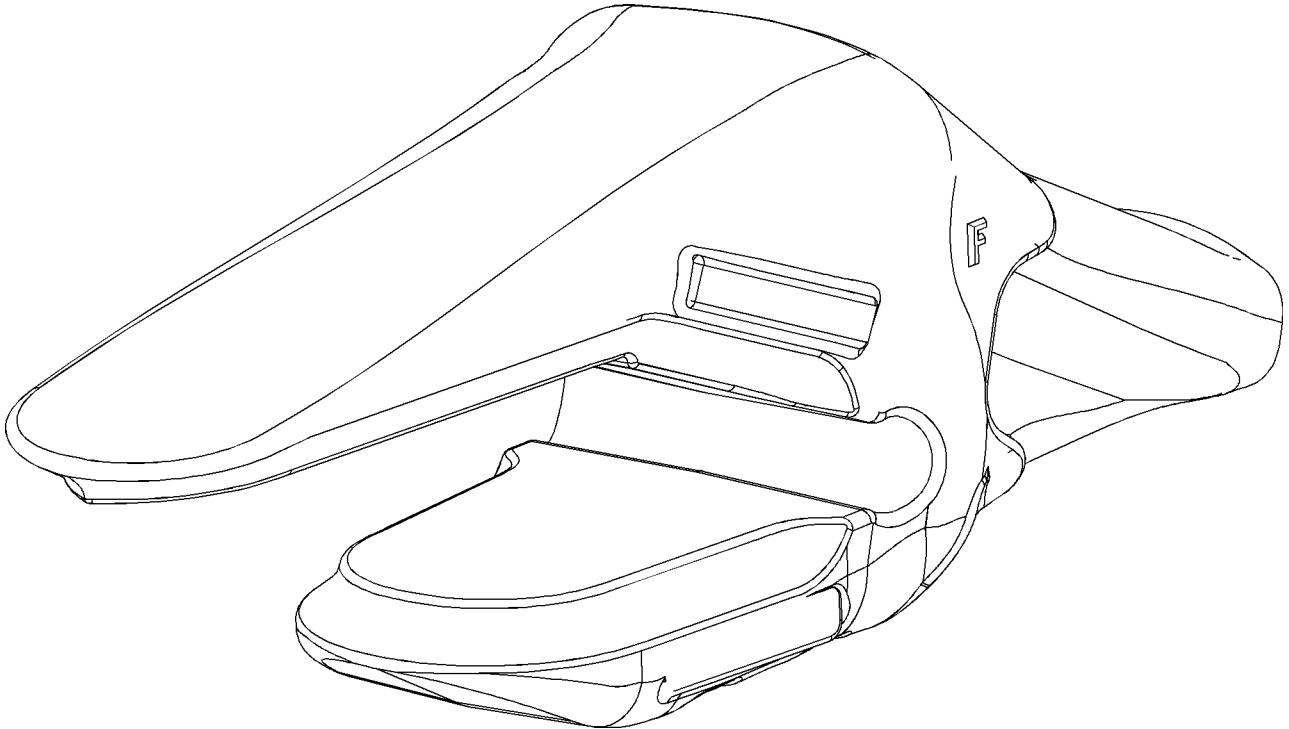
K-110

AN ATTACHMENT

SMCS-6803

i01966981

NOTE	REF NO	GRAPHIC REF	PART NUMBER	QTY	PART NAME						SEE PAGE
					1	2	3	4	5	6	
(NO SERVICED PARTS)											



GRAPHIC #1

<END>

g01024877

# WORK TOOLS

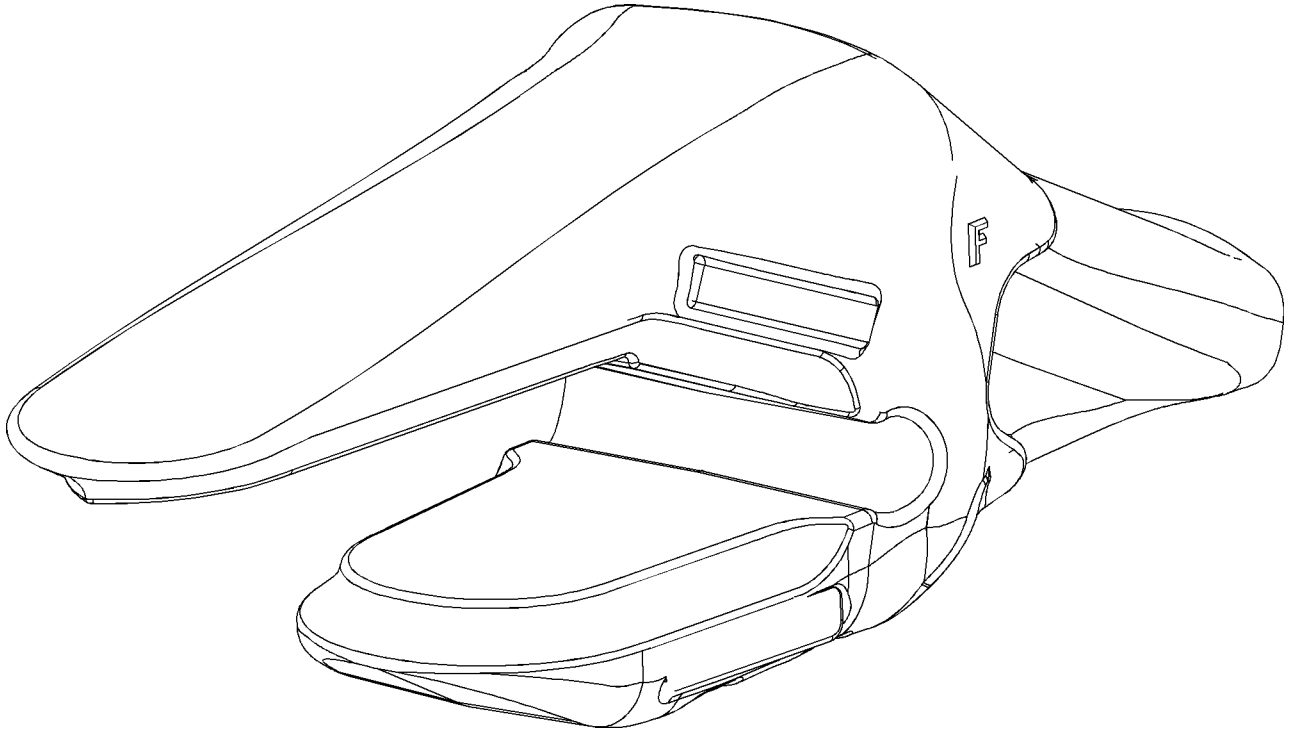
**223-8115 ADAPTER-TIP-2-STRAP, RH**  
S/N: BNH1-UP  
K-110  
AN ATTACHMENT

SMCS-6803

i01966982

NOTE	REF NO	GRAPHIC REF	PART NUMBER	QTY	PART NAME						SEE PAGE
					1	2	3	4	5	6	

(NO SERVICED PARTS)



GRAPHIC #1

<END>

g01024885

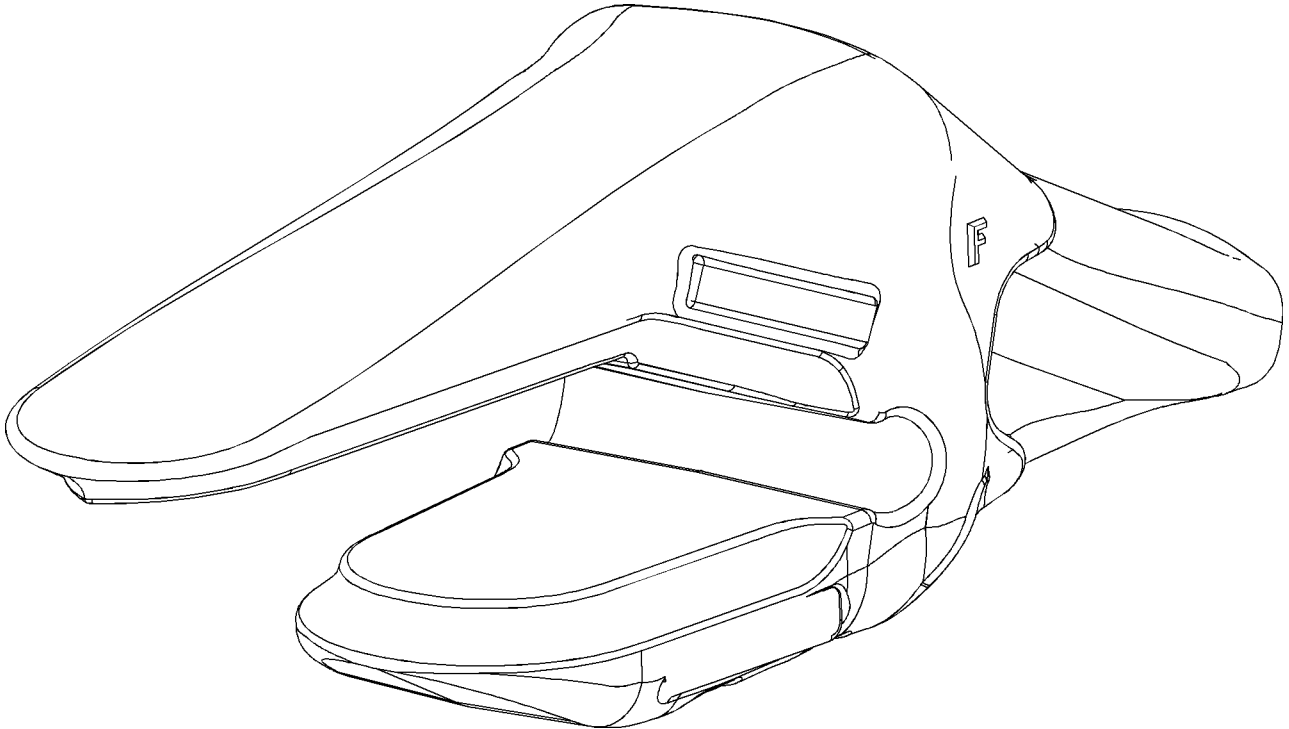
# WORK TOOLS

**223-8116 ADAPTER-TIP-2-STRAP, LH**  
S/N: BNH1-UP  
K-110  
AN ATTACHMENT

SMCS-6803

i01966984

NOTE	REF NO	GRAPHIC REF	PART NUMBER	QTY	PART NAME						SEE PAGE
					1	2	3	4	5	6	
(NO SERVICED PARTS)											



GRAPHIC #1

<END>

g01024883

# WORK TOOLS

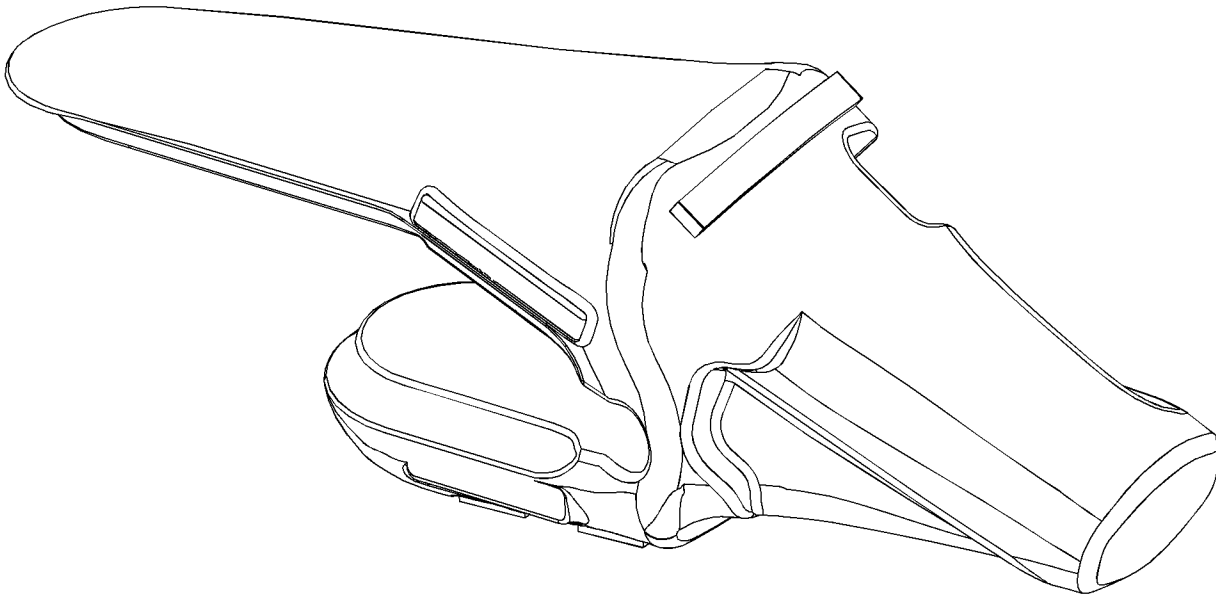
## 229-7110 ADAPTER-TIP

S/N: BNH1-UP  
FIELD INSTALLATION

SMCS-6803

i02394635

NOTE	REF NO	GRAPHIC REF	PART NUMBER	QTY	PART NAME	SEE PAGE
					1 2 3 4 5 6 (PRODUCT LEVEL)	
(NO SERVICED PARTS)						



GRAPHIC #1

<END>

g01196873

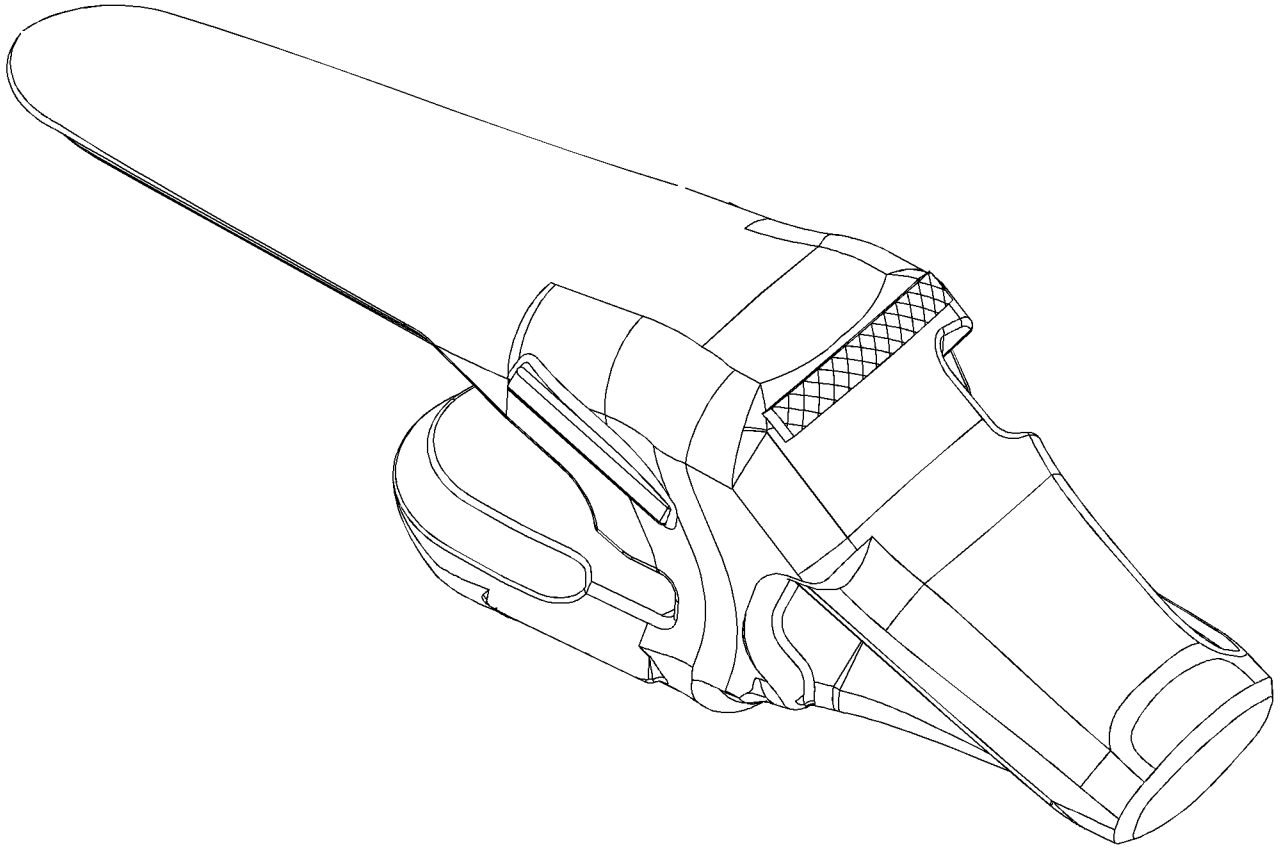
# WORK TOOLS

**229-7111 ADAPTER-TIP-2-STRAP, RH**  
S/N: BNH1-UP  
K-110  
FIELD INSTALLATION

SMCS-6803

i02289382

NOTE	REF NO	GRAPHIC REF	PART NUMBER	QTY	PART NAME						SEE PAGE
					1	2	3	4	5	6 (PRODUCT LEVEL)	
(NO SERVICED PARTS)											



GRAPHIC #1

<END>

g01146309

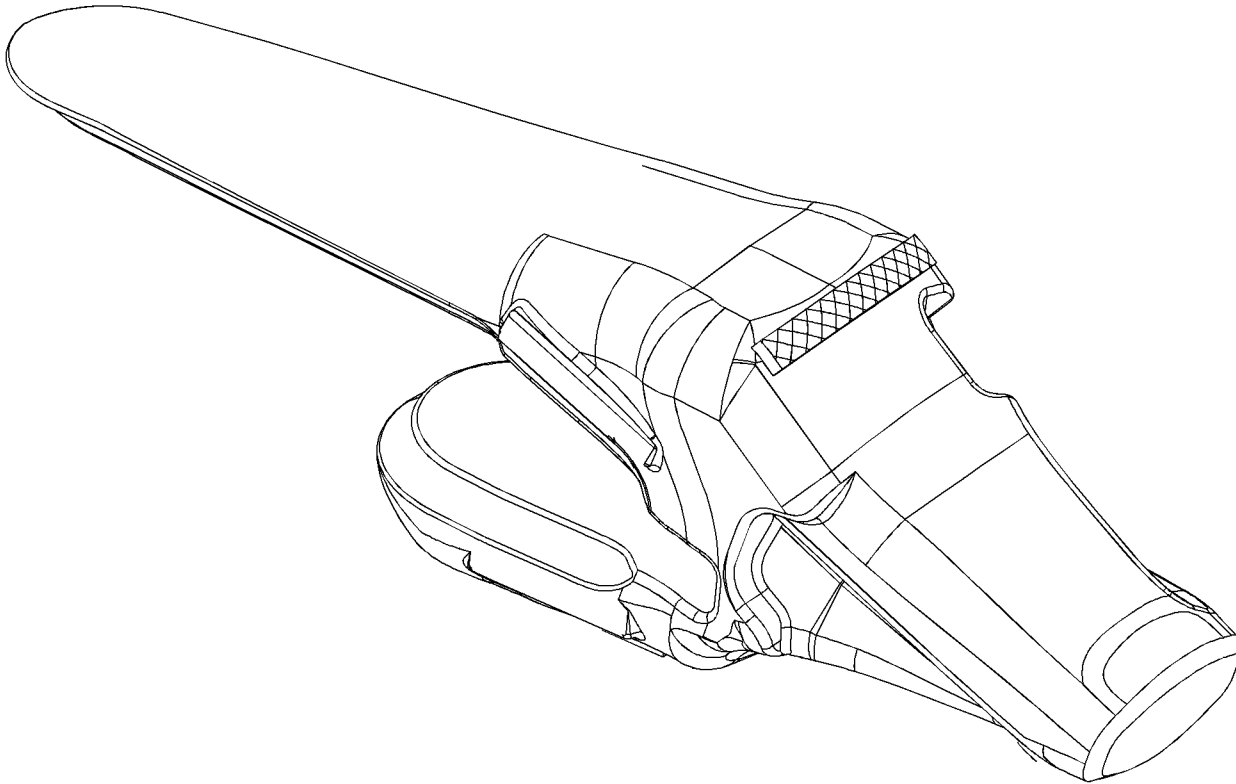
# WORK TOOLS

**229-7112 ADAPTER-TIP-2-STRAP, LH**  
S/N: BNH1-UP  
K-110  
FIELD INSTALLATION

SMCS-6803

i02289390

NOTE	REF NO	GRAPHIC REF	PART NUMBER	QTY	PART NAME	SEE PAGE
					1 2 3 4 5 6 (PRODUCT LEVEL)	
(NO SERVICED PARTS)						



GRAPHIC #1

<END>

g01146607



# WORK TOOLS

## 229-7114 ADAPTER-TIP-FLUSH MOUNT

S/N: BNH1-UP

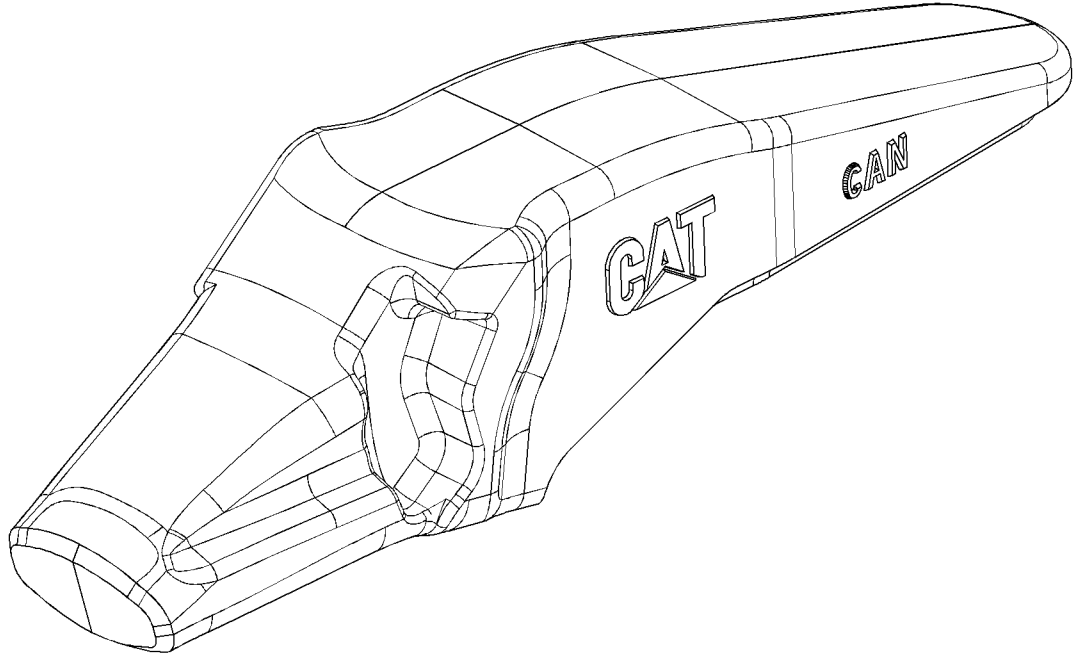
K-110

AN ATTACHMENT

SMCS-6803

i02273171

NOTE	REF NO	GRAPHIC REF	PART NUMBER	QTY	PART NAME						SEE PAGE
					1	2	3	4	5	6	
(NO SERVICED PARTS)											



GRAPHIC #1

<END>

g01139393

# WORK TOOLS

## 229-7134 ADAPTER-TIP-FLUSH MOUNT

S/N: BNH1-UP

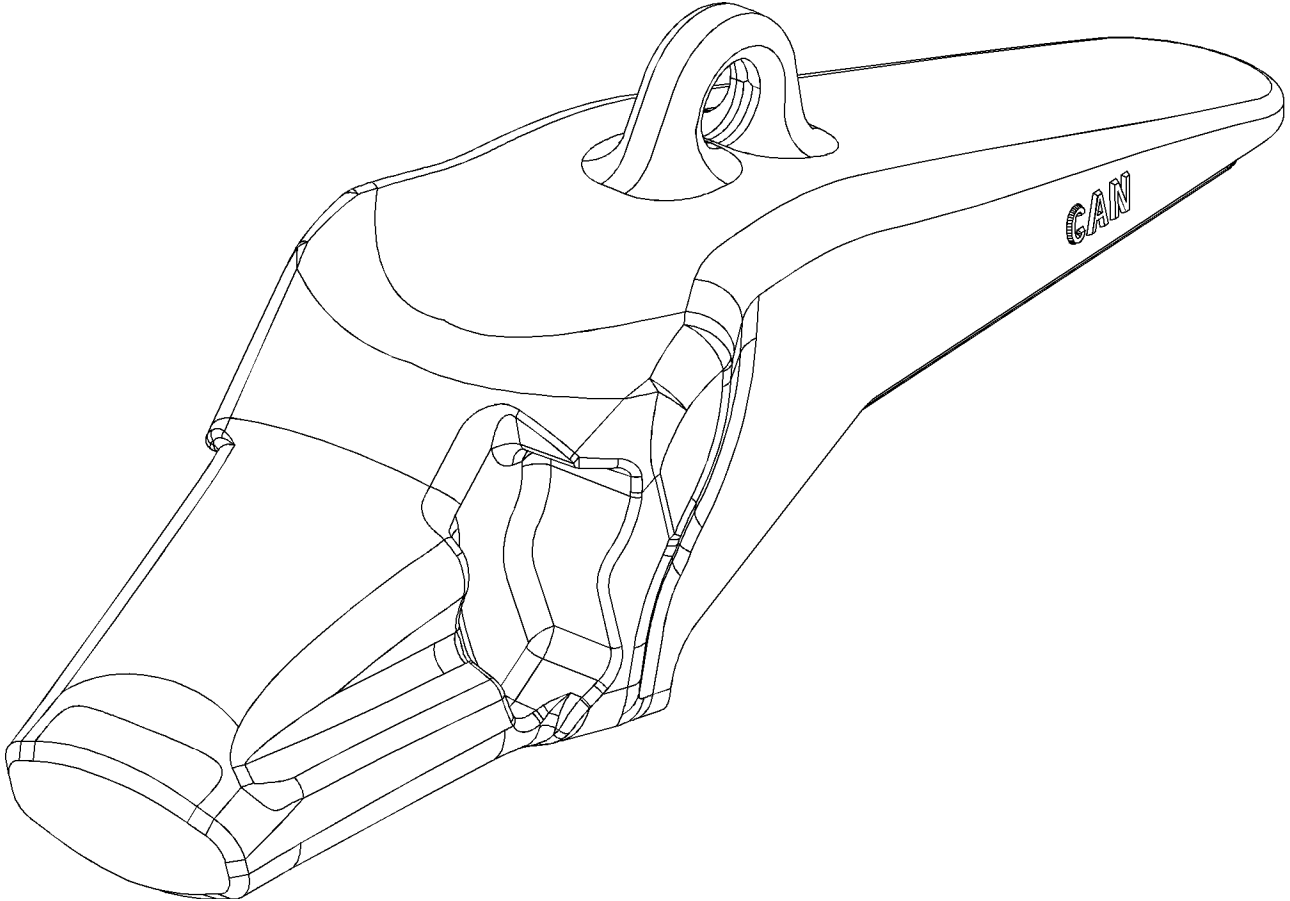
K-130

AN ATTACHMENT

SMCS-6803

i02030307

NOTE	REF NO	GRAPHIC REF	PART NUMBER	QTY	PART NAME						SEE PAGE
					1	2	3	4	5	6	
(NO SERVICED PARTS)											



GRAPHIC #1

<END>

g01047130

# WORK TOOLS

## 232-0134 ADAPTER-TIP-2-STRAP, CENTER

S/N: BNH1-UP

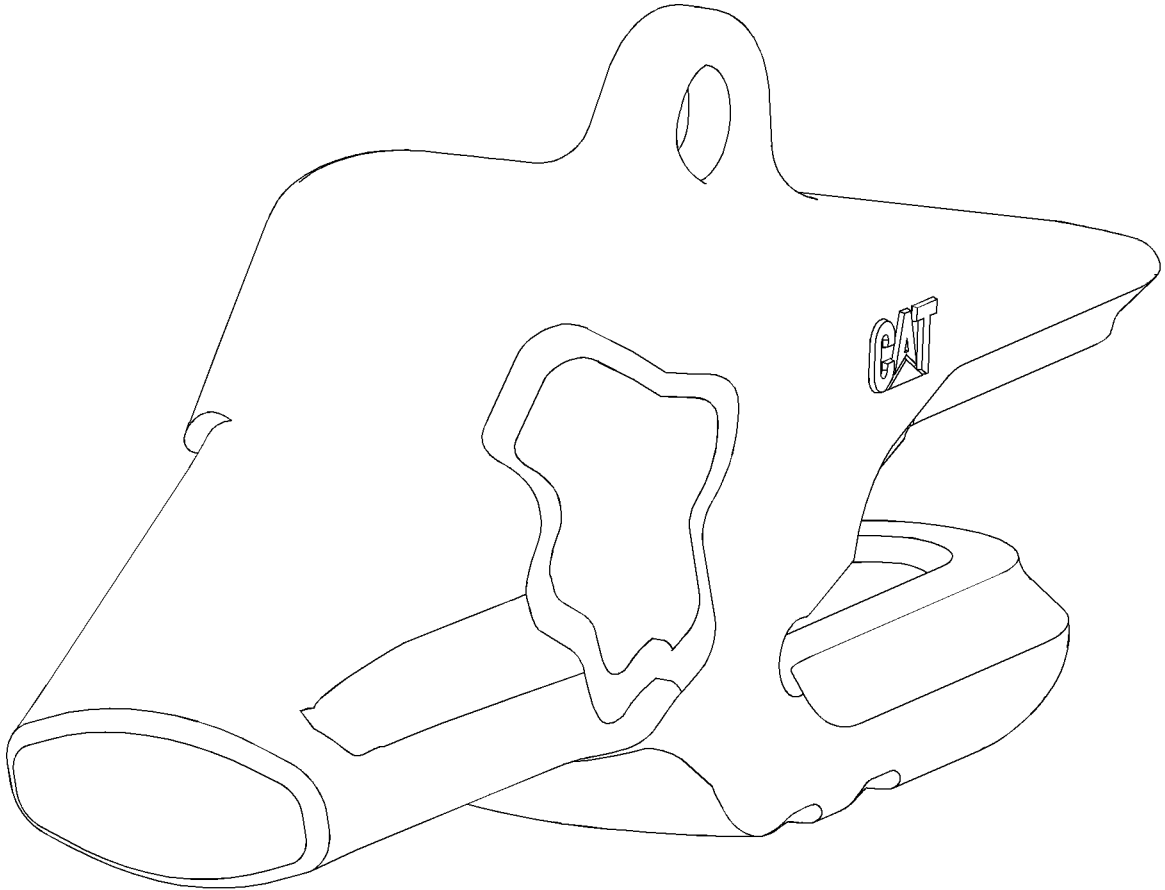
K-130

AN ATTACHMENT

SMCS-6803

i02110879

NOTE	REF NO	GRAPHIC REF	PART NUMBER	QTY	PART NAME						SEE PAGE
					1	2	3	4	5	6 (PRODUCT LEVEL)	
(NO SERVICED PARTS)											



GRAPHIC #1

<END>

g01087762

# WORK TOOLS

**232-0135 ADAPTER-TIP-2-STRAP, RH**

S/N: BNH1-UP

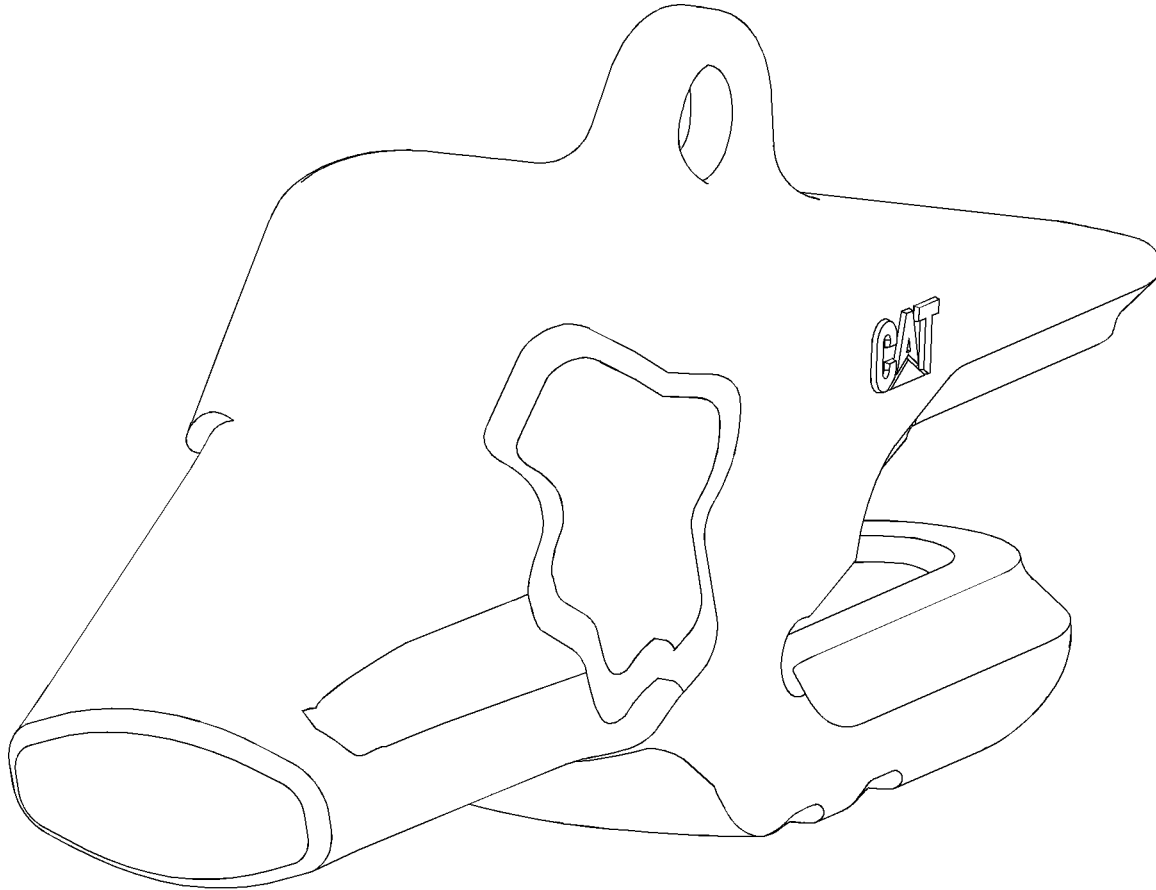
K-130

FIELD INSTALLATION

SMCS-6803

i05198664

NOTE	REF NO	GRAPHIC REF	PART NUMBER	QTY	PART NAME	SEE PAGE
					1 2 3 4 5 6 (PRODUCT LEVEL)	
(NO SERVICED PARTS)						



GRAPHIC #1

<END>

g01087762

# WORK TOOLS

**232-0136 ADAPTER-TIP-2-STRAP, LH**

S/N: BNH1-UP

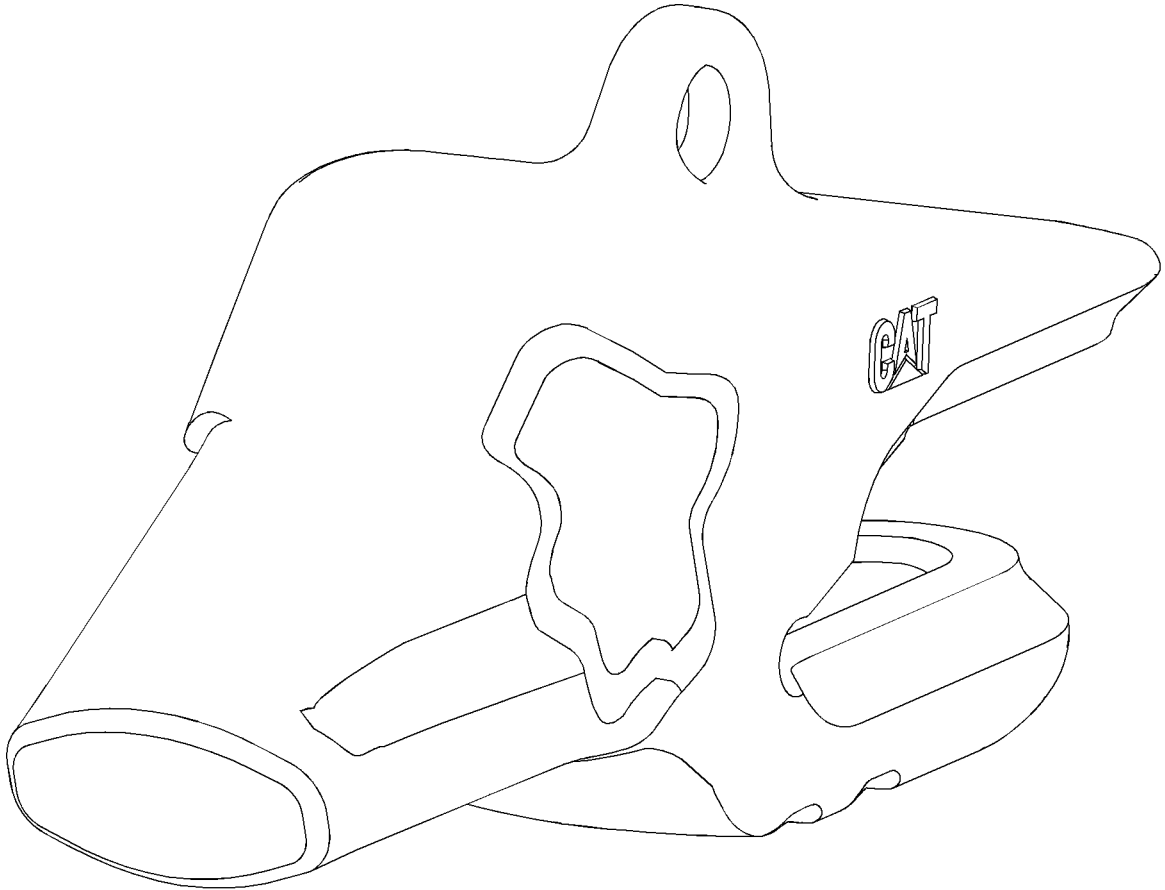
K-130

AN ATTACHMENT

SMCS-6803

i05198666

NOTE	REF NO	GRAPHIC REF	PART NUMBER	QTY	PART NAME						SEE PAGE
					1	2	3	4	5	6 (PRODUCT LEVEL)	
(NO SERVICED PARTS)											



GRAPHIC #1

<END>

g01087762

# WORK TOOLS

**232-0154 ADAPTER-TIP-2-STRAP, CENTER**

S/N: BNH1-UP

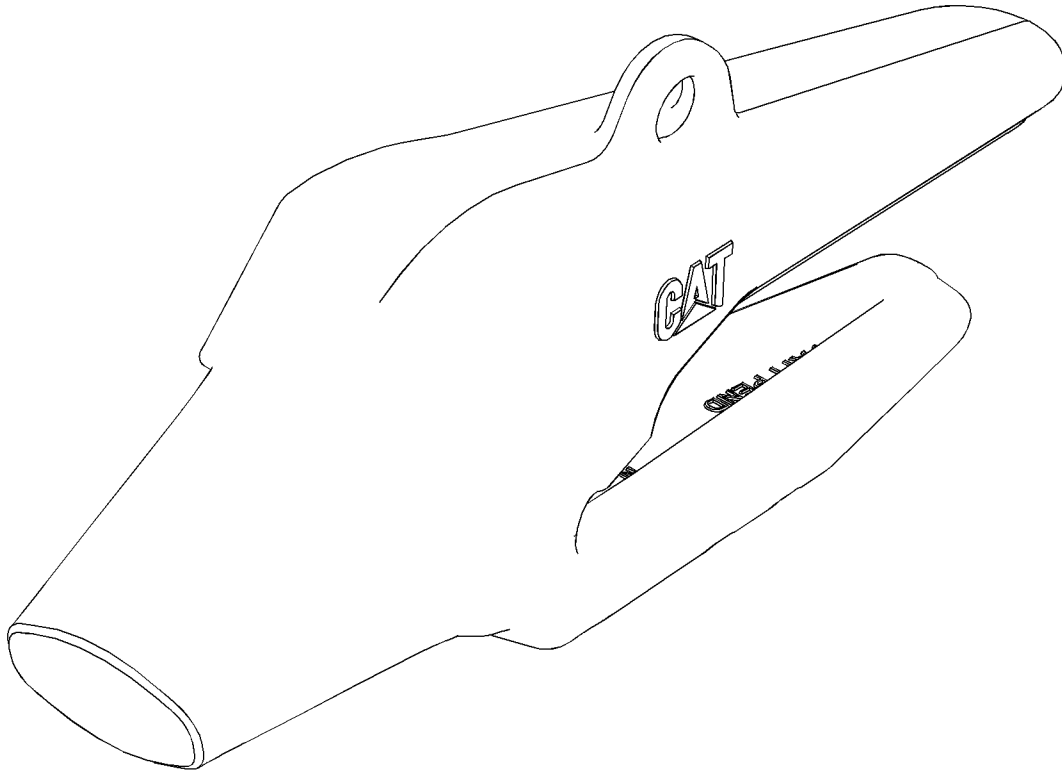
K-150

AN ATTACHMENT

SMCS-6803

i02349357

NOTE	REF NO	GRAPHIC REF	PART NUMBER	QTY	PART NAME						SEE PAGE
					1	2	3	4	5	6	
(NO SERVICED PARTS)											



GRAPHIC #1

<END>

g01174280

# WORK TOOLS

**232-0155 ADAPTER-TIP-2-STRAP, RH**

S/N: BNH1-UP

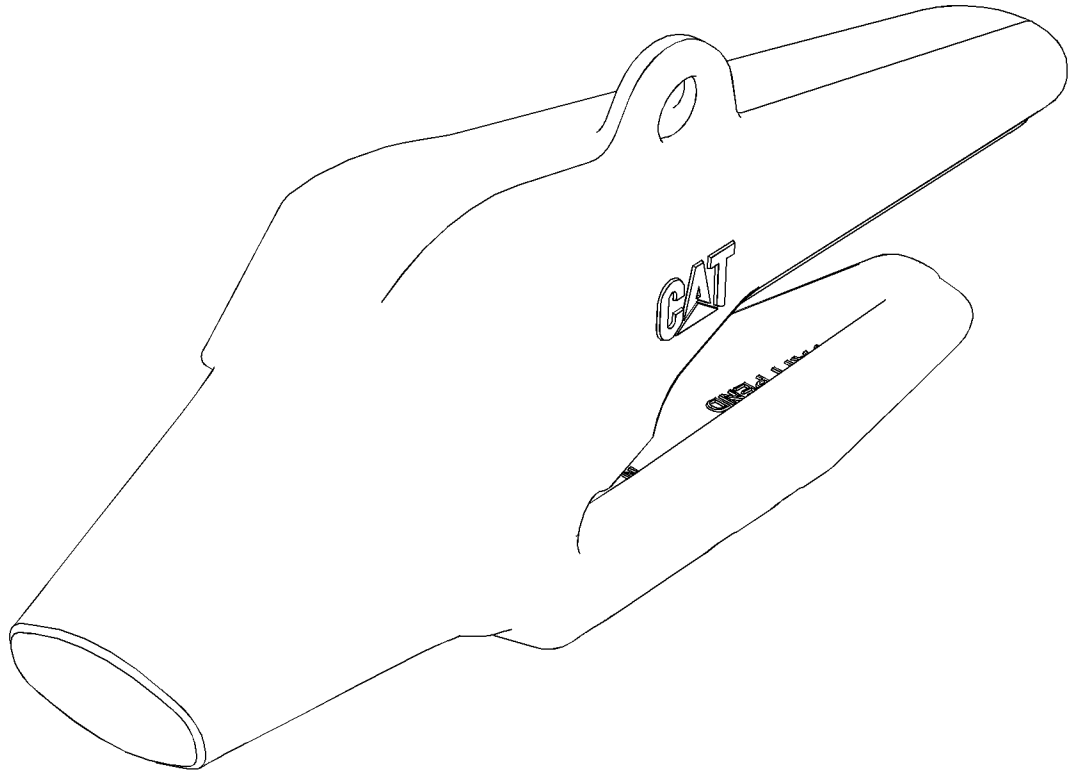
K-150

AN ATTACHMENT

SMCS-6803

i02349366

NOTE	REF NO	GRAPHIC REF	PART NUMBER	QTY	PART NAME						SEE PAGE
					1	2	3	4	5	6	
(NO SERVICED PARTS)											



GRAPHIC #1

<END>

g01174280

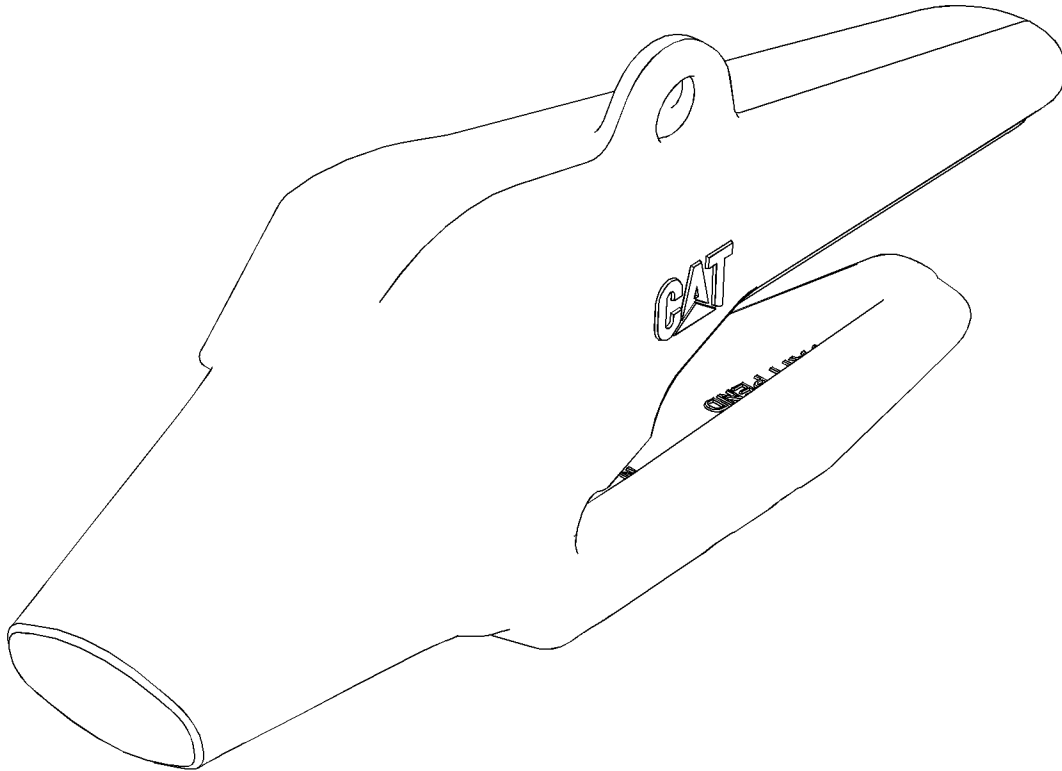
# WORK TOOLS

**232-0156 ADAPTER-TIP-2-STRAP, LH**  
S/N: BNH1-UP  
K-150  
AN ATTACHMENT

SMCS-6803

i02349368

NOTE	REF NO	GRAPHIC REF	PART NUMBER	QTY	PART NAME						SEE PAGE
					1	2	3	4	5	6	
(NO SERVICED PARTS)											



GRAPHIC #1

<END>

g01174280



# WORK TOOLS

## 232-2114 ADAPTER-TIP-2-STRAP, CENTER

S/N: BNH1-UP

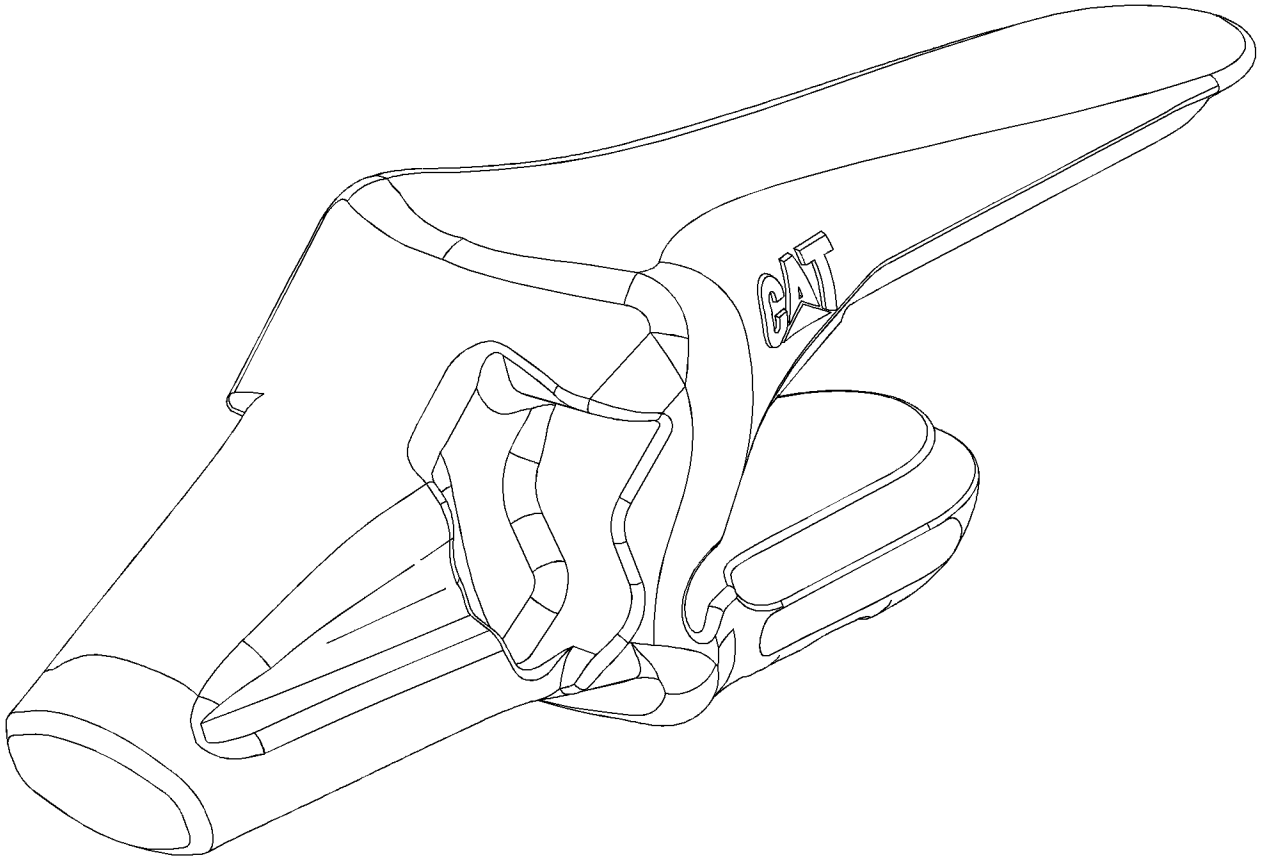
K-110

AN ATTACHMENT

SMCS-6803

i02342058

NOTE	REF NO	GRAPHIC REF	PART NUMBER	QTY	PART NAME						SEE PAGE
					1	2	3	4	5	6	
(NO SERVICED PARTS)											



GRAPHIC #1

<END>

g01255187

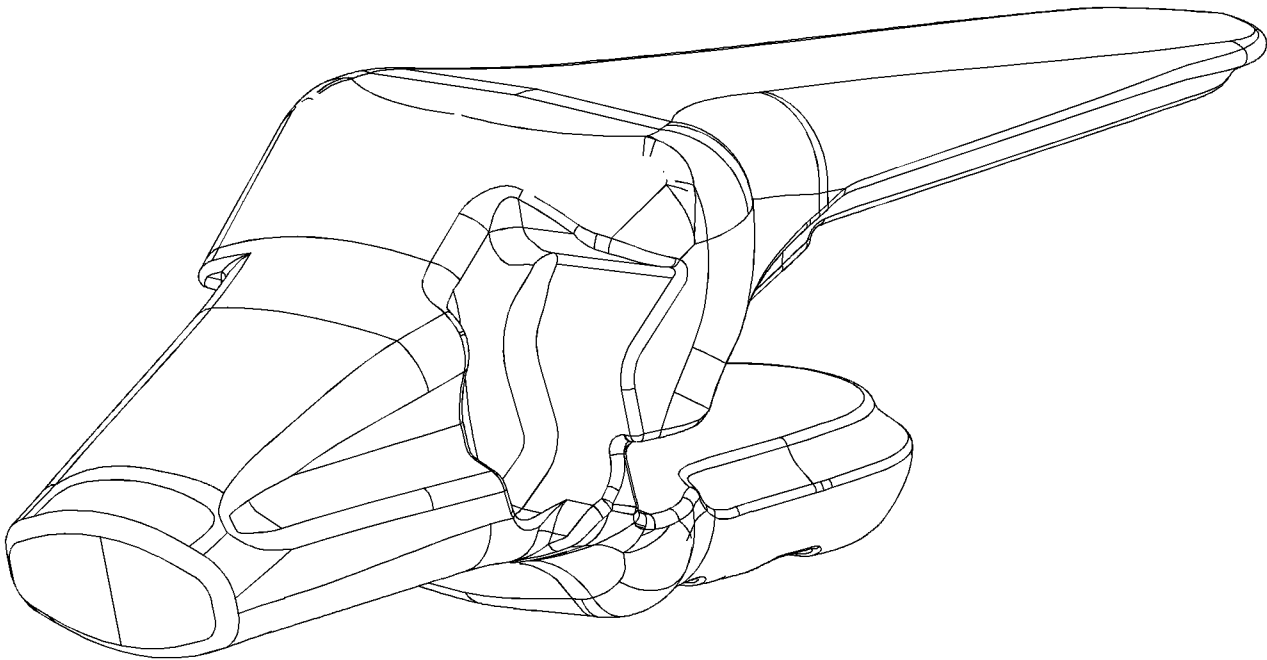
# WORK TOOLS

**232-2115 ADAPTER-TIP-2-STRAP, RH**  
S/N: BNH1-UP  
K-110  
AN ATTACHMENT

SMCS-6803

i02289400

NOTE	REF NO	GRAPHIC REF	PART NUMBER	QTY	PART NAME	SEE PAGE
					1 2 3 4 5 6 (PRODUCT LEVEL)	
(NO SERVICED PARTS)						



GRAPHIC #1

<END>

g01146385

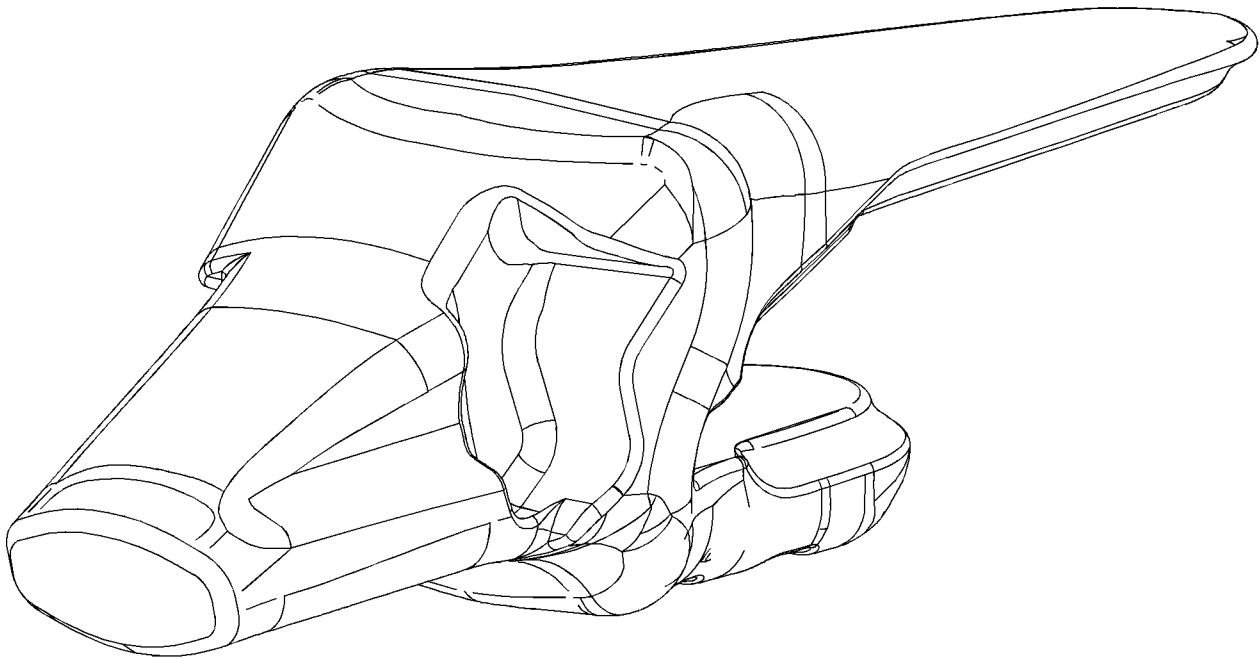
# WORK TOOLS

**232-2116 ADAPTER-TIP-2-STRAP, LH**  
S/N: BNH1-UP  
K-110  
AN ATTACHMENT

SMCS-6803

i02289401

NOTE	REF NO	GRAPHIC REF	PART NUMBER	QTY	PART NAME						SEE PAGE
					1	2	3	4	5	6	
(NO SERVICED PARTS)											



GRAPHIC #1

<END>

g01146528

# WORK TOOLS

## 232-2117 ADAPTER-TIP-FLUSH MOUNT

S/N: BNH1-UP

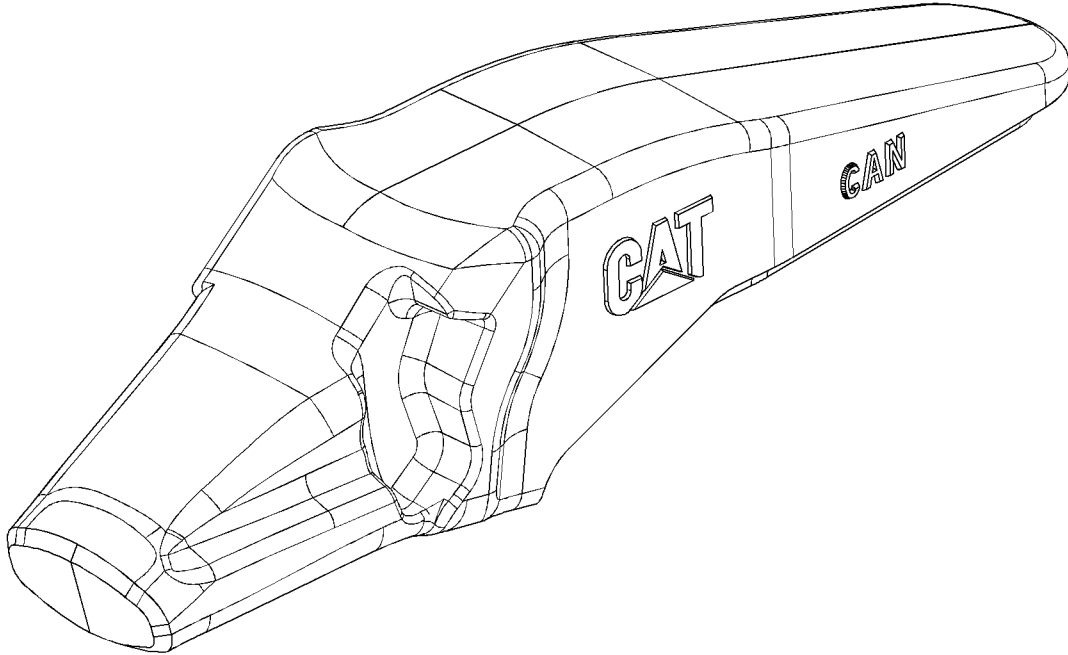
K-110

AN ATTACHMENT

SMCS-6803

i02357695

NOTE	REF NO	GRAPHIC REF	PART NUMBER	QTY	PART NAME						SEE PAGE
					1	2	3	4	5	6	
(NO SERVICED PARTS)											



GRAPHIC #1

<END>

g01139393

# WORK TOOLS

**232-2134 ADAPTER-TIP-2-STRAP, CENTER**

S/N: BNH1-UP

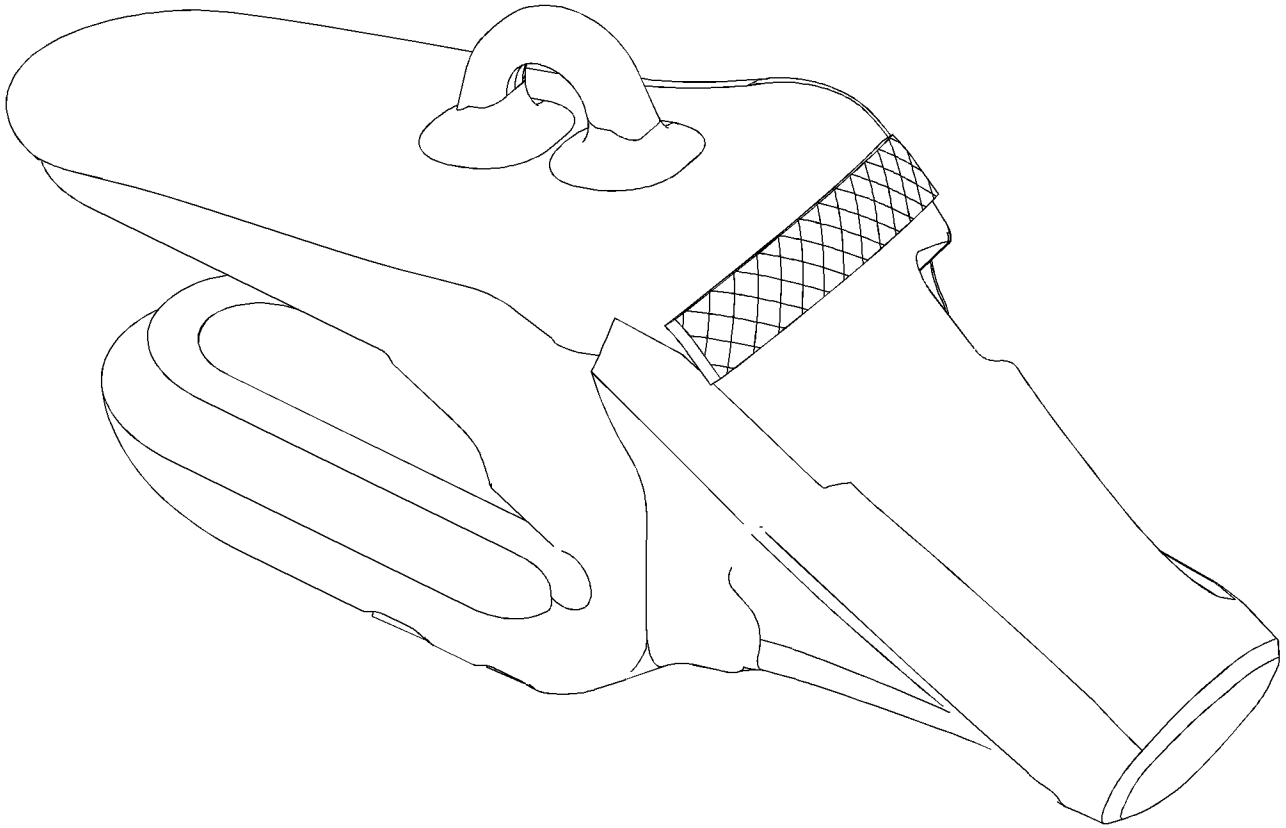
K-130

FIELD INSTALLATION

SMCS-6803

i02294156

NOTE	REF NO	GRAPHIC REF	PART NUMBER	QTY	PART NAME						SEE PAGE
					1	2	3	4	5	6	
(NO SERVICED PARTS)											



GRAPHIC #1

<END>

g01167380

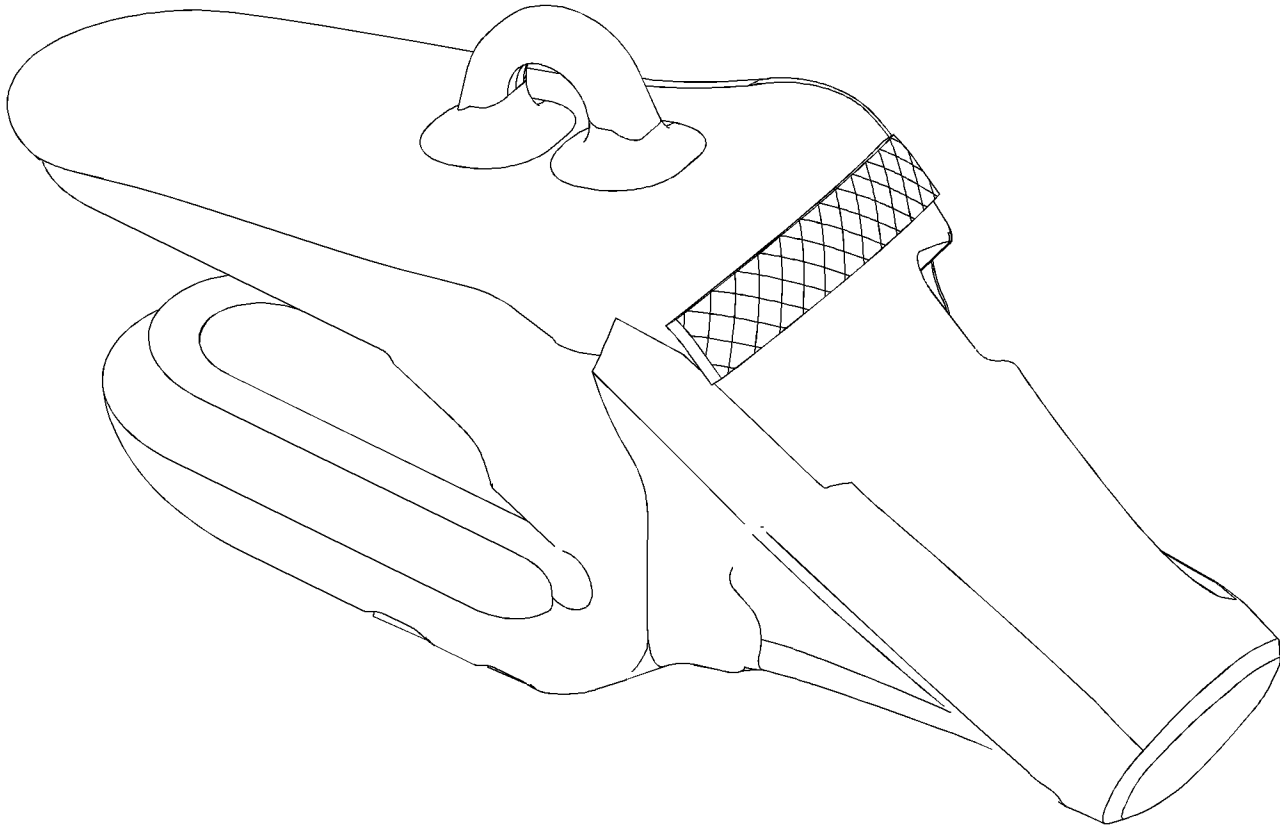
# WORK TOOLS

**232-2135 ADAPTER-TIP-2-STRAP, RH**  
S/N: BNH1-UP  
K-130  
FIELD INSTALLATION

SMCS-6803

i02303759

NOTE	REF NO	GRAPHIC REF	PART NUMBER	QTY	PART NAME						SEE PAGE
					1	2	3	4	5	6	
(NO SERVICED PARTS)											



GRAPHIC #1

<END>

g01167380

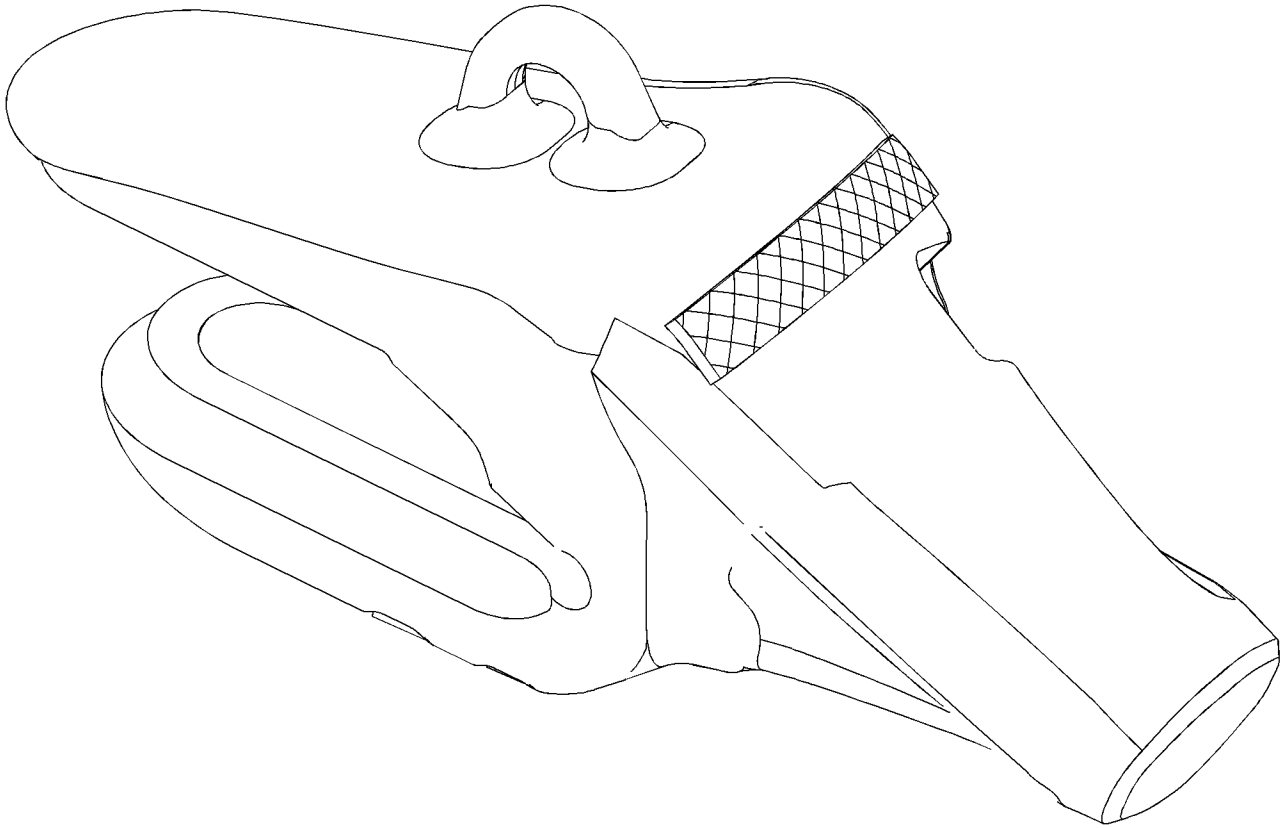
# WORK TOOLS

**232-2136 ADAPTER-TIP-2-STRAP, LH**  
S/N: BNH1-UP  
K-130  
FIELD INSTALLATION

SMCS-6803

i02303761

NOTE	REF NO	GRAPHIC REF	PART NUMBER	QTY	PART NAME						SEE PAGE
					1	2	3	4	5	6	
(NO SERVICED PARTS)											



GRAPHIC #1

<END>

g01167380

# WORK TOOLS

## 232-2154 ADAPTER-TIP-FLUSH MOUNT

S/N: BNH1-UP

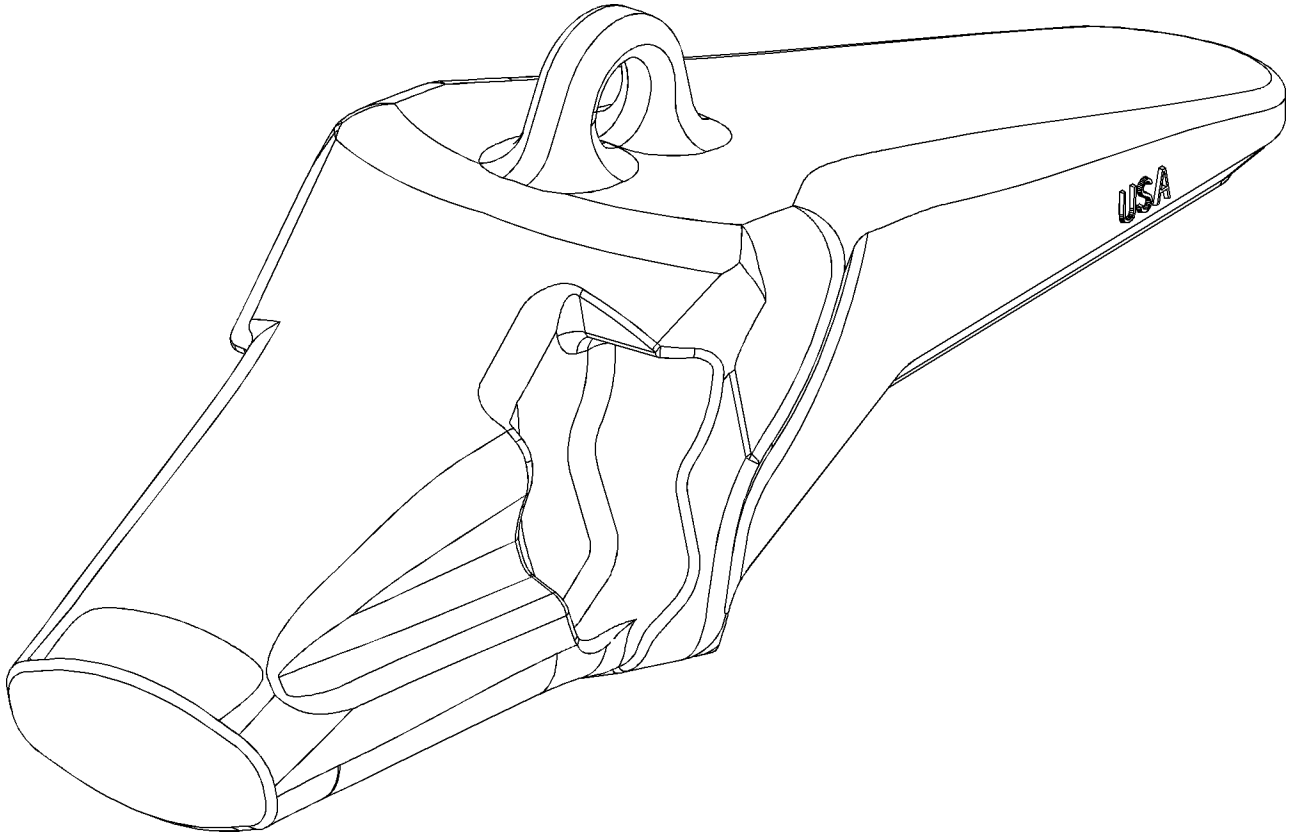
K-150

AN ATTACHMENT

SMCS-6803

i02030448

NOTE	REF NO	GRAPHIC REF	PART NUMBER	QTY	PART NAME						SEE PAGE
					1	2	3	4	5	6	
(NO SERVICED PARTS)											



GRAPHIC #1

<END>

g01047129



# WORK TOOLS

## 233-7154 ADAPTER-TIP-2-STRAP, CENTER

S/N: BNH1-UP

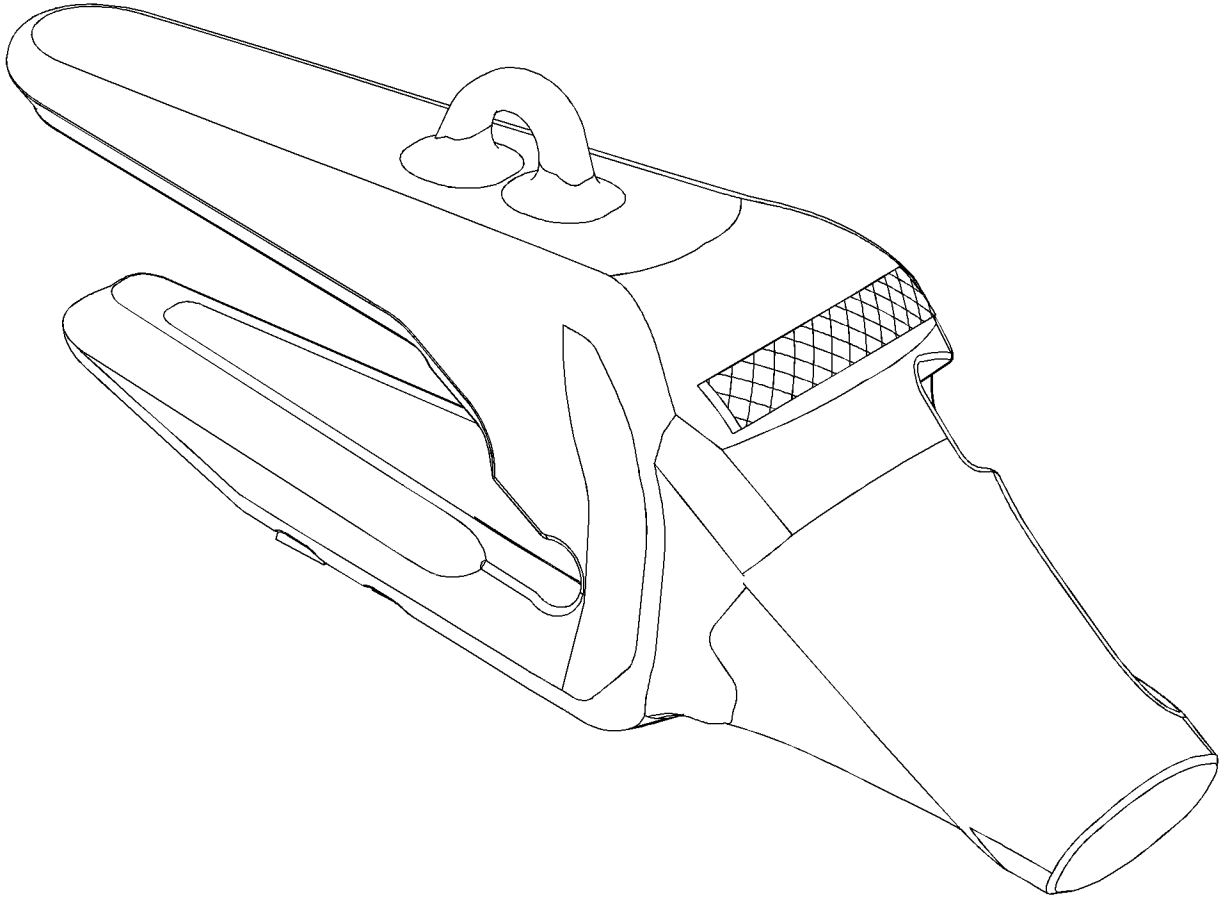
K-150

FIELD INSTALLATION

SMCS-6803

i02294167

NOTE	REF NO	GRAPHIC REF	PART NUMBER	QTY	PART NAME						SEE PAGE
					1	2	3	4	5	6 (PRODUCT LEVEL)	
(NO SERVICED PARTS)											



GRAPHIC #1

<END>

g01167240

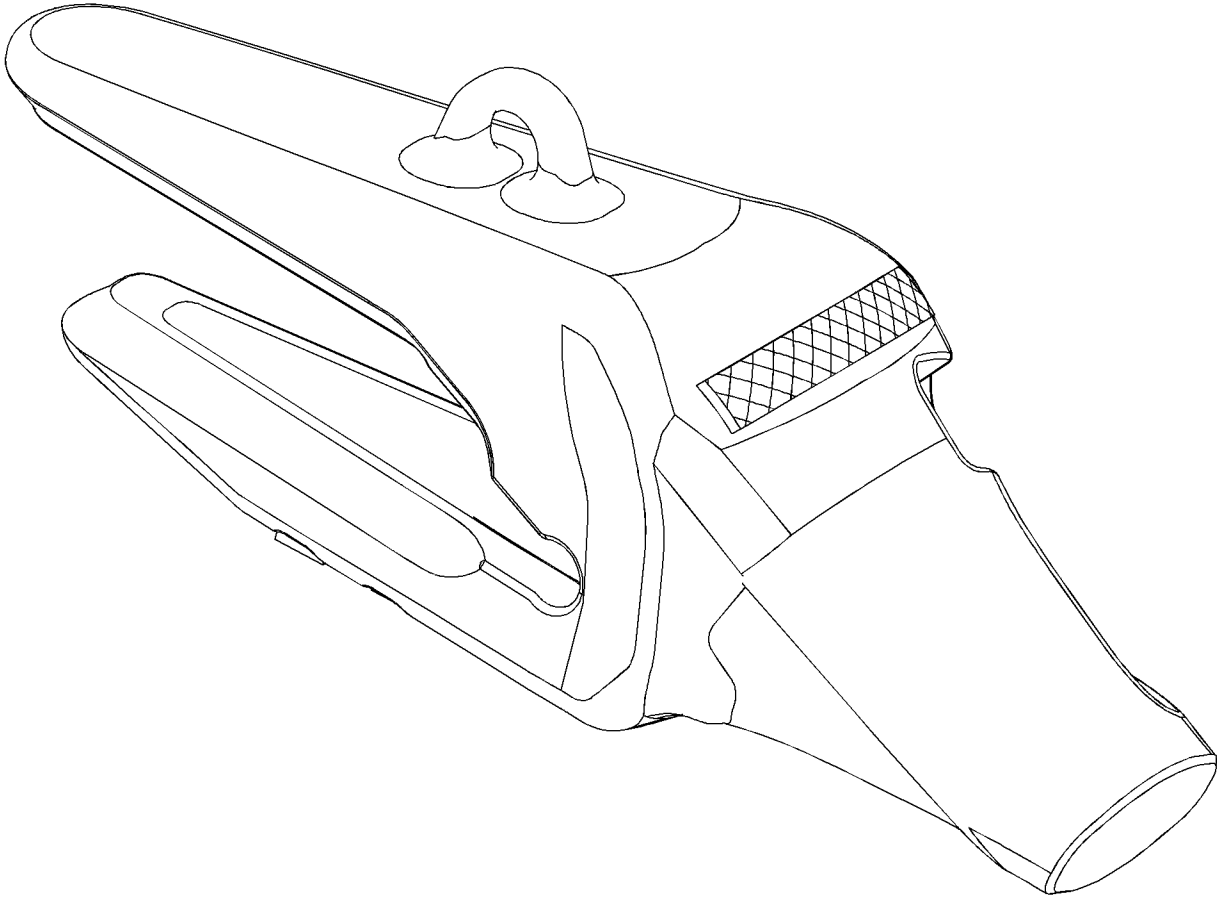
# WORK TOOLS

**233-7155 ADAPTER-TIP-2-STRAP, RH**  
S/N: BNH1-UP  
K-150  
FIELD INSTALLATION

SMCS-6803

i02294168

NOTE	REF NO	GRAPHIC REF	PART NUMBER	QTY	PART NAME	SEE PAGE
					1 2 3 4 5 6 (PRODUCT LEVEL)	
(NO SERVICED PARTS)						



GRAPHIC #1

<END>

g01167240

# WORK TOOLS

**233-7156 ADAPTER-TIP-2-STRAP, LH**

S/N: BNH1-UP

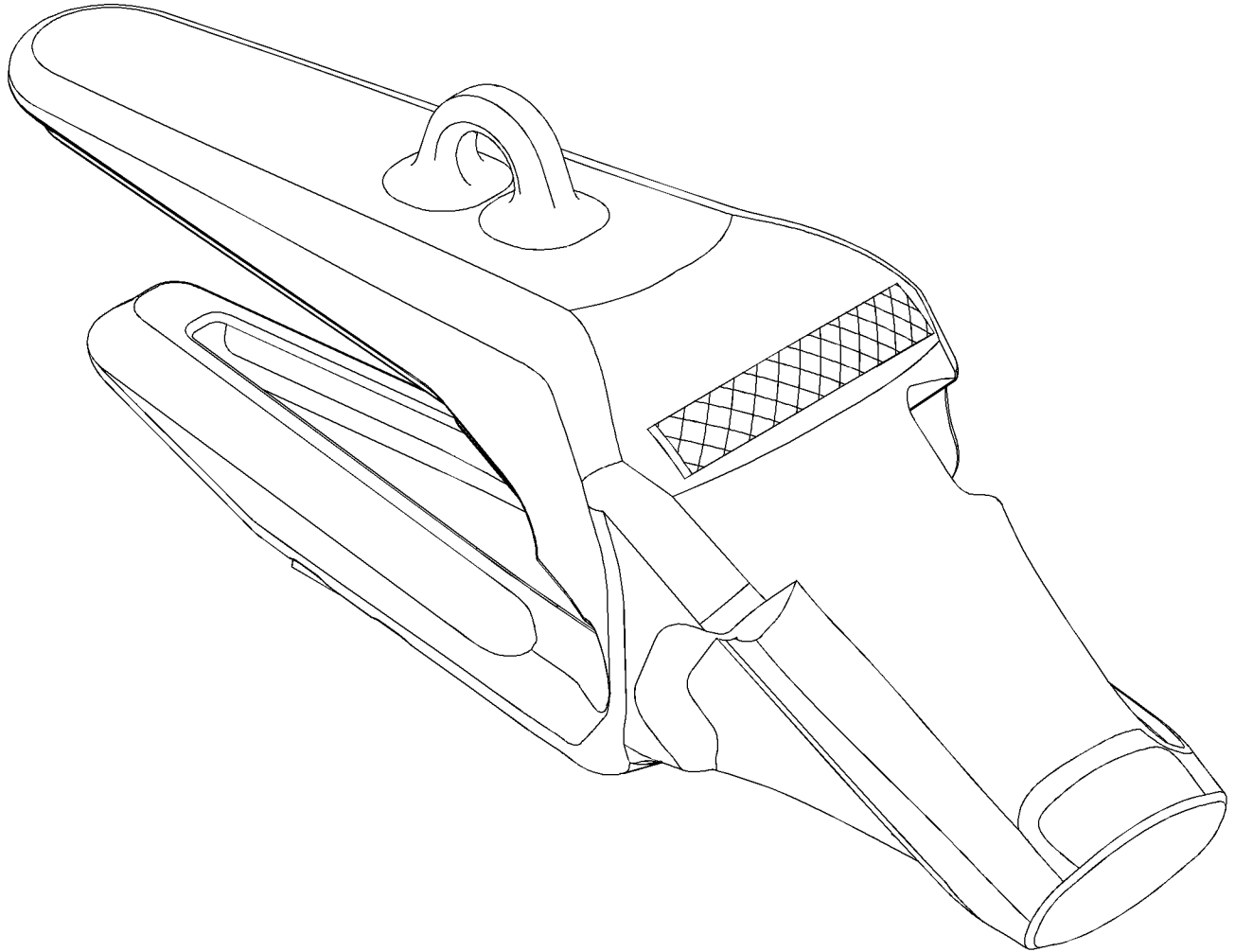
K-150

FIELD INSTALLATION

SMCS-6803

i02294641

NOTE	REF NO	GRAPHIC REF	PART NUMBER	QTY	PART NAME	SEE PAGE
					1 2 3 4 5 6 (PRODUCT LEVEL)	
(NO SERVICED PARTS)						



GRAPHIC #1

<END>

g01166898

# WORK TOOLS

## 175-1457 BUCKET AS-GENERAL PURPOSE

S/N: BNH1-UP

7.0 CU M (9.166 CU YD)

PART OF 175-1456 BUCKET GP-GENERAL PURPOSE  
AN ATTACHMENT

SMCS-6101

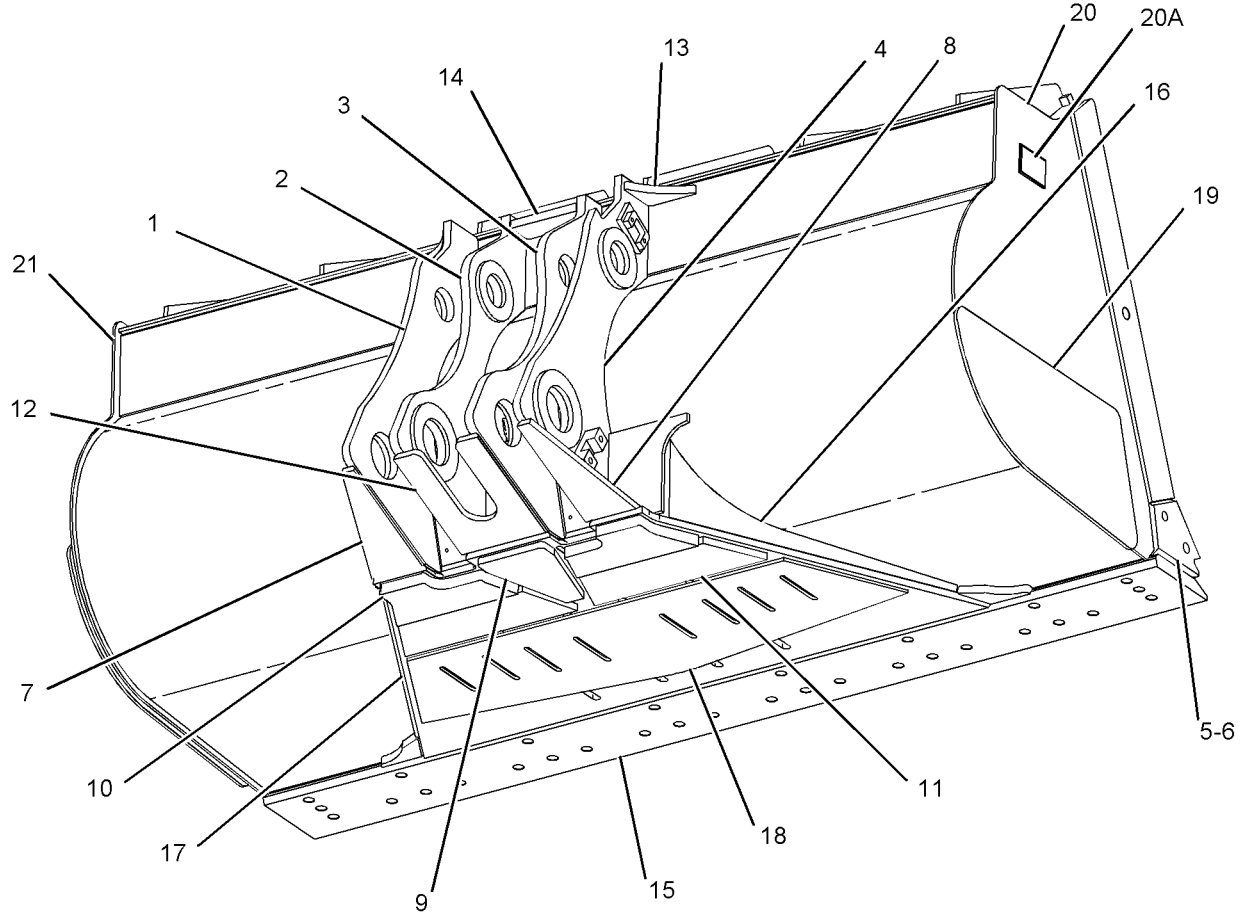
i02108121

NOTE	REF NO	GRAPHIC REF	PART NUMBER	QTY	PART NAME						SEE PAGE	
					1	2	3	4	5	6 (PRODUCT LEVEL)		
	1	1	175-2794	1	HINGE AS	(OUTER, LH)	(LH-OUTER)					
	2	1	180-3040	1	HINGE AS	(INNER, LH)	(LH-INNER)					
	3	1	180-3039	1	HINGE AS	(RH-INNER)	(RH-INNER)					
	4	1	175-2795	1	HINGE AS	(OUTER, RH)	(RH-OUTER)					
	5	1	6I-8249	1	CORNER	(RH)						
	6	1	6I-8250	1	CORNER	(LH)						
	7	1	135-6642	1	PLATE-WEAR	(LH)						
	8	1	136-6195	1	PLATE-WEAR	(RH)						
	9	1	136-6205	1	PLATE-WEAR							
	10	1	190-9793	2	PLATE-WEAR							
	11	1	190-9794	2	PLATE-WEAR							
	12	1	167-1278	1	PLATE-WEAR							
	13	1	172-4425	2	PLATE							
	14	1	172-4426	1	PLATE							
	15	1	183-5190	1	EDGE-CUTTING							
	16	1	184-7831	1	PLATE							
	17	1	184-7832	1	PLATE							
	18	1	184-8104	1	PLATE-WEAR							
	19	1	184-8099	2	PLATE							
	20	1	184-8096	1	PLATE AS	(RH)						
	20A	1	2C-9259	1	PLATE-IDENTIFICATION	(CAT)						
	21	1	184-8097	1	PLATE AS	(LH)						
		1	2C-9259	1	PLATE-IDENTIFICATION	(CAT)						

# WORK TOOLS

175-1457 BUCKET AS-GENERAL PURPOSE (contd.)

i02108121



GRAPHIC #1

<END>

g01082061

# WORK TOOLS

## 265-8219 BUCKET AS-GENERAL PURPOSE

S/N: BNH1-UP

7.7 CU M(10 CU YD)

PART OF 265-8218 BUCKET GP-GENERAL PURPOSE

AN ATTACHMENT

SMCS-6101

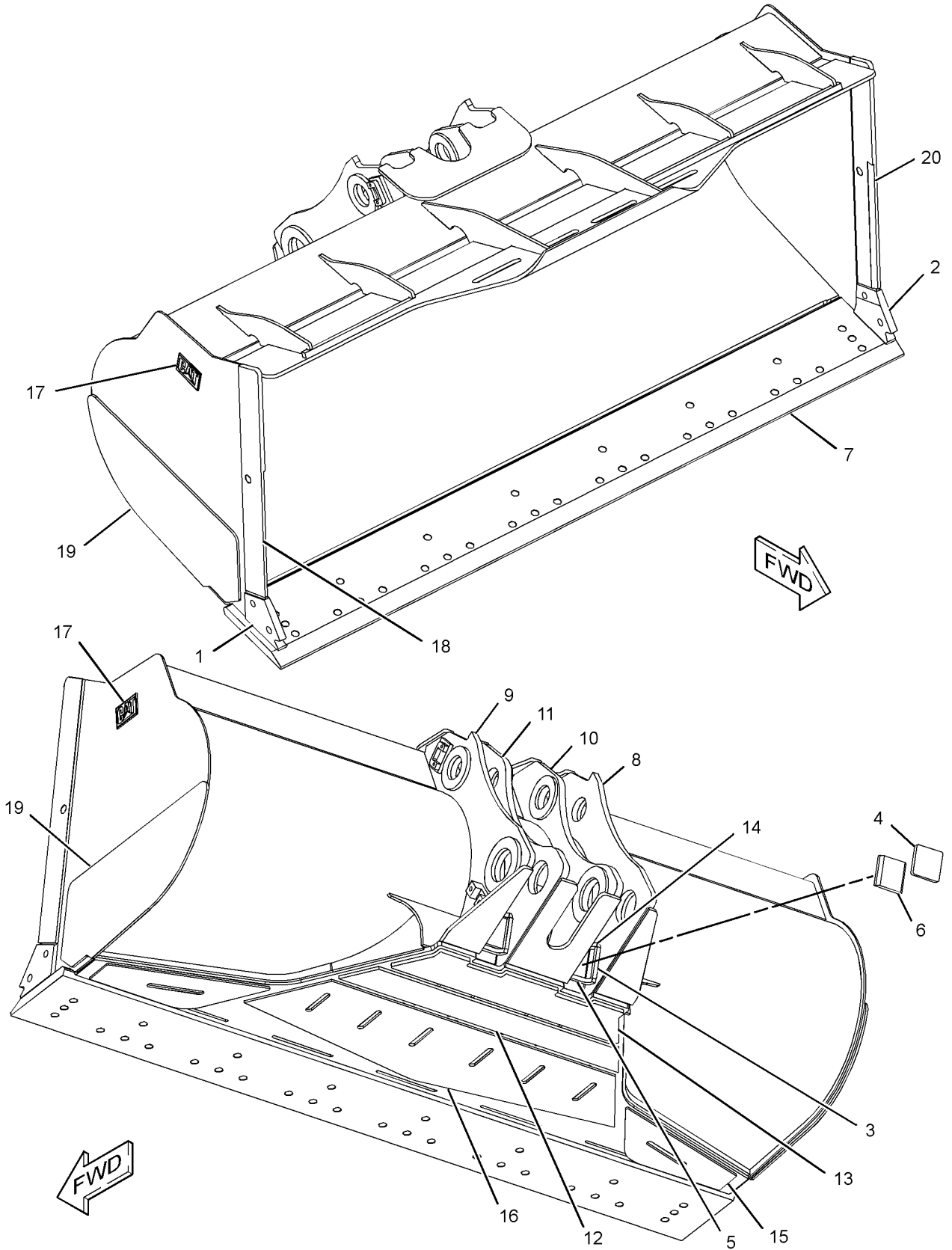
i02456188

NOTE	REF NO	GRAPHIC REF	PART NUMBER	QTY	PART NAME						SEE PAGE
					1	2	3	4	5	6 (PRODUCT LEVEL)	
	1	1	<b>6I-8249</b>	1	CORNER (RH)						
	2	1	<b>6I-8250</b>	1	CORNER (LH)						
	3	1	<b>225-9482</b>	4	BAR						
	4	1	<b>225-9584</b>	2	PLATE						
	5	1	<b>225-9602</b>	2	PLATE						
	6	1	<b>228-4727</b>	2	PAD-RUBBER						
	7	1	<b>250-8402</b>	1	EDGE-CUTTING						
	8	1	<b>255-6691</b>	1	HINGE AS (OUTER, RH)						
	9	1	<b>255-6692</b>	1	HINGE AS (OUTER, LH)						
	10	1	<b>255-6694</b>	1	HINGE AS (INNER, RH)						
	11	1	<b>255-6695</b>	1	HINGE AS (INNER, LH)						
	12	1	<b>255-6711</b>	1	PLATE-WEAR						
	13	1	<b>255-6712</b>	1	PLATE-WEAR						
	14	1	<b>257-3651</b>	2	PLATE						
	15	1	<b>257-3655</b>	2	PLATE-WEAR						
	16	1	<b>257-3679</b>	1	PLATE-WEAR						
	17	1	<b>2C-9259</b>	2	PLATE-IDENTIFICATION (CAT)						
	18	1	<b>265-8220</b>	1	BAR						
	19	1	<b>265-8223</b>	2	PLATE-WEAR						
	20	1	<b>265-8221</b>	1	BAR						

# WORK TOOLS

265-8219 BUCKET AS-GENERAL PURPOSE (contd.)

i02456188



GRAPHIC #1

<END>

g01229794

# WORK TOOLS

## 175-1451 BUCKET AS-ROCK

S/N: BNH1-UP

6.4 CU M(8.33 CU YD)

PART OF 175-1450 BUCKET GP-ROCK

AN ATTACHMENT

SMCS-6102

i01374839

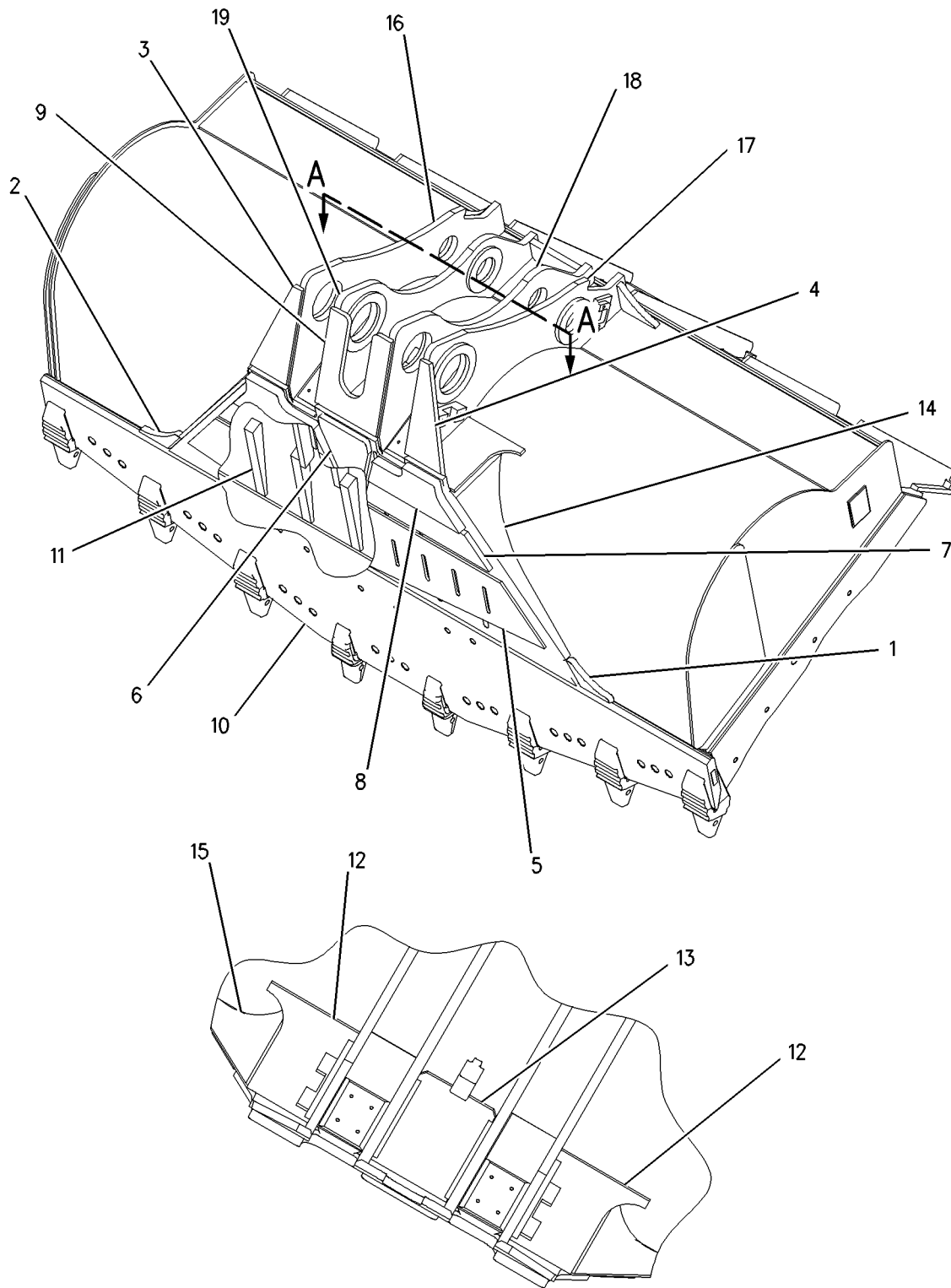
NOTE	REF NO	GRAPHIC REF	PART NUMBER	QTY	PART NAME						SEE PAGE
					1	2	3	4	5	6 (PRODUCT LEVEL)	
	1	1	<b>187-2863</b>	1	PLATE						
	2	1	<b>187-2864</b>	1	PLATE						
	3	1	<b>135-6642</b>	1	PLATE-WEAR (LH)						
	4	1	<b>136-6195</b>	1	PLATE-WEAR (RH)						
	5	1	<b>136-6203</b>	1	PLATE-WEAR						
	6	1	<b>136-6205</b>	1	PLATE-WEAR						
	7	1	<b>154-6367</b>	2	PLATE-WEAR						
	8	1	<b>136-6204</b>	2	PLATE-WEAR						
	9	1	<b>167-1278</b>	1	PLATE-WEAR						
	10	1	<b>136-6175</b>	1	EDGE AS						
	11	1	<b>172-4424</b>	6	PLATE						
	12	1	<b>172-4425</b>	2	PLATE						
	13	1	<b>172-4426</b>	1	PLATE						
	14	1	<b>172-4717</b>	1	PLATE						
	15	1	<b>172-4718</b>	1	PLATE						
	16	1	<b>175-2794</b>	1	HINGE AS (OUTER, LH) (LIFT-LH-OUTER)						
	17	1	<b>175-2795</b>	1	HINGE AS (OUTER, RH) (LIFT-RH-OUTER)						
	18	1	<b>180-3039</b>	1	HINGE AS (RH-INNER) (LIFT-RH-INNER)						
	19	1	<b>180-3040</b>	1	HINGE AS (INNER, LH) (LIFT-LH-INNER)						



# WORK TOOLS

175-1451 BUCKET AS-ROCK (contd.)

i01374839



VIEW A-A

GRAPHIC #1

<END>

g00730124

# WORK TOOLS

## 175-1453 BUCKET AS-ROCK

S/N: BNH1-UP

6.9 CU M (9.0 CU YD)

PART OF 175-1452 BUCKET GP-ROCK  
AN ATTACHMENT

SMCS-6102

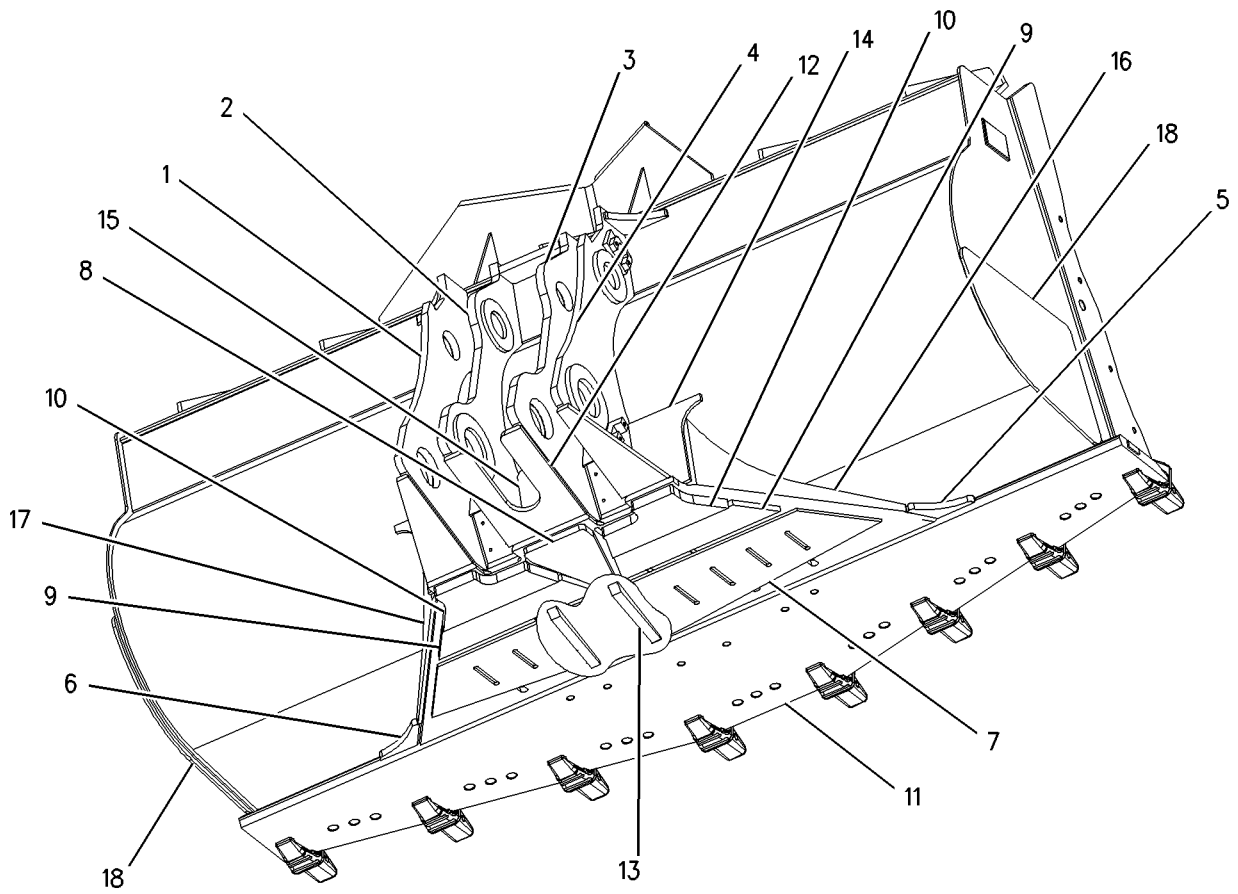
i01352858

NOTE	REF NO	GRAPHIC REF	PART NUMBER	QTY	PART NAME						SEE PAGE	
					1	2	3	4	5	6 (PRODUCT LEVEL)		
	1	1	175-2794	1	HINGE AS	(OUTER, LH)	(LH-OUTER)					
	2	1	180-3040	1	HINGE AS	(INNER, LH)	(LH-INNER)					
	3	1	180-3039	1	HINGE AS	(RH-INNER)	(RH-INNER)					
	4	1	175-2795	1	HINGE AS	(OUTER, RH)	(RH-OUTER)					
	5	1	187-2863	1	PLATE							
	6	1	187-2864	1	PLATE							
	7	1	136-6203	1	PLATE-WEAR							
	8	1	136-6205	1	PLATE-WEAR							
	9	1	154-6367	2	PLATE-WEAR							
	10	1	136-6204	7	PLATE-WEAR							
	11	1	156-6391	1	EDGE AS							
		1	114-0464	8	ADAPTER							
	12	1	167-1278	1	PLATE-WEAR							
	13	1	172-4424	6	PLATE							
	14	1	172-4425	2	PLATE							
	15	1	172-4426	1	PLATE							
	16	1	172-4717	1	PLATE							
	17	1	172-4718	1	PLATE							
	18	1	178-4525	2	PLATE							

# WORK TOOLS

175-1453 BUCKET AS-ROCK (contd.)

i01352858



GRAPHIC #1

<END>

g00714225

# WORK TOOLS

## 175-1455 BUCKET AS-ROCK

S/N: BNH1-UP

6.3 CU M (8.2 CU YD)

PART OF 175-1454 BUCKET GP-ROCK  
AN ATTACHMENT

SMCS-6102

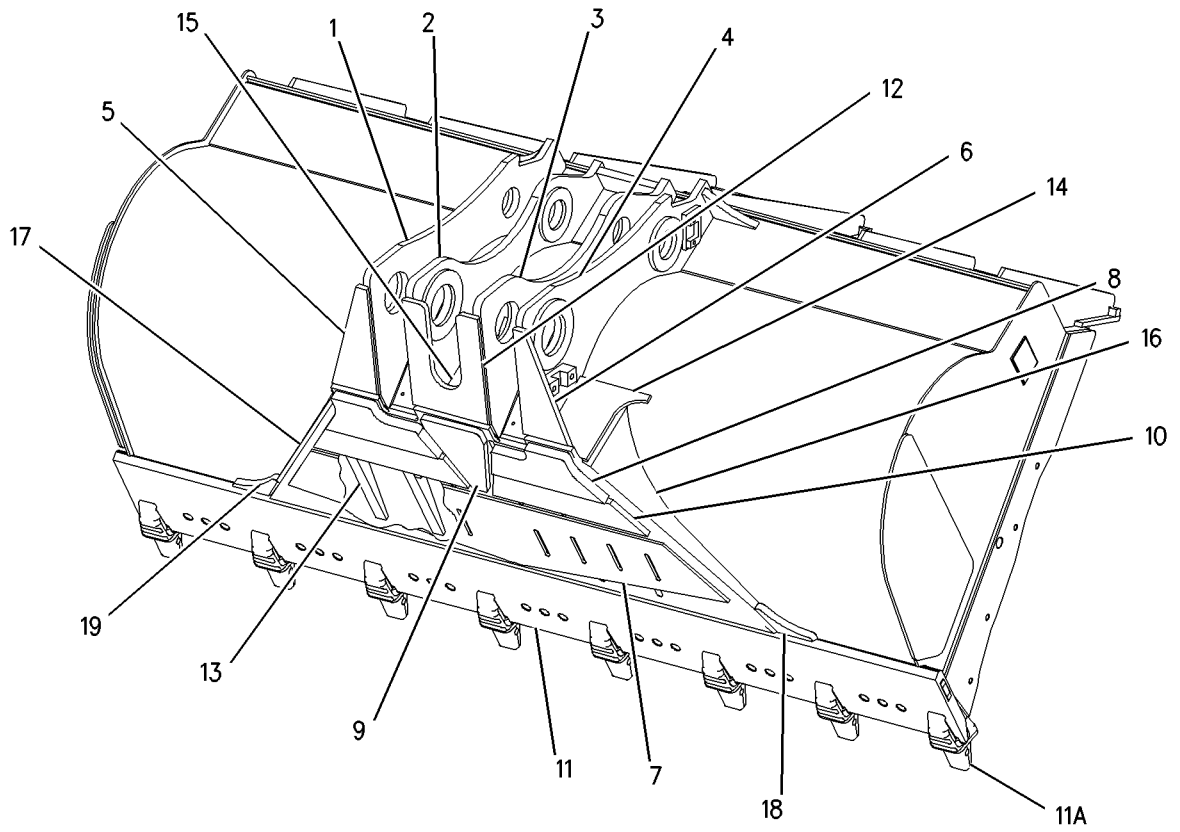
i01379263

NOTE	REF NO	GRAPHIC REF	PART NUMBER	QTY	PART NAME						SEE PAGE
					1	2	3	4	5	6 (PRODUCT LEVEL)	
	1	1	175-2794	1	HINGE AS (OUTER, LH)						
	2	1	180-3040	1	HINGE AS (INNER, LH)						
	3	1	180-3039	1	HINGE AS (RH-INNER)						
	4	1	175-2795	1	HINGE AS (OUTER, RH)						
	5	1	135-6642	1	PLATE-WEAR (LH)						
	6	1	136-6195	1	PLATE-WEAR (RH)						
	7	1	136-6203	1	PLATE-WEAR						
	8	1	136-6204	2	PLATE-WEAR						
	9	1	136-6205	1	PLATE-WEAR						
	10	1	154-6367	2	PLATE-WEAR						
	11	1	156-1040	1	EDGE AS						
	11A	1	114-0464	8	ADAPTER						
	12	1	167-1278	1	PLATE-WEAR						
	13	1	172-4424	6	PLATE						
	14	1	172-4425	2	PLATE						
	15	1	172-4426	1	PLATE						
	16	1	172-4717	1	PLATE						
	17	1	172-4718	1	PLATE						
	18	1	187-2863	1	PLATE						
	19	1	187-2864	1	PLATE						

# WORK TOOLS

175-1455 BUCKET AS-ROCK (contd.)

i01379263



GRAPHIC #1

<END>

g00731381

# WORK TOOLS

## 175-1459 BUCKET AS-ROCK

S/N: BNH1-UP

6.4-CU M (8.34-CU YD)

PART OF 175-1458 BUCKET GP-ROCK

AN ATTACHMENT

SMCS-6102

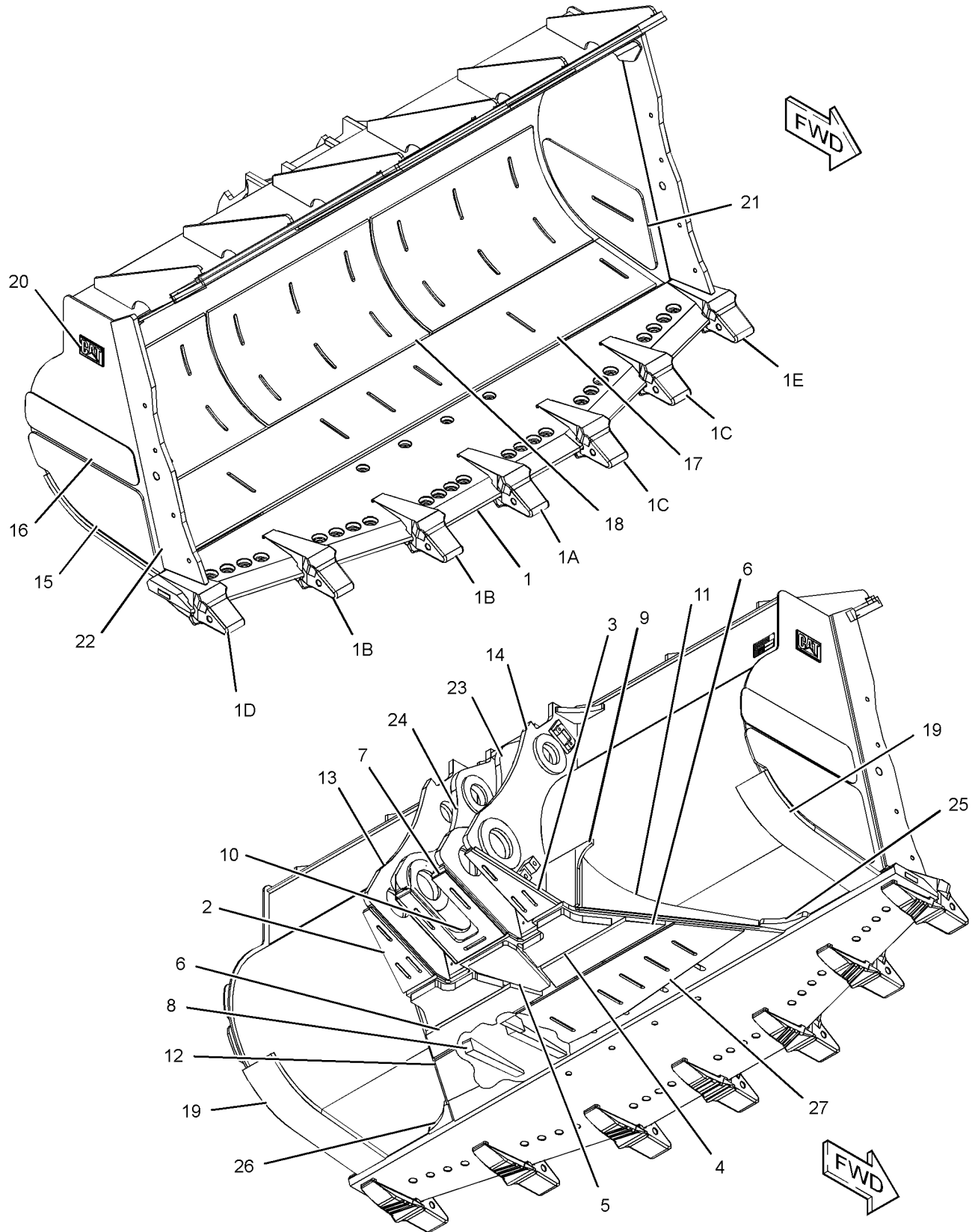
i02537870

NOTE	REF NO	GRAPHIC REF	PART NUMBER	QTY	PART NAME						SEE PAGE
					1	2	3	4	5	6 (PRODUCT LEVEL)	
1	1	1	20-7019	1	EDGE AS						
1A	1	1	107-3554	1	ADAPTER-TIP (2-STRAP, CENTER)						
1B	1	1	107-3555	2	ADAPTER-TIP (2-STRAP, RH)						
1C	1	1	107-3556	2	ADAPTER-TIP (2-STRAP, LH)						
1D	1	1	112-2555	1	ADAPTER-TIP						
1E	1	1	112-2556	1	ADAPTER-TIP						
2	1	1	135-6642	1	PLATE-WEAR (LH)						
3	1	1	136-6195	1	PLATE-WEAR (RH)						
4	1	1	136-6204	2	PLATE-WEAR						
5	1	1	136-6205	1	PLATE-WEAR						
6	1	1	154-6367	2	PLATE-WEAR						
7	1	1	167-1278	1	PLATE-WEAR						
8	1	1	172-4424	6	PLATE						
9	1	1	172-4425	2	PLATE						
10	1	1	172-4426	1	PLATE						
11	1	1	172-4717	1	PLATE						
12	1	1	172-4718	1	PLATE						
13	1	1	175-2794	1	HINGE AS (OUTER, LH)						
14	1	1	175-2795	1	HINGE AS (OUTER, RH)						
15	1	1	178-5098	2	PLATE						
16	1	1	178-5099	2	PLATE						
17	1	1	178-5100	1	PLATE-WEAR						
18	1	1	178-5101	3	PLATE-WEAR						
19	1	1	178-5102	2	PLATE						
20	1	1	20-9259	2	PLATE-IDENTIFICATION (CAT)						
21	1	1	178-5097	2	PLATE						
22	1	1	193-8221	2	BAR						
23	1	1	180-3039	1	HINGE AS (RH-INNER)						
24	1	1	180-3040	1	HINGE AS (INNER, LH)						
25	1	1	187-2863	1	PLATE						
26	1	1	187-2864	1	PLATE						
27	1	1	205-8365	1	PLATE-WEAR						

# WORK TOOLS

175-1459 BUCKET AS-ROCK (contd.)

i02537870



GRAPHIC #1

<END>

g01271057

# WORK TOOLS

## 175-1461 BUCKET AS-ROCK

S/N: BNH1-UP

6.4 CU M (8.34 CU YD)

PART OF 175-1460 BUCKET GP-ROCK

AN ATTACHMENT

SMCS-6102

i02108127

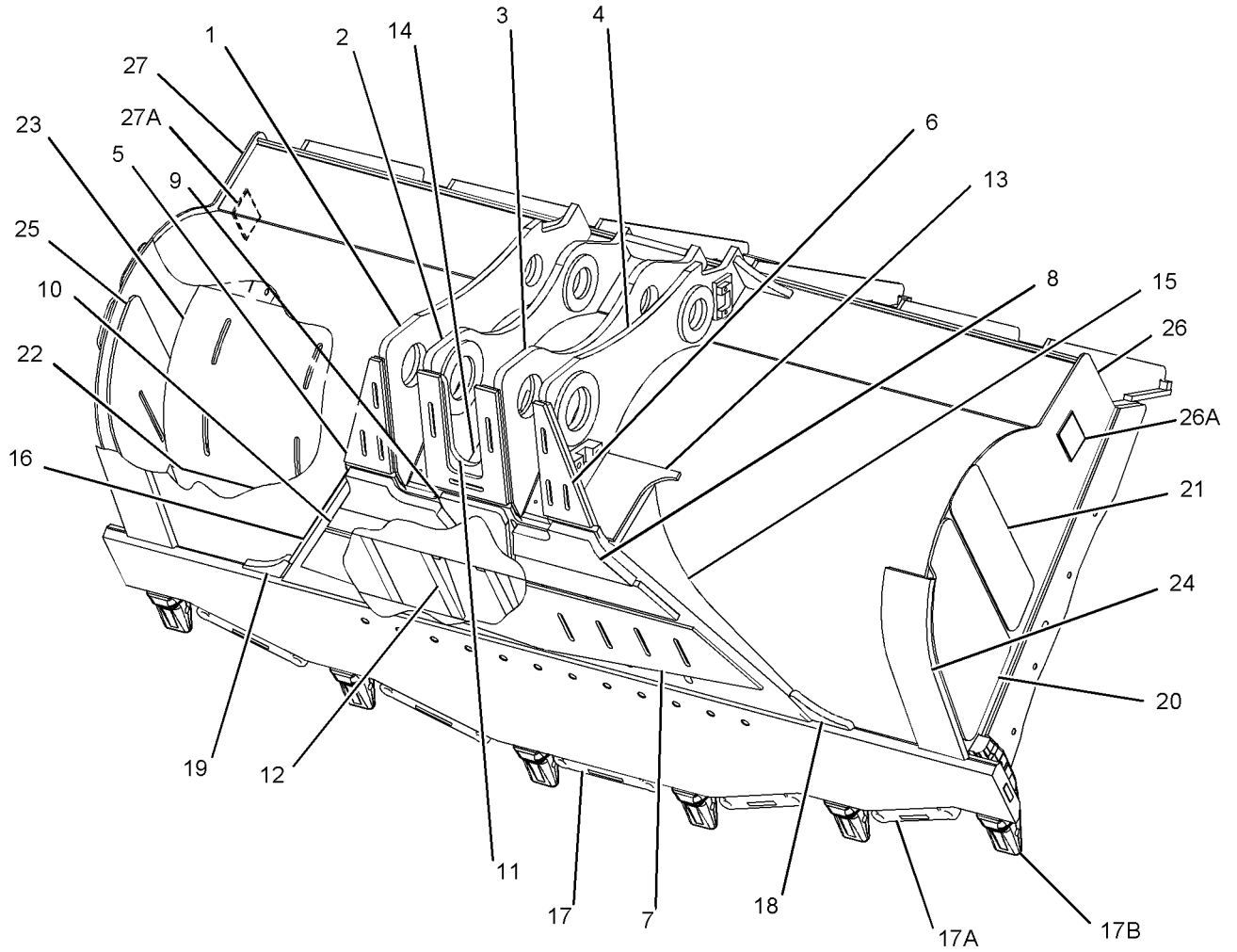
NOTE	REF NO	GRAPHIC REF	PART NUMBER	QTY	PART NAME						SEE PAGE
					1	2	3	4	5	6 (PRODUCT LEVEL)	
	1	1	175-2794	1	HINGE AS (OUTER, LH)						
	2	1	180-3040	1	HINGE AS (INNER, LH)						
	3	1	180-3039	1	HINGE AS (RH-INNER)						
	4	1	175-2795	1	HINGE AS (OUTER, RH)						
	5	1	135-6642	1	PLATE-WEAR (LH)						
	6	1	136-6195	1	PLATE-WEAR (RH)						
	7	1	205-8365	1	PLATE-WEAR						
	8	1	136-6204	2	PLATE-WEAR						
	9	1	136-6205	1	PLATE-WEAR						
	10	1	154-6367	2	PLATE-WEAR						
	11	1	167-1278	1	PLATE-WEAR						
	12	1	172-4424	6	PLATE						
	13	1	172-4425	2	PLATE						
	14	1	172-4426	1	PLATE						
	15	1	172-4717	1	PLATE						
	16	1	172-4718	1	PLATE						
	17	1	186-3282	1	EDGE AS-BASE						
	17A	1	135-9562	5	LUG-MOUNTING						
	17B	1	186-3294	6	ADAPTER-TIP						
	18	1	187-2863	1	PLATE						
	19	1	187-2864	1	PLATE						
	20	1	178-5098	2	PLATE						
	21	1	178-5099	2	PLATE						
	22	1	178-5100	1	PLATE-WEAR						
	23	1	178-5101	3	PLATE-WEAR						
	24	1	178-5102	2	PLATE						
	25	1	178-5097	2	PLATE						
	26	1	193-0338	1	PLATE AS						
	26A	1	2C-9259	1	PLATE-IDENTIFICATION (CAT)						
	27	1	193-0339	1	PLATE AS (LH)						
		1	2C-9259	1	PLATE-IDENTIFICATION (CAT)						



# WORK TOOLS

175-1461 BUCKET AS-ROCK (contd.)

i02108127



GRAPHIC #1

<END>

g01088193

# WORK TOOLS

## 175-1463 BUCKET AS-ROCK

S/N: BNH1-UP

6.7 CU M (8.7 CU YD)

PART OF 175-1462 BUCKET GP-ROCK

AN ATTACHMENT

SMCS-6102

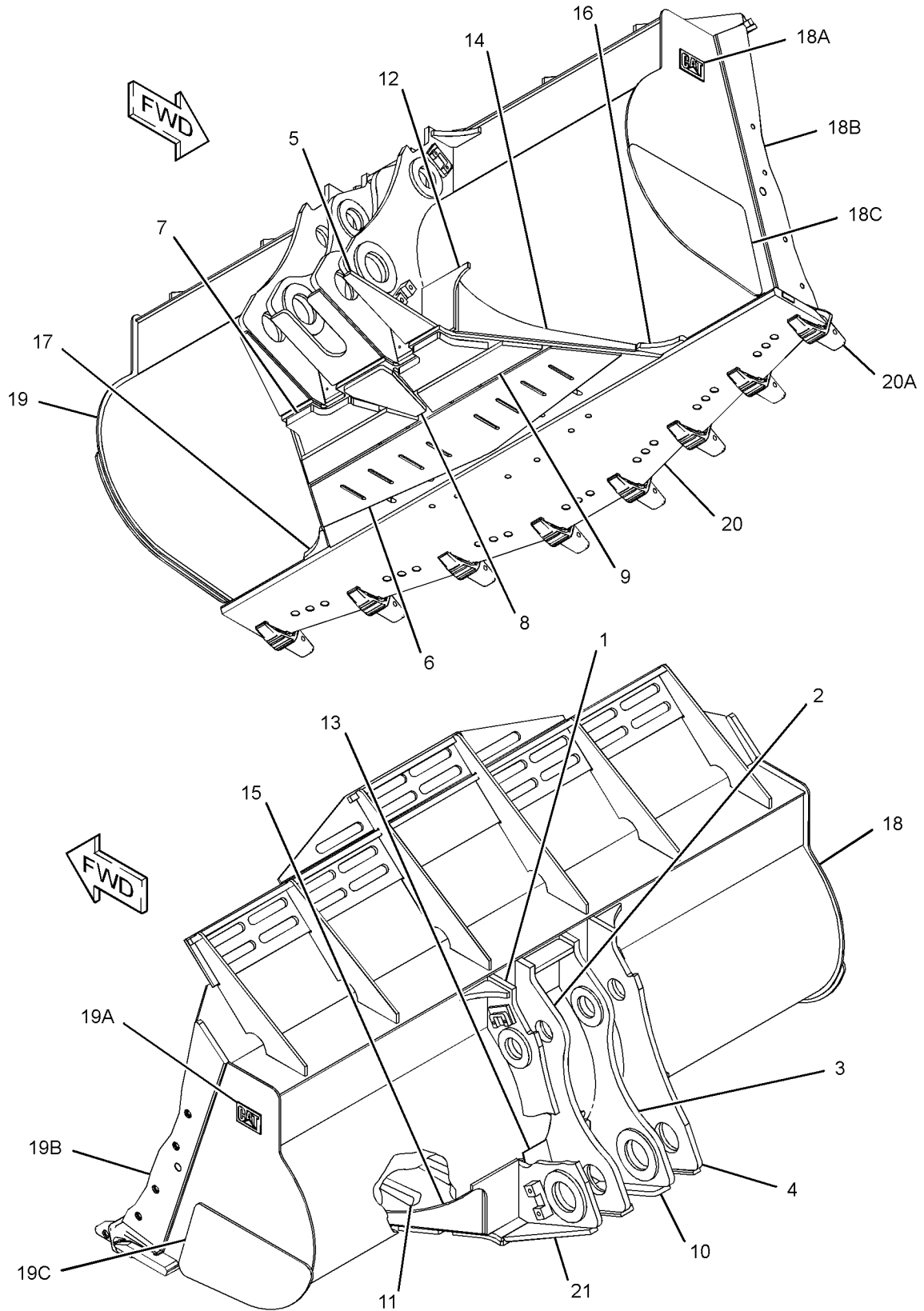
i02623311

NOTE	REF NO	GRAPHIC REF	PART NUMBER	QTY	PART NAME						SEE PAGE
					1	2	3	4	5	6 (PRODUCT LEVEL)	
	1	1	175-2794	1	HINGE AS (OUTER, LH)						
	2	1	180-3040	1	HINGE AS (INNER, LH)						
	3	1	180-3039	1	HINGE AS (RH-INNER)						
	4	1	175-2795	1	HINGE AS (OUTER, RH)						
	5	1	136-6195	1	PLATE-WEAR (RH)						
	6	1	136-6203	1	PLATE-WEAR						
	7	1	136-6204	2	PLATE-WEAR						
	8	1	136-6205	1	PLATE-WEAR						
	9	1	154-6367	2	PLATE-WEAR						
	10	1	167-1278	1	PLATE-WEAR						
	11	1	172-4424	6	PLATE						
	12	1	172-4425	2	PLATE						
	13	1	172-4426	1	PLATE						
	14	1	172-4717	1	PLATE						
	15	1	172-4718	1	PLATE						
	16	1	187-2863	1	PLATE						
	17	1	187-2864	1	PLATE						
	18	1	178-3699	1	PLATE AS (RH)						
	18A	1	2C-9259	1	PLATE-IDENTIFICATION (CAT)						
	18B	1	178-3702	1	BAR						
	18C	1	178-4525	1	PLATE						
	19	1	178-3700	1	PLATE AS (LH)						
	19A	1	2C-9259	1	PLATE-IDENTIFICATION (CAT)						
	19B	1	178-3702	1	BAR						
	19C	1	178-4525	1	PLATE						
	20	1	195-0410	1	EDGE AS						
	20A	1	114-0464	8	ADAPTER						
	21	1	135-6642	1	PLATE-WEAR (LH)						

# WORK TOOLS

175-1463 BUCKET AS-ROCK (contd.)

i02623311



GRAPHIC #1

<END>

g01338386

# WORK TOOLS

## 239-0239 BUCKET AS-ROCK

S/N: BNH1-1631  
6.4-CU M (8.33-CU YD)  
AN ATTACHMENT

SMCS-6102

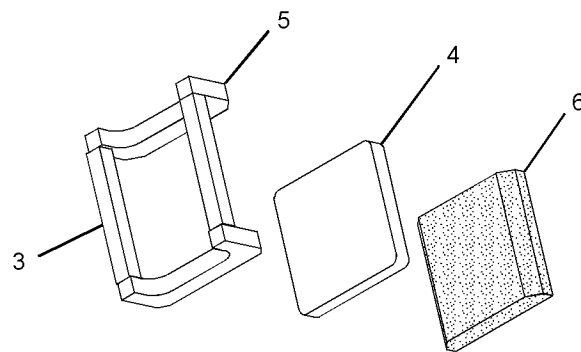
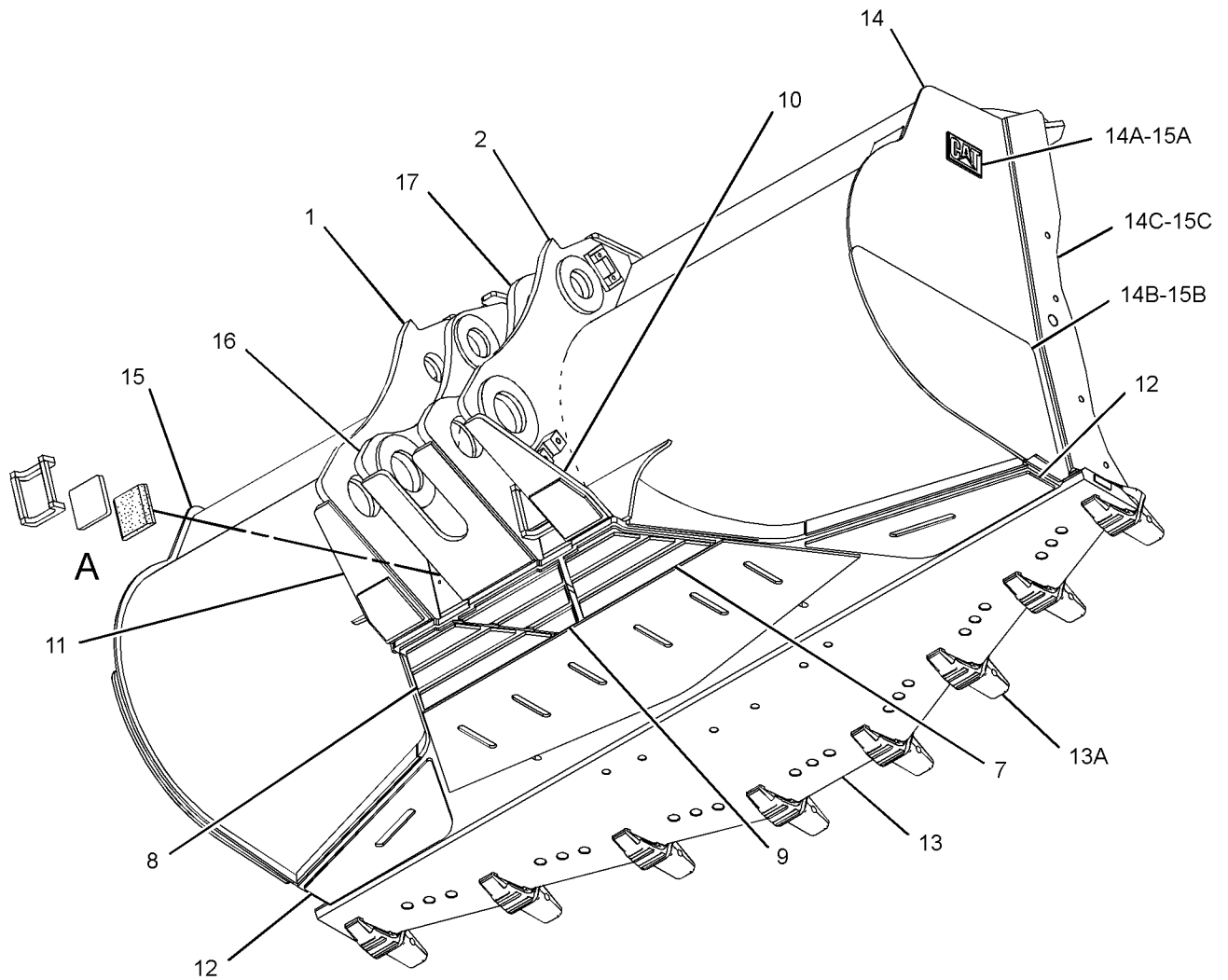
i02540757

NOTE	REF NO	GRAPHIC REF	PART NUMBER	QTY	PART NAME						SEE PAGE
					1	2	3	4	5	6 (PRODUCT LEVEL)	
1	1	1	214-5429	1	HINGE AS (OUTER, LH)						
		1	4E-5591	1	RETAINER						
2	1	1	214-5430	1	HINGE AS (OUTER, RH)						
		1	4E-5591	1	RETAINER						
3	1	1	225-9482	4	BAR						
4	1	1	225-9584	2	PLATE						
5	1	1	225-9602	4	PLATE						
6	1	1	228-4727	2	PAD-RUBBER						
7	1	1	236-4674	1	PLATE AS-WEAR (RH)						
8	1	1	236-4675	1	PLATE AS-WEAR (LH)						
9	1	1	236-4676	1	PLATE AS-WEAR (CENTER)						
10	1	1	236-4689	1	PLATE AS-WEAR (RH)						
11	1	1	236-4690	1	PLATE AS-WEAR (LH)						
12	1	1	239-0249	2	PLATE-WEAR						
13	1	1	239-0259	1	EDGE AS						
13A	1	1	114-0464	8	ADAPTER						
14	1	1	239-0261	1	PLATE AS (RH)						
14A	1	1	2C-9259	1	PLATE-IDENTIFICATION (CAT)						
14B	1	1	239-0245	1	PLATE						
14C	1	1	239-0258	1	BAR						
15	1	1	239-0262	1	PLATE AS (LH)						
15A	1	1	2C-9259	1	PLATE-IDENTIFICATION (CAT)						
15B	1	1	239-0245	1	PLATE						
15C	1	1	239-0258	1	BAR						
16	1	1	214-5431	1	HINGE AS (INNER, LH)						
17	1	1	214-5432	1	HINGE AS (INNER, RH)						

# WORK TOOLS

239-0239 BUCKET AS-ROCK (contd.)

i02540757



VIEW OF AREA A

GRAPHIC #1

<END>

g01401717

# WORK TOOLS

## 240-0278 BUCKET AS-ROCK

S/N: BNH1-1631

PART OF 240-0277 BUCKET GP-ROCK  
AN ATTACHMENT

SMCS-6102

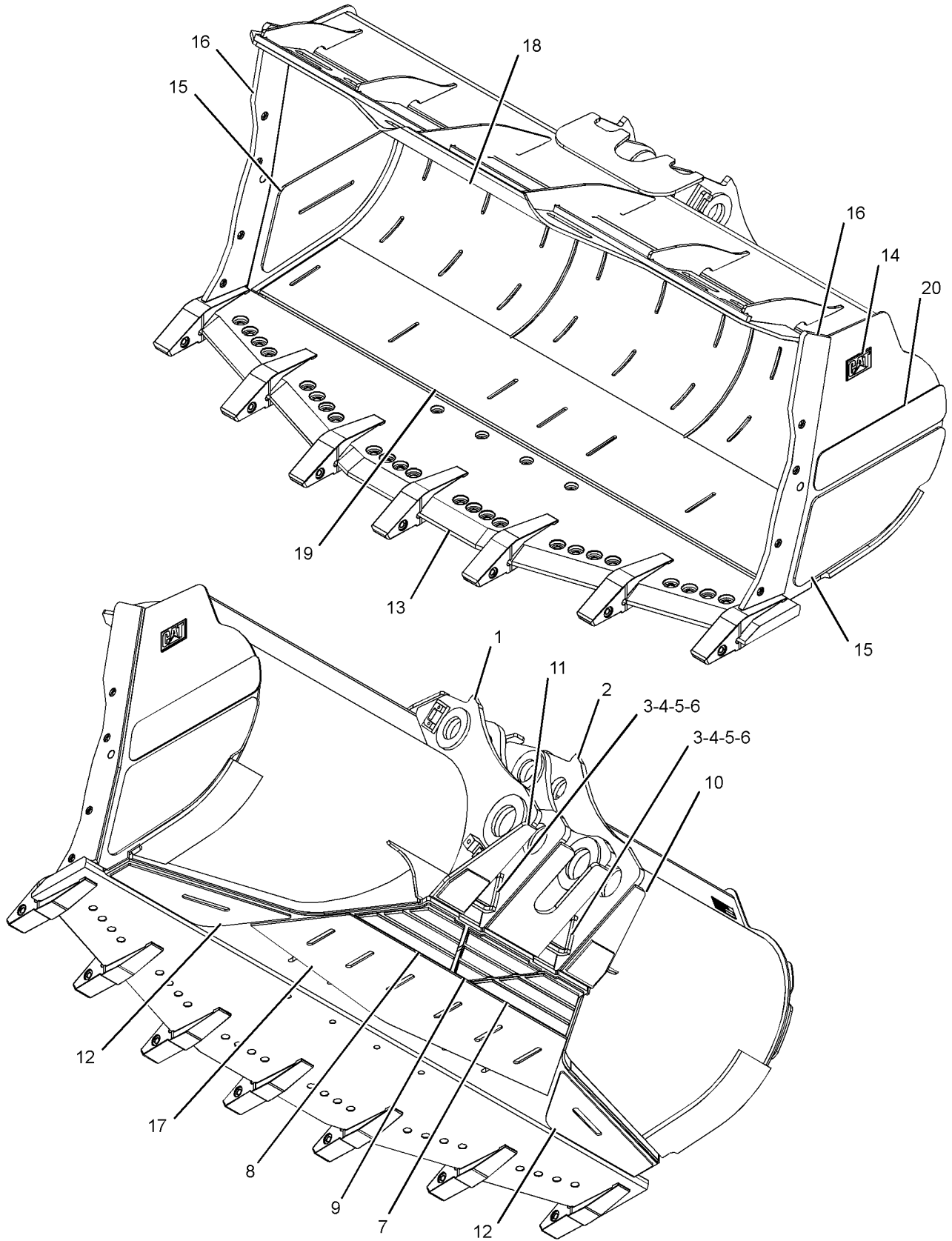
i02463765

NOTE	REF NO	GRAPHIC REF	PART NUMBER	QTY	PART NAME						SEE PAGE
					1	2	3	4	5	6 (PRODUCT LEVEL)	
1	1	1	214-5429	1	HINGE AS (OUTER, LH)						
		1	4E-5591	1	RETAINER						
2	1	1	214-5430	1	HINGE AS (OUTER, RH)						
		1	4E-5591	1	RETAINER						
3	1	1	225-9482	4	BAR						
4	1	1	225-9584	2	PLATE						
5	1	1	225-9602	4	PLATE						
6	1	1	228-4727	2	PAD-RUBBER						
7	1	1	236-4674	1	PLATE AS-WEAR (RH)						
8	1	1	236-4675	1	PLATE AS-WEAR (LH)						
9	1	1	236-4676	1	PLATE AS-WEAR (CENTER)						
10	1	1	236-4689	1	PLATE AS-WEAR (RH)						
11	1	1	236-4690	1	PLATE AS-WEAR (LH)						
12	1	1	239-0249	2	PLATE-WEAR						
13	1	1	240-0279	1	EDGE AS						
		1	3G-9494	7	ADAPTER-TIP (2-STRAP, CENTER)						
		1	8P-9770	1	PLATE						
14	1	1	2C-9259	2	PLATE-IDENTIFICATION (CAT)						
15	1	1	240-0286	2	PLATE						
16	1	1	250-3525	2	BAR						
17	1	1	240-0283	1	PLATE-WEAR						
18	1	1	240-0284	3	PLATE-WEAR						
19	1	1	240-0285	1	PLATE-WEAR						
20	1	1	240-7983	2	PLATE-WEAR						

# WORK TOOLS

240-0278 BUCKET AS-ROCK (contd.)

i02463765



GRAPHIC #1

<END>

g01293134

# WORK TOOLS

## 240-7986 BUCKET AS-ROCK

S/N: BNH1-1631

PART OF 240-7987 BUCKET GP-ROCK  
AN ATTACHMENT

SMCS-6102

i02463870

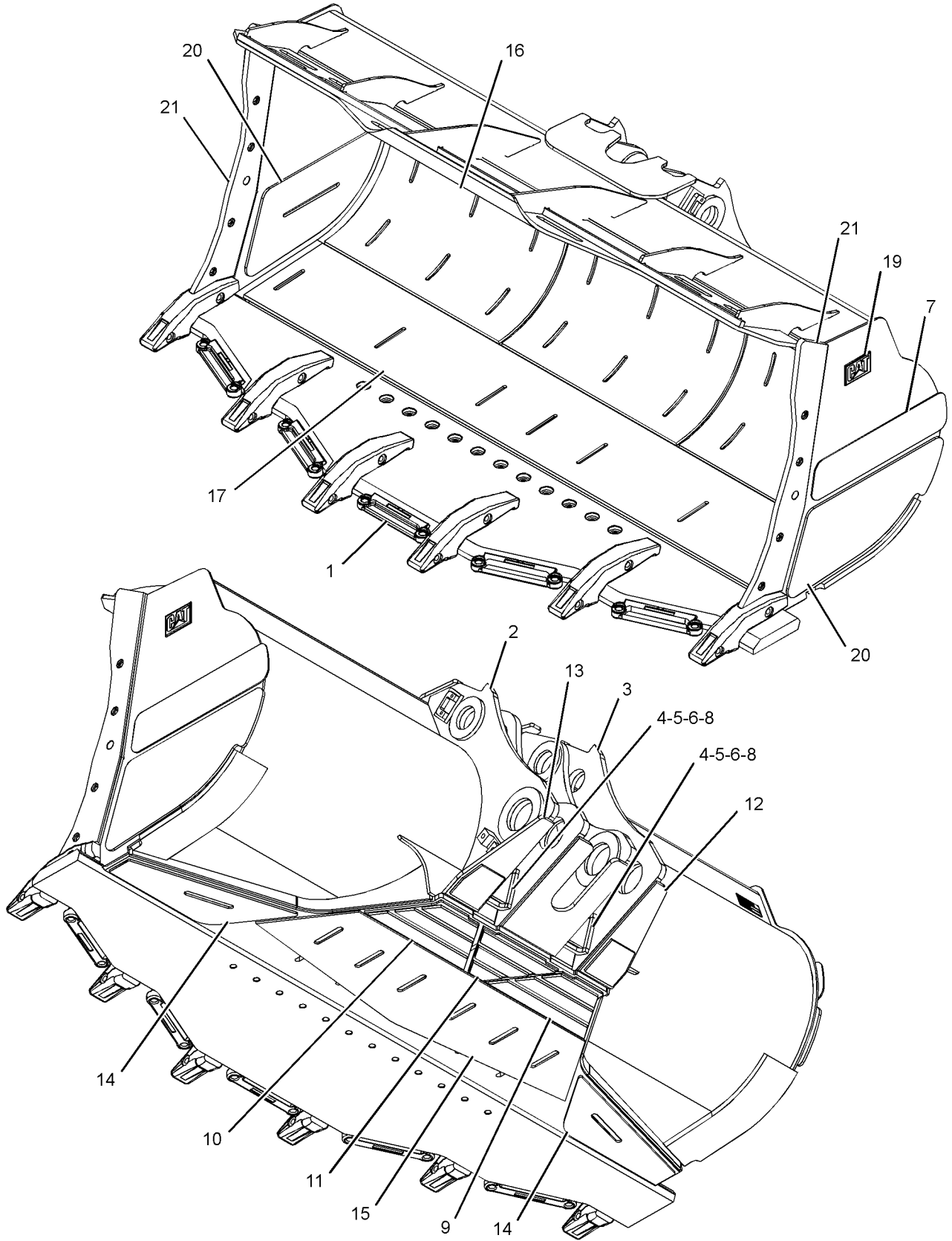
NOTE	REF NO	GRAPHIC REF	PART NUMBER	QTY	PART NAME						SEE PAGE
					1	2	3	4	5	6 (PRODUCT LEVEL)	
1	1	1	186-3282	1	EDGE AS-BASE						
			8P-9770	1	PLATE						
			135-9562	5	LUG-MOUNTING						
2	1	1	186-3294	6	ADAPTER-TIP						
			214-5429	1	HINGE AS (OUTER, LH)						
3	1	1	4E-5591	1	RETAINER						
			214-5430	1	HINGE AS (OUTER, RH)						
4	1	1	4E-5591	1	RETAINER						
			225-9482	4	BAR						
5	1	1	225-9584	2	PLATE						
6	1	1	225-9602	4	PLATE						
7	1	1	240-7983	2	PLATE-WEAR						
8	1	1	228-4727	2	PAD-RUBBER						
9	1	1	236-4674	1	PLATE AS-WEAR (RH)						
10	1	1	236-4675	1	PLATE AS-WEAR (LH)						
11	1	1	236-4676	1	PLATE AS-WEAR (CENTER)						
12	1	1	236-4689	1	PLATE AS-WEAR (RH)						
13	1	1	236-4690	1	PLATE AS-WEAR (LH)						
14	1	1	239-0249	2	PLATE-WEAR						
15	1	1	240-0283	1	PLATE-WEAR						
16	1	1	240-0284	3	PLATE-WEAR						
17	1	1	240-0285	1	PLATE-WEAR						
19	1	1	2C-9259	2	PLATE-IDENTIFICATION (CAT)						
20	1	1	240-0286	2	PLATE						
21	1	1	240-7980	2	BAR						



# WORK TOOLS

240-7986 BUCKET AS-ROCK (contd.)

i02463870



GRAPHIC #1

<END>

g01293109

# WORK TOOLS

## 240-9089 BUCKET AS-ROCK

S/N: BNH1-1631

PART OF 240-9090 BUCKET GP-ROCK  
AN ATTACHMENT

SMCS-6102

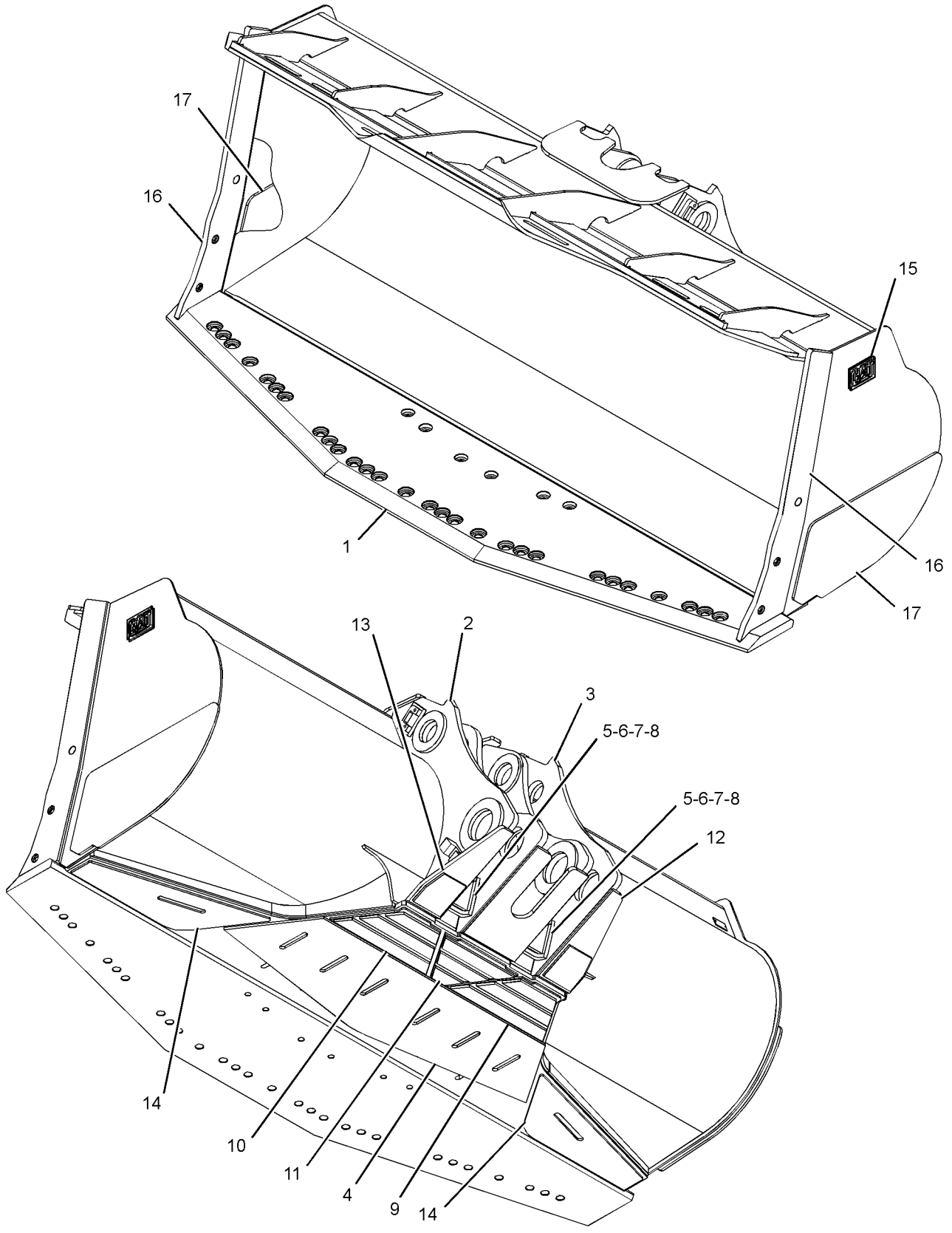
i02464568

NOTE	REF NO	GRAPHIC REF	PART NUMBER	QTY	PART NAME						SEE PAGE
					1	2	3	4	5	6 (PRODUCT LEVEL)	
	1	1	<b>149-5915</b>	1	EDGE-CUTTING						
	2	1	<b>214-5429</b>	1	HINGE AS (OUTER, LH)						
		1	<b>4E-5591</b>	1	RETAINER						
	3	1	<b>214-5430</b>	1	HINGE AS (OUTER, RH)						
		1	<b>4E-5591</b>	1	RETAINER						
	4	1	<b>216-3681</b>	1	PLATE-WEAR						
	5	1	<b>225-9482</b>	4	BAR						
	6	1	<b>225-9584</b>	2	PLATE						
	7	1	<b>225-9602</b>	4	PLATE						
	8	1	<b>228-4727</b>	2	PAD-RUBBER						
	9	1	<b>236-4674</b>	1	PLATE AS-WEAR (RH)						
	10	1	<b>236-4675</b>	1	PLATE AS-WEAR (LH)						
	11	1	<b>236-4676</b>	1	PLATE AS-WEAR (CENTER)						
	12	1	<b>236-4689</b>	1	PLATE AS-WEAR (RH)						
	13	1	<b>236-4690</b>	1	PLATE AS-WEAR (LH)						
	14	1	<b>236-7753</b>	2	PLATE-WEAR						
	15	1	<b>2C-9259</b>	2	PLATE-IDENTIFICATION (CAT)						
	16	1	<b>240-9083</b>	2	BAR						
	17	1	<b>240-9085</b>	2	PLATE-WEAR						

# WORK TOOLS

240-9089 BUCKET AS-ROCK (contd.)

i02464568



GRAPHIC #1

<END>

g01293060

# WORK TOOLS

## 175-1456 BUCKET GP-GENERAL PURPOSE

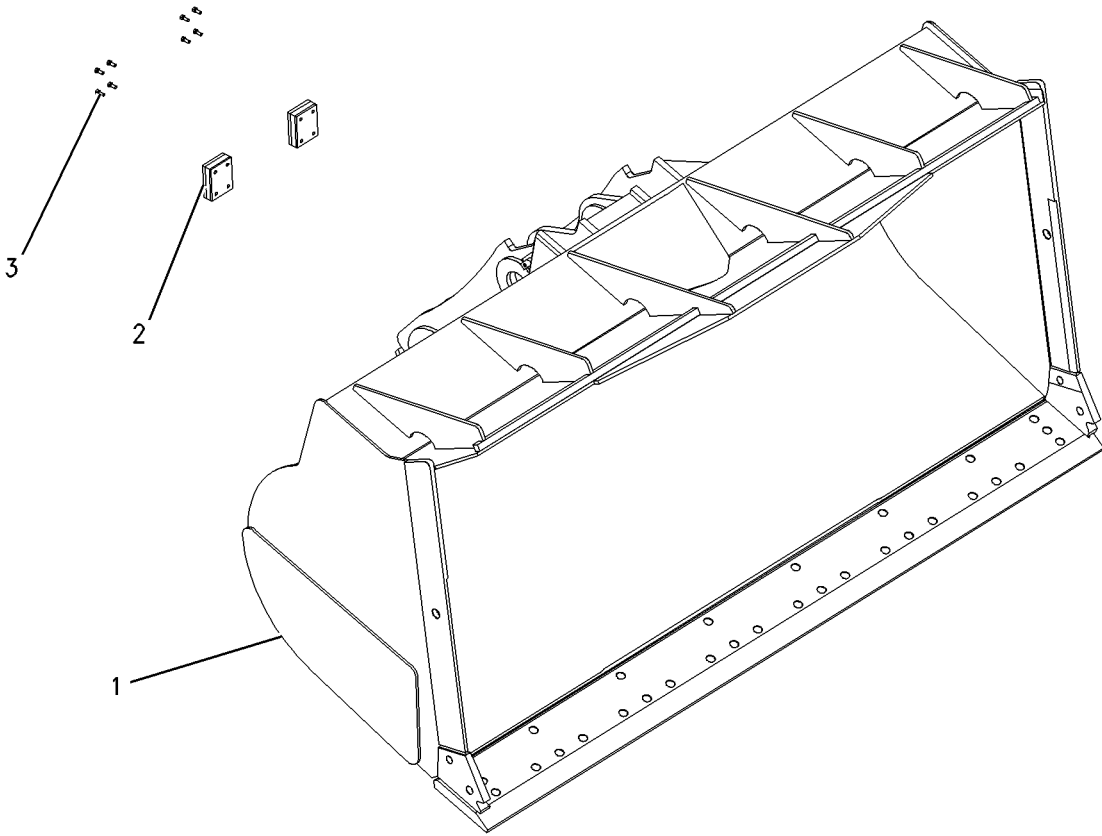
S/N: BNH1-UP  
7.0 CU M (9.16 CU YD)  
AN ATTACHMENT

SMCS-6101

i01270883

NOTE	REF NO	GRAPHIC REF	PART NUMBER	QTY	PART NAME						SEE PAGE
					1	2	3	4	5	6 (PRODUCT LEVEL)	
Y	1	1	175-1457	1	BUCKET AS-GENERAL PURPOSE						1298
	2	1	184-9866	2	STOP GP-DUMP						
M	3	1	8T-4139	8	BOLT (M12X1.75X30-MM)						

M - METRIC PART  
Y - SEPARATE ILLUSTRATION



GRAPHIC #1

<END>

g00692728

# WORK TOOLS

## 265-8218 BUCKET GP-GENERAL PURPOSE

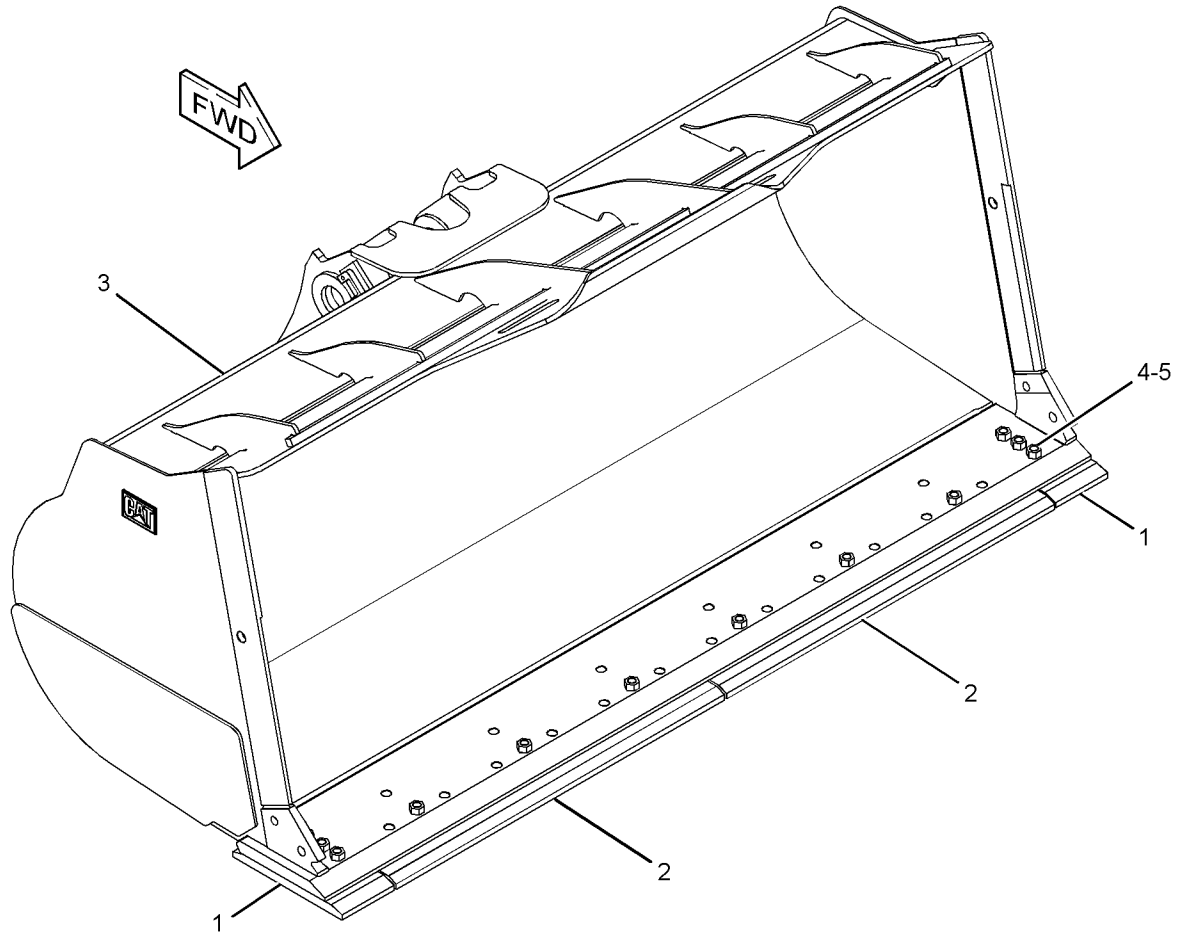
S/N: BNH1-UP  
7.7 CU M (10 CU YD)  
AN ATTACHMENT

SMCS-6101

i02456187

NOTE	REF NO	GRAPHIC REF	PART NUMBER	QTY	PART NAME						SEE PAGE
					1	2	3	4	5	6 (PRODUCT LEVEL)	
	1	1	<b>1U-0761</b>	2	EDGE-END						
	2	1	<b>208-5261</b>	2	EDGE-CUTTING						
Y	3	1	<b>265-8219</b>	1	BUCKET AS-GENERAL PURPOSE						1300
	4	1	<b>3K-9770</b>	12	NUT-FULL (1-1/4-7-THD)						
	5	1	<b>6V-8360</b>	12	BOLT-PLOW (1-1/4-7X4.53-IN)						

Y - SEPARATE ILLUSTRATION



GRAPHIC #1

<END>

g01228975

# WORK TOOLS

## 175-1450 BUCKET GP-ROCK

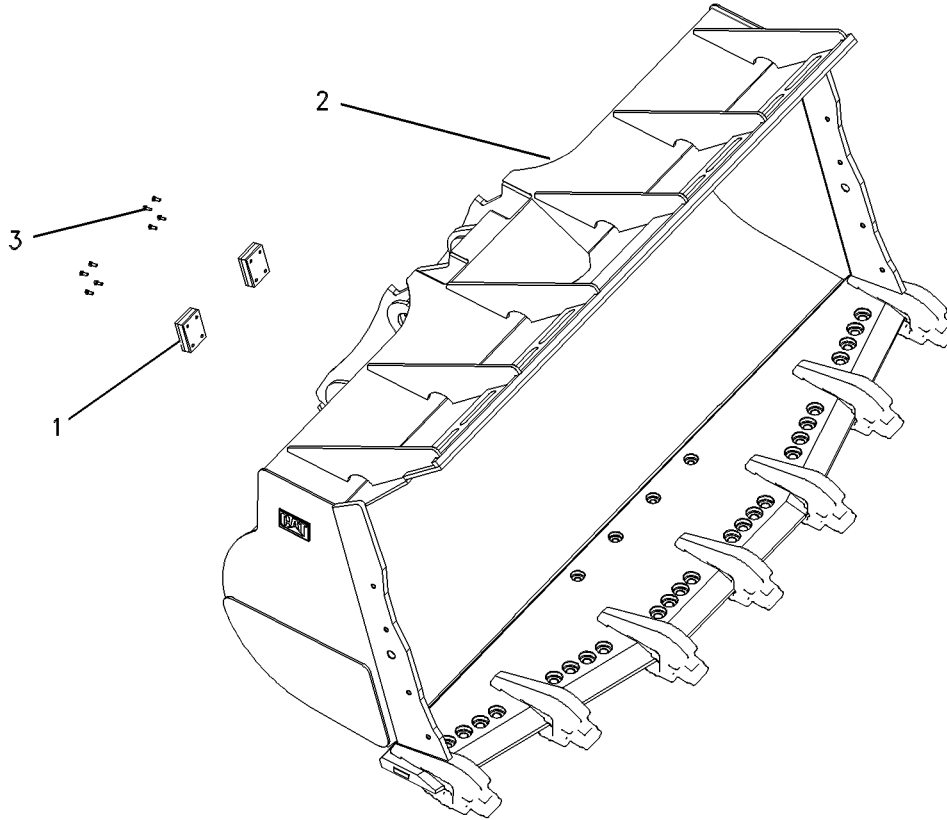
S/N: BNH1-UP  
AN ATTACHMENT

SMCS-6102

i01282204

NOTE	REF NO	GRAPHIC REF	PART NUMBER	QTY	PART NAME						SEE PAGE
					1	2	3	4	5	6 (PRODUCT LEVEL)	
	1	1	<b>184-9866</b>	2	STOP GP-DUMP						
Y	2	1	<i>175-1451</i>	1	BUCKET AS-ROCK						1302
M	3	1	<b>8T-4139</b>	8	BOLT (M12X1.75X30-MM)						

M - METRIC PART  
Y - SEPARATE ILLUSTRATION



GRAPHIC #1

<END>

g00645872

# WORK TOOLS

## 175-1452 BUCKET GP-ROCK

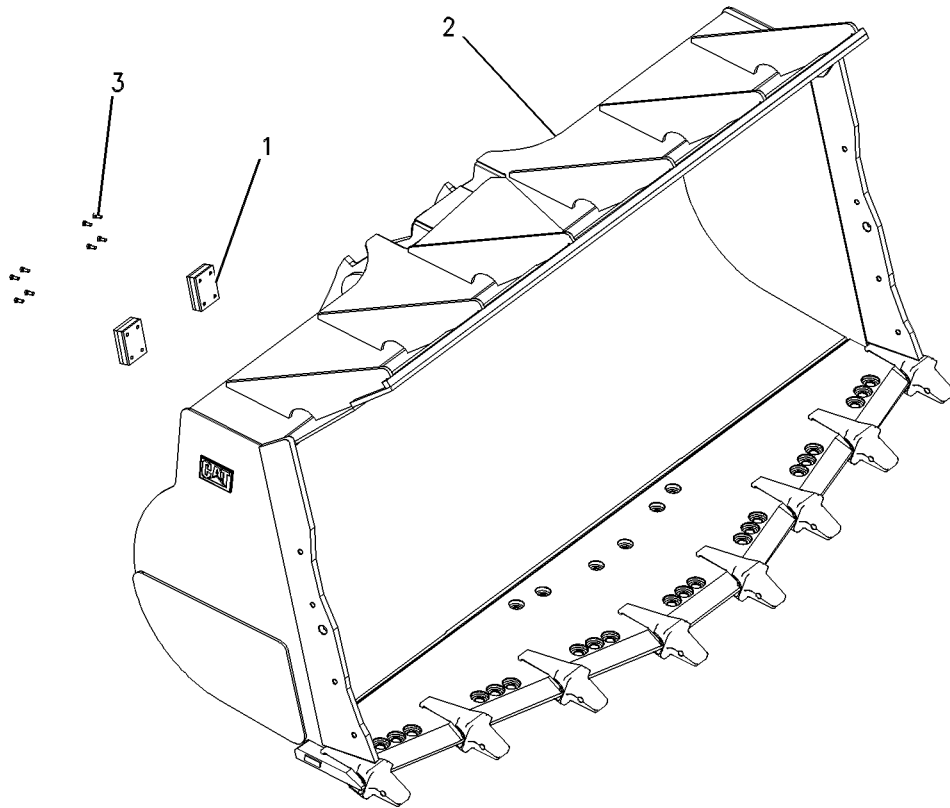
S/N: BNH1-UP  
6.9 CU M (9.0 CU YD)  
AN ATTACHMENT

SMCS-6102

i01281936

NOTE	REF NO	GRAPHIC REF	PART NUMBER	QTY	PART NAME						SEE PAGE
					1	2	3	4	5	6 (PRODUCT LEVEL)	
	1	1	<b>184-9866</b>	2	STOP GP-DUMP						
Y	2	1	175-1453	1	BUCKET AS-ROCK						1304
M	3	1	<b>8T-4139</b>	8	BOLT (M12X1.75X30-MM)						

M - METRIC PART  
Y - SEPARATE ILLUSTRATION



GRAPHIC #1

<END>

g00652032

# WORK TOOLS

## 175-1454 BUCKET GP-ROCK

S/N: BNH1-UP  
6.3 CU M (8.25 CU YD)  
AN ATTACHMENT

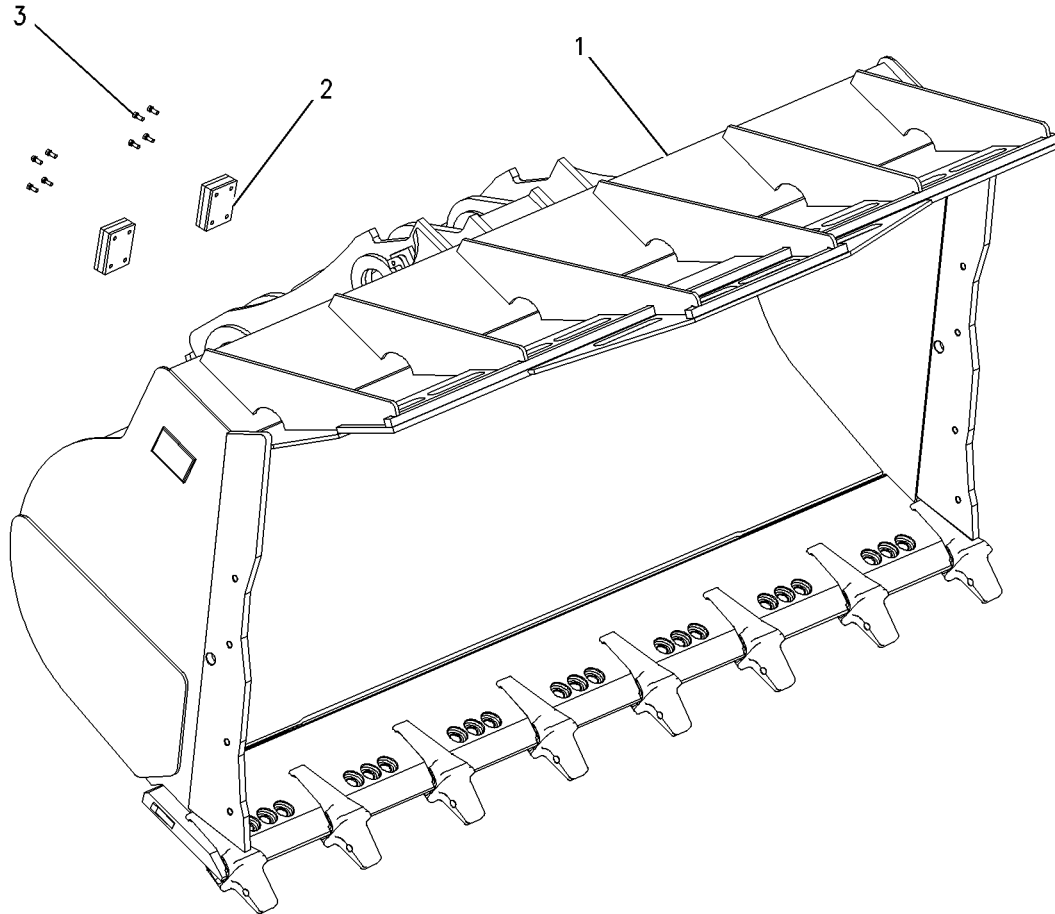
SMCS-6102

i01379262

NOTE	REF NO	GRAPHIC REF	PART NUMBER	QTY	PART NAME						SEE PAGE
					1	2	3	4	5	6 (PRODUCT LEVEL)	
Y	1	1	175-1455	1	BUCKET AS-ROCK						1306
	2	1	184-9866	2	STOP GP-DUMP						
M	3	1	8T-4139	8	BOLT (M12X1.75X30-MM)						

M - METRIC PART

Y - SEPARATE ILLUSTRATION



GRAPHIC #1

<END>

g00730641



# WORK TOOLS

## 175-1458 BUCKET GP-ROCK

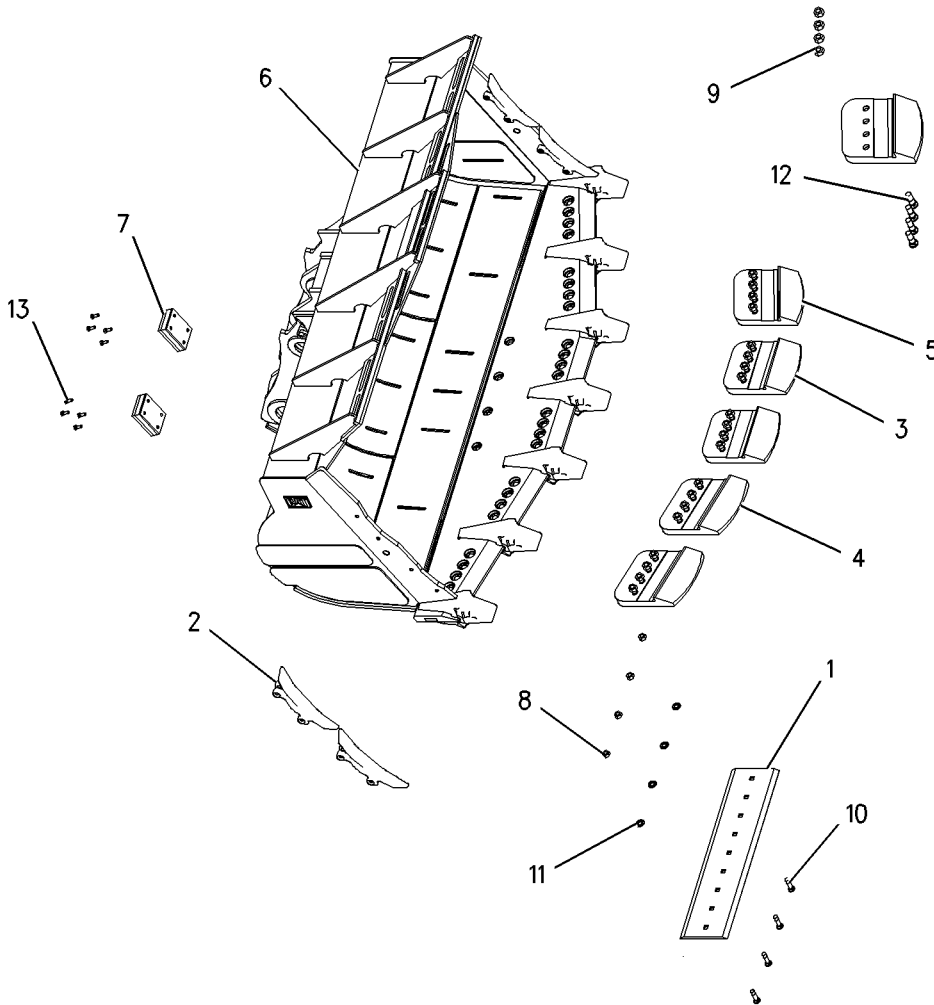
S/N: BNH1-UP  
6.3 CU M (8.25 CU YD)  
AN ATTACHMENT

SMCS-6102

i01644269

NOTE	REF NO	GRAPHIC REF	PART NUMBER	QTY	PART NAME						SEE PAGE
					1	2	3	4	5	6 (PRODUCT LEVEL)	
	1	1	<b>4T-6617</b>	1	EDGE-CUTTING						
Y	2	1	106-0912	2	PROTECTOR GP-SIDE BAR						1373
	3	1	<b>195-7190</b>	2	EDGE-SEGMENT (CENTER) (CENTER)						
	4	1	<b>195-7191</b>	2	EDGE-SEGMENT (RH)						
	5	1	<b>195-7192</b>	2	EDGE-SEGMENT (LH)						
Y	6	1	175-1459	1	BUCKET AS-ROCK						1308
	7	1	<b>184-9866</b>	2	STOP GP-DUMP						
	8	1	<b>2J-3507</b>	4	NUT-FULL (1-8-THD)						
	9	1	<b>3K-9770</b>	24	NUT-FULL (1-1/4-7-THD)						
	10	1	<b>5P-8136</b>	4	BOLT-PLOW (1-8X4-IN)						
	11	1	<b>5P-8250</b>	4	WASHER (28X49X5-MM THK)						
	12	1	<b>5P-8823</b>	24	BOLT-PLOW (1-1/4-7X4.13-IN)						
M	13	1	<b>8T-4139</b>	8	BOLT (M12X1.75X30-MM)						

M - METRIC PART  
Y - SEPARATE ILLUSTRATION



GRAPHIC #1

<END>

g00729957

# WORK TOOLS

## 175-1460 BUCKET GP-ROCK

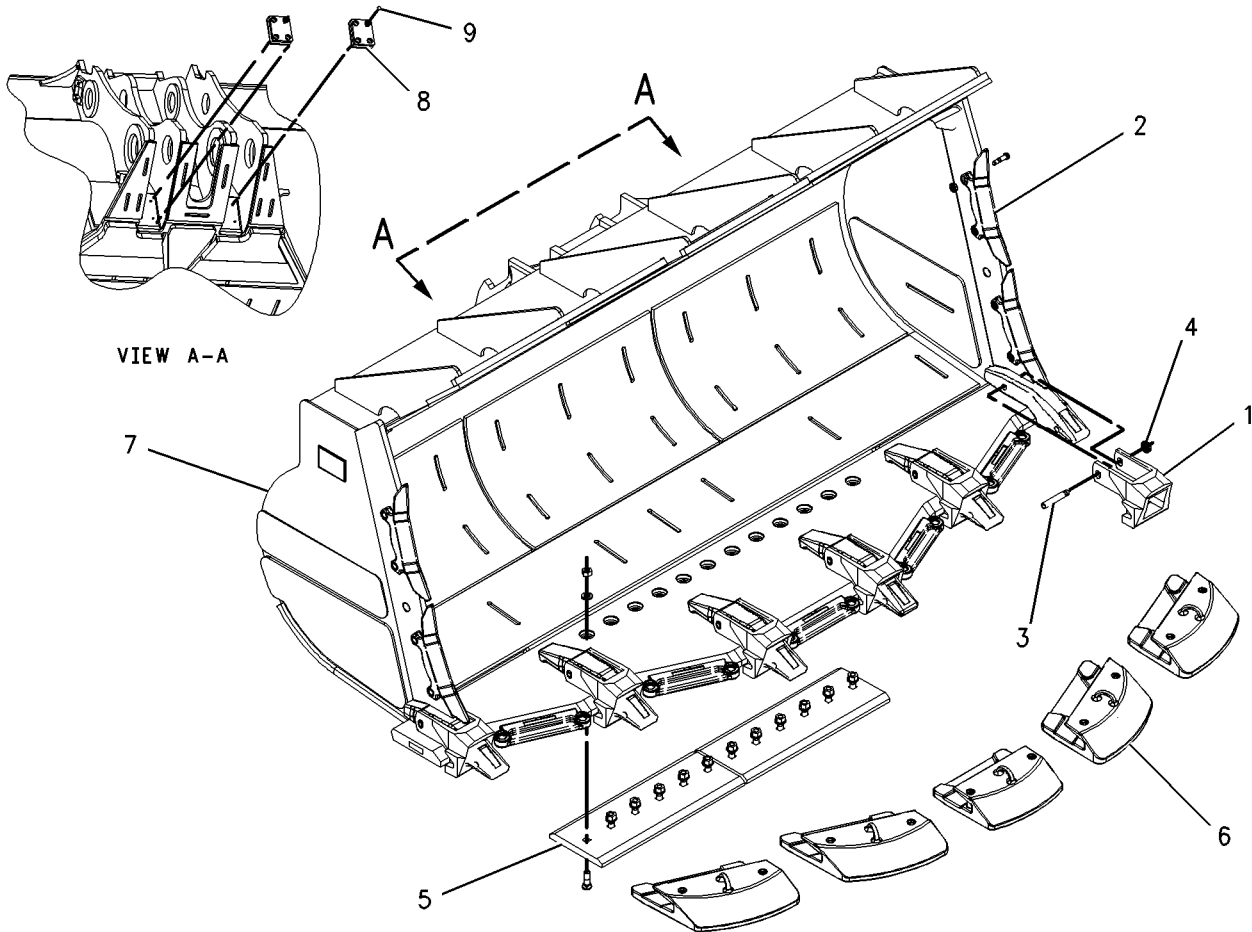
S/N: BNH1-UP  
6.4 CU M (8.34 CU YD)  
AN ATTACHMENT

SMCS-6102

i01379276

NOTE	REF NO	GRAPHIC REF	PART NUMBER	QTY	PART NAME						SEE PAGE
					1	2	3	4	5	6	
	1	1	<b>1U-0741</b>	6	COVER						
Y	2	1	106-0912	2	PROTECTOR GP-SIDE BAR						1373
	3	1	<b>107-3378</b>	6	PIN						
	4	1	<b>107-8559</b>	6	RETAINER AS						
Y	5	1	164-8387	1	PLATE GP-WEAR						1366
Y	6	1	174-4847	1	PROTECTOR GP-EDGE						1370
Y	7	1	175-1461	1	BUCKET AS-ROCK						1310
	8	1	<b>184-9866</b>	2	STOP GP-DUMP						
M	9	1	<b>8T-4139</b>	8	BOLT (M12X1.75X30-MM)						

M - METRIC PART  
Y - SEPARATE ILLUSTRATION



GRAPHIC #1

<END>

g00730930

# WORK TOOLS

## 175-1462 BUCKET GP-ROCK

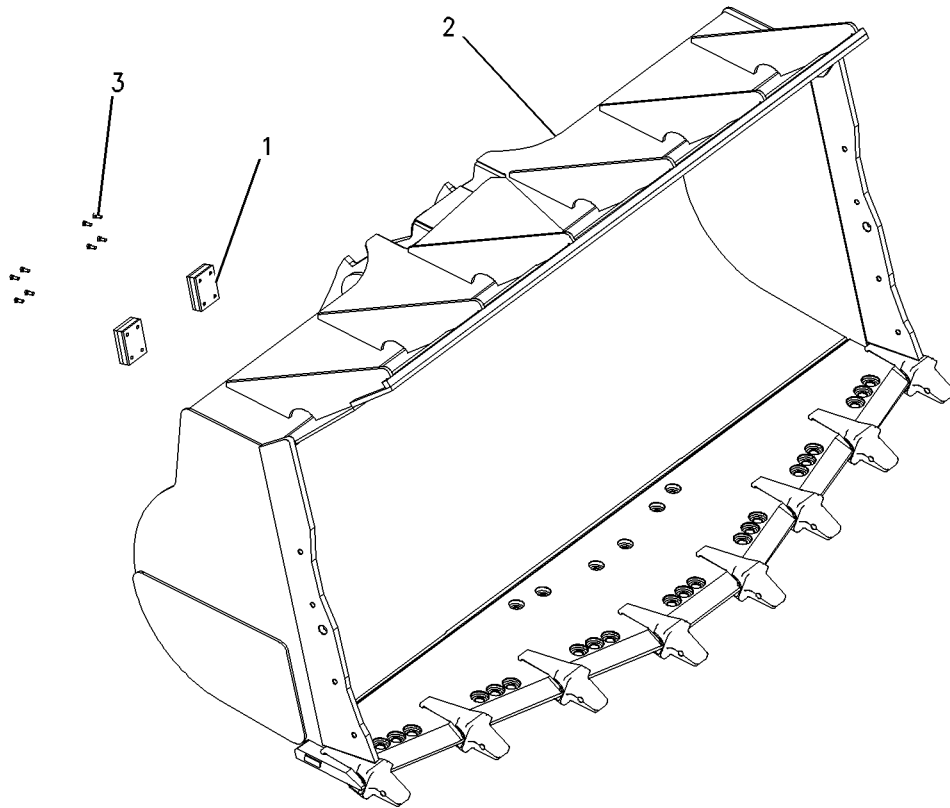
S/N: BNH1-UP  
6.7 CU M (8.5 CU YD)  
AN ATTACHMENT

SMCS-6102

i01379267

NOTE	REF NO	GRAPHIC REF	PART NUMBER	QTY	PART NAME						SEE PAGE
					1	2	3	4	5	6 (PRODUCT LEVEL)	
	1	1	<b>184-9866</b>	2	STOP GP-DUMP						
Y	2	1	175-1463	1	BUCKET AS-ROCK						1312
M	3	1	<b>8T-4139</b>	8	BOLT (M12X1.75X30-MM)						

M - METRIC PART  
Y - SEPARATE ILLUSTRATION



GRAPHIC #1

<END>

g00730099

# WORK TOOLS

## 202-2795 BUCKET GP-ROCK

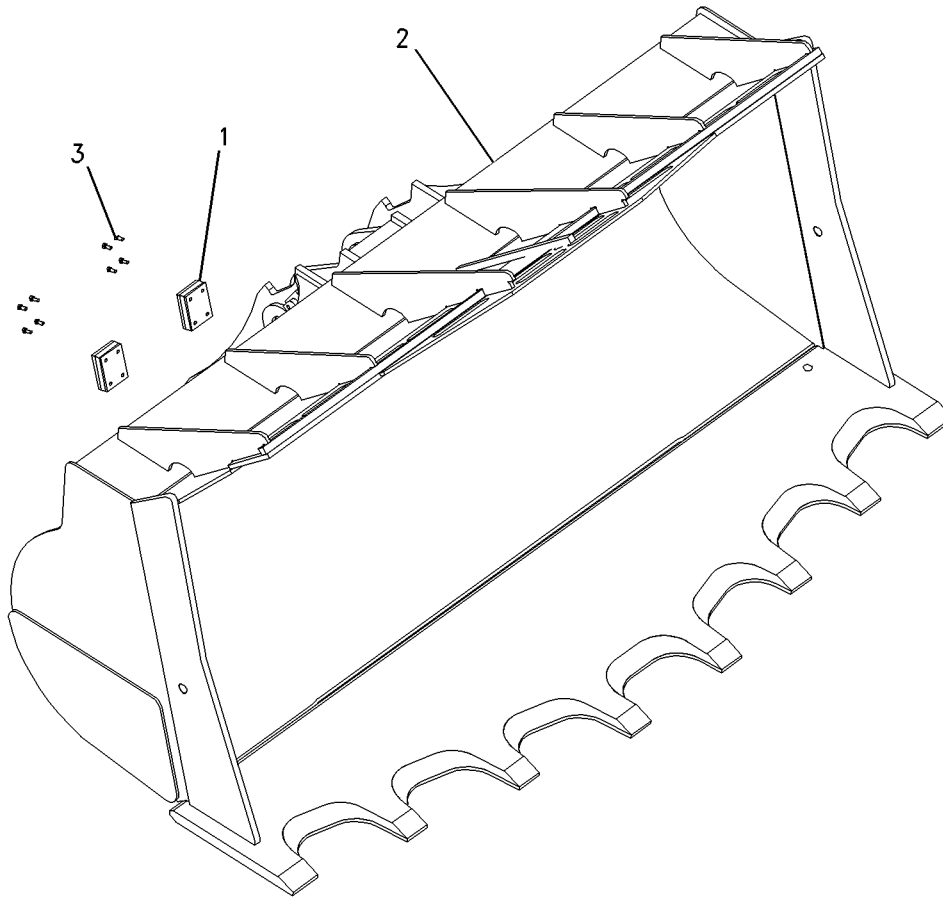
S/N: BNH1-UP  
6.9 CU M (9.0 CU YD)  
AN ATTACHMENT

SMCS-6102

i01648561

NOTE	REF NO	GRAPHIC REF	PART NUMBER	QTY	PART NAME						SEE PAGE
					1	2	3	4	5	6 (PRODUCT LEVEL)	
	1	1	<b>184-9866</b>	2	STOP GP-DUMP						
	2	1	<b>202-2796</b>	1	BUCKET AS-ROCK						
M	3	1	<b>8T-4139</b>	8	BOLT (M12X1.75X30-MM)						

M - METRIC PART



GRAPHIC #1

<END>

g00847196

# WORK TOOLS

## 240-0277 BUCKET GP-ROCK

S/N: BNH1-1631  
6.4-CU M(8.33-CU YD)  
AN ATTACHMENT

SMCS-6102

i02463750

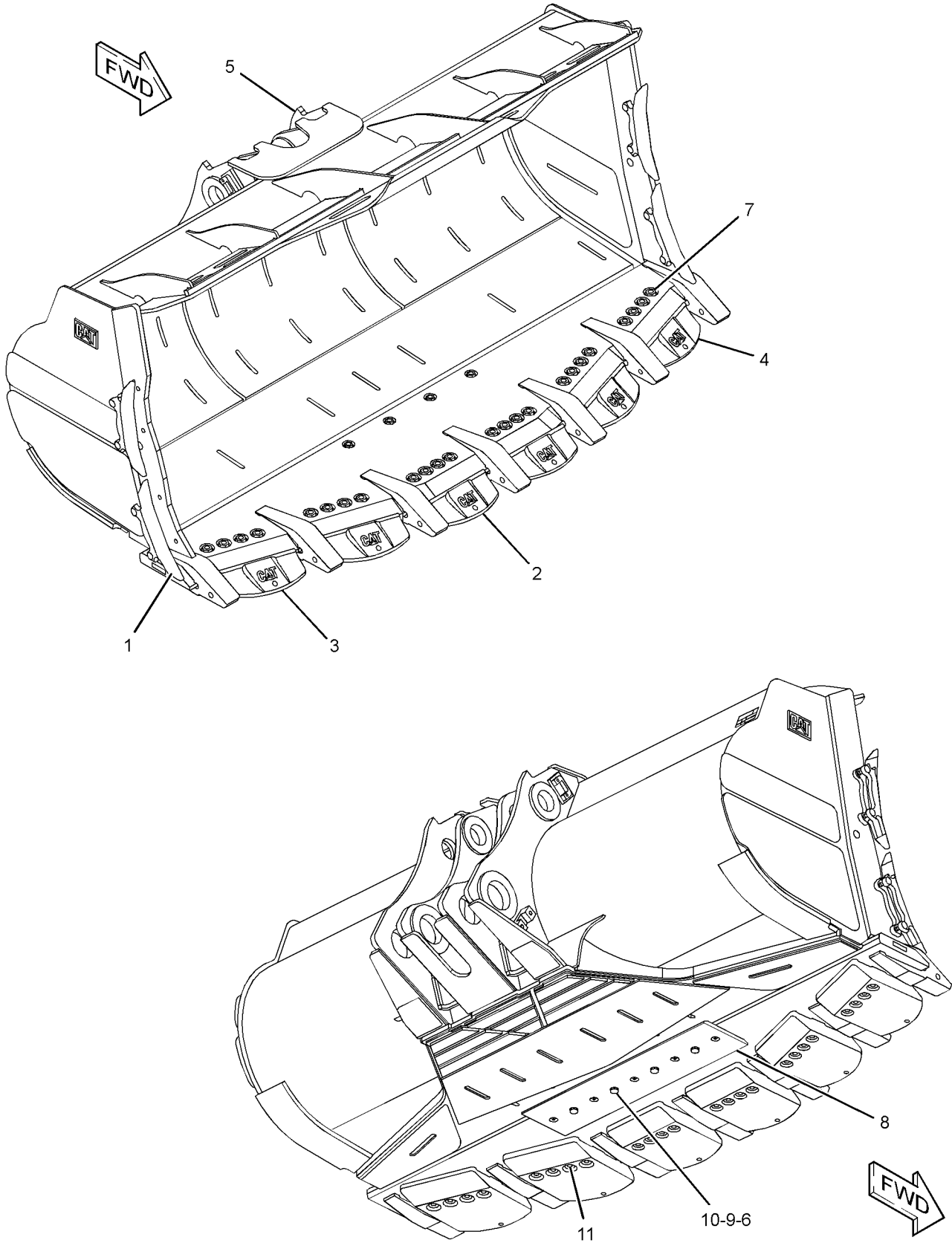
NOTE	REF NO	GRAPHIC REF	PART NUMBER	QTY	PART NAME						SEE PAGE
					1	2	3	4	5	6 (PRODUCT LEVEL)	
Y	1	1	106-0912	2	PROTECTOR GP-SIDE BAR						1373
	2	1	109-2675	2	EDGE-SEGMENT (CENTER)						
	3	1	109-2676	2	EDGE-SEGMENT (RH)						
	4	1	109-2677	2	EDGE-SEGMENT (LH)						
Y	5	1	240-0278	1	BUCKET AS-ROCK						1316
	6	1	2J-3507	4	NUT-FULL (1-8-THD)						
	7	1	3K-9770	24	NUT-FULL (1-1/4-7-THD)						
	8	1	4T-6617	1	EDGE-CUTTING						
	9	1	5P-8136	4	BOLT-PLOW (1-8X4-IN)						
	10	1	5P-8250	4	WASHER (28X49X5-MM THK)						
	11	1	5P-8823	24	BOLT-PLOW (1-1/4-7X4.13-IN)						

Y - SEPARATE ILLUSTRATION

# WORK TOOLS

240-0277 BUCKET GP-ROCK (contd.)

i02463750



GRAPHIC #1

<END>

g01259058

# WORK TOOLS

## 240-7987 BUCKET GP-ROCK

S/N: BNH1-1631  
 6.4-CU M (8.33-CU YD)  
 AN ATTACHMENT

SMCS-6102

i02463865

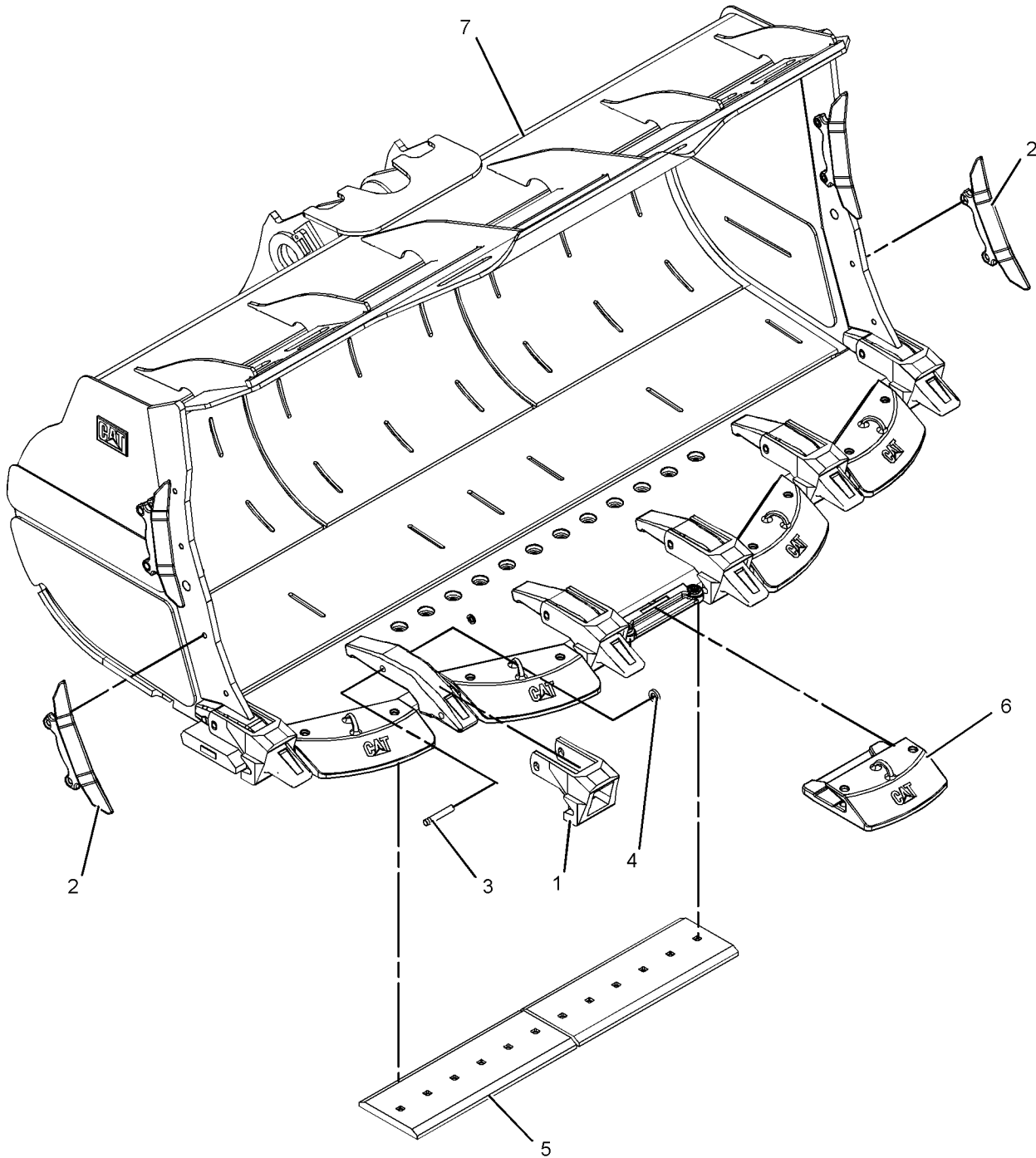
NOTE	REF NO	GRAPHIC REF	PART NUMBER	QTY	PART NAME						SEE PAGE
					1	2	3	4	5	6 (PRODUCT LEVEL)	
	1	1	<b>1U-0741</b>	6	COVER						
Y	2	1	106-0912	2	PROTECTOR GP-SIDE BAR						1373
	3	1	<b>107-3378</b>	6	PIN						
	4	1	<b>107-8559</b>	6	RETAINER AS						
Y	5	1	164-8387	1	PLATE GP-WEAR						1366
Y	6	1	174-4847	1	PROTECTOR GP-EDGE						1370
Y	7	1	240-7986	1	BUCKET AS-ROCK						1318

Y - SEPARATE ILLUSTRATION

# WORK TOOLS

240-7987 BUCKET GP-ROCK (contd.)

i02463865



GRAPHIC #1

<END>

g01293715



# WORK TOOLS

## 240-9090 BUCKET GP-ROCK

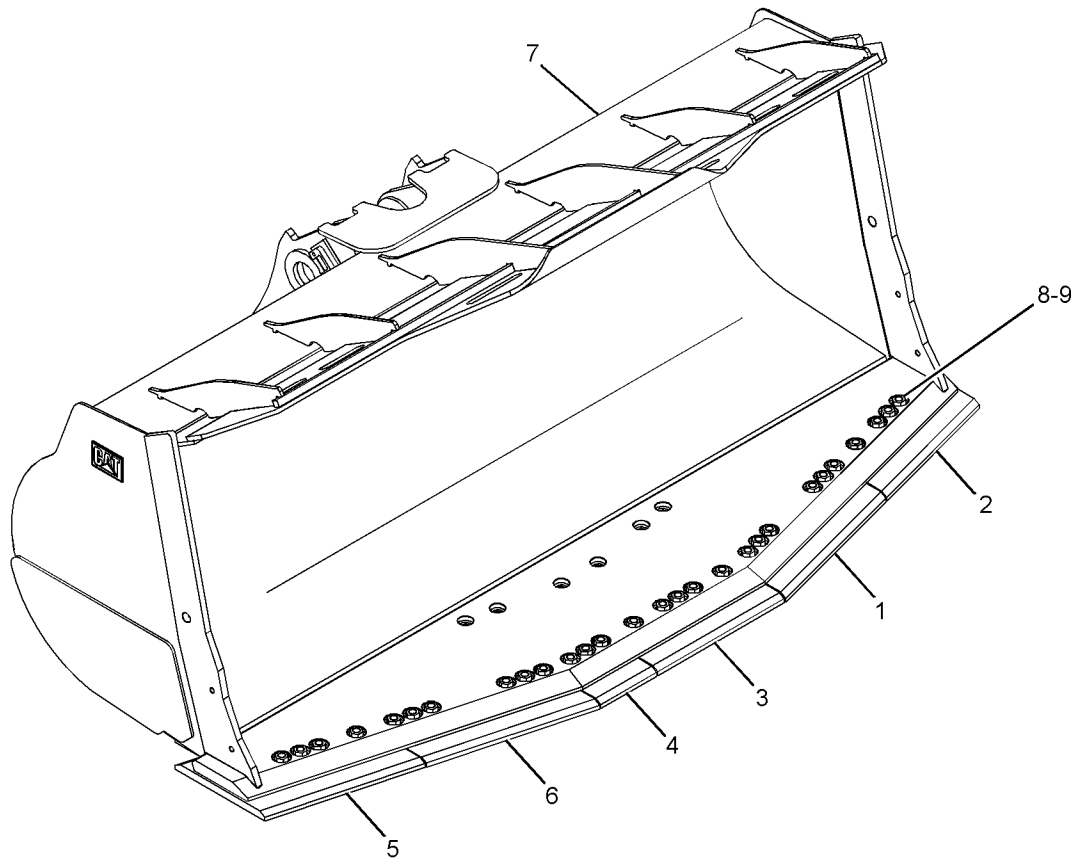
S/N: BNH1-1631  
6.9-CU M(9-CU YD)  
AN ATTACHMENT

SMCS-6102

i02464558

NOTE	REF NO	GRAPHIC REF	PART NUMBER	QTY	PART NAME						SEE PAGE
					1	2	3	4	5	6 (PRODUCT LEVEL)	
	1	1	9W-5731	1	EDGE-CUTTING (LH)						
	2	1	9W-5732	1	EDGE-CUTTING (LH)						
	3	1	9W-5733	1	EDGE-CUTTING (CENTER)						
	4	1	9W-5734	1	EDGE-SEGMENT (CENTER)						
	5	1	9W-5735	1	EDGE-CUTTING (RH)						
	6	1	9W-5736	1	EDGE-CUTTING (RH)						
Y	7	1	240-9089	1	BUCKET AS-ROCK						1320
	8	1	3K-9770	28	NUT-FULL (1-1/4-7-THD)						
	9	1	6V-6535	28	BOLT-PLOW (1-1/4-7X3.74-IN)						

Y - SEPARATE ILLUSTRATION



GRAPHIC #1

<END>

g01288335

# WORK TOOLS

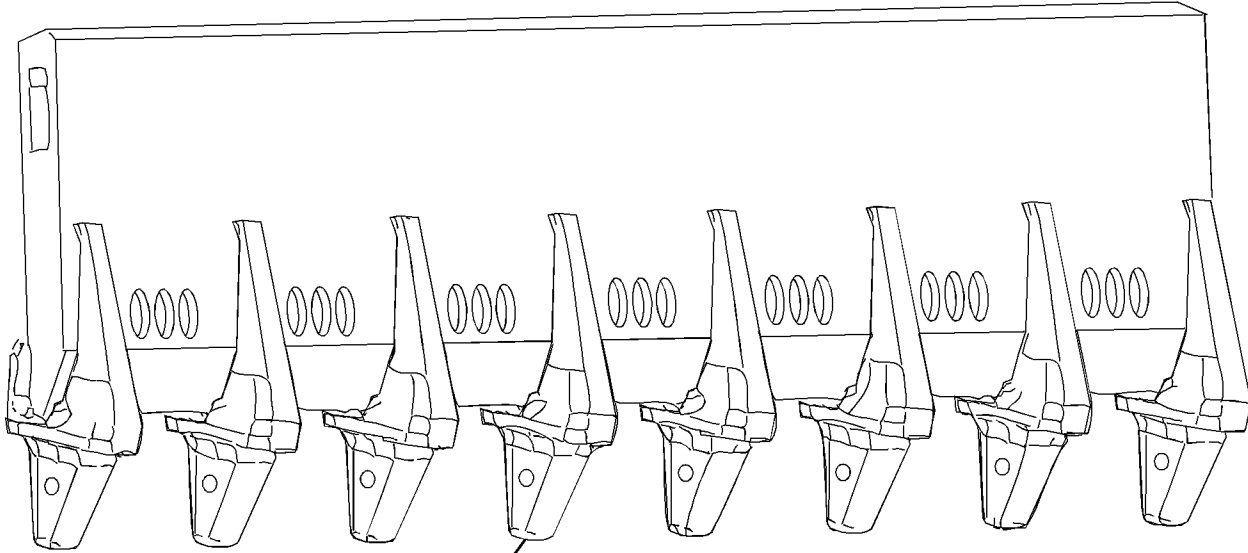
## 208-5336 EDGE AS-BASE

S/N: BNH1-UP  
FIELD INSTALLATION

SMCS-6801

i01972640

NOTE	REF NO	GRAPHIC REF	PART NUMBER	QTY	PART NAME						SEE PAGE
					1	2	3	4	5	6 (PRODUCT LEVEL)	
	1	1	114-0464	8	ADAPTER						



GRAPHIC #1

<END>

g01047059

# WORK TOOLS

## 253-9582 EDGE AS-BASE-HIGH ABRASION

S/N: BNH1-UP

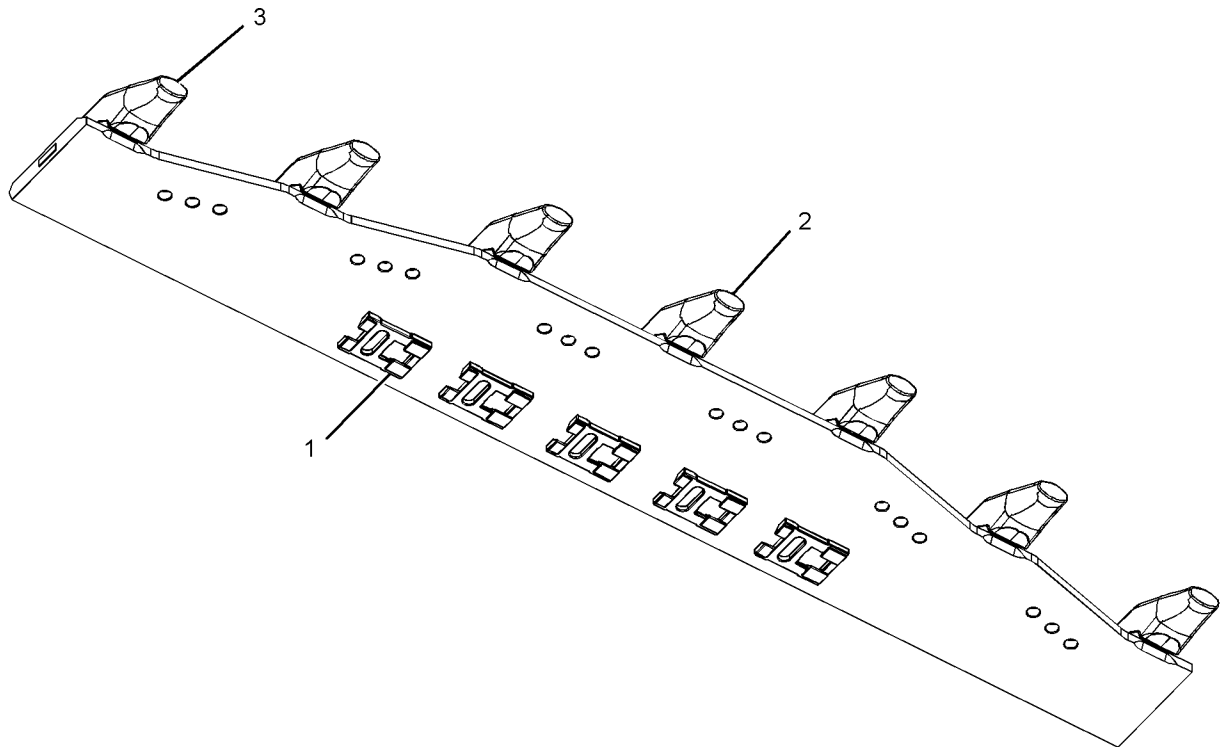
K-130

FIELD INSTALLATION

SMCS-6801

i02329765

NOTE	REF NO	GRAPHIC REF	PART NUMBER	QTY	PART NAME						SEE PAGE
					1	2	3	4	5	6 (PRODUCT LEVEL)	
	1	1	<b>138-0030</b>	5	BASE-WEAR PLATE						
	2	1	<b>232-0138</b>	5	ADAPTER-TIP (K-130, CENTER)						
	3	1	<b>232-0139</b>	2	ADAPTER-TIP (K-130, CORNER)						



GRAPHIC #1

<END>

g01174820

# WORK TOOLS

## 257-1833 EDGE AS-BASE

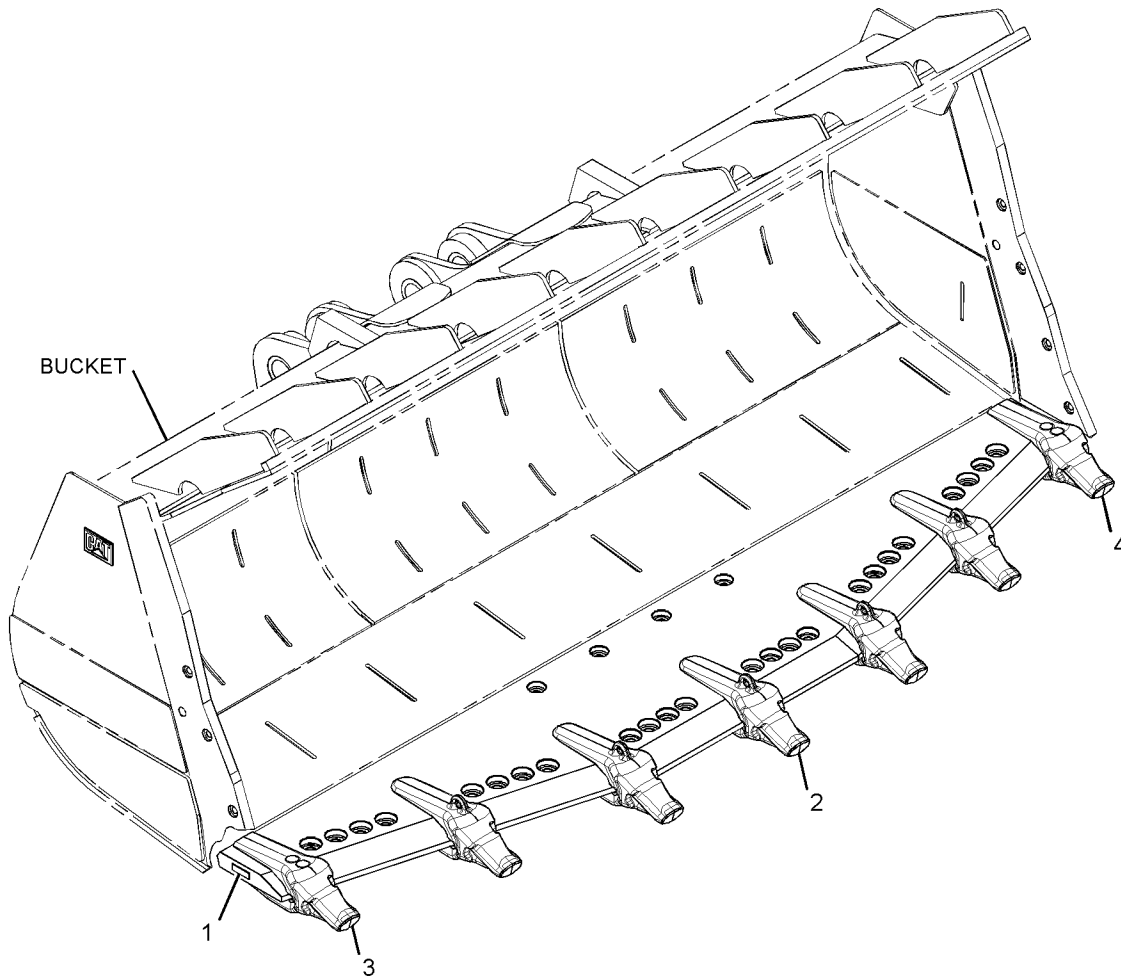
S/N: BNH1-UP

FIELD INSTALLATION

SMCS-6801

i02564556

NOTE	REF NO	GRAPHIC REF	PART NUMBER	QTY	PART NAME						SEE PAGE
					1	2	3	4	5	6 (PRODUCT LEVEL)	
1	1	1	<b>8P-9770</b>	1	PLATE						
2	1	1	<b>223-8134</b>	1	ADAPTER-TIP (K-130, 2-STRAP, CENTER)						
3	1	1	<b>223-8135</b>	3	ADAPTER-TIP (K-130, 2-STRAP, RH)						
4	1	1	<b>223-8136</b>	3	ADAPTER-TIP (K-130, 2-STRAP, LH)						



GRAPHIC #1

<END>

g01377497

# WORK TOOLS

## 104-4369 EDGE GP-BIT & CUTTING

S/N: BNH1-UP  
AN ATTACHMENT

SMCS-6801

i00176707

NOTE	PART NUMBER	QTY	PART NAME						SEE PAGE
			1	2	3	4	5	6 (PRODUCT LEVEL)	
	5P-8823	12	BOLT-PLOW (1-1/4-7X105MM)						
	104-5841	2	EDGE-CUTTING						
	1U-0761	2	EDGE-END						
	3K-9770	12	NUT-FULL (1-1/4-7 THD)						
<END>									

## 132-1071 EDGE GP-CUTTING

S/N: BNH1-UP  
AN ATTACHMENT

SMCS-6801

i00176314

NOTE	PART NUMBER	QTY	PART NAME						SEE PAGE
			1	2	3	4	5	6 (PRODUCT LEVEL)	
	5P-8823	12	BOLT-PLOW (1-1/4-7X4.13-IN)						
	132-1069	1	EDGE-CUTTING						
	132-1070	1	EDGE-CUTTING						
	123-0335	1	EDGE-END (LH)						
	123-0334	1	EDGE-END (RH)						
	3K-9770	12	NUT-FULL (1-1/4-7-THD)						
<END>									

## 183-5318 EDGE GP-CUTTING

S/N: BNH1-UP  
FOR USE WITH 175-1456-PAGE: 1322  
AN ATTACHMENT

SMCS-6801

i01286063

NOTE	PART NUMBER	QTY	PART NAME						SEE PAGE
			1	2	3	4	5	6 (PRODUCT LEVEL)	
	6V-8360	12	BOLT-PLOW (1-1/4-7X4.53IN)						
	183-5325	2	EDGE-CUTTING						
	1U-0761	2	EDGE-END						
	3K-9770	12	NUT-FULL (1-1/4-7 THD)						
<END>									

## 183-5321 EDGE GP-CUTTING

S/N: BNH1-UP  
FOR USE WITH 171-4056 GENERAL PURPOSE BUCKET  
AN ATTACHMENT

SMCS-6801

i01286068

NOTE	PART NUMBER	QTY	PART NAME						SEE PAGE
			1	2	3	4	5	6 (PRODUCT LEVEL)	
	6V-8360	14	BOLT-PLOW (1-1/4-7X4.53IN)						
	183-5324	7	EDGE-SEGMENT						
	3K-9770	14	NUT-FULL (1-1/4-7 THD)						
<END>									

# WORK TOOLS

## 208-5262 EDGE GP-CUTTING

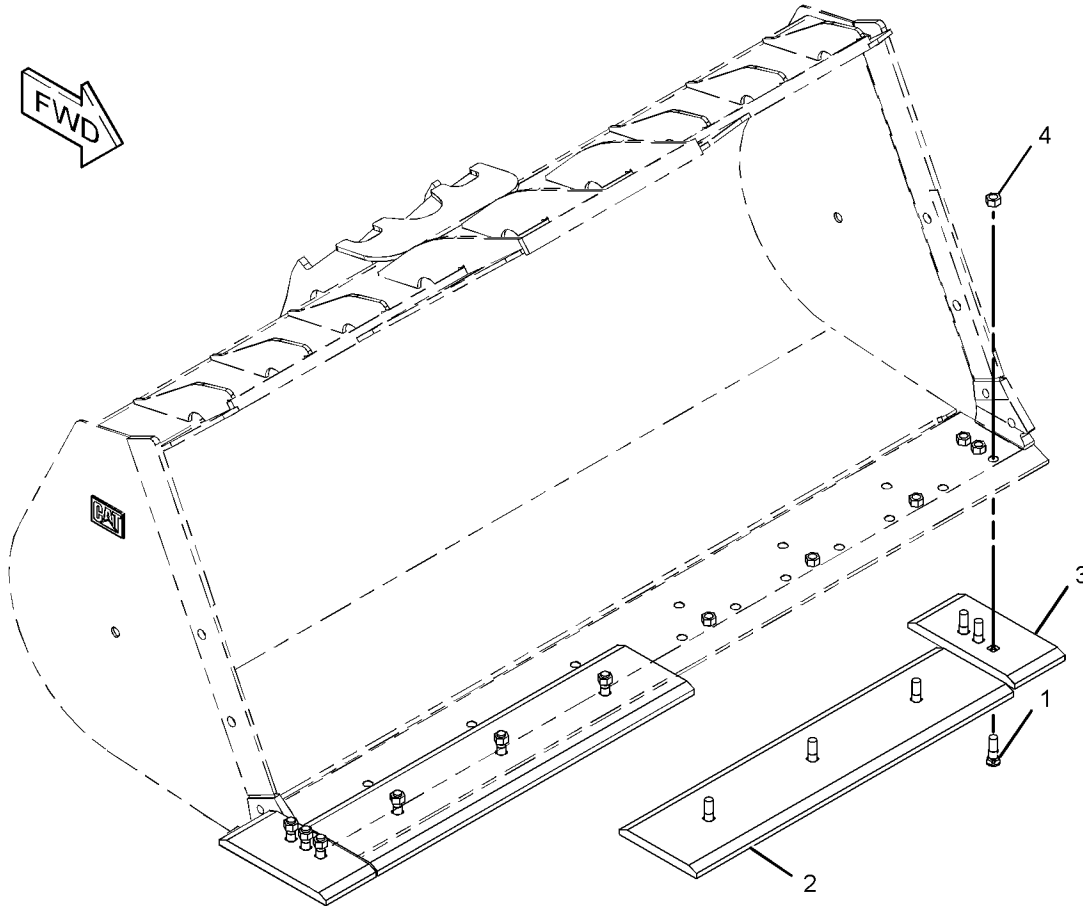
S/N: BNH1-UP

FOR USE WITH GENERAL PURPOSE BUCKET W/ 3.6M BOOM  
AN ATTACHMENT

SMCS-6801

i03983343

NOTE	REF NO	GRAPHIC REF	PART NUMBER	QTY	PART NAME						SEE PAGE
					1	2	3	4	5	6 (PRODUCT LEVEL)	
	1	1	6V-8360	12	BOLT-PLOW (1-1/4-7X4.53-IN)						
	2	1	208-5261	2	EDGE-CUTTING						
	3	1	280-4068	2	EDGE-END						
	4	1	3K-9770	12	NUT-FULL (1-1/4-7-THD)						



GRAPHIC #1

<END>

g02222373

# WORK TOOLS

## 208-8840 EDGE GP-CUTTING

S/N: BNH1-UP

FOR USE WITH WHEEL LOADER ROCK BUCKETS  
AN ATTACHMENT

SMCS-6801

i01703541

NOTE	PART NUMBER	QTY	PART NAME						SEE PAGE
			1	2	3	4	5	6 (PRODUCT LEVEL)	
	6V-6535	28	BOLT-PLOW (1-1/4X3.75-IN)						
	9W-5733	1	EDGE-CUTTING (CENTER)						
	9W-5731	1	EDGE-CUTTING (LH)						
	9W-5732	1	EDGE-CUTTING (RH)						
	9W-5735	1	EDGE-CUTTING (RH)						
	9W-5736	1	EDGE-CUTTING (RH)						
	9W-5734	1	EDGE-SEGMENT (CENTER)						
	3K-9770	28	NUT-FULL (1-1/4-7-THD)						
<END>									

## 208-8841 EDGE GP-CUTTING

S/N: BNH1-UP

HEAVY DUTY

FOR USE WITH WHEEL LOADER ROCK BUCKETS  
AN ATTACHMENT

SMCS-6801

i01703542

NOTE	PART NUMBER	QTY	PART NAME						SEE PAGE
			1	2	3	4	5	6 (PRODUCT LEVEL)	
	6V-6535	28	BOLT-PLOW (1 1/4X3.75 IN)						
	106-1096	1	EDGE-CUTTING						
	106-1094	1	EDGE-CUTTING-LH						
	106-1095	1	EDGE-CUTTING-LH						
	106-1097	1	EDGE-CUTTING-RH						
	106-1098	1	EDGE-CUTTING-RH						
	107-3490	1	EDGE-SEGMENT						
	3K-9770	28	NUT-FULL (1 1/4X7 THD)						
<END>									

## 217-4652 EDGE GP-CUTTING

S/N: BNH1-UP

AN ATTACHMENT

SMCS-6801

i01966999

NOTE	PART NUMBER	QTY	PART NAME						SEE PAGE
			1	2	3	4	5	6 (PRODUCT LEVEL)	
	6V-8360	14	BOLT-PLOW (1-1/4-7X4.53IN)						
	208-5260	7	EDGE-SEGMENT						
	3K-9770	14	NUT-FULL (1 1/4X7 THD)						
<END>									

# WORK TOOLS

## 229-6388 EDGE GP-CUTTING

S/N: BNH1-UP  
AN ATTACHMENT

SMCS-6801

i02743347

NOTE	PART NUMBER	QTY	PART NAME						SEE PAGE
			1	2	3	4	5	6 (PRODUCT LEVEL)	
	6V-6535	28	BOLT-PLOW (1-1/4-7X3.74-IN)						
	208-5281	1	EDGE-CUTTING (A.R.M., LH)						
	208-5282	1	EDGE-CUTTING (A.R.M., LH)						
	208-5285	1	EDGE-CUTTING (A.R.M., RH)						
	208-5286	1	EDGE-CUTTING (A.R.M., RH)						
	208-5283	1	EDGE-CUTTING (A.R.M., CENTER)						
	208-5284	1	EDGE-SEGMENT (A.R.M., CENTER)						
	3K-9770	28	NUT-FULL (1-1/4-7-THD)						

<END>



# WORK TOOLS

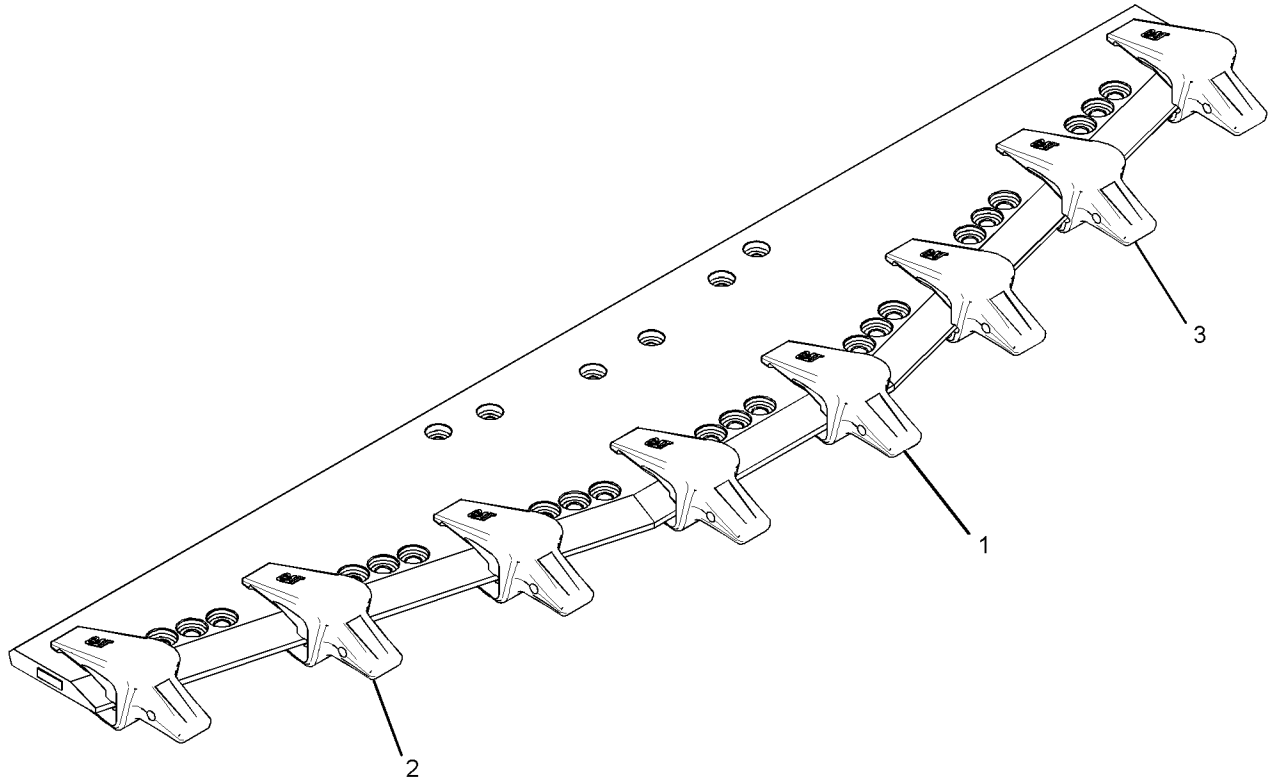
## 264-2109 EDGE GP-CUTTING

S/N: BNH1-UP  
FIELD INSTALLATION

SMCS-6801

i02629904

NOTE	REF NO	GRAPHIC REF	PART NUMBER	QTY	PART NAME						SEE PAGE
					1	2	3	4	5	6	
	1	1	138-6554	2	ADAPTER-TIP (J-550, 2-STRAP, CENTER)						
	2	1	138-6555	3	ADAPTER-TIP (J-550, 2-STRAP, RH)						
	3	1	138-6556	3	ADAPTER-TIP (J-550, 2-STRAP, LH)						



GRAPHIC #1

<END>

g01382618

# WORK TOOLS

## 8E-9898 EDGE GP-SEGMENT

S/N: BNH1-UP  
AN ATTACHMENT

SMCS-6818

i04727392

NOTE	PART NUMBER	QTY	PART NAME						SEE PAGE
			1	2	3	4	5	6 (PRODUCT LEVEL)	
	6V-6535	21	BOLT-PLOW (1-1/4-7X3.74-IN)						
	101-9435	7	EDGE-SEGMENT						
	3K-9770	21	NUT-FULL (1-1/4-7-THD)						
<END>									

## 107-3533 EDGE GP-SEGMENT

S/N: BNH1-UP

FOR USE WITH 4E-6469 BUCKET GP-ROCK, 9U-4184 BUCKET GP-ROCK, 106-9820 BUCKET GP-ROCK

AN ATTACHMENT

SMCS-6818

i00967026

NOTE	PART NUMBER	QTY	PART NAME						SEE PAGE
			1	2	3	4	5	6 (PRODUCT LEVEL)	
	6V-6535	21	BOLT-PLOW (1-1/4-7X3.74-IN)						
	107-3536	1	EDGE-SEGMENT						
	107-3538	3	EDGE-SEGMENT						
	107-3537	3	EDGE-SEGMENT						
	3K-9770	21	NUT-FULL (1-1/4-7-THD)						
<END>									

## 107-3545 EDGE GP-SEGMENT

S/N: BNH1-UP

AN ATTACHMENT

SMCS-6818

i00831551

NOTE	PART NUMBER	QTY	PART NAME						SEE PAGE
			1	2	3	4	5	6 (PRODUCT LEVEL)	
	6V-6535	21	BOLT-PLOW (1 1/4-7X95MM)						
	107-3536	7	EDGE-SEGMENT						
	3K-9770	21	NUT-FULL (1-1/4-7 THD)						
<END>									

## 109-9051 EDGE GP-SEGMENT

S/N: BNH1-UP

AN ATTACHMENT

SMCS-6818

i00176591

NOTE	PART NUMBER	QTY	PART NAME						SEE PAGE
			1	2	3	4	5	6 (PRODUCT LEVEL)	
	6V-6535	21	BOLT-PLOW						
	101-9435	1	EDGE-SEGMENT						
	101-9437	3	EDGE-SEGMENT-LH						
	101-9436	3	EDGE-SEGMENT-RH						
	3K-9770	21	NUT-FULL (1-1/4-7 THD)						
<END>									

# WORK TOOLS

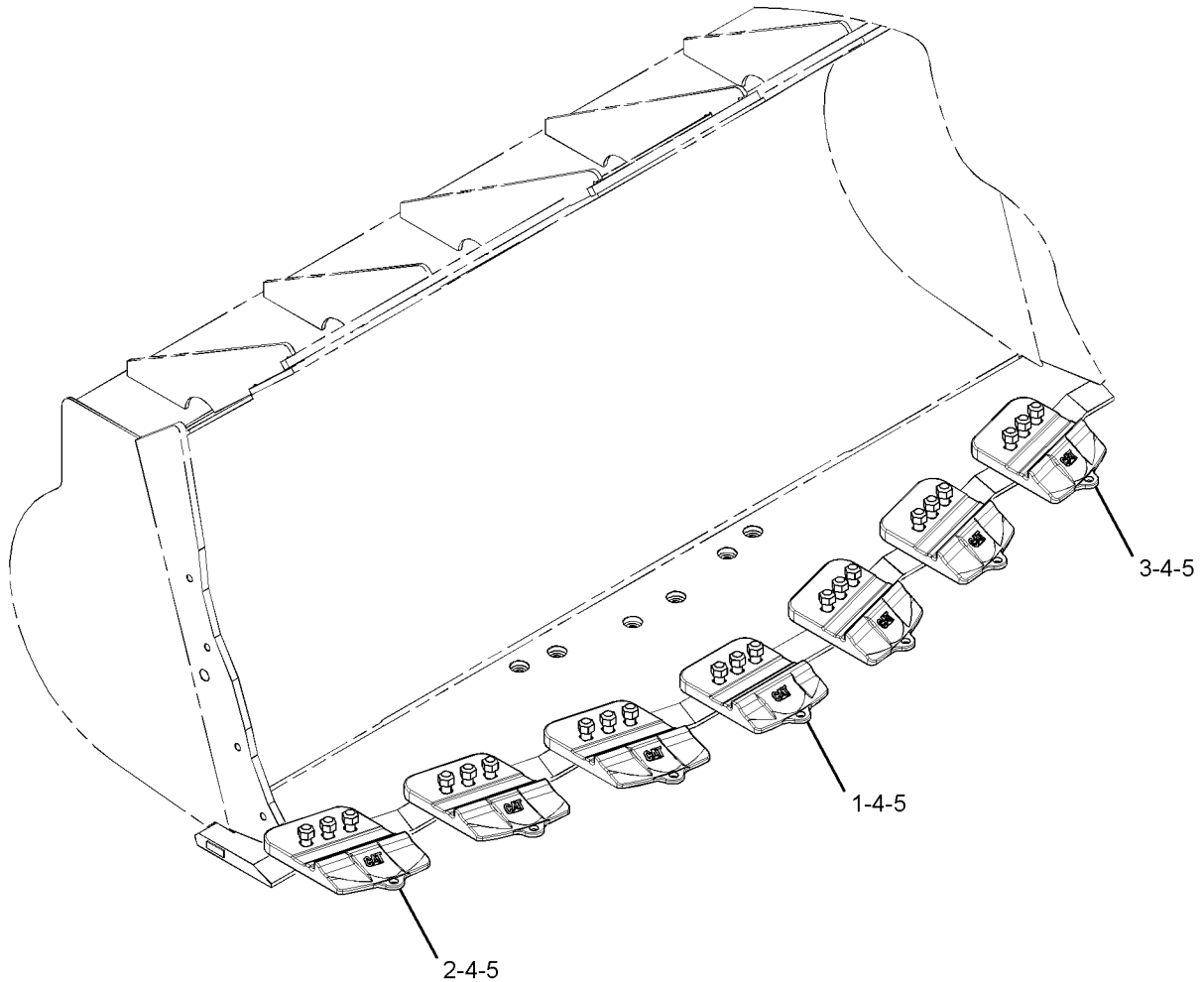
## 124-6346 EDGE GP-SEGMENT

S/N: BNH1-UP  
AN ATTACHMENT

SMCS-6818

i04143150

NOTE	REF NO	GRAPHIC REF	PART NUMBER	QTY	PART NAME						SEE PAGE
					1	2	3	4	5	6 (PRODUCT LEVEL)	
	1	1	109-9080	1	EDGE-SEGMENT (CENTER)						
	2	1	109-9081	3	EDGE-SEGMENT (RH)						
	3	1	109-9082	3	EDGE-SEGMENT (LH)						
	4	1	3K-9770	21	NUT-FULL (1-1/4-7-THD)						
	5	1	6V-6535	21	BOLT-PLOW (1-1/4-7X3.74-IN)						



GRAPHIC #1

<END>

g01386092

# WORK TOOLS

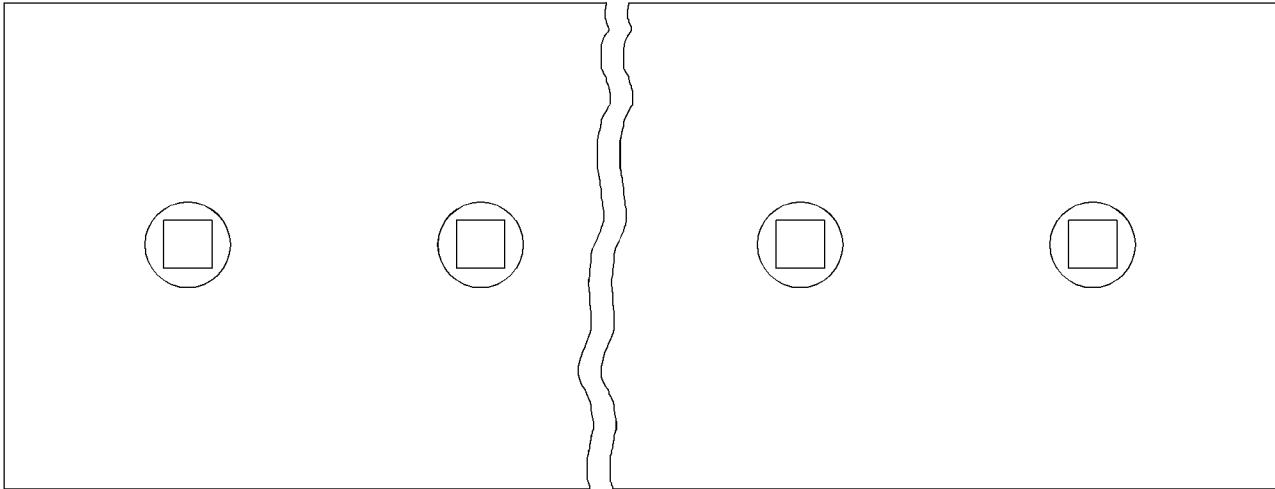
## 4T-2865 EDGE-CUTTING

S/N: BNH1-UP  
FIELD INSTALLATION

SMCS-6801

i02303751

NOTE	REF NO	GRAPHIC REF	PART NUMBER	QTY	PART NAME						SEE PAGE
					1	2	3	4	5	6 (PRODUCT LEVEL)	
(NO SERVICED PARTS)											



GRAPHIC #1

<END>

g01165799

# WORK TOOLS

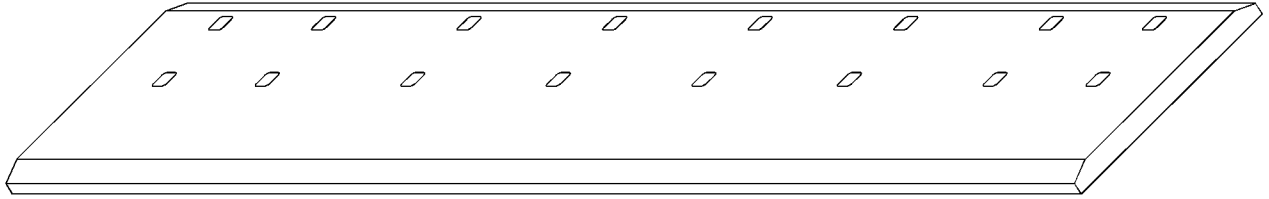
## 232-0142 EDGE-CUTTING

S/N: BNH1-UP  
FIELD INSTALLATION

SMCS-6801

i02303625

NOTE	REF NO	GRAPHIC REF	PART NUMBER	QTY	PART NAME						SEE PAGE
					1	2	3	4	5	6 (PRODUCT LEVEL)	
(NO SERVICED PARTS)											



GRAPHIC #1

<END>

g01166198

# WORK TOOLS

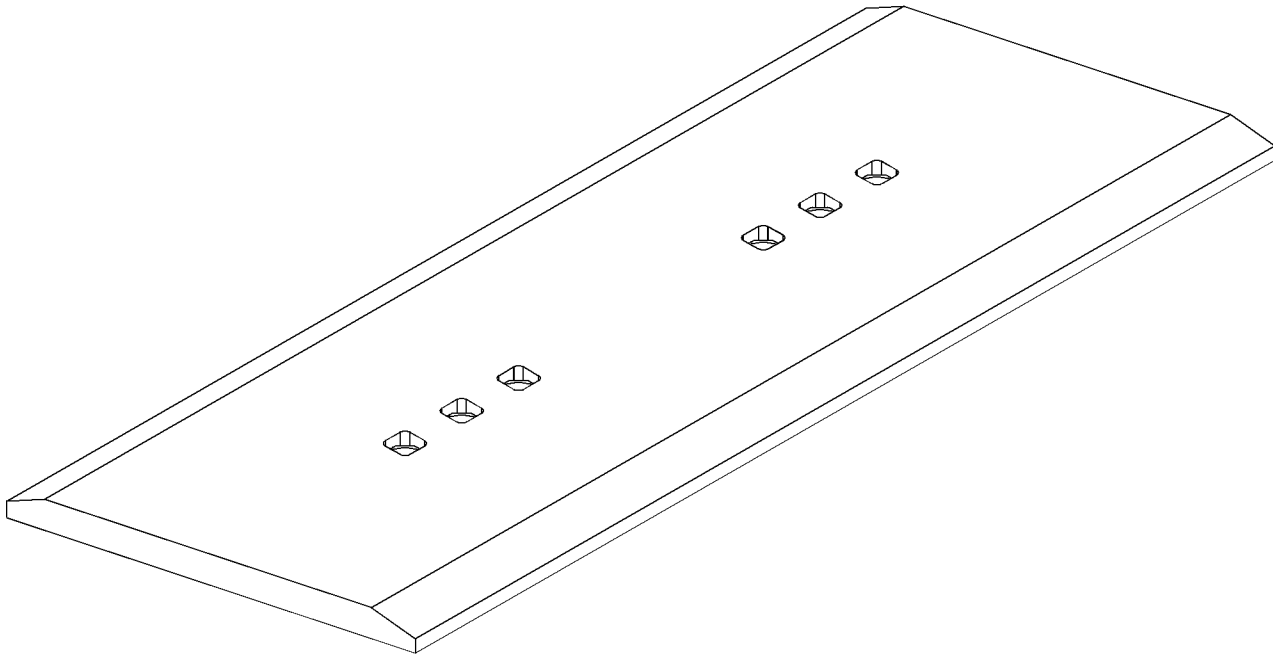
## 275-5924 EDGE-CUTTING-RH

S/N: BNH1-UP  
FIELD INSTALLATION

SMCS-6801

i02636672

NOTE	REF NO	GRAPHIC REF	PART NUMBER	QTY	PART NAME						SEE PAGE
					1	2	3	4	5	6	
(NO SERVICED PARTS)											



GRAPHIC #1

<END>

g01347390

# WORK TOOLS

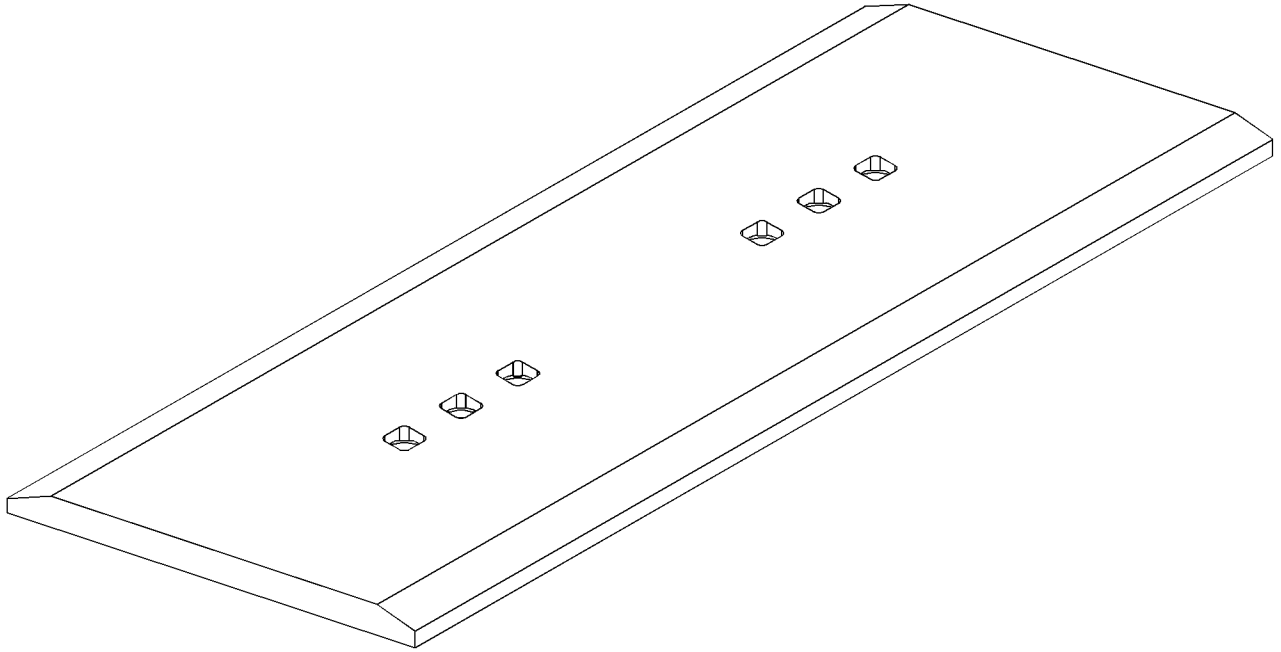
## 275-5925 EDGE-CUTTING-LH

S/N: BNH1-UP  
FIELD INSTALLATION

SMCS-6801

i02636674

NOTE	REF NO	GRAPHIC REF	PART NUMBER	QTY	PART NAME						SEE PAGE
					1	2	3	4	5	6 (PRODUCT LEVEL)	
(NO SERVICED PARTS)											



GRAPHIC #1

<END>

g01347395

# WORK TOOLS

## 275-5926 EDGE-CUTTING

S/N: BNH1-UP

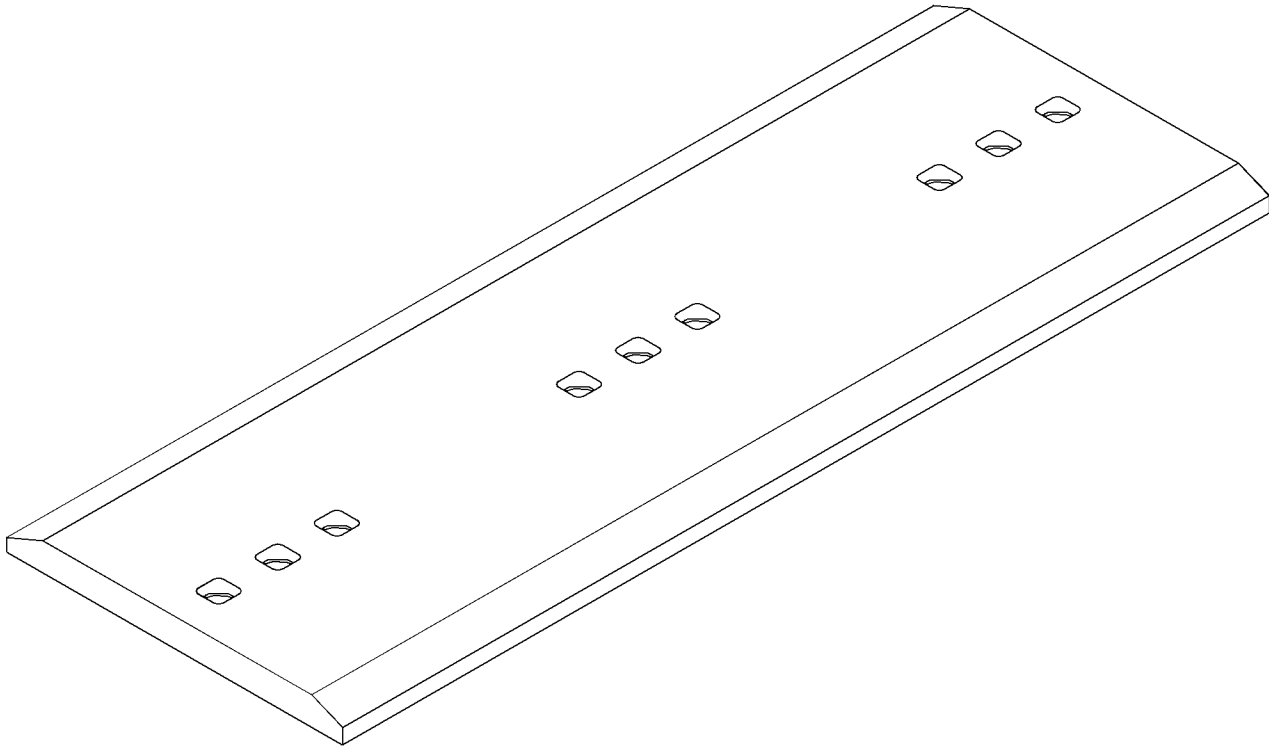
K-110

FIELD INSTALLATION

SMCS-6801

i02650397

NOTE	REF NO	GRAPHIC REF	PART NUMBER	QTY	PART NAME	SEE PAGE
					1 2 3 4 5 6 (PRODUCT LEVEL)	
(NO SERVICED PARTS)						



GRAPHIC #1

<END>

g01339314



# WORK TOOLS

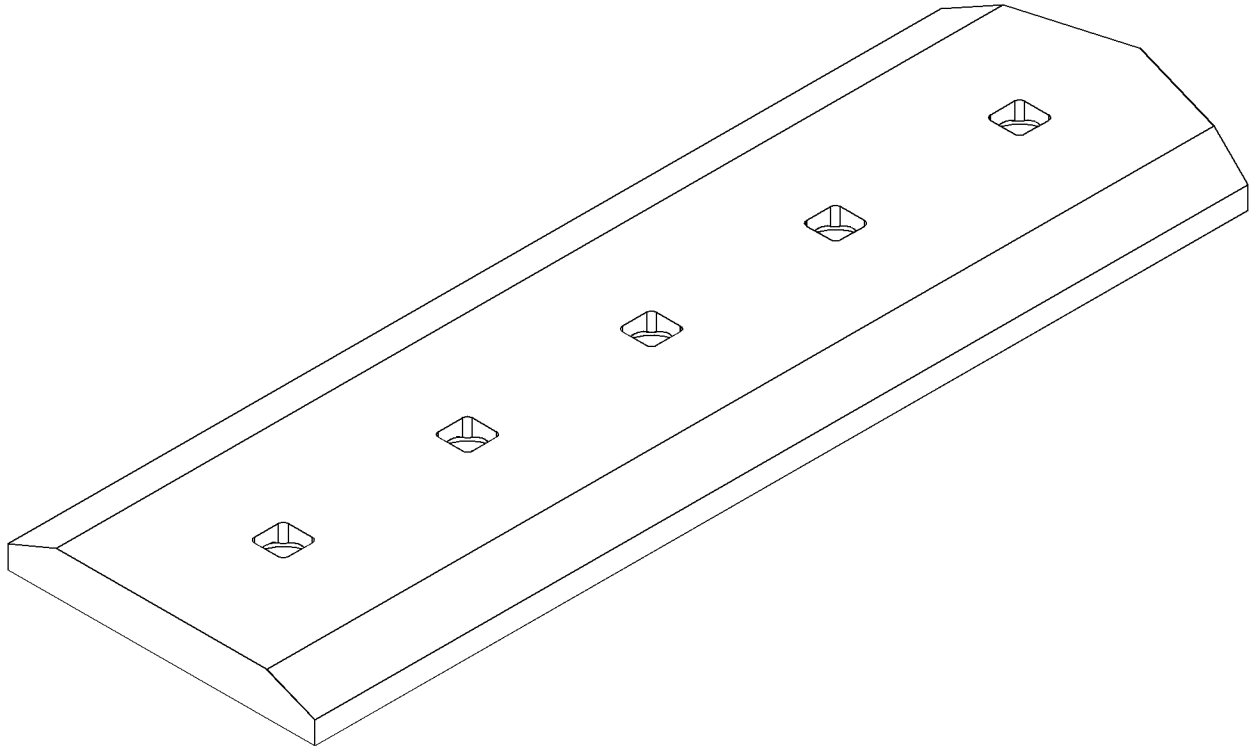
## 275-5980 EDGE-CUTTING

S/N: BNH1-UP  
FIELD INSTALLATION

SMCS-6801

i02681208

NOTE	REF NO	GRAPHIC REF	PART NUMBER	QTY	PART NAME						SEE PAGE
					1	2	3	4	5	6 (PRODUCT LEVEL)	
(NO SERVICED PARTS)											



GRAPHIC #1

<END>

g01347525

# WORK TOOLS

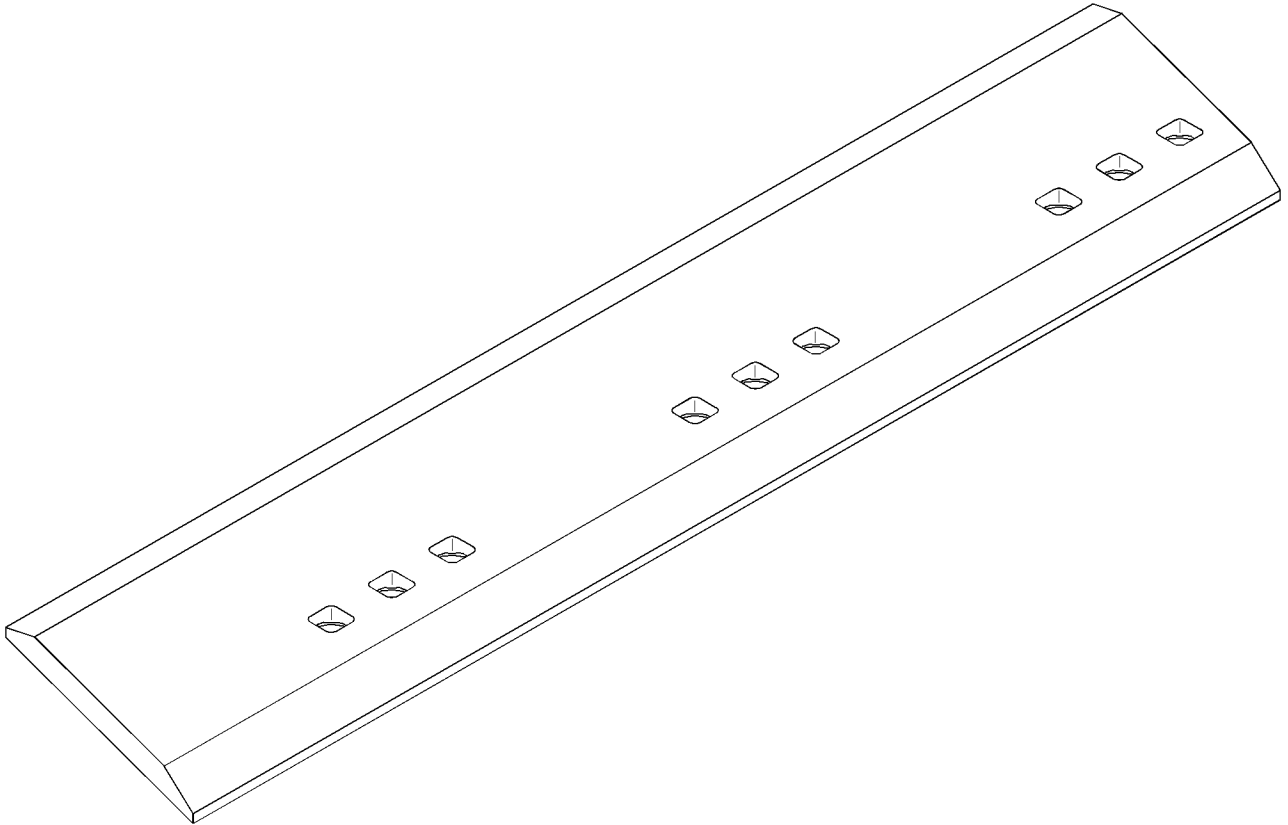
## 275-6008 EDGE-CUTTING-LH

S/N: BNH1-UP  
FIELD INSTALLATION

SMCS-6801

i02728019

NOTE	REF NO	GRAPHIC REF	PART NUMBER	QTY	PART NAME						SEE PAGE
					1	2	3	4	5	6 (PRODUCT LEVEL)	
(NO SERVICED PARTS)											



GRAPHIC #1

<END>

g01368792

# WORK TOOLS

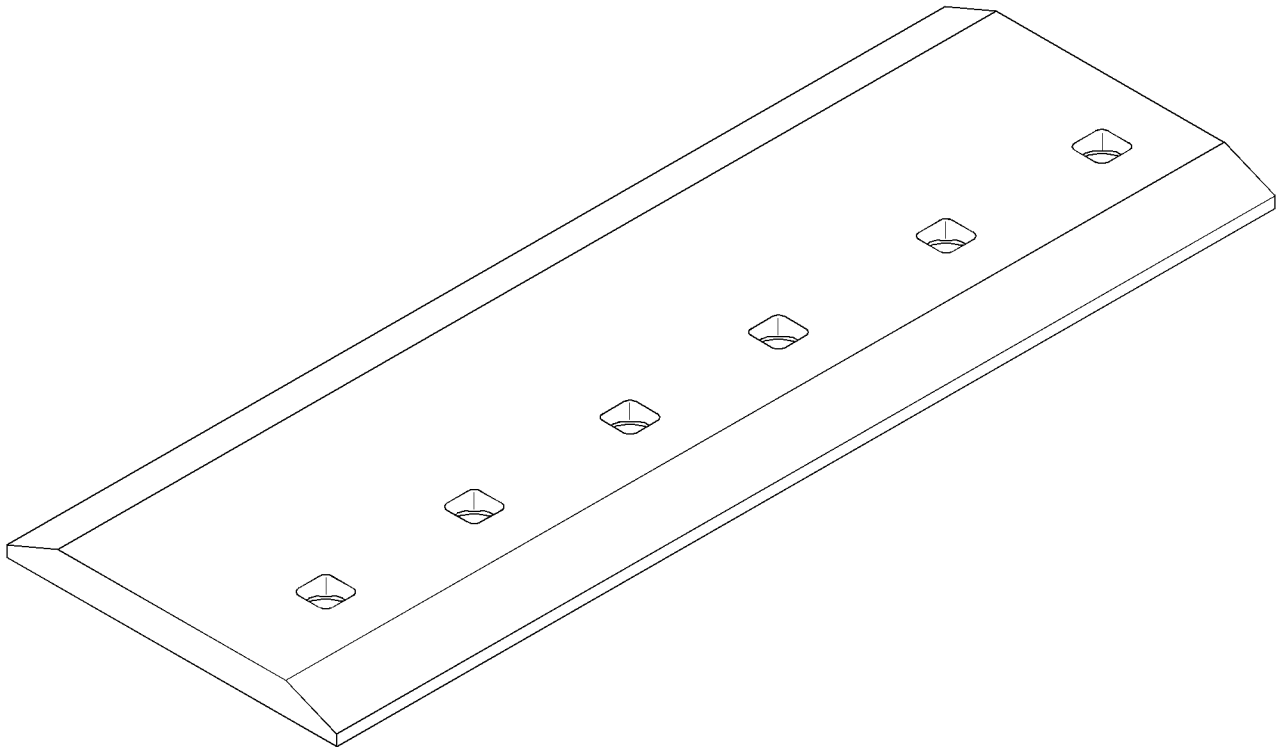
## 275-6009 EDGE-CUTTING-CENTER

S/N: BNH1-UP  
FIELD INSTALLATION

SMCS-6801

i02728013

NOTE	REF NO	GRAPHIC REF	PART NUMBER	QTY	PART NAME						SEE PAGE
					1	2	3	4	5	6 (PRODUCT LEVEL)	
(NO SERVICED PARTS)											



GRAPHIC #1

<END>

g01368793

# WORK TOOLS

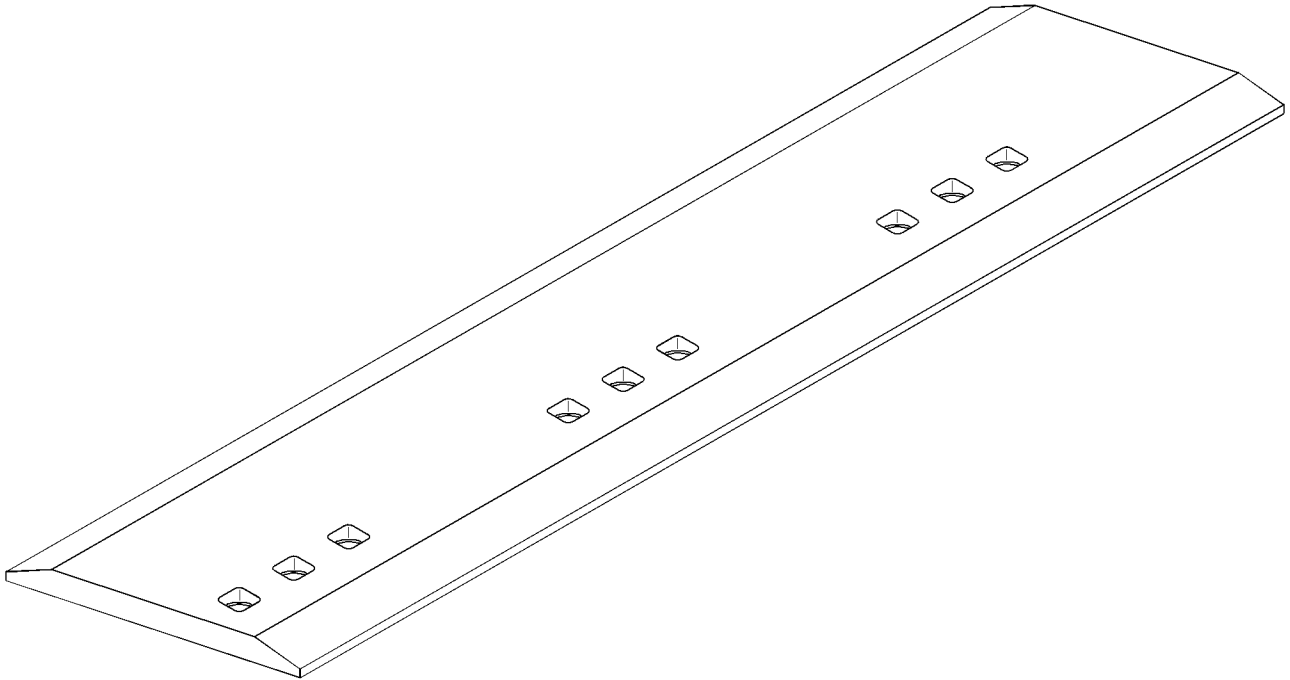
## 275-6010 EDGE-CUTTING-RH

S/N: BNH1-UP  
FIELD INSTALLATION

SMCS-6801

i02728005

NOTE	REF NO	GRAPHIC REF	PART NUMBER	QTY	PART NAME						SEE PAGE
					1	2	3	4	5	6	
(NO SERVICED PARTS)											



GRAPHIC #1

<END>

g01368796

# WORK TOOLS

## 286-2084 EDGE-CUTTING-BASE

S/N: BNH1-UP

50.8-MM THK X 708-MM WIDE X 3886-MM LONG

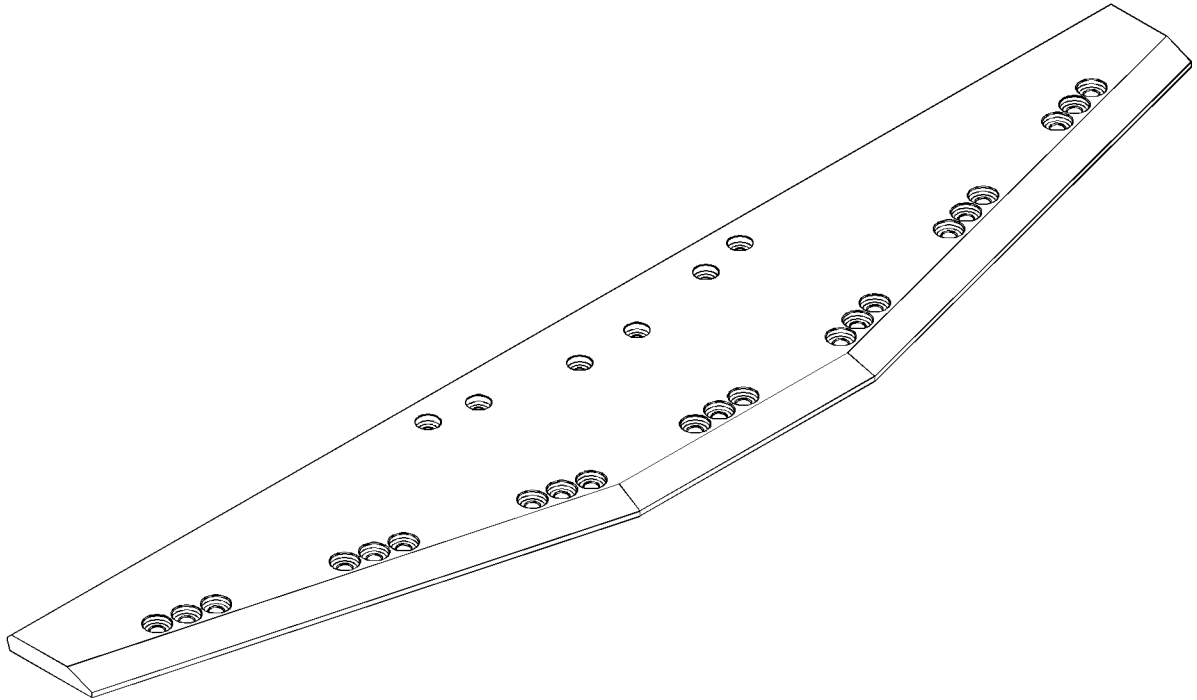
FOR USE WITH 264-2109-PAGE: 1343

FIELD INSTALLATION

SMCS-6801

i02630005

NOTE	REF NO	GRAPHIC REF	PART NUMBER	QTY	PART NAME						SEE PAGE
					1	2	3	4	5	6 (PRODUCT LEVEL)	
(NO SERVICED PARTS)											



GRAPHIC #1

<END>

g01384099

# WORK TOOLS

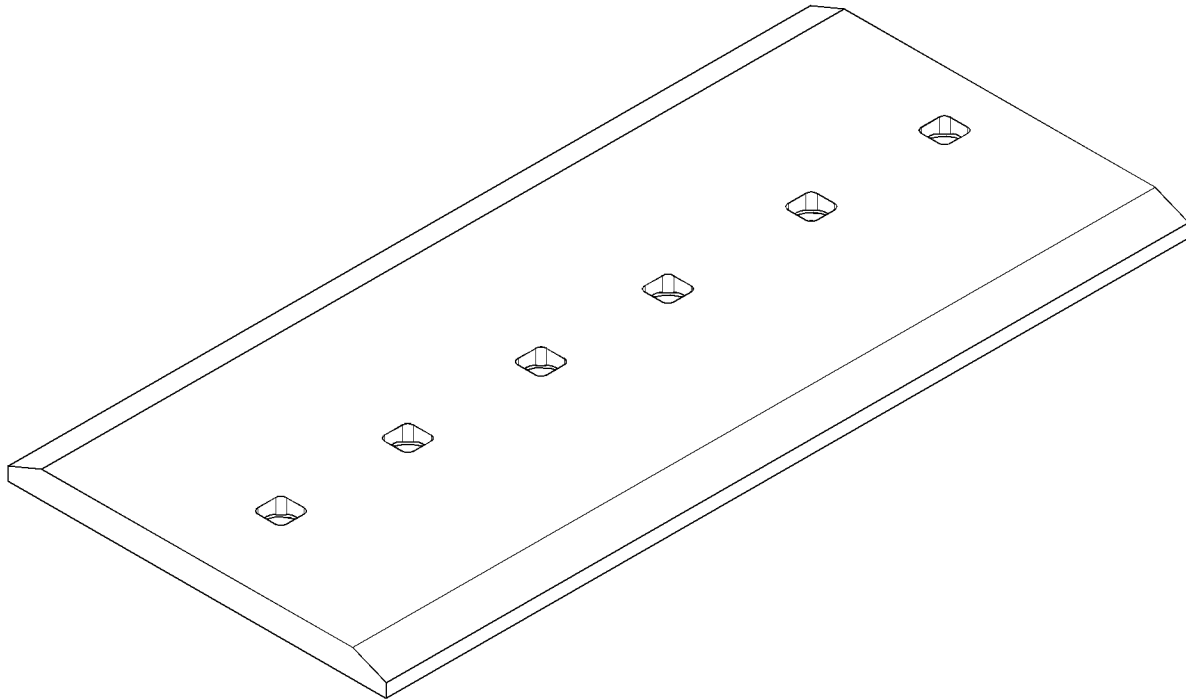
## 314-5059 EDGE-CUTTING-CENTER

S/N: BNH1-UP  
FIELD INSTALLATION

SMCS-6801

i02866455

NOTE	REF NO	GRAPHIC REF	PART NUMBER	QTY	PART NAME						SEE PAGE
					1	2	3	4	5	6 (PRODUCT LEVEL)	
(NO SERVICED PARTS)											



GRAPHIC #1

<END>

g01431888

# WORK TOOLS

## 174-7950 GUARD GP-BUCKET CORNER

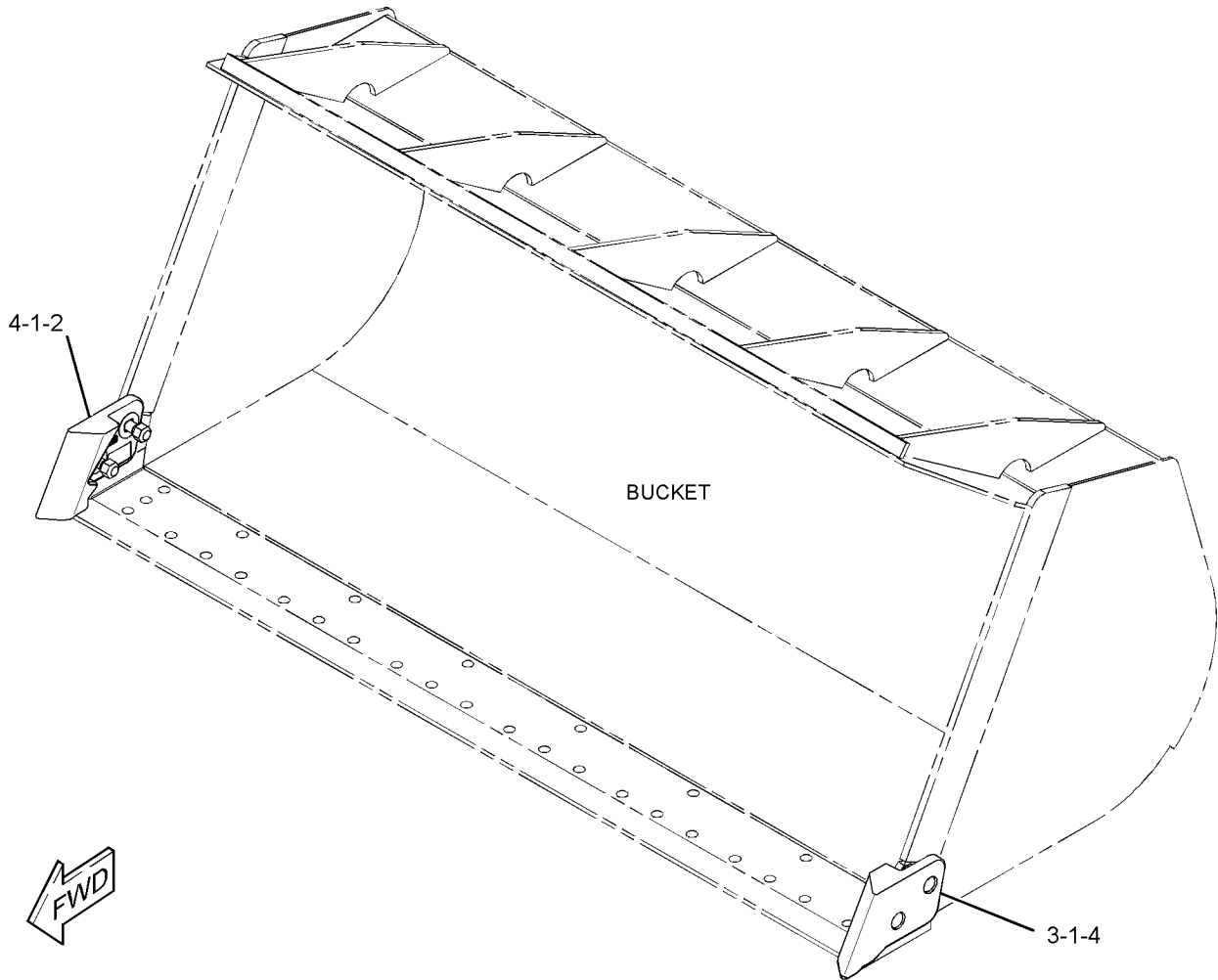
S/N: BNH1-UP

FOR USE WITH A 44.5 MM THICK EDGE AND CORNERS (TWO BOLT) 6I8249 (RH) & 6I8250 (LH)  
AN ATTACHMENT

SMCS-6816

i04660629

NOTE	REF NO	GRAPHIC REF	PART NUMBER	QTY	PART NAME						SEE PAGE
					1	2	3	4	5	6 (PRODUCT LEVEL)	
	1	1	<b>3K-9770</b>	4	NUT-FULL (1-1/4-7-THD)						
	2	1	<b>253-0066</b>	1	GUARD-BUCKET CORNER (RH)						
	3	1	<b>253-0067</b>	1	GUARD-BUCKET CORNER (LH)						
	4	1	<b>5P-8823</b>	4	BOLT-PLOW (1-1/4-7X4.13-IN)						



GRAPHIC #1

<END>

g01348122

# WORK TOOLS

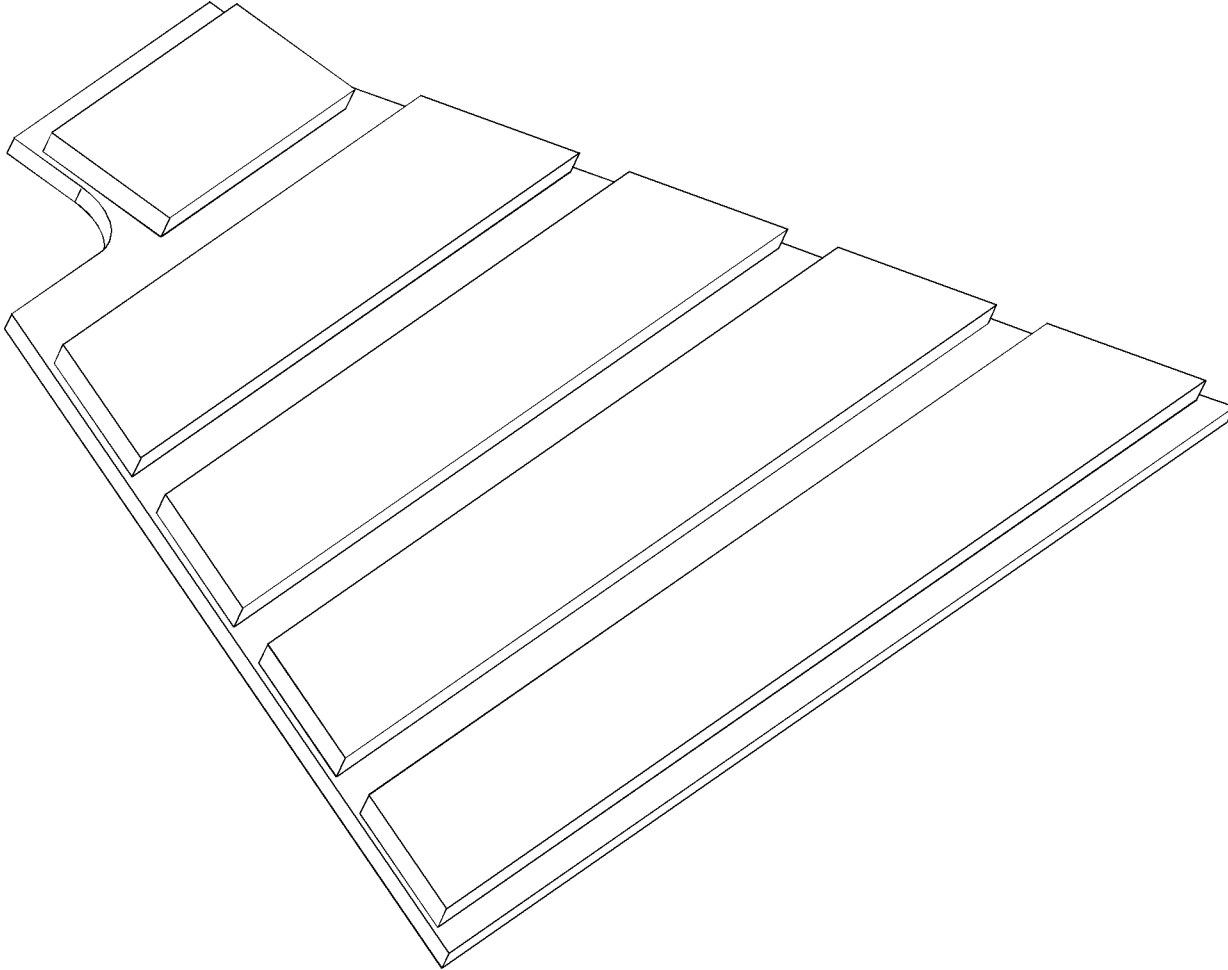
## 236-1642 PLATE AS-WEAR

S/N: BNH1-UP  
FIELD INSTALLATION

SMCS-6120, 6820

i02128277

NOTE	REF NO	GRAPHIC REF	PART NUMBER	QTY	PART NAME	SEE PAGE
					1 2 3 4 5 6 (PRODUCT LEVEL)	
(NO SERVICED PARTS)						



GRAPHIC #1

<END>

g01088256



# WORK TOOLS

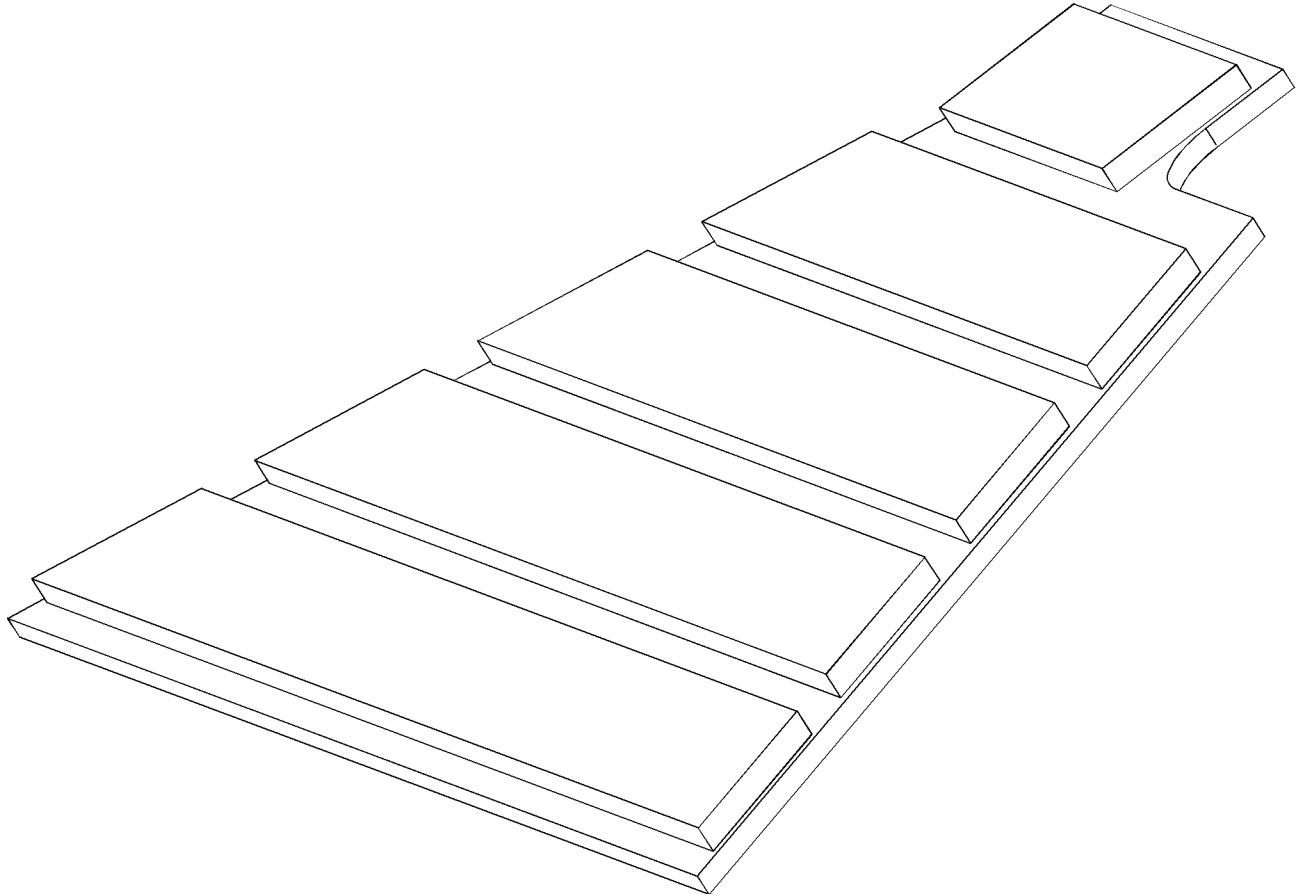
## 236-1643 PLATE AS-WEAR

S/N: BNH1-UP  
FIELD INSTALLATION

SMCS-6120, 6820

i02128275

NOTE	REF NO	GRAPHIC REF	PART NUMBER	QTY	PART NAME	SEE PAGE
					1 2 3 4 5 6 (PRODUCT LEVEL)	
(NO SERVICED PARTS)						



GRAPHIC #1

<END>

g01088240

# WORK TOOLS

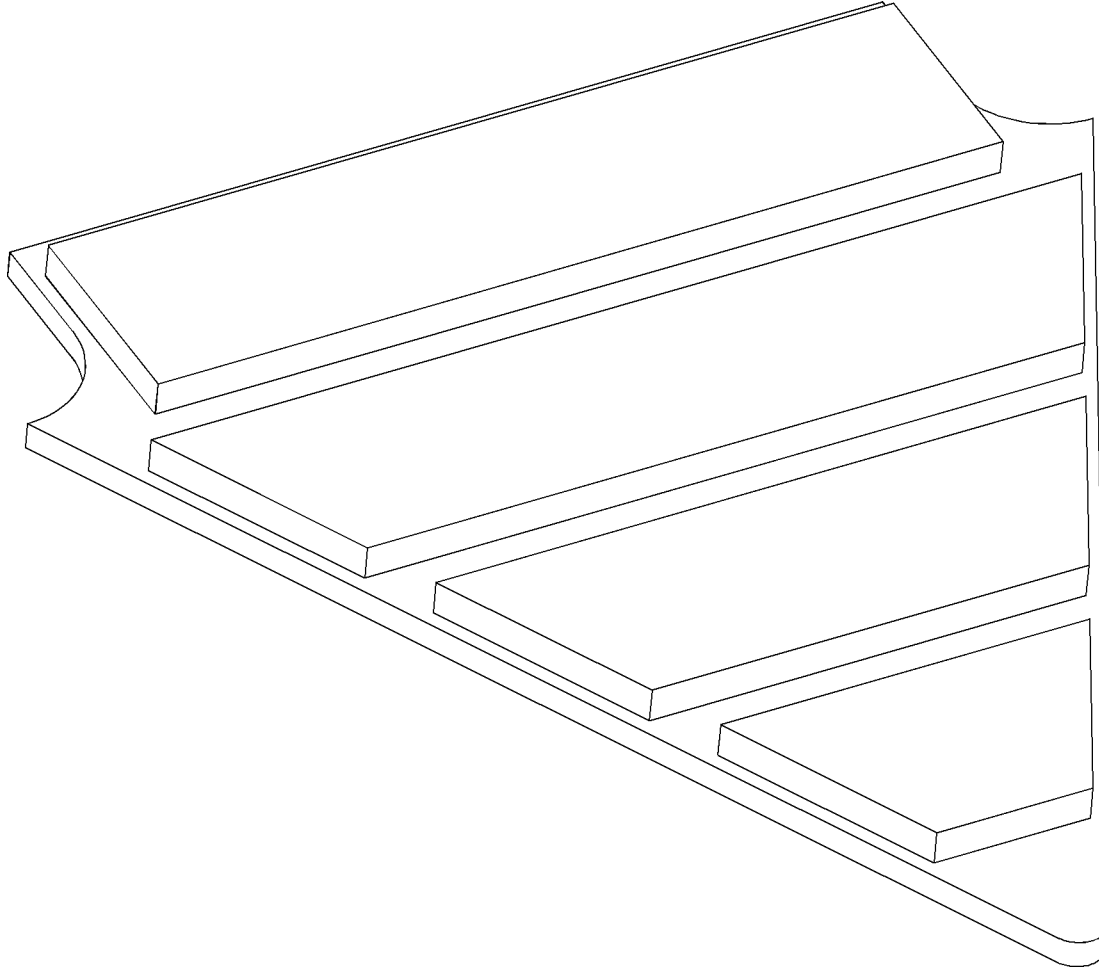
## 236-1644 PLATE AS-WEAR

S/N: BNH1-UP  
FIELD INSTALLATION

SMCS-6120, 6820

i02128273

NOTE	REF NO	GRAPHIC REF	PART NUMBER	QTY	PART NAME	SEE PAGE
					1 2 3 4 5 6 (PRODUCT LEVEL)	
(NO SERVICED PARTS)						



GRAPHIC #1

<END>

g01088198

# WORK TOOLS

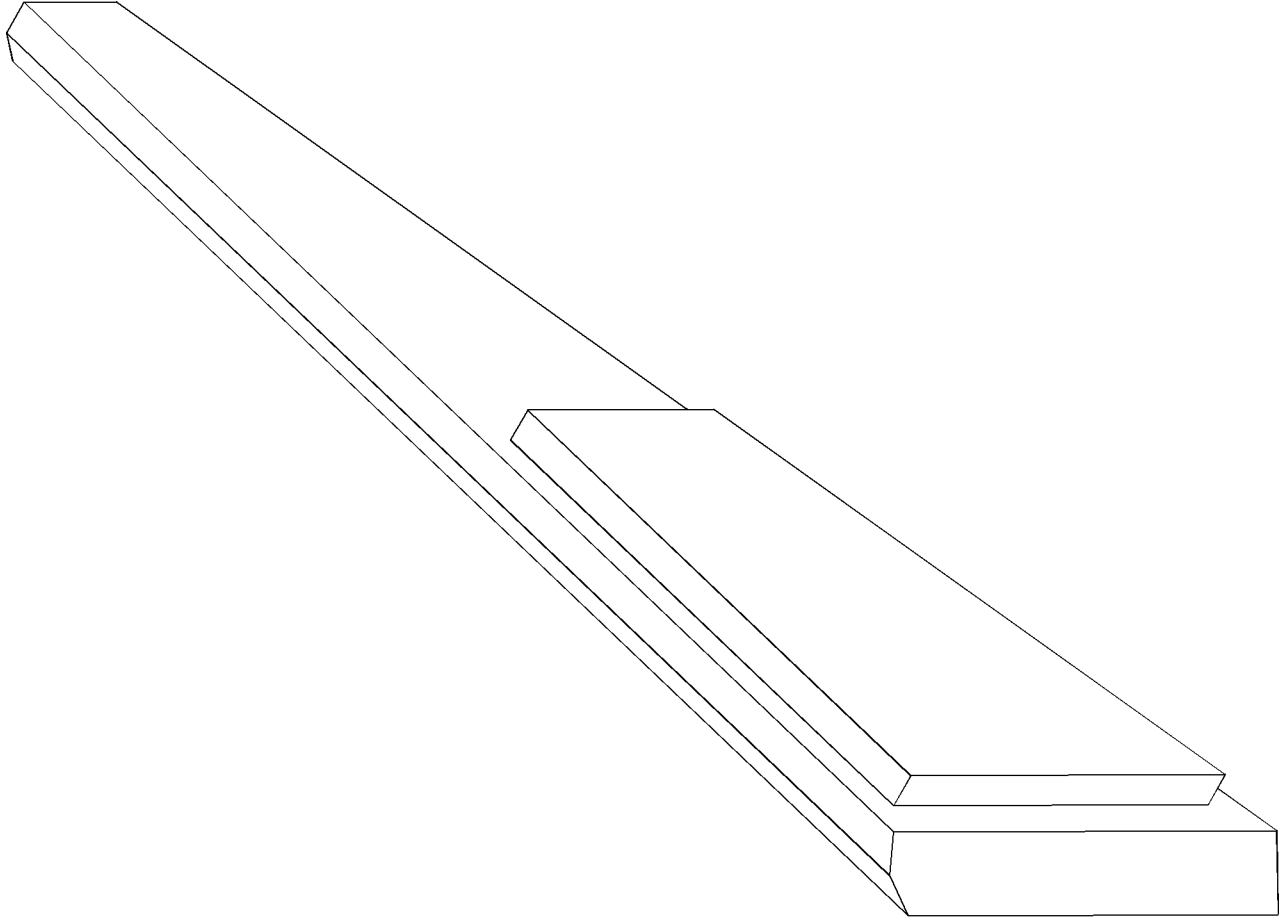
## 236-1656 PLATE AS-WEAR

S/N: BNH1-UP  
FIELD INSTALLATION

SMCS-6120, 6820

i02128270

NOTE	REF NO	GRAPHIC REF	PART NUMBER	QTY	PART NAME	SEE PAGE
					1 2 3 4 5 6 (PRODUCT LEVEL)	
(NO SERVICED PARTS)						



GRAPHIC #1

<END>

g01088215

# WORK TOOLS

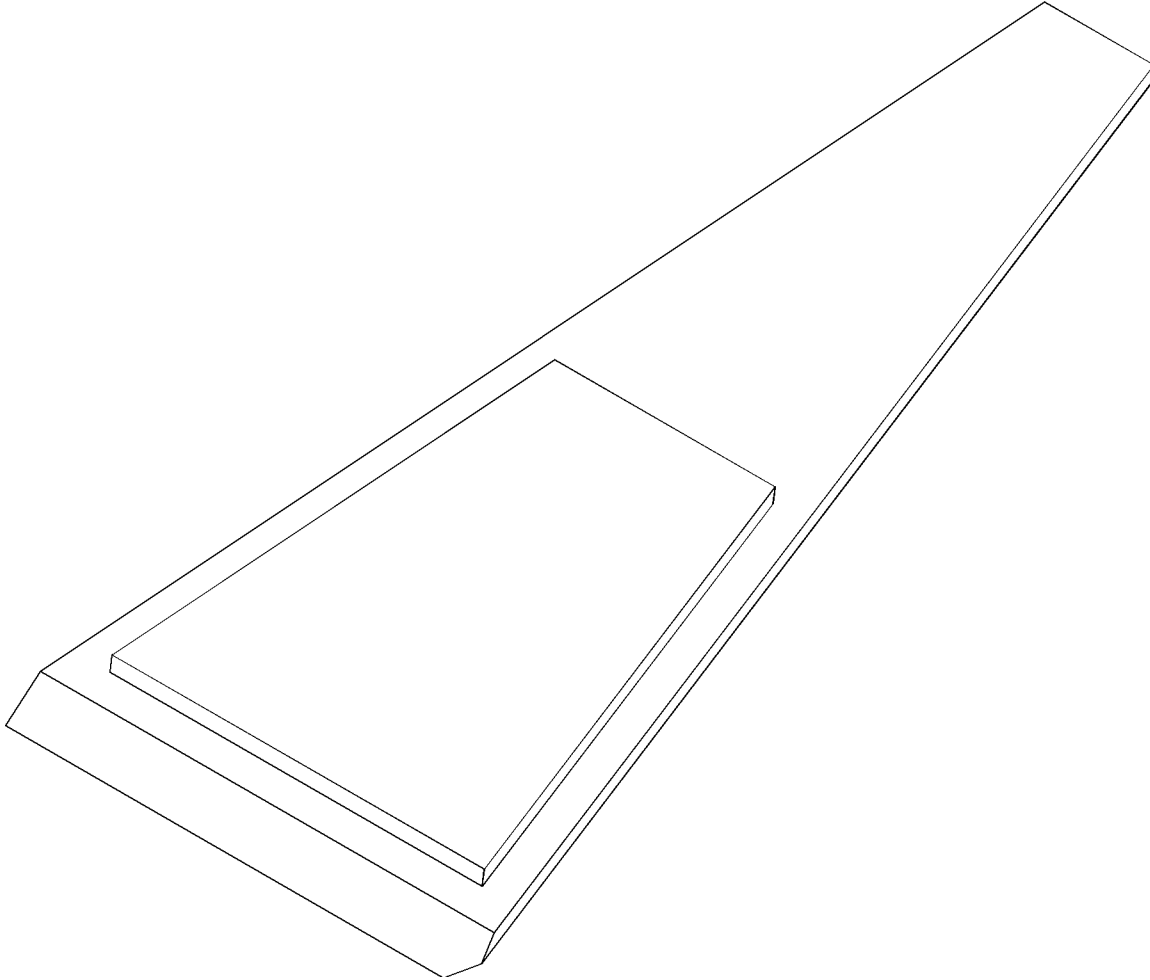
## 236-1657 PLATE AS-WEAR

S/N: BNH1-UP  
FIELD INSTALLATION

SMCS-6120, 6820

i02128269

NOTE	REF NO	GRAPHIC REF	PART NUMBER	QTY	PART NAME	SEE PAGE
					1 2 3 4 5 6 (PRODUCT LEVEL)	
(NO SERVICED PARTS)						



GRAPHIC #1

<END>

g01088228

# WORK TOOLS

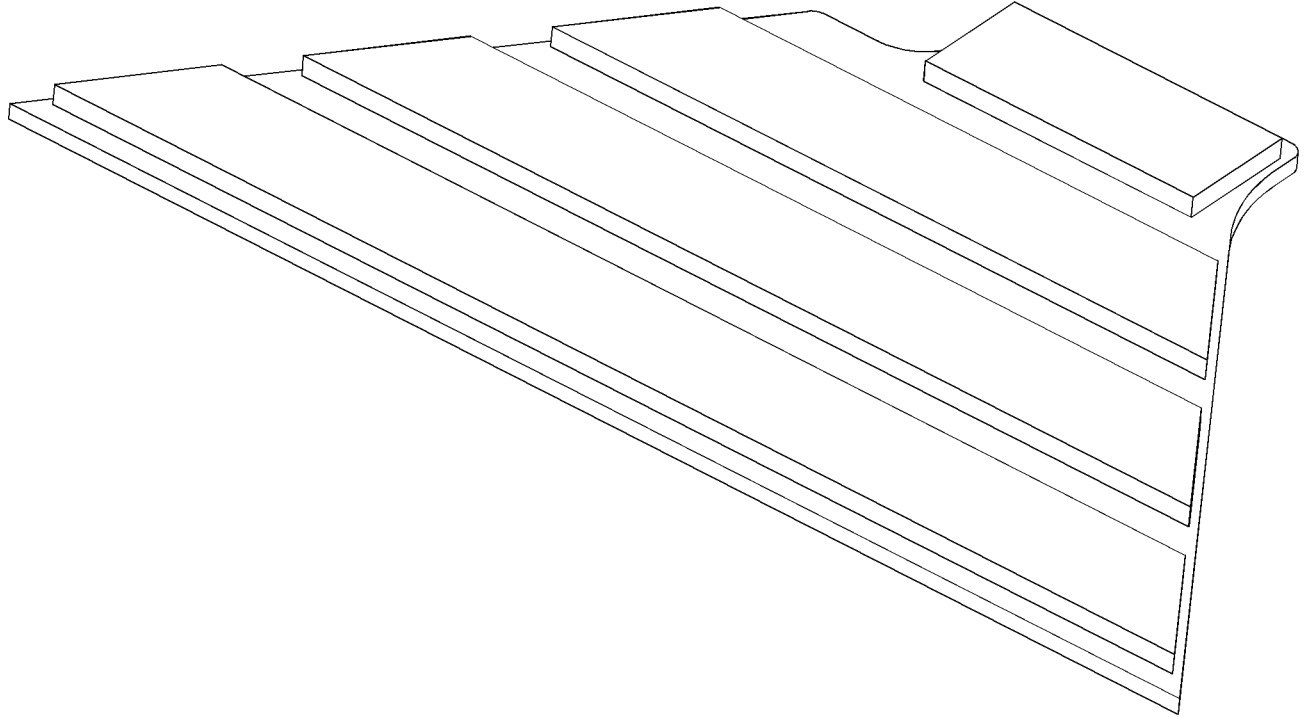
## 236-8219 PLATE AS-WEAR-RH

S/N: BNH1-UP  
FIELD INSTALLATION

SMCS-6120, 6820

i02134807

NOTE	REF NO	GRAPHIC REF	PART NUMBER	QTY	PART NAME	SEE PAGE
					1 2 3 4 5 6 (PRODUCT LEVEL)	
(NO SERVICED PARTS)						



GRAPHIC #1

<END>

g01089047

# WORK TOOLS

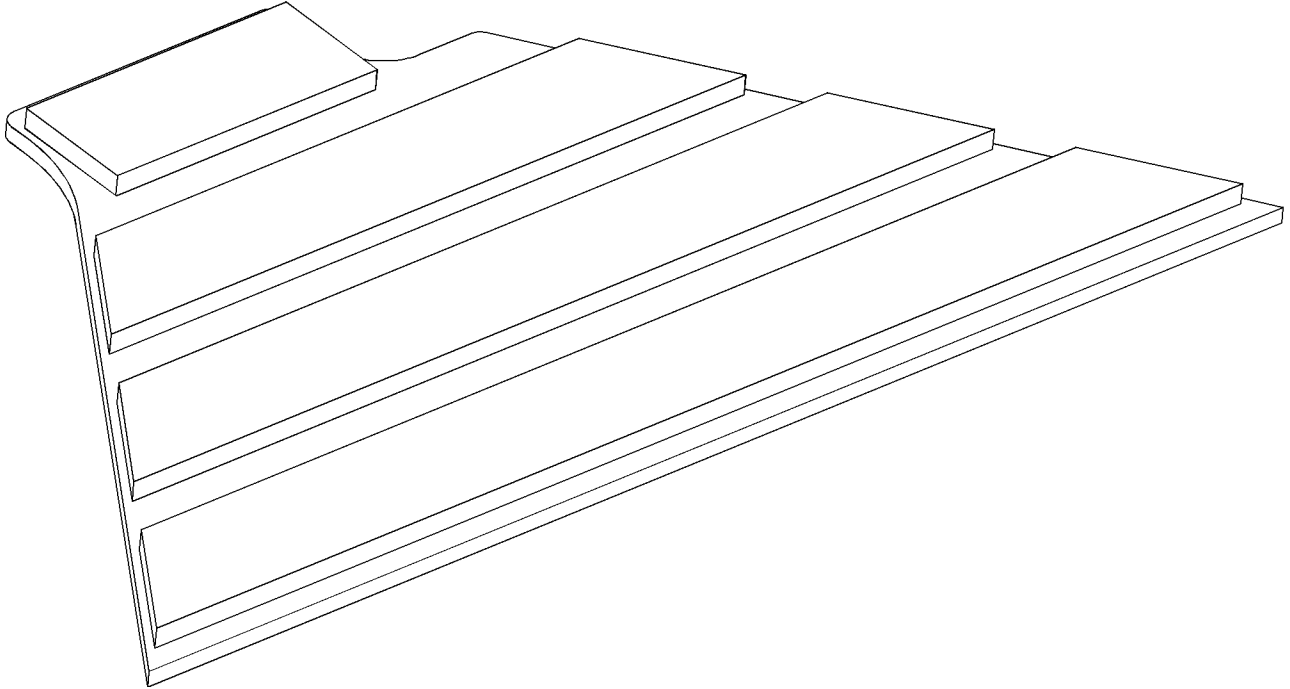
## 236-8220 PLATE AS-WEAR-LH

S/N: BNH1-UP  
FIELD INSTALLATION

SMCS-6120, 6820

i02134805

NOTE	REF NO	GRAPHIC REF	PART NUMBER	QTY	PART NAME	SEE PAGE
					1 2 3 4 5 6 (PRODUCT LEVEL)	
(NO SERVICED PARTS)						



GRAPHIC #1

<END>

g01089045

# WORK TOOLS

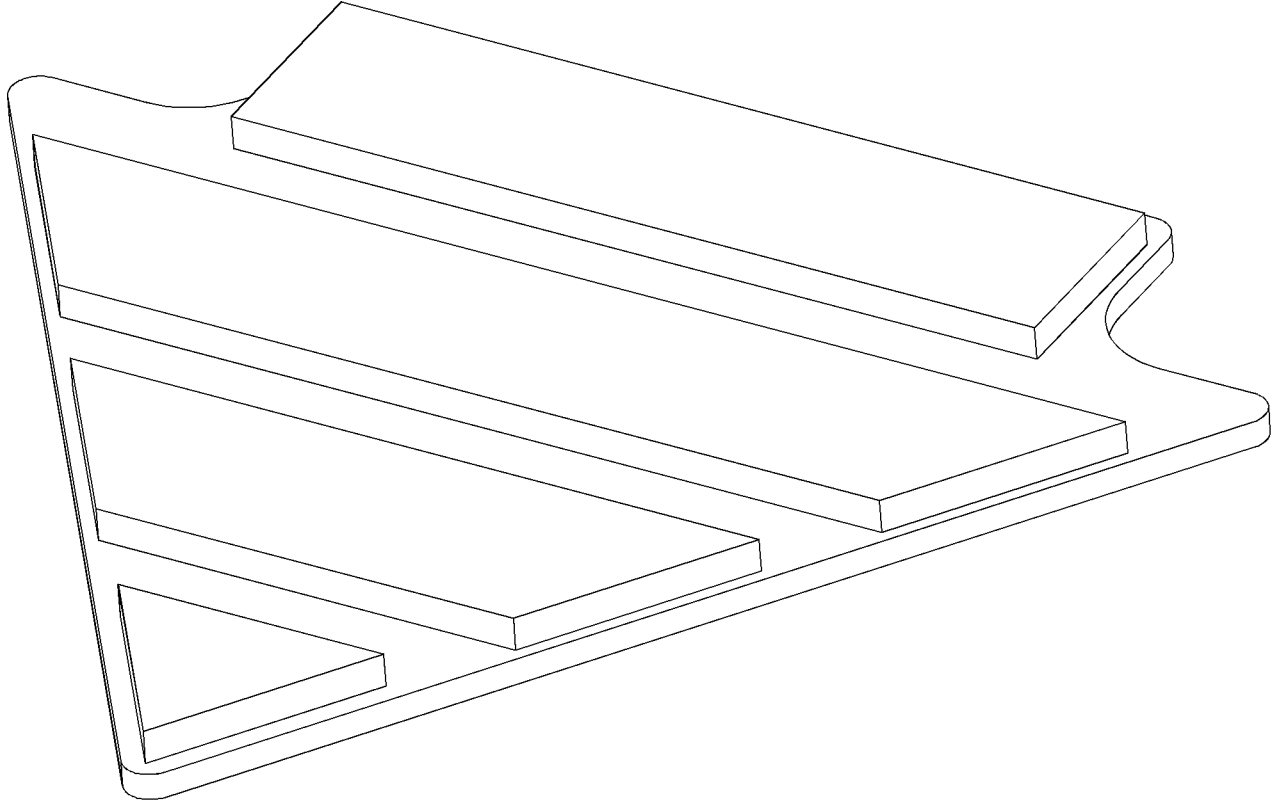
## 236-8221 PLATE AS-WEAR-CENTER

S/N: BNH1-UP  
FIELD INSTALLATION

SMCS-6120, 6820

i02134804

NOTE	REF NO	GRAPHIC REF	PART NUMBER	QTY	PART NAME	SEE PAGE
					1 2 3 4 5 6 (PRODUCT LEVEL)	
(NO SERVICED PARTS)						



GRAPHIC #1

<END>

g01089043

# WORK TOOLS

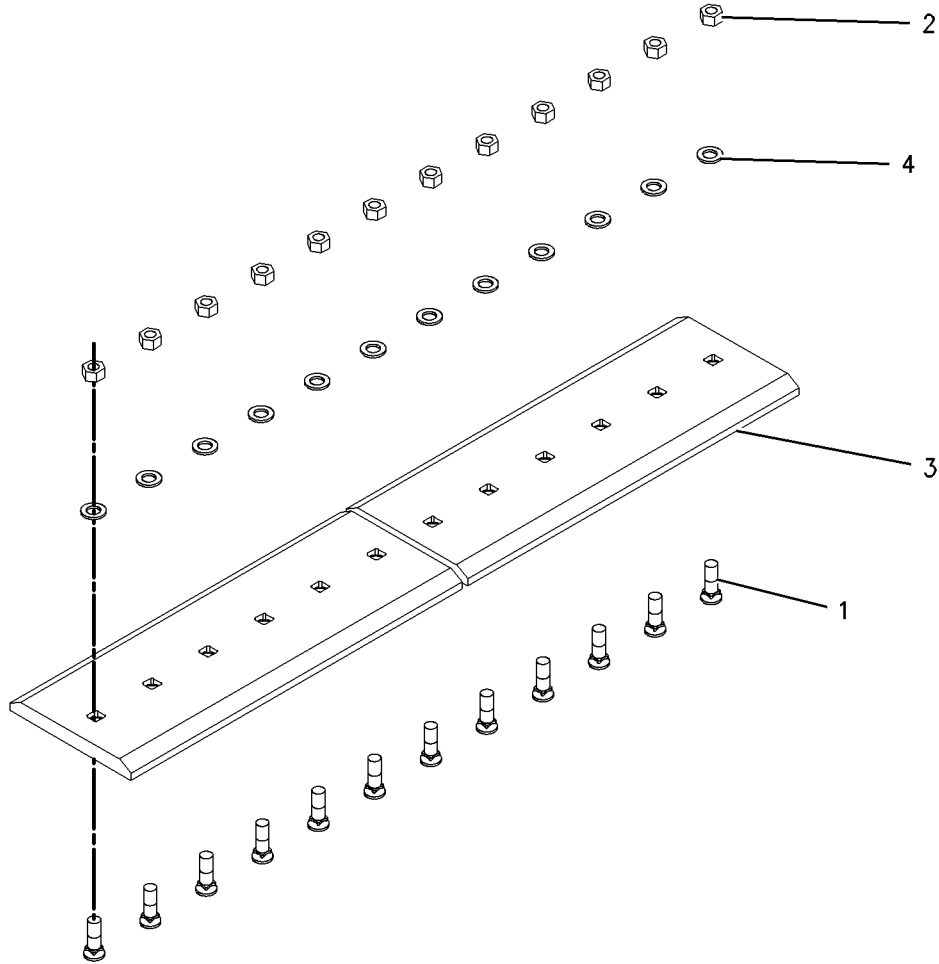
## 164-8387 PLATE GP-WEAR

S/N: BNH1-UP  
PART OF 175-1460, 240-7987 BUCKET GP-ROCK  
AN ATTACHMENT

SMCS-6120, 6820

i01400977

NOTE	REF NO	GRAPHIC REF	PART NUMBER	QTY	PART NAME						SEE PAGE
					1	2	3	4	5	6 (PRODUCT LEVEL)	
	1	1	<b>4J-9058</b>	12	BOLT-PLOW (1-8X3.25 IN)						
	2	1	<b>2J-3507</b>	12	NUT-FULL (1-8 THD)						
	3	1	<b>4T-6540</b>	2	PLATE-WEAR						
	4	1	<b>5P-8250</b>	12	WASHER (28X49X5MM THK)						



GRAPHIC #1

<END>

g00738978



# WORK TOOLS

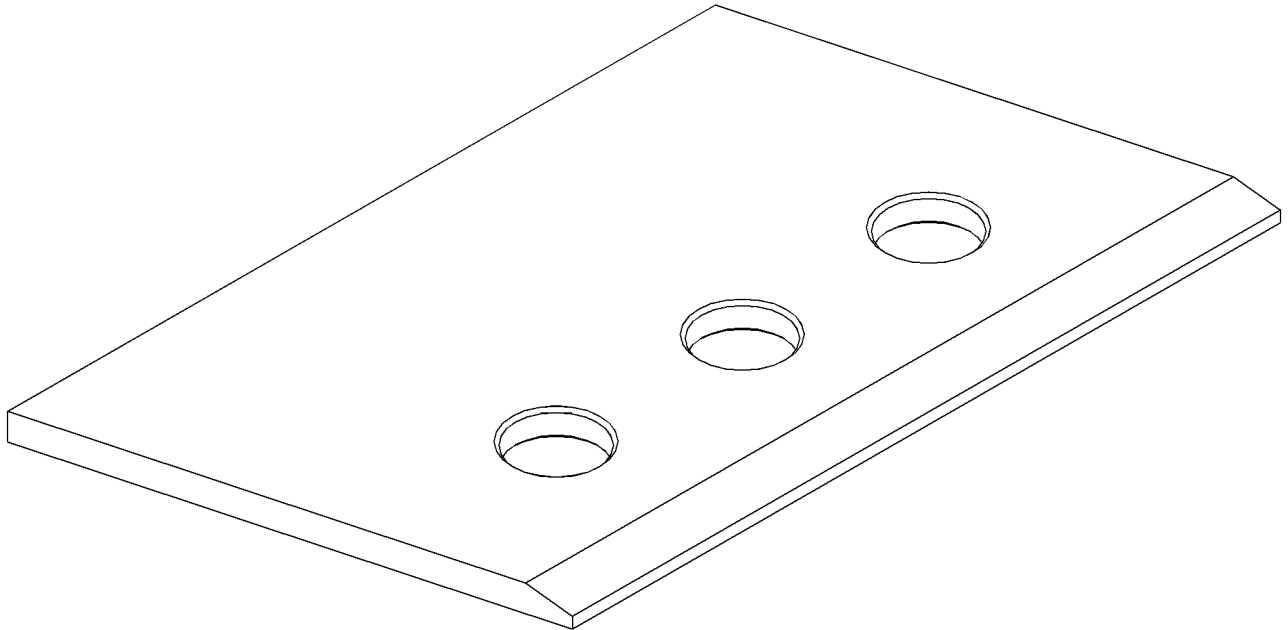
## 275-5943 PLATE-WEAR-RH

S/N: BNH1-UP  
FIELD INSTALLATION

SMCS-6120, 6820

i02629944

NOTE	REF NO	GRAPHIC REF	PART NUMBER	QTY	PART NAME	SEE PAGE
					1 2 3 4 5 6 (PRODUCT LEVEL)	
(NO SERVICED PARTS)						



GRAPHIC #1

<END>

g01379629

# WORK TOOLS

## 275-5944 PLATE-WEAR-LH

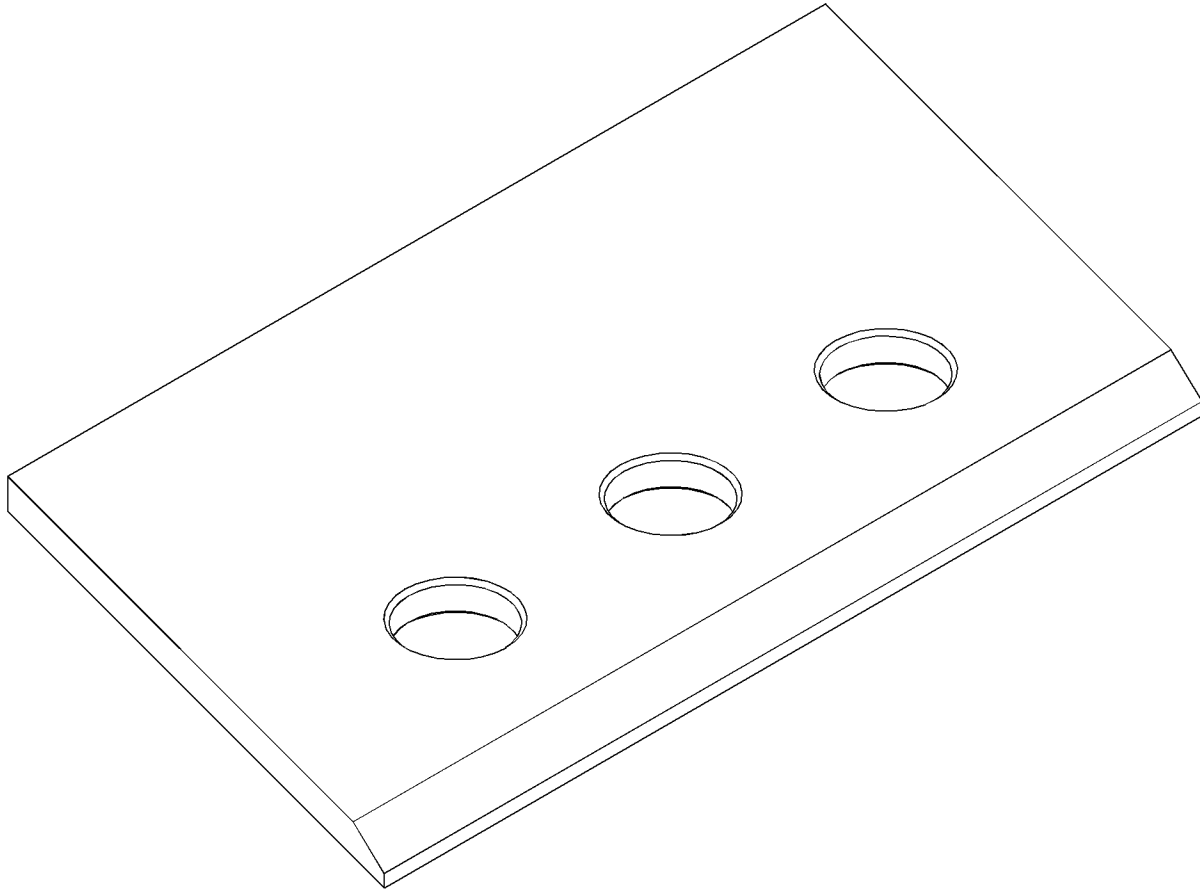
S/N: BNH1-UP

FOR USE WITH 286-2084-PAGE: 1355, 264-2109-PAGE: 1343  
FIELD INSTALLATION

SMCS-6120, 6820

i02629948

NOTE	REF NO	GRAPHIC REF	PART NUMBER	QTY	PART NAME						SEE PAGE
					1	2	3	4	5	6 (PRODUCT LEVEL)	
(NO SERVICED PARTS)											



GRAPHIC #1

<END>

g01380449

# WORK TOOLS

## 275-5945 PLATE-WEAR-CENTER

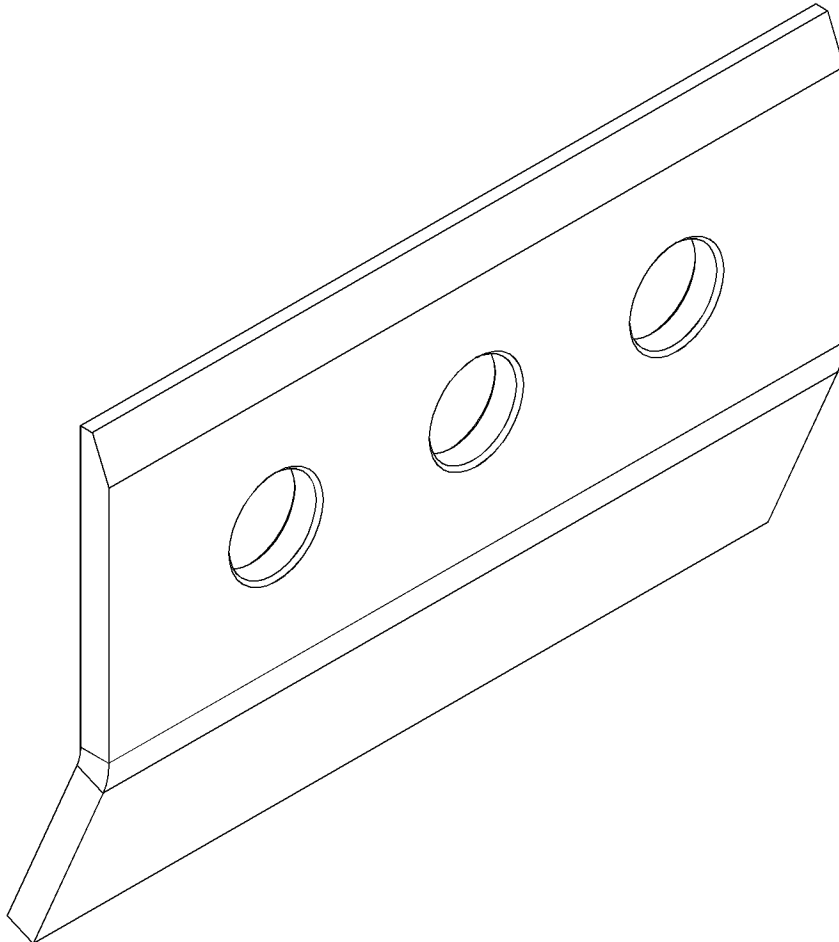
S/N: BNH1-UP

FOR USE WITH 286-2084-PAGE: 1355  
FIELD INSTALLATION

SMCS-6120, 6820

i02629955

NOTE	REF NO	GRAPHIC REF	PART NUMBER	QTY	PART NAME	SEE PAGE
					1 2 3 4 5 6 (PRODUCT LEVEL)	
(NO SERVICED PARTS)						



GRAPHIC #1

<END>

g01370529

# WORK TOOLS

## 174-4847 PROTECTOR GP-EDGE

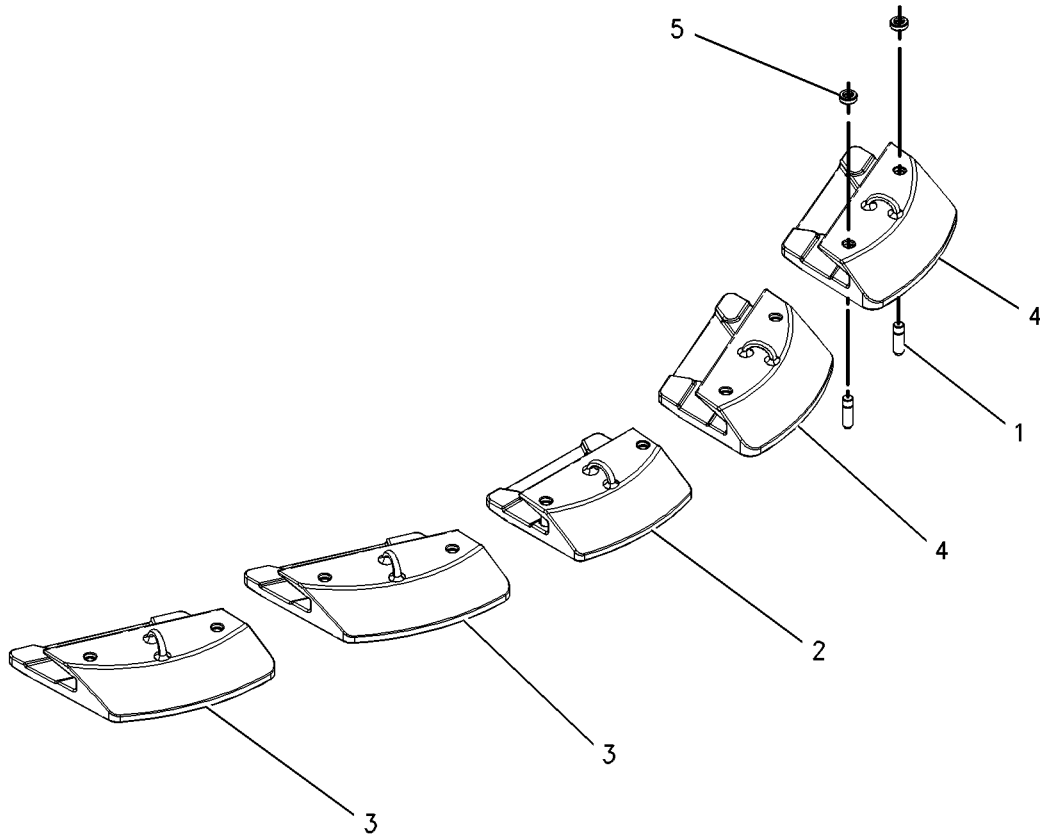
S/N: BNH1-UP

FOR USE WITH 164-5678 HEAVY DUTY MINING BUCKET  
PART OF 175-1460, 240-7987 BUCKET GP-ROCK  
AN ATTACHMENT

SMCS-6120

i01400978

NOTE	REF NO	GRAPHIC REF	PART NUMBER	QTY	PART NAME						SEE PAGE
					1	2	3	4	5	6	
	1	1	135-9571	10	PIN						
	2	1	135-9570	1	PROTECTOR-EDGE (CENTER)						
	3	1	174-7929	2	PROTECTOR-EDGE (RH)						
	4	1	174-7928	2	PROTECTOR-EDGE (LH)						
	5	1	165-7237	10	RETAINER AS						



GRAPHIC #1

<END>

g00738974

# WORK TOOLS

## 232-0161 PROTECTOR GP-EDGE

S/N: BNH1-UP  
AN ATTACHMENT

SMCS-6120

i02224403

NOTE	PART NUMBER	QTY	PART NAME						SEE PAGE
			1	2	3	4	5	6 (PRODUCT LEVEL)	
	5P-8361	21	BOLT-PLOW (1-1/4-7X4.92-IN)						
	109-9080	1	EDGE-SEGMENT (CENTER)						
	109-9081	3	EDGE-SEGMENT						
	109-9082	3	EDGE-SEGMENT						
	5P-8362	21	NUT (1-1/4-7-THD)						
	3K-9770	21	NUT-FULL (1-1/4-7-THD)						
	195-7180	1	PLATE (CENTER)						
	195-7181	3	PLATE-WEAR (RH)						
	195-7182	3	PLATE-WEAR (LH)						

<END>

# WORK TOOLS

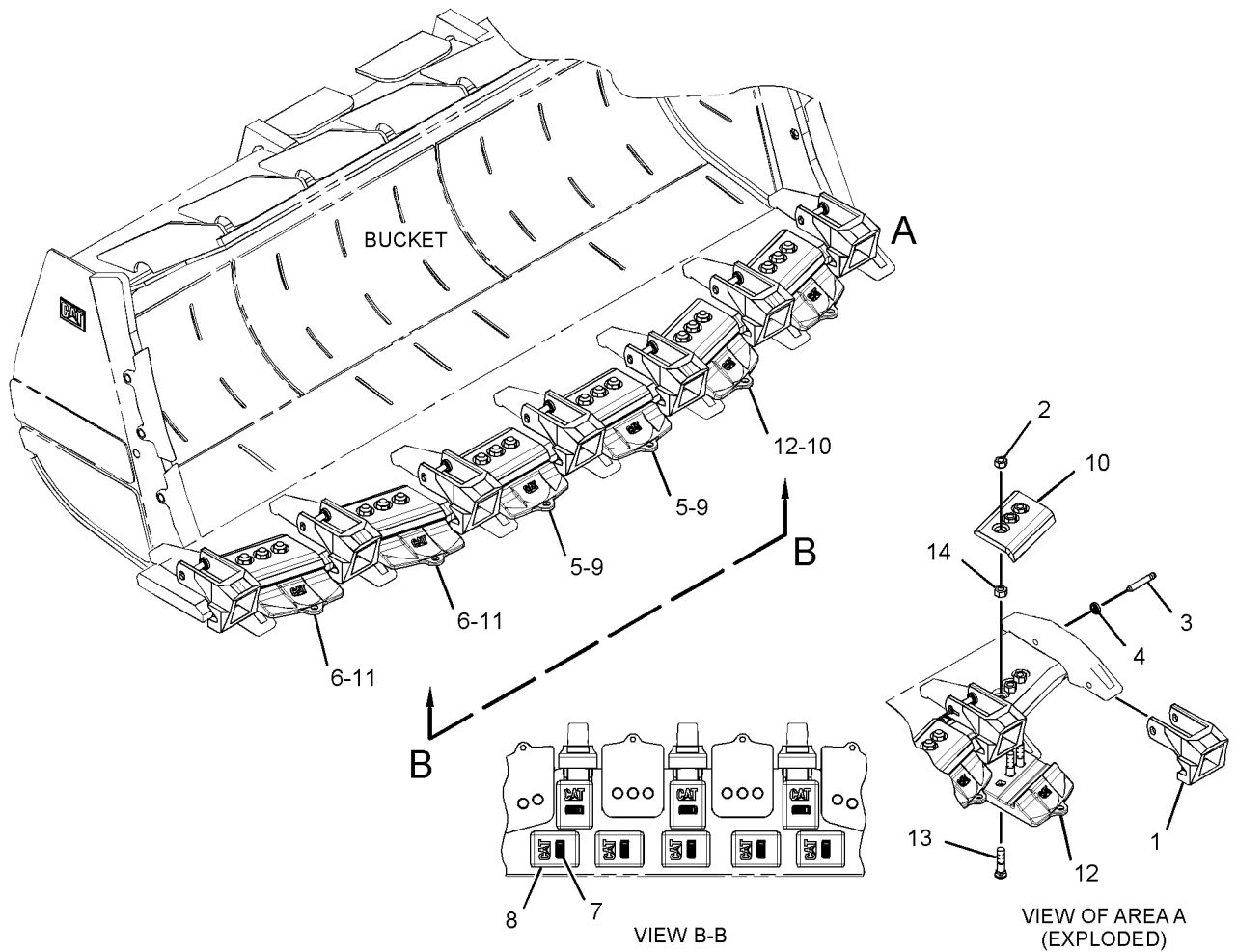
## 253-0188 PROTECTOR GP-EDGE

S/N: BNH1-UP  
FIELD INSTALLATION

SMCS-6120

i02752964

NOTE	REF NO	GRAPHIC REF	PART NUMBER	QTY	PART NAME						SEE PAGE
					1	2	3	4	5	6	
	1	1	<b>1U-0741</b>	7	COVER						
	2	1	<b>5P-8362</b>	18	NUT (1-1/4-7-THD)						
	3	1	<b>107-3378</b>	7	PIN						
	4	1	<b>107-8559</b>	7	RETAINER AS						
	5	1	<b>109-9080</b>	2	EDGE-SEGMENT (CENTER)						
	6	1	<b>109-9081</b>	2	EDGE-SEGMENT (LH)						
	7	1	<b>138-0006</b>	12	RETAINER-G.E.T.						
	8	1	<b>138-0032</b>	12	PLATE-WEAR						
	9	1	<b>233-7167</b>	2	PLATE-WEAR (CENTER)						
	10	1	<b>253-0191</b>	2	PLATE-WEAR (LH)						
	11	1	<b>253-0192</b>	2	PLATE-WEAR (RH)						
	12	1	<b>109-9082</b>	2	EDGE-SEGMENT (RH)						
	13	1	<b>198-1092</b>	18	BOLT-PLOW (1-1/4-7X5.5-IN)						
	14	1	<b>3K-9770</b>	18	NUT-FULL (1-1/4-7-THD)						



GRAPHIC #1

<END>

g01388433

# WORK TOOLS

## 106-0912 PROTECTOR GP-SIDE BAR

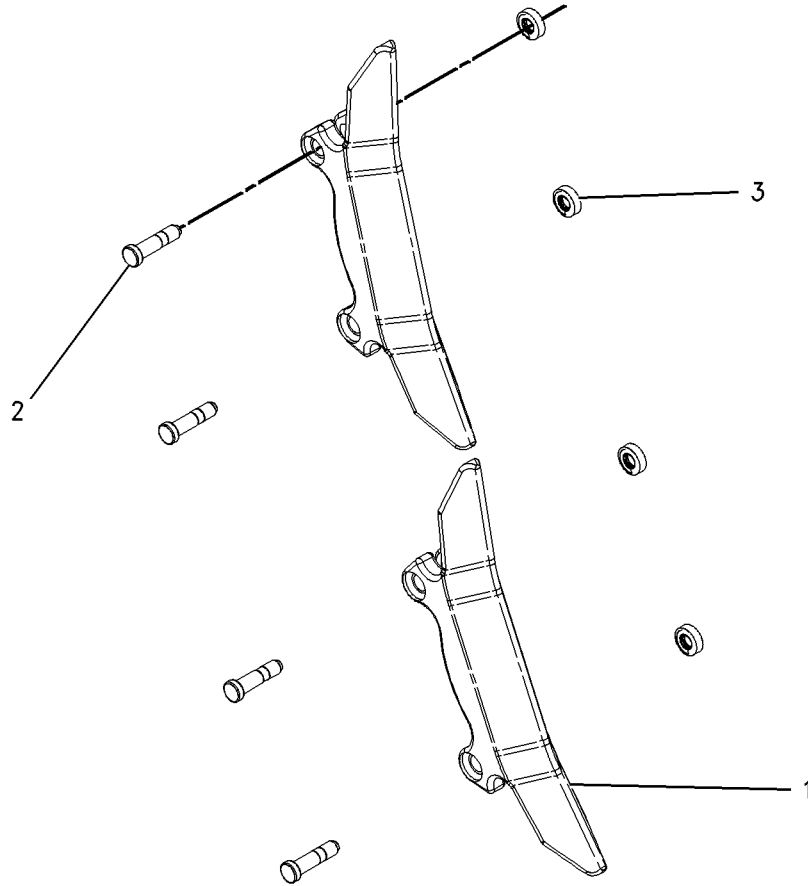
S/N: BNH1-UP

PART OF 175-1458, 175-1460, 240-0277, 240-7987 BUCKET GP-ROCK  
AN ATTACHMENT

SMCS-6102, 6817

i01400974

NOTE	REF NO	GRAPHIC REF	PART NUMBER	QTY	PART NAME						SEE PAGE
					1	2	3	4	5	6 (PRODUCT LEVEL)	
	1	1	<b>9J-9600</b>	2	BIT-ROUTER						
	2	1	<b>135-9350</b>	4	PIN						
	3	1	<b>114-0359</b>	4	RETAINER AS						



GRAPHIC #1

<END>

g00738979

# WORK TOOLS

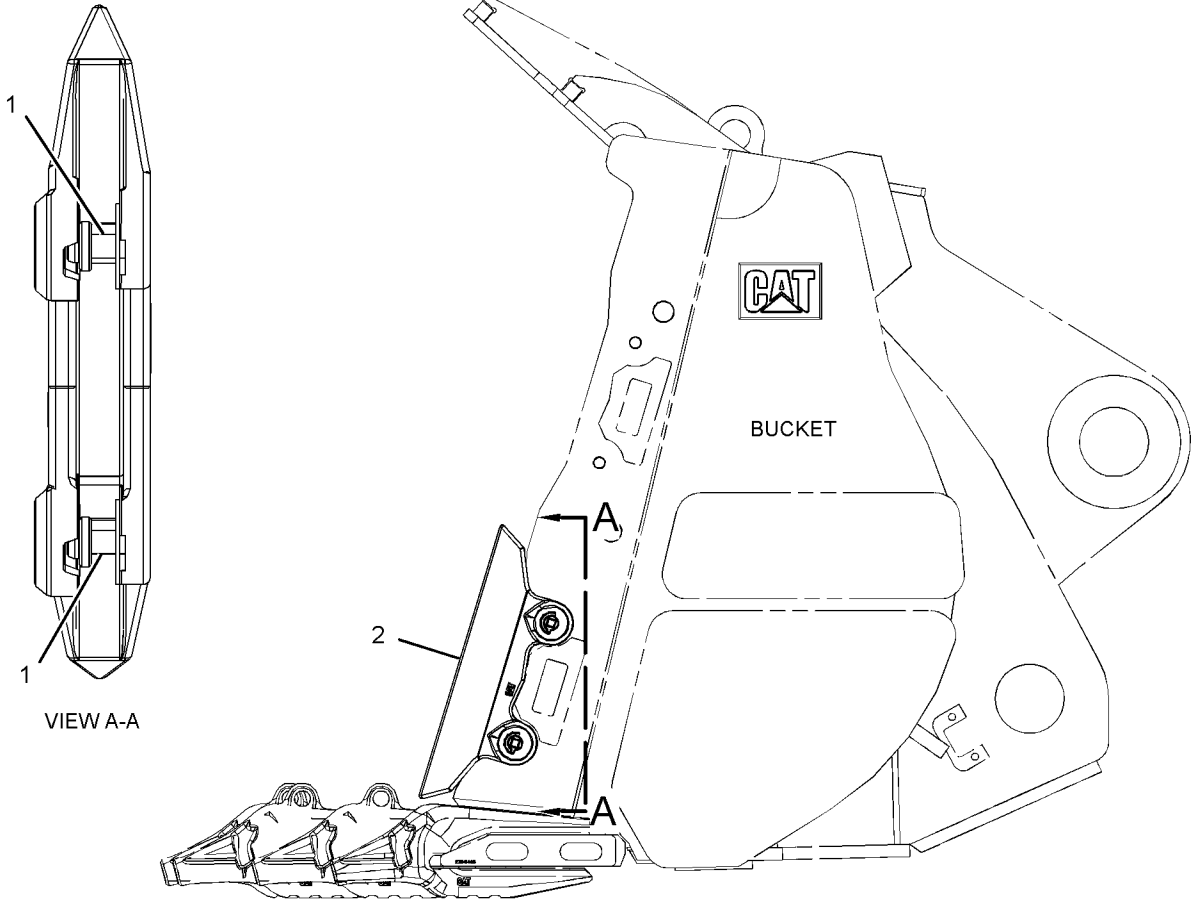
## 356-6437 PROTECTOR GP-SIDE BAR

S/N: BNH1-UP  
AN ATTACHMENT

SMCS-6102, 6817

i05349690

NOTE	REF NO	GRAPHIC REF	PART NUMBER	QTY	PART NAME						SEE PAGE
					1	2	3	4	5	6	
	1	1	<b>329-5953</b>	4	KIT-PIN (EACH INCLUDES INSERT & WASHERS)						
	2	1	<b>329-5954</b>	2	PROTECTOR AS (EACH INCLUDES)						
		1	<b>329-5947</b>	2	KIT-RETAINER (EACH INCLUDES RETAINER & SLEEVE)						



LEFT SIDE VIEW

GRAPHIC #1

<END>

g03389678



# WORK TOOLS

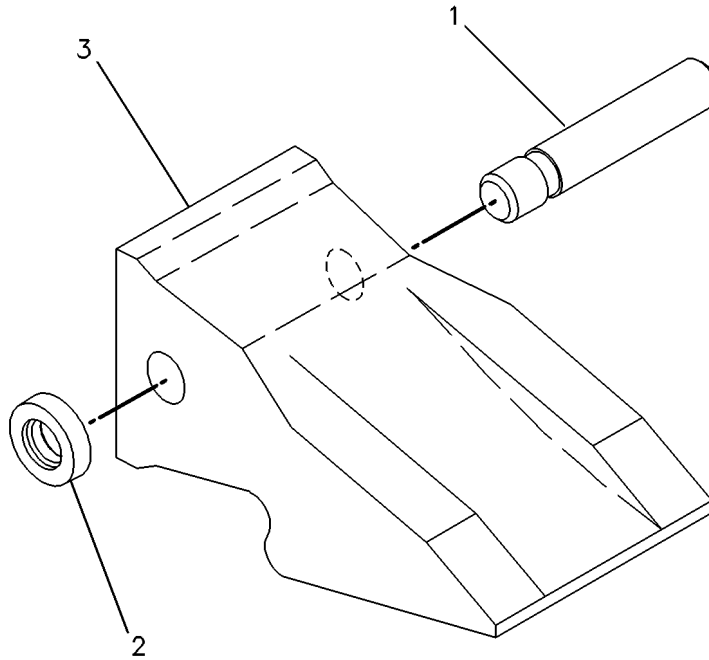
## 8E-3758 TIP GP-ABRASION

S/N: BNH1-UP  
J-460. HEAVY-DUTY  
AN ATTACHMENT

SMCS-6805

i02110591

NOTE	REF NO	GRAPHIC REF	PART NUMBER	QTY	PART NAME						SEE PAGE
					1	2	3	4	5	6 (PRODUCT LEVEL)	
	1	1	114-0468	1	PIN						
	2	1	107-3469	1	RETAINER AS						
	3	1	9N-4453	1	TIP-ABRASION (HEAVY-DUTY)						



GRAPHIC #1

<END>

g00224048

# WORK TOOLS

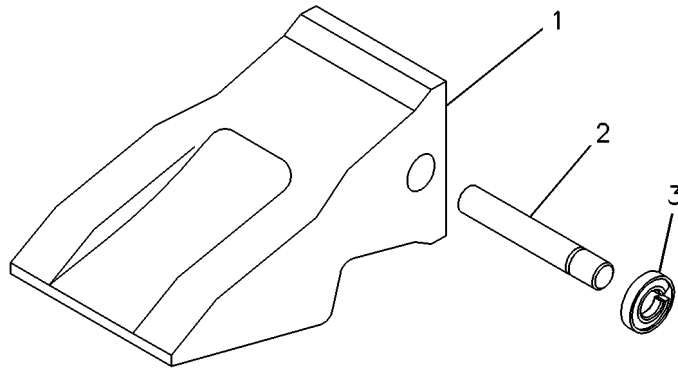
## 8E-3759 TIP GP-ABRASION

S/N: BNH1-UP  
J-550. HEAVY-DUTY  
AN ATTACHMENT

SMCS-6805

i02110550

NOTE	REF NO	GRAPHIC REF	PART NUMBER	QTY	PART NAME						SEE PAGE
					1	2	3	4	5	6 (PRODUCT LEVEL)	
	1	1	6Y-2553	1	TIP-ABRASION (HEAVY-DUTY)						
	2	1	107-3378	1	PIN						
	3	1	107-8559	1	RETAINER AS						



GRAPHIC #1

<END>

g00127389

# WORK TOOLS

## 220-9169 TIP GP-ABRASION

S/N: BNH1-UP

K-110

AN ATTACHMENT

SMCS-6805

i02223787

NOTE	PART NUMBER	QTY	PART NAME						SEE PAGE
			1	2	3	4	5	6 (PRODUCT LEVEL)	
	220-9110	1	RETAINER-G.E.T. (K-110)						
	223-8112	1	TIP-ABRASION (K-110)						
<END>									

# WORK TOOLS

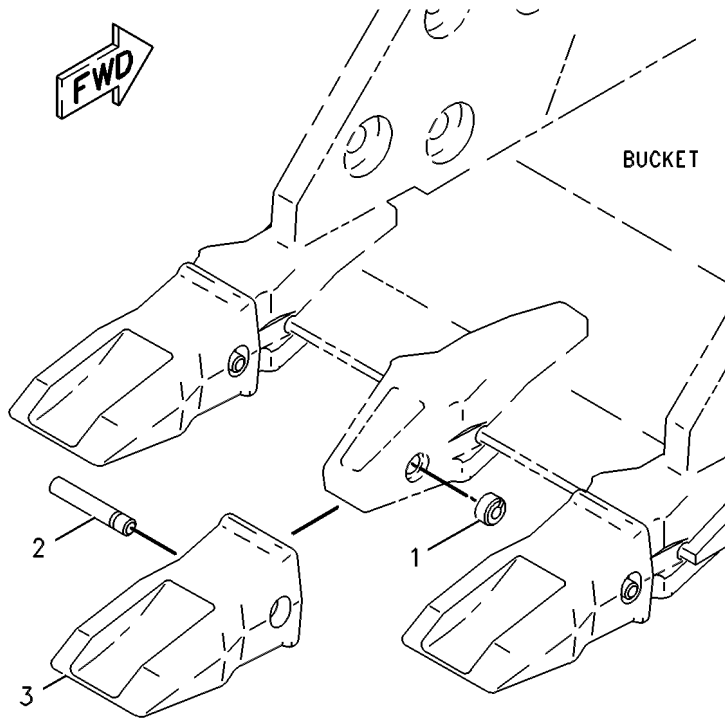
## 6Y-5373 TIP GP-LONG

S/N: BNH1-UP  
J-550. HEAVY-DUTY  
AN ATTACHMENT

SMCS-6805

i02110575

NOTE	REF NO	GRAPHIC REF	PART NUMBER	QTY	PART NAME						SEE PAGE
					1	2	3	4	5	6 (PRODUCT LEVEL)	
1	1	1	107-8559	1	RETAINER AS						
2	1	1	107-3378	1	PIN						
3	1	1	9N-4552	1	TIP-LONG (HEAVY-DUTY)						



GRAPHIC #1

<END>

g00121857

# WORK TOOLS

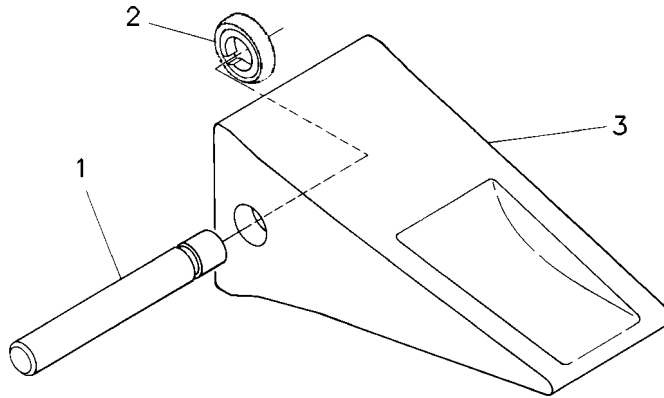
## 8J-9842 TIP GP-LONG

S/N: BNH1-UP  
 J-550. HEAVY-DUTY  
 AN ATTACHMENT

SMCS-6805

i02110579

NOTE	REF NO	GRAPHIC REF	PART NUMBER	QTY	PART NAME						SEE PAGE
					1	2	3	4	5	6 (PRODUCT LEVEL)	
	1	1	107-3378	1	PIN						
	2	1	107-8559	1	RETAINER AS						
	3	1	9W-8552	1	TIP-LONG (HEAVY-DUTY)						



GRAPHIC #1

<END>

g00119069

# WORK TOOLS

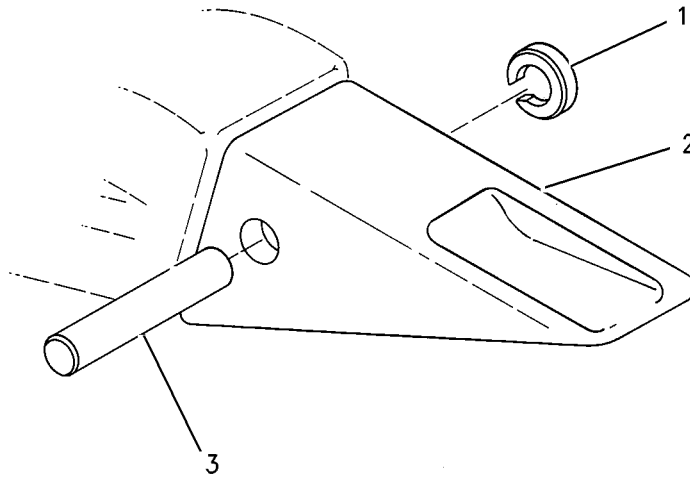
## 9N-4562 TIP GP-LONG

S/N: BNH1-UP  
J-460. HEAVY DUTY  
AN ATTACHMENT

SMCS-6805

i01480311

NOTE	REF NO	GRAPHIC REF	PART NUMBER	QTY	PART NAME						SEE PAGE
					1	2	3	4	5	6	
	1	1	107-3469	1	RETAINER AS-G.E.T.						
	2	1	9W-8452	1	TIP-LONG (HD)						
	3	1	114-0468	1	PIN-G.E.T.						



GRAPHIC #1

<END>

g00770646

# WORK TOOLS

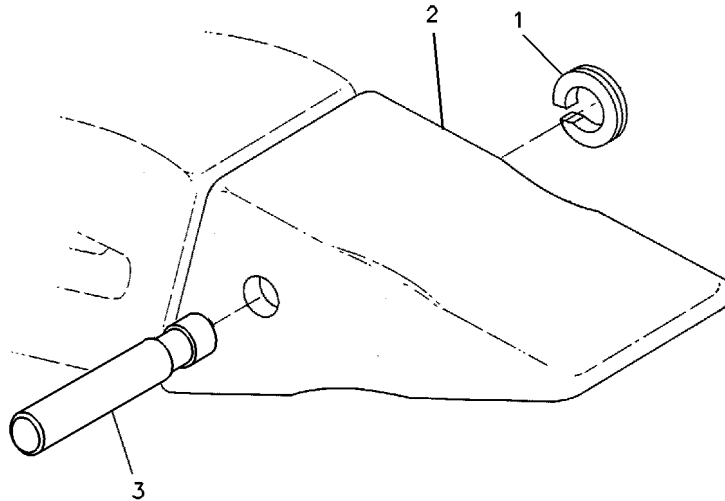
## 9N-4563 TIP GP-LONG

S/N: BNH1-UP  
J-460. ABRASIVE  
AN ATTACHMENT

SMCS-6805

i01382253

NOTE	REF NO	GRAPHIC REF	PART NUMBER	QTY	PART NAME						SEE PAGE
					1	2	3	4	5	6	
	1	1	107-3469	1	RETAINER AS						
	2	1	9N-4452	1	TIP-LONG						
	3	1	114-0468	1	PIN						



GRAPHIC #1

<END>

g00119082

# WORK TOOLS

## 9N-4564 TIP GP-PENETRATION

S/N: BNH1-UP

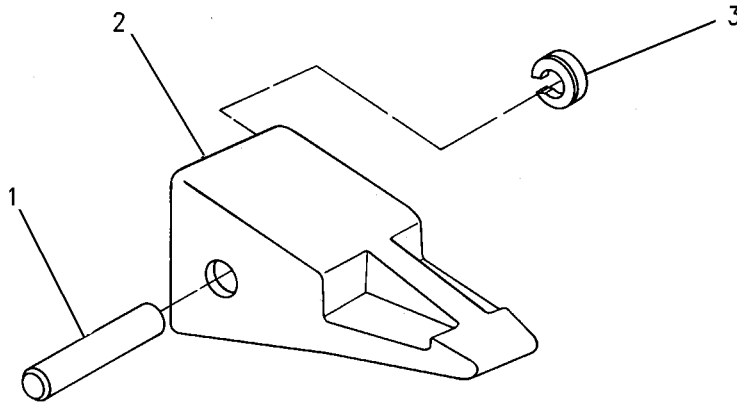
J-460

AN ATTACHMENT

SMCS-6805

i01496659

NOTE	REF NO	GRAPHIC REF	PART NUMBER	QTY	PART NAME						SEE PAGE
					1	2	3	4	5	6 (PRODUCT LEVEL)	
	1	1	114-0468	1	PIN-G.E.T.						
	2	1	9W-8459	1	TIP-PENETRATION						
	3	1	107-3469	1	RETAINER AS-G.E.T.						



GRAPHIC #1

<END>

g00770649



# WORK TOOLS

## 170-7295 TIP GP-PENETRATION

S/N: BNH1-UP

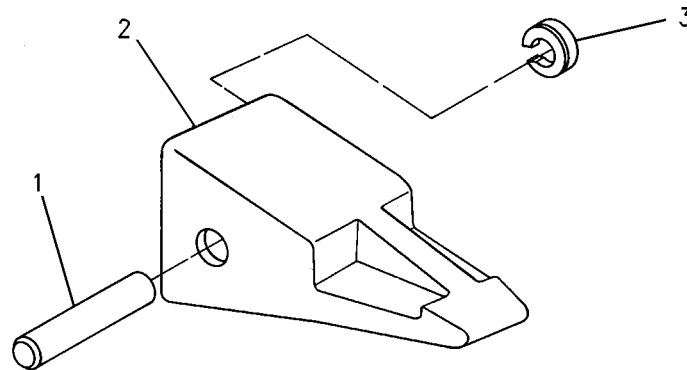
J-460

AN ATTACHMENT

SMCS-6805

i01493086

NOTE	REF NO	GRAPHIC REF	PART NUMBER	QTY	PART NAME						SEE PAGE
					1	2	3	4	5	6	
	1	1	114-0468	1	PIN-G.E.T.						
	2	1	138-6451	1	TIP-PENETRATION						
	3	1	107-3469	1	RETAINER AS-G.E.T.						



GRAPHIC #1

<END>

g00775213

# WORK TOOLS

## 170-7296 TIP GP-PENETRATION

S/N: BNH1-UP  
J-550. HEAVY DUTY  
AN ATTACHMENT

SMCS-6805

i01094356

NOTE	PART NUMBER	QTY	PART NAME						SEE PAGE
			1	2	3	4	5	6 (PRODUCT LEVEL)	
	107-3378	1	PIN-G.E.T.						
	107-8559	1	RETAINER AS-G.E.T.						
	138-6552	1	TIP-PENETRATION						

<END>

# WORK TOOLS

## 220-9168 TIP GP-PENETRATION

S/N: BNH1-UP

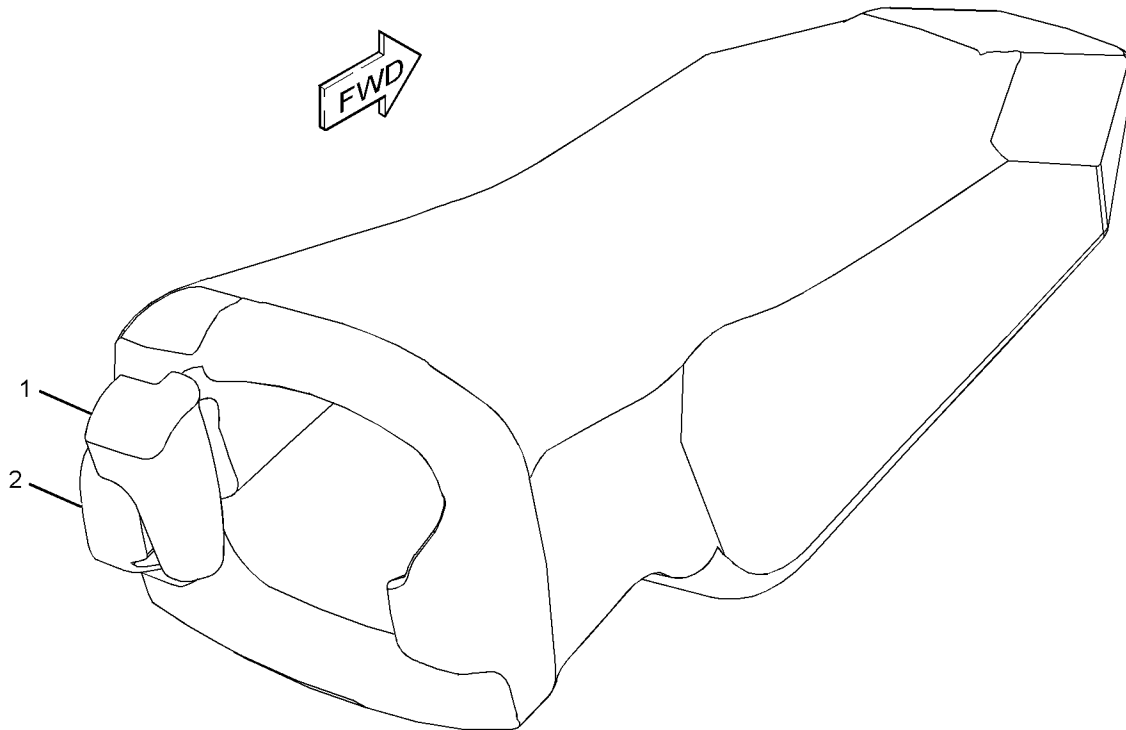
K-110

AN ATTACHMENT

SMCS-6805

i02457808

NOTE	REF NO	GRAPHIC REF	PART NUMBER	QTY	PART NAME						SEE PAGE
					1	2	3	4	5	6 (PRODUCT LEVEL)	
1	1	1	220-9110	1	RETAINER-G.E.T. (K-110)						
2	1	1	232-2112	1	TIP-HEAVY PENETRATION (K-110)						



GRAPHIC #1

<END>

g01229595

# WORK TOOLS

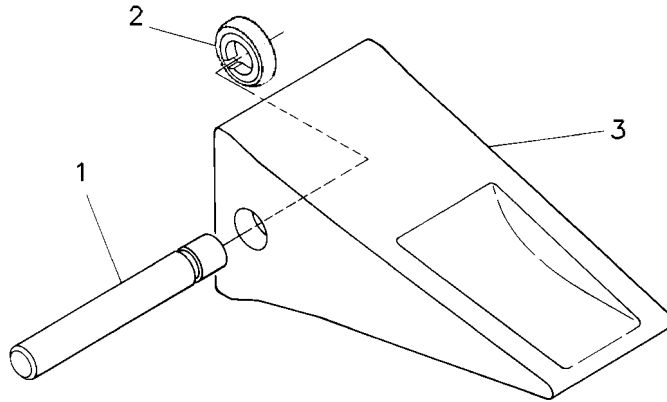
## 8J-9841 TIP GP-SHORT

S/N: BNH1-UP  
J-550. HEAVY-DUTY  
AN ATTACHMENT

SMCS-6805

i02110589

NOTE	REF NO	GRAPHIC REF	PART NUMBER	QTY	PART NAME						SEE PAGE
					1	2	3	4	5	6	
	1	1	107-3378	1	PIN						
	2	1	107-8559	1	RETAINER AS						
	3	1	9W-8551	1	TIP-SHORT (HEAVY-DUTY)						



GRAPHIC #1

<END>

g00119070

# WORK TOOLS

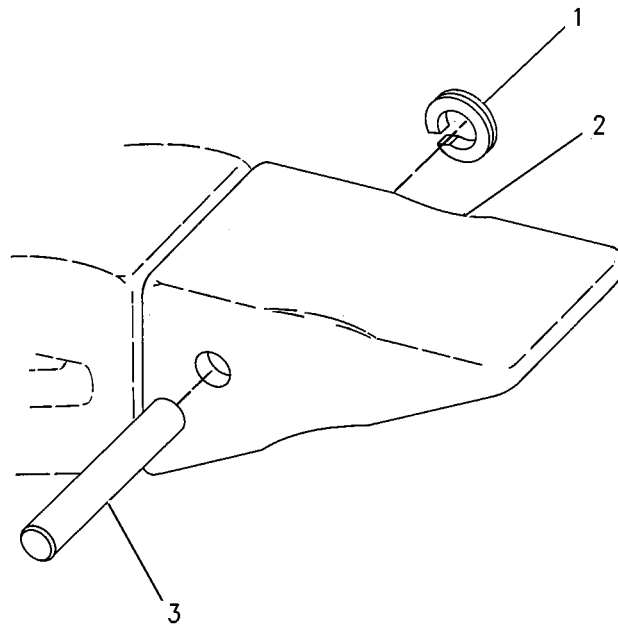
## 9N-4561 TIP GP-SHORT

S/N: BNH1-UP  
J-460. HEAVY DUTY  
AN ATTACHMENT

SMCS-6805

i01480314

NOTE	REF NO	GRAPHIC REF	PART NUMBER	QTY	PART NAME						SEE PAGE
					1	2	3	4	5	6	
	1	1	107-3469	1	RETAINER AS						
	2	1	9W-8451	1	TIP-SHORT (HD)						
	3	1	114-0468	1	PIN						



GRAPHIC #1

<END>

g00770639

# SERVICE EQUIPMENT AND SUPPLIES

## 9G-9288 CAP GP-PROTECTION

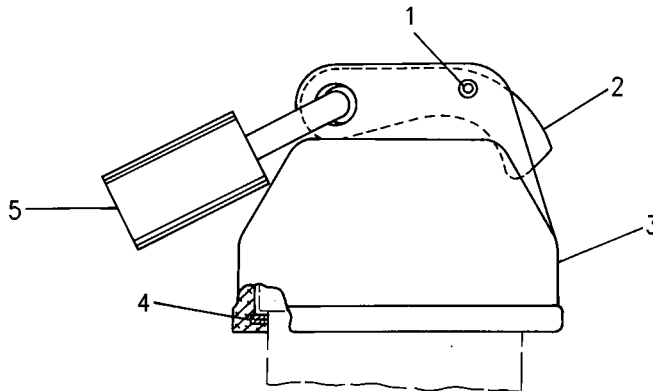
S/N: BNH1-UP

PART OF 132-6143 TANK & MTG GP-HYDRAULIC

SMCS-0663

i02856829

NOTE	REF NO	GRAPHIC REF	PART NUMBER	QTY	PART NAME						SEE PAGE
					1	2	3	4	5	6 (PRODUCT LEVEL)	
	1	1	<b>1L-5072</b>	1	DOWEL						
	2	1	<b>9M-7394</b>	1	LEVER (HYDRAULIC TANK FILL)						
	3	1	<b>5D-1911</b>	1	COVER-HYDRAULIC CAP						
	4	1	<b>2J-7761</b>	1	RING-RETAINING						
	5	1	<b>246-2641</b>	1	PADLOCK GP						
		1	<b>5P-8500</b>	1	KEY						



GRAPHIC #1

<END>

g00600453

# SERVICE EQUIPMENT AND SUPPLIES

## 170-3610 FILM GP

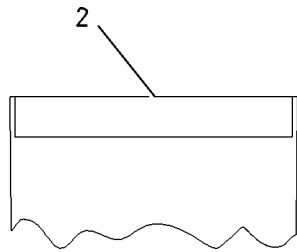
S/N: BNH1-UP

PART OF 139-9127 PLATE & FILM GP  
ALSO AN ATTACHMENT

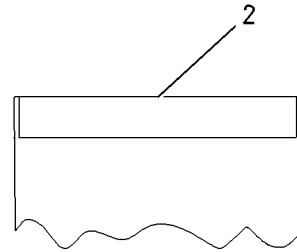
SMCS-7405, 7557

i01618544

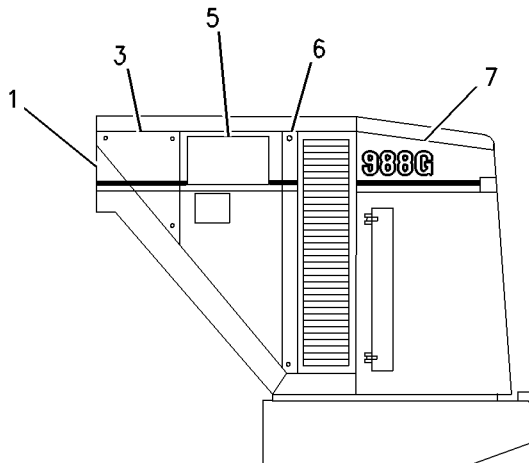
NOTE	REF NO	GRAPHIC REF	PART NUMBER	QTY	PART NAME						SEE PAGE
					1	2	3	4	5	6 (PRODUCT LEVEL)	
	1	1	171-1856	1	FILM-STRIPE (LH)						
	2	1	100-5621	2	FILM-IDENTIFICATION (CATERPILLAR) (FRONT & REAR)						
	3	1	171-1855	1	FILM-STRIPE (LH)						
	4	1	171-1152	1	FILM-STRIPE (RH)						
	5	1	171-1151	2	FILM-IDENTIFICATION (CAT)						
	6	1	171-1150	2	FILM-STRIPE						
	7	1	171-6692	1	FILM-STRIPE (988G, LH)						
	8	1	171-6693	1	FILM-STRIPE (988G, RH)						
	9	1	171-1153	1	FILM-STRIPE (RH)						



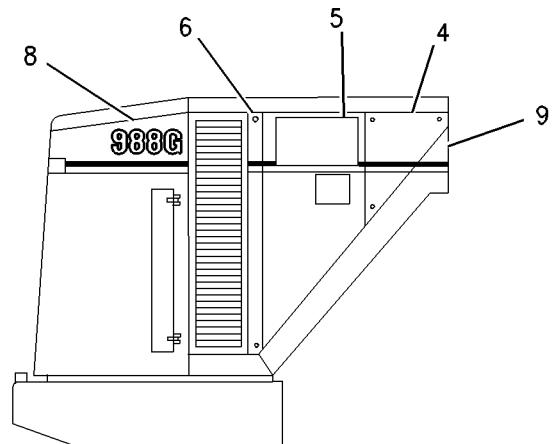
**FRONT VIEW**  
(CAB)



**REAR VIEW**  
(CAB)



**LEFT SIDE VIEW**



**RIGHT SIDE VIEW**

GRAPHIC #1

<END>

g00652939

# SERVICE EQUIPMENT AND SUPPLIES

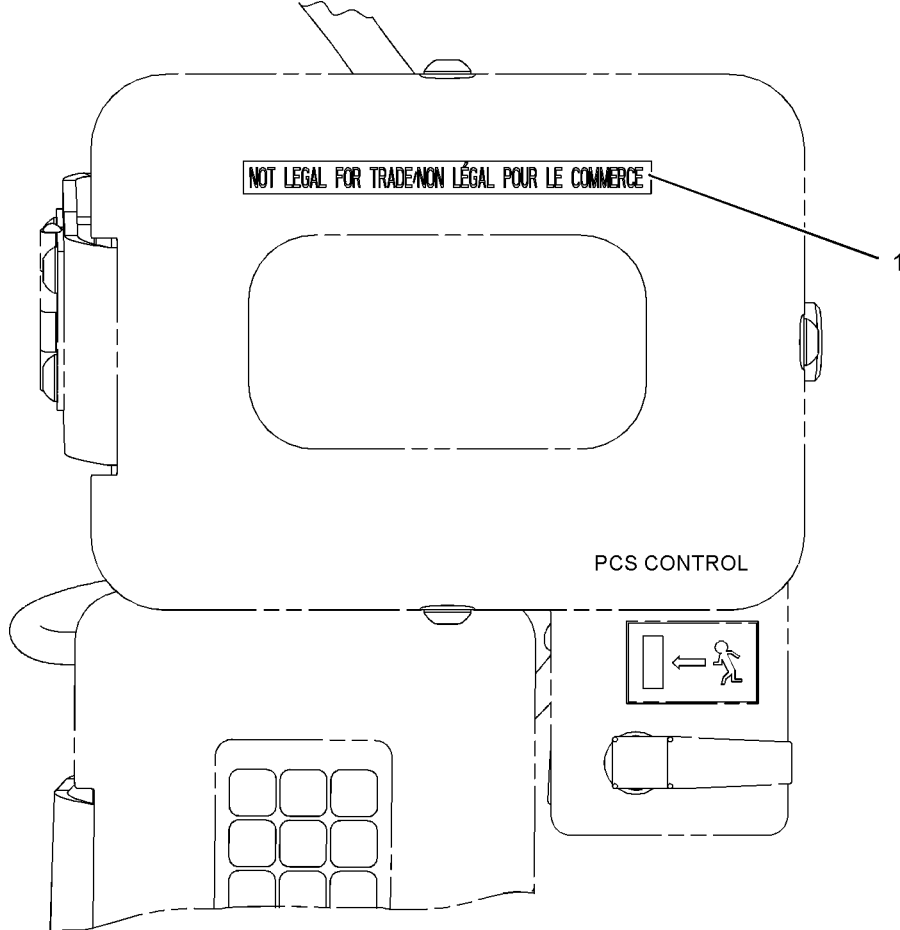
## 236-7530 FILM GP-PAYLOAD CONTROL

S/N: BNH1-UP  
AN ATTACHMENT

SMCS-7405, 7557

i02153525

NOTE	REF NO	GRAPHIC REF	PART NUMBER	QTY	PART NAME						SEE PAGE
					1	2	3	4	5	6 (PRODUCT LEVEL)	
	1	1	236-8117	1	FILM-INFORMATION (PAYLOAD CONTROL)						



GRAPHIC #1

<END>

g01095710



# SERVICE EQUIPMENT AND SUPPLIES

## 346-3851 FILM GP

S/N: BNH1-UP

PART OF 346-3845 CAB AR

SMCS-7405, 7557

i04557350

NOTE	PART NUMBER	QTY	PART NAME 1 2 3 4 5 6 (PRODUCT LEVEL)	SEE PAGE
	362-3917	1	FILM-CERTIFICATION (OPS, READ OMM)	
	362-4996	1	FILM-INFORMATION (CAB RETROFIT)	
	219-0305	1	FILM-WARNING (NO WELD, NO DRILL, READ OMM)	
	236-4439	1	TAG-NOTICE (BUCKET)	

<END>

## 325-2721 KIT-GASKET-TURBOCHARGER

S/N: BNH1-UP

CONTAINS GASKETS, SEALS, & BENDABLE LOCKS TO REBUILD & REINSTALL A SINGLE CYLINDER HEAD. KIT INCLUDES THE TURBO GASKETS, BUT DOES NOT INCLUDE THE FUEL INJECTOR SEALS. ORDER A SINGLE INJECTOR SEAL KIT, AS NEEDED. FOR IN LINE 4 & 6 CYLINDER ENGINES WITH ONE CYLINDER HEAD ONLY. THE FOLLOWING TURBO MOUNTING HARDWARE WILL BE INCLUDED: BOLTS, NUTS, STUDS, WASHERS, SPACERS. APPLIES TO SINGLE CYLINDER HEAD KIT PART NUMBERS 317-8750-UP

FIELD REPLACEMENT FOR 241-0825 KIT-GASKET  
FOR USE WITH 198-6489-PAGE: 4  
FIELD INSTALLATION

SMCS-7555

i05353013

NOTE	PART NUMBER	QTY	PART NAME 1 2 3 4 5 6 (PRODUCT LEVEL)	SEE PAGE
	2N-2765	4	BOLT-HIGH TEMPERATURE (3/8-16X1.75-IN)	
	1S-4295	1	GASKET (TURBOCHARGER)	
	101-3125	1	GASKET (AIR INLET MANIFOLD)	
	4N-0699	1	GASKET	
	2N-2766	4	LOCKNUT (3/8-16-THD)	
	126-2702	1	SEAL-INTEGRAL	
	198-6068	1	SEAL-INTEGRAL	
	2M-9780	1	SEAL-O-RING	
	5H-7704	2	SEAL-O-RING	
	6V-5266	1	SEAL-O-RING	
	7J-9108	1	SEAL-O-RING	
	114-2687	1	SEAL-O-RING	
	136-7226	1	SEAL-O-RING	

FOR A LIST OF RELATED PARTS THAT ARE REQUIRED FOR THE ENGINE REBUILD TO THE KIT CONSIST, PLEASE VISIT

[HTTPS://DEALER.CAT.COM/RELATED](https://dealer.cat.com/related)

<END>

# SERVICE EQUIPMENT AND SUPPLIES

## 388-3579 KIT-PREVENTIVE MAINTENANCE

S/N: BNH1-UP

250 HOURS

FIELD INSTALLATION

SMCS-1000, 7000

i04760347

NOTE	PART NUMBER	QTY	PART NAME						SEE PAGE
			1	2	3	4	5	6 (PRODUCT LEVEL)	
	169-8373	1	BOTTLE GP-FLUID SAMPLING						
	6I-2509	1	FILTER ELEMENT AS-AIR (PRIMARY)						
	107-0266	1	FILTER ELEMENT-CAB AIR (STANDARD EFFICIENCY)						
	112-7448	1	FILTER ELEMENT-CAB AIR (STANDARD EFFICIENCY)						
	133-5673	1	FILTER ELEMENT-WTR SEP & FUEL (STANDARD EFFICIENCY)						
	275-2604	1	FILTER-ENGINE OIL (ADVANCED EFFICIENCY)						
	1R-0749	1	FILTER-FUEL (ADVANCED EFFICIENCY)						
<END>									

## 388-3580 KIT-PREVENTIVE MAINTENANCE

S/N: BNH1-UP

500 HOURS

FIELD INSTALLATION

SMCS-1000, 7000

i04760348

NOTE	PART NUMBER	QTY	PART NAME						SEE PAGE
			1	2	3	4	5	6 (PRODUCT LEVEL)	
	169-8373	9	BOTTLE GP-FLUID SAMPLING						
	6I-2509	1	FILTER ELEMENT AS-AIR (PRIMARY)						
	167-2009	1	FILTER ELEMENT AS-OIL (ULTRA HIGH EFFICIENCY)						
	107-0266	1	FILTER ELEMENT-CAB AIR (STANDARD EFFICIENCY)						
	112-7448	1	FILTER ELEMENT-CAB AIR (STANDARD EFFICIENCY)						
	133-5673	1	FILTER ELEMENT-WTR SEP & FUEL (STANDARD EFFICIENCY)						
	275-2604	1	FILTER-ENGINE OIL (ADVANCED EFFICIENCY)						
	1R-0749	1	FILTER-FUEL (ADVANCED EFFICIENCY)						
	1G-8878	3	FILTER-OIL (ADVANCED EFFICIENCY)						
	126-1817	1	FILTER-OIL (ULTRA HIGH EFFICIENCY)						
	006-8350	1	SEAL-O-RING						
	161-4511	1	SEAL-O-RING						
<END>									

# SERVICE EQUIPMENT AND SUPPLIES

## 388-3581 KIT-PREVENTIVE MAINTENANCE

S/N: BNH1-UP

1000 HOURS

FIELD INSTALLATION

SMCS-1000, 7000

i04760349

NOTE	PART NUMBER	QTY	PART NAME						SEE PAGE
			1	2	3	4	5	6 (PRODUCT LEVEL)	
	169-8373	9	BOTTLE GP-FLUID SAMPLING						
	6I-2509	1	FILTER ELEMENT AS-AIR (PRIMARY)						
	6I-2510	1	FILTER ELEMENT AS-AIR (SECONDARY)						
	167-2009	1	FILTER ELEMENT AS-OIL (ULTRA HIGH EFFICIENCY)						
	4H-6112	1	BREATHER						
	107-0266	1	FILTER ELEMENT-CAB AIR (STANDARD EFFICIENCY)						
	112-7448	1	FILTER ELEMENT-CAB AIR (STANDARD EFFICIENCY)						
	133-5673	1	FILTER ELEMENT-WTR SEP & FUEL (STANDARD EFFICIENCY)						
	275-2604	1	FILTER-ENGINE OIL (ADVANCED EFFICIENCY)						
	1R-0749	1	FILTER-FUEL (ADVANCED EFFICIENCY)						
	1G-8878	3	FILTER-OIL (ADVANCED EFFICIENCY)						
	126-1817	1	FILTER-OIL (ULTRA HIGH EFFICIENCY)						
	5F-0149	1	SEAL-O-RING						
	6J-2419	1	SEAL-O-RING						
	8F-0212	1	SEAL-O-RING						
	006-8350	1	SEAL-O-RING						
	161-4511	1	SEAL-O-RING						
			<END>						

# SERVICE EQUIPMENT AND SUPPLIES

## 139-9127 PLATE & FILM GP

S/N: BNH1-UP

PART OF 203-1567 CHASSIS AR

ALSO AN ATTACHMENT

SMCS-7405, 7557

i05077069

NOTE	PART NUMBER	QTY	PART NAME 1 2 3 4 5 6 (PRODUCT LEVEL)	SEE PAGE
Y	170-3610	1	FILM GP	1389
	5P-1175	1	FILM-IDENTIFICATION (ENGINE OIL FILL) ON ENGINE OIL FILLER CAP	
	118-1225	1	FILM-IDENTIFICATION (TRANSMISSION TANK FILL CAP) ON TRANSMISSION OIL FILLER TUBE	
	114-5988	1	FILM-IDENTIFICATION (FUEL FILTER) ON FUEL FILTER	
	8C-5346	1	FILM-IDENTIFICATION (HYDRAULIC OIL FILTER) ON HYDRAULIC OIL FILTER	
	6V-2679	1	FILM-INSTRUCTION (WIPER) ON THE CAP OF THE WINDSHIELD WASHER BOTTLE LOCATED IN THE LH PLATFORM	
	159-3759	1	FILM-INSTRUCTION (DO NOT DRILL, WELD ROPS) ON THE LH ROPS COLUMN NEAR THE TOP WHERE THE COLUMN MEETS THE HORIZONTAL ROPS MEMBER	
	7X-3229	4	FILM-IDENTIFICATION (LIFT EYE, TIE-DOWN LOCATION) ONE EACH AT FRONT AND REAR LIFT AND TIEDOWN EYES	
	1S-6636	1	FILM-PATENT ON FRONT FACE OF LH PLATFORM	
	9M-0016	1	FILM-PATENT ON AIR CLEANER	
	190-5386	2	FILM-STRIPE (ROUND RED REFLECTIVE) ON REAR OUTSIDE SURFACE OF BUMPER, 75 MM FROM EACH SIDE. CENTERED VERTICALLY ON FLAT SURFACE	
	397-7475	1	FILM-WARNING (HYDRAULIC WARM-UP) IN CAB ON RIGHT FRONT ROPS POST	
	8T-7038	1	FILM-WARNING (DO NOT LIFT) NEAR DRAW-BAR PIN	
	156-3849	1	FILM-WARNING (RADIATOR) ON THE RIGHT OF THE HYDRAULIC OIL SIGHT GAGE ON THE HYDRAULIC OIL TANK, CENTERING MARKS WITH OPENING	
	189-0866	1	FILM-WARNING (CAB TILT) ON THE REAR, CENTER OF CAB. ABOVE CAB TILT SERVICE TOOL.	

Y - SEPARATE ILLUSTRATION

<END>

# SERVICE EQUIPMENT AND SUPPLIES

## 170-3612 PLATE & FILM GP

S/N: BNH1-UP  
AN ATTACHMENT

SMCS-7405, 7557

i01942504

NOTE	PART NUMBER	QTY	PART NAME 1 2 3 4 5 6 (PRODUCT LEVEL)	SEE PAGE
	127-8859	1	FILM-WARNING (JUMP START, READ OMM) ON UNDERSIDE OF BATTERY BOX DOOR	
	188-7260	1	FILM-WARNING (READ OPERATION MANUAL) IN CAB ON INSIDE OF FRONT DOOR POST	
	163-5001	1	FILM-WARNING-ROPS/FOPS LH REAR SURFACE OF CAB, BELOW WINDOW	
	5P-7244	2	PLATE-WARNING (NO CLEARANCE) ON EACH SIDE FACE OF LOADER FRAME, USE METAL TACKS TO FASTEN	
	7S-4002	1	PLATE-WARNING (BRAKE)	
	4S-8264	4	RIVET-POP	
<END>				

## 256-5018 PLATE & FILM GP-POLISH

S/N: BNH1-UP  
AN ATTACHMENT

SMCS-7405, 7557

i02195313

NOTE	PART NUMBER	QTY	PART NAME 1 2 3 4 5 6 (PRODUCT LEVEL)	SEE PAGE
	256-5016	1	FILM-WARNING-ROPS/FOPS LH REAR SUFACE OF CAB, BELOW WINDOW. USE POP RIVETS TO FASTEN.	
	234-6836	1	FILM-WARNING (READ OMM) IN CAB ON INSIDE OF FRONT DOOR POST	
	256-5017	1	FILM-WARNING UNDERSIDE OF BATTERY BOX DOOR	
	236-7228	1	TAG-NOTICE (STARTING AID)	
	198-8751	2	PLATE-WARNING SIDE FACE OF NON ENGINE END FRAME (ONE ON EACH SIDE). USE METAL TACKS TO FASTEN.	
	256-5015	1	PLATE-WARNING	
	4S-8264	4	RIVET-POP	
	178-1752	1	TAG-WARNING ATTACH TO STEERING WHEEL OR STICK CONTROLLER	
<END>				

# SERVICE EQUIPMENT AND SUPPLIES

## 1N-4296 PROTECTION GP-VANDALISM

S/N: BNH1-UP

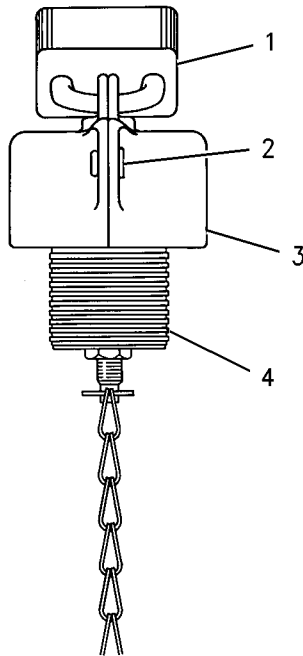
CAP

PART OF 196-4519, 228-4398 LINES GP-POWER TRAIN OIL

SMCS-1273, 3005, 3030, 5056, 7315

i03996690

NOTE	REF NO	GRAPHIC REF	PART NUMBER	QTY	PART NAME						SEE PAGE
					1	2	3	4	5	6 (PRODUCT LEVEL)	
	1	1	<b>246-2641</b>	1	PADLOCK GP						
		1	<b>5P-8500</b>	1	KEY						
	2	1	<b>8S-4212</b>	2	RIVET						
	3	1	<b>8S-3746</b>	2	COVER-FILLER CAP						
	4	1	<b>7W-1484</b>	1	CAP AS-OIL FILLER (POWER TRAIN)						
		1	<b>6H-0411</b>	1	WASHER (32.5X50.8X1.6-MM THK)						



GRAPHIC #1

<END>

g00775220

# SERVICE EQUIPMENT AND SUPPLIES

## 4C-8195 TOOL GP-CONTROL SERVICE

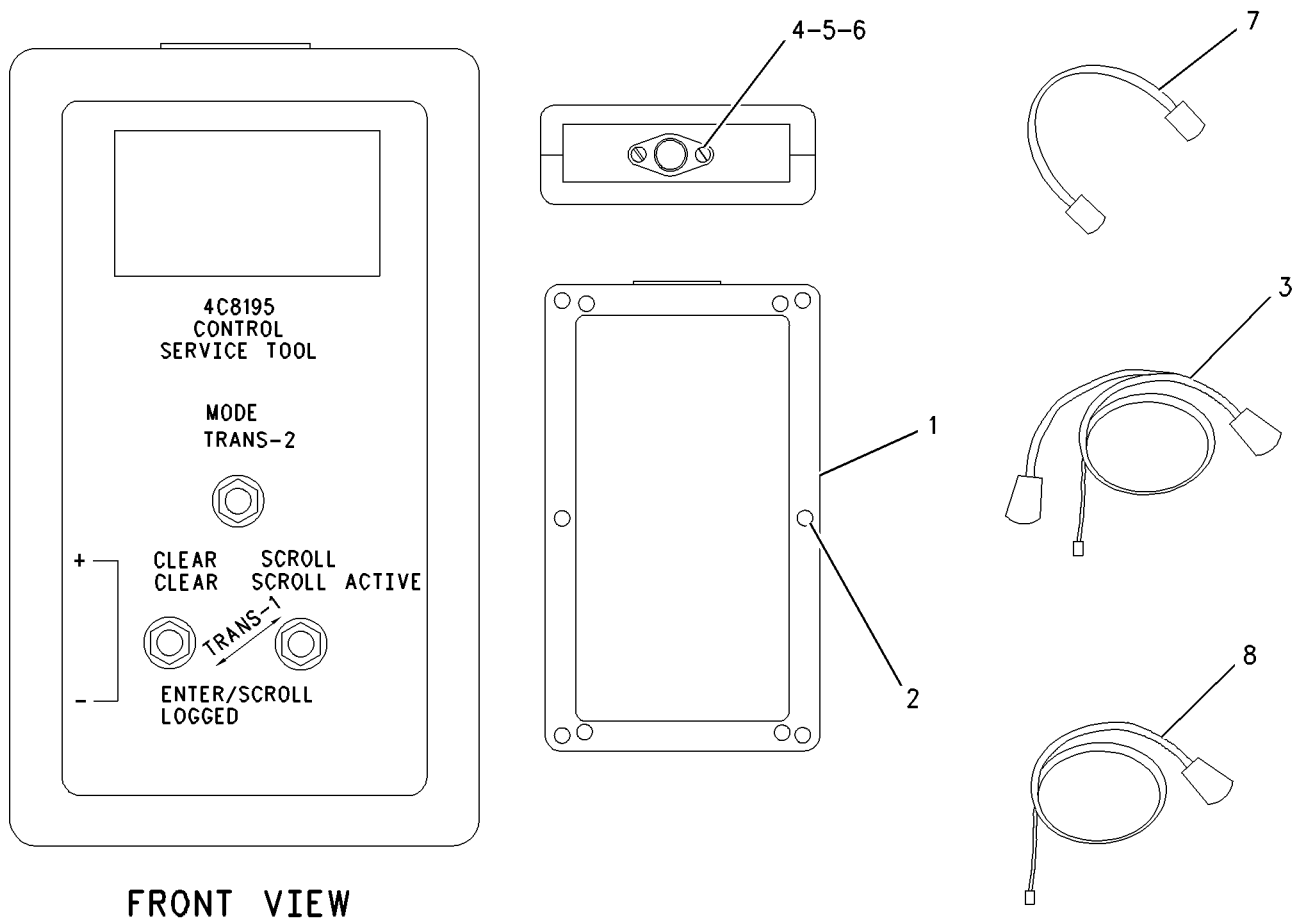
S/N: BNH1-UP

FOR IMPLEMENT & POWER TRAIN CALIBRATION  
PART OF 203-1567 CHASSIS AR

SMCS-0785

i01346135

NOTE	REF NO	GRAPHIC REF	PART NUMBER	QTY	PART NAME						SEE PAGE
					1	2	3	4	5	6 (PRODUCT LEVEL)	
1	1	1	170-3791	1	COVER AS						
2	1	1	9X-2129	6	SCREW-FLAT HEAD						
3	1	1	4C-8196	1	CABLE AS						
4	1	1	9X-8917	2	SCREW-MACHINE (4-40X9.52-MM)						
5	1	1	6B-4540	2	NUT (4-40 THD)						
6	1	1	5S-4246	2	LOCKWASHER						
7	1	1	4C-8197	1	CABLE AS						
8	1	1	138-7795	1	CABLE AS						



GRAPHIC #1

<END>

g00712245

# PART NUMBER INDEX

Part	Page	Part	Page	Part	Page	Part	Page
<b>0</b>							
			298		167		332
			300		183		335
0A-3721 . . . . .	803	OS-1594 . . . . .	16		429	1H-2629 . . . . .	326
OL-1143 . . . . .	119		17		431		332
	192		67		433		335
	194		86	1A-2223 . . . . .	428	1H-3244 . . . . .	221
OL-1328 . . . . .	471		88		540		223
OL-1351 . . . . .	130		90	1A-3203 . . . . .	57		225
	135		92	1A-4273 . . . . .	382		227
	138		120	1A-4790 . . . . .	773		378
	428		121		775	1H-3338 . . . . .	345
OL-1352 . . . . .	135		123	1A-5183 . . . . .	90		346
	138		126	1A-5822 . . . . .	455	1H-4393 . . . . .	1212
OL-1558 . . . . .	725		127		725	1H-5728 . . . . .	841
OL-2061 . . . . .	550		128	1A-5964 . . . . .	90		1004
	552		129	1A-8651 . . . . .	471		1008
	555		130	1A-9579 . . . . .	135		1012
	558		163	1B-0676 . . . . .	587		1017
OL-2070 . . . . .	90		192		589	1H-6227 . . . . .	457
	128		194		591		732
	132		382	1B-2790 . . . . .	183		738
	135		387	1B-2886 . . . . .	811		744
	138		389	1B-3867 . . . . .	12		753
OL-2315 . . . . .	518		471	1B-3908 . . . . .	813		759
OS-0509 . . . . .	192		576	1B-3909 . . . . .	813		765
	194	OS-1595 . . . . .	93	1B-3953 . . . . .	468	1H-7262 . . . . .	587
	382		725	1B-3955 . . . . .	468		589
	387		811	1B-4367 . . . . .	471	1H-7263 . . . . .	587
	389	OS-1597 . . . . .	332	1B-4430 . . . . .	1255		589
OS-0699 . . . . .	204		335	1B-4971 . . . . .	1134	1H-7365 . . . . .	587
	205	OS-1608 . . . . .	95	1B-7182 . . . . .	138		589
OS-1571 . . . . .	72		135		152		591
	73		138	1B-8705 . . . . .	73	1H-7366 . . . . .	587
	76	OS-1617 . . . . .	382		76		589
	78		387		78		591
	121		519	1B-8736 . . . . .	524	1H-8128 . . . . .	179
	123	OS-1618 . . . . .	233	1B-9575 . . . . .	233		181
	130		382	1B-9920 . . . . .	587		182
	132	OS-1619 . . . . .	86		589		185
	192		88		591		186
	194		101	1C-2251 . . . . .	167		253
OS-1576 . . . . .	192		192	1D-4327 . . . . .	542		254
	194		194		544	1H-8171 . . . . .	196
OS-1577 . . . . .	70		429		546		198
OS-1585 . . . . .	468		431	1D-4539 . . . . .	233		769
OS-1587 . . . . .	96		433	1D-4540 . . . . .	233		770
	98	OS-1621 . . . . .	725		429	1H-8278 . . . . .	531
	428	OT-0055 . . . . .	90		431		533
	471	OT-0065 . . . . .	428		433		535
OS-1588 . . . . .	90		518	1D-4541 . . . . .	233	1H-8306 . . . . .	207
	96	OT-0102 . . . . .	428	1D-4566 . . . . .	135		209
	100		455		138	1H-8647 . . . . .	12
	120		468	1D-4569 . . . . .	725	1H-9696 . . . . .	992
	121	OT-0244 . . . . .	1236	1D-5117 . . . . .	229		1024
	123		1241	1F-0750 . . . . .	130	1J-2919 . . . . .	694
	126		1242		167	1J-4246 . . . . .	527
	127	OT-0573 . . . . .	95		194		530
	129		135		277	1J-5799 . . . . .	1251
	130		138		284	1J-9671 . . . . .	130
	157			1F-1006 . . . . .	542		179
OS-1590 . . . . .	62				544		181
	119				546		182
	121			1F-1609 . . . . .	918		722
	123				922		723
	130	1A-1135 . . . . .	146		926		724
	130		152		932	1K-6853 . . . . .	426
OS-1591 . . . . .	130	1A-1460 . . . . .	220	1F-7958 . . . . .	68	1K-6872 . . . . .	219
	135		471		220	1K-8850 . . . . .	1224
	138	1A-2029 . . . . .	96		471	1L-3162 . . . . .	576
	145		98	1G-8878 . . . . .	466	1L-5072 . . . . .	1388
	146		120		888	1M-0644 . . . . .	134
	152		130		1392	1M-3909 . . . . .	524
	167		135		1393	1M-6119 . . . . .	229
	194		138	1H-1023 . . . . .	326	1M-6120 . . . . .	229
	296						
<b>1</b>							



# PART NUMBER INDEX

Part	Page	Part	Page	Part	Page	Part	Page
1M-6298 . . . . .	871		942		923	1S-4295 . . . . .	162
1M-6718 . . . . .	1038		943		927		173
	1039		944		933		175
1M-9968 . . . . .	327		946		992		1391
	333		957	1P-4582 . . . . .	181	1S-6420 . . . . .	919
	335		995		182		923
1M-9971 . . . . .	326		998		501	1S-6595 . . . . .	162
	332		1004		505		472
	335		1008		509	1S-6636 . . . . .	1394
1N-3789 . . . . .	183		1012		513	1S-7251 . . . . .	229
1N-3974 . . . . .	59		1017		908		230
	60		1034		914	1S-7252 . . . . .	229
	61	1P-3706 . . . . .	843		919	1S-7446 . . . . .	326
1N-4296 . . . . .	500		848		923		332
	504		852		927		335
	508		857		933	1S-9540 . . . . .	30
	512		860		992		32
	1396		865	1P-4584 . . . . .	501		33
1N-4403 . . . . .	159		892		505	1S-9593 . . . . .	379
1N-5410 . . . . .	519		895		509		574
1N-5999 . . . . .	577		900		513		1041
1P-0014 . . . . .	519		902		795		1078
1P-0436 . . . . .	183		904		799		1082
	196		938		804		1086
	198		944	1P-5411 . . . . .	871		1090
1P-1367 . . . . .	121		946	1P-5412 . . . . .	871		1095
	130		948	1P-5767 . . . . .	795		1100
1P-2841 . . . . .	634		949		799	1S-9989 . . . . .	519
1P-3702 . . . . .	803		950		804	1T-0416 . . . . .	577
1P-3703 . . . . .	478		951		825	1T-0479 . . . . .	425
	488		952		843		426
	492		954		848	1T-0680 . . . . .	475
	795		956		852		551
	799		957		857	1T-0720 . . . . .	292
	803	1P-3707 . . . . .	946		860	1T-0765 . . . . .	204
1P-3704 . . . . .	478	1P-3709 . . . . .	839		865		205
	488		841		892	1T-0766 . . . . .	475
	492		970		895		552
	795	1P-3958 . . . . .	519		900		555
	799	1P-4078 . . . . .	471		902	1T-0786 . . . . .	475
	803	1P-4079 . . . . .	471		904		476
	843	1P-4082 . . . . .	471		938		551
	848	1P-4278 . . . . .	147	1P-6356 . . . . .	1153		552
	852		196		1155		555
	857		198	1P-7326 . . . . .	1117		558
	860	1P-4577 . . . . .	788	1P-7346 . . . . .	73	1T-0787 . . . . .	475
	865		791		76		476
	892		843		78		552
	895		848	1P-7404 . . . . .	577		555
	900		852	1P-9261 . . . . .	519		558
	902		892	1P-9269 . . . . .	471	1T-0795 . . . . .	550
	904		895	1Q-9551 . . . . .	80		552
	938	1P-4578 . . . . .	524		82		555
	1012		732		84		558
	1017		738	1R-0716 . . . . .	121	1T-0806 . . . . .	551
1P-3705 . . . . .	501		744	1R-0749 . . . . .	183		552
	505		753		1392		555
	509		759		1393		558
	513		765	1R-1052 . . . . .	1051	1T-0807 . . . . .	475
	795	1P-4579 . . . . .	501	1R-1060 . . . . .	1051		476
	843		505	1R-1808 . . . . .	123		551
	848		509	1R-6072 . . . . .	360		552
	852		513	1S-0724 . . . . .	795		555
	857		524		799		558
	860		658	1S-0994 . . . . .	393	1T-0808 . . . . .	332
	865		788		396		335
	892		791		400	1T-0847 . . . . .	475
	895		795		658		476
	900		799		804		550
	902		803		927		558
	904		825		933	1T-0887 . . . . .	550
	908		828	1S-1668 . . . . .	161		558
	914		831	1S-3889 . . . . .	580	1T-0895 . . . . .	550
	938		919		582		558

# PART NUMBER INDEX

Part	Page	Part	Page	Part	Page	Part	Page
		<b>2</b>					
1T-0896 . . . . .	551				375		828
	558				1191		918
1T-0936 . . . . .	550	2A-1162 . . . . .	86		1195		922
	558		88		1199		926
	825	2A-1531 . . . . .	220	2H-3922 . . . . .	339		927
	828		725	2H-3926 . . . . .	478		932
	831	2A-3630 . . . . .	970		488		933
1T-1315 . . . . .	550		975		492		959
	558		1024	2H-3932 . . . . .	457		966
1T-1356 . . . . .	550	2A-4429 . . . . .	45	2H-3933 . . . . .	471		968
	558		47		531		1004
1T-1401 . . . . .	475		48		533		1008
	476		55		535		1012
	550	2A-4639 . . . . .	471		1051		1017
	552	2B-0941 . . . . .	885	2H-6489 . . . . .	471		1033
	555	2B-2404 . . . . .	468	2H-6490 . . . . .	471		1391
	558	2B-2695 . . . . .	59	2J-3118 . . . . .	73	2N-0822 . . . . .	468
1T-1410 . . . . .	475		60		76	2N-2765 . . . . .	162
	551		61		78		165
1T-1423 . . . . .	550		90	2J-3507 . . . . .	1327		173
1T-1426 . . . . .	550		296		1331		175
	558		298		1366		1391
1T-1616 . . . . .	550		300	2J-6274 . . . . .	1004	2N-2766 . . . . .	162
	558	2B-2814 . . . . .	192		1008		165
1T-1617 . . . . .	550		194		1013		166
	558	2C-9259 . . . . .	1298		1017		173
1T-1639 . . . . .	542		1300	2J-7761 . . . . .	1388		175
	544		1308	2J-8163 . . . . .	326		1391
	546		1310		332	2N-3350 . . . . .	130
1T-1897 . . . . .	550		1312		335	2P-1293 . . . . .	478
	552		1314	2K-4472 . . . . .	468		488
	555		1316		471		492
	558		1318	2K-4821 . . . . .	221		908
1T-1910 . . . . .	475		1320	2K-4973 . . . . .	1054		914
	550	2D-4202 . . . . .	992		1255		919
1U-0322 . . . . .	825	2D-4867 . . . . .	1051		1257		923
	831	2D-6392 . . . . .	326		1259		927
1U-0323 . . . . .	825		332	2K-6830 . . . . .	784		933
	831		335		785	2P-1974 . . . . .	95
1U-0741 . . . . .	1328		1024	2L-5893 . . . . .	1225	2P-2772 . . . . .	86
	1333	2D-6533 . . . . .	426	2L-6679 . . . . .	293		88
	1372	2D-6642 . . . . .	518		326	2P-2975 . . . . .	229
1U-0761 . . . . .	1323		579		332		1028
	1339		1040	2L-8054 . . . . .	373		1029
1U-1570 . . . . .	992	2D-6648 . . . . .	839		374		1030
1U-2827 . . . . .	992		841	2L-8061 . . . . .	373		1031
1U-3192 . . . . .	958	2D-8363 . . . . .	519		374	2P-3205 . . . . .	96
1U-8846 . . . . .	580	2D-8540 . . . . .	531	2L-8066 . . . . .	373		98
	582		533	2L-8075 . . . . .	239		134
1V-0134 . . . . .	601		535		244	2P-3760 . . . . .	121
1V-1122 . . . . .	1162	2F-6678 . . . . .	327		245		123
1V-1123 . . . . .	1162		333	2L-8076 . . . . .	373		130
1V-6341 . . . . .	472		336		374	2P-3761 . . . . .	121
1V-6755 . . . . .	378	2G-0395 . . . . .	1057	2L-8078 . . . . .	239		123
	1224		1058		244		130
	1229		1059		245	2P-4301 . . . . .	121
	1232		1061	2M-0849 . . . . .	725		123
1V-8732 . . . . .	697	2G-1133 . . . . .	1173	2M-4009 . . . . .	1078	2P-4304 . . . . .	121
1V-9365 . . . . .	496		1175		1082		123
1W-0613 . . . . .	164		1177		1086	2P-4305 . . . . .	121
1W-3136 . . . . .	86	2G-3747 . . . . .	460		1090		123
	88	2H-2255 . . . . .	551		1095	2P-4470 . . . . .	550
1W-3189 . . . . .	192		553		1100		552
	194		555	2M-4287 . . . . .	526		555
1W-6448 . . . . .	296		558	2M-6102 . . . . .	1217		558
	298	2H-2665 . . . . .	472		1218	2P-4538 . . . . .	576
	300		725	2M-6835 . . . . .	1134	2P-8421 . . . . .	296
1W-7238 . . . . .	134	2H-3429 . . . . .	326	2M-7041 . . . . .	579		406
1W-7239 . . . . .	134		332	2M-9780 . . . . .	162		409
1Y-0413 . . . . .	713		335		196		412
	715	2H-3755 . . . . .	296		198	2Q-3691 . . . . .	708
			298		201	2Q-7019 . . . . .	1308
			300		702	2Q-8429 . . . . .	▶ 695
		2H-3920 . . . . .	355		824	2R-0098 . . . . .	580

# PART NUMBER INDEX

Part	Page	Part	Page	Part	Page	Part	Page
	582		385	3B-8686 . . . . .	675	3D-9799 . . . . .	379
2R-0239 . . . . .	551		1062		678	3E-0075 . . . . .	▶344
	552		1065		681		378
	555	2V-3726 . . . . .	1128		695	3E-0109 . . . . .	375
	558		1224	3C-8388 . . . . .	839		1090
	970	2V-4387 . . . . .	1117		841		1095
	975	2V-4868 . . . . .	174		970		1100
2R-1920 . . . . .	1048		176	3D-0490 . . . . .	471		1191
2R-2376 . . . . .	1129	2W-1374 . . . . .	164	3D-2824 . . . . .	296		1195
	1147	2W-5568 . . . . .	513		338		1199
	1150	2Y-5829 . . . . .	1074		400		1203
2R-6806 . . . . .	183				406		1206
	192				409	3E-0400 . . . . .	1062
	194				412		1065
	203				428	3E-2310 . . . . .	773
2S-0696 . . . . .	577				435		775
2S-0795 . . . . .	135	3B-0623 . . . . .	35		440	3E-2332 . . . . .	296
	138		38		445	3E-2338 . . . . .	464
2S-1647 . . . . .	147		41		477	3E-2345 . . . . .	658
	658		43		478	3E-3365 . . . . .	207
2S-1654 . . . . .	624	3B-0645 . . . . .	35		481		209
2S-2596 . . . . .	825		38		484		356
	828		41		487		385
	831		43		488		1078
2S-2760 . . . . .	134	3B-1915 . . . . .	96		491		1082
2S-3440 . . . . .	156		98		492		1090
	177		132		500		1095
2S-3770 . . . . .	166		382		501	3E-3368 . . . . .	310
2S-4078 . . . . .	400		387		504	3E-3371 . . . . .	302
	825	3B-4501 . . . . .	1062		505		340
	828		1065		508		347
	831	3B-4607 . . . . .	773		509		399
	1004		775		512		421
	1008	3B-4610 . . . . .	587		513		773
	1012		589		518		788
	1017		591		658		1078
	1028		1128		731		1082
	1029	3B-4617 . . . . .	587		738		1086
	1030		589		744		1090
	1031		591		752		1095
	1034	3B-6487 . . . . .	497		758		1173
	1036		498		764		1175
2S-4872 . . . . .	577		689		795		1177
2S-5658 . . . . .	546	3B-6491 . . . . .	177		799	3E-3377 . . . . .	343
2S-7905 . . . . .	134	3B-6493 . . . . .	673		808		421
2T-1051 . . . . .	497		687		813		1078
	498		689		825		1082
2T-2305 . . . . .	501	3B-6552 . . . . .	164		828		1086
	505		497		831		1090
	509		498		834		1095
	513		717		871		1100
2T-2396 . . . . .	498	3B-7255 . . . . .	201		883		1203
	685	3B-7262 . . . . .	498		885		1206
2T-2927 . . . . .	497	3B-7263 . . . . .	687		907	3E-3383 . . . . .	1191
2T-3013 . . . . .	566	3B-7285 . . . . .	687		908		1192
2T-3019 . . . . .	406	3B-7720 . . . . .	498		913		1195
	409	3B-7733 . . . . .	164		914		1196
	412		685		918		1199
2U-1492 . . . . .	80		687		919		1200
	82	3B-8153 . . . . .	587		922		1203
	84		589		923		1206
2U-1493 . . . . .	80		591		926	3E-3389 . . . . .	1105
	82	3B-8489 . . . . .	531		927		1191
2U-7345 . . . . .	825		533		932		1195
	831		535		933		1199
2U-7354 . . . . .	825		539		983	3E-3805 . . . . .	1121
	829		663		986		1123
	832		667		988		1124
2V-0600 . . . . .	908		673		990		1126
	914		675		1002	3E-4046 . . . . .	455
2V-1771 . . . . .	230		678	3D-2992 . . . . .	455	3E-4051 . . . . .	1153
2V-2043 . . . . .	133		681	3D-4245 . . . . .	1024		1155
2V-3216 . . . . .	279		695	3D-4603 . . . . .	971	3E-4052 . . . . .	1153
	284		1051	3D-8317 . . . . .	579		1155

## 3

# PART NUMBER INDEX

Part	Page	Part	Page	Part	Page	Part	Page
3E-4053 . . . . .	1153	3E-8020 . . . . .	1091		400		895
	1155		1096		406		907
3E-4057 . . . . .	1153		1101		409		908
	1155		1150		412		913
3E-4058 . . . . .	1153	3E-8044 . . . . .	90		417		914
	1155	3E-8048 . . . . .	303		419		918
3E-4304 . . . . .	1129	3E-8320 . . . . .	229		455		919
3E-4352 . . . . .	135	3E-8557 . . . . .	362		457		922
	138		367		463		923
3E-4367 . . . . .	362		373		464		940
	367		374		468		961
	373	3E-8558 . . . . .	362		500		962
	374		367		504		970
	1173		373		508		975
	1175		1173		512		995
	1177		1175		513		996
3E-5136 . . . . .	1173		1177		520		998
	1175	3E-9411 . . . . .	481		542		1004
	1177		484		544		1008
3E-5165 . . . . .	1173		622		546		1013
	1175		843		569		1016
	1177		848		570		1017
3E-5169 . . . . .	421		852		571		1024
3E-5239 . . . . .	378		892		572		1026
	379		895		576		1032
	1078		944		579		1034
	1082		946		580		1036
	1086		948		582		1038
	1090		949		684		1039
	1095		950		699		1040
	1100		951		713	3J-2903 . . . . .	1026
3E-5464 . . . . .	1062		952		715	3J-3712 . . . . .	455
	1065		954		725	3J-4818 . . . . .	1135
3E-6328 . . . . .	▶ 216		956		731		1185
	372		995		732		1255
	1191		998		737		1257
	1195	3F-0379 . . . . .	326		739		1259
	1199	3F-3442 . . . . .	518		743	3J-5389 . . . . .	671
3E-6333 . . . . .	325	3F-5792 . . . . .	471		745		672
3E-6389 . . . . .	▶ 259	3F-9556 . . . . .	221		751		699
	372	3G-0361 . . . . .	992		752		713
	1191	3G-2683 . . . . .	831		757		715
	1195	3G-4711 . . . . .	1251		758	3J-5390 . . . . .	685
	1199	3G-5003 . . . . .	1004		763		687
3E-6450 . . . . .	788		1008		764		689
3E-6747 . . . . .	30		1012		773		691
3E-6753 . . . . .	147		1016		775		692
3E-6761 . . . . .	960		1026		777		717
3E-6772 . . . . .	46	3G-7242 . . . . .	958		788	3J-7352 . . . . .	60
	49	3G-8054 . . . . .	940		791		61
	51	3G-8057 . . . . .	940		795	3J-7354 . . . . .	121
	53	3G-8175 . . . . .	1041		799		147
3E-6908 . . . . .	1117		1045		800		194
3E-6909 . . . . .	196	3G-8607 . . . . .	757		803		406
	198		763		804		409
	749	3G-9494 . . . . .	1316		808		412
	771	3H-0110 . . . . .	455		809		435
3E-7448 . . . . .	296	3H-0761 . . . . .	86		816		440
3E-7771 . . . . .	327		88		825		445
	333	3H-3385 . . . . .	1013		828		463
	335		1017		831		542
3E-7790 . . . . .	373	3H-7654 . . . . .	63		839		544
	374		64		841		699
	1086		65		843		713
3E-7842 . . . . .	385		66		848		715
3E-7996 . . . . .	373		727		852		738
	374	3H-8726 . . . . .	871		857		744
	1086	3J-0634 . . . . .	970		860		751
3E-7998 . . . . .	373		975		865		757
	374	3J-1907 . . . . .	121		879		763
	1086		196		881		825
3E-7999 . . . . .	373		198		887		828
	374		393		888		831
3E-8008 . . . . .	116		396		892		908

# PART NUMBER INDEX

Part	Page	Part	Page	Part	Page	Part	Page
	913		907		885		1065
	918		908		919		1078
	922		914		923		1082
	923		918		927		1086
	926		919		933		1090
	932		922	3P-2685 . . . . .	518		1095
	961		923	3P-2761 . . . . .	519		1100
	962		926	3P-2768 . . . . .	519		1111
	966		932	3P-2791 . . . . .	518		1113
	968		975	3P-2792 . . . . .	519		1117
	970		995	3P-2793 . . . . .	518		1137
	1004		998	3P-2794 . . . . .	518		1138
	1008		1027	3P-2983 . . . . .	520		1140
	1009		1047	3P-3059 . . . . .	518		1142
	1012		1111	3P-3060 . . . . .	519		1173
	1016		1113	3P-3098 . . . . .	518		1175
	1017		1162	3P-3103 . . . . .	519		1177
	1022	3K-0835 . . . . .	347	3P-3242 . . . . .	519		1191
	1024		1078	3P-3246 . . . . .	520		1195
	1040		1082	3P-3304 . . . . .	518		1199
	1213		1086	3P-3321 . . . . .	518		1203
3K-0360 . . . . .	192		1090	3P-3418 . . . . .	519		1206
	196		1095	3P-3505 . . . . .	725		1246
	198		1100	3P-3735 . . . . .	519		1262
	201		1105	3P-3738 . . . . .	518		1265
	399	3K-2518 . . . . .	725	3P-3743 . . . . .	519		1268
	406	3K-2556 . . . . .	725	3P-4050 . . . . .	519	3S-2708 . . . . .	519
	409	3K-4897 . . . . .	1246	3P-4051 . . . . .	518	3S-6049 . . . . .	229
	412	3K-5178 . . . . .	372	3P-6061 . . . . .	468	3S-6050 . . . . .	229
	478	3K-6113 . . . . .	825	3P-7447 . . . . .	519	3S-8664 . . . . .	809
	481	3K-6401 . . . . .	634	3P-9658 . . . . .	468	3S-8665 . . . . .	147
	484		636	3P-9900 . . . . .	1257		196
	488	3K-7928 . . . . .	201		1259		198
	492	3K-8460 . . . . .	130	3R-8797 . . . . .	332	3S-9643 . . . . .	135
	501	3K-8681 . . . . .	611		335		138
	505		613	3R-8801 . . . . .	327	3T-0203 . . . . .	362
	509	3K-8782 . . . . .	379		333		367
	512	3K-9608 . . . . .	531		335		373
	580		533	3R-9322 . . . . .	1224	3T-0204 . . . . .	379
	582		535	3S-1262 . . . . .	725	3T-2662 . . . . .	378
	684	3K-9770 . . . . .	1272	3S-1284 . . . . .	551	3T-3157 . . . . .	373
	727		1323		552		374
	731		1327		555	3T-3158 . . . . .	373
	732		1331		558		374
	738		1335	3S-1349 . . . . .	542	3T-3159 . . . . .	373
	744		1339		544		374
	745		1340		546	3T-3410 . . . . .	379
	749		1341	3S-2093 . . . . .	60	3T-3412 . . . . .	362
	751		1342		147		367
	752		1344		229		373
	757		1345		279	3T-3418 . . . . .	326
	758		1357		281		332
	763		1371		282		335
	764		1372		290	3T-3422 . . . . .	326
	771	3L-3380 . . . . .	326		291		332
	777		332		324		335
	779		335		358	3T-3423 . . . . .	326
	782	3L-9409 . . . . .	468		360		327
	788	3L-9410 . . . . .	468		362		332
	791	3N-3763 . . . . .	327		367		333
	808		333		372		335
	809		335		377	3T-3424 . . . . .	326
	818	3P-0650 . . . . .	130		378		327
	819	3P-0747 . . . . .	524		382		332
	822	3P-1155 . . . . .	296		387		333
	823		298		389		335
	843		300		391	3T-3434 . . . . .	326
	848		1028		393		332
	852		1029		396		335
	857		1030		429	3T-4509 . . . . .	1147
	860		1031		431	3T-4709 . . . . .	293
	865	3P-1323 . . . . .	29		433		326
	892	3P-2404 . . . . .	513		658		332
	895		883		1062	3T-4710 . . . . .	293

# PART NUMBER INDEX

Part	Page	Part	Page	Part	Page	Part	Page
	326	4B-9373 . . . . .	457		655		860
	332	4B-9374 . . . . .	457	4E-8892 . . . . .	653		865
3T-4965 . . . . .	919	4B-9782 . . . . .	112		655		892
	923		825	4E-8975 . . . . .	287		896
	926		828		288		919
	932		831		289		923
3T-5760 . . . . .	230	4B-9880 . . . . .	579	4E-8976 . . . . .	287		927
3T-6175 . . . . .	471	4C-8195 . . . . .	1		288		933
3T-6246 . . . . .	550		1397		289	4J-0521 . . . . .	788
	552	4C-8196 . . . . .	1397	4E-9173 . . . . .	1246		791
	555	4C-8197 . . . . .	1397		1251	4J-0522 . . . . .	478
	558	4D-3704 . . . . .	70	4E-9174 . . . . .	1246		481
3T-6354 . . . . .	223	4D-6473 . . . . .	471		1251		484
	225	4D-7388 . . . . .	147	4E-9271 . . . . .	147		488
	227		252	4E-9609 . . . . .	277		492
3T-7138 . . . . .	519		400		284		501
3T-9494 . . . . .	293	4D-7735 . . . . .	416	4E-9664 . . . . .	1212		505
	326		661		1213		509
	327	4D-7794 . . . . .	358	4E-9667 . . . . .	729		513
	332		400	4E-9668 . . . . .	729		732
	333		416	4E-9924 . . . . .	287		738
	335		658		288		744
3T-9524 . . . . .	327		661		289		753
	333		663	4E-9925 . . . . .	287		759
	335		667		288		765
3T-9525 . . . . .	293		1117		289		823
	326	4D-8123 . . . . .	393	4F-2294 . . . . .	378		908
	332		396	4F-2320 . . . . .	1063		914
	335		423	4F-4879 . . . . .	1244		1027
3T-9549 . . . . .	400		663		1245		1034
3V-4694 . . . . .	1137		667	4F-6568 . . . . .	783		1036
	1138	4D-8148 . . . . .	540	4F-7507 . . . . .	1051	4J-0523 . . . . .	1004
	1140	4D-9517 . . . . .	196	4F-7957 . . . . .	12		1009
3V-7476 . . . . .	1129		198		13		1012
3V-9862 . . . . .	992		385	4H-1225 . . . . .	704		1017
3W-6398 . . . . .	1261	4D-9986 . . . . .	1024		705		1040
3W-6399 . . . . .	1261	4E-1966 . . . . .	457	4H-6112 . . . . .	500	4J-0524 . . . . .	501
3W-9117 . . . . .	618	4E-3447 . . . . .	907		504		505
			913		508		509
		4E-3601 . . . . .	457		512		513
		4E-4450 . . . . .	1128		1393		658
		4E-5542 . . . . .	779	4H-6730 . . . . .	542		788
		4E-5591 . . . . .	1314		544		791
4B-1240 . . . . .	379		1316		546		795
4B-2047 . . . . .	223		1318	4H-9027 . . . . .	185		799
	225		1320		253		804
	227	4E-5609 . . . . .	1051		990		919
4B-2049 . . . . .	327	4E-6015 . . . . .	694	4I-3398 . . . . .	618		923
	333	4E-6335 . . . . .	1251	4I-6289 . . . . .	616		927
	335	4E-6439 . . . . .	1251		618		933
	362	4E-6444 . . . . .	1251	4I-7077 . . . . .	616	4J-0525 . . . . .	1004
	367	4E-6445 . . . . .	1251		618		1009
	375	4E-6446 . . . . .	1251	4I-7596 . . . . .	282	4J-0526 . . . . .	975
4B-2913 . . . . .	773	4E-6523 . . . . .	1246	4I-9523 . . . . .	1114	4J-0527 . . . . .	179
	775		1251	4I-9524 . . . . .	1114		181
4B-3576 . . . . .	1024	4E-6526 . . . . .	1246	4I-9525 . . . . .	1114		182
4B-4043 . . . . .	86	4E-7163 . . . . .	1251	4I-9526 . . . . .	1114		501
	88	4E-7497 . . . . .	284	4J-0519 . . . . .	795		505
4B-4158 . . . . .	831		287		799		509
	970	4E-7498 . . . . .	284	4J-0520 . . . . .	481		513
	975	4E-7499 . . . . .	284		484		908
	1004	4E-7520 . . . . .	1116		658		914
	1008	4E-7627 . . . . .	1116		732		919
	1012	4E-7628 . . . . .	1116		738		923
	1016	4E-8413 . . . . .	1072		744		927
4B-4274 . . . . .	378		1073		753		933
4B-4276 . . . . .	378		1116		759		992
	1251	4E-8557 . . . . .	1117		765		995
4B-4278 . . . . .	1257	4E-8560 . . . . .	1117		788		998
	1259	4E-8561 . . . . .	1117		791		1026
4B-4550 . . . . .	634	4E-8583 . . . . .	725		843	4J-2677 . . . . .	116
	636	4E-8722 . . . . .	1246		848	4J-5267 . . . . .	481
4B-4863 . . . . .	379		1251		852		484
4B-8440 . . . . .	681	4E-8852 . . . . .	653		857		749

**4**

# PART NUMBER INDEX

Part	Page	Part	Page	Part	Page	Part	Page
	771		333	4P-7429 . . . . .	382	4T-8698 . . . . .	992
	795		336		387	4T-8761 . . . . .	811
	799	4M-2381 . . . . .	579		389	4T-9298 . . . . .	811
	804	4M-5905 . . . . .	577	4P-7581 . . . . .	362	4T-9300 . . . . .	811
	908	4M-6425 . . . . .	391		367	4T-9301 . . . . .	811
	914		1225		372	4V-1074 . . . . .	601
4J-5309 . . . . .	970	4M-8239 . . . . .	576		379	4V-1541 . . . . .	773
	975	4M-8973 . . . . .	663		382		775
	1004		667		387	4V-1939 . . . . .	416
	1009		685		389	4V-4164 . . . . .	362
	1012		687		391		367
	1017		689		412		372
	1040		691		1131	4V-7884 . . . . .	1255
4J-5477 . . . . .	147		692		1192	4V-8256 . . . . .	1054
	678	4N-0683 . . . . .	30		1196	4V-8556 . . . . .	1255
	681		32		1200	4V-8577 . . . . .	1257
	918		33		1250		1259
	919	4N-0684 . . . . .	24	4P-7582 . . . . .	382	4V-9803 . . . . .	706
	922	4N-0699 . . . . .	16		391	4W-4794 . . . . .	135
	923		162	4P-7882 . . . . .	116	4W-5698 . . . . .	24
	926		1391	4P-8134 . . . . .	167	4W-5699 . . . . .	24
	932	4N-0826 . . . . .	130		378	4W-5700 . . . . .	24
4J-7533 . . . . .	781	4N-0827 . . . . .	121		382	4W-5701 . . . . .	24
	1004		123		387	4W-9160 . . . . .	164
	1008	4N-0913 . . . . .	130		389	4W-9890 . . . . .	16
	1012	4N-0914 . . . . .	130		391	4Y-5812 . . . . .	823
	1016	4N-0933 . . . . .	86	4P-9131 . . . . .	130		1027
	1034	4N-0952 . . . . .	526	4S-1936 . . . . .	277	4Y-8003 . . . . .	1142
	1036	4N-1059 . . . . .	329		284		
4J-8224 . . . . .	825		330	4S-1962 . . . . .	385		
	828	4N-1151 . . . . .	96		400		
	831	4N-1156 . . . . .	135		500		
4J-8634 . . . . .	825		138		504		
4J-9058 . . . . .	1366	4N-1199 . . . . .	135		508	5A-3604 . . . . .	970
4J-9780 . . . . .	975		138		658		975
4K-3026 . . . . .	663	4N-1215 . . . . .	130	4S-4455 . . . . .	120	5B-0651 . . . . .	675
	667	4N-1216 . . . . .	130		177		678
	673	4N-1650 . . . . .	30		400		681
	675		32		406		695
	678		33		409	5B-2638 . . . . .	135
	681	4N-2109 . . . . .	57		413		138
4K-5122 . . . . .	378	4N-2481 . . . . .	8		478	5B-3180 . . . . .	577
4K-8302 . . . . .	1155		10		488	5B-3254 . . . . .	958
4K-8864 . . . . .	385		119		492	5B-9192 . . . . .	1135
	393	4N-2514 . . . . .	70		496		1185
	396	4N-3841 . . . . .	296		871	5C-2873 . . . . .	960
	400		298	4S-4456 . . . . .	382	5C-2874 . . . . .	284
4K-9097 . . . . .	167		300	4S-6137 . . . . .	166		1078
4K-9429 . . . . .	1188	4N-8150 . . . . .	121	4S-8264 . . . . .	1395		1082
	1189		123	4S-8537 . . . . .	518		1086
4L-2729 . . . . .	327		130		519		1090
	333	4N-8227 . . . . .	255	4S-8598 . . . . .	472		1095
	336		256	4S-8603 . . . . .	472		1100
4L-6454 . . . . .	385	4P-0519 . . . . .	96	4S-8875 . . . . .	871		1135
	391		98	4S-9191 . . . . .	1074		1185
4L-7124 . . . . .	378	4P-2383 . . . . .	151	4T-0925 . . . . .	1038	5C-2890 . . . . .	230
4L-9337 . . . . .	391	4P-4278 . . . . .	112	4T-0928 . . . . .	1038		284
4M-0189 . . . . .	992	4P-4279 . . . . .	112	4T-1701 . . . . .	1034		287
4M-1815 . . . . .	327	4P-5893 . . . . .	4		1036		288
4M-1827 . . . . .	326		5	4T-1860 . . . . .	825		289
	332		6		828		340
4M-1828 . . . . .	326		7		831		345
	332		57		1008		346
4M-1829 . . . . .	326	4P-6817 . . . . .	4		1016		358
4M-1831 . . . . .	326		5		1038		375
	332		6	4T-2698 . . . . .	745		378
	335		7		751		595
4M-1853 . . . . .	326		70		782		597
	332	4P-6818 . . . . .	70	4T-2770 . . . . .	823		730
	335	4P-6846 . . . . .	8		1027		1079
4M-1854 . . . . .	326		10	4T-2865 . . . . .	1346		1083
	332		67	4T-6540 . . . . .	1366		1087
	335	4P-7371 . . . . .	112	4T-6617 . . . . .	1327		1091
4M-1896 . . . . .	327	4P-7373 . . . . .	130		1331		1096

# PART NUMBER INDEX

Part	Page	Part	Page	Part	Page	Part	Page
	1101	5G-7398 . . . . .	1261		663		335
	1120	5G-7817 . . . . .	196		667	5M-3062 . . . . .	196
	1124		198		673		198
	1126	5H-1504 . . . . .	46		675		201
	1185		49		678		277
	1192		51		681		284
	1196		53		695		385
	1200	5H-4020 . . . . .	908	5K-9660 . . . . .	481		722
	1257		914	5K-9979 . . . . .	658		723
	1259	5H-6005 . . . . .	839		663		724
5C-7261 . . . . .	277		841		667	5M-3154 . . . . .	472
	279	5H-6555 . . . . .	340		675	5M-6126 . . . . .	519
	281	5H-6734 . . . . .	179	5L-3233 . . . . .	164	5M-6187 . . . . .	518
	282		181	5L-3708 . . . . .	233	5M-6213 . . . . .	86
	284		182	5L-5502 . . . . .	699	5M-6214 . . . . .	689
	294		185		713	5M-6592 . . . . .	457
	295		186		715	5M-6755 . . . . .	1212
	325		253	5L-8854 . . . . .	165	5M-7925 . . . . .	519
	375		254	5M-2054 . . . . .	519	5M-9548 . . . . .	576
	645	5H-7704 . . . . .	162	5M-2057 . . . . .	992	5M-9622 . . . . .	576
	649		1391	5M-2894 . . . . .	16	5M-9623 . . . . .	576
	651	5H-8848 . . . . .	970		17	5M-9624 . . . . .	576
	1117	5J-1086 . . . . .	457		62	5P-0049 . . . . .	938
	1131		471		67	5P-0403 . . . . .	519
	1160	5J-3419 . . . . .	825		86	5P-0537 . . . . .	13
	1164		831		88		183
	1165	5J-4776 . . . . .	825		90		273
	1192		828		92		274
	1196		831		95		1190
	1200	5J-5314 . . . . .	326		96	5P-0597 . . . . .	160
	1246		332		98		161
	1251		335		100		500
5C-7423 . . . . .	1117	5K-1094 . . . . .	1111		101		504
5C-8964 . . . . .	284		1113		119		508
5C-9029 . . . . .	284	5K-3661 . . . . .	457		120		512
5C-9553 . . . . .	279	5K-3968 . . . . .	531		121	5P-0742 . . . . .	177
	295		533		123	5P-0747 . . . . .	229
	627		535		126	5P-0761 . . . . .	229
	629	5K-5338 . . . . .	940		127	5P-0763 . . . . .	118
	658	5K-5959 . . . . .	1051		128	5P-0765 . . . . .	372
	1062	5K-7696 . . . . .	580		129	5P-0767 . . . . .	201
	1065		582		130		1162
	1117	5K-9065 . . . . .	542		132		1165
	1185		544		134	5P-0840 . . . . .	30
	1262		546		135		32
	1265	5K-9090 . . . . .	133		138		33
	1268		477		157		46
5D-1911 . . . . .	1388		487		163		49
5D-6298 . . . . .	580		488		166		51
	582		491		167		53
5D-9231 . . . . .	164		496		171	5P-1075 . . . . .	277
5D-9629 . . . . .	290		804		183		284
	291		843		192		848
	1232		848		194		852
5E-8771 . . . . .	73		852		204		892
	76		857		205		896
	78		860		292	5P-1076 . . . . .	147
5F-0149 . . . . .	472		865		296		157
	1393		879		298		169
5F-0304 . . . . .	86		881		300		170
	88		892		382		252
5F-1678 . . . . .	580		895		387		441
	582		919		389		446
5F-3106 . . . . .	788		923		428		585
	791		927		429		591
	795		933		431		627
	799		995		433		629
	804		998		468		634
5F-8000 . . . . .	471	5K-9242 . . . . .	675		471		638
5F-9035 . . . . .	834		678		518		641
5F-9144 . . . . .	887		681		576		645
	888		695		1225		647
5G-6787 . . . . .	1221	5K-9243 . . . . .	468	5M-3034 . . . . .	326		649
5G-7065 . . . . .	1153		661		332		651



# PART NUMBER INDEX

Part	Page	Part	Page	Part	Page	Part	Page
	653	5P-4106 . . . . .	1158		1040		505
	655		1160	5P-6724 . . . . .	773		509
	657	5P-4115 . . . . .	230		775		513
	663		378	5P-6879 . . . . .	1168		732
	667		595		1169		738
	673		597	5P-6944 . . . . .	399		744
	697		627	5P-7068 . . . . .	526		753
	730		629	5P-7211 . . . . .	141		759
	843		1062		627		765
	848		1065		629	5P-7471 . . . . .	501
	852		1124	5P-7244 . . . . .	1395		505
	892		1126	5P-7462 . . . . .	484		509
	896		1186	5P-7463 . . . . .	484		513
	944	5P-4116 . . . . .	376	5P-7464 . . . . .	501		732
	946		441		505		738
	948		446		509		744
	949		1150		513		753
	950	5P-4142 . . . . .	73		658		759
	951		76		661		765
	952		78		843	5P-7483 . . . . .	595
	954	5P-4255 . . . . .	90		848		597
	956	5P-4295 . . . . .	788		852		697
	961		791		857	5P-7701 . . . . .	96
	962		986		860	5P-7703 . . . . .	795
	995		1153		865		799
	998		1158		892		804
	1155	5P-4325 . . . . .	196		896		919
	1221	5P-4423 . . . . .	1055	5P-7465 . . . . .	501		923
5P-1175 . . . . .	1394		1257		505		927
5P-1251 . . . . .	148		1259		509		933
5P-1254 . . . . .	58	5P-4432 . . . . .	1055		513	5P-7803 . . . . .	1121
5P-1259 . . . . .	147	5P-4484 . . . . .	425		658		1123
5P-1265 . . . . .	147		426		661		1124
5P-1291 . . . . .	500	5P-4571 . . . . .	372		843		1126
	504		373		848	5P-7854 . . . . .	400
	508		374		852		481
	512	5P-5602 . . . . .	373		857		496
5P-1471 . . . . .	161		1213		860		732
5P-2199 . . . . .	828	5P-5618 . . . . .	372		865		738
5P-2228 . . . . .	147		374		892		744
5P-2369 . . . . .	125	5P-5637 . . . . .	1147		896		753
5P-2503 . . . . .	475		1150	5P-7468 . . . . .	484		919
	476	5P-5639 . . . . .	436		501		923
	542		441		505		927
	544		446		509		933
	546	5P-5641 . . . . .	436		513	5P-7957 . . . . .	1188
5P-2504 . . . . .	475		441		658		1189
	476	5P-5677 . . . . .	343		788	5P-7958 . . . . .	376
	542		356		791		1147
	544	5P-5678 . . . . .	13		843		1166
	546	5P-5755 . . . . .	148		848		1192
5P-2525 . . . . .	634		446		852		1196
	636		451		857		1200
5P-2566 . . . . .	219		453		860	5P-8077 . . . . .	843
5P-2587 . . . . .	428	5P-5777 . . . . .	733		865		849
	471		739		892		852
5P-2618 . . . . .	179		745		896		858
	181		752	5P-7469 . . . . .	484		860
	182		758		501		865
5P-2673 . . . . .	634		764		505		893
	636		777		509		896
5P-2957 . . . . .	373		779		513		900
	1213	5P-5908 . . . . .	1063		658		902
5P-3419 . . . . .	227		1066		788		904
5P-3422 . . . . .	663	5P-6008 . . . . .	399		791		908
	667	5P-6010 . . . . .	1257		843		914
5P-3723 . . . . .	634		1259		848		938
	636	5P-6271 . . . . .	372		852		942
5P-3928 . . . . .	1158	5P-6298 . . . . .	293		858		943
	1160		326		860		944
5P-3929 . . . . .	1153		332		865		946
	1155	5P-6604 . . . . .	425		893		957
5P-3948 . . . . .	1153		426		896		996
	1155	5P-6719 . . . . .	1024	5P-7470 . . . . .	501		998

# PART NUMBER INDEX

Part	Page	Part	Page	Part	Page	Part	Page
	1012		858		152		209
	1017		860	5S-4245 . . . . .	375	6C-6739 . . . . .	1046
5P-8119 . . . . .	727		865		1191	6C-9083 . . . . .	908
	769		893		1195		913
	770		896		1199	6D-0692 . . . . .	580
5P-8136 . . . . .	1327	5P-8500 . . . . .	207	5S-4246 . . . . .	1105		582
	1331		587		1397	6D-1004 . . . . .	478
5P-8167 . . . . .	1255		589	5S-7001 . . . . .	824		488
5P-8182 . . . . .	501		591	5S-7018 . . . . .	824		492
	505		638	5S-7349 . . . . .	221	6D-1641 . . . . .	201
	509		641		223		658
	513		1166		225		1155
	732		1388		227		1162
	738		1396	5S-7383 . . . . .	1225	6D-2667 . . . . .	1153
	744	5P-8502 . . . . .	207	5S-7816 . . . . .	577	6D-3479 . . . . .	147
	753		638	5T-5009 . . . . .	687		400
	759		641		691	6D-4161 . . . . .	373
	765	5P-8823 . . . . .	1327		719		374
5P-8244 . . . . .	958		1331	5T-5012 . . . . .	685	6D-4244 . . . . .	385
5P-8245 . . . . .	68		1339		687		400
	86		1357		689	6D-4246 . . . . .	230
	88	5P-8874 . . . . .	745		691		400
	93		752		692		406
	117		758		717		409
	220		764	5T-5045 . . . . .	719		412
	428		788		720		436
	455		791		721		440
	457	5P-9085 . . . . .	356	5T-7676 . . . . .	580		445
	468		360		582		795
	471		385	5T-8224 . . . . .	957		799
	519		393	5T-8645 . . . . .	177		908
	531		396	5T-9020 . . . . .	375		914
	533		400	5V-1496 . . . . .	1237		988
	535		406		1239		990
	550		409	5V-3854 . . . . .	638	6D-4247 . . . . .	1111
	552		412		641		1113
	555		416	5V-5476 . . . . .	673	6D-4636 . . . . .	732
	558		423		675		738
	970		478		678		744
	975		488		681		753
	992		492	5V-6152 . . . . .	393		759
5P-8247 . . . . .	86		497		396	6D-5256 . . . . .	406
	88		498	5V-6153 . . . . .	393		409
	192		858		396		412
	194		860	5V-6439 . . . . .	416		412
	221		865			6D-5729 . . . . .	1227
	232	5P-9132 . . . . .	1107			6D-6146 . . . . .	362
	382	5P-9186 . . . . .	813				367
	459	5P-9262 . . . . .	1022				375
	461	5P-9297 . . . . .	417			6D-7690 . . . . .	634
	471		419	6A-5591 . . . . .	455		636
	634		663	6B-0689 . . . . .	58	6D-7889 . . . . .	406
	636		667	6B-4540 . . . . .	375		409
5P-8248 . . . . .	457		1262		1191		412
5P-8250 . . . . .	1327		1265		1195		546
	1331	5P-9299 . . . . .	126		1199		567
	1366		127		1397		568
5P-8347 . . . . .	263		128	6B-4661 . . . . .	201	6E-0381 . . . . .	818
	265		129	6B-4852 . . . . .	457		819
5P-8361 . . . . .	1272		400	6B-5072 . . . . .	713	6E-0410 . . . . .	828
	1371		844		715	6E-0496 . . . . .	873
5P-8362 . . . . .	1272		849	6B-6205 . . . . .	147		875
	1371		852		230		876
	1372		858		400		878
5P-8439 . . . . .	279		861		638	6E-0923 . . . . .	1251
5P-8444 . . . . .	501		865		641	6E-1127 . . . . .	823
	505		893		658		1027
	509		896	6B-6684 . . . . .	80	6E-1291 . . . . .	1004
	513	5P-9769 . . . . .	634		82		1008
	788		636		992		1012
	791	5S-0003 . . . . .	233	6B-6863 . . . . .	519		1016
	843		577	6B-8085 . . . . .	651	6E-1454 . . . . .	918
	849	5S-0085 . . . . .	426	6C-3060 . . . . .	207		922
	852	5S-0581 . . . . .	146				926

## 6

# PART NUMBER INDEX

Part	Page	Part	Page	Part	Page	Part	Page
	932		1078		51		428
6E-2140 . . . . .	1004		1079		53	6L-3616 . . . . .	661
	1009		1082	6I-4421 . . . . .	30		663
	1012		1083		32		667
	1017		1086		33		673
6E-2943 . . . . .	811		1087	6I-4467 . . . . .	159		675
6E-3268 . . . . .	1022		1090	6I-4575 . . . . .	12		678
6E-3269 . . . . .	1022		1095	6I-4582 . . . . .	73		681
6E-3272 . . . . .	1022		1096		76		695
6E-3273 . . . . .	1022		1100		78	6L-8598 . . . . .	1117
6E-3274 . . . . .	1022		1101	6I-8249 . . . . .	1298	6L-8617 . . . . .	147
6E-3275 . . . . .	1022		1105		1300	6M-1622 . . . . .	425
6E-3276 . . . . .	1022	6F-0698 . . . . .	1091	6I-8250 . . . . .	1298		426
6E-3303 . . . . .	1034		1096		1300		585
	1036	6F-5559 . . . . .	970	6I-8298 . . . . .	1272	6M-1637 . . . . .	457
6E-3687 . . . . .	958	6F-7045 . . . . .	339	6I-8299 . . . . .	1272	6M-1638 . . . . .	457
6E-3775 . . . . .	825	6F-7061 . . . . .	970	6J-2386 . . . . .	811	6M-9155 . . . . .	727
	828		975	6J-2419 . . . . .	429	6N-1097 . . . . .	164
	831	6F-7316 . . . . .	385		431	6N-1604 . . . . .	255
6E-3779 . . . . .	828	6G-7724 . . . . .	990		433	6N-1931 . . . . .	134
	831	6H-0411 . . . . .	1396		471	6N-3279 . . . . .	326
6E-3780 . . . . .	825	6H-1717 . . . . .	455		1393		332
	831	6H-3956 . . . . .	595	6J-2680 . . . . .	501		335
6E-3986 . . . . .	822		597		505	6N-3826 . . . . .	326
	825	6H-6043 . . . . .	550		509		332
	831		552		513		335
6E-4286 . . . . .	825		555		795	6N-4414 . . . . .	183
	828		558		799	6N-7692 . . . . .	159
	831	6H-7062 . . . . .	451		804	6N-8744 . . . . .	1077
	1004		453	6J-2797 . . . . .	784	6N-9590 . . . . .	156
	1009		731		785	6P-4903 . . . . .	472
	1012		737	6J-4568 . . . . .	834	6P-4943 . . . . .	577
	1017		743	6J-6721 . . . . .	519	6P-4947 . . . . .	471
6E-4287 . . . . .	825		751	6K-0806 . . . . .	839	6P-4978 . . . . .	577
	829		757		841	6P-5751 . . . . .	518
	832		763		1255	6P-6641 . . . . .	277
	1005	6I-0213 . . . . .	190	6K-1972 . . . . .	713		284
	1009	6I-0901 . . . . .	112		715	6P-6739 . . . . .	519
	1017	6I-0928 . . . . .	45	6K-3273 . . . . .	1218	6P-7379 . . . . .	519
6E-4499 . . . . .	825		47	6K-4934 . . . . .	478	6P-7705 . . . . .	519
	828		48		488	6P-8875 . . . . .	1227
	831		55		492	6P-9553 . . . . .	550
6E-4500 . . . . .	825	6I-1055 . . . . .	30	6K-4935 . . . . .	478		558
	828		32		488	6S-1753 . . . . .	519
	832		33		492	6S-3002 . . . . .	971
6E-4513 . . . . .	825	6I-1418 . . . . .	233	6K-5040 . . . . .	695		975
	828		378	6K-5290 . . . . .	477	6S-6251 . . . . .	435
	831		1150		487		440
6E-4514 . . . . .	825	6I-1458 . . . . .	94		491		445
	828	6I-1483 . . . . .	63		731		500
	831		64		737		504
6E-4753 . . . . .	822		65		743		508
6E-5101 . . . . .	992		66		751		512
6E-5510 . . . . .	823	6I-2431 . . . . .	147		757		638
	1027	6I-2435 . . . . .	147		763		641
6E-5566 . . . . .	788	6I-2509 . . . . .	159	6K-5291 . . . . .	478	6S-8620 . . . . .	147
	791		1392		488	6T-0363 . . . . .	293
	824		1393		492		326
6E-6138 . . . . .	823	6I-2510 . . . . .	159		732		332
	1027		1393		738	6T-0371 . . . . .	293
6E-6188 . . . . .	823	6I-2726 . . . . .	102		744		326
	825	6I-3623 . . . . .	73		753		332
	828		76		759	6T-0372 . . . . .	293
	831		78		765		326
6E-6527 . . . . .	1022	6I-3624 . . . . .	73	6K-6307 . . . . .	825		332
6E-6528 . . . . .	1022		76		828	6T-0465 . . . . .	229
6E-6536 . . . . .	1022		78		832	6T-1120 . . . . .	327
6E-6537 . . . . .	1022	6I-3625 . . . . .	73		1026	6T-3631 . . . . .	421
6E-6538 . . . . .	1022		76	6K-6967 . . . . .	663	6T-3632 . . . . .	421
6E-6539 . . . . .	1022		78		667	6T-3633 . . . . .	421
6E-6540 . . . . .	1022	6I-3638 . . . . .	8	6K-8178 . . . . .	192	6T-3642 . . . . .	378
6E-6550 . . . . .	992		10		1153	6T-3643 . . . . .	378
6F-0156 . . . . .	518		62	6K-9194 . . . . .	192	6T-3720 . . . . .	518
6F-0253 . . . . .	347	6I-4025 . . . . .	49		194	6T-3764 . . . . .	255

# PART NUMBER INDEX

Part	Page	Part	Page	Part	Page	Part	Page
6T-5545 . . . . .	580		844	6V-2370 . . . . .	378	6V-3918 . . . . .	1024
	582		849		585	6V-3935 . . . . .	542
6T-6052 . . . . .	518		852		595		544
6T-6505 . . . . .	1065		858		597		546
6T-6506 . . . . .	1065		861		1128	6V-3965 . . . . .	463
6T-6708 . . . . .	1065		865		1224		500
6T-6791 . . . . .	428		893	6V-2383 . . . . .	400		504
6T-7695 . . . . .	1137		896		497		508
	1138	6V-1270 . . . . .	468	6V-2491 . . . . .	1120		512
	1140	6V-1322 . . . . .	326		1217		542
6V-0128 . . . . .	13		332	6V-2495 . . . . .	1153		544
6V-0397 . . . . .	478		335		1156		546
	732	6V-1392 . . . . .	587	6V-2496 . . . . .	1062		569
	738	6V-1572 . . . . .	423		1066		570
	744		795		1261		571
6V-0467 . . . . .	745		799	6V-2679 . . . . .	1394		572
	751		804	6V-2687 . . . . .	376		573
	757		940		1137		574
	763		942		1138		575
6V-0484 . . . . .	463		943		1140		576
	907	6V-1573 . . . . .	423	6V-2722 . . . . .	372		731
	913		795		1113		737
	975		799	6V-3250 . . . . .	156		743
	1013		804	6V-3251 . . . . .	46		751
	1017		940		108		757
6V-0675 . . . . .	156		942	6V-3265 . . . . .	283		763
6V-0683 . . . . .	484		943		284		777
6V-0723 . . . . .	1129	6V-1574 . . . . .	423		393		779
6V-0836 . . . . .	518		940		396		796
6V-0852 . . . . .	406		942		400		800
	409		943		406		803
	412		944		409		816
	463		946		412		839
	500	6V-1614 . . . . .	343		417		841
	504	6V-1635 . . . . .	606		419		879
	508		625		738		881
	512		1221		744		907
	542	6V-1668 . . . . .	1062		753		913
	544		1065		759		922
	546	6V-1720 . . . . .	520		765		961
	567	6V-1722 . . . . .	1162	6V-3341 . . . . .	1079		962
	568	6V-1746 . . . . .	580		1083		975
	576		582		1087		1005
	731	6V-1820 . . . . .	423		1091		1009
	737		531		1096		1013
	743		533		1101		1017
	751		535	6V-3382 . . . . .	970	6V-4248 . . . . .	472
	757	6V-1874 . . . . .	484		975		526
	763		852	6V-3532 . . . . .	457		550
	777		861	6V-3551 . . . . .	811		552
	779		865	6V-3668 . . . . .	455		555
	795		896		552		558
	799	6V-1889 . . . . .	451		555		1158
	803		453		580	6V-4349 . . . . .	658
	816		478		582	6V-4356 . . . . .	1153
	839		488		1004		1155
	841		492		1009	6V-4357 . . . . .	1153
	879		883	6V-3675 . . . . .	958		1155
	881		885	6V-3676 . . . . .	958	6V-4429 . . . . .	464
	907		919	6V-3677 . . . . .	73	6V-4589 . . . . .	192
	913		923		76		212
	961		927		78	6V-4636 . . . . .	966
	962		933	6V-3683 . . . . .	292		968
	975		1153	6V-3823 . . . . .	537	6V-5048 . . . . .	61
	1005		1155		551		184
	1009	6V-1903 . . . . .	196		552		192
	1013		198		555		292
	1017	6V-1949 . . . . .	834		558		296
6V-0890 . . . . .	▶326	6V-1970 . . . . .	1		566		298
	329		1166		971		300
6V-0974 . . . . .	940	6V-2235 . . . . .	658	6V-3830 . . . . .	96	6V-5049 . . . . .	46
6V-1197 . . . . .	15	6V-2313 . . . . .	1213		98		296
6V-1249 . . . . .	658	6V-2316 . . . . .	713	6V-3917 . . . . .	162		298
	661		715		163		300

# PART NUMBER INDEX

Part	Page	Part	Page	Part	Page	Part	Page
6V-5063 . . . . .	1162		358		274		788
6V-5142 . . . . .	821		372		1068		791
6V-5217 . . . . .	1024		1079		1069		795
6V-5220 . . . . .	1117		1083	6V-8237 . . . . .	517		799
6V-5221 . . . . .	976		1087		873		803
6V-5258 . . . . .	488		1091		875		808
	492		1096		876		809
6V-5266 . . . . .	1391		1101		878		843
6V-5324 . . . . .	1038		1142	6V-8243 . . . . .	971		848
	1039	6V-7419 . . . . .	1262		976		852
6V-5555 . . . . .	1034		1265	6V-8281 . . . . .	580		857
	1036		1268		582		860
6V-5684 . . . . .	457	6V-7423 . . . . .	475	6V-8351 . . . . .	958		865
	550		476	6V-8352 . . . . .	1022		881
	552		542	6V-8360 . . . . .	1272		892
	555		544		1323		895
	559		546		1339		907
	971	6V-7646 . . . . .	1062		1340		908
	976		1237		1341		914
6V-5686 . . . . .	971		1239	6V-8369 . . . . .	355		919
	976	6V-7675 . . . . .	542		375		923
6V-5759 . . . . .	1004		544		1191		940
	1009		546		1195		995
	1013	6V-7681 . . . . .	963		1199		996
	1017		964	6V-8373 . . . . .	327		998
	1024	6V-7687 . . . . .	604	6V-8376 . . . . .	378		1004
6V-5839 . . . . .	160		706	6V-8378 . . . . .	378		1009
	472		1116	6V-8397 . . . . .	192		1012
	524	6V-7723 . . . . .	980		417		1017
	531	6V-7727 . . . . .	207		419	6V-8398 . . . . .	147
	533		209		435		196
	535	6V-7728 . . . . .	1062		440		198
	551		1065		445		477
	552	6V-7743 . . . . .	1079		500		478
	555		1083		501		481
	559		1087		504		484
	992		1091		505		487
	1074		1096		508		488
	1158		1101		509		491
6V-5842 . . . . .	160	6V-7744 . . . . .	595		512		492
6V-5843 . . . . .	550		597		513		498
	552		992		658		658
	555	6V-8076 . . . . .	803		661		671
	559	6V-8077 . . . . .	795		663		672
6V-6210 . . . . .	1262		799		667		684
	1265		803		684		685
	1268	6V-8132 . . . . .	517		685		699
6V-6317 . . . . .	472	6V-8149 . . . . .	531		687		713
6V-6535 . . . . .	1272		533		689		715
	1335		535		691		731
	1341	6V-8150 . . . . .	727		692		732
	1342	6V-8185 . . . . .	378		699		737
	1344	6V-8186 . . . . .	378		713		738
	1345	6V-8187 . . . . .	223		715		739
6V-6609 . . . . .	106		225		717		743
	109		227		731		744
	110		378		732		745
	192	6V-8188 . . . . .	59		737		749
	203		60		738		751
	298		61		739		752
	1162		230		743		753
6V-6640 . . . . .	471		327		744		757
6V-6703 . . . . .	244		333		745		758
	245		335		751		759
	322		601		752		763
6V-6718 . . . . .	1212		788		753		764
6V-6889 . . . . .	1262		791		757		765
	1265	6V-8189 . . . . .	221		758		771
6V-6923 . . . . .	211		1147		759		773
	214		1150		763		775
	215	6V-8200 . . . . .	995		764		777
	1033		998		765		779
6V-7238 . . . . .	1162	6V-8212 . . . . .	464		773		788
6V-7357 . . . . .	340	6V-8225 . . . . .	273		775		791

# PART NUMBER INDEX

Part	Page	Part	Page	Part	Page	Part	Page
	808		481		918		914
	809		484		922		927
	843		487		926		933
	844		491		932	6V-8789 . . . . .	749
	848	6V-8634 . . . . .	510	6V-8713 . . . . .	808		771
	849		512		918	6V-8791 . . . . .	488
	852		745		922		492
	857		752		927	6V-8801 . . . . .	232
	858		758		933		277
	860		764	6V-8716 . . . . .	435		284
	861		808		440		1024
	865	6V-8635 . . . . .	133		445	6V-8918 . . . . .	196
	866		477		451		198
	892		487		453	6V-8928 . . . . .	1147
	893		491		477		1150
	895		843		487	6V-8936 . . . . .	843
	896		848		491		848
	907		857		885		852
	908		892	6V-8721 . . . . .	927		857
	914	6V-8636 . . . . .	500		933		860
	918		504	6V-8722 . . . . .	201		865
	922		508	6V-8723 . . . . .	192		892
	926		513		194		895
	927		731		809	6V-8941 . . . . .	435
	932		737		908		440
	933		743		914		445
	995		752	6V-8724 . . . . .	417	6V-8943 . . . . .	435
	998		758		419		440
	1111		764		739		445
	1113		808		745	6V-8946 . . . . .	803
6V-8400 . . . . .	477		907		752		919
	478		919		758		923
	481		923		764		927
	484		940		788		933
	487		996		791	6V-8948 . . . . .	860
	488		998		795		865
	491	6V-8637 . . . . .	435		803		895
	492		440		809	6V-8969 . . . . .	1190
	852		445		843	6V-8981 . . . . .	732
	860		477		848		738
	861		487		852		744
	865		491		857		752
	866		501		860		758
	895		505		865		764
	896		509		892		809
6V-8455 . . . . .	457		512		895		1111
6V-8556 . . . . .	436		795		940		1113
6V-8625 . . . . .	478		799		995	6V-8983 . . . . .	918
	481		871		998		923
	484		907	6V-8730 . . . . .	419		927
	488		913	6V-8775 . . . . .	809		933
	492		918	6V-8777 . . . . .	435	6V-8987 . . . . .	658
	732		922		440	6V-8988 . . . . .	658
	738		926		445		1111
	744		932	6V-8780 . . . . .	147		1113
	749	6V-8639 . . . . .	731	6V-8781 . . . . .	908	6V-8990 . . . . .	478
	752		738		940		488
	758		744		995		492
	764		752		998		908
	771		758	6V-8782 . . . . .	732		914
	777		764		738	6V-8995 . . . . .	732
	779		907		744		738
	908		914		752		744
	914		918		758		752
	995		922		764		758
	998		926		843		764
6V-8626 . . . . .	132		932		848		1111
	196		1111		852		1113
	198		1113		857	6V-8997 . . . . .	478
6V-8632 . . . . .	196	6V-8642 . . . . .	918		860		488
	198		922		865		492
	201		926		892		908
	808		932		895		914
6V-8633 . . . . .	477	6V-8647 . . . . .	147	6V-8784 . . . . .	908	6V-8998 . . . . .	879

# PART NUMBER INDEX

Part	Page	Part	Page	Part	Page	Part	Page
	881		492		658	6V-9850 . . . . .	417
6V-9001 . . . . .	500		879		731		419
	504		881		732		500
	508		908		737		504
	513		914		738		508
	795	6V-9189 . . . . .	262		739		513
	799		263		743		687
	803		264		744		689
	808		265		745		691
	914		266		751		692
	995	6V-9191 . . . . .	476		752		808
	998		550		753		996
6V-9002 . . . . .	788	6V-9200 . . . . .	435		757		998
	791		440		758	6V-9851 . . . . .	732
	1113		445		759		738
6V-9004 . . . . .	484		699		763		744
	919		713		764		752
	923		715		765		758
	927	6V-9325 . . . . .	1117		795		764
	933	6V-9327 . . . . .	1246		799		777
6V-9005 . . . . .	133		1251		803		779
	477	6V-9606 . . . . .	1147		804		809
	488		1150		871	6V-9852 . . . . .	446
	492	6V-9632 . . . . .	250		879	6V-9853 . . . . .	435
6V-9007 . . . . .	481		279		881		440
	484		290		883		445
	500		291		885		478
	504		340		907		488
	508		375		908		492
	513		376		913		908
	731		396		914		914
	738		1065		915	6V-9854 . . . . .	843
	744		1090		918		848
	752		1091		919		852
	758		1095		922		857
	764		1096		923		860
	871		1100		926		865
	883		1117		927		892
	885		1120		932		895
	908		1121		933	6V-9855 . . . . .	478
	914		1147		976		481
	918		1150		986		484
	922		1173		988		488
	927		1175		990		492
	933		1177	6V-9804 . . . . .	264		860
	986		1191		266		865
	988		1192	6V-9807 . . . . .	661		895
	990		1195	6V-9833 . . . . .	879	6V-9873 . . . . .	699
6V-9168 . . . . .	467		1199		881		713
	658		1246		995		715
6V-9169 . . . . .	658		1251		998		773
	732	6V-9746 . . . . .	435	6V-9836 . . . . .	692		775
	738		440		717		809
	744		445		809	6V-9876 . . . . .	684
	753		451	6V-9837 . . . . .	732	6W-3731 . . . . .	889
	759		453		738	6Y-0802 . . . . .	550
	765		477		744		558
	769		478		752	6Y-0803 . . . . .	550
	770		481		758		552
	809		484		764		555
	908		487		777		558
	914		488		779	6Y-0806 . . . . .	550
	1111		491	6V-9838 . . . . .	809		552
	1113		492	6V-9839 . . . . .	435		555
6V-9172 . . . . .	879		496		440		558
	881		500		445	6Y-1414 . . . . .	550
6V-9176 . . . . .	475		501		478		558
	476		504		488	6Y-1616 . . . . .	518
	555		505		492	6Y-2090 . . . . .	116
6V-9182 . . . . .	435		508		918	6Y-2553 . . . . .	1376
	440		509		923	6Y-2736 . . . . .	813
	445		510		927	6Y-2737 . . . . .	813
	477		512		933	6Y-3484 . . . . .	518
	488		513	6V-9840 . . . . .	496	6Y-4638 . . . . .	577

# PART NUMBER INDEX

Part	Page	Part	Page	Part	Page	Part	Page
6Y-5373 . . . . .	▶ 1378	7F-3525 . . . . .	293		198		333
6Y-5793 . . . . .	518		326		201		335
6Y-6328 . . . . .	471		332		435	7M-0326 . . . . .	326
6Y-6329 . . . . .	471	7F-6013 . . . . .	476		436		332
6Y-6441 . . . . .	471		550		440		335
6Y-6584 . . . . .	252		552		445	7M-0327 . . . . .	326
6Y-6848 . . . . .	455		559		446		332
6Y-7125 . . . . .	429	7F-8607 . . . . .	542		808		335
	431		971		809	7M-1297 . . . . .	464
	433		1153		918	7M-5130 . . . . .	828
6Y-8112 . . . . .	1001		1155		922		831
6Y-9885 . . . . .	580	7F-9090 . . . . .	121		926	7M-8479 . . . . .	518
			123		927	7M-8480 . . . . .	518
		7F-9223 . . . . .	600		932	7M-8485 . . . . .	133
		7G-0141 . . . . .	550		933		147
			552		1391		207
			555	7J-9250 . . . . .	873		209
7B-1480 . . . . .	498		558		875		425
7B-1597 . . . . .	428	7G-0283 . . . . .	519		876		426
	468	7G-0897 . . . . .	519		878		435
7B-2742 . . . . .	183	7G-2476 . . . . .	519	7K-1181 . . . . .	362		440
7B-3028 . . . . .	472	7G-2486 . . . . .	519		367		445
7B-3039 . . . . .	992	7G-2928 . . . . .	518		376		451
7C-1445 . . . . .	90	7G-3457 . . . . .	519		385		453
7C-4038 . . . . .	121	7G-4817 . . . . .	518		389		464
	123	7G-4818 . . . . .	518		393		477
7C-4354 . . . . .	372	7G-5746 . . . . .	518		396		478
	1246	7G-6772 . . . . .	518		423		481
7C-4355 . . . . .	759	7G-7053 . . . . .	290		940		484
	765		291		1111		487
7C-5665 . . . . .	163		1215		1113		488
7C-6921 . . . . .	795	7G-7917 . . . . .	362		1191		491
	799		373		1195		492
7D-1553 . . . . .	198		379		1199		496
	400	7G-7918 . . . . .	362		1246		542
7D-1649 . . . . .	220		379	7K-1401 . . . . .	501		544
7D-1979 . . . . .	542	7G-7919 . . . . .	362		505		546
	544		373		509		577
	546		379		513		611
7D-4493 . . . . .	120	7G-7920 . . . . .	362	7K-1402 . . . . .	501		613
7D-4719 . . . . .	460		373		505		732
7D-4721 . . . . .	460		379		509		733
7D-5238 . . . . .	784	7G-8839 . . . . .	638		513		739
	785		641	7K-1972 . . . . .	616		745
7D-7026 . . . . .	201	7H-1447 . . . . .	992		618		752
7D-8508 . . . . .	1004	7H-7658 . . . . .	519	7K-3176 . . . . .	1158		753
	1008	7I-1024 . . . . .	663		1160		758
	1012		667	7K-3262 . . . . .	1147		759
	1016		1162	7K-3304 . . . . .	1158		764
7D-8636 . . . . .	468	7I-8640 . . . . .	900		1160		765
7D-8637 . . . . .	468		902	7K-4201 . . . . .	1129		769
7E-0558 . . . . .	102		904		1147		770
7E-0559 . . . . .	102	7J-0204 . . . . .	400		1150		777
7E-1177 . . . . .	102		577	7K-4942 . . . . .	725		779
7E-2985 . . . . .	196	7J-0402 . . . . .	455		738		823
	198	7J-1089 . . . . .	828		744		843
7E-4195 . . . . .	102		831		751		848
7E-4341 . . . . .	96	7J-1592 . . . . .	1012		757		857
	100		1017		763		860
7E-4342 . . . . .	96	7J-2546 . . . . .	823	7K-6058 . . . . .	86		865
	100	7J-2656 . . . . .	992		88		879
7E-4508 . . . . .	130	7J-2927 . . . . .	825	7K-9204 . . . . .	725		881
7E-5346 . . . . .	184		828	7K-9212 . . . . .	634		883
7E-6455 . . . . .	169		831		636		885
7E-6508 . . . . .	13	7J-5225 . . . . .	988	7L-2181 . . . . .	471		892
7E-7599 . . . . .	130		990	7L-2894 . . . . .	326		895
7E-8630 . . . . .	157	7J-7423 . . . . .	825		332		908
7E-9171 . . . . .	156		831		335		913
7F-0560 . . . . .	230	7J-7852 . . . . .	1004	7L-9061 . . . . .	544		914
7F-2122 . . . . .	519		1009		546		915
7F-3488 . . . . .	326		1012	7M-0324 . . . . .	326		919
	332		1017		332		923
	335	7J-9108 . . . . .	162		335		927
7F-3491 . . . . .	326		196	7M-0325 . . . . .	327		933

## 7



# PART NUMBER INDEX

Part	Page	Part	Page	Part	Page	Part	Page
	971		1203	7X-0620 . . . . .	284		871
	976		1206	7X-0632 . . . . .	1077		1004
	995	7T-7370 . . . . .	309	7X-0732 . . . . .	661		1009
	998	7T-7918 . . . . .	373	7X-0751 . . . . .	616		1013
	1004	7T-8331 . . . . .	157		618		1017
	1008		638	7X-0766 . . . . .	595	7X-2552 . . . . .	501
	1012		641		597		505
	1016		649	7X-0818 . . . . .	294		509
	1024		653		378		513
	1027		655		542		908
7M-8651 . . . . .	326	7T-8890 . . . . .	1261		544		914
	332	7T-9123 . . . . .	327		1150		1051
	335		333	7X-0871 . . . . .	731	7X-2553 . . . . .	240
7M-9909 . . . . .	542	7V-0445 . . . . .	1246		737		242
	544	7V-8346 . . . . .	727		743		540
	546	7V-9275 . . . . .	378		751		649
7N-0452 . . . . .	67	7W-1484 . . . . .	1396		757		651
7N-0719 . . . . .	229	7W-3145 . . . . .	163		763		653
	339	7W-6492 . . . . .	30		777		655
7N-1228 . . . . .	464		105		779		858
7N-2059 . . . . .	325		121	7X-0873 . . . . .	731		861
7N-2156 . . . . .	134		123		737		866
7N-5274 . . . . .	229	7W-6534 . . . . .	135		743		900
7N-5876 . . . . .	375		138		751		902
	1173	7X-0325 . . . . .	501		757		904
	1175		505		763		944
	1177		509		879		946
	1191		513		881		948
	1195	7X-0343 . . . . .	796	7X-2049 . . . . .	1155		949
	1199		800	7X-2393 . . . . .	645		950
	1203		908		647		951
	1206		914		649		952
7N-7221 . . . . .	373	7X-0345 . . . . .	111		651		954
	374	7X-0347 . . . . .	908	7X-2438 . . . . .	813		956
7N-9801 . . . . .	325		914	7X-2459 . . . . .	799		1051
7N-9943 . . . . .	259	7X-0492 . . . . .	678		881	7X-2554 . . . . .	995
7P-1695 . . . . .	232		681		1004		999
7R-0042 . . . . .	478	7X-0515 . . . . .	242		1008	7X-2555 . . . . .	550
	487		627		1013		552
	491		629		1016		555
7R-2750 . . . . .	1185		649	7X-2475 . . . . .	844		559
7R-2751 . . . . .	1185		651		849	7X-2556 . . . . .	627
7S-1801 . . . . .	500		653		852		629
	504		655		893		900
	508		786		896		902
	512		787		944		904
7S-2962 . . . . .	472		866		946		944
7S-3996 . . . . .	725		990	7X-2488 . . . . .	540		946
7S-3997 . . . . .	725	7X-0550 . . . . .	501	7X-2497 . . . . .	1121		948
7S-3998 . . . . .	477	7X-0562 . . . . .	327		1124		949
	488		333		1126		950
	492		335	7X-2501 . . . . .	196	7X-2559 . . . . .	957
	626	7X-0575 . . . . .	1246		198	7X-2563 . . . . .	116
7S-4002 . . . . .	1395	7X-0583 . . . . .	995	7X-2534 . . . . .	416		963
7S-4244 . . . . .	1261		999		1251		964
7S-5005 . . . . .	24	7X-0584 . . . . .	796	7X-2535 . . . . .	1147		983
7S-8491 . . . . .	825		800		1150		984
	831		804	7X-2543 . . . . .	944	7X-2564 . . . . .	116
7S-8553 . . . . .	824	7X-0590 . . . . .	157		946	7X-2566 . . . . .	540
7T-0020 . . . . .	259		501		1026	7X-2575 . . . . .	1051
7T-0920 . . . . .	1229		505	7X-2546 . . . . .	1004	7X-2583 . . . . .	1051
	1232		509		1009	7X-2618 . . . . .	773
7T-1099 . . . . .	167		513		1012		775
	610		638		1017	7X-2619 . . . . .	1079
	889		641	7X-2549 . . . . .	478		1083
	1065		649		488		1087
	1221		653		492	7X-3229 . . . . .	1394
	1254		655		501	7X-3310 . . . . .	1246
7T-1159 . . . . .	147		871		505		1251
7T-3974 . . . . .	326	7X-0603 . . . . .	705		509	7X-3319 . . . . .	375
	332	7X-0608 . . . . .	1054		513		1203
	335	7X-0618 . . . . .	436		796		1206
7T-4532 . . . . .	1075		441		800	7X-3373 . . . . .	326
7T-6799 . . . . .	376		446		804		332

# PART NUMBER INDEX

Part	Page	Part	Page	Part	Page	Part	Page
	335		885		858		423
7X-3392 . . . . .	482		896		861	8C-7587 . . . . .	976
	484		944		866	8C-8533 . . . . .	500
	501		946		919		504
	505		1077		923		508
	509		1128		927		512
	513		1155		933	8C-8722 . . . . .	1051
	753		1221		992	8C-8723 . . . . .	585
	759		1249	8C-3210 . . . . .	1121	8C-8771 . . . . .	535
	765		1261		1124		539
	907	7X-7731 . . . . .	86		1126	8C-8988 . . . . .	658
	914		88	8C-3236 . . . . .	457		788
7X-4743 . . . . .	372		135	8C-3334 . . . . .	396		791
7X-4776 . . . . .	822		138		419	8C-8989 . . . . .	658
7X-4780 . . . . .	295	7X-7732 . . . . .	30		487		732
	415		138	8C-3398 . . . . .	1185		738
7X-6222 . . . . .	1173	7X-7740 . . . . .	636	8C-3442 . . . . .	1117		744
	1175	7X-7816 . . . . .	544	8C-3445 . . . . .	121		753
	1177		546		123		759
7X-6315 . . . . .	235	7Y-0467 . . . . .	813	8C-3446 . . . . .	121		765
	238	7Y-1863 . . . . .	478		123		809
	239		487		463	8C-8992 . . . . .	580
	244		491		907		582
	245	7Y-1976 . . . . .	148		913	8C-9029 . . . . .	487
	322	7Y-2436 . . . . .	616	8C-3447 . . . . .	463		491
7X-7700 . . . . .	185		618	8C-3451 . . . . .	907	8C-9160 . . . . .	784
	186	7Y-3173 . . . . .	1105		913		785
	188	7Y-3729 . . . . .	804		923	8C-9660 . . . . .	326
	189	7Y-4038 . . . . .	849		933		332
	253		893	8C-3756 . . . . .	1062		335
	254		938	8C-4403 . . . . .	1051		1105
7X-7729 . . . . .	141	7Y-5267 . . . . .	959	8C-4586 . . . . .	1062	8C-9987 . . . . .	1043
	147	7Y-7256 . . . . .	1209		1065	8D-0482 . . . . .	230
	158	7Y-8168 . . . . .	230	8C-5063 . . . . .	59	8D-6542 . . . . .	1150
	230	7Y-8806 . . . . .	1070		60	8D-9947 . . . . .	919
	277			8C-5197 . . . . .	811		923
	284			8C-5230 . . . . .	130		927
	356			8C-5346 . . . . .	1394		933
	436			8C-6162 . . . . .	477	8E-0143 . . . . .	926
	441				487		932
	446	8B-1312 . . . . .	519		491	8E-2467 . . . . .	1272
	451	8B-2664 . . . . .	201	8C-6354 . . . . .	374	8E-2468 . . . . .	1272
	453		699		1191	8E-2469 . . . . .	1272
	593		713		1195	8E-2882 . . . . .	475
	595		715		1199		476
	597	8B-4884 . . . . .	685	8C-6358 . . . . .	229		551
	599		687	8C-6523 . . . . .	1162		552
	606	8C-3078 . . . . .	1108	8C-6712 . . . . .	463		555
	625		1109		907		558
	626		1110		913	8E-3758 . . . . .	▶ 1375
	627	8C-3089 . . . . .	326	8C-6866 . . . . .	147	8E-3759 . . . . .	▶ 1376
	638		332	8C-6869 . . . . .	661	8E-7366 . . . . .	455
	641		335		663	8E-7367 . . . . .	455
	645	8C-3097 . . . . .	822		667	8E-8273 . . . . .	579
	647	8C-3110 . . . . .	966		685	8E-8275 . . . . .	579
	649		968		687	8E-8304 . . . . .	519
	651	8C-3205 . . . . .	481		689	8E-8316 . . . . .	519
	653		484		691	8E-8328 . . . . .	550
	655		749		692		552
	675		771		717		558
	678		796	8C-6871 . . . . .	147	8E-8427 . . . . .	500
	681		800		498		504
	695		804	8C-6872 . . . . .	671		508
	696		909		672		579
	732		914		699	8E-9080 . . . . .	428
	738	8C-3206 . . . . .	481		713	8E-9086 . . . . .	428
	744		484		715	8E-9277 . . . . .	579
	753		658	8C-6959 . . . . .	196	8E-9898 . . . . .	▶ 1344
	759		732		198	8F-0212 . . . . .	471
	765		738		198		1393
	852		744	8C-7508 . . . . .	1105	8F-1434 . . . . .	223
	861		753	8C-7528 . . . . .	385		225
	866		759		406		227
	883		765		409		327
					412		

## 8

# PART NUMBER INDEX

Part	Page	Part	Page	Part	Page	Part	Page
	333		1095	8M-6146 . . . . .	412	8S-2332 . . . . .	329
	335		1100	8M-6393 . . . . .	464		330
8F-3469 . . . . .	467		1146	8M-7066 . . . . .	156		331
	992		1191	8M-7758 . . . . .	1147	8S-2634 . . . . .	229
8F-8544 . . . . .	518		1195		1150	8S-3371 . . . . .	550
8F-9206 . . . . .	1153		1199	8M-8157 . . . . .	501		558
	1155		1203		505	8S-3746 . . . . .	1396
8H-2768 . . . . .	468		1206		509	8S-4212 . . . . .	1396
8H-3127 . . . . .	13		1255		513	8S-6109 . . . . .	1153
8H-3532 . . . . .	823		1257	8M-8162 . . . . .	577		1155
	1027		1259	8M-8489 . . . . .	134	8S-6110 . . . . .	1153
8H-3981 . . . . .	542	8M-0456 . . . . .	379		524		1155
	544	8M-0505 . . . . .	782	8M-8627 . . . . .	576	8S-6212 . . . . .	519
	546	8M-1013 . . . . .	579	8M-8659 . . . . .	471	8S-6214 . . . . .	579
8H-5303 . . . . .	339	8M-2537 . . . . .	576	8M-8948 . . . . .	379	8S-6215 . . . . .	579
8H-5306 . . . . .	339	8M-2770 . . . . .	277	8M-9024 . . . . .	167	8S-6511 . . . . .	134
8H-8257 . . . . .	455		284	8N-0869 . . . . .	229	8S-6823 . . . . .	158
	725		400		230	8S-6824 . . . . .	158
8H-8769 . . . . .	577		498	8N-1513 . . . . .	379	8S-7374 . . . . .	538
8H-9189 . . . . .	577	8M-2771 . . . . .	385	8N-1514 . . . . .	362	8S-9089 . . . . .	135
8J-0101 . . . . .	970		1079		367		138
	975		1083		373	8S-9094 . . . . .	30
8J-0331 . . . . .	823		1087	8N-1516 . . . . .	385		32
	1027		1091	8N-1517 . . . . .	379	8S-9104 . . . . .	518
8J-2357 . . . . .	340		1096	8N-1518 . . . . .	385	8S-9191 . . . . .	190
8J-2962 . . . . .	604		1101	8N-1519 . . . . .	379	8T-0075 . . . . .	1005
8J-3415 . . . . .	277	8M-2772 . . . . .	181	8N-1520 . . . . .	362		1009
	284		182		367		1013
8J-4351 . . . . .	292		340		373		1017
8J-6815 . . . . .	542		661	8N-1521 . . . . .	362	8T-0076 . . . . .	501
	544		663		367		505
	546		667		373	8T-0081 . . . . .	196
	550		673		385		198
	552		675	8N-1522 . . . . .	379	8T-0106 . . . . .	531
	555		678	8N-1535 . . . . .	362		533
	558		681		367		535
8J-8782 . . . . .	992		695		373	8T-0119 . . . . .	196
8J-8783 . . . . .	992	8M-2773 . . . . .	400	8N-1540 . . . . .	1185		198
8J-9841 . . . . .	▶1386		406	8N-1541 . . . . .	373	8T-0197 . . . . .	909
8J-9842 . . . . .	▶1379		409		375		915
8K-0067 . . . . .	580		412	8N-1542 . . . . .	1185	8T-0267 . . . . .	971
8K-1433 . . . . .	147		415	8N-1543 . . . . .	375		976
8L-2777 . . . . .	112		423	8N-1725 . . . . .	229	8T-0269 . . . . .	1116
8L-2786 . . . . .	106		501	8N-2104 . . . . .	130	8T-0273 . . . . .	181
	296		505	8N-4617 . . . . .	159		550
	298		509	8P-4617 . . . . .	518		559
	300		513	8P-5141 . . . . .	1062	8T-0281 . . . . .	531
	550		1155		1065		533
	552	8M-3267 . . . . .	1255	8P-8701 . . . . .	526		535
8L-5008 . . . . .	661	8M-3837 . . . . .	580	8P-9770 . . . . .	1316		538
	663		582		1318		539
	667	8M-4390 . . . . .	520		1338		564
	685	8M-4432 . . . . .	429	8Q-2979 . . . . .	958		565
	689		431	8R-0052 . . . . .	457	8T-0285 . . . . .	995
8L-5922 . . . . .	577		433	8R-0053 . . . . .	457		999
8L-6005 . . . . .	201	8M-4443 . . . . .	501	8R-0126 . . . . .	730	8T-0328 . . . . .	223
	685		505	8R-0752 . . . . .	923		225
	687		509		934		227
	689		513	8R-2857 . . . . .	457		327
8L-6557 . . . . .	59	8M-4986 . . . . .	501	8R-2972 . . . . .	722		333
8L-6565 . . . . .	1004		505	8R-4001 . . . . .	290		335
	1009		509		291		376
	1012		513	8R-5645 . . . . .	276		1078
	1017		576		287		1082
8L-8413 . . . . .	13	8M-4989 . . . . .	550		288		1086
	69		552		289		1090
	362		555	8R-7102 . . . . .	279		1095
	367		559	8R-7858 . . . . .	638		1100
	373	8M-4992 . . . . .	428		641		1237
	374	8M-5127 . . . . .	501	8S-0948 . . . . .	658		1239
	1078		505		663	8T-0336 . . . . .	497
	1082		509		667		498
	1086		513	8S-2225 . . . . .	1212	8T-0337 . . . . .	1062
	1090	8M-5661 . . . . .	579		1213	8T-0375 . . . . .	517

# PART NUMBER INDEX

Part	Page	Part	Page	Part	Page	Part	Page
8T-0389 . . . . .	264		1009		1155		198
	266		1012	8T-3491 . . . . .	926		230
	861		1017		932		252
	866	8T-2501 . . . . .	1255	8T-3519 . . . . .	229		253
	1076	8T-2561 . . . . .	988	8T-3597 . . . . .	142		254
8T-0441 . . . . .	426		990		250		263
8T-0558 . . . . .	992		1153		435		264
8T-0650 . . . . .	459		1155		500		265
	461	8T-2899 . . . . .	1213		504		266
8T-0666 . . . . .	876	8T-3013 . . . . .	457		508		277
	878	8T-3016 . . . . .	1213		512		279
8T-0668 . . . . .	873	8T-3282 . . . . .	426		610		281
	875		580		627		282
8T-0669 . . . . .	517		582		629		283
	876	8T-3298 . . . . .	992		649		284
	878	8T-3312 . . . . .	907		653		287
8T-0722 . . . . .	472		913		655		288
	992	8T-3331 . . . . .	873		695		289
	1254		875		795		294
8T-0723 . . . . .	1116	8T-3490 . . . . .	141		799		295
8T-0741 . . . . .	773		142		803		324
	775		196		808		340
8T-0785 . . . . .	784		198		857		356
	785		250		860		358
8T-0788 . . . . .	419		277		865		360
8T-1141 . . . . .	518		279		895		362
	727		282		907		367
8T-1158 . . . . .	550		284		913		378
	552		385		918		385
	555		393		922		393
	559		396		926		396
8T-1578 . . . . .	595		399		932		400
	597		400		948		406
8T-1583 . . . . .	462		412		949		409
8T-1605 . . . . .	1070		419		950		412
8T-1674 . . . . .	995		435		951		415
	998		477		952		416
8T-1685 . . . . .	478		484		954		417
8T-1686 . . . . .	196		487		956		419
	198		500		1221		423
8T-1715 . . . . .	1162		504		1224		426
8T-1739 . . . . .	963		508	8T-3612 . . . . .	295		436
	964		512		325		441
8T-1885 . . . . .	732		593		435		446
	738		605		808		451
	745		608		1150		453
	753		610		1217		457
	759		638		1218		478
	765		641	8T-3635 . . . . .	250		481
	809		658		616		485
	909		667		618		488
	915		675	8T-3647 . . . . .	413		492
8T-1886 . . . . .	732		678	8T-3851 . . . . .	611		496
	739		681		613		497
	745		695		616		498
	753		749		618		501
	759		757		633		505
	765		763		695		509
	809		771		1048		513
	909		795	8T-3998 . . . . .	839		524
	915		799		841		542
8T-1889 . . . . .	1168		803	8T-4121 . . . . .	14		544
	1169		808		133		546
8T-1890 . . . . .	1168		885		142		550
	1169		892		147		552
8T-1905 . . . . .	908		895		156		555
8T-2223 . . . . .	825		907		164		559
	828		913		177		579
	832		988		179		587
8T-2225 . . . . .	310		990		181		589
8T-2275 . . . . .	992		1111		182		591
8T-2353 . . . . .	961		1113		185		608
	962		1128		186		610
	1004		1153		196		627

# PART NUMBER INDEX

Part	Page	Part	Page	Part	Page	Part	Page
	629		291		732		849
	658		385		739		853
	661		391		745		858
	663		909		753		861
	667		915		759		866
	673		942		765		879
	675		943		883		881
	678		1012		885		893
	681		1017		940		896
	695		1226		942		919
	713		1227		943		923
	715		1228		944		927
	728	8T-4123 . . . . .	116		946		933
	732		142		1117		940
	739		207		1142		1077
	745		209		1153		1111
	749		540		1155		1113
	753		603		1158		1128
	759		604		1168		1153
	765		783		1169		1155
	771		1077		1192		1229
	779		1111		1196		1232
	788		1113		1200	8T-4137 . . . . .	148
	791	8T-4127 . . . . .	284		1229		177
	796	8T-4128 . . . . .	678	8T-4134 . . . . .	1251		185
	800		681	8T-4136 . . . . .	133		196
	804	8T-4131 . . . . .	142		147		198
	809	8T-4132 . . . . .	240		164		230
	844		242		179		252
	849		995		230		253
	853		999		277		277
	858	8T-4133 . . . . .	158		282		279
	861		198		284		281
	866		277		295		282
	871		284		393		284
	879		340		396		294
	881		356		400		324
	883		362		406		356
	885		367		409		358
	893		375		412		360
	896		385		436		362
	909		406		441		367
	915		409		446		378
	919		412		451		385
	923		423		453		393
	927		436		457		396
	933		441		478		400
	940		446		481		406
	942		481		485		409
	943		501		488		412
	986		505		492		415
	988		509		501		416
	990		513		505		417
	992		599		510		419
	1076		606		513		423
	1111		608		579		478
	1113		631		606		488
	1128		645		608		492
	1142		647		625		497
	1147		649		629		498
	1150		651		659		501
	1153		653		663		505
	1155		655		667		509
	1168		658		732		513
	1169		661		739		593
	1170		663		745		627
	1173		667		753		653
	1175		675		759		659
	1177		678		765		661
	1229		681		791		663
	1232		696		796		667
	1250		713		800		673
	1254		715		804		675
8T-4122 . . . . .	290		728		844		678

# PART NUMBER INDEX

Part	Page	Part	Page	Part	Page	Part	Page
	681		649		949		759
	695		653		950		765
	708		655		951	8T-4183 . . . . .	169
	712		657		952		170
	713		663		954		240
	715		667		956		242
	732		673		957		478
	739		695		995		481
	745		697		999		485
	749		732		1012		488
	753		739		1017		492
	759		745		1051		501
	765		753	8T-4149 . . . . .	478		505
	771		759	8T-4167 . . . . .	1051		509
	796		765	8T-4172 . . . . .	198		513
	800		788		788		524
	809		796		791		585
	858		800		849		591
	861		804		853		627
	866		844		858		629
	871		849		861		638
	883		853		866		641
	885		858		871		645
	909		861		893		647
	915		866		896		649
	919		893	8T-4173 . . . . .	844		651
	923		896		849		653
	927		909		853		655
	933		915		858		695
	986		919		861		732
	988		923		866		739
	990		927		893		745
	992		933		896		749
	1111		986		957		753
	1114		988	8T-4174 . . . . .	938		759
	1155		995	8T-4175 . . . . .	909		765
	1221		999		915		771
	1229		1004		995		796
	1232		1009		999		800
	1261		1026	8T-4177 . . . . .	1117		804
8T-4138 . . . . .	290		1221	8T-4178 . . . . .	14		825
	291		1322		340		828
	362		1324		501		832
	367		1325		505		844
	372		1326		509		849
	378		1327		513		853
	1062		1328		626		893
	1066		1329		779		896
	1116		1330		919		909
	1147	8T-4140 . . . . .	290		923		915
	1150		291		927		938
	1246		478		933		942
	1251		481	8T-4179 . . . . .	501		943
8T-4139 . . . . .	142		485		505		948
	148		488		509		949
	230		492		513		950
	252		844		651		951
	400		849		732		952
	436		853		739		954
	441		858		745		956
	446		861		753		990
	478		866		759		992
	482		893		765		1070
	485		896		1221	8T-4184 . . . . .	1221
	488		900	8T-4180 . . . . .	1121		706
	492		902		1124		788
	501		904		1126		791
	505		909	8T-4181 . . . . .	1121		796
	509		915		1124		800
	513		942		1126		804
	585		943	8T-4182 . . . . .	732		909
	610		944		739		915
	638		946		745		919
	641		948		753		923

# PART NUMBER INDEX

Part	Page	Part	Page	Part	Page	Part	Page
	927		1012		436		749
	933		1017		441		753
	995		1221		446		759
	999	8T-4193 . . . . .	406		485		765
8T-4185 . . . . .	1001		409		501		771
	496		412		505		788
	498		626		509		792
	638		844		513		796
	641		849		542		800
	659		853		544		804
	661		893		546		844
	663		896		550		849
	667		900		552		853
	788		902		555		858
	791		904		559		861
	809		909		587		866
	883		915		589		883
	1034		938		591		885
	1036		996		595		893
	1111		999		597		896
	1113		1226		627		909
	1173		1227		629		915
	1175		1228		638		919
8T-4186 . . . . .	1177	8T-4194 . . . . .	400		641		923
	196		436		645		927
	198		441		647		933
	263		446		649		992
	265		501		651	8T-4200 . . . . .	340
	277		505		653		412
	283		509		655		1251
	284		513		661	8T-4205 . . . . .	196
	451		580		663		198
	453		582		667		207
	505		585		704		209
	509		634		705		221
	513		636		713		223
	631		653		715		225
	796		655		796		227
	800		706		800		284
	809		796		804		288
	885		800		809		289
	940		804		844		290
	1077		844		849		291
8T-4187 . . . . .	626		849		853		326
8T-4189 . . . . .	144		853		883		332
	325		858		885		335
	416		861		893		353
	436		866		896		362
	441		871		909		367
	446		893		915		376
	773		896		1142		378
	775		900		1147		1004
	1246		902		1150		1009
	1251		904		1153		1012
8T-4191 . . . . .	610		938		1155		1017
	804	8T-4195 . . . . .	141		1168		1062
8T-4192 . . . . .	501		142		1169		1065
	505		148		1170		1147
	509		156		1246		1150
	513		158		1251		1185
	625		181		1261		1192
	732		182	8T-4196 . . . . .	142		1196
	739		186		185		1200
	745		196		253		1237
	753		198		416		1239
	759		254		436		1246
	765		264		441		1251
	809		266		446		1262
	919		287		481		1265
	923		288		485		1268
	927		289		524	8T-4219 . . . . .	658
	933		358		732		695
	996		385		739	8T-4222 . . . . .	141
	999		400		745		142

# PART NUMBER INDEX

Part	Page	Part	Page	Part	Page	Part	Page
	638		853		713		927
	641		858		715		933
	708		861		773		938
	712		866		775		996
8T-4223 . . . . .	59		871		809		999
	60		889		1117	8T-4747 . . . . .	1121
	61		893		1134		1124
	142		896		1147		1126
	218		900		1150	8T-4779 . . . . .	786
	219		902		1160		787
	230		904		1164		844
	240		909		1165		849
	242		915		1192		853
	252		919		1196		858
	362		923		1200		861
	367		927		1216		866
	376		933		1225		893
	378		938		1246		896
	382		942		1251		902
	387		943	8T-4226 . . . . .	704		904
	389		986		705		938
	400		988	8T-4244 . . . . .	157		950
	436		990		169		956
	441		992		170		957
	446		996		218	8T-4835 . . . . .	218
	478		999		219		219
	481		1001		230	8T-4896 . . . . .	201
	485		1004		252		385
	488		1009		362		391
	492		1070		367		587
	501		1192		375		589
	505		1196		378		591
	509		1200		400		828
	513		1203		501		831
	524		1206		505	8T-4908 . . . . .	230
	542		1221		509		546
	544	8T-4224 . . . . .	144		513	8T-4910 . . . . .	142
	546		196		638		501
	587		198		641		505
	589		221		649		509
	591		230		730		514
	601		240		732		638
	604		242		739		641
	610		262		745		649
	625		277		753		653
	634		279		759		655
	636		281		765		938
	638		282		808	8T-4935 . . . . .	616
	641		284		844		618
	651		294		849	8T-4956 . . . . .	481
	659		295		853		485
	663		325		871		501
	695		340		893		505
	730		376		896		509
	732		391		944		514
	739		406		946		542
	745		409		1192		544
	749		412		1196		546
	753		416		1200		604
	759		436		1203		624
	765		441		1206		634
	771		446		1251		732
	788		501	8T-4648 . . . . .	157		739
	791		505		501		745
	796		509		505		753
	800		542		509		759
	804		544		514		765
	809		546		638		796
	816		567		641		800
	825		568		796		804
	828		645		800		853
	832		647		804		858
	844		649		919		861
	849		651		923		866



# PART NUMBER INDEX

Part	Page	Part	Page	Part	Page	Part	Page
	889		769		138	8T-7525 . . . . .	966
	896		770	8T-6763 . . . . .	46		968
	909		983		135	8T-7529 . . . . .	1158
	915		984		138	8T-7535 . . . . .	783
8T-4970 . . . . .	353	8T-5460 . . . . .	207	8T-6765 . . . . .	46	8T-7547 . . . . .	240
	372		209		88		242
	1079	8T-5463 . . . . .	1182		130		295
	1083		1185	8T-6767 . . . . .	105		436
	1087	8T-5677 . . . . .	399		135		441
	1091	8T-5913 . . . . .	1261	8T-6842 . . . . .	1147		446
	1096	8T-5914 . . . . .	1261		1229	8T-7566 . . . . .	1216
	1101	8T-6342 . . . . .	429	8T-6868 . . . . .	501		1187
	1192		431		505	8T-7811 . . . . .	1190
	1196	8T-6381 . . . . .	116		509	8T-7927 . . . . .	179
8T-4971 . . . . .	595	8T-6383 . . . . .	242		514		477
	597		844		659		481
	1079	8T-6385 . . . . .	240		796		484
	1083		849		800		487
	1087		853		919		491
	1091		893		923		860
	1096		896		927		865
	1101		951		933	8T-7934 . . . . .	895
	1124		952	8T-6869 . . . . .	277		678
	1126		954		279		681
8T-4983 . . . . .	135		956		281	8T-7963 . . . . .	1076
	138	8T-6411 . . . . .	284		282	8T-8442 . . . . .	1147
8T-4986 . . . . .	907		287		284		966
	913		288		372	8T-8667 . . . . .	968
8T-4988 . . . . .	164		289		406	8T-8729 . . . . .	412
8T-4994 . . . . .	406	8T-6430 . . . . .	540		409		207
	409		603		412		216
	412		604		412		258
8T-5001 . . . . .	634	8T-6466 . . . . .	148		501		259
	636		156		505		269
8T-5004 . . . . .	600		230		509		271
8T-5005 . . . . .	295		400	8T-6870 . . . . .	809		272
	478		478		1134		273
	481		488	8T-6876 . . . . .	156		302
	485		492		684		338
	488		638		773		340
	492		641		775		346
	659		733		788		355
	708		739		791		356
	732		745	8T-6895 . . . . .	908		372
	739		753		914		373
	745		759	8T-6911 . . . . .	616		374
	753		765		618		375
	759		796	8T-6912 . . . . .	262		376
	765		800		295		421
	885		804		546		773
	922		809		1134		775
	933		844	8T-6974 . . . . .	393		788
	1155		909		396		887
8T-5027 . . . . .	1147		915	8T-6991 . . . . .	634		1041
8T-5041 . . . . .	788		1004		636		1078
	791		1009	8T-7038 . . . . .	1394		1079
	816		1012	8T-7062 . . . . .	63		1082
8T-5092 . . . . .	218		1017		64		1083
	219		1153		65		1086
8T-5400 . . . . .	1262		1155		66		1087
	1265	8T-6631 . . . . .	1062	8T-7087 . . . . .	858		1090
	1268		1065		861		1091
8T-5412 . . . . .	1001	8T-6757 . . . . .	35		866		1095
8T-5413 . . . . .	599		38	8T-7338 . . . . .	542		1096
	696		41		544		1100
8T-5436 . . . . .	1004		43		546		1105
	1009		163		622		1107
	1013	8T-6761 . . . . .	135		796		1113
	1017		138		800		1114
	1076	8T-6762 . . . . .	107		804		1171
8T-5439 . . . . .	540		135		957		1173
							1175
							1177
							1180

# PART NUMBER INDEX

Part	Page	Part	Page	Part	Page	Part	Page
	1185		765	8Y-6333 . . . . .	1246		1016
	1191		883	8Y-6352 . . . . .	1131	9G-5321 . . . . .	580
	1195		885	8Y-6364 . . . . .	207		582
	1199	8T-8901 . . . . .	926		638	9G-6770 . . . . .	327
	1203		932		641	9G-8451 . . . . .	378
	1206	8T-8919 . . . . .	961	8Y-6386 . . . . .	1121	9G-9288 . . . . .	983
	1259		962		1124		984
8T-8730 . . . . .	258	8T-9082 . . . . .	1237		1126		1388
	308		1239	8Y-6388 . . . . .	1129	9H-1031 . . . . .	26
	310	8T-9371 . . . . .	1257		1131		27
	372		1259	8Y-6917 . . . . .	1255		28
	373	8T-9397 . . . . .	406	8Y-6928 . . . . .	1255		29
	374		409	8Y-8306 . . . . .	595	9H-3757 . . . . .	326
	375		412		597		332
	1086	8T-9501 . . . . .	1138				335
	1113	8T-9522 . . . . .	1031			9H-5537 . . . . .	519
8T-8731 . . . . .	308	8T-9527 . . . . .	62			9H-6454 . . . . .	992
8T-8732 . . . . .	320	8T-9655 . . . . .	233			9H-6832 . . . . .	580
8T-8737 . . . . .	258		378				582
	355	8T-9834 . . . . .	374	9B-0453 . . . . .	730	9H-8872 . . . . .	60
	362	8V-1521 . . . . .	990	9B-2596 . . . . .	159		961
	372	8V-3609 . . . . .	727	9B-7233 . . . . .	378		962
	373	8V-5386 . . . . .	531	9B-7237 . . . . .	909	9J-3047 . . . . .	992
	374		533		915	9J-3866 . . . . .	744
	375		535	9C-1079 . . . . .	907		751
	376	8W-2555 . . . . .	719		913		757
	379		720	9C-4935 . . . . .	616		763
	393		721		618		923
	396	8W-2597 . . . . .	685	9C-5344 . . . . .	631		934
	399		689	9C-6809 . . . . .	616	9J-7031 . . . . .	992
	406		692		618	9J-9600 . . . . .	1373
	409		720	9C-7863 . . . . .	611	9J-9821 . . . . .	825
	415	8W-2966 . . . . .	1005		613		828
	574		1009		616		832
	1062	8W-5428 . . . . .	201		618	9K-0721 . . . . .	634
	1065	8X-0674 . . . . .	636	9C-7929 . . . . .	632		636
	1078	8X-1106 . . . . .	719	9D-0630 . . . . .	177	9K-0803 . . . . .	634
	1082		720		179		636
	1086		721		181	9L-1775 . . . . .	1155
	1090	8X-2318 . . . . .	713	9D-4439 . . . . .	233	9L-5854 . . . . .	26
	1095		715	9D-6134 . . . . .	626		27
	1100	8X-2321 . . . . .	713	9F-2167 . . . . .	727		28
	1111		715	9F-3788 . . . . .	518		29
	1113	8X-3316 . . . . .	713	9F-5599 . . . . .	293	9L-6770 . . . . .	221
	1144		715		326		223
	1145	8X-3467 . . . . .	808		332		225
	1173	8X-4086 . . . . .	528	9F-5644 . . . . .	339		227
	1175		529	9F-6445 . . . . .	419	9L-7373 . . . . .	171
	1177	8X-4552 . . . . .	580	9F-7283 . . . . .	909	9L-7494 . . . . .	468
	1179	8X-4719 . . . . .	611		915	9L-8439 . . . . .	120
	1180		616	9F-8125 . . . . .	362	9L-8925 . . . . .	13
	1181		618		367	9L-9188 . . . . .	1004
	1185		938		375		1008
	1191	8X-4886 . . . . .	500	9G-0003 . . . . .	229		1012
	1192		504	9G-0004 . . . . .	229		1016
	1195		508	9G-1950 . . . . .	1062		1026
	1196		512		1065	9M-0016 . . . . .	1394
	1199	8X-5803 . . . . .	362		1192	9M-0164 . . . . .	118
	1200		367	9G-2673 . . . . .	372		125
	1203		376		1196		1255
	1206	8X-6166 . . . . .	455		1196	9M-1164 . . . . .	579
	1246	8Y-3966 . . . . .	595	9G-3695 . . . . .	343	9M-1503 . . . . .	518
8T-8874 . . . . .	375		597		421	9M-1974 . . . . .	59
	1192	8Y-3998 . . . . .	595		326		60
	1195		597	9G-4101 . . . . .	327		61
	1199	8Y-3999 . . . . .	595		332		90
8T-8887 . . . . .	419		597		333		183
	788	8Y-4489 . . . . .	1221		335		233
	791	8Y-4501 . . . . .	1124	9G-4224 . . . . .	379		296
8T-8899 . . . . .	733		1126	9G-4360 . . . . .	378		298
	739	8Y-5743 . . . . .	627	9G-4733 . . . . .	1004		300
	745		629		1008		382
	753	8Y-5746 . . . . .	1246		1012		387
	759	8Y-6277 . . . . .	1237				429

## 9

# PART NUMBER INDEX

Part	Page	Part	Page	Part	Page	Part	Page
	431	9P-5531 . . . . .	519		1024		53
	433	9P-6476 . . . . .	550		1040		108
	577		552	9S-4183 . . . . .	428		123
	976		555	9S-4185 . . . . .	550		192
	1024		558		552		194
9M-2076 . . . . .	727	9P-7121 . . . . .	207		809		457
9M-2095 . . . . .	518		209		976		828
9M-2904 . . . . .	58	9R-1733 . . . . .	399	9S-4190 . . . . .	30		831
9M-3786 . . . . .	151		611		46		839
9M-4007 . . . . .	551		613	9S-4191 . . . . .	46		841
	552	9R-2613 . . . . .	250		121		1005
	555		294		455		1008
	558		295		464		1013
9M-4313 . . . . .	576		487		520		1016
9M-4355 . . . . .	518		610		542		1026
9M-4370 . . . . .	524		611		544	9S-8005 . . . . .	106
9M-4972 . . . . .	883		618		546		109
	885		663		579		110
9M-5024 . . . . .	457		667		725		192
9M-5870 . . . . .	362		704		799		203
	367		705		804		580
	372		1221		825		582
9M-5894 . . . . .	873	9R-2640 . . . . .	613		828		811
	875		632		831		1047
	876	9R-4595 . . . . .	1221		908	9S-8006 . . . . .	106
	878	9R-5008 . . . . .	1004		918		108
9M-6097 . . . . .	426		1008		922		959
9M-6527 . . . . .	146		1012		971		966
	152		1016		976		968
9M-7173 . . . . .	481	9R-7996 . . . . .	1004		1005	9S-8008 . . . . .	518
	485		1008		1008		813
9M-7394 . . . . .	1388		1013		1013		825
9M-7606 . . . . .	326		1016		1016		828
9M-7609 . . . . .	326	9R-8185 . . . . .	626		1032		831
	332	9R-8538 . . . . .	595		1034	9S-8010 . . . . .	825
9M-7783 . . . . .	232		597		1036		828
9M-7958 . . . . .	147		1124	9S-4205 . . . . .	425		831
9M-8406 . . . . .	196		1126		426	9S-8752 . . . . .	62
	198	9S-1343 . . . . .	518	9S-4368 . . . . .	550		73
	372	9S-2302 . . . . .	223		552		76
	406	9S-2390 . . . . .	223		555		78
	409		225		559		90
	412		227	9S-4372 . . . . .	550		95
	663	9S-2544 . . . . .	326		552		120
	667		332		555		121
	919		335		558		123
	923	9S-4167 . . . . .	183	9S-5755 . . . . .	229		126
	927		184	9S-6130 . . . . .	1034		127
	933	9S-4180 . . . . .	1004		1036		128
	1062		1008	9S-6803 . . . . .	796		129
	1065		1012		800		192
	1153		1016	9S-7949 . . . . .	468		194
	1155		1034	9S-7950 . . . . .	468		204
	1203		1036	9S-8001 . . . . .	135		205
	1206	9S-4181 . . . . .	426		138		382
9N-0869 . . . . .	233		542		781		387
	378		544	9S-8002 . . . . .	49		389
	1131		546		106	9S-9334 . . . . .	96
	1150		611		184		98
	1246		613		192		207
9N-1940 . . . . .	164		971		194		209
9N-2038 . . . . .	174		976		825		1004
	176		1024		831		1008
9N-3167 . . . . .	96	9S-4182 . . . . .	30		966		1012
	98		192		968		1016
9N-3666 . . . . .	201		194		971	9T-0818 . . . . .	983
9N-4452 . . . . .	1381		292		1004	9T-1258 . . . . .	811
9N-4453 . . . . .	1375		828		1008	9T-3096 . . . . .	808
9N-4552 . . . . .	1378		831		1012		995
9N-4561 . . . . .	▶1387		923		1016		998
9N-4562 . . . . .	▶1380		1004		1022		1003
9N-4563 . . . . .	▶1381		1008		1213	9T-3752 . . . . .	926
9N-4564 . . . . .	▶1382		1012	9S-8004 . . . . .	46		932
9N-6108 . . . . .	101		1016		51	9T-4735 . . . . .	1090

# PART NUMBER INDEX

Part	Page	Part	Page	Part	Page	Part	Page
	1095	9W-0335 . . . . .	375	9X-1054 . . . . .	379		1177
	1100		1246		1086	9X-2046 . . . . .	1147
9T-5134 . . . . .	477	9W-0844 . . . . .	373		1101		1150
	487		374	9X-1056 . . . . .	1087		1182
	491		375	9X-1343 . . . . .	374		1185
9T-6943 . . . . .	616		1185		1203	9X-2085 . . . . .	196
	618	9W-0852 . . . . .	373		1206		198
9T-7419 . . . . .	825		374	9X-1386 . . . . .	343	9X-2125 . . . . .	988
	828		375	9X-1813 . . . . .	303		990
	831		376		308	9X-2129 . . . . .	1397
9T-9226 . . . . .	992		1062		309	9X-2133 . . . . .	148
9T-9227 . . . . .	992		1065		310	9X-2158 . . . . .	524
9T-9552 . . . . .	843		1185		311	9X-2185 . . . . .	1062
	848		1191		312		1065
	852		1192		313	9X-2205 . . . . .	185
	892		1195		314		186
	895		1196		316		188
	1034		1199		317		189
9T-9992 . . . . .	1028		1200		338		253
	1029	9W-1377 . . . . .	1272		342		254
	1030	9W-1572 . . . . .	518		345	9X-2289 . . . . .	501
	1031	9W-1579 . . . . .	519		346		505
9U-0560 . . . . .	284	9W-1698 . . . . .	885		775		510
9U-0561 . . . . .	284	9W-1951 . . . . .	374		791		512
9U-0585 . . . . .	1050	9W-1991 . . . . .	376		887	9X-2299 . . . . .	1128
9U-0830 . . . . .	1135		1246	9X-2026 . . . . .	1078	9X-2404 . . . . .	580
	1185	9W-2977 . . . . .	518		1082		582
9U-0853 . . . . .	611	9W-3898 . . . . .	519		1086	9X-2480 . . . . .	372
	613	9W-4361 . . . . .	277		1090		416
	1246		284		1095		1192
9U-0952 . . . . .	1246	9W-5568 . . . . .	577		1100		1196
9U-0953 . . . . .	1246	9W-5731 . . . . .	1335	9X-2027 . . . . .	1246		1200
9U-0954 . . . . .	1246		1341	9X-2038 . . . . .	12	9X-2488 . . . . .	201
9U-0955 . . . . .	1246		1341		1147		1062
9U-0958 . . . . .	1246	9W-5732 . . . . .	1335		1150		1065
9U-1169 . . . . .	1128		1341		1150		1162
9U-1793 . . . . .	618	9W-5733 . . . . .	1335		1246		1162
9U-2277 . . . . .	284		1341		1251		1164
	325	9W-5734 . . . . .	1335	9X-2039 . . . . .	1129		1165
	356		1341	9X-2040 . . . . .	1057	9X-2498 . . . . .	375
	358	9W-5735 . . . . .	1335		1058	9X-2614 . . . . .	914
	378		1341		1059	9X-2616 . . . . .	1246
	385	9W-5736 . . . . .	1335		1061	9X-3132 . . . . .	374
	393		1341		1129	9X-3265 . . . . .	362
	396	9W-6582 . . . . .	116	9X-2042 . . . . .	378		367
	399		540		1078		373
	406	9W-6584 . . . . .	116		1082		1173
	409		540		1086		1175
	477	9W-8297 . . . . .	519		1091		1177
	487	9W-8298 . . . . .	519		1096	9X-3401 . . . . .	303
	491	9W-8394 . . . . .	201		1101		307
9U-2331 . . . . .	1137	9W-8451 . . . . .	1387		1120		314
	1138	9W-8452 . . . . .	1380		1129		315
	1140	9W-8459 . . . . .	1382		1173		317
9U-2332 . . . . .	1142	9W-8551 . . . . .	1386		1175		1065
9U-3925 . . . . .	1246	9W-8552 . . . . .	1379		1177	9X-3402 . . . . .	1065
	1251	9W-9856 . . . . .	519		1229	9X-3410 . . . . .	229
9U-3926 . . . . .	1246	9W-9930 . . . . .	116		1232	9X-3490 . . . . .	362
	1251		540	9X-2043 . . . . .	1251		367
9U-3927 . . . . .	1246	9X-0141 . . . . .	362	9X-2044 . . . . .	1079		373
	1251		367		1083	9X-3495 . . . . .	393
9U-3928 . . . . .	531		373		1087		396
	533	9X-0261 . . . . .	406		1091		399
	535		409		1096		406
9U-4431 . . . . .	1137		412		1101		409
	1138	9X-0262 . . . . .	296		1121		412
	1140		298		1124	9X-3579 . . . . .	876
	1142		300		1126		878
9U-8263 . . . . .	1137	9X-1046 . . . . .	375		1229	9X-4244 . . . . .	262
	1138		1192		1232	9X-4493 . . . . .	284
	1140		1196		1246	9X-4599 . . . . .	1051
9U-9100 . . . . .	475		1200	9X-2045 . . . . .	1120	9X-4601 . . . . .	1051
	550		1203		1147	9X-4605 . . . . .	550
9V-3659 . . . . .	600		1206		1173		552
9V-9295 . . . . .	192		1211		1175		555

# PART NUMBER INDEX

Part	Page	Part	Page	Part	Page	Part	Page
	559	9X-7722 . . . . .	811		462		61
9X-6032 . . . . .	804	9X-7743 . . . . .	468	9X-8408 . . . . .	733	030-7947 . . . . .	192
9X-6165 . . . . .	376	9X-7849 . . . . .	273		739		194
9X-6258 . . . . .	340		274		745		468
9X-6395 . . . . .	823	9X-8121 . . . . .	273		753	030-7962 . . . . .	194
	1027	9X-8139 . . . . .	273		759	030-8539 . . . . .	468
9X-6458 . . . . .	73		274		765	031-0214 . . . . .	1225
	76	9X-8250 . . . . .	400		777	031-3185 . . . . .	73
	78	9X-8256 . . . . .	279		779		76
	90		295	9X-8498 . . . . .	1062		78
	130		358	9X-8600 . . . . .	185	031-4155 . . . . .	18
	135		378		186	032-3506 . . . . .	699
	138		393		188		713
9X-6580 . . . . .	440		396		189		715
	445		416		253	032-8707 . . . . .	177
9X-6626 . . . . .	1182		659		254	032-9313 . . . . .	112
9X-6772 . . . . .	356		1120	9X-8872 . . . . .	71		1028
	379	9X-8257 . . . . .	406	9X-8873 . . . . .	135		1029
	385		409		138		1030
	393		413		471	033-5853 . . . . .	49
	399		478	9X-8874 . . . . .	471		106
	406		488	9X-8875 . . . . .	472	033-6033 . . . . .	211
	409		492	9X-8878 . . . . .	117		214
	412		501	9X-8917 . . . . .	1105		215
	415		505		1173		1033
	477		509		1175	033-6036 . . . . .	958
	487		514		1177	033-6042 . . . . .	183
	491		517		1397		192
	788		542	9X-9120 . . . . .	229		811
	791		544	9X-9825 . . . . .	229	033-6043 . . . . .	1022
	857		546	9Y-1792 . . . . .	134	033-8248 . . . . .	277
	860		622	9Y-4104 . . . . .	135		284
	865		796		138		360
9X-6856 . . . . .	373		800	9Y-6054 . . . . .	102		379
	375		804	9Y-6089 . . . . .	86		393
9X-6857 . . . . .	373		843		88		396
	375		849		331		399
9X-7145 . . . . .	374		853	9Y-8968 . . . . .	165	034-3557 . . . . .	471
	1203		858	9Y-9236 . . . . .	147	036-9821 . . . . .	326
	1206		861				332
9X-7146 . . . . .	362		866			036-9823 . . . . .	326
	367		893			037-4838 . . . . .	1065
	373		896			038-3967 . . . . .	198
9X-7317 . . . . .	190		900				1153
	191		902	001-6449 . . . . .	685		1155
9X-7344 . . . . .	415		904	002-6453 . . . . .	699	045-4065 . . . . .	327
9X-7378 . . . . .	30		909		713		333
	385		915		715		336
	1075		938	002-6454 . . . . .	699	053-0558 . . . . .	478
9X-7380 . . . . .	1153		944		713		487
	1155		946		715		491
9X-7381 . . . . .	1153		948	003-2143 . . . . .	687	061-7208 . . . . .	147
	1155		949	006-0136 . . . . .	970	061-8639 . . . . .	112
	1158		950		975	061-9455 . . . . .	90
	1160		951	006-8350 . . . . .	464	065-5071 . . . . .	373
9X-7382 . . . . .	1153		952		1392		374
	1155		954		1393		1087
	1158		956	008-3214 . . . . .	811	067-2551 . . . . .	192
	1160		957	009-3101 . . . . .	729		194
9X-7383 . . . . .	1153		996		1212	067-9425 . . . . .	160
	1155		999		1213		161
	1158		1051	011-7960 . . . . .	1137	068-8438 . . . . .	391
	1160	9X-8258 . . . . .	585		1138	068-8993 . . . . .	1062
9X-7384 . . . . .	1153		1051		1140		1065
	1156	9X-8259 . . . . .	1051	012-0380 . . . . .	345	069-2535 . . . . .	722
	1158		1070		346		723
	1160	9X-8268 . . . . .	472	013-8502 . . . . .	1251		724
9X-7385 . . . . .	1075		542	030-4605 . . . . .	839	070-0617 . . . . .	687
9X-7430 . . . . .	35		544		841		691
	38		971		970		692
	41		976	030-7942 . . . . .	192	070-0641 . . . . .	698
	43	9X-8281 . . . . .	1246		194		699
9X-7680 . . . . .	966		1249	030-7946 . . . . .	59	070-0642 . . . . .	699
	968	9X-8399 . . . . .	457		60		713

## 0

# PART NUMBER INDEX

Part	Page	Part	Page	Part	Page	Part	Page
070-0643	. 671	100-4995	. 158		406		302
	▶ 699	100-5072	. 190		409		303
077-3790	. 811	100-5218	. 13		412		304
083-4419	. 966	100-5219	. 13		1062		305
	968	100-5621	. 1389		1065		306
085-7356	. 922	100-6531	. 223		1078		307
087-5841	. 988		225		1082		309
090-8247	. 988		227		1086		340
091-0081	. 399	100-6731	. 1004		1090		347
	803		1008		1095		362
091-1735	. 1048		1012		1100		367
093-0349	. 783		1016		1111		372
093-2064	. 695	100-7399	. 30		1113		374
093-2065	. 658		32		1173		375
094-1875	. 1024		33		1175		382
094-1881	. 1024	101-0003	. 1257		1177		387
095-0670	. 966		1259		1185		389
	968	101-0852	. 244		1191		396
095-0690	. 959		245		1195		399
095-0758	. 1251		322		1199		421
095-0843	. 1237	101-1785	. 1108		1203		574
	1239		1109		1206		773
	815		1110		1246		775
095-0939	. 813	101-2850	. 159	102-8802	. 207		788
095-0942	. 250	101-2862	. 959		209		791
095-2887	. 1004	101-2867	. 1150		216		1078
095-9804	. 1008		1225		270		1082
	1012	101-2974	. 277		271		1086
	1016	101-3120	. 167		273		1087
096-0008	. 970	101-3125	. 157		274		1090
096-0015	. 981		1391		275		1095
	982	101-3846	. 773		314		1100
096-0067	. 1135		775		315		1101
	1185	101-6596	. 59		316		1173
096-1331	. 524		60		317		1175
096-4876	. 597		61		325		1177
096-4879	. 1070	101-7354	. 166		338		1191
096-5863	. 695	101-7404	. 186		342		1195
096-5962	. 376		254		345		1199
	1105	101-8468	. 73		346		1203
	1191		76		356		1206
	1195		78		358		1246
	1199	101-8909	. 177		362	102-8804	. 343
096-6166	. 995	101-9435	. 1344		367		358
	998	101-9436	. 1344		372		362
097-4896	. 498	101-9437	. 1344		382		367
	883	102-1384	. 496		385		372
097-9169	. 1090	102-4156	. 1004		387		374
	1095		1008		389		376
	1100		1012		393		393
098-5747	. 1251		1016		396		396
098-8968	. 362	102-4157	. 1012		399		399
	367		1016		406		406
	376	102-4158	. 1004		409		409
099-3095	. 965		1008		412		412
099-3649	. 728		1012		415		421
	1246		1016		423		1079
		102-5861	. 73		857		1083
			76		860		1087
			78		865		1091
		102-6317	. 1255		887		1096
		102-8608	. 166		1041		1101
		102-8780	. 80		1062		1203
			82		1065		1206
			84		1075	102-8805	. 258
		102-8801	. 362		1086		358
			367		1090		374
			372		1095		375
			374		1100		376
			377		1257		393
			379		1259		396
			393	102-8803	. 259		399
			396		269		416
			399		272		1107

1

# PART NUMBER INDEX

Part	Page	Part	Page	Part	Page	Part	Page
	1171		1195		538	107-3554 . . . . .	1308
	1179		1199		539	107-3555 . . . . .	1308
	1180	103-6100 . . . . .	1153		564	107-3556 . . . . .	1308
	1181		1155		565	107-3727 . . . . .	378
	1191	103-8134 . . . . .	13	106-1094 . . . . .	1341	107-4393 . . . . .	1158
	1192	104-2091 . . . . .	375	106-1095 . . . . .	1341		1160
	1195		1129	106-1096 . . . . .	1341	107-4394 . . . . .	1158
	1196		1131	106-1097 . . . . .	1341		1160
	1199		1191	106-1098 . . . . .	1341	107-4395 . . . . .	1158
	1200		1195	106-1582 . . . . .	1078		1160
	1203		1199		1082	107-4396 . . . . .	1158
	1206	104-3601 . . . . .	284		1086		1160
102-8806 . . . . .	355	104-4369 . . . . .	▶1339		1090	107-4397 . . . . .	1153
	362	104-5013 . . . . .	500		1095		1155
	367		504		1100	107-4399 . . . . .	1153
	372		508	106-1583 . . . . .	1078		1155
	374		512		1082	107-4600 . . . . .	1229
	376		▶576		1086	107-4601 . . . . .	1229
	399	104-5014 . . . . .	576	106-1584 . . . . .	1078	107-4602 . . . . .	1229
	1078	104-5841 . . . . .	1339		1082	107-4603 . . . . .	1229
	1082	104-5912 . . . . .	913		1086		1232
	1087	104-6202 . . . . .	192		1090	107-5769 . . . . .	204
	1101		194		1095		205
	1191	104-6729 . . . . .	429		1100	107-6736 . . . . .	4
	1195		431	106-1774 . . . . .	773		5
	1199		433		775		6
	1203	104-6730 . . . . .	429		▶781		7
	1206		431	106-1792 . . . . .	166		▶16
	1246		433	106-3544 . . . . .	132	107-7306 . . . . .	1229
102-8808 . . . . .	1173	104-7108 . . . . .	808	106-4572 . . . . .	147		1232
	1175		995	106-5673 . . . . .	49	107-7308 . . . . .	1129
	1177		998		51	107-8265 . . . . .	510
102-8813 . . . . .	310	104-8583 . . . . .	135		53		512
102-9089 . . . . .	15		138	106-6434 . . . . .	651	107-8559 . . . . .	1328
103-0010 . . . . .	393	104-8584 . . . . .	135	106-7798 . . . . .	518		1333
	396		138	106-9010 . . . . .	587		1372
	423	104-8585 . . . . .	135		589		1376
103-0126 . . . . .	71		138	106-9212 . . . . .	577		1378
	72	105-2145 . . . . .	1022	107-0266 . . . . .	1129		1379
103-1122 . . . . .	1123	105-2976 . . . . .	1090		1392		1384
103-1303 . . . . .	843		1095		1393		1386
	848		1100	107-0583 . . . . .	73	107-9172 . . . . .	727
	852	105-3035 . . . . .	966		76	108-0122 . . . . .	873
	857		968		78		875
	860	105-3372 . . . . .	1078	107-2887 . . . . .	811		876
	865		1082	107-2888 . . . . .	811		878
	892		1086	107-2889 . . . . .	811	108-0358 . . . . .	353
	895		1090	107-2890 . . . . .	811		372
	900		1095	107-2891 . . . . .	811	108-1785 . . . . .	996
	902		1100	107-2893 . . . . .	811	108-2735 . . . . .	518
	904	105-3477 . . . . .	1111	107-3114 . . . . .	813	108-2736 . . . . .	518
	944		1113	107-3157 . . . . .	1226	108-3060 . . . . .	1024
	946	105-3483 . . . . .	240		1227	108-3061 . . . . .	1024
	948		242		1228	108-3071 . . . . .	1024
	949	105-3484 . . . . .	179	107-3378 . . . . .	1328	108-3320 . . . . .	376
	950		181		1333		1191
	951		182		1372		1195
	952	105-4728 . . . . .	219		1376		1199
	954		329		1378	108-3612 . . . . .	166
	956		330		1379	108-3866 . . . . .	824
103-4656 . . . . .	192		331		1384	108-4311 . . . . .	1257
	194	105-4729 . . . . .	11		1386		1259
103-5350 . . . . .	613		▶329	107-3469 . . . . .	1375	108-4441 . . . . .	551
	616		330		1380		553
	618		331		1381		555
	621	105-6117 . . . . .	1213		1382		558
	632	105-8029 . . . . .	1105		1383	108-7550 . . . . .	795
	891	105-9073 . . . . .	1105		1387		799
	957	106-0912 . . . . .	1327	107-3490 . . . . .	1341		803
	1046		1328	107-3533 . . . . .	▶1344	108-7930 . . . . .	146
103-5525 . . . . .	1107		1331	107-3536 . . . . .	1344		152
103-5526 . . . . .	372		1333	107-3537 . . . . .	1344	108-9382 . . . . .	4
	▶1107		▶1373	107-3538 . . . . .	1344		5
	1191	106-0933 . . . . .	535	107-3545 . . . . .	▶1344		6

# PART NUMBER INDEX

Part	Page	Part	Page	Part	Page	Part	Page
	7		1206	112-5419 . . . . .	1191	114-4244 . . . . .	1078
	▶68		1211		1195		1082
109-0072 . . . . .	130	110-4217 . . . . .	1203		1199		1086
109-0076 . . . . .	96		1206		1209		1090
	98		1211	112-5421 . . . . .	376		1095
109-0077 . . . . .	135	110-4218 . . . . .	375		1191		1100
	138		1203		1195	114-4247 . . . . .	1078
	151		1206		1199		1082
109-0078 . . . . .	130	110-4344 . . . . .	93	112-5574 . . . . .	1209		1086
109-0093 . . . . .	135	110-5281 . . . . .	970	112-5927 . . . . .	375		1090
	138		975	112-5928 . . . . .	375		1095
109-1633 . . . . .	918	110-6109 . . . . .	375		1203		1100
	922		1191		1206	114-4427 . . . . .	30
	926		1195	112-6174 . . . . .	1191	114-5105 . . . . .	2
	932		1199		1195		▶523
109-1634 . . . . .	918	110-6393 . . . . .	1057		1199	114-5118 . . . . .	1
	922		1058	112-7308 . . . . .	519		▶634
	926		1185	112-7309 . . . . .	519	114-5120 . . . . .	450
	932	110-6844 . . . . .	379	112-7448 . . . . .	1129		▶477
109-1641 . . . . .	965	110-6846 . . . . .	379		1392	114-5121 . . . . .	1
109-1657 . . . . .	4	110-7886 . . . . .	1191		1393		▶694
	6		1195	112-8244 . . . . .	1004	114-5122 . . . . .	1
	▶69		1199		1008		▶638
109-2373 . . . . .	4	110-7887 . . . . .	376		1012		▶641
	5		1203		1016	114-5123 . . . . .	1
	6		1206	112-9217 . . . . .	73		▶627
	7	110-8826 . . . . .	133		76		▶629
	▶145	110-8827 . . . . .	133		78	114-5124 . . . . .	1
109-2675 . . . . .	1331	111-0343 . . . . .	1043	112-9486 . . . . .	147		▶1221
109-2676 . . . . .	1331	111-0687 . . . . .	1229	112-9783 . . . . .	918	114-5125 . . . . .	▶603
109-2677 . . . . .	1331		1232		922		644
109-3969 . . . . .	577	111-1316 . . . . .	1229		926	114-5126 . . . . .	1
109-5839 . . . . .	96		1232		932		▶610
	98	111-1353 . . . . .	1126	113-0002 . . . . .	376	114-5127 . . . . .	1
109-5840 . . . . .	96	111-1354 . . . . .	1121		1191		▶1261
	98		1124		1195	114-5129 . . . . .	1
109-6904 . . . . .	246	111-1355 . . . . .	1126		1199		▶585
	▶356	111-1356 . . . . .	1124	113-0919 . . . . .	1173	114-5130 . . . . .	1
109-7074 . . . . .	883	111-2088 . . . . .	4		1175		▶207
109-8196 . . . . .	1072		5		1177	114-5133 . . . . .	1
	1073		6	113-6003 . . . . .	1128		▶645
	▶1262		7	113-7752 . . . . .	1212		▶647
	▶1265		▶92		1213	114-5136 . . . . .	1
	▶1268	111-2355 . . . . .	4		1062		▶157
109-8199 . . . . .	1072		5	113-8113 . . . . .	1004	114-5137 . . . . .	1
	▶1137		6	113-8263 . . . . .	1008		▶626
	▶1138		7		1012	114-5138 . . . . .	1
109-9051 . . . . .	▶1344		▶93		1016		▶540
109-9080 . . . . .	1345	111-2721 . . . . .	146	113-8490 . . . . .	1185	114-5141 . . . . .	185
	1371	111-9040 . . . . .	▶722	113-8491 . . . . .	1185		186
	1372		731	113-8492 . . . . .	1185		187
109-9081 . . . . .	1345		737	113-9002 . . . . .	192		188
	1371		743	114-0359 . . . . .	1373		▶1162
	1372	111-9110 . . . . .	722	114-0464 . . . . .	1304	114-5142 . . . . .	1
109-9082 . . . . .	1345		723		1306		▶1153
	1371		724		1312		▶1155
	1372	111-9289 . . . . .	201		1314	114-5143 . . . . .	246
109-9985 . . . . .	92	111-9827 . . . . .	201		1336		▶360
110-2023 . . . . .	616	112-1760 . . . . .	378	114-0468 . . . . .	1375	114-5147 . . . . .	▶517
	618	112-1761 . . . . .	379		1380		523
110-2220 . . . . .	26	112-1817 . . . . .	995		1381	114-5171 . . . . .	1
	27		998		1382		▶147
	28		▶1021		1383	114-5172 . . . . .	1
	29	112-2276 . . . . .	1212		1387		▶1077
110-2446 . . . . .	727	112-2555 . . . . .	1308	114-0931 . . . . .	378	114-5174 . . . . .	246
110-2973 . . . . .	970	112-2556 . . . . .	1308	114-1904 . . . . .	4		▶252
	975	112-3927 . . . . .	531		5	114-5175 . . . . .	141
110-3971 . . . . .	970		533		6		▶142
110-3978 . . . . .	970		535		7	114-5176 . . . . .	1
	975	112-4511 . . . . .	519		▶163		▶324
110-4215 . . . . .	1203	112-4550 . . . . .	320	114-2687 . . . . .	132	114-5178 . . . . .	246
	1206	112-4558 . . . . .	706		162		▶393
	1211	112-5282 . . . . .	296		1391	114-5179 . . . . .	▶229
110-4216 . . . . .	1203		570	114-3466 . . . . .	1129		246



# PART NUMBER INDEX

Part	Page	Part	Page	Part	Page	Part	Page
114-5183	. 246	115-9346	. 379	118-2079	. 230	122-4429	. 362
	▶415	116-0118	. 289	118-2080	. 229		367
114-5185	. 276	116-0434	. 1192	118-5068	. 126		375
	▶277		1195		127	122-6872	. 156
114-5186	. 246		1199		128	122-7375	. 35
	▶279		1209		129		38
114-5187	. 276	116-2579	. 192	118-5083	. 839		41
	▶284	116-4491	. 385		841		43
114-5189	. 276	116-4731	. 803	118-5085	. 839	122-8450	. 379
114-5192	. 240	116-4798	. 731		841	122-8612	. 35
	▶242		737	118-5086	. 839		38
	246		743		841		41
114-5196	. 1		751	118-5087	. 839		43
	▶1049		757		841	122-9854	. 362
114-5197	. 177		763	118-5805	. 970		367
	187		808		975		372
114-5198	. 133	116-4916	. 1024	118-6606	. 727	123-0334	. 1339
114-5333	. 385	116-5710	. 294	118-7362	. 362	123-0335	. 1339
114-5988	. 1394	116-6202	. 1153		367	123-2876	. 471
114-8165	. 1090		1155	118-7809	. 233	123-2877	. 471
	1095	116-6810	. 1147	118-9901	. 505	123-2995	. 1147
	1100	116-9331	. 731		509		1150
114-8167	. 1090		737		512	123-2997	. 471
	1095		743		809	123-3202	. 13
	1100		751	118-9902	. 885	123-4627	. 362
114-9252	. 1232		757		1155		367
114-9491	. 729		763	119-0036	. 15		372
115-0627	. 1057		808	119-1151	. 1128	123-5161	. 1147
	1059	116-9345	. 907	119-1151	. 1128	123-5298	. 471
	▶1062	117-0159	. 1004	119-3662	. 303	123-6383	. 376
115-1392	. 944		1008		375		1191
	946		1012		1065		1192
115-1527	. 1		1016		1185		1195
	▶1167		▶1027	119-4258	. 426		1196
115-2129	. 887	117-0160	. 1004	119-7837	. 421		1199
	907		1008	119-7839	. 399		1200
	913		1012	119-8984	. 290	123-8157	. 1255
115-2247	. 1212		1016		291	123-8266	. 1255
	1213		▶1028	120-4394	. 813	123-9128	. 1255
115-3069	. 294	117-0161	. 1004	120-5737	. 240	123-9131	. 1255
	295		1008		242	123-9431	. 1215
	360		1012	120-8878	. 1147	124-0174	. 415
	399		1016		1150	124-0501	. 471
	406		▶1029	120-9027	. 263	124-0502	. 471
	409	117-0775	. 1028		265	124-0503	. 471
	412		1029	121-1257	. 457	124-0504	. 471
	417		1030	121-1905	. 618	124-0665	. 467
	419		1031	121-2051	. 839	124-0689	. 467
	773	117-1410	. 1072		841	124-0792	. 1078
	775		1073	121-3274	. 1229		1082
	788		▶1235		1232		1086
	791	117-2311	. 376	121-3275	. 1229		1090
115-3070	. 360		1191		1232		1095
	393		1195	121-3277	. 1229		1100
	396		1199		1232	124-1479	. 393
	399	117-2983	. 570	121-3278	. 1229		396
	406	117-3335	. 156		1232	124-1555	. 970
	409	117-4491	. 1241	121-3286	. 907		975
	412		1242	121-7848	. 229		1024
115-3071	. 277	117-4492	. 1054	121-7958	. 467	124-1718	. 198
	284	117-7865	. 784		992		848
	393		785	121-9870	. 1150		852
	396	117-8704	. 904	122-0447	. 35		857
	399	117-8801	. 73		38		860
	416		76		41		865
115-3072	. 399		78		43		892
115-3073	. 360	117-9341	. 1004	122-1248	. 8		895
115-5579	. 399		1008		10	124-1854	. 46
	406		1012		▶13		49
	409		1016	122-1472	. 13		51
	412	118-0040	. 1217	122-1486	. 13		53
115-7087	. 174	118-0275	. 624	122-1671	. 730	124-1855	. 46
	176	118-1225	. 1394	122-3772	. 151		49
115-8205	. 1024	118-1277	. 229	122-4026	. 147		51

# PART NUMBER INDEX

Part	Page	Part	Page	Part	Page	Part	Page
	53		135	128-7069	981		78
124-1872	451		138	128-7114	552	130-4701	73
	453	126-5482	542	128-7115	552		76
124-2463	179		▶550		555		78
124-3637	1262	126-5483	▶542	128-7116	552	130-5300	296
	1265		▶544		555		298
	1268	126-5606	549	128-7348	550		300
124-4672	▶309		1062		558		372
	417	126-5607	1065	128-7349	550		382
	419		1062	128-8510	8		387
124-4884	1137		1065		10		389
	1138	126-5608	1062		▶190		391
	1140		1065	128-8557	184		399
124-6346	▶1345	126-5609	1062	128-8704	550		406
124-7128	1255	126-5612	1062		552		409
124-7649	421	126-6006	1062		555		412
124-8366	1147	126-6008	1158		558		423
124-8368	1147		1160	128-8795	550		857
	1150	126-6009	1062		552		860
125-0434	135		1065		555		865
	138	126-6010	1062		558		1191
125-0965	769	126-7168	600	128-9664	1072		1195
	770	126-7631	4		▶1229		1199
125-0966	769		5	129-0372	184	130-5924	1229
	770		6	129-0375	184	130-6392	1121
125-1355	424		7	129-0822	550		1123
	▶769		▶232		552		1124
125-1358	424	126-8182	457		555		1126
	▶770	126-8449	232		558	130-7093	542
125-3276	1217	126-8472	1063	129-0987	471		544
	1218		1066	129-0988	471		546
125-3295	1213	127-0323	1246	129-1598	552	130-8176	▶1215
125-6533	327	127-1001	551		555		1216
125-6535	327		558	129-2552	1126	130-9704	435
	333	127-1647	484	129-2553	1124		440
	336	127-4540	1191	129-2565	1126		445
125-6536	327		1195	129-2567	1121	130-9811	296
	333		1199		1124		298
125-6537	327	127-4667	512	129-2568	1121		▶319
	333		795	129-2570	1229	131-0427	▶320
125-7874	343		799		1232		393
	375		803	129-2572	1229		396
	389		907		1232		399
	1185		913	129-2576	1121		400
125-7875	258	127-4832	813	129-2577	1126		406
	375	127-5480	1246	129-2578	1121		409
	1185	127-6356	134		1124		412
125-8176	600	127-6422	1062	129-2581	1229	131-0463	▶184
125-8534	400	127-6423	1062		1232		196
125-9349	1005		1065	129-2584	1121		198
	1008	127-8859	1395		1124	131-0820	1062
	1012	127-9483	966		1126	131-0821	1062
	1016		968	129-3178	1062	131-0822	1062
	▶1030	127-9485	966		1065		1065
126-0197	907		968	129-3180	857	131-1274	1057
	913	127-9490	966	129-5150	290		1058
	1229		968		291		▶1158
126-1052	73	128-0606	1212	129-5224	1150	131-3093	1062
126-1756	76	128-0607	1212	129-5427	104	131-3540	647
	78	128-0613	1255	129-5428	104		1150
126-1757	104	128-0686	1255	129-7184	1120	131-3717	26
126-1767	307	128-1026	1229	129-9452	166		27
	1065		1232	129-9690	1108		28
126-1768	1065	128-3786	1129		1109		29
126-1774	385	128-3787	1129		1110	131-6593	616
	389	128-4123	1185	129-9907	152		618
126-1817	887	128-5016	1185	130-1887	1158	131-7123	73
	1392	128-5302	546		1160		76
	1393		▶552	130-1888	1062		78
126-2702	132		▶555		1065	131-7417	551
	162	128-5303	▶546	130-1890	1062		552
	1391		549		1065		555
126-3883	546	128-6983	▶273	130-4698	73		558
126-4935	17		290		76	131-7418	542

# PART NUMBER INDEX

Part	Page	Part	Page	Part	Page	Part	Page
	544	132-6140 . . . . .	▶783		550		▶342
	546		890		552	134-6721 . . . . .	1224
131-7419 . . . . .	542	132-6142 . . . . .	▶808		555	134-6722 . . . . .	1221
	544		890		558	134-6723 . . . . .	695
	546	132-6143 . . . . .	890	133-7215 . . . . .	1078		1221
131-7741 . . . . .	1164		▶983		1082	134-6724 . . . . .	▶250
	1165		▶984		1086		379
131-7810 . . . . .	704	132-6144 . . . . .	▶788		1090	134-6725 . . . . .	378
131-7811 . . . . .	704		▶791		1095	134-6726 . . . . .	378
131-7812 . . . . .	142	132-6199 . . . . .	169		1100	134-7326 . . . . .	1221
131-8107 . . . . .	86	132-6235 . . . . .	11	133-7221 . . . . .	542	134-8297 . . . . .	500
	88		▶169		544		504
132-0338 . . . . .	1054		▶170		546		508
132-1069 . . . . .	1339	132-6236 . . . . .	11	133-8114 . . . . .	▶428	134-8435 . . . . .	795
132-1070 . . . . .	1339		▶116		563		799
132-1071 . . . . .	▶1339	132-6237 . . . . .	11	133-8116 . . . . .	▶471	134-8459 . . . . .	795
132-2925 . . . . .	540		▶160		563		799
132-2927 . . . . .	540	132-6248 . . . . .	11	133-8609 . . . . .	788		803
132-3522 . . . . .	1137		▶158		▶825	134-9817 . . . . .	471
	1138	132-6250 . . . . .	11	133-9116 . . . . .	204	135-0426 . . . . .	▶269
	1140		▶164		205		284
132-3968 . . . . .	1077	132-6872 . . . . .	207	133-9906 . . . . .	12		287
132-4450 . . . . .	550	132-6881 . . . . .	27	133-9907 . . . . .	▶12		288
	552		28		62	135-1844 . . . . .	526
	555	132-7487 . . . . .	623	133-9928 . . . . .	542	135-1845 . . . . .	526
	558	132-7551 . . . . .	491		544	135-2543 . . . . .	385
132-4451 . . . . .	550	132-9770 . . . . .	296		546	135-3161 . . . . .	784
	552		298	134-0037 . . . . .	727		785
	555		300	134-0039 . . . . .	727	135-3489 . . . . .	965
	558	133-0125 . . . . .	135	134-1265 . . . . .	577	135-3490 . . . . .	965
132-4452 . . . . .	550		138	134-2552 . . . . .	706	135-3573 . . . . .	965
	552	133-0261 . . . . .	316	134-2554 . . . . .	653	135-4928 . . . . .	146
	555	133-0772 . . . . .	577		655		152
	558	133-1643 . . . . .	705		▶706	135-5154 . . . . .	706
132-4454 . . . . .	542	133-1645 . . . . .	705	134-2775 . . . . .	638	135-5155 . . . . .	706
	544	133-2198 . . . . .	464	134-2777 . . . . .	638	135-6552 . . . . .	4
	546	133-2904 . . . . .	518	134-2778 . . . . .	638		5
132-4455 . . . . .	542	133-3630 . . . . .	632		641		6
	544	133-4292 . . . . .	457	134-2779 . . . . .	638		7
	546	133-4772 . . . . .	577		641		▶166
132-4457 . . . . .	550	133-5209 . . . . .	528	134-2780 . . . . .	638	135-6642 . . . . .	1298
	558		529		641		1302
132-4458 . . . . .	542	133-5587 . . . . .	551	134-2781 . . . . .	638		1306
	544		552		641		1308
	546		555	134-2782 . . . . .	627		1310
132-4460 . . . . .	542		558		629		1312
	544	133-5673 . . . . .	184	134-2809 . . . . .	4	135-6792 . . . . .	428
	546		1392		5	135-6925 . . . . .	1077
132-4463 . . . . .	551		1393		6	135-6926 . . . . .	1077
	552	133-6347 . . . . .	542		7	135-6928 . . . . .	147
	555		544		▶86	135-6929 . . . . .	147
	558		546		▶88	135-6931 . . . . .	653
132-5789 . . . . .	372	133-6517 . . . . .	256	134-3071 . . . . .	8		655
	429		257		10	135-7052 . . . . .	500
	431	133-6567 . . . . .	577		▶102		504
	433	133-6578 . . . . .	811	134-3379 . . . . .	247		508
132-6133 . . . . .	890	133-6588 . . . . .	542		248		512
	▶995		544		249	135-7053 . . . . .	500
132-6135 . . . . .	▶795		546	134-4126 . . . . .	244		504
	▶799	133-6589 . . . . .	552		245		508
	▶803		555		322		512
	890	133-7102 . . . . .	731	134-4821 . . . . .	653	135-7123 . . . . .	722
132-6136 . . . . .	890		737		655		723
	▶938		743	134-5053 . . . . .	429		724
132-6137 . . . . .	890		751		431	135-7816 . . . . .	873
	▶942	133-7133 . . . . .	757		433		875
	▶943		475		▶577	135-7875 . . . . .	174
132-6138 . . . . .	137		476	134-5623 . . . . .	524		176
	▶918		550	134-5628 . . . . .	526	135-7902 . . . . .	451
	▶922		552	134-6051 . . . . .	1221	135-9350 . . . . .	1373
132-6139 . . . . .	▶731		555	134-6052 . . . . .	1221	135-9562 . . . . .	1310
	▶737		558	134-6054 . . . . .	296		1318
	▶743	133-7134 . . . . .	475		298	135-9570 . . . . .	1370
	890		476		300	135-9571 . . . . .	1370

# PART NUMBER INDEX

Part	Page	Part	Page	Part	Page	Part	Page
135-9941	542		►564		1308	137-8857	457
	544	136-1748	564		1310	137-8858	457
136-0003	731	136-1749	531		1312		►459
	737		533	136-6381	116	137-8859	459
	743		535	136-6382	116		461
	751		►565	136-7226	1391	137-8862	424
	757	136-1750	565	136-7227	106		►425
	763	136-1753	531	136-8035	457	137-8865	►462
136-0007	731		533	136-8036	457		523
	737		535	136-8401	1024	137-9442	160
	743	136-1754	523	136-8423	966	138-0006	1372
	751		►537		968	138-0030	1337
	757	136-1755	537	136-9353	1229	138-0032	1372
	763		►566		1232	138-0444	207
136-0008	731	136-1756	566	136-9466	649		209
	737	136-1953	1062		653	138-0549	1042
	743		1066		655	138-0966	627
	751		1164	136-9698	731	138-1523	657
	757	136-2048	324		737	138-1870	783
	763		►325		743	138-1873	611
136-0012	749	136-2186	1226		751		613
	771	136-2626	1072		757	138-2237	435
136-0013	749		►1191		763		440
	771		►1195	136-9699	399		445
136-0019	731		►1199	136-9718	645	138-2238	435
	737	136-3188	1068		647		440
	743		1069	136-9719	645		445
	751	136-3190	1069		647	138-2239	►144
	757	136-3195	1068	136-9720	651		435
	763	136-3357	►1217	136-9721	651		440
136-0021	477		►1218	136-9722	651		445
	487		1219	136-9723	653	138-2240	144
	491		1220		655	138-2770	4
136-0022	477	136-3607	1111	136-9759	651		5
	487	136-3645	1217	137-2196	116		6
	491		1218	137-3300	634		7
136-0028	731	136-3742	146		636		►132
	737		152	137-3601	164	138-2800	1221
136-0036	731	136-3842	965	137-5103	165	138-2870	132
	737	136-3970	1216	137-5109	277	138-3102	130
	743	136-4192	975		284	138-3815	1032
	751	136-4802	374	137-5541	196	138-3909	992
	757		1191		198	138-4048	731
	763		1195	137-5646	970		737
136-0139	634		1199		975		743
136-1082	876	136-4838	519	137-6228	►468		751
	878	136-4839	519		563		757
136-1107	146	136-4840	519	137-6432	1191		763
	152	136-4841	519	137-6645	319	138-4049	907
136-1543	1188	136-5049	585		321		913
	1189		►601	137-6841	1246	138-4050	477
136-1544	1054	136-5490	1144		1251		487
136-1722	523		1145	137-7321	1229		491
	►531	136-6175	1302		1232	138-4837	1192
	►533	136-6195	1298	137-8832	►424		1195
	►535		1302		523		1199
136-1725	1229		1306	137-8833	►424		1209
	1232		1308		523	138-6108	610
136-1726	1229		1310	137-8834	424	138-6451	1383
	1232		1312		►426	138-6552	1384
136-1728	1229	136-6203	1302	137-8836	425	138-6554	1343
	1232		1304		426	138-6555	1343
136-1729	1229		1306	137-8837	580	138-6556	1343
	1232		1312		582	138-7496	983
136-1730	1229	136-6204	1302	137-8843	580		984
	1232		1304		582	138-7497	983
136-1731	1229		1306	137-8845	580		984
136-1732	1229		1308	137-8846	580	138-7524	147
	1232		1310		582	138-7795	1397
136-1734	1229		1312	137-8849	580	138-7820	1192
	1232	136-6205	1298		582	138-7822	1192
136-1747	531		1302	137-8851	424		1195
	533		1304		►457		1199
	535		1306	137-8856	457	138-7823	1192

# PART NUMBER INDEX

Part	Page	Part	Page	Part	Page	Part	Page
	1196		284		751		608
	1200	140-2961 . . . . .	1215		757	142-5867 . . . . .	115
	1209	140-2963 . . . . .	1215		763	142-5868 . . . . .	114
138-8173 . . . . .	981	140-3673 . . . . .	601	141-8368 . . . . .	196	142-6217 . . . . .	26
	982	140-5856 . . . . .	500		198		27
138-8175 . . . . .	981		504	141-8466 . . . . .	577		28
	982		508	141-8698 . . . . .	379		29
138-8187 . . . . .	1164		512	141-8700 . . . . .	379	142-6984 . . . . .	634
	1165	140-6553 . . . . .	459	141-8703 . . . . .	416		636
138-8861 . . . . .	1182	140-6554 . . . . .	459	141-8705 . . . . .	277	142-6985 . . . . .	634
	1186	140-6555 . . . . .	459		284		636
138-8862 . . . . .	1182	140-7966 . . . . .	1024	141-8707 . . . . .	393	142-6988 . . . . .	634
	1185	140-8949 . . . . .	142		396		636
138-8863 . . . . .	1182	140-9746 . . . . .	4	141-8708 . . . . .	406	142-6989 . . . . .	634
	1185		5		409		636
138-8864 . . . . .	1182		6		412	142-6991 . . . . .	675
	1186		7	141-8712 . . . . .	399		678
138-9651 . . . . .	745		▶17	141-8713 . . . . .	279		681
	752	140-9859 . . . . .	142	141-8714 . . . . .	399		695
	758	140-9860 . . . . .	142	141-8715 . . . . .	324	142-6994 . . . . .	675
	764	141-0284 . . . . .	184	141-8716 . . . . .	415		678
138-9806 . . . . .	▶276	141-1480 . . . . .	170	141-8718 . . . . .	360		681
139-0178 . . . . .	379	141-1497 . . . . .	63	141-8719 . . . . .	246	142-6995 . . . . .	675
139-1378 . . . . .	1078		64		▶416		678
	1082		65	141-9308 . . . . .	192		681
	1086		66		194	142-6996 . . . . .	675
	1090	141-2107 . . . . .	717	141-9520 . . . . .	795		678
	1095		▶721		799		681
	1100	141-2150 . . . . .	634		803	142-7008 . . . . .	595
139-1468 . . . . .	▶455		636	141-9521 . . . . .	795		597
	563	141-2151 . . . . .	634		799	142-7009 . . . . .	595
139-2116 . . . . .	421		636		803		597
139-2212 . . . . .	229	141-2152 . . . . .	634	141-9666 . . . . .	788	142-7010 . . . . .	696
139-3213 . . . . .	811		636		791	142-7011 . . . . .	696
139-3555 . . . . .	1024	141-2153 . . . . .	634	141-9784 . . . . .	1065	142-7012 . . . . .	697
139-3884 . . . . .	229	141-2154 . . . . .	634	141-9811 . . . . .	▶527	142-7013 . . . . .	697
139-5544 . . . . .	1221	141-2155 . . . . .	634		541	142-7022 . . . . .	627
139-5908 . . . . .	229		636	142-0149 . . . . .	970		629
139-5909 . . . . .	229	141-2156 . . . . .	634		975	142-7442 . . . . .	1147
139-5910 . . . . .	229		636	142-0203 . . . . .	992		1150
139-5911 . . . . .	229	141-2158 . . . . .	694	142-0358 . . . . .	378	142-8159 . . . . .	477
139-5913 . . . . .	229	141-4353 . . . . .	230	142-0811 . . . . .	142		487
139-5943 . . . . .	462	141-4644 . . . . .	▶730	142-1657 . . . . .	885	142-8160 . . . . .	477
139-6366 . . . . .	595		1072	142-2133 . . . . .	811		487
139-6825 . . . . .	918		1073	142-2137 . . . . .	811	142-8162 . . . . .	477
	922	141-4645 . . . . .	1072	142-2329 . . . . .	30		487
	▶958		1073		32	142-8870 . . . . .	144
139-8505 . . . . .	102		▶1216		33	143-1288 . . . . .	1237
139-9127 . . . . .	1	141-4698 . . . . .	1153	142-3331 . . . . .	393		1239
	▶1394	141-4699 . . . . .	1153		396	143-2006 . . . . .	970
139-9189 . . . . .	▶467		1155	142-5017 . . . . .	610		975
	500	141-4936 . . . . .	1111	142-5795 . . . . .	606	143-2536 . . . . .	80
	504		1113	142-5797 . . . . .	606		82
	508	141-4940 . . . . .	1072		608		84
	512		1073	142-5798 . . . . .	606	143-2596 . . . . .	80
139-9391 . . . . .	459		▶1111		608		82
139-9392 . . . . .	459		▶1113	142-5799 . . . . .	606		84
139-9469 . . . . .	1164	141-7072 . . . . .	477		644	143-3669 . . . . .	638
140-0205 . . . . .	731		481		▶649		641
	737		484	142-5800 . . . . .	▶606	143-3968 . . . . .	1024
	743		487		▶608	143-4158 . . . . .	803
	751		491		644	143-4512 . . . . .	580
	757	141-7405 . . . . .	907	142-5801 . . . . .	649		582
	763		913	142-5802 . . . . .	649	143-6561 . . . . .	80
140-0206 . . . . .	731	141-7909 . . . . .	731	142-5803 . . . . .	606		82
	737		737		608		84
	743		743	142-5804 . . . . .	606	143-6575 . . . . .	84
	751		751		608	143-6579 . . . . .	80
	757		757	142-5805 . . . . .	606		82
	763		763	142-5807 . . . . .	606		84
140-1088 . . . . .	277	141-7911 . . . . .	731		608	143-6580 . . . . .	80
	279	141-7913 . . . . .	731	142-5808 . . . . .	606		82
	281		737		608	143-6581 . . . . .	80
	282		743	142-5809 . . . . .	606		82

# PART NUMBER INDEX

Part	Page	Part	Page	Part	Page	Part	Page
	84	144-9531 . . . . .	610	146-8902 . . . . .	638		739
143-6582 . . . . .	80	145-0326 . . . . .	1255	146-8903 . . . . .	638		745
	82		1257	146-8990 . . . . .	970		752
	84		1259		975		758
143-6583 . . . . .	80	145-1144 . . . . .	569	146-8991 . . . . .	970		764
	82		570		975		777
143-6584 . . . . .	80		572	146-9408 . . . . .	773		779
	82	145-2379 . . . . .	325		775	148-8307 . . . . .	745
	84	145-3319 . . . . .	918	147-0192 . . . . .	135		752
143-6585 . . . . .	80		922		138		758
	82		926	147-0319 . . . . .	▶260		764
	84		932		281		788
143-6588 . . . . .	80	145-3845 . . . . .	378		282		791
	82	145-3849 . . . . .	17	147-1155 . . . . .	▶549	148-8312 . . . . .	926
	84	145-4225 . . . . .	▶549	147-1730 . . . . .	102		932
143-6589 . . . . .	80	145-4230 . . . . .	▶1172	147-2001 . . . . .	1051	148-8313 . . . . .	399
	82	145-4922 . . . . .	675	147-2577 . . . . .	1078	148-8315 . . . . .	918
	84		678		1082		922
143-6590 . . . . .	80		681		1086		926
143-6642 . . . . .	80	145-5012 . . . . .	4		1090		932
	82		5		1095	148-8316 . . . . .	147
	84		▶59		1100		918
143-6679 . . . . .	80	145-6851 . . . . .	4	147-3120 . . . . .	▶1057		922
	82		5		▶1058		926
143-6680 . . . . .	80		▶105		1072		932
	82	145-8130 . . . . .	638	147-3324 . . . . .	731	148-8318 . . . . .	509
	84		641		737		512
143-7319 . . . . .	970	145-8951 . . . . .	1117		743		745
	975	145-8952 . . . . .	1117		751		752
143-8887 . . . . .	1024	145-9283 . . . . .	135		757		758
143-8888 . . . . .	1024		138		763		764
143-8971 . . . . .	59	145-9959 . . . . .	406	147-4549 . . . . .	1255		808
	60		409	147-6457 . . . . .	580	148-8327 . . . . .	435
	61		412		582		440
143-9148 . . . . .	733	146-1890 . . . . .	1212	147-6522 . . . . .	1255		445
	739	146-1891 . . . . .	1212	147-6523 . . . . .	1255		477
	745	146-1892 . . . . .	1213	147-6541 . . . . .	1255		487
	753	146-2274 . . . . .	737	147-6603 . . . . .	1038		491
143-9176 . . . . .	▶310		743		1039		500
	399		752	147-6604 . . . . .	1038		504
143-9361 . . . . .	638		758		1039		508
	641		764	147-6605 . . . . .	1038		512
	▶696	146-2598 . . . . .	1213		1039		795
143-9732 . . . . .	61	146-3725 . . . . .	731	147-8561 . . . . .	468		799
144-0167 . . . . .	975		737	147-8562 . . . . .	468		871
144-0178 . . . . .	406		743	147-8563 . . . . .	468		907
	409		751	147-8856 . . . . .	406		913
	412		757		409		918
144-0195 . . . . .	1150		763	148-1546 . . . . .	580		922
	1262		▶773		582		926
	1265		▶775	148-2341 . . . . .	1004		932
	1268	146-3728 . . . . .	839		1012	148-8328 . . . . .	477
144-0290 . . . . .	527		970		▶1039		481
	530	146-4378 . . . . .	▶460	148-2350 . . . . .	839		484
144-1636 . . . . .	343		461		970		487
144-2186 . . . . .	379	146-5067 . . . . .	142	148-3495 . . . . .	1153		491
144-2188 . . . . .	393	146-6734 . . . . .	399	148-3548 . . . . .	970	148-8333 . . . . .	477
	396	146-7271 . . . . .	▶461		975		481
144-2223 . . . . .	379			148-3749 . . . . .	1255		484
144-2617 . . . . .	1072	146-7272 . . . . .	▶461	148-5581 . . . . .	1212		487
	▶1147	146-7274 . . . . .	460	148-6729 . . . . .	399		491
144-4524 . . . . .	457	146-7275 . . . . .	460	148-7482 . . . . .	8		852
144-5385 . . . . .	528	146-7571 . . . . .	808		10		860
	529		▶834		▶94		865
144-6142 . . . . .	59	146-8349 . . . . .	604	148-7485 . . . . .	80		895
	60	146-8350 . . . . .	649	148-7486 . . . . .	5	148-8335 . . . . .	133
	61	146-8351 . . . . .	606		7		477
144-7261 . . . . .	378		608		▶63		487
144-7263 . . . . .	▶517	146-8352 . . . . .	606		64		491
	527		608		65		843
144-7766 . . . . .	1117	146-8353 . . . . .	606	148-7919 . . . . .	147		848
144-9528 . . . . .	610		608		▶156		857
144-9529 . . . . .	610	146-8354 . . . . .	606	148-8240 . . . . .	705		892
144-9530 . . . . .	610		608	148-8306 . . . . .	733	148-8336 . . . . .	500

# PART NUMBER INDEX

Part	Page	Part	Page	Part	Page	Part	Page
	504		852		791		492
	508		857		808		908
	512		860		996		914
	731		865		998	148-8393 . . . . .	446
	737		892	148-8370 . . . . .	732	148-8395 . . . . .	1047
	743		895		738	148-8406 . . . . .	1008
	752	148-8353 . . . . .	500		744		1016
	758		504		752	148-8407 . . . . .	828
	764		508		758		831
	808		513		764		908
	907		795		777		918
	919		799		808		922
	923		803	148-8371 . . . . .	658		938
	940		808	148-8372 . . . . .	927		1008
	996		914		933		1016
	998		995	148-8374 . . . . .	809		1032
148-8339 . . . . .	435		998		908		1034
	440	148-8354 . . . . .	788		914		1036
	445		791	148-8375 . . . . .	732	148-8409 . . . . .	828
	451	148-8355 . . . . .	133		738		831
	453		477		744	148-8411 . . . . .	809
	477		488		752	148-8414 . . . . .	435
	487		491		758		440
	491	148-8360 . . . . .	435		764		445
	885		440		809	148-8415 . . . . .	843
148-8340 . . . . .	731		445		1111		848
	737		477		1113		852
	743		488	148-8376 . . . . .	918		857
	752		492		923		860
	758		879		927		865
	764		881		933		892
	907		908	148-8378 . . . . .	417		895
	914		914		419	148-8417 . . . . .	435
	918	148-8361 . . . . .	435		739		440
	922		440		745		445
	926		445		752	148-8427 . . . . .	908
	932		699		758		914
	1113		713		764	148-8428 . . . . .	732
148-8341 . . . . .	808		715		788		738
	918	148-8363 . . . . .	684		791		744
	922	148-8364 . . . . .	478		795		752
	926		481		803		758
	932		484		809		764
148-8342 . . . . .	196		488		843		843
	198		492		848		848
	808		731		852		852
148-8346 . . . . .	196		738		857		857
	198		744		860		860
148-8347 . . . . .	481		749		865		865
	484		752		892		892
	500		758		895		895
	504		764		940	148-8429 . . . . .	496
	508		771		995	148-8430 . . . . .	737
	513		777		998		743
	695		908	148-8380 . . . . .	658		751
	731		914		1113		757
	738		995	148-8387 . . . . .	478		763
	744		998		481		879
	752	148-8365 . . . . .	684		484		881
	758		773		488	148-8433 . . . . .	692
	764		788		492		717
	871		791		852		809
	883	148-8366 . . . . .	658		860	148-8435 . . . . .	908
	885	148-8367 . . . . .	417		865		940
	907		419		895		995
	914		500	148-8389 . . . . .	678		998
	918		504		681	148-8436 . . . . .	809
	922		508	148-8390 . . . . .	196	148-8442 . . . . .	478
	927		513		198	148-8443 . . . . .	799
	933		687	148-8392 . . . . .	435		881
	986		689		440	148-8444 . . . . .	732
	988		691		445		738
148-8352 . . . . .	843		692		478		744
	848		788		488		752

# PART NUMBER INDEX

Part	Page	Part	Page	Part	Page	Part	Page
	758		76	151-7455 . . . . .	995		284
	764		78		998	153-3570 . . . . .	627
	777	149-9110 . . . . .	73		▶1042		629
148-8446 . . . . .	809		76	152-0961 . . . . .	147	153-3602 . . . . .	983
148-8449 . . . . .	435		78	152-1130 . . . . .	464		984
	440	150-1541 . . . . .	▶623	152-1644 . . . . .	▶876		▶992
	445		707		944	153-3892 . . . . .	277
	478	150-2557 . . . . .	19	152-1645 . . . . .	876		284
	488	150-3036 . . . . .	908	152-1646 . . . . .	876	153-4101 . . . . .	102
	492	150-3065 . . . . .	463		878	153-4804 . . . . .	▶348
	918		913	152-2944 . . . . .	385		658
	923		975	152-3426 . . . . .	147	153-4805 . . . . .	358
	927	150-3135 . . . . .	▶19	152-3730 . . . . .	1051		▶586
	933		21	152-3732 . . . . .	1051	153-4806 . . . . .	633
148-8451 . . . . .	488		22	152-3735 . . . . .	1050		1048
	492	150-3157 . . . . .	▶435	152-3738 . . . . .	1051	153-6224 . . . . .	730
148-8454 . . . . .	749		▶440	152-3739 . . . . .	876	153-6236 . . . . .	803
	771		▶445		878		927
148-8455 . . . . .	478		451	152-3740 . . . . .	1050		933
	488		453	152-3741 . . . . .	1051	153-6237 . . . . .	484
	492	150-4027 . . . . .	773	152-3742 . . . . .	1051		918
	908		775	152-3743 . . . . .	1047		923
	914	150-4029 . . . . .	147	152-3748 . . . . .	1051		927
148-8457 . . . . .	732	150-4043 . . . . .	699	152-3750 . . . . .	873		933
	738		713		875	153-6241 . . . . .	658
	744		715	152-3751 . . . . .	1051		738
	752		773	152-3752 . . . . .	611		744
	758		809		613		752
	764	150-4047 . . . . .	961		1047		758
	1111		962	152-3753 . . . . .	1051		764
	1113	150-4049 . . . . .	478	152-3832 . . . . .	147		809
148-8458 . . . . .	661	150-4050 . . . . .	419	152-3870 . . . . .	907	153-6242 . . . . .	915
148-8889 . . . . .	468	150-4065 . . . . .	675	152-5269 . . . . .	132	153-6249 . . . . .	419
149-0231 . . . . .	975		678	152-5713 . . . . .	907		791
149-2491 . . . . .	1153		681		913	153-6252 . . . . .	739
	1155		695	152-5714 . . . . .	907		745
149-2610 . . . . .	477	150-4279 . . . . .	4		913		753
	487		5	152-5715 . . . . .	907		759
	491		6		913		765
	▶1041		7	152-5716 . . . . .	907		777
	1042		▶204		913		779
149-3253 . . . . .	1173		▶205	152-7202 . . . . .	918	153-6259 . . . . .	435
	1175	150-4355 . . . . .	970		922		440
	1177		975		926		445
149-3949 . . . . .	1078	150-6287 . . . . .	1090		932	153-6273 . . . . .	1212
	1082		1095	152-7582 . . . . .	37		1213
	1086		1100	152-7767 . . . . .	961	153-6293 . . . . .	995
	1090	150-7585 . . . . .	788		▶966		998
	1095		791	152-7990 . . . . .	154	153-6479 . . . . .	811
	1100		▶811	152-8338 . . . . .	1043	153-6480 . . . . .	811
149-4617 . . . . .	808	150-8993 . . . . .	653	152-8340 . . . . .	1034	153-6481 . . . . .	811
	▶817	151-0961 . . . . .	250		1036	153-6885 . . . . .	435
149-4925 . . . . .	1213	151-2092 . . . . .	1173		▶1043		440
149-5268 . . . . .	68		1175	152-9023 . . . . .	281	153-6886 . . . . .	435
149-5915 . . . . .	1320		1177		373	153-7023 . . . . .	47
149-6289 . . . . .	1024	151-2094 . . . . .	1111	152-9024 . . . . .	282		48
149-7297 . . . . .	477		1113		373	153-7024 . . . . .	45
	487	151-2384 . . . . .	▶816	152-9027 . . . . .	▶281		47
	491	151-2680 . . . . .	795	152-9028 . . . . .	▶282		48
149-7378 . . . . .	19		799		1072		55
	20		803	152-9152 . . . . .	828	153-7044 . . . . .	644
	23	151-2766 . . . . .	649	152-9832 . . . . .	1078		▶651
149-7574 . . . . .	1024	151-2767 . . . . .	649		1082	153-7095 . . . . .	399
149-7575 . . . . .	1024	151-5925 . . . . .	102		1086	153-7655 . . . . .	731
149-8379 . . . . .	406	151-5966 . . . . .	73		1090		737
	409		76		1095		743
	412		78		1100		751
149-8452 . . . . .	587	151-6008 . . . . .	638	153-1256 . . . . .	146		757
	589		641		152		763
	591	151-6009 . . . . .	638	153-1804 . . . . .	627	153-7656 . . . . .	731
149-9106 . . . . .	73		641		629		737
	76	151-6250 . . . . .	727	153-2073 . . . . .	▶261		743
	78	151-6251 . . . . .	727		277		751
149-9107 . . . . .	73	151-6427 . . . . .	1117		279		757



# PART NUMBER INDEX

Part	Page	Part	Page	Part	Page	Part	Page
	763	154-6626 . . . . .	399		412		1090
153-7738 . . . . .	731	154-6659 . . . . .	788		415		1095
	737		791		1062		1100
	743	154-6699 . . . . .	276		1185		1191
	751		▶353	155-2260 . . . . .	311		1195
	757	154-6819 . . . . .	995		312		1199
	763		998		313		1213
153-7739 . . . . .	731	154-6820 . . . . .	995		362	155-2271 . . . . .	358
	737		998		367		362
	743	154-6879 . . . . .	1050		372		367
	751	154-7179 . . . . .	995		373		372
	938		998		374		373
153-8474 . . . . .	938	154-7443 . . . . .	▶1119		387		374
153-8475 . . . . .	938		1203		389		375
153-8476 . . . . .	938		1206		396		393
153-8477 . . . . .	938	154-7531 . . . . .	1		399		396
153-8478 . . . . .	938		▶1051		412		399
153-8479 . . . . .	938	154-7532 . . . . .	808		415		417
153-8480 . . . . .	938	154-7997 . . . . .	457		416		419
153-8481 . . . . .	938	154-7998 . . . . .	457		417		1065
153-8482 . . . . .	938	154-8052 . . . . .	477		419		1078
153-8483 . . . . .	938		487		1078		1082
153-8484 . . . . .	938	154-8894 . . . . .	843		1082		1087
153-8921 . . . . .	731		848		1086		1100
	737		852		1087		1111
	743		892		1090		1113
	751		895		1095	155-2274 . . . . .	258
	757	154-8896 . . . . .	843		1100		362
	763		848	155-2265 . . . . .	362		367
153-8922 . . . . .	731		853		367		373
	737		892		372		374
	743		895		373		375
	751	154-9731 . . . . .	464		393		393
	757	155-0054 . . . . .	477		396		396
	763		487		1078		399
153-9023 . . . . .	152		491		1082		412
153-9063 . . . . .	992	155-0055 . . . . .	731		1087		1062
153-9259 . . . . .	435		737		1100	155-2276 . . . . .	1078
153-9265 . . . . .	435		743		1111		1082
153-9624 . . . . .	795		751		1113		1086
	799		757	155-2270 . . . . .	279		1090
	803	155-0696 . . . . .	233		281		1095
	▶813	155-0698 . . . . .	233		282	155-2291 . . . . .	1012
153-9784 . . . . .	992	155-0741 . . . . .	▶26		290		1016
153-9839 . . . . .	1050		30		291	155-2340 . . . . .	918
153-9840 . . . . .	1050	155-1838 . . . . .	731		315		922
153-9844 . . . . .	1050		737		316	155-3169 . . . . .	795
153-9989 . . . . .	1026		743		324		799
153-9990 . . . . .	1026		751		372	155-3170 . . . . .	795
154-0350 . . . . .	808		757		373		799
154-0351 . . . . .	808		763		374	155-3172 . . . . .	795
154-0352 . . . . .	808	155-2026 . . . . .	879		375		799
154-0930 . . . . .	992		881		379	155-3173 . . . . .	795
154-1981 . . . . .	1168	155-2077 . . . . .	550		382		799
154-1982 . . . . .	1169		552		385	155-3624 . . . . .	194
154-4133 . . . . .	839		555		387		828
	970		558		389		831
154-4383 . . . . .	459	155-2079 . . . . .	649		393		923
154-4475 . . . . .	141	155-2251 . . . . .	839		396		934
154-5232 . . . . .	926		841		412		1008
	932		970		415		1016
154-5512 . . . . .	995	155-2255 . . . . .	362		423	155-3677 . . . . .	808
	998		367		433	155-3678 . . . . .	808
154-6332 . . . . .	451		372		702	155-3679 . . . . .	808
	453		373		857	155-3680 . . . . .	808
154-6333 . . . . .	451		374		860	155-3681 . . . . .	808
	453		377		865	155-3683 . . . . .	808
154-6367 . . . . .	1302		379		1013	155-4320 . . . . .	808
	1304		382		1017	155-4326 . . . . .	970
	1306		387		1062		975
	1308		389		1065	155-5619 . . . . .	86
	1310		393		1078		88
	1312		396		1082	155-5708 . . . . .	417
154-6518 . . . . .	284		399		1086		419
154-6611 . . . . .	147						

# PART NUMBER INDEX

Part	Page	Part	Page	Part	Page	Part	Page
155-5787	1262	156-1028	1147		984		1144
155-5788	1262	156-1040	1306	158-8785	1	160-3913	1145
155-5789	▶1179	156-1817	611		▶625		8
	1262		613	158-8881	104		10
	1265	156-2842	948	159-0250	731		▶24
155-5790	▶1180		949		737	160-3995	451
	1262		950		743	160-4246	▶185
	1265		951		751		▶186
	1268		952		757	160-4247	▶187
155-6034	▶870		954		763	160-4248	▶253
155-6258	484		956	159-0842	918		▶254
155-6563	1111	156-3849	1394		922	160-4249	▶187
	1113	156-4259	▶450		926	160-4357	585
155-6632	24	156-4403	944		932	160-5003	1229
155-6649	1172		946	159-1533	73	160-5120	24
	▶1173	156-5519	890		76	160-5760	1
	▶1175		▶944		78		▶141
	▶1177		▶946	159-1539	187	160-5877	1221
155-7447	1203	156-5545	1054		189	160-6328	595
	1206	156-5781	951		▶201		597
	1211		952		253	160-6353	1215
155-7517	919		954		254	160-6365	1215
	923		956	159-3759	1394	160-6366	1215
	927	156-5783	192	159-3945	531	160-6381	201
	933		▶211		533	160-7188	▶1244
155-7518	918	156-6391	1304		535	160-7271	18
	922	156-7472	918	159-6159	4	160-7689	385
	926		922		5	160-7690	382
	932		926		6		387
155-7520	918		932		7		389
	922	156-9156	995		▶18	160-7765	1255
155-7521	919		998	159-7234	1219	160-7766	1255
155-7523	918	156-9627	795		1220	160-7767	1255
	922		799	159-7320	970	160-8408	429
	926		803		975		▶569
	932	157-0518	675	159-8049	230	160-8510	426
155-7524	918	157-3495	63	159-8091	843		457
	922		▶80		848	160-8613	795
	926	157-3612	1047		852	160-9925	1147
	932	157-4428	133		892	161-0022	1213
155-7525	918	157-6138	500		895	161-0114	626
	922		504	159-8524	73	161-1353	1129
	926		508		76	161-1382	808
	932		512		78	161-1383	808
155-7526	918	157-6195	788	159-8612	675	161-3415	1147
	922	157-6210	295		678		1150
	926	157-8853	207		681	161-3509	▶267
	932		209	159-8613	675		277
155-7527	918	157-8954	673		678		284
	922	157-8955	673		681	161-3565	135
	926	157-8957	663	159-8614	481		138
	932		667		484	161-4113	8
155-7528	919	158-0250	260	159-8615	481		10
	923		261		484		▶134
	927		267	159-8664	1105	161-4511	464
	933	158-0252	260	159-8665	1105		1392
155-8354	1219		261	159-9362	4		1393
	1220		267		5	161-4515	464
155-8355	1219	158-1922	975		6	161-5718	152
	1220	158-2336	835		7	161-6154	818
155-8356	1219		837		▶125		819
	1220		838	159-9844	8	161-6622	125
155-8357	1129	158-3294	1113		10	161-6958	174
155-9451	907	158-3416	73		▶73		176
155-9452	907		76	160-0222	773	161-6960	174
155-9457	788		78		775		176
	791	158-3504	970	160-0595	518	161-6963	174
155-9458	907	158-6153	467	160-1638	472		176
155-9461	907	158-6185	1	160-1744	658	161-7539	1244
	913		▶673	160-2243	1111		▶1255
155-9462	907		695		1113	161-8068	524
	913	158-6634	421	160-2425	749	161-8900	985
155-9524	90	158-8032	625		771	161-8979	▶302
155-9653	1129	158-8033	983	160-3518	1105		1078

# PART NUMBER INDEX

Part	Page	Part	Page	Part	Page	Part	Page
	1079	163-4798 . . . . .	708	164-4817 . . . . .	705	164-7577 . . . . .	▶338
	1083	163-5001 . . . . .	1395	164-4831 . . . . .	705		399
	1090	163-5442 . . . . .	795	164-4856 . . . . .	549	164-7959 . . . . .	1147
161-9275 . . . . .	424		799		▶567		1150
	▶727		803		▶568	164-8387 . . . . .	1328
161-9289 . . . . .	1244	163-5515 . . . . .	1217	164-4865 . . . . .	▶704		1333
161-9901 . . . . .	985		1218		707		▶1366
161-9903 . . . . .	147	163-5596 . . . . .	795	164-4866 . . . . .	▶705	164-8911 . . . . .	147
162-0177 . . . . .	828		799		707	164-9324 . . . . .	457
	831		803	164-4870 . . . . .	707	164-9326 . . . . .	457
	839	163-5646 . . . . .	1111		▶712	165-0373 . . . . .	500
	841		1113	164-4871 . . . . .	▶707		504
	1008	163-5647 . . . . .	1111	164-4872 . . . . .	▶707		508
	1016		1113	164-4883 . . . . .	1187		512
	1026	163-7451 . . . . .	435		1190	165-1562 . . . . .	942
162-2127 . . . . .	795		440	164-4891 . . . . .	518	165-2093 . . . . .	944
	799		445	164-5079 . . . . .	519		946
	803	163-7902 . . . . .	708	164-5567 . . . . .	463	165-2096 . . . . .	944
162-2128 . . . . .	795	163-7903 . . . . .	708		500		946
	799	163-7904 . . . . .	708		504	165-2135 . . . . .	457
	803	163-7905 . . . . .	708		508	165-2273 . . . . .	1162
162-2165 . . . . .	971	163-7906 . . . . .	708		512	165-2357 . . . . .	948
162-3858 . . . . .	1155	163-7908 . . . . .	708		737		949
162-5812 . . . . .	1057	163-7909 . . . . .	708		743		950
	1058	163-8033 . . . . .	▶595		751		951
	▶1164		▶597		757		952
162-6505 . . . . .	1133		638		763		954
	1135		641		777		956
162-6884 . . . . .	▶1135	163-8119 . . . . .	1079		779	165-2358 . . . . .	948
	1184		1083		799		949
162-7175 . . . . .	170		1087		803		950
162-7365 . . . . .	926		1090		816		951
	932		1096		841		952
162-7599 . . . . .	1221		1101		879		954
	▶1224	163-8811 . . . . .	1111		881		956
162-8081 . . . . .	795	164-0057 . . . . .	137		907	165-3621 . . . . .	▶429
	799		140		913		▶431
162-8455 . . . . .	795		▶154		922		▶433
	799	164-0058 . . . . .	1		934		563
	803		▶871		961	165-3825 . . . . .	948
162-8617 . . . . .	101	164-0327 . . . . .	696		962		949
162-8619 . . . . .	101	164-1234 . . . . .	1257		975		950
163-1034 . . . . .	1		1259	164-5570 . . . . .	419		951
	▶697	164-2025 . . . . .	80	164-5574 . . . . .	914		952
163-1135 . . . . .	1257		82		927		954
	1259	164-2108 . . . . .	569		933		956
163-1201 . . . . .	1134		570	164-5586 . . . . .	737	165-3826 . . . . .	948
163-1553 . . . . .	80		572		743		951
	82		573		751	165-3827 . . . . .	948
	84		575		757		949
163-1876 . . . . .	268		1044		763		950
163-1878 . . . . .	352	164-3256 . . . . .	970		777	165-3828 . . . . .	948
163-1882 . . . . .	375	164-3302 . . . . .	518		779	165-3929 . . . . .	86
	1203	164-3303 . . . . .	518	164-5590 . . . . .	463		88
	1206	164-3417 . . . . .	186		913	165-3933 . . . . .	86
163-1883 . . . . .	349		254	164-5611 . . . . .	913		88
	350	164-3706 . . . . .	707	164-5616 . . . . .	1034	165-4026 . . . . .	378
	351		▶708		1036	165-4077 . . . . .	▶1108
	375	164-3765 . . . . .	379	164-5624 . . . . .	196		1173
	1203	164-3766 . . . . .	379		198	165-4078 . . . . .	1108
	1206	164-4058 . . . . .	852	164-5789 . . . . .	11	165-4930 . . . . .	428
163-1884 . . . . .	353		860		▶58	165-4931 . . . . .	795
	375		865	164-5951 . . . . .	1255		799
163-2478 . . . . .	45		895	164-6084 . . . . .	▶644		803
	47	164-4156 . . . . .	426	164-6085 . . . . .	▶644	165-4933 . . . . .	908
	48	164-4175 . . . . .	426	164-6709 . . . . .	466		914
	55	164-4180 . . . . .	611		888	165-5085 . . . . .	1013
163-3926 . . . . .	1212		613	164-6871 . . . . .	419		1016
163-3997 . . . . .	246	164-4237 . . . . .	1072	164-6874 . . . . .	922	165-5140 . . . . .	▶217
	▶421		1073		933		218
163-4572 . . . . .	580		▶1120	164-6877 . . . . .	428	165-5575 . . . . .	1121
	582	164-4531 . . . . .	1054	164-7444 . . . . .	1147	165-5576 . . . . .	▶1121
163-4796 . . . . .	708	164-4767 . . . . .	705		1150		1229
163-4797 . . . . .	708	164-4769 . . . . .	705	164-7556 . . . . .	262	165-5722 . . . . .	1123

# PART NUMBER INDEX

Part	Page	Part	Page	Part	Page	Part	Page
165-5725	1123		1310	168-7861	966	170-0977	1251
	1229		1312		968	170-0978	1246
165-5728	1123	167-1335	142	168-7863	966	170-0980	1079
165-5963	1192	167-1795	926		968		1083
	1196		932	168-7869	966		1087
165-6062	970	167-2009	464		968	170-1112	1054
	975		1392	168-7871	966	170-1114	1054
165-6170	126		1393		968	170-1115	1054
	127	167-2201	784	168-7940	981	170-1303	1203
	128		785		982	170-1307	1203
	129	167-2220	876	168-7941	981	170-1318	290
165-6560	1072		878		982	170-1757	11
	1073	167-2222	875	168-7942	981		111
	1131	167-2312	784		982	170-1821	1079
165-6561	1131		785	168-7943	982		1083
165-6562	1147	167-2336	878	168-8508	1051		1087
165-6769	1072	167-2339	873	168-8598	1024		1090
	1073		875	168-8974	192		1096
	1129	167-2440	876		194		1101
165-7237	1370	167-4322	621	168-9025	185	170-3447	1158
166-0344	966		786		186		1160
	968		787		187	170-3448	1158
166-2101	951	167-4323	786		188		1160
	952	167-4324	786	168-9026	201	170-3610	1389
	954	167-6769	1051	168-9980	1254		1394
	956	167-6771	1051	169-0417	294	170-3612	1395
166-2102	951	167-7695	120		295	170-3791	1397
166-2833	585	167-7696	4		303	170-3843	463
166-2903	38		5	169-1529	362		464
166-2904	35		6		367	170-4042	463
	38		7	169-3295	133		500
	41		120	169-3301	240		504
	43	167-8081	26		242		508
166-3416	1167		27		294		512
	1168		28	169-3302	240	170-4673	135
166-3417	1167		29		242		138
	1169	167-8083	26		295	170-4737	37
166-4647	879		27	169-3304	240	170-4738	37
	881		28	169-3311	294	170-4870	391
	888	167-8126	57	169-4279	671	170-6047	137
166-4731	1251	167-9196	157		672		961
166-4732	1251	167-9524	569		699	170-6712	725
166-4804	1079		570		713	170-7096	1079
	1083		571		715		1083
	1087		572	169-5862	463		1087
166-4805	1079	168-0287	625		913		1091
	1083	168-0300	192	169-7380	1255		1096
	1087		203		1257		1101
166-6693	292	168-1793	1221		1259	170-7117	1070
166-6928	372	168-2100	57	169-8258	728	170-7118	1
	1171	168-2198	966		1072		1070
	1203		968		1073	170-7295	1383
	1206	168-2203	959	169-8373	1392	170-7296	1384
166-7057	164	168-3378	980		1393	170-7309	471
166-7401	1255	168-3379	980	170-0050	464	170-7313	645
166-9144	90	168-3382	980	170-0489	1246		647
166-9367	464	168-3384	980	170-0490	1246		653
167-0080	632	168-3385	980	170-0493	723		655
167-0140	843	168-3504	966		724	170-7314	644
	848		968		835		657
	852	168-4331	1051		837	170-7339	604
	892	168-4332	1051		838		644
	895	168-4510	1250	170-0503	835	170-7340	644
167-0642	37	168-4594	233	170-0696	1251	170-8540	1251
167-0643	37	168-4658	786	170-0761	567	170-8553	182
167-0867	63		787		570	170-8590	1225
	64	168-4659	786	170-0970	1079	170-9372	379
	65		787		1083	171-1055	1079
	66	168-6464	621		1087		1083
167-1278	1298	168-6497	621		1090		1087
	1302	168-6514	240		1096	171-1147	1079
	1304		242		1101		1083
	1306	168-7246	102	170-0971	1251		1087
	1308	168-7319	959	170-0976	1246	171-1150	1389

# PART NUMBER INDEX

Part	Page	Part	Page	Part	Page	Part	Page
171-1151	1389		1310		440		6
171-1152	1389		1312		445		7
171-1153	1389	172-4426	1298	173-7035	1244		▶151
171-1230	1237		1302		1245	174-6381	599
	1239		1304	173-7760	464		600
171-1391	725		1306	173-8278	464	174-7875	1134
171-1855	1389		1308	173-8466	246	174-7928	1370
171-1856	1389		1310		▶1134	174-7929	1370
171-2212	378		1312	173-8612	▶873	174-7950	▶1357
171-2513	509	172-4622	487		938	174-8849	240
	513		491	173-8613	▶875		242
171-3759	▶343	172-4717	1302		938	174-9667	843
	1117		1304	173-8614	873		848
171-3897	1072		1306		875		852
	1073		1308	173-8615	873		892
	▶1251		1310	173-8616	875		895
171-5349	314	172-4718	1302	173-9195	1221	174-9670	843
	317		1304	173-9197	1221		848
171-5364	913		1306	173-9198	1221		852
171-5415	477		1308	173-9375	1072		892
	487		1310		1073		895
	491		1312	173-9376	▶1254	175-0271	501
171-5427	1047		111		1254		505
171-6021	631	172-4848	926	173-9682	784	175-1366	18
171-6022	631	172-5277	932		785	175-1367	18
171-6023	631		663	173-9684	425		233
171-6024	631	172-5306	1013		426	175-1370	731
171-6682	1237	172-5481	1016	174-0830	900		737
	1239		▶1031		902		743
171-6692	1389		784		904		751
171-6693	1389	172-6409	785	174-0831	900		757
171-6723	453		1144		902		763
	739	172-8037	1145		904	175-1371	731
	745		1145	174-0832	900	175-1372	731
	753	172-8039	1145		902		737
	759		192		904		743
	765	172-8827	▶244	174-0833	900		751
	883	172-9389	378		902		757
	885		▶245		904		763
171-6731	498	172-9391	378	174-1550	725	175-1373	731
171-6757	1051		784	174-1552	523		737
171-6786	▶631	172-9981	785		▶725		743
	651		471	174-2245	158		751
171-9679	1250	173-0714	471		▶159		757
171-9683	1250	173-0715	471	174-2407	1226		763
172-0084	551	173-1028	▶1054		1227	175-1374	731
	552		1237	174-2408	1227		737
	555		1239	174-2434	900		743
172-1248	11	173-1827	468		902		751
	▶1074	173-1830	468	174-2435	900		757
172-1482	303	173-1905	1072		902		763
172-2416	1237		1073		904	175-1375	731
	1239		▶1250	174-3055	1254		737
172-3511	1079	173-2052	1188	174-3468	890		743
	1083		1189		▶948		751
	1087	173-2118	1226		949		757
	1091		1228		950		763
	1096	173-2469	471	174-3620	891	175-1376	731
	1101	173-2546	914		▶951		737
172-4387	▶1219	173-3082	1241		▶952		743
	▶1220	173-4539	481		▶954		751
	1229	173-4540	481		▶956		757
	1232		484	174-4117	▶1272		763
172-4424	1302	173-5787	1244	174-4312	773	175-1450	▶1324
	1304		1245	174-4613	417	175-1451	▶1302
	1306	173-5791	1120		419		1324
	1308	173-5850	457	174-4847	1328	175-1452	▶1325
	1310	173-5986	585		1333	175-1453	▶1304
	1312	173-5987	585		▶1370		1325
172-4425	1298	173-6640	540	174-5807	585	175-1454	▶1326
	1302	173-6706	435		606	175-1455	▶1306
	1304		440		608		1326
	1306		445	174-5986	4	175-1456	▶1322
	1308	173-6753	435		5	175-1457	▶1298

# PART NUMBER INDEX

Part	Page	Part	Page	Part	Page	Part	Page
	1322	176-3847 . . . . .	▶835		1241	179-1955 . . . . .	975
175-1458 . . . . .	▶1327		836		1242	179-2006 . . . . .	970
175-1459 . . . . .	▶1308		843	178-0604 . . . . .	▶1187	179-2209 . . . . .	883
	1327		848		1237	179-2212 . . . . .	883
175-1460 . . . . .	▶1328		852	178-0605 . . . . .	1187	179-2213 . . . . .	879
175-1461 . . . . .	▶1310	176-5504 . . . . .	500		▶1188		881
	1328		504	178-0606 . . . . .	▶1241	179-2214 . . . . .	879
175-1462 . . . . .	▶1329		508		▶1242		881
175-1463 . . . . .	▶1312		512		1244	179-2229 . . . . .	942
	1329	176-6495 . . . . .	571		1245		943
175-1483 . . . . .	90	176-7289 . . . . .	531	178-1602 . . . . .	435	179-2805 . . . . .	883
175-2317 . . . . .	346		533		440		885
175-2322 . . . . .	344		535		445	179-3211 . . . . .	96
	▶345	176-7507 . . . . .	813	178-1752 . . . . .	1395		100
175-2324 . . . . .	344	176-7508 . . . . .	813	178-2991 . . . . .	457	179-3274 . . . . .	788
	▶346	176-7509 . . . . .	813	178-2992 . . . . .	462		791
175-2791 . . . . .	975		▶815	178-2999 . . . . .	808	179-3737 . . . . .	▶1124
	▶1040	176-7510 . . . . .	813	178-3000 . . . . .	808		1232
175-2794 . . . . .	1298	176-7511 . . . . .	813	178-3001 . . . . .	808	179-3738 . . . . .	▶1126
	1302	176-7512 . . . . .	813	178-3002 . . . . .	808		1232
	1304	176-7513 . . . . .	813	178-3228 . . . . .	435	179-6051 . . . . .	1147
	1306	176-7514 . . . . .	813	178-3230 . . . . .	435		1150
	1308	176-7516 . . . . .	813		440	179-6791 . . . . .	907
	1310	176-7517 . . . . .	813		445		913
	1312	176-7518 . . . . .	813	178-3699 . . . . .	1312	179-6792 . . . . .	907
175-2795 . . . . .	1298	176-7519 . . . . .	813	178-3700 . . . . .	1312		913
	1302	176-7520 . . . . .	813	178-3702 . . . . .	1312	179-6793 . . . . .	907
	1304		▶821	178-4111 . . . . .	435		913
	1306	176-7521 . . . . .	813		440	179-6794 . . . . .	907
	1308	176-7692 . . . . .	813		445		913
	1310	176-7693 . . . . .	813	178-4139 . . . . .	▶1128	179-6876 . . . . .	500
	1312	176-7696 . . . . .	813		1221		504
175-2853 . . . . .	580	176-7696 . . . . .	813	178-4525 . . . . .	1304		508
	582	176-8350 . . . . .	3		1312	179-6878 . . . . .	500
175-3064 . . . . .	1147		▶340	178-4629 . . . . .	450		504
	1150	176-9369 . . . . .	817		▶451		508
175-3183 . . . . .	196		▶818		▶453		512
	198	176-9370 . . . . .	817	178-4640 . . . . .	471	179-6997 . . . . .	468
	▶819		▶819	178-4641 . . . . .	471	179-6998 . . . . .	468
175-3244 . . . . .	399	177-0093 . . . . .	992	178-5097 . . . . .	1308	179-8107 . . . . .	340
175-3617 . . . . .	37	177-1403 . . . . .	970		1310	179-8318 . . . . .	218
175-3860 . . . . .	4	177-1405 . . . . .	839	178-5098 . . . . .	1308	179-9380 . . . . .	890
	5		841		1310		1073
	6		970	178-5099 . . . . .	1308		▶1078
	7	177-1439 . . . . .	1203		1310		▶1082
	▶96		1206	178-5100 . . . . .	1308		▶1086
	▶98	177-1449 . . . . .	1051		1310	179-9392 . . . . .	375
175-3862 . . . . .	4	177-1483 . . . . .	725	178-5101 . . . . .	1308	179-9445 . . . . .	429
	5	177-1862 . . . . .	1225		1310		431
	6	177-1863 . . . . .	1237	178-5102 . . . . .	1308		433
	7		1239		1310	179-9575 . . . . .	1072
	▶130	177-2215 . . . . .	1160	178-6265 . . . . .	295		1073
175-3868 . . . . .	96	177-2374 . . . . .	1105	178-6359 . . . . .	1024		▶1246
	98	177-3579 . . . . .	1182	178-7423 . . . . .	451	180-0129 . . . . .	372
175-3892 . . . . .	1044		1185	178-7907 . . . . .	1188		1246
175-4291 . . . . .	262	177-4112 . . . . .	1105		1189	180-2549 . . . . .	351
175-4292 . . . . .	262	177-4113 . . . . .	▶1105	178-8486 . . . . .	1221	180-2554 . . . . .	1192
175-5058 . . . . .	1055		1116	178-8504 . . . . .	1221		1196
175-6795 . . . . .	966	177-4152 . . . . .	13	178-8583 . . . . .	375	180-2556 . . . . .	1192
	968	177-4155 . . . . .	907		1203		1196
175-6801 . . . . .	966		913		1206	180-2559 . . . . .	1079
	968	177-4937 . . . . .	1241		1206		1083
175-7162 . . . . .	1153		1242	178-8883 . . . . .	▶599		1091
	1155	177-8839 . . . . .	908		627		1096
175-7887 . . . . .	970		914	178-8884 . . . . .	599	180-2562 . . . . .	1079
	975	177-8924 . . . . .	731	178-8885 . . . . .	599		1083
175-7900 . . . . .	784		737	178-8886 . . . . .	599		1091
	785		743	178-8888 . . . . .	324		1096
176-0274 . . . . .	382		751	179-0469 . . . . .	843	180-2564 . . . . .	1192
	387		757	179-1557 . . . . .	▶879		1196
	389		763		▶881	180-2571 . . . . .	349
176-2452 . . . . .	795		▶965		883	180-2595 . . . . .	1111
176-2563 . . . . .	277	178-0182 . . . . .	992		885		1113
176-2564 . . . . .	284	178-0603 . . . . .	▶1237	179-1561 . . . . .	▶883		1113
176-2565 . . . . .	284		▶1239		890	180-2596 . . . . .	1111

# PART NUMBER INDEX

Part	Page	Part	Page	Part	Page	Part	Page
	1113	183-4007 . . . . .	▶1182		1324	186-2001 . . . . .	45
180-2624 . . . . .	808		1184		1325		47
180-2625 . . . . .	808	183-4063 . . . . .	835		1326		48
180-3039 . . . . .	1298		837		1327		55
	1302		838		1328	186-3282 . . . . .	1310
	1304	183-4491 . . . . .	907		1329		1318
	1306		913		1330	186-3294 . . . . .	1310
	1308	183-4605 . . . . .	1272	185-0275 . . . . .	959		1318
	1310	183-5045 . . . . .	891		▶980	186-3735 . . . . .	209
	1312		▶1090	185-0278 . . . . .	959		270
180-3040 . . . . .	1298		▶1095	185-0280 . . . . .	959		274
	1302		▶1100	185-0287 . . . . .	980		275
	1304	183-5190 . . . . .	1298	185-0289 . . . . .	980		304
	1306	183-5296 . . . . .	▶45	185-0292 . . . . .	980		305
	1308		46	185-0295 . . . . .	959		309
	1310	183-5318 . . . . .	▶1339	185-0296 . . . . .	959		320
	1312	183-5321 . . . . .	▶1339	185-1933 . . . . .	▶101		342
180-3732 . . . . .	▶354	183-5324 . . . . .	1339		707		345
180-3994 . . . . .	729	183-5325 . . . . .	1339	185-2192 . . . . .	101		347
180-3999 . . . . .	728	183-5382 . . . . .	717	185-2638 . . . . .	221		399
	▶729	183-5825 . . . . .	685	185-2639 . . . . .	221		574
180-4000 . . . . .	729		689	185-2644 . . . . .	221		791
	▶1212	183-6194 . . . . .	435	185-2645 . . . . .	221		1078
180-4001 . . . . .	729		440	185-2647 . . . . .	221		1082
	▶1213		445	185-2648 . . . . .	221		1086
180-4533 . . . . .	610		▶466	185-2650 . . . . .	221		1090
180-4686 . . . . .	942	183-6437 . . . . .	126	185-2653 . . . . .	221		1095
	943	183-6438 . . . . .	128	185-2654 . . . . .	221		1100
180-5021 . . . . .	500	183-7228 . . . . .	705	185-2655 . . . . .	221		1101
	504	183-7262 . . . . .	828	185-2658 . . . . .	221		1144
	508		831	185-3521 . . . . .	1091		1179
	512	183-7263 . . . . .	831		1096		1181
180-5567 . . . . .	126		1008		1101		1203
	127		1016	185-3522 . . . . .	1091		1206
	128	183-7531 . . . . .	1221		1096		1257
	129	183-7532 . . . . .	1221		1101	186-3736 . . . . .	1078
180-5733 . . . . .	126	183-7535 . . . . .	708	185-3523 . . . . .	1091		1082
	127	183-7536 . . . . .	708		1096		1086
	128	183-7537 . . . . .	708		1101		1090
	129	183-7538 . . . . .	708	185-3653 . . . . .	580		1095
180-5947 . . . . .	382	183-7539 . . . . .	708		582		1100
	387	183-7540 . . . . .	708	185-3874 . . . . .	1170	186-4126 . . . . .	406
	389	183-8004 . . . . .	524	185-3889 . . . . .	970		▶571
180-8424 . . . . .	156	183-8040 . . . . .	1153		975	186-5107 . . . . .	1055
180-9267 . . . . .	147		1155	185-4018 . . . . .	1091		1146
180-9270 . . . . .	600	183-9409 . . . . .	708		1096		1257
180-9272 . . . . .	▶600	183-9411 . . . . .	708		1101		1259
	638	183-9412 . . . . .	708	185-4021 . . . . .	196	186-6189 . . . . .	1153
	641	183-9413 . . . . .	708		198		1155
180-9339 . . . . .	306	183-9414 . . . . .	708	185-4022 . . . . .	196	186-6218 . . . . .	907
	316	183-9415 . . . . .	712		198		913
	1075	183-9416 . . . . .	712	185-5352 . . . . .	971		▶1032
180-9340 . . . . .	311	184-1699 . . . . .	1221		976	187-0565 . . . . .	1051
	313	184-1700 . . . . .	1221	185-5353 . . . . .	1024	187-0589 . . . . .	500
	315	184-2298 . . . . .	1237	185-5354 . . . . .	971		504
	316		1239		976		508
180-9595 . . . . .	500	184-2299 . . . . .	1237	185-5626 . . . . .	1004	187-0590 . . . . .	500
	504		1239		1008		504
	508	184-2472 . . . . .	235		1012		508
	512		238		1016	187-0678 . . . . .	468
180-9971 . . . . .	1111		239	185-6278 . . . . .	4	187-0681 . . . . .	738
	1113	184-3635 . . . . .	970		5		744
180-9972 . . . . .	1111	184-3675 . . . . .	725		6		751
	1113	184-3677 . . . . .	725		7		757
183-1989 . . . . .	1254	184-4617 . . . . .	725		▶117		763
183-3407 . . . . .	53	184-4902 . . . . .	399	185-6334 . . . . .	157	187-0682 . . . . .	738
	108	184-6673 . . . . .	1129	185-6690 . . . . .	340		744
	123	184-7831 . . . . .	1298	185-7398 . . . . .	▶836		751
	194	184-7832 . . . . .	1298	185-7876 . . . . .	1027		757
183-3408 . . . . .	51	184-8096 . . . . .	1298	185-9699 . . . . .	8		763
183-3409 . . . . .	49	184-8097 . . . . .	1298		10	187-0738 . . . . .	1072
	106	184-8099 . . . . .	1298		▶15		1073
183-3626 . . . . .	907	184-8104 . . . . .	1298	185-9956 . . . . .	623		▶1117
	913	184-9866 . . . . .	1322		626	187-0844 . . . . .	518

# PART NUMBER INDEX

Part	Page	Part	Page	Part	Page	Part	Page
187-1325	20	188-7260	1395		695	190-3635	218
187-1326	▶20	188-7513	296	189-7481	658		219
	21	188-8849	260		▶671		220
187-1328	4		261		▶672	190-3821	477
	5		267	189-7482	658	190-3822	477
	6	188-9429	315	189-7483	658		492
	7	188-9657	1048	189-7486	658	190-3980	▶290
	▶21	189-0852	316	189-7487	658		▶291
	▶22	189-0866	1394	189-7488	658	190-4764	1117
187-1679	186	189-1858	671	189-7490	684	190-5386	1394
	254		672	189-7491	684	190-6560	14
187-1867	1111		699	189-7492	684	190-6563	11
	1113		713	189-7493	684		▶14
187-2034	223	189-4383	698	189-7494	661	190-6564	11
	225		702	189-7495	661		▶218
	227	189-4384	698	189-7496	661		219
187-2108	1213		698	189-7497	663		220
187-2710	571		702		667	190-7486	477
	574	189-4386	698	189-7500	663	190-7645	233
187-2863	1302	189-4387	698		667	190-9793	1298
	1304		702	189-7501	658	190-9794	1298
	1306	189-4388	698	189-7502	671	191-0554	719
	1308	189-4389	698		672		720
	1310	189-4390	698	189-7503	661		721
	1312	189-4391	698	189-7504	661	191-0965	121
187-2864	1302		702	189-7508	661		123
	1304	189-4393	699	189-7509	661	191-0966	4
	1306		713	189-7530	685		5
	1308		715	189-7531	685		6
	1310	189-4394	699		691		7
	1312		713	189-7533	▶661		▶121
187-3554	1121		715		695		▶123
187-3707	477	189-4395	699	189-7535	687	191-1041	4
	487		713	189-7536	687		5
187-3993	130		715	189-7540	692		11
187-6236	135	189-4396	699	189-7543	685		▶171
187-6237	135	189-4398	699		691	191-2929	966
	138	189-4399	699	189-7546	685		968
187-8567	960	189-4401	699		689		▶1022
187-9116	970		713	189-7547	692	191-2933	1245
	975		715	189-7548	692		▶1257
188-0960	725	189-4402	699	189-7552	685		▶1259
188-1754	4	189-4404	699	189-7553	692	191-5114	1142
	5		713		717	191-6147	4
	6		715	189-7554	685		5
	7	189-4407	699	189-7589	695		6
	▶95	189-4408	699		▶1048		7
188-1755	95		713	189-7598	358		▶165
188-1758	4		715	189-7599	358	191-7585	815
	5	189-4409	699	189-7600	358	191-7587	815
	6		713	189-7601	358	191-7589	815
	7		715	189-7603	663	191-7591	815
	▶233	189-5719	745		667	191-7594	815
188-2048	1117		751	189-7604	663	191-7596	815
188-3736	1203		757		667	191-7597	815
188-3983	1078		763	189-7609	663	191-7607	821
	1082	189-5950	64		667	191-7677	8
	1086		▶82	189-7610	663		10
	1090	189-7038	658		667	191-7805	194
	1095	189-7288	695	189-7651	672	191-8423	8
	1100	189-7433	▶658		▶713		10
188-3984	347		695		▶715		▶46
	1078	189-7434	658	189-7718	691	191-8921	1068
	1082		▶684		692		1069
	1086	189-7435	658	189-7981	691	191-9247	841
	1090		▶685	189-9266	296	192-0815	580
	1095	189-7436	661	189-9379	966		582
	1100		▶687		968	192-0816	580
188-4491	177	189-7437	661		▶981	192-0822	424
188-5038	435		▶689	189-9763	975		▶580
188-6280	959	189-7441	▶633	190-0386	1213		▶582
188-7007	900		695	190-1701	1051	192-1425	876
	902	189-7442	695	190-3132	▶255		878
	904	189-7446	▶358		▶256	192-1995	8



# PART NUMBER INDEX

Part	Page	Part	Page	Part	Page	Part	Page
	10		1196	195-3324	960	197-7356	843
192-2827	▶173	193-7404	194	195-3325	960		▶848
	173		▶203	195-3739	1024		▶852
	▶174	193-8221	1308		▶1044		870
192-2831	174	193-8224	▶497	195-5979	500	197-7357	843
192-2913	▶518	193-9179	524		504	197-7359	843
	563	194-1674	1051		508	197-7360	843
192-2914	523	194-2905	500		512		848
	▶563		504		▶526		852
192-3677	975		508	195-5981	524		892
192-4151	112		512	195-5985	524		895
192-5501	82	194-2906	500	195-5988	524	197-7361	611
	84		504	195-7180	1371	197-7362	843
192-5502	82		508	195-7181	1371	197-7365	843
192-7054	1144		512	195-7182	1371	197-7427	1185
192-7433	379	194-2909	500	195-7190	1327	197-7429	1185
192-7455	399		504	195-7191	1327	197-7701	1043
192-7470	959		508	195-7192	1327	197-7863	663
192-7752	1257		512	195-8695	701		667
	1259	194-2910	500	195-8696	701		673
192-7755	1257		504	195-8697	701	197-8391	300
	1259		508		702		▶321
192-7760	1257		512	195-8698	701	197-8820	220
192-7767	1257	194-2941	1203	196-0056	504		▶221
	1259		1206		508	197-9631	125
192-7783	1257		1211		513	198-0976	▶417
	1259	194-3285	821	196-0436	1226		1172
192-7787	1257	194-3286	821		1228	198-0977	417
	1259		▶960	196-1170	958	198-0997	417
192-7790	1257	194-3287	821	196-1171	958		419
	1259	194-3288	821	196-1172	958	198-0998	417
192-7795	1257	194-3289	821	196-1312	192	198-1092	1372
	1259	194-3715	▶1226		194	198-1317	675
192-7799	1257	194-3766	▶1227	196-2332	876	198-1854	926
	1259	194-5226	312	196-4519	▶500		932
192-7805	1257	194-6626	524		▶504	198-2622	675
	1259	194-6722	296		▶508	198-2624	675
192-7810	1257		298		890	198-2625	1
	1259		300	196-5069	112		▶675
192-7812	1257		▶311	196-5070	112	198-2790	675
	1259	194-6724	296	196-5538	▶347	198-2914	841
192-7820	1257		298		1172	198-3406	481
	1259		300	196-7365	1051		484
192-7822	1257		▶312	196-7369	1051	198-3407	481
192-7848	1257	194-6725	296	197-0679	1049		484
	1259		298		▶1050	198-3409	481
192-8848	585		300	197-1563	713	198-3410	481
192-8851	▶587		▶313		715	198-3411	481
	651	194-6849	960	197-3295	481	198-3412	771
192-8852	▶589	194-7264	497		484	198-3413	771
	▶591		498		487	198-4266	611
	649	194-7915	174		491	198-4270	1
193-0338	1310		176		500		▶611
193-0339	1310	194-7925	▶701		504	198-6068	132
193-0635	428		713		508		162
193-0771	1173	194-7928	701		512		1391
	1175	194-8124	46		751	198-6434	995
	1177		49		757		998
193-0980	▶524		51		763	198-6439	749
	526		53		908		771
193-1036	1022	195-0410	1312		913		995
193-2550	▶314	195-0456	450	197-4859	1226		998
	472		▶481		1228	198-6487	4
193-2652	1173	195-0459	▶771	197-4971	73		5
	1175		890		76		▶8
	1177	195-0460	481		78		▶10
193-2653	1173	195-0461	481	197-5251	636	198-6489	▶4
	1175	195-0462	749	197-5470	1226	198-6490	3
	1177		771		1228		▶5
193-4086	1153	195-0472	1221	197-6303	1	198-6570	375
193-4087	1153	195-1292	324		▶636	198-6571	375
193-4623	1185	195-2251	340	197-6660	663	198-6752	843
193-5572	282	195-2271	340		667		848
193-5895	1192	195-3162	1221		673		892

# PART NUMBER INDEX

Part	Page	Part	Page	Part	Page	Part	Page
198-6753	843	199-5670	295	201-0218	891	202-4081	174
	848	199-6290	509		▶998	202-6614	262
	853		513	201-0364	1124	202-7652	1147
	892	199-6348	4		1126		1150
	895		5	201-0377	891	202-8038	731
198-7667	995		6		▶900		737
	998		7		▶902		743
198-7668	995		▶126		▶904		752
	998		127	201-0378	900		757
198-7669	995		128		902		763
	998	199-6551	4	201-0379	900	202-9723	1185
198-7670	995		5		902	202-9738	1
	998		▶382	201-0737	727		▶1184
198-8195	843	199-6552	167	201-0780	1022	202-9742	▶1072
	848	199-6554	4	201-0808	▶891		1184
	892		5	201-0837	▶890	202-9746	1072
198-8196	995		6	201-1003	843		▶1203
	998		7		848		▶1206
198-8751	1395		▶192		853	202-9897	223
198-8871	843		▶194		892		225
	848	199-7891	221		895		227
	853	199-8013	4	201-1005	843	203-0328	1246
	857		5		848	203-0973	246
	861		6		853		▶385
	866		7		892	203-1095	813
	892		▶167		895	203-1564	▶2
	895	199-8436	221	201-1049	891	203-1567	▶1
198-9189	843				▶1046		2
	848			201-1051	500	203-1576	406
	852			201-4221	1261		409
	892			201-4222	1261	203-1579	2
	895			201-4341	2		▶246
198-9229	1	200-0818	580		▶11	203-1582	2
	▶624		582	201-6615	298		▶890
198-9230	624	200-0819	580		300	203-1588	890
198-9375	795		582		▶315		▶907
	799	200-0820	425	201-6617	298	203-1597	246
198-9376	795	200-0866	731		300		▶399
	799		737		▶316	203-1601	246
198-9397	587		743	201-7244	538		▶406
198-9403	587		751	201-7245	531		▶409
	589		757		▶538	203-1603	246
198-9406	587		763	201-7329	1040		▶378
198-9407	587		777	201-9677	481	203-1606	890
	589		779		484		▶963
	591	200-1137	157		1185	203-3072	907
198-9408	589	200-2301	4	202-0313	1185		913
198-9412	589		5	202-0314	1185	203-3940	296
198-9765	8		6	202-2699	223		298
	10		7		225		300
	▶30		▶292	202-2700	223	203-4811	879
198-9898	94	200-2794	4		225		881
	▶112		5	202-2703	223	203-5443	1155
199-1002	8		▶107	202-2707	223	203-5498	1155
	10	200-3174	1072	202-2708	223	203-5499	1155
	▶296		1073		225	203-5535	879
199-1293	616		▶1245		227		881
	618	200-4170	541	202-2783	223	203-5870	738
199-1445	4	200-5219	891		225		744
	5	200-5254	900		227		752
	6		902	202-2784	223		758
	7		904		225		764
	▶90	200-5728	1144		227	203-5871	739
199-2882	4		1145	202-2785	223		745
	5	200-6153	196		225		752
	▶135		198		227		758
199-3066	▶615	200-6261	500	202-2786	223		764
199-3131	857		504		225	203-6481	1120
	860		508		227	203-6490	618
	865		512	202-2787	223		1244
	▶1036	200-6922	▶3		225		1245
199-3368	▶270	200-7851	167	202-2795	▶1330	203-8482	1004
	284	200-8277	219		1330		1008
199-5510	1227		▶223	202-2796			1012

# PART NUMBER INDEX

Part	Page	Part	Page	Part	Page	Part	Page
	1016		512		▶367		▶1012
203-8609	. 966	205-9293	. 135		1072		▶1016
	968		138	210-2262	. 1225	213-3221	. 970
203-8822	. 112	206-4227	. 6	210-2263	. 1225	213-3436	. 857
203-8824	. 112		7	210-2266	. 1225	213-5268	. 927
203-9088	. 879		▶60	210-2270	. ▶1225		933
	881	206-5027	. 843		1237		▶959
203-9163	. 966		848		1239	213-7464	. 743
	968		852	210-4460	. 1074		752
203-9364	. 477		892	210-5692	. 501		758
	487		895		505		764
	491	206-5823	. 1181		509	213-7465	. 791
203-9365	. 477	207-1462	. 500		512	213-7466	. 791
	487		504	210-8620	. 737	213-8799	. 1109
	491		508		743	213-8800	. ▶1109
203-9366	. 477		512		752		1175
	487	207-5248	. 112		758	213-9100	. 356
	491	207-6901	. 256		764	214-0783	. ▶1055
203-9367	. 477	207-7025	. 257	210-8818	. 10	214-0784	. 1055
203-9368	. 477	207-7030	. ▶257		▶175	214-2445	. 970
	487	207-7893	. 362	210-9246	. 120	214-4862	. ▶305
	491	207-7894	. 374	211-0247	. 613		1082
203-9369	. 477		1203	211-0248	. 602		1096
	487		1206		605		1101
	491	207-8128	. 125	211-2254	. 175	214-5429	. 1314
203-9991	. 1246	208-0545	. ▶351		▶176		1316
	1249		▶352	211-2255	. 176		1318
204-0134	. 879		549	211-3025	. 190		1320
	881	208-0546	. ▶349	211-3122	. 45	214-5430	. 1314
204-0135	. 879		▶350		47		1316
	881		870		48		1318
204-0156	. 492	208-1629	. 498		55		1320
204-0341	. 871	208-2379	. 1	211-3123	. 47	214-5431	. 1314
204-1340	. 1026		▶616		48	214-5432	. 1314
204-1505	. 615		▶618	211-3529	. 1195	214-6489	. 970
204-2640	. 871	208-2479	. 1090		1199		975
204-3611	. 1117		1095	211-4942	. 1246	214-7566	. 59
204-6673	. 1		1100		1251		60
	▶196	208-3778	. 1142	211-4983	. 1195		123
	▶198	208-3779	. 1142		1199		194
204-6675	. 196	208-5260	. 1341	211-5358	. 1257	214-7568	. 51
	198	208-5261	. 1323		1259		53
204-7140	. 907		1340	211-9013	. 848		108
204-7141	. 907	208-5262	. ▶1340		852		123
204-7143	. 907	208-5281	. 1342		892		194
204-7846	. 147	208-5282	. 1342		895		203
204-7847	. 147	208-5283	. 1342	211-9047	. 1062		573
204-7949	. ▶304	208-5284	. 1342	211-9294	. 1257		574
	1215	208-5285	. 1342		1259		575
204-8692	. 246	208-5286	. 1342	212-0396	. 176		779
	▶247	208-5336	. ▶1336	212-0776	. 393		841
204-8696	. 246	208-7448	. 157	212-6862	. 902	214-7634	. ▶1068
	▶249	208-8661	. 464		904		1265
204-9316	. ▶71	208-8840	. ▶1341	212-6933	. 147		1268
	73	208-8841	. ▶1341	212-7790	. 848	214-7635	. ▶1069
204-9884	. 246	208-9490	. 10		852		1265
	▶248		▶76		892		1268
205-0626	. 221		▶78		895	214-9522	. 943
205-3583	. 1213	209-3164	. 4	212-7791	. 848	214-9523	. 949
205-3998	. 975		5		853		950
	▶1024		6		892		952
205-6051	. 542		7		895		954
	544		▶183	212-7792	. 848		956
	546	209-3569	. 18		853	214-9524	. 949
205-6388	. 1236	209-4573	. 147		892		950
	1241	209-4580	. 147		895	214-9525	. 952
	1242	209-5018	. 1229	212-7793	. 848	215-2334	. ▶137
205-7303	. 185	209-6694	. 426		892	215-2339	. ▶140
	253	209-6696	. 457	212-8712	. 995	215-2349	. 140
205-8365	. 1308	210-0848	. ▶235		▶1004		▶962
	1310	210-0849	. 233		▶1008	215-2353	. ▶137
205-9184	. 500		▶236	212-8739	. 542	215-2355	. 137
	504		▶237		544		▶155
	508	210-1649	. ▶362	212-8746	. 998	215-2356	. 140

# PART NUMBER INDEX

Part	Page	Part	Page	Part	Page	Part	Page
	►926	217-8938	14		988	221-5377	857
	►932	217-9049	1237	220-3444	678		860
215-2423	605		1239		681		865
215-2424	605	218-0324	1074		695	221-5459	985
215-2425	602		►1075	220-3445	678	221-5470	985
215-2426	602		1076		681	221-5471	985
215-3360	155	218-0861	1237	220-3446	678	221-5472	985
215-5721	962		1239		681	221-6807	►985
	►968	218-2373	573	220-3447	749	221-6808	►985
215-7177	926		574	220-3448	749	221-7674	247
215-7178	926		575	220-3818	►751	221-7693	179
215-9554	629		1044		890		181
216-0273	471	218-9894	1041	220-5082	857	221-7967	1
216-2515	959		1043	220-5571	870		►613
216-3681	1320		1045		►892	221-8689	1
216-4884	441	219-0305	1391		►895		►209
	446	219-1438	873	220-5674	419	221-8690	209
216-4885	440		875	220-5675	396	221-8691	►179
	445	219-4418	242	220-5676	419		►181
216-4886	440	219-4458	102	220-6024	857		►182
	445	219-5073	663	220-6026	►870		188
216-4887	440		667	220-6043	426		189
	445	219-5074	663	220-6079	985	221-8693	179
216-4888	440		667	220-8358	376		181
	445	219-6487	►262		1206		182
216-4889	440		283	220-8796	484	221-9174	►622
	445	219-7225	963	220-9110	1377		870
216-5338	431		►975		1385	221-9751	►419
	►572	219-7983	►837	220-9168	►1385		1172
216-5342	568		857	220-9169	►1377	221-9752	246
	►573		860	221-0130	857		►396
216-5582	35		865		860	222-0345	►1236
	38		892		865		1241
	41		895	221-0133	857		1242
	43	219-7987	►838	221-0134	857	222-0346	4
216-8978	964	219-9521	376		861		5
	►970		1200		866		►387
216-9195	799	219-9522	291	221-0135	857	222-0347	11
	803	219-9523	376		861		►391
217-0641	904		1200		866	222-1549	426
217-0642	904	219-9529	376	221-0835	857	222-2029	678
217-0643	904		1206	221-0868	857		681
217-0751	35	219-9533	1087	221-1164	450	222-2030	678
	38		1101		►484		681
	41	219-9536	353	221-1190	84	222-3073	11
	43		376	221-1191	84		►161
217-0752	35	220-0812	986	221-1192	84	222-3185	►632
	38		988	221-1193	84		870
	41	220-1432	►723	221-1194	84	222-3583	632
	43		752	221-1195	84	222-3584	632
217-1557	629		758	221-1196	►66	222-4737	1008
217-2708	409		764	221-1197	65		1016
	412	220-1643	►857		66		1034
	►574		►860		►84		1036
217-3549	702		►865	221-1879	484	222-6869	914
217-4652	►1341		870	221-1880	484	223-2111	487
217-5702	177	220-1645	857	221-1881	484		491
217-6719	►839		861	221-1882	484	223-2112	487
	1004		866	221-2372	185		491
	1008	220-1646	857		253	223-4078	450
	1012		861	221-2575	986		►487
	1016		866	221-3330	484		►491
	1026	220-1650	857	221-3440	986	223-4254	►498
217-6720	►841		861		988		523
	1005		866		990	223-4263	913
	1008	220-1657	857	221-3481	986	223-4264	913
	1012		860		988	223-4591	179
	1016		865		990		181
217-7846	1	220-1659	857	221-4015	986	223-5814	130
	►678		860		988	223-5836	580
	►681		865	221-4201	985		582
217-7850	►749	220-1828	1062		►986	223-5875	179
	890	220-2779	498		►988	223-7263	►35
217-7933	1225	220-2948	986		►990		38

# PART NUMBER INDEX

Part	Page	Part	Page	Part	Page	Part	Page
	47	227-1069	971		▶691	232-0139	1337
223-8112	1377	227-1204	30	229-2624	663	232-0142	▶1347
223-8114	▶1273		32		667	232-0154	▶1284
223-8115	▶1274		33		▶692	232-0155	▶1285
223-8116	▶1275	227-1369	1158	229-5546	876	232-0156	▶1286
223-8134	1338		1160	229-5549	873	232-0161	▶1371
223-8135	1338	227-2441	1158	229-6388	▶1342	232-0253	112
223-8136	1338		1160	229-7110	▶1276	232-0362	11
223-8969	352	227-3192	1073	229-7111	▶1277		▶118
223-8971	376		▶1209	229-7112	▶1278	232-1767	181
	1200	227-3250	663	229-7114	▶1279	232-2112	1385
223-8972	376		667	229-7134	▶1280	232-2114	▶1287
	1200	227-3872	117	229-8122	512	232-2115	▶1288
223-8976	1087	227-4239	38	229-8568	28	232-2116	▶1289
	1101	227-7390	1185	229-8906	223	232-2117	▶1290
223-8979	353	227-7391	1185	229-9407	227	232-2134	▶1291
	376	227-7392	1068	229-9974	263	232-2135	▶1292
223-8981	350		1069		264	232-2136	▶1293
223-8982	376	228-0755	713		265	232-2154	▶1294
	1206		715		266	232-3243	376
223-9250	▶47	228-0920	1073	230-3728	190		1200
	▶48		▶1150		191	233-0455	982
	49	228-2615	1185	230-3775	132	233-6045	377
	51	228-2616	1185		190	233-6742	194
224-0672	722	228-3173	890		191		▶212
	723		▶913	230-4932	860		▶213
224-3872	954	228-3174	890		865	233-6745	1187
	956		▶964	230-5771	791	233-7154	▶1295
224-3983	35	228-4398	▶512	230-8152	288	233-7155	▶1296
	41		890		289	233-7156	▶1297
224-4229	603	228-4399	▶757	230-9715	288	233-7167	1372
	▶605		▶763	231-1955	▶878	233-9748	519
224-4416	663		890		946	234-3548	491
	667	228-4400	▶885	231-1957	878	234-3549	491
224-4417	663		890	231-1960	878	234-3550	491
	667	228-4401	412	231-2307	544	234-3551	491
224-5122	46	228-4402	246		▶558	234-3552	453
	49		▶412	231-3871	249	234-3555	453
	51	228-4727	1300	231-3947	204	234-3556	445
	53		1314	231-4016	622	234-6707	519
224-6570	248		1316	231-6133	223	234-6836	1395
225-2646	1048		1318		225	234-8937	88
225-2647	1048		1320		227	234-9184	6
225-3281	784	228-4772	▶188	231-6134	223		7
	785	228-4773	▶189	231-7717	852		▶108
225-3289	876	228-4982	375		860	234-9185	10
	878	228-6056	264		865		▶49
225-3290	875		266		895		▶51
225-6714	512	228-6562	1110	231-7719	860		▶53
225-6720	932	228-6563	▶1110		865	234-9702	10
225-9482	1300		1177	231-7722	852		▶32
	1314	228-6838	120		860		▶33
	1316	228-7024	860		865	234-9709	▶27
	1318		865		895		▶28
	1320	228-7089	194	231-7724	852		32
225-9584	1300	228-7091	132		860	234-9774	6
	1314		162		865		7
	1316	228-9514	375		895		▶61
	1318	228-9628	1073	231-7725	853	234-9775	6
	1320		▶1140		895		7
225-9602	1300	228-9657	221	231-7726	861		▶110
	1314	229-0066	1059		866	235-0251	763
	1316		1061	231-7727	852	235-1587	134
	1318		▶1165		861	235-2415	558
	1320	229-1494	1242		866	235-2418	555
226-5561	35	229-2257	1209		895	235-2640	6
	41	229-2621	▶663	231-8177	890		7
	43		▶667		1046		▶106
226-9613	1155		695		▶1047	235-3479	6
226-9622	1044	229-2622	663	231-8178	1047		7
227-0213	1129		667	232-0134	▶1281		▶10
	1131		▶717	232-0135	▶1282	235-3596	298
227-0867	399	229-2623	663	232-0136	▶1283		300
227-0869	379		667	232-0138	1337	235-3937	▶274

# PART NUMBER INDEX

Part	Page	Part	Page	Part	Page	Part	Page
	291	239-0239	▶1314		20	252-7044	▶475
235-4732	▶6	239-0245	1314		23	252-7045	▶476
235-4733	3	239-0249	1314	243-1564	6	253-0066	1357
	▶7		1316		7	253-0067	1357
235-6266	6		1318		▶389	253-0188	▶1372
	7	239-0258	1314	243-3606	248	253-0191	1372
	▶109	239-0259	1314	243-3720	944	253-0192	1372
235-8159	138	239-0261	1314		946	253-1752	24
235-8487	6	239-0262	1314	243-3814	249	253-4280	803
	7	239-0282	1150	243-4105	246	253-4787	▶889
	▶138	239-1377	171		▶247		899
235-8631	702	239-4106	23	243-4106	246	253-4788	899
236-1059	695	239-4258	582		▶249		▶1001
	988	239-4259	582	243-4107	246	253-9582	▶1337
236-1239	988	239-7440	593		▶248	253-9967	1249
236-1642	▶1358	239-7441	593	243-5499	416	253-9968	1249
236-1643	▶1359	239-7443	593	243-6465	▶377	253-9969	▶1249
236-1644	▶1360	239-7444	593	243-6718	24	254-2162	1249
236-1656	▶1361	239-7447	137	243-6741	▶38	254-6061	453
236-1657	▶1362		140		48	254-7018	763
236-2259	10		▶593	244-3114	433	255-0614	667
	▶298	239-7896	164		▶575	255-1254	194
	▶300	239-7897	170	244-6626	147	255-1255	194
236-4439	1391	239-9230	923	245-4324	▶41	255-1256	194
236-4674	1314	239-9233	932		45	255-1257	194
	1316	240-0277	▶1331	245-7465	574	255-6691	1300
	1318	240-0278	▶1316	246-0561	866	255-6692	1300
	1320		1331	246-2641	209	255-6694	1300
236-4675	1314	240-0279	1316		587	255-6695	1300
	1316	240-0283	1316		589	255-6711	1300
	1318		1318		591	255-6712	1300
	1320	240-0284	1316		1388	256-1142	283
236-4676	1314		1318		1396	256-1143	283
	1316	240-0285	1316	246-6084	171	256-5015	1395
	1318		1318	246-7981	641	256-5016	1395
	1320	240-0286	1316	247-8529	803	256-5017	1395
236-4689	1314		1318	247-8530	803	256-5018	▶1395
	1316	240-2015	192	247-8531	803	256-7582	▶541
	1318		194	247-8532	803	256-7583	541
	1320	240-5304	236	247-8535	803	257-1833	▶1338
236-4690	1314		▶238	247-8536	803	257-2122	65
	1316	240-7980	1318	247-8537	803		66
	1318	240-7983	1316	247-8538	803	257-3651	1300
	1320		1318	247-9908	45	257-3655	1300
236-5197	1225	240-7986	▶1318		55	257-3679	1300
236-5420	498		1333	248-1394	▶191	257-7676	781
236-5605	45	240-7987	▶1333	248-3141	247	258-5194	982
	55	240-9083	1320	248-5513	138	258-8721	112
236-6253	1142	240-9085	1320	249-5615	▶820	259-0558	496
236-7228	1395	240-9089	▶1320		1111	259-0576	528
236-7530	▶1390		1335		1113		529
236-7753	1320	240-9090	▶1335	249-8963	913	259-4733	783
236-8117	1390	240-9499	1232	250-0466	32		▶784
236-8219	▶1363	240-9689	715		33	259-4737	783
236-8220	▶1364	241-0037	722	250-3525	1316		▶785
236-8221	▶1365		723	250-4628	1187	259-4738	785
236-8675	725		838		1190	259-4739	784
236-8722	375	241-6151	496	250-8402	1300	260-7652	1185
236-9784	512	241-6186	298	250-9329	970	260-7653	1185
237-0974	582		300	251-2076	367	261-0547	695
237-1962	330	241-6215	803		372	261-3429	35
	▶332	241-8538	702	251-3113	899		38
237-3943	1257	242-3558	512		▶940		41
237-3970	▶1056	242-7501	377	251-4162	258		43
	1257	242-7502	377	251-7828	975	261-3430	35
238-0296	212	242-9537	19	251-9297	885		38
	▶214		20	252-1285	803		41
			23	252-1286	695		43
238-5078	18	243-0647	641		803	261-3857	▶517
238-5080	110	243-0648	641	252-4501	372		527
	194	243-0649	641		1119	261-5694	1188
	321	243-0943	▶37	252-4537	970		1189
238-5081	132		38	252-5806	182	262-1557	▶527
	213	243-1159	19	252-7043	▶475		
238-5084	98						

# PART NUMBER INDEX

Part	Page	Part	Page	Part	Page	Part	Page
262-4948	11	275-7741	354	<b>3</b>		314-7839	535
	▶1076		▶355			314-7840	535
262-5050	220		372	301-4549	1232	316-1438	841
263-4920	35	275-7839	▶899	301-4599	816	316-1927	1062
	41	275-7877	1185		▶828		1065
	43	276-0478	873	301-4602	791	316-7251	▶227
263-5055	53		875		▶831	317-8766	24
	▶55	276-5317	112	303-1254	164	318-1178	▶317
263-7732	970	276-5725	715	304-4173	1142	318-2082	333
264-0010	970	277-3076	102	304-4540	957	319-0785	86
264-2109	▶1343	277-3082	263	304-7225	944		88
264-4297	321		265		946		▶114
264-5112	230	277-9741	▶322	304-7226	944	319-3583	1129
265-8218	▶1323	279-6102	1051		946	319-6149	1150
265-8219	▶1300	279-6103	1051	304-8401	558	319-6234	98
	1323	279-6528	▶1045	304-9540	992	319-6688	957
265-8220	1300	280-3979	43	305-5522	375	319-7384	263
265-8221	1300	280-4068	1340	305-5530	▶225		264
265-8223	1300	281-1640	▶43	305-9186	1073		265
266-1477	▶306		55		▶1142		266
	1087	281-2725	213	306-3998	332	319-7401	24
266-1478	▶307		▶215	307-2671	194		▶115
	1213	281-5975	132	307-2673	110	321-0619	996
266-3252	496	283-0130	957	307-6457	828	321-5920	1150
266-3253	496	283-1137	▶724		831	321-5952	1150
266-3260	▶496	284-0001	725	307-6458	828	321-8649	123
266-9266	471	284-3757	▶275		831	322-2018	975
267-2074	541	284-6039	102	307-7603	1212	322-3161	1189
267-2075	▶541	285-3570	1185	308-0412	6	323-3545	1128
269-5755	970	286-2084	▶1355		7	323-4071	546
271-4571	1001	288-4881	43		▶129	323-9531	573
271-4578	889	288-4882	43	308-0415	182		575
271-4585	940	288-4883	35	308-1362	225	324-6804	90
271-4586	940		41		227	325-2721	▶1391
271-4587	957		43	308-1365	225	326-3071	1073
271-4594	1001	288-4884	35		227		▶1133
271-7459	▶423		41	308-1366	225	326-3073	1073
	899		43		227		▶1228
272-0244	385	290-0461	815	308-9131	591	326-5212	841
272-1595	177	290-2298	769	309-5053	1150	326-7291	▶777
272-5068	715	290-2299	769	309-8477	475		▶779
272-5605	988	290-2301	770		476		1073
	990	290-2302	770		559	327-4310	591
272-5606	988	290-2694	702	310-7198	730	327-4608	775
	990	290-8160	263	311-3898	1235	327-5450	1251
272-9800	274		264	312-4790	957	327-8026	▶268
273-1639	527		265	313-1284	975		792
	▶528		266	313-4573	1254	327-9346	591
273-1640	528	290-8996	263	313-5472	▶602	327-9349	591
273-2128	1026		265		604	328-2264	1181
273-2130	1001	291-2165	375	313-9550	162	328-5573	102
	▶1026	291-3014	957	313-9614	194	329-3734	375
273-5073	▶982	291-3018	957		203	329-5511	194
273-6469	423	292-4307	828	314-3063	35	329-5947	1374
274-2392	1129		831		41	329-5953	1374
	1150	292-6097	1190	314-3064	35	329-5954	1374
274-9189	1215	292-6402	▶1189		41	330-3495	1129
275-0054	258		1190	314-3065	35	330-4984	1150
275-0701	702	292-6893	1073		41	330-5050	▶1181
275-0702	▶702		▶1232	314-3066	35		1268
	715	292-9237	▶1190		41	331-0052	59
275-2604	1392		1239	314-3067	35		60
	1393	293-2911	1225		41	331-0314	▶1059
275-5924	▶1348	293-9113	491	314-3068	35		▶1061
275-5925	▶1349	294-5042	1239		41		1073
275-5926	▶1350	295-8888	491	314-3069	35	331-0315	1059
275-5943	▶1367	296-7785	899		41		1061
275-5944	▶1368		▶957	314-3243	975		▶1160
275-5945	▶1369	297-1813	18	314-4018	1075	331-6206	426
275-5980	▶1351	299-1761	225	314-5059	▶1356	331-6210	426
275-6008	▶1352		227	314-5274	1259	332-6679	1170
275-6009	▶1353	299-8342	45	314-5275	1259	332-6900	1170
275-6010	▶1354	299-9618	1186	314-7642	787	332-7308	15
275-6473	258			314-7644	787	332-9402	▶263

# PART NUMBER INDEX

Part	Page	Part	Page	Part	Page	Part	Page
	▶264		262	375-0352 . . . . .	260		
	283		267		261		
333-9967 . . . . .	702	351-9958 . . . . .	1232	375-0355 . . . . .	267		
334-2596 . . . . .	975	351-9959 . . . . .	1232	375-4546 . . . . .	913		
334-5410 . . . . .	▶271	351-9963 . . . . .	1232	375-6585 . . . . .	1213		
334-6832 . . . . .	104	352-0211 . . . . .	151	376-1308 . . . . .	182		
334-6836 . . . . .	462		▶152	376-7257 . . . . .	887		
334-8049 . . . . .	▶272	353-0186 . . . . .	▶72	376-9450 . . . . .	1032		
	289		76		▶1033		
335-1893 . . . . .	98		78	377-7037 . . . . .	▶146		
	▶100	353-5065 . . . . .	98		152		
336-8613 . . . . .	194	353-5103 . . . . .	194	380-3830 . . . . .	992		
336-9318 . . . . .	555	353-5125 . . . . .	108	380-3832 . . . . .	992		
336-9437 . . . . .	608	353-5126 . . . . .	110	380-3833 . . . . .	992		
336-9438 . . . . .	608		203	380-9189 . . . . .	▶1073		
338-2051 . . . . .	533	353-5450 . . . . .	▶258	384-7249 . . . . .	811		
	▶539	353-9979 . . . . .	90	384-7250 . . . . .	811		
338-2116 . . . . .	539		▶104	384-8612 . . . . .	205		
338-3453 . . . . .	335	355-1470 . . . . .	1041		▶206		
338-3454 . . . . .	331		1045	387-0314 . . . . .	1146		
	▶335	355-4073 . . . . .	813		1259		
338-4562 . . . . .	519	355-9715 . . . . .	529	387-0317 . . . . .	1146		
339-0313 . . . . .	611	355-9717 . . . . .	▶529		1259		
	613		530	388-3579 . . . . .	▶1392		
	1047	356-5212 . . . . .	69	388-3580 . . . . .	▶1392		
339-0314 . . . . .	1047	356-6437 . . . . .	▶1374	388-3581 . . . . .	▶1393		
339-4477 . . . . .	1120	357-1315 . . . . .	29	388-4327 . . . . .	182		
339-4983 . . . . .	205	357-1319 . . . . .	▶29	392-9208 . . . . .	123		
	206		33	393-8990 . . . . .	102		
340-7160 . . . . .	1138	357-4372 . . . . .	775	397-6405 . . . . .	▶1146		
340-7161 . . . . .	372	357-4437 . . . . .	779	397-7475 . . . . .	1394		
341-6804 . . . . .	22	357-4439 . . . . .	775				
	▶23	357-4444 . . . . .	990				
343-3145 . . . . .	1232	357-4460 . . . . .	779				
343-4893 . . . . .	▶476	357-4540 . . . . .	779				
343-6813 . . . . .	1051	357-6258 . . . . .	527				
343-8115 . . . . .	59		▶530	420-2631 . . . . .	26		
	60	357-8445 . . . . .	374		29		
343-8121 . . . . .	60	358-6162 . . . . .	1113	424-8379 . . . . .	▶162		
344-2731 . . . . .	258	358-9475 . . . . .	990				
344-3848 . . . . .	258	358-9476 . . . . .	984				
346-3842 . . . . .	1073		▶1002				
	▶1144	360-0187 . . . . .	264				
	▶1145		266				
346-3844 . . . . .	1073	360-3664 . . . . .	1162				
	▶1185	360-5150 . . . . .	1065				
346-3845 . . . . .	▶1073	360-7674 . . . . .	1185				
		361-1288 . . . . .	1058				
346-3848 . . . . .	1073		1061				
	▶1211		▶1065				
346-3849 . . . . .	▶372	361-1289 . . . . .	1065				
	1073	361-1290 . . . . .	1065				
346-3850 . . . . .	1073	361-1291 . . . . .	1065				
	▶1170	362-3917 . . . . .	1391				
346-3851 . . . . .	1073	362-4996 . . . . .	1391				
	▶1391	364-2657 . . . . .	264				
346-3855 . . . . .	1185		266				
346-3857 . . . . .	1185	364-8722 . . . . .	626				
346-3858 . . . . .	▶283	365-0583 . . . . .	1162				
	1073	366-2153 . . . . .	582				
346-9381 . . . . .	873	366-4669 . . . . .	156				
346-9383 . . . . .	873	366-5988 . . . . .	990				
347-1668 . . . . .	258	366-5995 . . . . .	990				
347-9427 . . . . .	▶265	366-5996 . . . . .	990				
	▶266	366-8410 . . . . .	1145				
	283	368-0289 . . . . .	▶323				
348-2378 . . . . .	237	368-0290 . . . . .	▶323				
	▶239	370-8592 . . . . .	519				
349-2654 . . . . .	146	370-9894 . . . . .	1146				
	152		1259				
349-7701 . . . . .	1144	372-2158 . . . . .	1146				
351-1901 . . . . .	1170		1259				
351-9918 . . . . .	260	373-6708 . . . . .	518				
	261	374-8283 . . . . .	913				



# MEMORANDA





SEBP3378-93

988G Wheel Loader

BNH1-UP