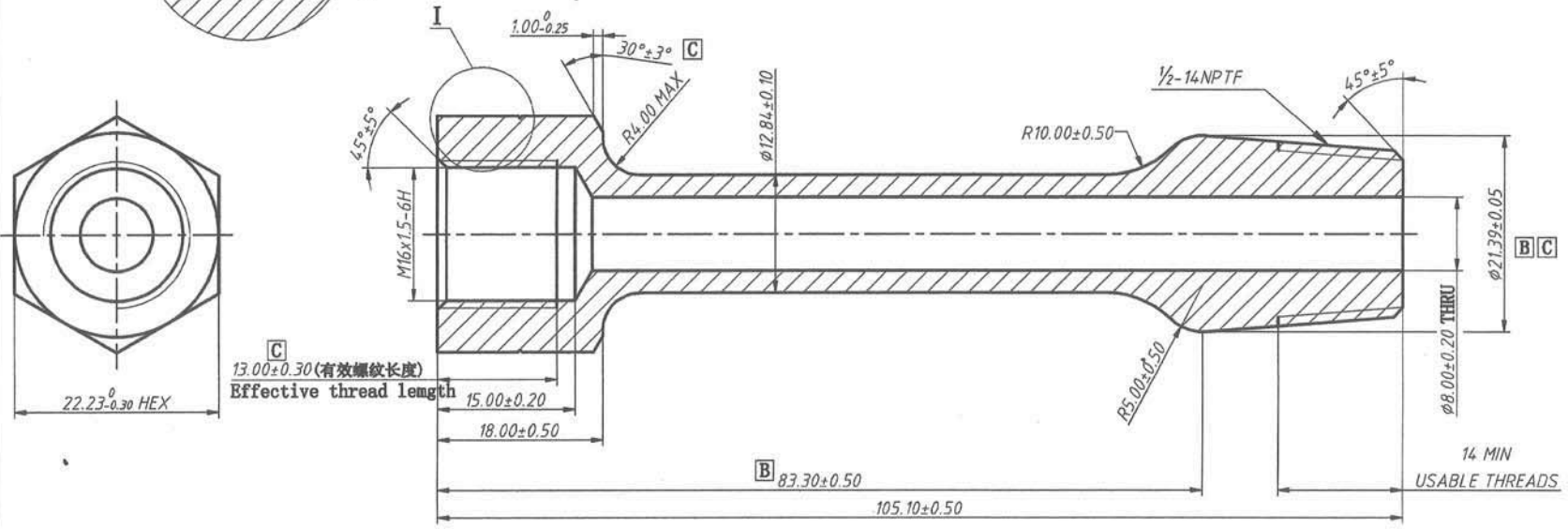


Paste the 2D barcode label on the hexagonal surface
(条形码标签端正粘贴在六角面上)

CENTRALLY LOCATED IN VIEW I

REV 更改号	DATE 日期	REVISION DETAILS 更改内容	APPD 审核并批准
A	SEP. 01. 2016	Production issue	
B	AUG. 01. 2017	19.34±0.1/0 changed to 21.34±0.1/-0.1 and 82.9 changed to 83.3	
C	NOV. 06. 2019	changed 21.34±0.1 to 21.39±0.06 13.00±0.2 to 13.00±0.3 30±5 to 30±3	Zhang



UNLESS SPECIFIED
ALL DIMENSIONS IN mm,
MACHINED SURFACES Ra=3.2um,
ANGLE TOLERANCES ±5°,
Other tolerance except angles,
in accordance with
GB/T1804-2000(ISO2768-1)-m
and GB/T1184-1996(ISO2768-2)-m

其它事项,
图示尺寸单位为mm,
未注机加工表面粗糙度 Ra=3.2um,
未注角度公差 ±5°,
其它未注公差 (除角度外) 均按:
GB/T1804-2000(ISO2768-1)-m 和
GB/T1184-1996(ISO2768-2)-m

Zhejiang Gaocheng Autoparts Co.,Ltd	
PART No 零件名	41167-8NPTF-M16-LT
SCALE:	APPD: Zhang 批准
DATE:	DRN: 余德胜 制图
NTS	CHK: 詹永斌 审核
	2019. 11. 06

MATERIAL	Chinese steel 20	材质 20#
FINISH	Remove all sharp edges,burrs,slivers and swarf, break all edges 0.127-0.254mm. ZINC PLATING WITH 8um MICRONS MINIMUM PLATING THICKNESS AND TRIVALENT CHROMATE PASSIVATION AND WITHSTAND 96 HRS TO WHITE / 144 HS TO RED RUST IN SALT SPRAY TEST.	去除所有毛刺, 铁屑等残留物, 锐边倒钝0.127-0.254mm. 镀锌, 三价铬钝化, 银白色, 盐雾试验96小时无白斑, 144小时无红锈, 镀锌层厚度大于8um.