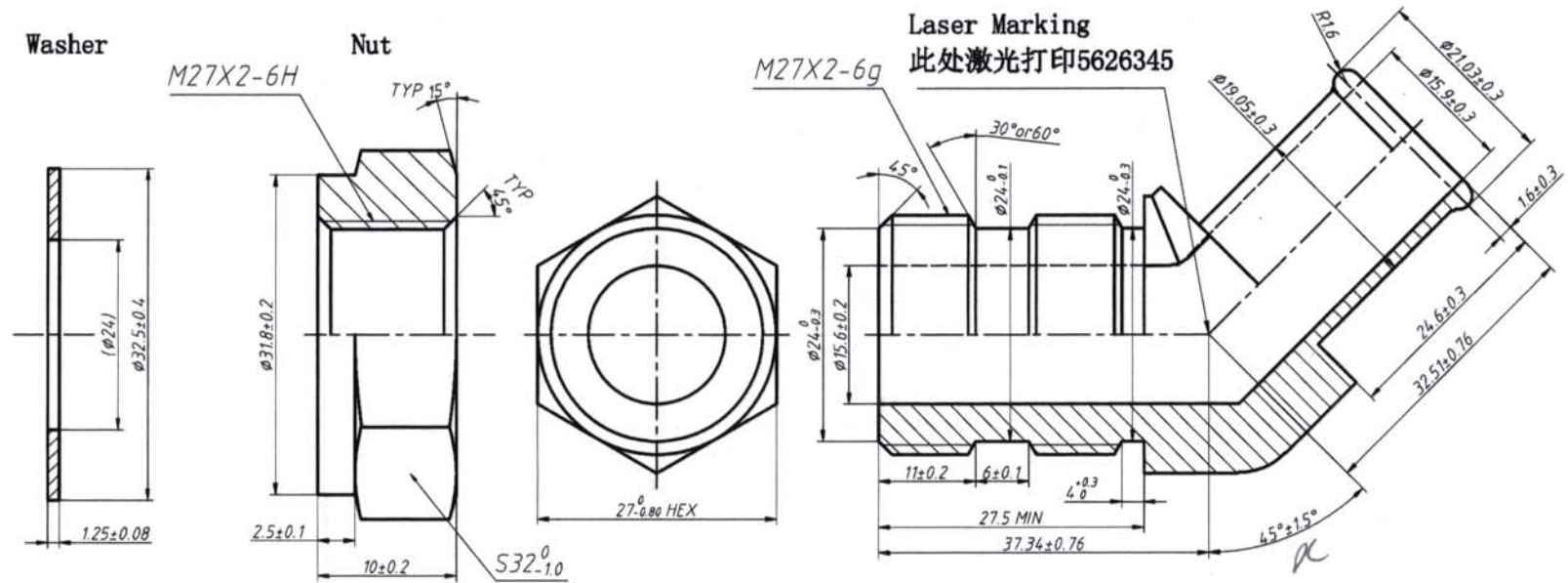


REV 更改号	DATE 日期	REVISION DETAILS 更改内容	APPD 审核并批准
A	Nov. 20. 2020	Production issue	Zhang



UNLESS SPECIFIED
ALL DIMENSIONS IN mm,
MACHINED SURFACES Ra=3.2um,
ANGLE TOLERANCES $\pm 5^\circ$,
Other tolerance except angles,
in accordance with
GB/T1804-2000(ISO2768-1)-m
and GB/T1184-1996(ISO2768-2)-m

其它事项,
图示尺寸单位为mm,
未注机加工表面粗糙度 Ra=3.2um,
未注角度公差 $\pm 5^\circ$,
其它未注公差 (除角度外) 均按:
GB/T1804-2000(ISO2768-1)-m 和
GB/T1184-1996(ISO2768-2)-m

Zhejiang Gaocheng Autoparts Co.,Ltd

PART No
零件名

41479-ELB-M27-12

MATERIAL

Body: Steel 12L14 ,
Nut and Washer: Carbon steel

材质: 主体12L14 螺母、垫片: 碳钢

SCALE:

APPD:
批准 Zhang

DRN: 余德胜
制图 2020. 11. 20

FINISH

Remove all sharp edges,burrs,silvers and swarf, break all edges 0.127-0.254mm.
ZINC PLATING WITH 8um MICRONS MINIMUM PLATING THICKNESS AND TRIVALENT CHROMATE PASSIVATION
AND WITHSTAND 96 HRS TO WHITE / 144 HS TO RED RUST IN SALT SPRAY TEST.

去除所有毛刺、铁屑等残留物, 锐边倒钝0.127-0.254mm.
镀锌, 三价铬钝化, 银白色, 盐雾试验96小时无白斑, 144小时无红锈, 镀锌层厚度大于8um.

NTS

DATE:
日期

CHK: 詹永斌
审核 2020. 11. 20