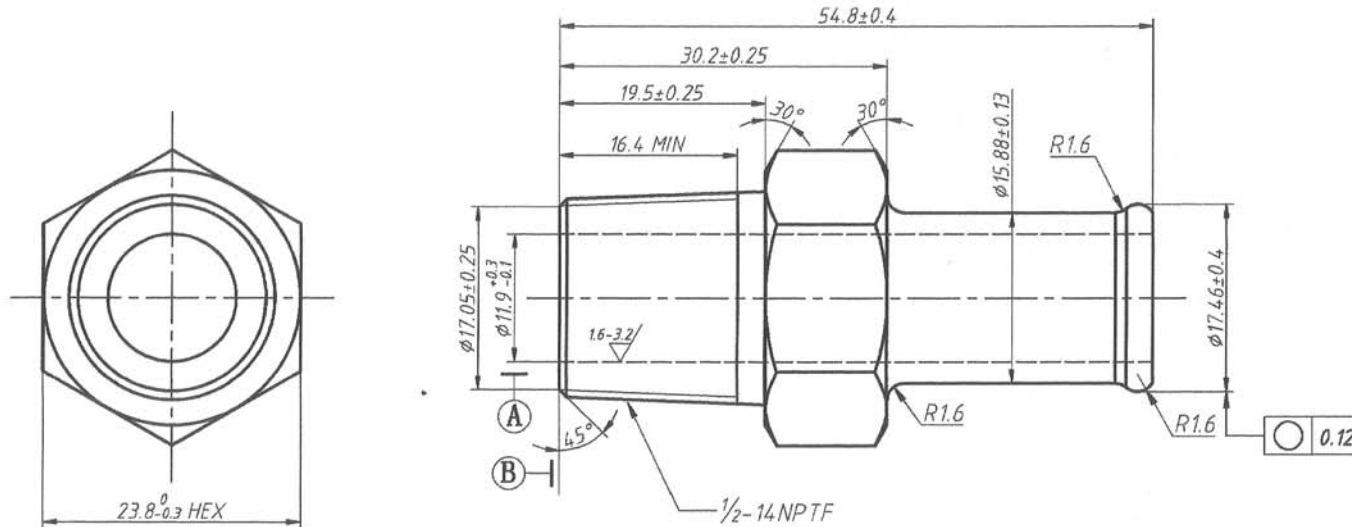


REV 更改号	DATE 日期	REVISION DETAILS 更改内容	APPD 审核并批准
A	Apr. 13. 2021	Production issue	



UNLESS SPECIFIED
ALL DIMENSIONS ARE IN mm,
ROUGHNESS ON
HEXAGON SURFACE ∇
MACHINED SURFACE $Ra=3.2\mu m$,
ANGLES TOLERANCE $\pm 5^\circ$,
DIMENSIONS TOLERANCE ± 0.25 mm,
REMOVE ALL BURRS, SLIVERS AND
SWARF,
BREAK ALL SHARP EDGES $R < 0.5$ mm

其它事项,
图示尺寸单位为mm,
六角面粗糙度 ∇
未注机加工表面粗糙度 $Ra=3.2\mu m$,
未注角度公差 $\pm 5^\circ$,
未注尺寸公差 ± 0.25 mm
去除所有毛刺及金属切屑,
锐边倒钝 $R < 0.5$ mm.

ALL MACHINED
SURFACES ∇ 0.4 A B
所有加工面相对于A、B的面轮廓度为0.4mm

THIRD ANGLE PROJECTION

Zhejiang Gaocheng Autoparts Co., Ltd

PART No
零件名

41507-STR-10-8NPTF

MATERIAL

Chinese steel 45 #

材料 45 号钢

SCALE:

批准

Zhang

制图

余德胜

2021.04.13

FINISH

ZINC PLATING WITH 8um MICRONS MINIMUM PLATING THICKNESS AND TRIVALENT CHROMATE PASSIVATION
AND WITHSTAND 96 HRS TO WHITE / 144 HS TO RED RUST IN SALT SPRAY TEST.

镀锌, 三价铬钝化, 银白色, 盐雾试验96小时无白斑, 144小时无红锈, 镀锌层厚度大于8um.

NTS

DATE:
日期

审核

詹永斌

2021.04.13