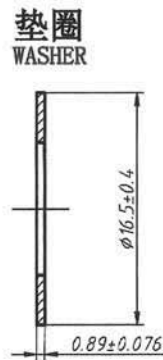
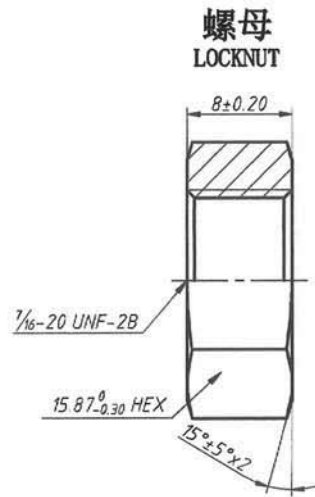
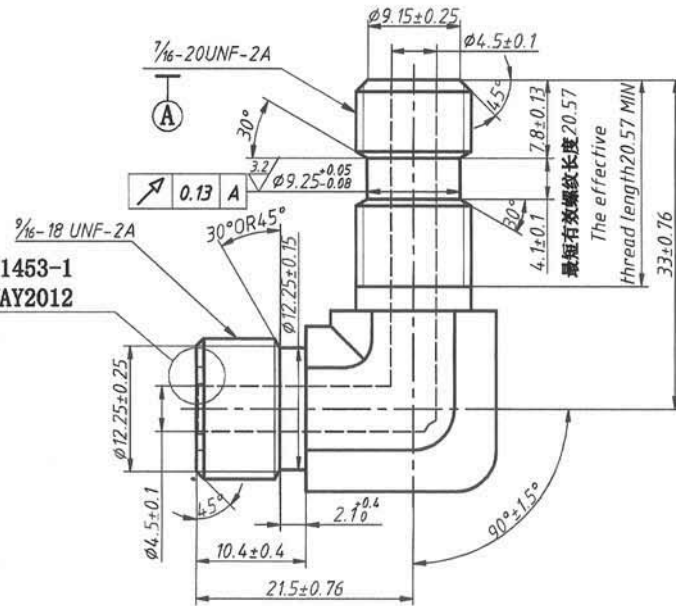


| REV<br>更改号 | DATE<br>日期    | REVISION DETAILS<br>更改内容 | APPD<br>审核并批准 |
|------------|---------------|--------------------------|---------------|
| A          | May. 28. 2021 | Production issue         |               |



SEE SAE J1453-1  
REVISED MAY2012



UNLESS SPECIFIED  
ALL DIMENSIONS ARE IN mm,  
ROUGHNESS ON  
HEXAGON SURFACE   
MACHINED SURFACE Ra=3.2μm,  
ANGLES TOLERANCE ±5°,  
DIMENSIONS TOLERANCE ±0.25mm,  
REMOVE ALL BURRS, SLIVERS AND  
SWARF,  
BREAK ALL SHARP EDGES R<0.5mm

其它事项,  
图示尺寸单位为mm,  
六角面粗糙度   
未注机加工表面粗糙度 Ra=3.2μm,  
未注角度公差 ±5°,  
未注尺寸公差 ±0.25mm  
去除所有毛刺及金属切屑,  
锐边倒钝R<0.5mm.

Zhejiang Gaocheng Autoparts Co., Ltd

THIRD ANGLE PROJECTION

PART No 零件名 41518-ELB-4FS-4NWO

SCALE: APPD: IN: 余德胜  
批准 图 2021.05.28  
DATE: 詹永斌  
日期 审核 2021.05.28

MATERIAL Chinese steel 45#

材料 45号钢

FINISH

ZINC PLATING WITH 8um MICRONS MINIMUM PLATING THICKNESS AND TRIVALENT CHROMATE PASSIVATION AND WITHSTAND 96 HRS TO WHITE / 144 HS TO RED RUST IN SALT SPRAY TEST.

镀锌, 三价铬钝化, 银白色, 盐雾试验96小时无白斑, 144小时无红锈, 镀锌层厚度大于8um.

NTS