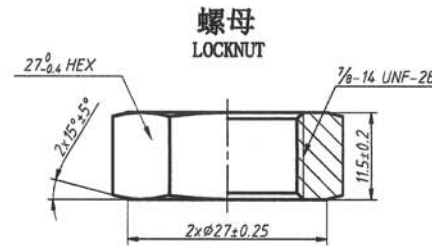
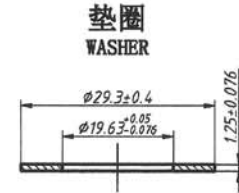
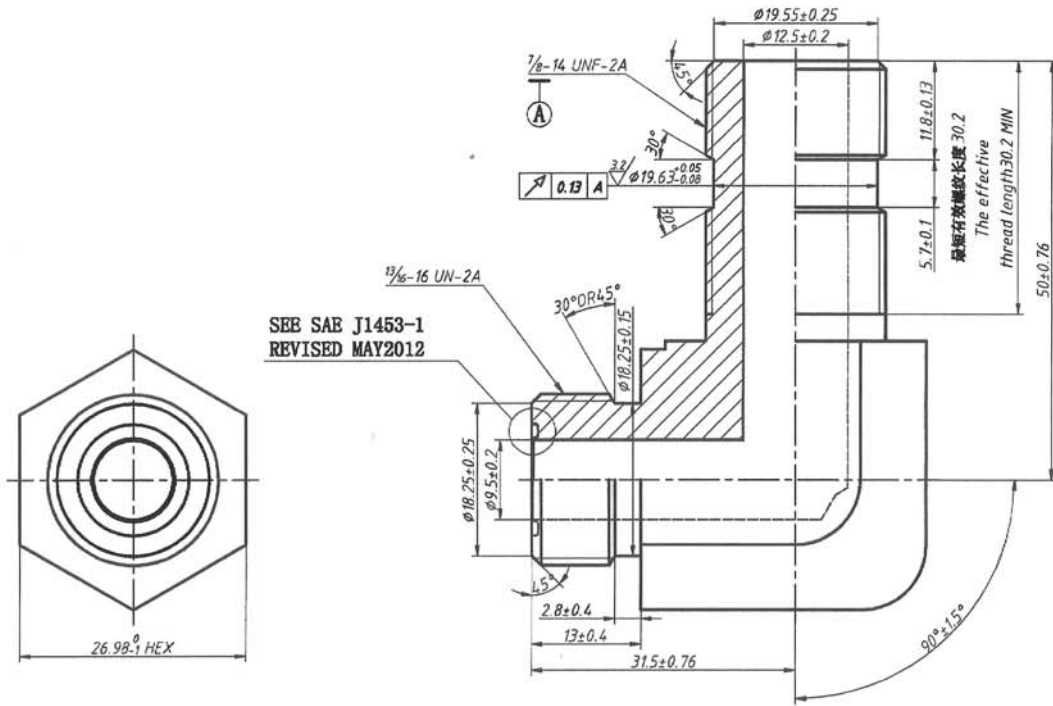


| REV 更改号 | DATE 日期 | REVISION DETAILS 更改内容 | APPD 审核并批准 |
|------------|---------------|--------------------------|---------------|
| A | Jul. 02. 2021 | Production issue | <i>R</i> |



UNLESS SPECIFIED
ALL DIMENSIONS ARE IN mm,
ROUGHNESS ON
HEXAGON SURFACE ∇
MACHINED SURFACE $R_a=3.2\mu m$,
ANGLES TOLERANCE $\pm 5^\circ$,
DIMENSIONS TOLERANCE $\pm 0.25mm$,
REMOVE ALL BURRS, SLIVERS AND
SWARF,
BREAK ALL SHARP EDGES $R<0.5mm$

其它事项,
图示尺寸单位为mm,
六角面粗糙度 ∇
未注机加工表面粗糙度 $R_a=3.2\mu m$,
未注角度公差 $\pm 5^\circ$,
未注尺寸公差 $\pm 0.25mm$
去除所有毛刺及金属切屑,
锐边倒钝 $R<0.5mm$.


THIRD ANGLE PROJECTION

Zhejiang Gaocheng Autoparts Co.,Ltd

PART No 41519-ELB-8FS-10NWO
零件名

SCALE:

APPD: 批准 *R* DRN: 余德胜
制图 2021.06.02

NTS

DATE: 日期
CHK: 詹永斌
审核 2021.06.02

MATERIAL

Chinese steel 45#

材料 45号钢

FINISH

ZINC PLATING WITH 8um MICRONS MINIMUM PLATING THICKNESS AND TRIVALENT CHROMATE
PASSIVATION
AND WITHSTAND 96 HRS TO WHITE / 144 HS TO RED RUST IN SALT SPRAY TEST.

镀锌, 三价铬钝化, 银白色, 盐雾试验96小时无白斑, 144小时无红锈, 镀锌层厚度大于8um.