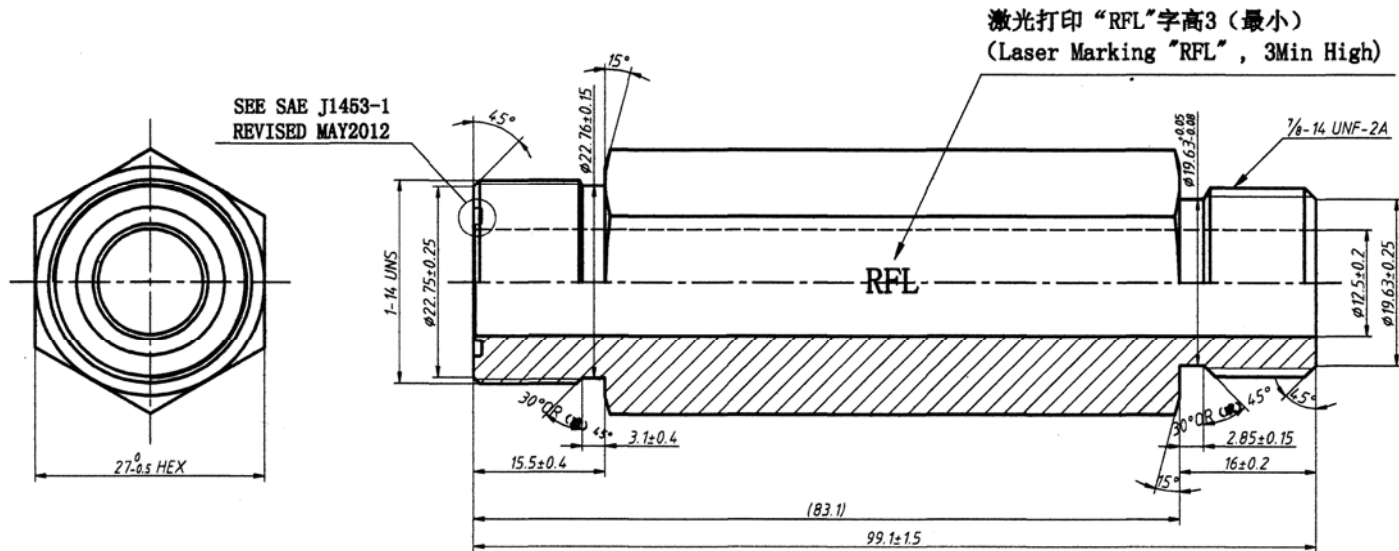


REV 更改号	DATE 日期	REVISION DETAILS 更改内容	APPD 审核并批准
A	Jun. 27. 2022	Production issue	



UNLESS SPECIFIED  
ALL DIMENSIONS ARE IN mm,  
ROUGHNESS ON  
HEXAGON SURFACE  $\nabla$ ,  
INNER SURFACE OF THE BORE  
BETWEEN Ra6.2  $\mu$ m AND Ra12.5 $\mu$ m,  
OTHER MACHINED SURFACE Ra3.2 $\mu$ m,  
ANGLES TOLERANCE  $\pm 5^\circ$ ,  
DIMENSIONS TOLERANCE  $\pm 0.25$ mm,  
REMOVE ALL BURRS, SLIVERS AND SWarf,  
BREAK ALL SHARP EDGES R<0.5mm.

其它事项,  
图示尺寸单位为mm,  
六角面粗糙度  $\nabla$ ,  
内孔表面粗糙度Ra6.2-Ra12.5,  
其它未注机加工表面粗糙度 Ra=3.2 $\mu$ m,  
未注角度公差  $\pm 5^\circ$ ,  
未注尺寸公差  $\pm 0.25$ mm  
去除所有毛刺及金属切屑,  
锐边倒钝R<0.5mm.

Zhejiang Gaocheng Autoparts Co.,Ltd

THIRD ANGLE  
PROJECTION

PART No  
零件名 41573-STR-10FS-10

SCALE: APPD: 余德胜  
批准 制图 2022.06.27  
DATE: 27/6/22  
日期 审核 詹永斌  
2022.06.27

MATERIAL Chinese steel 45#

材料 45号钢

FINISH Remove all sharp edges,burrs,slivers and swarf, break all edges 0.127-0.254mm.  
ZINC PLATING WITH 8um MICRONS MINIMUM PLATING THICKNESS AND TRIVALENT CHROMATE PASSIVATION  
AND WITHSTAND 96 HRS TO WHITE / 144 HS TO RED RUST IN SALT SPRAY TEST.

去除所有毛刺, 铁屑等残留物, 锐边倒钝0.127-0.254mm.  
镀锌, 三价铬钝化, 银白色, 盐雾试验96小时无白斑, 144小时无红锈, 镀锌层厚度大于8um.

