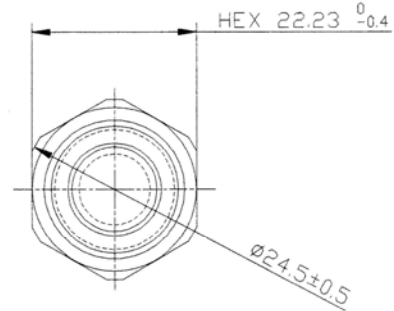
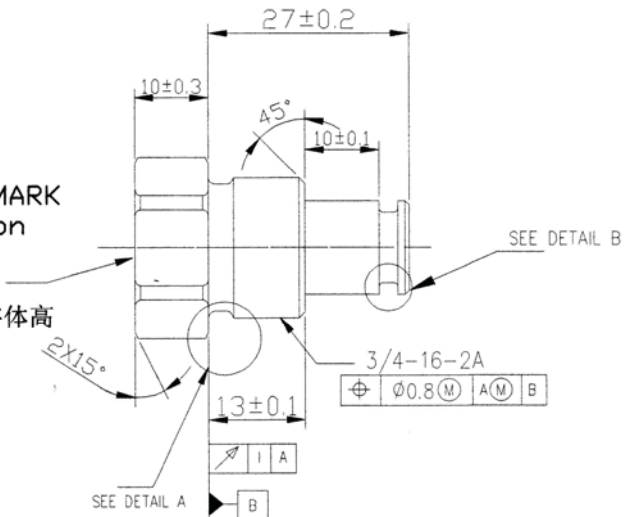


REV 更改号	DATE 日期	REVISION DETAILS 更改内容	APPD 审核并批准
A	Jan 24	Production issue	
B	Feb.25.2022	Add" STAMP PART No...."	

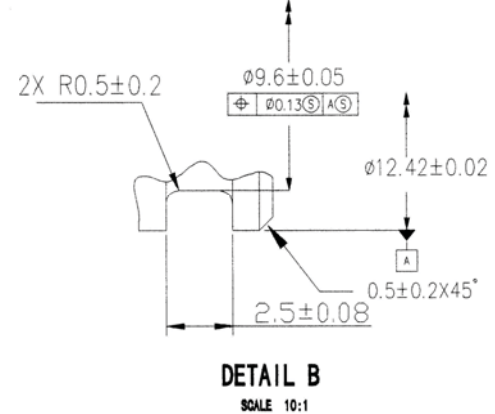
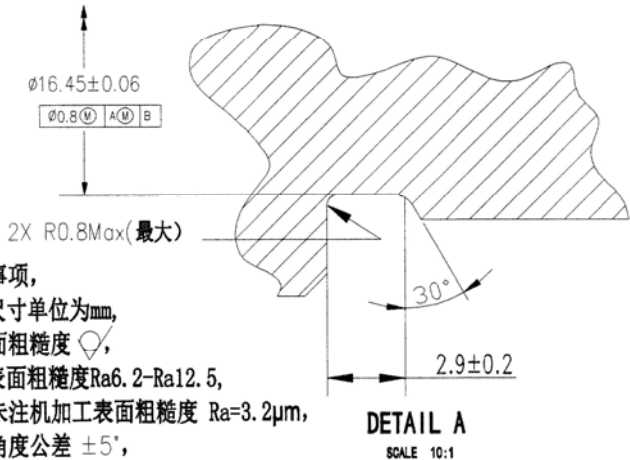
Ⓑ

STAMP OR LASER MARK
PART No.1432933 on
hexagon Surface
Min.3High
六角面上打印1432933 字体高
度不小于3mm
(钢印或激光打印)



UNLESS SPECIFIED
ALL DIMENSIONS ARE IN mm,
ROUGHNESS ON
HEXAGON SURFACE
INNER SURFACE OF THE BORE
BETWEEN Ra6.2 um AND Ra12.5um,
OTHER MACHINED SURFACE Ra3.2um,
ANGLES TOLERANCE ±5°,
DIMENSIONS TOLERANCE ±0.25mm,
REMOVE ALL BURRS,SLIVERS AND SWARF,
BREAK ALL SHARP EDGES R<0.5mm.

其它事项,
图示尺寸单位为mm,
六角面粗糙度 Ra 1.25,
内孔表面粗糙度 Ra6.2-Ra12.5,
其它未注机加工表面粗糙度 Ra=3.2um,
未注角度公差 ±5°,
未注尺寸公差 ±0.25mm
去除所有毛刺及金属切屑,
锐边倒钝R<0.5mm.



Zhejiang Gaocheng Autoparts Co.,Ltd	
PART No 零件名	41581-STR-8-PLUG
SCALE:	APPD: 批准
NTS	DATE: 日期
	DRN: 制图 林吉云2.25
	CHK: 审核 郑建辉2.25

MATERIAL Chinese steel 45 材料 45号钢

FINISH ZINC PLATING WITH 8um MICRONS MINIMUM PLATING THICKNESS AND TRIVALENT CHROMATE PASSIVATION AND WITHSTAND 96 HRS TO WHITE / 144 HS TO RED RUST IN SALT SPRAY TEST. 镀锌, 三价铬钝化, 银白色, 盐雾试验96小时无白斑, 144小时无红锈, 镀锌层厚度大于8um.

THIRD ANGLE PROJECTION