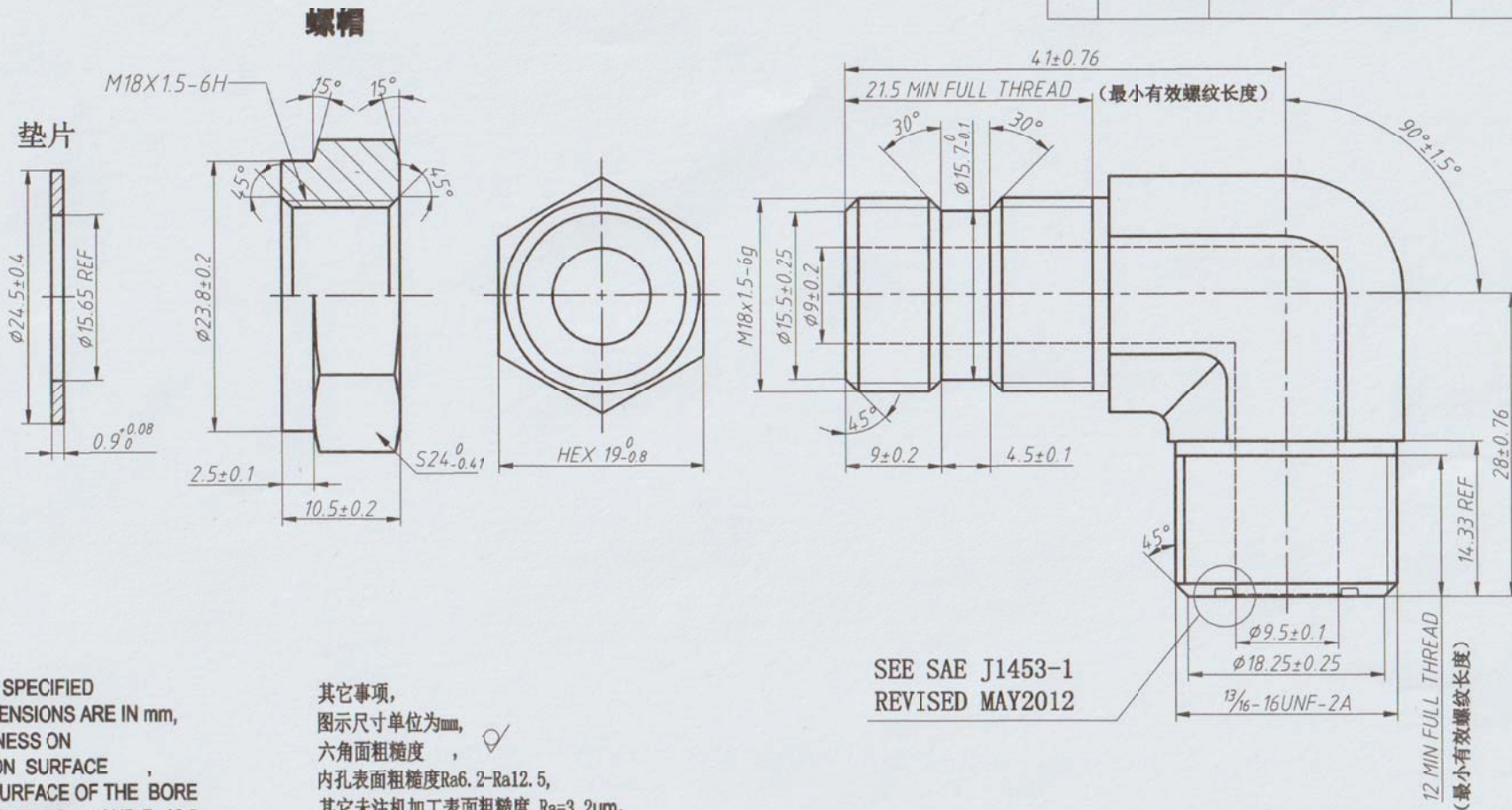


REV 更改号	DATE 日期	REVISION DETAILS 更改内容	APPD 审核并批准
A	Feb.24. 2022	Production issue	



UNLESS SPECIFIED  
ALL DIMENSIONS ARE IN mm,  
ROUGHNESS ON  
HEXAGON SURFACE  
INNER SURFACE OF THE BORE  
BETWEEN Ra6.2 um AND Ra12.5um,  
OTHER MACHINED SURFACE Ra3.2um,  
ANGLES TOLERANCE ±5',  
DIMENSIONS TOLERANCE ±0.25mm,  
REMOVE ALL BURRS, SLIVERS AND SWARF,  
BREAK ALL SHARP EDGES R<0.5mm.

其它事项,  
图示尺寸单位为mm,  
六角面粗糙度 Ra6.2-12.5,  
内孔表面粗糙度Ra6.2-Ra12.5,  
其它未注机加工表面粗糙度 Ra=3.2um,  
未注角度公差 ±5',  
未注尺寸公差 ±0.25mm  
去除所有毛刺及金属切屑,  
锐边倒钝R<0.5mm.

SEE SAE J1453-1  
REVISED MAY2012

THIRD ANGLE  
PROJECTION

Zhejiang Gaocheng Autoparts Co.,Ltd

PART No  
零件名 41598-ELB-M18-8FS

SCALE:  
DATE: 24/2/22  
NTS  
APPD: 批准   
DRN: 余德胜  
2022.02.24  
CHK: 詹永斌  
审核  
2022.02.24

MATERIAL Chinese stainless steel 0Cr18Ni9(304) 材料 不锈钢0Cr18Ni9(304)  
FINISH Bare stainless steel. Remove all sharp edges, burrs, slivers and swarf, break all edges 0.127-0.254mm 光身, 去除所有毛刺, 铁屑等残留物, 锐边倒钝R0.127-0.254mm.