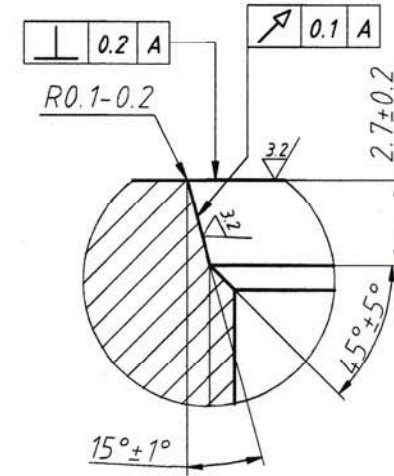
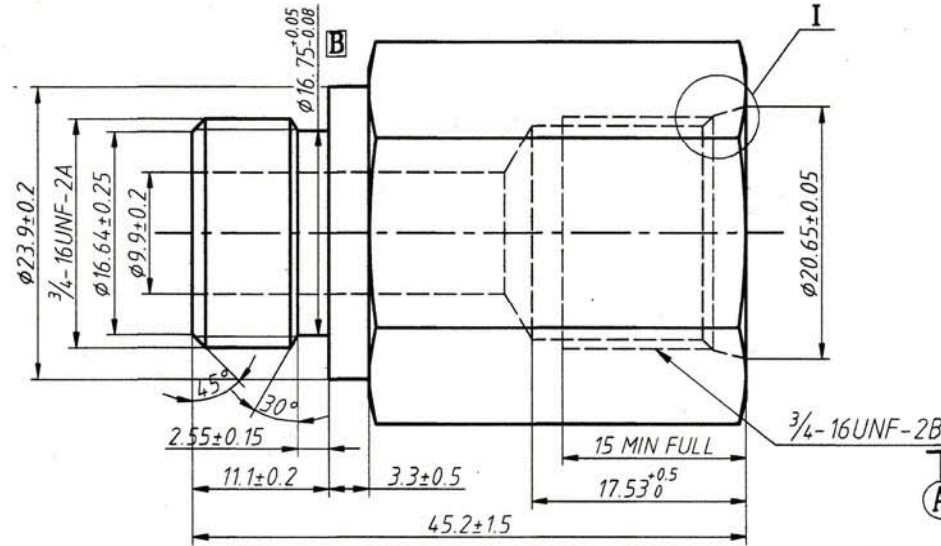
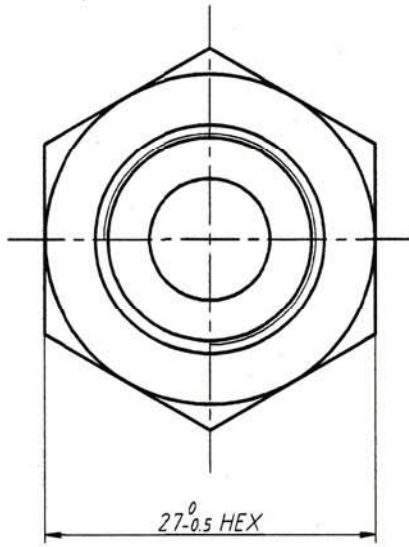


REV 更改号	DATE 日期	REVISION DETAILS 更改内容	APPD 审核并批准
A	Apr. 23. 2022	Production issue	



UNLESS SPECIFIED
ALL DIMENSIONS ARE IN mm,
ROUGHNESS ON
HEXAGON SURFACE ∇ ,
INNER SURFACE OF THE BORE
BETWEEN Ra6.2 um AND Ra12.5um,
OTHER MACHINED SURFACE Ra3.2um,
ANGLES TOLERANCE $\pm 5^\circ$,
DIMENSIONS TOLERANCE ± 0.25 mm,
REMOVE ALL BURRS, SLIVERS AND SWARF,
BREAK ALL SHARP EDGES R<0.5mm.

其它事项,
图示尺寸单位为mm,
六角面粗糙度 ∇ ,
内孔表面粗糙度 Ra6.2-Ra12.5,
其它未注机加工表面粗糙度 Ra=3.2um,
未注角度公差 $\pm 5^\circ$,
未注尺寸公差 ± 0.25 mm
去除所有毛刺及金属切屑,
锐边倒钝R<0.5mm.

THIRD ANGLE
PROJECTION

Zhejiang Gaocheng Autoparts Co.,Ltd

PART No
零件名

41630-STR-8-8PT

MATERIAL

Chinese steel 45#

材料 45号钢

SCALE:

批准

APPD: 余德胜
制图 2022.05.06

FINISH

Remove all sharp edges, burrs, slivers and swarf, break all edges 0.127-0.254mm.
ZINC PLATING WITH 8um MICRONS MINIMUM PLATING THICKNESS AND TRIVALENT CHROMATE PASSIVATION
AND WITHSTAND 96 HRS TO WHITE / 144 HS TO RED RUST IN SALT SPRAY TEST.

去除所有毛刺, 铁屑等残留物, 锐边倒钝0.127-0.254mm.
镀锌, 三价铬钝化, 银白色, 盐雾试验96小时无白斑, 144小时无红锈, 镀锌层厚度大于8um.

NTS

日期

CHK: 詹永斌
审核 2022.05.06

