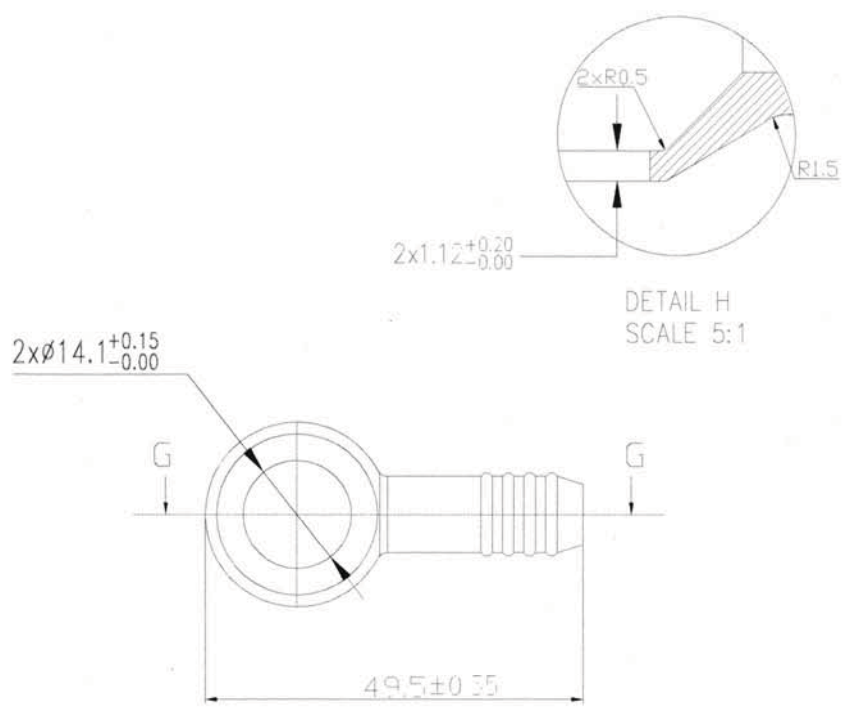
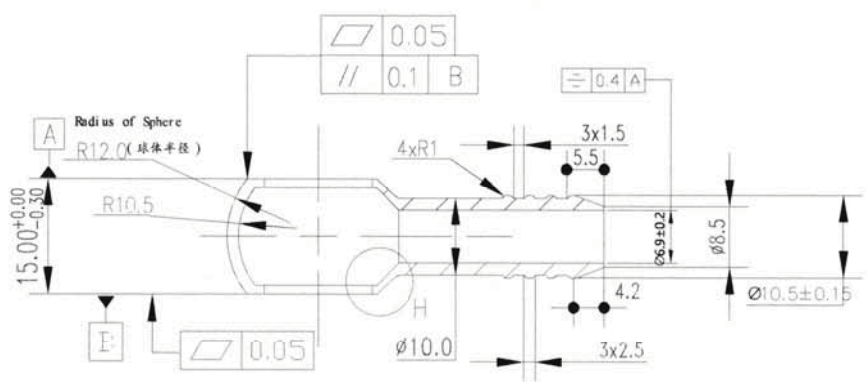




REV 更改号	DATE 日期	REVISION DETAILS 更改内容	APPD 审核并批准
A	Dec.3,2022	Production issue	



DETAIL H
SCALE 5:1



SECTION G-G

UNLESS SPECIFIED
 ALL DIMENSIONS ARE IN mm,
 ROUGHNESS ON
 HEXAGON SURFACE
 INNER SURFACE OF THE BORE IS
 BETWEEN Ra6.2 um AND Ra12.5um,
 OTHER MACHINED SURFACE IS Ra3.2µm,
 ANGLES TOLERANCE ±5°,
 DIMENSIONS TOLERANCE ±0.25mm,
 REMOVE ALL BURRS,SLIVERS AND SWARF,
 BREAK ALL SHARP EDGES R<0.5mm.

其它事项,
 图示尺寸单位为mm,
 六角面粗糙度
 内孔表面粗糙度Ra6.2-Ra12.5,
 其它未注机加工表面粗糙度 Ra=3.2µm,
 未注角度公差 ±5°,
 未注尺寸公差 ±0.25mm
 去除所有毛刺及金属切屑,
 锐边倒钝R<0.5mm.

Zhejiang Gaocheng Autoparts Co.,Ltd



PART No 零件名	41680-BANJO
SCALE:	APPD: 批准
NTS	DRN: 林吉云 DATE: 2022.11.14 日期 CHK: 郑建辉 审核

MATERIAL	Chinese Stainless steel 0Cr17Ni12Mo2 or 06Cr17Ni12Mo2 that is near to AISI 316 材料: 国产316不锈钢, 即0Cr17Ni12Mo2 (GB/T1220-1992) 或 06Cr17Ni12Mo2 (GB/T1220-2007)
FINISH	Bare stainless steel. Remove all sharp edges,burrs,slivers and swarf, break all edges 光身, 去除所有毛刺, 铁屑等残留物, 锐边倒钝.