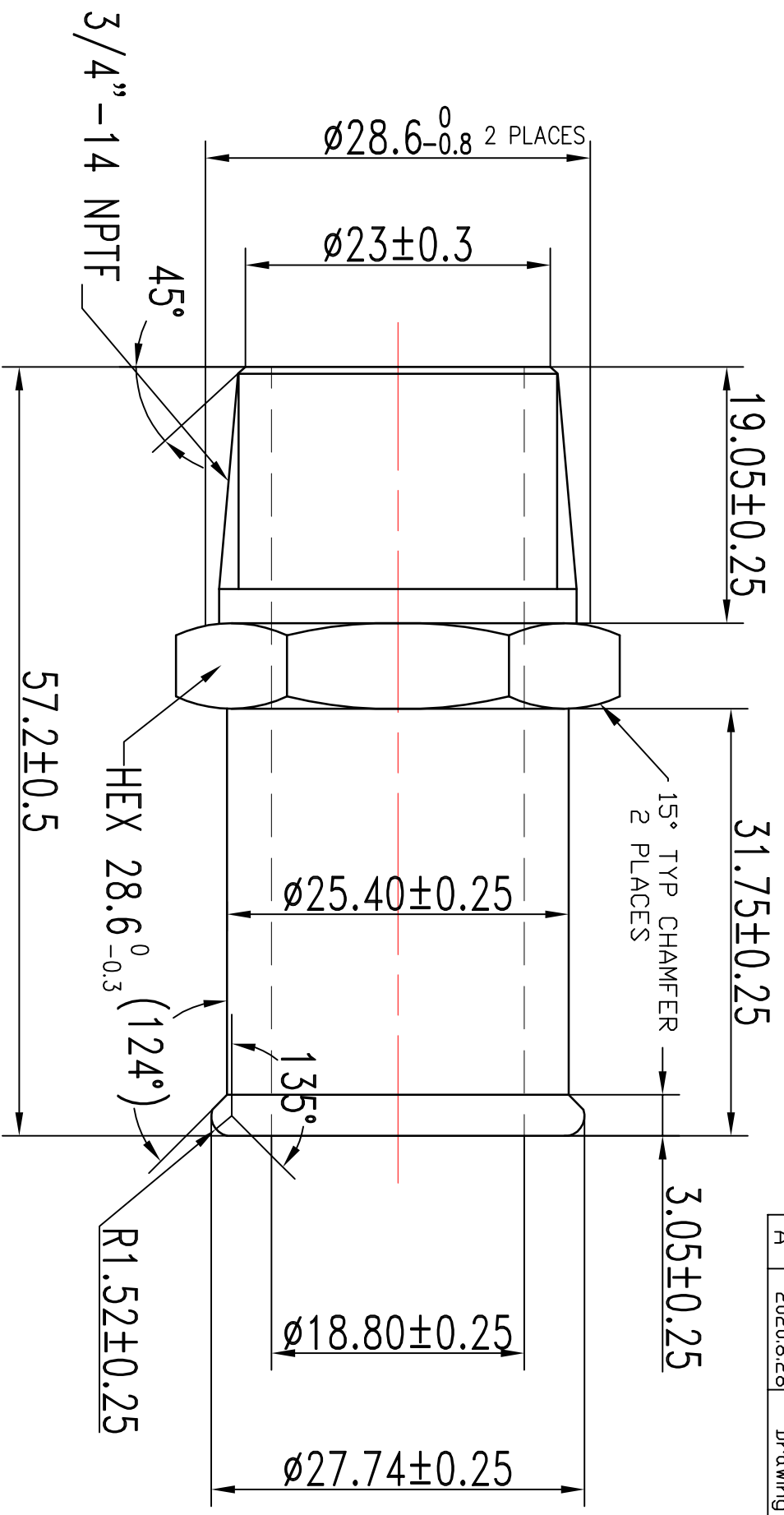


REV	DATE	REVISION DETAILS	APPD
A	2020.8.28	Drawing Update	



UNLESS SPECIFIED
 ALL DIMENSIONS IN mm,
 MACHINED SURFACES Ra=3.2um,
 ANGLE TOLERANCES ± 5°,
 Tolerance of others except angles
 in accordance with
 GB/T1804-2000(ISO2768-1)-m
 and GB/T1184-1996(ISO2768-2)-m

其它事项,
 图示尺寸单位为mm,
 未注加工表面粗糙度 Ra=3.2um,
 未注角度公差 ±5°,
 其它未注公差 (除角度外) 均按:
 GB/T1804-2000(ISO2768-1)-m 和
 GB/T1184-1996(ISO2768-2)-m

MATERIAL	Chinese Brass	HPb58-2
FINISH	Remove all sharp edges,burrs,silvers and swarf, break all edges 0.127-0.254mm. Bare brass with self colour and must be cleaned,not contaminated.	
去除所有毛刺、金属屑等残留物，经过倒钝0.127-0.254mm。 光身，表面清洁无污物。		
HANGZHOU HI-TECH INDUSTRY IMP. & EXP. CORP.		
PART No	4404-16-12 BRASS	
SCALE:	APPD:	DRN: YANG
NTS	DATE:	2020.8.28
	CHK:	Mao
		2020.8.28