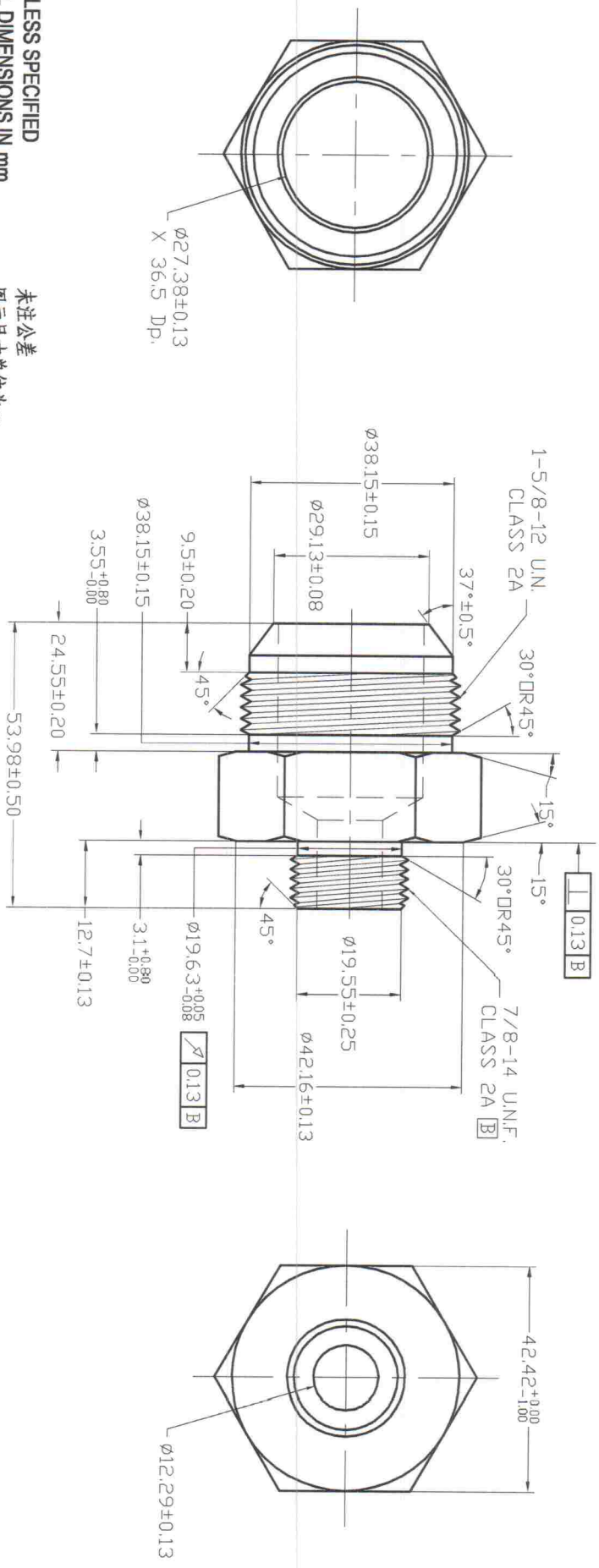


REV 更改号	DATE 日期	REVISION DETAILS 更改内容	APPD 审核并批准



UNLESS SPECIFIED  
ALL DIMENSIONS IN mm  
MACHINED SURFACES Ra=3.2um  
ANGLE TOLERANCES ±1°  
DECIMAL TOLERANCES:  
X: ±0.5  
XX: ±0.25  
XXX: ±0.127

未注公差  
图示尺寸单位为mm  
表面粗糙度Ra=3.2um  
角度公差 ± 1°  
小数部分公差:  
X: ±0.5  
XX: ±0.25  
XXX: ±0.127

MATERIAL Chinese steel 45

FINISH Remove all sharp edges, burrs, slivers and swarf, break all edges 0.127-0.254mm.  
ZINC PLATED WITH TRIVALENT CHROMATE AND NO RSD CORROSION IN 96 HOURS SALT SPRAY TEST.

去除所有毛刺, 铁屑等残留物, 锐边倒钝0.127-0.254mm.  
镀三价铬, 银白色, 96小时盐雾试验无红斑.

HANGZHOU HI-TECH INDUSTRY IMP. & EXP. CORP.	
PART No 零件名	6400-20-10

SCALE: NTS	APPD: Zhangjian 批准日期: 2013.06.13	DRN: L. G. Pan 制图日期: 2013.06.04
	CHK: L. G. Pan 审核日期: 2013.06.04	