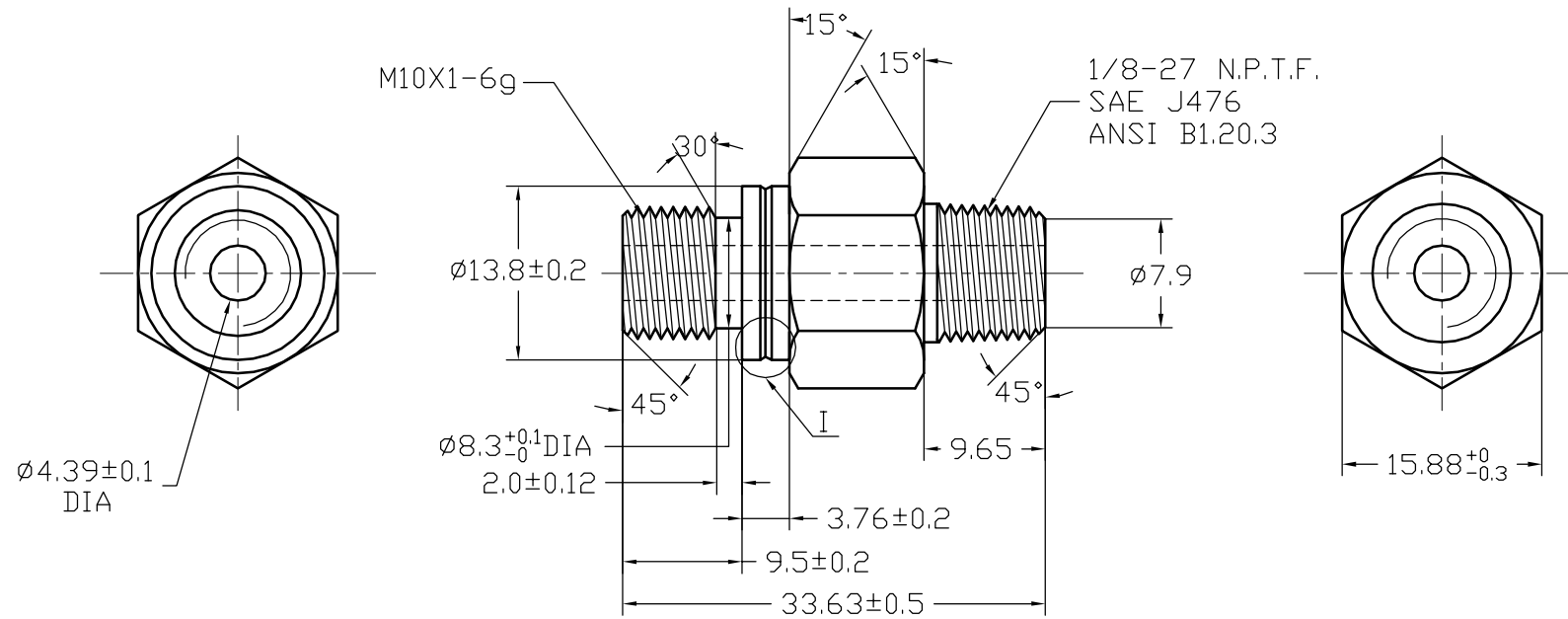


REV 更改号	DATE 日期	REVISION DETAILS 更改内容	APPD 审核并批准
X	27/03/2013	Sample Issue	PW

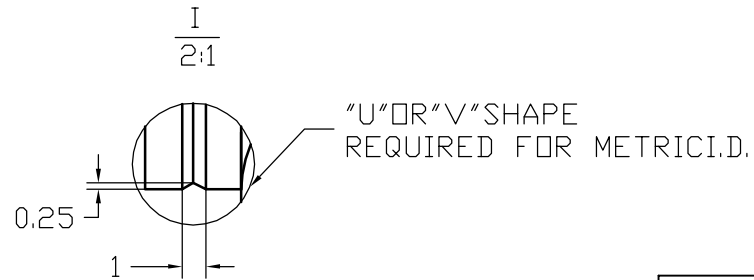


UNLESS SPECIFIED  
ALL DIMENSIONS IN mm  
MACHINED SURFACES Ra=3.2um  
ANGLE TOLERANCES ±1°  
DECIMAL TOLERANCES:

.x: ±0.5  
.xx: ±0.25  
.xxx: ±0.127

未注公差  
图示尺寸单位为mm  
表面粗糙度Ra=3.2um  
角度公差±1°  
小数部分公差:

.x: ±0.5  
.xx: ±0.25  
.xxx: ±0.127



HANGZHOU HI-TECH INDUSTRY IMP. & EXP. CORP.

PART No  
零件名

6401-M10-2LT  
(025-06401-191)

SCALE:

APPD: Zhangjian  
批准 2013/3/27

DRN: TangHaiLin  
制图

NTS

DATE: 2013.03.26  
日期

CHK: LIJunBiao  
审核

MATERIAL

Chinese steel 45

FINISH

Remove all sharp edges, burrs, slivers and swarf, break all edges 0.127-0.254mm. 去除所有毛刺, 铁屑等残留物, 锐边倒钝0.127-0.254mm.  
ZINC PLATED WITH TRIVALENT CHROMATE AND NO RED CORROSION IN 96 HOURS SALT SPRAY TEST. 镀三价铬锌, 银白色, 96小时盐雾试验无红斑。