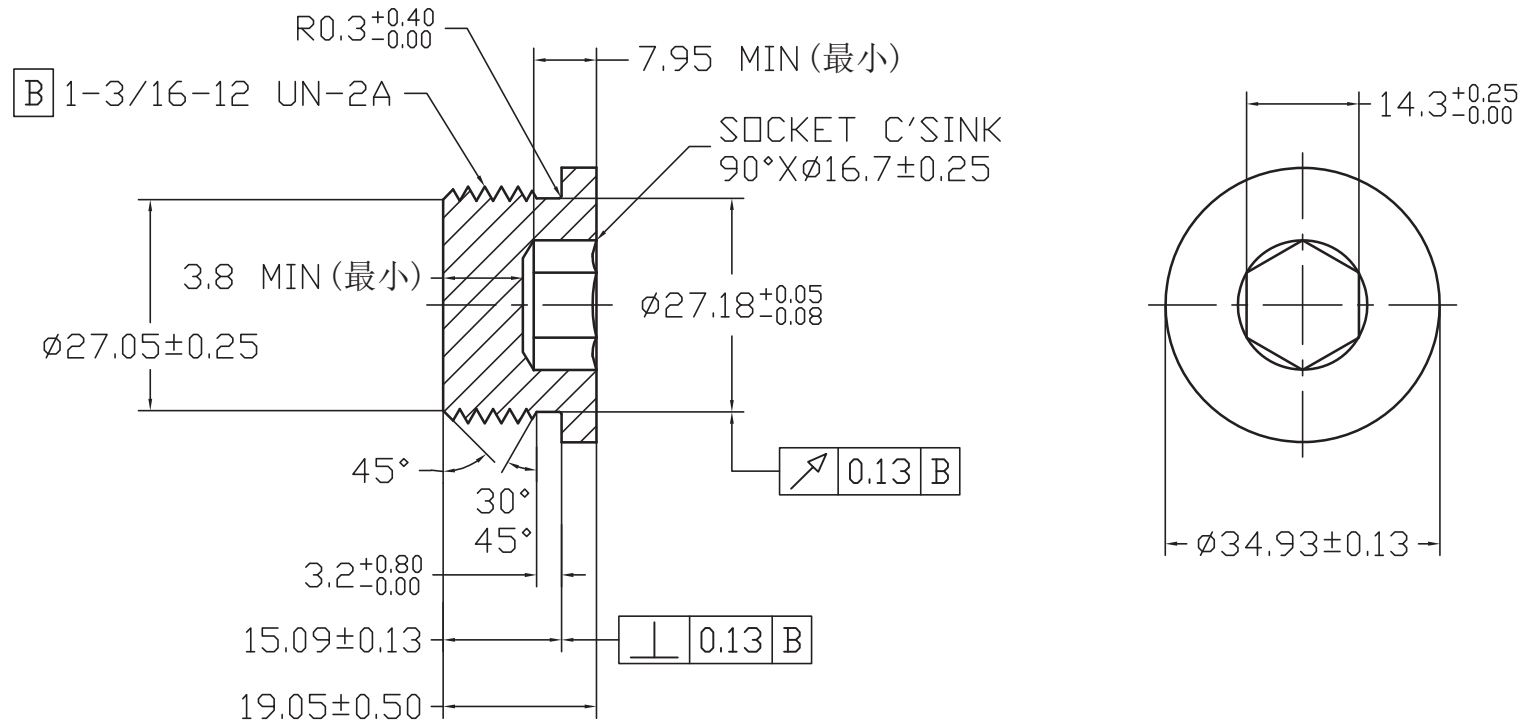


REV 更改号	DATE 日期	REVISION DETAILS 更改内容	APPD 审核并批准
A	Jul.02,2019	Drawing Update	



UNLESS SPECIFIED
ALL DIMENSIONS IN mm,
MACHINED SURFACES $Ra=3.2\mu m$,
ANGLE TOLERANCES $\pm 5^\circ$,
Other tolerance except angles,
in accordance with
GB/T1804-2000(ISO2768-1)-m
and GB/T1184-1996(ISO2768-2)-m

其它事项,
图示尺寸单位为mm,
未注机加工表面粗糙度 $Ra=3.2\mu m$,
未注角度公差 $\pm 5^\circ$,
其它未注公差(除角度外)均按:
GB/T1804-2000(ISO2768-1)-m 和
GB/T1184-1996(ISO2768-2)-m

Zhejiang Gaocheng Autoparts Co.,Ltd			
PART No 零件名	6408-14SKTPLUG		
SCALE:	APPD: 批准	DRN: 制图	Pan 2019.07.02
NTS	DATE: 日期	CHK: 审核	Pan 2019.07.02

MATERIAL Chinese steel 45

FINISH Remove all sharp edges, burrs, slivers and swarf, break all edges 0.127-0.254mm.
ZINC PLATING WITH 8um MICRONS MINIMUM PLATING THICKNESS AND TRIVALENT CHROMATE PASSIVATION
AND WITHSTAND 96 HRS TO WHITE / 144 HS TO RED RUST IN SALT SPRAY TEST.

去除所有毛刺, 铁屑等残留物, 锐边倒钝0.127-0.254mm.
镀锌, 三价铬钝化, 银白色, 盐雾试验96小时无白斑, 144小时无红锈, 镀锌层厚度大于8um.