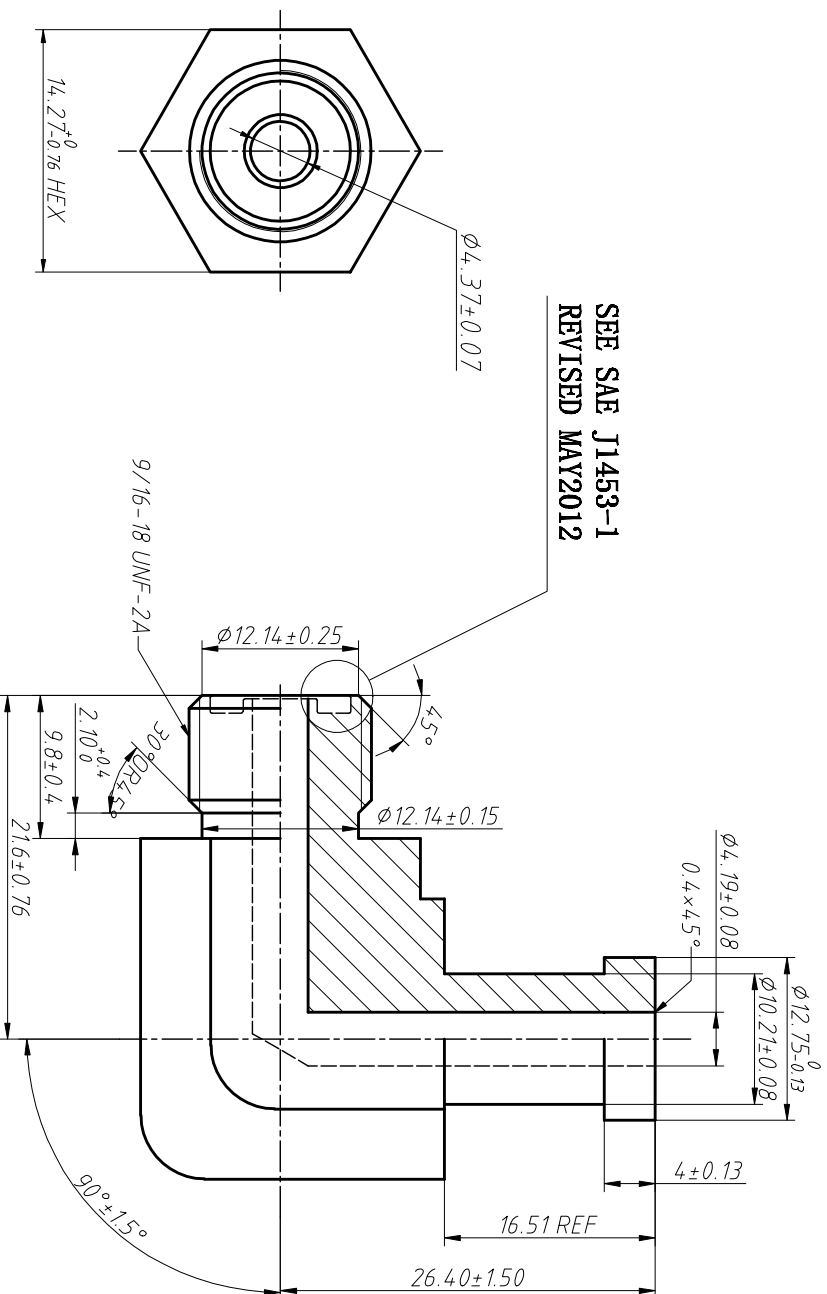


REV	DATE	REVISION DETAILS	APPD
更改号 A	日期 JAN. 02. 2020	更改内容 drawing update	审核并批准

SEE SAE J1453-1
REVISED MAY2012



UNLESS SPECIFIED
ALL DIMENSIONS IN mm,
MACHINED SURFACES Ra=3.2um,
ANGLE TOLERANCES ±5°,
Other tolerance except angles,
in accordance with
GB/T1804-2000(ISO2768-1)-m
and GB/T1184-1996(ISO2768-2)-m

其它事项,
图示尺寸单位为mm,
未注加工表面粗糙度 Ra=3.2um,
未注角度公差 ±5°,
其它未注公差 (除角度外) 均按:
GB/T1804-2000(ISO2768-1)-m 和
GB/T1184-1996(ISO2768-2)-m

MATERIAL Chinese steel 45

材质 45#

FINISH

Remove all sharp edges,burrs,slivers and swarf, break all edges 0.127-0.254mm.
ZINC PLATING WITH 8um MICRONS MINIMUM PLATING THICKNESS AND TRIVALENT CHROMATE PASSIVATION
AND WITHSTAND 96 HRS TO WHITE / 144 HS TO RED RUST IN SALT SPRAY TEST.

去除所有毛刺, 铁屑等残留物, 破边倒钝0.127-0.254mm.
镀锌, 三价铬钝化, 银白色, 盐雾试验96小时无红锈, 144小时无蓝锈, 镀锌层厚度大于7um.

Zhejiang Gaocheng Autoparts Co.,Ltd

PART No
零件名 6500-4F5

SCALE:

APPD:

DRN:

NTS

DATE:

CHK:

2020.01.02

2020.01.02

2020.01.02