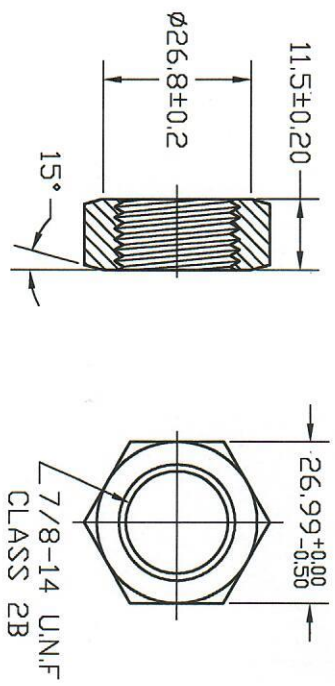
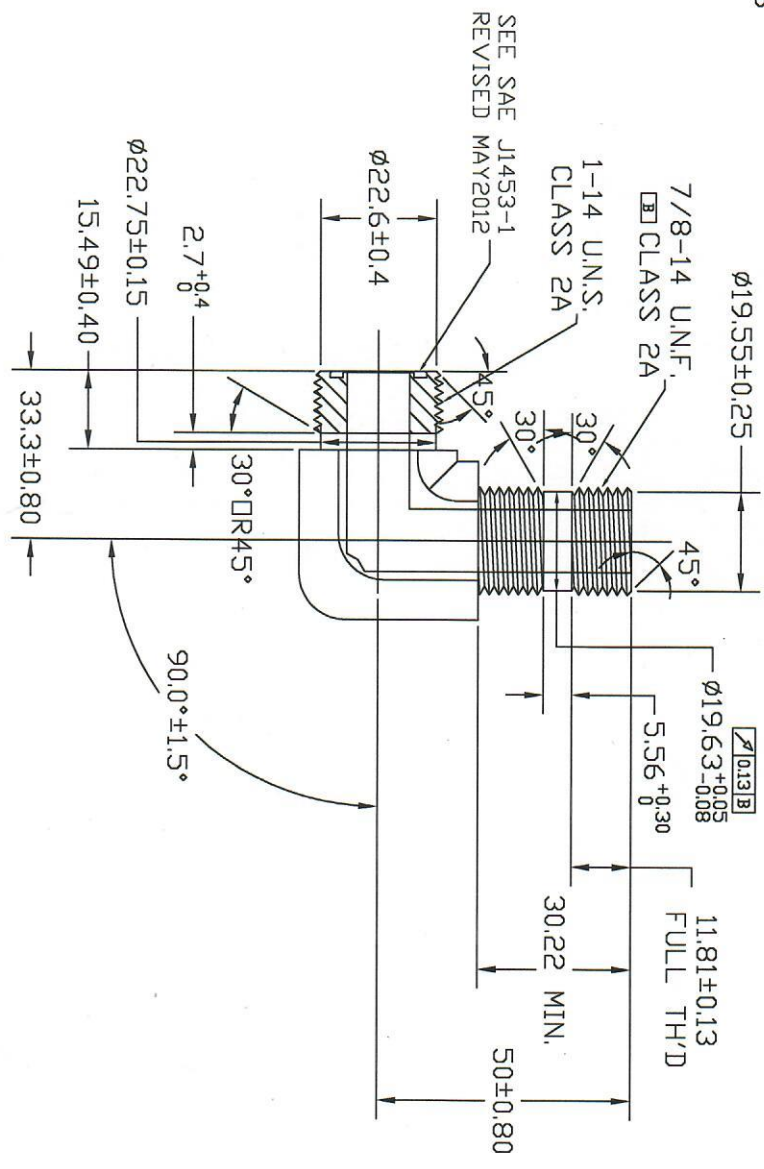
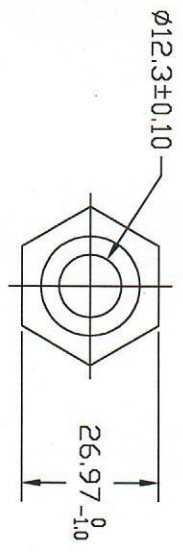
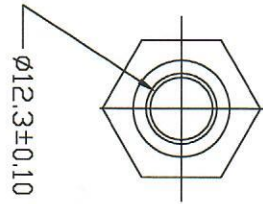
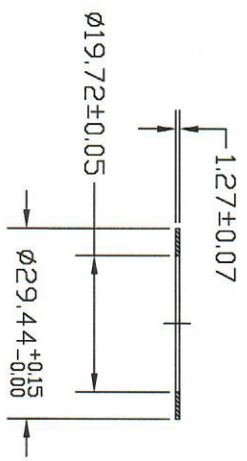


LOCKNUT



WASHER



UNLESS SPECIFIED
ALL DIMENSIONS IN mm,
MACHINED SURFACES Ra=3.2um,
ANGLE TOLERANCES ±5°,
Other tolerance except angles,
in accordance with
GB/T1804-2000(ISO2768-1)-m
and GB/T1184-1996(ISO2768-2)-m

其它事项,
图示尺寸单位为mm,
未注机加工表面粗糙度 Ra=3.2um,
未注角度公差 ±5°,
其它未注公差 (除角度外) 均按:
GB/T1804-2000(ISO2768-1)-m 和
GB/T1184-1996(ISO2768-2)-m

MATERIAL
 Chinese steel 45

FINISH
 Remove all sharp edges,burrs,siflers and swarf, break all edges 0.127-0.254mm.
 ZINC PLATING WITH 8um MICRONS MINIMUM PLATING THICKNESS AND TRIVALENT CHROMATE PASSIVATION
 AND WITHSTAND 96 HRS TO WHITE / 144 HS TO RED RUST IN SALT SPRAY TEST.

去除所有毛刺, 铁屑等残留物, 锐边倒钝0.127-0.254mm.
 镀锌: 三价铬钝化, 银白色, 盐雾试验96小时无白锈, 144小时无红锈, 镀锌层厚度大于8um.

REV	DATE	REVISION DETAILS	APPD
更改号	日期	更改内容	审核并批准
A	Mar 30, 2020	Drawing Update	

Zhejiang Gaocheng Autoparts Co., Ltd

PART NO
 零件名
 6801-10FS-10NW□

SCALE:
 NTS
APPD:
 批准
 DRN: Sun Jianghuan
 制图 20.03.30

DATE:
 日期
CHK:
 审核
 Li Junbiao
 20.03.30