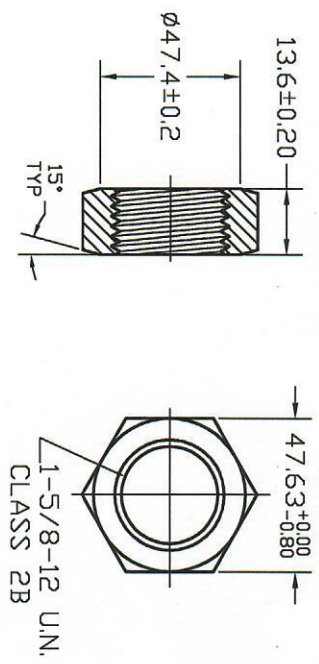
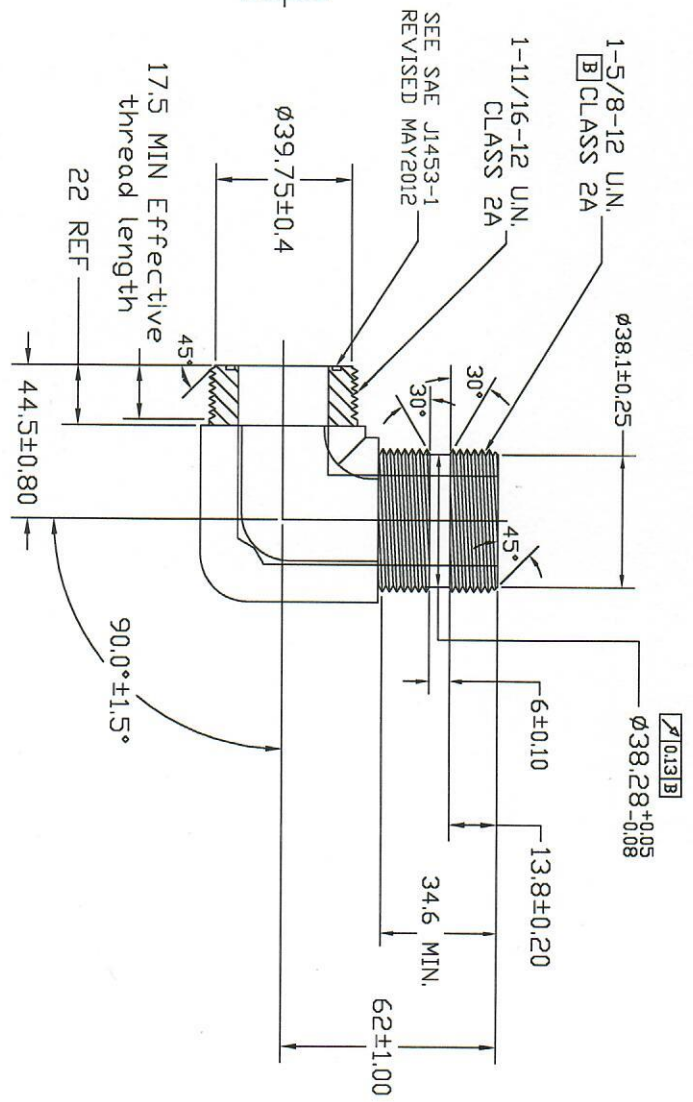
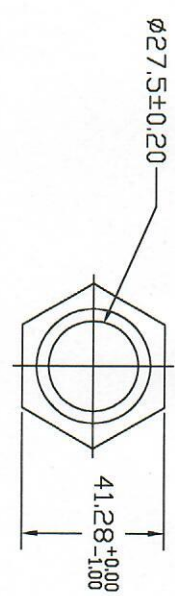
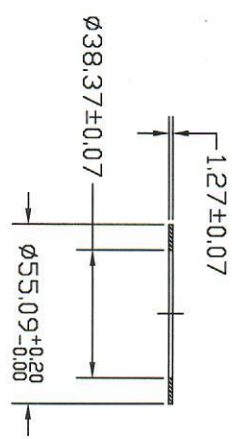


LOCKNUT



WASHER



**UNLESS SPECIFIED**  
**ALL DIMENSIONS IN mm,**  
**MACHINED SURFACES Ra=3.2um,**  
**ANGLE TOLERANCES ±5°,**  
**Other tolerance except angles,**  
**In accordance with**  
**GB/T1804-2000(ISO2768-1)-m**  
**and GB/T1184-1996(ISO2768-2)-m**

**其它事项,**  
**图示尺寸单位为mm,**  
**未注机加工表面粗糙度 Ra=3.2um,**  
**未注角度公差 ±5°,**  
**其它未注公差 (除角度外) 均按:**  
**GB/T1804-2000(ISO2768-1)-m 和**  
**GB/T1184-1996(ISO2768-2)-m**

Zhejiang Gaocheng Autoparts Co., Ltd

PART No  
**6801-20FS-20NW0**

SCALE:  
 APPD: Sun Jianghuan  
 批准 20.04.02

DATE:  
 DATE: 20.04.02  
 CHK: Li Junbiao  
 审核 20.04.02

MATERIAL  
 Chinese steel 45

FINISH  
 Remove all sharp edges,burrs,sivers and swarf, break all edges 0.127-0.254mm.  
 ZINC PLATING WITH 8um MICRONS MINIMUM PLATING THICKNESS AND TRIVALENT CHROMATE PASSIVATION  
 AND WITHSTAND 96 HRS TO WHITE / 144 HS TO RED RUST IN SALT SPRAY TEST.

去油所有毛刺, 铁屑等残留物, 邻近倒角0.127-0.254mm.  
 镀锌, 三价铬钝化, 银白色, 盐雾试验96小时无白锈, 144小时无红锈, 镀锌层厚度大于9um.

REV	DATE	REVISION DETAILS	APPD
更改号	日期	更改内容	审核并批准
A	Apr.02.2020	Drawing Update	