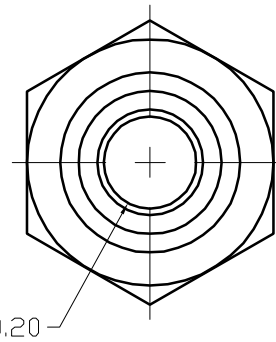
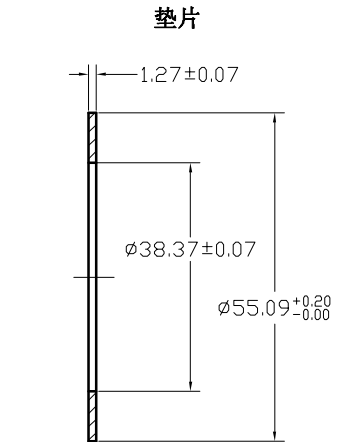
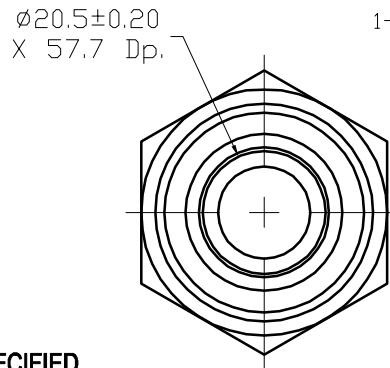
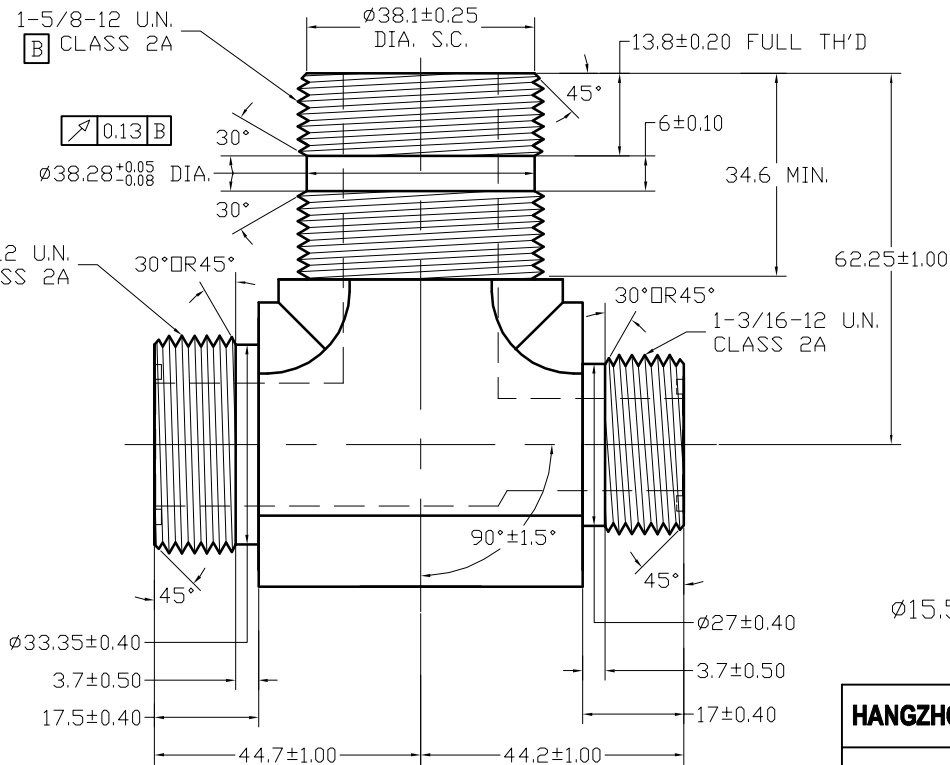
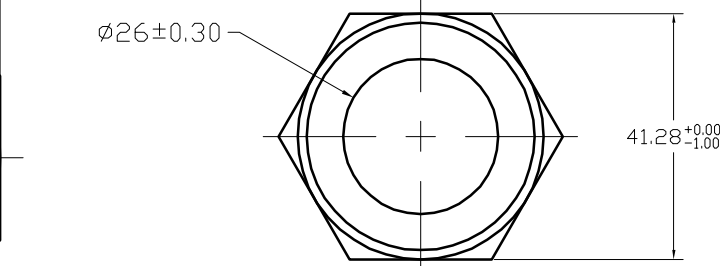
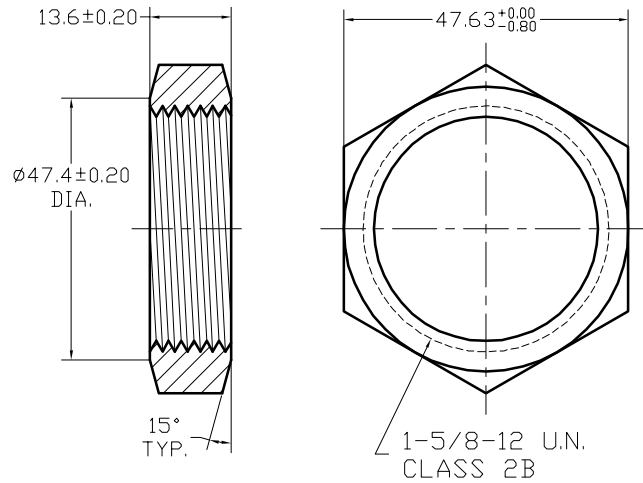


螺母



图纸正确。 2012/10/17

APPD

垫片

UNLESS SPECIFIED  
 ALL DIMENSIONS IN mm  
 MACHINED SURFACES Ra=3.2um  
 ANGLE TOLERANCES ±1°  
 DECIMAL TOLERANCES:  
 .x: ±0.5  
 .xx: ±0.25  
 .xxx: ±0.127

HANGZHOU HI-TECH INDUSTRY IMP. & EXP. CORP.

PART No 6803-16FS-12FS-20NWO

MATERIAL Chinese steel 45

SCALE: APPD: L. G. Pan DRN: L. G. Pan

FINISH Remove all sharp edges, burrs, slivers and swarf, break all edges 0.127-0.254mm. ZINC PLATED WITH TRIVALENT CHROMATE AND NO RED CORROSION IN 96 HOURS SALT SPRAY TEST. 去除所有毛刺, 铁屑等残留物, 锐边倒钝0.127 0.254mm. 镀三价铬锌, 银白色, 96小时盐雾试验无红斑.

NTS DATE: 2012. 10. 15 CHK: L. G. Pan