



Spare Parts Catalog

6 HP 602 S PLUS

Material number: 4236.065.303

Current date: 05.08.2013

ZF Friedrichshafen AG
Hauptverwaltung
80038 Friedrichshafen
Deutschland

Telefon: +49 7541 77-0

Telefax: +49 7541 77-908000

www.zf.com

zuständiges Werk:
Friedrichshafen

Notes relating to the spare parts catalog

Setup of the spare parts catalog

- Cover sheet
- Technical Cover (only in SDM print)
- Overview of figures
- Figure
- Associated parts list
- Next figure
- Associated parts list
- ...

Figure and parts list



Overview of figures

Bildtafel Figure	Sachnummer Product number	Benennung (Description)	Technische Info Technical info	Description (Benennung)	Menge Quantity	Einheit Unit
068.08.17	1316.170.001	AUSLEGER	WL	SHIFT TURRET	1	Stk
068.08.06	1316.170.031	DECKEL	WL*H-H *VM	COVER	1	Stk
068.08.14	1316.170.808	DECKEL	WL*AUSL+GEH*H-H*HF160N	COVER	1	Stk
08	1316.170.441	ANSCHLUSSTEILE	WL*NG-VORB*RG-SCHL*168N *BAJONETT	CONNECTING PARTS	1	Stk

The "gap" indicates that there is no separate graphics panel (poster) for this assembly
The parts of this assembly are shown with the same mid-section number on the figure

1 Positions and subpositions

Pos.	Sachnummer Product number	Benennung (Description)	Technische Info Technical info	Description (Benennung)	Menge Quantity	Einheit Unit
0370	1315.201.054	RUECKLAUFBOLZEN	KPL.16S151*SG*L= 79	REV.IDLER SHAFT	1	Stk
/0120	0631.329.293	SPANNSTIFT		SLOT. PIN	1	Stk

Positions marked with "/" are the individual items of a completion
For example: Position 0370 contains a centering pin with the position /0120

2 Combinations with standardized parts

Pos.	Sachnummer Product number	Benennung (Description)	Technische Info Technical info	Description (Benennung)	Menge Quantity	Einheit Unit
0630		VERSCHL.SCHR.		SCREW PLUG	1	Stk
	0636.302.067	VERSCHL.SCHR.		SCREW PLUG	1	Stk
	0634.801.249	DICHTRING	A 26 X 31	SEALING RING	1	Stk

The parts list shows the components included in the combination of standardized parts

3 Depiction of position/item number on the figure and in the parts list

01.620 - on the figure 01 relates to the assembly in which the position is included. Due to program-related reasons, it is shown on the figure.

0620 - in the parts list

Pos.	Sachnummer Product number	Benennung (Description)	Technische Info Technical info	Description (Benennung)	Menge Quantity	Einheit Unit
0620	0732.040.736	DRUCKFEDER		COMPRESSION SPRING	1	Stk

4 *-Positions

Positions marked with an * are optional i.e. inclusion in the parts list is not mandatory.
The following note is shown on the figure

je nach Stücklistenausführung
depending on spec. number
*
suivant la nomenclature
secondo la distinta base

5 Parts, dotted display

Parts with dotted display on the figure are only used for orientation of other parts



Pos.	Information	Amendment number
001	Use case -----	
002	Customer NHL - Inner Mongolia North Hauler Joint Stock Co.	
003	City Baotou, Inner Mongolis	
004	DUNS	
005	Product description -----	
006	CLEANNES SCALE NUMBER 1 20	
007	CLEANNES SCALE NUMBER 2 14	
008	CLEANNES SPECIFICATION ZFN 5015	
010	TRANSMISSION ATTACHMENT SEPARATE	
016	RATIO, BOTTOM GEAR 5.600	
017	RATIO, TOP GEAR 0.830	
018	RATIO, 1ST GEAR 5.600	
019	RATIO, 2ND GEAR 3.430	
020	RATIO, 3RD GEAR 2.010	
021	RATIO, 4TH GEAR 1.420	
022	RATIO, 5TH GEAR 1.000	
023	RATIO, 6TH GEAR 0.830	
024	RATIO, 1ST GEAR REVERSE 4.840	
025	HAUPTDRUCK WK GEOEFFNET 22 bar	
026	HAUPTDRUCK WK GESCHLOSSEN 13 bar	
027	DESIGN, OUTPUT COAXIAL	
029	ZAEHNEZAHL ZAEHLSCHEIBE ABTR 30	
030	UEBERSETZUNG N ABTR/N IMPULS 1.000	
031	OUTER DIA. OUTPUT FLANGE RA 180.000 mm	
032	DESIGN, OUTPUT FLANGE HA CURVIC COUPLING	
033	RATIO MECHANIC TACHO INPUT 0.650	
034	AUSFUEHRUNG DRUCKMODULATION ELECTRICAL	
035	AUSF RETARDERANSTEUERUNG SOLENOID VALVE GEARBOX	
041	BREMSMOMENT MAX 1500.000 Nm	
042	ABTR.DREHZAHL BEI MAX BREMSMOM 1900.000 1/min	
043	ATTACHM.POS.HEAT EXCHANGER BACK LONG	
044	1.INST.INSTRUCTION HEAT EXCHANGER WITHOUT ACCUMU.	
045	DESIGN, OIL SUMP DEEP	



Pos.	Information	Amendment number
047	CODIERUNG OELEINFUELLROHR K06	
048	HOEHE OELEINFUELLROHR 316.000 mm	
049	WINKEL ALPHA OELEINFUELLROHR 180.000 GRAD	
051	DESIGN CONVERTER W390	
053	WANDLERKENNUNG TPC 487.000 Nm	
054	DREHZAHL WANDLERPUM.BEI M MAX 1000.000 1/min	
055	CONVERTER CHARACTERISTIC μ 1.980	
056	SCHALTMOMENT WANDLERKUPPL MAX 1600.000 Nm	
057	DICKE TELLERFEDER WANDLER 4.700 mm	
058	EINSTELLMASS MOTORANSCHLUSS 81.250 mm	
059	D-LOCHKREIS WANDLERMEMBRANE 402.000 mm	
060	OPERATING VOLTAGE 24.000 V	
061	ANZAHL POLE BETRIEBSSPANNUNG 2	
085	OIL CAPACITY, GEARBOX 20.000 dm3	
088	OIL GRADE PERMISSIBLE ACC. TO TE-ML14	
090	CODING OUTER CONSERVATION KA2	
091	SCOPE OUTER CONSERVATION T	
092	CODING INNER CONSERVATION KI1	
093	CONSERVATION SPECIFICATION ZFN 916	
094	Documents -----	
095	CONNECTING PARTS Drawing 4139.000.101	
096	CONNECTING PARTS Drawing 4139.000.102	
097	OELVERSORGUNG Drawing 4149.110.006	
098	WAERMETAUSCHER Drawing 4139.147.358	
099	TRANSMISSION Drawing 4149.065.005	
100	ABTRIEB Drawing 4149.103.010	
101	SHIFT CONTROL Drawing 5079.106.012	

Assembly group overview

Material number: 4236.065.303

6 HP 602 S PLUS /



Page 1 from 1

Graphics	Pos.	Material number	Name	Quantity	Amend. no.	Techn. Info.
095.01.03-1	110	4236.101.011	GEARBOX HOUSING	1		
004.04.42-1	210	4149.110.005	COVER PLATE	1		
004.04.90-1	214	4180.110.802	OIL SUPPLY	1		
004.04.20-1	900	4180.110.003	OIL SUPPLY	1		
004.07.08-1	220	4139.120.011	RETARDER	1		
004.07.43-1	230	4149.120.404	RETARDER VALVE	1		
004.07.81-1	236	4149.120.800	RETARDER	1		
004.07.20-1	910	4149.120.003	RETARDER	1		
004.10.05-1	900	4236.133.002	GEARBOX	1		
004.10.03-1	904	4149.133.012	PLANETARY DRIVE	1		
004.13.04-1	910	4236.170.002	COUPLING	1		
004.14.02-1	920	4149.171.005	BRAKE	1		
004.15.04-1	930	4149.172.017	BRAKE	1		
004.16.10-1	940	4236.173.002	BRAKE	1		
004.17.01-1	950	4139.174.001	BRAKE	1		
004.17.80-1	952	4139.174.800	BRAKE	1		
095.20.03-1	300	4236.103.016	OUTPUT	1		
004.20.67-1	310	4149.103.807	OUTPUT	1		
004.48.17-1	400	4236.106.015	SHIFT CONTROL	1		
095.48.80-1	410	4237.106.800	SHIFT CONTROL	1		
004.56.40-1	450	4139.131.160	DIPSTICK PARTS	1		
004.56.07-1	460	4149.131.002	OIL SUMP	1		
004.56.07-1	470	4139.131.101	FILTER	1		
004.56.07-1	478	4139.131.815	PLATE	1		
004.59.10-1	480	4149.134.004	CONVERTER	1		
004.59.80-1	488	4139.134.806	CONVERTER	1		
004.62.06-1	490	4235.102.001	INPUT	1		
095.62.41-1	492	5079.102.401	INPUT	1		
095.90.04-1	550	5079.147.027	HEAT EXCHANGER	1		

Plant

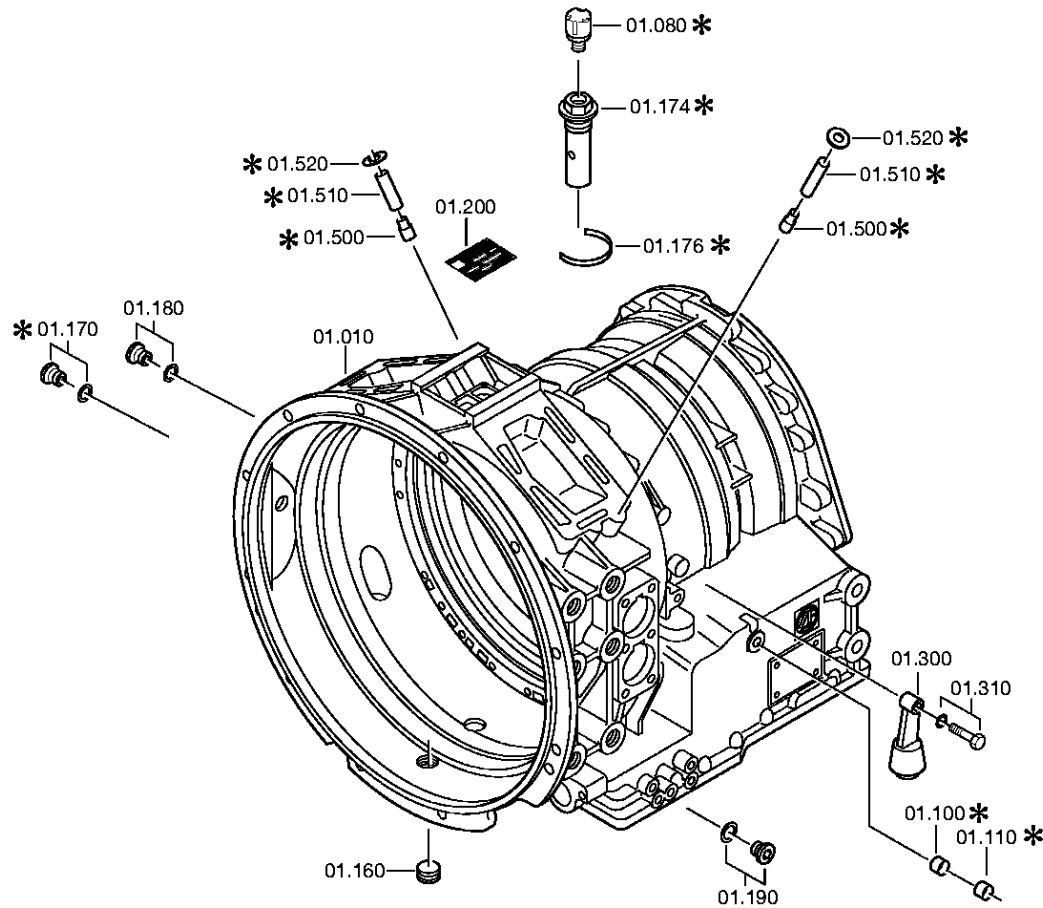
Page 1 from 1

Material number: 4236.065.303

Plate: 095.01.03-1

Material-assembly-group-no: 4236.101.011

6 HP 602 S PLUS /
GEARBOX HOUSING



Parts list

Page 1 from 1

Material number: 4236.065.303

6 HP 602 S PLUS /

Plate: 095.01.03-1

Material-assembly-group-no: 4236.101.011



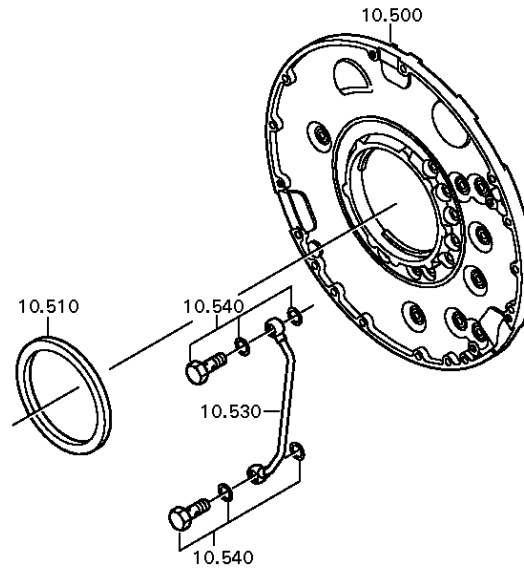
Pos.	Material number	Customer material	Name	Quantity	ME	Amend. no.	Techn. Info.	Weight	Rep kit	Alternative material
10	4236.201.001		GEARBOX HOUSING	1			KPL.ERZ.	0,000		
100	---		SEALING CAP	1		Z00007166213		0,000		
---	0630.100.030		SEALING CAP	1		Z00007166210		0,000		
110	0630.100.030		SEALING CAP	1		Z00007166213		0,000		
170	---		SCREW PLUG	2		Z00010111710	40 NM*DICHTRING M16X1,5	0,000		
---	0636.100.794		SCREW PLUG	2		Z00010111713	M16X1,5	0,000		
---	0634.801.045	A4360080145	SEALING RING	2		Z00010111713	16X20	0,010		
180	---		SCREW PLUG	1		Z00010111912	25N.M*DICHTRING M14X1,5	0,000		
---	0636.100.689		SCREW PLUG	1		Z00010111910	M14X1,5	0,000		
---	0634.801.151	76035168	SEALING RING	1		Z00010111910	14X20	2		
190	0501.326.079	XP00G99100036	SCREW PLUG	5		Z00001899810	M10X1	0,000		
200	---		TYPE PLATE	1				0,000		
---	---		TYPE PLATE	1				0,000		
---	---		TYPE PLATE	1		Z00018596510	TYPENSCHILD UNIVERSAL	0,000		
---	0730.302.754		TYPE PLATE	1			AUSFÜHRUNG UNIVERSAL	0,000		
---	0730.365.241		TYPE PLATE	1			EINHEITSSCH. VERDREHSICHER	0,000		
---	0730.365.217		TYPE PLATE	1		C01007174B10	ZF DRIVETECH JAPAN	0,000		
---	0730.365.242		TYPE PLATE	1		C01002605D10	ZF DO BRASIL LTDA.	0,000		
300	4234.301.001		COVER	1				0,000		
310	---		HEXAGON BOLT	1		Z00007891314	M8X30	0,000		
---	0636.100.797		HEXAGON BOLT	1		Z00007891310	M8X30	0,000		
---	0630.100.295		WASHER	1		Z00007158415		0,000		

Plant

Page 1 from 3

Material number: 4236.065.303
Plate: 004.04.42-1
OIL SUPPLY

6 HP 602 S PLUS /
COVER PLATE

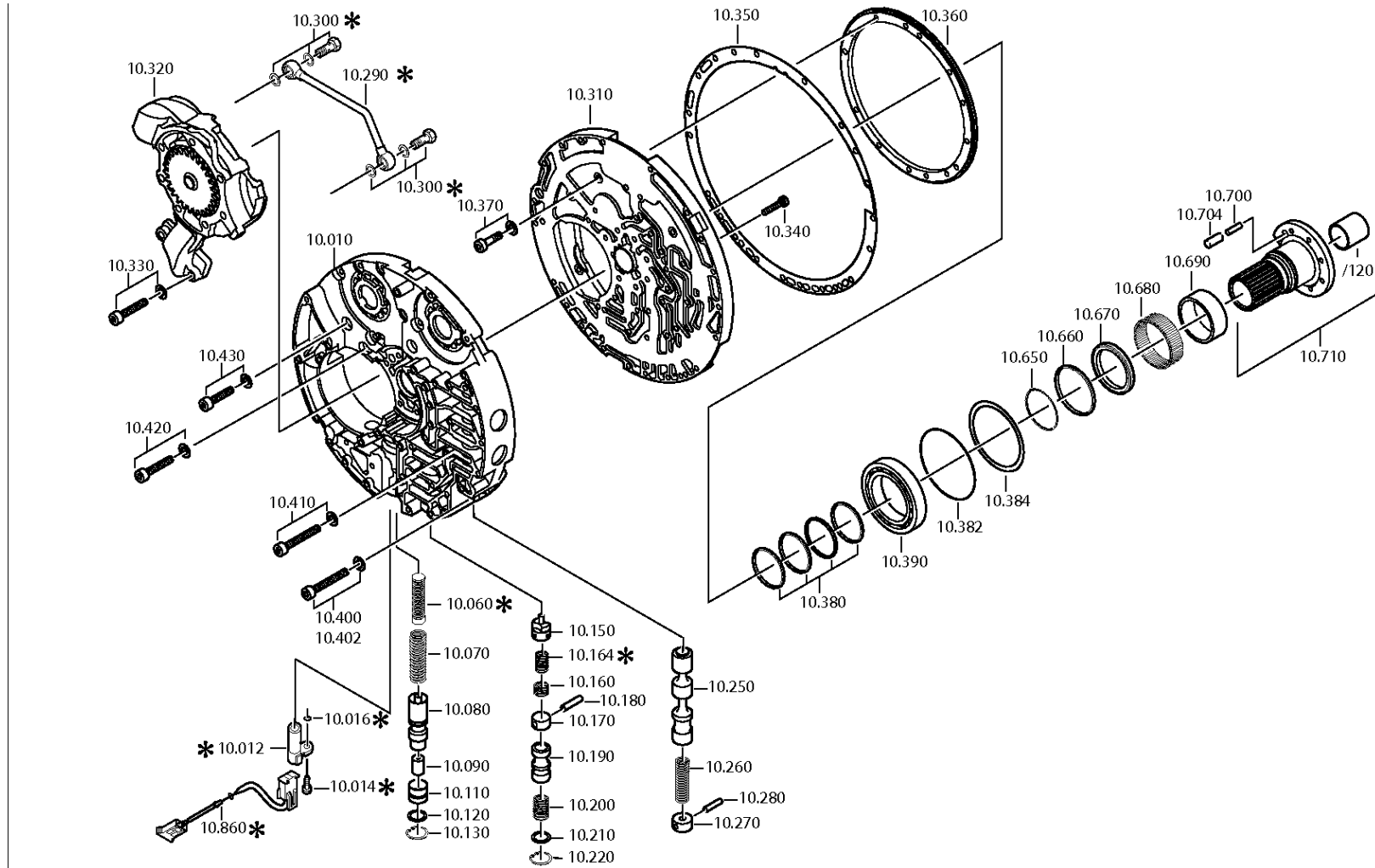


Plant

Page 2 from 3

Material number: 4236.065.303
Plate: 004.04.20-1
OIL SUPPLY

6 HP 602 S PLUS /
COVER PLATE

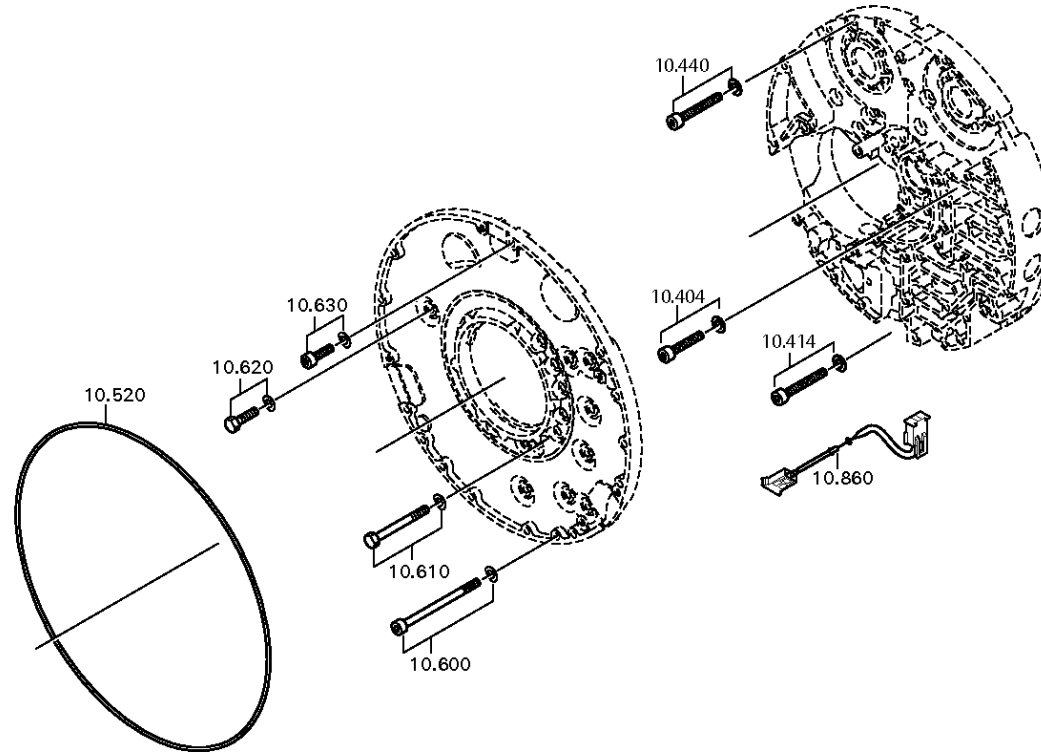


Plant

Page 3 from 3

Material number: 4236.065.303
Plate: 004.04.90-1
OIL SUPPLY

6 HP 602 S PLUS /
COVER PLATE



Parts list

Page 1 from 3

Material number: 4236.065.303

6 HP 602 S PLUS /

Plate: 004.04.42-1

Material-assembly-group-no: 4149.110.005



Pos.	Material number	Customer material	Name	Quantity	ME	Amend. no.	Techn. Info.	Weight	Rep kit	Alternative material
10	4180.210.009		CONTROL INSERT	1			KPL.ECO 2PLUS*NMOT *PUMPE LECKAGEOTIMIER T	0,000		
12	0501.314.432		INDTRANSMITTER	1				0,028		
14	0736.300.186		TORX SCREW	1		Z00009168910	M6X45 M6X45	0,000		
16	0634.313.016		O-RING	1			4X1,5	0,000		
60	0732.042.805		COMPRSPRING	1				0,000		
70	0732.042.780		COMPRSPRING	1				0,000		
80	4149.310.063		PISTON	1			HAUPTDRUCK*WK ZU*ERHOEHT	0,000		
90	4149.310.062		PISTON	1			HAUPTDRUCK*WK ZU*ERHOEHT	0,000		
110	4149.310.064		BUSH	1			HAUPTDRUCK*WK ZU*ERHOEHT	0,000		
120	0730.004.383	5005 16408	WASHER	1			A=1,50	0,000		
130	0630.502.015	1000000213	RETAINING RING	1			30X1,2	1,600		
150	4139.310.041	5006393	PISTON	1			SCHMIERDRUCKVENTIL	0,000		
160	0732.041.125	5006394	COMPRSPRING	1				0,000		
170	4139.310.018	5006395	SPACER RING	1			ENTHALT.IN 4139 310 462(2)	0,000		
180	0631.306.117	4107323A	CYLINDRICAL PIN	1			8X50	19		
190	4139.310.072	5006397	PISTON	1			WANDLERGEGENDRUCKV ENTIL	0,000		
200	0732.041.102	35112100	COMPRSPRING	1				25		
210	0630.007.001		WASHER	1				0,000		
220	0630.502.014	SA 8320-01770	RETAINING RING	1			28X1,2	0,002		
250	4149.310.025		PISTON	1				0,000		
260	0732.042.236		COMPRSPRING	1				0,000		
270	4139.310.017	5006402	SPACER RING	1				0,000		
280	0631.306.117	4107323A	CYLINDRICAL PIN	1			8X50	19		
310	4149.210.014		OIL FEEDFLANGE	1			KPL.STAHLBUCHSE+SI- RING	0,000		
320	4182.210.004		PRIMARY PUMP	1		C01004815E10	KPL.ECO 4 * LECKAGEOPTIMIERT	0,000		

Parts list

Page 2 from 3

Material number: 4236.065.303

6 HP 602 S PLUS /

Plate: 004.04.42-1

Material-assembly-group-no: 4149.110.005



Pos.	Material number	Customer material	Name	Quantity	ME	Amend. no.	Techn. Info.	Weight	Rep kit	Alternative material
330	0636.115.298	REPLACEMENT FOR 0636.101.356	CAP SCREW	2		Z00007294513	M8X35	0,000		
340	0736.300.211		TORX SCREW	7		Z00009175711	M8X43	0,000		
350	4182.310.004		INTERMEDIATE SHEET	1		C01004819E10		0,000		
360	4182.320.001		THRUST RING	1		C01005157E10		0,000		
370	---		CAP SCREW	3		Z00007404512	M8X12	0,000		
---	0636.102.230		CAP SCREW	3		Z00007404510	M8X12	0,000		
---	0630.003.006	1000000179	WASHER	3		Z00007404510		1,200		
380	0734.401.251	5 8715 0	PISTON RING	4			65,1X70,0X3,5	0,000		
382	0730.300.716		WASHER	1		Z00009509110	A=1,65 A=1,65	0,000		
384	0634.314.358		O-RING	1			125X3	0,050		
390	0750.116.391		BALL BEARING	1			80,0X125,0X22,0	0,000		
400	---		CAP SCREW	3		Z00007962914	M8X55	0,000		
---	0636.100.823		CAP SCREW	3		Z00007962916	M8X55	0,000		
---	0630.003.006	1000000179	WASHER	3		Z00007962916		1,200		
402	---		CAP SCREW	1		Z00007399812	M8X50	0,000		
---	0636.115.295		CAP SCREW	1		Z00007399812	M8X50	0,000		
---	0630.003.006	1000000179	WASHER	1		Z00007399812		1,200		
404	---		CAP SCREW	1		Z00007962914	M8X55	0,000		
---	0636.100.823		CAP SCREW	1		Z00007962916	M8X55	0,000		
---	0630.003.006	1000000179	WASHER	1		Z00007962916		1,200		
410	---		CAP SCREW	3		Z00007400211	M8X70	0,000		
---	0636.115.288		CAP SCREW	3		Z00007400215	M8X70	0,000		
---	0630.003.006	1000000179	WASHER	3		Z00007400215		1,200		
414	---		CAP SCREW	1		Z00007400211	M8X70	0,000		
---	0636.115.288		CAP SCREW	1		Z00007400215	M8X70	0,000		
---	0630.003.006	1000000179	WASHER	1		Z00007400215		1,200		
420	---		CAP SCREW	3		Z00007294913	M8X40	0,000		
---	0636.115.291		CAP SCREW	3		Z00007294916	M8X40	0,000		
---	0630.003.006	1000000179	WASHER	3		Z00007294916		1,200		
430	---		CAP SCREW	3		Z00007294713	M8X45	0,000		
---	0636.115.292		CAP SCREW	3		Z00007294714	M8X45	0,000		
---	0630.003.006	1000000179	WASHER	3		Z00007294714		1,200		
440	---		CAP SCREW	5		Z00007400114	M8X65	0,000		

Parts list

Page 3 from 3

Material number: 4236.065.303

6 HP 602 S PLUS /

Plate: 004.04.42-1

Material-assembly-group-no: 4149.110.005



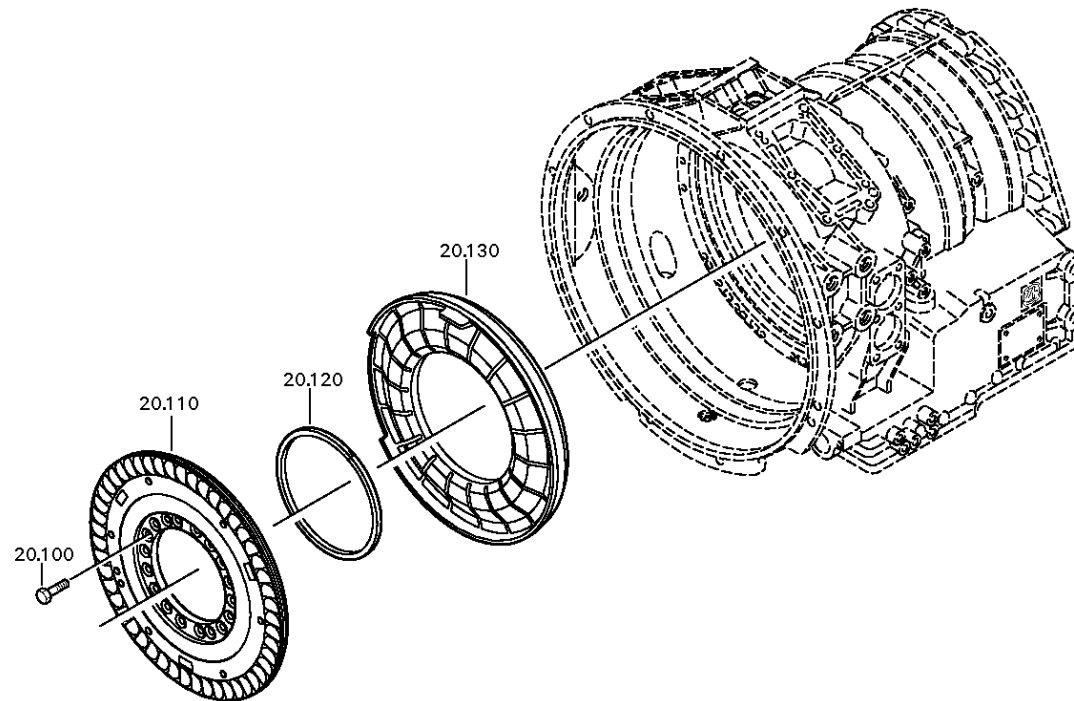
Pos.	Material number	Customer material	Name	Quantity	ME	Amend. no.	Techn. Info.	Weight	Rep kit	Alternative material
---	0636.115.287		CAP SCREW	5		Z00007400116	M8X65	0,000		
---	0630.003.006	1000000179	WASHER	5		Z00007400116		1,200		
500	4149.310.283		COVER PLATE	1		Z00007849310		0,000		
510	---		SHAFT SEAL	1			125X150X10	0,000		
---	0750.111.044	5330123154809	SHAFT SEAL	1		C01007956D10	125X150X10	0,000		
520	0634.313.146	5 8184 0	O-RING	1			425X3,5	0,000		
530	4149.210.005		TUBE	1			KPL.	0,000		
540	---		UNION SCREW	2		Z00011346113		0,000		
---	0637.835.809		UNION SCREW	2		Z00011346114		0,000		
---	0634.801.015	99700010386	SEALING RING	2		Z00011346114	10X14	0,001		
600	---		CAP SCREW	13		Z00007405910	M8X130	0,000		
---	0636.115.290		CAP SCREW	13		Z00007405912	M8X130	0,000		
---	0634.803.003	5004806	SEALING RING	13		Z00007405912	8X15X1	0,000		
610	---		HEXAGON BOLT	8		Z00007069012	M8X85	0,000		
---	0636.011.764		HEXAGON BOLT	8		Z00007069013	M8X85	0,000		
---	0634.803.003	5004806	SEALING RING	8		Z00007069013	8X15X1	0,000		
620	---		HEXAGON BOLT	8		Z00007891119	M8X20	0,000		
---	0636.100.796		HEXAGON BOLT	8		Z00007891120	M8X20	0,000		
---	0634.803.003	5004806	SEALING RING	8		Z00007891120	8X15X1	0,000		
630	---		CAP SCREW	1		Z00007294513	M8X35	0,000		
---	0636.115.298	REPLACEMENT FOR 0636.101.356	CAP SCREW	1		Z00007294516	M8X35	0,000		
---	0634.803.003	5004806	SEALING RING	1		Z00007294516	8X15X1	0,000		
650	0630.513.133		SNAP RING	1				8,900		
660	0734.401.080	5 8701 0	PISTON RING	1				0,000		
670	4128.303.012	5006155	PISTON SUPPORT	1				0,000		
680	0750.115.517		NEEDLE CAGE	1			80,0X88,0X30,0	0,000		
690	0635.295.034	5 8319 0	INNER RING	1			70X80X30	0,000		
700	0631.329.320		SLOTPIN	1			16X35	0,000		
704	0631.329.319		SLOTPIN	1			10X35	0,000		
710	4149.210.026		STATOR SHAFT	1			KPL.LECKAGEOPTIMIERT	0,000		
/120	4139.210.082	5365990629803	BUSH	1			KPL.	0,000		
860	4149.206.137		CABLE CONNECT	1			KPL.ECOMAT 2*NMOT*2POL	0,000		

Plant

Page 1 from 4

Material number: 4236.065.303
Plate: 004.07.08-1
RETARDER

6 HP 602 S PLUS /
RETARDER

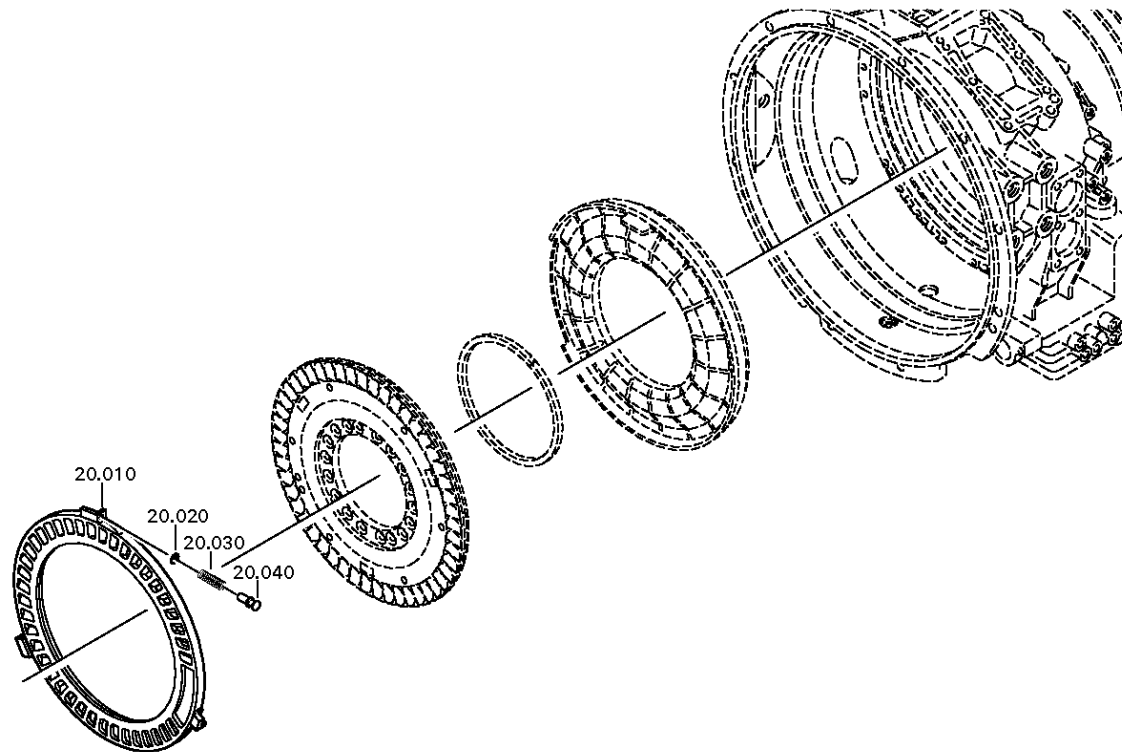


Plant

Page 2 from 4

Material number: 4236.065.303
Plate: 004.07.20-1
RETARDER

6 HP 602 S PLUS /
RETARDER

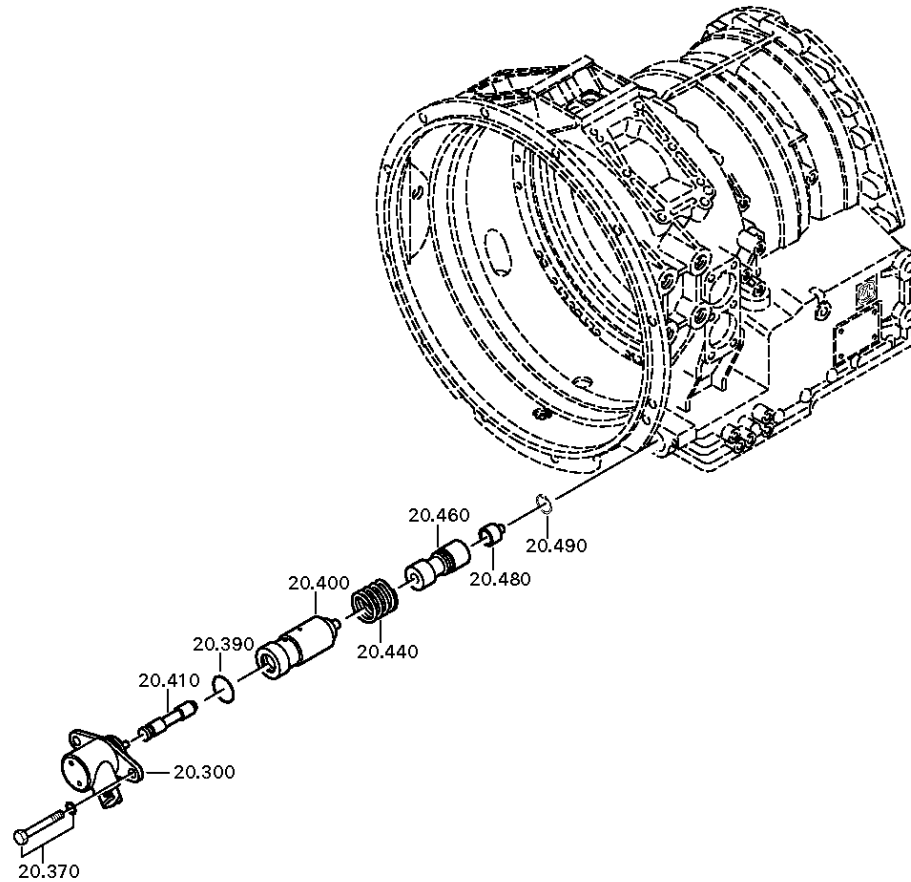


Plant

Page 3 from 4

Material number: 4236.065.303
Plate: 004.07.43-1
RETARDER

6 HP 602 S PLUS /
RETARDER

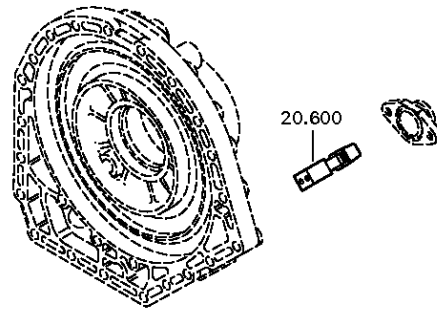


Plant

Page 4 from 4

Material number: 4236.065.303
Plate: 004.07.81-1
RETARDER

6 HP 602 S PLUS /
RETARDER



Parts list

Page 1 from 2

Material number: 4236.065.303

6 HP 602 S PLUS /

Plate: 004.07.08-1

Material-assembly-group-no: 4139.120.011



Pos.	Material number	Customer material	Name	Quantity	ME	Amend. no.	Techn. Info.	Weight	Rep kit	Alternative material
10	4139.320.085	2	STATOR RING	1				1,700		
20	4139.320.009	8900127031	SPRING SEAT	3				7		
30	0732.041.934	5006 18408	COMPRSPRING	3				0,000		
40	4149.220.001		ABSORBER	3		C01009247C10	KPL.	0,000		
100	0636.010.300		HEXAGON BOLT	18			M8X40	19		
110	4139.320.084		ROTOR	1		C01008980B10		0,000		
120	0734.401.277		PISTON RING	1			197,6X210,0X7,0	0,000		
130	4149.320.033		SEALING WASHER	1		C01005307F10		0,000		
300	0501.328.505		MAGNET	1		Z00014283010		0,000		
370	---		HEXAGON BOLT	2			M8X22	0,000		
---	0636.016.412		HEXAGON BOLT	2			M8X22	0,000		
---	0630.100.295		WASHER	2		Z00007158415		0,000		
390	0634.313.017		O-RING	1			27X3	0,002		
400	4149.320.018		BUSH	1			G2.1	0,000		
410	4149.320.015		PISTON	1			G2.1 REGELKOLBEN RR3	0,000		
440	1204.318.011		COMPRSPRING	1				0,010		
460	4149.320.023		PISTON	1		C01009201A10	G2.1 REGELKOLBEN R3	0,000		
480	4149.320.024		PISTON	1		C01009201A10	G2.1	0,000		
490	0630.502.006	770780055	RETAINING RING	1			19X1	0,007		
600	---		RESISTOR	1			K= 1,96-150,00	0,000		
---	6029.201.652		RESISTOR	1			KPL.RET.ABGLEICH 150,00K	0,000		
---	6029.201.651		RESISTOR	1			KPL.RET.ABGLEICH 100,00K	0,000		
---	6029.201.650		RESISTOR	1			KPL.RET.ABGLEICH 75,00K	0,000		
---	6029.201.649		RESISTOR	1			KPL.RET.ABGLEICH 57,60K	0,000		
---	6029.201.648		RESISTOR	1			KPL.RET.ABGLEICH 46,40K	0,000		
---	6029.201.647		RESISTOR	1			KPL.RET.ABGLEICH 37,40K	0,000		
---	6029.201.646		RESISTOR	1			KPL.RET.ABGLEICH 31,60K	0,000		

Parts list

Page 2 from 2

Material number: 4236.065.303

6 HP 602 S PLUS /

Plate: 004.07.08-1

Material-assembly-group-no: 4139.120.011



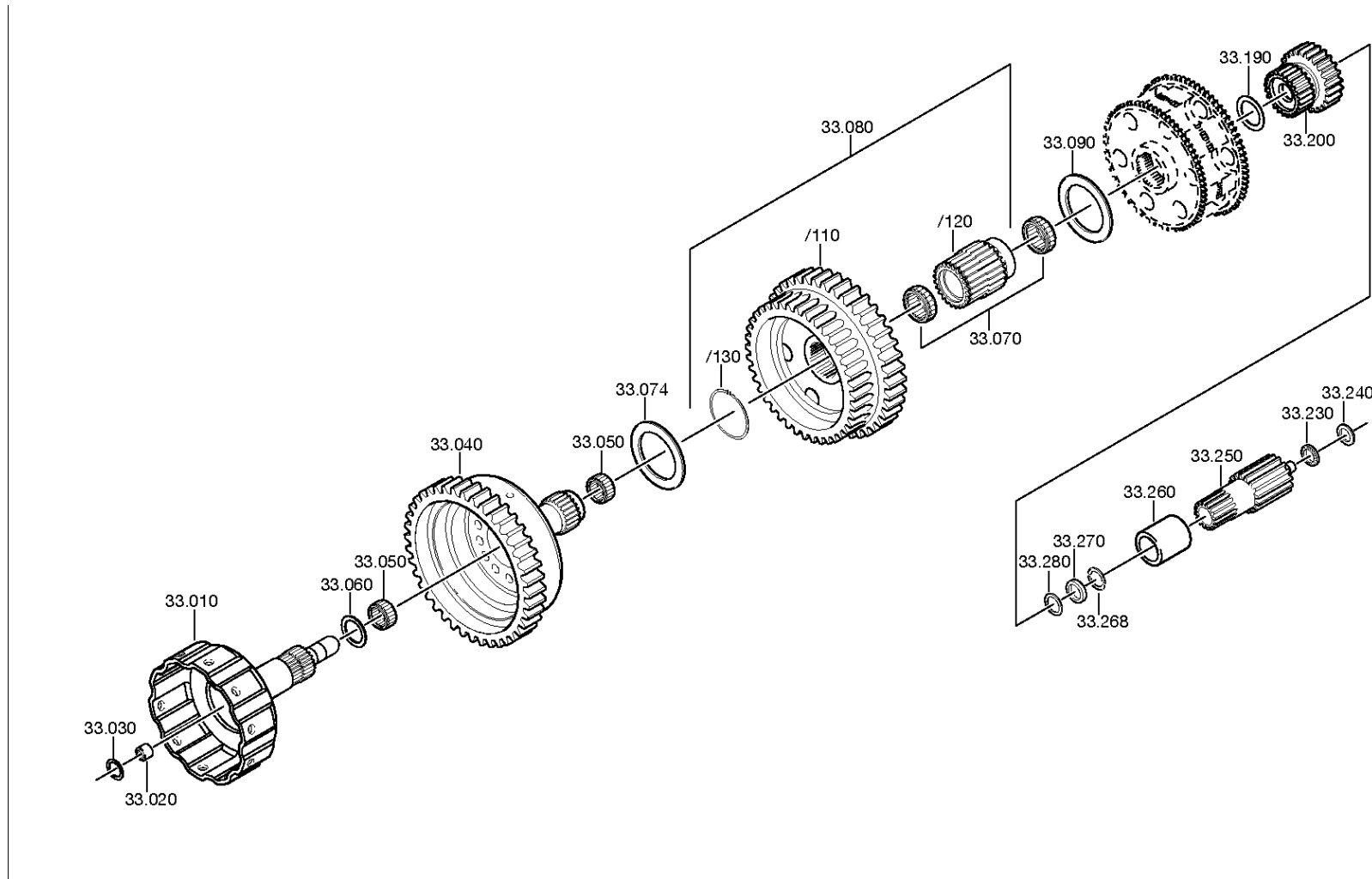
Pos.	Material number	Customer material	Name	Quantity	ME	Amend. no.	Techn. Info.	Weight	Rep kit	Alternative material
---	6029.201.645		RESISTOR	1			KPL.RET.ABGLEICH 26,10K	0,000		
---	6029.201.644		RESISTOR	1			KPL.RET.ABGLEICH 22,10K	0,000		
---	6029.201.643		RESISTOR	1			KPL.RET.ABGLEICH 18,70K	0,000		
---	6029.201.642		RESISTOR	1			KPL.RET.ABGLEICH 15,80K	0,000		
---	6029.201.641		RESISTOR	1			KPL.RET.ABGLEICH 13,30K	0,000		
---	6029.201.640		RESISTOR	1			KPL.RET.ABGLEICH 11,30K	0,000		
---	6029.201.639		RESISTOR	1			KPL.RET.ABGLEICH 9,31K	0,000		
---	6029.201.638		RESISTOR	1			KPL.RET.ABGLEICH 7,68K	0,000		
---	6029.201.637		RESISTOR	1			KPL.RET.ABGLEICH 6,34K	0,000		
---	6029.201.636		RESISTOR	1			KPL.RET.ABGLEICH 5,11K	0,000		
---	6029.201.635		RESISTOR	1			KPL.RET.ABGLEICH 3,92K	0,000		
---	6029.201.634		RESISTOR	1			KPL.RET.ABGLEICH 2,94K	0,000		
---	6029.201.633		RESISTOR	1			KPL.RET.ABGLEICH 1,96K	0,000		

Plant

Page 1 from 2

Material number: 4236.065.303
Plate: 004.10.05-1
PLANETARY DRIVE

6 HP 602 S PLUS /
GEARBOX

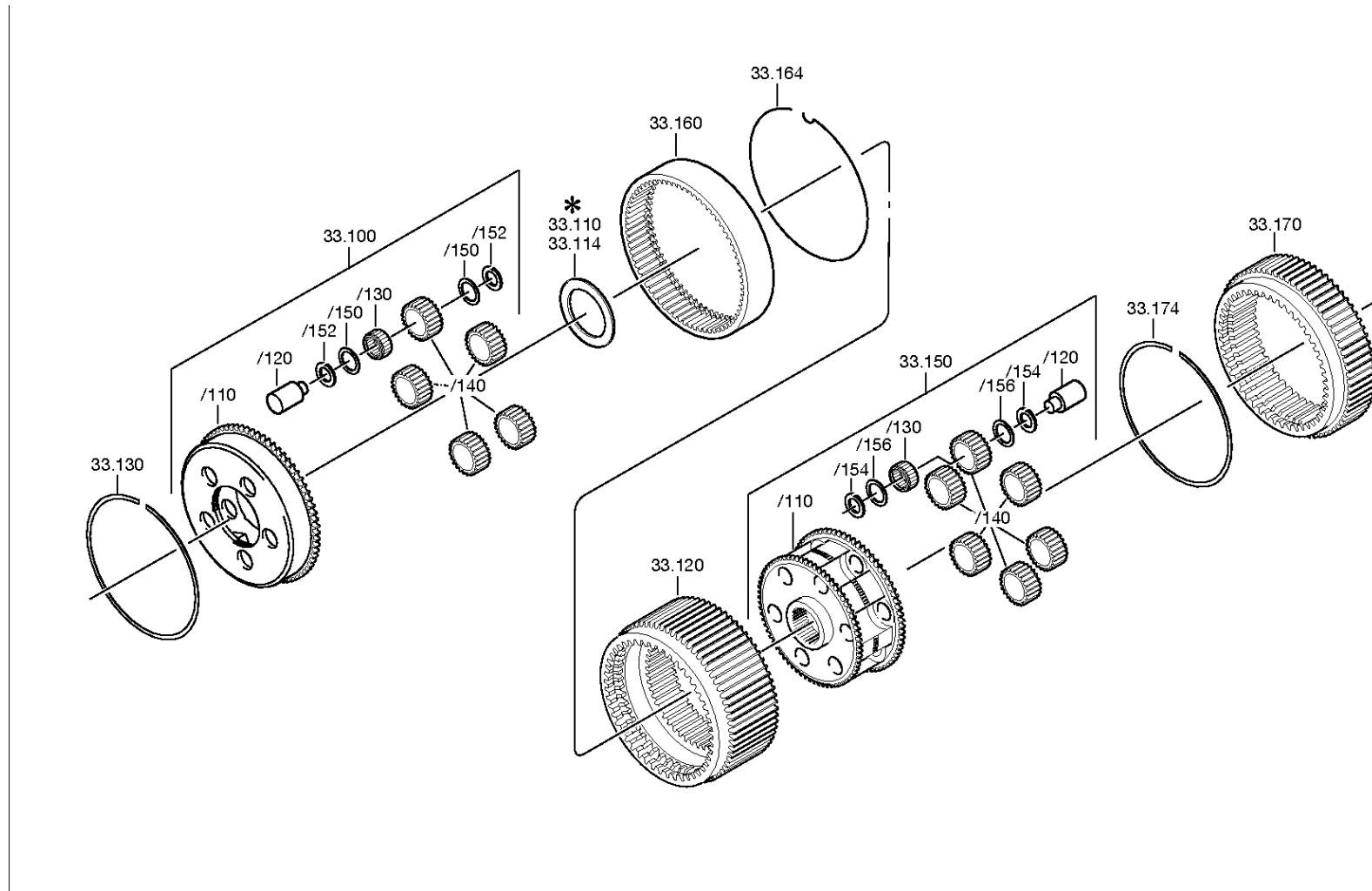


Plant

Page 2 from 2

Material number: 4236.065.303
Plate: 004.10.03-1
PLANETARY DRIVE

6 HP 602 S PLUS /
GEARBOX



Parts list

Page 1 from 3

Material number: 4236.065.303

6 HP 602 S PLUS /

Plate: 004.10.05-1

Material-assembly-group-no: 4236.133.002



Pos.	Material number	Customer material	Name	Quantity	ME	Amend. no.	Techn. Info.	Weight	Rep kit	Alternative material
10	4139.233.062	570016008	INPUT SHAFT	1			KPL. IN 4139 233 100(1)	0,000		
20	0750.115.518		NEEDLE SLEEVE	1			18,0X24,0X16,0	0,000		
30	0730.150.625	5006 22408	THRUST WASHER	1			A=1,00 IN 0730 150 624(2)	0,000		
40	4139.233.063		QUILL SHAFT	1			KPL.	0,000		
50	0735.320.791	5700 16408	NEEDLE CAGE	2			45,0X50,0X17,0 FA.INA	0,000		
60	0730.150.626		THRUST WASHER	1				0,000		
70	0735.320.792	5700 16808	NEEDLE CAGE	2			62,0X67,0X20,0 FA.INA	0,000		
74	0730.150.630	500623408	THRUST WASHER	1				0,000		
80	4139.233.205		DISC CARRIER	1			KPL.	0,000		
/110	4139.333.662	570016508	DISC CARRIER	1				0,000		
/120	4149.333.388		SUN GEAR	1		Z00005458610		0,000		
/130	0630.513.124	3150328400	SNAP RING	1				10		
90	0730.150.629		THRUST WASHER	1				0,000		
100	4139.233.193		PLANETARY DRIVE	1			KPL. I*HP600	0,000		
/110	4149.333.036		PLANET CARRIER	1			HP500	0,000		
/120	4139.333.242	5 5358 0	BEARING PIN	5				0,000		
/130	0735.320.508		NEEDLE CAGE	5			30,0X40,0X25,0 FA.INA	0,000		
/140	---		PLANET GEAR SET	1		C01007464D10		0,000		
---	4149.233.016		PLANET GEAR SET	1			KPL.BORUNGSHONEN	0,000		
---	4139.233.316		PLANET GEAR SET	1			KPL.	0,000		
/150	0730.104.081	5004494	THRUST WASHER	10			A=1,00 IN 0730 104 901(2)	0,000		
/152	0730.105.013	570017608	THRUST WASHER	10			ENTHALT.IN 0730 105 254(2)	0,000		
114	0730.150.628	5700 18308	THRUST WASHER	1			A=2,00 IN 0730 150 624(2)	0,000		
120	4139.333.247		RING GEAR	1		C01002302D10	Z85	0,000		
130	0730.513.168		RETAINING RING	1			ENTHALT.IN 0730 513 337(2)	0,000		
150	4149.233.006		PLANETARY DRIVE	1			KPL. II*HP600*ECO 2PLUS	0,000		
/110	4149.233.005		PLANET CARRIER	1			KPL.ECOMAT 2PLUS	0,000		
/120	4139.333.218	5 5357 0	BEARING PIN	6				0,000		
/130	0735.358.167		ROLLER CAGE	6			30,0X41,0X32,0 FA.INA	0,000		

Parts list

Page 2 from 3

Material number: 4236.065.303

6 HP 602 S PLUS /

Plate: 004.10.05-1

Material-assembly-group-no: 4236.133.002



Pos.	Material number	Customer material	Name	Quantity	ME	Amend. no.	Techn. Info.	Weight	Rep kit	Alternative material
/140	---		PLANET GEAR SET	1		C01006503D10		0,000		
---	4149.233.009		PLANET GEAR SET	1			KPL.BOHRUNGSHONEN	0,000		
---	4139.233.317		PLANET GEAR SET	1			KPL.	0,000		
/154	0730.104.081	5004494	THRUST WASHER	12			A=1,00 IN 0730 104 901(2)	0,000		
/156	0730.104.081	5004494	THRUST WASHER	12			A=1,00 IN 0730 104 901(2)	0,000		
160	4139.333.244		RING GEAR	1		C01002302D10	Z85	0,000		
164	0730.513.278	570018208	SNAP RING	1		C01002302D10	A=2,25	0,000		
170	4139.333.668		RING GEAR	1		C01002302D10		0,000		
174	0730.503.079	5006254	RETAINING RING	1		C01002302D10	ENTHALT.IN 0730 513 337(2)	0,000		
190	0730.150.627	570018908	THRUST WASHER	1				0,000		
200	5079.333.003		SUN GEAR	1				0,000		
230	0635.302.050	5006314	AXIAL NEEDLE CAGE	1			15X28X2	0,000		
240	---		AXIAL WASHER	3			H= 1,00- 1,80	0,000		
---	0730.104.948	5004493	AXIAL WASHER	3			A=1,80 IN 0730 104 944(2)	0,000		
---	0730.104.947		AXIAL WASHER	3			A=1,50 IN 0730 104 944(2)	0,000		
---	0730.104.946		AXIAL WASHER	3			A=1,20 IN 0730 104 944(2)	0,000		
---	0730.104.945		AXIAL WASHER	3			A=1,13 IN 0730 104 944(2)	0,000		
---	0635.290.030	5006315	AXIAL WASHER	3			15X28X1	0,000		
250	5079.333.004		SUN GEAR SHAFT	1				0,000		
260	0635.295.030	5004491	INNER RING	1			45X55X22	0,000		
268	0730.108.489		SPLIT RING	2			A=2,50	0,000		
270	0730.108.490		ANGLE RING	1			A=5,00	0,000		
280	---		SHIM	2			H= 1,00- 1,80(ABSTUFUNG:0,20MM)	0,000		
---	0730.105.596		SHIM	2			A=1,80 IN 0730 105 590(2)	0,000		

Parts list

Page 3 from 3

Material number: 4236.065.303

6 HP 602 S PLUS /

Plate: 004.10.05-1

Material-assembly-group-no: 4236.133.002



Pos.	Material number	Customer material	Name	Quantity	ME	Amend. no.	Techn. Info.	Weight	Rep kit	Alternative material
---	0730.105.597		SHIM	2			A=1,60 IN 0730 105 590(2)	0,000		
---	0730.105.598		SHIM	2			A=1,40 IN 0730 105 590(2)	0,000		
---	0730.105.599		SHIM	2			A=1,20 IN 0730 105 590(2)	0,000		
---	0730.105.600		SHIM	2			A=1,00 IN 0730 105 590(2)	0,000		

Plant

Page 1 from 2

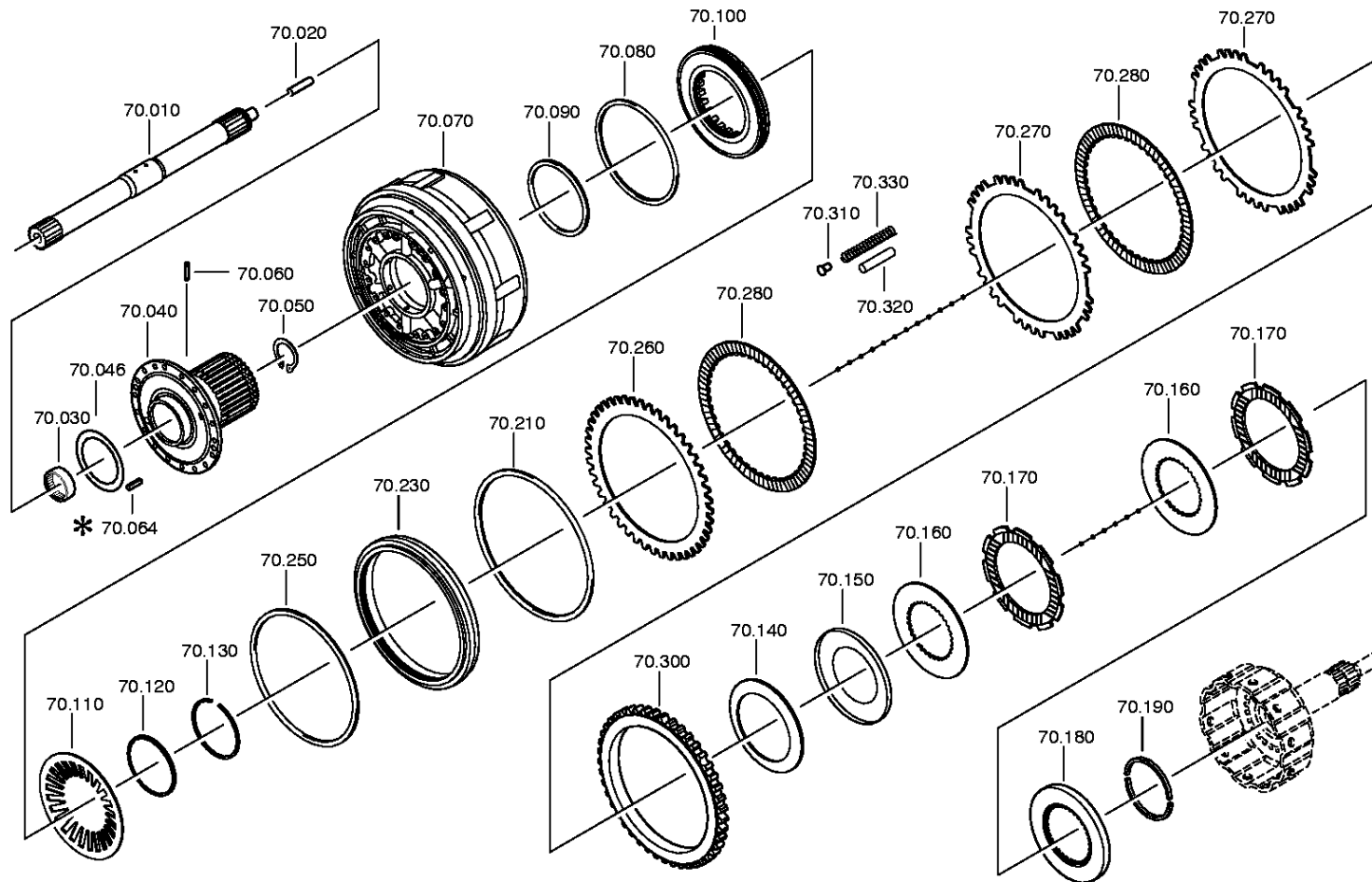
Material number: 4236.065.303

Plate: 004.13.04-1

Material-assembly-group-no: 4236.170.002

6 HP 602 S PLUS /

COUPLING



Plant

Page 2 from 2

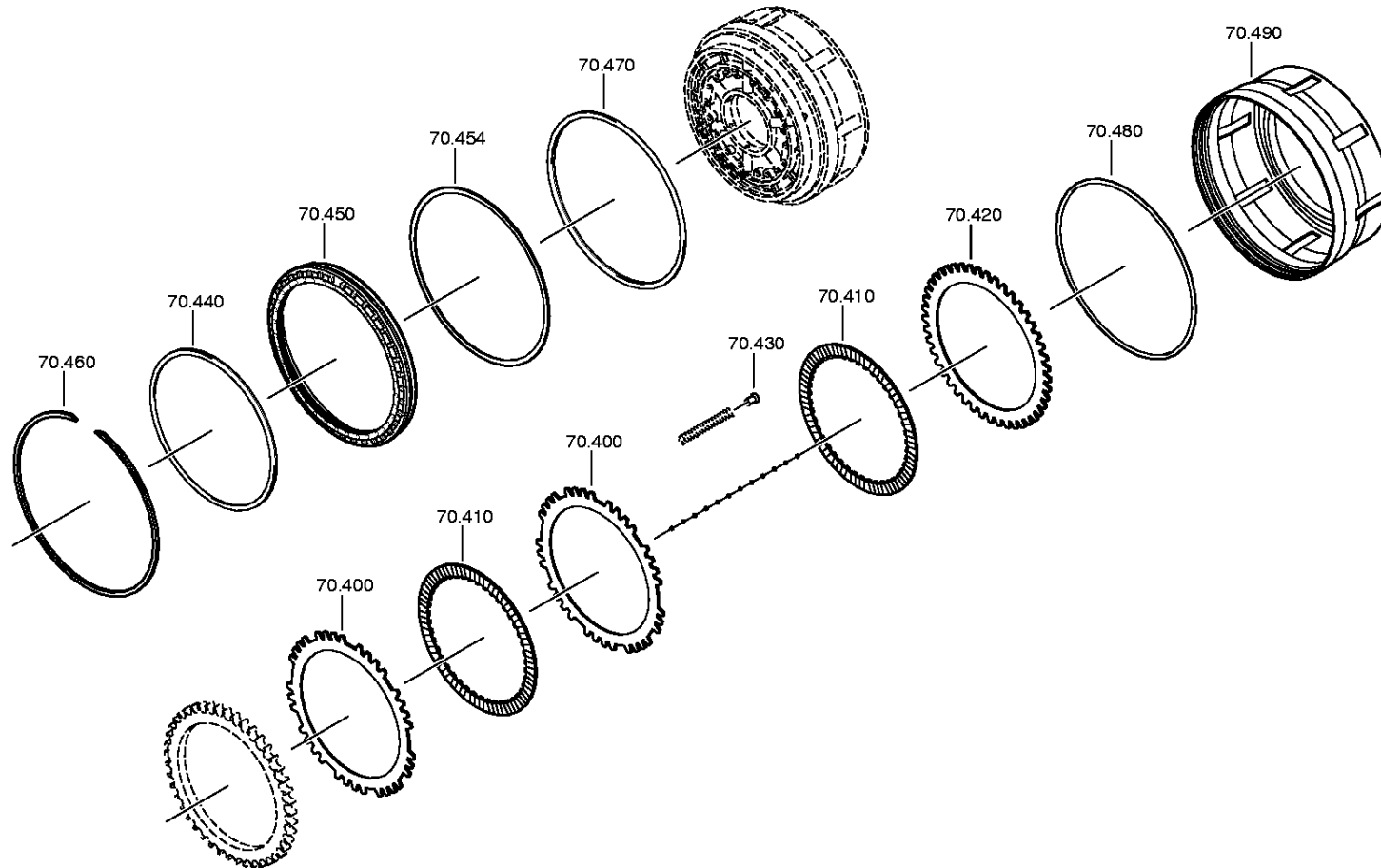
Material number: 4236.065.303

Plate: 004.13.04-2

Material-assembly-group-no: 4236.170.002

6 HP 602 S PLUS /

COUPLING



Parts list

Page 1 from 2

Material number: 4236.065.303

6 HP 602 S PLUS /

Plate: 004.13.04-1

Material-assembly-group-no: 4236.170.002



Pos.	Material number	Customer material	Name	Quantity	ME	Amend. no.	Techn. Info.	Weight	Rep kit	Alternative material
10	4139.370.078		TURBINE SHAFT	1				0,000		
20	0730.062.250	5006193	TUBE	1			A=46,00	0,000		
30	0750.115.519	8 8990 0	NEEDLE SLEEVE	1			45,0X52,0X16,0	0,000		
40	4149.333.020		HUB	1				0,000		
46	0730.300.717		WASHER	1		Z00009509110	A=1,65 A=1,65	0,000		
50	0630.531.047		RETAINING RING	1			38X2,5	8		
60	0635.490.065		NEEDLE ROLLER	3			4X29,8	0,000		
64	0631.329.095		SLOTPIN	2			10X18	0,000		
70	4149.270.010		CLUTCH CARRIER	1			KPL.ECO 2PLUS	0,000		
80	0501.320.375		SEALING RING	1			A-RING	0,000		
90	0501.320.376		SEALING RING	1			A-RING	0,000		
100	4149.370.061		PISTON	1				0,000		
110	0732.000.078	5006207	CUP SPRING	1				0,000		
120	4139.333.040	5006208	FIXING PLATE	1				0,000		
130	0630.513.028	5325-12-175-9319	SNAP RING	1				0,000		
140	0732.000.169	570220608	CUP SPRING	1				0,000		
150	4139.333.631	570220708	FIXING PLATE	1				0,000		
160	---		ICLUTCH DISC	8			H= 2,00- 2,50(ABSTUFUNG:0,50MM) A	0,000		
---	4139.333.765		ICLUTCH DISC	8			A=2,50 IN 4139 370 036(1)	0,000		
---	4139.333.036	5006220	ICLUTCH DISC	8			A=2,00 IN 4139 370 036(1)	0,000		
170	4139.270.035		OCLUTCH DISC	8			KPL.	0,000		
180	---		END SHIM	1				0,000		
---	4139.333.694	5365998771081	END SHIM	1				0,000		
---	4149.333.033		END SHIM	1			ZBR	0,000		
190	6600.300.048	500481908	SPLIT RING	2				0,000		
210	0501.320.370		SEALING RING	1			A-RING	0,000		
230	4149.370.035		PISTON	1			ECOMAT 2PLUS/KUPPL.B5	0,000		
250	0501.320.371		SEALING RING	1			A-RING	0,000		
260	4139.333.373	5004457	DISC	1			ENTHALT.IN 4139 333 372(1)	0,000		

Parts list

Page 2 from 2

Material number: 4236.065.303

6 HP 602 S PLUS /

Plate: 004.13.04-1

Material-assembly-group-no: 4236.170.002



Pos.	Material number	Customer material	Name	Quantity	ME	Amend. no.	Techn. Info.	Weight	Rep kit	Alternative material
270	---		OCLUTCH DISC	4			H= 2,00- 2,50(ABSTUFUNG:0,50MM) B/C	0,000		
---	4139.333.759		OCLUTCH DISC	4			A=2,50 IN 4139 333 758(1)	0,000		
---	4139.333.172	5006215	OCLUTCH DISC	4			A=2,00 IN 4139 333 758(1)	0,000		
280	4139.270.036		ICLUTCH DISC	5			KPL.	0,000		
300	4149.370.029		END SHIM	1			KUPPL. B/C (HP592/602)	0,000		
310	4139.333.197	5006216	PIN	9				0,000		
320	0731.201.560		PIN	2			ENTHALT.IN 0731 201 410(2)	0,000		
330	0732.041.421	5004460	COMPRSPRING	9				0,000		
400	---		OCLUTCH DISC	3			H= 2,50- 3,00(ABSTUFUNG:0,50MM) C	0,000		
---	4149.370.001		OCLUTCH DISC	3			A=3,00 IN 4149 370 003(1)	0,000		
---	4149.370.004		OCLUTCH DISC	3			A=2,50 IN 4149 370 003(1)	0,000		
410	4139.270.036		ICLUTCH DISC	4			KPL.	0,000		
420	4139.333.437	500497408	DISC	1				0,000		
430	4139.333.197	5006216	PIN	9				0,000		
440	0501.320.369		SEALING RING	1			A-RING	0,000		
450	4149.270.007		PISTON	1			KPL.C*A-RING*ECOMAT 2PLUS	0,000		
454	4139.370.016		RING	1				0,000		
460	0730.513.120	5006198	RETAINING RING	1				0,000		
470	0501.320.377		SEALING RING	1			A-RING	0,000		
480	0634.349.521	5004465	O-RING	1			310X2,5	0,000		
490	4149.370.002		POT	1				0,000		

Plant

Page 1 from 1

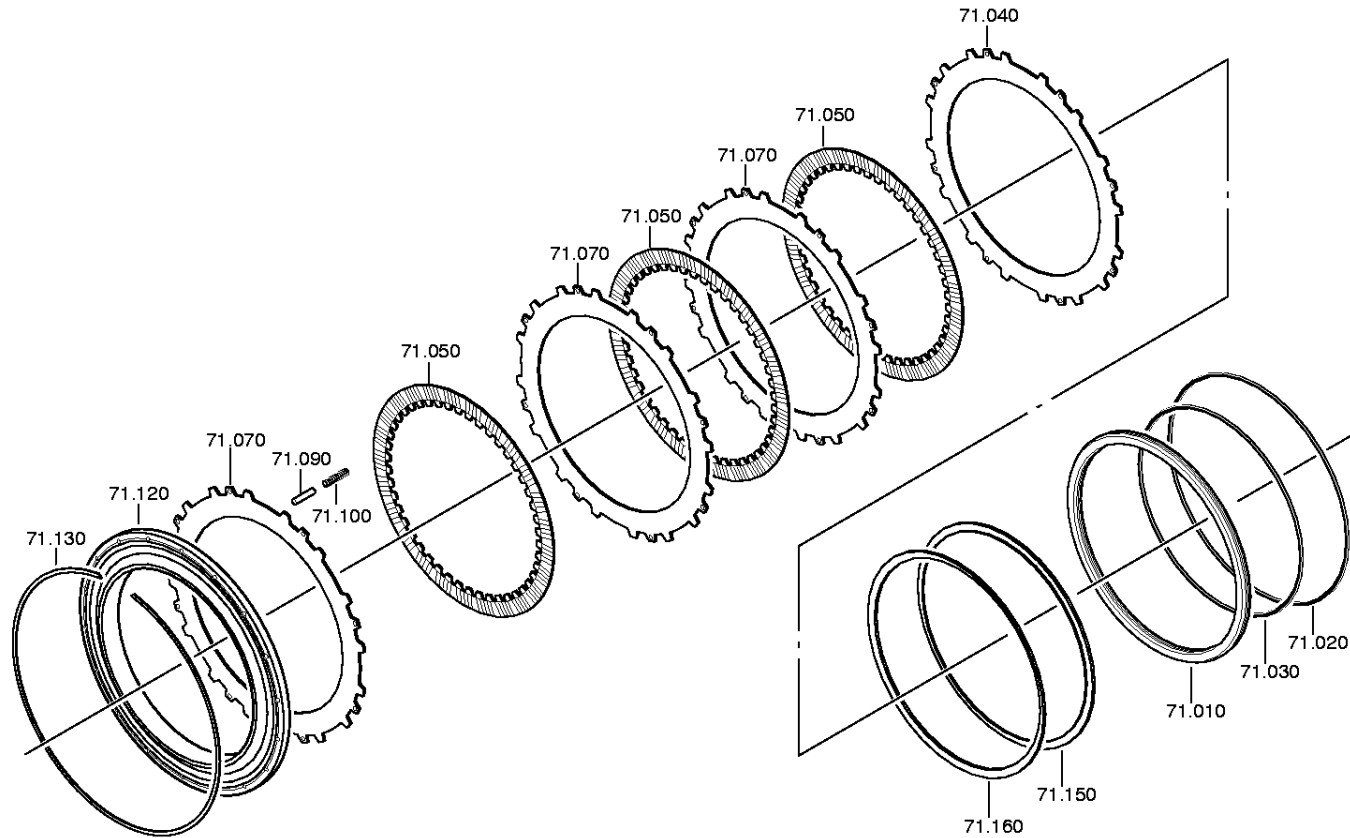
Material number: 4236.065.303

Plate: 004.14.02-1

Material-assembly-group-no: 4149.171.005

6 HP 602 S PLUS /

BRAKE



Parts list

Page 1 from 1

Material number: 4236.065.303

6 HP 602 S PLUS /

Plate: 004.14.02-1

Material-assembly-group-no: 4149.171.005



Pos.	Material number	Customer material	Name	Quantity	ME	Amend. no.	Techn. Info.	Weight	Rep kit	Alternative material
10	4149.371.001		PISTON	1				0,000		
20	0734.307.303		LIP SEALING RING	1		Z00021043510	258,6X275,3X5,2/5,7	0,000		
30	0734.307.304		LIP SEALING RING	1		Z00021043510	247,5X264,4X5,2/5,7	0,000		
40	4139.333.263	5004469	OCLUTCH DISC	1			A=3,00 IN 4139 333 760(1)	0,000		
50	4139.233.307		ICLUTCH DISC	4		C01004053D10	KPL.	0,000		
70	---		OCLUTCH DISC	4			H= 2,00- 3,50(ABSTUFUNG:0,50MM) D	0,000		
---	4139.333.263	5004469	OCLUTCH DISC	4			A=3,00 IN 4139 333 760(1)	0,000		
---	4139.333.745		OCLUTCH DISC	4			A=2,50 IN 4139 333 760(1)	0,000		
---	4139.333.015	5006242	OCLUTCH DISC	4			A=2,00 IN 4139 333 760(1)	0,000		
---	4149.333.009		OCLUTCH DISC	4			A=3,5 IN 4139 333 760(1)	0,000		
90	0731.201.483	5700 17008	PIN	8				0,000		
100	0732.042.471		COMPRSPRING	8				0,000		
120	4149.371.005		END SHIM	1				0,000		
130	0630.513.178	500515908	SNAP RING	1				0,000		
150	4149.371.007		SPRING HOLDER	1				0,000		
160	0750.106.078		CUP SPRING	1				0,000		

Plant

Page 1 from 1

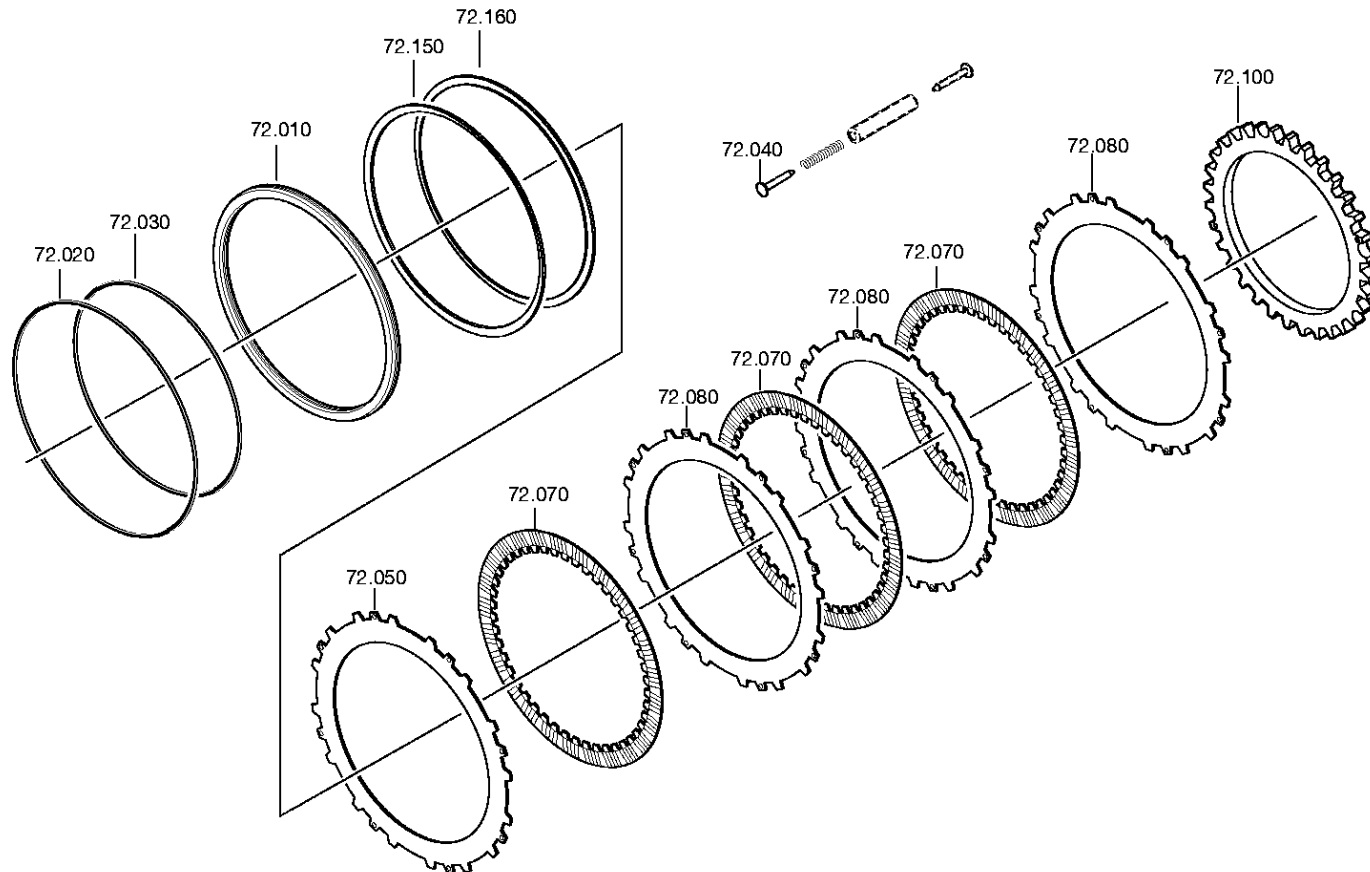
Material number: 4236.065.303

Plate: 004.15.04-1

Material-assembly-group-no: 4149.172.017

6 HP 602 S PLUS /

BRAKE



Parts list

Page 1 from 1

Material number: 4236.065.303

6 HP 602 S PLUS /

Plate: 004.15.04-1

Material-assembly-group-no: 4149.172.017



Pos.	Material number	Customer material	Name	Quantity	ME	Amend. no.	Techn. Info.	Weight	Rep kit	Alternative material
10	4149.371.001		PISTON	1				0,000		
20	0734.307.303		LIP SEALING RING	1		Z00021043510	258,6X275,3X5,2/5,7	0,000		
30	0734.307.304		LIP SEALING RING	1		Z00021043510	247,5X264,4X5,2/5,7	0,000		
40	0731.201.541		PIN	8			KPL. IN 0731 201 542(2)	0,000		
50	4139.333.766		OCLUTCH DISC	1			A=3,00 IN 4139 333 760(1)	0,000		
70	4139.233.307		ICLUTCH DISC	7		C01004053D10	KPL.	0,000		
80	---		OCLUTCH DISC	6			H= 2,00- 3,50(ABSTUFUNG:0,50MM) E/ F/G	0,000		
---	4139.333.766		OCLUTCH DISC	6			A=3,00 IN 4139 333 760(1)	0,000		
---	4139.333.745		OCLUTCH DISC	6			A=2,50 IN 4139 333 760(1)	0,000		
---	4139.333.015	5006242	OCLUTCH DISC	6			A=2,00 IN 4139 333 760(1)	0,000		
---	4149.333.009		OCLUTCH DISC	6			A=3,5 IN 4139 333 760(1)	0,000		
100	4149.372.006		PRESSURE RING	1			E12/14*O.NBS	0,000		
150	4149.371.007		SPRING HOLDER	1				0,000		
160	0750.106.078		CUP SPRING	1				0,000		

Plant

Page 1 from 1

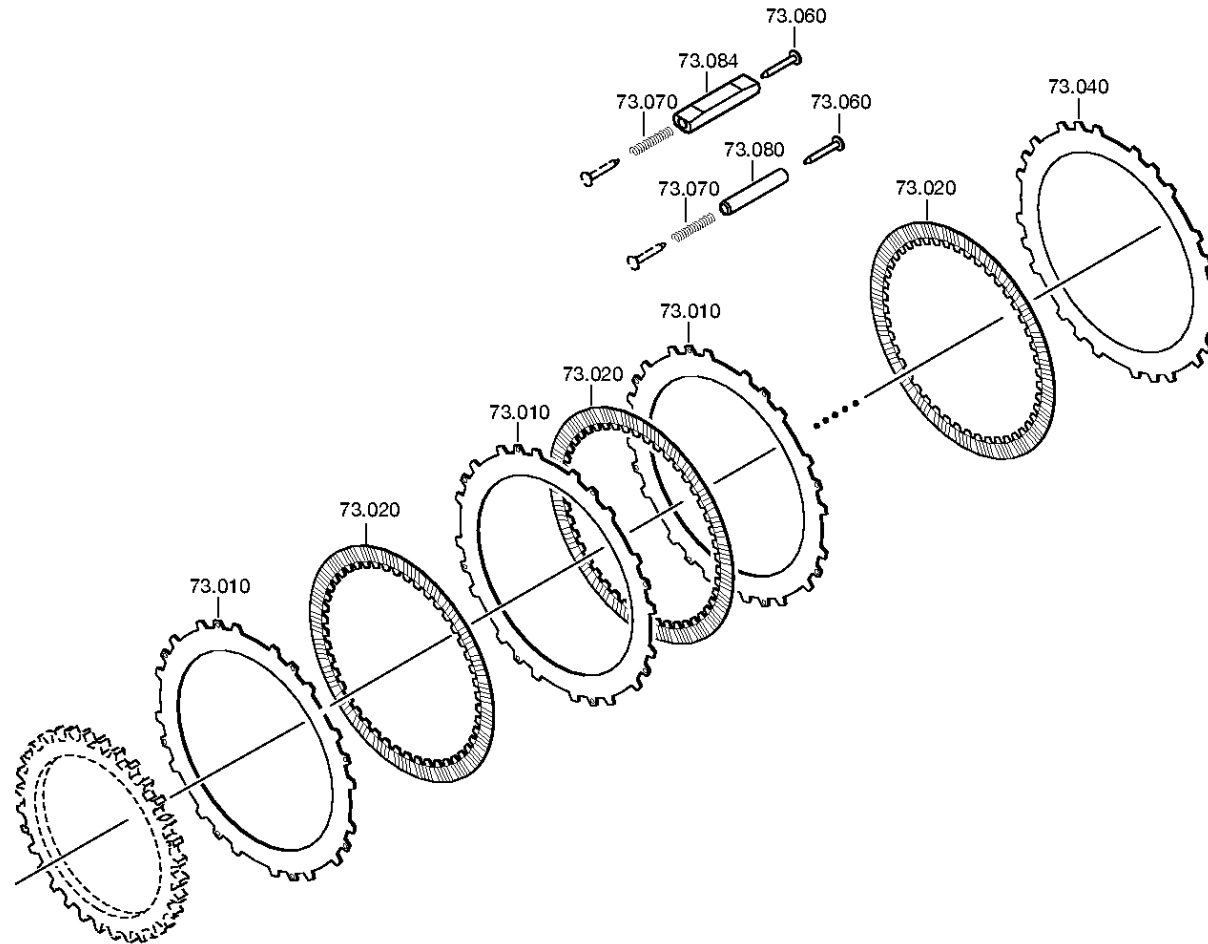
Material number: 4236.065.303

Plate: 004.16.10-1

Material-assembly-group-no: 4236.173.002

6 HP 602 S PLUS /

BRAKE



Parts list

Page 1 from 1

Material number: 4236.065.303

6 HP 602 S PLUS /

Plate: 004.16.10-1

Material-assembly-group-no: 4236.173.002



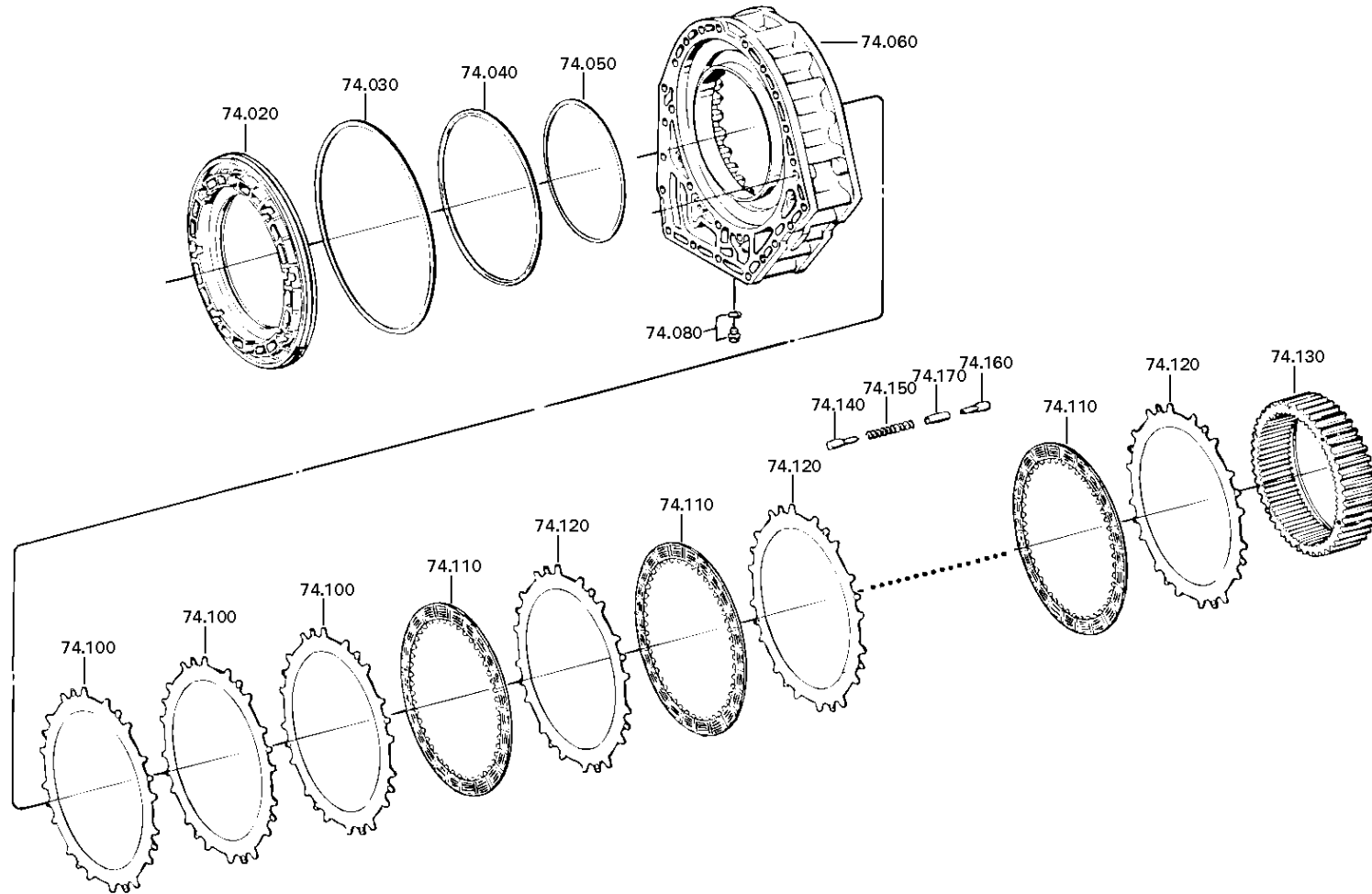
Pos.	Material number	Customer material	Name	Quantity	ME	Amend. no.	Techn. Info.	Weight	Rep kit	Alternative material
10	---		OCLUTCH DISC	7			H= 2,00- 3,50(ABSTUFUNG:0,50MM) E/ F/G	0,000		
---	4139.333.766		OCLUTCH DISC	7			A=3,00 IN 4139 333 760(1)	0,000		
---	4139.333.745		OCLUTCH DISC	7			A=2,50 IN 4139 333 760(1)	0,000		
---	4139.333.015	5006242	OCLUTCH DISC	7			A=2,00 IN 4139 333 760(1)	0,000		
---	4149.333.009		OCLUTCH DISC	7			A=3,5 IN 4139 333 760(1)	0,000		
20	4139.233.307		ICLUTCH DISC	8			KPL.	0,000		
40	4139.373.029	5004 99308	OCLUTCH DISC	1				0,000		
60	0731.201.541		PIN	8			KPL. IN 0731 201 542(2)	0,000		
70	0732.041.409		COMPRSPRING	8				17		
80	0730.161.355		TUBE	6			A=85,00	0,000		
84	4149.373.019		SLEEVE	2			A=82,50 O.MECH.NBS	0,000		

Plant

Page 1 from 2

Material number: 4236.065.303
Plate: 004.17.01-1
BRAKE

6 HP 602 S PLUS /
BRAKE

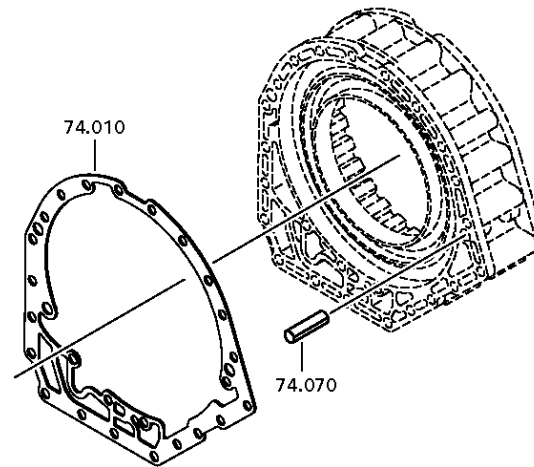


Plant

Page 2 from 2

Material number: 4236.065.303
Plate: 004.17.80-1
BRAKE

6 HP 602 S PLUS /
BRAKE



Parts list

Page 1 from 1

Material number: 4236.065.303

6 HP 602 S PLUS /

Plate: 004.17.01-1

Material-assembly-group-no: 4139.174.001



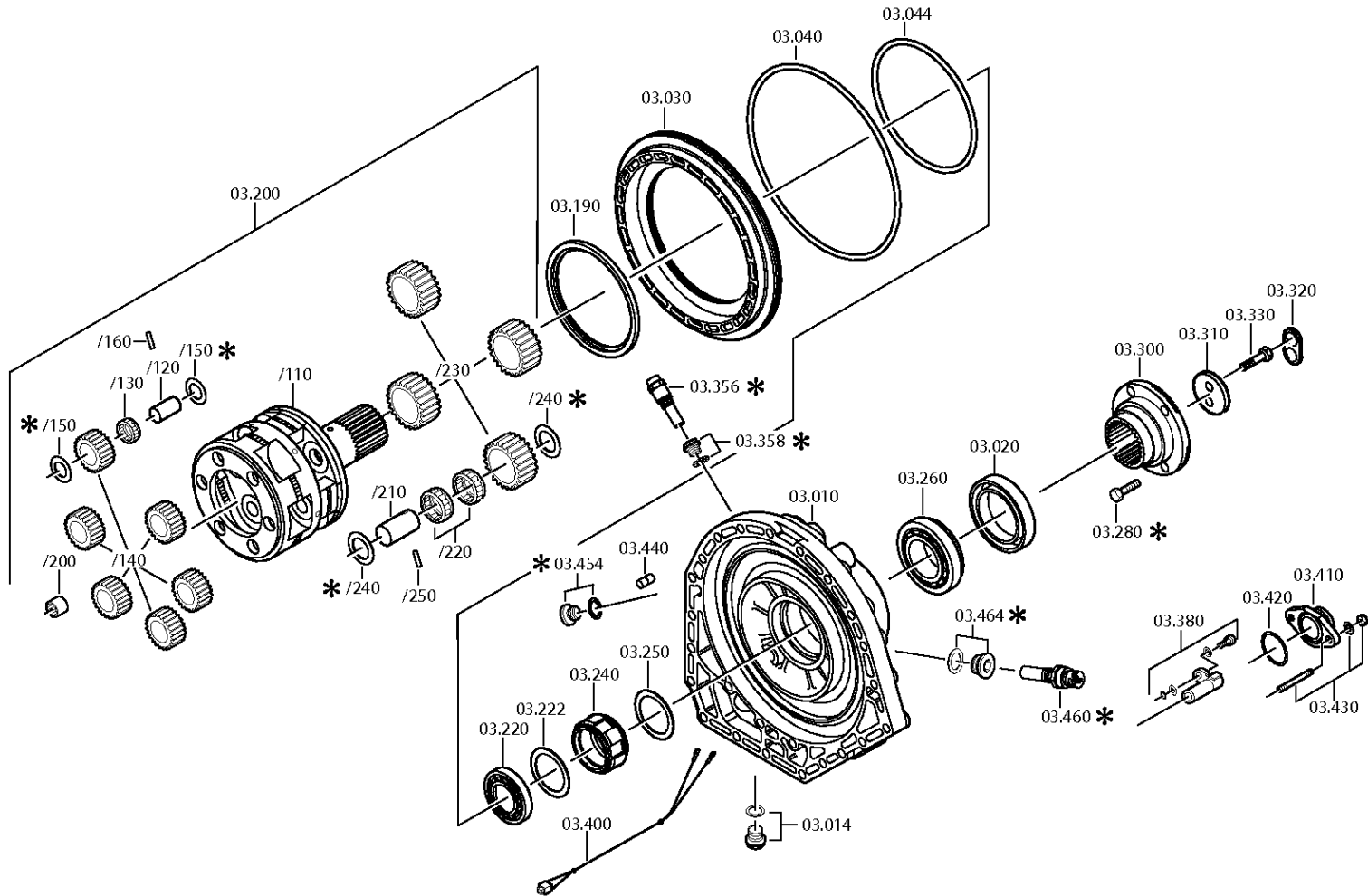
Pos.	Material number	Customer material	Name	Quantity	ME	Amend. no.	Techn. Info.	Weight	Rep kit	Alternative material
10	4139.301.618	5 5347 0	GASKET	1				0,000		
20	4139.373.025		PISTON	1			A=24,0 IN 4139 373 023(0)	0,000		
30	0734.307.302		LIP SEALING RING	1		Z00021043510	291,7X309,1X5,2/5,7	0,000		
40	0734.300.504		PISTON RING	1		Z00021043510	250,0X260,0X2,2	0,000		
50	0734.300.503		PISTON RING	1		Z00021043510	210,0X220,0X2,2	0,000		
60	4139.301.531		INTERMHOUSING	1			ENTHALT.IN 4139 301 475(0)	0,000		
70	0631.329.278		SLOTPIN	1			16X40	0,000		
80	---		SCREW PLUG	1		Z00010111617	12N.M*DICHTRING M10X1	0,000		
---	0636.100.793		SCREW PLUG	1		Z00010111619	M10X1	0,000		
---	0634.801.015	99700010386	SEALING RING	1		Z00010111619	10X14	0,001		
100	4139.333.335	5004485	OCLUTCH DISC	3			A=2,00 IN 4139 374 005(1)	0,000		
110	4139.233.309		ICLUTCH DISC	9		C01006975A10	KPL. BREMSE G	0,000		
120	---		OCLUTCH DISC	9			H= 2,00- 2,50(ABSTUFUNG:0,50MM) G/F	0,000		
---	4139.333.768		OCLUTCH DISC	9			A=2,50 IN 4139 374 005(1)	0,000		
---	4139.333.335	5004485	OCLUTCH DISC	9			A=2,00 IN 4139 374 005(1)	0,000		
130	4139.333.317	5004486	RING GEAR	1			Z92	0,000		
140	4139.333.342	5004483	GUIDE PIN	8			ENTHALT.IN 4139 333 340(3)	0,000		
150	0732.041.846		COMPRSPRING	8				0,000		
160	4139.333.343	5004481	GUIDE PIN	8			ENTHALT.IN 4139 333 847(2)	0,000		
170	4139.333.656		TUBE	8			ENTHALT.IN 4139 333 655(2)	0,000		

Plant

Page 1 from 2

Material number: 4236.065.303
Plate: 095.20.03-1
OUTPUT

6 HP 602 S PLUS /
OUTPUT

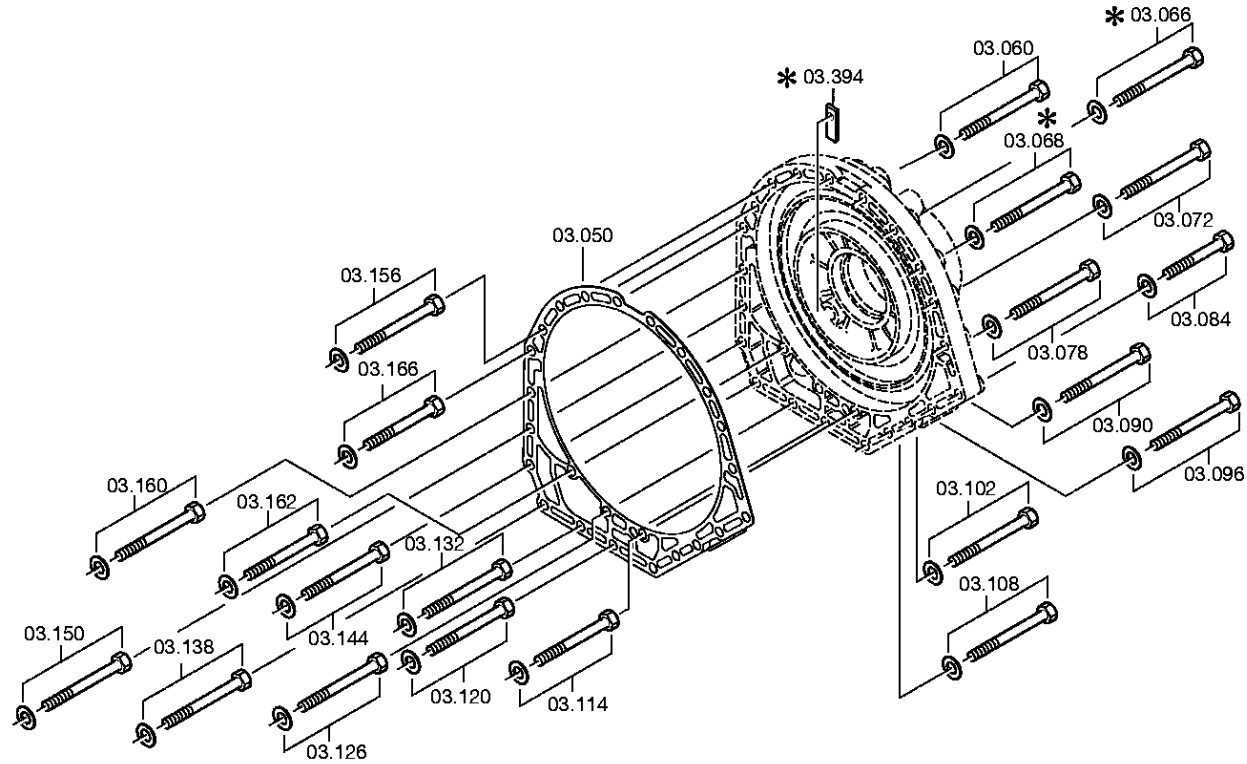


Plant

Page 2 from 2

Material number: 4236.065.303
Plate: 004.20.67-1
OUTPUT

6 HP 602 S PLUS /
OUTPUT



Parts list

Page 1 from 7

Material number: 4236.065.303

6 HP 602 S PLUS /

Plate: 095.20.03-1

Material-assembly-group-no: 4236.103.016



Pos.	Material number	Customer material	Name	Quantity	ME	Amend. no.	Techn. Info.	Weight	Rep kit	Alternative material
10	4149.203.021		OUTPUT COVER	1			KPL.	0,000		
14	---		SCREW PLUG	1		Z00010171915	35N.M*DICHTRING M18X1,5	0,000		
---	0636.100.825		SCREW PLUG	1		Z00010171918	M18X1,5	0,000		
---	0634.801.057	05147	SEALING RING	1		Z00010171918	18X22	0,002		
20	---		SHAFT SEAL	1			90X125X12	0,000		
---	0734.319.052	5 8187 0	SHAFT SEAL	1		Z00009515710	90X125X12	0,000		
30	4149.374.004		PISTON	1			ENTHALT.IN 4149 374 001(0)	0,000		
40	0734.307.302		LIP SEALING RING	1			291,7X309,1X5,2/5,7	0,000		
44	0734.300.503		PISTON RING	1			210,0X220,0X2,2	0,000		
50	4139.301.618	5 5347 0	GASKET	1				0,000		
60	---		HEXAGON BOLT	4		Z00007361210	M10X155	0,000		
---	0636.100.363		HEXAGON BOLT	4		Z00007361212	M10X155	0,000		
---	0630.100.294		WASHER	4		Z00007158112		0,000		
66	---		HEXAGON BOLT	2		Z00007361210	M10X155	0,000		
---	0636.100.363		HEXAGON BOLT	2		Z00007361212	M10X155	0,000		
---	0630.100.294		WASHER	2		Z00007158112		0,000		
72	---		HEXAGON BOLT	1		Z00007176511		0,000		
---	0636.100.364		HEXAGON BOLT	1		Z00007176516	M10X160	0,000		
---	0630.100.294		WASHER	1		Z00007158113		0,000		
78	---		HEXAGON BOLT	1		Z00007176511		0,000		
---	0636.100.364		HEXAGON BOLT	1		Z00007176516	M10X160	0,000		
---	0630.100.294		WASHER	1		Z00007158113		0,000		
84	---		HEXAGON BOLT	1		Z00007361210	M10X155	0,000		
---	0636.100.363		HEXAGON BOLT	1		Z00007361212	M10X155	0,000		
---	0630.100.294		WASHER	1		Z00007158112		0,000		
90	---		HEXAGON BOLT	1		Z00007176511	M10X160	0,000		
---	0636.100.364		HEXAGON BOLT	1		Z00007176517	M10X160	0,000		
---	0630.010.031		WASHER	1		Z00007359310		0,000		
96	---		HEXAGON BOLT	1		Z00007176511	M10X160	0,000		
---	0636.100.364		HEXAGON BOLT	1		Z00007176517	M10X160	0,000		
---	0630.010.031		WASHER	1		Z00007359310		0,000		
102	---		HEXAGON BOLT	1		Z00007176511	M10X160	0,000		

Parts list

Page 2 from 7

Material number: 4236.065.303

6 HP 602 S PLUS /

Plate: 095.20.03-1

Material-assembly-group-no: 4236.103.016



Pos.	Material number	Customer material	Name	Quantity	ME	Amend. no.	Techn. Info.	Weight	Rep kit	Alternative material
---	0636.100.364		HEXAGON BOLT	1		Z00007176517	M10X160	0,000		
---	0630.010.031		WASHER	1		Z00007359310		0,000		
108	---		HEXAGON BOLT	1		Z00007176511	M10X160	0,000		
---	0636.100.364		HEXAGON BOLT	1		Z00007176517	M10X160	0,000		
---	0630.010.031		WASHER	1		Z00007359310		0,000		
114	---		HEXAGON BOLT	1		Z00007362011	M10X175	0,000		
---	0636.100.366		HEXAGON BOLT	1		Z00007362014	M10X175	0,000		
---	0630.100.294		WASHER	1		Z00007158112		0,000		
120	---		HEXAGON BOLT	1		Z00007361210	M10X155	0,000		
---	0636.100.363		HEXAGON BOLT	1		Z00007361212	M10X155	0,000		
---	0630.100.294		WASHER	1		Z00007158112		0,000		
126	---		HEXAGON BOLT	1		Z00007361210	M10X155	0,000		
---	0636.100.363		HEXAGON BOLT	1		Z00007361212	M10X155	0,000		
---	0630.100.294		WASHER	1		Z00007158112		0,000		
132	---		HEXAGON BOLT	1		Z00007176511	M10X160	0,000		
---	0636.100.364		HEXAGON BOLT	1		Z00007176517	M10X160	0,000		
---	0630.010.031		WASHER	1		Z00007359310		0,000		
138	---		HEXAGON BOLT	1		Z00007176511	M10X160	0,000		
---	0636.100.364		HEXAGON BOLT	1		Z00007176517	M10X160	0,000		
---	0630.010.031		WASHER	1		Z00007359310		0,000		
144	---		HEXAGON BOLT	1		Z00007176511	M10X160	0,000		
---	0636.100.364		HEXAGON BOLT	1		Z00007176517	M10X160	0,000		
---	0630.010.031		WASHER	1		Z00007359310		0,000		
150	---		HEXAGON BOLT	1		Z00007176511	M10X160	0,000		
---	0636.100.364		HEXAGON BOLT	1		Z00007176517	M10X160	0,000		
---	0630.010.031		WASHER	1		Z00007359310		0,000		
156	---		HEXAGON BOLT	1		Z00007361210	M10X155	0,000		
---	0636.100.363		HEXAGON BOLT	1		Z00007361212	M10X155	0,000		
---	0630.100.294		WASHER	1		Z00007158112		0,000		
160	---		HEXAGON BOLT	1		Z00007361210	M10X155	0,000		
---	0636.100.363		HEXAGON BOLT	1		Z00007361212	M10X155	0,000		
---	0630.100.294		WASHER	1		Z00007158112		0,000		
162	---		HEXAGON BOLT	1		Z00007362011	M10X175	0,000		
---	0636.100.366		HEXAGON BOLT	1		Z00007362014	M10X175	0,000		

Parts list

Page 3 from 7

Material number: 4236.065.303

6 HP 602 S PLUS /

Plate: 095.20.03-1

Material-assembly-group-no: 4236.103.016



Pos.	Material number	Customer material	Name	Quantity	ME	Amend. no.	Techn. Info.	Weight	Rep kit	Alternative material
---	0630.100.294		WASHER	1		Z00007158112		0,000		
166	---		HEXAGON BOLT	1		Z00007361210	M10X155	0,000		
---	0636.100.363		HEXAGON BOLT	1		Z00007361212	M10X155	0,000		
---	0630.100.294		WASHER	1		Z00007158112		0,000		
190	4149.303.015		THRUST RING	1				0,000		
200	5079.233.003		PLANETARY DRIVE	1			KPL. III*HP900*5,60	0,000		
/110	5079.233.002		PLANET CARRIER	1			KPL. ERZ.	0,000		
/120	5079.310.008		BEARING PIN	6				0,000		
/130	0735.358.167		ROLLER CAGE	6			30,0X41,0X32,0 FA.INA	0,000		
/140	---		PLANET GEAR SET	1		C01006503D10		0,000		
---	4149.233.009		PLANET GEAR SET	1			KPL.BOHRUNGSHONEN	0,000		
---	4139.233.317		PLANET GEAR SET	1			KPL.	0,000		
/150	0730.104.081	5004494	THRUST WASHER	24			A=1,00 IN 0730 104 901(2)	0,000		
/160	0501.315.917		SLOTPIN	6				0,000		
/200	0735.298.132		NEEDLE SLEEVE	1			55,0X63,0X20,0 FA.INA	0,000		
/210	4139.333.312	5004502	BEARING PIN	4				0,000		
/220	0735.320.694	5004501	NEEDLE CAGE	8			48,0X58,0X30,0 FA.INA	0,000		
/230	4139.298.926	5004499	PLANET GEAR SET	1			KPL.	0,000		
/240	0730.103.505	5004498	THRUST WASHER	16			A=1,00 IN 0730 104 901(2)	0,000		
/250	0501.315.917		SLOTPIN	4				0,000		
220	---		TAROLLBEARING	1			70,0X110,0X25,0	0,000		
---	0750.117.625	5 8066 0	TAROLLBEARING	1			70,000X110,000X25,000	0,840		
222	0730.009.583		WASHER	1			A=3,00	0,000		
240	4149.303.013		TOOTHED RING	1			Z6	0,000		
250	---		WASHER	1			H= 0,40- 1,20	0,000		
---	0730.103.586	5006344	WASHER	1			A=1,20 IN 0730 106 665(2)	0,000		
---	0730.008.869		WASHER	1		C01003625B10	A=1,15 IN 0730 106 665(2)	0,000		
---	0730.103.587		WASHER	1			A=1,10 IN 0730 106 665(2)	0,000		

Parts list

Page 4 from 7

Material number: 4236.065.303

6 HP 602 S PLUS /

Plate: 095.20.03-1

Material-assembly-group-no: 4236.103.016



Pos.	Material number	Customer material	Name	Quantity	ME	Amend. no.	Techn. Info.	Weight	Rep kit	Alternative material
---	0730.106.668		WASHER	1			A=1,05 IN 0730 106 665(2)	0,000		
---	0730.103.588		WASHER	1			A=1,00 IN 0730 106 665(2)	0,000		
---	0730.106.667		WASHER	1			A=0,95 IN 0730 106 665(2)	0,000		
---	0730.106.666		WASHER	1			A=0,90 IN 0730 106 665(2)	0,000		
---	0730.008.868		WASHER	1		C01003625B10	A=0,85 IN 0730 106 665(2)	0,000		
---	0730.103.589		WASHER	1			A=0,80 IN 0730 106 665(2)	0,000		
---	0730.103.590		WASHER	1			A=0,60 IN 0730 106 665(2)	0,000		
---	0730.103.591		WASHER	1			A=0,40 IN 0730 106 665(2)	0,000		
260	---		TAROLLBEARING	1			70,0X125,0X26,2	0,000		
---	0750.117.621		TAROLLBEARING	1			70,0X125,0X26,2	1,290		
280	---		HEXAGON BOLT	4			SCHUTZHUELSE M14X1,5X50	0,000		
---	0636.020.211		HEXAGON BOLT	4			M14X1,5X50	0,080		
300	4139.303.172		OUTPUT FLANGE	1				0,000		
310	4139.303.239		WASHER	1				0,000		
320	---		TAB WASHER	1				0,000		
---	1250.304.353	00560852	TAB WASHER	1			ENTHALT.IN 1313 304 043(2)	14		
330	0636.016.417		HEXAGON BOLT	2		Z00007976513	M12X30	0,000		
356	---		PULSE SENSOR	1		Z00011501210	L=35.0*35N. M.*BAJONETT* FLÄCHENDICHTUNG	0,000		
---	0501.220.123		PULSE SENSOR	1		Z00016787810		0,000		
380	---		INDTRANSMITTER	1			SCHEIBE	0,000		
---	0501.314.432		INDTRANSMITTER	1				0,028		
---	---		WASHER	1			H= 0,08- 6,00	0,000		

Parts list

Page 5 from 7

Material number: 4236.065.303

6 HP 602 S PLUS /

Plate: 095.20.03-1

Material-assembly-group-no: 4236.103.016



Pos.	Material number	Customer material	Name	Quantity	ME	Amend. no.	Techn. Info.	Weight	Rep kit	Alternative material
---	0730.008.442		WASHER	1			A=6,00 IN 0730 008 416(2)	0,000		
---	0730.008.441		WASHER	1			A=5,80 IN 0730 008 416(2)	0,000		
---	0730.008.440		WASHER	1			A=5,60 IN 0730 008 416(2)	0,000		
---	0730.008.439		WASHER	1			A=5,40 IN 0730 008 416(2)	0,000		
---	0730.008.438		WASHER	1			A=5,20 IN 0730 008 416(2)	0,000		
---	0730.008.437		WASHER	1			A=5,00 IN 0730 008 416(2)	0,000		
---	0730.008.436		WASHER	1			A=4,80 IN 0730 008 416(2)	0,000		
---	0730.008.435		WASHER	1			A=4,60 IN 0730 008 416(2)	0,000		
---	0730.008.434		WASHER	1			A=4,40 IN 0730 008 416(2)	0,000		
---	0730.008.433		WASHER	1			A=4,20 IN 0730 008 416(2)	0,000		
---	0730.008.432		WASHER	1			A=4,00 IN 0730 008 416(2)	0,000		
---	0730.008.431		WASHER	1			A=3,80 IN 0730 008 416(2)	0,000		
---	0730.008.430		WASHER	1			A=3,60 IN 0730 008 416(2)	0,000		
---	0730.008.429		WASHER	1			A=3,20 IN 0730 008 416(2)	0,000		
---	0730.008.428		WASHER	1			A=3,00 IN 0730 008 416(2)	0,000		
---	0730.009.198		WASHER	1			A=2,90 IN 0730 008 416(2)	0,000		
---	0730.008.427		WASHER	1			A=2,80 IN 0730 008 416(2)	0,000		

Parts list

Page 6 from 7

Material number: 4236.065.303

6 HP 602 S PLUS /

Plate: 095.20.03-1

Material-assembly-group-no: 4236.103.016



Pos.	Material number	Customer material	Name	Quantity	ME	Amend. no.	Techn. Info.	Weight	Rep kit	Alternative material
---	0730.009.197		WASHER	1			A=2,70 IN 0730 008 416(2)	0,000		
---	0730.008.426		WASHER	1			A=2,60 IN 0730 008 416(2)	2,500		
---	0730.009.196		WASHER	1			A=2,50 IN 0730 008 416(2)	0,002		
---	0730.008.425		WASHER	1			A=2,40 IN 0730 008 416(2)	2,200		
---	0730.008.424		WASHER	1			A=2,20 IN 0730 008 416(2)	2		
---	0730.009.195		WASHER	1			A=2,10 IN 0730 008 416(2)	0,010		
---	0730.008.423		WASHER	1			A=2,00 IN 0730 008 416(2)	2		
---	0730.009.194		WASHER	1			A=1,90 IN 0730 008 416(2)	0,002		
---	0730.008.422		WASHER	1			A=1,80 IN 0730 008 416(2)	1,800		
---	0730.009.193		WASHER	1			A=1,70 IN 0730 008 416(2)	0,010		
---	0730.008.421		WASHER	1			A=1,60 IN 0730 008 416(2)	1,500		
---	0730.009.192		WASHER	1			A=1,50 IN 0730 008 416(2)	0,001		
---	0730.008.420		WASHER	1			A=1,40 IN 0730 008 416(2)	0,002		
---	0730.009.191		WASHER	1			A=1,30 IN 0730 008 416(2)	0,001		
---	0730.008.419		WASHER	1			A=1,20 IN 0730 008 416(2)	1,200		
---	0730.008.418		WASHER	1			A=1,00 IN 0730 008 416(2)	1		
---	0730.008.417		WASHER	1			A=0,80 IN 0730 008 416(2)	0,000		
---	0736.300.186		TORX SCREW	1		Z00009168910	M6X45 M6X45	0,000		

Parts list

Page 7 from 7

Material number: 4236.065.303

6 HP 602 S PLUS /

Plate: 095.20.03-1

Material-assembly-group-no: 4236.103.016



Pos.	Material number	Customer material	Name	Quantity	ME	Amend. no.	Techn. Info.	Weight	Rep kit	Alternative material
---	0634.313.016		O-RING	1			4X1,5	0,000		
400	4234.206.006		CABLE CONNECT	1			KPL.ECOMAT 2*N-AB	0,000		
410	4149.303.024		COVER	1			INDUKTIVGEBER ABTRIEB	0,000		
420	0634.316.248		O-RING	1			40X3	0,000		
430	---		HEXAGON BOLT	2		Z00007364211	M6X22	0,000		
---	0636.100.615		HEXAGON BOLT	2		Z00007364214	M6X22	0,000		
---	0630.001.139	S0643476	WASHER	2		Z00007164311		0,000		
440	4181.212.006		VALVE	1			KPL. *MX295	0,000		
454	---		SCREW PLUG	1		Z00010171915	35N.M*DICHTRING M18X1,5	0,000		
---	0636.100.825		SCREW PLUG	1		Z00010171918	M18X1,5	0,000		
---	0634.801.057	05147	SEALING RING	1		Z00010171918	18X22	0,002		
464	---		SCREW PLUG	1		Z00010171915	35N.M*DICHTRING M18X1,5	0,000		
---	0636.100.825		SCREW PLUG	1		Z00010171918	M18X1,5	0,000		
---	0634.801.057	05147	SEALING RING	1		Z00010171918	18X22	0,002		

Plant

Page 1 from 5

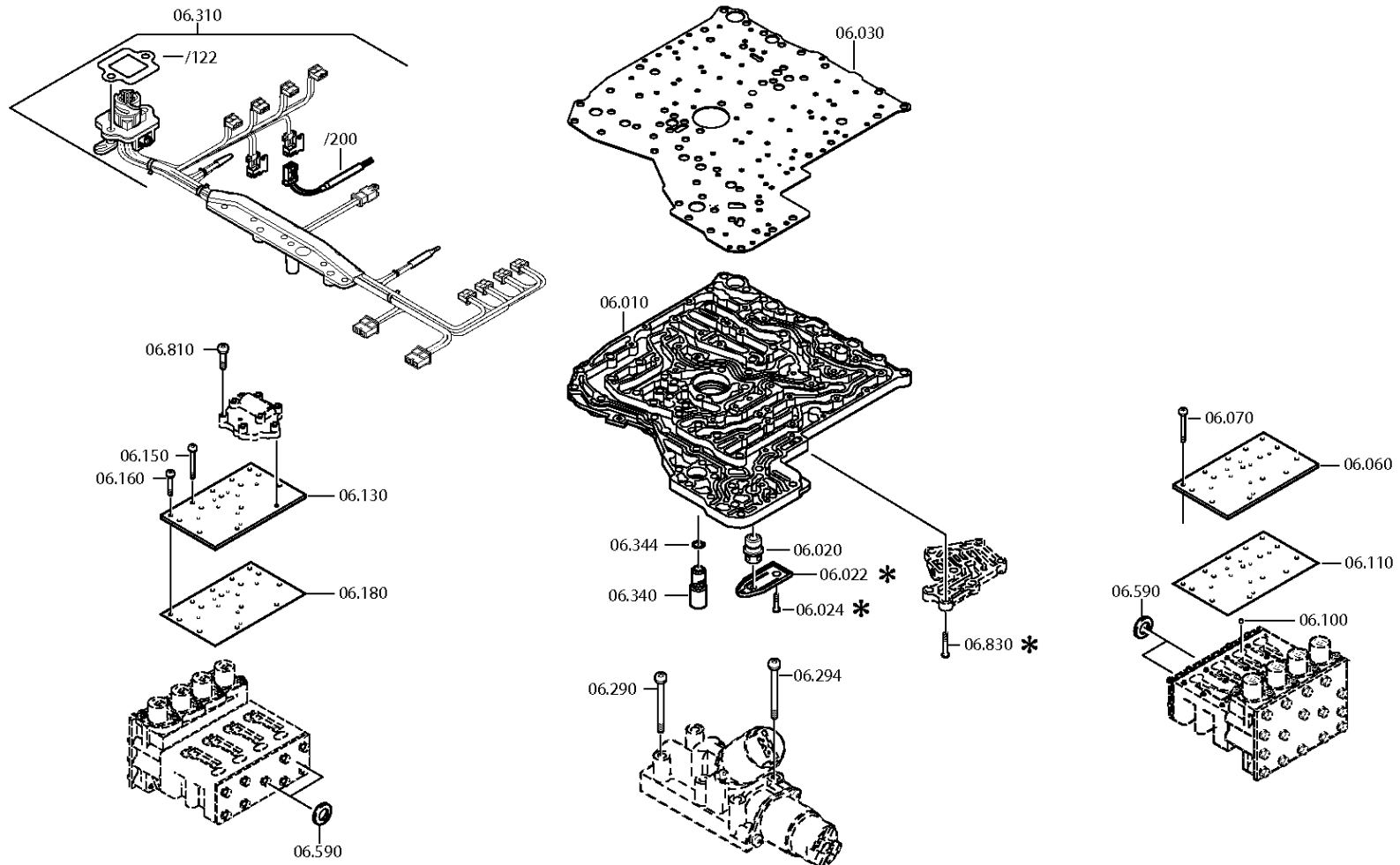
Material number: 4236.065.303

Plate: 004.48.17-1

SHIFT CONTROL

6 HP 602 S PLUS /

SHIFT CONTROL

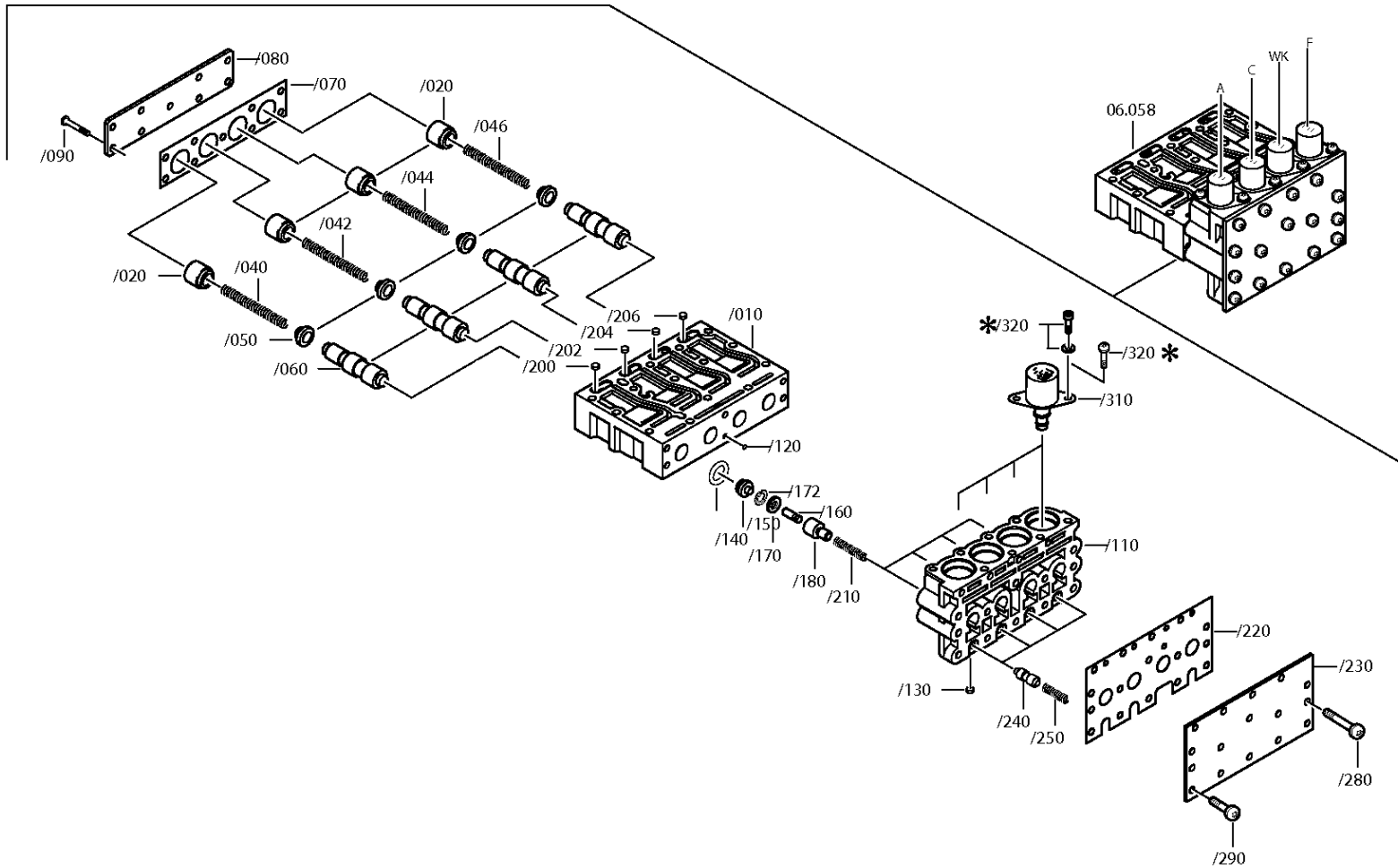


Plant

Page 2 from 5

Material number: 4236.065.303
Plate: 004.48.17-2
SHIFT CONTROL

6 HP 602 S PLUS /
SHIFT CONTROL

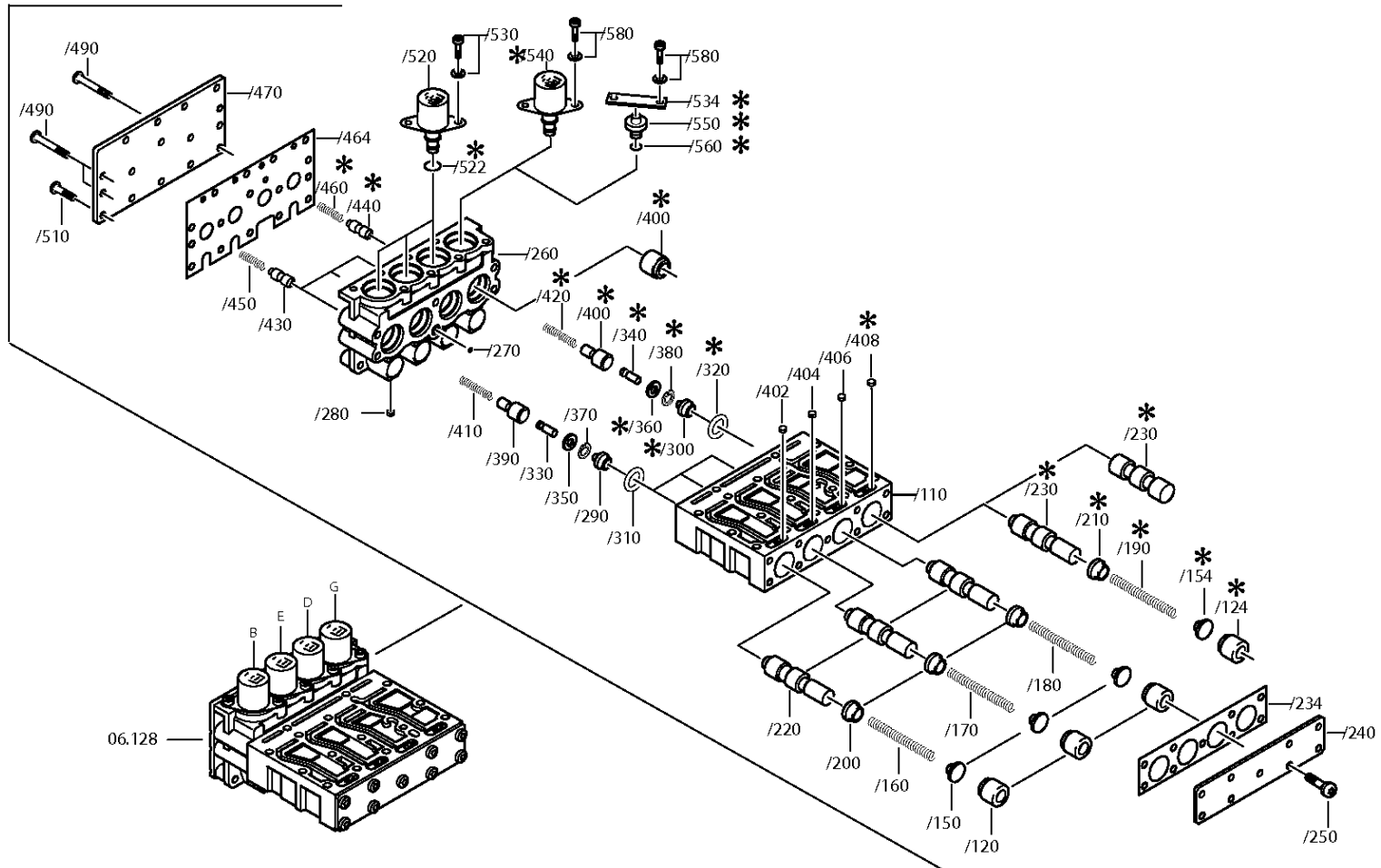


Plant

Page 3 from 5

Material number: 4236.065.303
Plate: 004.48.17-3
SHIFT CONTROL

6 HP 602 S PLUS /
SHIFT CONTROL

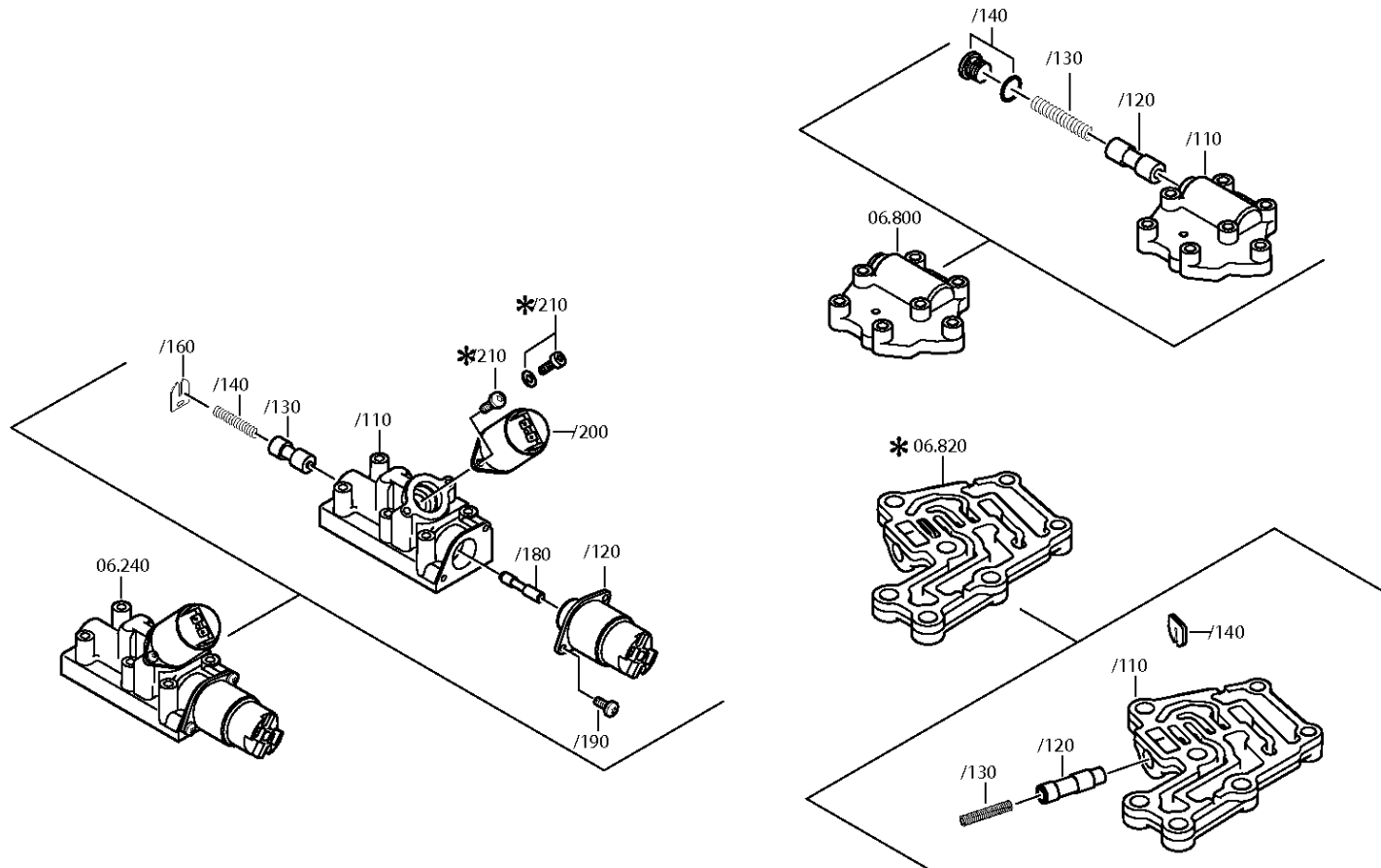


Plant

Page 4 from 5

Material number: 4236.065.303
Plate: 004.48.17-4
SHIFT CONTROL

6 HP 602 S PLUS /
SHIFT CONTROL

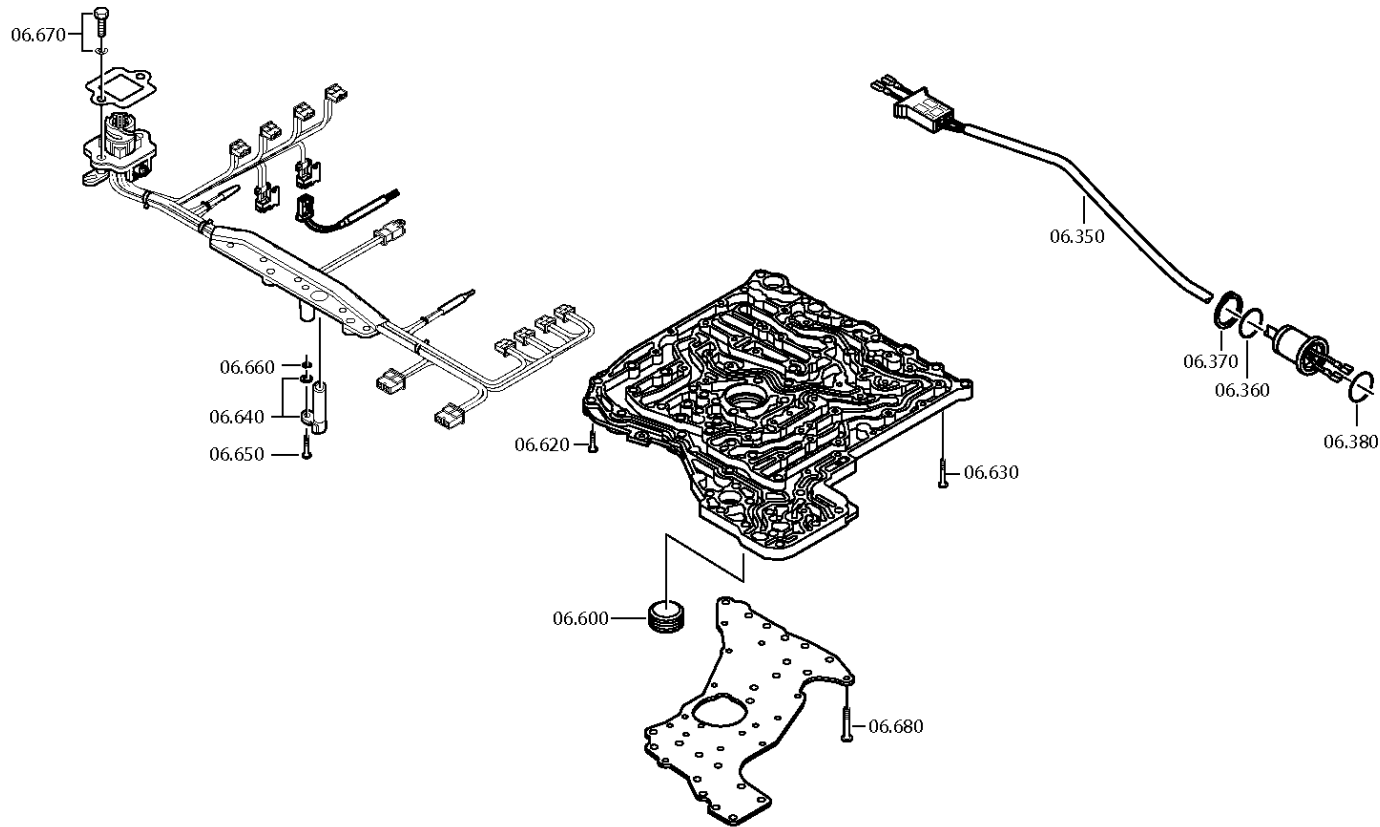


Plant

Page 5 from 5

Material number: 4236.065.303
Plate: 095.48.80-1
SHIFT CONTROL

6 HP 602 S PLUS /
SHIFT CONTROL



Parts list

Page 1 from 8

Material number: 4236.065.303

6 HP 602 S PLUS /

Plate: 004.48.17-1

Material-assembly-group-no: 4236.106.015



Pos.	Material number	Customer material	Name	Quantity	ME	Amend. no.	Techn. Info.	Weight	Rep kit	Alternative material
10	5079.306.002		DUCT PLATE	1			RET.WST.SEITL.	0,000		
20	4149.206.086		DRAIN VALVE	1			KPL.	0,000		
22	4149.306.138		SPRING SHEET	1			WANDLERENTLEERVENTIL	0,000		
24	0736.300.185		TORX SCREW	1		Z00009168712	M6X16 M6X16	0,000		
30	4149.306.135		INTERPLATE	1			G2.1	0,000		
58	4236.206.015		VALVE BLOCK	1			KPL.A*C*WK*F*24V*2P	0,000		
/10	4149.306.237		VALVE BLOCK	1				0,000		
/20	4149.306.153		PISTON	4				0,000		
/40	0732.041.148	5360123158327	COMPRSPRING	1				0,000		
/42	0732.041.095	5004537	COMPRSPRING	1				0,000		
/44	0732.041.357		COMPRSPRING	1				0,000		
/46	0732.041.720		COMPRSPRING	1				0,000		
/50	0730.009.221		WASHER	4			A=4,00 IN 0730 009 296(2)	0,000		
/60	4139.206.826		PISTON	4		Z00009514910	KPL.	0,000		
/70	4139.306.541	5004 54308	GASKET	1				0,000		
/80	4139.306.001		COVER PLATE	1				0,000		
/90	0736.300.185		TORX SCREW	9		Z00009168712	M6X16 M6X16	0,000		
/110	4149.306.241		VALVE STRIP	1			WBH/ECOMAT 2PLUS	0,000		
/120	0634.313.074	5004546	O-RING	1			5X1,5	0,000		
/130	0635.460.004		BALL	12			4	0,001		
/140	4139.306.219	5702 22808	BUSH	4			ENTHALT.IN 4139 306 218(2)	0,000		
/150	0634.316.217	13973474	O-RING	4			24X3	1,100		
/160	4139.306.217		PIN	4				0,000		
/170	0730.002.769		WASHER	4				0,000		
/172	0630.502.007	88034	RETAINING RING	4			20X1	0,001		
/180	4139.306.085		PISTON	4				0,000		
/200	---		ORIFICE	1			D=0,80	0,000		
---	0730.361.070	8603367	ORIFICE	1			D=0,8 IN 0730 361 120(2)	0,001		
/202	0730.300.893		ORIFICE	1		Z00009927111	D=0,7	0,000		
/204	---		ORIFICE	1			D=0,80	0,000		

Parts list

Page 2 from 8

Material number: 4236.065.303

6 HP 602 S PLUS /

Plate: 004.48.17-1

Material-assembly-group-no: 4236.106.015



Pos.	Material number	Customer material	Name	Quantity	ME	Amend. no.	Techn. Info.	Weight	Rep kit	Alternative material
---	0730.361.070	8603367	ORIFICE	1			D=0,8 IN 0730 361 120(2)	0,001		
/206	0730.300.893		ORIFICE	1		Z00009927111	D=0,7	0,000		
/210	0732.041.374	536037A132602	COMPRSPRING	4				0,000		
/220	4139.306.545	5004 59808	GASKET	1				0,000		
/230	4139.306.125		COVER PLATE	1				0,000		
/240	4149.306.068		PISTON	4				0,000		
/250	0732.041.373	5360123156882	COMPRSPRING	4				0,000		
/280	0736.300.187		TORX SCREW	5		Z00009169111	M6X65 M6X65	0,000		
/290	0736.300.185		TORX SCREW	11		Z00009168712	M6X16 M6X16	0,000		
/310	0501.319.200	MX052599	SOLENOID VALVE	4			24V 2POL	280		
/320	---		CAP SCREW	8		Z00007288412	M5X12	0,000		
---	0636.115.296	REPLACEMENT FOR 0636.101.651	CAP SCREW	8		Z00007288415	M5X12	0,000		
---	0630.001.140		WASHER	8		Z00007286011		0,000		
60	4139.306.179	500650008	COVER PLATE	1			ENTHALT.IN 4139 306 177(1)	0,000		
70	0736.300.187		TORX SCREW	15		Z00009169111	M6X65 M6X65	0,000		
100	0635.460.077		BALL	1			5	0,000		
110	4139.306.667		GASKET	1				0,000		
128	4236.206.016		VALVE BLOCK	1			KPL.B*E*D*G*24V*2P	0,000		
/110	4149.306.239		VALVE BLOCK	1				0,000		
/120	4149.306.153		PISTON	3				0,000		
/124	4149.306.153		PISTON	1				0,000		
/150	4139.306.654		STOP	3				0,000		
/160	0732.041.148	5360123158327	COMPRSPRING	1				0,000		
/170	0732.041.095	5004537	COMPRSPRING	1				0,000		
/180	0732.041.095	5004537	COMPRSPRING	1				0,000		
/190	0732.041.148	5360123158327	COMPRSPRING	1				0,000		
/200	0730.009.221		WASHER	3			A=4,00 IN 0730 009 296(2)	0,000		
/210	0730.009.221		WASHER	1			A=4,00 IN 0730 009 296(2)	0,000		
/220	4139.206.415	500454208	PISTON	3			KPL.	0,000		

Parts list

Page 3 from 8

Material number: 4236.065.303

6 HP 602 S PLUS /

Plate: 004.48.17-1

Material-assembly-group-no: 4236.106.015



Pos.	Material number	Customer material	Name	Quantity	ME	Amend. no.	Techn. Info.	Weight	Rep kit	Alternative material
/230	4139.206.415	500454208	PISTON	1			KPL.	0,000		
/234	4139.306.541	5004 54308	GASKET	1				0,000		
/240	4139.306.001		COVER PLATE	1				0,000		
/250	0736.300.185		TORX SCREW	9		Z00009168712	M6X16 M6X16	0,000		
/260	4149.306.241		VALVE STRIP	1			WBH/ECOMAT 2PLUS	0,000		
/270	0634.313.074	5004546	O-RING	1			5X1,5	0,000		
/280	0635.460.004		BALL	12			4	0,001		
/290	4139.306.219	5702 22808	BUSH	3			ENTHALT.IN 4139 306 218(2)	0,000		
/300	4139.306.219	5702 22808	BUSH	1			ENTHALT.IN 4139 306 218(2)	0,000		
/310	0634.316.217	13973474	O-RING	3			24X3	1,100		
/320	0634.316.217	13973474	O-RING	1			24X3	1,100		
/330	4139.306.217		PIN	3				0,000		
/340	4139.306.217		PIN	1				0,000		
/350	0730.002.769		WASHER	3				0,000		
/360	0730.002.769		WASHER	1				0,000		
/370	0630.502.007	88034	RETAINING RING	3			20X1	0,001		
/380	0630.502.007	88034	RETAINING RING	1			20X1	0,001		
/390	4139.306.085		PISTON	3				0,000		
/400	4139.306.085		PISTON	1				0,000		
/402	---		ORIFICE	1			D=0,80	0,000		
---	0730.361.070	8603367	ORIFICE	1			D=0,8 IN 0730 361 120(2)	0,001		
/404	---		ORIFICE	1			D=0,80	0,000		
---	0730.361.070	8603367	ORIFICE	1			D=0,8 IN 0730 361 120(2)	0,001		
/406	---		ORIFICE	1			D=0,80	0,000		
---	0730.361.070	8603367	ORIFICE	1			D=0,8 IN 0730 361 120(2)	0,001		
/408	---		ORIFICE	1			D=0,80	0,000		
---	0730.361.070	8603367	ORIFICE	1			D=0,8 IN 0730 361 120(2)	0,001		
/410	0732.041.374	536037A132602	COMPRSPRING	3				0,000		

Parts list

Page 4 from 8

Material number: 4236.065.303

6 HP 602 S PLUS /

Plate: 004.48.17-1

Material-assembly-group-no: 4236.106.015



Pos.	Material number	Customer material	Name	Quantity	ME	Amend. no.	Techn. Info.	Weight	Rep kit	Alternative material
/420	0732.041.374	536037A132602	COMPRSPRING	1				0,000		
/430	4149.306.068		PISTON	3				0,000		
/440	4149.306.068		PISTON	1				0,000		
/450	0732.041.373	5360123156882	COMPRSPRING	3				0,000		
/460	0732.041.373	5360123156882	COMPRSPRING	1				0,000		
/464	4139.306.545	5004 59808	GASKET	1				0,000		
/470	4139.306.125		COVER PLATE	1				0,000		
/490	0736.300.187		TORX SCREW	5		Z00009169111	M6X65 M6X65	0,000		
/510	0736.300.185		TORX SCREW	11		Z00009168712	M6X16 M6X16	0,000		
/520	0501.319.200	MX052599	SOLENOID VALVE	3			24V 2POL	280		
/530	---		CAP SCREW	6		Z00007288412	M5X12	0,000		
---	0636.115.296	REPLACEMENT FOR 0636.101.651	CAP SCREW	6		Z00007288415	M5X12	0,000		
---	0630.001.140		WASHER	6		Z00007286011		0,000		
/540	0501.319.200	MX052599	SOLENOID VALVE	1			24V 2POL	280		
/580	---		CAP SCREW	2		Z00007288412	M5X12	0,000		
---	0636.115.296	REPLACEMENT FOR 0636.101.651	CAP SCREW	2		Z00007288415	M5X12	0,000		
---	0630.001.140		WASHER	2		Z00007286011		0,000		
130	4149.306.012		COVER PLATE	1				0,000		
150	0736.300.187		TORX SCREW	7		Z00009169111	M6X65 M6X65	0,000		
160	0736.300.188		TORX SCREW	1		Z00009169310	M6X80 M6X80	0,000		
180	4149.306.114		GASKET	1			G2-1	0,000		
240	4149.206.088		THROTTLE VALVE	1			KPL.	0,000		
/110	4149.306.129		VALVE BLOCK	1			G2.1-D1/D8	0,000		
/120	4149.306.133		PISTON	1			ENTHALT.IN 4149 306 132(1)	0,000		
/130	4139.306.677		PISTON	1				0,000		
/140	0732.042.923		COMPRSPRING	1		C01003915D10	LINKSGEWICKELT	0,000		
/160	4149.306.131		FIXING PLATE	1			G2.1	0,000		
/180	0501.328.503		MAGNET	1		Z00014278310		0,000		
/190	0501.327.702		CAP SCREW	2		Z00010198010	M5X12 M5X12	0,000		
/200	0501.319.200	MX052599	SOLENOID VALVE	1		C01001909C10	24V 2POL	280		
/210	---		CAP SCREW	2		Z00007288414	M5X12	0,000		

Parts list

Page 5 from 8

Material number: 4236.065.303

6 HP 602 S PLUS /

Plate: 004.48.17-1

Material-assembly-group-no: 4236.106.015



Pos.	Material number	Customer material	Name	Quantity	ME	Amend. no.	Techn. Info.	Weight	Rep kit	Alternative material
---	0636.115.296	REPLACEMENT FOR 0636.101.651	CAP SCREW	2		Z00007288415	M5X12	0,000		
---	0630.001.140		WASHER	2		Z00007286011		0,000		
290	0736.300.217		TORX SCREW	5		Z00009170411	M6X58 M6X58	0,000		
294	0736.300.188		TORX SCREW	1		Z00009169310	M6X80 M6X80	0,000		
310	4234.205.003		WIRING HARNESS	1			KPL.	0,000		
/200	4149.206.107		TEMPERATURE SENSOR	1			KPL.L1=155MM*2-NTC/ SLK-ST.	0,000		
340	4139.206.545	500453408	CONVERTER VALVE	1			KPL.	0,000		
344	0630.513.205		SNAP RING	1				0,000		
350	5079.206.042		CABLE CONNECT	1			KPL.RADIALE ABDICHTUNG	0,000		
360	0634.304.544		O-RING	1			24X1,5	0,000		
370	0630.501.020		RETAINING RING	1			25X1,2	1,800		
380	0634.316.215		O-RING	1			23X3	0,000		
590	4139.306.673		MAGNET	4				0,000		
600	0636.301.074		SCREW PLUG	1		Z00010162611	M42X2	0,000		
620	0736.300.209		TORX SCREW	9		Z00009175410	M8X35	0,000		
630	0736.300.211		TORX SCREW	8		Z00009175710	M8X43	0,000		
640	---		INDTRANSMITTER	1			SCHEIBE	0,000		
---	0501.314.432		INDTRANSMITTER	1				0,028		
---	---		WASHER	1			H= 0,08- 6,00	0,000		
---	0730.008.442		WASHER	1			A=6,00 IN 0730 008 416(2)	0,000		
---	0730.008.441		WASHER	1			A=5,80 IN 0730 008 416(2)	0,000		
---	0730.008.440		WASHER	1			A=5,60 IN 0730 008 416(2)	0,000		
---	0730.008.439		WASHER	1			A=5,40 IN 0730 008 416(2)	0,000		
---	0730.008.438		WASHER	1			A=5,20 IN 0730 008 416(2)	0,000		
---	0730.008.437		WASHER	1			A=5,00 IN 0730 008 416(2)	0,000		

Parts list

Page 6 from 8

Material number: 4236.065.303

6 HP 602 S PLUS /

Plate: 004.48.17-1

Material-assembly-group-no: 4236.106.015



Pos.	Material number	Customer material	Name	Quantity	ME	Amend. no.	Techn. Info.	Weight	Rep kit	Alternative material
---	0730.008.436		WASHER	1			A=4,80 IN 0730 008 416(2)	0,000		
---	0730.008.435		WASHER	1			A=4,60 IN 0730 008 416(2)	0,000		
---	0730.008.434		WASHER	1			A=4,40 IN 0730 008 416(2)	0,000		
---	0730.008.433		WASHER	1			A=4,20 IN 0730 008 416(2)	0,000		
---	0730.008.432		WASHER	1			A=4,00 IN 0730 008 416(2)	0,000		
---	0730.008.431		WASHER	1			A=3,80 IN 0730 008 416(2)	0,000		
---	0730.008.430		WASHER	1			A=3,60 IN 0730 008 416(2)	0,000		
---	0730.008.429		WASHER	1			A=3,20 IN 0730 008 416(2)	0,000		
---	0730.008.428		WASHER	1			A=3,00 IN 0730 008 416(2)	0,000		
---	0730.009.198		WASHER	1			A=2,90 IN 0730 008 416(2)	0,000		
---	0730.008.427		WASHER	1			A=2,80 IN 0730 008 416(2)	0,000		
---	0730.009.197		WASHER	1			A=2,70 IN 0730 008 416(2)	0,000		
---	0730.008.426		WASHER	1			A=2,60 IN 0730 008 416(2)	2,500		
---	0730.009.196		WASHER	1			A=2,50 IN 0730 008 416(2)	0,002		
---	0730.008.425		WASHER	1			A=2,40 IN 0730 008 416(2)	2,200		
---	0730.008.424		WASHER	1			A=2,20 IN 0730 008 416(2)	2		
---	0730.009.195		WASHER	1			A=2,10 IN 0730 008 416(2)	0,010		

Parts list

Page 7 from 8

Material number: 4236.065.303

6 HP 602 S PLUS /

Plate: 004.48.17-1

Material-assembly-group-no: 4236.106.015



Pos.	Material number	Customer material	Name	Quantity	ME	Amend. no.	Techn. Info.	Weight	Rep kit	Alternative material
---	0730.008.423		WASHER	1			A=2,00 IN 0730 008 416(2)	2		
---	0730.009.194		WASHER	1			A=1,90 IN 0730 008 416(2)	0,002		
---	0730.008.422		WASHER	1			A=1,80 IN 0730 008 416(2)	1,800		
---	0730.009.193		WASHER	1			A=1,70 IN 0730 008 416(2)	0,010		
---	0730.008.421		WASHER	1			A=1,60 IN 0730 008 416(2)	1,500		
---	0730.009.192		WASHER	1			A=1,50 IN 0730 008 416(2)	0,001		
---	0730.008.420		WASHER	1			A=1,40 IN 0730 008 416(2)	0,002		
---	0730.009.191		WASHER	1			A=1,30 IN 0730 008 416(2)	0,001		
---	0730.008.419		WASHER	1			A=1,20 IN 0730 008 416(2)	1,200		
---	0730.008.418		WASHER	1			A=1,00 IN 0730 008 416(2)	1		
---	0730.008.417		WASHER	1			A=0,80 IN 0730 008 416(2)	0,000		
650	0736.300.186		TORX SCREW	1		Z00009168911	M6X45 M6X45	0,000		
660	0634.313.016		O-RING	1			4X1,5	0,000		
670	---		HEXAGON BOLT	2		Z00007059114	M8X28	0,000		
---	0636.016.414	1869864	HEXAGON BOLT	2		Z00007059116	M8X28	0,000		
---	0630.100.295		WASHER	2		Z00007158415		0,000		
680	0736.300.211		TORX SCREW	22		Z00009175710	M8X43	0,000		
700	0736.300.185		TORX SCREW	2		Z00009168712	M6X16 M6X16	0,000		
710	0632.200.001		PIPE CLAMP	2				0,000		
720	4068.309.238		SHEET	2				0,000		
800	4149.206.034		VALVE BLOCK	1			KPL.F2	0,000		
/110	4149.306.051		VALVE HOUSING	1			F2 UMSCHALTVENTIL/ ECO2	0,000		
/120	4139.306.677		PISTON	1				0,000		

Parts list

Page 8 from 8

Material number: 4236.065.303

6 HP 602 S PLUS /

Plate: 004.48.17-1

Material-assembly-group-no: 4236.106.015



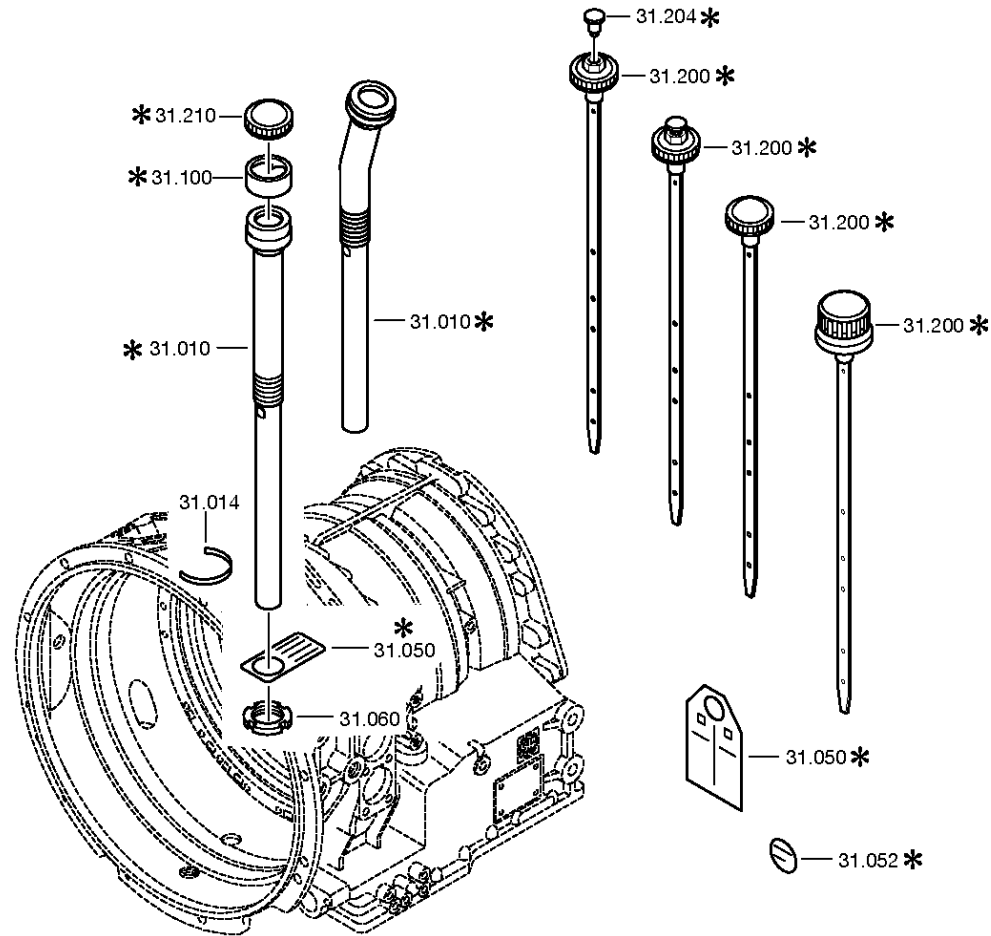
Pos.	Material number	Customer material	Name	Quantity	ME	Amend. no.	Techn. Info.	Weight	Rep kit	Alternative material
/130	0732.042.923		COMPRSPRING	1		C01003378D10	LINKSGEWICKELT	0,000		
/140	---		SCREW PLUG	1		Z00010111717	40 NM*DICHTRING M16X1.5	0,000		
---	0636.100.794		SCREW PLUG	1		Z00010111713	M16X1,5	0,000		
---	0634.801.045	A4360080145	SEALING RING	1		Z00010111713	16X20	0,010		
810	0736.300.188		TORX SCREW	7		Z00009169310	M6X80 M6X80	0,000		

Plant

Page 1 from 2

Material number: 4236.065.303
Plate: 004.56.40-1
OIL SUMP

6 HP 602 S PLUS /
DIPSTICK PARTS

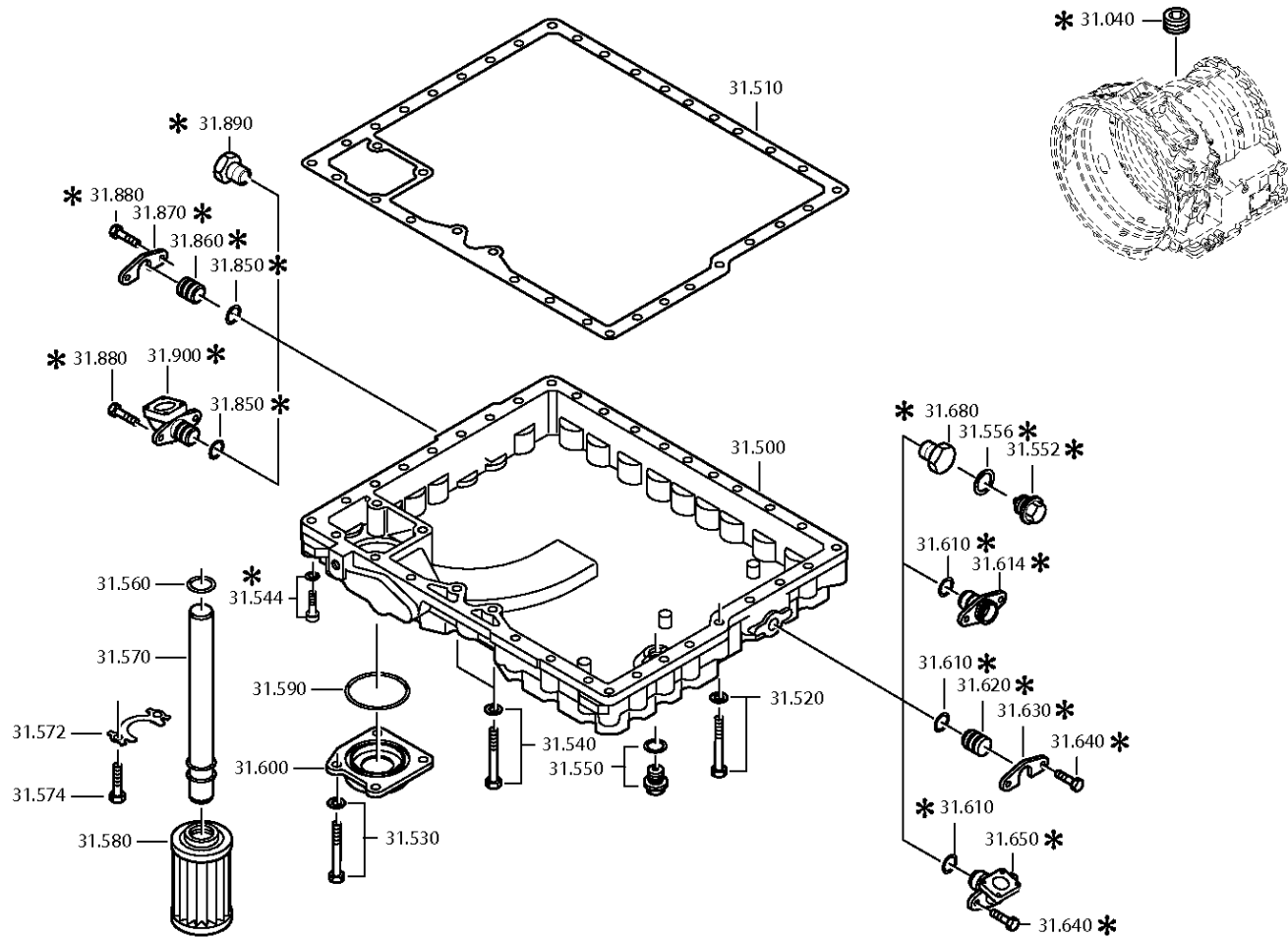


Plant

Page 2 from 2

Material number: 4236.065.303
Plate: 004.56.07-1
OIL SUMP

6 HP 602 S PLUS /
DIPSTICK PARTS



Parts list

Page 1 from 1

Material number: 4236.065.303

6 HP 602 S PLUS /

Plate: 004.56.40-1

Material-assembly-group-no: 4139.131.160



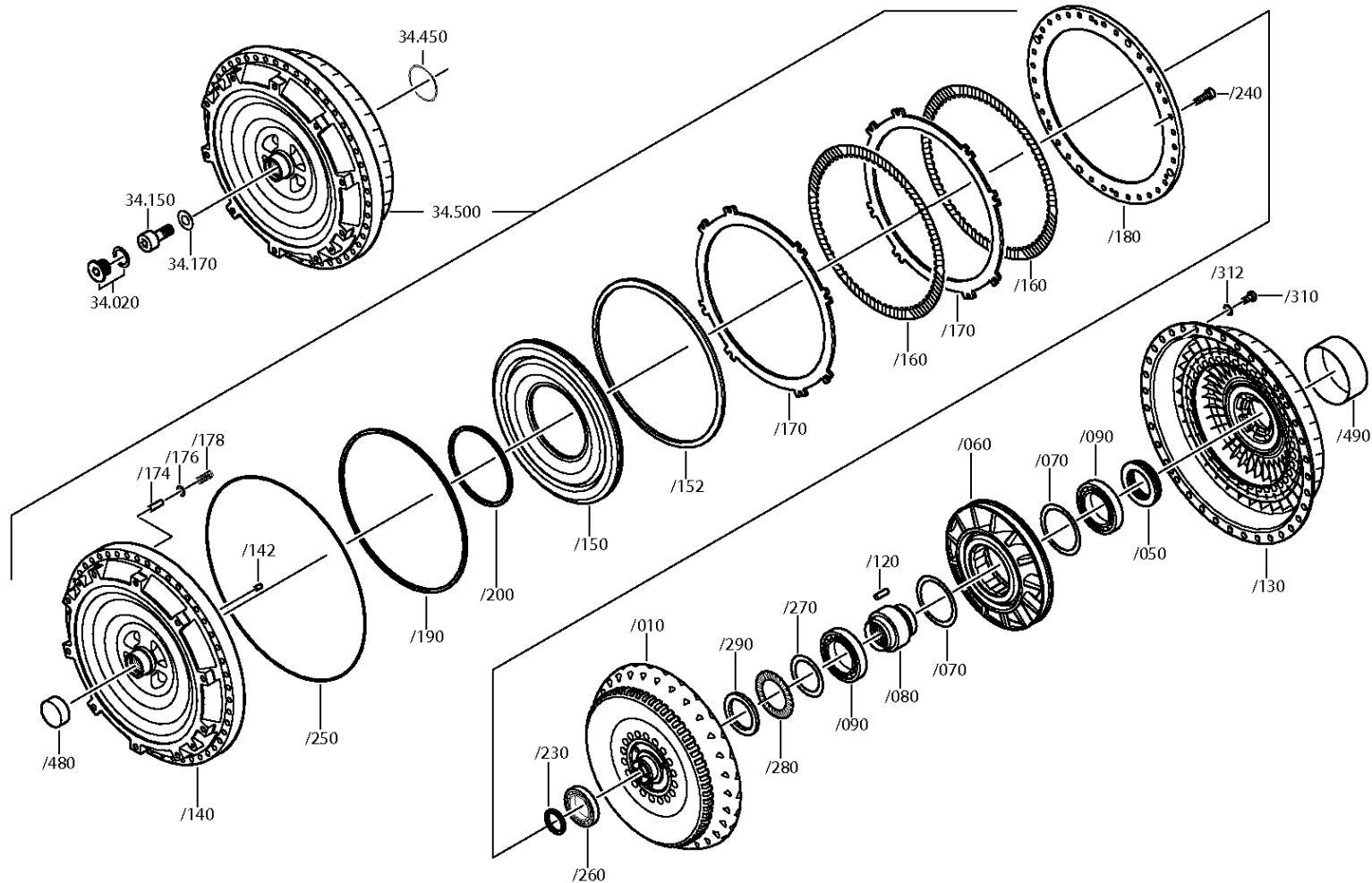
Pos.	Material number	Customer material	Name	Quantity	ME	Amend. no.	Techn. Info.	Weight	Rep kit	Alternative material
10	4139.231.035		FILLER TUBE	1			KPL. IN 4139 231 036(2)	0,000		
14	0634.307.728		SEALING TAPE	300				0,000		
50	0501.309.993		TAG	1				0,000		
60	---		SLOTTED NUT	1		Z00007413910	M30X1,5	0,000		
---	0637.513.047		SLOTTED NUT	1		Z00007413912	M30X1,5	0,000		
200	0501.217.293		OIL DIPSTICK	1		Z00005691012	KPL.	0,000		
500	4149.231.012		OIL SUMP	1		C01009488B10	KPL.	0,000		
510	4139.301.579	5330123277989	GASKET	1				0,000		
520	---		HEXAGON BOLT	25		Z00007051816	M8X60	0,000		
---	0636.011.758		HEXAGON BOLT	25			M8X60	0,000		
---	0630.100.295		WASHER	25		Z00007158415		0,000		
530	---		HEXAGON BOLT	10		Z00007052912	M8X80	0,000		
---	0636.011.762		HEXAGON BOLT	10		Z00007052910	M8X80	0,000		
---	0630.100.295		WASHER	10		Z00007158413		0,000		
540	---		HEXAGON BOLT	2		Z00007051816	M8X60	0,000		
---	0636.011.758		HEXAGON BOLT	2			M8X60	0,000		
---	0634.803.003	5004806	SEALING RING	2		Z00007051811	8X15X1	0,000		
550	---		SCREW PLUG	1		Z00010164016	50N.M*DICHTRING M22X1,5	0,000		
---	0636.100.824		SCREW PLUG	1		Z00010164019	M22X1,5	0,000		
---	0634.801.074	1000000307	SEALING RING	1		Z00010164019	22X27	2,100		
560	0634.313.354	5331-12-198-4612	O-RING	1			34X5	0,000		
570	4139.331.127	579917008	SUCTION TUBE	1				0,000		
572	4139.301.617	579916608	TAB WASHER	1				0,000		
574	0636.015.681		HEXAGON BOLT	2		Z00007072814	M8X18	0,010		
580	0501.210.798		SCREEN INSERT	1		Z00007671111	KPL.	0,000		
590	0634.313.018		O-RING	1			82X3	0,000		
600	4139.331.145		COVER	1				0,000		

Plant

Page 1 from 2

Material number: 4236.065.303
Plate: 004.59.10-1
CONVERTER

6 HP 602 S PLUS /
CONVERTER

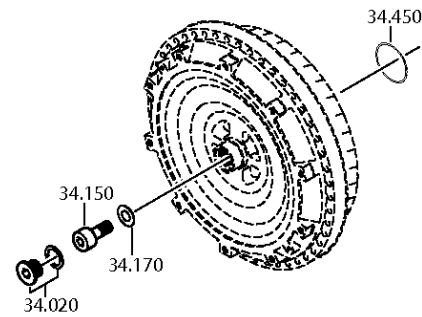


Plant

Page 2 from 2

Material number: 4236.065.303
Plate: 004.59.80-1
CONVERTER

6 HP 602 S PLUS /
CONVERTER



Parts list

Page 1 from 2

Material number: 4236.065.303

6 HP 602 S PLUS /

Plate: 004.59.10-1

Material-assembly-group-no: 4149.134.004



Pos.	Material number	Customer material	Name	Quantity	ME	Amend. no.	Techn. Info.	Weight	Rep kit	Alternative material
20	---		SCREW PLUG	1		Z00010164711	200N.M*DICHTRING M33X2	0,000		
---	0636.302.607		SCREW PLUG	1		Z00010164714	M33X2	0,000		
---	0634.801.227		SEALING RING	1		Z00010164714	33X39	4,700		
150	0736.101.046	5006545	CAP SCREW	1			M16	0,000		
170	---		WASHER	1			H= 1,00- 2,60	0,000		
---	0730.005.601		WASHER	1			A=2,60 IN 0730 005 591(2)	0,000		
---	0730.005.600		WASHER	1			A=2,50 IN 0730 005 591(2)	0,000		
---	0730.005.599		WASHER	1			A=2,00 IN 0730 005 591(2)	0,000		
---	0730.005.598		WASHER	1			A=1,90 IN 0730 005 591(2)	0,000		
---	0730.005.597		WASHER	1			A=1,80 IN 0730 005 591(2)	0,000		
---	0730.005.596		WASHER	1			A=1,70 IN 0730 005 591(2)	0,000		
---	0730.005.595		WASHER	1			A=1,50 IN 0730 005 591(2)	0,000		
---	0730.005.594		WASHER	1			A=1,20 IN 0730 005 591(2)	0,000		
---	0730.005.593		WASHER	1			A=1,10 IN 0730 005 591(2)	0,000		
---	0730.005.592		WASHER	1			A=1,00 IN 0730 005 591(2)	0,000		
450	---		WASHER	1			H= 0,50- 1,00	0,000		
---	0730.003.074	5006 12308	WASHER	1			A=1,00 IN 0730 106 995(2)	0,000		
---	0730.106.997		WASHER	1			A=0,80 IN 0730 106 995(2)	0,000		
---	0730.106.996		WASHER	1			A=0,50 IN 0730 106 995(2)	0,000		
500	0501.007.917		CONVERTER	1		C01004780E10		0,000		
/10	0501.212.243		TURBINE WHEEL	1			KPL.	0,000		

Parts list

Page 2 from 2

Material number: 4236.065.303

6 HP 602 S PLUS /

Plate: 004.59.10-1

Material-assembly-group-no: 4149.134.004



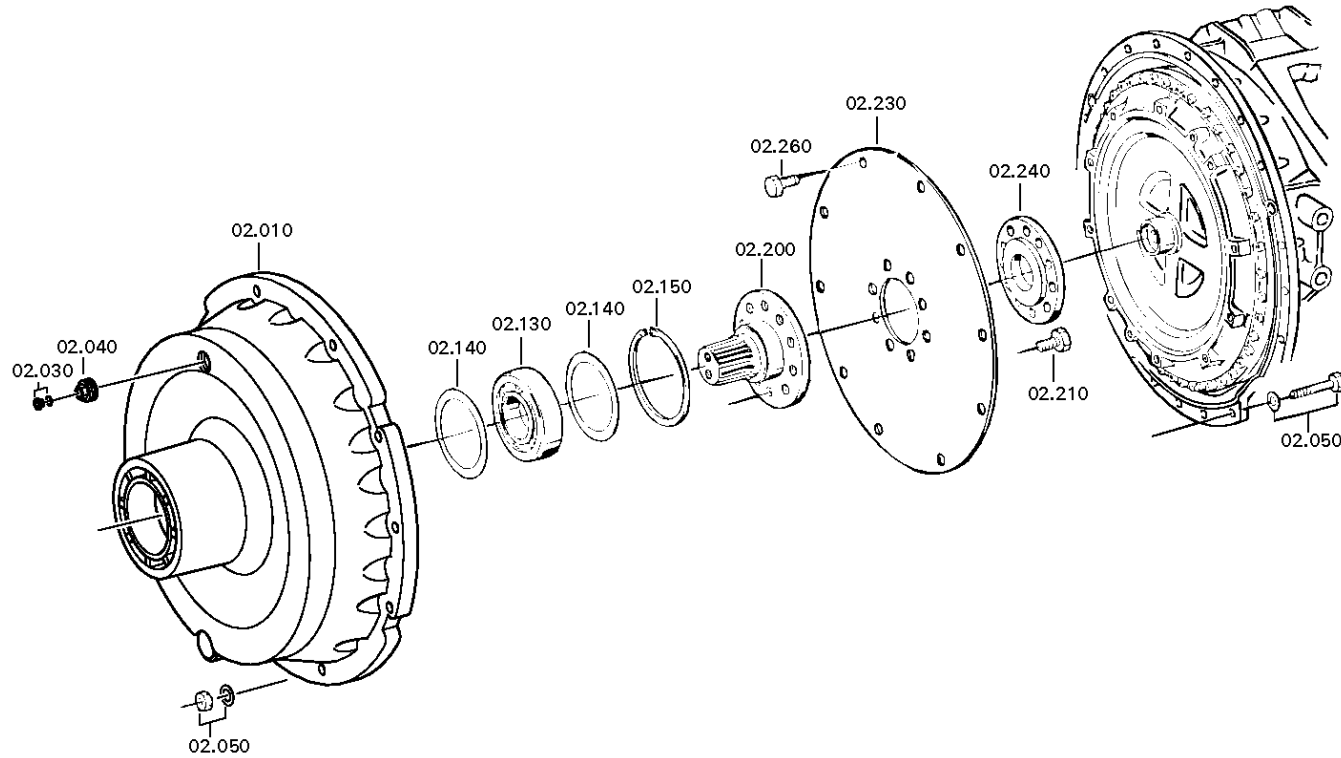
Pos.	Material number	Customer material	Name	Quantity	ME	Amend. no.	Techn. Info.	Weight	Rep kit	Alternative material
/50	0735.368.102		AXROLLER BEAR	1			65,0X92,0X18,0 FA.INA 65,000X92,000X18,000	0,000		
/60	0501.212.241		STATOR	1			KPL.	0,000		
/70	0730.105.463	570021108	AXIAL WASHER	2			A=1,00	0,000		
/80	0501.318.600		FREE WHEEL RING	1				0,000		
/90	0635.330.035		BALL BEARING	2			70X110X13	0,433		
/120	0735.470.101	5004635	ROLLER	20			10,0X30,0 FA.INA	0,000		
/130	0501.212.239		PUMP WHEEL	1			KPL.	0,000		
/140	0501.322.570		CIRCUIT COVER	1				0,000		
/142	0631.306.158		CYLINDRICAL PIN	2			8X14	0,000		
/150	0501.323.973		PLATE PISTON	1		C01003910F10		0,000		
/152	0501.318.585		CUP SPRING	1				0,000		
/160	0501.212.249		ICLUTCH DISC	2			KPL.	0,000		
/170	---		OCLUTCH DISC	2			H= 3,50- 4,00(ABSTUFUNG:0,50MM)	0,000		
---	0501.318.589		OCLUTCH DISC	2				0,000		
---	0501.318.590		OCLUTCH DISC	2				0,000		
/174	0501.322.005		CYLINDRICAL PIN	12				0,020		
/176	0501.319.016		WASHER	4				0,000		
/178	0501.318.591		COMPRSPRING	4				0,000		
/180	0501.327.451		END SHIM	1		Z00005624610		0,000		
/190	0501.322.576		SEALING RING	1				0,000		
/200	0501.322.575		SEALING RING	1				0,000		
/230	0634.402.140	00412711	R-RING	1			50X2,5	4		
/240	0636.101.100	8900125237	CAP SCREW	24			M10X30	0,027		
/250	0501.321.624		O-RING	1				0,000		
/260	0750.116.266	8 8290 0	BALL BEARING	1			16010-JC3	0,000		
/270	0635.290.050		AXIAL WASHER	1			65X90X1	0,000		
/280	0635.900.523	8 8289 0	AXNEEDLE CAGE	1			65X90X3	0,000		
/290	0635.900.521	8 8287 0	CASING DISC	1			67X90X5,25	0,000		
/310	0636.100.555		HEXAGON BOLT	36		Z00007364611	M10X22	0,000		
/312	0630.100.277		WASHER	36		Z00007164612		0,000		
/480	0501.317.956		PROTECTION CAP	1				0,000		
/490	0501.317.957		PROTECTION CAP	1				0,000		

Plant

Page 1 from 2

Material number: 4236.065.303
Plate: 004.62.06-1
INPUT

6 HP 602 S PLUS /
INPUT

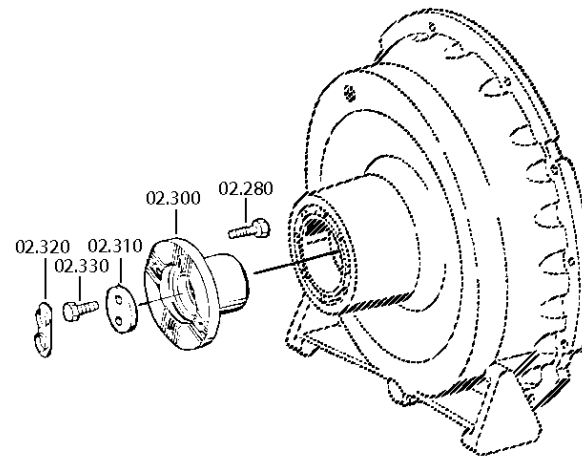


Plant

Page 2 from 2

Material number: 4236.065.303
Plate: 095.62.41-1
INPUT

6 HP 602 S PLUS /
INPUT



Parts list

Page 1 from 2

Material number: 4236.065.303

6 HP 602 S PLUS /

Plate: 004.62.06-1

Material-assembly-group-no: 4235.102.001



Pos.	Material number	Customer material	Name	Quantity	ME	Amend. no.	Techn. Info.	Weight	Rep kit	Alternative material
10	4237.302.004		HOUSING	1				0,000		
30	---		SCREW PLUG	1		Z00010162915	25N.M*DICHTRING M12X1,5	0,000		
---	0636.100.792		SCREW PLUG	1		Z00010162916	M12X1,5	0,000		
---	0634.801.028		SEALING RING	1		Z00010162916	12X16	0,000		
40	0736.303.952		SCREW-IN SLEEVE	1			M30X1,5 ERZ. M30X1,5	0,000		
50	---		BOLT+NUT	11			M10X60	0,000		
---	0636.011.755		HEXAGON BOLT	11			M10X60	0,000		
---	0630.100.294		WASHER	11				0,000		
---	0637.006.281		HEXAGON NUT	11			M10	0,000		
120	0634.100.385		SHAFT SEAL	2			80X105X10	0,000		
124	0671.190.107		GREASE	50				0,000		
130	0750.116.287		BALL BEARING	1			65,0X120,0X23,0	0,000		
136	0634.313.498	999001812	O-RING	1			120X3	5		
140	---		SHIM RING	2			H= 0,10- 1,00	0,000		
---	0630.000.133		SHIM RING	2			100X120X1	25		
---	0630.000.134		SHIM RING	2			100X120X0,5	0,000		
---	0630.000.135		SHIM RING	2			100X120X0,3	0,000		
---	0630.000.136		SHIM RING	2			100X120X0,1	0,000		
150	0630.502.048	1000000218	RETAINING RING	1			120X4	0,080		
200	4139.330.192		FLANGE	1			ENTHALT.IN 4139 330 191(1)	0,000		
210	0636.016.025	00-7LZ6270	HEXAGON BOLT	10			M14X25	51		
230	4139.330.144		WASHER	1			ENTHALT.IN 4139 330 203(0)	0,000		
240	4139.330.394		BEARING FLANGE	1				0,000		
260	0636.021.005		HEXAGON BOLT	10			M12X1,5X25	36		
280	---		HEXAGON BOLT	4			SCHUTZHUELSE M12X1,5X45	0,000		
---	0636.021.083	1202202H1	HEXAGON BOLT	4			M12X1,5X45	50		
300	4139.302.016		INPUT FLANGE	1				0,000		
310	1240.304.117	3432620062	WASHER	1			ENTHALT.IN 1240 304 427(2)	310		
312	0666.790.033		SEALCOMPOUND	1				0,310		

Parts list

Page 2 from 2

Material number: 4236.065.303

6 HP 602 S PLUS /

Plate: 004.62.06-1

Material-assembly-group-no: 4235.102.001



Pos.	Material number	Customer material	Name	Quantity	ME	Amend. no.	Techn. Info.	Weight	Rep kit	Alternative material
320	---		TAB WASHER	1				0,000		
---	1250.304.353	00560852	TAB WASHER	1			ENTHALT.IN 1313 304 043(2)	14		
330	0636.016.417		HEXAGON BOLT	2		Z00007976513	M12X30	0,000		

Plant

Page 1 from 1

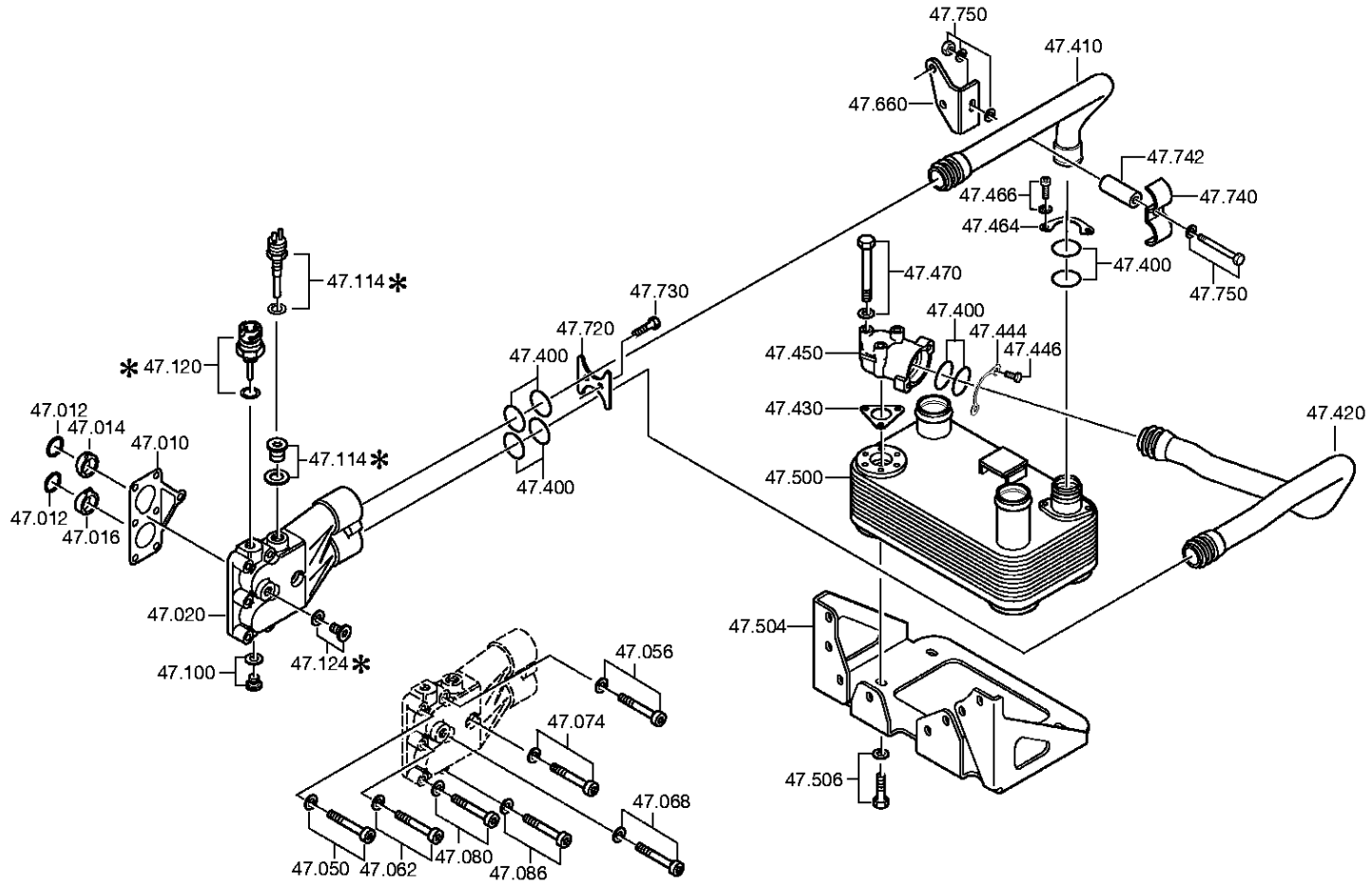
Material number: 4236.065.303

Plate: 095.90.04-1

Material-assembly-group-no: 5079.147.027

6 HP 602 S PLUS /

HEAT EXCHANGER



Parts list

Page 1 from 2

Material number: 4236.065.303

6 HP 602 S PLUS /

Plate: 095.90.04-1

Material-assembly-group-no: 5079.147.027



Pos.	Material number	Customer material	Name	Quantity	ME	Amend. no.	Techn. Info.	Weight	Rep kit	Alternative material
10	4139.301.635		GASKET	1				0,000		
12	0634.313.628	579917208	O-RING	2			41X5	0,000		
14	4139.301.613	579917108	INSERT	1				0,000		
16	4139.301.614	579916708	INSERT	1				0,000		
20	---		CONNPART	1		C01001955F10		0,000		
---	4139.347.248		CONNPART	1			ENTHALT.IN 4139 347 194(0)	0,000		
---	4149.347.322		CONNPART	1			ZBR	0,000		
50	---		CAP SCREW	1		Z00007294712	M8X45	0,000		
---	0636.115.292		CAP SCREW	1		Z00007294714	M8X45	0,000		
---	0630.100.295		WASHER	1		Z00007158415		0,000		
56	---		CAP SCREW	1		Z00007294712	M8X45	0,000		
---	0636.115.292		CAP SCREW	1		Z00007294714	M8X45	0,000		
---	0630.100.295		WASHER	1		Z00007158415		0,000		
62	---		CAP SCREW	1		Z00007294712	M8X45	0,000		
---	0636.115.292		CAP SCREW	1		Z00007294714	M8X45	0,000		
---	0630.100.295		WASHER	1		Z00007158415		0,000		
68	---		CAP SCREW	1		Z00007294712	M8X45	0,000		
---	0636.115.292		CAP SCREW	1		Z00007294714	M8X45	0,000		
---	0630.100.295		WASHER	1		Z00007158415		0,000		
74	---		CAP SCREW	1		Z00007294712	M8X45	0,000		
---	0636.115.292		CAP SCREW	1		Z00007294714	M8X45	0,000		
---	0630.100.295		WASHER	1		Z00007158415		0,000		
80	---		CAP SCREW	1		Z00007294712	M8X45	0,000		
---	0636.115.292		CAP SCREW	1		Z00007294714	M8X45	0,000		
---	0630.100.295		WASHER	1		Z00007158415		0,000		
86	---		CAP SCREW	1		Z00007294712	M8X45	0,000		
---	0636.115.292		CAP SCREW	1		Z00007294714	M8X45	0,000		
---	0630.100.295		WASHER	1		Z00007158415		0,000		
100	0501.326.079	XP00G99100036	SCREW PLUG	1		Z00001899810	M10X1	0,000		
114	---		TEMPERATURE SENSOR	1		C01001849F10		0,000		
---	0501.322.528	77901700	TEMPERATURE SENSOR	1				0,000		
---	0634.801.151	76035168	SEALING RING	1			14X20		2	
120	---		TEMPERATURE SENSOR	1		C01006724E10		0,000		

Parts list

Page 2 from 2

Material number: 4236.065.303

6 HP 602 S PLUS /

Plate: 095.90.04-1

Material-assembly-group-no: 5079.147.027



Pos.	Material number	Customer material	Name	Quantity	ME	Amend. no.	Techn. Info.	Weight	Rep kit	Alternative material
---	0501.322.530	41784312	TEMPERATURE SENSOR	1				0,000		
---	0634.801.151	76035168	SEALING RING	1			14X20	2		
124	0501.326.082		SCREW PLUG	1			M18X1,5	0,000		
400	0634.313.600		O-RING	8			38X4	0,000		
410	4139.347.493		TUBE	1		C01008441D10		0,000		
420	4139.347.494		TUBE	1		C01008442D10		0,000		
430	4139.347.284		GASKET	1				0,000		
444	4139.347.195		FLANGE	1				0,000		
446	0636.016.412		HEXAGON BOLT	2			M8X22	0,000		
450	4139.347.363		CONNPART	1				0,000		
464	4139.347.495		BRACKET	1		C01007750D10		0,000		
466	---		CAP SCREW	2		Z00007400013	M8X16	0,000		
---	0636.115.293	REPLACEMENT FOR 0636.101.680	CAP SCREW	2		Z00007400011	M8X16	0,010		
---	0630.100.295		WASHER	2		Z00007158415		0,000		
470	---		HEXAGON BOLT	3		Z00007051813	M8X60	0,000		
---	0636.011.758		HEXAGON BOLT	3			M8X60	0,000		
---	0630.100.295		WASHER	3		Z00007158415		0,000		
500	0501.008.286		HEAT EXCHANGER	1		C01009439E10	SBK-WL-LF-EINTEILIGE OELLA	0,000		
504	4139.347.365		BRACKET	1				0,000		
506	---		HEXAGON BOLT	4		Z00007058112	M10X22	0,000		
---	0636.016.403		HEXAGON BOLT	4		Z00007058113	M10X22	0,000		
---	0630.100.294		WASHER	4		Z00007158112		0,000		
660	4139.347.299		FIXING PLATE	1				0,000		
720	4139.347.198	1254189	FIXING PLATE	1				0,000		
730	0636.016.412		HEXAGON BOLT	2			M8X22	0,000		
740	4139.347.301		BRACKET	1				0,000		
742	0730.301.266		TUBE	1		Z00009161911	A=33,40 33,40	0,000		
750	---		BOLT+NUT	1		Z00007051315	M8X55	0,000		
---	0636.011.757	REPLACEMENT FOR 0636.010.374	HEXAGON BOLT	1		Z00007051310	M8X55	0,000		
---	0630.100.295		WASHER	1		Z00007158415		0,000		
---	0637.011.530		HEXAGON NUT	1		Z00007051310	M8	0,000		