

Parts Manual



See "General Information"
for New Parts Manual
Features.

320D & 320D L Excavators

JFZ1-Up (Machine)
MGG1-Up (Machine)
GDC1-Up (Engine)

Powered By C6.4 Engine

Product and Dealer Information

Note: For product identification plate locations, see the section "Product Identification Information" in the Operation and Maintenance Manual.

Delivery Date: _____

Product Information

Model: _____

Product Identification Number: _____

Engine Serial Number: _____

Transmission Serial Number: _____

Generator Serial Number: _____

Attachment Serial Numbers: _____

Attachment Information: _____

Customer Equipment Number: _____

Dealer Equipment Number: _____

Dealer Information

Name: _____ Branch: _____

Address: _____

Dealer Contact

Phone Number

Hours

Sales: _____

Parts: _____

Service: _____

MEMORANDA

TABLE OF CONTENTS

Name	Page	Name	Page
GENERAL INFORMATION	A4	RADIATOR & HYD OIL COOLER GP	67
REPAIR ALTERNATIVES	A7	AIR INLET AND EXHAUST SYSTEM	81
SUPPLEMENTAL COOLANT ADDITIVES	A8	AIR CLEANER & MOUNTING GP	81
MAINTENANCE PARTS	A9	AIR CLEANER AR	83
INDEX	A12	AIR CLEANER GP	84
MACHINE ARRANGEMENT	1	CARTRIDGE AS-TURBOCHARGER	93
CHASSIS AR	1	EXTENSION GP-EXHAUST	94
GENERAL AR	3	LINES GP-AIR	95
ENGINE ARRANGEMENT	5	LINES GP-MUFFLER DRAIN	99
ENGINE AR	5	MANIFOLD GP-EXHAUST	100
ENGINE AR-COMPLETE	7	MANIFOLD GP-INLET	102
INSTALLATION AR-ENGINE	10	MUFFLER GP	104
BASIC ENGINE	11	TURBOCHARGER GP	106
CAMSHAFT GP	11	FUEL SYSTEM	108
COVER GP-VALVE MECHANISM	14	CAP GP-FUEL FILLER	108
CRANKSHAFT GP	16	FILTER GP-FUEL	109
CYLINDER BLOCK GP	17	FILTER GP-WATER SEP & FUEL	112
CYLINDER HEAD AS	22	INJECTOR GP-FUEL	113
CYLINDER HEAD GP	23	LINES GP-FUEL	114
DRIVE GP-FAN	24	MOUNTING GP-FUEL FILTER	118
FLYWHEEL GP	26	MOUNTING GP-PUMP	119
GEAR GP-FRONT	27	PUMP & MOTOR GP-REFUELING	120
HOUSING GP-FLYWHEEL	28	PUMP AR-FUEL TRANSFER	121
HOUSING GP-FRONT	29	PUMP GP-FUEL	122
MOUNTING GP-ALTERNATOR	32	PUMP GP-REFUELING	123
MOUNTING GP-ENGINE	33	STRAINER GP-FUEL	127
MOUNTING GP-STARTING MOTOR	34	TANK & MTG GP-FUEL	128
PAN GP-OIL	35	TANK GP-FUEL	130
PISTON & ROD GP	37	VALVE GP-FUEL SHUTOFF	147
PULLEY AS-IDLER	39	ELECTRICAL AND STARTING SYSTEM	148
PULLEY GP-ENGINE	41	ALARM GP	148
PULLEY GP-IDLER	44	ALTERNATOR GP-CHARGING	149
VALVE MECHANISM GP	45	BATTERY & WIRING GP	151
LUBRICATION SYSTEM	51	CONTROL & MTG GP-ENGINE ELEK	167
ADAPTER GP-REMOTE OIL FILTER	51	CONTROL & MTG GP-MACHINE	168
BREATHER GP	53	ELECTRONICS GP-MACHINE	169
FILTER & MTG GP-ENGINE OIL	54	ELECTRONICS GP-MONITOR	170
LINES GP-ENGINE OIL	56	FASTENER GP-WIRING HARNESS	171
LINES GP-ENGINE OIL DRAIN	57	LAMP GP-FLOOD	173
LINES GP-TURBOCHARGER OIL	59	LIGHTING GP-CHASSIS	176
COOLING SYSTEM	60	LIGHTING GP-FLOOD	177
COOLER GP-ENGINE OIL	60	PANEL & MTG GP-CIRCUIT BREAKER	184
COOLING AR-HIGH AMBIENT TEMP	61	PANEL GP-CIRCUIT BREAKER	186
FAN GP-SUCTION	63	PANEL GP-SWITCH	191
HOUSING & REGULATOR GP	64	SENSOR GP-ENGINE	195
PUMP GP-WATER	65	SENSOR GP-LIQUID LEVEL	196
		STARTING MOTOR GP-ELECTRIC	198
		SWITCH GP-DISCONNECT	200
		SWITCH GP-MAGNETIC	201
		SWITCH GP-POSITION	203
		SWITCH GP-PUSH BUTTON	204
		SWITCH GP-REFUELING	206

TABLE OF CONTENTS

Name	Page	Name	Page
SWITCH GP-ROTARY	207	HYDRAULIC SYSTEM	333
SWITCH GP-START	209	ACCUMULATOR GP-HYDRAULIC	333
WIRING GP-CAB	210	BASE GP-OIL FILTER	341
WIRING GP-CHASSIS	220	CONTROL AR-AUXILIARY	342
WIRING GP-COMBINED FLOW	221	COUPLING GP-FLEXIBLE	344
WIRING GP-COMMUNICATION	224	COUPLING GP-PUMP	345
WIRING GP-CONSOLE	226	CYLINDER & LINES GP-BOOM	346
WIRING GP-CONVERTER	230	CYLINDER & LINES GP-BUCKET	350
WIRING GP-ELECTRONIC CONTROL	231	CYLINDER & LINES GP-STICK	353
WIRING GP-FAN	232	CYLINDER & SEAL GP-BOOM	357
WIRING GP-FINE SWING	235	CYLINDER & SEAL GP-BUCKET	361
WIRING GP-FUEL SYSTEM	236	CYLINDER & SEAL GP-STICK	366
WIRING GP-HEATER	240	CYLINDER GP-BUCKET	375
WIRING GP-PLATFORM	241	DRIVE GP-SWING	377
POWER TRAIN	243	FASTENER GP-SWING & FINAL DR	380
DRIVE GP-FINAL	243	FILTER & VALVE GP-PILOT	382
FINAL DRIVE GP	246	FILTER GP-OIL	385
POWER TRAIN AR	247	FITTING GP-HYDRAULIC	390
SPROCKET GP	248	GAUGE GP-SIGHT	392
FRAME AND BODY	249	HEAD GP-PUMP	393
BOX & MTG GP-STORAGE	249	HOSE GP-HYDRAULIC	405
BOX GP-STORAGE	250	HYDRAULIC AR	417
COUNTERWEIGHT AR	252	LINES GP-AUXILIARY HYDRAULIC	419
COUNTERWEIGHT GP	253	LINES GP-BOOM	425
COVER AS-ACCESS	265	LINES GP-BOOM CYLINDER	430
COVER AS-SOUND SUPPRESSION	266	LINES GP-BUCKET CYLINDER	436
COVER GP-HOOD	267	LINES GP-FRONT	441
DOOR AS-ACCESS	268	LINES GP-HYDRAULIC OIL COOLER	464
DOOR GP-ACCESS	269	LINES GP-PILOT	471
FENDER & COVER GP	273	LINES GP-PUMP	525
FRAME GP-UPPER	274	LINES GP-RETURN	526
GEAR & BEARING GP-SWING	276	LINES GP-STICK CYLINDER	530
GUARD GP-BOTTOM	279	LINES GP-TRAVEL MOTOR	532
HANDRAIL GP	280	MANIFOLD GP-CONTROL	537
HOOD & GUARD GP	281	MOTOR & MTG GP-SWING	540
HOOD GP-ENGINE	293	MOTOR & MTG GP-TRAVEL	541
SHEET AS-SOUND SUPPRESSION	294	MOTOR GP-SWING	542
STEP GP	300	MOTOR GP-TRAVEL	545
SUPPORT AS-ENCLOSURE	301	MOUNTING GP-MAIN CONTROL	
UNDERCARRIAGE	304	VALVE	549
FRAME AR-UNDERCARRIAGE	304	PLUG GP-CONTROL VALVE	550
FRAME AS-UNDERCARRIAGE	306	PUMP & MTG GP-MAIN HYDRAULIC	551
GUARD GP-TRACK GUIDE	307	PUMP GP-MAIN HYDRAULIC	552
GUARD GP-TRAVEL MOTOR	308	SCREEN GP-HYDRAULIC	557
IDLER GP-FRONT	309	SWIVEL GP	558
LINK AS-TRACK	313	TANK & FILTER GP-HYDRAULIC	560
ROLLER AR-TRACK & CARRIER	315	TANK & MTG GP-HYDRAULIC	562
ROLLER GP-TRACK CARRIER	317	VALVE & MTG GP-CONTROL	563
ROLLER GP-TRACK-SINGLE FLANGE	318	VALVE AR-SWING	564
TRACK ADJUSTER & RECOIL GP	319	VALVE GP-CHECK	565
TRACK AR	323	VALVE GP-CONTROL	572
TRACK GP	327	VALVE GP-LOAD CONTROL	587
		VALVE GP-MAIN CONTROL	591
		VALVE GP-MANUAL	592
		VALVE GP-PILOT	593

TABLE OF CONTENTS

Name	Page	Name	Page
VALVE GP-PRESSURE REDUCING	600	CONTROL & MTG GP-JOYSTICK	742
VALVE GP-PRIORITY	603	CONTROL GP-HANDLE	743
VALVE GP-RELIEF	604	CONTROL GP-HEAT & AIR COND	746
VALVE GP-SHUTTLE	617	CONTROL GP-HYDRAULIC PEDAL	747
VALVE GP-SOLENOID	620	CONTROL GP-JOYSTICK	749
VALVE GP-SWING CUSHION	625	COVER GP-CAB	751
VALVE GP-TRAVEL COUNTERBALANCE	630	COVER GP-STORAGE	752
IMPLEMENTS	631	DOOR & MTG GP-CAB	753
BOOM AR-1 PIECE LONG	631	DOOR GP-CAB	754
BOOM AR-1 PIECE SHORT	634	DUCT GP-CAB AIR	758
BOOM GP	635	FLOOR MAT	759
BOOM GP-1 PIECE	637	FLOOR MAT GP	761
BOOM GP	639	FRAME GP-UPPER FRONT WINDOW	762
LINES GP-GREASE	643	HATCH GP-ROOF	763
LINKAGE AR	648	HEADREST AS-SEAT	764
LINKAGE AR-BUCKET	649	HORN GP-ELECTRIC	765
LINKAGE GP-BUCKET	651	INSTALLATION GP-RADIO	767
LOCK GP-TRANSPORT	654	LEVER GP-AIR & TEMP CONTROL	768
STICK AR	655	LINES GP-AIR CONDITIONER	769
STICK AR-HOE	656	LITERATURE GP	776
STICK GP-HOE	658	MIRROR GP-REAR VIEW	777
WORK TOOLS	664	MONITOR & MTG GP-OPERATOR	778
ADJUSTER GP-BUCKET	664	MONITOR GP-OPERATOR	779
BUCKET & ADJUSTER GP	667	MOUNTING GP-PLATFORM	780
BUCKET AR-EXCAVATION	674	OPERATOR AR	782
BUCKET AS-DITCH CLEANING	675	PLATFORM GP-OPERATOR	783
BUCKET AS-EXCAVATION	676	SEAT & MOUNTING GP	784
BUCKET AS-GENERAL PURPOSE	678	SEAT BELT GP	785
BUCKET AS-HEAVY DUTY	681	SEAT GP	787
BUCKET AS-HEAVY DUTY ROCK	683	SEAT GP-SUSPENSION	788
BUCKET GP-LIGHT MATERIAL	684	SUPPORT GP-SEAT	789
PROTECTOR GP-SIDE BAR	685	SUSPENSION GP-SEAT	791
SIDECUTTER GP	687	VISOR GP-CAB	793
TIP GP-LONG	690	VISOR GP-PROTECTION	794
TIP GP-PENETRATION PLUS	695	WASHER GP-WINDOW	795
TIP GP-SHORT	697	WINDOW AS-FRONT	796
OPERATOR STATION	699	WINDOW GP-CAB	797
ADJUSTER GP-SEAT	699	WINDOW GP-DOOR	803
AIR CONDITIONER & MOUNTING GP	700	WIPER GP-WINDOW	805
AIR CONDITIONER AR	704	SERVICE EQUIPMENT AND SUPPLIES	807
AIR CONDITIONER GP	705	FILM GP	807
ARMREST GP	711	PLATE & FILM GP	812
BRACKET GP-MIRROR	713	PART NUMBER INDEX	B1
CAB GP	714		
COIL GP-EVAPORATOR	726		
COMPRESSOR GP-REFRIGERANT	728		
CONDENSER & LINES GP-RFGT	731		
CONDENSER & MTG GP- REFRIGERANT	732		
CONDENSER GP-REFRIGERANT	735		
CONSOLE GP-OPERATOR	736		

GENERAL INFORMATION

1. MACHINE IDENTIFICATION

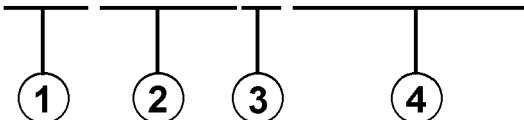
Caterpillar machines are identified by Product Identification Numbers (PIN). Some components included in a machine may be identified by Serial Numbers (S/N). Typical components that will be serialized include engines, transmissions, bulldozers, and rippers. The machine and engine are further identified by arrangement numbers and in some cases modification numbers. These numbers are shown on the product identification plate(s) and on the master plate in the operator's compartment.

Caterpillar dealers need all of these numbers to determine accurate parts identification.

New Feature

Effective First Quarter 2001 the Caterpillar Product Identification Number (PIN) changed from 8 to 17 characters. In an effort to provide uniform equipment identification, Caterpillar and other construction equipment manufacturers are moving to comply with the latest version of the product identification numbering standard. Non-road machine PINs are defined by ISO 10261. The new PIN format will apply to all Caterpillar machines and generator sets. The PIN plates and frame marking will display the 17 character PIN. The new format will look like the following:

CAT0789BG 6SL12345



The diagram shows the PIN format *CAT0789BG 6SL12345* with a horizontal line underneath the first four characters (C, A, T, 0). Four vertical lines connect the characters to circles containing the numbers 1, 2, 3, and 4 respectively.

Where:

1. Caterpillar's World Manufacturing Code (characters 1-3)
2. Machine Descriptor (characters 4-8)
3. Check Character (character 9)
4. Machine Indicator Section (MIS) or Product Sequence Number (characters 10-17). These were previously referred to as the Serial Number.

Machines and generator sets produced before First Quarter 2001 will maintain their 8 character PIN format.

Components such as engines, transmissions, axles, etc. and work tools will continue to use an 8 character Serial Number (S/N).

2. ORDERING PARTS

WARNING

When replacement parts are required for this product Caterpillar recommends using Caterpillar replacement parts or parts with equivalent specifications including, but not limited to, physical dimensions, type, strength and material.

Failure to heed this warning can lead to premature failures, product damage, personal injury or death.

Quality Caterpillar replacement parts are available from Caterpillar dealers throughout the world. Their parts inventories are up to date and include all parts normally required to protect your investment in Caterpillar machines. Dealers may offer repair kits or remanufactured parts to allow selection of the most effective repair alternative for a particular situation. When ordering parts, your order should specify the quantity, part number, part name, and the serial number/product identification number of the machine for which the parts are needed.

3. PARTS MANUAL ORGANIZATION

Product information in this manual is presented as "information elements" that represent all of the components for the specific model. Engine Arrangement and Seat Group are examples of information elements. The information elements are organized alphabetically by part name and secondarily by part number within each major section of the manual.

4. TABLE OF CONTENTS

A table of contents (TOC) is found at the beginning of the manual. The TOC lists each section of the manual with a complete list of all information elements organized as they appear in the manual. Page numbers are provided for quick reference to detailed parts identification illustrations and serviceable consist lists.

5. MAINTENANCE PARTS INDEX

The Maintenance Parts Index, located near the beginning of the manual, references most frequently used maintenance part numbers, providing description, quantity, usage and page number. This information is organized alphabetically by part description.

GENERAL INFORMATION

6. INDEX

The index located near the front of the manual is an alphabetical listing of all information elements included in the manual. Page numbers are provided for quick reference to detailed parts identification illustrations and serviceable consist lists.

7. PART NUMBER INDEX

A numerical index listing all part numbers and the corresponding page number(s) appears at the back of the manual.

8. CAPTIONS

Captions located at the beginning of each information element identify the part number and part name along with additional descriptive information. PIN and S/N information found in each caption should be used to select correct information for a specific machine. Field replacement options, identification of optional attachment components, and where used ("part of") information is also provided.

The first line of a caption is shown in larger type font to indicate the beginning of an information element. Captions for additional pages that may be required to illustrate an information element will be shown in standard type font and will include the term (*contd.*) .

9. NON-SERVICED PARTS

In some instances it is necessary to display non-serviced parts that are a link to a lower level serviceable consist lists. These non-serviced part numbers are shown in *italic* type indicating that they are not available.

10. PARTS LIST REFERENCE NUMBERS

Numbers shown in the Ref No column correspond to numbers used in the associated graphic(s). An alphabetic suffix may be added to a reference number to identify lower level consist items. Numbers shown in the Graphic Ref column refer to the graphic number identifier displayed in the lower left corner of each illustration. The Graphic Ref number may be used in combination with the item Ref No to determine the correct part number. There may be intentional omission of a Ref No in a consist list as information is updated to reflect the latest serviceable part numbers.

11. INDENTED PART NAMES

When a part name is indented in a parts list, it is part of (included in) the group or assembly under which it is indented.

12. ILLUSTRATION REFERENCE LETTERS

When necessary, illustrations contain reference letters (A, B, C etc.) that are intended to track lines and harnesses from one point to another. They are also used to show where to reconnect illustrations that have been separated.

13. ABBREVIATIONS AND SYMBOLS

O.D. – Outside Diameter
I.D. – Inside Diameter
A – Not Part Of This Group
B – Use As Required
C – Change From Previous Type
D – Order By The Meter
E – Order By The Centimeter
F – Not Shown
G – Order By The Inch
I – Refer To Hydraulic Information System
M – Metric Part
R – Remfg Part May Be Available
Y – Separate Illustration
Z – Not Serviced Separately

 **New Feature**

14. DESCRIPTION OF TYPE CHANGES

Type - A type is defined as any configuration change that requires an additional Information Element for an Arrangement, Group, or Assembly. If serial number breaks for types are not available, a type # (Type 1, Type 2, etc.) will be displayed in the caption. These "type" changes are identified with a "C" note (change from previous type) in the Parts List. Only the "types" that apply to this Parts Manual will be included. Additional types may exist causing "C" notes to appear on an Information Element when no other types are shown.

15.<END>

This symbol indicates the end of an information element.

NOTE:

Continuing improvement and advancement of product design may cause changes to your machine which may not be included in this publication. Whenever a question arises regarding your Caterpillar product or this publication, please consult your Caterpillar dealer for the latest available information.

GENERAL INFORMATION

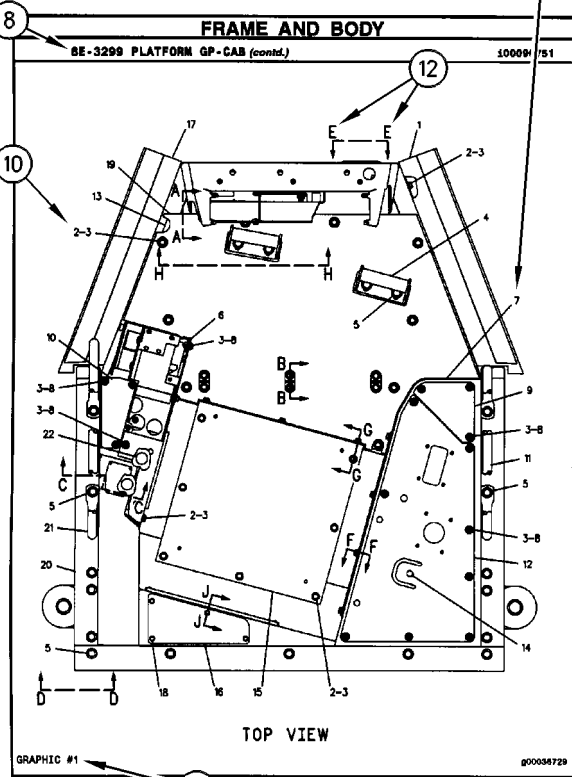
FRAME AND BODY					
8E-3299 PLATFORM GP-CAB					
PIN 3841-99999					
					100090751
NOTE	REF NO	GRAPHIC REF	PART NUMBER	QTY	PART NAME & PRODUCT LEVEL
	1		31-2982	1	PLATE AS
	2		8E-2982	25	BOLT (1/4-18X.750IN)
	3		8E-1078	41	WASHER-HARD (3MM THK)
	4		8E-1444	2	SUPPORT AS-FOOT
	5		77-2229	19	BOLT (1/2-13X1IN)
	6		8E-8126	1	COVER AS-LH
	7		8E-8278	6	NUT-WELD (3/8-16 THD)
	8		17-8189	1	CLIP
	9		78-2411	4	COVER
	10		84-8488	18	SCREW-HEAD (3/8-18X.875IN)
	11		8E-8274	1	COVER
	12		8E-8272	1	GASKET
	13		8E-2980	1	GASKET
	14		31-3492	1	HANDHOLD
	15		8E-8278	1	COVER AS
	16		8E-8278	8	NUT-WELD (3/8-16 THD)
	17		8E-8278	1	GASKET
	18		77-0131	1	FLOORPLATE AS
	19		17-0752	4	NUT-WELD (1/2-13 THD)
	20		77-8087	1	PLUG-BUTTON
	21		77-0136	1	PLATE AS
	22		8E-8278	5	NUT-WELD (3/8-16 THD)
	23		77-8089	1	COVER
	24		77-0770	1	GASKET
	25		31-2981	1	PLATE AS
	26		81-8484	4	BOLT (1/4-20X.825IN)
	27		81-8486	4	WASHER-HARD (2MM THK)
	28		81-8484	1	FLOOR MAT
	29		8E-8246	1	MODULE AS-OPERATOR
	30		31-3534	1	HANDHOLD
	31		8E-8271	2	PLUG
	32		81-8384	4	BOLT (1/4-20X.825IN)
	33		8E-8282	17	WASHER-HARD (2MM THK)
	34		8E-1078	21	WASHER-HARD (3MM THK)
	35		77-0136	1	SEAL
	36		78-0378	2	BOLT (3/4-10X5IN)
	37		78-0882	2	WASHER-HARD (5MM THK)
	38		31-3482	2	PLATE
	39		31-3390	1	PLATE AS
	40		78-0888	8	SPACER
	41		31-3281	1	SEAL
	42		78-8817	1	GASKET
	43		78-8816	1	COVER AS
	44		28-8278	2	WASHER
	45		8E-8228	2	SCREW-KNURLED
	46		8E-3428	1	COVER
	47		8E-8887	1	COVER
	48		8E-2981	8	SCREW-ROCKET HEAD
	49		8E-3142	8	MOUNTING
	50		8E-0027	2	PLATE
	51		78-0380	2	BOLT (1/2-8X5IN)
	52		78-0872	2	WASHER-HARD
	53		4L-8484	4	BOLT (3/8-18X1.02IN)
	54		31-6783	1	COVER

FRAME AND BODY					
8E-3299 PLATFORM GP-CAB (contd.)					
					100090751
NOTE	REF NO	GRAPHIC REF	PART NUMBER	QTY	PART NAME & PRODUCT LEVEL
	41		8E-8816	1	COVER
	42		77-8124	1	PLATE
	43		77-8128	1	GASKET
	44		78-8724	1	GASKET
	45		78-8723	1	COVER
	46		8E-1069	2	PLUG-BUTTON

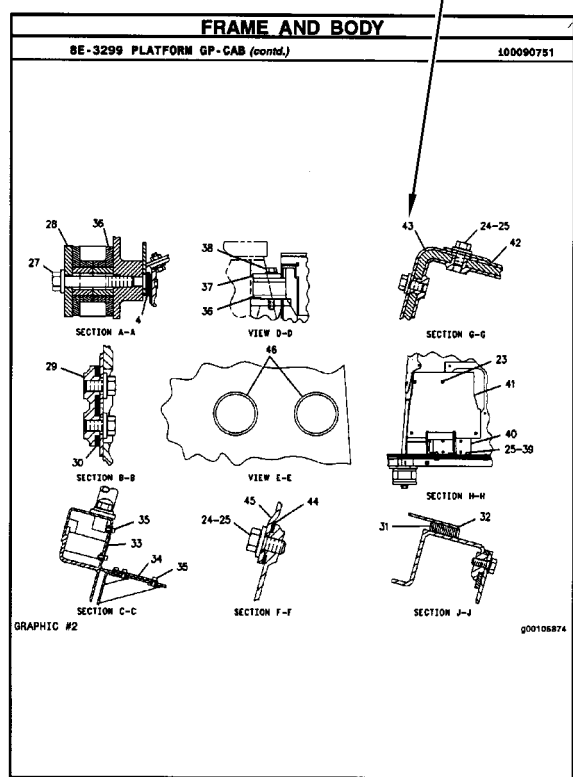
M-METRIC PART

12 FRAME AND BODY 1 of 4 SELP 170-01

SELP4570-01 2 of 4 FRAME AND BODY 13



14 FRAME AND BODY 3 of 4 SELP4670-01



SELP4670-01 4 of 4 FRAME AND BODY 15

REPAIR ALTERNATIVES

REMANUFACTURED COMPONENTS

As an option when making repairs consider Caterpillar Remanufactured Components. Components that are available through the Caterpillar Remanufactured Program are identified three ways in the parts book:

- with the letter R in the note field of the parts list
- with an R* at the beginning of the first line of the caption
- with an *R at the end of the first line of the caption

Typical components included in the Remanufacturing Program include:

ALTERNATORS
CONNECTING RODS
CRANKSHAFTS - UNDERSIZE
CRANKSHAFTS - UPGRADE TO NEW
CYLINDER HEADS
ELECTRONIC CONTROL MODULES (ECM)
ELECTRONIC SENSORS
FUEL INJECTORS
FUEL NOZZLES
FUEL PUMPS
GOVERNORS
OIL PUMPS
PISTONS
SHORT BLOCKS
STARTERS
TURBOCHARGERS - COMPLETE
TURBOCHARGER CARTRIDGES
WATER PUMPS

Caterpillar Remanufactured engines for many engine arrangements are also available.

SUPPLEMENTAL COOLANT ADDITIVES

CUSTOMER BENEFITS:

Protects against cavitation, foam, erosion, corrosion, and scale buildup in cooling systems.

- Provides measured coolant conditioner.

DESCRIPTION:

Additives deplete from the coolant with normal operation. For this reason, Supplemental Coolant Additives (SCA) must be added to all heavy duty coolants at regular intervals. In addition, when not using a fully formulated, pre-charged antifreeze, like Caterpillar's DEAC, an initial charge of SCA must be added to the cooling system. The amount of SCA added to the system is dependent on the capacity of the system.

The SCA for initial fill is provided as a liquid. SCA's for maintenance intervals are available in liquid form and as a spin-on element. (No Spin-on available for 3600 Family of Engines)

NOTE:

The amount of SCA added at initial fill is not the same as the amount added at maintenance intervals.

The coolant additive elements can be used with any ethylene or propylene glycol type antifreeze which meets ASTM D4985 or ASTM D5345 Specifications.

NOTE:

For use with standard heavy duty coolant only, not for use with Extended Life Coolant.

PARTS NEEDED:

Cooling System Capacity		Liquid SCA at Initial Fill	Liquid SCA at Maintenance*	Spin-on SCA Maintenance Element*
Liters	Gallons			
22-30	(6-8)	3P-2044 (1)	6V-3542 (1)	111-2370 (1)
30-38	(8-10)	3P-2044 (1) 6V-3542 (1)	111-2372 (1)	111-2369 (1)
38-49	(10-13)	3P-2044 (1) 8T-1589 (1)	111-2372 (1)	111-2369 (1)
49-64	(13-17)	3P-2044 (2)	8T-1589 (1)	9N-3368 (1)
64-83	(17-22)	3P-2044 (2) 8T-1589 (1)	111-2372 (1) 6V-3542 (1)	111-2371 (1)
83-114	(22-30)	3P-2044 (3) 8T-1589 (1)	3P-2044 (1)	9N-3718 (1)
114-163	(30-43)	3P-2044 (5)	3P-2044 (1) 6V-3542 (1)	111-2371 (2)
163-242	(43-64)	3P-2044 (8)	3P-2044 (2)	9N-3718 (2)

* Normal maintenance period is 250 hrs. See your Operation and Maintenance Manual for complete coolant maintenance instructions.

() Indicates quantity required.

MAINTENANCE PARTS

DESCRIPTION	PART NUMBER	QTY	WHERE USED	PAGE
AIR INLET AND EXHAUST SYSTEM				
FILTER ELEMENT AS-AIR (PRIMARY)	131 - 8822	1	AIR CLEANER GP	84
		1	AIR CLEANER GP	91
FILTER ELEMENT AS-AIR (PRIMARY, STANDARD EFFICIENCY)	6I - 2501	1	AIR CLEANER GP	85
		1	AIR CLEANER GP	92
FILTER ELEMENT AS-AIR (PRIMARY, ULTRA HIGH EFFICIENCY)	128 - 2686	1	AIR CLEANER GP	92
FILTER ELEMENT AS-AIR (SECONDARY)	131 - 8821	1	AIR CLEANER GP	84
		1	AIR CLEANER GP	91
	6I - 2502	1	AIR CLEANER GP	85
		1	AIR CLEANER GP	92
BASIC ENGINE				
BELT-SERPENTINE	212 - 8585	1	PULLEY GP-ENGINE	41
	294 - 1781	1	PULLEY GP-ENGINE	42
CAP (ENGINE OIL FILLER)	294 - 1708	1	COVER GP-VALVE MECHANISM	14
COOLING SYSTEM				
CAP AS (COOLANT RECOVERY)	171 - 3369	1	RADIATOR & HYD OIL COOLER GP	67
		1	RADIATOR & HYD OIL COOLER GP	69
		1	RADIATOR & HYD OIL COOLER GP	71
		1	RADIATOR & HYD OIL COOLER GP	73
CAP AS-RADIATOR	245 - 9212	1	RADIATOR & HYD OIL COOLER GP	75
		1	RADIATOR & HYD OIL COOLER GP	77
GASKET (WATER TEMPERATURE REGULATOR)	294 - 1780	1	HOUSING & REGULATOR GP	64
	5I - 7735	1	HOUSING & REGULATOR GP	64
HOSE-LOWER RADIATOR	245 - 9178	1	RADIATOR & HYD OIL COOLER GP	67
		1	RADIATOR & HYD OIL COOLER GP	69
		1	RADIATOR & HYD OIL COOLER GP	71
		1	RADIATOR & HYD OIL COOLER GP	73
HOSE-UPPER RADIATOR	265 - 3602	1	RADIATOR & HYD OIL COOLER GP	67
		1	RADIATOR & HYD OIL COOLER GP	69
		1	RADIATOR & HYD OIL COOLER GP	71
		1	RADIATOR & HYD OIL COOLER GP	73
SCREEN AS (OIL COOLER)	313 - 3764	1	RADIATOR & HYD OIL COOLER GP	79
SCREEN AS (RADIATOR)	313 - 3763	1	RADIATOR & HYD OIL COOLER GP	79

MAINTENANCE PARTS

DESCRIPTION	PART NUMBER	QTY	WHERE USED	PAGE
ELECTRICAL AND STARTING SYSTEM				
BATTERY (12-VOLT, MAINTENANCE FREE)	263-9574	4	BATTERY & WIRING GP	165
BATTERY (12-VOLT, MAINTENANCE FREE, WET)	3T-5760	2	BATTERY & WIRING GP	151
CIRCUIT BREAKER AS (120-AMPERE) (HEATER)	216-4970	1	PANEL GP-CIRCUIT BREAKER	186
CIRCUIT BREAKER AS (60-AMPERE) (ALTERNATOR)	171-2208	1	PANEL GP-CIRCUIT BREAKER	186
CIRCUIT BREAKER AS (80-AMPERE) (MAIN)	171-2210	1	PANEL GP-CIRCUIT BREAKER	186
FUSE (10-AMPERE)	113-8490	20	WIRING GP-CAB	214
FUSE (15-AMPERE)	113-8491	5	WIRING GP-CAB	214
FUSE (20-AMPERE)	113-8492	3	WIRING GP-CAB	214
FUSE (25-AMPERE)	113-8493	3	WIRING GP-CAB	214
FUSE (30-AMPERE)	124-3548	2	WIRING GP-CAB	214
FUSE (5-AMPERE)	141-2759	7	WIRING GP-CAB	214
KEY (BATTERY DISCONNECT)	8H-5306	1	SWITCH GP-DISCONNECT	200
LAMP AS (24-VOLT, 3-WATT)	170-9324	1	PANEL GP-SWITCH	191
LAMP-HALOGEN (24-VOLT, 65-WATT)	9X-3463	1	PANEL GP-SWITCH	193
		1	LAMP GP-FLOOD	173
		1	LAMP GP-FLOOD	174
		1	LAMP GP-FLOOD	175
PANEL GP-CIRCUIT BREAKER	319-1386	1	PANEL & MTG GP-CIRCUIT BREAKER	185
FUEL SYSTEM				
CAP AS-FILLER (FUEL TANK)	7X-7700	1	TANK GP-FUEL	134
CAP GP-FUEL FILLER (EXTREME SERVICE, LOCKABLE)	164-4858	1	TANK GP-FUEL	131
		1	TANK GP-FUEL	132
		1	TANK GP-FUEL	136
		1	TANK GP-FUEL	139
		1	TANK GP-FUEL	141
		1	TANK GP-FUEL	143
		1	TANK GP-FUEL	145
FILTER (ADVANCED EFFICIENCY)	1R-0751	2	FILTER GP-FUEL	109
FILTER AS-WATER SEP & FUEL (PRIMARY)	326-1644	1	FILTER GP-WATER SEP & FUEL	112
GASKET (FUEL PRIMING PUMP)	294-1820	1	FILTER GP-FUEL	109
STRAINER AS-FUEL	229-1860	1	PUMP GP-REFUELING	123
		1	PUMP GP-REFUELING	125
STRAINER AS-FUEL (FLOAT GAUGE)	303-9933	1	TANK GP-FUEL	132
		1	TANK GP-FUEL	136
		1	TANK GP-FUEL	141
		1	TANK GP-FUEL	145
STRAINER GP-FUEL (FLOAT GAUGE)	262-9372	1	TANK GP-FUEL	131
		1	TANK GP-FUEL	134
		1	TANK GP-FUEL	139
		1	TANK GP-FUEL	143

MAINTENANCE PARTS

DESCRIPTION	PART NUMBER	QTY	WHERE USED	PAGE
HYDRAULIC SYSTEM				
BREATHER (SWING DRIVE)	4H-6112	1	DRIVE GP-SWING	379
BREATHER AS (SWING DRIVE)	227-6221	1	DRIVE GP-SWING	379
BREATHER GP (HYDRAULIC TANK)	227-0590	1	TANK & FILTER GP-HYDRAULIC	560
FILTER ELEMENT AS-OIL (HYDRAULIC RETURN)	179-9806	1	FILTER GP-OIL	387
FILTER-OIL (ADVANCED EFFICIENCY) (HYDRAULIC, CASE DRAIN)	093-7521	1	FILTER GP-OIL	389
FILTER-OIL (ADVANCED EFFICIENCY) (HYDRAULIC, PILOT)	5I-8670	1	FILTER & VALVE GP-PILOT	384
FILTER-OIL (ULTRA HIGH EFFICIENCY) (HYDRAULIC, PILOT)	126-1813	1	FILTER & VALVE GP-PILOT	383
PLUG-DRAIN (HYDRAULIC OIL)	4B-7739	1	TANK & FILTER GP-HYDRAULIC	560
SCREEN AS (HYDRAULIC TANK)	209-6000	1	SCREEN GP-HYDRAULIC	557
LUBRICATION SYSTEM				
BREATHER (CRANKCASE)	5I-7725	1	BREATHER GP	53
FILTER AS-ENGINE OIL (STANDARD EFFICIENCY)	1R-0739	1	FILTER & MTG GP-ENGINE OIL	54
OPERATOR STATION				
BLADE AS-WIPER (600-MM)	161-3670	1	WIPER GP-WINDOW	805
CAP AS (WINDOW WASHER)	178-5431	1	WASHER GP-WINDOW	795
FILTER ELEMENT AS-CAB AIR	305-0329	1	DUCT GP-CAB AIR	758
FILTER ELEMENT-CAB AIR (AIR CONDITIONER)	245-7823	1	AIR CONDITIONER GP	705
		1	AIR CONDITIONER GP	708
LAMP (24-VOLT, 10-WATT) (DOME)	201-4417	1	CAB GP	718
LAMP AS-DOME	176-1986	1	CAB GP	718
RECEIVER-REFRIGERANT DRYER	176-1902	1	LINES GP-AIR CONDITIONER	769
		1	LINES GP-AIR CONDITIONER	773
SEAT BELT GP (RETRACTABLE, 2-IN)	273-5446	1	SEAT BELT GP	785
V-BELT (AIR CONDITIONER COMPRESSOR)	255-2927	1	COMPRESSOR GP-REFRIGERANT	728

INDEX

Name	Page	Name	Page
A			
ACCUMULATOR GP-HYDRAULIC- CHARGED	333	BOOM GP	635
	334		639
	335	BOOM GP-1 PIECE-LONG REACH	641
	336	BOOM GP-1 PIECE-LONG REACH	637
	337	BOX & MTG GP-STORAGE	249
	338	BOX GP-STORAGE	250
ACCUMULATOR GP-HYDRAULIC- UNCHARGED	339	BRACKET GP-MIRROR	713
	340	BRACKET GP-MOUNTING (SUSPENSION SEAT)	791
ADAPTER GP-REMOTE OIL FILTER-ENGINE ...	51	BREATHING (CRANKCASE)	53
ADJUSTER GP-BUCKET	664	BREATHING (SWING DRIVE)	379
ADJUSTER GP-BUCKET-CB-FAMILY	666	BREATHING AS (SWING DRIVE)	379
ADJUSTER GP-SEAT (UPPER SLIDE)	791	BREATHING GP (HYDRAULIC TANK)	560
ADJUSTER GP-SEAT-LOWER SLIDE	699	BREATHING GP-CRANKCASE	53
AFTERCOOLER AS	75	BUCKET & ADJUSTER GP	667
	77	BUCKET & ADJUSTER GP- EXCAVATION, B-FAMILY	668
AIR CLEANER & MOUNTING GP	81	BUCKET & ADJUSTER GP- GENERAL PURPOSE, B-FAMILY	672
	82		673
AIR CLEANER AR-PRECLEANER	83	BUCKET & ADJUSTER GP- HEAVY-DUTY, B-FAMILY	670
AIR CLEANER GP	84	BUCKET & ADJUSTER GP- HEAVY-DUTY ROCK, B-FAMILY	671
	85	BUCKET & ADJUSTER GP- HEAVY-DUTY, B-FAMILY	669
	87	BUCKET AR-EXCAVATION-B-FAMILY	674
	89	BUCKET AS-DITCH CLEANING	675
	91	BUCKET AS-EXCAVATION-B-FAMILY	677
	92	BUCKET AS-EXCAVATION-CB-FAMILY	676
AIR CONDITIONER & MOUNTING GP	700	BUCKET AS-GENERAL PURPOSE	678
	702	BUCKET AS-GENERAL PURPOSE-B-FAMIL ...	680
AIR CONDITIONER AR	704	BUCKET AS-GENERAL PURPOSE- B-FAMILY	679
AIR CONDITIONER GP	705	BUCKET AS-HEAVY DUTY-B-FAMILY	681
	708		682
ALARM GP	148	BUCKET AS-HEAVY DUTY ROCK-B-FAMILY ...	683
ALTERNATOR GP-CHARGING	149	BUCKET GP-LIGHT MATERIAL	684
ARMREST GP-LH	712		
ARMREST GP-RH	711		
B			
BASE GP-OIL FILTER	341	C	
BATTERY & WIRING GP	151	CAB GP	714
	158		716
BATTERY & WIRING GP-COLD WEATHER	165	CAB GP-EXTERIOR	718
BATTERY (12-VOLT, MAINTENANCE FREE) ...	165	CAB GP-INTERIOR	722
BATTERY (12-VOLT, MAINTENANCE FREE, WET)	151		724
	158	CAMSHAFT GP	11
BELT-SERPENTINE	41		12
	42	CAP (ENGINE OIL FILLER)	14
BLADE AS-WIPER (600-MM)	805	CAP AS (COOLANT RECOVERY)	67
BOOM AR-1 PIECE LONG	632		69
BOOM AR-1 PIECE LONG-HEAVY-DUTY	631		71
	633		73
BOOM AR-1 PIECE SHORT	634	CAP AS (WINDOW WASHER)	795

INDEX

Name	Page	Name	Page
CAP AS-FILLER (FUEL TANK)	134	CORE AS-OIL COOLER	79
CAP AS-RADIATOR	75	CORE AS-OIL COOLER (ENGINE)	60
	77	CORE AS-OIL COOLER (HYDRAULIC)	75
CAP GP-FUEL FILLER	108		77
CAP GP-FUEL FILLER (EXTREME SERVICE, LOCKABLE)	131	CORE AS-RADIATOR	75
	132		77
	136		79
	139	COUNTERWEIGHT AR	252
	141	COUNTERWEIGHT GP	253
	143		254
	145		255
CARTRIDGE AS-TURBOCHARGER	93		256
CHASSIS AR	1		257
	2		258
CIRCUIT BREAKER AS (120-AMPERE) (HEATER)	186		259
	188		260
CIRCUIT BREAKER AS (60-AMPERE) (ALTERNATOR)	186		261
	188		262
CIRCUIT BREAKER AS (80-AMPERE) (MAIN) ...	186		263
	188	COUPLING GP-FLEXIBLE	344
COIL GP-EVAPORATOR	726	COUPLING GP-PUMP	345
COMPRESSOR GP-REFRIGERANT	728	COVER AS-ACCESS	265
	730	COVER AS-SOUND SUPPRESSION	266
CONDENSER & LINES GP-RFGT-CHASSIS	731	COVER GP-CAB-REAR	751
CONDENSER & MTG GP-REFRIGERANT	732	COVER GP-HOOD-PRECLEANER	267
	733	COVER GP-STORAGE	752
CONDENSER GP-REFRIGERANT	735	COVER GP-VALVE MECHANISM	14
CONSOLE GP-OPERATOR	736	CRANKSHAFT GP	16
CONSOLE GP-OPERATOR-LH	740	CYLINDER & LINES GP-BOOM-LH	346
CONSOLE GP-OPERATOR-RH	738		348
CONTROL & MTG GP-ENGINE ELEK	167	CYLINDER & LINES GP-BOOM-RH	347
CONTROL & MTG GP-JOYSTICK	742		349
CONTROL & MTG GP-MACHINE	168	CYLINDER & LINES GP-BUCKET	350
CONTROL AR-AUXILIARY- SYSTEM 2, COMBINED FUNCTION	342		351
CONTROL AR-AUXILIARY- SYSTEM 3, 1-WAY, 2-PUMP	343		352
CONTROL GP-HANDLE	743	CYLINDER & LINES GP-STICK	353
CONTROL GP-HANDLE-LH	744		354
CONTROL GP-HANDLE-RH	745		355
CONTROL GP-HEAT & AIR COND	746	CYLINDER & SEAL GP-BOOM	357
CONTROL GP-HYDRAULIC PEDAL	747		359
	748	CYLINDER & SEAL GP-BUCKET	361
CONTROL GP-JOYSTICK-LH	749		363
CONTROL GP-JOYSTICK-RH	750		365
CONTROL GP-UNPROGRAMMED	167	CYLINDER & SEAL GP-STICK	366
	168		369
COOLER GP-ENGINE OIL	60	CYLINDER BLOCK GP	17
COOLING AR-HIGH AMBIENT TEMP	61		20
	62	CYLINDER GP-BUCKET	375
CORE AS-HEATER	705	CYLINDER HEAD AS	22
	708	CYLINDER HEAD GP	23

INDEX

Name	Page	Name	Page
D			92
DOOR & MTG GP-CAB	753	FILM-REFLECTOR (ROUND RED REFLECTIVE)	817
DOOR AS-ACCESS	268	FILM-WARNING (ELEC HAZARD, READ OMM, INTL)	812
DOOR GP-ACCESS-PUMP	270		817
DOOR GP-ACCESS-RADIATOR	269		822
	271	FILM-WARNING (HIGH PRESSURE CYLINDER)	337
	272		339
DOOR GP-CAB	754	FILM-WARNING (HOT FLUID UNDER PRESS, INTL)	812
	756		817
DRIVE GP-FAN	24		822
DRIVE GP-FINAL	243		827
DRIVE GP-SWING	379	FILM-WARNING (JUMP START, READ OMM) . . .	812
DRIVE GP-SWING-WITHOUT MOTOR	377		822
DUCT GP-CAB AIR	758	FILM-WARNING (MACHINE SWING, CRUSHING, INTL)	812
			817
E			822
ELECTRONICS GP-MACHINE	169		827
ELECTRONICS GP-MONITOR	170	FILM-WARNING (SEAT BELT, INTERNATIONAL)	812
ENGINE AR	5		817
	6		822
ENGINE AR-COMPLETE	7	FILM-WARNING (HOT SURFACE, HANDS CLEAR, INTL)	812
	8		817
	9		822
EXTENSION GP-EXHAUST	94		827
F			
FAN GP-SUCTION	63		812
FASTENER GP-SWING & FINAL DR	380		817
FASTENER GP-WIRING HARNESS	171		822
FENDER & COVER GP	273	FILTER & MTG GP-ENGINE OIL	54
FILM GP	807	FILTER & VALVE GP-PILOT-HYDRAULIC OIL . . .	382
	808		383
FILM GP-LONG REACH	811		384
FILM GP-OPERATOR CONTROLS, NOTICE	809	FILTER (ADVANCED EFFICIENCY)	109
	810	FILTER AS-ENGINE OIL (STANDARD EFFICIENCY)	54
FILM-IDENTIFICATION (CATERPILLAR)	812	FILTER AS-WATER SEP & FUEL (PRIMARY) . . .	112
	817	FILTER ELEMENT AS-AIR (PRIMARY)	84
	822		91
FILM-INFORMATION (DO NOT LIFT)	258	FILTER ELEMENT AS-AIR (PRIMARY, STANDARD EFFICIENCY)	85
	259		92
FILM-INSTRUCTION (ENGINE SHUTOFF)	817	FILTER ELEMENT AS-AIR (PRIMARY, ULTRA HIGH EFFICIENCY)	92
FILM-INSTRUCTION (HYDRAULIC OIL RETURN FILTER)	387	FILTER ELEMENT AS-AIR (SECONDARY)	84
FILM-INSTRUCTION (NO STEP)	812		85
	817		91
	822		92
FILM-INSTRUCTION (REFUELING PUMP)	123	FILTER ELEMENT AS-CAB AIR	758
	125	FILTER ELEMENT AS-OIL (HYDRAULIC RETURN)	387
FILM-INSTRUCTION (TOP, AIR CLEANER COVER)	84	FILTER ELEMENT-CAB AIR (AIR CONDITIONER)	705
	85		
	91		

INDEX

Name	Page	Name	Page
	708		158
FILTER GP-FUEL	109		766
FILTER GP-OIL-HYDRAULIC RETURN	385	HARNES AS-CONSOLE (LH)	226
	387	HARNES AS-CONSOLE (RH)	191
FILTER GP-OIL-HYDRAULIC, CASE DRAIN	389		193
FILTER GP-WATER SEP & FUEL	112		228
FILTER-OIL (ADVANCED EFFICIENCY) (HYDRAULIC, CASE DRAIN)	389	HARNES AS-CONTROL	224
FILTER-OIL (ADVANCED EFFICIENCY) (HYDRAULIC, PILOT)	384	HARNES AS-CONTROL (ENGINE START, PUMP CONTROL)	220
FILTER-OIL (ULTRA HIGH EFFICIENCY) (HYDRAULIC, PILOT)	383	HARNES AS-ENGINE (ELECTRONIC CONTROL MODULE)	231
FINAL DRIVE GP	243	HARNES AS-ENGINE (FUEL INJECTION)	231
FINAL DRIVE GP-WITHOUT MOTOR	246	HARNES AS-HEATER & AIR COND	705
FITTING GP-HYDRAULIC	391		708
FITTING GP-HYDRAULIC-4-BOLT FLANGE	390	HARNES AS-HEATER & AIR COND (AIR CONDITIONER, LOW SIDE)	700
FLOOR MAT	759		702
	760	HARNES AS-HEATER & AIR COND (CONTROL PANEL SWITCHES)	700
FLOOR MAT GP	761		702
FLYWHEEL GP	26	HARNES AS-LIGHTING	182
FRAME AR-UNDERCARRIAGE	304	HARNES AS-LIGHTING (BOOM)	181
	305	HARNES AS-LIGHTING (BOOM, LH)	179
FRAME AS-UNDERCARRIAGE	306	HARNES AS-LIGHTING (CAB FLOODLIGHT)	177
FRAME GP-UPPER	274	HARNES AS-PLATFORM	241
FRAME GP-UPPER FRONT WINDOW	762	HARNES AS-PUMP (FAN CONTROL)	233
FUSE (10-AMPERE)	214	HARNES AS-PUMP (REFUELING)	236
FUSE (15-AMPERE)	214		238
FUSE (20-AMPERE)	214	HARNES AS-SOLENOID	235
FUSE (25-AMPERE)	214	HARNES AS-SOLENOID (1-WAY/2-WAY FLOW)	210
FUSE (30-AMPERE)	214	HARNES AS-SOLENOID (FAN)	232
FUSE (5-AMPERE)	214	HARNES AS-SOLENOID (HEATER)	240
		HARNES AS-SWITCH	204
G		HARNES AS-SWITCH (REFUELING PUMP, STOP)	205
GASKET (FUEL PRIMING PUMP)	109	HARNES AS-SWITCH (SECONDARY SHUTDOWN)	241
GASKET (WATER TEMPERATURE REGULATOR)	64	HARNES AS-WIRING	238
GAUGE AS-OIL LEVEL (DIPSTICK) (ENGINE) . . .	35	HATCH GP-ROOF	763
GAUGE GP-SIGHT-HYDRAULIC OIL LEVEL . . .	392	HEAD GP-PUMP	397
GAUGE-OIL LEVEL (SWING DRIVE)	379		401
GEAR & BEARING GP-SWING	276	HEAD GP-PUMP-DRIVE	393
	277	HEADREST AS-SEAT	764
GEAR GP-FRONT	27	HOOD & GUARD GP	281
GENERAL AR	3		287
	4	HOOD GP-ENGINE	293
GUARD GP-BOTTOM	279	HORN GP-ELECTRIC	765
GUARD GP-TRACK GUIDE	307		766
GUARD GP-TRAVEL MOTOR	308	HOSE GP-HYDRAULIC	406
			408
H			409
HANDRAIL GP	280		410
HARNES AS-AUXILIARY	221		411
HARNES AS-CAB	214		
HARNES AS-CHASSIS	151		

INDEX

Name	Page	Name	Page
	412		175
	413	LEVER GP-AIR & TEMP CONTROL	768
	414	LIGHTING GP-CHASSIS-FRONT, RH	176
	415	LIGHTING GP-FLOOD	179
	416	LIGHTING GP-FLOOD-BOOM, RH	181
HOSE GP-HYDRAULIC- CONTROL VALVE, BOOM	407	LIGHTING GP-FLOOD-CAB	177
HOSE GP-HYDRAULIC- CONTROL VALVE, STICK	405	LIGHTING GP-FLOOD-SHORT BOOM, LH	182
HOSE-LOWER RADIATOR	67	LINES GP-AIR	95
	69		98
	71	LINES GP-AIR CONDITIONER	769
	73		773
HOSE-UPPER RADIATOR	67	LINES GP-AUXILIARY HYDRAULIC	419
	69		423
	71	LINES GP-AUXILIARY HYDRAULIC- HIGH PRESSURE, REACH BOOM	421
	73	LINES GP-BOOM	425
HOUSING & REGULATOR GP	64		426
HOUSING GP-FLYWHEEL	28		428
HOUSING GP-FRONT	29	LINES GP-BOOM CYLINDER	430
HYDRAULIC AR	417		432
	418	LINES GP-BOOM CYLINDER-LH	434
I		LINES GP-BOOM CYLINDER-RH	435
		LINES GP-BUCKET CYLINDER	436
			437
			438
IDLER GP-FRONT	309		439
	312		440
IDLER GP-FRONT-LH	311	LINES GP-ENGINE OIL	56
IDLER GP-FRONT-RH	310	LINES GP-ENGINE OIL DRAIN	57
INDICATOR AS (HYDRAULIC RETURN FILTER)	385		58
INDICATOR AS-AIR FILTER CHANGE (AIR RESTRICTION)	84	LINES GP-FRONT	441
	85		463
	91	LINES GP-FRONT- SYSTEM 2, COMBINED FUNCTION	451
	92		455
INJECTOR GP-FUEL	113		459
INSTALLATION AR-ENGINE	10	LINES GP-FRONT- SYSTEM 3, 1-WAY, 2-PUMP	443
INSTALLATION GP-RADIO	767		447
K		LINES GP-FUEL	114
			116
KEY (BATTERY DISCONNECT)	200	LINES GP-GREASE	643
			644
L			645
			647
LAMP (24-VOLT, 10-WATT) (DOME)	718	LINES GP-HYDRAULIC OIL COOLER	470
LAMP AS (24-VOLT, 3-WATT)	191	LINES GP-HYDRAULIC OIL COOLER- MAIN PUMP	464
	193		467
LAMP AS-DOME	718	LINES GP-MUFFLER DRAIN	99
LAMP GP-FLOOD	173	LINES GP-PILOT-AUXILIARY SYSTEM	511
	174		514
	175	LINES GP-PILOT-CONTROL VALVE	479
LAMP-HALOGEN (24-VOLT, 65-WATT)	173		481
	174		487

INDEX

Name	Page	Name	Page
	493		
	497		
	501		
LINES GP-PILOT-JOYSTICK, PEDALS	471		
	475		
LINES GP-PILOT-MAIN PUMP	505		
LINES GP-PILOT-PEDAL CONTROLS	509		
LINES GP-PILOT-PEDAL, RH	507		
LINES GP-PILOT-			
SYSTEM 2, COMBINED FUNCTION	517		
	521		
LINES GP-PUMP-SUPPLY, MAIN PUMP	525		
LINES GP-RETURN	526		
	528		
LINES GP-STICK CYLINDER	530		
	531		
LINES GP-TRAVEL MOTOR	532		
	534		
LINES GP-TURBOCHARGER OIL	59		
LINK AS-TRACK	313		
	314		
LINKAGE AR-LONG REACH	648		
LINKAGE AR-BUCKET-			
B1-FAMILY, WITH LIFTING EYE	649		
	650		
LINKAGE GP-BUCKET	651		
LINKAGE GP-BUCKET-			
B1-FAMILY, WITH LIFTING EYE	653		
LITERATURE GP	776		
LOCK GP-TRANSPORT	654		
M			
MANIFOLD GP-CONTROL	538		
	539		
MANIFOLD GP-CONTROL-PILOT OIL	537		
MANIFOLD GP-EXHAUST	100		
MANIFOLD GP-INLET	102		
MIRROR GP-REAR VIEW	777		
MONITOR & MTG GP-OPERATOR	778		
MONITOR GP-OPERATOR	779		
MOTOR & MTG GP-SWING	540		
MOTOR & MTG GP-TRAVEL	541		
MOTOR AS (WIPER)	805		
MOTOR GP-SWING	542		
	543		
MOTOR GP-TRAVEL	545		
MOUNTING GP-ALTERNATOR	32		
MOUNTING GP-ENGINE	33		
MOUNTING GP-FUEL FILTER	118		
MOUNTING GP-MAIN CONTROL VALVE	549		
MOUNTING GP-PLATFORM	780		
MOUNTING GP-PUMP-FUEL INJECTION	119		
MOUNTING GP-STARTING MOTOR	34		
MUFFLER GP	104		
		O	
		OPERATOR AR	782
		P	
		PADLOCK GP	128
			129
		PAN GP-OIL-ENGINE	35
		PANEL & MTG GP-CIRCUIT BREAKER	184
			185
		PANEL GP-CIRCUIT BREAKER	185
			186
			188
		PANEL GP-SWITCH-ENGINE SPEED, START ...	191
			193
		PISTON & ROD GP	37
		PLATE & FILM GP	812
			817
			822
			827
		PLATE-INSTRUCTION (BATTERY)	188
		PLATE-WARNING	
		(HIGH PRESSURE CYLINDER)	319
			320
		PLATFORM GP-OPERATOR	783
		PLUG GP-CONTROL VALVE	550
		PLUG-DRAIN (HYDRAULIC OIL)	560
		POWER TRAIN AR	247
		PROTECTOR GP-SIDE BAR	685
			686
		PULLEY AS-IDLER	39
			40
		PULLEY GP-ENGINE	41
			42
		PULLEY GP-IDLER	44
		PUMP & MOTOR GP-REFUELING	120
		PUMP & MTG GP-MAIN HYDRAULIC	551
		PUMP AR-FUEL TRANSFER	121
		PUMP GP-FUEL	122
		PUMP GP-FUEL TRANSFER	122
		PUMP GP-GEAR (PILOT)	552
		PUMP GP-MAIN HYDRAULIC	552
		PUMP GP-REFUELING	123
			125
		PUMP GP-WATER	65
		R	
		RADIATOR & HYD OIL COOLER GP	67
			69
			71
			73
			75
			77

INDEX

Name	Page	Name	Page
	79		141
RECEIVER-REFRIGERANT DRYER	769		143
	773		145
REGULATOR AS-VOLTAGE	149	SENSOR GP-LIQUID LEVEL	196
RELAY (24-VOLT) (1-WAY/2-WAY SOLENOID) ...	210	SENSOR GP-LIQUID LEVEL (WATER SEPARATOR)	197
RELAY (24-VOLT) (BOOM FLOODLIGHT)	214	SENSOR GP-LIQUID LEVEL- WATER SEPARATOR	197
RELAY (24-VOLT) (CAB FLOODLIGHT)	214	SENSOR GP-PRESSURE (AIR INLET MANIFOLD)	195
RELAY (24-VOLT) (CHASSIS LIGHT)	214	SENSOR GP-PRESSURE (ENGINE OIL)	167
RELAY (24-VOLT) (HORN)	214	SENSOR GP-PRESSURE (FUEL MANIFOLD) ...	195
RELAY (24-VOLT) (NEUTRAL START)	214	SENSOR GP-PRESSURE (FUEL)	195
RELAY (24-VOLT) (REFUELING PUMP, START)	236	SENSOR GP-SPEED (ENGINE)	28
	238		195
RELAY (24-VOLT) (REFUELING PUMP, STOP) ...	236	SENSOR GP-SPEED (SECONDARY, TIMING) ...	122
	238	SENSOR GP-TEMPERATURE (AIR INLET MANIFOLD)	195
RELAY (24-VOLT) (START CONTROL)	224	SENSOR GP-TEMPERATURE (AMBIENT AIR, RAD FAN CLUTCH)	233
RELAY (24-VOLT) (TRAVEL ALARM)	214	SENSOR GP-TEMPERATURE (ENGINE OIL) ...	195
RELAY (BLOWER)	746	SENSOR GP-TEMPERATURE (FUEL)	195
RELAY AS (WIPER)	805	SENSOR-TEMPERATURE (AMBIENT AIR)	700
ROLLER AR-TRACK & CARRIER	315		702
	316	SHEET AS-SOUND SUPPRESSION	294
ROLLER GP-TRACK CARRIER	317		295
ROLLER GP-TRACK-SINGLE FLANGE	318		296
			297
			298
			299
		SIDECUTTER GP	687
			688
		SIDECUTTER GP-RH, LH	689
		SOFTWARE GP-MONITOR	170
		SPROCKET GP	248
		STARTING MOTOR GP-ELECTRIC	198
		STEP GP	300
		STICK AR-HEAVY-DUTY, REACH	655
		STICK AR-HOE-REACH	656
			657
		STICK GP-HOE	663
		STICK GP-HOE-AUXILIARY, COUPLER	660
		STICK GP-HOE-LONG REACH	658
		STICK GP-HOE-REACH	661
		STRAINER AS-FUEL	123
			125
		STRAINER AS-FUEL (FLOAT GAUGE)	132
			136
			141
			145
		STRAINER GP-FUEL (FLOAT GAUGE)	131
			134
			139
			143
		STRAINER GP-FUEL-FLOAT GAUGE	127

S

SCREEN AS (HYDRAULIC TANK)	557
SCREEN AS (OIL COOLER)	79
SCREEN AS (RADIATOR)	79
SCREEN GP-HYDRAULIC	557
SEAL GP-DUO-CONE	243
SEAT & MOUNTING GP-LOW BACK, TILT	784
SEAT BELT GP (RETRACTABLE, 2-IN)	785
SEAT BELT GP-RETRACTABLE, 46-MM	785
	786
SEAT GP-LOW BACK, TILT	787
SEAT GP-SUSPENSION-LOW BACK, TILT	788
SENDER AS-TEMPERATURE (HYDRAULIC OIL)	560
SENSOR AS-LIQUID LEVEL (WATER SEPARATOR)	196
SENSOR AS-PRESSURE (MAIN PUMP)	505
SENSOR AS-TEMPERATURE (AIR)	746
SENSOR AS-TEMPERATURE (AMBIENT AIR TEMP)	705
	708
SENSOR AS-TEMPERATURE (COOLANT)	705
	708
SENSOR GP-ENGINE	6
	195
SENSOR GP-FUEL LEVEL	131
	132
	134
	136
	139

INDEX

Name	Page	Name	Page
	325	VALVE GP-PRESSURE REDUCING-	
	326	IMPLEMENT, SWING PRIORITY	600
TRACK GP-2-REQUIRED	327	VALVE GP-PRIORITY-SWING	603
	328	VALVE GP-RELIEF	604
	329		607
	330		608
	331		611
	332		612
TUBE GP	421		616
TURBOCHARGER GP	106		625
		VALVE GP-RELIEF (CROSSOVER)	630
		VALVE GP-RELIEF (LINE)	573
			575
			587
			589
		VALVE GP-RELIEF-LINE	609
			610
			614
			615
		VALVE GP-RELIEF-MAIN	613
		VALVE GP-RELIEF-	
		NEGATIVE FLOW CONTROL	605
			606
		VALVE GP-SHUTTLE	617
			618
			619
		VALVE GP-SOLENOID	393
			620
			621
			622
			623
			624
		VALVE GP-SOLENOID (24-VOLT)	
		(FINE SWING)	628
		VALVE GP-SOLENOID	
		(AUXILIARY, COMBINED FUNCTION)	518
			522
		VALVE GP-SOLENOID	
		(HYDRAULIC LOCKOUT)	538
			539
		VALVE GP-SOLENOID	
		(NEG FLOW CONT, PROPEN RED VALVE)	511
			514
			518
			522
		VALVE GP-SOLENOID (STRAIGHT TRAVEL)	578
		VALVE GP-SOLENOID	
		(SWING BRAKE RELEASE)	538
			539
		VALVE GP-SOLENOID (TRAVEL SPEED)	538
			539
		VALVE GP-SWING CUSHION	625
			627
		VALVE GP-SWING CUSHION-FINE SWING	626
			628

V

V-BELT (AIR CONDITIONER COMPRESSOR) ...	728
VALVE & MTG GP-CONTROL-AUXILIARY	563
VALVE AR-SWING-WITHOUT FINE SWING	564
VALVE AS-RELIEF (ENGINE OIL PRESSURE) ...	51
VALVE GP-CHECK	463
	565
	566
	567
	569
	570
	571
VALVE GP-CHECK	
(SOLENOID CONTROLLED)	455
VALVE GP-CHECK (SOLENOID CONTROLLED)	
(1-WAY/2-WAY, CHECK)	459
VALVE GP-CONTROL	575
	578
VALVE GP-CONTROL-AUXILIARY	573
VALVE GP-CONTROL-	
WITHOUT COVERS, HOUSINGS	572
	583
	585
VALVE GP-FLUID SAMPLING	
(ENGINE COOLANT)	64
VALVE GP-FUEL SHUTOFF	147
VALVE GP-LOAD CONTROL-	
BOOM DRIFT RED, LINE RELIEF	589
VALVE GP-LOAD CONTROL-	
STICK DRIFT RED, LINE RELIEF	587
VALVE GP-MAIN CONTROL	591
VALVE GP-MANUAL	592
VALVE GP-PILOT (WORK TOOL)	747
	748
VALVE GP-PILOT-JOYSTICK	595
VALVE GP-PILOT RELIEF	
(HYDRAULIC FILTER)	384
VALVE GP-PILOT RELIEF (HYDRAULIC FILTER)	
(HYDRAULIC FILTER)	383
VALVE GP-PILOT-TRAVEL	593
	598
VALVE GP-PRESSURE REDUCING-	
BOOM, SWING PRIORITY	601

INDEX

Name	Page	Name	Page
VALVE GP-TRAVEL COUNTERBALANCE	630		
VALVE GP-UNLOADING	578		
VALVE MECHANISM GP	45		
	47		
	49		
VISOR GP-CAB	793		
VISOR GP-PROTECTION-RAIN	794		

W

WASHER GP-WINDOW	795
WINDOW AS-FRONT	796
WINDOW GP-CAB-FRONT, LOWER	800
WINDOW GP-CAB-FRONT, UPPER	797
WINDOW GP-CAB-SIDE, REAR	802
WINDOW GP-DOOR	803
WIPER GP-WINDOW-UPPER	805
WIRING GP-CAB	210
	214
WIRING GP-CHASSIS-CAB, REAR	220
WIRING GP-COMBINED FLOW	221
WIRING GP-COMMUNICATION	224
WIRING GP-CONSOLE	227
WIRING GP-CONSOLE-LH	226
WIRING GP-CONSOLE-RH	228
WIRING GP-CONVERTER	230
WIRING GP-ELECTRONIC CONTROL	231
WIRING GP-FAN-FLUID CLUTCH	232
	234
WIRING GP-FAN-	
HYD FAN CTL, AIR TEMP CTL	233
WIRING GP-FINE SWING	235
WIRING GP-FUEL SYSTEM-REFUELING	236
	238
WIRING GP-HEATER	240
WIRING GP-PLATFORM	241

MEMORANDA

MACHINE ARRANGEMENT

264-8638 CHASSIS AR

S/N: JFZ1-UP

PART OF 264-8626 GENERAL AR

SMCS - 7000

i03033424

NOTE	PART NUMBER	QTY	PART NAME						SEE PAGE
			1	2	3	4	5	6 (PRODUCT LEVEL)	
Y	267-8000	1	BATTERY & WIRING GP						151
Y	223-3040	1	BOX & MTG GP-STORAGE						249
Y	262-2607	1	COUNTERWEIGHT GP						256
Y	223-3042	1	FENDER & COVER GP						273
Y	273-6716	1	FRAME GP-UPPER						274
Y	289-6424	1	GUARD GP-BOTTOM						279
Y	142-3835	1	HANDRAIL GP						280
Y	273-7726	1	HOOD & GUARD GP						281
Y	267-8071	1	HORN GP-ELECTRIC						765
Y	4I-5409	1	LIGHTING GP-CHASSIS (FRONT, RH)						176
Y	284-4386	1	LINES GP-AIR CONDITIONER						773
Y	273-7735	1	LINES GP-FUEL						114
Y	7Y-0059	1	LITERATURE GP						776
Y	142-3836	1	MIRROR GP-REAR VIEW (FRONT, RH)						777
Y	245-7811	1	MOUNTING GP-PLATFORM						780
Y	273-5387	1	OPERATOR AR						782
Y	275-3683	1	PLATE & FILM GP						812
Y	278-3896	1	TANK & MTG GP-FUEL						128
Y	319-1387	1	WIRING GP-CHASSIS (CAB, REAR)						220
			S/N: JFZ1770-UP						
Y	259-5052	1	WIRING GP-FINE SWING						235
Y	306-8690	1	WIRING GP-HEATER						240

Y-SEPARATE ILLUSTRATION

<END>

MACHINE ARRANGEMENT

264-8639 CHASSIS AR

S/N: MGG1-UP

PART OF 264-8627 GENERAL AR

SMCS-7000

i03034000

NOTE	PART NUMBER	QTY	PART NAME						SEE PAGE
			1	2	3	4	5	6 (PRODUCT LEVEL)	
Y	267-8000	1	BATTERY & WIRING GP						151
Y	223-3040	1	BOX & MTG GP-STORAGE						249
Y	262-2607	1	COUNTERWEIGHT GP						256
Y	223-3042	1	FENDER & COVER GP						273
Y	273-6716	1	FRAME GP-UPPER						274
Y	289-6424	1	GUARD GP-BOTTOM						279
Y	142-3835	1	HANDRAIL GP						280
Y	273-7726	1	HOOD & GUARD GP						281
Y	267-8071	1	HORN GP-ELECTRIC						765
Y	4I-5409	1	LIGHTING GP-CHASSIS (FRONT, RH)						176
Y	284-4386	1	LINES GP-AIR CONDITIONER						773
Y	273-7735	1	LINES GP-FUEL						114
Y	7Y-0059	1	LITERATURE GP						776
Y	142-3836	1	MIRROR GP-REAR VIEW (FRONT, RH)						777
Y	245-7811	1	MOUNTING GP-PLATFORM						780
Y	273-5387	1	OPERATOR AR						782
Y	275-3684	1	PLATE & FILM GP						822
Y	278-3896	1	TANK & MTG GP-FUEL						128
Y	319-1387	1	WIRING GP-CHASSIS (CAB, REAR)						220
			S/N: MGG583-UP						
Y	259-5052	1	WIRING GP-FINE SWING						235
Y	306-8690	1	WIRING GP-HEATER						240

Y-SEPARATE ILLUSTRATION

<END>

MACHINE ARRANGEMENT

264-8626 GENERAL AR

S/N: JFZ1-UP

SMCS - 7000

i02735952

NOTE	PART NUMBER	QTY	PART NAME						SEE PAGE
			1	2	3	4	5	6 (PRODUCT LEVEL)	
Y	264-8638	1	CHASSIS AR						1
Y	270-5512	1	ELECTRONICS GP-MACHINE (MACHINE CONTROL)						169
Y	221-8861	1	ELECTRONICS GP-MONITOR						170
Y	272-4681	1	ENGINE AR						5
Y	247-7454	1	FRAME AR-UNDERCARRIAGE						305
Y	285-1354	1	HYDRAULIC AR						417
Y	272-4742	1	INSTALLATION AR-ENGINE						10
Y	267-6767	1	POWER TRAIN AR						247

Y-SEPARATE ILLUSTRATION

<END>

MACHINE ARRANGEMENT**264-8627 GENERAL AR**

S/N: MGG1-UP

SMCS - 7000

i02735953

NOTE	PART NUMBER	QTY	PART NAME						SEE PAGE
			1	2	3	4	5	6 (PRODUCT LEVEL)	
Y	264-8639	1	CHASSIS AR						2
Y	270-5512	1	ELECTRONICS GP-MACHINE (MACHINE CONTROL)						169
Y	221-8861	1	ELECTRONICS GP-MONITOR						170
Y	272-4681	1	ENGINE AR						5
Y	240-3822	1	FRAME AR-UNDERCARRIAGE						304
Y	285-1355	1	HYDRAULIC AR						418
Y	272-4742	1	INSTALLATION AR-ENGINE						10
Y	267-6767	1	POWER TRAIN AR						247

Y-SEPARATE ILLUSTRATION

<END>

ENGINE ARRANGEMENT**272-4681 ENGINE AR**

S/N: MGG1-UP; JFZ1-UP

PART OF 264-8626, 264-8627 GENERAL AR

SMCS - 1000

i02752570

NOTE	PART NUMBER	QTY	PART NAME						SEE PAGE
			1	2	3	4	5	6 (PRODUCT LEVEL)	
Y	272-4682	1	ENGINE AR-COMPLETE						7
Y	245-9313	1	FAN GP-SUCTION						63
Y-SEPARATE ILLUSTRATION									

ENGINE ARRANGEMENT**272-4683 ENGINE AR**

S/N: GDC1-UP

PART OF 272-4682, 296-4680, 310-9484 ENGINE AR-COMPLETE
ALSO AN ATTACHMENT

SMCS-1000

i03177566

NOTE	PART NUMBER	QTY	PART NAME						SEE PAGE
			1	2	3	4	5	6 (PRODUCT LEVEL)	
YR	212-8561	1	ALTERNATOR GP-CHARGING						149
Y	296-4638	1	BREATHER GP (CRANKCASE)						53
Y	296-4639	1	CAMSHAFT GP						11
			S/N: GDC1-162, 164-228						
Y	305-4743	1	CAMSHAFT GP						12
			S/N: GDC163, 229-258						
Y	305-4744	1	CAMSHAFT GP						13
			S/N: GDC259-UP						
Y	296-4664	1	CONTROL & MTG GP-ENGINE ELEK						167
Y	296-4642	1	COOLER GP-ENGINE OIL						60
Y	296-4647	1	COVER GP-VALVE MECHANISM						14
Y	296-4650	1	CRANKSHAFT GP						16
Y	296-4648	1	CYLINDER BLOCK GP						20
Y	296-4645	1	CYLINDER HEAD GP						23
Y	296-4654	1	ADAPTER GP-REMOTE OIL FILTER						51
Y	305-4745	1	FILTER GP-FUEL						109
Y	296-4644	1	FLYWHEEL GP						26
Y	296-4651	1	GEAR GP-FRONT						27
Y	296-4643	1	HOUSING GP-FLYWHEEL						28
Y	296-4649	1	HOUSING GP-FRONT						29
Y	310-9607	1	INJECTOR GP-FUEL						113
			S/N: GDC1847-UP						
Y	296-4641	1	LINES GP-ENGINE OIL						56
Y	296-4656	1	LINES GP-FUEL						116
Y	296-4636	1	LINES GP-TURBOCHARGER OIL						59
Y	296-4658	1	HOUSING & REGULATOR GP						64
Y	296-4653	1	MANIFOLD GP-EXHAUST						100
Y	296-4652	1	MANIFOLD GP-INLET						102
Y	296-4661	1	MOUNTING GP-ALTERNATOR						32
Y	305-4678	1	MOUNTING GP-PUMP						119
			S/N: GDC1847-UP						
Y	296-4637	1	MOUNTING GP-STARTING MOTOR						34
Y	296-4662	1	MUFFLER GP						104
Y	296-4640	1	PAN GP-OIL						35
Y	296-4659	1	PISTON & ROD GP						37
Y	296-4655	1	PUMP GP-WATER						65
Y	296-4666	1	SENSOR GP-ENGINE						195
YR	272-4774	1	STARTING MOTOR GP-ELECTRIC						198
Y	287-0049	1	TURBOCHARGER GP						106
Y	296-4646	1	VALVE MECHANISM GP						45
			S/N: GDC1-162, 164-228						
Y	305-4742	1	VALVE MECHANISM GP						47
			S/N: GDC163, 229-258						
Y	305-4910	1	VALVE MECHANISM GP						49
			S/N: GDC259-UP						
Y	296-4665	1	WIRING GP-ELECTRONIC CONTROL						231
	297-7736	1	ELECTRONICS GP						
R	295-9130	6	INJECTOR GP-FUEL						
			S/N: GDC1-1846						

R-REMFG PART MAY BE AVAILABLE
Y-SEPARATE ILLUSTRATION

ENGINE ARRANGEMENT**272-4682 ENGINE AR-COMPLETE**

S/N: MGG1-UP; JFZ1-UP

PART OF 272-4681 ENGINE AR

SMCS - 1000

i02752575

NOTE	PART NUMBER	QTY	PART NAME						SEE PAGE
			1	2	3	4	5	6 (PRODUCT LEVEL)	
Y	272-4683	1	ENGINE AR						6
Y	266-6313	1	PULLEY GP-ENGINE						41
Y-SEPARATE ILLUSTRATION									

ENGINE ARRANGEMENT**296-4680 ENGINE AR-COMPLETE**

S/N: MGG1-UP

PART OF 290-1911 COOLING AR-HIGH AMBIENT TEMP
AN ATTACHMENT

SMCS - 1000

i02754388

NOTE	PART NUMBER	QTY	PART NAME						SEE PAGE
			1	2	3	4	5	6 (PRODUCT LEVEL)	
Y	272-4683	1	ENGINE AR						6
Y	296-4667	1	PULLEY GP-ENGINE						42
Y-SEPARATE ILLUSTRATION									

ENGINE ARRANGEMENT**310-9484 ENGINE AR-COMPLETE**

S/N: MGG1-UP; JFZ1-UP

PART OF 298-4271 COOLING AR-HIGH AMBIENT TEMP
AN ATTACHMENT

SMCS - 1000

i02757975

NOTE	PART NUMBER	QTY	PART NAME						SEE PAGE
			1	2	3	4	5	6 (PRODUCT LEVEL)	
Y	272-4683	1	ENGINE AR						6
Y	296-4667	1	PULLEY GP-ENGINE						42
Y-SEPARATE ILLUSTRATION									

ENGINE ARRANGEMENT**272-4742 INSTALLATION AR-ENGINE**

S/N: MGG1-UP; JFZ1-UP

PART OF 264-8626, 264-8627 GENERAL AR

SMCS-1000

i03140464

NOTE	PART NUMBER	QTY	PART NAME						SEE PAGE
			1	2	3	4	5	6 (PRODUCT LEVEL)	
Y	109-9313	1	AIR CLEANER & MOUNTING GP						81
Y	239-6507	1	COMPRESSOR GP-REFRIGERANT						728
Y	259-7184	1	CONDENSER & MTG GP-REFRIGERANT						732
Y	279-7911	1	FILTER & MTG GP-ENGINE OIL						54
Y	272-4744	1	LINES GP-AIR						98
Y	265-3504	1	LINES GP-AIR						95
Y	162-6185	1	LINES GP-ENGINE OIL DRAIN						57
			S/N: JFZ1-807; MGG1-398						
Y	310-9582	1	LINES GP-ENGINE OIL DRAIN						58
			S/N: JFZ808-UP; MGG399-UP						
Y	287-0183	1	LINES GP-MUFFLER DRAIN						99
Y	266-6297	1	MOUNTING GP-ENGINE						33
Y	297-7671	1	MOUNTING GP-FUEL FILTER						118
Y	265-3616	1	RADIATOR & HYD OIL COOLER GP						73

Y-SEPARATE ILLUSTRATION

BASIC ENGINE

296-4639 CAMSHAFT GP

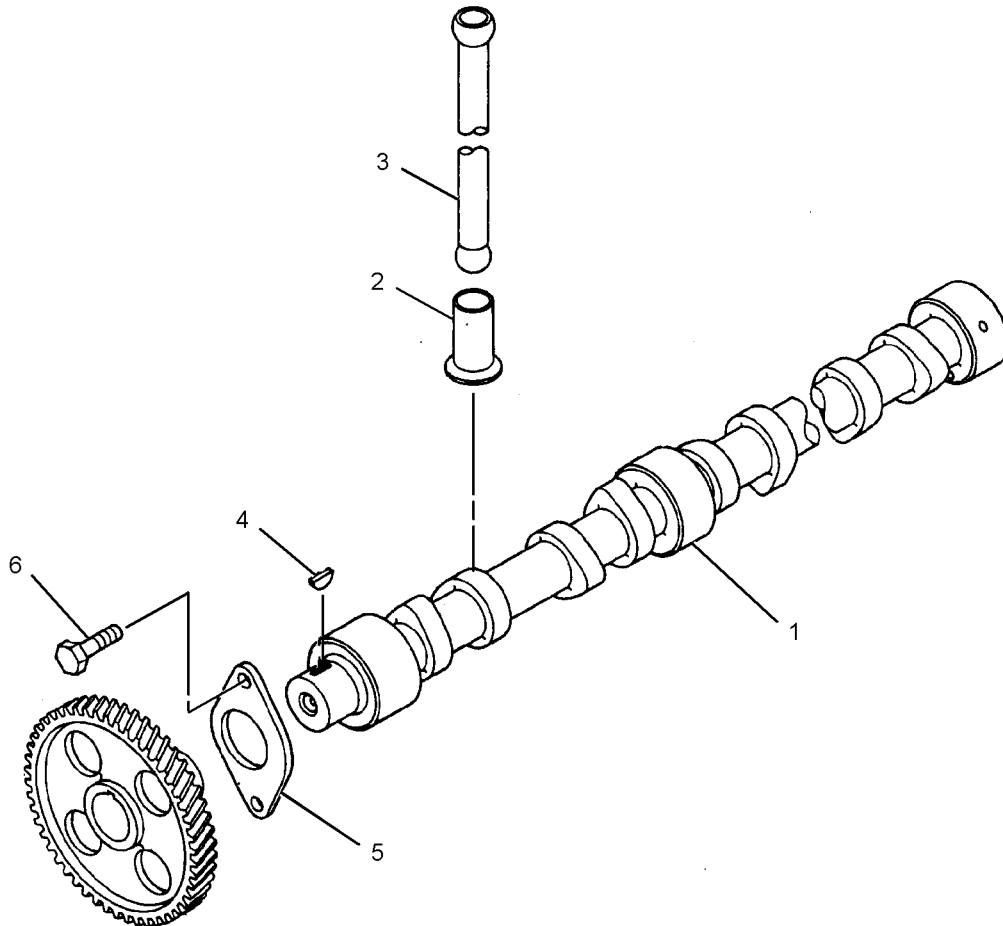
S/N: GDC1-162, 164-228
 PART OF 272-4683 ENGINE AR
 ALSO AN ATTACHMENT

SMCS-1210

i02738692

NOTE	REF NO	GRAPHIC REF	PART NUMBER	QTY	PART NAME						SEE PAGE
					1	2	3	4	5	6 (PRODUCT LEVEL)	
	1	1	294-1715	1	CAMSHAFT						
	2	1	279-7859	12	TAPPET						
	3	1	294-1716	12	PUSHROD						
	4	1	094-4628	1	KEY (CRANKSHAFT)						
	5	1	5I-7650	1	PLATE						
M	6	1	6V-5215	2	BOLT (M8X1.25X16-MM)						

M-METRIC PART



GRAPHIC #1

<END>

g01316640

BASIC ENGINE

305-4743 CAMSHAFT GP

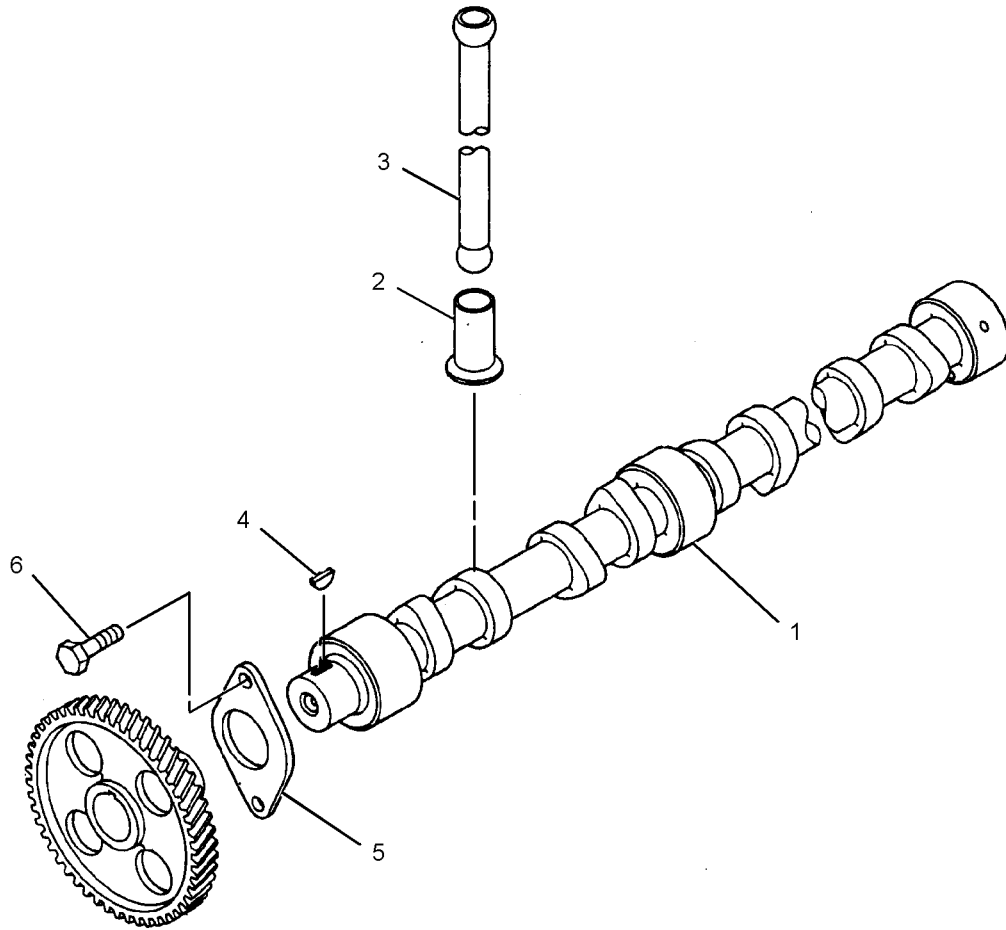
S/N: GDC163, 229-258
 PART OF 272-4683 ENGINE AR
 ALSO AN ATTACHMENT

SMCS-1210

i02739577

NOTE	REF NO	GRAPHIC REF	PART NUMBER	QTY	PART NAME						SEE PAGE
					1	2	3	4	5	6 (PRODUCT LEVEL)	
	1	1	305-4748	1	CAMSHAFT						
	2	1	279-7859	12	TAPPET						
	3	1	294-1716	12	PUSHROD						
	4	1	094-4628	1	KEY						
	5	1	5I-7650	1	PLATE						
M	6	1	6V-5215	2	BOLT (M8X1.25X16-MM)						

M-METRIC PART



GRAPHIC #1

<END>

g01316640

BASIC ENGINE

305-4744 CAMSHAFT GP

S/N: GDC259-UP

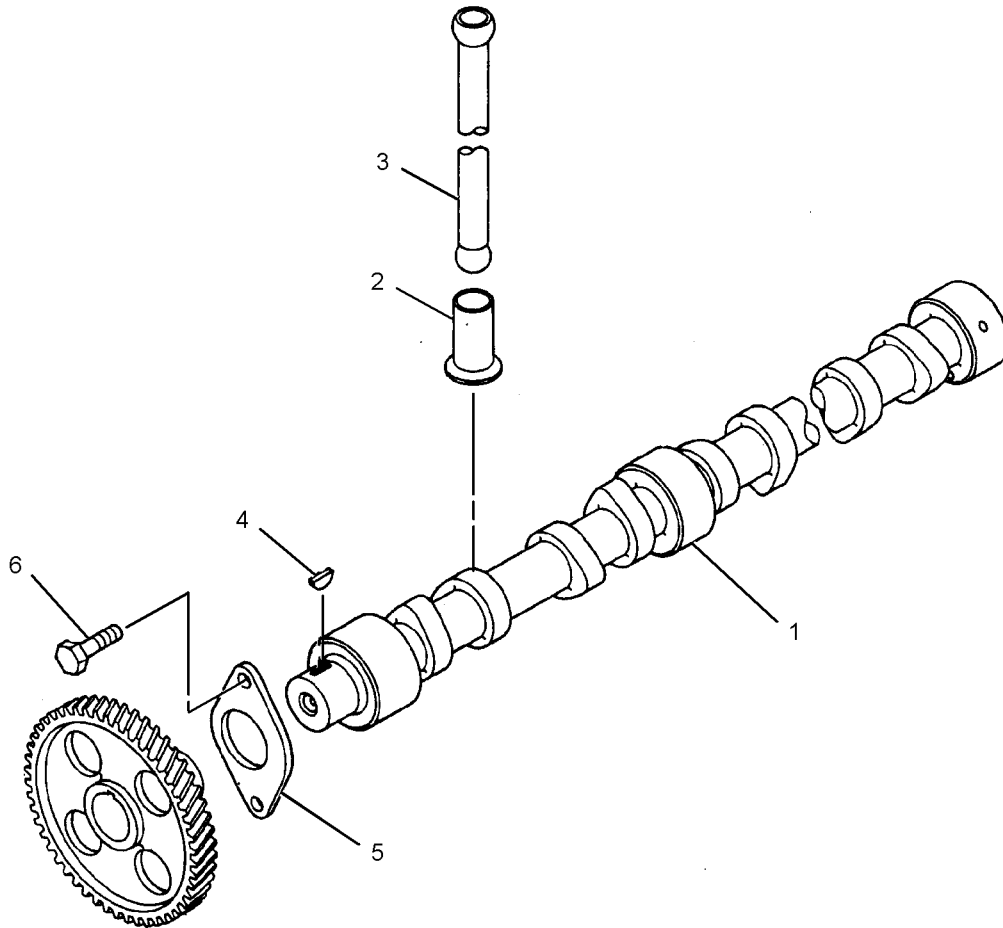
PART OF 272-4683 ENGINE AR
ALSO AN ATTACHMENT

SMCS-1210

i02739579

NOTE	REF NO	GRAPHIC REF	PART NUMBER	QTY	PART NAME						SEE PAGE
					1	2	3	4	5	6 (PRODUCT LEVEL)	
	1	1	305-4756	1	CAMSHAFT						
	2	1	279-7859	12	TAPPET						
	3	1	294-1716	12	PUSHROD						
	4	1	094-4628	1	KEY						
	5	1	5I-7650	1	PLATE						
M	6	1	6V-5215	2	BOLT (M8X1.25X16-MM)						

M-METRIC PART



GRAPHIC #1

<END>

g01316640

BASIC ENGINE**296-4647 COVER GP-VALVE MECHANISM**

S/N: GDC1-UP

PART OF 272-4683 ENGINE AR
ALSO AN ATTACHMENT

SMCS-1107

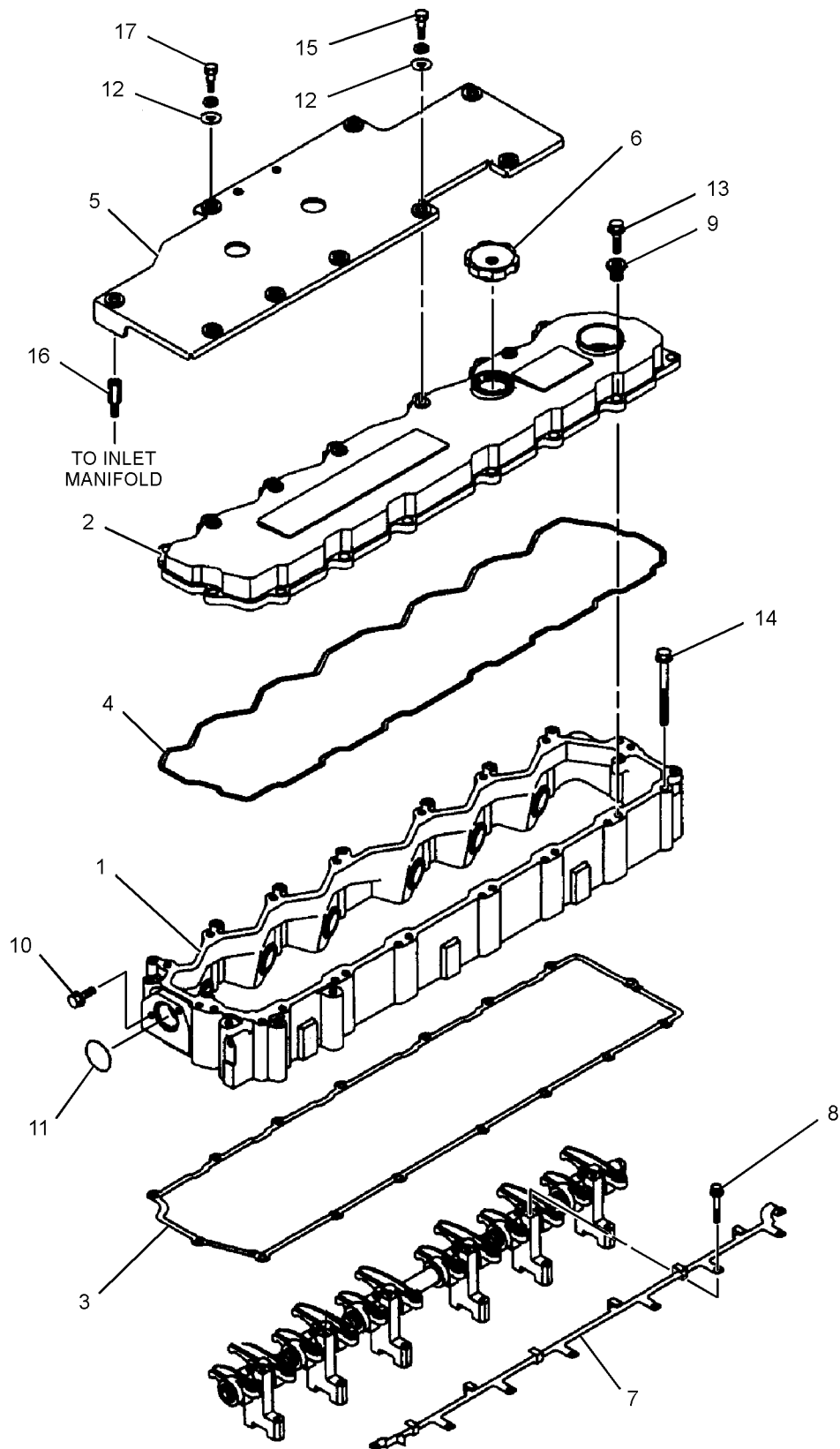
i03337422

NOTE	REF NO	GRAPHIC REF	PART NUMBER	QTY	PART NAME						SEE PAGE
					1	2	3	4	5	6 (PRODUCT LEVEL)	
	1	1	294-1703	1	COVER-ROCKER						
	2	1	294-1704	1	COVER-ROCKER						
	3	1	294-1705	1	GASKET						
	4	1	294-1706	1	GASKET (VALVE COVER)						
	5	1	294-1707	1	COVER						
	6	1	294-1708	1	CAP (ENGINE OIL FILLER)						
	7	1	294-1709	1	BRACKET						
	8	1	294-1710	8	BOLT (M6X1X16.2-MM)						
	9	1	294-1711	16	WASHER						
	10	1	096-8569	2	BOLT (140-MM LG)						
	11	1	294-1712	1	SEAL						
	12	1	8T-4224	9	WASHER-HARD (8.8X16X2-MM THK)						
	13	1	294-1713	16	BOLT (M8X1.25X38.3-MM)						
	14	1	294-1700	16	BOLT (M8X1.25X108.3-MM)						
	15	1	095-8799	7	BOLT (M8X1.25X30.5-MM)						
	16	1	294-1714	2	STUD						
	17	1	294-1821	2	BOLT (M8X1.25X35.5-MM)						

BASIC ENGINE

296-4647 COVER GP-VALVE MECHANISM (contd.)

i03337422



GRAPHIC #1

<END>

g01356344

BASIC ENGINE**296-4650 CRANKSHAFT GP**

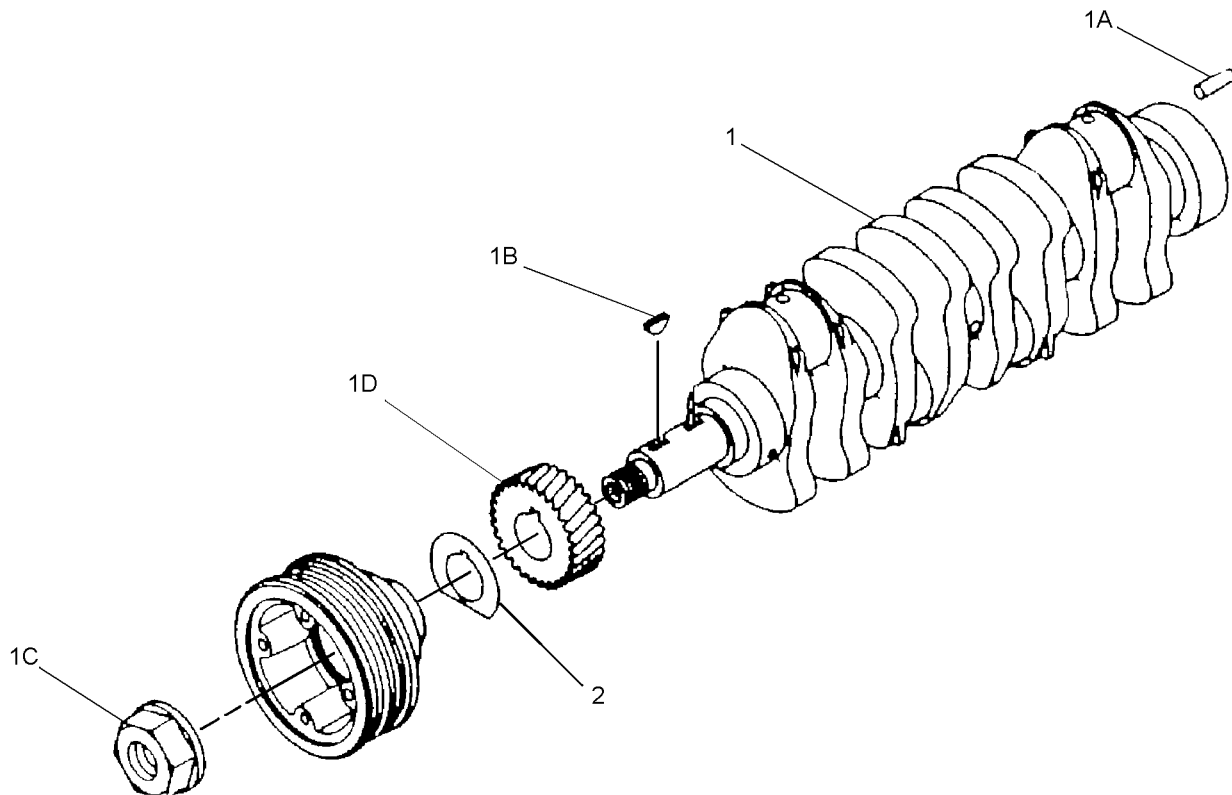
S/N: GDC1-UP

PART OF 272-4683 ENGINE AR
ALSO AN ATTACHMENT

SMCS-1202

i02738688

NOTE	REF NO	GRAPHIC REF	PART NUMBER	QTY	PART NAME						SEE PAGE
					1	2	3	4	5	6 (PRODUCT LEVEL)	
	1	1	294-1749	1	CRANKSHAFT AS						
1A	1	1	085-9513	2	PIN						
1B	1	1	094-4628	2	KEY (CRANKSHAFT)						
1C	1	1	130-7596	1	NUT						
1D	1	1	294-1751	1	GEAR (31-TEETH)						
2	1	1	233-1277	1	PLATE						



GRAPHIC #1

<END>

g01340092

BASIC ENGINE**294-1725 CYLINDER BLOCK GP**

S/N: GDC1-UP

PART OF 296-4648 CYLINDER BLOCK GP
ALSO AN ATTACHMENT

SMCS-1201

i03337700

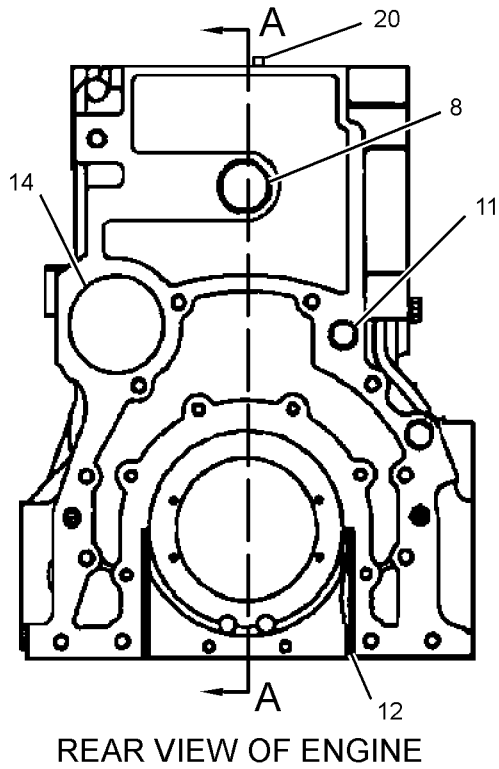
NOTE	REF NO	GRAPHIC REF	PART NUMBER	QTY	PART NAME						SEE PAGE
					1	2	3	4	5	6 (PRODUCT LEVEL)	
	1	2	5I-7505	12	PLUG						
	5	1	5I-8009	1	BUSHING						
	6	1	5I-7528	2	BUSHING						
	7	1	5I-7529	1	BUSHING						
	8	1	3P-1896	14	PLUG-CUP						
M	9	1	094-7741	14	BOLT-BEARING CAP (M14X2X120-MM)						
	10	2	095-2005	2	CAP						
	11	1	096-3741	7	CAP						
	12	1	294-1720	2	SEAL						
	13	2	294-1722	6	JET						
	14	1	5I-7525	1	PLUG						
	15	2	195-8212	1	PLUG						
	16	2	294-1721	1	SHAFT						
	17	2	5I-7724	2	PIN						
	18	2	095-2039	1	WASHER-SPECIAL						
M	19	2	8T-4191	1	BOLT (M10X1.5X16-MM)						
	20	1	4I-9664	2	PIN						
	21	2	099-4420	2	PIN						
	22	1	183-5916	6	PIN-SPRING						
	23	2	139-7814	6	VALVE						
	24	2	094-9424	12	GASKET						
	25	1	5I-7523	6	SLEEVE						

M-METRIC PART

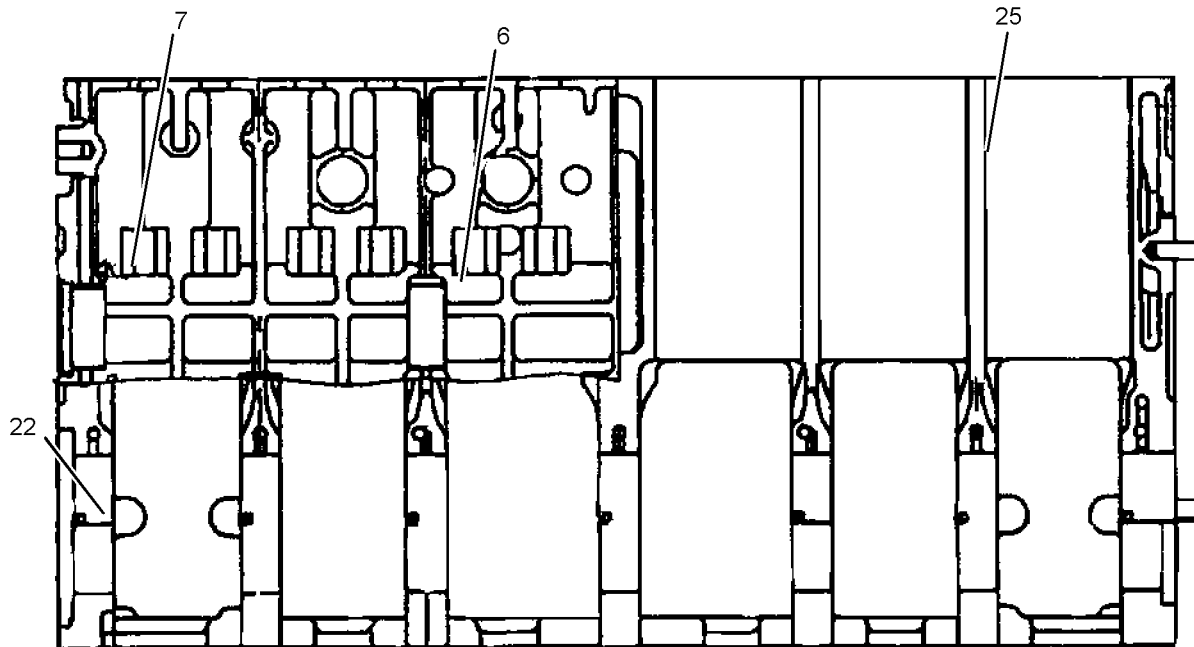
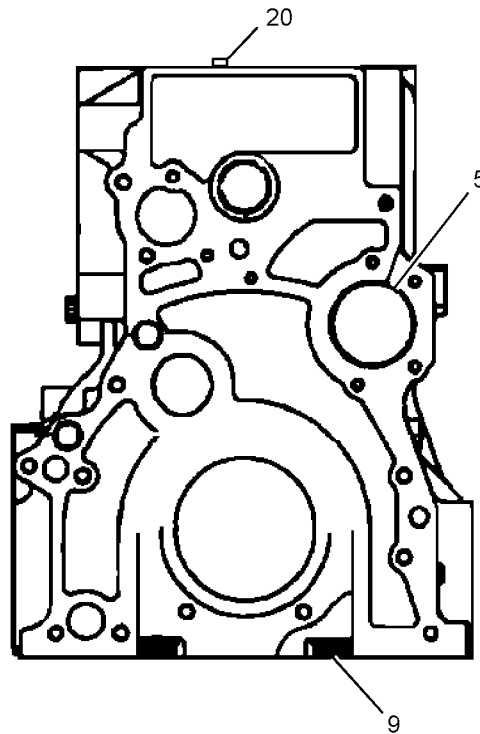
BASIC ENGINE

294-1725 CYLINDER BLOCK GP (contd.)

i03337700



FRONT VIEW OF ENGINE



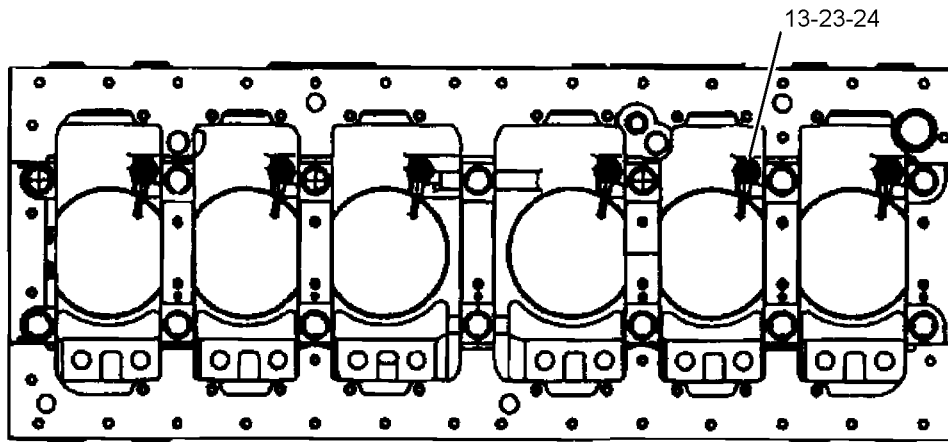
GRAPHIC #1

g01715834

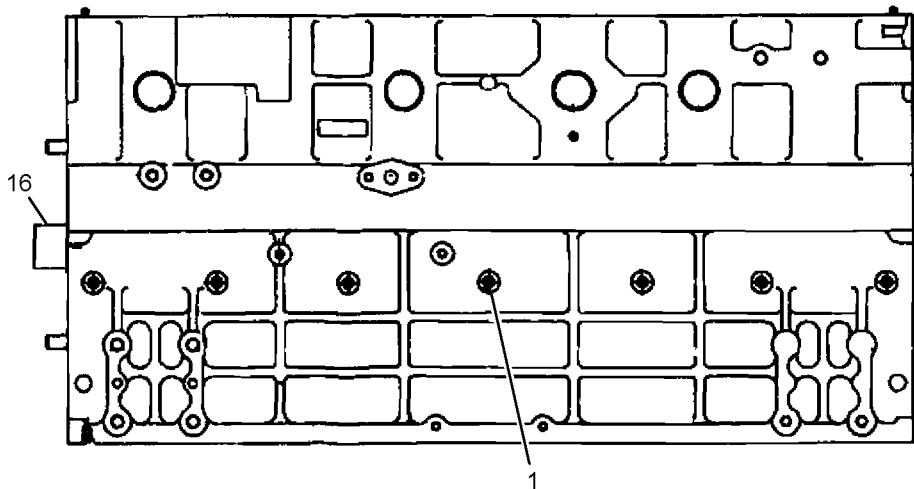
BASIC ENGINE

294-1725 CYLINDER BLOCK GP (contd.)

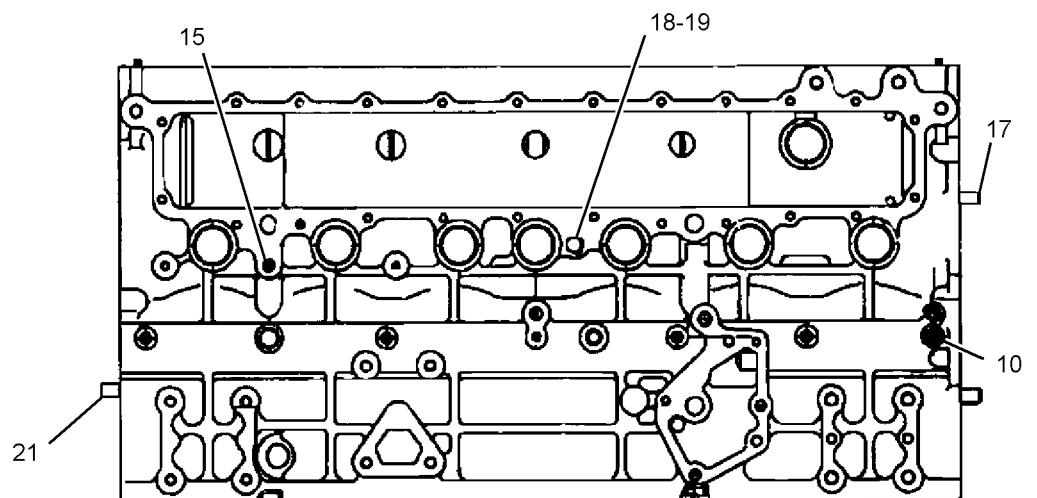
i03337700



BOTTOM VIEW OF ENGINE



LEFT SIDE VIEW OF ENGINE



RIGHT SIDE VIEW OF ENGINE

GRAPHIC #2

<END>

g01357617

BASIC ENGINE**296-4648 CYLINDER BLOCK GP**

S/N: GDC1-UP

PART OF 272-4683 ENGINE AR
ALSO AN ATTACHMENT

SMCS-1201

i02738697

NOTE	REF NO	GRAPHIC REF	PART NUMBER	QTY	PART NAME						SEE PAGE
					1	2	3	4	5	6 (PRODUCT LEVEL)	
	1	1	294-1723	1	EYE						
	2	1	294-1724	1	EYE						
	3	1	5I-5181	4	BOLT						
	4	1	096-2501	4	LOCKWASHER						
	7	1	5I-7654	3	PLATE (STANDARD)						
AB			5I-7787		PLATE (0.15-MM OS)						
AB			5I-7788		PLATE (0.3-MM OS)						
AB			5I-7789		PLATE (0.45-MM OS)						
	8	1	5I-7588	7	SET-BEARING (STANDARD)						
AB			5I-7784		SET-BEARING (0.25-MM US)						
AB			5I-7785		SET-BEARING (0.5-MM US)						
AB			5I-7786		SET-BEARING (0.75-MM US)						
Y	9	1	294-1725	1	CYLINDER BLOCK GP						17

A-NOT PART OF THIS GROUP

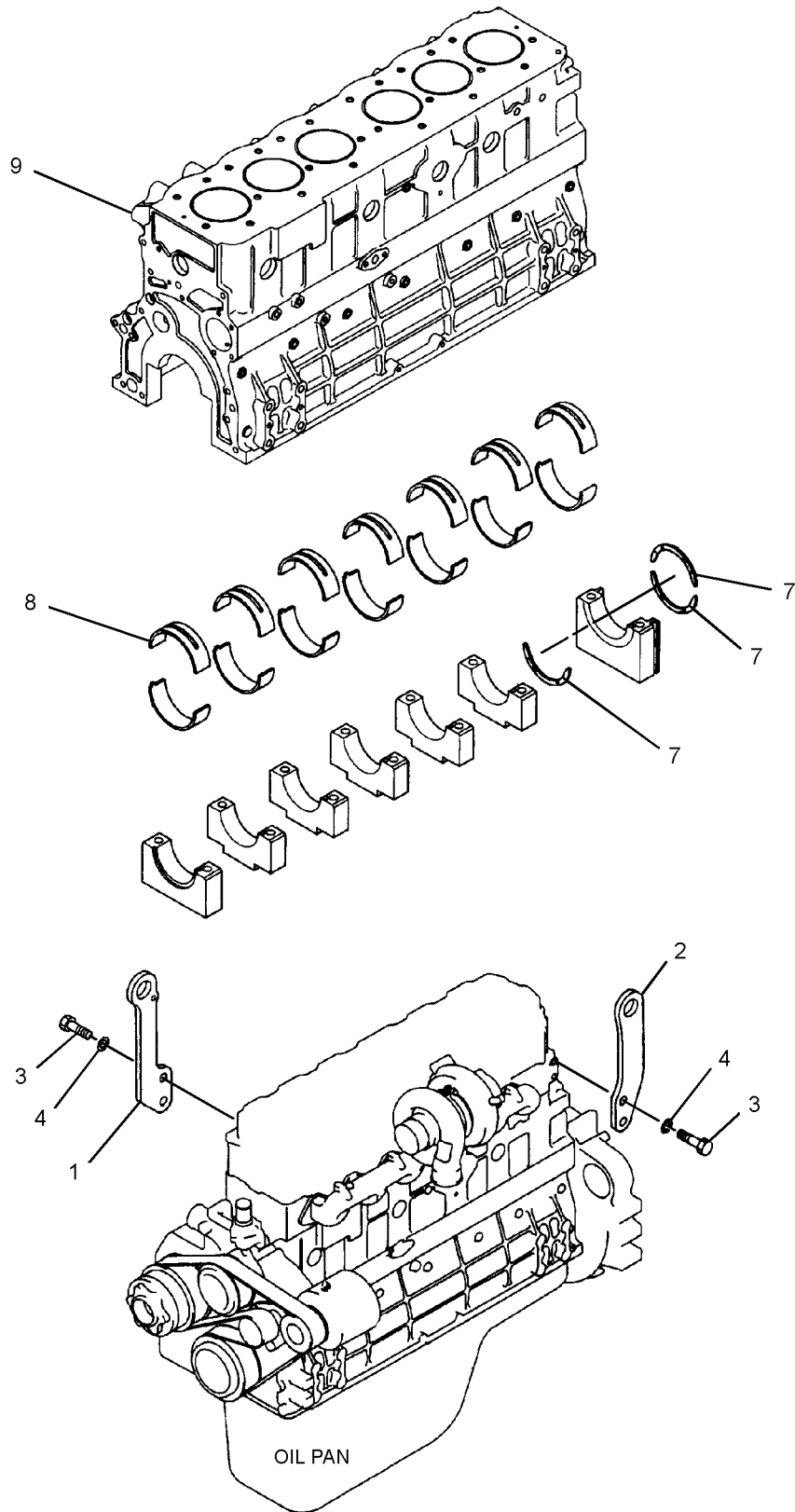
B-USE AS REQUIRED

Y-SEPARATE ILLUSTRATION

BASIC ENGINE

296-4648 CYLINDER BLOCK GP (contd.)

i02738697



GRAPHIC #1

<END>

g01355154

BASIC ENGINE

297-7644 CYLINDER HEAD AS

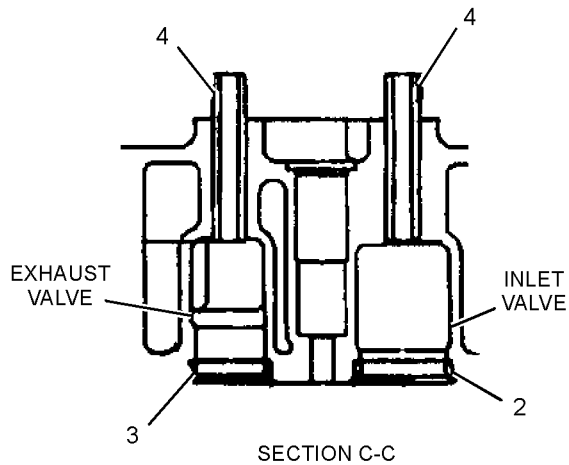
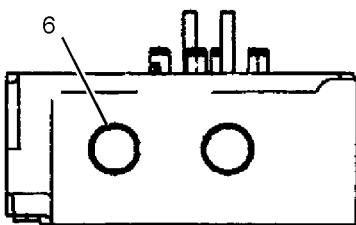
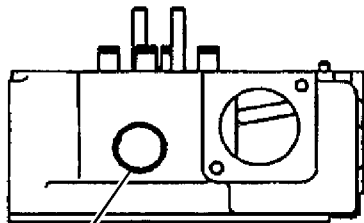
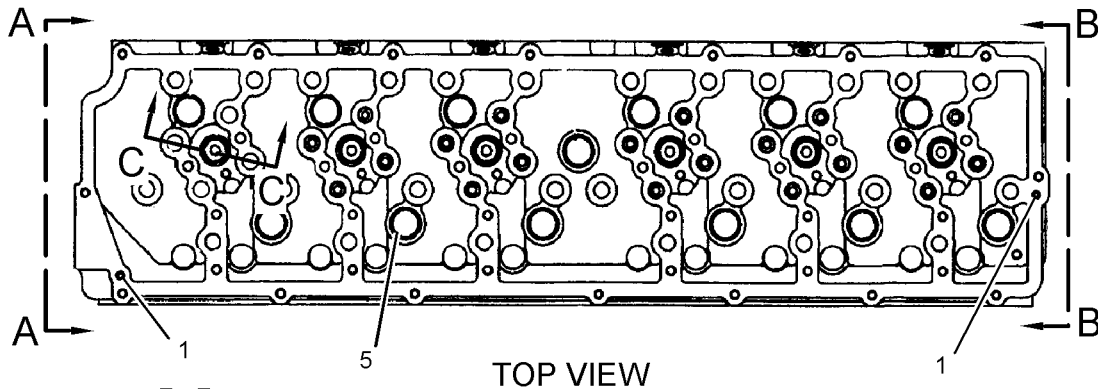
S/N: GDC1-UP

PART OF 296-4645 CYLINDER HEAD GP
ALSO AN ATTACHMENT

SMCS-1100

i02738802

NOTE	REF NO	GRAPHIC REF	PART NUMBER	QTY	PART NAME						SEE PAGE
					1	2	3	4	5	6 (PRODUCT LEVEL)	
	1	1	4I-9664	2	PIN						
	2	1	294-1679	12	SEAT						
	3	1	294-1680	12	SEAT						
	4	1	294-1678	24	GUIDE						
	5	1	103-9011	13	CAP-SEALING						
	6	1	5I-4915	9	CAP						



GRAPHIC #1

<END>

g01356657

BASIC ENGINE

296-4645 CYLINDER HEAD GP

S/N: GDC1-UP

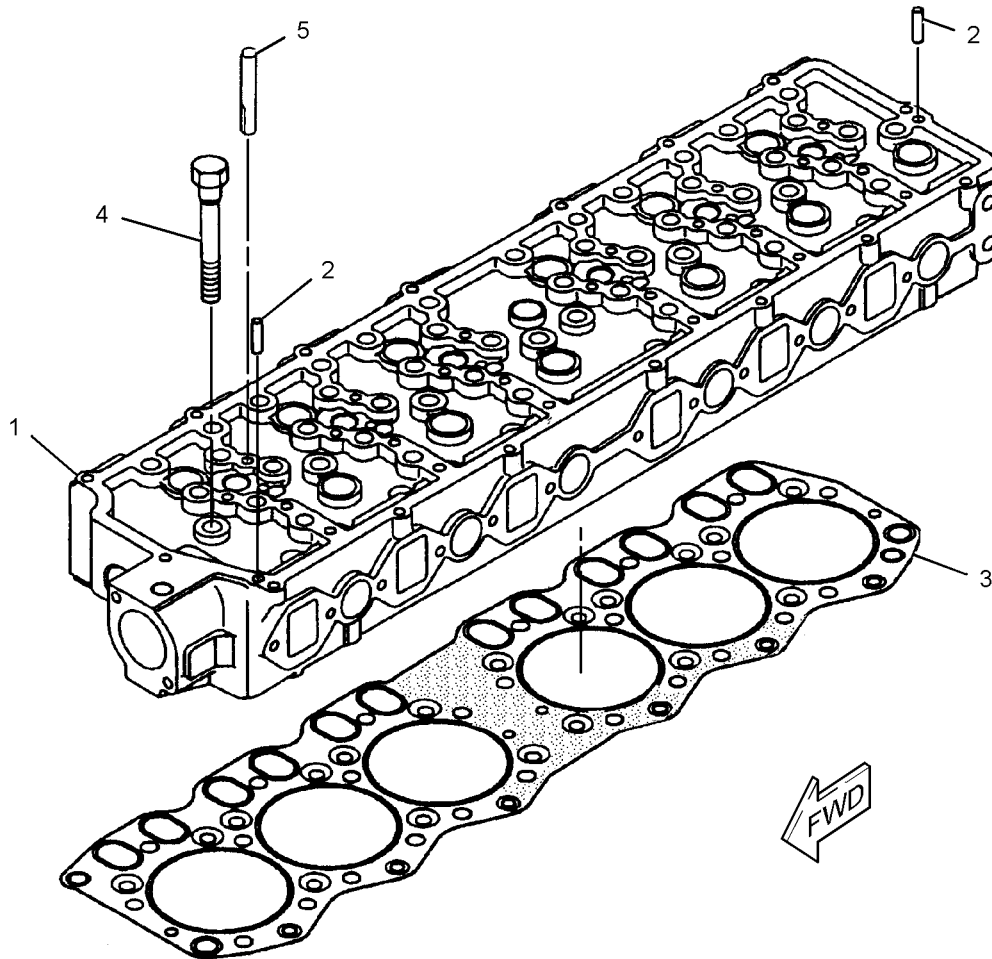
PART OF 272-4683 ENGINE AR
ALSO AN ATTACHMENT

SMCS-1100

i02738695

NOTE	REF NO	GRAPHIC REF	PART NUMBER	QTY	PART NAME						SEE PAGE
					1	2	3	4	5	6 (PRODUCT LEVEL)	
Y	1	1	297-7644	1	CYLINDER HEAD AS						22
	2	1	4I-9664	2	PIN						
	3	1	294-1682	1	GASKET						
	4	1	294-1683	26	BOLT						
	5	1	297-7645	12	GUIDE						

Y-SEPARATE ILLUSTRATION



GRAPHIC #1

<END>

g01313571

BASIC ENGINE**230-2979 DRIVE GP-FAN**

S/N: MGG1-UP; JFZ1-UP

PART OF 290-1911, 298-4271 COOLING AR-HIGH AMBIENT TEMP
AN ATTACHMENT

SMCS-1359

i03473722

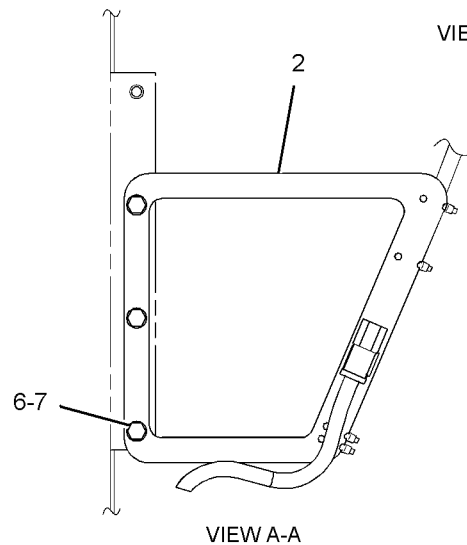
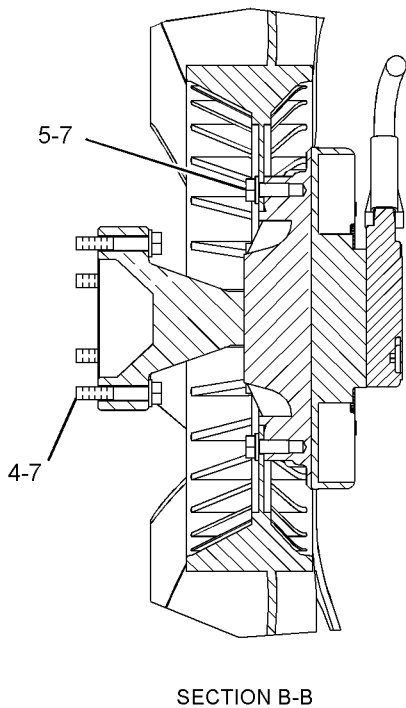
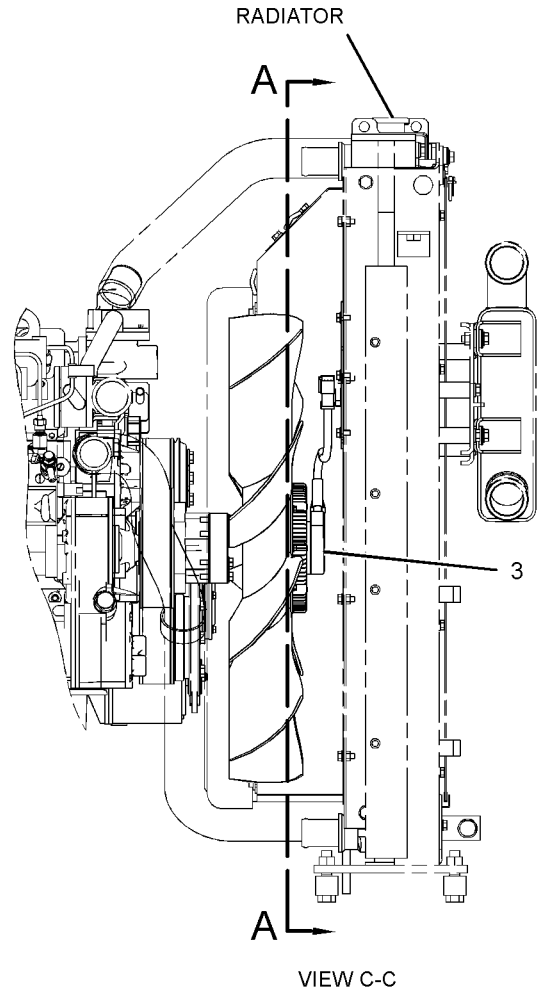
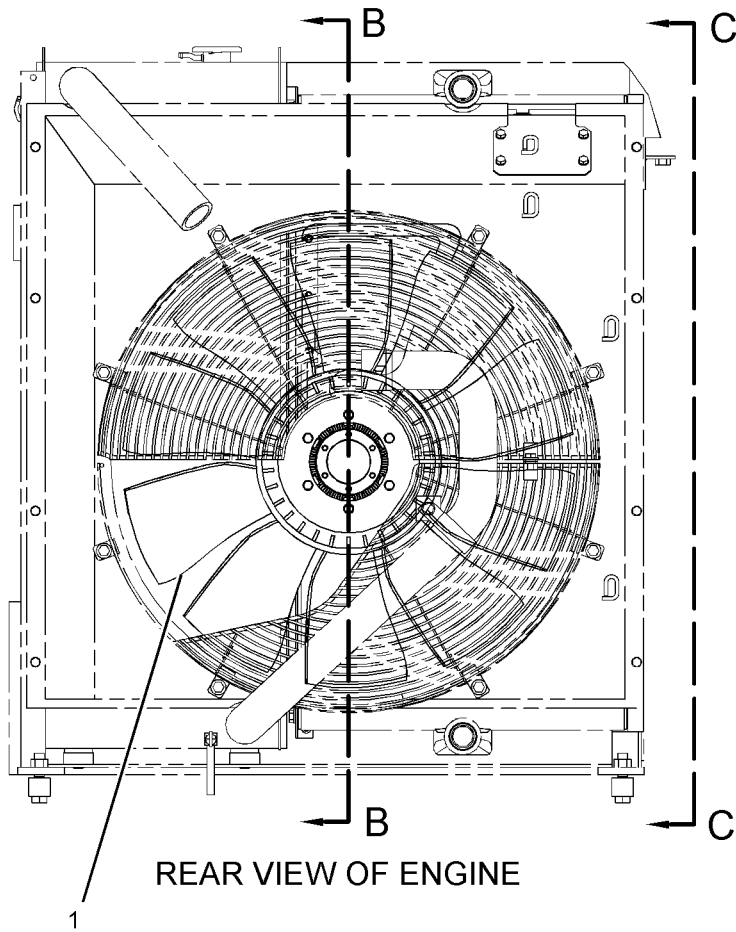
NOTE	REF NO	GRAPHIC REF	PART NUMBER	QTY	PART NAME						SEE PAGE
					1	2	3	4	5	6 (PRODUCT LEVEL)	
	1	1	245-9344	1	FAN AS (10-BLADE)						
	2	1	265-3557	1	PLATE AS						
	3	1	281-3588	1	DRIVE AS-FAN (FLUID CLUTCH)						
		1	102-8805	1	KIT-RECEPTACLE (6-PIN)						
					(INCLUDES RECEPTACLE AS & WEDGE)						
		1	186-3735	6	PIN-CONNECTOR (16-GA TO 18-GA)						
M	4	1	7X-0818	6	BOLT (M8X1.25X45-MM)						
M	5	1	8T-4189	6	BOLT (M8X1.25X20-MM)						
M	6	1	8T-4200	3	BOLT (M8X1.25X16-MM)						
	7	1	8T-4224	15	WASHER-HARD (8.8X16X2-MM THK)						

M-METRIC PART

BASIC ENGINE

230-2979 DRIVE GP-FAN (contd.)

i03473722



GRAPHIC #1

<END>

g01381523

BASIC ENGINE**296-4644 FLYWHEEL GP**

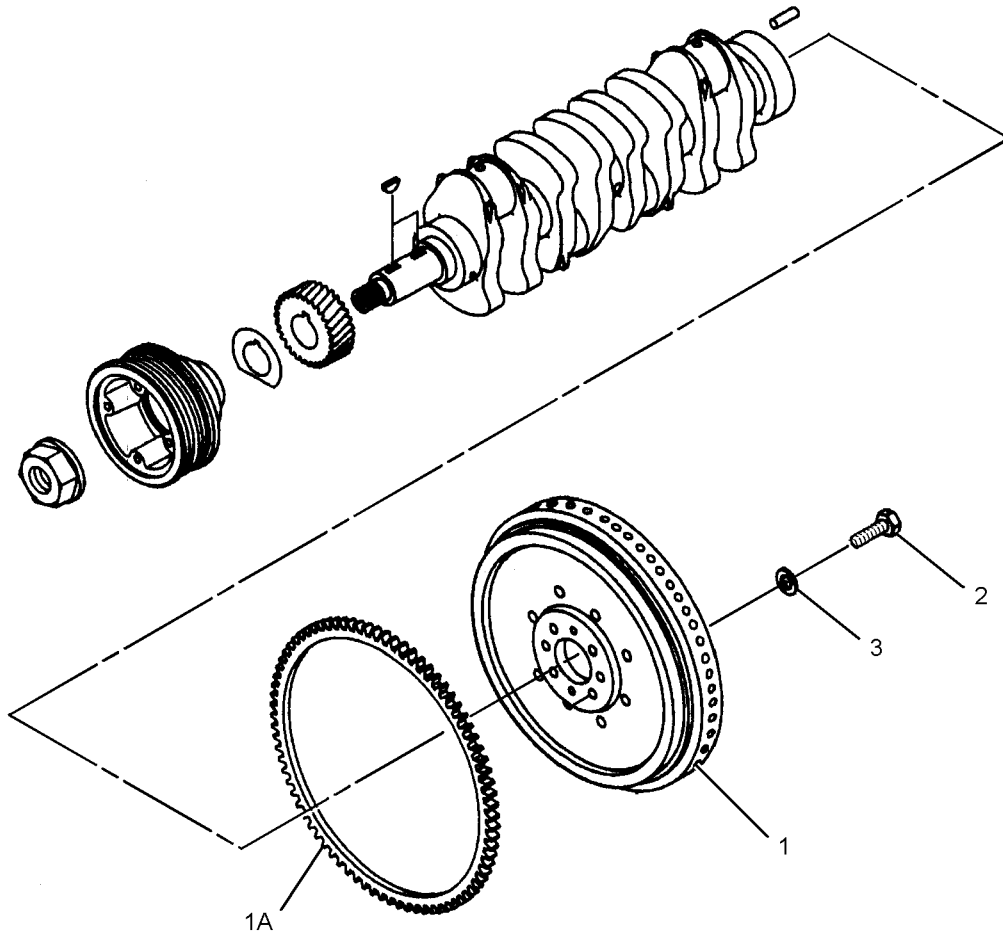
S/N: GDC1-UP

PART OF 272-4683 ENGINE AR
ALSO AN ATTACHMENT

SMCS-1156

i02738806

NOTE	REF NO	GRAPHIC REF	PART NUMBER	QTY	PART NAME						SEE PAGE
					1	2	3	4	5	6 (PRODUCT LEVEL)	
	1	1	294-1752	1	FLYWHEEL AS						
	1A	1	205-6788	1	GEAR (127-TEETH)						
	2	1	5I-5005	6	BOLT (M12X1.25X35-MM)						
	3	1	096-2501	6	LOCKWASHER						



GRAPHIC #1

<END>

g01312147

BASIC ENGINE

296-4651 GEAR GP-FRONT

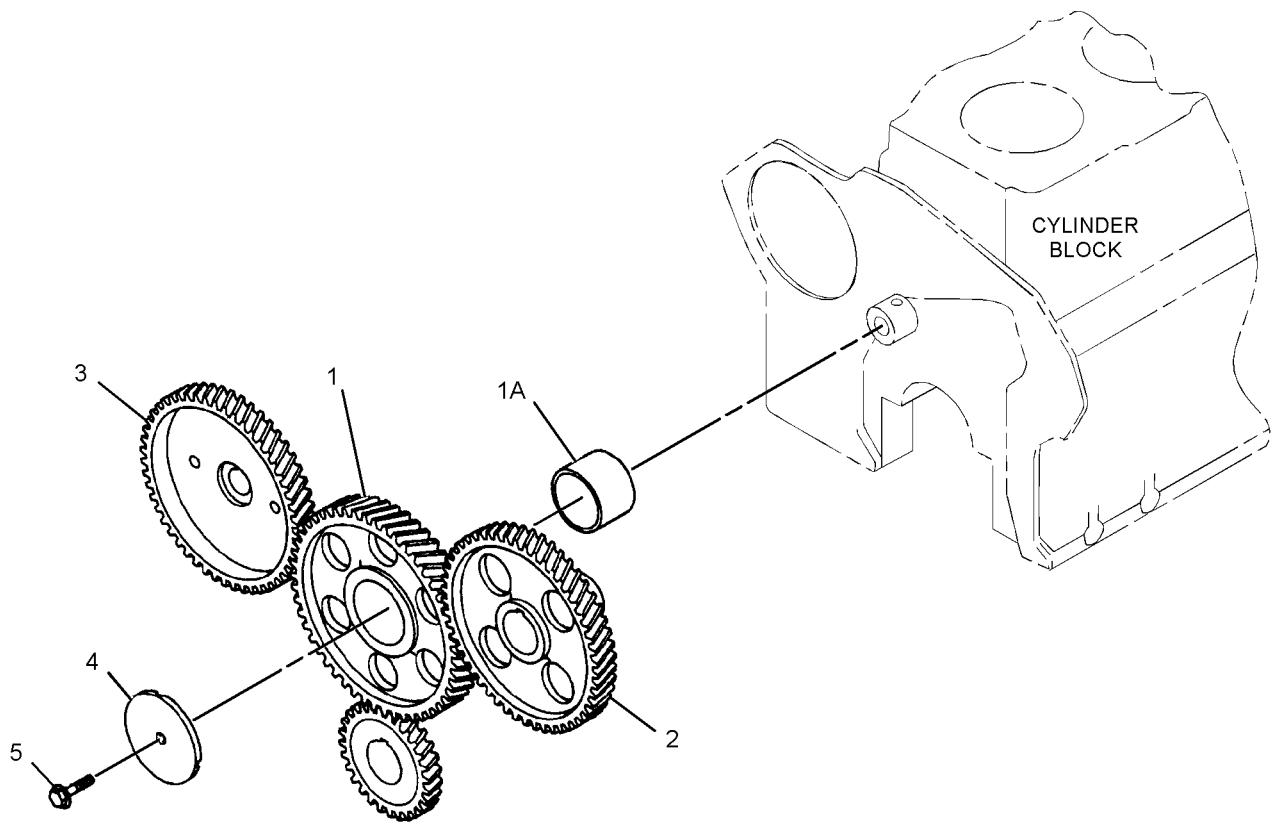
S/N: GDC1-UP

PART OF 272-4683 ENGINE AR
ALSO AN ATTACHMENT

SMCS-1151, 1162, 1206

i02989867

NOTE	REF NO	GRAPHIC REF	PART NUMBER	QTY	PART NAME						SEE PAGE
					1	2	3	4	5	6 (PRODUCT LEVEL)	
	1	1	294-1753	1	GEAR AS-IDLER (69-TEETH)						
	1A	1	296-4673	1	BUSHING						
	2	1	294-1754	1	GEAR (62-TEETH)						
	3	1	294-1755	1	GEAR (62-TEETH)						
	4	1	294-1756	1	PLATE						
	5	1	294-1757	1	BOLT						



GRAPHIC #1

<END>

g01317830

BASIC ENGINE**296-4643 HOUSING GP-FLYWHEEL**

S/N: GDC1-UP

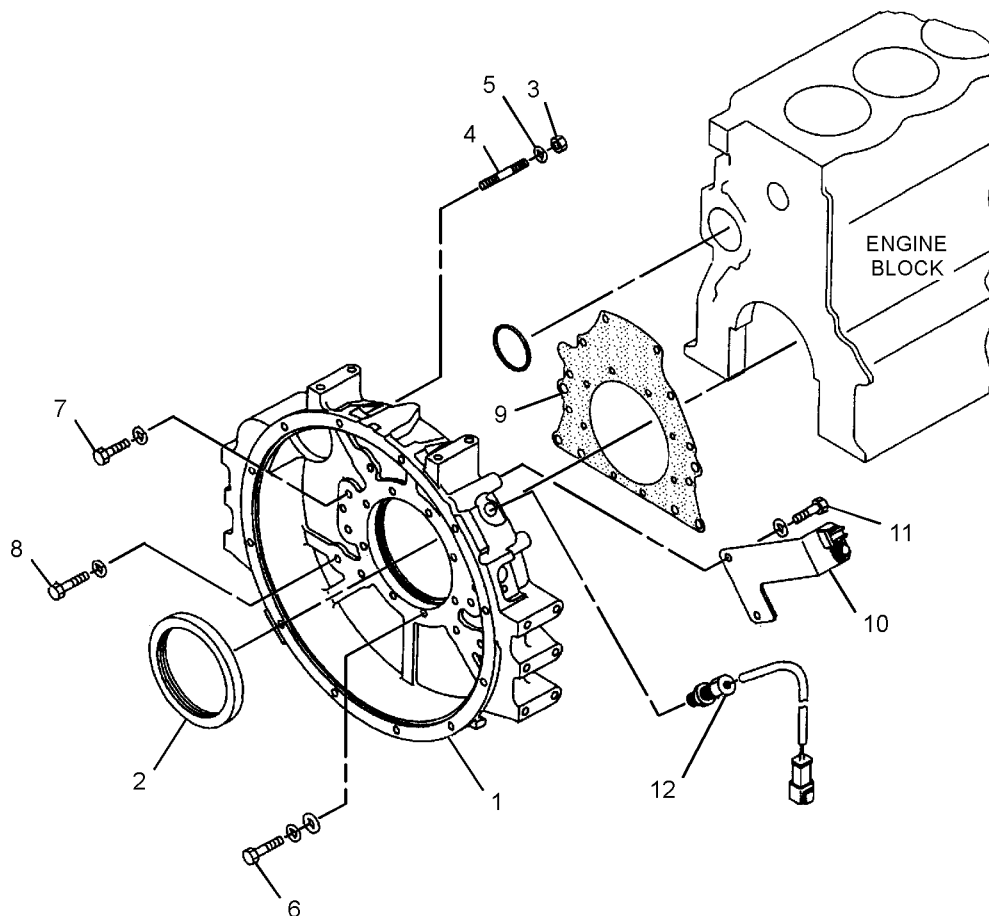
PART OF 272-4683 ENGINE AR
ALSO AN ATTACHMENT

SMCS-1157

i02738800

NOTE	REF NO	GRAPHIC REF	PART NUMBER	QTY	PART NAME						SEE PAGE
					1	2	3	4	5	6 (PRODUCT LEVEL)	
	1	1	294-1736	1	HOUSING						
	2	1	5I-7660	1	SEAL AS						
M	3	1	6V-8231	2	NUT (M10X1.25-THD)						
	4	1	5I-4983	2	STUD						
	5	1	7X-0796	2	LOCKWASHER						
	6	1	294-1737	8	BOLT (M8X1.25X35.5-MM)						
	7	1	294-1738	2	BOLT (M10X1.5X32-MM)						
M	8	1	294-1726	10	BOLT (M10X1.5X37-MM)						
	9	1	294-1739	1	GASKET						
	10	1	294-1740	1	BRACKET						
	11	1	5I-5597	2	BOLT (M14X1.5X10-MM)						
	12	1	196-7973	1	SENSOR GP-SPEED (ENGINE)						

M-METRIC PART



GRAPHIC #1

<END>

g01312174

BASIC ENGINE**296-4649 HOUSING GP-FRONT**

S/N: GDC1-UP

PART OF 272-4683 ENGINE AR
ALSO AN ATTACHMENT

SMCS-1151, 1162, 1206

i02989883

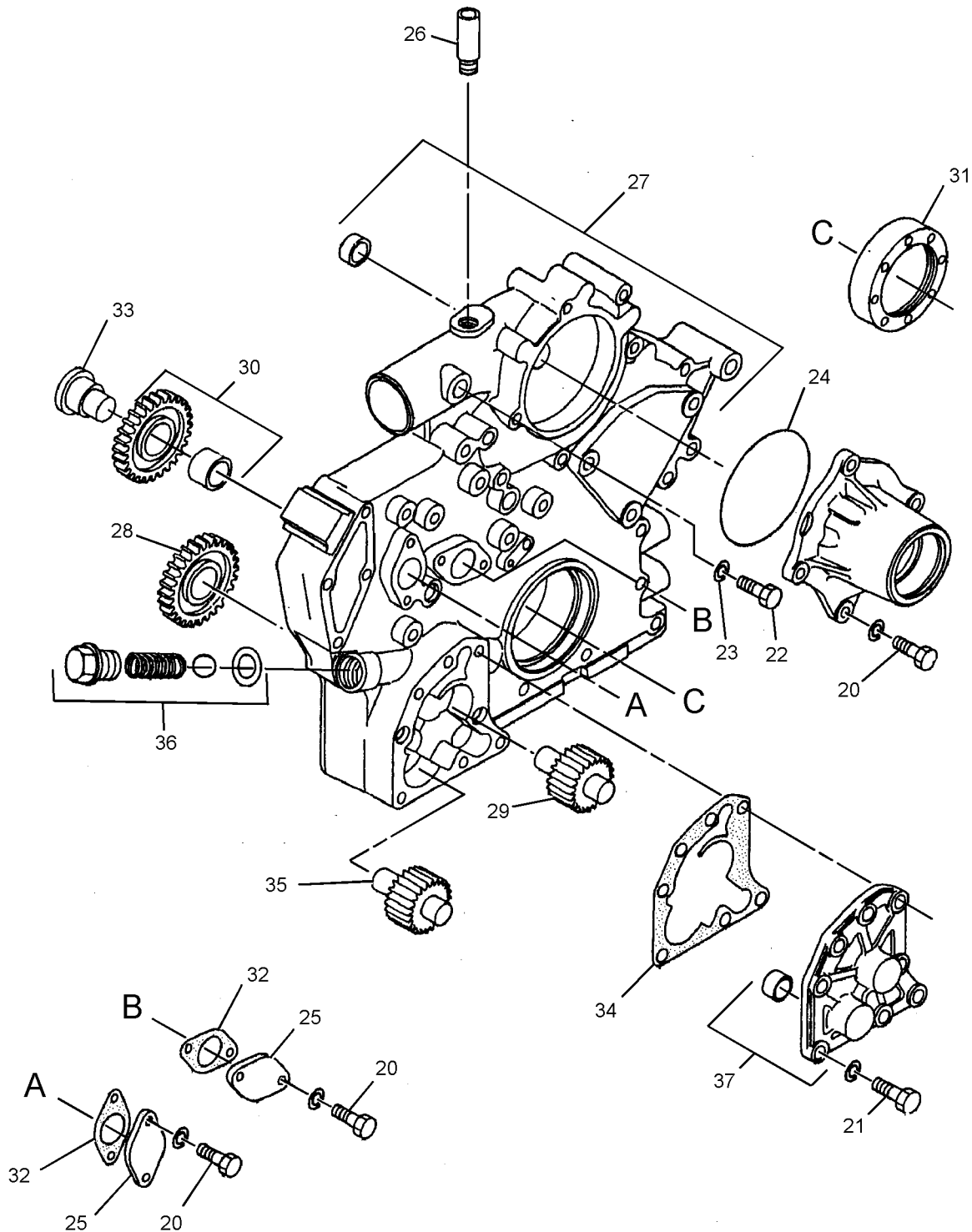
NOTE	REF NO	GRAPHIC REF	PART NUMBER	QTY	PART NAME						SEE PAGE
					1	2	3	4	5	6 (PRODUCT LEVEL)	
	1	2	222-8292	1	POINTER						
	2	2	294-1731	1	BOLT (M8X1.25X19.5-MM)						
	3	2	6V-8236	1	PIN-SPRING						
	4	2	294-1732	1	PLATE						
M	5	2	6V-5215	2	BOLT (M8X1.25X16-MM)						
	6	2	297-7646	2	BOLT (M8X1.25X95.5-MM)						
M	8	2	8T-4137	6	BOLT (M10X1.5X20-MM)						
M	9	2	5I-7610	1	BOLT (M10X1.5X20-MM)						
	10	2	297-7647	6	BOLT (M10X1.5X77-MM)						
M	11	2	8T-4172	2	BOLT (M10X1.5X80-MM)						
M	12	2	8T-6685	4	BOLT (M10X1.5X110-MM)						
	13	2	7X-0796	6	LOCKWASHER						
	14	2	294-1733	1	GASKET						
	15	2	294-1734	1	GASKET						
	16	2	212-8571	1	COVER						
	17	2	212-8572	1	GASKET						
	18	2	196-8366	1	BOLT						
	19	2	294-1735	5	BOLT (M8X1.25X90.5-MM)						
M	20	1	294-7251	6	BOLT AS						
M	21	1	294-1726	4	BOLT (M10X1.5X37-MM)						
	22	1	096-9435	1	PLUG						
	23	1	096-9532	1	WASHER (15.8X22.5X2-MM THK)						
	24	1	096-9528	1	SEAL-O-RING						
	25	1	6F-7556	2	COVER						
	26	1	5I-7632	1	PIPE						
	27	1	294-1727	1	BODY AS						
	28	1	294-1728	1	GEAR (32-TEETH)						
	29	1	125-2950	1	GEAR AS (9-TEETH)						
	30	1	294-1729	1	GEAR AS (33-TEETH)						
	31	1	5I-7656	1	SEAL						
	32	1	6F-7557	2	GASKET						
	33	1	5I-7683	1	SPINDLE						
	34	1	178-6537	1	GASKET						
	35	1	5I-7558	1	GEAR AS (9-TEETH)						
	36	1	5I-7559	1	VALVE AS						
	37	1	178-6538	1	COVER AS						

M-METRIC PART

BASIC ENGINE

296-4649 HOUSING GP-FRONT (contd.)

i02989883



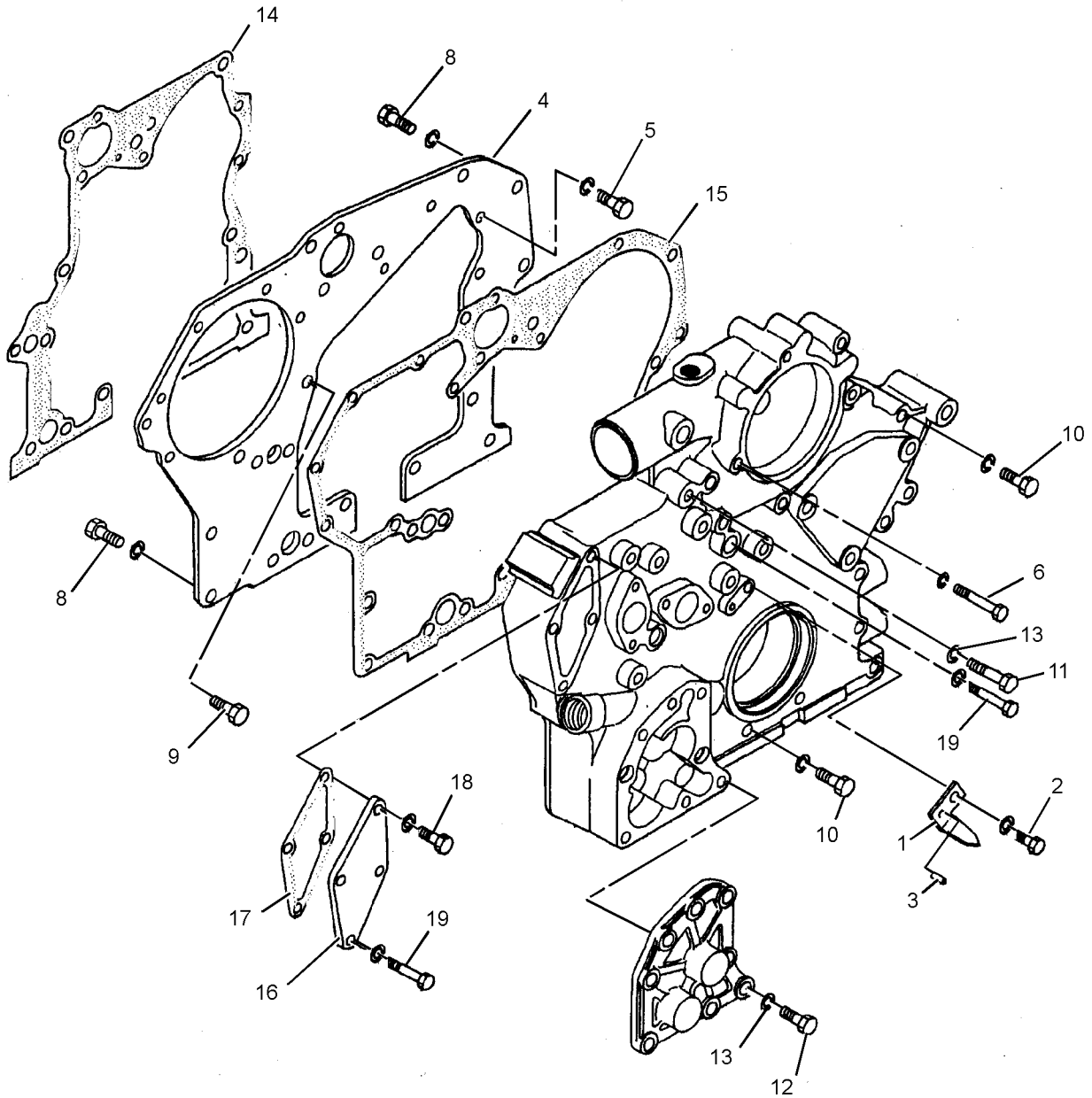
GRAPHIC #1

g01312833

BASIC ENGINE

296-4649 HOUSING GP-FRONT (contd.)

i02989883



GRAPHIC #2

<END>

g01355454

BASIC ENGINE**296-4661 MOUNTING GP-ALTERNATOR**

S/N: GDC1-UP

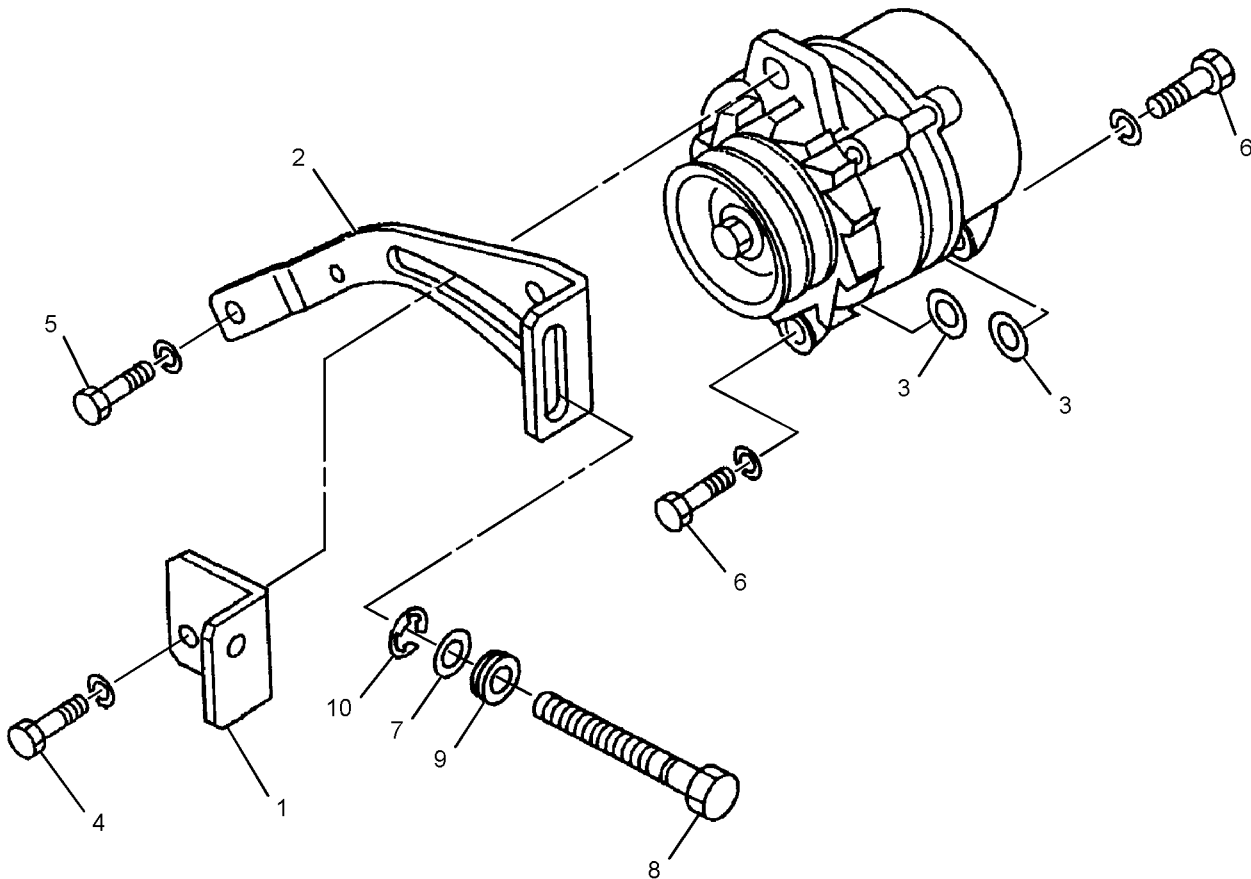
PART OF 272-4683 ENGINE AR
ALSO AN ATTACHMENT

SMCS-1405

i02739173

NOTE	REF NO	GRAPHIC REF	PART NUMBER	QTY	PART NAME						SEE PAGE
					1	2	3	4	5	6 (PRODUCT LEVEL)	
	1	1	178-6600	1	PULLER						
	2	1	294-1859	1	PLATE						
	3	1	5I-7750	2	WASHER (12.5X25X8-MM THK)						
	4	1	294-1860	1	BOLT						
	5	1	5I-5597	1	BOLT (M14X1.5X10-MM)						
M	6	1	294-1861	2	BOLT (M12X1.75X30-MM)						
	7	1	8T-4223	1	WASHER-HARD (13.5X25.5X3-MM THK)						
M	8	1	178-6598	1	BOLT (M12X1.25X135-MM)						
	9	1	178-6599	1	WASHER						
	10	1	178-6601	1	RING						

M-METRIC PART



GRAPHIC #1

<END>

g01317811

BASIC ENGINE

266-6297 MOUNTING GP-ENGINE

S/N: MGG1-UP; JFZ1-UP

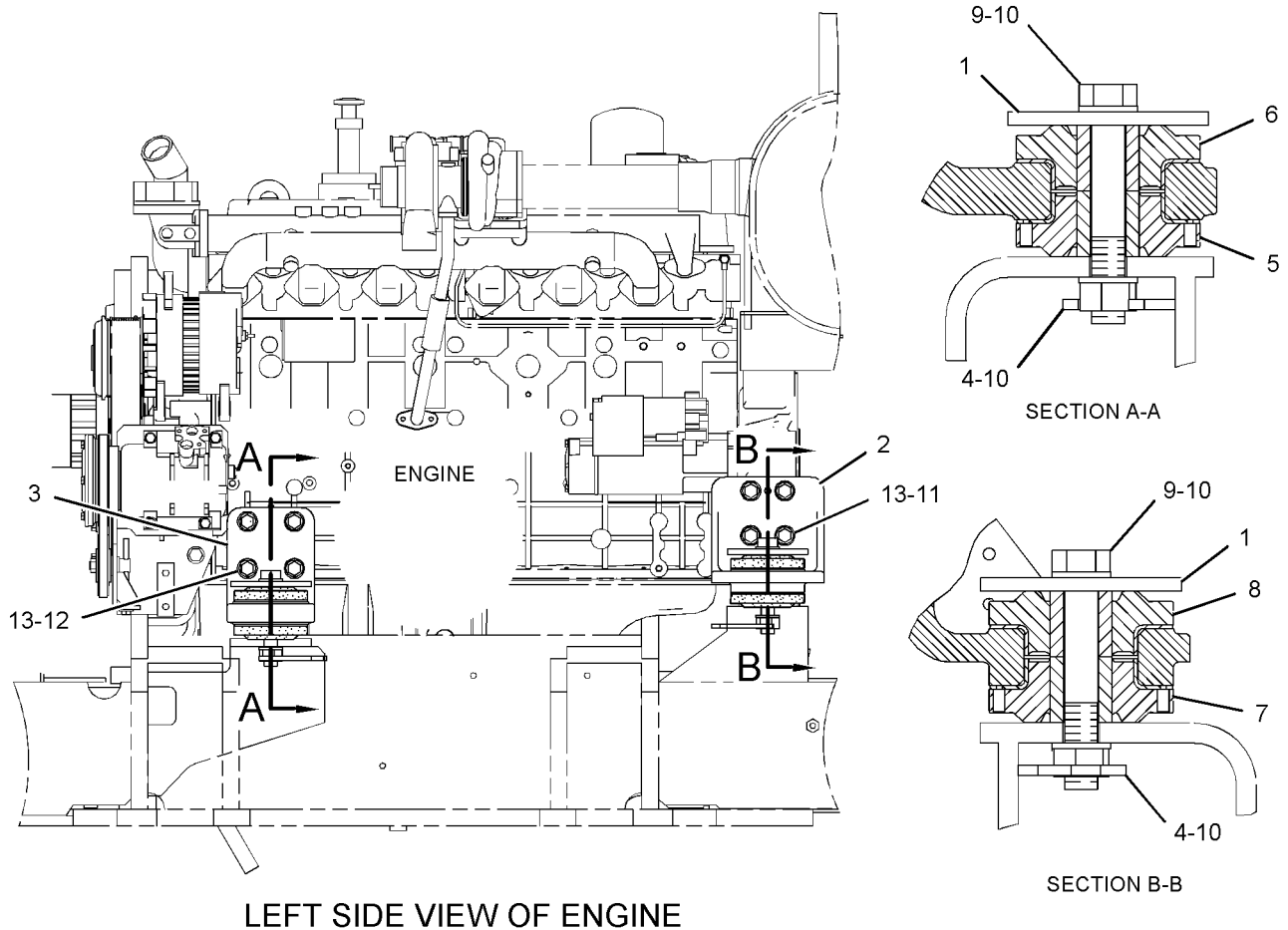
PART OF 272-4742 INSTALLATION AR-ENGINE

SMCS-1152

i02544957

NOTE	REF NO	GRAPHIC REF	PART NUMBER	QTY	PART NAME						SEE PAGE
					1	2	3	4	5	6 (PRODUCT LEVEL)	
	1	1	109-9329	4	WASHER (21.5X120X8-MM THK)						
	2	1	118-9784	2	BRACKET-REAR						
	3	1	118-9785	2	BRACKET-FRONT						
	4	1	118-9930	4	SUPPORT AS						
	5	1	266-6298	2	MOUNT-RUBBER						
	6	1	266-6299	2	MOUNT-RUBBER						
	7	1	266-6300	2	MOUNT-RUBBER						
	8	1	266-6301	2	MOUNT-RUBBER						
M	9	1	7X-2532	4	BOLT (M20X2.5X130-MM)						
	10	1	8T-4123	8	WASHER (22X35X3.5-MM THK)						
M	11	1	8T-4139	8	BOLT (M12X1.75X30-MM)						
M	12	1	8T-4183	8	BOLT (M12X1.75X40-MM)						
	13	1	8T-4223	16	WASHER-HARD (13.5X25.5X3-MM THK)						

M-METRIC PART



GRAPHIC #1

<END>

g01222807

BASIC ENGINE

296-4637 MOUNTING GP-STARTING MOTOR

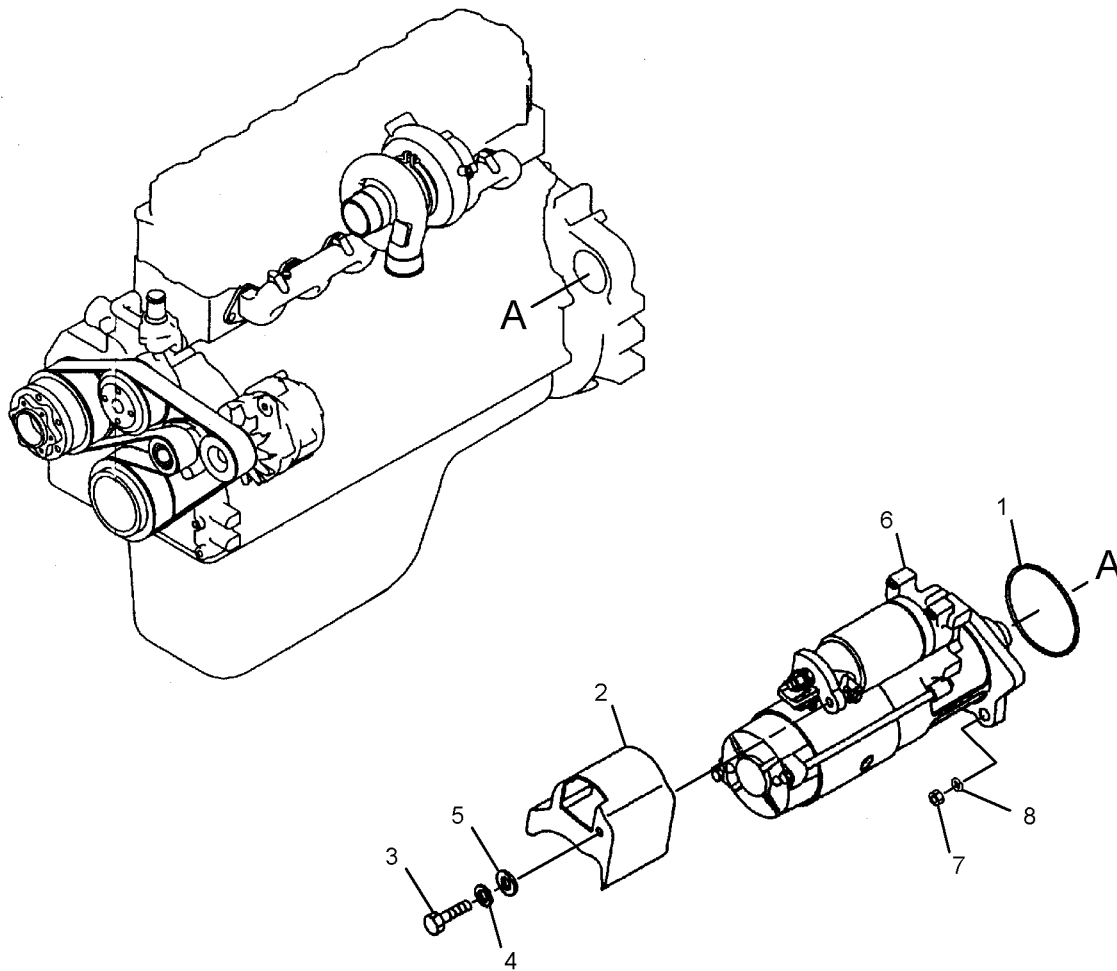
S/N: GDC1-UP
 PART OF 272-4683 ENGINE AR
 ALSO AN ATTACHMENT

SMCS - 1453

i02944553

NOTE	REF NO	GRAPHIC REF	PART NUMBER	QTY	PART NAME						SEE PAGE
					1	2	3	4	5	6 (PRODUCT LEVEL)	
	1	1	51-7599	1	SEAL-O-RING						
	2	1	135-2369	1	COVER						
M	3	1	135-2370	1	BOLT (M5X0.8X25-MM)						
	4	1	294-1850	1	WASHER						
	5	1	294-1851	1	WASHER						
Y	6	1	272-4774	1	STARTING MOTOR GP-ELECTRIC						198
M	7	1	6V-8231	2	NUT (M10X1.25-THD)						
	8	1	7X-0796	2	LOCKWASHER						

M-METRIC PART
 Y-SEPARATE ILLUSTRATION



GRAPHIC #1

<END>

g01456158

BASIC ENGINE**296-4640 PAN GP-OIL-ENGINE**

S/N: GDC1-UP

PART OF 272-4683 ENGINE AR
ALSO AN ATTACHMENT

SMCS-1302

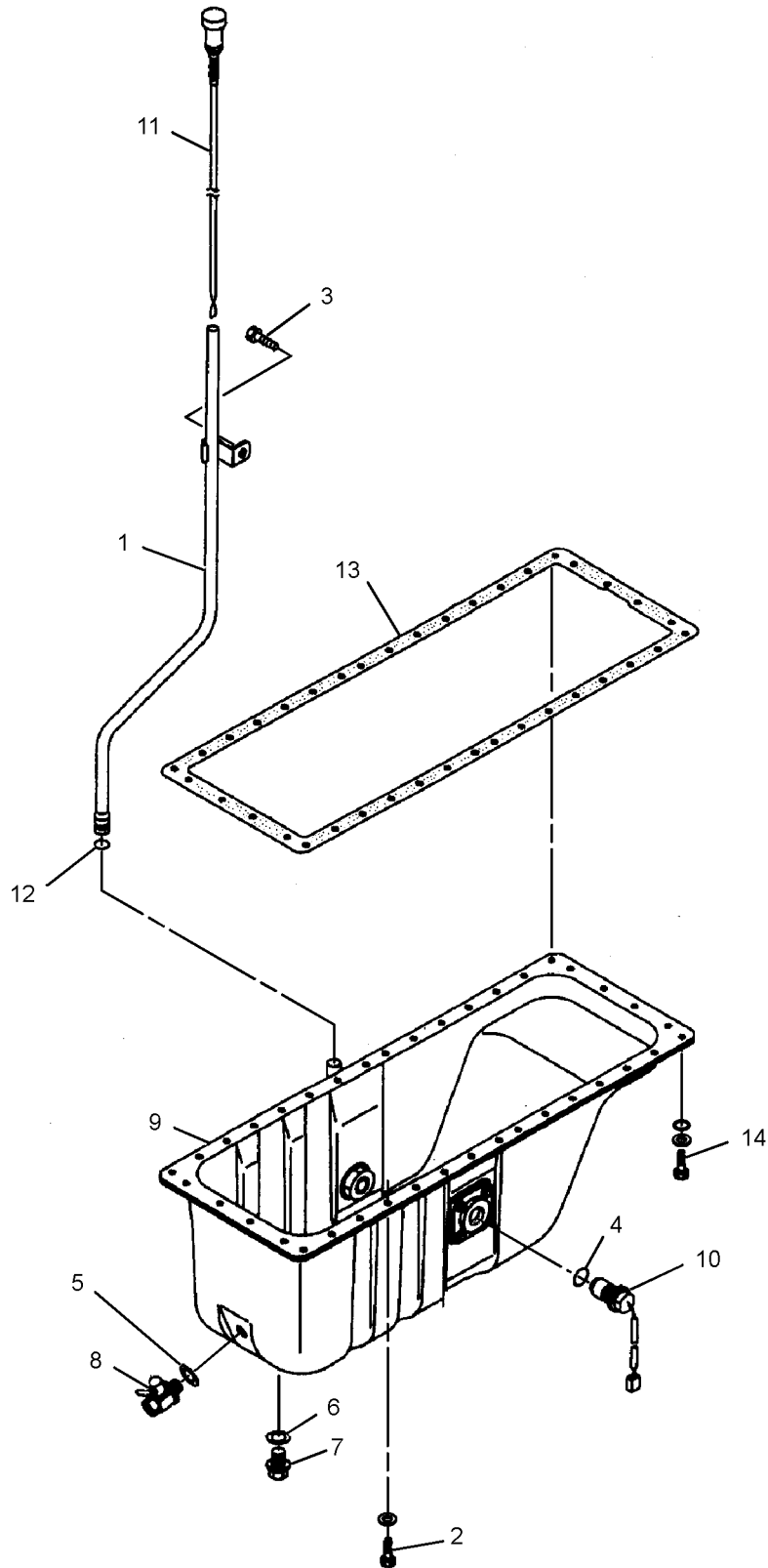
i02746406

NOTE	REF NO	GRAPHIC REF	PART NUMBER	QTY	PART NAME						SEE PAGE
					1	2	3	4	5	6 (PRODUCT LEVEL)	
	1	1	294-1741	1	GUIDE						
	2	1	196-8366	37	BOLT						
	3	1	199-2178	1	BOLT (M10X1.25X20-MM)						
	4	1	125-2968	1	SEAL						
	5	1	5I-8067	1	WASHER-SEALING						
	6	1	7W-3556	1	WASHER (14.27X20.57X1.5-MM THK)						
	7	1	183-8177	1	PLUG						
	8	1	183-8176	1	VALVE (ENGINE OIL PAN)						
	9	1	294-1742	1	PAN AS						
		1	287-0187	1	BOSS						
		1	287-0188	1	PLATE						
		1	287-0189	1	SEAL						
		1	287-0190	1	BOLT						
10		1	213-0677	1	SWITCH AS-LIQUID LEVEL (ENGINE OIL)						
		1	102-8802	2	KIT-RECEPTACLE (2-PIN) (EACH INCLUDES RECEPTACLE AS & WEDGE)						
		1	9X-3401	2	PIN-CONNECTOR (16-GA TO 18-GA)						
11		1	294-1743	1	GAUGE AS-OIL LEVEL (DIPSTICK) (ENGINE)						
12		1	5I-4993	1	SEAL						
13		1	5I-7666	1	GASKET						
14		1	282-8567	1	BOLT						

BASIC ENGINE

296-4640 PAN GP-OIL (contd.)

i02746406



GRAPHIC #1

<END>

g01356947

BASIC ENGINE**296-4659 PISTON & ROD GP**

S/N: GDC1-UP

PART OF 272-4683 ENGINE AR
ALSO AN ATTACHMENT

SMCS-1225

i02785157

NOTE	REF NO	GRAPHIC REF	PART NUMBER	QTY	PART NAME						SEE PAGE
					1	2	3	4	5	6 (PRODUCT LEVEL)	
	1	1	310-9509	6	PISTON (STANDARD)						
AB		1	310-9510		PISTON (0.25-MM OS)						
AB		1	310-9511		PISTON (0.5-MM OS)						
	2	1	094-7134	6	PIN						
	3	1	51-7667	12	RING						
J	4	1	178-6543	6	SET-PISTON RING (STANDARD)						
ABJ		1	178-6544		SET-PISTON RING (0.25-MM OS)						
ABJ		1	178-6545		SET-PISTON RING (0.5-MM OS)						
	5	1	294-1747	6	ROD AS						
					(EACH INCLUDES)						
	5A	1	094-7154	2	BOLT (M12X1.25-1X85-MM)						
	5B	1	094-7516	2	NUT (M12X1.25-THD)						
	5C	1	296-4663	1	BUSHING						
	6	1	294-1748	12	BEARING (STANDARD)						
AB		1	297-7648		BEARING (0.25-MM US)						
AB		1	297-7649		BEARING (0.50-MM US)						
AB		1	297-7650		BEARING (0.75-MM US)						

A-NOT PART OF THIS GROUP

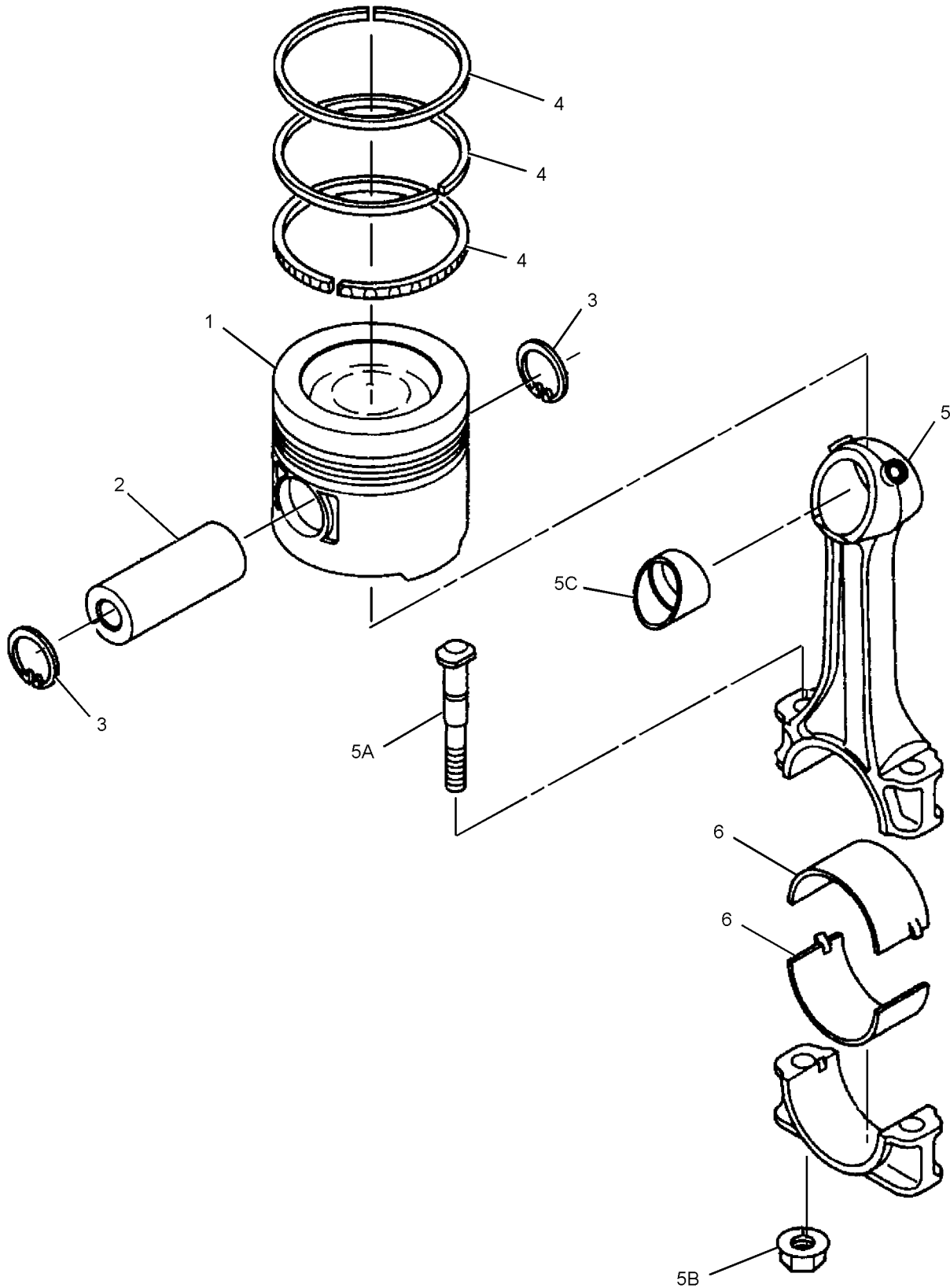
B-USE AS REQUIRED

J-INCLUDES A COMPLETE SET OF RINGS FOR ONE PISTON

BASIC ENGINE

296-4659 PISTON & ROD GP (contd.)

i02785157



GRAPHIC #1

<END>

g01317861

BASIC ENGINE

294-1782 PULLEY AS-IDLER

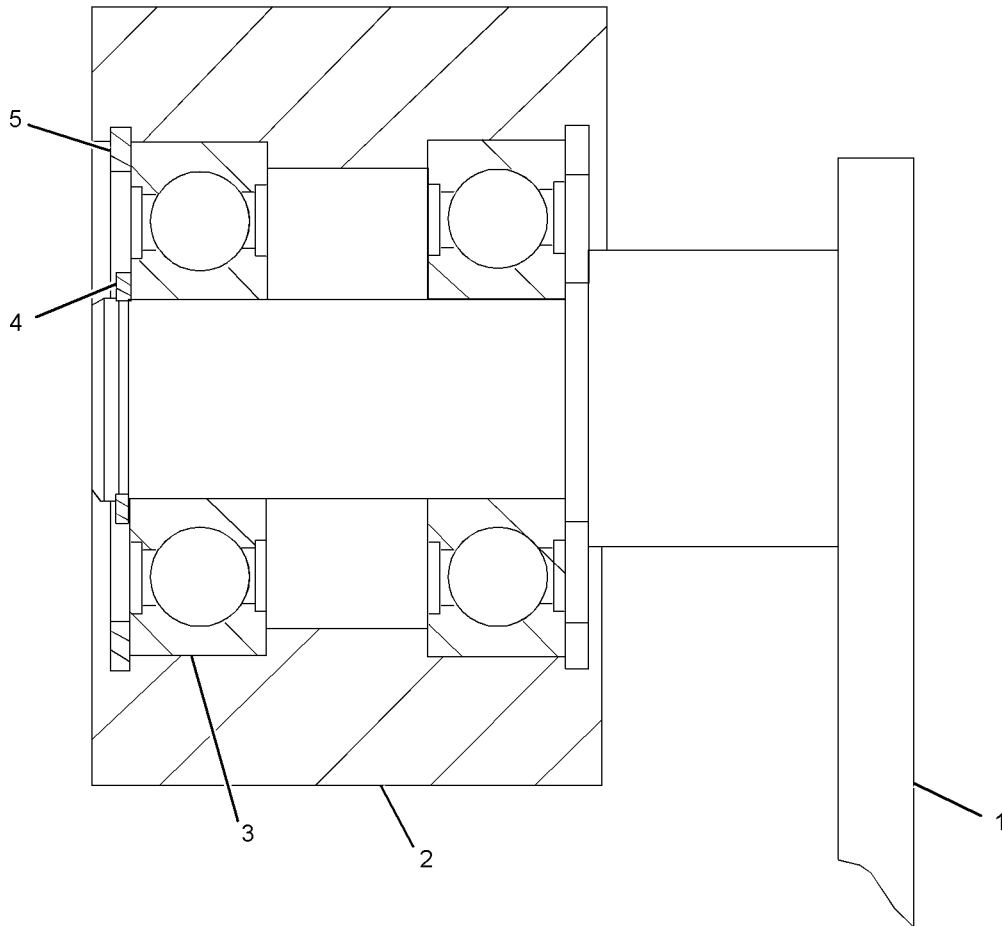
S/N: MGG1-UP; JFZ1-UP

PART OF 266-6313 PULLEY GP-ENGINE

SMCS-1358

i02661554

NOTE	REF NO	GRAPHIC REF	PART NUMBER	QTY	PART NAME						SEE PAGE
					1	2	3	4	5	6 (PRODUCT LEVEL)	
	1	1	294-1783	1	BRACKET						
	2	1	294-1784	1	PULLEY						
	3	1	294-1785	2	BEARING						
	4	1	294-1786	1	RING						
	5	1	8T-9598	2	RING-RETAINING						



GRAPHIC #1

<END>

g01306065

BASIC ENGINE

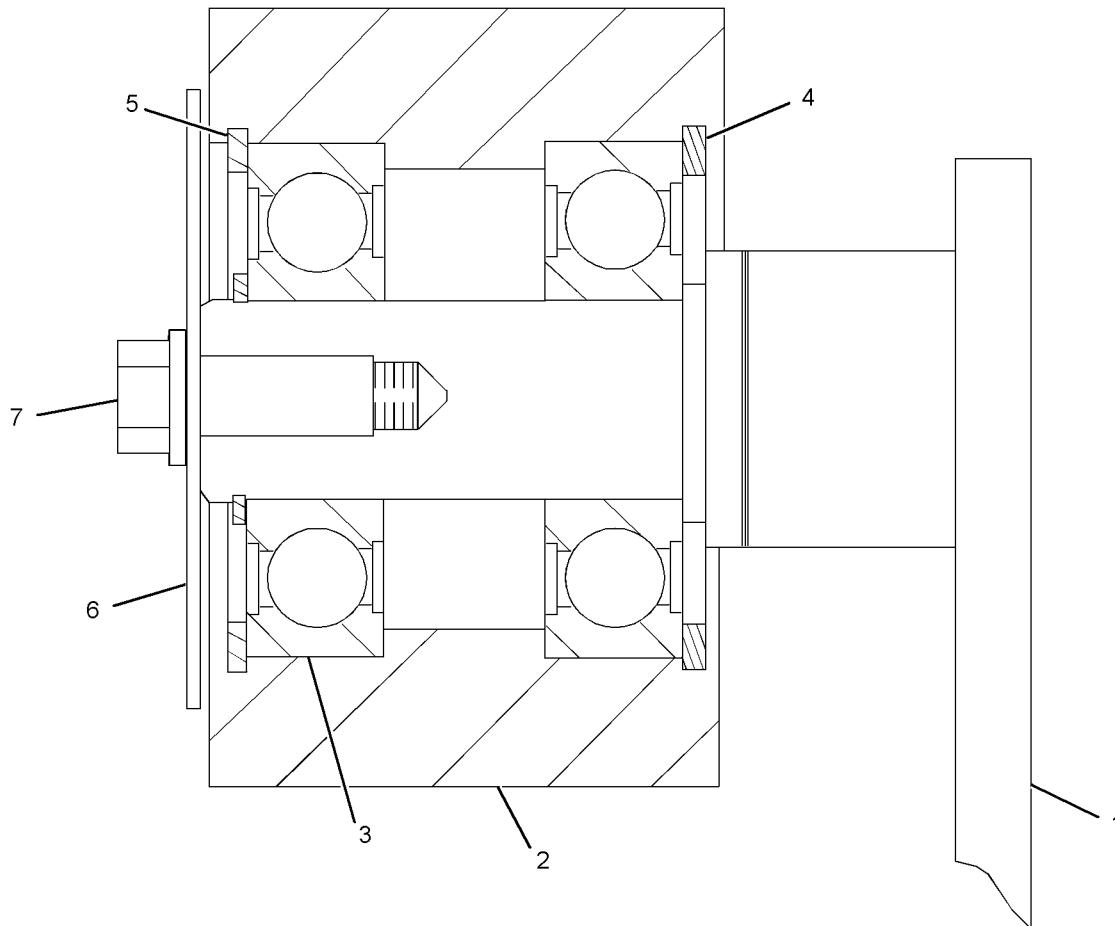
305-4908 PULLEY AS-IDLER

S/N: MGG1-UP; JFZ1-UP
 PART OF 296-4667 PULLEY GP-ENGINE
 AN ATTACHMENT

SMCS-1358

i02766884

NOTE	REF NO	GRAPHIC REF	PART NUMBER	QTY	PART NAME						SEE PAGE
					1	2	3	4	5	6 (PRODUCT LEVEL)	
	1	1	305-4907	1	BRACKET						
	2	1	294-1784	1	PULLEY						
	3	1	294-1785	2	BEARING						
	4	1	294-1786	1	RING						
	5	1	8T-9598	2	RING-RETAINING						
	6	1	305-4906	1	COVER						
	7	1	305-4905	1	BOLT (M10X1.25X20-MM)						



GRAPHIC #1

<END>

g01383446

BASIC ENGINE

266-6313 PULLEY GP-ENGINE

S/N: MGG1-UP; JFZ1-UP

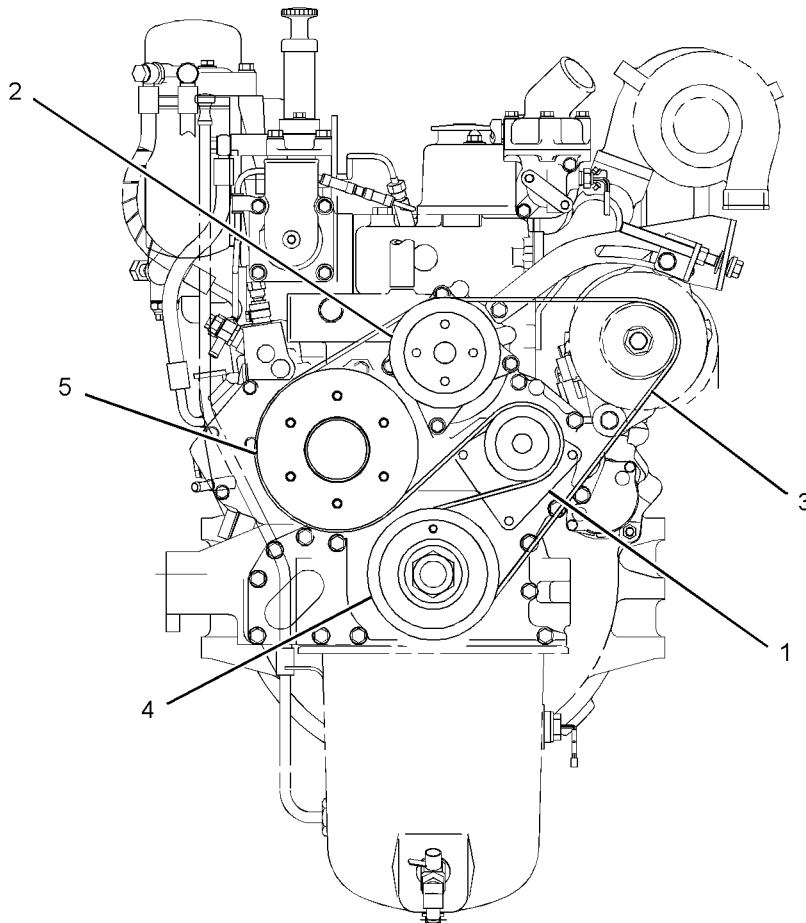
PART OF 272-4682 ENGINE AR-COMplete

SMCS-1205, 1207, 1359, 1384, 1425

i02660858

NOTE	REF NO	GRAPHIC REF	PART NUMBER	QTY	PART NAME						SEE PAGE
					1	2	3	4	5	6 (PRODUCT LEVEL)	
Y	1	1	294-1782	1	PULLEY AS-IDLER						39
	2	1	212-8584	1	PULLEY (WATER PUMP)						
	3	1	212-8585	1	BELT-SERPENTINE						
	4	1	222-8371	1	PULLEY AS (DRIVE)						
		1	5I-7540	1	SLEEVE						
	5	1	266-6229	1	PULLEY-FAN DRIVE						

Y-SEPARATE ILLUSTRATION



FRONT VIEW OF ENGINE

<END>

GRAPHIC #1

g01202133

BASIC ENGINE**296-4667 PULLEY GP-ENGINE**

S/N: MGG1-UP; JFZ1-UP

PART OF 296-4680, 310-9484 ENGINE AR-COMplete
AN ATTACHMENT

SMCS-1205, 1207, 1359, 1384, 1425

i02861374

NOTE	REF NO	GRAPHIC REF	PART NUMBER	QTY	PART NAME						SEE PAGE
					1	2	3	4	5	6 (PRODUCT LEVEL)	
	1	1	212-8584	1	PULLEY						
	2	1	266-6326	1	PULLEY AS						
		1	5I-7540	1	SLEEVE						
Y	3	1	305-4908	1	PULLEY AS-IDLER						40
	4	1	294-1781	1	BELT-SERPENTINE						
	5	1	266-6332	1	BRACKET						
	6	1	266-6333	1	COVER						
	7	1	266-6337	1	PULLEY						
	8	1	266-6334	2	BEARING						
	9	1	212-8596	2	BUSHING						
	10	1	266-6335	1	SPACER (40.8X50.8X27-MM THK)						
	11	1	266-6336	1	WASHER (13X49X8-MM THK)						
M	12	1	266-6338	1	BOLT (M12X1.25X25-MM)						
M	13	1	294-1726	6	BOLT (M10X1.5X37-MM)						
M	14	1	213-9433	4	BOLT (M10X1.5X45-MM)						

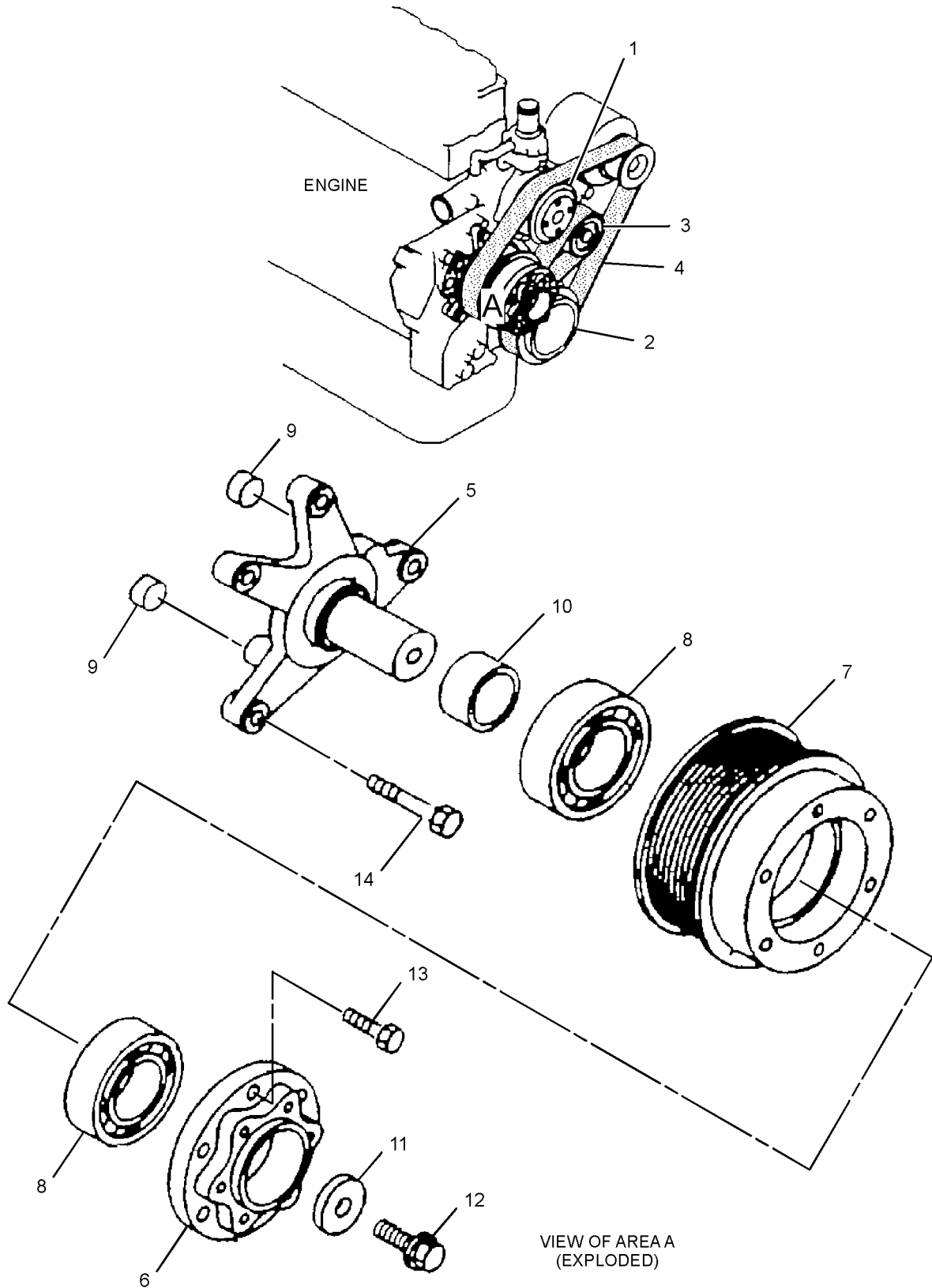
M-METRIC PART

Y-SEPARATE ILLUSTRATION

BASIC ENGINE

296-4667 PULLEY GP-ENGINE (contd.)

i02861374



GRAPHIC #1

<END>

g01376966

BASIC ENGINE

255-3018 PULLEY GP-IDLER

S/N: MGG1-UP; JFZ1-UP

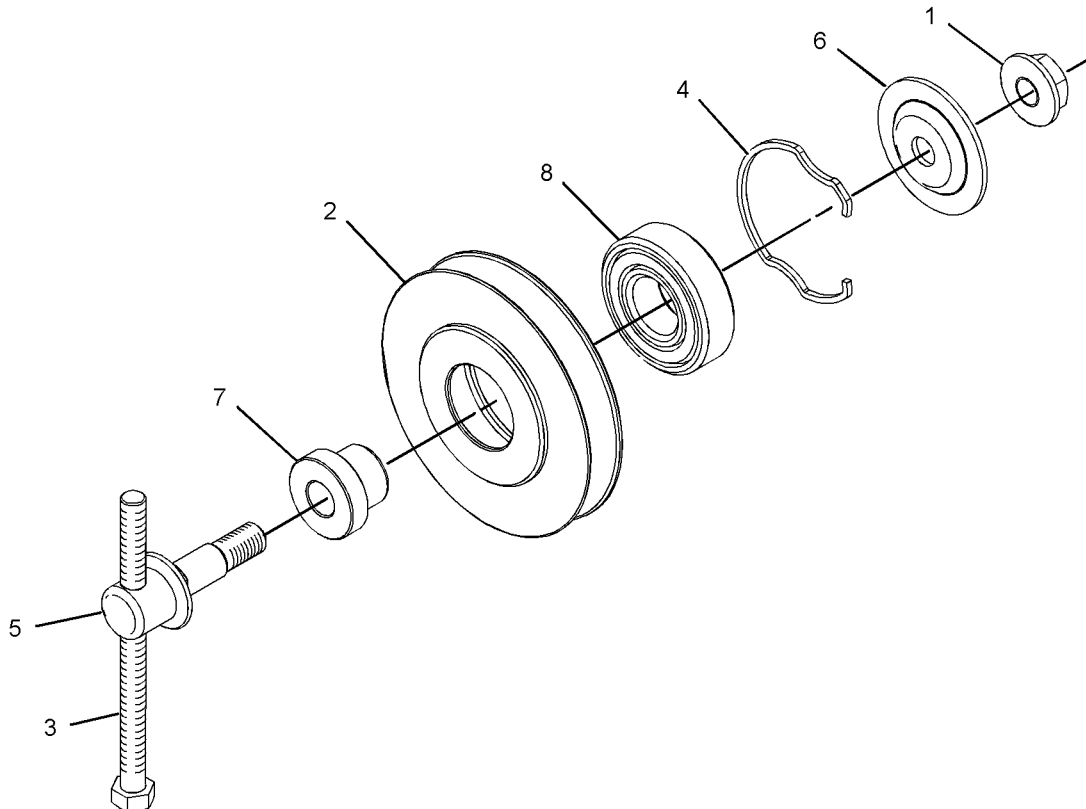
PART OF 239-6507 COMPRESSOR GP-REFRIGERANT

SMCS-1358

i02674720

NOTE	REF NO	GRAPHIC REF	PART NUMBER	QTY	PART NAME						SEE PAGE
					1	2	3	4	5	6 (PRODUCT LEVEL)	
M	1	1	255-3022	1	NUT (M10X1.25-THD)						
	2	1	239-6626	1	PULLEY-IDLER						
M	3	1	239-6627	1	BOLT (M8X1.25X110-MM)						
	4	1	239-6632	1	RING-SNAP						
	5	1	255-3020	1	SHAFT						
	6	1	255-3021	1	WASHER						
	7	1	239-6630	1	COLLAR						
	8	1	239-6631	1	BEARING AS-BALL						

M-METRIC PART



GRAPHIC #1

<END>

g01277313

BASIC ENGINE**296-4646 VALVE MECHANISM GP**

S/N: GDC1-162, 164-228
 PART OF 272-4683 ENGINE AR
 ALSO AN ATTACHMENT

SMCS - 1209

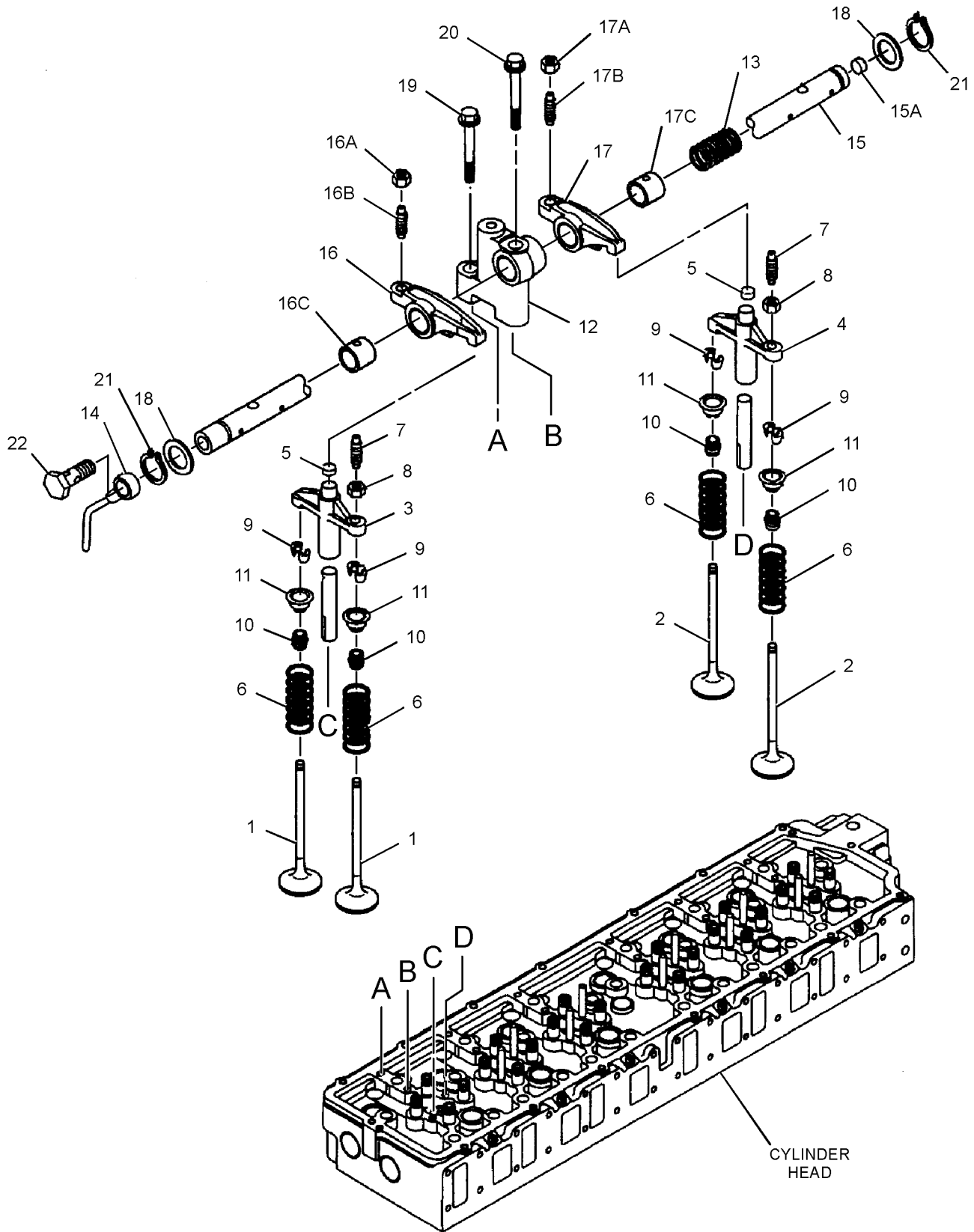
i02739176

NOTE	REF NO	GRAPHIC REF	PART NUMBER	QTY	PART NAME						SEE PAGE
					1	2	3	4	5	6 (PRODUCT LEVEL)	
	1	1	294-1684	12	VALVE - INLET						
	2	1	294-1685	12	VALVE - EXHAUST						
	3	1	294-1686	6	BASE - ROCKER ARM						
	4	1	294-1687	6	BRIDGE - EXHAUST						
	5	1	5I-7630	12	CAP						
	6	1	294-1688	24	SPRING						
	7	1	294-1689	12	SCREW						
M	8	1	8T-7964	12	NUT (M6X1-THD)						
	9	1	199-2188	48	PIN - COTTER						
	10	1	294-1690	24	SEAL						
	11	1	199-2187	24	RETAINER						
	12	1	294-1691	6	BRACKET						
	13	1	294-1692	4	SPRING						
	14	1	294-1693	1	PIPE						
	15	1	294-1694	1	SHAFT AS - ROCKER ARM						
	15A	1	096-3741	1	CAP						
	16	1	294-1695	6	ROCKER ARM AS (EACH INCLUDES)						
M	16A	1	091-3474	1	NUT (M8X1.25-THD)						
	16B	1	094-9525	1	SCREW						
	16C	1	294-1696	1	BUSHING						
	17	1	294-1697	6	ROCKER ARM AS (EACH INCLUDES)						
M	17A	1	091-3474	1	NUT (M8X1.25-THD)						
	17B	1	094-9525	1	SCREW						
	17C	1	294-1696	1	BUSHING						
	18	1	294-1698	4	WASHER						
	19	1	294-1699	6	BOLT						
	20	1	294-1700	6	BOLT (M8X1.25X108.3-MM)						
	21	1	294-1786	4	RING						
	22	1	294-1702	1	BOLT						
M-METRIC PART											

BASIC ENGINE

296-4646 VALVE MECHANISM GP (contd.)

i02739176



GRAPHIC #1

<END>

g01316799

BASIC ENGINE**305-4742 VALVE MECHANISM GP**

S/N: GDC163, 229-258

PART OF 272-4683 ENGINE AR

ALSO AN ATTACHMENT

SMCS - 1209

i02739582

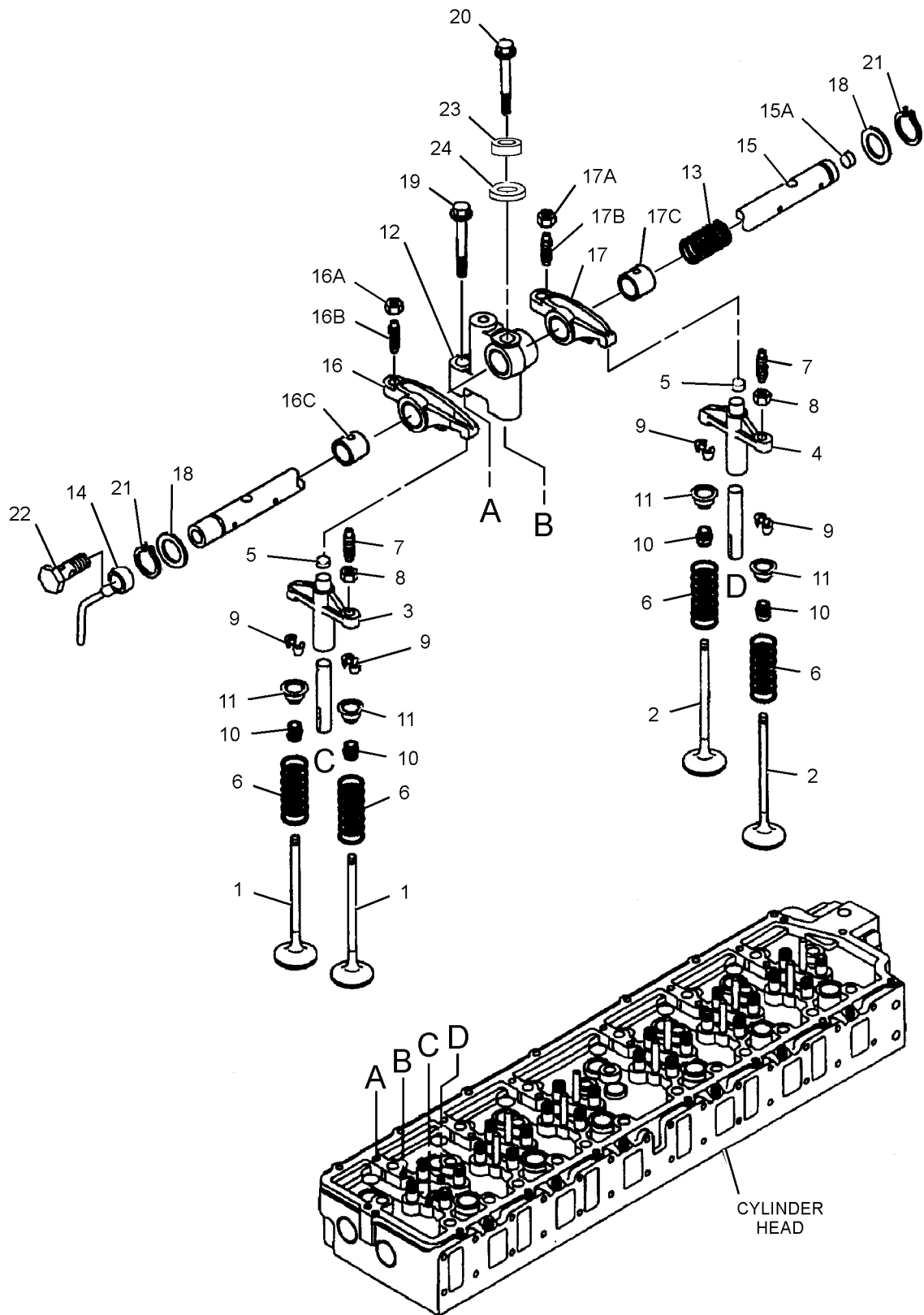
NOTE	REF NO	GRAPHIC REF	PART NUMBER	QTY	PART NAME						SEE PAGE
					1	2	3	4	5	6 (PRODUCT LEVEL)	
	1	1	294-1684	12	VALVE-INLET						
	2	1	294-1685	12	VALVE-EXHAUST						
	3	1	294-1686	6	BASE-ROCKER ARM						
	4	1	294-1687	6	BRIDGE-EXHAUST						
	5	1	5I-7630	12	CAP						
	6	1	294-1688	24	SPRING						
	7	1	294-1689	12	SCREW						
M	8	1	8T-7964	12	NUT (M6X1-THD)						
	9	1	199-2188	48	PIN-COTTER						
	10	1	199-2189	24	SEAL-VALVE STEM						
	11	1	199-2187	24	RETAINER						
	12	1	294-1691	6	BRACKET						
	13	1	294-1692	4	SPRING						
	14	1	294-1693	1	PIPE						
	15	1	294-1694	1	SHAFT AS-ROCKER ARM						
	15A	1	096-3741		CAP						
	16	1	294-1695	6	ROCKER ARM AS (EACH INCLUDES)						
M	16A	1	091-3474	1	NUT (M8X1.25-THD)						
	16B	1	094-9525	1	SCREW						
	16C	1	294-1696	1	BUSHING						
	17	1	294-1697	6	ROCKER ARM AS (EACH INCLUDES)						
M	17A	1	091-3474	1	NUT (M8X1.25-THD)						
	17B	1	094-9525	1	SCREW						
	17C	1	294-1696	1	BUSHING						
	18	1	294-1698	4	WASHER						
	19	1	294-1699	6	BOLT						
	20	1	305-4746	6	BOLT						
	21	1	294-1786	4	RING						
	22	1	294-1702	1	BOLT						
	23	1	3B-4505	4	LOCKWASHER						
	24	1	305-4747	4	WASHER						

M-METRIC PART

BASIC ENGINE

305-4742 VALVE MECHANISM GP (contd.)

i02739582



GRAPHIC #1

<END>

g01368787

BASIC ENGINE**305-4910 VALVE MECHANISM GP**

S/N: GDC259-UP

PART OF 272-4683 ENGINE AR
ALSO AN ATTACHMENT

SMCS - 1209

i02739574

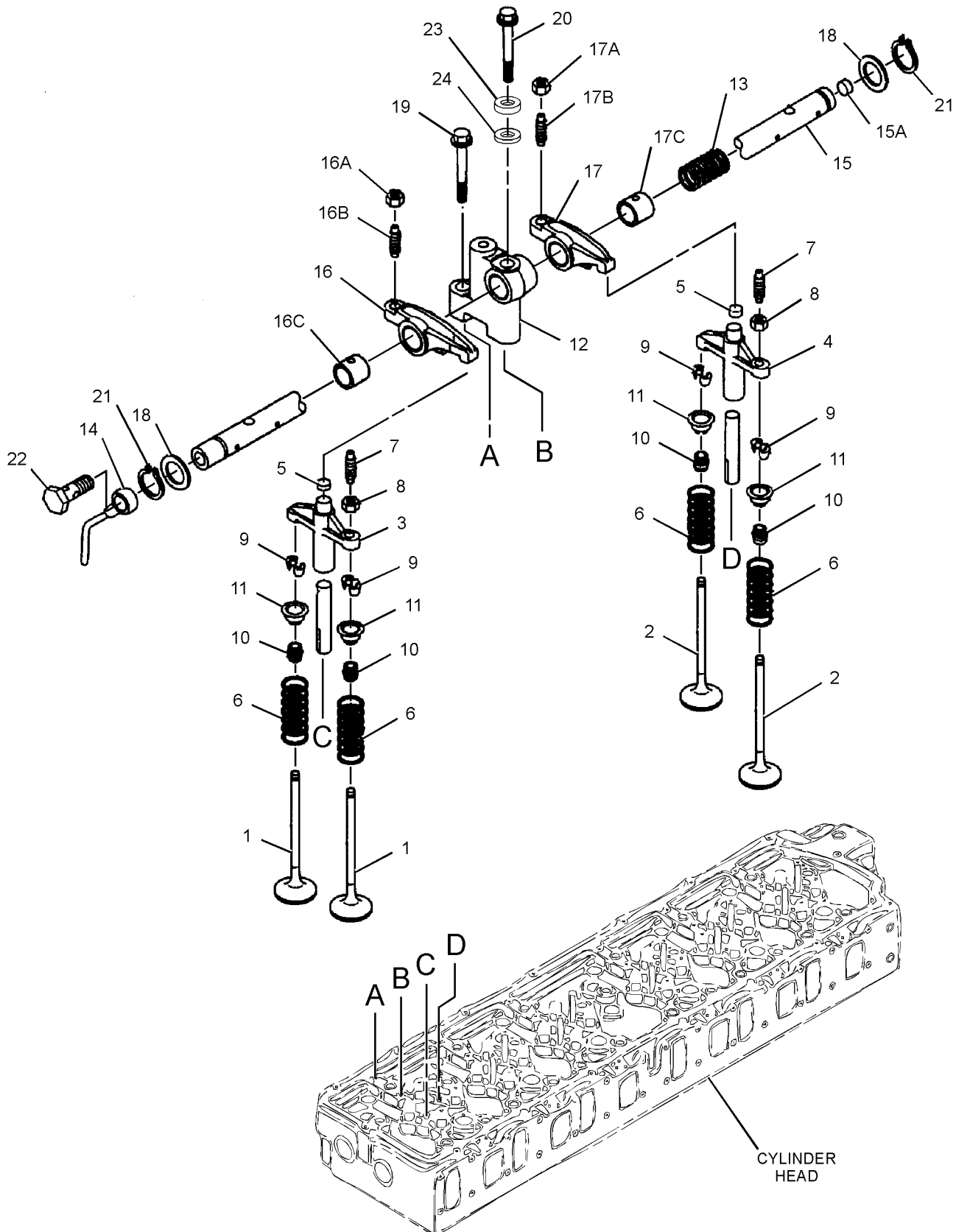
NOTE	REF NO	GRAPHIC REF	PART NUMBER	QTY	PART NAME						SEE PAGE
					1	2	3	4	5	6 (PRODUCT LEVEL)	
	1	1	294-1684	12	VALVE - INLET						
	2	1	294-1685	12	VALVE - EXHAUST						
	3	1	294-1686	6	BASE - ROCKER ARM						
	4	1	294-1687	6	BRIDGE - EXHAUST						
	5	1	5I-7630	12	CAP						
	6	1	294-1688	24	SPRING						
	7	1	294-1689	12	SCREW						
M	8	1	8T-7964	12	NUT (M6X1-THD)						
	9	1	199-2188	48	PIN - COTTER						
	10	1	199-2189	24	SEAL - VALVE STEM						
	11	1	199-2187	24	RETAINER						
	12	1	305-4750	6	BRACKET						
	13	1	305-4751	4	SPRING						
	14	1	294-1693	1	PIPE						
	15	1	305-4930	1	SHAFT AS - ROCKER ARM						
	15A	1	096-3741	1	CAP						
	16	1	305-4929	6	ROCKER ARM AS (EACH INCLUDES)						
M	16A	1	091-3474	1	NUT (M8X1.25-THD)						
	16B	1	094-9525	1	SCREW						
	16C	1	305-4928	1	BUSHING						
	17	1	305-4927	6	ROCKER ARM AS (EACH INCLUDES)						
M	17A	1	091-3474	1	NUT (M8X1.25-THD)						
	17B	1	094-9525	1	SCREW						
	17C	1	305-4928	1	BUSHING						
	18	1	294-1698	4	WASHER						
	19	1	294-1699	6	BOLT						
	20	1	305-4746	6	BOLT						
	21	1	294-1786	4	RING						
	22	1	294-1702	1	BOLT						
	23	1	3B-4505	4	LOCKWASHER						
	24	1	305-4747	4	WASHER						

M - METRIC PART

BASIC ENGINE

305-4910 VALVE MECHANISM GP (contd.)

i02739574



GRAPHIC #1

<END>

g01369661

LUBRICATION SYSTEM

296-4654 ADAPTER GP-REMOTE OIL FILTER-ENGINE

S/N: GDC1-UP

PART OF 272-4683 ENGINE AR
ALSO AN ATTACHMENT

SMCS-1308

i02738701

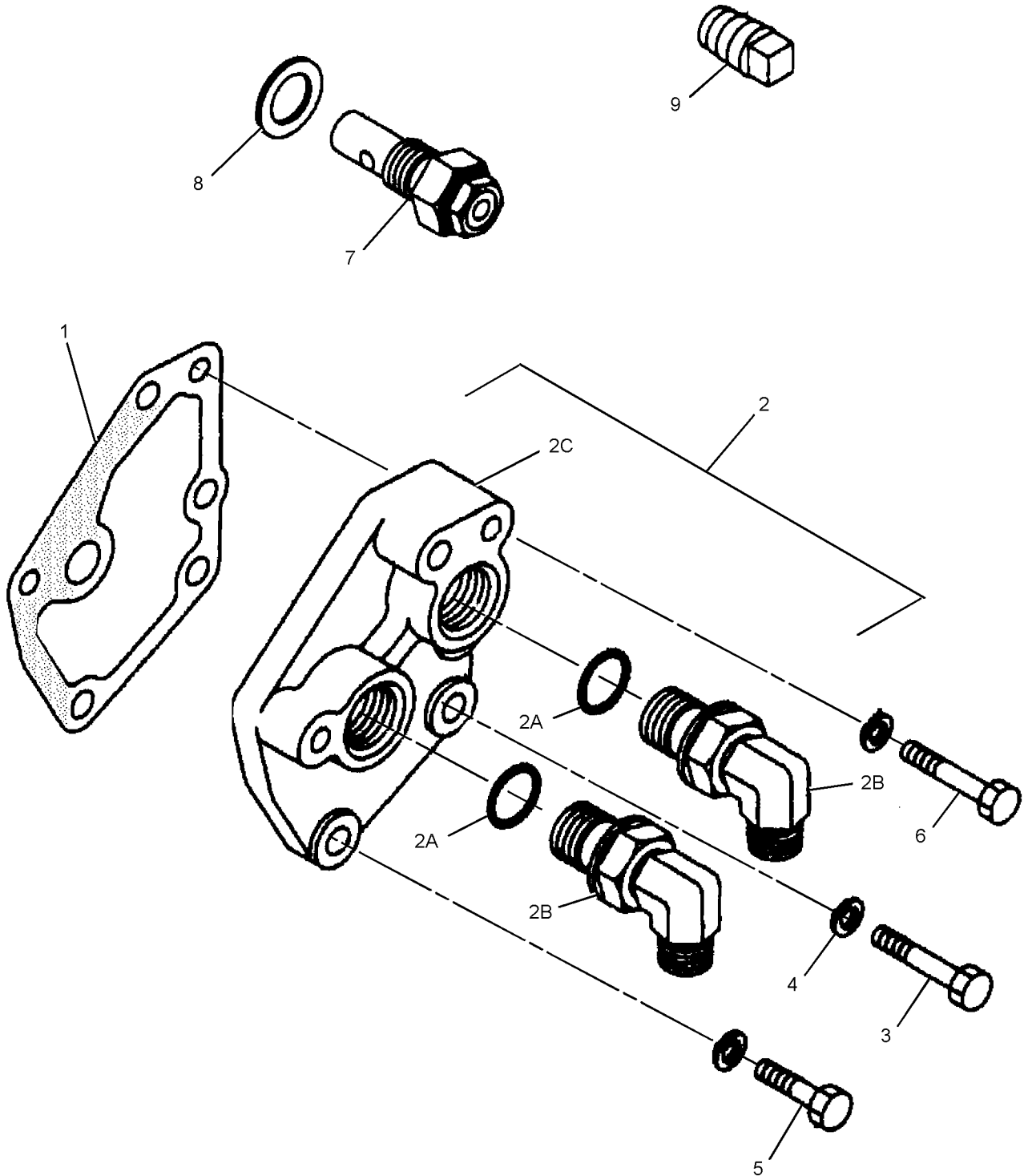
NOTE	REF NO	GRAPHIC REF	PART NUMBER	QTY	PART NAME						SEE PAGE
					1	2	3	4	5	6 (PRODUCT LEVEL)	
	1	1	294-1769	1	GASKET						
	2	1	294-1770	1	COVER AS-FILTER						
	2A	1	185-2791	2	SEAL						
	2B	1	185-2793	2	ELBOW						
	2C	1	294-1771	1	COVER						
M	3	1	8T-4185	1	BOLT (M10X1.5X50-MM)						
	4	1	7X-0796	1	LOCKWASHER						
M	5	1	294-1726	3	BOLT (M10X1.5X37-MM)						
	6	1	294-1772	2	BOLT						
	7	1	5I-8066	1	VALVE AS-RELIEF (ENGINE OIL PRESSURE)						
	8	1	5B-5947	1	GASKET						
	9	1	5I-7505	1	PLUG						

M-METRIC PART

LUBRICATION SYSTEM

296-4654 ADAPTER GP-REMOTE OIL FILTER (contd.)

i02738701



GRAPHIC #1

<END>

g01316771

LUBRICATION SYSTEM

296-4638 BREATHER GP-CRANKCASE

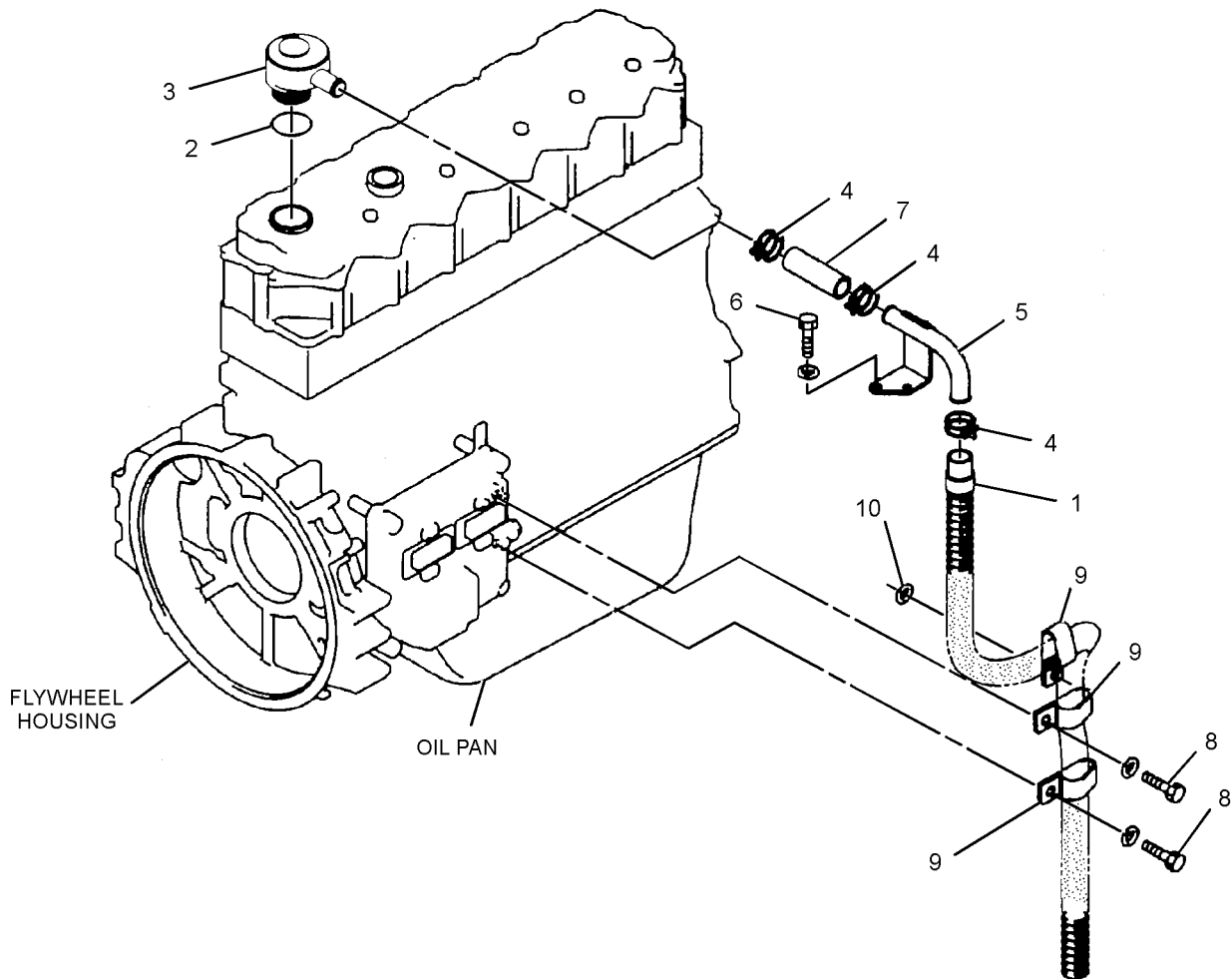
S/N: GDC1-UP

PART OF 272-4683 ENGINE AR
ALSO AN ATTACHMENT

SMCS-1317

i02738693

NOTE	REF NO	GRAPHIC REF	PART NUMBER	QTY	PART NAME						SEE PAGE
					1	2	3	4	5	6 (PRODUCT LEVEL)	
	1	1	294-1773	1	HOSE						
	2	1	294-1774	1	SEAL-O-RING						
	3	1	5I-7725	1	BREATHER (CRANKCASE)						
	4	1	2S-3440	3	CLAMP-HOSE						
	5	1	5I-7645	1	PIPE						
	6	1	5I-5597	2	BOLT (M14X1.5X10-MM)						
	7	1	5I-4940	1	TUBE (FUMES DISPOSAL)						
	8	1	294-1775	2	BOLT (M10X1.5X23-MM)						
	9	1	294-1776	3	CLIP						
	10	1	8T-4121	1	WASHER-HARD (11X21X2.5-MM THK)						



GRAPHIC #1

<END>

g01356353

LUBRICATION SYSTEM

279-7911 FILTER & MTG GP-ENGINE OIL

S/N: MGG1-UP; JFZ1-UP

PART OF 272-4742 INSTALLATION AR-ENGINE

SMCS-1306, 1308

i02995342

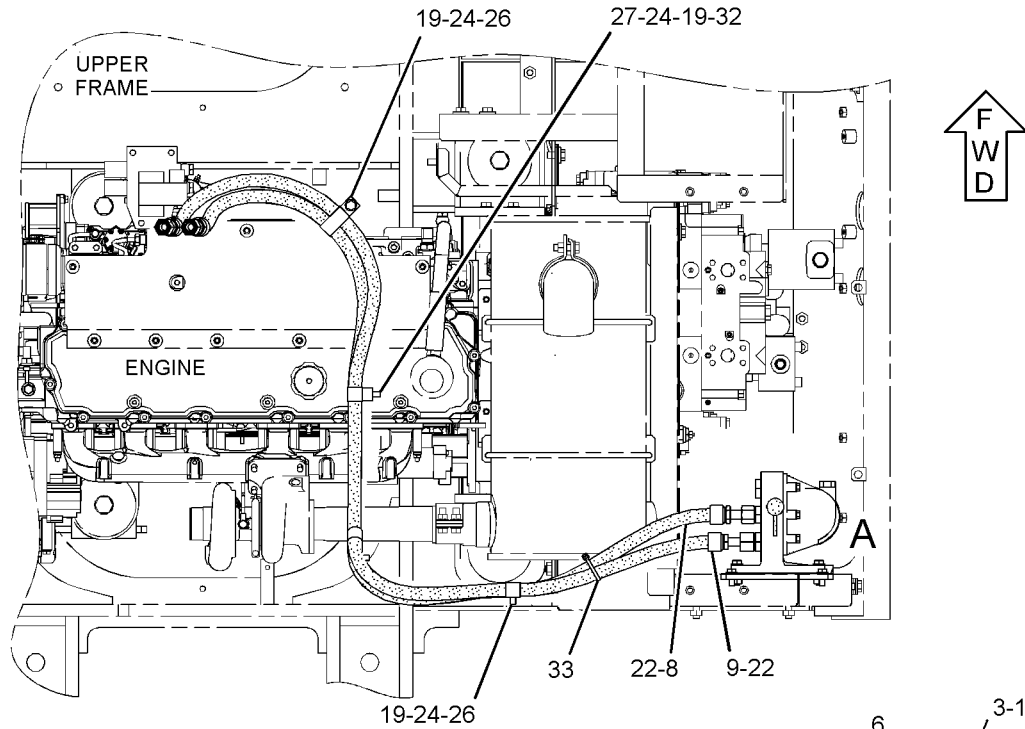
NOTE	REF NO	GRAPHIC REF	PART NUMBER	QTY	PART NAME						SEE PAGE
					1	2	3	4	5	6 (PRODUCT LEVEL)	
	1	1	6V-5266	3	SEAL-O-RING						
	2	1	7C-1493	1	VALVE AS-BYPASS						
	3	1	7W-9028	1	BASE AS-OIL FILTER						
		1	2P-2537	1	STUD-HOLLOW						
	4	1	8C-3445	1	CAP-DUST						
	5	1	9L-9188	1	SPRING-VALVE						
	6	1	121-0307	1	BASE						
	7	1	305-4781	1	PLATE AS						
I	8	1	310-9498	1	HOSE AS						
I	9	1	310-9500	1	HOSE AS						
	10	1	1R-0739	1	FILTER AS-ENGINE OIL (STANDARD EFFICIENCY)						
	11	1	152-2939	1	SEAL-O-RING						
	12	1	2T-2991	1	CONNECTOR						
	13	1	189-9377	1	SEAL-O-RING						
	14	1	153-4906	1	SEAL-O-RING						
	15	1	033-5853	1	SEAL-O-RING						
	16	1	033-6038	2	SEAL-O-RING						
M	17	1	5P-8196	1	PLUG						
	18	1	5P-9617	1	ADAPTER						
	19	1	6D-1641	4	CLIP						
	20	1	6V-8713	1	CONNECTOR						
	21	1	228-7092	1	SEAL-O-RING						
	22	1	152-2938	3	SEAL-O-RING						
	23	1	8C-3446	1	VALVE-FLUID SAMPLING (ENGINE OIL)						
	24	1	8T-4121	10	WASHER-HARD (11X21X2.5-MM THK)						
M	25	1	8T-4136	3	BOLT (M10X1.5X25-MM)						
M	26	1	8T-4137	3	BOLT (M10X1.5X20-MM)						
M	27	1	8T-4186	4	BOLT (M10X1.5X40-MM)						
M	28	1	8T-4197	3	BOLT (M8X1.25X40-MM)						
	29	1	8T-4224	5	WASHER-HARD (8.8X16X2-MM THK)						
M	30	1	8T-7547	2	BOLT (M8X1.25X30-MM)						
	31	1	9S-4188	1	PLUG						
	32	1	173-8073	1	SPACER (11X25X20-MM THK)						
	33	1	7K-1181	1	STRAP-CABLE						

I-REFER TO HYDRAULIC INFORMATION SYSTEM
M-METRIC PART

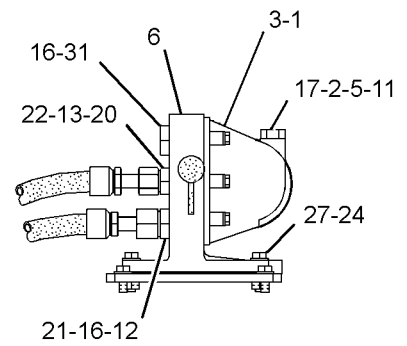
LUBRICATION SYSTEM

279-7911 FILTER & MTG GP-ENGINE OIL (contd.)

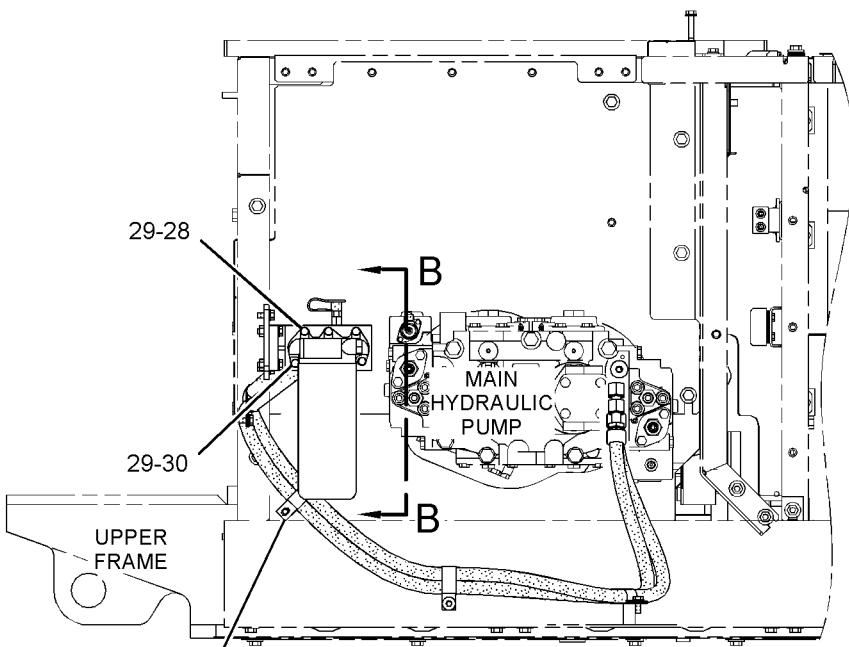
i02995342



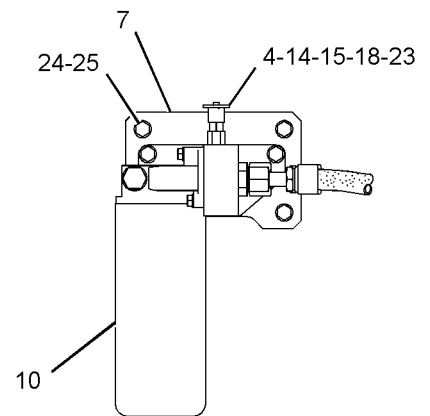
TOP VIEW



VIEW OF AREA A



RIGHT SIDE VIEW



VIEW B-B

GRAPHIC #1

<END>

g01511594

LUBRICATION SYSTEM

296-4641 LINES GP-ENGINE OIL

S/N: GDC1-UP

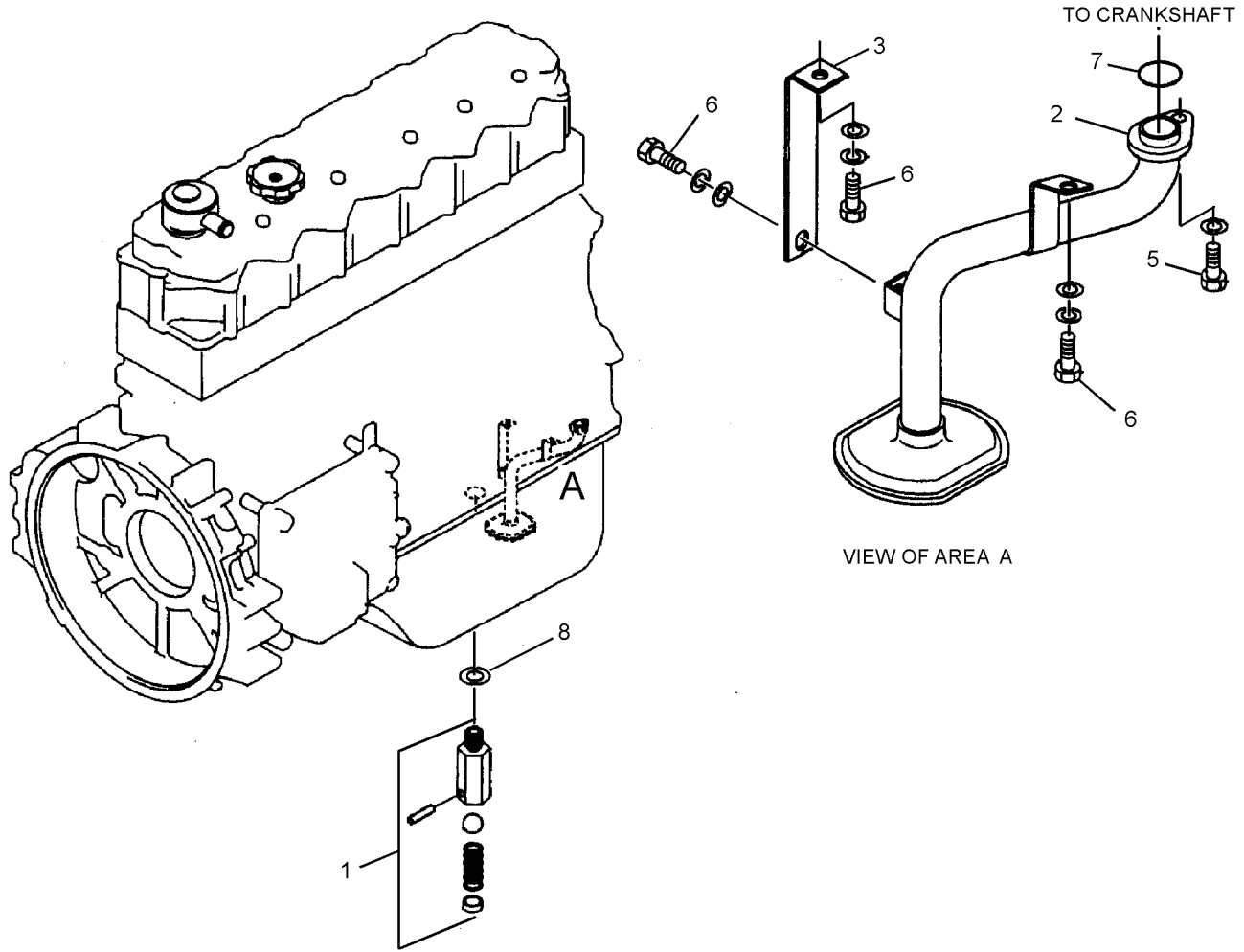
PART OF 272-4683 ENGINE AR
ALSO AN ATTACHMENT

SMCS-1307

i02738804

NOTE	REF NO	GRAPHIC REF	PART NUMBER	QTY	PART NAME	1 2 3 4 5 6 (PRODUCT LEVEL)						SEE PAGE	
						1	2	3	4	5	6		
	1	1	294-1767	1	VALVE								
	2	1	178-6563	1	STRAINER								
	3	1	5I-7642	1	PLATE								
M	5	1	195-8351	1	BOLT AS								
	6	1	294-1768	3	BOLT								
	7	1	5I-5038	1	SEAL-O-RING								
	8	1	234-4796	1	GASKET								

M-METRIC PART



GRAPHIC #1

<END>

g01355663

LUBRICATION SYSTEM

162-6185 LINES GP-ENGINE OIL DRAIN

S/N: MGG1-398; JFZ1-807

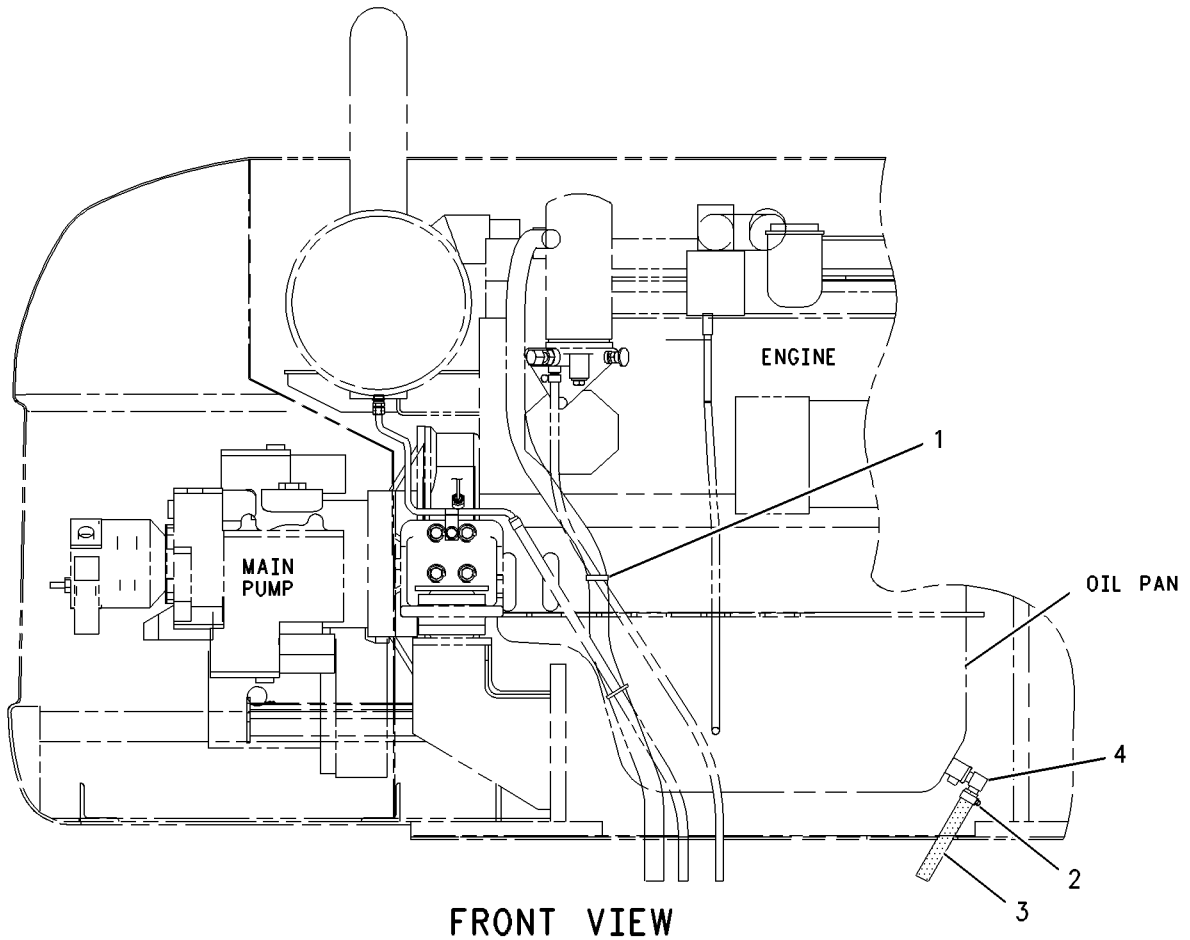
PART OF 272-4742 INSTALLATION AR-ENGINE

SMCS-1307

i01876129

NOTE	REF NO	GRAPHIC REF	PART NUMBER	QTY	PART NAME						SEE PAGE
					1	2	3	4	5	6 (PRODUCT LEVEL)	
	1	1	096-0061	1	STRAP - CABLE						
	2	1	095-1388	1	CLAMP - HOSE						
E	3	1	5P-0743		HOSE (17CM)						
	4	1	217-5469	1	ELBOW						

E-ORDER BY THE CENTIMETER



FRONT VIEW

GRAPHIC #1

<END>

g00988748

LUBRICATION SYSTEM

310-9582 LINES GP-ENGINE OIL DRAIN

S/N: MGG399-UP; JFZ808-UP

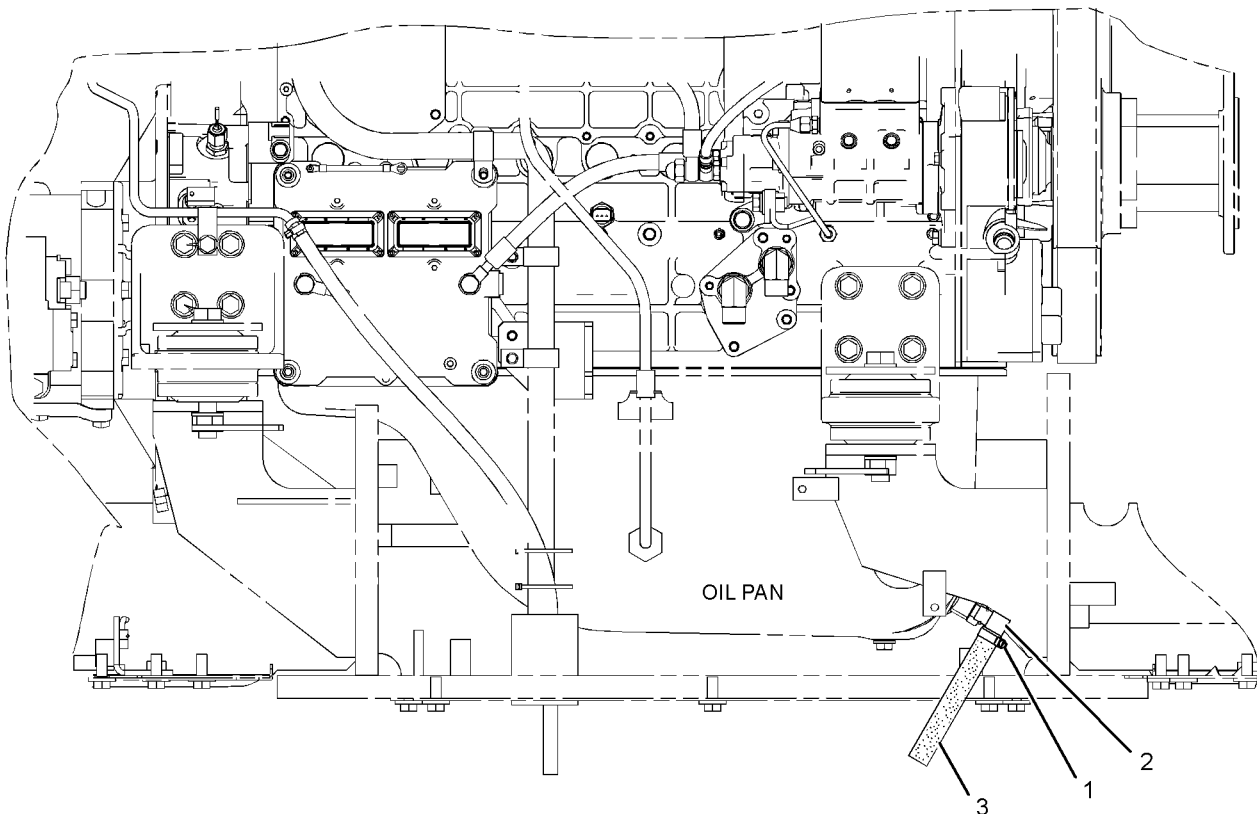
PART OF 272-4742 INSTALLATION AR-ENGINE

SMCS-1307

i02974946

NOTE	REF NO	GRAPHIC REF	PART NUMBER	QTY	PART NAME						SEE PAGE
					1	2	3	4	5	6 (PRODUCT LEVEL)	
	1	1	095-1388	1	CLAMP-HOSE						
	2	1	217-5469	1	ELBOW						
E	3	1	5P-0743		HOSE (17-CM)						

E-ORDER BY THE CENTIMETER



FRONT VIEW

GRAPHIC #1

<END>

g01460734

LUBRICATION SYSTEM

296-4636 LINES GP-TURBOCHARGER OIL

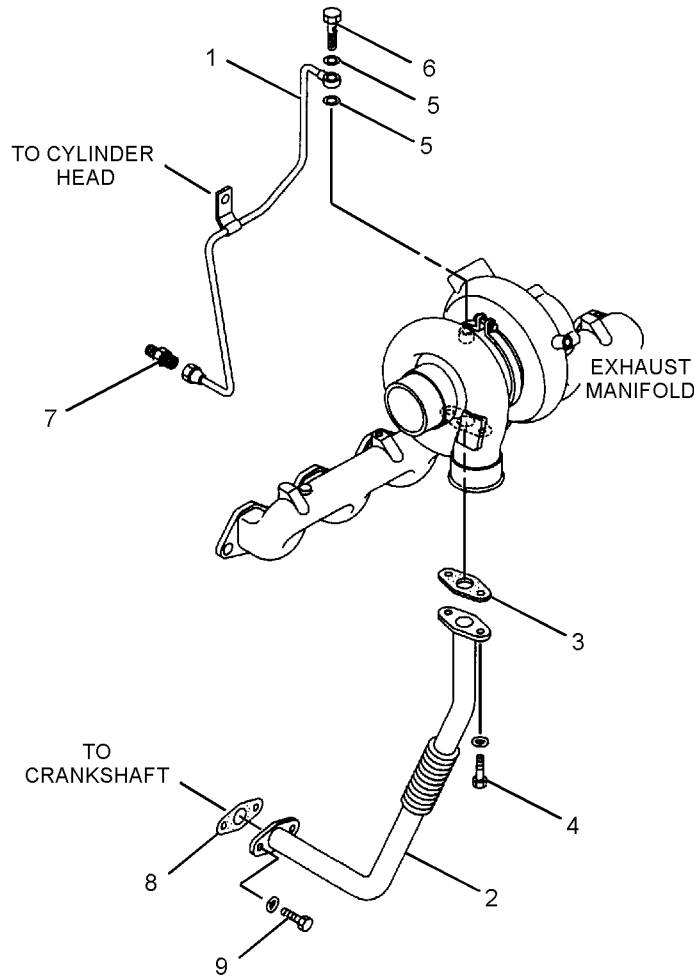
S/N: GDC1-UP

PART OF 272-4683 ENGINE AR
ALSO AN ATTACHMENT

SMCS-1052

i02738809

NOTE	REF NO	GRAPHIC REF	PART NUMBER	QTY	PART NAME						SEE PAGE
					1	2	3	4	5	6	
	1	1	294-1764	1	PIPE						
	2	1	294-1765	1	PIPE						
	3	1	294-1766	1	GASKET						
	4	1	195-8322	2	BOLT (M6X1X16-MM)						
	5	1	2A-5222	2	WASHER (10.3X15.9X1-IN)						
	6	1	5I-7623	1	BOLT						
	7	1	5I-8058	1	CONNECTOR						
	8	1	5I-7561	1	GASKET						
	9	1	196-8366	2	BOLT						



GRAPHIC #1

<END>

g01319518

COOLING SYSTEM

296-4642 COOLER GP-ENGINE OIL

S/N: GDC1-UP

PART OF 272-4683 ENGINE AR
ALSO AN ATTACHMENT

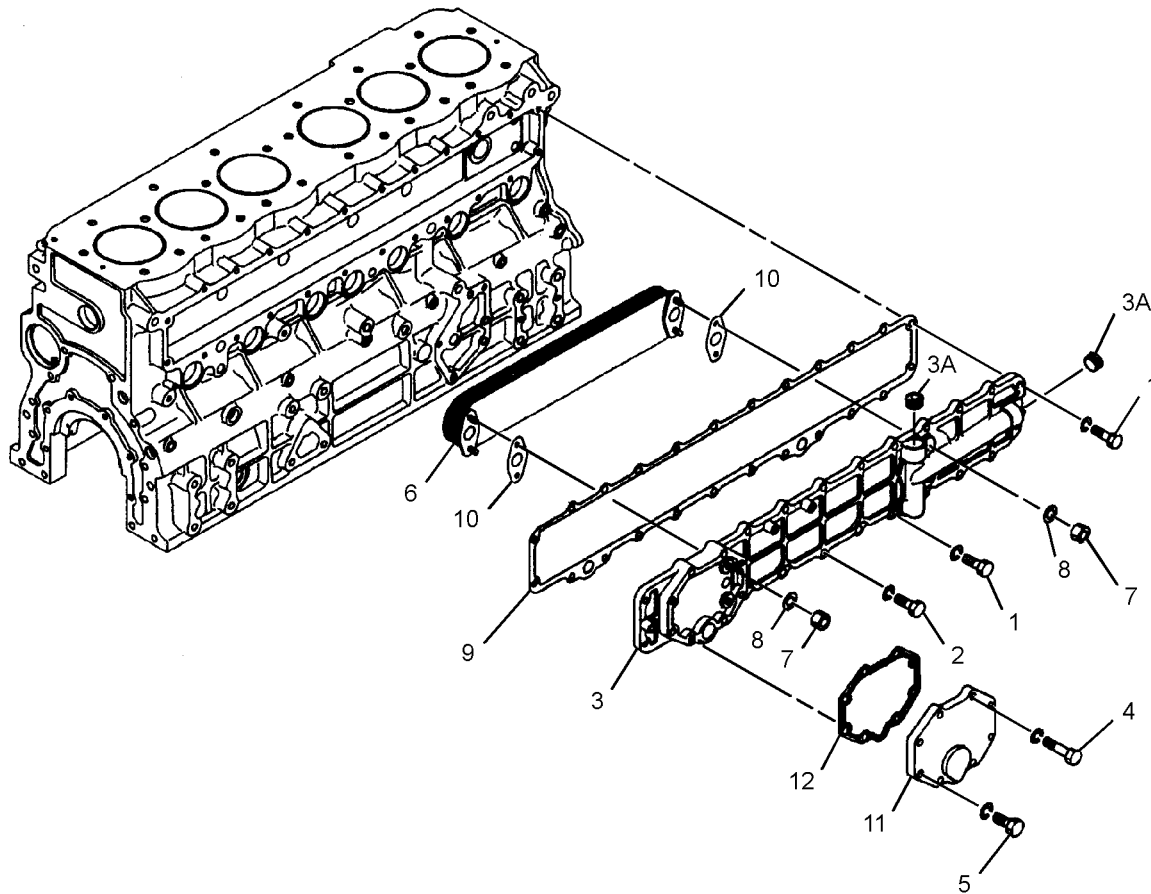
SMCS-1378

i02738679

NOTE	REF NO	GRAPHIC REF	PART NUMBER	QTY	PART NAME						SEE PAGE
					1	2	3	4	5	6 (PRODUCT LEVEL)	
	1	1	196-8366	6	BOLT						
	2	1	094-9266	14	BOLT						
	3	1	255-2904	1	COVER AS						
	3A	1	096-3321	2	PLUG						
	4	1	094-9267	4	BOLT						
	5	1	294-1738	4	BOLT (M10X1.5X32-MM)						
R	6	1	125-2970	1	CORE AS-OIL COOLER (ENGINE)						
M	7	1	5C-7261	4	NUT (M8X1.25-THD)						
	8	1	3B-4505	4	LOCKWASHER						
	9	1	5I-7690	1	GASKET						
	10	1	5I-7691	2	GASKET						
	11	1	222-8238	1	COVER						
	12	1	217-5589	1	GASKET						

M-METRIC PART

R-REMFG PART MAY BE AVAILABLE



GRAPHIC #1

<END>

g01316658

COOLING SYSTEM**290-1911 COOLING AR-HIGH AMBIENT TEMP**S/N: MGG1-UP
AN ATTACHMENT

SMCS - 1350

i02757969

NOTE	PART NUMBER	QTY	PART NAME						SEE PAGE
			1	2	3	4	5	6 (PRODUCT LEVEL)	
Y	296-4680	1	ENGINE AR-COMPLETE						8
Y	230-2979	1	DRIVE GP-FAN						24
Y	289-6910	1	DOOR GP-ACCESS (RADIATOR)						269
Y	265-3600	1	RADIATOR & HYD OIL COOLER GP						67
Y	306-8501	1	WIRING GP-FAN (FLUID CLUTCH)						234

Y-SEPARATE ILLUSTRATION

<END>

COOLING SYSTEM**298-4271 COOLING AR-HIGH AMBIENT TEMP**

S/N: MGG1-UP; JFZ1-UP

CHINA ONLY

AN ATTACHMENT

SMCS - 1350

i02757654

NOTE	PART NUMBER	QTY	PART NAME						SEE PAGE
			1	2	3	4	5	6 (PRODUCT LEVEL)	
Y	289-6910	1	DOOR GP-ACCESS (RADIATOR)						269
Y	310-9484	1	ENGINE AR-COMPLETE						9
Y	230-2979	1	DRIVE GP-FAN						24
Y	265-3600	1	RADIATOR & HYD OIL COOLER GP						67
Y	306-8501	1	WIRING GP-FAN (FLUID CLUTCH)						234

Y-SEPARATE ILLUSTRATION

<END>

COOLING SYSTEM

245-9313 FAN GP-SUCTION

S/N: MGG1-UP; JFZ1-UP

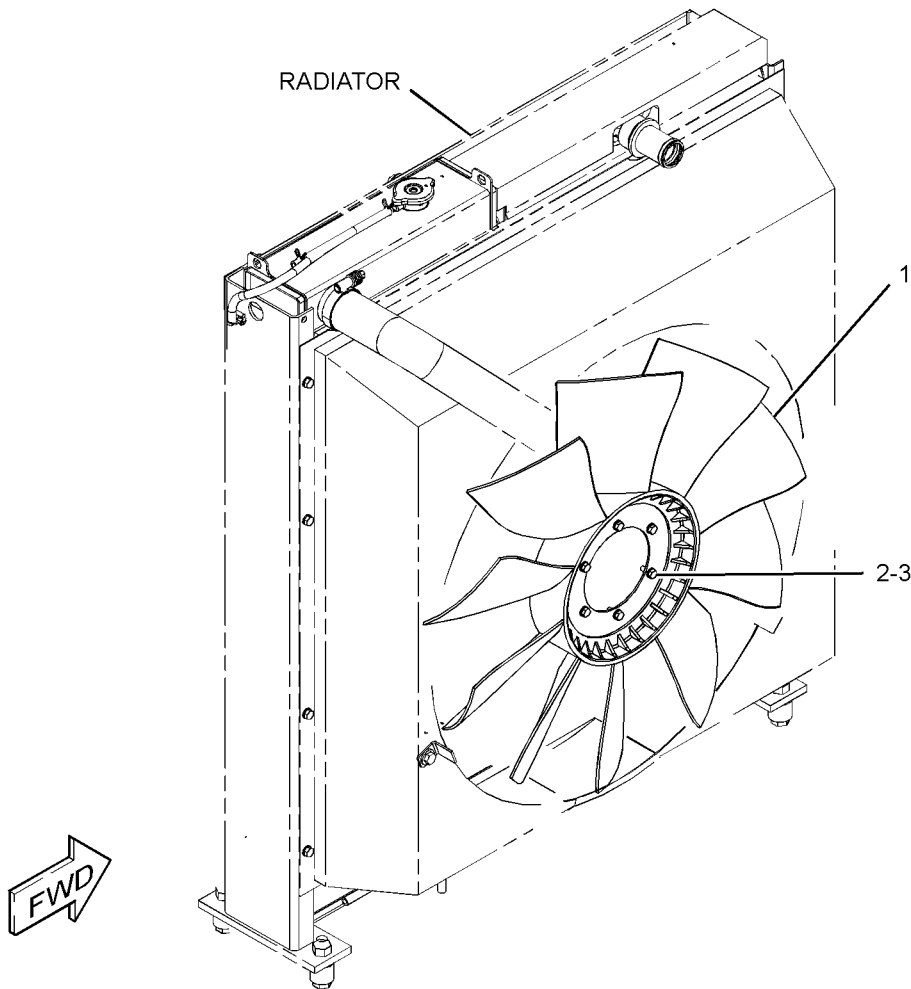
PART OF 272-4681 ENGINE AR

SMCS - 1356

i02546548

NOTE	REF NO	GRAPHIC REF	PART NUMBER	QTY	PART NAME						SEE PAGE
					1	2	3	4	5	6 (PRODUCT LEVEL)	
	1	1	245-9343	1	FAN AS						
M	2	1	8T-4189	6	BOLT (M8X1.25X20-MM)						
	3	1	8T-4224	6	WASHER-HARD (8.8X16X2-MM THK)						

M-METRIC PART



GRAPHIC #1

<END>

g01222744

COOLING SYSTEM

296-4658 HOUSING & REGULATOR GP

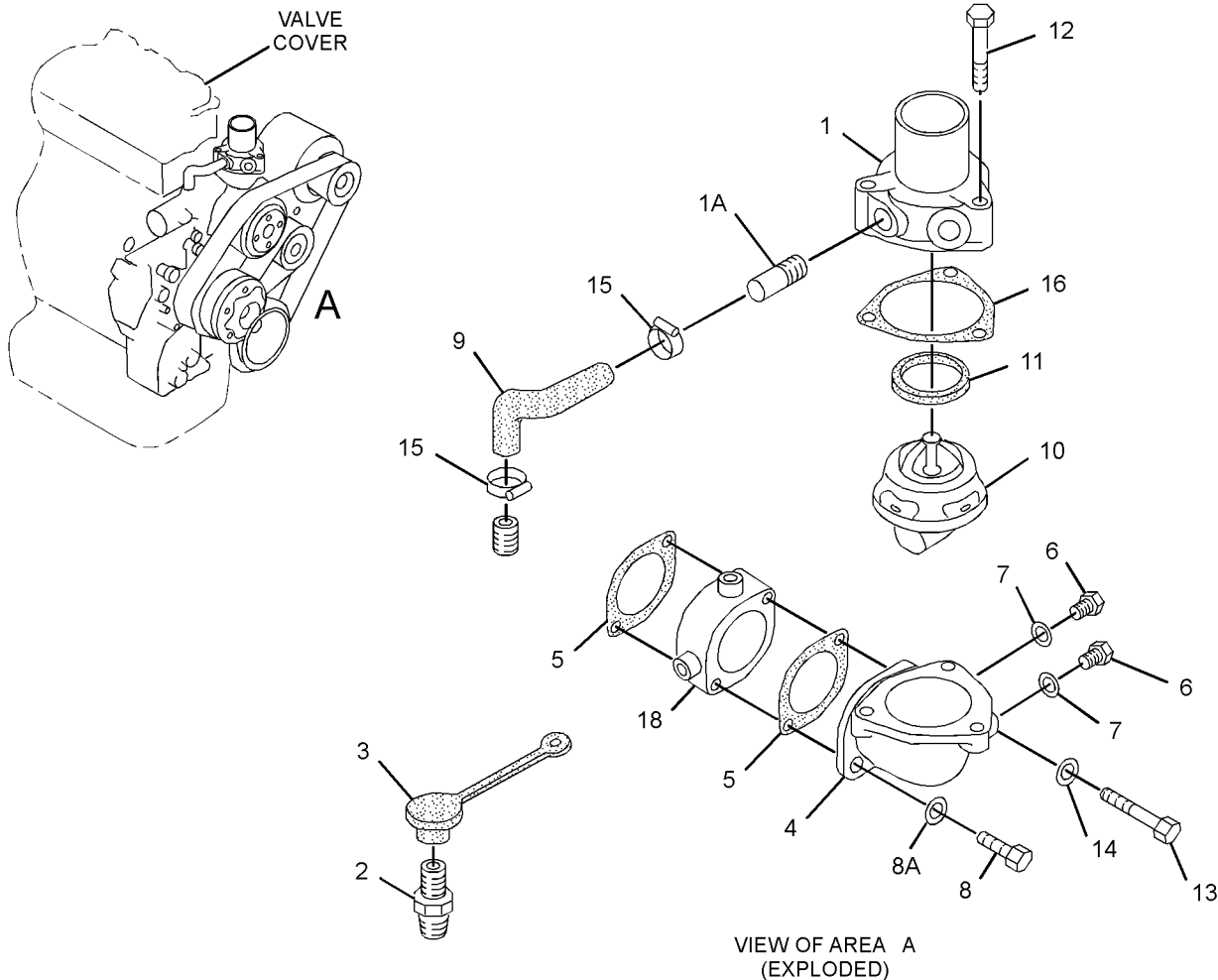
S/N: GDC1-UP

PART OF 272-4683 ENGINE AR
ALSO AN ATTACHMENT

SMCS-1355, 1393

i02989907

NOTE	REF NO	GRAPHIC REF	PART NUMBER	QTY	PART NAME	1 2 3 4 5 6 (PRODUCT LEVEL)						SEE PAGE		
	1	1	5I-7867	1	COVER AS									
	1A	1	5I-7655	1	PIPE									
	2	1	154-9024	1	VALVE GP-FLUID SAMPLING (ENGINE COOLANT)									
	3	1	157-0670	1	CAP-DUST									
	4	1	5I-7646	1	ELBOW									
	5	1	294-1777	2	GASKET									
	6	1	5I-8056	2	PLUG									
	7	1	096-9532	2	WASHER (15.8X22.5X2-MM THK)									
	8	1	270-6338	1	BOLT AS									
	8A	1	3B-4505	1	LOCKWASHER									
	9	1	294-1778	1	HOSE									
	10	1	5I-8010	1	REGULATOR-TEMPERATURE (COOLANT)									
	11	1	5I-7735	1	GASKET (WATER TEMPERATURE REGULATOR)									
	12	1	096-8619	3	BOLT									
	13	1	297-7655	1	BOLT									
	14	1	3B-4505	1	LOCKWASHER									
	15	1	2S-3440	2	CLAMP-HOSE									
	16	1	294-1780	1	GASKET (WATER TEMPERATURE REGULATOR)									
	18	1	296-4733	1	SPACER									



GRAPHIC #1

<END>

g01357120

COOLING SYSTEM

296-4655 PUMP GP-WATER

S/N: GDC1-UP

PART OF 272-4683 ENGINE AR
ALSO AN ATTACHMENT

SMCS-1361

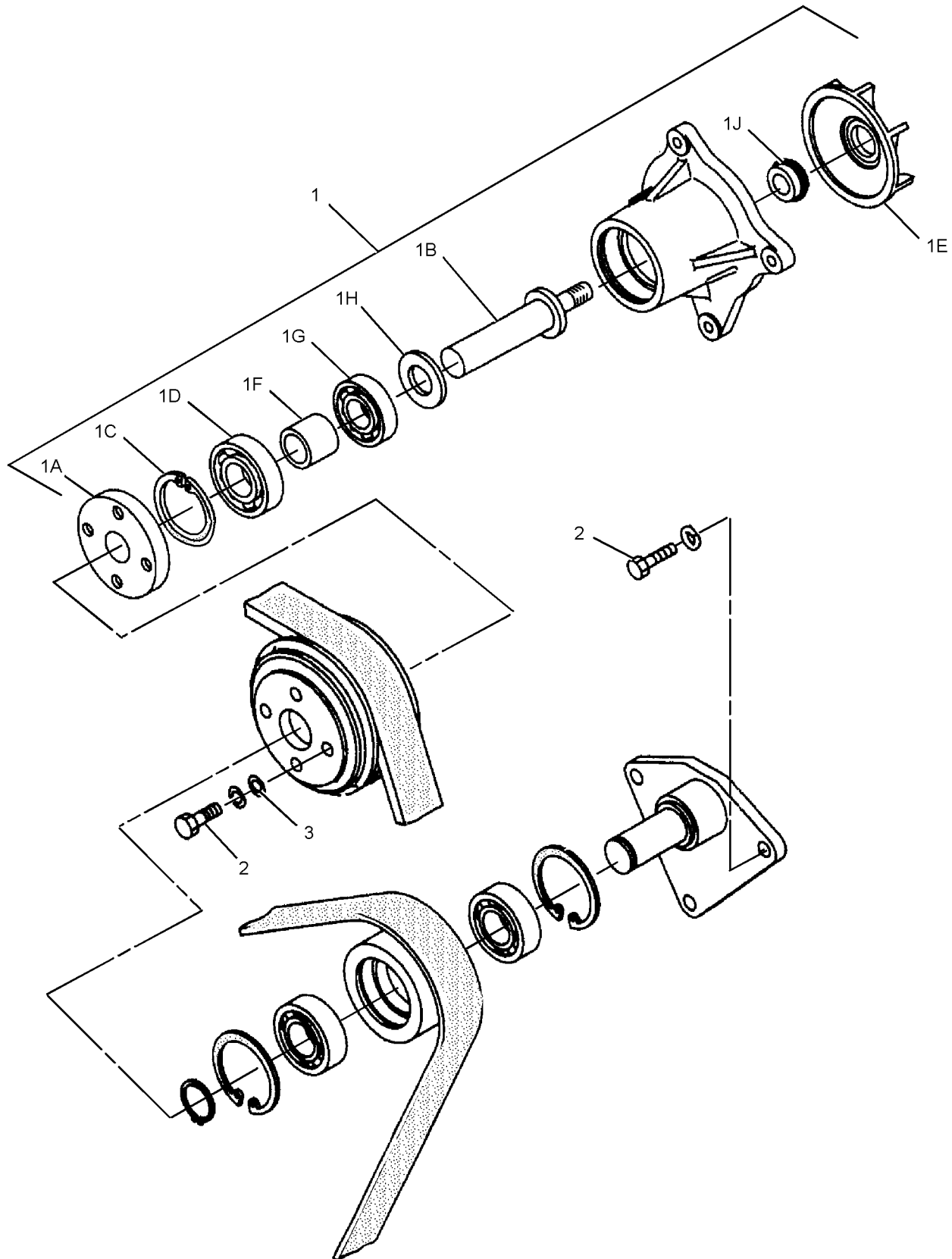
i02739169

NOTE	REF NO	GRAPHIC REF	PART NUMBER	QTY	PART NAME						SEE PAGE
					1	2	3	4	5	6 (PRODUCT LEVEL)	
	1	1	178-6633	1	PUMP GP-WATER						
	1A	1	5I-7696	1	FLANGE						
	1B	1	178-6635	1	SHAFT						
	1C	1	8T-9598	1	RING-RETAINING						
	1D	1	5L-6326	1	BALL BEARING (62-MM OD)						
	1E	1	178-6634	1	IMPELLER						
	1F	1	5I-7697	1	SPACER (28-MM)						
	1G	1	2H-3814	1	BALL BEARING (52-MM OD)						
	1H	1	125-2947	1	WASHER (1-MM THK)						
	1J	1	178-6636	1	SEAL						
	2	1	294-1738	7	BOLT (M10X1.5X32-MM)						
	3	1	8T-4121	4	WASHER-HARD (11X21X2.5-MM THK)						

COOLING SYSTEM

296-4655 PUMP GP-WATER (contd.)

i02739169



GRAPHIC #1

<END>

g01316735

COOLING SYSTEM**265-3600 RADIATOR & HYD OIL COOLER GP**

S/N: MGG1-542; JFZ1-1391

PART OF 290-1911, 298-4271 COOLING AR-HIGH AMBIENT TEMP
AN ATTACHMENT

SMCS-1351

i02756629

NOTE	REF NO	GRAPHIC REF	PART NUMBER	QTY	PART NAME						SEE PAGE
					1	2	3	4	5	6 (PRODUCT LEVEL)	
	1	1	3S-2093	3	STRAP-CABLE						
	2	1	7I-2673	1	STRAP-CABLE						
	3	1	8T-4984	1	CLAMP-HOSE						
	4	1	096-4035	1	CLIP						
	5	1	171-9077	1	BAND						
	6	1	178-6450	4	SPACER (17X35X30-MM THK)						
	7	1	245-9178	1	HOSE-LOWER RADIATOR						
	8	1	245-9185	1	BRACKET AS						
	9	1	245-9191	1	PLATE AS						
	10	1	245-9205	1	TANK AS-COOLANT (RECOVERY)						
		1	171-3369	1	CAP AS (COOLANT RECOVERY)						
	11	1	245-9348	1	GUARD AS (UPPER)						
	12	1	245-9349	1	GUARD AS (LOWER)						
	13	1	245-9352	1	SEAL						
Y	14	1	281-3602	1	RADIATOR & HYD OIL COOLER GP						77
	15	1	265-3602	1	HOSE-UPPER RADIATOR						
	16	1	3P-9847	1	CLIP						
M	17	1	7X-2554	4	BOLT (M16X2X70-MM)						
	18	1	7X-7729	11	WASHER (11X25X3-MM THK)						
	19	1	8T-4121	1	WASHER-HARD (11X21X2.5-MM THK)						
M	20	1	8T-4136	2	BOLT (M10X1.5X25-MM)						
M	21	1	8T-4137	10	BOLT (M10X1.5X20-MM)						
M	22	1	8T-4139	2	BOLT (M12X1.75X30-MM)						
M	23	1	8T-4200	2	BOLT (M8X1.25X16-MM)						
	24	1	8T-4223	2	WASHER-HARD (13.5X25.5X3-MM THK)						
	25	1	8T-4224	2	WASHER-HARD (8.8X16X2-MM THK)						
E	26	1	7Y-1976		HOSE-WATER (40-CM)						
D	27	1	5P-9909		SEAL (0.14-M)						
D	27A	1	5P-9909		SEAL (0.87-M)						
	28	1	8T-6703	3	CLAMP-HOSE						

D-ORDER BY THE METER

E-ORDER BY THE CENTIMETER

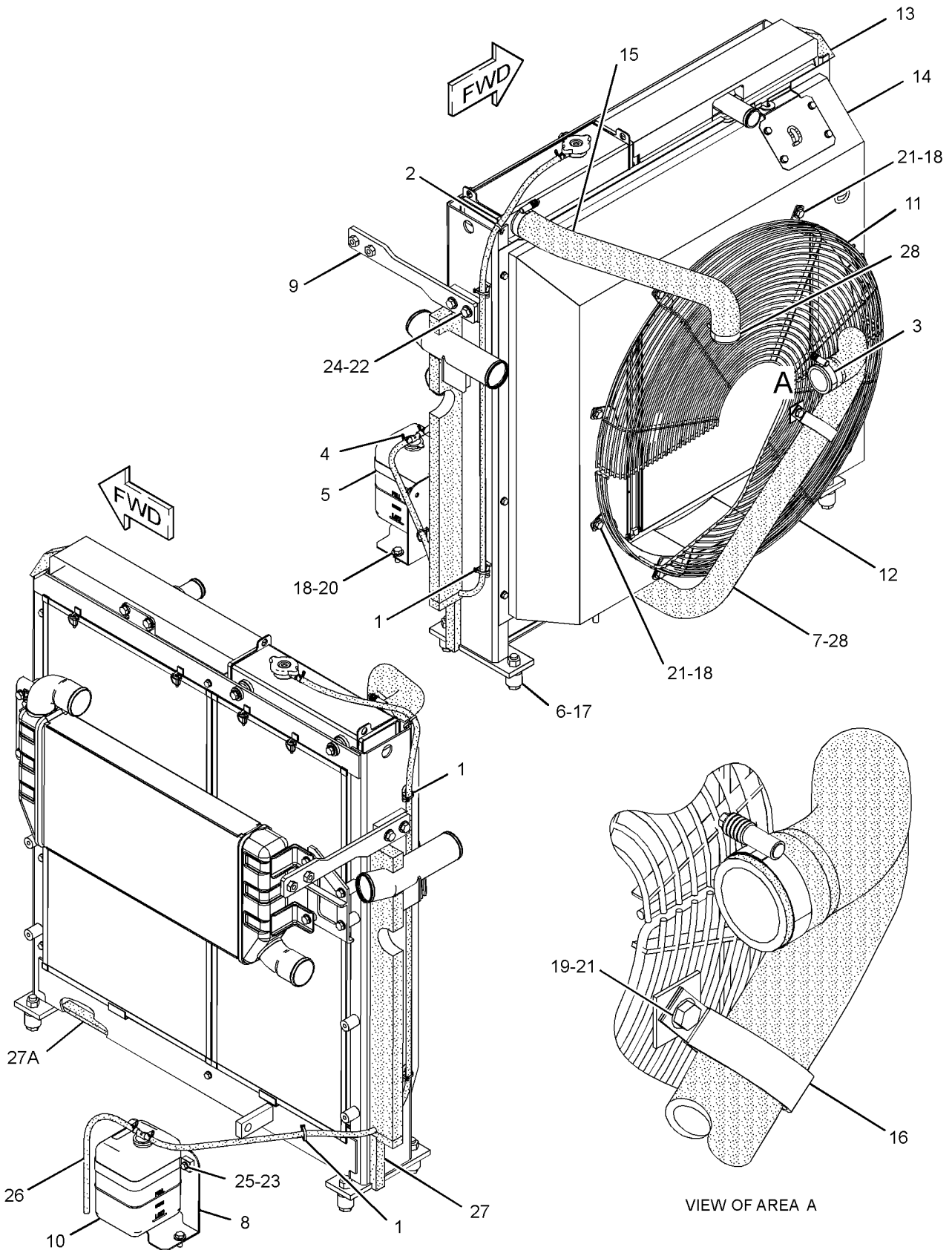
M-METRIC PART

Y-SEPARATE ILLUSTRATION

COOLING SYSTEM

265-3600 RADIATOR & HYD OIL COOLER GP (contd.)

i02756629



GRAPHIC #1

<END>

g01380034

COOLING SYSTEM**265-3600 RADIATOR & HYD OIL COOLER GP**

S/N: MGG543-545; JFZ1392-1438

PART OF 290-1911, 298-4271 COOLING AR-HIGH AMBIENT TEMP
AN ATTACHMENT

SMCS-1351

i03180683

NOTE	REF NO	GRAPHIC REF	PART NUMBER	QTY	PART NAME						SEE PAGE
					1	2	3	4	5	6 (PRODUCT LEVEL)	
	1	1	3S-2093	3	STRAP-CABLE						
	2	1	7I-2673	1	STRAP-CABLE						
	3	1	8T-4984	1	CLAMP-HOSE						
	4	1	096-4035	1	CLIP						
	5	1	171-9077	1	BAND						
	6	1	178-6450	4	SPACER (17X35X30-MM THK)						
	7	1	245-9178	1	HOSE-LOWER RADIATOR						
	8	1	245-9185	1	BRACKET AS						
	9	1	245-9191	1	PLATE AS						
	10	1	245-9205	1	TANK AS-COOLANT (RECOVERY)						
		1	171-3369	1	CAP AS (COOLANT RECOVERY)						
	11	1	245-9348	1	GUARD AS (UPPER)						
	12	1	245-9349	1	GUARD AS (LOWER)						
	13	1	245-9352	1	SEAL						
CY	14	1	312-8341	1	RADIATOR & HYD OIL COOLER GP						79
	15	1	265-3602	1	HOSE-UPPER RADIATOR						
	16	1	3P-9847	1	CLIP						
M	17	1	7X-2554	4	BOLT (M16X2X70-MM)						
	18	1	7X-7729	11	WASHER (11X25X3-MM THK)						
	19	1	8T-4121	1	WASHER-HARD (11X21X2.5-MM THK)						
M	20	1	8T-4136	2	BOLT (M10X1.5X25-MM)						
M	21	1	8T-4137	10	BOLT (M10X1.5X20-MM)						
M	22	1	8T-4139	2	BOLT (M12X1.75X30-MM)						
M	23	1	8T-4200	2	BOLT (M8X1.25X16-MM)						
	24	1	8T-4223	2	WASHER-HARD (13.5X25.5X3-MM THK)						
	25	1	8T-4224	2	WASHER-HARD (8.8X16X2-MM THK)						
E	26	1	7Y-1976		HOSE-WATER (40-CM)						
D	27	1	5P-9909		SEAL (0.14-M)						
D	27A	1	5P-9909		SEAL (0.87-M)						
	28	1	8T-6703	3	CLAMP-HOSE						

C-CHANGE FROM PREVIOUS TYPE

D-ORDER BY THE METER

E-ORDER BY THE CENTIMETER

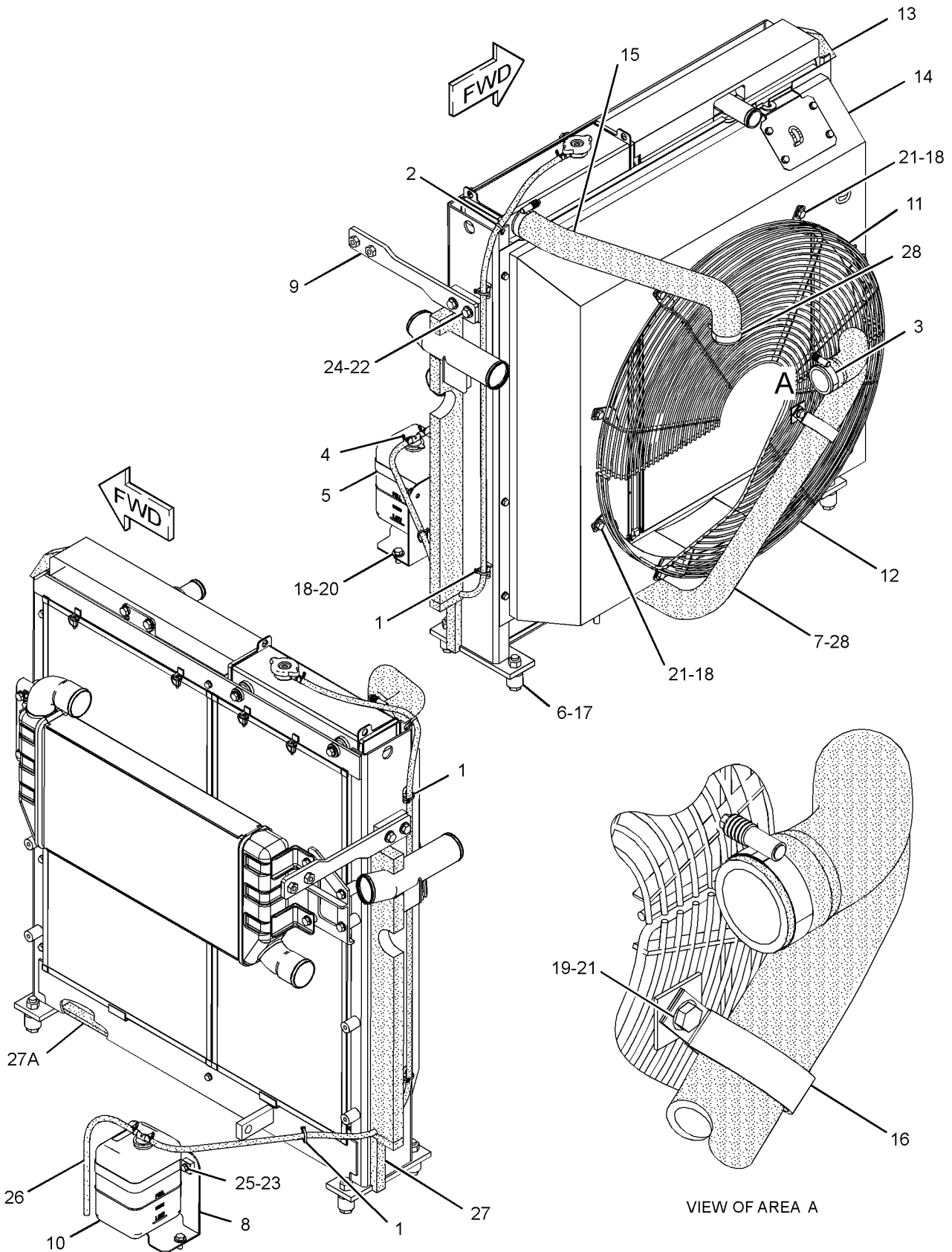
M-METRIC PART

Y-SEPARATE ILLUSTRATION

COOLING SYSTEM

265-3600 RADIATOR & HYD OIL COOLER GP (contd.)

i03180683



GRAPHIC #1

<END>

g01380034

COOLING SYSTEM**265-3600 RADIATOR & HYD OIL COOLER GP**

S/N: MGG546-UP; JFZ1439-UP

PART OF 290-1911, 298-4271 COOLING AR-HIGH AMBIENT TEMP
AN ATTACHMENT

SMCS-1351

i03180692

NOTE	REF NO	GRAPHIC REF	PART NUMBER	QTY	PART NAME						SEE PAGE
					1	2	3	4	5	6 (PRODUCT LEVEL)	
	1	1	3S-2093	3	STRAP-CABLE						
	2	1	7I-2673	1	STRAP-CABLE						
	3	1	8T-4984	1	CLAMP-HOSE						
	4	1	096-4035	1	CLIP						
	5	1	171-9077	1	BAND						
	6	1	178-6450	4	SPACER (17X35X30-MM THK)						
	7	1	245-9178	1	HOSE-LOWER RADIATOR						
	8	1	245-9185	1	BRACKET AS						
	9	1	245-9191	1	PLATE AS						
	10	1	245-9205	1	TANK AS-COOLANT (RECOVERY)						
		1	171-3369	1	CAP AS (COOLANT RECOVERY)						
	11	1	245-9348	1	GUARD AS (UPPER)						
	12	1	245-9349	1	GUARD AS (LOWER)						
	13	1	245-9352	1	SEAL						
CY	14	1	281-3602	1	RADIATOR & HYD OIL COOLER GP						77
	15	1	265-3602	1	HOSE-UPPER RADIATOR						
	16	1	3P-9847	1	CLIP						
M	17	1	7X-2554	4	BOLT (M16X2X70-MM)						
	18	1	7X-7729	11	WASHER (11X25X3-MM THK)						
	19	1	8T-4121	1	WASHER-HARD (11X21X2.5-MM THK)						
M	20	1	8T-4136	2	BOLT (M10X1.5X25-MM)						
M	21	1	8T-4137	10	BOLT (M10X1.5X20-MM)						
M	22	1	8T-4139	2	BOLT (M12X1.75X30-MM)						
M	23	1	8T-4200	2	BOLT (M8X1.25X16-MM)						
	24	1	8T-4223	2	WASHER-HARD (13.5X25.5X3-MM THK)						
	25	1	8T-4224	2	WASHER-HARD (8.8X16X2-MM THK)						
E	26	1	7Y-1976		HOSE-WATER (40-CM)						
D	27	1	5P-9909		SEAL (0.14-M)						
D	27A	1	5P-9909		SEAL (0.87-M)						
	28	1	8T-6703	3	CLAMP-HOSE						

C-CHANGE FROM PREVIOUS TYPE

D-ORDER BY THE METER

E-ORDER BY THE CENTIMETER

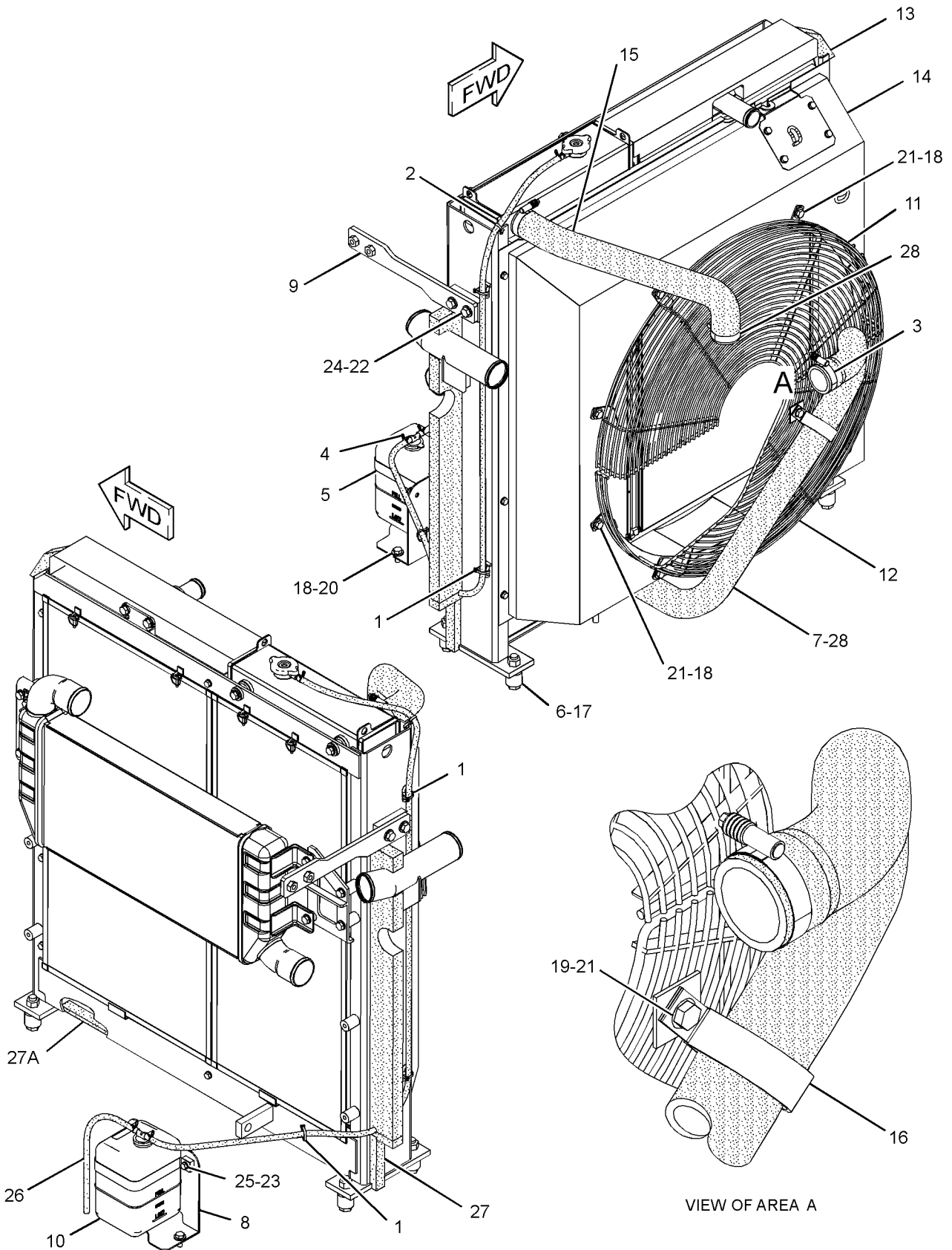
M-METRIC PART

Y-SEPARATE ILLUSTRATION

COOLING SYSTEM

265-3600 RADIATOR & HYD OIL COOLER GP (contd.)

i03180692



GRAPHIC #1

<END>

g01380034

COOLING SYSTEM**265-3616 RADIATOR & HYD OIL COOLER GP**

S/N: MGG1-UP; JFZ1-UP

PART OF 272-4742 INSTALLATION AR-ENGINE

SMCS-1351

i02753299

NOTE	REF NO	GRAPHIC REF	PART NUMBER	QTY	PART NAME						SEE PAGE
					1	2	3	4	5	6 (PRODUCT LEVEL)	
	1	1	3S-2093	3	STRAP-CABLE						
	2	1	7I-2673	1	STRAP-CABLE						
	3	1	8T-4984	1	CLAMP-HOSE						
	4	1	096-4035	1	CLIP						
	5	1	171-9077	1	BAND						
	6	1	178-6450	4	SPACER (17X35X30-MM THK)						
	7	1	245-9178	1	HOSE-LOWER RADIATOR						
	8	1	245-9185	1	BRACKET AS						
	9	1	245-9191	1	PLATE AS						
	10	1	245-9205	1	TANK AS-COOLANT (RECOVERY)						
		1	171-3369	1	CAP AS (COOLANT RECOVERY)						
	11	1	245-9348	1	GUARD AS (UPPER)						
	12	1	245-9349	1	GUARD AS (LOWER)						
	13	1	245-9352	1	SEAL						
	14	1	265-3602	1	HOSE-UPPER RADIATOR						
Y	15	1	281-3601	1	RADIATOR & HYD OIL COOLER GP						75
	16	1	3P-9847	1	CLIP						
M	17	1	7X-2554	4	BOLT (M16X2X70-MM)						
	18	1	7X-7729	11	WASHER (11X25X3-MM THK)						
	19	1	8T-4121	1	WASHER-HARD (11X21X2.5-MM THK)						
M	20	1	8T-4136	2	BOLT (M10X1.5X25-MM)						
M	21	1	8T-4137	10	BOLT (M10X1.5X20-MM)						
M	22	1	8T-4139	2	BOLT (M12X1.75X30-MM)						
M	23	1	8T-4200	2	BOLT (M8X1.25X16-MM)						
	24	1	8T-4223	2	WASHER-HARD (13.5X25.5X3-MM THK)						
	25	1	8T-4224	2	WASHER-HARD (8.8X16X2-MM THK)						
E	26	1	7Y-1976		HOSE-WATER (40-CM)						
D	27	1	5P-9909		SEAL (.87-M)						
D	27A	1	5P-9909		SEAL (.15-M)						
	28	1	8T-6703	3	CLAMP-HOSE						

D-ORDER BY THE METER

E-ORDER BY THE CENTIMETER

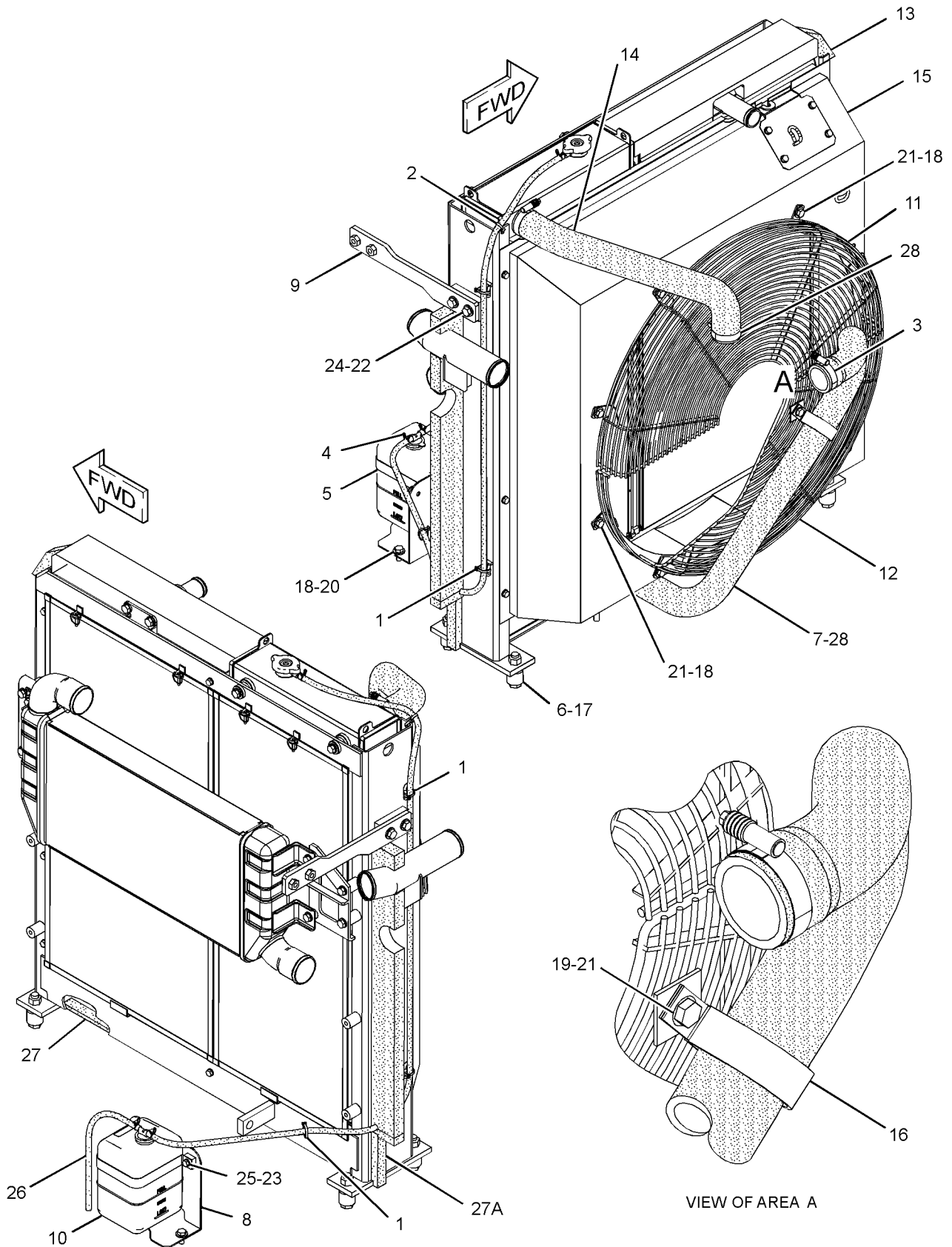
M-METRIC PART

Y-SEPARATE ILLUSTRATION

COOLING SYSTEM

265-3616 RADIATOR & HYD OIL COOLER GP (contd.)

i02753299



GRAPHIC #1

<END>

g01380068

COOLING SYSTEM**281-3601 RADIATOR & HYD OIL COOLER GP**

S/N: MGG1-UP; JFZ1-UP

PART OF 265-3616 RADIATOR & HYD OIL COOLER GP

SMCS-1351

i02753305

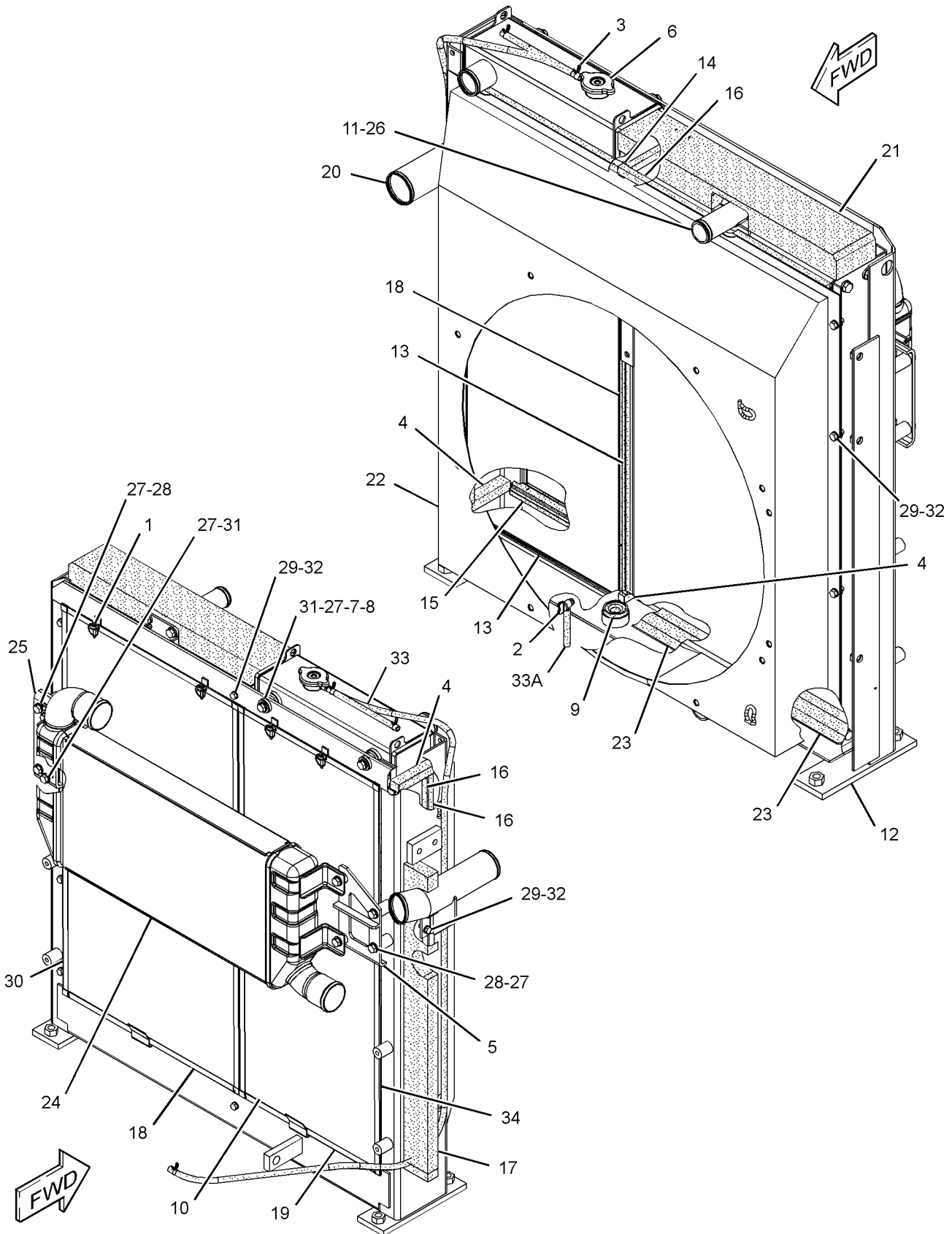
NOTE	REF NO	GRAPHIC REF	PART NUMBER	QTY	PART NAME						SEE PAGE
					1	2	3	4	5	6 (PRODUCT LEVEL)	
	1	1	5D-8159	4	PIN AS						
M	2	1	093-5432	1	VALVE AS-DRAIN (COOLANT)						
	3	1	096-4035	2	CLIP						
	4	1	210-8117	2	SEAL						
	5	1	210-8128	1	PLATE AS						
	6	1	245-9212	1	CAP AS-RADIATOR						
	7	1	245-9216	2	BOSS						
	8	1	245-9217	2	CUSHION-RUBBER						
	9	1	245-9218	2	CUSHION-RUBBER						
	10	1	265-3624	1	CORE AS-RADIATOR						
	11	1	265-3625	1	CORE AS-OIL COOLER (HYDRAULIC)						
	12	1	281-3605	1	FRAME AS						
	13	1	265-3629	3	SEAL						
	14	1	265-3630	2	SEAL						
	15	1	265-3631	2	SEAL						
	16	1	265-3632	3	SEAL						
	17	1	265-3633	1	SEAL						
	18	1	265-3634	1	SCREEN AS (OIL COOLER)						
	19	1	265-3635	1	SCREEN AS (RADIATOR)						
	20	1	265-3637	1	TUBE AS						
	21	1	265-3638	1	SEAL						
	22	1	265-3640	1	SHROUD AS-RADIATOR						
	23	1	281-3488	2	SHEET-RUBBER						
	24	1	281-3534	1	AFTERCOOLER AS						
	25	1	281-3535	1	PLATE AS						
	26	1	095-1543	2	SEAL-O-RING						
	27	1	8T-4121	10	WASHER-HARD (11X21X2.5-MM THK)						
M	28	1	8T-4137	6	BOLT (M10X1.5X20-MM)						
M	29	1	8T-4189	16	BOLT (M8X1.25X20-MM)						
M	30	1	8T-4195	2	BOLT (M10X1.5X30-MM)						
M	31	1	8T-4196	2	BOLT (M10X1.5X35-MM)						
	32	1	8T-4224	16	WASHER-HARD (8.8X16X2-MM THK)						
E	33	1	7Y-1976		HOSE-WATER (190-CM)						
E	33A	1	7Y-1976		HOSE-WATER (8-CM)						
	34	1	281-3568	2	SEAL						

E-ORDER BY THE CENTIMETER
M-METRIC PART

COOLING SYSTEM

281-3601 RADIATOR & HYD OIL COOLER GP (contd.)

i02753305



GRAPHIC #1

<END>

g01380073

COOLING SYSTEM**281-3602 RADIATOR & HYD OIL COOLER GP**

S/N: MGG1-542, 546-UP; JFZ1-1391, 1439-UP
 PART OF 265-3600 RADIATOR & HYD OIL COOLER GP
 AN ATTACHMENT

SMCS-1351

i02756637

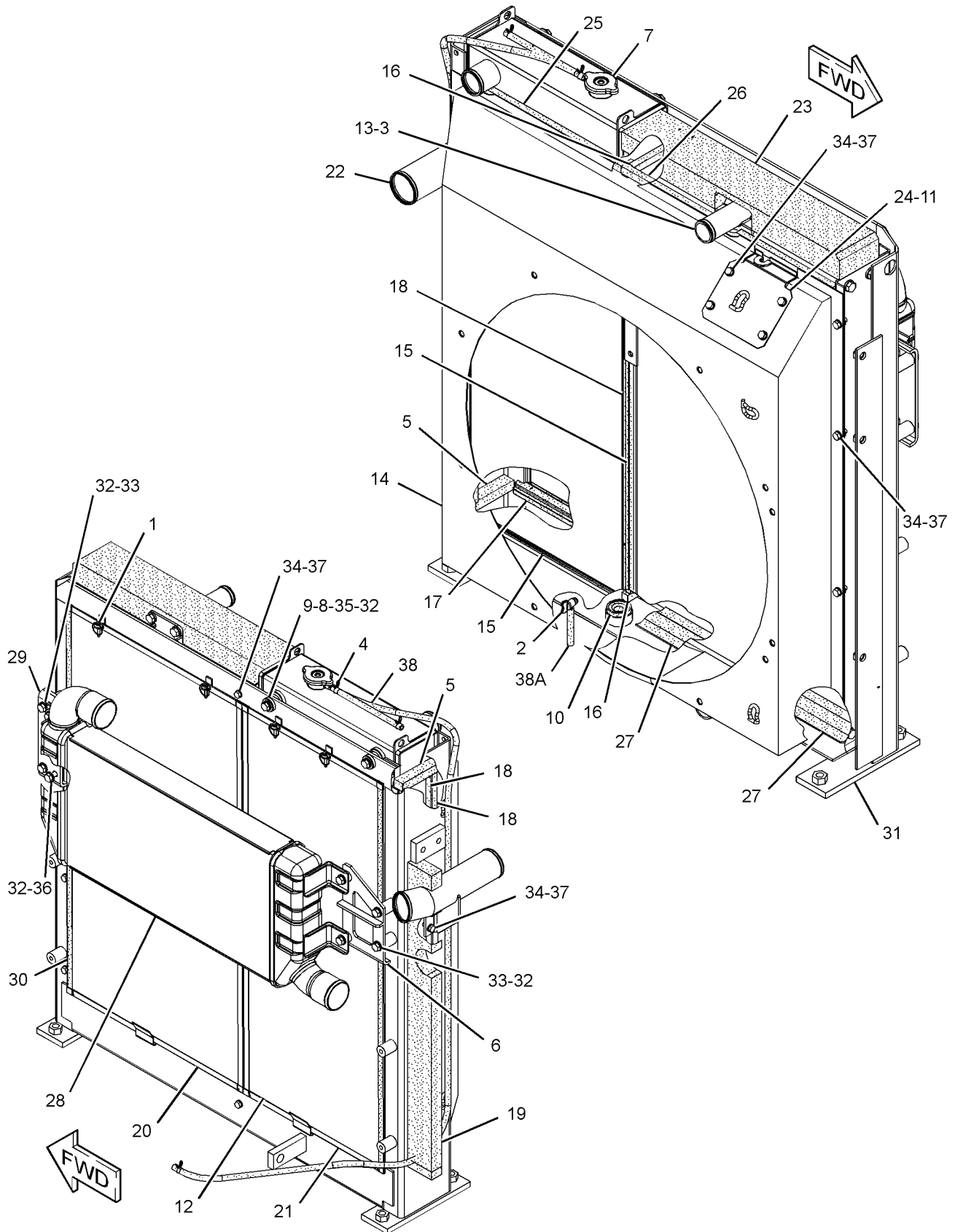
NOTE	REF NO	GRAPHIC REF	PART NUMBER	QTY	PART NAME						SEE PAGE
					1	2	3	4	5	6 (PRODUCT LEVEL)	
	1	1	5D-8159	4	PIN AS						
M	2	1	093-5432	1	VALVE AS-DRAIN (COOLANT)						
	3	1	095-1543	2	SEAL-O-RING						
	4	1	096-4035	2	CLIP						
	5	1	210-8117	2	SEAL						
	6	1	210-8128	1	PLATE AS						
	7	1	245-9212	1	CAP AS-RADIATOR						
	8	1	245-9216	2	BOSS						
	9	1	245-9217	2	CUSHION-RUBBER						
	10	1	245-9218	2	CUSHION-RUBBER						
	11	1	245-9276	2	SEAL						
	12	1	265-3624	1	CORE AS-RADIATOR						
	13	1	265-3625	1	CORE AS-OIL COOLER (HYDRAULIC)						
	14	1	265-3628	1	SHROUD AS-RADIATOR						
	15	1	265-3629	2	SEAL						
	16	1	265-3630	2	SEAL						
	17	1	265-3631	2	SEAL						
	18	1	265-3632	3	SEAL						
	19	1	265-3633	1	SEAL						
	20	1	265-3634	1	SCREEN AS (OIL COOLER)						
	21	1	265-3635	1	SCREEN AS (RADIATOR)						
	22	1	265-3637	1	TUBE AS						
	23	1	265-3638	1	SEAL						
	24	1	265-3639	1	PLATE AS						
	25	1	265-3642	1	SEAL						
	26	1	265-3643	1	SEAL						
	27	1	281-3488	2	SHEET-RUBBER						
	28	1	281-3534	1	AFTERCOOLER AS						
	29	1	281-3535	1	PLATE AS						
	30	1	281-3568	2	SEAL						
	31	1	281-3605	1	FRAME AS						
	32	1	8T-4121	10	WASHER-HARD (11X21X2.5-MM THK)						
M	33	1	8T-4137	6	BOLT (M10X1.5X20-MM)						
M	34	1	8T-4189	20	BOLT (M8X1.25X20-MM)						
M	35	1	8T-4195	2	BOLT (M10X1.5X30-MM)						
M	36	1	8T-4196	2	BOLT (M10X1.5X35-MM)						
	37	1	8T-4224	20	WASHER-HARD (8.8X16X2-MM THK)						
E	38	1	7Y-1976		HOSE-WATER (190-CM)						
E	38A	1	7Y-1976		HOSE-WATER (8-CM)						

E-ORDER BY THE CENTIMETER
 M-METRIC PART

COOLING SYSTEM

281-3602 RADIATOR & HYD OIL COOLER GP (contd.)

i02756637



GRAPHIC #1

<END>

g01383218

COOLING SYSTEM**312-8341 RADIATOR & HYD OIL COOLER GP**

S/N: MGG543-545; JFZ1392-1438

PART OF 265-3600 RADIATOR & HYD OIL COOLER GP
AN ATTACHMENT

SMCS-1351

i03180700

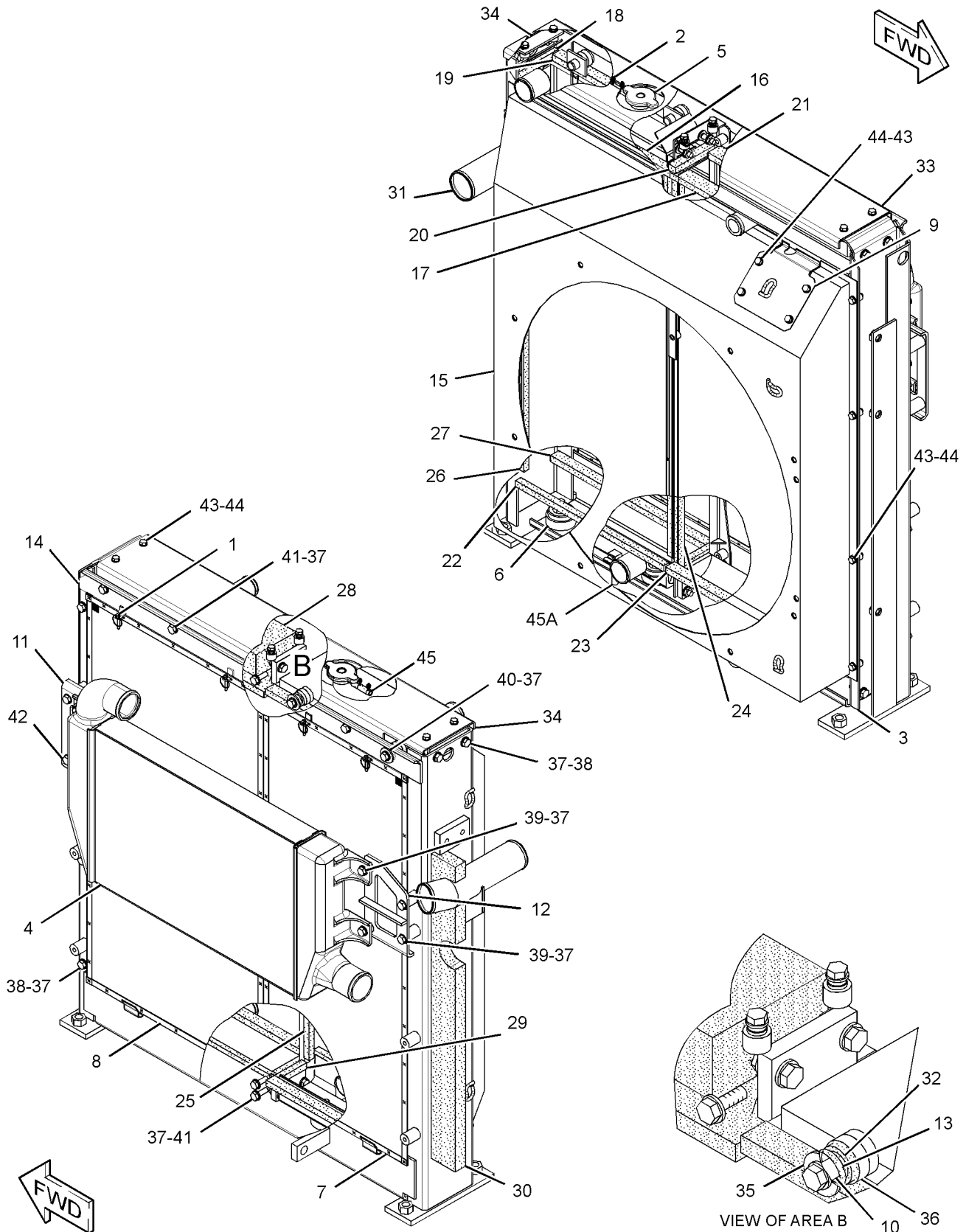
NOTE	REF NO	GRAPHIC REF	PART NUMBER	QTY	PART NAME						SEE PAGE
					1	2	3	4	5	6 (PRODUCT LEVEL)	
	1	1	5D-8159	4	PIN AS						
	2	1	096-4035	2	CLIP						
	3	1	312-8338	1	CORE AS-OIL COOLER						
	4	1	312-8339	1	AFTERCOOLER AS						
	5	1	312-8340	1	CORE AS-RADIATOR						
	6	1	313-3762	2	CUSHION-RUBBER						
	7	1	313-3763	1	SCREEN AS (RADIATOR)						
	8	1	313-3764	1	SCREEN AS (OIL COOLER)						
	9	1	313-3765	1	PLATE AS						
	10	1	313-3766	2	SLEEVE						
	11	1	313-3767	1	PLATE AS						
	12	1	313-3768	1	PLATE AS						
	13	1	313-3769	2	CUSHION-RUBBER						
	14	1	313-3770	1	FRAME AS						
	15	1	313-3771	1	SHROUD AS						
	16	1	313-3772	1	SEAL						
	17	1	313-3773	1	SEAL						
	18	1	313-3774	1	SEAL						
	19	1	313-3775	1	SEAL						
	20	1	313-3776	1	SEAL						
	21	1	313-3777	1	SEAL						
	22	1	313-3778	1	SEAL						
	23	1	313-3779	1	SEAL						
	24	1	313-3780	1	SEAL						
	25	1	313-3781	1	SEAL						
	26	1	313-3782	1	SEAL						
	27	1	314-6501	1	SEAL						
	28	1	314-6502	1	SEAL						
	29	1	314-6503	1	SEAL						
	30	1	314-6504	1	SEAL						
	31	1	314-6505	1	TUBE AS						
	32	1	314-6506	2	CUSHION-RUBBER						
	33	1	314-6507	1	PLATE						
	34	1	314-6508	1	BRACKET						
	35	1	314-6509	2	WASHER-PLATE						
	36	1	314-6510	2	PIN						
	37	1	8T-4121	22	WASHER-HARD (11X21X2.5-MM THK)						
M	38	1	8T-4136	6	BOLT (M10X1.5X25-MM)						
M	39	1	8T-4137	6	BOLT (M10X1.5X20-MM)						
M	40	1	8T-4185	2	BOLT (M10X1.5X50-MM)						
M	41	1	8T-4195	6	BOLT (M10X1.5X30-MM)						
M	42	1	8T-4196	2	BOLT (M10X1.5X35-MM)						
	43	1	8T-4224	20	WASHER-HARD (8.8X16X2-MM THK)						
M	44	1	8T-4908	20	BOLT (M8X1.25X25-MM)						
E	45	1	7Y-1976		HOSE-WATER (190-CM)						
E	45A	1	7Y-1976		HOSE-WATER (8-CM)						

E-ORDER BY THE CENTIMETER
M-METRIC PART

COOLING SYSTEM

312-8341 RADIATOR & HYD OIL COOLER GP (contd.)

i03180700



GRAPHIC #1

<END>

g01713295

AIR INLET AND EXHAUST SYSTEM

109-9313 AIR CLEANER & MOUNTING GP

S/N: MGG1-582; JFZ1-1790

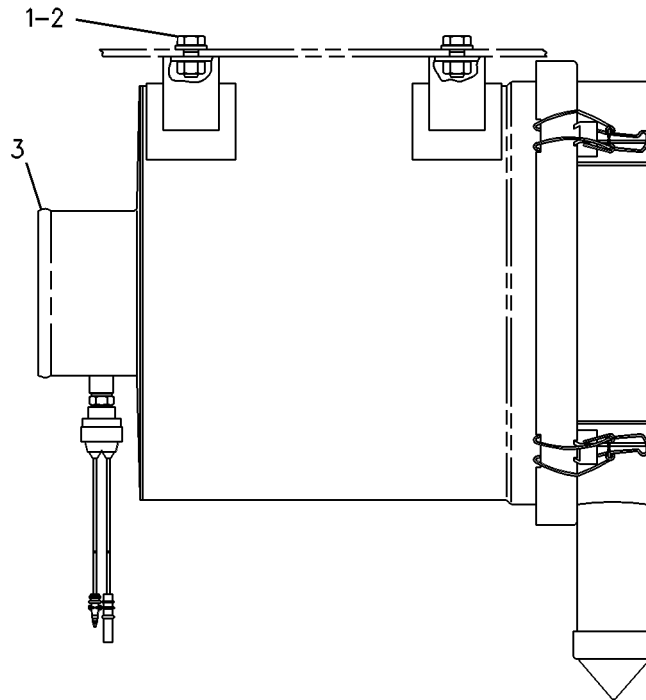
PART OF 272-4742 INSTALLATION AR-ENGINE

SMCS-1051, 1054, 7452

i02544930

NOTE	REF NO	GRAPHIC REF	PART NUMBER	QTY	PART NAME						SEE PAGE
					1	2	3	4	5	6 (PRODUCT LEVEL)	
	1	1	8T-4121	4	WASHER-HARD (11X21X2.5-MM THK)						
M	2	1	8T-4137	4	BOLT (M10X1.5X20-MM)						
Y	3	1	124-1711	1	AIR CLEANER GP						84

M-METRIC PART
Y-SEPARATE ILLUSTRATION



GRAPHIC #1

<END>

g00259005

AIR INLET AND EXHAUST SYSTEM

109-9313 AIR CLEANER & MOUNTING GP

S/N: MGG583-UP; JFZ1791-UP

PART OF 272-4742 INSTALLATION AR-ENGINE

SMCS-1051, 1054, 7452

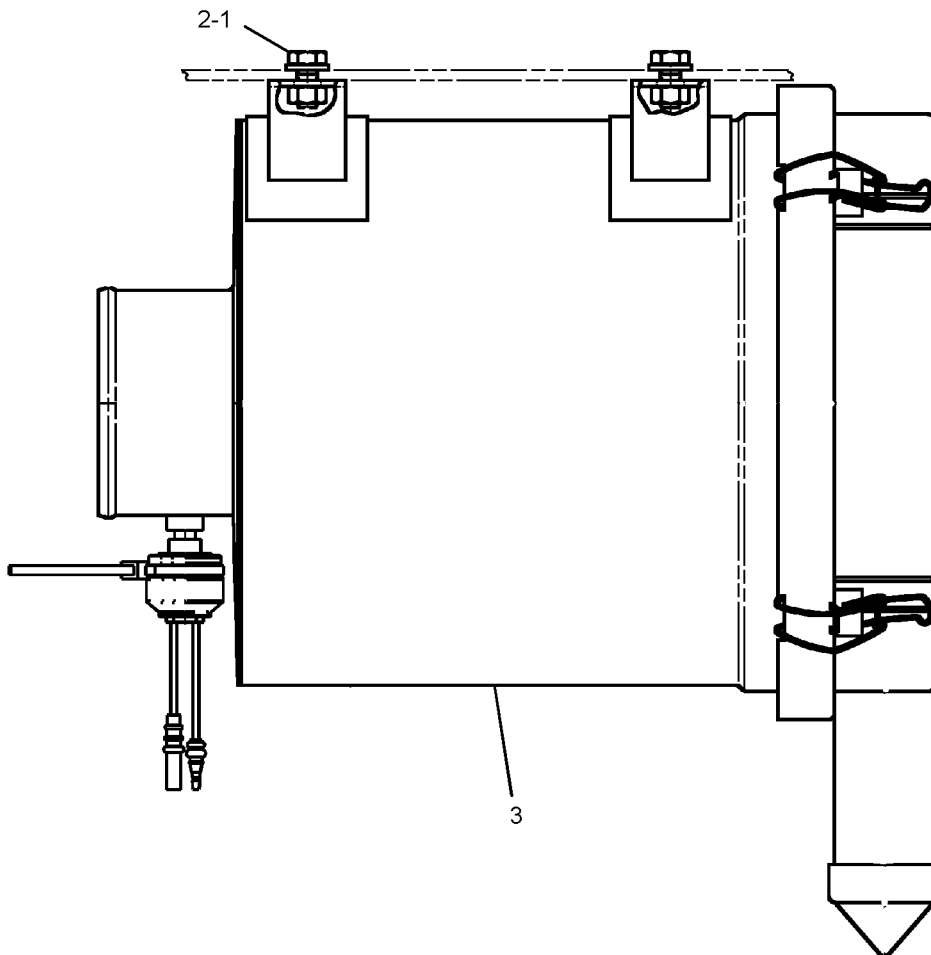
i02978982

NOTE	REF NO	GRAPHIC REF	PART NUMBER	QTY	PART NAME						SEE PAGE
					1	2	3	4	5	6 (PRODUCT LEVEL)	
	1	1	8T-4121	4	WASHER-HARD (11X21X2.5-MM THK)						
M	2	1	8T-4137	4	BOLT (M10X1.5X20-MM)						
CY	3	1	310-9667	1	AIR CLEANER GP						91

C-CHANGE FROM PREVIOUS TYPE

M-METRIC PART

Y-SEPARATE ILLUSTRATION



GRAPHIC #1

<END>

g01513430

AIR INLET AND EXHAUST SYSTEM**264-8671 AIR CLEANER AR-PRECLEANER**S/N: MGG1-UP; JFZ1-UP
AN ATTACHMENT

SMCS-1051

i02756608

NOTE	PART NUMBER	QTY	PART NAME						SEE PAGE
			1	2	3	4	5	6 (PRODUCT LEVEL)	
Y	272-4773	1	AIR CLEANER GP						87
Y	278-3778	1	COVER GP-HOOD (PRECLEANER)						267
Y-SEPARATE ILLUSTRATION									

<END>

AIR INLET AND EXHAUST SYSTEM

124-1711 AIR CLEANER GP

S/N: MGG1-582; JFZ1-1790

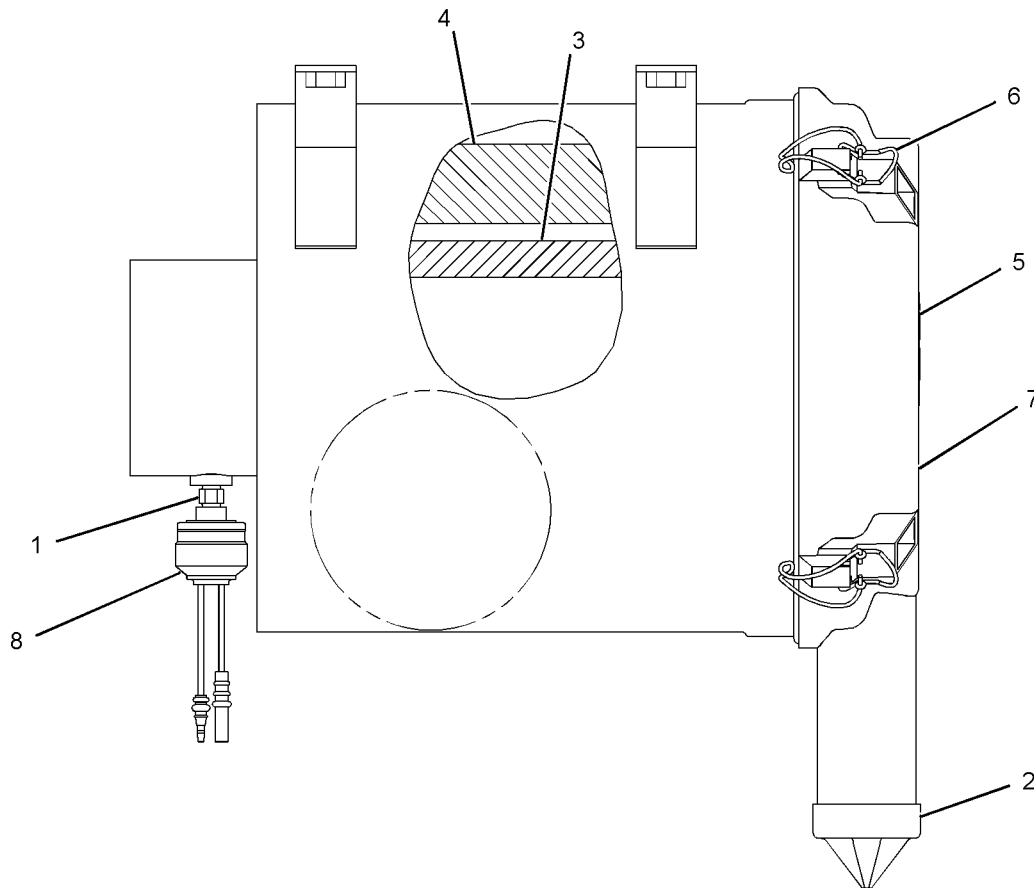
PART OF 109-9313 AIR CLEANER & MOUNTING GP

FIELD REPLACEMENT ORDER 310-9667-PAGE 91

SMCS-1051, 1054

i02544931

NOTE	REF NO	GRAPHIC REF	PART NUMBER	QTY	PART NAME						SEE PAGE
					1	2	3	4	5	6	
	1	1	5L-3233	1	FITTING						
	2	1	112-9717	1	VALVE-DUST (AIR CLEANER)						
	3	1	131-8821	1	FILTER ELEMENT AS-AIR (SECONDARY)						
	4	1	131-8822	1	FILTER ELEMENT AS-AIR (PRIMARY)						
	5	1	131-8826	1	FILM-INSTRUCTION (TOP, AIR CLEANER COVER)						
	6	1	131-8932	4	LATCH						
	7	1	184-3983	1	COVER AS						
		1	131-8824	1	SEAL (266.7-MM ID X 6.9-MM THK)						
					-OR-						
		1	168-0792	1	SEAL (280.1-MM ID X 5-MM THK)						
8	1	1	255-2966	1	INDICATOR AS-AIR FILTER CHANGE (AIR RESTRICTION)						



GRAPHIC #1

<END>

g01223093

AIR INLET AND EXHAUST SYSTEM

239-6612 AIR CLEANER GP

S/N: MGG1-UP; JFZ1-UP

PART OF 272-4773 AIR CLEANER GP
AN ATTACHMENT

SMCS-1051, 1054

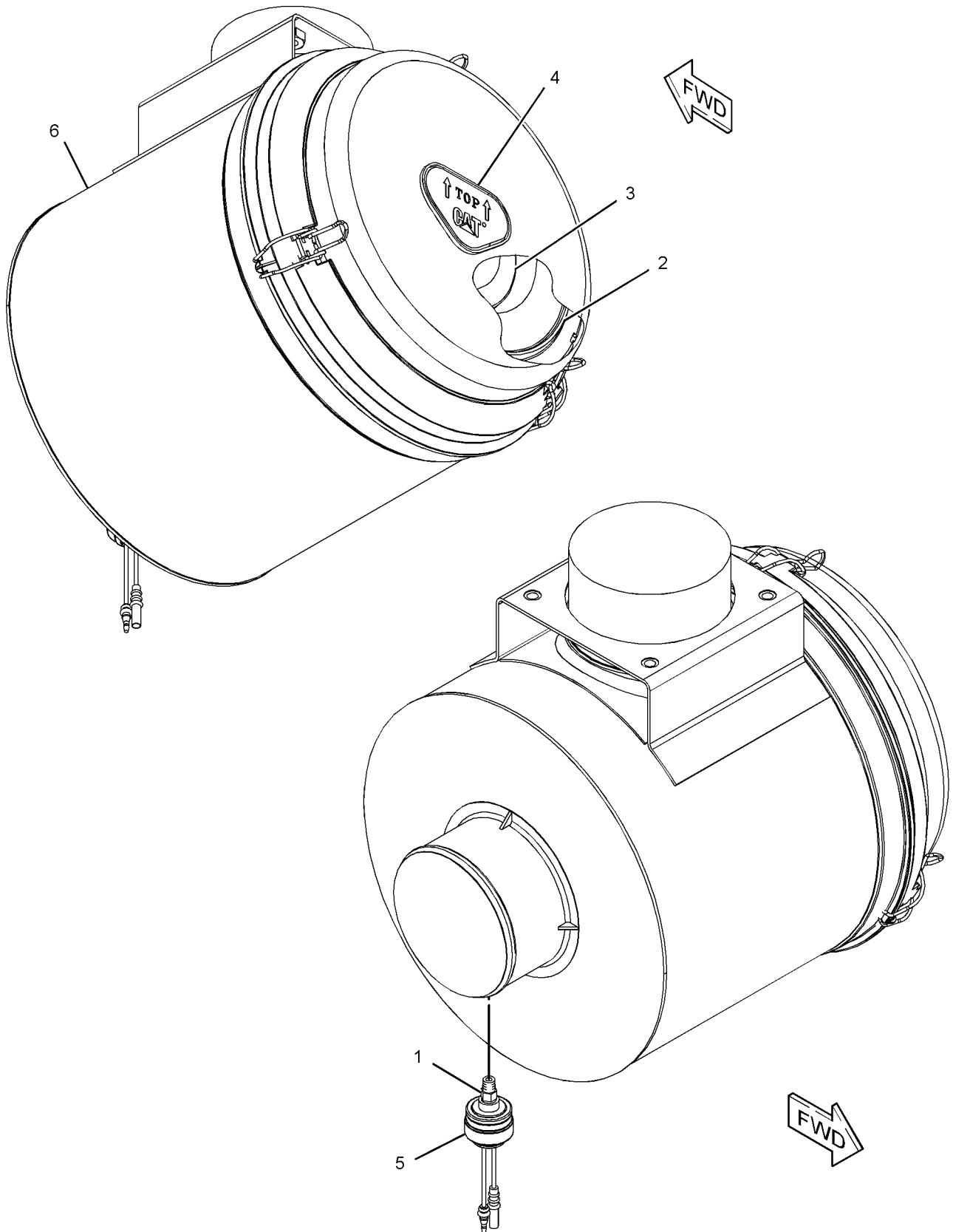
i02573994

NOTE	REF NO	GRAPHIC REF	PART NUMBER	QTY	PART NAME						SEE PAGE
					1	2	3	4	5	6 (PRODUCT LEVEL)	
	1	1	5L-3233	1	FITTING						
	2	1	6I-2501	1	FILTER ELEMENT AS-AIR (PRIMARY, STANDARD EFFICIENCY)						
	3	1	6I-2502	1	FILTER ELEMENT AS-AIR (SECONDARY)						
	4	1	131-8826	1	FILM-INSTRUCTION (TOP, AIR CLEANER COVER)						
	5	1	255-2966	1	INDICATOR AS-AIR FILTER CHANGE (AIR RESTRICTION)						
	6	1	171-9892	1	COVER AS						

AIR INLET AND EXHAUST SYSTEM

239-6612 AIR CLEANER GP (contd.)

i02573994



GRAPHIC #1

<END>

g01221472

AIR INLET AND EXHAUST SYSTEM**272-4773 AIR CLEANER GP**

S/N: MGG1-UP; JFZ1-UP

PART OF 264-8671 AIR CLEANER AR

AN ATTACHMENT

TYPE 1

SMCS-1051, 1054

i02756613

NOTE	REF NO	GRAPHIC REF	PART NUMBER	QTY	PART NAME						SEE PAGE
					1	2	3	4	5	6 (PRODUCT LEVEL)	
	1	1	8T-4987	1	CLAMP-HOSE						
	2	1	116-2659	1	DAMPER						
	3	1	130-3280	1	PRECLEANER AS						
		1	174-5415	1	CLAMP						
	4	1	134-7089	1	CLAMP						
	5	1	239-6395	1	TUBE AS						
Y	6	1	239-6612	1	AIR CLEANER GP						85
	7	1	279-7909	1	HOSE-AIR						
M	8	1	8T-4139	4	BOLT (M12X1.75X30-MM)						
	9	1	8T-4223	4	WASHER-HARD (13.5X25.5X3-MM THK)						

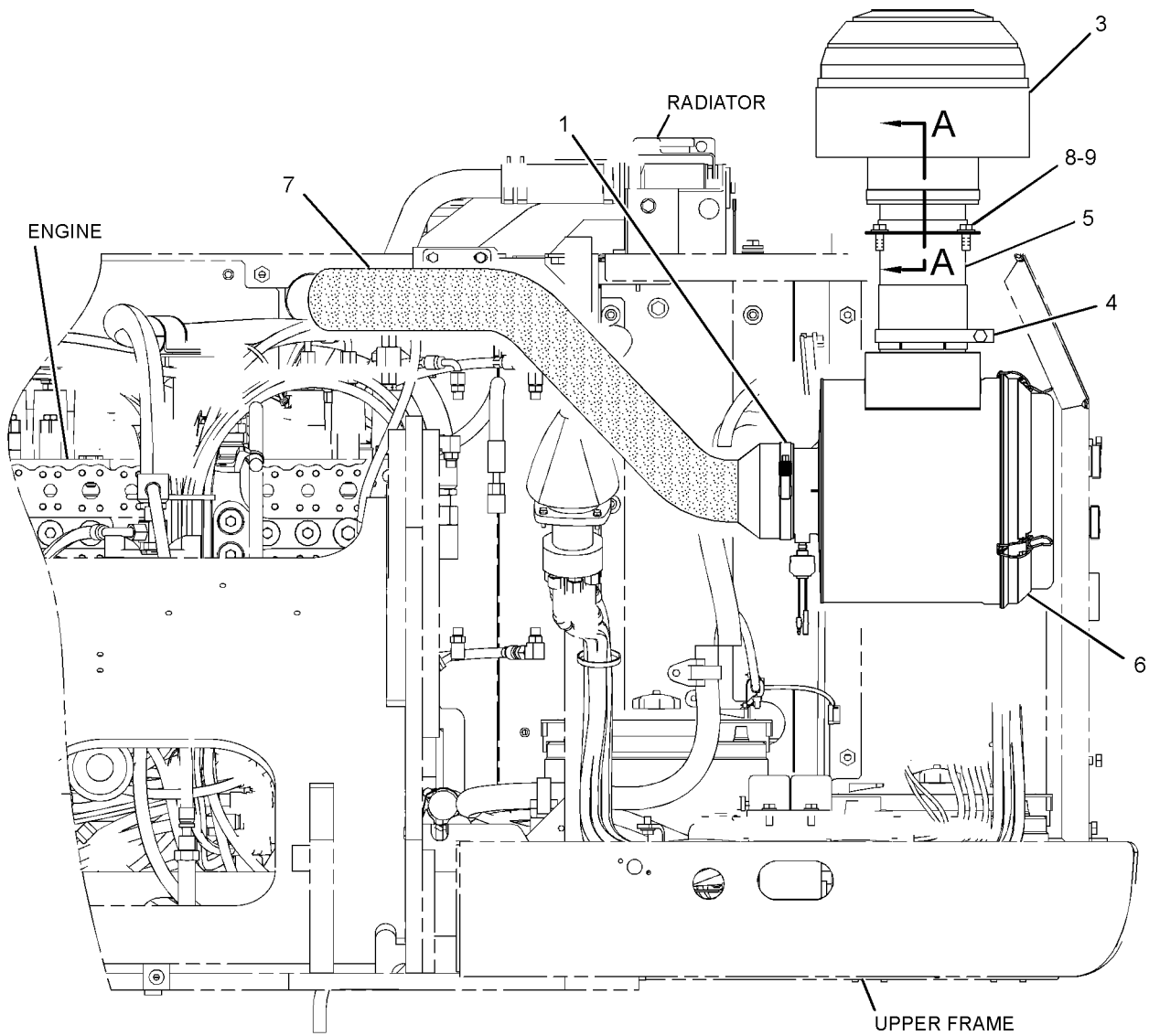
M-METRIC PART

Y-SEPARATE ILLUSTRATION

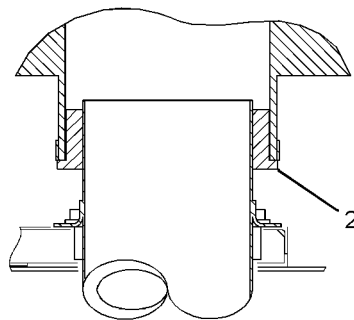
AIR INLET AND EXHAUST SYSTEM

272-4773 AIR CLEANER GP (contd.)

i02756613



FRONT VIEW



VIEW OF SECTION A-A

<END>

GRAPHIC #1

g01227584

AIR INLET AND EXHAUST SYSTEM

272-4773 AIR CLEANER GP

S/N: MGG1-UP; JFZ1-UP

PART OF 264-8671 AIR CLEANER AR

AN ATTACHMENT

TYPE 2

SMCS-1051, 1054

i03094460

NOTE	REF NO	GRAPHIC REF	PART NUMBER	QTY	PART NAME						SEE PAGE
					1	2	3	4	5	6 (PRODUCT LEVEL)	
	1	1	8T-4987	1	CLAMP-HOSE						
	2	1	116-2659	1	DAMPER						
	3	1	130-3280	1	PRECLEANER AS						
		1	174-5415	1	CLAMP						
	4	1	134-7089	1	CLAMP						
	5	1	239-6395	1	TUBE AS						
CY	6	1	310-9676	1	AIR CLEANER GP						92
	7	1	279-7909	1	HOSE-AIR						
M	8	1	8T-4139	4	BOLT (M12X1.75X30-MM)						
	9	1	8T-4223	4	WASHER-HARD (13.5X25.5X3-MM THK)						

C-CHANGE FROM PREVIOUS TYPE

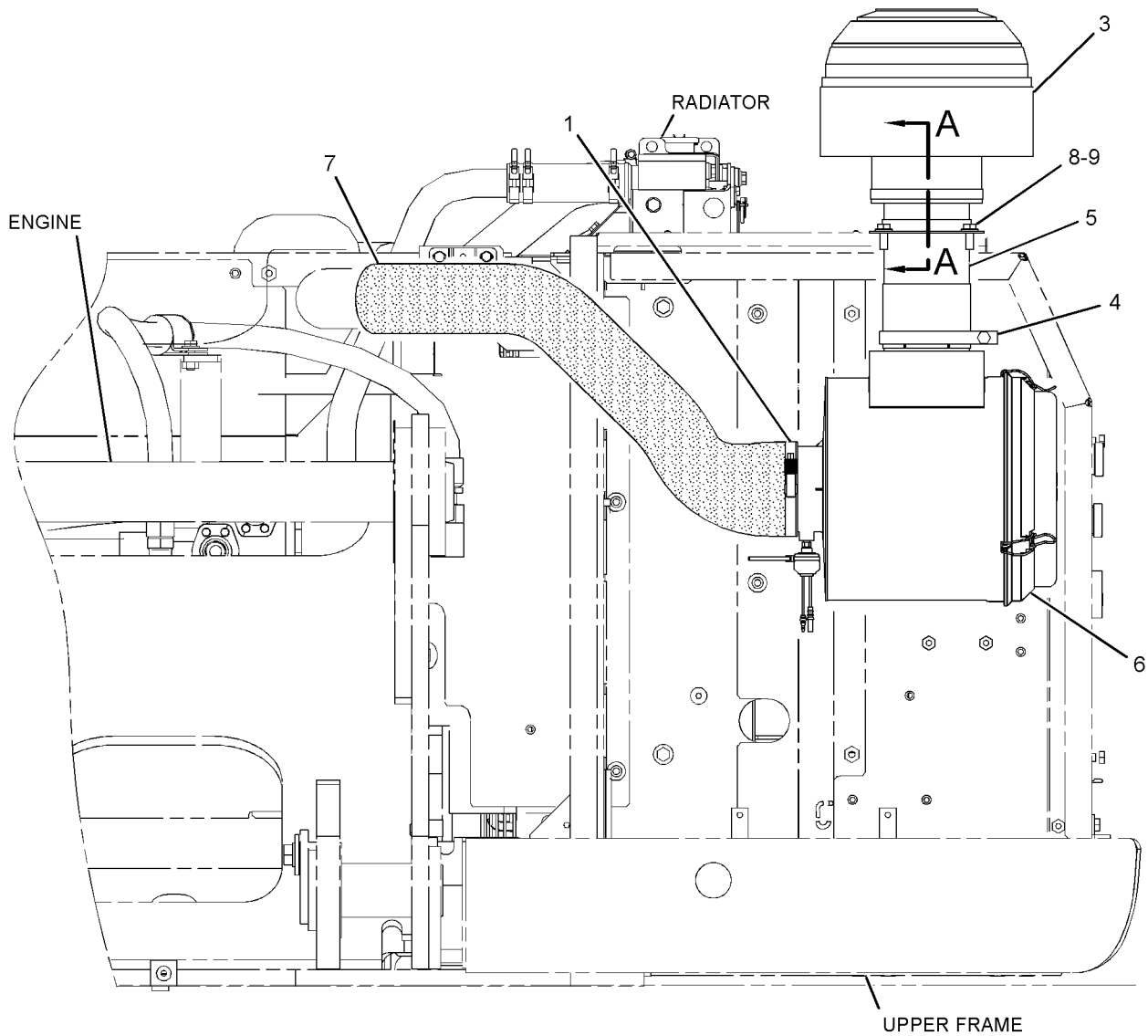
M-METRIC PART

Y-SEPARATE ILLUSTRATION

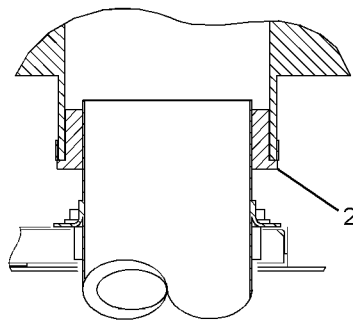
AIR INLET AND EXHAUST SYSTEM

272-4773 AIR CLEANER GP (contd.)

i03094460



FRONT VIEW



SECTION A-A

<END>

GRAPHIC #1

g01502634

AIR INLET AND EXHAUST SYSTEM

310-9667 AIR CLEANER GP

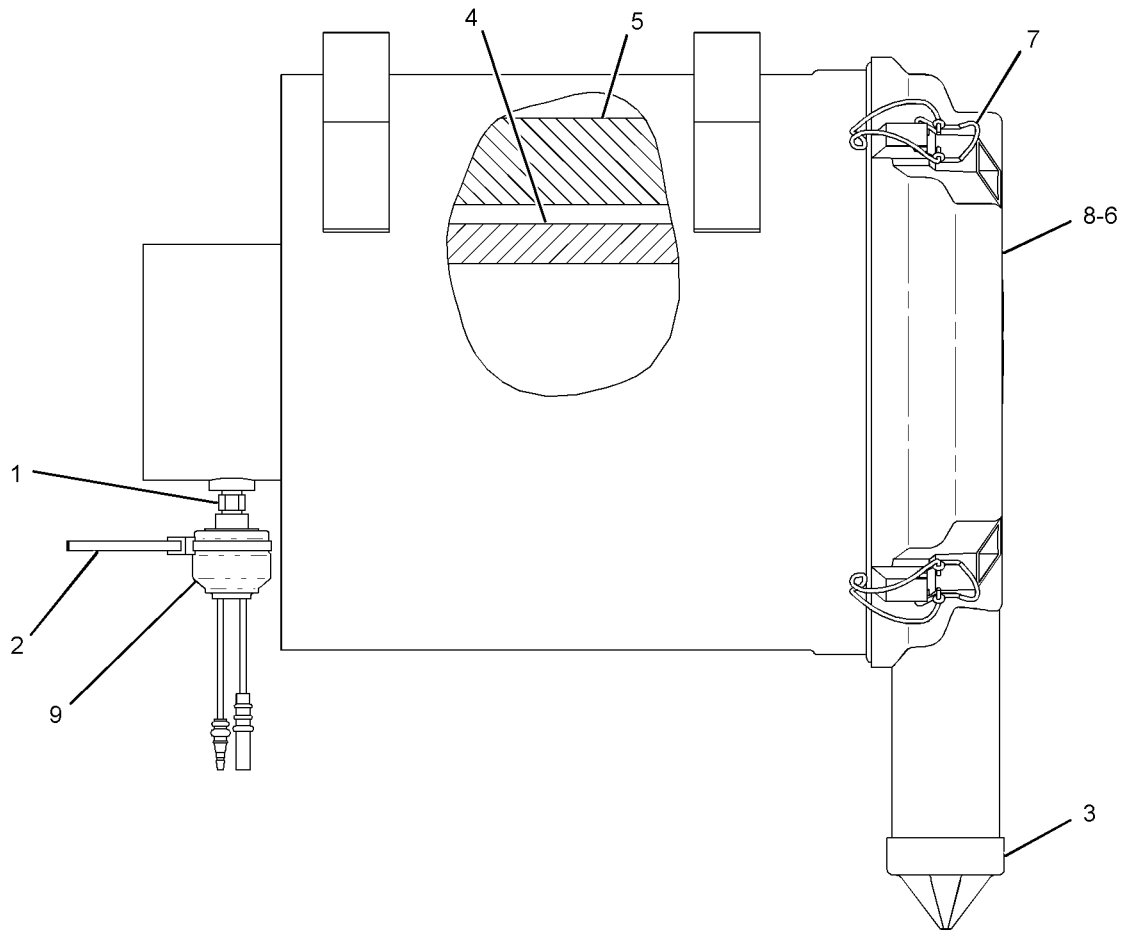
S/N: MGG583-UP; JFZ1791-UP

PART OF 109-9313 AIR CLEANER & MOUNTING GP
FIELD REPLACEMENT FOR 124-1711-PAGE 84

SMCS-1051, 1054

i02971543

NOTE	REF NO	GRAPHIC REF	PART NUMBER	QTY	PART NAME						SEE PAGE
					1	2	3	4	5	6 (PRODUCT LEVEL)	
	1	1	5L-3233	1	FITTING						
	2	1	7I-2673	1	STRAP-CABLE						
	3	1	112-9717	1	VALVE-DUST (AIR CLEANER)						
	4	1	131-8821	1	FILTER ELEMENT AS-AIR (SECONDARY)						
	5	1	131-8822	1	FILTER ELEMENT AS-AIR (PRIMARY)						
	6	1	131-8826	1	FILM-INSTRUCTION (TOP, AIR CLEANER COVER)						
	7	1	131-8932	4	LATCH						
	8	1	184-3983	1	COVER AS						
	9	1	255-2966	1	INDICATOR AS-AIR FILTER CHANGE (AIR RESTRICTION)						



GRAPHIC #1

<END>

g01504054

AIR INLET AND EXHAUST SYSTEM

310-9676 AIR CLEANER GP

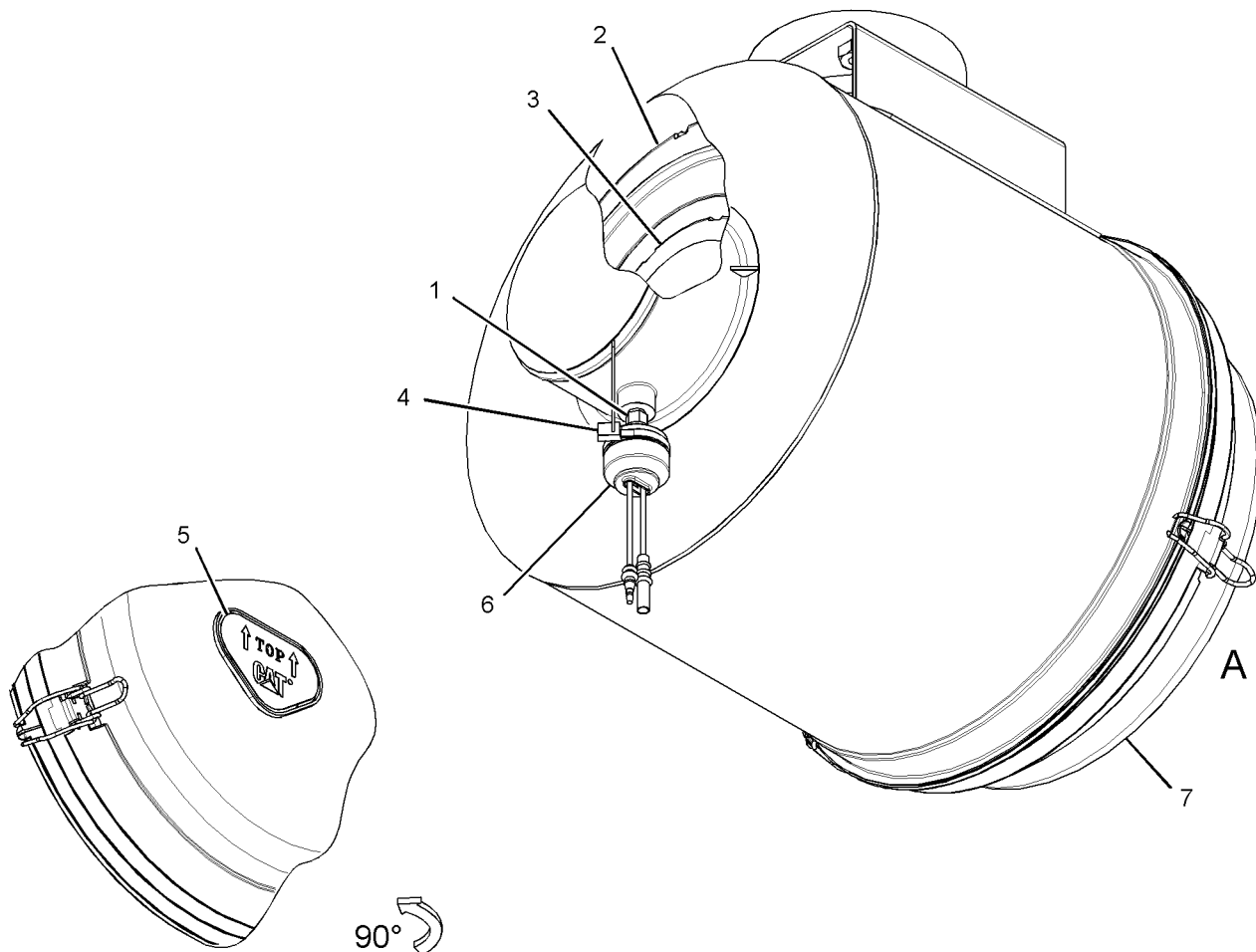
S/N: MGG1-UP; JFZ1-UP

PART OF 272-4773 AIR CLEANER GP
AN ATTACHMENT

SMCS-1051, 1054

i03094280

NOTE	REF NO	GRAPHIC REF	PART NUMBER	QTY	PART NAME						SEE PAGE
					1	2	3	4	5	6 (PRODUCT LEVEL)	
	1	1	5L-3233	1	FITTING						
	2	1	6I-2501	1	FILTER ELEMENT AS-AIR (PRIMARY, STANDARD EFFICIENCY)						
					-OR-						
		1	128-2686	1	FILTER ELEMENT AS-AIR (PRIMARY, ULTRA HIGH EFFICIENCY)						
	3	1	6I-2502	1	FILTER ELEMENT AS-AIR (SECONDARY)						
	4	1	7I-2673	1	STRAP-CABLE						
	5	1	131-8826	1	FILM-INSTRUCTION (TOP, AIR CLEANER COVER)						
	6	1	255-2966	1	INDICATOR AS-AIR FILTER CHANGE (AIR RESTRICTION)						
	7	1	171-9892	1	COVER AS						



VIEW OF AREA A

GRAPHIC #1

<END>

g01506593

AIR INLET AND EXHAUST SYSTEM**5I-7589 CARTRIDGE AS-TURBOCHARGER**

S/N: GDC1-UP

PART OF 287-0049 TURBOCHARGER GP
ALSO AN ATTACHMENT

SMCS-1053

i01357379

NOTE	PART NUMBER	QTY	PART NAME						SEE PAGE
			1	2	3	4	5	6 (PRODUCT LEVEL)	
	135-2353	1	NUT						
	156-3103	1	NUT (1/4-28 UNF-28)						
	135-2357	1	WHEEL AS						
	171-3254	1	WHEEL AS						

<END>

AIR INLET AND EXHAUST SYSTEM

255-3044 EXTENSION GP-EXHAUST

S/N: MGG1-UP; JFZ1-UP

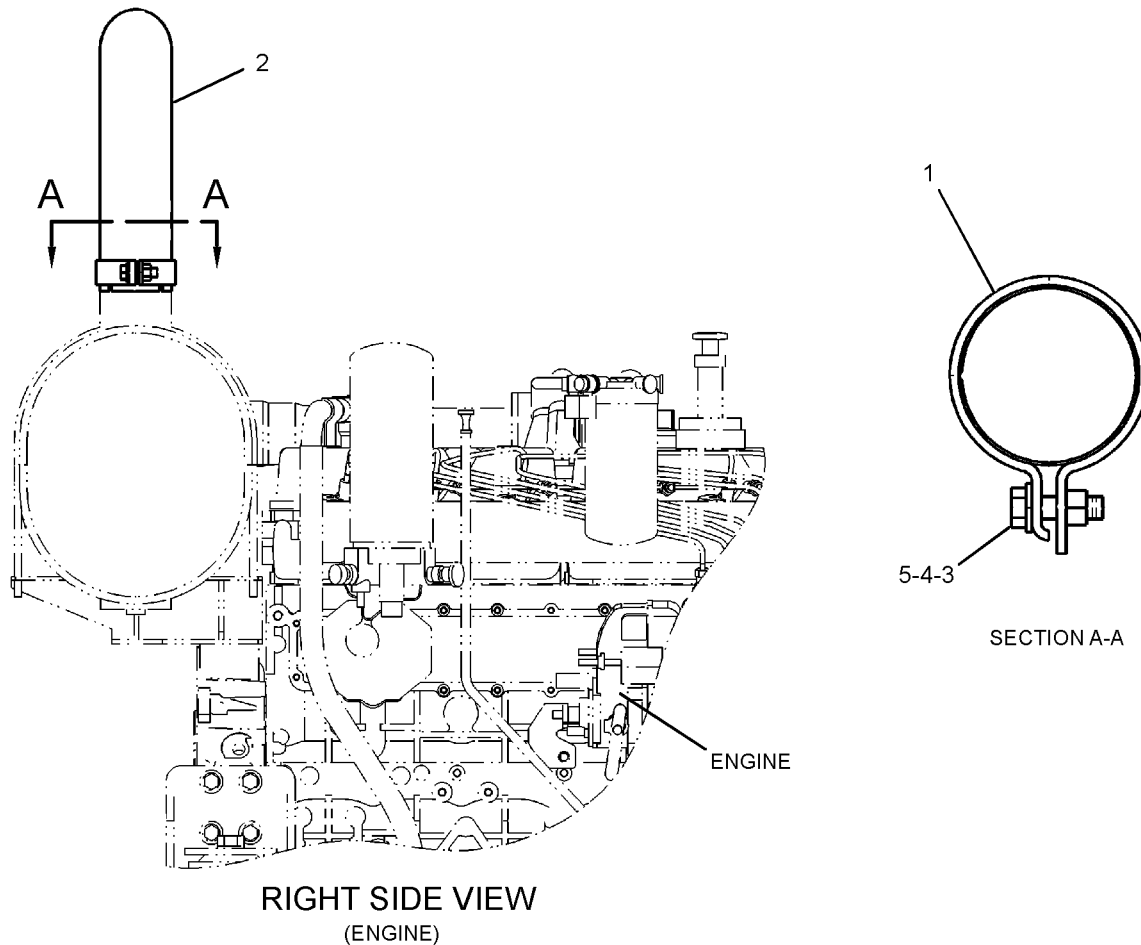
PART OF 272-4742 INSTALLATION AR-ENGINE

SMCS-1061

i02544956

NOTE	REF NO	GRAPHIC REF	PART NUMBER	QTY	PART NAME						SEE PAGE
					1	2	3	4	5	6 (PRODUCT LEVEL)	
	1	1	4I-7554	1	CLAMP						
	2	1	266-6346	1	PIPE						
M	3	1	8T-4183	1	BOLT (M12X1.75X40-MM)						
	4	1	8T-4223	1	WASHER-HARD (13.5X25.5X3-MM THK)						
M	5	1	8T-4244	1	NUT (M12X1.75-THD)						

M-METRIC PART



RIGHT SIDE VIEW
(ENGINE)

SECTION A-A

GRAPHIC #1

<END>

g01214871

AIR INLET AND EXHAUST SYSTEM

265-3504 LINES GP-AIR

S/N: MGG1-UP; JFZ1-UP

PART OF 272-4742 INSTALLATION AR-ENGINE

SMCS-1071

i03126327

NOTE	REF NO	GRAPHIC REF	PART NUMBER	QTY	PART NAME						SEE PAGE
					1	2	3	4	5	6 (PRODUCT LEVEL)	
	1	1,2	8T-4984	9	CLAMP-HOSE						
	2	1	8T-6703	1	CLAMP-HOSE						
	3	2	210-8012	1	SUPPORT						
	4	2	265-3581	1	TUBE AS						
	5	2	265-3585	1	HOSE						
	6	1	265-3586	1	HOSE						
	7	1	265-3587	1	TUBE AS						
	8	1	265-3590	1	HOSE						
	9	1	265-3591	1	HOSE						
	10	2	265-3599	1	HOSE						
	11	1,2	8T-4121	6	WASHER-HARD (11X21X2.5-MM THK)						
M	12	1,2	8T-4136	4	BOLT (M10X1.5X25-MM)						
M	13	2	8T-4137	2	BOLT (M10X1.5X20-MM)						

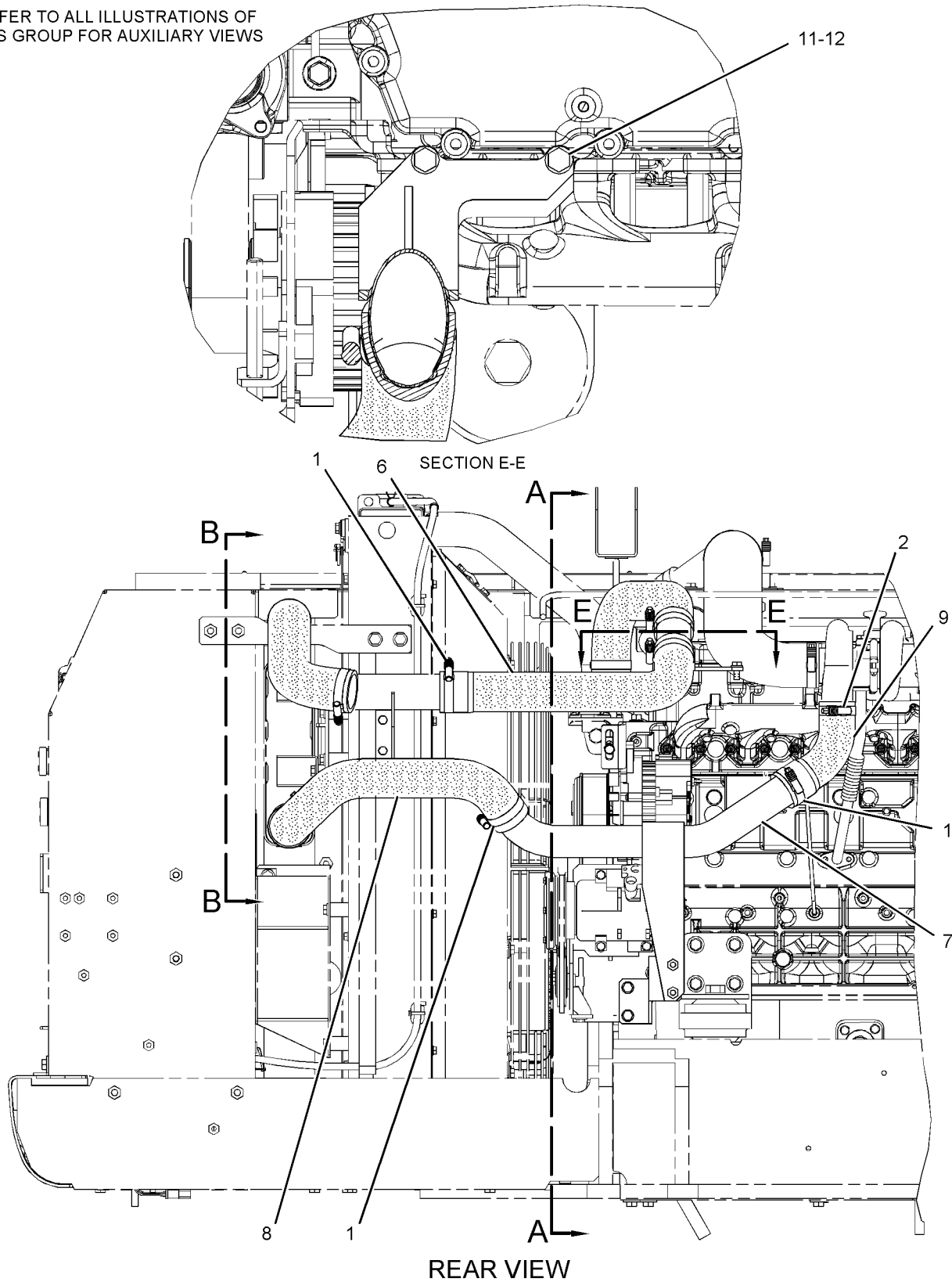
M-METRIC PART

AIR INLET AND EXHAUST SYSTEM

265-3504 LINES GP-AIR (contd.)

i03126327

REFER TO ALL ILLUSTRATIONS OF THIS GROUP FOR AUXILIARY VIEWS



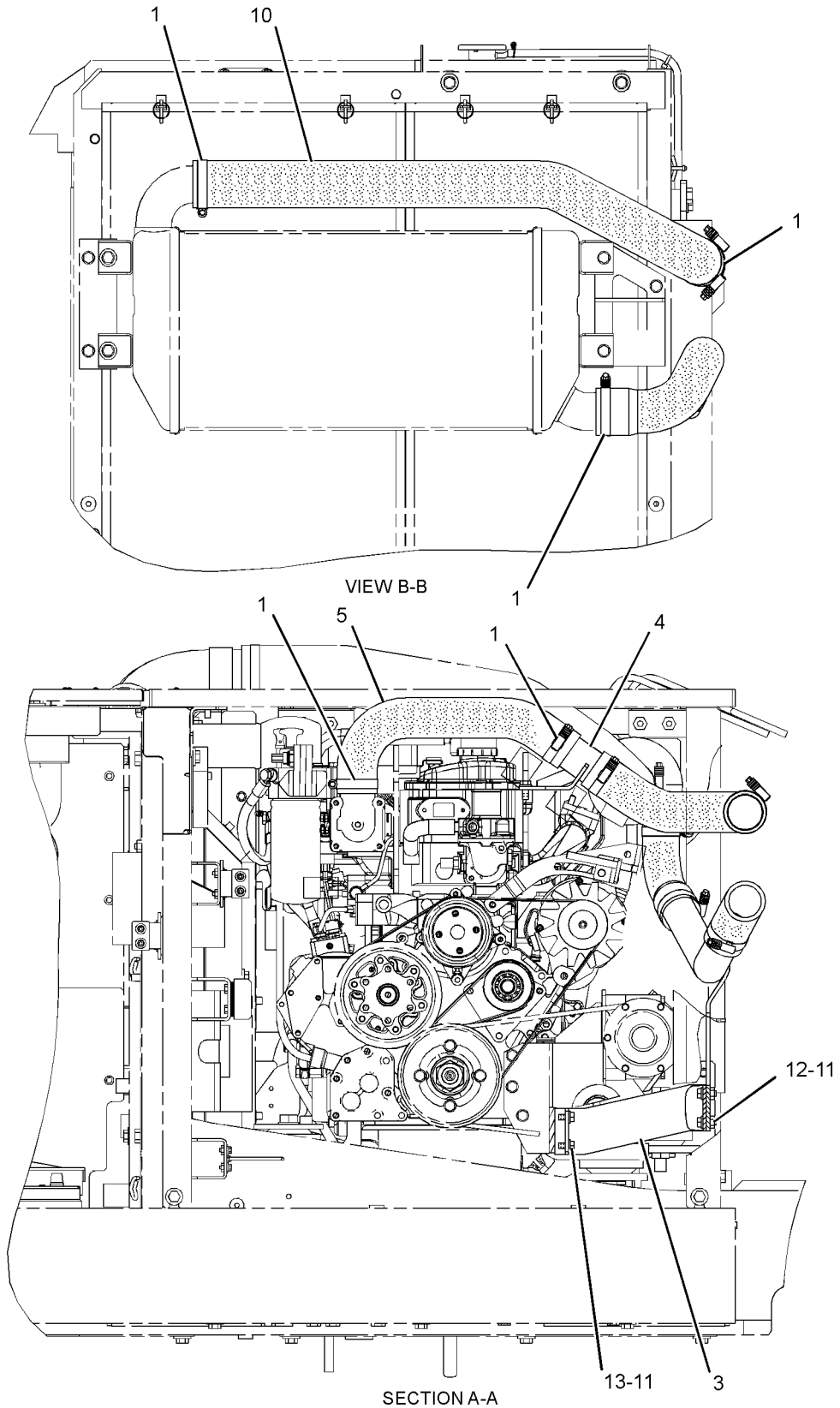
GRAPHIC #1

g01288146

AIR INLET AND EXHAUST SYSTEM

265-3504 LINES GP-AIR (contd.)

i03126327



GRAPHIC #2

<END>

g01288629

AIR INLET AND EXHAUST SYSTEM

272-4744 LINES GP-AIR

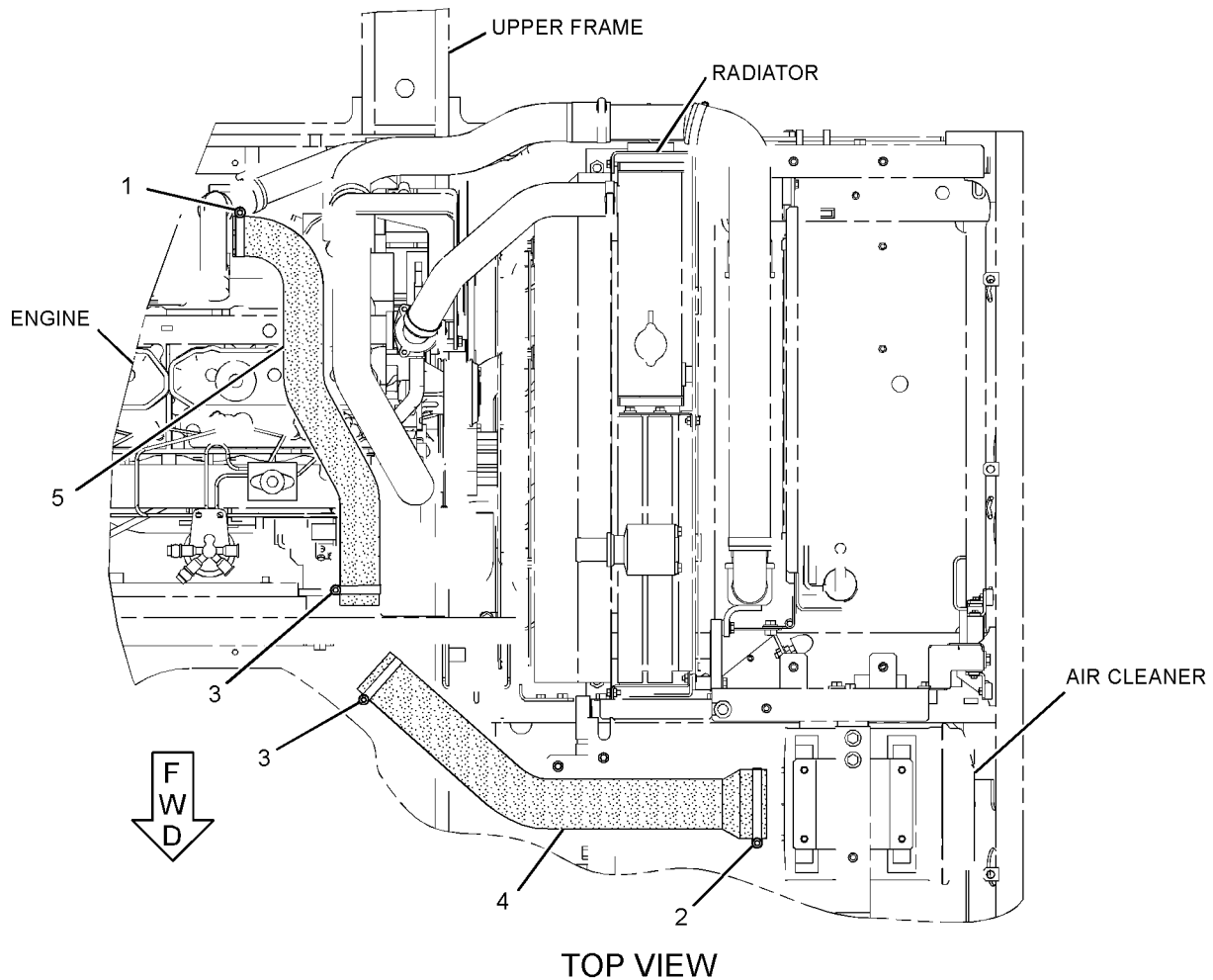
S/N: MGG1-UP; JFZ1-UP

PART OF 272-4742 INSTALLATION AR-ENGINE

SMCS-1071

i02894431

NOTE	REF NO	GRAPHIC REF	PART NUMBER	QTY	PART NAME						SEE PAGE
					1	2	3	4	5	6 (PRODUCT LEVEL)	
	1	1	144-0367	1	CLAMP-HOSE						
	2	1	8T-4986	1	CLAMP-HOSE						
	3	1	9X-2201	2	CLAMP-HOSE						
	4	1	279-7907	1	HOSE-AIR						
	5	1	287-0211	1	HOSE-AIR						



GRAPHIC #1

g01350645

AIR INLET AND EXHAUST SYSTEM

287-0183 LINES GP-MUFFLER DRAIN

S/N: MGG1-UP; JFZ1-UP

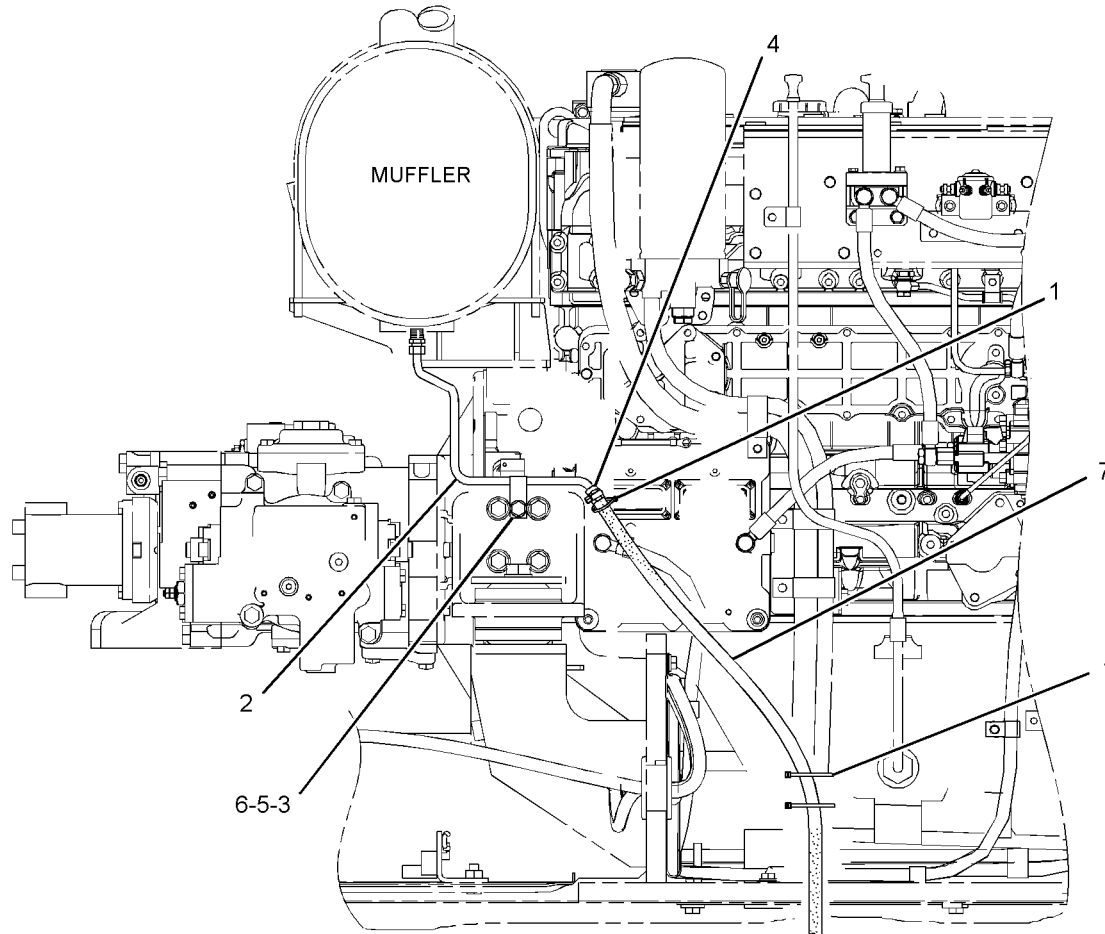
PART OF 272-4742 INSTALLATION AR-ENGINE

SMCS-1062

i02753856

NOTE	REF NO	GRAPHIC REF	PART NUMBER	QTY	PART NAME						SEE PAGE
					1	2	3	4	5	6 (PRODUCT LEVEL)	
	1	1	3S-2093	3	STRAP - CABLE						
	2	1	287-0171	1	TUBE AS						
		1	287-0118	1	ADAPTER AS						
	3	1	171-9073	1	CLIP						
	4	1	5P-4961	1	CLAMP - HOSE						
	5	1	8T-4121	1	WASHER-HARD (11X21X2.5-MM THK)						
M	6	1	8T-4191	1	BOLT (M10X1.5X16-MM)						
E	7	1	5P-1442		HOSE (72-CM)						

E-ORDER BY THE CENTIMETER
M-METRIC PART



RIGHT SIDE VIEW OF ENGINE

GRAPHIC #1

<END>

g01354840

AIR INLET AND EXHAUST SYSTEM**296-4653 MANIFOLD GP-EXHAUST**

S/N: GDC1-UP

PART OF 272-4683 ENGINE AR
ALSO AN ATTACHMENT

SMCS - 1059

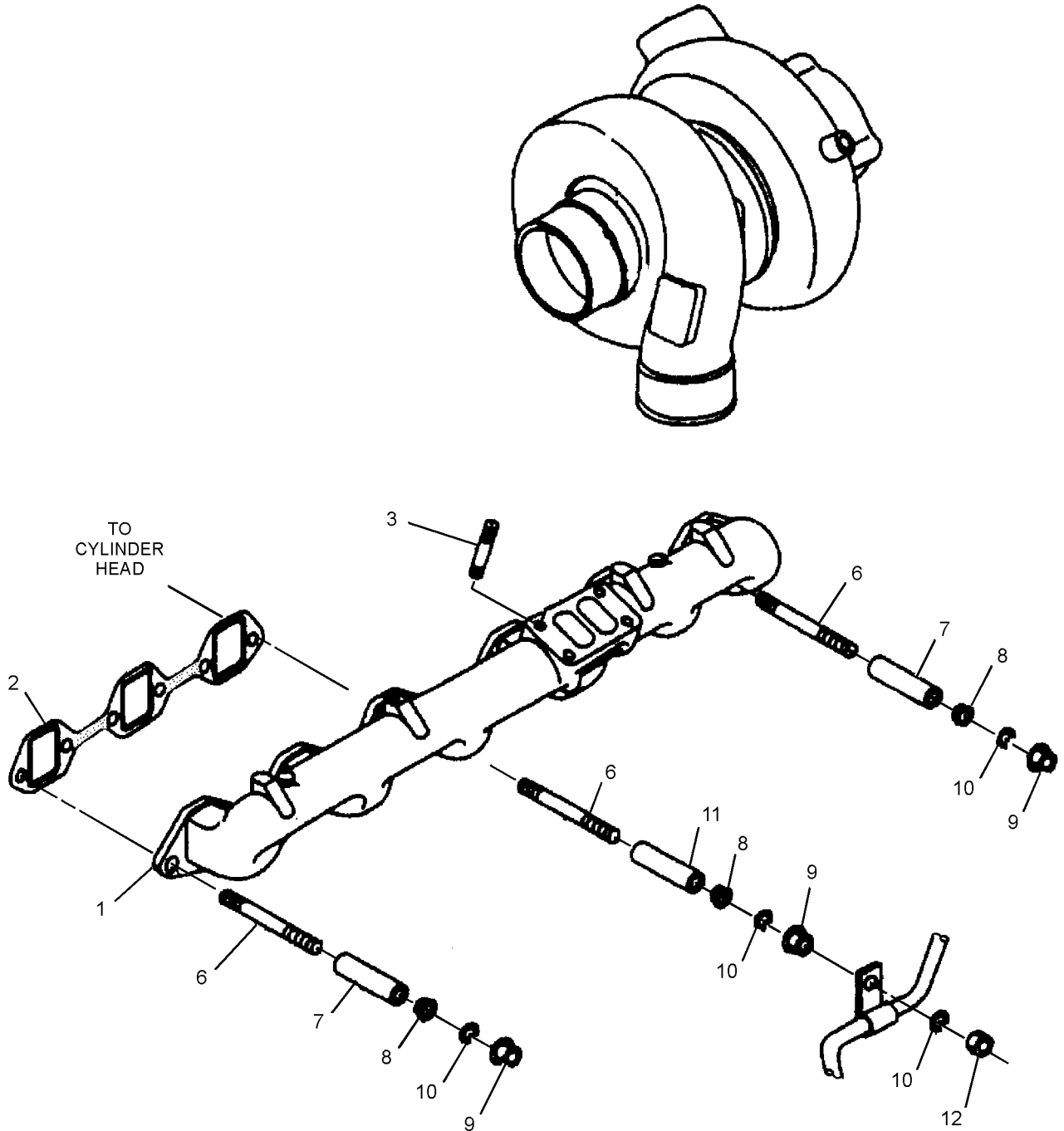
i02998266

NOTE	REF NO	GRAPHIC REF	PART NUMBER	QTY	PART NAME						SEE PAGE
					1	2	3	4	5	6 (PRODUCT LEVEL)	
	1	1	178-6552	1	MANIFOLD						
	2	1	294-1761	2	GASKET						
M	3	1	178-6554	4	STUD (M10X1.5X15-MM, M10X1.25X20-MM)						
	6	1	5I-7549	12	STUD (M8X1.25X86-MM)						
	7	1	5I-7550	11	SPACER						
	8	1	239-6604	12	WASHER						
	9	1	212-8489	12	NUT						
	10	1	3B-4505	13	LOCKWASHER						
	11	1	5I-7601	1	SPACER						
M	12	1	091-3474	1	NUT (M8X1.25-THD)						
M-METRIC PART											

AIR INLET AND EXHAUST SYSTEM

296-4653 MANIFOLD GP-EXHAUST (contd.)

i02998266



GRAPHIC #1

<END>

g01469974

AIR INLET AND EXHAUST SYSTEM**296-4652 MANIFOLD GP-INLET**

S/N: GDC1-UP

PART OF 272-4683 ENGINE AR
ALSO AN ATTACHMENT

SMCS-1058, 1090

i03022552

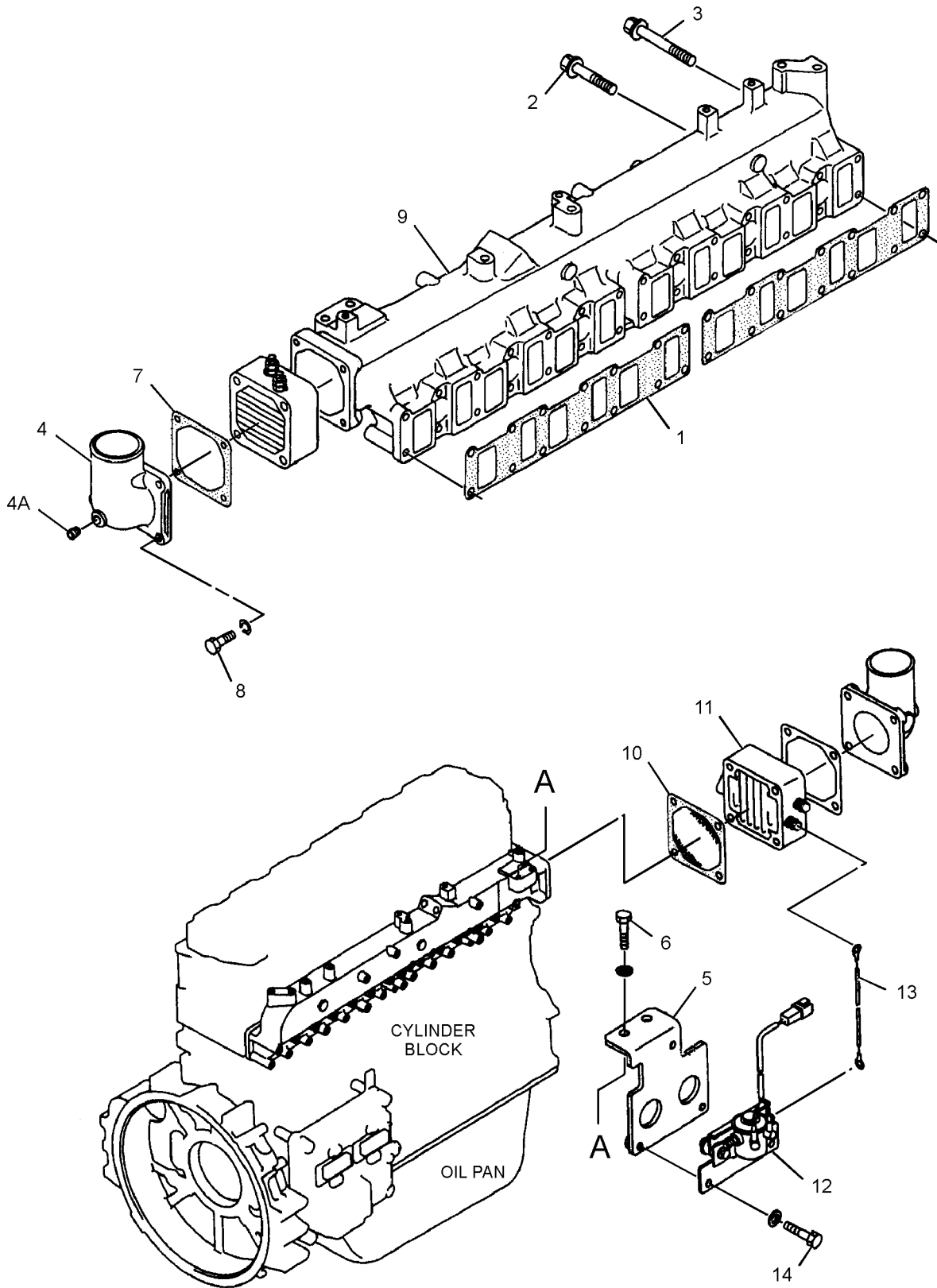
NOTE	REF NO	GRAPHIC REF	PART NUMBER	QTY	PART NAME						SEE PAGE
					1	2	3	4	5	6 (PRODUCT LEVEL)	
	1	1	294-1758	2	GASKET						
	2	1	096-8490	12	BOLT						
	3	1	294-1700	16	BOLT (M8X1.25X108.3-MM)						
	4	1	5I-8021	1	ELBOW AS						
	4A	1	5I-8023	1	PLUG						
	5	1	294-1854	1	BRACKET						
	6	1	294-1738	2	BOLT (M10X1.5X32-MM)						
	7	1	5I-7678	1	GASKET (INLET MANIFOLD)						
	8	1	303-6261	4	BOLT						
	9	1	294-1760	1	MANIFOLD						
	10	1	5I-7677	1	GASKET						
	11	1	305-4691	1	HEATER						
Y	12	1	223-4453	1	SWITCH GP-MAGNETIC (24-VOLT) (STARTING AID HEATER)						201
	13	1	294-1853	1	CABLE						
	14	1	5I-5597	2	BOLT (M14X1.5X10-MM)						

Y-SEPARATE ILLUSTRATION

AIR INLET AND EXHAUST SYSTEM

296-4652 MANIFOLD GP-INLET (contd.)

i03022552



GRAPHIC #1

<END>

g01317367

AIR INLET AND EXHAUST SYSTEM**296-4662 MUFFLER GP**

S/N: GDC1-UP

PART OF 272-4683 ENGINE AR
ALSO AN ATTACHMENT

SMCS - 1062

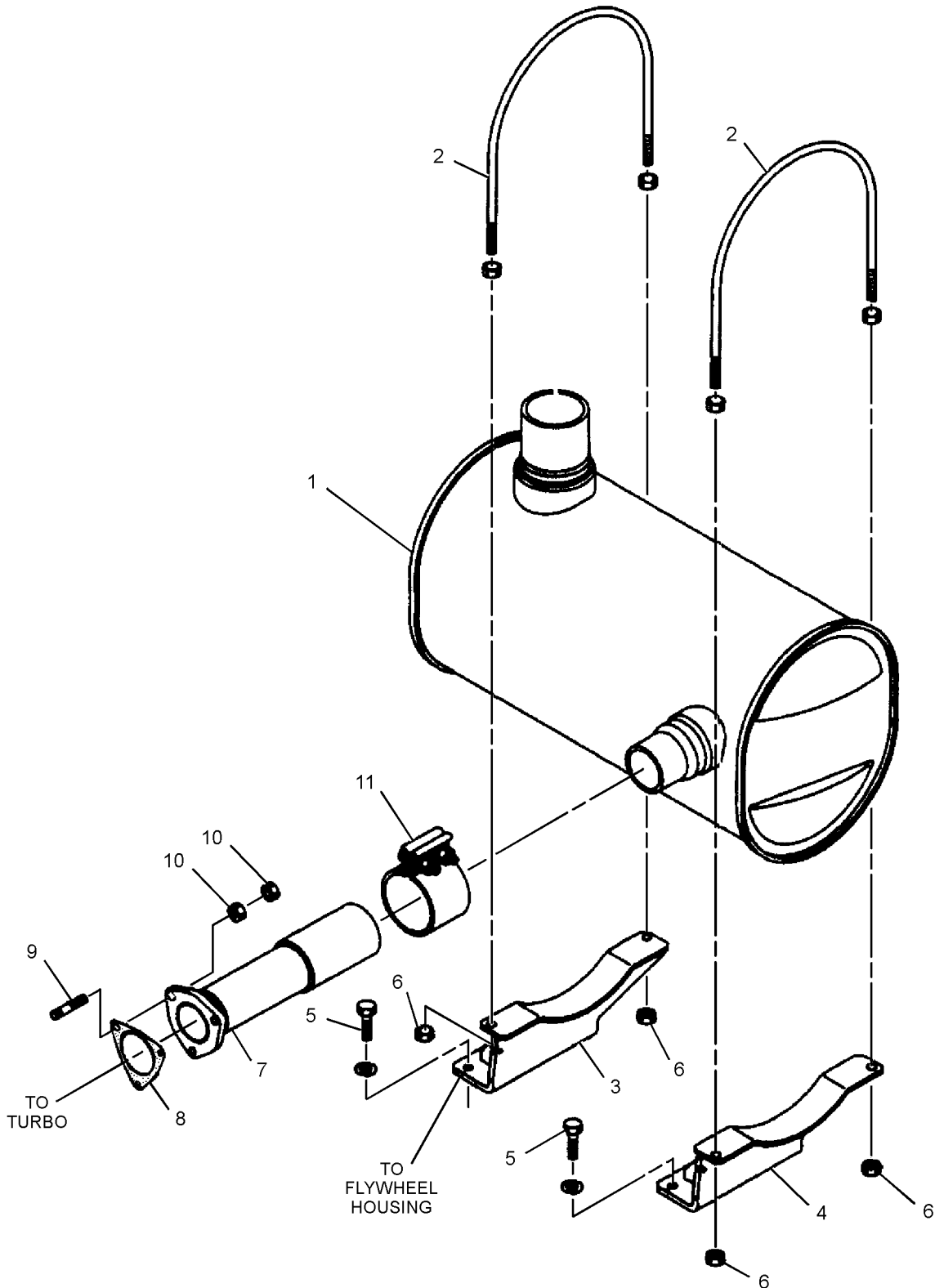
i02739133

NOTE	REF NO	GRAPHIC REF	PART NUMBER	QTY	PART NAME						SEE PAGE
					1	2	3	4	5	6 (PRODUCT LEVEL)	
	1	1	294-1762	1	MUFFLER						
	2	1	266-6321	2	U-BOLT						
	3	1	266-6319	1	BRACKET						
	4	1	266-6320	1	BRACKET						
	5	1	294-1738	4	BOLT (M10X1.5X32-MM)						
M	6	1	6V-8231	8	NUT (M10X1.25-THD)						
	7	1	5I-8040	1	PIPE						
	8	1	5I-7679	1	GASKET						
M	9	1	178-6554	3	STUD (M10X1.5X15-MM, M10X1.25X20-MM)						
	10	1	5I-7633	6	NUT (M10X1.25-THD)						
	11	1	094-7583	1	CLAMP AS						
M-METRIC PART											

AIR INLET AND EXHAUST SYSTEM

296-4662 MUFFLER GP (contd.)

i02739133



GRAPHIC #1

<END>

g01317750

AIR INLET AND EXHAUST SYSTEM**287-0049 TURBOCHARGER GP**

S/N: GDC1-UP

PART OF 272-4683 ENGINE AR
ALSO AN ATTACHMENT

SMCS-1052, 1053

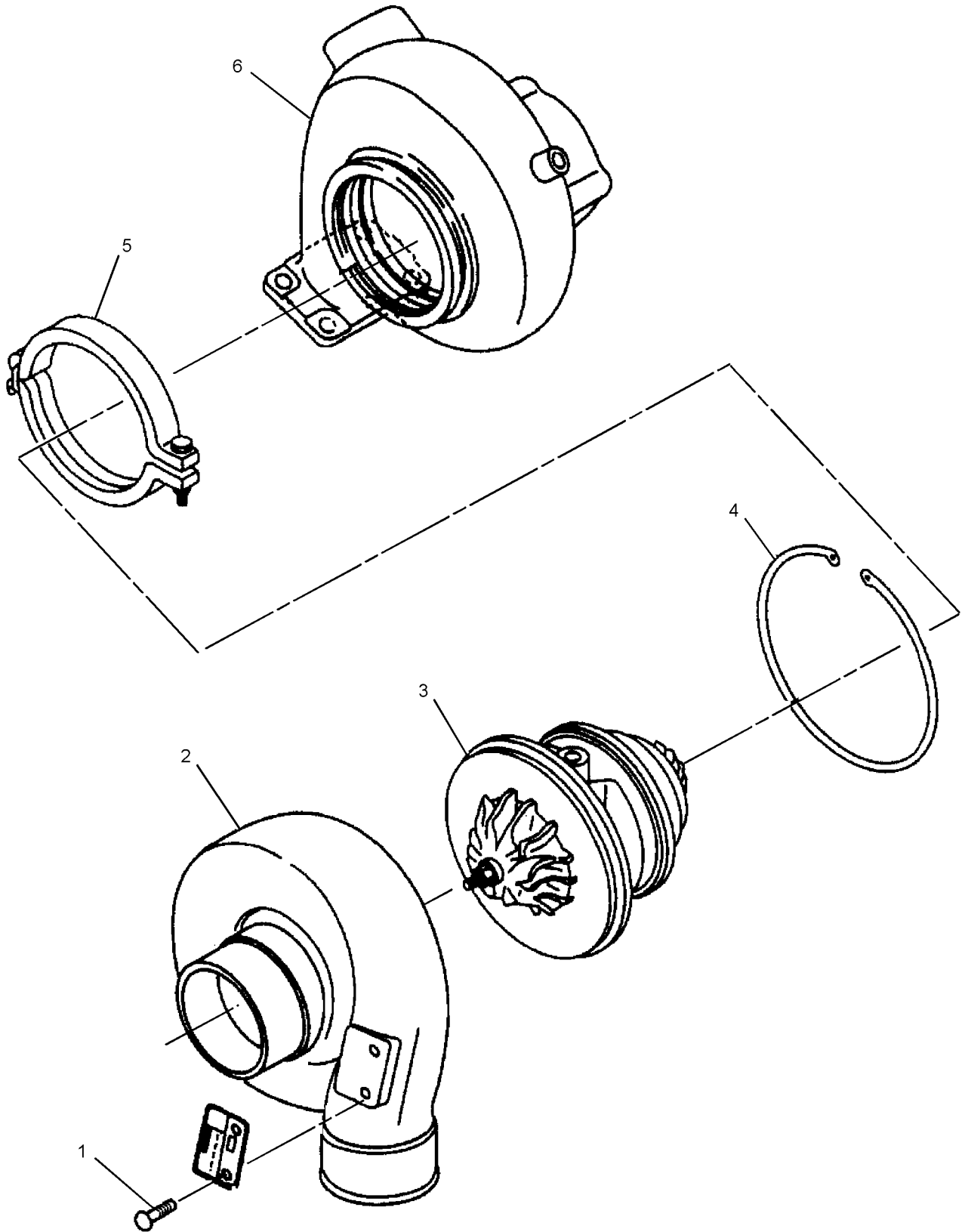
i02739175

NOTE	REF NO	GRAPHIC REF	PART NUMBER	QTY	PART NAME						SEE PAGE
					1	2	3	4	5	6 (PRODUCT LEVEL)	
	1	1	5B-9304	2	SCREW-DRIVE (NO 2X3/16-IN)						
	2	1	5I-7587	1	COVER						
Y	3	1	5I-7589	1	CARTRIDGE AS-TURBOCHARGER						93
	4	1	135-2352	1	RING-RETAINING						
	5	1	5I-7602	1	COUPLING AS						
	6	1	294-1763	1	HOUSING						
Y-SEPARATE ILLUSTRATION											

AIR INLET AND EXHAUST SYSTEM

287-0049 TURBOCHARGER GP (contd.)

i02739175



GRAPHIC #1

<END>

g01317715

FUEL SYSTEM

164-4858 CAP GP-FUEL FILLER

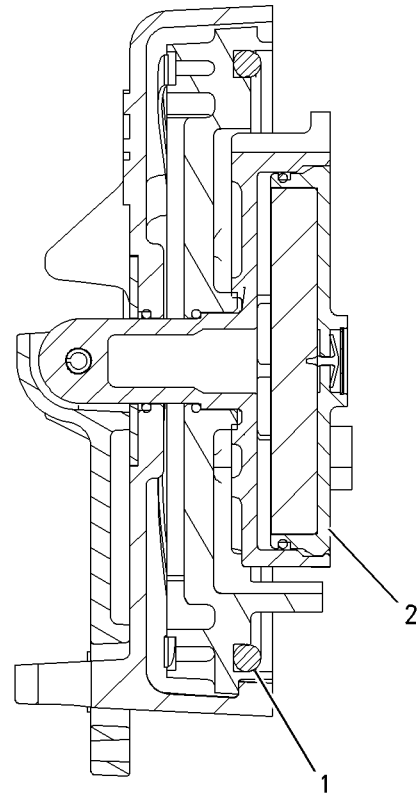
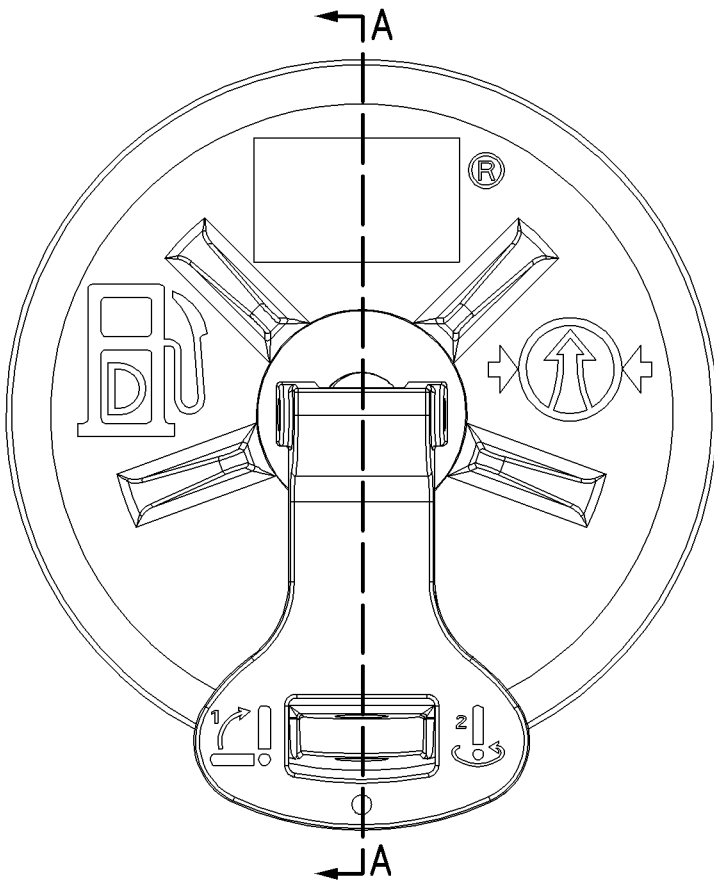
S/N: MGG1-UP; JFZ1-UP

PART OF 278-3898, 278-3899, 278-3902, 278-3903 TANK GP-FUEL
ALSO AN ATTACHMENT

SMCS-1273

i02571449

NOTE	REF NO	GRAPHIC REF	PART NUMBER	QTY	PART NAME						SEE PAGE
					1	2	3	4	5	6 (PRODUCT LEVEL)	
	1	1	9X-8600	1	SEAL-O-RING						
	2	1	190-9775	1	COVER AS-FILTER (FUEL CAP)						



SECTION A-A

GRAPHIC #1

<END>

g00849812

FUEL SYSTEM

305-4745 FILTER GP-FUEL

S/N: GDC1-UP

PART OF 272-4683 ENGINE AR
ALSO AN ATTACHMENT

SMCS-1261

i02989920

NOTE	REF NO	GRAPHIC REF	PART NUMBER	QTY	PART NAME						SEE PAGE
					1	2	3	4	5	6 (PRODUCT LEVEL)	
	1	1	099-4437	17	GASKET						
	2	1	099-5041	7	BOLT (M14X1.5X27-MM)						
	3	1	294-1811	1	WASHER						
	4	1	294-1819	1	HOSE						
	5	1	137-5541	1	PUMP GP-FUEL PRIMING						
		1	061-7539	1	SEAL-O-RING						
		1	229-3218	2	VALVE AS						
	6	1	294-1820	1	GASKET (FUEL PRIMING PUMP)						
	7	1	199-2241	1	BOLT						
	8	1	294-1821	1	BOLT (M8X1.25X35.5-MM)						
	9	1	294-1822	1	BASE						
	10	1	288-9297	4	BOLT						
	11	1	1R-0751	2	FILTER (ADVANCED EFFICIENCY)						
	12	1	294-1825	1	HOSE						
	13	1	294-1826	1	HOSE						
	14	1	294-1827	1	BRACKET						
	15	1	294-1828	2	BOLT (M10X1.5X62-MM)						
	16	1	183-8224	1	TUBE						
	17	1	196-8217	1	TUBE						
	18	1	305-4889	1	HOSE						
	19	1	190-5830	1	TUBE						
	20	1	294-1830	1	TUBE						
	21	1	094-9725	2	PLUG						
M	22	1	5C-2890	4	NUT (M6X1-THD)						
	23	1	9X-8256	4	WASHER (6.6X12X2-MM THK)						
	24	1	294-1831	4	CLAMP						
	25	1	294-1833	2	CLAMP						
	26	1	297-7822	2	BOLT (M6X1X44-MM)						
	27	1	096-2500	4	LOCKWASHER						
	28	1	297-7706	2	BOLT (M6X1X64-MM)						
	29	2	310-9534	1	CONNECTOR						
	30	1	305-4887	1	HOSE						
M	31	1	213-9433	2	BOLT (M10X1.5X45-MM)						
	32	1	095-2038	1	WASHER (7.8X13.5X2-MM THK)						
	33	1	310-9536	1	BRACKET						
	38	2	294-1837	1	BRACKET						
	39	2	294-1838	1	BRACKET						
	41	2	305-4901	1	SEAL-O-RING						
	42	2	294-1804	2	SEAL-O-RING						
	47	2	294-1844	1	BOLT (M12X1.75X28-MM)						
	48	2	294-1845	1	BOLT (M12X1.25X38-MM)						
	49	2	305-4902	1	CONNECTOR						
	50	2	5I-8058	1	CONNECTOR						
	51	2	310-9533	1	CONNECTOR						
M	52	2	6V-5215	2	BOLT (M8X1.25X16-MM)						
	54	2	305-4900	1	PIPE						
	55	2	294-1848	1	CONNECTOR						
	56	2	294-1849	1	SEAL-O-RING						
	57	2	297-7660	1	NUT						

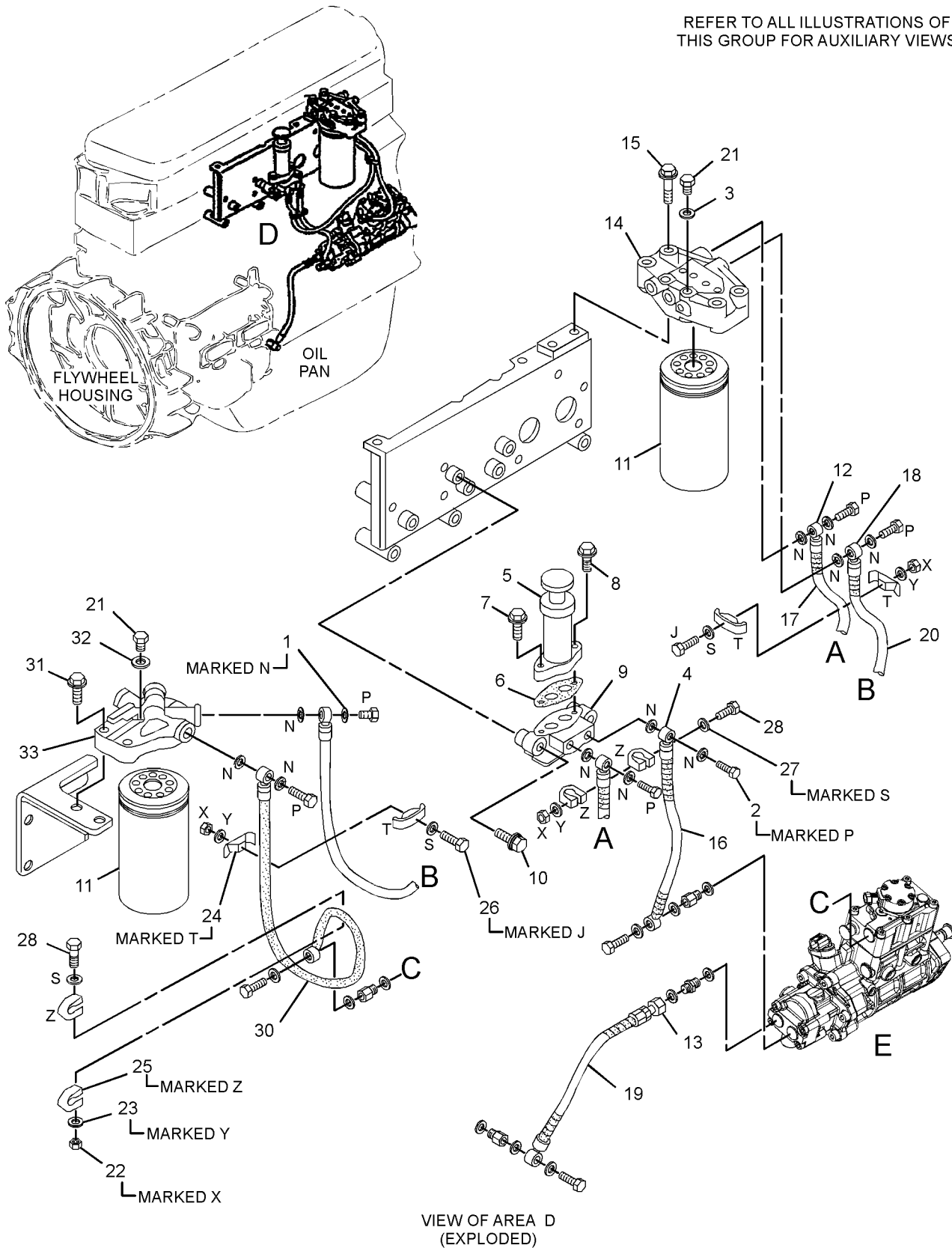
M-METRIC PART

FUEL SYSTEM

305-4745 FILTER GP-FUEL (contd.)

i02989920

REFER TO ALL ILLUSTRATIONS OF THIS GROUP FOR AUXILIARY VIEWS



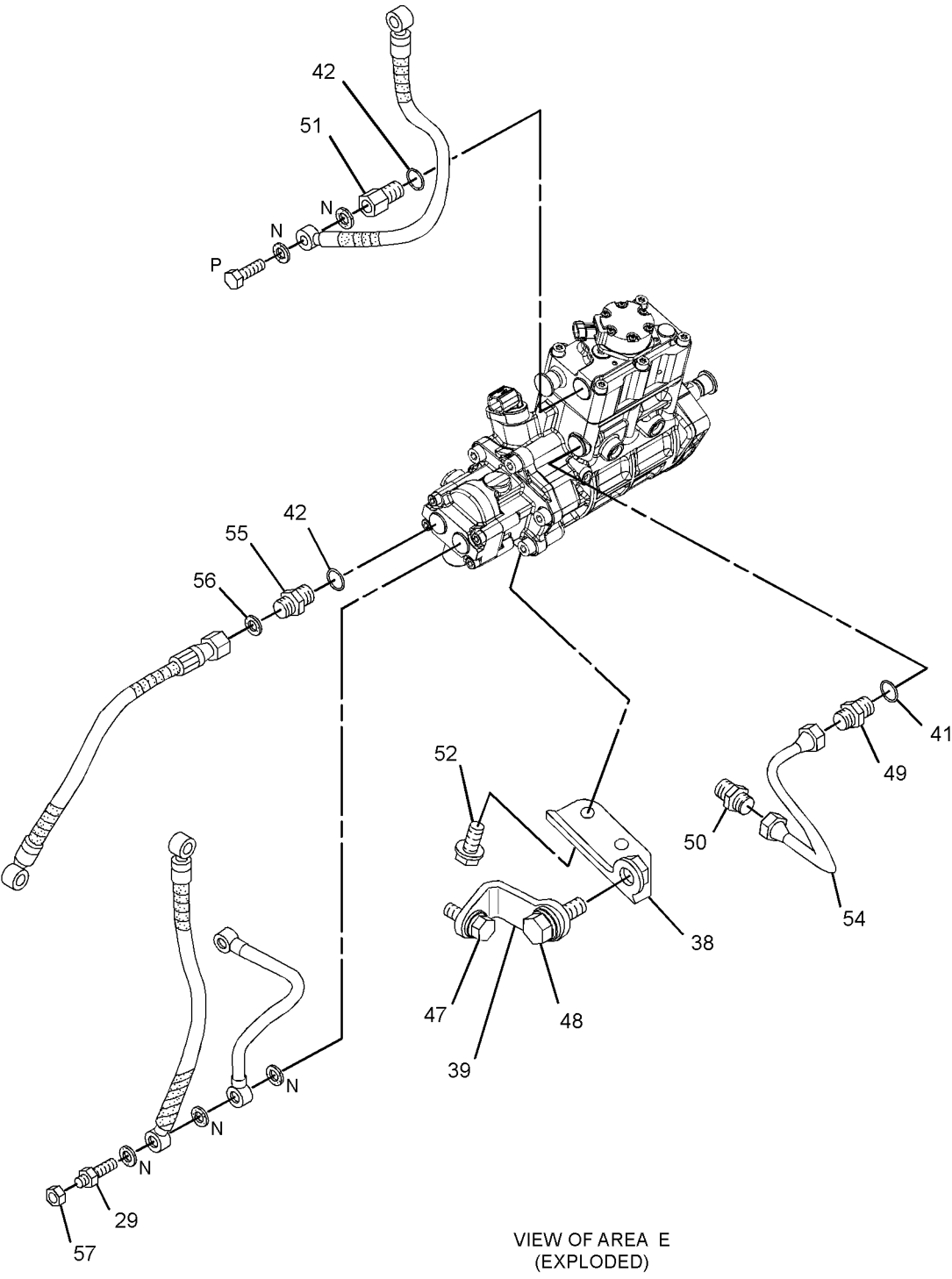
GRAPHIC #1

g01469827

FUEL SYSTEM

305-4745 FILTER GP-FUEL (contd.)

i02989920



VIEW OF AREA E
(EXPLODED)

GRAPHIC #2

<END>

g01469828

FUEL SYSTEM

174-9570 FILTER GP-WATER SEP & FUEL

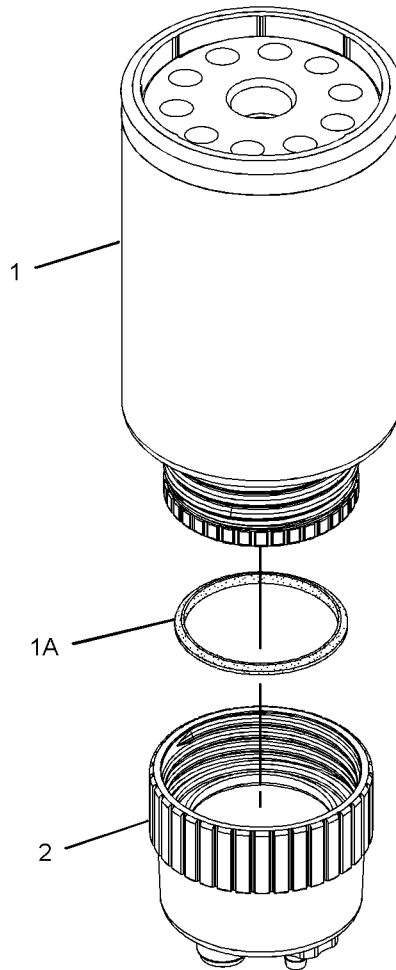
S/N: MGG1-UP; JFZ1-UP

PART OF 273-7735 LINES GP-FUEL

SMCS-1261, 1263

i03181941

NOTE	REF NO	GRAPHIC REF	PART NUMBER	QTY	PART NAME						SEE PAGE
					1	2	3	4	5	6 (PRODUCT LEVEL)	
	1	1	326-1644	1	FILTER AS-WATER SEP & FUEL (PRIMARY)						
	1A	1	220-8678	1	SEAL-RING (FUEL, WATER SEPARATOR)						
	2	1	270-5320	1	BOWL AS (FUEL, WATER SEPARATOR)						



GRAPHIC #1

<END>

g01179858

FUEL SYSTEM

310-9607 INJECTOR GP-FUEL

S/N: GDC1847-UP

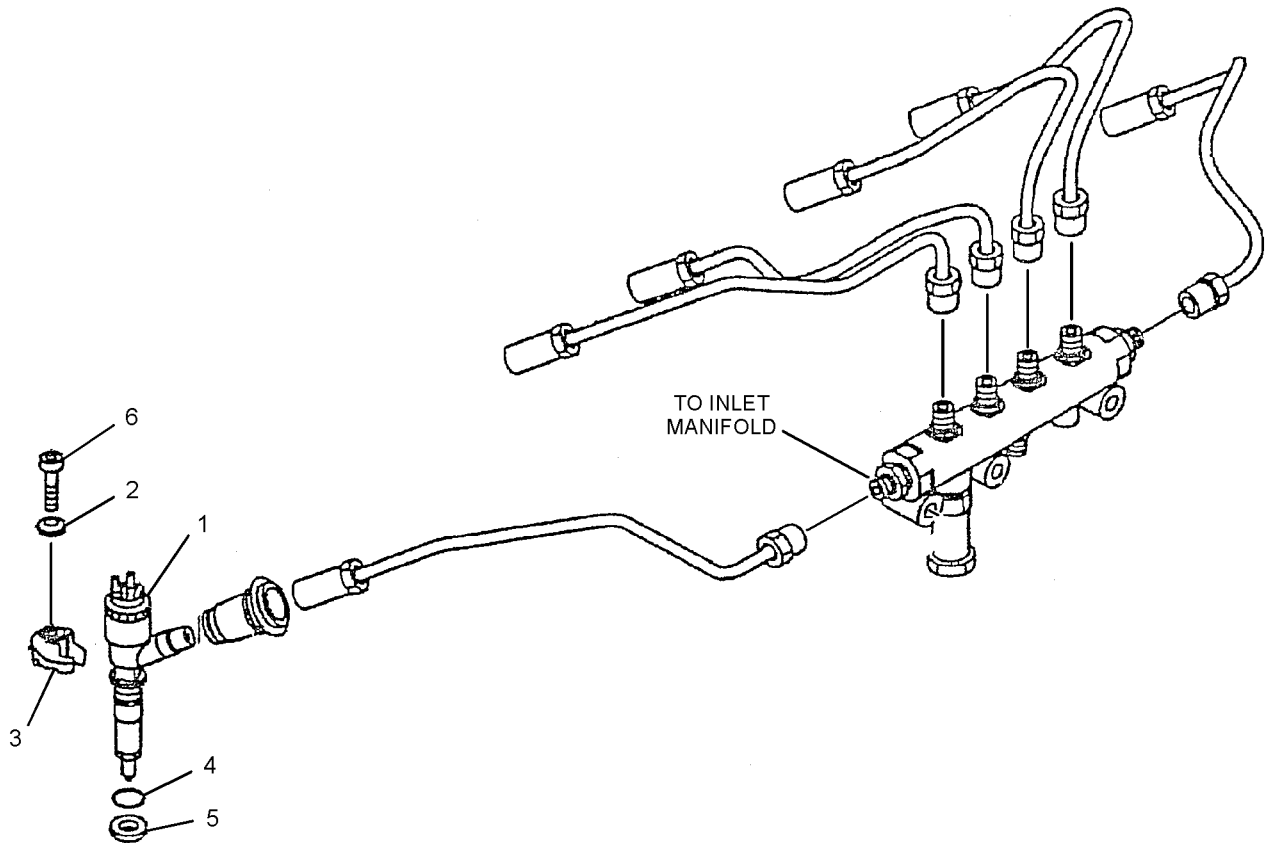
PART OF 272-4683 ENGINE AR
ALSO AN ATTACHMENT

SMCS-1251, 1254, 1290, 1713

i02853608

NOTE	REF NO	GRAPHIC REF	PART NUMBER	QTY	PART NAME						SEE PAGE
					1	2	3	4	5	6 (PRODUCT LEVEL)	
	1	1	295-9130	6	INJECTOR GP-FUEL						
	2	1	294-1796	6	WASHER-SPECIAL						
	3	1	294-1800	6	SUPPORT						
	4	1	294-1803	6	SEAL-O-RING						
	5	1	1R-6573	6	GASKET						
M	6	1	294-1805	6	BOLT (M8X1.25X43-MM)						

M-METRIC PART



GRAPHIC #1

<END>

g01421547

FUEL SYSTEM**273-7735 LINES GP-FUEL**

S/N: MGG1-UP; JFZ1-UP

PART OF 264-8638, 264-8639 CHASSIS AR

SMCS-1274

i03140156

NOTE	REF NO	GRAPHIC REF	PART NUMBER	QTY	PART NAME						SEE PAGE
					1	2	3	4	5	6 (PRODUCT LEVEL)	
	1	1	4I-0379	1	VALVE-MANUAL (DRAIN, FUEL TANK)						
	2	1	5P-7175	1	FITTING-STRAIGHT						
	3	1	003-7764	2	END-HOSE						
	4	1	095-1386	9	CLAMP-HOSE						
	5	1	150-3024	1	ELBOW AS						
		1	3J-1907	1	SEAL-O-RING						
		1	5P-4924	1	ELBOW						
	6	1	170-2901	1	GROMMET						
Y	7	1	174-9570	1	FILTER GP-WATER SEP & FUEL (PRIMARY)						112
	8	1	177-9778	1	BASE AS						
		1	9S-4167	1	STUD-HOLLOW (1-14X1.47-IN)						
	9	1	255-3160	1	HOSE						
	10	1	286-6186	1	SHEET AS						
	11	1	293-6789	1	BRACKET AS						
Y	12	1	298-3147	1	VALVE GP-FUEL SHUTOFF						147
	13	1	134-3299	1	GROMMET						
	14	1	2R-1498	3	GROMMET						
	15	1	3J-1907	5	SEAL-O-RING						
	16	1	5K-8451	13	CLIP						
	17	1	7Y-8167	1	GROMMET						
	18	1	8T-4121	32	WASHER-HARD (11X21X2.5-MM THK)						
M	19	1	8T-4133	1	NUT (M10X1.5-THD)						
M	20	1	8T-4136	4	BOLT (M10X1.5X25-MM)						
M	21	1	8T-4137	22	BOLT (M10X1.5X20-MM)						
M	22	1	135-8572	1	BOLT AS (M12X1.75X20-MM)						
M	23	1	8T-4195	5	BOLT (M10X1.5X30-MM)						
	24	1	6D-4636	3	CLIP						
	25	1	9M-8406	8	CLIP						
	26	1	9S-8004	5	PLUG-O-RING						
E	27	1	5P-1442		HOSE (30-CM)						
E	27A	1	5P-1442		HOSE (160-CM)						
E	27B	1	5P-1442		HOSE (519-CM)						
	28	1	133-5813	2	BAND-MARKER (GRAY, P)						
	29	1	307-7804	1	HOSE AS						
	30	1	307-7803	1	HOSE AS						
	31	1	4I-9521	2	BAND-MARKER (RED, L1)						

E-ORDER BY THE CENTIMETER

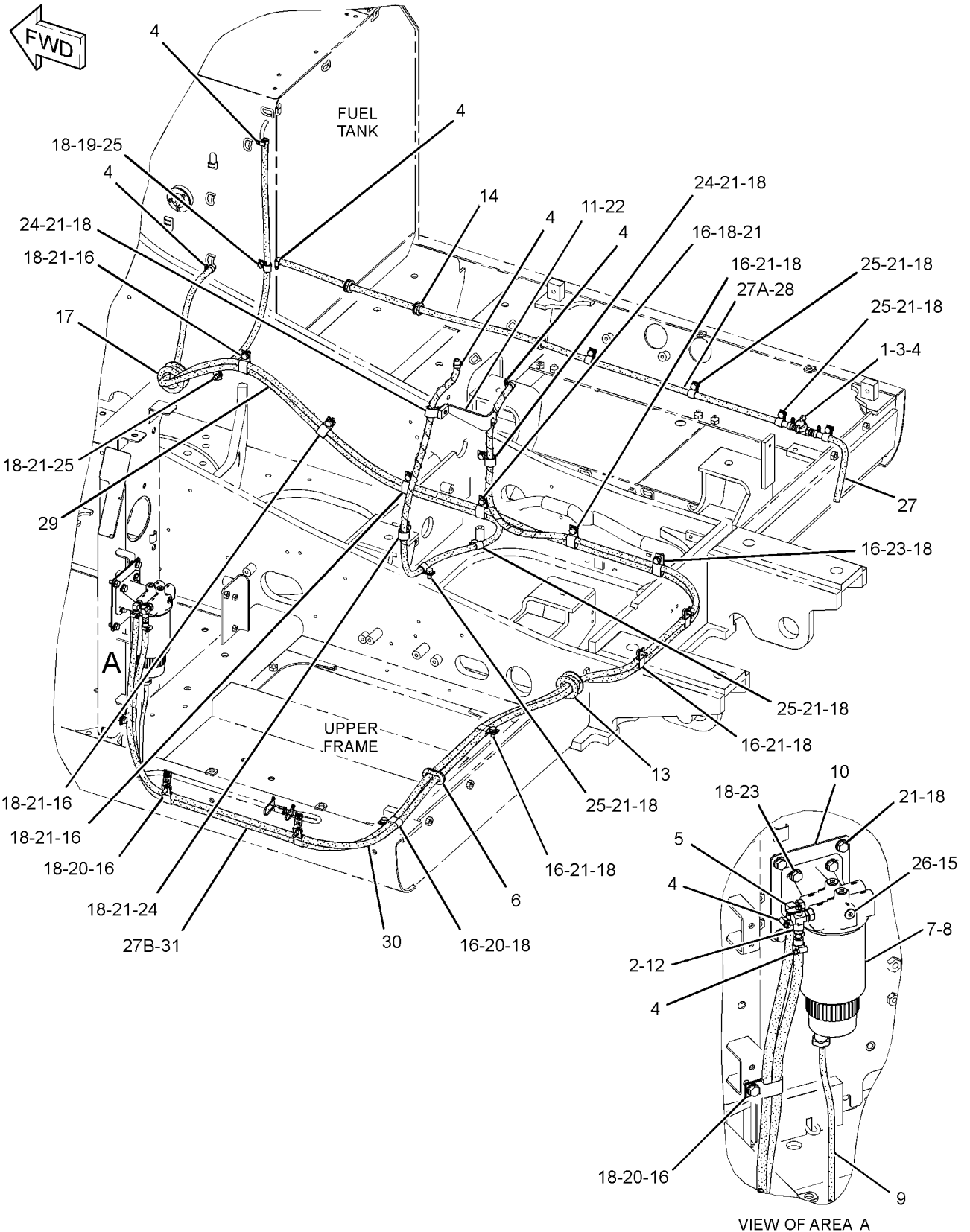
M-METRIC PART

Y-SEPARATE ILLUSTRATION

FUEL SYSTEM

273-7735 LINES GP-FUEL (contd.)

i03140156



GRAPHIC #1

<END>

g01625100

FUEL SYSTEM**296-4656 LINES GP-FUEL**

S/N: GDC1-UP

PART OF 272-4683 ENGINE AR
ALSO AN ATTACHMENT

SMCS-1274

i03039271

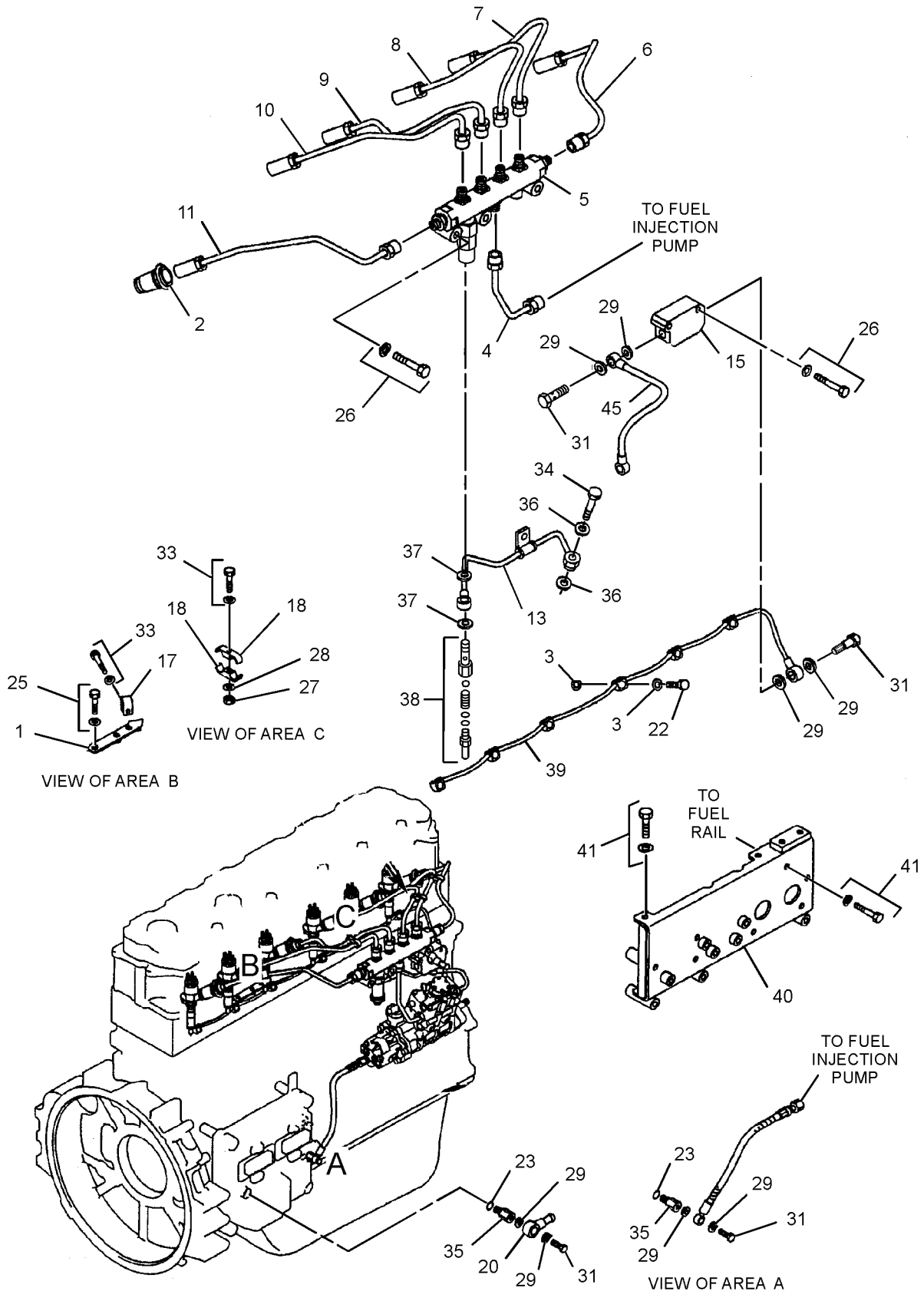
NOTE	REF NO	GRAPHIC REF	PART NUMBER	QTY	PART NAME						SEE PAGE
					1	2	3	4	5	6 (PRODUCT LEVEL)	
	1	1	294-1787	1	SUPPORT						
	2	1	294-1788	6	SEAL						
	3	1	095-2039	12	WASHER-SPECIAL						
	4	1	294-1789	1	PIPE						
	5	1	311-6632	1	RAIL AS-FUEL						
	6	1	294-1790	1	PIPE						
	7	1	294-1791	1	PIPE						
	8	1	294-1792	1	PIPE						
	9	1	294-1793	1	PIPE						
	10	1	294-1794	1	PIPE						
	11	1	294-1795	1	PIPE						
	13	1	297-7656	1	PIPE						
	15	1	297-7658	1	BLOCK						
	17	1	294-1801	1	CLAMP						
	18	1	294-1802	3	CLAMP						
	20	1	125-2983	1	FITTING						
	22	1	296-4812	6	BOLT						
	23	1	294-1804	2	SEAL-O-RING						
	25	1	294-1806	1	BOLT AS						
	26	1	270-6259	5	BOLT (M8X1.25X40-MM)						
M	27	1	5C-2890	3	NUT (M6X1-THD)						
	28	1	9X-8256	3	WASHER (6.6X12X2-MM THK)						
	29	1	099-4437	8	GASKET						
	31	1	099-5041	4	BOLT (M14X1.5X27-MM)						
	33	1	294-1808	4	BOLT AS						
	34	1	294-1809	1	BOLT						
	35	1	310-9533	2	CONNECTOR						
	36	1	294-1811	2	WASHER						
	37	1	294-1812	2	WASHER						
	38	1	310-9537	1	VALVE AS						
	39	1	294-1814	1	PIPE						
	40	1	294-1815	1	BRACKET						
M	41	1	099-2503	6	BOLT (M8X1.25X75.5-MM)						
	45	1	297-7657	1	HOSE						

M-METRIC PART

FUEL SYSTEM

296-4656 LINES GP-FUEL (contd.)

i03039271



GRAPHIC #1

<END>

g01544013

FUEL SYSTEM

297-7671 MOUNTING GP-FUEL FILTER

S/N: MGG1-UP; JFZ1-UP

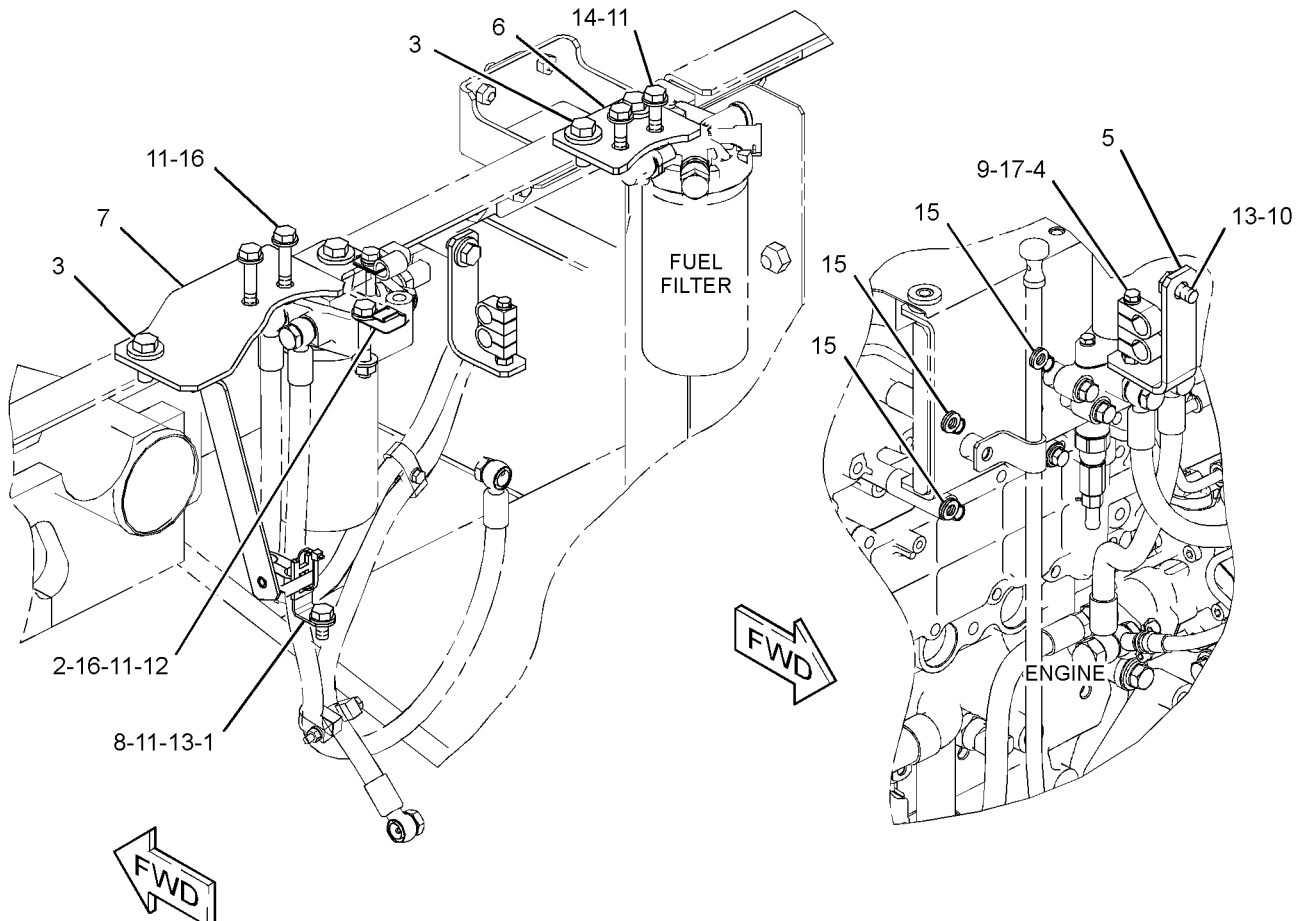
PART OF 272-4742 INSTALLATION AR-ENGINE

SMCS-1261

i03396334

NOTE	REF NO	GRAPHIC REF	PART NUMBER	QTY	PART NAME						SEE PAGE
					1	2	3	4	5	6 (PRODUCT LEVEL)	
	1	1	3S-2093	1	STRAP - CABLE						
	2	1	116-0118	1	CLIP						
BM	3	1	135-8575	4	BOLT AS (M12X1.75X30-MM)						
					-OR-						
BM		1	135-8578	2	BOLT AS (M12X1.75X40-MM)						
	4	1	294-1831	2	CLAMP						
	5	1	297-7672	1	PLATE AS						
	6	1	297-7673	1	PLATE AS						
	7	1	297-7674	1	PLATE AS						
	8	1	132-5789	1	CLIP						
M	9	1	7X-2535	1	BOLT (M6X1X60-MM)						
	10	1	7X-7729	1	WASHER (11X25X3-MM THK)						
	11	1	8T-4121	7	WASHER-HARD (11X21X2.5-MM THK)						
M	12	1	8T-4133	1	NUT (M10X1.5-THD)						
M	13	1	8T-4137	2	BOLT (M10X1.5X20-MM)						
M	14	1	8T-4182	2	BOLT (M10X1.5X45-MM)						
	15	1	8T-4224	6	WASHER-HARD (8.8X16X2-MM THK)						
M	16	1	8T-6466	3	BOLT (M10X1.5X60-MM)						
	17	1	9X-8256	2	WASHER (6.6X12X2-MM THK)						

B-USE AS REQUIRED
M-METRIC PART



GRAPHIC #1

<END>

g01626068

FUEL SYSTEM

305-4678 MOUNTING GP-PUMP-FUEL INJECTION

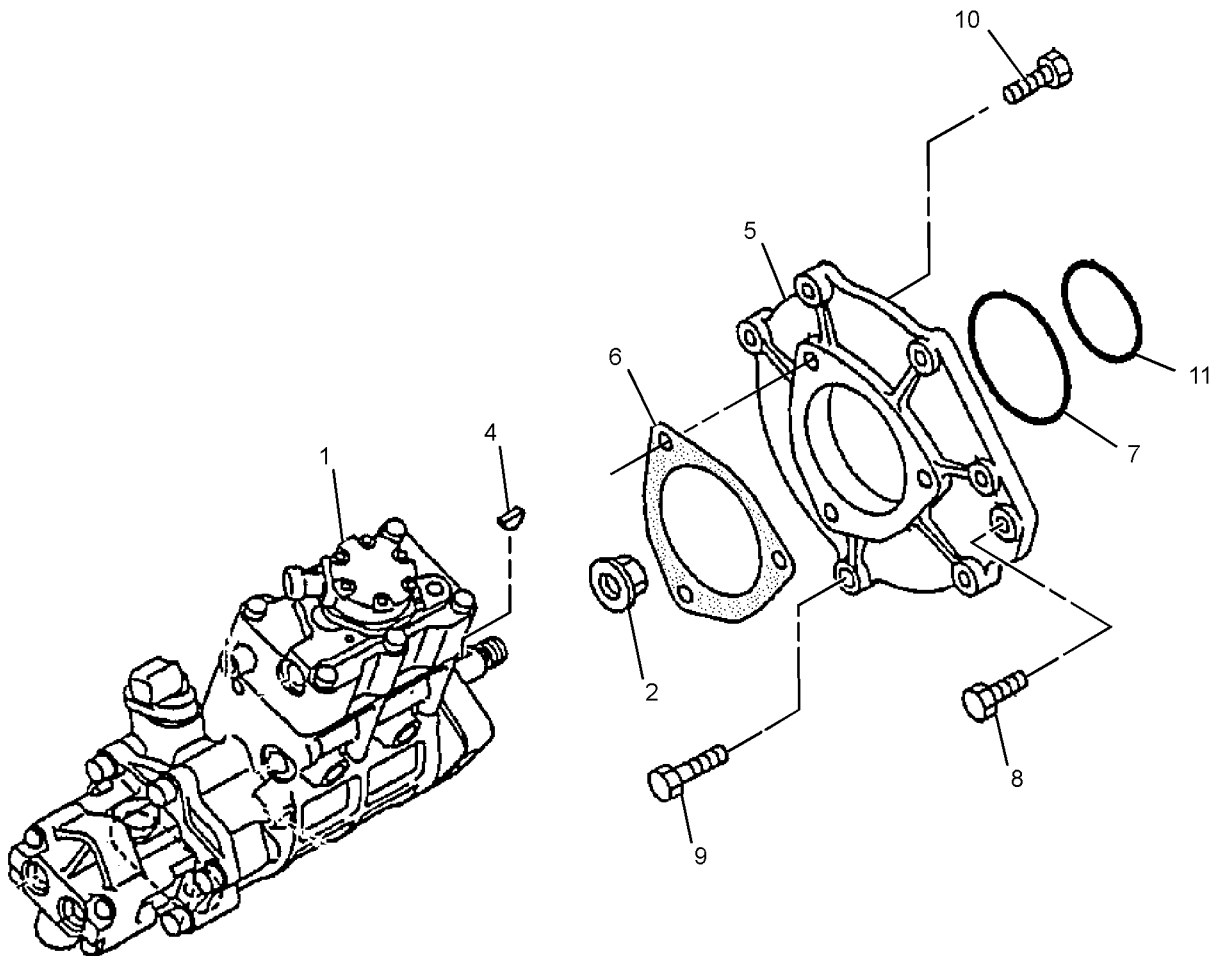
S/N: GDC1847-UP

PART OF 272-4683 ENGINE AR
ALSO AN ATTACHMENT

SMCS - 1256

i03016941

NOTE	REF NO	GRAPHIC REF	PART NUMBER	QTY	PART NAME						SEE PAGE
					1	2	3	4	5	6 (PRODUCT LEVEL)	
YR	1	1	295-9126	1	PUMP GP-FUEL						122
	2	1	294-1834	1	NUT						
	4	1	294-1836	1	KEY-WOODRUFF						
	5	1	294-1839	1	FLANGE						
	6	1	294-1841	1	GASKET						
	7	1	294-1842	1	SEAL-O-RING						
	8	1	095-8799	1	BOLT (M8X1.25X30.5-MM)						
	9	1	294-1843	1	BOLT (M10X1.5X47-MM)						
	10	1	294-1821	3	BOLT (M8X1.25X35.5-MM)						
	11	1	294-1846	1	SEAL-O-RING						

R-REMFG PART MAY BE AVAILABLE
Y-SEPARATE ILLUSTRATION

GRAPHIC #1

<END>

g01527281

FUEL SYSTEM

229-1859 PUMP & MOTOR GP-REFUELING

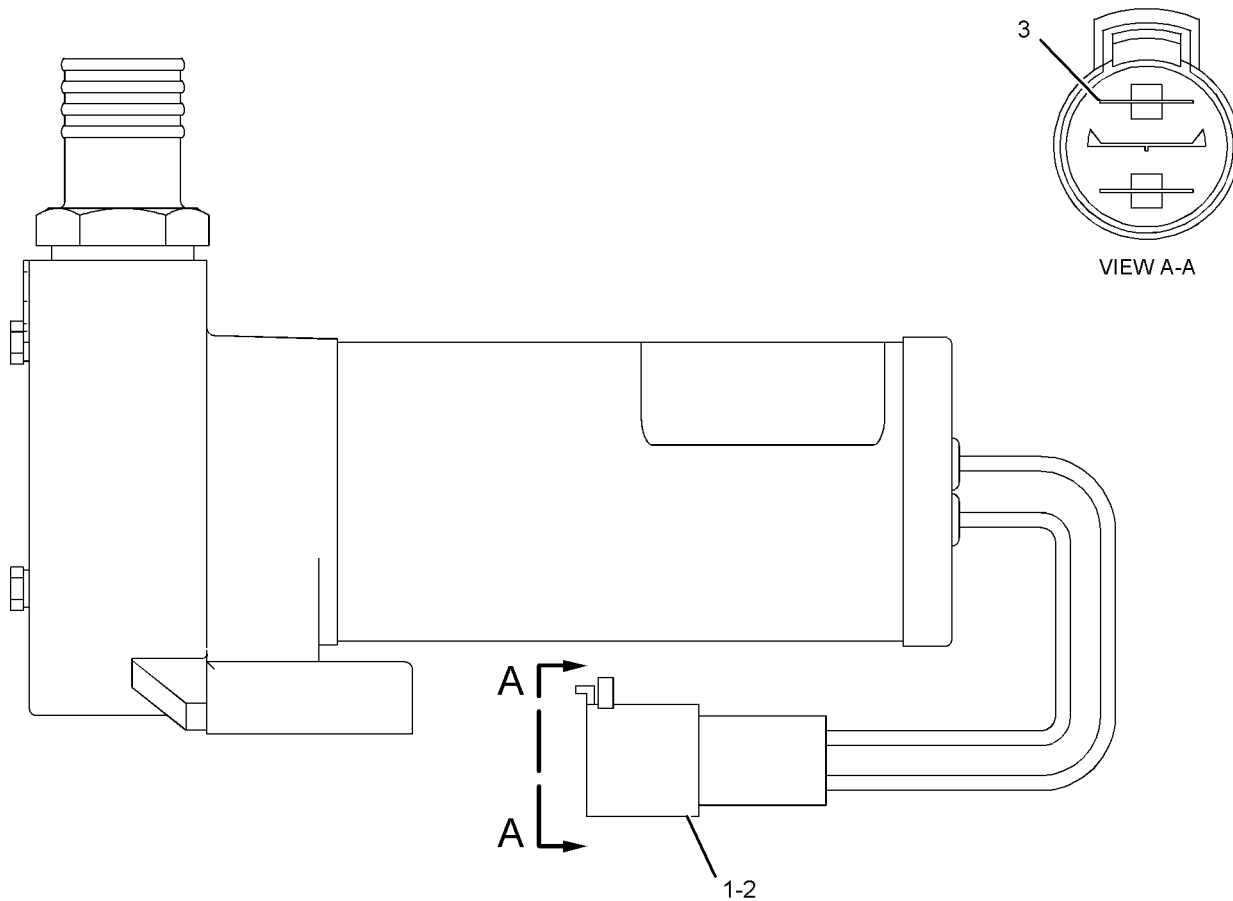
S/N: MGG1-UP; JFZ1-UP

PART OF 229-1785 PUMP GP-REFUELING
AN ATTACHMENT

SMCS-1295

i02282894

NOTE	REF NO	GRAPHIC REF	PART NUMBER	QTY	PART NAME						SEE PAGE
					1	2	3	4	5	6 (PRODUCT LEVEL)	
	1	1	116-0128	1	SEAL						
	2	1	121-1038	1	HOUSING-RECEPTACLE						
	3	1	121-1039	2	TERMINAL (MALE)						



GRAPHIC #1

<END>

g01143198

FUEL SYSTEM**264-8770 PUMP AR-FUEL TRANSFER**S/N: MGG1-UP; JFZ1-UP
AN ATTACHMENT

SMCS - 1256

i02755832

NOTE	PART NUMBER	QTY	PART NAME						SEE PAGE
			1	2	3	4	5	6 (PRODUCT LEVEL)	
Y	229-1785	1	PUMP GP-REFUELING						123
Y	278-3900	1	TANK & MTG GP-FUEL						129
Y	238-1570	1	WIRING GP-FUEL SYSTEM (REFUELING)						236
Y-SEPARATE ILLUSTRATION									

<END>

FUEL SYSTEM

295-9126 PUMP GP-FUEL

S/N: GDC1847-UP

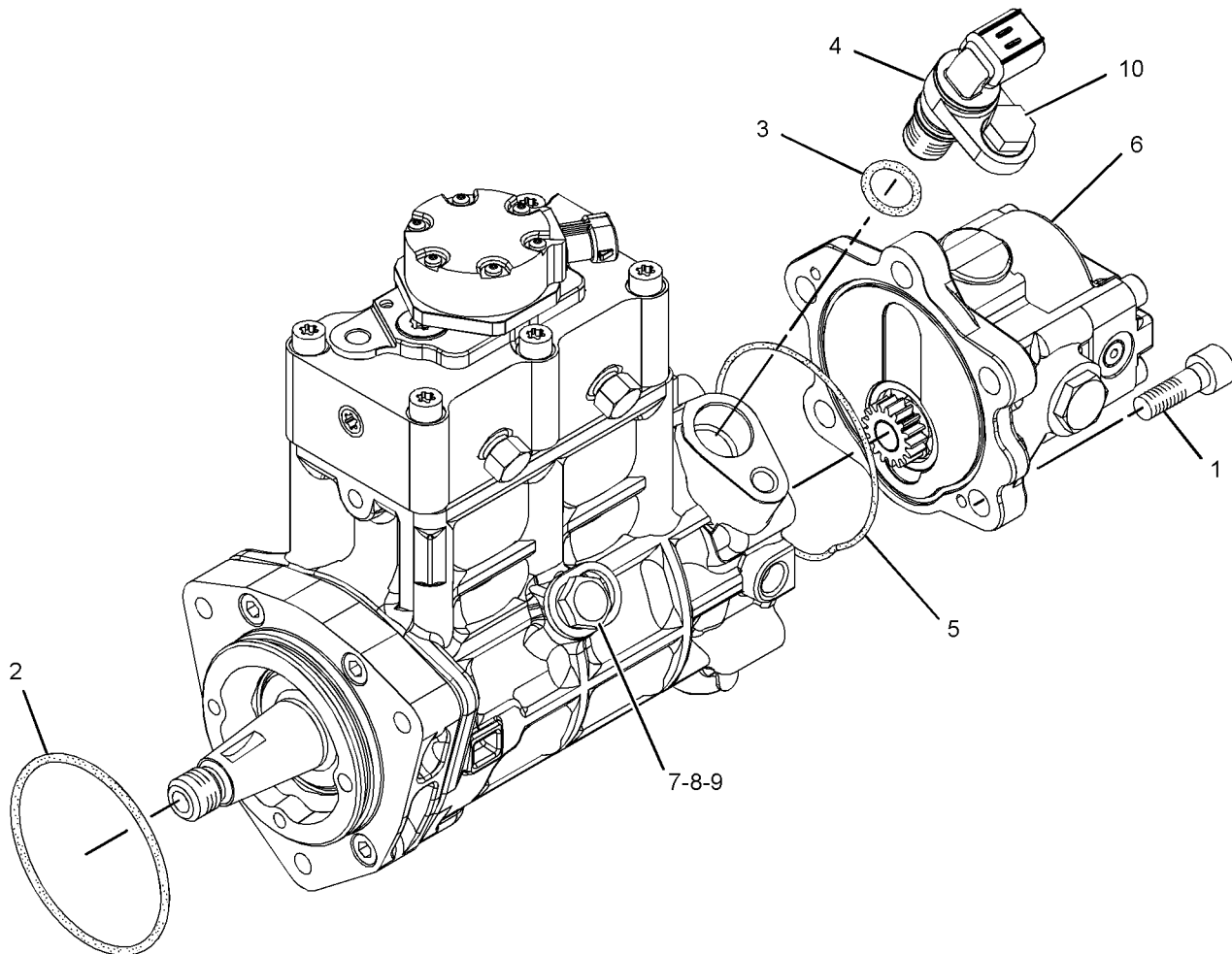
PART OF 305-4678 MOUNTING GP-PUMP
ALSO AN ATTACHMENT

SMCS - 1256

i02989972

NOTE	REF NO	GRAPHIC REF	PART NUMBER	QTY	PART NAME						SEE PAGE
					1	2	3	4	5	6	
M	1	1	5A-3604	5	BOLT-SOCKET HEAD (M8X1.25X25-MM)						
	2	1	6D-7889	1	SEAL-O-RING						
	3	1	117-1385	1	SEAL-O-RING						
	4	1	238-0120	1	SENSOR GP-SPEED (SECONDARY, TIMING)						
	5	1	247-6019	1	SEAL						
	6	1	292-3751	1	PUMP GP-FUEL TRANSFER						
	7	1	294-3031	1	BOLT						
	8	1	294-3032	1	WASHER						
	9	1	8L-2779	1	SEAL-O-RING						
M	10	1	8T-4200	1	BOLT (M8X1.25X16-MM)						

M-METRIC PART



GRAPHIC #1

<END>

g01445184

FUEL SYSTEM**229-1785 PUMP GP-REFUELING**

S/N: MGG1-UP; JFZ1-UP

PART OF 264-8770 PUMP AR-FUEL TRANSFER

AN ATTACHMENT

TYPE 1

SMCS-1295

i02535650

NOTE	REF NO	GRAPHIC REF	PART NUMBER	QTY	PART NAME						SEE PAGE
					1	2	3	4	5	6 (PRODUCT LEVEL)	
Y	1	1	5C-6108	1	SWITCH GP-REFUELING (FUEL TANK SHUTOFF)						206
	2	1	7K-1181	1	STRAP-CABLE						
	3	1	9M-7958	4	CLAMP-HOSE						
	4	1	120-5114	1	FILM-INSTRUCTION (REFUELING PUMP)						
	5	1	122-4021	1	COVER						
M	6	1	135-8572	2	BOLT AS (M12X1.75X20-MM)						
M	7	1	135-8573	4	BOLT AS (M12X1.75X25-MM)						
Y	8	1	229-1859	1	PUMP & MOTOR GP-REFUELING						120
	9	1	229-1860	1	STRAINER AS-FUEL						
	10	1	229-1861	1	CONNECTOR-HOSE						
	11	1	240-3920	1	SUPPORT AS						
M	12	1	8T-4194	2	BOLT (M12X1.75X50-MM)						
	13	1	8T-4223	4	WASHER-HARD (13.5X25.5X3-MM THK)						
M	14	1	8T-4244	2	NUT (M12X1.75-THD)						
E	15	1	229-1857		HOSE (430-CM)						
E	15A	1	229-1857		HOSE (38-CM)						

E-ORDER BY THE CENTIMETER

M-METRIC PART

Y-SEPARATE ILLUSTRATION

FUEL SYSTEM**229-1785 PUMP GP-REFUELING**

S/N: MGG1-UP; JFZ1-UP

PART OF 264-8770 PUMP AR-FUEL TRANSFER

AN ATTACHMENT

TYPE 2

SMCS-1295

i03133824

NOTE	REF NO	GRAPHIC REF	PART NUMBER	QTY	PART NAME						SEE PAGE
					1	2	3	4	5	6 (PRODUCT LEVEL)	
C	1	1	312-2645	1	SWITCH AS-LIQUID LEVEL (FUEL TANK SHUTOFF)						
		1	2S-4078	1	SEAL-O-RING						
		1	186-3735	2	PIN-CONNECTOR (16-GA TO 18-GA)						
		1	243-4505	1	RECEPTACLE AS-CONNECTOR (2-PIN)						
	2	1	7K-1181	1	STRAP-CABLE						
	3	1	9M-7958	4	CLAMP-HOSE						
	4	1	120-5114	1	FILM-INSTRUCTION (REFUELING PUMP)						
C	5	1	324-5761	1	COVER AS						
M	6	1	135-8572	2	BOLT AS (M12X1.75X20-MM)						
M	7	1	135-8573	4	BOLT AS (M12X1.75X25-MM)						
Y	8	1	229-1859	1	PUMP & MOTOR GP-REFUELING						120
	9	1	229-1860	1	STRAINER AS-FUEL						
	10	1	229-1861	1	CONNECTOR-HOSE						
	11	1	240-3920	1	SUPPORT AS						
M	12	1	8T-4194	2	BOLT (M12X1.75X50-MM)						
	13	1	8T-4223	4	WASHER-HARD (13.5X25.5X3-MM THK)						
M	14	1	8T-4244	2	NUT (M12X1.75-THD)						
E	15	1	229-1857		HOSE (430-CM)						
E	15A	1	229-1857		HOSE (38-CM)						

C-CHANGE FROM PREVIOUS TYPE

E-ORDER BY THE CENTIMETER

M-METRIC PART

Y-SEPARATE ILLUSTRATION

FUEL SYSTEM

262-9372 STRAINER GP-FUEL-FLOAT GAUGE

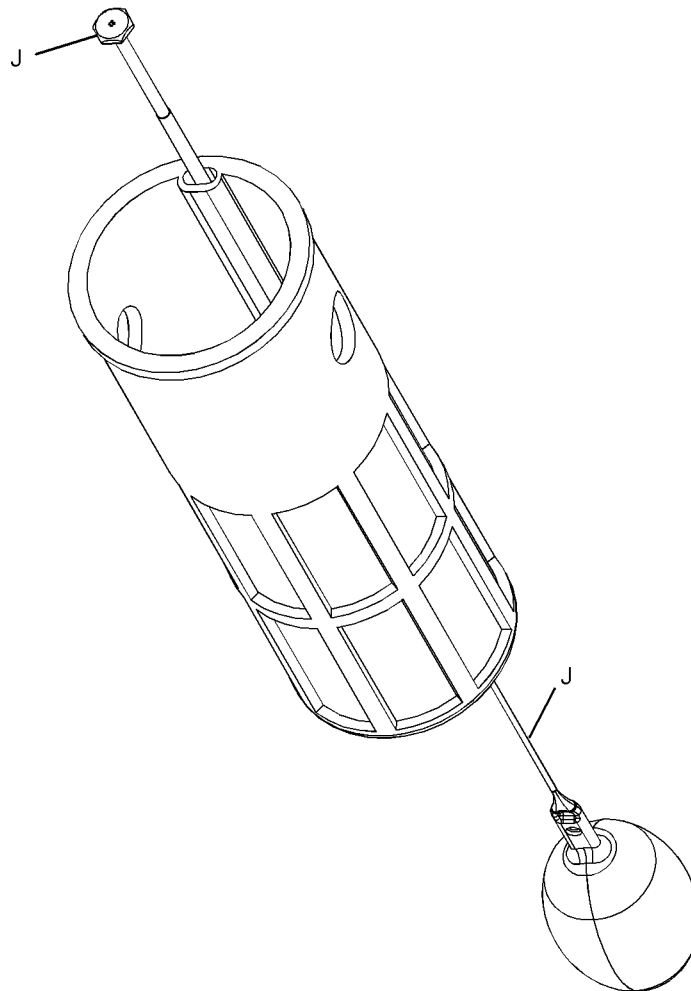
S/N: MGG1-UP; JFZ1-UP

PART OF 278-3898, 278-3899, 278-3902, 278-3903 TANK GP-FUEL
ALSO AN ATTACHMENT

SMCS-1261

i03201697

NOTE	REF NO	GRAPHIC REF	PART NUMBER	QTY	PART NAME 1 2 3 4 5 6 (PRODUCT LEVEL)	SEE PAGE
INDIVIDUAL PARTS ARE NOT SERVICED SEPARATELY						
AVAILABLE REPAIR KIT(S):						
J			278-3970	1	KIT-GAUGE (FUEL STRAINER)	
J-KIT MARKED J SERVICES PART(S) MARKED J IN GRAPHIC						



GRAPHIC #1

<END>

g01387510

FUEL SYSTEM

278-3896 TANK & MTG GP-FUEL

S/N: MGG1-UP; JFZ1-UP

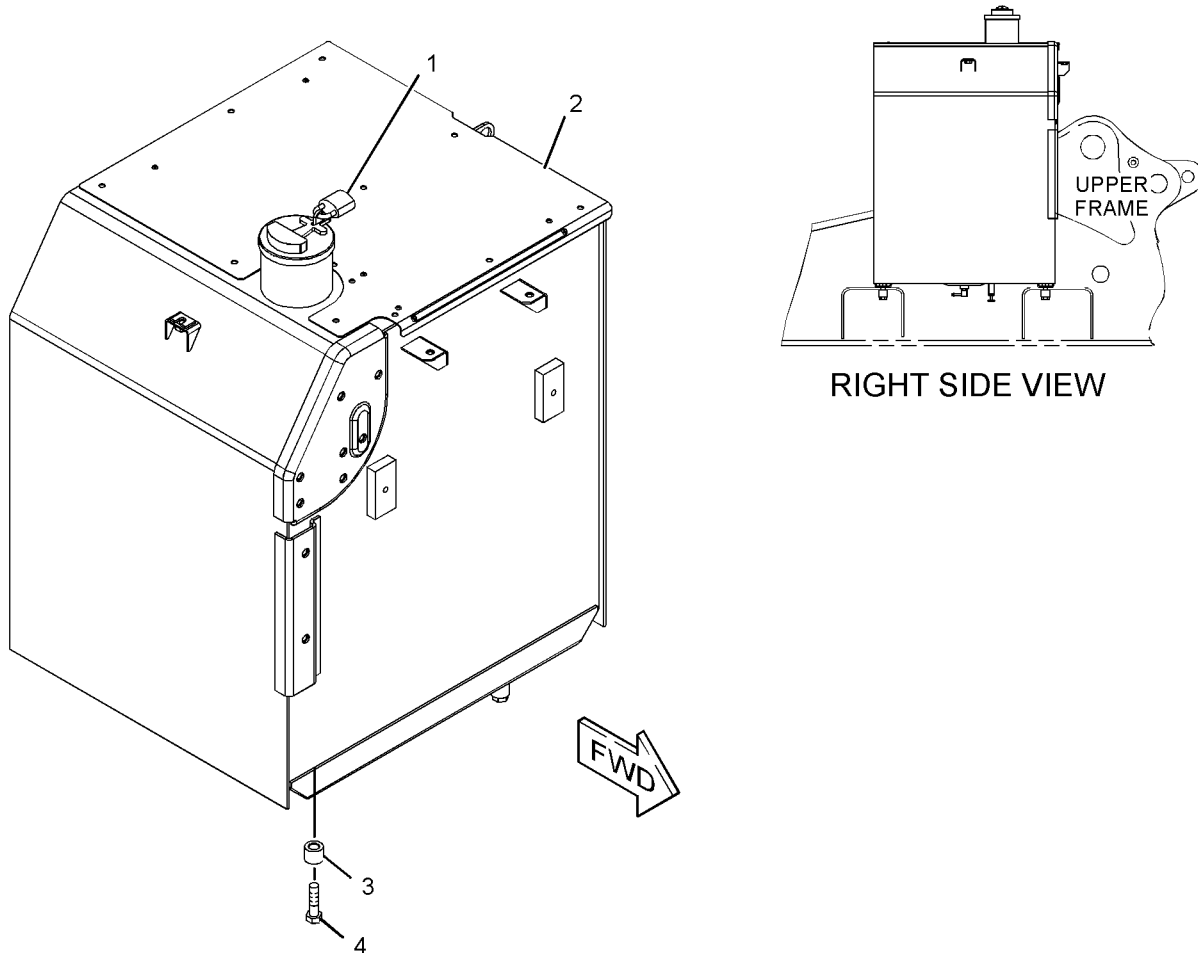
PART OF 264-8638, 264-8639 CHASSIS AR

SMCS-1273

i02751995

NOTE	REF NO	GRAPHIC REF	PART NUMBER	QTY	PART NAME						SEE PAGE
					1	2	3	4	5	6 (PRODUCT LEVEL)	
	1	1	246-2641	1	PADLOCK GP						
		1	5P-8500	1	KEY						
Y	2	1	278-3897	1	TANK GP-FUEL						130
	3	1	085-9310	4	SPACER (16.6X32X26-MM THK)						
M	4	1	8T-4140	4	BOLT (M16X2X60-MM)						

M-METRIC PART
Y-SEPARATE ILLUSTRATION



GRAPHIC #1

<END>

g01290132

FUEL SYSTEM

278-3900 TANK & MTG GP-FUEL

S/N: MGG1-UP; JFZ1-UP

PART OF 264-8770 PUMP AR-FUEL TRANSFER
AN ATTACHMENT

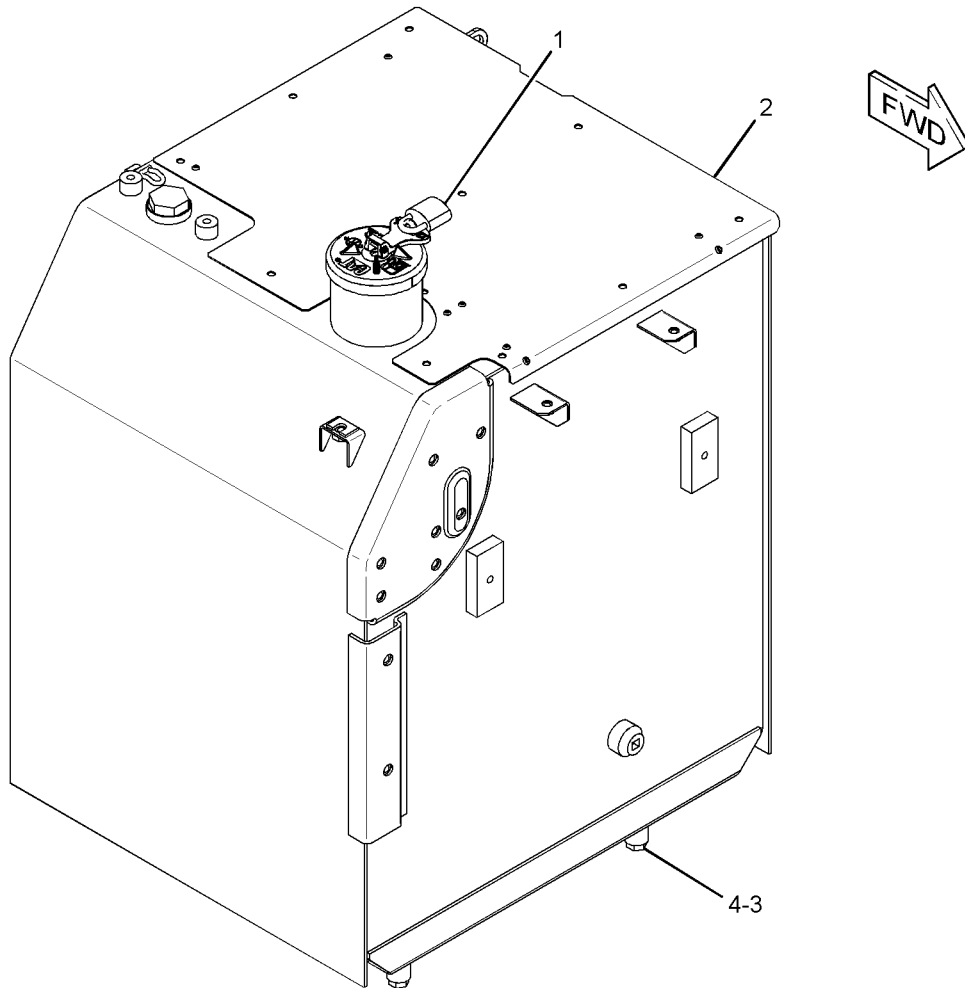
SMCS-1273

i02755839

NOTE	REF NO	GRAPHIC REF	PART NUMBER	QTY	PART NAME						SEE PAGE
					1	2	3	4	5	6 (PRODUCT LEVEL)	
	1	1	246-2641	1	PADLOCK GP						
		1	5P-8500	1	KEY						
Y	2	1	278-3901	1	TANK GP-FUEL						138
	3	1	085-9310	4	SPACER (16.6X32X26-MM THK)						
M	4	1	8T-4140	4	BOLT (M16X2X60-MM)						

M-METRIC PART

Y-SEPARATE ILLUSTRATION



GRAPHIC #1

<END>

g01381022

FUEL SYSTEM**278-3897 TANK GP-FUEL**

S/N: MGG1-UP; JFZ1-UP

410-L (108.3-US GAL)

PART OF 278-3896 TANK & MTG GP-FUEL

SMCS-1273

i03023921

NOTE	PART NUMBER	QTY	PART NAME						SEE PAGE
			1	2	3	4	5	6 (PRODUCT LEVEL)	
Y	278-3898	1	TANK GP-FUEL						131
			-OR-						
Y	278-3899	1	TANK GP-FUEL						134
Y-SEPARATE ILLUSTRATION									

<END>

FUEL SYSTEM

278-3898 TANK GP-FUEL

S/N: MGG1-UP; JFZ1-UP

410-L (108.3-US GAL)

PART OF 278-3897 TANK GP-FUEL

TYPE 1

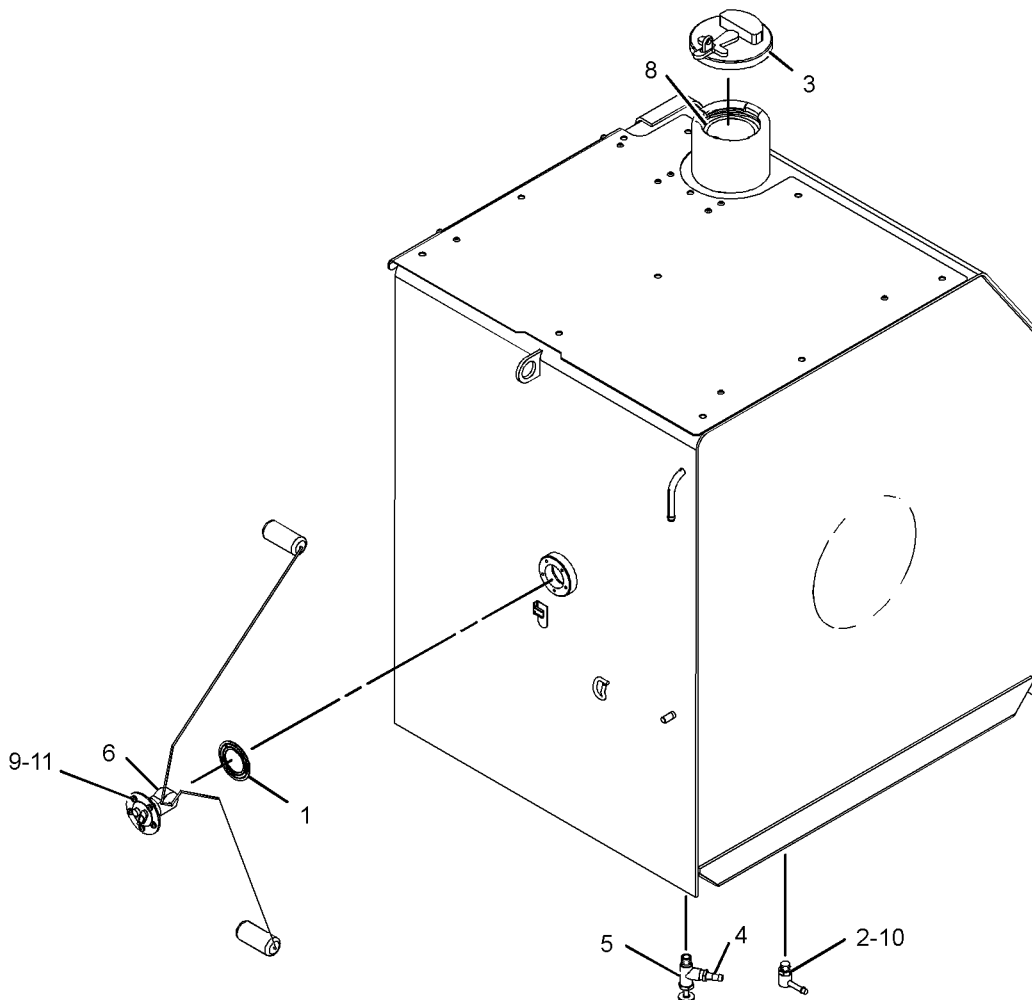
SMCS-1273

i03140261

NOTE	REF NO	GRAPHIC REF	PART NUMBER	QTY	PART NAME						SEE PAGE
					1	2	3	4	5	6 (PRODUCT LEVEL)	
	1	1	4I-0378	1	GASKET-RUBBER						
	2	1	5P-4924	1	ELBOW						
Y	3	1	164-4858	1	CAP GP-FUEL FILLER (EXTREME SERVICE, LOCKABLE)						108
	4	1	003-7764	1	END-HOSE						
	5	1	128-4411	1	VALVE AS (FUEL SHUTOFF)						
	6	1	163-6700	1	SENSOR GP-FUEL LEVEL						
		1	186-3735	2	PIN-CONNECTOR (16-GA TO 18-GA)						
		1	102-8802	1	KIT-RECEPTACLE (2-PIN) (INCLUDES RECEPTACLE AS & WEDGE)						
Y	8	1	262-9372	1	STRAINER GP-FUEL (FLOAT GAUGE)						127
M	9	1	095-0736	5	SCREW-MACHINE (M5X0.8X10-MM)						
	10	1	3J-1907	1	SEAL-O-RING						
	11	1	8T-0328	5	WASHER-HARD (5.5X10X1-MM THK)						

M-METRIC PART

Y-SEPARATE ILLUSTRATION



GRAPHIC #1

<END>

g01392222

FUEL SYSTEM**278-3898 TANK GP-FUEL**

S/N: MGG1-UP; JFZ1-UP

410-L (108.3-US GAL)

PART OF 278-3897 TANK GP-FUEL

TYPE 2

SMCS-1273

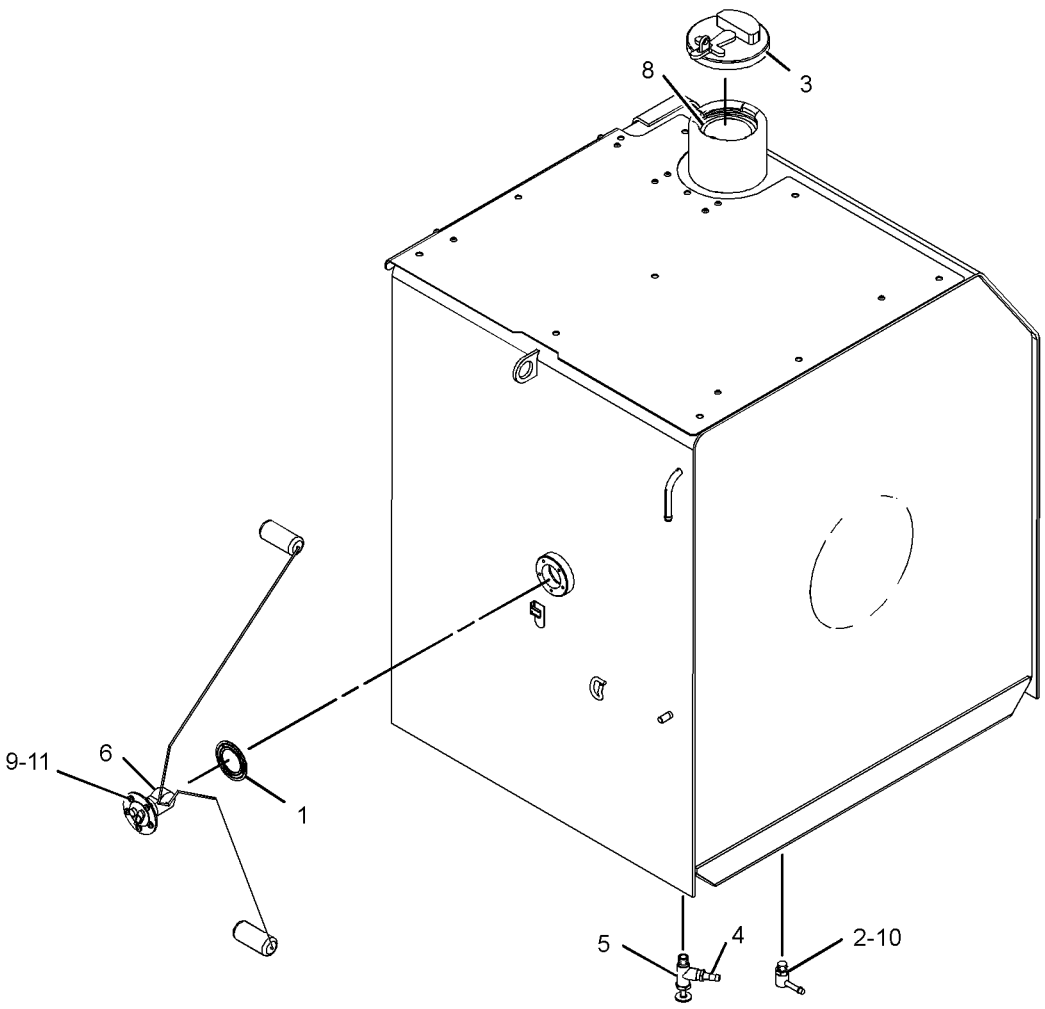
i03187218

NOTE	REF NO	GRAPHIC REF	PART NUMBER	QTY	PART NAME						SEE PAGE
					1	2	3	4	5	6 (PRODUCT LEVEL)	
	1	1	4I-0378	1	GASKET-RUBBER						
	2	1	5P-4924	1	ELBOW						
Y	3	1	164-4858	1	CAP GP-FUEL FILLER (EXTREME SERVICE, LOCKABLE)						108
	4	1	003-7764	1	END-HOSE						
	5	1	128-4411	1	VALVE AS (FUEL SHUTOFF)						
	6	1	163-6700	1	SENSOR GP-FUEL LEVEL						
		1	186-3735	2	PIN-CONNECTOR (16-GA TO 18-GA)						
		1	102-8802	1	KIT-RECEPTACLE (2-PIN) (INCLUDES RECEPTACLE AS & WEDGE)						
CJ	8	1	303-9933	1	STRAINER AS-FUEL (FLOAT GAUGE)						
M	9	1	095-0736	5	SCREW-MACHINE (M5X0.8X10-MM)						
	10	1	3J-1907	1	SEAL-O-RING						
	11	1	8T-0328	5	WASHER-HARD (5.5X10X1-MM THK)						
					AVAILABLE REPAIR KIT(S):						
J			303-9937	1	KIT-GAUGE (FUEL STRAINER) (INCLUDES STOPPER & GAUGE)						
C-CHANGE FROM PREVIOUS TYPE											
J-(NULL)											
M-METRIC PART											
Y-SEPARATE ILLUSTRATION											

FUEL SYSTEM

278-3898 TANK GP-FUEL (contd.)

i03187218



GRAPHIC #1

<END>

g01392222

FUEL SYSTEM**278-3899 TANK GP-FUEL**

S/N: MGG1-UP; JFZ1-UP

410-L (108.3-US GAL)

PART OF 278-3897 TANK GP-FUEL

TYPE 1

SMCS-1273

i02769142

NOTE	REF NO	GRAPHIC REF	PART NUMBER	QTY	PART NAME						SEE PAGE
					1	2	3	4	5	6 (PRODUCT LEVEL)	
	1	1	4I-0378	1	GASKET-RUBBER						
	2	1	5P-4924	1	ELBOW						
J	3	1	7X-7700	1	CAP AS-FILLER (FUEL TANK)						
		1	9X-8600	1	SEAL-O-RING						
	4	1	003-7764	1	END-HOSE						
	5	1	128-4411	1	VALVE AS (FUEL SHUTOFF)						
	6	1	163-6700	1	SENSOR GP-FUEL LEVEL						
		1	186-3735	2	PIN-CONNECTOR (16-GA TO 18-GA)						
		1	102-8802	1	KIT-RECEPTACLE (2-PIN)						
Y	7	1	262-9372	1	STRAINER GP-FUEL (FLOAT GAUGE)						127
Z	8	1		1	TANK AS-FUEL						
M	9	1	095-0736	5	SCREW-MACHINE (M5X0.8X10-MM)						
	10	1	3J-1907	1	SEAL-O-RING						
	11	1	8T-0328	5	WASHER-HARD (5.5X10X1-MM THK)						
					AVAILABLE REPAIR KIT(S):						
J			9X-2205	1	KIT-CAP FILTER (FUEL TANK)						
					(INCLUDES FILTER AS, VALVE, 2 SCREWS & 4 GASKETS)						

J-KIT MARKED J AVAILABLE FOR PART MARKED J

M-METRIC PART

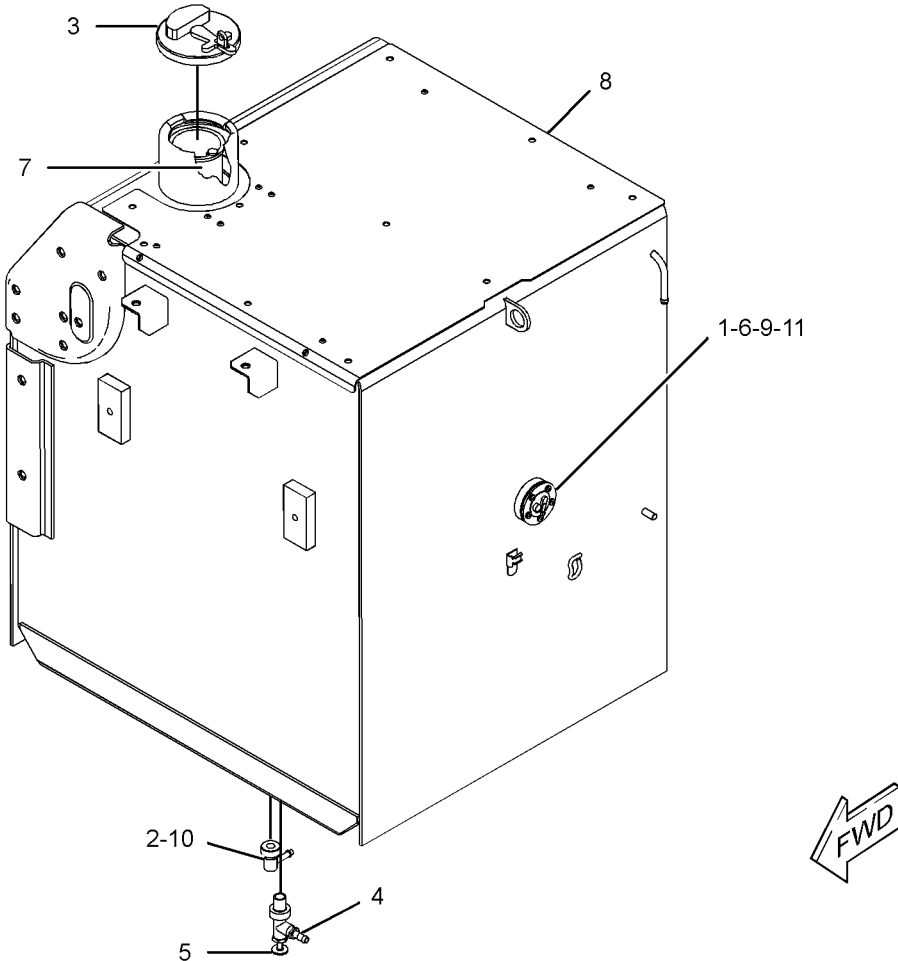
Y-SEPARATE ILLUSTRATION

Z-NOT SERVICED SEPARATELY

FUEL SYSTEM

278-3899 TANK GP-FUEL (contd.)

i02769142



GRAPHIC #1

<END>

g01303127

FUEL SYSTEM**278-3899 TANK GP-FUEL**

S/N: MGG1-UP; JFZ1-UP

410-L (108.3-US GAL)

PART OF 278-3897 TANK GP-FUEL

TYPE 2

SMCS-1273

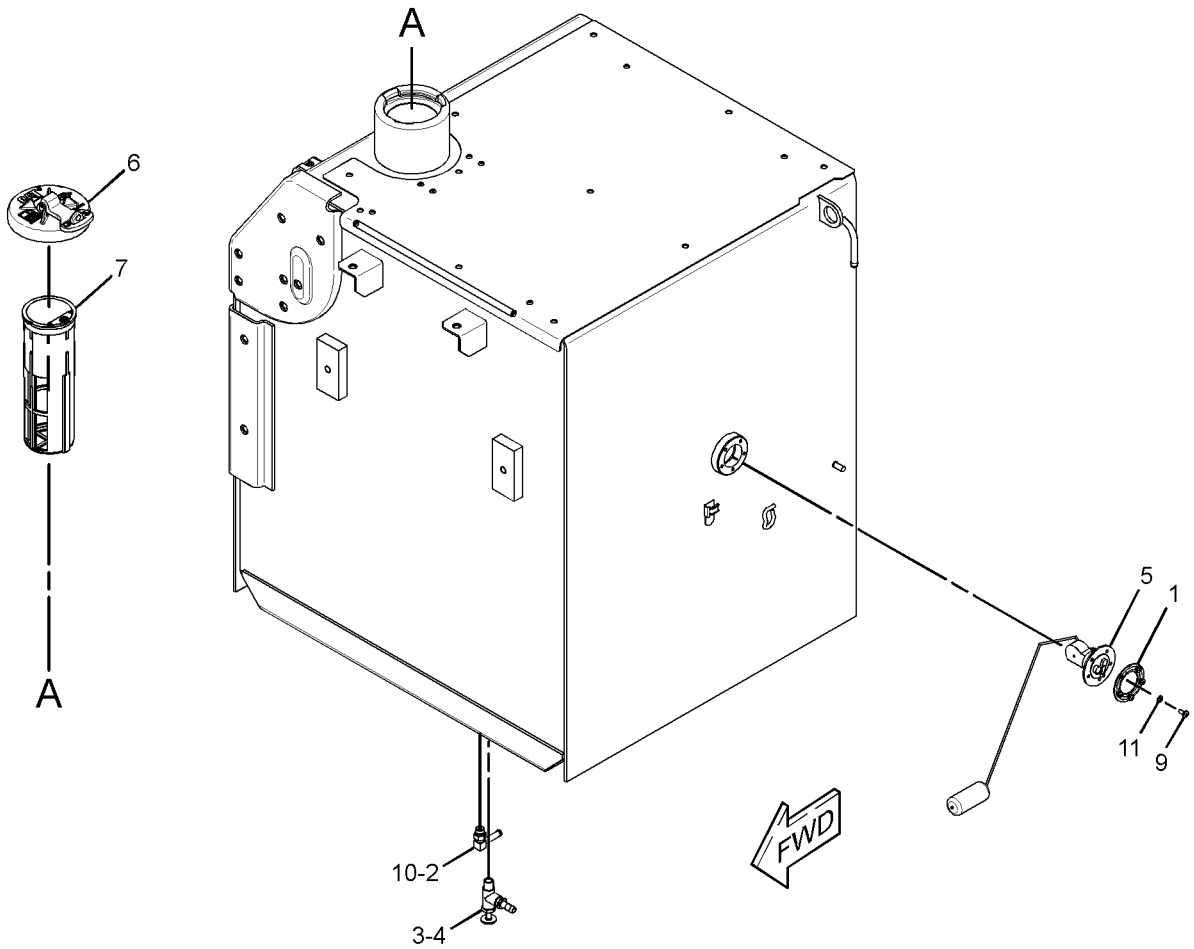
i03034044

NOTE	REF NO	GRAPHIC REF	PART NUMBER	QTY	PART NAME						SEE PAGE
					1	2	3	4	5	6 (PRODUCT LEVEL)	
	1	1	4I-0378	1	GASKET-RUBBER						
	2	1	5P-4924	1	ELBOW						
	3	1	003-7764	1	END-HOSE						
	4	1	128-4411	1	VALVE AS (FUEL SHUTOFF)						
	5	1	163-6700	1	SENSOR GP-FUEL LEVEL						
		1	186-3735	2	PIN-CONNECTOR (16-GA TO 18-GA)						
		1	102-8802	1	KIT-RECEPTACLE (2-PIN)						
					(INCLUDES RECEPTACLE AS & WEDGE)						
Y	6	1	164-4858	1	CAP GP-FUEL FILLER (EXTREME SERVICE, LOCKABLE)						108
CJ	7	1	303-9933	1	STRAINER AS-FUEL (FLOAT GAUGE)						
M	9	1	095-0736	5	SCREW-MACHINE (M5X0.8X10-MM)						
	10	1	3J-1907	1	SEAL-O-RING						
	11	1	8T-0328	5	WASHER-HARD (5.5X10X1-MM THK)						
					AVAILABLE REPAIR KIT(S):						
J			303-9937	1	KIT-GAUGE (FLOAT)						
					(INCLUDES STOPPER & GAUGE FLOAT)						
C-CHANGE FROM PREVIOUS TYPE											
J-KIT MARKED J SERVICES PART(S) MARKED J											
M-METRIC PART											
Y-SEPARATE ILLUSTRATION											

FUEL SYSTEM

278-3899 TANK GP-FUEL (contd.)

i03034044



GRAPHIC #1

<END>

g01528234

FUEL SYSTEM**278-3901 TANK GP-FUEL**

S/N: MGG1-UP; JFZ1-UP

410-L (108.3-US GAL)

PART OF 278-3900 TANK & MTG GP-FUEL
AN ATTACHMENT

SMCS-1273

i02755870

NOTE	PART NUMBER	QTY	PART NAME						SEE PAGE
			1	2	3	4	5	6 (PRODUCT LEVEL)	
Y	278-3902	1	TANK GP-FUEL						139
			-OR-						
Y	278-3903	1	TANK GP-FUEL						143
Y-SEPARATE ILLUSTRATION									

<END>

FUEL SYSTEM**278-3902 TANK GP-FUEL**

S/N: MGG1-UP; JFZ1-UP

410-L (108.3-US GAL)

PART OF 278-3901 TANK GP-FUEL

AN ATTACHMENT

TYPE 1

SMCS-1273

i02995424

NOTE	REF NO	GRAPHIC REF	PART NUMBER	QTY	PART NAME						SEE PAGE
					1	2	3	4	5	6 (PRODUCT LEVEL)	
	1	1	4I-0378	1	GASKET-RUBBER						
	2	1	5P-4924	1	ELBOW						
	3	1	003-7764	1	END-HOSE						
	4	1	128-4411	1	VALVE AS (FUEL SHUTOFF)						
	5	1	163-6700	1	SENSOR GP-FUEL LEVEL						
		1	186-3735	2	PIN-CONNECTOR (16-GA TO 18-GA)						
		1	102-8802	1	KIT-RECEPTACLE (2-PIN)						
					(INCLUDES RECEPTACLE AS & WEDGE)						
Y	6	1	164-4858	1	CAP GP-FUEL FILLER (EXTREME SERVICE, LOCKABLE)						108
Y	8	1	262-9372	1	STRAINER GP-FUEL (FLOAT GAUGE)						127
M	9	1	095-0736	5	SCREW-MACHINE (M5X0.8X10-MM)						
	10	1	2S-4078	1	SEAL-O-RING						
	11	1	3B-0551	1	PLUG-PIPE						
	12	1	3J-1907	1	SEAL-O-RING						
	13	1	8T-0328	5	WASHER-HARD (5.5X10X1-MM THK)						
	14	1	9S-6130	1	PLUG						

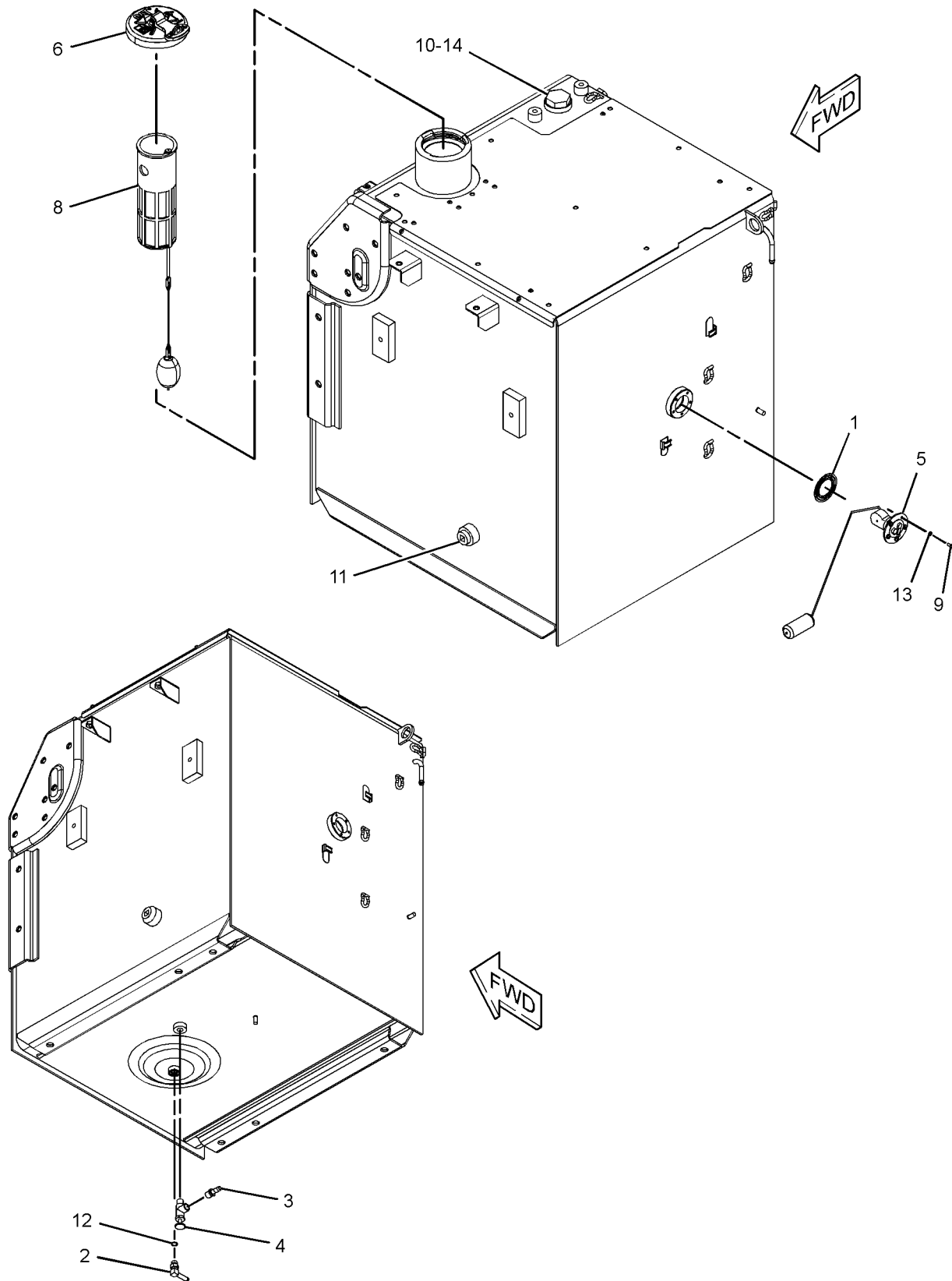
M-METRIC PART

Y-SEPARATE ILLUSTRATION

FUEL SYSTEM

278-3902 TANK GP-FUEL (contd.)

i02995424



GRAPHIC #1

<END>

g01396209

FUEL SYSTEM**278-3902 TANK GP-FUEL**

S/N: MGG1-UP; JFZ1-UP

410-L (108.3-US GAL)

PART OF 278-3901 TANK GP-FUEL

AN ATTACHMENT

TYPE 2

SMCS-1273

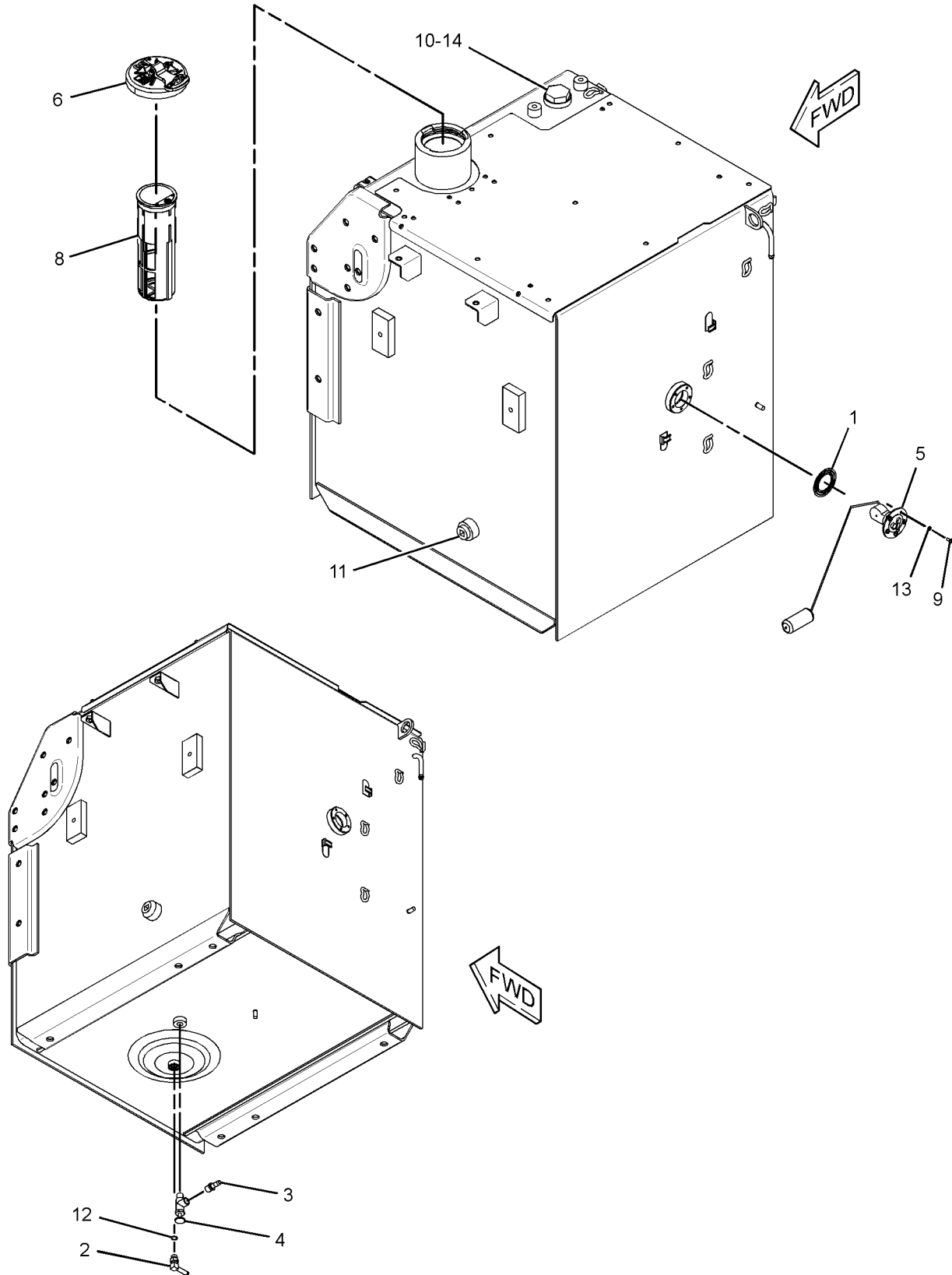
i03161016

NOTE	REF NO	GRAPHIC REF	PART NUMBER	QTY	PART NAME						SEE PAGE
					1	2	3	4	5	6 (PRODUCT LEVEL)	
	1	1	4I-0378	1	GASKET-RUBBER						
	2	1	5P-4924	1	ELBOW						
	3	1	003-7764	1	END-HOSE						
	4	1	128-4411	1	VALVE AS (FUEL SHUTOFF)						
	5	1	163-6700	1	SENSOR GP-FUEL LEVEL						
		1	186-3735	2	PIN-CONNECTOR (16-GA TO 18-GA)						
		1	102-8802	1	KIT-RECEPTACLE (2-PIN)						
					(INCLUDES RECEPTACLE AS & WEDGE)						
Y	6	1	164-4858	1	CAP GP-FUEL FILLER (EXTREME SERVICE, LOCKABLE)						108
CJ	8	1	303-9933	1	STRAINER AS-FUEL (FLOAT GAUGE)						
M	9	1	095-0736	5	SCREW-MACHINE (M5X0.8X10-MM)						
	10	1	2S-4078	1	SEAL-O-RING						
	11	1	3B-0551	1	PLUG-PIPE						
	12	1	3J-1907	1	SEAL-O-RING						
	13	1	8T-0328	5	WASHER-HARD (5.5X10X1-MM THK)						
	14	1	9S-6130	1	PLUG						
					AVAILABLE REPAIR KIT(S):						
J			303-9937	1	KIT-GAUGE (FLOAT)						
					(INCLUDES STOPPER & GAUGE FLOAT)						
C-CHANGE FROM PREVIOUS TYPE											
J-KIT MARKED J SERVICES PART(S) MARKED J											
M-METRIC PART											
Y-SEPARATE ILLUSTRATION											

FUEL SYSTEM

278-3902 TANK GP-FUEL (contd.)

i03161016



GRAPHIC #1

<END>

g01694814

FUEL SYSTEM**278-3903 TANK GP-FUEL**

S/N: MGG1-UP; JFZ1-UP

410-L (108.3-US GAL)

PART OF 278-3901 TANK GP-FUEL

AN ATTACHMENT

TYPE 1

SMCS-1273

i02995469

NOTE	REF NO	GRAPHIC REF	PART NUMBER	QTY	PART NAME						SEE PAGE
					1	2	3	4	5	6 (PRODUCT LEVEL)	
	1	1	4I-0378	1	GASKET-RUBBER						
	2	1	5P-4924	1	ELBOW						
Y	3	1	164-4858	1	CAP GP-FUEL FILLER (EXTREME SERVICE, LOCKABLE)						108
	4	1	003-7764	1	END-HOSE						
	5	1	128-4411	1	VALVE AS (FUEL SHUTOFF)						
	6	1	163-6700	1	SENSOR GP-FUEL LEVEL						
		1	186-3735	2	PIN-CONNECTOR (16-GA TO 18-GA)						
		1	102-8802	1	KIT-RECEPTACLE (2-PIN) (INCLUDES RECEPTACLE AS & WEDGE)						
Y	7	1	262-9372	1	STRAINER GP-FUEL (FLOAT GAUGE)						127
	8	1	9S-6130	1	PLUG						
M	9	1	095-0736	5	SCREW-MACHINE (M5X0.8X10-MM)						
	10	1	2S-4078	1	SEAL-O-RING						
	11	1	3B-0551	1	PLUG-PIPE						
	12	1	3J-1907	1	SEAL-O-RING						
	13	1	8T-0328	5	WASHER-HARD (5.5X10X1-MM THK)						

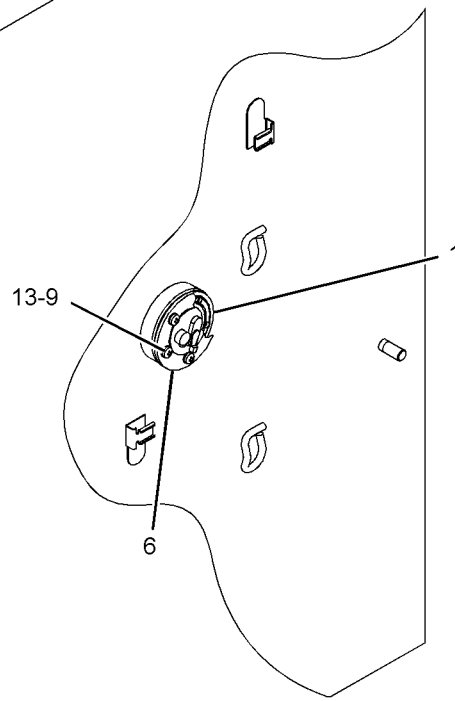
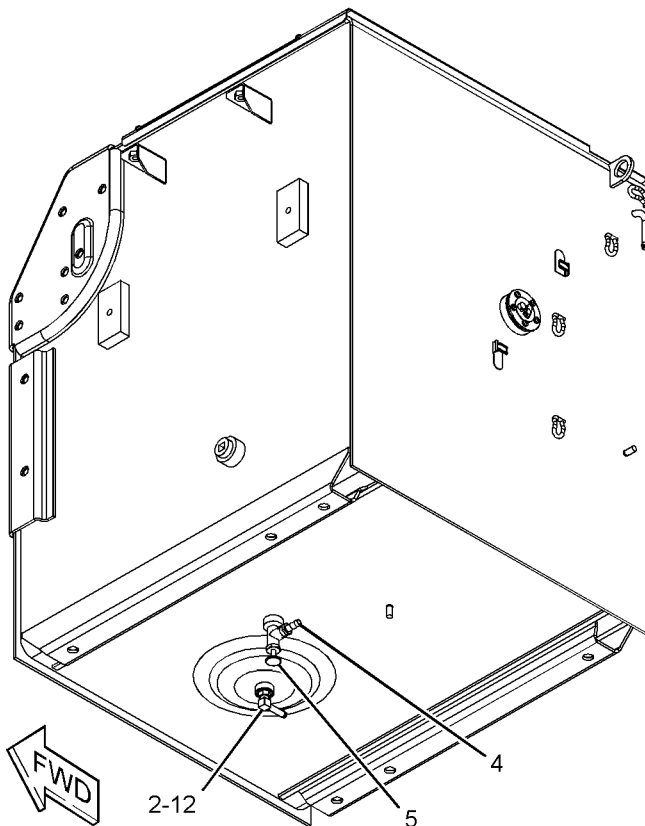
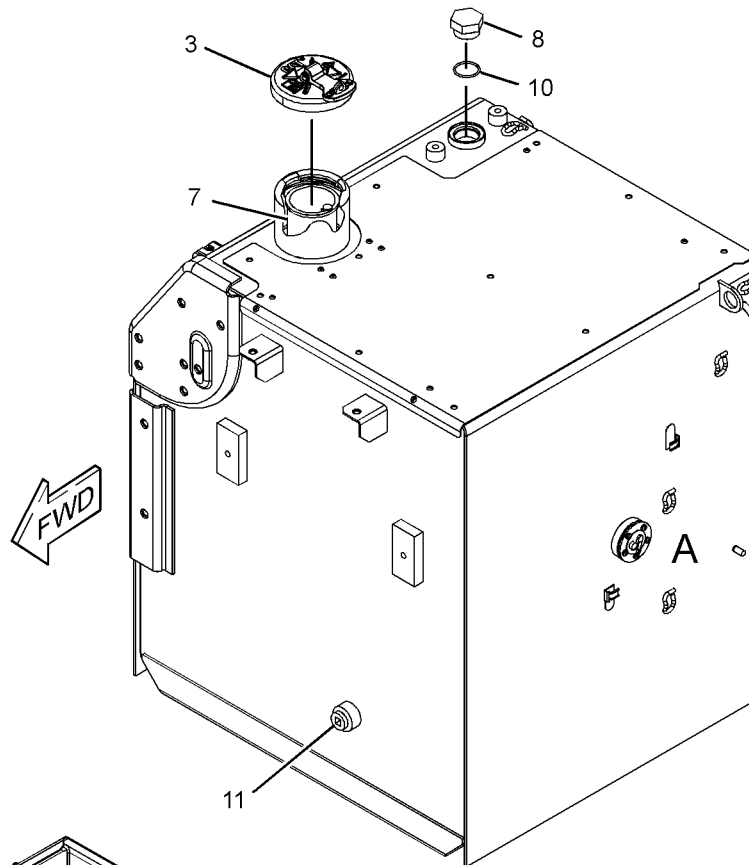
M-METRIC PART

Y-SEPARATE ILLUSTRATION

FUEL SYSTEM

278-3903 TANK GP-FUEL (contd.)

i02995469



VIEW OF AREA A

GRAPHIC #1

<END>

g01389033

FUEL SYSTEM**278-3903 TANK GP-FUEL**

S/N: MGG1-UP; JFZ1-UP

410-L (108.3-US GAL)

PART OF 278-3901 TANK GP-FUEL

AN ATTACHMENT

TYPE 2

SMCS-1273

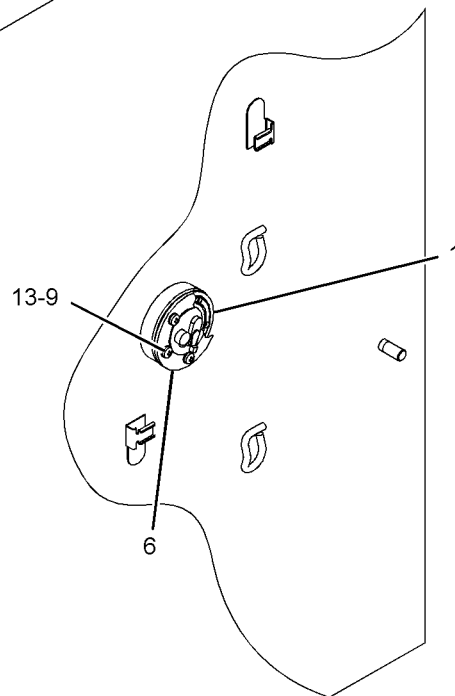
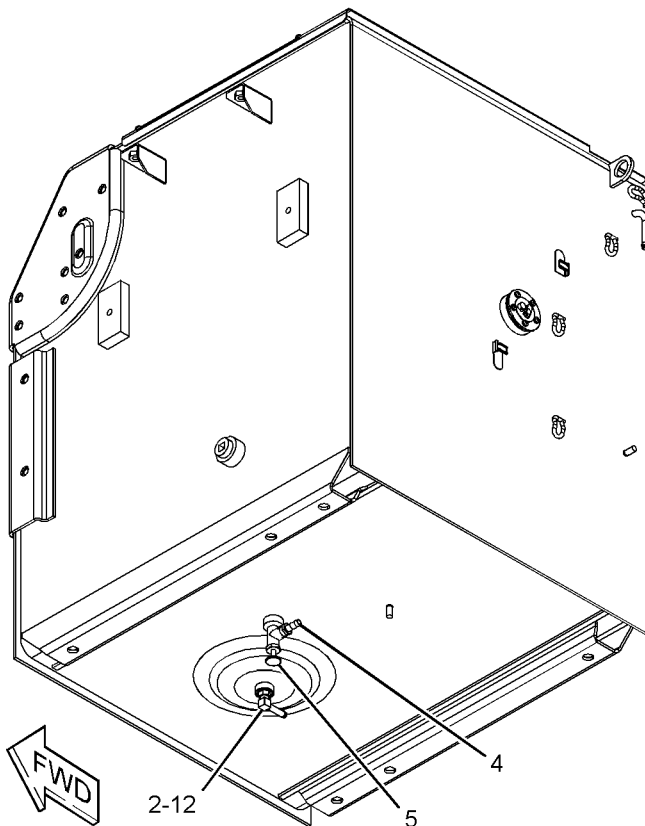
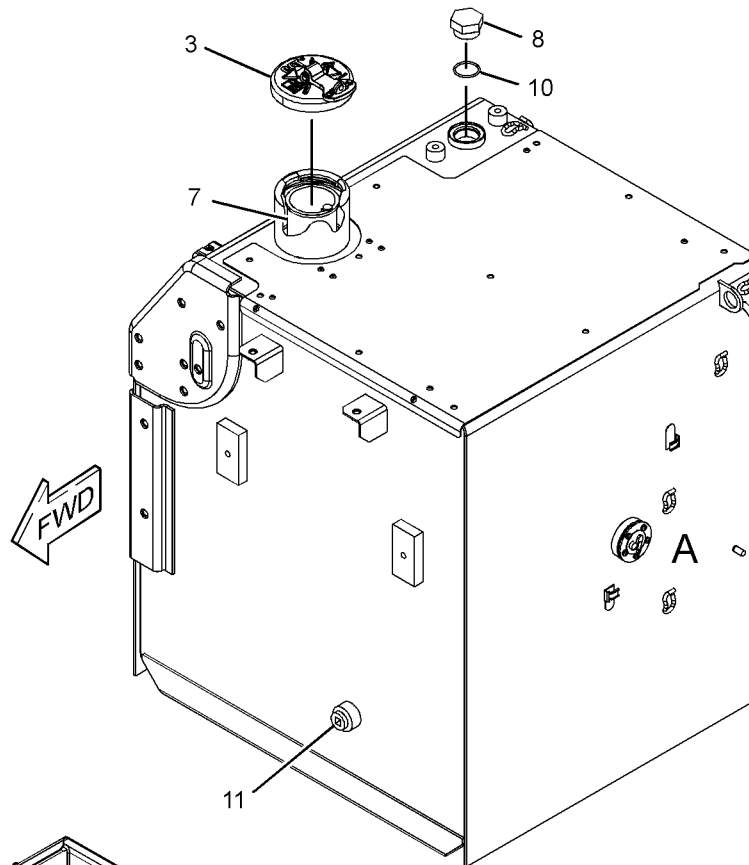
i03043480

NOTE	REF NO	GRAPHIC REF	PART NUMBER	QTY	PART NAME						SEE PAGE
					1	2	3	4	5	6 (PRODUCT LEVEL)	
	1	1	4I-0378	1	GASKET-RUBBER						
	2	1	5P-4924	1	ELBOW						
Y	3	1	164-4858	1	CAP GP-FUEL FILLER (EXTREME SERVICE, LOCKABLE)						108
	4	1	003-7764	1	END-HOSE						
	5	1	128-4411	1	VALVE AS (FUEL SHUTOFF)						
	6	1	163-6700	1	SENSOR GP-FUEL LEVEL						
		1	186-3735	2	PIN-CONNECTOR (16-GA TO 18-GA)						
		1	102-8802	1	KIT-RECEPTACLE (2-PIN) (INCLUDES RECEPTACLE AS & WEDGE)						
CJ	7	1	303-9933	1	STRAINER AS-FUEL (FLOAT GAUGE)						
	8	1	9S-6130	1	PLUG						
M	9	1	095-0736	5	SCREW-MACHINE (M5X0.8X10-MM)						
	10	1	2S-4078	1	SEAL-O-RING						
	11	1	3B-0551	1	PLUG-PIPE						
	12	1	3J-1907	1	SEAL-O-RING						
	13	1	8T-0328	5	WASHER-HARD (5.5X10X1-MM THK)						
					AVAILABLE REPAIR KIT(S):						
J			303-9937	1	KIT-GAUGE (FLOAT) (INCLUDES STOPPER & GAUGE FLOAT)						
C-CHANGE FROM PREVIOUS TYPE											
J-KIT MARKED J SERVICES PART MARKED J											
M-METRIC PART											
Y-SEPARATE ILLUSTRATION											

FUEL SYSTEM

278-3903 TANK GP-FUEL (contd.)

i03043480



VIEW OF AREA A

GRAPHIC #1

<END>

g01389033

FUEL SYSTEM

298-3147 VALVE GP-FUEL SHUTOFF

S/N: MGG1-UP; JFZ1-UP

PART OF 273-7735 LINES GP-FUEL

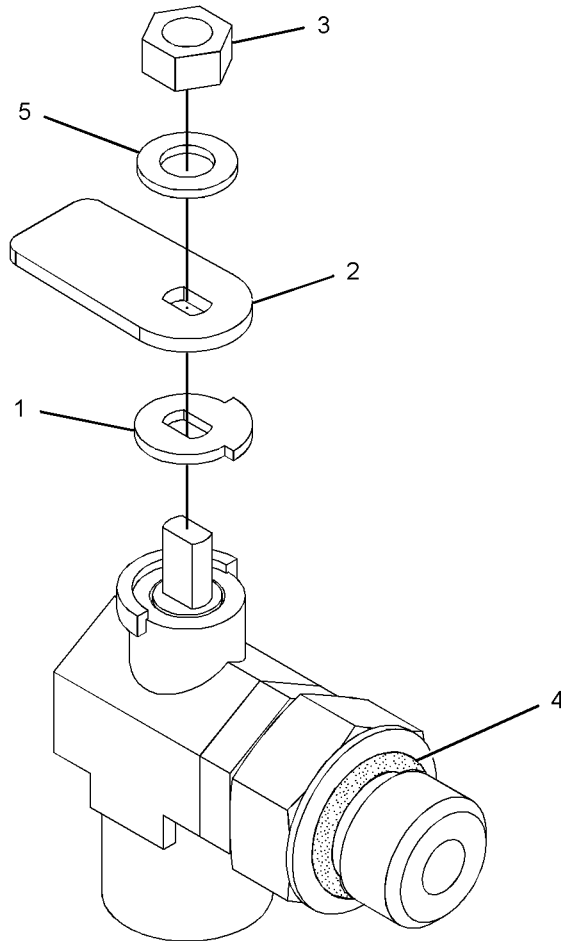
SMCS-1273

i02749915

NOTE	REF NO	GRAPHIC REF	PART NUMBER	QTY	PART NAME						SEE PAGE
					1	2	3	4	5	6 (PRODUCT LEVEL)	
	1	1	298-3257	1	STOP						
	2	1	298-3258	1	LEVER						
M	3	1	260-6692	1	NUT (M5X0.8-THD)						
	4	1	3J-1907	1	SEAL-O-RING						
	5	1	8T-0328	1	WASHER-HARD (5.5X10X1-MM THK)						

PARTS SHOWN IN GRAPHIC(S) WITHOUT A REFERENCE NUMBER ARE NOT SERVICED SEPARATELY

M-METRIC PART



GRAPHIC #1

<END>

g01377343

ELECTRICAL AND STARTING SYSTEM

132-1829 ALARM GP

S/N: MGG1-UP; JFZ1-UP

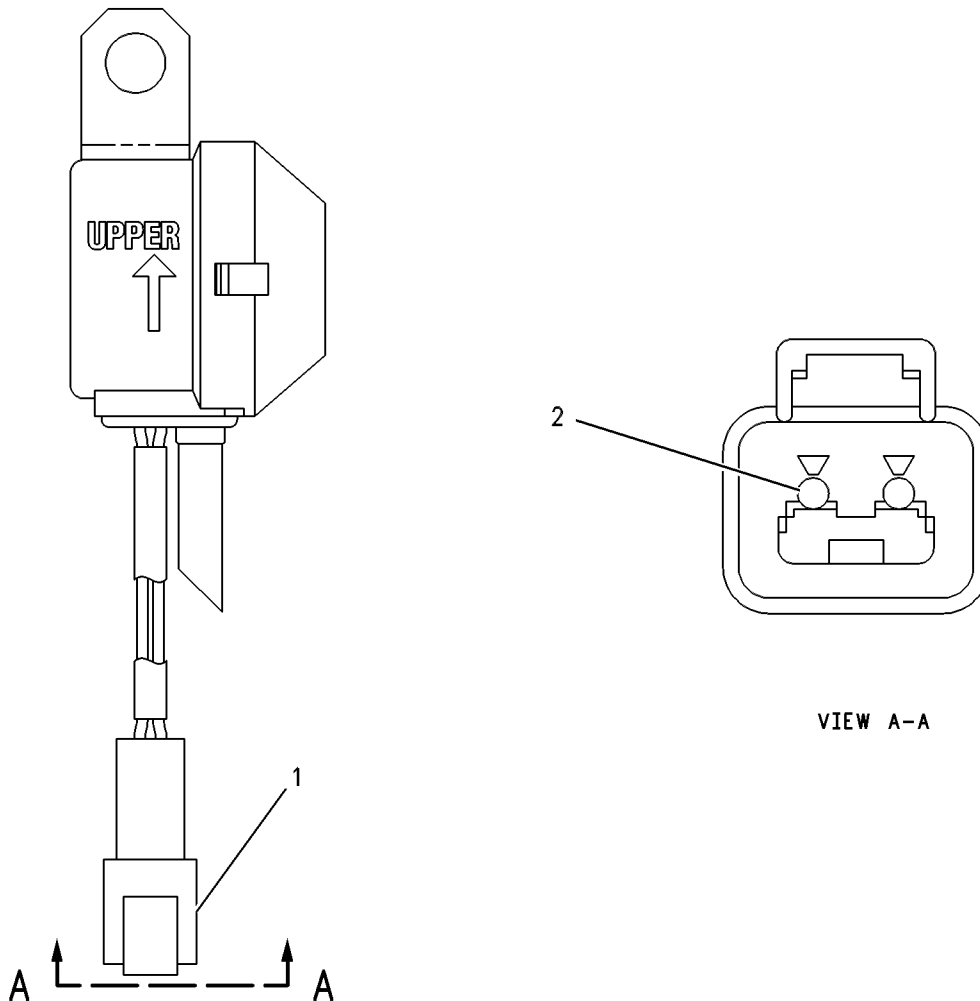
24-VOLT

PART OF 259-5161 WIRING GP-CAB

SMCS-7400, 7402, 7407

i03119025

NOTE	REF NO	GRAPHIC REF	PART NUMBER	QTY	PART NAME						SEE PAGE
					1	2	3	4	5	6 (PRODUCT LEVEL)	
	1	1	102-8802	1	KIT-RECEPTACLE (2-PIN) (INCLUDES RECEPTACLE AS & WEDGE)						
	2	1	8T-8729	2	PIN-CONNECTOR (16-GA TO 18-GA)						



GRAPHIC #1

<END>

g00272185

ELECTRICAL AND STARTING SYSTEM**212-8561 ALTERNATOR GP-CHARGING**

S/N: GDC1-UP

PART OF 272-4683 ENGINE AR
ALSO AN ATTACHMENT

SMCS-1405

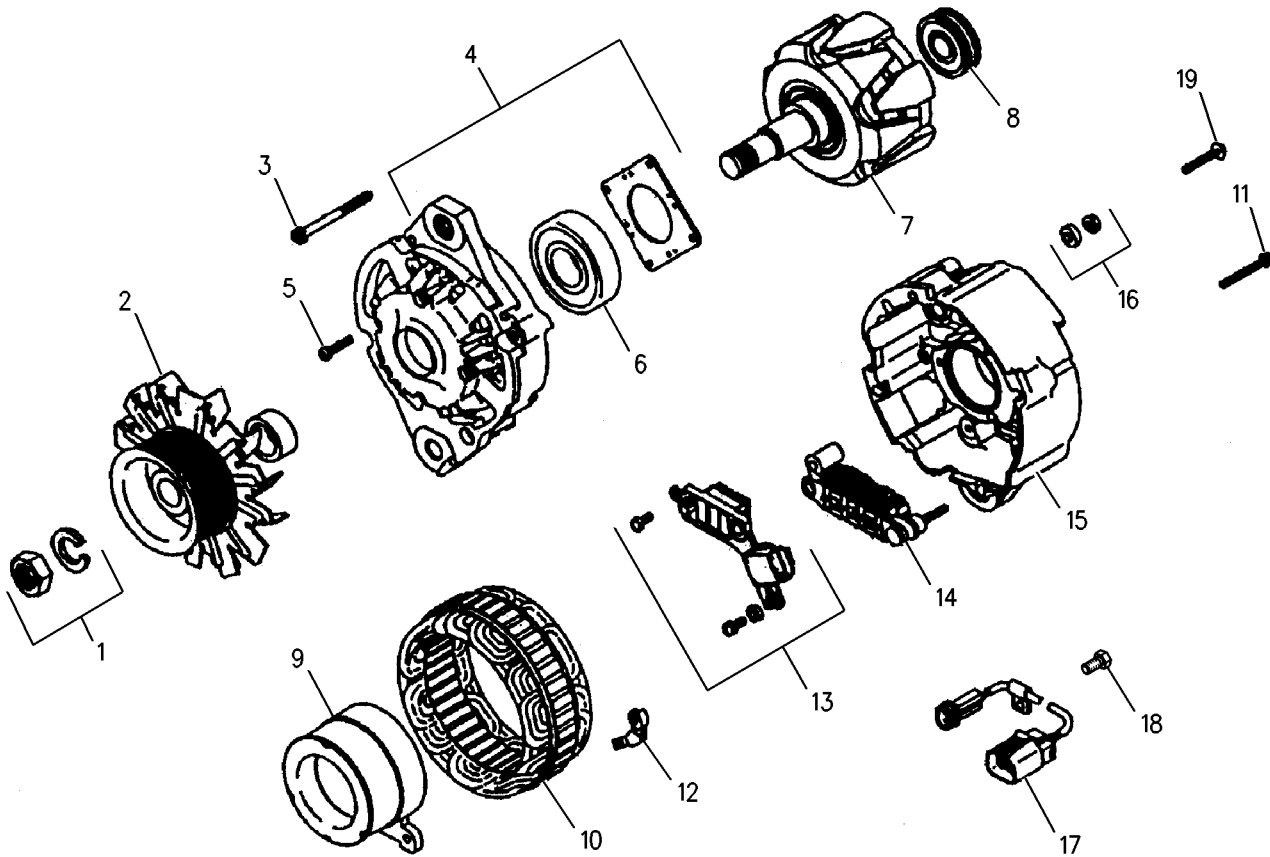
i02251008

NOTE	REF NO	GRAPHIC REF	PART NUMBER	QTY	PART NAME						SEE PAGE
					1	2	3	4	5	6 (PRODUCT LEVEL)	
	1	1	099-3913	1	NUT SET						
	2	1	212-8613	1	PULLEY AS						
	3	1	5I-7985	1	SETSCREW						
	4	1	5I-8086	1	BRACKET AS						
	5	1	5I-7987	1	SETSCREW						
	6	1	5I-8087	1	BEARING						
	7	1	5I-8088	1	ROTOR AS						
	8	1	5I-8089	1	BEARING						
	9	1	5I-8098	1	COIL AS						
	10	1	5I-8090	1	STATOR						
	11	1	5I-7997	1	SETSCREW						
	12	1	135-2381	1	PLATE						
	13	1	239-6681	1	REGULATOR AS-VOLTAGE						
	14	1	5I-8095	1	RECTIFIER AS						
	15	1	212-8521	1	BRACKET						
	16	1	085-9429	1	NUT SET						
	17	1	5I-8080	1	CONNECTOR AS						
	18	1	5I-8094	1	BOLT						
	19	1	5I-8097	1	SETSCREW						

ELECTRICAL AND STARTING SYSTEM

212-8561 ALTERNATOR GP-CHARGING (contd.)

i02251008



GRAPHIC #1

<END>

g00923464

ELECTRICAL AND STARTING SYSTEM**267-8000 BATTERY & WIRING GP**

S/N: MGG1-UP; JFZ1-UP

PART OF 264-8638, 264-8639 CHASSIS AR
TYPE 1

SMCS-1401, 1402, 1408

i02741627

NOTE	REF NO	GRAPHIC REF	PART NUMBER	QTY	PART NAME						SEE PAGE
					1	2	3	4	5	6 (PRODUCT LEVEL)	
	1	3,4	2G-8767	2	WASHER (10.5X60X3-MM THK)						
	2	1,2,3,4,5	3S-2093	39	STRAP-CABLE						
	3	2	3T-5760	2	BATTERY (12-VOLT, MAINTENANCE FREE, WET)						
	4	2	306-8401	1	GROMMET						
	5	2	5I-8270	1	COVER-BATTERY						
	6	4	5I-9368	1	SPACER (9.24X13.72X20.5-MM THK)						
	7	2	6W-6005	1	HOLD-DOWN-BATTERY						
	8	3,4,5	7I-2673	4	STRAP-CABLE						
	9	2,3,5	7K-1181	15	STRAP-CABLE						
	10	1,2	7Y-5456	2	GROMMET						
	11	1,3,4,5	111-4836	11	CLIP						
	12	2,3,4,5	111-4837	12	CLIP						
	13	2,3,4	111-4838	13	CLIP						
	14	2,3,4	111-4839	13	STRAP						
	15	2,3,4,5	116-0118	10	CLIP						
	16	2	132-1805	1	STRAP AS-GROUND						
	17	4	132-1806	1	STRAP AS-GROUND						
	18	2	170-6929	1	CABLE AS						
E		2	5P-0761		CABLE (00-GA, RED) (31-CM)						
		2	9G-0002	1	COVER-TERMINAL (RED)						
		2	9G-0005	1	COVER-TERMINAL (BLACK)						
		2	8T-9756	1	TERMINAL AS (POSITIVE)						
		2	8C-5918	1	TERMINAL AS (NEGATIVE)						
					(EACH TERMINAL AS INCLUDES)						
		2	1M-6119	1	BOLT (5/16-18X1.375-IN)						
		2	1M-6120	1	NUT (5/16-18-THD)						
	19	4	170-9336	1	BRACKET AS						
	20	4	183-1049	1	BRACKET						
	21	2	231-1827	1	CABLE AS						
		2	1S-7252	1	TERMINAL-CABLE (00-GA, 3/8-IN BOLT)						
E		2	5P-0747		CABLE (00-GA, BLACK) (23-CM)						
		2	9G-0003	1	COVER-TERMINAL (BLACK)						
		2	9G-8909	1	COVER-TERMINAL (BLACK)						
		2	8T-9757	1	TERMINAL AS-BATTERY (NEGATIVE)						
		2	1M-6119	1	BOLT (5/16-18X1.375-IN)						
		2	1M-6120	1	NUT (5/16-18-THD)						
	22	2	238-2501	1	KNOB						
	23	2	238-2528	1	ROD						
	24	2	251-0467	1	BRACKET AS						
	25	3	259-5267	1	BRACKET AS						
	26	3	259-5317	1	BRACKET AS						
	27	2	291-7590	1	HARNESS AS-CHASSIS						
		2	121-1038	1	HOUSING-RECEPTACLE						
E		2	103-2529	1	HOSE (80-CM)						
		2	102-8802	4	KIT-RECEPTACLE (2-PIN)						
		2	102-8803	2	KIT-RECEPTACLE (3-PIN)						
		2	102-8804	1	KIT-RECEPTACLE (4-PIN)						
					(EACH RECEPTACLE KIT INCLUDES RECEPTACLE AS & WEDGE)						
		2	3S-2093	17	STRAP-CABLE						
		2	8T-8799	2	BOOT						
E		2	7Y-3820	1	HOUSING-RECEPTACLE						

ELECTRICAL AND STARTING SYSTEM

267-8000 BATTERY & WIRING GP (contd.)

i02741627

NOTE	REF NO	GRAPHIC REF	PART NUMBER	QTY	PART NAME						SEE PAGE
					1	2	3	4	5	6 (PRODUCT LEVEL)	
		2	116-0128	2	SEAL						
E		2	119-3662		TUBE-HEAT SHRINK (10.85-MM DIA) (26-CM)						
E		2	125-7874		TUBE-HEAT SHRINK (5.72-MM DIA) (95-CM)						
E		2	125-7875		TUBE-HEAT SHRINK (7.44-MM DIA) (50-CM)						
		2	134-3297	1	SEAL						
		2	153-2620	1	PLUG AS-CONNECTOR (54-PIN, BLACK)						
		2	163-6759	1	SEAL						
		2	153-2630	1	PLUG AS-CONNECTOR (54-PIN, BROWN)						
		2	163-6759	1	SEAL						
		2	155-2260	2	KIT-CONNECTING PLUG (3-PIN)						
		2	155-2270	16	KIT-CONNECTING PLUG (2-PIN)						
		2	155-2271	1	KIT-CONNECTING PLUG (4-PIN)						
					(EACH PLUG KIT INCLUDES PLUG AS, WEDGE & INTERFACE SEAL)						
		2	163-6637	1	RECEPTACLE AS-CONNECTOR (54-PIN, BLACK)						
		2	174-3016	2	PLUG AS-CONNECTOR (3-PIN)						
		2	230-4009	3	PLUG AS-CONNECTOR (12-PIN)						
		2	230-4011	7	PLUG AS-CONNECTOR (2-PIN)						
		2	230-4013	1	PLUG AS-CONNECTOR (3-PIN)						
		2	230-5010	3	PLUG AS-CONNECTOR (6-PIN)						
		2	231-2295	2	PLUG AS-CONNECTOR (8-PIN)						
		2	243-4505	6	RECEPTACLE AS-CONNECTOR (2-PIN)						
		2	243-4506	1	RECEPTACLE AS-CONNECTOR (3-PIN)						
		2	243-4508	3	RECEPTACLE AS-CONNECTOR (6-PIN)						
		2	243-4509	2	RECEPTACLE AS-CONNECTOR (8-PIN)						
		2	243-4510	3	RECEPTACLE AS-CONNECTOR (12-PIN)						
		2	245-1042	1	PLUG AS-CONNECTOR (64-PIN)						
M		2	267-7207	1	BOLT-SPECIAL						
		2	267-7208	1	RING-RETAINING						
		2	274-4990	1	SEAL						
		2	245-1045	1	COVER						
	28	2	291-7591	1	CABLE AS						
		2	1S-7252	1	TERMINAL-CABLE (00-GA, 3/8-IN BOLT)						
E		2	5P-0761		CABLE (00-GA, RED) (327-CM)						
		2	9G-0004	1	COVER-TERMINAL (RED)						
		2	8N-0869	1	COVER-TERMINAL (RED)						
		2	8C-5917	1	TERMINAL AS-BATTERY (POSITIVE)						
		2	1M-6119	1	BOLT (5/16-18X1.375-IN)						
		2	1M-6120	1	NUT (5/16-18-THD)						
	29	2	291-7593	1	BRACKET AS						
	30	4	085-7329	2	SPACER (9X19X30-MM THK)						
	31	2	091-9035	1	SPACER (11X25X20-MM THK)						
	32	2, 4	9X-8256	6	WASHER (6.6X12X2-MM THK)						
	33	2	132-5789	2	CLIP						
	34	2	4K-8864	1	CLIP						
	35	5	4P-7428	1	CLIP						
	36	2, 3	4P-7581	4	CLIP						
M	37	2	5C-7261	1	NUT (M8X1.25-THD)						
M	38	2	5C-7883	4	BOLT-SOCKET HEAD (M6X1X16-MM)						
	39	5	5I-3878	1	GROMMET						
	40	4	5P-4116	5	WASHER-HARD (8.8X20.5X2-MM THK)						
	41	3, 4	6G-2256	2	CLAMP						
	42	2, 3, 4	6G-2263	4	SPACER (10.5X19X28.5-MM THK)						
	43	2	6K-8178	4	CLIP						
M	44	4	7X-0818	2	BOLT (M8X1.25X45-MM)						
M	45	4	7X-2533	1	BOLT (M6X1X35-MM)						
M	46	4	7X-2619	1	BOLT (M6X1X10-MM)						
M	47	4	7X-2621	2	BOLT (M10X1.5X12-MM)						
	48	4	7Y-1924	2	SPACER (9X19X23-MM THK)						
M	49	4	7Y-5226	1	NUT (M5X0.8-THD)						

ELECTRICAL AND STARTING SYSTEM

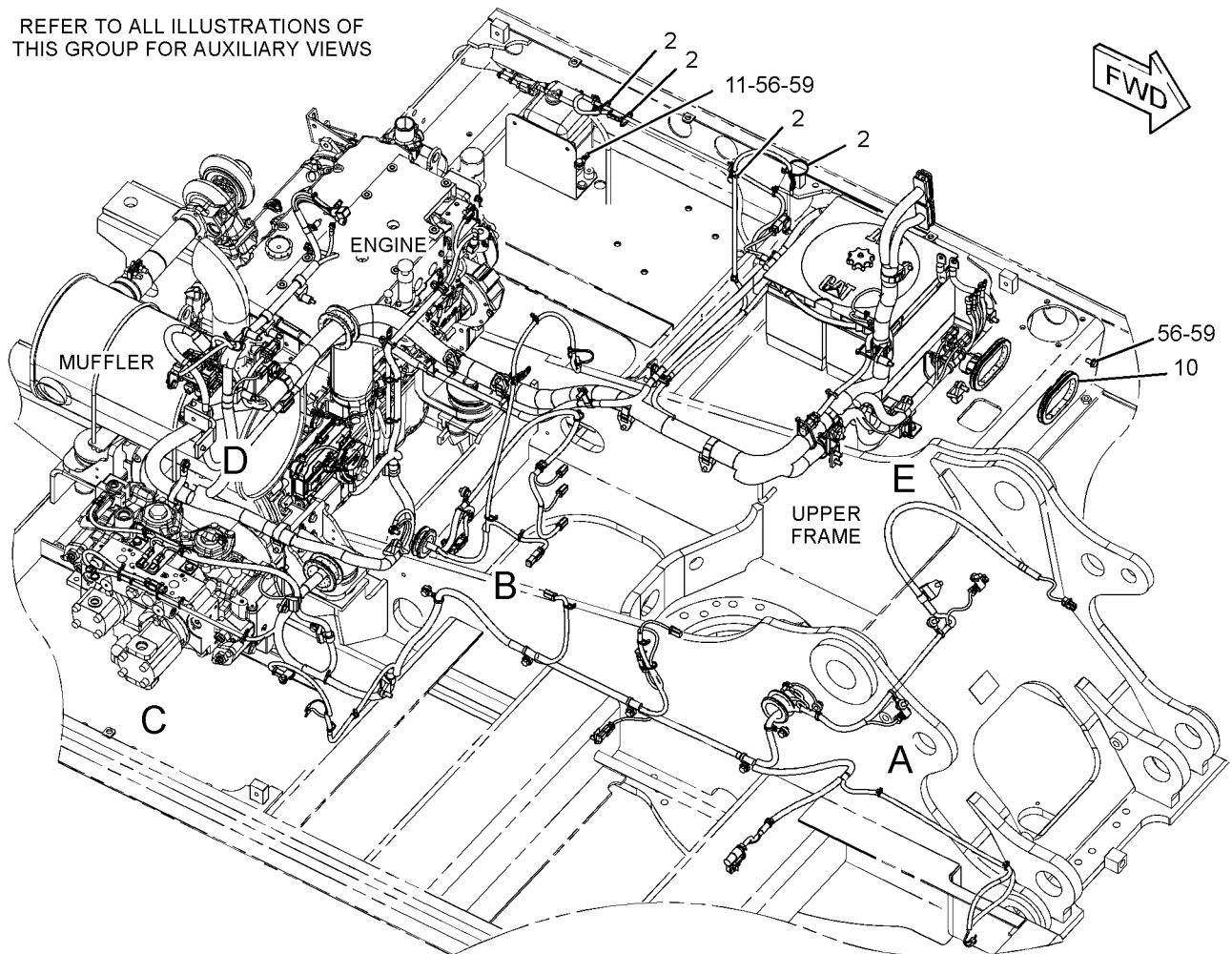
267-8000 BATTERY & WIRING GP (contd.)

i02741627

NOTE	REF NO	GRAPHIC REF	PART NUMBER	QTY	PART NAME	1 2 3 4 5 6 (PRODUCT LEVEL)						SEE PAGE
	50	4	7Y-8165	1	GROMMET							
	51	5	7Y-8167	1	GROMMET							
	52	4	8J-1256	1	CLIP							
	53	2	8M-2770	1	CLIP							
M	54	4	8T-0286	1	BOLT (M5X0.8X8-MM)							
	55	4	8T-0328	2	WASHER-HARD (5.5X10X1-MM THK)							
	56	1,2,3,4,5	8T-4121	60	WASHER-HARD (11X21X2.5-MM THK)							
M	57	2	8T-4133	1	NUT (M10X1.5-THD)							
M	58	2,3	8T-4136	10	BOLT (M10X1.5X25-MM)							
M	59	1,2,3,4,5	8T-4137	36	BOLT (M10X1.5X20-MM)							
M	60	2,4	8T-4182	2	BOLT (M10X1.5X45-MM)							
M	61	2,3	8T-4185	2	BOLT (M10X1.5X50-MM)							
M	62	2,4	8T-4191	3	BOLT (M10X1.5X16-MM)							
M	63	2,3,4	8T-4195	5	BOLT (M10X1.5X30-MM)							
M	64	2	8T-4196	1	BOLT (M10X1.5X35-MM)							
M	65	4	8T-4199	1	BOLT (M8X1.25X12-MM)							
	66	2	8T-4226	1	WASHER-PLATED (10.5X45X3-MM THK)							
M	67	3	8T-6466	1	BOLT (M10X1.5X60-MM)							
M	68	4	8T-6912	2	BOLT (M8X1.25X50-MM)							

E-ORDER BY THE CENTIMETER
M-METRIC PART

REFER TO ALL ILLUSTRATIONS OF THIS GROUP FOR AUXILIARY VIEWS



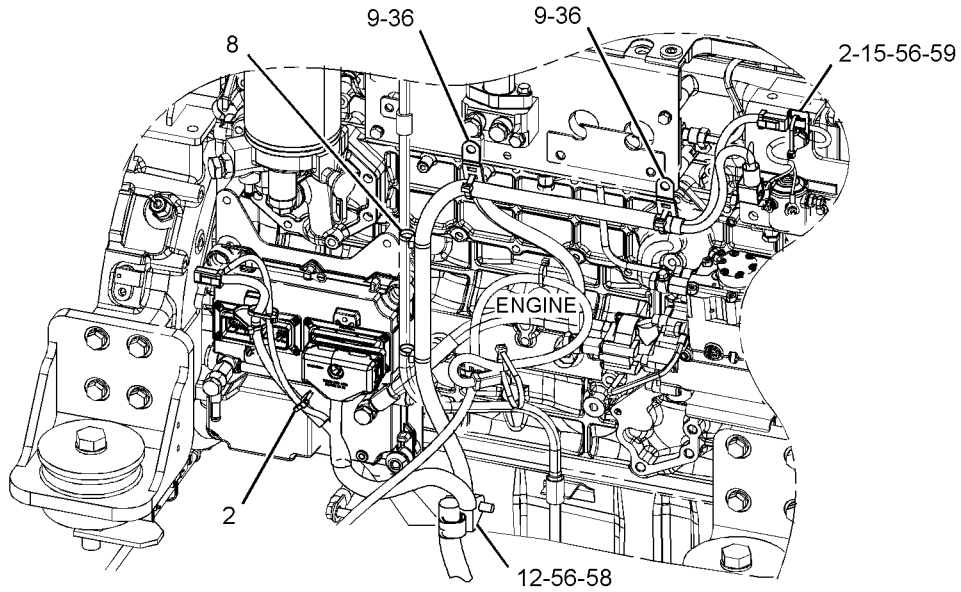
GRAPHIC #1

g01374697

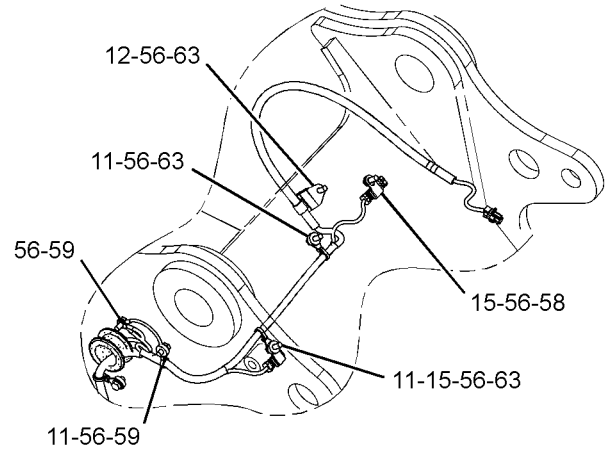
ELECTRICAL AND STARTING SYSTEM

267-8000 BATTERY & WIRING GP (contd.)

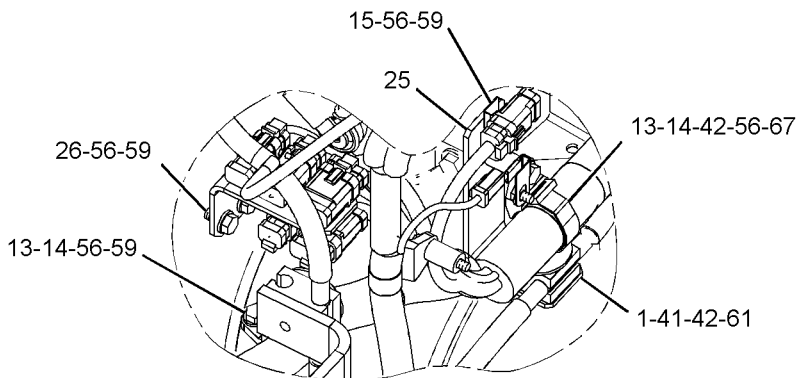
i02741627



FRONT VIEW
(UPPER LEFT)



VIEW OF AREA A



VIEW OF AREA D

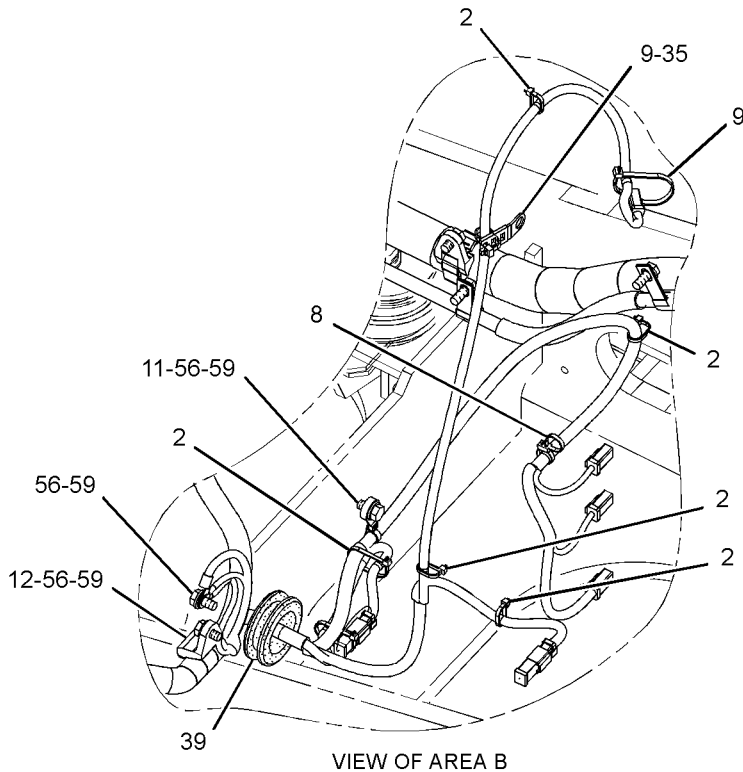
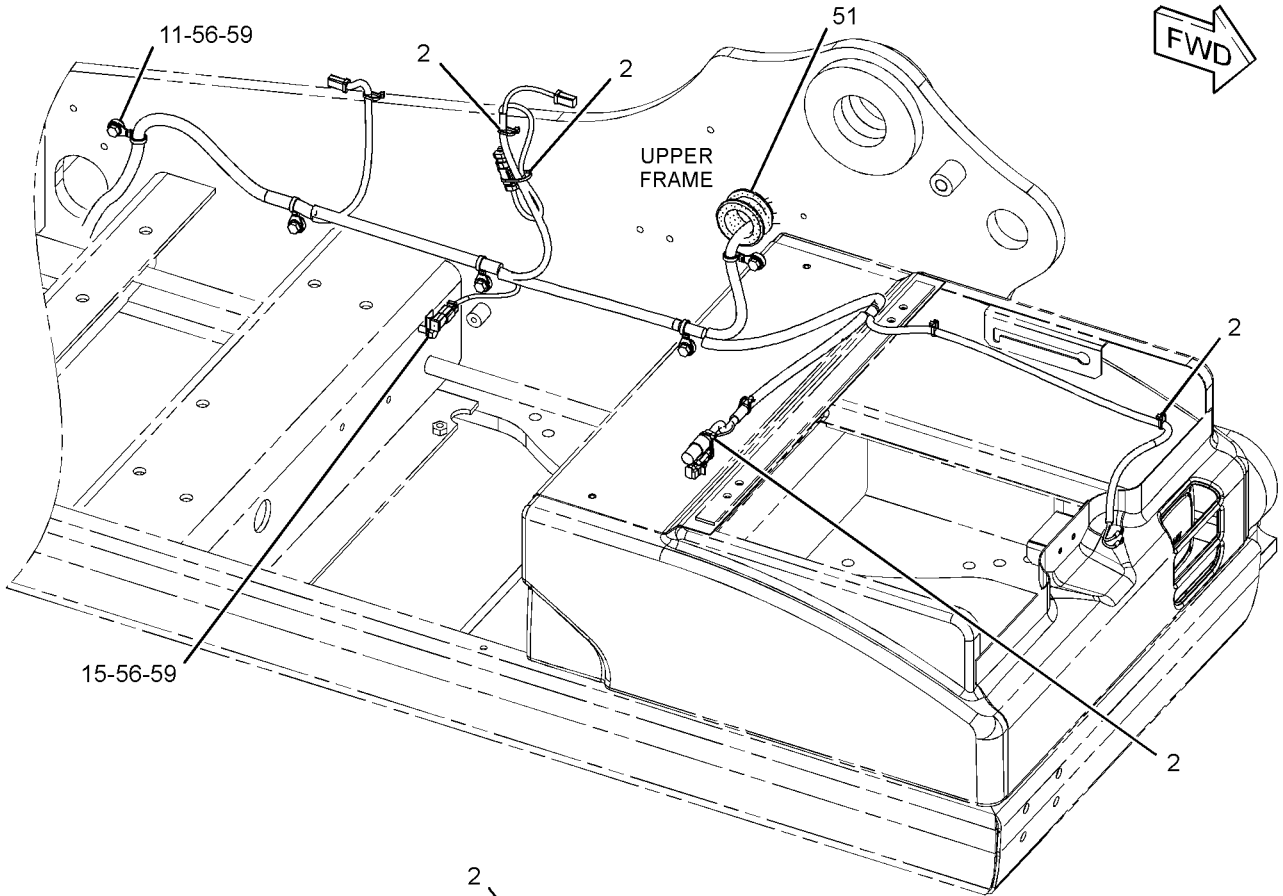
GRAPHIC #3

g01310502

ELECTRICAL AND STARTING SYSTEM

267-8000 BATTERY & WIRING GP (contd.)

i02741627



VIEW OF AREA B

GRAPHIC #5

<END>

g01310504

ELECTRICAL AND STARTING SYSTEM**267-8000 BATTERY & WIRING GP**

S/N: MGG1-UP; JFZ1-UP

PART OF 264-8638, 264-8639 CHASSIS AR
TYPE 2

SMCS-1401, 1402, 1408

i03159247

NOTE	REF NO	GRAPHIC REF	PART NUMBER	QTY	PART NAME						SEE PAGE
					1	2	3	4	5	6 (PRODUCT LEVEL)	
	1	3,4	2G-8767	2	WASHER (10.5X60X3-MM THK)						
C	2	1,2,3,4,5	3S-2093	38	STRAP-CABLE						
	3	2	3T-5760	2	BATTERY (12-VOLT, MAINTENANCE FREE, WET)						
	4	2	306-8401	1	GROMMET						
	5	2	5I-8270	1	COVER-BATTERY						
	6	4	5I-9368	1	SPACER (9.24X13.72X20.5-MM THK)						
	7	2	6W-6005	1	HOLD-DOWN-BATTERY						
	8	3,4,5	7I-2673	4	STRAP-CABLE						
	9	2,3,5	7K-1181	15	STRAP-CABLE						
	10	1,2	7Y-5456	2	GROMMET						
	11	1,3,4,5	111-4836	11	CLIP						
	12	2,3,4,5	111-4837	12	CLIP						
	13	2,3,4	111-4838	13	CLIP						
	14	2,3,4	111-4839	13	STRAP						
C	15	2,3,4,5	116-0118	11	CLIP						
	16	2	132-1805	1	STRAP AS-GROUND						
	17	4	132-1806	1	STRAP AS-GROUND						
	18	2	170-6929	1	CABLE AS						
E		2	5P-0761		CABLE (00-GA, RED) (31-CM)						
		2	9G-0002	1	COVER-TERMINAL (RED)						
		2	8L-8413	1	STRAP-CABLE						
		2	9G-0005	1	COVER-TERMINAL (BLACK)						
		2	8L-8413	1	STRAP-CABLE						
		2	8T-9756	1	TERMINAL AS (POSITIVE)						
		2	8C-5918	1	TERMINAL AS (NEGATIVE)						
					(EACH TERMINAL AS INCLUDES)						
		2	1M-6119	1	BOLT (5/16-18X1.375-IN)						
		2	1M-6120	1	NUT (5/16-18-THD)						
	19	4	170-9336	1	BRACKET AS						
	20	4	183-1049	1	BRACKET						
	21	2	231-1827	1	CABLE AS						
		2	1S-7252	1	TERMINAL-CABLE (00-GA, 3/8-IN BOLT)						
E		2	5P-0747		CABLE (00-GA, BLACK) (23-CM)						
		2	9G-0003	1	COVER-TERMINAL (BLACK)						
		2	8L-8413	1	STRAP-CABLE						
		2	9G-8909	1	COVER-TERMINAL (BLACK)						
		2	8T-9757	1	TERMINAL AS-BATTERY (NEGATIVE)						
		2	1M-6119	1	BOLT (5/16-18X1.375-IN)						
		2	1M-6120	1	NUT (5/16-18-THD)						
	22	2	238-2501	1	KNOB						
	23	2	238-2528	1	ROD						
	24	2	251-0467	1	BRACKET AS						
	25	3	259-5267	1	BRACKET AS						
	26	3	259-5317	1	BRACKET AS						
C	27	2	306-8610	1	HARNESS AS-CHASSIS						
	28	2	291-7591	1	CABLE AS						
		2	1S-7252	1	TERMINAL-CABLE (00-GA, 3/8-IN BOLT)						
E		2	5P-0761		CABLE (00-GA, RED) (324-CM)						
		2	9G-0004	1	COVER-TERMINAL (RED)						
		2	8L-8413	1	STRAP-CABLE						
		2	8N-0869	1	COVER-TERMINAL (RED)						
		2	8C-5917	1	TERMINAL AS-BATTERY (POSITIVE)						

ELECTRICAL AND STARTING SYSTEM

267-8000 BATTERY & WIRING GP (contd.)

i03159247

NOTE	REF NO	GRAPHIC REF	PART NUMBER	QTY	PART NAME						SEE PAGE
					1	2	3	4	5	6 (PRODUCT LEVEL)	
		2	1M-6119	1	BOLT (5/16-18X1.375-IN)						
		2	1M-6120	1	NUT (5/16-18-THD)						
	29	2	291-7593	1	BRACKET AS						
	30	4	085-7329	2	SPACER (9X19X30-MM THK)						
	31	2	091-9035	1	SPACER (11X25X20-MM THK)						
	32	2,4	9X-8256	6	WASHER (6.6X12X2-MM THK)						
	33	2	132-5789	2	CLIP						
	34	2	4K-8864	1	CLIP						
	35	5	4P-7428	1	CLIP						
	36	2,3	4P-7581	4	CLIP						
M	37	2	5C-7261	1	NUT (M8X1.25-THD)						
M	38	2	5C-7883	4	BOLT-SOCKET HEAD (M6X1X16-MM)						
	39	5	5I-3878	1	GROMMET						
	40	4	5P-4116	5	WASHER-HARD (8.8X20.5X2-MM THK)						
	41	3,4	6G-2256	2	CLAMP						
	42	2,3,4	6G-2263	4	SPACER (10.5X19X28.5-MM THK)						
	43	2	6K-8178	4	CLIP						
M	44	4	7X-0818	2	BOLT (M8X1.25X45-MM)						
M	45	4	7X-2533	1	BOLT (M6X1X35-MM)						
M	46	4	7X-2619	1	BOLT (M6X1X10-MM)						
M	47	4	7X-2621	2	BOLT (M10X1.5X12-MM)						
	48	4	7Y-1924	2	SPACER (9X19X23-MM THK)						
M	49	4	7Y-5226	1	NUT (M5X0.8-THD)						
	50	4	7Y-8165	1	GROMMET						
	51	5	7Y-8167	1	GROMMET						
	52	4	8J-1256	1	CLIP						
	53	2	8M-2770	1	CLIP						
M	54	4	8T-0286	1	BOLT (M5X0.8X8-MM)						
	55	4	8T-0328	2	WASHER-HARD (5.5X10X1-MM THK)						
	56	1,2,3,4,5	8T-4121	60	WASHER-HARD (11X21X2.5-MM THK)						
M	57	2	8T-4133	1	NUT (M10X1.5-THD)						
M	58	2,3	8T-4136	10	BOLT (M10X1.5X25-MM)						
M	59	1,2,3,4,5	8T-4137	36	BOLT (M10X1.5X20-MM)						
M	60	2,4	8T-4182	2	BOLT (M10X1.5X45-MM)						
M	61	2,3	8T-4185	2	BOLT (M10X1.5X50-MM)						
M	62	2,4	8T-4191	3	BOLT (M10X1.5X16-MM)						
M	63	2,3,4	8T-4195	5	BOLT (M10X1.5X30-MM)						
M	64	2	8T-4196	1	BOLT (M10X1.5X35-MM)						
M	65	4	8T-4199	1	BOLT (M8X1.25X12-MM)						
	66	2	8T-4226	1	WASHER-PLATED (10.5X45X3-MM THK)						
M	67	3	8T-6466	1	BOLT (M10X1.5X60-MM)						
M	68	4	8T-6912	2	BOLT (M8X1.25X50-MM)						
C	69	3	299-2767	1	WIRE AS						

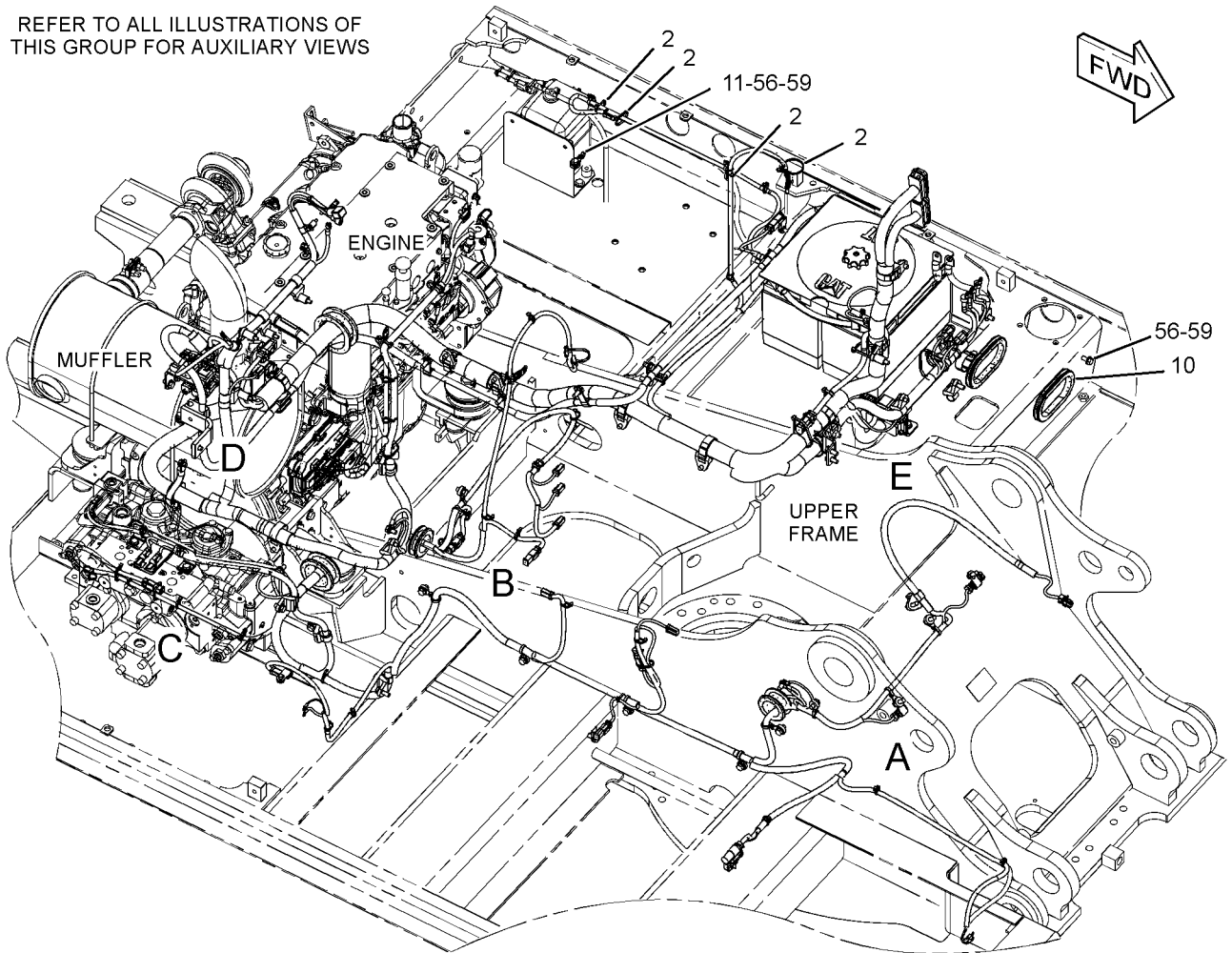
C-CHANGE FROM PREVIOUS TYPE
 E-ORDER BY THE CENTIMETER
 M-METRIC PART

ELECTRICAL AND STARTING SYSTEM

267-8000 BATTERY & WIRING GP (contd.)

i03159247

REFER TO ALL ILLUSTRATIONS OF THIS GROUP FOR AUXILIARY VIEWS



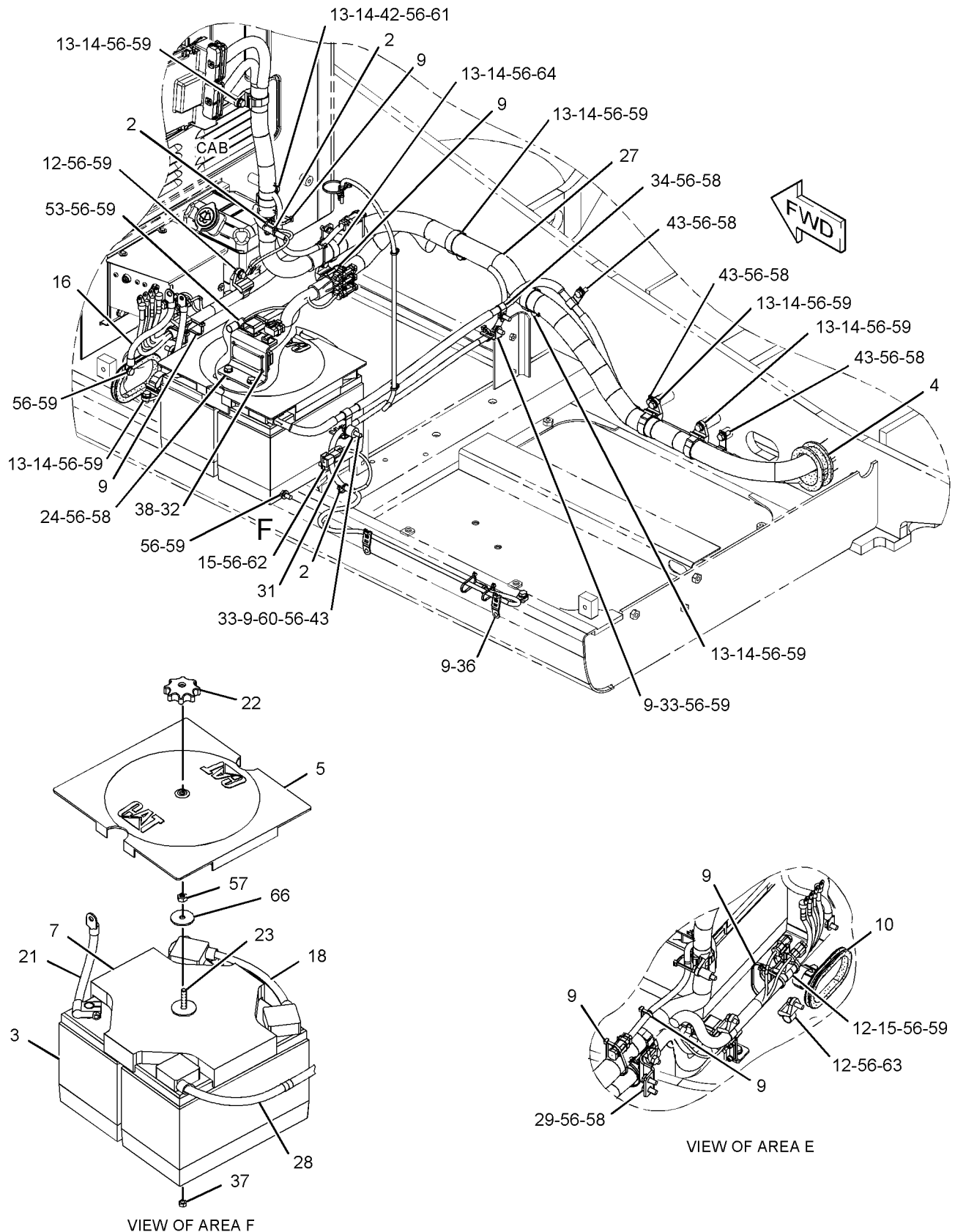
GRAPHIC #1

g01514570

ELECTRICAL AND STARTING SYSTEM

267-8000 BATTERY & WIRING GP (contd.)

i03159247



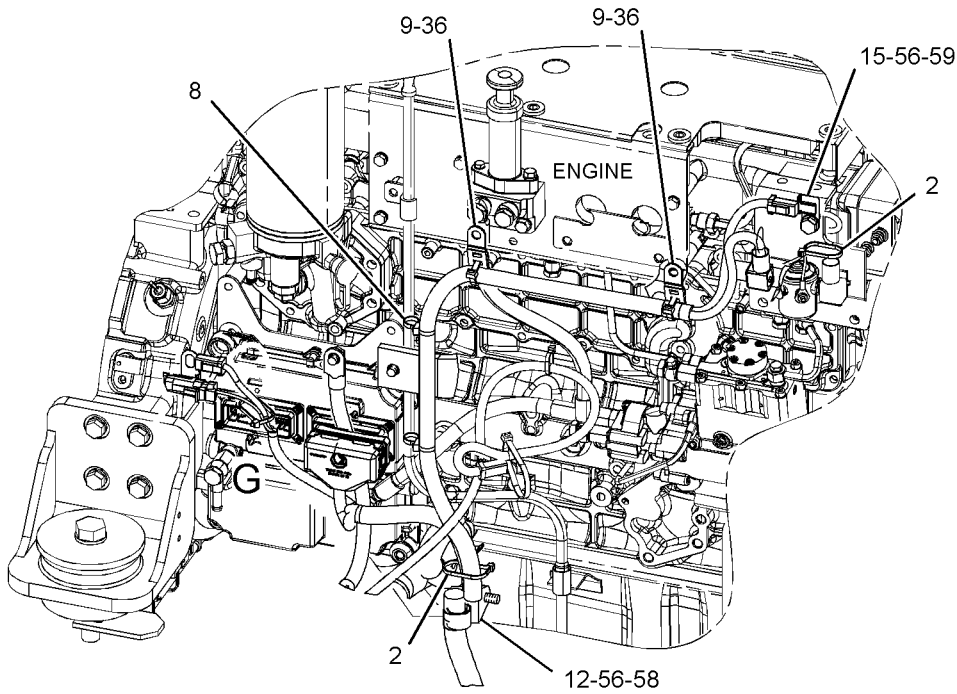
GRAPHIC #2

g01374371

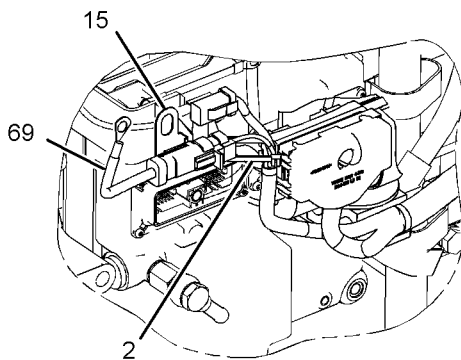
ELECTRICAL AND STARTING SYSTEM

267-8000 BATTERY & WIRING GP (contd.)

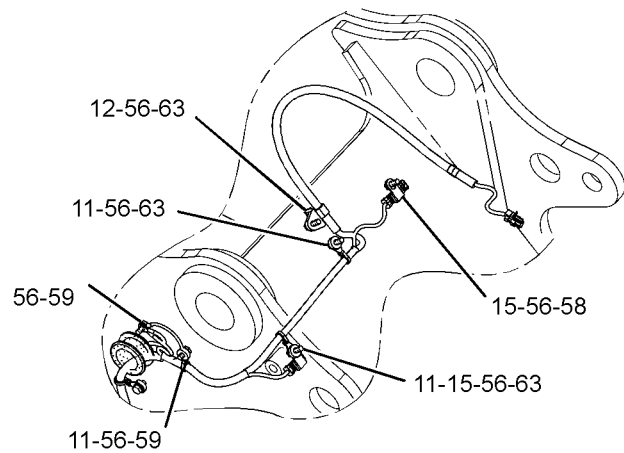
i03159247



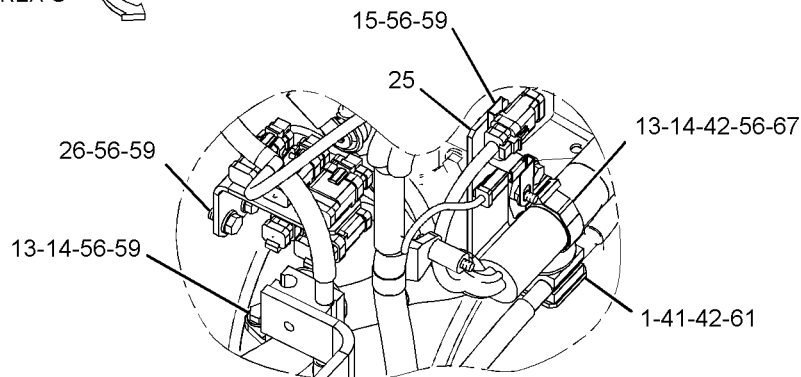
FRONT VIEW
(UPPER LEFT)



VIEW OF AREA G



VIEW OF AREA A



VIEW OF AREA D

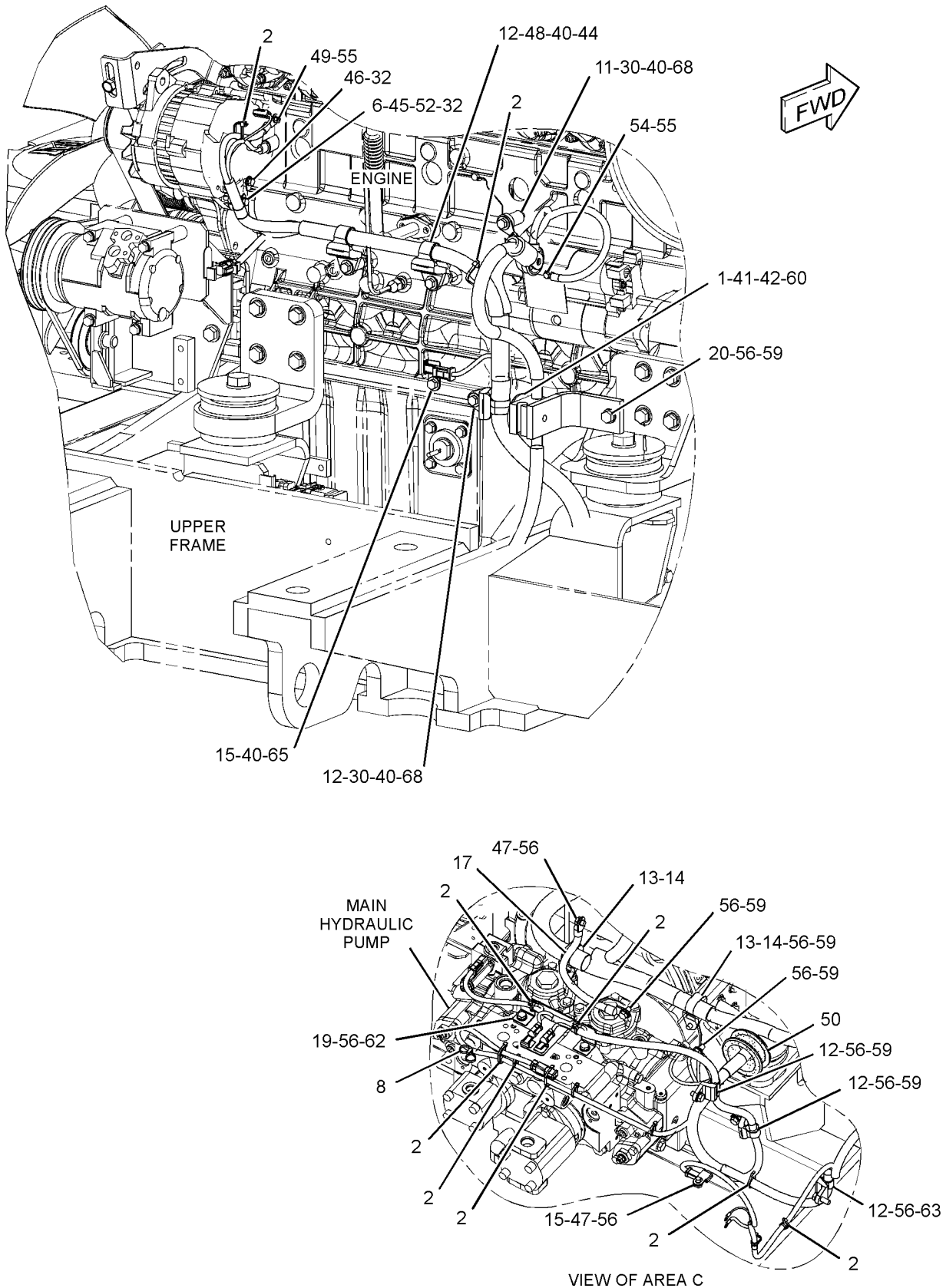
GRAPHIC #3

g01514571

ELECTRICAL AND STARTING SYSTEM

267-8000 BATTERY & WIRING GP (contd.)

i03159247



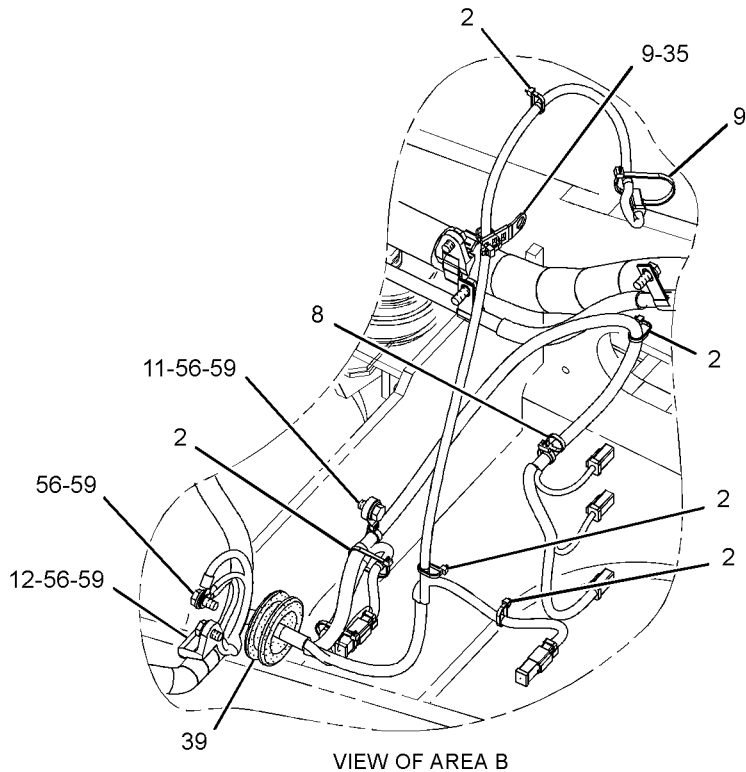
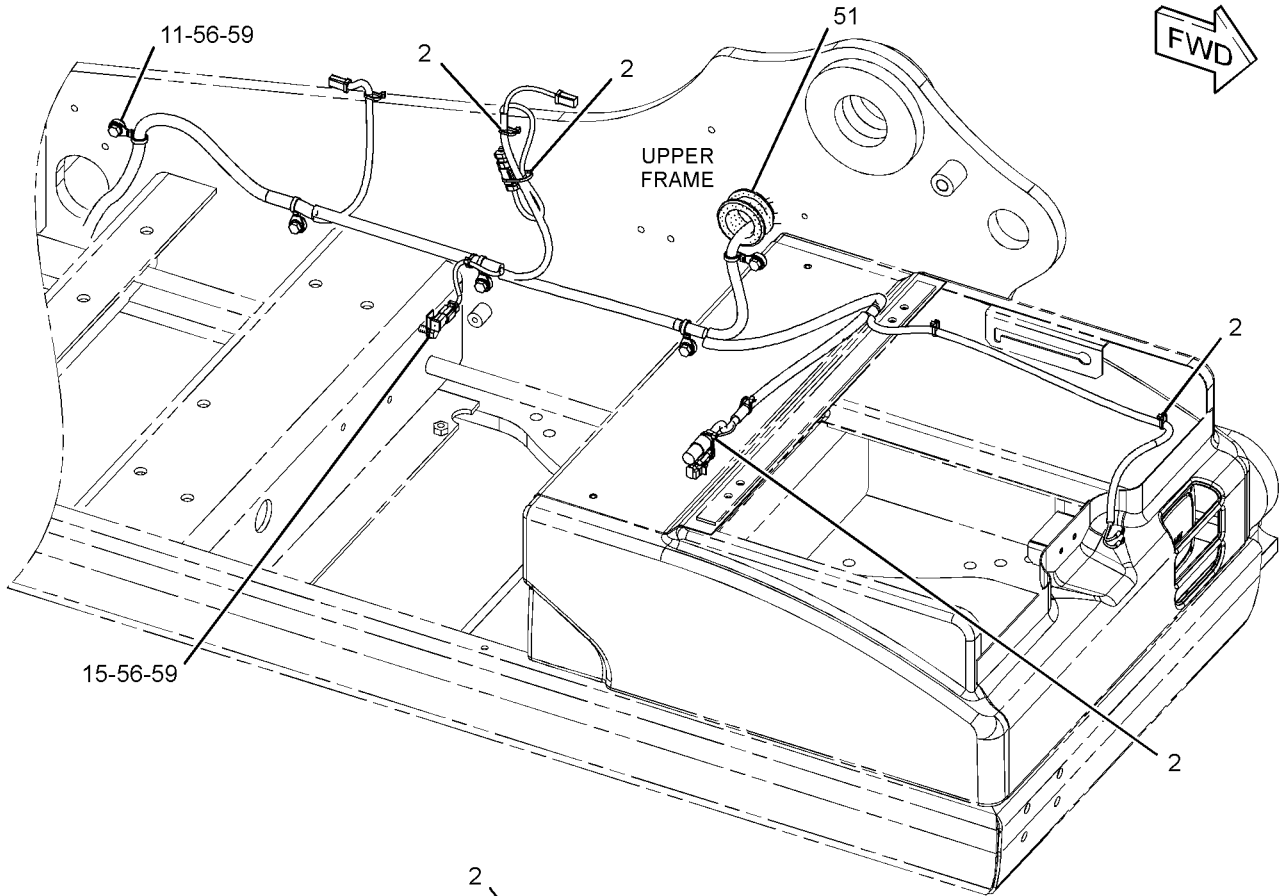
GRAPHIC #4

g01374768

ELECTRICAL AND STARTING SYSTEM

267-8000 BATTERY & WIRING GP (contd.)

i03159247



VIEW OF AREA B

GRAPHIC #5

<END>

g01514573

ELECTRICAL AND STARTING SYSTEM**299-2783 BATTERY & WIRING GP-COLD WEATHER**

S/N: MGG1-UP; JFZ1-UP

AN ATTACHMENT

SMCS-1401, 1402, 1408

i03120357

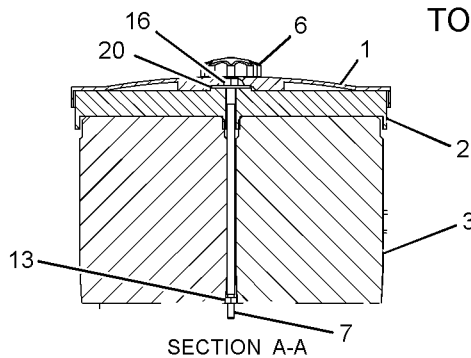
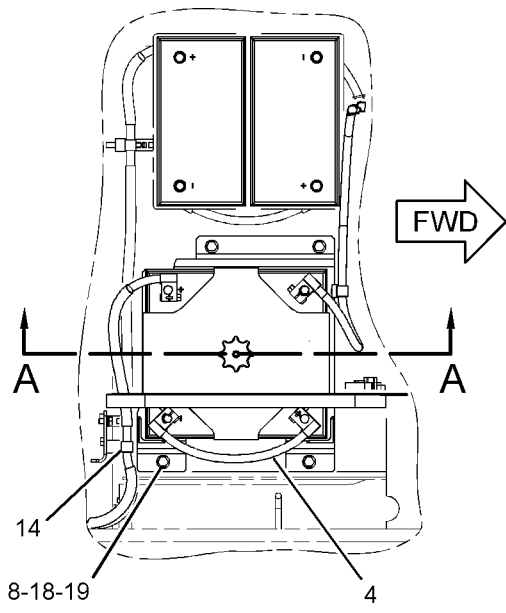
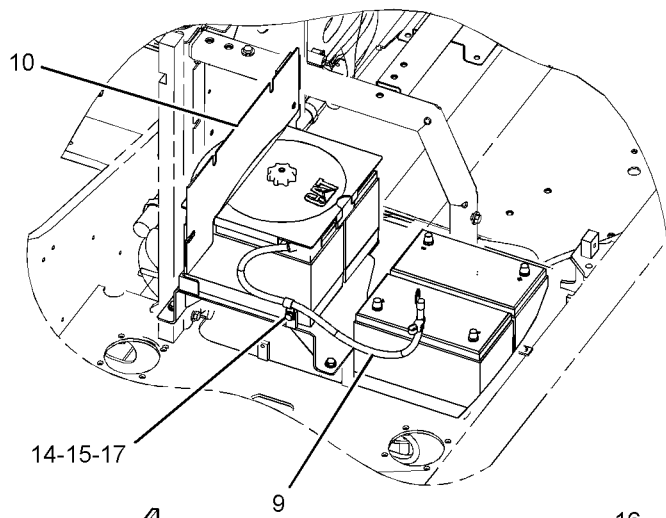
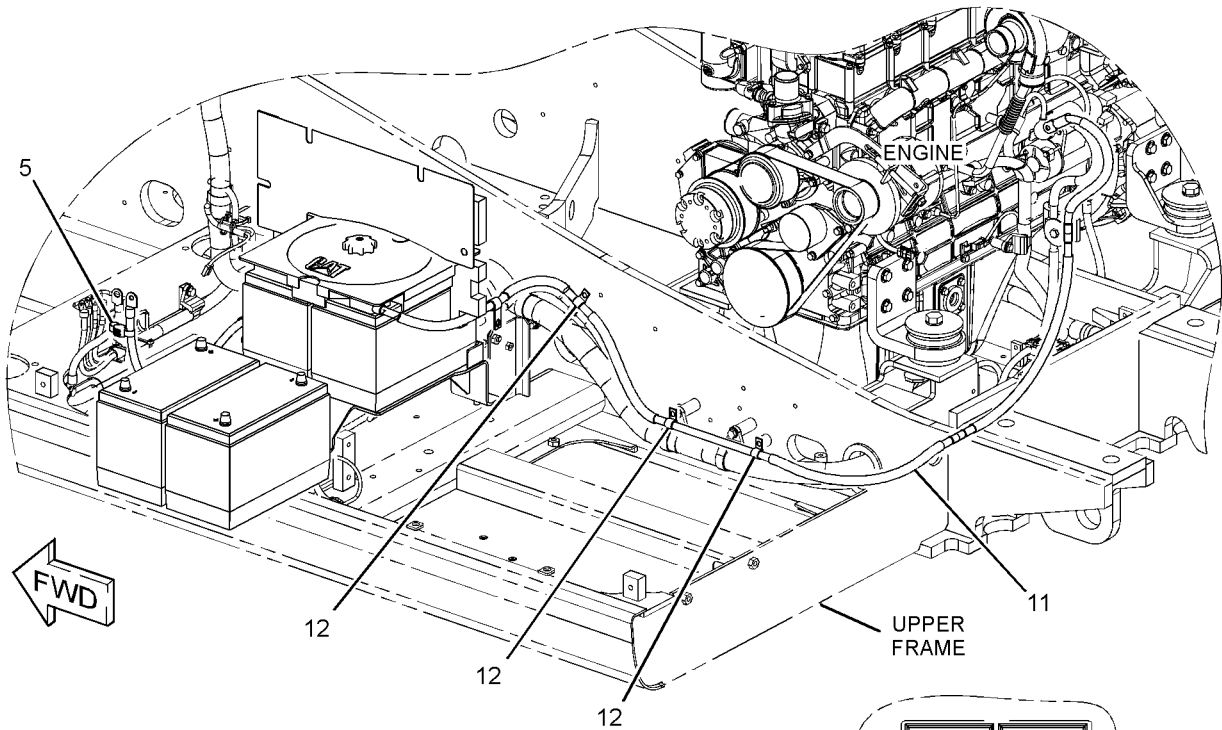
NOTE	REF NO	GRAPHIC REF	PART NUMBER	QTY	PART NAME						SEE PAGE
					1	2	3	4	5	6 (PRODUCT LEVEL)	
	1	1	5I-8270	1	COVER-BATTERY						
	2	1	6W-6005	1	HOLD-DOWN-BATTERY						
	3	1	263-9574	4	BATTERY (12-VOLT, MAINTENANCE FREE)						
	4	1	170-6929	1	CABLE AS						
E		1	5P-0761		CABLE (00-GA, RED) (31-CM)						
		1	9G-0002	1	COVER-TERMINAL (RED)						
		1	8L-8413	1	STRAP-CABLE						
		1	9G-0005	1	COVER-TERMINAL (BLACK)						
		1	8L-8413	1	STRAP-CABLE						
		1	8C-5918	1	TERMINAL AS (NEGATIVE) (RH)						
		1	1M-6119	1	BOLT (5/16-18X1.375-IN)						
		1	1M-6120	1	NUT (5/16-18-THD)						
		1	8T-9756	1	TERMINAL AS (POSITIVE) (LH)						
		1	1M-6119	1	BOLT (5/16-18X1.375-IN)						
		1	1M-6120	1	NUT (5/16-18-THD)						
	5	1	204-1673	1	STRAP-CABLE						
	6	1	238-2501	1	KNOB						
	7	1	238-2528	1	ROD						
	8	1	259-5225	1	SUPPORT AS						
	9	1	259-5229	1	CABLE AS						
		1	1S-7252	1	TERMINAL-CABLE (00-GA, 3/8-IN BOLT)						
E		1	5P-0747		CABLE (00-GA, BLACK) (89-CM)						
		1	9G-0003	1	COVER-TERMINAL (BLACK)						
		1	8L-8413	1	STRAP-CABLE						
		1	8T-9757	1	TERMINAL AS-BATTERY (NEGATIVE) (LH)						
		1	1M-6119	1	BOLT (5/16-18X1.375-IN)						
		1	1M-6120	1	NUT (5/16-18-THD)						
Y	10	1	289-6712	1	SHEET AS-SOUND SUPPRESSION						299
	11	1	291-7592	1	CABLE AS						
		1	1S-7252	1	TERMINAL-CABLE (00-GA, 3/8-IN BOLT)						
E		1	5P-0761		CABLE (00-GA, RED) (281-CM)						
D		1	6V-2722		TUBE-HEAT SHRINK (25.4-MM DIA) (1-M)						
		1	9G-0004	1	COVER-TERMINAL (RED)						
		1	8L-8413	1	STRAP-CABLE						
		1	8C-5917	1	TERMINAL AS-BATTERY (POSITIVE) (RH)						
		1	1M-6119	1	BOLT (5/16-18X1.375-IN)						
		1	1M-6120	1	NUT (5/16-18-THD)						
	12	1	4K-8864	3	CLIP						
M	13	1	5C-7261	1	NUT (M8X1.25-THD)						
	14	1	6K-8178	2	CLIP						
	15	1	8T-4121	1	WASHER-HARD (11X21X2.5-MM THK)						
M	16	1	8T-4133	1	NUT (M10X1.5-THD)						
M	17	1	8T-4191	1	BOLT (M10X1.5X16-MM)						
M	18	1	8T-4192	4	BOLT (M12X1.75X25-MM)						
	19	1	8T-4223	4	WASHER-HARD (13.5X25.5X3-MM THK)						
	20	1	8T-4226	1	WASHER-PLATED (10.5X45X3-MM THK)						

D-ORDER BY THE METER
E-ORDER BY THE CENTIMETER
M-METRIC PART
Y-SEPARATE ILLUSTRATION

ELECTRICAL AND STARTING SYSTEM

299-2783 BATTERY & WIRING GP (contd.)

i03120357



GRAPHIC #1

<END>

g01506303

ELECTRICAL AND STARTING SYSTEM**296-4664 CONTROL & MTG GP-ENGINE ELEK**

S/N: GDC1-UP

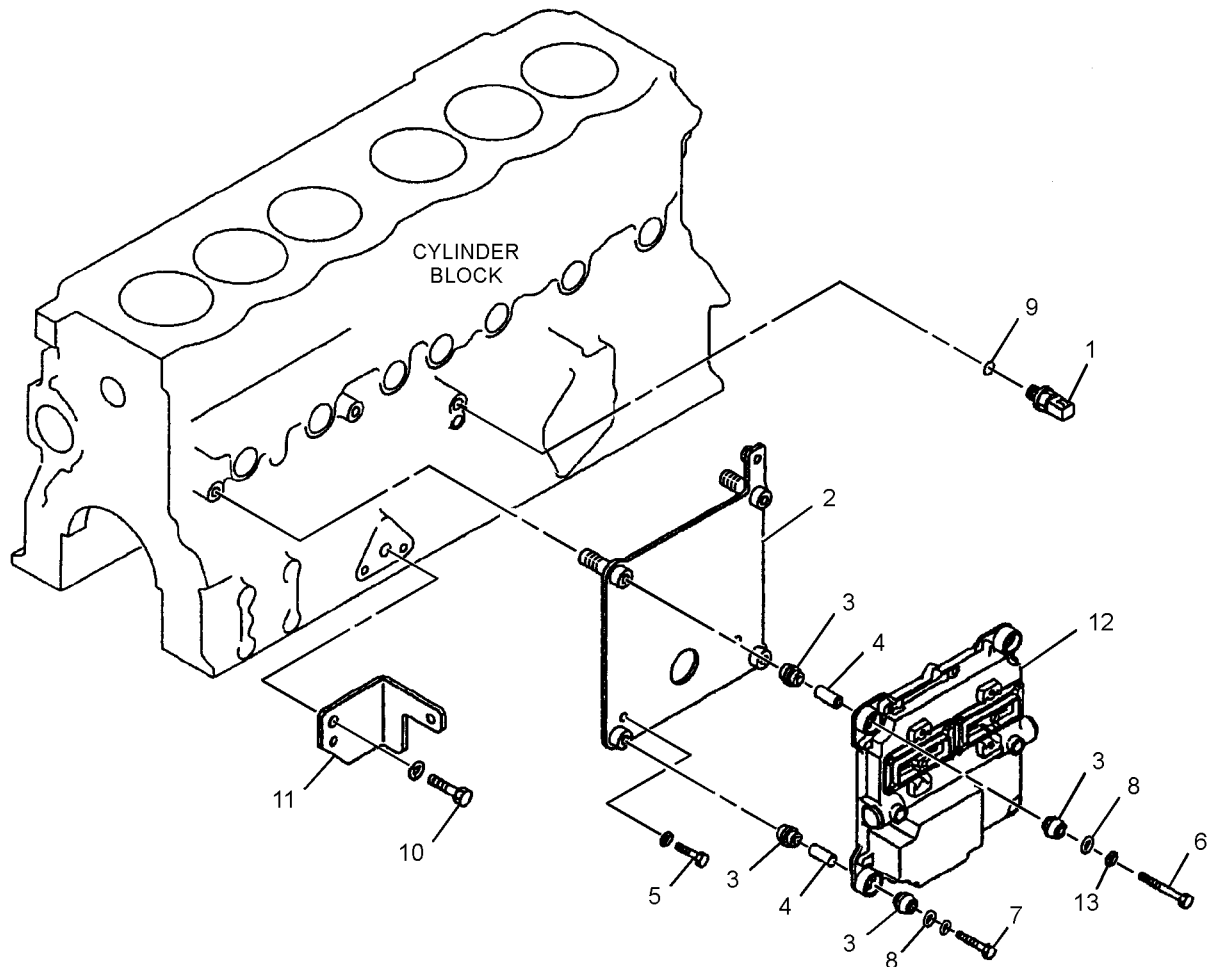
PART OF 272-4683 ENGINE AR
ALSO AN ATTACHMENT

SMCS-1901

i02738681

NOTE	REF NO	GRAPHIC REF	PART NUMBER	QTY	PART NAME						SEE PAGE
					1	2	3	4	5	6 (PRODUCT LEVEL)	
	1	1	274-6721	1	SENSOR GP-PRESSURE (ENGINE OIL)						
	2	1	296-4632	1	BRACKET						
	3	1	155-0576	8	MOUNT-ISOLATION						
	4	1	6I-1418	4	SPACER (8.2X12.7X28.7-MM THK)						
	5	1	294-1775	2	BOLT (M10X1.5X23-MM)						
M	6	1	178-6577	2	BOLT (M8X1.25X100-MM)						
	7	1	270-6259	2	BOLT (M8X1.25X40-MM)						
	8	1	8T-4224	4	WASHER-HARD (8.8X16X2-MM THK)						
	9	1	294-1804	1	SEAL-O-RING						
M	10	1	8T-4137	1	BOLT (M10X1.5X20-MM)						
	11	1	296-4635	1	BRACKET						
	12	1	286-3683	1	CONTROL GP-UNPROGRAMMED						
	13	1	3B-4505	2	LOCKWASHER						

M-METRIC PART



GRAPHIC #1

<END>

g01356929

ELECTRICAL AND STARTING SYSTEM

221-8872 CONTROL & MTG GP-MACHINE

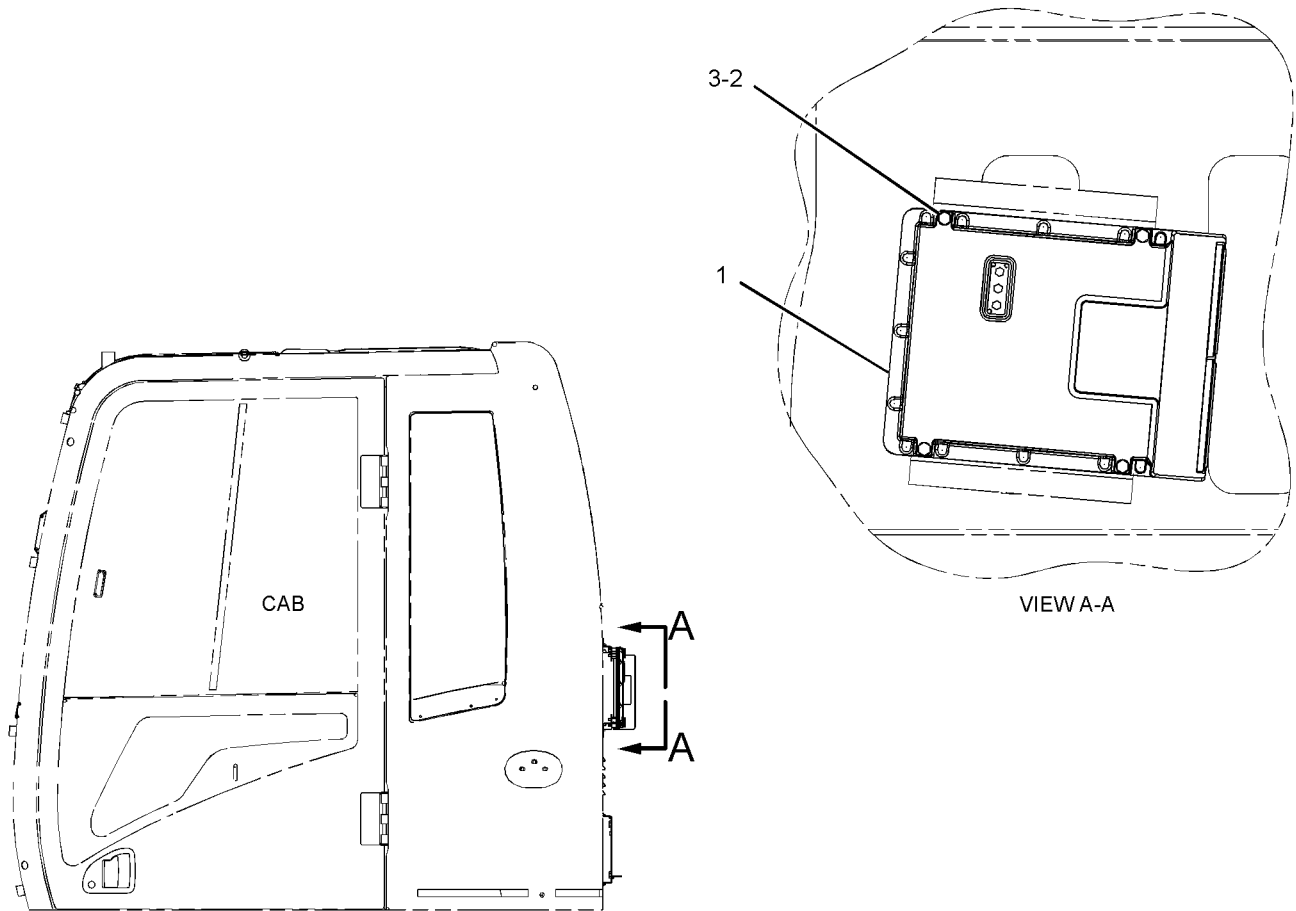
S/N: MGG1-UP; JFZ1-UP
PART OF 273-5387 OPERATOR AR

SMCS-1931, 7600

i02534854

NOTE	REF NO	GRAPHIC REF	PART NUMBER	QTY	PART NAME						SEE PAGE
					1	2	3	4	5	6 (PRODUCT LEVEL)	
	1	1	221-8874	1	CONTROL GP-UNPROGRAMMED						
M	2	1	9X-2480	4	BOLT (M6X1X45-MM)						
	3	1	9X-8256	4	WASHER (6.6X12X2-MM THK)						

M-METRIC PART



LEFT SIDE VIEW

VIEW A-A

GRAPHIC #1

<END>

g01150750

ELECTRICAL AND STARTING SYSTEM**270-5512 ELECTRONICS GP-MACHINE**

S/N: MGG1-UP; JFZ1-UP

PART OF 264-8626, 264-8627 GENERAL AR

SMCS-7610, 7620

i03327344

NOTE	PART NUMBER	QTY	PART NAME						SEE PAGE
			1	2	3	4	5	6 (PRODUCT LEVEL)	
	327-7416	1	SOFTWARE GP-MACHINE						
			-OR-						
	327-7417	1	SERVICE GP-MACHINE						
			(OPTIONAL SERVICE REPLACEMENT) (INCLUDES CONTROL GP & SOFTWARE)						
			<END>						

ELECTRICAL AND STARTING SYSTEM

221-8861 ELECTRONICS GP-MONITOR

S/N: MGG1-UP; JFZ1-UP

PART OF 264-8626, 264-8627 GENERAL AR

SMCS-7490, 7601, 7610, 7620

i03359062

NOTE	PART NUMBER	QTY	PART NAME						SEE PAGE
			1	2	3	4	5	6 (PRODUCT LEVEL)	
	327-7486	1	SOFTWARE GP-MONITOR						
			-OR-						
	327-7483	1	SERVICE GP-MONITOR						
			(OPTIONAL SERVICE REPLACEMENT) (INCLUDES CONTROL GP & SOFTWARE)						
			<END>						

ELECTRICAL AND STARTING SYSTEM**251-0436 FASTENER GP-WIRING HARNESS**

S/N: MGG1-UP; JFZ1-UP

PART OF 259-7494 CONTROL AR-AUXILIARY
AN ATTACHMENT

SMCS-1408, 7553

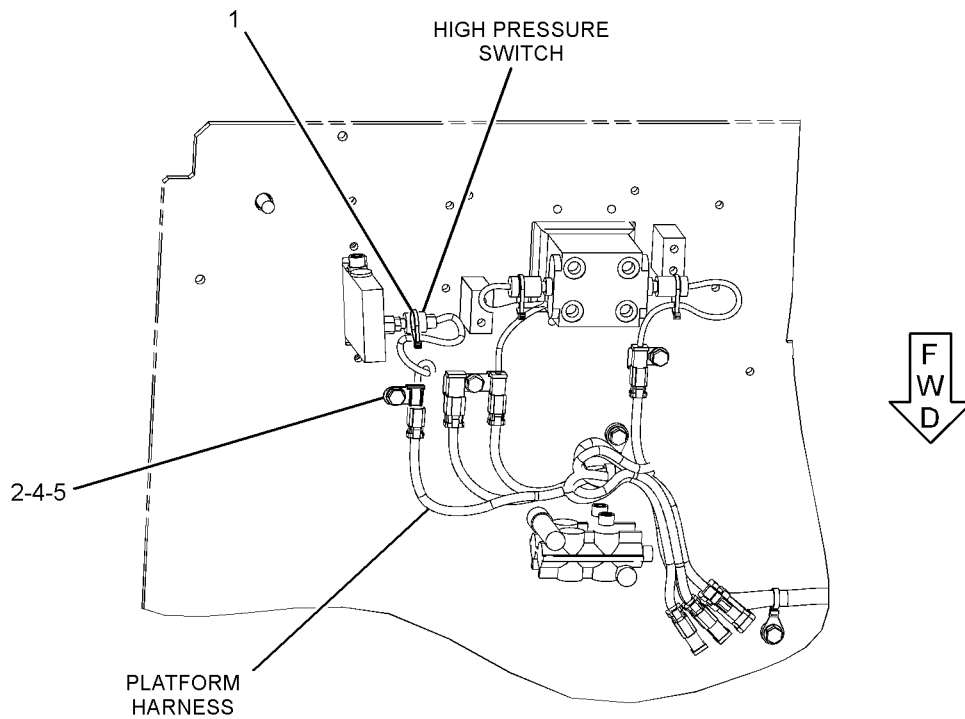
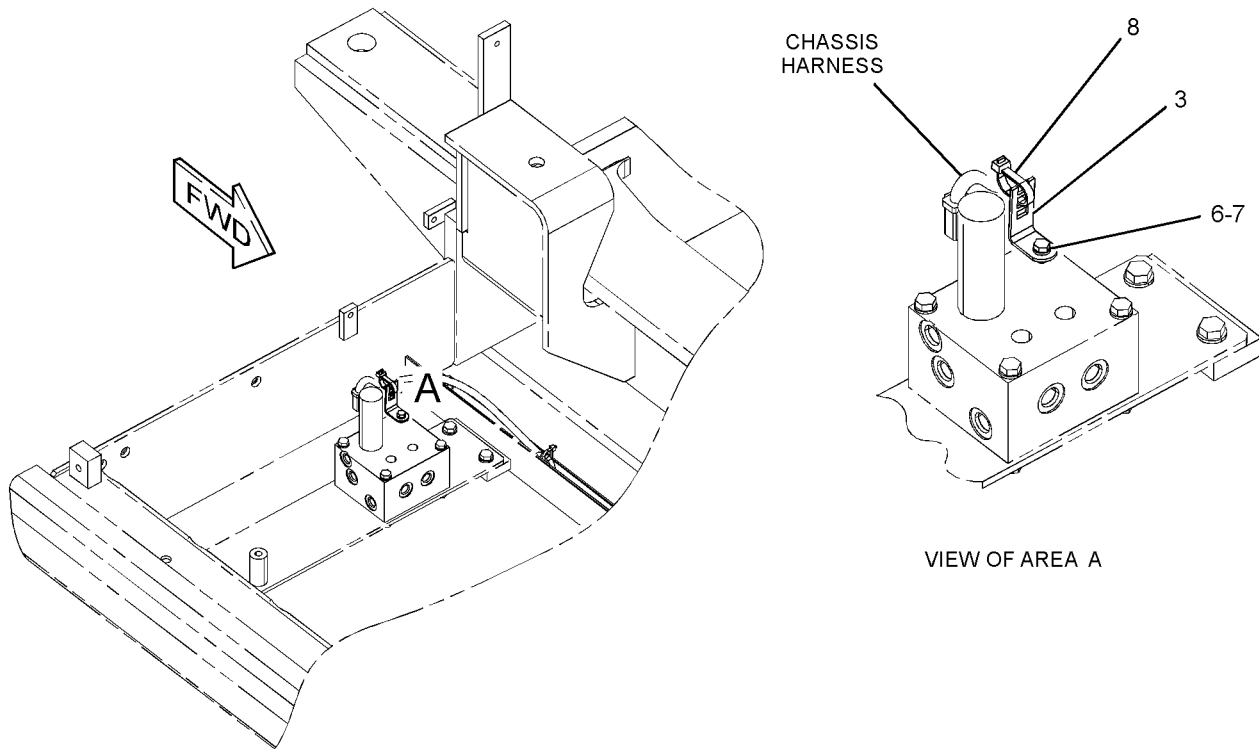
i02536431

NOTE	REF NO	GRAPHIC REF	PART NUMBER	QTY	PART NAME						SEE PAGE
					1	2	3	4	5	6 (PRODUCT LEVEL)	
	1	1	3S-2093	1	STRAP-CABLE						
	2	1	116-0118	1	CLIP						
	3	1	156-6175	1	CLIP						
M	4	1	7X-2621	1	BOLT (M10X1.5X12-MM)						
	5	1	8T-4121	1	WASHER-HARD (11X21X2.5-MM THK)						
M	6	1	8T-4171	1	BOLT (M6X1X12-MM)						
	7	1	9X-8256	1	WASHER (6.6X12X2-MM THK)						
	8	1	7K-1181	1	STRAP-CABLE						
M-METRIC PART											

ELECTRICAL AND STARTING SYSTEM

251-0436 FASTENER GP-WIRING HARNESS (contd.)

i02536431



BOTTOM VIEW

GRAPHIC #1

<END>

g01273033

ELECTRICAL AND STARTING SYSTEM

153-2521 LAMP GP-FLOOD

S/N: MGG1-UP; JFZ1-UP

24 VOLT. VERTICAL

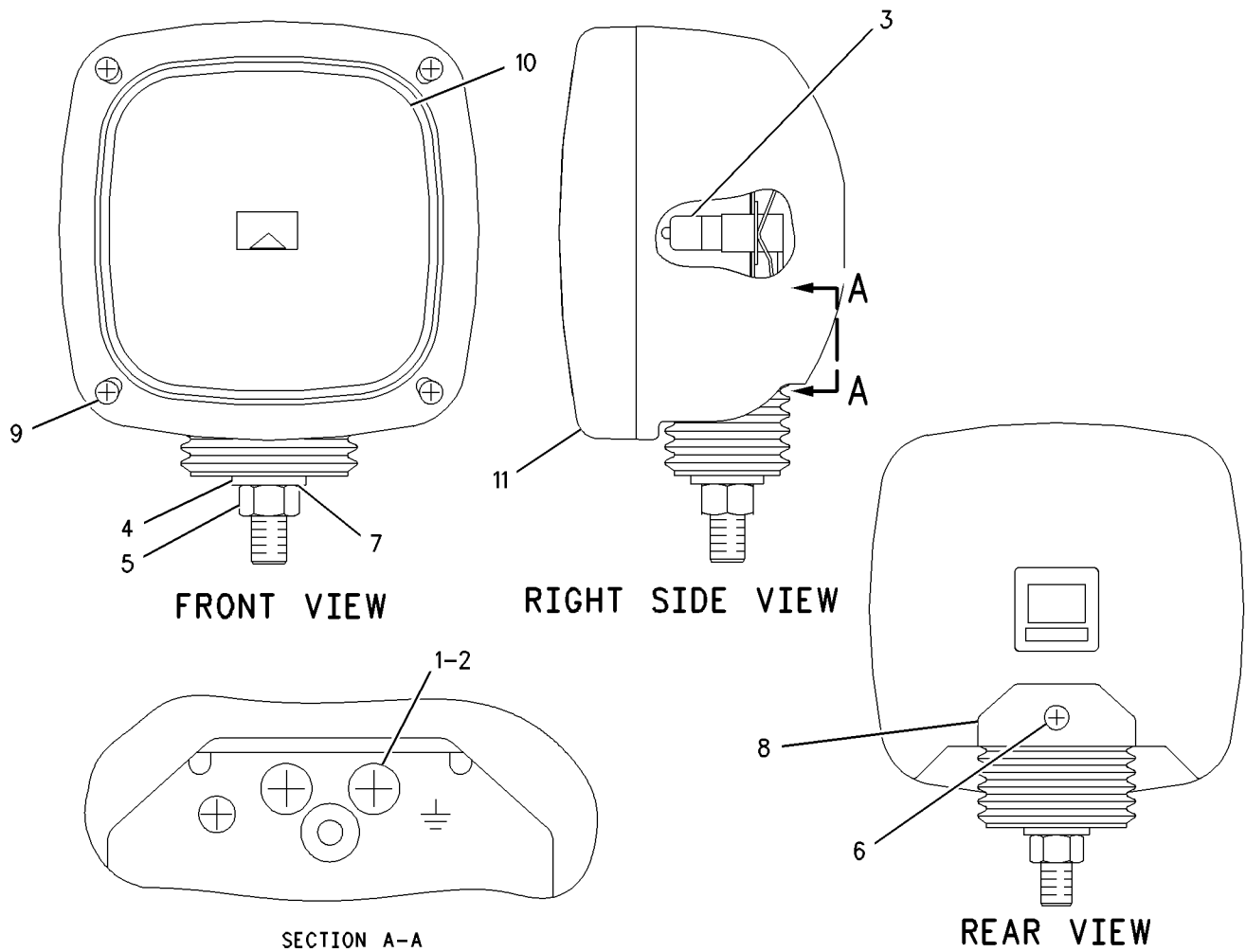
PART OF 259-5043, 259-5047, 267-7627 LIGHTING GP-FLOOD
AN ATTACHMENT

SMCS-1434

i02562241

NOTE	REF NO	GRAPHIC REF	PART NUMBER	QTY	PART NAME						SEE PAGE
					1	2	3	4	5	6 (PRODUCT LEVEL)	
M	1	1	6V-5210	2	SCREW-MACHINE (M4X0.7X10-MM)						
	2	1	3B-4501	2	LOCKWASHER						
	3	1	9X-3463	1	LAMP-HALOGEN (24-VOLT, 65-WATT)						
	4	1	8T-4223	1	WASHER-HARD (13.5X25.5X3-MM THK)						
M	5	1	8T-4244	1	NUT (M12X1.75-THD)						
M	6	1	174-7791	1	SCREW-TAPPING						
	7	1	5C-2889	1	LOCKWASHER						
	8	1	170-6993	1	COVER						
M	9	1	180-3861	4	SCREW-TAPPING						
	10	1	170-9417	1	LENS AS						
	11	1	170-9418	1	BAND						

M-METRIC PART



GRAPHIC #1

<END>

g00646000

ELECTRICAL AND STARTING SYSTEM

153-2523 LAMP GP-FLOOD

S/N: MGG1-UP; JFZ1-UP

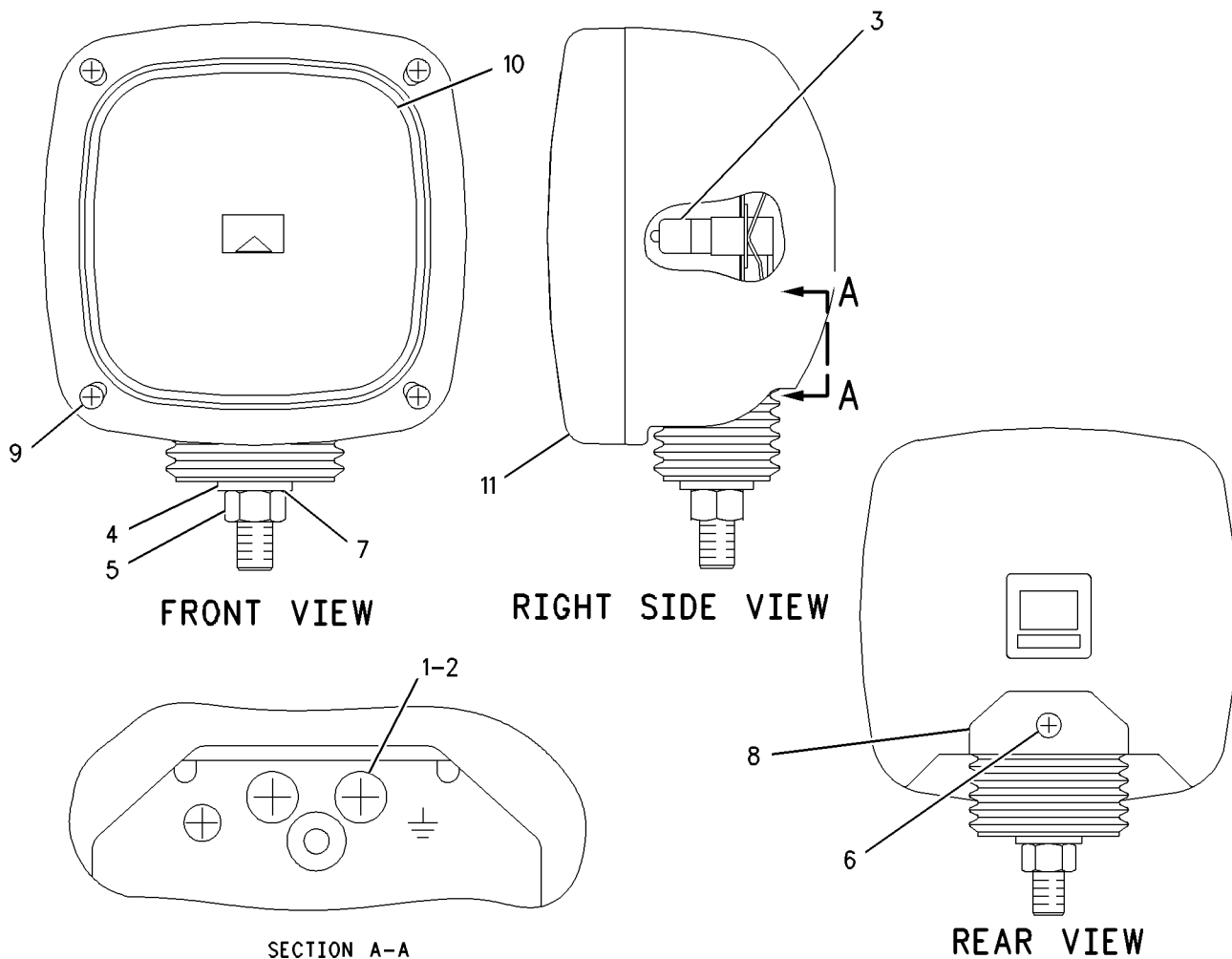
PART OF 4I-5409 LIGHTING GP-CHASSIS

SMCS-1434

i01702290

NOTE	REF NO	GRAPHIC REF	PART NUMBER	QTY	PART NAME	1 2 3 4 5 6 (PRODUCT LEVEL)						SEE PAGE
M	1	1	6V-5210	2	SCREW-MACHINE (M4X0.7X10-MM)							
	2	1	3B-4501	2	LOCKWASHER							
	3	1	9X-3463	1	LAMP-HALOGEN (24-VOLT, 65-WATT)							
	4	1	8T-4223	1	WASHER-HARD (13.5X25.5X3-MM THK)							
M	5	1	8T-4244	1	NUT (M12X1.75-THD)							
M	6	1	174-7791	1	SCREW-TAPPING							
	7	1	5C-2889	1	LOCKWASHER							
	8	1	170-6993	1	COVER							
M	9	1	180-3861	4	SCREW-TAPPING							
	10	1	170-9417	1	LENS AS							
	11	1	170-9418	1	BAND							

M-METRIC PART



GRAPHIC #1

<END>

g00876667

ELECTRICAL AND STARTING SYSTEM

167-3441 LAMP GP-FLOOD

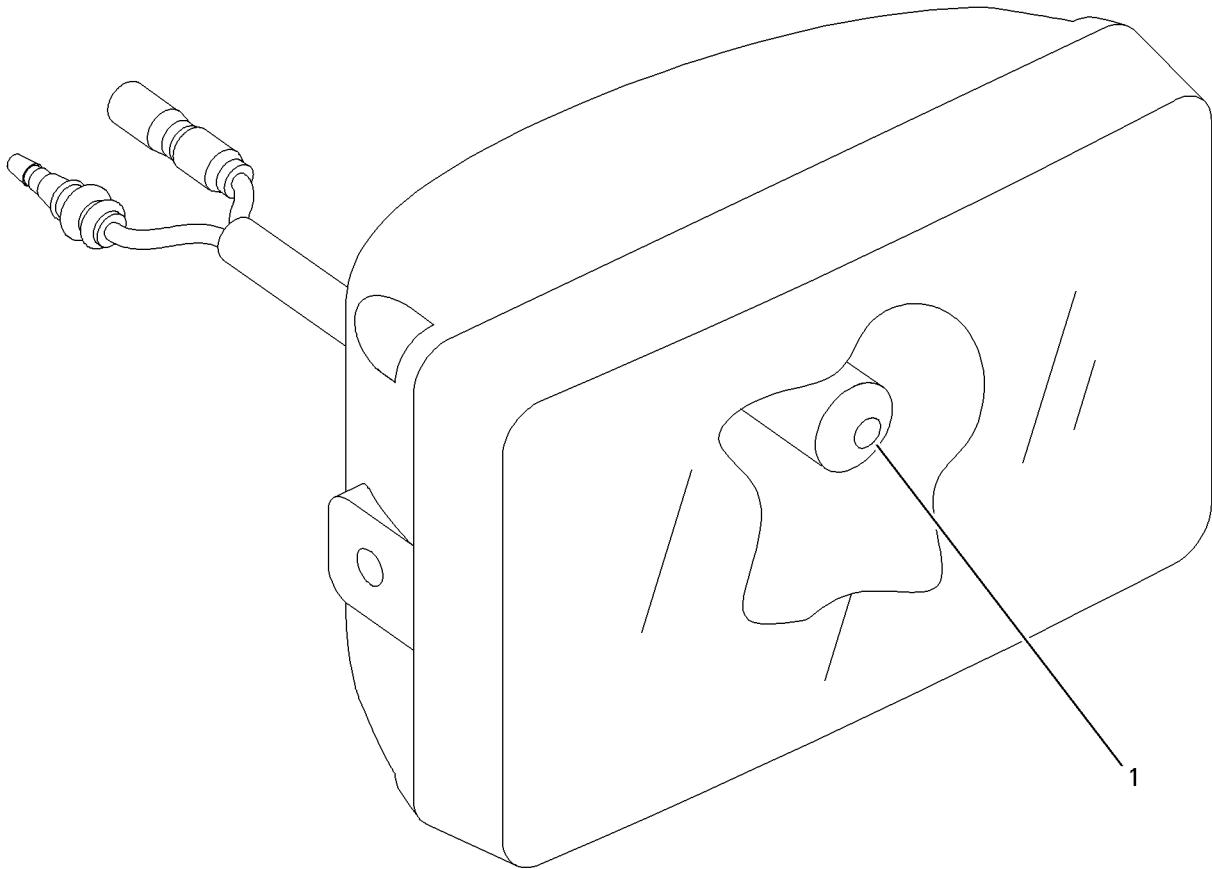
S/N: MGG1-UP

PART OF 163-6772 LIGHTING GP-FLOOD
AN ATTACHMENT

SMCS-1434

i02384299

NOTE	REF NO	GRAPHIC REF	PART NUMBER	QTY	PART NAME						SEE PAGE
					1	2	3	4	5	6 (PRODUCT LEVEL)	
	1	1	9X-3463	1	LAMP-HALOGEN (24-VOLT, 65-WATT)						



GRAPHIC #1

<END>

g00692317

ELECTRICAL AND STARTING SYSTEM

4I-5409 LIGHTING GP-CHASSIS-FRONT, RH

S/N: MGG1-UP; JFZ1-UP

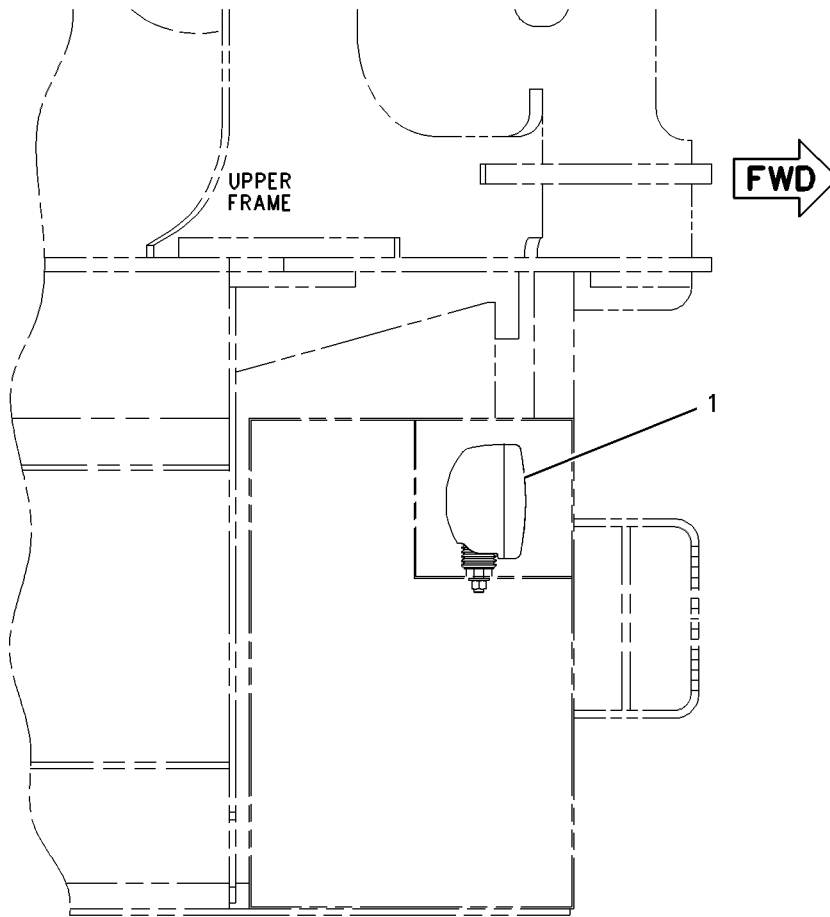
PART OF 264-8638, 264-8639 CHASSIS AR

SMCS-1429

i01315595

NOTE	REF NO	GRAPHIC REF	PART NUMBER	QTY	PART NAME						SEE PAGE
					1	2	3	4	5	6 (PRODUCT LEVEL)	
Y	1	1	153-2523	1	LAMP GP-FLOOD						174

Y-SEPARATE ILLUSTRATION



TOP VIEW

GRAPHIC #1

<END>

g00588573

ELECTRICAL AND STARTING SYSTEM**163-6772 LIGHTING GP-FLOOD-CAB**S/N: MGG1-UP
AN ATTACHMENT

SMCS-1434

i02384294

NOTE	REF NO	GRAPHIC REF	PART NUMBER	QTY	PART NAME						SEE PAGE
					1	2	3	4	5	6 (PRODUCT LEVEL)	
	1	1	163-6795	2	STRAP-CABLE						
	2	1	163-6813	1	COVER (LH)						
	3	1	163-6814	1	COVER (RH)						
	4	1	167-3437	1	BRACKET AS (LH)						
	5	1	167-3438	1	BRACKET AS (RH)						
Y	6	1	167-3441	2	LAMP GP-FLOOD						175
	7	1	167-3456	2	HARNES AS-LIGHTING (CAB FLOODLIGHT)						
M	8	1	8T-4200	2	BOLT (M8X1.25X16-MM)						
	9	1	8T-4224	2	WASHER-HARD (8.8X16X2-MM THK)						
M	10	1	8T-4970	4	BOLT (M6X1X14-MM)						
M	11	1	8T-6411	6	SCREW-MACHINE (M6X1X12-MM)						
M	12	1	8T-6412	2	SCREW-MACHINE (M6X1X20-MM)						
	13	1	9X-8256	12	WASHER (6.6X12X2-MM THK)						
B	14	1	9X-8256	4	WASHER (6.6X12X2-MM THK)						

B-USE AS REQUIRED

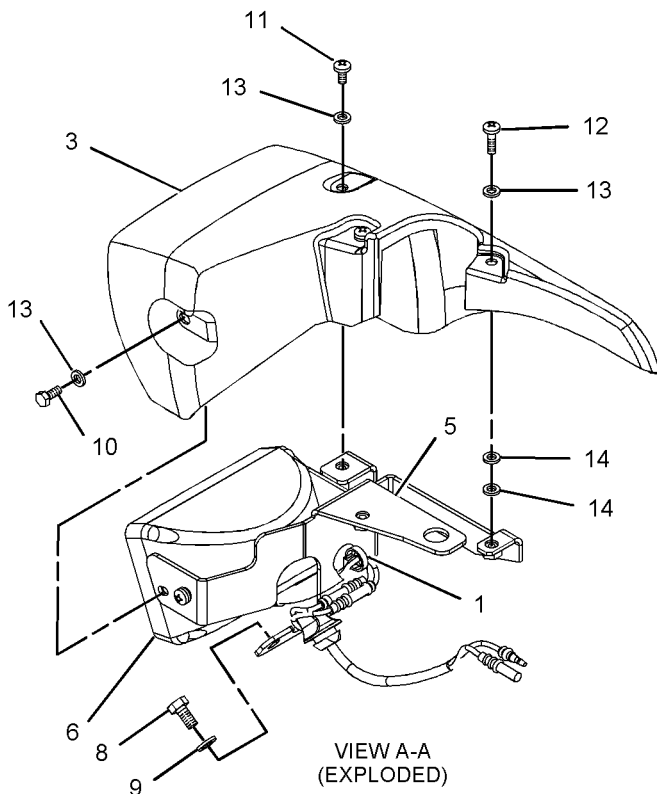
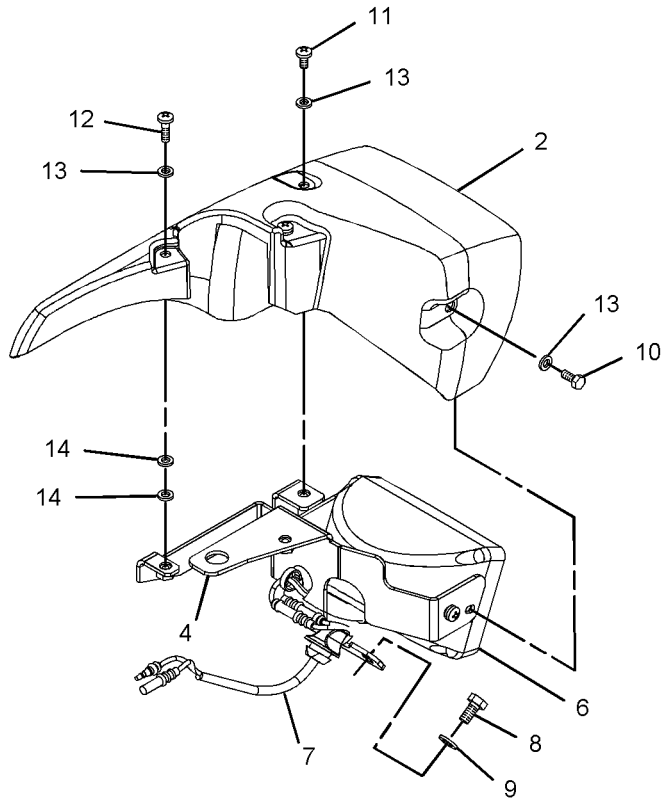
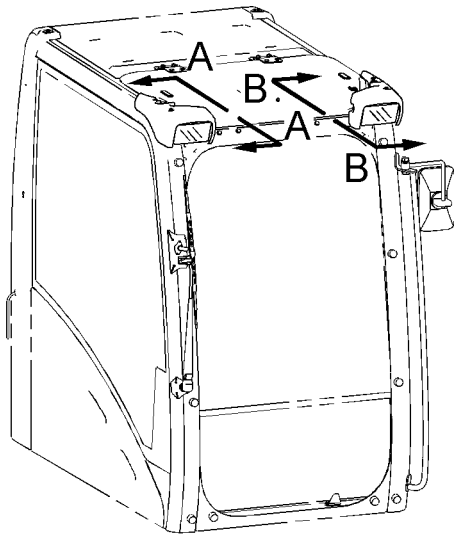
M-METRIC PART

Y-SEPARATE ILLUSTRATION

ELECTRICAL AND STARTING SYSTEM

163-6772 LIGHTING GP-FLOOD (contd.)

i02384294



GRAPHIC #1

<END>

g01095568

ELECTRICAL AND STARTING SYSTEM**259-5043 LIGHTING GP-FLOOD**

S/N: MGG1-UP; JFZ1-UP

PART OF 240-3830, 240-3832, 240-3836 BOOM AR-1 PIECE LONG, 302-9208 LINKAGE
AR

AN ATTACHMENT

SMCS-1434

i02548248

NOTE	REF NO	GRAPHIC REF	PART NUMBER	QTY	PART NAME						SEE PAGE
					1	2	3	4	5	6 (PRODUCT LEVEL)	
	1	1	7I-2673	1	STRAP-CABLE						
	2	1	111-4836	4	CLIP						
	3	1	116-0118	1	CLIP						
Y	4	1	153-2521	1	LAMP GP-FLOOD (24-VOLT)						173
	5	1	259-5326	1	HARNESS AS-LIGHTING (BOOM, LH)						
		1	243-4505	1	RECEPTACLE AS-CONNECTOR (2-PIN)						
	6	1	111-4837	1	CLIP						
	7	1	134-3284	1	BRACKET						
	8	1	5P-9297	2	CLIP						
	9	1	8T-4121	5	WASHER-HARD (11X21X2.5-MM THK)						
M	10	1	8T-4133	5	NUT (M10X1.5-THD)						
M	11	1	8T-4190	1	BOLT (M16X2X25-MM)						
	12	1	9X-8257	1	WASHER (17.5X30X3.5-MM THK)						

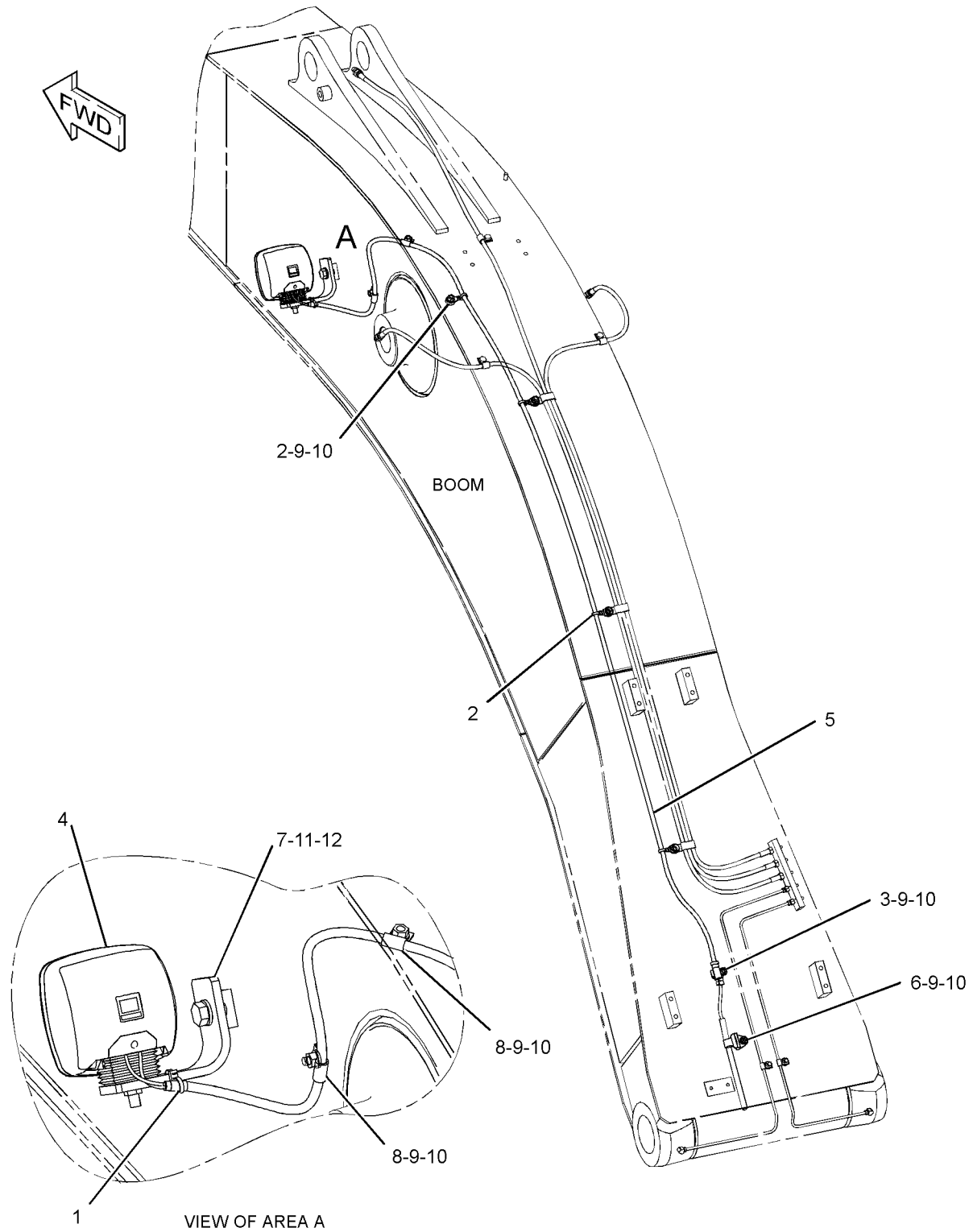
M-METRIC PART

Y-SEPARATE ILLUSTRATION

ELECTRICAL AND STARTING SYSTEM

259-5043 LIGHTING GP-FLOOD (contd.)

i02548248



GRAPHIC #1

<END>

g01226436

ELECTRICAL AND STARTING SYSTEM

259-5047 LIGHTING GP-FLOOD-BOOM, RH

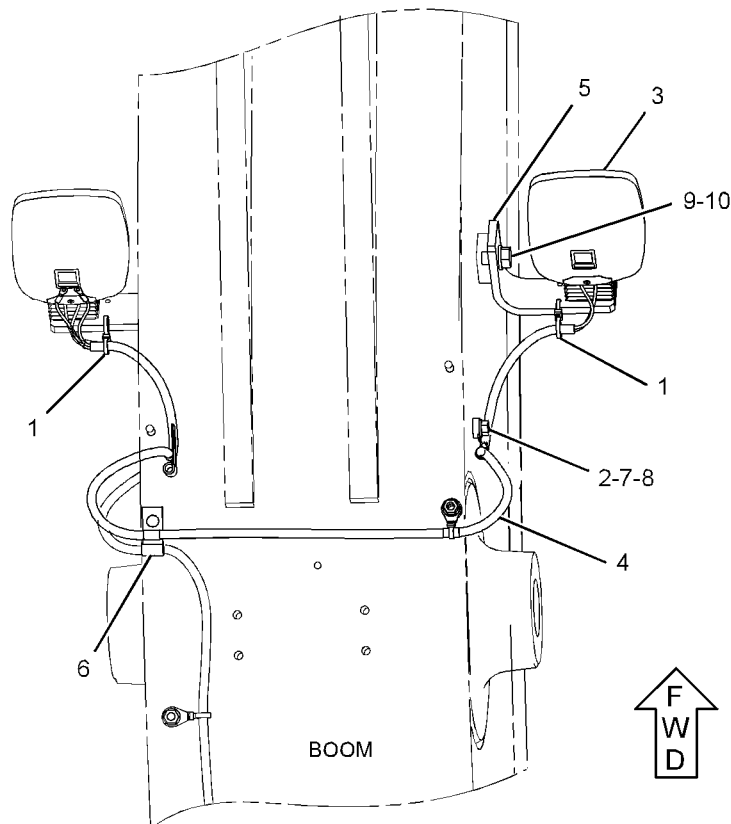
S/N: MGG1-UP
AN ATTACHMENT

SMCS - 1434

i02572886

NOTE	REF NO	GRAPHIC REF	PART NUMBER	QTY	PART NAME						SEE PAGE
					1	2	3	4	5	6 (PRODUCT LEVEL)	
	1	1	7I-2673	2	STRAP - CABLE						
	2	1	111-4836	2	CLIP						
Y	3	1	153-2521	1	LAMP GP-FLOOD (24-VOLT)						173
	4	1	259-5327	1	HARNESS AS-LIGHTING (BOOM)						
	5	1	134-3284	1	BRACKET						
	6	1	7N-3718	2	CLIP						
	7	1	8T-4121	2	WASHER-HARD (11X21X2.5-MM THK)						
M	8	1	8T-4133	2	NUT (M10X1.5-THD)						
M	9	1	8T-4190	1	BOLT (M16X2X25-MM)						
	10	1	9X-8257	1	WASHER (17.5X30X3.5-MM THK)						

M-METRIC PART
Y-SEPARATE ILLUSTRATION



TOP VIEW

GRAPHIC #1

<END>

g01223146

ELECTRICAL AND STARTING SYSTEM**267-7627 LIGHTING GP-FLOOD-SHORT BOOM, LH**

S/N: MGG1-UP; JFZ1-UP

PART OF 240-3835 BOOM AR-1 PIECE SHORT
AN ATTACHMENT

SMCS-1434

i02571334

NOTE	REF NO	GRAPHIC REF	PART NUMBER	QTY	PART NAME						SEE PAGE
					1	2	3	4	5	6 (PRODUCT LEVEL)	
	1	1	7I-2673	1	STRAP-CABLE						
	2	1	111-4836	4	CLIP						
	3	1	116-0118	1	CLIP						
Y	4	1	153-2521	1	LAMP GP-FLOOD (24-VOLT)						173
	5	1	267-7628	1	HARNESS AS-LIGHTING						
		1	243-4505	1	RECEPTACLE AS-CONNECTOR (2-PIN)						
	6	1	111-4837	1	CLIP						
	7	1	134-3284	1	BRACKET						
	8	1	5P-9297	2	CLIP						
	9	1	8T-4121	5	WASHER-HARD (11X21X2.5-MM THK)						
M	10	1	8T-4133	5	NUT (M10X1.5-THD)						
M	11	1	8T-4190	1	BOLT (M16X2X25-MM)						
	12	1	9X-8257	1	WASHER (17.5X30X3.5-MM THK)						

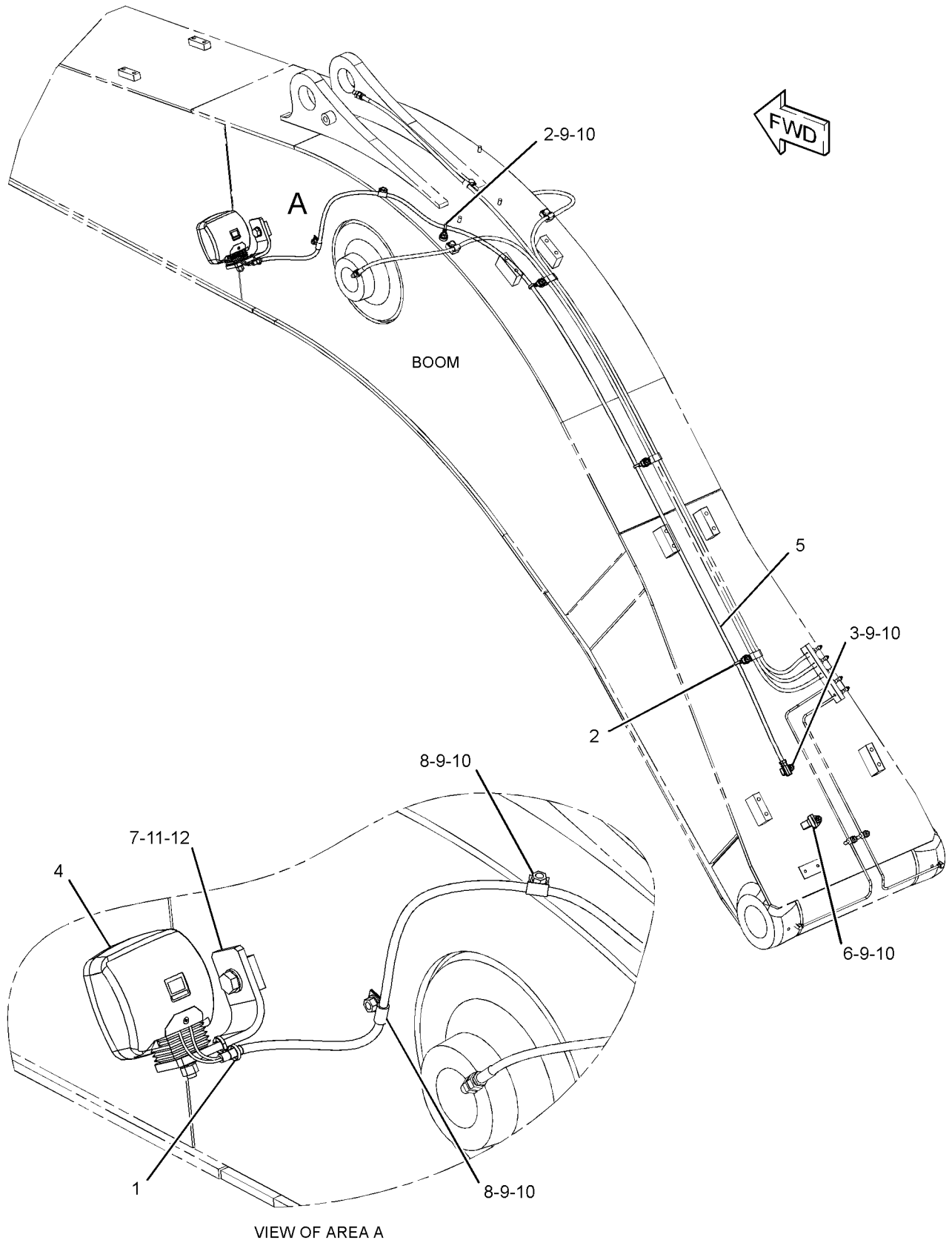
M-METRIC PART

Y-SEPARATE ILLUSTRATION

ELECTRICAL AND STARTING SYSTEM

267-7627 LIGHTING GP-FLOOD (contd.)

i02571334



GRAPHIC #1

<END>

g01229074

ELECTRICAL AND STARTING SYSTEM

259-5176 PANEL & MTG GP-CIRCUIT BREAKER

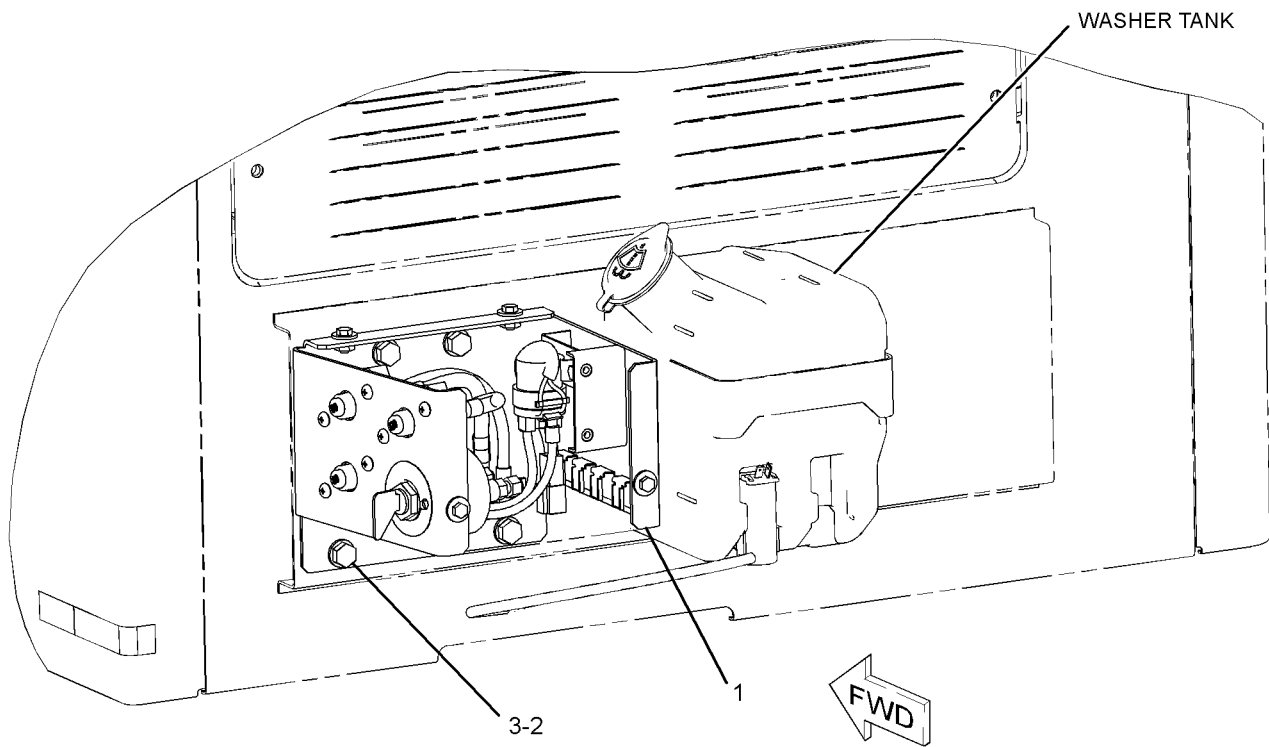
S/N: MGG1-582; JFZ1-1769
PART OF 273-5387 OPERATOR AR

SMCS-1417, 1420

i02744443

NOTE	REF NO	GRAPHIC REF	PART NUMBER	QTY	PART NAME						SEE PAGE
					1	2	3	4	5	6 (PRODUCT LEVEL)	
Y	1	1	259-5177	1	PANEL GP-CIRCUIT BREAKER						186
	2	1	8T-4121	4	WASHER-HARD (11X21X2.5-MM THK)						
M	3	1	8T-4137	4	BOLT (M10X1.5X20-MM)						

M-METRIC PART
Y-SEPARATE ILLUSTRATION



GRAPHIC #1

<END>

g01193327

ELECTRICAL AND STARTING SYSTEM**259-5176 PANEL & MTG GP-CIRCUIT BREAKER**

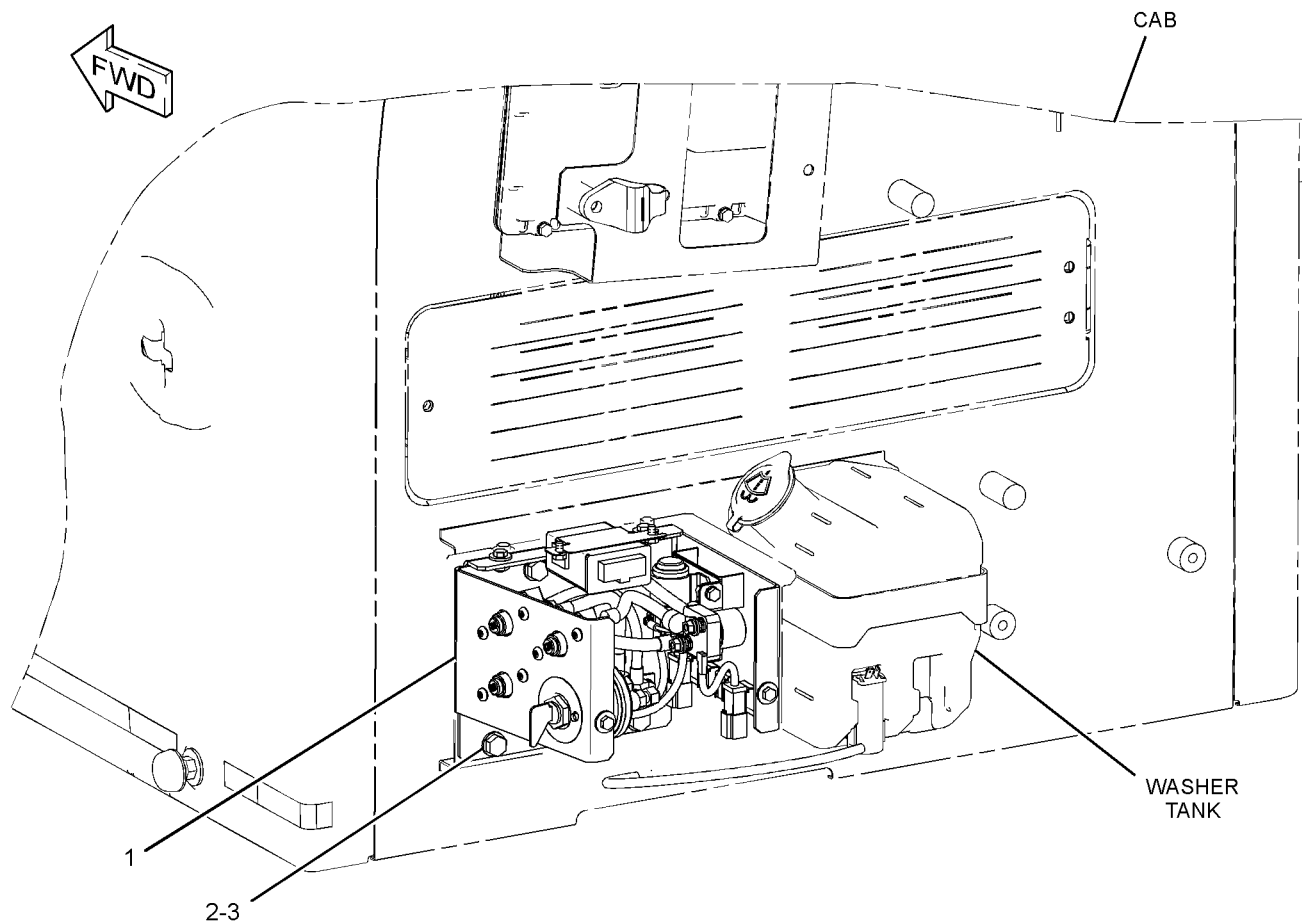
S/N: MGG583-UP; JFZ1770-UP
PART OF 273-5387 OPERATOR AR

SMCS-1417, 1420

i03023099

NOTE	REF NO	GRAPHIC REF	PART NUMBER	QTY	PART NAME						SEE PAGE
					1	2	3	4	5	6 (PRODUCT LEVEL)	
CY	1	1	319-1386	1	PANEL GP-CIRCUIT BREAKER						188
	2	1	8T-4121	4	WASHER-HARD (11X21X2.5-MM THK)						
M	3	1	8T-4137	4	BOLT (M10X1.5X20-MM)						

C-CHANGE FROM PREVIOUS TYPE
M-METRIC PART
Y-SEPARATE ILLUSTRATION



GRAPHIC #1

<END>

g01515824

ELECTRICAL AND STARTING SYSTEM**259-5177 PANEL GP-CIRCUIT BREAKER**

S/N: MGG1-UP; JFZ1-UP

PART OF 259-5176 PANEL & MTG GP-CIRCUIT BREAKER

SMCS-1417

i02744445

NOTE	REF NO	GRAPHIC REF	PART NUMBER	QTY	PART NAME						SEE PAGE
					1	2	3	4	5	6 (PRODUCT LEVEL)	
	1	1	3E-8320	1	PLATE-INSTRUCTION (BATTERY)						
Y	2	1	7N-0719	1	SWITCH GP-DISCONNECT (BATTERY)						200
	3	1	121-1023	1	BLOCK-TERMINAL						
	4	1	171-2208	1	CIRCUIT BREAKER AS (60-AMPERE) (ALTERNATOR)						
		1	6V-8187	2	NUT (1/4-28-THD)						
		1	8T-4205	2	WASHER-HARD (7.2X14.5X2-MM THK)						
		1	253-2111	2	LOCKWASHER						
5	1	1	216-4970	1	CIRCUIT BREAKER AS (120-AMPERE) (HEATER)						
		1	6V-8187	2	NUT (1/4-28-THD)						
		1	8T-4205	2	WASHER-HARD (7.2X14.5X2-MM THK)						
		1	253-2111	2	LOCKWASHER						
6	1	1	291-7547	1	BRACKET AS						
7	1	1	234-1035	1	CABLE AS						
D		1	6V-2369		WIRE (4-GA, BLACK) (0.3-M)						
		1	9G-4343	2	TERMINAL (4-GA)						
	8	1	234-1037	1	WIRE AS						
	9	1	234-1038	1	WIRE AS						
	10	1	238-1506	1	COVER						
	11	1	238-2279	1	BAR-BUS						
	12	1	238-2280	1	WIRE AS						
	13	1	251-0303	1	CABLE AS						
D		1	6V-2369		WIRE (4-GA, BLACK) (0.3-M)						
		1	9G-4343	2	TERMINAL (4-GA)						
	14	1	251-0304	1	CABLE AS						
D		1	6V-2369		WIRE (4-GA, BLACK) (0.2-M)						
		1	9G-4343	2	TERMINAL (4-GA)						
Y	15	1	259-5274	1	SWITCH GP-MAGNETIC (24-VOLT) (START RELAY)						202
	16	1	171-2210	1	CIRCUIT BREAKER AS (80-AMPERE) (MAIN)						
		1	6V-8187	2	NUT (1/4-28-THD)						
		1	8T-4205	2	WASHER-HARD (7.2X14.5X2-MM THK)						
		1	253-2111	2	LOCKWASHER						
M	17	1	5C-9553	5	BOLT (M6X1X16-MM)						
	18	1	5P-4115	4	WASHER-HARD (7.2X19X2-MM THK)						
	19	1	6V-5645	6	SCREW-MACHINE (10-32X0.87-IN)						
	20	1	8T-0328	6	WASHER-HARD (5.5X10X1-MM THK)						
M	21	1	8T-4171	4	BOLT (M6X1X12-MM)						
M	22	1	8T-4970	4	BOLT (M6X1X14-MM)						
	23	1	9X-8256	9	WASHER (6.6X12X2-MM THK)						

D-ORDER BY THE METER

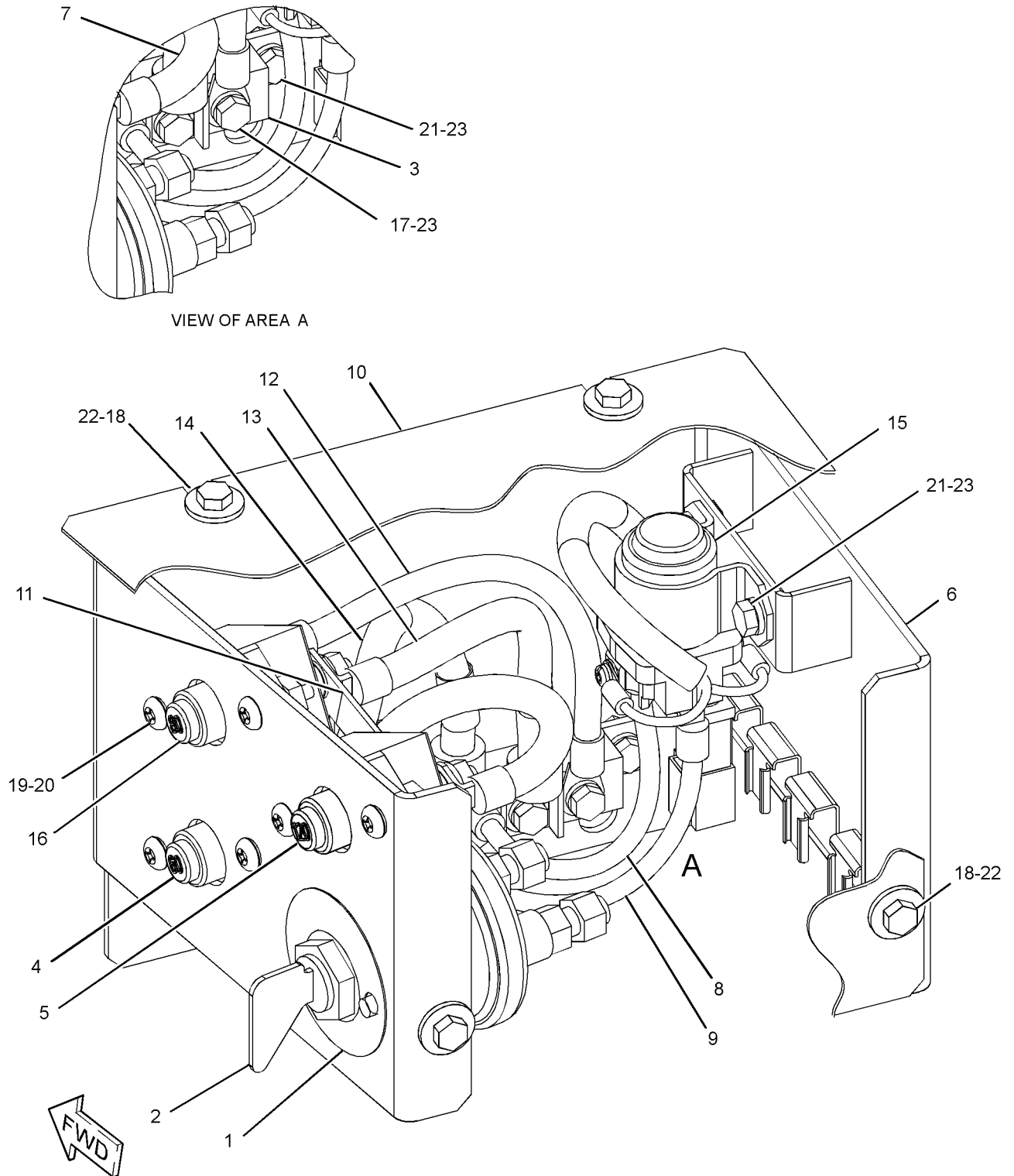
M-METRIC PART

Y-SEPARATE ILLUSTRATION

ELECTRICAL AND STARTING SYSTEM

259-5177 PANEL GP-CIRCUIT BREAKER (contd.)

i02744445



GRAPHIC #1

<END>

g01362185

ELECTRICAL AND STARTING SYSTEM**319-1386 PANEL GP-CIRCUIT BREAKER**

S/N: MGG1-UP; JFZ1-UP

PART OF 259-5176 PANEL & MTG GP-CIRCUIT BREAKER

SMCS-1417

i03024742

NOTE	REF NO	GRAPHIC REF	PART NUMBER	QTY	PART NAME						SEE PAGE
					1	2	3	4	5	6 (PRODUCT LEVEL)	
	1	1	3E-8320	1	PLATE-INSTRUCTION (BATTERY)						
Y	2	1	7N-0719	1	SWITCH GP-DISCONNECT (BATTERY)						200
	3	1	116-0114	1	SWITCH AS-MAGNETIC (24-VOLT) (HEATER RELAY)						
		1	186-3735	2	PIN-CONNECTOR (16-GA TO 18-GA)						
		1	102-8802	1	KIT-RECEPTACLE (2-PIN) (INCLUDES RECEPTACLE AS & WEDGE)						
	4	1	121-1023	1	BLOCK-TERMINAL						
	5	1	171-2208	1	CIRCUIT BREAKER AS (60-AMPERE) (ALTERNATOR)						
		1	6V-8187	2	NUT (1/4-28-THD)						
		1	8T-4205	2	WASHER-HARD (7.2X14.5X2-MM THK)						
		1	253-2111	2	LOCKWASHER						
	6	1	197-4330	1	CONTROLLER-AIR (HEATER)						
	7	1	216-4970	1	CIRCUIT BREAKER AS (120-AMPERE) (HEATER)						
		1	6V-8187	2	NUT (1/4-28-THD)						
		1	8T-4205	2	WASHER-HARD (7.2X14.5X2-MM THK)						
		1	253-2111	2	LOCKWASHER						
	8	1	234-1037	1	WIRE AS						
	9	1	234-1038	1	WIRE AS						
	10	1	238-2279	1	BAR-BUS						
	11	1	238-2280	1	WIRE AS						
	12	1	238-2324	1	CABLE AS						
		1	9G-4343	2	TERMINAL (4-GA)						
D		1	6V-2369		WIRE (4-GA, BLACK) (0.2-M)						
E		1	125-7876		TUBE-HEAT SHRINK (17.78-MM DIA) (4-CM)						
	13	1	238-2325	1	CABLE AS						
D		1	6V-2369		WIRE (4-GA, BLACK) (0.3-M)						
		1	9G-4343	2	TERMINAL (4-GA)						
E		1	125-7876		TUBE-HEAT SHRINK (17.78-MM DIA) (4-CM)						
	14	1	251-0303	1	CABLE AS						
D		1	6V-2369		WIRE (4-GA, BLACK) (0.2-M)						
		1	9G-4343	2	TERMINAL (4-GA)						
E		1	125-7876		TUBE-HEAT SHRINK (17.78-MM DIA) (4-CM)						
	15	1	251-0304	1	CABLE AS						
D		1	6V-2369		WIRE (4-GA, BLACK) (0.2-M)						
		1	9G-4343	2	TERMINAL (4-GA)						
E		1	125-7876		TUBE-HEAT SHRINK (17.78-MM DIA) (4-CM)						
Y	16	1	259-5274	1	SWITCH GP-MAGNETIC (24-VOLT) (START RELAY)						202
	17	1	291-7547	1	BRACKET AS						
	18	1	319-1344	1	BRACKET AS						
	19	1	319-1346	1	COVER AS						
	20	1	171-2210	1	CIRCUIT BREAKER AS (80-AMPERE) (MAIN)						
		1	6V-8187	2	NUT (1/4-28-THD)						
		1	8T-4205	2	WASHER-HARD (7.2X14.5X2-MM THK)						
		1	253-2111	2	LOCKWASHER						
M	21	1	5C-2890	2	NUT (M6X1-THD)						
M	22	1	5C-9553	5	BOLT (M6X1X16-MM)						
	23	1	5P-4115	4	WASHER-HARD (7.2X19X2-MM THK)						
	24	1	6V-5645	6	SCREW-MACHINE (10-32X0.87-IN)						
M	25	1	7X-2619	2	BOLT (M6X1X10-MM)						
	26	1	8T-0328	6	WASHER-HARD (5.5X10X1-MM THK)						
M	27	1	8T-4171	4	BOLT (M6X1X12-MM)						
M	28	1	8T-4970	6	BOLT (M6X1X14-MM)						
	29	1	9X-8256	15	WASHER (6.6X12X2-MM THK)						

ELECTRICAL AND STARTING SYSTEM

319-1386 PANEL GP-CIRCUIT BREAKER (contd.)

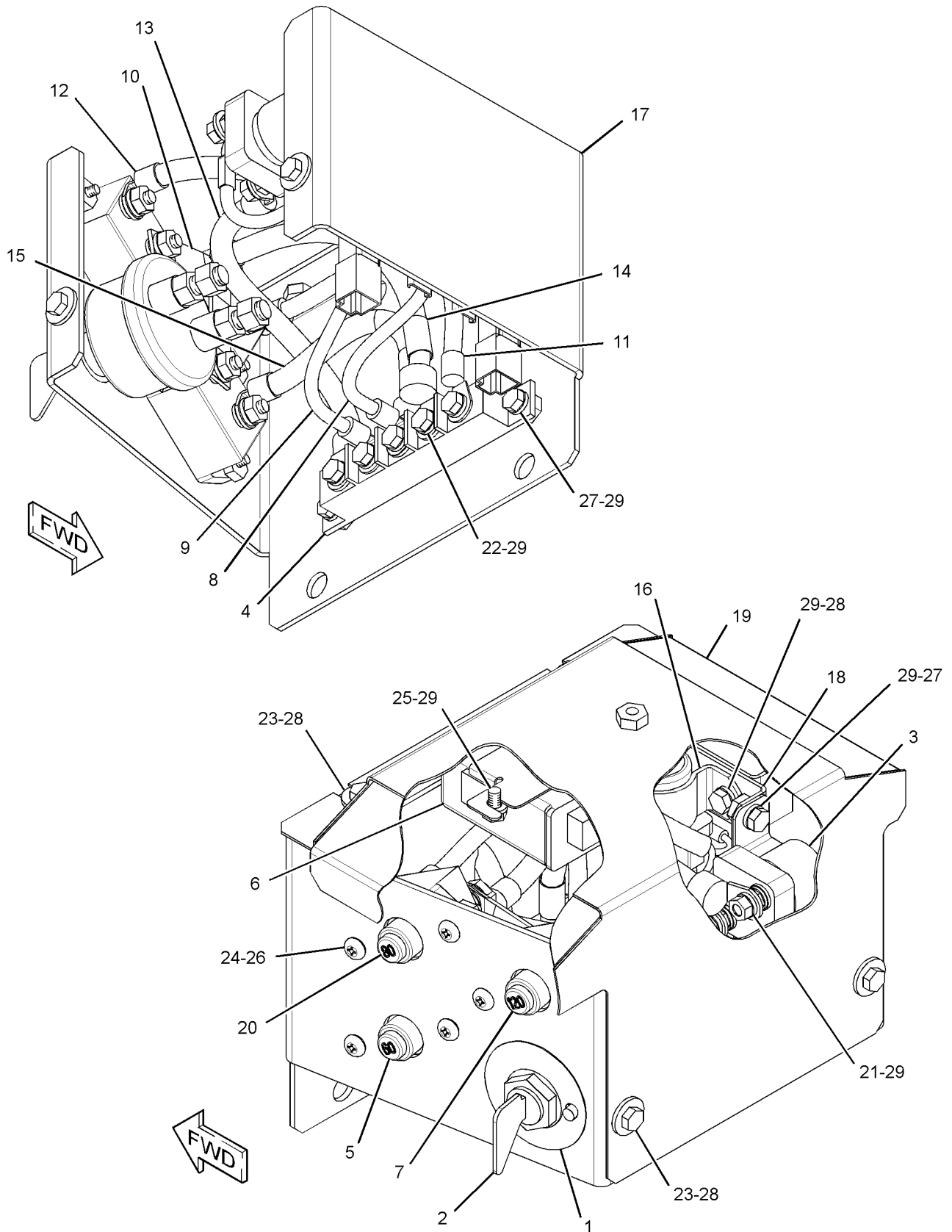
i03024742

D-ORDER BY THE METER
E-ORDER BY THE CENTIMETER
M-METRIC PART
Y-SEPARATE ILLUSTRATION

ELECTRICAL AND STARTING SYSTEM

319-1386 PANEL GP-CIRCUIT BREAKER (contd.)

i03024742



GRAPHIC #1

<END>

g01515291

ELECTRICAL AND STARTING SYSTEM

251-0542 PANEL GP-SWITCH-ENGINE SPEED, START

S/N: MGG1-UP; JFZ1-UP

AN ATTACHMENT

TYPE 1

SMCS-1408, 1429, 7332, 7451

i02769154

NOTE	REF NO	GRAPHIC REF	PART NUMBER	QTY	PART NAME						SEE PAGE
					1	2	3	4	5	6 (PRODUCT LEVEL)	
	1	1	3S-2093	4	STRAP-CABLE						
Y	2	1	9G-7641	1	SWITCH GP-START (ENGINE, KEY)						209
Y	3	1	106-0107	1	SWITCH GP-ROTARY (THROTTLE POSITION)						207
	4	1	170-9324	1	LAMP AS (24-VOLT, 3-WATT)						
	5	1	185-9208	1	KNOB AS (THROTTLE POSITION)						
	6	1	234-1156	1	COVER						
	7	1	234-1158	1	COVER						
	8	1	267-7976	1	PANEL						
	9	1	251-0543	1	HARNESS AS-CONSOLE (RH)						
		1	102-8802	1	KIT-RECEPTACLE (2-PIN)						
					(INCLUDES RECEPTACLE AS & WEDGE)						
		1	155-2270	1	KIT-CONNECTING PLUG (2-PIN)						
		1	155-2274	1	KIT-CONNECTING PLUG (6-PIN)						
					(EACH CONNECTING PLUG KIT INCLUDES PLUG AS, WEDGE & INTERFACE SEAL)						
	10	1	096-6166	4	WASHER-HARD (4.5X9X1-MM THK)						
	11	1	119-5026	4	SCREW-PAN HEAD (10-16X0.63-IN)						
M	12	1	6V-9491	4	SCREW-MACHINE (M4X0.7X20-MM)						

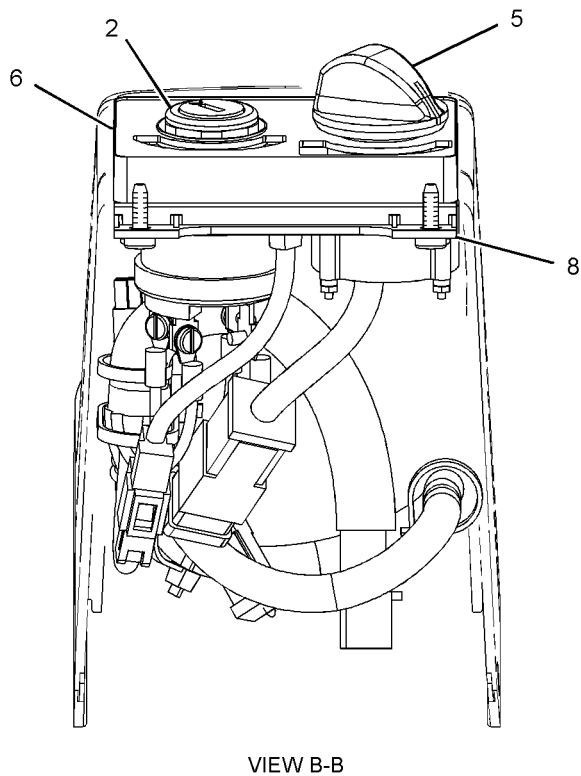
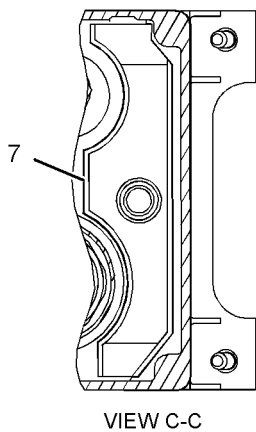
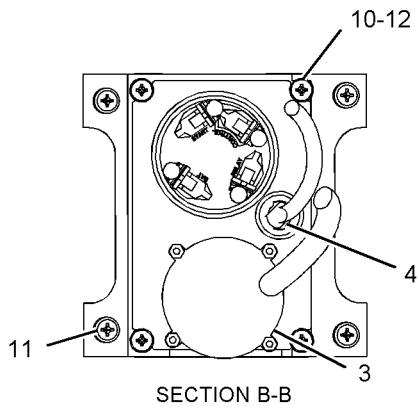
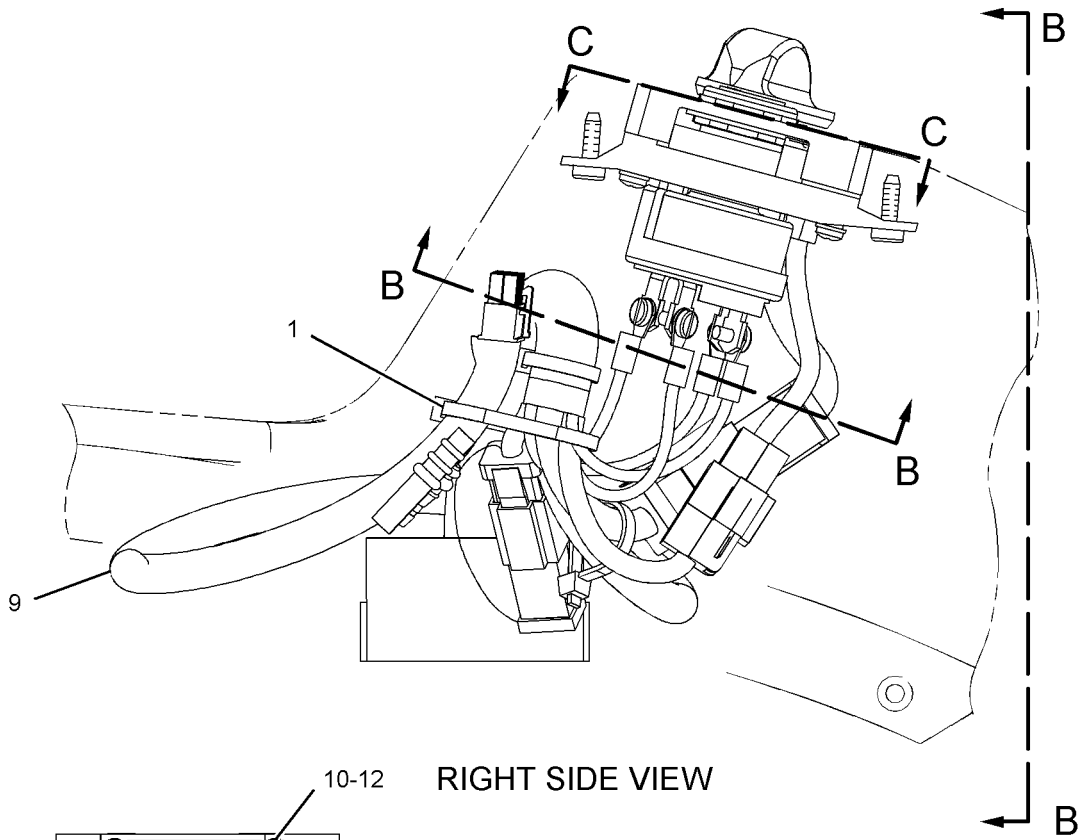
M-METRIC PART

Y-SEPARATE ILLUSTRATION

ELECTRICAL AND STARTING SYSTEM

251-0542 PANEL GP-SWITCH (contd.)

i02769154



GRAPHIC #1

<END>

g01112022

ELECTRICAL AND STARTING SYSTEM

251-0542 PANEL GP-SWITCH-ENGINE SPEED, START

S/N: MGG1-UP; JFZ1-UP

AN ATTACHMENT

TYPE 2

SMCS-1408, 1429, 7332, 7451

i03098332

NOTE	REF NO	GRAPHIC REF	PART NUMBER	QTY	PART NAME						SEE PAGE
					1	2	3	4	5	6 (PRODUCT LEVEL)	
	1	1	3S-2093	4	STRAP-CABLE						
Y	2	1	9G-7641	1	SWITCH GP-START (ENGINE, KEY)						209
CY	3	1	319-4420	1	SWITCH GP-ROTARY (THROTTLE POSITION)						208
	4	1	170-9324	1	LAMP AS (24-VOLT, 3-WATT)						
	5	1	185-9208	1	KNOB AS (THROTTLE POSITION)						
	6	1	234-1156	1	COVER						
	7	1	234-1158	1	COVER						
	8	1	267-7976	1	PANEL						
C	9	1	328-0021	1	HARNESS AS-CONSOLE (RH)						
	10	1	096-6166	4	WASHER-HARD (4.5X9X1-MM THK)						
	11	1	119-5026	4	SCREW-PAN HEAD (10-16X0.63-IN)						
M	12	1	6V-9491	4	SCREW-MACHINE (M4X0.7X20-MM)						

C-CHANGE FROM PREVIOUS TYPE

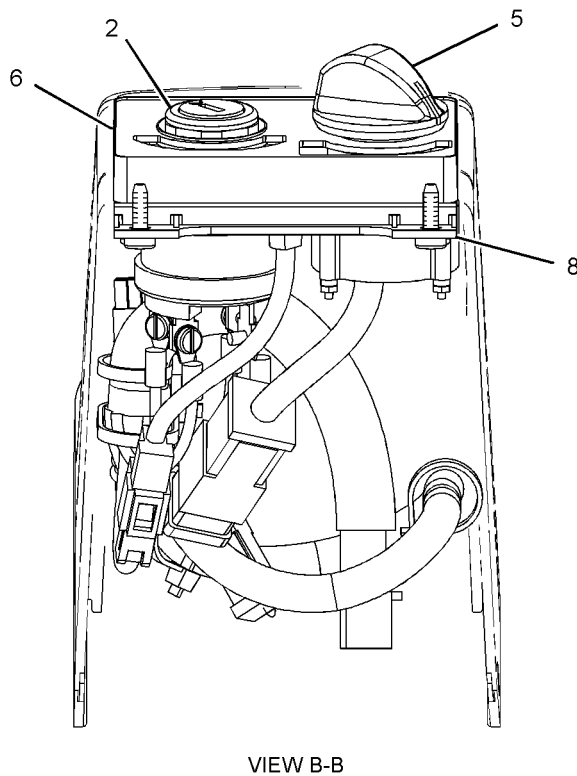
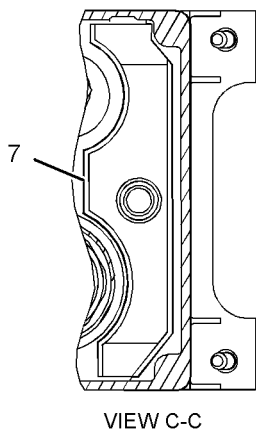
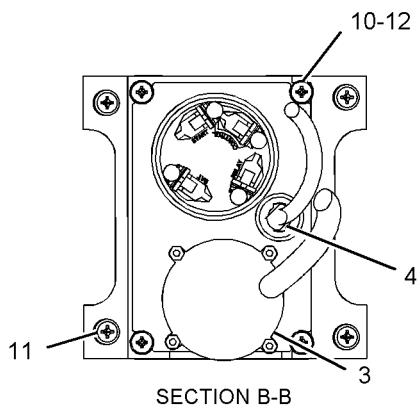
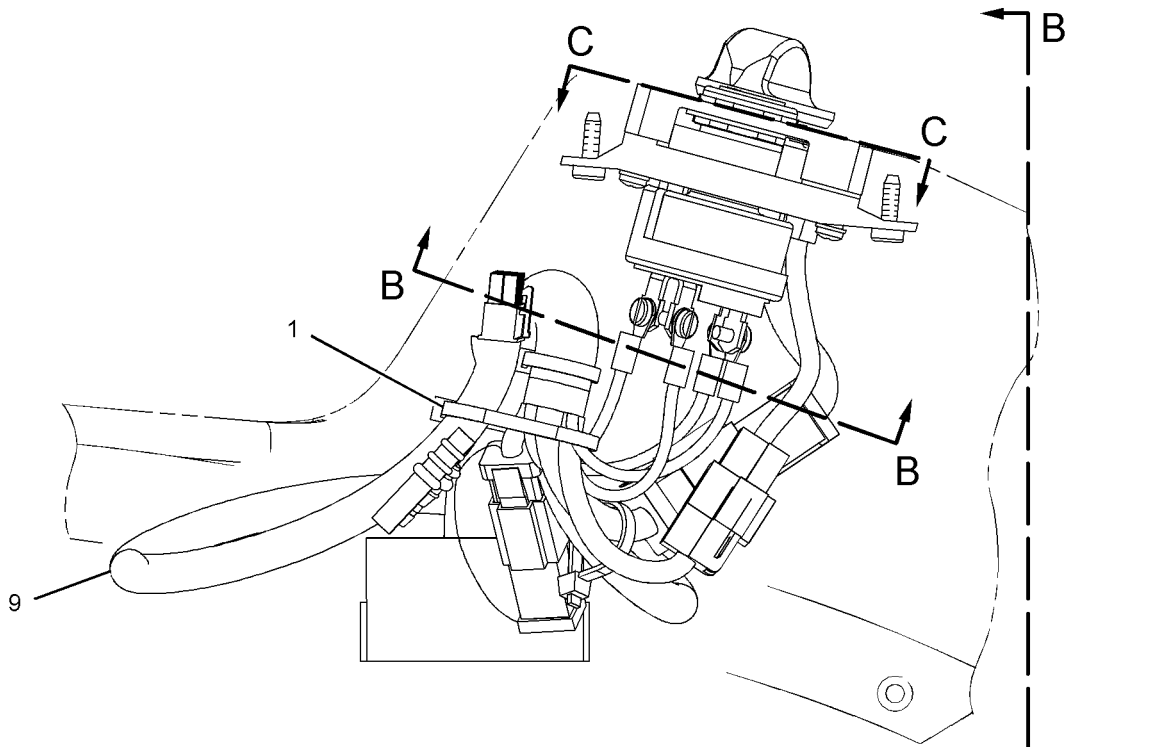
M-METRIC PART

Y-SEPARATE ILLUSTRATION

ELECTRICAL AND STARTING SYSTEM

251-0542 PANEL GP-SWITCH (contd.)

i03098332



GRAPHIC #1

<END>

g01112022

ELECTRICAL AND STARTING SYSTEM

296-4666 SENSOR GP-ENGINE

S/N: GDC1-UP

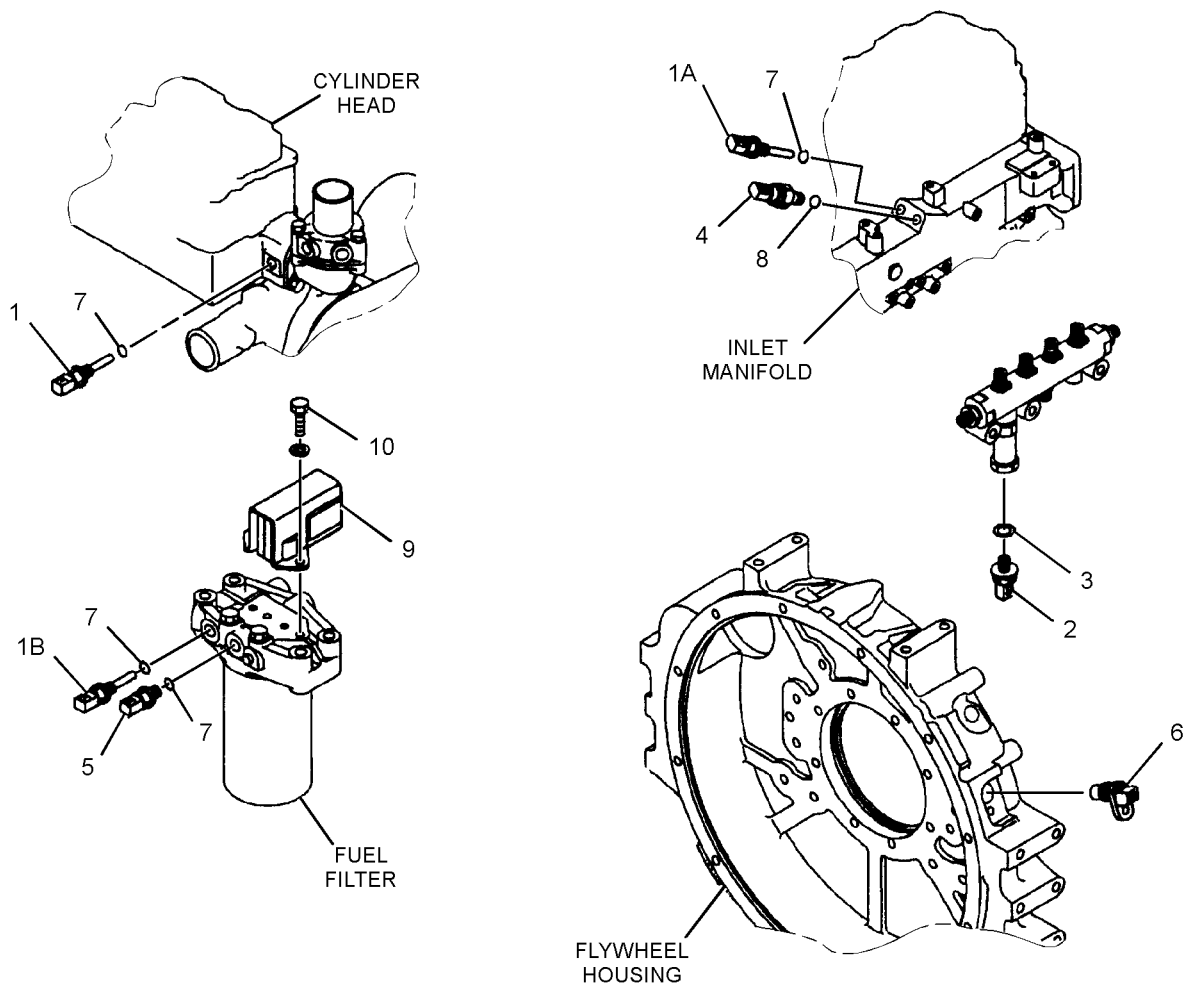
PART OF 272-4683 ENGINE AR
ALSO AN ATTACHMENT

SMCS-1000, 1906, 1907, 1924, 7422

i02739178

NOTE	REF NO	GRAPHIC REF	PART NUMBER	QTY	PART NAME						SEE PAGE
					1	2	3	4	5	6 (PRODUCT LEVEL)	
	1	1	238-0112	1	SENSOR GP-TEMPERATURE (ENGINE OIL)						
	1A	1	238-0112	1	SENSOR GP-TEMPERATURE (AIR INLET MANIFOLD)						
	1B	1	238-0112	1	SENSOR GP-TEMPERATURE (FUEL)						
	2	1	238-0118	1	SENSOR GP-PRESSURE (FUEL MANIFOLD)						
	3	1	296-4631	1	WASHER						
	4	1	274-6720	1	SENSOR GP-PRESSURE (AIR INLET MANIFOLD)						
	5	1	274-6721	1	SENSOR GP-PRESSURE (FUEL)						
	6	1	238-0120	1	SENSOR GP-SPEED (ENGINE)						
	7	1	294-1804	4	SEAL-O-RING						
	8	1	296-4633	1	SEAL-O-RING						
	9	1	266-0136	1	SENSOR GP-PRESSURE (FUEL)						
E		1	9X-1813		SLEEVE (8-CM)						
		1	9X-3401	3	PIN-CONNECTOR (16-GA TO 18-GA)						
		1	237-0228	1	RECEPTACLE AS-CONNECTOR						
	10	1	296-4621	2	BOLT (M6X1.25X23.5-MM)						

E-ORDER BY THE CENTIMETER



GRAPHIC #1

<END>

g01317849

ELECTRICAL AND STARTING SYSTEM

178-2345 SENSOR GP-LIQUID LEVEL

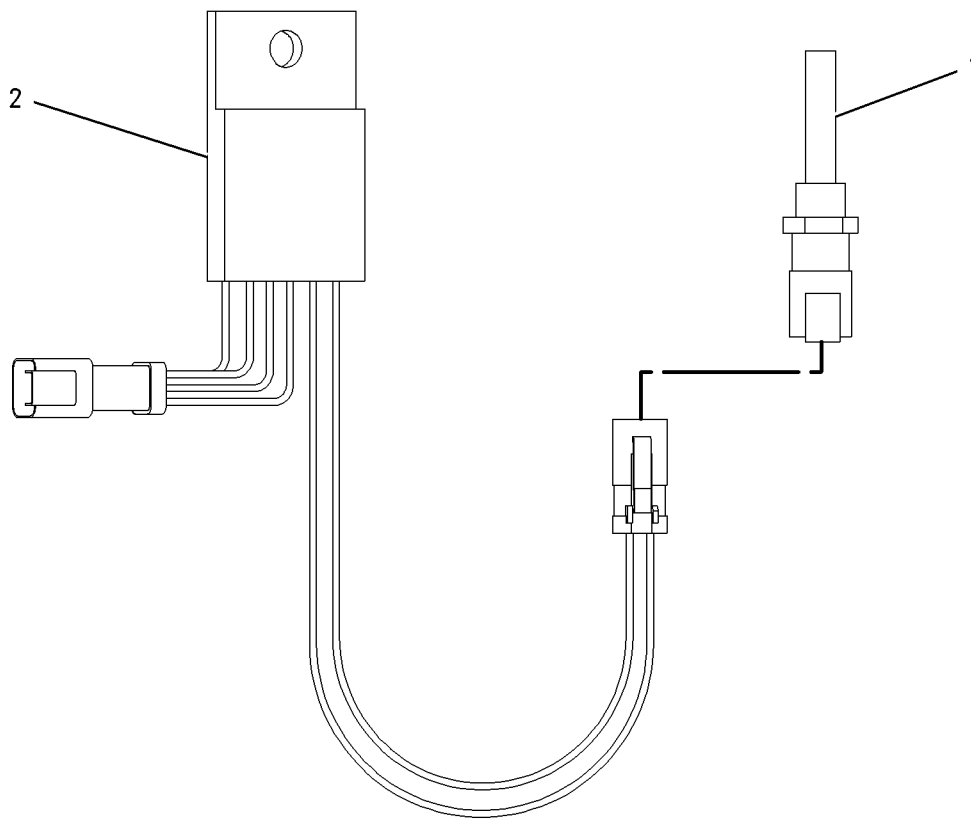
S/N: MGG1-UP; JFZ1-UP

PART OF 272-4772 SENSOR GP-LIQUID LEVEL
AN ATTACHMENT

SMCS-7422

i02995426

NOTE	REF NO	GRAPHIC REF	PART NUMBER	QTY	PART NAME						SEE PAGE
					1	2	3	4	5	6 (PRODUCT LEVEL)	
	1	1	178-2334	1	PROBE AS-LIQUID LEVEL (WATER SEPARATOR)						
	2	1	178-2335	1	SENSOR AS-LIQUID LEVEL (WATER SEPARATOR)						
		1	102-8804	1	KIT-RECEPTACLE (4-PIN) (INCLUDES RECEPTACLE AS & WEDGE)						
		1	155-2270	1	KIT-CONNECTING PLUG (2-PIN) (INCLUDES PLUG AS, INTERFACE SEAL & WEDGE)						
		1	186-3735	4	PIN-CONNECTOR (16-GA TO 18-GA)						
		1	186-3736	2	SOCKET-CONNECTOR (16-GA TO 18-GA)						



GRAPHIC #1

<END>

g00816289

ELECTRICAL AND STARTING SYSTEM**272-4774 STARTING MOTOR GP-ELECTRIC**

S/N: GDC1-UP

PART OF 272-4683 ENGINE AR, 296-4637 MOUNTING GP-STARTING MOTOR
ALSO AN ATTACHMENT

SMCS-1453

i02646439

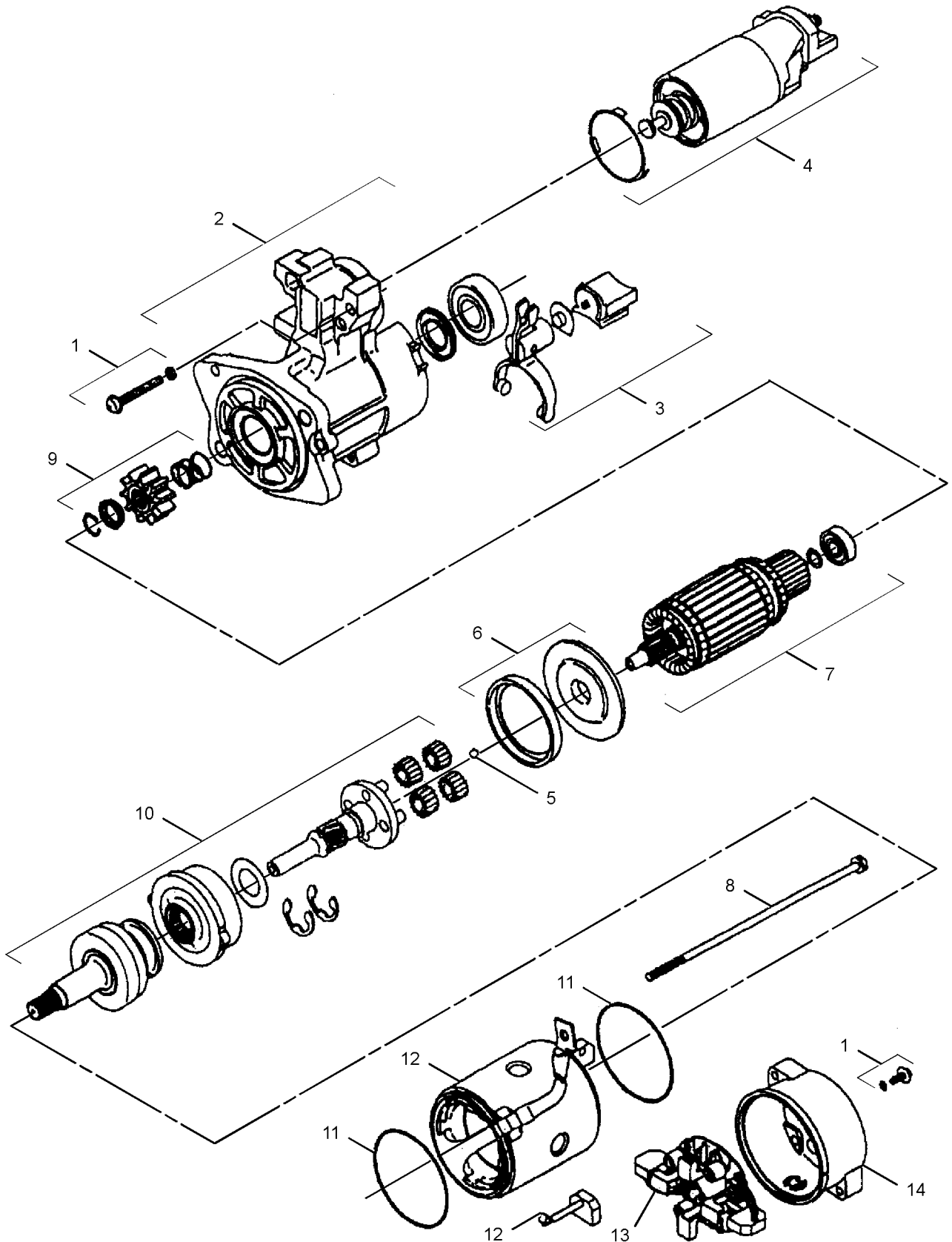
NOTE	REF NO	GRAPHIC REF	PART NUMBER	QTY	PART NAME						SEE PAGE
					1	2	3	4	5	6 (PRODUCT LEVEL)	
	1	1	127-5947	1	SETSCREW						
C	2	1	294-1855	1	BRACKET AS						
		1	127-5937	1	BEARING AS						
	3	1	127-5944	1	LEVER AS						
C	4	1	294-1857	1	SOLENOID AS-STARTING MOTOR (STARTING MOTOR)						
	5	1	127-5948	1	BALL						
	6	1	127-5949	1	PACKING AS						
	7	1	127-5950	1	ARMATURE AS						
		1	095-0410	1	BEARING						
	8	1	095-0085	1	BOLT SET						
	9	1	279-7750	1	PINION SET						
		1	094-9950	1	STOP SET						
	10	1	233-1279	1	SHAFT GP-MOTOR						
		1	127-5939	1	SHAFT AS-GEAR						
		1	127-5940	1	WASHER AS						
		1	127-5941	1	GEAR AS-INTERNAL						
		1	127-5943	4	GEAR AS (55/138-TEETH)						
		1	233-1280	1	CLUTCH						
	11	1	094-9980	2	GASKET						
	12	1	127-5952	1	YOKE AS						
		1	127-5953	2	BRUSH						
C	13	1	294-1858	1	HOLDER AS						
	14	1	135-2366	1	BRACKET						

C-CHANGE FROM PREVIOUS TYPE

ELECTRICAL AND STARTING SYSTEM

272-4774 STARTING MOTOR GP-ELECTRIC (contd.)

i02646439



GRAPHIC #1

<END>

g01219448

ELECTRICAL AND STARTING SYSTEM

7N-0719 SWITCH GP-DISCONNECT-BATTERY

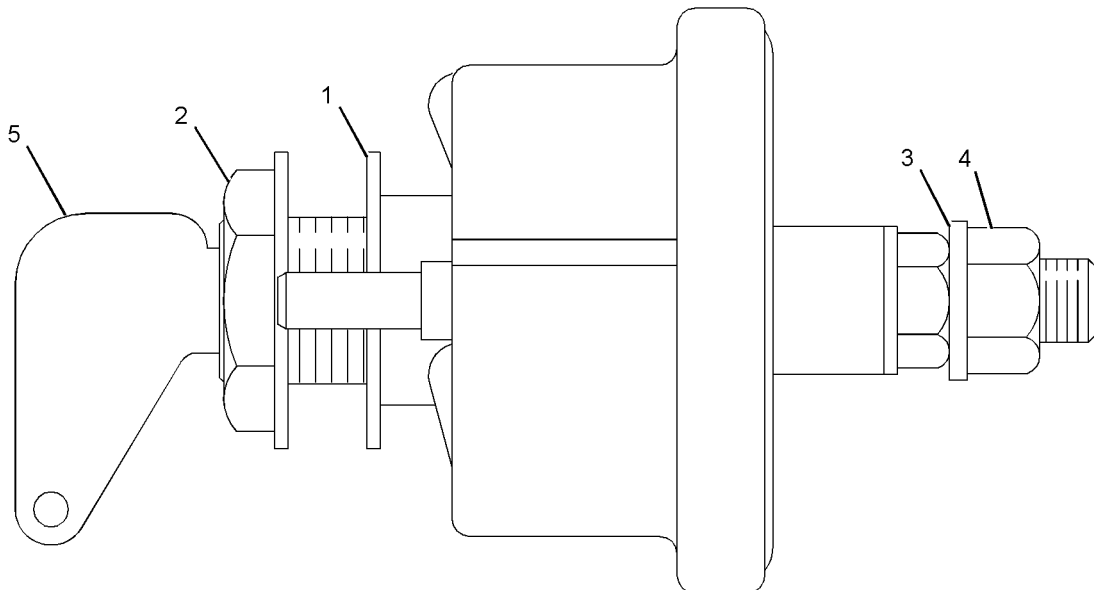
S/N: MGG1-UP; JFZ1-UP

PART OF 259-5177, 319-1386 PANEL GP-CIRCUIT BREAKER

SMCS-1411

i02271779

NOTE	REF NO	GRAPHIC REF	PART NUMBER	QTY	PART NAME						SEE PAGE
					1	2	3	4	5	6 (PRODUCT LEVEL)	
	1	1	2H-3922	2	LOCKWASHER						
	2	1	8H-5303	1	NUT (3/4-16-THD)						
	3	1	9F-5644	2	LOCKWASHER						
	4	1	6F-7045	2	NUT-FULL (3/8-24-THD)						
	5	1	8H-5306	1	KEY (BATTERY DISCONNECT)						



GRAPHIC #1

<END>

g01138423

ELECTRICAL AND STARTING SYSTEM

223-4453 SWITCH GP-MAGNETIC

S/N: GDC1-UP

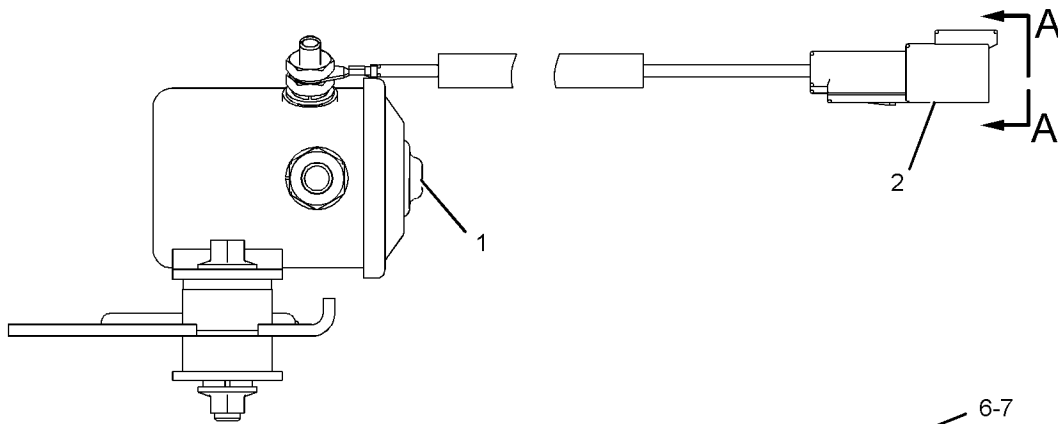
24-VOLT

PART OF 296-4652 MANIFOLD GP-INLET
ALSO AN ATTACHMENT

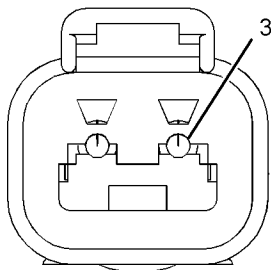
SMCS-7499

i02077580

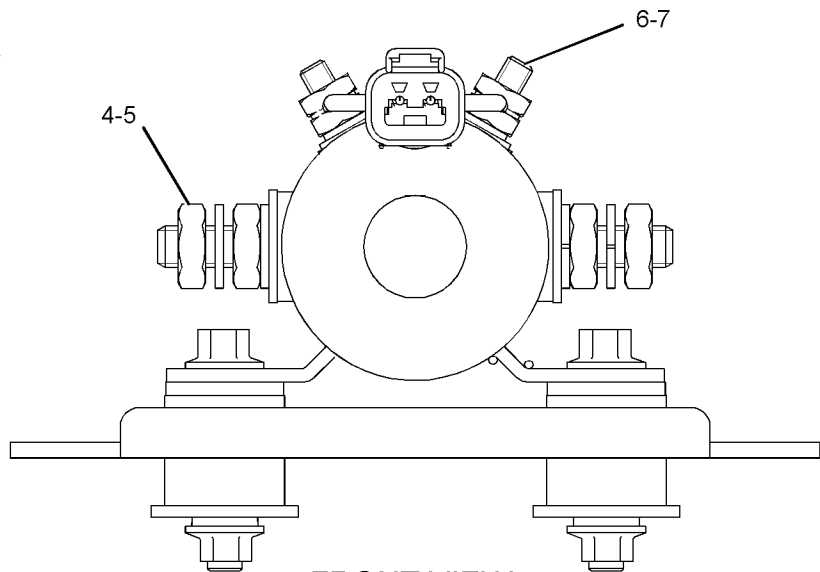
NOTE	REF NO	GRAPHIC REF	PART NUMBER	QTY	PART NAME						SEE PAGE
					1	2	3	4	5	6 (PRODUCT LEVEL)	
	1	1	209-5582	1	SWITCH GP-MAGNETIC (24-VOLT) (STARTING AID HEATER)						
	2	1	102-8802	1	KIT-RECEPTACLE (2-PIN) (INCLUDES RECEPTACLE AS AND WEDGE)						
	3	1	186-3735	2	PIN-CONNECTOR (16-GA TO 18-GA)						
	4	1	3F-9556	2	LOCKWASHER						
	5	1	6V-8186	2	NUT-FULL (5/16-24-THD)						
	6	1	6V-8378	2	NUT (10-32-THD)						
	7	1	8F-1434	2	LOCKWASHER						



LEFT SIDE VIEW



VIEW A-A



FRONT VIEW

<END>

GRAPHIC #1

g01065673

ELECTRICAL AND STARTING SYSTEM

259-5274 SWITCH GP-MAGNETIC

S/N: MGG1-UP; JFZ1-UP

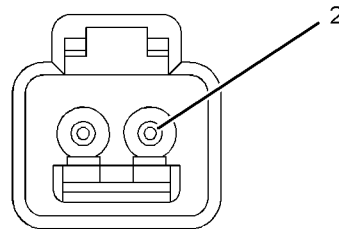
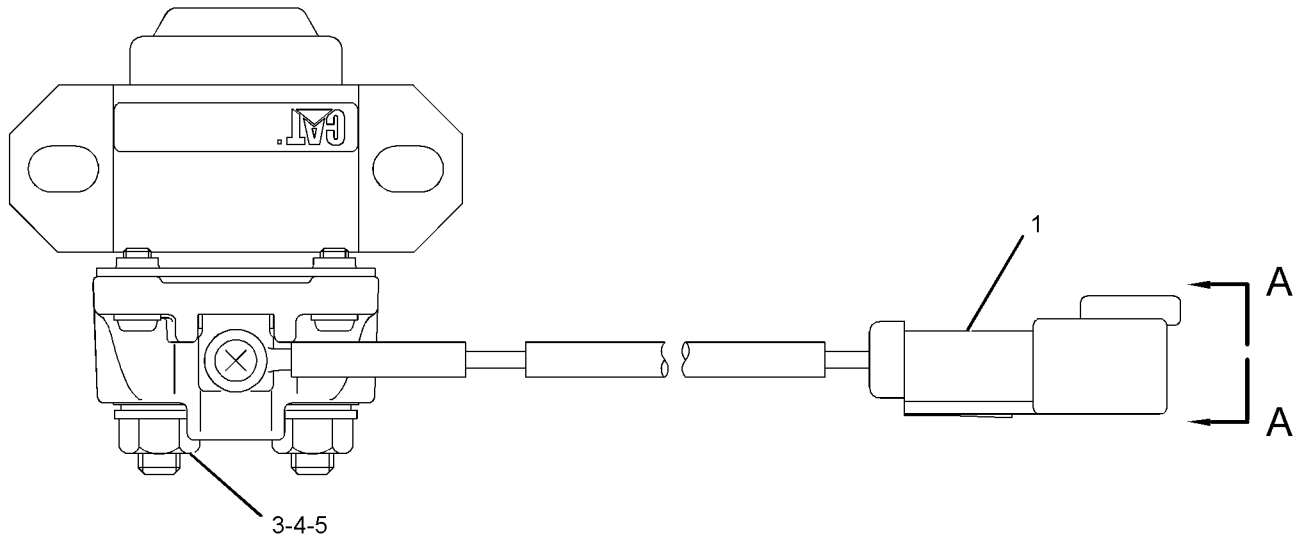
PART OF 259-5177, 319-1386 PANEL GP-CIRCUIT BREAKER

SMCS-7499

i02395389

NOTE	REF NO	GRAPHIC REF	PART NUMBER	QTY	PART NAME						SEE PAGE
					1	2	3	4	5	6 (PRODUCT LEVEL)	
	1	1	102-8802	1	KIT-RECEPTACLE (2-PIN)						
					(INCLUDES RECEPTACLE AS & WEDGE)						
	2	1	186-3735	2	PIN-CONNECTOR (16-GA TO 18-GA)						
	3	1	1H-3338	2	LOCKWASHER (TOOTH)						
	4	1	012-0380	2	LOCKWASHER (SPLIT)						
M	5	1	5C-2890	2	NUT (M6X1-THD)						

M-METRIC PART



VIEW A-A

GRAPHIC #1

<END>

g01196733

ELECTRICAL AND STARTING SYSTEM

234-6613 SWITCH GP-POSITION-HYDRAULIC LOCKOUT

S/N: MGG1-UP; JFZ1-UP

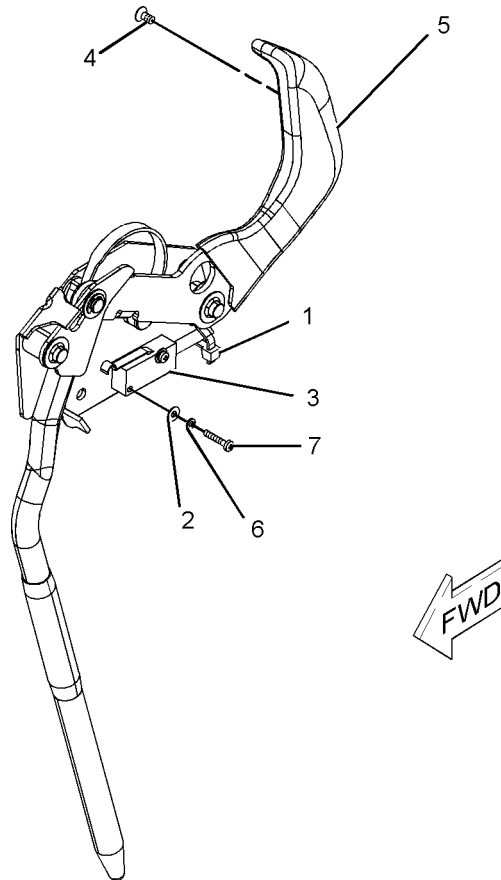
PART OF 259-7349 CONSOLE GP-OPERATOR

SMCS-1408, 1435

i02534956

NOTE	REF NO	GRAPHIC REF	PART NUMBER	QTY	PART NAME						SEE PAGE
					1	2	3	4	5	6 (PRODUCT LEVEL)	
	1	1	3S-2093	1	STRAP-CABLE						
	2	1	4I-3038	2	WASHER (3.3X8X0.5-MM THK)						
	3	1	111-4799	1	SWITCH AS-LIMIT (HYDRAULIC LOCKOUT)						
		1	102-8803	1	KIT-RECEPTACLE (3-PIN)						
					(INCLUDES RECEPTACLE AS & WEDGE)						
		1	186-3735		PIN-CONNECTOR (16-GA TO 18-GA)						
BD		1	5P-5998		TUBE						
M	4	1	185-8286	2	SCREW-MACHINE (M4X0.7X8-MM)						
	5	1	234-6615	1	KNOB						
	6	1	087-4683	2	LOCKWASHER						
M	7	1	120-9027	2	SCREW-PAN HEAD (M3X0.5X16-MM)						

B-USE AS REQUIRED
 D-ORDER BY THE METER
 M-METRIC PART



GRAPHIC #1

<END>

g01096293

ELECTRICAL AND STARTING SYSTEM

238-1594 SWITCH GP-PUSH BUTTON-REFUELING PUMP, START

S/N: MGG1-UP; JFZ1-UP

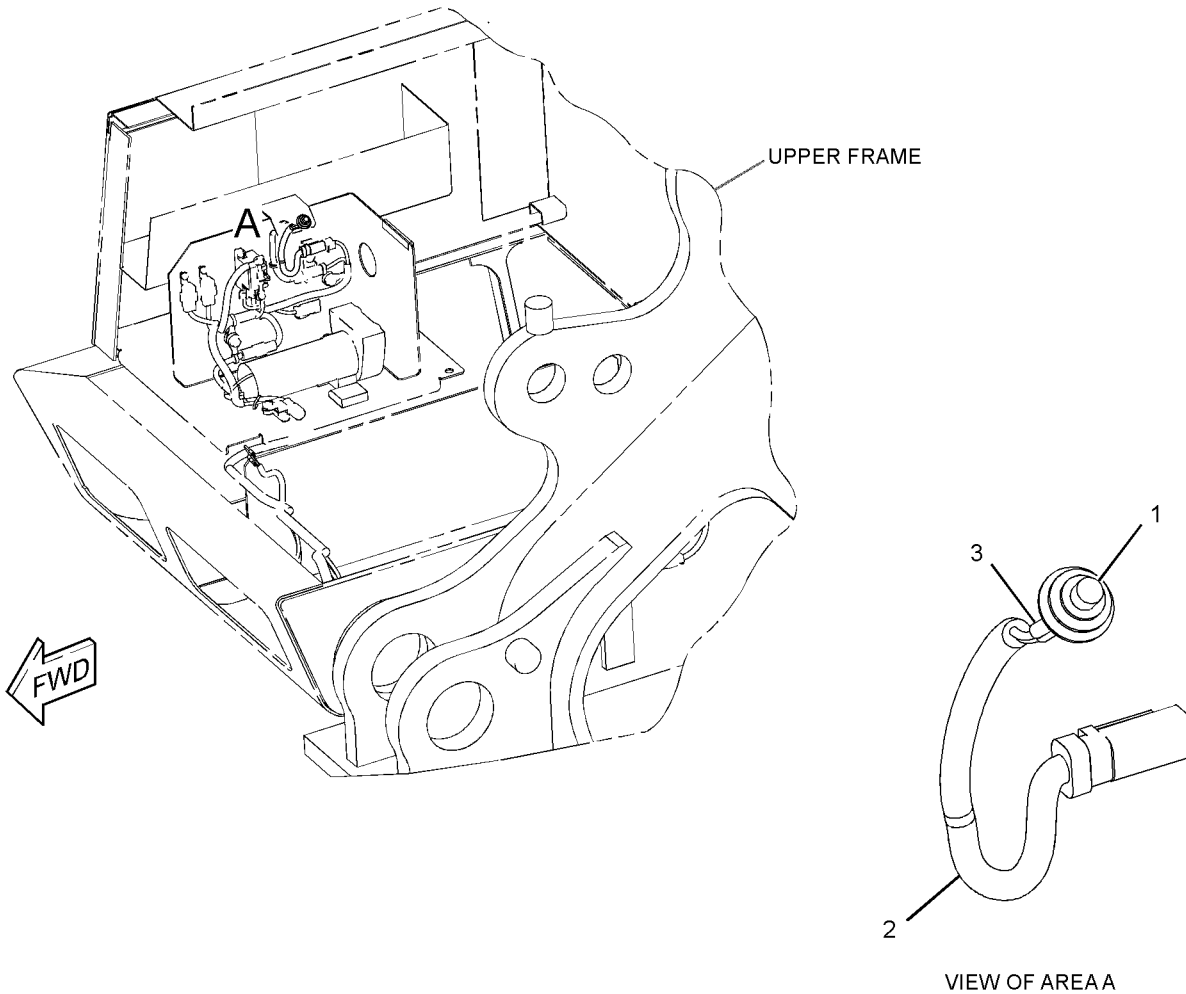
PART OF 238-1570 WIRING GP-FUEL SYSTEM
AN ATTACHMENT

SMCS-1435, 7332

i03157181

NOTE	REF NO	GRAPHIC REF	PART NUMBER	QTY	PART NAME						SEE PAGE
					1	2	3	4	5	6 (PRODUCT LEVEL)	
	1	1	6T-9442	1	SWITCH GP-PUSHBUTTON (REFUELING PUMP, START)						
		1	1S-0812	2	SCREW-TAPPING						
		1	3K-0835	1	NUT (5/8-24-THD)						
		1	6F-0253	1	LOCKWASHER						
		1	8T-8748	1	ADAPTER-MOUNT						
		1	9W-0625	1	SWITCH AS (NORMALLY OPEN)						
	2	1	238-1595	1	HARNESS AS-SWITCH						
E	3	1	125-7875		TUBE-HEAT SHRINK (7.44-MM DIA) (6-CM)						

E-ORDER BY THE CENTIMETER



GRAPHIC #1

<END>

g01560235

ELECTRICAL AND STARTING SYSTEM

238-1596 SWITCH GP-PUSH BUTTON-REFUELING PUMP, STOP

S/N: MGG1-UP; JFZ1-UP

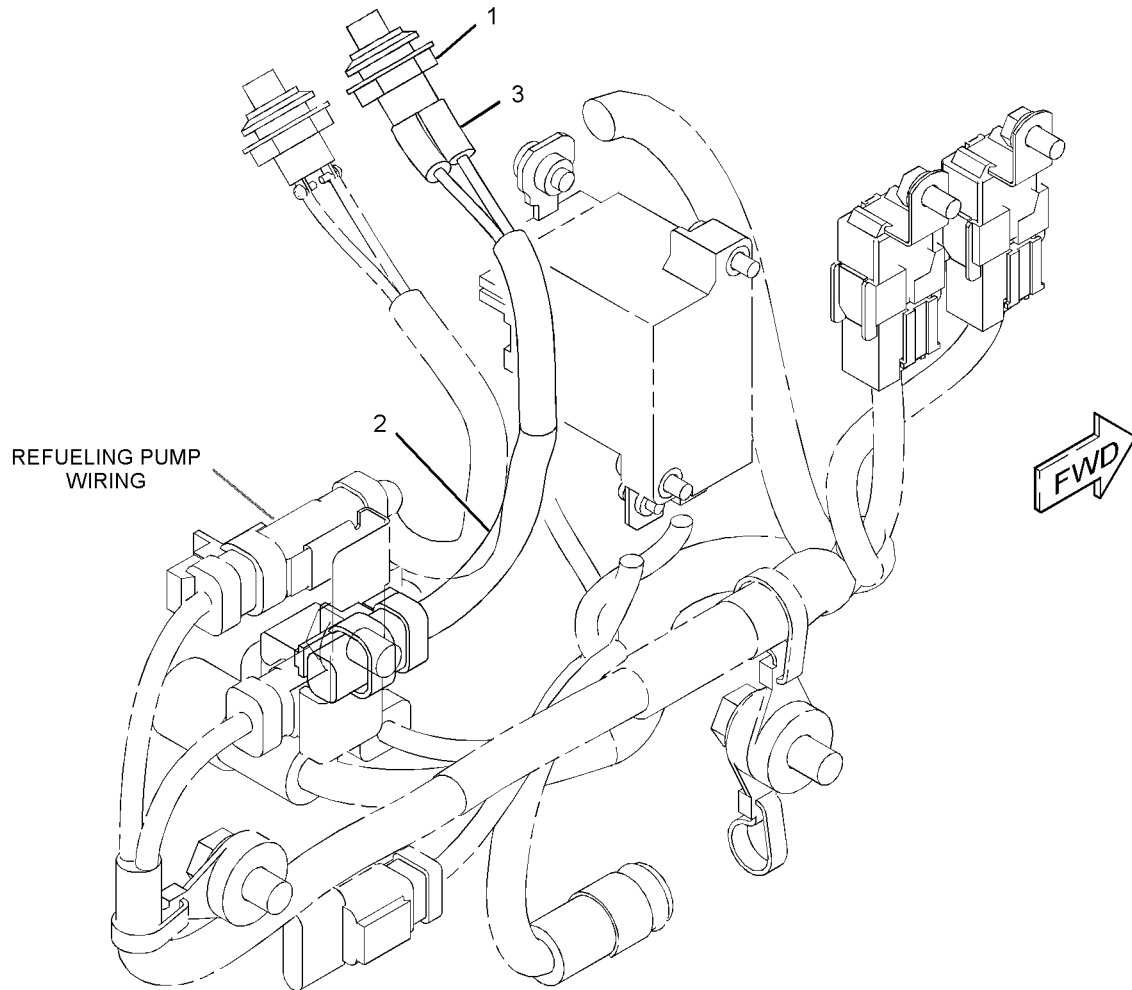
PART OF 238-1570 WIRING GP-FUEL SYSTEM
AN ATTACHMENT

SMCS-1435, 7332

i03157201

NOTE	REF NO	GRAPHIC REF	PART NUMBER	QTY	PART NAME						SEE PAGE
					1	2	3	4	5	6 (PRODUCT LEVEL)	
	1	1	9X-4184	1	SWITCH AS (REFUELING PUMP, STOP)						
		1	1S-0812	2	SCREW-TAPPING						
		1	3E-7389	1	SWITCH AS (REFUELING PUMP, STOP)						
		1	3K-0835	1	NUT (5/8-24-THD)						
		1	6F-0253	1	LOCKWASHER						
		1	8T-8748	1	ADAPTER-MOUNT						
	2	1	238-1597	1	HARNES AS-SWITCH (REFUELING PUMP, STOP)						
BE	3	1	125-7875		TUBE-HEAT SHRINK (7.44-MM DIA)						

B-USE AS REQUIRED
E-ORDER BY THE CENTIMETER



GRAPHIC #1

<END>

g01560319

ELECTRICAL AND STARTING SYSTEM

5C-6108 SWITCH GP-REFUELING-FUEL TANK SHUTOFF

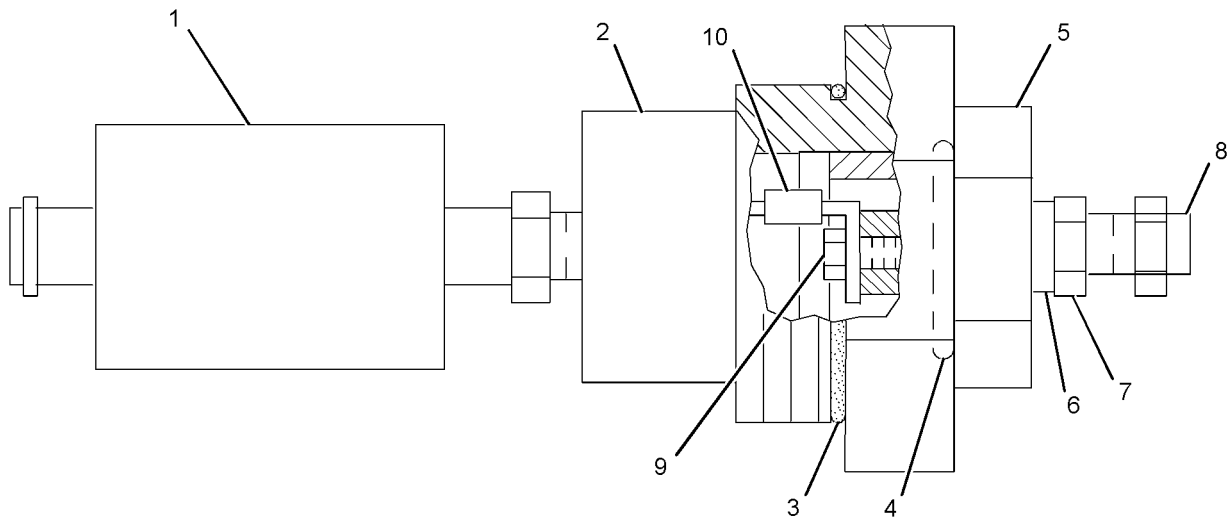
S/N: MGG1-UP; JFZ1-UP

PART OF 229-1785 PUMP GP-REFUELING
AN ATTACHMENT

SMCS-1295

i02283022

NOTE	REF NO	GRAPHIC REF	PART NUMBER	QTY	PART NAME						SEE PAGE
					1	2	3	4	5	6 (PRODUCT LEVEL)	
	1	1	8J-9236	1	SWITCH (LIQUID LEVEL) (FUEL)						
	2	1	5C-6074	1	FITTING						
	3	1	2S-4078	1	SEAL-O-RING						
	4	1	3D-2824	1	SEAL-O-RING						
	5	1	8S-1815	1	PLUG						
	6	1	8S-1814	2	INSULATOR						
	7	1	4B-2049	2	NUT (10-32-THD)						
	8	1	8S-1812	1	TERMINAL						
	9	1	9B-4499	1	SCREW-MACHINE (8-36X0.375-IN)						
	10	1	2L-8076	1	TERMINAL (14-GA TO 16-GA, NO. 10 SCREW)						



GRAPHIC #1

<END>

g01144015

ELECTRICAL AND STARTING SYSTEM

106-0107 SWITCH GP-ROTARY-THROTTLE POSITION

S/N: MGG1-UP; JFZ1-UP

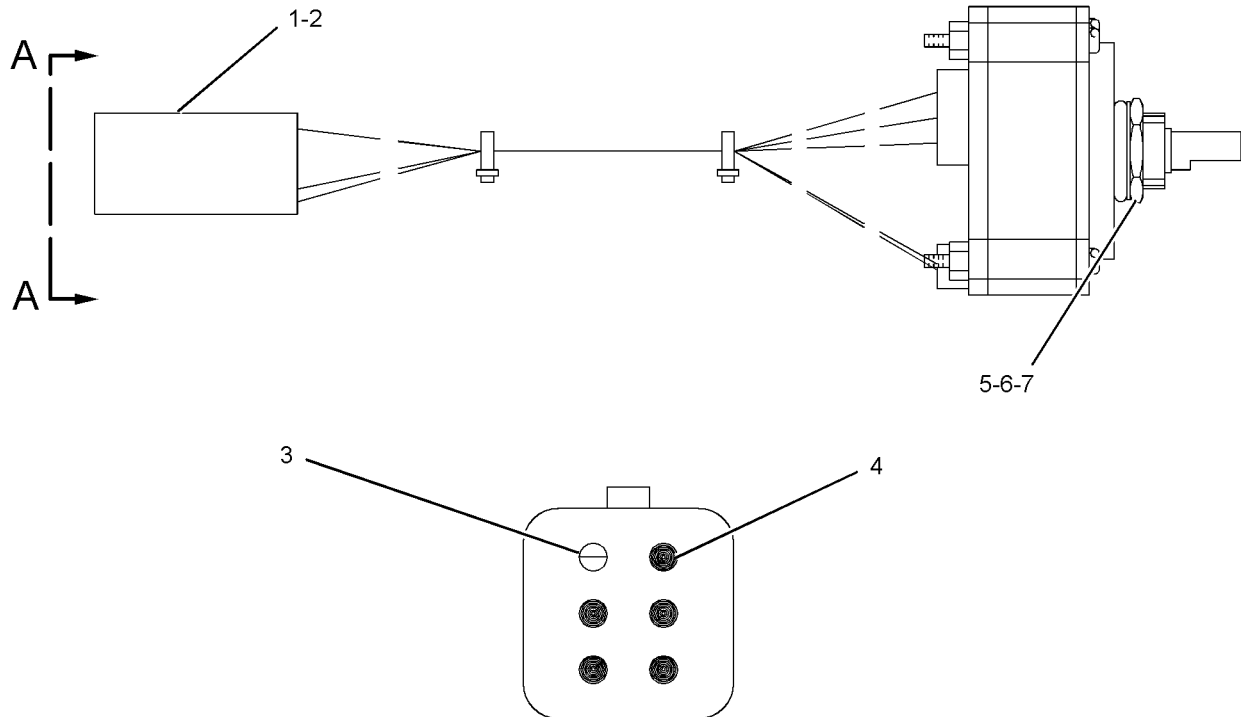
PART OF 251-0542 PANEL GP-SWITCH
AN ATTACHMENT

SMCS-7332

i02285678

NOTE	REF NO	GRAPHIC REF	PART NUMBER	QTY	PART NAME						SEE PAGE
					1	2	3	4	5	6 (PRODUCT LEVEL)	
	1	1	102-8805	1	KIT-RECEPTACLE (6-PIN) (INCLUDES RECEPTACLE AS & WEDGE)						
	2	1	3E-3383	1	WEDGE-RECEPTACLE LOCK (6-PIN)						
	3	1	8T-8737	1	PLUG-SEAL						
	4	1	144-1636	5	PIN-CONNECTOR (14-GA TO 18-GA)						
M	5	1	7Y-5458	1	NUT (M12X1-THD)						
	6	1	7Y-5464	1	WASHER (M12.2X15.4X0.5-MM THK)						
	7	1	106-0210	1	SEAL						

M-METRIC PART



GRAPHIC #1

VIEW A-A
<END>

g01098706

ELECTRICAL AND STARTING SYSTEM

319-4420 SWITCH GP-ROTARY-THROTTLE POSITION

S/N: MGG1-UP; JFZ1-UP

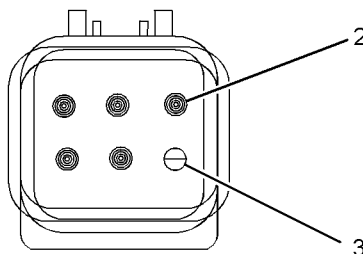
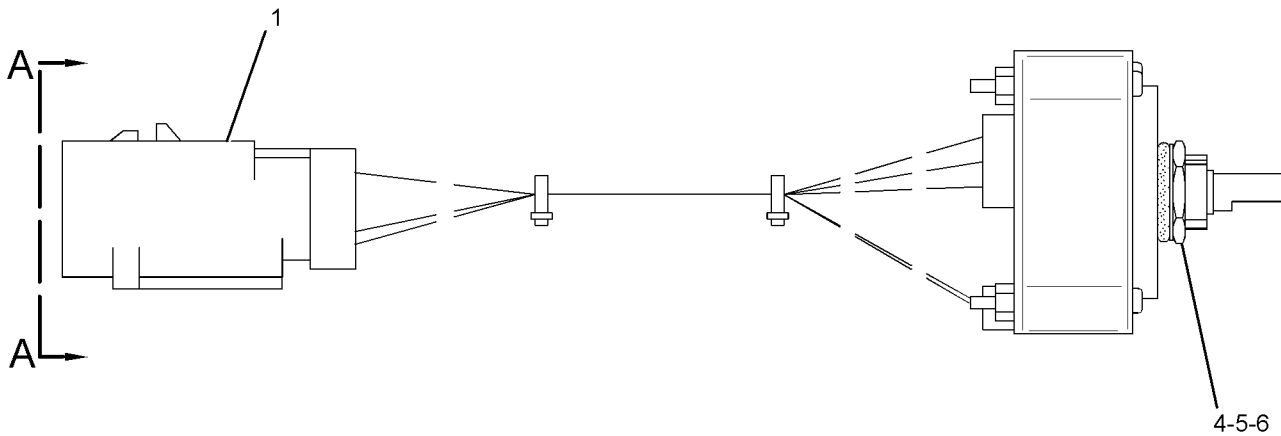
PART OF 251-0542 PANEL GP-SWITCH
AN ATTACHMENT

SMCS-7332

i03105740

NOTE	REF NO	GRAPHIC REF	PART NUMBER	QTY	PART NAME						SEE PAGE
					1	2	3	4	5	6 (PRODUCT LEVEL)	
	1	1	243-4508	1	RECEPTACLE AS-CONNECTOR (6-PIN)						
	2	1	9X-3401	5	PIN-CONNECTOR (16-GA TO 18-GA)						
					-OR-						
		1	126-1767	5	PIN-CONNECTOR (14-GA)						
	3	1	8T-8737	1	PLUG-SEAL						
M	4	1	7Y-5458	1	NUT (M12X1-THD)						
	5	1	7Y-5464	1	WASHER (M12.2X15.4X0.5-MM THK)						
	6	1	106-0210	1	SEAL						

M-METRIC PART



VIEW A-A

GRAPHIC #1

<END>

g01588034

ELECTRICAL AND STARTING SYSTEM

9G-7641 SWITCH GP-START-ENGINE, KEY

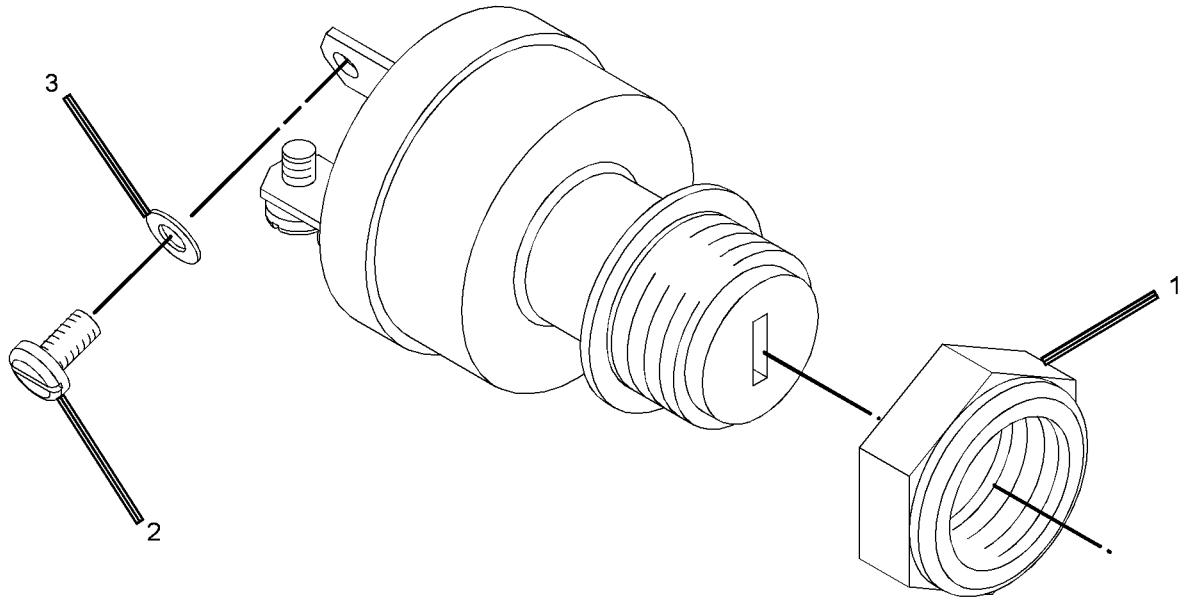
S/N: MGG1-UP; JFZ1-UP

PART OF 251-0542 PANEL GP-SWITCH
AN ATTACHMENT

SMCS-1416

i03433086

NOTE	REF NO	GRAPHIC REF	PART NUMBER	QTY	PART NAME						SEE PAGE
					1	2	3	4	5	6 (PRODUCT LEVEL)	
	1	1	7T-6799	1	NUT-MOUNTING (1-32-THD)						
	2	1	6V-8362	4	SCREW-MACHINE (8-32X0.31-IN)						
	3	1	9B-7233	4	LOCKWASHER						



GRAPHIC #1

<END>

g01784977

ELECTRICAL AND STARTING SYSTEM**251-0529 WIRING GP-CAB**

S/N: MGG1-UP; JFZ1-UP

PART OF 259-7493 CONTROL AR-AUXILIARY
AN ATTACHMENT

SMCS-1408, 7301

i02562309

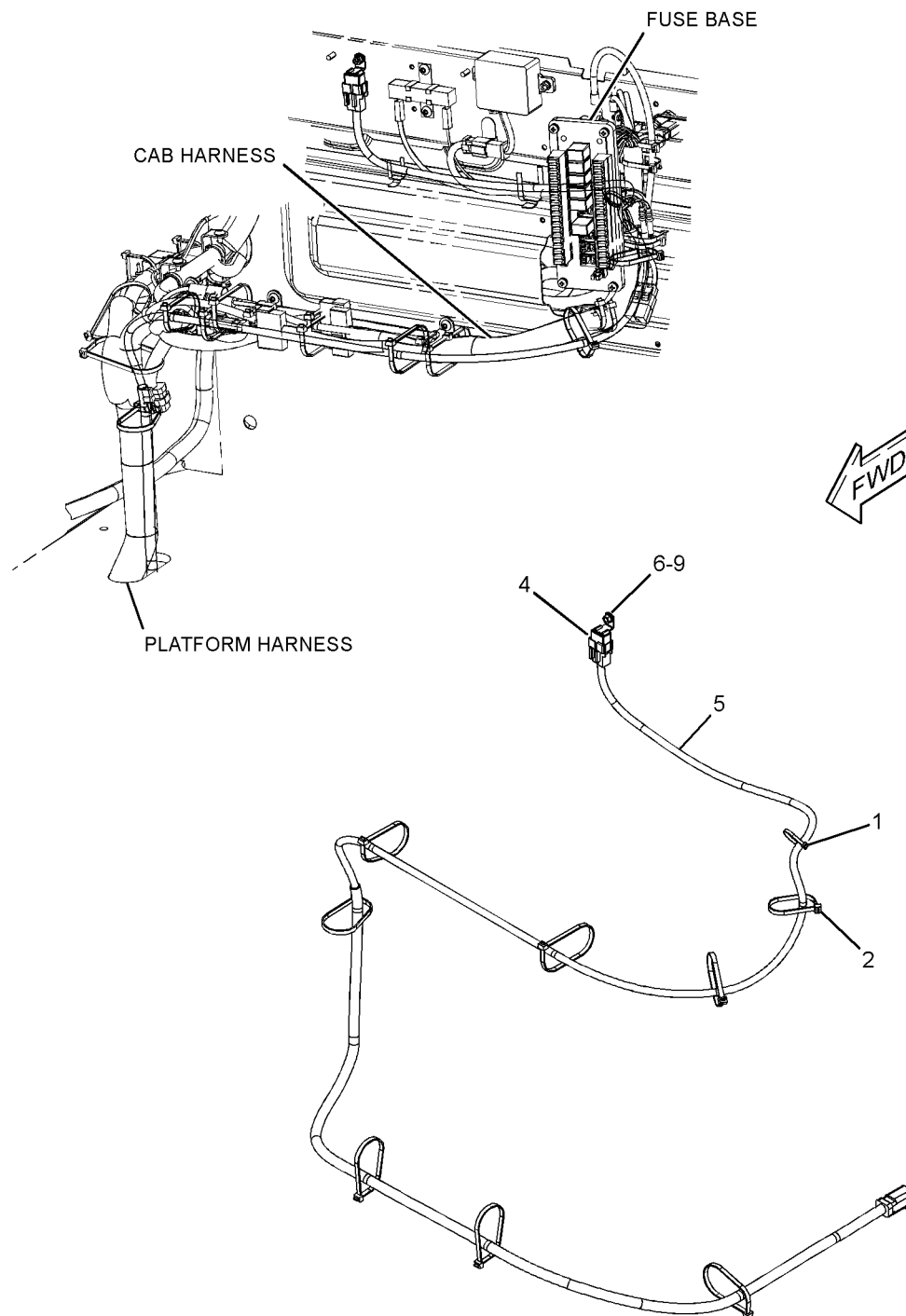
NOTE	REF NO	GRAPHIC REF	PART NUMBER	QTY	PART NAME						SEE PAGE
					1	2	3	4	5	6 (PRODUCT LEVEL)	
	1	1,3	3S-2093	4	STRAP-CABLE						
	2	1,2	7K-1181	8	STRAP-CABLE						
	3	3	116-0118	2	CLIP						
	4	1	149-5050	1	RELAY (24-VOLT) (1-WAY/2-WAY SOLENOID)						
	5	1	251-0598	1	HARNESS AS-SOLENOID (1-WAY/2-WAY FLOW)						
		1	3S-2093	6	STRAP-CABLE						
		1	8T-8737	1	PLUG-SEAL						
		1	243-4508	1	RECEPTACLE AS-CONNECTOR (6-PIN)						
M	6	1	5C-2890	1	NUT (M6X1-THD)						
M	7	3	7X-2621	2	BOLT (M10X1.5X12-MM)						
	8	3	8T-4121	2	WASHER-HARD (11X21X2.5-MM THK)						
	9	1	9X-8256	1	WASHER (6.6X12X2-MM THK)						

M-METRIC PART

ELECTRICAL AND STARTING SYSTEM

251-0529 WIRING GP-CAB (contd.)

i02562309



REFER TO ALL ILLUSTRATIONS OF
THIS GROUP FOR AUXILIARY VIEWS

GRAPHIC #1

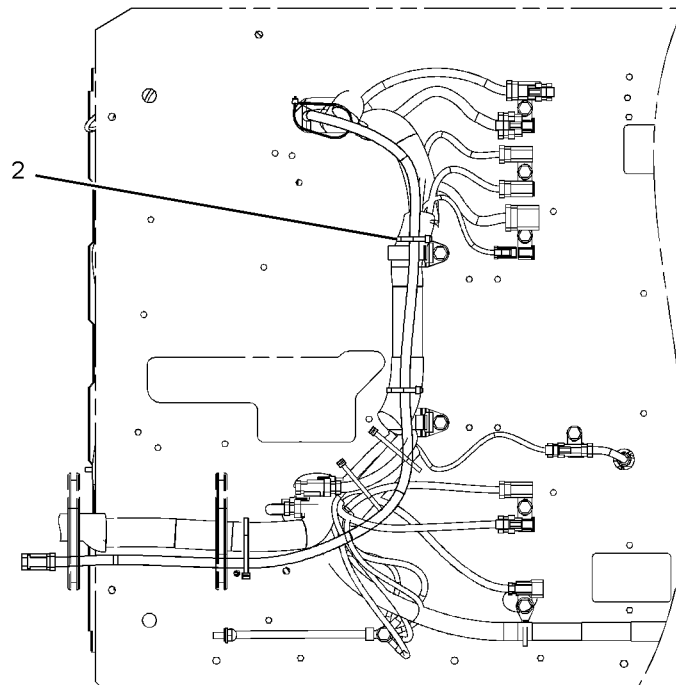
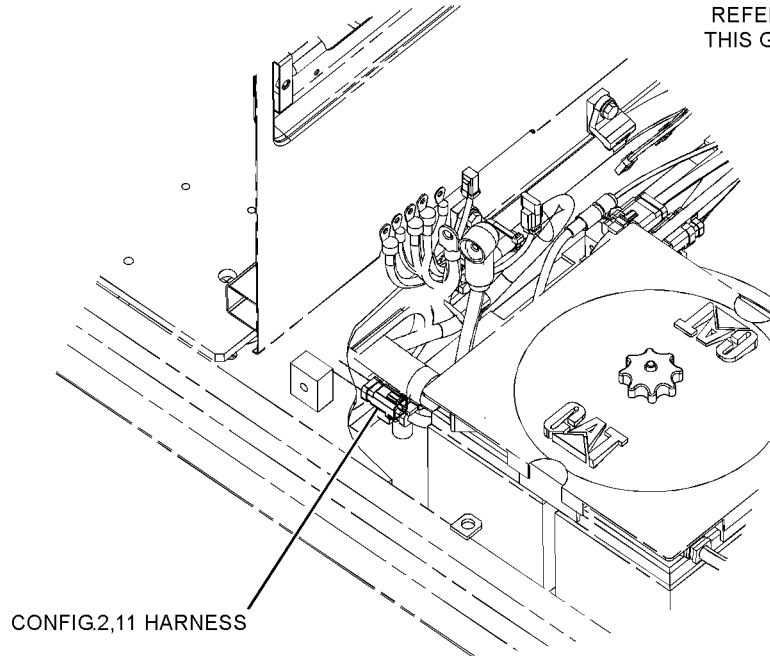
g01233498

ELECTRICAL AND STARTING SYSTEM

251-0529 WIRING GP-CAB (contd.)

i02562309

REFER TO ALL ILLUSTRATIONS OF THIS GROUP FOR AUXILIARY VIEWS



BOTTOM VIEW
(FOR CONFIG. 2,11)

GRAPHIC #2

g01233501

ELECTRICAL AND STARTING SYSTEM**259-5161 WIRING GP-CAB**

S/N: MGG1-UP; JFZ1-UP

PART OF 273-5387 OPERATOR AR

SMCS-1408, 7301

i03086510

NOTE	REF NO	GRAPHIC REF	PART NUMBER	QTY	PART NAME						SEE PAGE
					1	2	3	4	5	6 (PRODUCT LEVEL)	
	1	3, 4	3S-2093	10	STRAP-CABLE						
	2	4	7Y-5505	2	SPEAKER AS						
					(EACH INCLUDES)						
		4	7Y-3951	2	TERMINAL (FEMALE)						
		4	7Y-3954	1	CONNECTOR-PLUG						
	3	3	9W-0335	1	LIGHTER AS-CIGAR (24-VOLT)						
					-OR-						
F		3	238-2318	1	LIGHTER AS-CIGAR (24-VOLT)						
	4	3	094-2080	1	SWITCH-MAGNETIC (24-VOLT) (START RELAY)						
M	5	4	099-7127	8	SCREW-MACHINE (M4X0.7X12-MM)						
	6	1	102-8016	1	RESISTOR AS						
	7	3	113-8490	20	FUSE (10-AMPERE)						
	8	3	113-8491	5	FUSE (15-AMPERE)						
	9	3	113-8492	3	FUSE (20-AMPERE)						
	10	3	113-8493	3	FUSE (25-AMPERE)						
	11	4	116-0210	4	BRACKET AS						
	12	3	124-3548	2	FUSE (30-AMPERE)						
Y	13	4	132-1829	1	ALARM GP (24-VOLT)						148
	14	3	141-2759	7	FUSE (5-AMPERE)						
	15	3	161-3128	1	RELAY (24-VOLT) (BOOM FLOODLIGHT)						
	15A	3	161-3128	1	RELAY (24-VOLT) (CHASSIS LIGHT)						
	15B	3	161-3128	1	RELAY (24-VOLT) (CAB FLOODLIGHT)						
	15C	3	161-3128	1	RELAY (24-VOLT) (HORN)						
	15D	3	161-3128	1	RELAY (24-VOLT) (NEUTRAL START)						
	15E	3	161-3128	1	RELAY (24-VOLT) (TRAVEL ALARM)						
	16	4	268-1964	1	KIT-SERVICE METER						
					(INCLUDES FILM & METER)						
	17	4	163-6758	1	WIRE AS						
	18	2, 3, 4	163-6795	15	STRAP-CABLE						
	19	3	167-3593	1	STRAP						
	20	3	170-6888	1	PULLER-FUSE						
	21	4	213-0772	1	SWITCH AS-MAGNETIC (24-VOLT) (MAIN RELAY)						
	22	3	227-7575	1	PANEL-CONTROL (SWITCH)						
	23	3	234-1097	1	BRACKET						
	24	3	238-2212	1	SWITCH AS-ROCKER (FINE SWING)						
		3	167-3542	1	CONNECTOR-RECEPTACLE						
		3	167-3543	5	TERMINAL (MALE)						
	26	4	238-2390	1	CABLE AS						
		4	3T-4004	1	TERMINAL-SOLDER						
E		4	125-7876		TUBE-HEAT SHRINK (17.78-MM DIA) (4-CM)						
	27	4	238-2391	1	CABLE AS						
		4	9G-4343	1	TERMINAL (4-GA)						
E		4	125-7876		TUBE-HEAT SHRINK (17.78-MM DIA) (4-CM)						
	28	2	245-7760	8	INSULATION						
	29	2	251-0637	1	INSULATION						
	30	2	259-4883	1	ANTENNA AS						
	31	3	259-5290	1	BRACKET AS						
	32	1	259-5296	1	HARNESS AS-CAB						
		1	7Y-3952	4	CONNECTOR-PLUG						
		1	7Y-3958	2	CONNECTOR-PLUG						
		1	102-7964	2	CONNECTOR-PLUG						
		1	111-4816	1	CONNECTOR-PLUG						
		1	163-6659	1	CONNECTOR-PLUG						
		1	163-6699	1	CONNECTOR-PLUG						
		1	163-6803	9	CONNECTOR-PLUG						
		1	7Y-3955	2	CONNECTOR-RECEPTACLE						

ELECTRICAL AND STARTING SYSTEM

259-5161 WIRING GP-CAB (contd.)

i03086510

NOTE	REF NO	GRAPHIC REF	PART NUMBER	QTY	PART NAME						SEE PAGE
					1	2	3	4	5	6 (PRODUCT LEVEL)	
		1	121-1168	1	CONNECTOR-RECEPTACLE						
		1	153-2602	5	CONNECTOR-RECEPTACLE						
		1	9W-1951	1	RECEPTACLE-CONNECTOR (9-PIN)						
		1	8C-6354	1	CAP-RECEPTACLE						
		1	5P-6271	1	CONNECTOR AS						
		1	134-3296	1	HOUSING-PLUG						
		1	134-3297	1	SEAL						
		1	3S-2093	111	STRAP-CABLE						
		1	121-1022	3	DIODE						
		1	238-2319	1	BASE AS						
		1	9X-8256	2	WASHER (6.6X12X2-MM THK)						
M		1	095-0742	2	SCREW-MACHINE (M6X1X16-MM)						
		1	170-9394	40	TERMINAL						
		1	102-8803	3	KIT-RECEPTACLE (3-PIN) (INCLUDES RECEPTACLE AS & WEDGE)						
		1	155-2260	1	KIT-CONNECTING PLUG (3-PIN)						
		1	155-2270	2	KIT-CONNECTING PLUG (2-PIN) (EACH PLUG KIT INCLUDES PLUG AS, WEDGE & INTERFACE SEAL)						
		1	230-4011	1	PLUG AS-CONNECTOR (2-PIN)						
		1	264-7029	1	SEAL-CONNECTOR						
		1	230-4013	1	PLUG AS-CONNECTOR (3-PIN)						
		1	264-7030	1	SEAL-CONNECTOR						
		1	239-7356	1	PLUG AS-CONNECTOR (12-PIN)						
		1	230-4009	1	PLUG AS-CONNECTOR (12-PIN) (EACH PLUG AS INCLUDES)						
		1	264-7034	1	SEAL-CONNECTOR						
		1	174-3016	2	PLUG AS-CONNECTOR (3-PIN)						
		1	243-4505	2	RECEPTACLE AS-CONNECTOR (2-PIN)						
		1	243-4506	1	RECEPTACLE AS-CONNECTOR (3-PIN)						
	33	3	267-7639	1	SWITCH AS-ROCKER (LEVELING)						
		3	167-3542	1	CONNECTOR-RECEPTACLE						
		3	167-3543	5	TERMINAL (MALE)						
M	34	3	095-0723	3	SCREW (M3X0.5X10-MM)						
	35	3	096-5962	3	WASHER-HARD (3.4X7X0.8-MM THK)						
	36	4	096-6166	2	WASHER-HARD (4.5X9X1-MM THK)						
	37	3, 4	132-5789	7	CLIP						
	38	4	4P-7581	1	CLIP						
M	39	3	5C-2890	5	NUT (M6X1-THD)						
M	40	4	6V-5210	8	SCREW-MACHINE (M4X0.7X10-MM)						
M	41	4	6V-9672	2	SCREW-MACHINE (M4X0.7X16-MM)						
	42	4	8T-0328	3	WASHER-HARD (5.5X10X1-MM THK)						
M	43	4	8T-4127	2	SCREW-MACHINE (M5X0.8X20-MM)						
M	44	4	8T-6693	1	SCREW-MACHINE (M5X0.8X16-MM)						
M	45	1, 3, 4	9X-2042	13	SCREW-TRUSS HEAD (M6X1X12-MM)						
M	46	3	9X-2044	5	SCREW-TRUSS HEAD (M6X1X16-MM)						
	47	3	9X-8256	5	WASHER (6.6X12X2-MM THK)						
E	48	2	101-2846		GUARD (9.5-CM)						
E	48A	4	101-2846		GUARD (9-CM EACH)						

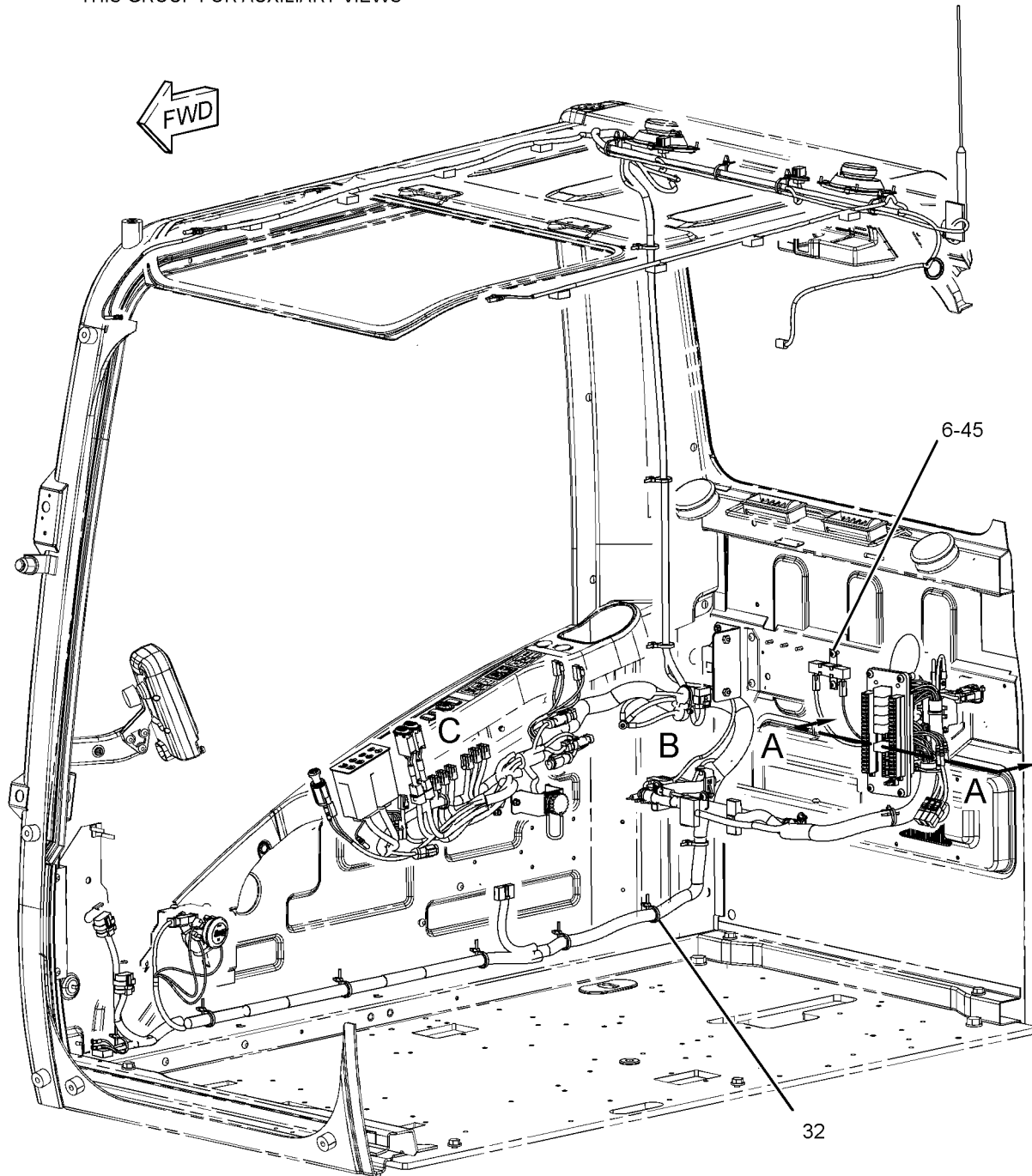
E-ORDER BY THE CENTIMETER
 F-NOT SHOWN
 M-METRIC PART
 Y-SEPARATE ILLUSTRATION

ELECTRICAL AND STARTING SYSTEM

259-5161 WIRING GP-CAB (contd.)

i03086510

REFER TO ALL ILLUSTRATIONS OF THIS GROUP FOR AUXILIARY VIEWS



GRAPHIC #1

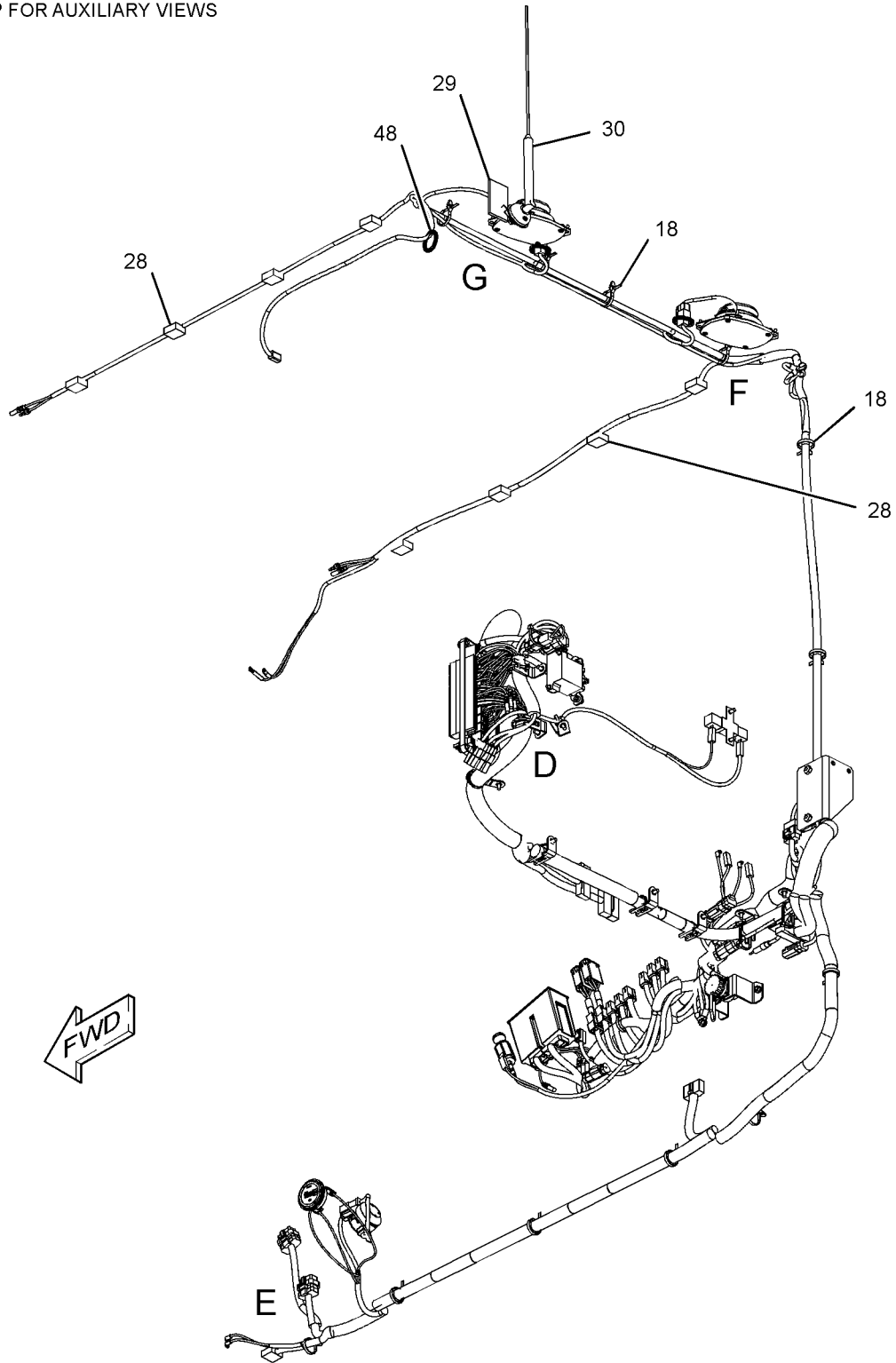
g01398279

ELECTRICAL AND STARTING SYSTEM

259-5161 WIRING GP-CAB (contd.)

i03086510

REFER TO ALL ILLUSTRATIONS OF THIS GROUP FOR AUXILIARY VIEWS



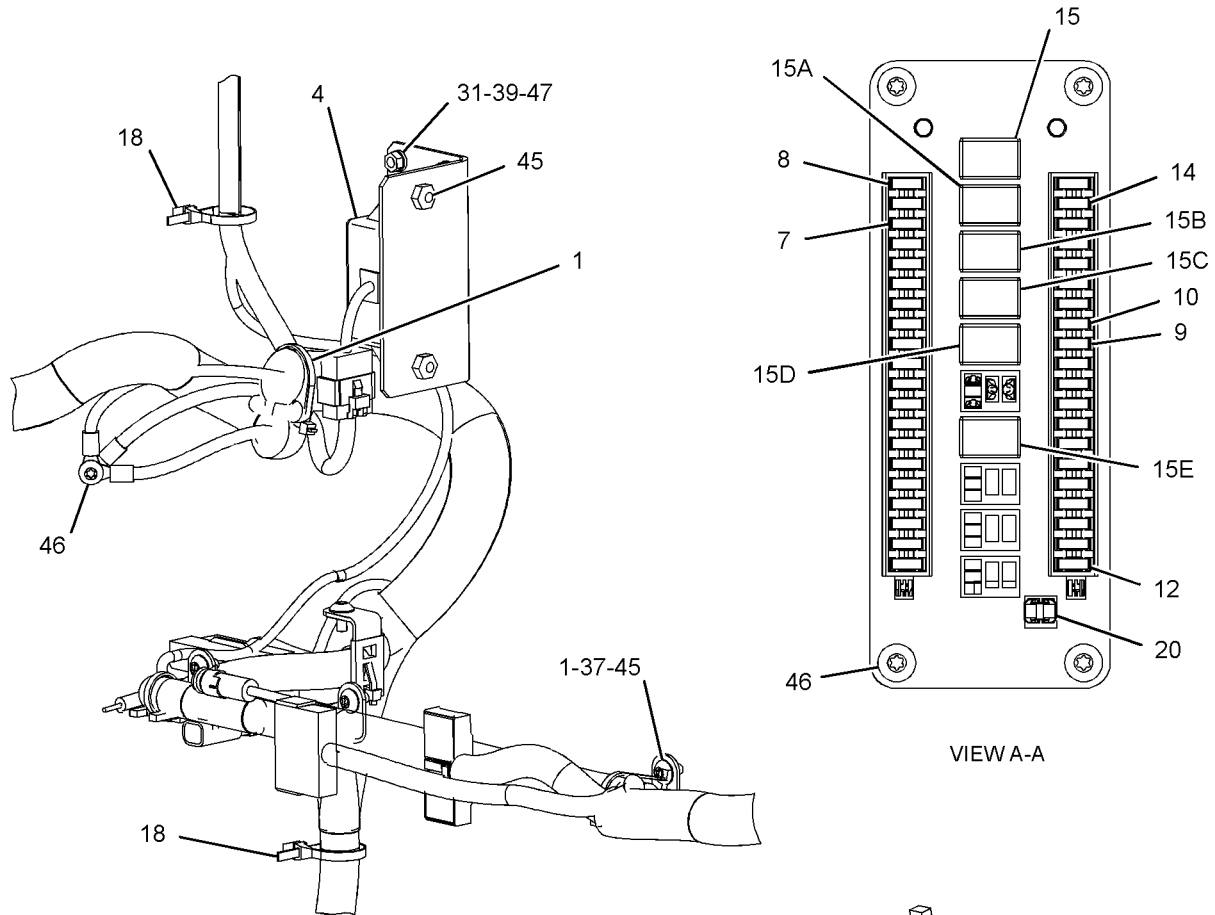
GRAPHIC #2

g01398365

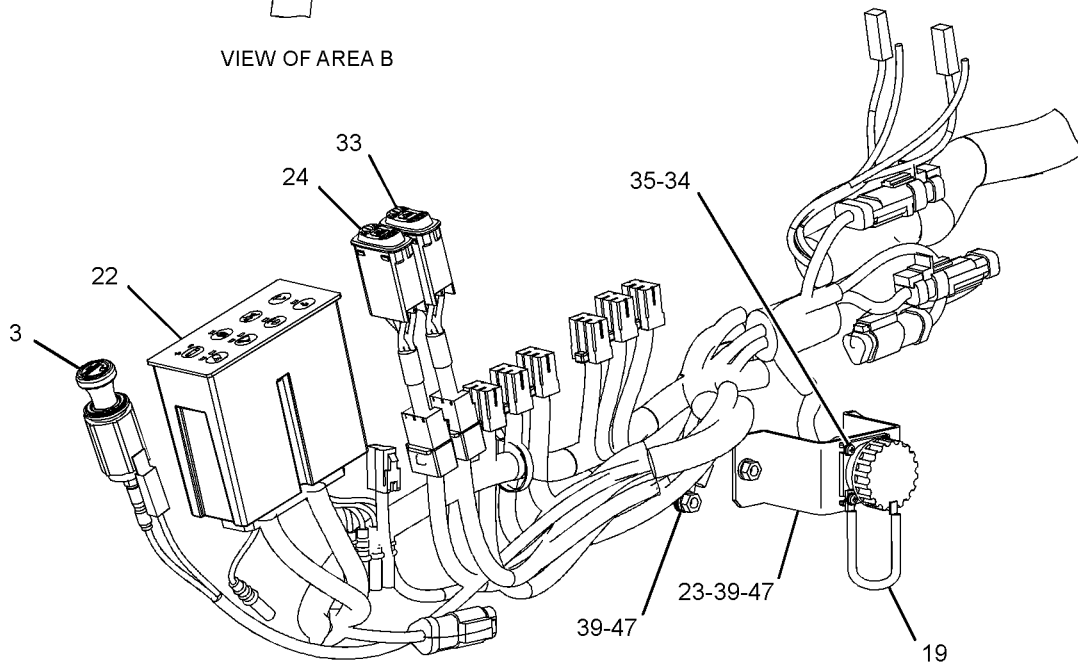
ELECTRICAL AND STARTING SYSTEM

259-5161 WIRING GP-CAB (contd.)

i03086510



VIEW OF AREA B



VIEW OF AREA C

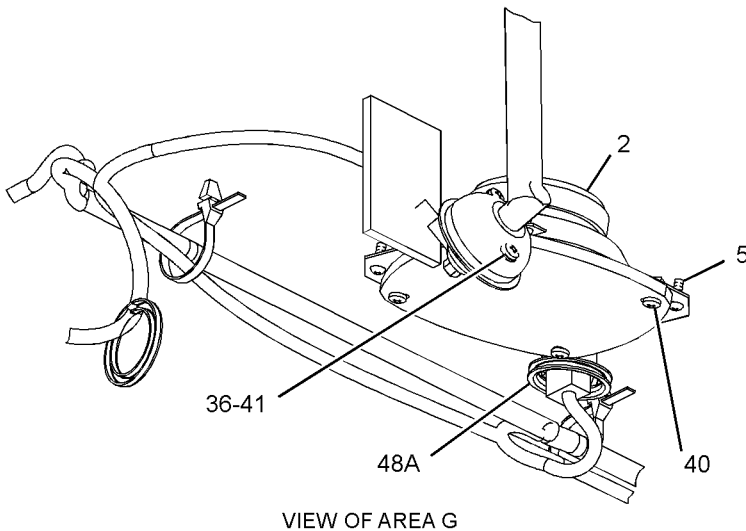
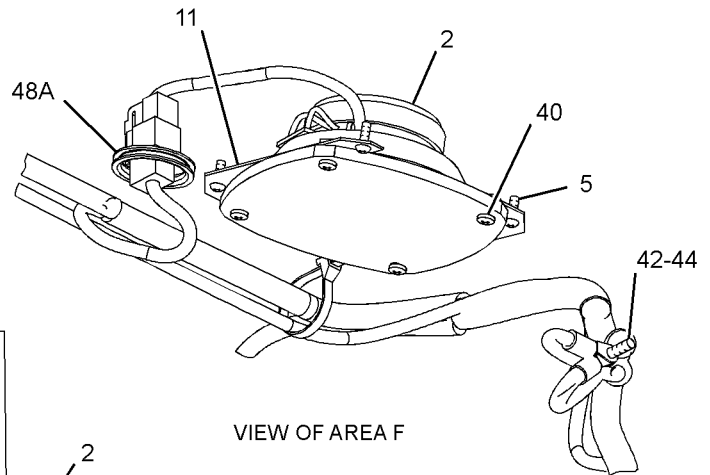
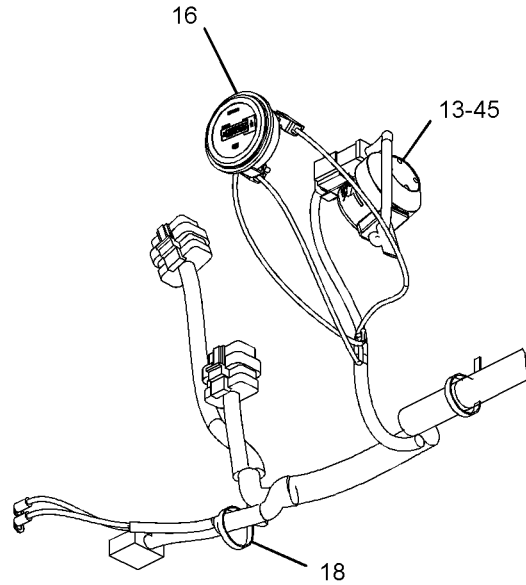
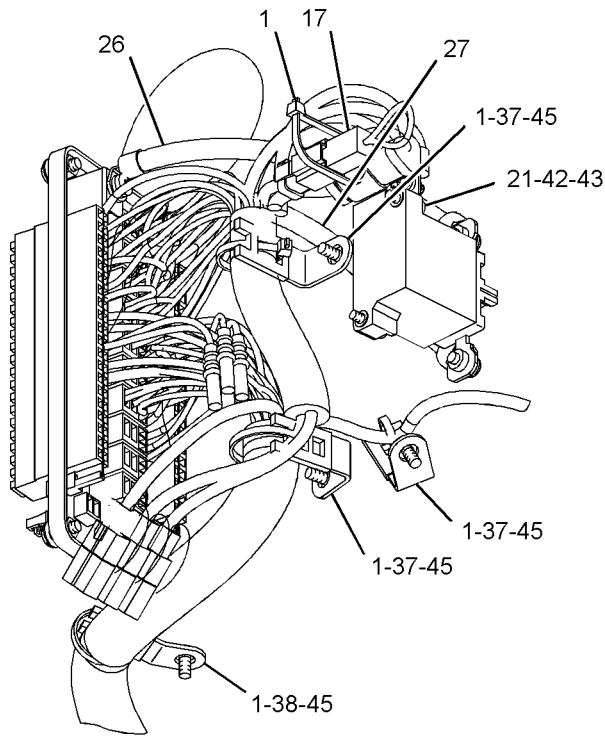
GRAPHIC #3

g01398416

ELECTRICAL AND STARTING SYSTEM

259-5161 WIRING GP-CAB (contd.)

i03086510



GRAPHIC #4

<END>

g01302137

ELECTRICAL AND STARTING SYSTEM

319-1387 WIRING GP-CHASSIS-CAB, REAR

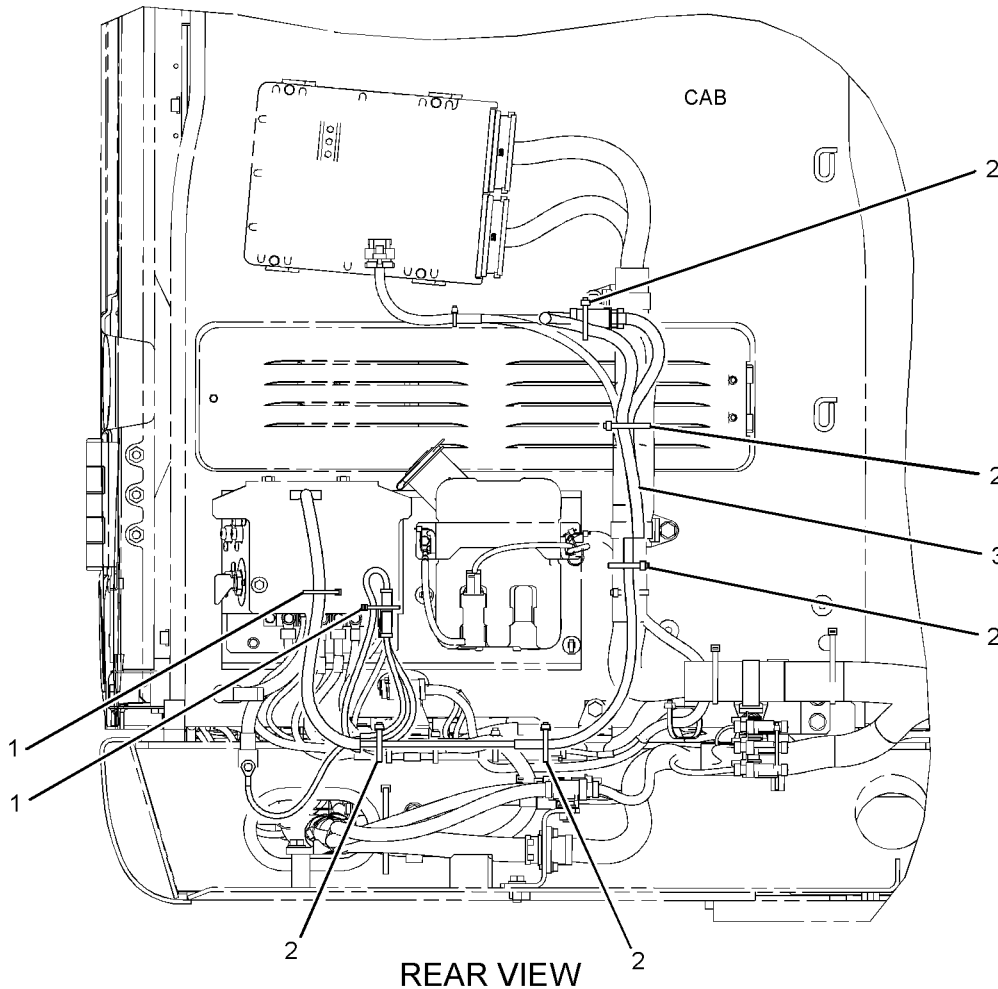
S/N: MGG583-UP; JFZ1770-UP

PART OF 264-8638, 264-8639 CHASSIS AR

SMCS-1408

i02938637

NOTE	REF NO	GRAPHIC REF	PART NUMBER	QTY	PART NAME						SEE PAGE
					1	2	3	4	5	6 (PRODUCT LEVEL)	
	1	1	3S-2093	2	STRAP - CABLE						
	2	1	7K-1181	5	STRAP - CABLE						
	3	1	319-1348	1	HARNESS AS-CONTROL (ENGINE START, PUMP CONTROL)						



<END>

GRAPHIC #1

g01460607

ELECTRICAL AND STARTING SYSTEM**259-5045 WIRING GP-COMBINED FLOW**

S/N: MGG1-UP; JFZ1-UP

PART OF 259-7493 CONTROL AR-AUXILIARY
AN ATTACHMENT

SMCS-1408

i02548830

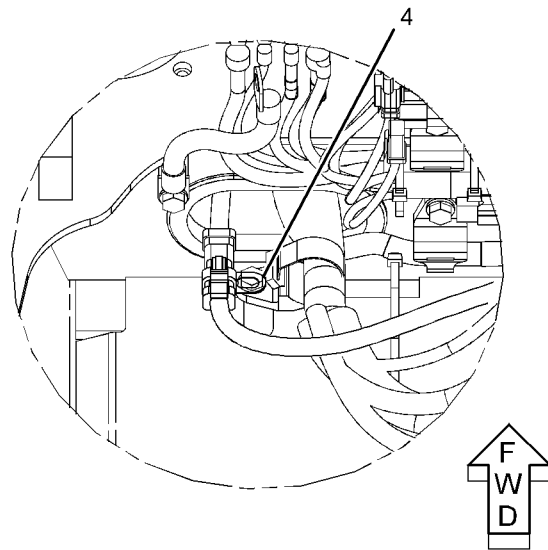
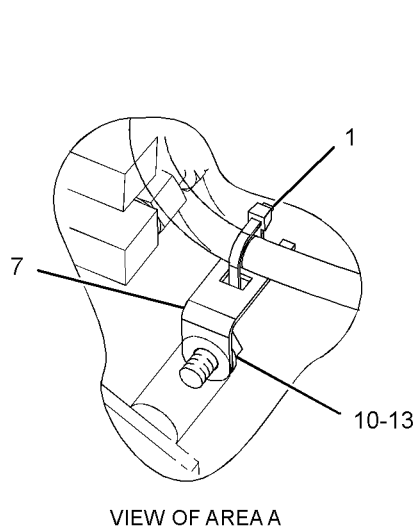
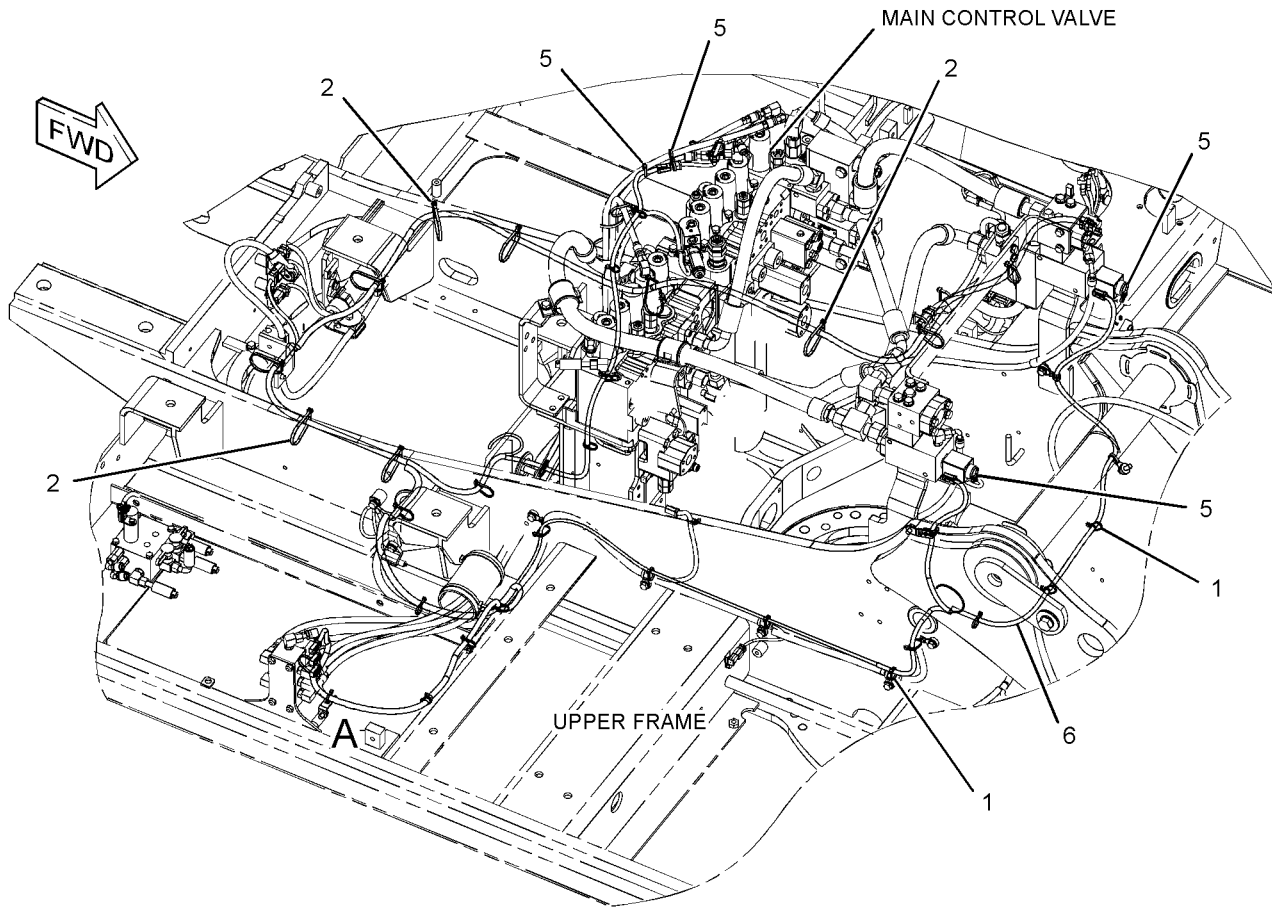
NOTE	REF NO	GRAPHIC REF	PART NUMBER	QTY	PART NAME						SEE PAGE
					1	2	3	4	5	6 (PRODUCT LEVEL)	
	1	1,2	3S-2093	23	STRAP-CABLE						
	2	1	7K-1181	11	STRAP-CABLE						
	3	2	111-4836	2	CLIP						
	4	1	116-0118	1	CLIP						
	5	1	204-1611	4	STRAP-CABLE						
	6	1	267-7636	1	HARNESS AS-AUXILIARY						
		1	3S-2093	1	STRAP-CABLE						
E		1	125-7874		TUBE-HEAT SHRINK (5.72-MM DIA) (90-CM)						
		1	155-2270	6	KIT-CONNECTING PLUG (2-PIN)						
					(INCLUDES PLUG AS, WEDGE & INTERFACE SEAL)						
		1	230-5010	1	PLUG AS-CONNECTOR (6-PIN)						
		1	243-4510	1	RECEPTACLE AS-CONNECTOR (12-PIN)						
		1	9W-0852	1	PIN-CONNECTOR (14-GA)						
	7	1	132-5789	1	CLIP						
	8	2	156-6175	1	CLIP						
	9	2	4P-7581	1	CLIP						
	10	1,2	8T-4121	3	WASHER-HARD (11X21X2.5-MM THK)						
M	11	2	8T-4137	1	BOLT (M10X1.5X20-MM)						
M	12	2	8T-4171	1	BOLT (M6X1X12-MM)						
M	13	1,2	8T-4191	2	BOLT (M10X1.5X16-MM)						
M	14	2	8T-4195	1	BOLT (M10X1.5X30-MM)						
	15	2	9X-8256	1	WASHER (6.6X12X2-MM THK)						

E-ORDER BY THE CENTIMETER
M-METRIC PART

ELECTRICAL AND STARTING SYSTEM

259-5045 WIRING GP-COMBINED FLOW (contd.)

i02548830



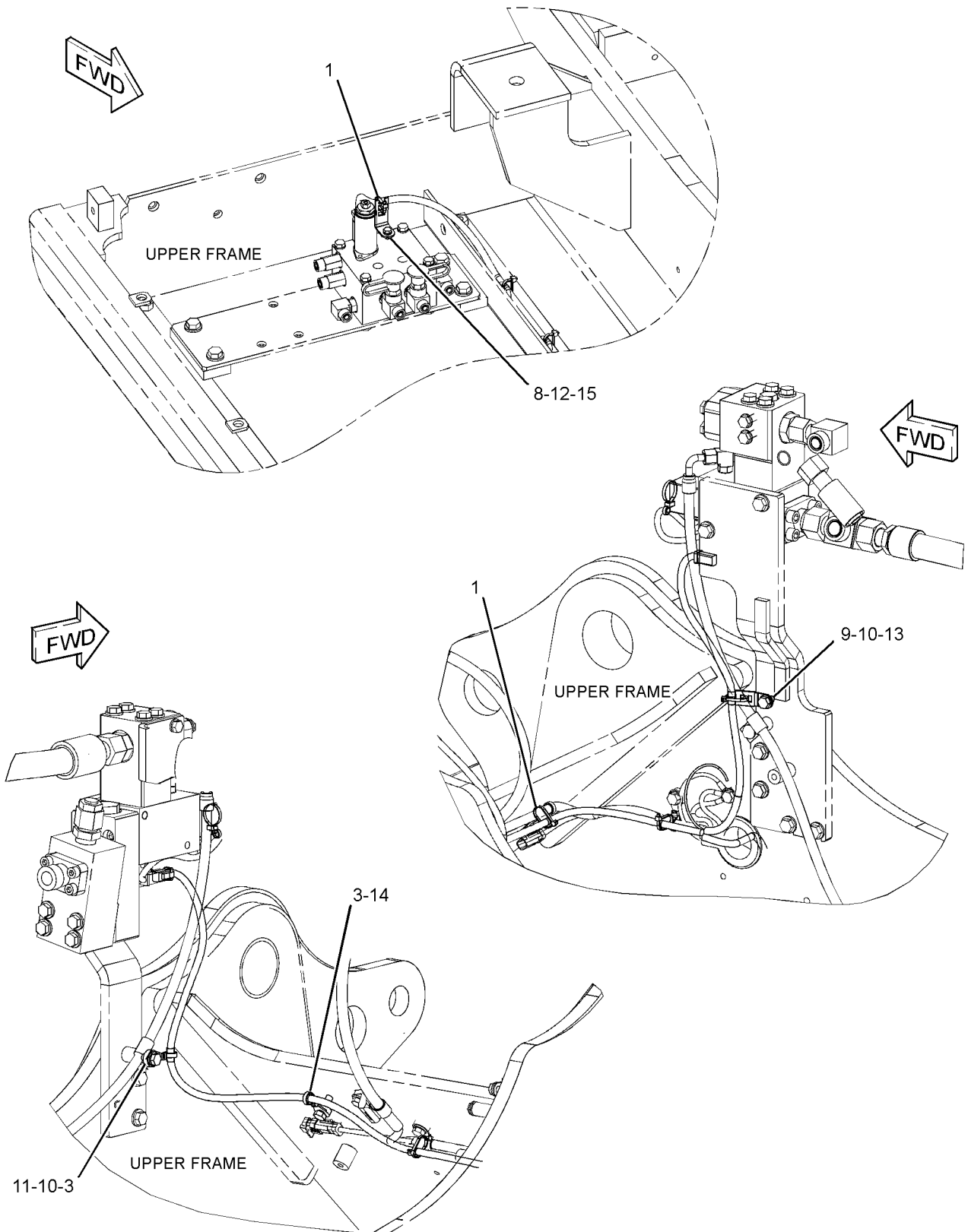
GRAPHIC #1

g01230607

ELECTRICAL AND STARTING SYSTEM

259-5045 WIRING GP-COMBINED FLOW (contd.)

i02548830



GRAPHIC #2

<END>

g01230609

ELECTRICAL AND STARTING SYSTEM**283-2761 WIRING GP-COMMUNICATION**S/N: MGG1-UP; JFZ1-UP
AN ATTACHMENT

SMCS-1408

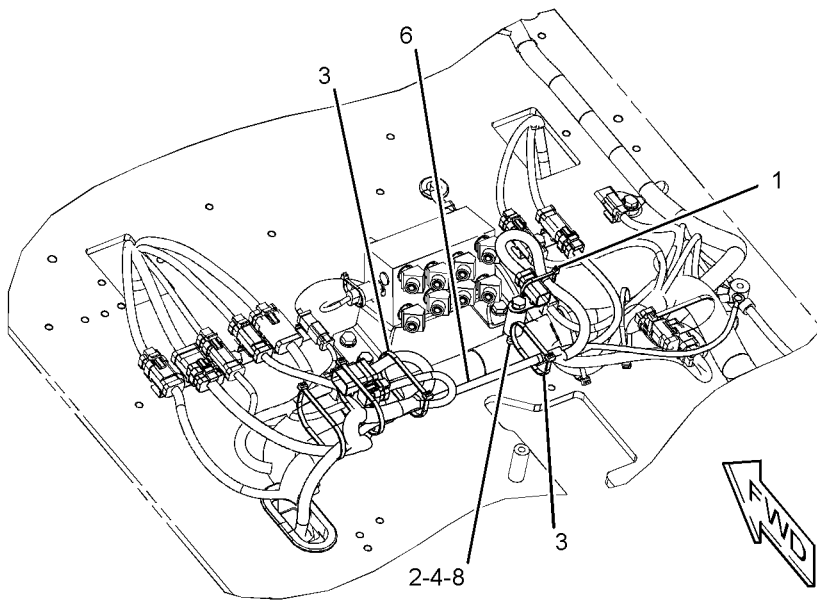
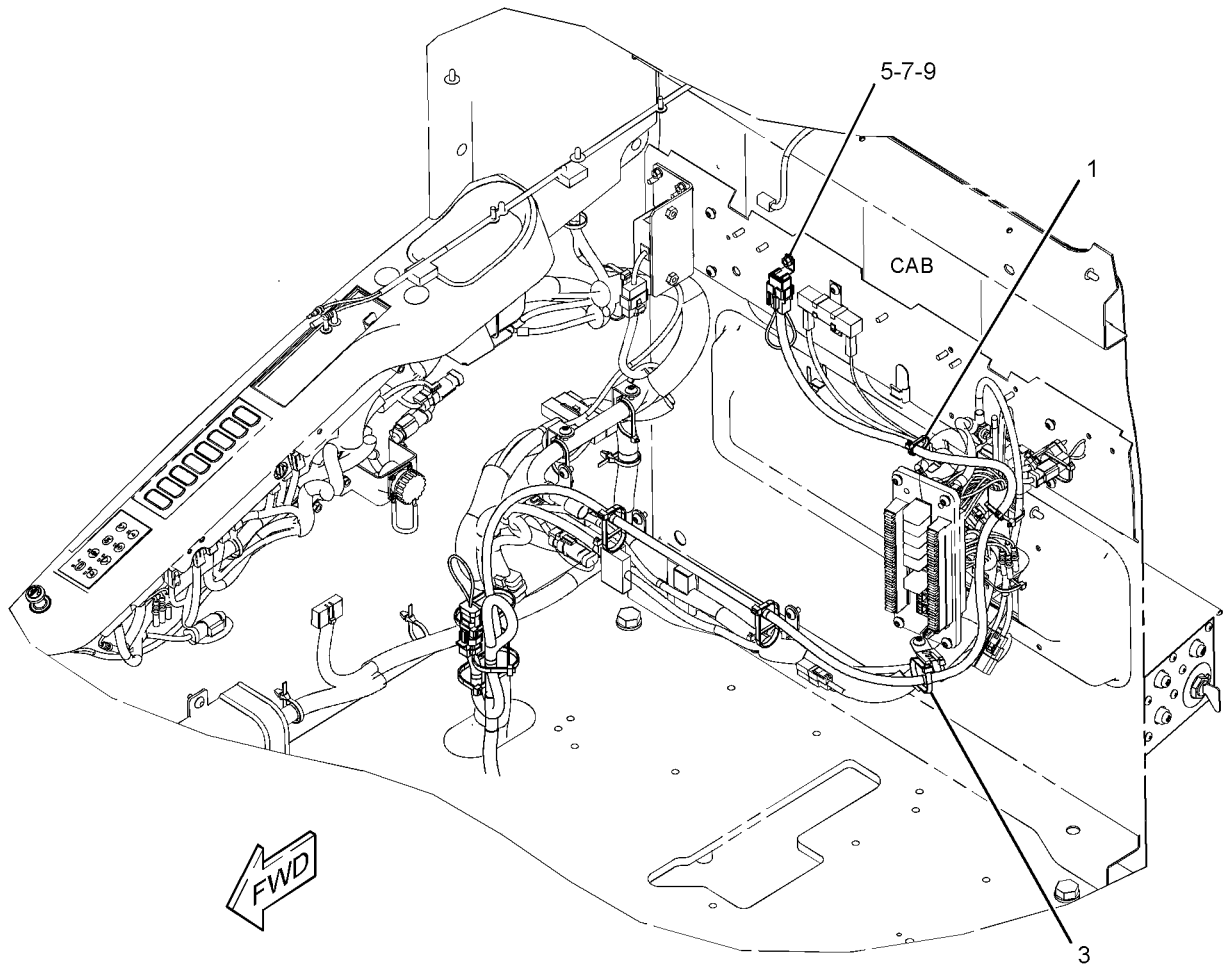
i03113406

NOTE	REF NO	GRAPHIC REF	PART NUMBER	QTY	PART NAME						SEE PAGE
					1	2	3	4	5	6 (PRODUCT LEVEL)	
	1	1	3S-2093	3	STRAP-CABLE						
	2	1	4I-7889	1	SPACER (11X25X45-MM THK)						
	3	1	7K-1181	10	STRAP-CABLE						
	4	1	116-0118	2	CLIP						
	5	1	149-5050	1	RELAY (24-VOLT) (START CONTROL)						
	6	1	283-2762	1	HARNESS AS-CONTROL						
M	7	1	5C-2890	1	NUT (M6X1-THD)						
M	8	1	8T-5005	1	BOLT (M10X1.5X70-MM)						
	9	1	9X-8256	1	WASHER (6.6X12X2-MM THK)						
M-METRIC PART											

ELECTRICAL AND STARTING SYSTEM

283-2761 WIRING GP-COMMUNICATION (contd.)

i03113406



GRAPHIC #1

<END>

g01571474

ELECTRICAL AND STARTING SYSTEM

231-1836 WIRING GP-CONSOLE-LH

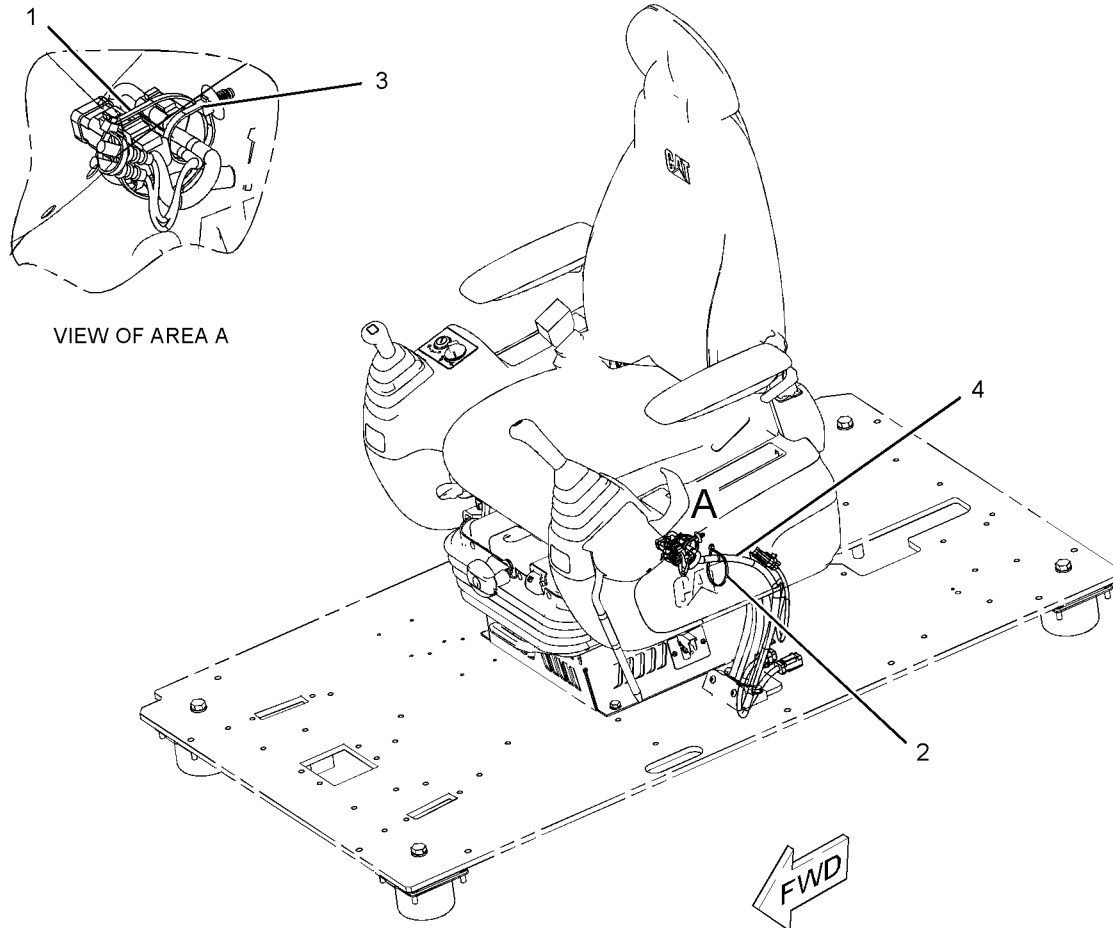
S/N: MGG1-UP; JFZ1-UP

PART OF 251-0433 WIRING GP-CONSOLE

SMCS-1408

i03120327

NOTE	REF NO	GRAPHIC REF	PART NUMBER	QTY	PART NAME						SEE PAGE
					1	2	3	4	5	6 (PRODUCT LEVEL)	
	1	1	3S-2093	2	STRAP-CABLE						
	2	1	7K-1181	1	STRAP-CABLE						
	3	1	163-6795	2	STRAP-CABLE						
	4	1	251-0580	1	HARNESS AS-CONSOLE (LH)						
		1	155-2260	1	KIT-CONNECTING PLUG (3-PIN) (INCLUDES PLUG AS, WEDGE & INTERFACE SEAL)						
		1	230-4011	1	PLUG AS-CONNECTOR (2-PIN)						
		1	264-7029	1	SEAL-CONNECTOR						
		1	230-5010	1	PLUG AS-CONNECTOR (6-PIN)						
		1	264-7032	1	SEAL-CONNECTOR						
		1	239-7352	1	PLUG AS-CONNECTOR (6-PIN)						
		1	264-7032	1	SEAL-CONNECTOR						
		1	243-4505	1	RECEPTACLE AS-CONNECTOR (2-PIN)						
		1	243-4508	1	RECEPTACLE AS-CONNECTOR (6-PIN)						
		1	247-2693	1	RECEPTACLE AS-CONNECTOR (6-PIN)						



GRAPHIC #1

<END>

g01150799

ELECTRICAL AND STARTING SYSTEM**251-0433 WIRING GP-CONSOLE**

S/N: MGG1-UP; JFZ1-UP

PART OF 273-5387 OPERATOR AR

SMCS-1408

i02534963

NOTE	PART NUMBER	QTY	PART NAME						SEE PAGE
			1	2	3	4	5	6 (PRODUCT LEVEL)	
Y	231-1836	1	WIRING GP-CONSOLE (LH)						226
Y	251-0435	1	WIRING GP-CONSOLE (RH)						228
Y-SEPARATE ILLUSTRATION									

<END>

ELECTRICAL AND STARTING SYSTEM**251-0435 WIRING GP-CONSOLE-RH**

S/N: MGG1-UP; JFZ1-UP

PART OF 251-0433 WIRING GP-CONSOLE

SMCS-1408

i03120332

NOTE	REF NO	GRAPHIC REF	PART NUMBER	QTY	PART NAME						SEE PAGE
					1	2	3	4	5	6 (PRODUCT LEVEL)	
	1	1	3S-2093	3	STRAP-CABLE						
	2	1	7K-1181	1	STRAP-CABLE						
	3	1	283-3074	1	SWITCH AS-TOGGLE (AUTO/MANUAL ENG SPEED CONTROL)						
	4	1	163-6711	1	SWITCH AS-TOGGLE (MANUAL ENGINE SPEED CONTROL)						
	5	1	163-6795	3	STRAP-CABLE						
	6	1	251-0602	1	BRACKET						
	7	1	259-4877	1	HARNES AS-CONSOLE (RH)						
		1	9W-0852	1	PIN-CONNECTOR (14-GA)						
		1	9X-3401	2	PIN-CONNECTOR (16-GA TO 18-GA)						
					-OR-						
		1	126-1767	2	PIN-CONNECTOR (14-GA)						
		1	3S-2093	10	STRAP-CABLE						
		1	8T-8737	20	PLUG-SEAL						
		1	102-8806	1	KIT-RECEPTACLE (8-PIN) (INCLUDES RECEPTACLE AS & WEDGE)						
		1	155-2265	1	KIT-CONNECTING PLUG (8-PIN) (INCLUDES PLUG AS, WEDGE & INTERFACE SEAL)						
		1	230-4009	1	PLUG AS-CONNECTOR (12-PIN)						
		1	264-7032	1	SEAL-CONNECTOR						
		1	230-4011	1	PLUG AS-CONNECTOR (2-PIN)						
		1	264-7029	1	SEAL-CONNECTOR						
		1	230-5008	1	PLUG AS-CONNECTOR (4-PIN)						
		1	264-7031	1	SEAL-CONNECTOR						
		1	230-5010	1	PLUG AS-CONNECTOR (6-PIN)						
		1	264-7032	1	SEAL-CONNECTOR						
		1	231-2295	1	PLUG AS-CONNECTOR (8-PIN)						
		1	264-7033	1	SEAL-CONNECTOR						
		1	239-7352	1	PLUG AS-CONNECTOR (6-PIN)						
		1	264-7032	1	SEAL-CONNECTOR						
		1	243-4505	1	RECEPTACLE AS-CONNECTOR (2-PIN)						
		1	243-4510	1	RECEPTACLE AS-CONNECTOR (12-PIN)						
		1	247-2693	1	RECEPTACLE AS-CONNECTOR (6-PIN)						
M	8	1	9X-2042	3	SCREW-TRUSS HEAD (M6X1X12-MM)						
M-METRIC PART											

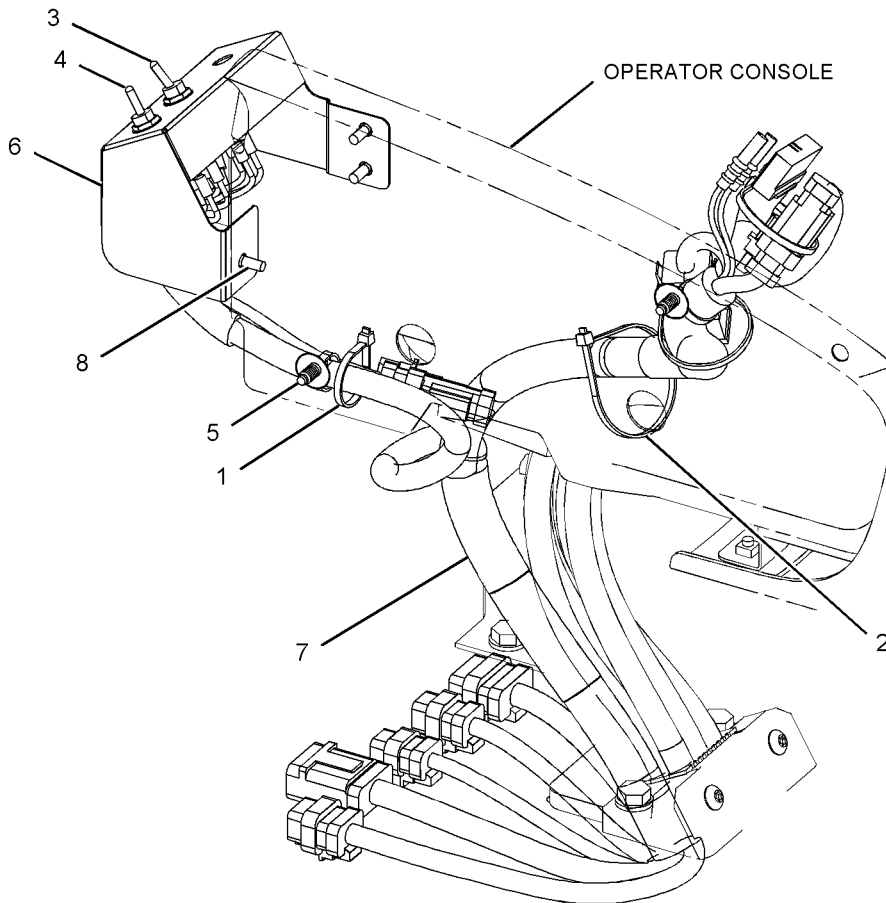
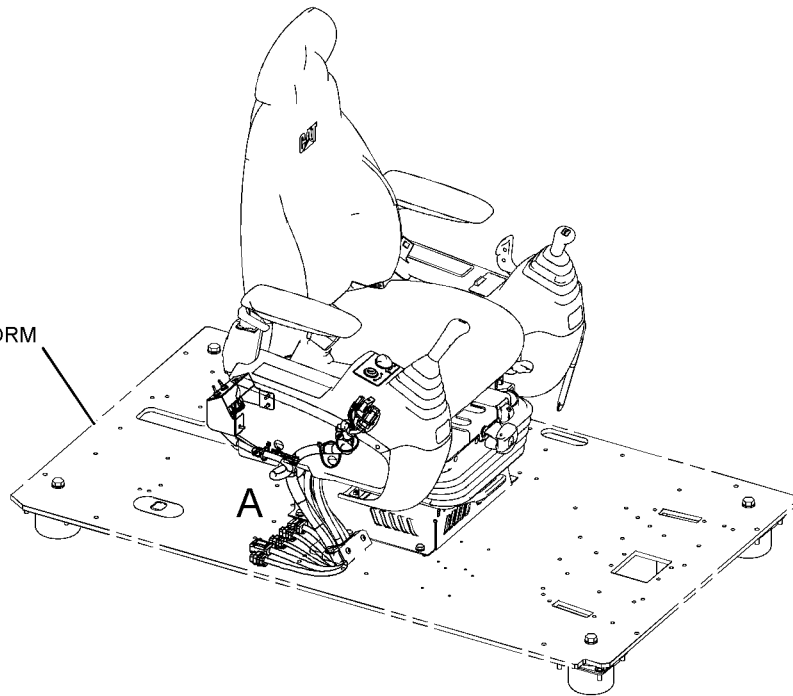
ELECTRICAL AND STARTING SYSTEM

251-0435 WIRING GP-CONSOLE (contd.)

i03120332



OPERATOR PLATFORM



VIEW OF AREA A

GRAPHIC #1

<END>

g01231684

ELECTRICAL AND STARTING SYSTEM

251-0482 WIRING GP-CONVERTER

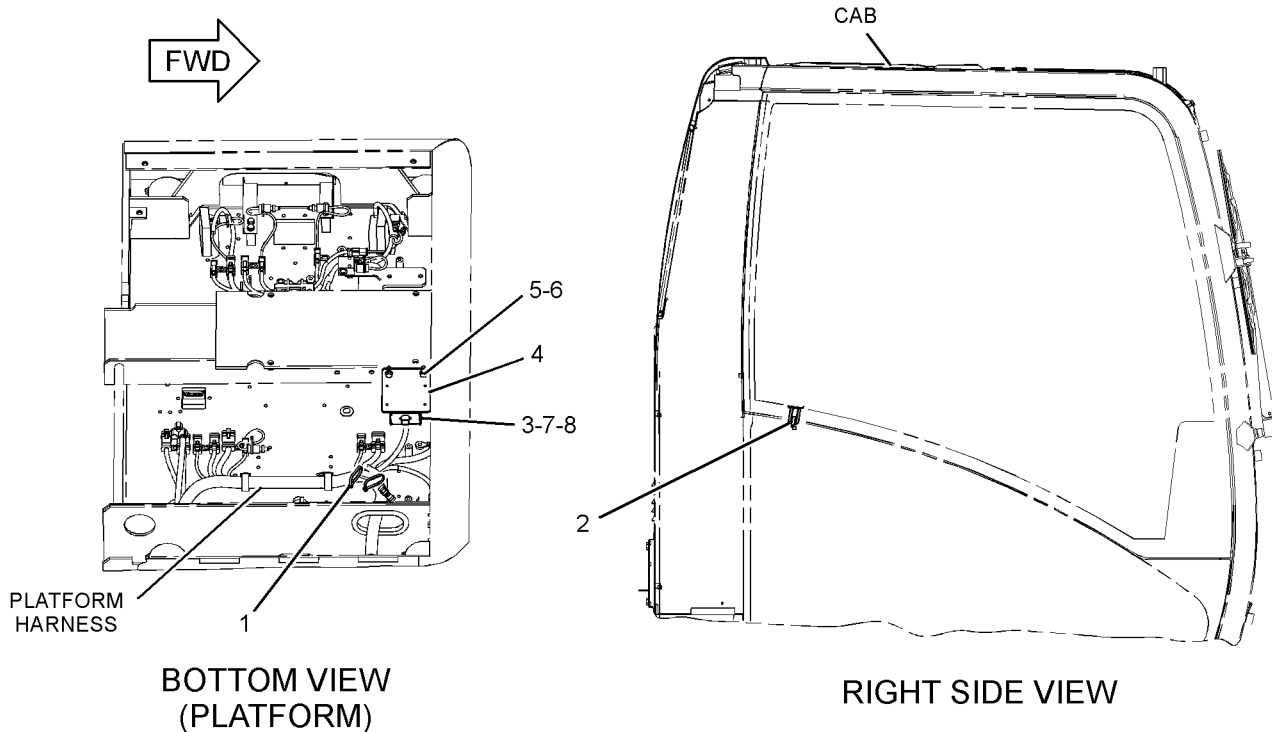
S/N: MGG1-UP
12-VOLT, 7-AMPERE
AN ATTACHMENT

SMCS-1421

i02573261

NOTE	REF NO	GRAPHIC REF	PART NUMBER	QTY	PART NAME						SEE PAGE
					1	2	3	4	5	6 (PRODUCT LEVEL)	
	1	1	7K-1181	2	STRAP-CABLE						
	2	1	121-0987	1	SOCKET (12-VOLT, 7-AMPERE)						
	3	1	283-2783	1	CONVERTER-POWER (24-VOLT TO 12-VOLT)						
	4	1	251-0483	1	BRACKET						
	5	1	8T-4121	2	WASHER-HARD (11X21X2.5-MM THK)						
M	6	1	8T-4136	2	BOLT (M10X1.5X25-MM)						
M	7	1	8T-4171	4	BOLT (M6X1X12-MM)						
	8	1	9X-8256	4	WASHER (6.6X12X2-MM THK)						

M-METRIC PART



GRAPHIC #1

<END>

g01155726

ELECTRICAL AND STARTING SYSTEM**296-4665 WIRING GP-ELECTRONIC CONTROL**

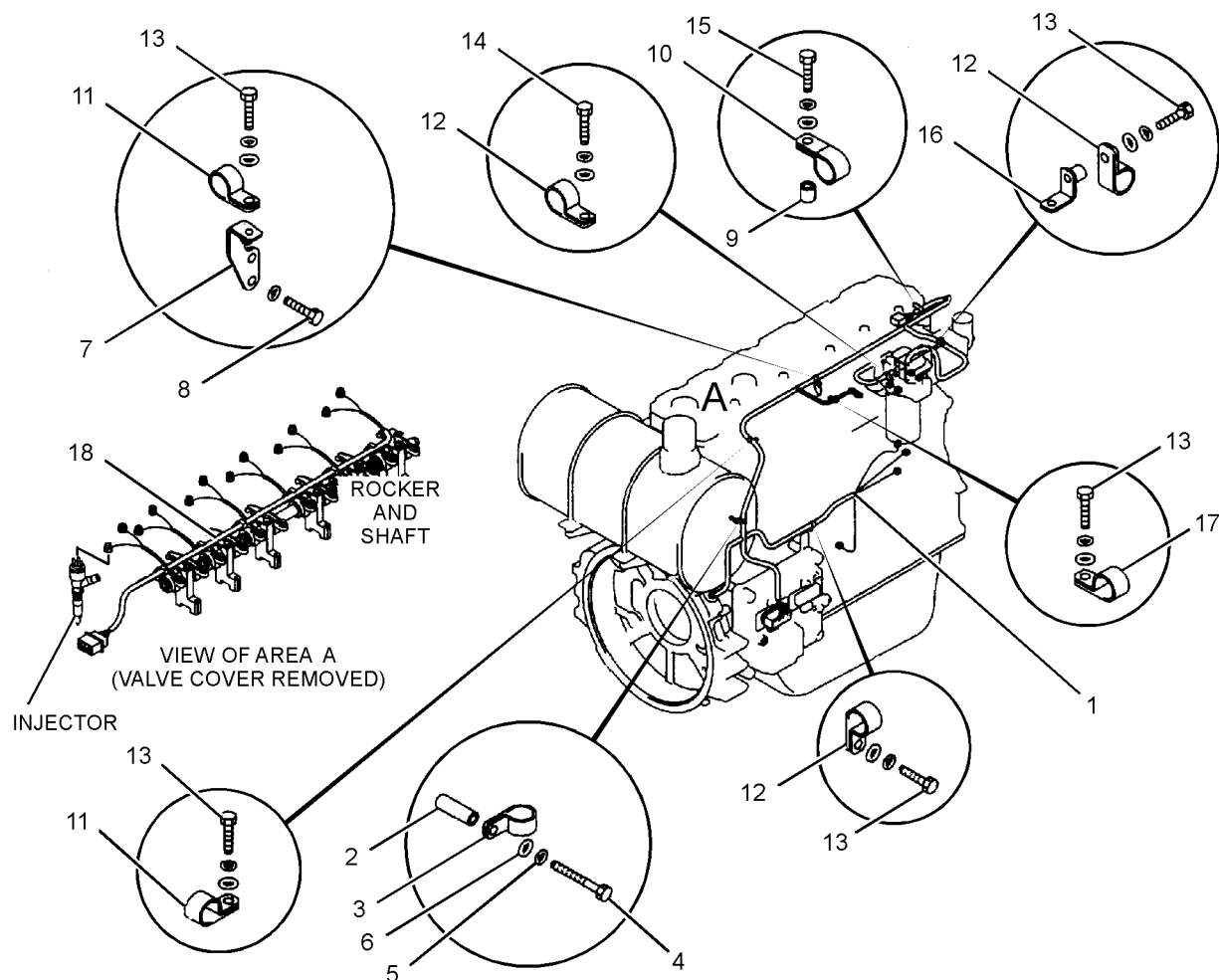
S/N: GDC1-UP

PART OF 272-4683 ENGINE AR
ALSO AN ATTACHMENT

SMCS-1408

i02739177

NOTE	REF NO	GRAPHIC REF	PART NUMBER	QTY	PART NAME						SEE PAGE
					1	2	3	4	5	6 (PRODUCT LEVEL)	
	1	1	296-4617	1	HARNES AS-ENGINE (ELECTRONIC CONTROL MODULE)						
	2	1	296-4618	1	SPACER						
	3	1	296-4619	1	CLIP						
	4	1	099-4460	1	BOLT						
	5	1	096-2501	1	LOCKWASHER						
	6	1	8T-4223	1	WASHER-HARD (13.5X25.5X3-MM THK)						
	7	1	296-4620	1	BRACKET						
	8	1	296-4621	2	BOLT (M6X1.25X23.5-MM)						
	9	1	296-4622	1	SPACER						
	10	1	296-4623	1	CLIP						
	11	1	296-4624	2	CLIP						
	12	1	296-4625	3	CLIP						
	13	1	294-1768	5	BOLT						
	14	1	282-8567	1	BOLT						
	15	1	296-4626	1	BOLT						
	16	1	296-4627	1	BRACKET						
	17	1	296-4628	1	CLIP						
	18	1	305-4893	1	HARNES AS-ENGINE (FUEL INJECTION)						



GRAPHIC #1

<END>

g01355142

ELECTRICAL AND STARTING SYSTEM

291-7463 WIRING GP-FAN-FLUID CLUTCH

S/N: MGG1-UP; JFZ1-UP

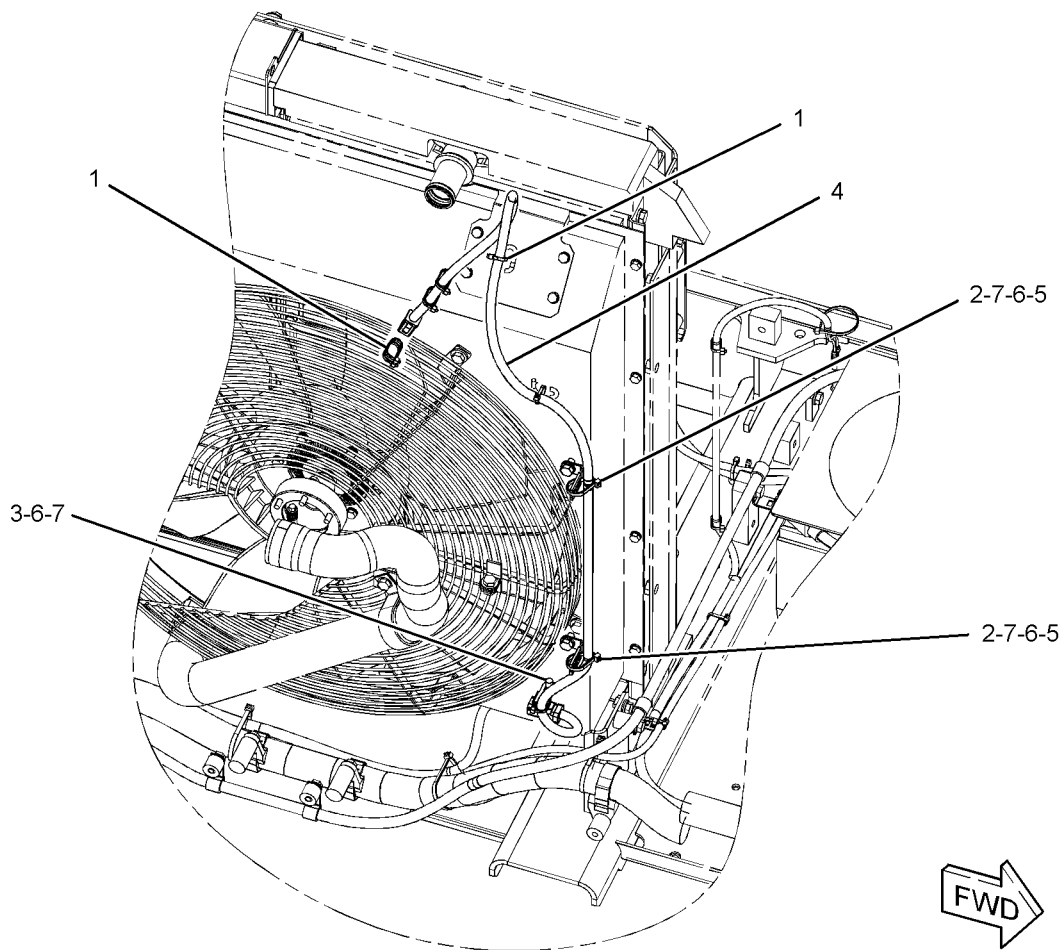
PART OF 306-8501 WIRING GP-FAN
AN ATTACHMENT

SMCS-1408

i02754916

NOTE	REF NO	GRAPHIC REF	PART NUMBER	QTY	PART NAME						SEE PAGE
					1	2	3	4	5	6 (PRODUCT LEVEL)	
	1	1	3S-2093	7	STRAP-CABLE						
	2	1	7K-1181	2	STRAP-CABLE						
	3	1	116-0118	1	CLIP						
	4	1	275-6846	1	HARNESS AS-SOLENOID (FAN)						
		1	155-2274	1	KIT-CONNECTING PLUG (6-PIN) (INCLUDES PLUG AS , WEDGE & INTERFACE SEAL)						
		1	243-4508	1	RECEPTACLE AS-CONNECTOR (6-PIN)						
	5	1	132-5789	2	CLIP						
	6	1	8T-4121	3	WASHER-HARD (11X21X2.5-MM THK)						
M	7	1	8T-4191	3	BOLT (M10X1.5X16-MM)						

M-METRIC PART



GRAPHIC #1

<END>

g01315917

ELECTRICAL AND STARTING SYSTEM

291-7716 WIRING GP-FAN-HYD FAN CTL, AIR TEMP CTL

S/N: MGG1-UP; JFZ1-UP

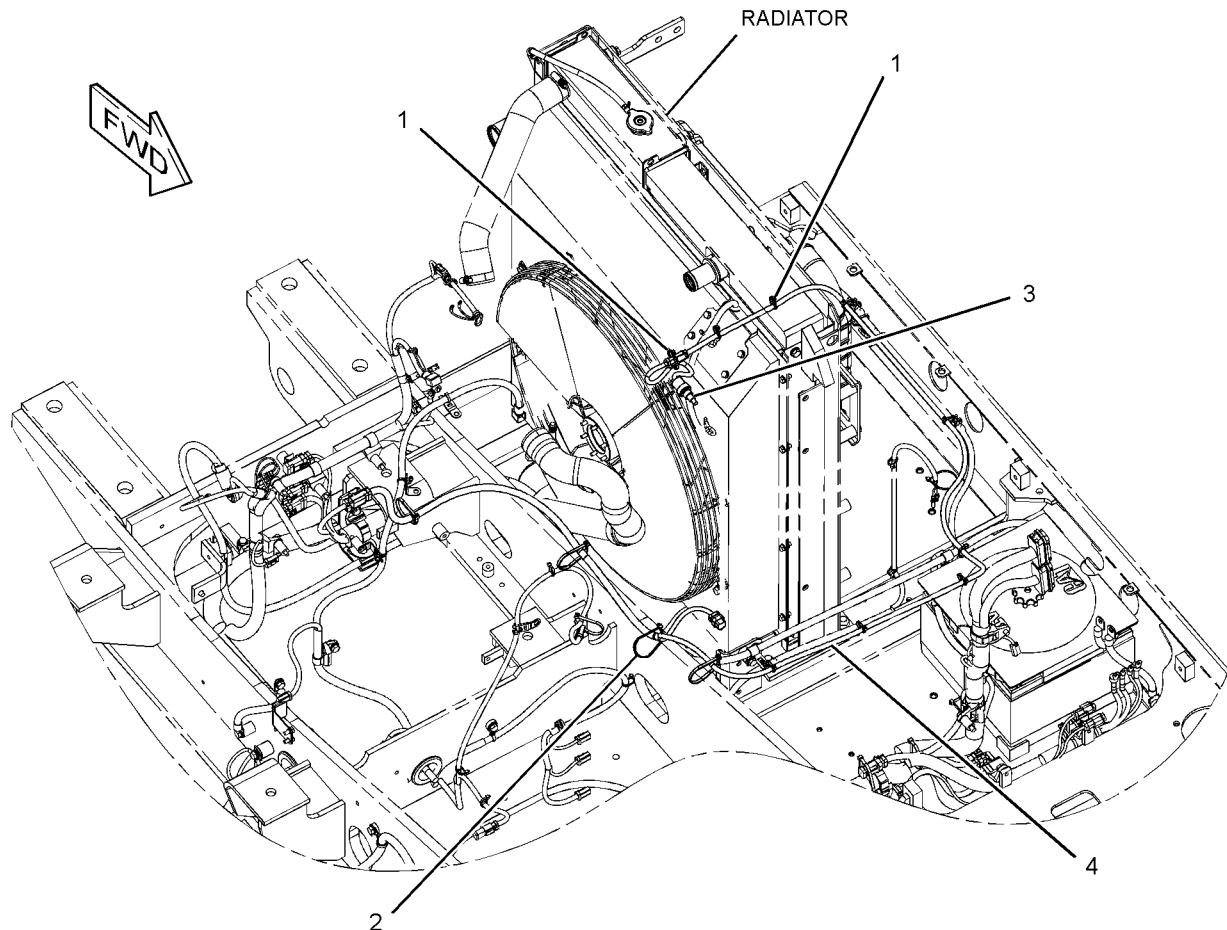
PART OF 306-8501 WIRING GP-FAN
AN ATTACHMENT

SMCS-1408

i02784679

NOTE	REF NO	GRAPHIC REF	PART NUMBER	QTY	PART NAME						SEE PAGE
					1	2	3	4	5	6 (PRODUCT LEVEL)	
	1	1	3S-2093	9	STRAP-CABLE						
	2	1	7K-1181	4	STRAP-CABLE						
	3	1	107-8618	1	SENSOR GP-TEMPERATURE (AMBIENT AIR, RAD FAN CLUTCH)						
		1	102-8803	1	KIT-RECEPTACLE (3-PIN) (INCLUDES RECEPTACLE AS & WEDGE)						
		1	186-3735	3	PIN-CONNECTOR (16-GA TO 18-GA)						
E		1	112-4550		SLEEVE (31-CM)						
	4	1	275-6803	1	HARNESS AS-PUMP (FAN CONTROL)						
		1	3S-2093	1	STRAP-CABLE						
		1	155-2260	1	KIT-CONNECTING PLUG (3-PIN) (INCLUDES PLUG AS, WEDGE, & INTERFACE SEAL)						
		1	230-5010	1	PLUG AS-CONNECTOR (6-PIN)						
		1	264-7032	1	SEAL-CONNECTOR						
		1	243-4509	1	RECEPTACLE AS-CONNECTOR (8-PIN)						

E-ORDER BY THE CENTIMETER



GRAPHIC #1

<END>

g01383567

ELECTRICAL AND STARTING SYSTEM**306-8501 WIRING GP-FAN-FLUID CLUTCH**

S/N: MGG1-UP; JFZ1-UP

PART OF 290-1911, 298-4271 COOLING AR-HIGH AMBIENT TEMP
AN ATTACHMENT

SMCS-1408

i02757680

NOTE	PART NUMBER	QTY	PART NAME						SEE PAGE
			1	2	3	4	5	6 (PRODUCT LEVEL)	
Y	291-7463	1	WIRING GP-FAN (FAN CLUTCH)						232
Y	291-7716	1	WIRING GP-FAN (HYD FAN CTL, AIR TEMP CTL)						233
Y-SEPARATE ILLUSTRATION									

<END>

ELECTRICAL AND STARTING SYSTEM

259-5052 WIRING GP-FINE SWING

S/N: MGG1-UP; JFZ1-UP

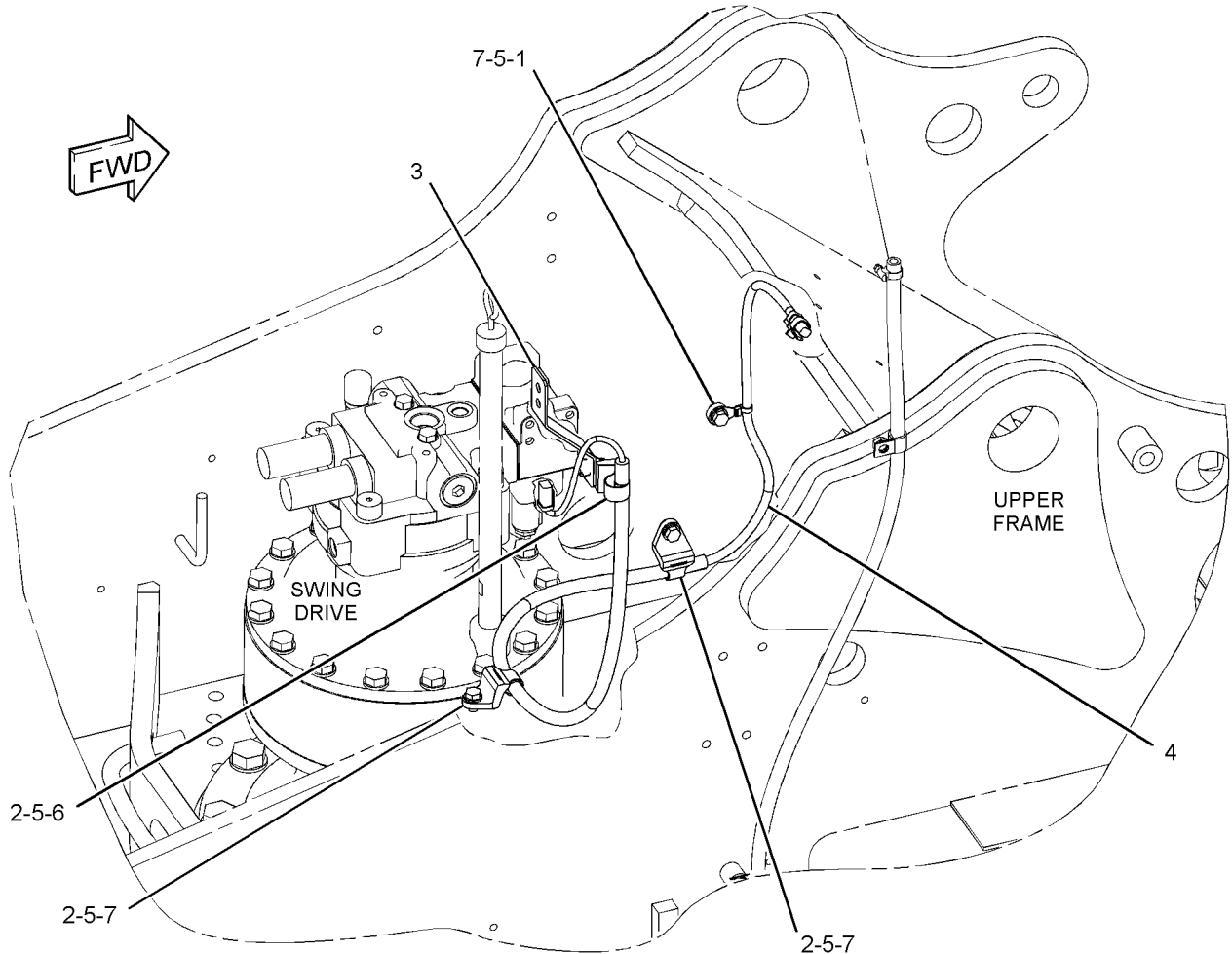
PART OF 264-8638, 264-8639 CHASSIS AR

SMCS-1408

i02894535

NOTE	REF NO	GRAPHIC REF	PART NUMBER	QTY	PART NAME						SEE PAGE
					1	2	3	4	5	6 (PRODUCT LEVEL)	
	1	1	111-4836	1	CLIP						
	2	1	111-4837	3	CLIP						
	3	1	238-2171	1	BRACKET AS						
	4	1	259-5129	1	HARNESS AS-SOLENOID						
	5	1	8T-4121	4	WASHER-HARD (11X21X2.5-MM THK)						
M	6	1	8T-4136	1	BOLT (M10X1.5X25-MM)						
M	7	1	8T-4137	3	BOLT (M10X1.5X20-MM)						

M-METRIC PART



GRAPHIC #1

<END>

g01392705

ELECTRICAL AND STARTING SYSTEM**238-1570 WIRING GP-FUEL SYSTEM-REFUELING**

S/N: MGG1-UP; JFZ1-UP

PART OF 264-8770 PUMP AR-FUEL TRANSFER

AN ATTACHMENT

TYPE 1

SMCS-1408

i03157204

NOTE	REF NO	GRAPHIC REF	PART NUMBER	QTY	PART NAME						SEE PAGE
					1	2	3	4	5	6 (PRODUCT LEVEL)	
	1	1	3S-2093	16	STRAP-CABLE						
	2	1	9X-3495	1	CLIP AS						
	3	1	149-5050	1	RELAY (24-VOLT) (REFUELING PUMP, STOP)						
	3A	1	149-5050	1	RELAY (24-VOLT) (REFUELING PUMP, START)						
	4	1	213-0772	1	SWITCH AS-MAGNETIC (24-VOLT) (MAIN RELAY)						
	5	1	238-1579	1	HARNESS AS-PUMP (REFUELING)						
	6	1	238-1593	1	WIRE AS						
Y	7	1	238-1594	1	SWITCH GP-PUSH BUTTON (REFUELING PUMP, START)						204
Y	8	1	238-1596	1	SWITCH GP-PUSH BUTTON (REFUELING PUMP, STOP)						205
M	9	1	096-2591	2	SCREW-MACHINE (M5X0.8X35-MM)						
M	10	1	7X-2619	2	BOLT (M6X1X10-MM)						
	11	1	8T-0328	3	WASHER-HARD (5.5X10X1-MM THK)						
M	12	1	8T-4199	1	BOLT (M8X1.25X12-MM)						
	13	1	8T-4224	1	WASHER-HARD (8.8X16X2-MM THK)						
	14	1	9X-8256	2	WASHER (6.6X12X2-MM THK)						
	15	1	275-6993	1	COVER						

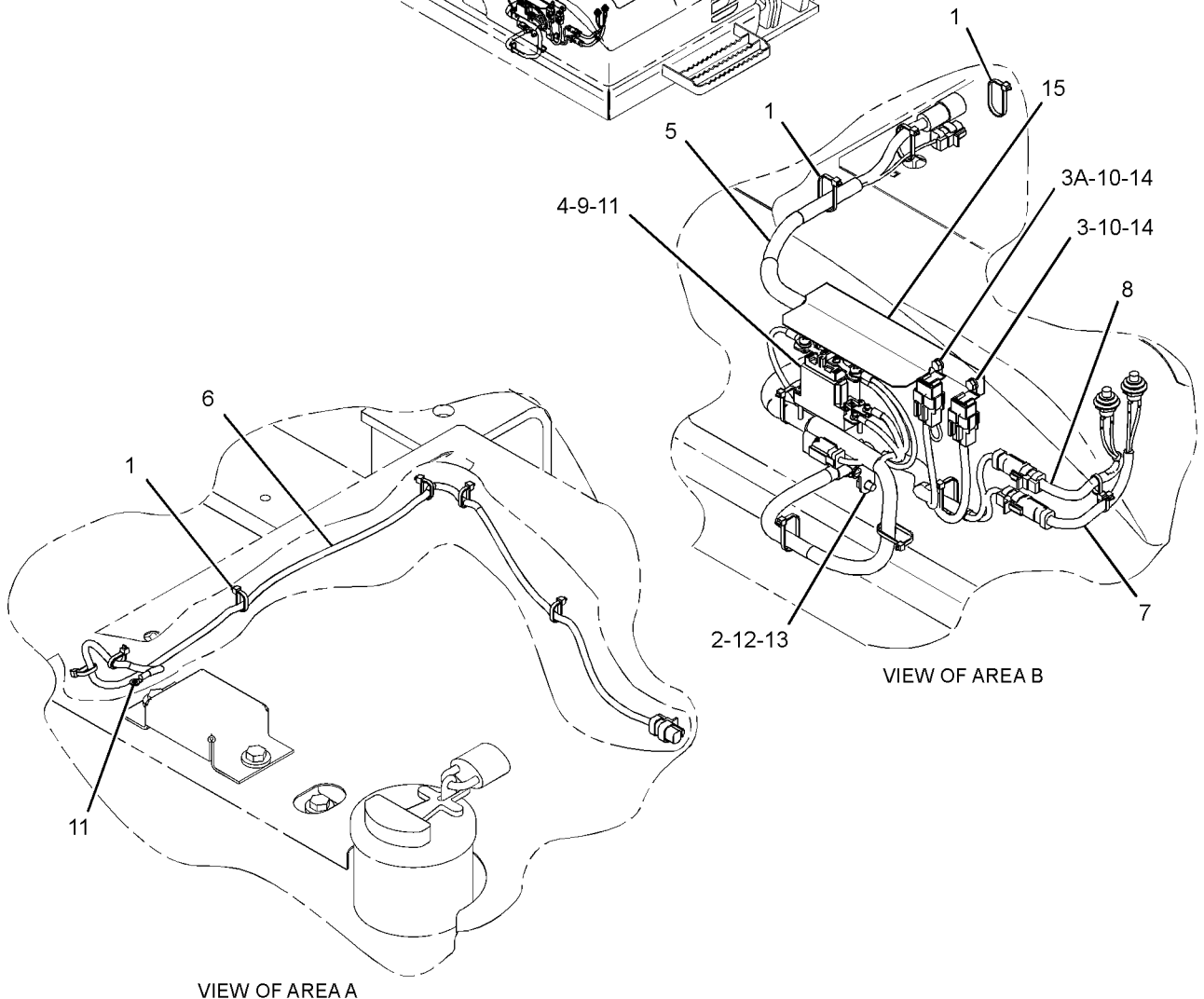
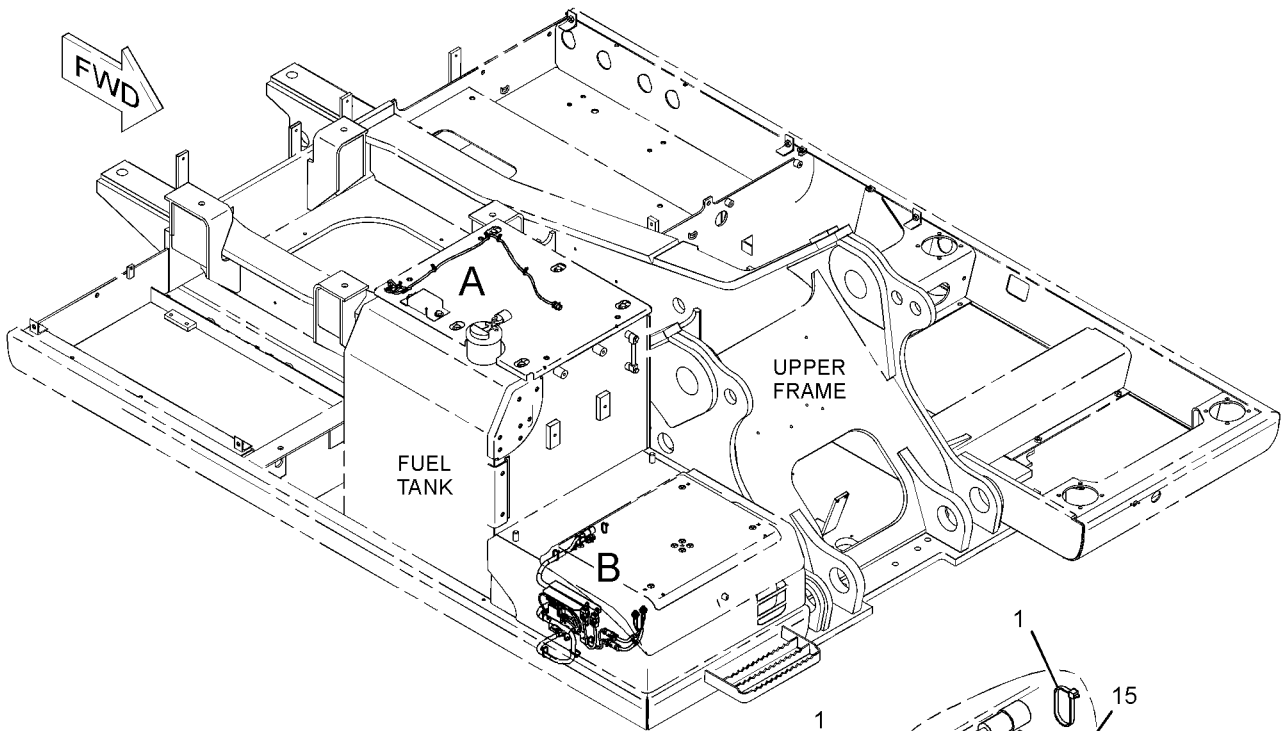
M-METRIC PART

Y-SEPARATE ILLUSTRATION

ELECTRICAL AND STARTING SYSTEM

238-1570 WIRING GP-FUEL SYSTEM (contd.)

i03157204



GRAPHIC #1

<END>

g01481290

ELECTRICAL AND STARTING SYSTEM**238-1570 WIRING GP-FUEL SYSTEM-REFUELING**

S/N: MGG1-UP; JFZ1-UP

PART OF 264-8770 PUMP AR-FUEL TRANSFER

AN ATTACHMENT

TYPE 2

SMCS-1408

i03161283

NOTE	REF NO	GRAPHIC REF	PART NUMBER	QTY	PART NAME						SEE PAGE
					1	2	3	4	5	6 (PRODUCT LEVEL)	
	1	1	3S-2093	16	STRAP-CABLE						
	2	1	9X-3495	1	CLIP AS						
	3	1	149-5050	1	RELAY (24-VOLT) (REFUELING PUMP, STOP)						
	3A	1	149-5050	1	RELAY (24-VOLT) (REFUELING PUMP, START)						
	4	1	213-0772	1	SWITCH AS-MAGNETIC (24-VOLT) (MAIN RELAY)						
	5	1	238-1579	1	HARNESS AS-PUMP (REFUELING)						
C	6	1	319-1335	1	HARNESS AS-WIRING						
Y	7	1	238-1594	1	SWITCH GP-PUSH BUTTON (REFUELING PUMP, START)						204
Y	8	1	238-1596	1	SWITCH GP-PUSH BUTTON (REFUELING PUMP, STOP)						205
M	9	1	096-2591	2	SCREW-MACHINE (M5X0.8X35-MM)						
M	10	1	7X-2619	2	BOLT (M6X1X10-MM)						
C	11	1	8T-0328	2	WASHER-HARD (5.5X10X1-MM THK)						
M	12	1	8T-4199	1	BOLT (M8X1.25X12-MM)						
	13	1	8T-4224	1	WASHER-HARD (8.8X16X2-MM THK)						
	14	1	9X-8256	2	WASHER (6.6X12X2-MM THK)						
	15	1	275-6993	1	COVER						
C	16	1	7K-1181	11	STRAP-CABLE						

C-CHANGE FROM PREVIOUS TYPE

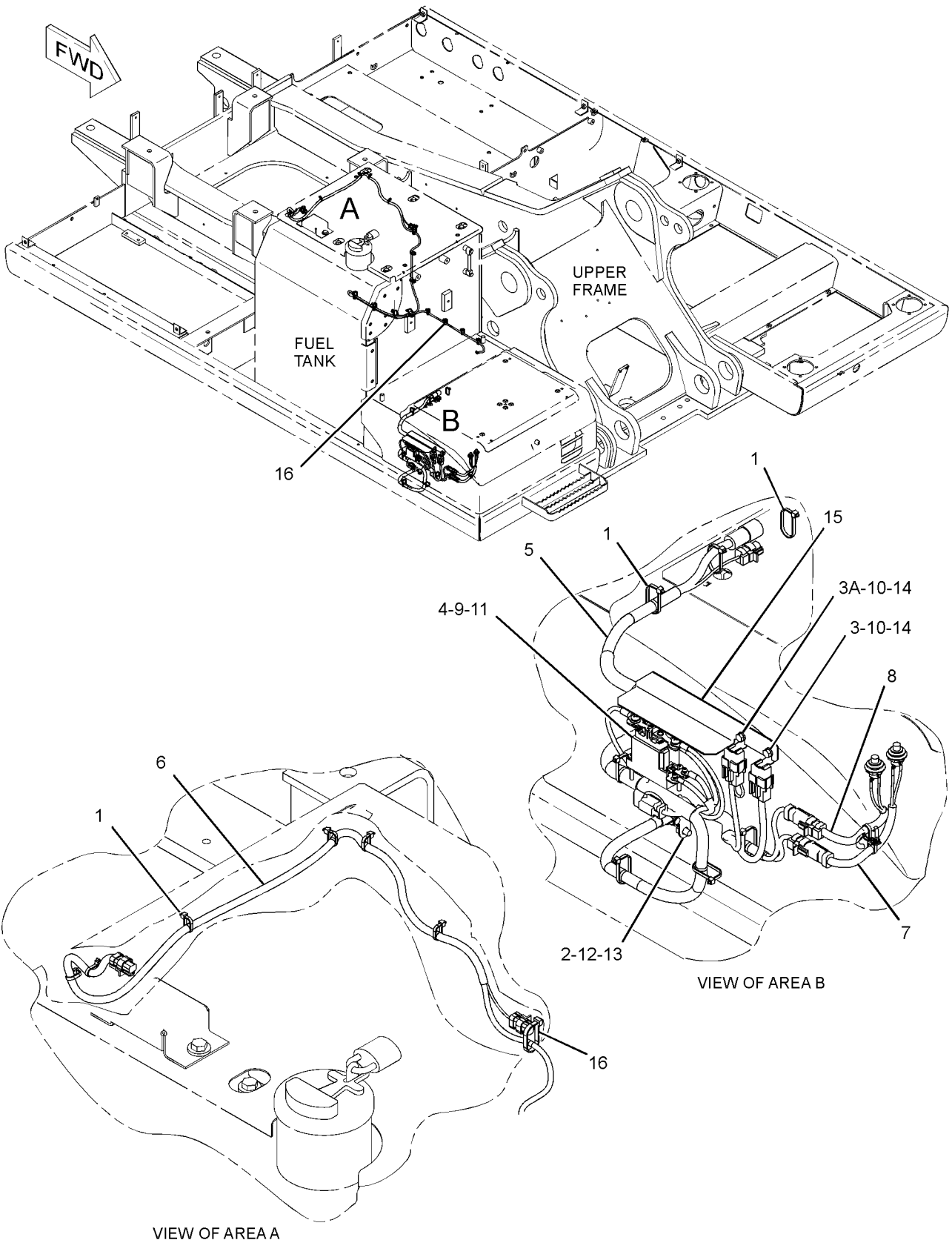
M-METRIC PART

Y-SEPARATE ILLUSTRATION

ELECTRICAL AND STARTING SYSTEM

238-1570 WIRING GP-FUEL SYSTEM (contd.)

i03161283



GRAPHIC #1

<END>

g01620056

ELECTRICAL AND STARTING SYSTEM

306-8690 WIRING GP-HEATER

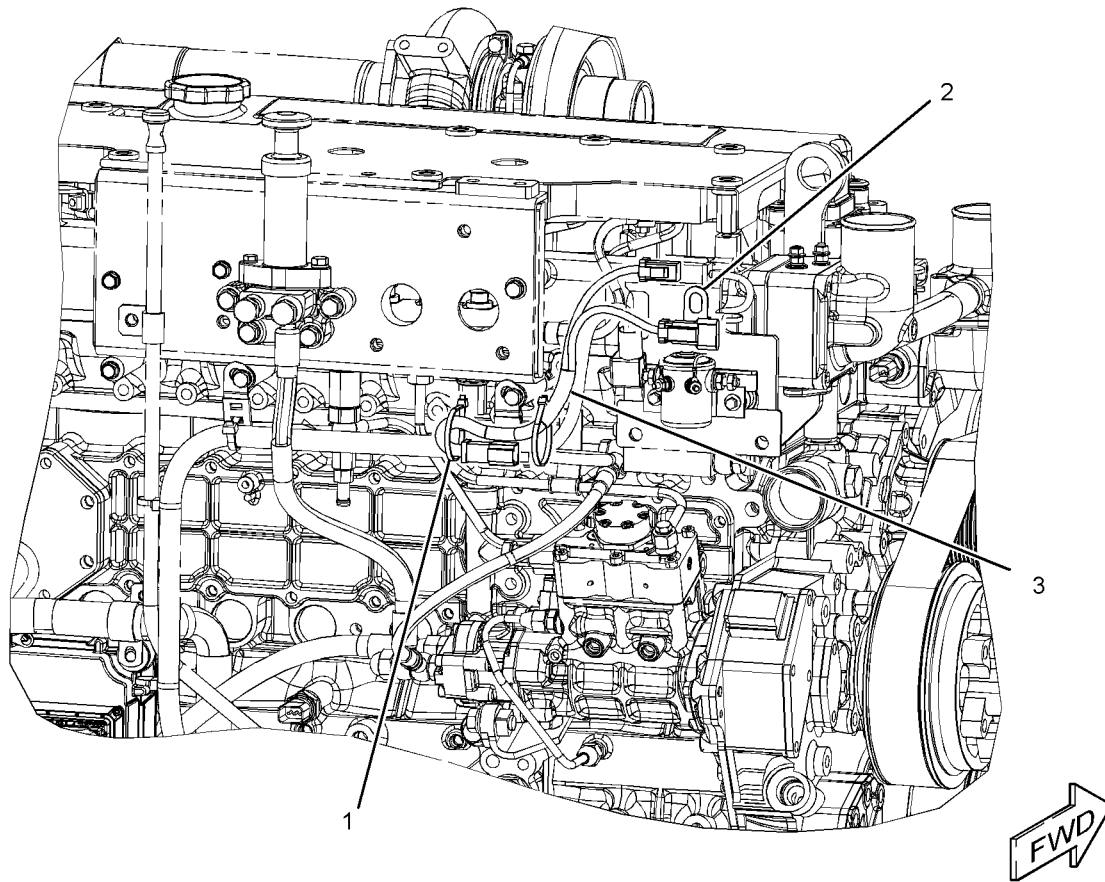
S/N: MGG1-UP; JFZ1-UP

PART OF 264-8638, 264-8639 CHASSIS AR

SMCS-7304

i02927622

NOTE	REF NO	GRAPHIC REF	PART NUMBER	QTY	PART NAME						SEE PAGE
					1	2	3	4	5	6 (PRODUCT LEVEL)	
	1	1	3S-2093	2	STRAP - CABLE						
	2	1	116-0118	1	CLIP						
	3	1	306-8691	1	HARNESS AS-SOLENOID (HEATER)						



GRAPHIC #1

<END>

g01406889

ELECTRICAL AND STARTING SYSTEM**275-7003 WIRING GP-PLATFORM**

S/N: MGG1-UP; JFZ1-UP

PART OF 273-5387 OPERATOR AR

SMCS-1408

i02744447

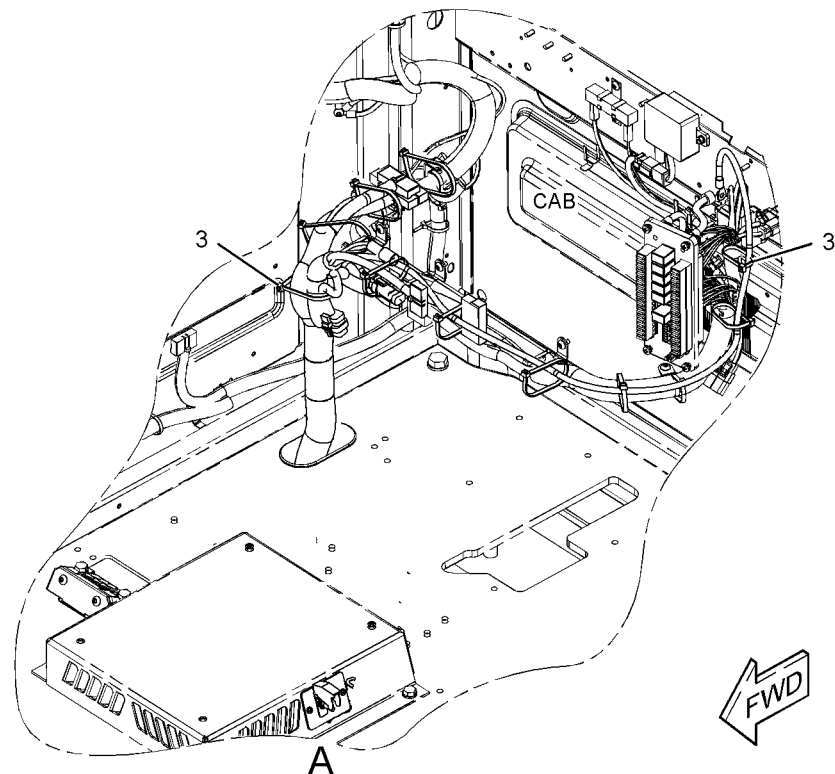
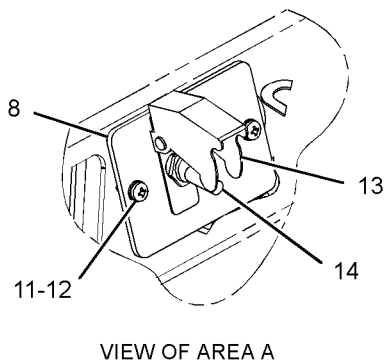
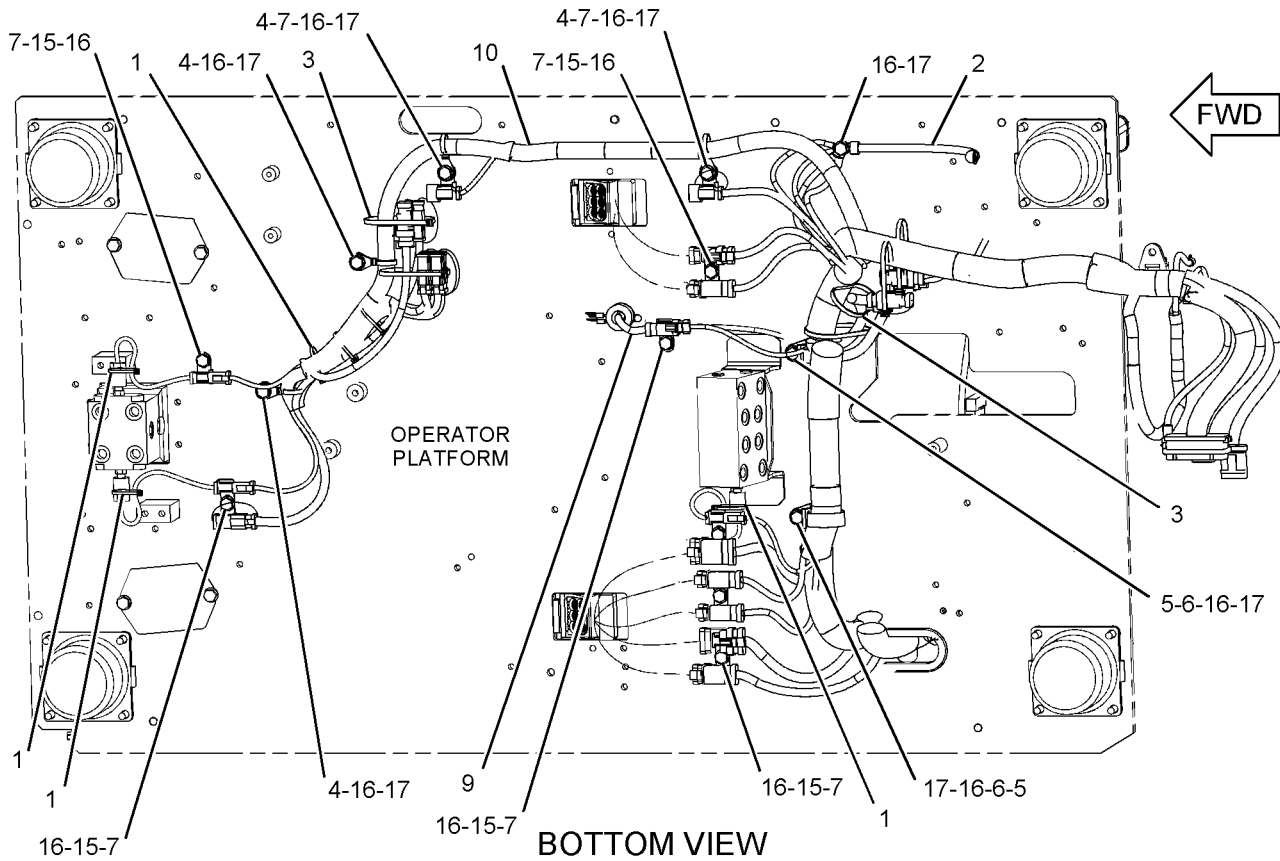
NOTE	REF NO	GRAPHIC REF	PART NUMBER	QTY	PART NAME						SEE PAGE
					1	2	3	4	5	6 (PRODUCT LEVEL)	
	1	1	3S-2093	6	STRAP-CABLE						
	2	1	7G-1060	1	STRAP AS-GROUND						
	3	1	7K-1181	16	STRAP-CABLE						
	4	1	111-4836	4	CLIP						
	5	1	111-4838	2	CLIP						
	6	1	111-4839	2	STRAP						
	7	1	116-0118	14	CLIP						
	8	1	234-1122	1	COVER						
	9	1	251-0299	1	HARNESS AS-SWITCH (SECONDARY SHUTDOWN)						
		1	243-4505	1	RECEPTACLE AS-CONNECTOR (2-PIN)						
	10	1	275-7004	1	HARNESS AS-PLATFORM						
		1	102-8802	5	KIT-RECEPTACLE (2-PIN)						
		1	102-8804	1	KIT-RECEPTACLE (4-PIN)						
					(EACH RECEPTACLE KIT INCLUDES RECEPTACLE AS & WEDGE)						
		1	3S-2093	22	STRAP-CABLE						
		1	155-2270	12	KIT-CONNECTING PLUG (2-PIN)						
		1	155-2271	1	KIT-CONNECTING PLUG (4-PIN)						
					(EACH CONNECTING PLUG KIT INCLUDES PLUG AS, WEDGE & INTERFACE SEAL)						
		1	197-4385	3	DIODE						
		1	230-4009	3	PLUG AS-CONNECTOR (12-PIN)						
		1	230-4011	3	PLUG AS-CONNECTOR (2-PIN)						
		1	230-5010	3	PLUG AS-CONNECTOR (6-PIN)						
		1	239-7352	1	PLUG AS-CONNECTOR (6-PIN)						
		1	243-4505	1	RECEPTACLE AS-CONNECTOR (2-PIN)						
		1	243-4507	1	RECEPTACLE AS-CONNECTOR (4-PIN)						
		1	243-4508	4	RECEPTACLE AS-CONNECTOR (6-PIN)						
		1	243-4509	1	RECEPTACLE AS-CONNECTOR (8-PIN)						
		1	243-4510	2	RECEPTACLE AS-CONNECTOR (12-PIN)						
		1	247-2693	1	RECEPTACLE AS-CONNECTOR (6-PIN)						
M	11	1	095-0728	2	SCREW-MACHINE (M4X0.7X12-MM)						
	12	1	096-6166	2	WASHER-HARD (4.5X9X1-MM THK)						
	13	1	3E-5169	1	GUARD-SWITCH						
	14	1	4D-1836	1	SWITCH AS-TOGGLE (SECONDARY SHUTDOWN)						
M	15	1	7X-2621	7	BOLT (M10X1.5X12-MM)						
	16	1	8T-4121	14	WASHER-HARD (11X21X2.5-MM THK)						
M	17	1	8T-4137	7	BOLT (M10X1.5X20-MM)						

M-METRIC PART

ELECTRICAL AND STARTING SYSTEM

275-7003 WIRING GP-PLATFORM (contd.)

i02744447



GRAPHIC #1

<END>

g01297079

POWER TRAIN**227-6035 DRIVE GP-FINAL**

S/N: MGG1-UP; JFZ1-UP

WITHOUT MOTOR

PART OF 227-6913 DRIVE GP-FINAL

SMCS-4050

i02980663

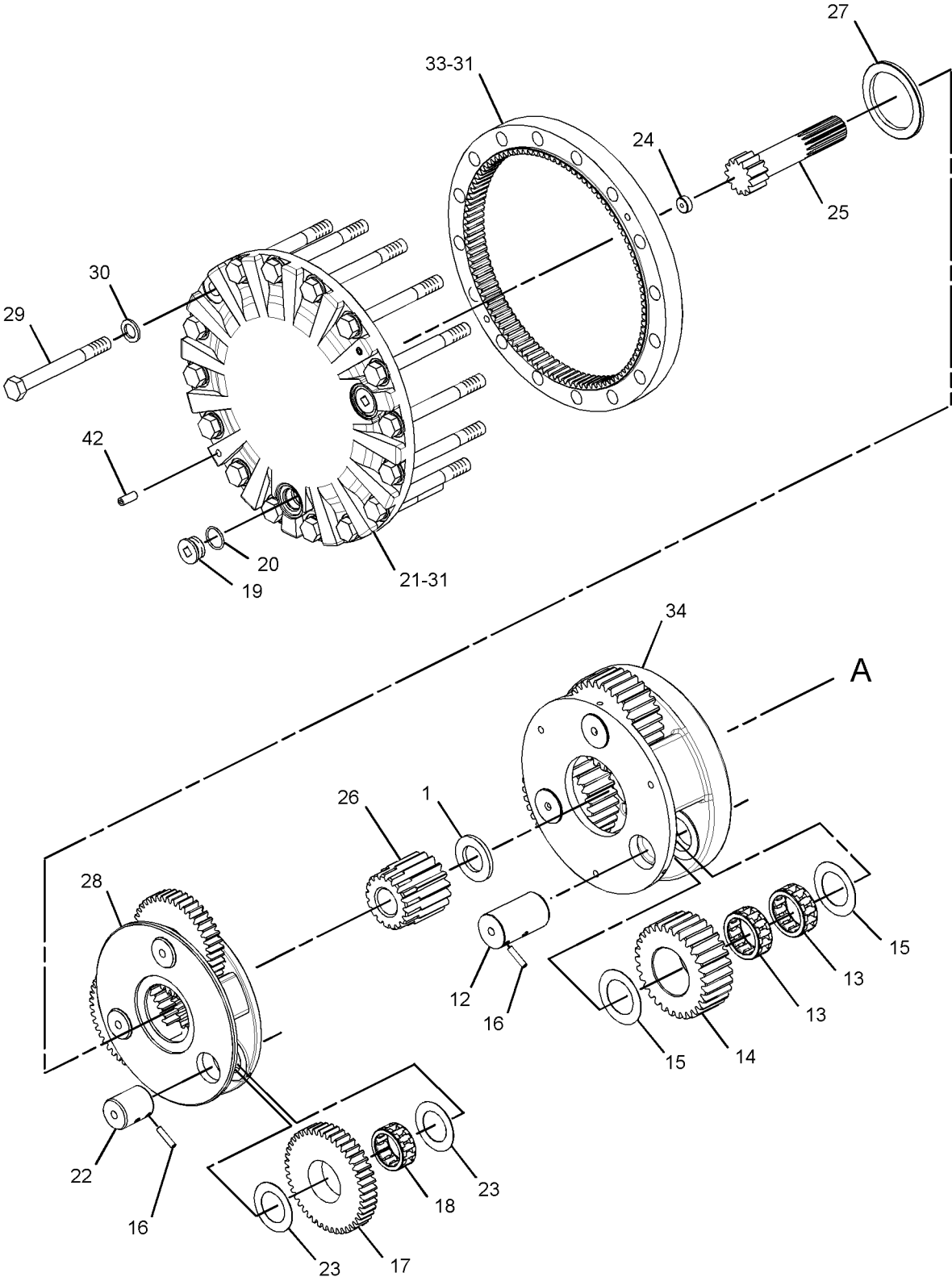
NOTE	REF NO	GRAPHIC REF	PART NUMBER	QTY	PART NAME						SEE PAGE
					1	2	3	4	5	6 (PRODUCT LEVEL)	
	1	1	7Y-1434	1	SPACER (40X69.5X6-MM THK)						
B	2	2	096-1773	1	SHIM (0.15-MM THK)						
B		2	096-1774	1	SHIM (0.3-MM THK)						
B		2	096-1775	1	SHIM (0.4-MM THK)						
B		2	096-1776	1	SHIM (0.5-MM THK)						
B		2	096-1777	1	SHIM (0.6-MM THK)						
B		2	096-1778	1	SHIM (0.7-MM THK)						
B		2	096-1779	1	SHIM (0.8-MM THK)						
B		2	096-1780	1	SHIM (1-MM THK)						
B		2	096-1781	1	SHIM (1.6-MM THK)						
	11	2	227-6034	14	BOLT-FLANGE HEAD (M16X2X60-MM)						
	12	1	7Y-0223	3	SHAFT-PLANETARY						
	13	1	094-1542	6	BEARING-ROLLER						
	14	1	7Y-1431	3	GEAR-PLANETARY (30-TEETH)						
M	15	1	094-1528	6	WASHER (53X84X1-MM THK)						
	16	1	095-0891	6	PIN-SPRING						
	17	1	6I-6585	3	GEAR-PLANETARY (44-TEETH)						
	18	1	094-0616	3	BEARING AS-ROLLER						
	19	1	3E-2338	2	PLUG-PIPE						
	20	1	7M-8485	2	SEAL-O-RING						
	21	1	7Y-1426	1	COVER						
	22	1	7Y-0225	3	SHAFT-PLANETARY						
	23	1	094-0611	6	WASHER (47.3X76X1-MM THK)						
	24	1	094-0580	1	PLATE (10-MM THK)						
	25	1	6I-6583	1	GEAR-SUN (14-TEETH)						
	26	1	7Y-1430	1	GEAR-SUN (17-TEETH)						
	27	1	7Y-1558	1	SPACER (90X119.6X7.5-MM THK)						
	28	1	7Y-1432	1	CARRIER						
M	29	1	7X-2568	16	BOLT (M20X2.5X180-MM)						
	30	1	8T-4123	16	WASHER (22X35X3.5-MM THK)						
B	31	1	1U-8846		SEALANT-GASKET						
	33	1	148-4705	1	GEAR-RING (104-TEETH)						
	34	1	7Y-1433	1	CARRIER						
	35	2	6D-0692	1	SEAL-O-RING						
	36	2	148-4715	1	GEAR-COUPLING (55-TEETH)						
	37	2	114-1539	6	PIN-DOWEL						
	38	2	191-3235	1	HOUSING						
	39	2	168-8451	2	BALL BEARING						
	40	2	114-1497	1	SEAL GP-DUO-CONE						
	41	2	191-3236	1	HOUSING						
M	42	1	095-1270	2	SETSCREW-SOCKET (M12X1.75X30-MM)						
B	43	2	148-4708	1	GEAR-RING (79-TEETH)						

B-USE AS REQUIRED
M-METRIC PART

POWER TRAIN

227-6035 DRIVE GP-FINAL (contd.)

i02980663



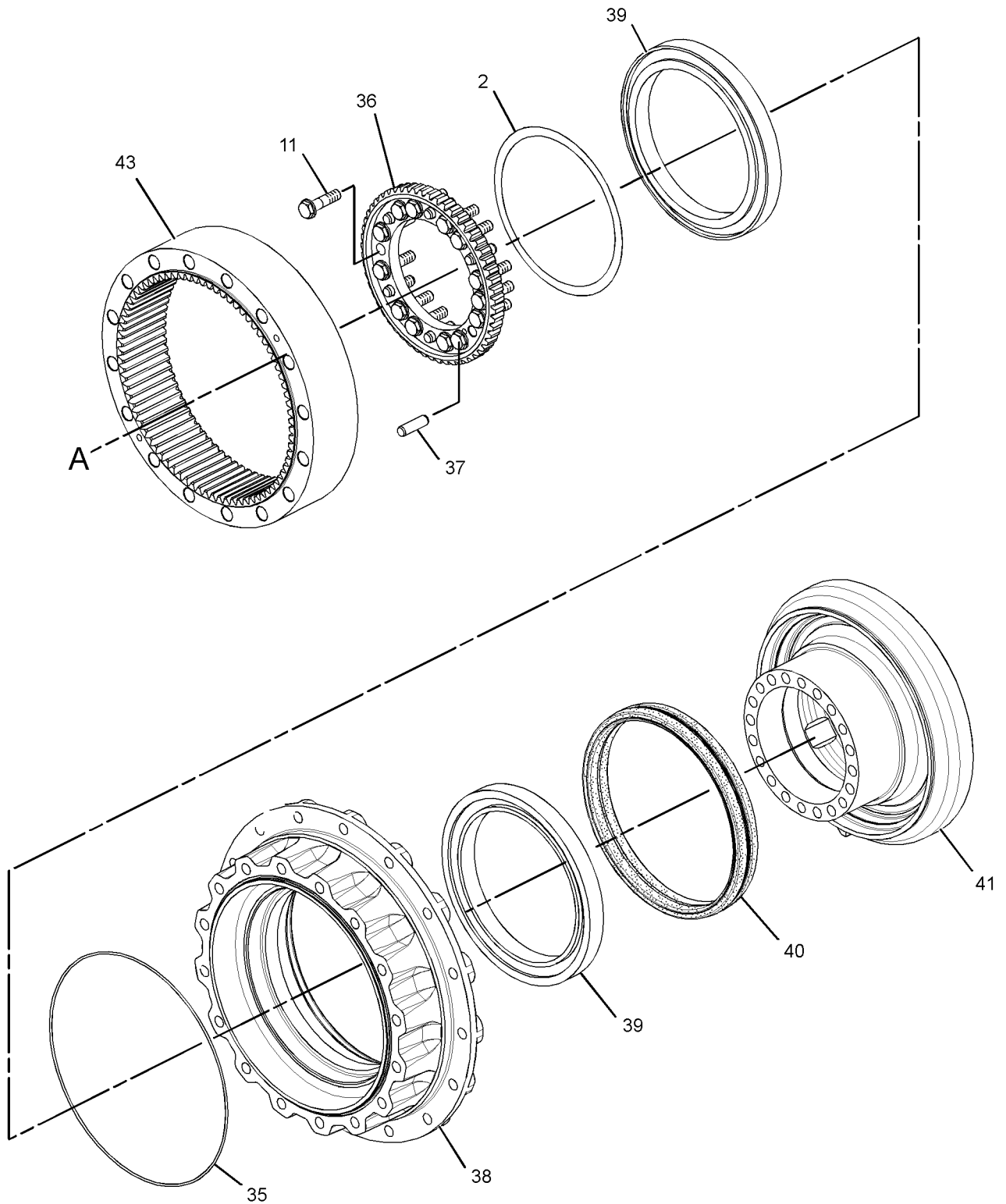
GRAPHIC #1

g01513120

POWER TRAIN

227-6035 DRIVE GP-FINAL (contd.)

i02980663



GRAPHIC #2

<END>

g01513428

POWER TRAIN**227-6913 FINAL DRIVE GP-WITHOUT MOTOR**

S/N: MGG1-UP; JFZ1-UP

PART OF 267-6767 POWER TRAIN AR

SMCS - 4050

i02752004

NOTE	PART NUMBER	QTY	PART NAME						SEE PAGE
			1	2	3	4	5	6 (PRODUCT LEVEL)	
Y	227-6035	1	FINAL DRIVE GP (WITHOUT MOTOR)						243
Y	215-9982	1	MOTOR & MTG GP-TRAVEL						541
Y-SEPARATE ILLUSTRATION									

<END>

POWER TRAIN**267-6767 POWER TRAIN AR**

S/N: MGG1-UP; JFZ1-UP

PART OF 264-8626, 264-8627 GENERAL AR

SMCS-3000, 4000

i02752003

NOTE	PART NUMBER	QTY	PART NAME						SEE PAGE
			1	2	3	4	5	6 (PRODUCT LEVEL)	
Y	148-4679	1	DRIVE GP-SWING (WITH MOTOR)						379
Y	227-6166	1	FASTENER GP-SWING & FINAL DR						380
Y	227-6913	2	FINAL DRIVE GP						246
Y	145-3042	2	SPROCKET GP						248

Y-SEPARATE ILLUSTRATION

<END>

POWER TRAIN

145-3042 SPROCKET GP

S/N: MGG1-UP; JFZ1-UP

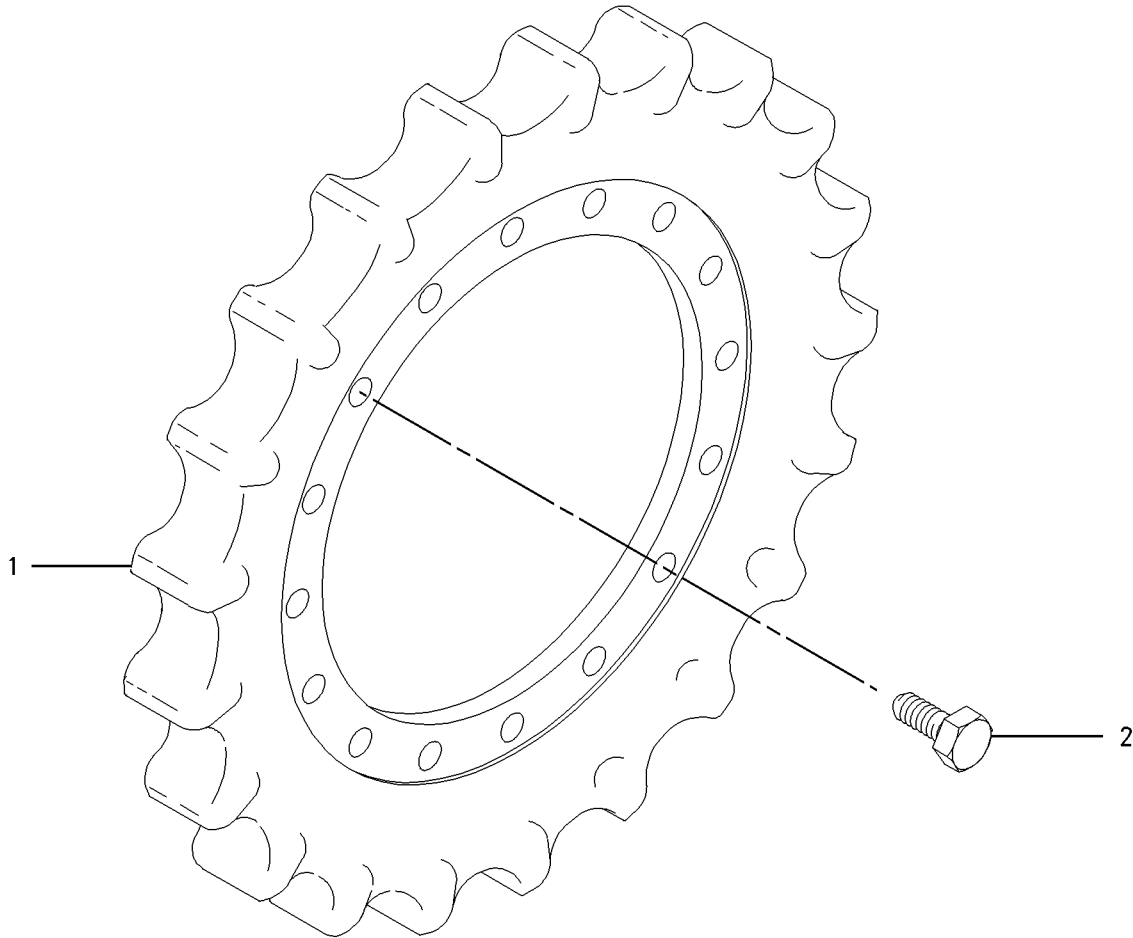
PART OF 267-6767 POWER TRAIN AR

SMCS-4164

i02272911

NOTE	REF NO	GRAPHIC REF	PART NUMBER	QTY	PART NAME						SEE PAGE
					1	2	3	4	5	6 (PRODUCT LEVEL)	
	1	1	8E-9805	1	SPROCKET - TRACK						
M	2	1	7X-2562	16	BOLT (M20X2.5X45-MM)						

M-METRIC PART



GRAPHIC #1

<END>

g00670016

FRAME AND BODY

223-3040 BOX & MTG GP-STORAGE

S/N: MGG1-UP; JFZ1-UP

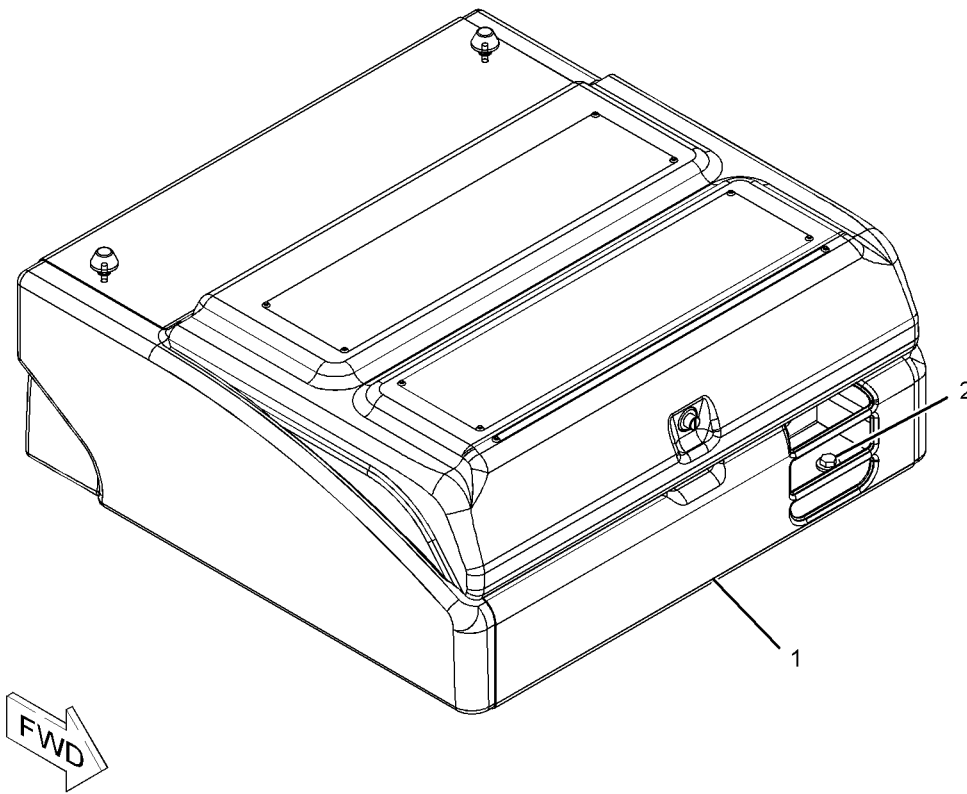
PART OF 264-8638, 264-8639 CHASSIS AR

SMCS-7268

i02533959

NOTE	REF NO	GRAPHIC REF	PART NUMBER	QTY	PART NAME						SEE PAGE	
					1	2	3	4	5	6 (PRODUCT LEVEL)		
Y	1	1	223-3041	1	BOX	GP-STORAGE						250
M	2	1	135-8577	4	BOLT	AS						

M-METRIC PART
Y-SEPARATE ILLUSTRATION



GRAPHIC #1

<END>

g01150412

FRAME AND BODY**223-3041 BOX GP-STORAGE**

S/N: MGG1-UP; JFZ1-UP

PART OF 223-3040 BOX & MTG GP-STORAGE

SMCS-7268

i02533962

NOTE	REF NO	GRAPHIC REF	PART NUMBER	QTY	PART NAME						SEE PAGE
					1	2	3	4	5	6 (PRODUCT LEVEL)	
	1	1	4I-2187	1	SUPPORT AS						
	2	1	236-3669	1	LOCK AS						
	3	1	236-3670	1	STRIKER AS						
	4	1	236-3671	1	SEAL						
	5	1	236-9435	1	BOX AS						
	6	1	236-9437	1	COVER AS						
	6A	1	3D-9143	2	HINGE-BUTT						
	7	1	236-9438	1	PLUNGER AS						
	8	1	236-9440	1	SHEET						
	9	1	273-7964	2	MOUNT						
	10	1	095-0843	1	PIN-COTTER						
	11	1	096-3780	1	PIN-CLEVIS						
M	12	1	105-3487	4	BOLT-SOCKET HEAD (M6X1X20-MM)						
	13	1	170-9360	1	GROMMET						
M	15	1	5C-9553	3	BOLT (M6X1X16-MM)						
	16	1	5P-1075	4	WASHER-HARD (10.2X22.5X3-MM THK)						
	17	1	5P-4116	1	WASHER-HARD (8.8X20.5X2-MM THK)						
M	18	1	8T-4133	4	NUT (M10X1.5-THD)						
M	19	1	8T-4200	2	BOLT (M8X1.25X16-MM)						
	20	1	8T-4224	2	WASHER-HARD (8.8X16X2-MM THK)						
	21	1	9X-8256	7	WASHER (6.6X12X2-MM THK)						
	22	1	278-3581	4	CUSHION						
B	23	1	8T-4223	2	WASHER-HARD (13.5X25.5X3-MM THK)						

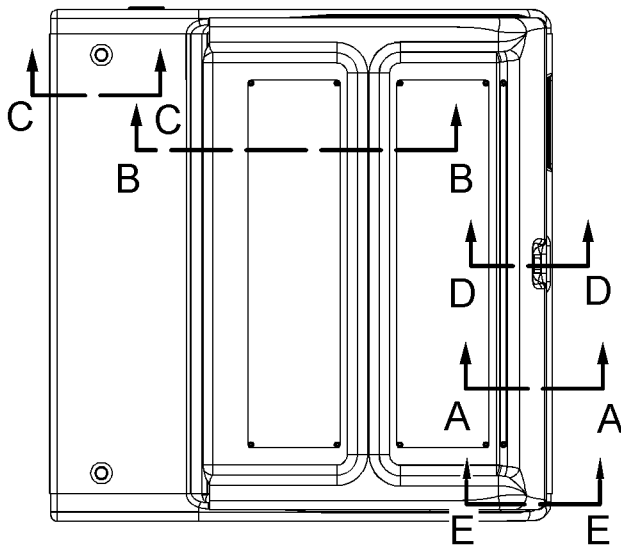
B-USE AS REQUIRED

M-METRIC PART

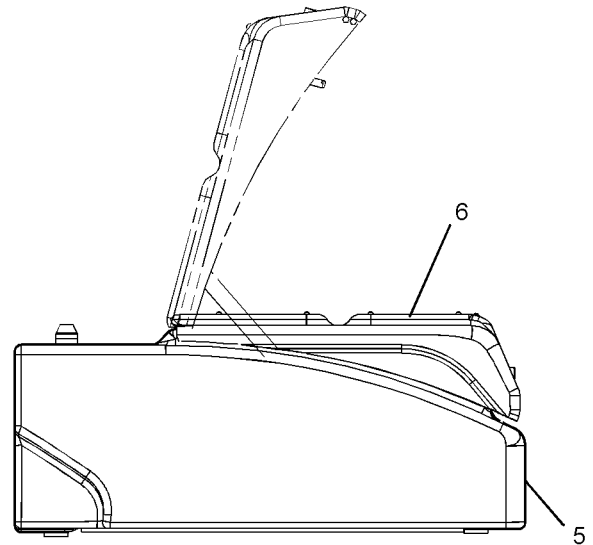
FRAME AND BODY

223-3041 BOX GP-STORAGE (contd.)

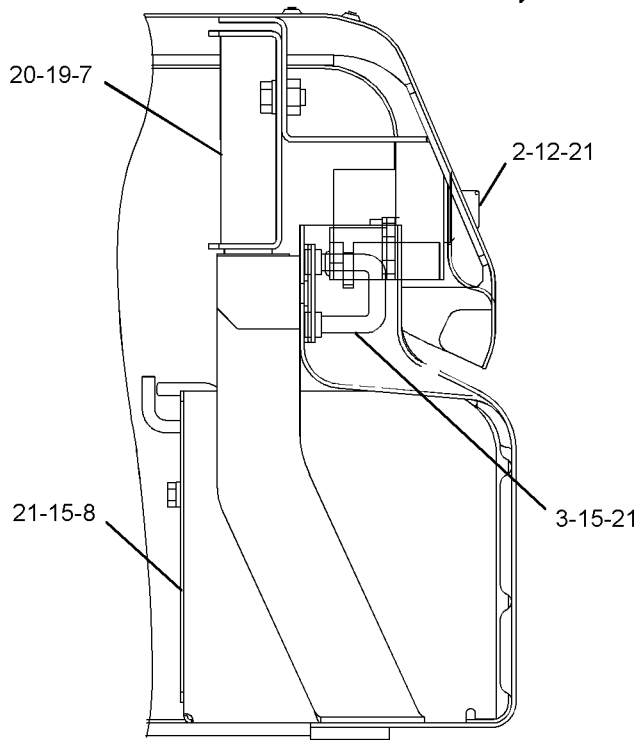
i02533962



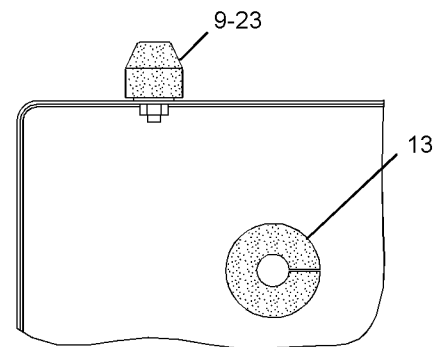
TOP VIEW



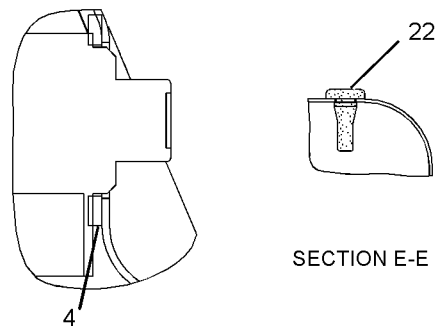
RIGHT SIDE VIEW



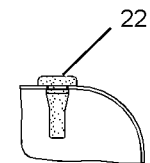
SECTION A-A



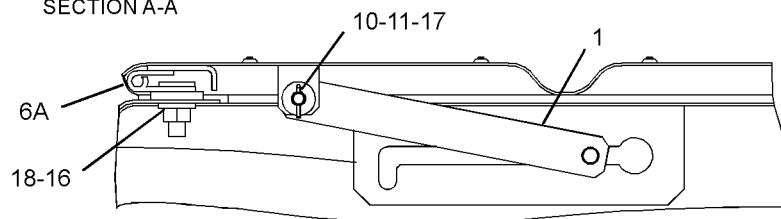
SECTION C-C



SECTION D-D



SECTION E-E



SECTION B-B

GRAPHIC #1

<END>

g01238343

FRAME AND BODY**290 - 1902 COUNTERWEIGHT AR**S/N: MGG1-UP; JFZ1-UP
AN ATTACHMENT

SMCS - 7056

i02635261

NOTE	PART NUMBER	QTY	PART NAME						SEE PAGE
			1	2	3	4	5	6 (PRODUCT LEVEL)	
Y	262-2608	1	COUNTERWEIGHT GP						258
Y-SEPARATE ILLUSTRATION									

<END>

FRAME AND BODY

241-2002 COUNTERWEIGHT GP

S/N: MGG1-UP

PART OF 302-9208 LINKAGE AR
AN ATTACHMENT

TYPE 1

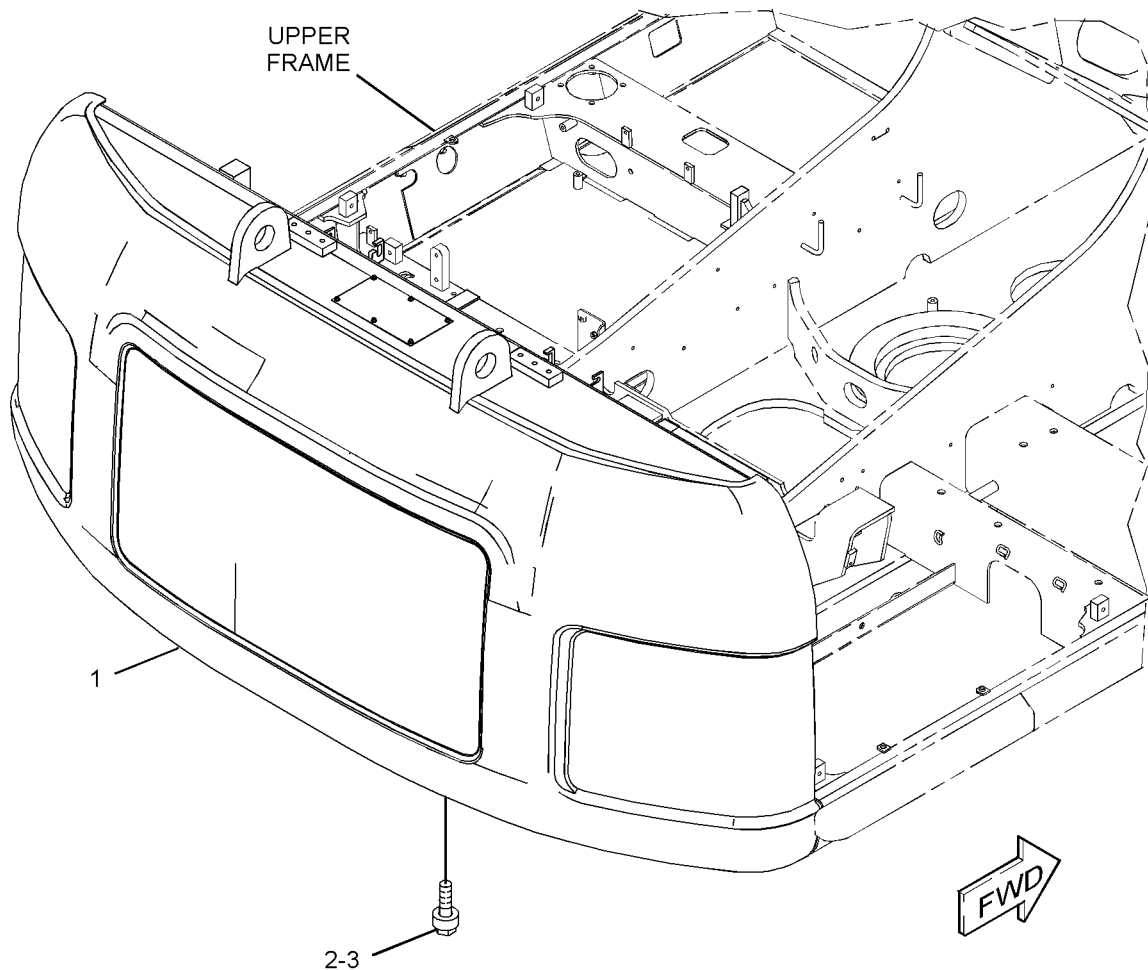
SMCS-7056

i02548876

NOTE	REF NO	GRAPHIC REF	PART NUMBER	QTY	PART NAME						SEE PAGE
					1	2	3	4	5	6 (PRODUCT LEVEL)	
Y	1	1	241-2003	1	COUNTERWEIGHT GP						255
	2	1	244-8194	4	SPACER (32X65X30-MM THK)						
M	3	1	7X-2583	4	BOLT (M30X3.5X120-MM)						

M-METRIC PART

Y-SEPARATE ILLUSTRATION



GRAPHIC #1

<END>

g01229080

FRAME AND BODY

241-2002 COUNTERWEIGHT GP

S/N: MGG1-UP

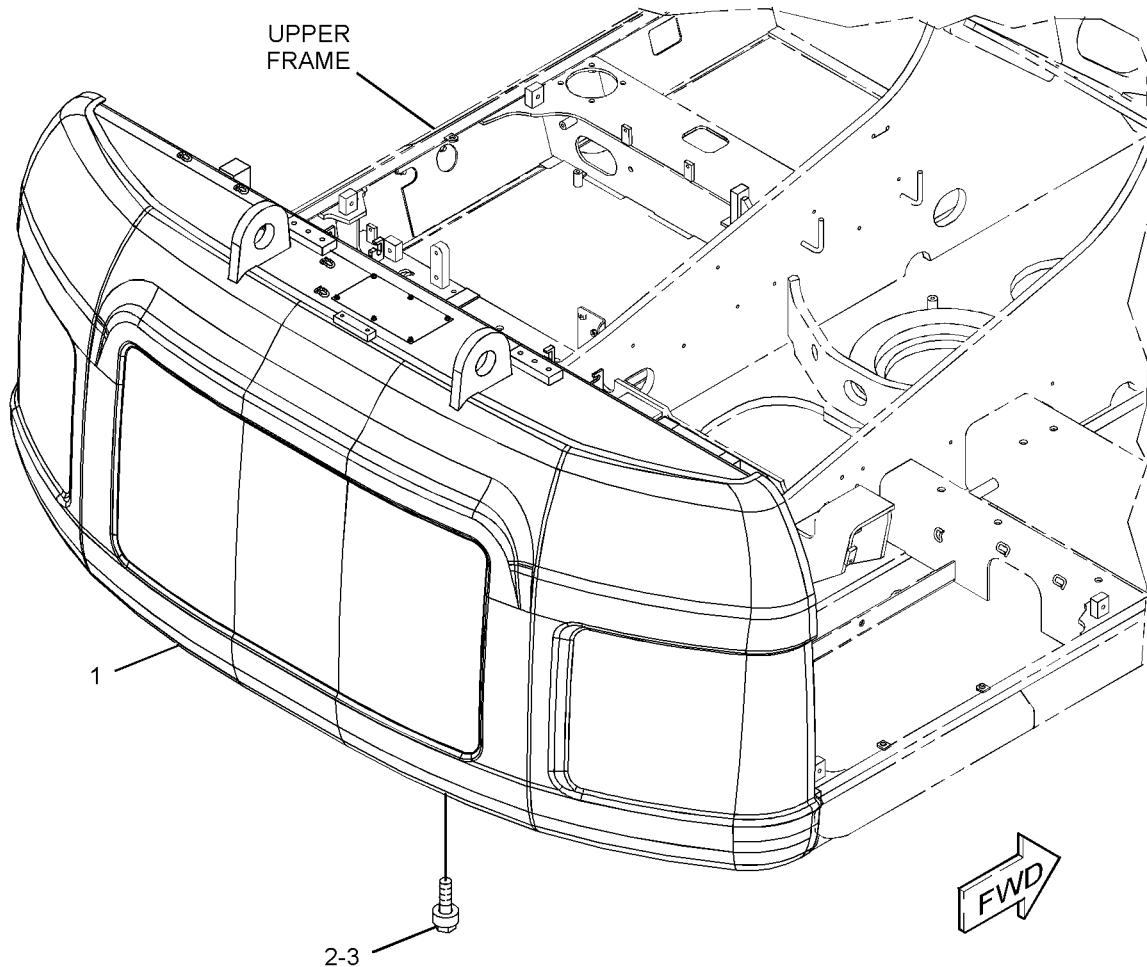
PART OF 302-9208 LINKAGE AR
AN ATTACHMENT
TYPE 2

SMCS-7056

i03316581

NOTE	REF NO	GRAPHIC REF	PART NUMBER	QTY	PART NAME						SEE PAGE
					1	2	3	4	5	6 (PRODUCT LEVEL)	
CY	1	1	327-3256	1	COUNTERWEIGHT GP						264
	2	1	244-8194	4	SPACER (32X65X30-MM THK)						
M	3	1	7X-2583	4	BOLT (M30X3.5X120-MM)						

C- CHANGE FROM PREVIOUS TYPE
M- METRIC PART
Y- SEPARATE ILLUSTRATION



GRAPHIC #1

<END>

g01628286

FRAME AND BODY

241-2003 COUNTERWEIGHT GP

S/N: MGG1-UP

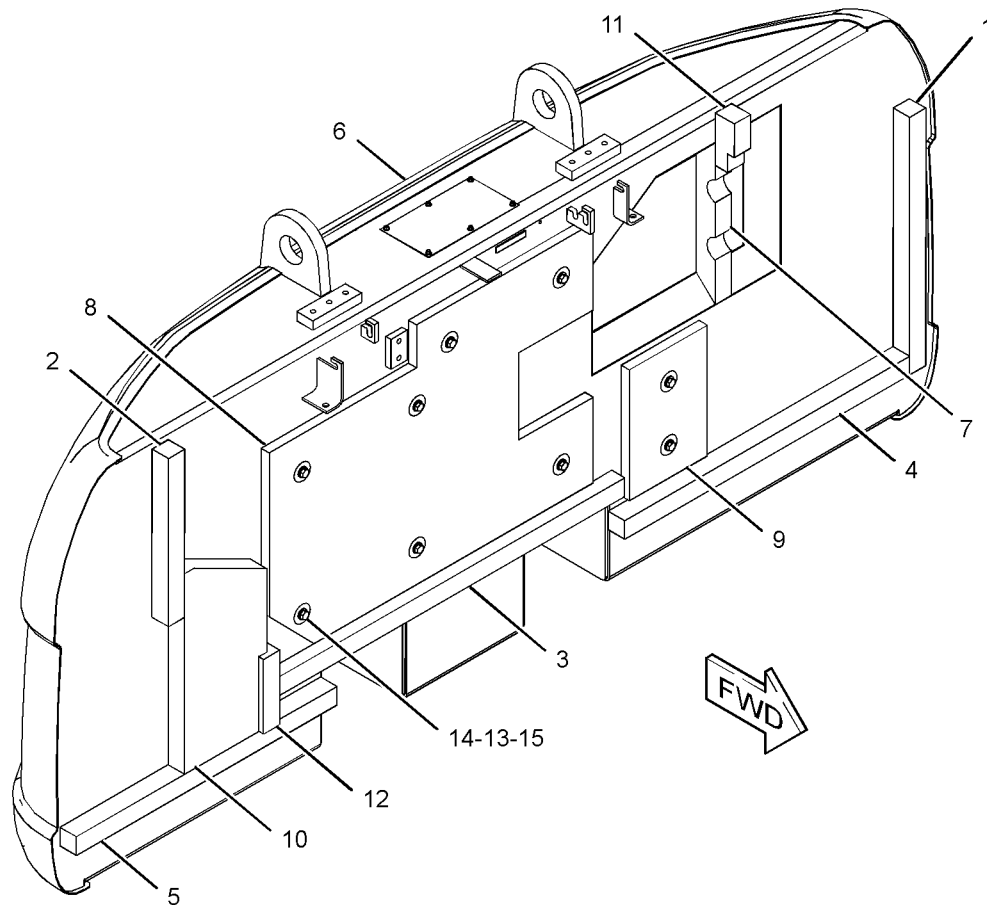
PART OF 241-2002 COUNTERWEIGHT GP
AN ATTACHMENT

SMCS-7056

i02902964

NOTE	REF NO	GRAPHIC REF	PART NUMBER	QTY	PART NAME						SEE PAGE
					1	2	3	4	5	6 (PRODUCT LEVEL)	
	1	1	71-0717	1	LINER						
	2	1	116-1665	1	LINER						
	3	1	165-3102	1	LINER						
	4	1	165-3103	1	LINER						
	5	1	184-8722	1	LINER						
C	6	1	286-6340	1	COUNTERWEIGHT AS						
	7	1	248-9061	1	LINER						
C	8	1	286-6346	1	INSULATION						
	9	1	262-2405	1	INSULATION						
	10	1	262-2406	1	LINER						
	11	1	262-2417	1	LINER						
	12	1	273-7677	1	LINER						
	13	1	7Y-2292	9	WASHER (13X50X2-MM THK)						
M	14	1	8T-4179	9	BOLT (M12X1.75X20-MM)						
	15	1	8T-4223	9	WASHER-HARD (13.5X25.5X3-MM THK)						

C- CHANGE FROM PREVIOUS TYPE
M- METRIC PART



GRAPHIC #1

<END>

g01296269

FRAME AND BODY

262-2607 COUNTERWEIGHT GP

S/N: MGG1-147; JFZ1-4108

PART OF 264-8638, 264-8639 CHASSIS AR

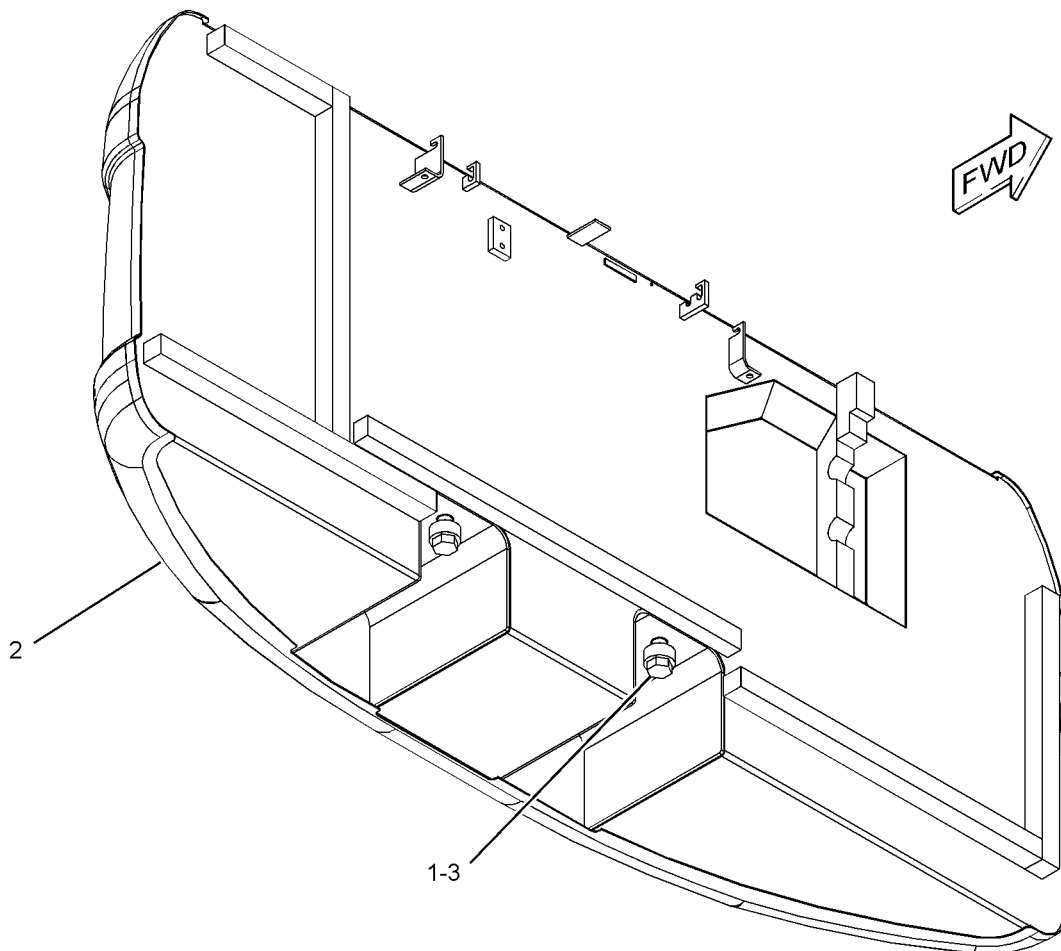
SMCS-7056

i02545517

NOTE	REF NO	GRAPHIC REF	PART NUMBER	QTY	PART NAME						SEE PAGE
					1	2	3	4	5	6 (PRODUCT LEVEL)	
	1	1	244-8194	4	SPACER (32X65X30-MM THK)						
Y	2	1	262-2623	1	COUNTERWEIGHT GP						260
M	3	1	7X-2583	4	BOLT (M30X3.5X120-MM)						

M-METRIC PART

Y-SEPARATE ILLUSTRATION



GRAPHIC #1

<END>

g01229117

FRAME AND BODY

262-2607 COUNTERWEIGHT GP

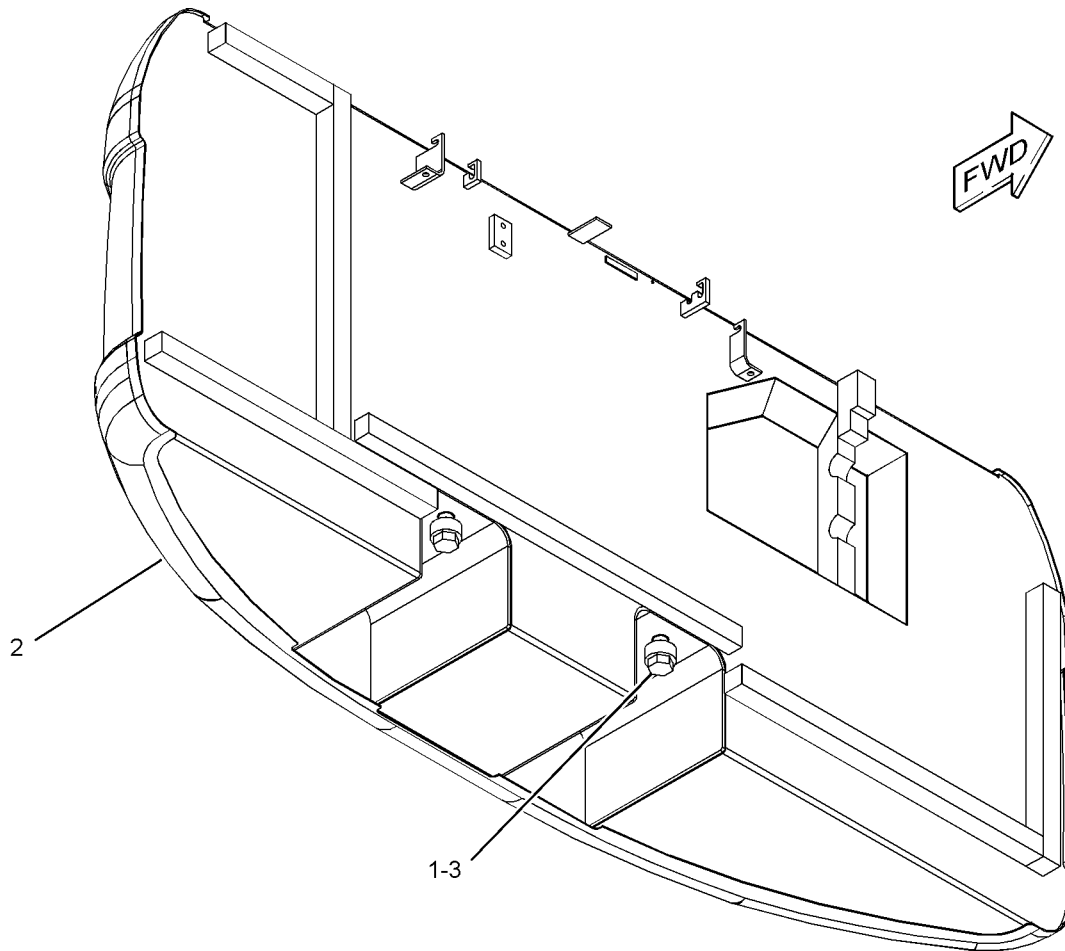
S/N: MGG148-UP; JFZ4109-UP
 PART OF 264-8638, 264-8639 CHASSIS AR

SMCS-7056

i03454766

NOTE	REF NO	GRAPHIC REF	PART NUMBER	QTY	PART NAME						SEE PAGE
					1	2	3	4	5	6 (PRODUCT LEVEL)	
	1	1	244-8194	4	SPACER (32X65X30-MM THK)						
CY	2	1	327-3252	1	COUNTERWEIGHT GP						263
M	3	1	7X-2583	4	BOLT (M30X3.5X120-MM)						

C- CHANGE FROM PREVIOUS TYPE
 M- METRIC PART
 Y- SEPARATE ILLUSTRATION



GRAPHIC #1

<END>

g01229117

FRAME AND BODY

262-2608 COUNTERWEIGHT GP

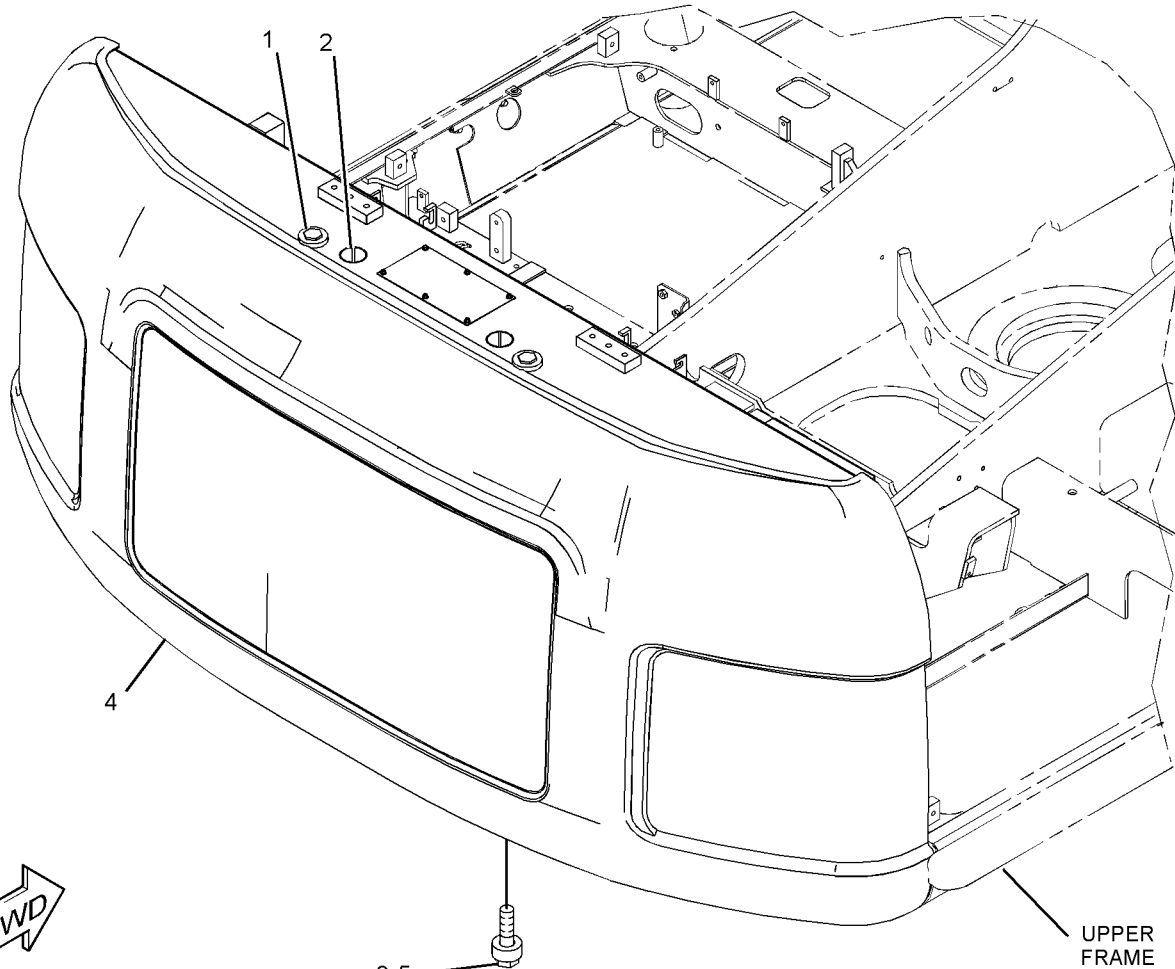
S/N: MGG1-UP; JFZ1-UP
 PART OF 290-1902 COUNTERWEIGHT AR
 AN ATTACHMENT
 TYPE 1

SMCS-7056

i02547563

NOTE	REF NO	GRAPHIC REF	PART NUMBER	QTY	PART NAME						SEE PAGE
					1	2	3	4	5	6 (PRODUCT LEVEL)	
	1	1	4I-0006	2	CAP						
	2	1	7Y-0063	2	FILM-INFORMATION (DO NOT LIFT)						
	3	1	244-8194	4	SPACER (32X65X30-MM THK)						
Y	4	1	262-2626	1	COUNTERWEIGHT GP						261
M	5	1	7X-2583	4	BOLT (M30X3.5X120-MM)						

M-METRIC PART
 Y-SEPARATE ILLUSTRATION



GRAPHIC #1

<END>

g01229090

FRAME AND BODY

262-2608 COUNTERWEIGHT GP

S/N: MGG1-UP; JFZ1-UP

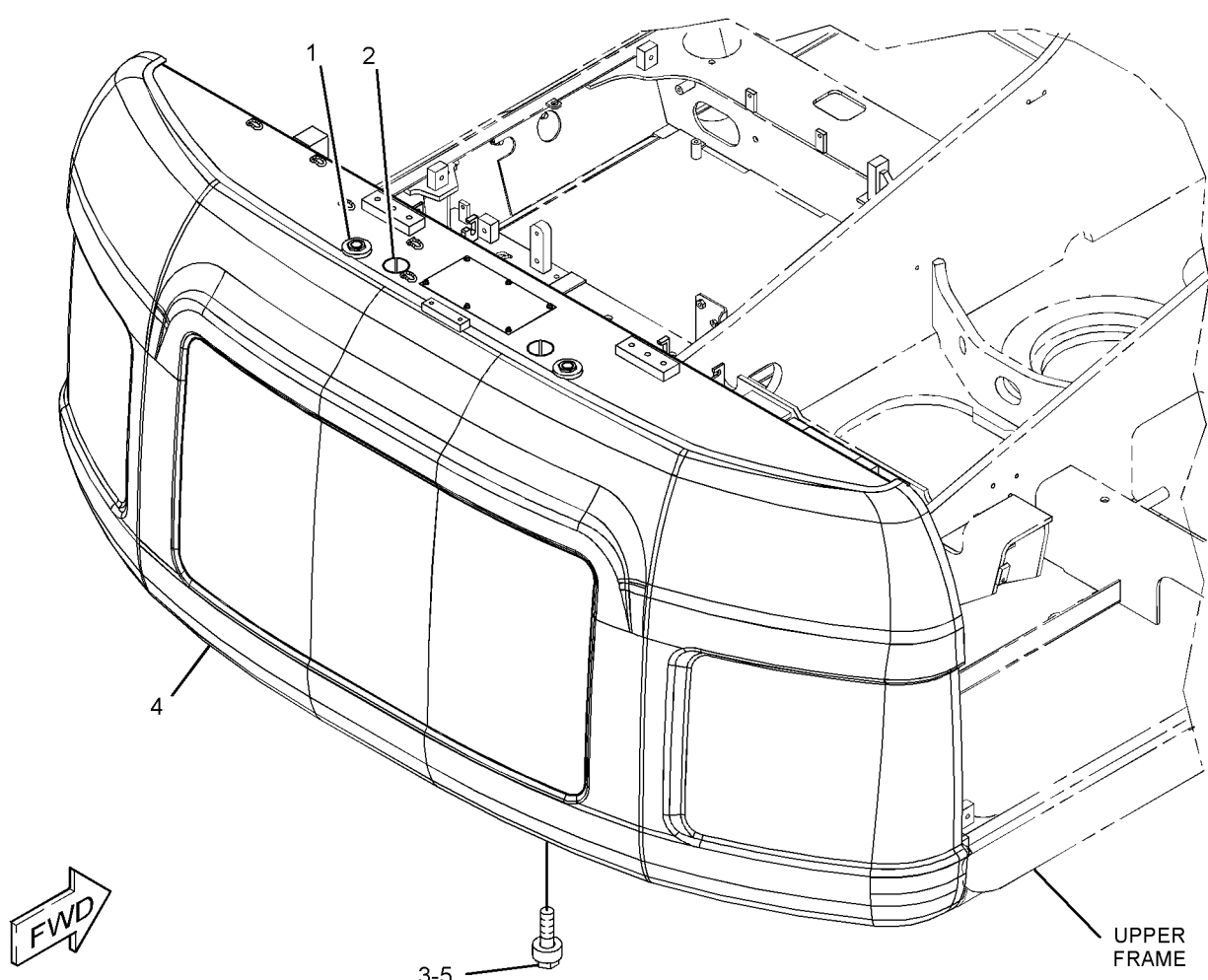
PART OF 290-1902 COUNTERWEIGHT AR
AN ATTACHMENT
TYPE 2

SMCS-7056

i03316524

NOTE	REF NO	GRAPHIC REF	PART NUMBER	QTY	PART NAME						SEE PAGE
					1	2	3	4	5	6 (PRODUCT LEVEL)	
	1	1	4I-0006	2	CAP						
	2	1	7Y-0063	2	FILM-INFORMATION (DO NOT LIFT)						
	3	1	244-8194	4	SPACER (32X65X30-MM THK)						
CY	4	1	327-3248	1	COUNTERWEIGHT GP						262
M	5	1	7X-2583	4	BOLT (M30X3.5X120-MM)						

C-CHANGE FROM PREVIOUS TYPE
M-METRIC PART
Y-SEPARATE ILLUSTRATION



GRAPHIC #1

<END>

g01628330

FRAME AND BODY

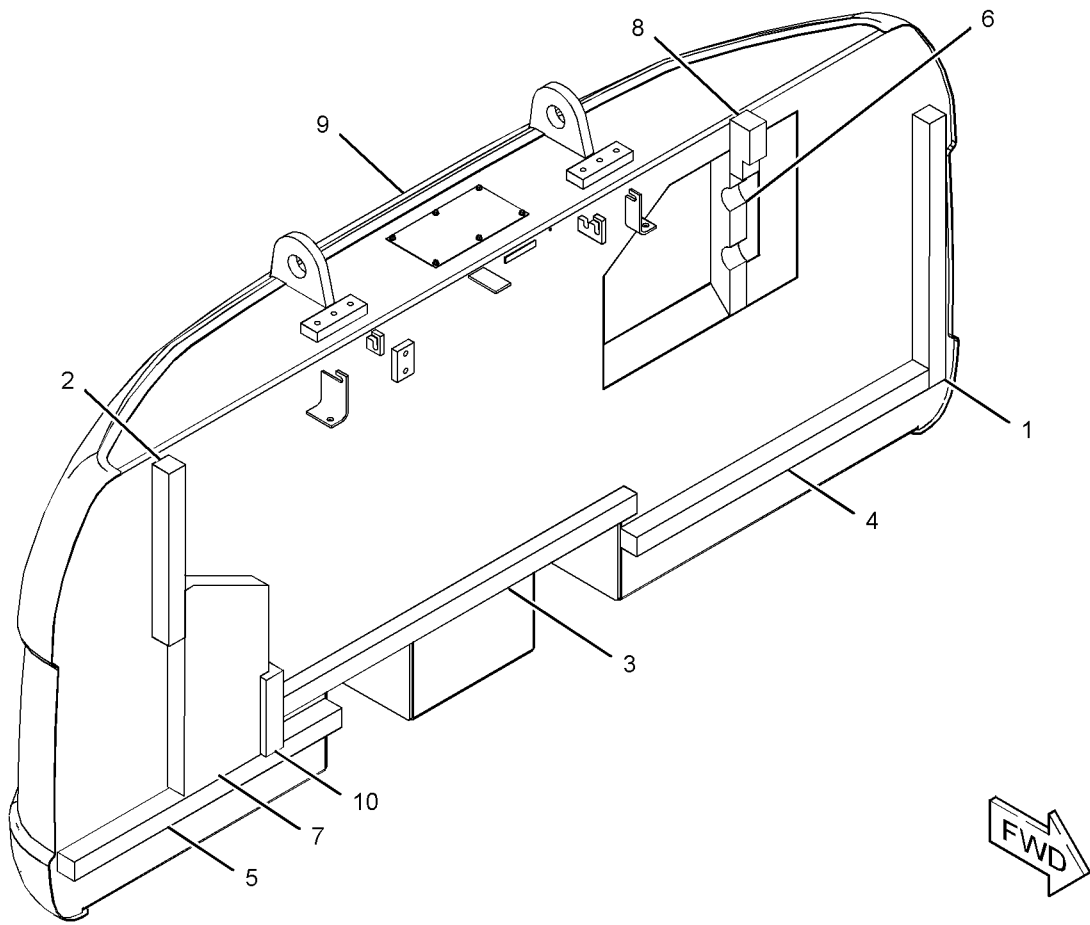
262-2623 COUNTERWEIGHT GP

S/N: MGG1-147; JFZ1-4108
 PART OF 262-2607 COUNTERWEIGHT GP

SMCS-7056

i02545518

NOTE	REF NO	GRAPHIC REF	PART NUMBER	QTY	PART NAME						SEE PAGE
					1	2	3	4	5	6 (PRODUCT LEVEL)	
	1	1	71-0717	1	LINER						
	2	1	116-1665	1	LINER						
	3	1	165-3102	1	LINER						
	4	1	165-3103	1	LINER						
	5	1	184-8722	1	LINER						
	6	1	248-9061	1	LINER						
	7	1	262-2406	1	LINER						
	8	1	262-2417	1	LINER						
	9	1	262-2624	1	COUNTERWEIGHT AS						
	10	1	273-7677	1	LINER						



GRAPHIC #1

<END>

g01230742

FRAME AND BODY

262-2626 COUNTERWEIGHT GP

S/N: MGG1-UP; JFZ1-UP

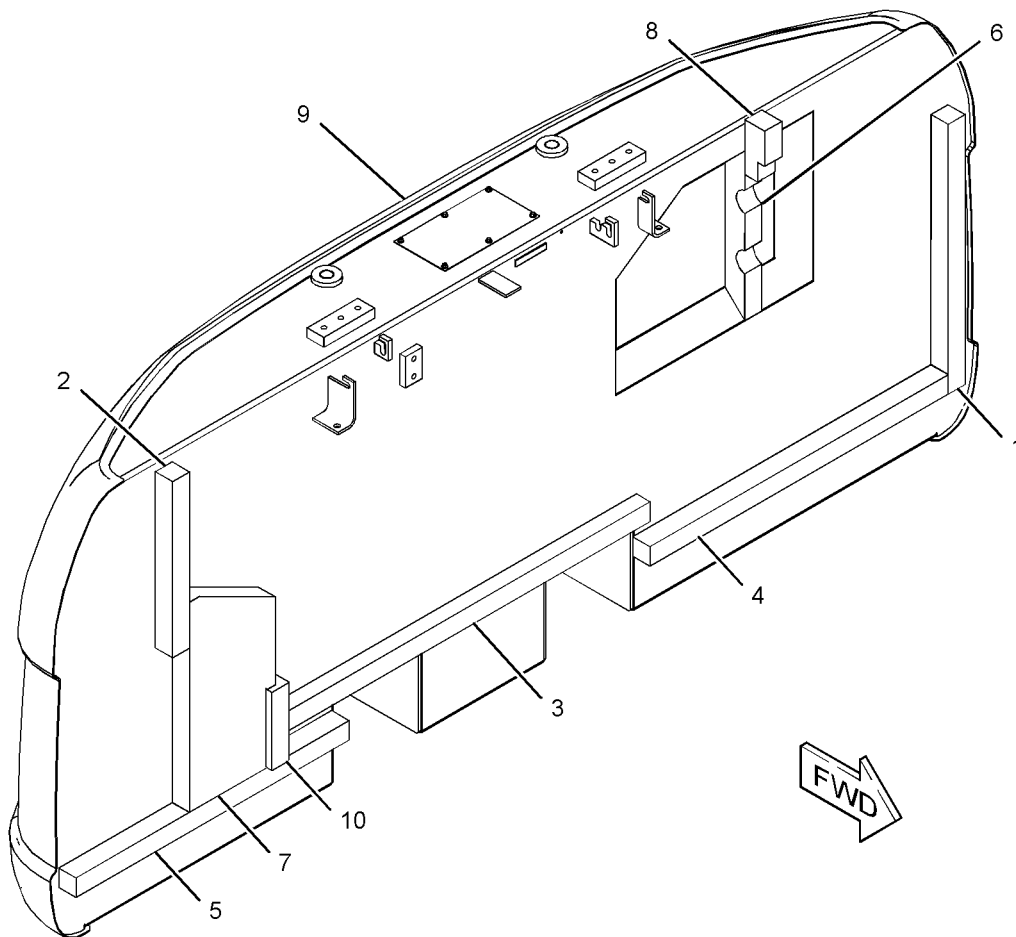
PART OF 262-2608 COUNTERWEIGHT GP
AN ATTACHMENT

SMCS-7056

i02547573

NOTE	REF NO	GRAPHIC REF	PART NUMBER	QTY	PART NAME						SEE PAGE	
					1	2	3	4	5	6 (PRODUCT LEVEL)		
	1	1	71-0717	1								
	2	1	116-1665	1								
	3	1	165-3102	1								
	4	1	165-3103	1								
	5	1	184-8722	1								
	6	1	248-9061	1								
	7	1	262-2406	1								
	8	1	262-2417	1								
Z	9	1										
	10	1	273-7677	1								

Z-NOT SERVICED SEPARATELY



GRAPHIC #1

<END>

g01230744

FRAME AND BODY

327-3248 COUNTERWEIGHT GP

S/N: MGG1-UP; JFZ1-UP

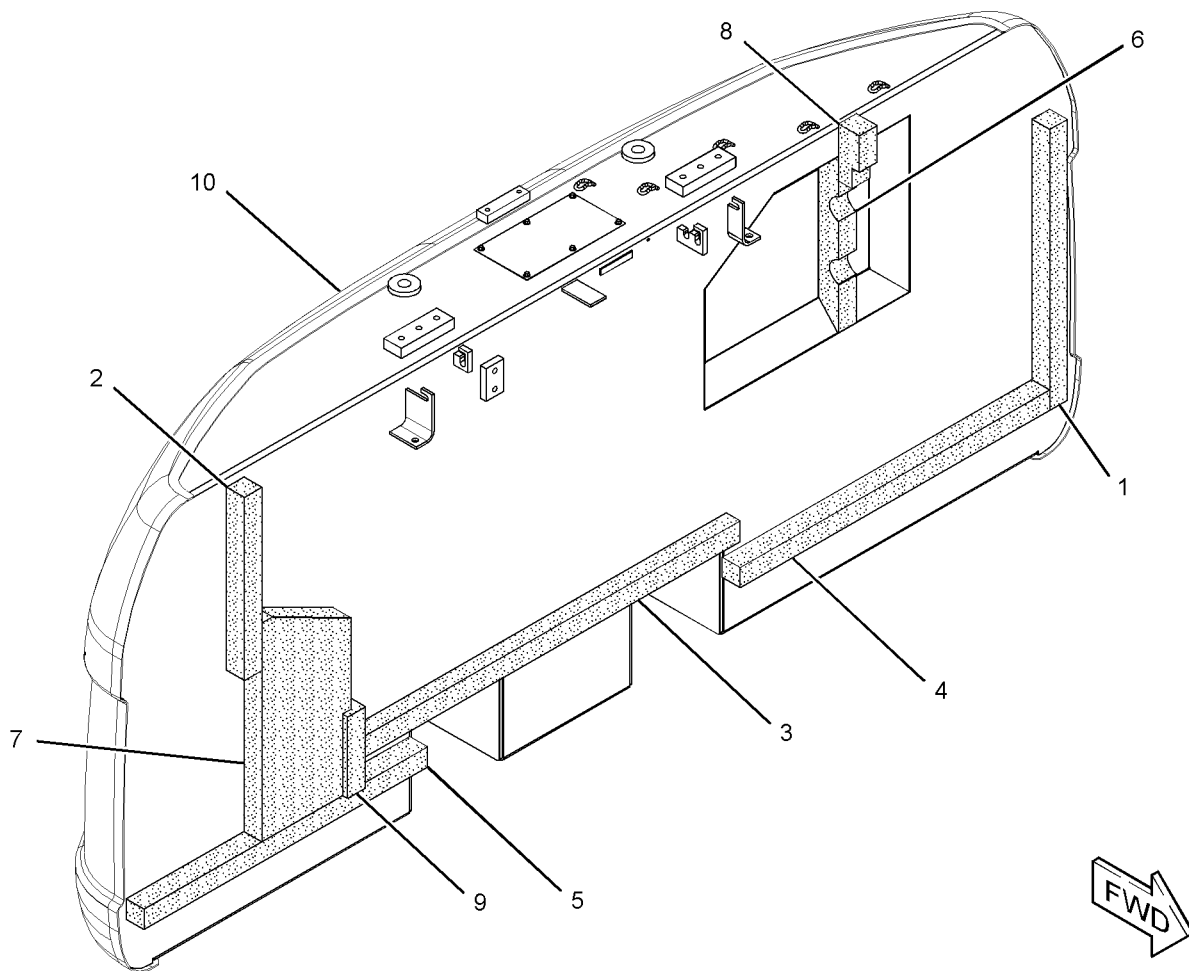
3850-KG (8465.7-LB)

PART OF 262-2608 COUNTERWEIGHT GP
AN ATTACHMENT

SMCS-7056

i03316540

NOTE	REF NO	GRAPHIC REF	PART NUMBER	QTY	PART NAME						SEE PAGE	
					1	2	3	4	5	6 (PRODUCT LEVEL)		
	1	1	71-0717	1								
	2	1	116-1665	1								
	3	1	165-3102	1								
	4	1	165-3103	1								
	5	1	184-8722	1								
	6	1	248-9061	1								
	7	1	262-2406	1								
	8	1	262-2417	1								
	9	1	273-7677	1								
	10	1	327-3249	1								



GRAPHIC #1

<END>

g01629093

FRAME AND BODY

327-3252 COUNTERWEIGHT GP

S/N: MGG148-UP; JFZ4109-UP

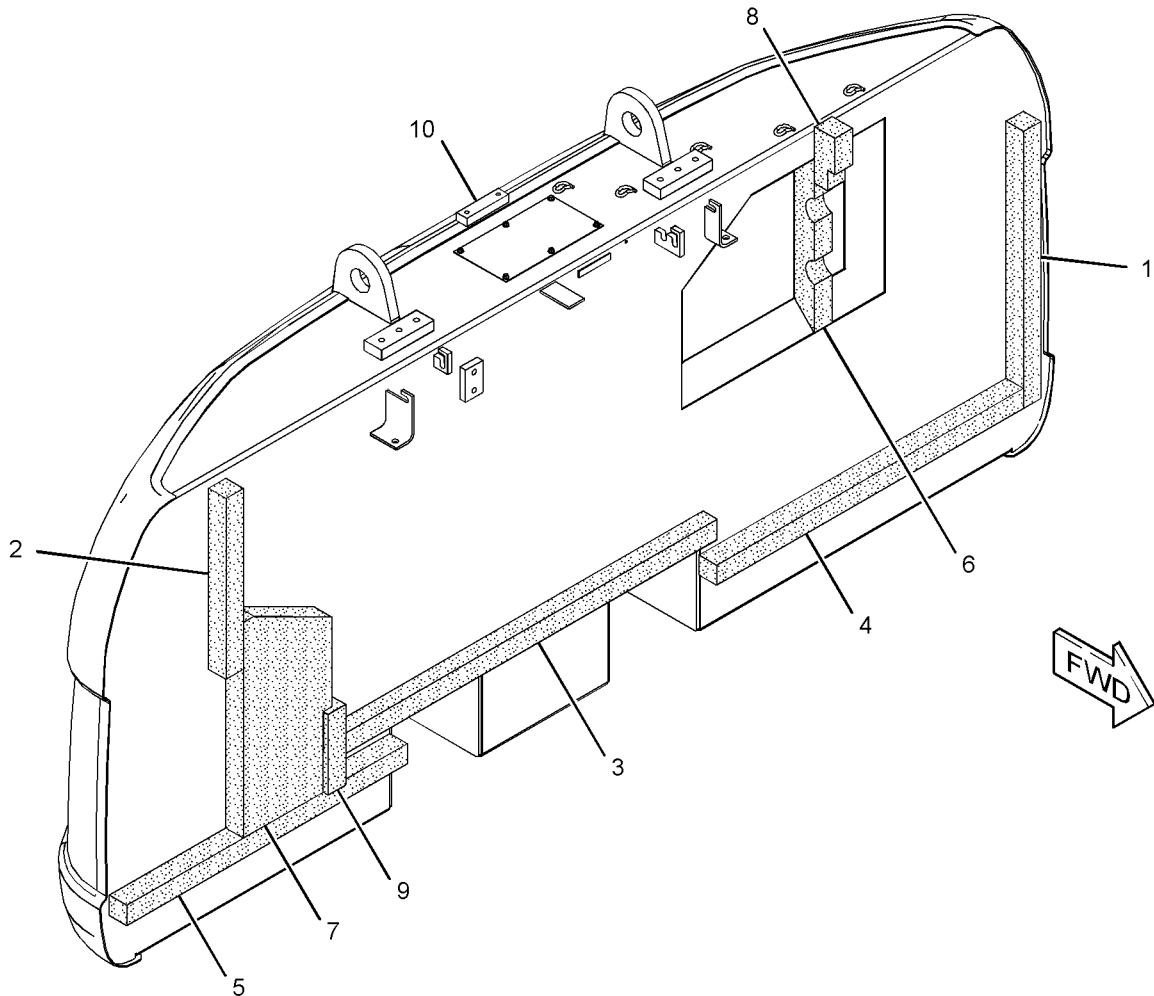
3850-KG (8488-LB)

PART OF 262-2607 COUNTERWEIGHT GP

SMCS-7056

i03454769

NOTE	REF NO	GRAPHIC REF	PART NUMBER	QTY	PART NAME						SEE PAGE		
					1	2	3	4	5	6 (PRODUCT LEVEL)			
	1	1	71-0717	1									
	2	1	116-1665	1									
	3	1	165-3102	1									
	4	1	165-3103	1									
	5	1	184-8722	1									
	6	1	248-9061	1									
	7	1	262-2406	1									
	8	1	262-2417	1									
	9	1	273-7677	1									
	10	1	327-3253	1									



GRAPHIC #1

<END>

g01638013

FRAME AND BODY

327-3256 COUNTERWEIGHT GP

S/N: MGG1-UP

4811-KG (10606.4-LB)

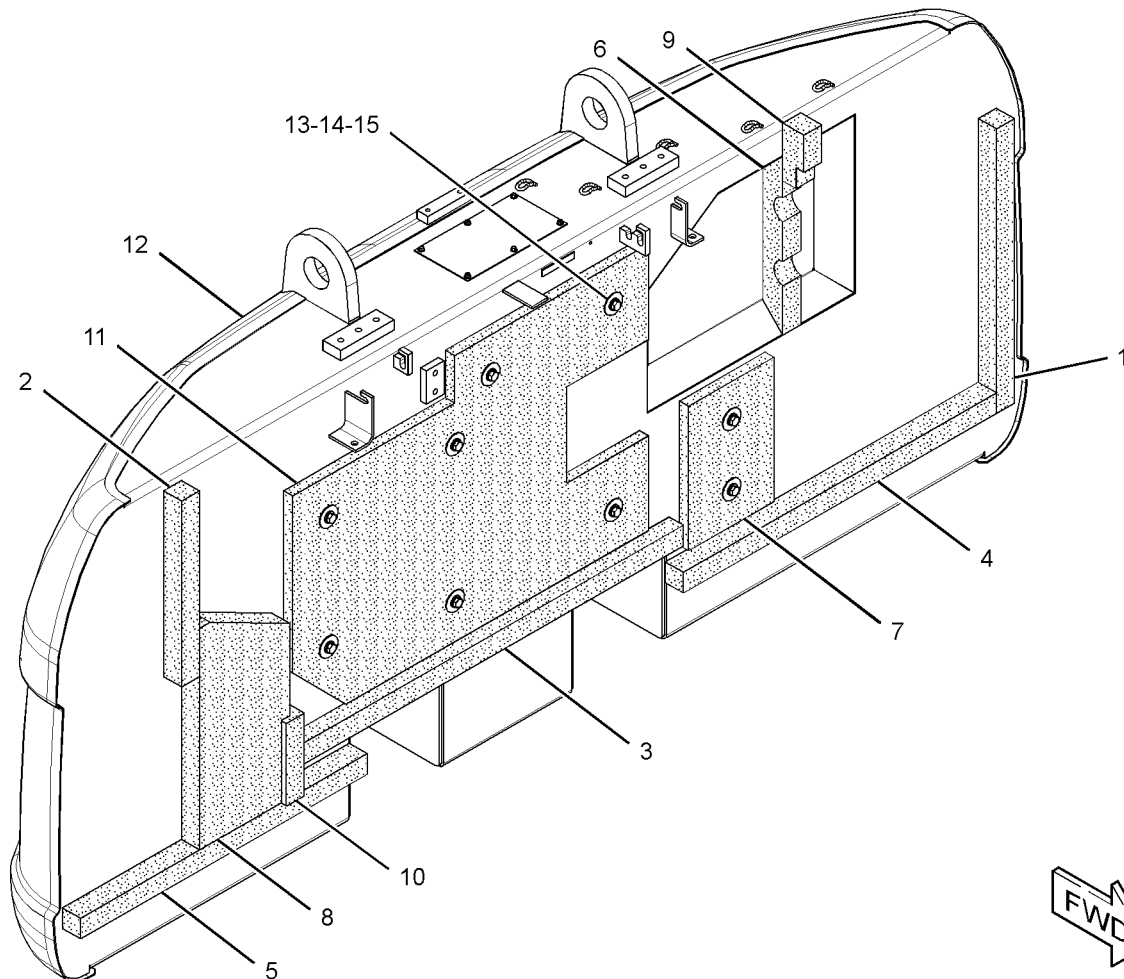
PART OF 241-2002 COUNTERWEIGHT GP
AN ATTACHMENT

SMCS-7056

i03316582

NOTE	REF NO	GRAPHIC REF	PART NUMBER	QTY	PART NAME						SEE PAGE
					1	2	3	4	5	6 (PRODUCT LEVEL)	
	1	1	71-0717	1	LINER						
	2	1	116-1665	1	LINER						
	3	1	165-3102	1	LINER						
	4	1	165-3103	1	LINER						
	5	1	184-8722	1	LINER						
	6	1	248-9061	1	LINER						
	7	1	262-2405	1	INSULATION						
	8	1	262-2406	1	LINER						
	9	1	262-2417	1	LINER						
	10	1	273-7677	1	LINER						
	11	1	286-6346	1	INSULATION						
	12	1	327-3257	1	COUNTERWEIGHT AS						
	13	1	7Y-2292	9	WASHER (13X50X2-MM THK)						
M	14	1	8T-4179	9	BOLT (M12X1.75X20-MM)						
	15	1	8T-4223	9	WASHER-HARD (13.5X25.5X3-MM THK)						

M-METRIC PART



GRAPHIC #1

<END>

g01628355

FRAME AND BODY

298-2979 COVER AS-ACCESS

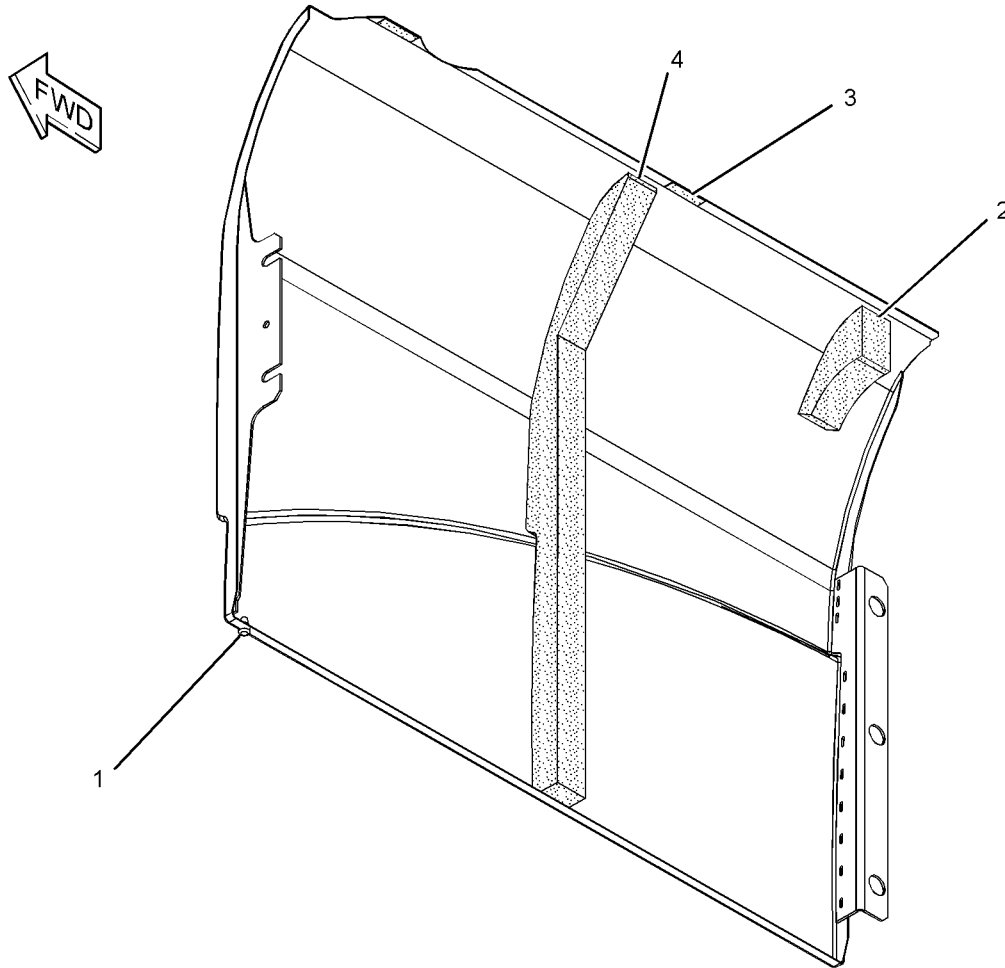
S/N: MGG1-UP; JFZ1-UP

PART OF 273-7726 HOOD & GUARD GP

SMCS-726A, 795C

i02927530

NOTE	REF NO	GRAPHIC REF	PART NUMBER	QTY	PART NAME						SEE PAGE	
					1	2	3	4	5	6 (PRODUCT LEVEL)		
	1	1	170-3015	1								
	2	1	177-5739	1								
	3	1	240-2978	2								
	4	1	240-2979	1								



GRAPHIC #1

<END>

g01342289

FRAME AND BODY

268-0749 COVER AS-SOUND SUPPRESSION

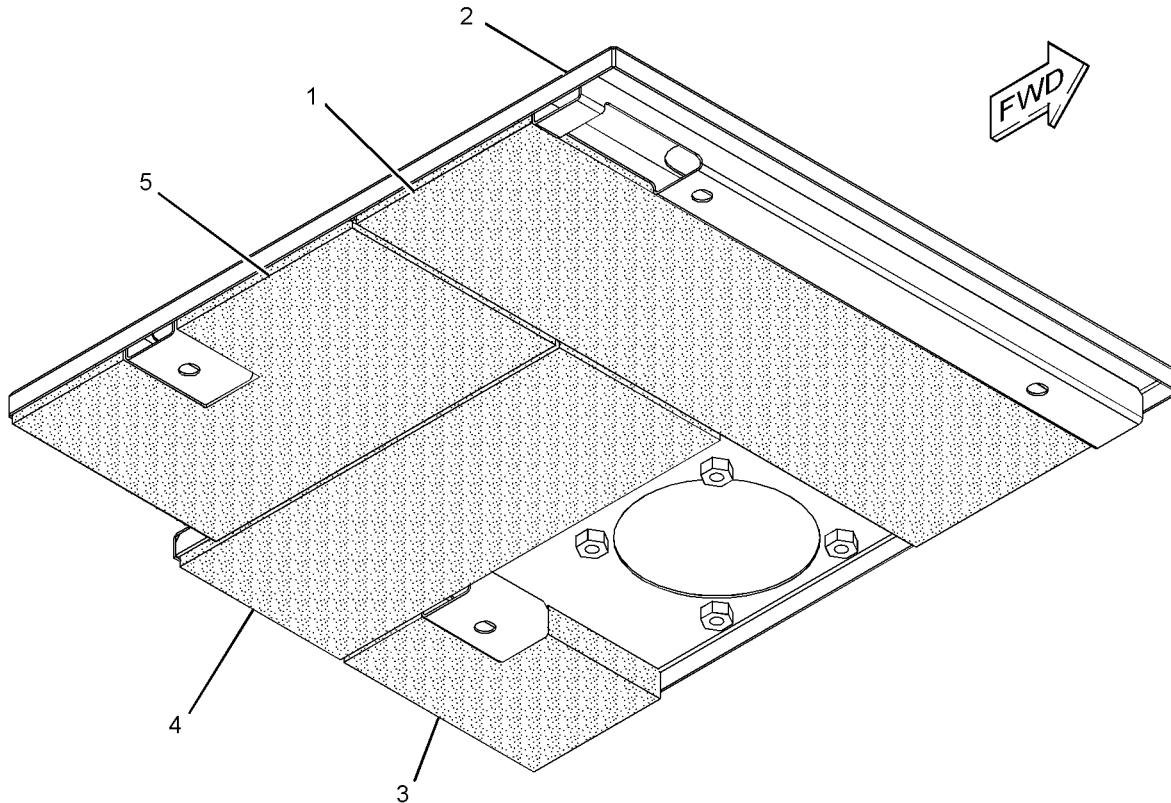
S/N: MGG1-UP; JFZ1-UP
 PART OF 278-3778 COVER GP-HOOD
 AN ATTACHMENT

SMCS-7253, 7263, 7276, 795C

i02574037

NOTE	REF NO	GRAPHIC REF	PART NUMBER	QTY	PART NAME						SEE PAGE
					1	2	3	4	5	6 (PRODUCT LEVEL)	
	1	1	248-8930	1	INSULATION						
Z	2	1		1	COVER AS						
	3	1	273-7847	1	INSULATION						
	4	1	273-7848	1	INSULATION						
	5	1	273-7849	2	INSULATION						

Z-NOT SERVICED SEPARATELY



GRAPHIC #1

<END>

g01290063

FRAME AND BODY

278-3778 COVER GP-HOOD-PRECLEANER

S/N: MGG1-UP; JFZ1-UP

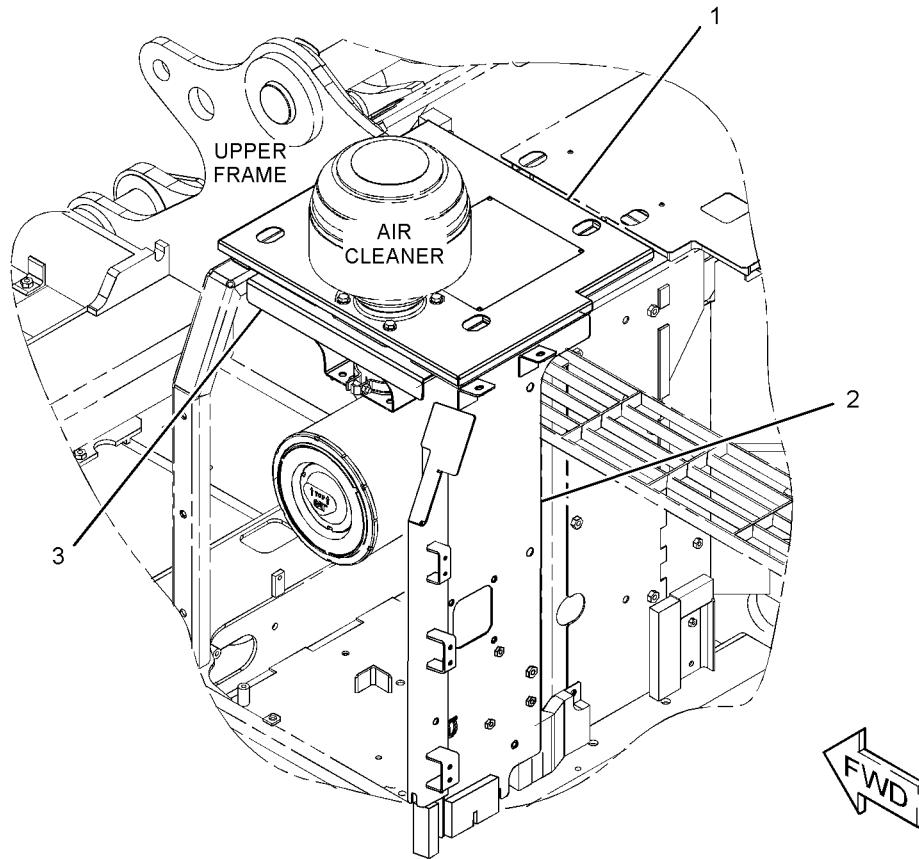
PART OF 264-8671 AIR CLEANER AR
AN ATTACHMENT

SMCS-7251

i03085979

NOTE	REF NO	GRAPHIC REF	PART NUMBER	QTY	PART NAME						SEE PAGE
					1	2	3	4	5	6 (PRODUCT LEVEL)	
Y	1	1	268-0749	1	COVER AS-SOUND SUPPRESSION						266
Y	2	1	304-0093	1	SUPPORT AS-ENCLOSURE						302
	3	1	273-7774	1	SUPPORT AS						

Y-SEPARATE ILLUSTRATION



GRAPHIC #1

<END>

g01388993

FRAME AND BODY

298-2977 DOOR AS-ACCESS

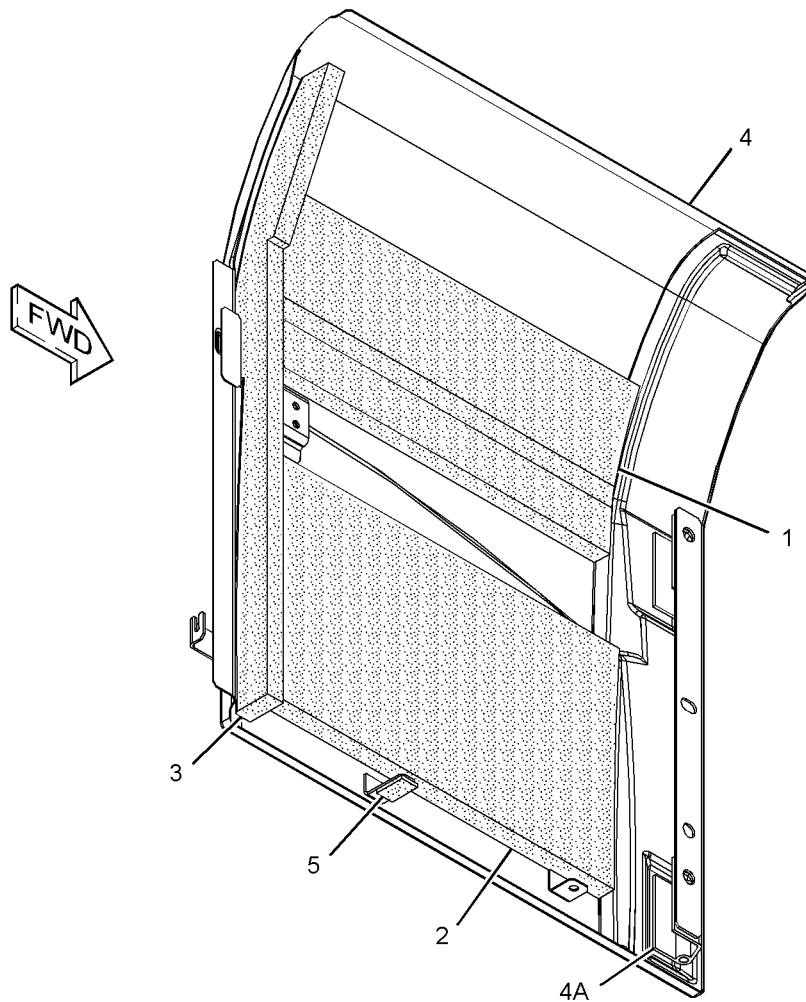
S/N: MGG1-UP; JFZ1-UP

PART OF 273-7726 HOOD & GUARD GP

SMCS-7273

i02979509

NOTE	REF NO	GRAPHIC REF	PART NUMBER	QTY	PART NAME						SEE PAGE
					1	2	3	4	5	6 (PRODUCT LEVEL)	
	1	1	236-3747	1	INSULATION						
	2	1	236-3748	1	INSULATION						
	3	1	250-5054	1	LINER						
	4	1	298-2978	1	DOOR AS-ACCESS						
	4A	1	165-2976	2	HINGE						
	5	1	208-4289	1	CUSHION						



GRAPHIC #1

<END>

g01390678

FRAME AND BODY

289-6910 DOOR GP-ACCESS-RADIATOR

S/N: MGG1-UP; JFZ1-UP

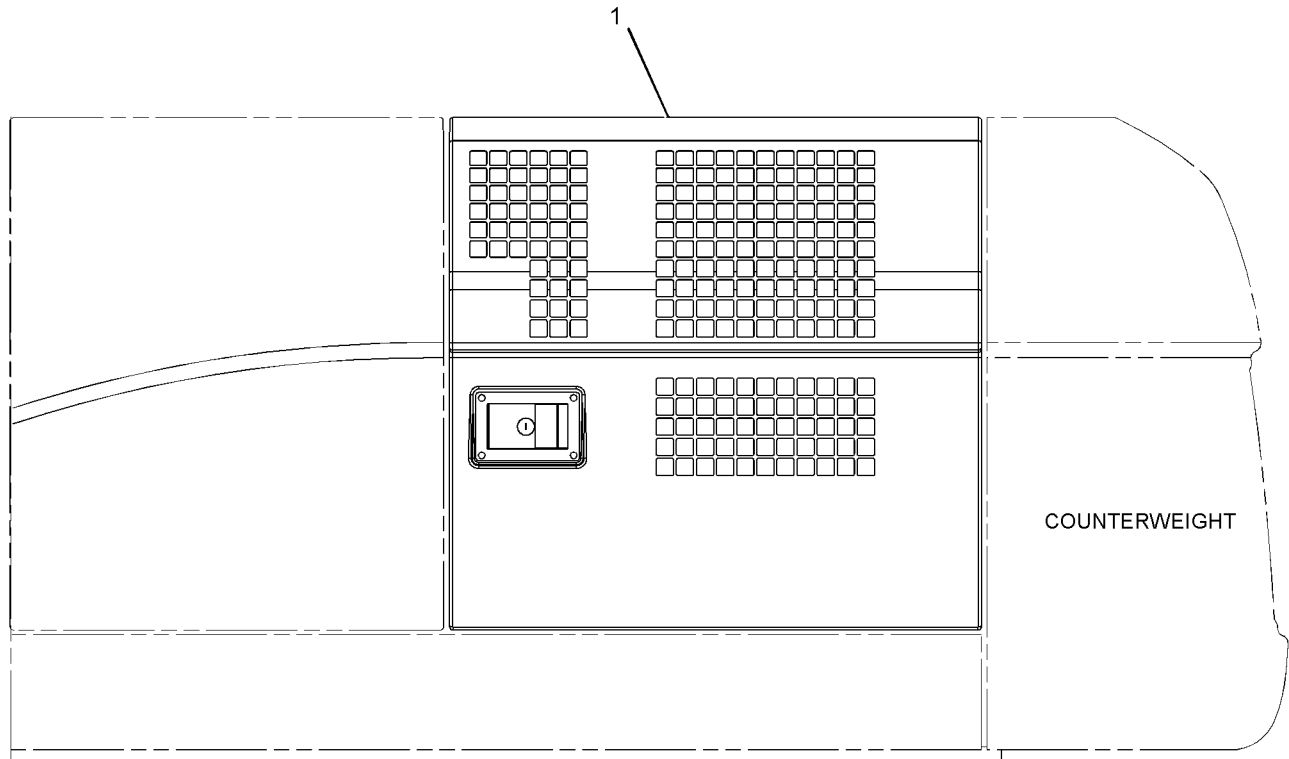
PART OF 290-1911, 298-4271 COOLING AR-HIGH AMBIENT TEMP
AN ATTACHMENT

SMCS-7273

i02763459

NOTE	REF NO	GRAPHIC REF	PART NUMBER	QTY	PART NAME						SEE PAGE
					1	2	3	4	5	6 (PRODUCT LEVEL)	
Y	1	1	289-6917	1	DOOR GP-ACCESS (RADIATOR)						272

Y-SEPARATE ILLUSTRATION



LEFT SIDE VIEW

GRAPHIC #1

<END>

g01320462

FRAME AND BODY

289-6913 DOOR GP-ACCESS-PUMP

S/N: MGG1-UP; JFZ1-UP

PART OF 273-7726 HOOD & GUARD GP

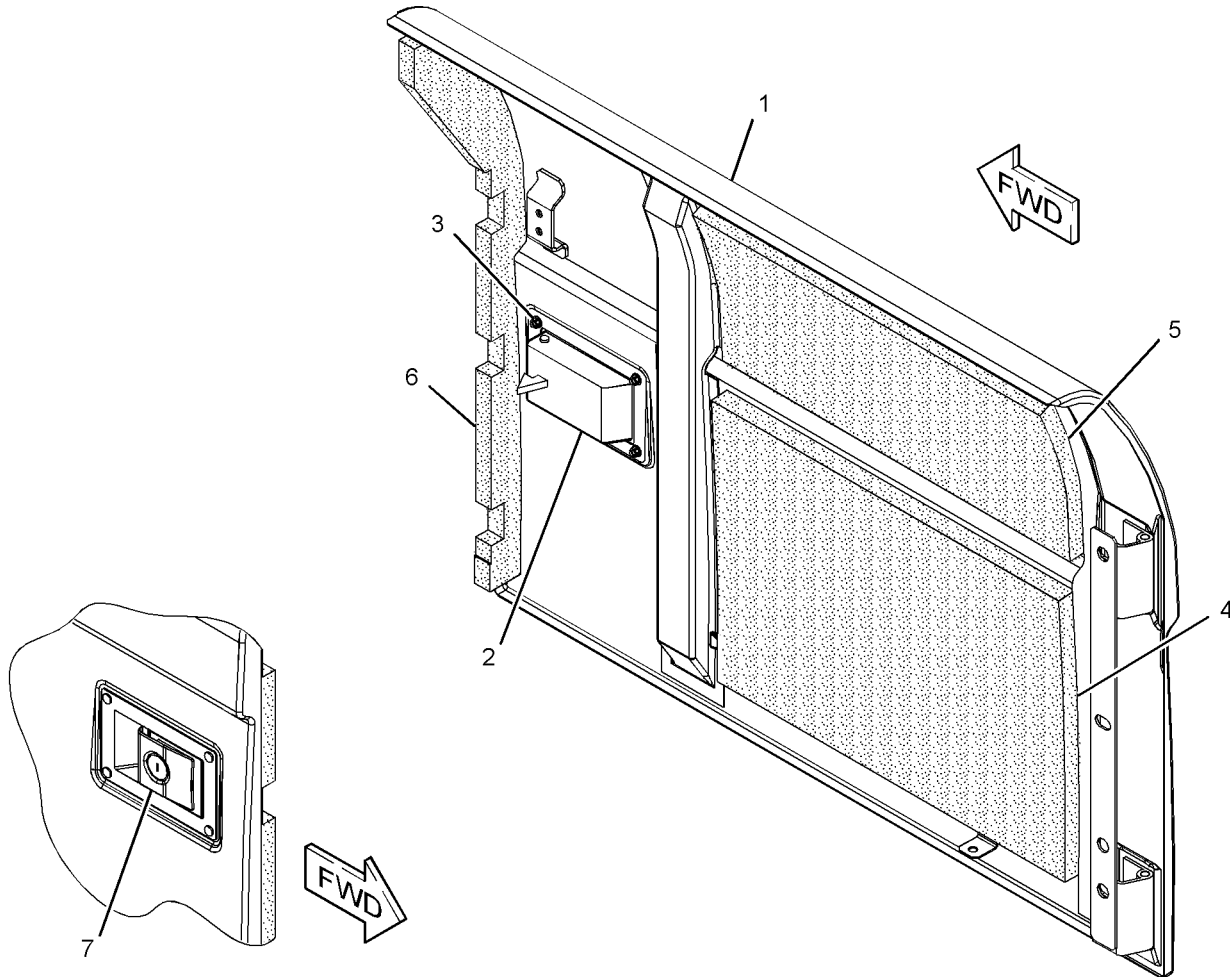
SMCS-7273

i02973251

NOTE	REF NO	GRAPHIC REF	PART NUMBER	QTY	PART NAME						SEE PAGE
					1	2	3	4	5	6 (PRODUCT LEVEL)	
	1	1	289-6914	1	DOOR AS-ACCESS						
		1	165-2976	2	HINGE						
J	2	1	298-2942	1	LOCK AS						
M	3	1	099-6418	4	NUT (M6X1-THD)						
	4	1	244-7928	1	INSULATION						
	5	1	244-7927	1	INSULATION						
	6	1	248-8961	1	LINER						
	7	1	184-8862	1	COVER						

J-REQUIRES CORPORATE KEY

M-METRIC PART



GRAPHIC #1

<END>

g01370640

FRAME AND BODY

289-6915 DOOR GP-ACCESS-RADIATOR

S/N: MGG1-UP; JFZ1-UP

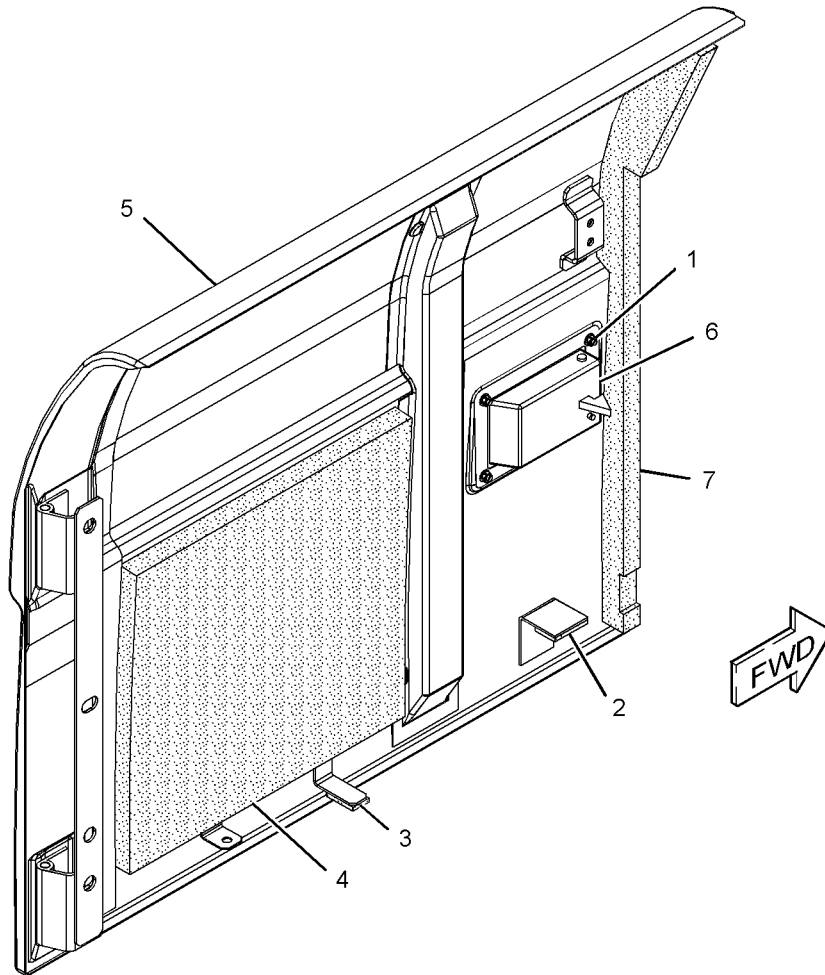
PART OF 273-7726 HOOD & GUARD GP

SMCS-7273

i03040701

NOTE	REF NO	GRAPHIC REF	PART NUMBER	QTY	PART NAME						SEE PAGE
					1	2	3	4	5	6 (PRODUCT LEVEL)	
M	1	1	099-6418	4	NUT (M6X1-THD)						
	2	1	122-4101	1	RUBBER						
	3	1	208-4289	1	CUSHION						
	4	1	244-7929	1	INSULATION						
	5	1	289-6916	1	DOOR AS-ACCESS						
J		1	165-2976	2	HINGE						
	6	1	298-2942	1	LOCK AS						
	7	1	307-7656	1	LINER						

J-REQUIRES CORPORATE KEY
M-METRIC PART



GRAPHIC #1

<END>

g01371686

FRAME AND BODY

289-6917 DOOR GP-ACCESS-RADIATOR

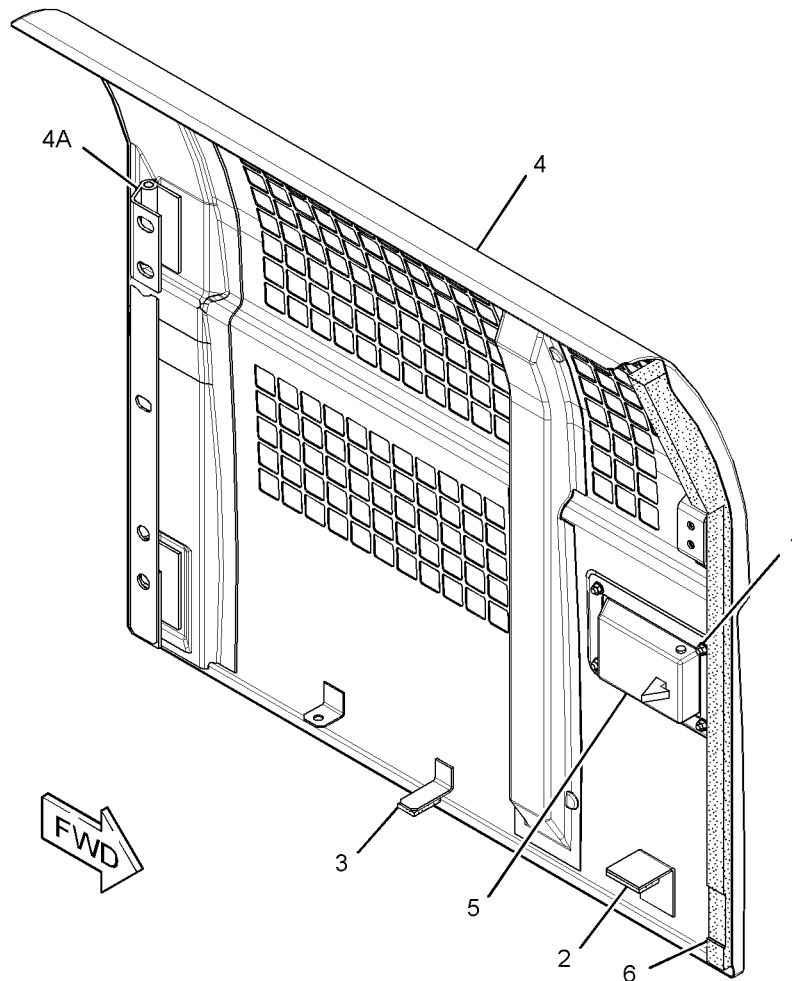
S/N: MGG1-UP; JFZ1-UP

PART OF 289-6910 DOOR GP-ACCESS
AN ATTACHMENT

SMCS-7273

i03040621

NOTE	REF NO	GRAPHIC REF	PART NUMBER	QTY	PART NAME						SEE PAGE
					1	2	3	4	5	6 (PRODUCT LEVEL)	
M	1	1	099-6418	4	NUT (M6X1-THD)						
	2	1	122-4101	1	RUBBER						
	3	1	208-4289	1	CUSHION						
	4	1	293-6644	1	DOOR AS-ACCESS						
	4A	1	165-2976	2	HINGE						
J	5	1	298-2942	1	LOCK AS						
	6	1	307-7656	1	LINER						

J-REQUIRES CORPORATE KEY
M-METRIC PART

GRAPHIC #1

<END>

g01481757

FRAME AND BODY

223-3042 FENDER & COVER GP

S/N: MGG1-UP; JFZ1-UP

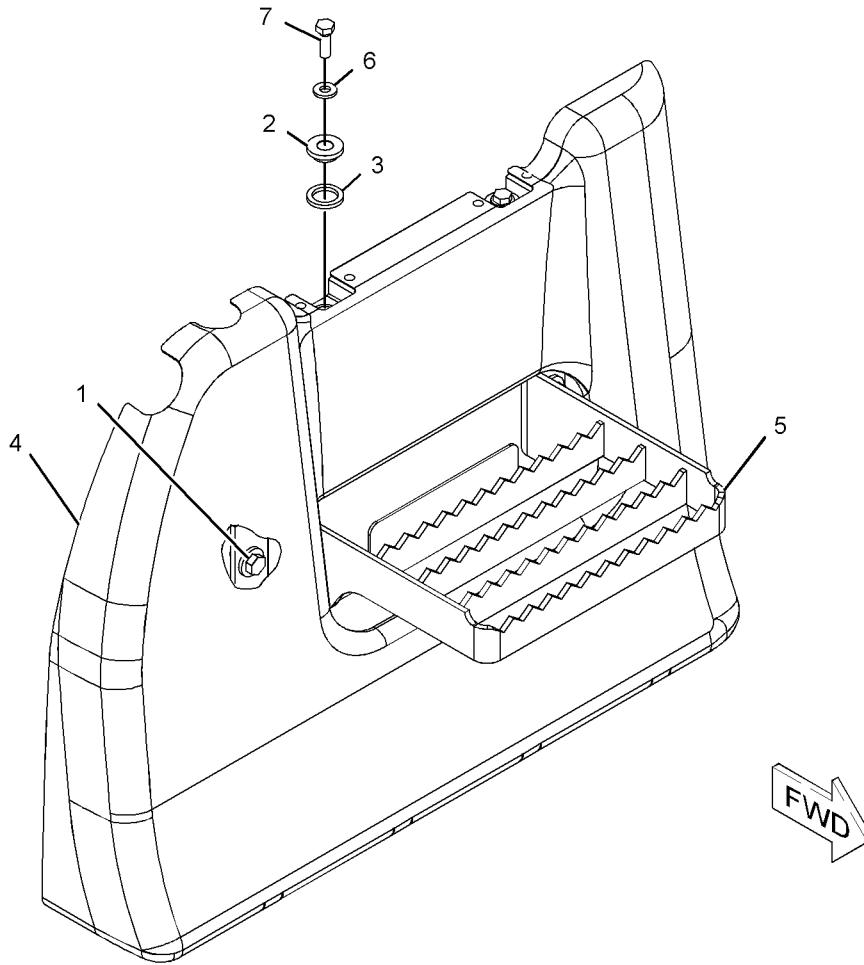
PART OF 264-8638, 264-8639 CHASSIS AR

SMCS-7252

i02533964

NOTE	REF NO	GRAPHIC REF	PART NUMBER	QTY	PART NAME						SEE PAGE
					1	2	3	4	5	6 (PRODUCT LEVEL)	
M	1	1	135-8573	2	BOLT AS (M12X1.75X25-MM)						
	2	1	236-3702	2	SPACER (15X35X11-MM THK)						
	3	1	236-3703	2	WASHER (25X35X4-MM THK)						
	4	1	236-9570	1	COVER AS						
	5	1	259-3543	1	STEP AS						
	6	1	5P-1075	2	WASHER-HARD (10.2X22.5X3-MM THK)						
M	7	1	8T-4195	2	BOLT (M10X1.5X30-MM)						

M-METRIC PART



GRAPHIC #1

<END>

g01150323

FRAME AND BODY

273-6716 FRAME GP-UPPER

S/N: MGG1-UP; JFZ1-UP

PART OF 264-8638, 264-8639 CHASSIS AR

SMCS-7051

i03086518

NOTE	REF NO	GRAPHIC REF	PART NUMBER	QTY	PART NAME						SEE PAGE
					1	2	3	4	5	6 (PRODUCT LEVEL)	
B	1	1	093-0083	4	SHIM (1-MM THK)						
B	2	1	308-8776	2	SHIM (1-MM THK)						
B	3	1	093-0115	2	SHIM (2-MM THK)						
B	4	1	308-8777	1	SHIM (2-MM THK)						
	5	1	093-0349	3	WASHER (22X60X6-MM THK)						
	6	1	093-0363	2	SPACER (83X120X12-MM THK)						
B	7	1	308-8775	1	SHIM (0.5-MM THK)						
B	8	1	133-2425	2	SHIM (0.5-MM THK)						
	9	1	4I-4812	2	PIN AS						
	10	1	212-2838	2	SHIM (2-MM THK)						
J	11	1	245-7900	1	CAP						
J	12	1	245-7901	1	CAP						
	13	1	315-0800	1	PIN AS						
	14	1	273-6717	1	FRAME AS-UPPER						
	14A	1	163-3729	1	STEP AS						
	14B	1	7Y-0633	1	BOSS						
	15	1	8T-4123	3	WASHER (22X35X3.5-MM THK)						
BM	16	1	8T-4191	1	BOLT (M10X1.5X16-MM)						
M	17	1	8T-4780	3	BOLT (M20X2.5X30-MM)						

B-USE AS REQUIRED

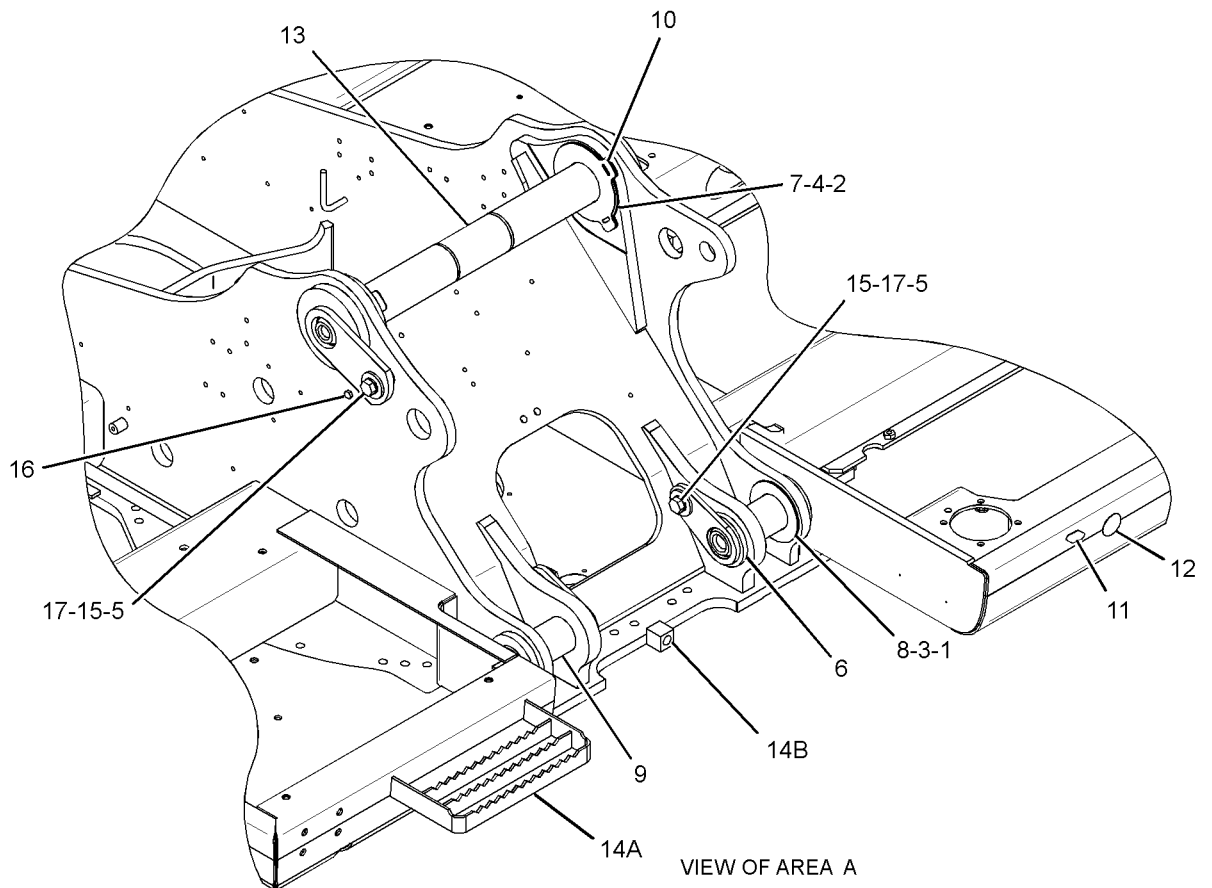
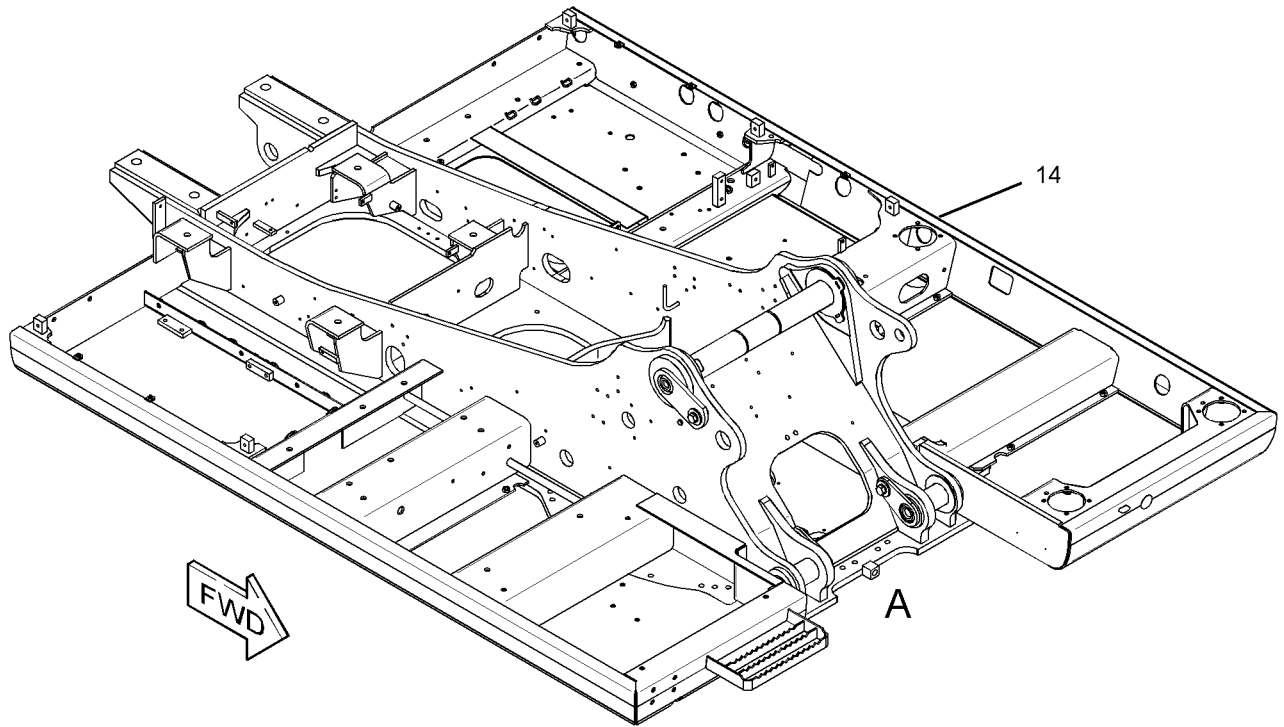
J-USE ON MACHINE WITHOUT LOWER WIPER

M-METRIC PART

FRAME AND BODY

273-6716 FRAME GP-UPPER (contd.)

i03086518



GRAPHIC #1

<END>

g01524900

FRAME AND BODY

227-6081 GEAR & BEARING GP-SWING

S/N: MGG1-UP; JFZ1-UP

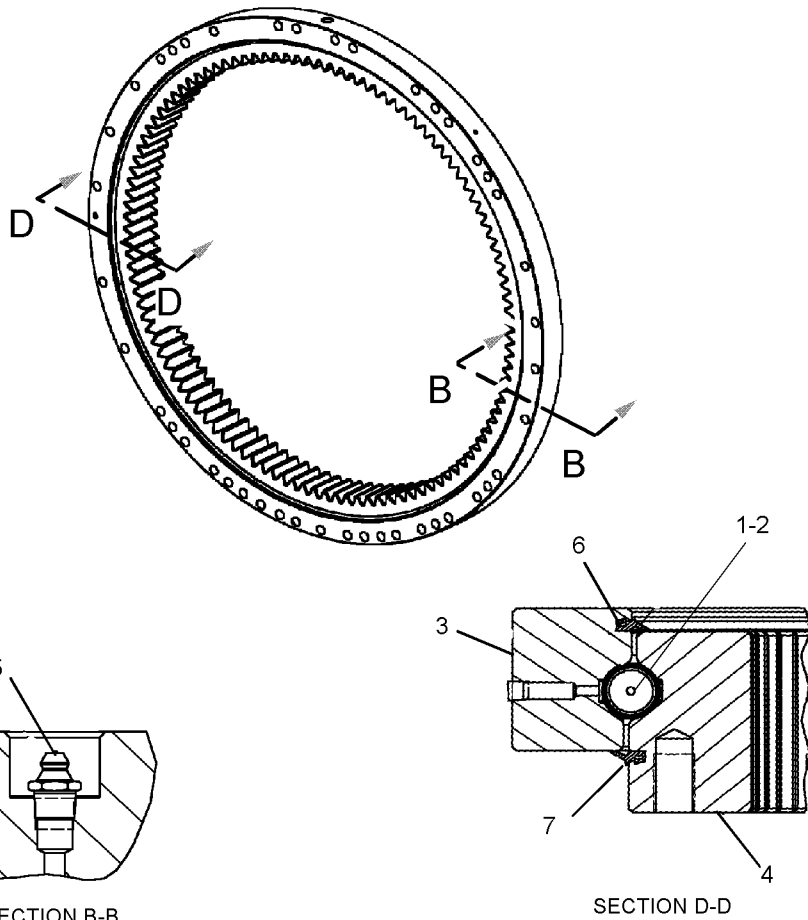
PART OF 227-6147 GEAR & BEARING GP-SWING

SMCS-7063

i02271992

NOTE	REF NO	GRAPHIC REF	PART NUMBER	QTY	PART NAME						SEE PAGE
					1	2	3	4	5	6 (PRODUCT LEVEL)	
Z	1	1		118	BALL						
Z	2	1		118	SEPARATOR						
Z	3	1		1	RACE AS-OUTER						
Z	4	1		1	RACE-BEARING						
	5	1	3B-8489	1	FITTING-GREASE						
	6	1	227-6071	1	SEAL-DUST						
BE	7	1	148-4685		SEAL						

B-USE AS REQUIRED
 E-ORDER BY THE CENTIMETER
 Z-NOT SERVICED SEPARATELY



GRAPHIC #1

<END>

g01099271

FRAME AND BODY

227-6147 GEAR & BEARING GP-SWING

S/N: MGG1-UP; JFZ1-UP

PART OF 240-3822, 247-7454 FRAME AR-UNDERCARRIAGE

SMCS-7063

i02545711

NOTE	REF NO	GRAPHIC REF	PART NUMBER	QTY	PART NAME						SEE PAGE
					1	2	3	4	5	6 (PRODUCT LEVEL)	
	1	1	5K-9243	2	ELBOW-FLARED						
	2	1	7Y-1647	1	GASKET						
	3	1	7Y-1650	1	CLAMP-HOSE						
	4	1	7Y-1863	40	SPACER (20.5X38X34-MM THK)						
	5	1	148-4689	1	TUBE AS						
	6	1	171-9464	37	SPACER (20.6X38X6-MM THK)						
Y	7	1	227-6081	1	GEAR & BEARING GP-SWING						276
	8	1	227-6105	1	BOOT						
	9	1	227-6106	1	RETAINER						
	10	1	096-4902	1	DOWEL						
	11	1	148-4703	1	COVER						
	12	1	148-4704	1	GASKET						
	13	1	3B-8489	1	FITTING-GREASE						
	14	1	4N-9170	2	CLIP						
	15	1	7Y-1648	1	STRIP						
M	16	1	8T-0360	40	BOLT (M20X2.5X90-MM)						
M	17	1	8T-0362	37	BOLT (M20X2.5X110-MM)						
	18	1	8T-4121	14	WASHER-HARD (11X21X2.5-MM THK)						
M	19	1	8T-4137	2	BOLT (M10X1.5X20-MM)						
M	20	1	8T-4136	12	BOLT (M10X1.5X25-MM)						
M	21	1	8T-4199	2	BOLT (M8X1.25X12-MM)						
B	22	1	1U-8846		SEALANT-GASKET						

B-USE AS REQUIRED

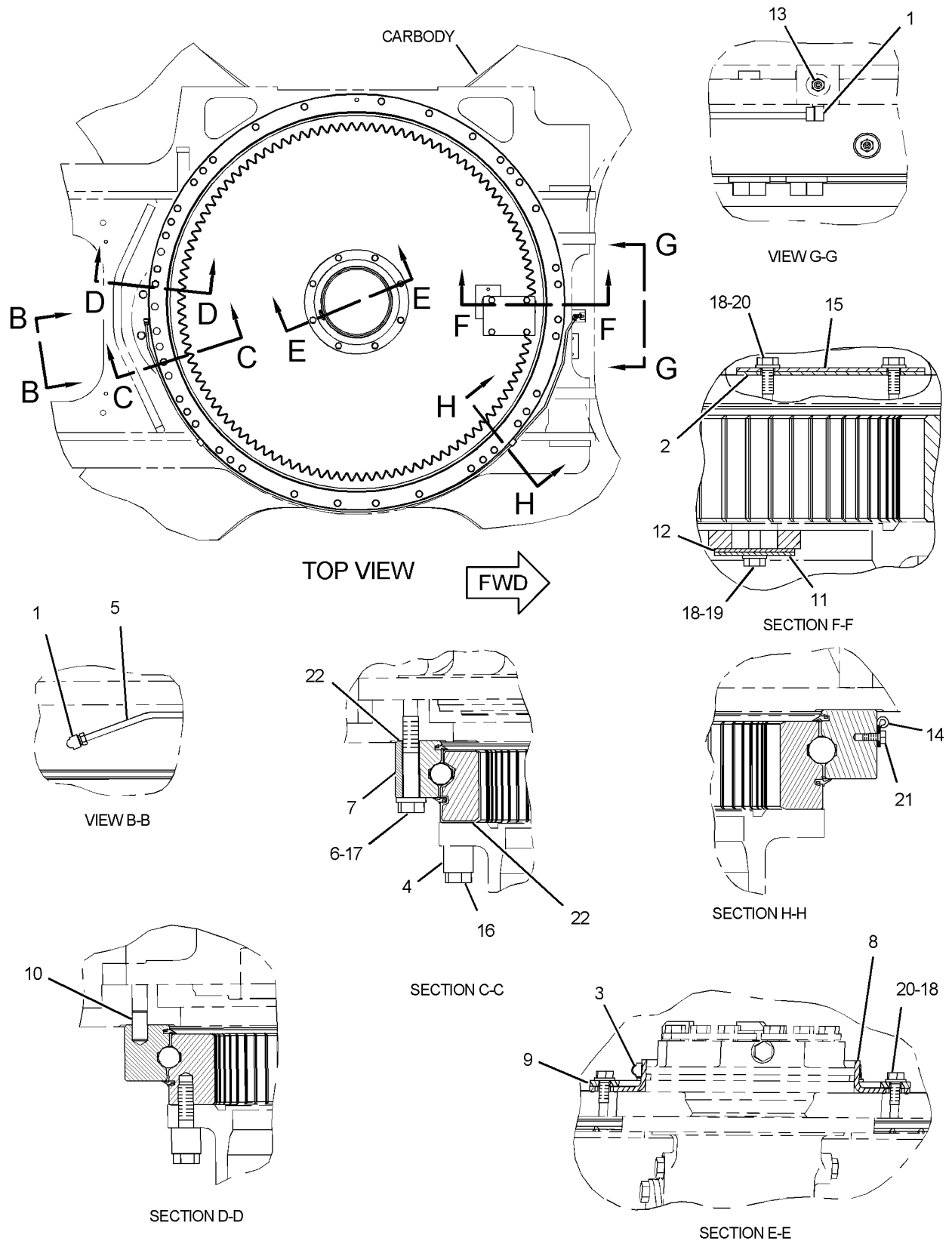
M-METRIC PART

Y-SEPARATE ILLUSTRATION

FRAME AND BODY

227-6147 GEAR & BEARING GP-SWING (contd.)

i02545711



GRAPHIC #1

<END>

g01276722

FRAME AND BODY

289-6424 GUARD GP-BOTTOM

S/N: MGG1-UP; JFZ1-UP

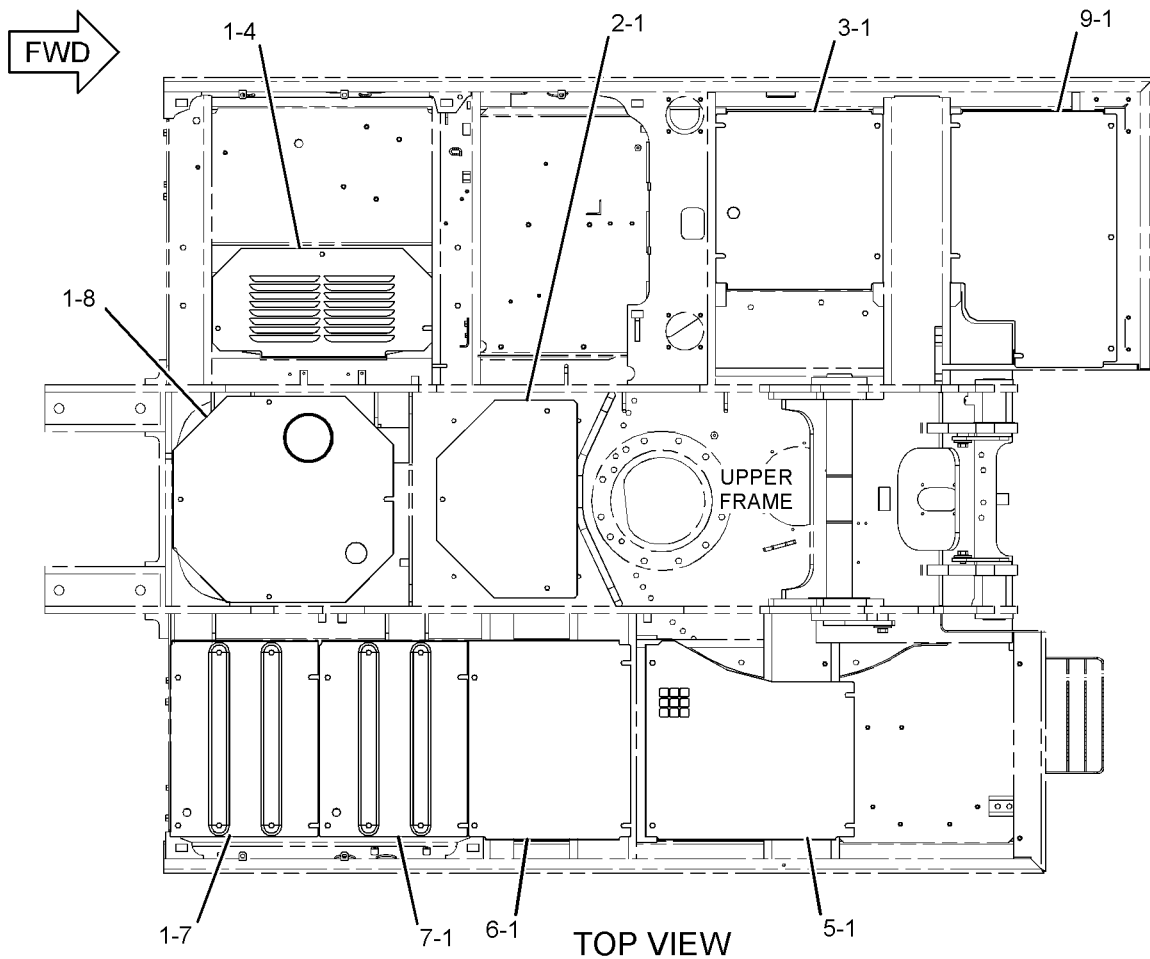
PART OF 264-8638, 264-8639 CHASSIS AR

SMCS-7153

i02752002

NOTE	REF NO	GRAPHIC REF	PART NUMBER	QTY	PART NAME						SEE PAGE
					1	2	3	4	5	6 (PRODUCT LEVEL)	
M	1	1	135-8576	36	BOLT AS-LOCKING (M12X1.75X30-MM)						
	2	1	165-2823	1	SHEET						
	3	1	248-8992	1	SHEET						
	4	1	248-8993	1	SHEET						
	5	1	248-8994	1	SHEET						
	6	1	248-8995	1	SHEET						
	7	1	273-7674	2	SHEET						
	8	1	286-6281	1	SHEET AS						
	9	1	289-6603	1	SHEET						

M-METRIC PART



TOP VIEW

<END>

GRAPHIC #1

g01297179

FRAME AND BODY

142-3835 HANDRAIL GP

S/N: MGG1-UP; JFZ1-UP

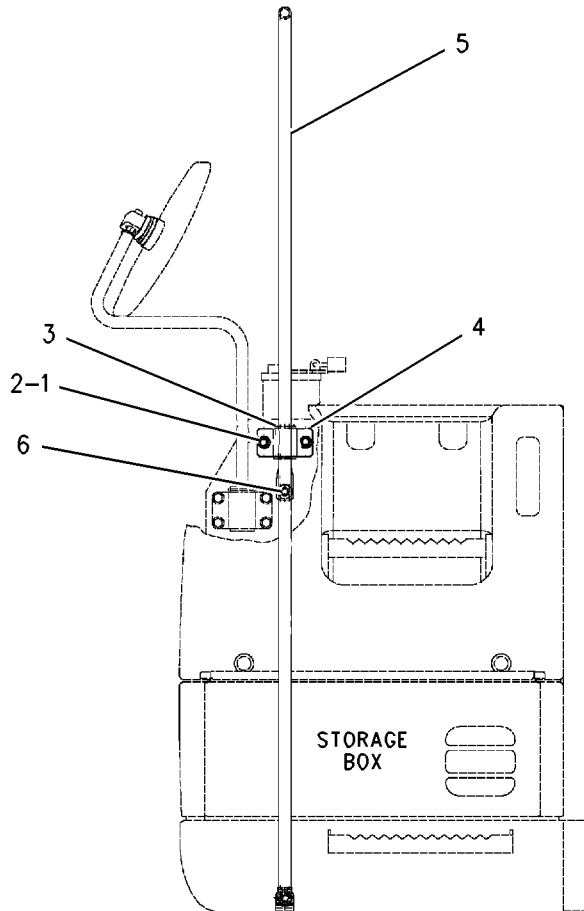
PART OF 264-8638, 264-8639 CHASSIS AR

SMCS-7256

i01306093

NOTE	REF NO	GRAPHIC REF	PART NUMBER	QTY	PART NAME	1 2 3 4 5 6 (PRODUCT LEVEL)						SEE PAGE
	1	1	8T-4223	2	WASHER-HARD (13.5X25.5X3-MM THK)							
M	2	1	8T-4192	2	BOLT (M12X1.75X25-MM)							
	3	1	177-5880	2	SLEEVE							
	4	1	177-5879	1	CLAMP							
	5	1	177-5877	1	HANDHOLD AS							
M	6	1	135-8578	3	BOLT AS (M12X1.75X40-MM)							
					(EACH INCLUDES)							
		1	5P-1076	1	WASHER-HARD (13.5X30X4-MM THK)							
M		1	8T-4183	1	BOLT (M12X1.75X40-MM)							

M-METRIC PART



FRONT VIEW

GRAPHIC #1

<END>

g00678707

FRAME AND BODY

273-7726 HOOD & GUARD GP

S/N: MGG1-1487; JFZ1-4108

PART OF 264-8638, 264-8639 CHASSIS AR

SMCS-7251, 7276

i03096580

NOTE	REF NO	GRAPHIC REF	PART NUMBER	QTY	PART NAME						SEE PAGE
					1	2	3	4	5	6 (PRODUCT LEVEL)	
	1	1	1R-9958	1	FASTENER						
	2	1	4I-0117	1	FASTENER						
	3	2	4I-0118	2	HOOK AS						
	4	3	4I-0232	2	STRIKER						
	5	2	4I-8019	3	SUPPORT						
	6	3	6I-6033	3	STOP						
	7	4	7Y-2853	8	SPACER (13X38X5-MM THK)						
	8	3	087-3908	4	SHIM (1-MM THK)						
	9	3	087-3909	4	SHIM (2-MM THK)						
	10	1	116-1628	1	SUPPORT AS						
	11	4	122-3979	1	BAND						
	12	4	122-3980	1	ROD						
	13	2	122-4120	3	ROD						
M	14	1,2,3,4	135-8573	73	BOLT AS (M12X1.75X25-MM)						
M	15	1,2,3,4	135-8575	35	BOLT AS (M12X1.75X30-MM)						
M	16	2,3	135-8577	4	BOLT AS (M12X1.75X35-MM)						
M	17	1	135-8578	6	BOLT AS (M12X1.75X40-MM)						
	18	1,2	170-3016	15	SPACER (19X32X2-MM THK)						
	19	1	184-8423	1	SUPPORT AS						
	20	3	190-6880	3	SUPPORT AS						
	21	1	203-4889	1	SPRING						
	22	1	203-4890	1	SPRING						
Y	23	1	298-2977	1	DOOR AS-ACCESS						268
	24	1	244-8202	1	COVER AS						
	25	1	244-8207	1	COVER AS						
	26	2	330-1182	1	SUPPORT AS						
	27	2	244-8228	1	SUPPORT AS						
	28	2	244-8234	1	SUPPORT AS						
	29	2	244-8242	1	SUPPORT AS						
	30	2	298-3038	1	SUPPORT AS						
	31	2	244-8255	1	SUPPORT AS						
Y	32	2	248-8940	1	SUPPORT AS-ENCLOSURE						301
	33	3	293-6982	1	SHEET AS						
Y	34	1	262-2286	1	HOOD GP-ENGINE						293
	35	3	262-2324	1	COVER AS						
	36	4	293-7056	1	SHEET AS						
	37	1	262-2353	1	COVER AS						
	38	4	262-2363	1	SHEET AS						
		4	262-2365	1	LINER						
Y	39	4	298-2979	1	COVER AS-ACCESS						265
	40	2	298-3041	1	SUPPORT AS						
		2	278-3832	1	LINER						
Y	41	4	278-3836	1	SHEET AS-SOUND SUPPRESSION						294
Y	42	4	278-3842	1	SHEET AS-SOUND SUPPRESSION						295
	43	3	330-1184	1	SUPPORT AS						
	44	1	298-3044	1	COVER AS						
Y	45	3	307-7662	1	SUPPORT AS-ENCLOSURE						303
	46	4	283-3911	1	SHEET AS						
	47	3	286-6220	1	SHEET AS						
		3	286-6276	1	LINER						
	48	2	286-6359	1	SUPPORT AS						
Y	49	3	289-6572	1	SHEET AS-SOUND SUPPRESSION						296
Y	50	4	289-6695	1	SHEET AS-SOUND SUPPRESSION						297
	51	3	289-6698	1	SUPPORT AS						

FRAME AND BODY

273-7726 HOOD & GUARD GP (contd.)

i03096580

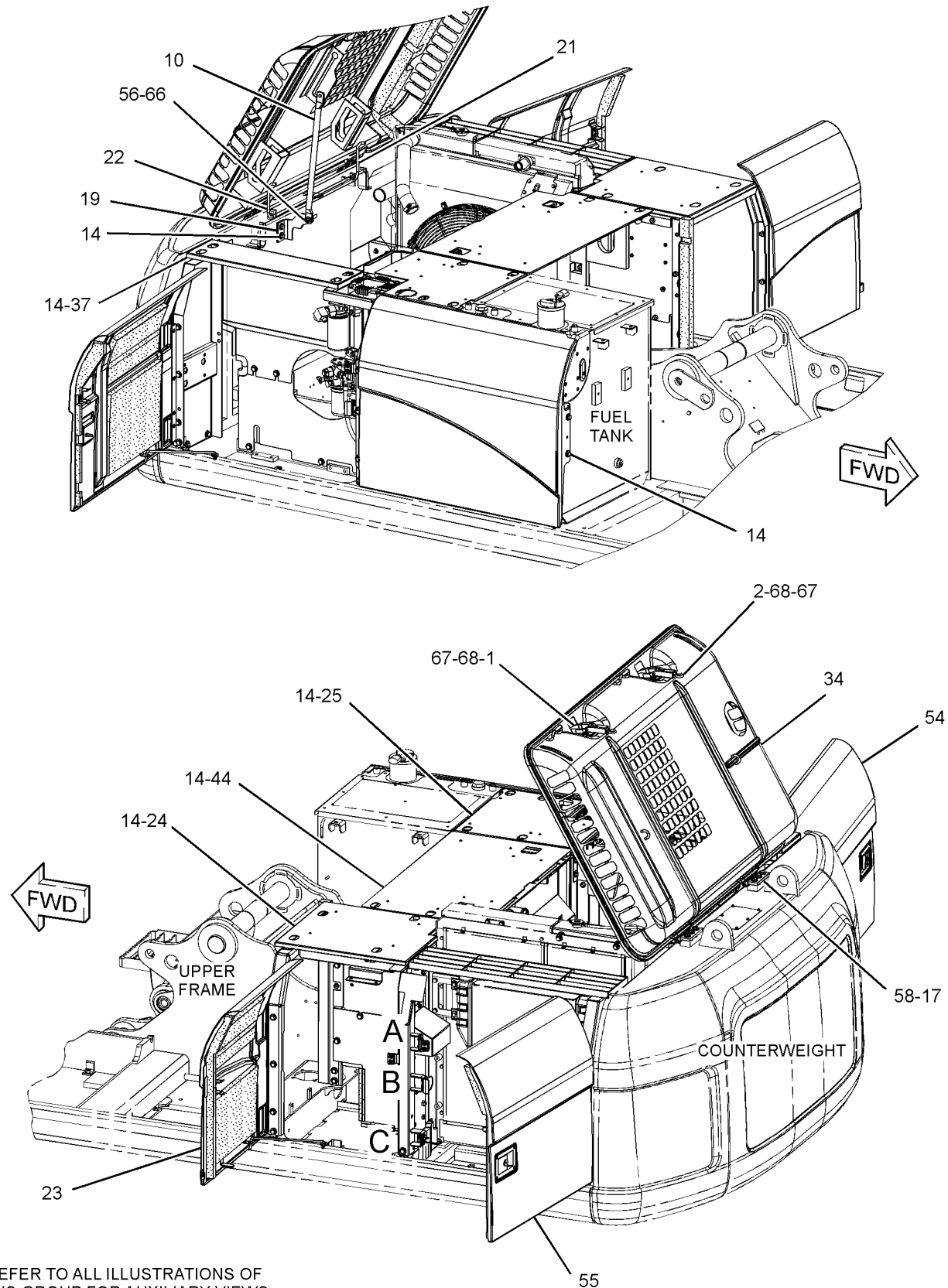
NOTE	REF NO	GRAPHIC REF	PART NUMBER	QTY	PART NAME						SEE PAGE
					1	2	3	4	5	6 (PRODUCT LEVEL)	
		3	129-3400	1	GUARD						
		3	244-8198	1	LINER						
Y	52	4	289-6699	1	SHEET AS-SOUND SUPPRESSION						298
	53	3	289-6805	1	SUPPORT AS-ENCLOSURE						
Y	54	1	289-6913	1	DOOR GP-ACCESS (PUMP COMPARTMENT)						270
Y	55	1	289-6915	1	DOOR GP-ACCESS (RADIATOR)						271
	56	1,2	3B-4618	4	PIN-COTTER						
M	57	3	105-3487	6	BOLT-SOCKET HEAD (M6X1X20-MM)						
	58	1	114-6285	2	BAR						
M	59	2,4	5C-9553	8	BOLT (M6X1X16-MM)						
	60	2,3	5P-4115	16	WASHER-HARD (7.2X19X2-MM THK)						
	61	4	7Y-2854	8	SPACER (24X38X3-MM THK)						
	62	2,3	8T-4121	5	WASHER-HARD (11X21X2.5-MM THK)						
M	63	3	8T-4137	2	BOLT (M10X1.5X20-MM)						
M	64	3	8T-4138	10	BOLT (M6X1X20-MM)						
M	65	2	8T-4189	4	BOLT (M8X1.25X20-MM)						
	66	1	8T-4223	2	WASHER-HARD (13.5X25.5X3-MM THK)						
	67	1,2	8T-4224	8	WASHER-HARD (8.8X16X2-MM THK)						
M	68	1	8T-4908	4	BOLT (M8X1.25X25-MM)						
	69	3,4	9X-8256	8	WASHER (6.6X12X2-MM THK)						
	70	4	307-7700	1	SHEET AS						
		4	6P-2216	3	CAP						
		4	307-7702	1	INSULATION						

M-METRIC PART
Y-SEPARATE ILLUSTRATION

FRAME AND BODY

273-7726 HOOD & GUARD GP (contd.)

i03096580



REFER TO ALL ILLUSTRATIONS OF THIS GROUP FOR AUXILIARY VIEWS

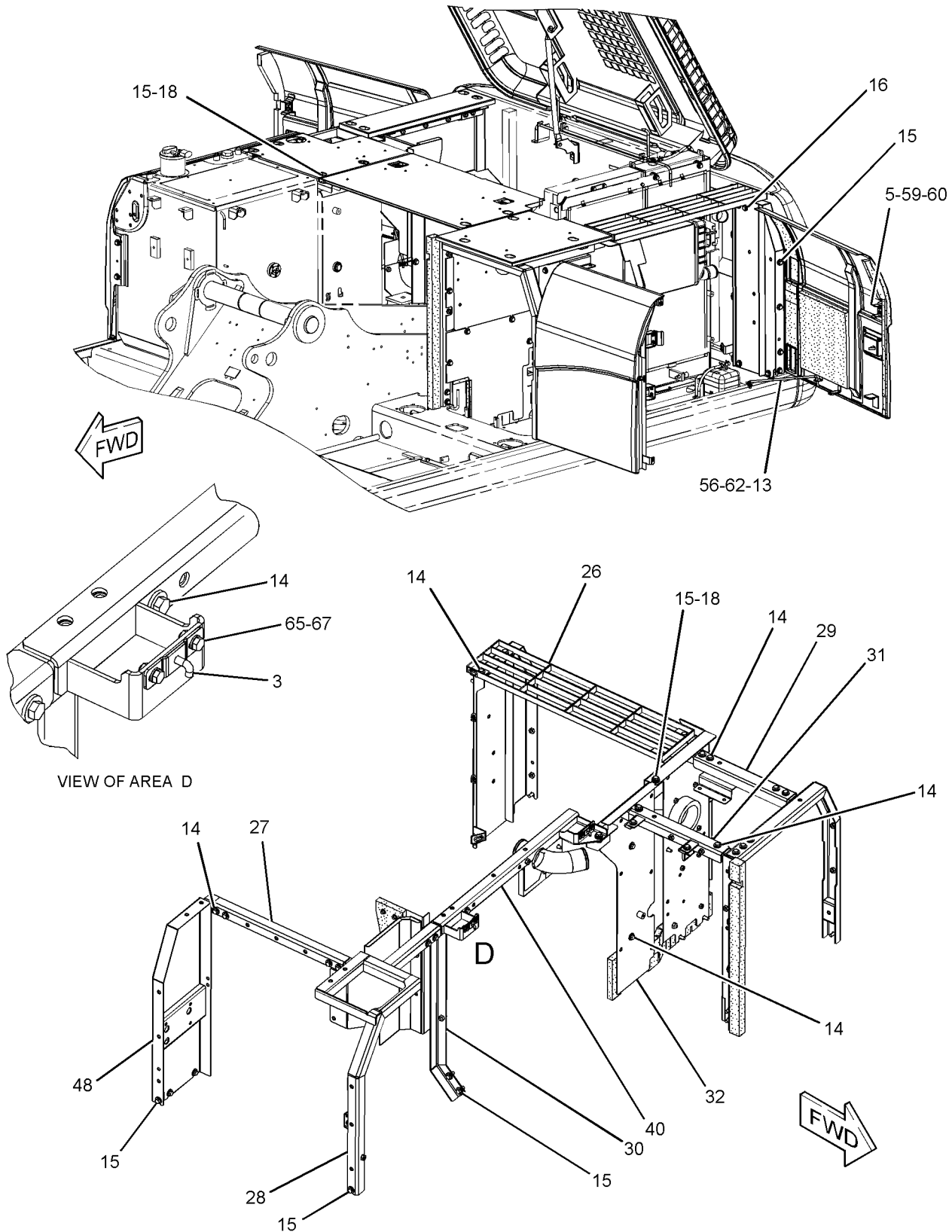
GRAPHIC #1

g01726140

FRAME AND BODY

273-7726 HOOD & GUARD GP (contd.)

i03096580



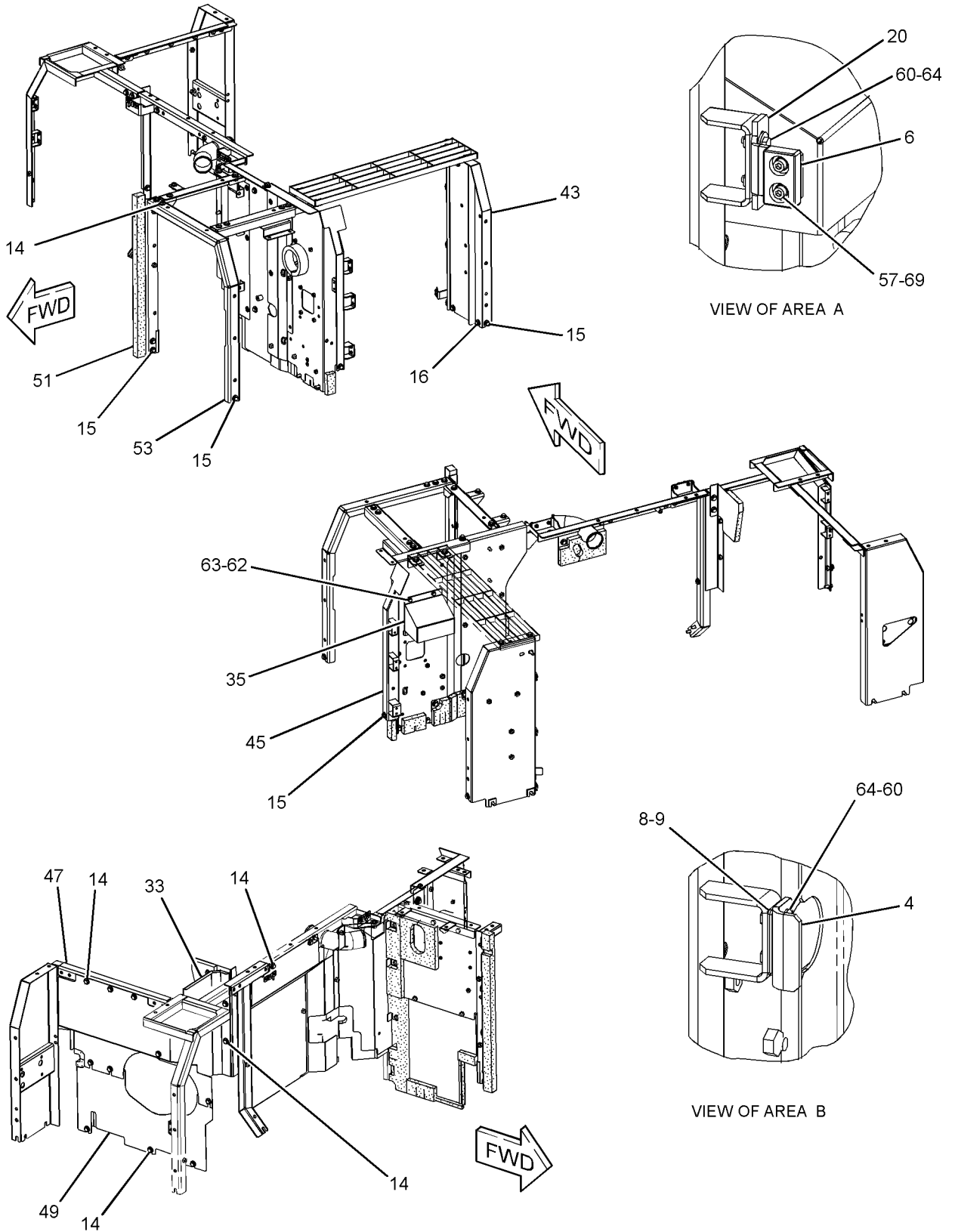
GRAPHIC #2

g01726141

FRAME AND BODY

273-7726 HOOD & GUARD GP (contd.)

i03096580



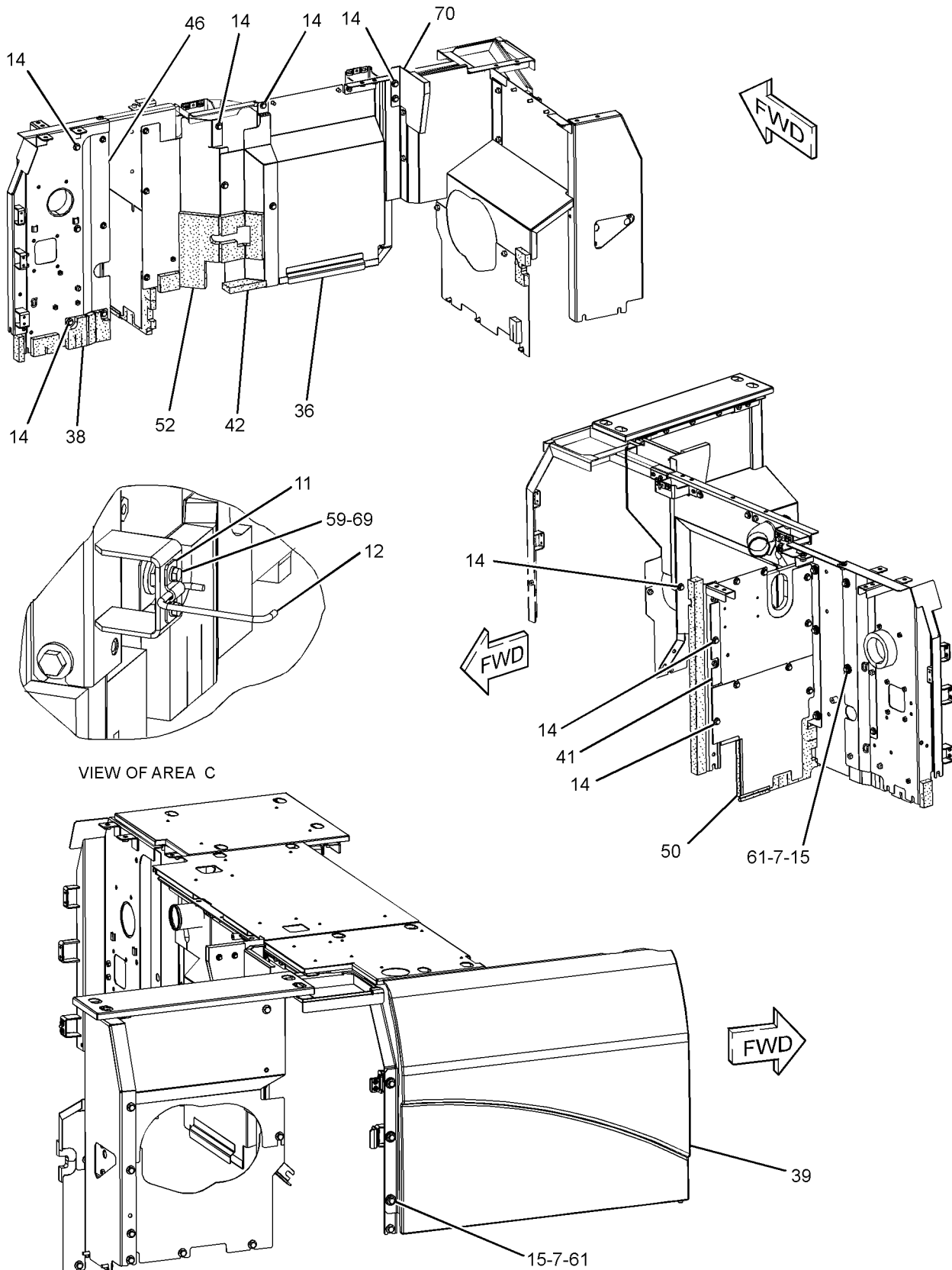
GRAPHIC #3

g01726142

FRAME AND BODY

273-7726 HOOD & GUARD GP (contd.)

i03096580



GRAPHIC #4

<END>

g01726143

FRAME AND BODY

273-7726 HOOD & GUARD GP

S/N: MGG1488-UP; JFZ4109-UP

PART OF 264-8638, 264-8639 CHASSIS AR

SMCS-7251, 7276

i03454724

NOTE	REF NO	GRAPHIC REF	PART NUMBER	QTY	PART NAME						SEE PAGE
					1	2	3	4	5	6 (PRODUCT LEVEL)	
	1	1	1R-9958	1	FASTENER						
	2	1	4I-0117	1	FASTENER						
	3	2	4I-0118	2	HOOK AS						
	4	3	4I-0232	2	STRIKER						
	5	2	4I-8019	3	SUPPORT						
	6	3	6I-6033	3	STOP						
	7	4	7Y-2853	8	SPACER (13X38X5-MM THK)						
	8	3	087-3908	4	SHIM (1-MM THK)						
	9	3	087-3909	4	SHIM (2-MM THK)						
	10	1	116-1628	1	SUPPORT AS						
	11	4	122-3979	1	BAND						
	12	4	122-3980	1	ROD						
	13	2	122-4120	3	ROD						
M	14	1,2,3,4	135-8573	73	BOLT AS (M12X1.75X25-MM)						
M	15	1,2,3,4	135-8575	35	BOLT AS (M12X1.75X30-MM)						
M	16	2,3	135-8577	4	BOLT AS (M12X1.75X35-MM)						
M	17	1	135-8578	6	BOLT AS (M12X1.75X40-MM)						
	18	1,2	170-3016	15	SPACER (19X32X2-MM THK)						
	19	1	184-8423	1	SUPPORT AS						
	20	3	190-6880	3	SUPPORT AS						
	21	1	203-4889	1	SPRING						
	22	1	203-4890	1	SPRING						
Y	23	1	298-2977	1	DOOR AS-ACCESS						268
	24	1	244-8202	1	COVER AS						
C	25	1	330-1347	1	COVER AS						
	26	2	330-1182	1	SUPPORT AS						
	27	2	244-8228	1	SUPPORT AS						
	28	2	244-8234	1	SUPPORT AS						
	29	2	244-8242	1	SUPPORT AS						
	30	2	298-3038	1	SUPPORT AS						
	31	2	244-8255	1	SUPPORT AS						
Y	32	2	248-8940	1	SUPPORT AS-ENCLOSURE						301
	33	3	293-6982	1	SHEET AS						
Y	34	1	262-2286	1	HOOD GP-ENGINE						293
	35	3	262-2324	1	COVER AS						
	36	4	293-7056	1	SHEET AS						
	37	1	262-2353	1	COVER AS						
	38	4	262-2363	1	SHEET AS						
Y	39	4	298-2979	1	COVER AS-ACCESS						265
	40	2	298-3041	1	SUPPORT AS						
		2	278-3832	1	LINER						
Y	41	4	278-3836	1	SHEET AS-SOUND SUPPRESSION						294
Y	42	4	278-3842	1	SHEET AS-SOUND SUPPRESSION						295
	43	3	330-1184	1	SUPPORT AS						
	44	1	298-3044	1	COVER AS						
Y	45	3	307-7662	1	SUPPORT AS-ENCLOSURE						303
	46	4	283-3911	1	SHEET AS						
	47	3	286-6220	1	SHEET AS						
		3	286-6276	1	LINER						
	48	2	286-6359	1	SUPPORT AS						
Y	49	3	289-6572	1	SHEET AS-SOUND SUPPRESSION						296
Y	50	4	289-6695	1	SHEET AS-SOUND SUPPRESSION						297
	51	3	289-6698	1	SUPPORT AS						
		3	129-3400	1	GUARD						

FRAME AND BODY

273-7726 HOOD & GUARD GP (contd.)

i03454724

NOTE	REF NO	GRAPHIC REF	PART NUMBER	QTY	PART NAME						SEE PAGE
					1	2	3	4	5	6 (PRODUCT LEVEL)	
		3	244-8198	1	LINER						
Y	52	4	289-6699	1	SHEET AS-SOUND SUPPRESSION						298
	53	3	289-6805	1	SUPPORT AS-ENCLOSURE						
Y	54	1	289-6913	1	DOOR GP-ACCESS (PUMP COMPARTMENT)						270
Y	55	1	289-6915	1	DOOR GP-ACCESS (RADIATOR)						271
	56	1,2	3B-4618	4	PIN-COTTER						
M	57	3	105-3487	6	BOLT-SOCKET HEAD (M6X1X20-MM)						
	58	1	114-6285	2	BAR						
M	59	2,4	5C-9553	8	BOLT (M6X1X16-MM)						
	60	2,3	5P-4115	16	WASHER-HARD (7.2X19X2-MM THK)						
	61	4	7Y-2854	8	SPACER (24X38X3-MM THK)						
	62	2,3	8T-4121	5	WASHER-HARD (11X21X2.5-MM THK)						
M	63	3	8T-4137	2	BOLT (M10X1.5X20-MM)						
M	64	3	8T-4138	10	BOLT (M6X1X20-MM)						
M	65	2	8T-4189	4	BOLT (M8X1.25X20-MM)						
	66	1	8T-4223	2	WASHER-HARD (13.5X25.5X3-MM THK)						
	67	1,2	8T-4224	8	WASHER-HARD (8.8X16X2-MM THK)						
M	68	1	8T-4908	4	BOLT (M8X1.25X25-MM)						
	69	3,4	9X-8256	8	WASHER (6.6X12X2-MM THK)						
	70	4	307-7700	1	SHEET AS						
		4	6P-2216	3	CAP						
		4	307-7702	1	INSULATION						

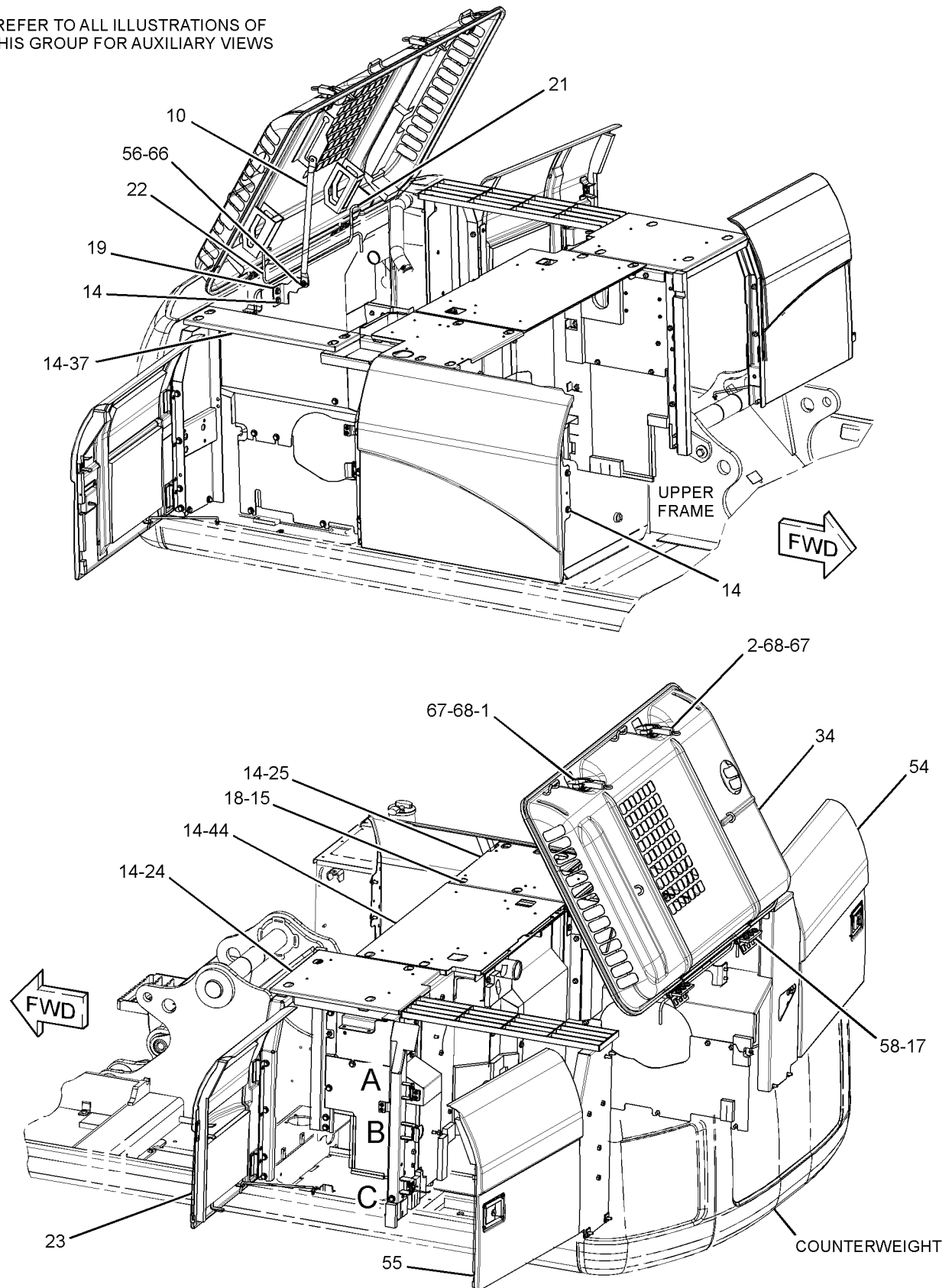
C-CHANGE FROM PREVIOUS TYPE
M-METRIC PART
Y-SEPARATE ILLUSTRATION

FRAME AND BODY

273-7726 HOOD & GUARD GP (contd.)

i03454724

REFER TO ALL ILLUSTRATIONS OF THIS GROUP FOR AUXILIARY VIEWS



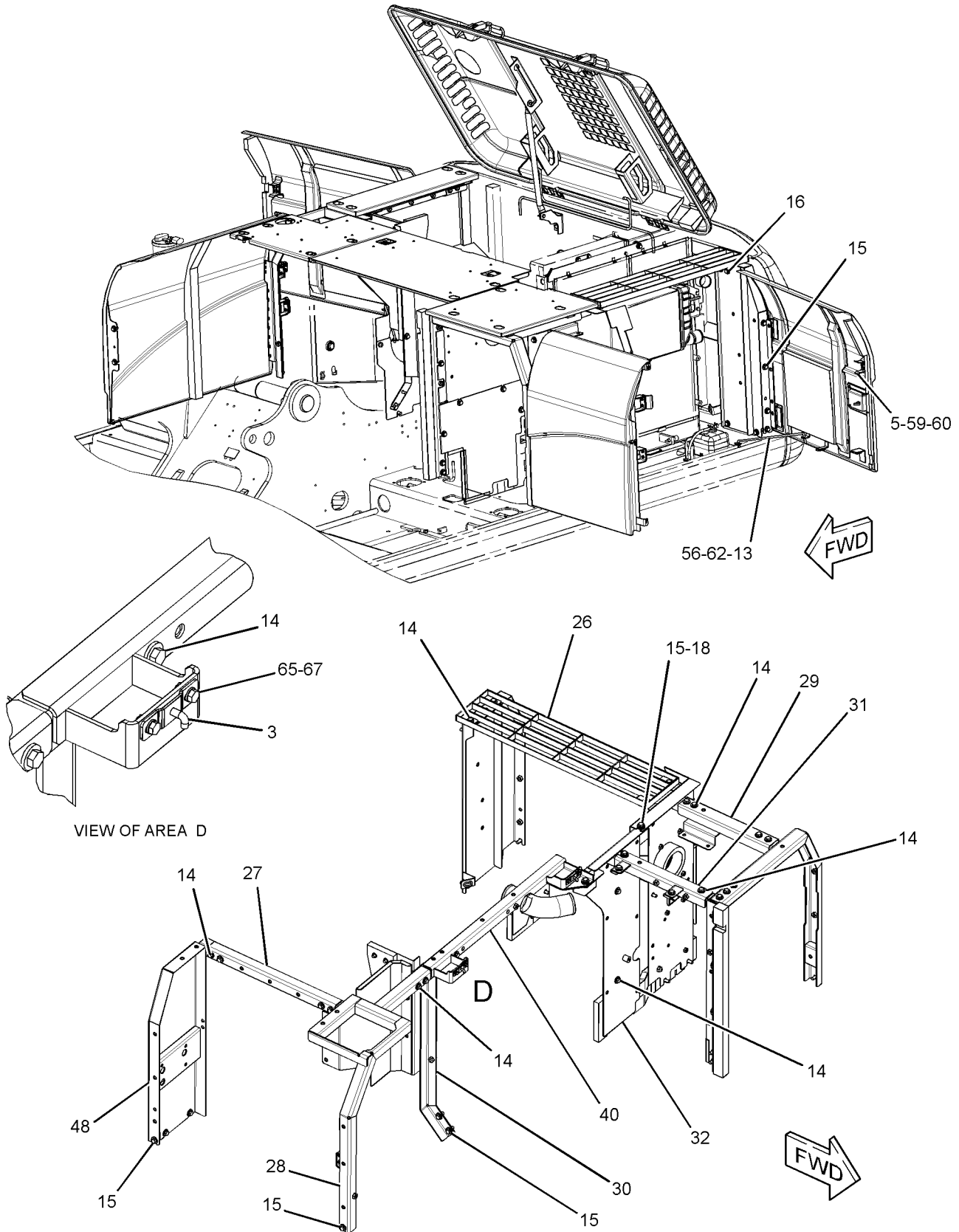
GRAPHIC #1

g01440901

FRAME AND BODY

273-7726 HOOD & GUARD GP (contd.)

i03454724



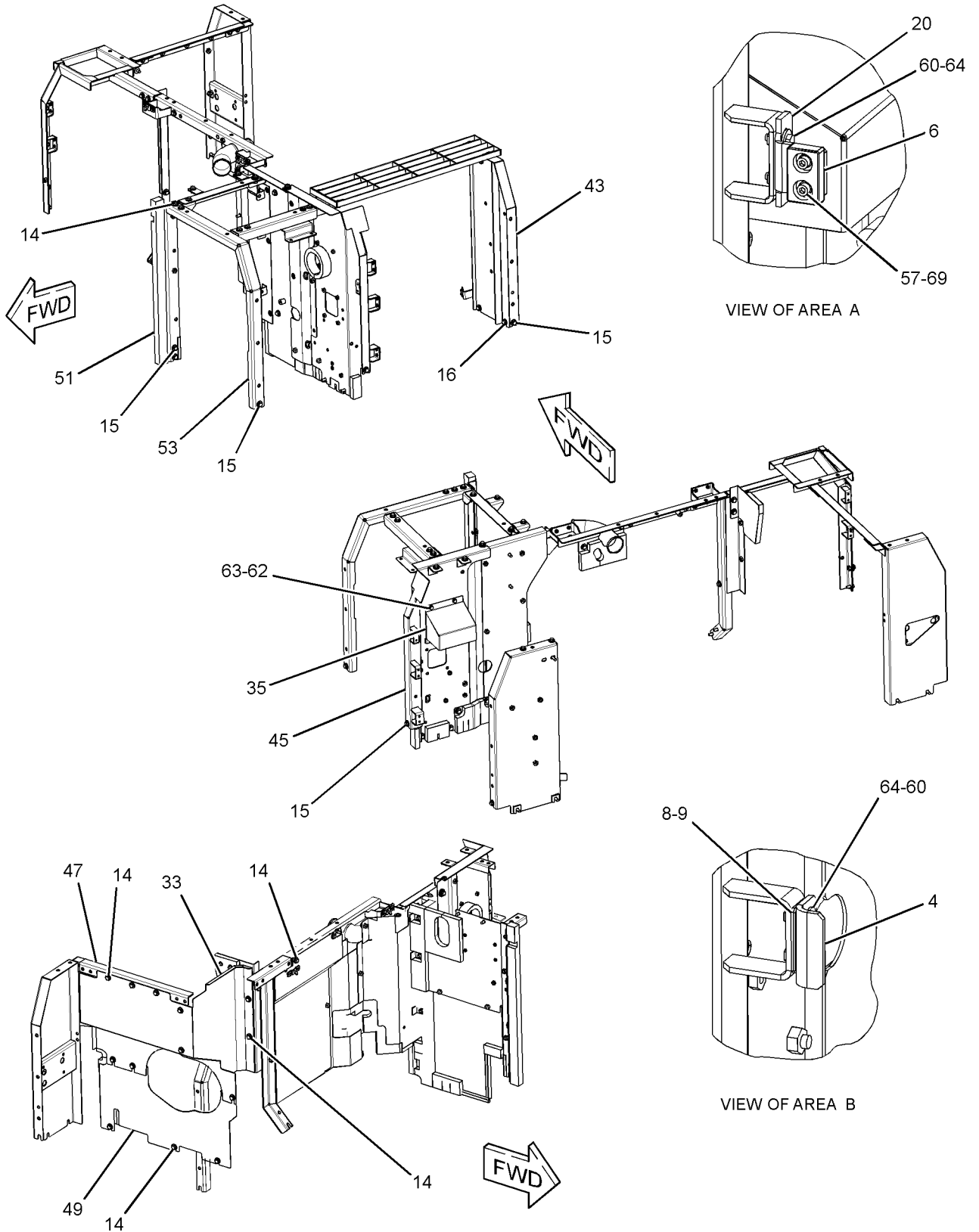
GRAPHIC #2

g01440902

FRAME AND BODY

273-7726 HOOD & GUARD GP (contd.)

i03454724



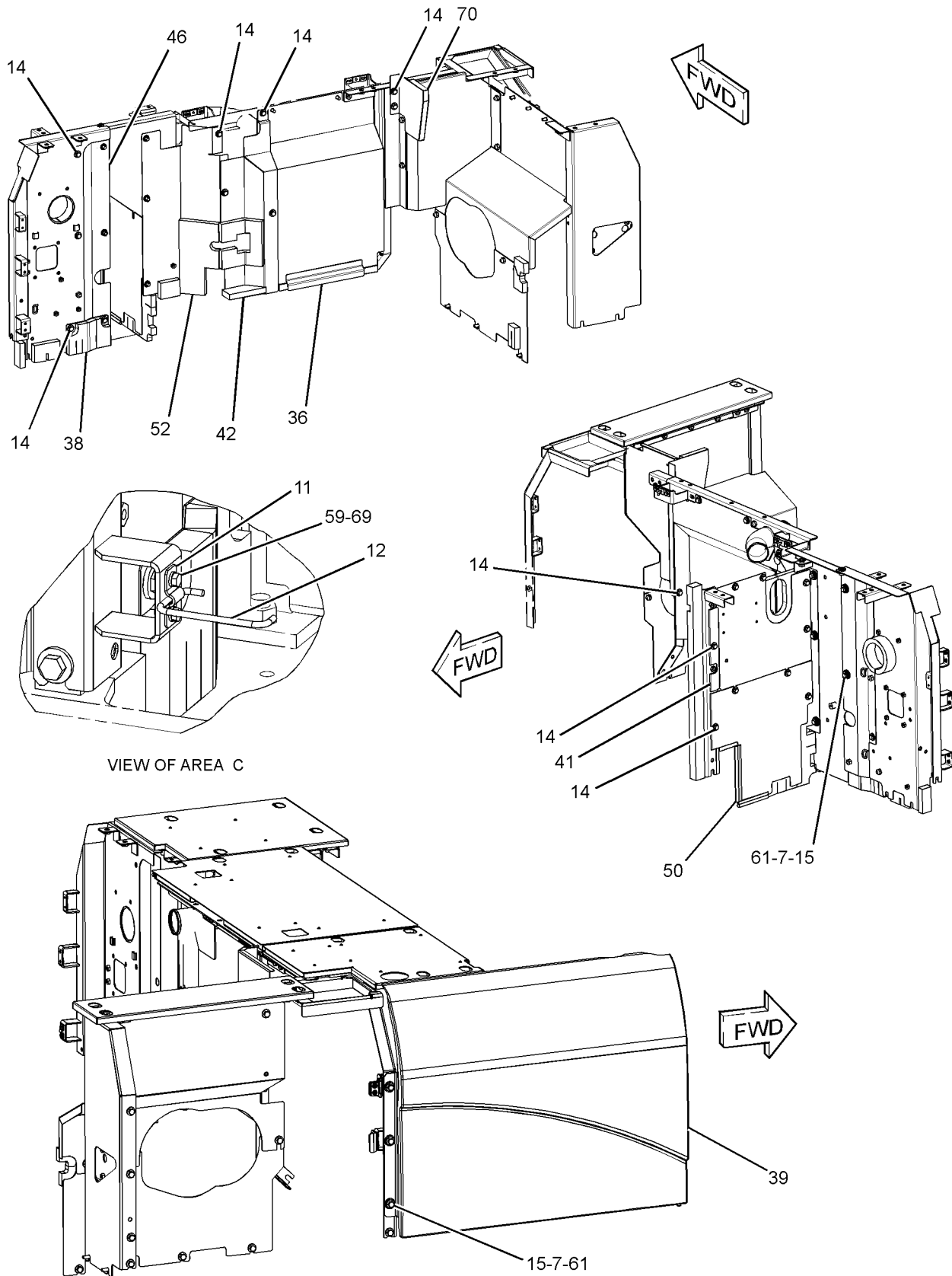
GRAPHIC #3

g01440903

FRAME AND BODY

273-7726 HOOD & GUARD GP (contd.)

i03454724



GRAPHIC #4

<END>

g01440904

FRAME AND BODY

262-2286 HOOD GP-ENGINE

S/N: MGG1-UP; JFZ1-UP

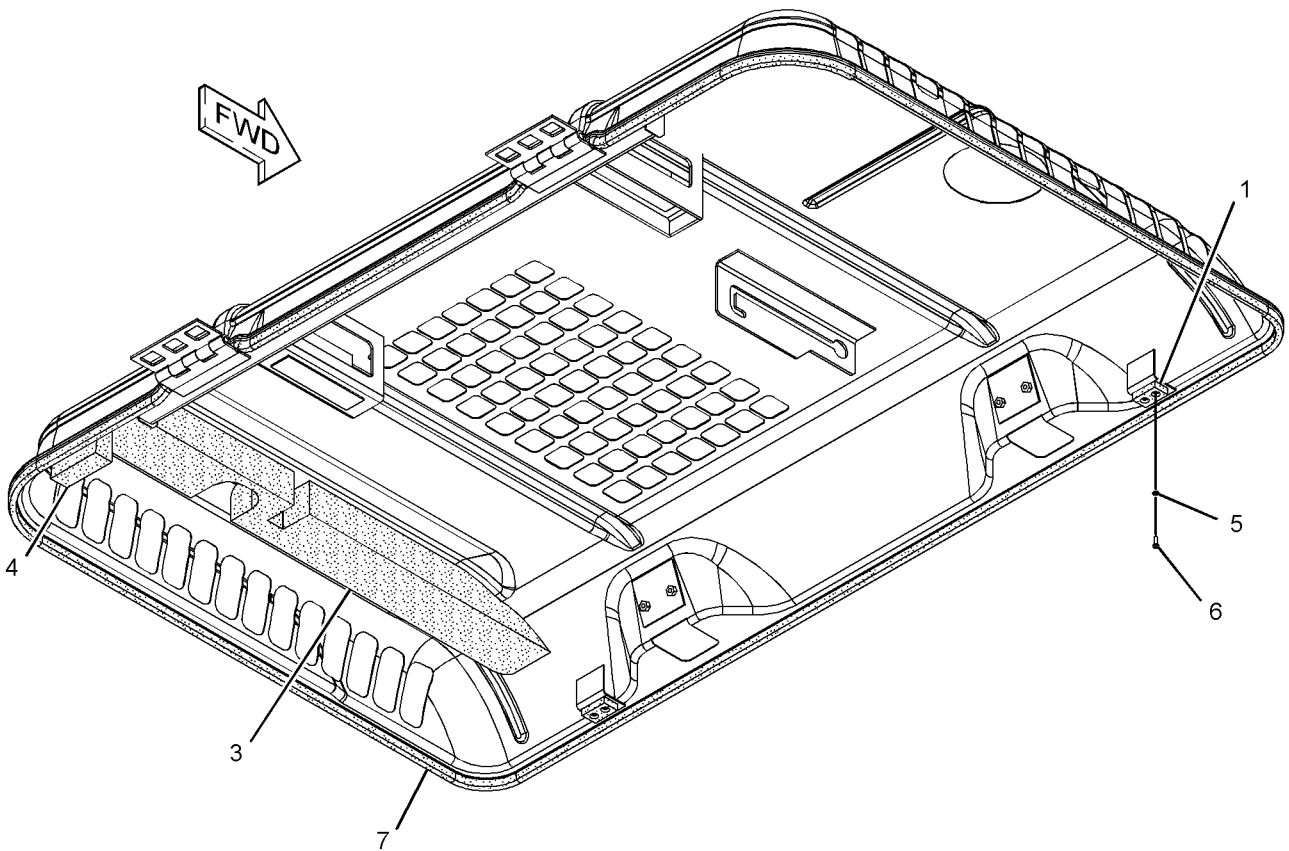
PART OF 273-7726 HOOD & GUARD GP

SMCS-7251

i02827062

NOTE	REF NO	GRAPHIC REF	PART NUMBER	QTY	PART NAME						SEE PAGE
					1	2	3	4	5	6 (PRODUCT LEVEL)	
	1	1	096-4129	2	CUSHION						
	3	1	262-2427	1	LINER						
	4	1	262-2428	1	LINER						
	5	1	8T-0328	4	WASHER-HARD (5.5X10X1-MM THK)						
M	6	1	8T-6693	4	SCREW-MACHINE (M5X0.8X16-MM)						
D	7	1	101-9848		SEAL (0.62-M)						

D-ORDER BY THE METER
M-METRIC PART



GRAPHIC #1

<END>

g01429558

FRAME AND BODY

278-3836 SHEET AS-SOUND SUPPRESSION

S/N: MGG1-UP; JFZ1-UP

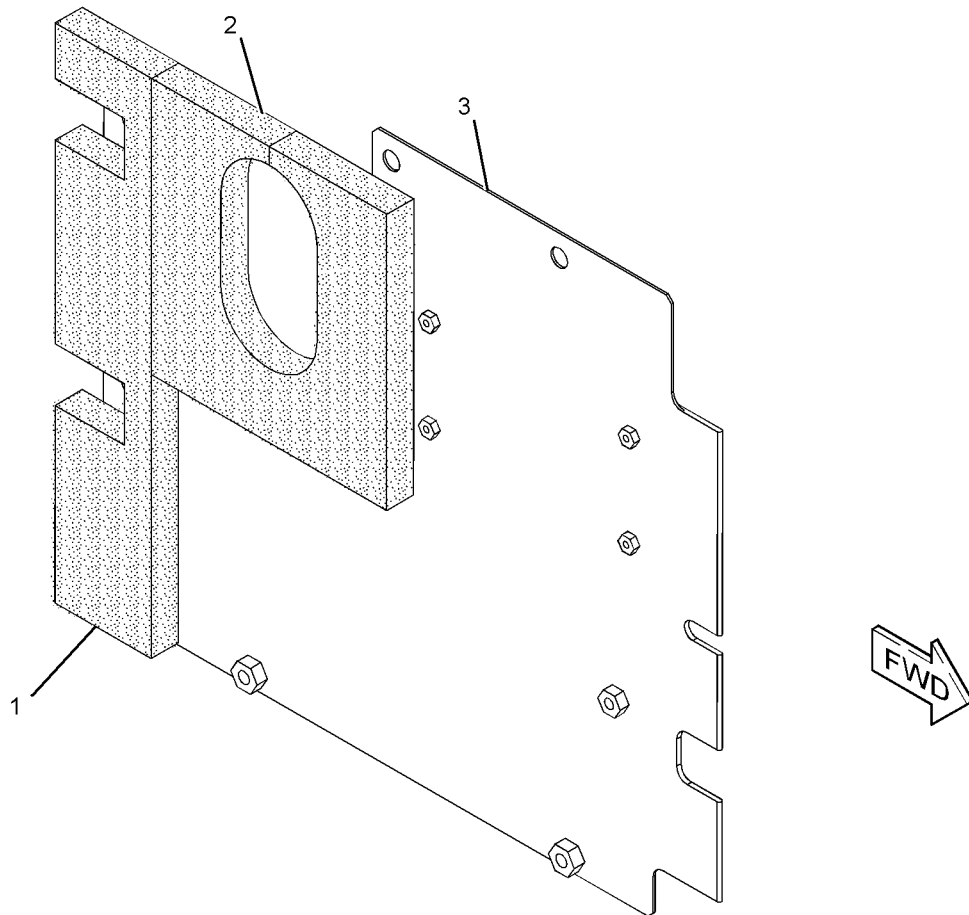
PART OF 273-7726 HOOD & GUARD GP

SMCS-1801, 7076, 7251, 7267

i02748479

NOTE	REF NO	GRAPHIC REF	PART NUMBER	QTY	PART NAME						SEE PAGE
					1	2	3	4	5	6 (PRODUCT LEVEL)	
	1	1	262-2313	1	LINER						
	2	1	278-3837	1	LINER						
Z	3	1		1	SHEET AS						

Z-NOT SERVICED SEPARATELY



GRAPHIC #1

<END>

g01290661

FRAME AND BODY

278-3842 SHEET AS-SOUND SUPPRESSION

S/N: MGG1-UP; JFZ1-UP

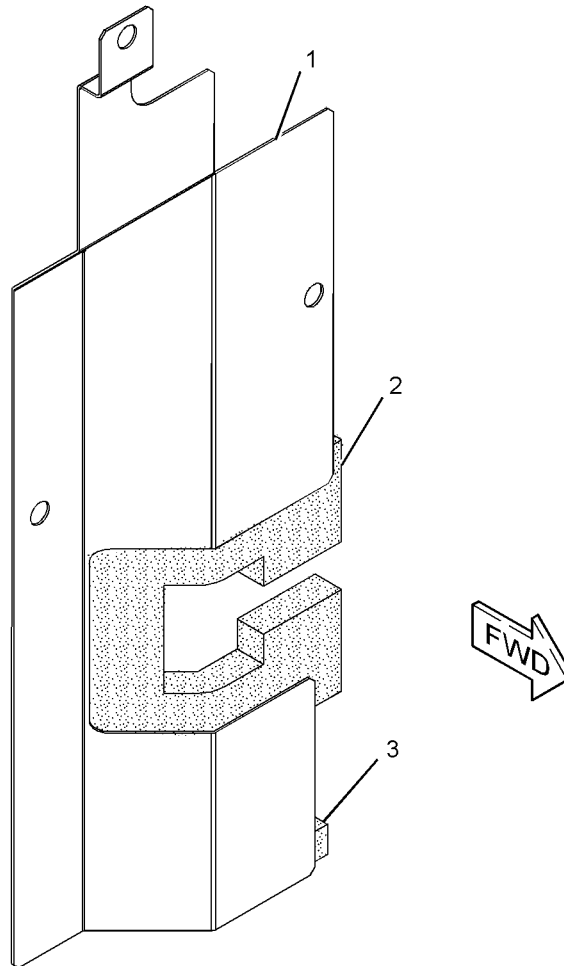
PART OF 273-7726 HOOD & GUARD GP

SMCS-1801, 7076, 7251, 7267

i02748627

NOTE	REF NO	GRAPHIC REF	PART NUMBER	QTY	PART NAME						SEE PAGE
					1	2	3	4	5	6 (PRODUCT LEVEL)	
Z	1	1		1	SHEET AS						
	2	1	199-7398	1	LINER						
	3	1	204-3663	1	LINER						

Z-NOT SERVICED SEPARATELY



GRAPHIC #1

<END>

g01290665

FRAME AND BODY

289-6572 SHEET AS-SOUND SUPPRESSION

S/N: MGG1-UP; JFZ1-UP

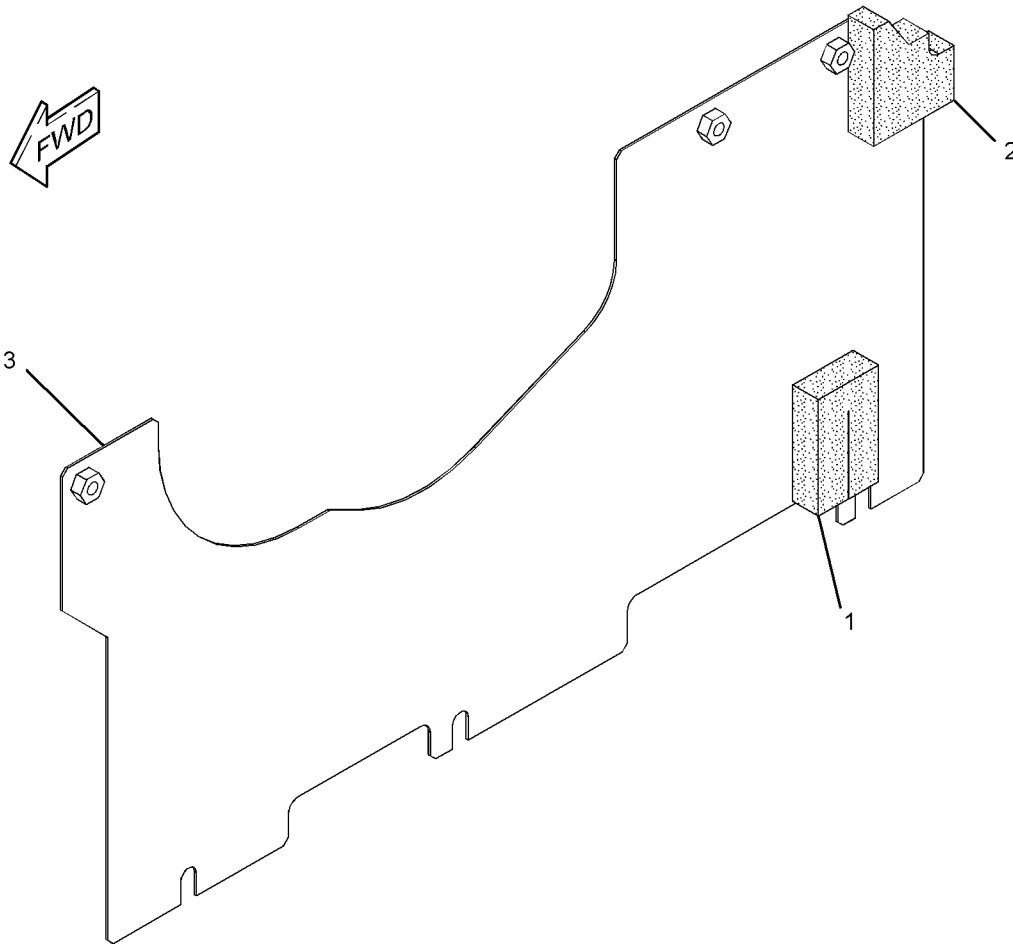
PART OF 273-7726 HOOD & GUARD GP

SMCS-1801, 7076, 7251, 7267

i02748661

NOTE	REF NO	GRAPHIC REF	PART NUMBER	QTY	PART NAME						SEE PAGE
					1	2	3	4	5	6 (PRODUCT LEVEL)	
	1	1	283-3905	1	LINER						
	2	1	286-6277	1	LINER						
Z	3	1		1	SHEET AS						

Z - NOT SERVICED SEPARATELY



GRAPHIC #1

<END>

g01290128

FRAME AND BODY

289-6695 SHEET AS-SOUND SUPPRESSION

S/N: MGG1-UP; JFZ1-UP

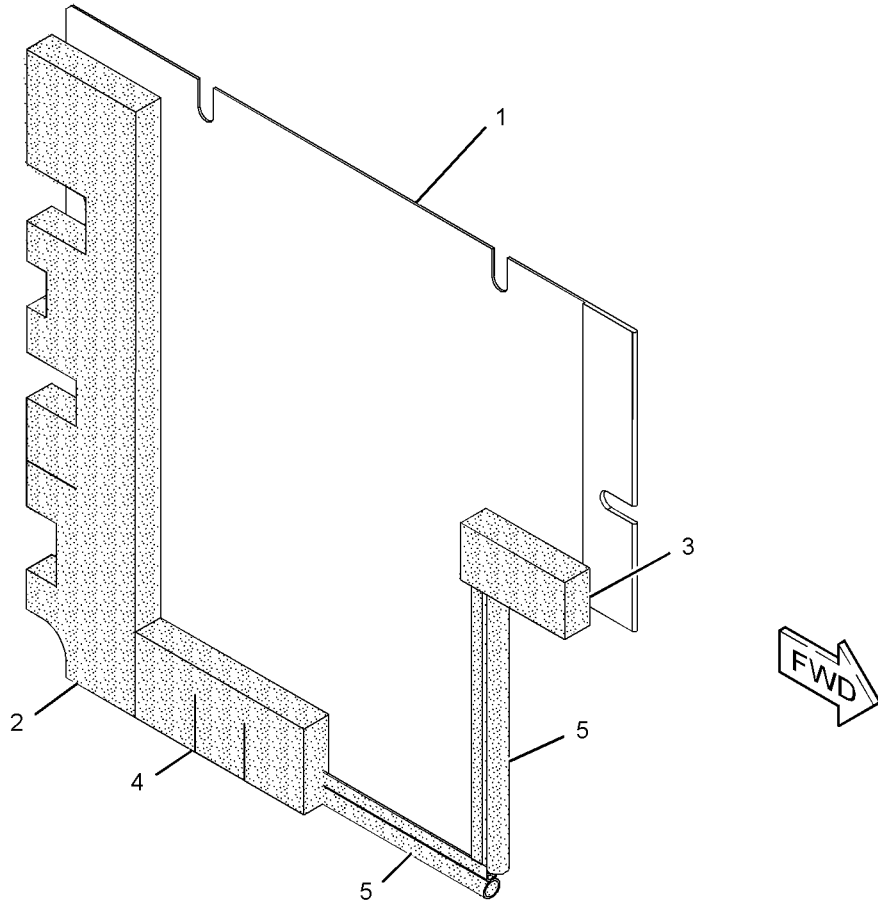
PART OF 273-7726 HOOD & GUARD GP

SMCS-1801, 7076, 7251, 7267

i02748691

NOTE	REF NO	GRAPHIC REF	PART NUMBER	QTY	PART NAME						SEE PAGE
					1	2	3	4	5	6 (PRODUCT LEVEL)	
Z	1	1		1	SHEET						
	2	1	289-6697	1	LINER						
	3	1	244-8284	1	LINER						
	4	1	262-2347	1	LINER						
D	5	1	5P-8309		SEAL (.5-M)						

D-ORDER BY THE METER
Z-NOT SERVICED SEPARATELY



GRAPHIC #1

<END>

g01290648

FRAME AND BODY

289-6699 SHEET AS-SOUND SUPPRESSION

S/N: MGG1-UP; JFZ1-UP

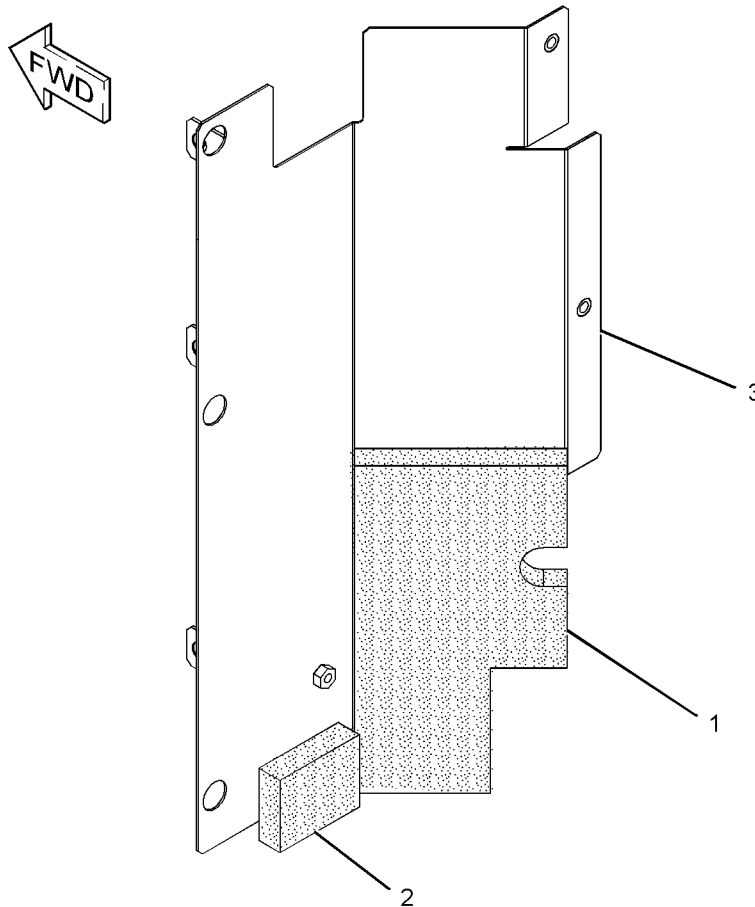
PART OF 273-7726 HOOD & GUARD GP

SMCS-1801, 7076, 7251, 7267

i02748706

NOTE	REF NO	GRAPHIC REF	PART NUMBER	QTY	PART NAME						SEE PAGE
					1	2	3	4	5	6 (PRODUCT LEVEL)	
	1	1	262-2309	1	LINER						
	2	1	289-6700	1	LINER						
Z	3	1		1	SHEET AS						

Z-NOT SERVICED SEPARATELY



GRAPHIC #1

<END>

g01290615

FRAME AND BODY

289-6712 SHEET AS-SOUND SUPPRESSION

S/N: MGG1-UP; JFZ1-UP

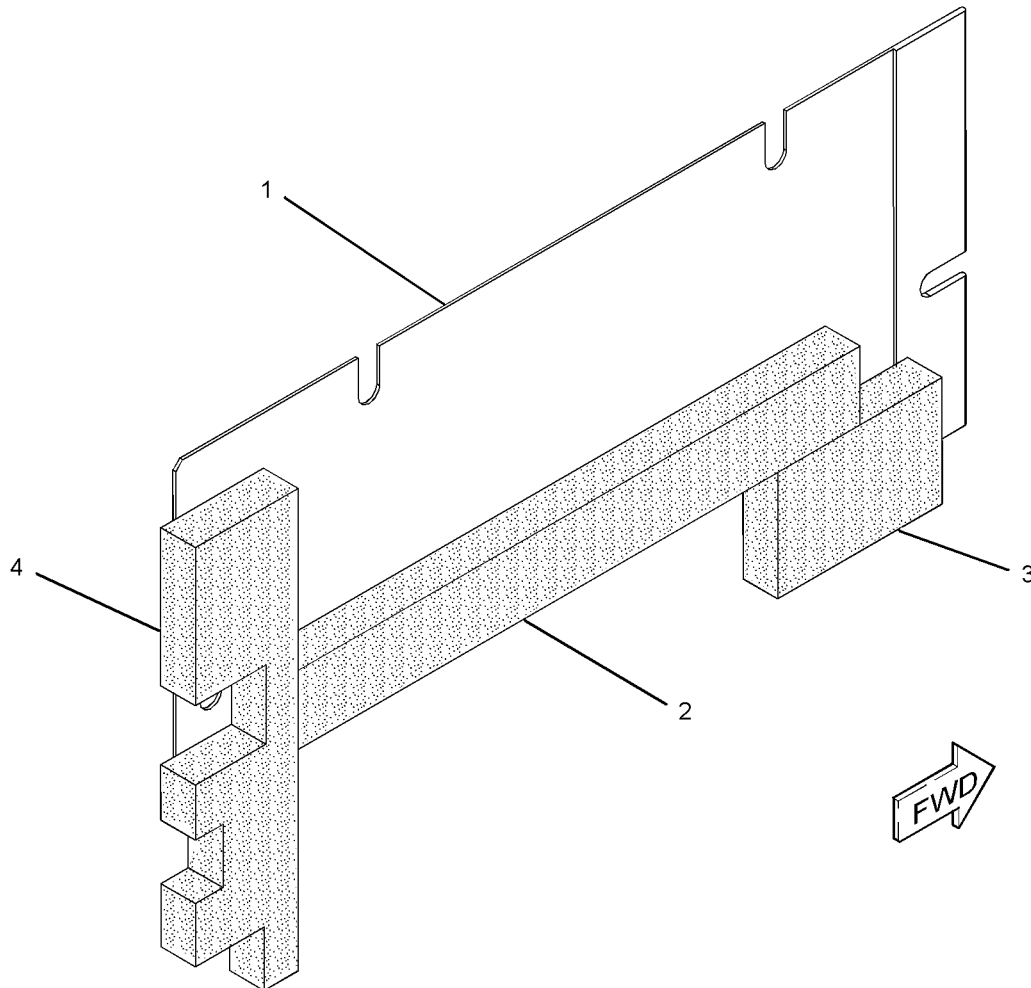
PART OF 299-2783 BATTERY & WIRING GP
AN ATTACHMENT

SMCS-1801, 7076, 7251, 7267

i02752977

NOTE	REF NO	GRAPHIC REF	PART NUMBER	QTY	PART NAME						SEE PAGE
					1	2	3	4	5	6 (PRODUCT LEVEL)	
Z	1	1		1	SHEET						
	2	1	262-2333	1	LINER						
	3	1	262-2335	1	LINER						
	4	1	289-6713	1	LINER						

Z-NOT SERVICED SEPARATELY



GRAPHIC #1

<END>

g01309481

FRAME AND BODY

235-7764 STEP GP

S/N: MGG1-UP; JFZ1-UP

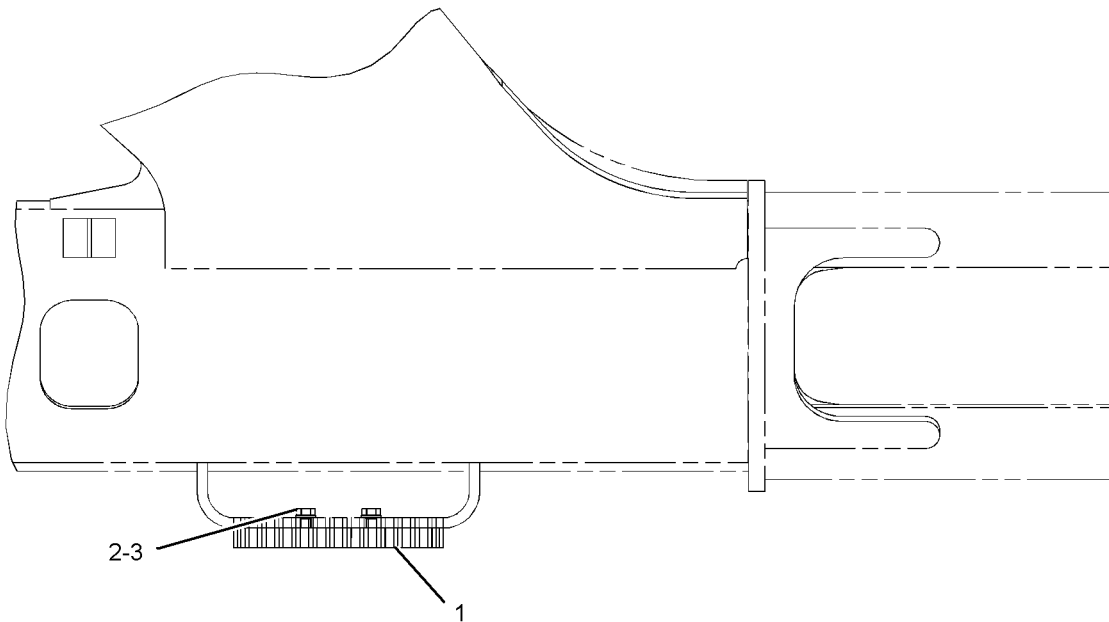
PART OF 247-7346, 247-7382, 314-3797, 314-3798 TRACK AR
AN ATTACHMENT

SMCS-7254

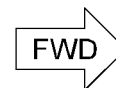
i02535056

NOTE	REF NO	GRAPHIC REF	PART NUMBER	QTY	PART NAME						SEE PAGE
					1	2	3	4	5	6 (PRODUCT LEVEL)	
	1	1	235-7765	2	STEP						
M	2	1	8T-7338	4	BOLT (M16X2X45-MM)						
	3	1	9X-8257	4	WASHER (17.5X30X3.5-MM THK)						

M-METRIC PART



TOP VIEW



GRAPHIC #1

<END>

g01150668

FRAME AND BODY

248-8940 SUPPORT AS-ENCLOSURE

S/N: MGG1-UP; JFZ1-UP

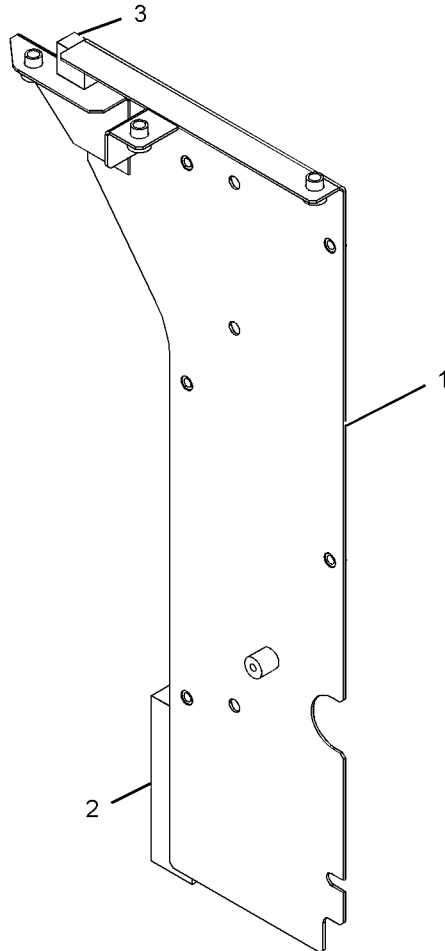
PART OF 273-7726 HOOD & GUARD GP

SMCS-0635, 1801, 7076, 7251, 7263, 7267, 7272, 7276

i02545525

NOTE	REF NO	GRAPHIC REF	PART NUMBER	QTY	PART NAME						SEE PAGE
					1	2	3	4	5	6 (PRODUCT LEVEL)	
Z	1	1		1	SUPPORT AS						
	2	1	248-8943	1	LINER						
	3	1	248-8944	1	LINER						

Z-NOT SERVICED SEPARATELY



GRAPHIC #1

<END>

g01229683

FRAME AND BODY

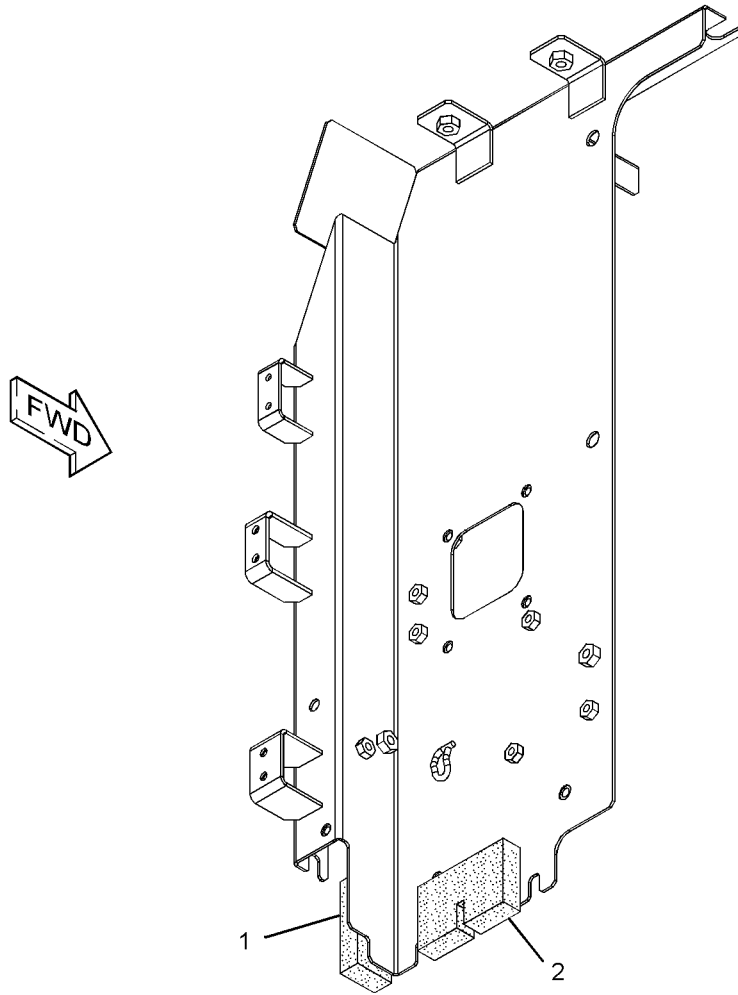
304-0093 SUPPORT AS-ENCLOSURE

S/N: MGG1-UP; JFZ1-UP
PART OF 278-3778 COVER GP-HOOD
AN ATTACHMENT

SMCS-0635, 1801, 7076, 7251, 7263, 7267, 7272, 7276

i03090260

NOTE	REF NO	GRAPHIC REF	PART NUMBER	QTY	PART NAME						SEE PAGE
					1	2	3	4	5	6 (PRODUCT LEVEL)	
	1	1	244-8277	1	LINER						
	2	1	244-8278	1	LINER						



GRAPHIC #1

<END>

g01387729

FRAME AND BODY

307-7662 SUPPORT AS-ENCLOSURE

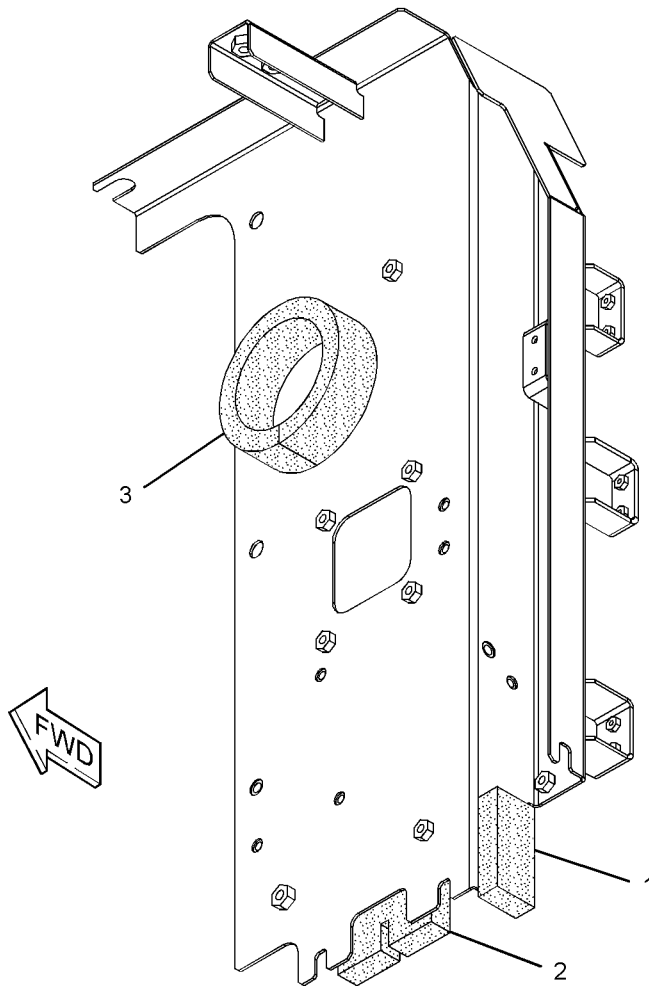
S/N: MGG1-UP; JFZ1-UP

PART OF 273-7726 HOOD & GUARD GP

SMCS-0635, 1801, 7076, 7251, 7263, 7267, 7272, 7276

i02927538

NOTE	REF NO	GRAPHIC REF	PART NUMBER	QTY	PART NAME						SEE PAGE
					1	2	3	4	5	6 (PRODUCT LEVEL)	
	1	1	244-8277	1	LINER						
	2	1	244-8278	1	LINER						
	3	1	244-8288	1	LINER						



GRAPHIC #1

<END>

g01377554

UNDERCARRIAGE**240-3822 FRAME AR-UNDERCARRIAGE**

S/N: MGG1-UP

PART OF 264-8627 GENERAL AR

SMCS-4151

i02672605

NOTE	PART NUMBER	QTY	PART NAME						SEE PAGE
			1	2	3	4	5	6 (PRODUCT LEVEL)	
Y	227-6147	1	GEAR & BEARING GP-SWING						277
Y	087-5908	2	GUARD GP-TRACK GUIDE						307
Y	163-3754	1	GUARD GP-TRAVEL MOTOR						308
Y	239-4341	1	IDLER GP-FRONT						309
Y	7Y-1608	1	ROLLER AR-TRACK & CARRIER						316
	236-8341	1	FRAME AS-UNDERCARRIAGE						
	235-7520	4	STEP						

Y-SEPARATE ILLUSTRATION

<END>

UNDERCARRIAGE**247-7454 FRAME AR-UNDERCARRIAGE**

S/N: JFZ1-UP

PART OF 264-8626 GENERAL AR

SMCS-4151

i02832465

NOTE	PART NUMBER	QTY	PART NAME						SEE PAGE
			1	2	3	4	5	6 (PRODUCT LEVEL)	
Y	254-3022	1	FRAME AS-UNDERCARRIAGE						306
Y	227-6147	1	GEAR & BEARING GP-SWING						277
Y	087-5908	2	GUARD GP-TRACK GUIDE						307
Y	163-3754	1	GUARD GP-TRAVEL MOTOR						308
Y	239-4341	1	IDLER GP-FRONT						309
Y	7Y-1607	1	ROLLER AR-TRACK & CARRIER						315

Y-SEPARATE ILLUSTRATION

<END>

UNDERCARRIAGE**254-3022 FRAME AS-UNDERCARRIAGE**

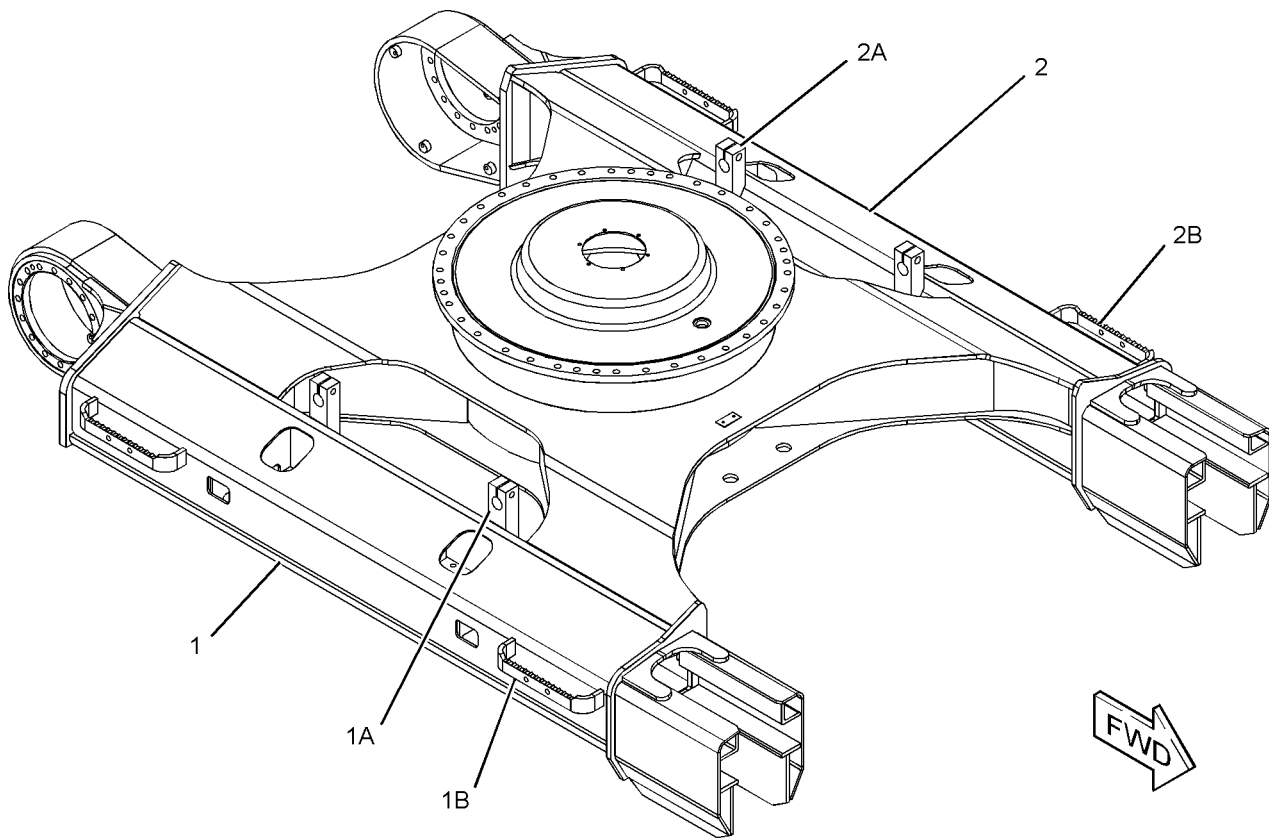
S/N: JFZ1-UP

PART OF 247-7454 FRAME AR-UNDERCARRIAGE

SMCS-4150, 7062

i02832460

NOTE	REF NO	GRAPHIC REF	PART NUMBER	QTY	PART NAME						SEE PAGE
					1	2	3	4	5	6 (PRODUCT LEVEL)	
	1	1	254-3023	1	FRAME AS-TRACK ROLLER (RH)						
	1A	1	117-5540	2	BRACKET						
	1B	1	235-7520	2	STEP						
	2	1	254-3024	1	FRAME AS-TRACK ROLLER (LH)						
	2A	1	117-5540	2	BRACKET						
	2B	1	235-7520	2	STEP						



GRAPHIC #1

<END>

g01416824

UNDERCARRIAGE

087-5908 GUARD GP-TRACK GUIDE

S/N: MGG1-UP; JFZ1-UP

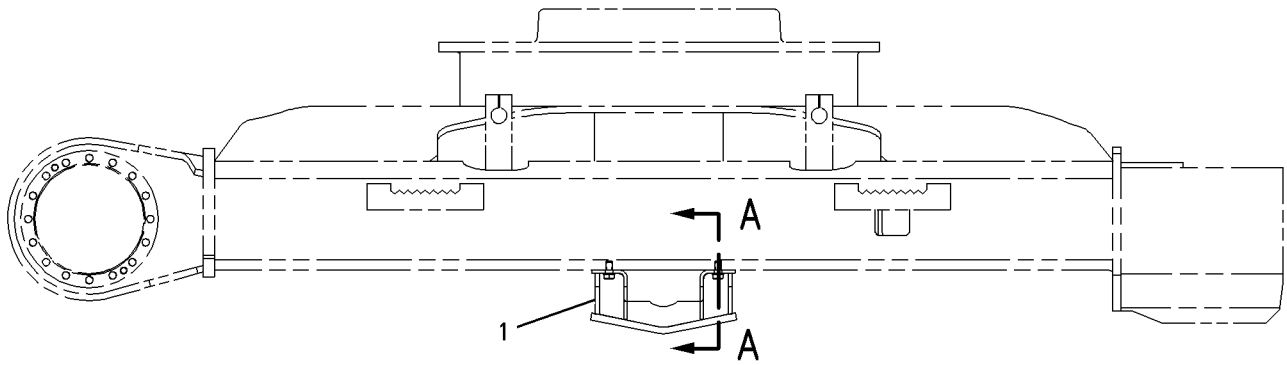
PART OF 240-3822, 247-7454 FRAME AR-UNDERCARRIAGE

SMCS-4177

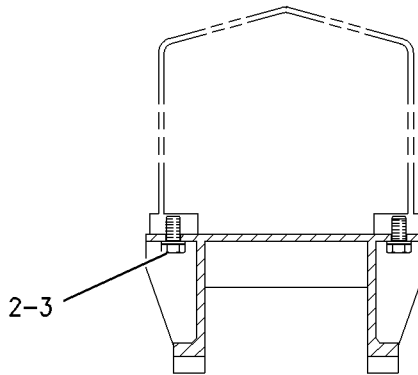
i02364530

NOTE	REF NO	GRAPHIC REF	PART NUMBER	QTY	PART NAME						SEE PAGE
					1	2	3	4	5	6 (PRODUCT LEVEL)	
	1	1	240-2988	1	GUARD AS-TRACK GUIDE						
	2	1	8T-4123	4	WASHER (22X35X3.5-MM THK)						
M	3	1	8T-5460	4	BOLT (M20X2.5X40-MM)						

M-METRIC PART



RIGHT SIDE VIEW



SECTION A-A

GRAPHIC #1

<END>

g00716614

UNDERCARRIAGE

163-3754 GUARD GP-TRAVEL MOTOR

S/N: MGG1-UP; JFZ1-UP

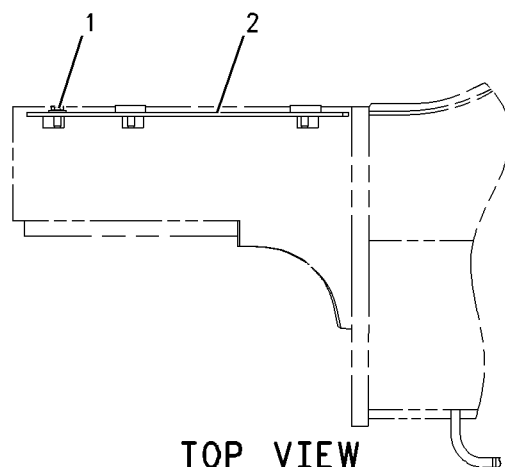
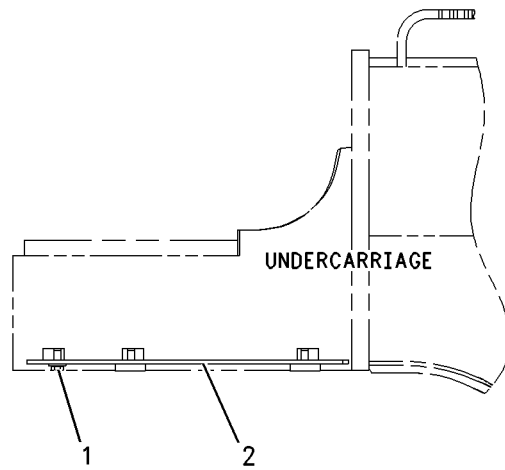
PART OF 240-3822, 247-7454 FRAME AR-UNDERCARRIAGE

SMCS-7163

i01356362

NOTE	REF NO	GRAPHIC REF	PART NUMBER	QTY	PART NAME						SEE PAGE
					1	2	3	4	5	6 (PRODUCT LEVEL)	
M	1	1	135-8576	8	BOLT AS-LOCKING (M12X1.75X30-MM)						
					(EACH INCLUDES)						
		1	5P-1076	1	WASHER-HARD (13.5X30X4-MM THK)						
M		1	8C-8992	1	BOLT-LOCKING (M12X1.75X30-MM)						
	2	1	163-3755	2	COVER						

M-METRIC PART



TOP VIEW

<END>

GRAPHIC #1

g00678898

UNDERCARRIAGE

239-4341 IDLER GP-FRONT

S/N: MGG1-UP; JFZ1-UP

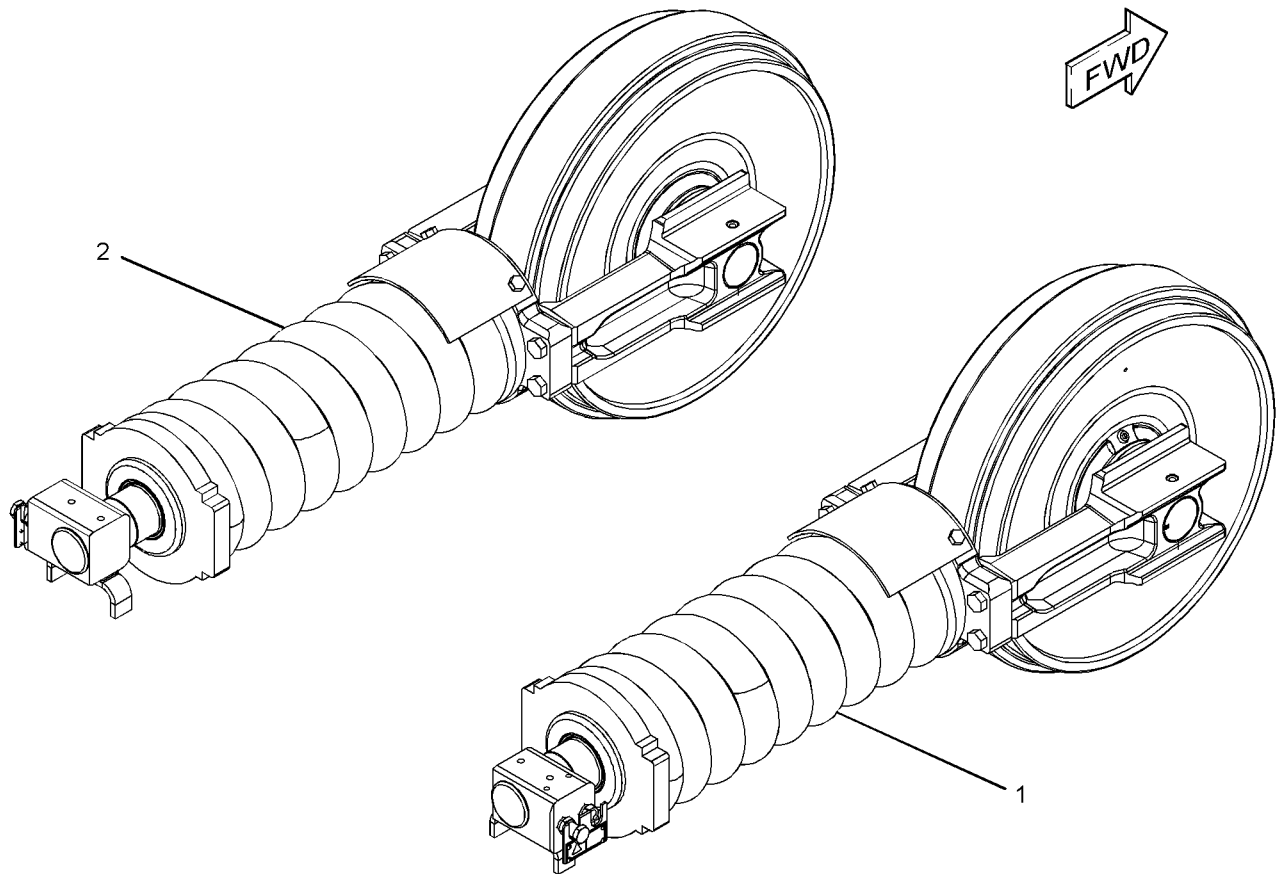
PART OF 240-3822, 247-7454 FRAME AR-UNDERCARRIAGE

SMCS-4159

i02545714

NOTE	REF NO	GRAPHIC REF	PART NUMBER	QTY	PART NAME						SEE PAGE
					1	2	3	4	5	6 (PRODUCT LEVEL)	
Y	1	1	239-4385	1	IDLER GP-FRONT (RH)						310
Y	2	1	239-4386	1	IDLER GP-FRONT (LH)						311

Y-SEPARATE ILLUSTRATION



GRAPHIC #1

<END>

g01217090

UNDERCARRIAGE

239-4385 IDLER GP-FRONT-RH

S/N: MGG1-UP; JFZ1-UP

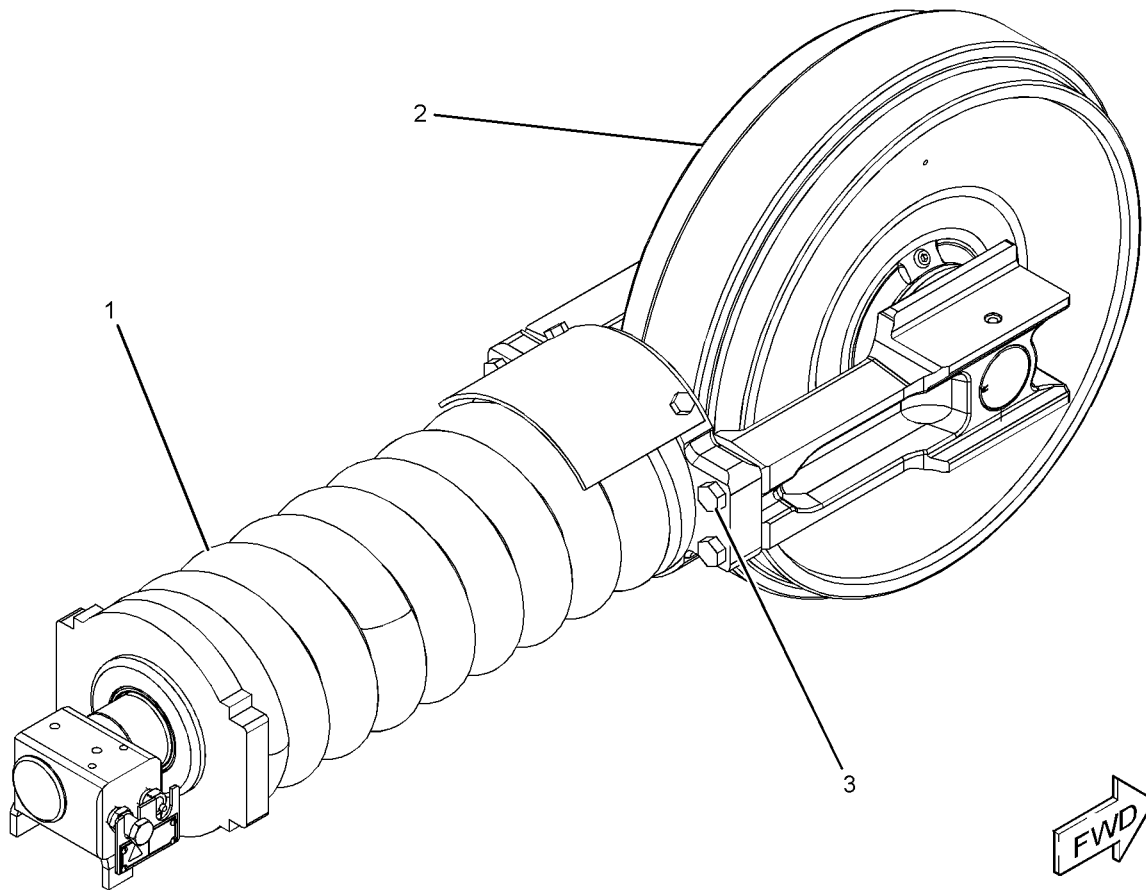
PART OF 239-4341 IDLER GP-FRONT

SMCS-4159

i02545720

NOTE	REF NO	GRAPHIC REF	PART NUMBER	QTY	PART NAME						SEE PAGE
					1	2	3	4	5	6 (PRODUCT LEVEL)	
Y	1	1	239-4387	1	TRACK ADJUSTER & RECOIL GP (RH)						319
Y	2		248-7143	1	IDLER GP-FRONT						312
M	3	1	8T-4140	4	BOLT (M16X2X60-MM)						

M-METRIC PART
Y-SEPARATE ILLUSTRATION



GRAPHIC #1

<END>

g01217100

UNDERCARRIAGE

239-4386 IDLER GP-FRONT-LH

S/N: MGG1-UP; JFZ1-UP

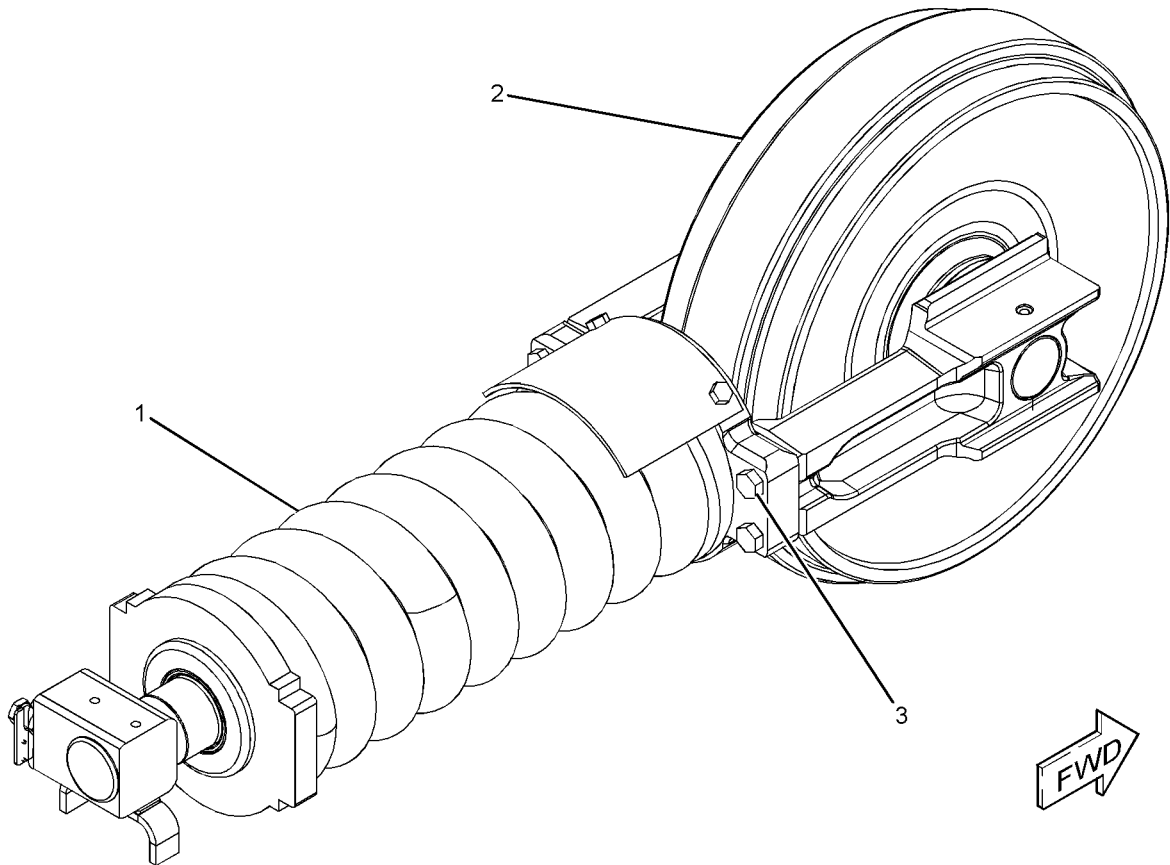
PART OF 239-4341 IDLER GP-FRONT

SMCS-4159

i02545730

NOTE	REF NO	GRAPHIC REF	PART NUMBER	QTY	PART NAME						SEE PAGE
					1	2	3	4	5	6 (PRODUCT LEVEL)	
Y	1	1	239-4388	1	TRACK ADJUSTER & RECOIL GP						320
Y	2	1	248-7143	1	IDLER GP-FRONT						312
M	3	1	8T-4140	4	BOLT (M16X2X60-MM)						

M - METRIC PART
Y - SEPARATE ILLUSTRATION



GRAPHIC #1

<END>

g01217105

UNDERCARRIAGE

248-7143 IDLER GP-FRONT

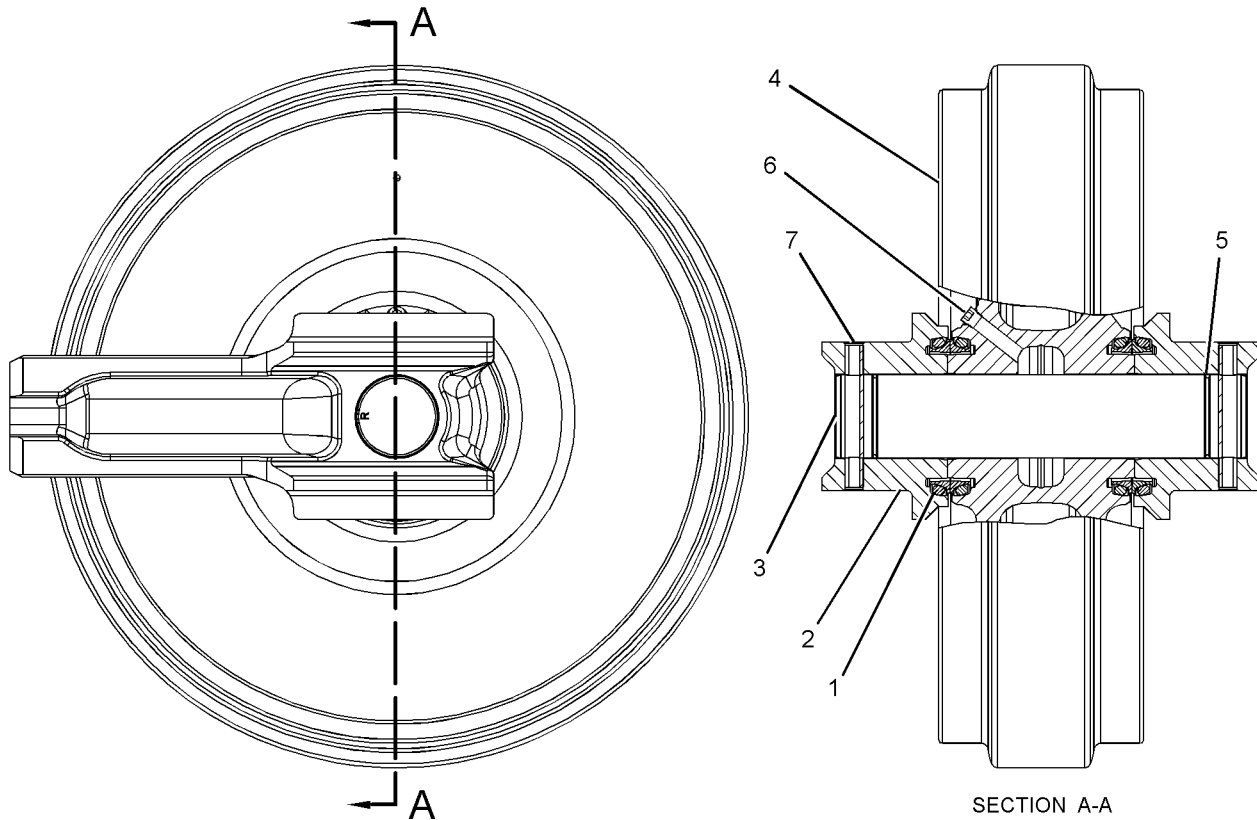
S/N: MGG1-UP; JFZ1-UP

PART OF 239-4385, 239-4386 IDLER GP-FRONT

SMCS-4159

i02545749

NOTE	REF NO	GRAPHIC REF	PART NUMBER	QTY	PART NAME						SEE PAGE
					1	2	3	4	5	6 (PRODUCT LEVEL)	
	1	1	9W-2201	2	SEAL GP-DUO-CONE						
					(EACH INCLUDES)						
		1	096-4255	2	RING						
	2	1	239-4362	2	BEARING (FRONT IDLER)						
	3	1	246-5425	1	SHAFT						
	4	1	262-4781	1	IDLER & BEARING AS						
		1	8E-4359	2	BEARING						
	5	1	6V-7658	2	SEAL-O-RING						
	6	1	7H-3171	1	PLUG-PIPE						
	7	1	9W-9455	2	PIN						



GRAPHIC #1

<END>

g01206925

UNDERCARRIAGE

194-1608 LINK AS-TRACK

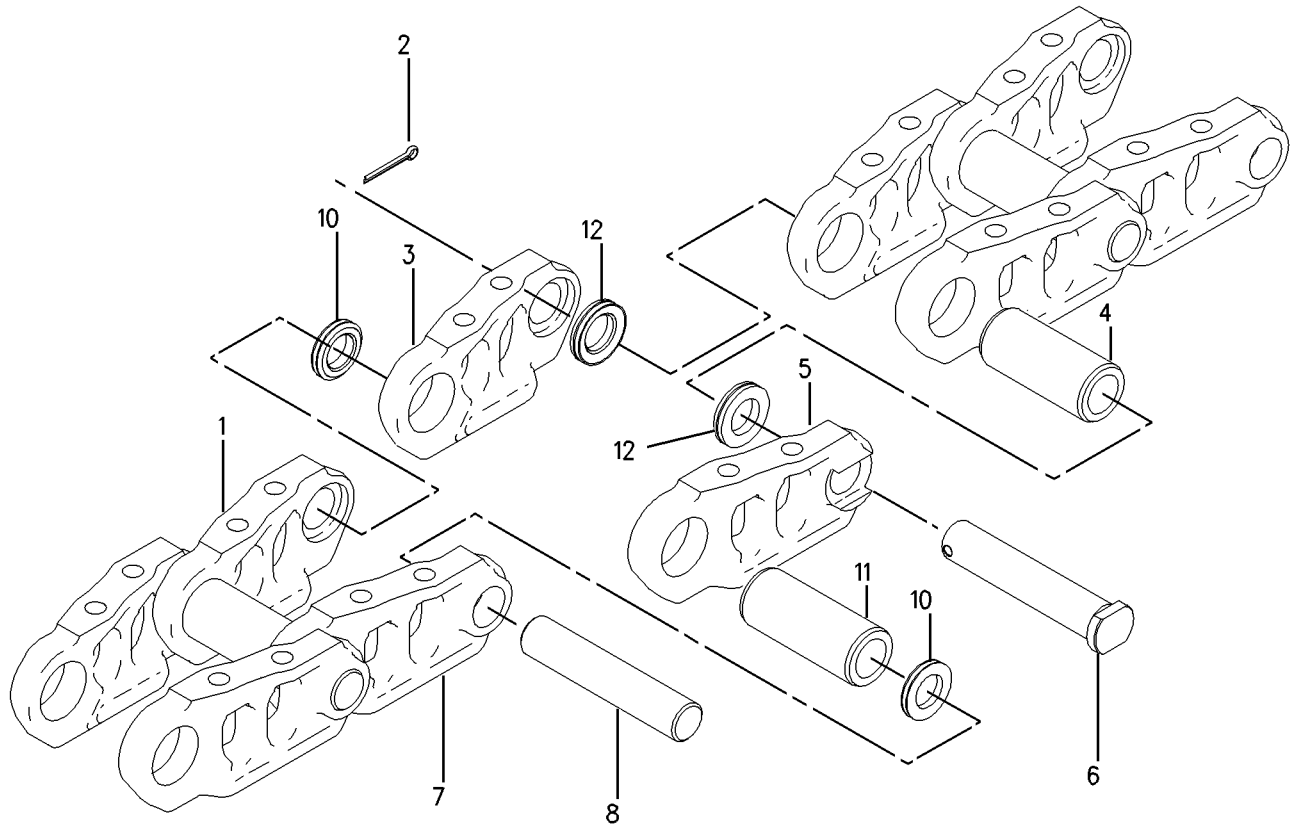
S/N: MGG1-UP

PART OF 194-1910, 194-1912, 332-8908 TRACK GP
AN ATTACHMENT

SMCS-4169, 4171

i01938118

NOTE	REF NO	GRAPHIC REF	PART NUMBER	QTY	PART NAME						SEE PAGE
					1	2	3	4	5	6 (PRODUCT LEVEL)	
	1	1	9W-3138	48	LINK-TRACK (LH)						
	2	1	095-0863	1	PIN-COTTER						
	3	1	8E-8586	1	LINK-MASTER (LH)						
	4	1	190-3524	1	BUSHING-MASTER						
	5	1	8E-8585	1	LINK-MASTER (RH)						
	6	1	188-3064	1	PIN-TRACK MASTER						
	7	1	9W-3137	48	LINK-TRACK (RH)						
	8	1	6Y-8186	48	PIN-TRACK						
	10	1	158-4380	96	SEAL-TRACK						
	11	1	190-3523	48	BUSHING-TRACK						
	12	1	158-4381	2	SEAL-TRACK MASTER						



GRAPHIC #1

<END>

g00668766

UNDERCARRIAGE

194-1609 LINK AS-TRACK

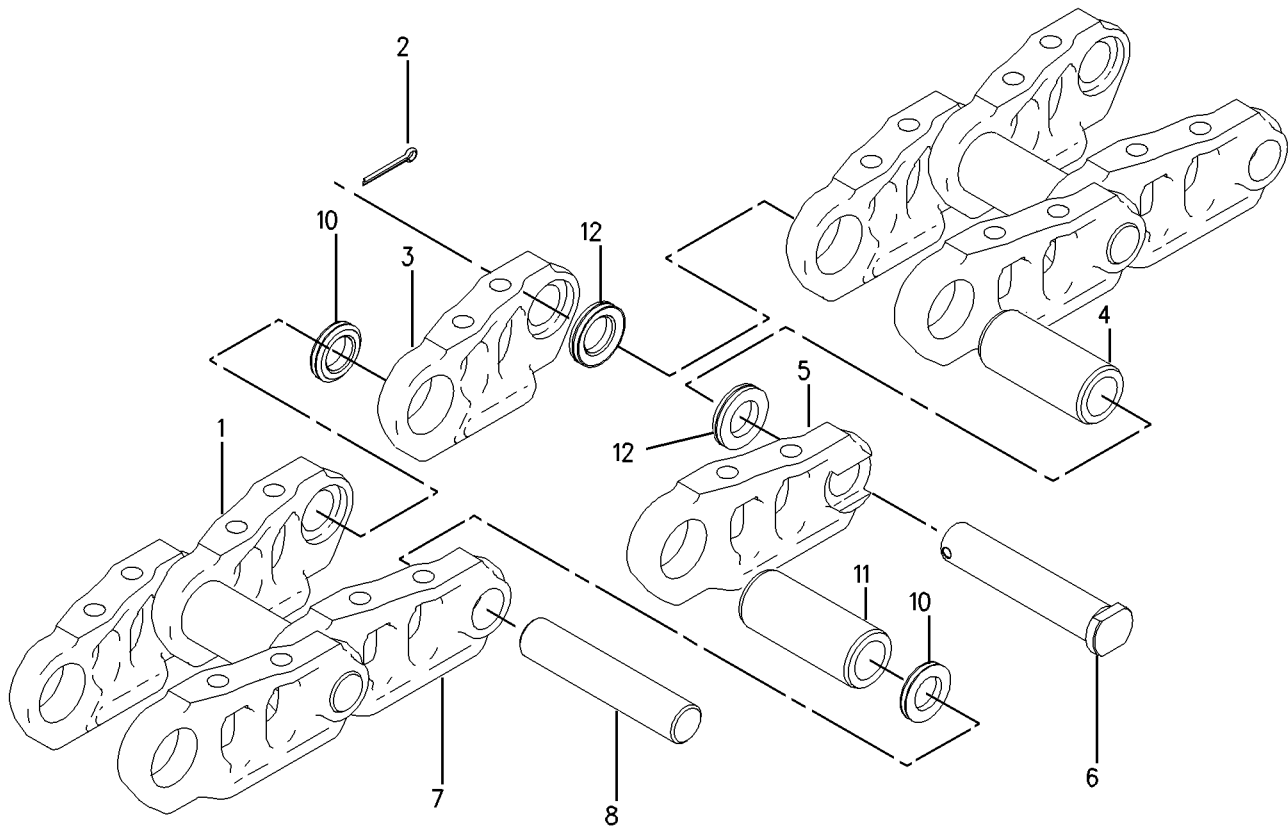
S/N: JFZ1-UP

PART OF 194-1920, 194-1921, 332-8915 TRACK GP
AN ATTACHMENT

SMCS-4169, 4171

i01938160

NOTE	REF NO	GRAPHIC REF	PART NUMBER	QTY	PART NAME						SEE PAGE
					1	2	3	4	5	6 (PRODUCT LEVEL)	
	1	1	9W-3138	44	LINK-TRACK (LH)						
	2	1	095-0863	1	PIN-COTTER						
	3	1	8E-8586	1	LINK-MASTER (LH)						
	4	1	190-3524	1	BUSHING-MASTER						
	5	1	8E-8585	1	LINK-MASTER (RH)						
	6	1	188-3064	1	PIN-TRACK MASTER						
	7	1	9W-3137	44	LINK-TRACK (RH)						
	8	1	6Y-8186	44	PIN-TRACK						
	10	1	158-4380	88	SEAL-TRACK						
	11	1	190-3523	44	BUSHING-TRACK						
	12	1	158-4381	2	SEAL-TRACK MASTER						



GRAPHIC #1

<END>

g00668766

UNDERCARRIAGE

7Y-1607 ROLLER AR-TRACK & CARRIER

S/N: JFZ1-UP

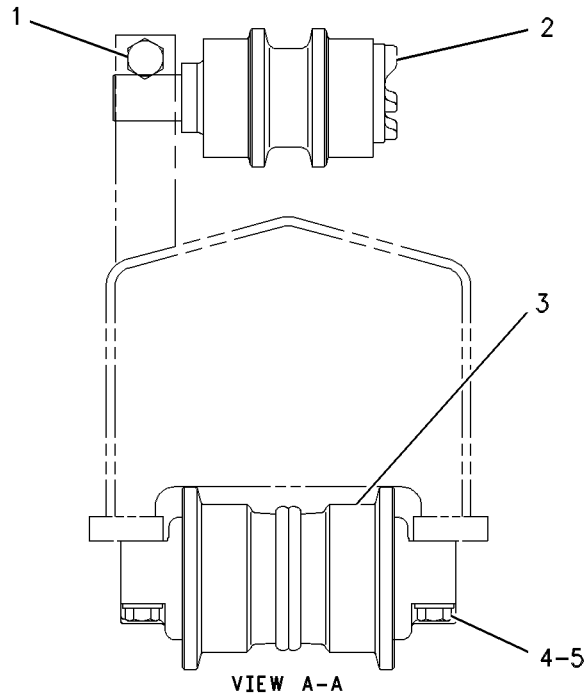
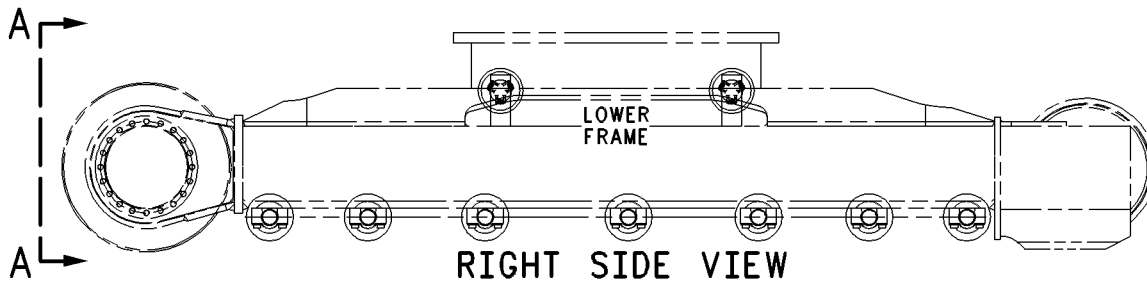
PART OF 247-7454 FRAME AR-UNDERCARRIAGE

SMCS-4154, 4180

i01355774

NOTE	REF NO	GRAPHIC REF	PART NUMBER	QTY	PART NAME						SEE PAGE
					1	2	3	4	5	6 (PRODUCT LEVEL)	
M	1	1	8T-5878	4	BOLT (M24X3X80-MM)						
Y	2	1	8E-5600	4	ROLLER GP-TRACK CARRIER						317
YR	3	1	163-4143	14	ROLLER GP-TRACK-SINGLE FLANGE						318
M	4	1	7X-2565	56	BOLT (M20X2.5X100-MM)						
	5	1	8T-4123	56	WASHER (22X35X3.5-MM THK)						

M-METRIC PART
 R-REMFG PART MAY BE AVAILABLE
 Y-SEPARATE ILLUSTRATION



GRAPHIC #1

<END>

g00387795

UNDERCARRIAGE

7Y-1608 ROLLER AR-TRACK & CARRIER

S/N: MGG1-UP

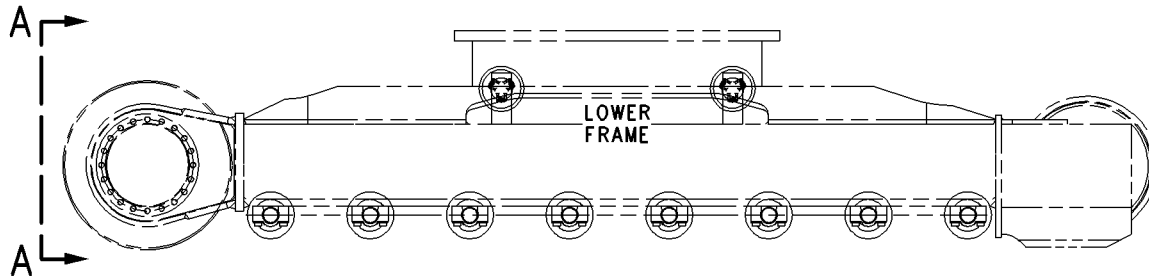
PART OF 240-3822 FRAME AR-UNDERCARRIAGE

SMCS-4154, 4180

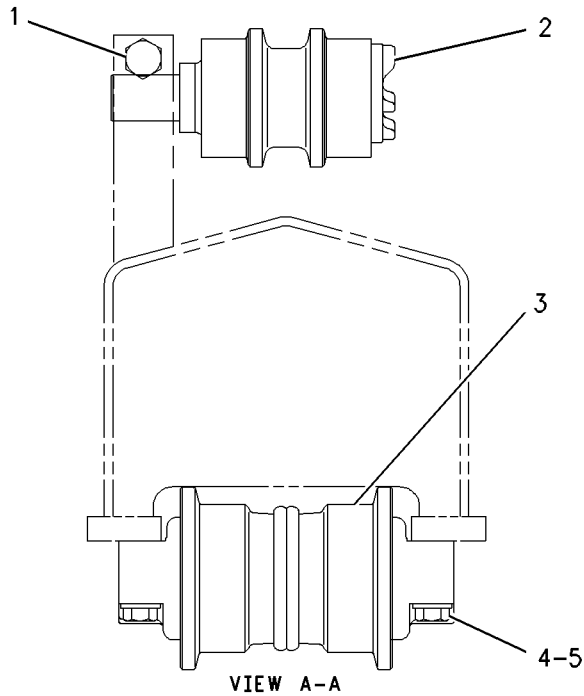
i01357679

NOTE	REF NO	GRAPHIC REF	PART NUMBER	QTY	PART NAME						SEE PAGE
					1	2	3	4	5	6 (PRODUCT LEVEL)	
M	1	1	8T-5878	4	BOLT (M24X3X80-MM)						
Y	2	1	8E-5600	4	ROLLER GP-TRACK CARRIER						317
YR	3	1	163-4143	16	ROLLER GP-TRACK-SINGLE FLANGE						318
M	4	1	7X-2565	64	BOLT (M20X2.5X100-MM)						
	5	1	8T-4123	64	WASHER (22X35X3.5-MM THK)						

M-METRIC PART
 R-REMFG PART MAY BE AVAILABLE
 Y-SEPARATE ILLUSTRATION



RIGHT SIDE VIEW



VIEW A-A

GRAPHIC #1

<END>

g00680258

UNDERCARRIAGE

8E-5600 ROLLER GP-TRACK CARRIER

S/N: MGG1-UP; JFZ1-UP

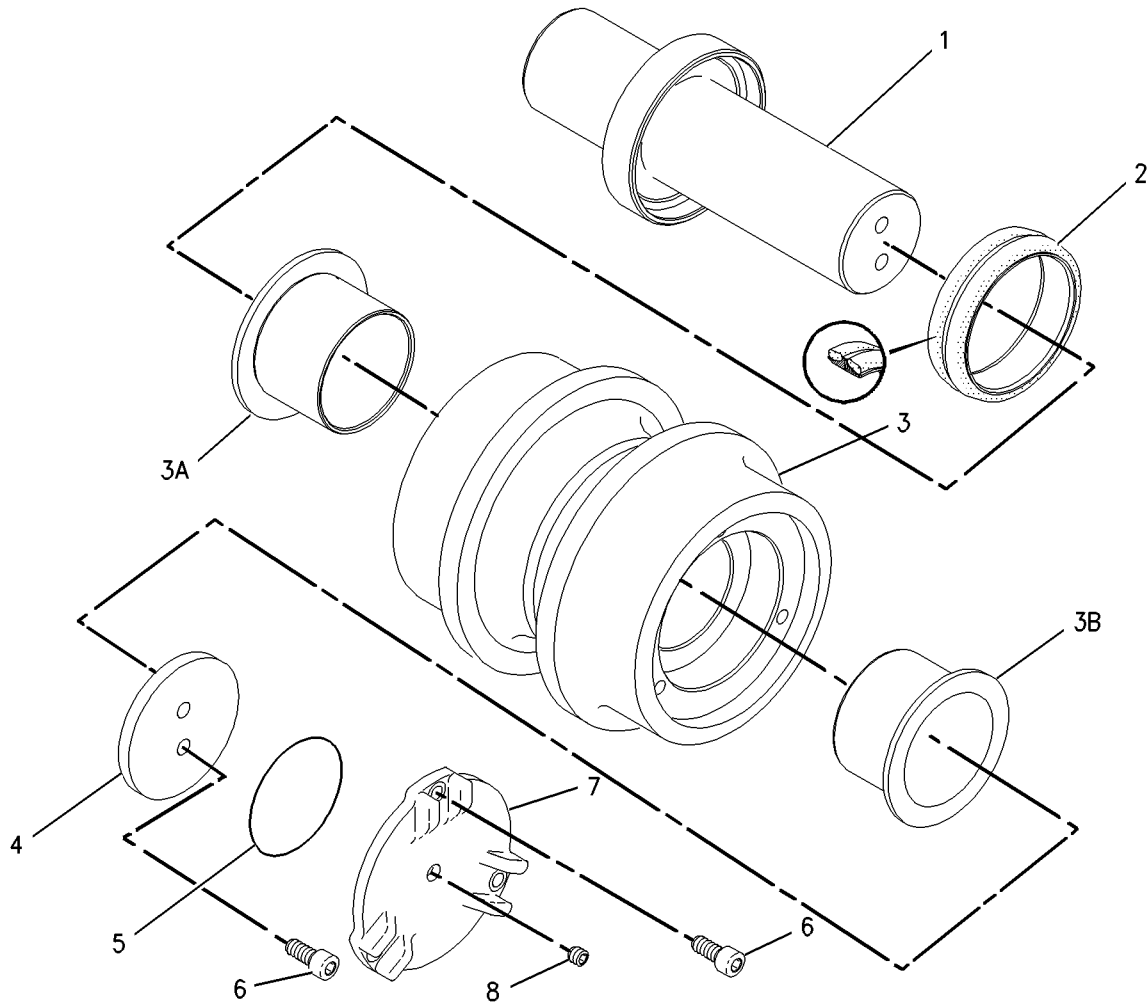
PART OF 7Y-1607, 7Y-1608 ROLLER AR-TRACK & CARRIER

SMCS-4154

i02752193

NOTE	REF NO	GRAPHIC REF	PART NUMBER	QTY	PART NAME						SEE PAGE
					1	2	3	4	5	6 (PRODUCT LEVEL)	
	1	1	8E-5601	1	SHAFT AS-TRACK ROLLER						
		1	8E-5604	1	COLLAR-ROLLER END						
		1	8E-5607	1	SHAFT-TRACK ROLLER						
	2	1	8E-5608	1	SEAL GP-DUO-CONE						
	3	1	8E-5602	1	ROLLER & BEARING AS						
	3A	1	8E-6792	1	BEARING-TRACK ROLLER						
	3B	1	8E-6793	1	BEARING-TRACK ROLLER						
	4	1	8E-5606	1	RETAINER						
	5	1	6V-7661	1	SEAL-O-RING						
M	6	1	8T-1159	5	BOLT-SOCKET HEAD (M10X1.5X25-MM)						
	7	1	8E-5605	1	COVER-CARRIER ROLLER						
	8	1	7H-3171	1	PLUG-PIPE						

M-METRIC PART



GRAPHIC #1

<END>

g00715793

UNDERCARRIAGE**163-4143 ROLLER GP-TRACK-SINGLE FLANGE*R**

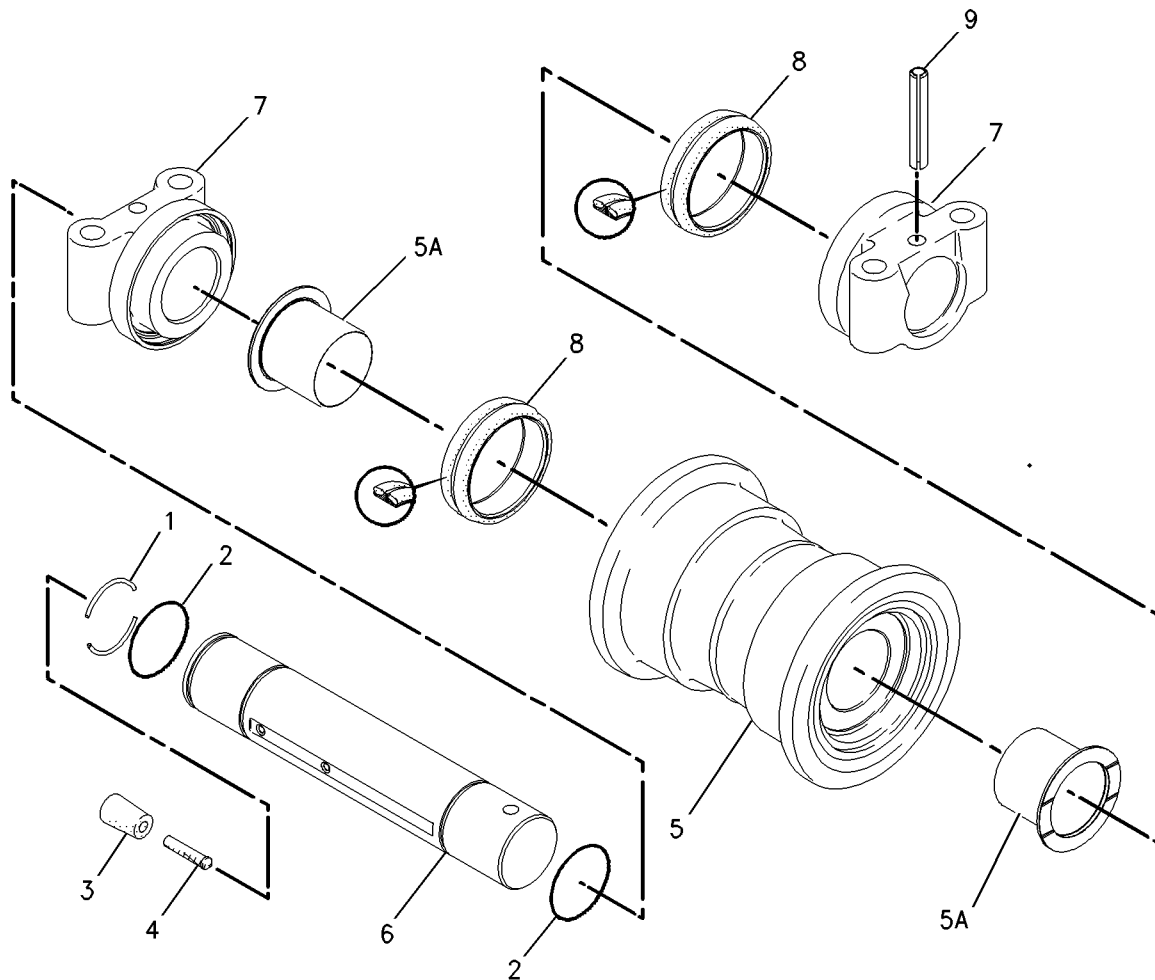
S/N: MGG1-UP; JFZ1-UP

PART OF 7Y-1607, 7Y-1608 ROLLER AR-TRACK & CARRIER

SMCS-4180

i01355669

NOTE	REF NO	GRAPHIC REF	PART NUMBER	QTY	PART NAME						SEE PAGE
					1	2	3	4	5	6 (PRODUCT LEVEL)	
	1	1	8E-5031	2	RING-RETAINING						
	2	1	7F-8268	2	SEAL-O-RING						
	3	1	5G-2247	1	STOPPER-RUBBER						
	4	1	6Y-0473	1	PLUG-CLEAR						
	5	1	8E-5032	1	ROLLER & BEARING AS						
	5A	1	8E-5599	2	BEARING-TRACK ROLLER						
	6	1	8E-5035	1	SHAFT-TRACK ROLLER						
	7	1	8E-5037	2	COLLAR-TACK ROLLER						
	8	1	9W-2142	2	SEAL GP-DUO-CONE						
					(EACH INCLUDES)						
		1	096-4295	2	RING-SEALING						
		1	162-2168	2	RING-TORIC						
	9	1	3E-3217	1	DOWEL						



GRAPHIC #1

<END>

g00715763

UNDERCARRIAGE

239-4387 TRACK ADJUSTER & RECOIL GP-RH

S/N: MGG1-UP; JFZ1-UP

PART OF 239-4385 IDLER GP-FRONT

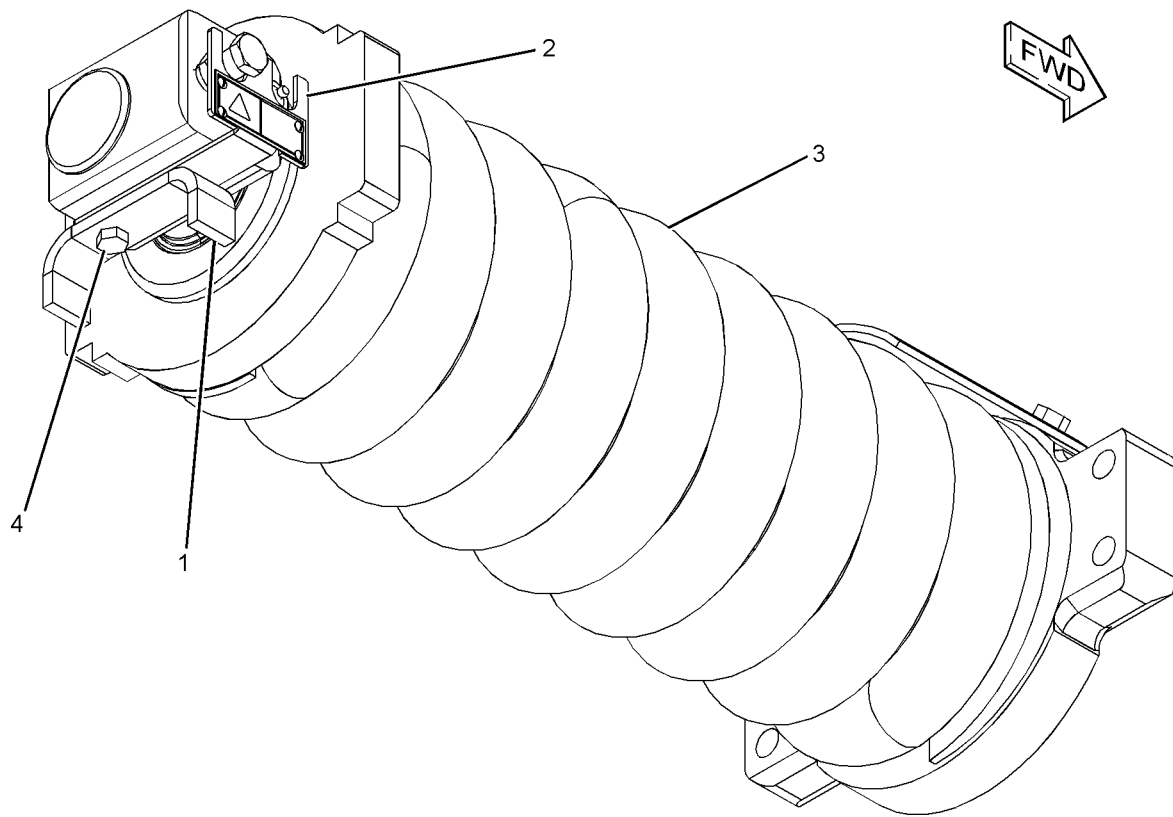
SMCS-4157, 4158

i02545735

NOTE	REF NO	GRAPHIC REF	PART NUMBER	QTY	PART NAME						SEE PAGE
					1	2	3	4	5	6 (PRODUCT LEVEL)	
	1	1	7Y-1746	1	PLATE						
	2	1	168-6761	1	PLATE AS						
		1	4B-4158	4	SCREW-DRIVE (NO 4X1/4-IN)						
		1	253-1346	1	PLATE-WARNING (HIGH PRESSURE CYLINDER)						
Y	3	1	239-4389	1	TRACK ADJUSTER & RECOIL GP						321
M	4	1	8T-4137	2	BOLT (M10X1.5X20-MM)						

M-METRIC PART

Y-SEPARATE ILLUSTRATION



GRAPHIC #1

<END>

g01217204

UNDERCARRIAGE

239-4388 TRACK ADJUSTER & RECOIL GP-LH

S/N: MGG1-UP; JFZ1-UP

PART OF 239-4386 IDLER GP-FRONT

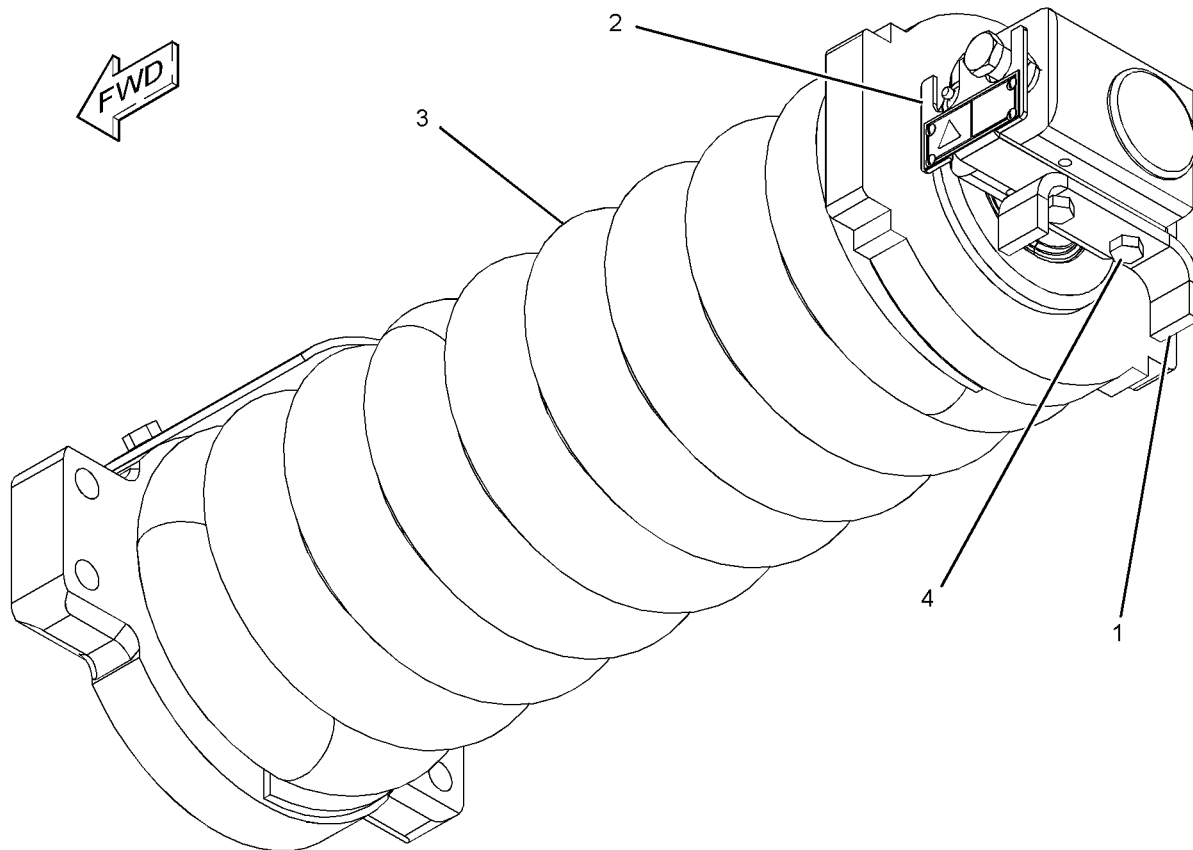
SMCS-4157, 4158

i02545739

NOTE	REF NO	GRAPHIC REF	PART NUMBER	QTY	PART NAME						SEE PAGE
					1	2	3	4	5	6 (PRODUCT LEVEL)	
	1	1	7Y-1746	1	PLATE						
	2	1	168-6761	1	PLATE AS						
		1	4B-4158	4	SCREW-DRIVE (NO 4X1/4-IN)						
		1	253-1346	1	PLATE-WARNING (HIGH PRESSURE CYLINDER)						
Y	3	1	239-4389	1	TRACK ADJUSTER & RECOIL GP						321
M	4	1	8T-4137	2	BOLT (M10X1.5X20-MM)						

M-METRIC PART

Y-SEPARATE ILLUSTRATION



GRAPHIC #1

<END>

g01217224

UNDERCARRIAGE

239-4389 TRACK ADJUSTER & RECOIL GP

S/N: MGG1-UP; JFZ1-UP

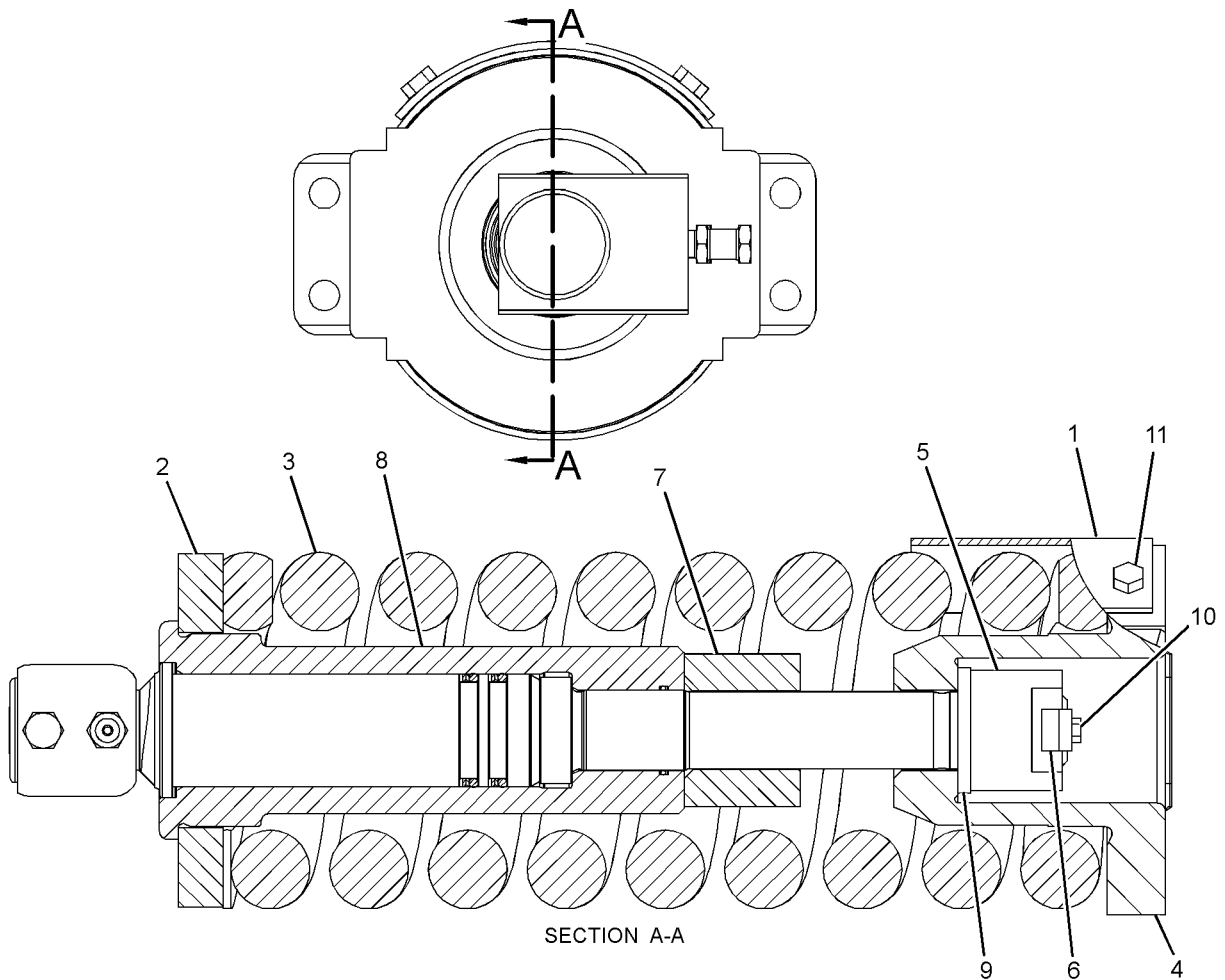
PART OF 239-4387, 239-4388 TRACK ADJUSTER & RECOIL GP

SMCS-4157, 4158

i02545745

NOTE	REF NO	GRAPHIC REF	PART NUMBER	QTY	PART NAME						SEE PAGE
					1	2	3	4	5	6	
	1	1	7Y-1781	1	COVER						
	2	1	145-3035	1	PLATE						
	3	1	239-4350	1	SPRING						
	4	1	239-4378	1	SUPPORT						
	5	1	239-4382	1	NUT (M48X5-THD)						
	6	1	239-4383	1	STRIP						
	7	1	239-4384	1	SPACER (49X95X72-MM THK)						
Y	8	1	239-4390	1	TRACK ADJUSTER & RECOIL GP						322
	9	1	239-4393	1	WASHER (50X78X8-MM THK)						
M	10	1	7X-2536	2	BOLT (M8X1.25X14-MM)						
M	11	1	8T-4179	2	BOLT (M12X1.75X20-MM)						

M-METRIC PART
Y-SEPARATE ILLUSTRATION



GRAPHIC #1

<END>

g01217233

UNDERCARRIAGE

239-4390 TRACK ADJUSTER & RECOIL GP

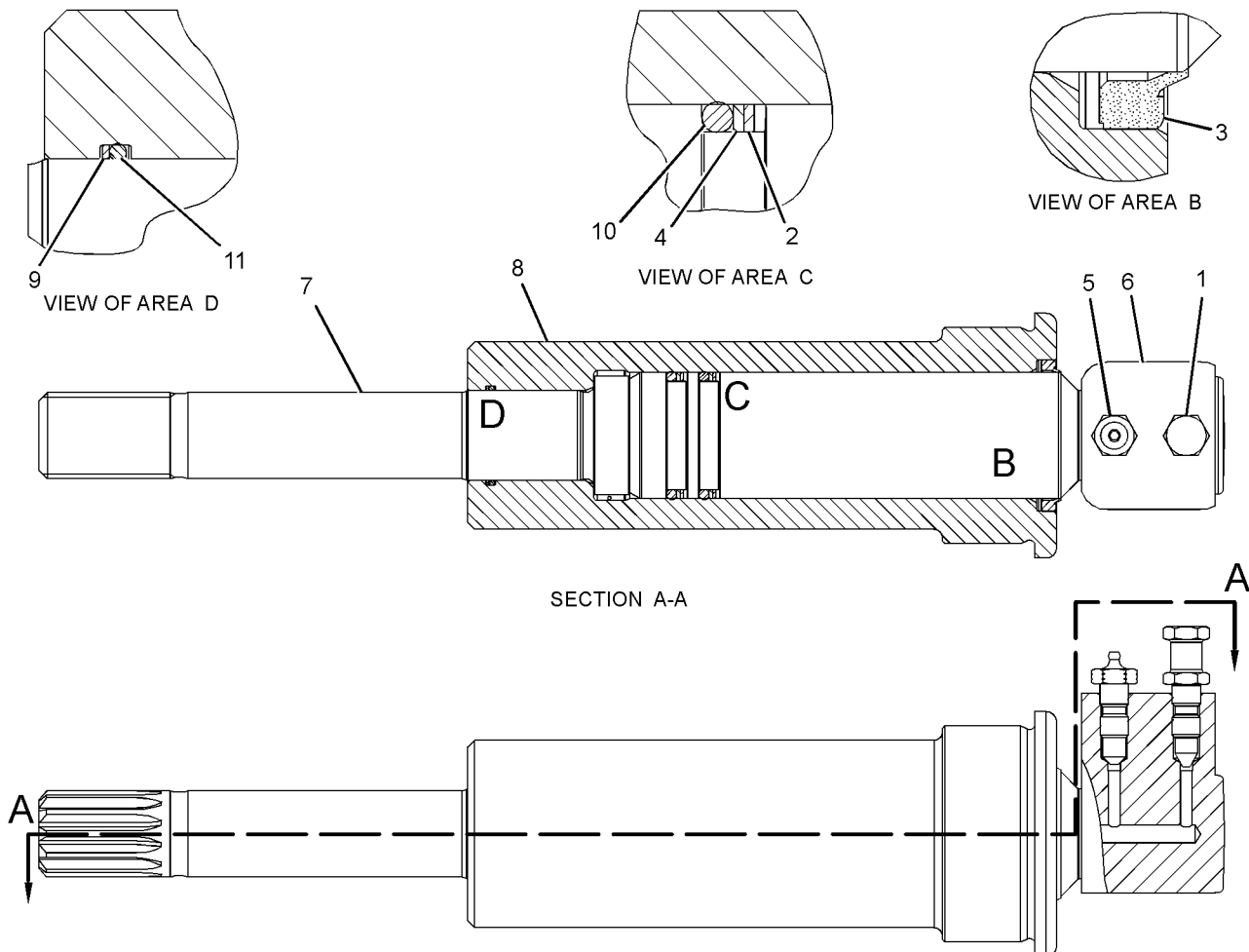
S/N: MGG1-UP; JFZ1-UP

PART OF 239-4389 TRACK ADJUSTER & RECOIL GP

SMCS-4157, 4158

i02995503

NOTE	REF NO	GRAPHIC REF	PART NUMBER	QTY	PART NAME						SEE PAGE		
					1	2	3	4	5	6 (PRODUCT LEVEL)			
	1	1	2S-5926	1									
	2	1	7Y-0682	2									
	3	1	093-1436	1									
	4	1	093-1512	2									
	5	1	095-2927	1									
	6	1	145-3031	1									
	7	1	239-4391	1									
	8	1	239-4392	1									
	9	1	239-4394	1									
	10	1	248-7174	2									
	11	1	095-1704	1									



GRAPHIC #1

<END>

g01217269

UNDERCARRIAGE**247-7346 TRACK AR-2-REQUIRED**

S/N: MGG1-UP

800-MM (31.5-IN) TRIPLE GROUSER SHOE. WITH STEPS
AN ATTACHMENT

SMCS-4170

i02545779

NOTE	PART NUMBER	QTY	PART NAME						SEE PAGE
			1	2	3	4	5	6 (PRODUCT LEVEL)	
Y	235-7764	1	STEP GP						300
Y	194-1912	1	TRACK GP						328
Y-SEPARATE ILLUSTRATION									

<END>

UNDERCARRIAGE**247-7382 TRACK AR-2-REQUIRED**

S/N: JFZ1-UP

800-MM (31.5-IN) TRIPLE GROUSER SHOE. WITH STEPS
AN ATTACHMENT

SMCS-4170

i02548590

NOTE	PART NUMBER	QTY	PART NAME						SEE PAGE
			1	2	3	4	5	6 (PRODUCT LEVEL)	
Y	235-7764	1	STEP GP						300
Y	194-1921	1	TRACK GP						330
Y-SEPARATE ILLUSTRATION									

<END>

UNDERCARRIAGE**314-3797 TRACK AR-2-REQUIRED**

S/N: JFZ1-UP

790-MM (31.1-IN) TRIPLE GROUSER SHOE. WITH STEP
AN ATTACHMENT

SMCS-4170

i03392479

NOTE	PART NUMBER	QTY	PART NAME						SEE PAGE
			1	2	3	4	5	6 (PRODUCT LEVEL)	
Y	235-7764	1	STEP GP						300
Y	332-8915	1	TRACK GP						332
Y-SEPARATE ILLUSTRATION									

<END>

UNDERCARRIAGE**314-3798 TRACK AR-2-REQUIRED**

S/N: MGG1-UP

790-MM (31.1-IN) TROUPLE GROUSER SHOE. WITH STEP
AN ATTACHMENT

SMCS-4170

i03392203

NOTE	PART NUMBER	QTY	PART NAME						SEE PAGE
			1	2	3	4	5	6 (PRODUCT LEVEL)	
Y	235-7764	1	STEP GP						300
Y	332-8908	1	TRACK GP						331
Y-SEPARATE ILLUSTRATION									

<END>

UNDERCARRIAGE

194-1910 TRACK GP-2-REQUIRED

S/N: MGG1-UP

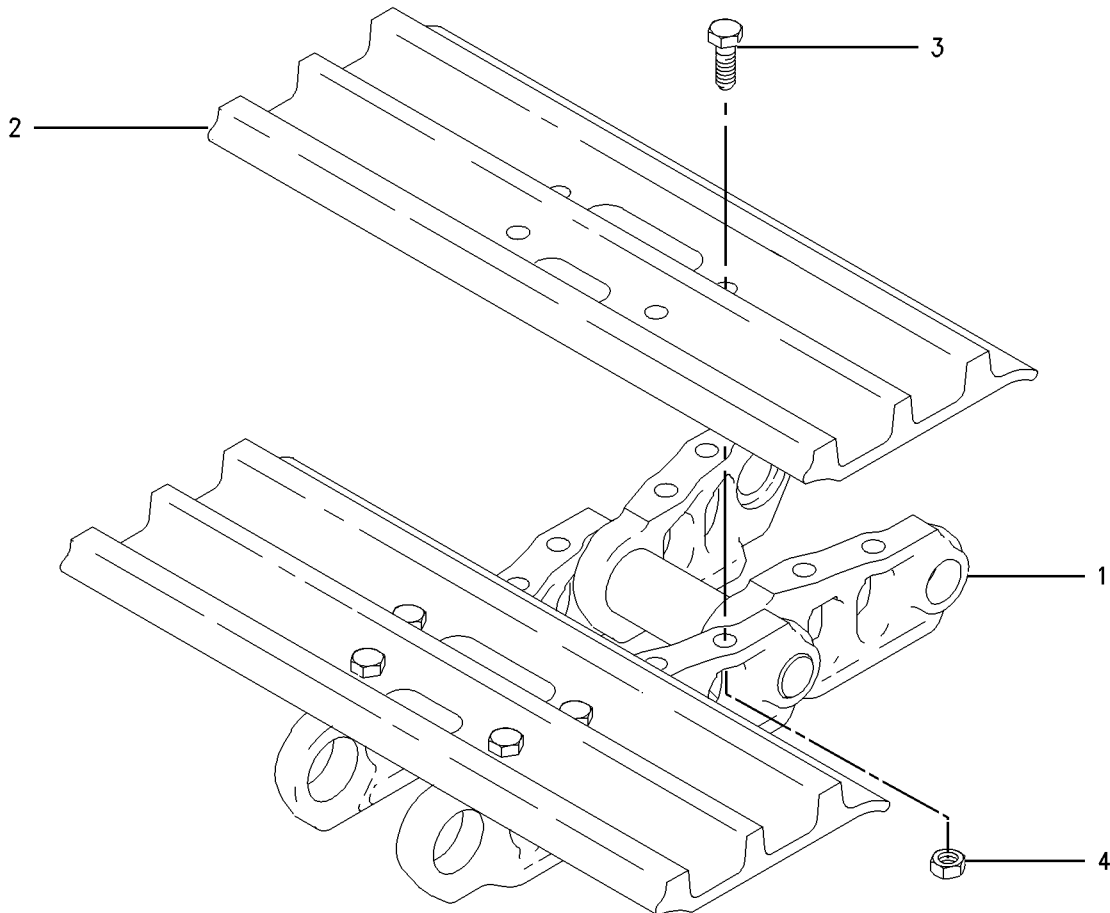
600-MM (23.6-IN) TRIPLE GROUSER SHOE. GREASE LUBRICATED TRACK
AN ATTACHMENT

SMCS-4170

i02274103

NOTE	REF NO	GRAPHIC REF	PART NUMBER	QTY	PART NAME	SEE PAGE
					1 2 3 4 5 6 (PRODUCT LEVEL)	
Y	1	1	194-1608	1	LINK AS-TRACK	313
	2	1	126-5062	49	SHOE-TRACK	
M	3	1	9W-3619	196	BOLT-TRACK (M20X1.5X55-MM)	
M	4	1	9W-3361	196	NUT-TRACK (M20X1.5-THD)	

M-METRIC PART
Y-SEPARATE ILLUSTRATION



GRAPHIC #1

<END>

g00705941

UNDERCARRIAGE

194-1912 TRACK GP-2-REQUIRED

S/N: MGG1-UP

800-MM (31.5-IN) TRIPLE GROUSER SHOE. GREASE LUBRICATED TRACK

PART OF 247-7346 TRACK AR

AN ATTACHMENT

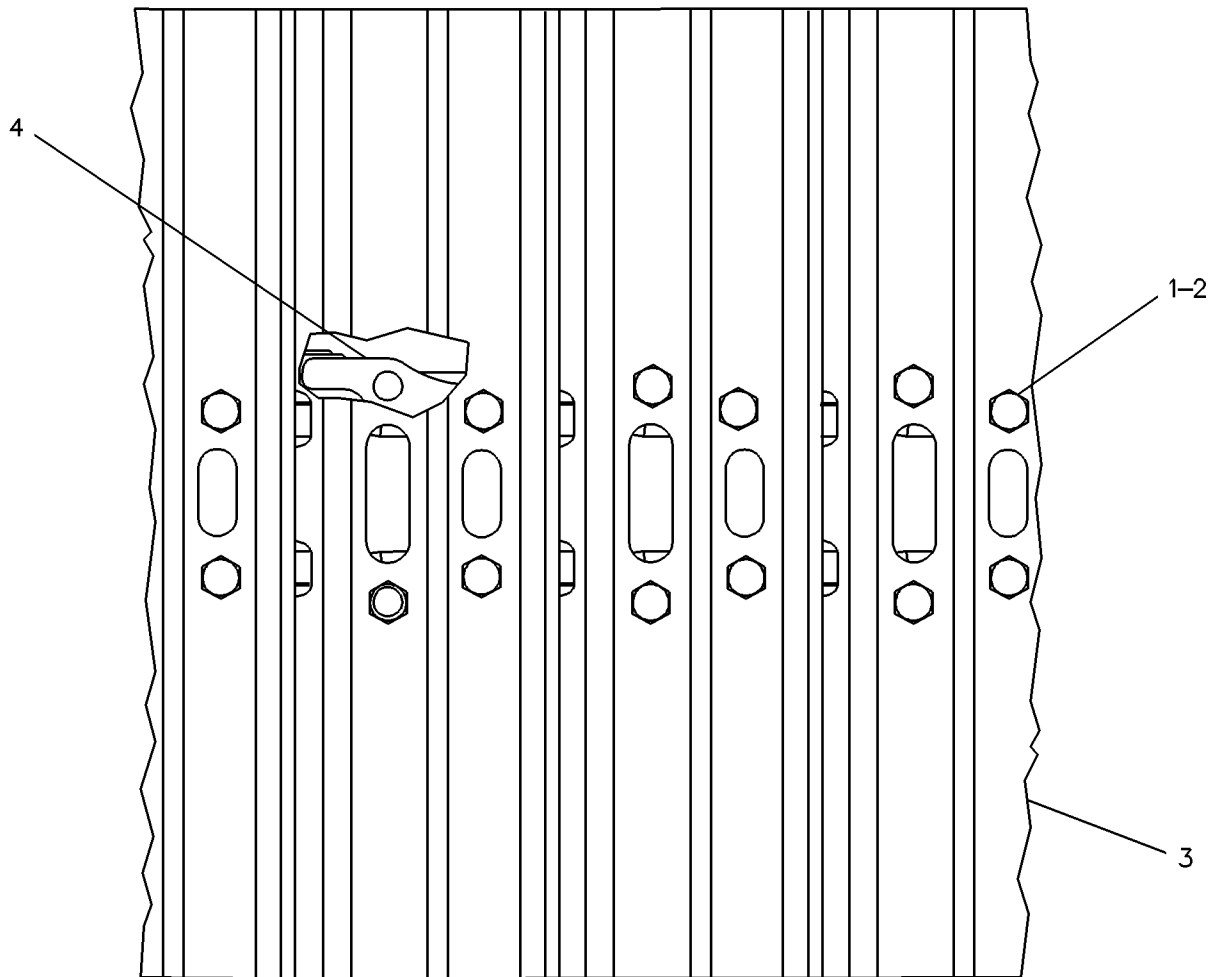
SMCS-4170

i01938102

NOTE	REF NO	GRAPHIC REF	PART NUMBER	QTY	PART NAME						SEE PAGE
					1	2	3	4	5	6 (PRODUCT LEVEL)	
M	1	1	9W-3361	196	NUT-TRACK (M20X1.5-THD)						
M	2	1	9W-3619	196	BOLT-TRACK (M20X1.5X55-MM)						
	3	1	9W-9351	49	SHOE-TRACK						
Y	4	1	194-1608	1	LINK AS-TRACK						313

M-METRIC PART

Y-SEPARATE ILLUSTRATION



GRAPHIC #1

<END>

g00224744

UNDERCARRIAGE

194-1920 TRACK GP-2-REQUIRED

S/N: JFZ1-UP

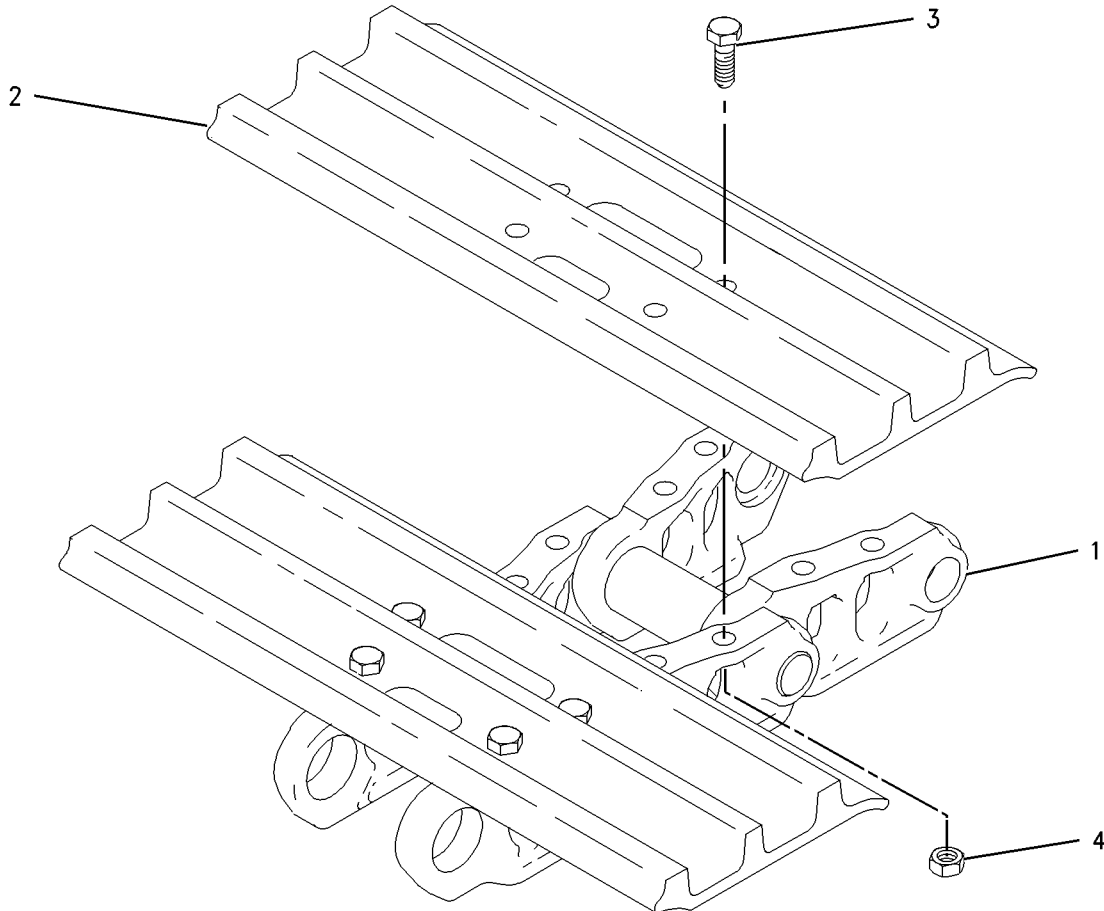
600-MM (23.6-IN) TRIPLE GROUSER SHOE. GREASE LUBRICATED TRACK
AN ATTACHMENT

SMCS-4170

i01938145

NOTE	REF NO	GRAPHIC REF	PART NUMBER	QTY	PART NAME						SEE PAGE
					1	2	3	4	5	6 (PRODUCT LEVEL)	
Y	1	1	194-1609	1	LINK AS-TRACK						314
	2	1	126-5062	45	SHOE-TRACK						
M	3	1	9W-3619	180	BOLT-TRACK (M20X1.5X55MM)						
M	4	1	9W-3361	180	NUT-TRACK (M20X1.5 THD)						

M-METRIC PART
Y-SEPARATE ILLUSTRATION



GRAPHIC #1

<END>

g00731630

UNDERCARRIAGE**194-1921 TRACK GP-2-REQUIRED**

S/N: JFZ1-UP

800-MM (31.5-IN) TRIPLE GROUSER SHOE. GREASE LUBRICATED TRACK

PART OF 247-7382 TRACK AR

AN ATTACHMENT

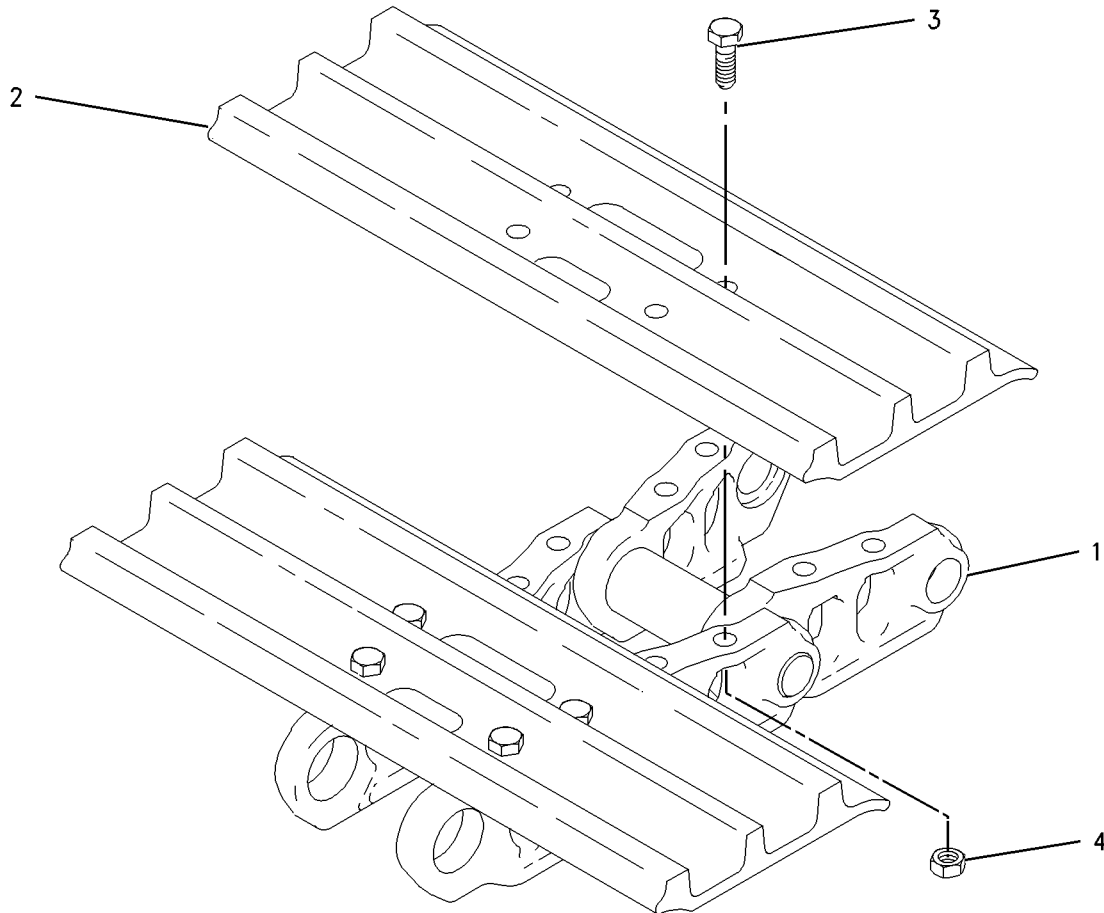
SMCS-4170

i02272893

NOTE	REF NO	GRAPHIC REF	PART NUMBER	QTY	PART NAME						SEE PAGE
					1	2	3	4	5	6 (PRODUCT LEVEL)	
Y	1	1	194-1609	1	LINK AS-TRACK						314
	2	1	9W-9351	45	SHOE-TRACK						
M	3	1	9W-3619	180	BOLT-TRACK (M20X1.5X55-MM)						
M	4	1	9W-3361	180	NUT-TRACK (M20X1.5-THD)						

M-METRIC PART

Y-SEPARATE ILLUSTRATION



GRAPHIC #1

<END>

g00731630

UNDERCARRIAGE

332-8908 TRACK GP-2-REQUIRED

S/N: MGG1-UP

790-MM (31.1-IN) TRIPLE GROUSER SHOE. GREASE LUBRICATED TRACK

PART OF 314-3798 TRACK AR

AN ATTACHMENT

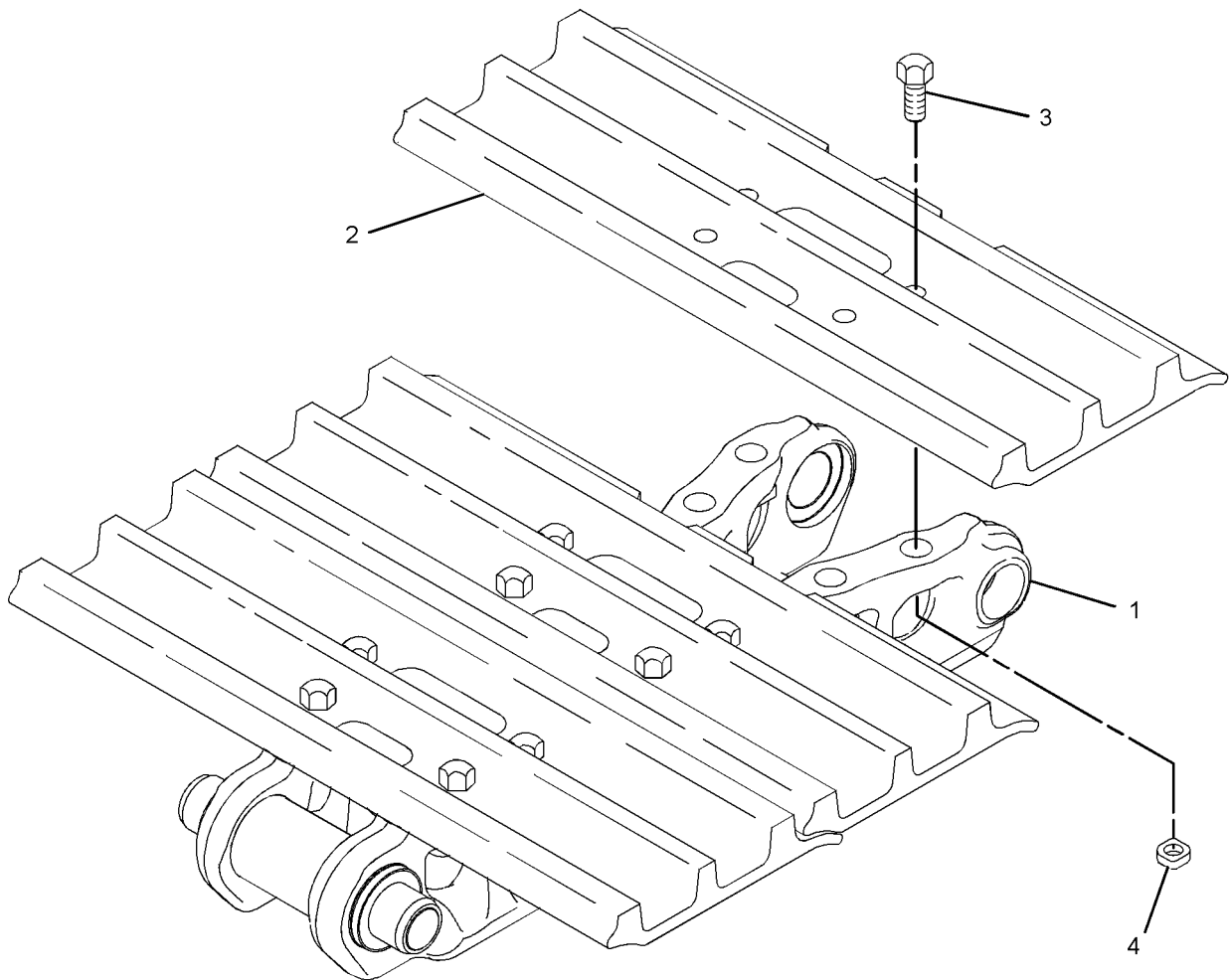
SMCS-4170

i03392221

NOTE	REF NO	GRAPHIC REF	PART NUMBER	QTY	PART NAME						SEE PAGE
					1	2	3	4	5	6 (PRODUCT LEVEL)	
Y	1	1	194-1608	1	LINK AS-TRACK						313
	2	1	332-8903	49	SHOE-TRACK						
M	3	1	9W-3619	196	BOLT-TRACK (M20X1.5X55-MM)						
M	4	1	9W-3361	196	NUT-TRACK (M20X1.5-THD)						

M-METRIC PART

Y-SEPARATE ILLUSTRATION



GRAPHIC #1

<END>

g01201614

UNDERCARRIAGE**332-8915 TRACK GP-2-REQUIRED**

S/N: JFZ1-UP

790-MM (31.1-IN) TRIPLE GROUSER SHOE. GREASE LUBRICATED TRACK

PART OF 314-3797 TRACK AR

AN ATTACHMENT

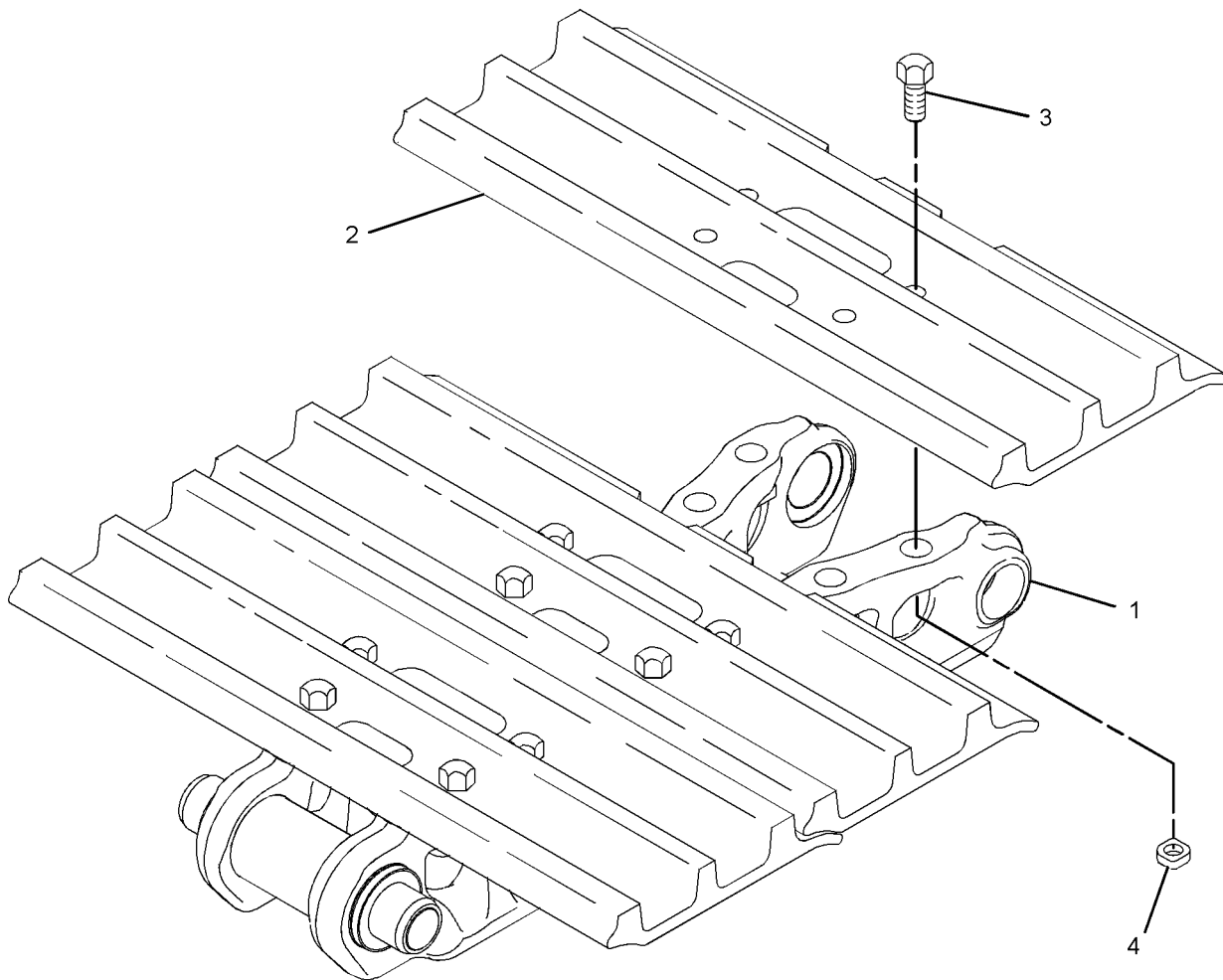
SMCS-4170

i03312444

NOTE	REF NO	GRAPHIC REF	PART NUMBER	QTY	PART NAME						SEE PAGE
					1	2	3	4	5	6 (PRODUCT LEVEL)	
Y	1	1	194-1609	1	LINK AS-TRACK						314
	2	1	332-8903	45	SHOE-TRACK						
M	3	1	9W-3619	180	BOLT-TRACK (M20X1.5X55-MM)						
M	4	1	9W-3361	180	NUT-TRACK (M20X1.5-THD)						

M-METRIC PART

Y-SEPARATE ILLUSTRATION



GRAPHIC #1

<END>

g01201614

HYDRAULIC SYSTEM

4I-1536 ACCUMULATOR GP-HYDRAULIC-CHARGED

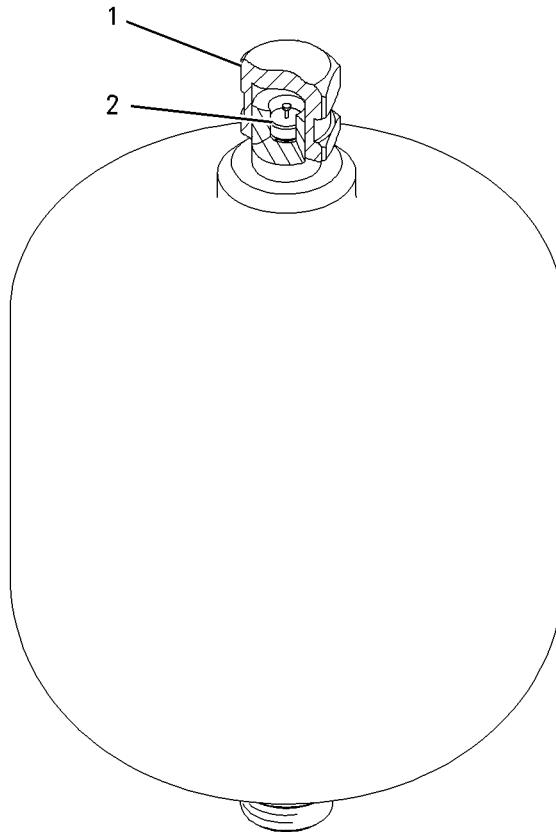
S/N: MGG1-UP; JFZ1-UP

PART OF 087-4456 ACCUMULATOR GP-HYDRAULIC

SMCS-5077

i01323932

NOTE	REF NO	GRAPHIC REF	PART NUMBER	QTY	PART NAME						SEE PAGE
					1	2	3	4	5	6 (PRODUCT LEVEL)	
	1	1	4I-5862	1	CAP						
	2	1	4I-1539	1	CORE						



GRAPHIC #1

<END>

g00700818

HYDRAULIC SYSTEM

5I-8416 ACCUMULATOR GP-HYDRAULIC-CHARGED

S/N: MGG1-UP; JFZ1-UP

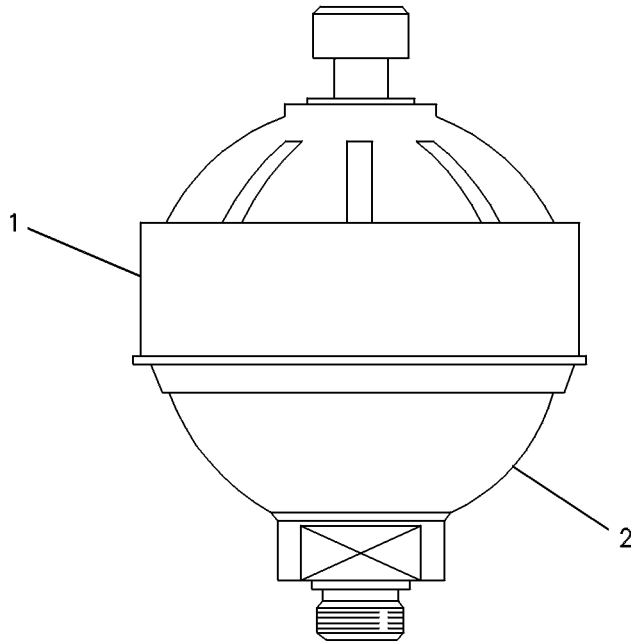
PART OF 087-4456 ACCUMULATOR GP-HYDRAULIC

SMCS-5077

i02095188

NOTE	REF NO	GRAPHIC REF	PART NUMBER	QTY	PART NAME						SEE PAGE
					1	2	3	4	5	6 (PRODUCT LEVEL)	
	1	1	4I-8267	1	CAP-ACCUMULATOR						
Y	2	1	087-4454	1	ACCUMULATOR GP-HYDRAULIC (CHARGED)						335

Y-SEPARATE ILLUSTRATION



GRAPHIC #1

<END>

g00237219

HYDRAULIC SYSTEM

087-4454 ACCUMULATOR GP-HYDRAULIC-CHARGED

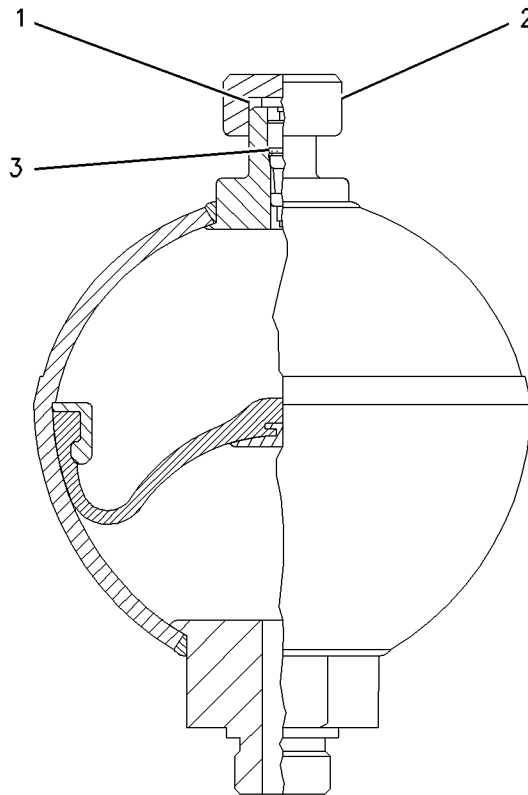
S/N: MGG1-UP; JFZ1-UP

PART OF 5I-8416 ACCUMULATOR GP-HYDRAULIC

SMCS-5077

i02253738

NOTE	REF NO	GRAPHIC REF	PART NUMBER	QTY	PART NAME						SEE PAGE
					1	2	3	4	5	6 (PRODUCT LEVEL)	
	1	1	087-4577	1	SEAL						
	2	1	087-4576	1	CAP						
	3	1	087-4575	1	CORE						



GRAPHIC #1

<END>

g00700380

HYDRAULIC SYSTEM

087-4456 ACCUMULATOR GP-HYDRAULIC-CHARGED

S/N: MGG1-UP; JFZ1-UP

PART OF 164-6981 ACCUMULATOR GP-HYDRAULIC

FIELD REPLACEMENT ORDER 199-7447-PAGE 340, 180-9419-PAGE 339

SMCS-5077

i02253570

NOTE	PART NUMBER	QTY	PART NAME						SEE PAGE
			1	2	3	4	5	6 (PRODUCT LEVEL)	
Y	4I-1536	1	ACCUMULATOR GP-HYDRAULIC (CHARGED)						333
			-OR-						
Y	5I-8416	1	ACCUMULATOR GP-HYDRAULIC (CHARGED)						334
			-OR-						
Y	145-5106	1	ACCUMULATOR GP-HYDRAULIC (CHARGED)						337
Y-SEPARATE ILLUSTRATION									

<END>

HYDRAULIC SYSTEM

145-5106 ACCUMULATOR GP-HYDRAULIC-CHARGED

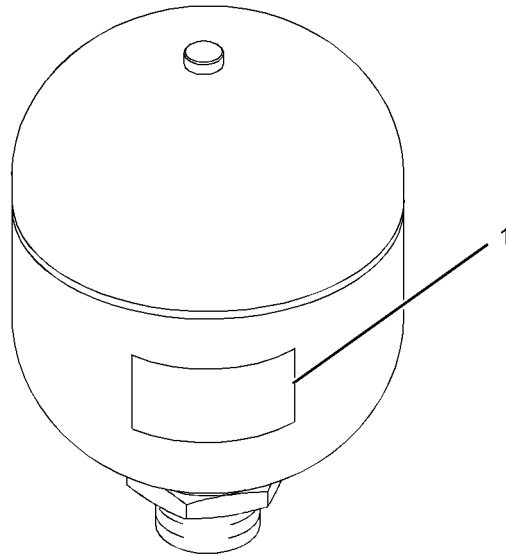
S/N: MGG1-UP; JFZ1-UP

PART OF 087-4456 ACCUMULATOR GP-HYDRAULIC

SMCS-5077

i02253747

NOTE	REF NO	GRAPHIC REF	PART NUMBER	QTY	PART NAME						SEE PAGE
					1	2	3	4	5	6 (PRODUCT LEVEL)	
	1	1	159-4700	1	FILM-WARNING (HIGH PRESSURE CYLINDER)						



GRAPHIC #1

<END>

g01135721

HYDRAULIC SYSTEM

164-6981 ACCUMULATOR GP-HYDRAULIC-CHARGED

S/N: MGG1-UP; JFZ1-UP

PART OF 248-9851 LINES GP-PILOT

SMCS-5077

i01324172

NOTE	PART NUMBER	QTY	PART NAME						SEE PAGE
			1	2	3	4	5	6 (PRODUCT LEVEL)	
Y	087-4456	1	ACCUMULATOR GP-HYDRAULIC (CHARGED)						336
	3K-0360	1	SEAL-O-RING						

Y-SEPARATE ILLUSTRATION

<END>

HYDRAULIC SYSTEM

180-9419 ACCUMULATOR GP-HYDRAULIC-UNCHARGED

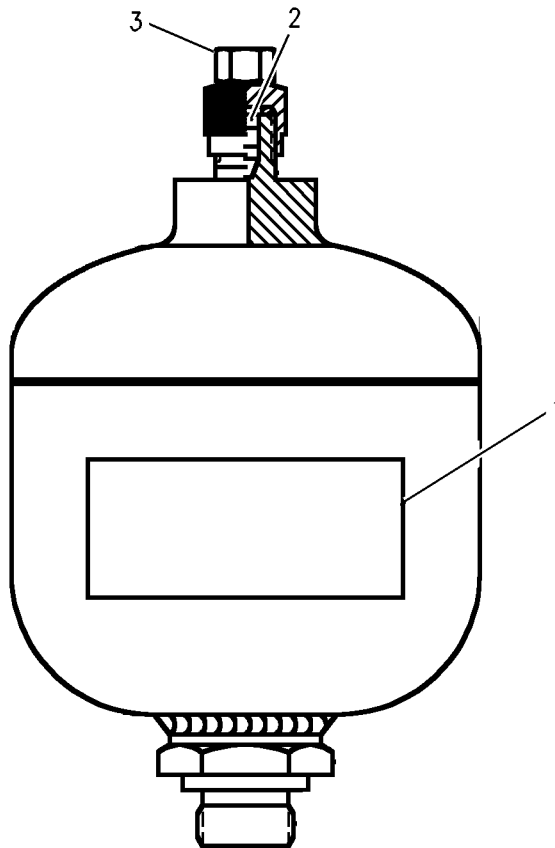
S/N: MGG1-UP; JFZ1-UP

FIELD REPLACEMENT FOR 145-5106-PAGE 337, 087-4456-PAGE 336

SMCS-5077

i02253776

NOTE	REF NO	GRAPHIC REF	PART NUMBER	QTY	PART NAME						SEE PAGE
					1	2	3	4	5	6 (PRODUCT LEVEL)	
	1	1	159-4700	1	FILM-WARNING (HIGH PRESSURE CYLINDER)						
	2	1	161-6880	1	CORE						
	3	1	161-6879	1	CAP (ACCUMULATOR)						



GRAPHIC #1

<END>

g00999476

HYDRAULIC SYSTEM

199-7447 ACCUMULATOR GP-HYDRAULIC-UNCHARGED

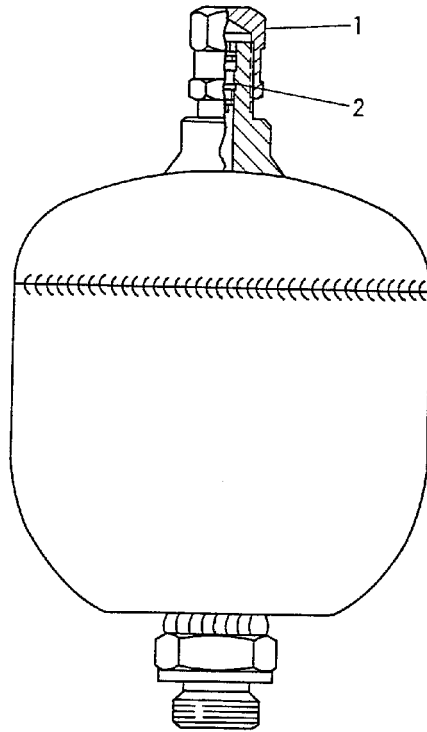
S/N: MGG1-UP; JFZ1-UP

FIELD REPLACEMENT FOR 087-4456-PAGE 336

SMCS-5077

i02253993

NOTE	REF NO	GRAPHIC REF	PART NUMBER	QTY	PART NAME						SEE PAGE
					1	2	3	4	5	6 (PRODUCT LEVEL)	
	1	1	4I-5862	1	CAP						
	2	1	4I-1539	1	CORE						



GRAPHIC #1

<END>

g00222004

HYDRAULIC SYSTEM

173-3503 BASE GP-OIL FILTER

S/N: MGG1-UP; JFZ1-UP

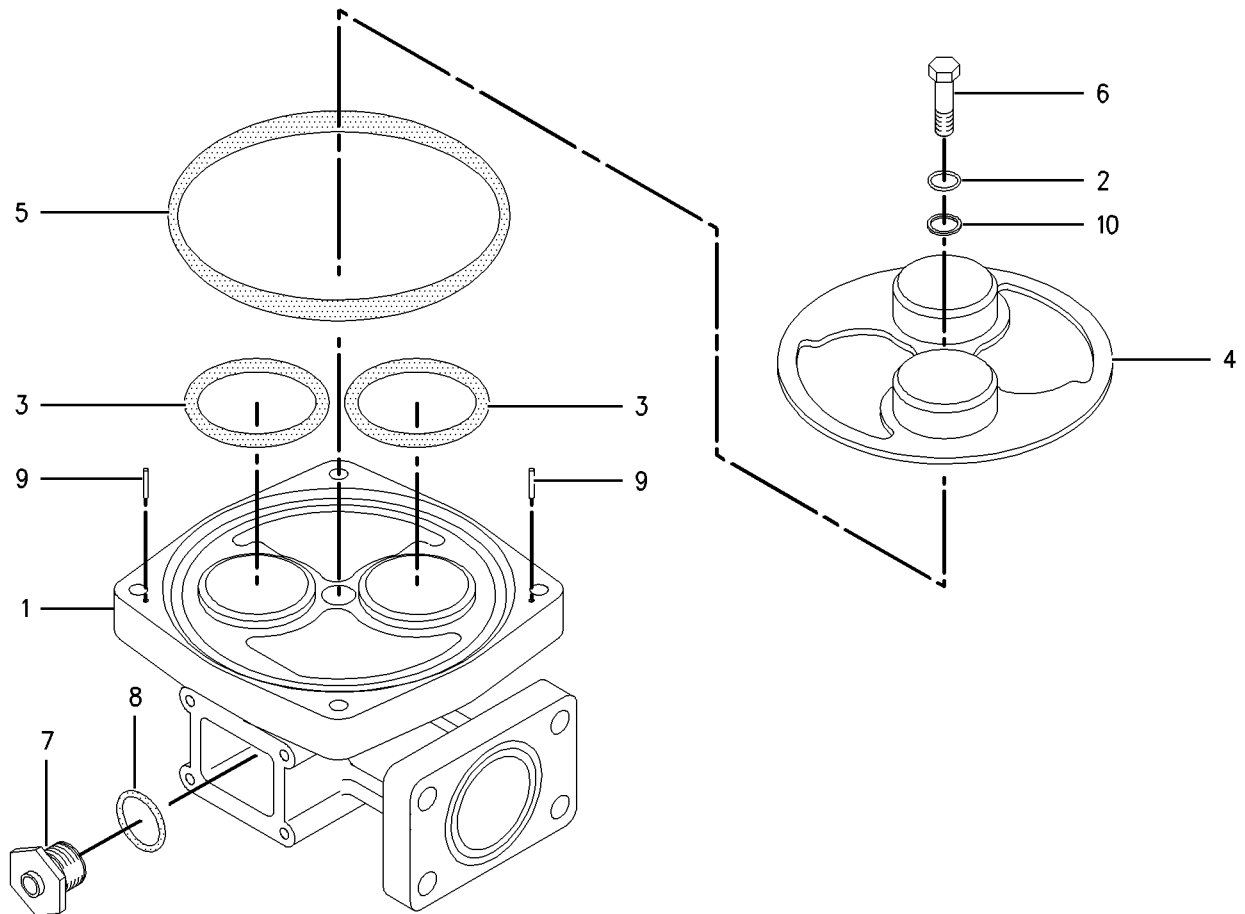
PART OF 188-4140 FILTER GP-OIL

SMCS-5068

i01684048

NOTE	REF NO	GRAPHIC REF	PART NUMBER	QTY	PART NAME						SEE PAGE
					1	2	3	4	5	6 (PRODUCT LEVEL)	
	1	1	204-2763	1	BLOCK						
	2	1	5L-4758	1	SEAL-O-RING						
	3	1	177-2619	2	PACKING						
	4	1	173-3505	1	PLATE-SLIDE						
	5	1	137-3631	1	PACKING						
M	6	1	137-3626	1	BOLT-SHOULDER (M6X1X28.75-MM)						
	7	1	173-3506	1	PLUG AS						
	8	1	3J-1907	1	SEAL-O-RING						
	9	1	7Y-5272	2	PIN-SPRING						
	10	1	137-3628	1	SHIM (0.1-MM THK)						

M-METRIC PART



GRAPHIC #1

<END>

g00671074

HYDRAULIC SYSTEM

**259-7493 CONTROL AR-AUXILIARY-
SYSTEM 2, COMBINED FUNCTION
S/N: MGG1-UP; JFZ1-UP
AN ATTACHMENT**

SMCS-5051

i02548836

NOTE	PART NUMBER	QTY	PART NAME						SEE PAGE
			1	2	3	4	5	6 (PRODUCT LEVEL)	
Y	239-8695	1	CONTROL GP-HYDRAULIC PEDAL						748
Y	247-7424	1	FILM GP (OPERATOR CONTROLS, NOTICE)						810
Y	260-8008	1	LINES GP-FRONT (COMBINED FUNCTION)						451
Y	255-1802	1	LINES GP-PILOT (PEDAL CONTROLS)						509
Y	260-7974	1	LINES GP-PILOT						517
Y	255-5713	1	VALVE & MTG GP-CONTROL (AUXILIARY)						563
Y	251-0529	1	WIRING GP-CAB (1-WAY/2-WAY FLOW)						210
Y	259-5045	1	WIRING GP-COMBINED FLOW						221

Y-SEPARATE ILLUSTRATION

<END>

HYDRAULIC SYSTEM

259-7494 CONTROL AR-AUXILIARY-SYSTEM 3, 1-WAY, 2-PUMP

S/N: MGG1-UP; JFZ1-UP

FOR USE WITH 240-5073-PAGE 761. CANNOT BE USED WITH THIRD PEDAL
AN ATTACHMENT

SMCS-5051

i02548642

NOTE	PART NUMBER	QTY	PART NAME						SEE PAGE
			1	2	3	4	5	6 (PRODUCT LEVEL)	
Y	239-8693	1	CONTROL GP-HYDRAULIC PEDAL						747
Y	251-0436	1	FASTENER GP-WIRING HARNESS						171
Y	247-7423	1	FILM GP (OPERATOR CONTROLS, NOTICE)						809
Y	260-8007	1	LINES GP-FRONT (SYSTEM 3, 1-WAY, 2-PUMP)						443
Y	255-1800	1	LINES GP-PILOT (PEDAL, RH)						507
Y	260-7972	1	LINES GP-PILOT (AUXILIARY SYSTEM)						511
Y	255-5713	1	VALVE & MTG GP-CONTROL (AUXILIARY)						563

Y-SEPARATE ILLUSTRATION

<END>

HYDRAULIC SYSTEM

279-7871 COUPLING GP-FLEXIBLE

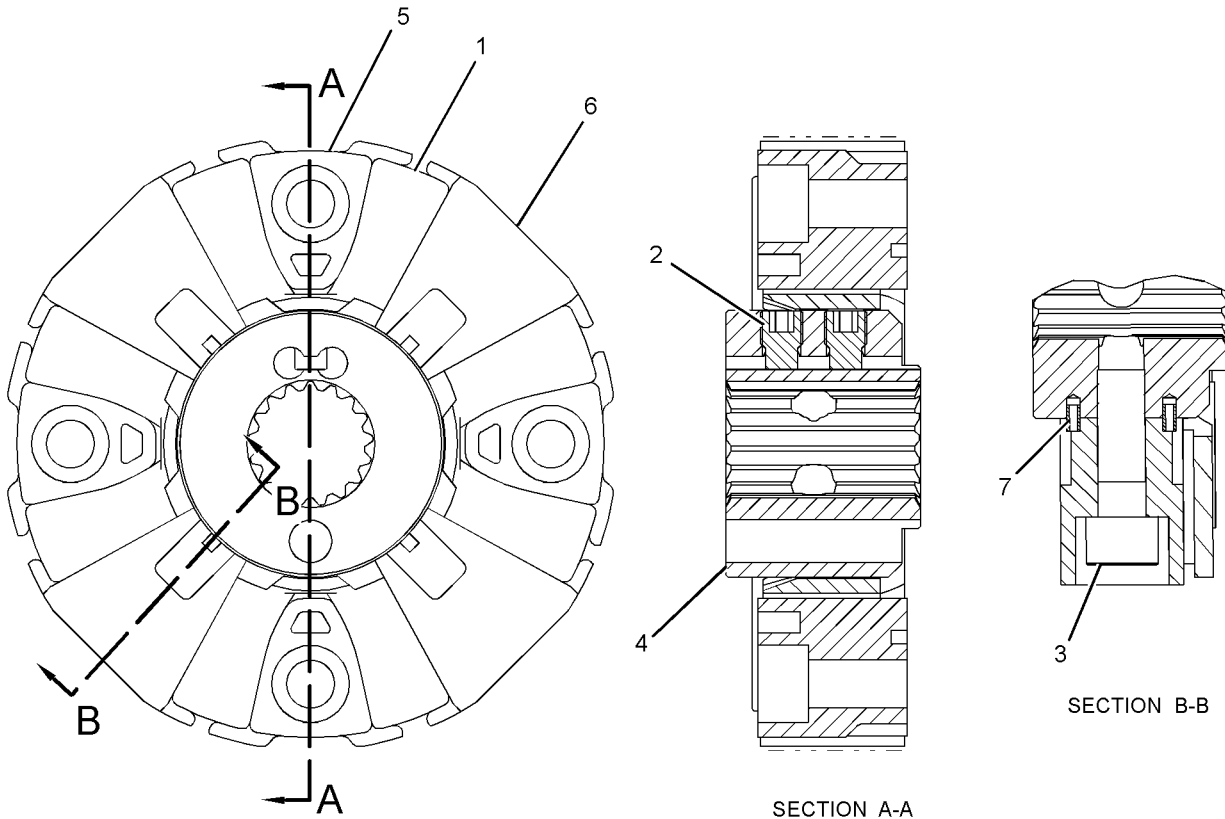
S/N: MGG1-UP; JFZ1-UP
PART OF 279-7870 COUPLING GP-PUMP

SMCS-3252

i02755719

NOTE	REF NO	GRAPHIC REF	PART NUMBER	QTY	PART NAME						SEE PAGE
					1	2	3	4	5	6 (PRODUCT LEVEL)	
	1	1	7Y-0463	1	ELEMENT-COUPLING (FLEXIBLE RUBBER)						
M	2	1	7Y-0466	2	SETSCREW-SOCKET (M16X2X22-MM)						
M	3	1	7Y-0467	4	BOLT-SOCKET HEAD (M18X2.5X55-MM)						
	4	1	305-4950	1	HUB						
	5	1	305-4951	4	INSERT-COUPLING						
	6	1	305-4952	4	INSERT-COUPLING						
	7	1	7Y-0468	8	PIN-SPRING						

M-METRIC PART



GRAPHIC #1

<END>

g01380992

HYDRAULIC SYSTEM

279-7870 COUPLING GP-PUMP

S/N: MGG1-UP; JFZ1-UP

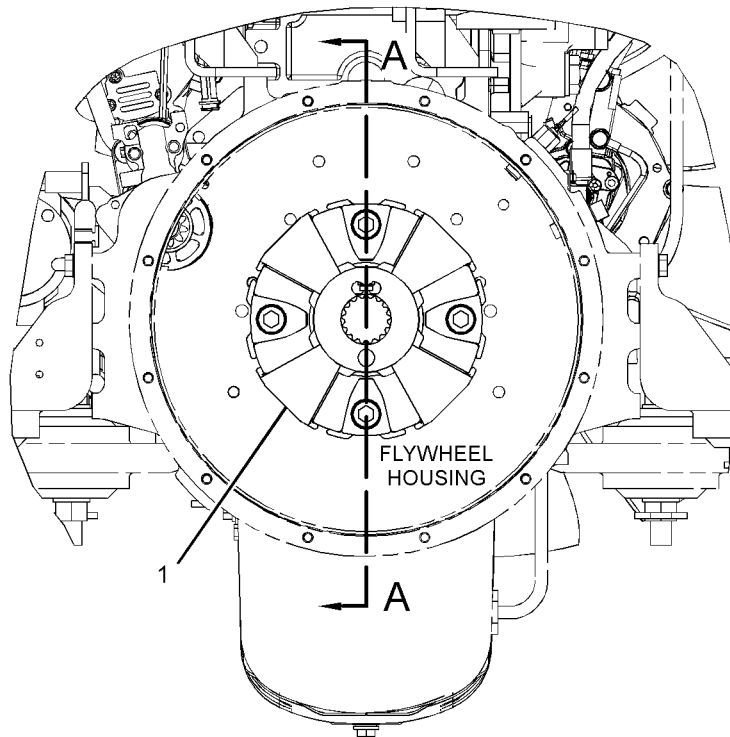
PART OF 279-7869 PUMP & MTG GP-MAIN HYDRAULIC

SMCS-5062

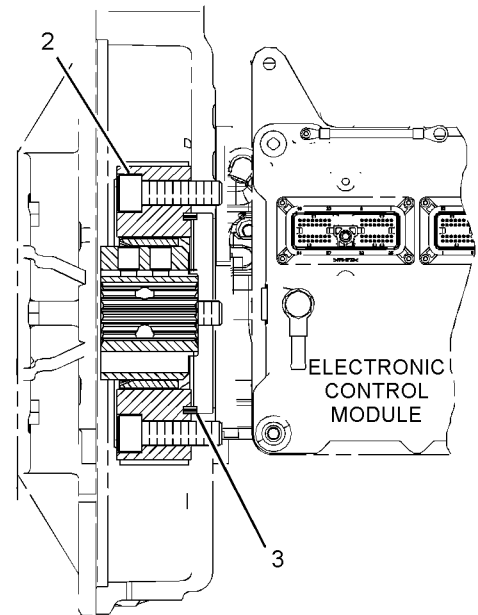
i03348100

NOTE	REF NO	GRAPHIC REF	PART NUMBER	QTY	PART NAME						SEE PAGE
					1	2	3	4	5	6 (PRODUCT LEVEL)	
Y	1	1	279-7871	1	COUPLING GP-FLEXIBLE						344
M	2	1	287-0047	4	BOLT-SOCKET HEAD (M18X2.5X600-MM)						
	3	1	7Y-0468	4	PIN-SPRING						

M-METRIC PART
Y-SEPARATE ILLUSTRATION



RIGHT SIDE VIEW



SECTION A-A

GRAPHIC #1

<END>

g01291991

HYDRAULIC SYSTEM**242-6730 CYLINDER & LINES GP-BOOM-LH**

S/N: MGG1-UP; JFZ1-UP

PART OF 240-3830 BOOM AR-1 PIECE LONG, 302-9208 LINKAGE AR
AN ATTACHMENT

SMCS-5456, 7562

i02548199

NOTE	PART NUMBER	QTY	PART NAME						SEE PAGE
			1	2	3	4	5	6 (PRODUCT LEVEL)	
Y	242-6731	1	CYLINDER & SEAL GP-BOOM						357
Y	242-6732	1	LINES GP-BOOM CYLINDER (LH)						434
Y-SEPARATE ILLUSTRATION									

<END>

HYDRAULIC SYSTEM**242-6736 CYLINDER & LINES GP-BOOM-RH**

S/N: MGG1-UP; JFZ1-UP

PART OF 240-3830 BOOM AR-1 PIECE LONG, 302-9208 LINKAGE AR
AN ATTACHMENT

SMCS-5456, 7562

i02548207

NOTE	PART NUMBER	QTY	PART NAME						SEE PAGE
			1	2	3	4	5	6 (PRODUCT LEVEL)	
Y	242-6731	1	CYLINDER & SEAL GP-BOOM						357
Y	242-6737	1	LINES GP-BOOM CYLINDER (RH)						435
Y-SEPARATE ILLUSTRATION									

<END>

HYDRAULIC SYSTEM**242-6745 CYLINDER & LINES GP-BOOM-LH**

S/N: MGG1-UP; JFZ1-UP

PART OF 240-3832, 240-3836 BOOM AR-1 PIECE LONG, 240-3835 BOOM AR-1 PIECE
SHORT
AN ATTACHMENT

SMCS-5456, 7562

i02570981

NOTE	PART NUMBER	QTY	PART NAME						SEE PAGE
			1	2	3	4	5	6 (PRODUCT LEVEL)	
Y	242-6746	1	CYLINDER & SEAL GP-BOOM						359
Y	242-6732	1	LINES GP-BOOM CYLINDER (LH)						434
Y-SEPARATE ILLUSTRATION									

<END>

HYDRAULIC SYSTEM**242-6749 CYLINDER & LINES GP-BOOM-RH**

S/N: MGG1-UP; JFZ1-UP

PART OF 240-3832, 240-3836 BOOM AR-1 PIECE LONG, 240-3835 BOOM AR-1 PIECE
SHORT
AN ATTACHMENT

SMCS-5456, 7562

i02571118

NOTE	PART NUMBER	QTY	PART NAME						SEE PAGE
			1	2	3	4	5	6 (PRODUCT LEVEL)	
Y	242-6746	1	CYLINDER & SEAL GP-BOOM						359
Y	242-6737	1	LINES GP-BOOM CYLINDER (RH)						435
Y-SEPARATE ILLUSTRATION									

<END>

HYDRAULIC SYSTEM**242-6755 CYLINDER & LINES GP-BUCKET**

S/N: MGG1-UP; JFZ1-UP

PART OF 240-3858 LINKAGE AR-BUCKET
AN ATTACHMENT

SMCS-5457

i02548293

NOTE	PART NUMBER	QTY	PART NAME						SEE PAGE
			1	2	3	4	5	6 (PRODUCT LEVEL)	
Y	242-6756	1	CYLINDER & SEAL GP-BUCKET						361
Y	242-6757	1	LINES GP-BUCKET CYLINDER						439
Y-SEPARATE ILLUSTRATION									

<END>

HYDRAULIC SYSTEM**242-6758 CYLINDER & LINES GP-BUCKET**

S/N: MGG1-UP

PART OF 240-3861 LINKAGE AR-BUCKET
AN ATTACHMENT

SMCS-5457

i02571980

NOTE	PART NUMBER	QTY	PART NAME						SEE PAGE
			1	2	3	4	5	6 (PRODUCT LEVEL)	
Y	242-6759	1	CYLINDER & SEAL GP-BUCKET						363
Y	242-6757	1	LINES GP-BUCKET CYLINDER						439
Y-SEPARATE ILLUSTRATION									

<END>

HYDRAULIC SYSTEM**253-6664 CYLINDER & LINES GP-BUCKET**

S/N: MGG1-UP

PART OF 302-9208 LINKAGE AR
AN ATTACHMENT

SMCS-5457

i02548883

NOTE	PART NUMBER	QTY	PART NAME						SEE PAGE
			1	2	3	4	5	6 (PRODUCT LEVEL)	
Y	248-7854	1	CYLINDER & SEAL GP-BUCKET						365
Y	127-6797	1	LINES GP-BUCKET CYLINDER						437
Y-SEPARATE ILLUSTRATION									

<END>

HYDRAULIC SYSTEM**242-6743 CYLINDER & LINES GP-STICK**

S/N: MGG1-UP; JFZ1-UP

PART OF 240-3830 BOOM AR-1 PIECE LONG
AN ATTACHMENT

SMCS-5458

i02548231

NOTE	PART NUMBER	QTY	PART NAME						SEE PAGE
			1	2	3	4	5	6 (PRODUCT LEVEL)	
Y	242-6744	1	CYLINDER & SEAL GP-STICK						369
Y	242-6735	1	LINES GP-STICK CYLINDER						530
Y-SEPARATE ILLUSTRATION									

<END>

HYDRAULIC SYSTEM**242-6747 CYLINDER & LINES GP-STICK**

S/N: MGG1-UP; JFZ1-UP

PART OF 240-3832, 240-3836 BOOM AR-1 PIECE LONG
AN ATTACHMENT

SMCS-5458

i02571091

NOTE	PART NUMBER	QTY	PART NAME						SEE PAGE
			1	2	3	4	5	6 (PRODUCT LEVEL)	
Y	242-6748	1	CYLINDER & SEAL GP-STICK						371
Y	242-6735	1	LINES GP-STICK CYLINDER						530
Y-SEPARATE ILLUSTRATION									

<END>

HYDRAULIC SYSTEM**242-6762 CYLINDER & LINES GP-STICK**

S/N: MGG1-UP; JFZ1-UP

PART OF 240-3835 BOOM AR-1 PIECE SHORT
AN ATTACHMENT

SMCS-5458

i02571388

NOTE	PART NUMBER	QTY	PART NAME						SEE PAGE
			1	2	3	4	5	6 (PRODUCT LEVEL)	
Y	242-6763	1	CYLINDER & SEAL GP-STICK						373
Y	242-6735	1	LINES GP-STICK CYLINDER						530
Y-SEPARATE ILLUSTRATION									

<END>

HYDRAULIC SYSTEM**268-7256 CYLINDER & LINES GP-STICK**

S/N: MGG1-UP

PART OF 302-9208 LINKAGE AR
AN ATTACHMENT

SMCS-5458

i02548891

NOTE	PART NUMBER	QTY	PART NAME						SEE PAGE
			1	2	3	4	5	6 (PRODUCT LEVEL)	
Y	225-4588	1	CYLINDER & SEAL GP-STICK						366
Y	268-7257	1	LINES GP-STICK CYLINDER						531
Y-SEPARATE ILLUSTRATION									

<END>

HYDRAULIC SYSTEM**242-6731 CYLINDER & SEAL GP-BOOM**

S/N: MGG1-UP; JFZ1-UP

120-MM (4.7-IN) BORE X 1260-MM (49.6-IN) STROKE

PART OF 242-6730, 242-6736 CYLINDER & LINES GP-BOOM

AN ATTACHMENT

SMCS-5456

i03086504

NOTE	REF NO	GRAPHIC REF	PART NUMBER	QTY	PART NAME						SEE PAGE
					1	2	3	4	5	6 (PRODUCT LEVEL)	
J	1	1	121-1611	1	SEAL-LIP TYPE						
J	2	1	096-1568	1	RING-BACKUP						
J	3	1	096-1567	1	SEAL-U-CUP						
J	4	1	204-3622	1	SEAL-BUFFER						
	5	1	096-4402	1	BEARING-SLEEVE						
	6	1	094-0747	1	RING-RETAINING						
	7	1	185-0334	1	HEAD						
M	8	1	8T-1447	12	BOLT-SOCKET HEAD (M16X2X70-MM)						
J	9	1	095-1717	1	SEAL-O-RING						
J	10	1	096-3964	1	RING-BACKUP						
	11	1	247-8866	1	CYLINDER AS						
	11A	1	241-7379	1	BEARING-SLEEVE						
	12	1	247-8867	1	ROD AS						
	12A	1	241-7380	1	BEARING-SLEEVE						
	13	1	4I-8864	1	STOP						
J	14	1	126-1935	1	RING-SEAL						
J	15	1	4I-3615	2	RING-BACKUP						
J	16	1	096-7803	1	SEAL AS						
J	17	1	247-8865	2	RING						
J	18	1	086-0255	2	RING						
	19	1	247-8864	1	PISTON						
M	20	1	096-3216	1	SETSCREW-SOCKET (M12X1.75X12-MM)						
	21	1	3D-2891	1	BALL						
	22	1	166-1494	4	SEAL-LIP TYPE						
	23	1	3B-8489	1	FITTING-GREASE						

AVAILABLE REPAIR KIT(S):

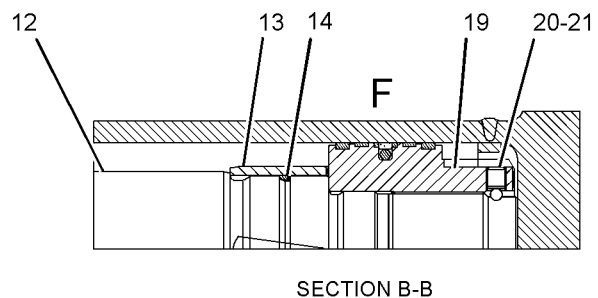
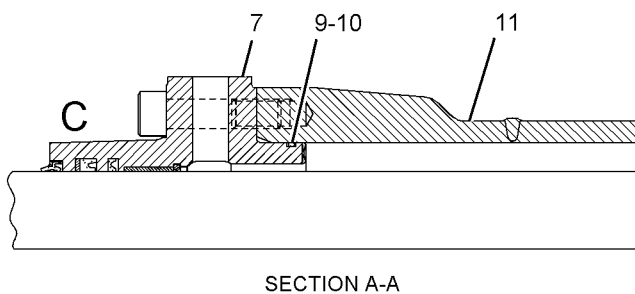
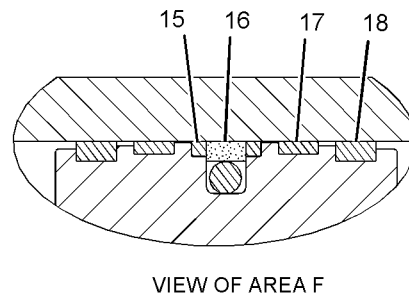
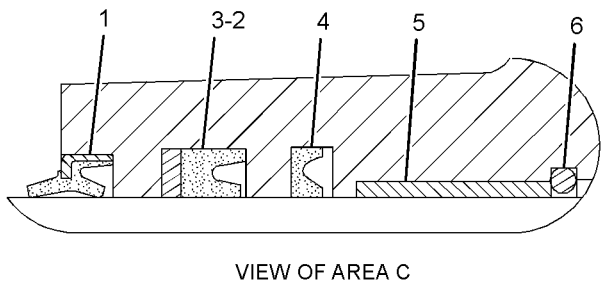
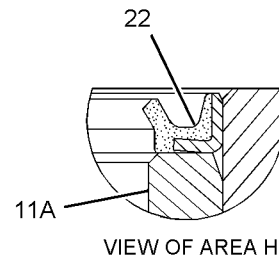
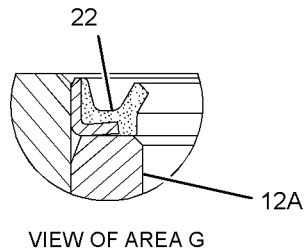
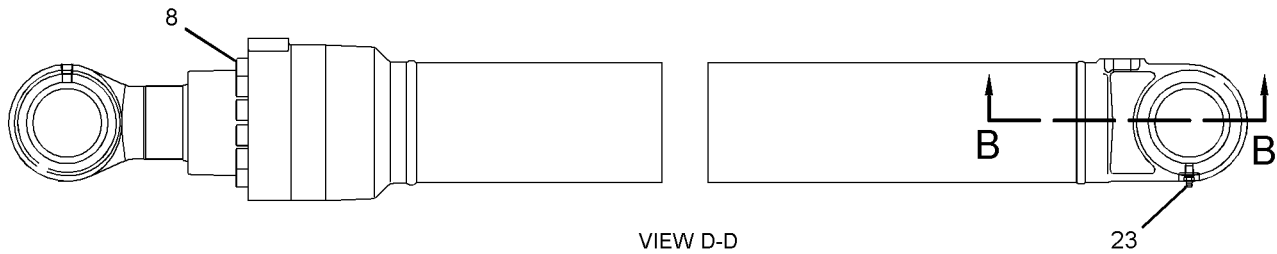
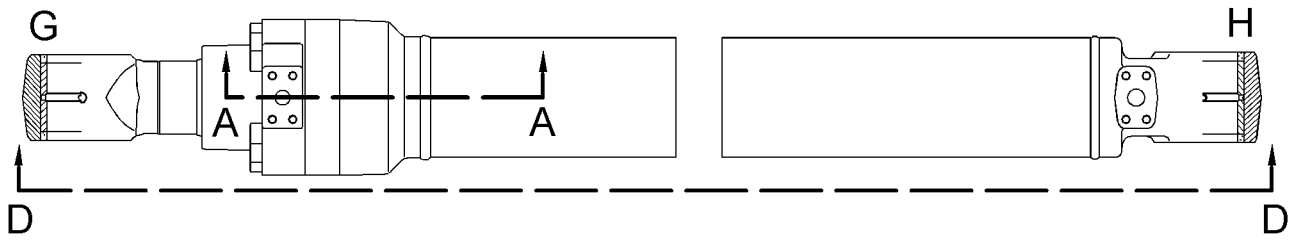
J 247-8868 1 KIT-SEAL (BOOM CYLINDER)

J-KIT MARKED J SERVICES PART(S) MARKED J
M-METRIC PART

HYDRAULIC SYSTEM

242-6731 CYLINDER & SEAL GP-BOOM (contd.)

i03086504



GRAPHIC #1

<END>

g01218786

HYDRAULIC SYSTEM**242-6746 CYLINDER & SEAL GP-BOOM**

S/N: MGG1-UP; JFZ1-UP

120-MM (4.7-IN) BORE X 1260-MM (49.6-IN) STROKE

PART OF 242-6745, 242-6749 CYLINDER & LINES GP-BOOM

AN ATTACHMENT

SMCS-5456

i02769935

NOTE	REF NO	GRAPHIC REF	PART NUMBER	QTY	PART NAME						SEE PAGE
					1	2	3	4	5	6 (PRODUCT LEVEL)	
J	1	1	154-0729	1	SEAL-LIP TYPE						
J	2	1	154-0731	1	RING-BACKUP						
J	3	1	154-0730	1	SEAL-U-CUP						
J	4	1	154-0732	1	SEAL-BUFFER						
	5	1	096-4402	1	BEARING-SLEEVE						
	6	1	094-0747	1	RING-RETAINING						
	7	1	185-0334	1	HEAD						
M	8	1	8T-1447	12	BOLT-SOCKET HEAD (M16X2X70-MM)						
J	9	1	095-1717	1	SEAL-O-RING						
J	10	1	096-3964	1	RING-BACKUP						
	11	1	247-8866	1	CYLINDER AS						
	11A	1	241-7379	1	BEARING-SLEEVE						
	12	1	247-8867	1	ROD AS						
	12A	1	241-7380	1	BEARING-SLEEVE						
	13	1	4I-8864	1	STOP						
J	14	1	126-1935	1	RING-SEAL						
J	15	1	4I-3615	2	RING-BACKUP						
J	16	1	096-7803	1	SEAL AS						
J	17	1	247-8865	2	RING						
J	18	1	086-0255	2	RING						
	19	1	247-8864	1	PISTON						
M	20	1	096-3216	1	SETSCREW-SOCKET (M12X1.75X12-MM)						
	21	1	3D-2891	1	BALL						
	22	1	166-1494	4	SEAL-LIP TYPE						
	23	1	3B-8489	1	FITTING-GREASE						

AVAILABLE REPAIR KIT(S):

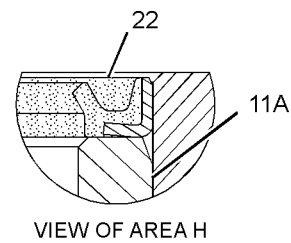
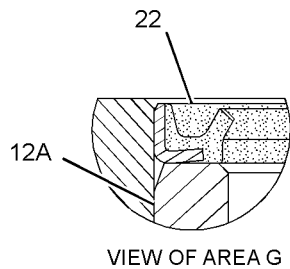
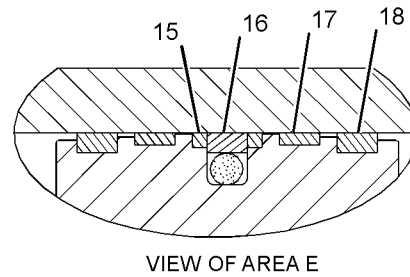
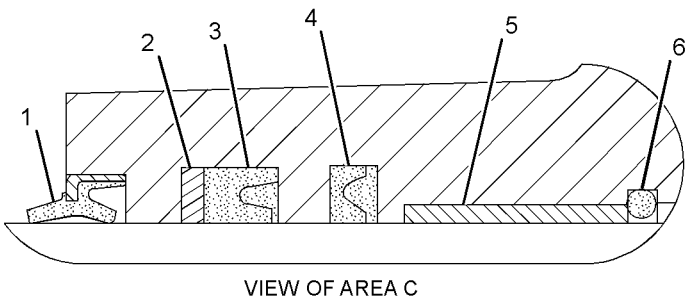
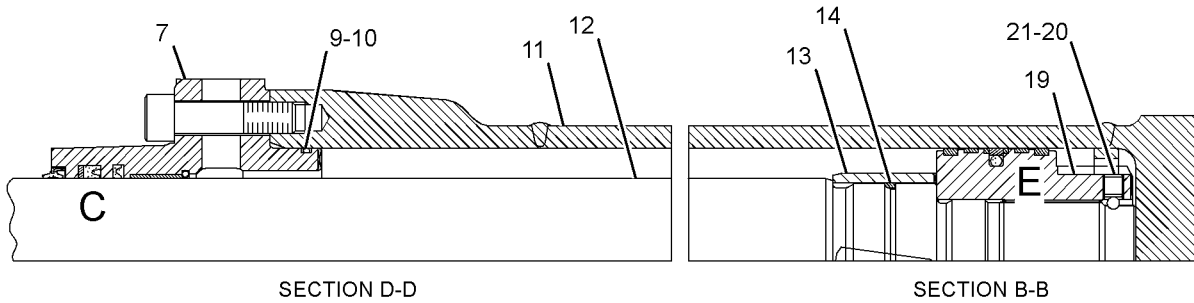
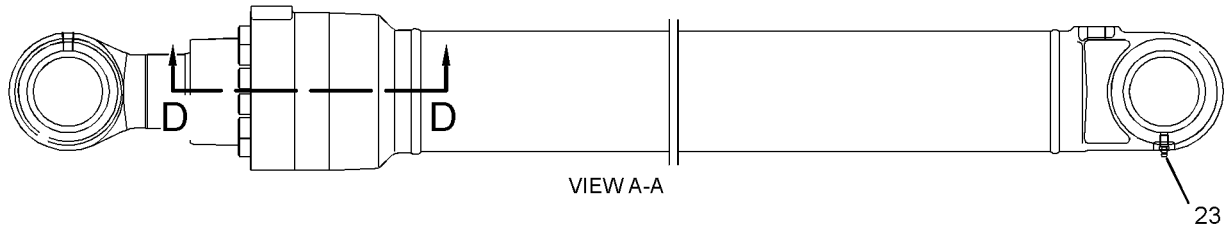
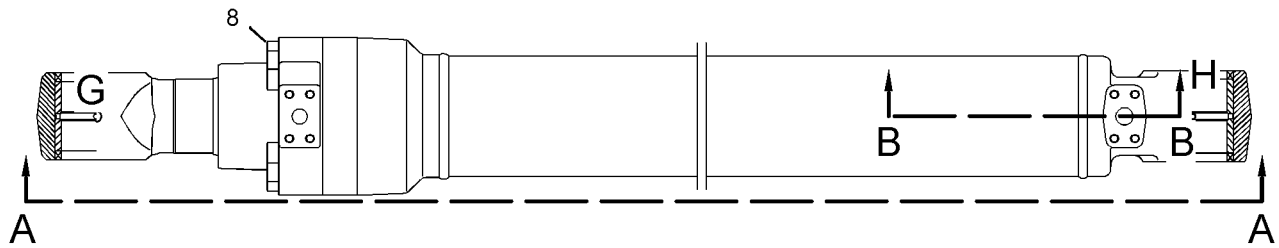
J 266-7891 KIT-SEAL (CYLINDER) (BOOM)

J-KIT MARKED J SERVICES PART(S) MARKED J
M-METRIC PART

HYDRAULIC SYSTEM

242-6746 CYLINDER & SEAL GP-BOOM (contd.)

i02769935



GRAPHIC #1

<END>

g01220837

HYDRAULIC SYSTEM**242-6756 CYLINDER & SEAL GP-BUCKET**

S/N: MGG1-UP; JFZ1-UP

120-MM (4.7-IN) BORE X 1104-MM (43.5-IN) STROKE

PART OF 242-6755 CYLINDER & LINES GP-BUCKET

AN ATTACHMENT

SMCS-5457

i03086505

NOTE	REF NO	GRAPHIC REF	PART NUMBER	QTY	PART NAME						SEE PAGE
					1	2	3	4	5	6 (PRODUCT LEVEL)	
J	1	1	121-1611	1	SEAL-LIP TYPE						
J	2	1	096-1568	1	RING-BACKUP						
J	3	1	096-1567	1	SEAL-U-CUP						
J	4	1	204-3622	1	SEAL-BUFFER						
	5	1	096-4402	1	BEARING-SLEEVE						
	6	1	094-0747	1	RING-RETAINING						
	7	1	177-2611	1	HEAD						
M	8	1	8T-1447	12	BOLT-SOCKET HEAD (M16X2X70-MM)						
J	9	1	095-1717	1	SEAL-O-RING						
J	10	1	096-3964	1	RING-BACKUP						
	11	1	247-8886	1	CYLINDER AS						
	11A	1	235-7769	1	BEARING-SLEEVE						
	12	1	247-8887	1	ROD AS						
	12A	1	241-7382	1	BEARING-SLEEVE						
J	13	1	4I-3615	2	RING-BACKUP						
J	14	1	096-7803	1	SEAL AS						
J	15	1	247-8865	2	RING						
J	16	1	086-0255	2	RING						
	17	1	247-8885	1	PISTON						
M	18	1	096-3216	1	SETSCREW-SOCKET (M12X1.75X12-MM)						
	19	1	3D-2891	1	BALL						
	20	1	166-1494	2	SEAL-LIP TYPE						
	21	1	235-7679	2	SEAL-LIP TYPE						
	22	1	3B-8489	2	FITTING-GREASE						

AVAILABLE REPAIR KIT(S):

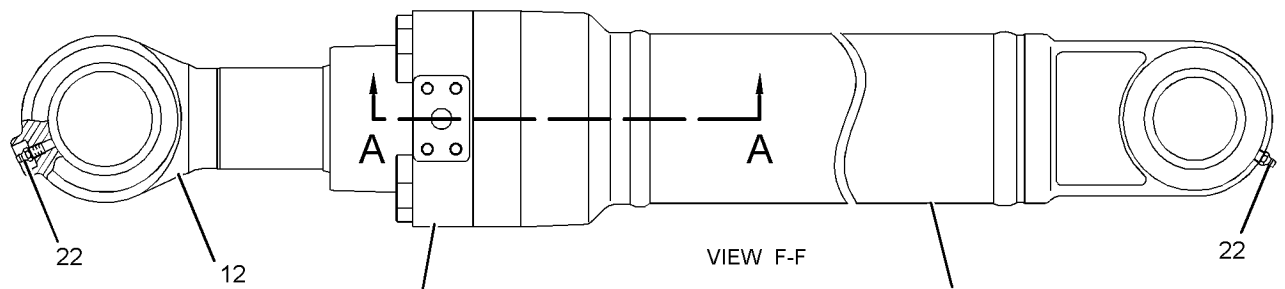
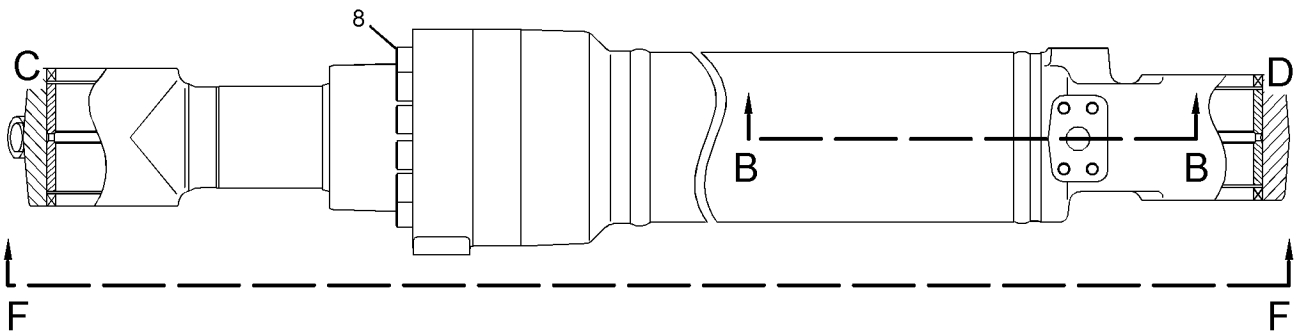
J	247-8888	1	KIT-SEAL (BUCKET)
---	----------	---	-------------------

J-KIT MARKED J SERVICES PART(S) MARKED J
M-METRIC PART

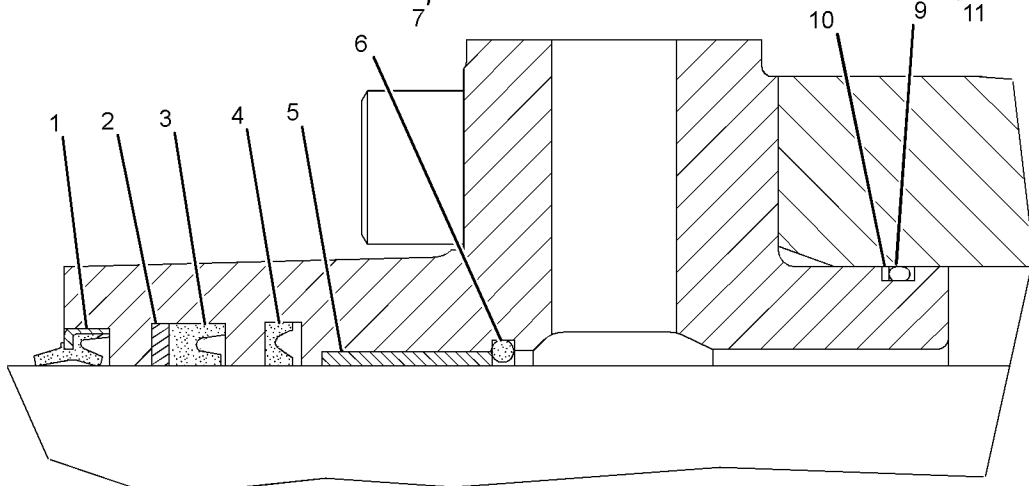
HYDRAULIC SYSTEM

242-6756 CYLINDER & SEAL GP-BUCKET (contd.)

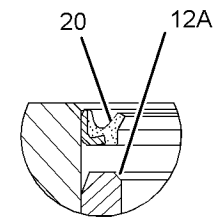
i03086505



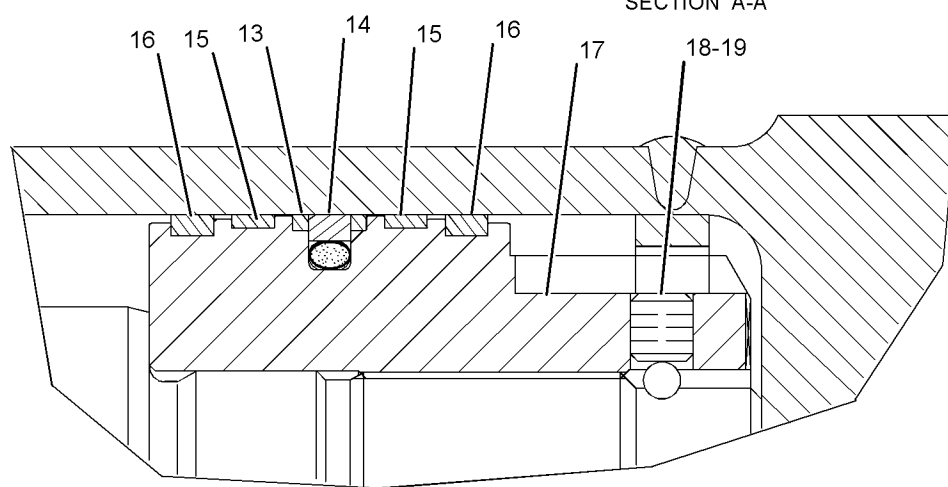
VIEW F-F



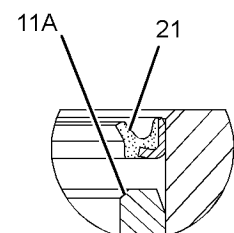
SECTION A-A



VIEW OF AREA C



SECTION B-B



VIEW OF AREA D

GRAPHIC #1

<END>

g01215259

HYDRAULIC SYSTEM**242-6759 CYLINDER & SEAL GP-BUCKET**

S/N: MGG1-UP

120-MM (4.7-IN) BORE X 1104-MM (43.5-IN) STROKE

PART OF 242-6758 CYLINDER & LINES GP-BUCKET

AN ATTACHMENT

SMCS-5457

i03086506

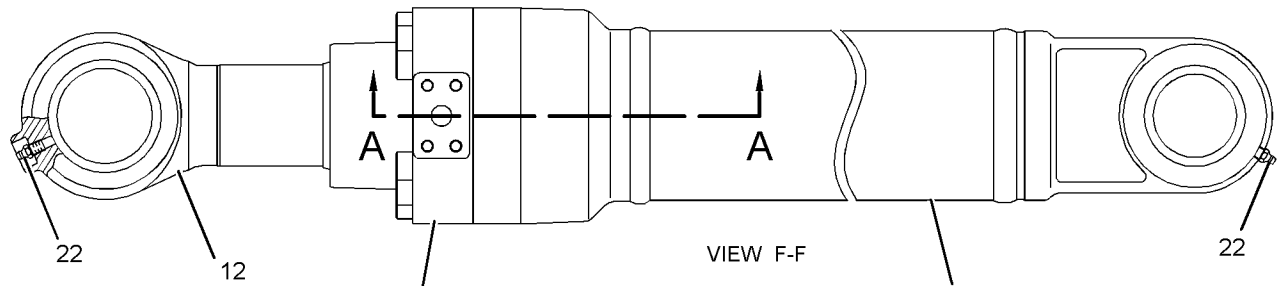
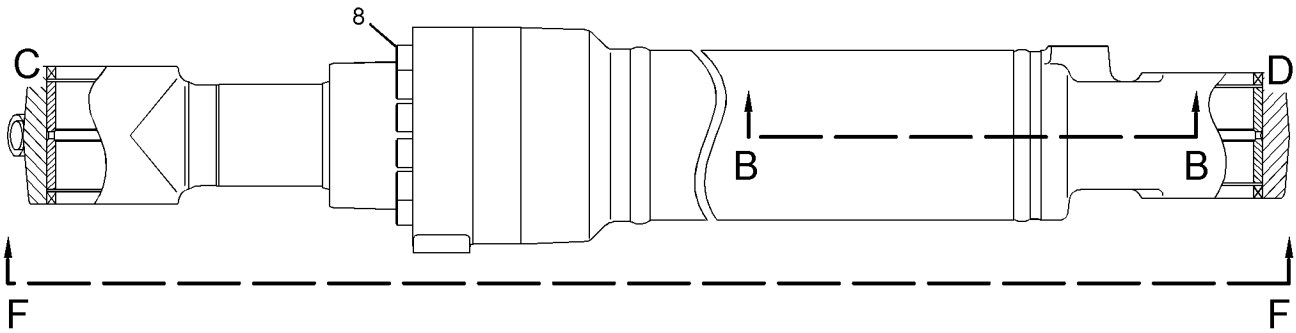
NOTE	REF NO	GRAPHIC REF	PART NUMBER	QTY	PART NAME						SEE PAGE
					1	2	3	4	5	6 (PRODUCT LEVEL)	
J	1	1	154-0729	1	SEAL-LIP TYPE						
J	2	1	154-0731	1	RING-BACKUP						
J	3	1	154-0730	1	SEAL-U-CUP						
J	4	1	154-0732	1	SEAL-BUFFER						
	5	1	096-4402	1	BEARING-SLEEVE						
	6	1	094-0747	1	RING-RETAINING						
	7	1	177-2611	1	HEAD						
M	8	1	8T-1447	12	BOLT-SOCKET HEAD (M16X2X70-MM)						
J	9	1	095-1717	1	SEAL-O-RING						
J	10	1	096-3964	1	RING-BACKUP						
	11	1	247-8886	1	CYLINDER AS						
	11A	1	235-7769	1	BEARING-SLEEVE						
	12	1	247-8887	1	ROD AS						
	12A	1	241-7382	1	BEARING-SLEEVE						
J	13	1	4I-3615	2	RING-BACKUP						
J	14	1	096-7803	1	SEAL AS						
J	15	1	247-8865	2	RING						
J	16	1	086-0255	2	RING						
	17	1	247-8885	1	PISTON						
M	18	1	096-3216	1	SETSCREW-SOCKET (M12X1.75X12-MM)						
	19	1	3D-2891	1	BALL						
	20	1	166-1494	2	SEAL-LIP TYPE						
	21	1	235-7679	2	SEAL-LIP TYPE						
	22	1	3B-8489	2	FITTING-GREASE						
AVAILABLE REPAIR KIT(S):											
J			266-7892	1	KIT-SEAL (HYDRAULIC CYLINDER) (BUCKET)						

J-KIT MARKED J SERVICES PART(S) MARKED J
M-METRIC PART

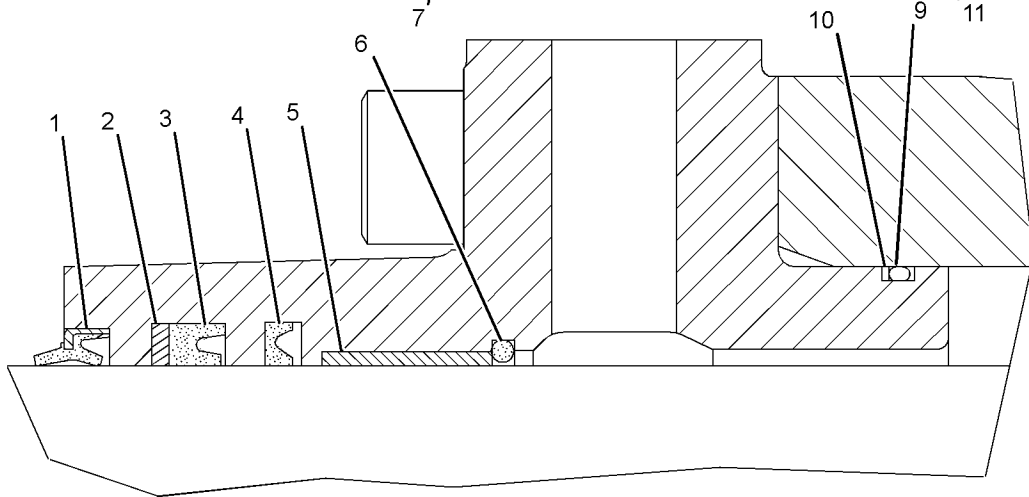
HYDRAULIC SYSTEM

242-6759 CYLINDER & SEAL GP-BUCKET (contd.)

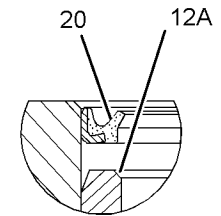
i03086506



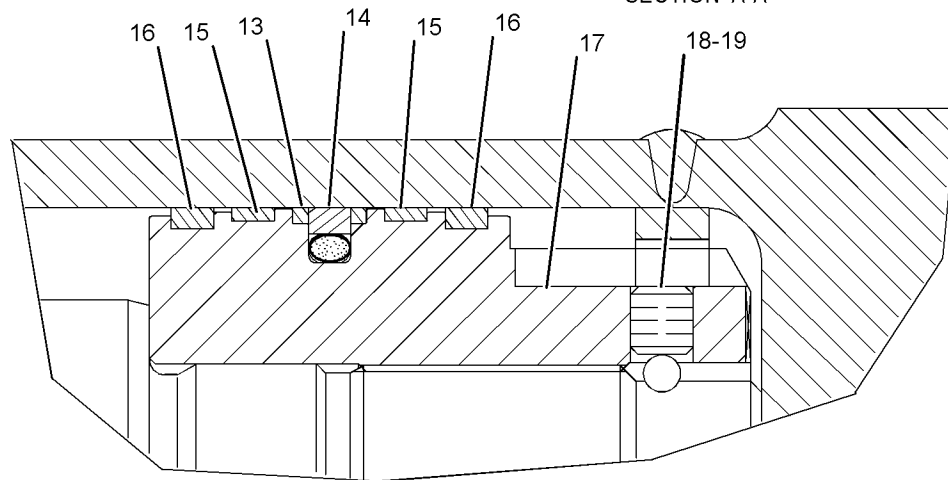
VIEW F-F



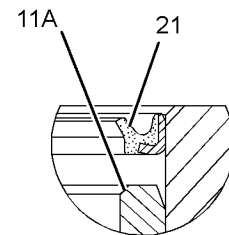
SECTION A-A



VIEW OF AREA C



SECTION B-B



VIEW OF AREA D

GRAPHIC #1

<END>

g01215279

HYDRAULIC SYSTEM

248-7854 CYLINDER & SEAL GP-BUCKET

S/N: MGG1-UP

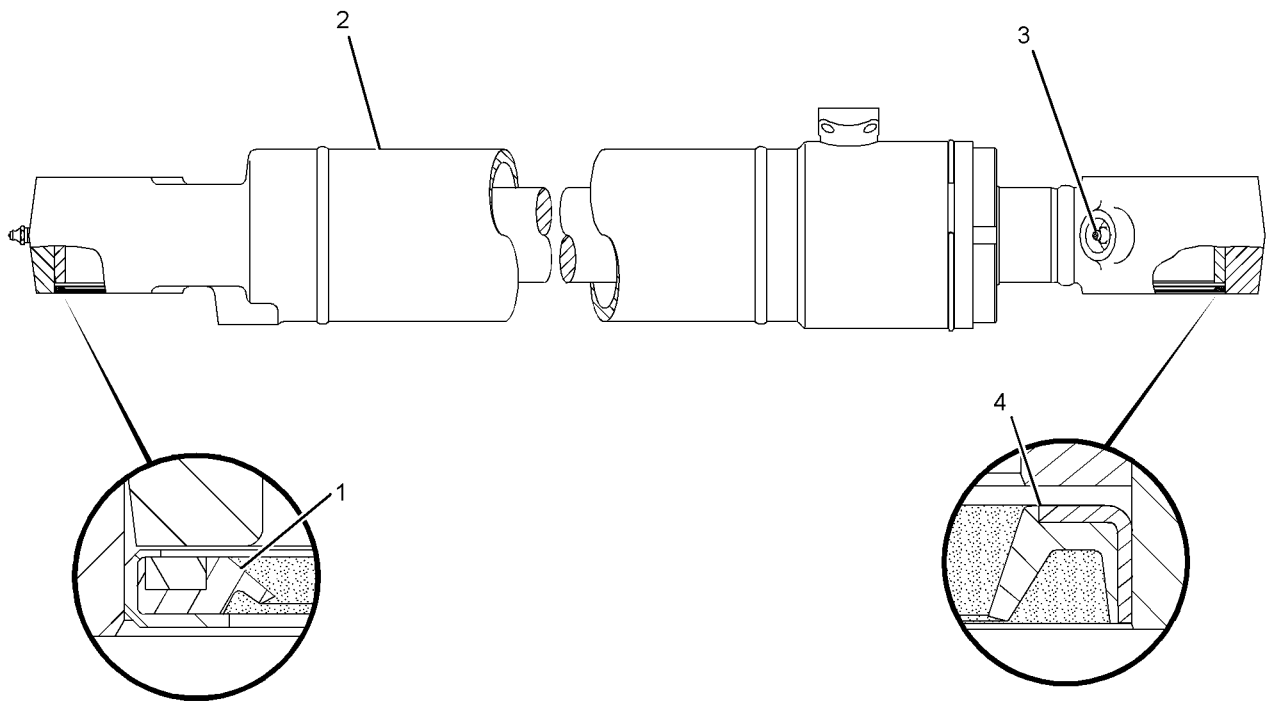
PART OF 253-6664 CYLINDER & LINES GP-BUCKET
AN ATTACHMENT

SMCS-5457

i02639689

NOTE	REF NO	GRAPHIC REF	PART NUMBER	QTY	PART NAME						SEE PAGE
					1	2	3	4	5	6 (PRODUCT LEVEL)	
	1	1	093-1433	2	SEAL-LIP TYPE						
CY	2	1	283-6118	1	CYLINDER GP-BUCKET						375
	3	1	3B-8489	2	FITTING-GREASE						
	4	1	235-7679	2	SEAL-LIP TYPE						

C-CHANGE FROM PREVIOUS TYPE
Y-SEPARATE ILLUSTRATION



GRAPHIC #1

<END>

g01280560

HYDRAULIC SYSTEM**225-4588 CYLINDER & SEAL GP-STICK**

S/N: MGG1-UP

150-MM (5.9-IN) BORE X 1646-MM (64.8-IN) STROKE

PART OF 268-7256 CYLINDER & LINES GP-STICK

AN ATTACHMENT

SMCS-5458

i02770014

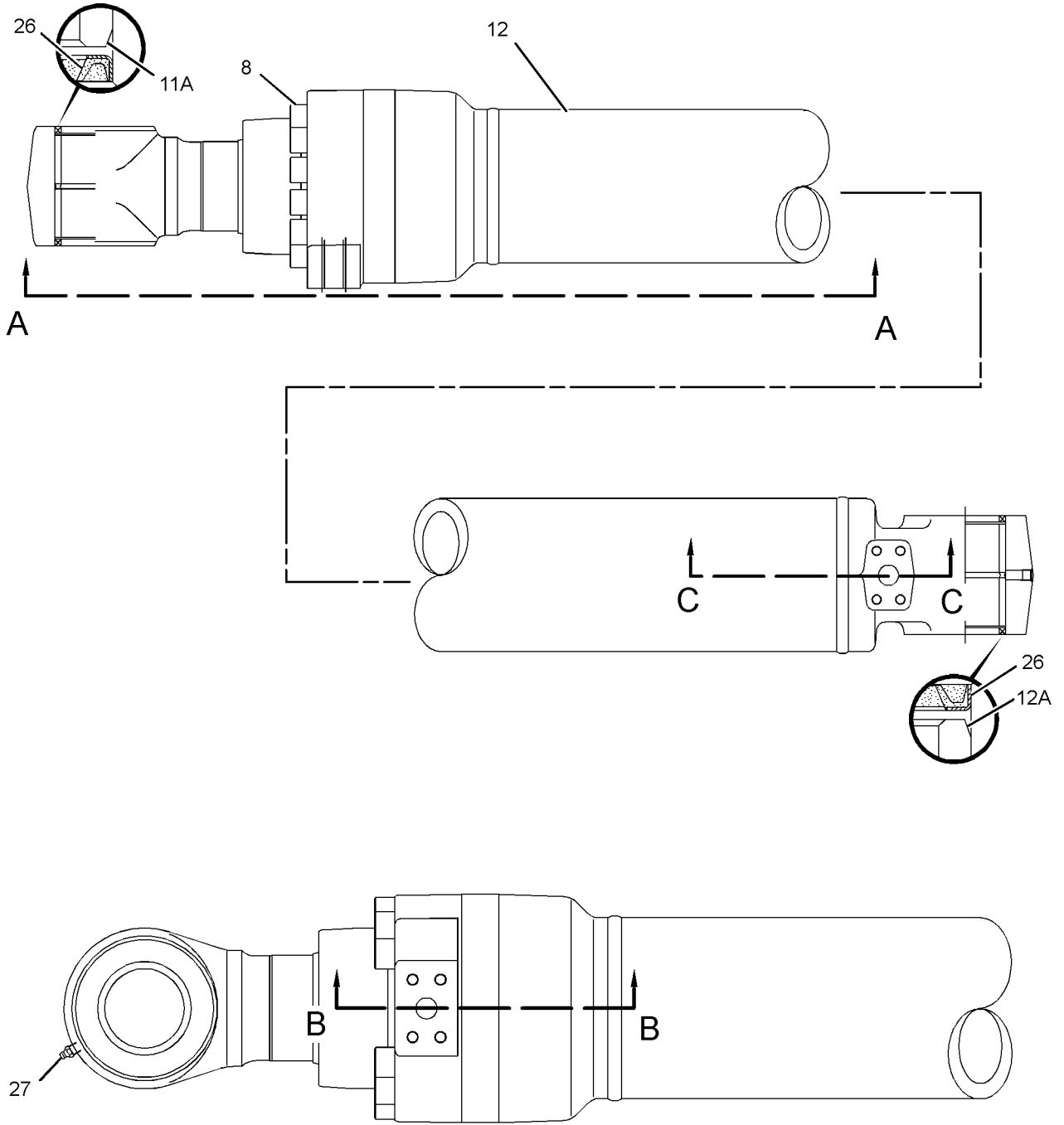
NOTE	REF NO	GRAPHIC REF	PART NUMBER	QTY	PART NAME						SEE PAGE
					1	2	3	4	5	6 (PRODUCT LEVEL)	
J	1	2	133-6909	1	SEAL-LIP TYPE						
J	2	2	194-8355	1	RING-BACKUP						
J	3	2	194-8354	1	SEAL-U-CUP						
J	4	2	209-6009	1	SEAL						
	5	2	099-5572	1	BEARING-SLEEVE						
	6	2	099-5573	1	RING-RETAINING						
	7	2	194-8353	1	HEAD						
M	8	1	9X-2404	12	BOLT-SOCKET HEAD (M20X2.5X90-MM)						
J	9	2	095-1723	1	SEAL-O-RING						
J	10	2	114-0706	1	RING-BACKUP						
	11	2	234-4578	1	ROD AS						
	11A	1	235-7770	1	BEARING-SLEEVE						
	12	1	234-4577	1	CYLINDER AS						
	12A	1	235-7770	1	BEARING-SLEEVE						
	13	2	121-1548	1	STOP						
J	14	2	194-8356	1	RING-SEAL						
J	15	2	114-0711	2	RING-BACKUP						
J	16	2	114-0710	1	SEAL AS						
J	17	2	234-4574	2	RING						
J	18	2	114-0713	2	RING						
	19	2	234-4573	1	PISTON						
M	20	2	096-6210	1	SETSCREW-SOCKET (M14X2X14-MM)						
	21	2	4B-9880	1	BALL						
	22	2	085-8605	1	RING-RETAINING						
J	23	2	194-8359	1	RING-SEAL						
	24	2	121-1549	1	STOP						
	25	2	085-8604	2	RING-RETAINING						
	26	1	166-1494	4	SEAL-LIP TYPE						
	27	1	3B-8489	1	FITTING-GREASE						
AVAILABLE REPAIR KIT(S):											
J			234-4576	1	KIT-SEAL (STICK CYLINDER)						
J-KIT MARKED J SERVICES PART(S) MARKED J											
M-METRIC PART											

HYDRAULIC SYSTEM

225-4588 CYLINDER & SEAL GP-STICK (contd.)

i02770014

REFER TO ALL ILLUSTRATIONS OF THIS GROUP FOR AUXILIARY VIEWS



VIEW A-A

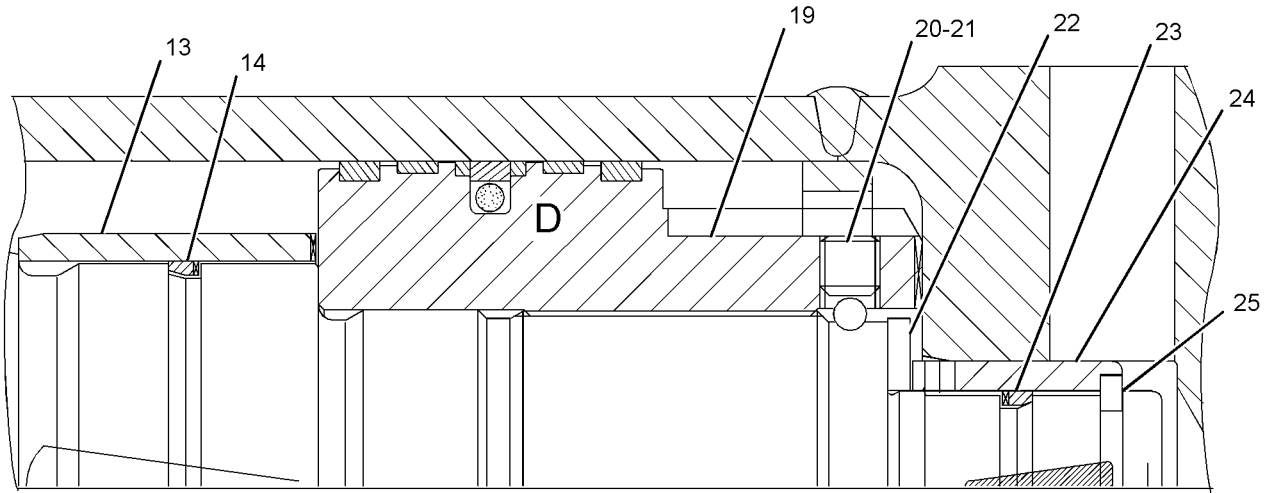
GRAPHIC #1

g01178757

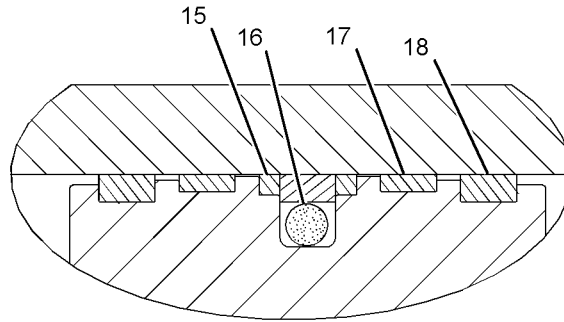
HYDRAULIC SYSTEM

225-4588 CYLINDER & SEAL GP-STICK (contd.)

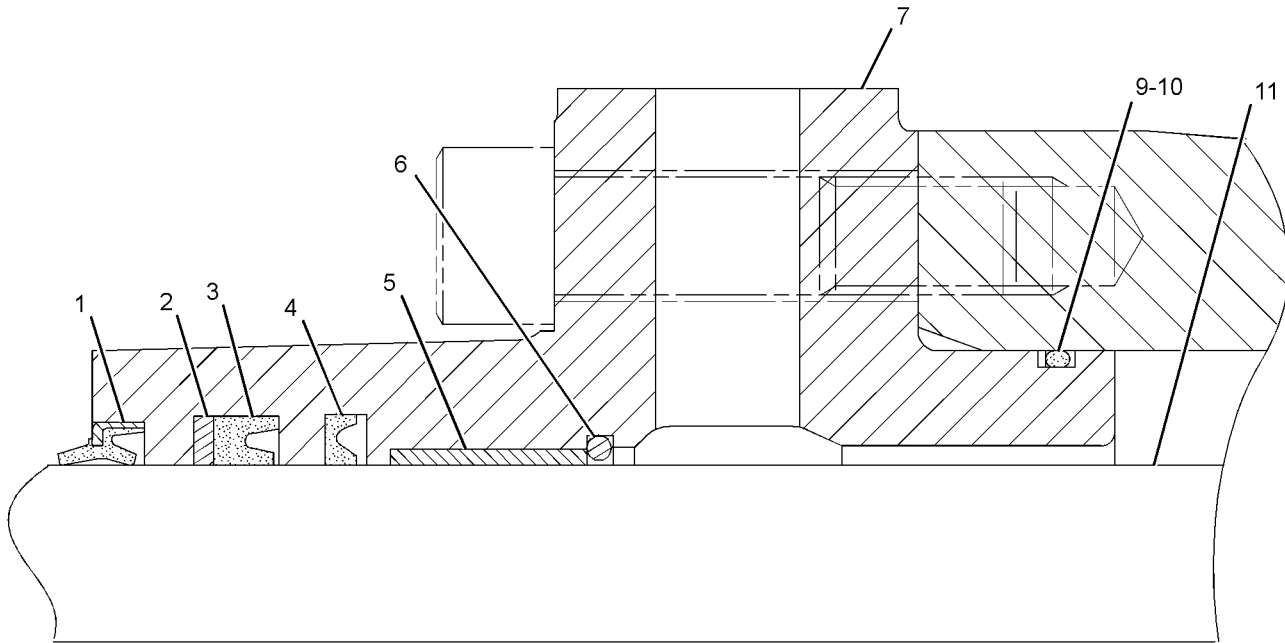
i02770014



SECTION B-B



VIEW OF AREA D



SECTION C-C

GRAPHIC #2

<END>

g01178758

HYDRAULIC SYSTEM**242-6744 CYLINDER & SEAL GP-STICK**

S/N: MGG1-UP; JFZ1-UP

140-MM (5.5-IN) BORE X 1504-MM (59.2-IN) STROKE

PART OF 242-6743 CYLINDER & LINES GP-STICK

AN ATTACHMENT

SMCS-5458

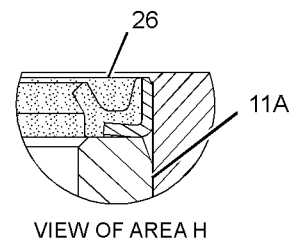
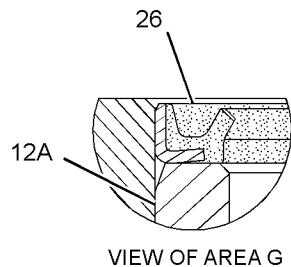
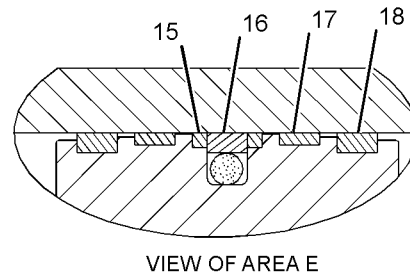
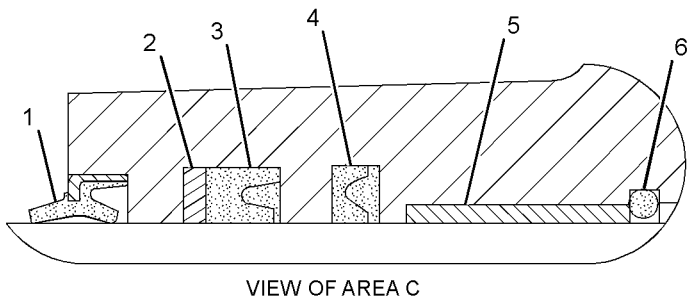
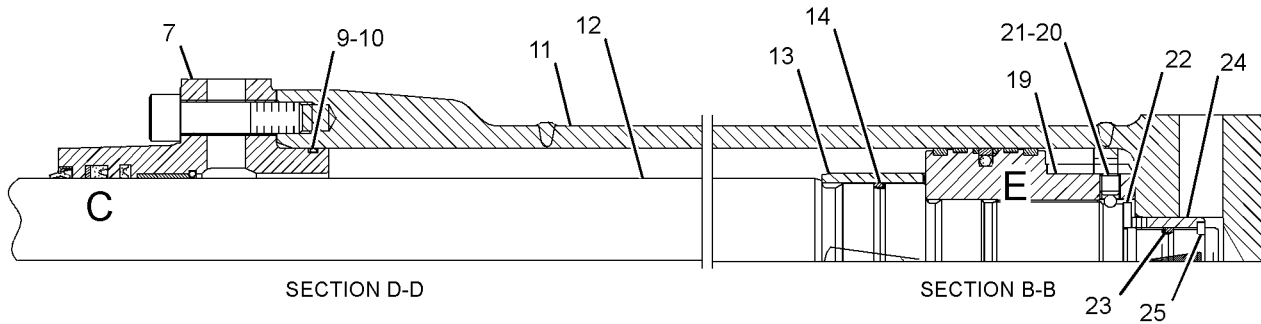
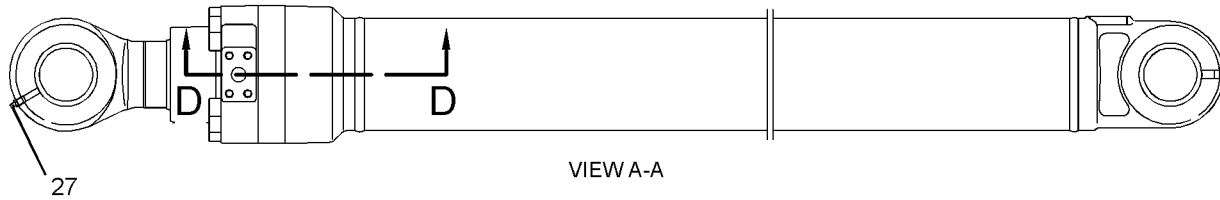
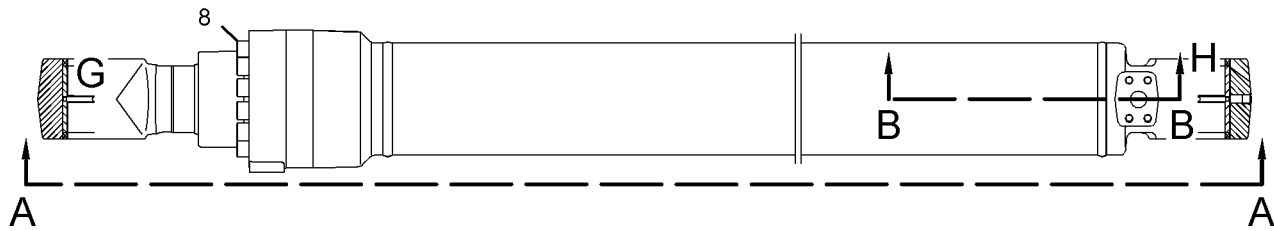
i02770016

NOTE	REF NO	GRAPHIC REF	PART NUMBER	QTY	PART NAME						SEE PAGE
					1	2	3	4	5	6 (PRODUCT LEVEL)	
J	1	1	133-6904	1	SEAL-LIP TYPE						
J	2	1	121-1372	1	RING-BACKUP						
J	3	1	121-1371	1	SEAL-U-CUP						
J	4	1	204-3623	1	SEAL-BUFFER						
	5	1	096-5625	1	BEARING-SLEEVE						
	6	1	094-1931	1	RING-RETAINING						
	7	1	188-4181	1	HEAD						
M	8	1	4I-3628	12	BOLT-SOCKET HEAD (M18X2.5X80-MM)						
J	9	1	095-1721	1	SEAL-O-RING						
J	10	1	4I-3627	1	RING-BACKUP						
	11	1	247-8876	1	CYLINDER AS						
	11A	1	241-7381	1	BEARING-SLEEVE						
	12	1	247-8877	1	ROD AS						
	12A	1	241-7381	1	BEARING-SLEEVE						
	13	1	4I-8869	1	STOP						
J	14	1	214-4501	1	RING-SEAL						
J	15	1	4I-3631	2	RING-BACKUP						
J	16	1	096-1570	1	SEAL AS						
J	17	1	247-8874	2	RING						
J	18	1	096-1571	2	RING						
	19	1	247-8873	1	PISTON						
M	20	1	096-6210	1	SETSCREW-SOCKET (M14X2X14-MM)						
	21	1	4B-9880	1	BALL						
	22	1	085-8605	1	RING-RETAINING						
J	23	1	194-8359	1	RING-SEAL						
	24	1	121-1549	1	STOP						
	25	1	085-8604	2	RING-RETAINING						
	26	1	166-1494	4	SEAL-LIP TYPE						
	27	1	3B-8489	1	FITTING-GREASE						
AVAILABLE REPAIR KIT(S):											
J			247-8974	1	KIT-SEAL (HYDRAULIC CYLINDER) (STICK)						
J-KIT MARKED J SERVICES PART(S) MARKED J											
M-METRIC PART											

HYDRAULIC SYSTEM

242-6744 CYLINDER & SEAL GP-STICK (contd.)

i02770016



GRAPHIC #1

<END>

g01220828

HYDRAULIC SYSTEM**242-6748 CYLINDER & SEAL GP-STICK**

S/N: MGG1-UP; JFZ1-UP

140-MM (5.5-IN) BORE X 1504-MM (59.2-IN) STROKE

PART OF 242-6747 CYLINDER & LINES GP-STICK

AN ATTACHMENT

SMCS-5458

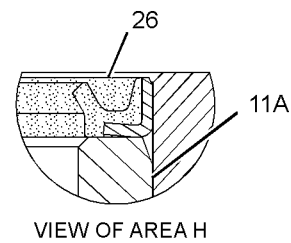
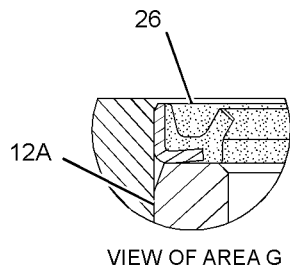
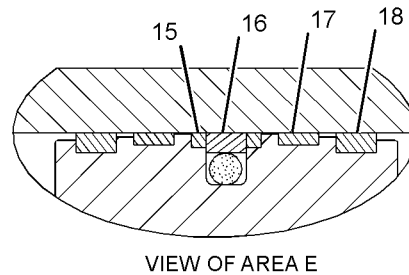
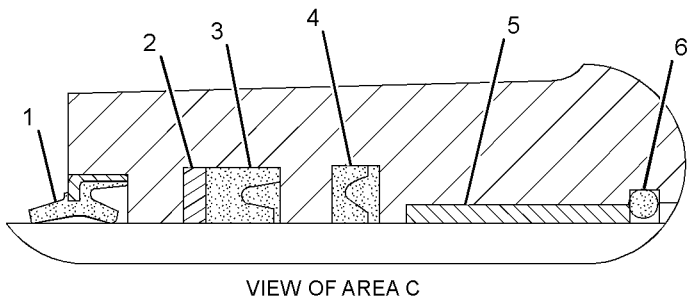
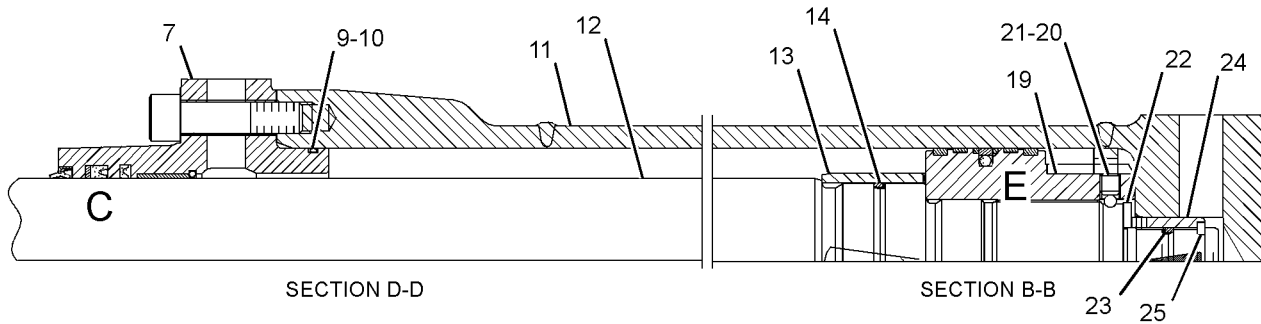
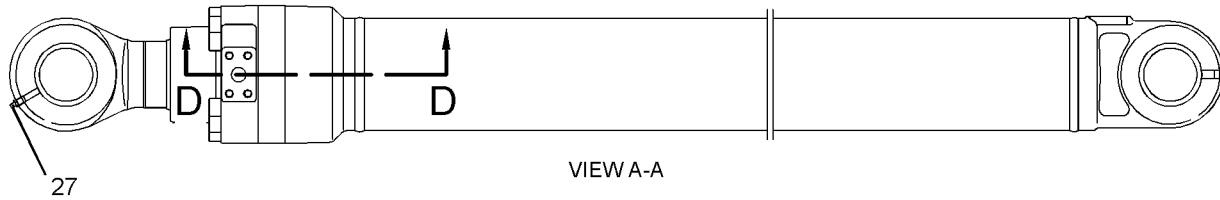
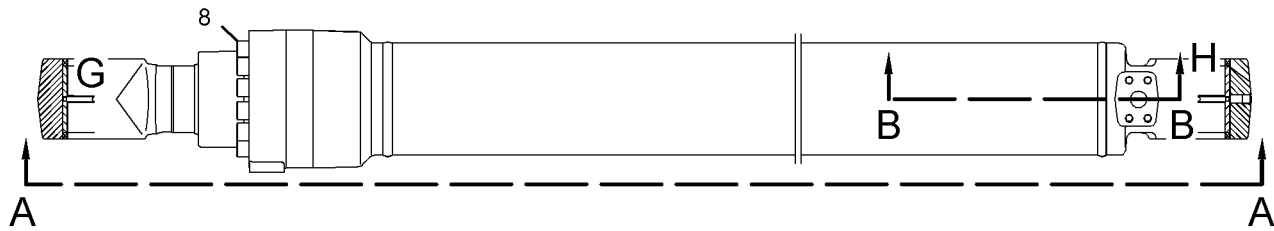
i02770023

NOTE	REF NO	GRAPHIC REF	PART NUMBER	QTY	PART NAME						SEE PAGE
					1	2	3	4	5	6 (PRODUCT LEVEL)	
J	1	1	154-0736	1	SEAL-LIP TYPE						
J	2	1	154-0738	1	RING-BACKUP						
J	3	1	154-0737	1	SEAL-U-CUP						
J	4	1	154-0739	1	SEAL-BUFFER						
	5	1	096-5625	1	BEARING-SLEEVE						
	6	1	094-1931	1	RING-RETAINING						
	7	1	188-4181	1	HEAD						
M	8	1	4I-3628	12	BOLT-SOCKET HEAD (M18X2.5X80-MM)						
J	9	1	095-1721	1	SEAL-O-RING						
J	10	1	4I-3627	1	RING-BACKUP						
	11	1	247-8876	1	CYLINDER AS						
	11A	1	241-7381	1	BEARING-SLEEVE						
	12	1	247-8877	1	ROD AS						
	12A	1	241-7381	1	BEARING-SLEEVE						
	13	1	4I-8869	1	STOP						
J	14	1	126-1876	1	RING-SEAL						
J	15	1	4I-3631	2	RING-BACKUP						
J	16	1	096-1570	1	SEAL AS						
J	17	1	247-8874	2	RING						
J	18	1	096-1571	2	RING						
	19	1	247-8873	1	PISTON						
M	20	1	096-6210	1	SETSCREW-SOCKET (M14X2X14-MM)						
	21	1	4B-9880	1	BALL						
	22	1	085-8605	1	RING-RETAINING						
J	23	1	194-8359	1	RING-SEAL						
	24	1	121-1549	1	STOP						
	25	1	085-8604	2	RING-RETAINING						
	26	1	166-1494	4	SEAL-LIP TYPE						
	27	1	3B-8489	1	FITTING-GREASE						
AVAILABLE REPAIR KIT(S):											
J			259-0775	1	KIT-SEAL (HYDRAULIC CYLINDER) (STICK)						
J-KIT MARKED J SERVICES PART(S) MARKED J											
M-METRIC PART											

HYDRAULIC SYSTEM

242-6748 CYLINDER & SEAL GP-STICK (contd.)

i02770023



GRAPHIC #1

<END>

g01220057

HYDRAULIC SYSTEM**242-6763 CYLINDER & SEAL GP-STICK**

S/N: MGG1-UP; JFZ1-UP

140-MM (5.5-IN) BORE X 1518-MM (59.8-IN) STROKE

PART OF 242-6762 CYLINDER & LINES GP-STICK

AN ATTACHMENT

SMCS-5458

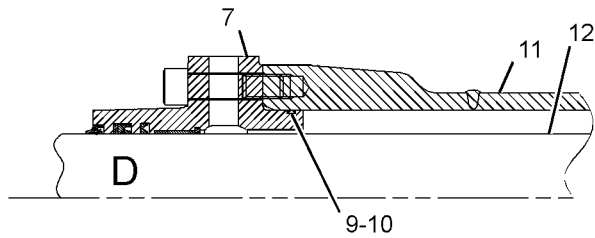
i02571724

NOTE	REF NO	GRAPHIC REF	PART NUMBER	QTY	PART NAME						SEE PAGE
					1	2	3	4	5	6 (PRODUCT LEVEL)	
J	1	1	154-0736	1	SEAL-LIP TYPE						
J	2	1	154-0738	1	RING-BACKUP						
J	3	1	154-0737	1	SEAL-U-CUP						
J	4	1	154-0739	1	SEAL-BUFFER						
	5	1	096-5625	1	BEARING-SLEEVE						
	6	1	094-1931	1	RING-RETAINING						
	7	1	188-4181	1	HEAD						
M	8	1	4I-3628	12	BOLT-SOCKET HEAD (M18X2.5X80-MM)						
J	9	1	095-1721	1	SEAL-O-RING						
J	10	1	4I-3627	1	RING-BACKUP						
	11	1	247-8881	1	CYLINDER AS						
	11A	1	241-7381	1	BEARING-SLEEVE						
	12	1	247-8882	1	ROD AS						
	12A	1	241-7381	1	BEARING-SLEEVE						
	13	1	4I-8869	1	STOP						
J	14	1	126-1876	1	RING-SEAL						
J	15	1	4I-3631	2	RING-BACKUP						
J	16	1	096-1570	1	SEAL AS						
J	17	1	247-8874	2	RING						
J	18	1	096-1571	2	RING						
	19	1	247-8873	1	PISTON						
M	20	1	096-6210	1	SETSCREW-SOCKET (M14X2X14-MM)						
	21	1	4B-9880	1	BALL						
	22	1	085-8605	1	RING-RETAINING						
J	23	1	194-8359	1	RING-SEAL						
	24	1	121-1549	1	STOP						
	25	1	085-8604	2	RING-RETAINING						
	26	1	166-1494	4	SEAL-LIP TYPE						
	27	1	3B-8489	1	FITTING-GREASE						
AVAILABLE REPAIR KIT(S):											
J			259-0775	1	KIT-SEAL (HYDRAULIC CYLINDER) (STICK)						
J-KIT MARKED J SERVICES PARTS(S) MARKED J											
M-METRIC PART											

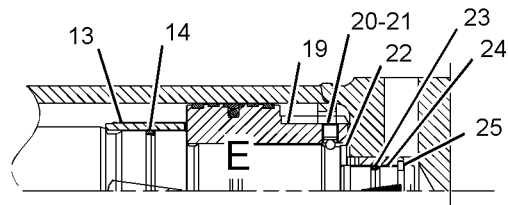
HYDRAULIC SYSTEM

242-6763 CYLINDER & SEAL GP-STICK (contd.)

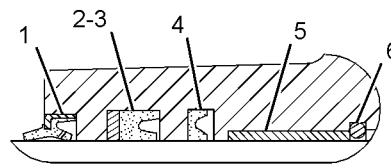
i02571724



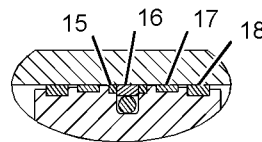
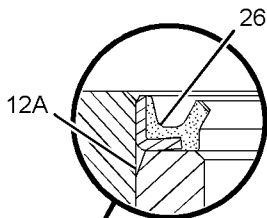
SECTION C-C



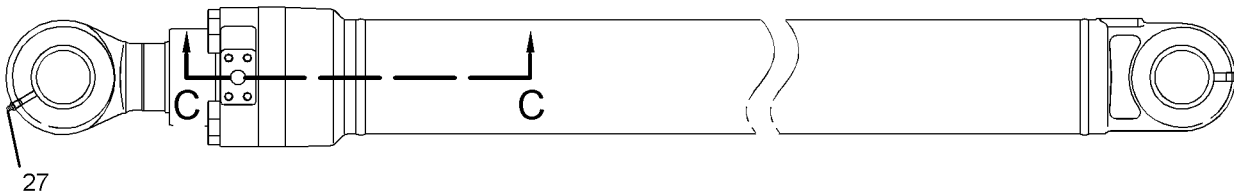
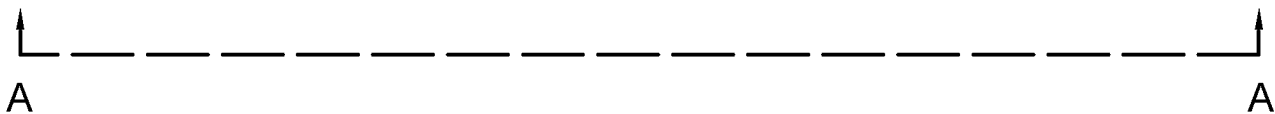
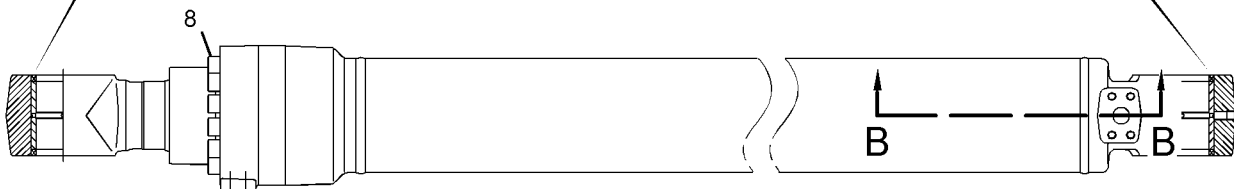
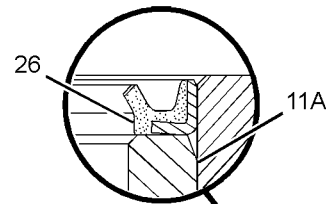
SECTION B-B



VIEW OF AREA D



VIEW OF AREA E



VIEW A-A

GRAPHIC #1

<END>

g01228193

HYDRAULIC SYSTEM**283-6118 CYLINDER GP-BUCKET**

S/N: MGG1-UP

100-MM (3.9-IN) BORE X 939-MM (36.9-IN) STROKE

PART OF 248-7854 CYLINDER & SEAL GP-BUCKET

AN ATTACHMENT

SMCS-5457

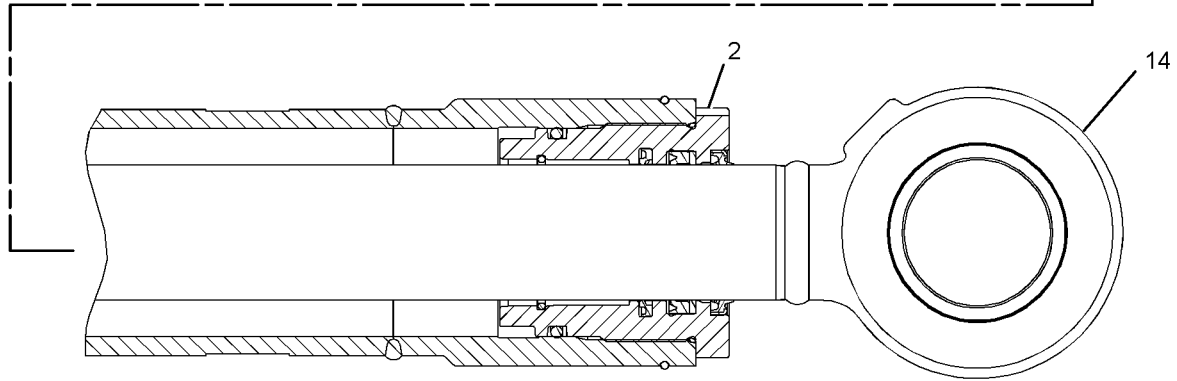
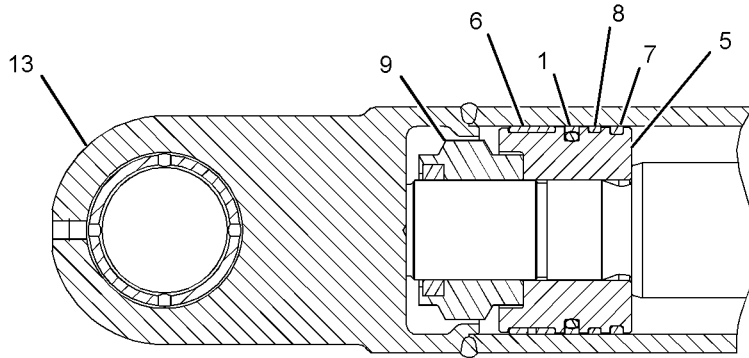
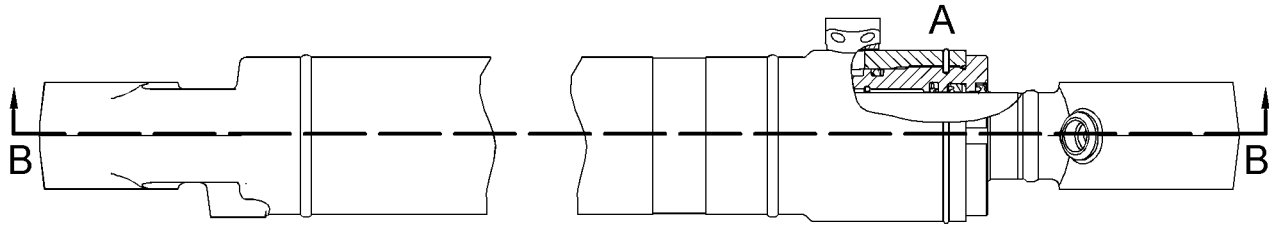
i02770028

NOTE	REF NO	GRAPHIC REF	PART NUMBER	QTY	PART NAME						SEE PAGE
					1	2	3	4	5	6 (PRODUCT LEVEL)	
J	1	1	9X-7298	1	SEAL AS						
	2	1	099-0596	1	HEAD						
	3	1	099-0600	1	RING						
	4	1	099-0700	1	RING-RETAINING						
	5	1	143-8023	1	PISTON						
J	6	1	143-8024	1	RING						
J	7	1	143-8025	1	RING						
J	8	1	143-8033	1	RING						
	9	1	143-8149	1	LOCKNUT-SPECIAL						
J	10	1	165-9282	1	SEAL-LIP TYPE						
J	11	1	170-9840	1	SEAL-BUFFER						
J	12	1	170-9856	1	SEAL-U-CUP						
	13	1	170-9938	1	CYLINDER AS						
		1	229-1009	1	BEARING-SLEEVE						
	14	1	283-6119	1	ROD AS						
		1	248-7857	1	BEARING-SLEEVE						
J	15	1	095-1625	1	SEAL-O-RING						
J	16	1	096-1055	1	RING						
J	17	1	099-0699	1	RING-BACKUP						
	18	1	114-0754	1	BEARING-SLEEVE						
J	19	1	6V-8467	1	SEAL-O-RING						
					AVAILABLE REPAIR KIT(S):						
J			170-9941	1	KIT-SEAL (BUCKET CYLINDER)						
J-KIT MARKED J SERVICES PARTS MARKED J											

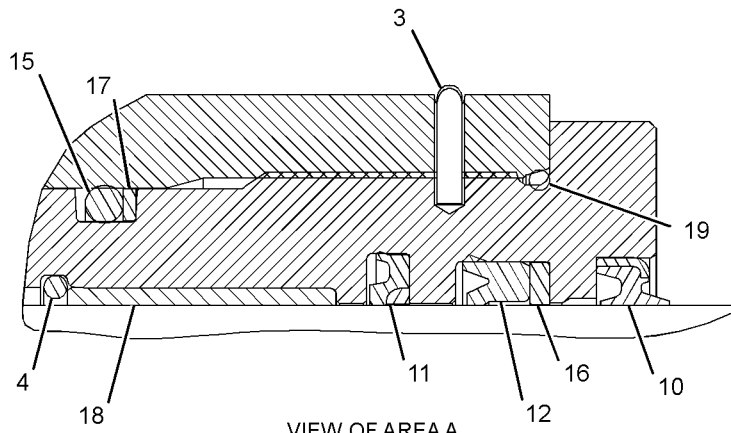
HYDRAULIC SYSTEM

283-6118 CYLINDER GP-BUCKET (contd.)

i02770028



SECTION B-B



VIEW OF AREA A

GRAPHIC #1

<END>

g01280413

HYDRAULIC SYSTEM**148-4644 DRIVE GP-SWING-WITHOUT MOTOR**

S/N: MGG1-UP; JFZ1-UP

PART OF 148-4679 DRIVE GP-SWING

SMCS-5459

i03145905

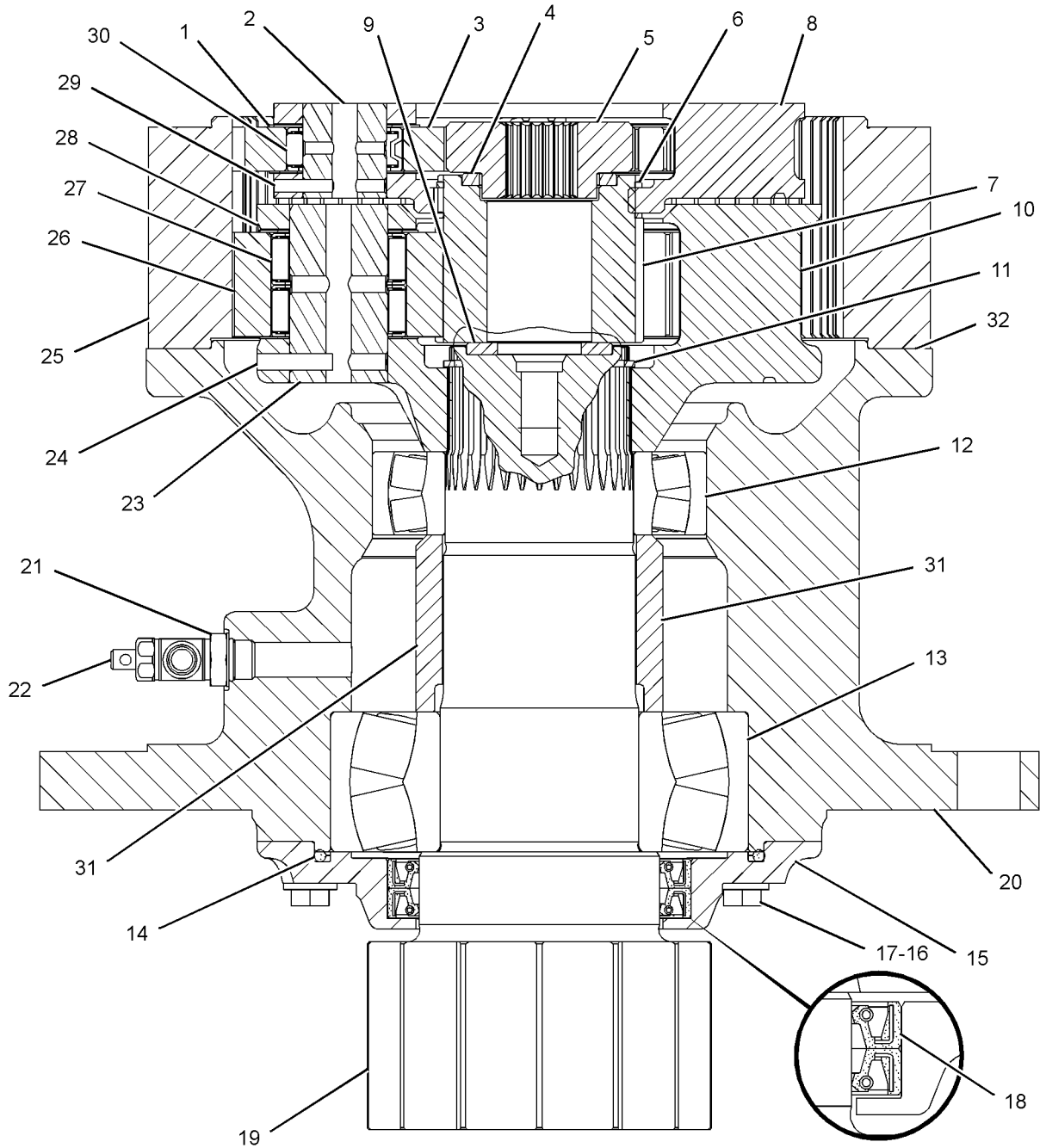
NOTE	REF NO	GRAPHIC REF	PART NUMBER	QTY	PART NAME						SEE PAGE
					1	2	3	4	5	6 (PRODUCT LEVEL)	
	1	1	094-0584	6	WASHER (40.3X72X1-MM THK)						
	2	1	094-1509	3	SHAFT-PLANETARY						
	3	1	148-4733	3	GEAR-PLANETARY (26-TEETH) (26 TEETH)						
	4	1	114-1581	1	SPACER (57.5X74X6-MM THK)						
	5	1	148-4732	1	GEAR-SUN (20-TEETH) (20 TEETH)						
	6	1	093-1729	2	RING-RETAINING						
	7	1	148-4632	1	GEAR-SUN (23-TEETH) (23 TEETH)						
	8	1	191-2578	1	CARRIER-PLANETARY						
	9	1	7Y-1434	1	SPACER (40X69.5X6-MM THK)						
	10	1	148-4637	1	CARRIER-PLANETARY						
	11	1	148-4640	1	RING-RETAINING						
	12	1	148-4643	1	BEARING						
	13	1	095-1022	1	BEARING-ROLLER						
	14	1	148-4642	1	SEAL-O-RING						
	15	1	227-6228	1	CAGE						
M	16	1	8T-4183	6	BOLT (M12X1.75X40-MM)						
	17	1	8T-4223	6	WASHER-HARD (13.5X25.5X3-MM THK)						
	18	1	199-4561	2	SEAL-LIP TYPE						
	19	1	148-4636	1	SHAFT-PINION						
	20	1	148-4638	1	HOUSING						
	21	1	3K-0360	1	SEAL-O-RING						
	22	1	6V-7238	1	VALVE-SHUTOFF (SWING DRIVE)						
	23	1	148-4634	3	SHAFT-PLANETARY						
	24	1	095-0891	3	PIN-SPRING						
	25	1	148-4635	1	GEAR-RING (73-TEETH) (73 TEETH)						
	26	1	148-4633	3	GEAR-PLANETARY (25-TEETH) (25 TEETH)						
	27	1	7Y-0252	6	BEARING AS-ROLLER						
	28	1	094-0611	6	WASHER (47.3X76X1-MM THK)						
	29	1	095-0886	3	PIN-SPRING						
	30	1	094-1516	3	BEARING-ROLLER						
	31	1	171-9383	1	SPACER						
B	32	1	1U-8846		SEALANT-GASKET						

B-USE AS REQUIRED
M-METRIC PART

HYDRAULIC SYSTEM

148-4644 DRIVE GP-SWING (contd.)

i03145905



GRAPHIC #1

<END>

g01619043

HYDRAULIC SYSTEM

148-4679 DRIVE GP-SWING

S/N: MGG1-UP; JFZ1-UP

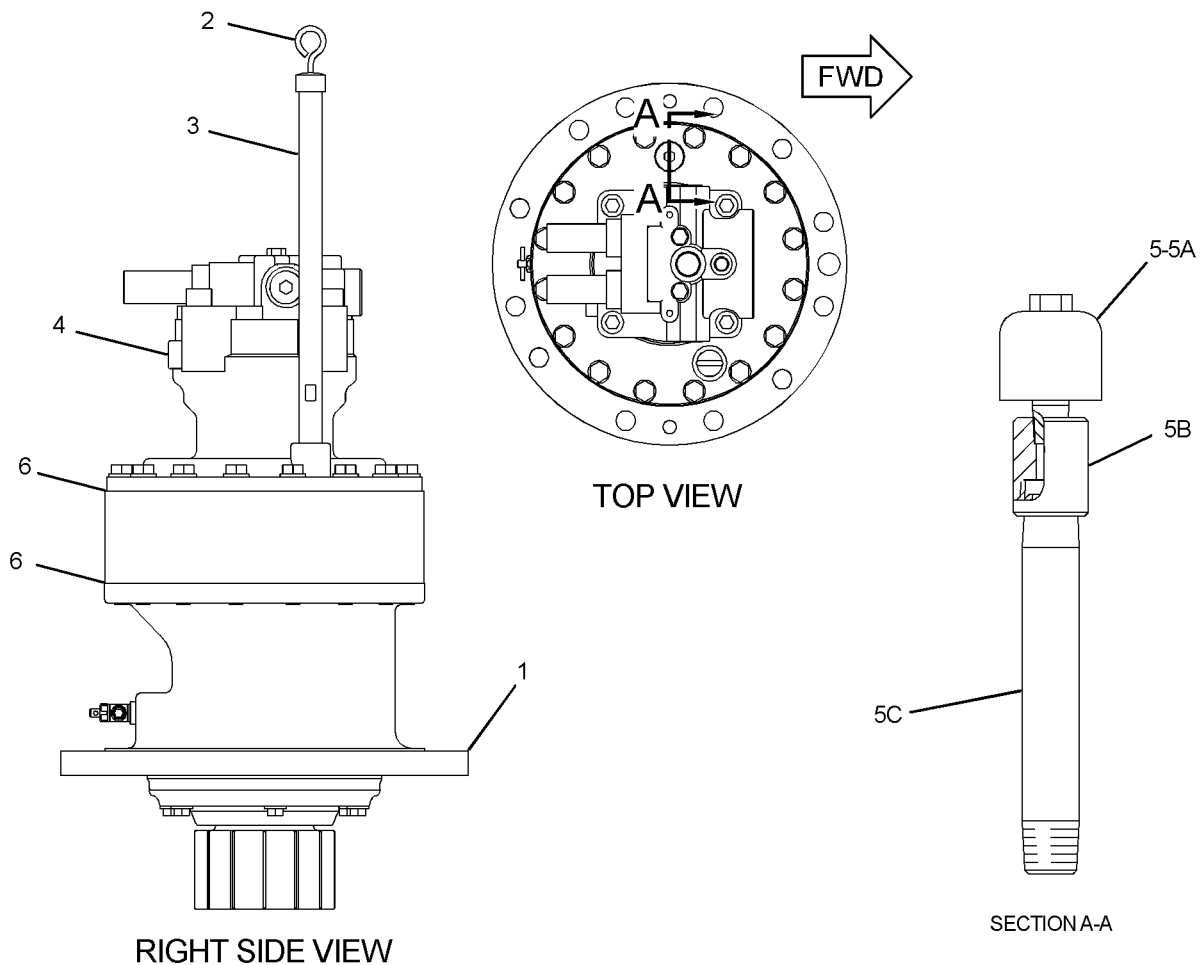
PART OF 267-6767 POWER TRAIN AR

SMCS-5459

i02638996

NOTE	REF NO	GRAPHIC REF	PART NUMBER	QTY	PART NAME						SEE PAGE
					1	2	3	4	5	6 (PRODUCT LEVEL)	
Y	1	1	148-4644	1	DRIVE GP-SWING (WITHOUT MOTOR)						377
	2	1	114-1398	1	GAUGE-OIL LEVEL (SWING DRIVE)						
	3	1	114-1399	1	PIPE-GAUGE						
Y	4	1	158-8985	1	MOTOR & MTG GP-SWING						540
C	5	1	227-6221	1	BREATHER AS (SWING DRIVE)						
	5A	1	4H-6112	1	BREATHER (SWING DRIVE)						
	5B	1	231-6969	1	NIPPLE-PIPE						
	5C	1	227-6215	1	BOSS						
B	6	1	1U-8846		SEALANT-GASKET						

B- USE AS REQUIRED
 C- CHANGE FROM PREVIOUS TYPE
 Y- SEPARATE ILLUSTRATION



GRAPHIC #1

<END>

g01222725

HYDRAULIC SYSTEM**227-6166 FASTENER GP-SWING & FINAL DR**

S/N: MGG1-UP; JFZ1-UP

PART OF 267-6767 POWER TRAIN AR

SMCS-4050, 5459

i02544890

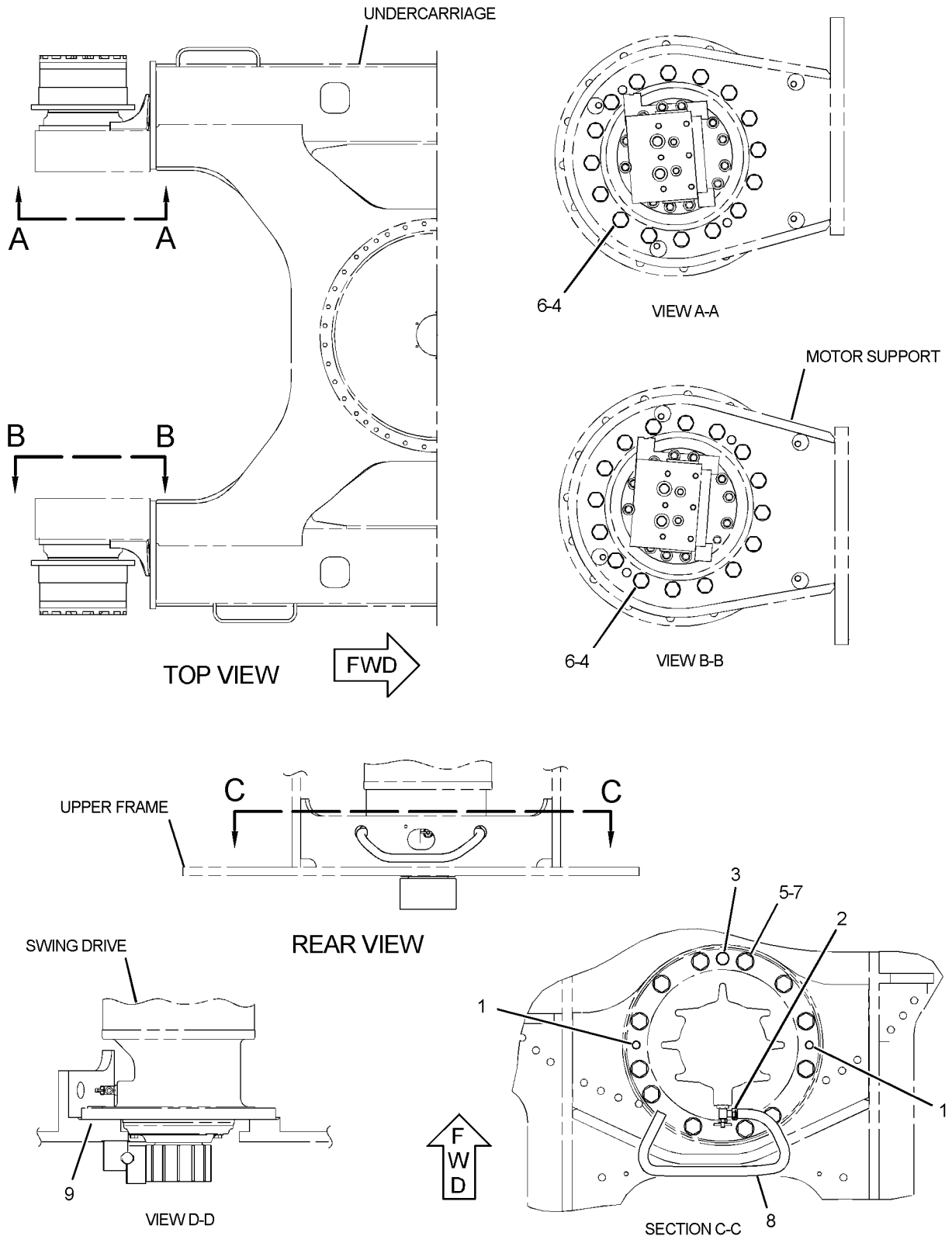
NOTE	REF NO	GRAPHIC REF	PART NUMBER	QTY	PART NAME						SEE PAGE
					1	2	3	4	5	6 (PRODUCT LEVEL)	
	1	1	2Y-5503	2	CORK						
	2	1	5D-1026	1	CLAMP-HOSE						
	3	1	096-4755	1	PIN						
M	4	1	7X-2563	32	BOLT (M20X2.5X60-MM)						
M	5	1	7X-2576	12	BOLT (M24X3X70-MM)						
	6	1	8T-4123	32	WASHER (22X35X3.5-MM THK)						
	7	1	8T-4167	12	WASHER-HARD (26X44X4-MM THK)						
E	8	1	5P-0767		HOSE (90-CM)						
B	9	1	1U-8846	1	SEALANT-GASKET						

B-USE AS REQUIRED
E-ORDER BY THE CENTIMETER
M-METRIC PART

HYDRAULIC SYSTEM

227-6166 FASTENER GP-SWING & FINAL DR (contd.)

i02544890



GRAPHIC #1

<END>

g01224177

HYDRAULIC SYSTEM**158-8987 FILTER & VALVE GP-PILOT-HYDRAULIC OIL**

S/N: MGG1-UP; JFZ1-UP

PART OF 239-1711 TANK & FILTER GP-HYDRAULIC

SMCS-5072, 5092

i02699308

NOTE	PART NUMBER	QTY	PART NAME						SEE PAGE
			1	2	3	4	5	6 (PRODUCT LEVEL)	
Y	188-2084	1	FILTER & VALVE GP-PILOT (HYDRAULIC OIL)						383
			(REQUIRES FILTER AS WITH 2-12-THD)						
			-OR-						
Y	289-7836	1	FILTER & VALVE GP-PILOT (HYDRAULIC OIL)						384
			(REQUIRES FILTER AS WITH M45X2-THD)						
Y-SEPARATE ILLUSTRATION									
<END>									

HYDRAULIC SYSTEM

188-2084 FILTER & VALVE GP-PILOT-HYDRAULIC OIL

S/N: MGG1-UP; JFZ1-UP

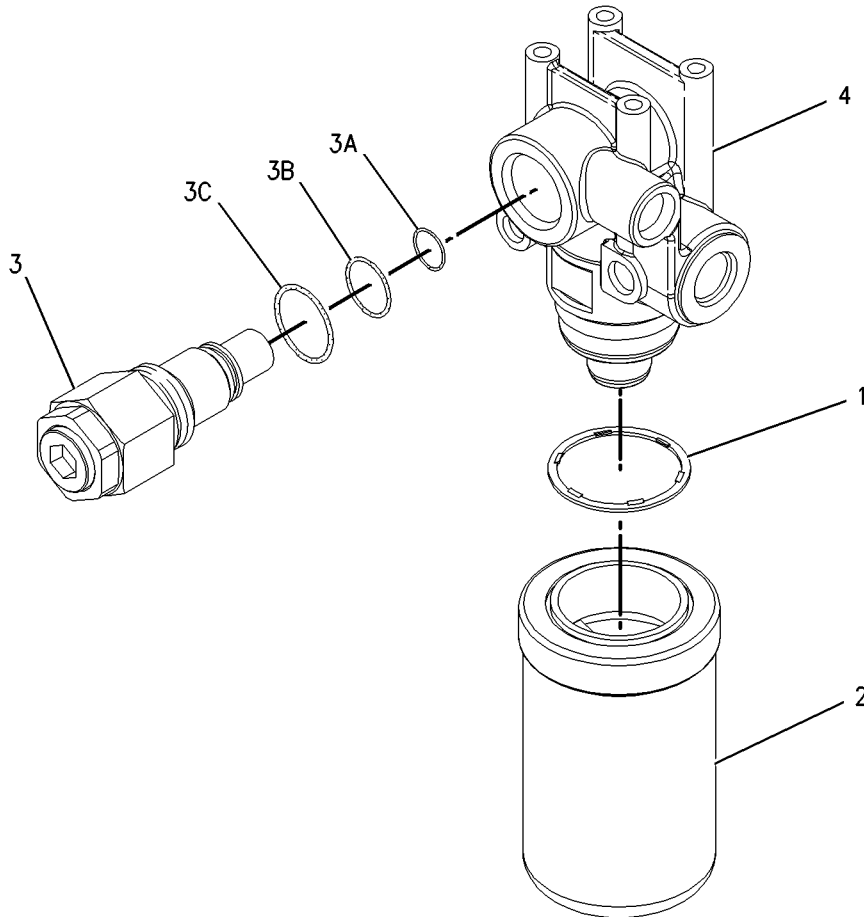
PART OF 158-8987 FILTER & VALVE GP-PILOT

SMCS-5072, 5092

i02995603

NOTE	REF NO	GRAPHIC REF	PART NUMBER	QTY	PART NAME						SEE PAGE
					1	2	3	4	5	6 (PRODUCT LEVEL)	
	1	1	103-8236	1	RING						
	2	1	126-1813	1	FILTER-OIL (ULTRA HIGH EFFICIENCY) (HYDRAULIC, PILOT)						
	3	1	215-4909	1	VALVE GP-PILOT RELIEF (HYDRAULIC FILTER) (HYDRAULIC FILTER)						
	3A	1	095-1584	1	SEAL-O-RING						
	3B	1	095-1590	1	SEAL-O-RING						
	3C	1	095-1596	1	SEAL-O-RING						
Z	4	1		1	BASE						

Z-NOT SERVICED SEPARATELY



GRAPHIC #1

<END>

g00949881

HYDRAULIC SYSTEM

289-7836 FILTER & VALVE GP-PILOT-HYDRAULIC OIL

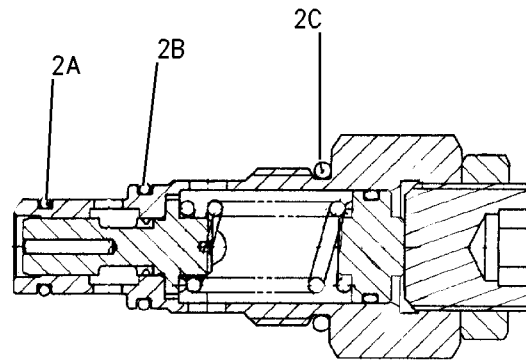
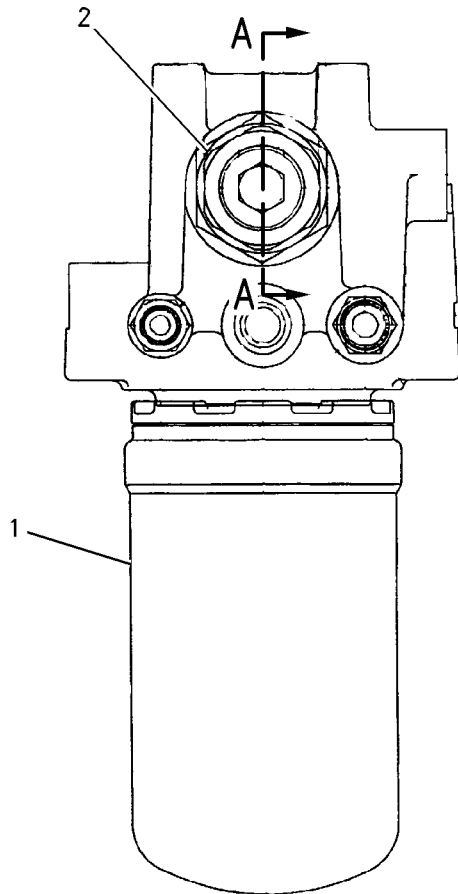
S/N: MGG1-UP; JFZ1-UP

PART OF 158-8987 FILTER & VALVE GP-PILOT

SMCS-5072, 5092

i02995623

NOTE	REF NO	GRAPHIC REF	PART NUMBER	QTY	PART NAME						SEE PAGE
					1	2	3	4	5	6 (PRODUCT LEVEL)	
	1	1	51-8670	1	FILTER-OIL (ADVANCED EFFICIENCY) (HYDRAULIC, PILOT)						
	2	1	215-4909	1	VALVE GP-PILOT RELIEF (HYDRAULIC FILTER)						
	2A	1	095-1584	1	SEAL-O-RING						
	2B	1	095-1590	1	SEAL-O-RING						
	2C	1	095-1596	1	SEAL-O-RING						



SECTION A-A

GRAPHIC #1

<END>

g00842119

HYDRAULIC SYSTEM**188-4140 FILTER GP-OIL-HYDRAULIC RETURN**

S/N: MGG1-UP; JFZ1-UP

PART OF 239-1711 TANK & FILTER GP-HYDRAULIC

SMCS-3004, 4295, 431F, 5068, 5091, 5092

i02252856

NOTE	REF NO	GRAPHIC REF	PART NUMBER	QTY	PART NAME						SEE PAGE
					1	2	3	4	5	6 (PRODUCT LEVEL)	
Y	1	1	173-3503	1	BASE GP-OIL FILTER (HYDRAULIC)						341
	2	1	129-8034	1	VALVE AS-BYPASS						
	3	1	123-2003	2	SEAL-O-RING						
	4	1	173-3507	1	HOUSING AS						
M	5	1	8T-4194	8	BOLT (M12X1.75X50-MM)						
	6	1	8T-4223	8	WASHER-HARD (13.5X25.5X3-MM THK)						
Y	7	1	188-4142	1	FILTER GP-OIL (HYDRAULIC RETURN)						387
	8	1	173-3510	1	COVER						
	9	1	173-3518	1	INDICATOR AS (HYDRAULIC RETURN FILTER)						
	10	1	159-7784	1	SEAL-O-RING						
M	11	1	6V-4298	4	BOLT (M5X0.8X16-MM)						
	12	1	8T-0328	4	WASHER-HARD (5.5X10X1-MM THK)						
M	13	1	8T-6693	4	SCREW-MACHINE (M5X0.8X16-MM)						

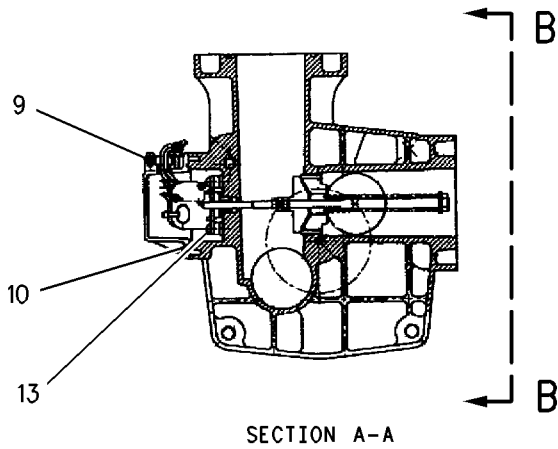
M-METRIC PART

Y-SEPARATE ILLUSTRATION

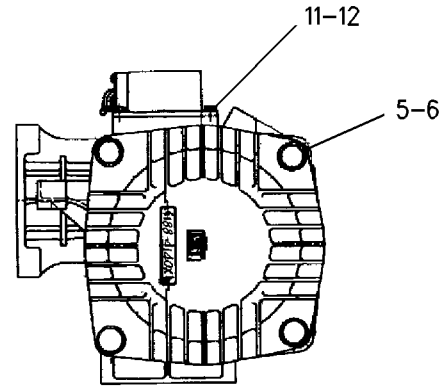
HYDRAULIC SYSTEM

188-4140 FILTER GP-OIL (contd.)

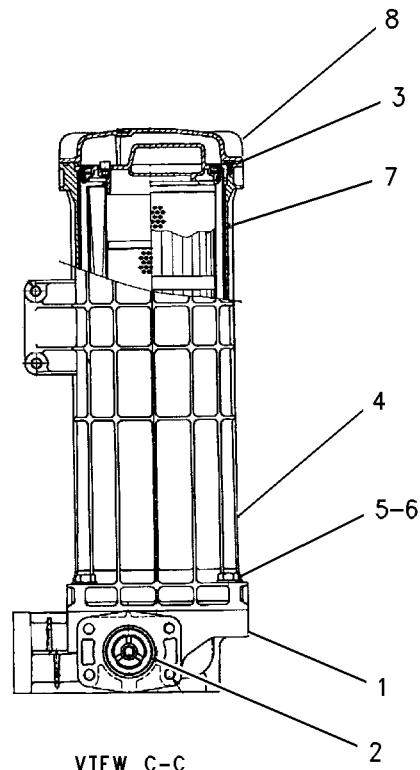
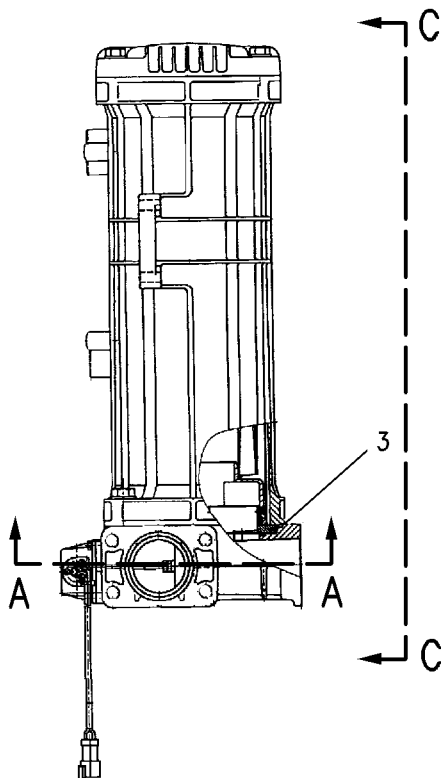
i02252856



SECTION A-A



VIEW B-B



VIEW C-C

HYDRAULIC SYSTEM

188-4142 FILTER GP-OIL-HYDRAULIC RETURN

S/N: MGG1-UP; JFZ1-UP

PART OF 188-4140 FILTER GP-OIL

SMCS-3004, 4295, 431F, 5068, 5091, 5092

i02995607

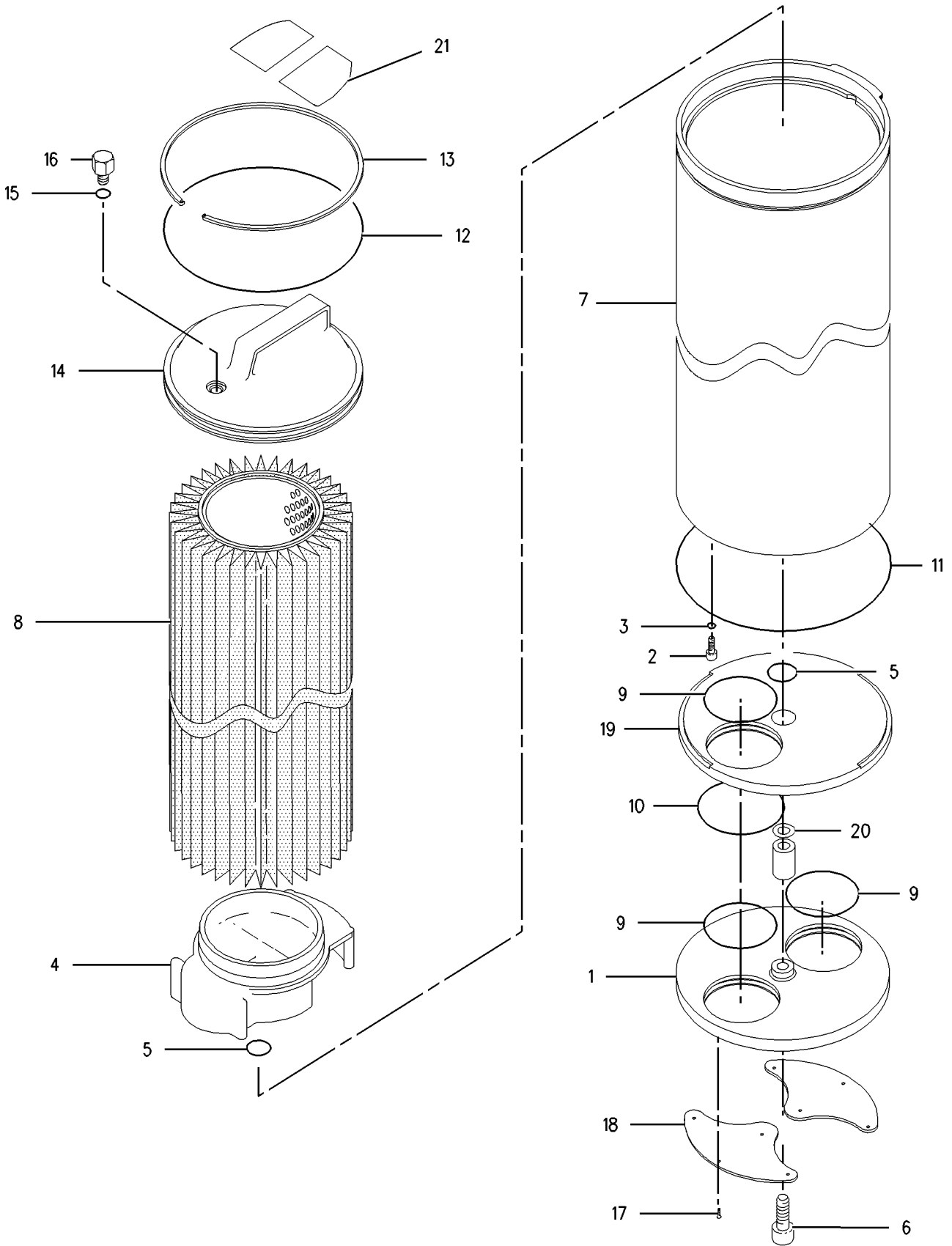
NOTE	REF NO	GRAPHIC REF	PART NUMBER	QTY	PART NAME						SEE PAGE
					1	2	3	4	5	6 (PRODUCT LEVEL)	
	1	1	204-2762	1	PLATE						
JM	2	1	173-3529	6	BOLT (M6X1X15-MM)						
J	3	1	3T-7528	6	SEAL-O-RING						
	4	1	173-3513	1	BASE						
J	5	1	3E-4297	2	SEAL-O-RING						
M	6	1	137-3626	1	BOLT-SHOULDER (M6X1X28.75-MM)						
Z	7	1		1	SHELL AS						
	8	1	179-9806	1	FILTER ELEMENT AS-OIL (HYDRAULIC RETURN)						
J	9	1	137-3623	4	SEAL-O-RING						
J	10	1	6V-7658	2	SEAL-O-RING						
J	11	1	177-2553	1	SEAL						
J	12	1	095-1681	1	SEAL-O-RING						
	13	1	173-3515	1	RING-RETAINING						
	14	1	173-3516	1	HANDLE						
J	15	1	4J-7533	1	SEAL-O-RING						
J	16	1	9S-4180	1	PLUG						
JM	17	1	137-3624	8	SCREW (M3X0.5X5-MM)						
J	18	1	137-3625	2	PAD						
	19	1	173-3517	1	PLATE						
J	20	1	137-3628	1	SHIM (0.1-MM THK)						
	21	1	188-4143	1	FILM-INSTRUCTION (HYDRAULIC OIL RETURN FILTER)						
					AVAILABLE REPAIR KIT(S):						
J			201-9299	1	KIT-SERVICE (HYDRAULIC FILTER) (RETURN)						

J-KIT MARKED J SERVICES PARTS MARKED J
M-METRIC PART
Z-NOT SERVICED SEPARATELY

HYDRAULIC SYSTEM

188-4142 FILTER GP-OIL (contd.)

i02995607



GRAPHIC #1

<END>

g00923879

HYDRAULIC SYSTEM

289-8194 FILTER GP-OIL-HYDRAULIC, CASE DRAIN

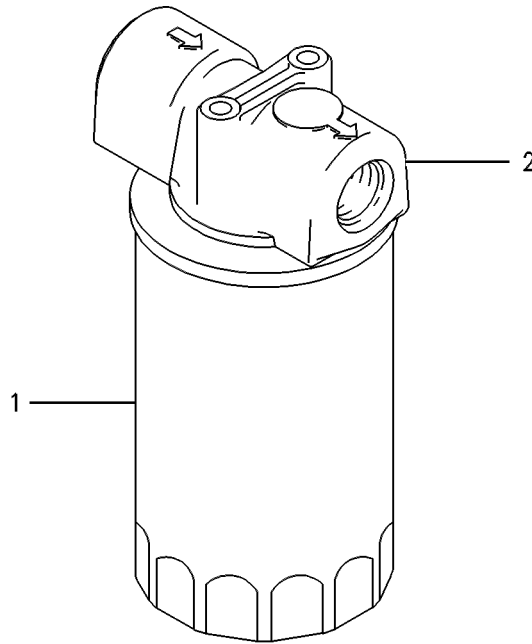
S/N: MGG1-UP; JFZ1-UP

PART OF 239-1711 TANK & FILTER GP-HYDRAULIC

SMCS-3004, 4295, 431F, 5068, 5091, 5092

i02995608

NOTE	REF NO	GRAPHIC REF	PART NUMBER	QTY	PART NAME						SEE PAGE
					1	2	3	4	5	6 (PRODUCT LEVEL)	
	1	1	093-7521	1	FILTER-OIL (ADVANCED EFFICIENCY) (HYDRAULIC, CASE DRAIN)						
	2	1	289-8195	1	HEAD AS-FILTER						



GRAPHIC #1

<END>

g00258224

HYDRAULIC SYSTEM**214-4511 FITTING GP-HYDRAULIC-4-BOLT FLANGE**

S/N: MGG1-UP; JFZ1-UP

PART OF 239-1714 LINES GP-FRONT

SMCS-5057, 7553

i02285695

NOTE	PART NUMBER	QTY	PART NAME						SEE PAGE
			1	2	3	4	5	6 (PRODUCT LEVEL)	
	214-4400	1	FLANGE AS						
	5K-9090	1	SEAL-O-RING						
			-OR-						
	214-4518	1	FLANGE AS						
	148-8335	1	CONNECTOR AS						
	5K-9090	1	SEAL-O-RING						
	6V-8635	1	CONNECTOR						
	7M-8485	1	SEAL-O-RING						

<END>

HYDRAULIC SYSTEM**214-4512 FITTING GP-HYDRAULIC**

S/N: MGG1-UP; JFZ1-UP

PART OF 248-9853 LINES GP-RETURN

SMCS-5057, 7553

i02098588

NOTE	PART NUMBER	QTY	PART NAME						SEE PAGE
			1	2	3	4	5	6 (PRODUCT LEVEL)	
	214-4401	1	TEE AS (FABRICATED TEE)						
Z		1	TEE						
	2M-9780	1	SEAL-O-RING						
	6V-8397	1	SEAL-O-RING						
	6V-8398	1	SEAL-O-RING						
			-OR-						
	214-4519	1	CONNECTOR AS (TEE & REDUCER)						
			(ALTERNATE DESIGN)						
	115-8634	1	TEE-O-RING						
	6V-8398	2	SEAL-O-RING						
	2M-9780	1	SEAL-O-RING						
	6V-8936	1	REDUCER						
	6V-8397	1	SEAL-O-RING						
Z-NOT SERVICED SEPARATELY									

<END>

HYDRAULIC SYSTEM

227-0620 GAUGE GP-SIGHT-HYDRAULIC OIL LEVEL

S/N: MGG1-UP; JFZ1-UP

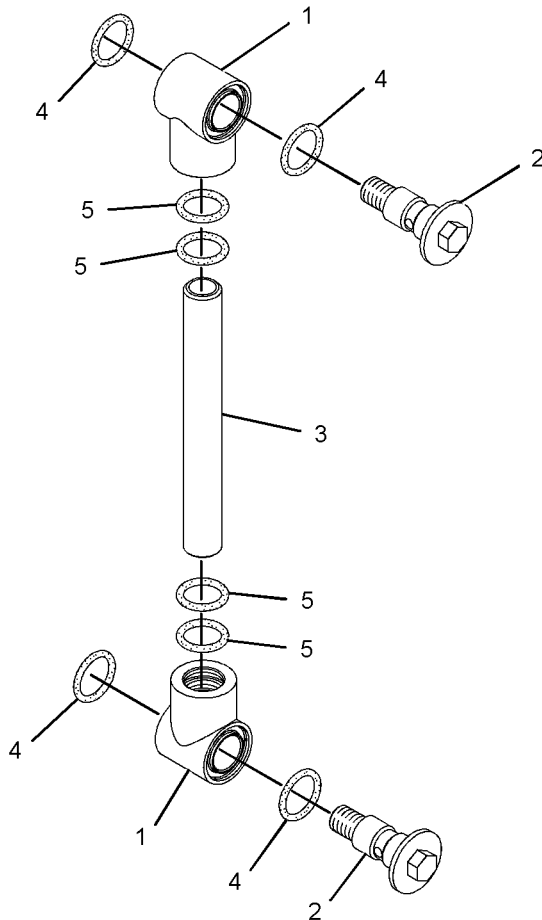
PART OF 239-1711 TANK & FILTER GP-HYDRAULIC

SMCS-7479

i02252857

NOTE	REF NO	GRAPHIC REF	PART NUMBER	QTY	PART NAME						SEE PAGE
					1	2	3	4	5	6 (PRODUCT LEVEL)	
	1	1	236-3258	2	BLOCK						
M	2	1	236-3259	2	BOLT-SPECIAL						
	3	1	236-3257	1	PIPE						
	4	1	095-1519	4	SEAL-O-RING						
	5	1	6F-4855	4	SEAL-O-RING						

M-METRIC PART



<END>

GRAPHIC #1

g01091508

HYDRAULIC SYSTEM

256-0093 HEAD GP-PUMP-DRIVE

S/N: MGG1-UP; JFZ1-UP

PART OF 272-6955 PUMP GP-MAIN HYDRAULIC

SMCS-3222, 5070, 5086

i03174504

NOTE	REF NO	GRAPHIC REF	PART NUMBER	QTY	PART NAME						SEE PAGE
					1	2	3	4	5	6 (PRODUCT LEVEL)	
B	1	2	099-3669	2	SHIM (1-MM THK)						
B			099-6109	2	SHIM (1.05-MM THK)						
B			099-6110	2	SHIM (1.1-MM THK)						
B			099-6111	2	SHIM (1.15-MM THK)						
B			099-6112	2	SHIM (1.2-MM THK)						
B			099-6113	2	SHIM (1.25-MM THK)						
B			099-6115	2	SHIM (1.3-MM THK)						
C	2	1	9S-4191	1	PLUG-O-RING						
	3	1,2	8T-4223	6	WASHER-HARD (13.5X25.5X3-MM THK)						
M	4	1	8T-4196	2	BOLT (M10X1.5X35-MM)						
M	5	2	8T-4136	2	BOLT (M10X1.5X25-MM)						
	6	2	285-4470	1	SEAL-O-RING						
M	7	2	7I-2272	2	BOLT (M5X0.8X12-MM)						
Y	8	1	111-9916	1	VALVE GP-SOLENOID						620
	9	2	295-1258	1	ADJUSTER						
	10	2	173-3398	1	COVER						
C	11	1	300-9715	1	BODY AS (DRIVE)						
	12	2	295-1257	1	RETAINER						
	14	2	200-3244	1	SPRING						
	15	2	200-3245	1	SPRING						
	16	2	200-3246	1	SPRING						
	17	1	215-9961	1	STOPPER						
	18	1	215-9962	1	STOPPER						
M	20	1	225-4607	2	SETSCREW (M20X2.5X45-MM)						
	21	2	234-4452	1	COVER						
	22	1	234-4453	1	COVER						
	23	2	094-1875	1	DOWEL						
	24	2	094-1881	1	PLATE-SLIDE						
C	25	1	094-1882	13	PLUG						
	26	2	273-8316	1	SEAL-O-RING						
	27	2	273-8317	1	SEAL-O-RING						
	28	2	273-8319	1	SEAL-O-RING						
	29	2	273-8318	1	SEAL-O-RING						
	30	1	095-1788	1	RING-BACKUP						
M	31	1	8T-4131	2	NUT (M20X2.5-THD)						
B	32	2	099-3670	2	SHIM (1.95-MM THK)						
B			099-6117	2	SHIM (1.35-MM THK)						
B			099-6118	2	SHIM (1.4-MM THK)						
B			099-6119	2	SHIM (1.45-MM THK)						
B			099-6120	2	SHIM (1.5-MM THK)						
B			099-6121	2	SHIM (1.55-MM THK)						
B			099-6122	2	SHIM (1.6-MM THK)						
B			099-6123	2	SHIM (1.65-MM THK)						
B			099-6124	2	SHIM (1.7-MM THK)						
B			099-6125	2	SHIM (1.75-MM THK)						
B			099-6126	2	SHIM (1.8-MM THK)						
B			099-6127	2	SHIM (1.85-MM THK)						
B			099-6128	2	SHIM (1.9-MM THK)						
	33	2	099-3671	1	SPRING						
M	34	1,2	6V-8200	6	BOLT-SOCKET HEAD (M12X1.75X35-MM)						
C	35	1,2	3J-1907	2	SEAL-O-RING						
	36	2	3D-2891	1	BALL						
M	37	2	200-3255	1	NUT (M20X1.5-THD)						
M	38	2	8T-4133	1	NUT (M10X1.5-THD)						
	39	2	191-5707	1	SPOOL AS						
	40	1	190-7674	1	SEAL-O-RING						

HYDRAULIC SYSTEM

256-0093 HEAD GP - PUMP (contd.)

i03174504

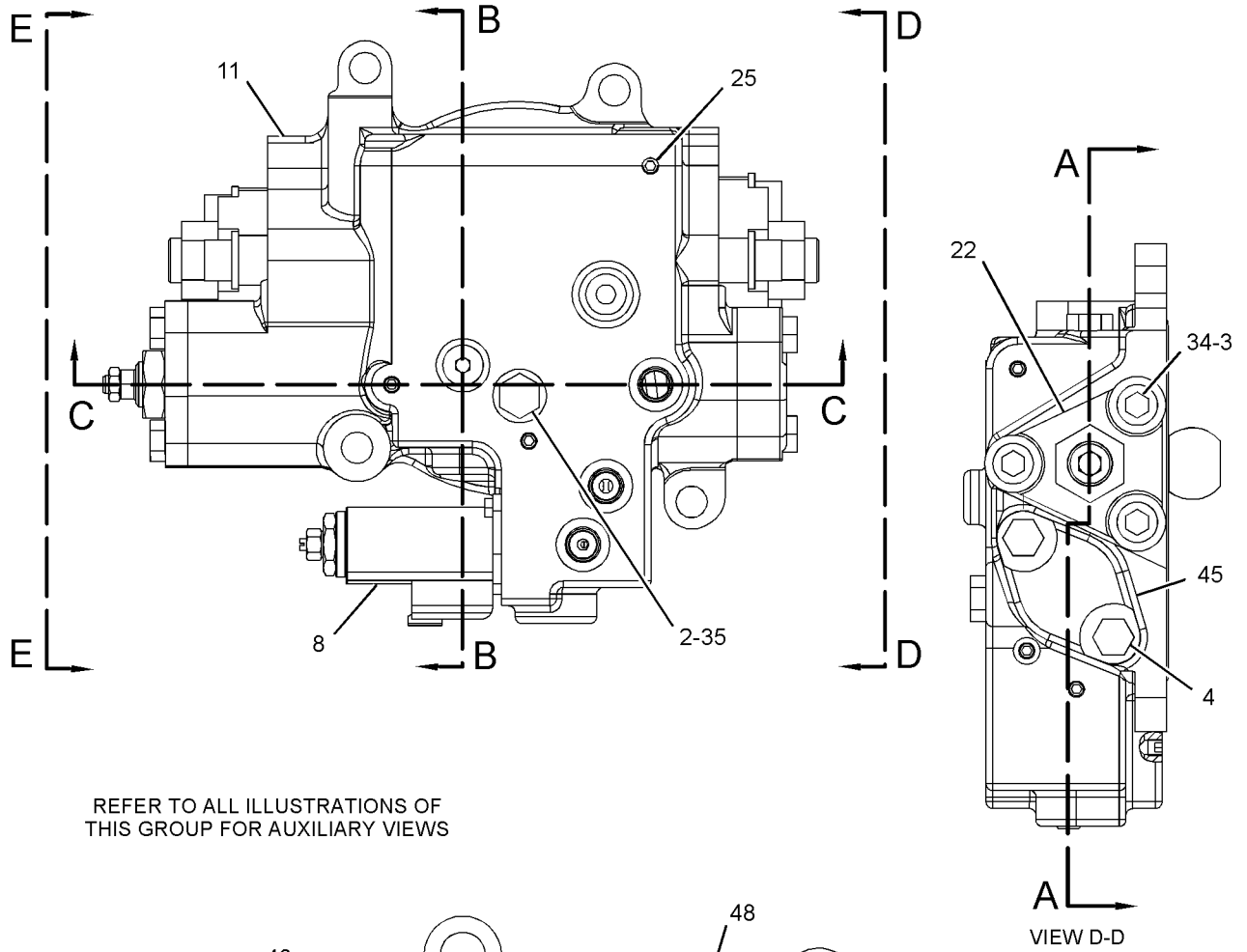
NOTE	REF NO	GRAPHIC REF	PART NUMBER	QTY	PART NAME						SEE PAGE
					1	2	3	4	5	6 (PRODUCT LEVEL)	
	41	1	190-7673	1	SEAL - O - RING						
	42	2	189-9763	3	SEAL - O - RING						
	43	2	185-0201	1	PIN AS						
		2	129-7978	1	DOWEL						
	44	2	185-0169	1	GUIDE						
	45	1	173-3413	1	COVER						
	46	2	150-5797	1	PIN						
	47	1	153-8623	1	RING - BACKUP						
	48	1	173-3384	1	PISTON						
	49	2	173-3397	1	LEVER						

B - USE AS REQUIRED
 C - CHANGE FROM PREVIOUS TYPE
 M - METRIC PART
 Y - SEPARATE ILLUSTRATION

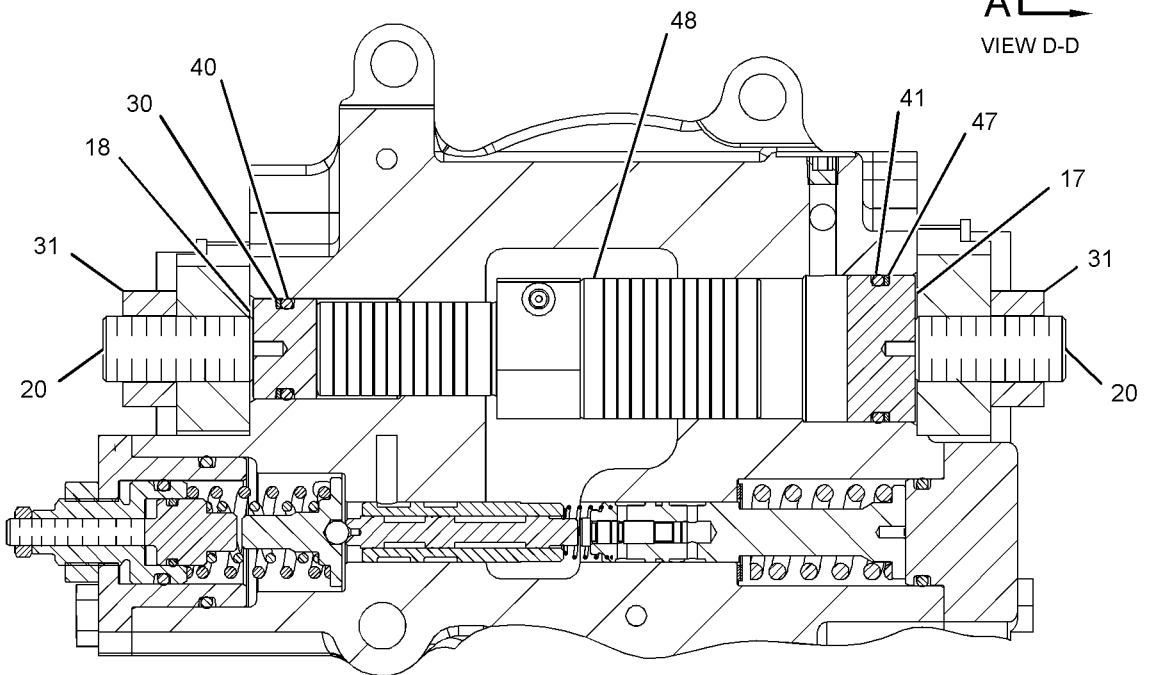
HYDRAULIC SYSTEM

256-0093 HEAD GP - PUMP (contd.)

i03174504



REFER TO ALL ILLUSTRATIONS OF THIS GROUP FOR AUXILIARY VIEWS



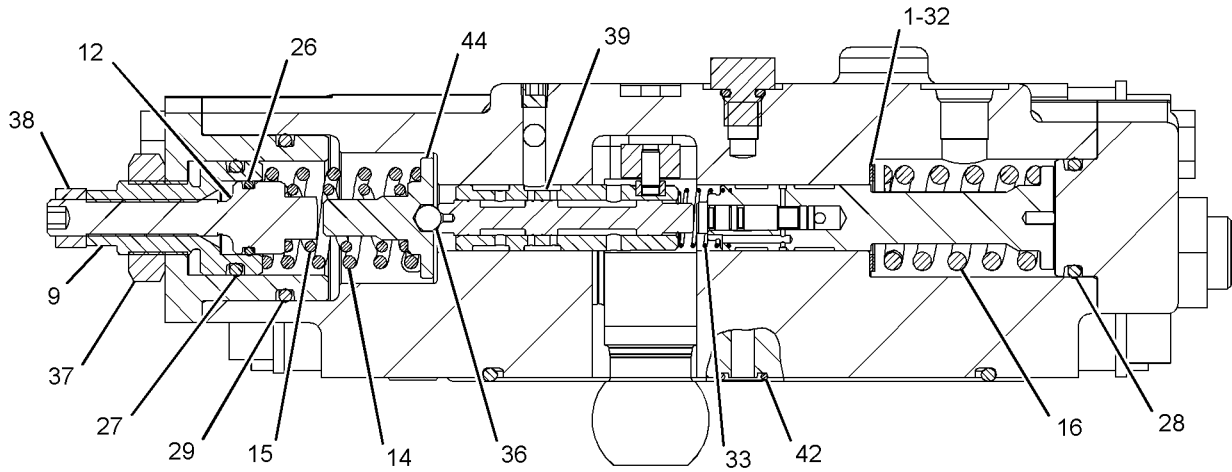
GRAPHIC #1

g01413063

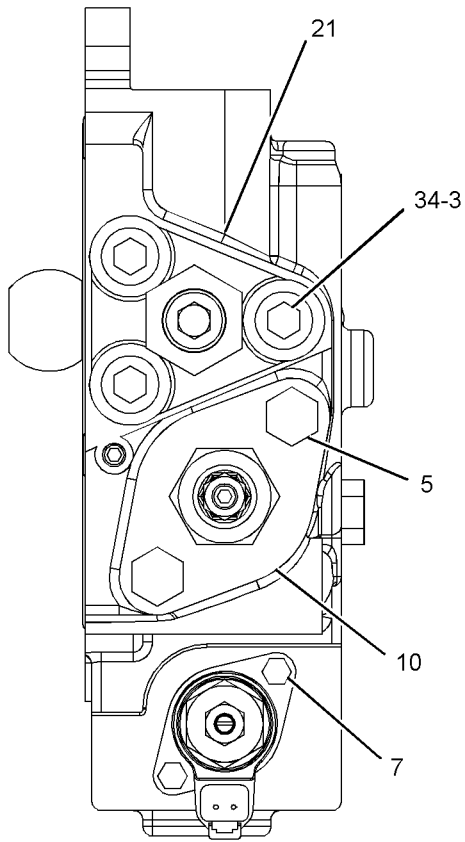
HYDRAULIC SYSTEM

256-0093 HEAD GP - PUMP (contd.)

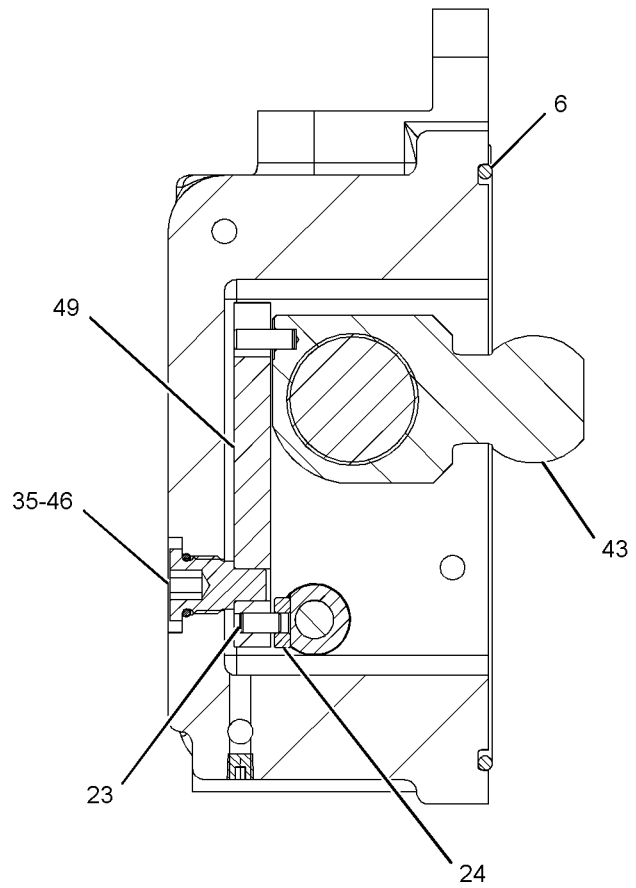
i03174504



SECTION C-C



VIEW E-E



SECTION B-B

GRAPHIC #2

<END>

g01409444

HYDRAULIC SYSTEM**256-0096 HEAD GP-PUMP**

S/N: MGG1-107; JFZ1-198

PART OF 272-6955 PUMP GP-MAIN HYDRAULIC

SMCS-3222, 5070, 5086

i03094360

NOTE	REF NO	GRAPHIC REF	PART NUMBER	QTY	PART NAME						SEE PAGE
					1	2	3	4	5	6 (PRODUCT LEVEL)	
B	1	2	099-3669	2	SHIM (1-MM THK)						
B		2	099-6109	2	SHIM (1.05-MM THK)						
B		2	099-6110	2	SHIM (1.1-MM THK)						
B		2	099-6111	2	SHIM (1.15-MM THK)						
B		2	099-6112	2	SHIM (1.2-MM THK)						
B		2	099-6113	2	SHIM (1.25-MM THK)						
B		2	099-6115	2	SHIM (1.3-MM THK)						
B		2	099-3670	2	SHIM (1.95-MM THK)						
B		2	099-6117	2	SHIM (1.35-MM THK)						
B		2	099-6118	2	SHIM (1.4-MM THK)						
C	8	2	295-1258	1	ADJUSTER						
	9	2	173-3398	1	COVER						
	10	1	179-9682	1	BODY AS (DRIVEN)						
C	11	2	295-1257	1	RETAINER						
	12	1	190-4896	1	PLUG						
	13	2	200-3244	1	SPRING						
	14	2	200-3245	1	SPRING						
	15	2	200-3246	1	SPRING						
	16	1	215-9961	1	STOPPER						
	17	1	215-9962	1	STOPPER						
M	19	1	225-4607	2	SETSCREW (M20X2.5X45-MM)						
	20	2	234-4452	1	COVER						
	21	1	234-4453	1	COVER						
	22	2	094-1875	1	DOWEL						
	23	2	094-1881	1	PLATE-SLIDE						
	24	1	094-1882	7	PLUG						
	25	2	273-8316	1	SEAL-O-RING						
	26	2	273-8317	1	SEAL-O-RING						
	27	2	273-8319	1	SEAL-O-RING						
	28	2	273-8318	1	SEAL-O-RING						
	29	1	095-1788	1	RING-BACKUP						
M	30	1	8T-4131	2	NUT (M20X2.5-THD)						
	32	2	099-3671	1	SPRING						
B	35	2	099-6119	2	SHIM (1.45-MM THK)						
B		2	099-6120	2	SHIM (1.5-MM THK)						
B		2	099-6121	2	SHIM (1.55-MM THK)						
B		2	099-6122	2	SHIM (1.6-MM THK)						
B		2	099-6123	2	SHIM (1.65-MM THK)						
B		2	099-6124	2	SHIM (1.7-MM THK)						
B		2	099-6125	2	SHIM (1.75-MM THK)						
B		2	099-6126	2	SHIM (1.8-MM THK)						
B		2	099-6127	2	SHIM (1.85-MM THK)						
B		2	099-6128	2	SHIM (1.9-MM THK)						
	45	2	150-5797	1	PIN						
	46	1	153-8623	1	RING-BACKUP						
	47	1	173-3384	1	PISTON						
	48	2	173-3397	1	LEVER						
	49	1	173-3413	1	COVER						
	50	2	185-0169	1	GUIDE						
	51	2	185-0201	1	PIN AS						
		2	129-7978	1	DOWEL						
	52	2	189-9763	3	SEAL-O-RING						
	53	1	190-7673	1	SEAL-O-RING						
	54	1	190-7674	1	SEAL-O-RING						
	55	2	191-5707	1	SPOOL AS						
CM	56	2	8T-4133	1	NUT (M10X1.5-THD)						

HYDRAULIC SYSTEM

256-0096 HEAD GP - PUMP (contd.)

i03094360

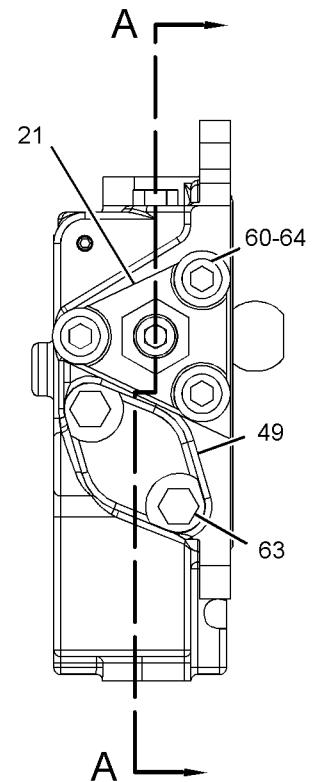
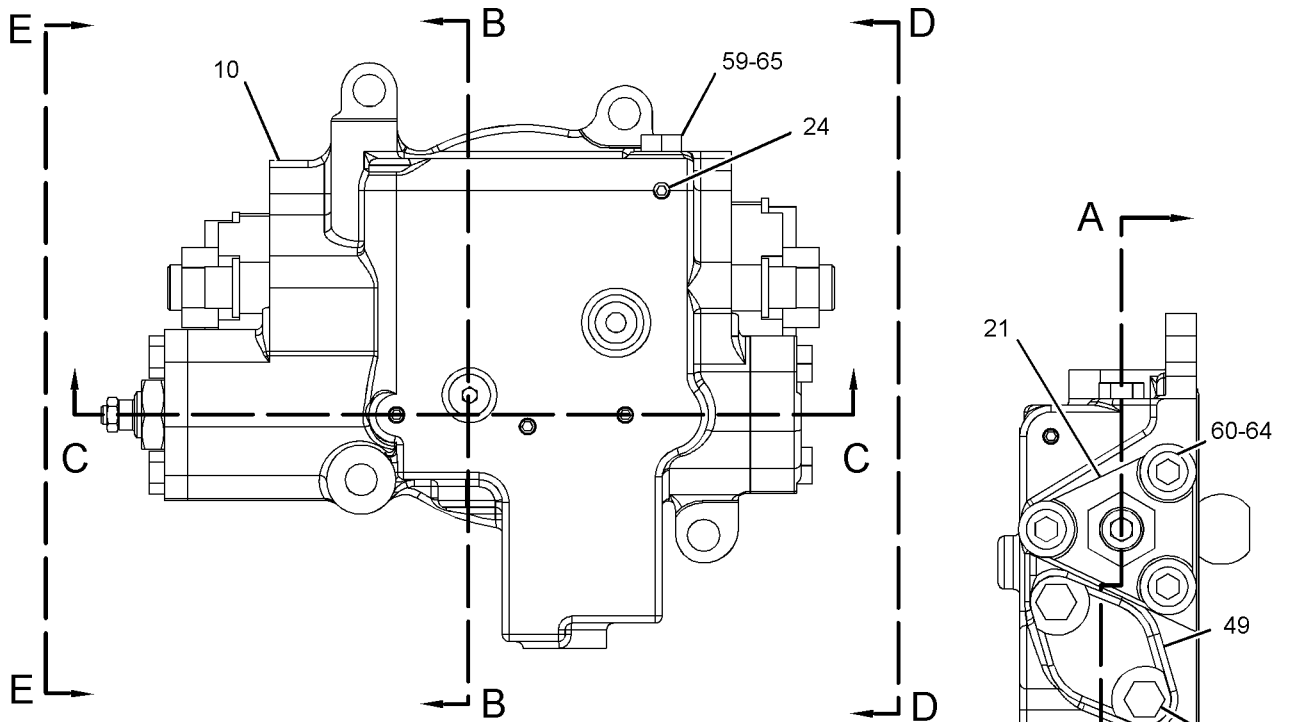
NOTE	REF NO	GRAPHIC REF	PART NUMBER	QTY	PART NAME						SEE PAGE
					1	2	3	4	5	6 (PRODUCT LEVEL)	
M	57	2	200-3255	1	NUT (M20X1.5-THD)						
	58	2	3D-2891	1	BALL						
	59	1,2	3J-1907	2	SEAL-O-RING						
M	60	1,2	6V-8200	6	BOLT-SOCKET HEAD (M12X1.75X35-MM)						
	61	2	285-4470	1	SEAL-O-RING						
M	62	2	8T-4136	2	BOLT (M10X1.5X25-MM)						
M	63	1	8T-4196	2	BOLT (M10X1.5X35-MM)						
	64	1,2	8T-4223	6	WASHER-HARD (13.5X25.5X3-MM THK)						
	65	1	9S-4191	1	PLUG-O-RING						

B-USE AS REQUIRED
 C-CHANGE FROM PREVIOUS TYPE
 M-METRIC PART

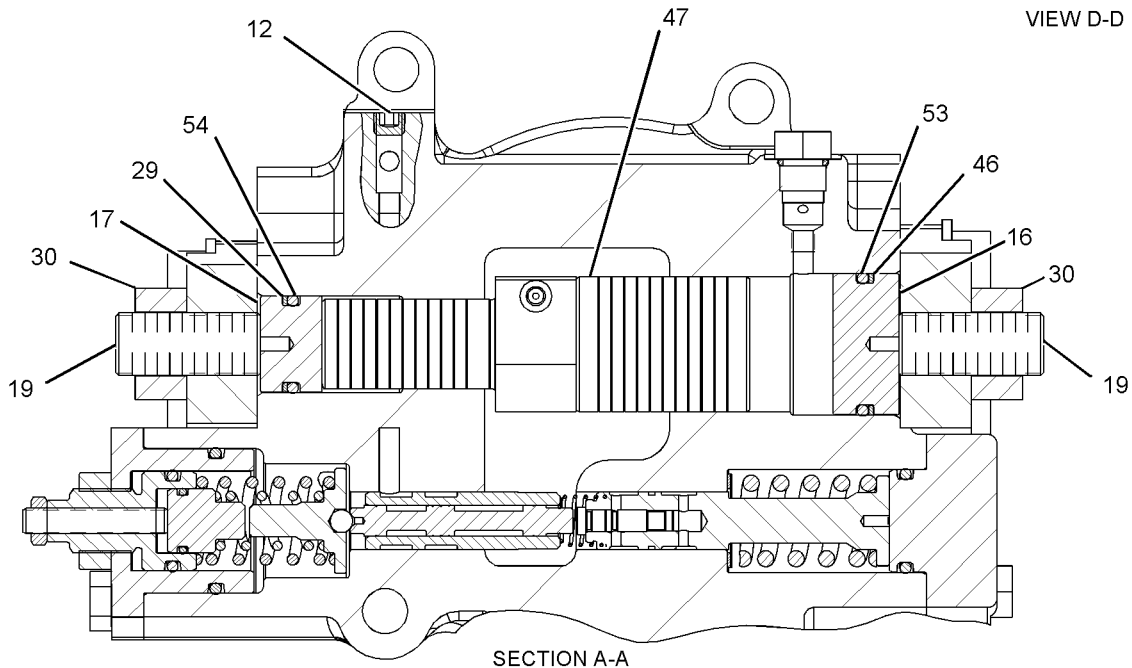
HYDRAULIC SYSTEM

256-0096 HEAD GP - PUMP (contd.)

i03094360



REFER TO ALL ILLUSTRATIONS OF THIS GROUP FOR AUXILIARY VIEWS



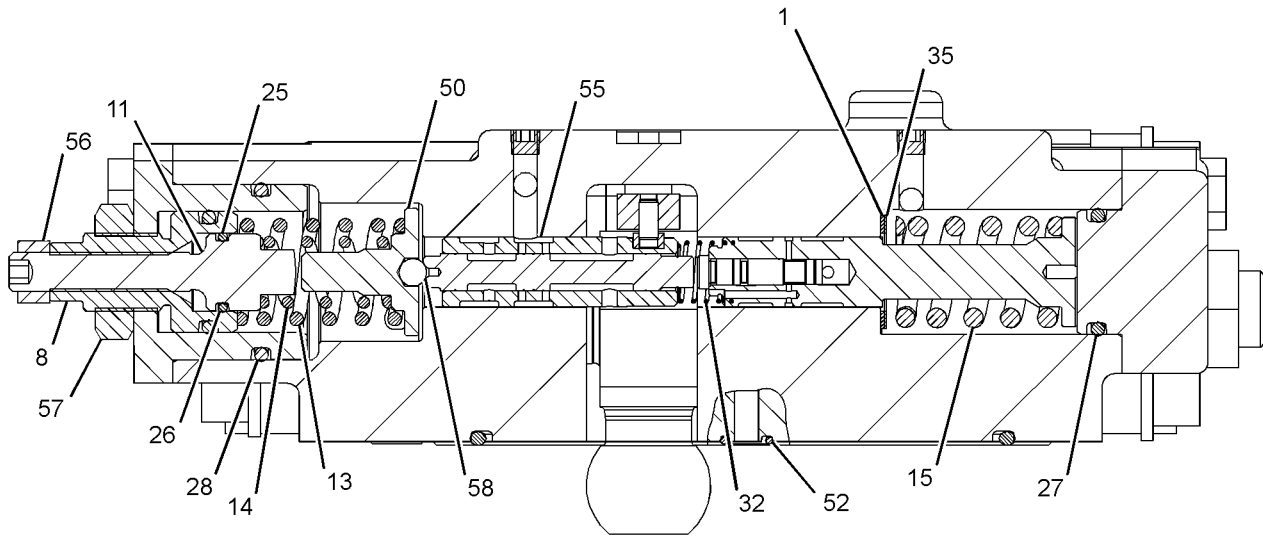
GRAPHIC #1

g01232340

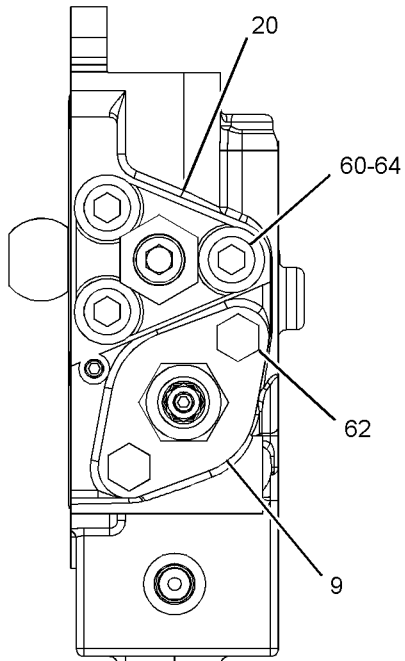
HYDRAULIC SYSTEM

256-0096 HEAD GP - PUMP (contd.)

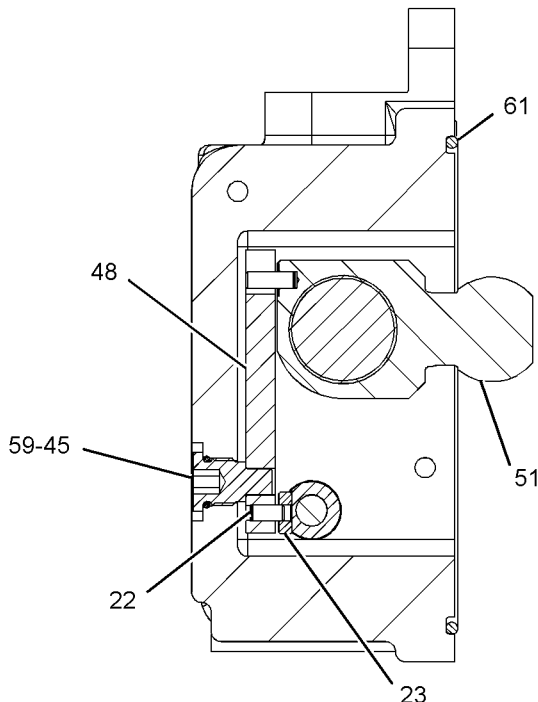
i03094360



SECTION C-C



VIEW E-E



SECTION B-B

GRAPHIC #2

<END>

g01411331

HYDRAULIC SYSTEM**256-0096 HEAD GP-PUMP**

S/N: MGG108-UP; JFZ199-UP

PART OF 272-6955 PUMP GP-MAIN HYDRAULIC

SMCS-3222, 5070, 5086

i03325024

NOTE	REF NO	GRAPHIC REF	PART NUMBER	QTY	PART NAME						SEE PAGE
					1	2	3	4	5	6 (PRODUCT LEVEL)	
B	1	2	099-3669	2	SHIM (1-MM THK)						
B		2	099-3670	2	SHIM (1.95-MM THK)						
B		2	099-6109	2	SHIM (1.05-MM THK)						
B		2	099-6110	2	SHIM (1.1-MM THK)						
B		2	099-6111	2	SHIM (1.15-MM THK)						
B		2	099-6112	2	SHIM (1.2-MM THK)						
B		2	099-6113	2	SHIM (1.25-MM THK)						
B		2	099-6115	2	SHIM (1.3-MM THK)						
B		2	099-6117	2	SHIM (1.35-MM THK)						
B		2	099-6118	2	SHIM (1.4-MM THK)						
B		2	099-6119	2	SHIM (1.45-MM THK)						
B		2	099-6120	2	SHIM (1.5-MM THK)						
B		2	099-6121	2	SHIM (1.55-MM THK)						
B		2	099-6122	2	SHIM (1.6-MM THK)						
B		2	099-6123	2	SHIM (1.65-MM THK)						
B		2	099-6124	2	SHIM (1.7-MM THK)						
B		2	099-6125	2	SHIM (1.75-MM THK)						
B		2	099-6126	2	SHIM (1.8-MM THK)						
B		2	099-6127	2	SHIM (1.85-MM THK)						
B		2	099-6128	2	SHIM (1.9-MM THK)						
	2	1,2	8T-4223	6	WASHER-HARD (13.5X25.5X3-MM THK)						
M	3	1	8T-4196	2	BOLT (M10X1.5X35-MM)						
M	4	2	8T-4136	2	BOLT (M10X1.5X25-MM)						
M	5	2	8T-4133	1	NUT (M10X1.5-THD)						
M	6	1,2	6V-8200	6	BOLT-SOCKET HEAD (M12X1.75X35-MM)						
C	7	2	3J-1907	1	SEAL-O-RING						
	8	2	173-3398	1	COVER						
	9	2	200-3244	1	SPRING						
	10	2	200-3245	1	SPRING						
	11	2	200-3246	1	SPRING						
	12	1	215-9961	1	STOPPER						
	13	1	215-9962	1	STOPPER						
M	14	1	225-4607	2	SETSCREW (M20X2.5X45-MM)						
	15	2	234-4452	1	COVER						
	16	1	234-4453	1	COVER						
	17	2	273-8316	1	SEAL-O-RING						
	18	2	273-8317	1	SEAL-O-RING						
	19	2	273-8318	1	SEAL-O-RING						
	20	2	273-8319	1	SEAL-O-RING						
	21	2	285-4470	1	SEAL-O-RING						
C	22	1	300-9716	1	BODY AS (DRIVEN)						
C	23	2	301-6874	1	RETAINER						
C	24	2	301-8294	1	ADJUSTER						
	25	2	094-1875	1	DOWEL						
	26	2	094-1881	1	PLATE-SLIDE						
C	27	1	094-1882	9	PLUG						
	28	1	095-1788	1	RING-BACKUP						
M	29	1	8T-4131	2	NUT (M20X2.5-THD)						
	30	2	3D-2891	1	BALL						
	31	2	099-3671	1	SPRING						
M	32	2	200-3255	1	NUT (M20X1.5-THD)						
	33	2	191-5707	1	SPOOL AS						
	34	1	190-7674	1	SEAL-O-RING						
	35	1	190-7673	1	SEAL-O-RING						
	36	2	189-9763	3	SEAL-O-RING						
	37	2	185-0201	1	PIN AS						

HYDRAULIC SYSTEM

256-0096 HEAD GP - PUMP (contd.)

i03325024

NOTE	REF NO	GRAPHIC REF	PART NUMBER	QTY	PART NAME						SEE PAGE
					1	2	3	4	5	6 (PRODUCT LEVEL)	
		2	129-7978	1	DOWEL						
	38	2	185-0169	1	GUIDE						
	39	1	173-3413	1	COVER						
	40	2	173-3397	1	LEVER						
	41	1	173-3384	1	PISTON						
	42	1	153-8623	1	RING-BACKUP						
	43	2	150-5797	1	PIN						

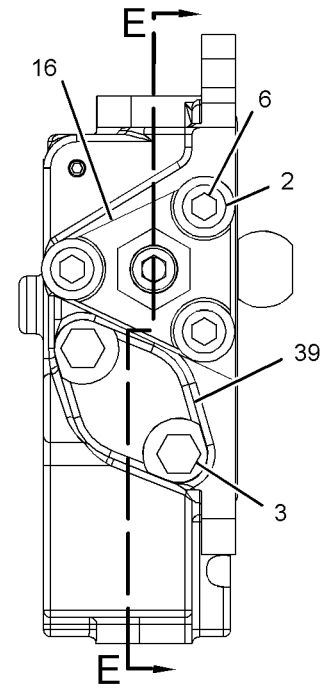
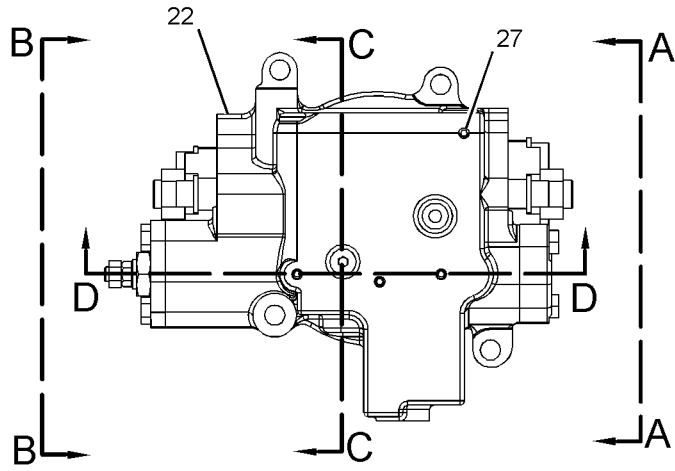
B- USE AS REQUIRED
 C- CHANGE FROM PREVIOUS TYPE
 M- METRIC PART

HYDRAULIC SYSTEM

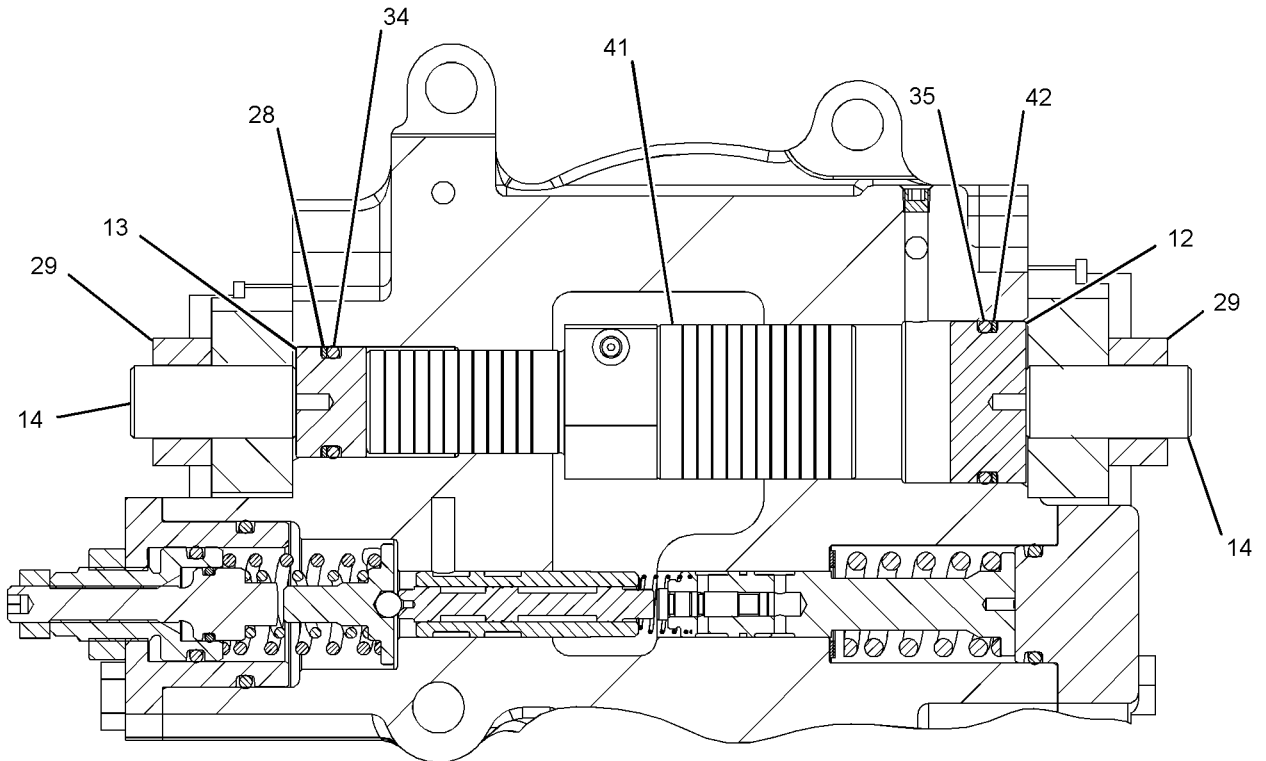
256-0096 HEAD GP - PUMP (contd.)

i03325024

REFER TO ALL ILLUSTRATIONS OF THIS GROUP FOR AUXILIARY VIEWS



VIEW A-A



SECTION E-E

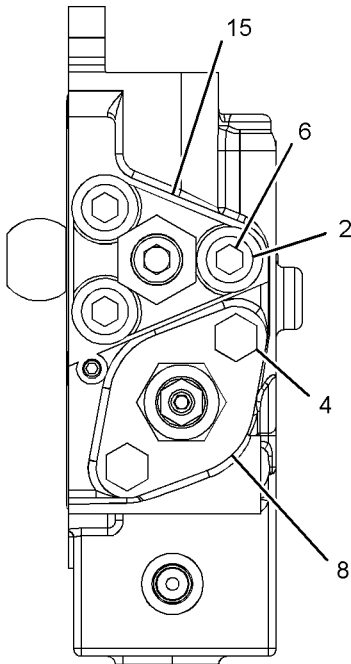
GRAPHIC #1

g01393331

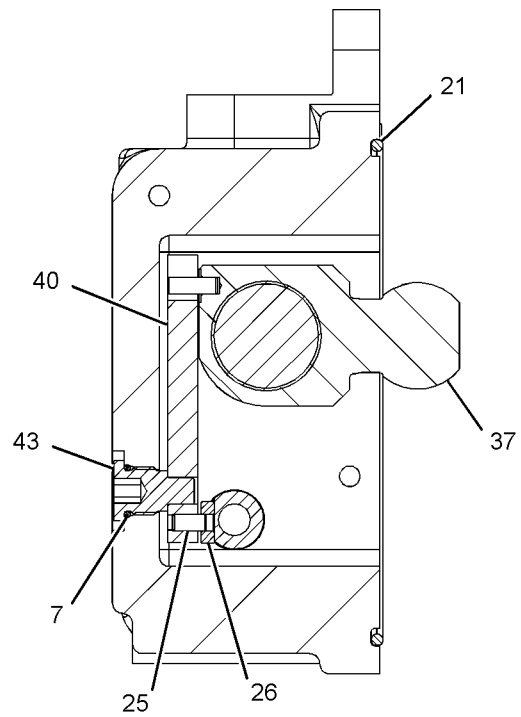
HYDRAULIC SYSTEM

256-0096 HEAD GP - PUMP (contd.)

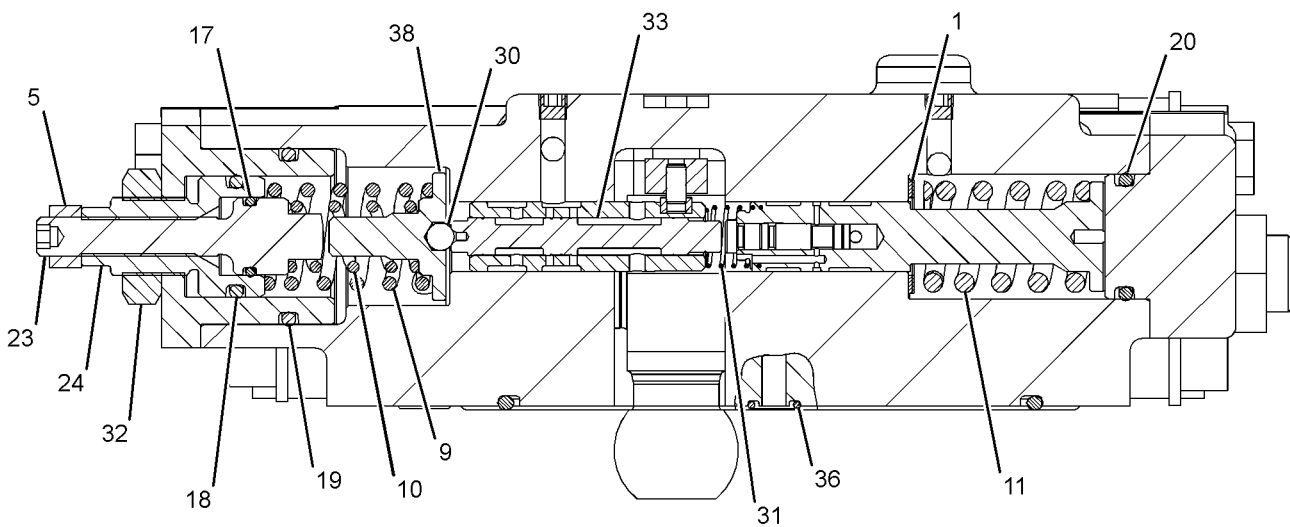
i03325024



VIEW B-B



SECTION C-C



SECTION D-D

GRAPHIC #2

<END>

g01393359

HYDRAULIC SYSTEM

194-0174 HOSE GP-HYDRAULIC-CONTROL VALVE, STICK

S/N: MGG1-UP; JFZ1-UP

PART OF 239-1714 LINES GP-FRONT

SMCS-5057

i02250856

NOTE	PART NUMBER	QTY	PART NAME						SEE PAGE
			1	2	3	4	5	6 (PRODUCT LEVEL)	
	168-9760	1	HOSE GP-HYDRAULIC						
			-OR-						
Y	194-0176	1	HOSE GP-HYDRAULIC						406
Y-SEPARATE ILLUSTRATION									

<END>

HYDRAULIC SYSTEM

194-0176 HOSE GP-HYDRAULIC

S/N: MGG1-UP; JFZ1-UP

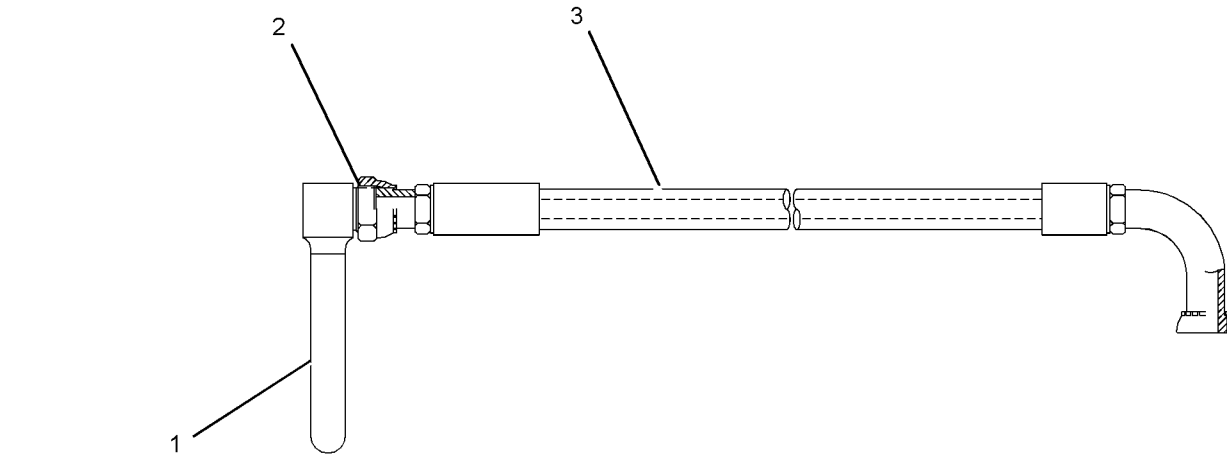
PART OF 194-0174 HOSE GP-HYDRAULIC

SMCS-5057

i02250886

NOTE	REF NO	GRAPHIC REF	PART NUMBER	QTY	PART NAME						SEE PAGE
					1	2	3	4	5	6 (PRODUCT LEVEL)	
	1	1	142-7765	1	TUBE AS						
	2	1	5K-9090	1	SEAL-O-RING						
I	3	1	165-3165	1	HOSE AS						

I-REFER TO HYDRAULIC INFORMATION SYSTEM



GRAPHIC #1

<END>

g01041998

HYDRAULIC SYSTEM

194-0180 HOSE GP-HYDRAULIC-CONTROL VALVE, BOOM

S/N: MGG1-UP; JFZ1-UP

PART OF 239-1714 LINES GP-FRONT

SMCS-5057

i02649015

NOTE	PART NUMBER	QTY	PART NAME						SEE PAGE
			1	2	3	4	5	6 (PRODUCT LEVEL)	
Y	194-0181	1	HOSE GP-HYDRAULIC						408
			-OR-						
Y	194-0182	1	HOSE GP-HYDRAULIC						409

Y-SEPARATE ILLUSTRATION

<END>

HYDRAULIC SYSTEM

194-0181 HOSE GP-HYDRAULIC

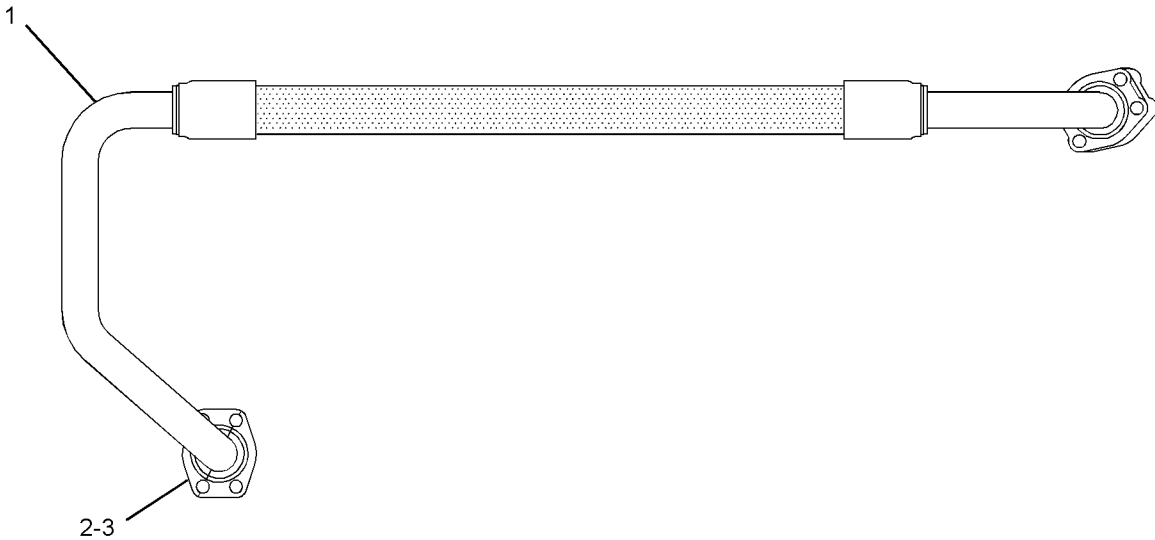
S/N: MGG1-UP; JFZ1-UP

PART OF 194-0180 HOSE GP-HYDRAULIC

SMCS-5057

i02649016

NOTE	REF NO	GRAPHIC REF	PART NUMBER	QTY	PART NAME						SEE PAGE
					1	2	3	4	5	6 (PRODUCT LEVEL)	
	1	1	168-9762	1	HOSE AS						
	2	1	8C-3206	2	FLANGE - HALF						
	3	1	4J-0520	1	SEAL - O-RING						



GRAPHIC #1

<END>

g01049500

HYDRAULIC SYSTEM

194-0182 HOSE GP-HYDRAULIC

S/N: MGG1-UP; JFZ1-UP

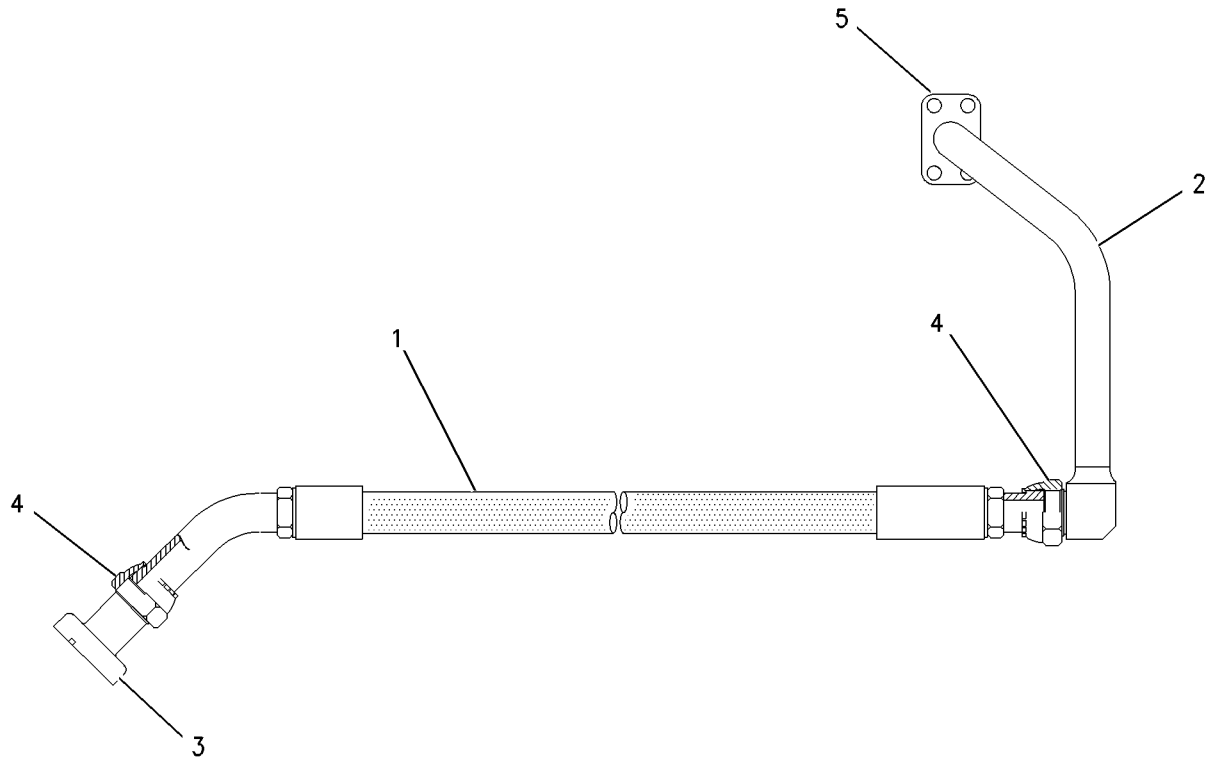
PART OF 194-0180 HOSE GP-HYDRAULIC

SMCS-5057

i02251177

NOTE	REF NO	GRAPHIC REF	PART NUMBER	QTY	PART NAME						SEE PAGE
					1	2	3	4	5	6 (PRODUCT LEVEL)	
I	1	1	165-3173	1	HOSE AS						
	2	1	168-9523	1	TUBE AS						
	3	1	113-6479	1	FLANGE-SPECIAL						
	4	1	5K-9090	2	SEAL-O-RING						
	5	1	1P-3703	1	SEAL-RECTANGULAR						

I-REFER TO HYDRAULIC INFORMATION SYSTEM



GRAPHIC #1

<END>

g00834662

HYDRAULIC SYSTEM**236-3212 HOSE GP-HYDRAULIC**

S/N: MGG1-UP; JFZ1-UP

PART OF 239-1714 LINES GP-FRONT

SMCS-5057

i02250977

NOTE	PART NUMBER	QTY	PART NAME						SEE PAGE
			1	2	3	4	5	6 (PRODUCT LEVEL)	
Y	236-3214	1	HOSE GP-HYDRAULIC						412
			-OR-						
	207-6666	1	HOSE AS						
BE	7Y-5074		GUARD-HOSE						
B-USE AS REQUIRED									
E-ORDER BY THE CENTIMETER									
Y-SEPARATE ILLUSTRATION									

<END>

HYDRAULIC SYSTEM**236-3213 HOSE GP-HYDRAULIC**

S/N: MGG1-UP; JFZ1-UP

PART OF 239-1714 LINES GP-FRONT

SMCS-5057

i02250965

NOTE	PART NUMBER	QTY	PART NAME						SEE PAGE
			1	2	3	4	5	6 (PRODUCT LEVEL)	
Y	236-3215	1	HOSE GP-HYDRAULIC						413
			-OR-						
	207-6667	1	HOSE AS						
BE	7Y-5074		GUARD-HOSE						
B-USE AS REQUIRED									
E-ORDER BY THE CENTIMETER									
Y-SEPARATE ILLUSTRATION									

<END>

HYDRAULIC SYSTEM

236-3214 HOSE GP-HYDRAULIC

S/N: MGG1-UP; JFZ1-UP

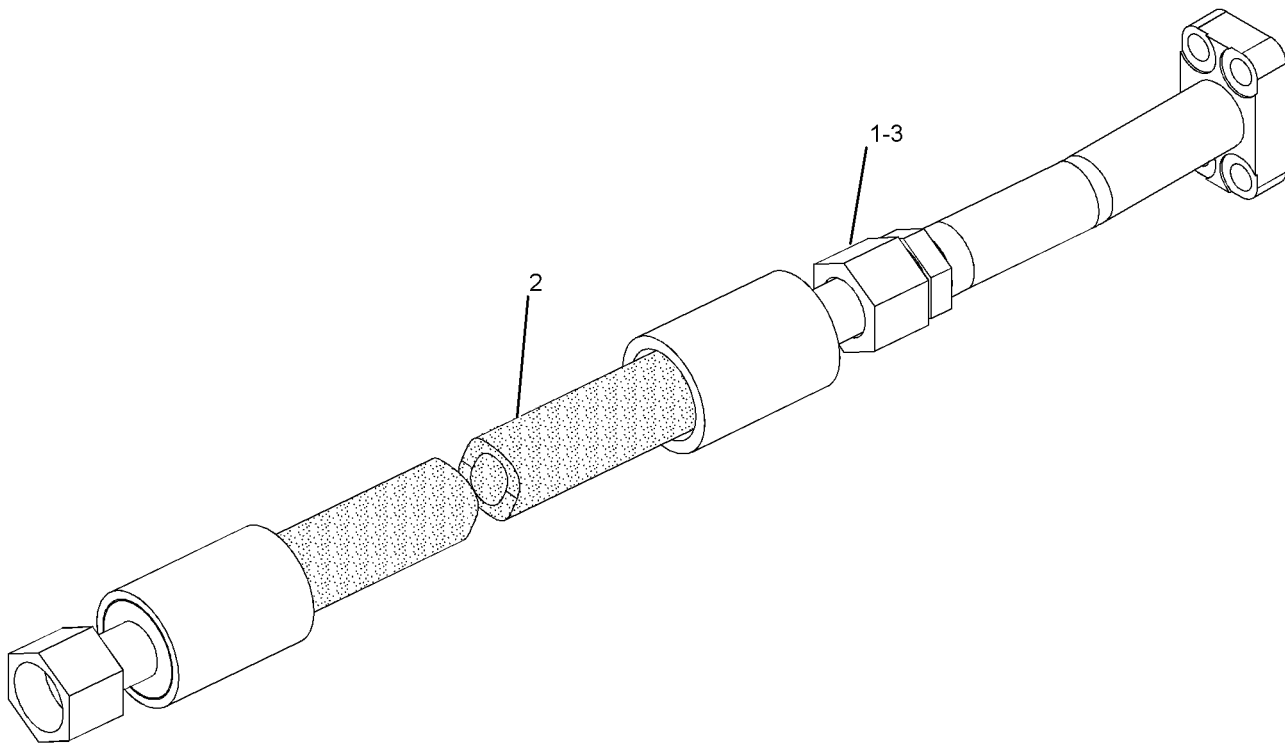
PART OF 236-3212 HOSE GP-HYDRAULIC

SMCS-5057

i02251054

NOTE	REF NO	GRAPHIC REF	PART NUMBER	QTY	PART NAME						SEE PAGE
					1	2	3	4	5	6 (PRODUCT LEVEL)	
	1	1	7Y-3721	1	TUBE AS						
I	2	1	187-5954	1	HOSE AS						
	3	1	6V-9746	1	SEAL-O-RING						

I-REFER TO HYDRAULIC INFORMATION SYSTEM



GRAPHIC #1

<END>

g01133931

HYDRAULIC SYSTEM

236-3215 HOSE GP-HYDRAULIC

S/N: MGG1-UP; JFZ1-UP

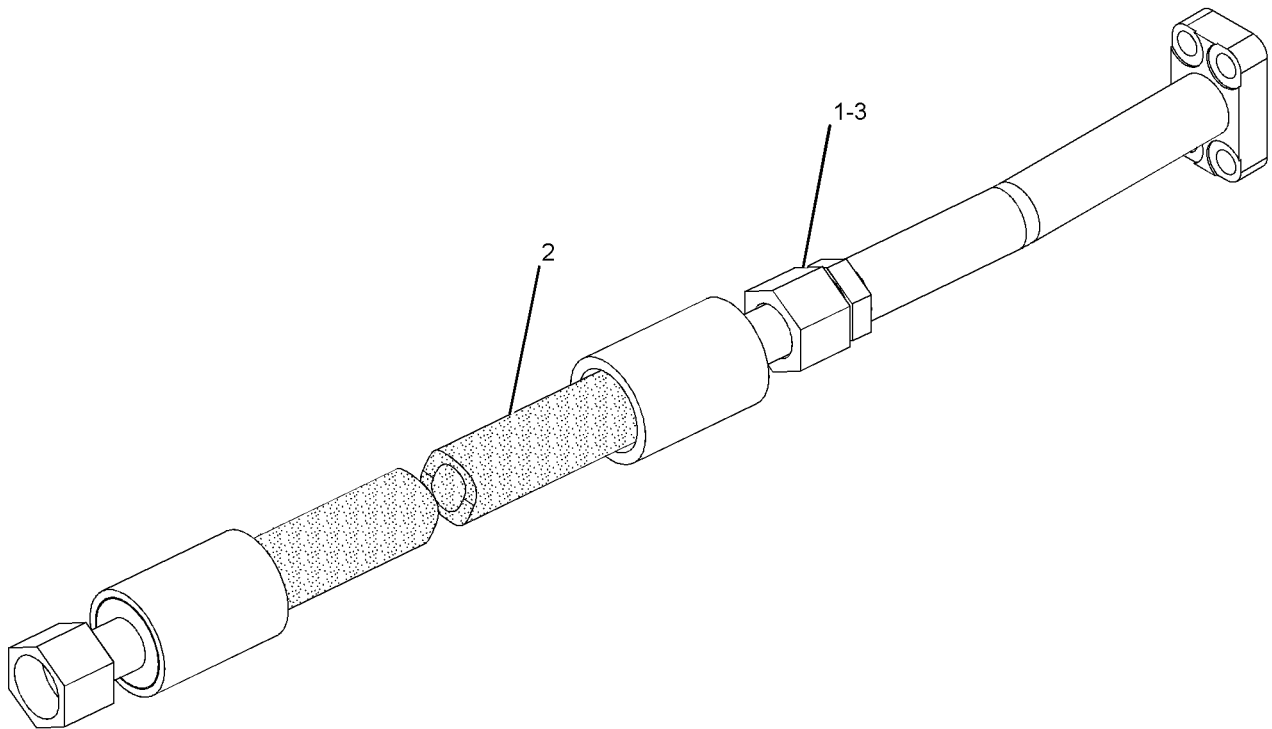
PART OF 236-3213 HOSE GP-HYDRAULIC

SMCS-5057

i02250972

NOTE	REF NO	GRAPHIC REF	PART NUMBER	QTY	PART NAME						SEE PAGE
					1	2	3	4	5	6 (PRODUCT LEVEL)	
	1	1	137-0856	1	TUBE AS						
I	2	1	187-5954	1	HOSE AS						
	3	1	6V-9746	1	SEAL-O-RING						

I-REFER TO HYDRAULIC INFORMATION SYSTEM



GRAPHIC #1

<END>

g01133918

HYDRAULIC SYSTEM**260-7910 HOSE GP-HYDRAULIC**

S/N: MGG1-UP; JFZ1-UP

PART OF 239-1714 LINES GP-FRONT

SMCS-5057

i02525205

NOTE	PART NUMBER	QTY	PART NAME						SEE PAGE
			1	2	3	4	5	6 (PRODUCT LEVEL)	
Y	260-7911	1	HOSE GP-HYDRAULIC (FRONT)						415
			-OR-						
Y	260-7913	1	HOSE GP-HYDRAULIC (FRONT)						416
Y-SEPARATE ILLUSTRATION									

<END>

HYDRAULIC SYSTEM

260-7911 HOSE GP-HYDRAULIC

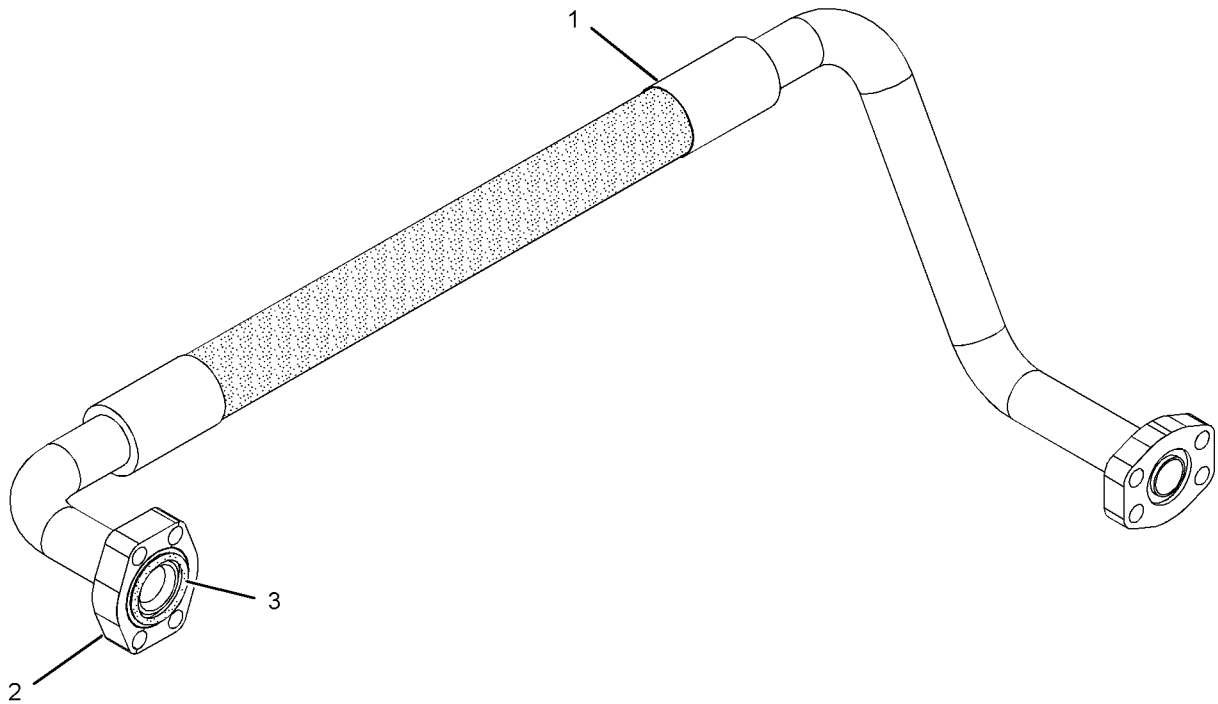
S/N: MGG1-UP; JFZ1-UP

PART OF 260-7910 HOSE GP-HYDRAULIC

SMCS-5057

i02639474

NOTE	REF NO	GRAPHIC REF	PART NUMBER	QTY	PART NAME						SEE PAGE
					1	2	3	4	5	6 (PRODUCT LEVEL)	
	1	1	260-7912	1	HOSE AS						
	2	1	8C-3206	2	FLANGE - HALF						
	3	1	4J-0520	1	SEAL - O - RING						



GRAPHIC #1

<END>

g01277264

HYDRAULIC SYSTEM

260-7913 HOSE GP-HYDRAULIC

S/N: MGG1-UP; JFZ1-UP

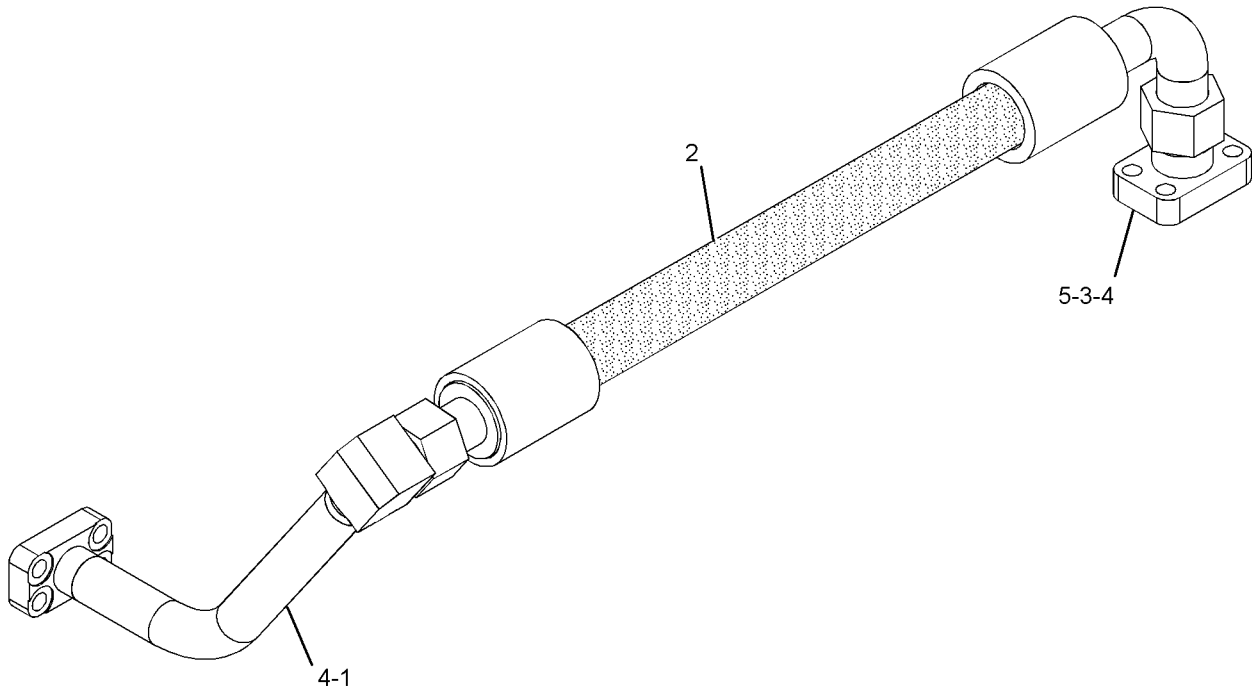
PART OF 260-7910 HOSE GP-HYDRAULIC

SMCS-5057

i02525207

NOTE	REF NO	GRAPHIC REF	PART NUMBER	QTY	PART NAME						SEE PAGE
					1	2	3	4	5	6 (PRODUCT LEVEL)	
	1	1	142-7764	1	TUBE AS						
I	2	1	260-7914	1	HOSE AS						
	3	1	1P-3703	1	SEAL-RECTANGULAR						
	4	1	5K-9090	2	SEAL-O-RING						
	5	1	7Y-3731	1	FLANGE						

I-REFER TO HYDRAULIC INFORMATION SYSTEM



GRAPHIC #1

<END>

g01277324

HYDRAULIC SYSTEM**285 - 1354 HYDRAULIC AR**

S/N: JFZ1-UP

PART OF 264-8626 GENERAL AR

SMCS - 5050

i02753880

NOTE	PART NUMBER	QTY	PART NAME						SEE PAGE
			1	2	3	4	5	6 (PRODUCT LEVEL)	
Y	239-1699	1	LINES GP-BOOM CYLINDER						430
Y	239-1714	1	LINES GP-FRONT						441
Y	248-9846	1	LINES GP-HYDRAULIC OIL COOLER (CONTROL VALVE, PUMP)						464
Y	248-9848	1	LINES GP-HYDRAULIC OIL COOLER						470
Y	248-9825	1	LINES GP-PILOT (JOYSTICK, PEDALS)						471
Y	248-9850	1	LINES GP-PILOT (MAIN CONTROL VALVE)						479
Y	248-9851	1	LINES GP-PILOT (MAIN CONTROL VALVE)						481
Y	248-9852	1	LINES GP-PILOT (FILTER, PILOT PUMP)						505
Y	248-9847	1	LINES GP-PUMP (SUPPLY, MAIN PUMP)						525
Y	239-1716	1	LINES GP-TRAVEL MOTOR						532
Y	260-7868	1	MOUNTING GP-MAIN CONTROL VALVE						549
Y	279-7869	1	PUMP & MTG GP-MAIN HYDRAULIC						551
Y	239-1710	1	TANK & MTG GP-HYDRAULIC						562
Y	259-7464	1	VALVE GP-MAIN CONTROL						591

Y-SEPARATE ILLUSTRATION

<END>

HYDRAULIC SYSTEM**285 - 1355 HYDRAULIC AR**

S/N: MGG1-UP

PART OF 264-8627 GENERAL AR

SMCS - 5050

i02757170

NOTE	PART NUMBER	QTY	PART NAME						SEE PAGE
			1	2	3	4	5	6 (PRODUCT LEVEL)	
Y	239-1699	1	LINES GP-BOOM CYLINDER						430
Y	239-1714	1	LINES GP-FRONT						441
Y	248-9846	1	LINES GP-HYDRAULIC OIL COOLER (CONTROL VALVE, PUMP)						464
Y	248-9848	1	LINES GP-HYDRAULIC OIL COOLER						470
Y	248-9825	1	LINES GP-PILOT (JOYSTICK, PEDALS)						471
Y	248-9850	1	LINES GP-PILOT (MAIN CONTROL VALVE)						479
Y	248-9851	1	LINES GP-PILOT (MAIN CONTROL VALVE)						481
Y	248-9852	1	LINES GP-PILOT (FILTER, PILOT PUMP)						505
Y	248-9847	1	LINES GP-PUMP (SUPPLY, MAIN PUMP)						525
Y	239-1717	1	LINES GP-TRAVEL MOTOR						534
Y	260-7868	1	MOUNTING GP-MAIN CONTROL VALVE						549
Y	279-7869	1	PUMP & MTG GP-MAIN HYDRAULIC						551
Y	239-1710	1	TANK & MTG GP-HYDRAULIC						562
Y	259-7464	1	VALVE GP-MAIN CONTROL						591

Y-SEPARATE ILLUSTRATION

<END>

HYDRAULIC SYSTEM**237-3184 LINES GP-AUXILIARY HYDRAULIC**

S/N: MGG1-UP; JFZ1-UP

2.4-M TO 2.5-M (7.87-FT TO 8.2-FT) STICK. HIGH FLOW
AN ATTACHMENT

SMCS-5057

i02951724

NOTE	REF NO	GRAPHIC REF	PART NUMBER	QTY	PART NAME						SEE PAGE
					1	2	3	4	5	6 (PRODUCT LEVEL)	
	1	1	127-6780	1	TUBE AS						
	2	1	142-6582	1	TUBE AS						
	3	1	173-7916	4	CLAMP-HALF						
I	4	1	253-6694	1	HOSE AS						
I	5	1	253-6697	1	HOSE AS						
Y	6	1	277-0954	2	VALVE GP-MANUAL (AUXILIARY, SHUTOFF)						592
	7	1	1P-3703	3	SEAL-RECTANGULAR						
	8	1	1P-3704	3	SEAL-RECTANGULAR						
	9	1	1P-5767	4	FLANGE-HALF						
	10	1	6V-0400	4	FLANGE-HALF						
	11	1	7Y-4538	4	CLAMP-HALF						
	12	1	8T-4121	4	WASHER-HARD (11X21X2.5-MM THK)						
M	13	1	8T-4139	8	BOLT (M12X1.75X30-MM)						
M	14	1	8T-4183	4	BOLT (M12X1.75X40-MM)						
M	15	1	8T-4184	8	BOLT (M12X1.75X45-MM)						
M	16	1	8T-4194	8	BOLT (M12X1.75X50-MM)						
	17	1	8T-4223	24	WASHER-HARD (13.5X25.5X3-MM THK)						
M	18	1	8T-4956	4	BOLT (M12X1.75X35-MM)						
M	19	1	8T-6685	4	BOLT (M10X1.5X110-MM)						

I-REFER TO HYDRAULIC INFORMATION SYSTEM

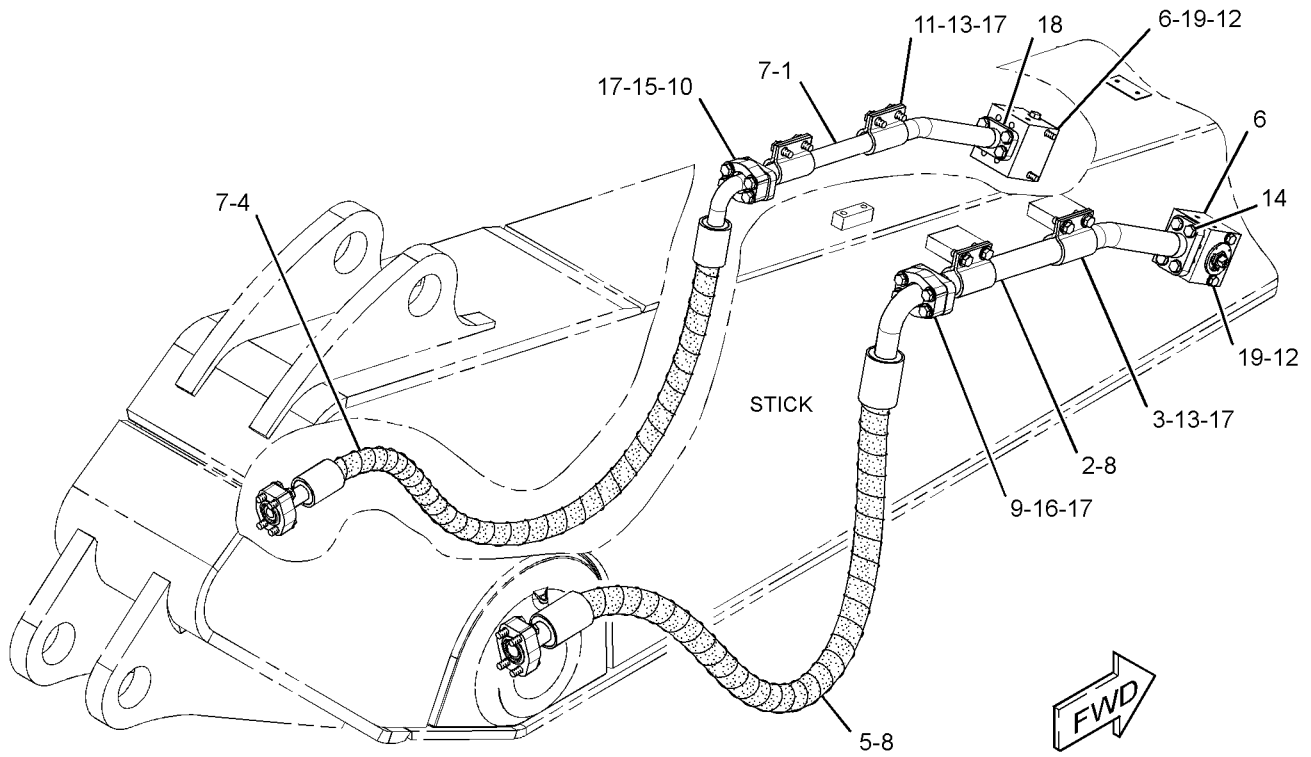
M-METRIC PART

Y-SEPARATE ILLUSTRATION

HYDRAULIC SYSTEM

237-3184 LINES GP-AUXILIARY HYDRAULIC (contd.)

i02951724



GRAPHIC #1

<END>

g01475176

HYDRAULIC SYSTEM

242-6475 LINES GP-AUXILIARY HYDRAULIC- HIGH PRESSURE, REACH BOOM S/N: MGG1-UP; JFZ1-UP AN ATTACHMENT

SMCS-5057

i03086501

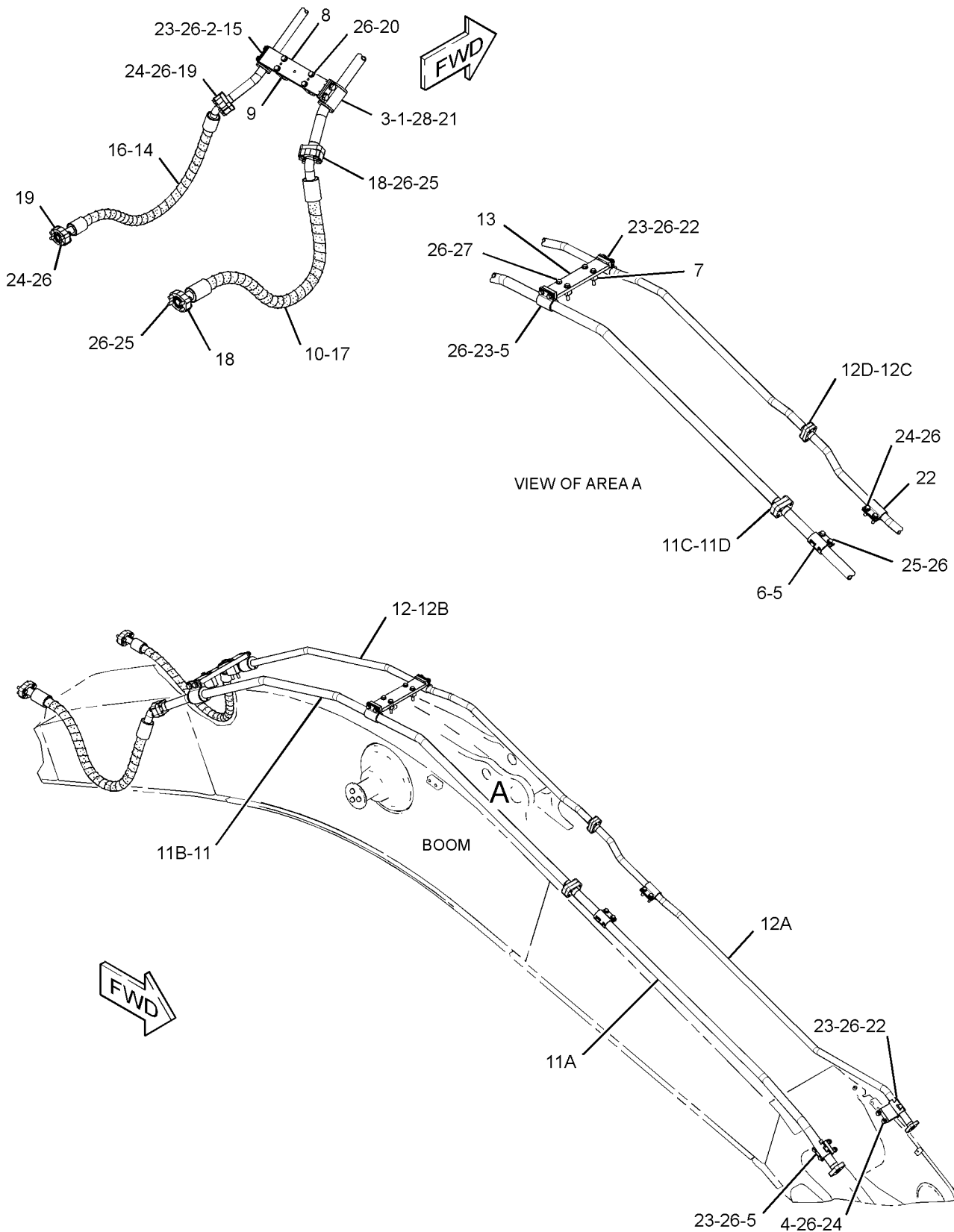
NOTE	REF NO	GRAPHIC REF	PART NUMBER	QTY	PART NAME						SEE PAGE
					1	2	3	4	5	6 (PRODUCT LEVEL)	
	1	1	124-1107	1	GROMMET						
	2	1	129-5874	1	GROMMET						
	3	1	138-5708	2	CLIP-HALF						
	4	1	153-8798	2	PLATE						
	5	1	173-7916	6	CLAMP-HALF						
	6	1	173-7995	1	PLATE						
	7	1	193-6606	2	PLATE						
	8	1	202-7127	1	PLATE						
	9	1	202-7128	2	PLATE						
I	10	1	216-6589	1	HOSE AS						
J	11	1	306-1611	1	TUBE GP						
L	11A	1	306-1614	1	TUBE AS						
L	11B	1	306-1615	1	TUBE AS						
L	11C	1	1P-3705	1	SEAL-RECTANGULAR						
LM	11D	1	8T-4183	4	BOLT (M12X1.75X40-MM)						
J	12	1	247-9030	1	TUBE GP						
L	12A	1	247-9033	1	TUBE AS						
L	12B	1	247-9034	1	TUBE AS						
L	12C	1	1P-3703	1	SEAL-RECTANGULAR						
LM	12D	1	8T-4139	4	BOLT (M12X1.75X30-MM)						
	13	1	277-0786	1	SUPPORT AS						
I	14	1	288-7502	1	HOSE AS						
	15	1	124-1108	2	CLIP						
	16	1	1P-3703	2	SEAL-RECTANGULAR						
	17	1	1P-3704	2	SEAL-RECTANGULAR						
	18	1	1P-5767	4	FLANGE-HALF						
	19	1	6V-0400	4	FLANGE-HALF						
M	20	1	7X-2549	4	BOLT (M12X1.75X100-MM)						
M	21	1	7X-2553	2	BOLT (M16X2X40-MM)						
	22	1	7Y-4538	6	CLAMP-HALF						
M	23	1	8T-4139	10	BOLT (M12X1.75X30-MM)						
M	24	1	8T-4184	14	BOLT (M12X1.75X45-MM)						
M	25	1	8T-4194	10	BOLT (M12X1.75X50-MM)						
	26	1	8T-4223	42	WASHER-HARD (13.5X25.5X3-MM THK)						
M	27	1	8T-4648	4	BOLT (M12X1.75X70-MM)						
	28	1	9X-8257	2	WASHER (17.5X30X3.5-MM THK)						

I-REFER TO HYDRAULIC INFORMATION SYSTEM
 J-TUBE MAY BE 1-PIECE OR 2-PIECE DESIGN (2-PIECE SHOWN)
 L-PARTS REQUIRED ONLY WITH 2-PIECE TUBE DESIGN
 M-METRIC PART

HYDRAULIC SYSTEM

242-6475 LINES GP-AUXILIARY HYDRAULIC (contd.)

i03086501



GRAPHIC #1

<END>

g01426849

HYDRAULIC SYSTEM**242-6487 LINES GP-AUXILIARY HYDRAULIC**

S/N: MGG1-UP; JFZ1-UP
 2.9-M (9.6-FT). HIGH PRESSURE
 AN ATTACHMENT

SMCS-5057

i02708578

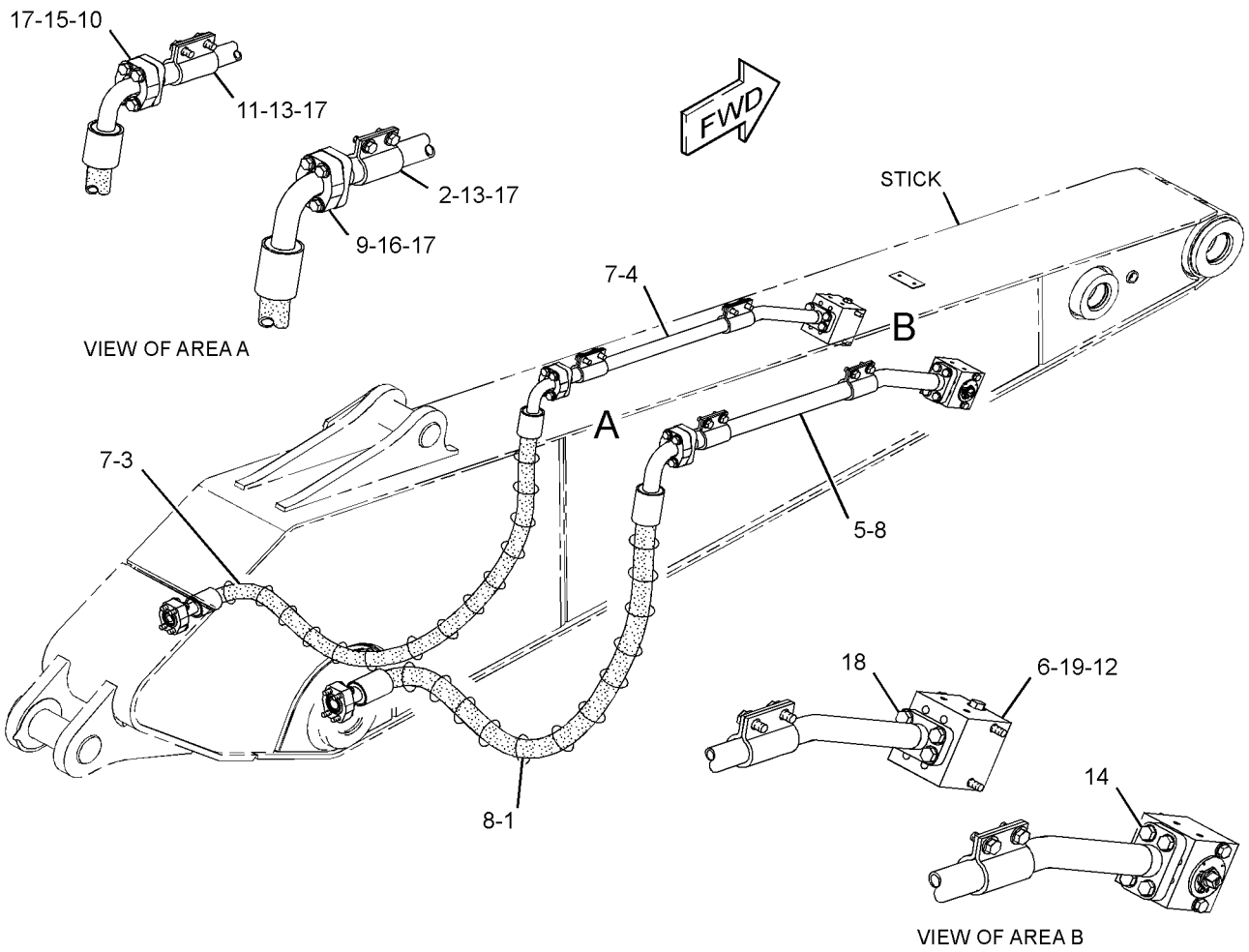
NOTE	REF NO	GRAPHIC REF	PART NUMBER	QTY	PART NAME						SEE PAGE
					1	2	3	4	5	6 (PRODUCT LEVEL)	
I	1	1	5I-8510	1	HOSE AS						
	2	1	173-7916	4	CLAMP-HALF						
I	3	1	253-6445	1	HOSE AS						
	4	1	253-6453	1	TUBE AS						
	5	1	253-6454	1	TUBE AS						
CY	6	1	277-0954	2	VALVE GP-MANUAL (AUXILIARY, SHUTOFF)						592
	7	1	1P-3703	3	SEAL-RECTANGULAR						
	8	1	1P-3704	3	SEAL-RECTANGULAR						
	9	1	1P-5767	4	FLANGE-HALF						
	10	1	6V-0400	4	FLANGE-HALF						
	11	1	7Y-4538	4	CLAMP-HALF						
	12	1	8T-4121	4	WASHER-HARD (11X21X2.5-MM THK)						
M	13	1	8T-4139	8	BOLT (M12X1.75X30-MM)						
M	14	1	8T-4183	4	BOLT (M12X1.75X40-MM)						
M	15	1	8T-4184	8	BOLT (M12X1.75X45-MM)						
M	16	1	8T-4194	8	BOLT (M12X1.75X50-MM)						
	17	1	8T-4223	24	WASHER-HARD (13.5X25.5X3-MM THK)						
M	18	1	8T-4956	4	BOLT (M12X1.75X35-MM)						
M	19	1	8T-6685	4	BOLT (M10X1.5X110-MM)						

C-CHANGE FROM PREVIOUS TYPE
 I-REFER TO HYDRAULIC INFORMATION SYSTEM
 M-METRIC PART
 Y-SEPARATE ILLUSTRATION

HYDRAULIC SYSTEM

242-6487 LINES GP-AUXILIARY HYDRAULIC (contd.)

i02708578



GRAPHIC #1

<END>

g01240196

HYDRAULIC SYSTEM

239-1732 LINES GP-BOOM

S/N: MGG1-UP; JFZ1-UP

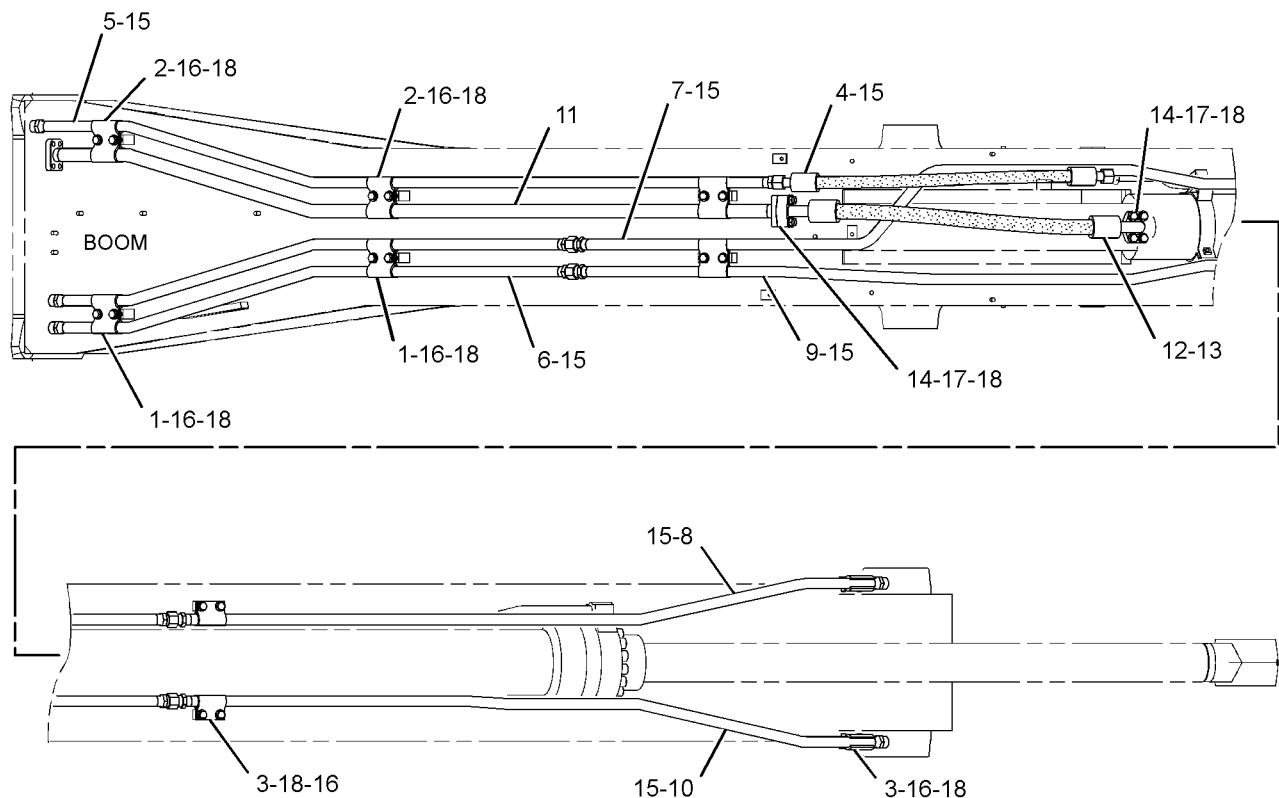
PART OF 240-3835 BOOM AR-1 PIECE SHORT
AN ATTACHMENT

SMCS-5057

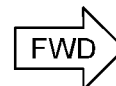
i02973168

NOTE	REF NO	GRAPHIC REF	PART NUMBER	QTY	PART NAME						SEE PAGE
					1	2	3	4	5	6 (PRODUCT LEVEL)	
	1	1	4I-1674	6	CLIP						
	2	1	4I-1676	6	CLIP						
	3	1	7Y-4868	8	CLIP						
I	4	1	151-1846	1	HOSE AS						
	5	1	307-5035	1	TUBE AS						
	6	1	184-9253	2	TUBE AS						
	7	1	184-9254	1	TUBE AS						
	8	1	320-0198	1	TUBE AS						
	9	1	184-9256	1	TUBE AS						
	10	1	184-9257	1	TUBE AS						
	11	1	260-8320	1	TUBE AS						
I	12	1	260-8321	1	HOSE AS						
	13	1	1P-3703	2	SEAL-RECTANGULAR						
	14	1	6V-0400	4	FLANGE-HALF						
	15	1	6V-9746	11	SEAL-O-RING						
M	16	1	8T-4139	20	BOLT (M12X1.75X30-MM)						
M	17	1	8T-4184	8	BOLT (M12X1.75X45-MM)						
	18	1	8T-4223	28	WASHER-HARD (13.5X25.5X3-MM THK)						

I-REFER TO HYDRAULIC INFORMATION SYSTEM
M-METRIC PART



TOP VIEW



GRAPHIC #1

<END>

g01473969

HYDRAULIC SYSTEM**260-8010 LINES GP-BOOM**

S/N: MGG1-UP; JFZ1-UP

PART OF 240-3830, 240-3832, 240-3836 BOOM AR-1 PIECE LONG
AN ATTACHMENT

SMCS-5057

i03120346

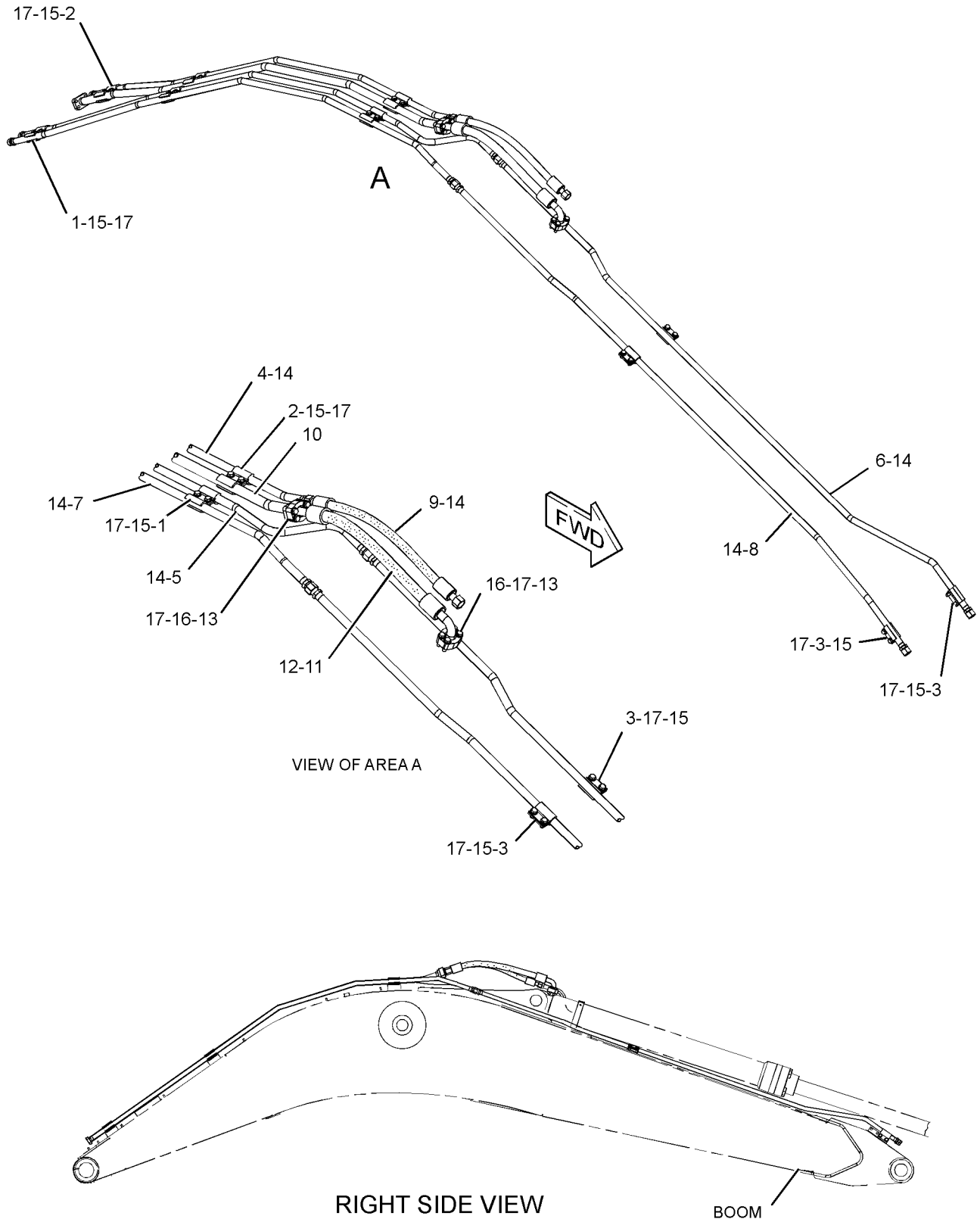
NOTE	REF NO	GRAPHIC REF	PART NUMBER	QTY	PART NAME						SEE PAGE
					1	2	3	4	5	6 (PRODUCT LEVEL)	
	1	1	4I-1674	6	CLIP						
	2	1	4I-1676	6	CLIP						
	3	1	7Y-4868	8	CLIP						
	4	1	307-5034	1	TUBE AS						
	5	1	202-3855	1	TUBE AS						
	6	1	202-3856	1	TUBE AS						
	7	1	202-3857	1	TUBE AS						
	8	1	202-3858	1	TUBE AS						
I	9	1	202-6996	1	HOSE AS						
	10	1	260-8315	1	TUBE AS						
I	11	1	260-8316	1	HOSE AS						
	12	1	1P-3703	2	SEAL-RECTANGULAR						
	13	1	6V-0400	4	FLANGE-HALF						
	14	1	6V-9746	9	SEAL-O-RING						
M	15	1	8T-4139	20	BOLT (M12X1.75X30-MM)						
M	16	1	8T-4184	8	BOLT (M12X1.75X45-MM)						
	17	1	8T-4223	28	WASHER-HARD (13.5X25.5X3-MM THK)						

I-REFER TO HYDRAULIC INFORMATION SYSTEM
M-METRIC PART

HYDRAULIC SYSTEM

260-8010 LINES GP-BOOM (contd.)

i03120346



GRAPHIC #1

<END>

g01366545

HYDRAULIC SYSTEM**268-7046 LINES GP-BOOM**

S/N: MGG1-UP

PART OF 302-9208 LINKAGE AR
AN ATTACHMENT

SMCS-5057

i02548895

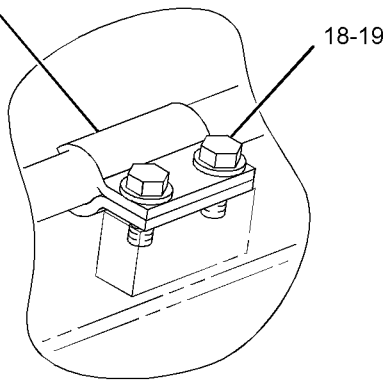
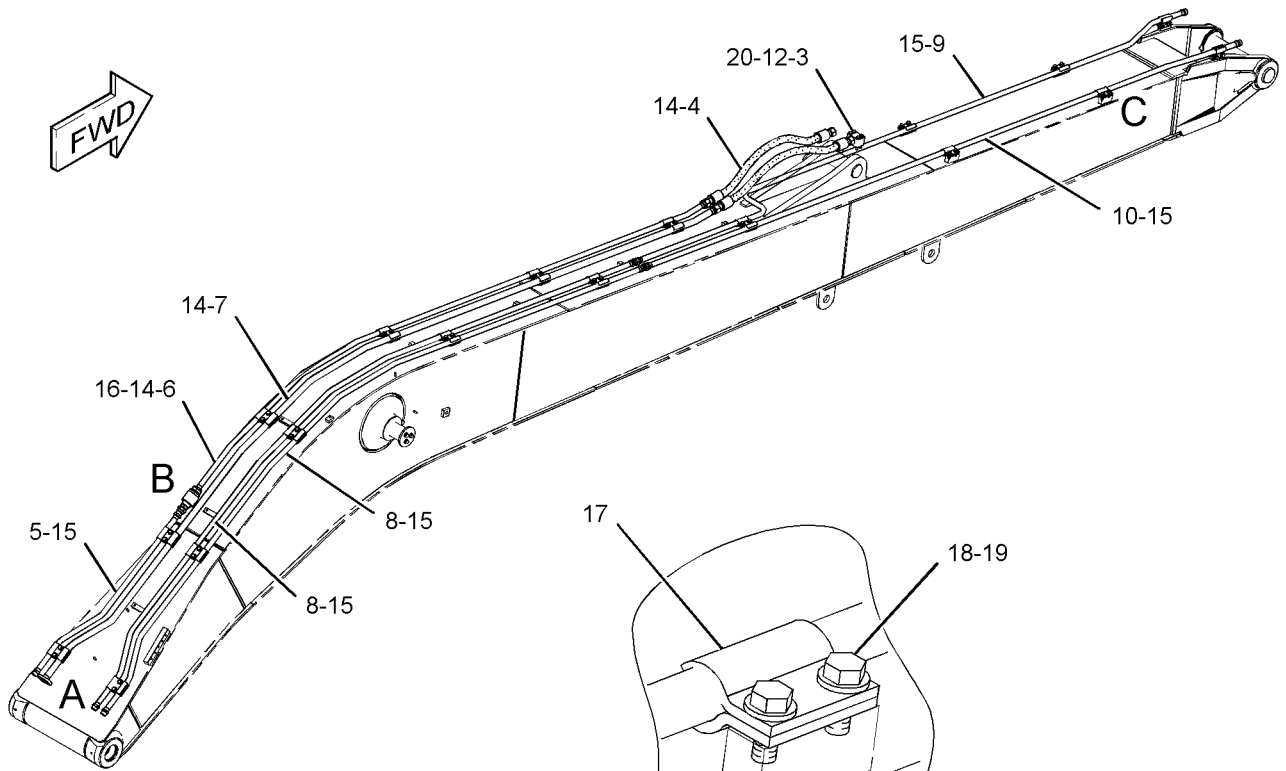
NOTE	REF NO	GRAPHIC REF	PART NUMBER	QTY	PART NAME						SEE PAGE
					1	2	3	4	5	6 (PRODUCT LEVEL)	
	1	1	4I-1676	12	CLIP						
	2	1	4I-8789	1	VALVE GP-CHECK						
	3	1	6I-6721	1	ELBOW						
I	4	1	7Y-8036	2	HOSE AS						
	5	1	268-7047	1	TUBE AS						
	6	1	268-7048	1	TUBE AS						
	7	1	268-7049	1	TUBE AS						
	8	1	268-7238	2	TUBE AS						
	9	1	268-7239	1	TUBE AS						
	10	1	268-7240	1	TUBE AS						
	11	1	148-8335	1	CONNECTOR AS						
		1	5K-9090	1	SEAL-O-RING						
		1	6V-8635	1	CONNECTOR						
		1	7M-8485	1	SEAL-O-RING						
	12	1	1P-3704	1	SEAL-RECTANGULAR						
	13	1	4I-1674	12	CLIP						
	14	1	5K-9090	4	SEAL-O-RING						
	15	1	6V-9746	7	SEAL-O-RING						
	16	1	7M-8485	1	SEAL-O-RING						
	17	1	7Y-4868	12	CLIP						
M	18	1	8T-4139	36	BOLT (M12X1.75X30-MM)						
	19	1	8T-4223	36	WASHER-HARD (13.5X25.5X3-MM THK)						
M	20	1	8T-4648	4	BOLT (M12X1.75X70-MM)						

I-REFER TO HYDRAULIC INFORMATION SYSTEM
M-METRIC PART

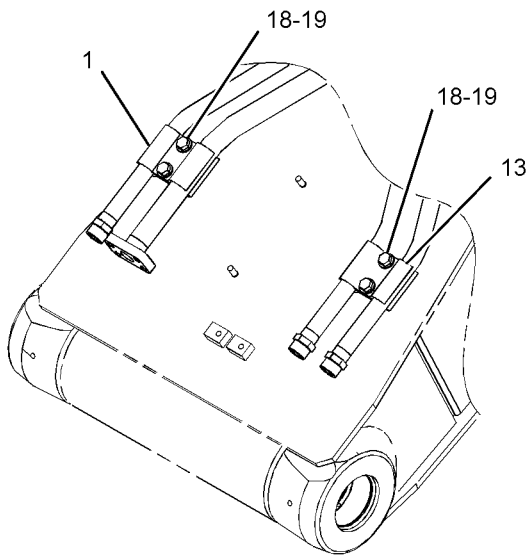
HYDRAULIC SYSTEM

268-7046 LINES GP-BOOM (contd.)

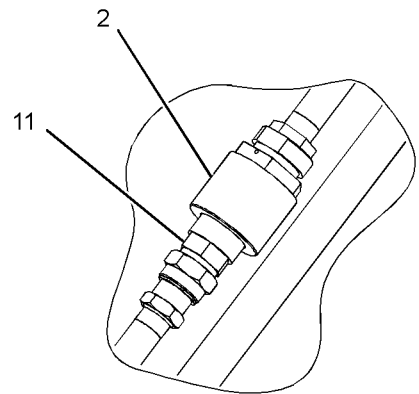
i02548895



VIEW OF AREA C



VIEW OF AREA A



VIEW OF AREA B

GRAPHIC #1

<END>

g01231211

HYDRAULIC SYSTEM**239-1699 LINES GP-BOOM CYLINDER**

S/N: MGG1-UP; JFZ1-UP

PART OF 285-1354, 285-1355 HYDRAULIC AR

TYPE 1

SMCS-5057, 5456

i03033720

NOTE	REF NO	GRAPHIC REF	PART NUMBER	QTY	PART NAME						SEE PAGE
					1	2	3	4	5	6 (PRODUCT LEVEL)	
	1	1	9F-2167	1	SCREW-PURGE (3/8-24X1.164-IN)						
M	2	1	101-7398	4	BOLT-SOCKET HEAD (M10X1.5X40-MM)						
I	3	1	108-7354	1	HOSE AS						
I	4	1	124-1047	4	HOSE AS						
	5	1	124-1062	1	SUPPORT AS						
	6	1	133-5828	1	SUPPORT AS						
	7	1	142-7768	1	TUBE AS						
	8	1	142-7769	1	TUBE AS						
Y	9	1	158-9090	1	VALVE GP-SWING CUSHION (FINE SWING)						626
	10	1	164-5552	1	CONNECTOR AS						
		1	3D-2824	1	SEAL-O-RING						
		1	4I-7745	1	CONNECTOR						
		1	6V-8398	1	SEAL-O-RING						
	11	1	234-4492	1	SUPPORT						
	12	1	307-4918	1	CONNECTOR AS						
		1	5K-9090	1	SEAL-O-RING						
		1	7M-8485	1	SEAL-O-RING						
		1	307-4919	1	CONNECTOR						
M	13	1	101-7404	4	BOLT-SOCKET HEAD (M10X1.5X30-MM)						
	14	1	108-7550	1	CLIP						
	15	1	148-8336	1	CONNECTOR AS						
		1	3J-1907	1	SEAL-O-RING						
		1	6V-8397	1	SEAL-O-RING						
		1	6V-8636	1	CONNECTOR						
	16	1	148-8353	1	ELBOW AS						
		1	3J-1907	1	SEAL-O-RING						
		1	6V-8397	1	SEAL-O-RING						
		1	6V-9001	1	ELBOW						
	17	1	148-8364	1	ELBOW AS						
		1	3K-0360	1	SEAL-O-RING						
		1	6V-8398	1	SEAL-O-RING						
		1	6V-8625	1	ELBOW						
	18	1	148-8367	1	ELBOW AS						
		1	6V-8397	1	SEAL-O-RING						
		1	6V-9850	1	ELBOW						
	19	1	148-8444	1	TEE AS-SWIVEL						
		1	6V-8398	2	SEAL-O-RING						
		1	6V-9837	1	TEE-SWIVEL						
	20	1	1P-3703	2	SEAL-RECTANGULAR						
	21	1	4I-1674	2	CLIP						
	22	1	5P-1076	2	WASHER-HARD (13.5X30X4-MM THK)						
	23	1	6V-9746	4	SEAL-O-RING						
	24	1	8T-4121	8	WASHER-HARD (11X21X2.5-MM THK)						
M	25	1	8T-4139	2	BOLT (M12X1.75X30-MM)						
M	26	1	8T-4178	6	BOLT (M10X1.5X90-MM)						
M	27	1	8T-4182	8	BOLT (M10X1.5X45-MM)						
M	28	1	8T-4192	2	BOLT (M12X1.75X25-MM)						
	29	1	8T-4223	6	WASHER-HARD (13.5X25.5X3-MM THK)						
M	30	1	8T-4648	2	BOLT (M12X1.75X70-MM)						
M	31	1	8T-4910	2	BOLT (M12X1.75X60-MM)						
	32	1	8T-9403	4	FLANGE-HALF						

I-REFER TO HYDRAULIC INFORMATION SYSTEM

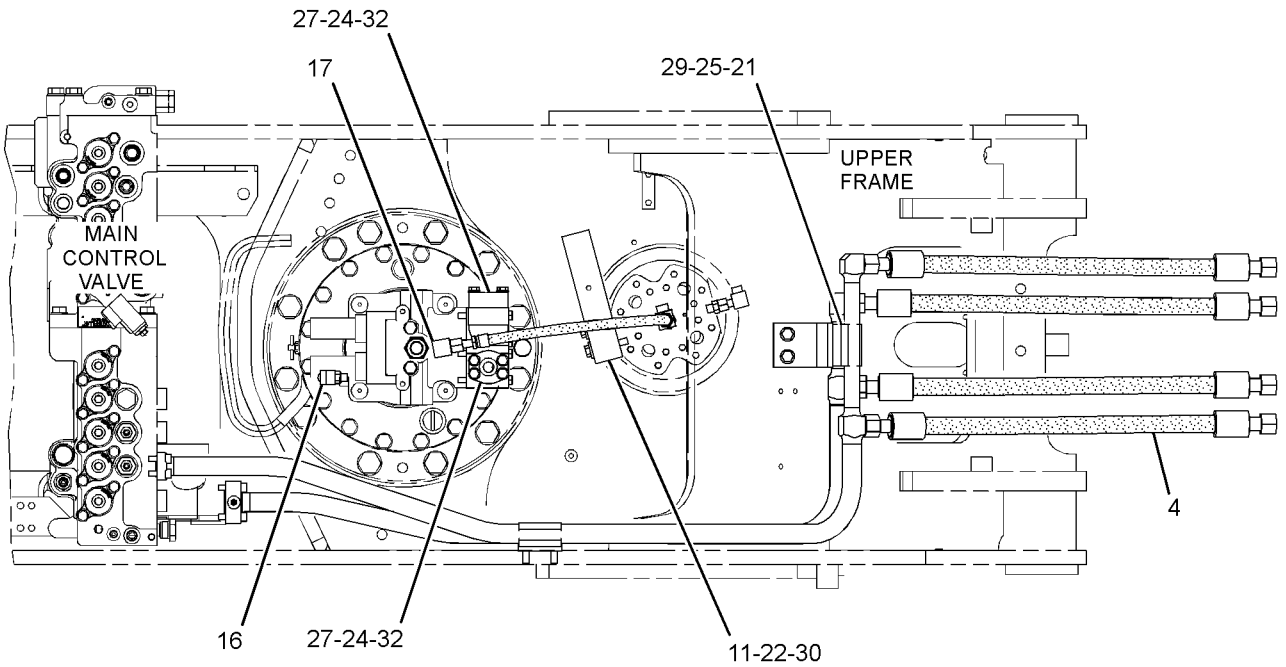
M-METRIC PART

Y-SEPARATE ILLUSTRATION

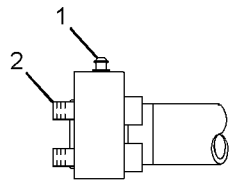
HYDRAULIC SYSTEM

239-1699 LINES GP-BOOM CYLINDER (contd.)

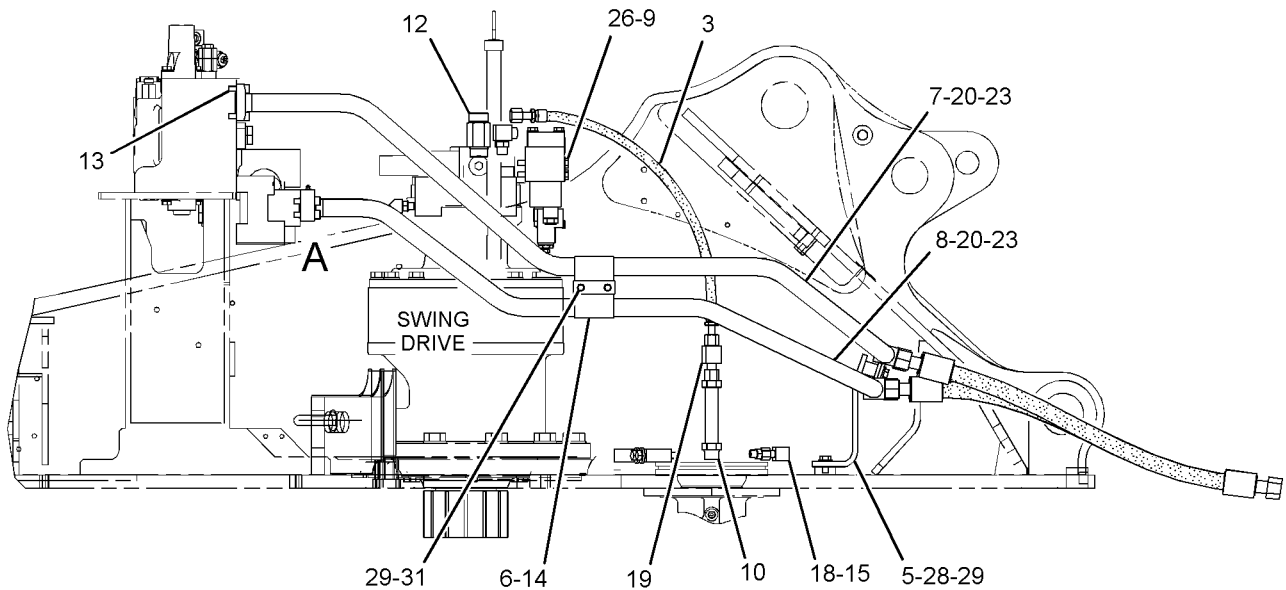
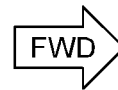
i03033720



TOP VIEW



VIEW OF AREA A



RIGHT SIDE VIEW

GRAPHIC #1

<END>

g01423221

HYDRAULIC SYSTEM**239-1699 LINES GP-BOOM CYLINDER**

S/N: MGG1-UP; JFZ1-UP

PART OF 285-1354, 285-1355 HYDRAULIC AR
TYPE 2

SMCS-5057, 5456

i03266884

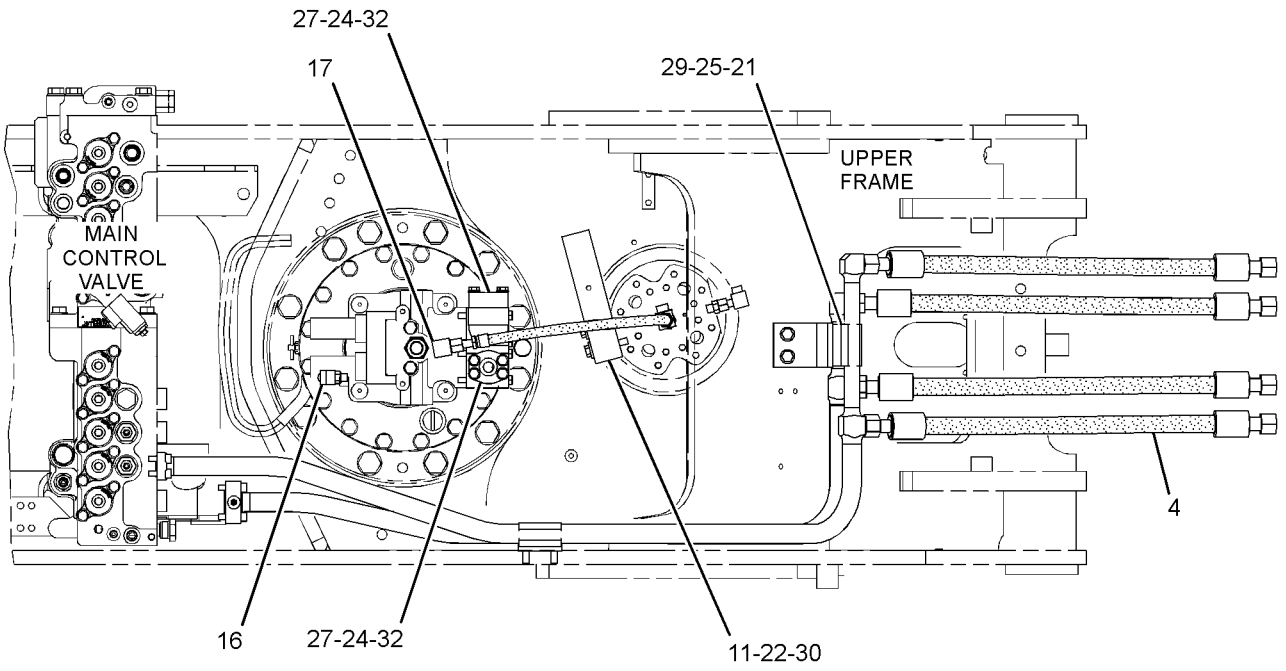
NOTE	REF NO	GRAPHIC REF	PART NUMBER	QTY	PART NAME						SEE PAGE
					1	2	3	4	5	6 (PRODUCT LEVEL)	
	1	1	9F-2167	1	SCREW-PURGE (3/8-24X1.164-IN)						
M	2	1	101-7398	4	BOLT-SOCKET HEAD (M10X1.5X40-MM)						
I	3	1	108-7354	1	HOSE AS						
I	4	1	124-1047	4	HOSE AS						
	5	1	124-1062	1	SUPPORT AS						
	6	1	133-5828	1	SUPPORT AS						
	7	1	142-7768	1	TUBE AS						
	8	1	142-7769	1	TUBE AS						
CY	9	1	322-8716	1	VALVE GP-SWING CUSHION (FINE SWING)						628
	10	1	164-5552	1	CONNECTOR AS						
		1	3D-2824	1	SEAL-O-RING						
		1	4I-7745	1	CONNECTOR						
		1	6V-8398	1	SEAL-O-RING						
	11	1	234-4492	1	SUPPORT						
	12	1	307-4918	1	CONNECTOR AS						
		1	5K-9090	1	SEAL-O-RING						
		1	7M-8485	1	SEAL-O-RING						
		1	307-4919	1	CONNECTOR						
M	13	1	101-7404	4	BOLT-SOCKET HEAD (M10X1.5X30-MM)						
	14	1	108-7550	1	CLIP						
	15	1	148-8336	1	CONNECTOR AS						
		1	3J-1907	1	SEAL-O-RING						
		1	6V-8397	1	SEAL-O-RING						
		1	6V-8636	1	CONNECTOR						
	16	1	148-8353	1	ELBOW AS						
		1	3J-1907	1	SEAL-O-RING						
		1	6V-8397	1	SEAL-O-RING						
		1	6V-9001	1	ELBOW						
	17	1	148-8364	1	ELBOW AS						
		1	3K-0360	1	SEAL-O-RING						
		1	6V-8398	1	SEAL-O-RING						
		1	6V-8625	1	ELBOW						
	18	1	148-8367	1	ELBOW AS						
		1	6V-8397	1	SEAL-O-RING						
		1	6V-9850	1	ELBOW						
	19	1	148-8444	1	TEE AS-SWIVEL						
		1	6V-8398	2	SEAL-O-RING						
		1	6V-9837	1	TEE-SWIVEL						
	20	1	1P-3703	2	SEAL-RECTANGULAR						
	21	1	4I-1674	2	CLIP						
	22	1	5P-1076	2	WASHER-HARD (13.5X30X4-MM THK)						
	23	1	6V-9746	4	SEAL-O-RING						
	24	1	8T-4121	8	WASHER-HARD (11X21X2.5-MM THK)						
M	25	1	8T-4139	2	BOLT (M12X1.75X30-MM)						
M	26	1	8T-4178	6	BOLT (M10X1.5X90-MM)						
M	27	1	8T-4182	8	BOLT (M10X1.5X45-MM)						
M	28	1	8T-4192	2	BOLT (M12X1.75X25-MM)						
	29	1	8T-4223	6	WASHER-HARD (13.5X25.5X3-MM THK)						
M	30	1	8T-4648	2	BOLT (M12X1.75X70-MM)						
M	31	1	8T-4910	2	BOLT (M12X1.75X60-MM)						
	32	1	8T-9403	4	FLANGE-HALF						

C-CHANGE FROM PREVIOUS TYPE
I-REFER TO HYDRAULIC INFORMATION SYSTEM
M-METRIC PART
Y-SEPARATE ILLUSTRATION

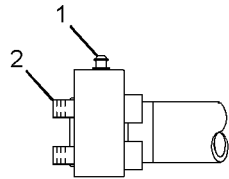
HYDRAULIC SYSTEM

239-1699 LINES GP-BOOM CYLINDER (contd.)

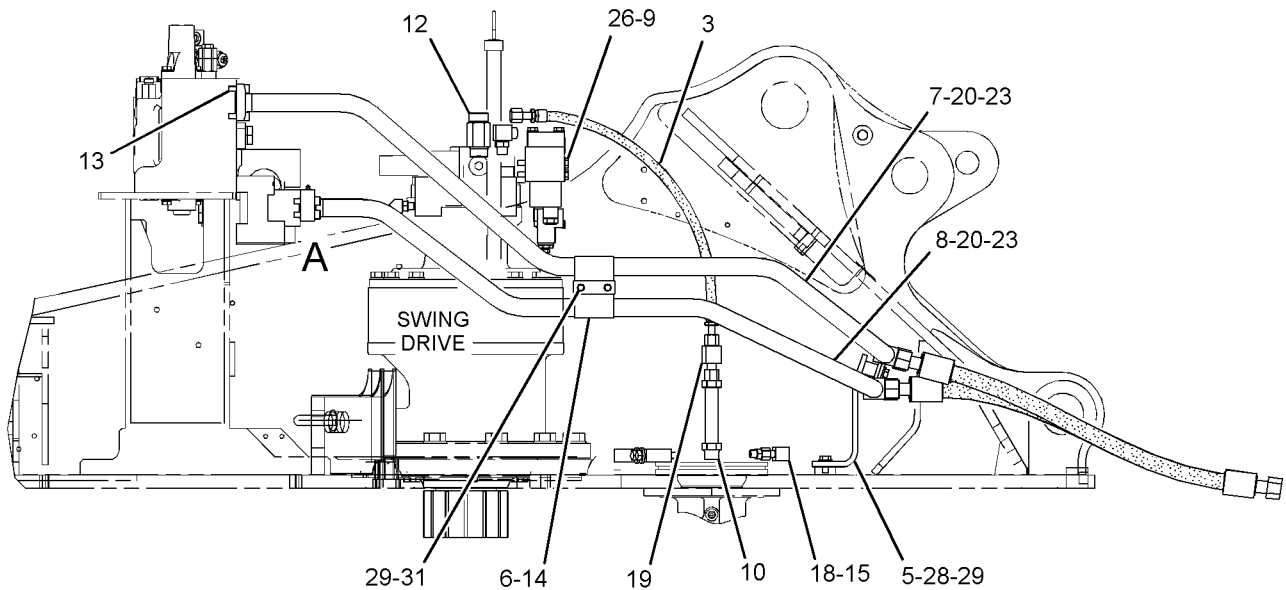
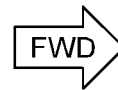
i03266884



TOP VIEW



VIEW OF AREA A



RIGHT SIDE VIEW

GRAPHIC #1

<END>

g01423221

HYDRAULIC SYSTEM

242-6732 LINES GP-BOOM CYLINDER-LH

S/N: MGG1-UP; JFZ1-UP

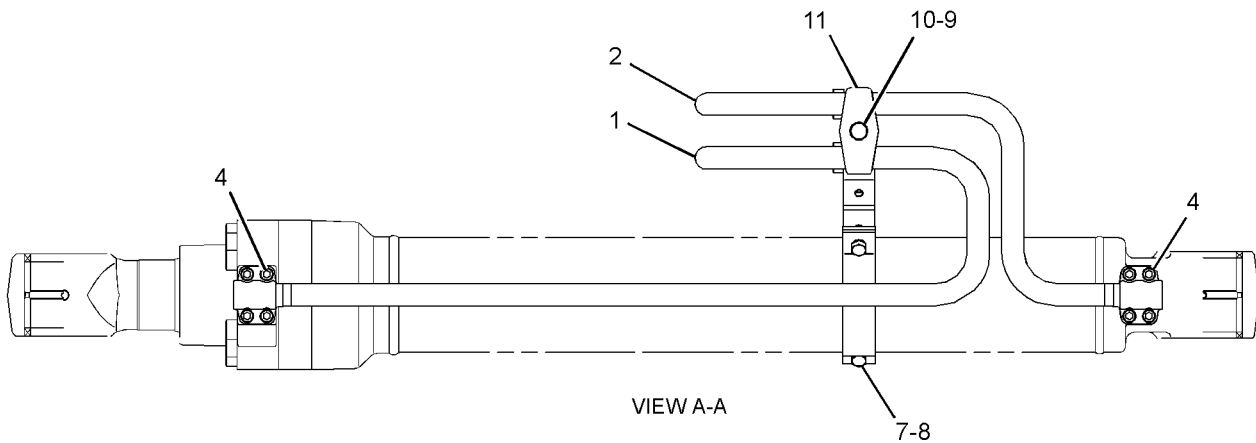
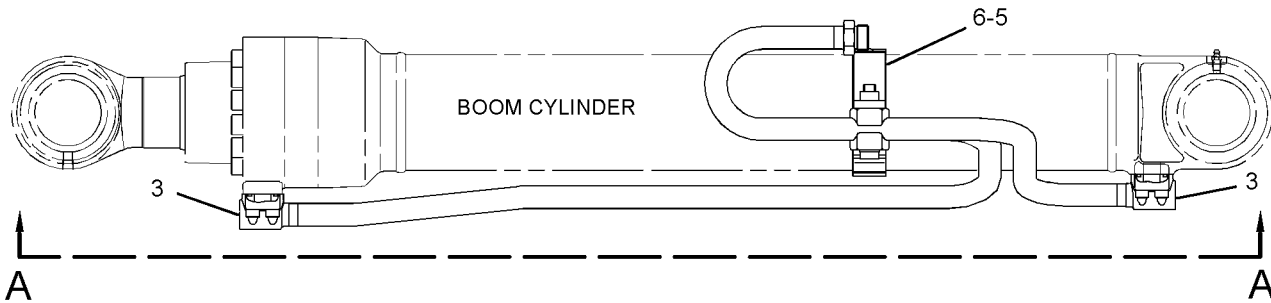
PART OF 242-6730, 242-6745 CYLINDER & LINES GP-BOOM
AN ATTACHMENT

SMCS-5057, 5456

i02548200

NOTE	REF NO	GRAPHIC REF	PART NUMBER	QTY	PART NAME						SEE PAGE
					1	2	3	4	5	6 (PRODUCT LEVEL)	
	1	1	247-8869	1	TUBE AS						
	2	1	222-0126	1	TUBE AS						
	3	1	095-1597	2	SEAL-O-RING						
M	4	1	9X-6032	8	BOLT-SOCKET HEAD (M10X1.5X30-MM)						
	5	1	137-3709	1	SUPPORT						
	6	1	4I-3621	1	SUPPORT						
M	7	1	8T-4196	2	BOLT (M10X1.5X35-MM)						
	8	1	8T-4896	2	WASHER-HARD (10.2X18.5X2.5-MM THK)						
M	9	1	8T-3653	1	BOLT (M14X2X80-MM)						
	10	1	3B-4509	1	LOCKWASHER						
	11	1	094-1920	2	CLAMP						

M-METRIC PART



GRAPHIC #1

<END>

g01220547

HYDRAULIC SYSTEM

242-6737 LINES GP-BOOM CYLINDER-RH

S/N: MGG1-UP; JFZ1-UP

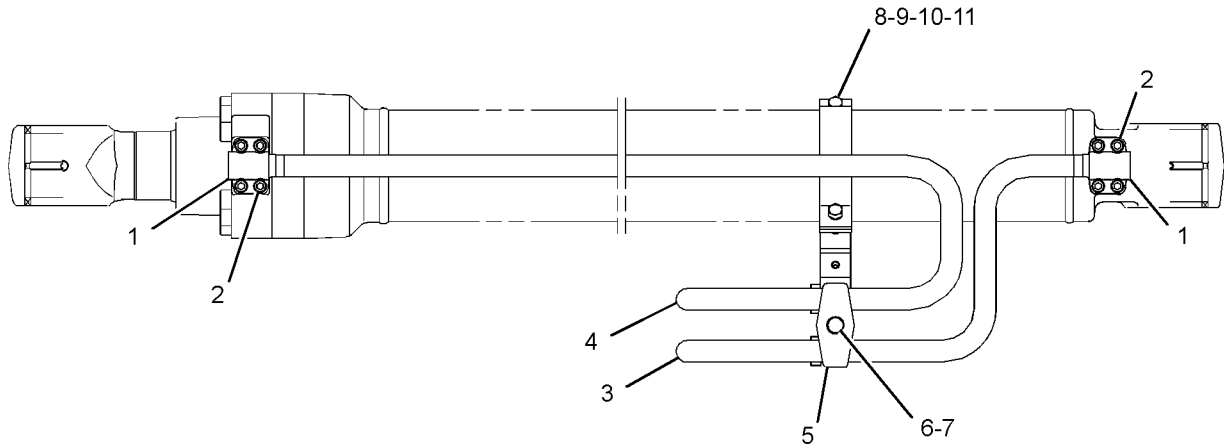
PART OF 242-6736, 242-6749 CYLINDER & LINES GP-BOOM
AN ATTACHMENT

SMCS-5057, 5456

i02548210

NOTE	REF NO	GRAPHIC REF	PART NUMBER	QTY	PART NAME						SEE PAGE
					1	2	3	4	5	6 (PRODUCT LEVEL)	
	1	1	095-1597	2	SEAL-O-RING						
M	2	1	9X-6032	8	BOLT-SOCKET HEAD (M10X1.5X30-MM)						
	3	1	222-0124	1	TUBE AS						
	4	1	247-8870	1	TUBE AS						
	5	1	094-1920	2	CLAMP						
M	6	1	8T-3653	1	BOLT (M14X2X80-MM)						
	7	1	3B-4509	1	LOCKWASHER						
M	8	1	8T-4196	2	BOLT (M10X1.5X35-MM)						
	9	1	8T-4896	2	WASHER-HARD (10.2X18.5X2.5-MM THK)						
	10	1	4I-3621	1	SUPPORT						
	11	1	137-3709	1	SUPPORT						

M-METRIC PART



GRAPHIC #1

<END>

g01221624

HYDRAULIC SYSTEM

127-6624 LINES GP-BUCKET CYLINDER

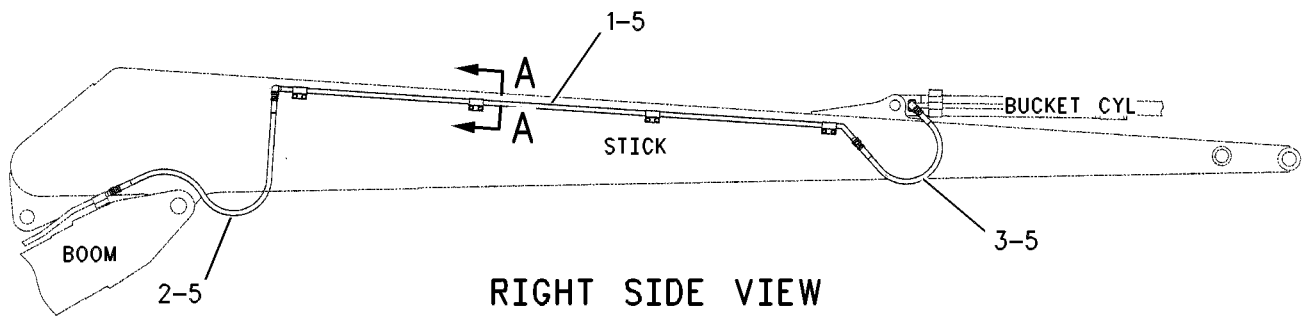
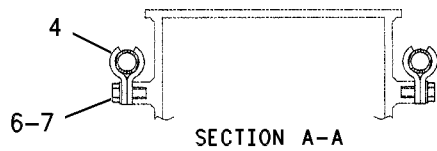
S/N: MGG1-UP
 PART OF 302-9208 LINKAGE AR
 AN ATTACHMENT

SMCS-5457

i01367070

NOTE	REF NO	GRAPHIC REF	PART NUMBER	QTY	PART NAME						SEE PAGE
					1	2	3	4	5	6 (PRODUCT LEVEL)	
	1	1	5I-7233	2	TUBE AS						
I	2	1	4I-5556	2	HOSE AS						
I	3	1	7Y-7904	2	HOSE AS						
	4	1	7Y-4868	16	CLIP						
	5	1	6V-9746	8	SEAL-O-RING						
M	6	1	8T-4139	16	BOLT (M12X1.75X30-MM)						
	7	1	8T-4223	16	WASHER-HARD (13.5X25.5X3-MM THK)						

I-REFER TO HYDRAULIC INFORMATION SYSTEM
 M-METRIC PART



GRAPHIC #1

<END>

g00420221

HYDRAULIC SYSTEM

127-6797 LINES GP-BUCKET CYLINDER

S/N: MGG1-UP

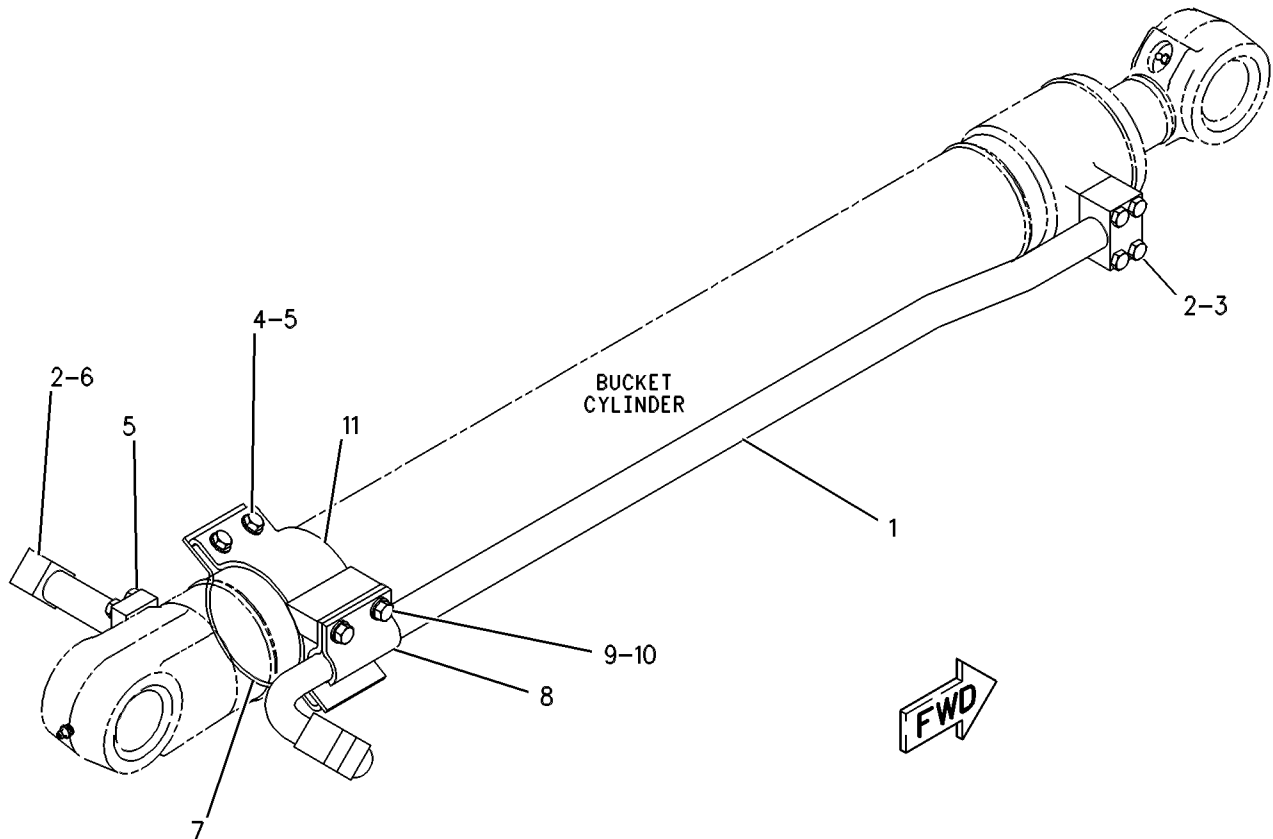
PART OF 253-6664 CYLINDER & LINES GP-BUCKET
AN ATTACHMENT

SMCS-5457

i01367238

NOTE	REF NO	GRAPHIC REF	PART NUMBER	QTY	PART NAME						SEE PAGE
					1	2	3	4	5	6 (PRODUCT LEVEL)	
	1	1	116-9129	1	TUBE AS						
	2	1	4J-5267	2	SEAL-O-RING						
M	3	1	8T-4185	4	BOLT (M10X1.5X50-MM)						
	4	1	8T-4121	12	WASHER-HARD (11X21X2.5-MM THK)						
M	5	1	8T-4195	8	BOLT (M10X1.5X30-MM)						
	6	1	7Y-6442	1	TUBE AS						
	7	1	7Y-6510	1	SUPPORT AS						
M		1	8T-4133	2	NUT (M10X1.5-THD)						
	8	1	7Y-4868	2	CLIP						
M	9	1	8T-4139	2	BOLT (M12X1.75X30-MM)						
	10	1	8T-4223	2	WASHER-HARD (13.5X25.5X3-MM THK)						
	11	1	7Y-6511	1	SUPPORT AS						
M		1	8T-4133	2	NUT (M10X1.5-THD)						

M-METRIC PART



GRAPHIC #1

<END>

g00263634

HYDRAULIC SYSTEM

187-5693 LINES GP-BUCKET CYLINDER

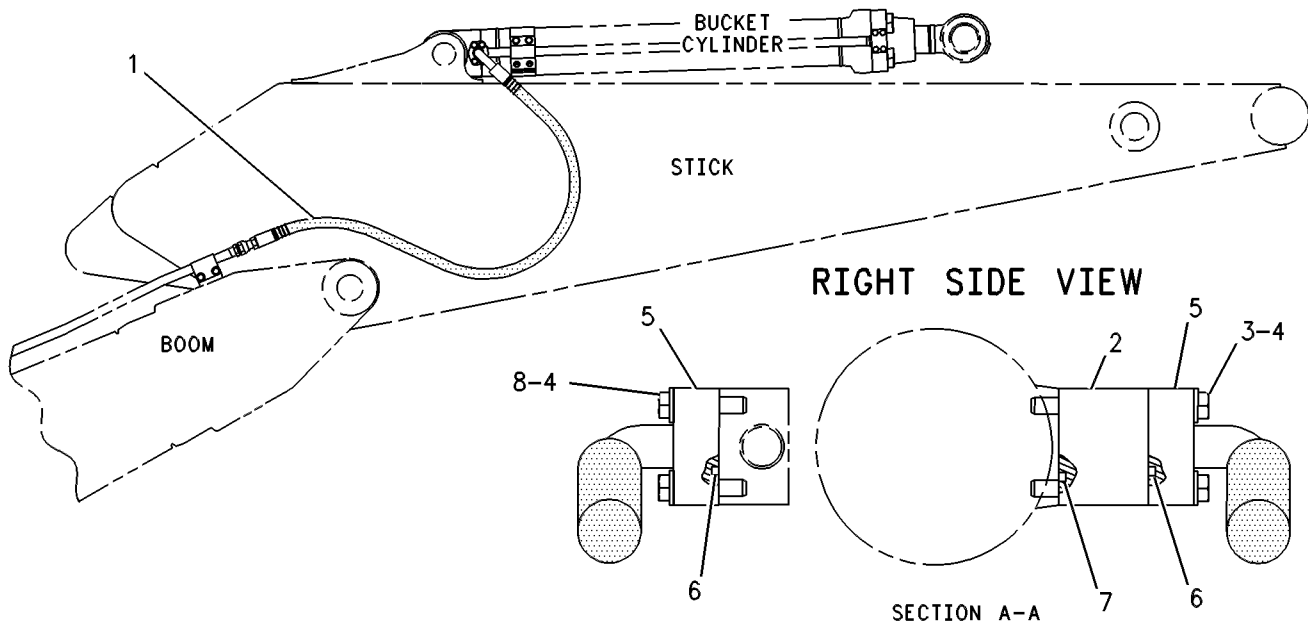
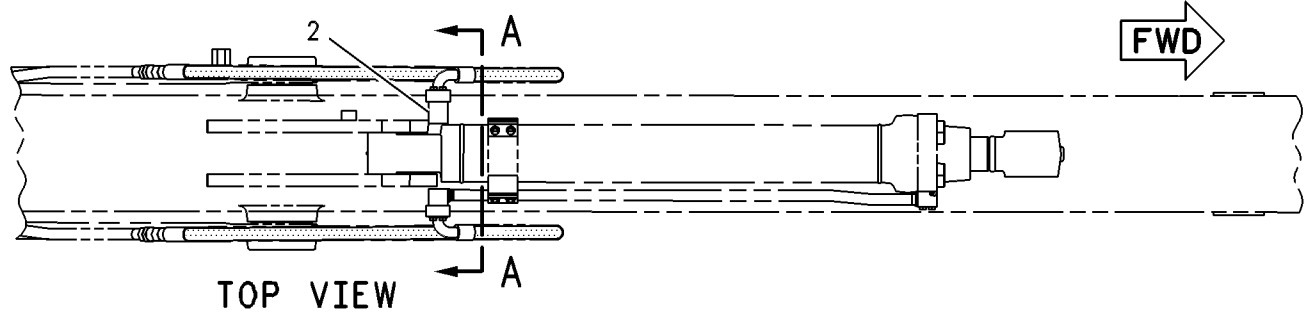
S/N: MGG1-UP; JFZ1-UP

PART OF 314-3727 STICK AR, 240-3851 STICK AR-HOE
AN ATTACHMENT

SMCS-5457

i02527851

NOTE	REF NO	GRAPHIC REF	PART NUMBER	QTY	PART NAME						SEE PAGE
					1	2	3	4	5	6 (PRODUCT LEVEL)	
I	1	1	4I-8785	2	HOSE AS						
	2	1	5I-4174	1	BLOCK						
M	3	1	8T-4198	4	BOLT (M10X1.5X100-MM)						
	4	1	8T-4121	8	WASHER-HARD (11X21X2.5-MM THK)						
	5	1	1P-5765	4	FLANGE-HALF						
	6	1	1P-3702	2	SEAL-RECTANGULAR						
	7	1	1P-3703	1	SEAL-RECTANGULAR						
M	8	1	8T-4182	4	BOLT (M10X1.5X45-MM)						

I-REFER TO HYDRAULIC INFORMATION SYSTEM
M-METRIC PART

GRAPHIC #1

<END>

g00266410

HYDRAULIC SYSTEM

242-6757 LINES GP-BUCKET CYLINDER

S/N: MGG1-UP; JFZ1-UP

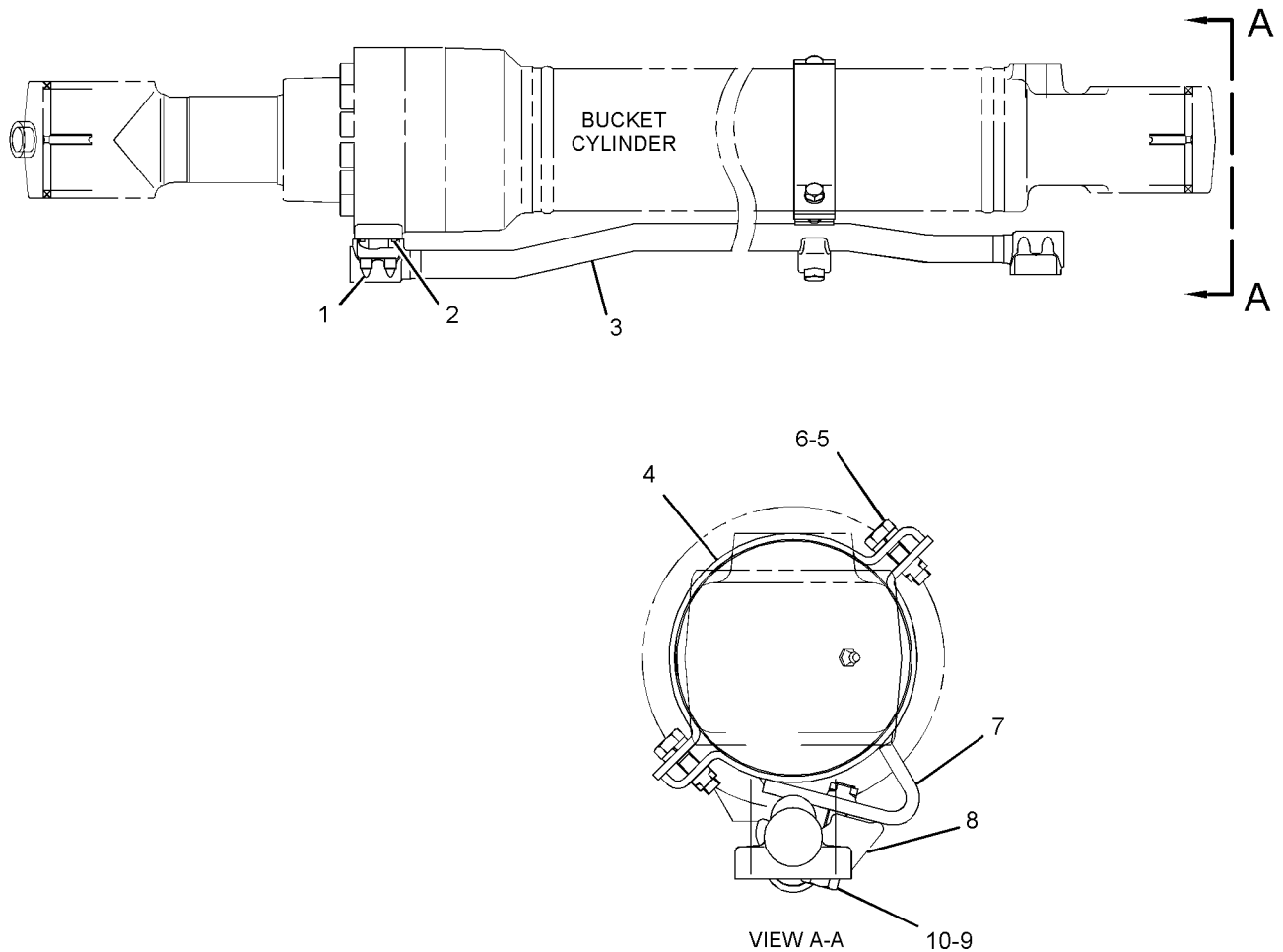
PART OF 242-6755, 242-6758 CYLINDER & LINES GP-BUCKET
AN ATTACHMENT

SMCS-5457

i02548299

NOTE	REF NO	GRAPHIC REF	PART NUMBER	QTY	PART NAME						SEE PAGE
					1	2	3	4	5	6 (PRODUCT LEVEL)	
M	1	1	9X-6032	4	BOLT-SOCKET HEAD (M10X1.5X30-MM)						
	2	1	095-1597	1	SEAL-O-RING						
	3	1	274-2547	1	TUBE AS						
	4	1	096-4412	1	SUPPORT						
M	5	1	8T-4196	2	BOLT (M10X1.5X35-MM)						
	6	1	8T-4896	2	WASHER-HARD (10.2X18.5X2.5-MM THK)						
	7	1	124-1034	1	SUPPORT AS						
	8	1	096-4480	1	CLAMP						
M	9	1	8T-4910	1	BOLT (M12X1.75X60-MM)						
	10	1	8T-4223	1	WASHER-HARD (13.5X25.5X3-MM THK)						

M-METRIC PART



GRAPHIC #1

<END>

g01220243

HYDRAULIC SYSTEM**260-8011 LINES GP-BUCKET CYLINDER**

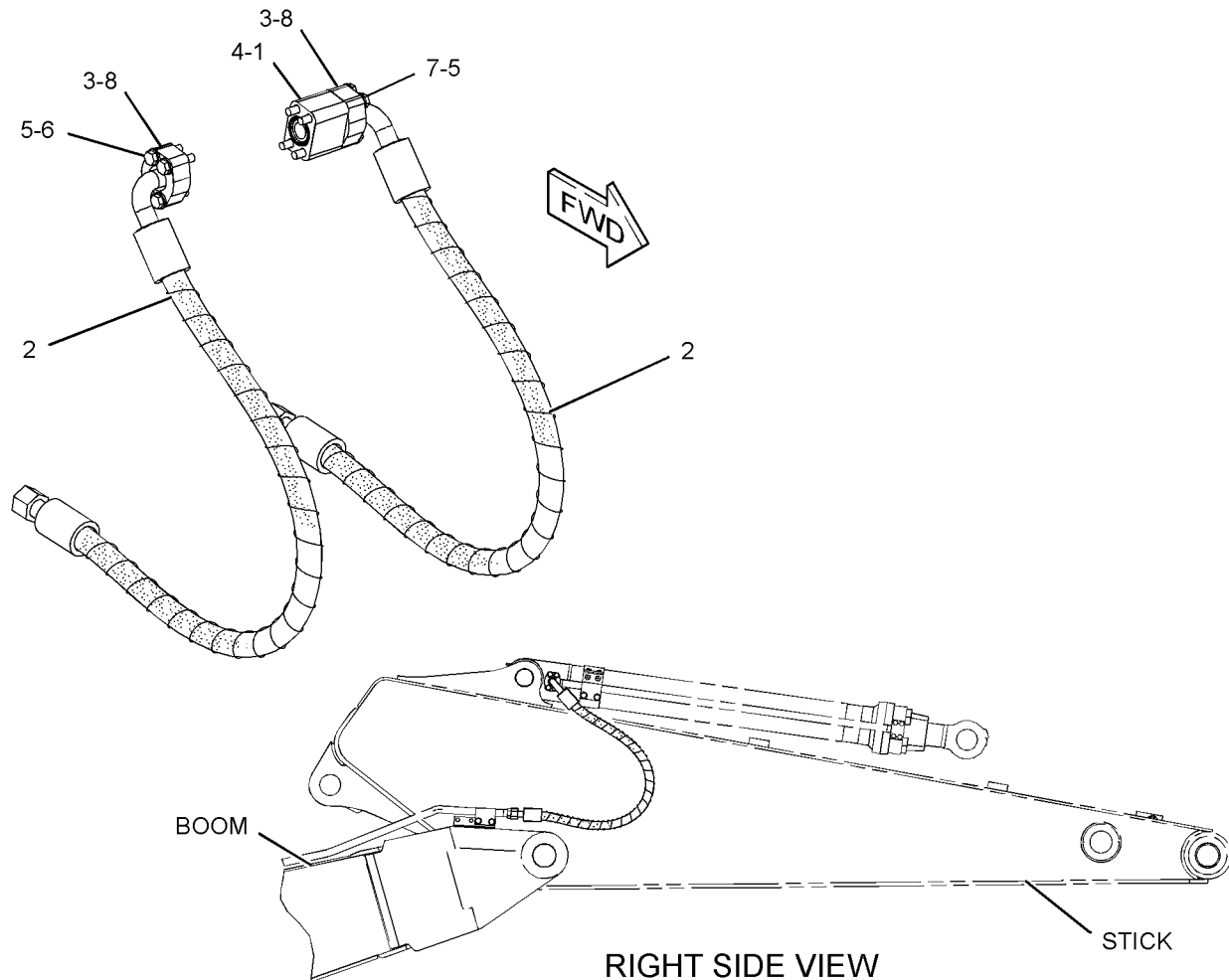
S/N: MGG1-UP; JFZ1-UP

PART OF 240-3854 STICK AR-HOE
AN ATTACHMENT

SMCS-5457

i02548269

NOTE	REF NO	GRAPHIC REF	PART NUMBER	QTY	PART NAME						SEE PAGE
					1	2	3	4	5	6 (PRODUCT LEVEL)	
	1	1	5I-4174	1	BLOCK						
I	2	1	187-6058	2	HOSE AS						
	3	1	1P-3702	2	SEAL-RECTANGULAR						
	4	1	1P-3703	1	SEAL-RECTANGULAR						
	5	1	8T-4121	8	WASHER-HARD (11X21X2.5-MM THK)						
M	6	1	8T-4182	4	BOLT (M10X1.5X45-MM)						
M	7	1	8T-4198	4	BOLT (M10X1.5X100-MM)						
	8	1	8T-9403	4	FLANGE-HALF						

I-REFER TO HYDRAULIC INFORMATION SYSTEM
M-METRIC PART

GRAPHIC #1

<END>

g01224077

HYDRAULIC SYSTEM**239-1714 LINES GP-FRONT**

S/N: MGG1-UP; JFZ1-UP

PART OF 285-1354, 285-1355 HYDRAULIC AR

SMCS-5057

i02545894

NOTE	REF NO	GRAPHIC REF	PART NUMBER	QTY	PART NAME						SEE PAGE
					1	2	3	4	5	6 (PRODUCT LEVEL)	
	1	1	7Y-3730	2	FLANGE-SPECIAL						
M	2	1	101-7403	2	BOLT-SOCKET HEAD (M10X1.5X80-MM)						
M	3	1	105-3477	8	BOLT-SOCKET HEAD (M10X1.5X45-MM)						
M	4	1	105-3483	2	BOLT-SOCKET HEAD (M10X1.5X70-MM)						
	5	1	113-6479	2	FLANGE-SPECIAL						
I	6	1	165-3185	1	HOSE AS						
I	7	1	165-3190	1	HOSE AS						
I	8	1	165-3194	1	HOSE AS						
Y	9	1	194-0174	1	HOSE GP-HYDRAULIC (CONTROL VALVE, STICK)						405
Y	10	1	194-0180	1	HOSE GP-HYDRAULIC (CONTROL VALVE, BOOM)						407
Y	11	1	214-4511	1	FITTING GP-HYDRAULIC (4-BOLT FLANGE)						390
Y	12	1	236-3212	1	HOSE GP-HYDRAULIC (FRONT)						410
Y	13	1	236-3213	1	HOSE GP-HYDRAULIC (FRONT)						411
I	14	1	289-5672	1	HOSE AS						
Y	15	1	255-5680	1	VALVE GP-LOAD CONTROL (STICK DRIFT RED, LINE RELIEF)						587
Y	16	1	255-5683	1	VALVE GP-LOAD CONTROL (BOOM DRIFT RED, LINE RELIEF)						589
Y	17	1	260-7910	1	HOSE GP-HYDRAULIC (FRONT)						414
I	18	1	260-7988	1	HOSE AS						
I	19	1	260-7992	1	HOSE AS						
I	20	1	260-7996	1	HOSE AS						
I	21	1	260-8000	1	HOSE AS						
M	22	1	101-7397	4	BOLT-SOCKET HEAD (M12X1.75X50-MM)						
M	23	1	101-7404	42	BOLT-SOCKET HEAD (M10X1.5X30-MM)						
M	24	1	199-1286	6	BOLT-SOCKET HEAD (M10X1.5X150-MM)						
	25	1	1P-3702	4	SEAL-RECTANGULAR						
	26	1	1P-3703	9	SEAL-RECTANGULAR						
	27	1	4J-5267	10	SEAL-O-RING						
	28	1	4J-5268	1	SEAL-O-RING						
	29	1	5K-9090	5	SEAL-O-RING						
	30	1	6V-0400	4	FLANGE-HALF						
	31	1	8T-4121	8	WASHER-HARD (11X21X2.5-MM THK)						
M	32	1	8T-4194	4	BOLT (M12X1.75X50-MM)						
	33	1	8T-4223	8	WASHER-HARD (13.5X25.5X3-MM THK)						
	34	1	8T-9403	4	FLANGE-HALF						

I-REFER TO HYDRAULIC INFORMATION SYSTEM

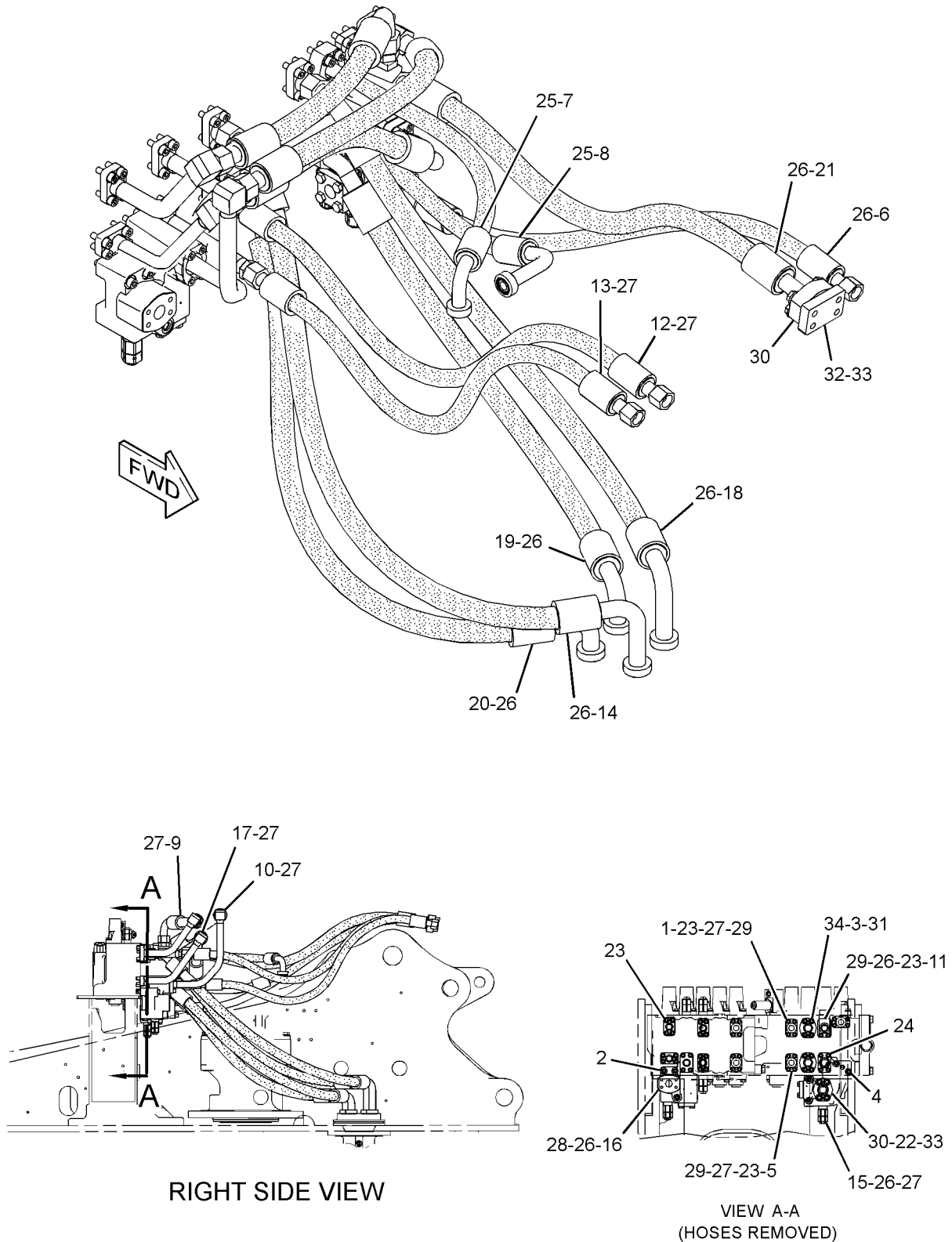
M-METRIC PART

Y-SEPARATE ILLUSTRATION

HYDRAULIC SYSTEM

239-1714 LINES GP-FRONT (contd.)

i02545894



GRAPHIC #1

<END>

g01227428

HYDRAULIC SYSTEM

260-8007 LINES GP-FRONT-SYSTEM 3, 1-WAY, 2-PUMP

S/N: MGG1-UP; JFZ1-UP

PART OF 259-7494 CONTROL AR-AUXILIARY

AN ATTACHMENT

TYPE 1

SMCS-5057

i02886423

NOTE	REF NO	GRAPHIC REF	PART NUMBER	QTY	PART NAME						SEE PAGE
					1	2	3	4	5	6 (PRODUCT LEVEL)	
	1	1	7Y-3731	1	FLANGE						
I	2	1	102-1248	1	HOSE AS						
M	3	2	105-3477	4	BOLT-SOCKET HEAD (M10X1.5X45-MM)						
Y	4	1	177-2653	1	VALVE GP-RELIEF (WITH BLOCK)						609
I	5	1	184-3906	1	HOSE AS						
	6	1	207-6222	1	BLOCK						
	7	1	212-5148	2	BLOCK						
	8	2	218-1139	1	BLOCK						
	9	1	260-7872	1	SUPPORT AS						
	10	1	260-8043	1	BLOCK						
	11	2	296-7069	1	SUPPORT AS						
	12	1	296-7067	1	SUPPORT AS						
	13	1	266-0912	1	BRACKET						
	14	1	266-0913	1	SUPPORT AS						
	15	2	266-1071	1	SUPPORT AS						
	16	2	266-1278	1	BLOCK						
	17	2	266-1279	1	FLANGE						
I	18	1	266-1303	1	HOSE AS						
I	19	1	266-1307	1	HOSE AS						
	20	2	275-1439	1	BLOCK						
	21	1	099-8232	2	SEAL-O-RING						
M	22	1	101-7397	4	BOLT-SOCKET HEAD (M12X1.75X50-MM)						
M	23	2	101-7401	4	BOLT-SOCKET HEAD (M10X1.5X20-MM)						
M	24	2	101-7402	4	BOLT-SOCKET HEAD (M12X1.75X30-MM)						
M	25	1	101-7404	4	BOLT-SOCKET HEAD (M10X1.5X30-MM)						
	26	1	148-8323	1	CONNECTOR AS						
		1	2S-4078	1	SEAL-O-RING						
		1	5K-9090	1	SEAL-O-RING						
		1	6V-9875	1	CONNECTOR						
	27	1	148-8335	1	CONNECTOR AS						
		1	5K-9090	1	SEAL-O-RING						
		1	6V-8635	1	CONNECTOR						
		1	7M-8485	1	SEAL-O-RING						
	28	2	148-8347	1	ELBOW AS						
		2	3D-2824	1	SEAL-O-RING						
		2	6V-9007	1	ELBOW						
		2	6V-9746	1	SEAL-O-RING						
	29	1	148-8352	1	ELBOW AS						
		1	5K-9090	1	SEAL-O-RING						
		1	6V-9854	1	ELBOW						
	30	2	148-8355	1	ELBOW AS						
		2	5K-9090	1	SEAL-O-RING						
		2	6V-9005	1	ELBOW						
		2	7M-8485	1	SEAL-O-RING						
	31	1	148-8411	1	PLUG AS						
		1	3K-0360	1	SEAL-O-RING						
		1	9S-4185	1	PLUG-O-RING						
	32	2	148-8429	1	TEE AS						
		2	5K-9090	2	SEAL-O-RING						
		2	6V-9840	1	TEE-SWIVEL						
	33	2	153-6237	1	ELBOW AS						
		2	3D-2824	1	SEAL-O-RING						
		2	6V-9004	1	ELBOW						
		2	6V-9746	1	SEAL-O-RING						

HYDRAULIC SYSTEM

260-8007 LINES GP-FRONT (contd.)

i02886423

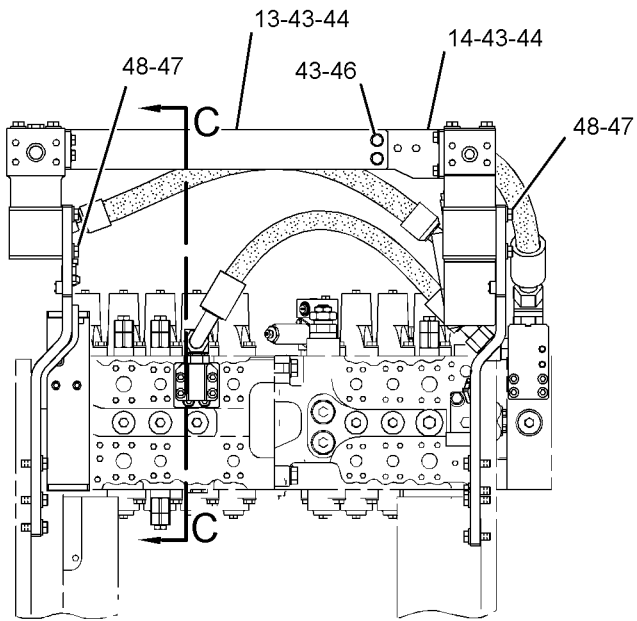
NOTE	REF NO	GRAPHIC REF	PART NUMBER	QTY	PART NAME						SEE PAGE
					1	2	3	4	5	6 (PRODUCT LEVEL)	
	34	1,2	164-4180	2	PLUG AS						
					(EACH INCLUDES)						
		1,2	7M-8485	1	SEAL-O-RING						
		1,2	9S-4181	1	PLUG-O-RING						
	35	2	173-4664	1	FLANGE						
	36	2	1P-3702	3	SEAL-RECTANGULAR						
	37	1,2	1P-3703	4	SEAL-RECTANGULAR						
M	38	2	280-2747	4	BOLT-SOCKET HEAD (M10X1.5X60-MM)						
	39	1,2	5K-9090	2	SEAL-O-RING						
	40	1,2	5P-7468	2	CLIP (SLOT)						
	41	1,2	5P-7469	2	CLIP (TAB)						
	42	1,2	6V-1874	2	GROMMET						
	43	1	8T-4121	8	WASHER-HARD (11X21X2.5-MM THK)						
M	44	1	8T-4136	6	BOLT (M10X1.5X25-MM)						
M	45	1	8T-4176	4	BOLT (M12X1.75X90-MM)						
M	46	1	8T-4196	2	BOLT (M10X1.5X35-MM)						
	47	1,2	8T-4223	26	WASHER-HARD (13.5X25.5X3-MM THK)						
M	48	1,2	8T-4956	14	BOLT (M12X1.75X35-MM)						
M	49	1,2	8T-5092	8	BOLT (M12X1.75X150-MM)						

I-REFER TO HYDRAULIC INFORMATION SYSTEM
M-METRIC PART
Y-SEPARATE ILLUSTRATION

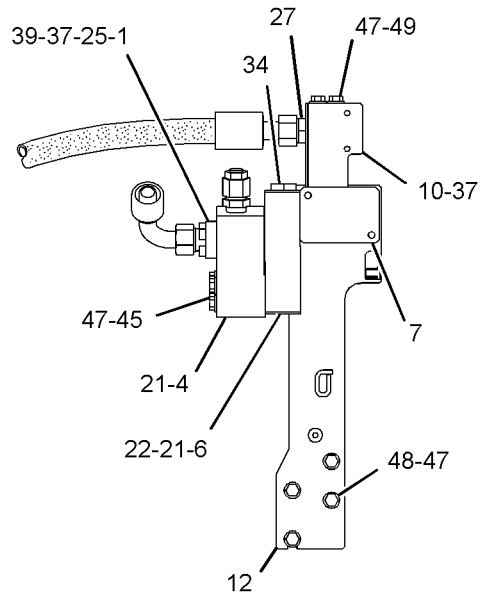
HYDRAULIC SYSTEM

260-8007 LINES GP-FRONT (contd.)

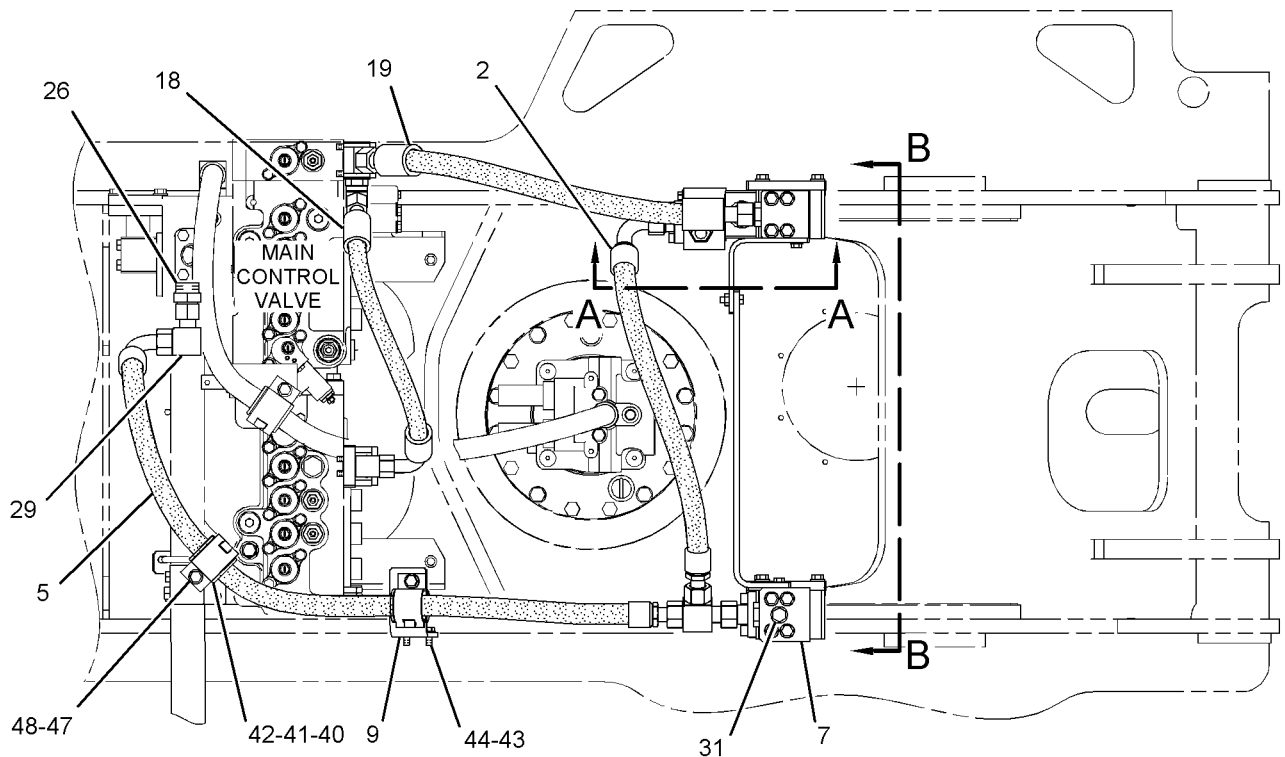
i02886423



VIEW B-B



SECTION A-A



TOP VIEW

REFER TO ALL ILLUSTRATIONS OF THIS GROUP FOR AUXILIARY VIEWS



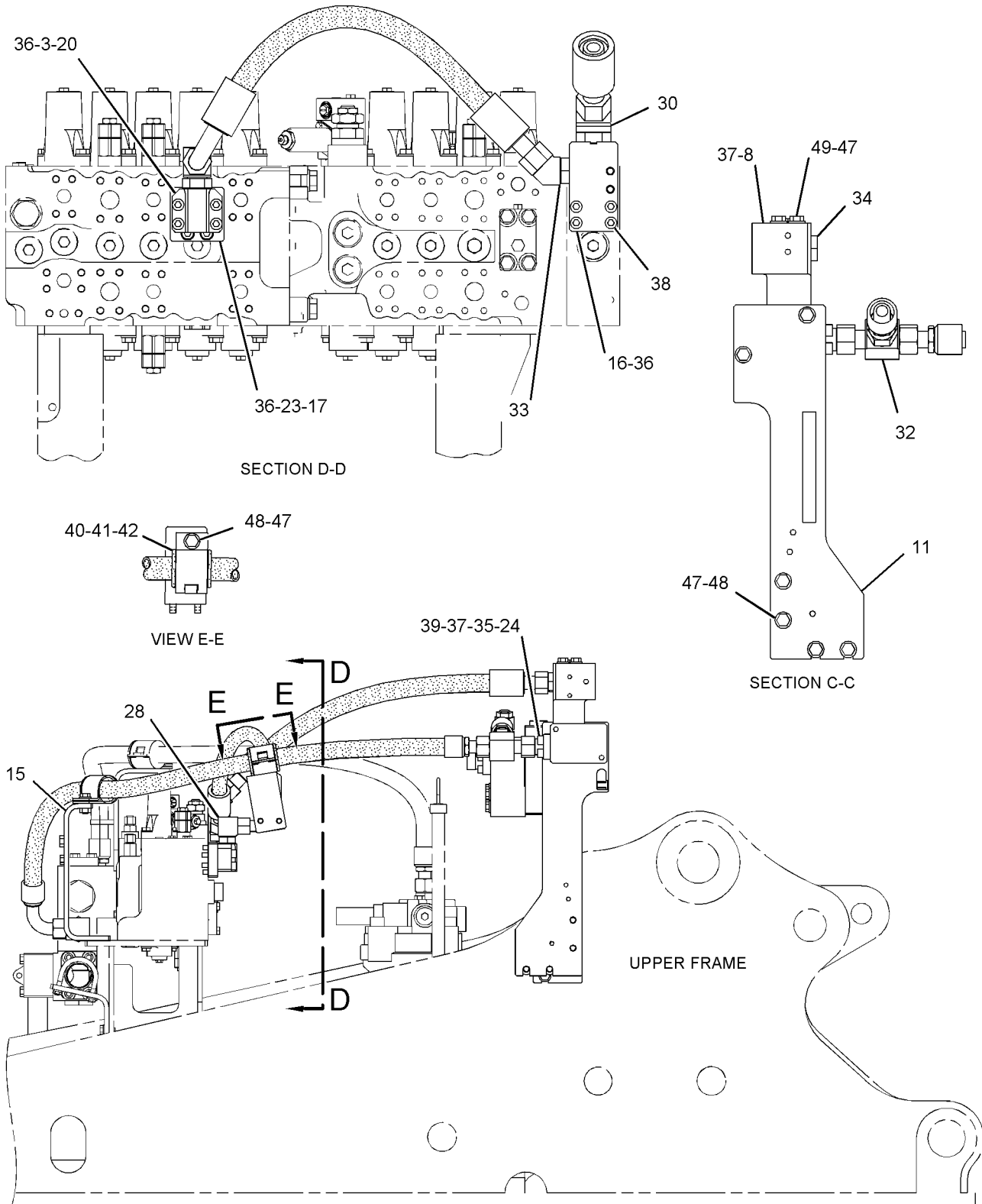
GRAPHIC #1

g01513868

HYDRAULIC SYSTEM

260-8007 LINES GP-FRONT (contd.)

i02886423



RIGHT SIDE VIEW

<END>

GRAPHIC #2

g01513870

HYDRAULIC SYSTEM

260-8007 LINES GP-FRONT-SYSTEM 3, 1-WAY, 2-PUMP

S/N: MGG1-UP; JFZ1-UP

PART OF 259-7494 CONTROL AR-AUXILIARY

AN ATTACHMENT

TYPE 2

SMCS-5057

i03028344

NOTE	REF NO	GRAPHIC REF	PART NUMBER	QTY	PART NAME						SEE PAGE
					1	2	3	4	5	6 (PRODUCT LEVEL)	
	1	1	7Y-3731	1	FLANGE						
I	2	1	102-1248	1	HOSE AS						
M	3	2	105-3477	4	BOLT-SOCKET HEAD (M10X1.5X45-MM)						
Y	4	1	177-2653	1	VALVE GP-RELIEF (WITH BLOCK)						609
CI	5	1	266-1217	1	HOSE AS						
	6	1	207-6222	1	BLOCK						
	7	1,2	212-5148	2	BLOCK						
	8	2	218-1139	1	BLOCK						
	9	1	260-7872	1	SUPPORT AS						
	10	1	260-8043	1	BLOCK						
	11	2	296-7069	1	SUPPORT AS						
	12	1	296-7067	1	SUPPORT AS						
	13	1	266-0912	1	BRACKET						
	14	1	266-0913	1	SUPPORT AS						
	15	2	325-8865	1	SUPPORT AS						
	16	2	266-1278	1	BLOCK						
	17	2	266-1279	1	FLANGE						
I	18	1	266-1303	1	HOSE AS						
I	19	1	317-4712	1	HOSE AS						
	20	2	275-1439	1	BLOCK						
	21	1	099-8232	2	SEAL-O-RING						
M	22	1	101-7397	4	BOLT-SOCKET HEAD (M12X1.75X50-MM)						
M	23	2	101-7401	4	BOLT-SOCKET HEAD (M10X1.5X20-MM)						
M	24	2	101-7402	4	BOLT-SOCKET HEAD (M12X1.75X30-MM)						
M	25	1	101-7404	4	BOLT-SOCKET HEAD (M10X1.5X30-MM)						
	26	1	148-8323	1	CONNECTOR AS						
		1	2S-4078	1	SEAL-O-RING						
		1	5K-9090	1	SEAL-O-RING						
		1	6V-9875	1	CONNECTOR						
	27	1	148-8330	1	CONNECTOR AS						
		1	5K-9090	1	SEAL-O-RING						
		1	8T-0198	1	CONNECTOR						
		1	7M-8485	1	SEAL-O-RING						
	28	1	148-8347	1	ELBOW AS						
		1	3D-2824	1	SEAL-O-RING						
		1	6V-9007	1	ELBOW						
		1	6V-9746	1	SEAL-O-RING						
	29	1	148-8352	1	ELBOW AS						
		1	5K-9090	1	SEAL-O-RING						
		1	6V-9854	1	ELBOW						
	30	2	148-8355	1	ELBOW AS						
		2	5K-9090	1	SEAL-O-RING						
		2	6V-9005	1	ELBOW						
		2	7M-8485	1	SEAL-O-RING						
	31	1	148-8411	1	PLUG AS						
		1	3K-0360	1	SEAL-O-RING						
		1	9S-4185	1	PLUG-O-RING						
	32	2	148-8429	1	TEE AS						
		2	5K-9090	2	SEAL-O-RING						
		2	6V-9840	1	TEE-SWIVEL						
	33	1	153-6237	1	ELBOW AS						
		1	3D-2824	1	SEAL-O-RING						
		1	6V-9004	1	ELBOW						
		1	6V-9746	1	SEAL-O-RING						

HYDRAULIC SYSTEM

260-8007 LINES GP-FRONT (contd.)

i03028344

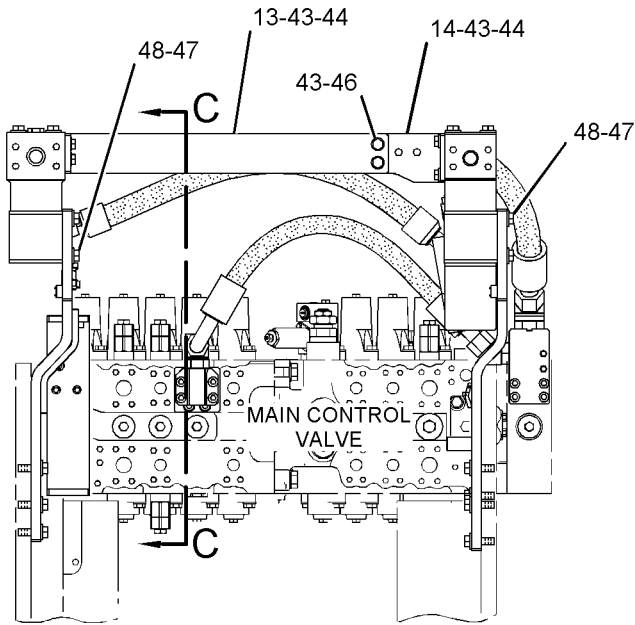
NOTE	REF NO	GRAPHIC REF	PART NUMBER	QTY	PART NAME						SEE PAGE
					1	2	3	4	5	6 (PRODUCT LEVEL)	
	34	1,2	164-4180	2	PLUG AS						
					(EACH INCLUDES)						
		1,2	7M-8485	1	SEAL-O-RING						
		1,2	9S-4181	1	PLUG-O-RING						
	35	2	173-4664	1	FLANGE						
	36	2	1P-3702	3	SEAL-RECTANGULAR						
	37	1,2	1P-3703	4	SEAL-RECTANGULAR						
M	38	2	280-2747	4	BOLT-SOCKET HEAD (M10X1.5X60-MM)						
	39	1,2	5K-9090	2	SEAL-O-RING						
	40	1,2	5P-7468	2	CLIP (SLOT)						
	41	1,2	5P-7469	2	CLIP (TAB)						
	42	1,2	6V-1874	2	GROMMET						
	43	1	8T-4121	8	WASHER-HARD (11X21X2.5-MM THK)						
M	44	1	8T-4136	6	BOLT (M10X1.5X25-MM)						
M	45	1	8T-4176	4	BOLT (M12X1.75X90-MM)						
M	46	1	8T-4196	2	BOLT (M10X1.5X35-MM)						
	47	1,2	8T-4223	22	WASHER-HARD (13.5X25.5X3-MM THK)						
M	48	1,2	8T-4956	6	BOLT (M12X1.75X35-MM)						
M	49	1,2	8T-5092	8	BOLT (M12X1.75X150-MM)						
M	50	1,2	8T-4183	8	BOLT (M12X1.75X40-MM)						

C-CHANGE FROM PREVIOUS TYPE
 I-REFER TO HYDRAULIC INFORMATION SYSTEM
 M-METRIC PART
 Y-SEPARATE ILLUSTRATION

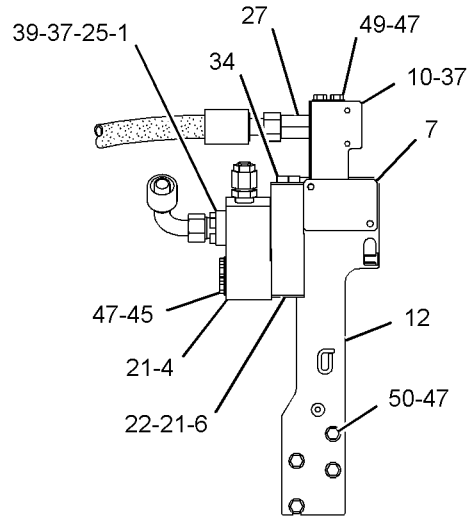
HYDRAULIC SYSTEM

260-8007 LINES GP-FRONT (contd.)

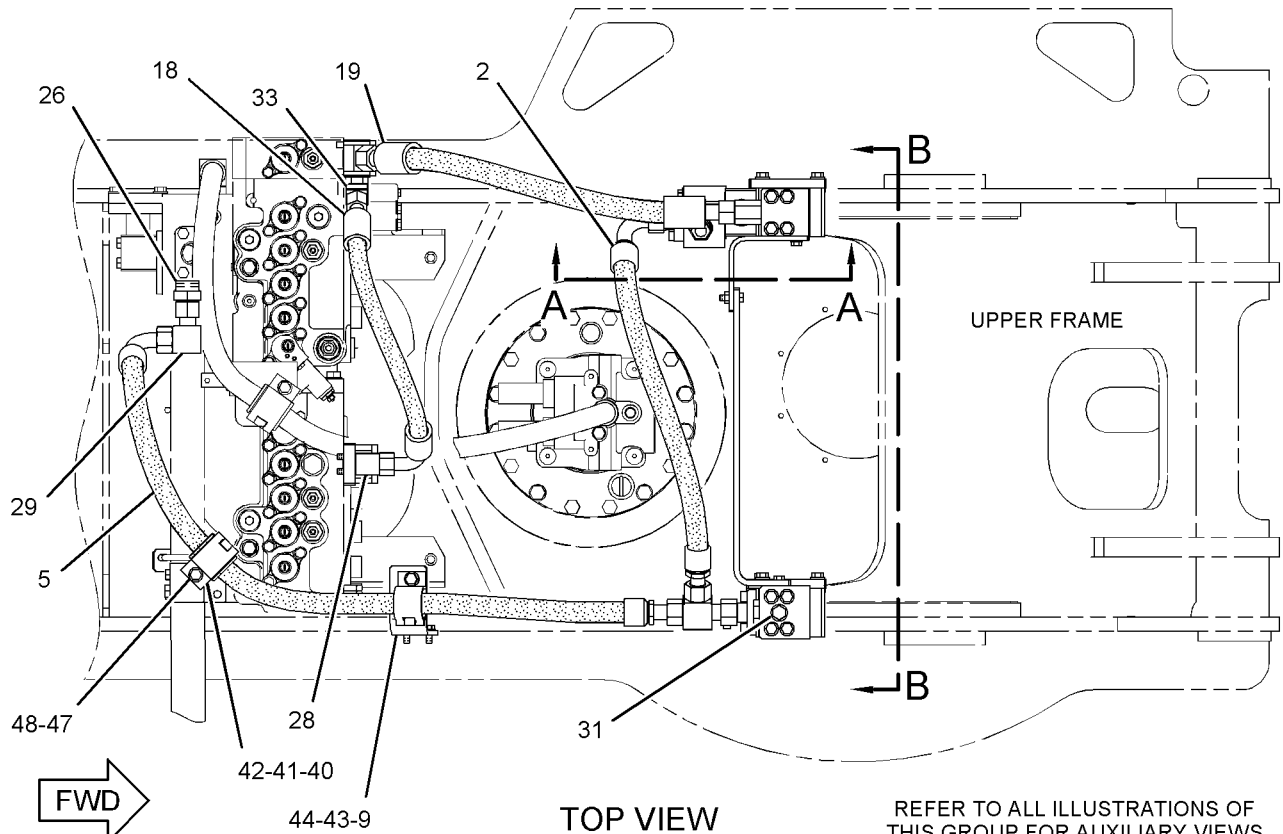
i03028344



VIEW B-B



SECTION A-A



TOP VIEW

REFER TO ALL ILLUSTRATIONS OF THIS GROUP FOR AUXILIARY VIEWS

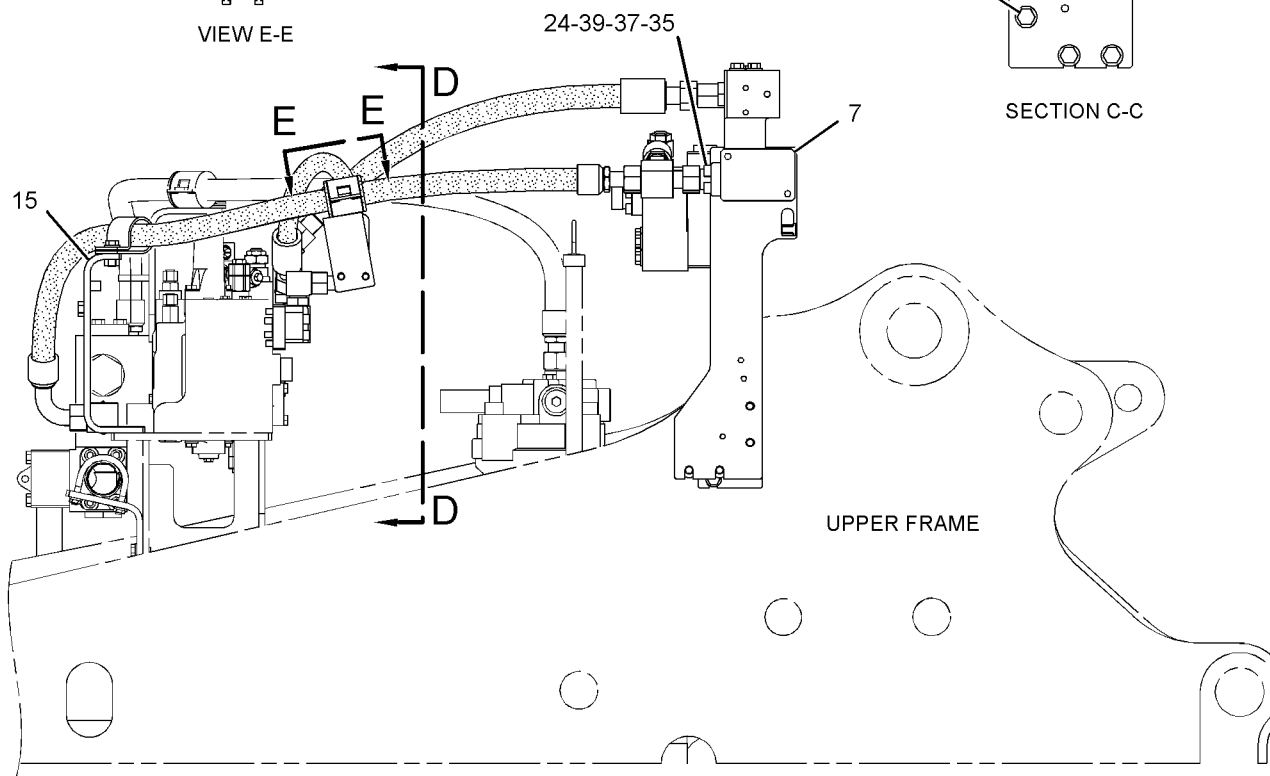
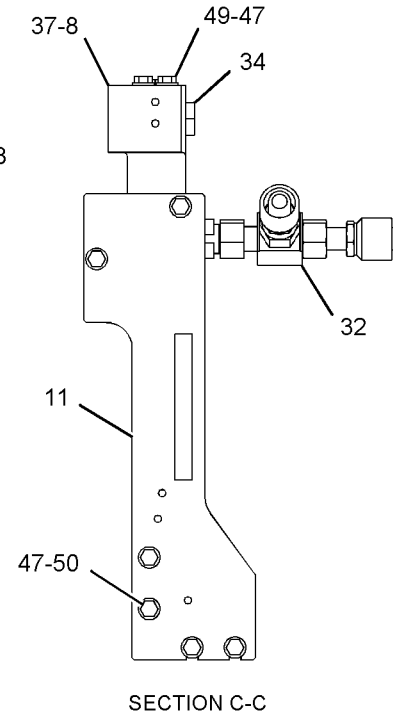
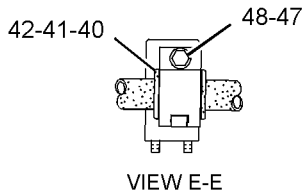
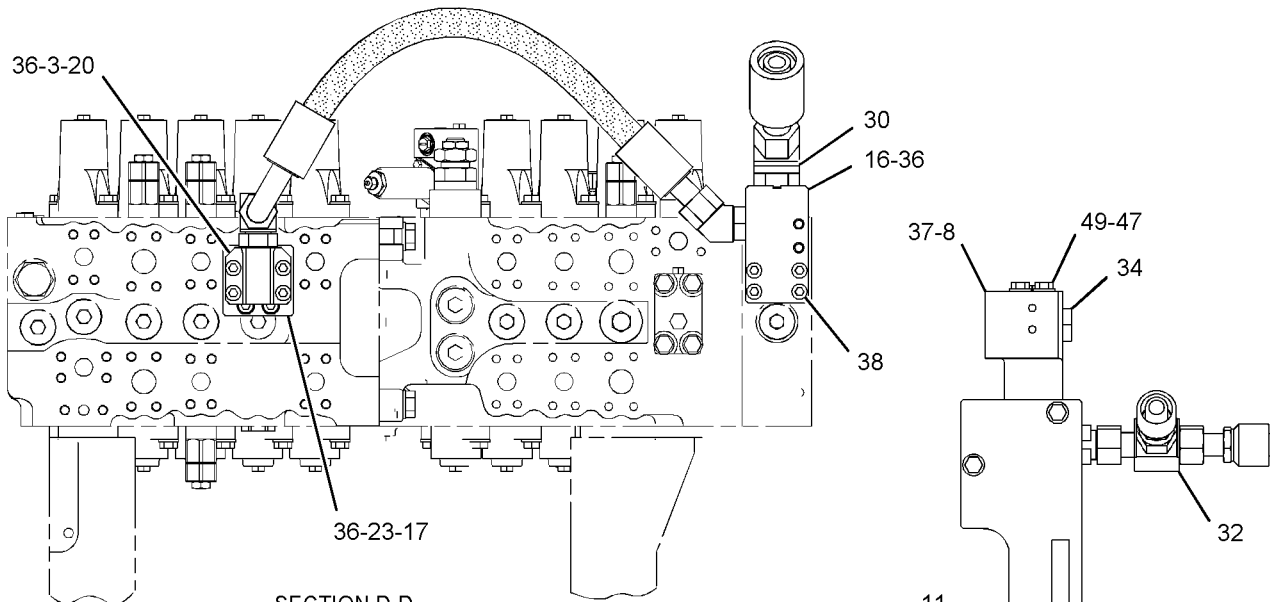
GRAPHIC #1

g01434843

HYDRAULIC SYSTEM

260-8007 LINES GP-FRONT (contd.)

i03028344



GRAPHIC #2

<END>

g01630695

HYDRAULIC SYSTEM

260-8008 LINES GP-FRONT-SYSTEM 2, COMBINED FUNCTION

S/N: MGG1-UP; JFZ1-UP

PART OF 259-7493 CONTROL AR-AUXILIARY

AN ATTACHMENT

TYPE 1

SMCS-5057

i02991823

NOTE	REF NO	GRAPHIC REF	PART NUMBER	QTY	PART NAME						SEE PAGE
					1	2	3	4	5	6 (PRODUCT LEVEL)	
	1	1	7Y-3731	1	FLANGE						
I	2	1	102-1248	1	HOSE AS						
M	3	2	105-3477	4	BOLT-SOCKET HEAD (M10X1.5X45-MM)						
Y	4	1	177-2653	1	VALVE GP-RELIEF (WITH BLOCK)						609
I	5	1	184-3906	1	HOSE AS						
	6	1	207-6222	1	BLOCK						
Y	7	1,2	215-4890	2	VALVE GP-CHECK (1-WAY/2-WAY, CHECK)						566
	8	2	218-1139	1	BLOCK						
	9	1	260-7872	1	SUPPORT AS						
	10	1	260-8043	1	BLOCK						
	11	2	296-7069	1	SUPPORT AS						
	12	1	296-7067	1	SUPPORT AS						
	13	1	266-0912	1	BRACKET						
	14	1	266-0913	1	SUPPORT AS						
	15	2	266-1071	1	SUPPORT AS						
	16	1	266-1266	1	BLOCK						
	17	2	266-1278	1	BLOCK						
	18	2	266-1279	2	FLANGE						
I	19	1	266-1303	1	HOSE AS						
I	20	1	266-1307	1	HOSE AS						
I	21	1	266-1311	1	HOSE AS						
I	22	1	266-1315	1	HOSE AS						
	23	2	275-1439	1	BLOCK						
	24	2	275-1440	1	BLOCK						
I	25	1	278-6756	1	HOSE AS						
	26	1	099-8232	2	SEAL-O-RING						
M	27	1	101-7397	4	BOLT-SOCKET HEAD (M12X1.75X50-MM)						
M	28	2	101-7401	8	BOLT-SOCKET HEAD (M10X1.5X20-MM)						
M	29	2	101-7402	4	BOLT-SOCKET HEAD (M12X1.75X30-MM)						
M	30	1,2	101-7404	8	BOLT-SOCKET HEAD (M10X1.5X30-MM)						
M	31	2	108-4282	4	BOLT-SOCKET HEAD (M10X1.5X100-MM)						
	32	1	148-8323	1	CONNECTOR AS						
		1	2S-4078	1	SEAL-O-RING						
		1	5K-9090	1	SEAL-O-RING						
		1	6V-9875	1	CONNECTOR						
	33	1	148-8335	1	CONNECTOR AS						
		1	5K-9090	1	SEAL-O-RING						
		1	6V-8635	1	CONNECTOR						
		1	7M-8485	1	SEAL-O-RING						
	34	2	148-8339	1	CONNECTOR AS						
		2	6V-8716	1	CONNECTOR						
		2	6V-9746	1	SEAL-O-RING						
		2	7M-8485	1	SEAL-O-RING						
	35	1	148-8347	1	ELBOW AS						
		1	3D-2824	1	SEAL-O-RING						
		1	6V-9007	1	ELBOW						
		1	6V-9746	1	SEAL-O-RING						
	36	1	148-8352	1	ELBOW AS						
		1	5K-9090	1	SEAL-O-RING						
		1	6V-9854	1	ELBOW						
	37	2	148-8355	1	ELBOW AS						
		2	5K-9090	1	SEAL-O-RING						
		2	6V-9005	1	ELBOW						
		2	7M-8485	1	SEAL-O-RING						

HYDRAULIC SYSTEM

260-8008 LINES GP-FRONT (contd.)

i02991823

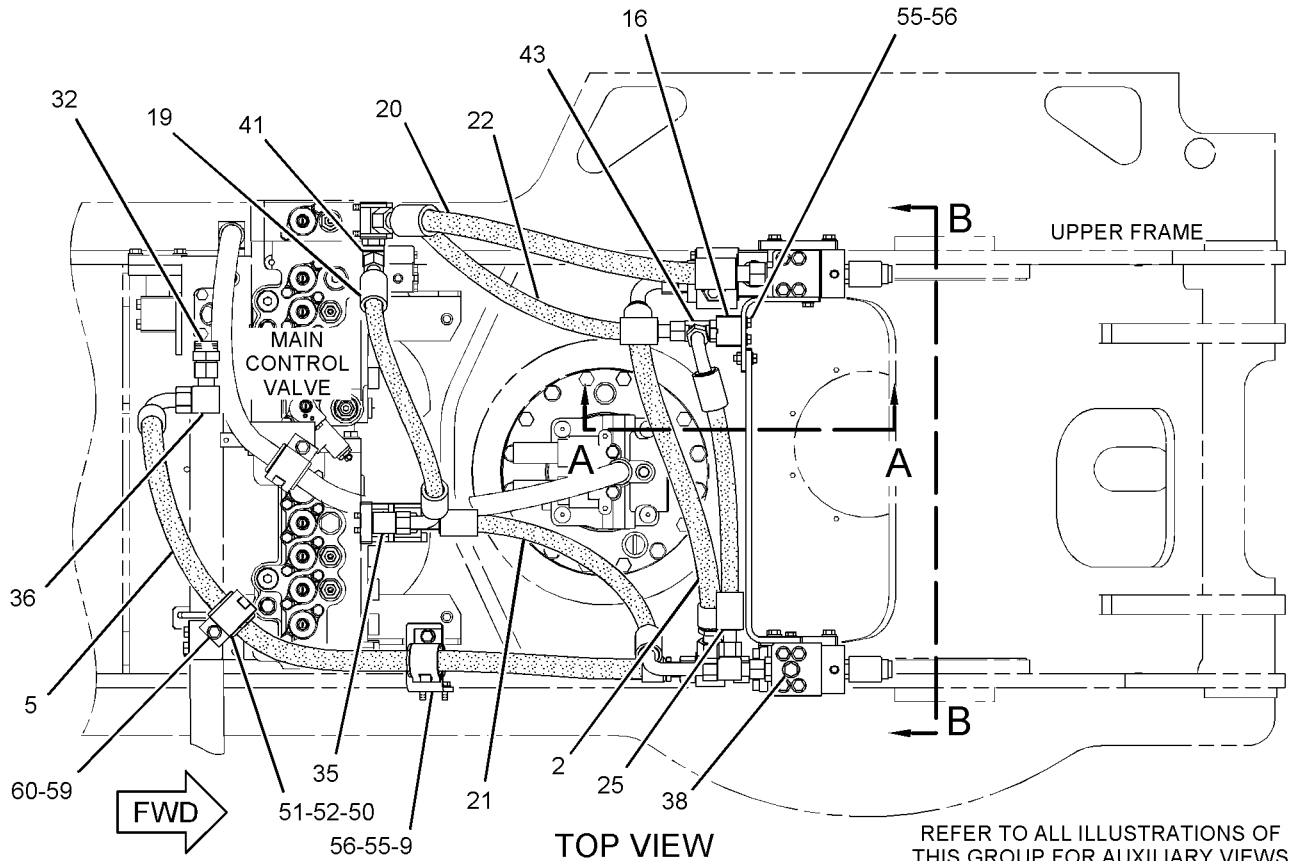
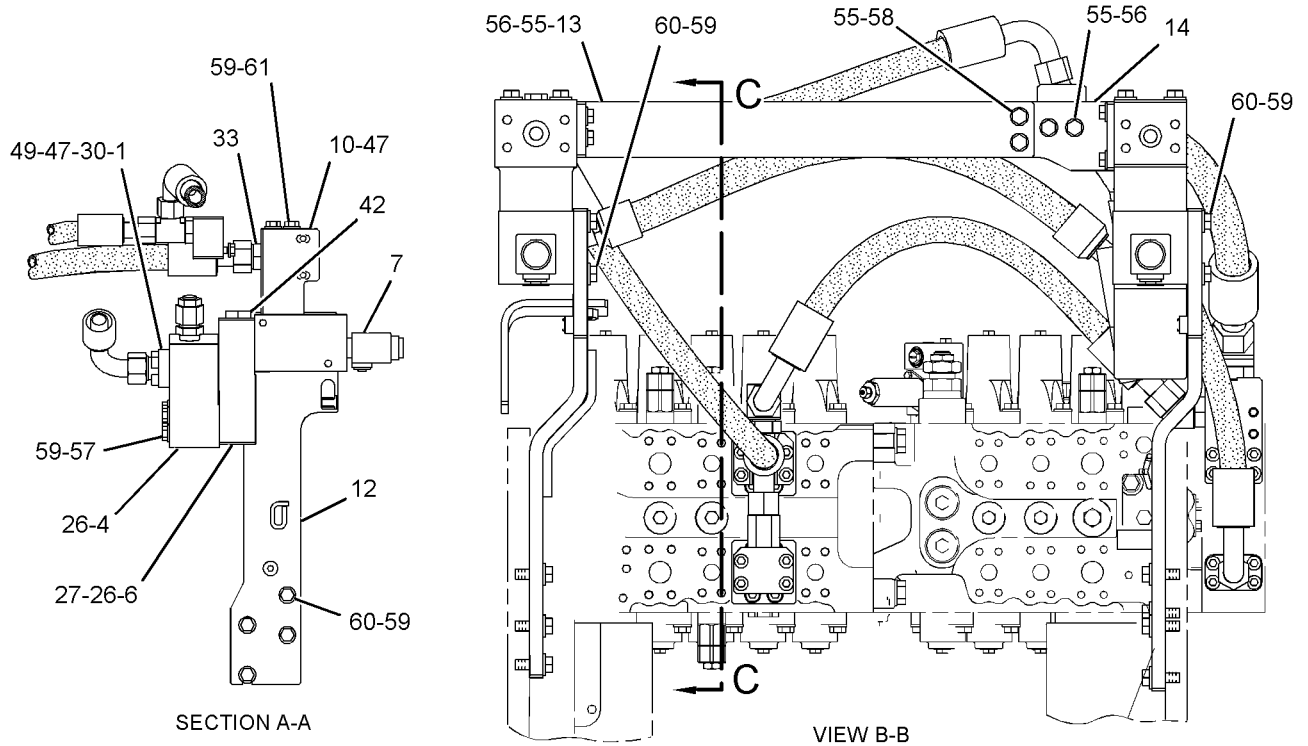
NOTE	REF NO	GRAPHIC REF	PART NUMBER	QTY	PART NAME						SEE PAGE
					1	2	3	4	5	6 (PRODUCT LEVEL)	
	38	1	148-8411	1	PLUG AS						
		1	3K-0360	1	SEAL-O-RING						
		1	9S-4185	1	PLUG-O-RING						
	39	2	148-8429	1	TEE AS						
		2	5K-9090	2	SEAL-O-RING						
		2	6V-9840	1	TEE-SWIVEL						
	40	2	148-8449	1	TEE AS-SWIVEL						
		2	6V-9746	2	SEAL-O-RING						
		2	6V-9839	1	TEE-SWIVEL						
	41	1	153-6237	1	ELBOW AS						
		1	3D-2824	1	SEAL-O-RING						
		1	6V-9004	1	ELBOW						
		1	6V-9746	1	SEAL-O-RING						
	42	1	164-4180	1	PLUG AS						
		1	7M-8485	1	SEAL-O-RING						
		1	9S-4181	1	PLUG-O-RING						
	43	1	164-5574	1	TEE AS						
		1	3D-2824	1	SEAL-O-RING						
		1	6V-8784	1	TEE-FACE SEAL						
		1	6V-9746	2	SEAL-O-RING						
	44	2	164-5606	1	CONNECTOR AS						
		2	3D-2824	1	SEAL-O-RING						
		2	8T-0078	1	CONNECTOR						
		2	6V-9746	1	SEAL-O-RING						
	45	2	173-4664	1	FLANGE						
	46	2	1P-3702	6	SEAL-RECTANGULAR						
	47	1,2	1P-3703	4	SEAL-RECTANGULAR						
M	48	2	280-2747	4	BOLT-SOCKET HEAD (M10X1.5X60-MM)						
	49	1,2	5K-9090	2	SEAL-O-RING						
	50	1,2	5P-7468	2	CLIP (SLOT)						
	51	1,2	5P-7469	2	CLIP (TAB)						
	52	1,2	6V-1874	2	GROMMET						
	53	2	6V-9746	1	SEAL-O-RING						
	54	2	7Y-3729	1	FLANGE						
	55	1	8T-4121	10	WASHER-HARD (11X21X2.5-MM THK)						
M	56	1	8T-4136	8	BOLT (M10X1.5X25-MM)						
M	57	1	8T-4176	4	BOLT (M12X1.75X90-MM)						
M	58	1	8T-4196	2	BOLT (M10X1.5X35-MM)						
	59	1,2	8T-4223	26	WASHER-HARD (13.5X25.5X3-MM THK)						
M	60	1,2	8T-4956	14	BOLT (M12X1.75X35-MM)						
M	61	1,2	8T-5092	8	BOLT (M12X1.75X150-MM)						

I-REFER TO HYDRAULIC INFORMATION SYSTEM
M-METRIC PART
Y-SEPARATE ILLUSTRATION

HYDRAULIC SYSTEM

260-8008 LINES GP-FRONT (contd.)

i02991823



REFER TO ALL ILLUSTRATIONS OF THIS GROUP FOR AUXILIARY VIEWS

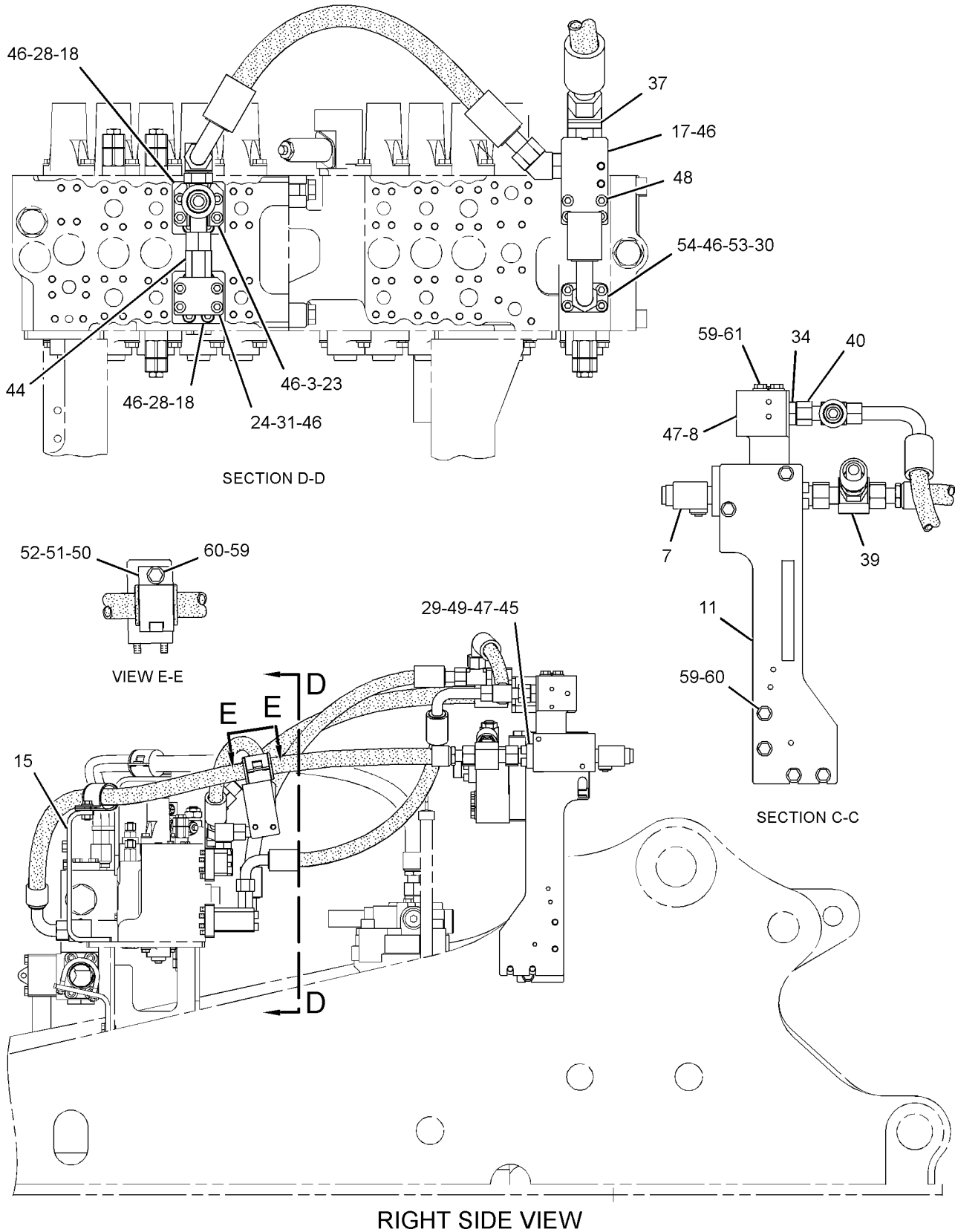
GRAPHIC #1

g01618819

HYDRAULIC SYSTEM

260-8008 LINES GP-FRONT (contd.)

i02991823



RIGHT SIDE VIEW

<END>

GRAPHIC #2

g01618820

HYDRAULIC SYSTEM

260-8008 LINES GP-FRONT-SYSTEM 2, COMBINED FUNCTION

S/N: MGG1-UP; JFZ1-UP

PART OF 259-7493 CONTROL AR-AUXILIARY

AN ATTACHMENT

TYPE 2

SMCS-5057

i03313158

NOTE	REF NO	GRAPHIC REF	PART NUMBER	QTY	PART NAME						SEE PAGE
					1	2	3	4	5	6 (PRODUCT LEVEL)	
	1	2	7Y-3729	1	FLANGE						
	2	2	7Y-3731	1	FLANGE						
I	3	1	102-1248	1	HOSE AS						
M	4	2	105-3477	4	BOLT-SOCKET HEAD (M10X1.5X45-MM)						
	5	1	173-4664	1	FLANGE						
Y	6	2	177-2653	1	VALVE GP-RELIEF (WITH BLOCK)						609
	7	2	207-6222	1	BLOCK						
	8	2	218-1139	1	BLOCK						
	9	1	260-7872	1	SUPPORT AS						
	10	2	260-8043	1	BLOCK						
	11	2	266-0912	1	BRACKET						
	12	2	266-0913	1	SUPPORT AS						
	13	1	266-1071	1	SUPPORT AS						
JI	14	1	266-1217	1	HOSE AS						
	15	1	266-1266	1	BLOCK						
	16	2	266-1278	1	BLOCK						
	17	2	266-1279	2	FLANGE						
I	18	1	266-1303	1	HOSE AS						
I	19	1	266-1307	1	HOSE AS						
I	20	1	314-8205	1	HOSE AS						
I	21	1	266-1315	1	HOSE AS						
	22	2	275-1439	1	BLOCK						
	23	2	275-1440	1	BLOCK						
I	24	1	278-6756	1	HOSE AS						
	25	2	296-7067	1	SUPPORT AS						
	26	2	296-7069	1	SUPPORT AS						
CY	27	2	297-0370	2	VALVE GP-CHECK (SOLENOID CONTROLLED)						567
	28	2	099-8232	2	SEAL-O-RING						
M	29	2	101-7397	4	BOLT-SOCKET HEAD (M12X1.75X50-MM)						
M	30	2	101-7401	8	BOLT-SOCKET HEAD (M10X1.5X20-MM)						
M	31	1	101-7402	4	BOLT-SOCKET HEAD (M12X1.75X30-MM)						
M	32	2	101-7404	8	BOLT-SOCKET HEAD (M10X1.5X30-MM)						
M	33	2	108-4282	4	BOLT-SOCKET HEAD (M10X1.5X100-MM)						
	34	1	148-8323	1	CONNECTOR AS						
		1	2S-4078	1	SEAL-O-RING						
		1	5K-9090	1	SEAL-O-RING						
		1	6V-9875	1	CONNECTOR						
	35	2	148-8335	1	CONNECTOR AS						
		2	5K-9090	1	SEAL-O-RING						
		2	6V-8635	1	CONNECTOR						
		2	7M-8485	1	SEAL-O-RING						
	36	2	148-8339	1	CONNECTOR AS						
		2	6V-8716	1	CONNECTOR						
		2	6V-9746	1	SEAL-O-RING						
		2	7M-8485	1	SEAL-O-RING						
	37	1	148-8347	1	ELBOW AS						
		1	3D-2824	1	SEAL-O-RING						
		1	6V-9007	1	ELBOW						
		1	6V-9746	1	SEAL-O-RING						
	38	1	148-8352	1	ELBOW AS						
		1	5K-9090	1	SEAL-O-RING						
		1	6V-9854	1	ELBOW						
	39	2	148-8355	1	ELBOW AS						
		2	5K-9090	1	SEAL-O-RING						

HYDRAULIC SYSTEM

260-8008 LINES GP-FRONT (contd.)

i03313158

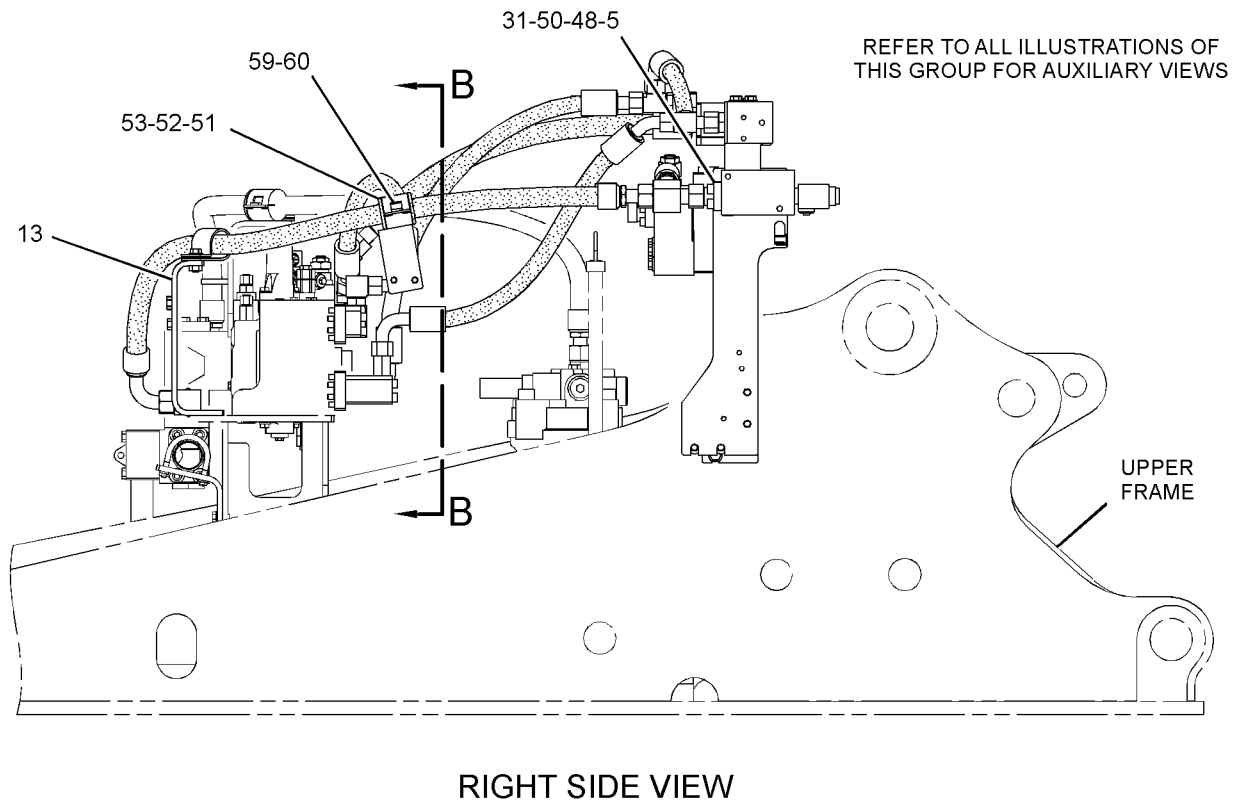
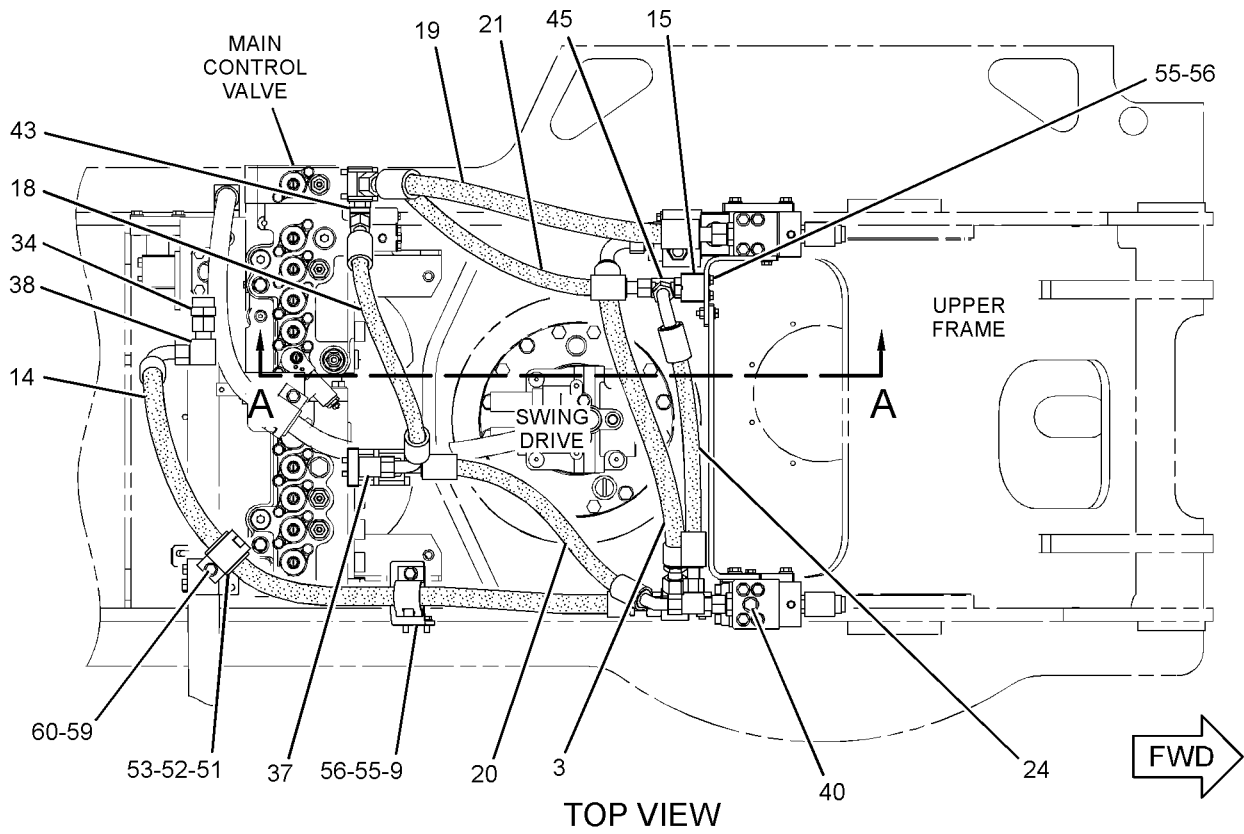
NOTE	REF NO	GRAPHIC REF	PART NUMBER	QTY	PART NAME						SEE PAGE
					1	2	3	4	5	6 (PRODUCT LEVEL)	
		2	6V-9005	1	ELBOW						
		2	7M-8485	1	SEAL-O-RING						
40		1	148-8411	1	PLUG AS						
		1	3K-0360	1	SEAL-O-RING						
		1	9S-4185	1	PLUG-O-RING						
41		2	148-8429	1	TEE AS						
		2	5K-9090	2	SEAL-O-RING						
		2	6V-9840	1	TEE-SWIVEL						
42		2	148-8449	1	TEE AS-SWIVEL						
		2	6V-9746	2	SEAL-O-RING						
		2	6V-9839	1	TEE-SWIVEL						
43		1	153-6237	1	ELBOW AS						
		1	3D-2824	1	SEAL-O-RING						
		1	6V-9004	1	ELBOW						
		1	6V-9746	1	SEAL-O-RING						
44		2	164-4180	1	PLUG AS						
		2	7M-8485	1	SEAL-O-RING						
		2	9S-4181	1	PLUG-O-RING						
45		1	164-5574	1	TEE AS						
		1	3D-2824	1	SEAL-O-RING						
		1	6V-8784	1	TEE-FACE SEAL						
		1	6V-9746	2	SEAL-O-RING						
46		2	164-5606	1	CONNECTOR AS						
		2	3D-2824	1	SEAL-O-RING						
		2	6V-9746	1	SEAL-O-RING						
		2	8T-0078	1	CONNECTOR						
47		2	1P-3702	6	SEAL-RECTANGULAR						
48		1,2	1P-3703	4	SEAL-RECTANGULAR						
M		2	280-2747	4	BOLT-SOCKET HEAD (M10X1.5X60-MM)						
		1,2	5K-9090	2	SEAL-O-RING						
		1	5P-7468	2	CLIP (SLOT)						
		1	5P-7469	2	CLIP (TAB)						
		1	6V-1874	2	GROMMET						
		2	6V-9746	1	SEAL-O-RING						
		1,2	8T-4121	10	WASHER-HARD (11X21X2.5-MM THK)						
M		1,2	8T-4136	8	BOLT (M10X1.5X25-MM)						
M		2	8T-4176	4	BOLT (M12X1.75X90-MM)						
M		2	8T-4196	2	BOLT (M10X1.5X35-MM)						
		1,2	8T-4223	26	WASHER-HARD (13.5X25.5X3-MM THK)						
M		1,2	8T-4956	6	BOLT (M12X1.75X35-MM)						
M		2	8T-5092	8	BOLT (M12X1.75X150-MM)						
M		2	8T-4183	8	BOLT (M12X1.75X40-MM)						

C-CHANGE FROM PREVIOUS TYPE
 I-REFER TO HYDRAULIC INFORMATION SYSTEM
 J-NOT REQUIRED WHEN USED WITH LINES GP-FRONT (HAMMER RETURN)
 M-METRIC PART
 Y-SEPARATE ILLUSTRATION

HYDRAULIC SYSTEM

260-8008 LINES GP-FRONT (contd.)

i03313158



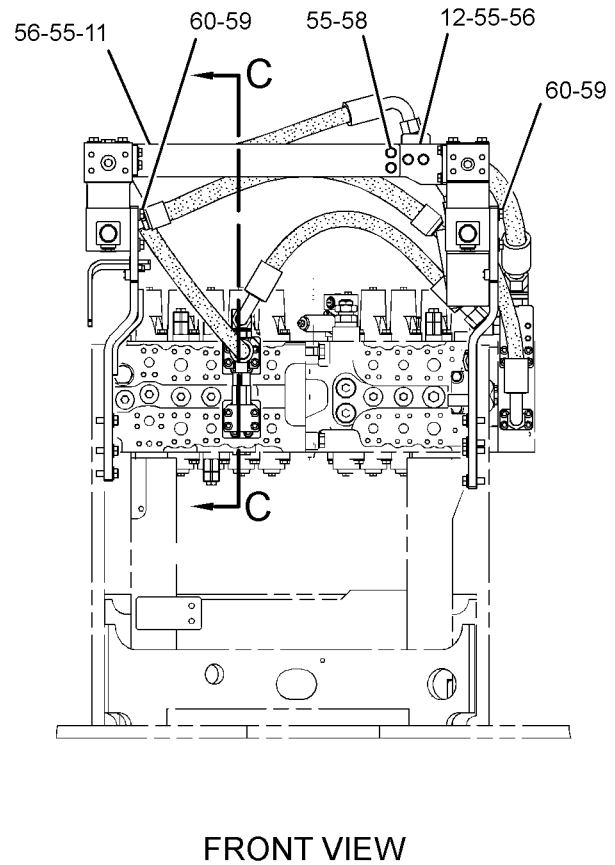
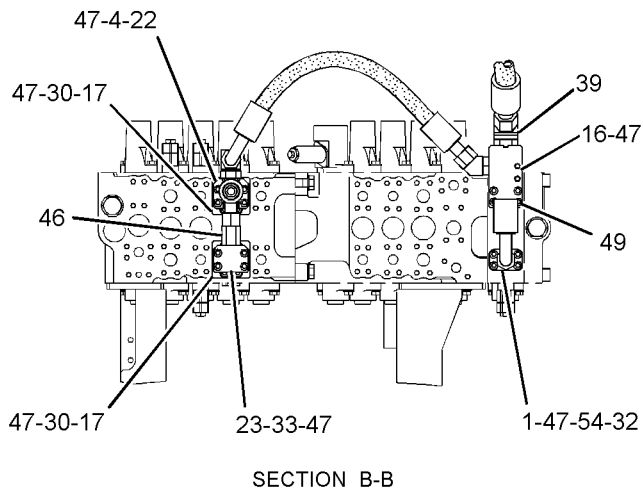
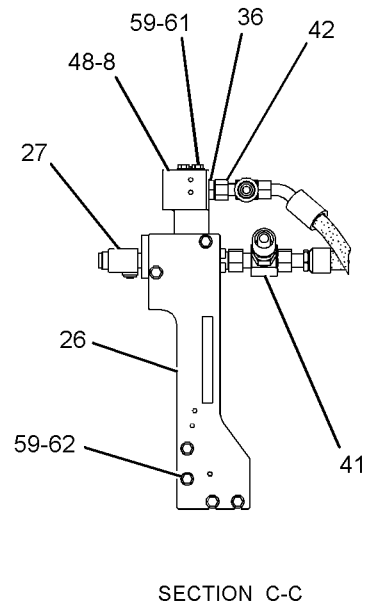
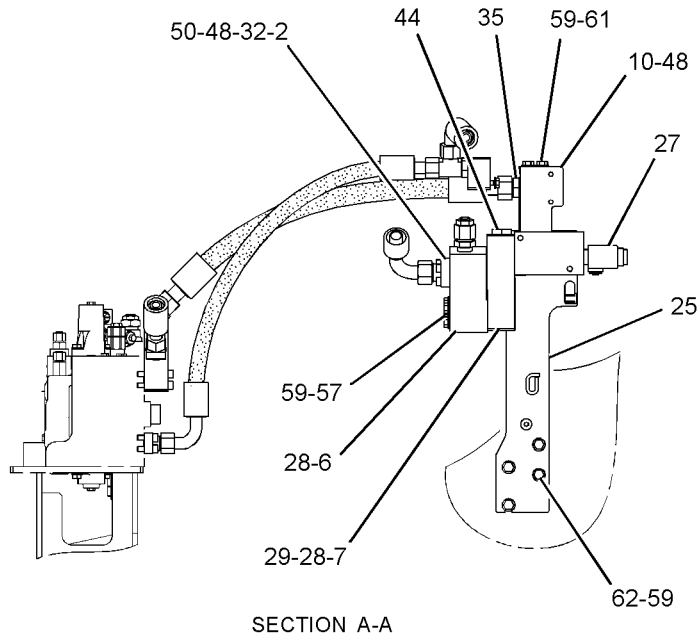
GRAPHIC #1

g01425228

HYDRAULIC SYSTEM

260-8008 LINES GP-FRONT (contd.)

i03313158



GRAPHIC #2

<END>

g01425229

HYDRAULIC SYSTEM

260-8008 LINES GP-FRONT-SYSTEM 2, COMBINED FUNCTION

S/N: MGG1-UP; JFZ1-UP

PART OF 259-7493 CONTROL AR-AUXILIARY

AN ATTACHMENT

TYPE 3

SMCS-5057

i03386820

NOTE	REF NO	GRAPHIC REF	PART NUMBER	QTY	PART NAME						SEE PAGE
					1	2	3	4	5	6 (PRODUCT LEVEL)	
	1	2	7Y-3729	1	FLANGE						
	2	2	7Y-3731	1	FLANGE						
I	3	1	102-1248	1	HOSE AS						
M	4	2	105-3477	4	BOLT-SOCKET HEAD (M10X1.5X45-MM)						
	5	1	173-4664	1	FLANGE						
Y	6	2	177-2653	1	VALVE GP-RELIEF (WITH BLOCK)						609
	7	2	207-6222	1	BLOCK						
	8	2	218-1139	1	BLOCK						
	9	1	260-7872	1	SUPPORT AS						
	10	2	260-8043	1	BLOCK						
	11	2	266-0912	1	BRACKET						
	12	2	266-0913	1	SUPPORT AS						
	13	1	325-8865	1	SUPPORT AS						
JI	14	1	266-1217	1	HOSE AS						
	15	1	266-1266	1	BLOCK						
	16	2	266-1278	1	BLOCK						
	17	2	266-1279	2	FLANGE						
I	18	1	266-1303	1	HOSE AS						
I	19	1	317-4712	1	HOSE AS						
I	20	1	314-8205	1	HOSE AS						
I	21	1	266-1315	1	HOSE AS						
	22	2	275-1439	1	BLOCK						
	23	2	275-1440	1	BLOCK						
I	24	1	278-6756	1	HOSE AS						
	25	2	296-7067	1	SUPPORT AS						
	26	2	296-7069	1	SUPPORT AS						
Y	27	2	297-0370	2	VALVE GP-CHECK (SOLENOID CONTROLLED) (1-WAY/2-WAY, CHECK)						567
	28	2	099-8232	2	SEAL-O-RING						
M	29	2	101-7397	4	BOLT-SOCKET HEAD (M12X1.75X50-MM)						
M	30	2	101-7401	8	BOLT-SOCKET HEAD (M10X1.5X20-MM)						
M	31	1	101-7402	4	BOLT-SOCKET HEAD (M12X1.75X30-MM)						
M	32	2	101-7404	8	BOLT-SOCKET HEAD (M10X1.5X30-MM)						
M	33	2	108-4282	4	BOLT-SOCKET HEAD (M10X1.5X100-MM)						
	34	1	148-8323	1	CONNECTOR AS						
		1	2S-4078	1	SEAL-O-RING						
		1	5K-9090	1	SEAL-O-RING						
		1	6V-9875	1	CONNECTOR						
	35	2	148-8330	1	CONNECTOR AS						
		2	5K-9090	1	SEAL-O-RING						
		2	8T-0198	1	CONNECTOR						
		2	7M-8485	1	SEAL-O-RING						
	36	2	148-8339	1	CONNECTOR AS						
		2	6V-8716	1	CONNECTOR						
		2	6V-9746	1	SEAL-O-RING						
		2	7M-8485	1	SEAL-O-RING						
	37	1	148-8347	1	ELBOW AS						
		1	3D-2824	1	SEAL-O-RING						
		1	6V-9007	1	ELBOW						
		1	6V-9746	1	SEAL-O-RING						
	38	1	148-8352	1	ELBOW AS						
		1	5K-9090	1	SEAL-O-RING						
		1	6V-9854	1	ELBOW						
	39	2	148-8355	1	ELBOW AS						

HYDRAULIC SYSTEM

260-8008 LINES GP-FRONT (contd.)

i03386820

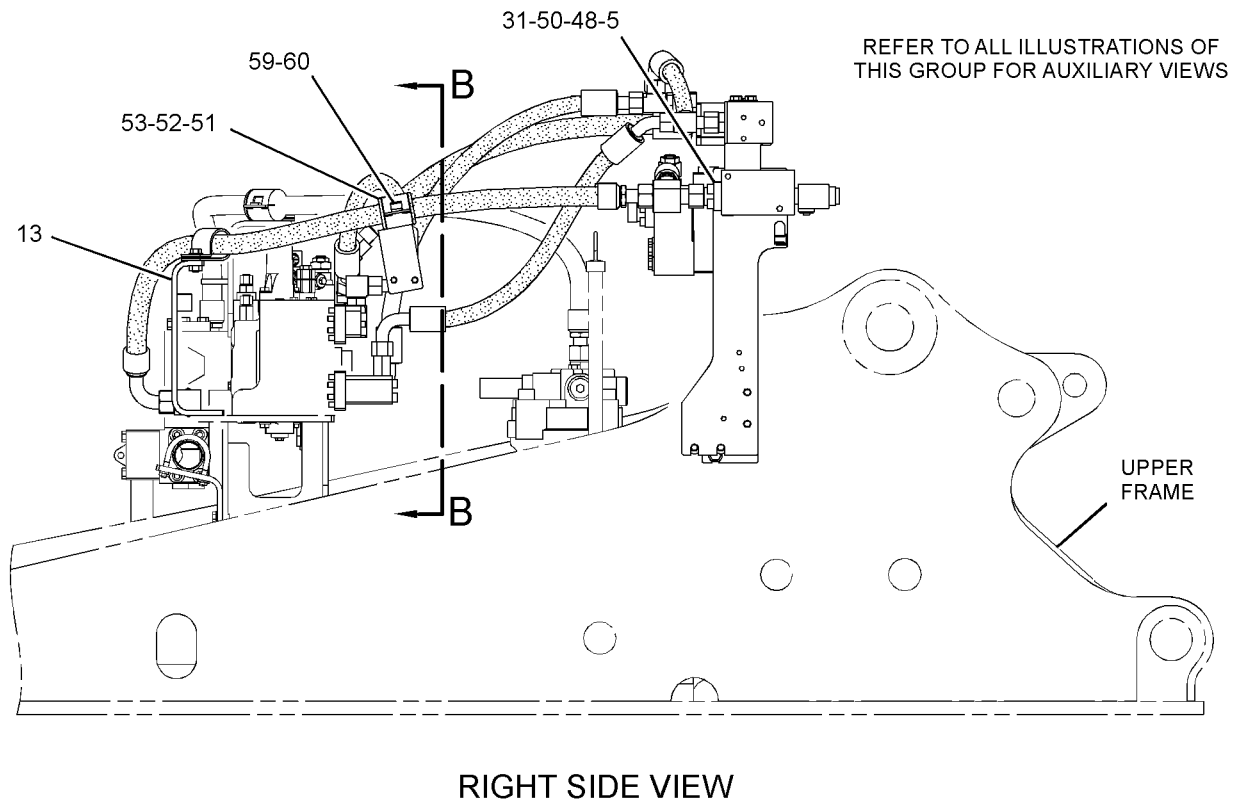
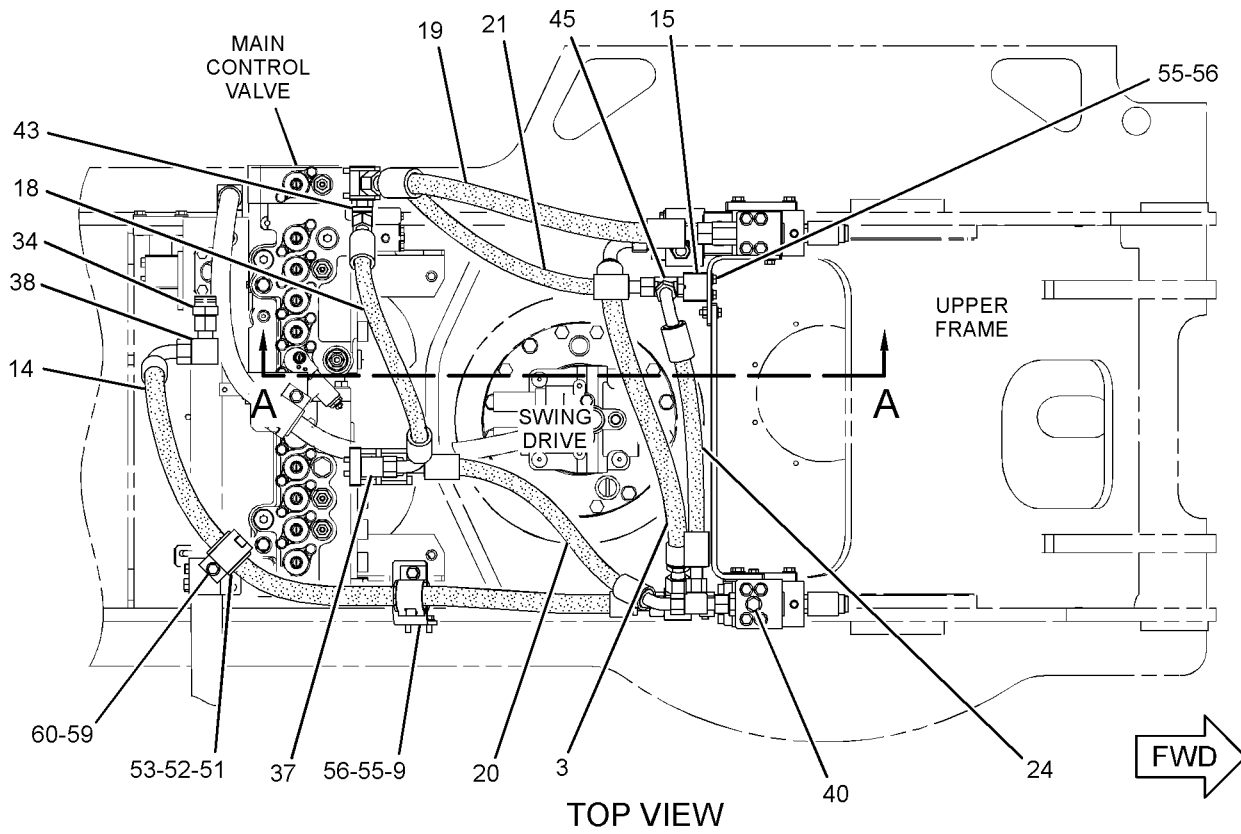
NOTE	REF NO	GRAPHIC REF	PART NUMBER	QTY	PART NAME						SEE PAGE
					1	2	3	4	5	6 (PRODUCT LEVEL)	
		2	5K-9090	1	SEAL-O-RING						
		2	6V-9005	1	ELBOW						
		2	7M-8485	1	SEAL-O-RING						
40		1	148-8411	1	PLUG AS						
		1	3K-0360	1	SEAL-O-RING						
		1	9S-4185	1	PLUG-O-RING						
41		2	148-8429	1	TEE AS						
		2	5K-9090	2	SEAL-O-RING						
		2	6V-9840	1	TEE-SWIVEL						
42		2	148-8449	1	TEE AS-SWIVEL						
		2	6V-9746	2	SEAL-O-RING						
		2	6V-9839	1	TEE-SWIVEL						
43		1	153-6237	1	ELBOW AS						
		1	3D-2824	1	SEAL-O-RING						
		1	6V-9004	1	ELBOW						
		1	6V-9746	1	SEAL-O-RING						
44		2	164-4180	1	PLUG AS						
		2	7M-8485	1	SEAL-O-RING						
		2	9S-4181	1	PLUG-O-RING						
45		1	164-5574	1	TEE AS						
		1	3D-2824	1	SEAL-O-RING						
		1	6V-8784	1	TEE-FACE SEAL						
		1	6V-9746	2	SEAL-O-RING						
46		2	164-5606	1	CONNECTOR AS						
		2	3D-2824	1	SEAL-O-RING						
		2	6V-9746	1	SEAL-O-RING						
		2	8T-0078	1	CONNECTOR						
47		2	1P-3702	6	SEAL-RECTANGULAR						
48		1,2	1P-3703	4	SEAL-RECTANGULAR						
M		2	280-2747	4	BOLT-SOCKET HEAD (M10X1.5X60-MM)						
		1,2	5K-9090	2	SEAL-O-RING						
		1	5P-7468	2	CLIP (SLOT)						
		1	5P-7469	2	CLIP (TAB)						
		1	6V-1874	2	GROMMET						
		2	6V-9746	1	SEAL-O-RING						
		1,2	8T-4121	10	WASHER-HARD (11X21X2.5-MM THK)						
M		1,2	8T-4136	8	BOLT (M10X1.5X25-MM)						
M		2	8T-4176	4	BOLT (M12X1.75X90-MM)						
M		2	8T-4196	2	BOLT (M10X1.5X35-MM)						
		1,2	8T-4223	26	WASHER-HARD (13.5X25.5X3-MM THK)						
M		1,2	8T-4956	6	BOLT (M12X1.75X35-MM)						
M		2	8T-5092	8	BOLT (M12X1.75X150-MM)						
M		2	8T-4183	8	BOLT (M12X1.75X40-MM)						

I-REFER TO HYDRAULIC INFORMATION SYSTEM
 J-NOT REQUIRED WHEN USED WITH LINES GP-FRONT (HAMMER RETURN)
 M-METRIC PART
 Y-SEPARATE ILLUSTRATION

HYDRAULIC SYSTEM

260-8008 LINES GP-FRONT (contd.)

i03386820



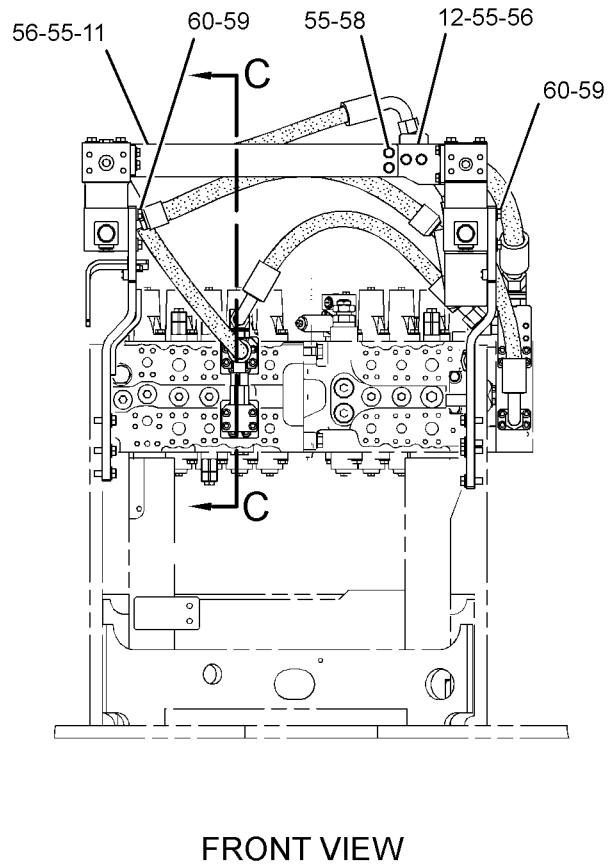
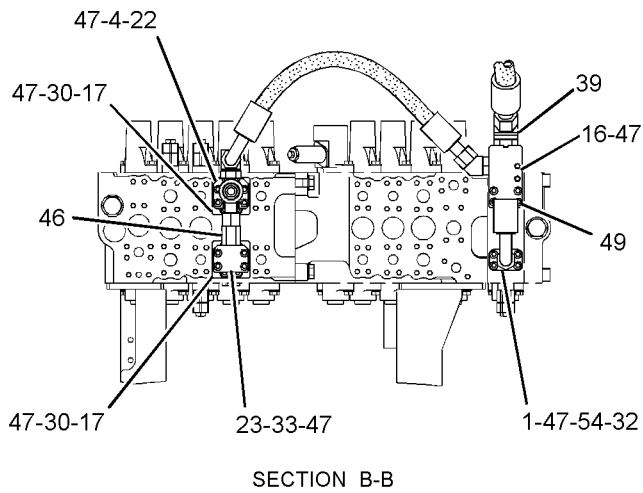
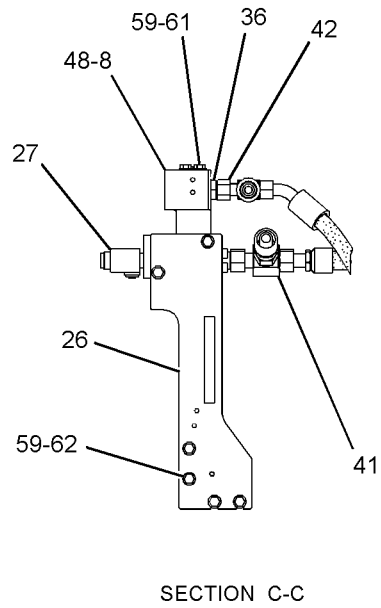
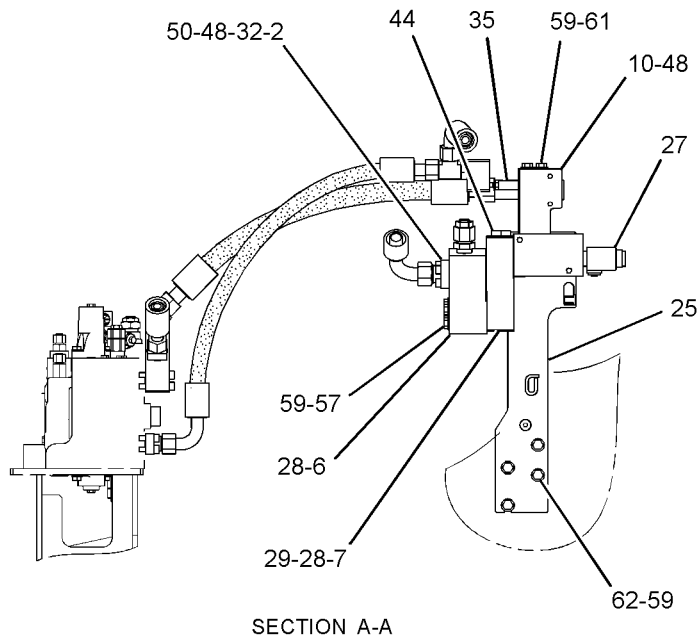
GRAPHIC #1

g01647155

HYDRAULIC SYSTEM

260-8008 LINES GP-FRONT (contd.)

i03386820



GRAPHIC #2

<END>

g01647153

HYDRAULIC SYSTEM

268-7074 LINES GP-FRONT

S/N: MGG1-UP

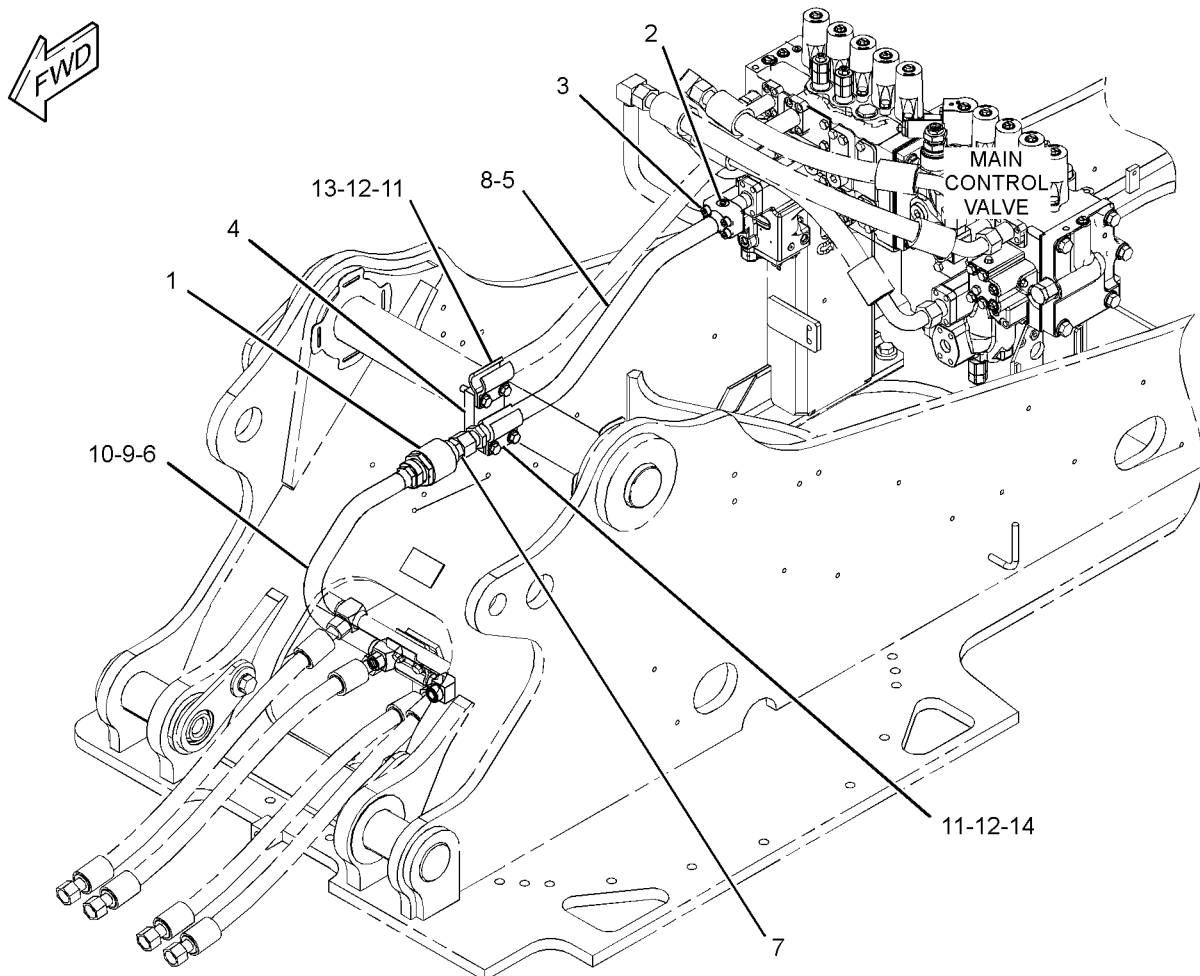
PART OF 302-9208 LINKAGE AR
AN ATTACHMENT

SMCS-5057

i02548896

NOTE	REF NO	GRAPHIC REF	PART NUMBER	QTY	PART NAME	1 2 3 4 5 6 (PRODUCT LEVEL)						SEE PAGE
	1	1	4I-8789	1	VALVE GP-CHECK							
	2	1	9F-2167	1	SCREW-PURGE (3/8-24X1.164-IN)							
M	3	1	101-7398	4	BOLT-SOCKET HEAD (M10X1.5X40-MM)							
	4	1	268-7183	1	PLATE AS							
	5	1	268-7185	1	TUBE AS							
	6	1	268-7186	1	TUBE AS							
	7	1	148-8335	1	CONNECTOR AS							
			5K-9090	1	SEAL-O-RING							
			6V-8635	1	CONNECTOR							
			7M-8485	1	SEAL-O-RING							
	8	1	1P-3703	1	SEAL-RECTANGULAR							
	9	1	6V-9746	2	SEAL-O-RING							
	10	1	7M-8485	1	SEAL-O-RING							
	11	1	7Y-3732	4	CLIP							
	12	1	8T-4223	4	WASHER-HARD (13.5X25.5X3-MM THK)							
M	13	1	8T-4910	2	BOLT (M12X1.75X60-MM)							
M	14	1	8T-4956	2	BOLT (M12X1.75X35-MM)							

M-METRIC PART



GRAPHIC #1

<END>

g01231840

HYDRAULIC SYSTEM

248-9846 LINES GP-HYDRAULIC OIL COOLER-MAIN PUMP

S/N: MGG1-646; JFZ1-2230

PART OF 285-1354, 285-1355 HYDRAULIC AR

SMCS-1374

i02980598

NOTE	REF NO	GRAPHIC REF	PART NUMBER	QTY	PART NAME						SEE PAGE
					1	2	3	4	5	6 (PRODUCT LEVEL)	
	1	2	144-0367	2	CLAMP-HOSE						
	2	1	173-4816	1	SUPPORT AS						
I	3	2	179-7863	1	HOSE AS						
I	4	2	179-7867	1	HOSE AS						
	5	2	196-0807	1	PLATE						
	6	1	199-7394	1	PIPE AS						
I	7	2	199-7403	1	HOSE AS						
	8	2	227-0581	1	HOSE						
	9	1	266-1037	1	TUBE AS						
	10	2	266-1045	1	TUBE AS						
	11	2	266-1055	1	SUPPORT AS						
Y	12	1	297-0462	1	VALVE GP-CHECK						569
M	13	1	096-4883	2	LOCKNUT (M10X1.15-THD)						
M	14	1	101-7402	4	BOLT-SOCKET HEAD (M12X1.75X30-MM)						
	15	1	148-8340	1	CONNECTOR AS						
		1	3K-0360	1	SEAL-O-RING						
		1	6V-8398	1	SEAL-O-RING						
		1	6V-8639	1	CONNECTOR						
	16	1	148-8357	1	ELBOW AS						
		1	5K-9090	1	SEAL-O-RING						
		1	6V-9008	1	ELBOW						
		1	7M-8485	1	SEAL-O-RING						
	17	2	1P-3703	4	SEAL-RECTANGULAR						
	18	1,2	4J-0524	3	SEAL-O-RING						
	19	1	4J-0527	1	SEAL-O-RING						
	20	1	5P-7468	1	CLIP (SLOT)						
	21	1	5P-7469	1	CLIP (TAB)						
	22	1	5P-8444	1	GROMMET						
					-OR-						
		1	8T-7087	1	GROMMET						
	23	1	6V-0400	4	FLANGE-HALF						
	24	2	7G-5984	1	CLIP (TAB)						
	25	2	7G-5985	1	CLIP (SLOT)						
	26	2	7G-5986	1	GROMMET						
M	27	1	7X-2544	4	BOLT (M10X1.5X104-MM)						
	28	2	7X-7729	2	WASHER (11X25X3-MM THK)						
M	29	1	7Y-5247	1	U-BOLT						
	30	1,2	8T-4121	8	WASHER-HARD (11X21X2.5-MM THK)						
M	31	2	8T-4136	2	BOLT (M10X1.5X25-MM)						
M	32	1,2	8T-4139	4	BOLT (M12X1.75X30-MM)						
M	33	1	8T-4183	2	BOLT (M12X1.75X40-MM)						
M	34	2	8T-4186	2	BOLT (M10X1.5X40-MM)						
M	35	1	8T-4194	8	BOLT (M12X1.75X50-MM)						
	36	1,2	8T-4223	15	WASHER-HARD (13.5X25.5X3-MM THK)						
M	37	2	8T-4956	5	BOLT (M12X1.75X35-MM)						

I-REFER TO HYDRAULIC INFORMATION SYSTEM

M-METRIC PART

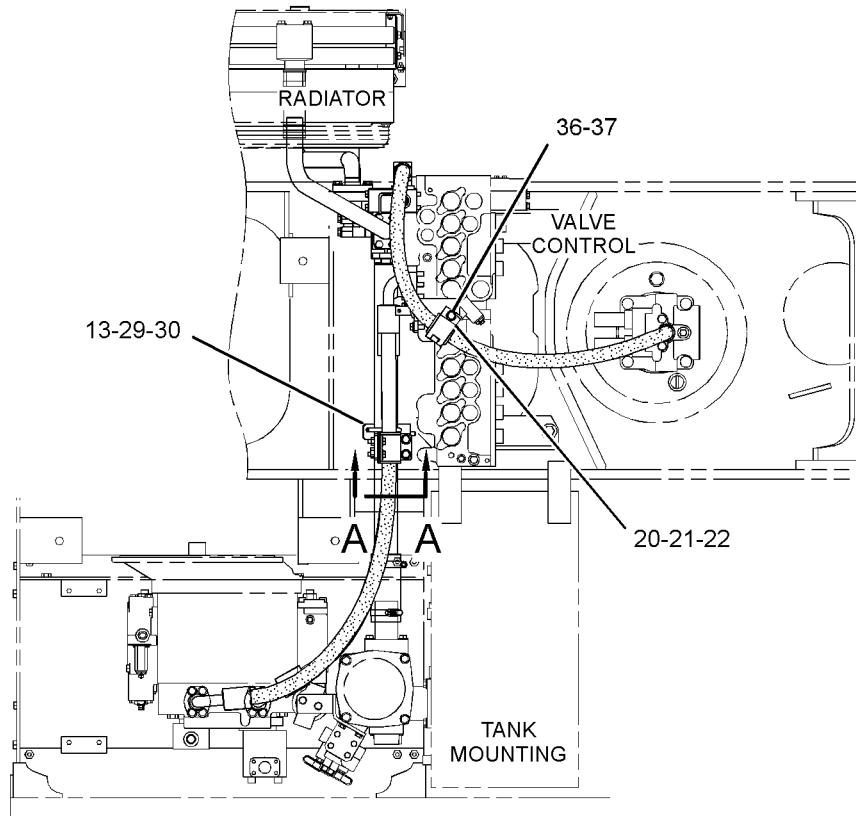
Y-SEPARATE ILLUSTRATION

HYDRAULIC SYSTEM

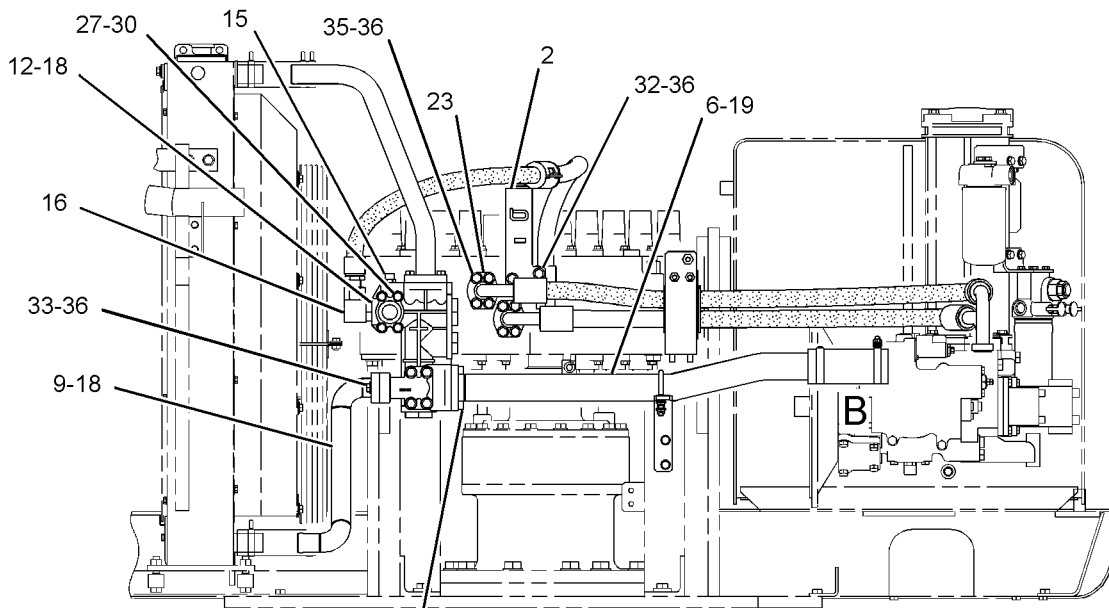
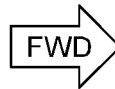
248-9846 LINES GP-HYDRAULIC OIL COOLER (contd.)

i02980598

REFER TO ALL ILLUSTRATIONS OF THIS GROUP FOR AUXILIARY VIEWS



TOP VIEW



REAR VIEW

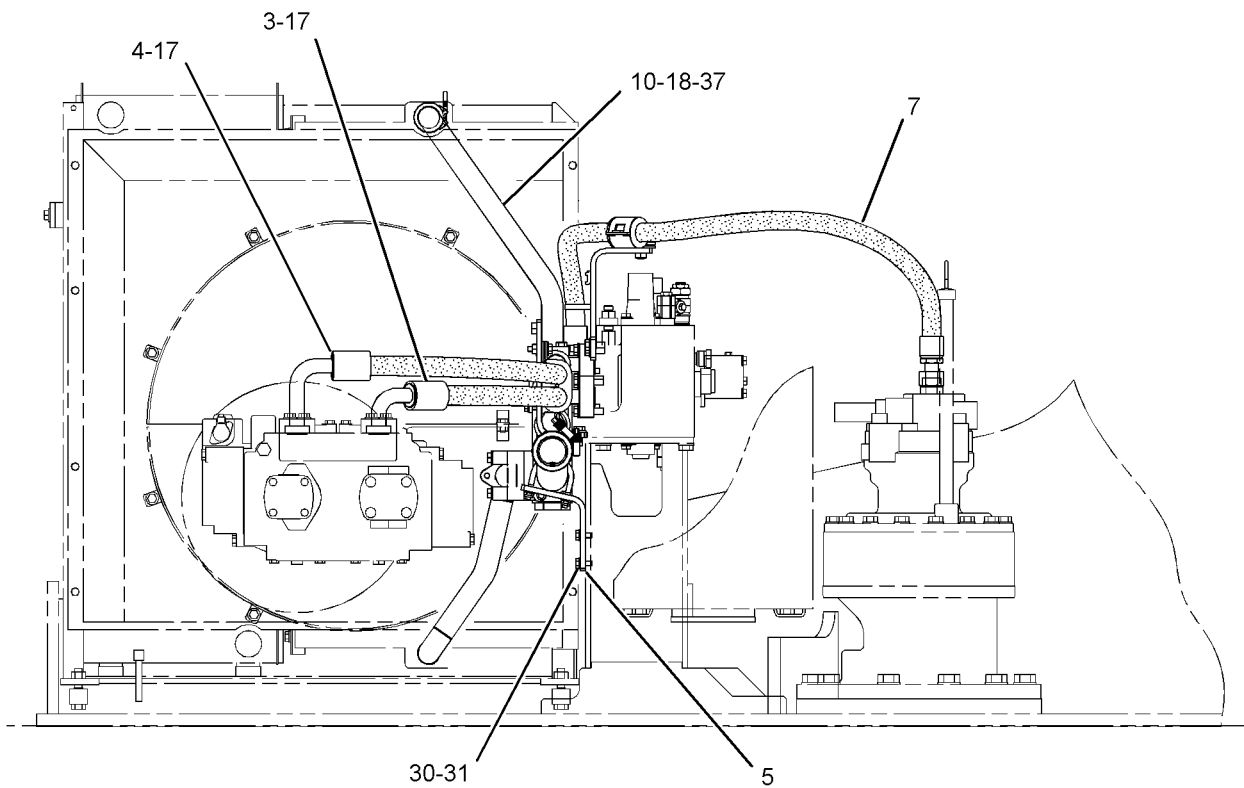
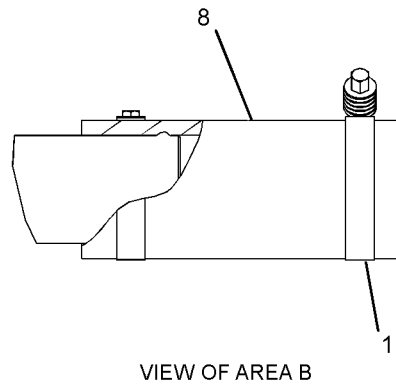
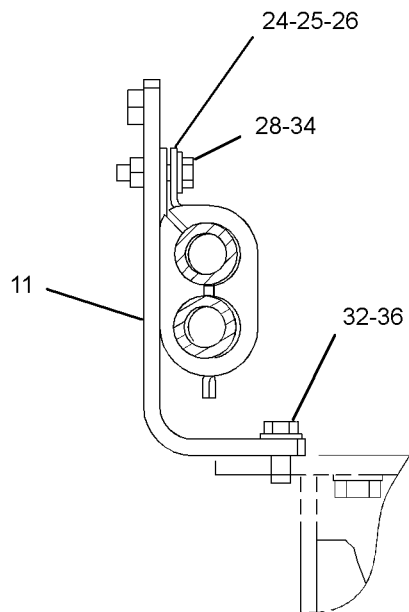
GRAPHIC #1

g01393338

HYDRAULIC SYSTEM

248-9846 LINES GP-HYDRAULIC OIL COOLER (contd.)

i02980598



GRAPHIC #2

<END>

g01393487

HYDRAULIC SYSTEM

248-9846 LINES GP-HYDRAULIC OIL COOLER-MAIN PUMP

S/N: MGG647-UP; JFZ2231-UP

PART OF 285-1354, 285-1355 HYDRAULIC AR

SMCS-1374

i02990218

NOTE	REF NO	GRAPHIC REF	PART NUMBER	QTY	PART NAME						SEE PAGE
					1	2	3	4	5	6 (PRODUCT LEVEL)	
	1	1	144-0367	2	CLAMP-HOSE						
	2	1	173-4816	1	SUPPORT AS						
I	3	2	179-7863	1	HOSE AS						
I	4	2	179-7867	1	HOSE AS						
	5	2	196-0807	1	PLATE						
	6	1	199-7394	1	PIPE AS						
I	7	2	199-7403	1	HOSE AS						
	8	1	227-0581	1	HOSE						
	9	1	266-1037	1	TUBE AS						
	10	2	266-1045	1	TUBE AS						
	11	2	319-9888	1	SUPPORT AS						
Y	12	1	297-0462	1	VALVE GP-CHECK						569
M	13	1	096-4883	2	LOCKNUT (M10X1.15-THD)						
M	14	1	101-7402	4	BOLT-SOCKET HEAD (M12X1.75X30-MM)						
C	15	1	148-8354	1	ELBOW AS						
		1	3K-0360	1	SEAL-O-RING						
		1	6V-8398	1	SEAL-O-RING						
		1	6V-9002	1	ELBOW						
	16	1	148-8357	1	ELBOW AS						
		1	5K-9090	1	SEAL-O-RING						
		1	6V-9008	1	ELBOW						
		1	7M-8485	1	SEAL-O-RING						
	17	2	1P-3703	4	SEAL-RECTANGULAR						
	18	1,2	4J-0524	3	SEAL-O-RING						
	19	1	4J-0527	1	SEAL-O-RING						
	20	1	5P-7468	1	CLIP (SLOT)						
	21	1	5P-7469	1	CLIP (TAB)						
	22	1	5P-8444	1	GROMMET						
					-OR-						
			8T-7087	1	GROMMET						
	23	1	6V-0400	4	FLANGE-HALF						
	24	2	7G-5984	1	CLIP (TAB)						
	25	2	7G-5985	1	CLIP (SLOT)						
	26	2	7G-5986	1	GROMMET						
M	27	1	7X-2544	4	BOLT (M10X1.5X104-MM)						
	28	2	7X-7729	2	WASHER (11X25X3-MM THK)						
M	29	1	7Y-5247	1	U-BOLT						
	30	1,2	8T-4121	8	WASHER-HARD (11X21X2.5-MM THK)						
M	31	2	8T-4136	2	BOLT (M10X1.5X25-MM)						
M	32	1,2	8T-4139	4	BOLT (M12X1.75X30-MM)						
M	33	1	8T-4183	2	BOLT (M12X1.75X40-MM)						
M	34	2	8T-4186	2	BOLT (M10X1.5X40-MM)						
M	35	1	8T-4194	8	BOLT (M12X1.75X50-MM)						
	36	1,2	8T-4223	15	WASHER-HARD (13.5X25.5X3-MM THK)						
M	37	1,2	8T-4956	5	BOLT (M12X1.75X35-MM)						

C-CHANGE FROM PREVIOUS TYPE

I-REFER TO HYDRAULIC INFORMATION SYSTEM

M-METRIC PART

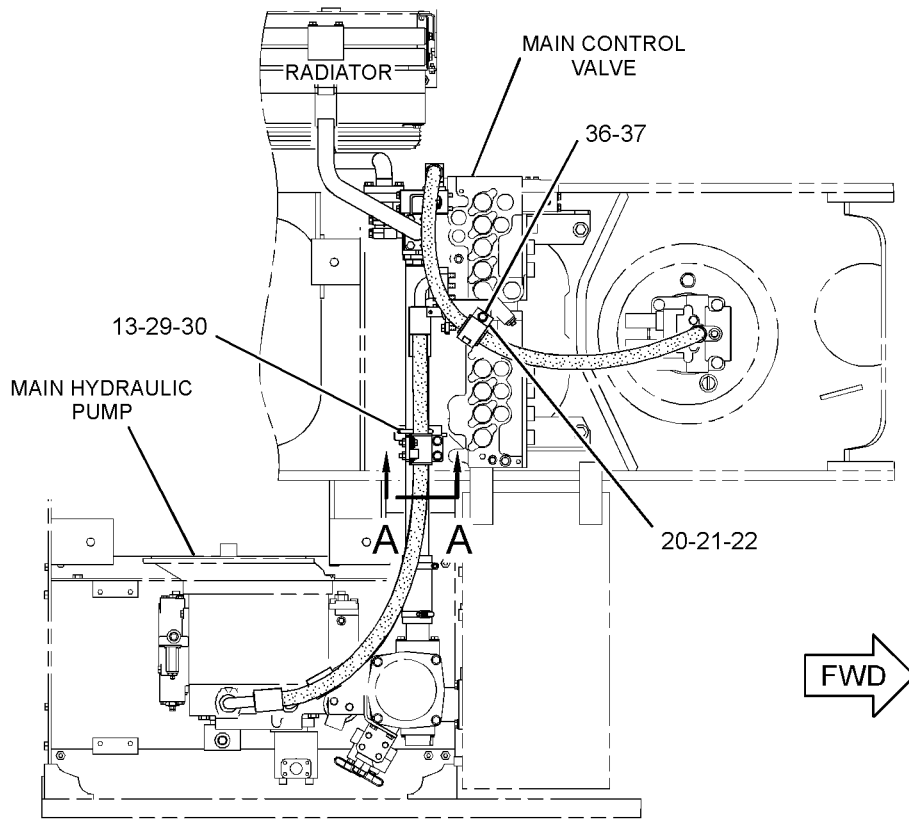
Y-SEPARATE ILLUSTRATION

HYDRAULIC SYSTEM

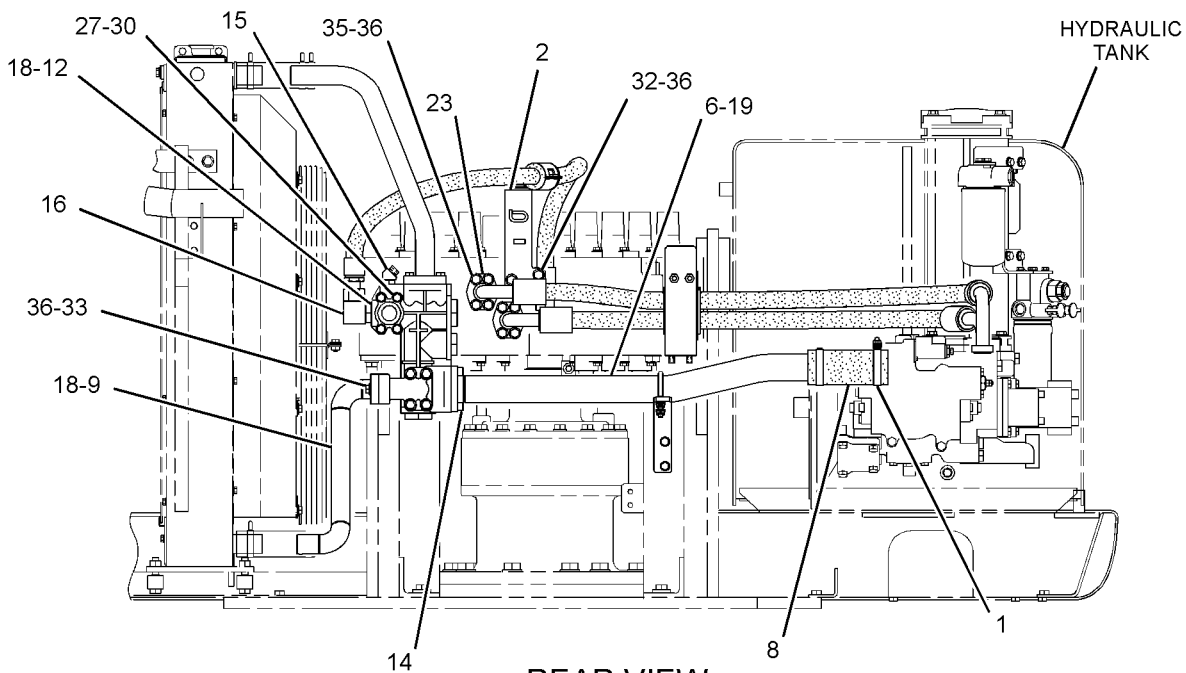
248-9846 LINES GP-HYDRAULIC OIL COOLER (contd.)

i02990218

REFER TO ALL ILLUSTRATIONS OF THIS GROUP FOR AUXILIARY VIEWS



TOP VIEW



REAR VIEW

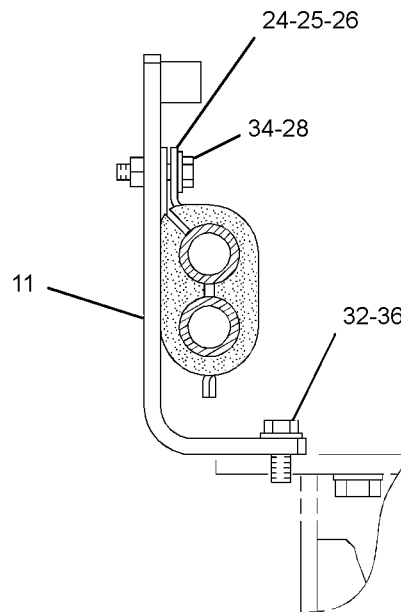
GRAPHIC #1

g01516505

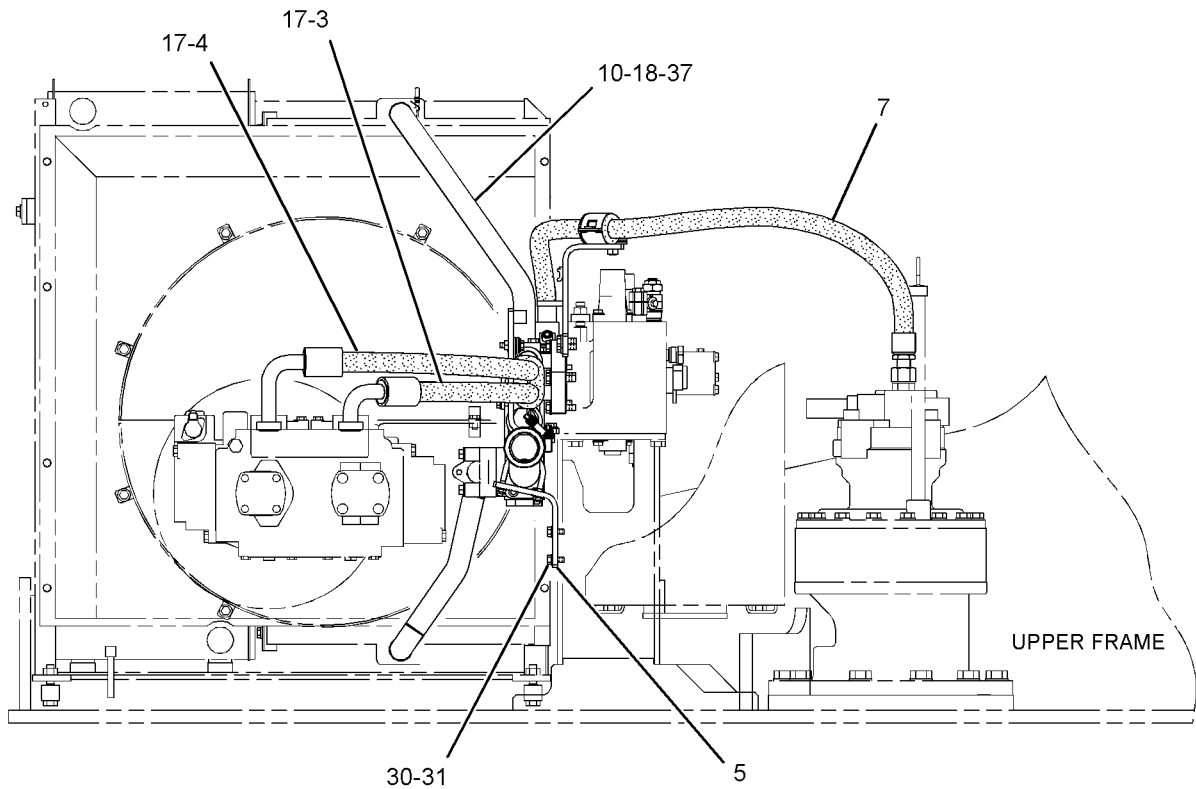
HYDRAULIC SYSTEM

248-9846 LINES GP-HYDRAULIC OIL COOLER (contd.)

i02990218



SECTION A-A



RIGHT SIDE VIEW

GRAPHIC #2

<END>

g01516506

HYDRAULIC SYSTEM

248-9848 LINES GP-HYDRAULIC OIL COOLER

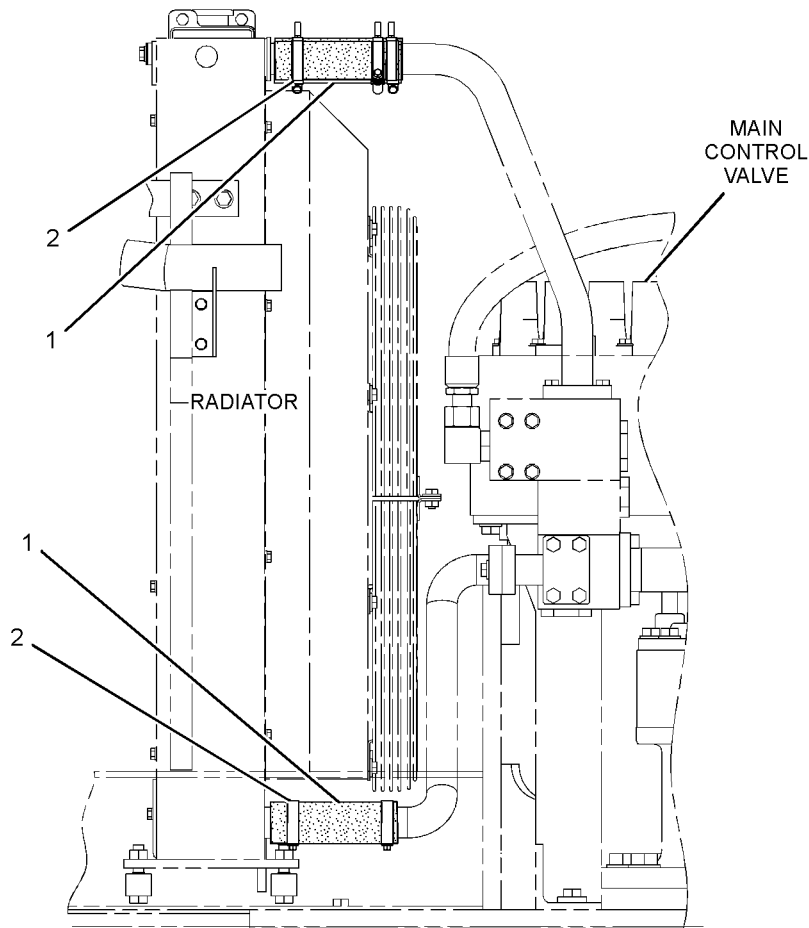
S/N: MGG1-UP; JFZ1-UP

PART OF 285-1354, 285-1355 HYDRAULIC AR

SMCS-1374

i02546420

NOTE	REF NO	GRAPHIC REF	PART NUMBER	QTY	PART NAME						SEE PAGE
					1	2	3	4	5	6 (PRODUCT LEVEL)	
	1	1	227-0265	2	HOSE						
	2	1	8T-6703	5	CLAMP - HOSE						



REAR VIEW
<END>

GRAPHIC #1

g01276111

HYDRAULIC SYSTEM

248-9825 LINES GP-PILOT-JOYSTICK, PEDALS

S/N: MGG1-1422; JFZ1-3864

PART OF 285-1354, 285-1355 HYDRAULIC AR

SMCS-5057, 5059

i02942257

NOTE	REF NO	GRAPHIC REF	PART NUMBER	QTY	PART NAME						SEE PAGE
					1	2	3	4	5	6 (PRODUCT LEVEL)	
	1	2	4I-9521	2	BAND-MARKER (RED, L1)						
	2	2	4I-9522	2	BAND-MARKER (YELLOW, L2)						
	3	2	4I-9523	2	BAND-MARKER (BLUE, L3)						
	4	2	4I-9524	2	BAND-MARKER (BROWN, L4)						
	5	2	4I-9525	2	BAND-MARKER (ORANGE, R1)						
	6	2	4I-9526	2	BAND-MARKER (WHITE, R2)						
	7	2	4I-9527	2	BAND-MARKER (GREEN, R3)						
	8	2	4I-9528	2	BAND-MARKER (PURPLE, R4)						
	9	1,2	7K-1181	3	STRAP-CABLE						
I	10	1	087-4402	2	HOSE AS						
	11	2	133-5813	4	BAND-MARKER (GRAY, P)						
	12	2	309-5769	1	SWITCH AS-PRESSURE (IMPLEMENT, SWING)						
	12A	1	309-5769	1	SWITCH AS-PRESSURE (TRAVEL, LH)						
	12B	1	309-5769	1	SWITCH AS-PRESSURE (TRAVEL, RH)						
					(EACH SWITCH AS INCLUDES)						
		1	102-8802	1	KIT-RECEPTACLE (2-PIN)						
					(INCLUDES RECEPTACLE AS & WEDGE)						
		1	9X-3401	2	PIN-CONNECTOR (16-GA TO 18-GA)						
					-OR-						
		1	126-1767	2	PIN-CONNECTOR (14-GA)						
	13	2	168-9759	1	BLOCK						
	14	1,2	184-9336	4	SUPPORT						
	15	2	185-0383	1	BRACKET						
Y	16	2	185-0462	1	VALVE GP-SHUTTLE						618
	17	2	236-2843	4	HOSE AS						
	18	2	236-2844	3	HOSE AS						
	19	2	236-2848	1	HOSE AS						
	20	2	245-5079	1	HOSE AS						
	21	2	255-1665	1	HOSE AS						
	22	2	255-1666	1	HOSE AS						
Y	23	1	270-5947	1	VALVE GP-PILOT (TRAVEL)						593
	24	1,2	148-8336	23	CONNECTOR AS						
					(EACH INCLUDES)						
		1,2	3J-1907	1	SEAL-O-RING						
		1,2	6V-8397	1	SEAL-O-RING						
		1,2	6V-8636	1	CONNECTOR						
	25	2	148-8353	8	ELBOW AS						
					(EACH INCLUDES)						
		2	3J-1907	1	SEAL-O-RING						
		2	6V-8397	1	SEAL-O-RING						
		2	6V-9001	1	ELBOW						
	26	2	148-8354	2	ELBOW AS						
					(EACH INCLUDES)						
		2	3K-0360	1	SEAL-O-RING						
		2	6V-8398	1	SEAL-O-RING						
		2	6V-9002	1	ELBOW						
	27	1,2	148-8378	6	ELBOW AS						
					(EACH INCLUDES)						
		1,2	3J-1907	1	SEAL-O-RING						
		1,2	6V-8397	1	SEAL-O-RING						
		1,2	6V-8724	1	ELBOW						
	28	2	148-8407	4	PLUG AS						
					(EACH INCLUDES)						
		2	3J-1907	1	SEAL-O-RING						
		2	9S-4191	1	PLUG-O-RING						

HYDRAULIC SYSTEM

248-9825 LINES GP-PILOT (contd.)

i02942257

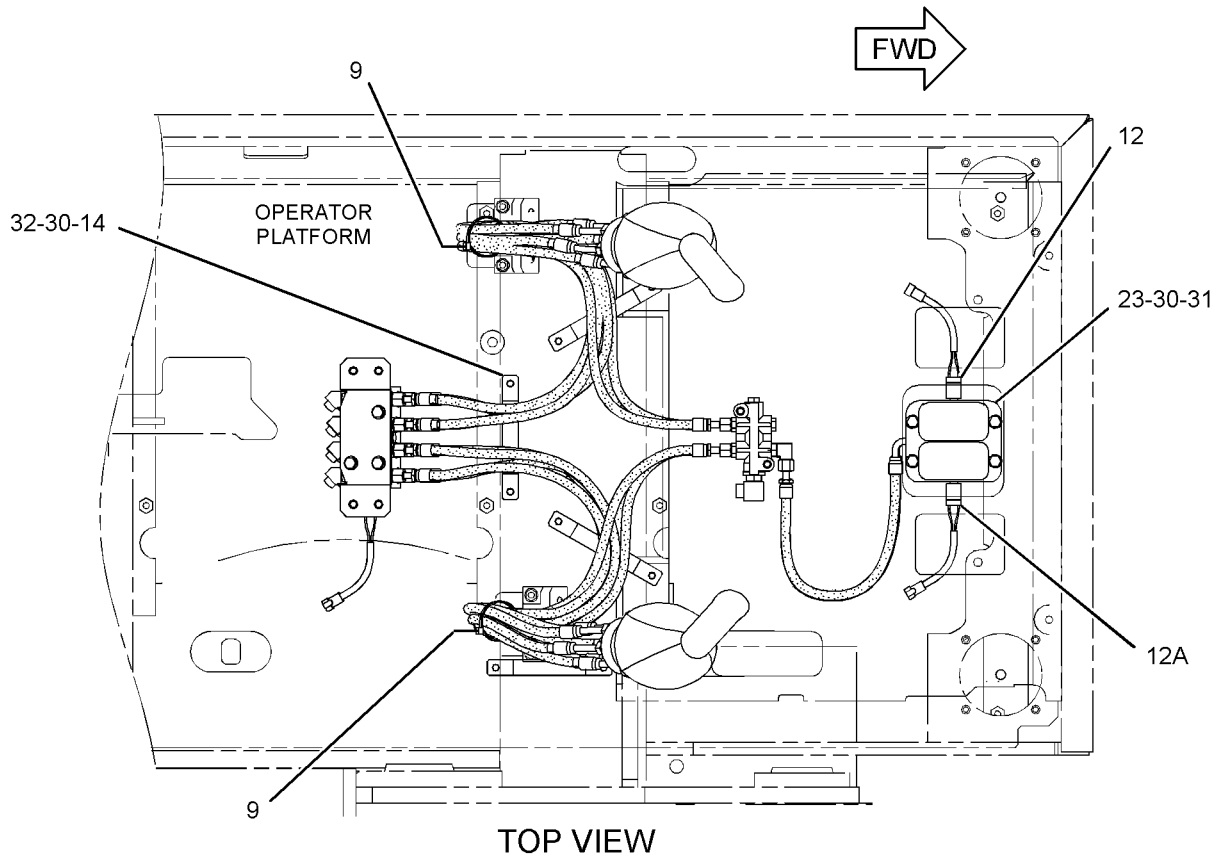
NOTE	REF NO	GRAPHIC REF	PART NUMBER	QTY	PART NAME						SEE PAGE
					1	2	3	4	5	6 (PRODUCT LEVEL)	
	29	1,2	164-5628	3	CONNECTOR AS						
					(EACH INCLUDES)						
		1,2	3J-1907	1	SEAL-O-RING						
		1,2	6V-8397	1	SEAL-O-RING						
		1,2	107-6631	1	CONNECTOR-FILTER						
	30	1,2	8T-4121	20	WASHER-HARD (11X21X2.5-MM THK)						
M	31	1	8T-4136	4	BOLT (M10X1.5X25-MM)						
M	32	1,2	8T-4137	15	BOLT (M10X1.5X20-MM)						
M	33	2	8T-4198	2	BOLT (M10X1.5X100-MM)						
	34	2	289-5657	1	HOSE AS						
	35	2	4P-7581	1	CLIP						

I-REFER TO HYDRAULIC INFORMATION SYSTEM
M-METRIC PART
Y-SEPARATE ILLUSTRATION

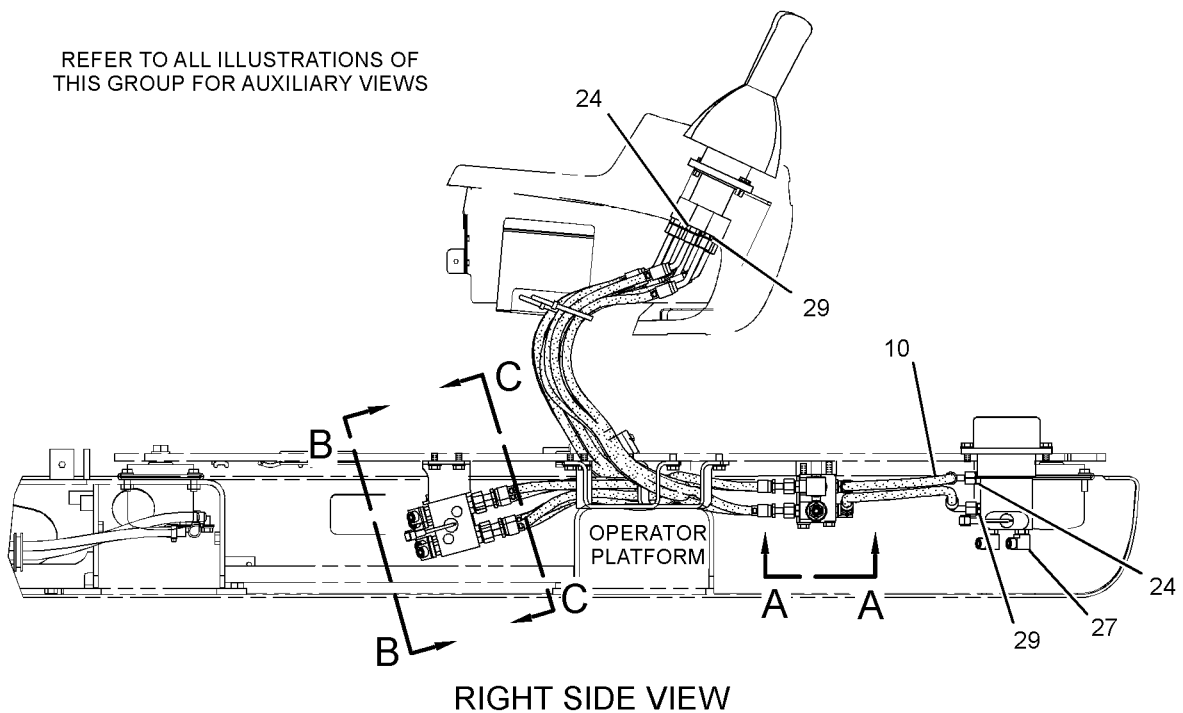
HYDRAULIC SYSTEM

248-9825 LINES GP-PILOT (contd.)

i02942257



REFER TO ALL ILLUSTRATIONS OF THIS GROUP FOR AUXILIARY VIEWS



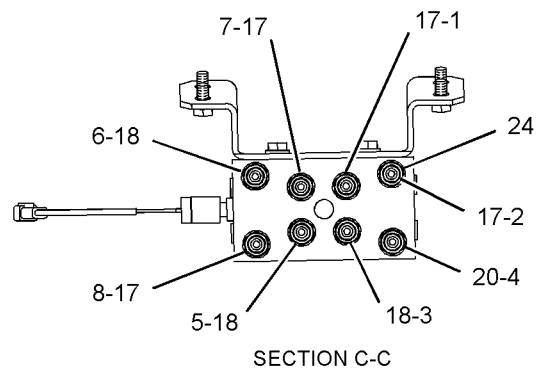
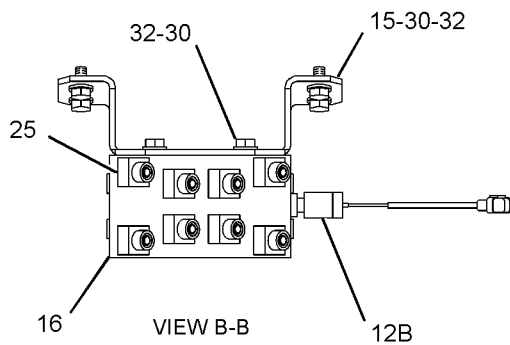
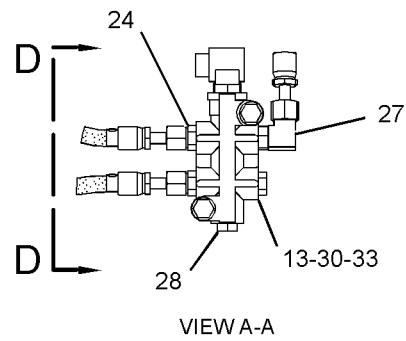
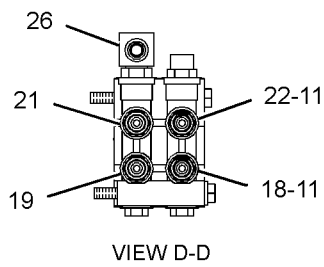
GRAPHIC #1

g01269086

HYDRAULIC SYSTEM

248-9825 LINES GP-PILOT (contd.)

i02942257



GRAPHIC #2

<END>

g01269087

HYDRAULIC SYSTEM

248-9825 LINES GP-PILOT-JOYSTICK, PEDALS

S/N: MGG1423-UP; JFZ3865-UP

PART OF 285-1354, 285-1355 HYDRAULIC AR

SMCS-5057, 5059

i03452669

NOTE	REF NO	GRAPHIC REF	PART NUMBER	QTY	PART NAME						SEE PAGE
					1	2	3	4	5	6 (PRODUCT LEVEL)	
	1	2	4I-9521	2	BAND-MARKER (RED, L1)						
	2	2	4I-9522	2	BAND-MARKER (YELLOW, L2)						
	3	2	4I-9523	2	BAND-MARKER (BLUE, L3)						
	4	2	4I-9524	2	BAND-MARKER (BROWN, L4)						
	5	2	4I-9525	2	BAND-MARKER (ORANGE, R1)						
	6	2	4I-9526	2	BAND-MARKER (WHITE, R2)						
	7	2	4I-9527	2	BAND-MARKER (GREEN, R3)						
	8	2	4I-9528	2	BAND-MARKER (PURPLE, R4)						
	9	1	7K-1181	3	STRAP-CABLE						
I	10	1	087-4402	2	HOSE AS						
	11	2	133-5813	4	BAND-MARKER (GRAY, P)						
	12	1	309-5769	1	SWITCH AS-PRESSURE (IMPLEMENT, SWING)						
	12A	1	309-5769	1	SWITCH AS-PRESSURE (TRAVEL, LH)						
	12B	2	309-5769	1	SWITCH AS-PRESSURE (TRAVEL, RH)						
					(EACH SWITCH AS INCLUDES)						
		1,2	102-8802	1	KIT-RECEPTACLE (2-PIN)						
					(INCLUDES RECEPTACLE AS & WEDGE)						
		1,2	9X-3401	2	PIN-CONNECTOR (16-GA TO 18-GA)						
					-OR-						
		1,2	126-1767	2	PIN-CONNECTOR (14-GA)						
	13	2	168-9759	1	BLOCK						
	14	1,2	184-9336	4	SUPPORT						
	15	2	185-0383	1	BRACKET						
Y	16	2	185-0462	1	VALVE GP-SHUTTLE						618
	17	2	236-2843	4	HOSE AS						
	18	2	236-2844	3	HOSE AS						
	19	2	236-2848	1	HOSE AS						
	20	2	245-5079	1	HOSE AS						
	21	2	255-1665	1	HOSE AS						
	22	2	255-1666	1	HOSE AS						
CY	23	1	310-0414	1	VALVE GP-PILOT (TRAVEL)						598
	24	1,2	148-8336	23	CONNECTOR AS						
					(EACH INCLUDES)						
		1,2	3J-1907	1	SEAL-O-RING						
		1,2	6V-8397	1	SEAL-O-RING						
		1,2	6V-8636	1	CONNECTOR						
	25	2	148-8353	8	ELBOW AS						
					(EACH INCLUDES)						
		2	3J-1907	1	SEAL-O-RING						
		2	6V-8397	1	SEAL-O-RING						
		2	6V-9001	1	ELBOW						
	26	2	148-8354	2	ELBOW AS						
					(EACH INCLUDES)						
		2	3K-0360	1	SEAL-O-RING						
		2	6V-8398	1	SEAL-O-RING						
		2	6V-9002	1	ELBOW						
	27	1,2	148-8378	6	ELBOW AS						
					(EACH INCLUDES)						
		1,2	3J-1907	1	SEAL-O-RING						
		1,2	6V-8397	1	SEAL-O-RING						
		1,2	6V-8724	1	ELBOW						
	28	2	148-8407	4	PLUG AS						
					(EACH INCLUDES)						
		2	3J-1907	1	SEAL-O-RING						
		2	9S-4191	1	PLUG-O-RING						

HYDRAULIC SYSTEM

248-9825 LINES GP-PILOT (contd.)

i03452669

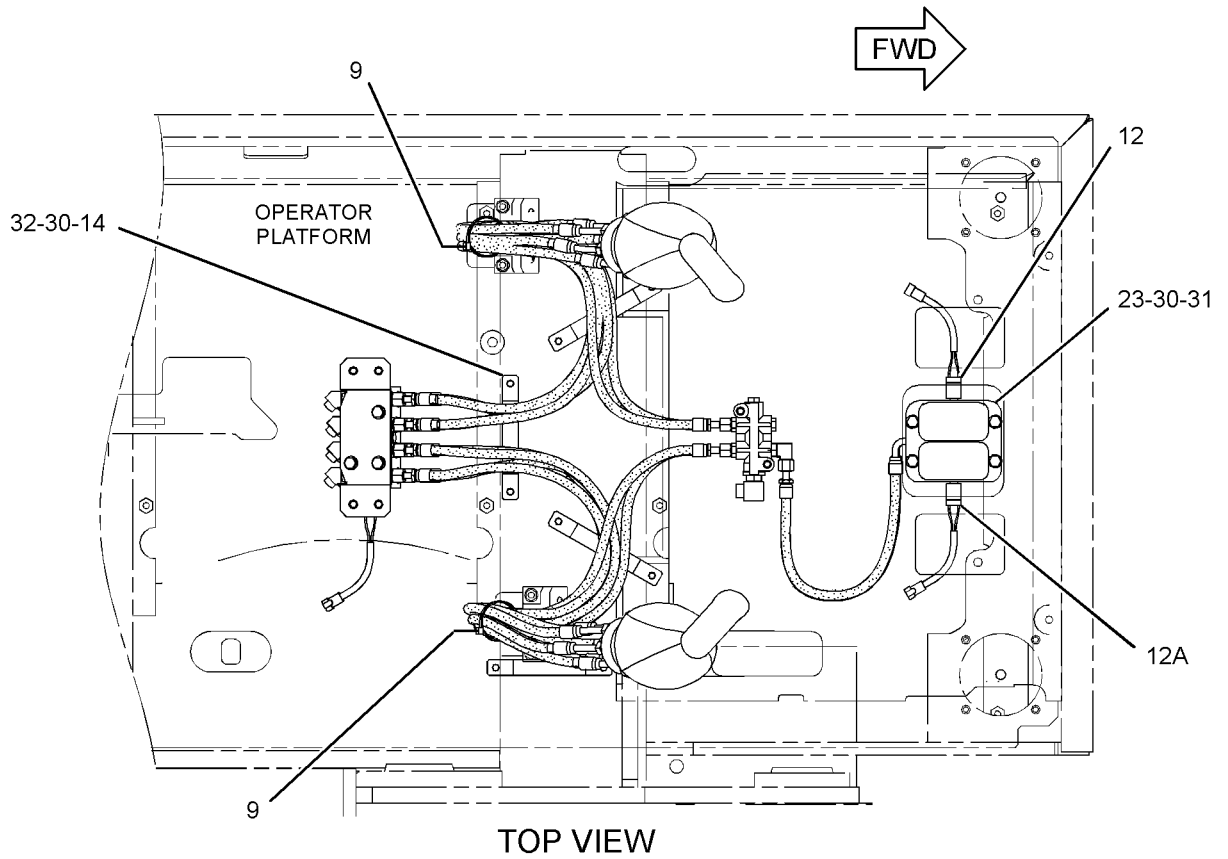
NOTE	REF NO	GRAPHIC REF	PART NUMBER	QTY	PART NAME						SEE PAGE
					1	2	3	4	5	6 (PRODUCT LEVEL)	
	29	1,2	164-5628	3	CONNECTOR AS						
					(EACH INCLUDES)						
		1,2	3J-1907	1	SEAL-O-RING						
		1,2	6V-8397	1	SEAL-O-RING						
		1,2	107-6631	1	CONNECTOR-FILTER						
	30	1,2	8T-4121	20	WASHER-HARD (11X21X2.5-MM THK)						
M	31	1	8T-4136	4	BOLT (M10X1.5X25-MM)						
M	32	1,2	8T-4137	15	BOLT (M10X1.5X20-MM)						
M	33	2	8T-4198	2	BOLT (M10X1.5X100-MM)						
	34	2	289-5657	1	HOSE AS						
	35	2	4P-7581	1	CLIP						

C-CHANGE FROM PREVIOUS TYPE
 I-REFER TO HYDRAULIC INFORMATION SYSTEM
 M-METRIC PART
 Y-SEPARATE ILLUSTRATION

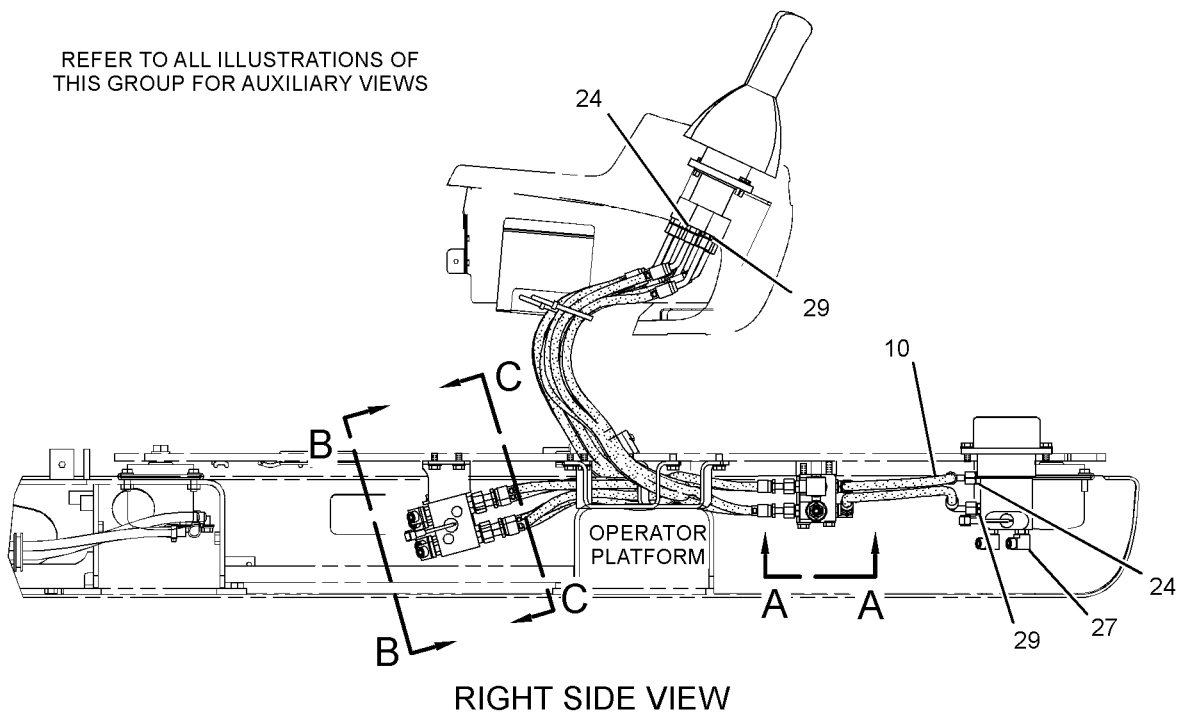
HYDRAULIC SYSTEM

248-9825 LINES GP-PILOT (contd.)

i03452669



REFER TO ALL ILLUSTRATIONS OF THIS GROUP FOR AUXILIARY VIEWS



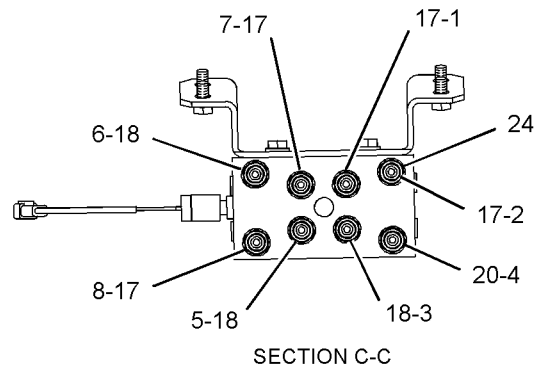
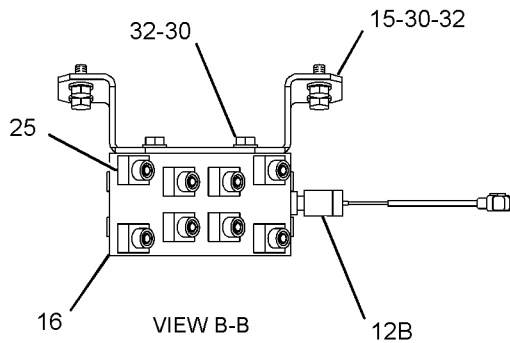
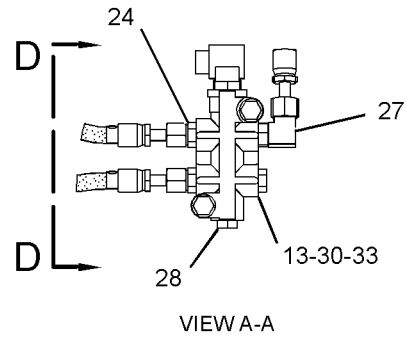
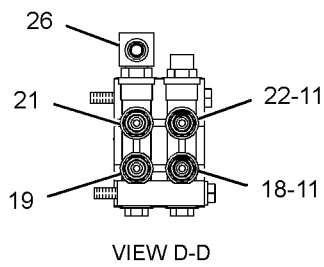
GRAPHIC #1

g01269086

HYDRAULIC SYSTEM

248-9825 LINES GP-PILOT (contd.)

i03452669



GRAPHIC #2

<END>

g01269087

HYDRAULIC SYSTEM

248-9850 LINES GP-PILOT-CONTROL VALVE

S/N: MGG1-UP; JFZ1-UP

PART OF 285-1354, 285-1355 HYDRAULIC AR

SMCS-5057, 5059

i02546424

NOTE	REF NO	GRAPHIC REF	PART NUMBER	QTY	PART NAME						SEE PAGE
					1	2	3	4	5	6 (PRODUCT LEVEL)	
I	1	1	4I-1631	1	HOSE AS						
I	2	1	4I-3981	1	HOSE AS						
I	3	1	4I-3994	1	HOSE AS						
I	4	1	4I-6054	1	HOSE AS						
	5	1	4I-9521	6	BAND-MARKER (RED, L1)						
	6	1	4I-9522	6	BAND-MARKER (YELLOW, L2)						
	7	1	4I-9523	2	BAND-MARKER (BLUE, L3)						
	8	1	4I-9524	2	BAND-MARKER (BROWN, L4)						
	9	1	4I-9525	6	BAND-MARKER (ORANGE, R1)						
	10	1	4I-9526	6	BAND-MARKER (WHITE, R2)						
	11	1	4I-9527	2	BAND-MARKER (GREEN, R3)						
	12	1	4I-9528	2	BAND-MARKER (PURPLE, R4)						
I	13	1	5I-8853	1	HOSE AS						
	14	1	7K-1181	13	STRAP-CABLE						
I	15	1	7Y-4193	2	HOSE AS						
I	16	1	7Y-4390	1	HOSE AS						
I	17	1	087-5303	2	HOSE AS						
	18	1	176-4708	1	GROMMET						
I	19	1	221-4883	2	HOSE AS						
	20	1	115-8645	2	GUARD						
	21	1	148-8378	6	ELBOW AS						
					(EACH INCLUDES)						
		1	3J-1907	1	SEAL-O-RING						
		1	6V-8397	1	SEAL-O-RING						
		1	6V-8724	1	ELBOW						
	22	1	148-8435	6	TEE AS						
					(EACH INCLUDES)						
		1	3J-1907	1	SEAL-O-RING						
		1	6V-8397	2	SEAL-O-RING						
		1	6V-8781	1	TEE-FACE SEAL						
	23	1	202-4004	1	GROMMET						
	24	1	4I-3953	2	GROMMET						

I-REFER TO HYDRAULIC INFORMATION SYSTEM

HYDRAULIC SYSTEM

248-9851 LINES GP-PILOT-CONTROL VALVE

S/N: MGG1-107; JFZ1-198

PART OF 285-1354, 285-1355 HYDRAULIC AR

SMCS-5057, 5059

i02755711

NOTE	REF NO	GRAPHIC REF	PART NUMBER	QTY	PART NAME						SEE PAGE
					1	2	3	4	5	6 (PRODUCT LEVEL)	
I	1	1	4I-0818	1	HOSE AS						
I	2	2	4I-0836	1	HOSE AS						
I	3	2	4I-1739	1	HOSE AS						
I	4	3	4I-5906	1	HOSE AS						
I	5	2	4I-5933	1	HOSE AS						
	6	2	4I-9521	2	BAND-MARKER (RED, L1)						
	7	1,3	4I-9522	6	BAND-MARKER (YELLOW, L2)						
	8	1,2	4I-9523	4	BAND-MARKER (BLUE, L3)						
	9	1,2	4I-9524	6	BAND-MARKER (BROWN, L4)						
	10	2	4I-9525	2	BAND-MARKER (ORANGE, R1)						
	11	2	4I-9527	4	BAND-MARKER (GREEN, R3)						
	12	2,3	4I-9528	4	BAND-MARKER (PURPLE, R4)						
I	13	1	5I-4076	1	HOSE AS						
I	14	3	5I-4396	1	HOSE AS						
I	15	2	5I-8708	1	HOSE AS						
	16	1,2	7K-1181	15	STRAP-CABLE						
I	17	2	7Y-8487	1	HOSE AS						
I	18	3	087-4411	1	HOSE AS						
I	19	2,3	087-4531	2	HOSE AS						
I	20	2	087-4534	1	HOSE AS						
I	21	2	087-5760	1	HOSE AS						
I	22	3	087-5762	1	HOSE AS						
I	23	3	087-5772	1	HOSE AS						
I	24	2,3	087-5774	2	HOSE AS						
	25	1,3	8T-4223	4	WASHER-HARD (13.5X25.5X3-MM THK)						
I	26	3	104-8838	1	HOSE AS						
I	27	2	110-5496	1	HOSE AS						
I	28	2	113-6758	1	HOSE AS						
Y	29	3	259-7732	1	VALVE GP-SHUTTLE						619
I	30	2	143-4254	2	HOSE AS						
	31	2	285-1399	1	CONNECTOR AS						
		2	3J-1907	1	SEAL-O-RING						
		2	285-1465	1	CONNECTOR						
		2	6V-8397	1	SEAL-O-RING						
Y	32	3	164-6981	1	ACCUMULATOR GP-HYDRAULIC (CHARGED)						338
I	33	2	164-8977	1	HOSE AS						
I	34	2	164-8983	1	HOSE AS						
	35	3	176-4463	1	PLATE						
	36	3	176-4469	1	BLOCK						
I	37	2	176-4471	1	HOSE AS						
I	38	3	176-4472	1	HOSE AS						
I	39	3	176-4768	1	HOSE AS						
I	40	3	4I-1037	1	HOSE AS						
I	41	2	4I-1780	1	HOSE AS						
I	42	1	187-7070	2	HOSE AS						
	43	2	202-4004	1	GROMMET						
Y	44	3	215-5037	1	MANIFOLD GP-CONTROL (PILOT OIL SUPPLY)						537
Y	45	3	232-4102	1	VALVE GP-PRESSURE REDUCING (BOOM, SWING PRIORITY)						600
I	46	2	266-1098	1	HOSE AS						
I	47	2	286-6760	1	HOSE AS						
M	48	3	099-3649	2	BOLT (M8X1.25X40-MM)						
M	49	3	105-3484	2	BOLT-SOCKET HEAD (M10X1.5X25-MM)						
M	50	3	8T-4192	3	BOLT (M12X1.75X25-MM)						
	51	2,3	148-8336	7	CONNECTOR AS						
					(EACH INCLUDES)						

HYDRAULIC SYSTEM

248-9851 LINES GP-PILOT (contd.)

i02755711

NOTE	REF NO	GRAPHIC REF	PART NUMBER	QTY	PART NAME						SEE PAGE
					1	2	3	4	5	6 (PRODUCT LEVEL)	
		2,3	3J-1907	1	SEAL-O-RING						
		2,3	6V-8397	1	SEAL-O-RING						
		2,3	6V-8636	1	CONNECTOR						
	52	2,3	148-8340	4	CONNECTOR AS						
					(EACH INCLUDES)						
		2,3	3K-0360	1	SEAL-O-RING						
		2,3	6V-8398	1	SEAL-O-RING						
		2,3	6V-8639	1	CONNECTOR						
	53	3	148-8353	5	ELBOW AS						
					(EACH INCLUDES)						
		3	3J-1907	1	SEAL-O-RING						
		3	6V-8397	1	SEAL-O-RING						
		3	6V-9001	1	ELBOW						
	54	3	148-8354	1	ELBOW AS						
		3	3K-0360	1	SEAL-O-RING						
		3	6V-8398	1	SEAL-O-RING						
		3	6V-9002	1	ELBOW						
	55	3	148-8364	2	ELBOW AS						
					(EACH INCLUDES)						
		3	3K-0360	1	SEAL-O-RING						
		3	6V-8398	1	SEAL-O-RING						
		3	6V-8625	1	ELBOW						
	56	2,3	148-8367	2	ELBOW AS						
					(EACH INCLUDES)						
		2,3	6V-8397	1	SEAL-O-RING						
		2,3	6V-9850	1	ELBOW						
	57	2,3	148-8378	8	ELBOW AS						
					(EACH INCLUDES)						
		2,3	3J-1907	1	SEAL-O-RING						
		2,3	6V-8397	1	SEAL-O-RING						
		2,3	6V-8724	1	ELBOW						
	58	2,3	148-8407	6	PLUG AS						
					(EACH INCLUDES)						
		2,3	3J-1907	1	SEAL-O-RING						
		2,3	9S-4191	1	PLUG-O-RING						
	59	2,3	148-8433	3	TEE AS						
					(EACH INCLUDES)						
		2,3	6V-8397	2	SEAL-O-RING						
		2,3	6V-9836	1	TEE-SWIVEL						
	60	2,3	148-8435	4	TEE AS						
					(EACH INCLUDES)						
		2,3	3J-1907	1	SEAL-O-RING						
		2,3	6V-8397	2	SEAL-O-RING						
		2,3	6V-8781	1	TEE-FACE SEAL						
	61	2	148-8439	2	TEE AS						
					(EACH INCLUDES)						
		2	3J-1907	1	SEAL-O-RING						
		2	6V-8397	2	SEAL-O-RING						
		2	6V-8774	1	TEE						
	62	2,3	150-4044	3	CONNECTOR AS						
					(EACH INCLUDES)						
		2,3	3J-1907	1	SEAL-O-RING						
		2,3	6V-8397	1	SEAL-O-RING						
		2,3	8T-1779	1	CONNECTOR						
M	63	1	8T-4183	1	BOLT (M12X1.75X40-MM)						
	64	1	275-1442	1	CLIP (TAB)						
	65	1	275-1443	1	CLIP (SLOT)						
	66	1	4K-8864	1	CLIP						
	67	1	5P-7462	2	CLIP (SLOT)						

HYDRAULIC SYSTEM

248-9851 LINES GP-PILOT (contd.)

i02755711

NOTE	REF NO	GRAPHIC REF	PART NUMBER	QTY	PART NAME						SEE PAGE
					1	2	3	4	5	6 (PRODUCT LEVEL)	
	68	1	5P-7463	2	CLIP (TAB)						
	69	1	6V-0683	2	GROMMET						
	70	1	275-1444	1	GROMMET						
	71	2	6V-8397	2	SEAL-O-RING						
	72	1,3	8T-4121	7	WASHER-HARD (11X21X2.5-MM THK)						
M	73	1	8T-4136	1	BOLT (M10X1.5X25-MM)						
M	74	1,3	8T-4137	5	BOLT (M10X1.5X20-MM)						
M	75	3	8T-4172	2	BOLT (M10X1.5X80-MM)						

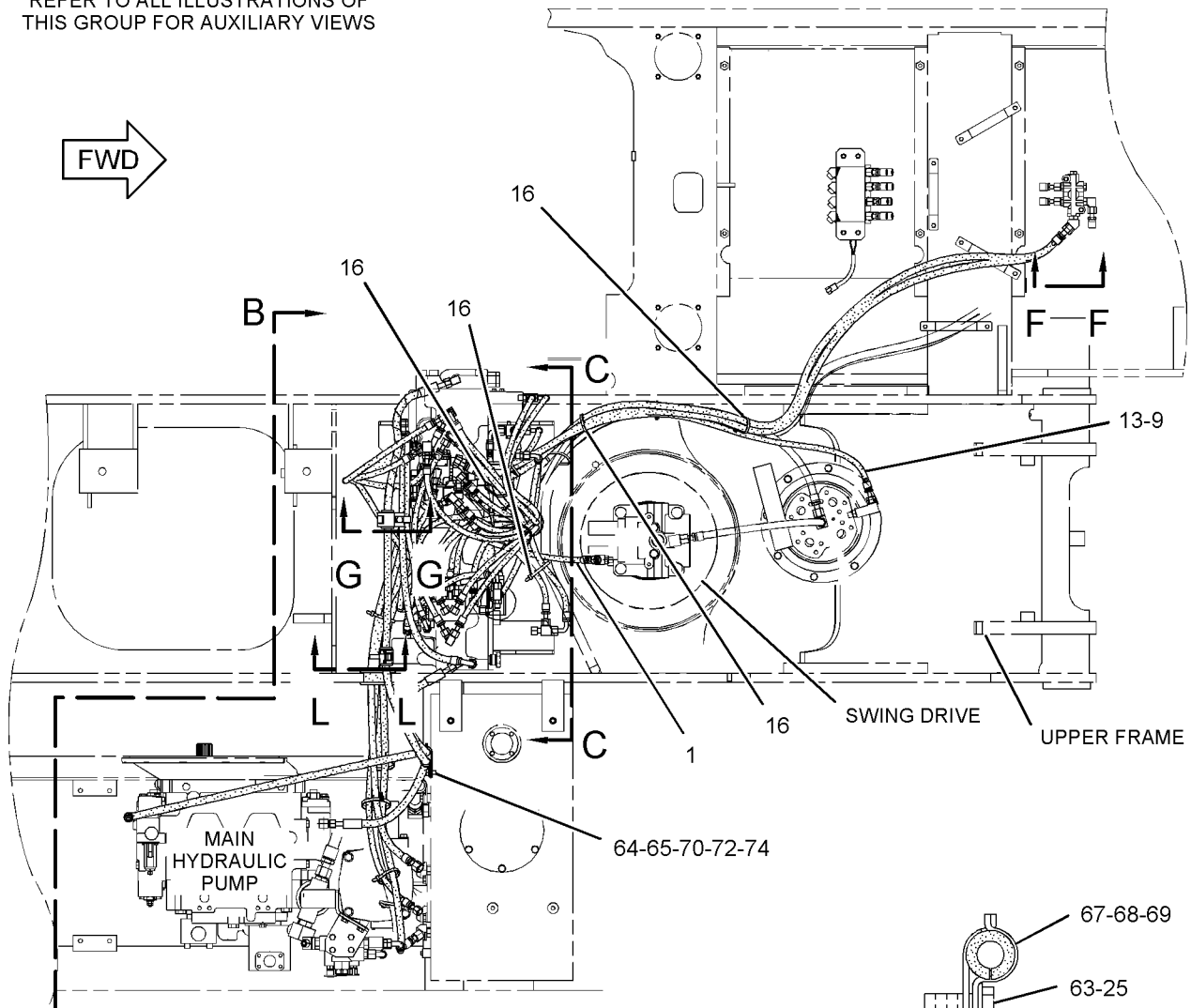
I-REFER TO HYDRAULIC INFORMATION SYSTEM
M-METRIC PART
Y-SEPARATE ILLUSTRATION

HYDRAULIC SYSTEM

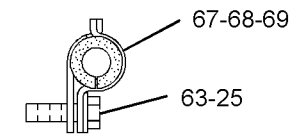
248-9851 LINES GP-PILOT (contd.)

i02755711

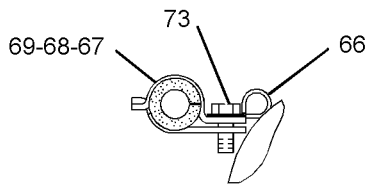
REFER TO ALL ILLUSTRATIONS OF THIS GROUP FOR AUXILIARY VIEWS



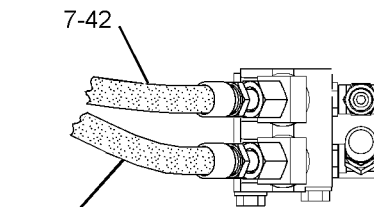
TOP VIEW



SECTION L-L



SECTION G-G



VIEW F-F

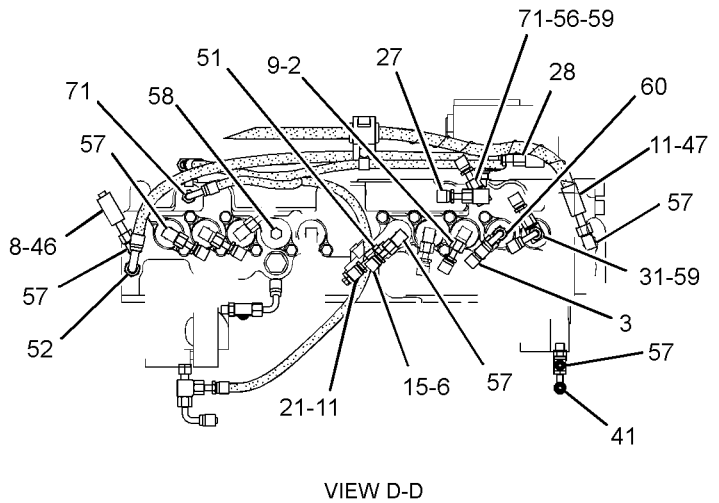
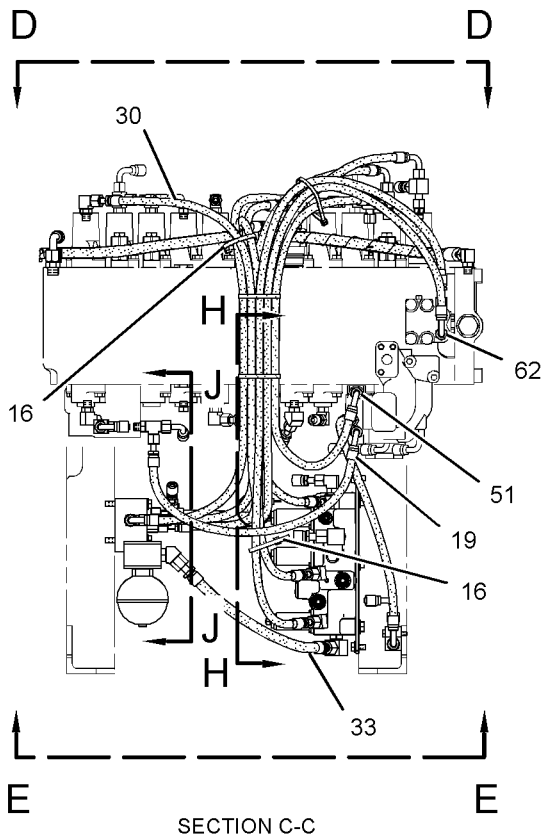
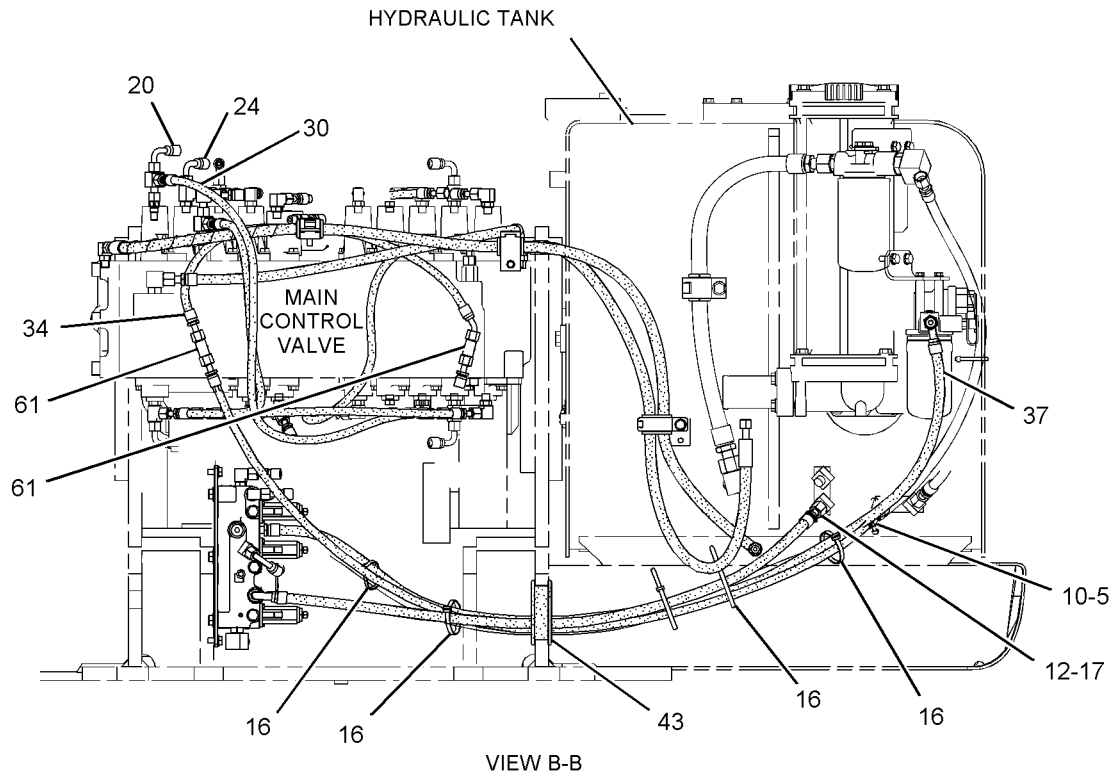
GRAPHIC #1

g01352520

HYDRAULIC SYSTEM

248-9851 LINES GP-PILOT (contd.)

i02755711



REFER TO ALL ILLUSTRATIONS OF THIS GROUP FOR AUXILIARY VIEWS

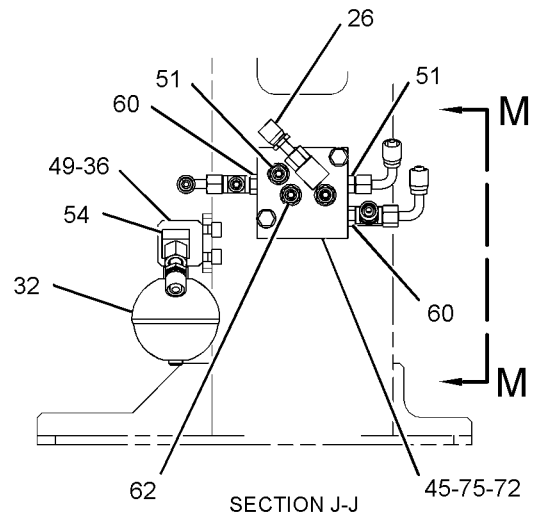
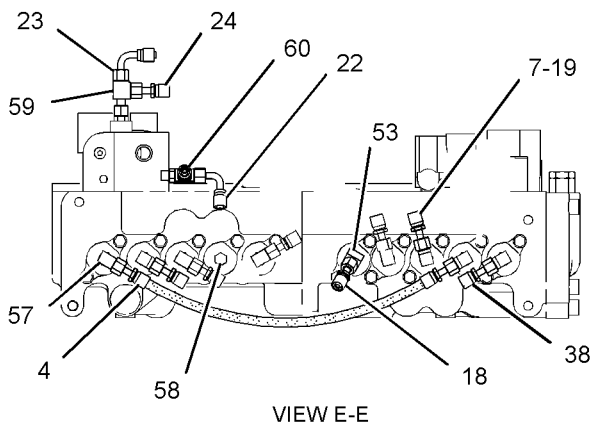
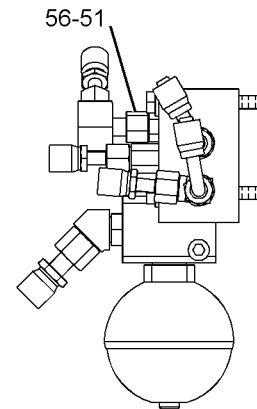
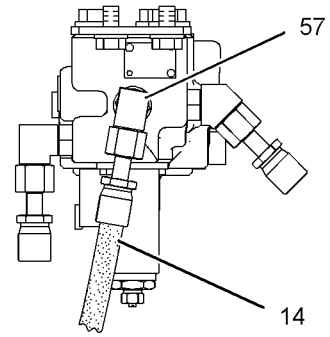
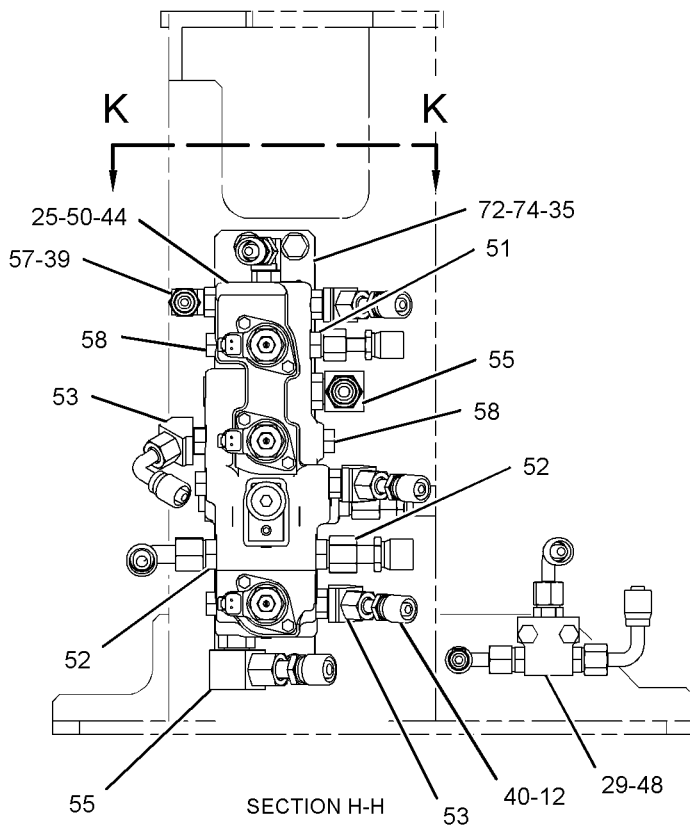
GRAPHIC #2

g01352478

HYDRAULIC SYSTEM

248-9851 LINES GP-PILOT (contd.)

i02755711



GRAPHIC #3

<END>

g01275951

HYDRAULIC SYSTEM

248-9851 LINES GP-PILOT-CONTROL VALVE

S/N: MGG108-646; JFZ199-2230

PART OF 285-1354, 285-1355 HYDRAULIC AR
TYPE 1

SMCS-5057, 5059

i03037860

NOTE	REF NO	GRAPHIC REF	PART NUMBER	QTY	PART NAME						SEE PAGE
					1	2	3	4	5	6 (PRODUCT LEVEL)	
I	1	1	4I-0818	1	HOSE AS						
I	2	2	4I-0836	1	HOSE AS						
I	3	2	4I-1739	1	HOSE AS						
I	4	3	4I-5906	1	HOSE AS						
I	5	2	4I-5933	1	HOSE AS						
	6	2	4I-9521	2	BAND-MARKER (RED, L1)						
	7	1,3	4I-9522	6	BAND-MARKER (YELLOW, L2)						
	8	1,2	4I-9523	4	BAND-MARKER (BLUE, L3)						
	9	1,2	4I-9524	6	BAND-MARKER (BROWN, L4)						
	10	2	4I-9525	2	BAND-MARKER (ORANGE, R1)						
	11	2	4I-9527	4	BAND-MARKER (GREEN, R3)						
	12	2,3	4I-9528	4	BAND-MARKER (PURPLE, R4)						
I	13	1	5I-4076	1	HOSE AS						
I	14	3	5I-4396	1	HOSE AS						
I	15	2	5I-8708	1	HOSE AS						
	16	1,2	7K-1181	15	STRAP-CABLE						
I	17	2	7Y-8487	1	HOSE AS						
I	18	3	087-4411	1	HOSE AS						
I	19	2,3	087-4531	2	HOSE AS						
I	20	2	087-4534	1	HOSE AS						
I	21	2	087-5760	1	HOSE AS						
I	22	3	087-5762	1	HOSE AS						
I	23	3	087-5772	1	HOSE AS						
I	24	2,3	087-5774	2	HOSE AS						
	25	1,3	8T-4223	4	WASHER-HARD (13.5X25.5X3-MM THK)						
I	26	3	104-8838	1	HOSE AS						
I	27	2	110-5496	1	HOSE AS						
CI	28	2	302-3168	1	HOSE AS						
Y	29	3	259-7732	1	VALVE GP-SHUTTLE						619
I	30	2	143-4254	2	HOSE AS						
	31	2	285-1399	1	CONNECTOR AS						
		2	3J-1907	1	SEAL-O-RING						
		2	285-1465	1	CONNECTOR						
		2	6V-8397	1	SEAL-O-RING						
Y	32	3	164-6981	1	ACCUMULATOR GP-HYDRAULIC (CHARGED)						338
I	33	2	164-8977	1	HOSE AS						
I	34	2	164-8983	1	HOSE AS						
	35	3	176-4463	1	PLATE						
	36	3	176-4469	1	BLOCK						
I	37	2	176-4471	1	HOSE AS						
I	38	3	176-4472	1	HOSE AS						
I	39	3	176-4768	1	HOSE AS						
I	40	3	4I-1037	1	HOSE AS						
I	41	2	4I-1780	1	HOSE AS						
I	42	1	187-7070	2	HOSE AS						
	43	2	202-4004	1	GROMMET						
Y	44	3	215-5037	1	MANIFOLD GP-CONTROL (PILOT OIL SUPPLY)						537
Y	45	3	232-4102	1	VALVE GP-PRESSURE REDUCING (BOOM, SWING PRIORITY)						600
I	46	2	266-1098	1	HOSE AS						
I	47	2	286-6760	1	HOSE AS						
M	48	3	099-3649	2	BOLT (M8X1.25X40-MM)						
M	49	3	105-3484	2	BOLT-SOCKET HEAD (M10X1.5X25-MM)						
M	50	3	8T-4192	3	BOLT (M12X1.75X25-MM)						

HYDRAULIC SYSTEM

248-9851 LINES GP-PILOT (contd.)

i03037860

NOTE	REF NO	GRAPHIC REF	PART NUMBER	QTY	PART NAME						SEE PAGE
					1	2	3	4	5	6 (PRODUCT LEVEL)	
	51	2, 3	148-8336	7	CONNECTOR AS						
					(EACH INCLUDES)						
		2, 3	3J-1907	1	SEAL-O-RING						
		2, 3	6V-8397	1	SEAL-O-RING						
		2, 3	6V-8636	1	CONNECTOR						
	52	2, 3	148-8340	4	CONNECTOR AS						
					(EACH INCLUDES)						
		2, 3	3K-0360	1	SEAL-O-RING						
		2, 3	6V-8398	1	SEAL-O-RING						
		2, 3	6V-8639	1	CONNECTOR						
	53	3	148-8353	5	ELBOW AS						
					(EACH INCLUDES)						
		3	3J-1907	1	SEAL-O-RING						
		3	6V-8397	1	SEAL-O-RING						
		3	6V-9001	1	ELBOW						
	54	3	148-8354	1	ELBOW AS						
		3	3K-0360	1	SEAL-O-RING						
		3	6V-8398	1	SEAL-O-RING						
		3	6V-9002	1	ELBOW						
	55	3	148-8364	2	ELBOW AS						
					(EACH INCLUDES)						
		3	3K-0360	1	SEAL-O-RING						
		3	6V-8398	1	SEAL-O-RING						
		3	6V-8625	1	ELBOW						
	56	2, 3	148-8367	2	ELBOW AS						
					(EACH INCLUDES)						
		2, 3	6V-8397	1	SEAL-O-RING						
		2, 3	6V-9850	1	ELBOW						
	57	2, 3	148-8378	8	ELBOW AS						
					(EACH INCLUDES)						
		2, 3	3J-1907	1	SEAL-O-RING						
		2, 3	6V-8397	1	SEAL-O-RING						
		2, 3	6V-8724	1	ELBOW						
	58	2, 3	148-8407	6	PLUG AS						
					(EACH INCLUDES)						
		2, 3	3J-1907	1	SEAL-O-RING						
		2, 3	9S-4191	1	PLUG-O-RING						
	59	2, 3	148-8433	3	TEE AS						
					(EACH INCLUDES)						
		2, 3	6V-8397	2	SEAL-O-RING						
		2, 3	6V-9836	1	TEE-SWIVEL						
	60	2, 3	148-8435	4	TEE AS						
					(EACH INCLUDES)						
		2, 3	3J-1907	1	SEAL-O-RING						
		2, 3	6V-8397	2	SEAL-O-RING						
		2, 3	6V-8781	1	TEE-FACE SEAL						
	61	2	148-8439	2	TEE AS						
					(EACH INCLUDES)						
		2	3J-1907	1	SEAL-O-RING						
		2	6V-8397	2	SEAL-O-RING						
		2	6V-8774	1	TEE						
	62	2, 3	150-4044	3	CONNECTOR AS						
					(EACH INCLUDES)						
		2, 3	3J-1907	1	SEAL-O-RING						
		2, 3	6V-8397	1	SEAL-O-RING						
		2, 3	8T-1779	1	CONNECTOR						
M	63	1	8T-4183	1	BOLT (M12X1.75X40-MM)						
	64	1	275-1442	1	CLIP (TAB)						
	65	1	275-1443	1	CLIP (SLOT)						

HYDRAULIC SYSTEM

248-9851 LINES GP-PILOT (contd.)

i03037860

NOTE	REF NO	GRAPHIC REF	PART NUMBER	QTY	PART NAME						SEE PAGE
					1	2	3	4	5	6 (PRODUCT LEVEL)	
	66	1	4K-8864	1	CLIP						
	67	1	5P-7462	2	CLIP (SLOT)						
	68	1	5P-7463	2	CLIP (TAB)						
	69	1	6V-0683	2	GROMMET						
	70	1	275-1444	1	GROMMET						
	71	2	6V-8397	2	SEAL-O-RING						
	72	1,3	8T-4121	7	WASHER-HARD (11X21X2.5-MM THK)						
M	73	1	8T-4136	1	BOLT (M10X1.5X25-MM)						
M	74	1,3	8T-4137	5	BOLT (M10X1.5X20-MM)						
M	75	3	8T-4172	2	BOLT (M10X1.5X80-MM)						

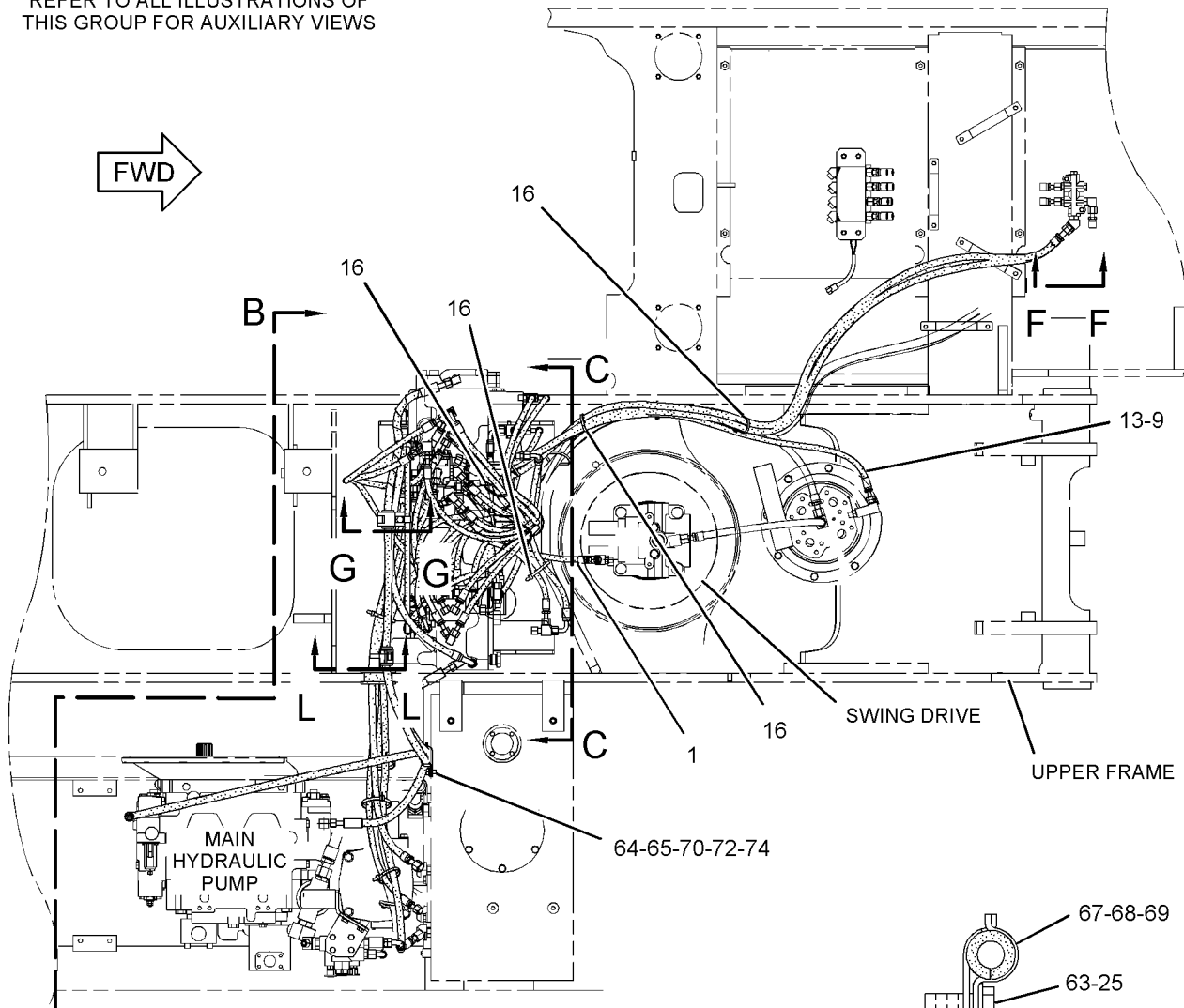
C-CHANGE FROM PREVIOUS TYPE
 I-REFER TO HYDRAULIC INFORMATION SYSTEM
 M-METRIC PART
 Y-SEPARATE ILLUSTRATION

HYDRAULIC SYSTEM

248-9851 LINES GP-PILOT (contd.)

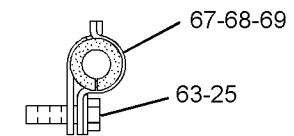
i03037860

REFER TO ALL ILLUSTRATIONS OF THIS GROUP FOR AUXILIARY VIEWS

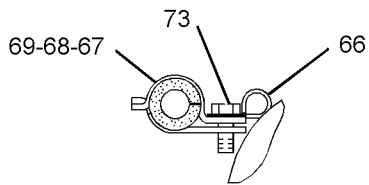


B

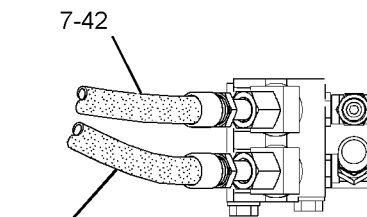
TOP VIEW



SECTION L-L



SECTION G-G



VIEW F-F

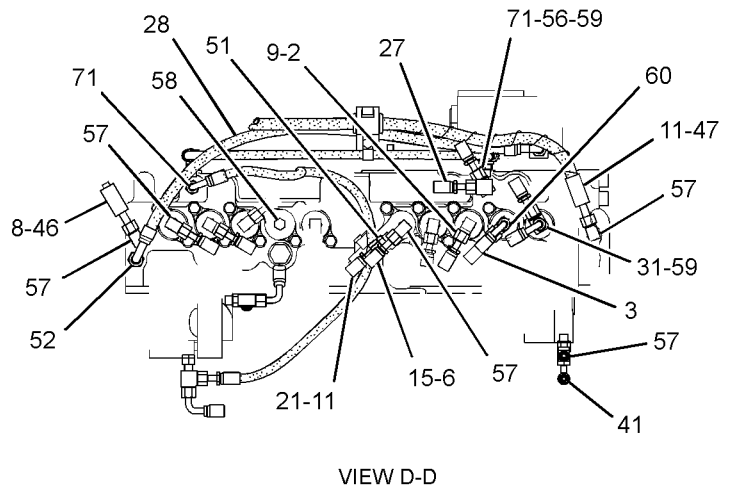
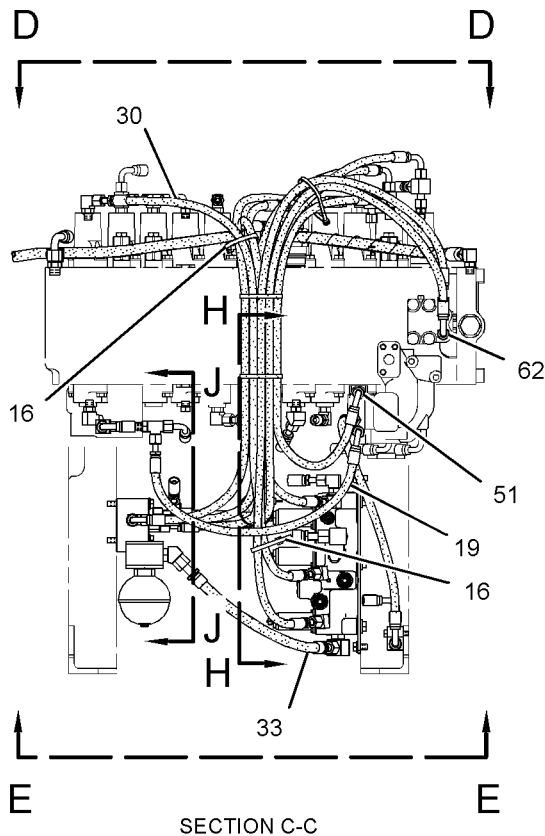
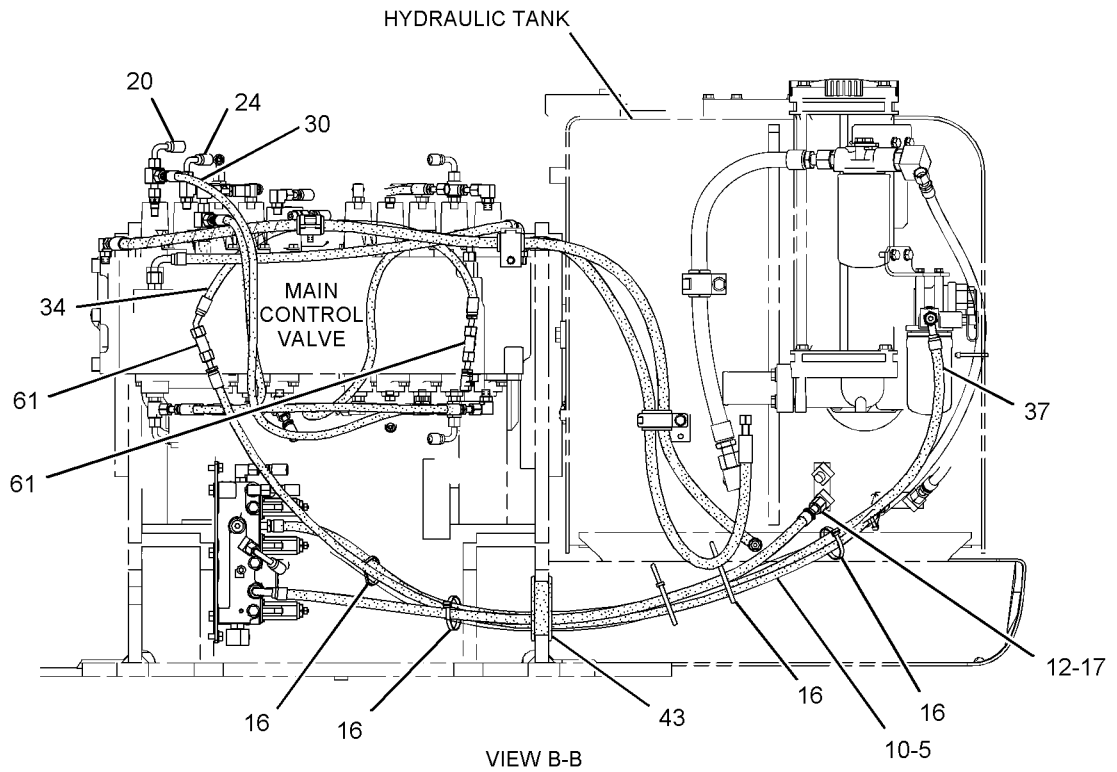
GRAPHIC #1

g01617976

HYDRAULIC SYSTEM

248-9851 LINES GP-PILOT (contd.)

i03037860



REFER TO ALL ILLUSTRATIONS OF THIS GROUP FOR AUXILIARY VIEWS

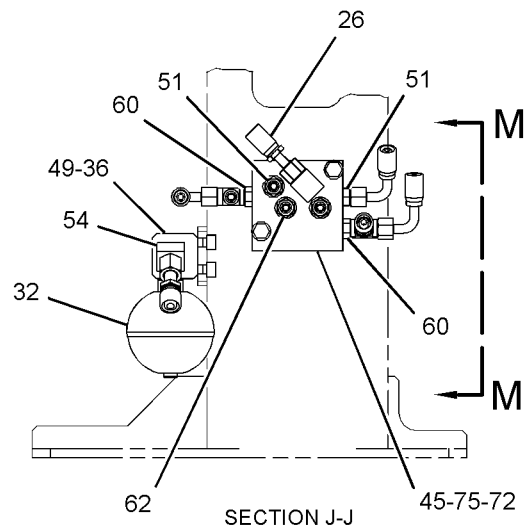
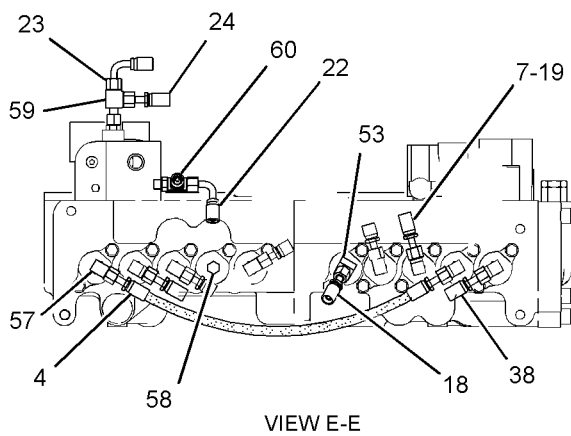
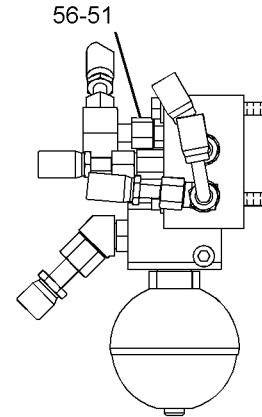
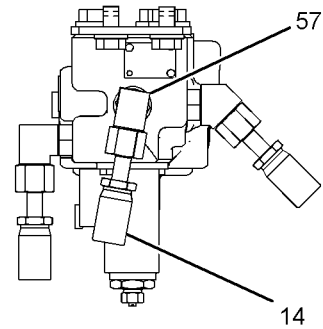
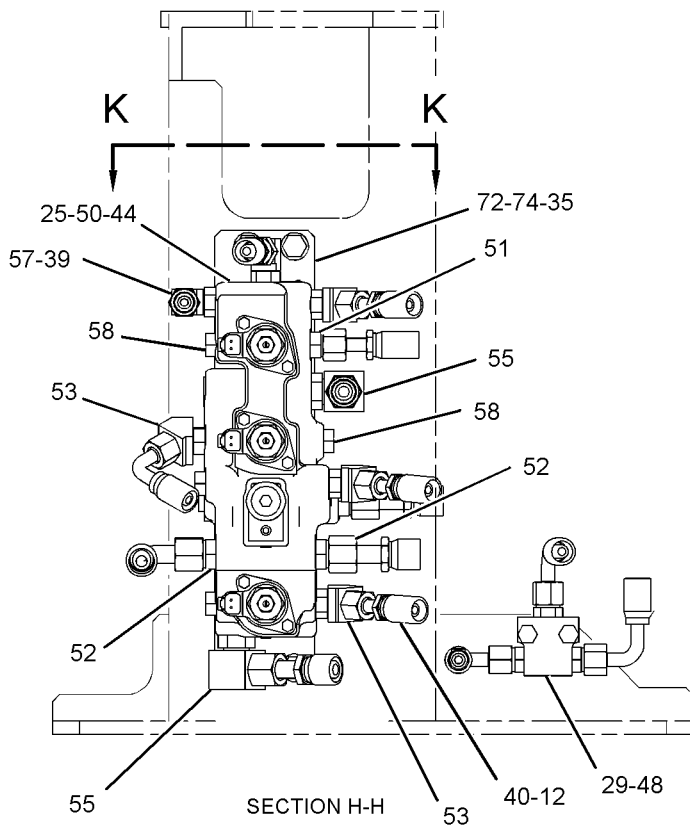
GRAPHIC #2

g01617977

HYDRAULIC SYSTEM

248-9851 LINES GP-PILOT (contd.)

i03037860



GRAPHIC #3

<END>

g01617975

HYDRAULIC SYSTEM

248-9851 LINES GP-PILOT-CONTROL VALVE

S/N: MGG108-646; JFZ199-2230

PART OF 285-1354, 285-1355 HYDRAULIC AR
TYPE 2

SMCS-5057, 5059

i03248697

NOTE	REF NO	GRAPHIC REF	PART NUMBER	QTY	PART NAME						SEE PAGE
					1	2	3	4	5	6 (PRODUCT LEVEL)	
I	1	2	4I-0818	1	HOSE AS						
I	2	2	4I-0836	1	HOSE AS						
I	3	1	4I-1037	1	HOSE AS						
I	4	1	4I-1739	1	HOSE AS						
I	5	1	4I-1780	1	HOSE AS						
I	6	2	4I-5906	1	HOSE AS						
I	7	1	4I-5933	1	HOSE AS						
	8	2	4I-9521	2	BAND-MARKER (RED, L1)						
	9	1	4I-9522	6	BAND-MARKER (YELLOW, L2)						
	10	1	4I-9523	4	BAND-MARKER (BLUE, L3)						
	11	1,2	4I-9524	6	BAND-MARKER (BROWN, L4)						
	12	1	4I-9525	2	BAND-MARKER (ORANGE, R1)						
	13	1,2	4I-9527	4	BAND-MARKER (GREEN, R3)						
	14	1	4I-9528	4	BAND-MARKER (PURPLE, R4)						
I	15	1	5I-4076	1	HOSE AS						
I	16	2	5I-4396	1	HOSE AS						
I	17	2	5I-8708	1	HOSE AS						
C	18	1,2	7K-1181	17	STRAP-CABLE						
I	19	1	7Y-8487	1	HOSE AS						
I	20	1,2	087-4411	1	HOSE AS						
I	21	1	087-4531	2	HOSE AS						
I	22	1	087-4534	1	HOSE AS						
I	23	2	087-5760	1	HOSE AS						
I	24	1	087-5762	1	HOSE AS						
I	25	2	087-5772	1	HOSE AS						
I	26	1,2	087-5774	2	HOSE AS						
I	27	2	104-8838	1	HOSE AS						
I	28	1	110-5496	1	HOSE AS						
I	29	1	143-4254	2	HOSE AS						
	30	2	148-8364	2	ELBOW AS						
					(EACH INCLUDES)						
		2	3K-0360	1	SEAL-O-RING						
		2	6V-8398	1	SEAL-O-RING						
		2	6V-8625	1	ELBOW						
	31	2	148-8433	3	TEE AS						
					(EACH INCLUDES)						
		2	6V-8397	2	SEAL-O-RING						
		2	6V-9836	1	TEE-SWIVEL						
	32	2	148-8435	4	TEE AS						
					(EACH INCLUDES)						
		2	3J-1907	1	SEAL-O-RING						
		2	6V-8397	2	SEAL-O-RING						
		2	6V-8781	1	TEE-FACE SEAL						
	33	2	150-4044	3	CONNECTOR AS						
					(EACH INCLUDES)						
		2	3J-1907	1	SEAL-O-RING						
		2	6V-8397	1	SEAL-O-RING						
		2	8T-1779	1	CONNECTOR						
Y	34	2	164-6981	1	ACCUMULATOR GP-HYDRAULIC (CHARGED)						338
I	35	1	164-8977	1	HOSE AS						
I	36	1	164-8983	1	HOSE AS						
	37	2	176-4463	1	PLATE						
	38	2	176-4469	1	BLOCK						
I	39	2	176-4472	1	HOSE AS						
I	40	2	176-4768	1	HOSE AS						

HYDRAULIC SYSTEM

248-9851 LINES GP-PILOT (contd.)

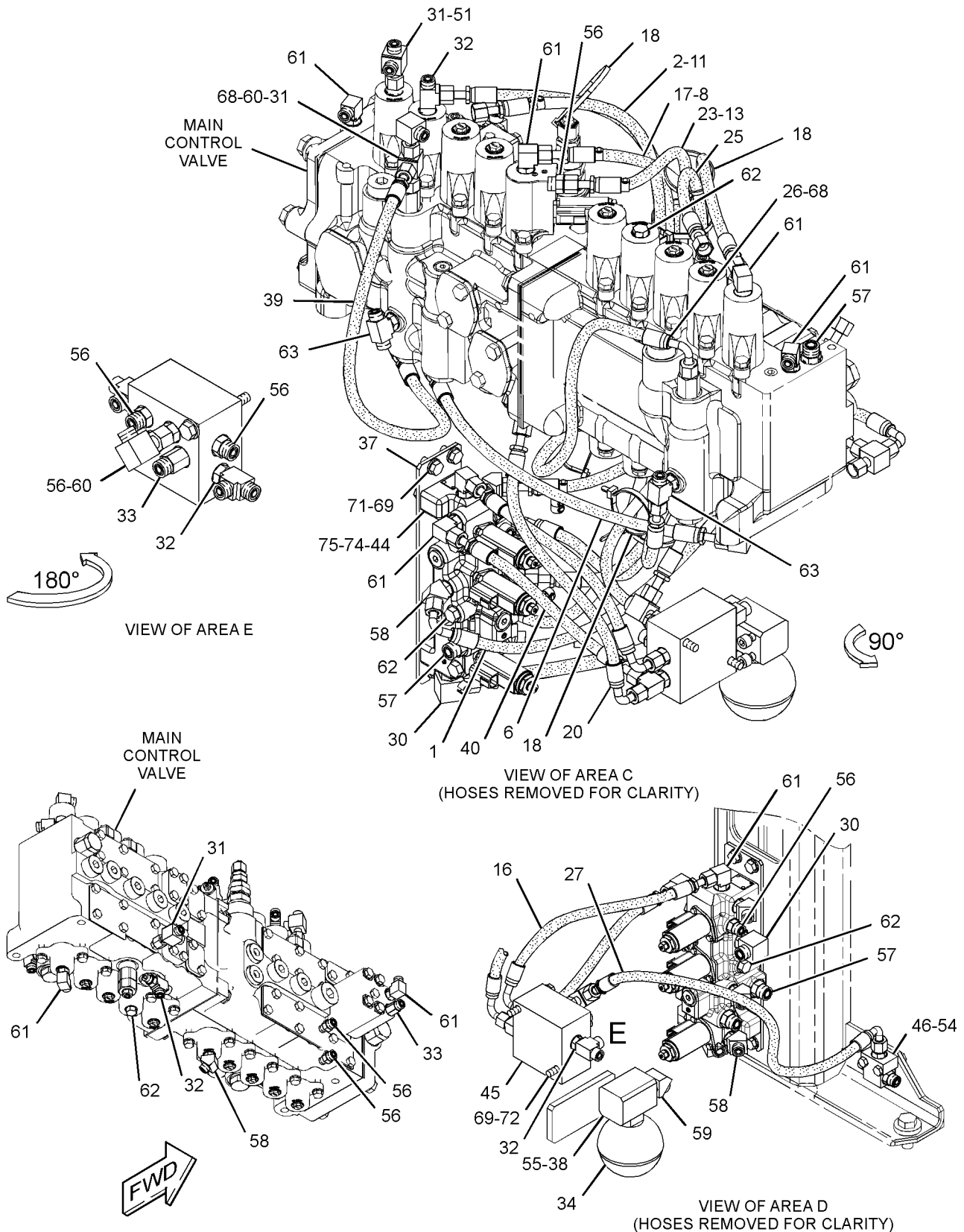
i03248697

NOTE	REF NO	GRAPHIC REF	PART NUMBER	QTY	PART NAME						SEE PAGE
					1	2	3	4	5	6 (PRODUCT LEVEL)	
I	41	1	187-7070	2	HOSE AS						
CI	42	1	199-1965	1	HOSE AS						
	43	1	202-4004	1	GROMMET						
Y	44	2	215-5037	1	MANIFOLD GP-CONTROL (PILOT OIL SUPPLY)						537
Y	45	2	232-4102	1	VALVE GP-PRESSURE REDUCING (BOOM, SWING PRIORITY)						600
Y	46	2	259-7732	1	VALVE GP-SHUTTLE						619
I	47	1	266-1098	1	HOSE AS						
	48	1	275-1442	1	CLIP (TAB)						
	49	1	275-1443	1	CLIP (SLOT)						
	50	1	275-1444	1	GROMMET						
	51	2	285-1399	1	CONNECTOR AS						
		2	3J-1907	1	SEAL-O-RING						
		2	6V-8397	1	SEAL-O-RING						
		2	285-1465	1	CONNECTOR						
I	52	1	286-6760	1	HOSE AS						
I	53	1	302-3168	1	HOSE AS						
M	54	2	099-3649	2	BOLT (M8X1.25X40-MM)						
M	55	2	105-3484	2	BOLT-SOCKET HEAD (M10X1.5X25-MM)						
	56	2	148-8336	7	CONNECTOR AS						
					(EACH INCLUDES)						
		2	3J-1907	1	SEAL-O-RING						
		2	6V-8397	1	SEAL-O-RING						
		2	6V-8636	1	CONNECTOR						
	57	2	148-8340	4	CONNECTOR AS						
					(EACH INCLUDES)						
		2	3K-0360	1	SEAL-O-RING						
		2	6V-8398	1	SEAL-O-RING						
		2	6V-8639	1	CONNECTOR						
	58	2	148-8353	5	ELBOW AS						
					(EACH INCLUDES)						
		2	3J-1907	1	SEAL-O-RING						
		2	6V-8397	1	SEAL-O-RING						
		2	6V-9001	1	ELBOW						
	59	2	148-8354	1	ELBOW AS						
		2	3K-0360	1	SEAL-O-RING						
		2	6V-8398	1	SEAL-O-RING						
		2	6V-9002	1	ELBOW						
	60	2	148-8367	2	ELBOW AS						
					(EACH INCLUDES)						
		2	6V-8397	1	SEAL-O-RING						
		2	6V-9850	1	ELBOW						
	61	2	148-8378	8	ELBOW AS						
					(EACH INCLUDES)						
		2	3J-1907	1	SEAL-O-RING						
		2	6V-8397	1	SEAL-O-RING						
		2	6V-8724	1	ELBOW						
	62	2	148-8407	6	PLUG AS						
					(EACH INCLUDES)						
		2	3J-1907	1	SEAL-O-RING						
		2	9S-4191	1	PLUG-O-RING						
	63	2	148-8439	2	TEE AS						
					(EACH INCLUDES)						
		2	3J-1907	1	SEAL-O-RING						
		2	6V-8397	2	SEAL-O-RING						
		2	6V-8774	1	TEE						
	64	1	4K-8864	1	CLIP						
	65	1	5P-7462	2	CLIP (SLOT)						
	66	1	5P-7463	2	CLIP (TAB)						
	67	1	6V-0683	2	GROMMET						

HYDRAULIC SYSTEM

248-9851 LINES GP-PILOT (contd.)

i03248697



GRAPHIC #2

<END>

g01393584

HYDRAULIC SYSTEM

248-9851 LINES GP-PILOT-CONTROL VALVE

S/N: MGG647-1178; JFZ2231-3138

PART OF 285-1354, 285-1355 HYDRAULIC AR

SMCS-5057, 5059

i03319060

NOTE	REF NO	GRAPHIC REF	PART NUMBER	QTY	PART NAME						SEE PAGE
					1	2	3	4	5	6 (PRODUCT LEVEL)	
I	1	2	4I-0818	1	HOSE AS						
I	2	2	4I-0836	1	HOSE AS						
I	3	1	4I-1037	1	HOSE AS						
I	4	1	4I-1739	1	HOSE AS						
I	5	1	4I-1780	1	HOSE AS						
I	6	2	4I-5906	1	HOSE AS						
I	7	1	4I-5933	1	HOSE AS						
	8	2	4I-9521	2	BAND-MARKER (RED, L1)						
	9	1	4I-9522	6	BAND-MARKER (YELLOW, L2)						
	10	1	4I-9523	4	BAND-MARKER (BLUE, L3)						
	11	1,2	4I-9524	6	BAND-MARKER (BROWN, L4)						
	12	1	4I-9525	2	BAND-MARKER (ORANGE, R1)						
	13	1,2	4I-9527	4	BAND-MARKER (GREEN, R3)						
	14	1	4I-9528	4	BAND-MARKER (PURPLE, R4)						
I	15	1	5I-4076	1	HOSE AS						
I	16	2	5I-4396	1	HOSE AS						
I	17	2	5I-8708	1	HOSE AS						
	18	1,2	7K-1181	17	STRAP-CABLE						
I	19	1	7Y-8487	1	HOSE AS						
I	20	1,2	087-4411	1	HOSE AS						
I	21	1	087-4531	2	HOSE AS						
I	22	1	087-4534	1	HOSE AS						
I	23	2	087-5760	1	HOSE AS						
I	24	1	087-5762	1	HOSE AS						
I	25	2	087-5772	1	HOSE AS						
I	26	1,2	087-5774	2	HOSE AS						
I	27	2	104-8838	1	HOSE AS						
I	28	1	110-5496	1	HOSE AS						
I	29	1	143-4254	2	HOSE AS						
	30	2	148-8364	2	ELBOW AS						
					(EACH INCLUDES)						
		2	3K-0360	1	SEAL-O-RING						
		2	6V-8398	1	SEAL-O-RING						
		2	6V-8625	1	ELBOW						
	31	2	148-8433	3	TEE AS						
					(EACH INCLUDES)						
		2	6V-8397	2	SEAL-O-RING						
		2	6V-9836	1	TEE-SWIVEL						
	32	2	148-8435	4	TEE AS						
					(EACH INCLUDES)						
		2	3J-1907	1	SEAL-O-RING						
		2	6V-8397	2	SEAL-O-RING						
		2	6V-8781	1	TEE-FACE SEAL						
	33	2	150-4044	3	CONNECTOR AS						
					(EACH INCLUDES)						
		2	3J-1907	1	SEAL-O-RING						
		2	6V-8397	1	SEAL-O-RING						
		2	8T-1779	1	CONNECTOR						
Y	34	2	164-6981	1	ACCUMULATOR GP-HYDRAULIC (CHARGED)						338
I	35	1	164-8977	1	HOSE AS						
I	36	1	164-8983	1	HOSE AS						
	37	2	176-4463	1	PLATE						
	38	2	176-4469	1	BLOCK						
I	39	2	176-4472	1	HOSE AS						
I	40	2	176-4768	1	HOSE AS						
I	41	1	187-7070	2	HOSE AS						

HYDRAULIC SYSTEM

248-9851 LINES GP-PILOT (contd.)

i03319060

NOTE	REF NO	GRAPHIC REF	PART NUMBER	QTY	PART NAME						SEE PAGE
					1	2	3	4	5	6 (PRODUCT LEVEL)	
I	42	1	199-1965	1	HOSE AS						
	43	1	202-4004	1	GROMMET						
Y	44	2	215-5037	1	MANIFOLD GP-CONTROL (PILOT OIL SUPPLY)						537
Y	45	2	232-4102	1	VALVE GP-PRESSURE REDUCING (BOOM, SWING PRIORITY)						600
Y	46	2	259-7732	1	VALVE GP-SHUTTLE						619
I	47	1	266-1098	1	HOSE AS						
	48	1	275-1442	1	CLIP (TAB)						
	49	1	275-1443	1	CLIP (SLOT)						
	50	1	275-1444	1	GROMMET						
	51	2	285-1399	1	CONNECTOR AS						
		2	3J-1907	1	SEAL-O-RING						
		2	6V-8397	1	SEAL-O-RING						
		2	285-1465	1	CONNECTOR						
I	52	1	286-6760	1	HOSE AS						
CI	53	1	314-8128	1	HOSE AS						
M	54	2	099-3649	2	BOLT (M8X1.25X40-MM)						
M	55	2	105-3484	2	BOLT-SOCKET HEAD (M10X1.5X25-MM)						
	56	2	148-8336	7	CONNECTOR AS						
					(EACH INCLUDES)						
		2	3J-1907	1	SEAL-O-RING						
		2	6V-8397	1	SEAL-O-RING						
		2	6V-8636	1	CONNECTOR						
	57	2	148-8340	4	CONNECTOR AS						
					(EACH INCLUDES)						
		2	3K-0360	1	SEAL-O-RING						
		2	6V-8398	1	SEAL-O-RING						
		2	6V-8639	1	CONNECTOR						
	58	2	148-8353	5	ELBOW AS						
					(EACH INCLUDES)						
		2	3J-1907	1	SEAL-O-RING						
		2	6V-8397	1	SEAL-O-RING						
		2	6V-9001	1	ELBOW						
	59	2	148-8354	1	ELBOW AS						
		2	3K-0360	1	SEAL-O-RING						
		2	6V-8398	1	SEAL-O-RING						
		2	6V-9002	1	ELBOW						
	60	2	148-8367	2	ELBOW AS						
					(EACH INCLUDES)						
		2	6V-8397	1	SEAL-O-RING						
		2	6V-9850	1	ELBOW						
	61	2	148-8378	8	ELBOW AS						
					(EACH INCLUDES)						
		2	3J-1907	1	SEAL-O-RING						
		2	6V-8397	1	SEAL-O-RING						
		2	6V-8724	1	ELBOW						
	62	2	148-8407	6	PLUG AS						
					(EACH INCLUDES)						
		2	3J-1907	1	SEAL-O-RING						
		2	9S-4191	1	PLUG-O-RING						
	63	2	148-8439	2	TEE AS						
					(EACH INCLUDES)						
		2	3J-1907	1	SEAL-O-RING						
		2	6V-8397	2	SEAL-O-RING						
		2	6V-8774	1	TEE						
	64	1	4K-8864	1	CLIP						
	65	1	5P-7462	2	CLIP (SLOT)						
	66	1	5P-7463	2	CLIP (TAB)						
	67	1	6V-0683	2	GROMMET						
	68	2	6V-8397	2	SEAL-O-RING						

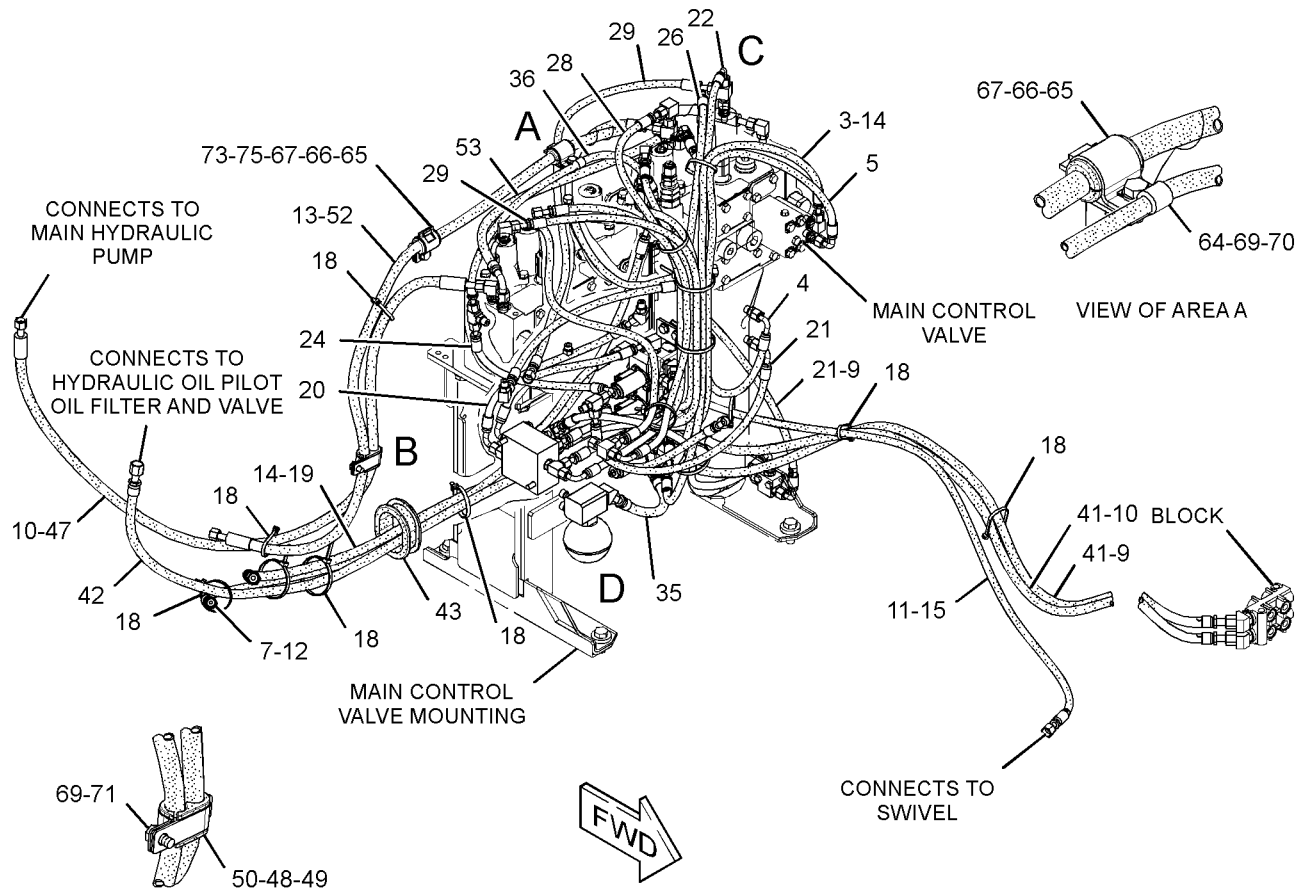
HYDRAULIC SYSTEM

248-9851 LINES GP-PILOT (contd.)

i03319060

NOTE	REF NO	GRAPHIC REF	PART NUMBER	QTY	PART NAME						SEE PAGE
					1	2	3	4	5	6 (PRODUCT LEVEL)	
	69	1,2	8T-4121	8	WASHER-HARD (11X21X2.5-MM THK)						
M	70	1	8T-4136	1	BOLT (M10X1.5X25-MM)						
M	71	1,2	8T-4137	5	BOLT (M10X1.5X20-MM)						
M	72	2	8T-4172	2	BOLT (M10X1.5X80-MM)						
M	73	1	8T-4183	1	BOLT (M12X1.75X40-MM)						
M	74	2	8T-4192	3	BOLT (M12X1.75X25-MM)						
	75	1,2	8T-4223	4	WASHER-HARD (13.5X25.5X3-MM THK)						

C- CHANGE FROM PREVIOUS TYPE
 I- REFER TO HYDRAULIC INFORMATION SYSTEM
 M- METRIC PART
 Y- SEPARATE ILLUSTRATION



VIEW OF AREA B

REFER TO ALL ILLUSTRATIONS OF THIS GROUP FOR AUXILIARY VIEWS

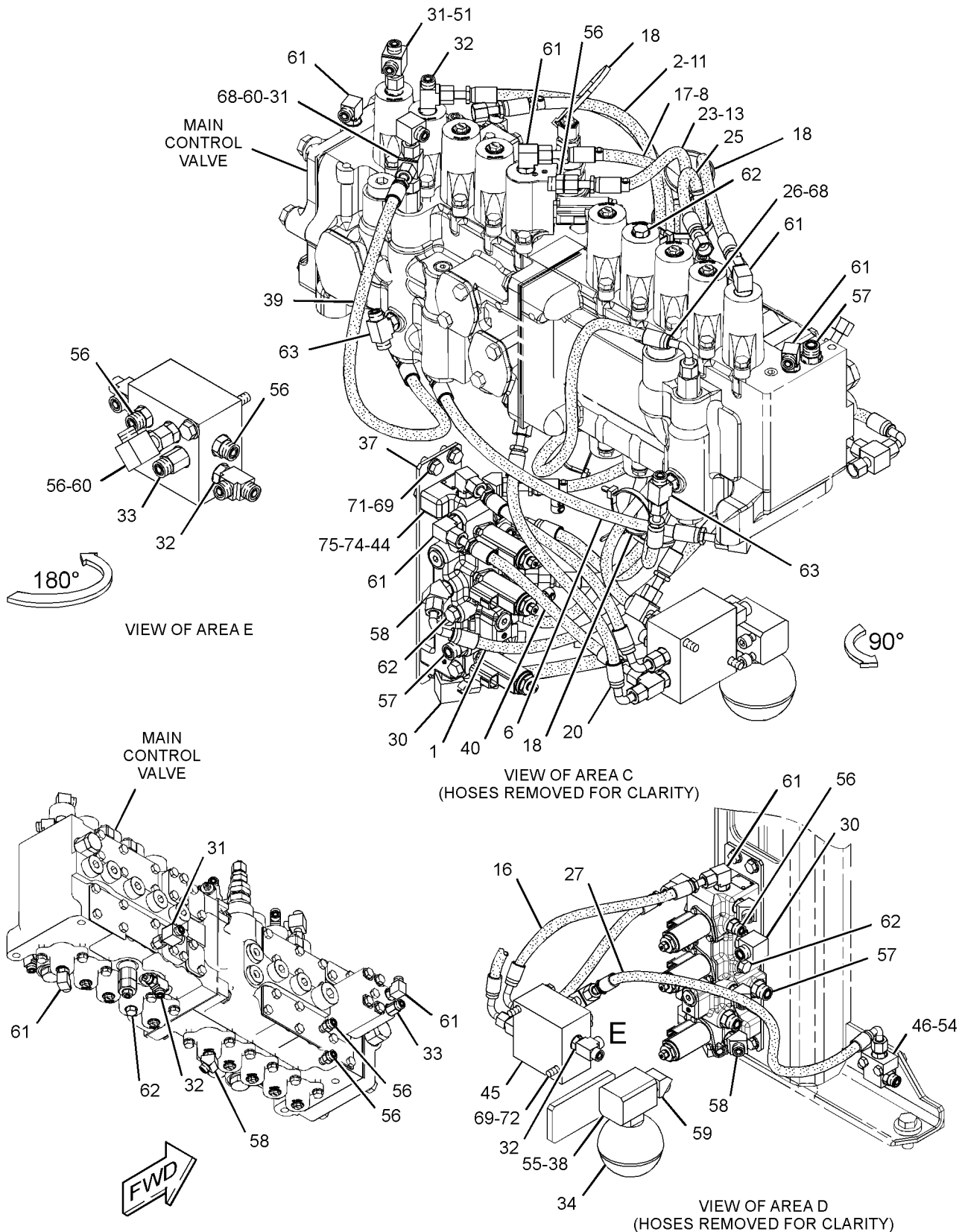
GRAPHIC #1

g01393583

HYDRAULIC SYSTEM

248-9851 LINES GP-PILOT (contd.)

i03319060



GRAPHIC #2

<END>

g01393584

HYDRAULIC SYSTEM**248-9851 LINES GP-PILOT-CONTROL VALVE**

S/N: MGG1179-UP; JFZ3139-UP

PART OF 285-1354, 285-1355 HYDRAULIC AR

SMCS-5057, 5059

i03385840

NOTE	REF NO	GRAPHIC REF	PART NUMBER	QTY	PART NAME						SEE PAGE
					1	2	3	4	5	6 (PRODUCT LEVEL)	
I	1	2	4I-0818	1	HOSE AS						
I	2	2	4I-0836	1	HOSE AS						
I	3	1	4I-1037	1	HOSE AS						
I	4	1	4I-1739	1	HOSE AS						
I	5	1	4I-1780	1	HOSE AS						
I	6	2	4I-5906	1	HOSE AS						
I	7	1	4I-5933	1	HOSE AS						
	8	2	4I-9521	2	BAND-MARKER (RED, L1)						
	9	1	4I-9522	6	BAND-MARKER (YELLOW, L2)						
	10	1	4I-9523	4	BAND-MARKER (BLUE, L3)						
	11	1,2	4I-9524	6	BAND-MARKER (BROWN, L4)						
	12	1	4I-9525	2	BAND-MARKER (ORANGE, R1)						
	13	1,2	4I-9527	4	BAND-MARKER (GREEN, R3)						
	14	1	4I-9528	4	BAND-MARKER (PURPLE, R4)						
I	15	1	5I-4076	1	HOSE AS						
I	16	2	5I-4396	1	HOSE AS						
I	17	2	5I-8708	1	HOSE AS						
	18	1,2	7K-1181	16	STRAP-CABLE						
I	19	1	7Y-8487	1	HOSE AS						
I	20	1,2	087-4411	1	HOSE AS						
I	21	1	087-4531	2	HOSE AS						
I	22	1	087-4534	1	HOSE AS						
I	23	2	087-5760	1	HOSE AS						
I	24	1	087-5762	1	HOSE AS						
I	25	2	087-5772	1	HOSE AS						
I	26	2	087-5774	1	HOSE AS						
I	27	2	104-8838	1	HOSE AS						
I	28	1	110-5496	1	HOSE AS						
I	29	1	143-4254	2	HOSE AS						
	30	2	148-8364	2	ELBOW AS						
					(EACH INCLUDES)						
		2	3K-0360	1	SEAL-O-RING						
		2	6V-8398	1	SEAL-O-RING						
		2	6V-8625	1	ELBOW						
	31	2	148-8433	3	TEE AS						
					(EACH INCLUDES)						
		2	6V-8397	2	SEAL-O-RING						
		2	6V-9836	1	TEE-SWIVEL						
	32	2	148-8435	4	TEE AS						
					(EACH INCLUDES)						
		2	3J-1907	1	SEAL-O-RING						
		2	6V-8397	2	SEAL-O-RING						
		2	6V-8781	1	TEE-FACE SEAL						
	33	2	150-4044	3	CONNECTOR AS						
					(EACH INCLUDES)						
		2	3J-1907	1	SEAL-O-RING						
		2	6V-8397	1	SEAL-O-RING						
		2	8T-1779	1	CONNECTOR						
Y	34	2	164-6981	1	ACCUMULATOR GP-HYDRAULIC (CHARGED)						338
I	35	1	164-8977	1	HOSE AS						
I	36	1	164-8983	1	HOSE AS						
	37	2	176-4463	1	PLATE						
	38	2	176-4469	1	BLOCK						
I	39	2	176-4472	1	HOSE AS						
I	40	2	176-4768	1	HOSE AS						
I	41	1	187-7070	2	HOSE AS						

HYDRAULIC SYSTEM

248-9851 LINES GP-PILOT (contd.)

i03385840

NOTE	REF NO	GRAPHIC REF	PART NUMBER	QTY	PART NAME						SEE PAGE
					1	2	3	4	5	6 (PRODUCT LEVEL)	
I	42	1	199-1965	1	HOSE AS						
	43	1	202-4004	1	GROMMET						
Y	44	2	215-5037	1	MANIFOLD GP-CONTROL (PILOT OIL SUPPLY)						537
CY	45	2	310-0210	1	VALVE GP-PRESSURE REDUCING (BOOM, SWING PRIORITY)						601
CY	46	2	123-2430	1	VALVE GP-SHUTTLE						617
I	47	1	266-1098	1	HOSE AS						
	48	1	275-1442	1	CLIP (TAB)						
	49	1	275-1443	1	CLIP (SLOT)						
	50	1	275-1444	1	GROMMET						
	51	2	285-1399	1	CONNECTOR AS						
		2	3J-1907	1	SEAL-O-RING						
		2	6V-8397	1	SEAL-O-RING						
		2	285-1465	1	CONNECTOR						
I	52	1	286-6760	1	HOSE AS						
CI	53	1	314-8128	1	HOSE AS						
M	54	2	099-3649	2	BOLT (M8X1.25X40-MM)						
M	55	2	105-3484	2	BOLT-SOCKET HEAD (M10X1.5X25-MM)						
C	56	2	148-8336	8	CONNECTOR AS						
					(EACH INCLUDES)						
		2	3J-1907	1	SEAL-O-RING						
		2	6V-8397	1	SEAL-O-RING						
		2	6V-8636	1	CONNECTOR						
	57	2	148-8340	4	CONNECTOR AS						
					(EACH INCLUDES)						
		2	3K-0360	1	SEAL-O-RING						
		2	6V-8398	1	SEAL-O-RING						
		2	6V-8639	1	CONNECTOR						
	58	2	148-8353	5	ELBOW AS						
					(EACH INCLUDES)						
		2	3J-1907	1	SEAL-O-RING						
		2	6V-8397	1	SEAL-O-RING						
		2	6V-9001	1	ELBOW						
	59	2	148-8354	1	ELBOW AS						
		2	3K-0360	1	SEAL-O-RING						
		2	6V-8398	1	SEAL-O-RING						
		2	6V-9002	1	ELBOW						
	60	2	148-8367	2	ELBOW AS						
					(EACH INCLUDES)						
		2	6V-8397	1	SEAL-O-RING						
		2	6V-9850	1	ELBOW						
	61	2	148-8378	8	ELBOW AS						
					(EACH INCLUDES)						
		2	3J-1907	1	SEAL-O-RING						
		2	6V-8397	1	SEAL-O-RING						
		2	6V-8724	1	ELBOW						
	62	2	148-8407	6	PLUG AS						
					(EACH INCLUDES)						
		2	3J-1907	1	SEAL-O-RING						
		2	9S-4191	1	PLUG-O-RING						
	63	2	148-8439	2	TEE AS						
					(EACH INCLUDES)						
		2	3J-1907	1	SEAL-O-RING						
		2	6V-8397	2	SEAL-O-RING						
		2	6V-8774	1	TEE						
	64	1	4K-8864	1	CLIP						
	65	1	5P-7462	2	CLIP (SLOT)						
	66	1	5P-7463	2	CLIP (TAB)						
	67	1	6V-0683	2	GROMMET						
C	68	2	6V-8397	4	SEAL-O-RING						

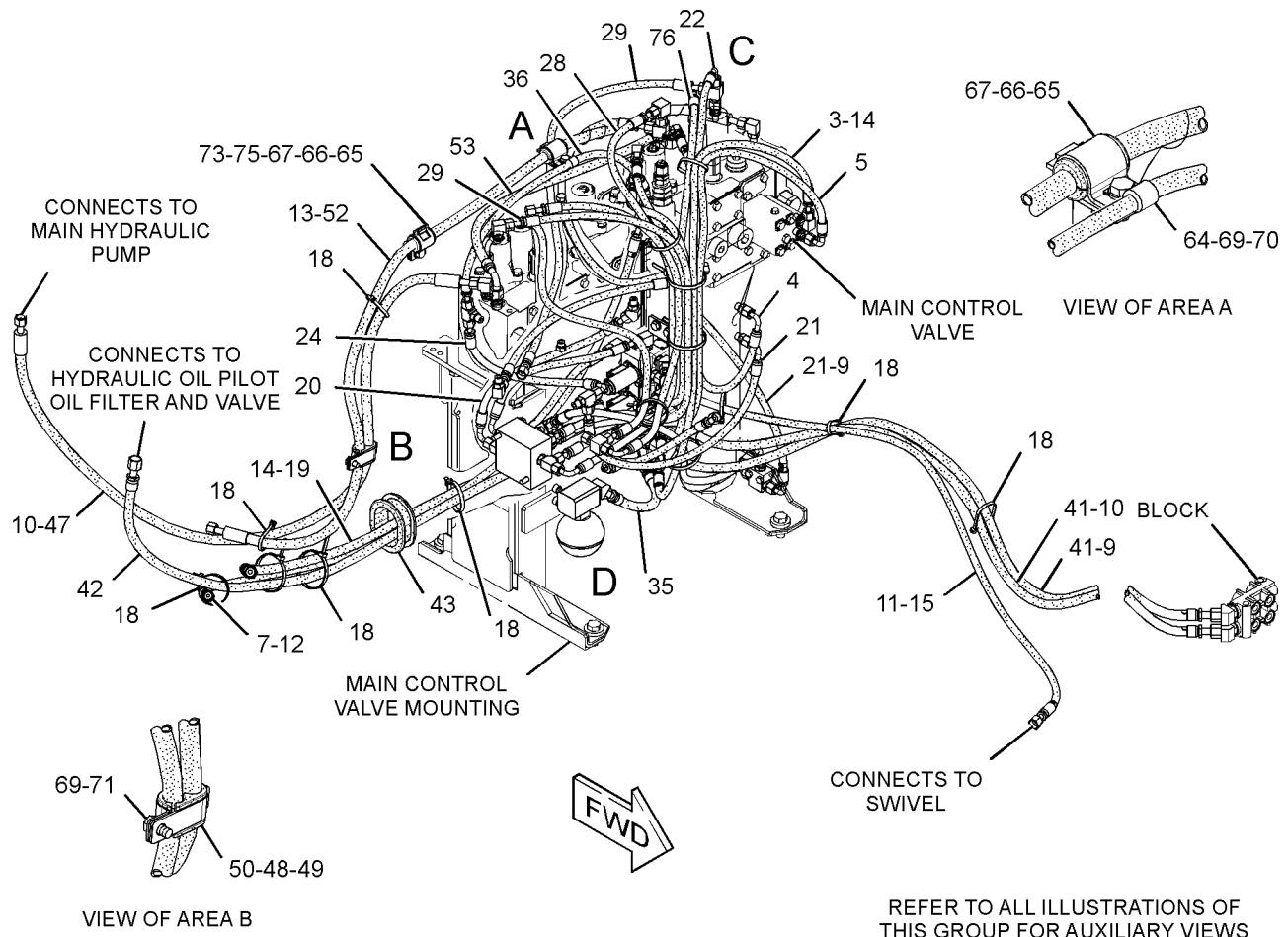
HYDRAULIC SYSTEM

248-9851 LINES GP-PILOT (contd.)

i03385840

NOTE	REF NO	GRAPHIC REF	PART NUMBER	QTY	PART NAME						SEE PAGE
					1	2	3	4	5	6 (PRODUCT LEVEL)	
	69	1,2	8T-4121	8	WASHER-HARD (11X21X2.5-MM THK)						
M	70	1	8T-4136	1	BOLT (M10X1.5X25-MM)						
M	71	1,2	8T-4137	5	BOLT (M10X1.5X20-MM)						
M	72	2	8T-4172	2	BOLT (M10X1.5X80-MM)						
M	73	1	8T-4139	1	BOLT (M12X1.75X30-MM)						
M	74	2	8T-4192	3	BOLT (M12X1.75X25-MM)						
	75	1,2	8T-4223	4	WASHER-HARD (13.5X25.5X3-MM THK)						
I	76	1	330-2568	1	HOSE AS						

C-CHANGE FROM PREVIOUS TYPE
 I-REFER TO HYDRAULIC INFORMATION SYSTEM
 M-METRIC PART
 Y-SEPARATE ILLUSTRATION



REFER TO ALL ILLUSTRATIONS OF THIS GROUP FOR AUXILIARY VIEWS

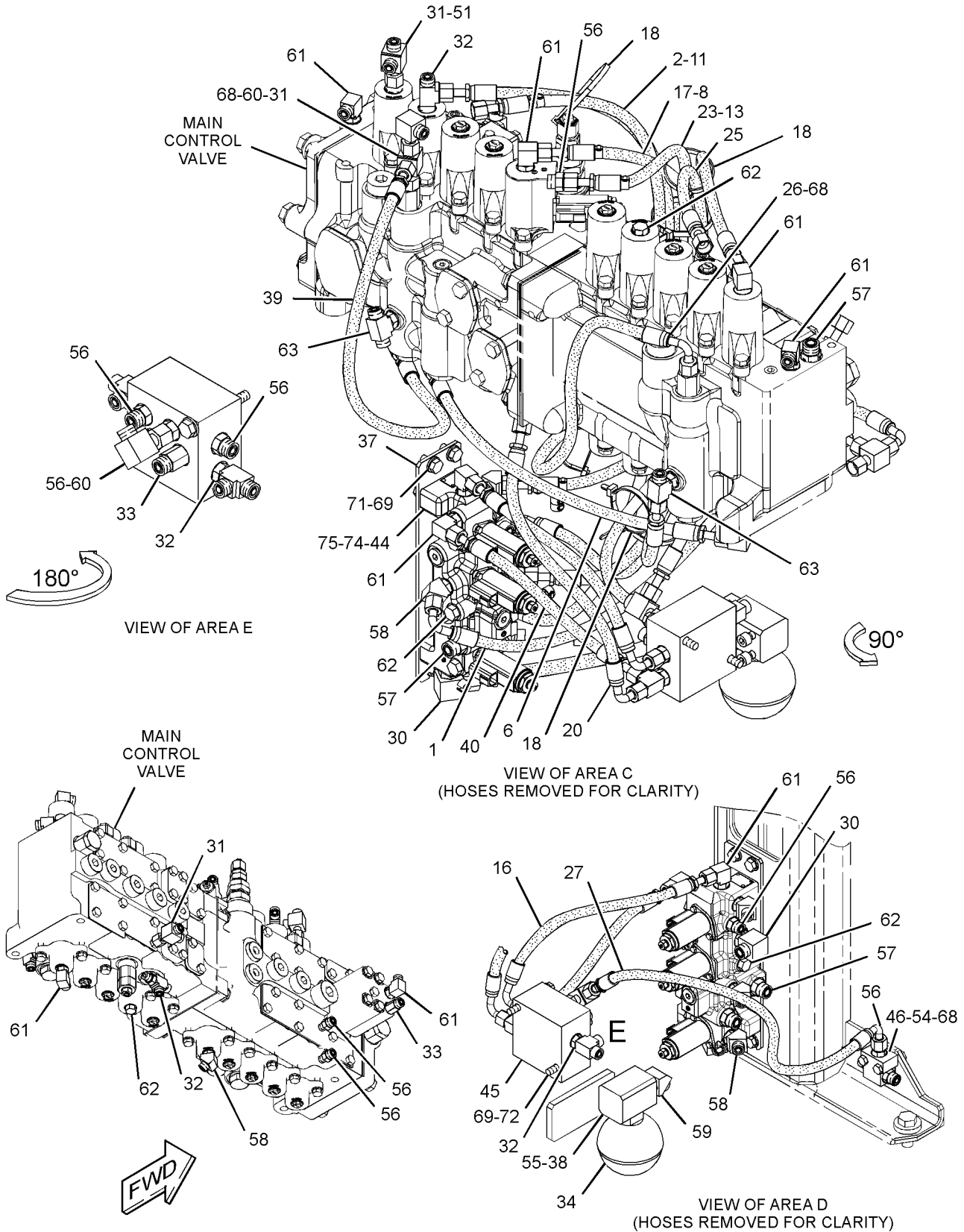
GRAPHIC #1

g01751663

HYDRAULIC SYSTEM

248-9851 LINES GP-PILOT (contd.)

i03385840



GRAPHIC #2

<END>

g01751668

HYDRAULIC SYSTEM

248-9852 LINES GP-PILOT-MAIN PUMP

S/N: MGG1-UP; JFZ1-UP

PART OF 285-1354, 285-1355 HYDRAULIC AR

SMCS-5057, 5059

i03368845

NOTE	REF NO	GRAPHIC REF	PART NUMBER	QTY	PART NAME						SEE PAGE
					1	2	3	4	5	6 (PRODUCT LEVEL)	
CI	1	1	307-5120	1	HOSE AS						
	3	1	6V-0852	5	CAP-DUST						
	4	1	7K-1181	3	STRAP-CABLE						
I	5	1	7Y-8379	1	HOSE AS						
I	6	1	176-4743	2	HOSE AS						
	7	1	221-8859	2	SENSOR AS-PRESSURE (MAIN PUMP)						
					(EACH INCLUDES)						
			3E-3371	1	WEDGE-RECEPTACLE LOCK (3-PIN)						
			3K-0360	1	SEAL-O-RING						
			9X-3401	1	PIN-CONNECTOR (16-GA TO 18-GA)						
					-OR-						
			126-1767	1	PIN-CONNECTOR (14-GA)						
			171-0596	1	RECEPTACLE AS						
	8	1	266-1028	1	HOSE AS						
	9	1	148-8336	2	CONNECTOR AS						
					(EACH INCLUDES)						
			3J-1907	1	SEAL-O-RING						
			6V-8397	1	SEAL-O-RING						
			6V-8636	1	CONNECTOR						
10		1	148-8340	1	CONNECTOR AS						
			3K-0360	1	SEAL-O-RING						
			6V-8398	1	SEAL-O-RING						
			6V-8639	1	CONNECTOR						
11		1	148-8347	1	ELBOW AS						
			3D-2824	1	SEAL-O-RING						
			6V-9007	1	ELBOW						
			6V-9746	1	SEAL-O-RING						
12		1	148-8378	2	ELBOW AS						
					(EACH INCLUDES)						
			3J-1907	1	SEAL-O-RING						
			6V-8397	1	SEAL-O-RING						
			6V-8724	1	ELBOW						
13		1	150-3036	1	ELBOW AS						
			3J-1907	1	SEAL-O-RING						
			6V-8397	1	SEAL-O-RING						
			8T-1905	1	ELBOW						
14		1	153-6237	2	ELBOW AS						
					(EACH INCLUDES)						
			3D-2824	1	SEAL-O-RING						
			6V-9004	1	ELBOW						
			6V-9746	1	SEAL-O-RING						
15		1	164-5567	5	COUPLER AS-QUICK DISCONNECT						
					(EACH INCLUDES)						
			3J-1907	1	SEAL-O-RING						
			6V-3965	1	FITTING (QUICK DISCONNECT)						

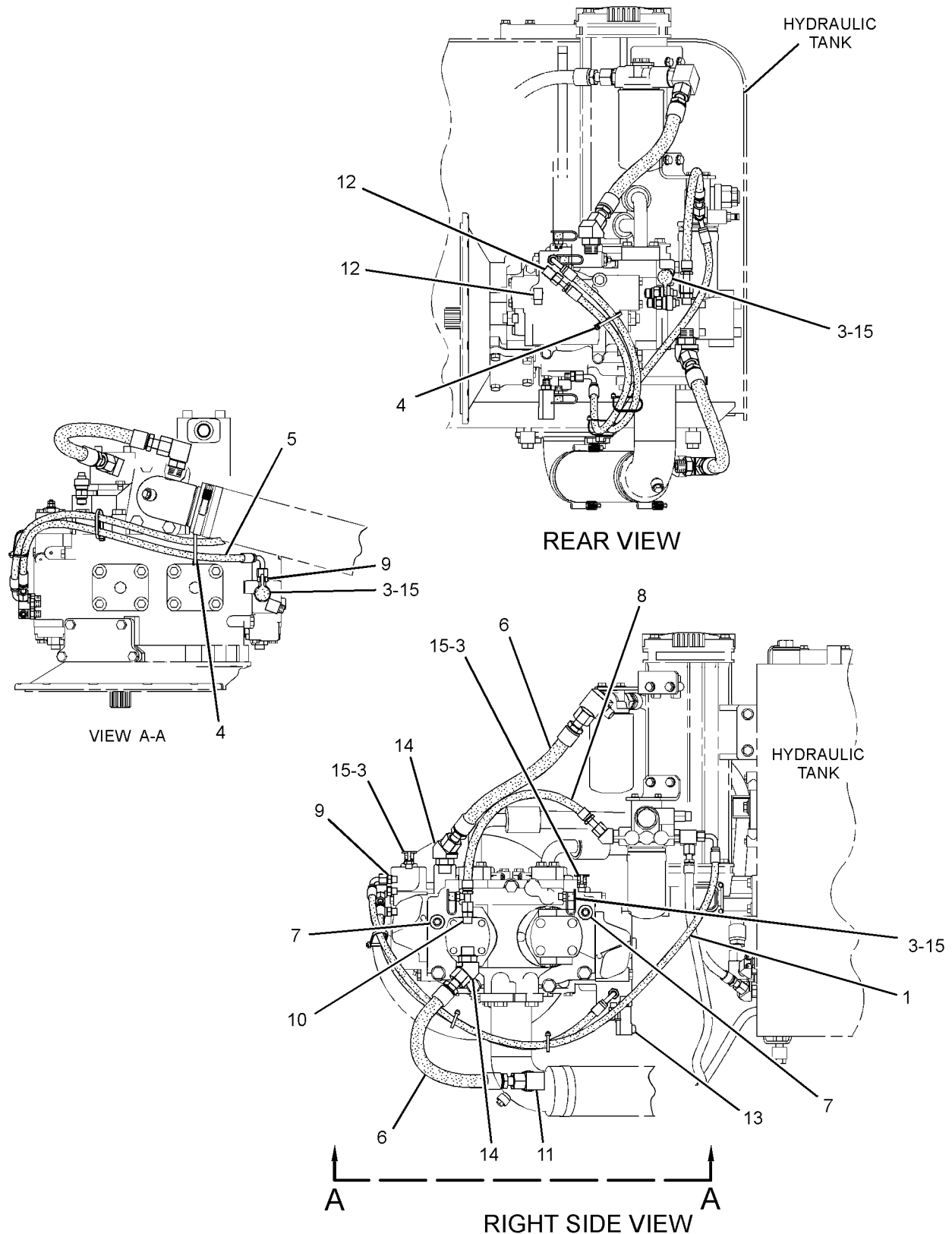
C-CHANGE FROM PREVIOUS TYPE

I-REFER TO HYDRAULIC INFORMATION SYSTEM

HYDRAULIC SYSTEM

248-9852 LINES GP-PILOT (contd.)

i03368845



GRAPHIC #1

<END>

g01396358

HYDRAULIC SYSTEM

255-1800 LINES GP-PILOT-PEDAL, RH

S/N: MGG1-UP; JFZ1-UP

PART OF 259-7494 CONTROL AR-AUXILIARY
AN ATTACHMENT

SMCS-5057, 5059

i02973177

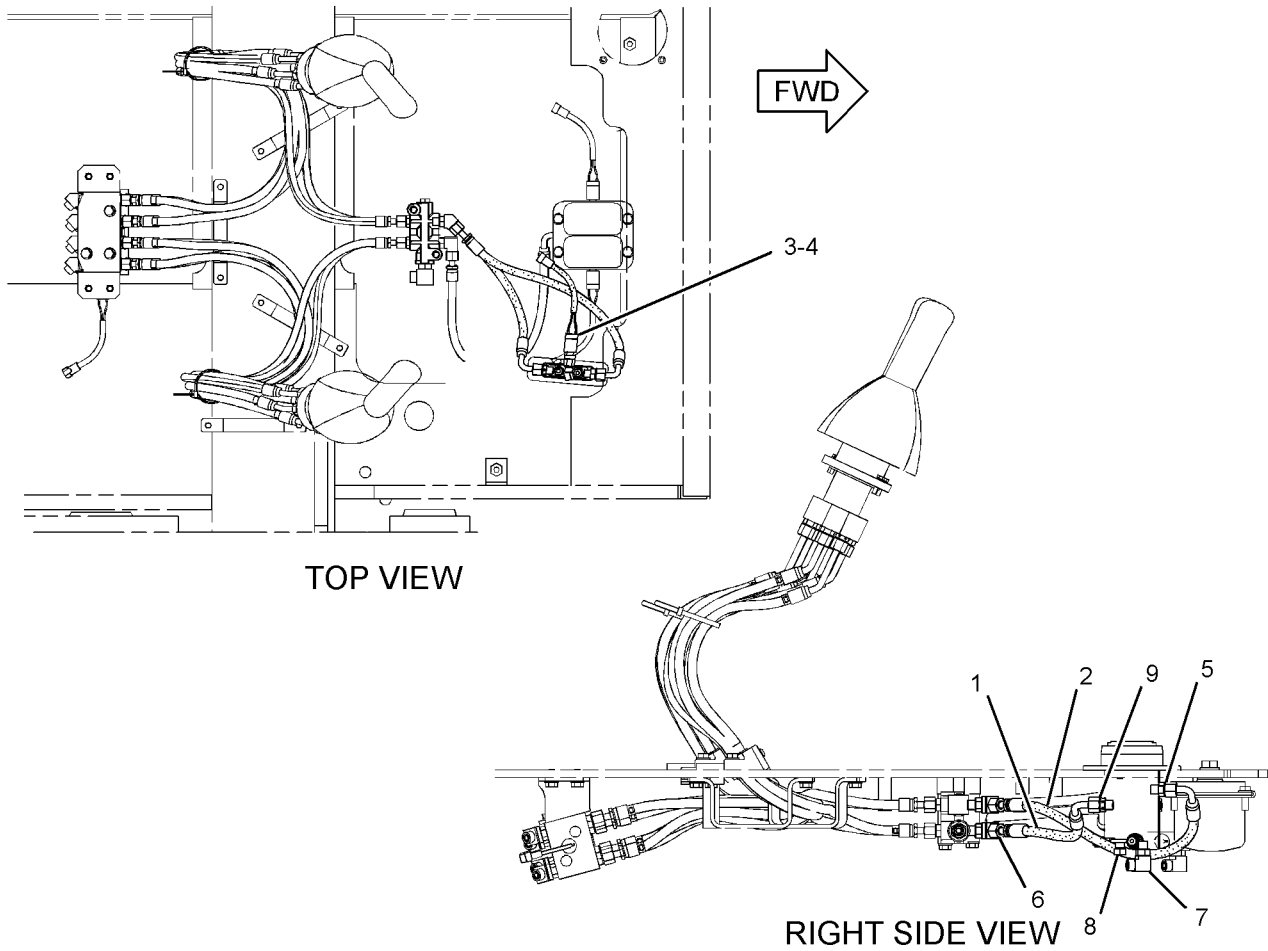
NOTE	REF NO	GRAPHIC REF	PART NUMBER	QTY	PART NAME						SEE PAGE
					1	2	3	4	5	6 (PRODUCT LEVEL)	
I	1	1	4I-1704	1	HOSE AS						
I	2	1	087-4402	1	HOSE AS						
	3	1	164-5629	1	FITTING AS						
		1	3J-1907	1	SEAL-O-RING						
		1	108-7516	1	FITTING						
	4	1	309-5769	1	SWITCH AS-PRESSURE (ACTION INPUT, WORK TOOL)						
		1	102-8802	1	KIT-RECEPTACLE (2-PIN)						
					(INCLUDES RECEPTACLE AS & WEDGE)						
		1	9X-3401	2	PIN-CONNECTOR (16-GA TO 18-GA)						
					-OR-						
		1	126-1767	2	PIN-CONNECTOR (14-GA)						
	5	1	148-8336	1	CONNECTOR AS						
		1	3J-1907	1	SEAL-O-RING						
		1	6V-8397	1	SEAL-O-RING						
		1	6V-8636	1	CONNECTOR						
	6	1	148-8353	2	ELBOW AS						
					(EACH INCLUDES)						
		1	3J-1907	1	SEAL-O-RING						
		1	6V-8397	1	SEAL-O-RING						
		1	6V-9001	1	ELBOW						
	7	1	148-8378	1	ELBOW AS						
		1	3J-1907	1	SEAL-O-RING						
		1	6V-8397	1	SEAL-O-RING						
		1	6V-8724	1	ELBOW						
	8	1	148-8407	1	PLUG AS						
		1	3J-1907	1	SEAL-O-RING						
		1	9S-4191	1	PLUG-O-RING						
	9	1	164-5628	1	CONNECTOR AS						
		1	3J-1907	1	SEAL-O-RING						
		1	6V-8397	1	SEAL-O-RING						
		1	107-6631	1	CONNECTOR-FILTER						

I-REFER TO HYDRAULIC INFORMATION SYSTEM

HYDRAULIC SYSTEM

255-1800 LINES GP-PILOT (contd.)

i02973177



GRAPHIC #1

<END>

g01389248

HYDRAULIC SYSTEM

255-1802 LINES GP-PILOT-PEDAL CONTROLS

S/N: MGG1-UP; JFZ1-UP

PART OF 259-7493 CONTROL AR-AUXILIARY
AN ATTACHMENT

SMCS-5057, 5059

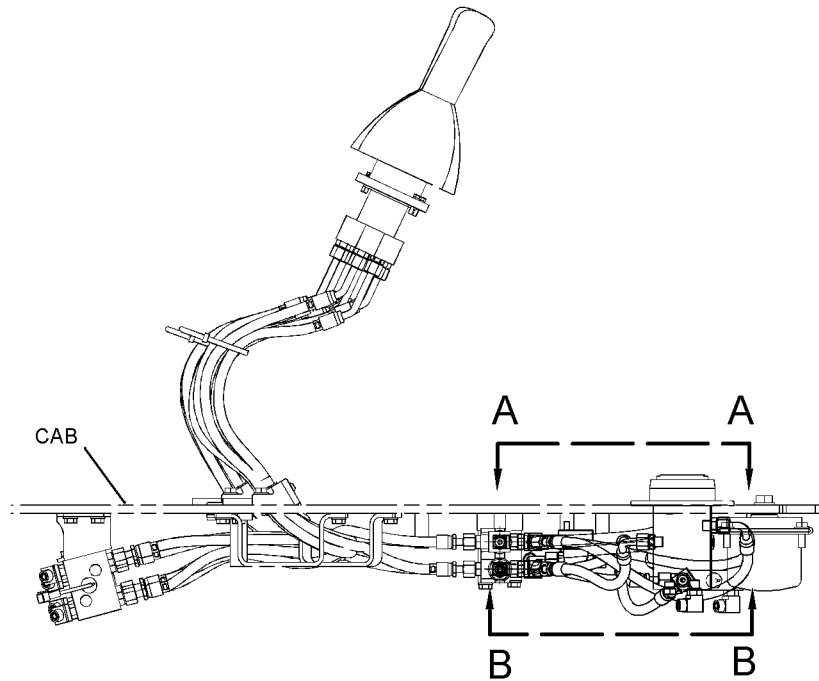
i02973181

NOTE	REF NO	GRAPHIC REF	PART NUMBER	QTY	PART NAME						SEE PAGE
					1	2	3	4	5	6 (PRODUCT LEVEL)	
I	1	1	4I-1025	1	HOSE AS						
I	2	1	4I-1704	1	HOSE AS						
I	3	1	5I-4396	1	HOSE AS						
I	4	1	087-4402	2	HOSE AS						
I	5	1	087-6585	1	HOSE AS						
Y	6	1	123-2430	1	VALVE GP-SHUTTLE						617
	7	1	164-5629	1	FITTING AS						
		1	3J-1907	1	SEAL-O-RING						
		1	108-7516	1	FITTING						
	8	1	309-5769	1	SWITCH AS-PRESSURE (PILOT, BOOM UP)						
		1	102-8802	1	KIT-RECEPTACLE (2-PIN) (INCLUDES RECEPTACLE AS & WEDGE)						
		1	9X-3401	2	PIN-CONNECTOR (16-GA TO 18-GA) -OR-						
		1	126-1767	2	PIN-CONNECTOR (14-GA)						
	9	1	148-8336	2	CONNECTOR AS (EACH INCLUDES)						
		1	3J-1907	1	SEAL-O-RING						
		1	6V-8397	1	SEAL-O-RING						
		1	6V-8636	1	CONNECTOR						
	10	1	148-8353	3	ELBOW AS (EACH INCLUDES)						
		1	3J-1907	1	SEAL-O-RING						
		1	6V-8397	1	SEAL-O-RING						
		1	6V-9001	1	ELBOW						
	11	1	148-8378	5	ELBOW AS (EACH INCLUDES)						
		1	3J-1907	1	SEAL-O-RING						
		1	6V-8397	1	SEAL-O-RING						
		1	6V-8724	1	ELBOW						
	12	1	148-8407	2	PLUG AS (EACH INCLUDES)						
		1	3J-1907	1	SEAL-O-RING						
		1	9S-4191	1	PLUG-O-RING						
	13	1	164-5628	2	CONNECTOR AS (EACH INCLUDES)						
		1	3J-1907	1	SEAL-O-RING						
		1	6V-8397	1	SEAL-O-RING						
		1	107-6631	1	CONNECTOR-FILTER						
	14	1	179-7578	1	SUPPORT AS						
	15	1	6V-8397	2	SEAL-O-RING						
M	16	1	7X-0818	2	BOLT (M8X1.25X45-MM)						
M	17	1	8T-4189	2	BOLT (M8X1.25X20-MM)						
	18	1	8T-4224	4	WASHER-HARD (8.8X16X2-MM THK)						
I-REFER TO HYDRAULIC INFORMATION SYSTEM											
M-METRIC PART											
Y-SEPARATE ILLUSTRATION											

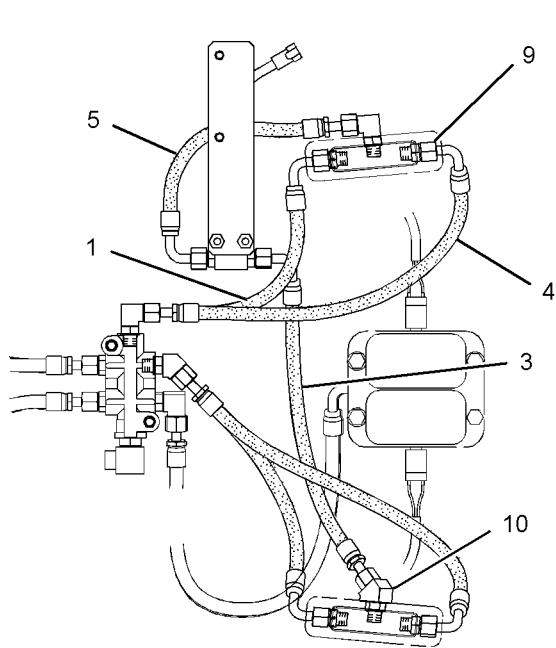
HYDRAULIC SYSTEM

255-1802 LINES GP-PILOT (contd.)

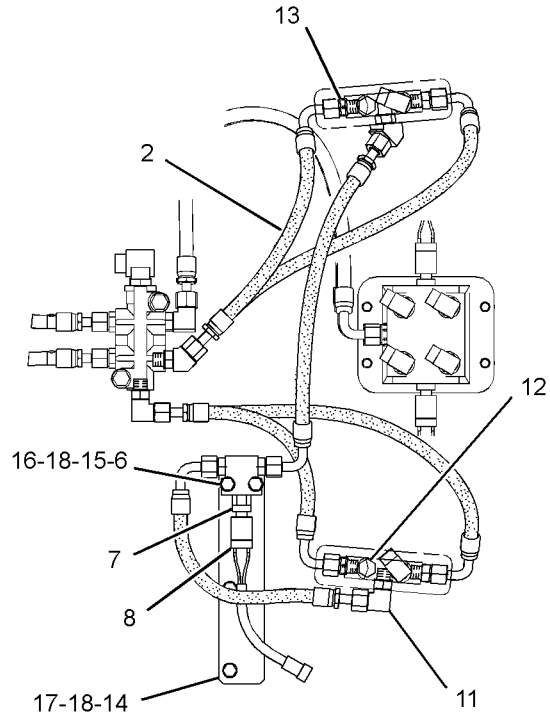
i02973181



RIGHT SIDE VIEW



VIEW A-A



VIEW B-B

GRAPHIC #1

<END>

g01233445

HYDRAULIC SYSTEM

260-7972 LINES GP-PILOT-AUXILIARY SYSTEM

S/N: MGG1-UP; JFZ1-UP

PART OF 259-7494 CONTROL AR-AUXILIARY

AN ATTACHMENT

TYPE 1

SMCS-5057, 5059

i03028803

NOTE	REF NO	GRAPHIC REF	PART NUMBER	QTY	PART NAME						SEE PAGE
					1	2	3	4	5	6 (PRODUCT LEVEL)	
	1	1,2	4I-9523	4	BAND-MARKER (BLUE, L3)						
	2	2	4I-9524	2	BAND-MARKER (BROWN, L4)						
	3	2	4I-9525	2	BAND-MARKER (ORANGE, R1)						
	4	1,2	4I-9527	8	BAND-MARKER (GREEN, R3)						
I	5	2	5I-4396	1	HOSE AS						
	6	1,2	7K-1181	13	STRAP-CABLE						
I	7	1	7Y-4399	1	HOSE AS						
I	8	2	087-5766	1	HOSE AS						
I	9	2	108-7375	1	HOSE AS						
I	10	2	111-0988	1	HOSE AS						
	11	2	136-0207	2	STRAP-CABLE						
	12	2	148-8443	1	TEE AS						
		2	3J-1907	1	SEAL-O-RING						
		2	6V-8397	1	SEAL-O-RING						
		2	7X-2459	1	TEE-O-RING						
I	13	2	7Y-7955	1	HOSE AS						
	14	1	266-1108	1	SUPPORT AS						
I	15	2	266-1133	1	HOSE AS						
I	16	2	266-1136	1	HOSE AS						
I	17	1	266-1139	1	HOSE AS						
I	18	1	266-1142	1	HOSE AS						
	19	2	124-1008	1	GUARD						
	20	1,2	148-8338	4	CONNECTOR AS						
					(EACH INCLUDES)						
		1,2	3J-1907	1	SEAL-O-RING						
		1,2	6V-8397	1	SEAL-O-RING						
		1,2	8T-0075	1	CONNECTOR						
	21	1,2	148-8378	7	ELBOW AS						
					(EACH INCLUDES)						
		1,2	3J-1907	1	SEAL-O-RING						
		1,2	6V-8397	1	SEAL-O-RING						
		1,2	6V-8724	1	ELBOW						
	22	2	148-8433	2	TEE AS						
					(EACH INCLUDES)						
		2	6V-8397	2	SEAL-O-RING						
		2	6V-9836	1	TEE-SWIVEL						
	23	1,2	150-3036	2	ELBOW AS						
					(EACH INCLUDES)						
		1,2	3J-1907	1	SEAL-O-RING						
		1,2	6V-8397	1	SEAL-O-RING						
		1,2	8T-1905	1	ELBOW						
	24	1	150-4027	2	TEE AS						
					(EACH INCLUDES)						
		1	3E-2310	1	TEE						
		1	3J-1907	1	SEAL-O-RING						
		1	6V-8397	1	SEAL-O-RING						
	25	1	164-5567	2	COUPLER AS-QUICK DISCONNECT						
					(EACH INCLUDES)						
		1	3J-1907	1	SEAL-O-RING						
		1	6V-3965	1	FITTING (QUICK DISCONNECT)						
Y	26	1	171-0188	1	VALVE GP-SOLENOID (NEG FLOW CONT, PROPN RED VALVE)						624
	27	1	6V-0852	2	CAP-DUST						
B	28	2	6V-9829	1	CAP AS						

HYDRAULIC SYSTEM

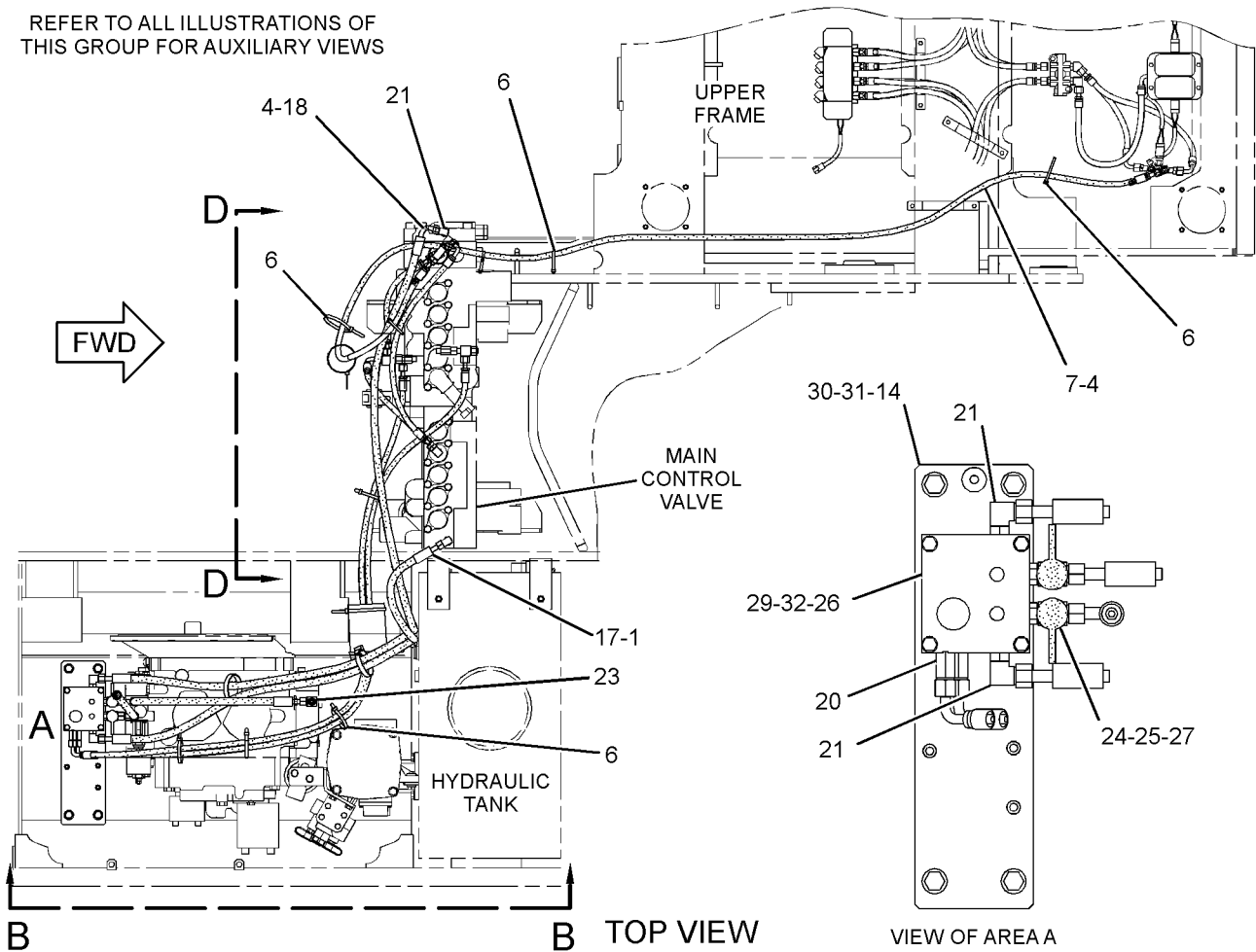
260-7972 LINES GP-PILOT (contd.)

i03028803

NOTE	REF NO	GRAPHIC REF	PART NUMBER	QTY	PART NAME						SEE PAGE
					1	2	3	4	5	6 (PRODUCT LEVEL)	
M	29	1	8T-4177	4	BOLT (M8X1.25X90-MM)						
M	30	1	8T-4192	4	BOLT (M12X1.75X25-MM)						
	31	1	8T-4223	4	WASHER-HARD (13.5X25.5X3-MM THK)						
	32	1	8T-4224	4	WASHER-HARD (8.8X16X2-MM THK)						

B-USE AS REQUIRED
 I-REFER TO HYDRAULIC INFORMATION SYSTEM
 M-METRIC PART
 Y-SEPARATE ILLUSTRATION

REFER TO ALL ILLUSTRATIONS OF THIS GROUP FOR AUXILIARY VIEWS



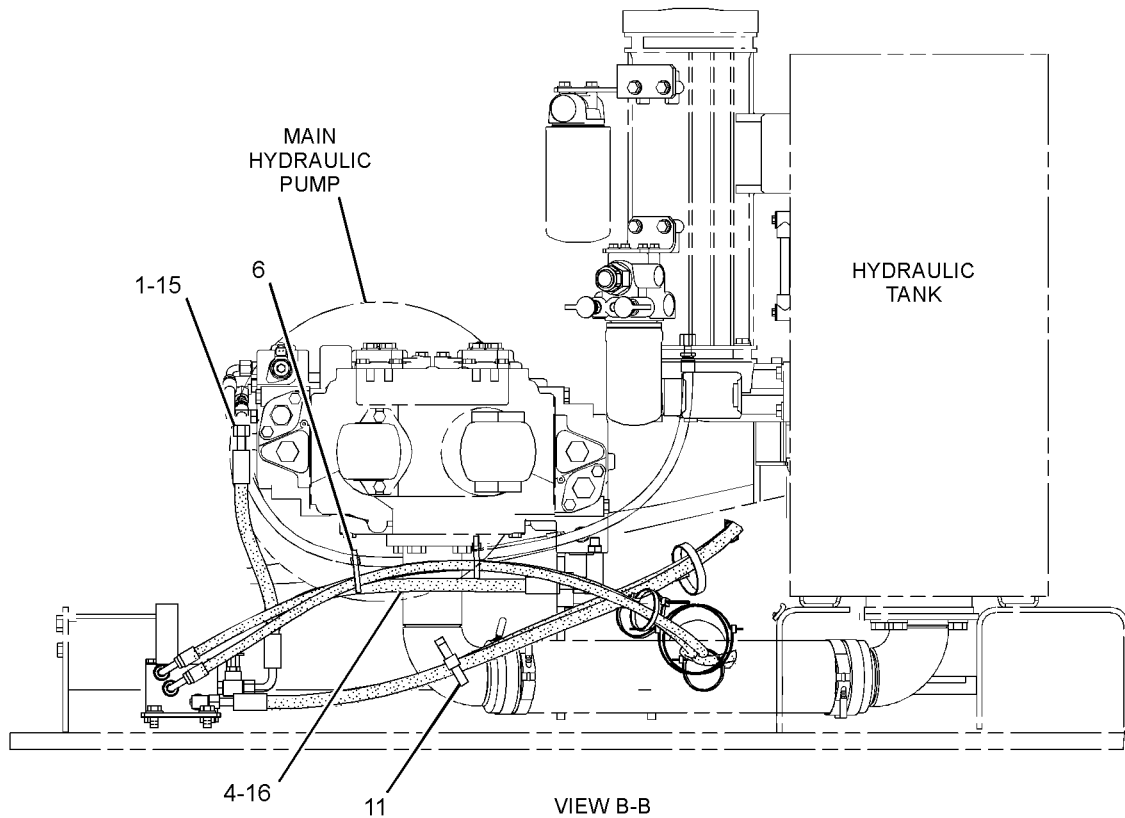
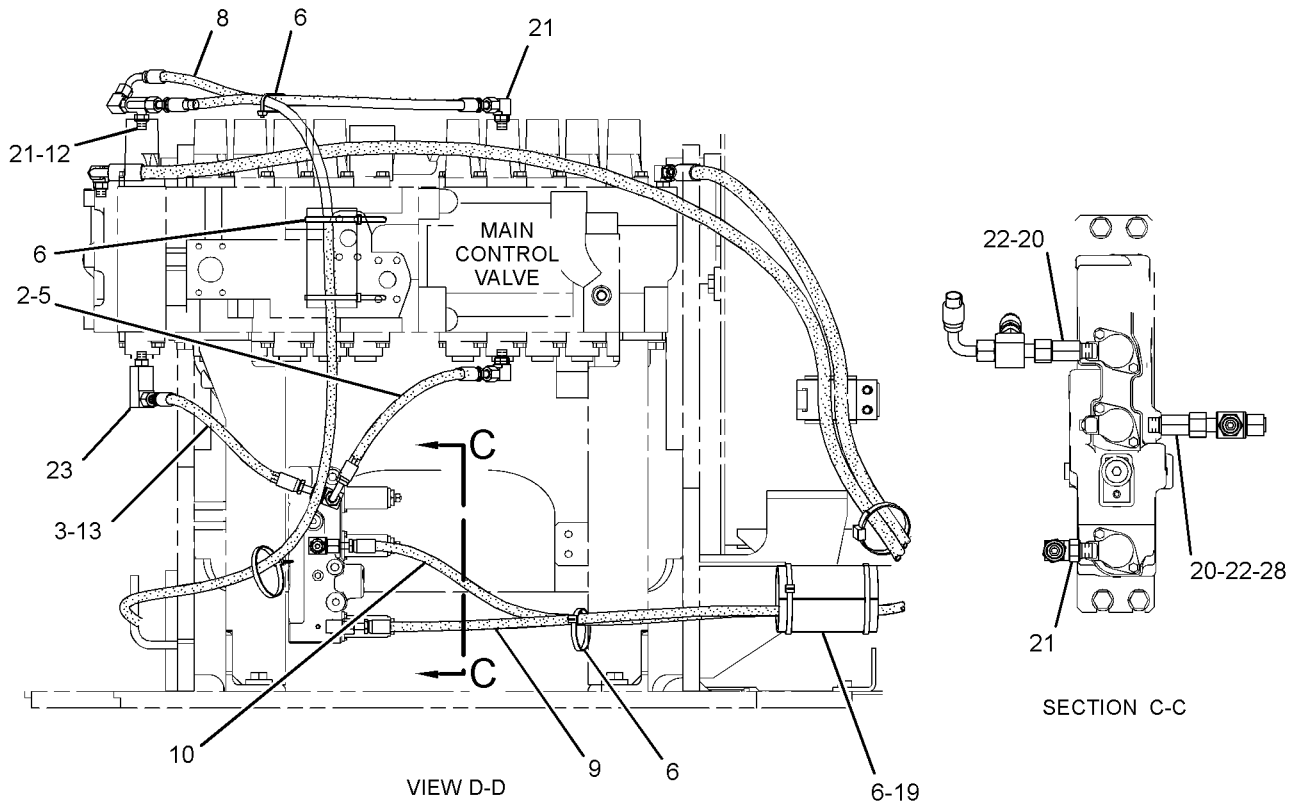
GRAPHIC #1

g01481713

HYDRAULIC SYSTEM

260-7972 LINES GP-PILOT (contd.)

i03028803



GRAPHIC #2

<END>

g01481714

HYDRAULIC SYSTEM

260-7972 LINES GP-PILOT-AUXILIARY SYSTEM

S/N: MGG1-UP; JFZ1-UP

PART OF 259-7494 CONTROL AR-AUXILIARY

AN ATTACHMENT

TYPE 2

SMCS-5057, 5059

i03093142

NOTE	REF NO	GRAPHIC REF	PART NUMBER	QTY	PART NAME						SEE PAGE
					1	2	3	4	5	6 (PRODUCT LEVEL)	
	1	1,2	4I-9523	4	BAND-MARKER (BLUE, L3)						
	2	2	4I-9524	2	BAND-MARKER (BROWN, L4)						
	3	2	4I-9525	2	BAND-MARKER (ORANGE, R1)						
	4	1,2	4I-9527	8	BAND-MARKER (GREEN, R3)						
I	5	2	5I-4396	1	HOSE AS						
	6	1,2	7K-1181	13	STRAP-CABLE						
I	7	1	7Y-4399	1	HOSE AS						
I	8	2	087-5766	1	HOSE AS						
I	9	2	108-7375	1	HOSE AS						
I	10	2	111-0988	1	HOSE AS						
	11	2	136-0207	2	STRAP-CABLE						
	12	2	148-8443	1	TEE AS						
		2	3J-1907	1	SEAL-O-RING						
		2	6V-8397	1	SEAL-O-RING						
		2	7X-2459	1	TEE-O-RING						
CI	13	2	4I-1671	1	HOSE AS						
	14	2	266-1108	1	SUPPORT AS						
I	15	2	266-1133	1	HOSE AS						
CI	16	2	278-6470	1	HOSE AS						
I	17	1	266-1139	1	HOSE AS						
I	18	1	266-1142	1	HOSE AS						
	19	2	124-1008	1	GUARD						
	20	2	148-8338	4	CONNECTOR AS						
					(EACH INCLUDES)						
		2	3J-1907	1	SEAL-O-RING						
		2	6V-8397	1	SEAL-O-RING						
		2	8T-0075	1	CONNECTOR						
C	21	1,2	148-8378	8	ELBOW AS						
					(EACH INCLUDES)						
		1,2	3J-1907	1	SEAL-O-RING						
		1,2	6V-8397	1	SEAL-O-RING						
		1,2	6V-8724	1	ELBOW						
	22	2	148-8433	2	TEE AS						
					(EACH INCLUDES)						
		2	6V-8397	2	SEAL-O-RING						
		2	6V-9836	1	TEE-SWIVEL						
C	23	1	150-3036	1	ELBOW AS						
		1	3J-1907	1	SEAL-O-RING						
		1	6V-8397	1	SEAL-O-RING						
		1	8T-1905	1	ELBOW						
	24	2	150-4027	2	TEE AS						
					(EACH INCLUDES)						
		2	3E-2310	1	TEE						
		2	3J-1907	1	SEAL-O-RING						
		2	6V-8397	1	SEAL-O-RING						
	25	2	164-5567	2	COUPLER AS-QUICK DISCONNECT						
					(EACH INCLUDES)						
		2	3J-1907	1	SEAL-O-RING						
		2	6V-3965	1	FITTING (QUICK DISCONNECT)						
Y	26	2	171-0188	1	VALVE GP-SOLENOID (NEG FLOW CONT, PROPN RED VALVE)						624
	27	2	6V-0852	2	CAP-DUST						
B	28	2	6V-9829	1	CAP AS						
M	29	2	8T-4177	4	BOLT (M8X1.25X90-MM)						

HYDRAULIC SYSTEM

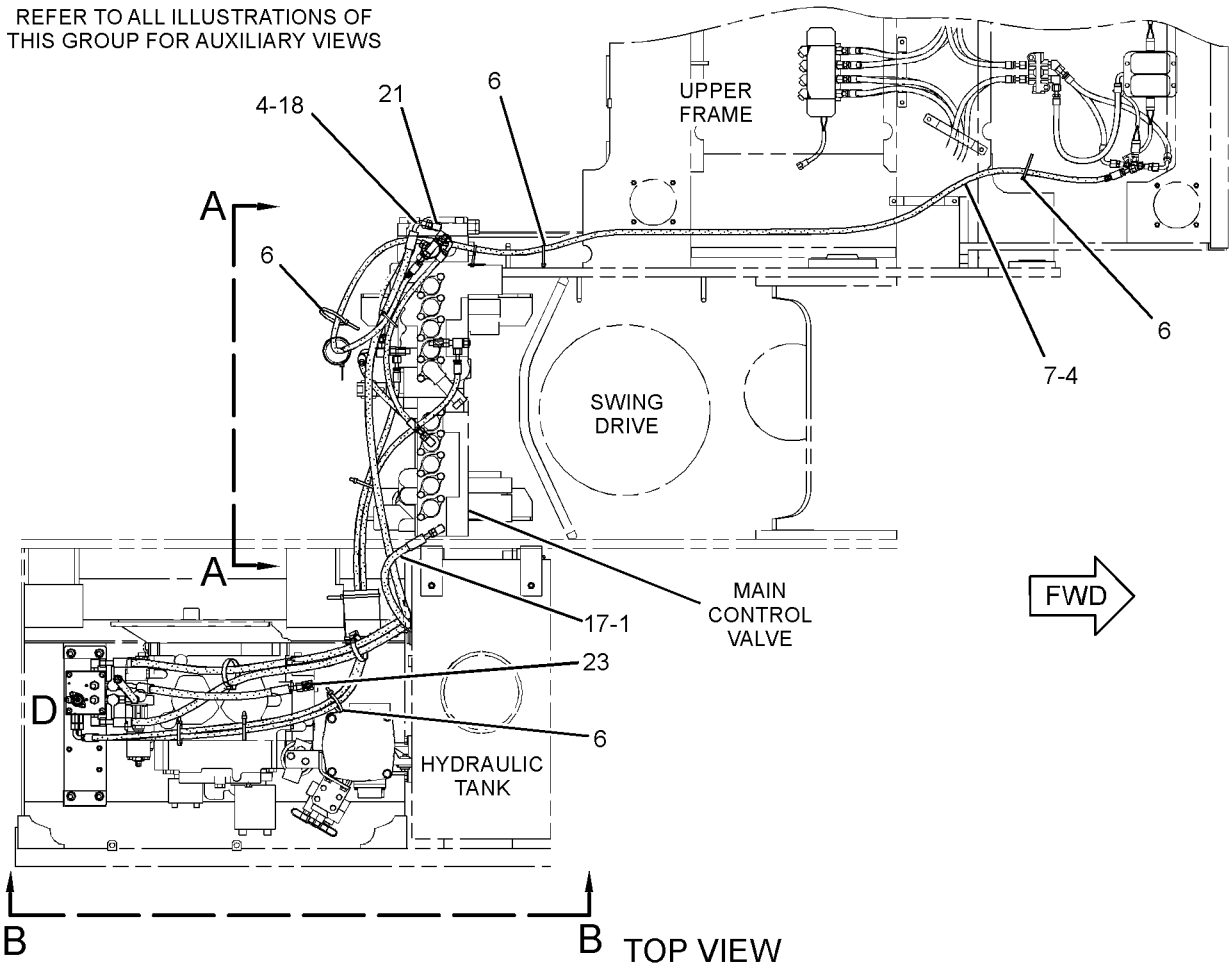
260-7972 LINES GP-PILOT (contd.)

i03093142

NOTE	REF NO	GRAPHIC REF	PART NUMBER	QTY	PART NAME						SEE PAGE
					1	2	3	4	5	6 (PRODUCT LEVEL)	
M	30	2	8T-4192	4	BOLT (M12X1.75X25-MM)						
	31	2	8T-4223	4	WASHER-HARD (13.5X25.5X3-MM THK)						
	32	2	8T-4224	4	WASHER-HARD (8.8X16X2-MM THK)						

B-USE AS REQUIRED
 C-CHANGE FROM PREVIOUS TYPE
 I-REFER TO HYDRAULIC INFORMATION SYSTEM
 M-METRIC PART
 Y-SEPARATE ILLUSTRATION

REFER TO ALL ILLUSTRATIONS OF THIS GROUP FOR AUXILIARY VIEWS



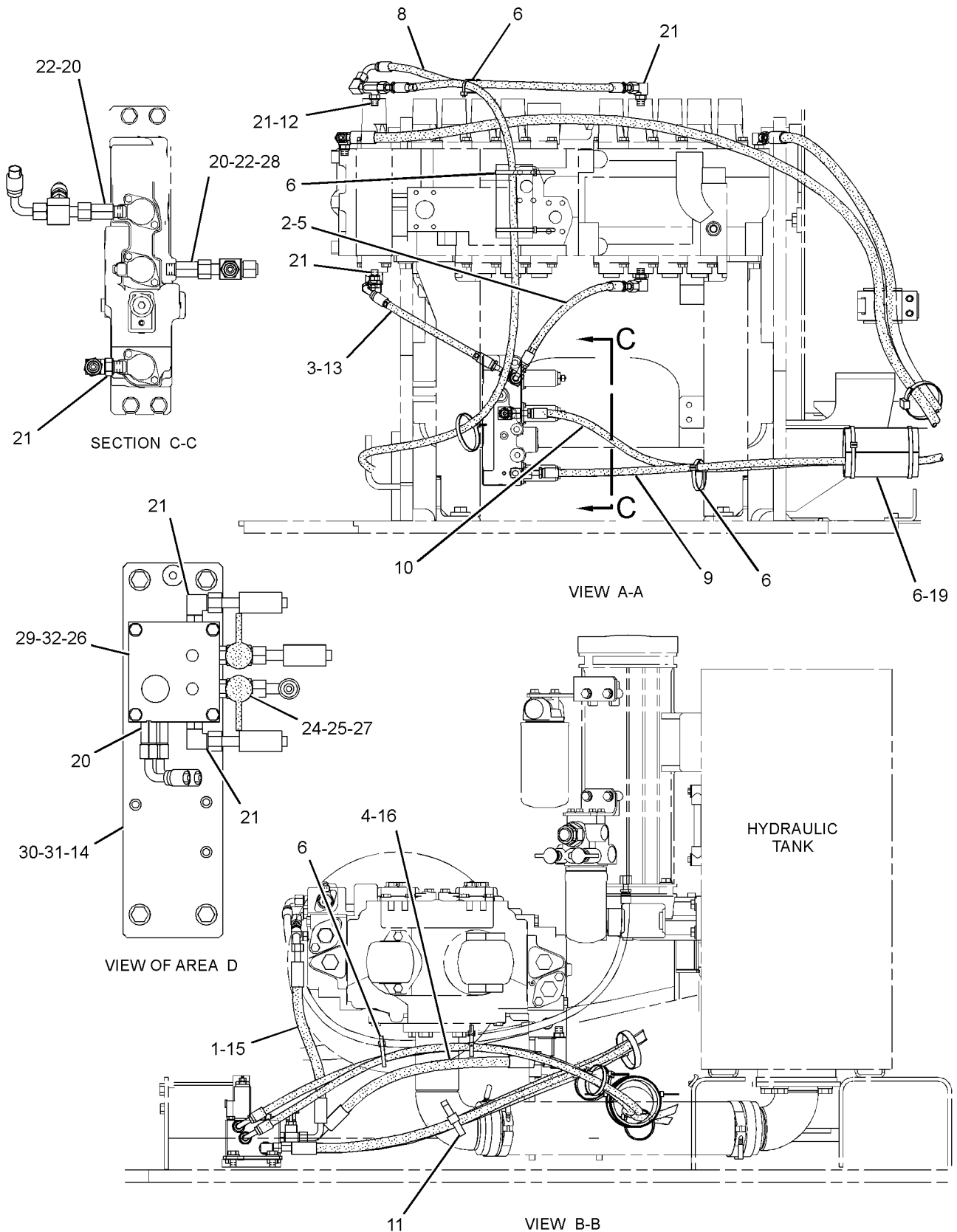
GRAPHIC #1

g01538855

HYDRAULIC SYSTEM

260-7972 LINES GP-PILOT (contd.)

i03093142



GRAPHIC #2

<END>

g01538858

HYDRAULIC SYSTEM

260-7974 LINES GP-PILOT-SYSTEM 2, COMBINED FUNCTION

S/N: MGG1-UP; JFZ1-UP

PART OF 259-7493 CONTROL AR-AUXILIARY

AN ATTACHMENT

TYPE 1

SMCS-5057, 5059

i02866341

NOTE	REF NO	GRAPHIC REF	PART NUMBER	QTY	PART NAME						SEE PAGE	
					1	2	3	4	5	6 (PRODUCT LEVEL)		
I	1	2	4I-1878	1	HOSE AS							
	2	1	4I-3941	1	FITTING AS							
I	3	2	4I-3988	1	HOSE AS							
	4	2	4I-9521	2	BAND-MARKER (RED, L1)							
	5	2	4I-9522	2	BAND-MARKER (YELLOW, L2)							
	6	1	4I-9523	8	BAND-MARKER (BLUE, L3)							
	7	2	4I-9524	2	BAND-MARKER (BROWN, L4)							
	8	2	4I-9525	2	BAND-MARKER (ORANGE, R1)							
	9	1	4I-9527	8	BAND-MARKER (GREEN, R3)							
	10	1,2	7K-1181	19	STRAP-CABLE							
	I	11	2	7Y-4199	1	HOSE AS						
	I	12	1	087-5764	1	HOSE AS						
I	13	1	087-5772	1	HOSE AS							
I	14	2	104-8976	1	HOSE AS							
	15	1	108-7373	1	HOSE AS							
I	16	1	111-0988	1	HOSE AS							
	17	1	118-9902	1	SPACER (12X20X43-MM THK)							
	18	1	136-0207	2	STRAP-CABLE							
	19	2	148-8443	1	TEE AS							
			2	3J-1907	1	SEAL-O-RING						
			2	6V-8397	1	SEAL-O-RING						
			2	7X-2459	1	TEE-O-RING						
	I	20	2	179-7616	1	HOSE AS						
	I	21	1	212-5419	1	HOSE AS						
	I	22	1	212-5423	1	HOSE AS						
23		1	266-1108	1	SUPPORT AS							
I	24	1	266-1133	1	HOSE AS							
I	25	1	266-1136	1	HOSE AS							
I	26	1	266-1139	1	HOSE AS							
I	27	1	266-1142	1	HOSE AS							
	28	2	286-6561	1	SUPPORT AS							
	29	2	124-1008	1	GUARD							
	30	1,2	148-8336	2	CONNECTOR AS							
					(EACH INCLUDES)							
		1,2	3J-1907	1	SEAL-O-RING							
		1,2	6V-8397	1	SEAL-O-RING							
		1,2	6V-8636	1	CONNECTOR							
	31	1,2	148-8338	3	CONNECTOR AS							
					(EACH INCLUDES)							
		1,2	3J-1907	1	SEAL-O-RING							
		1,2	6V-8397	1	SEAL-O-RING							
		1,2	8T-0075	1	CONNECTOR							
	32	2	148-8353	1	ELBOW AS							
		2	3J-1907	1	SEAL-O-RING							
		2	6V-8397	1	SEAL-O-RING							
		2	6V-9001	1	ELBOW							
	33	1,2	148-8378	16	ELBOW AS							
					(EACH INCLUDES)							
		1,2	3J-1907	1	SEAL-O-RING							
		1,2	6V-8397	1	SEAL-O-RING							
		1,2	6V-8724	1	ELBOW							
	34	2	148-8433	3	TEE AS							
					(EACH INCLUDES)							
		2	6V-8397	2	SEAL-O-RING							

HYDRAULIC SYSTEM

260-7974 LINES GP-PILOT (contd.)

i02866341

NOTE	REF NO	GRAPHIC REF	PART NUMBER	QTY	PART NAME						SEE PAGE
					1	2	3	4	5	6 (PRODUCT LEVEL)	
		2	6V-9836	1	TEE-SWIVEL						
	35	1	150-3036	1	ELBOW AS						
		1	3J-1907	1	SEAL-O-RING						
		1	6V-8397	1	SEAL-O-RING						
		1	8T-1905	1	ELBOW						
	36	1	150-4027	2	TEE AS						
					(EACH INCLUDES)						
		1	3E-2310	1	TEE						
		1	3J-1907	1	SEAL-O-RING						
		1	6V-8397	1	SEAL-O-RING						
	37	1	164-5567	2	COUPLER AS-QUICK DISCONNECT						
					(EACH INCLUDES)						
		1	3J-1907	1	SEAL-O-RING						
		1	6V-3965	1	FITTING (QUICK DISCONNECT)						
Y	38	2	165-9549	1	VALVE GP-SOLENOID (AUXILIARY, COMBINED FUNCTION)						623
	39	1	167-3466	1	SWITCH AS-PRESSURE (PILOT, BOOM UP)						
		1	102-8802	1	KIT-RECEPTACLE (2-PIN)						
					(INCLUDES RECEPTACLE AS & WEDGE)						
		1	9X-3401	2	PIN-CONNECTOR (16-GA TO 18-GA)						
Y	40	1	171-0188	1	VALVE GP-SOLENOID (NEG FLOW CONT, PROPN RED VALVE)						624
	41	1	6D-3479	2	CLIP						
	42	1	6V-0852	2	CAP-DUST						
B	43	2	6V-9829	1	CAP AS						
	44	1,2	8T-4121	4	WASHER-HARD (11X21X2.5-MM THK)						
M	45	2	8T-4136	2	BOLT (M10X1.5X25-MM)						
M	46	1	8T-4177	4	BOLT (M8X1.25X90-MM)						
M	47	1	8T-4191	1	BOLT (M10X1.5X16-MM)						
M	48	1	8T-4192	4	BOLT (M12X1.75X25-MM)						
	49	1	8T-4223	4	WASHER-HARD (13.5X25.5X3-MM THK)						
	50	1	8T-4224	4	WASHER-HARD (8.8X16X2-MM THK)						
M	51	1	8T-6466	1	BOLT (M10X1.5X60-MM)						
M	52	2	8T-6870	4	BOLT (M8X1.25X70-MM)						

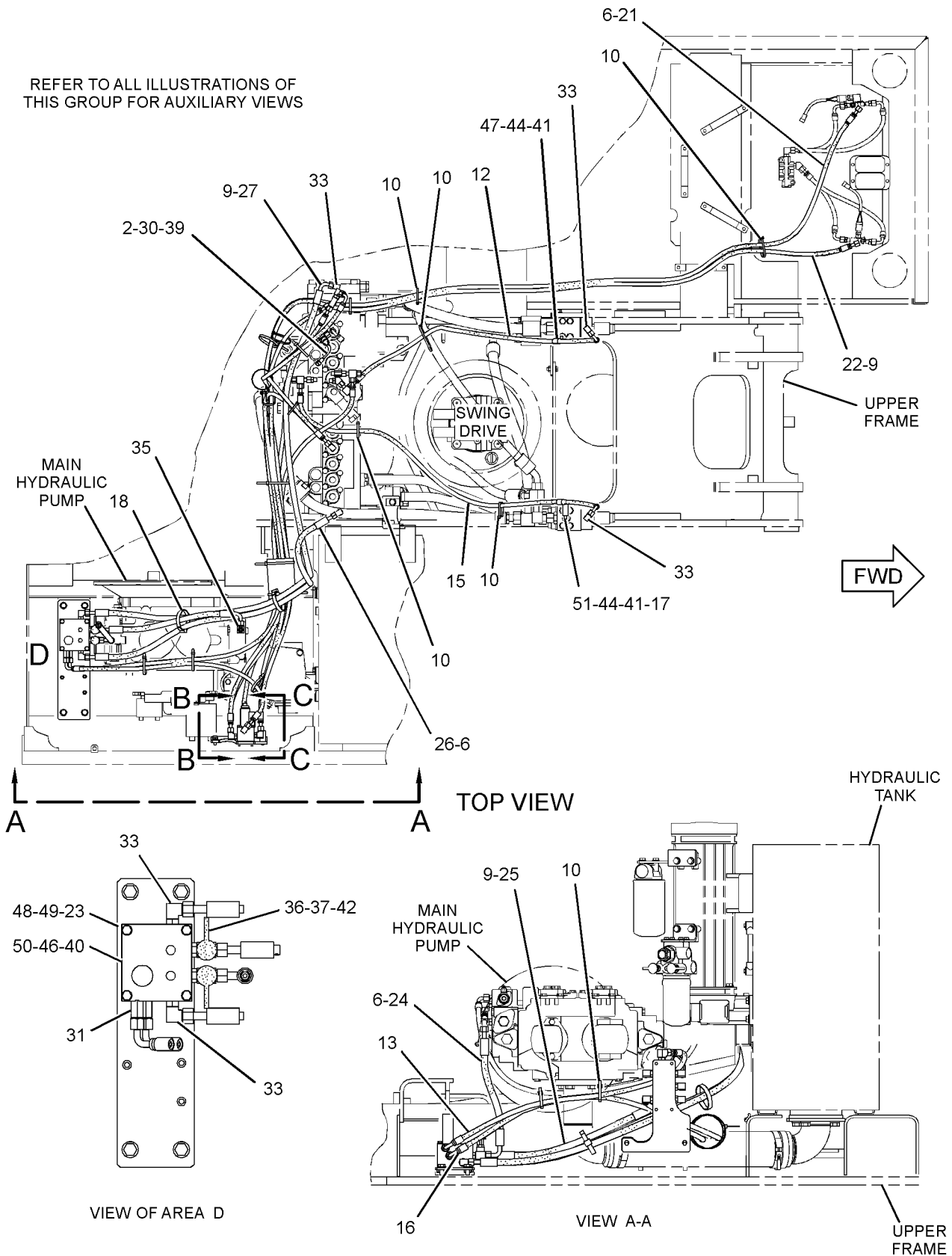
B-USE AS REQUIRED
 I-REFER TO HYDRAULIC INFORMATION SYSTEM
 M-METRIC PART
 Y-SEPARATE ILLUSTRATION

HYDRAULIC SYSTEM

260-7974 LINES GP-PILOT (contd.)

i02866341

REFER TO ALL ILLUSTRATIONS OF THIS GROUP FOR AUXILIARY VIEWS



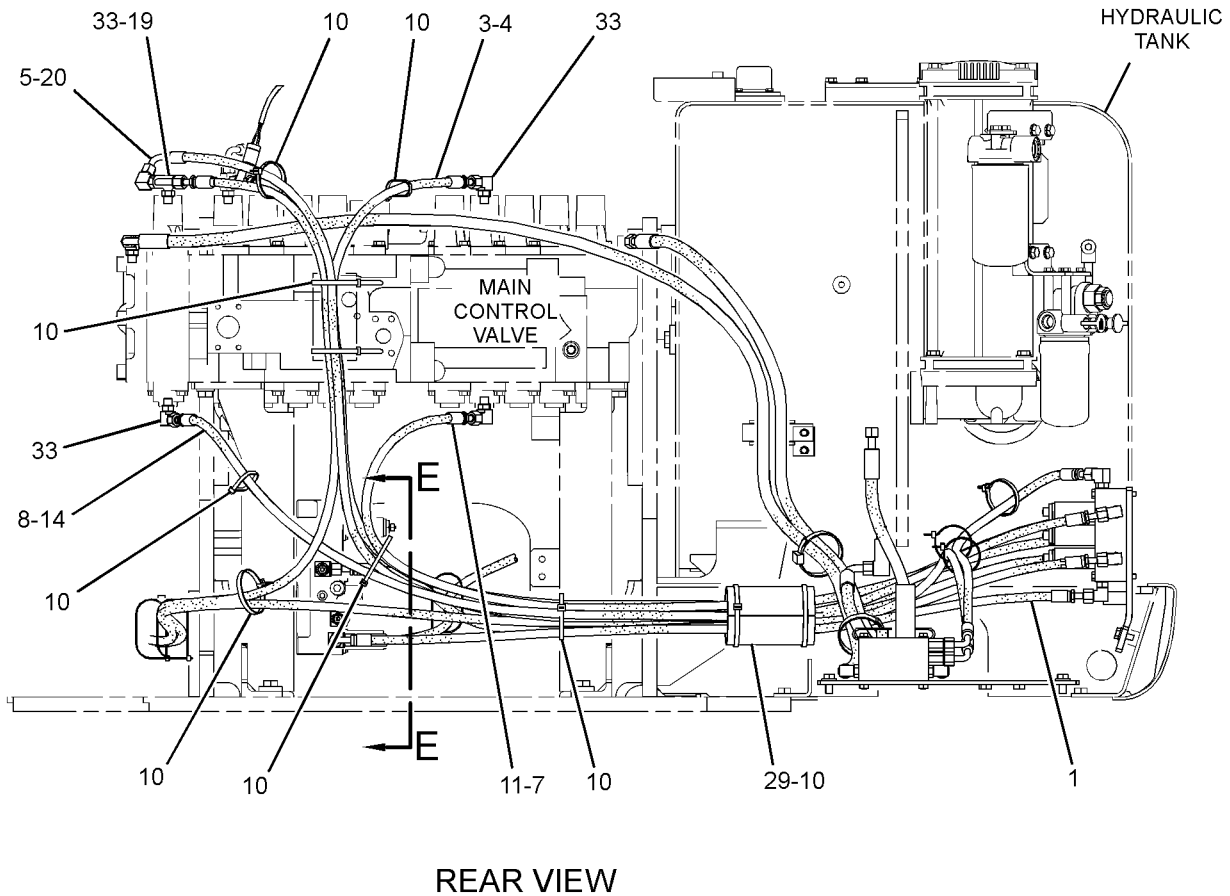
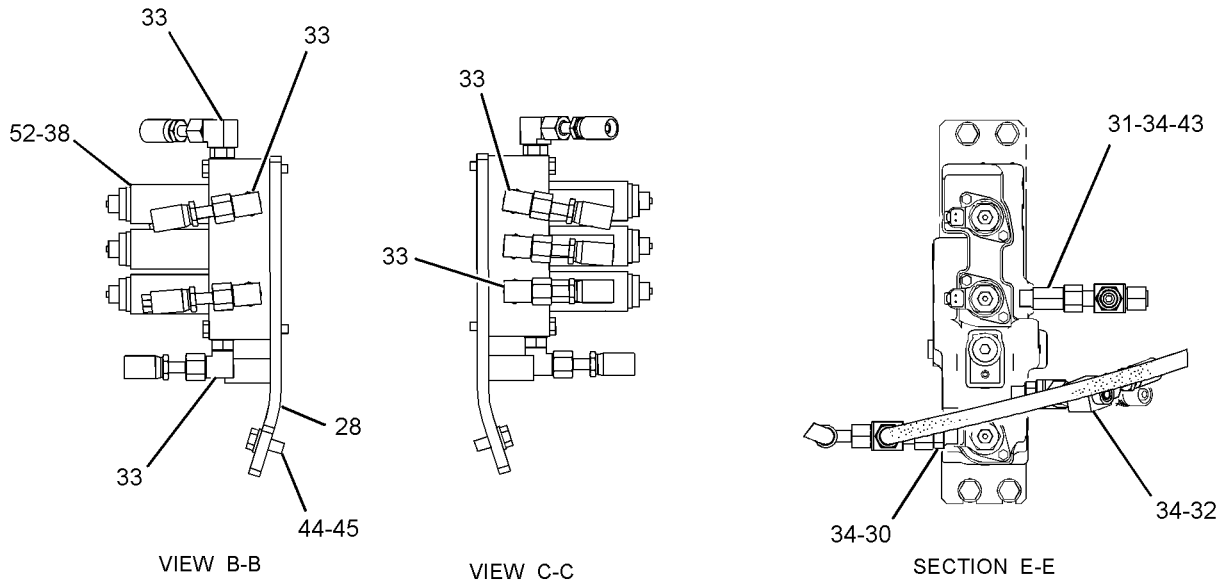
GRAPHIC #1

g01396319

HYDRAULIC SYSTEM

260-7974 LINES GP-PILOT (contd.)

i02866341



GRAPHIC #2

<END>

g01396320

HYDRAULIC SYSTEM

260-7974 LINES GP-PILOT-SYSTEM 2, COMBINED FUNCTION

S/N: MGG1-UP; JFZ1-UP

PART OF 259-7493 CONTROL AR-AUXILIARY

AN ATTACHMENT

TYPE 2

SMCS-5057, 5059

i03026085

NOTE	REF NO	GRAPHIC REF	PART NUMBER	QTY	PART NAME						SEE PAGE
					1	2	3	4	5	6 (PRODUCT LEVEL)	
I	1	2	4I-1878	1	HOSE AS						
	2	1	4I-3941	1	FITTING AS						
I	3	2	4I-3988	1	HOSE AS						
	4	2	4I-9521	2	BAND-MARKER (RED, L1)						
	5	2	4I-9522	2	BAND-MARKER (YELLOW, L2)						
	6	1	4I-9523	8	BAND-MARKER (BLUE, L3)						
	7	2	4I-9524	2	BAND-MARKER (BROWN, L4)						
	8	2	4I-9525	2	BAND-MARKER (ORANGE, R1)						
	9	1	4I-9527	8	BAND-MARKER (GREEN, R3)						
	10	1,2	7K-1181	19	STRAP-CABLE						
I	11	2	7Y-4199	1	HOSE AS						
I	12	1	087-5764	1	HOSE AS						
I	13	1	087-5772	1	HOSE AS						
CI	15	1,2	108-7313	2	HOSE AS						
I	16	1	111-0988	1	HOSE AS						
	17	1	118-9902	1	SPACER (12X20X43-MM THK)						
	18	1	136-0207	2	STRAP-CABLE						
	19	2	148-8443	1	TEE AS						
			3J-1907	1	SEAL-O-RING						
			6V-8397	1	SEAL-O-RING						
			7X-2459	1	TEE-O-RING						
I	20	2	179-7616	1	HOSE AS						
I	21	1	212-5419	1	HOSE AS						
I	22	1	212-5423	1	HOSE AS						
	23	1	266-1108	1	SUPPORT AS						
I	24	1	266-1133	1	HOSE AS						
CI	25	1	278-6470	1	HOSE AS						
I	26	1	266-1139	1	HOSE AS						
I	27	1	266-1142	1	HOSE AS						
	28	2	286-6561	1	SUPPORT AS						
	29	2	124-1008	1	GUARD						
	30	1,2	148-8336	2	CONNECTOR AS						
					(EACH INCLUDES)						
		1,2	3J-1907	1	SEAL-O-RING						
		1,2	6V-8397	1	SEAL-O-RING						
		1,2	6V-8636	1	CONNECTOR						
	31	1,2	148-8338	3	CONNECTOR AS						
					(EACH INCLUDES)						
		1,2	3J-1907	1	SEAL-O-RING						
		1,2	6V-8397	1	SEAL-O-RING						
		1,2	8T-0075	1	CONNECTOR						
	32	2	148-8353	1	ELBOW AS						
			3J-1907	1	SEAL-O-RING						
			6V-8397	1	SEAL-O-RING						
			6V-9001	1	ELBOW						
	33	1,2	148-8378	16	ELBOW AS						
					(EACH INCLUDES)						
		1,2	3J-1907	1	SEAL-O-RING						
		1,2	6V-8397	1	SEAL-O-RING						
		1,2	6V-8724	1	ELBOW						
	34	2	148-8433	3	TEE AS						
					(EACH INCLUDES)						
			6V-8397	2	SEAL-O-RING						
			6V-9836	1	TEE-SWIVEL						

HYDRAULIC SYSTEM

260-7974 LINES GP-PILOT (contd.)

i03026085

NOTE	REF NO	GRAPHIC REF	PART NUMBER	QTY	PART NAME						SEE PAGE
					1	2	3	4	5	6 (PRODUCT LEVEL)	
	35	1	150-3036	1	ELBOW AS						
		1	3J-1907	1	SEAL-O-RING						
		1	6V-8397	1	SEAL-O-RING						
		1	8T-1905	1	ELBOW						
	36	1	150-4027	2	TEE AS						
					(EACH INCLUDES)						
		1	3E-2310	1	TEE						
		1	3J-1907	1	SEAL-O-RING						
		1	6V-8397	1	SEAL-O-RING						
	37	1	164-5567	2	COUPLER AS-QUICK DISCONNECT						
					(EACH INCLUDES)						
		1	3J-1907	1	SEAL-O-RING						
		1	6V-3965	1	FITTING (QUICK DISCONNECT)						
Y	38	2	165-9549	1	VALVE GP-SOLENOID (AUXILIARY, COMBINED FUNCTION)						623
	39	1	309-5769	1	SWITCH AS-PRESSURE (PILOT, BOOM UP)						
		1	102-8802	1	KIT-RECEPTACLE (2-PIN)						
					(INCLUDES RECEPTACLE AS & WEDGE)						
		1	9X-3401	2	PIN-CONNECTOR (16-GA TO 18-GA)						
					-OR-						
		1	126-1767	2	PIN-CONNECTOR (14-GA)						
Y	40	1	171-0188	1	VALVE GP-SOLENOID (NEG FLOW CONT, PROPN RED VALVE)						624
	41	1	6D-3479	2	CLIP						
	42	1	6V-0852	2	CAP-DUST						
B	43	2	6V-9829	1	CAP AS						
	44	1,2	8T-4121	4	WASHER-HARD (11X21X2.5-MM THK)						
M	45	2	8T-4136	2	BOLT (M10X1.5X25-MM)						
M	46	1	8T-4177	4	BOLT (M8X1.25X90-MM)						
M	47	1	8T-4191	1	BOLT (M10X1.5X16-MM)						
M	48	1	8T-4192	4	BOLT (M12X1.75X25-MM)						
	49	1	8T-4223	4	WASHER-HARD (13.5X25.5X3-MM THK)						
	50	1	8T-4224	4	WASHER-HARD (8.8X16X2-MM THK)						
M	51	1	8T-6466	1	BOLT (M10X1.5X60-MM)						
M	52	2	8T-6870	4	BOLT (M8X1.25X70-MM)						

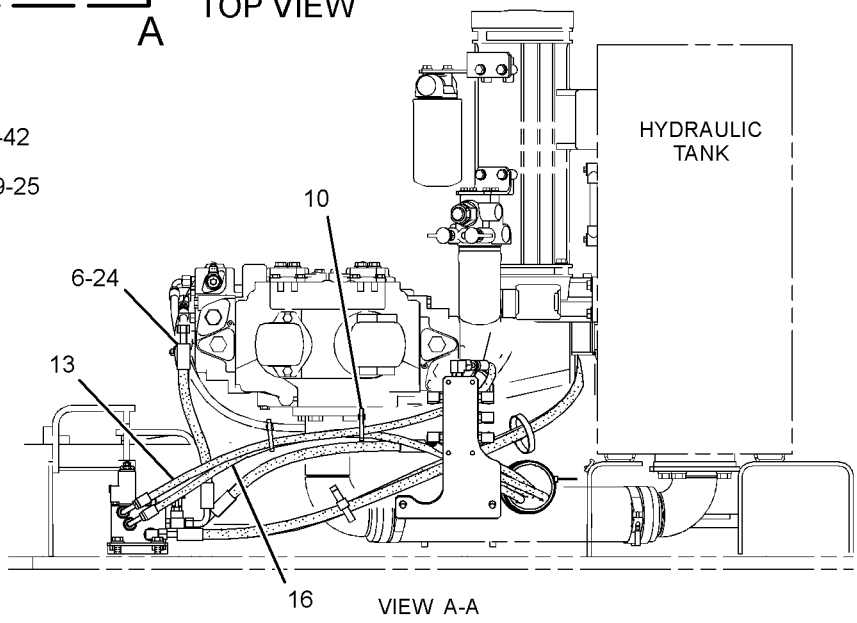
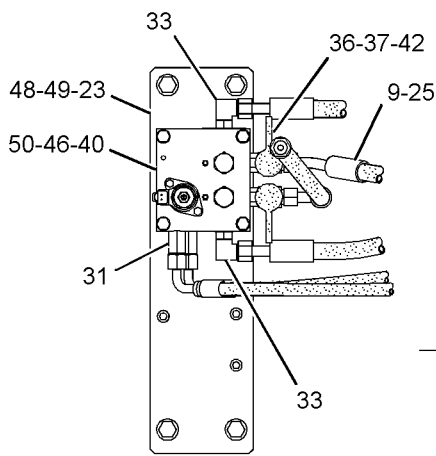
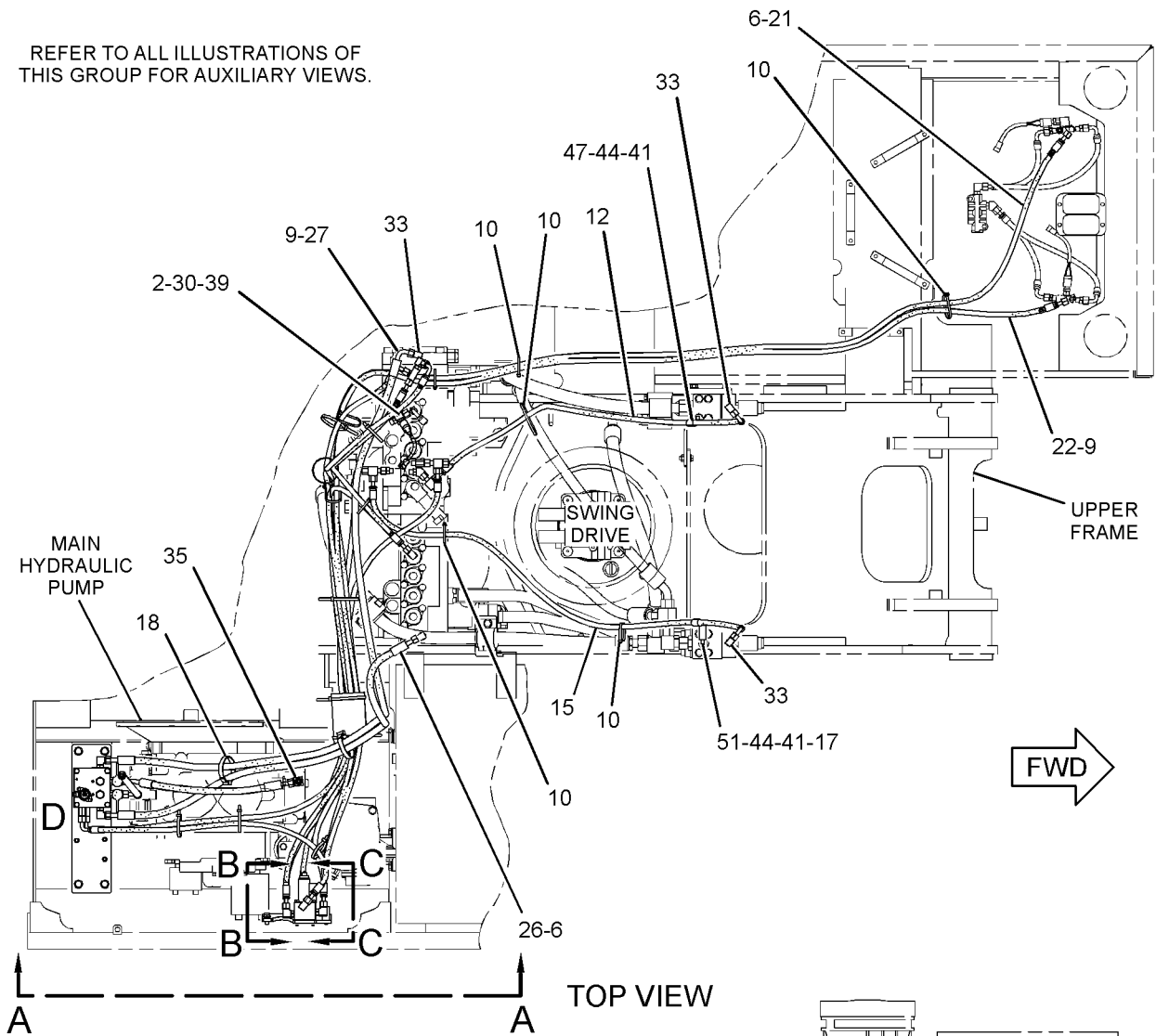
B-USE AS REQUIRED
 C-CHANGE FROM PREVIOUS TYPE
 I-REFER TO HYDRAULIC INFORMATION SYSTEM
 M-METRIC PART
 Y-SEPARATE ILLUSTRATION

HYDRAULIC SYSTEM

260-7974 LINES GP-PILOT (contd.)

i03026085

REFER TO ALL ILLUSTRATIONS OF THIS GROUP FOR AUXILIARY VIEWS.



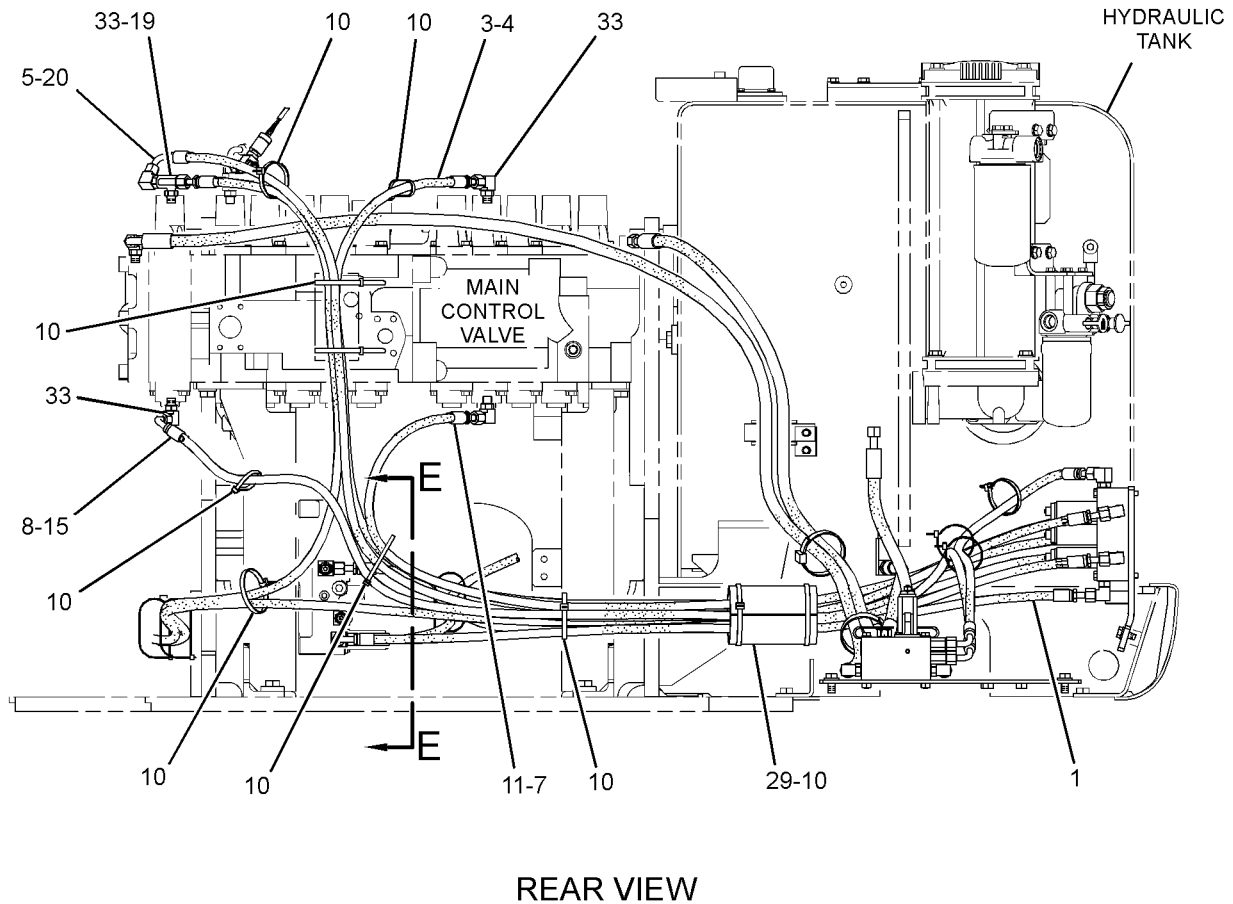
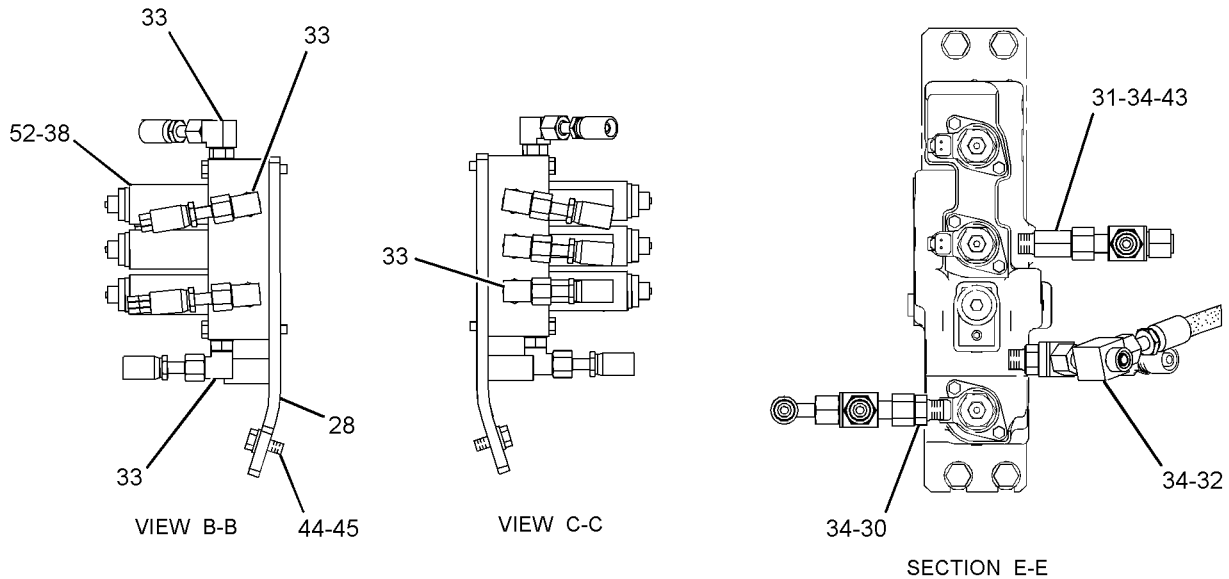
GRAPHIC #1

g01517973

HYDRAULIC SYSTEM

260-7974 LINES GP-PILOT (contd.)

i03026085



GRAPHIC #2

<END>

g01517974

HYDRAULIC SYSTEM

248-9847 LINES GP-PUMP-SUPPLY, MAIN PUMP

S/N: MGG1-UP; JFZ1-UP

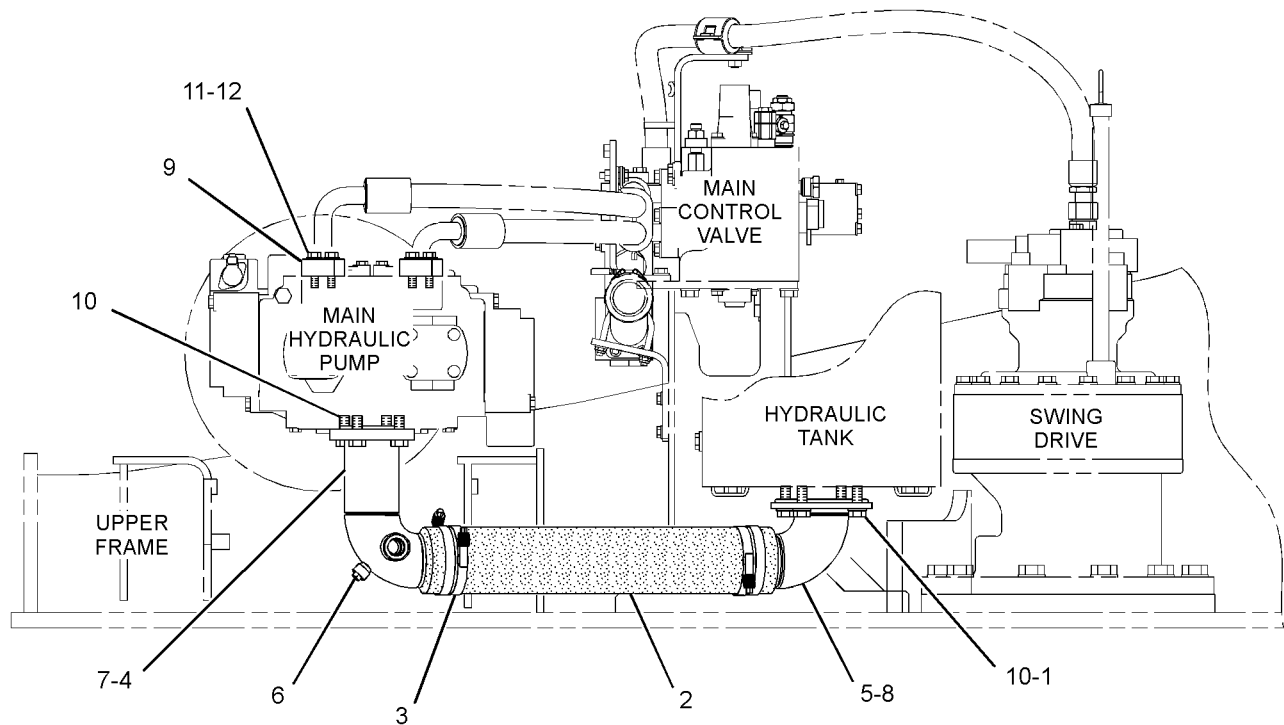
PART OF 285-1354, 285-1355 HYDRAULIC AR

SMCS-5057

i02546382

NOTE	REF NO	GRAPHIC REF	PART NUMBER	QTY	PART NAME						SEE PAGE
					1	2	3	4	5	6 (PRODUCT LEVEL)	
	1	1	9X-8257	4	WASHER (17.5X30X3.5-MM THK)						
	2	1	5P-1296	1	HOSE						
	3	1	9X-2201	4	CLAMP-HOSE						
	4	1	245-5285	1	TUBE AS						
	5	1	245-5287	1	TUBE AS						
	6	1	155-3624	1	PLUG AS						
		1	3J-7354	1	SEAL-O-RING						
		1	9S-4182	1	PLUG-O RING						
	7	1	5H-8624	1	SEAL-O-RING						
	8	1	6D-9157	1	SEAL-O-RING						
	9	1	6V-0400	4	FLANGE-HALF						
M	10	1	7X-2553	8	BOLT (M16X2X40-MM)						
M	11	1	8T-4194	8	BOLT (M12X1.75X50-MM)						
	12	1	8T-4223	8	WASHER-HARD (13.5X25.5X3-MM THK)						

M-METRIC PART



RIGHT SIDE VIEW

GRAPHIC #1

<END>

g01275930

HYDRAULIC SYSTEM**248-9853 LINES GP-RETURN**

S/N: MGG1-UP; JFZ1-UP

PART OF 239-1710 TANK & MTG GP-HYDRAULIC
TYPE 1

SMCS-5057

i02763495

NOTE	REF NO	GRAPHIC REF	PART NUMBER	QTY	PART NAME						SEE PAGE
					1	2	3	4	5	6 (PRODUCT LEVEL)	
	1	1	4I-9527	2	BAND-MARKER (GREEN, R3)						
	2	1	7K-1181	2	STRAP-CABLE						
	3	1	124-1212	1	FITTING						
	4	1	165-3260	1	PIPE AS						
I	5	1	176-4770	1	HOSE AS						
Y	6	1	214-4512	1	FITTING GP-HYDRAULIC						391
I	7	1	275-1361	1	HOSE AS						
	8	1	292-7153	1	HOSE AS						
	9	1	148-8327	1	CONNECTOR AS						
		1	3D-2824	1	SEAL-O-RING						
		1	6V-8637	1	CONNECTOR						
		1	6V-9746	1	SEAL-O-RING						
10		1	148-8340	1	CONNECTOR AS						
		1	3K-0360	1	SEAL-O-RING						
		1	6V-8398	1	SEAL-O-RING						
		1	6V-8639	1	CONNECTOR						
11		1	148-8347	1	ELBOW AS						
		1	3D-2824	1	SEAL-O-RING						
		1	6V-9007	1	ELBOW						
		1	6V-9746	1	SEAL-O-RING						
12		1	148-8354	3	ELBOW AS						
					(EACH INCLUDES)						
		1	3K-0360	1	SEAL-O-RING						
		1	6V-8398	1	SEAL-O-RING						
		1	6V-9002	1	ELBOW						
13		1	148-8358	1	ELBOW AS						
		1	2M-9780	1	SEAL-O-RING						
		1	6V-8398	1	SEAL-O-RING						
		1	6V-8624	1	ELBOW						
14		1	148-8363	1	ELBOW AS						
		1	3K-0360	1	SEAL-O-RING						
		1	6V-8397	1	SEAL-O-RING						
		1	6V-9876	1	ELBOW						
15		1	148-8411	1	PLUG AS						
		1	3K-0360	1	SEAL-O-RING						
		1	9S-4185	1	PLUG-O-RING						
16		1	3D-2824	1	SEAL-O-RING						
17		1	5P-7464	1	CLIP (SLOT)						
18		1	5P-7465	1	CLIP (TAB)						
19		1	6J-2680	1	SEAL-O-RING						
20		1	6V-9746	1	SEAL-O-RING						
21		1	8T-2920	1	GROMMET						
M	22	1	8T-4139	1	BOLT (M12X1.75X30-MM)						
	23	1	8T-4223	5	WASHER-HARD (13.5X25.5X3-MM THK)						
M	24	1	8T-4956	4	BOLT (M12X1.75X35-MM)						

I-REFER TO HYDRAULIC INFORMATION SYSTEM

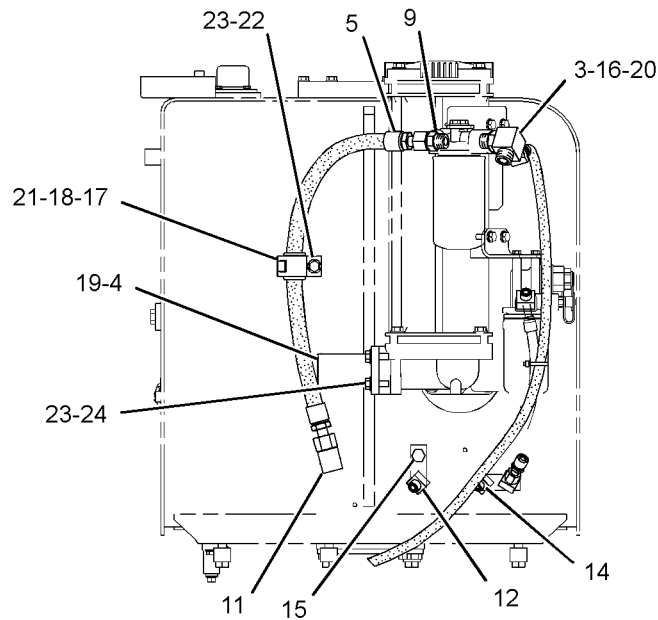
M-METRIC PART

Y-SEPARATE ILLUSTRATION

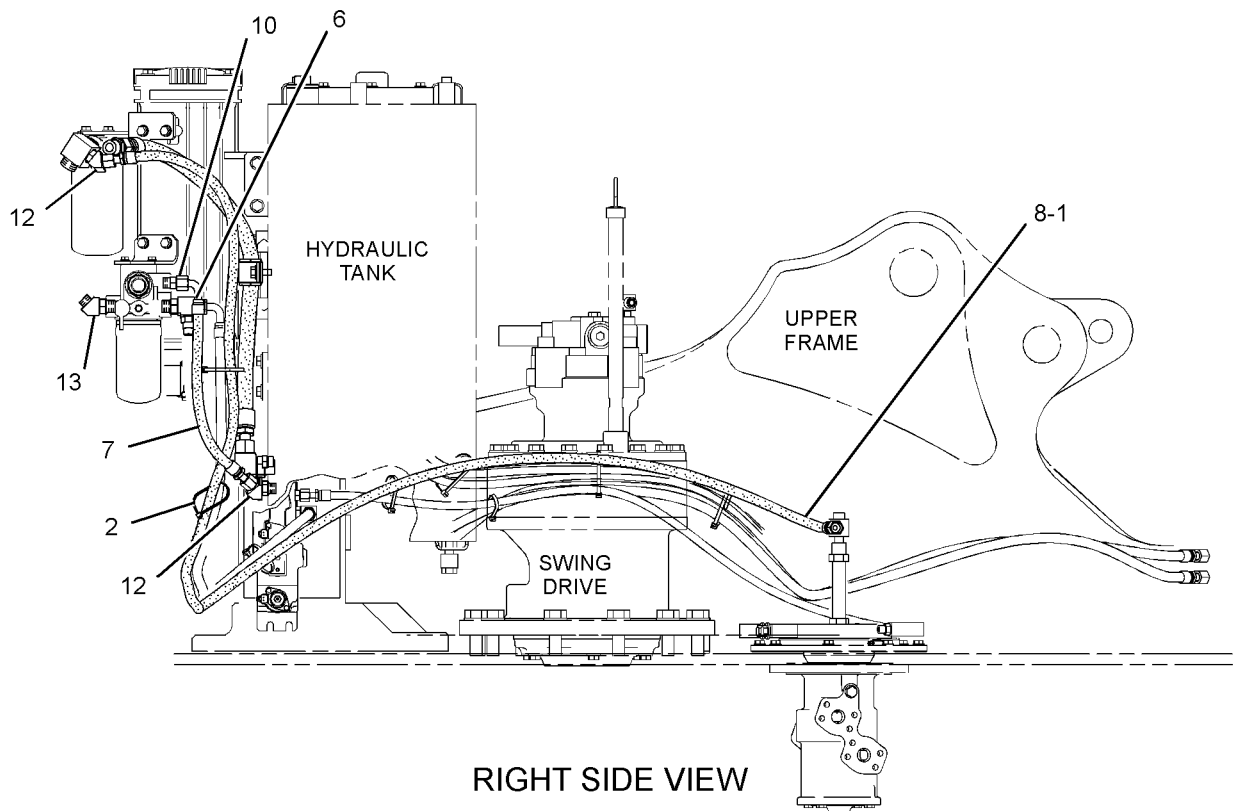
HYDRAULIC SYSTEM

248-9853 LINES GP-RETURN (contd.)

i02763495



REAR VIEW



RIGHT SIDE VIEW

GRAPHIC #1

<END>

g01312576

HYDRAULIC SYSTEM**248-9853 LINES GP-RETURN**

S/N: MGG1-UP; JFZ1-UP

PART OF 239-1710 TANK & MTG GP-HYDRAULIC
TYPE 2

SMCS-5057

i03247453

NOTE	REF NO	GRAPHIC REF	PART NUMBER	QTY	PART NAME						SEE PAGE
					1	2	3	4	5	6 (PRODUCT LEVEL)	
	1	1	4I-9527	2	BAND-MARKER (GREEN, R3)						
	2	1	7K-1181	2	STRAP-CABLE						
	3	1	124-1212	1	FITTING						
	4	1	165-3260	1	PIPE AS						
I	5	1	176-4770	1	HOSE AS						
C	6	1	307-5097	1	TEE AS						
		1	2M-9780	1	SEAL-O-RING						
		1	6V-8397	1	SEAL-O-RING						
		1	6V-8398	1	SEAL-O-RING						
		1	307-5098	1	TEE-ORP TO ORFS						
I	7	1	275-1361	1	HOSE AS						
I	8	1	292-7153	1	HOSE AS						
	9	1	148-8327	1	CONNECTOR AS						
		1	3D-2824	1	SEAL-O-RING						
		1	6V-8637	1	CONNECTOR						
		1	6V-9746	1	SEAL-O-RING						
C	10	1	164-5608	1	CONNECTOR AS						
		1	3K-0360	1	SEAL-O-RING						
		1	6V-8398	1	SEAL-O-RING						
		1	8T-1687	1	CONNECTOR						
	11	1	148-8347	1	ELBOW AS						
		1	3D-2824	1	SEAL-O-RING						
		1	6V-9007	1	ELBOW						
		1	6V-9746	1	SEAL-O-RING						
	12	1	148-8354	3	ELBOW AS						
					(EACH INCLUDES)						
		1	3K-0360	1	SEAL-O-RING						
		1	6V-8398	1	SEAL-O-RING						
		1	6V-9002	1	ELBOW						
	13	1	148-8358	1	ELBOW AS						
		1	2M-9780	1	SEAL-O-RING						
		1	6V-8398	1	SEAL-O-RING						
		1	6V-8624	1	ELBOW						
	14	1	148-8363	1	ELBOW AS						
		1	3K-0360	1	SEAL-O-RING						
		1	6V-8397	1	SEAL-O-RING						
		1	6V-9876	1	ELBOW						
	15	1	148-8411	1	PLUG AS						
		1	3K-0360	1	SEAL-O-RING						
		1	9S-4185	1	PLUG-O-RING						
	16	1	3D-2824	1	SEAL-O-RING						
	17	1	5P-7464	1	CLIP (SLOT)						
	18	1	5P-7465	1	CLIP (TAB)						
	19	1	6J-2680	1	SEAL-O-RING						
	20	1	6V-9746	1	SEAL-O-RING						
	21	1	8T-2920	1	GROMMET						
M	22	1	8T-4139	1	BOLT (M12X1.75X30-MM)						
	23	1	8T-4223	5	WASHER-HARD (13.5X25.5X3-MM THK)						
M	24	1	8T-4956	4	BOLT (M12X1.75X35-MM)						

C-CHANGE FROM PREVIOUS TYPE

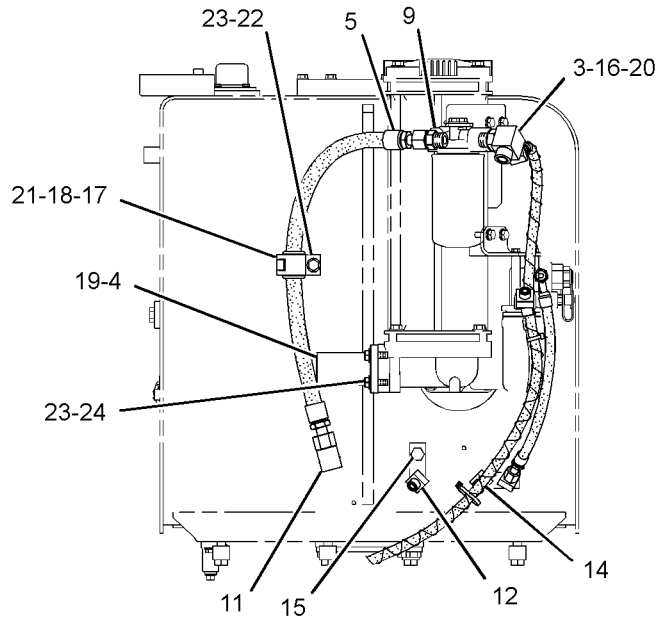
I-REFER TO HYDRAULIC INFORMATION SYSTEM

M-METRIC PART

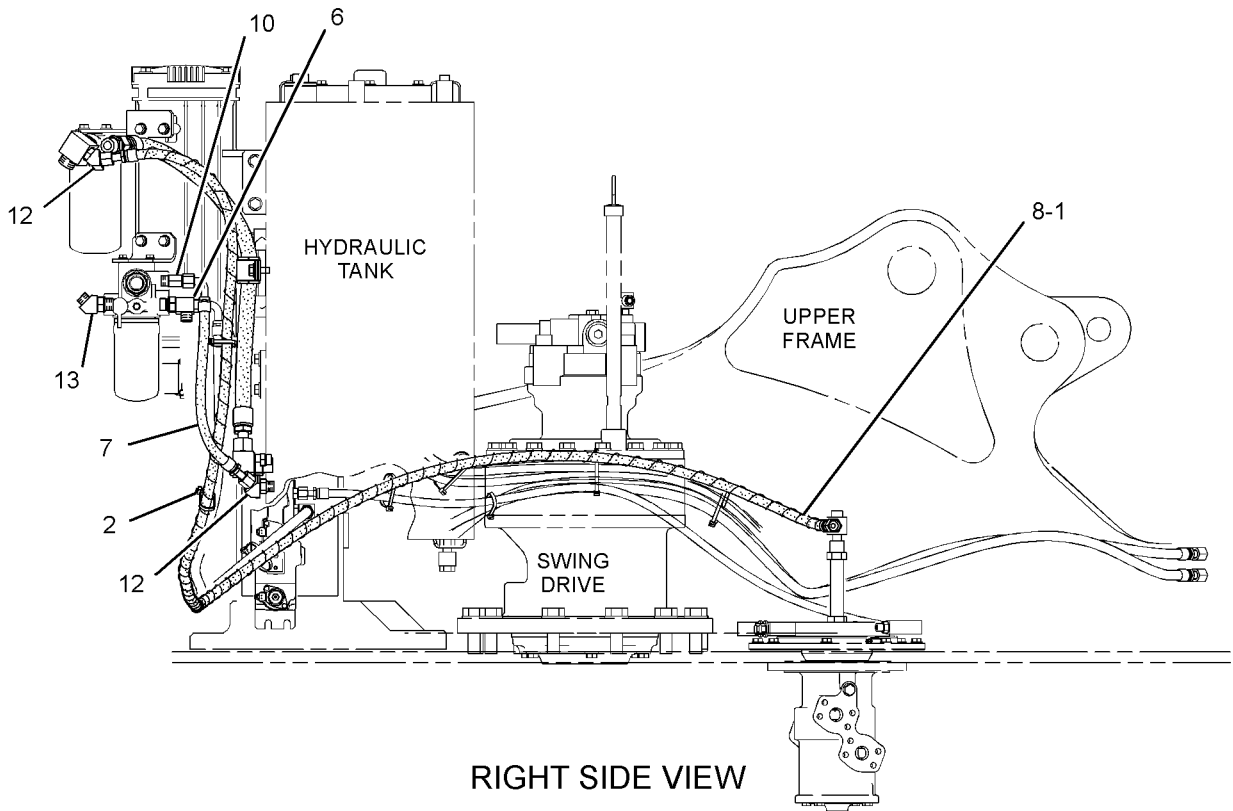
HYDRAULIC SYSTEM

248-9853 LINES GP-RETURN (contd.)

i03247453



REAR VIEW



RIGHT SIDE VIEW

GRAPHIC #1

<END>

g01397456

HYDRAULIC SYSTEM

242-6735 LINES GP-STICK CYLINDER

S/N: MGG1-UP; JFZ1-UP

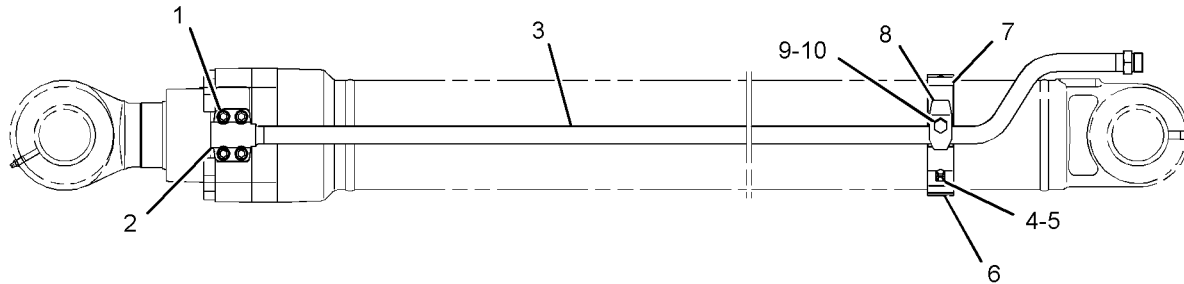
PART OF 242-6743, 242-6747, 242-6762 CYLINDER & LINES GP-STICK
AN ATTACHMENT

SMCS-5458

i02548236

NOTE	REF NO	GRAPHIC REF	PART NUMBER	QTY	PART NAME						SEE PAGE
					1	2	3	4	5	6 (PRODUCT LEVEL)	
M	1	1	6V-8200	4	BOLT-SOCKET HEAD (M12X1.75X35-MM)						
	2	1	095-1600	1	SEAL-O-RING						
	3	1	247-8883	1	TUBE AS						
M	4	1	8T-4196	2	BOLT (M10X1.5X35-MM)						
	5	1	8T-4896	2	WASHER-HARD (10.2X18.5X2.5-MM THK)						
	6	1	124-1020	1	SUPPORT						
	7	1	124-1019	1	SUPPORT AS						
	8	1	096-4480	1	CLAMP						
M	9	1	8T-4910	1	BOLT (M12X1.75X60-MM)						
	10	1	8T-4223	1	WASHER-HARD (13.5X25.5X3-MM THK)						

M-METRIC PART



GRAPHIC #1

<END>

g01220097

HYDRAULIC SYSTEM

268-7257 LINES GP-STICK CYLINDER

S/N: MGG1-UP

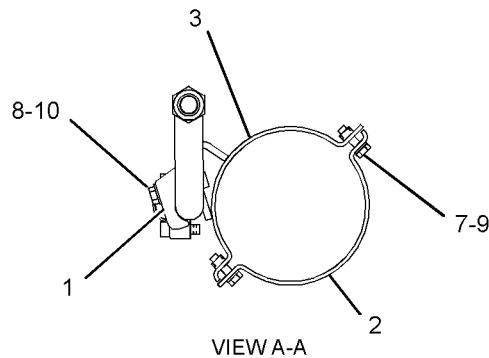
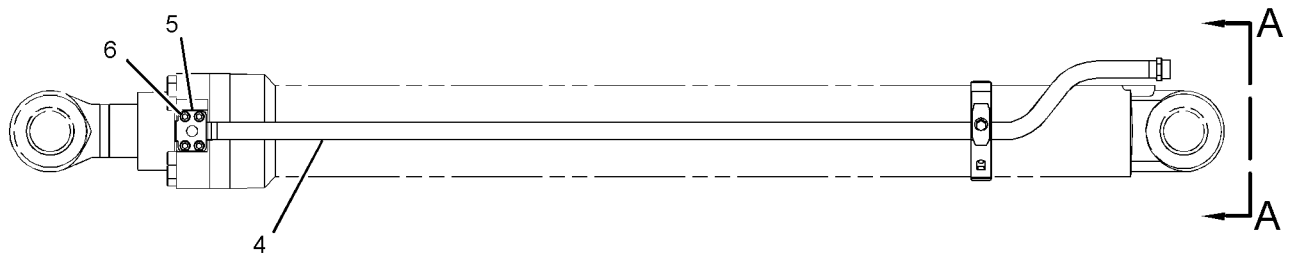
PART OF 268-7256 CYLINDER & LINES GP-STICK
AN ATTACHMENT

SMCS-5458

i02548892

NOTE	REF NO	GRAPHIC REF	PART NUMBER	QTY	PART NAME						SEE PAGE
					1	2	3	4	5	6 (PRODUCT LEVEL)	
	1	1	096-4447	1	CLAMP						
	2	1	124-0914	1	SUPPORT						
	3	1	194-8380	1	SUPPORT AS						
	4	1	227-6884	1	TUBE AS						
	5	1	095-1600	1	SEAL-O-RING						
M	6	1	6V-8200	4	BOLT-SOCKET HEAD (M12X1.75X35-MM)						
M	7	1	8T-4196	2	BOLT (M10X1.5X35-MM)						
	8	1	8T-4223	1	WASHER-HARD (13.5X25.5X3-MM THK)						
	9	1	8T-4896	2	WASHER-HARD (10.2X18.5X2.5-MM THK)						
M	10	1	8T-4910	1	BOLT (M12X1.75X60-MM)						

M-METRIC PART



GRAPHIC #1

<END>

g01228951

HYDRAULIC SYSTEM**239-1716 LINES GP-TRAVEL MOTOR**

S/N: JFZ1-UP

PART OF 285-1354 HYDRAULIC AR

SMCS-5057, 5058

i02545896

NOTE	REF NO	GRAPHIC REF	PART NUMBER	QTY	PART NAME						SEE PAGE
					1	2	3	4	5	6 (PRODUCT LEVEL)	
	1	1	7K-1181	4	STRAP-CABLE						
	2	1	108-7118	4	GROMMET						
I	3	1	111-6752	2	HOSE AS						
Y	4	1	234-4440	1	SWIVEL GP						558
I	5	1	245-5427	4	HOSE AS						
	6	1	248-9428	2	HOSE AS						
	7	1	148-8364	2	ELBOW AS						
					(EACH INCLUDES)						
		1	3K-0360	1	SEAL-O-RING						
		1	6V-8398	1	SEAL-O-RING						
		1	6V-8625	1	ELBOW						
8	1	1	148-8372	1	ELBOW AS						
		1	2M-9780	1	SEAL-O-RING						
		1	6V-8398	1	SEAL-O-RING						
		1	6V-8721	1	ELBOW						
9	1	1	148-8378	2	ELBOW AS						
					(EACH INCLUDES)						
		1	3J-1907	1	SEAL-O-RING						
		1	6V-8397	1	SEAL-O-RING						
		1	6V-8724	1	ELBOW						
10	1	1	150-4037	1	TEE AS						
		1	6V-8398	2	SEAL-O-RING						
		1	6V-9844	1	TEE-SWIVEL						
11	1	1	150-4044	2	CONNECTOR AS						
					(EACH INCLUDES)						
		1	3J-1907	1	SEAL-O-RING						
		1	6V-8397	1	SEAL-O-RING						
		1	8T-1779	1	CONNECTOR						
12	1	1	1P-3703	8	SEAL-RECTANGULAR						
13	1	1	6V-0400	24	FLANGE-HALF						
14	1	1	8T-4121	6	WASHER-HARD (11X21X2.5-MM THK)						
M	15	1	8T-4136	6	BOLT (M10X1.5X25-MM)						
M	16	1	8T-4184	48	BOLT (M12X1.75X45-MM)						
17	1	1	8T-4223	48	WASHER-HARD (13.5X25.5X3-MM THK)						
B	18	1	1U-8846	2	SEALANT-GASKET						

B-USE AS REQUIRED

I-REFER TO HYDRAULIC INFORMATION SYSTEM

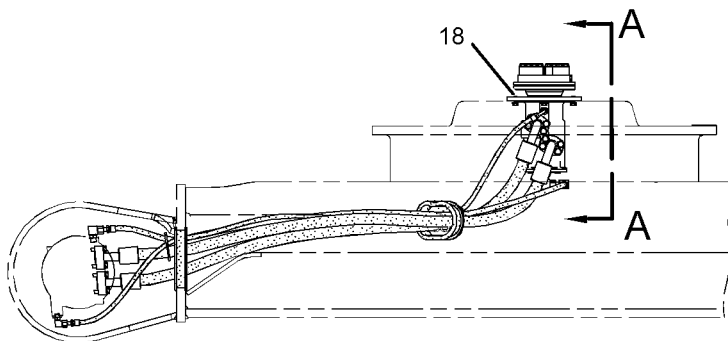
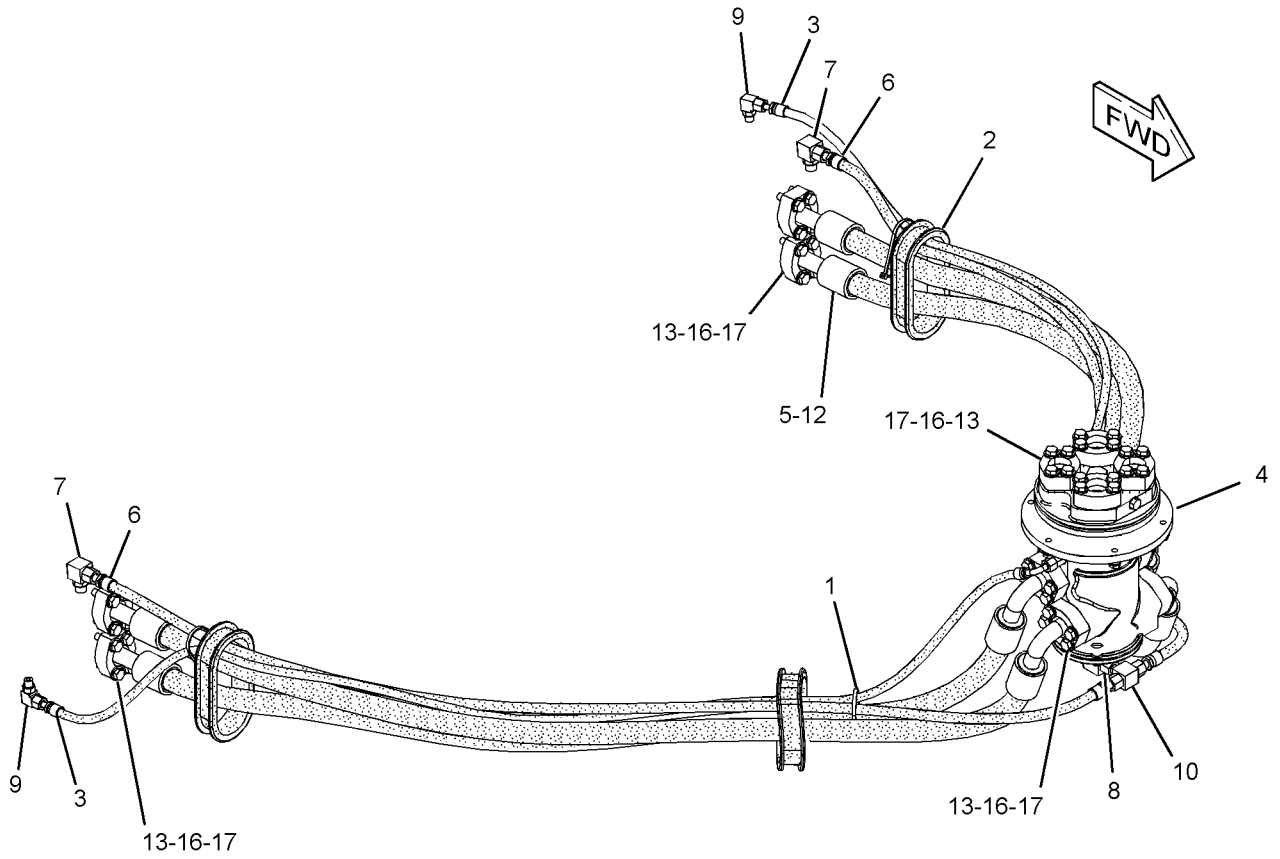
M-METRIC PART

Y-SEPARATE ILLUSTRATION

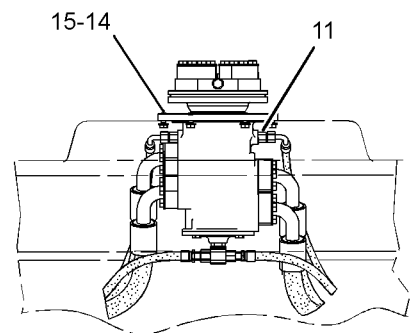
HYDRAULIC SYSTEM

239-1716 LINES GP-TRAVEL MOTOR (contd.)

i02545896



RIGHT SIDE VIEW



VIEW A-A

GRAPHIC #1

<END>

g01229296

HYDRAULIC SYSTEM**239-1717 LINES GP-TRAVEL MOTOR**

S/N: MGG1-UP

PART OF 285-1355 HYDRAULIC AR

SMCS-5057, 5058

i02545905

NOTE	REF NO	GRAPHIC REF	PART NUMBER	QTY	PART NAME						SEE PAGE
					1	2	3	4	5	6 (PRODUCT LEVEL)	
	1	1,2	7K-1181	4	STRAP-CABLE						
I	2	2	7Y-4390	2	HOSE AS						
	3	1	108-7118	4	GROMMET						
I	4	2	173-5089	2	HOSE AS						
Y	5	2	234-4440	1	SWIVEL GP						558
I	6	1	245-5416	4	HOSE AS						
	7	2	148-8364	2	ELBOW AS						
					(EACH INCLUDES)						
		2	3K-0360	1	SEAL-O-RING						
		2	6V-8398	1	SEAL-O-RING						
		2	6V-8625	1	ELBOW						
8		2	148-8372	1	ELBOW AS						
		2	2M-9780	1	SEAL-O-RING						
		2	6V-8398	1	SEAL-O-RING						
		2	6V-8721	1	ELBOW						
9		2	148-8378	2	ELBOW AS						
					(EACH INCLUDES)						
		2	3J-1907	1	SEAL-O-RING						
		2	6V-8397	1	SEAL-O-RING						
		2	6V-8724	1	ELBOW						
10		2	150-4037	1	TEE AS						
		2	6V-8398	2	SEAL-O-RING						
		2	6V-9844	1	TEE-SWIVEL						
11		2	150-4044	2	CONNECTOR AS						
					(EACH INCLUDES)						
		2	3J-1907	1	SEAL-O-RING						
		2	6V-8397	1	SEAL-O-RING						
		2	8T-1779	1	CONNECTOR						
12		1	1P-3703	8	SEAL-RECTANGULAR						
13		2	6V-0400	24	FLANGE-HALF						
14		2	8T-4121	6	WASHER-HARD (11X21X2.5-MM THK)						
M	15	2	8T-4136	6	BOLT (M10X1.5X25-MM)						
M	16	2	8T-4184	48	BOLT (M12X1.75X45-MM)						
17		2	8T-4223	48	WASHER-HARD (13.5X25.5X3-MM THK)						
18		2	1U-8846	1	SEALANT-GASKET						

I-REFER TO HYDRAULIC INFORMATION SYSTEM

M-METRIC PART

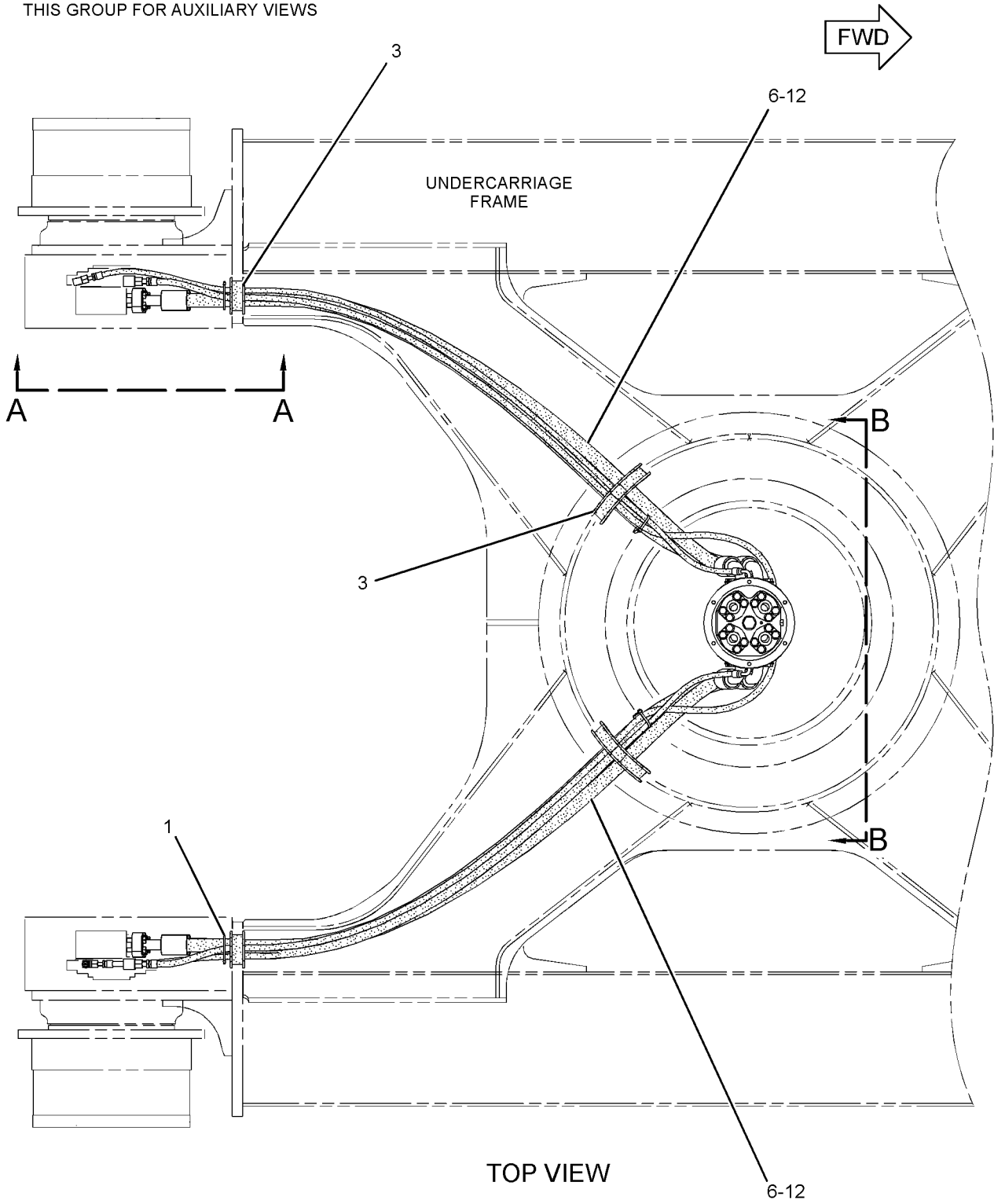
Y-SEPARATE ILLUSTRATION

HYDRAULIC SYSTEM

239-1717 LINES GP-TRAVEL MOTOR (contd.)

i02545905

REFER TO ALL ILLUSTRATIONS OF THIS GROUP FOR AUXILIARY VIEWS



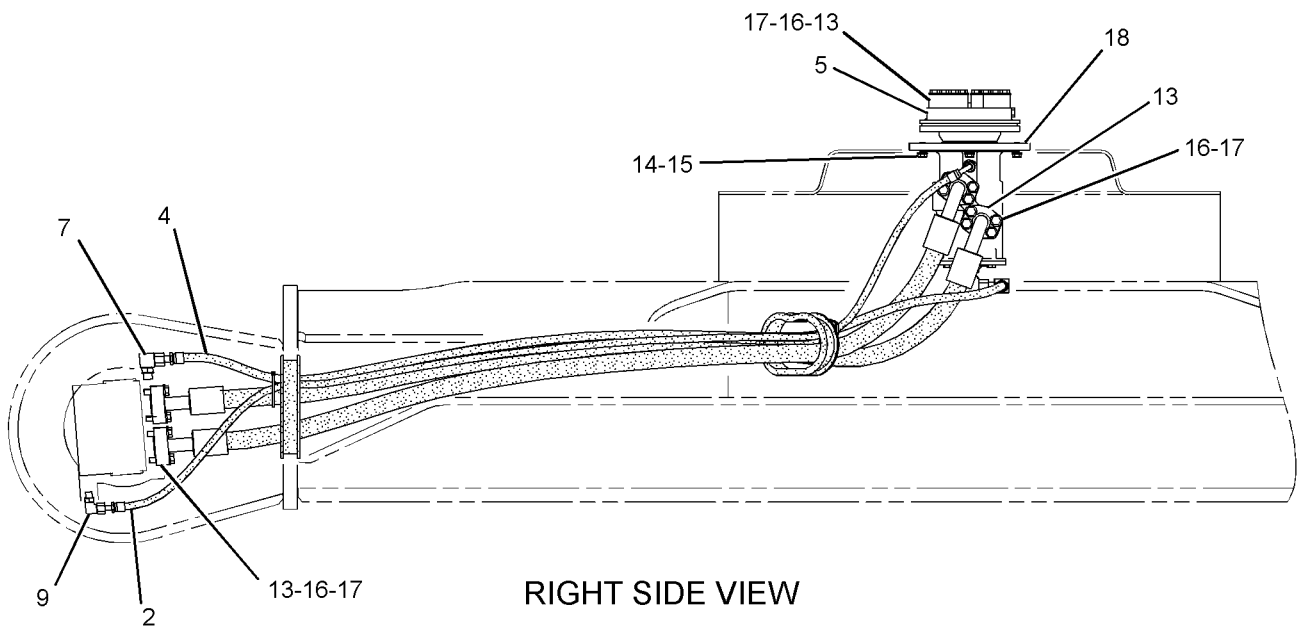
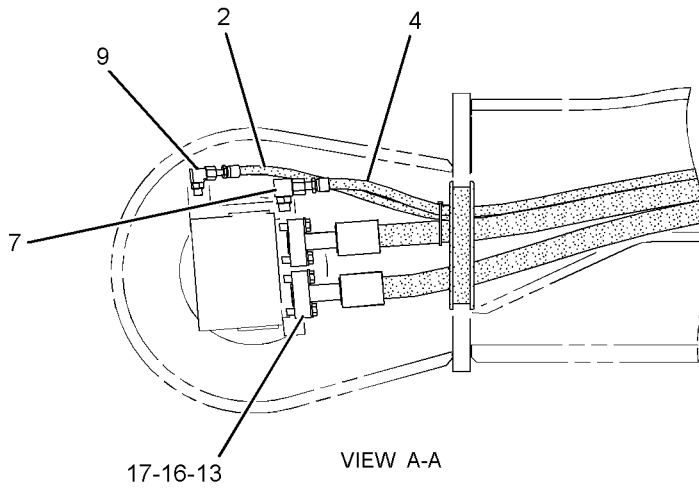
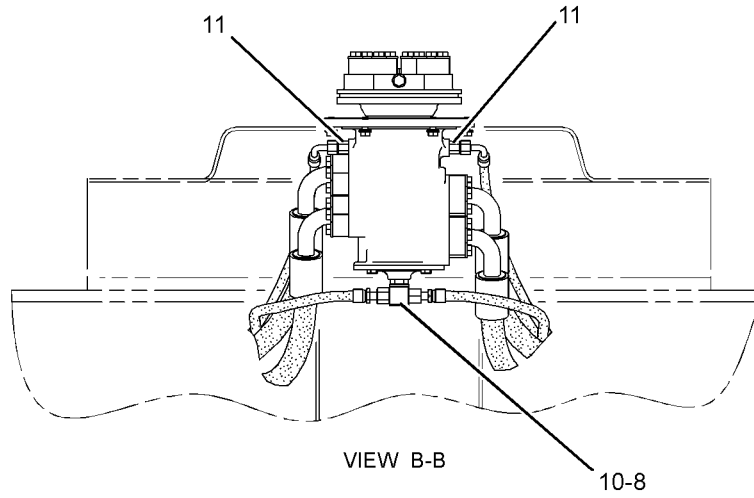
GRAPHIC #1

g01217452

HYDRAULIC SYSTEM

239-1717 LINES GP-TRAVEL MOTOR (contd.)

i02545905



GRAPHIC #2

<END>

g01226372

HYDRAULIC SYSTEM**215-5037 MANIFOLD GP-CONTROL-PILOT OIL**

S/N: MGG1-UP; JFZ1-UP

PART OF 248-9851 LINES GP-PILOT

SMCS-5264

i02205444

NOTE	PART NUMBER	QTY	PART NAME						SEE PAGE
			1	2	3	4	5	6 (PRODUCT LEVEL)	
Y	239-8998	1	MANIFOLD GP-CONTROL (PILOT OIL SUPPLY) (STEEL BODY)						539
			-OR-						
Y	239-8697	1	MANIFOLD GP-CONTROL (PILOT OIL SUPPLY) (ALUMINUM BODY)						538
Y-SEPARATE ILLUSTRATION									

<END>

HYDRAULIC SYSTEM

239-8697 MANIFOLD GP-CONTROL

S/N: MGG1-UP; JFZ1-UP

ALUMINUM BODY

PART OF 215-5037 MANIFOLD GP-CONTROL

SMCS-5264

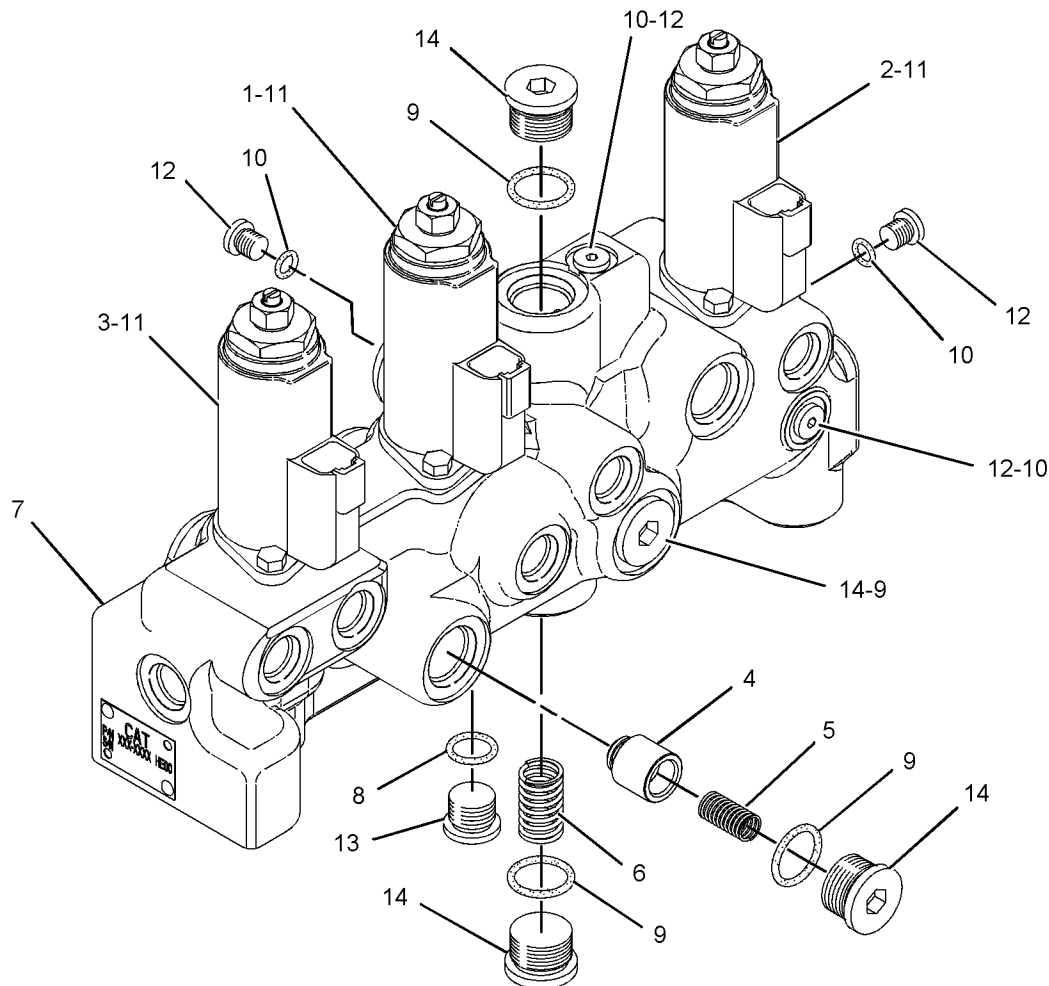
i02205483

NOTE	REF NO	GRAPHIC REF	PART NUMBER	QTY	PART NAME	1 2 3 4 5 6 (PRODUCT LEVEL)						SEE PAGE	
Y	1	1	121-1491	1	VALVE GP-SOLENOID (SWING BRAKE RELEASE)								622
Y	2	1	121-1491	1	VALVE GP-SOLENOID (HYDRAULIC LOCKOUT)								622
Y	3	1	121-1491	1	VALVE GP-SOLENOID (TRAVEL SPEED)								622
	4	1	197-0196	1	VALVE-CHECK								
	5	1	197-0199	1	SPRING								
	6	1	197-0273	1	SPRING								
Z	7	1		1	MANIFOLD GP-CONTROL								
	8	1	3J-1907	1	SEAL-O-RING								
	9	1	3K-0360	4	SEAL-O-RING								
	10	1	4J-7533	6	SEAL-O-RING								
M	11	1	7I-2272	6	BOLT (M5X0.8X12-MM)								
	12	1	9S-8001	6	PLUG-O-RING								
	13	1	9S-8004	1	PLUG-O-RING								
	14	1	9S-8005	4	PLUG-O-RING								

M-METRIC PART

Y-SEPARATE ILLUSTRATION

Z-NOT SERVICED SEPARATELY



GRAPHIC #1

<END>

g01084474

HYDRAULIC SYSTEM

239-8998 MANIFOLD GP-CONTROL

S/N: MGG1-UP; JFZ1-UP

STEEL BODY

PART OF 215-5037 MANIFOLD GP-CONTROL

SMCS-5264

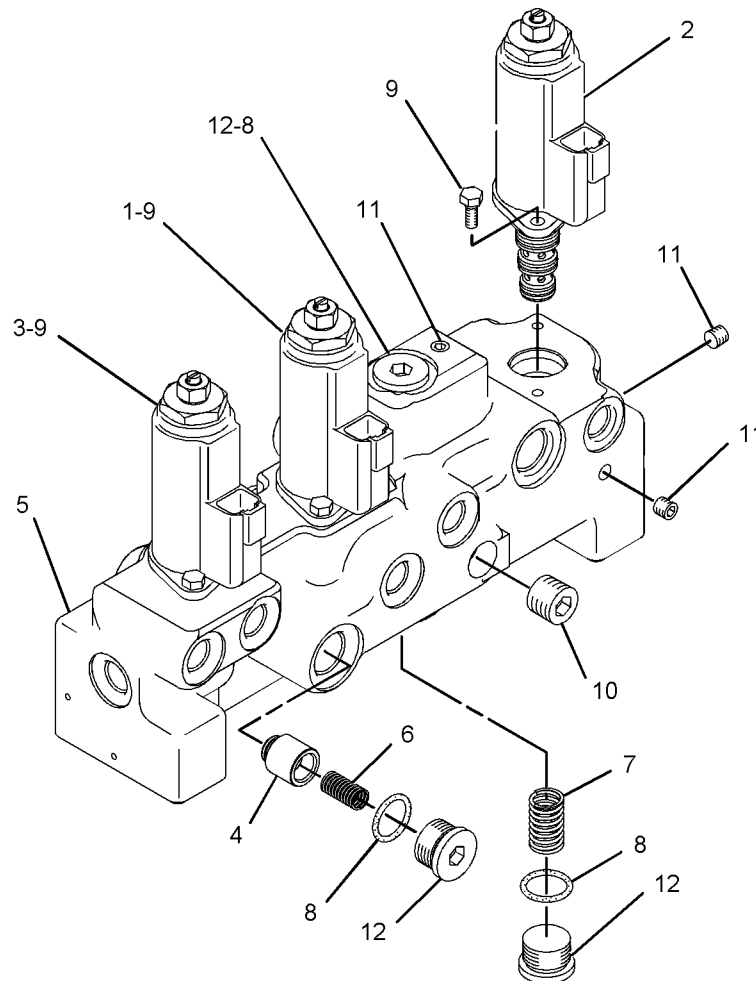
i02205477

NOTE	REF NO	GRAPHIC REF	PART NUMBER	QTY	PART NAME						SEE PAGE
					1	2	3	4	5	6 (PRODUCT LEVEL)	
Y	1	1	121-1491	1	VALVE GP-SOLENOID (SWING BRAKE RELEASE)						622
Y	2	1	121-1491	1	VALVE GP-SOLENOID (HYDRAULIC LOCKOUT)						622
Y	3	1	121-1491	1	VALVE GP-SOLENOID (TRAVEL SPEED)						622
	4	1	197-0196	1	VALVE-CHECK						
Z	5	1		1	MANIFOLD GP-CONTROL						
	6	1	197-0199	1	SPRING						
	7	1	197-0273	1	SPRING						
	8	1	3K-0360	3	SEAL-O-RING						
M	9	1	7I-2272	6	BOLT (M5X0.8X12-MM)						
	10	1	7M-7410	2	PLUG-PIPE						
	11	1	8T-6759	6	PLUG-PIPE						
	12	1	9S-8005	3	PLUG-O-RING						

M-METRIC PART

Y-SEPARATE ILLUSTRATION

Z-NOT SERVICED SEPARATELY



GRAPHIC #1

<END>

g01083316

HYDRAULIC SYSTEM

158-8985 MOTOR & MTG GP-SWING

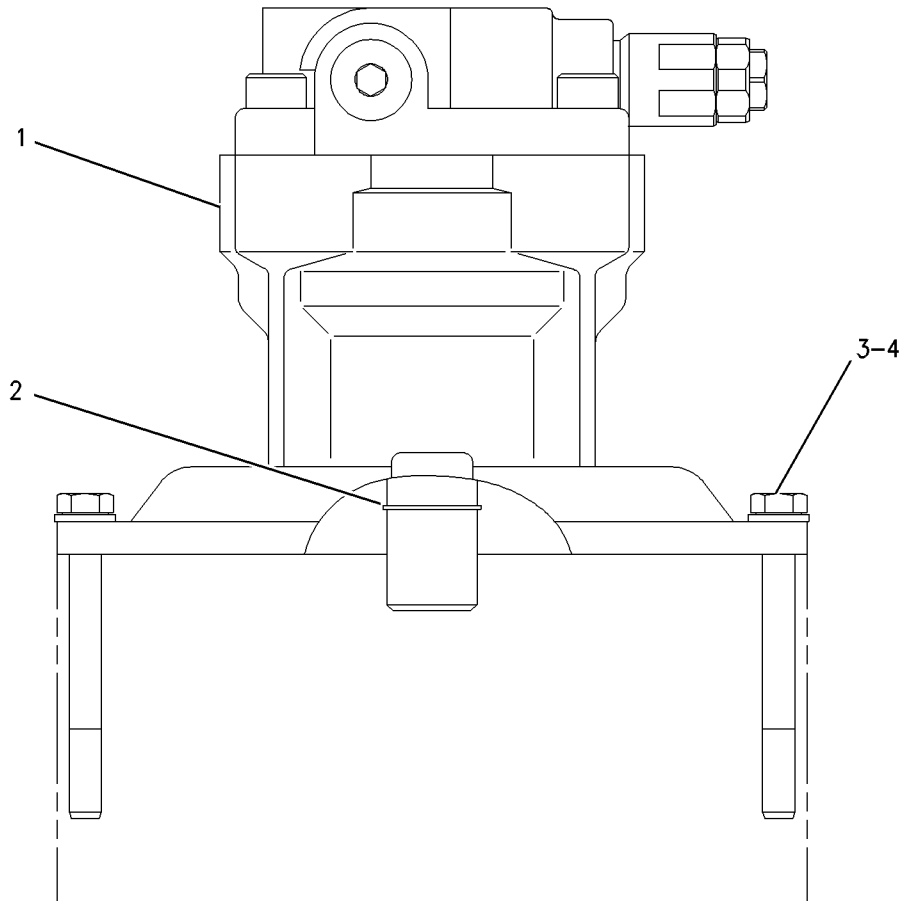
S/N: MGG1-UP; JFZ1-UP
PART OF 148-4679 DRIVE GP-SWING

SMCS-5058

i01320292

NOTE	REF NO	GRAPHIC REF	PART NUMBER	QTY	PART NAME						SEE PAGE
					1	2	3	4	5	6 (PRODUCT LEVEL)	
YR	1	1	158-8986	1	MOTOR GP-SWING						542
	2	1	6V-5200	1	RING-RETAINING						
M	3	1	7X-2558	16	BOLT (M16X2X150-MM)						
	4	1	9X-8257	16	WASHER (17.5X30X3.5-MM THK)						

M-METRIC PART
R-REMFG PART MAY BE AVAILABLE
Y-SEPARATE ILLUSTRATION



RIGHT SIDE VIEW

GRAPHIC #1

<END>

g00670538

HYDRAULIC SYSTEM

215-9982 MOTOR & MTG GP-TRAVEL

S/N: MGG1-UP; JFZ1-UP

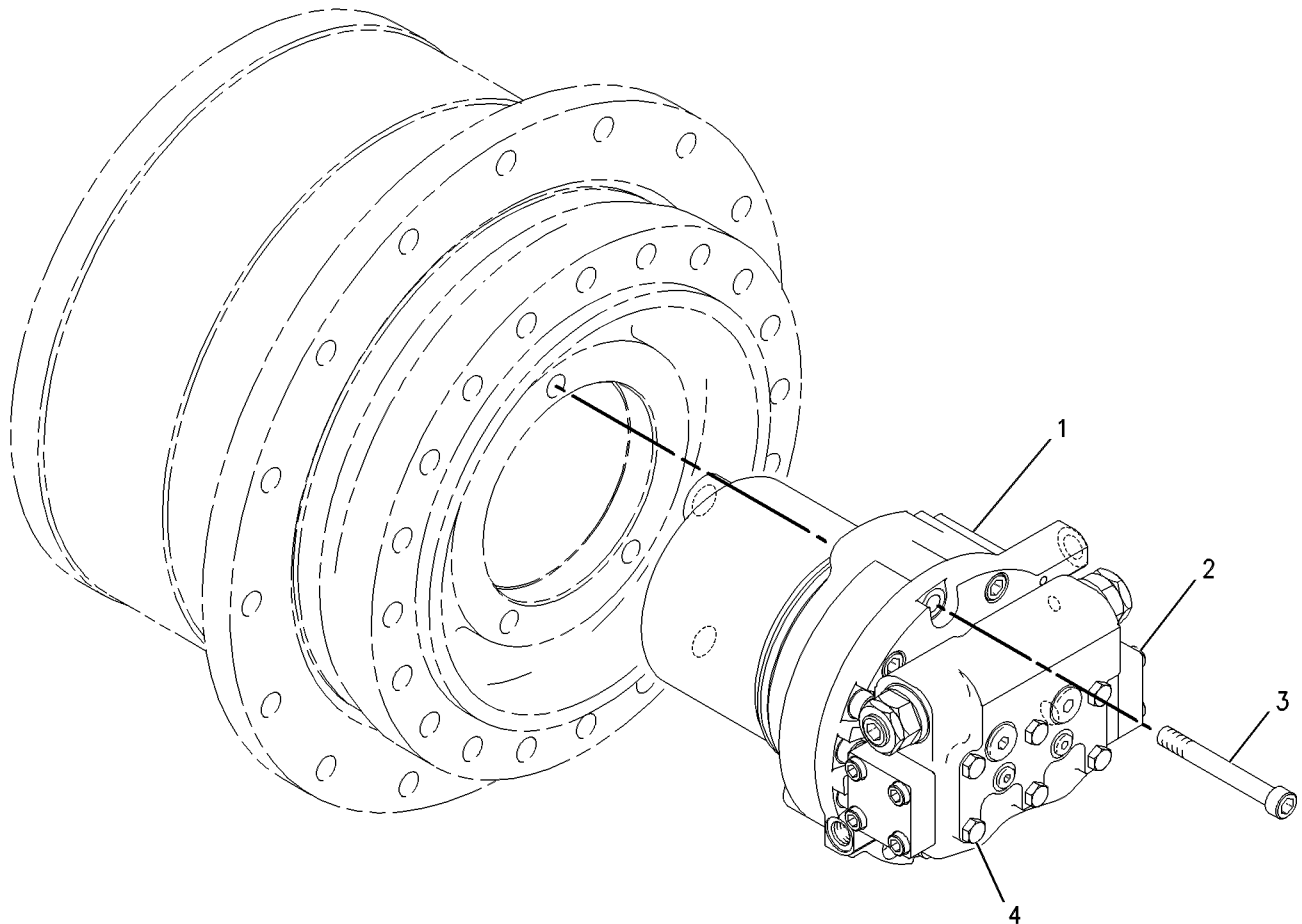
PART OF 227-6913 DRIVE GP-FINAL

SMCS-4351

i02752005

NOTE	REF NO	GRAPHIC REF	PART NUMBER	QTY	PART NAME						SEE PAGE
					1	2	3	4	5	6 (PRODUCT LEVEL)	
Y	1	1	209-5992	1	MOTOR GP-TRAVEL						545
Y	2	1	204-2819	1	VALVE GP-TRAVEL COUNTERBALANCE						630
M	3	1	095-0707	3	BOLT (M16X2X120-MM)						
M	4	1	3E-6910	6	BOLT-SOCKET HEAD (M12X1.75X70-MM)						

M-METRIC PART
Y-SEPARATE ILLUSTRATION



GRAPHIC #1

<END>

g00591624

HYDRAULIC SYSTEM

158-8986 MOTOR GP-SWING

S/N: MGG1-UP; JFZ1-UP

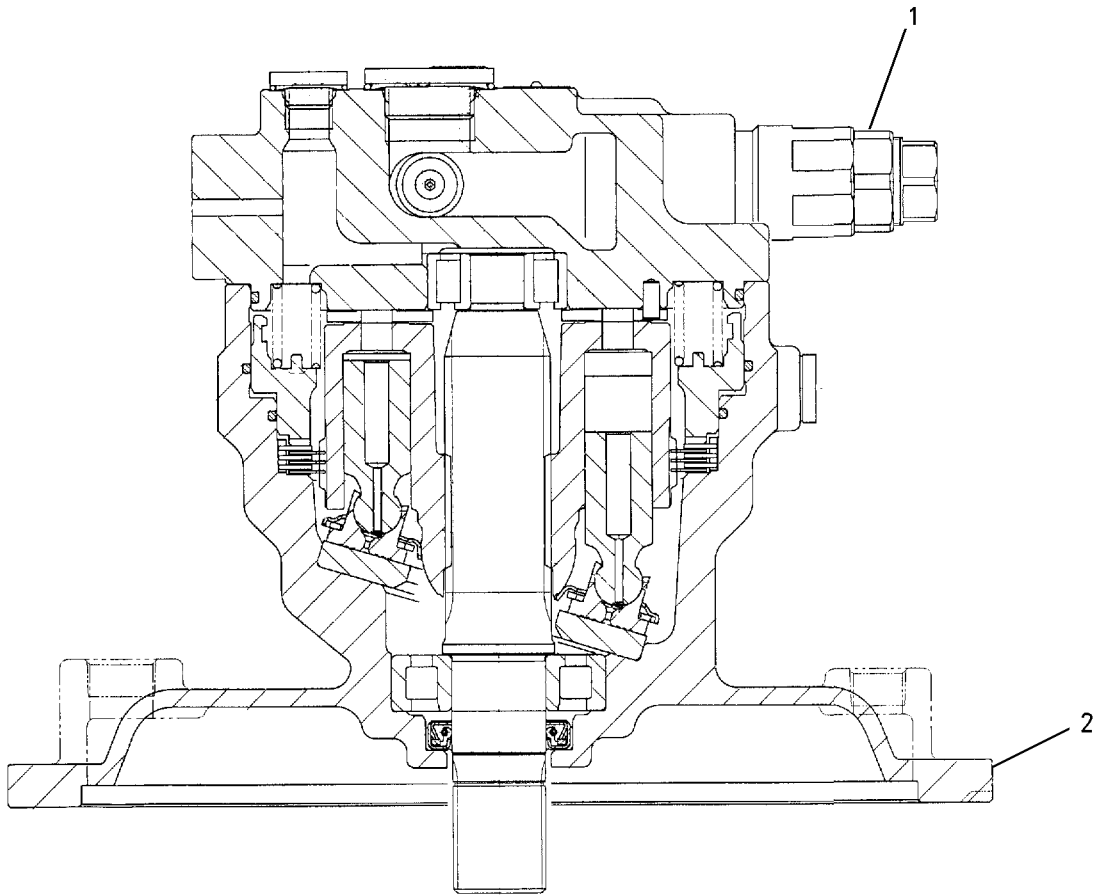
PART OF 158-8985 MOTOR & MTG GP-SWING

SMCS-5058

i01793895

NOTE	REF NO	GRAPHIC REF	PART NUMBER	QTY	PART NAME						SEE PAGE
					1	2	3	4	5	6 (PRODUCT LEVEL)	
Y	1	1	173-3452	2	VALVE GP-RELIEF						607
Y	2	1	191-5542	1	MOTOR GP-SWING						543

Y-SEPARATE ILLUSTRATION



LEFT SIDE VIEW

GRAPHIC #1

<END>

g00977314

HYDRAULIC SYSTEM**191-5542 MOTOR GP-SWING**

S/N: MGG1-UP; JFZ1-UP

PART OF 158-8986 MOTOR GP-SWING

SMCS-5058

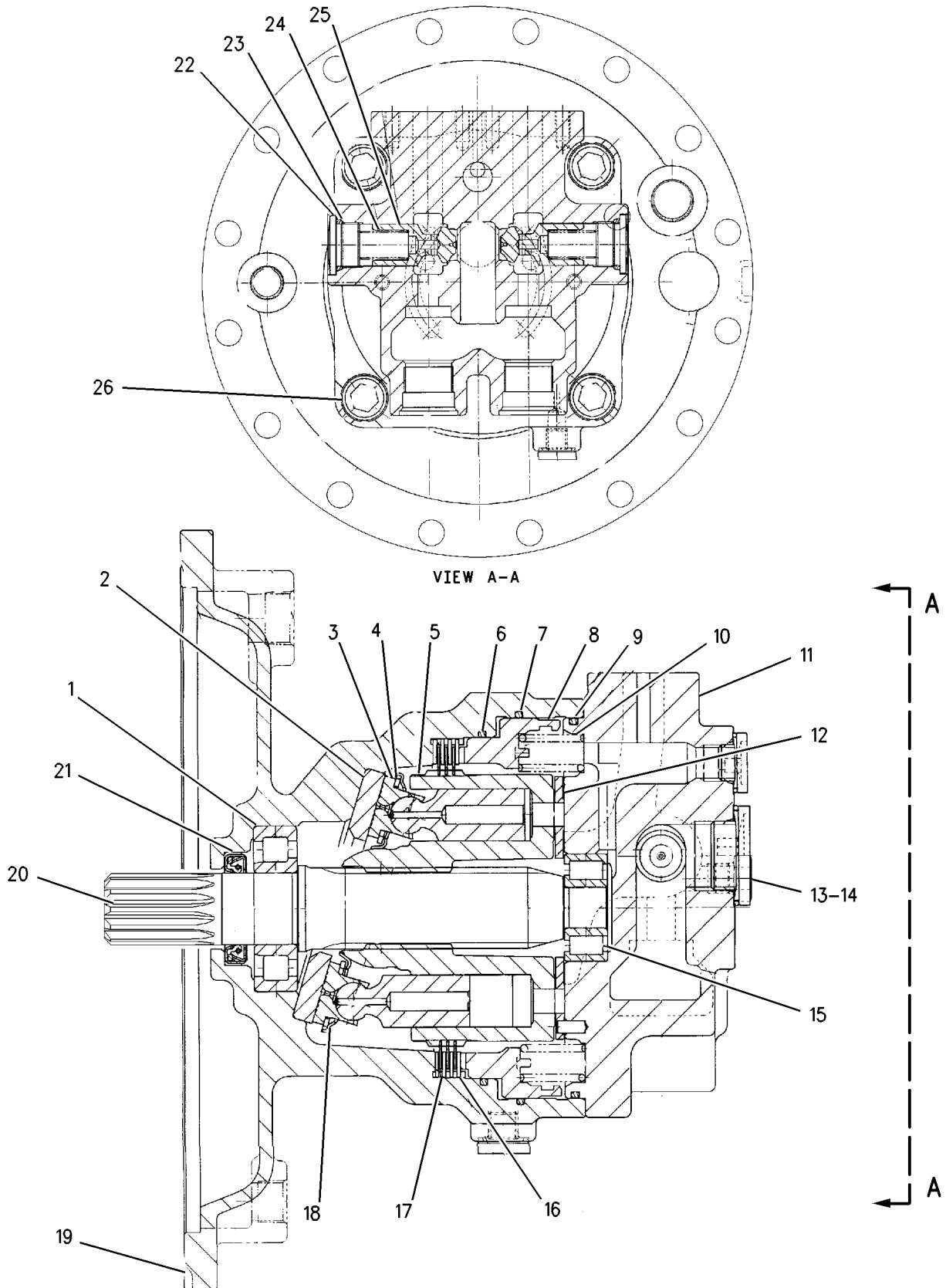
i02973072

NOTE	REF NO	GRAPHIC REF	PART NUMBER	QTY	PART NAME						SEE PAGE
					1	2	3	4	5	6 (PRODUCT LEVEL)	
	1	1	122-5318	1	BEARING						
	2	1	173-3444	1	PLATE						
	3	1	295-9685	1	PISTON AS						
	4	1	173-3443	1	PLATE						
	5	1	173-3441	1	BARREL						
J	6	1	5I-8426	1	SEAL-O-RING						
J	7	1	5I-8417	1	SEAL-O-RING						
	8	1	177-2584	1	PISTON-BRAKE						
J	9	1	5I-8623	1	SEAL-O-RING						
	10	1	126-2055	20	SPRING						
	11	1	173-3439	1	HEAD GP-MOTOR						
		1	095-0882	2	PIN-SPRING						
	12	1	173-3445	1	PLATE-VALVE						
	13	1	110-5525	2	PLUG						
J	14	1	3J-1907	2	SEAL-O-RING						
	15	1	5I-8625	1	BEARING						
	16	1	173-3451	4	PLATE-SEPARATOR						
	17	1	173-3450	3	PLATE-FRICTION						
	18	1	173-3442	1	SPRING						
	19	1	191-5543	1	BODY						
	20	1	173-3440	1	SHAFT						
J	21	1	173-3447	1	SEAL-OIL						
	22	1	094-1900	2	PLUG						
J	23	1	095-1595	2	SEAL-O-RING						
	24	1	7Y-4268	2	SPRING						
	25	1	7Y-4267	2	VALVE						
M	26	1	7Y-5221	4	BOLT-SOCKET HEAD (M20X2.5X45-MM)						
AVAILABLE REPAIR KIT(S):											
J			173-3454	1	KIT-SEAL (SWING MOTOR)						
J-KIT MARKED J SERVICES PART(S) MARKED J											
M-METRIC PART											

HYDRAULIC SYSTEM

191-5542 MOTOR GP-SWING (contd.)

i02973072



GRAPHIC #1

<END>

g00881256

HYDRAULIC SYSTEM

209-5992 MOTOR GP-TRAVEL

S/N: MGG1-UP; JFZ1-UP

PART OF 215-9982 MOTOR & MTG GP-TRAVEL

SMCS-4351, 5058

i02399853

NOTE	REF NO	GRAPHIC REF	PART NUMBER	QTY	PART NAME						SEE PAGE
					1	2	3	4	5	6 (PRODUCT LEVEL)	
	1	1	7Y-4202	1	HEAD						
	2	2	7Y-4212	1	BEARING						
	3	2	7Y-4213	1	PISTON-BRAKE						
	4	1	7Y-4215	1	SPACER						
	5	2	7Y-4216	1	SPOOL						
	6	2	7Y-4224	2	ORIFICE						
	7	2	087-4742	1	VALVE						
	8	1	087-4743	2	STOP						
	9	2	087-4786	1	ADAPTER						
	10	2	094-1399	1	RING-RETAINING						
	11	2	094-1882	10	PLUG						
	12	1	095-7378	1	WASHER SET						
	13	2	095-7380	1	SPRING						
	14	2	095-7382	1	RETAINER						
	15	2	096-1519	1	SEAT						
B	16	1	096-1521	1	SHIM (1-MM THK)						
B	17	1	096-1522	1	SHIM (2-MM THK)						
	18	2	096-1523	1	GUIDE-PISTON						
B	19	1	096-3785	1	SHIM (1.2-MM THK)						
B	20	1	096-3786	1	SHIM (1.4-MM THK)						
B	21	1	096-3787	1	SHIM (1.6-MM THK)						
B	22	1	096-3788	1	SHIM (1.8-MM THK)						
	23	2	096-3978	1	SPRING						
	24	1	096-4003	1	SET-BEARING						
		1	7Y-4234	1	RACE-NEEDLE ROLLER						
J	25	2	096-4376	1	SEAL-LIP TYPE						
	26	2	096-5915	2	RETAINER						
	27	2	107-6954	4	PLATE-FRICTION						
	28	2	107-6955	5	PLATE-SEPARATOR						
	29	1	107-6969	1	BODY						
	30	1	118-4057	9	SPRING						
	31	1	122-5114	1	GUIDE-BALL						
	32	2	123-2008	2	KEY						
	33	1	133-6777	1	BARREL AS						
	34	1	147-5860	1	PISTON AS						
	35	1	209-5894	1	SHAFT						
	36	1	209-5909	1	PLATE-CAM						
	38	1	087-4757	2	PISTON						
	39	1	094-1875	1	DOWEL						
	40	2	094-1882	10	PLUG						
J	41	2	095-1572	2	SEAL-O-RING						
J	42	2	095-1575	3	SEAL-O-RING						
J	43	2	095-1585	1	SEAL-O-RING						
J	44	1	095-1586	2	SEAL-O-RING						
	45	1	095-1685	1	SEAL-O-RING						
	46	2	095-1700	2	SEAL-O-RING						
J	47	2	095-7383	1	SEAL-O-RING						
J	48	2	095-7384	1	SEAL-O-RING						
J	49	2	095-7386	1	RING-BACKUP						
J	50	2	095-7387	1	RING						
J	52	2	096-4377	2	SEAL-O-RING						
J	53	2	096-4378	1	RING-BACKUP						
	54	2	096-5916	2	SEAT						
J	55	2	096-5919	2	RING-BACKUP						
	56	2	121-1558	2	PIN						
	57	2	2D-6642	2	BALL						

HYDRAULIC SYSTEM

209-5992 MOTOR GP-TRAVEL (contd.)

i02399853

NOTE	REF NO	GRAPHIC REF	PART NUMBER	QTY	PART NAME						SEE PAGE
					1	2	3	4	5	6 (PRODUCT LEVEL)	
J	58	2	2M-9780	1	SEAL-O-RING						
J	59	1	3K-0360	1	SEAL-O-RING						
J	60	1	7Y-4217	2	RING-BACKUP						
M	61	1	8T-4944	10	BOLT-SOCKET HEAD (M16X2X40-MM)						
	62	1	9S-4185	1	PLUG-O-RING						
AVAILABLE REPAIR KIT(S):											
J			7Y-4222	1	KIT-SEAL (TRAVEL MOTOR)						
B-USE AS REQUIRED											
J-KIT MARKED J SERVICES PARTS MARKED J											
M-METRIC PART											

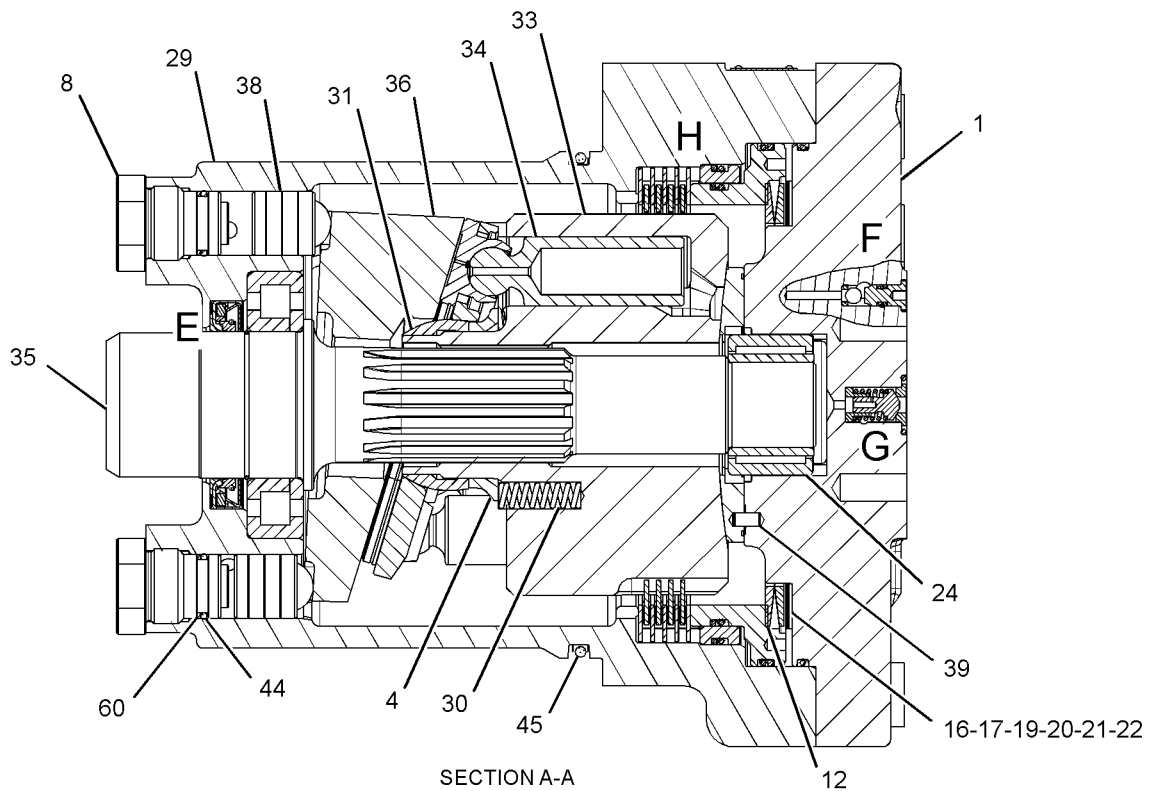
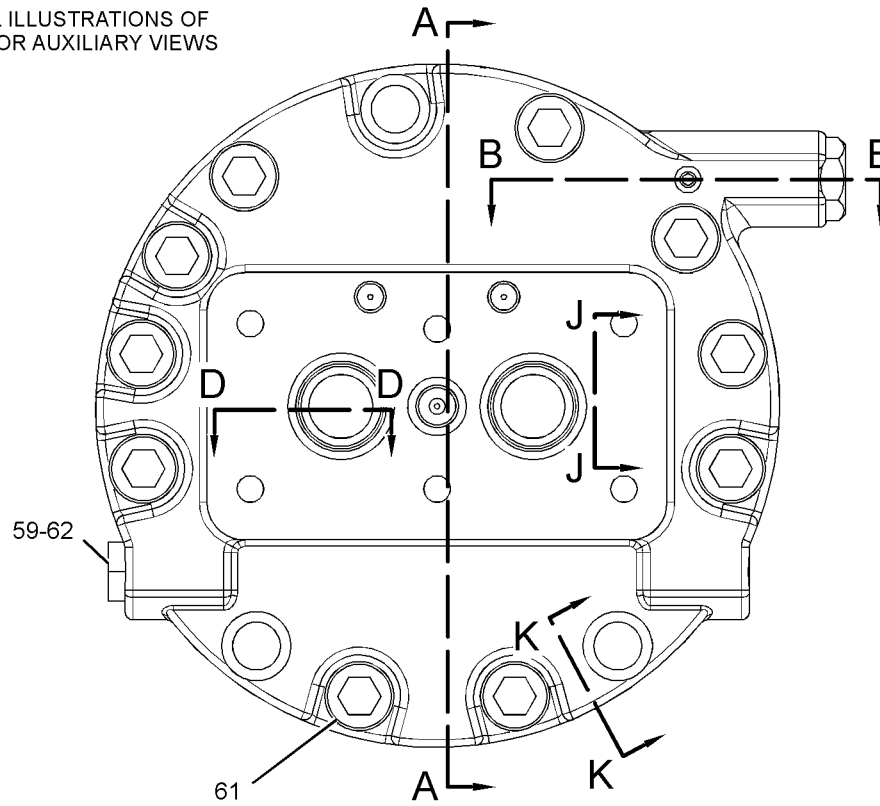


HYDRAULIC SYSTEM

209-5992 MOTOR GP-TRAVEL (contd.)

i02399853

REFER TO ALL ILLUSTRATIONS OF THIS GROUP FOR AUXILIARY VIEWS



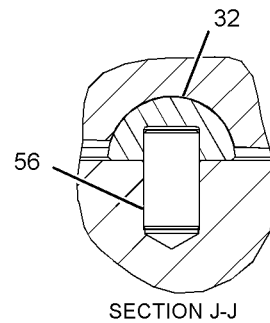
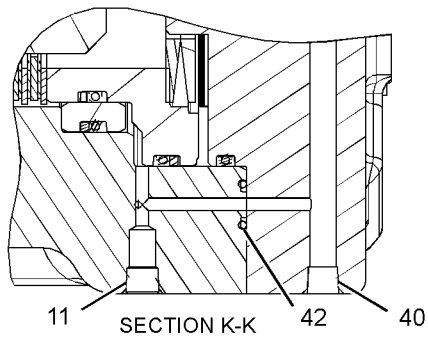
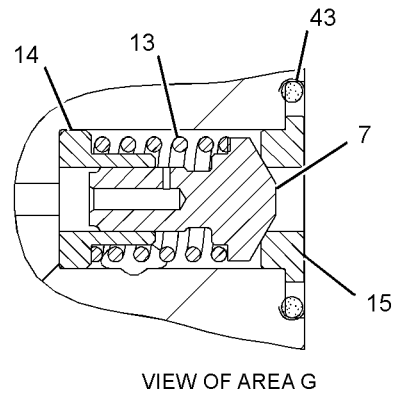
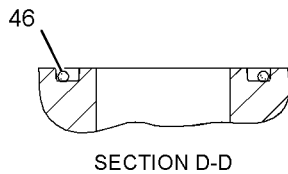
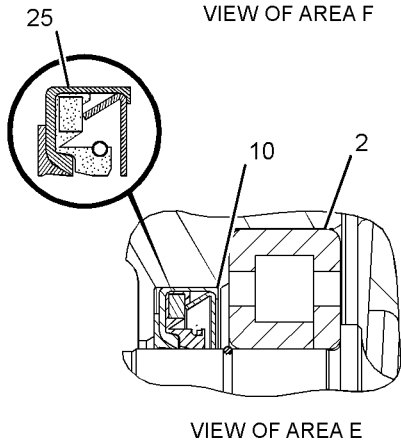
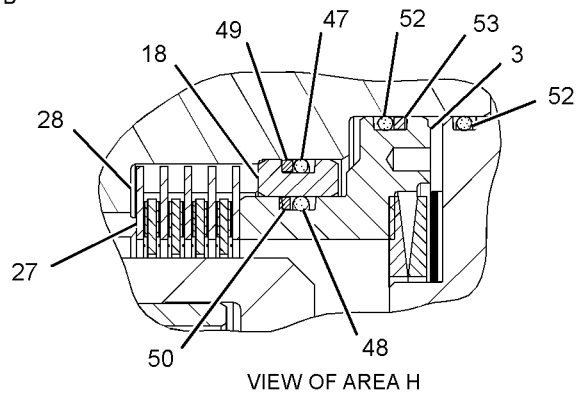
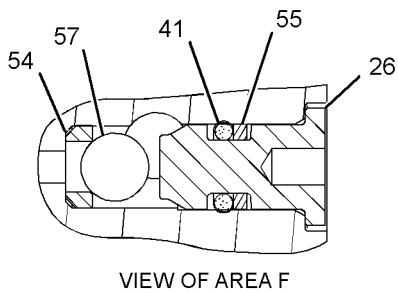
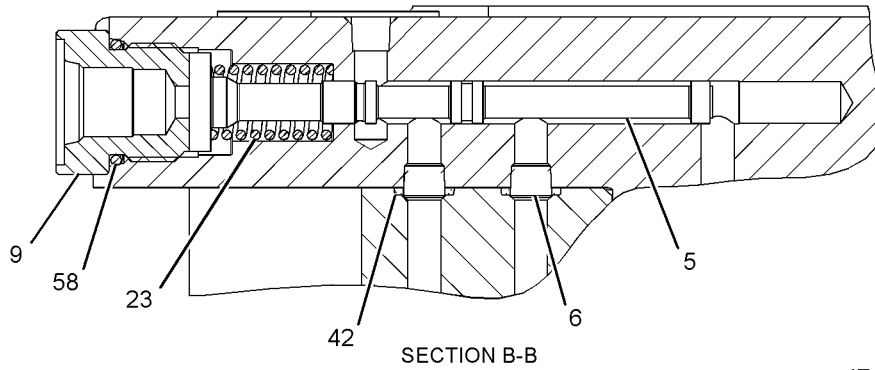
GRAPHIC #1

g01196112

HYDRAULIC SYSTEM

209-5992 MOTOR GP-TRAVEL (contd.)

i02399853



GRAPHIC #2

<END>

g01196115

HYDRAULIC SYSTEM

260-7868 MOUNTING GP-MAIN CONTROL VALVE

S/N: MGG1-UP; JFZ1-UP

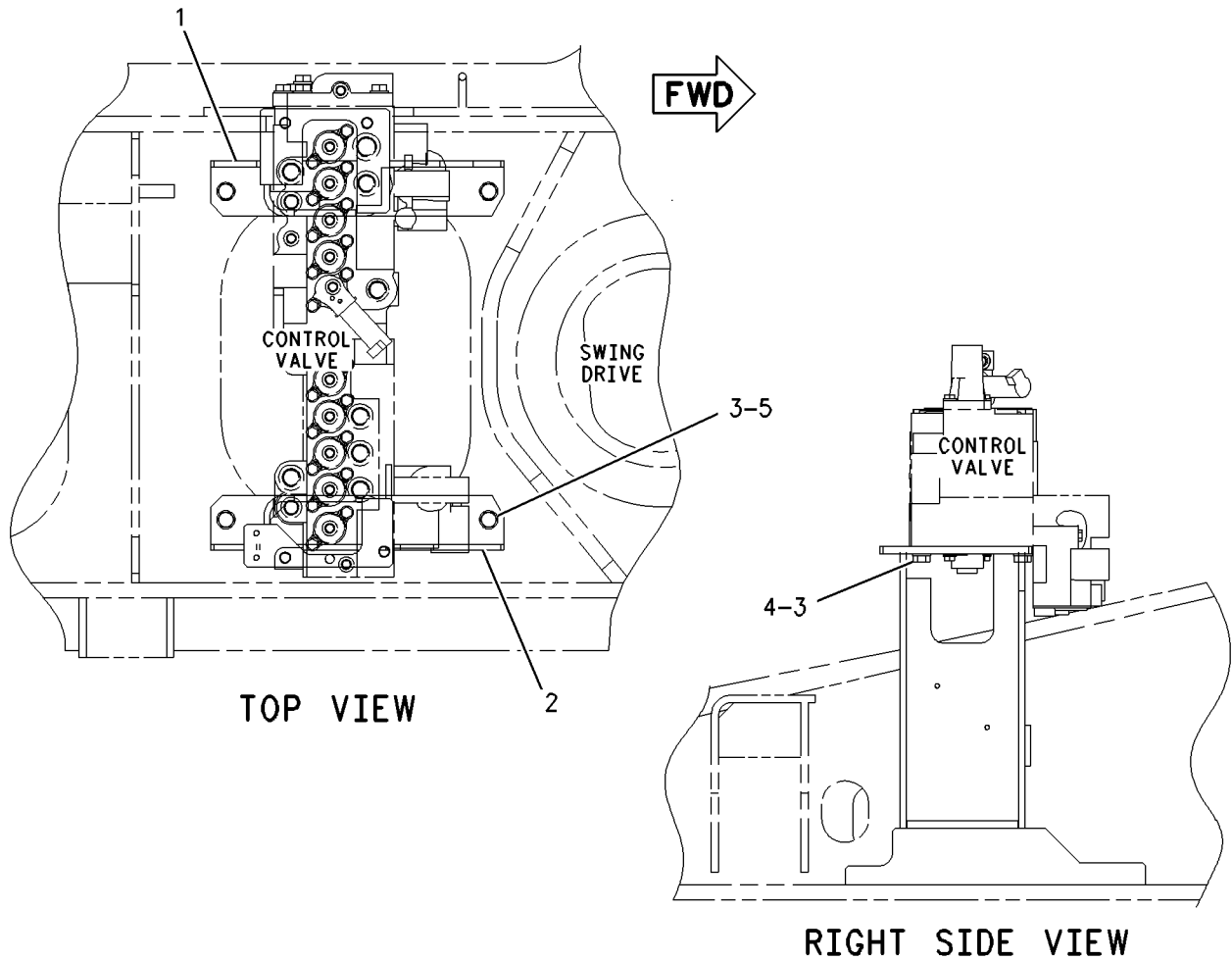
PART OF 285-1354, 285-1355 HYDRAULIC AR

SMCS-5051

i02535580

NOTE	REF NO	GRAPHIC REF	PART NUMBER	QTY	PART NAME						SEE PAGE
					1	2	3	4	5	6 (PRODUCT LEVEL)	
	1	1	260-7904	1	SUPPORT AS						
	2	1	260-7906	1	SUPPORT AS						
M	3	1	100-3866	8	BOLT-SELF-LOCKING (M16X2X40-MM)						
	4	1	9X-8257	4	WASHER (17.5X30X3.5-MM THK)						
	5	1	196-0711	4	WASHER (17X40X8-MM THK)						

M-METRIC PART



GRAPHIC #1

<END>

g00676425

HYDRAULIC SYSTEM**6E-4816 PLUG GP-CONTROL VALVE**

S/N: MGG1-UP; JFZ1-UP

PART OF 259-7465 VALVE GP-CONTROL

SMCS-5051

i02662954

NOTE	PART NUMBER	QTY	PART NAME						SEE PAGE
			1	2	3	4	5	6 (PRODUCT LEVEL)	
	6E-4793	1	PLUG GP-CONTROL VALVE						
	9J-0705	1	RING-BACKUP						
	033-5879	1	SEAL-O-RING						
	033-6036	1	SEAL-O-RING						
			-OR-						
	6E-2746	1	PLUG GP-CONTROL VALVE						
	6E-2745	1	SEAL-O-RING						
	9T-4506	1	PLUG						
			-OR-						
	106-6248	1	PLUG GP-CONTROL VALVE						
	9T-4506	1	PLUG						
	6E-2745	1	SEAL-O-RING						

<END>

HYDRAULIC SYSTEM

279-7869 PUMP & MTG GP-MAIN HYDRAULIC

S/N: MGG1-UP; JFZ1-UP

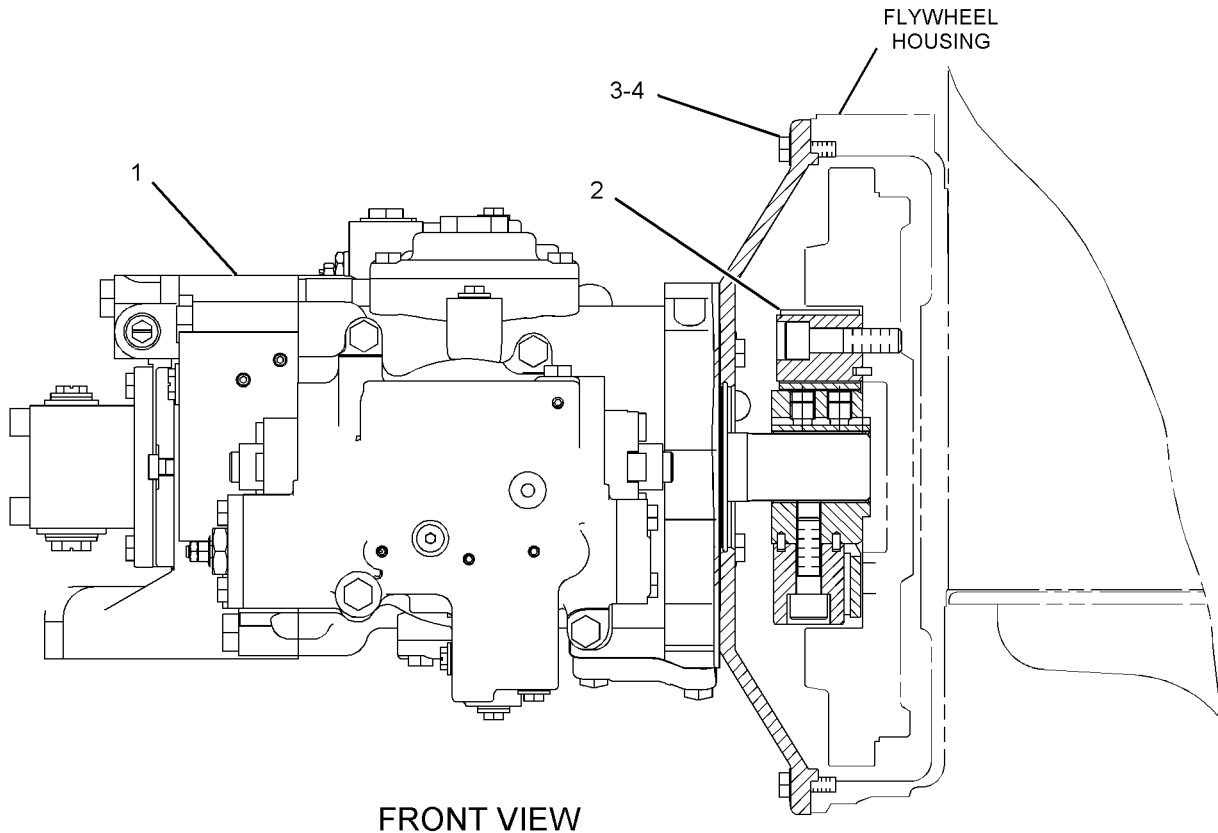
PART OF 285-1354, 285-1355 HYDRAULIC AR

SMCS-5070

i02755717

NOTE	REF NO	GRAPHIC REF	PART NUMBER	QTY	PART NAME						SEE PAGE
					1	2	3	4	5	6 (PRODUCT LEVEL)	
Y	1	1	272-6955	1	PUMP GP-MAIN HYDRAULIC						552
Y	2	1	279-7870	1	COUPLING GP-PUMP						345
	3	1	8T-4121	12	WASHER-HARD (11X21X2.5-MM THK)						
M	4	1	8T-4195	12	BOLT (M10X1.5X30-MM)						

M-METRIC PART
Y-SEPARATE ILLUSTRATION



GRAPHIC #1

<END>

g01285232

HYDRAULIC SYSTEM**272-6955 PUMP GP-MAIN HYDRAULIC**

S/N: MGG1-UP; JFZ1-UP

PART OF 279-7869 PUMP & MTG GP-MAIN HYDRAULIC

SMCS-5070

i02546036

NOTE	REF NO	GRAPHIC REF	PART NUMBER	QTY	PART NAME						SEE PAGE
					1	2	3	4	5	6 (PRODUCT LEVEL)	
	1	3	4I-1022	2	ORIFICE						
	2	2	7Y-4215	2	SPACER						
	3	3	096-3983	1	RING-RETAINING						
	4	2	118-4057	18	SPRING						
J	5	3	126-2016	1	PUMP GP-GEAR (PILOT)						
		3	9T-0835	1	RING-RETAINING						
	6	2	129-7859	2	SET-BEARING						
	7	1	129-7863	1	COVER						
	8	2	129-7921	2	RING-RETAINING						
	9	2	129-7927	2	BEARING						
	10	1	129-7979	4	DOWEL						
	11	1	150-5782	2	COVER						
	12	2	173-3427	2	GUIDE-BALL						
	13	2	173-3473	2	PLATE						
	14	3	173-3496	1	BARREL AS						
	15	2	173-3498	1	BARREL AS						
	16	1	177-2470	1	COVER						
	17	1	177-2471	1	COVER						
	18	1	179-9763	1	FLANGE						
	19	2	191-5709	2	PISTON AS						
	20	3	192-0573	4	PIN-DOWEL						
	21	2,3	189-9763	8	SEAL-O-RING						
	22	1	200-3333	1	HEAD-PUMP						
	23	2	200-3334	1	COVER						
	24	3	225-4543	1	SHAFT-DRIVE						
	25	2	225-4544	1	SHAFT-DRIVEN						
	26	3	129-7854	1	CASE						
	27	1	129-7857	1	GASKET						
	28	2	129-7855	1	GASKET						
	29	3	129-7925	1	SEAL-LIP TYPE						
	30	2	242-6801	2	SWASHPLATE AS						
					(EACH INCLUDES)						
		2	094-1875	1	DOWEL						
		2	173-3428	1	BEARING-SLEEVE						
		2	242-6803	2	PIN-DOWEL						
	31	3	242-6804	4	BEARING						
	32	2	247-8920	2	ORIFICE						
	33	1	247-8782	1	BODY						
Y	34	1	256-0093	1	HEAD GP-PUMP						393
Y	35	1	256-0096	1	HEAD GP-PUMP						397
	37	3	094-1875	6	DOWEL						
	38	1,3	094-1882	16	PLUG						
	39	2	095-0946	2	RING-RETAINING						
	41	3	096-3944	1	SEAL-O-RING						
	42	2	273-8314	1	SEAL-O-RING						
	43	2	190-4896	2	PLUG						
	44	2	193-1736	4	SEAL-O-RING						
	45	1	3K-0360	2	SEAL-O-RING						
	46	3	7M-8485	2	SEAL-O-RING						
M	47	1	7X-2557	1	BOLT (M16X2X140-MM)						
	48	3	8J-4645	2	PLUG (STRAIGHT THREAD O-RING)						
	49	2,3	273-8315	2	SEAL-O-RING						
M	50	1,2,3	8T-4136	18	BOLT (M10X1.5X25-MM)						
M	51	3	8T-4137	2	BOLT (M10X1.5X20-MM)						
M	52	1,2	8T-4139	10	BOLT (M12X1.75X30-MM)						
M	53	1	8T-4140	4	BOLT (M16X2X60-MM)						

HYDRAULIC SYSTEM

272-6955 PUMP GP-MAIN HYDRAULIC (contd.)

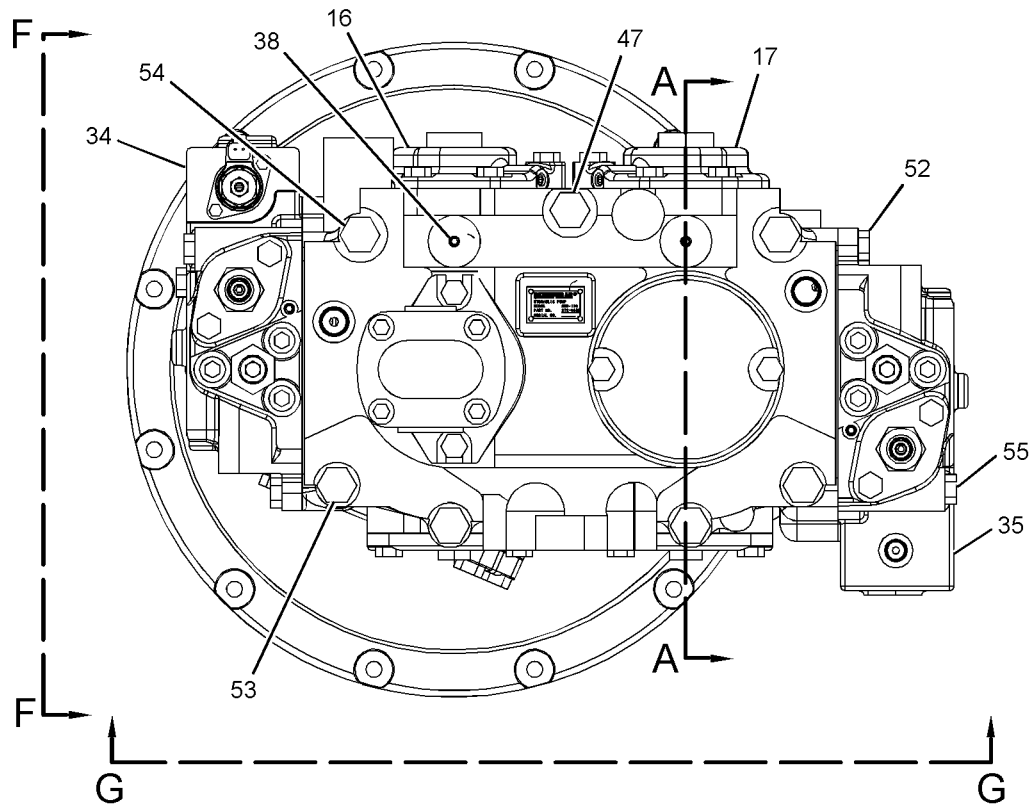
i02546036

NOTE	REF NO	GRAPHIC REF	PART NUMBER	QTY	PART NAME						SEE PAGE
					1	2	3	4	5	6 (PRODUCT LEVEL)	
M	54	1	8T-4175	2	BOLT (M16X2X90-MM)						
M	55	1,2	8T-4176	2	BOLT (M12X1.75X90-MM)						
M	56	3	8T-4192	10	BOLT (M12X1.75X25-MM)						
M	57	3	8T-4196	2	BOLT (M10X1.5X35-MM)						
	58	1	9S-4185	2	PLUG-O-RING						
					AVAILABLE REPAIR KIT(S):						
J			250-2503	1	KIT-SEAL (PILOT GEAR PUMP)						
					(INCLUDES 2 GASKETS, LIP SEAL, SEAL AND RETAINING RING)						
J-KIT MARKED J SERVICES PART(S) MARKED J M-METRIC PART Y-SEPARATE ILLUSTRATION											

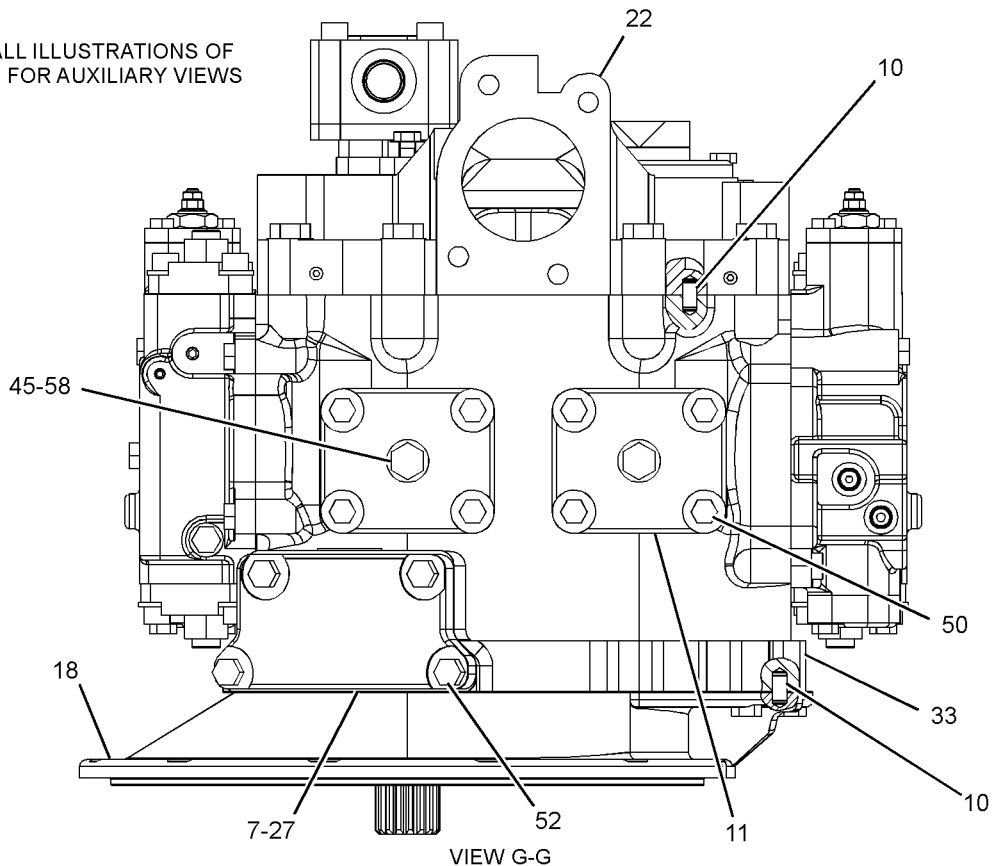
HYDRAULIC SYSTEM

272-6955 PUMP GP-MAIN HYDRAULIC (contd.)

i02546036



REFER TO ALL ILLUSTRATIONS OF THIS GROUP FOR AUXILIARY VIEWS



GRAPHIC #1

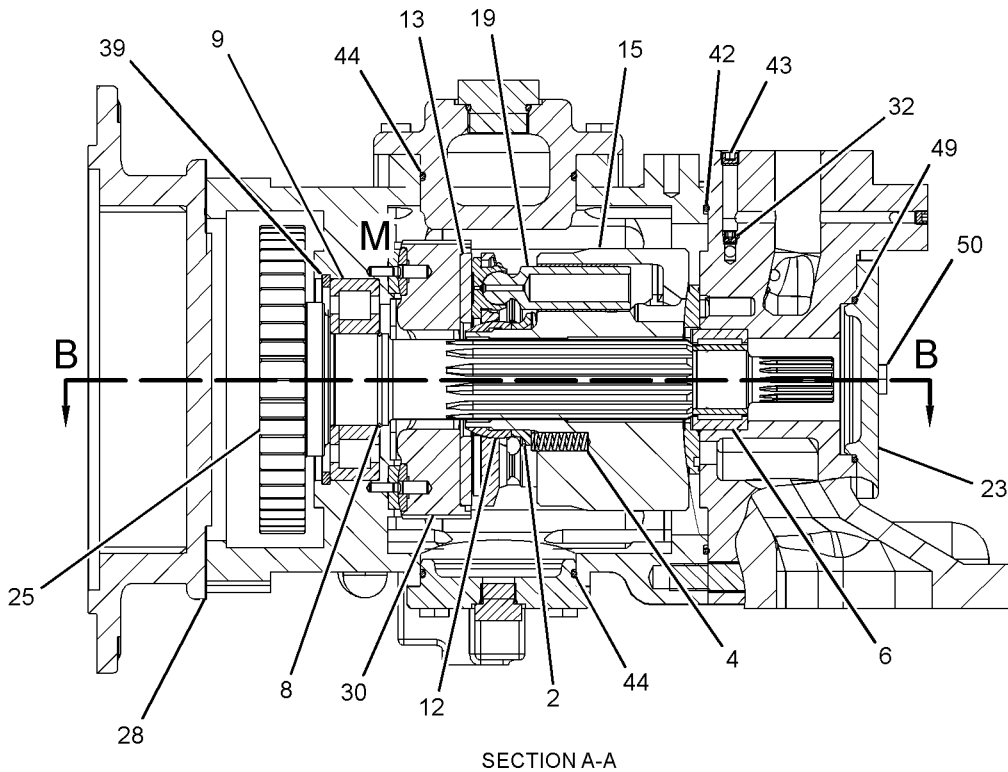
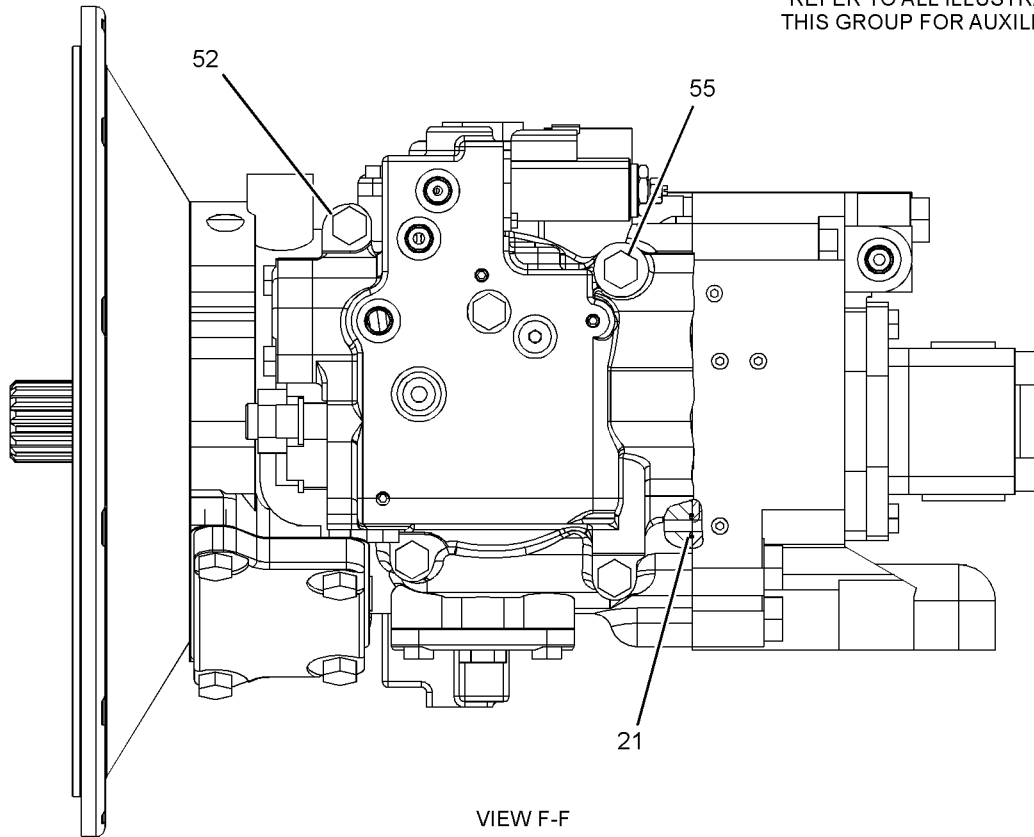
g01277932

HYDRAULIC SYSTEM

272-6955 PUMP GP-MAIN HYDRAULIC (contd.)

i02546036

REFER TO ALL ILLUSTRATIONS OF THIS GROUP FOR AUXILIARY VIEWS



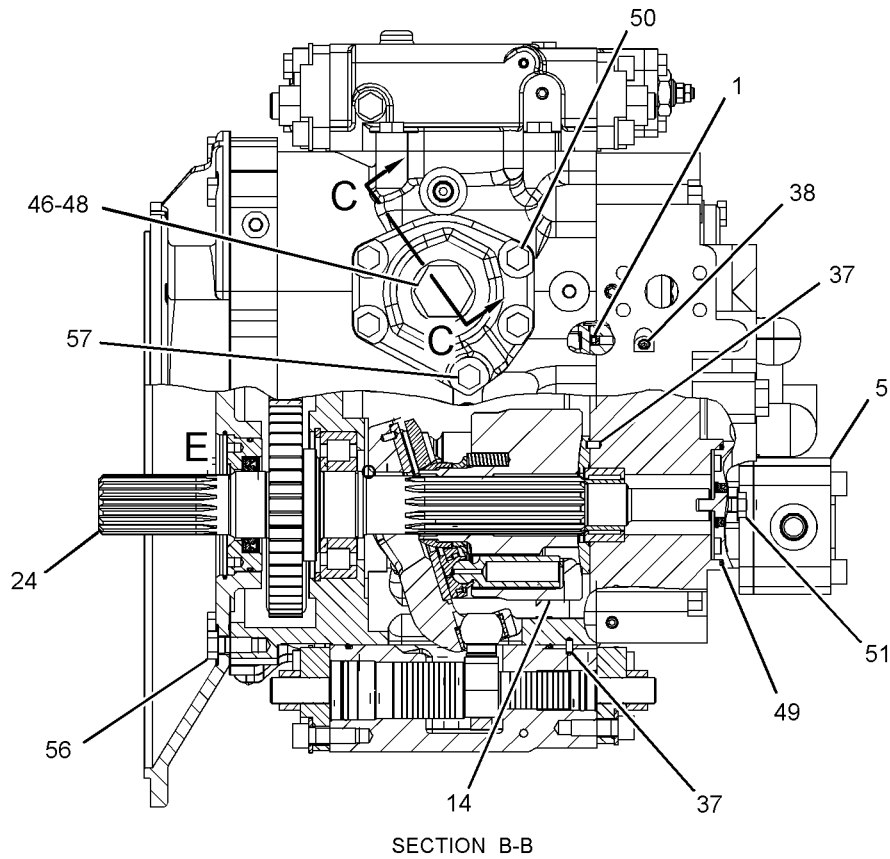
GRAPHIC #2

g01277933

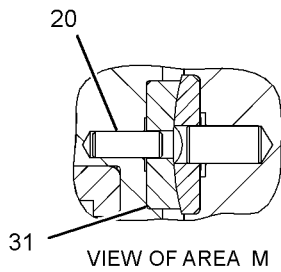
HYDRAULIC SYSTEM

272-6955 PUMP GP-MAIN HYDRAULIC (contd.)

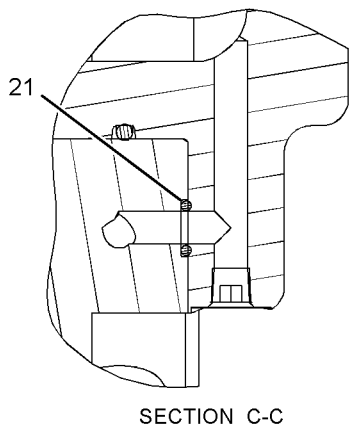
i02546036



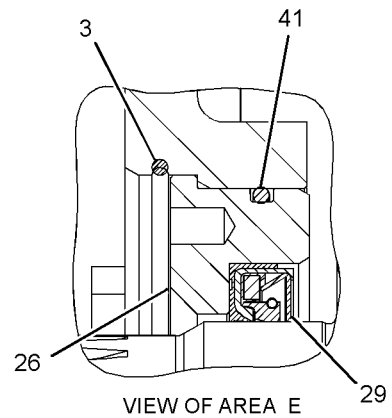
SECTION B-B



VIEW OF AREA M



SECTION C-C



VIEW OF AREA E

GRAPHIC #3

<END>

g01275923

HYDRAULIC SYSTEM

259-0922 SCREEN GP-HYDRAULIC

S/N: MGG1-UP; JFZ1-UP

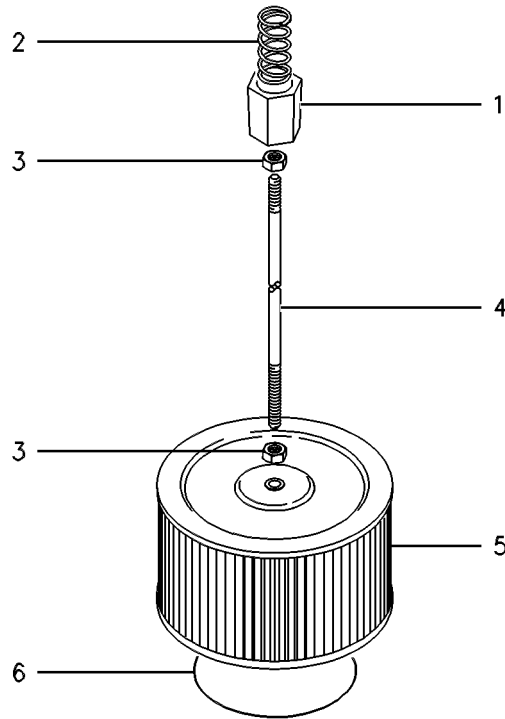
PART OF 239-1711 TANK & FILTER GP-HYDRAULIC

SMCS-5068

i02346888

NOTE	REF NO	GRAPHIC REF	PART NUMBER	QTY	PART NAME						SEE PAGE
					1	2	3	4	5	6 (PRODUCT LEVEL)	
	1	1	259-0918	1	GUIDE						
	2	1	095-6639	1	SPRING						
M	3	1	8T-4133	2	NUT (M10X1.5-THD)						
	4	1	129-7784	1	ROD						
	5	1	209-6000	1	SCREEN AS (HYDRAULIC TANK)						
	6	1	5H-5672	1	SEAL-O-RING						

M-METRIC PART



GRAPHIC #1

<END>

g00267878

HYDRAULIC SYSTEM**234-4440 SWIVEL GP**

S/N: MGG1-UP; JFZ1-UP

PART OF 239-1716, 239-1717 LINES GP-TRAVEL MOTOR

SMCS-5060

i02973082

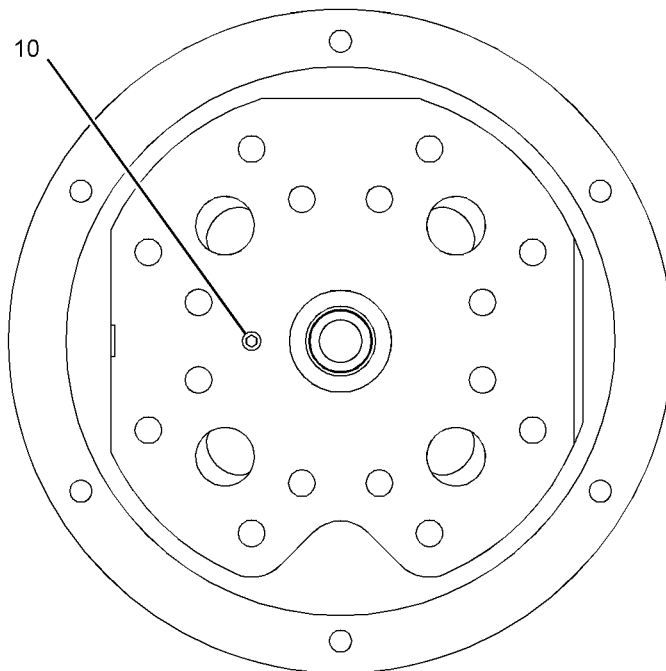
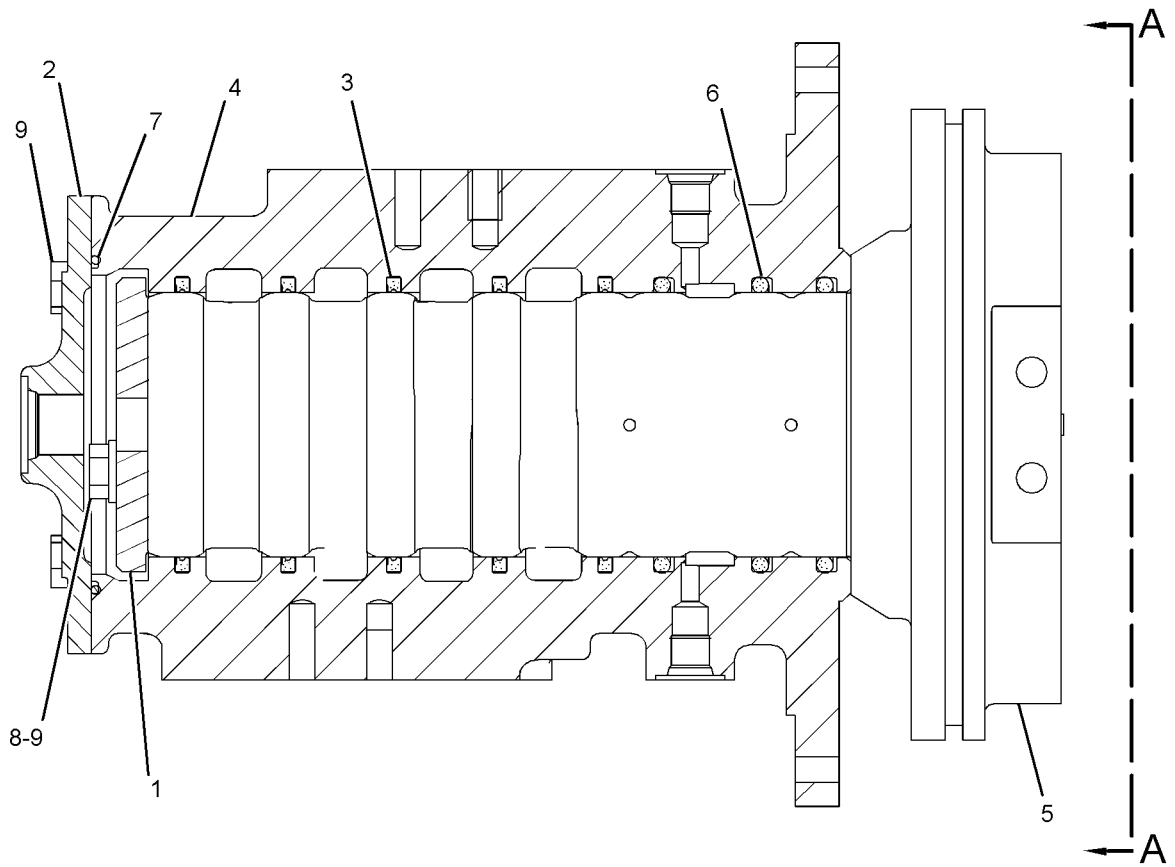
NOTE	REF NO	GRAPHIC REF	PART NUMBER	QTY	PART NAME						SEE PAGE
					1	2	3	4	5	6 (PRODUCT LEVEL)	
	1	1	7I-7131	1	RETAINER						
	2	1	7Y-4817	1	COVER						
	3	1	159-7782	5	SEAL						
	4	1	225-4548	1	HOUSING						
	5	1	225-4549	1	ROTOR						
	6	1	095-1625	3	SEAL-O-RING						
	7	1	095-1716	1	SEAL-O-RING						
	8	1	8T-4121	2	WASHER-HARD (11X21X2.5-MM THK)						
M	9	1	8T-4136	6	BOLT (M10X1.5X25-MM)						
	10	1	8T-6759	1	PLUG-PIPE						

M-METRIC PART

HYDRAULIC SYSTEM

234-4440 SWIVEL GP (contd.)

i02973082



VIEW A-A

<END>

GRAPHIC #1

g01503403

HYDRAULIC SYSTEM**239-1711 TANK & FILTER GP-HYDRAULIC**

S/N: MGG1-UP; JFZ1-UP

210-L (46.2 US GAL)

PART OF 239-1710 TANK & MTG GP-HYDRAULIC

SMCS-5056, 5068

i02973054

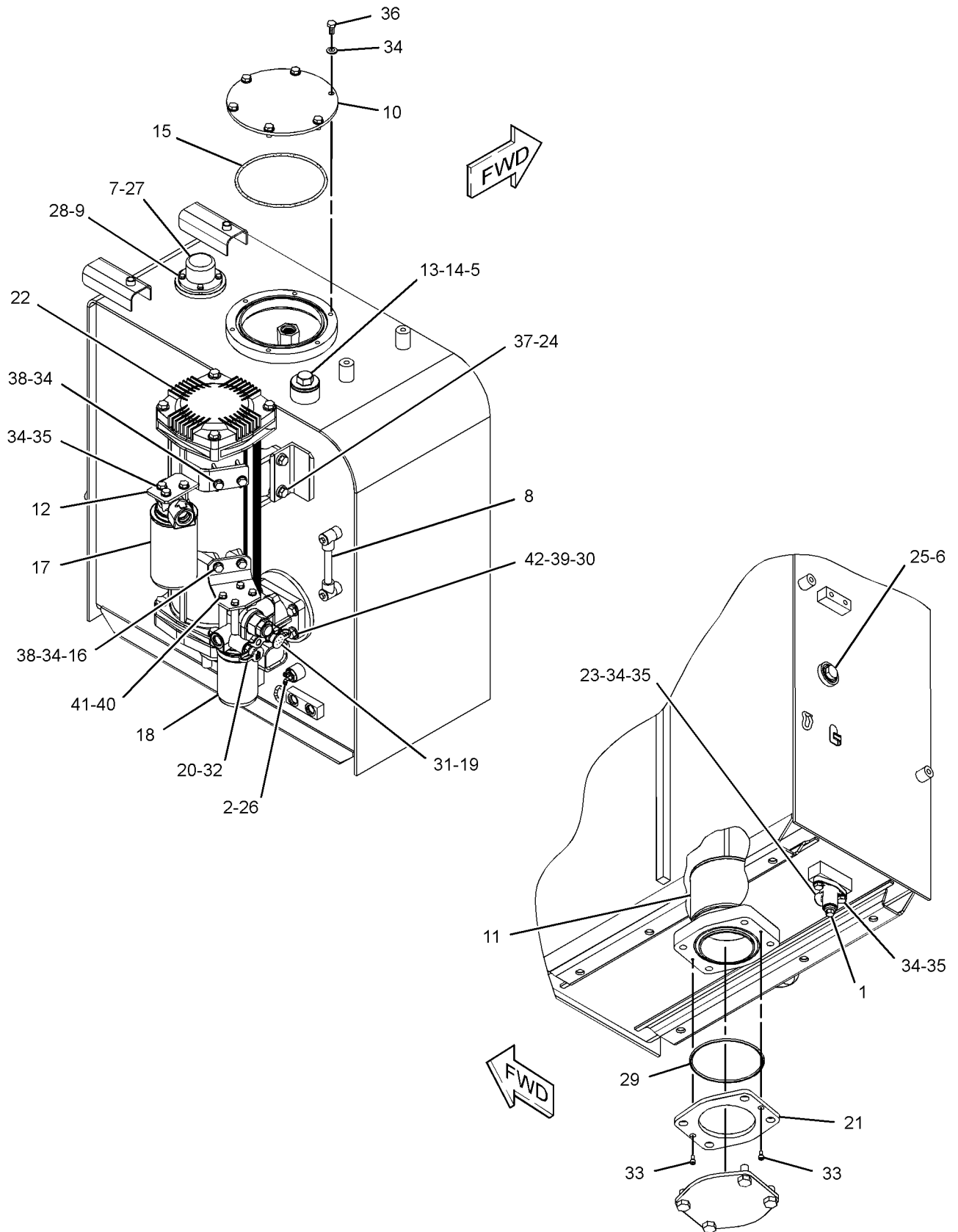
NOTE	REF NO	GRAPHIC REF	PART NUMBER	QTY	PART NAME						SEE PAGE
					1	2	3	4	5	6 (PRODUCT LEVEL)	
	1	1	4B-7739	1	PLUG-DRAIN (HYDRAULIC OIL)						
	2	1	4I-5394	1	SENDER AS-TEMPERATURE (HYDRAULIC OIL)						
M		1	4I-5490	2	SCREW-MACHINE (M4X0.7X6-MM)						
		1	095-0826	2	LOCKWASHER						
	3	1	4J-5267	1	SEAL-O-RING						
	4	1	8H-9819	1	ADAPTER-PLUG						
	5	1	095-1608	1	SEAL-O-RING						
	6	1	213-0677	1	SWITCH AS-LIQUID LEVEL (HYDRAULIC OIL)						
		1	9X-3401	2	PIN-CONNECTOR (16-GA TO 18-GA)						
		1	102-8802	1	KIT-RECEPTACLE (2-PIN)						
					(INCLUDES RECEPTACLE AS & WEDGE)						
	7	1	227-0590	1	BREATHER GP (HYDRAULIC TANK)						
Y	8	1	227-0620	1	GAUGE GP-SIGHT (HYDRAULIC OIL LEVEL)						392
	9	1	9X-8256	4	WASHER (6.6X12X2-MM THK)						
	10	1	245-5402	1	COVER AS						
Y	11	1	259-0922	1	SCREEN GP-HYDRAULIC (TANK)						557
C	12	1	292-7297	1	SUPPORT AS						
	13	1	207-6403	1	PLUG						
	14	1	207-6404	1	WASHER (49.5X60.5X1.5-MM THK)						
	15	1	095-1730	1	SEAL-O-RING						
	16	1	275-1362	1	BRACKET						
Y	17	1	289-8194	1	FILTER GP-OIL (HYDRAULIC, CASE DRAIN)						389
CY	18	1	158-8987	1	FILTER & VALVE GP-PILOT (HYDRAULIC OIL)						382
	19	1	164-5567	1	COUPLER AS-QUICK DISCONNECT						
		1	3J-1907	1	SEAL-O-RING						
		1	6V-3965	1	FITTING (QUICK DISCONNECT)						
	20	1	164-5590	1	VALVE AS-FLUID SAMPLING (HYDRAULIC OIL)						
		1	3J-7354	1	SEAL-O-RING						
		1	8C-3446	1	VALVE-FLUID SAMPLING (HYDRAULIC OIL)						
	21	1	165-3256	1	PIPE AS						
Y	22	1	188-4140	1	FILTER GP-OIL (HYDRAULIC RETURN)						385
	23	1	2B-0858	1	PLUG-PIPE						
	24	1	8T-7971	2	WASHER-HARD (13.5X25.5X5-MM THK)						
	25	1	3D-2824	1	SEAL-O-RING						
	26	1	3K-0360	1	SEAL-O-RING						
	27	1	4J-0527	1	SEAL-O-RING						
M	28	1	5C-9553	4	BOLT (M6X1X16-MM)						
	29	1	6D-9157	1	SEAL-O-RING						
	30	1	6J-2680	1	SEAL-O-RING						
	31	1	6V-0852	1	CAP-DUST						
	32	1	8C-3451	1	CAP-DUST						
M	33	1	8T-0267	2	BOLT-SOCKET HEAD (M6X1X12-MM)						
C	34	1	8T-4121	15	WASHER-HARD (11X21X2.5-MM THK)						
CM	35	1	8T-4136	5	BOLT (M10X1.5X25-MM)						
M	36	1	8T-4137	6	BOLT (M10X1.5X20-MM)						
M	37	1	8T-4183	2	BOLT (M12X1.75X40-MM)						
M	38	1	8T-4195	4	BOLT (M10X1.5X30-MM)						
	39	1	8T-4223	4	WASHER-HARD (13.5X25.5X3-MM THK)						
	40	1	8T-4224	4	WASHER-HARD (8.8X16X2-MM THK)						
M	41	1	8T-4908	4	BOLT (M8X1.25X25-MM)						
M	42	1	8T-4956	4	BOLT (M12X1.75X35-MM)						

C-CHANGE FROM PREVIOUS TYPE
M-METRIC PART
Y-SEPARATE ILLUSTRATION

HYDRAULIC SYSTEM

239-1711 TANK & FILTER GP-HYDRAULIC (contd.)

i02973054



GRAPHIC #1

<END>

g01344311

HYDRAULIC SYSTEM

239-1710 TANK & MTG GP-HYDRAULIC

S/N: MGG1-UP; JFZ1-UP

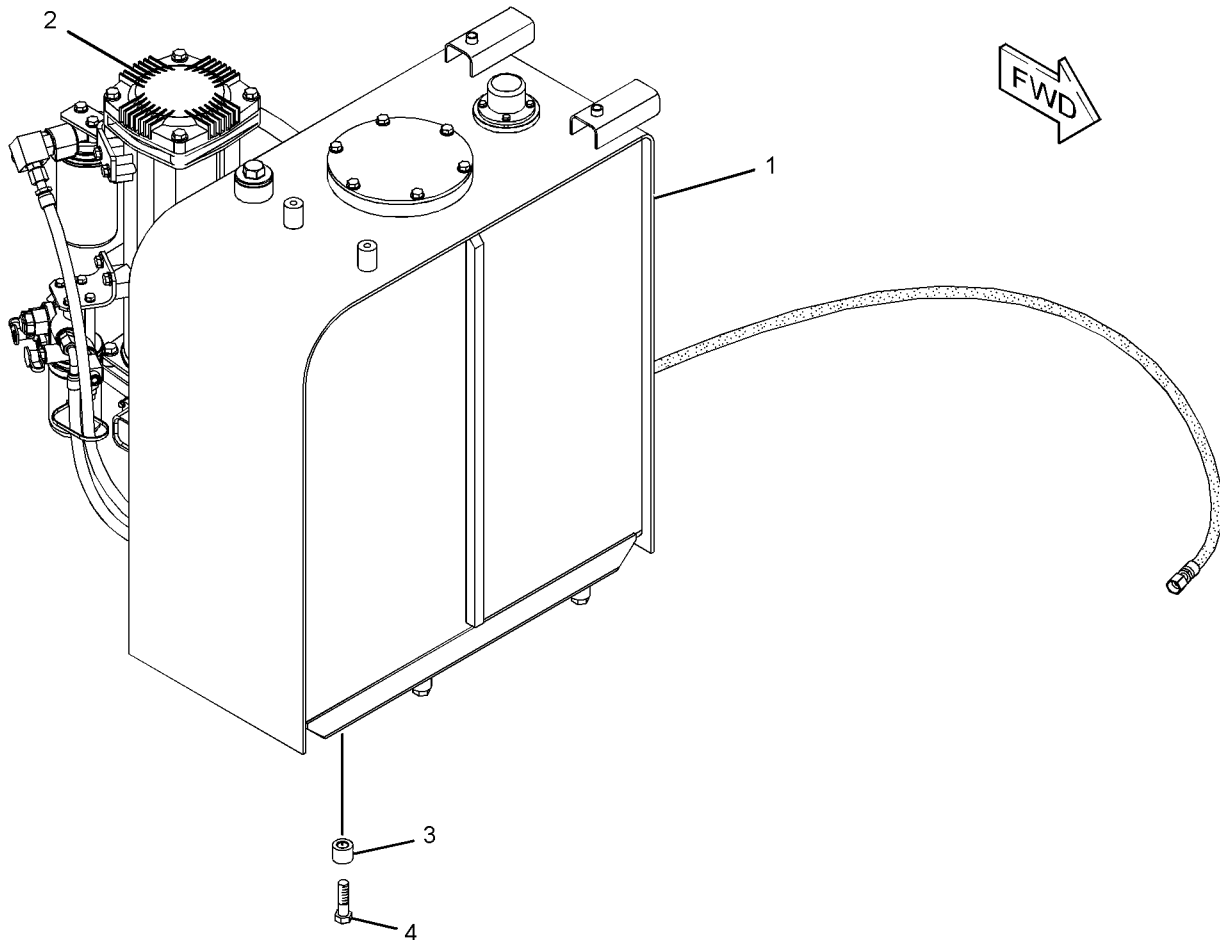
PART OF 285-1354, 285-1355 HYDRAULIC AR

SMCS-5056

i02545851

NOTE	REF NO	GRAPHIC REF	PART NUMBER	QTY	PART NAME						SEE PAGE
					1	2	3	4	5	6 (PRODUCT LEVEL)	
Y	1	1	239-1711	1	TANK & FILTER GP-HYDRAULIC						560
Y	2	1	248-9853	1	LINES GP-RETURN						526
	3	1	085-9310	6	SPACER (16.6X32X26-MM THK)						
M	4	1	8T-4140	6	BOLT (M16X2X60-MM)						

M-METRIC PART
Y-SEPARATE ILLUSTRATION



GRAPHIC #1

<END>

g01227156

HYDRAULIC SYSTEM

255-5713 VALVE & MTG GP-CONTROL-AUXILIARY

S/N: MGG1-UP; JFZ1-UP

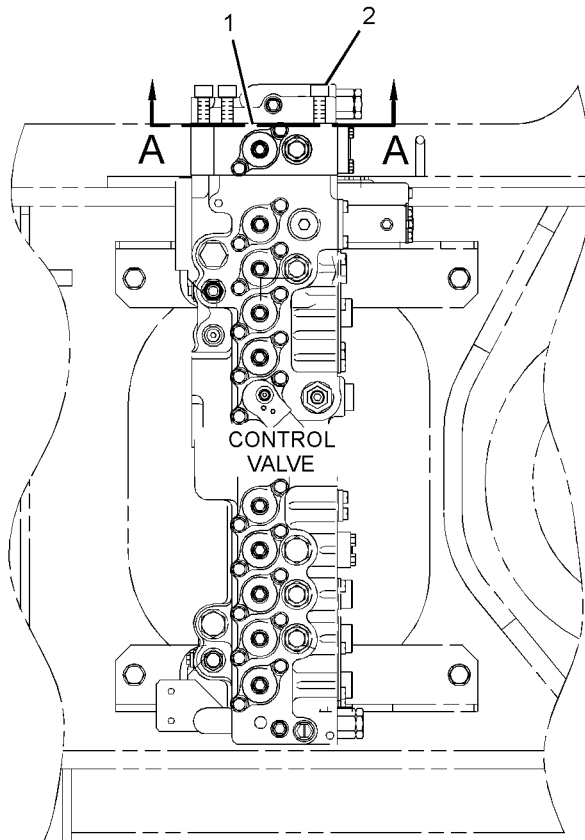
PART OF 259-7493, 259-7494 CONTROL AR-AUXILIARY
AN ATTACHMENT

SMCS-5051

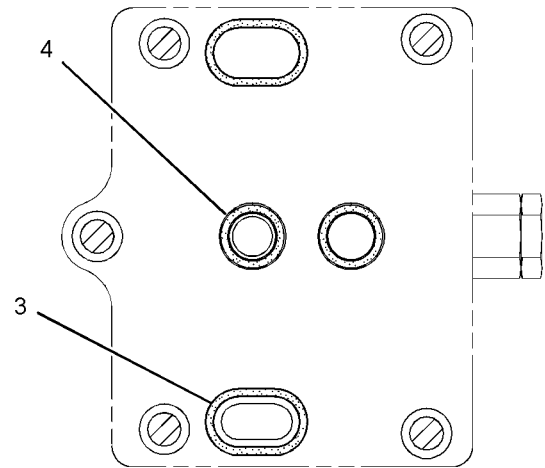
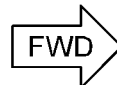
i02536249

NOTE	REF NO	GRAPHIC REF	PART NUMBER	QTY	PART NAME						SEE PAGE
					1	2	3	4	5	6 (PRODUCT LEVEL)	
Y	1	1	259-7378	1	VALVE GP-CONTROL (AUXILIARY)						573
M	2	1	7I-1026	5	BOLT-SOCKET HEAD (M16X2X130-MM)						
	3	1	4J-8998	2	SEAL-O-RING						
	4	1	1P-3702	2	SEAL-RECTANGULAR						

M-METRIC PART
Y-SEPARATE ILLUSTRATION



TOP VIEW



SECTION A-A

GRAPHIC #1

<END>

g01214142

HYDRAULIC SYSTEM**247-7457 VALVE AR-SWING-WITHOUT FINE SWING**S/N: MGG1-UP; JFZ1-UP
AN ATTACHMENT

SMCS-5480

i02547519

NOTE	PART NUMBER	QTY	PART NAME						SEE PAGE
			1	2	3	4	5	6 (PRODUCT LEVEL)	
Y	259-0680	1	VALVE	GP-SWING	CUSHION				627
Y-SEPARATE ILLUSTRATION									

<END>

HYDRAULIC SYSTEM

201-9329 VALVE GP-CHECK

S/N: MGG1-UP; JFZ1-UP

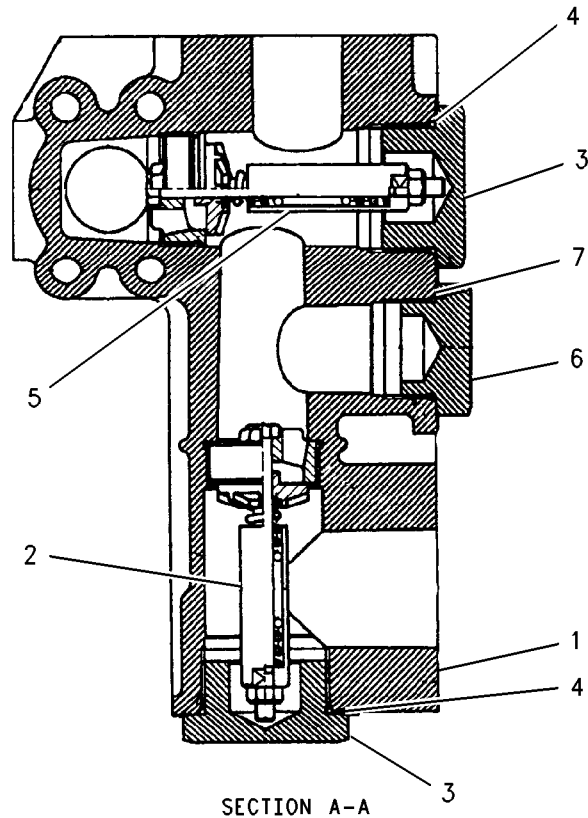
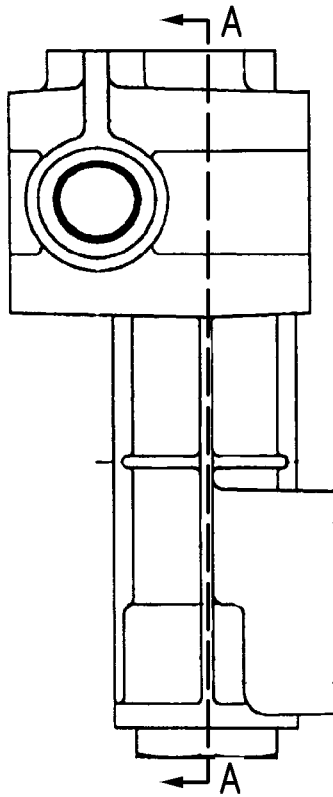
PART OF 297-0503, 297-0504 VALVE GP-CHECK

SMCS-5067

i02253512

NOTE	REF NO	GRAPHIC REF	PART NUMBER	QTY	PART NAME						SEE PAGE
					1	2	3	4	5	6 (PRODUCT LEVEL)	
Z	1	1		1	BODY-VALVE						
	2	1	184-3833	1	VALVE AS						
	3	1	190-7826	2	PLUG						
	4	1	095-1547	2	SEAL-O-RING						
	5	1	177-2713	1	VALVE AS						
	6	1	9S-6130	1	PLUG						
	7	1	2S-4078	1	SEAL-O-RING						

Z-NOT SERVICED SEPARATELY



GRAPHIC #1

<END>

g00932225

HYDRAULIC SYSTEM

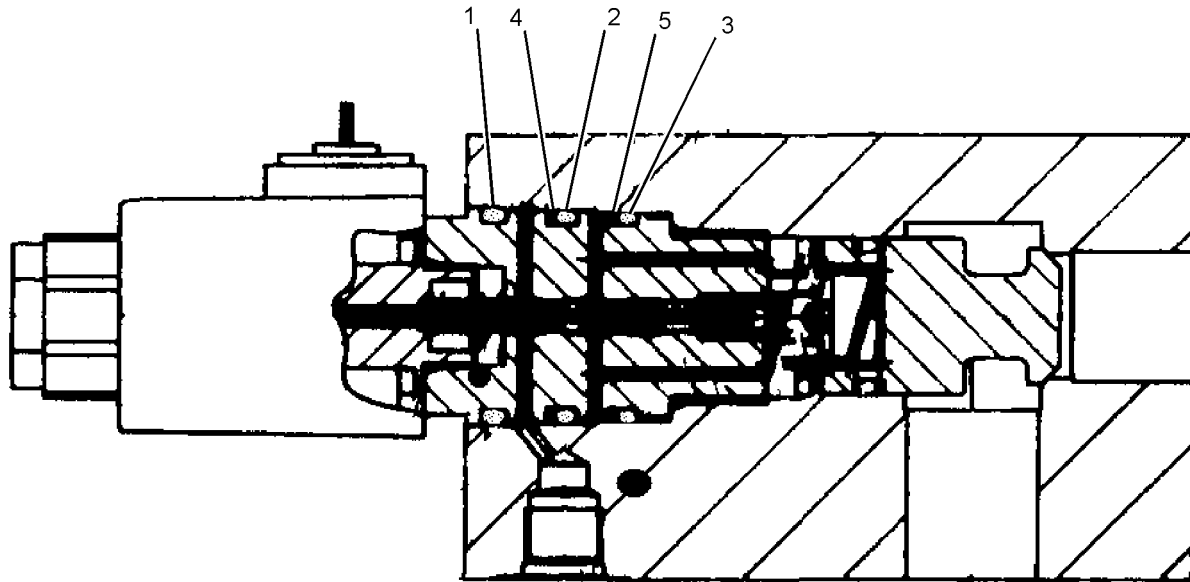
215-4890 VALVE GP-CHECK

S/N: MGG1-UP; JFZ1-UP
PART OF 260-8008 LINES GP-FRONT
AN ATTACHMENT

SMCS-5067

i02536135

NOTE	REF NO	GRAPHIC REF	PART NUMBER	QTY	PART NAME						SEE PAGE
					1	2	3	4	5	6 (PRODUCT LEVEL)	
	1	1	095-1602	1	SEAL-O-RING						
	2	1	095-1601	1	SEAL-O-RING						
	3	1	095-1700	1	SEAL-O-RING						
	4	1	232-4113	1	RING						
	5	1	8T-3008	1	RING-BACKUP						



GRAPHIC #1

<END>

g01146910

HYDRAULIC SYSTEM

297-0370 VALVE GP-CHECK

S/N: MGG1-UP; JFZ1-UP

PART OF 260-8008 LINES GP-FRONT
AN ATTACHMENT

SMCS-5067

i03009292

NOTE	REF NO	GRAPHIC REF	PART NUMBER	QTY	PART NAME						SEE PAGE
					1	2	3	4	5	6 (PRODUCT LEVEL)	
	1	1	095-1585	1	SEAL-O-RING						
	2	1	225-4804	3	PLUG						
	3	1	4J-7533	3	SEAL-O-RING						
	4	1	095-1602	1	SEAL-O-RING						
	5	1	232-4113	1	RING						
	6	1	095-1601	1	SEAL-O-RING						
	7	1	8T-3008	1	RING-BACKUP						
	8	1	095-1700	1	SEAL-O-RING						
	9	1	7M-8485	1	SEAL-O-RING						
	10	1	095-1657	1	SEAL-O-RING						
	11	1	232-4114	2	RING						

HYDRAULIC SYSTEM**297-0462 VALVE GP-CHECK**

S/N: MGG1-UP; JFZ1-UP

PART OF 248-9846 LINES GP-HYDRAULIC OIL COOLER

SMCS-5067

i02984043

NOTE	PART NUMBER	QTY	PART NAME						SEE PAGE
			1	2	3	4	5	6 (PRODUCT LEVEL)	
Y	297-0503	1	VALVE GP-CHECK						570
			-OR-						
Y	297-0504	1	VALVE GP-CHECK						571
Y-SEPARATE ILLUSTRATION									

<END>

HYDRAULIC SYSTEM

297-0503 VALVE GP-CHECK

S/N: MGG1-UP; JFZ1-UP

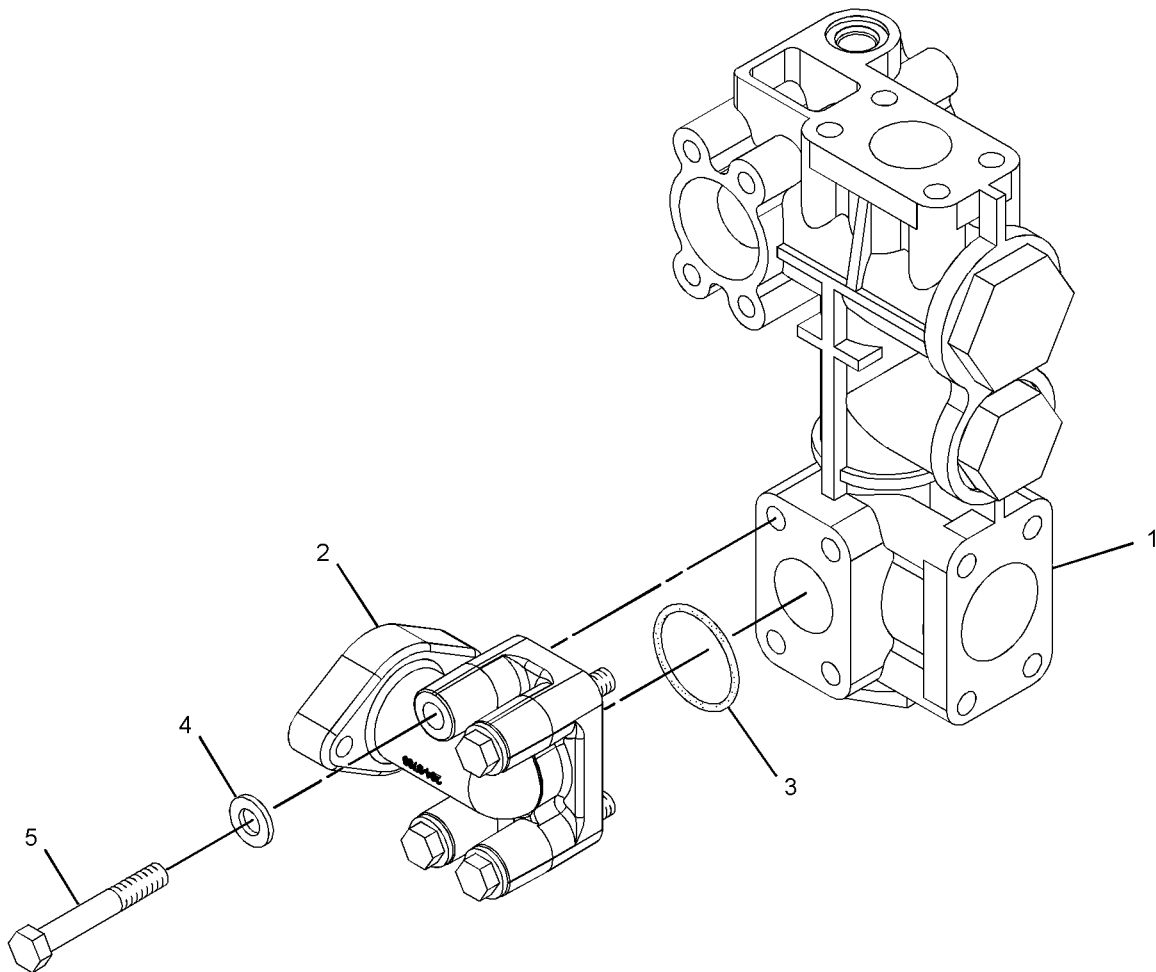
PART OF 297-0462 VALVE GP-CHECK

SMCS-5067

i02981599

NOTE	REF NO	GRAPHIC REF	PART NUMBER	QTY	PART NAME						SEE PAGE
					1	2	3	4	5	6 (PRODUCT LEVEL)	
Y	1	1	201-9329	1	VALVE GP-CHECK						565
	2	1	204-3796	1	PIPE AS						
	3	1	4J-0524	1	SEAL-O-RING						
	4	1	8T-4223	4	WASHER-HARD (13.5X25.5X3-MM THK)						
M	5	1	8T-6868	4	BOLT (M12X1.75X80-MM)						

M-METRIC PART
Y-SEPARATE ILLUSTRATION



GRAPHIC #1

<END>

g01393657

HYDRAULIC SYSTEM

297-0504 VALVE GP-CHECK

S/N: MGG1-UP; JFZ1-UP

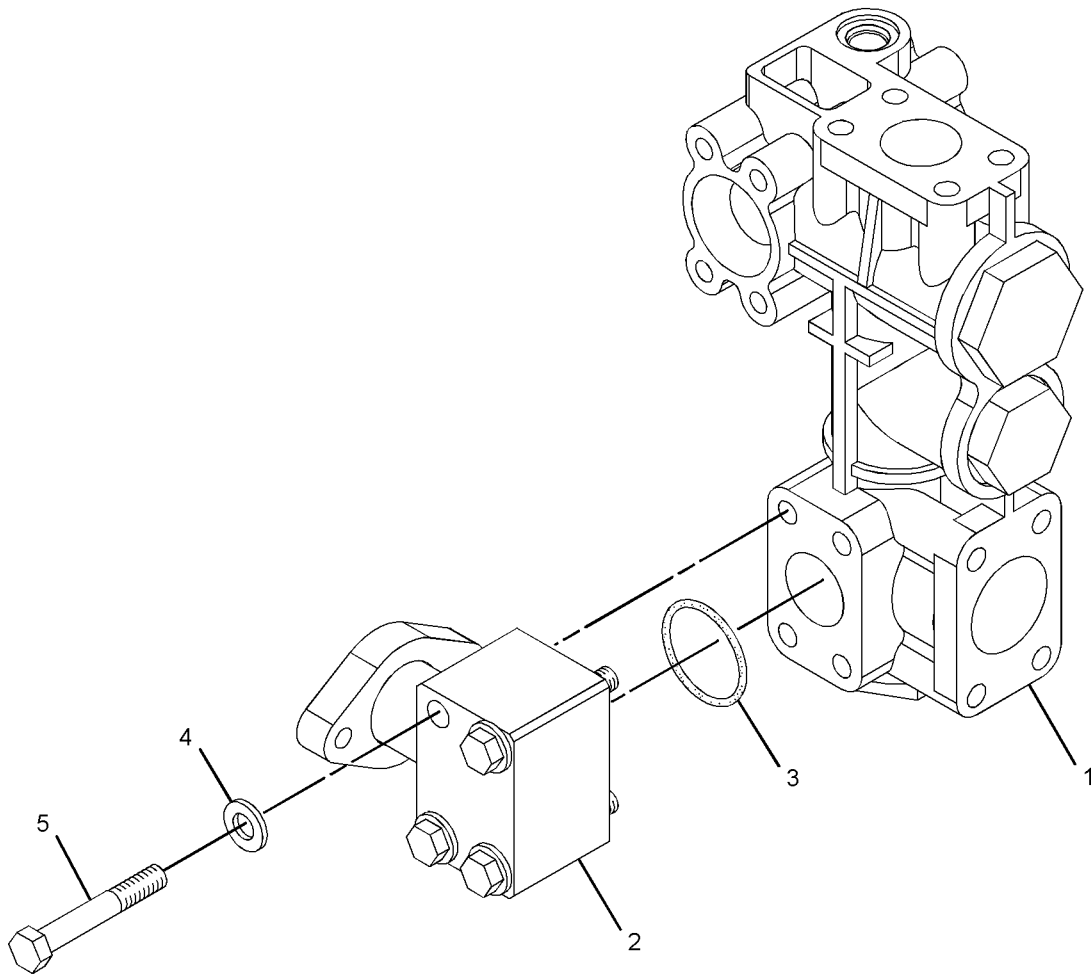
PART OF 297-0462 VALVE GP-CHECK

SMCS-5067

i02981594

NOTE	REF NO	GRAPHIC REF	PART NUMBER	QTY	PART NAME						SEE PAGE
					1	2	3	4	5	6 (PRODUCT LEVEL)	
Y	1	1	201-9329	1	VALVE GP-CHECK						565
	2	1	302-3196	1	TUBE AS						
	3	1	4J-0524	1	SEAL-O-RING						
	4	1	8T-4223	4	WASHER-HARD (13.5X25.5X3-MM THK)						
M	5	1	8T-6868	4	BOLT (M12X1.75X80-MM)						

M-METRIC PART
Y-SEPARATE ILLUSTRATION



GRAPHIC #1

<END>

g01393662

HYDRAULIC SYSTEM

244-8400 VALVE GP-CONTROL-WITHOUT COVERS, HOUSINGS

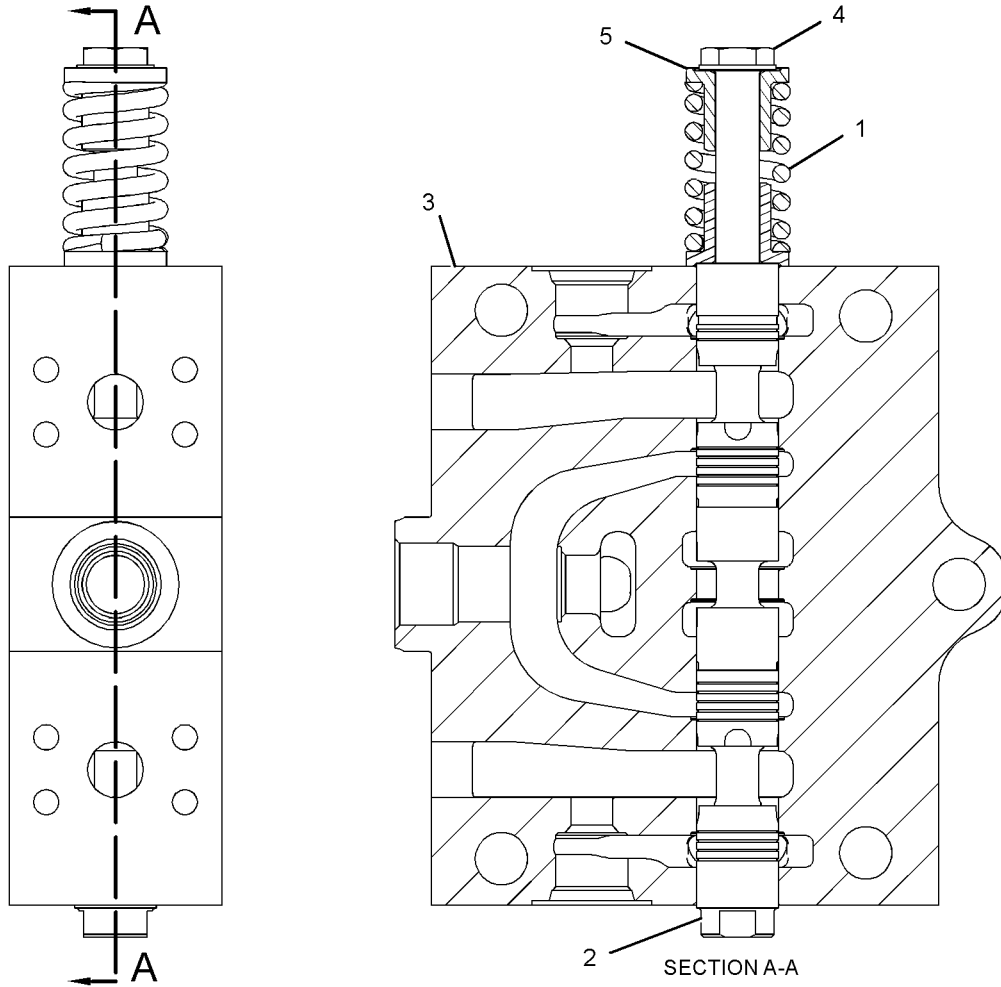
S/N: MGG1-UP; JFZ1-UP
PART OF 259-7378 VALVE GP-CONTROL
AN ATTACHMENT

SMCS-5051

i02536299

NOTE	REF NO	GRAPHIC REF	PART NUMBER	QTY	PART NAME						SEE PAGE
					1	2	3	4	5	6 (PRODUCT LEVEL)	
	1	1	104-7293	1	SPRING						
Z	2	1		1	STEM-AUXILIARY						
Z	3	1		1	BLOCK						
	4	1	153-5276	1	BOLT-SPECIAL						
	5	1	6E-2271	2	RETAINER						

Z-NOT SERVICED SEPARATELY



GRAPHIC #1

<END>

g01218449

HYDRAULIC SYSTEM

259-7378 VALVE GP-CONTROL-AUXILIARY

S/N: MGG1-UP; JFZ1-UP

PART OF 255-5713 VALVE & MTG GP-CONTROL
AN ATTACHMENT

SMCS-5051

i02536262

NOTE	REF NO	GRAPHIC REF	PART NUMBER	QTY	PART NAME						SEE PAGE
					1	2	3	4	5	6 (PRODUCT LEVEL)	
M	1	1	8T-4195	12	BOLT (M10X1.5X30-MM)						
	2	1	4J-8998	2	SEAL-O-RING						
	3	1	6E-5731	1	VALVE (LOAD CHECK)						
	4	1	7I-1248	1	SPRING						
	5	1	171-0150	2	COVER						
	6	1	236-6419	1	PLUG						
Y	7	1	244-8400	1	VALVE GP-CONTROL (WITHOUT COVERS, HOUSINGS)						572
Y	8	1	255-5661	2	VALVE GP-RELIEF (LINE)						614
	9	1	8T-4121	4	WASHER-HARD (11X21X2.5-MM THK)						
	10	1	095-1590	1	SEAL-O-RING						
	11	1	095-1787	1	RING-BACKUP						
	12	1	158-8159	1	HOUSING						
	13	1	1P-3702	4	SEAL-RECTANGULAR						
	14	1	6E-2274	1	COVER						
	15	1	6V-5597	2	SEAL-O-RING						

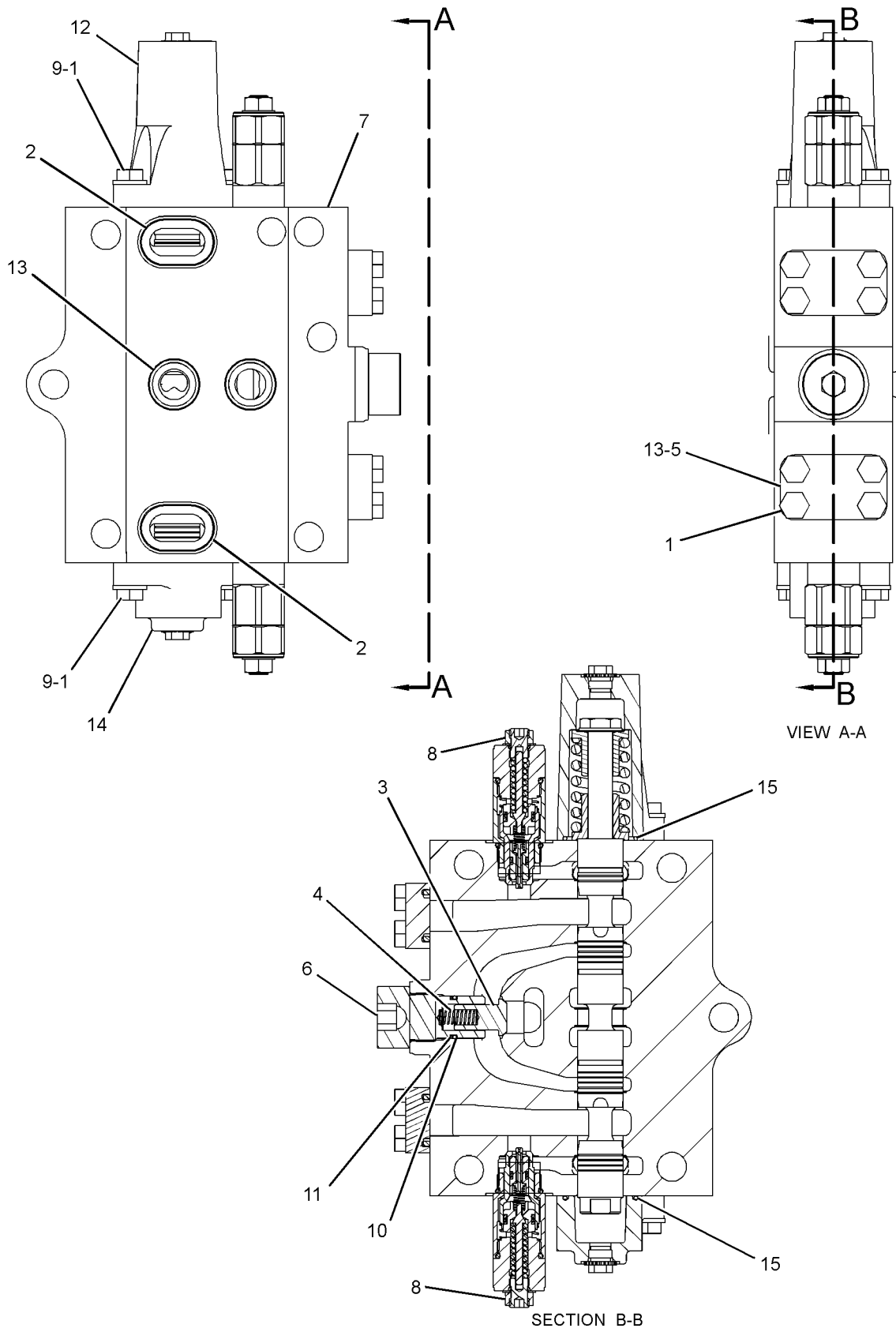
M-METRIC PART

Y-SEPARATE ILLUSTRATION

HYDRAULIC SYSTEM

259-7378 VALVE GP-CONTROL (contd.)

i02536262



GRAPHIC #1

<END>

g01219416

HYDRAULIC SYSTEM

259-7465 VALVE GP-CONTROL

S/N: MGG1-UP; JFZ1-UP

PART OF 259-7464 VALVE GP-MAIN CONTROL

SMCS-5051

i02995644

NOTE	REF NO	GRAPHIC REF	PART NUMBER	QTY	PART NAME						SEE PAGE
					1	2	3	4	5	6 (PRODUCT LEVEL)	
	1	1	6E-2274	5	COVER						
	2	1,2	6E-5731	4	VALVE (LOAD CHECK)						
	3	1,2	7I-1248	5	SPRING						
	4	2	153-5286	1	VALVE (LOAD CHECK)						
	5	1	153-5288	1	SPRING						
	6	1	153-5289	1	GUIDE						
	7	1	153-5290	1	PLUG						
	8	1	153-5291	1	CONNECTOR						
	9	1	153-5292	1	VALVE-CHECK						
	10	1	153-5293	1	SPRING						
	11	1	158-8159	5	HOUSING						
	12	1,2	236-6419	5	PLUG						
	13	1	236-6421	1	PLUG						
Y	14	2	255-5661	3	VALVE GP-RELIEF (LINE)						614
Y	15	1	259-7631	1	VALVE GP-CONTROL (WITHOUT COVERS, HOUSINGS)						583
	16	1,2	095-1590	5	SEAL-O-RING						
	17	1,2	095-1787	5	RING-BACKUP						
Y	18	1	109-5152	1	VALVE GP-RELIEF (NEGATIVE FLOW CONTROL)						605
	19	1	111-9959	1	PLUG-PIPE						
	20	1	2M-9780	1	SEAL-O-RING						
	21	1	4I-6397	1	RING-BACKUP						
	22	2	4J-0520	2	SEAL-O-RING						
Y	23	2	6E-4816	2	PLUG GP-CONTROL VALVE						550
	24	1	6V-3922	1	SEAL-O-RING						
	25	2	6V-5597	10	SEAL-O-RING						
	26	1	7M-8485	1	SEAL-O-RING						
	27	2	7Y-8099	2	COVER						
	28	1	8T-4121	20	WASHER-HARD (11X21X2.5-MM THK)						
M	29	1,2	8T-4195	28	BOLT (M10X1.5X30-MM)						

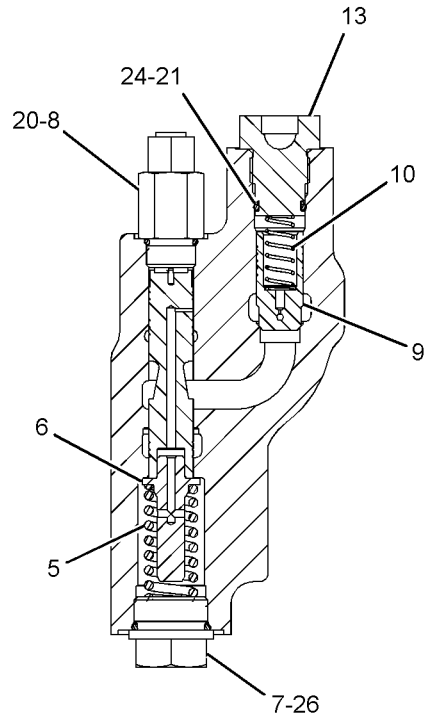
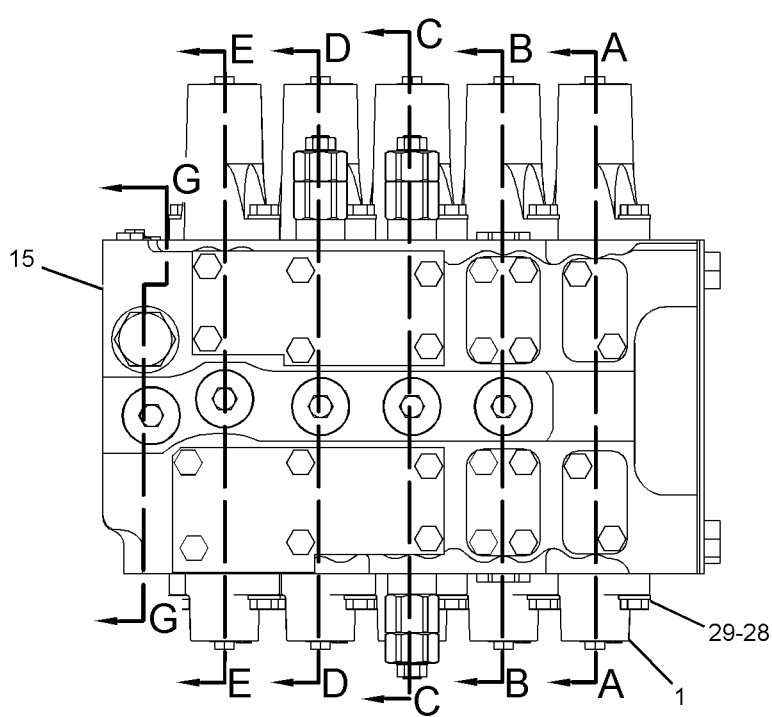
M-METRIC PART

Y-SEPARATE ILLUSTRATION

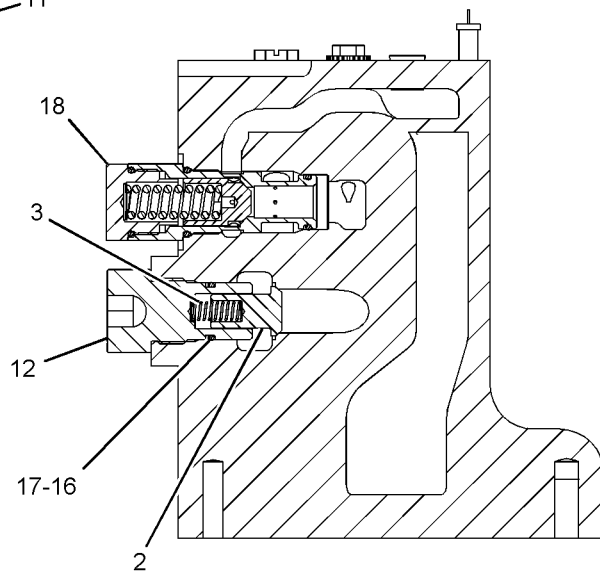
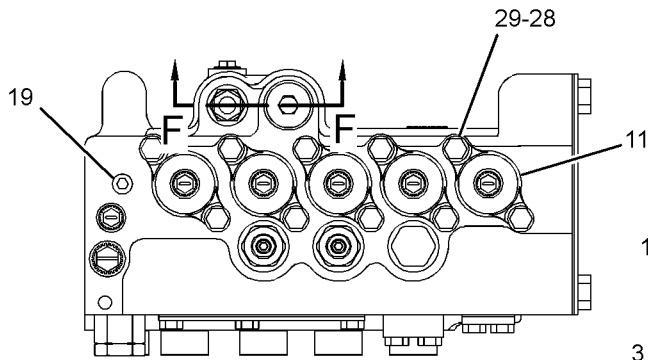
HYDRAULIC SYSTEM

259-7465 VALVE GP-CONTROL (contd.)

i02995644



SECTION F-F



SECTION G-G

REFER TO ALL ILLUSTRATIONS OF THIS GROUP FOR AUXILIARY VIEWS

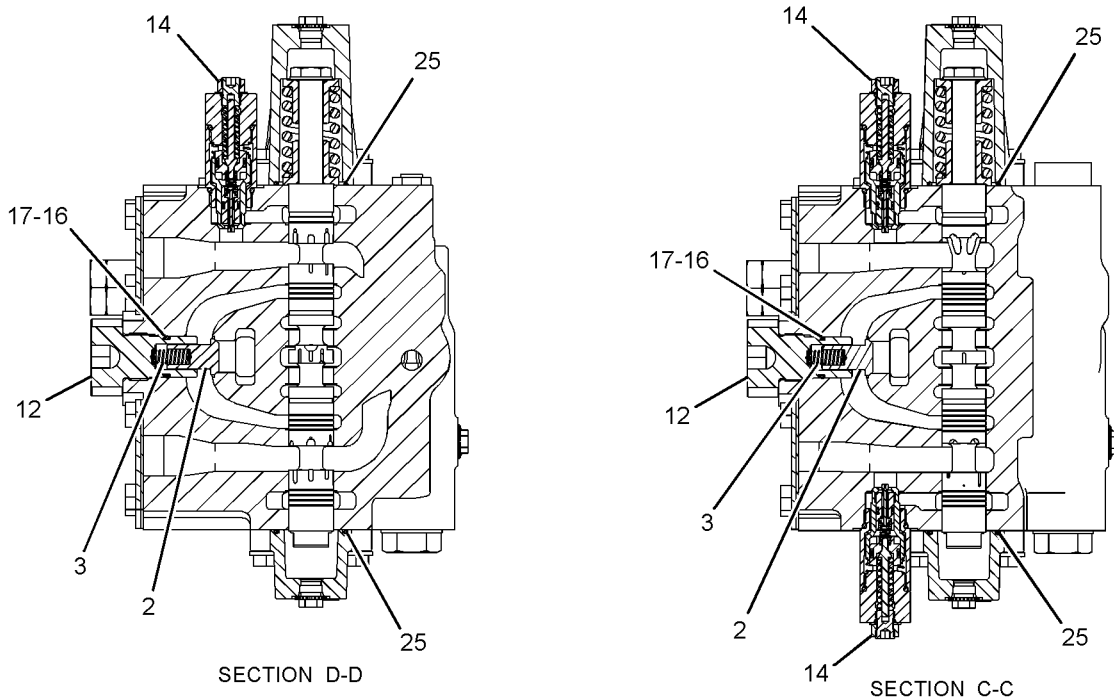
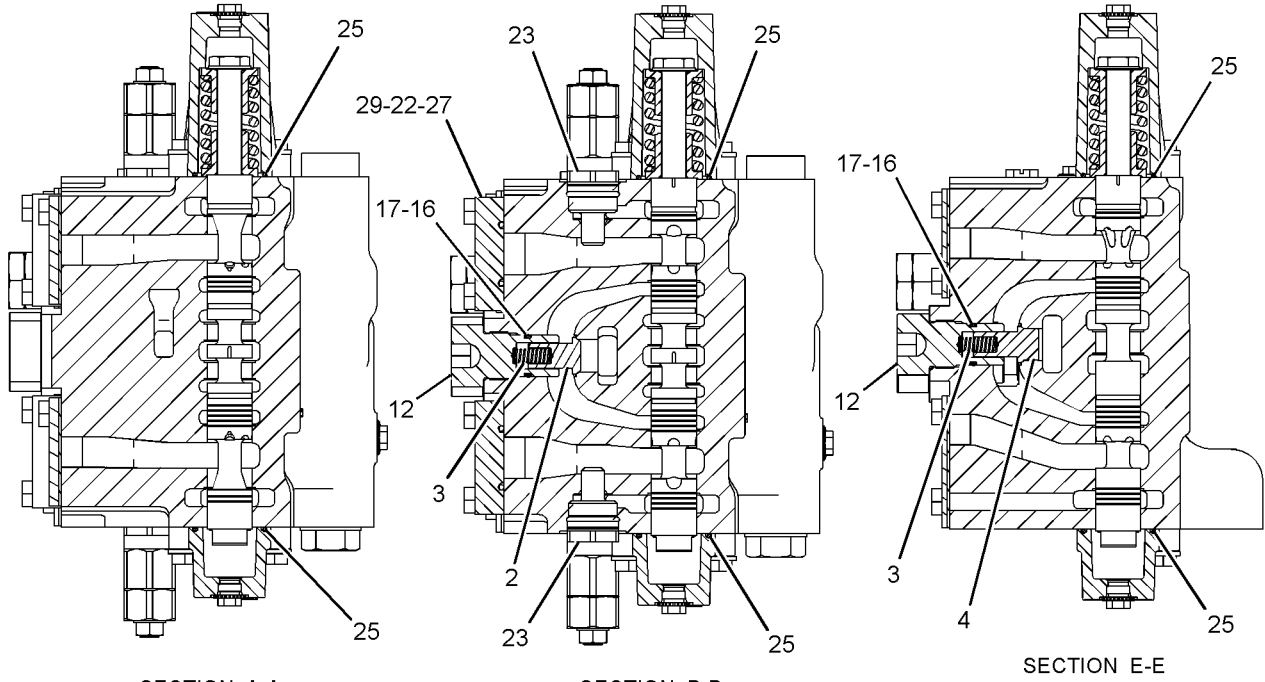
GRAPHIC #1

g01226704

HYDRAULIC SYSTEM

259-7465 VALVE GP-CONTROL (contd.)

i02995644



GRAPHIC #2

<END>

g01226719

HYDRAULIC SYSTEM**259-7466 VALVE GP-CONTROL**

S/N: MGG1-UP; JFZ1-UP

PART OF 259-7464 VALVE GP-MAIN CONTROL

SMCS-5051

i02546454

NOTE	REF NO	GRAPHIC REF	PART NUMBER	QTY	PART NAME						SEE PAGE
					1	2	3	4	5	6 (PRODUCT LEVEL)	
	1	2, 3	4T-3148	3	SPRING						
	2	1	6E-2274	5	COVER						
	3	3	6E-5169	1	SPRING						
	4	2, 3	6E-5643	3	VALVE (LOAD CHECK)						
	5	2	7I-1248	1	SPRING						
Y	6	1	121-1491	1	VALVE GP-SOLENOID (STRAIGHT TRAVEL)						622
	7	3	153-5288	1	SPRING						
	8	3	153-5289	1	GUIDE						
	9	3	153-5290	2	PLUG						
	10	3	153-5291	1	CONNECTOR						
	11	3	153-5292	1	VALVE-CHECK						
	12	3	153-5293	1	SPRING						
Y	13	2	153-5295	1	VALVE GP-PRIORITY (SWING)						603
	14	2	153-5298	1	SLEEVE						
	15	2	153-5299	1	VALVE						
	16	2	153-5306	1	SPRING						
	17	3	153-5309	1	SLEEVE						
	18	3	153-5311	1	SPRING						
	19	3	158-8150	1	VALVE GP-UNLOADING						
	20	1	158-8159	4	HOUSING						
	21	1	158-8206	1	HOUSING						
	22	3	158-8207	1	STOPPER						
	23	2	165-9595	1	COVER						
	24	3	201-9263	2	PLUG						
	25	2	222-4737	3	PLUG AS						
					(EACH INCLUDES)						
		2	4J-7533	1	SEAL-O-RING						
		2	9S-4180	1	PLUG						
	26	2	236-6419	1	PLUG						
	27	3	236-6421	1	PLUG						
	28	2	250-2446	1	PLUG						
	29	3	250-2447	1	PLUG						
Y	30	3	255-5660	1	VALVE GP-RELIEF (MAIN)						613
Y	31	2	255-5661	1	VALVE GP-RELIEF (LINE)						614
Y	32	1	259-7632	1	VALVE GP-CONTROL (WITHOUT COVERS, HOUSINGS)						585
	33	2	264-9961	1	PLUG						
	34	3	095-1575	1	SEAL-O-RING						
	35	2, 3	095-1590	3	SEAL-O-RING						
	36	3	095-1603	1	SEAL-O-RING						
	37	3	095-1778	1	RING-BACKUP						
	38	2, 3	095-1787	3	RING-BACKUP						
	39	2	103-8173	1	SEAL-O-RING						
	40	3	103-8177	1	ADAPTER						
	41	3	123-2485	1	PLUG						
	42	3	2M-9780	1	SEAL-O-RING						
	43	3	3J-1907	1	SEAL-O-RING						
	44	1	4I-3569	1	RING-BACKUP						
	45	3	4I-6397	3	RING-BACKUP						
	46	2	4J-5309	1	SEAL-O-RING						
	47	2	4T-5074	1	RING-BACKUP						
	48	1	6E-3653	1	PLUG						
	49	2	6E-5731	1	VALVE (LOAD CHECK)						
	50	3	6V-3922	3	SEAL-O-RING						
	51	3	6V-5393	1	SEAL-O-RING						
	52	2	6V-5556	1	SEAL-O-RING						
	53	2, 3	6V-5597	9	SEAL-O-RING						

HYDRAULIC SYSTEM

259-7466 VALVE GP-CONTROL (contd.)

i02546454

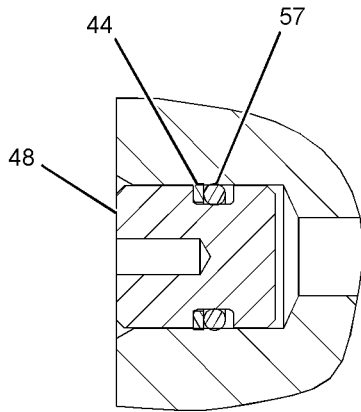
NOTE	REF NO	GRAPHIC REF	PART NUMBER	QTY	PART NAME						SEE PAGE
					1	2	3	4	5	6 (PRODUCT LEVEL)	
M	54	1	7I-2272	2	BOLT (M5X0.8X12-MM)						
	55	3	7M-8485	2	SEAL-O-RING						
M	56	2	7X-2621	1	BOLT (M10X1.5X12-MM)						
	57	1	7Y-5219	1	SEAL-O-RING						
	58	1,2	8T-4121	24	WASHER-HARD (11X21X2.5-MM THK)						
M	59	1	8T-4195	20	BOLT (M10X1.5X30-MM)						
M	60	2	8T-6685	4	BOLT (M10X1.5X110-MM)						
	61	1	8T-6759	2	PLUG-PIPE						

M-METRIC PART
Y-SEPARATE ILLUSTRATION

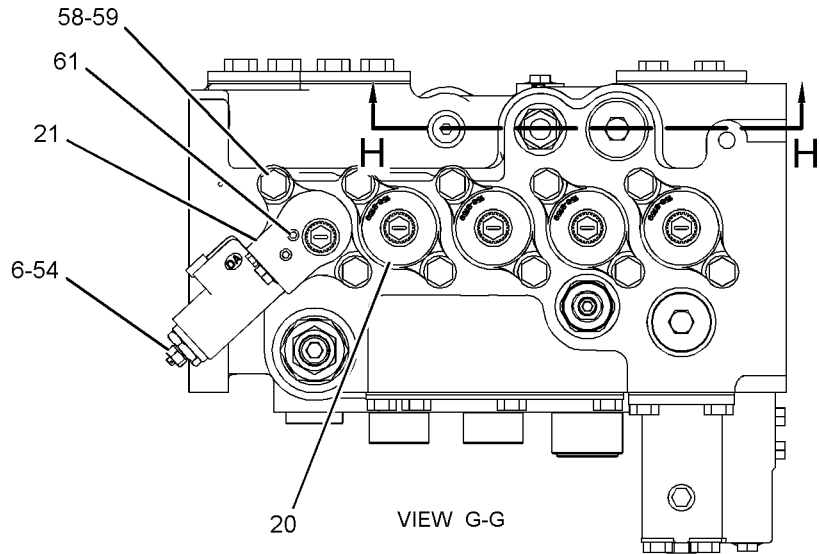
HYDRAULIC SYSTEM

259-7466 VALVE GP-CONTROL (contd.)

i02546454

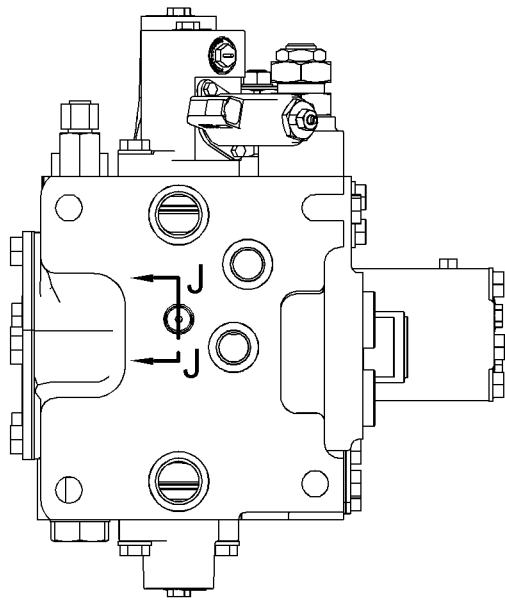


SECTION J-J

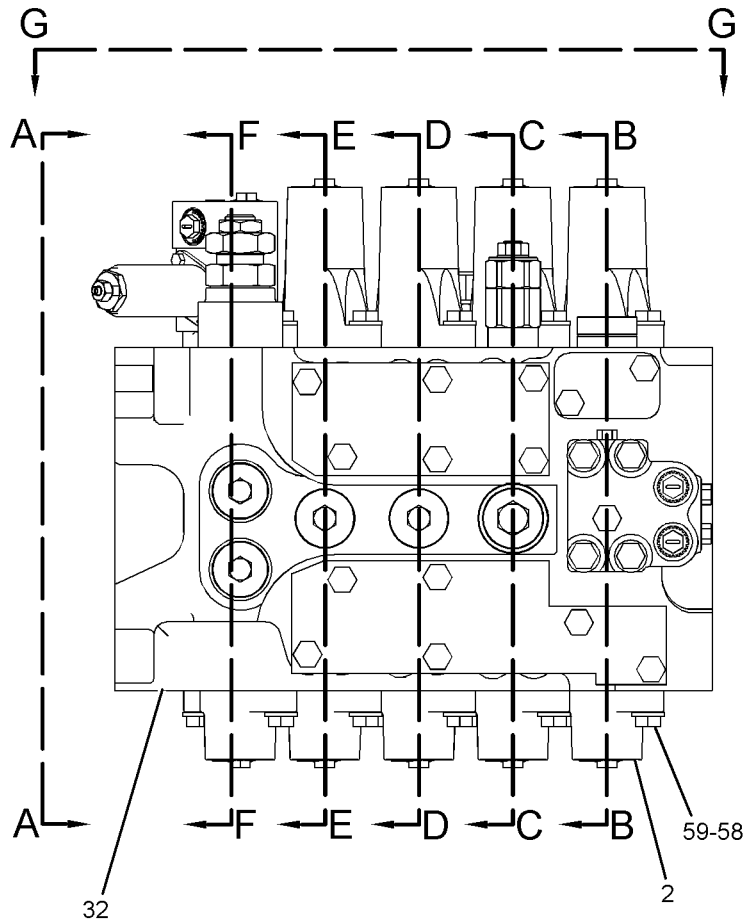


VIEW G-G

REFER TO ALL ILLUSTRATIONS OF THIS GROUP FOR AUXILIARY VIEWS



VIEW A-A



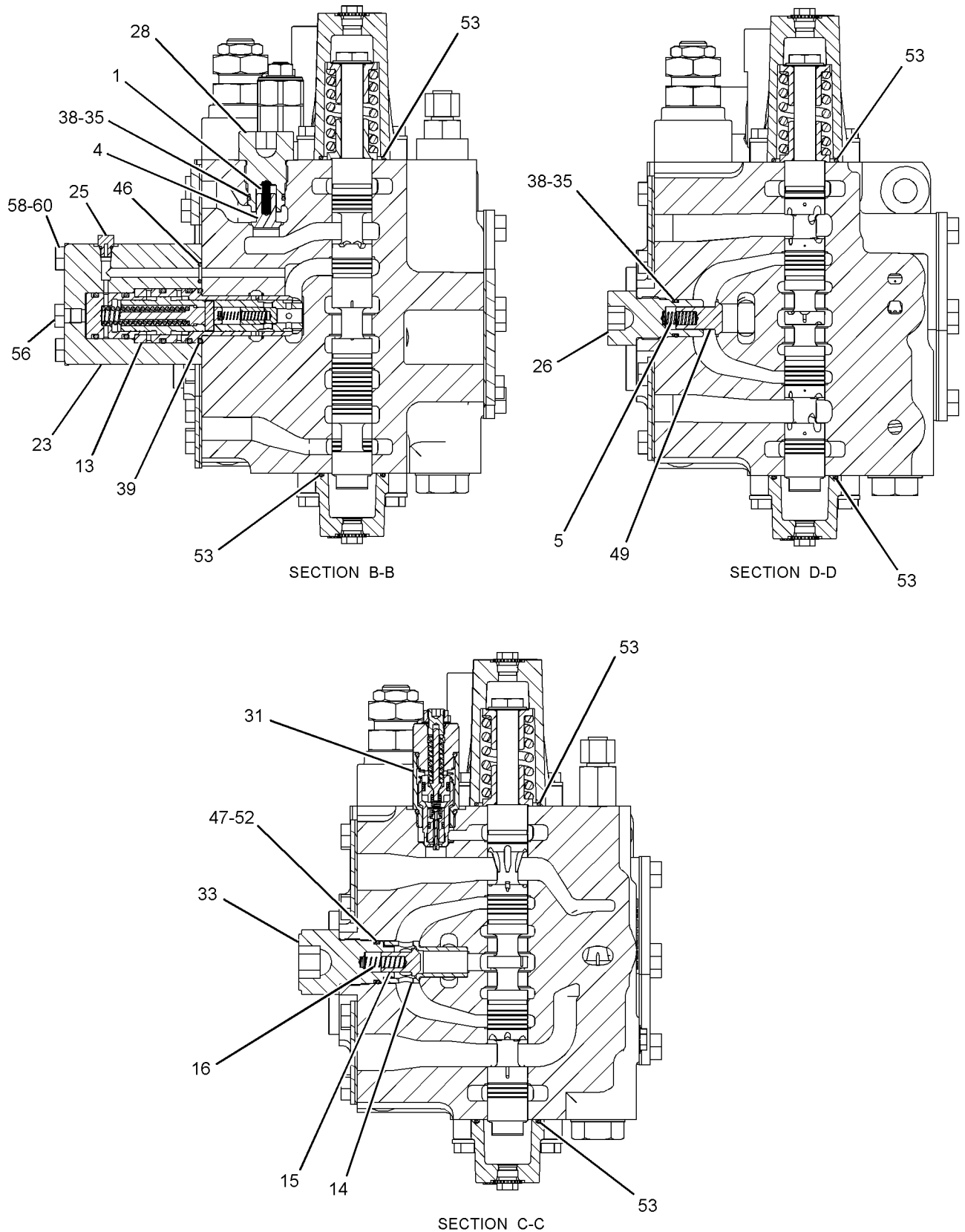
GRAPHIC #1

g01228544

HYDRAULIC SYSTEM

259-7466 VALVE GP-CONTROL (contd.)

i02546454



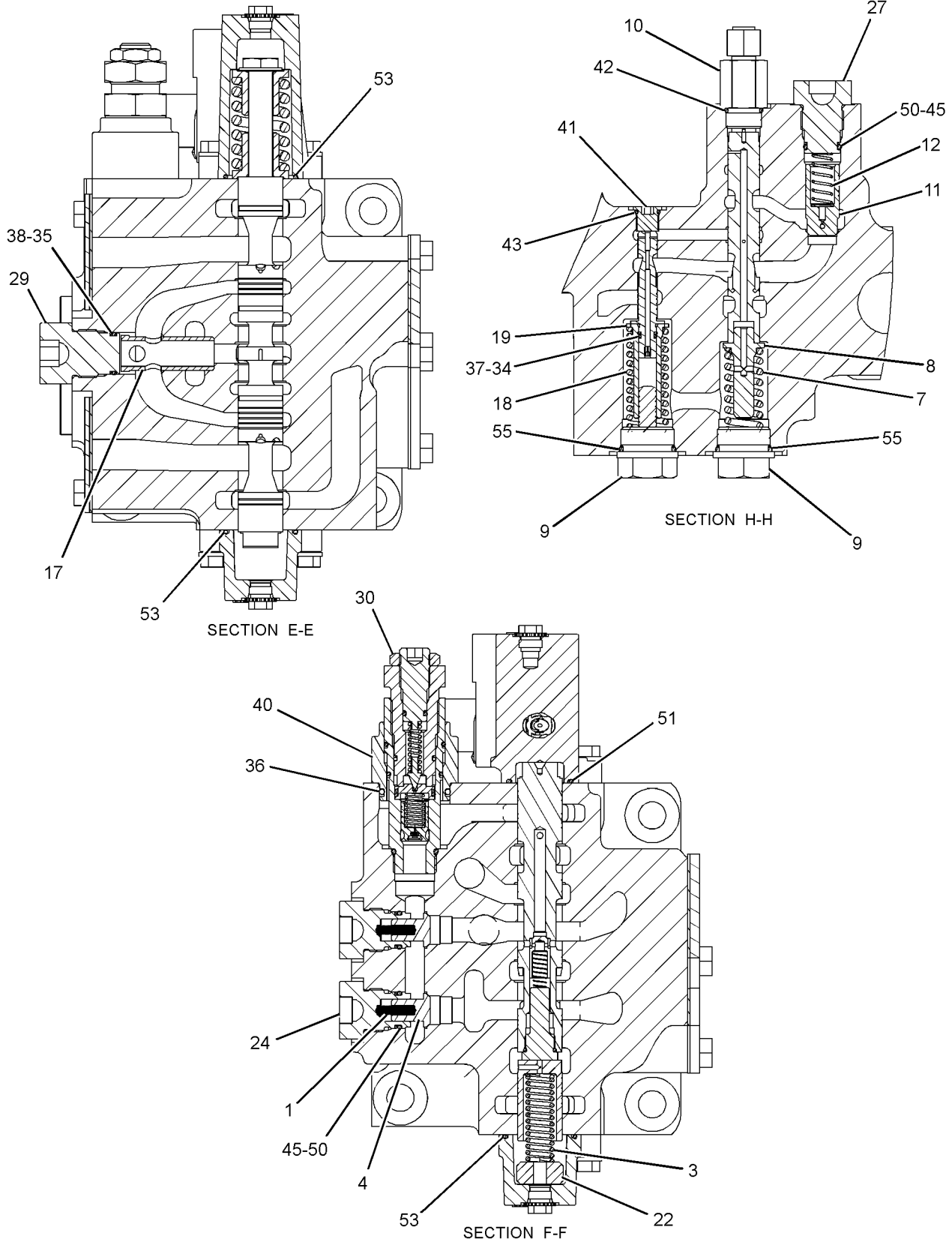
GRAPHIC #2

g01228546

HYDRAULIC SYSTEM

259-7466 VALVE GP-CONTROL (contd.)

i02546454



GRAPHIC #3

<END>

g01228547

HYDRAULIC SYSTEM

259-7631 VALVE GP-CONTROL-WITHOUT COVERS, HOUSINGS

S/N: MGG1-UP; JFZ1-UP

PART OF 259-7465 VALVE GP-CONTROL

SMCS-5051

i02995648

NOTE	REF NO	GRAPHIC REF	PART NUMBER	QTY	PART NAME						SEE PAGE
					1	2	3	4	5	6 (PRODUCT LEVEL)	
	1	1	6E-2271	10	RETAINER						
	2	1	104-7293	3	SPRING						
	3	1	104-7294	1	SPRING						
	4	1	104-7296	1	SPRING						
Z	5	1		1	STEM-AUXILIARY						
Z	6	1		1	STEM-TRAVEL						
Z	7	1		1	STEM (BOOM DOWN)						
Z	8	1		1	BODY-VALVE						
Z	9	1		1	STEM-BUCKET						
Z	10	1		1	STEM-STICK						
Z	11	1		1	STEM-BOOM						
M	12	1	153-5276	5	BOLT-SPECIAL						

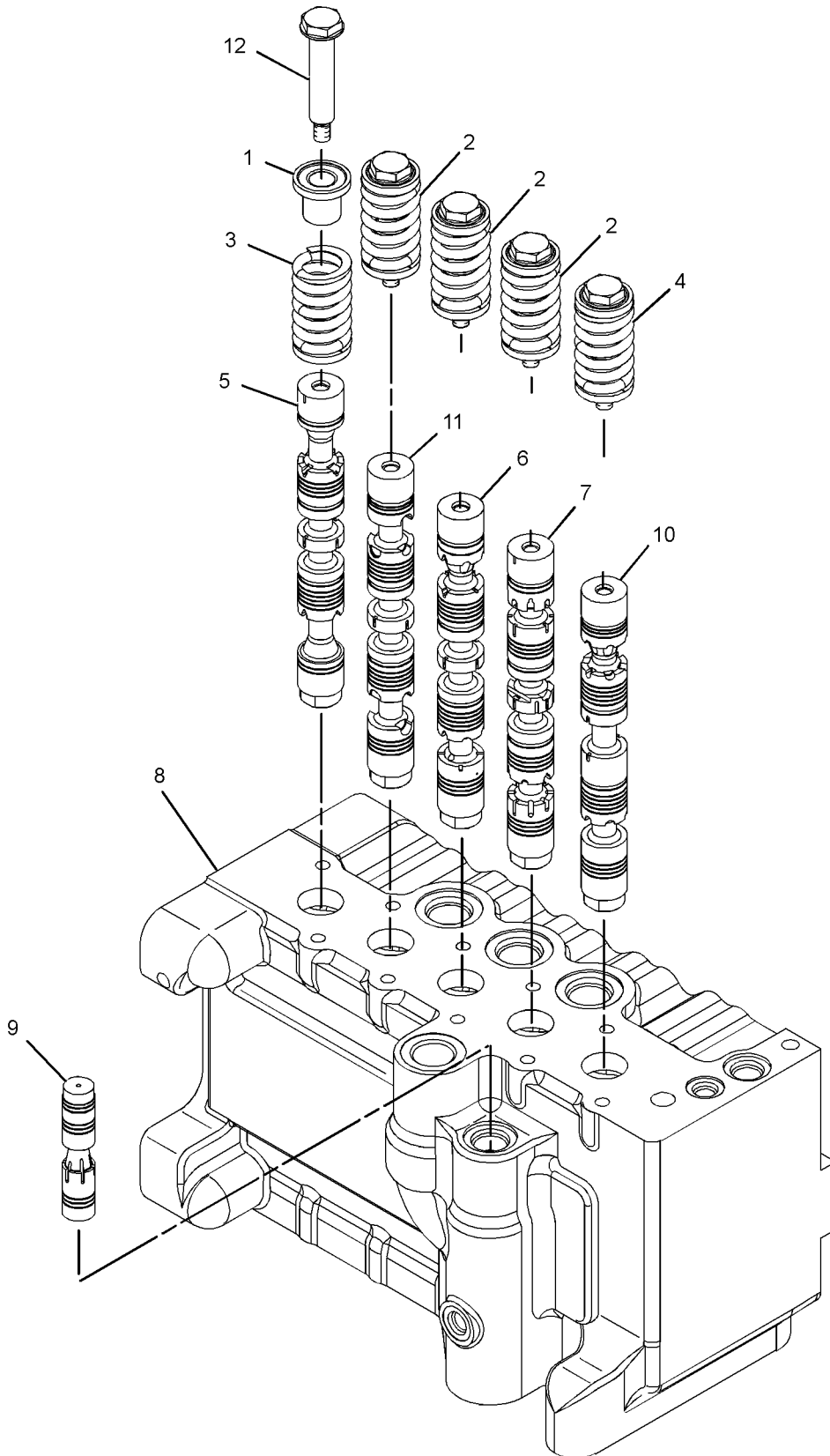
M-METRIC PART

Z-NOT SERVICED SEPARATELY

HYDRAULIC SYSTEM

259-7631 VALVE GP-CONTROL (contd.)

i02995648



GRAPHIC #1

<END>

g01519182

HYDRAULIC SYSTEM

259-7632 VALVE GP-CONTROL-WITHOUT COVERS, HOUSINGS

S/N: MGG1-UP; JFZ1-UP

PART OF 259-7466 VALVE GP-CONTROL

SMCS-5051

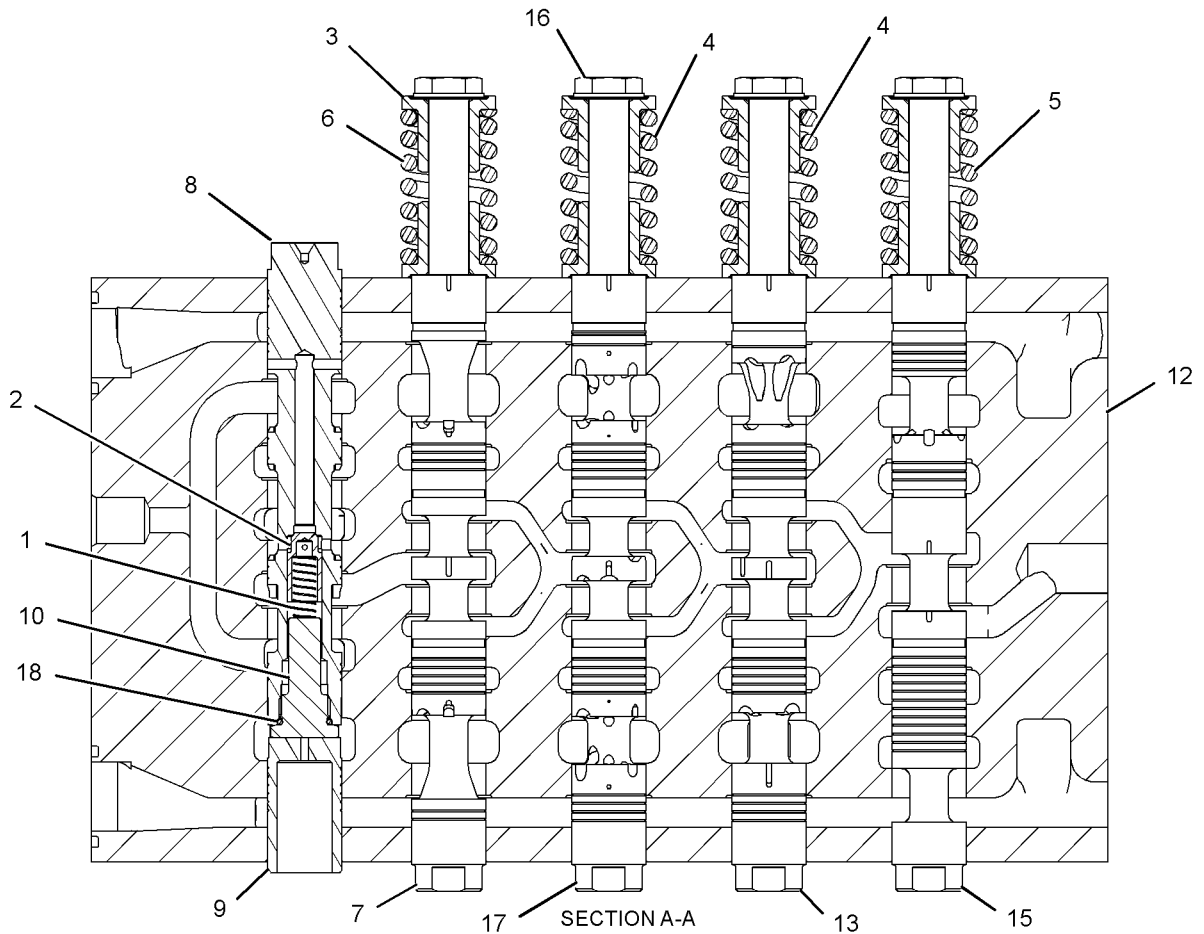
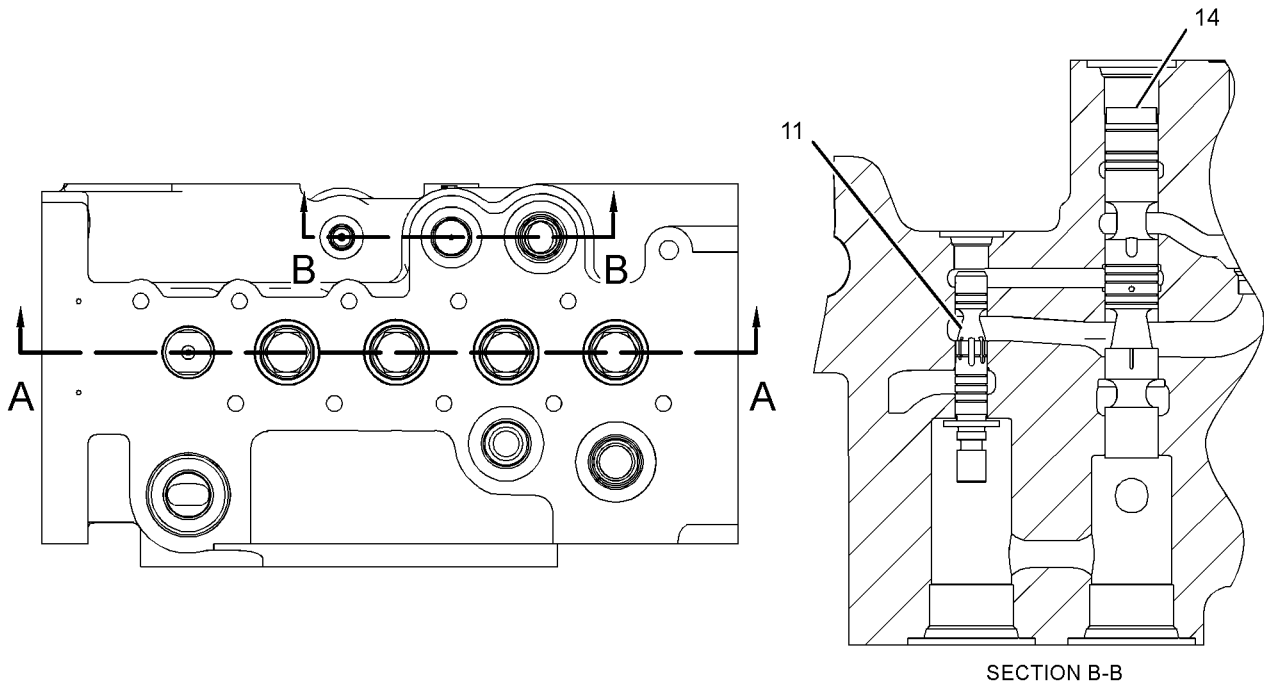
i02546469

NOTE	REF NO	GRAPHIC REF	PART NUMBER	QTY	PART NAME						SEE PAGE
					1	2	3	4	5	6 (PRODUCT LEVEL)	
	1	1	2S-2596	1	SPRING						
	2	1	6E-2163	1	VALVE-CHECK						
	3	1	6E-2271	8	RETAINER						
	4	1	104-7293	2	SPRING						
	5	1	104-7294	1	SPRING						
	6	1	104-7296	1	SPRING						
Z	7	1		1	STEM-TRAVEL						
Z	8	1		1	STEM-STRAIGHT TRAVEL						
Z	9	1		1	PISTON						
Z	10	1		1	GUIDE						
Z	11	1		1	VALVE AS						
Z	12	1		1	BODY-VALVE						
Z	13	1		1	STEM-STICK						
Z	14	1		1	STEM						
Z	15	1		1	STEM-BOOM						
	16	1	153-5276	4	BOLT-SPECIAL						
Z	17	1			STEM-SWING						
	18	1	3K-0360	1	SEAL-O-RING						
Z-NOT SERVICED SEPARATELY											

HYDRAULIC SYSTEM

259-7632 VALVE GP-CONTROL (contd.)

i02546469



GRAPHIC #1

<END>

g01223911

HYDRAULIC SYSTEM

255-5680 VALVE GP-LOAD CONTROL- STICK DRIFT RED, LINE RELIEF S/N: MGG1-UP; JFZ1-UP PART OF 239-1714 LINES GP-FRONT

SMCS-5067, 5117, 5147, 5811

i02535316

NOTE	REF NO	GRAPHIC REF	PART NUMBER	QTY	PART NAME						SEE PAGE
					1	2	3	4	5	6 (PRODUCT LEVEL)	
	2	1	4I-8965	1	GUIDE						
	3	1	5I-8511	1	SPRING						
	4	1	087-5166	1	SPRING						
	5	1	118-4044	1	COVER						
	7	1	147-4184	1	PLUG						
	8	1	225-4818	2	PLUG AS						
					(EACH INCLUDES)						
		1	4J-7533	1	SEAL-O-RING						
		1	225-4804	1	PLUG						
Y	9	1	255-5662	1	VALVE GP-RELIEF (LINE)						615
Z	10	1		1	VALVE GP-CONTROL (DRIFT CONTROL)						
	11	1	095-1594	1	SEAL-O-RING						
	12	1	095-1789	1	RING						
	13	1	148-8395	1	PLUG AS						
		1	3K-0360	1	SEAL-O-RING						
		1	9S-8005	1	PLUG-O-RING						
	14	1	162-0177	1	PLUG AS						
		1	3J-1907	1	SEAL-O-RING						
		1	9S-8004	1	PLUG-O-RING						
M	15	1	8T-4136	4	BOLT (M10X1.5X25-MM)						

M-METRIC PART

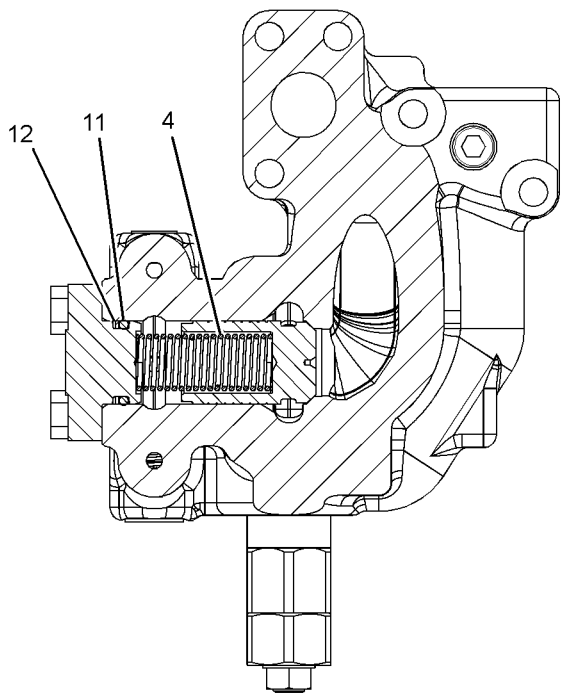
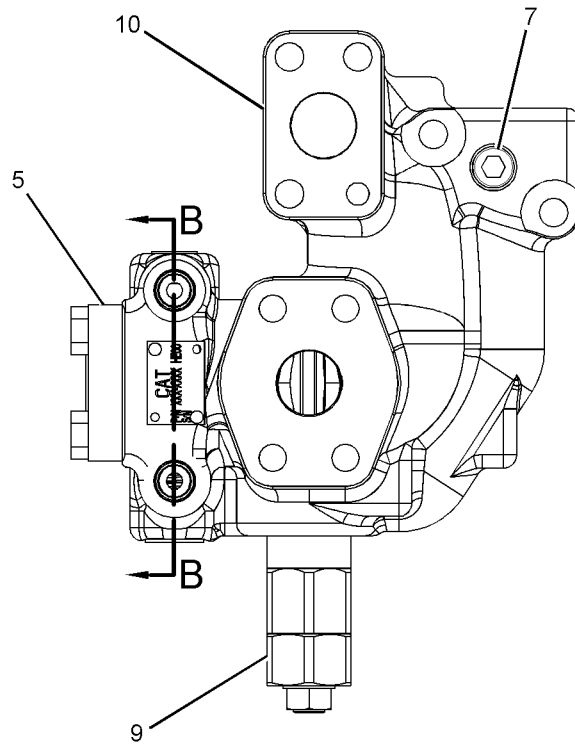
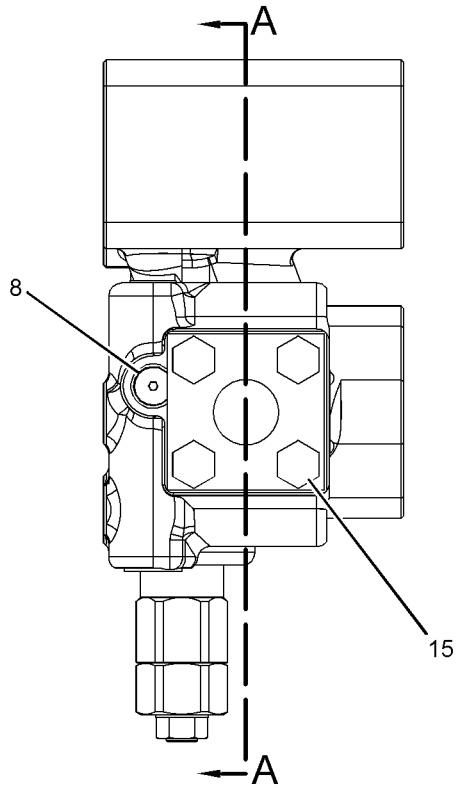
Y-SEPARATE ILLUSTRATION

Z-NOT SERVICED SEPARATELY

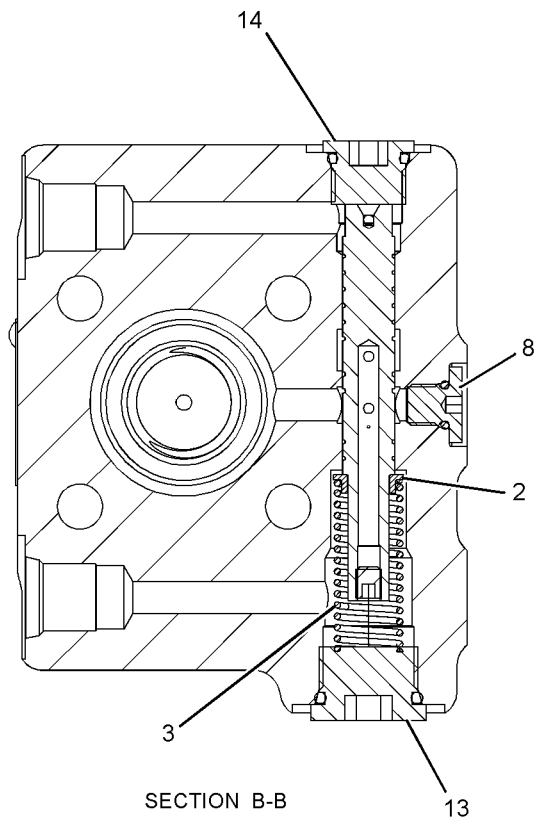
HYDRAULIC SYSTEM

255-5680 VALVE GP-LOAD CONTROL (contd.)

i02535316



SECTION A-A



SECTION B-B

GRAPHIC #1

<END>

g01174591

HYDRAULIC SYSTEM

255-5683 VALVE GP-LOAD CONTROL- BOOM DRIFT RED, LINE RELIEF S/N: MGG1-UP; JFZ1-UP PART OF 239-1714 LINES GP-FRONT

SMCS-5067, 5117, 5147, 5811

i02535313

NOTE	REF NO	GRAPHIC REF	PART NUMBER	QTY	PART NAME						SEE PAGE
					1	2	3	4	5	6 (PRODUCT LEVEL)	
	2	1	4I-8965	1	GUIDE						
	3	1	5I-8511	1	SPRING						
	4	1	087-5166	1	SPRING						
	5	1	118-4044	1	COVER						
	7	1	225-4818	2	PLUG AS						
					(EACH INCLUDES)						
		1	225-4804	1	PLUG						
	7A	1	4J-7533	1	SEAL-O-RING						
Y	8	1	255-5662	1	VALVE GP-RELIEF (LINE)						615
Z	9	1		1	VALVE GP-CONTROL (DRIFT REDUCTION)						
	10	1	095-1594	1	SEAL-O-RING						
	11	1	095-1789	1	RING						
	12	1	148-8395	1	PLUG AS						
		1	9S-8005	1	PLUG-O-RING						
	12A	1	3K-0360	1	SEAL-O-RING						
	13	1	148-8407	1	PLUG AS						
		1	9S-4191	1	PLUG-O-RING						
	13A	1	3J-1907	1	SEAL-O-RING						
	14	1	190-7865	1	CONNECTOR						
	15	1	3J-1907	1	SEAL-O-RING						
	16	1	6V-8397	1	SEAL-O-RING						
M	17	1	8T-4136	4	BOLT (M10X1.5X25-MM)						

M-METRIC PART

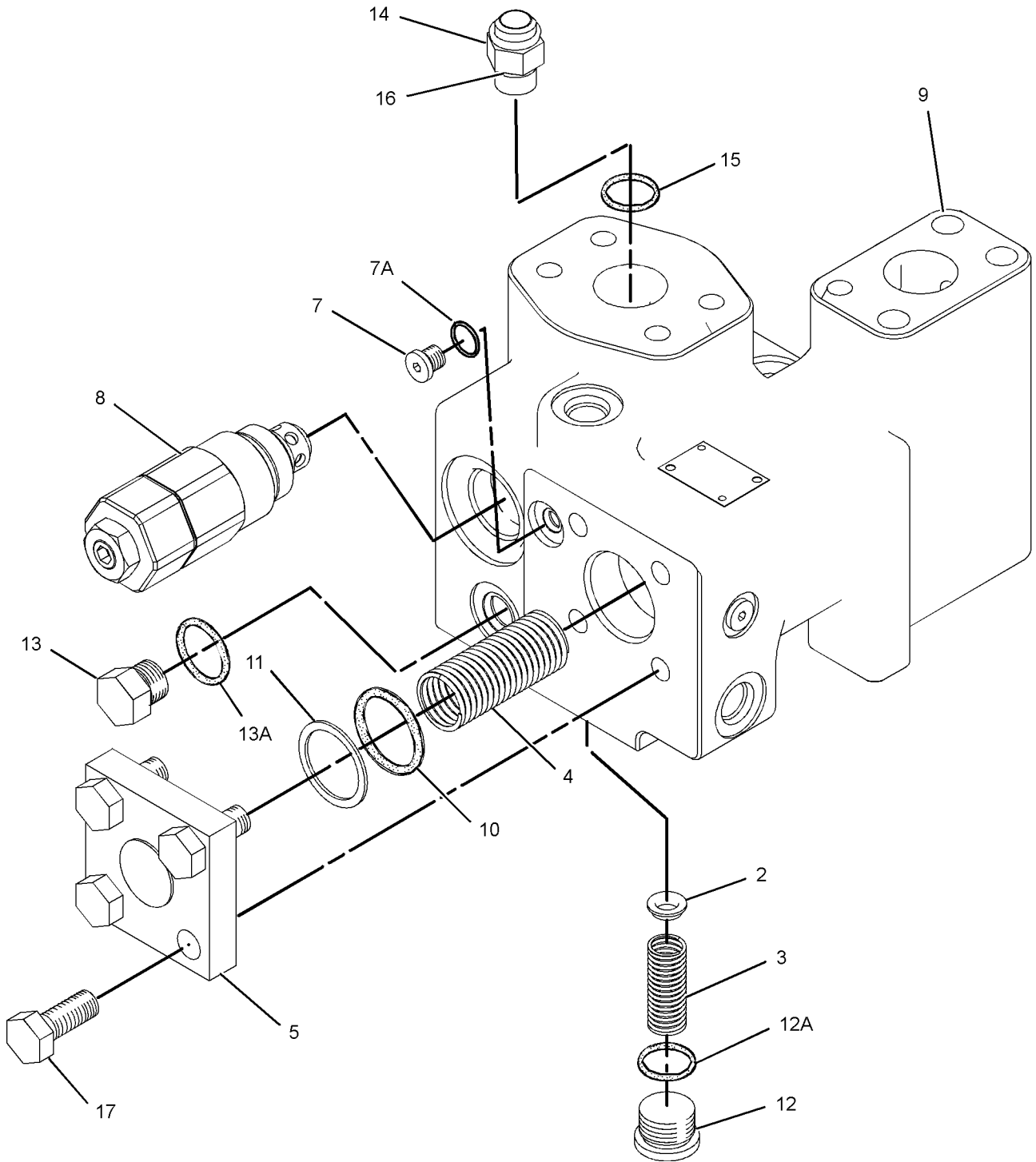
Y-SEPARATE ILLUSTRATION

Z-NOT SERVICED SEPARATELY

HYDRAULIC SYSTEM

255-5683 VALVE GP-LOAD CONTROL (contd.)

i02535313



GRAPHIC #1

<END>

g01152135

HYDRAULIC SYSTEM

259-7464 VALVE GP-MAIN CONTROL

S/N: MGG1-UP; JFZ1-UP

PART OF 285-1354, 285-1355 HYDRAULIC AR

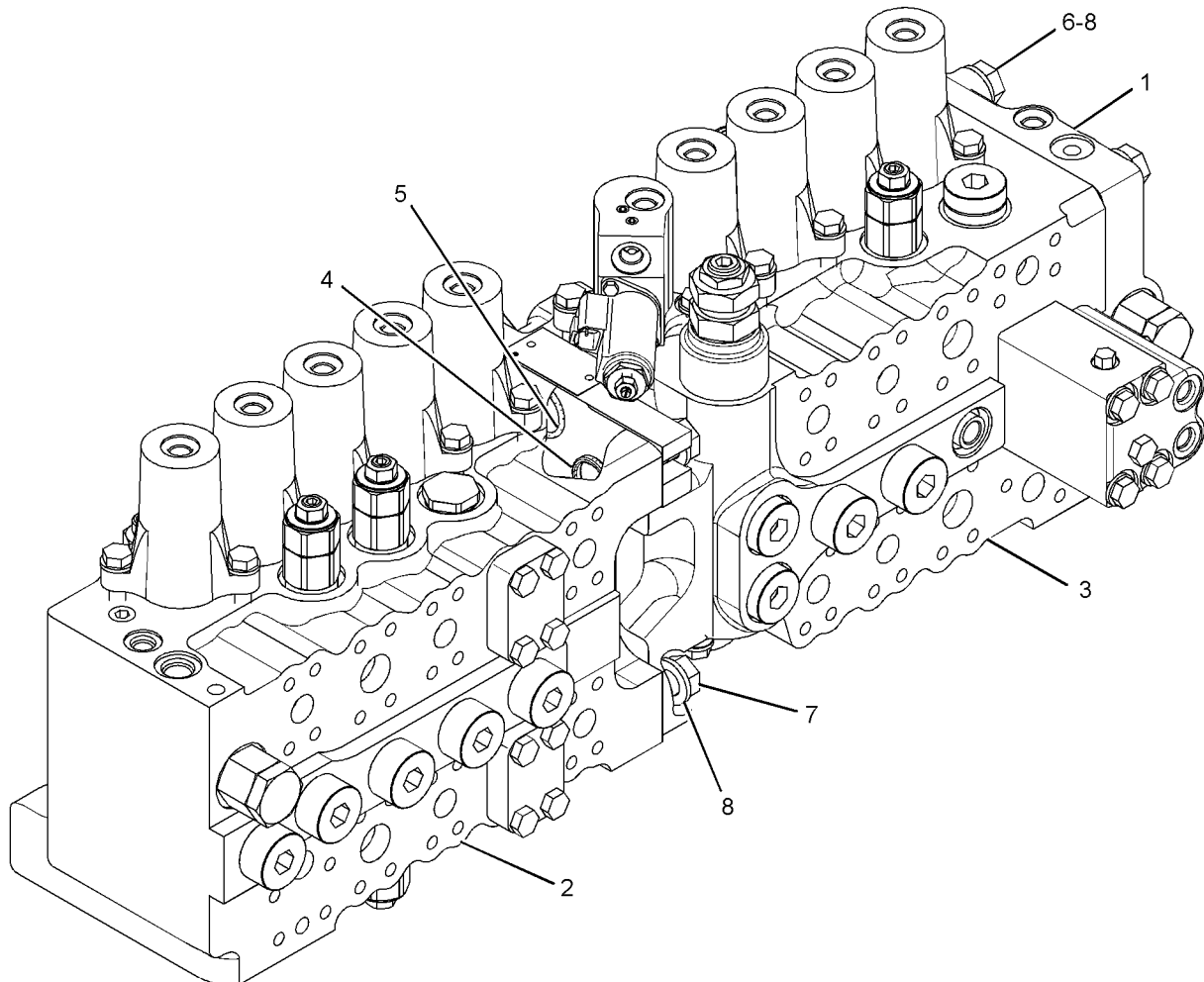
SMCS-5051

i02546452

NOTE	REF NO	GRAPHIC REF	PART NUMBER	QTY	PART NAME						SEE PAGE
					1	2	3	4	5	6 (PRODUCT LEVEL)	
Y	1	1	153-5313	1	VALVE GP-RELIEF (NEGATIVE FLOW CONTROL)						606
Y	2	1	259-7465	1	VALVE GP-CONTROL (LH)						575
Y	3	1	259-7466	1	VALVE GP-CONTROL (RH)						578
	4	1	1P-3702	2	SEAL-RECTANGULAR						
	5	1	4J-0519	2	SEAL-O-RING						
M	6	1	8T-4140	5	BOLT (M16X2X60-MM)						
M	7	1	8T-4193	4	BOLT (M16X2X50-MM)						
	8	1	9X-8257	9	WASHER (17.5X30X3.5-MM THK)						

M-METRIC PART

Y-SEPARATE ILLUSTRATION



GRAPHIC #1

<END>

g01190229

HYDRAULIC SYSTEM

277-0954 VALVE GP-MANUAL

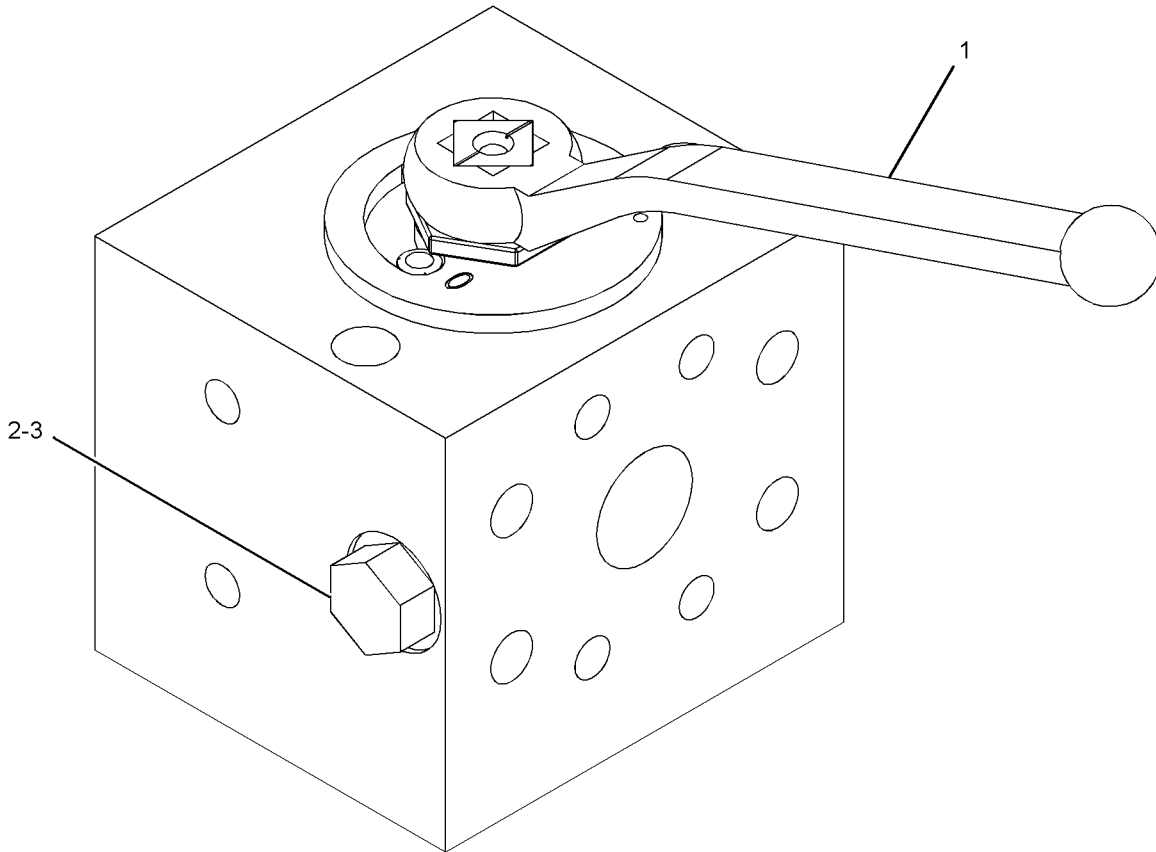
S/N: MGG1-UP; JFZ1-UP

PART OF 237-3184, 242-6487 LINES GP-AUXILIARY HYDRAULIC AN ATTACHMENT

SMCS-1329, 5001, 5130

i02995528

NOTE	REF NO	GRAPHIC REF	PART NUMBER	QTY	PART NAME						SEE PAGE
					1	2	3	4	5	6 (PRODUCT LEVEL)	
	1	1	302-9466	1	HANDLE						
	2	1	3J-1907	1	SEAL-O-RING						
	3	1	9S-4191	1	PLUG-O-RING						



GRAPHIC #1

<END>

g01236800

HYDRAULIC SYSTEM

270-5947 VALVE GP-PILOT-TRAVEL

S/N: MGG1-1422; JFZ1-3864

PART OF 248-9825 LINES GP-PILOT

SMCS-5059

i02535335

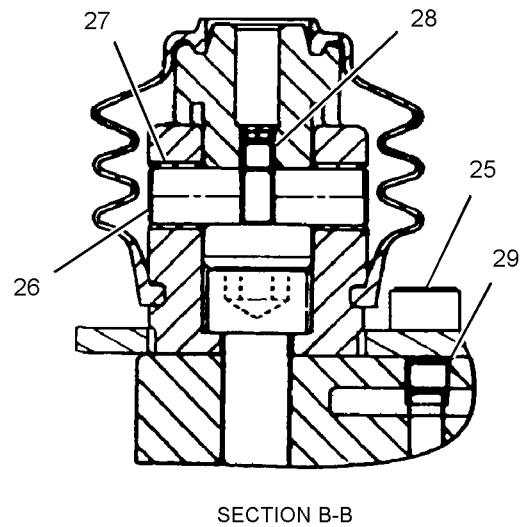
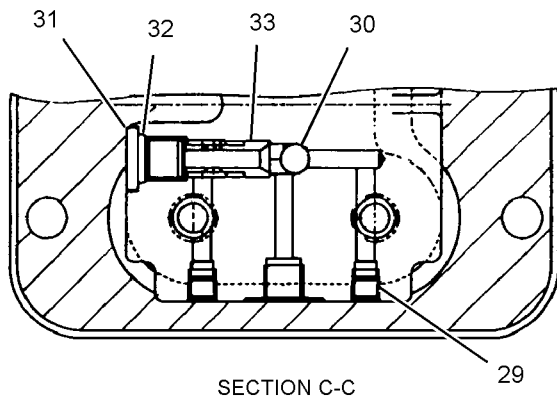
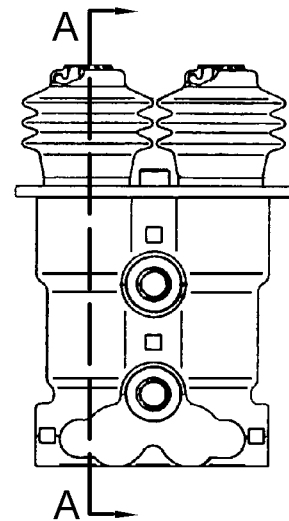
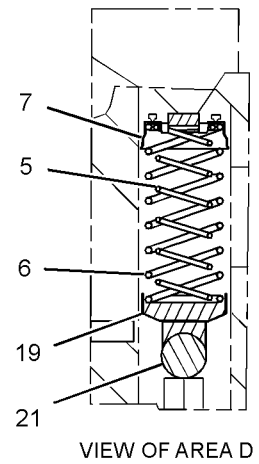
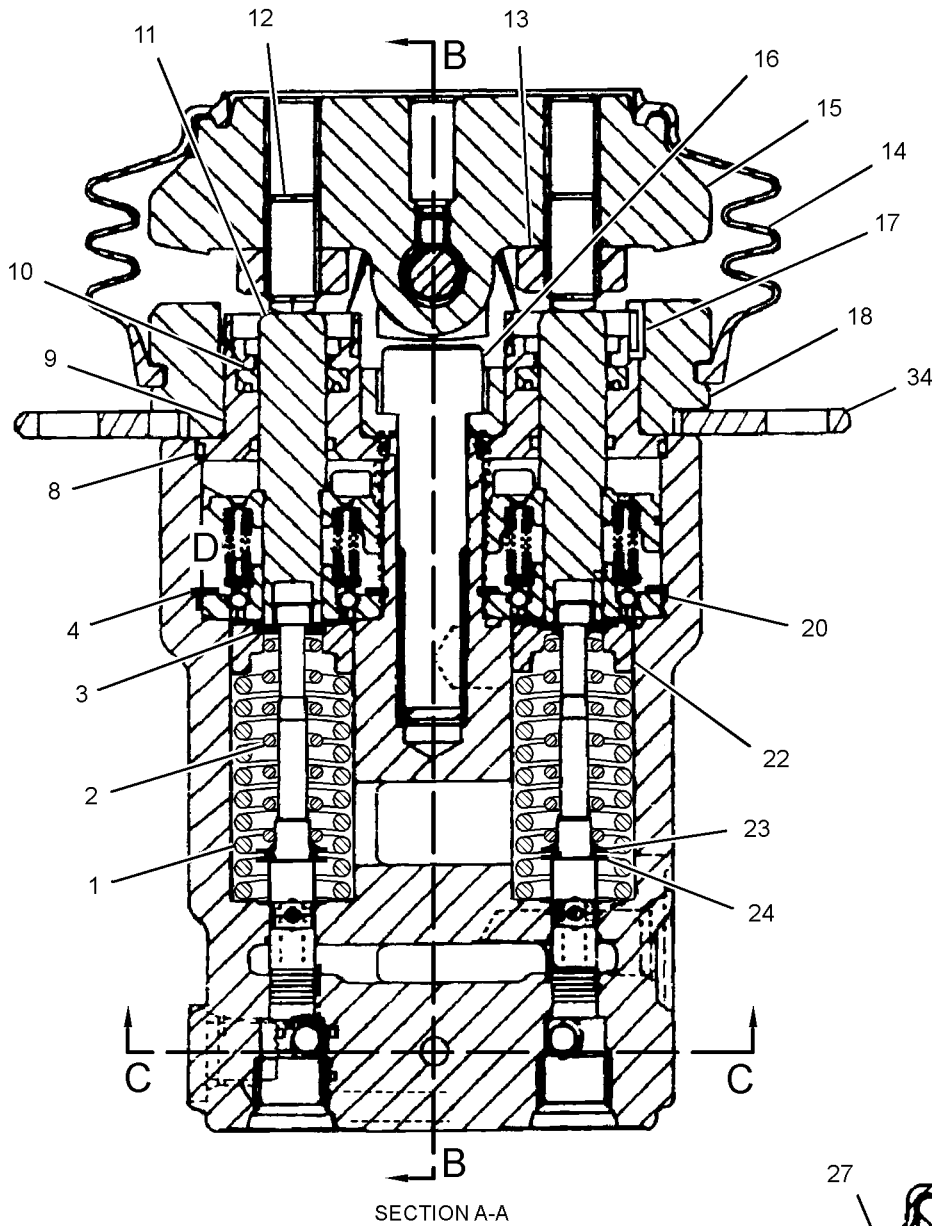
NOTE	REF NO	GRAPHIC REF	PART NUMBER	QTY	PART NAME						SEE PAGE
					1	2	3	4	5	6 (PRODUCT LEVEL)	
	1	1	270-5950	4	SPRING						
	2	1	131-5818	4	SPRING						
	3	1	099-6136	8	WASHER (5.1X12.5X1-MM THK)						
	4	1	095-0936	4	RING-RETAINING						
	5	1	126-1865	4	SPRING						
	6	1	126-1866	4	SPRING						
	7	1	270-5949	4	PISTON						
	8	1	6V-8400	4	SEAL-O-RING						
	9	1	165-9554	4	PLUG						
	10	1	119-5389	4	PACKING						
	11	1	165-9552	4	PUSHROD						
M	12	1	087-4710	4	SETSCREW						
M	13	1	8T-4133	4	NUT (M10X1.5-THD)						
	14	1	087-5709	2	BELLOWS						
	15	1	087-5708	2	PEDAL						
M	16	1	8T-0343	2	BOLT-SOCKET HEAD (M12X1.75X55-MM)						
	17	1	119-5388	4	CAP						
	18	1	165-9463	2	COVER						
	19	1	119-5391	4	SEAT						
	20	1	119-5392	4	BUSHING						
	21	1	153-5223	12	BALL						
	22	1	165-9551	4	SEAT						
	23	1	099-6137	4	WASHER						
	24	1	099-6141	4	WASHER (6.1X11X1.5-MM THK)						
M	25	1	8T-1158	2	BOLT-SOCKET HEAD (M8X1.25X20-MM)						
	26	1	099-6145	2	CAMSHAFT						
	27	1	099-6144	4	BUSHING-TERMINAL						
M	28	1	095-1260	2	SETSCREW-SOCKET (M6X1X6-MM)						
	29	1	8T-6759	6	PLUG-PIPE						
	30	1	9M-5590	2	BALL						
	31	1	107-6479	2	PLUG						
	32	1	095-1578	2	SEAL-O-RING						
	33	1	165-9464	2	SEAT						
	34	1	165-9553	1	COVER						

M-METRIC PART

HYDRAULIC SYSTEM

270-5947 VALVE GP-PILOT (contd.)

i02535335



GRAPHIC #1

<END>

g01237519

HYDRAULIC SYSTEM

285-1327 VALVE GP-PILOT-JOYSTICK

S/N: MGG1-UP; JFZ1-UP

PART OF 270-5951, 270-5952 CONTROL GP-JOYSTICK
AN ATTACHMENT

SMCS-5059

i02643146

NOTE	REF NO	GRAPHIC REF	PART NUMBER	QTY	PART NAME						SEE PAGE
					1	2	3	4	5	6 (PRODUCT LEVEL)	
	1	1	165-9431	1	PLATE						
	2	1	4I-6365	1	JOINT						
	3	1	118-4087	4	SPRING						
	4	1	165-9444	2	SEAT-SPRING (USED WITH REF NO 7 OR 7A SPRINGS)						
					-OR-						
J		1	244-8496	2	SEAT-SPRING (USED WITH REF NO 7B SPRINGS)						
					-OR-						
L		1	244-8500	2	SEAT-SPRING (USED WITH REF NO 7C SPRINGS)						
	5	1	096-1628	4	PLUG						
	6	1	165-9436	2	SEAT						
	7	1	165-9460	2	SPRING (STANDARD)						
					-OR-						
	7A	1	225-4815	2	SPRING (OPTIONAL) (REDUCES OPERATING FORCE FOR IMPROVED INCHING CONTROL)						
					-OR-						
J	7B	1	244-8494	2	SPRING (OPTIONAL) (PROVIDES CONTROLLABILITY EQUAL TO A-SERIES MACHINES)						
					-OR-						
L	7C	1	244-8498	2	SPRING (OPTIONAL) (PROVIDES CONTROLLABILITY COMPARABLE TO A AND B-SERIES MACHINES)						
	8	1	270-5953	4	SPRING (STANDARD)						
					-OR-						
		1	190-7750	4	SPRING (OPTIONAL) (REDUCES OPERATING FORCE BY 30%)						
					-OR-						
		1	190-7751	4	SPRING (OPTIONAL) (REDUCES OPERATING FORCE BY 20%)						
	9	1	165-9439	1	BUSHING						
	10	1	165-9448	1	SEAL-O-RING						
	11	1	168-0794	1	PLATE						
	12	1	096-4498	2	WASHER						
M	13	1	6V-8337	2	BOLT-SOCKET HEAD (M8X1.25X35-MM)						
	14	1	171-0087	1	BELLOWS						
M	15	1	131-5915	1	NUT-SPECIAL						
	16	1	7Y-0468	1	PIN-SPRING						
	17	1	094-0876	4	SEAL						
B	18	1	099-6137	4	WASHER (6.1X9X0.2-MM THK)						
	19	1	165-9442	2	SPRING (STANDARD)						
					-OR-						
	19A	1	225-4816	2	SPRING (OPTIONAL) (REDUCES OPERATING FORCE FOR IMPROVED INCHING CONTROL)						
					-OR-						
J	19B	1	244-8495	2	SPRING (OPTIONAL) (PROVIDES CONTROLLABILITY EQUAL TO A-SERIES MACHINES)						
					-OR-						
L	19C	1	244-8499	2	SPRING (OPTIONAL) (PROVIDES CONTROLLABILITY COMPARABLE TO A AND B-SERIES MACHINES)						

HYDRAULIC SYSTEM

285-1327 VALVE GP-PILOT (contd.)

i02643146

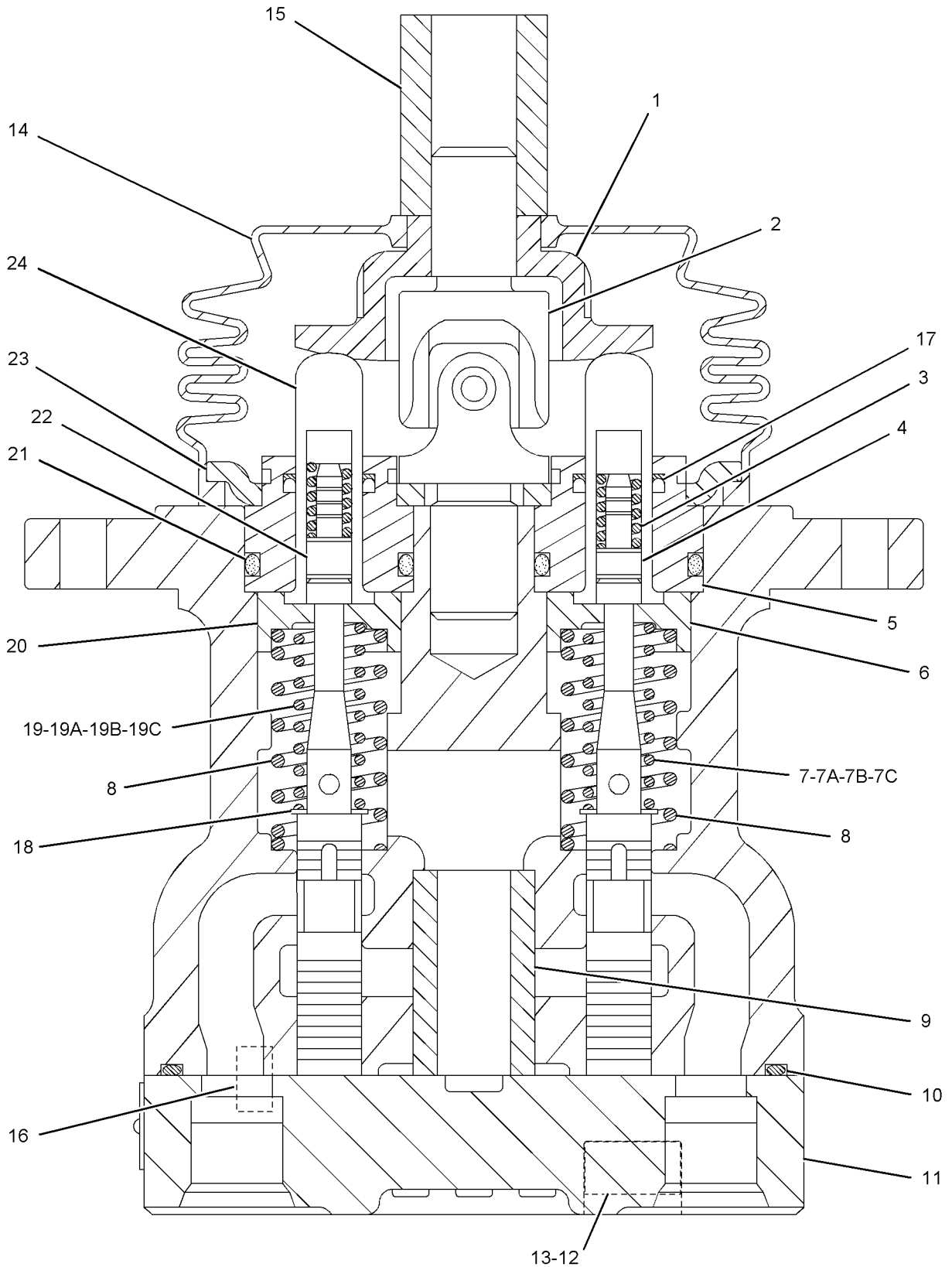
NOTE	REF NO	GRAPHIC REF	PART NUMBER	QTY	PART NAME						SEE PAGE
					1	2	3	4	5	6 (PRODUCT LEVEL)	
	20	1	165-9435	2	SEAT						
	21	1	095-1586	4	SEAL-O-RING						
	22	1	165-9443	2	SEAT-SPRING						
					(USED WITH REF NO 19 OR 19A SPRINGS)						
					-OR-						
J		1	244-8497	2	SEAT-SPRING						
					(USED WITH REF NO 19B SPRINGS)						
					-OR-						
L		1	244-8501	2	SEAT-SPRING						
					(USED WITH REF NO 19C SPRINGS)						
	23	1	165-9438	1	PLATE						
	24	1	118-4086	4	ROD						

B-USE AS REQUIRED
 J-PARTS MARKED J MUST BE USED TOGETHER AS A SET
 L-PARTS MARKED L MUST BE USED TOGETHER AS A SET
 M-METRIC PART

HYDRAULIC SYSTEM

285-1327 VALVE GP-PILOT (contd.)

i02643146



GRAPHIC #1

<END>

g01102305

HYDRAULIC SYSTEM**310-0414 VALVE GP-PILOT-TRAVEL**

S/N: MGG1423-UP; JFZ3865-UP

PART OF 248-9825 LINES GP-PILOT

SMCS-5059

i03452780

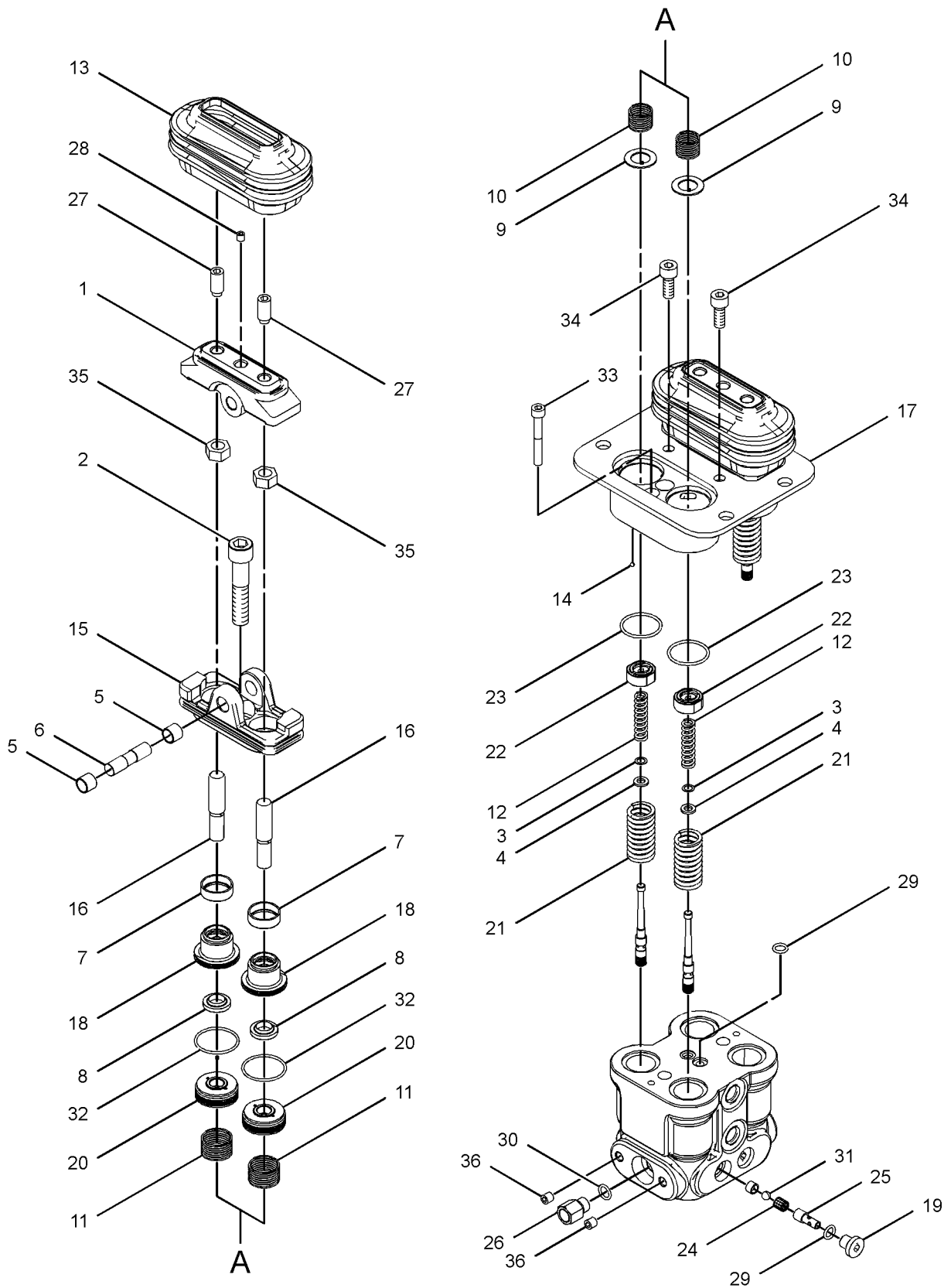
NOTE	REF NO	GRAPHIC REF	PART NUMBER	QTY	PART NAME						SEE PAGE
					1	2	3	4	5	6 (PRODUCT LEVEL)	
	1	1	087-5708	2	PEDAL						
M	2	1	095-0673	2	BOLT-SOCKET HEAD (M12X1.75X60-MM)						
	3	1	099-6137	4	WASHER (6.1X9X0.2-MM THK)						
	4	1	099-6141	4	WASHER (6.1X11X1.5-MM THK)						
	5	1	099-6144	4	BUSHING-TERMINAL						
	6	1	099-6145	2	CAMSHAFT						
	7	1	119-5388	4	CAP						
	8	1	119-5389	4	PACKING						
	9	1	119-5391	4	SEAT						
	10	1	126-1865	4	SPRING						
	11	1	126-1866	4	SPRING						
	12	1	131-5818	4	SPRING						
	13	1	147-4131	2	BOOT-PROTECTION						
	14	1	153-5223	12	BALL						
	15	1	165-9463	2	COVER						
	16	1	165-9552	4	PUSHROD						
	17	1	165-9553	1	COVER						
	18	1	165-9554	4	PLUG						
	19	1	196-3784	2	PLUG						
	20	1	270-5949	4	PISTON						
	21	1	270-5950	4	SPRING						
	22	1	310-0419	4	SEAT						
	23	1	310-0420	4	SEAL-O-RING						
	24	1	310-0421	2	BUSHING						
	25	1	310-0422	2	SEAT						
	26	1	323-7770	2	ADAPTER						
M	27	1	087-4710	4	SETSCREW						
M	28	1	095-1260	2	SETSCREW-SOCKET (M6X1X6-MM)						
	29	1	095-1575	4	SEAL-O-RING						
	30	1	3J-7354	2	SEAL-O-RING						
	31	1	3Y-9267	2	BALL						
	32	1	6V-8400	4	SEAL-O-RING						
M	33	1	8C-6965	2	BOLT-SOCKET HEAD (M6X1X45-MM)						
M	34	1	8T-1158	2	BOLT-SOCKET HEAD (M8X1.25X20-MM)						
M	35	1	8T-4133	4	NUT (M10X1.5-THD)						
	36	1	8T-6759	4	PLUG-PIPE						

M-METRIC PART

HYDRAULIC SYSTEM

310-0414 VALVE GP-PILOT (contd.)

i03452780



GRAPHIC #1

<END>

g01622941

HYDRAULIC SYSTEM

232-4102 VALVE GP-PRESSURE REDUCING- IMPLEMENT, SWING PRIORITY

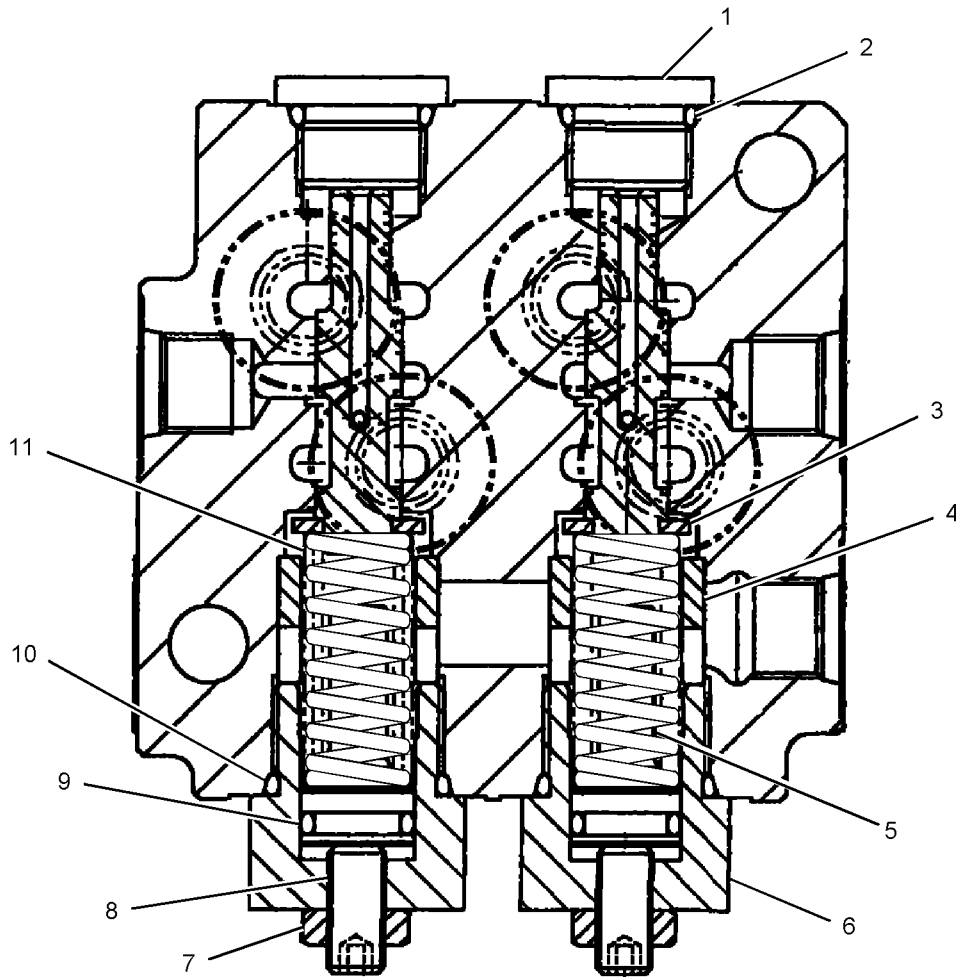
S/N: MGG1-1178; JFZ1-3138
PART OF 248-9851 LINES GP-PILOT

SMCS-5117

i02100082

NOTE	REF NO	GRAPHIC REF	PART NUMBER	QTY	PART NAME						SEE PAGE
					1	2	3	4	5	6 (PRODUCT LEVEL)	
	1	1	111-9998	2	PLUG						
	2	1	095-1582	2	SEAL-O-RING						
	3	1	171-0127	2	SEAT-SPRING						
	4	1	185-0423	2	STOP						
	5	1	171-0126	2	SEAT-SPRING						
	6	1	171-0123	2	PLUG						
M	7	1	5C-7261	2	NUT (M8X1.25-THD)						
M	8	1	171-0124	2	SETSCREW (M8X1.25X18-MM)						
	9	1	095-1580	2	SEAL-O-RING						
	10	1	095-1590	2	SEAL-O-RING						
	11	1	171-0128	2	SPRING						

M-METRIC PART



GRAPHIC #1

<END>

g01095267

HYDRAULIC SYSTEM**310-0210 VALVE GP-PRESSURE REDUCING-
BOOM, SWING PRIORITY**S/N: MGG1179-UP; JFZ3139-UP
PART OF 248-9851 LINES GP-PILOT

SMCS-5117

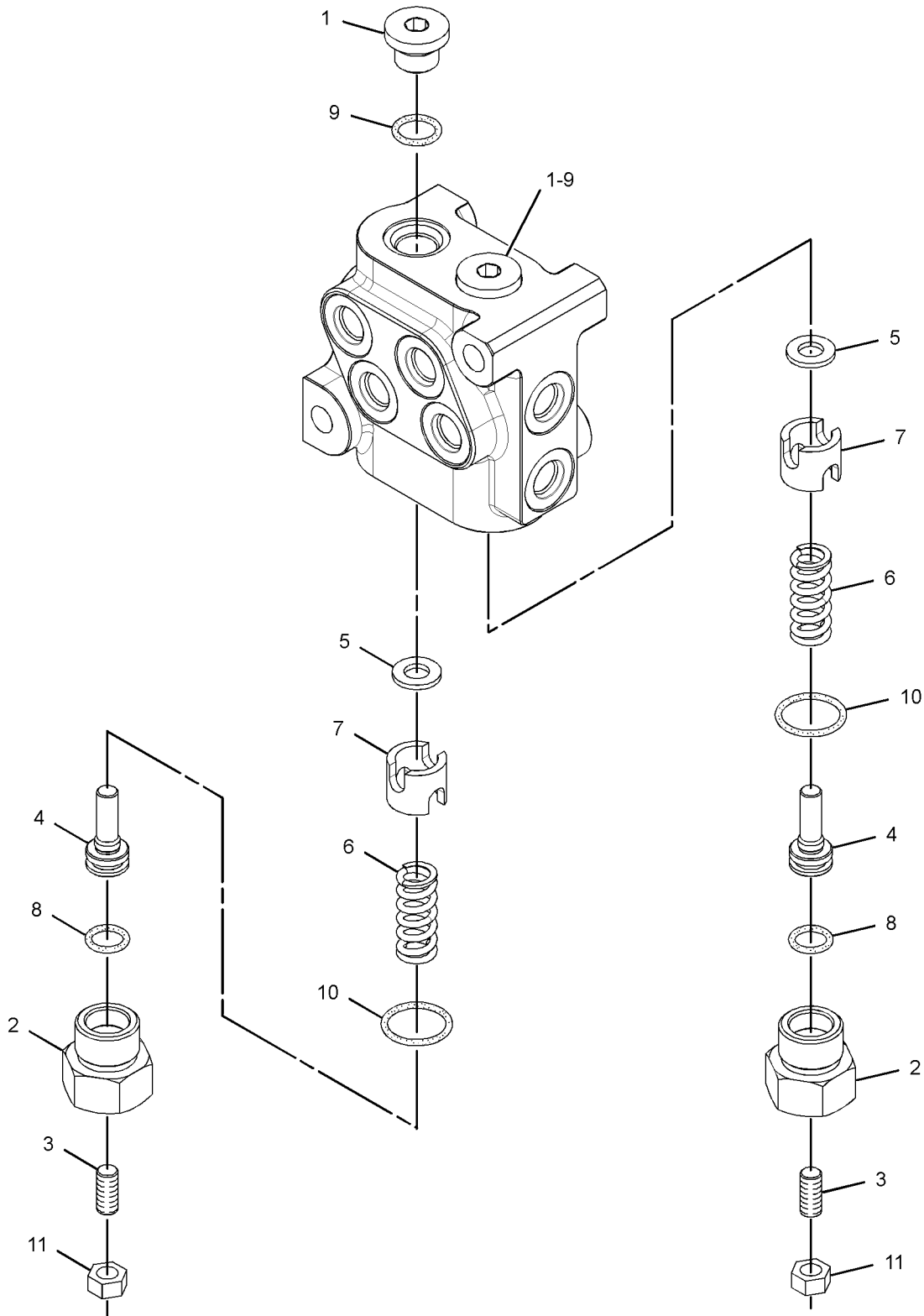
i03010007

NOTE	REF NO	GRAPHIC REF	PART NUMBER	QTY	PART NAME						SEE PAGE
					1	2	3	4	5	6 (PRODUCT LEVEL)	
	1	1	111-9998	2	PLUG						
	2	1	171-0123	2	PLUG						
M	3	1	171-0124	2	SETSCREW (M8X1.25X18-MM)						
	4	1	171-0126	2	SEAT-SPRING						
	5	1	171-0127	2	SEAT-SPRING						
	6	1	171-0128	2	SPRING						
	7	1	185-0423	2	STOP						
	8	1	095-1580	2	SEAL-O-RING						
	9	1	095-1582	2	SEAL-O-RING						
	10	1	095-1590	2	SEAL-O-RING						
M	11	1	5C-7261	2	NUT (M8X1.25-THD)						
M-METRIC PART											

HYDRAULIC SYSTEM

310-0210 VALVE GP-PRESSURE REDUCING (contd.)

i03010007



GRAPHIC #1

<END>

g01506435

HYDRAULIC SYSTEM

153-5295 VALVE GP-PRIORITY-SWING

S/N: MGG1-UP; JFZ1-UP

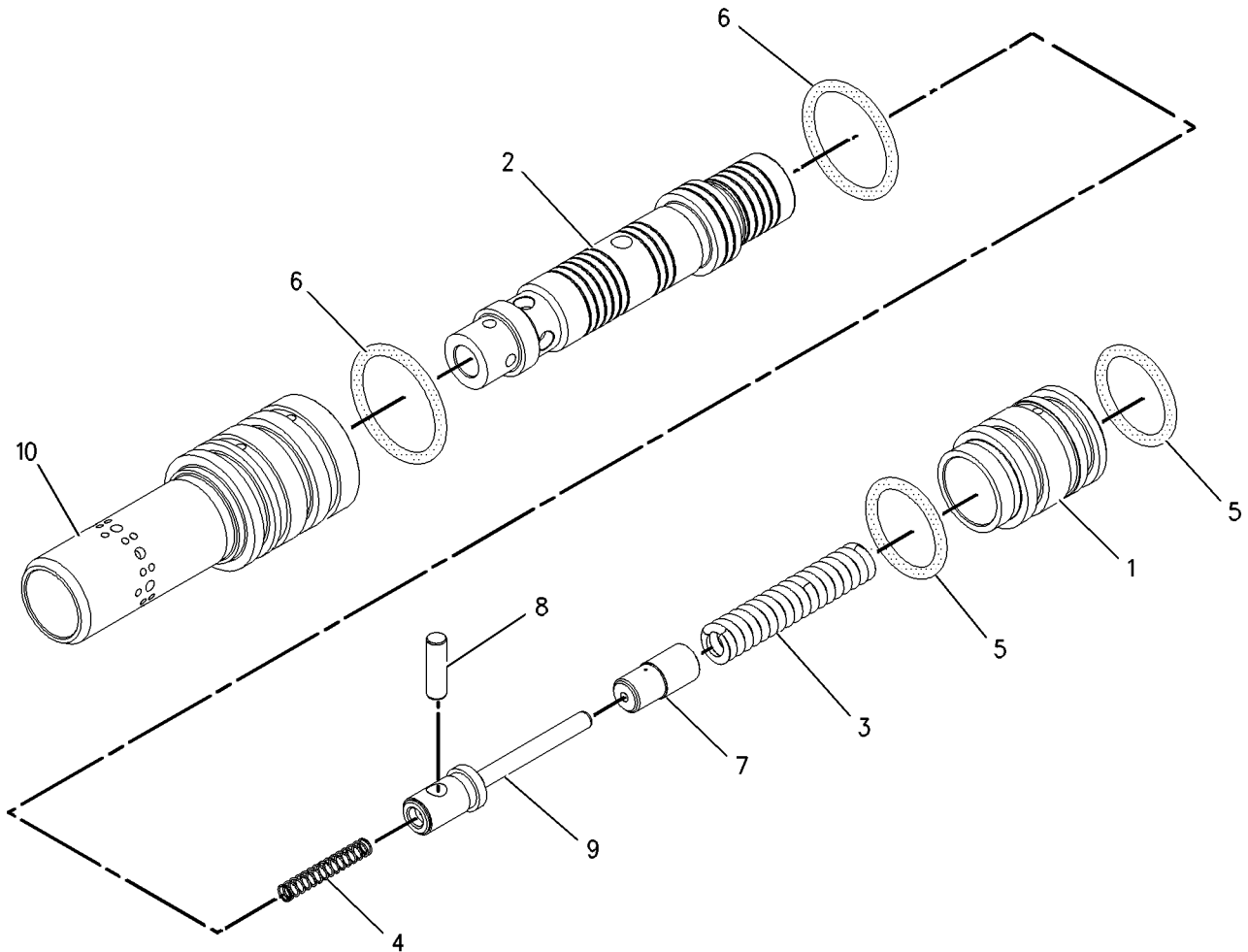
PART OF 259-7466 VALVE GP-CONTROL

SMCS-506P

i02697140

NOTE	REF NO	GRAPHIC REF	PART NUMBER	QTY	PART NAME						SEE PAGE
					1	2	3	4	5	6 (PRODUCT LEVEL)	
Z	1	1		1	SLEEVE						
Z	2	1		1	STEM						
Z	3	1		1	SPRING						
	4	1	158-8186	1	SPRING						
	5	1	102-0889	2	SEAL-O-RING						
	6	1	103-8173	2	SEAL-O-RING						
	7	1	140-0674	1	VALVE						
	8	1	140-0677	1	PIN						
Z	9	1		1	ROD						
Z	10	1		1	SLEEVE						

Z-NOT SERVICED SEPARATELY



GRAPHIC #1

<END>

g00989654

HYDRAULIC SYSTEM

109-2667 VALVE GP-RELIEF

S/N: MGG1-UP; JFZ1-UP

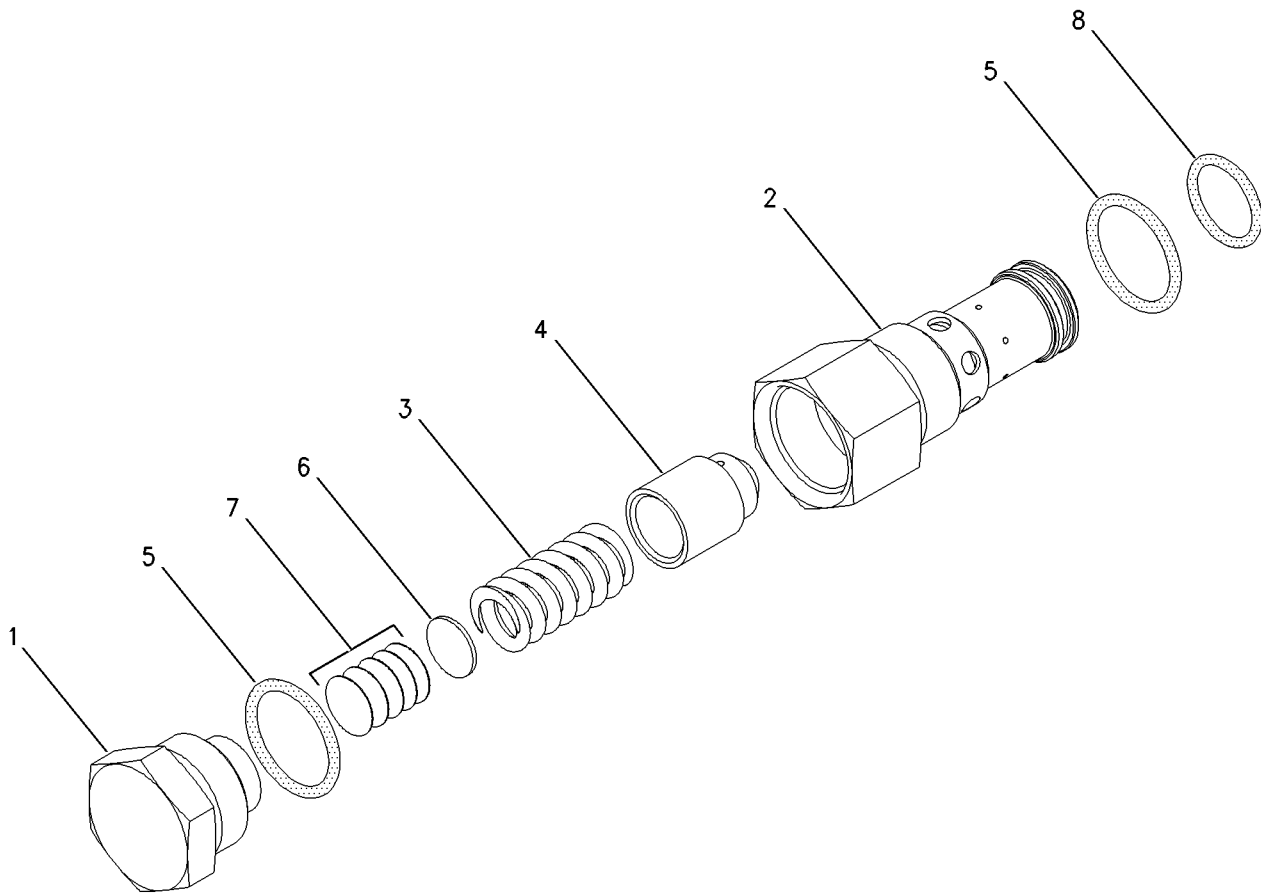
PART OF 153-5313 VALVE GP-RELIEF

SMCS-5069, 5117

i01326346

NOTE	REF NO	GRAPHIC REF	PART NUMBER	QTY	PART NAME						SEE PAGE
					1	2	3	4	5	6 (PRODUCT LEVEL)	
	1	1	5I-4111	1	PLUG						
	2	1	109-2665	1	BODY-VALVE						
	3	1	107-6370	1	SPRING						
	4	1	107-6371	1	VALVE						
	5	1	4K-1388	2	SEAL-O-RING						
B	6	1	4J-7385	1	SHIM (0.048-IN THK)						
B	7	1	4J-7386	5	SHIM (0.01-IN THK)						
	8	1	5P-3108	1	SEAL-O-RING						

B-USE AS REQUIRED



GRAPHIC #1

<END>

g00672680

HYDRAULIC SYSTEM

109-5152 VALVE GP-RELIEF-NEGATIVE FLOW CONTROL

S/N: MGG1-UP; JFZ1-UP

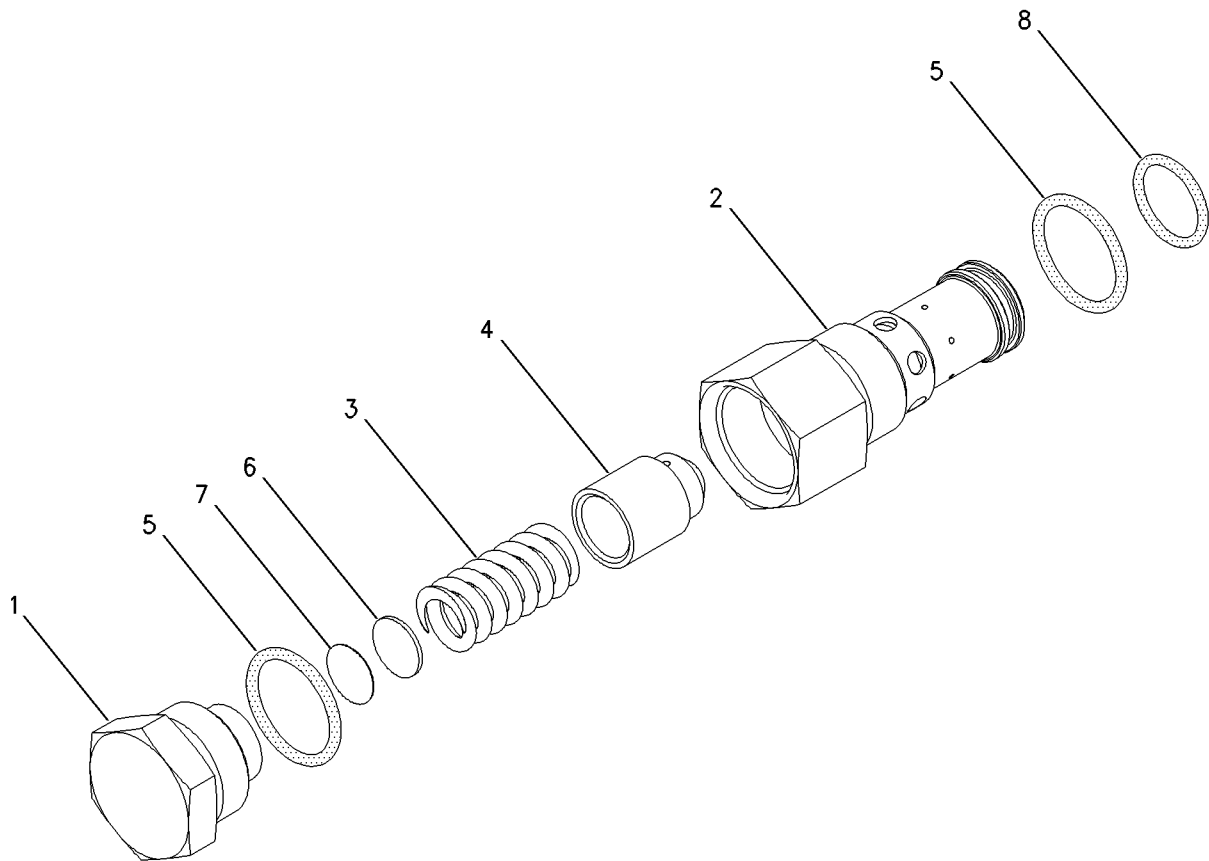
PART OF 259-7465 VALVE GP-CONTROL

SMCS-5069, 5117

i01326384

NOTE	REF NO	GRAPHIC REF	PART NUMBER	QTY	PART NAME						SEE PAGE
					1	2	3	4	5	6 (PRODUCT LEVEL)	
	1	1	5I-4111	1	PLUG						
	2	1	109-5153	1	BODY-VALVE						
	3	1	107-6370	1	SPRING						
	4	1	107-6371	1	VALVE						
	5	1	4K-1388	2	SEAL-O-RING						
B	6	1	4J-7385	1	SHIM (0.048-IN THK)						
B	7	1	4J-7386	1	SHIM (0.01-IN THK)						
	8	1	5P-3108	1	SEAL-O-RING						

B-USE AS REQUIRED



GRAPHIC #1

<END>

g00680634

HYDRAULIC SYSTEM

153-5313 VALVE GP-RELIEF-NEGATIVE FLOW CONTROL

S/N: MGG1-UP; JFZ1-UP

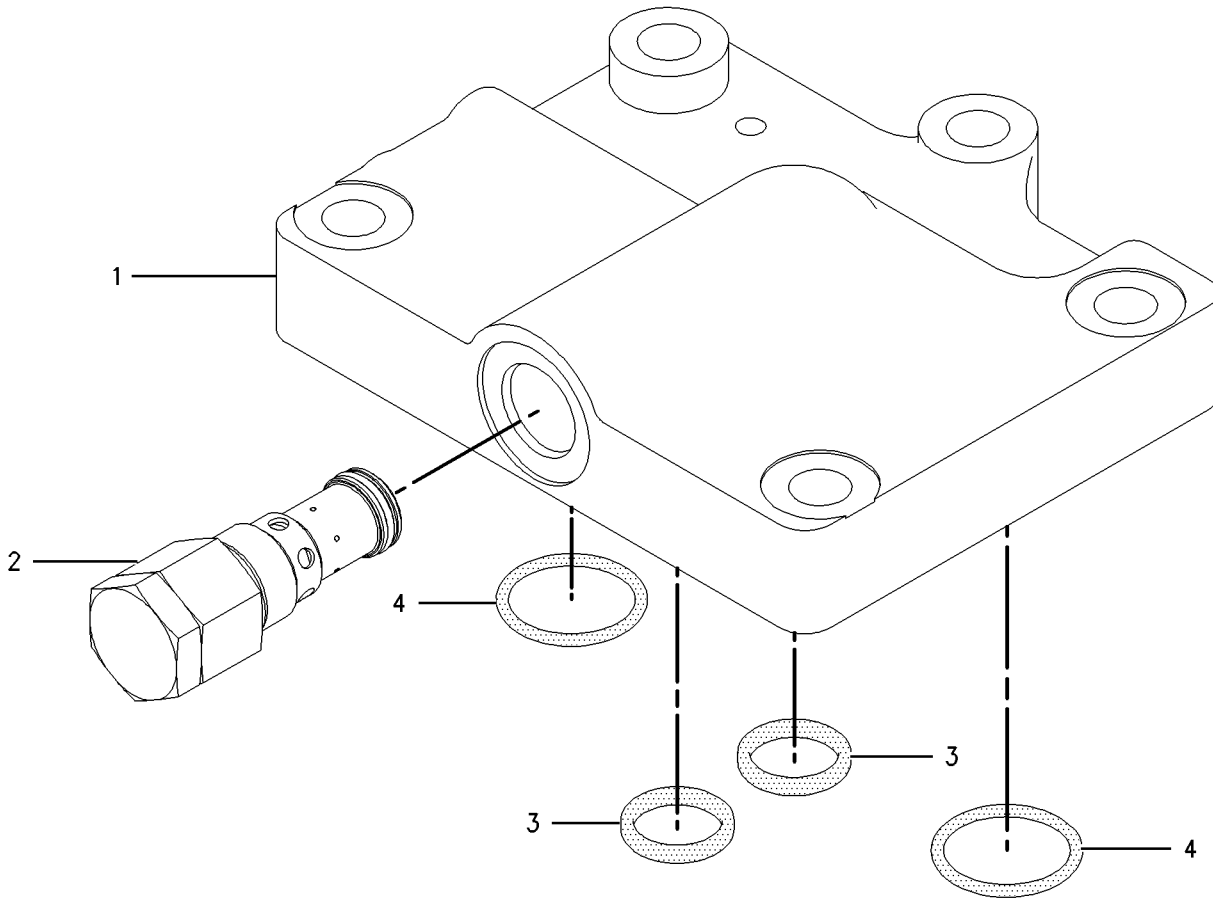
PART OF 259-7464 VALVE GP-MAIN CONTROL

SMCS-5069, 5117

i02995680

NOTE	REF NO	GRAPHIC REF	PART NUMBER	QTY	PART NAME						SEE PAGE
					1	2	3	4	5	6 (PRODUCT LEVEL)	
	1	1	153-5239	1	COVER						
Y	2	1	109-2667	1	VALVE GP-RELIEF (NEGATIVE FLOW CONTROL)						604
	3	1	1P-3702	2	SEAL-RECTANGULAR						
	4	1	4J-8998	2	SEAL-O-RING						

Y-SEPARATE ILLUSTRATION



GRAPHIC #1

<END>

g00672555

HYDRAULIC SYSTEM

173-3452 VALVE GP-RELIEF

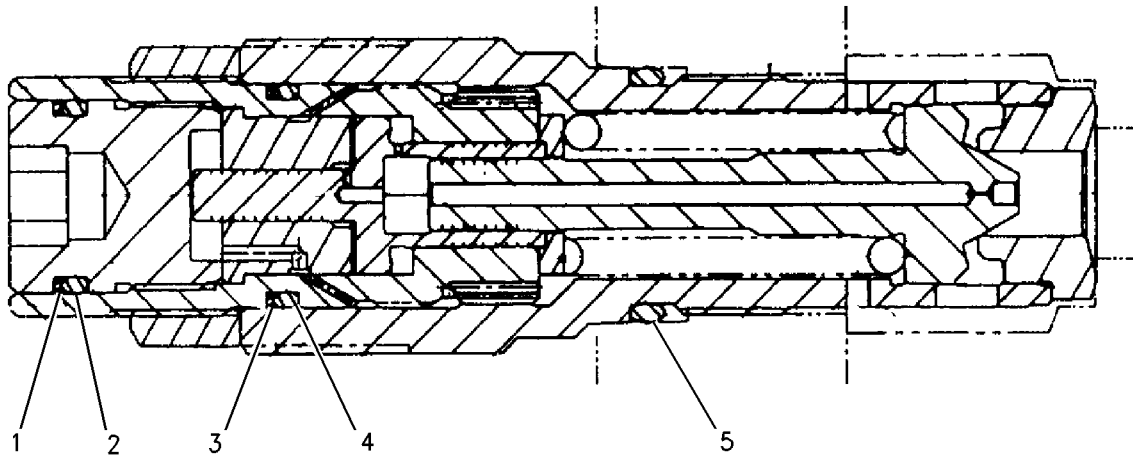
S/N: MGG1-UP; JFZ1-UP

PART OF 158-8986 MOTOR GP-SWING

SMCS-5069, 5117

i01320304

NOTE	REF NO	GRAPHIC REF	PART NUMBER	QTY	PART NAME						SEE PAGE	
					1	2	3	4	5	6 (PRODUCT LEVEL)		
	1	1	168-0765	1								
	2	1	7J-9933	1								
	3	1	7I-0966	1								
	4	1	6V-5556	1								
	5	1	095-1698	1								



GRAPHIC #1

<END>

g00671043

HYDRAULIC SYSTEM

173-3536 VALVE GP-RELIEF

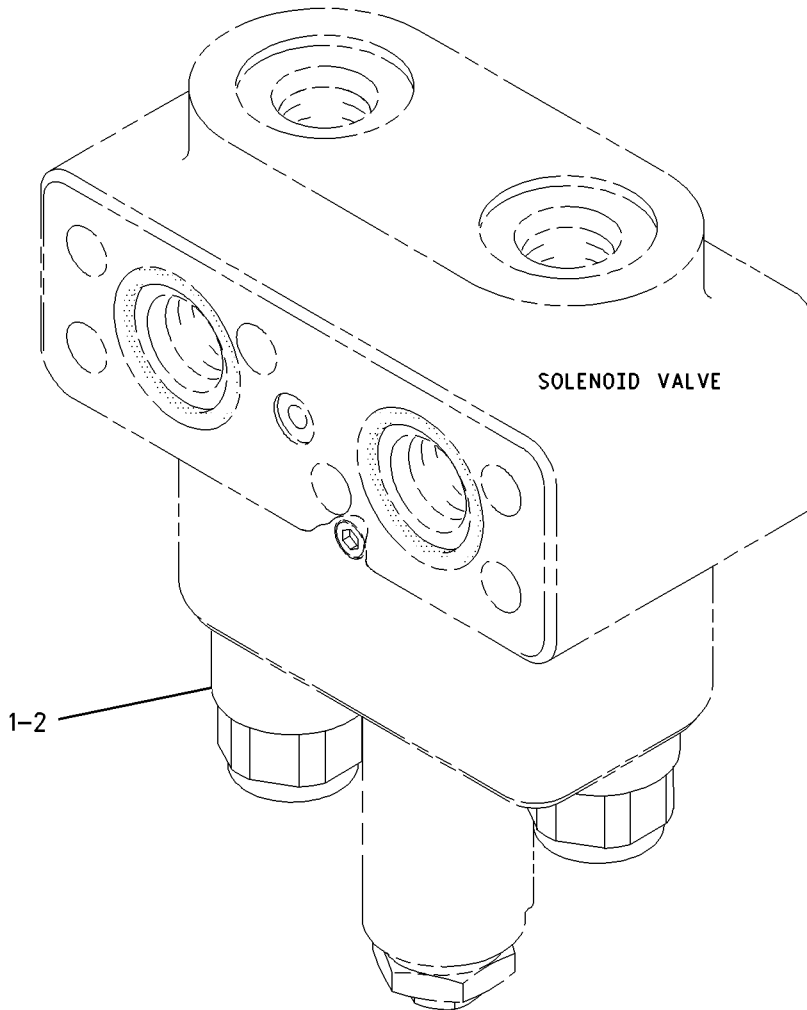
S/N: MGG1-UP; JFZ1-UP

PART OF 158-9085, 158-9090, 322-8716 VALVE GP-SWING CUSHION
ALSO AN ATTACHMENT

SMCS-5069, 5117

i01328528

NOTE	REF NO	GRAPHIC REF	PART NUMBER	QTY	PART NAME						SEE PAGE
					1	2	3	4	5	6 (PRODUCT LEVEL)	
	1	1	095-1785	1	RING-BACKUP						
	2	1	095-1586	1	SEAL-O-RING						



GRAPHIC #1

<END>

g00672771

HYDRAULIC SYSTEM

177-2653 VALVE GP-RELIEF-LINE

S/N: MGG1-UP; JFZ1-UP

PART OF 260-8007, 260-8008 LINES GP-FRONT

AN ATTACHMENT

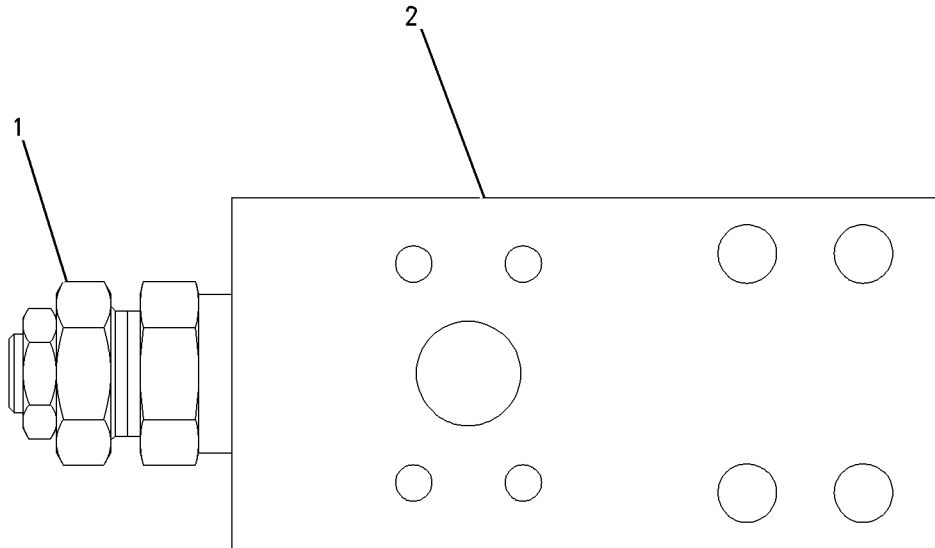
TYPE 1

SMCS-5069, 5117

i02367074

NOTE	REF NO	GRAPHIC REF	PART NUMBER	QTY	PART NAME						SEE PAGE
					1	2	3	4	5	6 (PRODUCT LEVEL)	
CY	1	1	222-0084	1	VALVE GP-RELIEF (1-WAY, WORKING PRESSURE)						612
Z	2	1		1	BLOCK						

C-CHANGE FROM PREVIOUS TYPE
 Y-SEPARATE ILLUSTRATION
 Z-NOT SERVICED SEPARATELY



GRAPHIC #1

<END>

g00684155

HYDRAULIC SYSTEM**177-2653 VALVE GP-RELIEF-LINE**

S/N: MGG1-UP; JFZ1-UP

PART OF 260-8007, 260-8008 LINES GP-FRONT

AN ATTACHMENT

TYPE 2

SMCS-5069, 5117

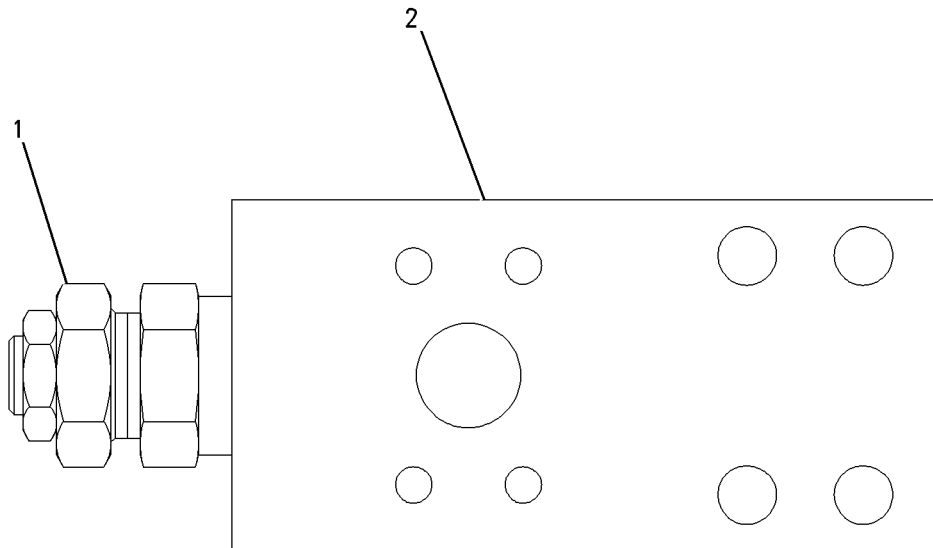
i02990152

NOTE	REF NO	GRAPHIC REF	PART NUMBER	QTY	PART NAME						SEE PAGE
					1	2	3	4	5	6 (PRODUCT LEVEL)	
CY	1	1	310-0394	1	VALVE GP-RELIEF (1-WAY, WORKING PRESSURE)						616
Z	2	1		1	BLOCK						

C-CHANGE FROM PREVIOUS TYPE

Y-SEPARATE ILLUSTRATION

Z-NOT SERVICED SEPARATELY



GRAPHIC #1

<END>

g00684155

HYDRAULIC SYSTEM

204-2755 VALVE GP-RELIEF

S/N: MGG1-UP; JFZ1-UP

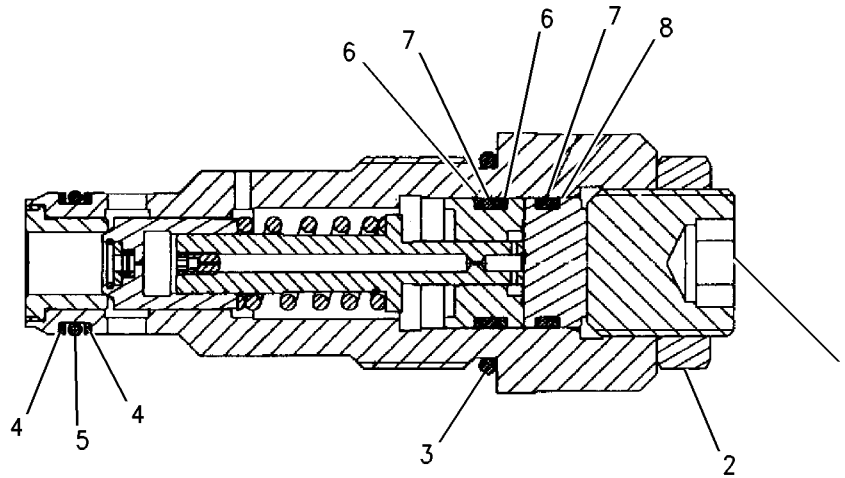
PART OF 204-2819 VALVE GP-TRAVEL COUNTERBALANCE

SMCS-5069, 5117

i03252781

NOTE	REF NO	GRAPHIC REF	PART NUMBER	QTY	PART NAME						SEE PAGE
					1	2	3	4	5	6 (PRODUCT LEVEL)	
M	1	1	7Y-8436	1	SETSCREW (M27X2X27-MM)						
M	2	1	7Y-8437	1	NUT (M27X2-THD)						
	3	1	095-1601	1	SEAL-O-RING						
	4	1	095-1787	2	RING-BACKUP						
	5	1	095-1590	1	SEAL-O-RING						
	6	1	121-1459	2	RING-BACKUP						
	7	1	095-1586	2	SEAL-O-RING						
	8	1	095-1785	1	RING-BACKUP						

M-METRIC PART



GRAPHIC #1

<END>

g00826520

HYDRAULIC SYSTEM

222-0084 VALVE GP-RELIEF

S/N: MGG1-UP; JFZ1-UP

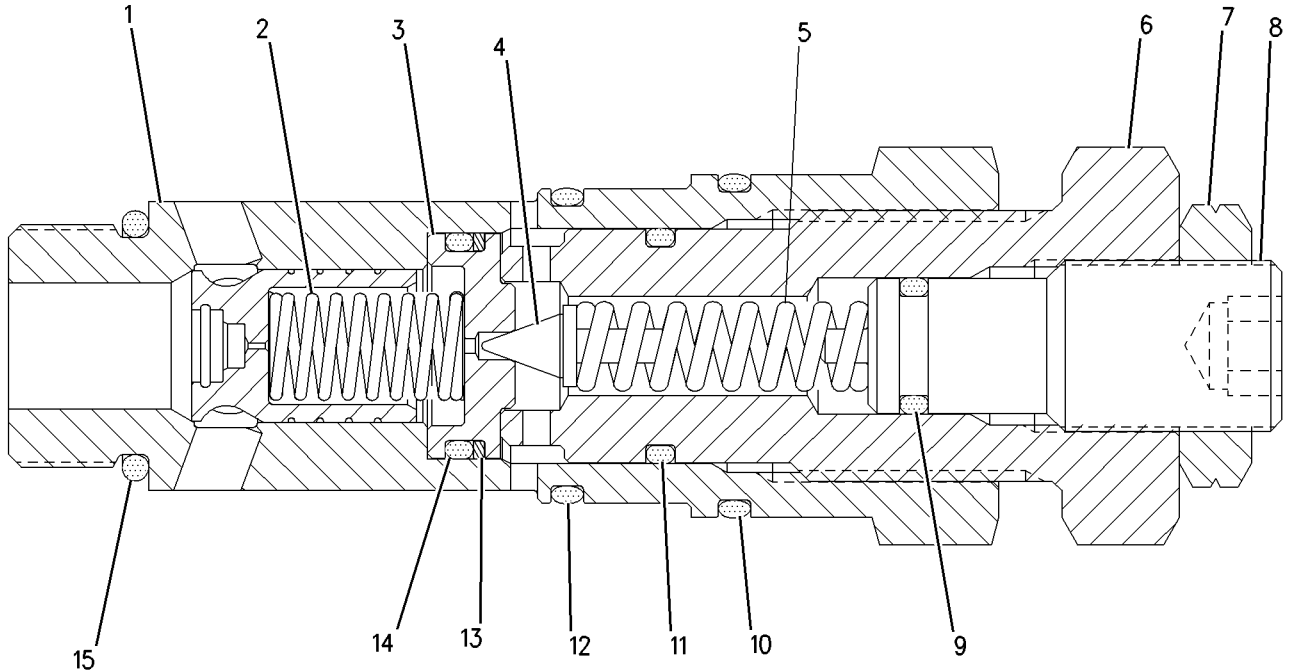
PART OF 177-2653 VALVE GP-RELIEF
AN ATTACHMENT

SMCS-5069, 5117

i02367077

NOTE	REF NO	GRAPHIC REF	PART NUMBER	QTY	PART NAME						SEE PAGE
					1	2	3	4	5	6 (PRODUCT LEVEL)	
Z	1	1		1	VALVE GP-RELIEF						
	2	1	6I-6795	1	SPRING						
	3	1	171-0034	1	SEAT						
	4	1	171-0037	1	VALVE						
	5	1	4I-3510	1	SPRING						
	6	1	171-0035	1	HOLDER						
	7	1	222-0085	1	NUT (3/4-16-THD)						
	8	1	171-0036	1	ADJUSTER						
	9	1	095-1579	1	SEAL-O-RING						
	10	1	6V-8218	1	SEAL-O-RING						
	11	1	095-1590	1	SEAL-O-RING						
	12	1	6V-8978	1	SEAL-O-RING						
	13	1	095-1786	1	RING-BACKUP						
	14	1	095-1587	1	SEAL-O-RING						
	15	1	3D-2824	1	SEAL-O-RING						

Z-NOT SERVICED SEPARATELY



GRAPHIC #1

<END>

g00927977

HYDRAULIC SYSTEM

255-5660 VALVE GP-RELIEF-MAIN

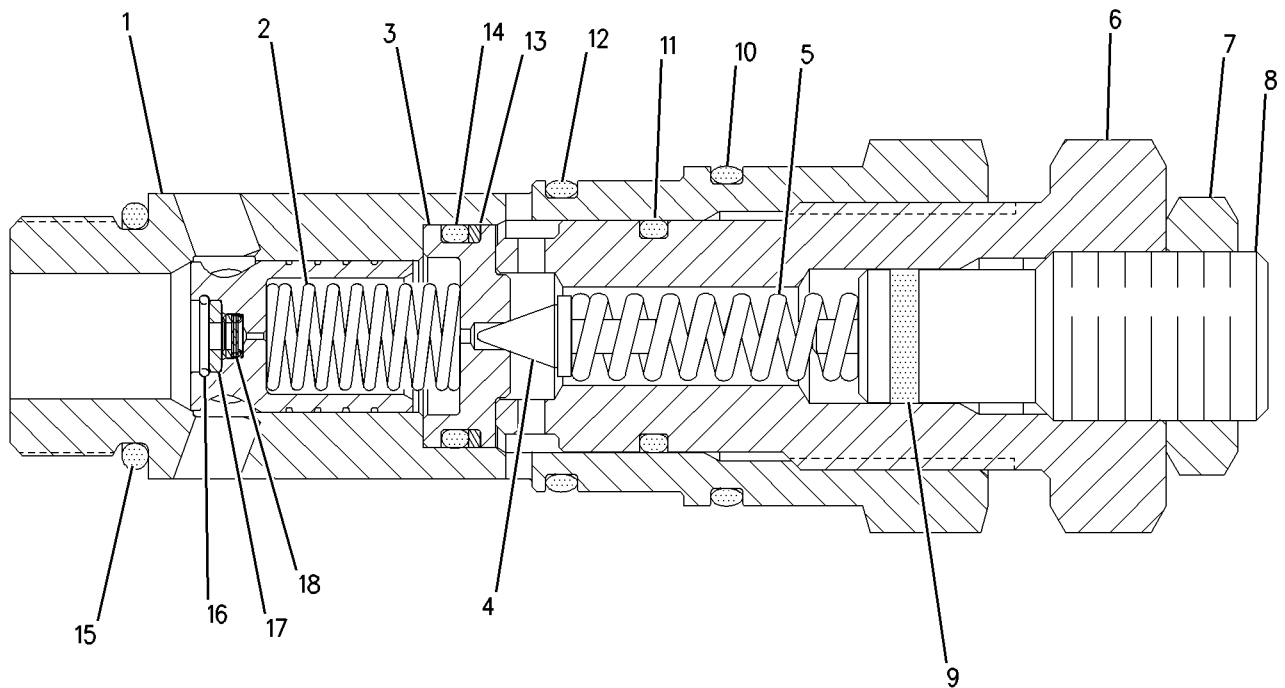
S/N: MGG1-UP; JFZ1-UP

PART OF 259-7466 VALVE GP-CONTROL

SMCS-5069, 5117

i02784276

NOTE	REF NO	GRAPHIC REF	PART NUMBER	QTY	PART NAME						SEE PAGE
					1	2	3	4	5	6 (PRODUCT LEVEL)	
	1	1	171-0031	1	VALVE GP-RELIEF						
	2	1	6I-6795	1	SPRING						
	3	1	171-0034	1	SEAT						
	4	1	171-0037	1	VALVE						
	5	1	4I-3510	1	SPRING						
	6	1	171-0035	1	HOLDER						
	7	1	4I-7714	1	NUT (3/4-16-THD)						
	8	1	171-0036	1	ADJUSTER						
	9	1	095-1579	1	SEAL-O-RING						
	10	1	6V-8218	1	SEAL-O-RING						
	11	1	095-1590	1	SEAL-O-RING						
	12	1	6V-8978	1	SEAL-O-RING						
	13	1	095-1786	1	RING-BACKUP						
	14	1	095-1587	1	SEAL-O-RING						
	15	1	3D-2824	1	SEAL-O-RING						
	16	1	107-6541	1	RING-RETAINING						
	17	1	107-6540	1	COLLAR						
	18	1	119-5398	1	SCREEN (RELIEF VALVE)						



GRAPHIC #1

<END>

g00680513

HYDRAULIC SYSTEM

255-5661 VALVE GP-RELIEF-LINE

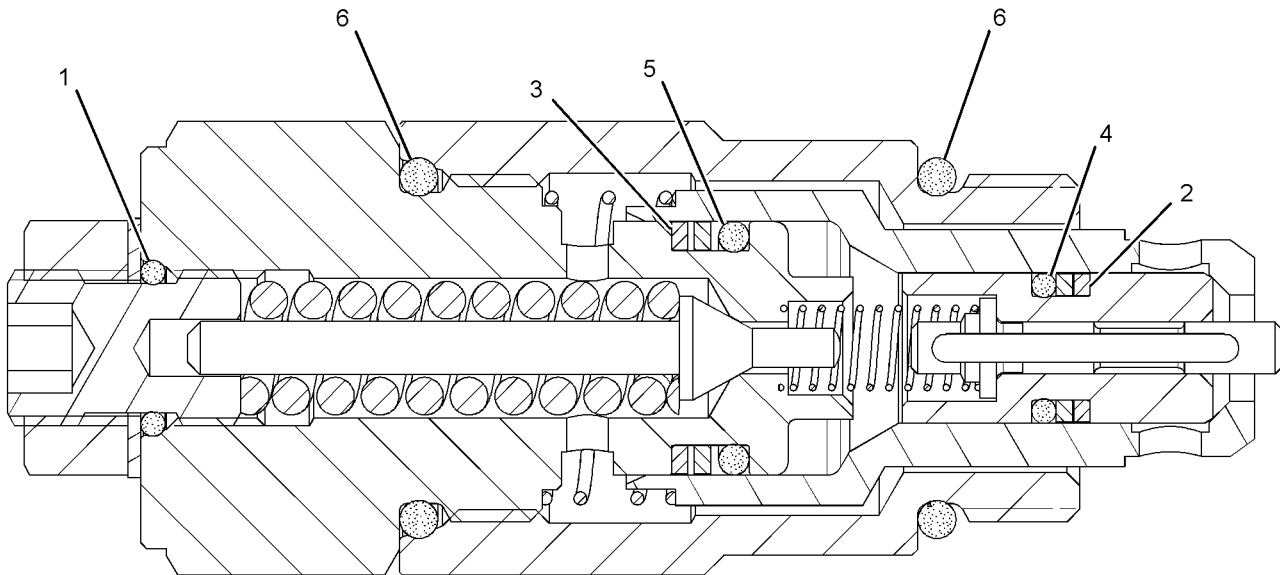
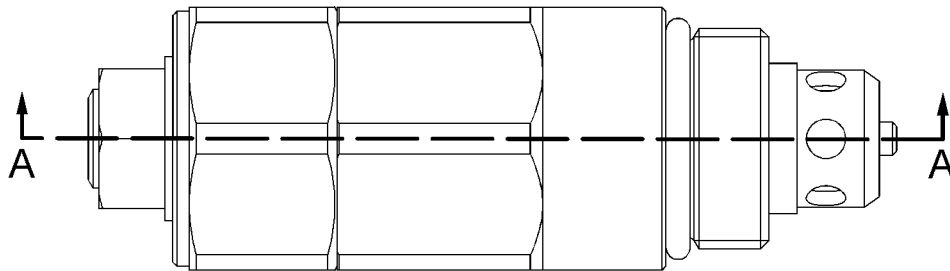
S/N: MGG1-UP; JFZ1-UP

PART OF 259-7378, 259-7465, 259-7466 VALVE GP-CONTROL
ALSO AN ATTACHMENT

SMCS-5069, 5117

i02498566

NOTE	REF NO	GRAPHIC REF	PART NUMBER	QTY	PART NAME						SEE PAGE
					1	2	3	4	5	6 (PRODUCT LEVEL)	
	1	1	095-1578	1	SEAL-O-RING						
	2	1	103-8252	2	RING						
	3	1	103-8253	2	RING						
	4	1	103-8254	1	SEAL-O-RING						
	5	1	103-8255	1	SEAL-O-RING						
	6	1	3D-2824	2	SEAL-O-RING						



SECTION A-A

<END>

GRAPHIC #1

g01251398

HYDRAULIC SYSTEM

255-5662 VALVE GP-RELIEF-LINE

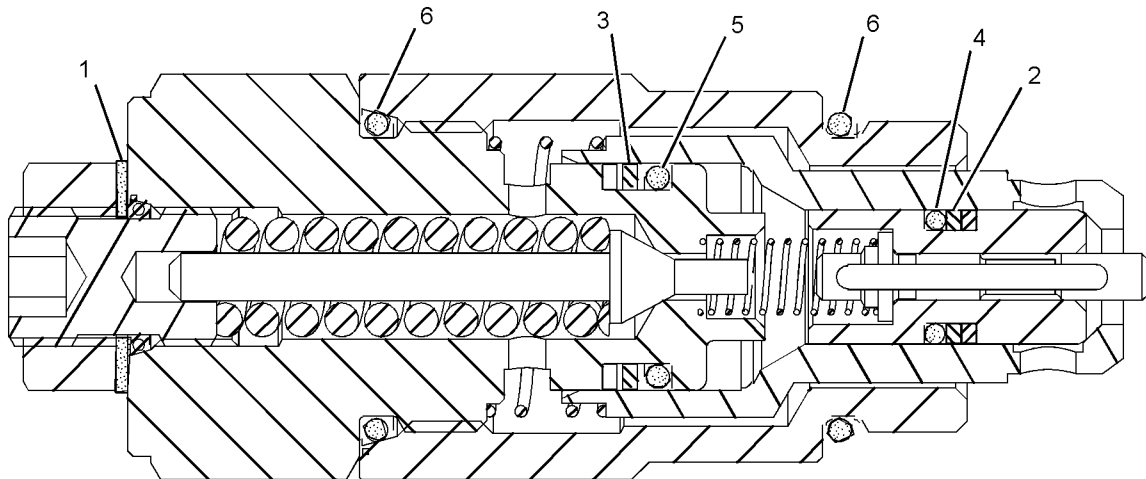
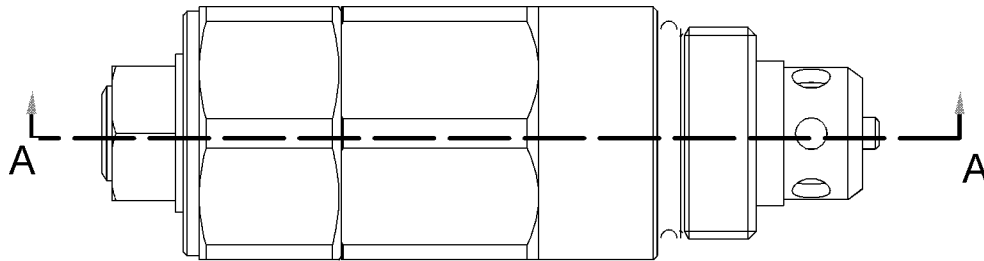
S/N: MGG1-UP; JFZ1-UP

PART OF 255-5680, 255-5683 VALVE GP-LOAD CONTROL

SMCS-5069, 5117

i02535318

NOTE	REF NO	GRAPHIC REF	PART NUMBER	QTY	PART NAME						SEE PAGE	
					1	2	3	4	5	6 (PRODUCT LEVEL)		
	1	1	095-1578	1								
	2	1	103-8252	2								
	3	1	103-8253	2								
	4	1	103-8254	1								
	5	1	103-8255	1								
	6	1	3D-2824	2								



SECTION A-A
<END>

GRAPHIC #1

g01152131

HYDRAULIC SYSTEM

310-0394 VALVE GP-RELIEF

S/N: MGG1-UP; JFZ1-UP

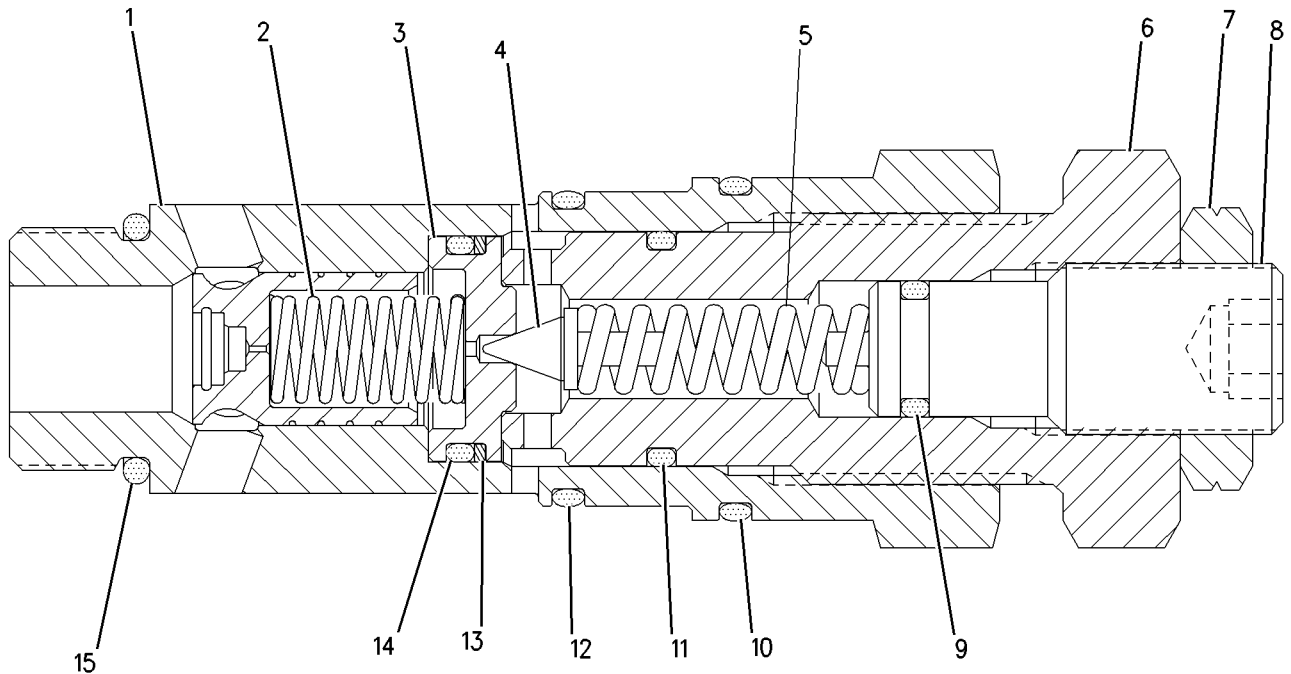
PART OF 177-2653 VALVE GP-RELIEF
AN ATTACHMENT

SMCS-5069, 5117

i02990183

NOTE	REF NO	GRAPHIC REF	PART NUMBER	QTY	PART NAME						SEE PAGE
					1	2	3	4	5	6 (PRODUCT LEVEL)	
Z	1	1		1	VALVE GP-RELIEF						
	2	1	6I-6795	1	SPRING						
	3	1	171-0034	1	SEAT						
	4	1	171-0037	1	VALVE						
	5	1	4I-3510	1	SPRING						
	6	1	171-0035	1	HOLDER						
	7	1	222-0085	1	NUT (3/4-16-THD)						
	8	1	171-0036	1	ADJUSTER						
	9	1	095-1579	1	SEAL-O-RING						
	10	1	6V-8218	1	SEAL-O-RING						
	11	1	095-1590	1	SEAL-O-RING						
	12	1	6V-8978	1	SEAL-O-RING						
	13	1	095-1786	1	RING-BACKUP						
	14	1	095-1587	1	SEAL-O-RING						
	15	1	3D-2824	1	SEAL-O-RING						

Z-NOT SERVICED SEPARATELY



GRAPHIC #1

<END>

g00927977

HYDRAULIC SYSTEM

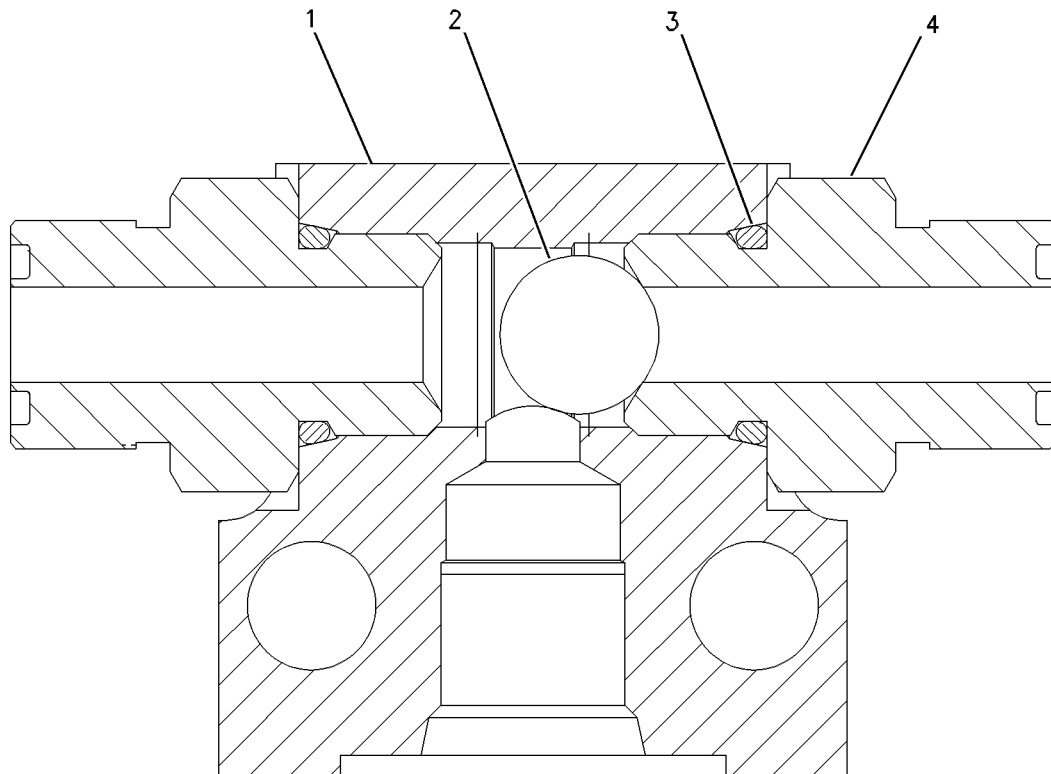
123-2430 VALVE GP-SHUTTLE

S/N: MGG1179-UP; JFZ3139-UP
PART OF 248-9851, 255-1802 LINES GP-PILOT
ALSO AN ATTACHMENT

SMCS-5079

i01324175

NOTE	REF NO	GRAPHIC REF	PART NUMBER	QTY	PART NAME						SEE PAGE
					1	2	3	4	5	6 (PRODUCT LEVEL)	
	1	1	123-2431	1	BODY-VALVE						
	2	1	4B-9783	1	BALL						
	3	1	3J-1907	2	SEAL-O-RING						
	4	1	123-2552	2	CONNECTOR						



GRAPHIC #1

<END>

g00652899

HYDRAULIC SYSTEM

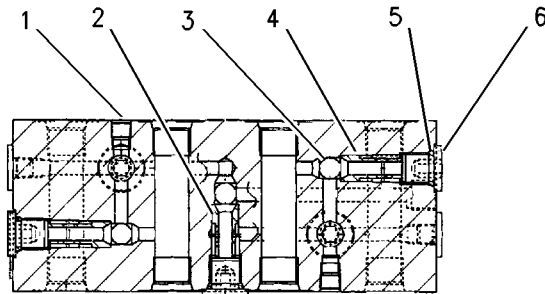
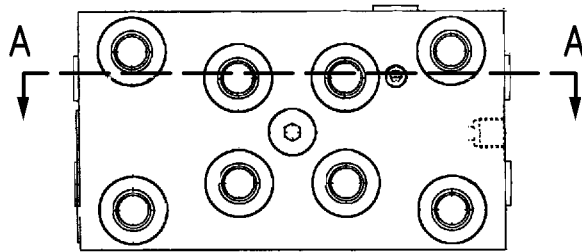
185-0462 VALVE GP-SHUTTLE

S/N: MGG1-UP; JFZ1-UP
PART OF 248-9825 LINES GP-PILOT

SMCS-5079

i01327204

NOTE	REF NO	GRAPHIC REF	PART NUMBER	QTY	PART NAME						SEE PAGE
					1	2	3	4	5	6 (PRODUCT LEVEL)	
	1	1	7I-8084	4	PLUG						
	2	1	185-0463	1	SEAT						
	3	1	4B-9880	7	BALL						
	4	1	165-9464	6	SEAT						
	5	1	095-1578	7	SEAL-O-RING						
	6	1	107-6479	7	PLUG						



SECTION A-A

GRAPHIC #1

<END>

g00699270

HYDRAULIC SYSTEM

259-7732 VALVE GP-SHUTTLE

S/N: MGG1-1178; JFZ1-3138

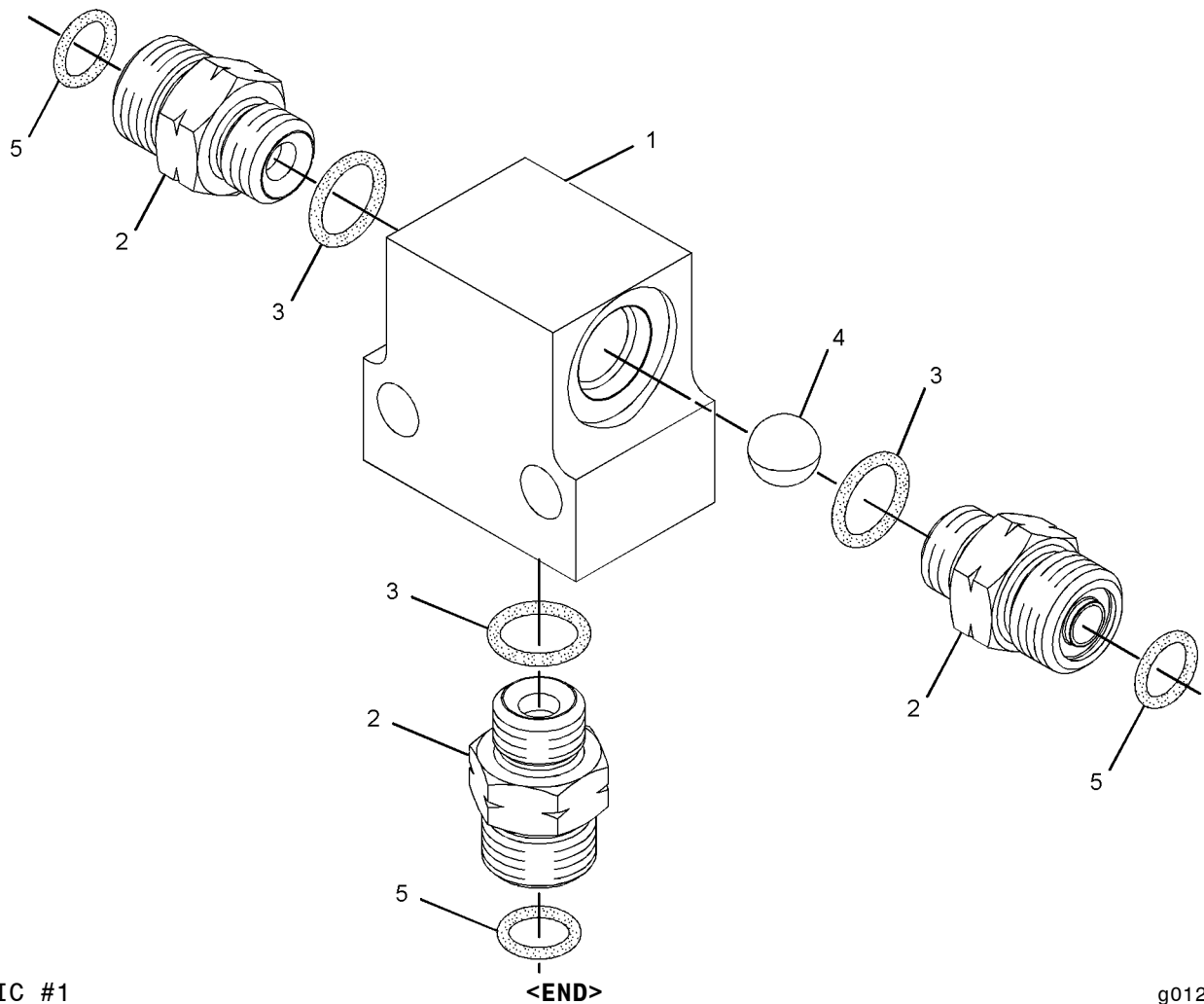
PART OF 248-9851 LINES GP-PILOT

SMCS-5079

i02546439

NOTE	REF NO	GRAPHIC REF	PART NUMBER	QTY	PART NAME						SEE PAGE
					1	2	3	4	5	6 (PRODUCT LEVEL)	
Z	1	1		1	BODY-VALVE						
	2	1	259-7733	3	CONNECTOR						
	3	1	3J-1907	3	SEAL-O-RING						
	4	1	4B-9783	1	BALL						
	5	1	6V-8397	3	SEAL-O-RING						

Z-NOT SERVICED SEPARATELY



GRAPHIC #1

<END>

g01254120

HYDRAULIC SYSTEM

111-9916 VALVE GP-SOLENOID

S/N: MGG1-UP; JFZ1-UP

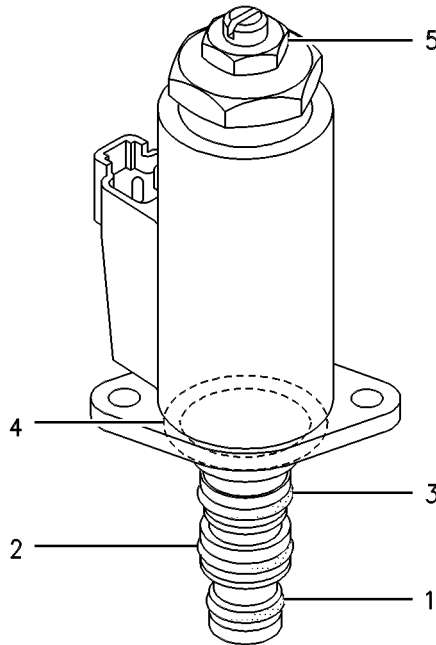
PART OF 256-0093 HEAD GP-PUMP, 171-0188 VALVE GP-SOLENOID
ALSO AN ATTACHMENT

SMCS-5479

i02973053

NOTE	REF NO	GRAPHIC REF	PART NUMBER	QTY	PART NAME						SEE PAGE
					1	2	3	4	5	6 (PRODUCT LEVEL)	
	1	1	095-1750	1	SEAL-O-RING						
	2	1	6V-8398	1	SEAL-O-RING						
	3	1	095-1751	1	SEAL-O-RING						
	4	1	095-1586	1	SEAL-O-RING						
M	5	1	114-0623	1	NUT AS (M6X1-THD)						

M-METRIC PART



GRAPHIC #1

<END>

g00258219

HYDRAULIC SYSTEM

116-3526 VALVE GP-SOLENOID

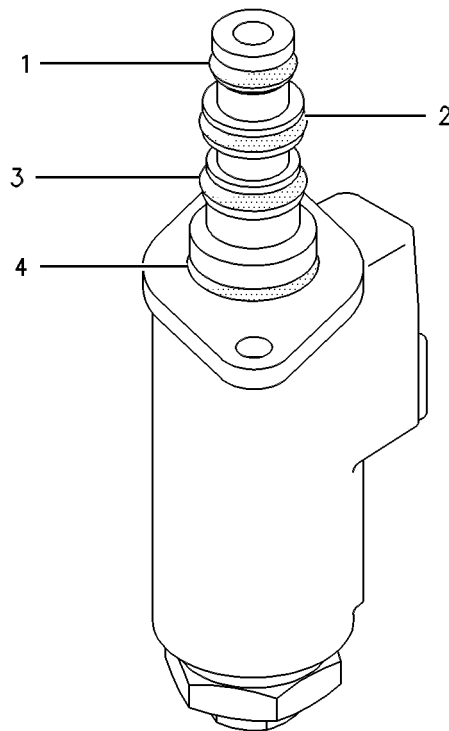
S/N: MGG1-UP; JFZ1-UP

PART OF 158-9090 VALVE GP-SWING CUSHION

SMCS-5479

i01676254

NOTE	REF NO	GRAPHIC REF	PART NUMBER	QTY	PART NAME						SEE PAGE
					1	2	3	4	5	6 (PRODUCT LEVEL)	
	1	1	126-6514	1	SEAL-O-RING						
	2	1	126-6515	1	SEAL-O-RING						
	3	1	126-6516	1	SEAL-O-RING						
	4	1	095-1586	1	SEAL-O-RING						



GRAPHIC #1

<END>

g00087220

HYDRAULIC SYSTEM

121-1491 VALVE GP-SOLENOID

S/N: MGG1-UP; JFZ1-UP

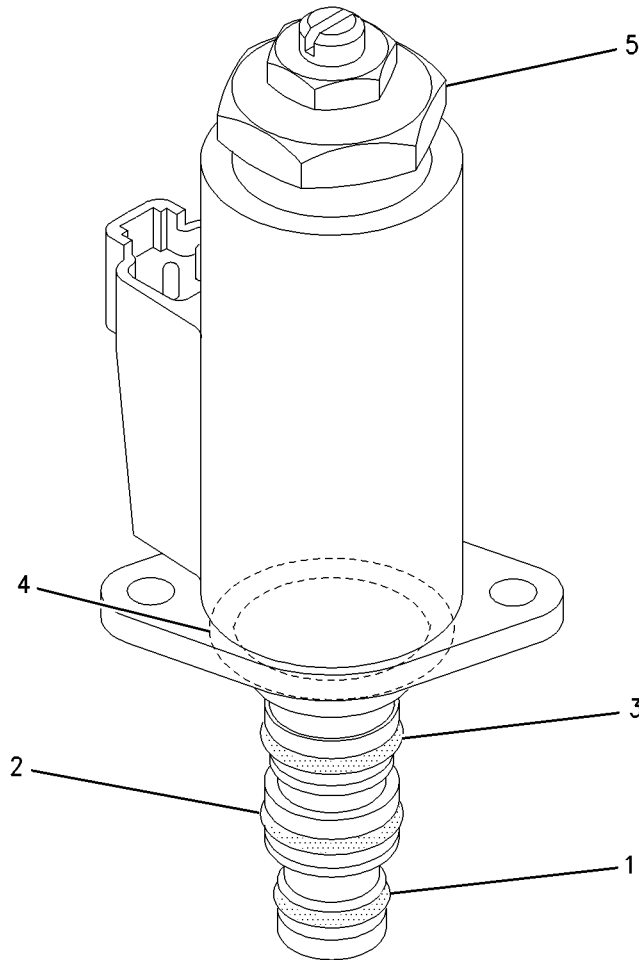
PART OF 239-8697, 239-8998 MANIFOLD GP-CONTROL, 259-7466 VALVE GP-CONTROL,
165-9549 VALVE GP-SOLENOID
ALSO AN ATTACHMENT

SMCS-5479

i02247491

NOTE	REF NO	GRAPHIC REF	PART NUMBER	QTY	PART NAME						SEE PAGE
					1	2	3	4	5	6 (PRODUCT LEVEL)	
	1	1	095-1750	1	SEAL-O-RING						
	2	1	6V-8398	1	SEAL-O-RING						
	3	1	095-1751	1	SEAL-O-RING						
	4	1	095-1586	1	SEAL-O-RING						
M	5	1	114-0623	1	NUT AS (M6X1-THD)						

M-METRIC PART



GRAPHIC #1

<END>

g00928680

HYDRAULIC SYSTEM

165-9549 VALVE GP-SOLENOID

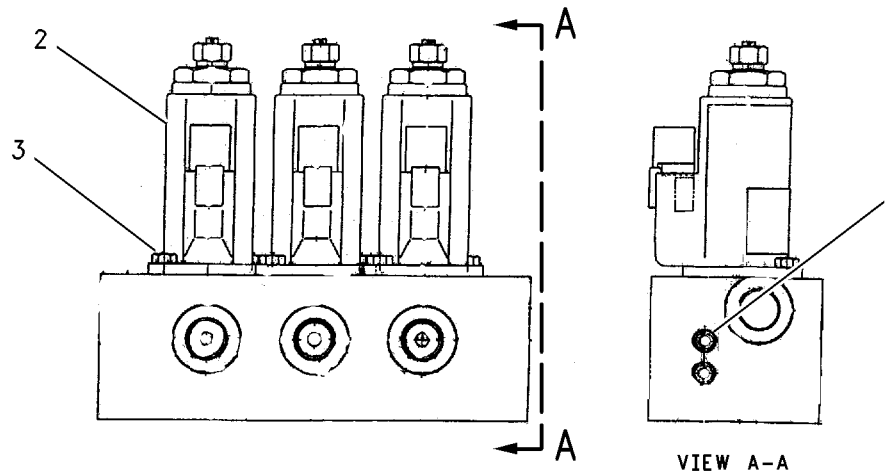
S/N: MGG1-UP; JFZ1-UP
PART OF 260-7974 LINES GP-PILOT
AN ATTACHMENT

SMCS-5479

i02536660

NOTE	REF NO	GRAPHIC REF	PART NUMBER	QTY	PART NAME						SEE PAGE
					1	2	3	4	5	6 (PRODUCT LEVEL)	
	1	1	7I-8084	4	PLUG						
Y	2	1	121-1491	3	VALVE GP-SOLENOID						622
M	3	1	8T-0288	6	BOLT (M5X0.8X12-MM)						

M-METRIC PART
Y-SEPARATE ILLUSTRATION



GRAPHIC #1

<END>

g00754979

HYDRAULIC SYSTEM

171-0188 VALVE GP-SOLENOID

S/N: MGG1-UP; JFZ1-UP

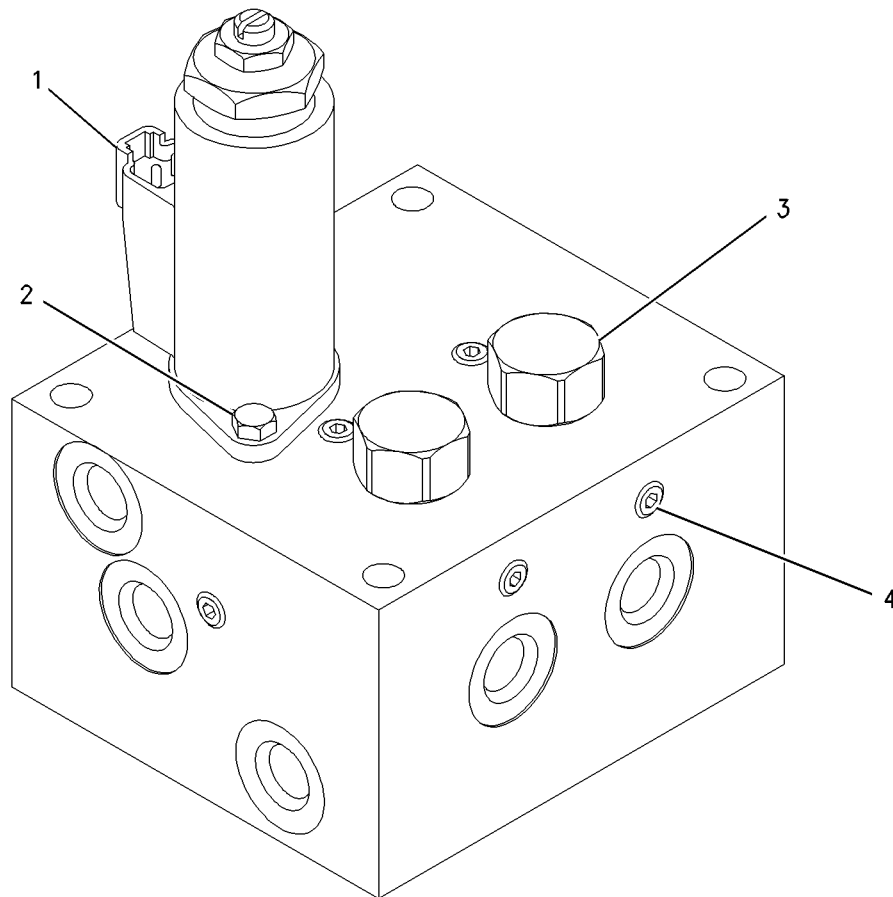
PART OF 260-7972, 260-7974 LINES GP-PILOT
AN ATTACHMENT

SMCS-5479

i03120630

NOTE	REF NO	GRAPHIC REF	PART NUMBER	QTY	PART NAME						SEE PAGE
					1	2	3	4	5	6 (PRODUCT LEVEL)	
Y	1	1	111-9916	1	VALVE GP-SOLENOID						620
M	2	1	8T-0288	2	BOLT (M5X0.8X12-MM)						
J	3	1	171-0198	2	VALVE GP-SHUTTLE						
	4	1	7I-8084	6	PLUG						
AVAILABLE REPAIR KIT(S):											
J			185-0407	1	KIT-SEAL (SHUTTLE VALVE)						
(INCLUDES BACKUP RINGS & SEAL-O-RINGS)											

J-KIT MARKED J SERVICES PART(S) MARKED J
M-METRIC PART
Y-SEPARATE ILLUSTRATION



GRAPHIC #1

<END>

g00681111

HYDRAULIC SYSTEM

158-9085 VALVE GP-SWING CUSHION

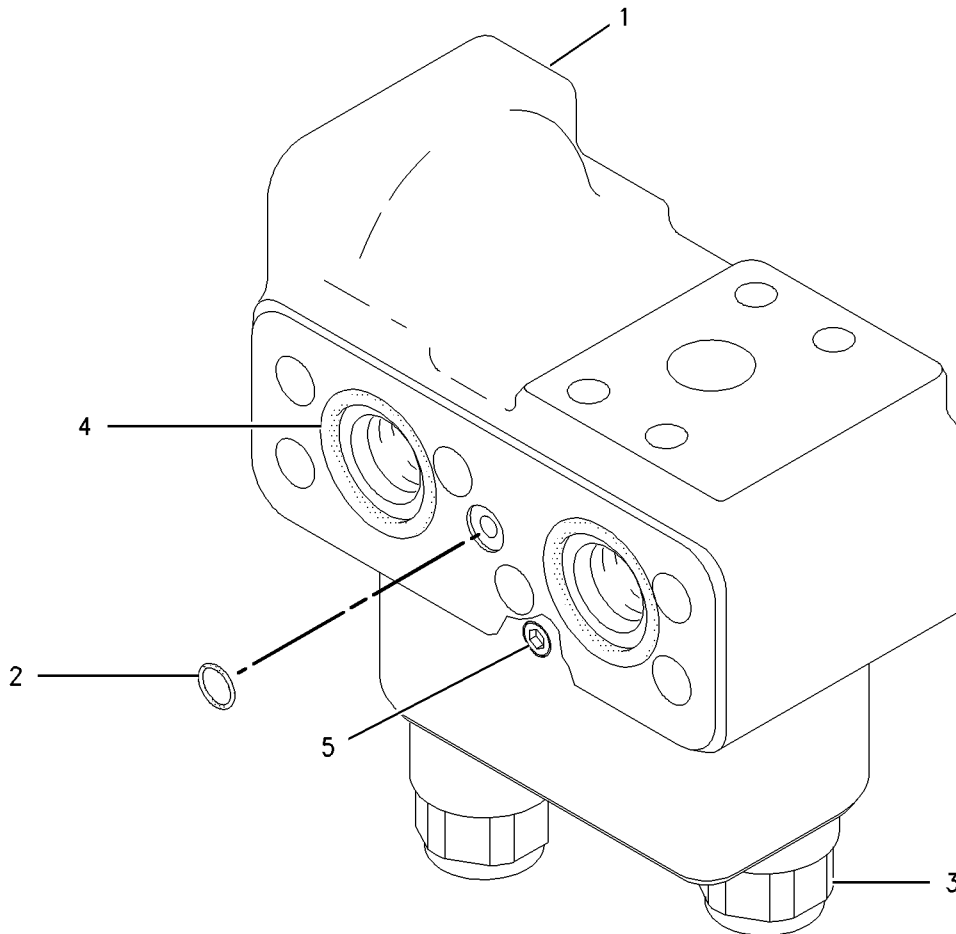
S/N: MGG1-UP; JFZ1-UP
PART OF 259-0680 VALVE GP-SWING CUSHION
AN ATTACHMENT

SMCS-5480

i01328480

NOTE	REF NO	GRAPHIC REF	PART NUMBER	QTY	PART NAME						SEE PAGE
					1	2	3	4	5	6 (PRODUCT LEVEL)	
Z	1	1		1	BODY						
	2	1	095-1576	1	SEAL-O-RING						
Y	3	1	173-3536	2	VALVE GP-RELIEF						608
	4	1	095-1698	2	SEAL-O-RING						
	5	1	8T-6759	4	PLUG-PIPE						

Y-SEPARATE ILLUSTRATION
Z-NOT SERVICED SEPARATELY



GRAPHIC #1

<END>

g00673144

HYDRAULIC SYSTEM

158-9090 VALVE GP-SWING CUSHION-FINE SWING

S/N: MGG1-UP; JFZ1-UP

PART OF 239-1699 LINES GP-BOOM CYLINDER

FIELD REPLACEMENT ORDER 322-8716-PAGE 628

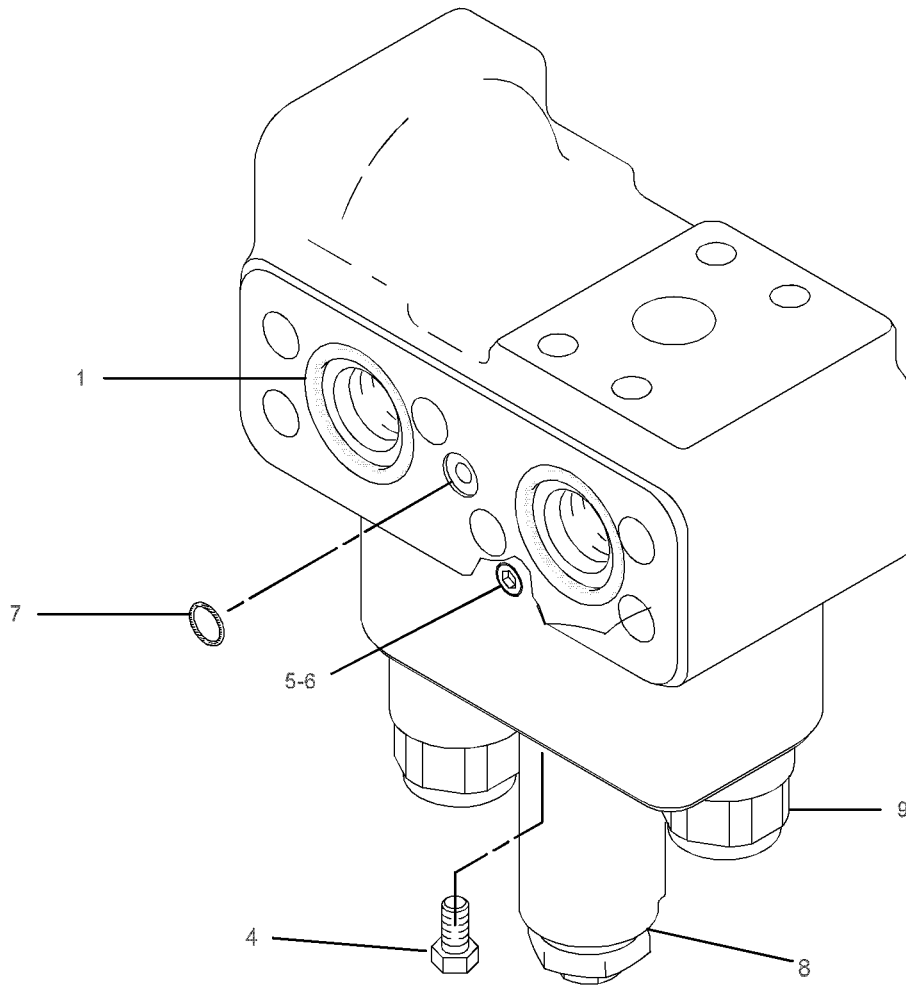
SMCS-5480

i03425101

NOTE	REF NO	GRAPHIC REF	PART NUMBER	QTY	PART NAME 1 2 3 4 5 6 (PRODUCT LEVEL)	SEE PAGE
	1	1	095-1698	2	SEAL-O-RING	
M	4	1	8T-0288	2	BOLT (M5X0.8X12-MM)	
	5	1	133-6788	2	ORIFICE	
	6	1	8T-6759	6	PLUG-PIPE	
	7	1	095-1576	1	SEAL-O-RING	
Y	8	1	116-3526	1	VALVE GP-SOLENOID (24-VOLT)	621
Y	9	1	173-3536	2	VALVE GP-RELIEF	608

M-METRIC PART

Y-SEPARATE ILLUSTRATION



GRAPHIC #1

<END>

g01778213

HYDRAULIC SYSTEM

259-0680 VALVE GP-SWING CUSHION

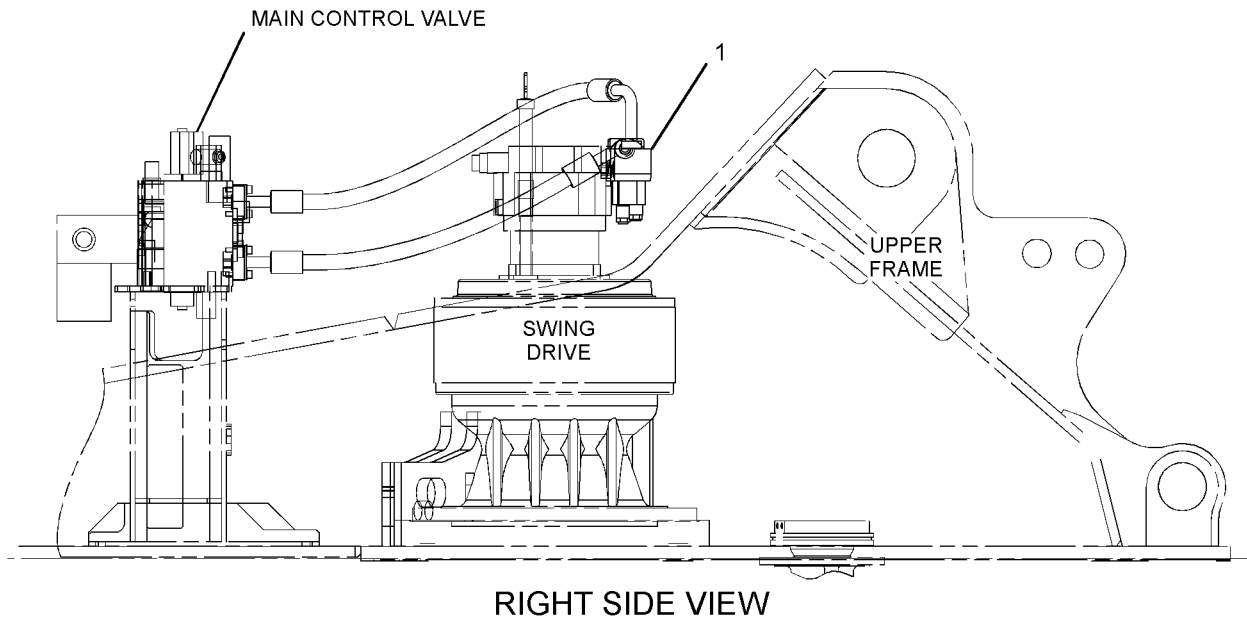
S/N: MGG1-UP; JFZ1-UP

PART OF 247-7457 VALVE AR-SWING
AN ATTACHMENT

SMCS-5480

i02532936

NOTE	REF NO	GRAPHIC REF	PART NUMBER	QTY	PART NAME						SEE PAGE
					1	2	3	4	5	6 (PRODUCT LEVEL)	
Y	1	1	158-9085	1	VALVE GP-SWING CUSHION						625
Y-SEPARATE ILLUSTRATION											



GRAPHIC #1

<END>

g01212011

HYDRAULIC SYSTEM

322-8716 VALVE GP-SWING CUSHION-FINE SWING

S/N: MGG1-UP; JFZ1-UP

PART OF 239-1699 LINES GP-BOOM CYLINDER

FIELD REPLACEMENT FOR 158-9090-PAGE 626

SMCS-5480

i03001560

NOTE	REF NO	GRAPHIC REF	PART NUMBER	QTY	PART NAME						SEE PAGE
					1	2	3	4	5	6 (PRODUCT LEVEL)	
	1	1	315-4412	1	VALVE GP-SOLENOID (24-VOLT) (FINE SWING)						
Y	2	1	173-3536	2	VALVE GP-RELIEF (CUSHION CROSSOVER)						608
	3	1	095-1698	2	SEAL-O-RING						
M	4	1	8T-0288	2	BOLT (M5X0.8X12-MM)						
	5	1	133-6788	2	ORIFICE						
	6	1	8T-6759	6	PLUG-PIPE						
	7	1	095-1576	1	SEAL-O-RING						

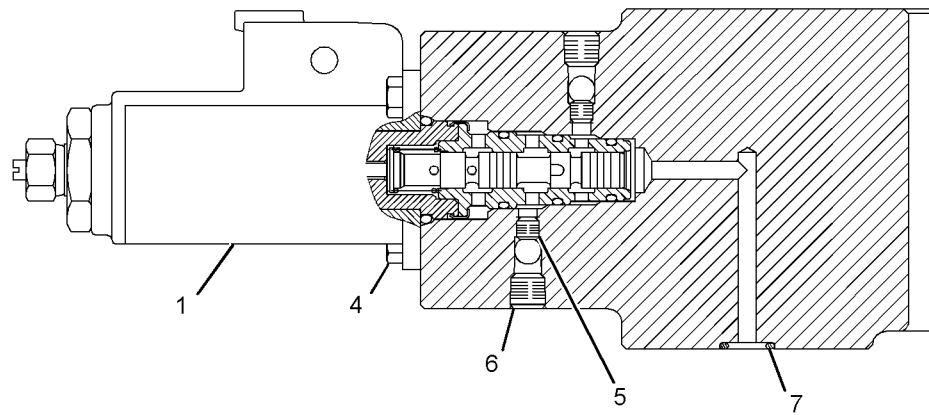
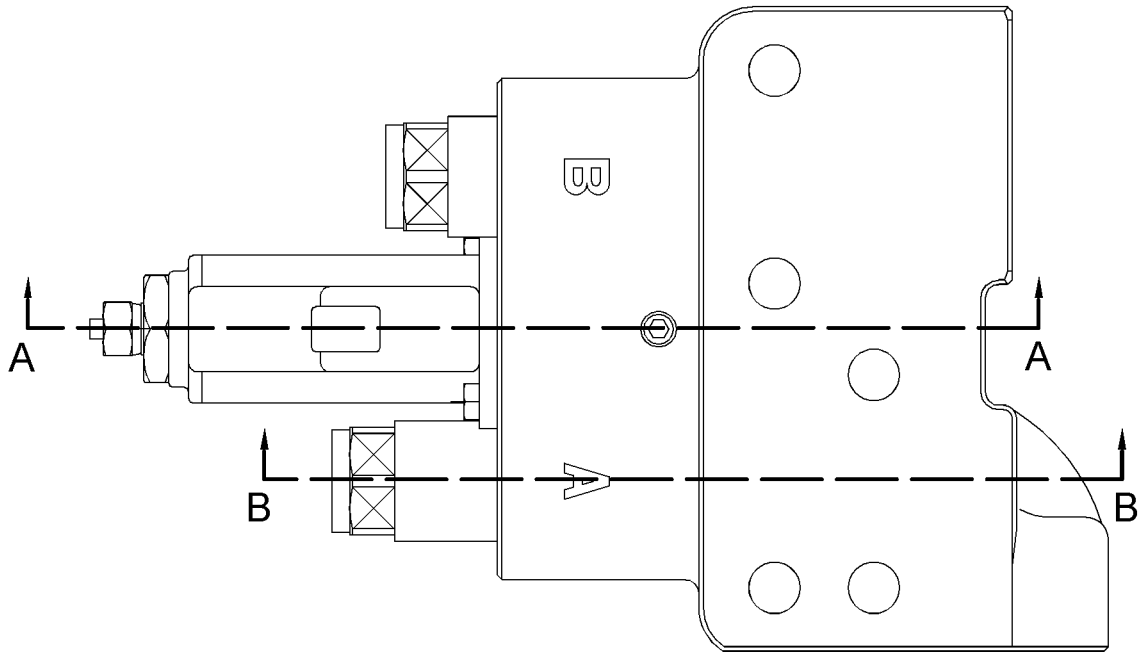
M-METRIC PART

Y-SEPARATE ILLUSTRATION

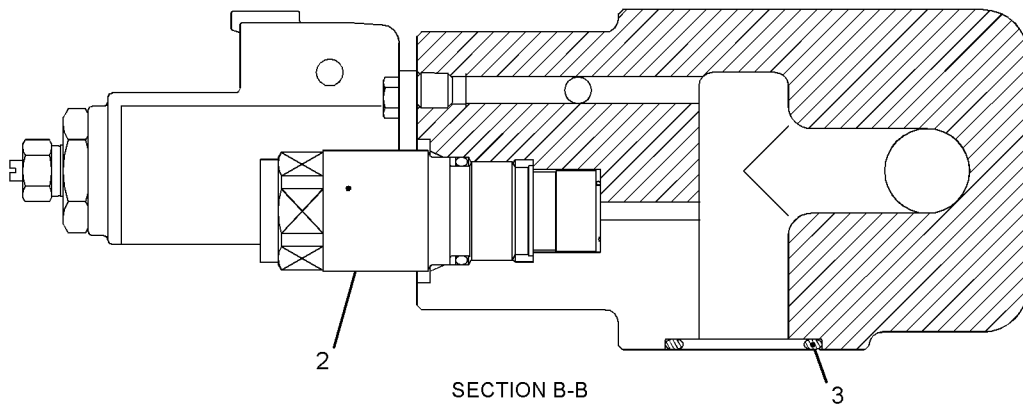
HYDRAULIC SYSTEM

322-8716 VALVE GP-SWING CUSHION (contd.)

i03001560



SECTION A-A



SECTION B-B

GRAPHIC #1

<END>

g01572033

HYDRAULIC SYSTEM**204-2819 VALVE GP-TRAVEL COUNTERBALANCE**

S/N: MGG1-UP; JFZ1-UP

PART OF 215-9982 MOTOR & MTG GP-TRAVEL

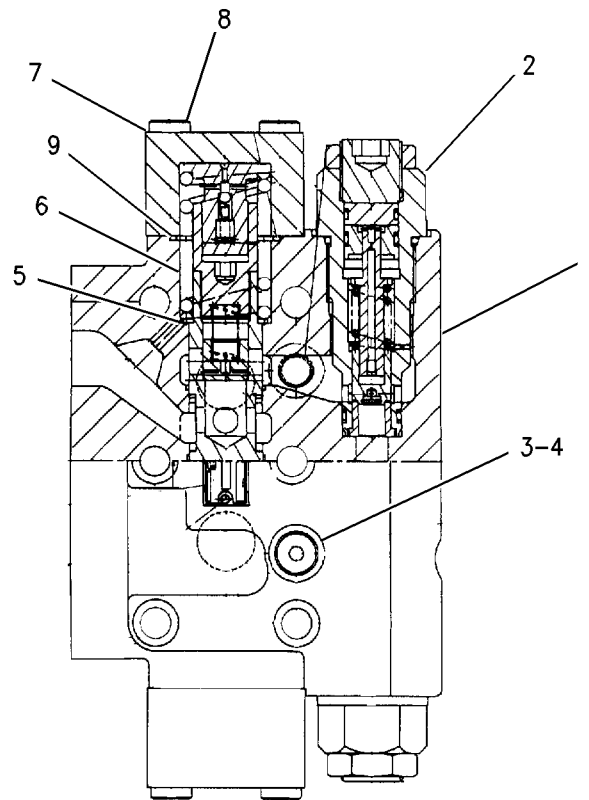
SMCS-5811

i02094157

NOTE	REF NO	GRAPHIC REF	PART NUMBER	QTY	PART NAME						SEE PAGE
					1	2	3	4	5	6 (PRODUCT LEVEL)	
	1	1	209-5917	1	VALVE GP-COUNTERBALANCE (TRAVEL)						
Y	2	1	204-2755	2	VALVE GP-RELIEF (CROSSOVER)						611
	3	1	9S-8004	2	PLUG-O-RING						
	4	1	3J-1907	2	SEAL-O-RING						
	5	1	096-1545	2	WASHER (28.5X37X2-MM THK)						
	6	1	209-5920	2	SPRING						
	7	1	204-2756	2	COVER						
M	8	1	8T-7811	8	BOLT-SOCKET HEAD (M12X1.75X50-MM)						
	9	1	5P-2568	2	SEAL-O-RING						

M-METRIC PART

Y-SEPARATE ILLUSTRATION



GRAPHIC #1

<END>

g00835139

IMPLEMENTS**240-3830 BOOM AR-1 PIECE LONG-HEAVY-DUTY**

S/N: MGG1-UP; JFZ1-UP

AN ATTACHMENT

SMCS-6501

i02996052

NOTE	PART NUMBER	QTY	PART NAME						SEE PAGE
			1	2	3	4	5	6 (PRODUCT LEVEL)	
Y	241-7287	1	BOOM GP-1 PIECE (LONG REACH)						637
Y	242-6730	1	CYLINDER & LINES GP-BOOM (LH)						346
Y	242-6736	1	CYLINDER & LINES GP-BOOM (RH)						347
Y	242-6743	1	CYLINDER & LINES GP-STICK						353
Y	259-5043	1	LIGHTING GP-FLOOD (BOOM, LH)						179
Y	260-8010	1	LINES GP-BOOM						426
Y	241-7286	1	LINES GP-GREASE (BOOM)						647

Y-SEPARATE ILLUSTRATION

<END>

IMPLEMENTS**240-3832 BOOM AR-1 PIECE LONG**S/N: MGG1-UP; JFZ1-UP
AN ATTACHMENT

SMCS-6501

i02570931

NOTE	PART NUMBER	QTY	PART NAME						SEE PAGE
			1	2	3	4	5	6 (PRODUCT LEVEL)	
Y	241-7282	1	BOOM GP						635
Y	242-6745	1	CYLINDER & LINES GP-BOOM (LH) (LH)						348
Y	242-6749	1	CYLINDER & LINES GP-BOOM (RH) (RH)						349
Y	242-6747	1	CYLINDER & LINES GP-STICK						354
Y	259-5043	1	LIGHTING GP-FLOOD (BOOM, LH)						179
Y	260-8010	1	LINES GP-BOOM						426
Y	241-7286	1	LINES GP-GREASE						647

Y-SEPARATE ILLUSTRATION

<END>

IMPLEMENTS**240-3836 BOOM AR-1 PIECE LONG-HEAVY-DUTY**

S/N: MGG1-UP; JFZ1-UP

AN ATTACHMENT

SMCS-6501

i02571162

NOTE	PART NUMBER	QTY	PART NAME						SEE PAGE
			1	2	3	4	5	6 (PRODUCT LEVEL)	
Y	241-7287	1	BOOM GP-1 PIECE (LONG REACH)						637
Y	242-6745	1	CYLINDER & LINES GP-BOOM (LH)						348
Y	242-6749	1	CYLINDER & LINES GP-BOOM (RH)						349
Y	242-6747	1	CYLINDER & LINES GP-STICK						354
Y	259-5043	1	LIGHTING GP-FLOOD (BOOM, LH)						179
Y	260-8010	1	LINES GP-BOOM						426
Y	241-7286	1	LINES GP-GREASE (BOOM)						647

Y-SEPARATE ILLUSTRATION

<END>

IMPLEMENTS**240-3835 BOOM AR-1 PIECE SHORT**S/N: MGG1-UP; JFZ1-UP
AN ATTACHMENT

SMCS-6501

i02571184

NOTE	PART NUMBER	QTY	PART NAME						SEE PAGE
			1	2	3	4	5	6 (PRODUCT LEVEL)	
Y	241-7291	1	BOOM GP						639
Y	242-6745	1	CYLINDER & LINES GP-BOOM (LH)						348
Y	242-6749	1	CYLINDER & LINES GP-BOOM (RH)						349
Y	242-6762	1	CYLINDER & LINES GP-STICK						355
Y	267-7627	1	LIGHTING GP-FLOOD (SHORT BOOM, LH) (SHORT BOOM, LH)						182
Y	239-1732	1	LINES GP-BOOM						425
Y	172-2939	1	LINES GP-GREASE (BOOM)						645

Y-SEPARATE ILLUSTRATION

<END>

IMPLEMENTS**241-7282 BOOM GP**

S/N: MGG1-UP; JFZ1-UP

5675-MM (233.42-IN)

PART OF 240-3832 BOOM AR-1 PIECE LONG

AN ATTACHMENT

SMCS-6301, 6302, 6460, 6501, 6516, 6521, 6535, 6536

i02570969

NOTE	REF NO	GRAPHIC REF	PART NUMBER	QTY	PART NAME						SEE PAGE
					1	2	3	4	5	6 (PRODUCT LEVEL)	
	1	1	4I-3308	2	PLATE						
	2	1	4I-3309	2	SPACER (82X110X3-MM THK)						
B	3	1	093-0084	2	SHIM (1-MM THK)						
B	4	1	093-0116	2	SHIM (2-MM THK)						
	5	1	093-0349	2	WASHER (22X60X6-MM THK)						
	6	1	093-0363	1	SPACER (83X120X12-MM THK)						
B	7	1	113-2127	1	SHIM (0.5-MM THK)						
	8	1	166-1486	2	SHIM (2-MM THK)						
	9	1	176-2278	1	PIN						
	10	1	241-7283	1	BOOM & BEARING AS						
	10A	1	244-4277	2	BEARING-SLEEVE						
	11	1	264-1702	1	PIN AS						
	12	1	166-1487	2	SHIM (2-MM THK)						
	13	1	166-1495	2	SEAL-LIP TYPE						
	14	1	4I-4809	1	PIN AS						
	15	1	8T-4123	2	WASHER (22X35X3.5-MM THK)						
	16	1	8T-4223	6	WASHER-HARD (13.5X25.5X3-MM THK)						
M	17	1	8T-4780	2	BOLT (M20X2.5X30-MM)						
M	18	1	8T-4956	6	BOLT (M12X1.75X35-MM)						

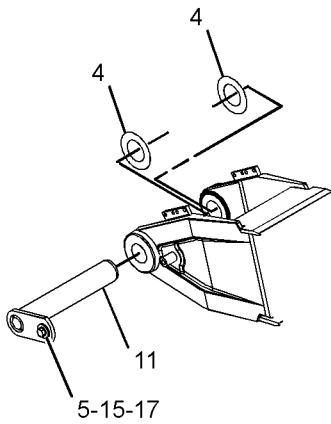
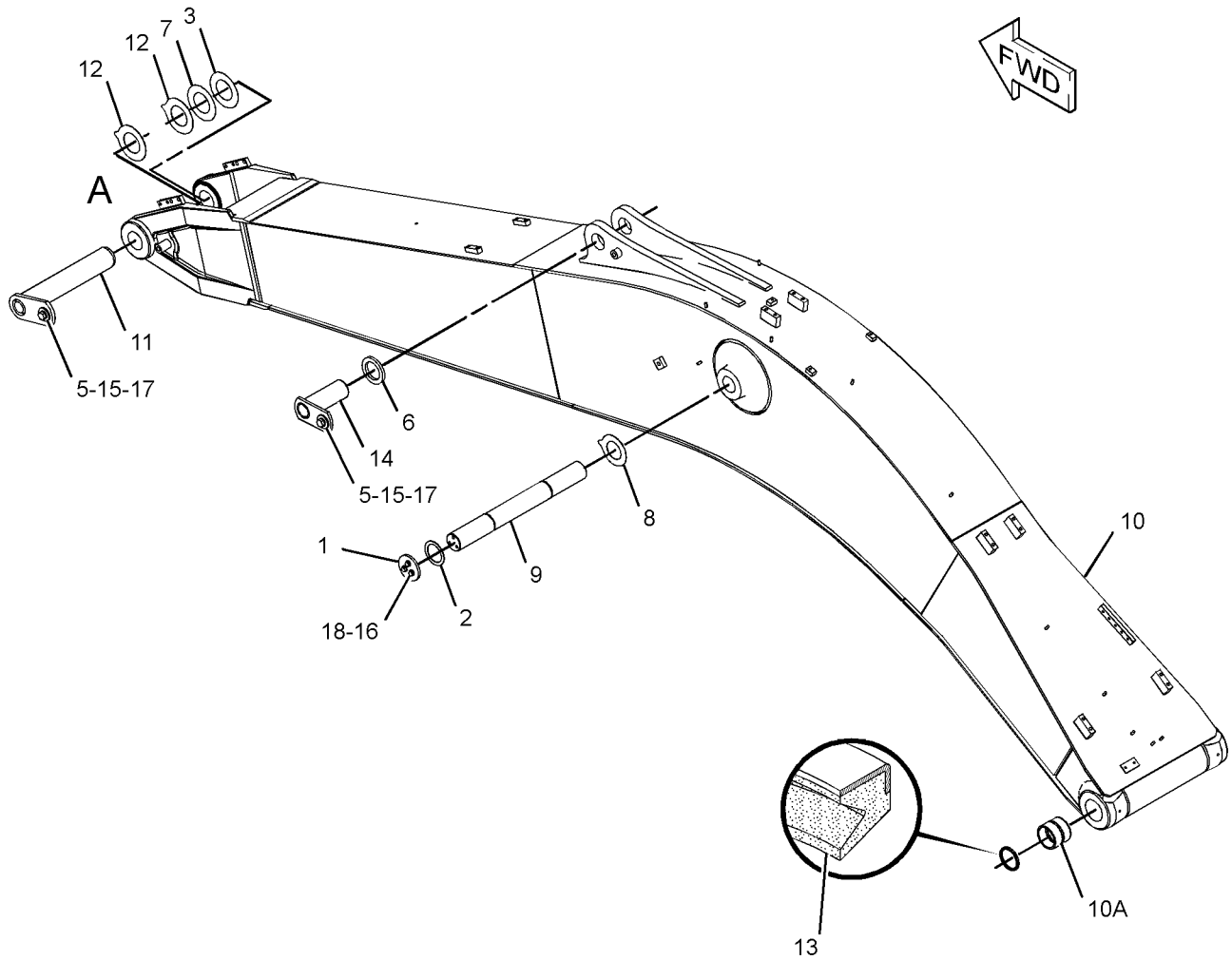
B-USE AS REQUIRED

M-METRIC PART

IMPLEMENTS

241-7282 BOOM GP (contd.)

i02570969



VIEW OF AREA A
(OPTIONAL DESIGN)

GRAPHIC #1

<END>

g01223105

IMPLEMENTS

241-7287 BOOM GP-1 PIECE-LONG REACH

S/N: MGG1-UP; JFZ1-UP

PART OF 240-3830, 240-3836 BOOM AR-1 PIECE LONG
AN ATTACHMENT

SMCS-6301, 6302, 6460, 6501, 6516, 6521, 6535, 6536

i02548171

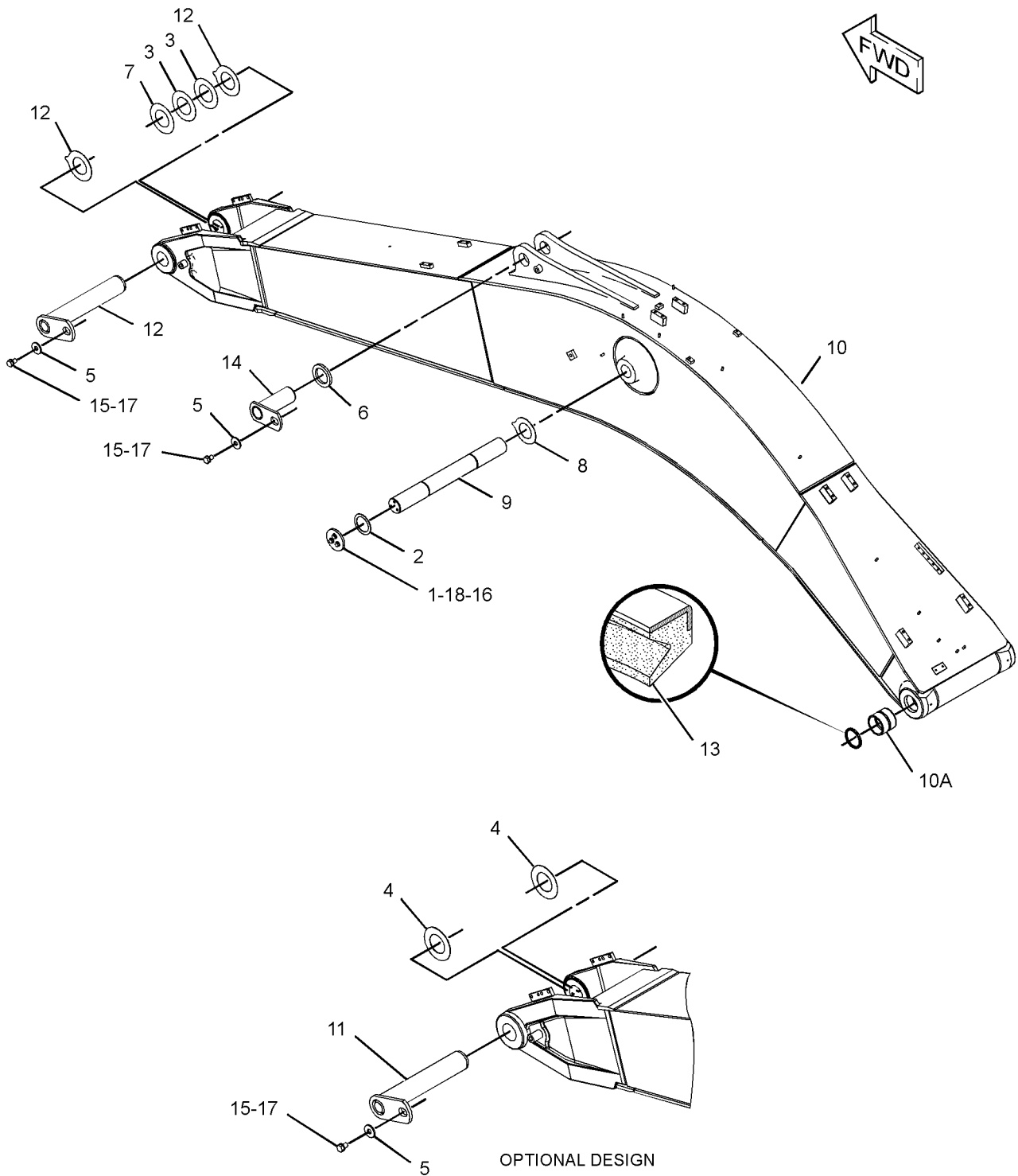
NOTE	REF NO	GRAPHIC REF	PART NUMBER	QTY	PART NAME						SEE PAGE
					1	2	3	4	5	6 (PRODUCT LEVEL)	
	1	1	4I-3308	2	PLATE						
	2	1	4I-3309	2	SPACER (82X110X3-MM THK)						
B	3	1	093-0084	2	SHIM (1-MM THK)						
B	4	1	093-0116	2	SHIM (2-MM THK)						
	5	1	093-0349	2	WASHER (22X60X6-MM THK)						
	6	1	093-0363	1	SPACER (83X120X12-MM THK)						
B	7	1	113-2127	1	SHIM (0.5-MM THK)						
	8	1	166-1486	2	SHIM (2-MM THK)						
	9	1	176-2278	1	PIN						
	10	1	241-7288	1	BOOM & BEARING AS						
	10A	1	244-4277	2	BEARING-SLEEVE						
	11	1	264-1702	1	PIN AS						
	12	1	166-1487	2	SHIM (2-MM THK)						
	13	1	166-1495	2	SEAL-LIP TYPE						
	14	1	4I-4809	1	PIN AS						
	15	1	8T-4123	2	WASHER (22X35X3.5-MM THK)						
	16	1	8T-4223	6	WASHER-HARD (13.5X25.5X3-MM THK)						
M	17	1	8T-4780	2	BOLT (M20X2.5X30-MM)						
M	18	1	8T-4956	6	BOLT (M12X1.75X35-MM)						

B-USE AS REQUIRED
M-METRIC PART

IMPLEMENTS

241-7287 BOOM GP-1 PIECE (contd.)

i02548171



GRAPHIC #1

<END>

g01227919

IMPLEMENTS

241-7291 BOOM GP

S/N: MGG1-UP; JFZ1-UP

5.2-M (17.1-FT)

PART OF 240-3835 BOOM AR-1 PIECE SHORT

AN ATTACHMENT

SMCS-6301, 6302, 6460, 6501, 6516, 6521, 6535, 6536

i02571749

NOTE	REF NO	GRAPHIC REF	PART NUMBER	QTY	PART NAME						SEE PAGE
					1	2	3	4	5	6 (PRODUCT LEVEL)	
	1	1	4I-3308	2	PLATE						
	2	1	4I-3309	2	SPACER (82X110X3-MM THK)						
B	3	1	093-0084	2	SHIM (1-MM THK)						
J	4	1	093-0116	2	SHIM (2-MM THK)						
	5	1	093-0349	2	WASHER (22X60X6-MM THK)						
	6	1	093-0363	1	SPACER (83X120X12-MM THK)						
B	7	1	113-2127	1	SHIM (0.5-MM THK)						
	8	1	166-1486	2	SHIM (2-MM THK)						
	9	1	166-1495	2	SEAL-LIP TYPE						
	10	1	176-2278	1	PIN						
	11	1	241-7292	1	BOOM & BEARING AS						
	11A	1	244-4277	1	BEARING-SLEEVE						
	12	1	264-1702	1	PIN AS						
	13	1	166-1487	2	SHIM (2-MM THK)						
	14	1	4I-4809	1	PIN AS						
	15	1	8T-4123	2	WASHER (22X35X3.5-MM THK)						
	16	1	8T-4223	6	WASHER-HARD (13.5X25.5X3-MM THK)						
M	17	1	8T-4780	2	BOLT (M20X2.5X30-MM)						
M	18	1	8T-4956	6	BOLT (M12X1.75X35-MM)						

B-USE AS REQUIRED

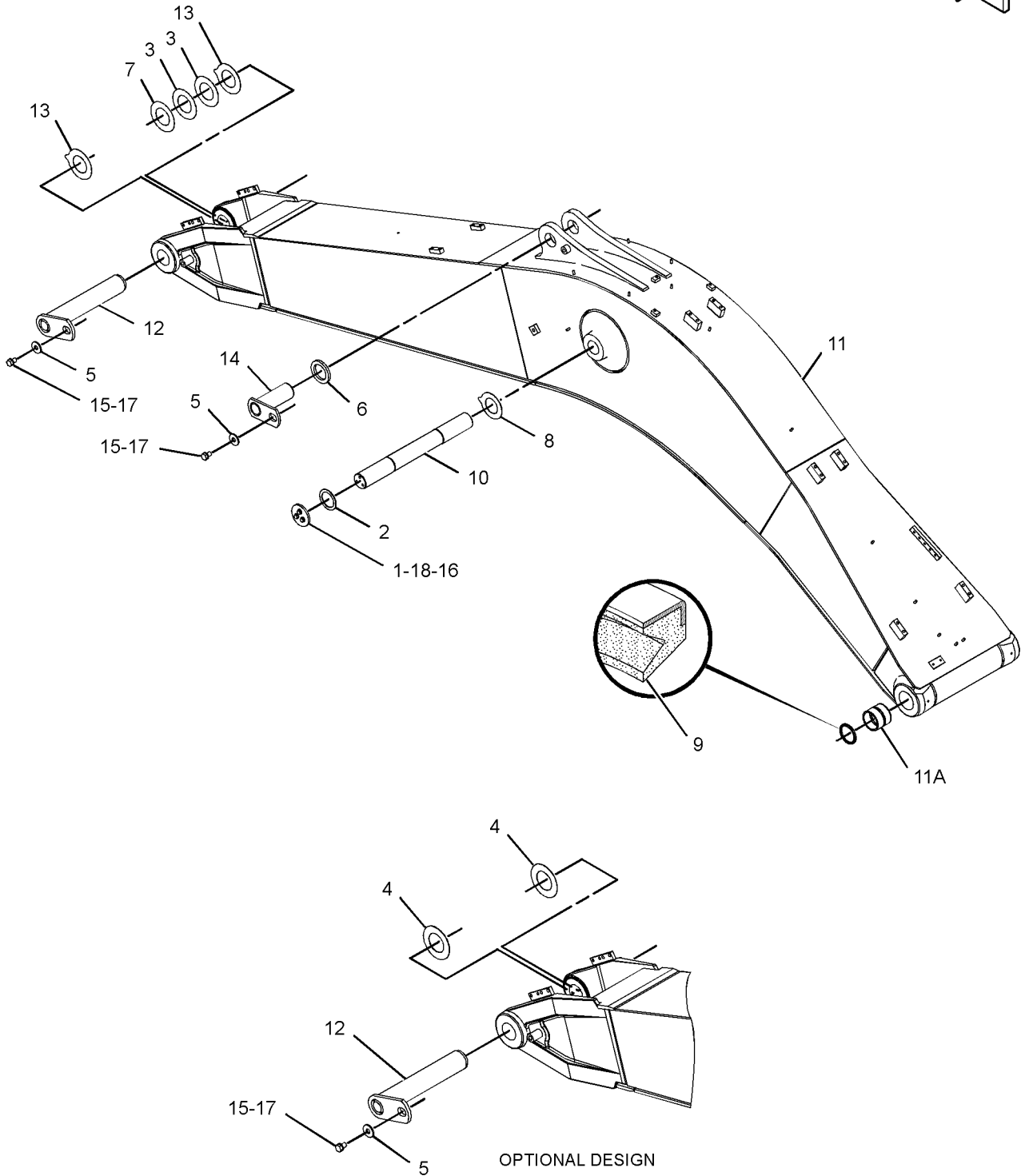
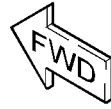
J-USED ONLY ON OPTIONAL DESIGN BOOM END

M-METRIC PART

IMPLEMENTS

241-7291 BOOM GP (contd.)

i02571749



GRAPHIC #1

<END>

g01227886

IMPLEMENTS

268-7043 BOOM GP

S/N: MGG1-UP

8.85-M (29-FT)

PART OF 302-9208 LINKAGE AR

AN ATTACHMENT

SMCS-6301, 6302, 6460, 6501, 6516, 6521, 6535, 6536

i02548875

NOTE	REF NO	GRAPHIC REF	PART NUMBER	QTY	PART NAME						SEE PAGE
					1	2	3	4	5	6 (PRODUCT LEVEL)	
	1	1	4I-3308	2	PLATE						
	2	1	4I-3309	2	SPACER (82X110X3-MM THK)						
	3	1	4I-4618	1	PIN AS						
B	4	1	093-0084	2	SHIM (1-MM THK)						
	5	1	093-0349	2	WASHER (22X60X6-MM THK)						
	6	1	093-0363	1	SPACER (83X120X12-MM THK)						
B	7	1	113-2127	1	SHIM (0.5-MM THK)						
	8	1	166-1486	2	SHIM (2-MM THK)						
	9	1	176-2278	1	PIN						
	10	1	250-2402	1	PIN AS						
	11	1	268-7044	1	BOOM & BEARING AS						
	11A	1	244-4277	2	BEARING-SLEEVE						
	12	1	166-1487	2	SHIM (2-MM THK)						
	13	1	166-1495	2	SEAL-LIP TYPE						
	14	1	8T-4123	2	WASHER (22X35X3.5-MM THK)						
	15	1	8T-4223	6	WASHER-HARD (13.5X25.5X3-MM THK)						
M	16	1	8T-4780	2	BOLT (M20X2.5X30-MM)						
M	17	1	8T-4956	6	BOLT (M12X1.75X35-MM)						

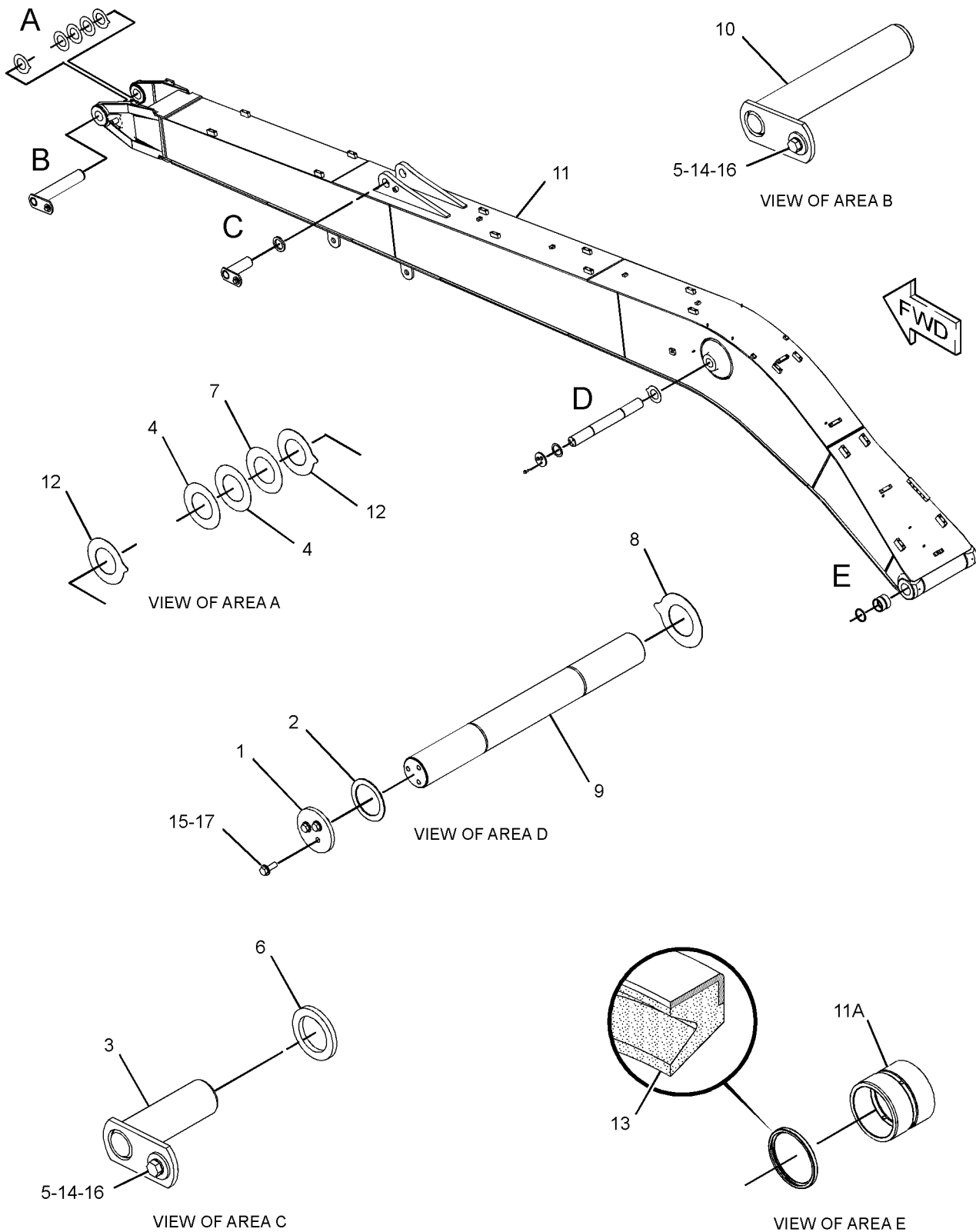
B-USE AS REQUIRED

M-METRIC PART

IMPLEMENTS

268-7043 BOOM GP (contd.)

i02548875



GRAPHIC #1

<END>

g01231265

IMPLEMENTS

5I-7235 LINES GP-GREASE

S/N: MGG1-UP

BOOM

PART OF 302-9208 LINKAGE AR

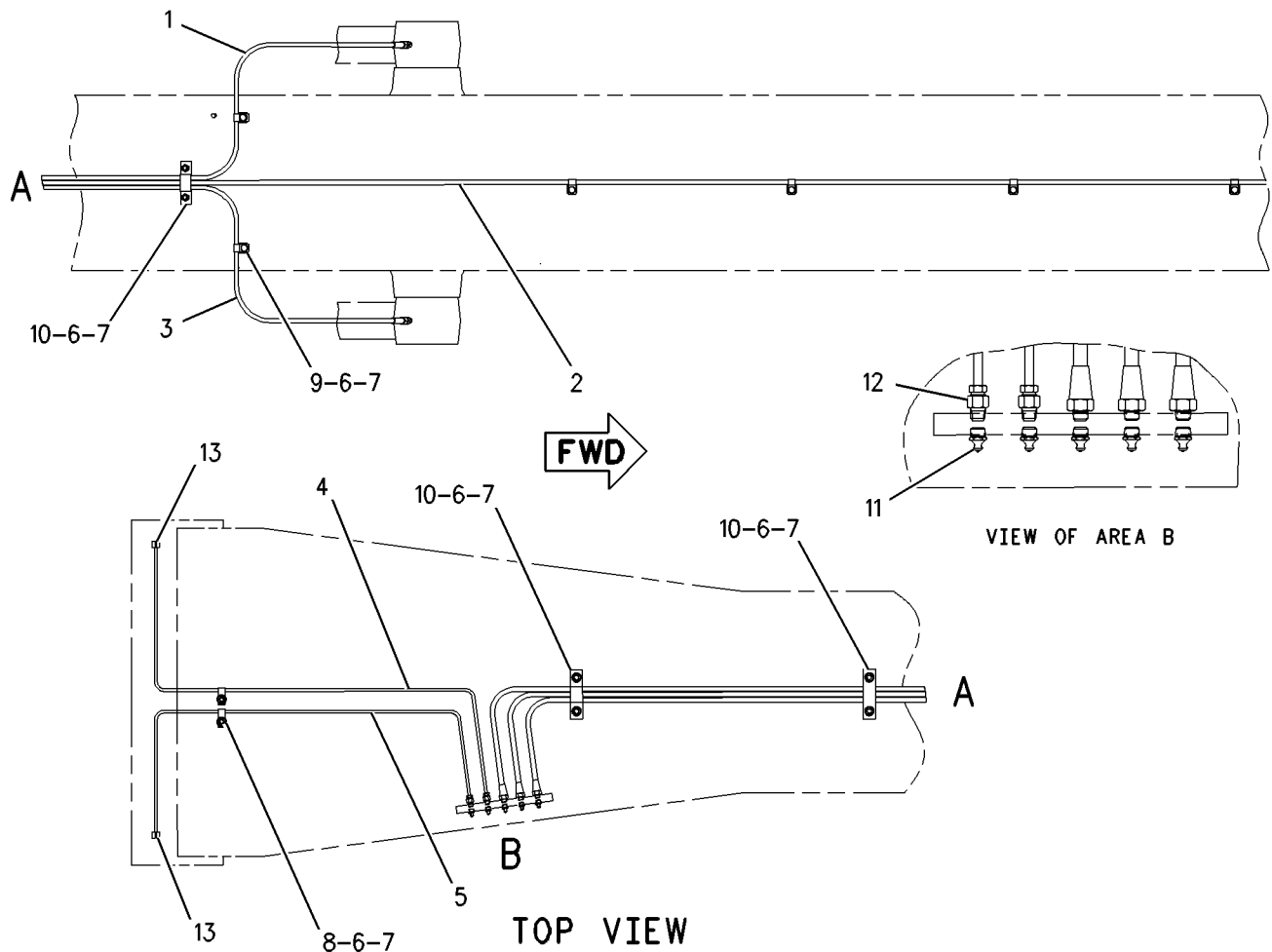
AN ATTACHMENT

SMCS-7510

i01367075

NOTE	REF NO	GRAPHIC REF	PART NUMBER	QTY	PART NAME						SEE PAGE
					1	2	3	4	5	6 (PRODUCT LEVEL)	
I	1	1	4I-6610	1	HOSE AS						
I	2	1	5I-7236	1	HOSE AS						
I	3	1	4I-6608	1	HOSE AS						
	4	1	4I-4543	1	TUBE AS						
	5	1	4I-4544	1	TUBE AS						
M	6	1	8T-4191	14	BOLT (M10X1.5X16-MM)						
	7	1	8T-4121	14	WASHER-HARD (11X21X2.5-MM THK)						
	8	1	8M-2772	2	CLIP						
	9	1	033-8248	6	CLIP						
	10	1	087-5840	3	PLATE						
	11	1	3B-8489	5	FITTING-GREASE						
	12	1	6L-3616	2	CONNECTOR						
	13	1	5K-9243	2	ELBOW-FLARED						

I-REFER TO HYDRAULIC INFORMATION SYSTEM
M-METRIC PART



GRAPHIC #1

<END>

g00709535

IMPLEMENTS

127-6625 LINES GP-GREASE

S/N: MGG1-UP

STICK

PART OF 302-9208 LINKAGE AR

AN ATTACHMENT

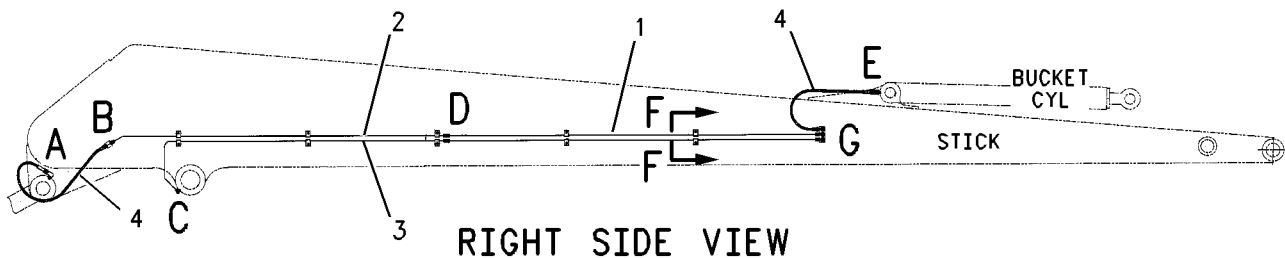
SMCS-7510

i01367063

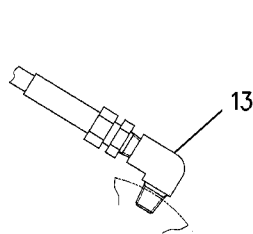
NOTE	REF NO	GRAPHIC REF	PART NUMBER	QTY	PART NAME						SEE PAGE
					1	2	3	4	5	6 (PRODUCT LEVEL)	
	1	1	5I-7238	2	TUBE AS						
	2	1	5I-7239	1	TUBE AS						
	3	1	132-1531	1	TUBE AS						
I	4	1	087-5966	2	HOSE AS						
M	5	1	8T-4191	10	BOLT (M10X1.5X16-MM)						
	6	1	8T-4121	10	WASHER-HARD (11X21X2.5-MM THK)						
	7	1	8M-2772	10	CLIP						
	8	1	3B-8489	3	FITTING-GREASE						
	9	1	6L-3616	3	CONNECTOR						
	10	1	5K-9242	2	UNION-FLARED						
	11	1	5H-8936	1	ADAPTER						
	12	1	5K-9243	1	ELBOW-FLARED						
	13	1	6V-3342	1	ELBOW-PIPE						

I-REFER TO HYDRAULIC INFORMATION SYSTEM

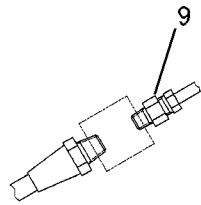
M-METRIC PART



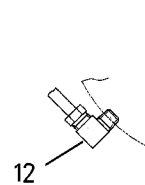
RIGHT SIDE VIEW



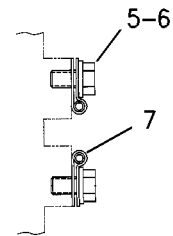
VIEW OF AREA A



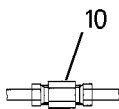
VIEW OF AREA B



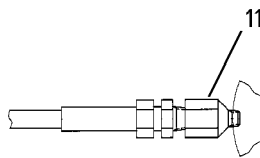
VIEW OF AREA C



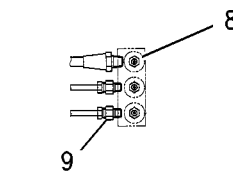
SECTION F-F



VIEW OF AREA D



VIEW OF AREA E



VIEW OF AREA G

GRAPHIC #1

<END>

g00721255

IMPLEMENTS

172-2939 LINES GP-GREASE

S/N: MGG1-UP; JFZ1-UP

PART OF 240-3835 BOOM AR-1 PIECE SHORT
AN ATTACHMENT

SMCS-7510

i02366825

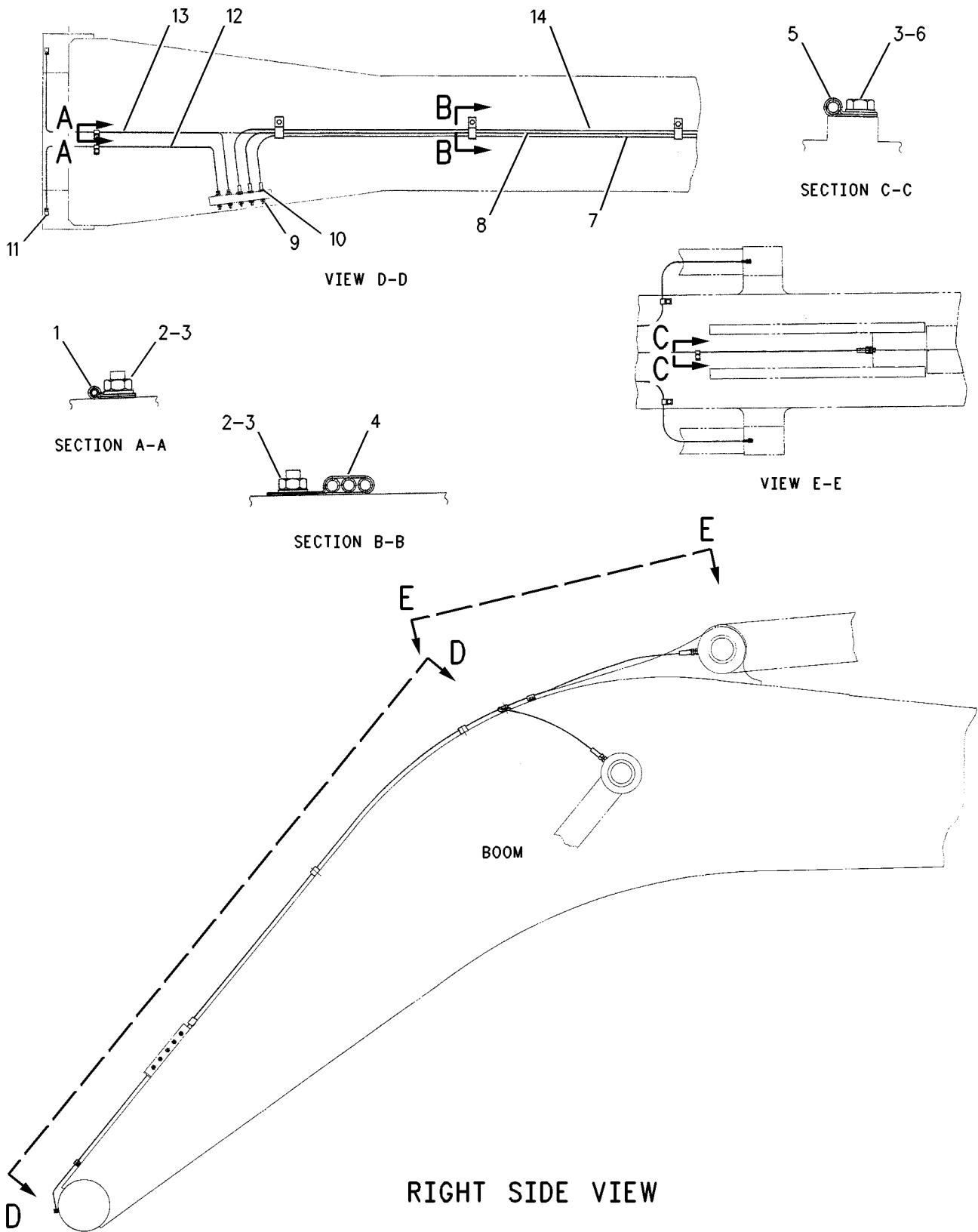
NOTE	REF NO	GRAPHIC REF	PART NUMBER	QTY	PART NAME						SEE PAGE
					1	2	3	4	5	6 (PRODUCT LEVEL)	
	1	1	8M-2772	2	CLIP						
M	2	1	8T-4133	5	NUT (M10X1.5-THD)						
	3	1	8T-4121	8	WASHER-HARD (11X21X2.5-MM THK)						
	4	1	166-1579	3	CLIP						
	5	1	033-8248	3	CLIP						
M	6	1	8T-4191	3	BOLT (M10X1.5X16-MM)						
	7	1	166-3152	1	HOSE AS						
I	8	1	115-2678	1	HOSE AS						
	9	1	3B-8489	5	FITTING-GREASE						
	10	1	6L-3616	2	CONNECTOR						
	11	1	5K-9243	2	ELBOW-FLARED						
	12	1	4I-4544	1	TUBE AS						
	13	1	4I-4543	1	TUBE AS						
I	14	1	115-2677	1	HOSE AS						

I-REFER TO HYDRAULIC INFORMATION SYSTEM
M-METRIC PART

IMPLEMENTS

172-2939 LINES GP-GREASE (contd.)

i02366825



GRAPHIC #1

<END>

g00675837

IMPLEMENTS

241-7286 LINES GP-GREASE

S/N: MGG1-UP; JFZ1-UP

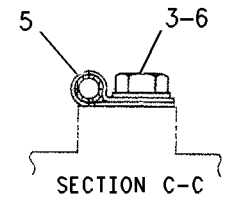
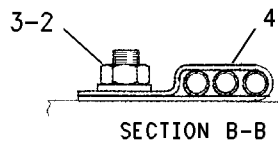
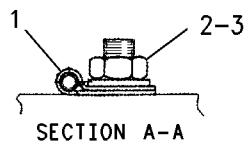
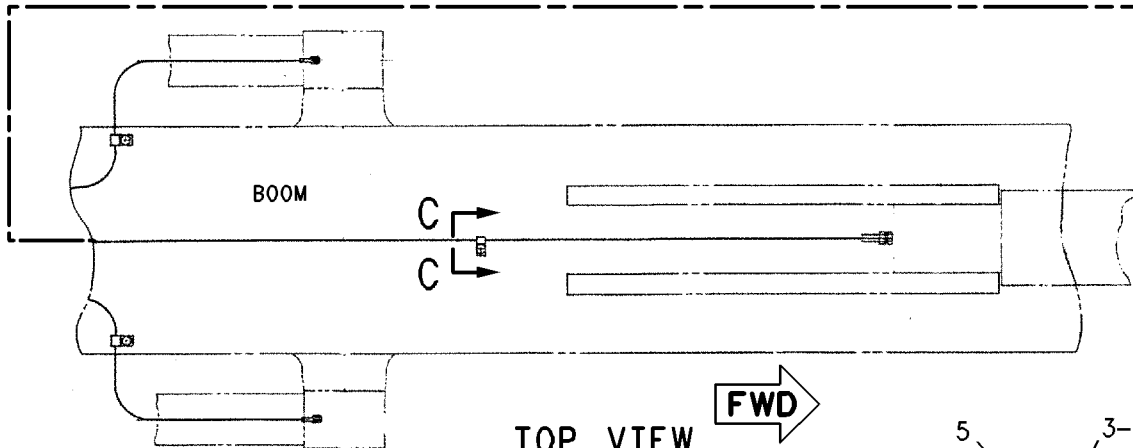
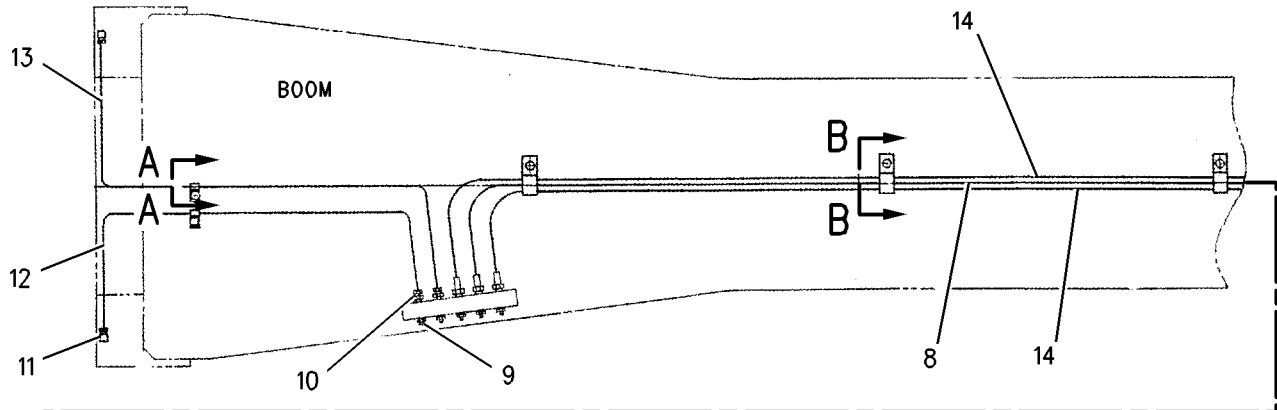
PART OF 240-3830, 240-3832, 240-3836 BOOM AR-1 PIECE LONG
AN ATTACHMENT

SMCS-7510

i02548252

NOTE	REF NO	GRAPHIC REF	PART NUMBER	QTY	PART NAME						SEE PAGE
					1	2	3	4	5	6 (PRODUCT LEVEL)	
	1	1	8M-2772	2	CLIP						
M	2	1	8T-4133	5	NUT (M10X1.5-THD)						
	3	1	8T-4121	8	WASHER-HARD (11X21X2.5-MM THK)						
	4	1	166-1579	3	CLIP						
	5	1	033-8248	3	CLIP						
M	6	1	8T-4191	3	BOLT (M10X1.5X16-MM)						
I	8	1	120-7226	1	HOSE AS						
	9	1	3B-8489	5	FITTING-GREASE						
	10	1	6L-3616	2	CONNECTOR						
	11	1	5K-9243	2	ELBOW-FLARED						
	12	1	4I-4544	1	TUBE AS						
	13	1	4I-4543	1	TUBE AS						
	14	1	166-3152	2	HOSE AS						

I-REFER TO HYDRAULIC INFORMATION SYSTEM
M-METRIC PART



FWD →

TOP VIEW

<END>

GRAPHIC #1

g00781541

IMPLEMENTS**302-9208 LINKAGE AR-LONG REACH**S/N: MGG1-UP
AN ATTACHMENT

SMCS-6000

i02754258

NOTE	PART NUMBER	QTY	PART NAME						SEE PAGE
			1	2	3	4	5	6 (PRODUCT LEVEL)	
Y	268-7043	1	BOOM GP						641
Y	241-2002	1	COUNTERWEIGHT GP						253
Y	242-6730	1	CYLINDER & LINES GP-BOOM (LH)						346
Y	242-6736	1	CYLINDER & LINES GP-BOOM (RH)						347
Y	253-6664	1	CYLINDER & LINES GP-BUCKET						352
Y	268-7256	1	CYLINDER & LINES GP-STICK						356
Y	302-9210	1	FILM GP (LONG REACH)						811
Y	259-5043	1	LIGHTING GP-FLOOD (BOOM, LH)						179
Y	268-7046	1	LINES GP-BOOM						428
Y	127-6624	1	LINES GP-BUCKET CYLINDER						436
Y	268-7074	1	LINES GP-FRONT						463
Y	5I-7235	1	LINES GP-GREASE (BOOM)						643
Y	127-6625	1	LINES GP-GREASE (STICK)						644
Y	248-7831	1	LINKAGE GP-BUCKET						651
Y	116-9115	1	LOCK GP-TRANSPORT						654
Y	230-0280	1	STICK GP-HOE						658

Y-SEPARATE ILLUSTRATION

<END>

IMPLEMENTS**240-3858 LINKAGE AR-BUCKET-B1-FAMILY, WITH LIFTING EYE**

S/N: MGG1-UP; JFZ1-UP

AN ATTACHMENT

SMCS-6513

i02548291

NOTE	PART NUMBER	QTY	PART NAME						SEE PAGE
			1	2	3	4	5	6 (PRODUCT LEVEL)	
Y	242-6755	1	CYLINDER & LINES GP-BUCKET						350
Y	260-2288	1	LINKAGE GP-BUCKET (B1-FAMILY, WITH LIFTING EYE)						653

Y-SEPARATE ILLUSTRATION

<END>

IMPLEMENTS**240-3861 LINKAGE AR-BUCKET-B1-FAMILY, WITH LIFTING EYE**S/N: MGG1-UP
AN ATTACHMENT

SMCS-6513

i02571933

NOTE	PART NUMBER	QTY	PART NAME						SEE PAGE
			1	2	3	4	5	6 (PRODUCT LEVEL)	
Y	242-6758	1	CYLINDER & LINES GP-BUCKET						351
Y	260-2288	1	LINKAGE GP-BUCKET (B1-FAMILY, WITH LIFTING EYE)						653
Y-SEPARATE ILLUSTRATION									

<END>

IMPLEMENTS

248-7831 LINKAGE GP-BUCKET

S/N: MGG1-UP

PART OF 302-9208 LINKAGE AR
AN ATTACHMENT

SMCS-6513

i02548897

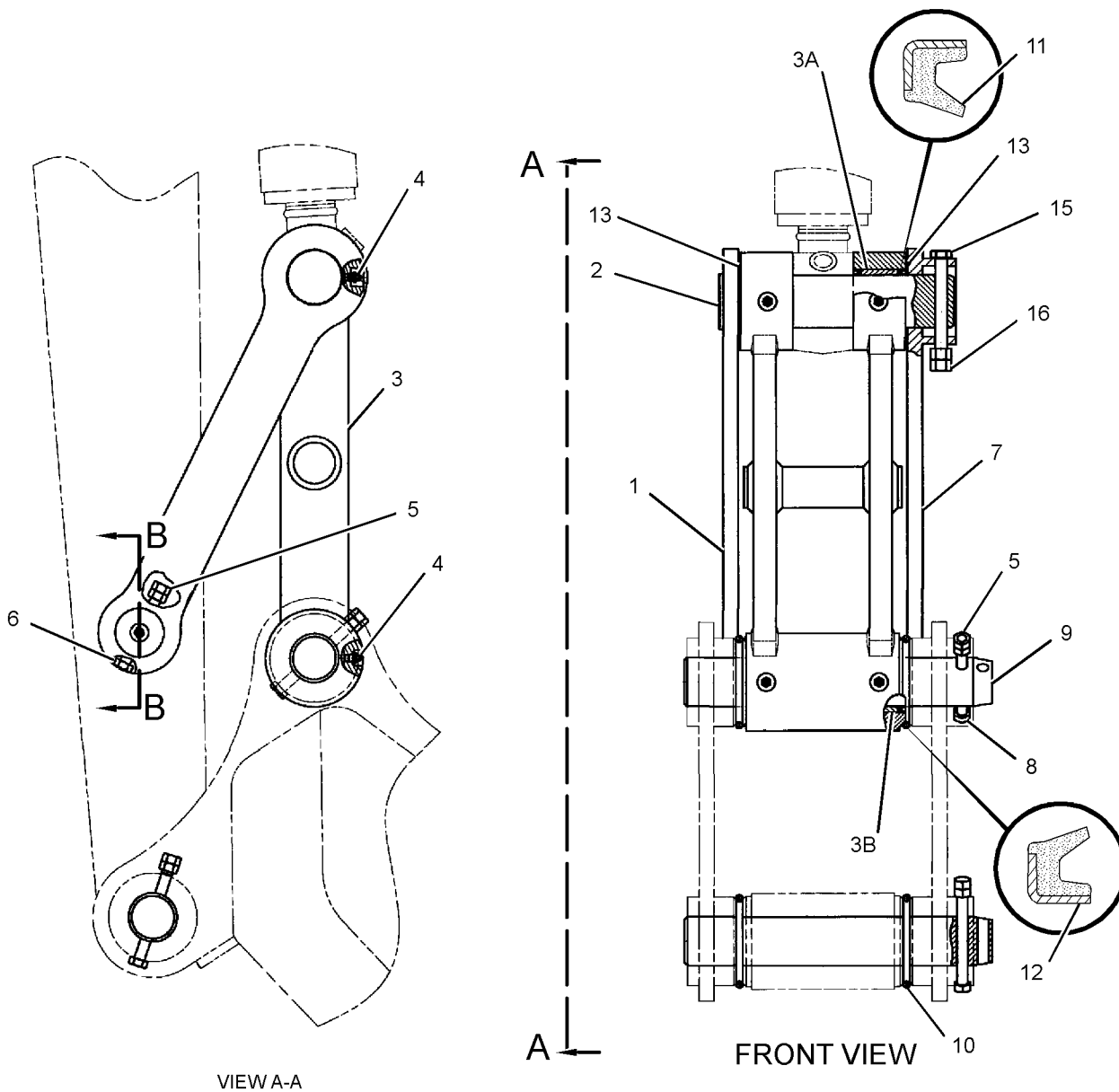
NOTE	REF NO	GRAPHIC REF	PART NUMBER	QTY	PART NAME						SEE PAGE
					1	2	3	4	5	6 (PRODUCT LEVEL)	
	1	1	248-7822	1	LINK						
	2	1	248-7820	1	PIN						
	3	1	248-7832	1	LINK & BEARING AS						
	3A	1	248-7835	2	BEARING-SLEEVE						
	3B	1	229-1092	2	BEARING-SLEEVE						
	4	1	3B-8489	5	FITTING-GREASE						
M	5	1	096-4876	6	NUT (M14X2-THD)						
M	6	1	099-0707	1	BOLT (M14X2X115-MM)						
	7	1	248-7823	1	LINK AS						
M	8	1	099-0724	2	BOLT (M14X2X145-MM)						
	9	1	086-0523	2	PIN						
	10	1	093-1342	4	SEAL-O-RING						
	11	1	235-7679	4	SEAL-LIP TYPE						
	12	1	248-7836	2	SEAL-LIP TYPE						
	13	1	166-1482	2	SHIM (2-MM THK)						
	14	1	7I-6843	1	PIN						
M	15	1	236-6365	1	BOLT (M16X2X150-MM)						
M	16	1	8T-4132	2	NUT (M16X2-THD)						

M-METRIC PART

IMPLEMENTS

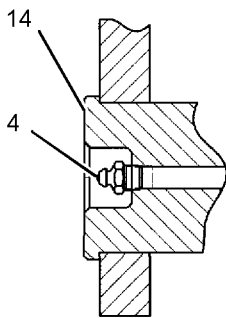
248-7831 LINKAGE GP-BUCKET (contd.)

i02548897



VIEW A-A

FRONT VIEW



SECTION B-B

<END>

GRAPHIC #1

g01209947

IMPLEMENTS

260-2288 LINKAGE GP-BUCKET-B1-FAMILY, WITH LIFTING EYE

S/N: MGG1-UP; JFZ1-UP

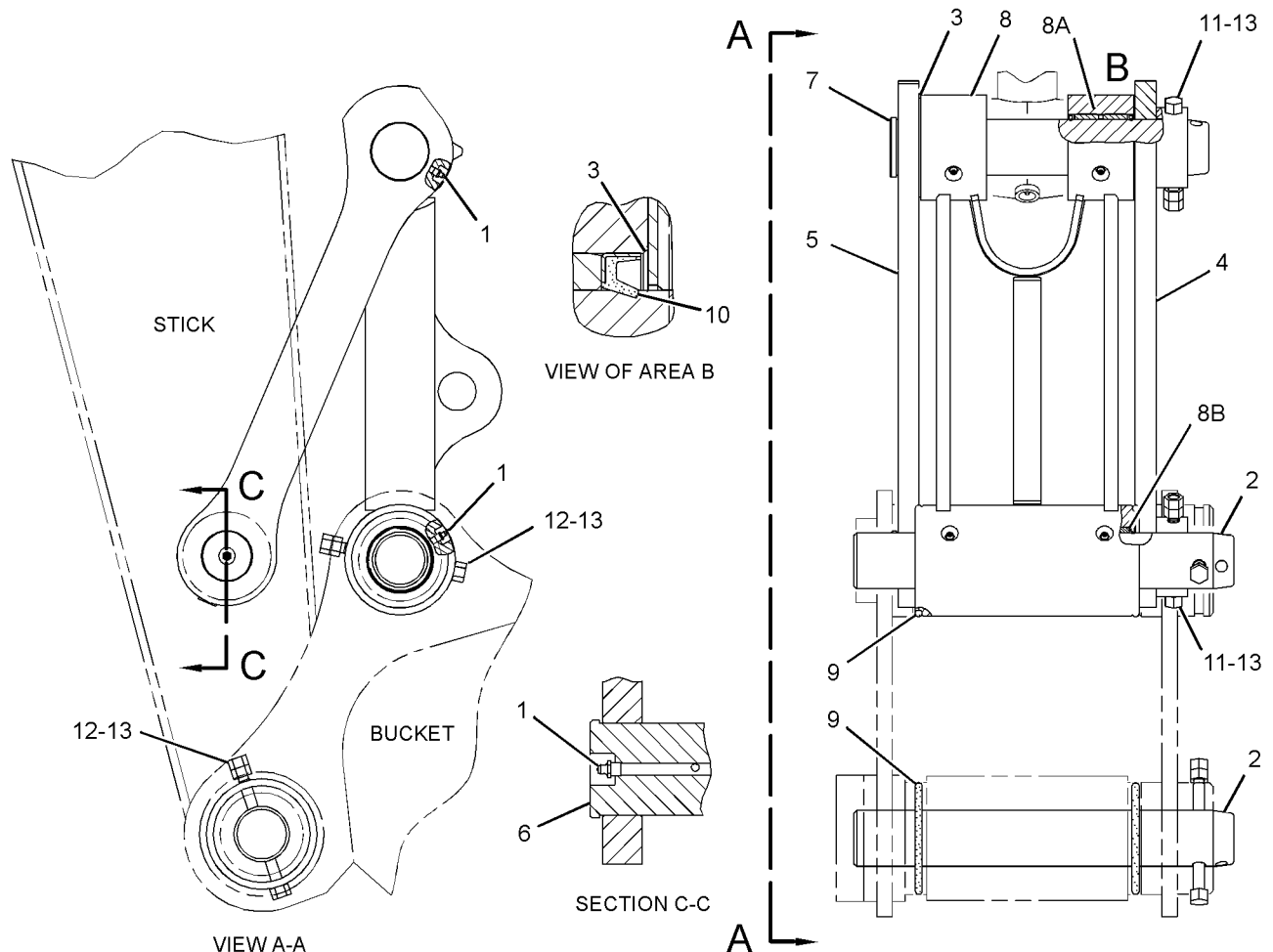
PART OF 240-3858, 240-3861 LINKAGE AR-BUCKET
AN ATTACHMENT

SMCS-6513

i03084611

NOTE	REF NO	GRAPHIC REF	PART NUMBER	QTY	PART NAME						SEE PAGE
					1	2	3	4	5	6 (PRODUCT LEVEL)	
	1	1	3B-8489	5	FITTING-GREASE						
	2	1	087-5805	2	PIN						
	3	1	166-1486	2	SHIM (2-MM THK)						
	4	1	244-4254	1	LINK AS						
	5	1	244-4255	1	LINK						
	6	1	254-3052	1	PIN						
	7	1	254-3053	1	PIN						
	8	1	260-2289	1	LINK & BEARING AS						
	8A	1	244-4360	2	BEARING-SLEEVE						
	8B	1	240-2912	2	BEARING-SLEEVE						
	9	1	093-1344	4	SEAL-O-RING						
	10	1	166-1494	6	SEAL-LIP TYPE						
M	11	1	236-6365	2	BOLT (M16X2X150-MM)						
M	12	1	188-2315	2	BOLT (M16X2X195-MM)						
M	13	1	8T-4132	8	NUT (M16X2-THD)						

M-METRIC PART



GRAPHIC #1

<END>

g01217608

IMPLEMENTS

116-9115 LOCK GP-TRANSPORT

S/N: MGG1-UP

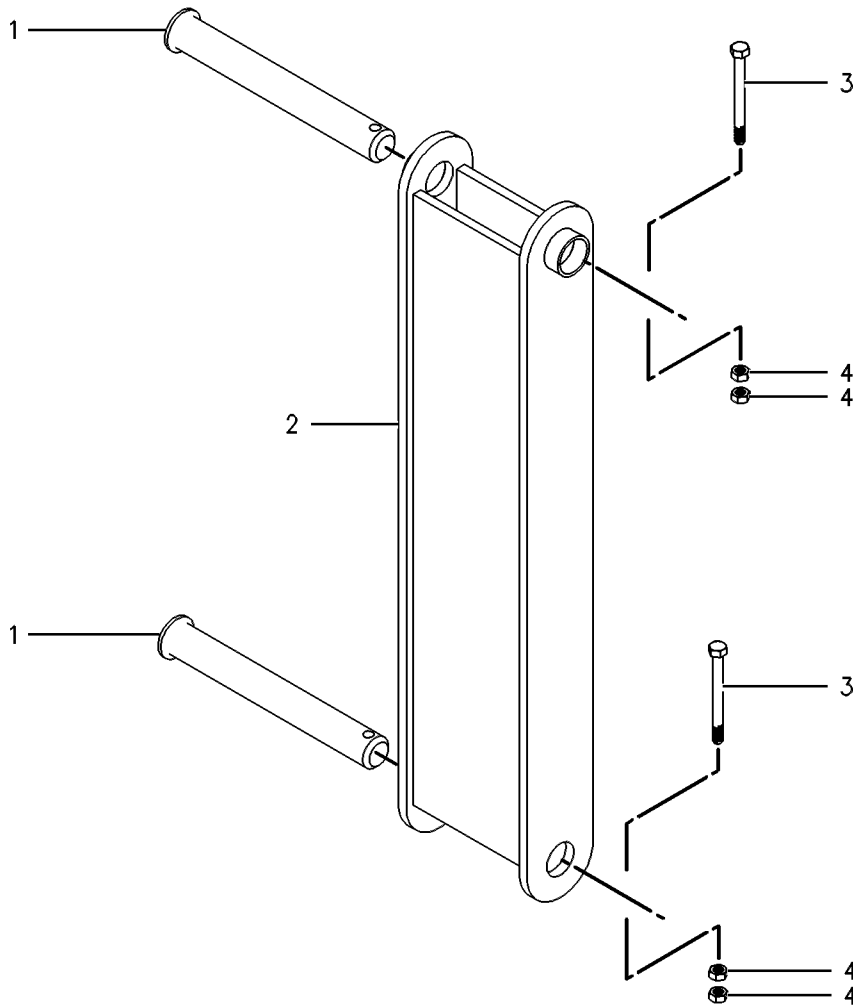
PART OF 302-9208 LINKAGE AR
AN ATTACHMENT

SMCS-7505

i01367159

NOTE	REF NO	GRAPHIC REF	PART NUMBER	QTY	PART NAME						SEE PAGE
					1	2	3	4	5	6 (PRODUCT LEVEL)	
	1	1	7Y-6649	2	PIN						
	2	1	7Y-6641	1	ROD AS						
M	3	1	8T-6466	2	BOLT (M10X1.5X60-MM)						
M	4	1	8T-4133	4	NUT (M10X1.5-THD)						

M-METRIC PART



GRAPHIC #1

<END>

g00287071

IMPLEMENTS**314-3727 STICK AR-HEAVY-DUTY, REACH**

S/N: MGG1-UP; JFZ1-UP

2.9-M (9.5-FT)

AN ATTACHMENT

SMCS-6502

i03106380

NOTE	PART NUMBER	QTY	PART NAME						SEE PAGE
			1	2	3	4	5	6 (PRODUCT LEVEL)	
Y	187-5693	1	LINES	GP	BUCKET	CYLINDER			438
Y	324-0966	1	STICK	GP	HOE				663
Y-SEPARATE ILLUSTRATION									

<END>

IMPLEMENTS**240-3851 STICK AR-HOE-REACH**

S/N: MGG1-UP; JFZ1-UP

2.9-M (9.5-FT). B1-FAMILY, HEAVY-DUTY
AN ATTACHMENT

SMCS-6502

i02527848

NOTE	PART NUMBER	QTY	PART NAME						SEE PAGE
			1	2	3	4	5	6 (PRODUCT LEVEL)	
Y	187-5693	1	LINES	GP	BUCKET	CYLINDER			438
Y	241-7303	1	STICK	GP	HOE				660
Y-SEPARATE ILLUSTRATION									

<END>

IMPLEMENTS**240-3854 STICK AR-HOE-REACH**

S/N: MGG1-UP; JFZ1-UP

2.5-M (8.2-FT). HEAVY-DUTY, B-FAMILY
AN ATTACHMENT

SMCS-6502

i02548267

NOTE	PART NUMBER	QTY	PART NAME						SEE PAGE
			1	2	3	4	5	6 (PRODUCT LEVEL)	
Y	260-8011	1	LINES	GP	BUCKET	CYLINDER			440
Y	241-7309	1	STICK	GP	HOE				661
Y-SEPARATE ILLUSTRATION									

<END>

IMPLEMENTS

230-0280 STICK GP-HOE-LONG REACH

S/N: MGG1-UP

6.28-M (20.6-FT)

PART OF 302-9208 LINKAGE AR

AN ATTACHMENT

SMCS-6502

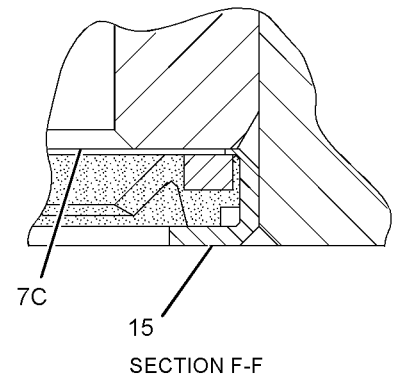
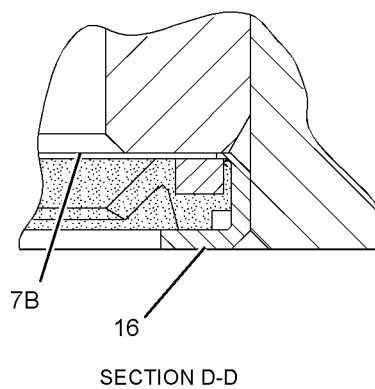
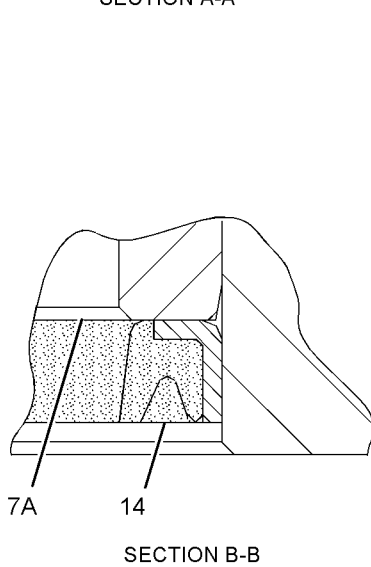
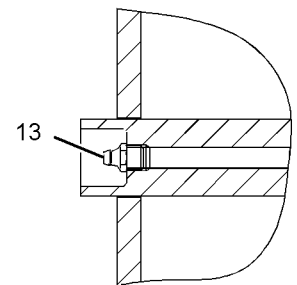
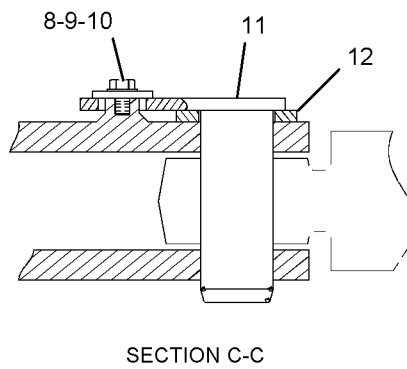
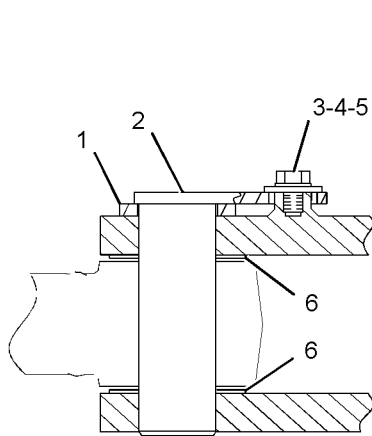
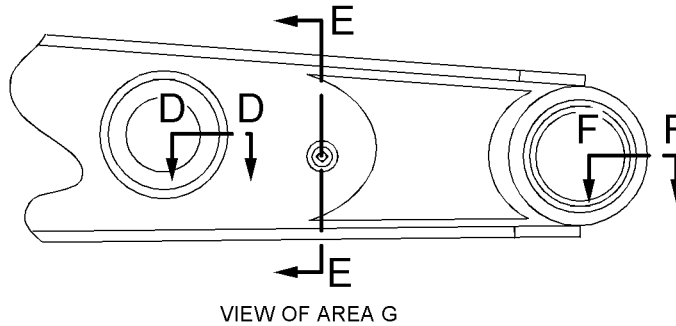
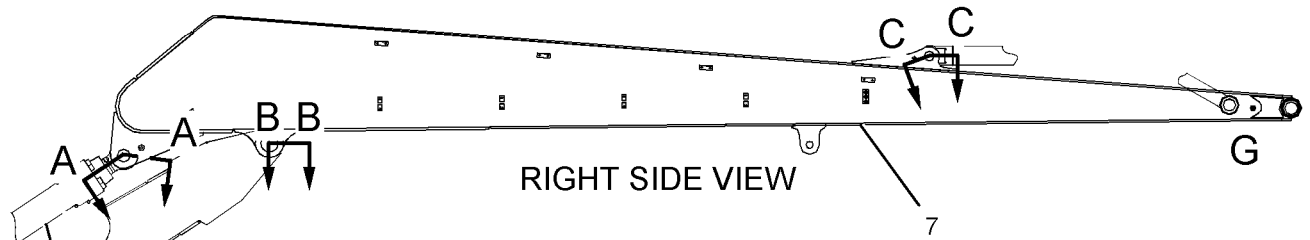
i02395184

NOTE	REF NO	GRAPHIC REF	PART NUMBER	QTY	PART NAME						SEE PAGE
					1	2	3	4	5	6 (PRODUCT LEVEL)	
	1	1	093-0363	1	SPACER (83X120X12-MM THK)						
	2	1	4I-4618	1	PIN AS						
M	3	1	8T-4780	1	BOLT (M20X2.5X30-MM)						
	4	1	093-0349	1	WASHER (22X60X6-MM THK)						
	5	1	8T-4123	1	WASHER (22X35X3.5-MM THK)						
	6	1	166-1486	2	SHIM (2-MM THK)						
	7	1	237-3106	1	STICK & BEARING AS						
	7A	1	244-4277	2	BEARING-SLEEVE						
	7B	1	229-1095	2	BEARING-SLEEVE						
	7C	1	229-1091	2	BEARING-SLEEVE						
M	8	1	8T-4179	1	BOLT (M12X1.75X20-MM)						
	9	1	5I-3523	1	WASHER (14X50X6-MM THK)						
	10	1	8T-4223	1	WASHER-HARD (13.5X25.5X3-MM THK)						
	11	1	7Y-6627	1	PIN AS						
	12	1	093-0357	1	WASHER (63X100X9-MM THK)						
	13	1	3B-8489	1	FITTING-GREASE						
	14	1	166-1495	2	SEAL-LIP TYPE						
	15	1	096-0131	2	SEAL-LIP TYPE						
	16	1	093-1433	2	SEAL-LIP TYPE						
M-METRIC PART											

IMPLEMENTS

230-0280 STICK GP-HOE (contd.)

i02395184



GRAPHIC #1

<END>

g01143618

IMPLEMENTS

241-7303 STICK GP-HOE-AUXILIARY, COUPLER

S/N: MGG1-UP; JFZ1-UP

2.9-M (9.5-FT)

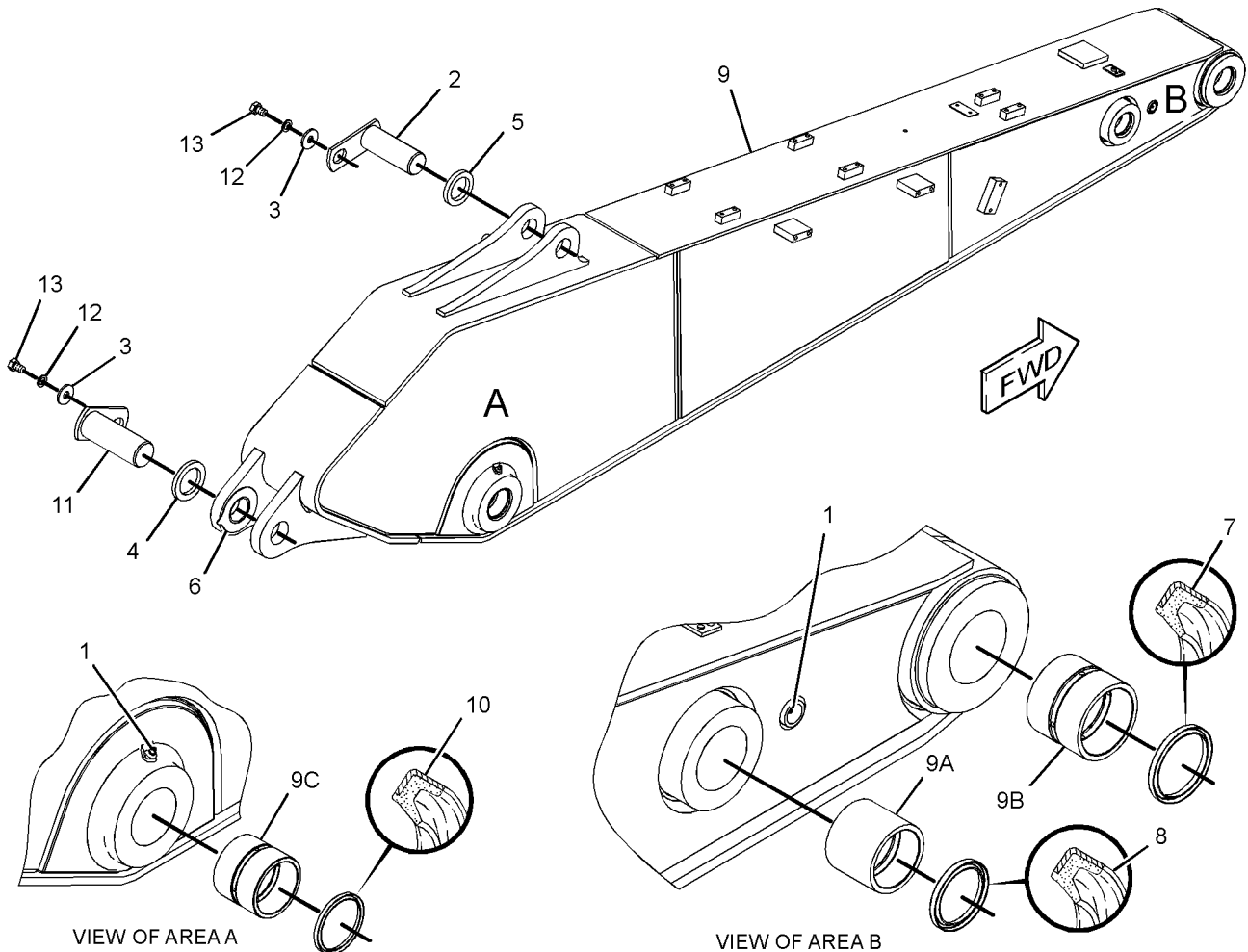
PART OF 240-3851 STICK AR-HOE
AN ATTACHMENT

SMCS-6502

i02527849

NOTE	REF NO	GRAPHIC REF	PART NUMBER	QTY	PART NAME						SEE PAGE
					1	2	3	4	5	6 (PRODUCT LEVEL)	
	1	1	3B-8489	3	FITTING-GREASE						
	2	1	4I-4811	1	PIN AS						
	3	1	093-0349	2	WASHER (22X60X6-MM THK)						
	4	1	093-0363	1	SPACER (83X120X12-MM THK)						
	5	1	118-5982	1	SPACER (73X105X14-MM THK)						
	6	1	166-1486	2	SHIM (2-MM THK)						
	7	1	166-1494	2	SEAL-LIP TYPE						
	8	1	235-7679	2	SEAL-LIP TYPE						
	9	1	241-7304	1	STICK & BEARING AS						
	9A	1	229-1096	2	BEARING-SLEEVE						
	9B	1	240-2913	2	BEARING-SLEEVE						
	9C	1	244-4277	2	BEARING-SLEEVE						
	10	1	166-1495	2	SEAL-LIP TYPE						
	11	1	4I-4809	1	PIN AS						
	12	1	8T-4123	2	WASHER (22X35X3.5-MM THK)						
M	13	1	8T-4780	2	BOLT (M20X2.5X30-MM)						

M-METRIC PART



GRAPHIC #1

<END>

g01217069

IMPLEMENTS

241-7309 STICK GP-HOE-REACH

S/N: MGG1-UP; JFZ1-UP

2.5-M (8.2-FT)

PART OF 240-3854 STICK AR-HOE

AN ATTACHMENT

SMCS-6502

i02548268

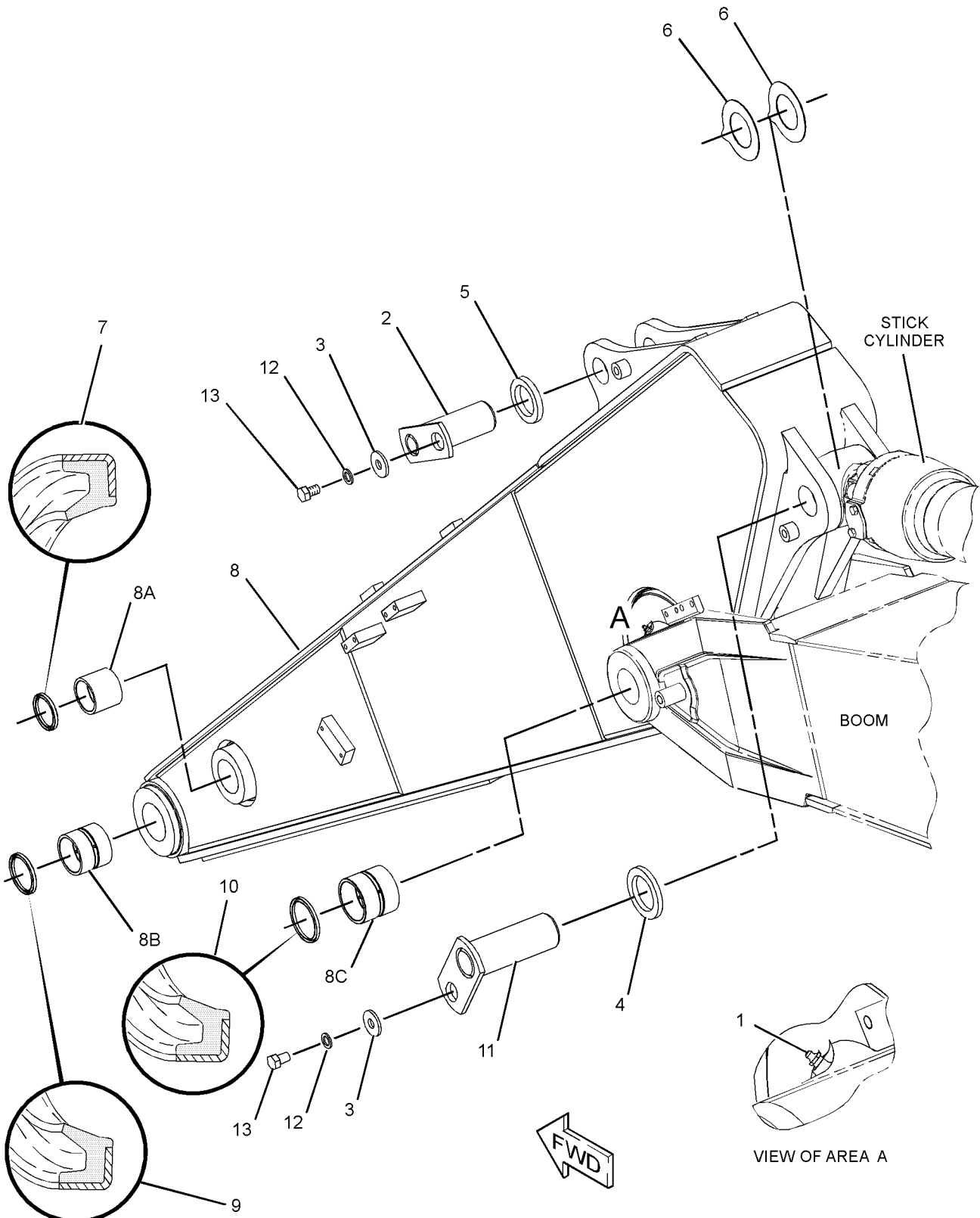
NOTE	REF NO	GRAPHIC REF	PART NUMBER	QTY	PART NAME						SEE PAGE
					1	2	3	4	5	6 (PRODUCT LEVEL)	
	1	1	3B-8489	3	FITTING-GREASE						
	2	1	4I-4811	1	PIN AS						
	3	1	093-0349	2	WASHER (22X60X6-MM THK)						
	4	1	093-0363	1	SPACER (83X120X12-MM THK)						
	5	1	118-5982	1	SPACER (73X105X14-MM THK)						
	6	1	166-1486	2	SHIM (2-MM THK)						
	7	1	235-7679	2	SEAL-LIP TYPE						
	8	1	284-7325	1	STICK & BEARING AS						
	8A	1	229-1096	2	BEARING-SLEEVE						
	8B	1	240-2913	2	BEARING-SLEEVE						
	8C	1	244-4277	2	BEARING-SLEEVE						
	9	1	166-1494	2	SEAL-LIP TYPE						
	10	1	166-1495	2	SEAL-LIP TYPE						
	11	1	4I-4809	1	PIN AS						
	12	1	8T-4123	2	WASHER (22X35X3.5-MM THK)						
M	13	1	8T-4780	2	BOLT (M20X2.5X30-MM)						

M-METRIC PART

IMPLEMENTS

241-7309 STICK GP-HOE (contd.)

i02548268



GRAPHIC #1

<END>

g01231476

IMPLEMENTS

324-0966 STICK GP-HOE

S/N: MGG1-UP; JFZ1-UP

2.9-M (9.5-FT) REACH

PART OF 314-3727 STICK AR

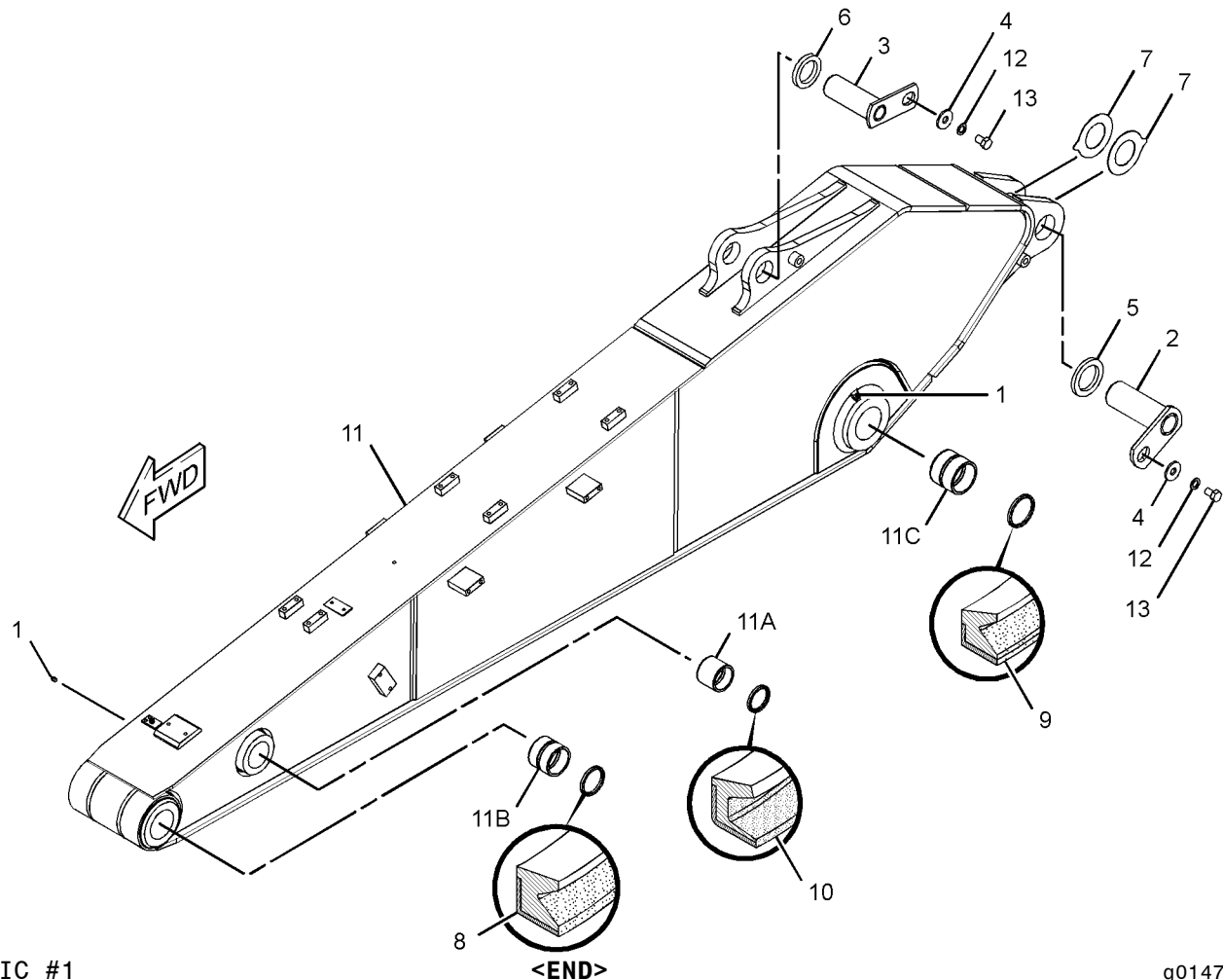
AN ATTACHMENT

SMCS-6502

i03106579

NOTE	REF NO	GRAPHIC REF	PART NUMBER	QTY	PART NAME						SEE PAGE
					1	2	3	4	5	6 (PRODUCT LEVEL)	
	1	1	3B-8489	3	FITTING-GREASE						
	2	1	4I-4809	1	PIN AS						
	3	1	4I-4811	1	PIN AS						
	4	1	093-0349	2	WASHER (22X60X6-MM THK)						
	5	1	093-0363	1	SPACER (83X120X12-MM THK)						
	6	1	118-5982	1	SPACER (73X105X14-MM THK)						
	7	1	166-1486	2	SHIM (2-MM THK)						
	8	1	166-1494	2	SEAL-LIP TYPE						
	9	1	166-1495	2	SEAL-LIP TYPE						
	10	1	235-7679	2	SEAL-LIP TYPE						
	11	1	324-0968	1	STICK & BEARING AS						
	11A	1	229-1096	2	BEARING-SLEEVE						
	11B	1	240-2913	2	BEARING-SLEEVE						
	11C	1	244-4277	2	BEARING-SLEEVE						
	12	1	8T-4123	2	WASHER (22X35X3.5-MM THK)						
M	13	1	8T-4780	2	BOLT (M20X2.5X30-MM)						

M-METRIC PART



GRAPHIC #1

<END>

g01475955

WORK TOOLS**7Y-2219 ADJUSTER GP-BUCKET**

S/N: MGG1-UP; JFZ1-UP

B-FAMILY

PART OF 251-3871, 287-6241, 287-6242, 287-6243, 287-6244, 287-6245 BUCKET &
ADJUSTER GP

AN ATTACHMENT

SMCS-6513, 6700

i02047204

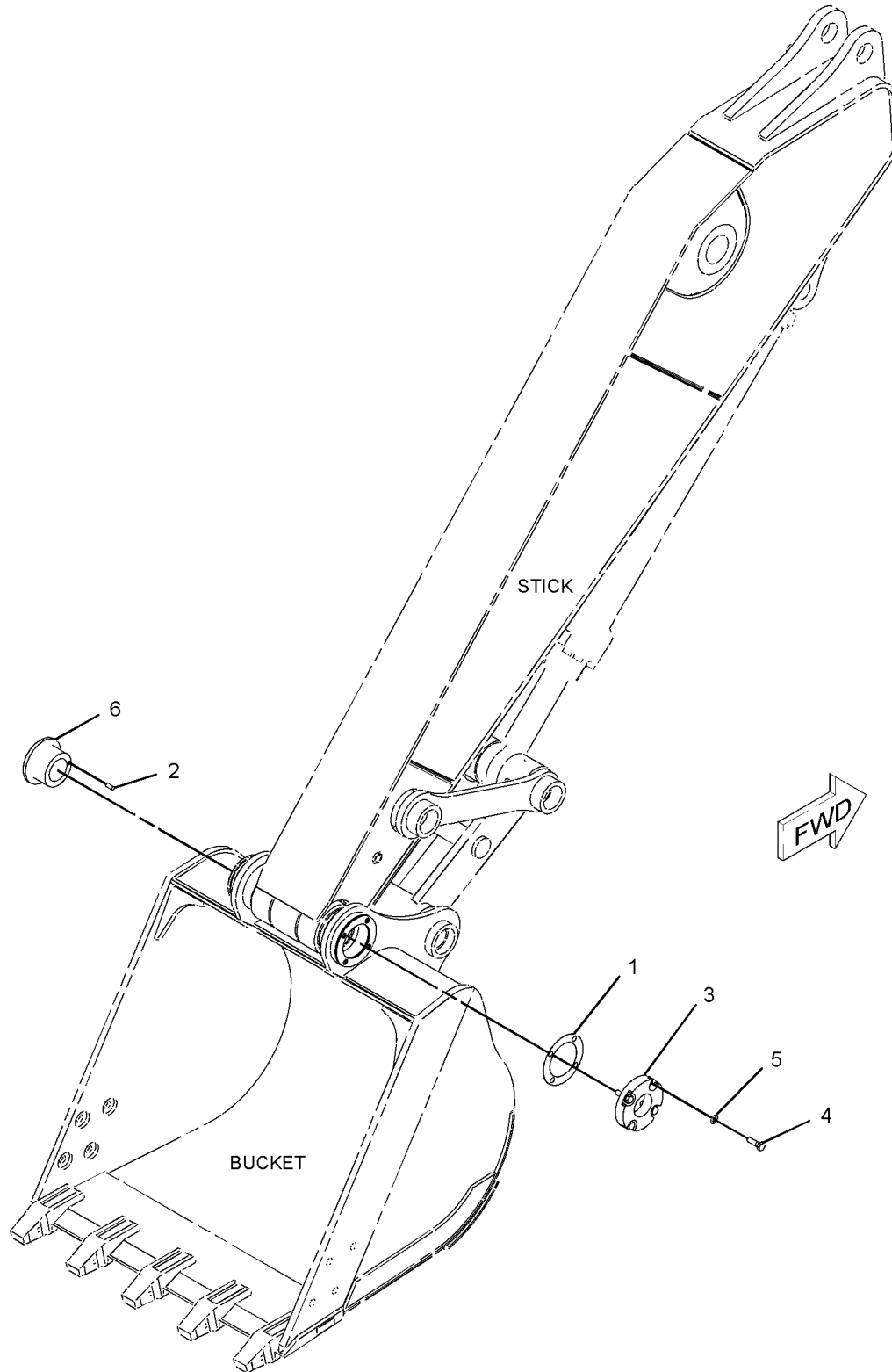
NOTE	REF NO	GRAPHIC REF	PART NUMBER	QTY	PART NAME						SEE PAGE
					1	2	3	4	5	6 (PRODUCT LEVEL)	
B	1	1	086-0321	4	SHIM (0.5-MM THK)						
B		1	086-0322	6	SHIM (1-MM THK)						
	2	1	193-5014	1	PIN						
	3	1	134-8948	1	PLATE						
M	4	1	8T-4193	4	BOLT (M16X2X50-MM)						
	5	1	9X-8257	4	WASHER (17.5X30X3.5-MM THK)						
	6	1	193-5015	1	FLANGE						

B-USE AS REQUIRED
M-METRIC PART

WORK TOOLS

7Y-2219 ADJUSTER GP-BUCKET (contd.)

i02047204



GRAPHIC #1

<END>

g01050035

WORK TOOLS

250-6418 ADJUSTER GP-BUCKET-CB-FAMILY

S/N: MGG1-UP; JFZ1-UP

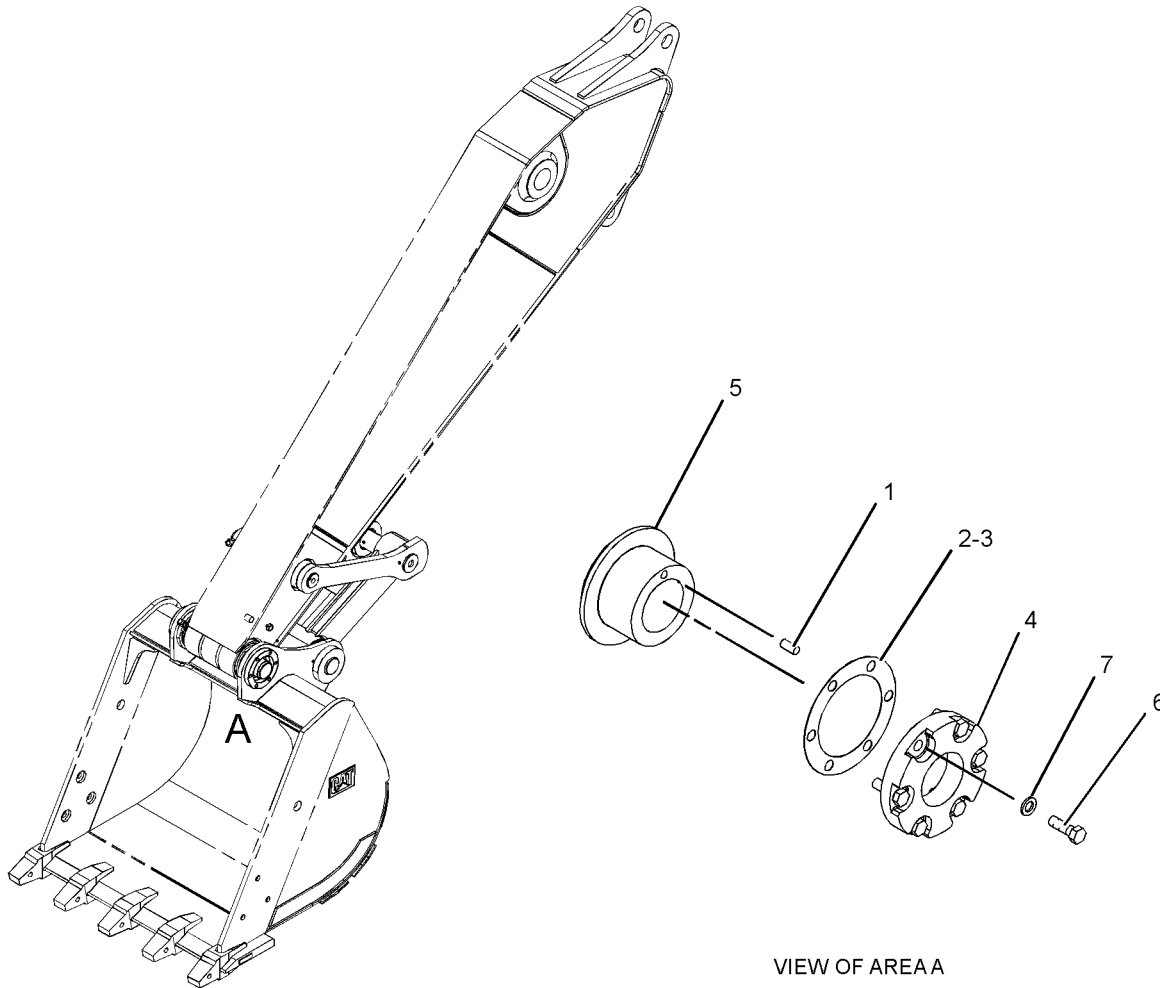
PART OF 239-2696 BUCKET & ADJUSTER GP
AN ATTACHMENT

SMCS-6513, 6700

i02536623

NOTE	REF NO	GRAPHIC REF	PART NUMBER	QTY	PART NAME						SEE PAGE
					1	2	3	4	5	6 (PRODUCT LEVEL)	
	1	1	087-5974	1	PIN						
B	2	1	087-5975	4	SHIM (0.5-MM THK)						
B	3	1	087-5976	6	SHIM (1-MM THK)						
	4	1	134-8950	1	PLATE						
	5	1	250-6417	1	FLANGE						
M	6	1	8T-4193	6	BOLT (M16X2X50-MM)						
	7	1	9X-8257	6	WASHER (17.5X30X3.5-MM THK)						

B-USE AS REQUIRED
M-METRIC PART



VIEW OF AREA A

GRAPHIC #1

<END>

g01218311

WORK TOOLS**239-2696 BUCKET & ADJUSTER GP**

S/N: MGG1-UP; JFZ1-UP

1420-MM (55.9-IN) WIDE X 1.2-CU M (1.57-CU YD) CAPACITY. CB-FAMILY,
 J-400 ADAPTERS
 AN ATTACHMENT

SMCS-6503, 6513

i02874418

NOTE	PART NUMBER	QTY	PART NAME						SEE PAGE
			1	2	3	4	5	6 (PRODUCT LEVEL)	
Y	250-6418	1	ADJUSTER GP-BUCKET						666
Y	239-2697	1	BUCKET AS-EXCAVATION						676
Y-SEPARATE ILLUSTRATION									

<END>

WORK TOOLS**251-3871 BUCKET & ADJUSTER GP-EXCAVATION, B-FAMILY**

S/N: MGG1-UP

1200-MM (47.2-IN) WIDE X 1.1-CU M (1.4-CU YD) CAPACITY. K-80 ADAPTERS, (5X)

PART OF 287-6049 BUCKET AR-EXCAVATION

AN ATTACHMENT

SMCS-6503, 6513

i03144565

NOTE	PART NUMBER	QTY	PART NAME						SEE PAGE
			1	2	3	4	5	6 (PRODUCT LEVEL)	
Y	7Y-2219	1	ADJUSTER GP-BUCKET (B-FAMILY)						664
Y	251-3923	1	BUCKET AS-EXCAVATION (B-FAMILY)						677
	2C-9259	2	PLATE-IDENTIFICATION (CAT)						
Y-SEPARATE ILLUSTRATION									

<END>

WORK TOOLS**287-6241 BUCKET & ADJUSTER GP-HEAVY-DUTY, B-FAMILY**

S/N: MGG1-UP; JFZ1-UP

1080-MM (42-IN) WIDE X 1.0-CU M (1.31-CU YD) CAPACITY. J-350 ADAPTERS
AN ATTACHMENT

SMCS-6503, 6513

i02874445

NOTE	PART NUMBER	QTY	PART NAME						SEE PAGE
			1	2	3	4	5	6 (PRODUCT LEVEL)	
Y	7Y-2219	1	ADJUSTER GP-BUCKET (B-FAMILY)						664
Y	287-6246	1	BUCKET AS-HEAVY DUTY						681
Y-SEPARATE ILLUSTRATION									

<END>

WORK TOOLS**287-6242 BUCKET & ADJUSTER GP-HEAVY-DUTY , B-FAMILY**

S/N: MGG1-UP; JFZ1-UP

1232-MM (49-IN) WIDE X 1.19-CU M (1.55-CU YD) CAPACITY. J-350 ADAPTERS, (6X)
AN ATTACHMENT

SMCS-6503, 6513

i02820141

NOTE	PART NUMBER	QTY	PART NAME						SEE PAGE
			1	2	3	4	5	6 (PRODUCT LEVEL)	
Y	287-6248	1	BUCKET AS-HEAVY DUTY						682
Y	7Y-2219	1	ADJUSTER GP-BUCKET (B-FAMILY)						664
Y-SEPARATE ILLUSTRATION									

<END>

WORK TOOLS**287-6243 BUCKET & ADJUSTER GP-
HEAVY-DUTY ROCK, B-FAMILY**

S/N: MGG1-UP; JFZ1-UP

1080-MM (43-IN) WIDE X 1-CU M (1.31 CU YD) CAPACITY. J-350 ADAPTERS, (5X)
AN ATTACHMENT

SMCS-6503, 6513

i02874419

NOTE	PART NUMBER	QTY	PART NAME						SEE PAGE
			1	2	3	4	5	6 (PRODUCT LEVEL)	
Y	7Y-2219	1	ADJUSTER GP-BUCKET (B-FAMILY)						664
Y	287-6247	1	BUCKET AS-HEAVY DUTY ROCK						683
Y-SEPARATE ILLUSTRATION									

<END>

WORK TOOLS**287-6244 BUCKET & ADJUSTER GP-**

GENERAL PURPOSE, B-FAMILY

S/N: MGG1-UP; JFZ1-UP

1232-MM (49-IN) WIDE X 1.0-CU M (1.31-CU YD) CAPACITY. J-350 ADAPTERS, (6X)
AN ATTACHMENT

SMCS-6503, 6513

i02874421

NOTE	PART NUMBER	QTY	PART NAME						SEE PAGE
			1	2	3	4	5	6 (PRODUCT LEVEL)	
Y	7Y-2219	1	ADJUSTER GP-BUCKET (B-FAMILY)						664
Y	287-6249	1	BUCKET AS-GENERAL PURPOSE						679
Y-SEPARATE ILLUSTRATION									

<END>

WORK TOOLS**287-6245 BUCKET & ADJUSTER GP-**

GENERAL PURPOSE, B-FAMILY

S/N: MGG1-UP; JFZ1-UP

1232-MM (49-IN) WIDE X 0.90-CU M (1.18-CU YD) CAPACITY. J-350 ADAPTERS, (6X)
AN ATTACHMENT

SMCS-6503, 6513

i02874427

NOTE	PART NUMBER	QTY	PART NAME						SEE PAGE
			1	2	3	4	5	6 (PRODUCT LEVEL)	
Y	7Y-2219	1	ADJUSTER GP-BUCKET (B-FAMILY)						664
Y	287-6250	1	BUCKET AS-GENERAL PURPOSE						680
Y-SEPARATE ILLUSTRATION									

<END>

WORK TOOLS**287-6049 BUCKET AR-EXCAVATION-B-FAMILY**

S/N: MGG1-UP

1200-MM (47.2-IN) WIDE X 1.1-CU M (1.4-CU YD) CAPACITY
AN ATTACHMENT

SMCS-6523

i03144472

NOTE	PART NUMBER	QTY	PART NAME						SEE PAGE
			1	2	3	4	5	6 (PRODUCT LEVEL)	
Y	251-3871	1	BUCKET & ADJUSTER GP (EXCAVATION, B-FAMILY)						668
Y	229-6966	5	TIP GP-PENETRATION PLUS (K-80)						696
Y-SEPARATE ILLUSTRATION									

<END>

WORK TOOLS

121-1807 BUCKET AS-DITCH CLEANING

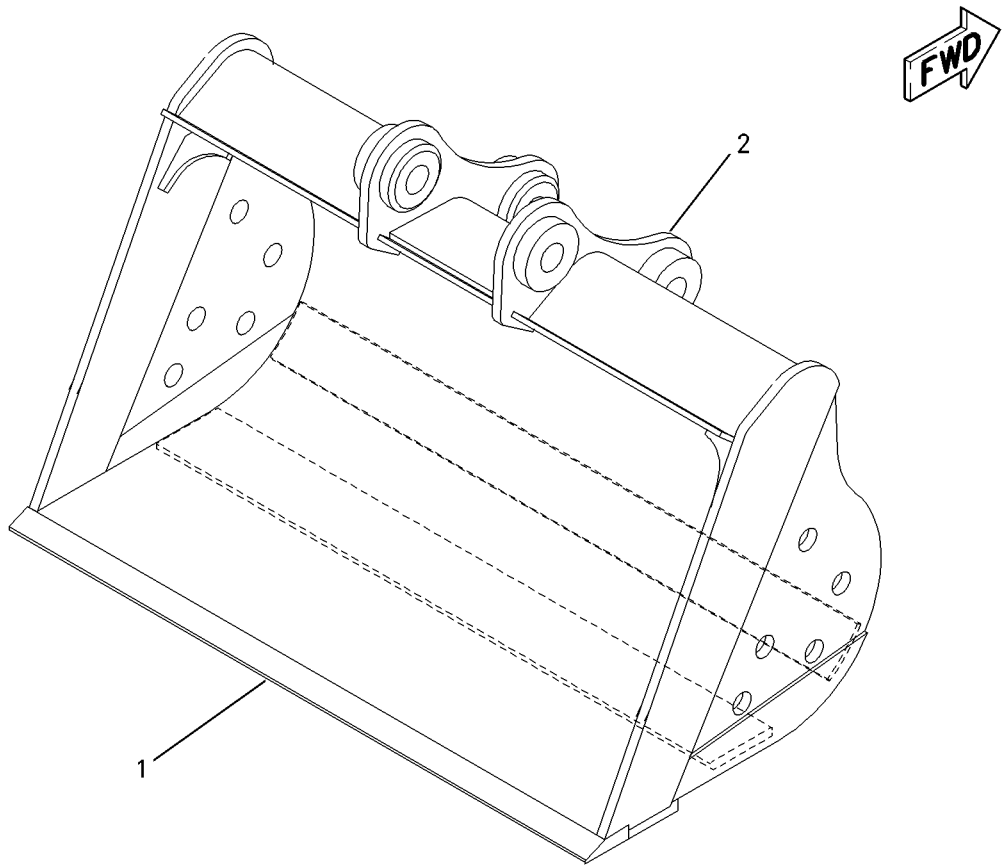
S/N: MGG1-UP

0.6 CU M (0.78 CU YD) CAPACITY
AN ATTACHMENT

SMCS-6526

i01364747

NOTE	REF NO	GRAPHIC REF	PART NUMBER	QTY	PART NAME						SEE PAGE
					1	2	3	4	5	6 (PRODUCT LEVEL)	
	1	1	7Y-6601	1	EDGE						
	2	1	121-1811	1	PLATE AS						



GRAPHIC #1

<END>

g00721029

WORK TOOLS

239-2697 BUCKET AS-EXCAVATION-CB-FAMILY

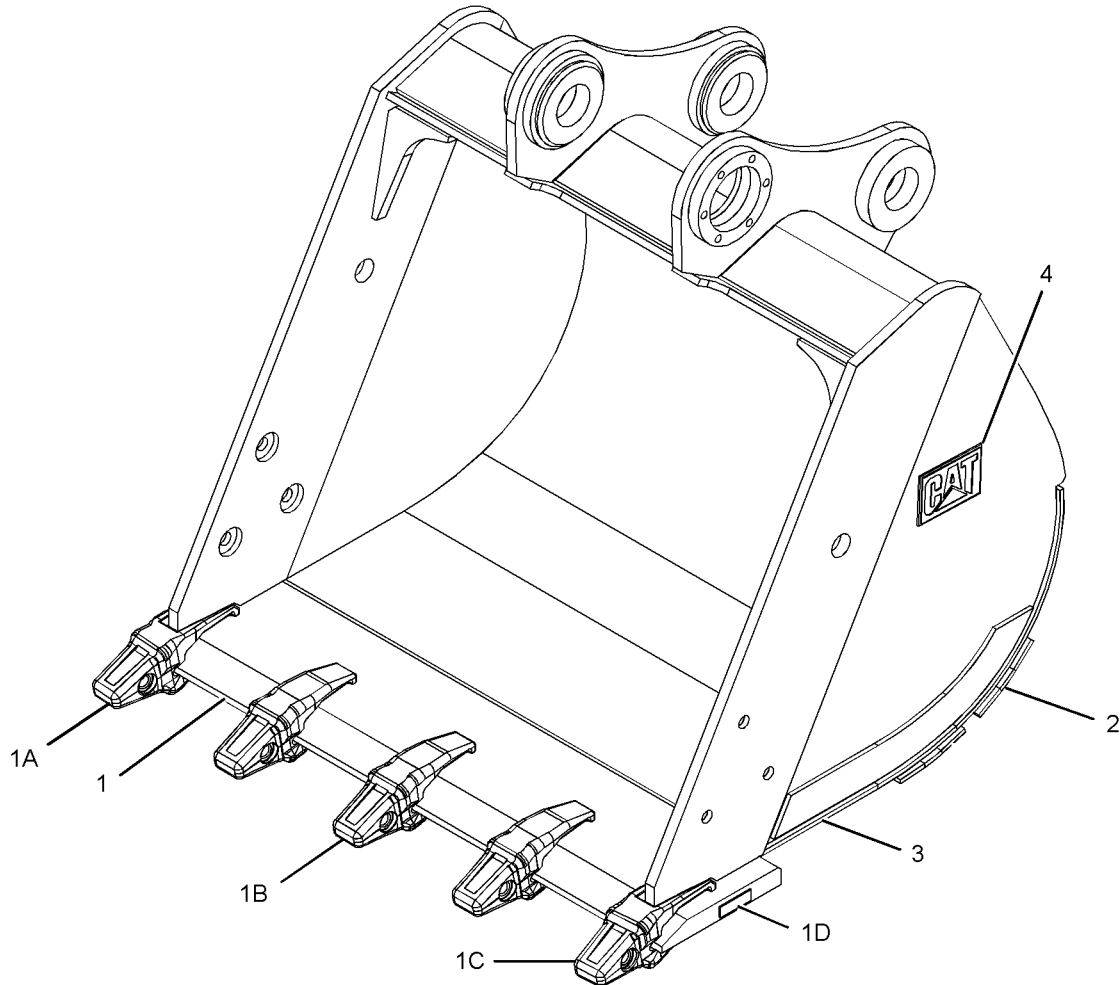
S/N: MGG1-UP; JFZ1-UP

1435-MM (56-IN) WIDE X 1.2-CU M (1.6-CU YD) CAPACITY. J-400 ADAPTERS, (5X)
PART OF 239-2696 BUCKET & ADJUSTER GP
AN ATTACHMENT

SMCS-6523

i02878062

NOTE	REF NO	GRAPHIC REF	PART NUMBER	QTY	PART NAME						SEE PAGE
					1	2	3	4	5	6 (PRODUCT LEVEL)	
	1	1	255-0475	1	EDGE AS						
	1A	1	6I-6406	1	ADAPTER-TIP (J-400, 2-STRAP, LH)						
	1B	1	6I-6404	3	ADAPTER-TIP (J-400, 2-STRAP, CENTER)						
	1C	1	6I-6405	1	ADAPTER-TIP (J-400, 2-STRAP, RH)						
	1D	1	8P-9770	1	PLATE						
	2	1	255-0478	2	PLATE-WEAR						
	3	1	255-0479	1	PLATE-REINFORCEMENT						
	4	1	2C-9259	2	PLATE-IDENTIFICATION (CAT)						



GRAPHIC #1

<END>

g01433034

WORK TOOLS

251-3923 BUCKET AS-EXCAVATION-B-FAMILY

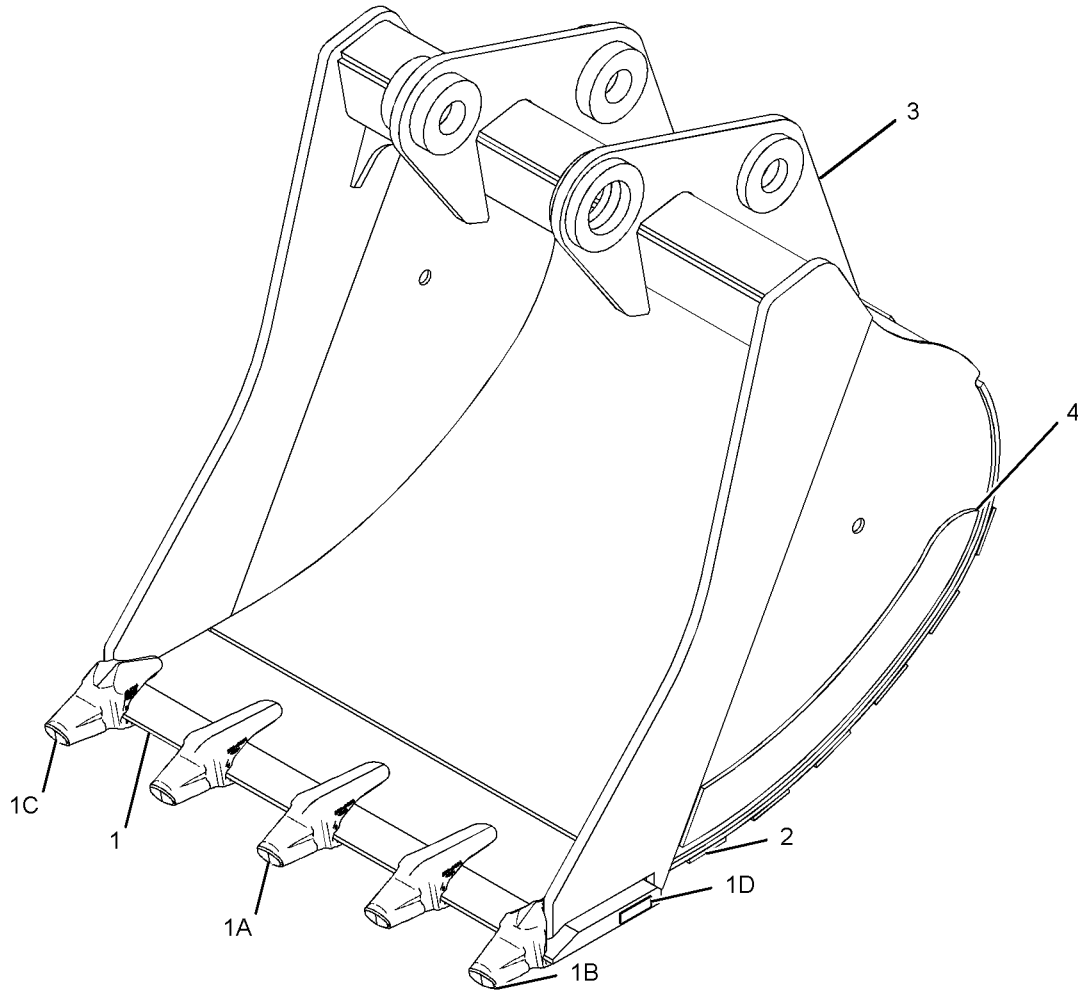
S/N: MGG1-UP

1200-MM (47.2-IN) WIDE X 1.1-CU M (1.4-CU YD) CAPACITY. K-80 ADAPTERS, (5X)
PART OF 251-3871 BUCKET & ADJUSTER GP
AN ATTACHMENT

SMCS-6523

i03144624

NOTE	REF NO	GRAPHIC REF	PART NUMBER	QTY	PART NAME						SEE PAGE
					1	2	3	4	5	6 (PRODUCT LEVEL)	
	1	1	251-8663	1	EDGE AS						
	1A	1	220-9084	3	ADAPTER-TIP (K-80, 2-STRAP, CENTER)						
	1B	1	220-9085	1	ADAPTER-TIP (K-80, 2-STRAP, RH)						
	1C	1	220-9086	1	ADAPTER-TIP (K-80, 2-STRAP, LH)						
	1D	1	8P-9770	1	PLATE						
	2	1	251-8674	6	PLATE-WEAR						
	3	1	251-8684	1	PLATE AS-BOX						
	4	1	251-3523	2	PLATE-WEAR						



GRAPHIC #1

<END>

g01618677

WORK TOOLS

7Y-6660 BUCKET AS-GENERAL PURPOSE

S/N: MGG1-UP; JFZ1-UP

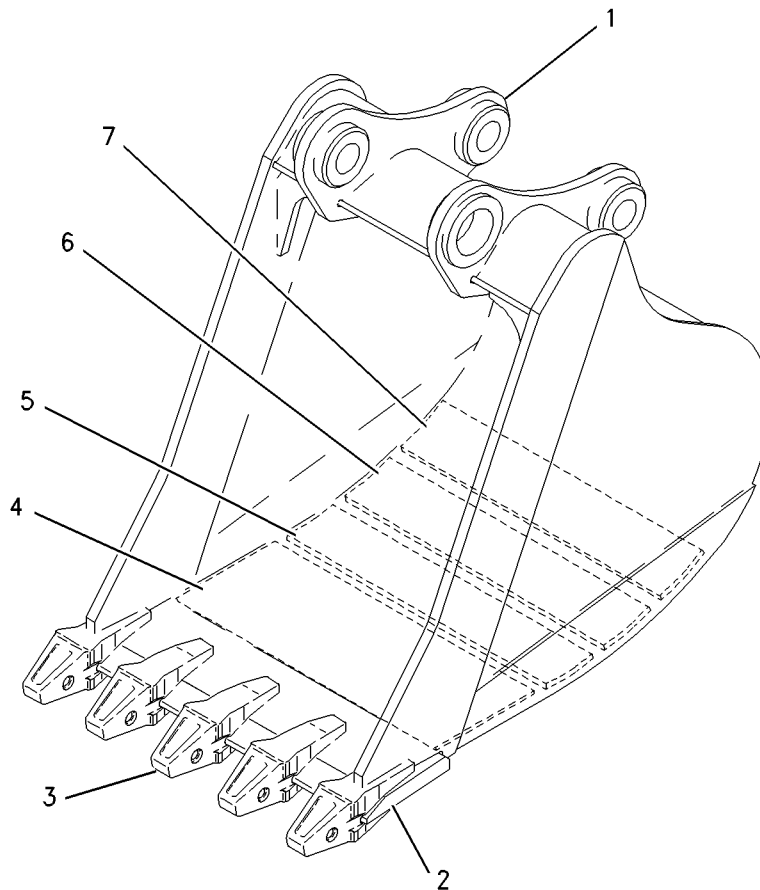
.45 CU M (.59 CU YD) CAPACITY

PART OF 7Y-6402 BUCKET GP-LIGHT MATERIAL
AN ATTACHMENT

SMCS-6101

i01364794

NOTE	REF NO	GRAPHIC REF	PART NUMBER	QTY	PART NAME						SEE PAGE
					1	2	3	4	5	6 (PRODUCT LEVEL)	
	1	1	7Y-6661	1	PLATE AS						
	2	1	7Y-6664	1	EDGE AS						
	3	1	119-3253	5	ADAPTER-TIP (J-250, 2-STRAP, CENTER)						
	4	1	7Y-6665	1	PLATE						
	5	1	7Y-6666	1	PLATE						
	6	1	7Y-6667	1	PLATE						
	7	1	7Y-6668	1	PLATE						



GRAPHIC #1

<END>

g00720852

WORK TOOLS

287-6249 BUCKET AS-GENERAL PURPOSE-B-FAMILY

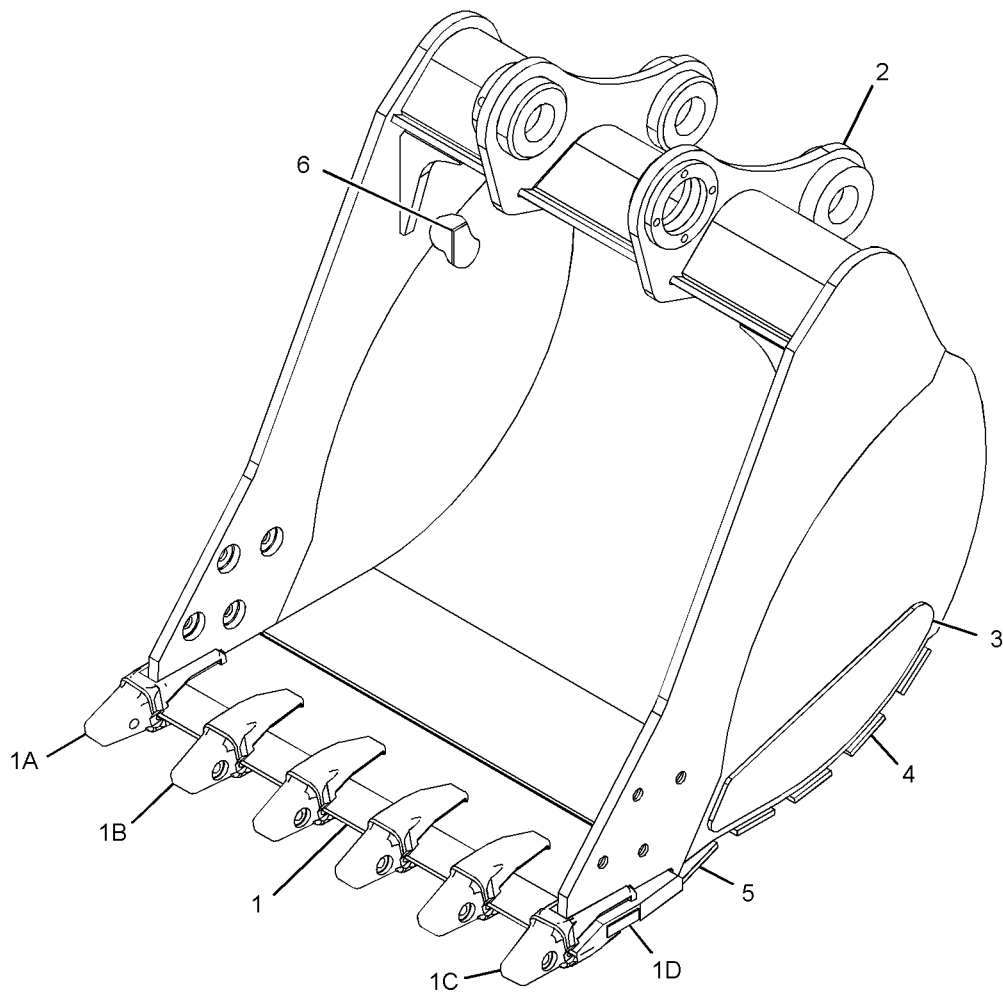
S/N: MGG1-UP; JFZ1-UP

1232-MM (49-IN) WIDE X 1-CU M (1.31-CU YD) CAPACITY. J-350 ADAPTERS, (6X)
PART OF 287-6244 BUCKET & ADJUSTER GP
AN ATTACHMENT

SMCS-6101

i02878080

NOTE	REF NO	GRAPHIC REF	PART NUMBER	QTY	PART NAME						SEE PAGE
					1	2	3	4	5	6 (PRODUCT LEVEL)	
	1	1	129-5714	1	EDGE AS						
	1A	1	6I-6356	1	ADAPTER-TIP (J-350, 2-STRAP, LH)						
	1B	1	6I-6354	4	ADAPTER-TIP (J-350, 2-STRAP, CENTER)						
	1C	1	6I-6355	1	ADAPTER-TIP (J-350, 2-STRAP, RH)						
	1D	1	8P-9770	1	PLATE						
	2	1	290-5930	1	PLATE AS-BOX						
	3	1	293-5677	2	PLATE-WEAR						
	4	1	293-5678	4	PLATE-WEAR						
	5	1	262-3840	1	PLATE-REINFORCEMENT						
	6	1	2C-9259	1	PLATE-IDENTIFICATION (CAT)						



GRAPHIC #1

<END>

g01433814

WORK TOOLS

287-6250 BUCKET AS-GENERAL PURPOSE-B-FAMIL

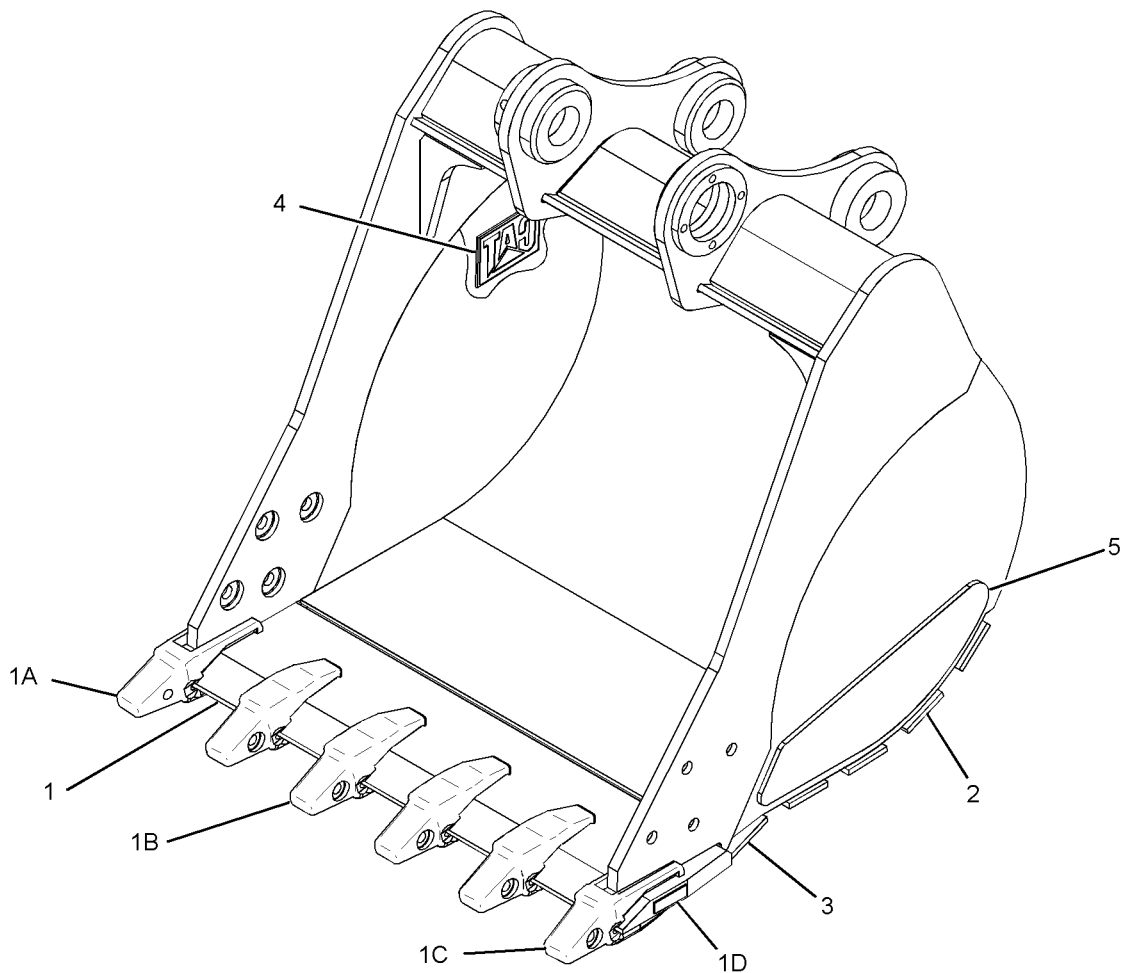
S/N: MGG1-UP; JFZ1-UP

1232-MM (49-IN) WIDE X 0.90-CU M (1.18-CU YD) CAPACITY. J-350 ADAPTERS, (6X)
PART OF 287-6245 BUCKET & ADJUSTER GP
AN ATTACHMENT

SMCS-6101

i02875087

NOTE	REF NO	GRAPHIC REF	PART NUMBER	QTY	PART NAME						SEE PAGE
					1	2	3	4	5	6 (PRODUCT LEVEL)	
	1	1	129-5714	1	EDGE AS						
	1A	1	6I-6356	1	ADAPTER-TIP (J-350, 2-STRAP, LH)						
	1B	1	6I-6354	4	ADAPTER-TIP (J-350, 2-STRAP, CENTER)						
	1C	1	6I-6355	1	ADAPTER-TIP (J-350, 2-STRAP, RH)						
	1D	1	8P-9770		PLATE						
	2	1	293-5678	4	PLATE-WEAR						
	3	1	262-3840	1	PLATE-REINFORCEMENT						
	4	1	2C-9259	1	PLATE-IDENTIFICATION (CAT)						
	5	1	294-5258	2	PLATE-WEAR						



GRAPHIC #1

<END>

g01433842

WORK TOOLS

287-6246 BUCKET AS-HEAVY DUTY-B-FAMILY

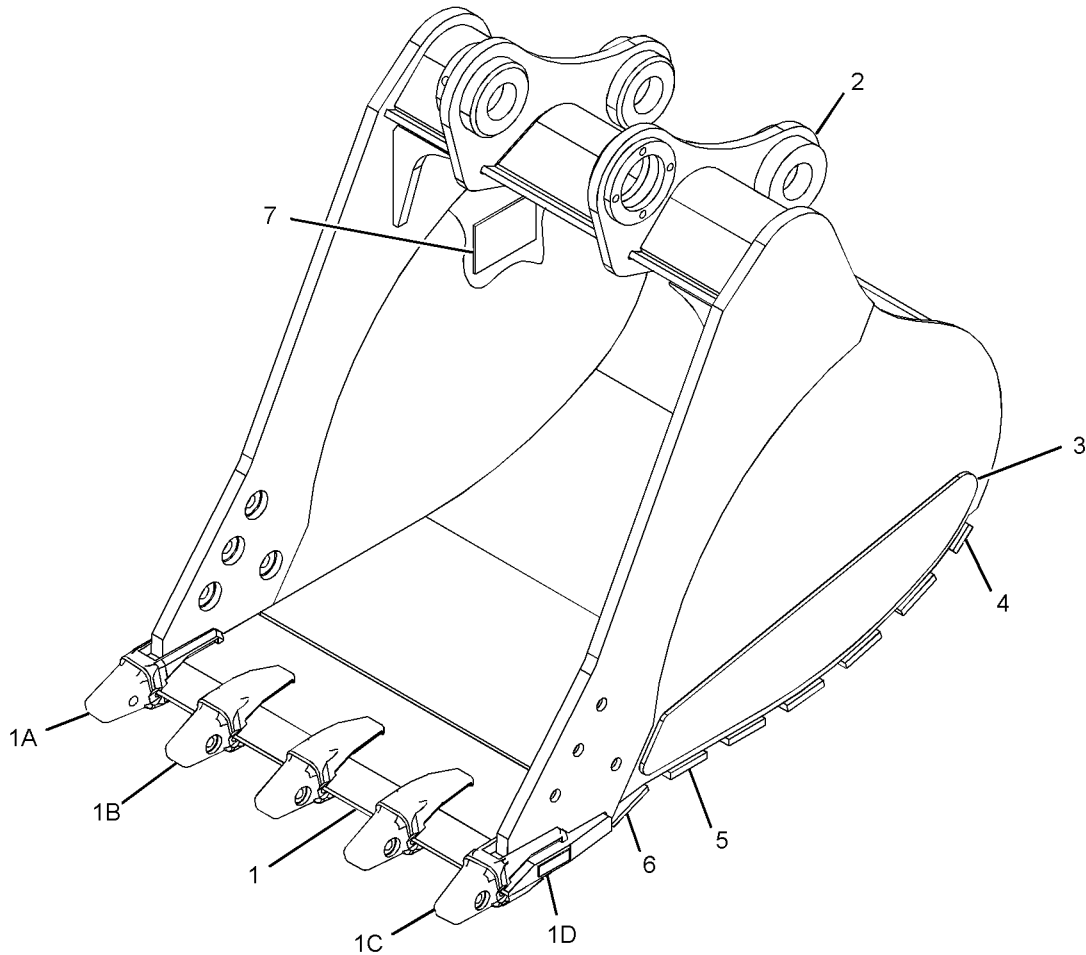
S/N: MGG1-UP; JFZ1-UP

1080-MM (43-IN) WIDE X 1-CU M (1.31-CU YD) CAPACITY. J-350 ADAPTERS, (5X)
PART OF 287-6241 BUCKET & ADJUSTER GP
AN ATTACHMENT

SMCS-6531

i02878033

NOTE	REF NO	GRAPHIC REF	PART NUMBER	QTY	PART NAME						SEE PAGE
					1	2	3	4	5	6 (PRODUCT LEVEL)	
	1	1	294-2955	1	EDGE AS						
	1A	1	6I-6356	1	ADAPTER-TIP (J-350, 2-STRAP, LH)						
	1B	1	6I-6354	3	ADAPTER-TIP (J-350, 2-STRAP, CENTER)						
	1C	1	6I-6355	1	ADAPTER-TIP (J-350, 2-STRAP, RH)						
	1D	1	8P-9770	1	PLATE						
	2	1	290-5929	1	PLATE AS-BOX						
	3	1	287-6298	2	PLATE-WEAR						
	4	1	273-3430	1	PLATE-WEAR						
	5	1	273-3427	5	PLATE-WEAR						
	6	1	273-3424	1	PLATE-REINFORCEMENT						
	7	1	2C-9259	1	PLATE-IDENTIFICATION (CAT)						



GRAPHIC #1

<END>

g01433803

WORK TOOLS

287-6248 BUCKET AS-HEAVY DUTY-B-FAMILY

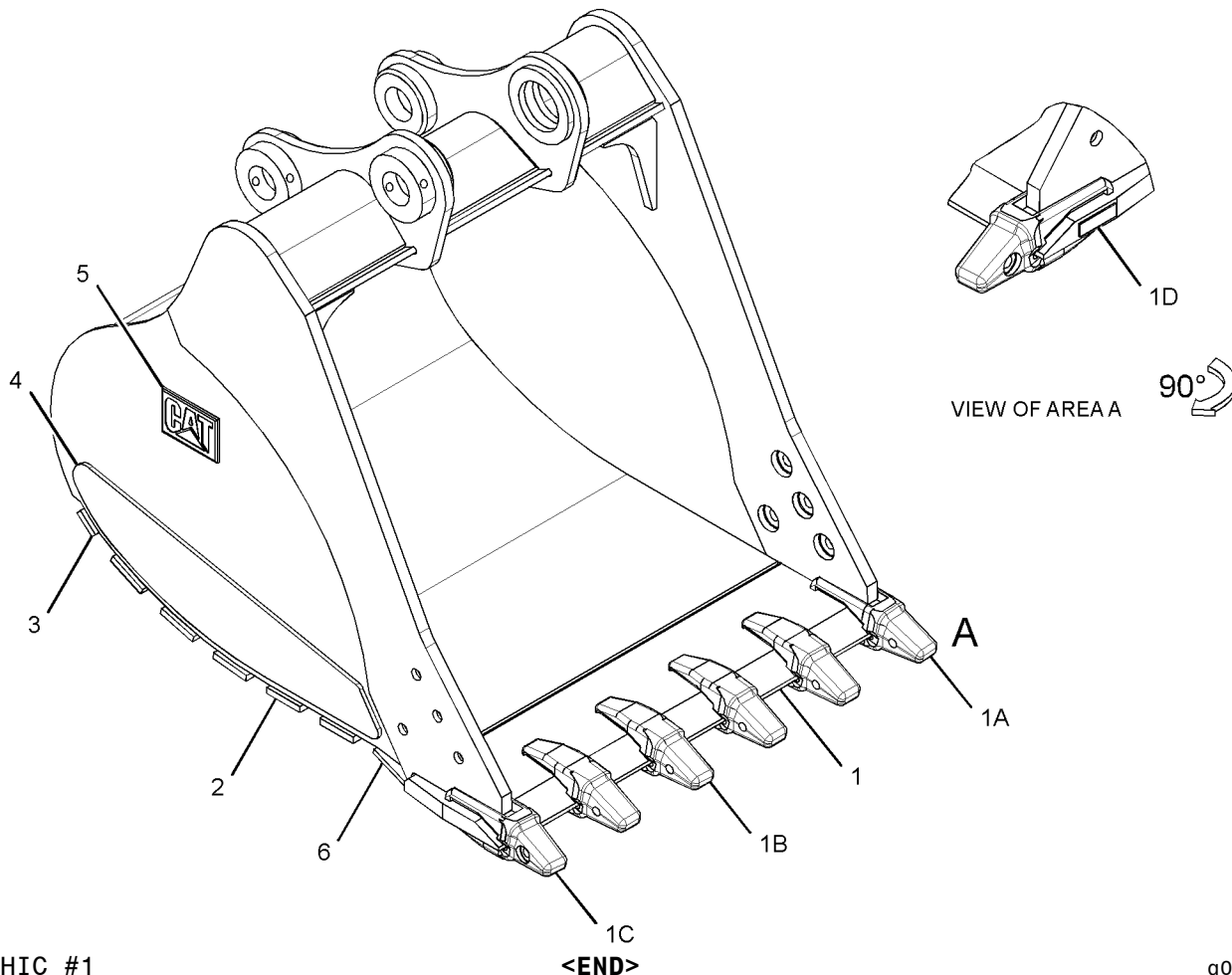
S/N: MGG1-UP; JFZ1-UP

1232-MM (49-IN) WIDE X 1.19-CU M (1.55-CU YD) CAPACITY. J-350 ADAPTERS, (6X)
PART OF 287-6242 BUCKET & ADJUSTER GP
AN ATTACHMENT

SMCS-6531

i02820193

NOTE	REF NO	GRAPHIC REF	PART NUMBER	QTY	PART NAME						SEE PAGE
					1	2	3	4	5	6 (PRODUCT LEVEL)	
	1	1	129-5714	1	EDGE AS						
	1A	1	6I-6355	1	ADAPTER-TIP (J-350, 2-STRAP, RH)						
	1B	1	6I-6354	4	ADAPTER-TIP (J-350, 2-STRAP, CENTER)						
	1C	1	6I-6356	1	ADAPTER-TIP (J-350, 2-STRAP, LH)						
	1D	1	8P-9770	1	PLATE						
	2	1	262-3844	5	PLATE-WEAR						
	3	1	262-3848	1	PLATE-WEAR						
	4	1	287-6298	2	PLATE-WEAR						
	5	1	2C-9259	1	PLATE-IDENTIFICATION (CAT)						
	6	1	262-3840	1	PLATE-REINFORCEMENT						



WORK TOOLS

287-6247 BUCKET AS-HEAVY DUTY ROCK-B-FAMILY

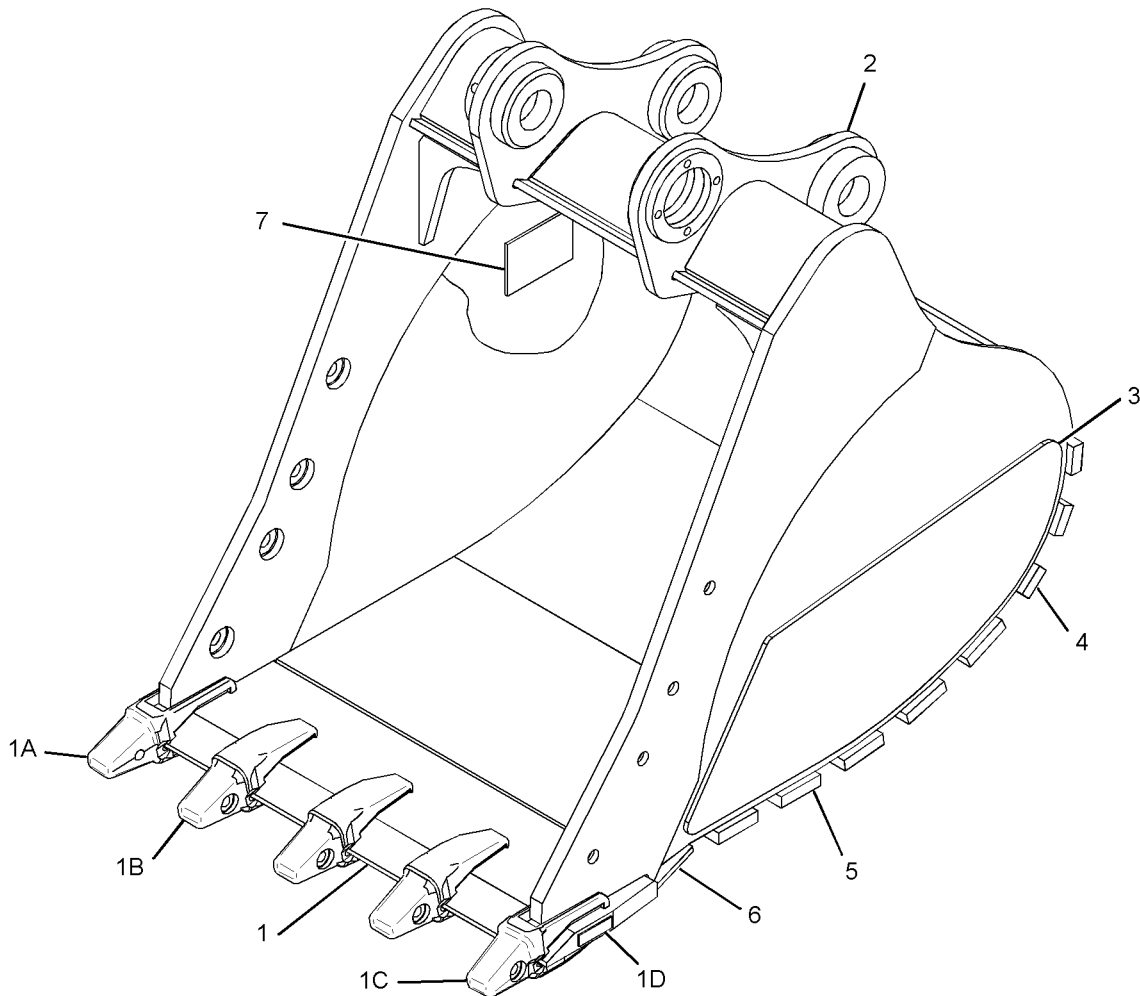
S/N: MGG1-UP; JFZ1-UP

1080-MM (43-IN) WIDE X 1-CU M (1.31 CU YD) CAPACITY. J-350 ADAPTERS, (5X)
PART OF 287-6243 BUCKET & ADJUSTER GP
AN ATTACHMENT

SMCS-6102

i02878098

NOTE	REF NO	GRAPHIC REF	PART NUMBER	QTY	PART NAME						SEE PAGE
					1	2	3	4	5	6 (PRODUCT LEVEL)	
	1	1	294-2955	1	EDGE AS						
1A	1	1	6I-6356	1	ADAPTER-TIP (J-350, 2-STRAP, LH)						
1B	1	1	6I-6354	3	ADAPTER-TIP (J-350, 2-STRAP, CENTER)						
1C	1	1	6I-6355	1	ADAPTER-TIP (J-350, 2-STRAP, RH)						
1D	1	1	8P-9770	1	PLATE						
2	1	1	290-5929	1	PLATE AS-BOX						
3	1	1	287-6300	2	PLATE-WEAR						
4	1	1	273-3438	3	PLATE-WEAR						
5	1	1	273-3434	5	PLATE-WEAR						
6	1	1	273-3424	1	PLATE-REINFORCEMENT						
7	1	1	2C-9259	1	PLATE-IDENTIFICATION (CAT)						



GRAPHIC #1

<END>

g01433619

WORK TOOLS

7Y-6402 BUCKET GP-LIGHT MATERIAL

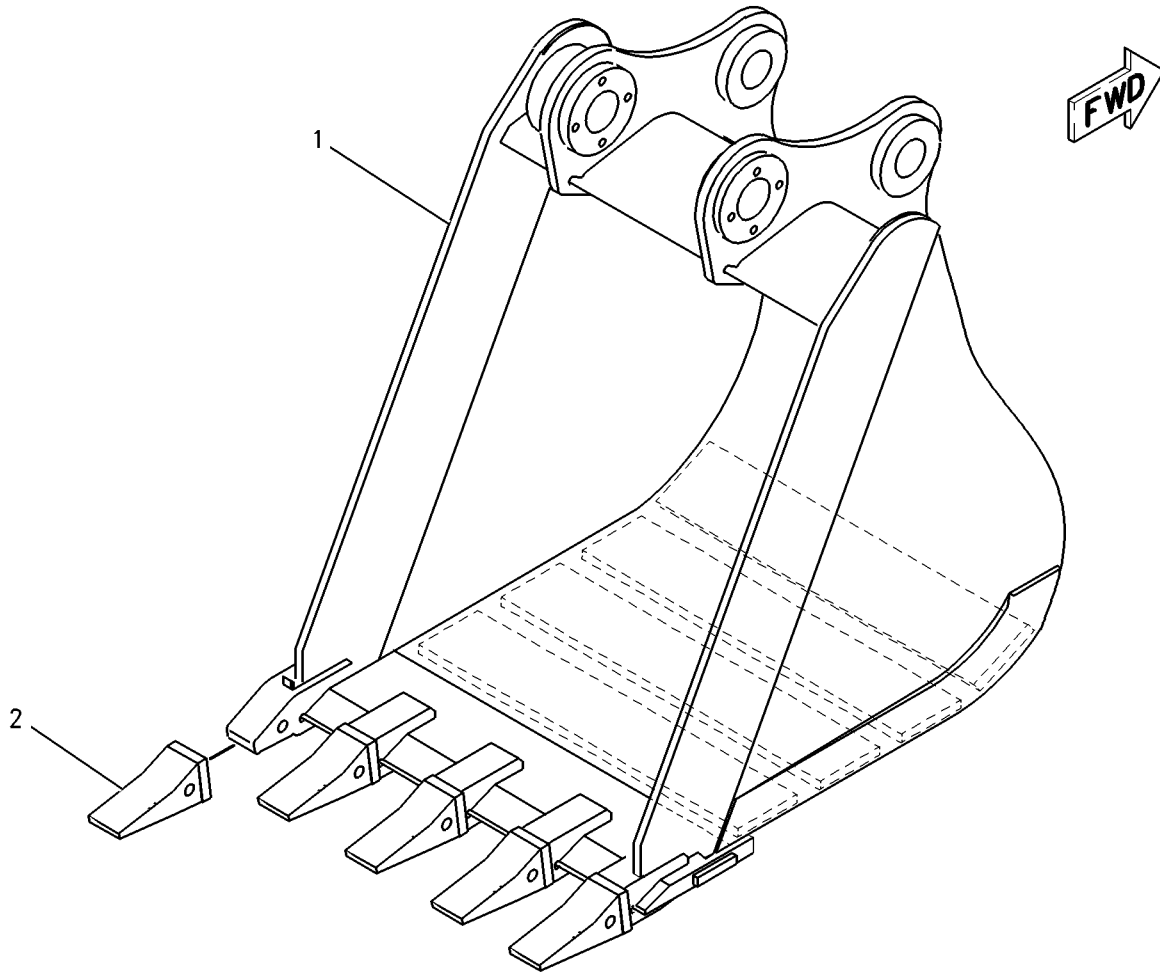
S/N: MGG1-UP; JFZ1-UP
 .45 CU M (.59 CU YD) CAPACITY
 AN ATTACHMENT

SMCS-6103

i01364777

NOTE	REF NO	GRAPHIC REF	PART NUMBER	QTY	PART NAME						SEE PAGE
					1	2	3	4	5	6 (PRODUCT LEVEL)	
Y	1	1	7Y-6660	1	BUCKET AS-GENERAL PURPOSE						678
Y	2	1	9J-3169	5	TIP GP-LONG						692

Y-SEPARATE ILLUSTRATION



GRAPHIC #1

<END>

g00721071

WORK TOOLS

112-2482 PROTECTOR GP-SIDE BAR

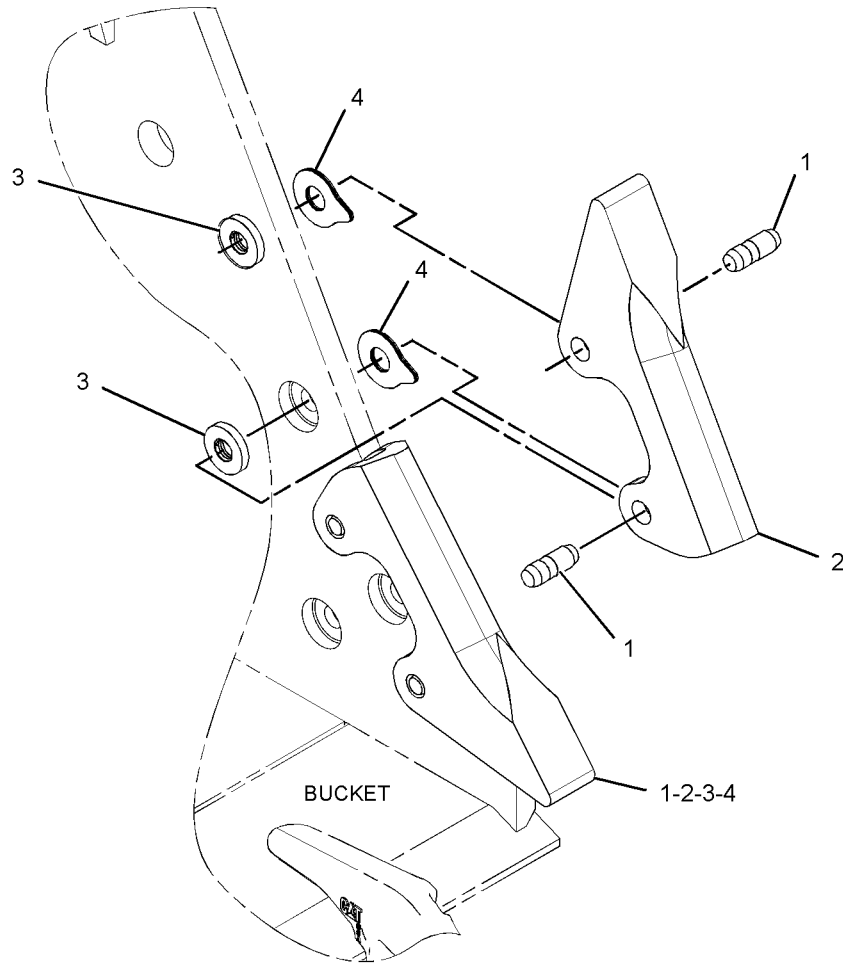
S/N: MGG1-UP; JFZ1-UP
AN ATTACHMENT

SMCS-6817

i02686261

NOTE	REF NO	GRAPHIC REF	PART NUMBER	QTY	PART NAME						SEE PAGE
					1	2	3	4	5	6 (PRODUCT LEVEL)	
	1	1	112-2490	4	PIN						
	2	1	112-2489	2	PROTECTOR-SIDE BAR						
	3	1	132-0999	4	RETAINER AS						
B	4	1	255-0339	1	SHIM (3-MM THK)						
B			255-0340	1	SHIM (1-MM THK)						
B			255-0437	1	SHIM (1.5-MM THK)						
B			255-0438	1	SHIM (5-MM THK)						

B-USE AS REQUIRED



GRAPHIC #1

<END>

g01350941

WORK TOOLS

195-7216 PROTECTOR GP-SIDE BAR

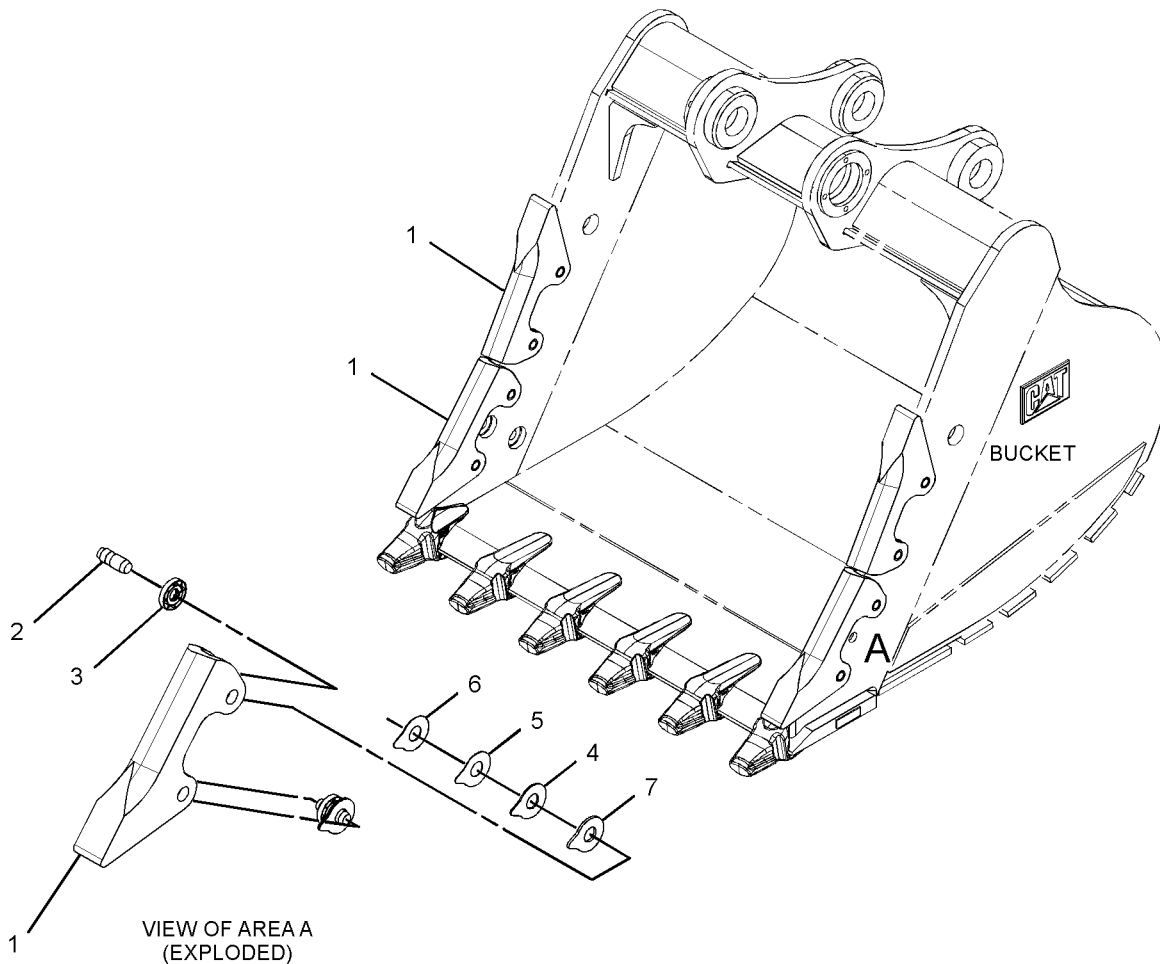
S/N: MGG1-UP; JFZ1-UP
AN ATTACHMENT

SMCS-6817

i03028661

NOTE	REF NO	GRAPHIC REF	PART NUMBER	QTY	PART NAME						SEE PAGE
					1	2	3	4	5	6 (PRODUCT LEVEL)	
	1	1	112-2489	4	PROTECTOR-SIDE BAR						
	2	1	275-5982	8	PIN						
	3	1	132-0999	8	RETAINER AS						
B	4	1	255-0339	8	SHIM (3-MM THK)						
B	5	1	255-0340	8	SHIM (1-MM THK)						
B	6	1	255-0437	8	SHIM (1.5-MM THK)						
B	7	1	255-0438	8	SHIM (5-MM THK)						

B-USE AS REQUIRED



GRAPHIC #1

<END>

g01695678

WORK TOOLS

7Y-0366 SIDECUTTER GP

S/N: MGG1-UP; JFZ1-UP

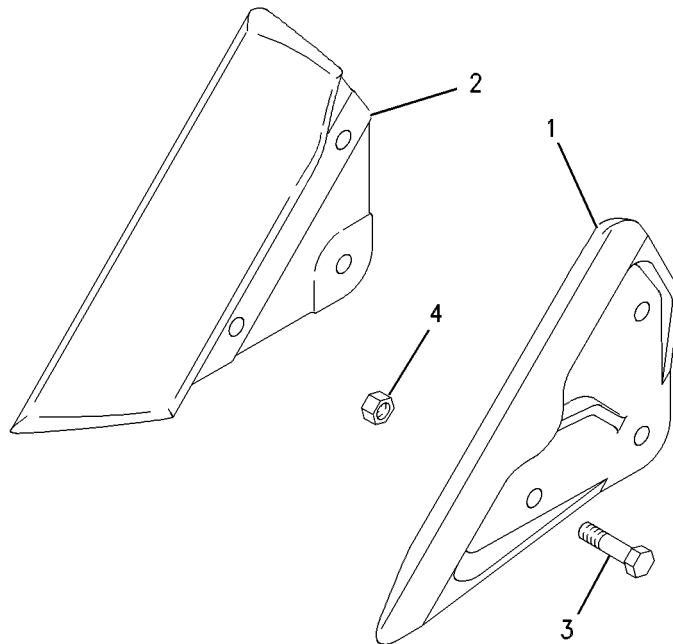
C,D-FAMILY

AN ATTACHMENT

SMCS-6813

i01669051

NOTE	REF NO	GRAPHIC REF	PART NUMBER	QTY	PART NAME						SEE PAGE
					1	2	3	4	5	6 (PRODUCT LEVEL)	
	1	1	7Y-0357	1	SIDECUTTER-RH						
	2	1	7Y-0358	1	SIDECUTTER-LH						
	3	1	6I-6371	6	BOLT (1-8X2.5-IN)						
	4	1	2J-3507	6	NUT-FULL (1-8-THD)						



GRAPHIC #1

<END>

g00312593

WORK TOOLS

7Y-0729 SIDECUTTER GP

S/N: MGG1-UP; JFZ1-UP

B-FAMILY

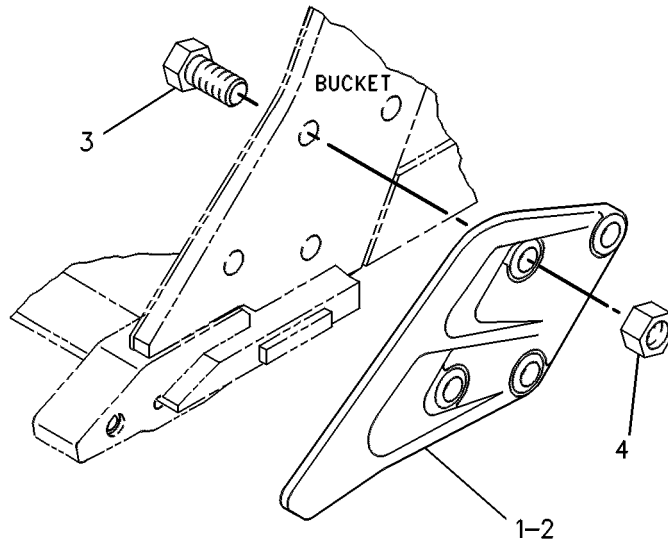
AN ATTACHMENT

SMCS-6813

i01364775

NOTE	REF NO	GRAPHIC REF	PART NUMBER	QTY	PART NAME						SEE PAGE
					1	2	3	4	5	6 (PRODUCT LEVEL)	
	1	1	096-4748	1	SIDECUTTER-RH						
	2	1	096-4747	1	SIDECUTTER-LH						
M	3	1	8T-0380	8	BOLT (M24X3X60MM)						
M	4	1	7X-0851	8	NUT (M24X3.00 THD)						

M-METRIC PART



GRAPHIC #1

<END>

g00245085

WORK TOOLS

112-2481 SIDECUTTER GP-RH, LH

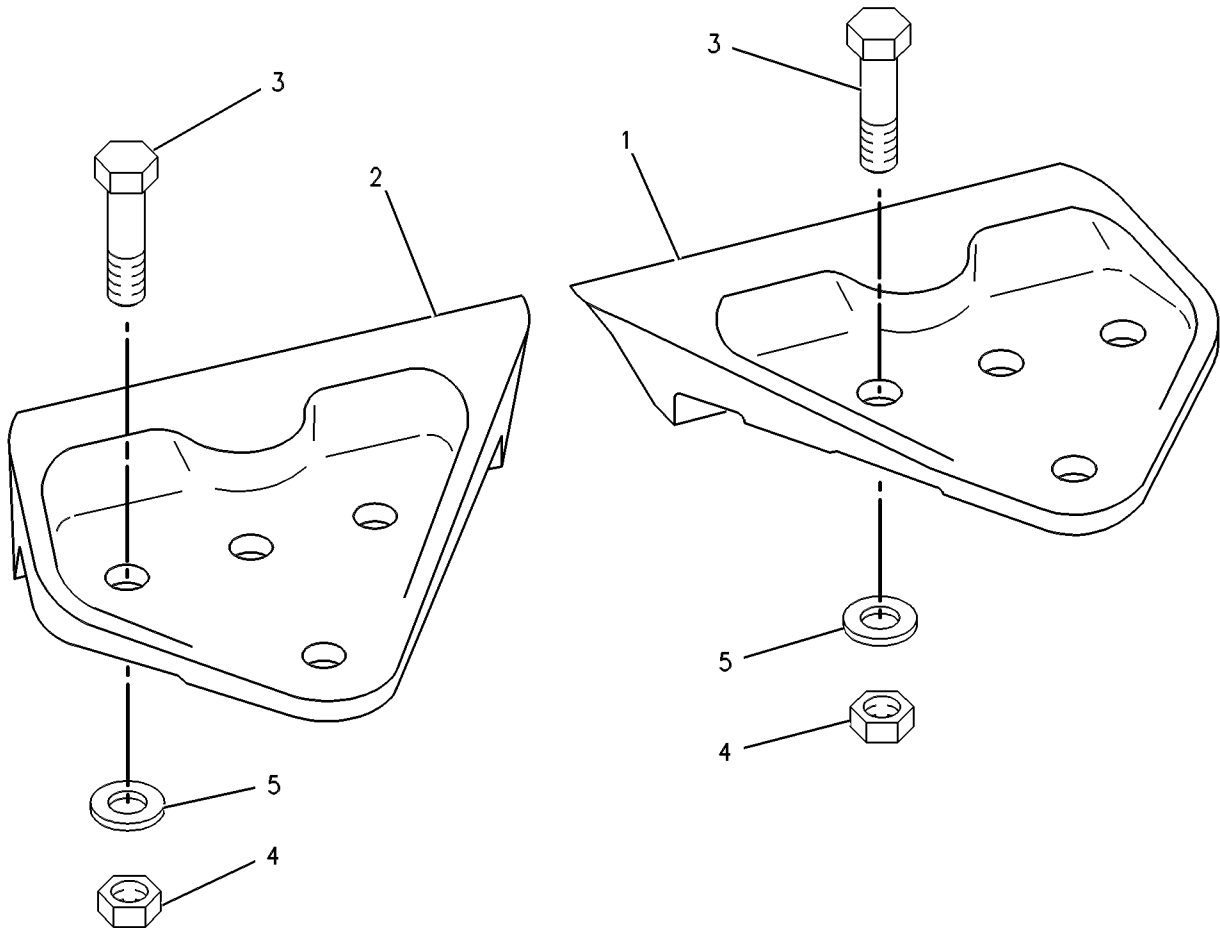
S/N: MGG1-UP; JFZ1-UP

FOR USE WITH B-HEAVY DUTY AND B-HEAVY DUTY ROCK
AN ATTACHMENT

SMCS-6813

i02392120

NOTE	REF NO	GRAPHIC REF	PART NUMBER	QTY	PART NAME						SEE PAGE
					1	2	3	4	5	6 (PRODUCT LEVEL)	
	1	1	232-2147	1	SIDECUTTER (RH)						
	2	1	232-2148	1	SIDECUTTER (LH)						
	3	1	1D-4635	8	BOLT (1-8X2.5-IN)						
	4	1	2J-3507	8	NUT-FULL (1-8-THD)						
	5	1	3K-5234	8	WASHER-HARD (28X49X6-MM THK)						



GRAPHIC #1

<END>

g00276567

WORK TOOLS

8E-3752 TIP GP-LONG

S/N: MGG1-UP; JFZ1-UP

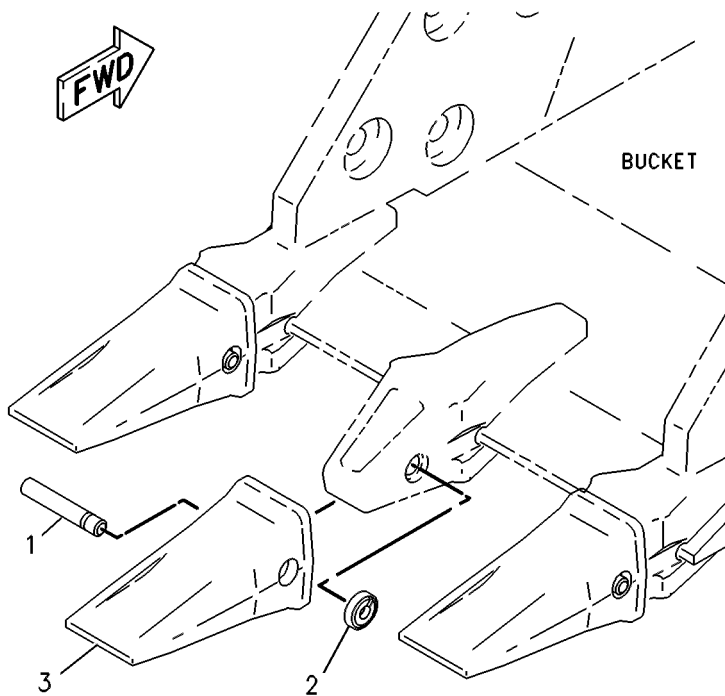
HEAVY DUTY

PART OF 198-8464 TIP GP-LONG

SMCS-6805

i01364768

NOTE	REF NO	GRAPHIC REF	PART NUMBER	QTY	PART NAME						SEE PAGE
					1	2	3	4	5	6 (PRODUCT LEVEL)	
	1	1	114-0358	1	PIN						
	2	1	114-0359	1	RETAINER AS						
	3	1	9N-4352	1	TIP-LONG						



GRAPHIC #1

<END>

g00117668

WORK TOOLS

8J-4955 TIP GP-LONG

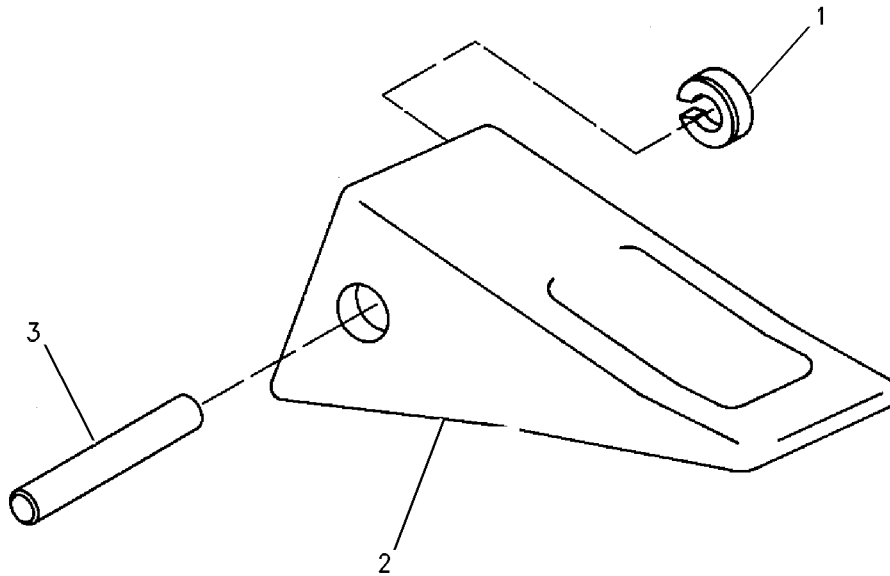
S/N: MGG1-UP; JFZ1-UP

PART OF 198-8463 TIP GP-LONG

SMCS-6805

i02575428

NOTE	REF NO	GRAPHIC REF	PART NUMBER	QTY	PART NAME						SEE PAGE
					1	2	3	4	5	6 (PRODUCT LEVEL)	
	1	1	114-0359	1	RETAINER AS						
	2	1	1U-3352	1	TIP-LONG						
	3	1	114-0358	1	PIN						



GRAPHIC #1

<END>

g00523955

WORK TOOLS

9J-3169 TIP GP-LONG

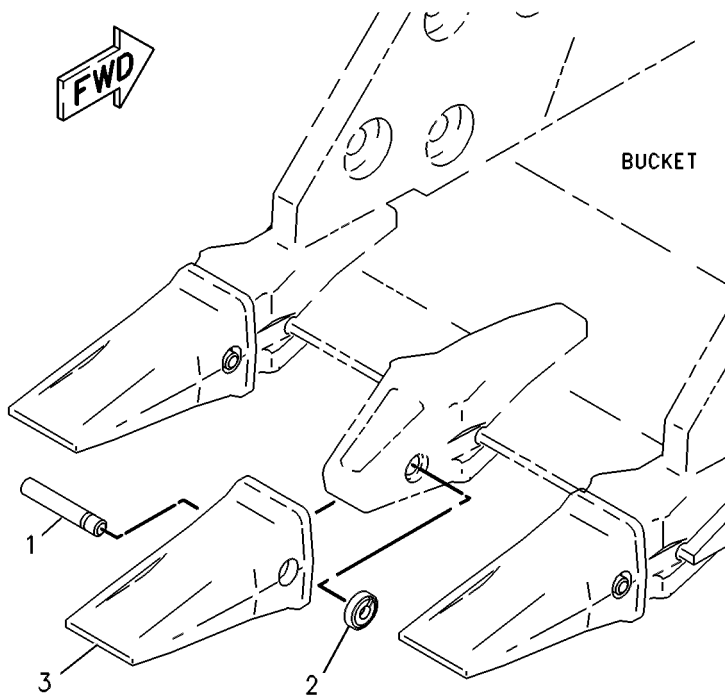
S/N: MGG1-UP; JFZ1-UP

PART OF 7Y-6402 BUCKET GP-LIGHT MATERIAL
AN ATTACHMENT

SMCS-6805

i01364784

NOTE	REF NO	GRAPHIC REF	PART NUMBER	QTY	PART NAME						SEE PAGE
					1	2	3	4	5	6 (PRODUCT LEVEL)	
	1	1	8E-6258	1	PIN						
	2	1	8E-6259	1	RETAINER AS						
	3	1	1U-3252	1	TIP-LONG						



GRAPHIC #1

<END>

g00117668

WORK TOOLS**198-8463 TIP GP-LONG**

S/N: MGG1-UP; JFZ1-UP

FIELD INSTALLATION

SMCS-6805

i02696866

NOTE	PART NUMBER	QTY	PART NAME						SEE PAGE
			1	2	3	4	5	6 (PRODUCT LEVEL)	
Y	8J-4955	1	TIP GP-LONG (J-350)						691
Y-SEPARATE ILLUSTRATION									

<END>

WORK TOOLS**198-8464 TIP GP-LONG**S/N: MGG1-UP; JFZ1-UP
FIELD INSTALLATION

SMCS-6805

i02384505

NOTE	PART NUMBER	QTY	PART NAME						SEE PAGE
			1	2	3	4	5	6 (PRODUCT LEVEL)	
Y	8E-3752	1							690
Y-SEPARATE ILLUSTRATION									

<END>

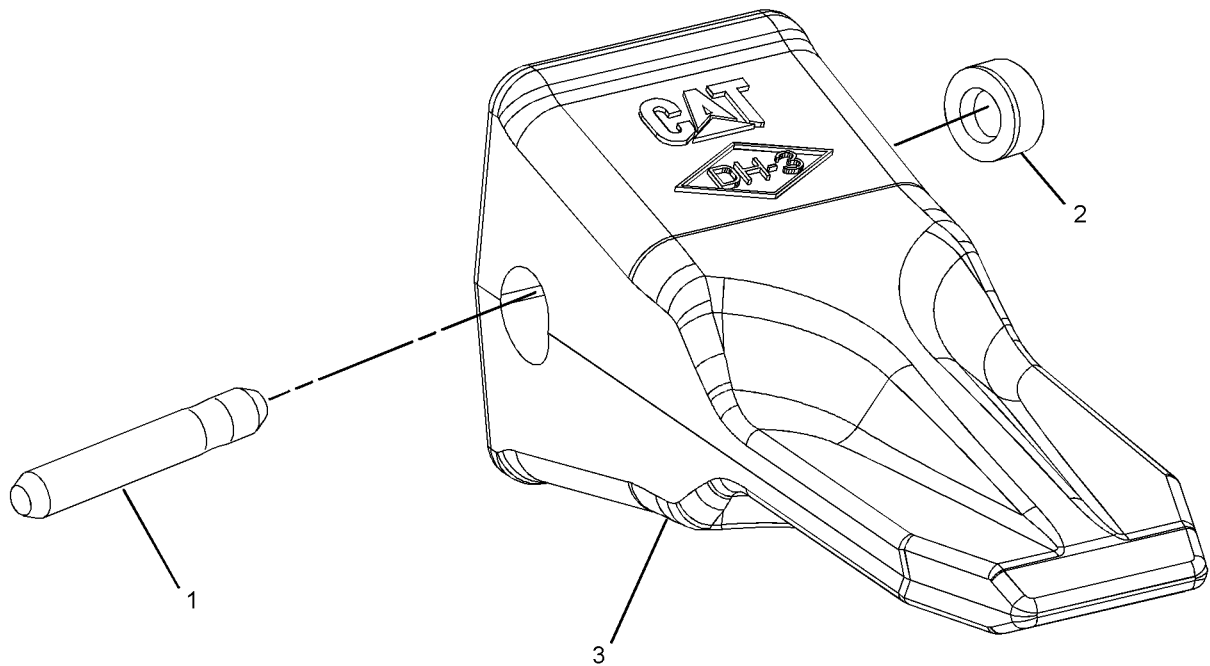
WORK TOOLS

195-9181 TIP GP-PENETRATION PLUS- J-SERIES, PENETRATION PLUS S/N: MGG1-UP; JFZ1-UP FIELD INSTALLATION

SMCS-6805

i02756183

NOTE	REF NO	GRAPHIC REF	PART NUMBER	QTY	PART NAME						SEE PAGE
					1	2	3	4	5	6 (PRODUCT LEVEL)	
	1	1	114-0358	1	PIN						
	2	1	114-0359	1	RETAINER AS						
	3	1	168-1359	1	TIP-PENETRATION						



GRAPHIC #1

<END>

g01381522

WORK TOOLS

229-6966 TIP GP-PENETRATION PLUS-K-80

S/N: MGG1-UP

PART OF 287-6049 BUCKET AR-EXCAVATION
AN ATTACHMENT

SMCS-6805

i03144477

NOTE	PART NUMBER	QTY	PART NAME						SEE PAGE
			1	2	3	4	5	6 (PRODUCT LEVEL)	
	220-9090	1	RETAINER-G.E.T.						
	220-9083	1	TIP-BUCKET (K-80)						

<END>

WORK TOOLS

8J-4954 TIP GP-SHORT

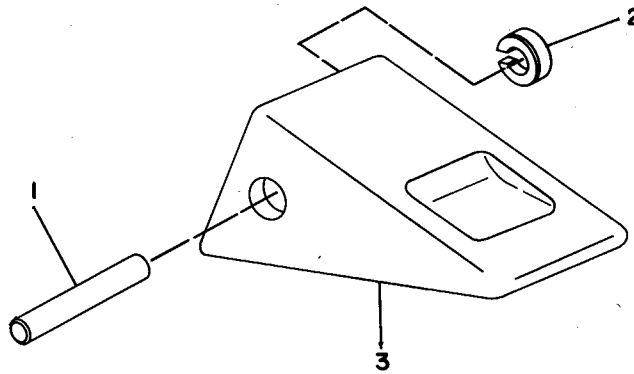
S/N: MGG1-UP; JFZ1-UP

PART OF 198-8465 TIP GP-SHORT

SMCS-6805

i01365035

NOTE	REF NO	GRAPHIC REF	PART NUMBER	QTY	PART NAME						SEE PAGE
					1	2	3	4	5	6 (PRODUCT LEVEL)	
	1	1	114-0358	1	PIN						
	2	1	114-0359	1	RETAINER AS						
	3	1	1U-3351	1	TIP-SHORT (J-350)						



GRAPHIC #1

<END>

g00118345

WORK TOOLS

198-8465 TIP GP-SHORT

S/N: MGG1-UP; JFZ1-UP
FIELD INSTALLATION

SMCS-6805

i02384519

NOTE	PART NUMBER	QTY	PART NAME						SEE PAGE	
			1	2	3	4	5	6 (PRODUCT LEVEL)		
Y	8J-4954	1							TIP GP-SHORT (J-350)	697
Y-SEPARATE ILLUSTRATION										

<END>

OPERATOR STATION

245-7896 ADJUSTER GP-SEAT-LOWER SLIDE

S/N: MGG1-UP; JFZ1-UP

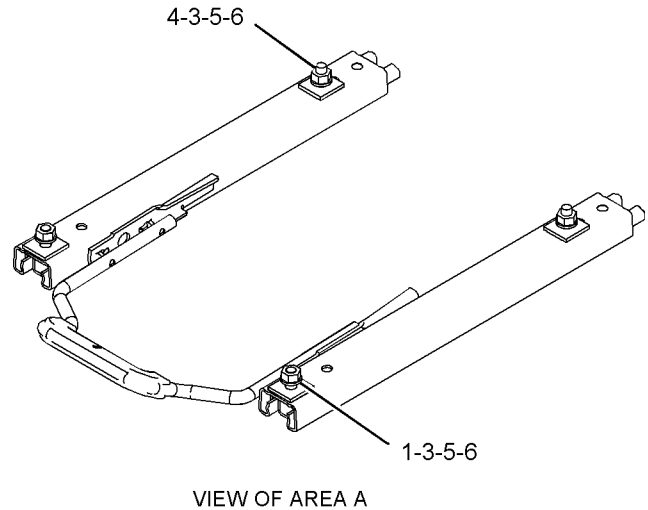
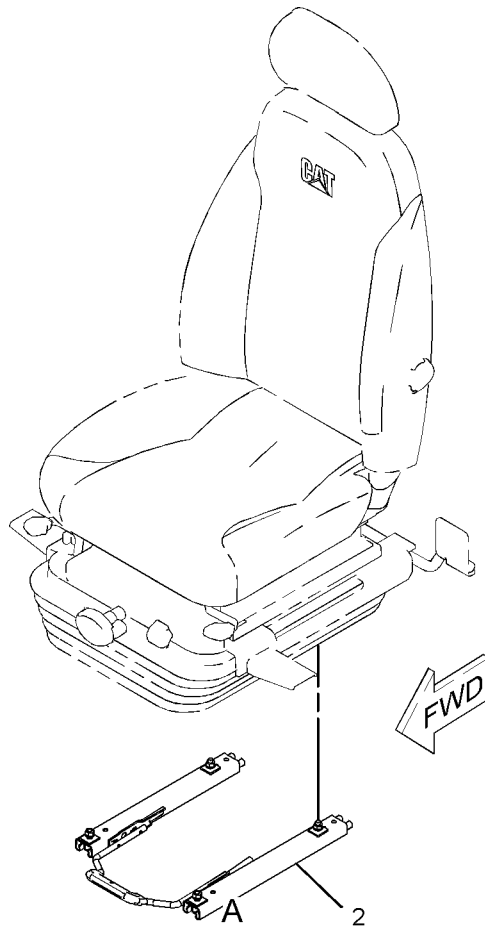
PART OF 229-9077 SUSPENSION GP-SEAT
AN ATTACHMENT

SMCS-7321

i02532326

NOTE	REF NO	GRAPHIC REF	PART NUMBER	QTY	PART NAME						SEE PAGE
					1	2	3	4	5	6 (PRODUCT LEVEL)	
M	1	1	198-3899	2	SCREW-BUTTON HEAD (M8X1.25X20-MM)						
	2	1	245-7886	2	PLATE						
	3	1	245-7897	4	PLATE						
M	4	1	245-7898	2	SCREW-BUTTON HEAD (M8X1.25X25-MM)						
M	5	1	5C-7261	4	NUT (M8X1.25-THD)						
	6	1	8T-4224	4	WASHER-HARD (8.8X16X2-MM THK)						

M-METRIC PART



GRAPHIC #1

<END>

g01103189

OPERATOR STATION**235-9004 AIR CONDITIONER & MOUNTING GP**

S/N: MGG1-UP; JFZ1-UP

PART OF 235-9003 AIR CONDITIONER AR

AN ATTACHMENT

TYPE 1

SMCS-7320

i03027010

NOTE	REF NO	GRAPHIC REF	PART NUMBER	QTY	PART NAME						SEE PAGE
					1	2	3	4	5	6 (PRODUCT LEVEL)	
	1	1	293-1136	1	PANEL AS-CONTROL						
	2	1	235-8873	1	HARNESS AS-HEATER & AIR COND (CONTROL PANEL SWITCHES)						
	3	1	235-8874	1	SENSOR-TEMPERATURE (AMBIENT AIR)						
	4	1	235-8875	1	BRACKET						
	5	1	235-9005	1	HARNESS AS-HEATER & AIR COND (AIR CONDITIONER, LOW SIDE)						
Y	6	1	240-5036	1	AIR CONDITIONER GP						705
	7	1	9X-8256	1	WASHER (6.6X12X2-MM THK)						
M	8	1	099-2374	1	BOLT-SOCKET HEAD (M5X0.8X12-MM)						
	9	1	111-4836	3	CLIP						
	10	1	3S-2093	2	STRAP-CABLE						
M	11	1	5C-9553	1	BOLT (M6X1X16-MM)						
	12	1	7X-7729	7	WASHER (11X25X3-MM THK)						
	13	1	8T-0328	2	WASHER-HARD (5.5X10X1-MM THK)						
	14	1	8T-4121	3	WASHER-HARD (11X21X2.5-MM THK)						
M	15	1	8T-4136	7	BOLT (M10X1.5X25-MM)						
M	16	1	8T-4137	3	BOLT (M10X1.5X20-MM)						
M	17	1	096-5969	1	BOLT-SOCKET HEAD (M5X0.8X25-MM)						
					-OR-						
M		1	099-2374	1	BOLT-SOCKET HEAD (M5X0.8X12-MM)						

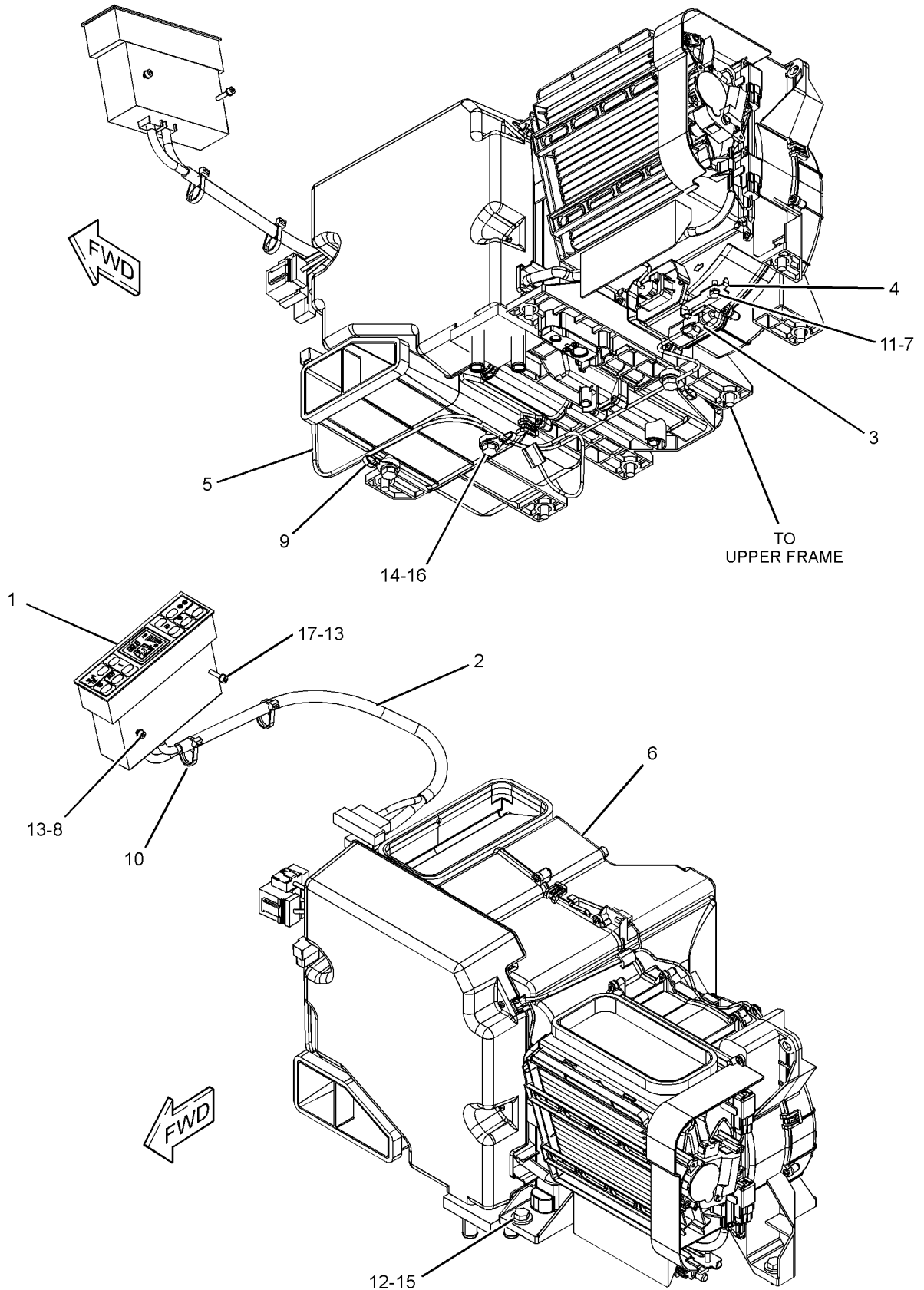
M-METRIC PART

Y-SEPARATE ILLUSTRATION

OPERATOR STATION

235-9004 AIR CONDITIONER & MOUNTING GP (contd.)

i03027010



GRAPHIC #1

<END>

g01531336

OPERATOR STATION**235-9004 AIR CONDITIONER & MOUNTING GP**

S/N: MGG1-UP; JFZ1-UP

PART OF 235-9003 AIR CONDITIONER AR
AN ATTACHMENT
TYPE 2

SMCS-7320

i03079780

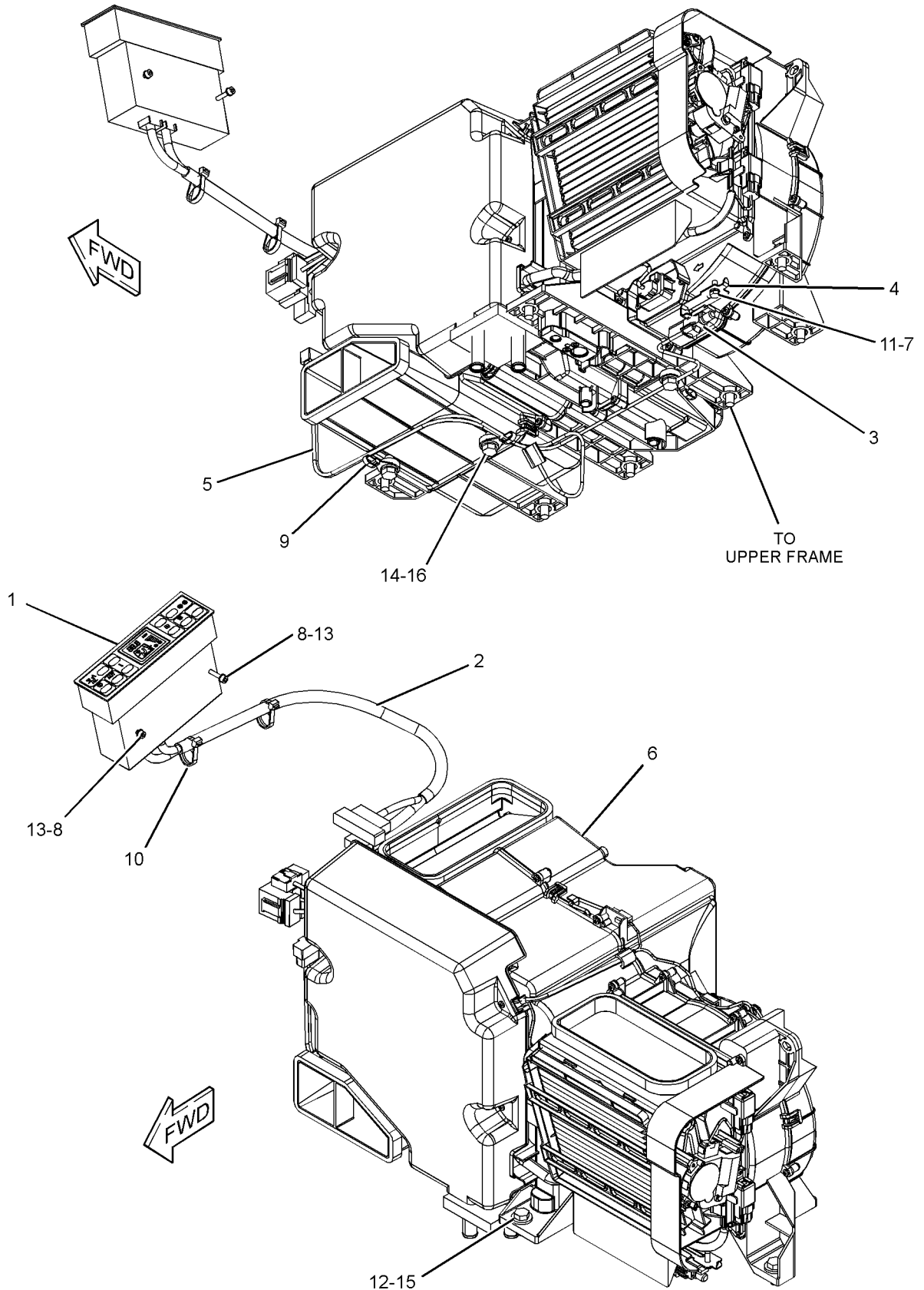
NOTE	REF NO	GRAPHIC REF	PART NUMBER	QTY	PART NAME						SEE PAGE
					1	2	3	4	5	6 (PRODUCT LEVEL)	
	1	1	293-1136	1	PANEL AS-CONTROL						
	2	1	235-8873	1	HARNES AS-HEATER & AIR COND (CONTROL PANEL SWITCHES)						
	3	1	235-8874	1	SENSOR-TEMPERATURE (AMBIENT AIR)						
	4	1	235-8875	1	BRACKET						
	5	1	235-9005	1	HARNES AS-HEATER & AIR COND (AIR CONDITIONER, LOW SIDE)						
CY	6	1	316-8811	1	AIR CONDITIONER GP						708
	7	1	9X-8256	1	WASHER (6.6X12X2-MM THK)						
M	8	1	099-2374	2	BOLT-SOCKET HEAD (M5X0.8X12-MM)						
	9	1	111-4836	3	CLIP						
	10	1	3S-2093	2	STRAP-CABLE						
M	11	1	5C-9553	1	BOLT (M6X1X16-MM)						
	12	1	7X-7729	7	WASHER (11X25X3-MM THK)						
	13	1	8T-0328	2	WASHER-HARD (5.5X10X1-MM THK)						
	14	1	8T-4121	3	WASHER-HARD (11X21X2.5-MM THK)						
M	15	1	8T-4136	7	BOLT (M10X1.5X25-MM)						
M	16	1	8T-4137	3	BOLT (M10X1.5X20-MM)						

C-CHANGE FROM PREVIOUS TYPE
M-METRIC PART
Y-SEPARATE ILLUSTRATION

OPERATOR STATION

235-9004 AIR CONDITIONER & MOUNTING GP (contd.)

i03079780



GRAPHIC #1

<END>

g01397723

OPERATOR STATION**235-9003 AIR CONDITIONER AR**S/N: MGG1-UP; JFZ1-UP
AN ATTACHMENT

SMCS-7320

i02547475

NOTE	PART NUMBER	QTY	PART NAME						SEE PAGE
			1	2	3	4	5	6 (PRODUCT LEVEL)	
Y	235-9004	1	AIR CONDITIONER & MOUNTING GP						700
Y	229-9082	1	DUCT GP-CAB AIR						758

Y-SEPARATE ILLUSTRATION

<END>

OPERATOR STATION**240-5036 AIR CONDITIONER GP**

S/N: MGG1-UP; JFZ1-UP

PART OF 235-9004 AIR CONDITIONER & MOUNTING GP
AN ATTACHMENT

SMCS-7320

i03117514

NOTE	REF NO	GRAPHIC REF	PART NUMBER	QTY	PART NAME						SEE PAGE
					1	2	3	4	5	6 (PRODUCT LEVEL)	
	1	1	185-8300	35	SCREW-TAPPING						
	2	2	185-8302	3	SCREW AS-TAPPING						
	3	1	245-7817	2	MOTOR AS						
	4	1	245-7818	3	CLIP						
	5	2	245-7819	2	CLIP						
	6	1	245-7820	1	COVER-FRONT						
C	7	1	293-1137	1	FILTER GP-AIR (AIR CONDITIONER)						
		1	245-7823	1	FILTER ELEMENT-CAB AIR (AIR CONDITIONER)						
		1	245-7824	1	PACKING						
	8	1	245-7825	1	INSULATOR						
	9	2	245-7826	1	INSULATOR						
	10	2	245-7827	1	INSULATOR						
	11	2	245-7828	1	INSULATOR						
	12	1	245-7829	1	PACKING						
	13	1	245-7830	1	CLIP						
	14	1	245-7831	1	SENSOR AS-TEMPERATURE (COOLANT)						
	15	1	245-7832	1	CONTROL AS						
	16	1	245-7833	1	CORE AS-HEATER						
	17	1	245-7834	1	DAMPER AS						
	18	2	245-7835	1	SENSOR AS-TEMPERATURE (AMBIENT AIR TEMP)						
Y	19	2	245-7836	1	COIL GP-EVAPORATOR						726
	20	2	245-7838	1	PACKING						
	21	2	245-7839	1	MOTOR AS (WITH FAN)						
Y	22	1	245-7846	1	CONTROL GP-HEAT & AIR COND (AIR INLET)						746
	23	1	245-7847	1	HARNES AS-HEATER & AIR COND						
	24	2	245-7856	3	SCREW AS-TAPPING						
	25	2	316-8845	1	PLATE						
	26	2	316-8846	1	PLATE						
	27	2	316-8847	2	ROD						
	28	2	316-8848	1	ROD						
	29	1	316-8849	1	ROD						
	30	2	316-8850	1	ROD						

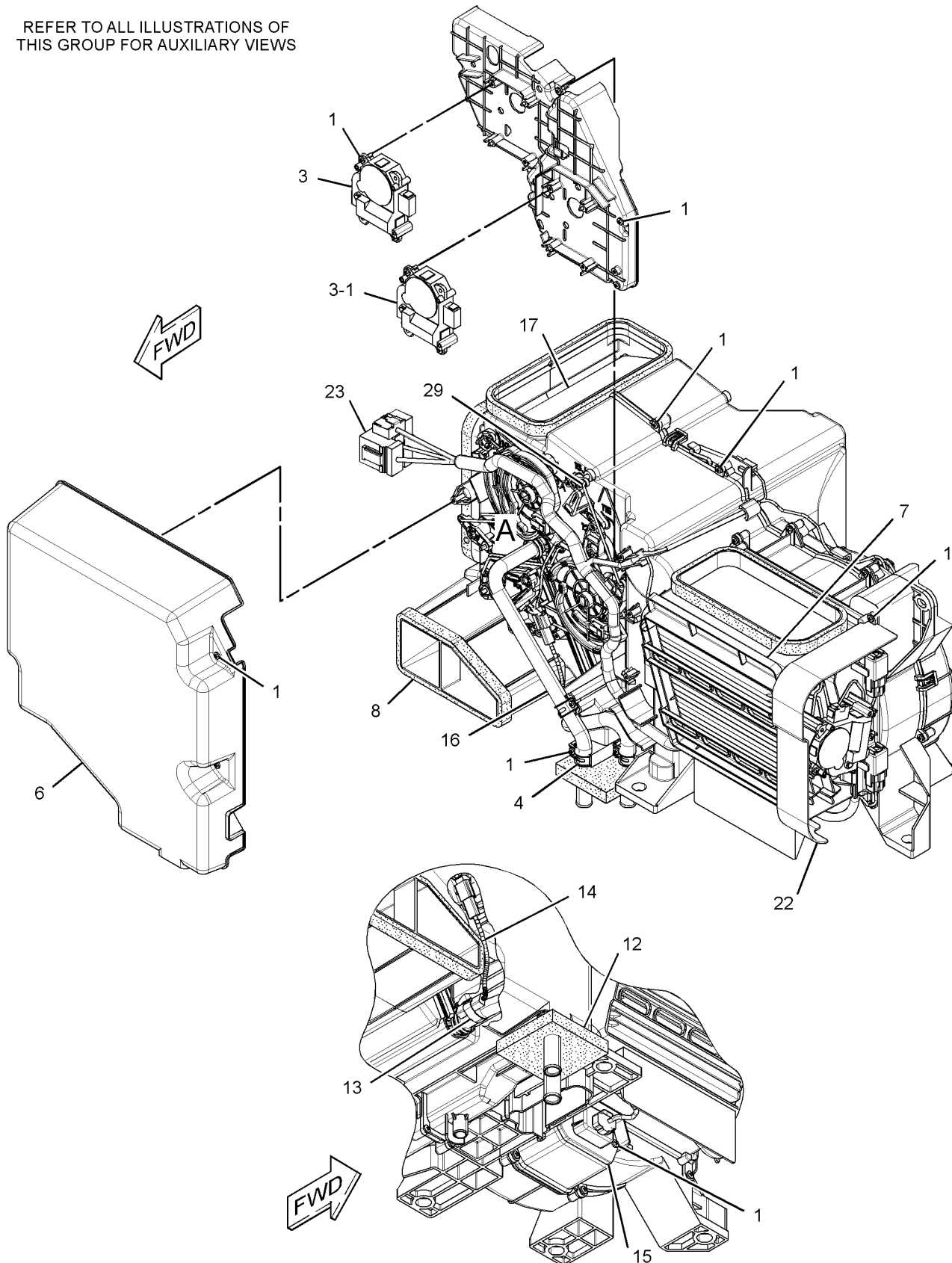
C-CHANGE FROM PREVIOUS TYPE
Y-SEPARATE ILLUSTRATION

OPERATOR STATION

240-5036 AIR CONDITIONER GP (contd.)

i03117514

REFER TO ALL ILLUSTRATIONS OF THIS GROUP FOR AUXILIARY VIEWS



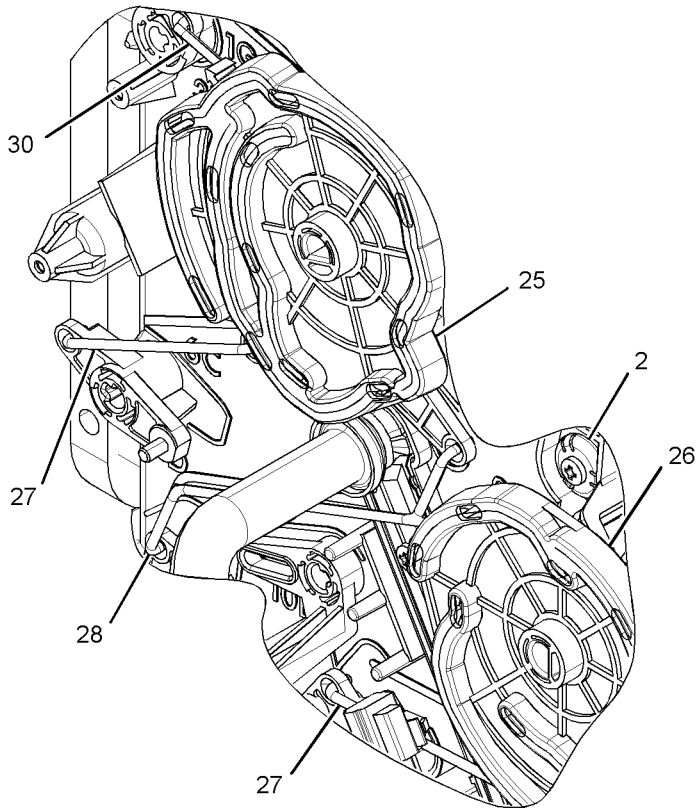
GRAPHIC #1

g01530013

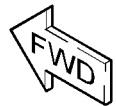
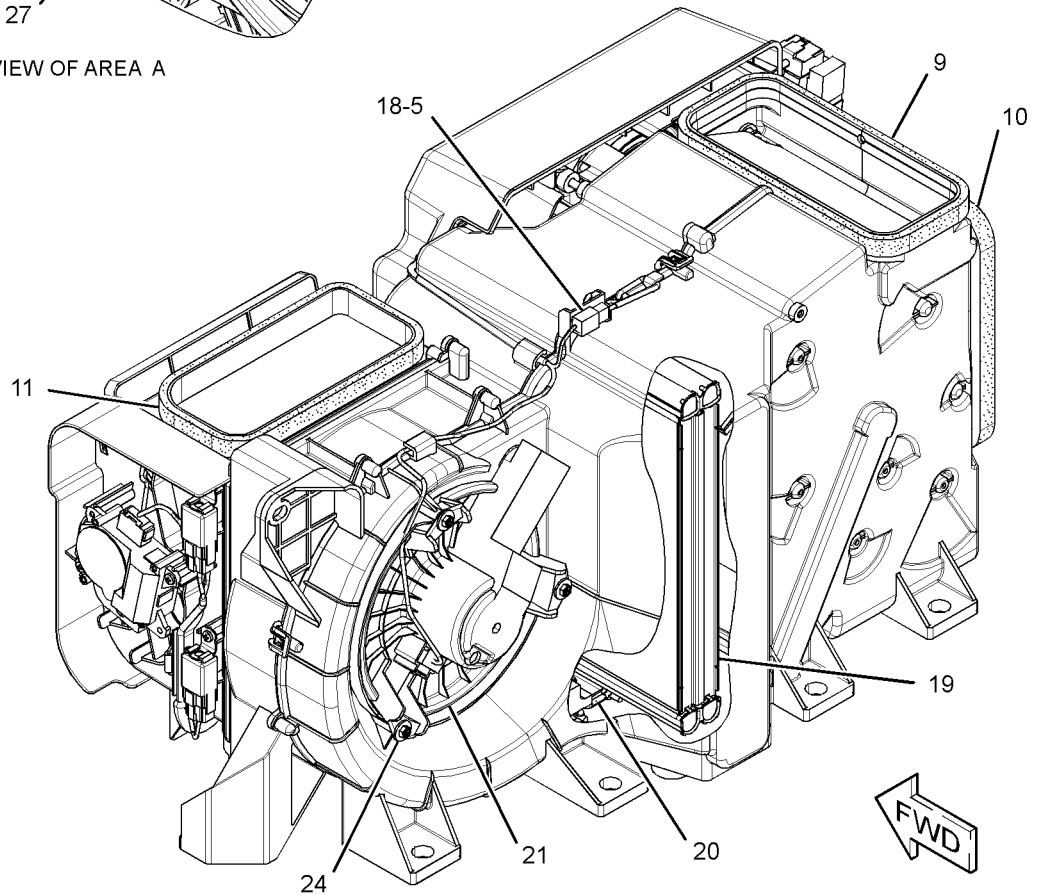
OPERATOR STATION

240-5036 AIR CONDITIONER GP (contd.)

i03117514



VIEW OF AREA A



GRAPHIC #2

<END>

g01530054

OPERATOR STATION**316-8811 AIR CONDITIONER GP**

S/N: MGG1-UP; JFZ1-UP

PART OF 235-9004 AIR CONDITIONER & MOUNTING GP
AN ATTACHMENT

SMCS-7320

i03079863

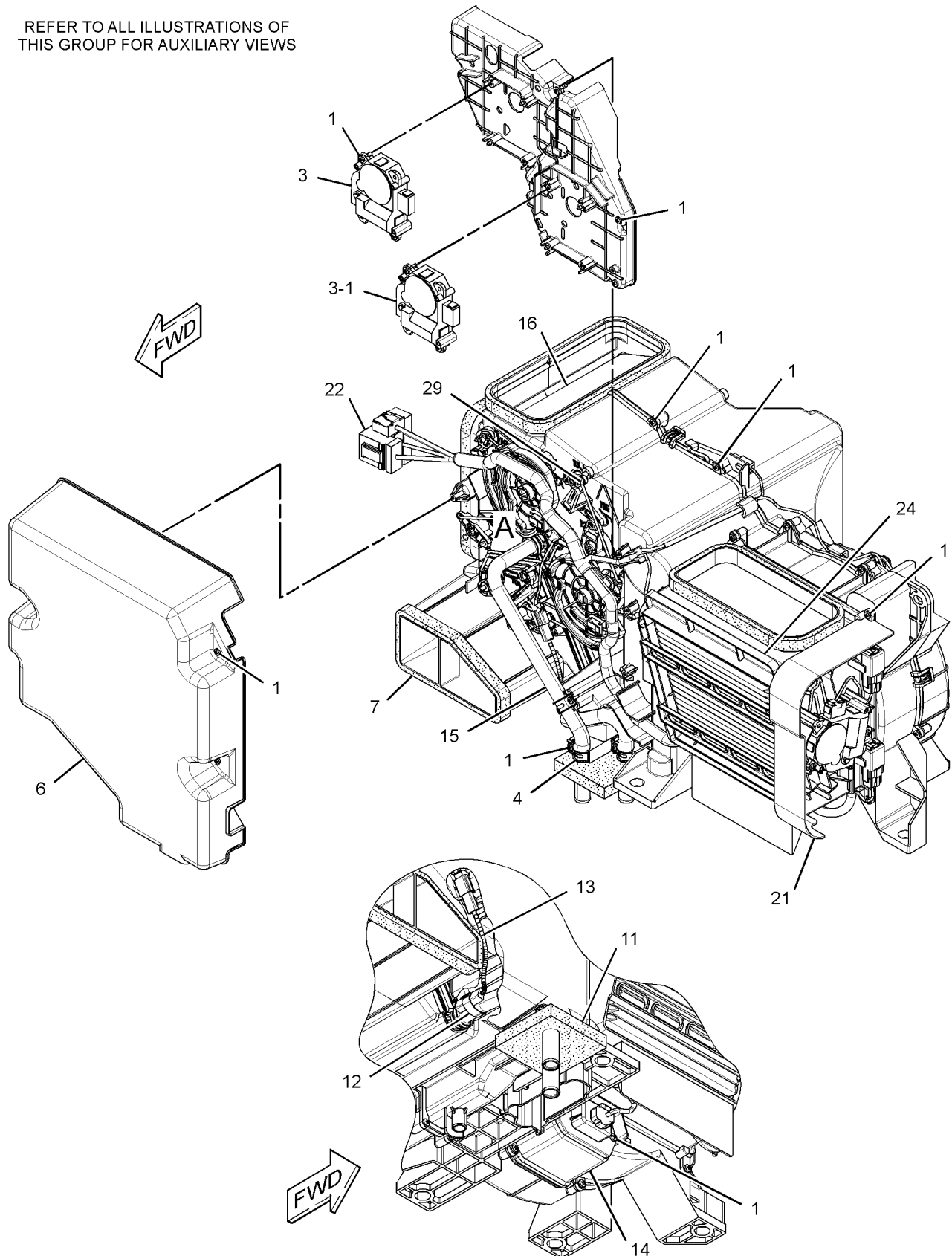
NOTE	REF NO	GRAPHIC REF	PART NUMBER	QTY	PART NAME						SEE PAGE
					1	2	3	4	5	6 (PRODUCT LEVEL)	
	1	1	185-8300	35	SCREW-TAPPING						
	2	2	185-8302	3	SCREW AS-TAPPING						
	3	1	245-7817	2	MOTOR AS						
	4	1	245-7818	3	CLIP						
	5	2	245-7819	2	CLIP						
	6	1	245-7820	1	COVER-FRONT						
	7	1	245-7825	1	INSULATOR						
	8	2	245-7826	1	INSULATOR						
	9	2	245-7827	1	INSULATOR						
	10	2	245-7828	1	INSULATOR						
	11	1	245-7829	1	PACKING						
	12	1	245-7830	1	CLIP						
	13	1	245-7831	1	SENSOR AS-TEMPERATURE (COOLANT)						
	14	1	245-7832	1	CONTROL AS						
	15	1	245-7833	1	CORE AS-HEATER						
	16	1	245-7834	1	DAMPER AS						
	17	2	245-7835	1	SENSOR AS-TEMPERATURE (AMBIENT AIR TEMP)						
Y	18	2	245-7836	1	COIL GP-EVAPORATOR						726
	19	2	245-7838	1	PACKING						
	20	2	245-7839	1	MOTOR AS (WITH FAN)						
Y	21	1	245-7846	1	CONTROL GP-HEAT & AIR COND (AIR INLET)						746
	22	1	245-7847	1	HARNESS AS-HEATER & AIR COND						
	23	2	245-7856	3	SCREW AS-TAPPING						
	24	1	293-1137	1	FILTER GP-AIR (AIR CONDITIONER)						
		1	245-7823	1	FILTER ELEMENT-CAB AIR (AIR CONDITIONER)						
		1	245-7824	1	PACKING						
	25	2	316-8845	1	PLATE						
	26	2	316-8846	1	PLATE						
	27	2	316-8847	2	ROD						
	28	2	316-8848	1	ROD						
	29	1	316-8849	1	ROD						
	30	2	316-8850	1	ROD						
Y-SEPARATE ILLUSTRATION											

OPERATOR STATION

316-8811 AIR CONDITIONER GP (contd.)

i03079863

REFER TO ALL ILLUSTRATIONS OF THIS GROUP FOR AUXILIARY VIEWS



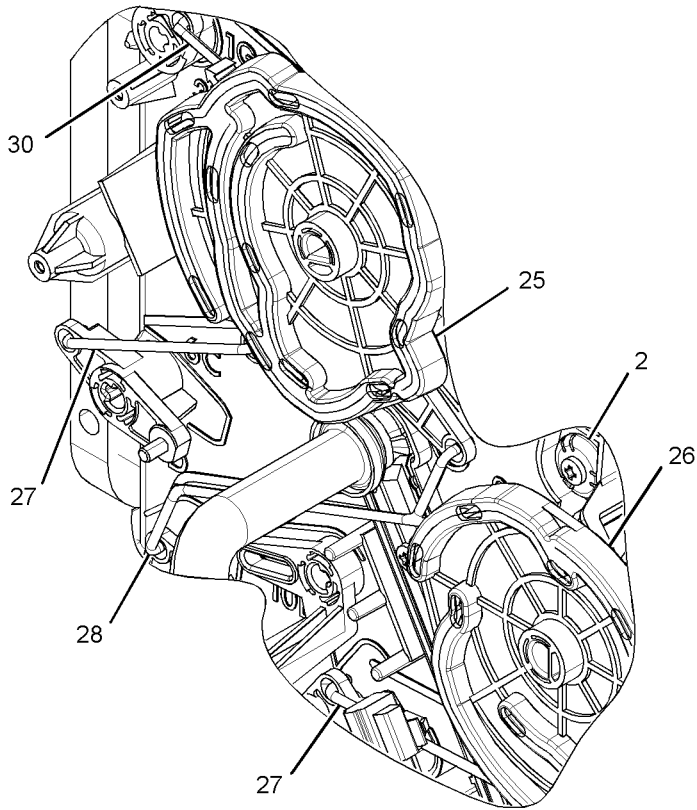
GRAPHIC #1

g01525866

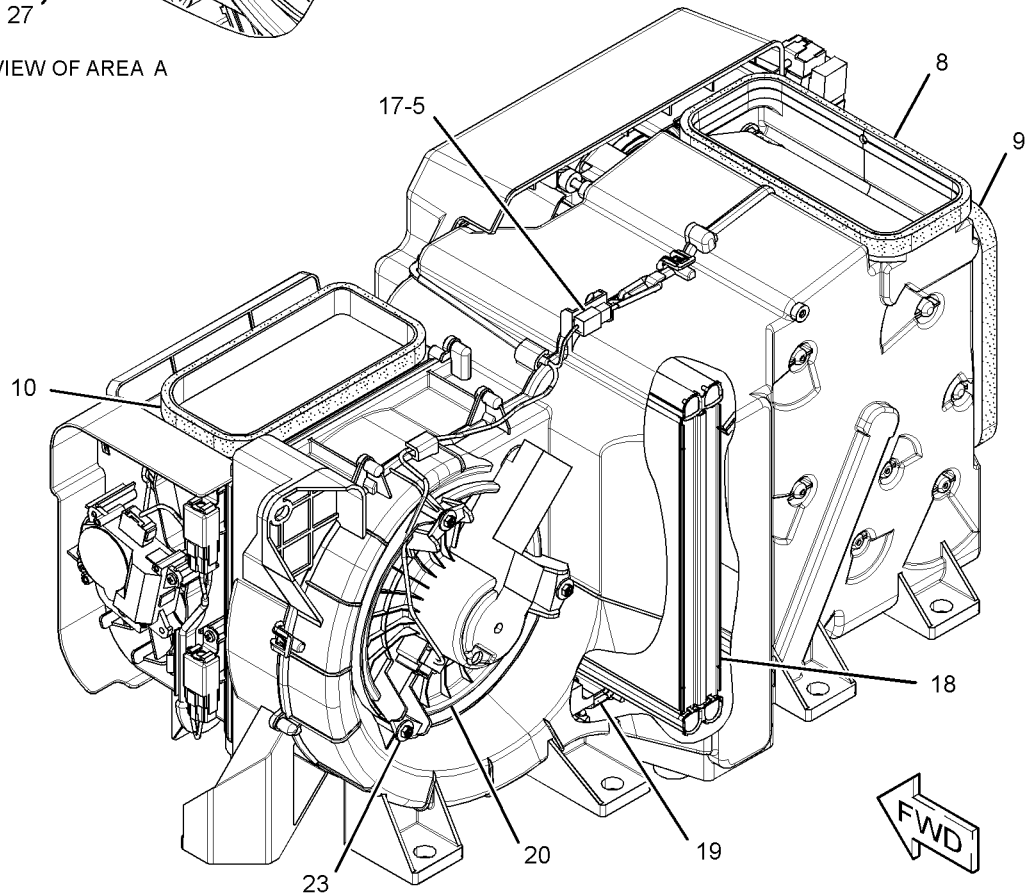
OPERATOR STATION

316-8811 AIR CONDITIONER GP (contd.)

i03079863



VIEW OF AREA A



<END>

GRAPHIC #2

g01526086

OPERATOR STATION

259-7346 ARMREST GP-RH

S/N: MGG1-UP; JFZ1-UP

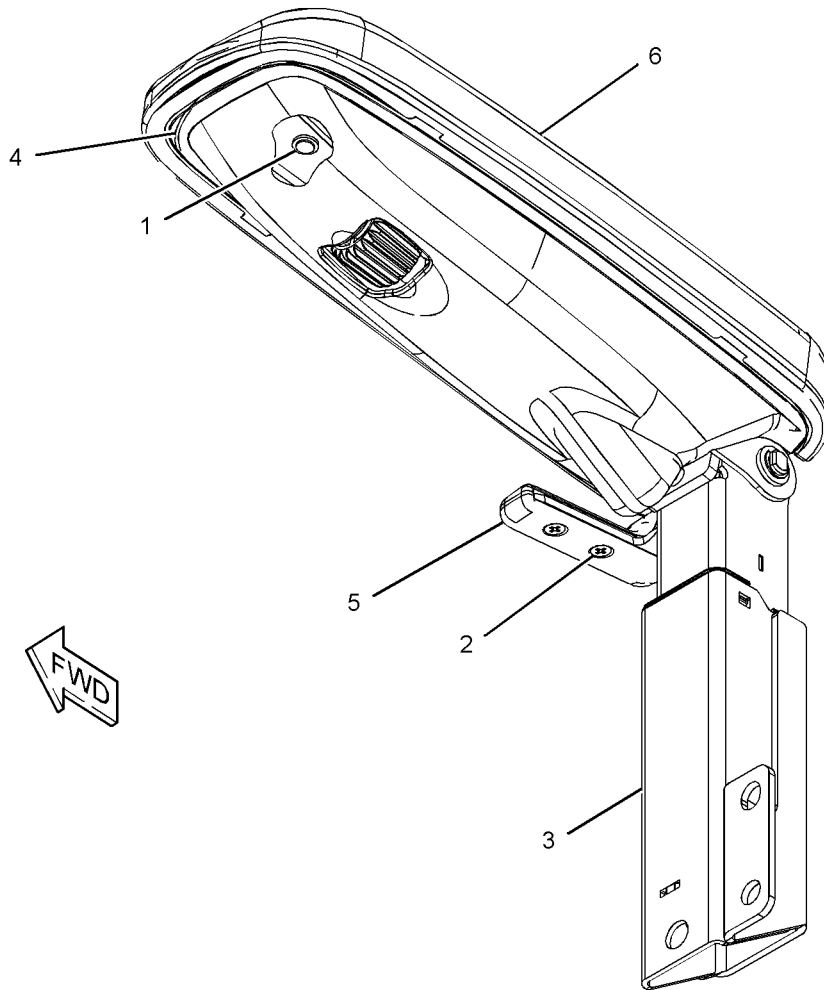
PART OF 259-7348 CONSOLE GP-OPERATOR

SMCS-7307

i02534960

NOTE	REF NO	GRAPHIC REF	PART NUMBER	QTY	PART NAME						SEE PAGE
					1	2	3	4	5	6 (PRODUCT LEVEL)	
M	1	1	171-7325	3	SCREW-TAPPING (M5X0.8-THD)						
M	2	1	185-8286	2	SCREW-MACHINE (M4X0.7X8-MM)						
	3	1	235-8951	1	SUPPORT AS						
	4	1	235-8996	1	COVER						
	5	1	235-8997	1	KNOB						
	6	1	279-3161	1	CUSHION						

M-METRIC PART



GRAPHIC #1

<END>

g01217218

OPERATOR STATION

259-7347 ARMREST GP-LH

S/N: MGG1-UP; JFZ1-UP

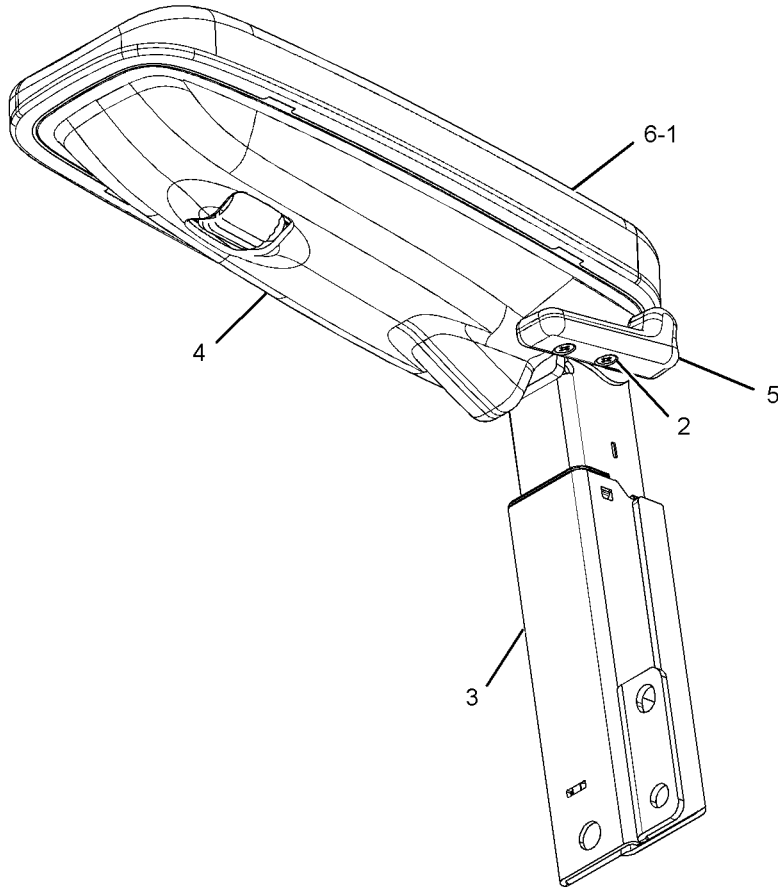
PART OF 259-7349 CONSOLE GP-OPERATOR

SMCS-7307

i02534955

NOTE	REF NO	GRAPHIC REF	PART NUMBER	QTY	PART NAME						SEE PAGE
					1	2	3	4	5	6 (PRODUCT LEVEL)	
M	1	1	171-7325	3	SCREW-TAPPING (M5X0.8-THD)						
M	2	1	185-8286	2	SCREW-MACHINE (M4X0.7X8-MM)						
	3	1	235-8952	1	SUPPORT AS						
	4	1	235-8996	1	COVER						
	5	1	235-8998	1	KNOB						
	6	1	259-7345	1	CUSHION						

M-METRIC PART



GRAPHIC #1

<END>

g01210886

OPERATOR STATION

259-7295 BRACKET GP-MIRROR

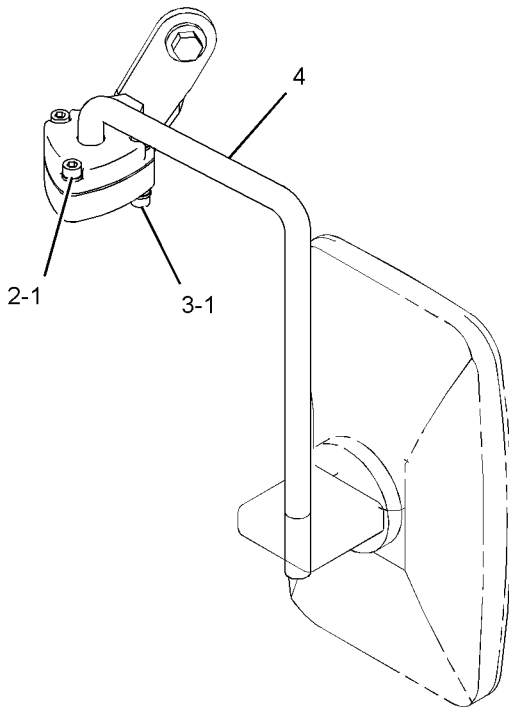
S/N: MGG1-UP; JFZ1-UP
PART OF 235-8910 CAB GP
AN ATTACHMENT

SMCS-7319

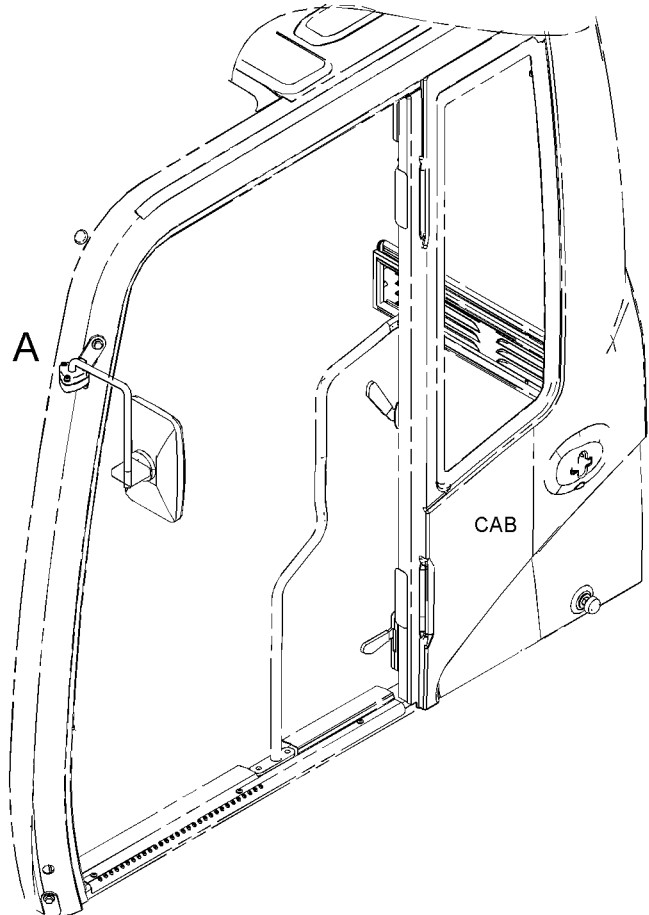
i02612598

NOTE	REF NO	GRAPHIC REF	PART NUMBER	QTY	PART NAME						SEE PAGE
					1	2	3	4	5	6 (PRODUCT LEVEL)	
	1	1	2U-2552	5	LOCKWASHER						
M	2	1	6V-5683	3	BOLT (M6X1X16-MM)						
M	3	1	9X-6153	2	BOLT (M6X1X10-MM)						
Z	4	1		1	BRACKET-MIRROR						

M-METRIC PART
Z-NOT SERVICED SEPARATELY



VIEW OF AREA A



GRAPHIC #1

<END>

g01307553

OPERATOR STATION**229-9108 CAB GP**

S/N: MGG1-UP; JFZ1-UP

AN ATTACHMENT

SMCS-7301, 7325

i02532601

NOTE	REF NO	GRAPHIC REF	PART NUMBER	QTY	PART NAME						SEE PAGE
					1	2	3	4	5	6 (PRODUCT LEVEL)	
M	1	1	128-2135	5	SCREW-TRUSS HEAD (M6X1X13-MM)						
	2	1	164-8474	2	LOUVER AS-VENT						
Y	3	1	229-9109	1	CAB GP						716
Y	4	1	234-6501	1	COVER GP-CAB (REAR)						751
	5	1	235-9001	1	SUPPORT						
M	6	1	8T-4179	5	BOLT (M12X1.75X20-MM)						
M	7	1	8T-4190	4	BOLT (M16X2X25-MM)						
	8	1	8T-4223	13	WASHER-HARD (13.5X25.5X3-MM THK)						
M	9	1	8T-4910	6	BOLT (M12X1.75X60-MM)						
M	10	1	8T-6868	2	BOLT (M12X1.75X80-MM)						
	11	1	8Y-6967	2	LOUVER AS						
	12	1	9X-8257	6	WASHER (17.5X30X3.5-MM THK)						

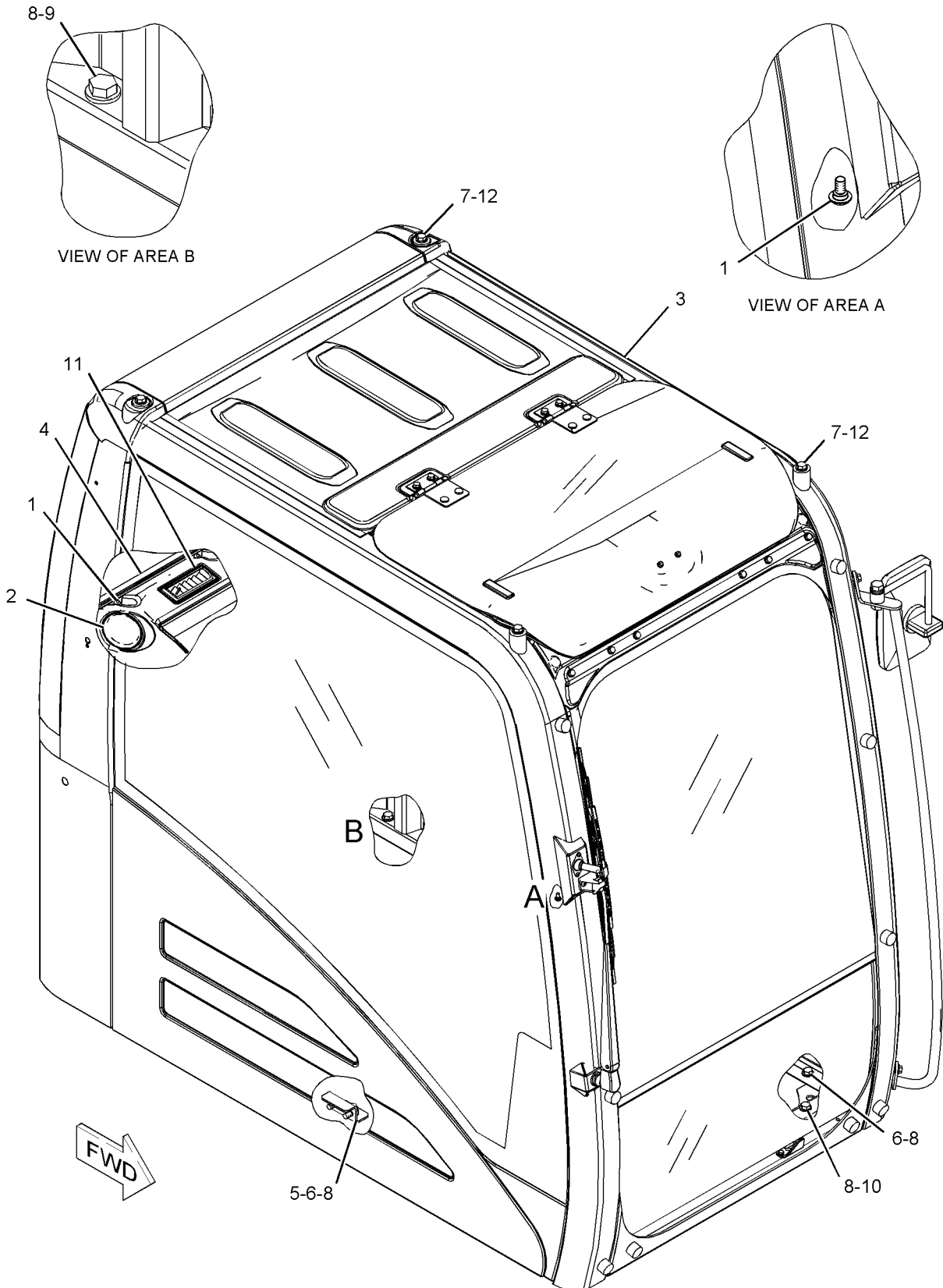
M-METRIC PART

Y-SEPARATE ILLUSTRATION

OPERATOR STATION

229-9108 CAB GP (contd.)

i02532601



GRAPHIC #1

<END>

g01119695

OPERATOR STATION**229-9109 CAB GP**

S/N: MGG1-UP; JFZ1-UP

PART OF 229-9108 CAB GP
AN ATTACHMENT

SMCS-7301, 7325

i02857419

NOTE	REF NO	GRAPHIC REF	PART NUMBER	QTY	PART NAME						SEE PAGE
					1	2	3	4	5	6 (PRODUCT LEVEL)	
	1	1	234-6467	1	CAB AS						
Y	2	1	235-8910	1	CAB GP (EXTERIOR)						718
Y	3	1	235-8917	1	CAB GP (INTERIOR)						722
Y	4	1	235-8909	1	WINDOW GP-CAB (SIDE, REAR)						802
Y	5	1	234-6594	1	WIPER GP-WINDOW (FRONT, UPPER)						805
Y	6	1	189-2768	1	DOOR & MTG GP-CAB						753
JY	7	1	139-7101	1	WINDOW GP-CAB (FRONT, UPPER)						797
Y	8	1	176-1958	1	WINDOW GP-CAB (FRONT LOWER)						800
Y	9	1	259-7350	1	HATCH GP-ROOF						763
FJY		1	171-7503	1	FRAME GP-UPPER FRONT WINDOW						762
FJY		1	207-0144	1	WINDOW AS-FRONT (UPPER)						796

F-NOT SHOWN

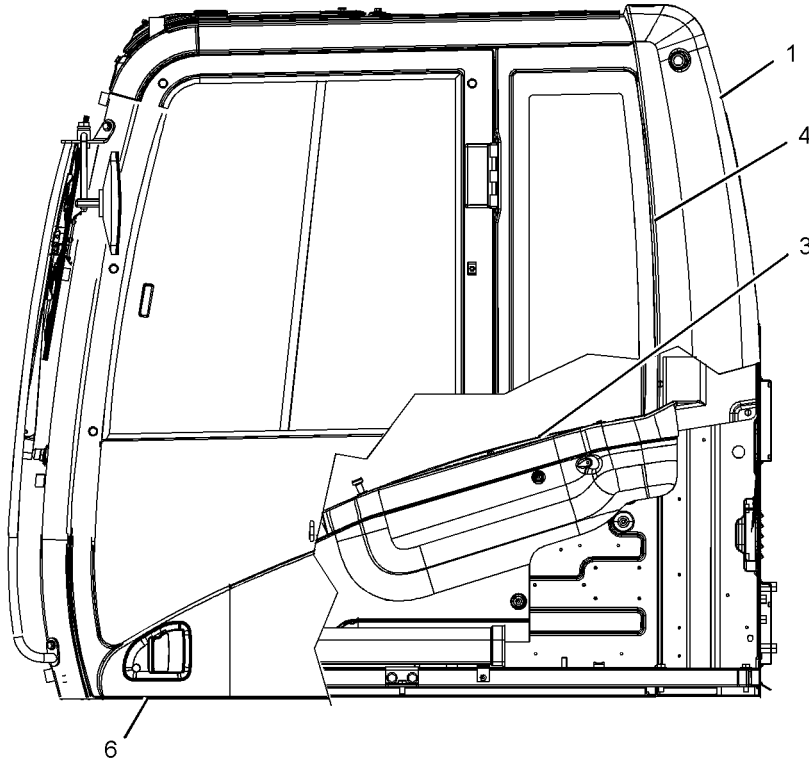
J-ITEMS MARKED J AVAILABLE FOR SERVICE REPAIR OF WINDOW GP MARKED J

Y-SEPARATE ILLUSTRATION

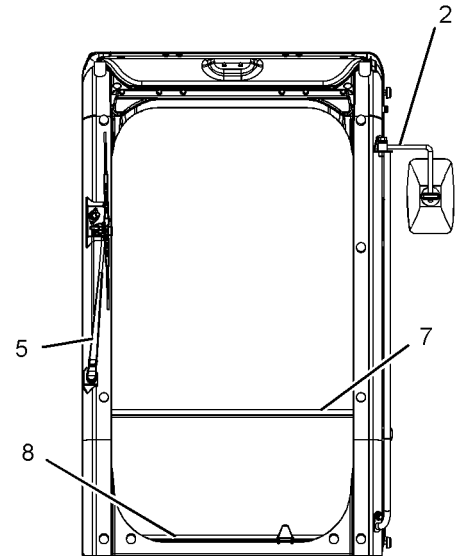
OPERATOR STATION

229-9109 CAB GP (contd.)

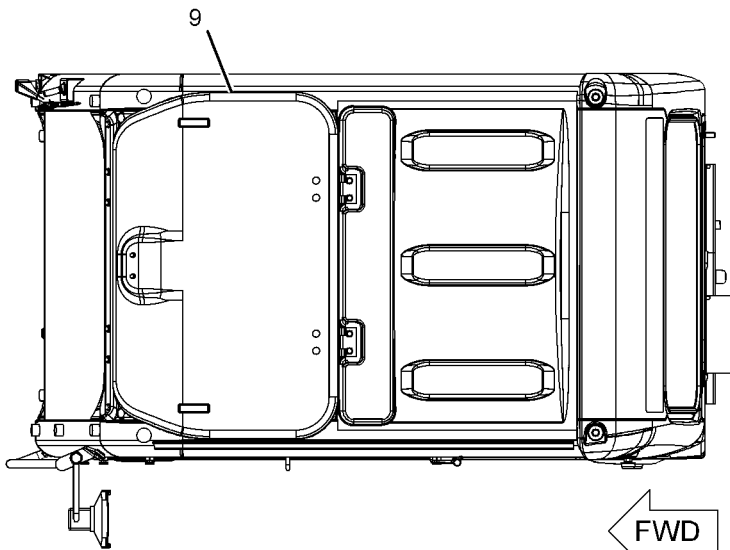
i02857419



LEFT SIDE VIEW



FRONT VIEW



TOP VIEW

GRAPHIC #1

<END>

g01125083

OPERATOR STATION

235-8910 CAB GP-EXTERIOR

S/N: MGG1-UP; JFZ1-UP
PART OF 229-9109 CAB GP
AN ATTACHMENT

SMCS-7301, 7325

i03006209

NOTE	REF NO	GRAPHIC REF	PART NUMBER	QTY	PART NAME						SEE PAGE
					1	2	3	4	5	6 (PRODUCT LEVEL)	
	1	2	139-7126	1	HOLDER						
	2	2	139-7127	1	HOLDER						
	3	1	156-6599	1	STRIKER						
	4	2	161-3685	1	ROD						
	5	1	235-8933	1	HANDLE AS						
	6	1	161-3697	1	GUARD						
	7	2	164-0523	1	LEVER AS						
	8	2	164-0527	1	ROD						
Y	9	2	164-0528	1	LEVER GP-AIR & TEMP CONTROL						768
	10	1	167-7018	1	COVER AS						
	11	2	167-7042	2	SEAL						
	12	2	171-7426	1	CABLE AS						
	13	2	176-1939	1	LEVER AS						
M		2	9X-2044	1	SCREW-TRUSS HEAD (M6X1X16-MM)						
		2	176-1937	1	BRACKET AS						
		2	176-1938	1	LEVER						
	14	2	176-1942	1	COVER						
	15	1	178-5570	2	GROMMET						
	16	2	185-8196	1	GROMMET						
	17	2	189-2704	1	SEAL						
M	18	1,2	189-3396	5	NUT (M10X1.15-THD)						
	19	2	189-3409	3	WASHER						
	20	2	201-4530	1	BRACKET AS						
	21	2	205-6295	1	LATCH AS						
	22	1	210-5808	1	SEAL						
	23	1	235-8912	1	HANDLE AS						
M	24	1	099-0823	3	SCREW-MACHINE (M6X1X6-MM)						
M	25	1	127-0580	2	SCREW-FLAT HEAD (M8X1.25X20-MM)						
	26	2	133-8016	1	PACKING						
	27	1	156-6617	1	MIRROR						
Y	28	1	259-7295	1	BRACKET GP-MIRROR						713
	29	2	176-1986	1	LAMP AS-DOME						
		2	201-4417	1	LAMP (24-VOLT, 10-WATT) (DOME)						
	30	1	1R-5998	2	LOCKWASHER						
M	31	1	284-4426	1	BOLT-WING (M8X1.25X15-MM)						
M	32	2	3E-8020	6	SCREW-TRUSS HEAD (M6X1X25-MM)						
M	33	2	3E-9874	2	SCREW-OVAL HEAD						
	34	1	4I-1205	2	BUMPER						
	35	2	4I-1206	2	GUIDE						
	36	2	4I-3063	1	SPRING						
M	37	1	4I-3123	2	BOLT (M10X1.5X20-MM)						
	38	1	4I-3144	2	WASHER-HARD (10.2X22X3.2-MM THK)						
	39	2	4I-4270	1	HOLDER-GLASS						
	40	2	4I-4392	3	CLIP						
	41	2	5C-7793	1	HOOK-COAT						
	42	2	6V-7636	4	PIN AS-SPRING						
	43	1	7X-0578	2	WASHER-HARD (10.2X32X2.5-MM THK)						
					-OR-						
		1	099-3607	2	WASHER-HARD (10.2X30X3.2-MM THK)						
M	44	1	8T-4779	1	BOLT (M16X2X35-MM)						
M	45	2	9X-2041	1	SCREW-TRUSS HEAD (M10X1.5X20-MM)						
M	46	2	9X-2042	5	SCREW-TRUSS HEAD (M6X1X12-MM)						
M	47	2	9X-2044	5	SCREW-TRUSS HEAD (M6X1X16-MM)						
M	48	2	9X-2045	2	SCREW-TRUSS HEAD (M6X1X20-MM)						
	49	1	9X-8257	1	WASHER (17.5X30X3.5-MM THK)						

OPERATOR STATION

235-8910 CAB GP (contd.)

i03006209

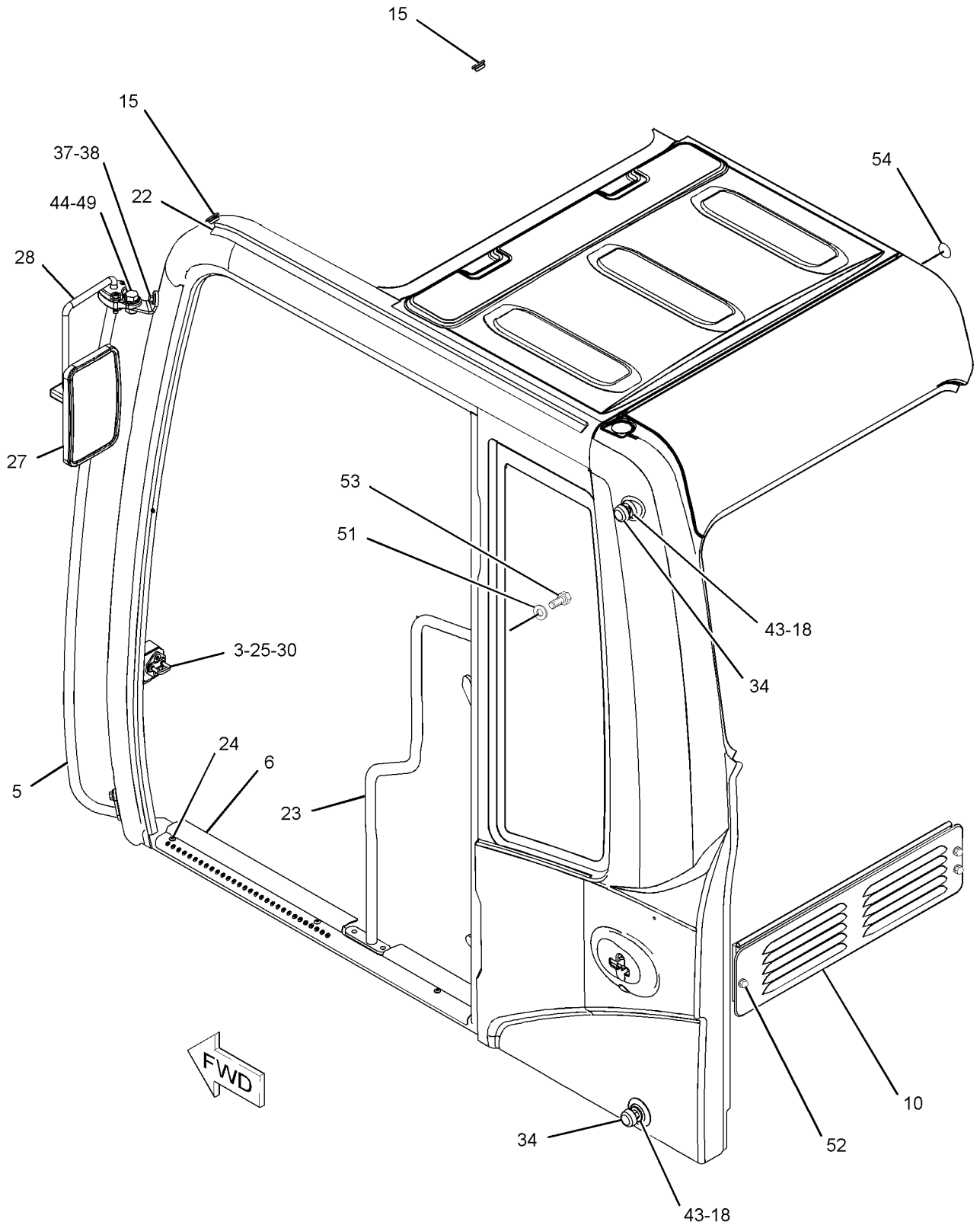
NOTE	REF NO	GRAPHIC REF	PART NUMBER	QTY	PART NAME						SEE PAGE
					1	2	3	4	5	6 (PRODUCT LEVEL)	
E	50	2	6I-5470		SEAL (150-CM)						
	51	1	085-6452	2	WASHER						
M	52	1	105-2169	2	BOLT AS						
M	53	1	189-2864	2	SCREW-FLAT HEAD (M8X1.25X30-MM)						
	54	1	4I-3090	4	SEAL						

E-ORDER BY THE CENTIMETER
M-METRIC PART
Y-SEPARATE ILLUSTRATION

OPERATOR STATION

235-8910 CAB GP (contd.)

i03006209



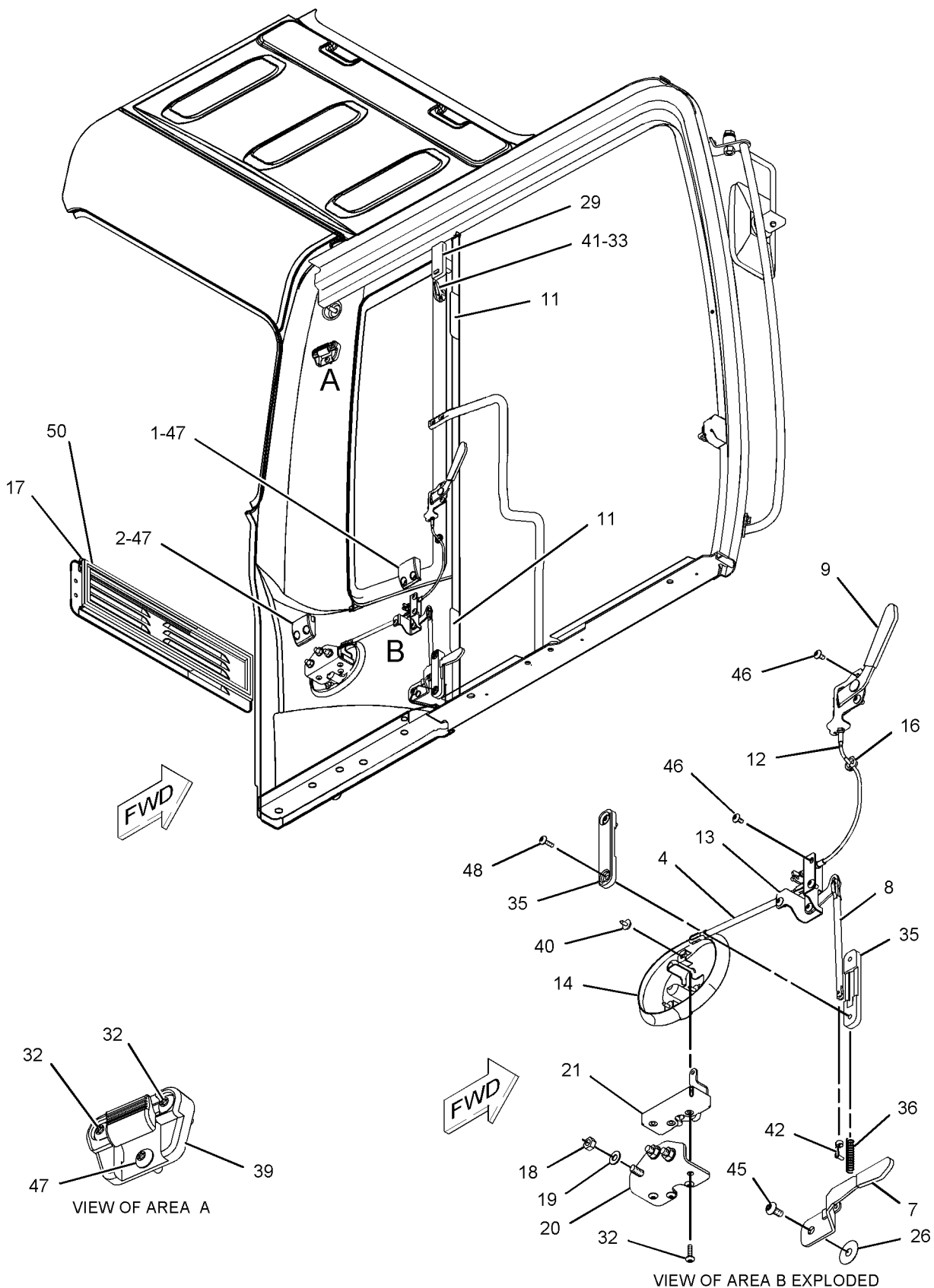
GRAPHIC #1

g01253581

OPERATOR STATION

235-8910 CAB GP (contd.)

i03006209



GRAPHIC #2

<END>

g01098017

OPERATOR STATION**235-8917 CAB GP-INTERIOR**

S/N: MGG1-UP; JFZ1-UP

PART OF 229-9109 CAB GP

AN ATTACHMENT

TYPE 1

SMCS-7301, 7325

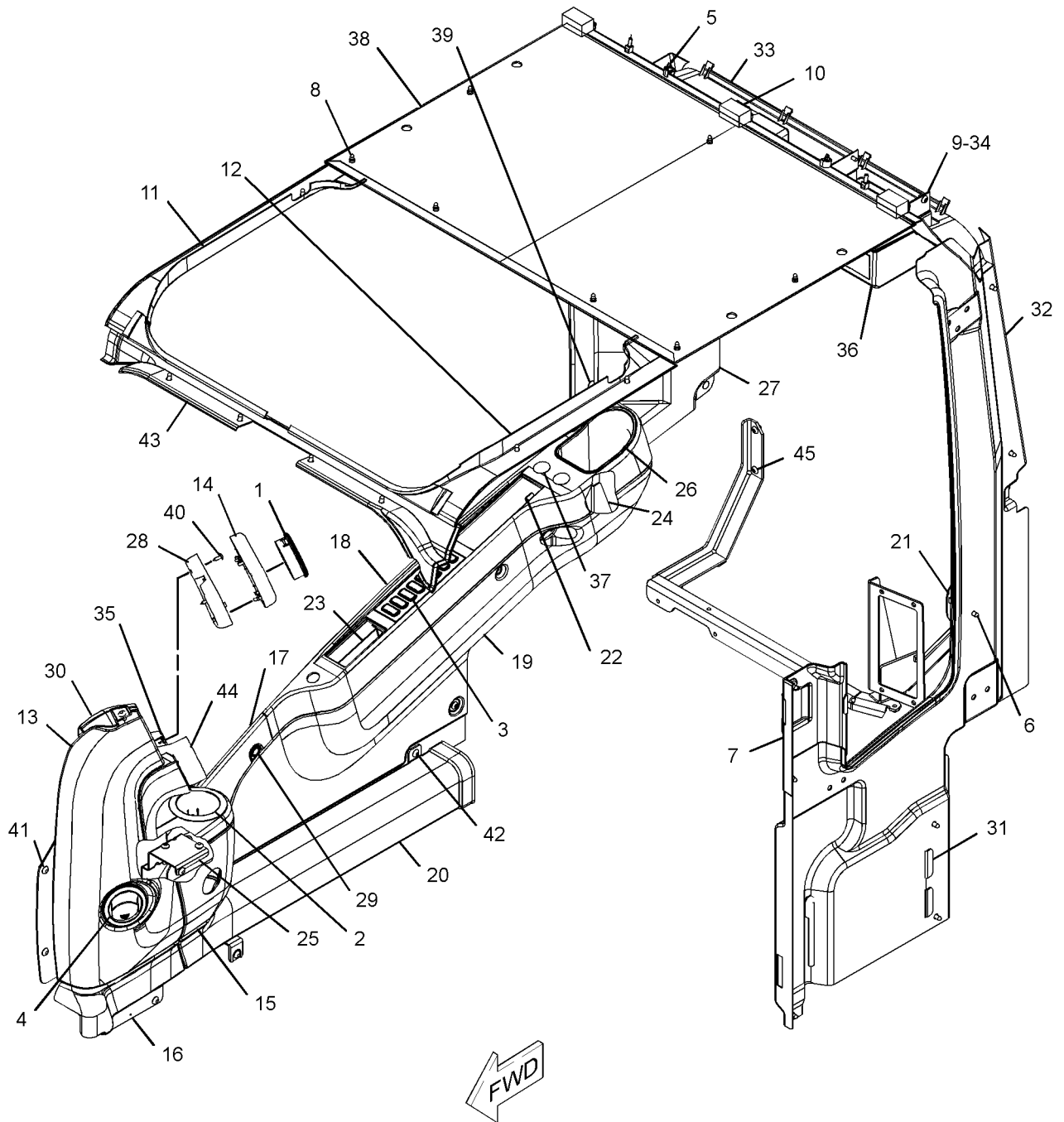
i02532626

NOTE	REF NO	GRAPHIC REF	PART NUMBER	QTY	PART NAME						SEE PAGE
					1	2	3	4	5	6 (PRODUCT LEVEL)	
	1	1	8Y-6352	1	LOUVER AS						
	2	1	164-0646	1	CUP						
	3	1	164-0655	1	PANEL-SWITCH (OPERATOR CONSOLE)						
	4	1	164-8474	2	LOUVER AS-VENT						
	5	1	170-9724	5	CLIP						
	6	1	171-7420	10	CLIP						
	7	1	176-1972	1	COVER						
	8	1	185-8205	7	CLIP						
	9	1	185-8214	1	BRACKET AS						
	10	1	189-2678	3	SPACER						
	11	1	189-2853	1	COVER						
	12	1	189-2854	1	COVER						
	13	1	234-6468	1	COVER AS						
		1	259-7353	4	CLIP						
	14	1	234-6470	1	COVER-MONITOR						
	15	1	234-6471	1	COVER-DUCT						
	16	1	234-6472	1	COVER						
	17	1	234-6473	1	COVER-FRONT (UPPER, RH)						
	18	1	234-6474	1	COVER (UPPER, RH)						
	19	1	234-6475	1	COVER (LOWER, RH)						
	20	1	234-6476	1	DUCT						
	21	1	234-6477	1	BRACKET AS						
	22	1	234-6478	1	BRACKET AS						
	23	1	234-6480	1	BRACKET AS						
	24	1	234-6483	1	BRACKET AS						
	25	1	234-6485	1	BRACKET AS						
	26	1	234-6490	1	CUP						
	27	1	234-6491	1	COVER						
	28	1	234-6497	1	COVER						
	29	1	234-6498	3	RIVET						
	30	1	234-6521	1	COVER						
	31	1	234-6547	1	COVER						
	32	1	234-6548	1	COVER						
	33	1	234-6549	1	COVER						
	34	1	234-6550	1	COVER						
	35	1	234-6579	2	NUT-SPEED						
	36	1	235-8922	1	COVER						
	37	1	235-8923	2	CAP						
	38	1	235-8930	1	LINER						
	39	1	235-8950	12	CLIP						
	40	1	245-7790	2	SCREW-TAPPING						
M	41	1	128-2135	13	SCREW-TRUSS HEAD (M6X1X13-MM)						
M	42	1	128-2136	1	SCREW-TRUSS HEAD (M6X1X16-MM)						
	43	1	189-2855	1	COVER						
	44	1	234-6469	1	COVER						
M	45	1	9X-2042	23	SCREW-TRUSS HEAD (M6X1X12-MM)						
M-METRIC PART											

OPERATOR STATION

235-8917 CAB GP (contd.)

i02532626



GRAPHIC #1

<END>

g01248714

OPERATOR STATION

235-8917 CAB GP-INTERIOR

S/N: MGG1-UP; JFZ1-UP
PART OF 229-9109 CAB GP
AN ATTACHMENT
TYPE 2

SMCS-7301, 7325

i02991598

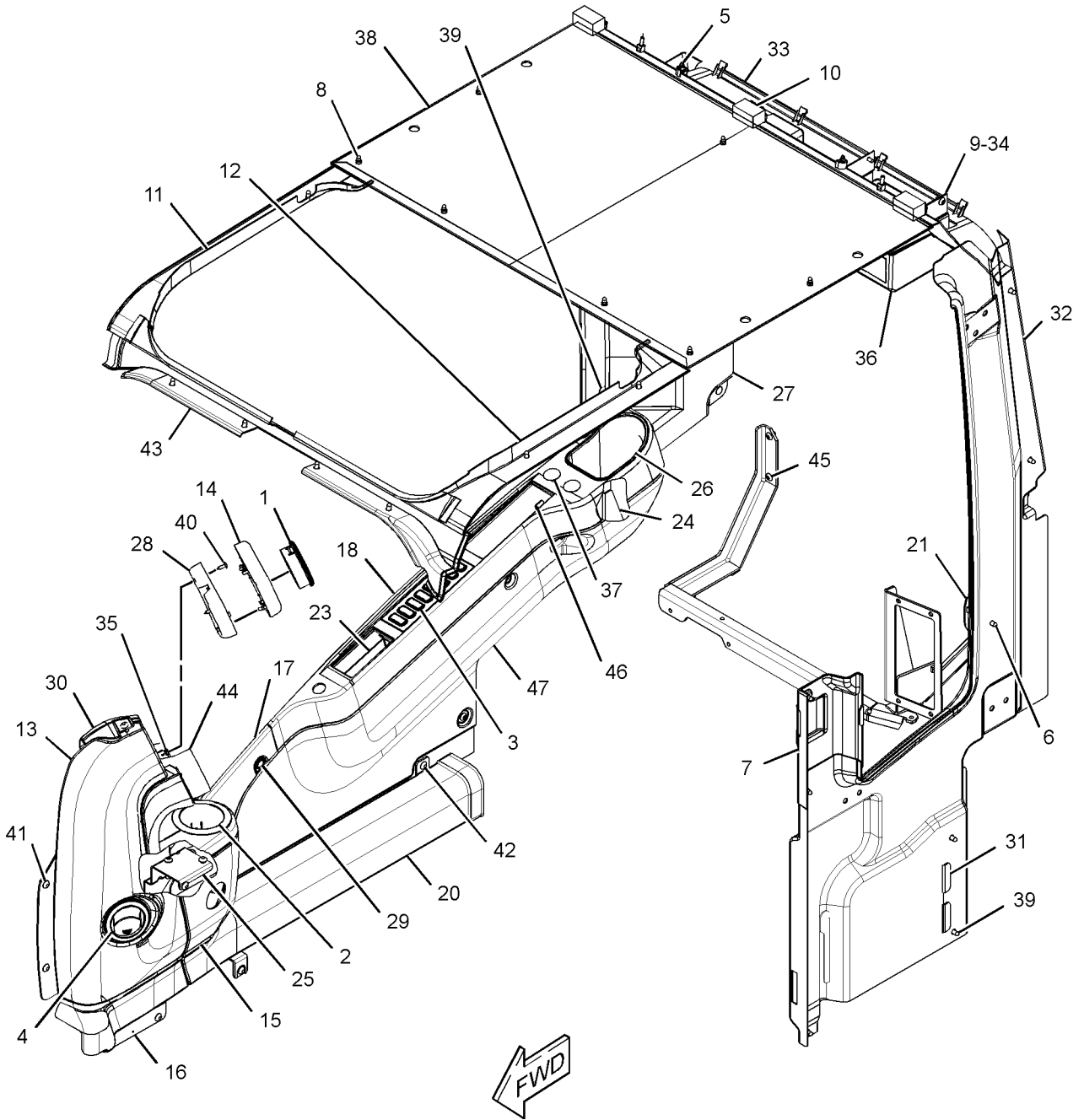
NOTE	REF NO	GRAPHIC REF	PART NUMBER	QTY	PART NAME						SEE PAGE
					1	2	3	4	5	6 (PRODUCT LEVEL)	
	1	1	8Y-6352	1	LOUVER AS						
	2	1	164-0646	1	CUP						
	3	1	164-0655	1	PANEL-SWITCH (OPERATOR CONSOLE)						
	4	1	164-8474	2	LOUVER AS-VENT						
	5	1	170-9724	5	CLIP						
	6	1	171-7420	10	CLIP						
	7	1	176-1972	1	COVER						
	8	1	185-8205	7	CLIP						
	9	1	185-8214	1	BRACKET AS						
	10	1	189-2678	3	SPACER						
	11	1	189-2853	1	COVER						
	12	1	189-2854	1	COVER						
	13	1	234-6468	1	COVER AS						
		1	259-7353	4	CLIP						
	14	1	234-6470	1	COVER-MONITOR						
	15	1	234-6471	1	COVER-DUCT						
	16	1	234-6472	1	COVER						
	17	1	234-6473	1	COVER-FRONT (UPPER, RH)						
	18	1	234-6474	1	COVER (UPPER, RH)						
	20	1	234-6476	1	DUCT						
	21	1	234-6477	1	BRACKET AS						
	23	1	234-6480	1	BRACKET AS						
	24	1	234-6483	1	BRACKET AS						
	25	1	234-6485	1	BRACKET AS						
	26	1	234-6490	1	CUP						
	27	1	234-6491	1	COVER						
	28	1	234-6497	1	COVER						
	29	1	234-6498	3	RIVET						
	30	1	234-6521	1	COVER						
	31	1	234-6547	1	COVER						
	32	1	234-6548	1	COVER						
	33	1	234-6549	1	COVER						
	34	1	234-6550	1	COVER						
	35	1	234-6579	2	NUT-SPEED						
	36	1	235-8922	1	COVER						
	37	1	235-8923	2	CAP						
	38	1	235-8930	1	LINER						
C	39	1	235-8950	10	CLIP						
	40	1	245-7790	2	SCREW-TAPPING						
M	41	1	128-2135	13	SCREW-TRUSS HEAD (M6X1X13-MM)						
M	42	1	128-2136	1	SCREW-TRUSS HEAD (M6X1X16-MM)						
	43	1	189-2855	1	COVER						
	44	1	234-6469	1	COVER						
M	45	1	9X-2042	23	SCREW-TRUSS HEAD (M6X1X12-MM)						
C	46	1	305-0333	1	BRACKET						
C	47	1	305-0330	1	COVER						

C- CHANGE FROM PREVIOUS TYPE
M-METRIC PART

OPERATOR STATION

235-8917 CAB GP (contd.)

i02991598



GRAPHIC #1

<END>

g01421499

OPERATOR STATION

245-7836 COIL GP-EVAPORATOR

S/N: MGG1-UP; JFZ1-UP

PART OF 240-5036, 316-8811 AIR CONDITIONER GP
AN ATTACHMENT

SMCS-7343

i02532566

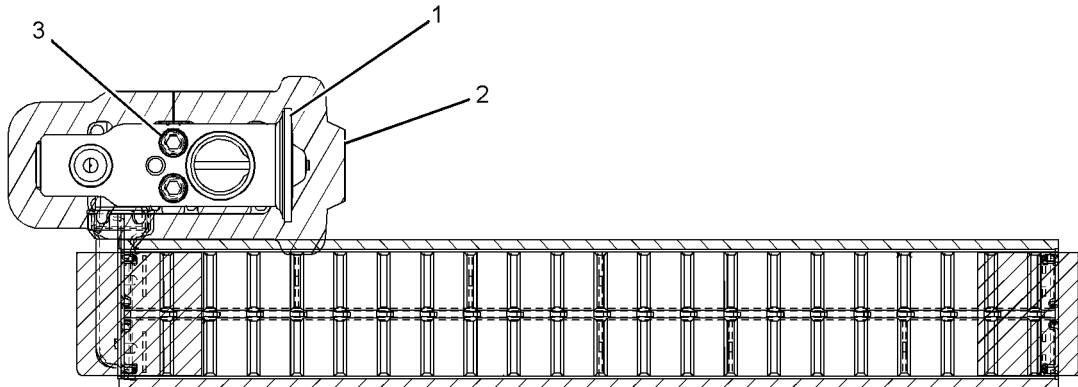
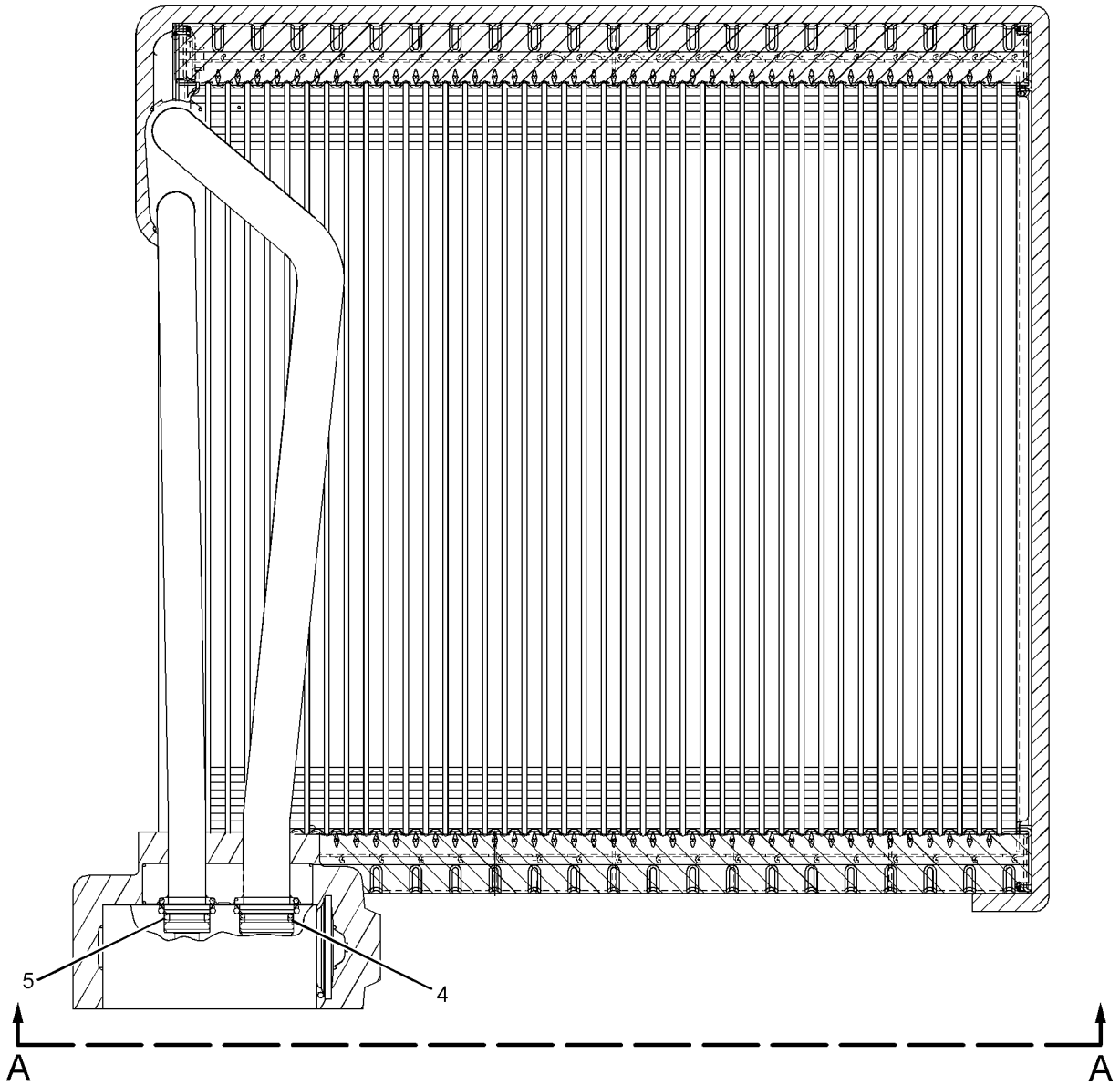
NOTE	REF NO	GRAPHIC REF	PART NUMBER	QTY	PART NAME						SEE PAGE
					1	2	3	4	5	6 (PRODUCT LEVEL)	
	1	1	245-7837	1	VALVE AS-EXPANSION						
	2	1	245-7905	1	INSULATOR						
M	3	1	8T-0266	2	BOLT-SOCKET HEAD (M5X0.8X40-MM)						
	4	1	121-7136	1	SEAL-O-RING						
	5	1	121-7138	1	SEAL-O-RING						

M-METRIC PART

OPERATOR STATION

245-7836 COIL GP-EVAPORATOR (contd.)

i02532566



VIEW A-A

GRAPHIC #1

<END>

g01134658

OPERATOR STATION**239-6507 COMPRESSOR GP-REFRIGERANT**

S/N: MGG1-UP; JFZ1-UP

PART OF 272-4742 INSTALLATION AR-ENGINE

SMCS-1802

i02544942

NOTE	REF NO	GRAPHIC REF	PART NUMBER	QTY	PART NAME						SEE PAGE
					1	2	3	4	5	6 (PRODUCT LEVEL)	
	1	1	118-9863	1	PULLEY						
	2	1	201-3888	1	SPACER						
	3	1	255-2927	1	V-BELT (AIR CONDITIONER COMPRESSOR)						
Y	4	1	255-3018	1	PULLEY GP-IDLER						44
Y	5	1	259-7244	1	COMPRESSOR GP-REFRIGERANT						730
	6	1	266-6207	1	BRACKET AS						
M	7	1	8T-3647	4	BOLT (M8X1.25X80-MM)						
	8	1	8T-4121	7	WASHER-HARD (11X21X2.5-MM THK)						
M	9	1	8T-4172	3	BOLT (M10X1.5X80-MM)						
M	10	1	8T-4184	2	BOLT (M12X1.75X45-MM)						
	11	1	8T-4223	2	WASHER-HARD (13.5X25.5X3-MM THK)						
	12	1	8T-4224	4	WASHER-HARD (8.8X16X2-MM THK)						
M	13	1	8T-6466	4	BOLT (M10X1.5X60-MM)						
	14	1	5P-4116	1	WASHER-HARD (8.8X20.5X2-MM THK)						

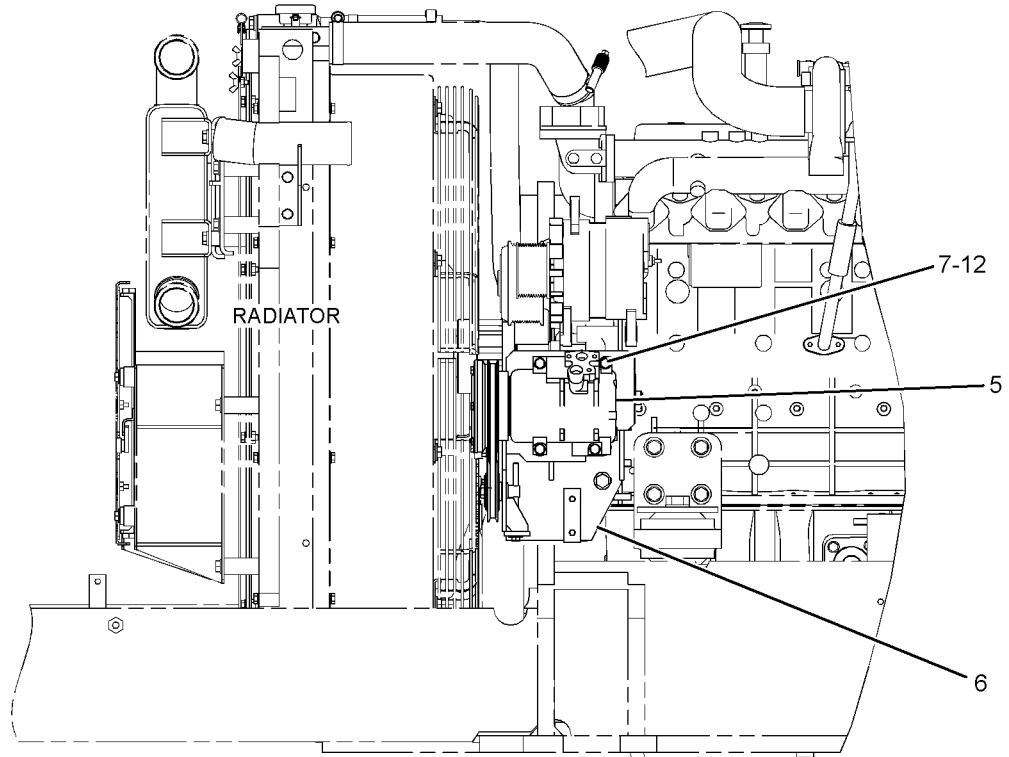
M-METRIC PART

Y-SEPARATE ILLUSTRATION

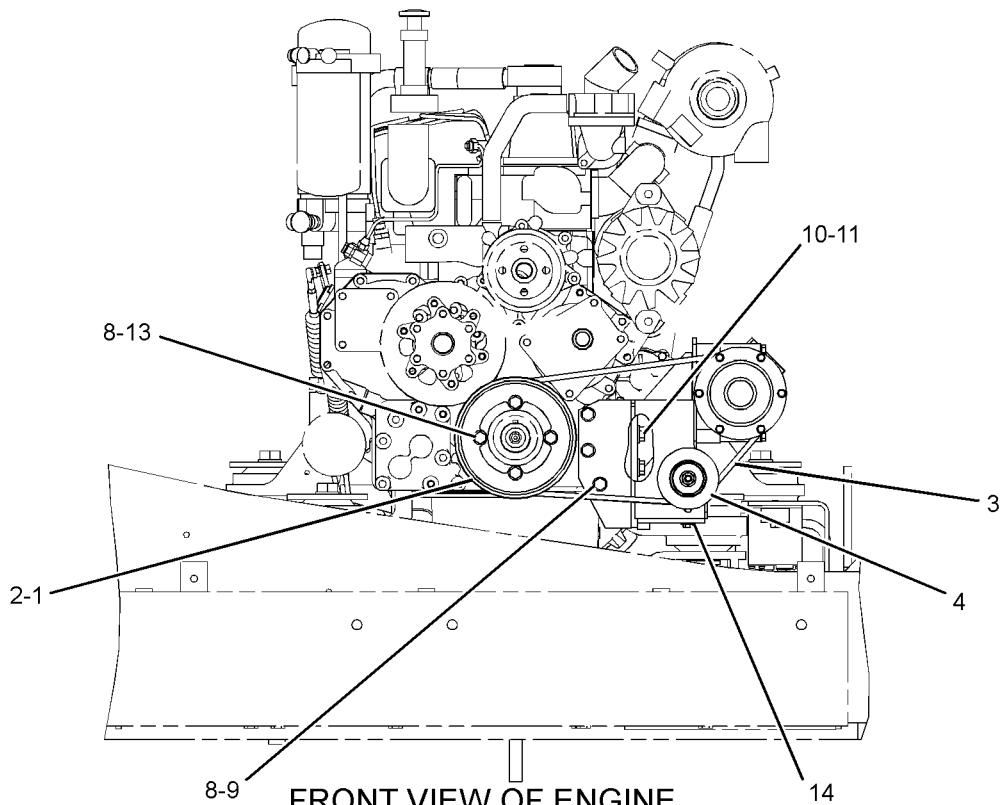
OPERATOR STATION

239-6507 COMPRESSOR GP-REFRIGERANT (contd.)

i02544942



LEFT SIDE VIEW OF ENGINE



FRONT VIEW OF ENGINE

GRAPHIC #1

<END>

g01238479

OPERATOR STATION

259-7244 COMPRESSOR GP-REFRIGERANT

S/N: MGG1-UP; JFZ1-UP

PART OF 239-6507 COMPRESSOR GP-REFRIGERANT

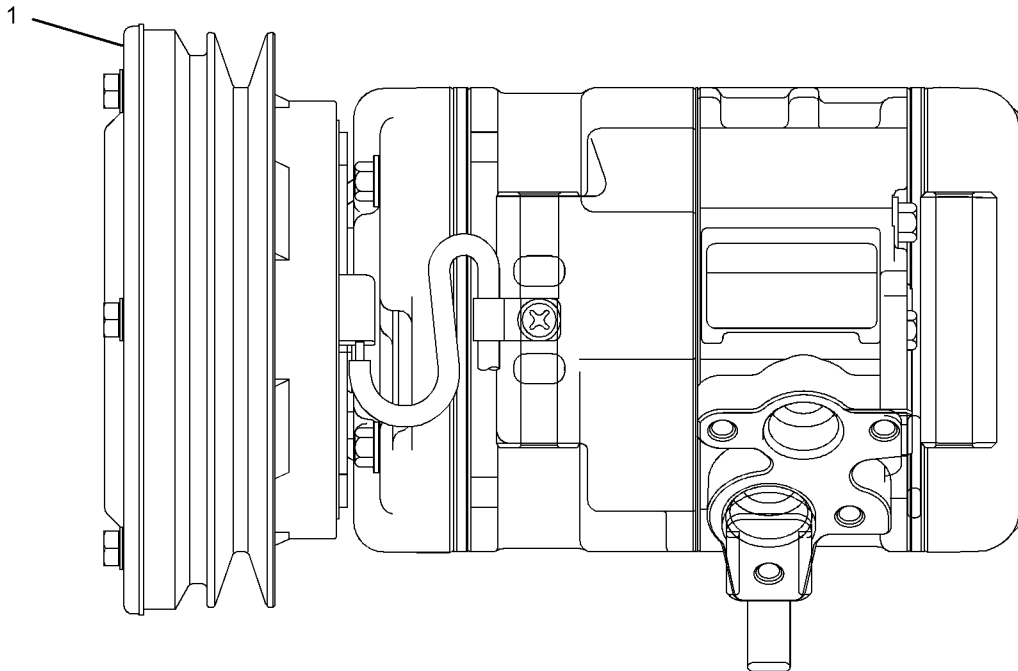
SMCS-1802

i02793175

NOTE	REF NO	GRAPHIC REF	PART NUMBER	QTY	PART NAME						SEE PAGE
					1	2	3	4	5	6 (PRODUCT LEVEL)	
	1	1	259-7286	1	COIL AS (24-VOLT)						
		1	8T-8729	2	PIN-CONNECTOR						
		1	243-4505	1	RECEPTACLE AS-CONNECTOR (2-PIN)						
BF			264-9982	1	WASHER (6.2X12.2X0.1-MM THK)						
BF			264-9983	1	WASHER (6.2X12.2X0.3-MM THK)						
BF			264-9984	1	WASHER (6.2X12.2X0.5-MM THK)						
(USED FOR PROPER INSTALLATION OF THE COIL AS)											

B-USE AS REQUIRED

F-NOT SHOWN



GRAPHIC #1

<END>

g01392695

OPERATOR STATION**284-4442 CONDENSER & LINES GP-RFGT-CHASSIS**

S/N: MGG1-UP; JFZ1-UP

FOR USE WITH 235-9003-PAGE 704
AN ATTACHMENT

SMCS-1805, 1808

i02755714

NOTE	PART NUMBER	QTY	PART NAME						SEE PAGE
			1	2	3	4	5	6 (PRODUCT LEVEL)	
Y	273-5167	1	CONDENSER & MTG GP-REFRIGERANT						733
Y	273-5166	1	LINES GP-AIR CONDITIONER						769
Y-SEPARATE ILLUSTRATION									

<END>

OPERATOR STATION

259-7184 CONDENSER & MTG GP-REFRIGERANT

S/N: MGG1-UP; JFZ1-UP

PART OF 272-4742 INSTALLATION AR-ENGINE

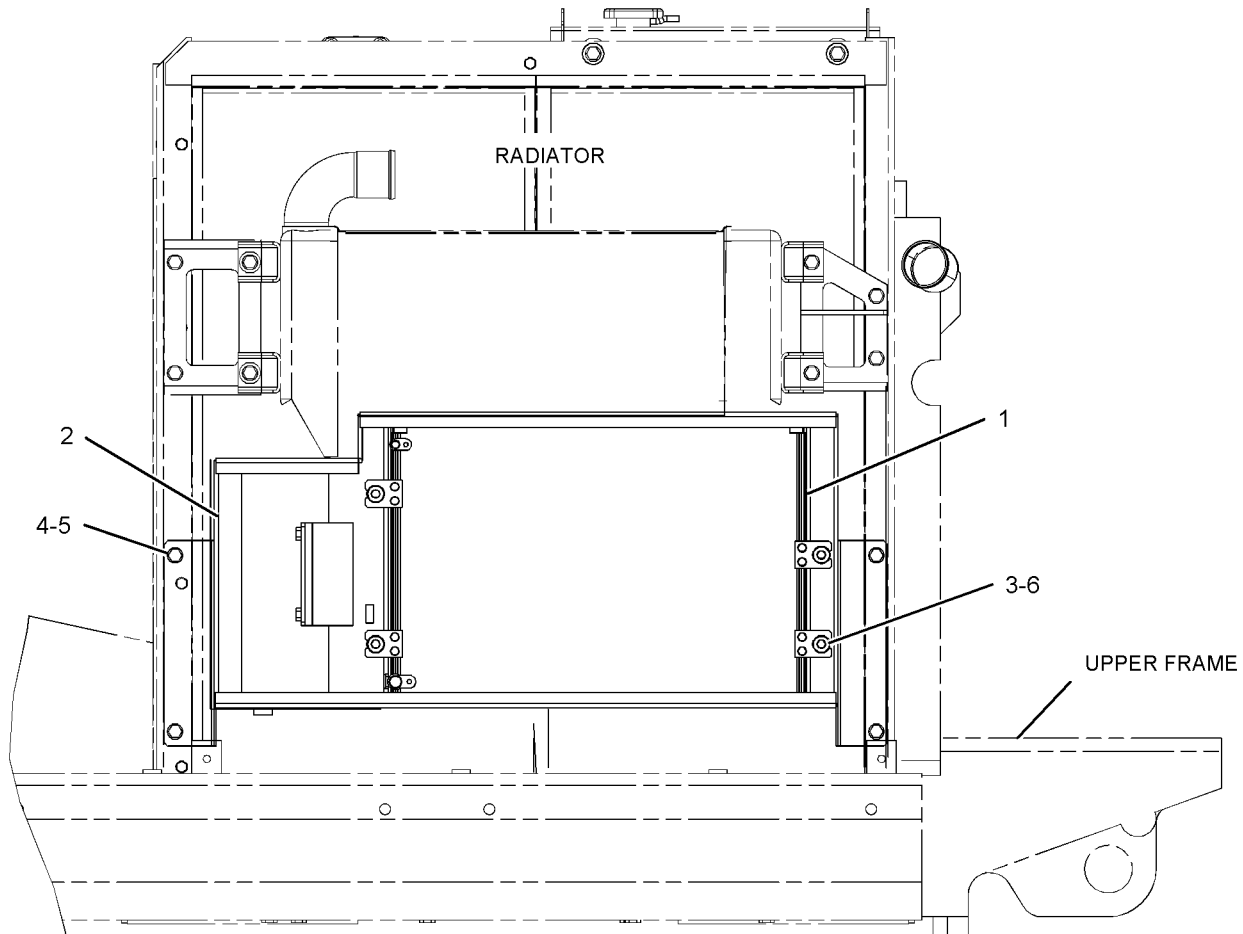
SMCS-1805

i02676438

NOTE	REF NO	GRAPHIC REF	PART NUMBER	QTY	PART NAME						SEE PAGE
					1	2	3	4	5	6 (PRODUCT LEVEL)	
Y	1	1	245-7749	1	CONDENSER GP-REFRIGERANT						735
	2	1	259-7207	1	SUPPORT AS-CONDENSER						
M	3	1	7X-2533	4	BOLT (M6X1X35-MM)						
	4	1	8T-4121	4	WASHER-HARD (11X21X2.5-MM THK)						
M	5	1	8T-4137	4	BOLT (M10X1.5X20-MM)						
	6	1	9X-8256	4	WASHER (6.6X12X2-MM THK)						

M-METRIC PART

Y-SEPARATE ILLUSTRATION



LEFT SIDE VIEW

<END>

GRAPHIC #1

g01230238

OPERATOR STATION**273-5167 CONDENSER & MTG GP-REFRIGERANT**

S/N: MGG1-UP; JFZ1-UP

PART OF 284-4442 CONDENSER & LINES GP-RFGT
AN ATTACHMENT

SMCS-1805

i02755715

NOTE	REF NO	GRAPHIC REF	PART NUMBER	QTY	PART NAME						SEE PAGE
					1	2	3	4	5	6 (PRODUCT LEVEL)	
	1	1	7Y-8561	1	BUMPER						
	2	1	193-2764	1	HANDLE AS						
Y	3	1	245-7749	1	CONDENSER GP-REFRIGERANT						735
	4	1	293-1121	1	SUPPORT AS						
	5	1	273-5399	1	BRACKET AS						
	6	1	293-1124	1	SUPPORT AS						
	7	1	293-1127	1	SUPPORT AS-CONDENSER						
	7A	1	099-7857	2	HINGE						
	8	1	193-2765	2	SUPPORT AS						
	9	1	5P-4116	4	WASHER-HARD (8.8X20.5X2-MM THK)						
M	10	1	8T-4971	4	BOLT (M6X1X30-MM)						
	11	1	8T-4121	8	WASHER-HARD (11X21X2.5-MM THK)						
M	12	1	8T-4133	1	NUT (M10X1.5-THD)						
M	13	1	8T-4137	7	BOLT (M10X1.5X20-MM)						
M	14	1	8T-4179	4	BOLT (M12X1.75X20-MM)						
M	15	1	8T-4189	4	BOLT (M8X1.25X20-MM)						
	16	1	8T-4223	4	WASHER-HARD (13.5X25.5X3-MM THK)						
	17	1	9X-8256	4	WASHER (6.6X12X2-MM THK)						

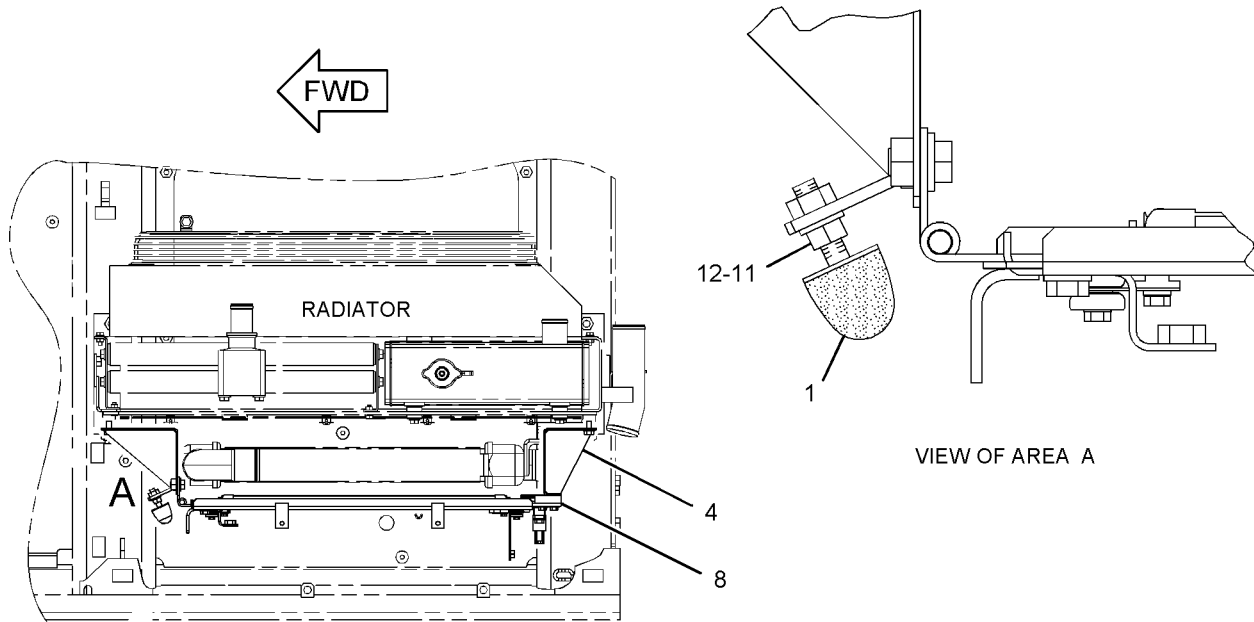
M-METRIC PART

Y-SEPARATE ILLUSTRATION

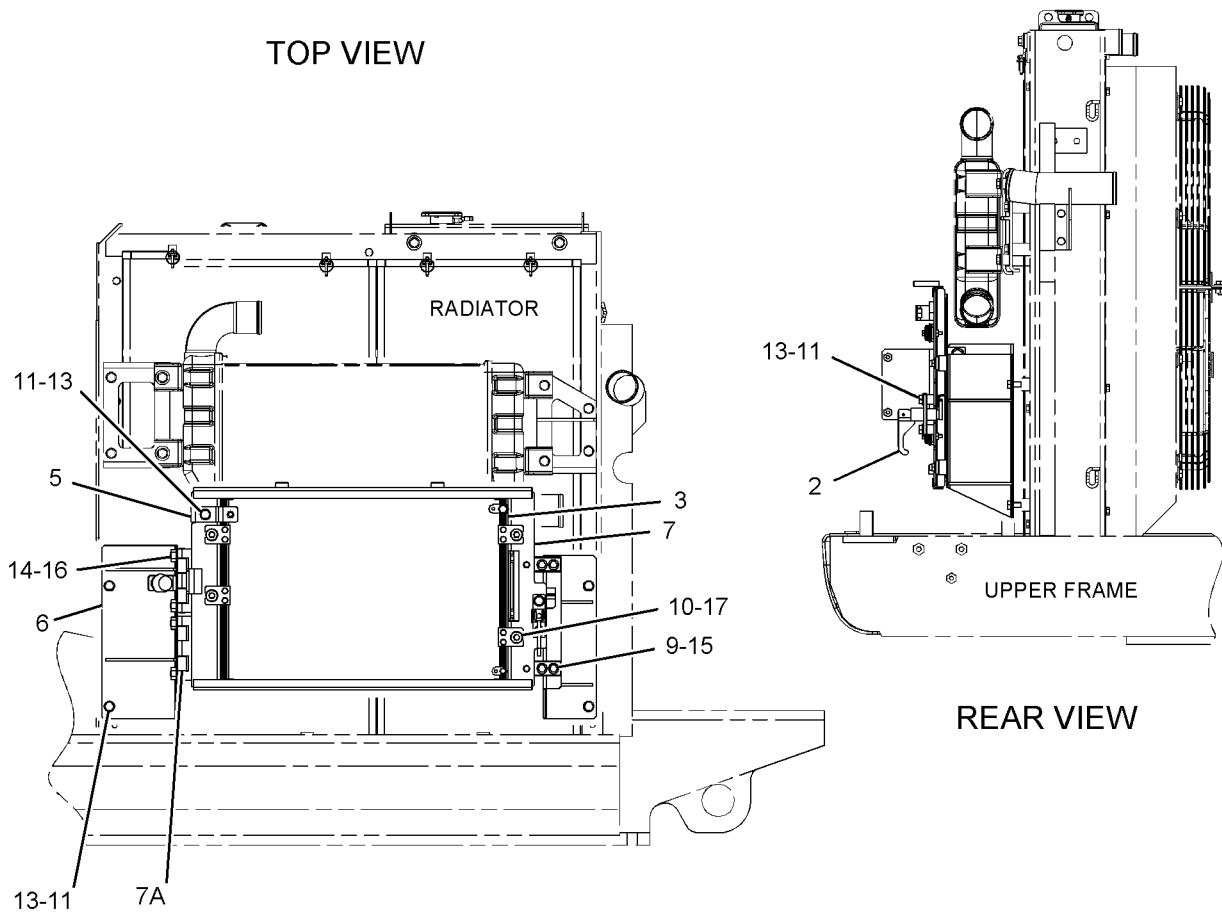
OPERATOR STATION

273-5167 CONDENSER & MTG GP-REFRIGERANT (contd.)

i02755715



TOP VIEW



LEFT SIDE VIEW

REAR VIEW

GRAPHIC #1

<END>

g01313912

OPERATOR STATION

245-7749 CONDENSER GP-REFRIGERANT

S/N: MGG1-UP; JFZ1-UP

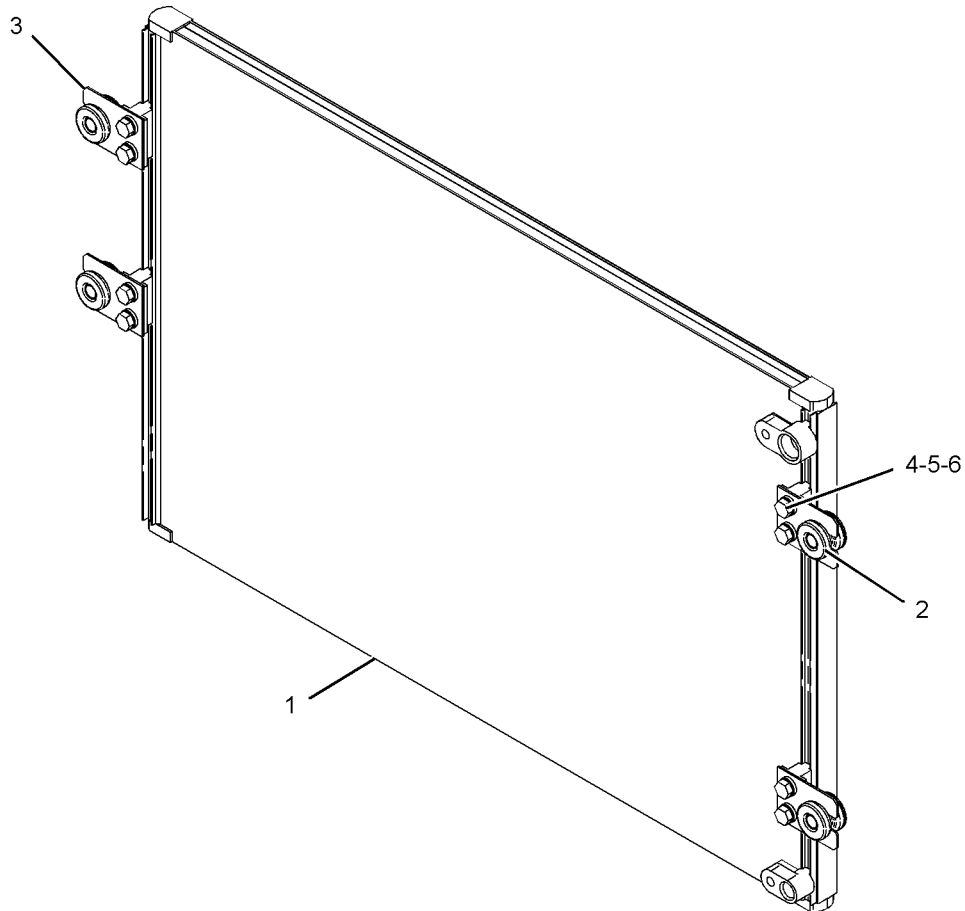
PART OF 259-7184, 273-5167 CONDENSER & MTG GP-REFRIGERANT
ALSO AN ATTACHMENT

SMCS - 1805

i02544954

NOTE	REF NO	GRAPHIC REF	PART NUMBER	QTY	PART NAME						SEE PAGE
					1	2	3	4	5	6 (PRODUCT LEVEL)	
	1	1	235-8880	1	CONDENSER AS						
	2	1	245-7750	4	BUSHING-RUBBER						
	3	1	245-7751	4	BRACKET						
	4	1	095-0827	8	LOCKWASHER						
M	5	1	8T-4171	8	BOLT (M6X1X12-MM)						
	6	1	9X-8256	8	WASHER (6.6X12X2-MM THK)						

M-METRIC PART



GRAPHIC #1

<END>

g01086695

OPERATOR STATION**245-7922 CONSOLE GP-OPERATOR**

S/N: MGG1-UP; JFZ1-UP

PART OF 273-5387 OPERATOR AR

SMCS-5258

i02534953

NOTE	REF NO	GRAPHIC REF	PART NUMBER	QTY	PART NAME						SEE PAGE
					1	2	3	4	5	6 (PRODUCT LEVEL)	
	1	1	176-1916	2	GROMMET						
	2	1	178-5422	2	GROMMET						
	3	1	178-5423	2	GROMMET						
	4	1	185-8161	2	INSULATOR						
	5	1	235-8893	2	SUPPORT						
	6	1	235-8894	2	SUPPORT						
Y	7	1	259-7349	1	CONSOLE GP-OPERATOR (LH)						740
Y	8	1	259-7348	1	CONSOLE GP-OPERATOR (RH)						738
	9	1	8T-4121	4	WASHER-HARD (11X21X2.5-MM THK)						
M	10	1	8T-4195	4	BOLT (M10X1.5X30-MM)						
M	11	1	9X-2043	16	SCREW-TRUSS HEAD (M6X1X14-MM)						
M	12	1	9X-2045	4	SCREW-TRUSS HEAD (M6X1X20-MM)						
	13	1	7K-1181	4	STRAP-CABLE						
	14	1	122-9617	2	GUARD						

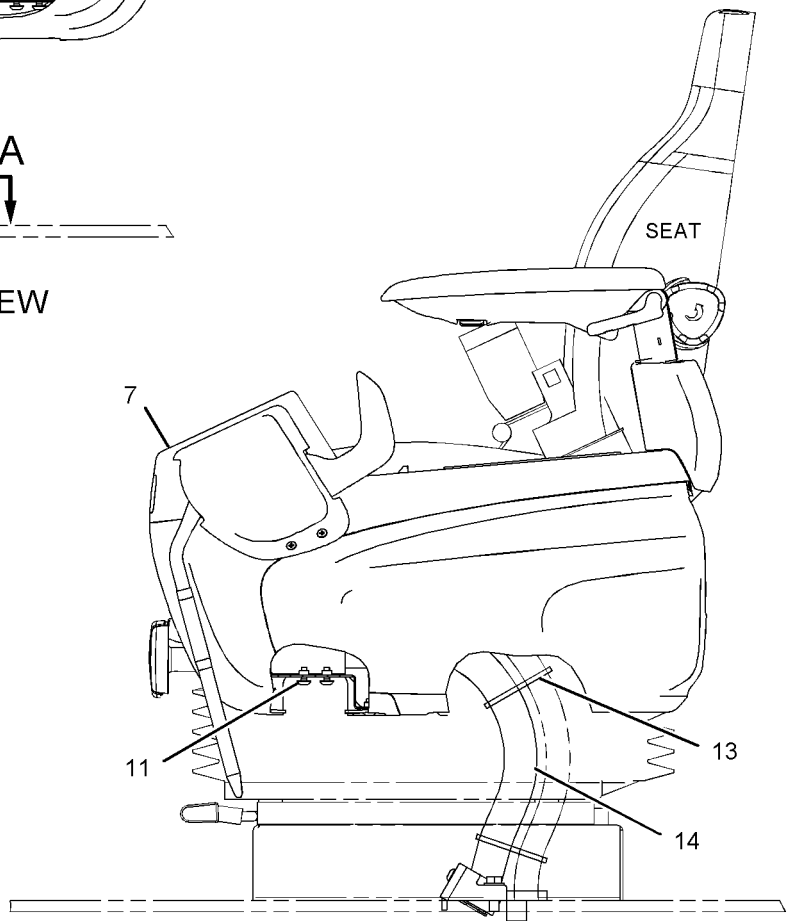
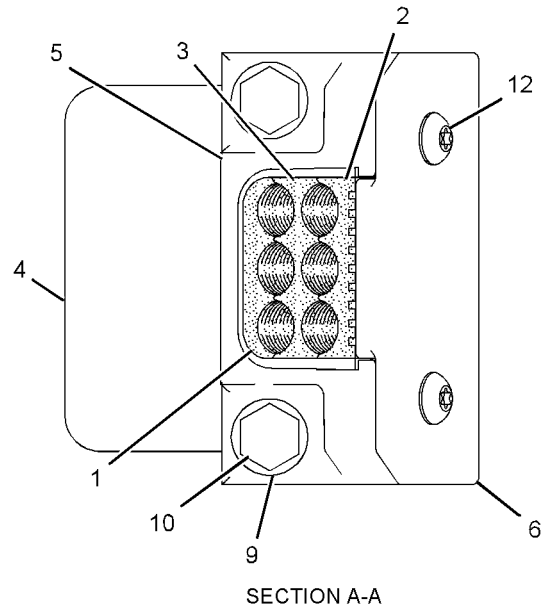
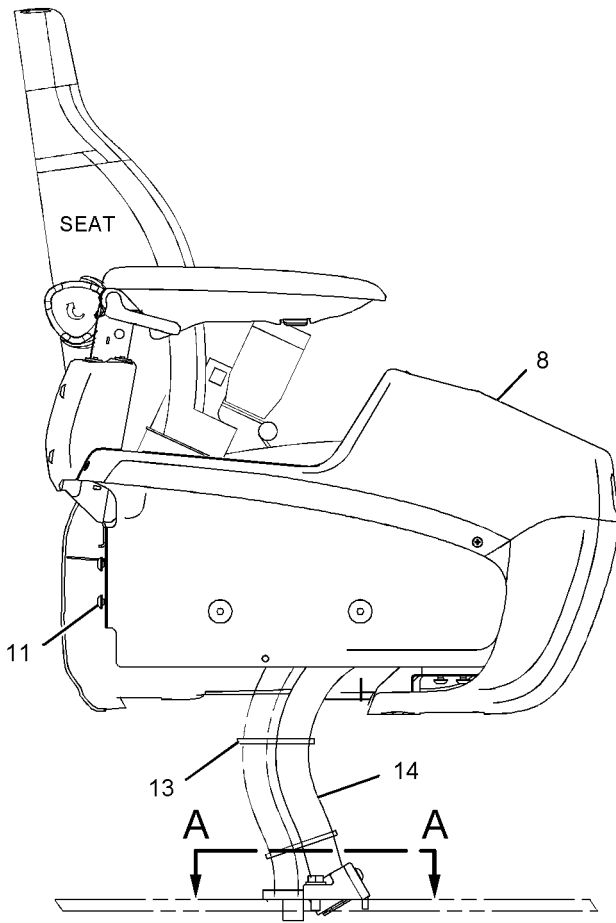
M-METRIC PART

Y-SEPARATE ILLUSTRATION

OPERATOR STATION

245-7922 CONSOLE GP-OPERATOR (contd.)

i02534953



GRAPHIC #1

<END>

g01122806

OPERATOR STATION**259-7348 CONSOLE GP-OPERATOR-RH**

S/N: MGG1-UP; JFZ1-UP

PART OF 245-7922 CONSOLE GP-OPERATOR

SMCS-5258

i02534952

NOTE	REF NO	GRAPHIC REF	PART NUMBER	QTY	PART NAME						SEE PAGE
					1	2	3	4	5	6 (PRODUCT LEVEL)	
M	1	1	128-2135	4	SCREW-TRUSS HEAD (M6X1X13-MM)						
	2	1	185-8284	1	COVER						
	3	1	234-6579	2	NUT-SPEED						
	4	1	234-6580	2	CAP						
	5	1	234-6602	1	COVER						
	6	1	234-6604	1	COVER						
	7	1	234-6608	1	COVER						
	8	1	234-6609	1	COVER						
	9	1	234-6610	1	COVER						
	10	1	235-8914	4	NUT-SPEED						
	11	1	235-8966	2	BASE-MOUNTING						
	12	1	245-7790	2	SCREW-TAPPING						
	13	1	245-7926	1	SUPPORT AS						
	14	1	245-7948	4	SCREW-TAPPING						
Y	15	1	259-7346	1	ARMREST GP (RH)						711
M	16	1	9X-2041	3	SCREW-TRUSS HEAD (M10X1.5X20-MM)						

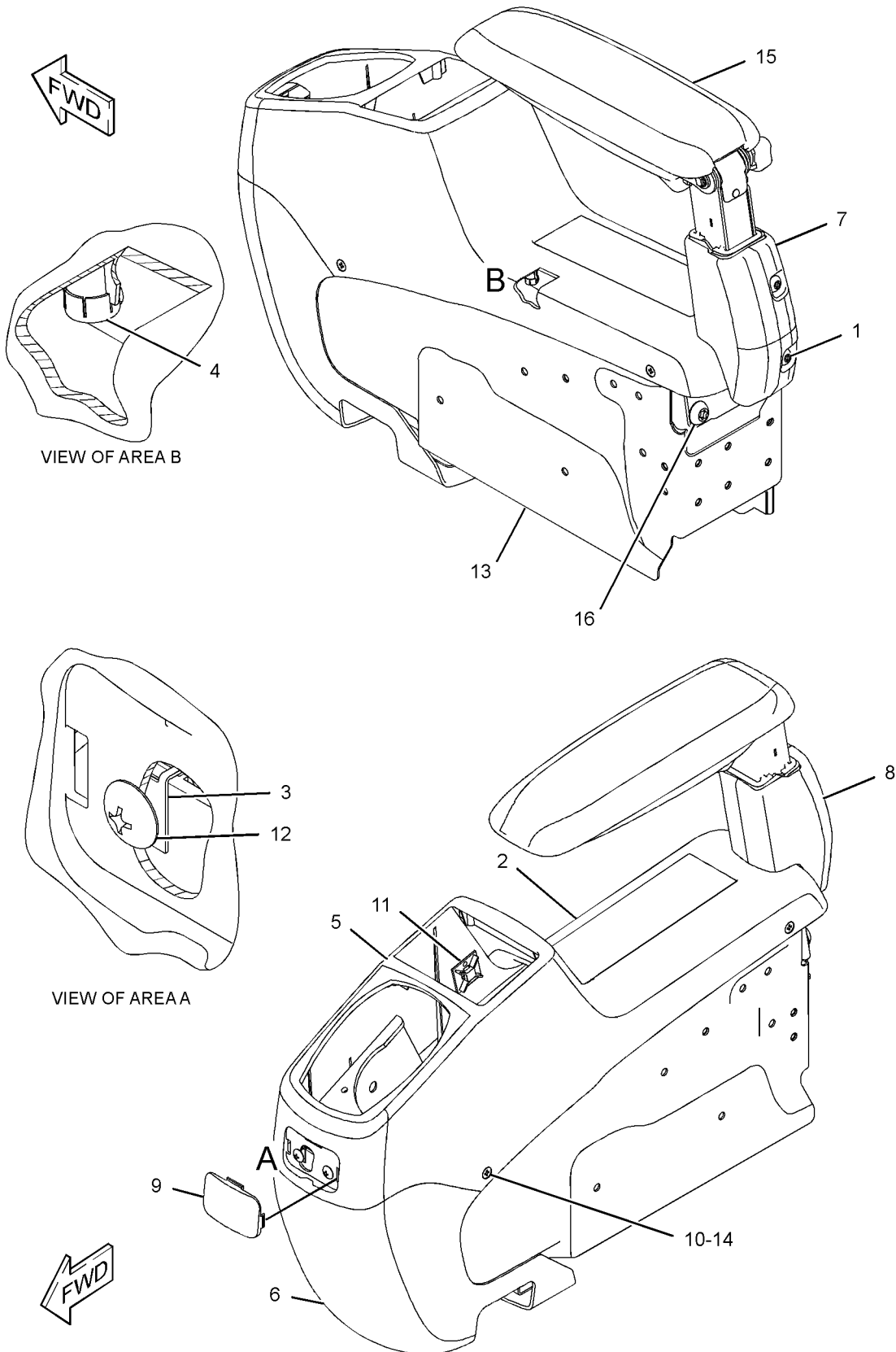
M-METRIC PART

Y-SEPARATE ILLUSTRATION

OPERATOR STATION

259-7348 CONSOLE GP-OPERATOR (contd.)

i02534952



GRAPHIC #1

<END>

g01217107

OPERATOR STATION**259-7349 CONSOLE GP-OPERATOR-LH**

S/N: MGG1-UP; JFZ1-UP

PART OF 245-7922 CONSOLE GP-OPERATOR

SMCS-5258

i02534951

NOTE	REF NO	GRAPHIC REF	PART NUMBER	QTY	PART NAME						SEE PAGE
					1	2	3	4	5	6 (PRODUCT LEVEL)	
M	1	1	128-2135	5	SCREW-TRUSS HEAD (M6X1X13-MM)						
M	2	1	171-7325	3	SCREW-TAPPING (M5X0.8-THD)						
	3	1	234-6579	6	NUT-SPEED						
	4	1	234-6580	4	CAP						
	5	1	234-6603	1	COVER						
	6	1	234-6605	1	COVER						
	7	1	234-6608	1	COVER						
	8	1	234-6609	1	COVER						
	9	1	234-6610	1	COVER						
	10	1	234-6611	1	CASE						
	11	1	234-6612	1	COVER						
Y	12	1	234-6613	1	SWITCH GP-POSITION (HYDRAULIC LOCKOUT)						203
	13	1	234-6614	1	COVER						
	14	1	235-8914	4	NUT-SPEED						
	15	1	235-8965	1	GUARD						
	16	1	245-7790	3	SCREW-TAPPING						
	17	1	245-7925	1	SUPPORT AS						
	18	1	245-7948	7	SCREW-TAPPING						
	19	1	259-7202	1	ASHTRAY						
Y	20	1	259-7347	1	ARMREST GP (LH)						712
M	21	1	9X-2041	3	SCREW-TRUSS HEAD (M10X1.5X20-MM)						
M	22	1	9X-2042	2	SCREW-TRUSS HEAD (M6X1X12-MM)						

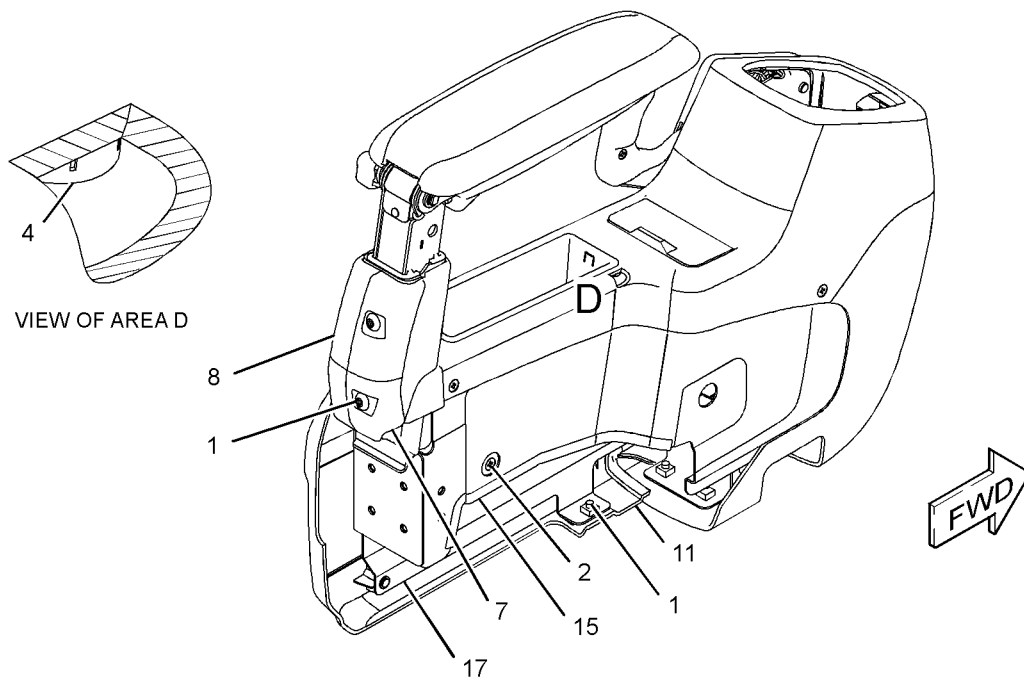
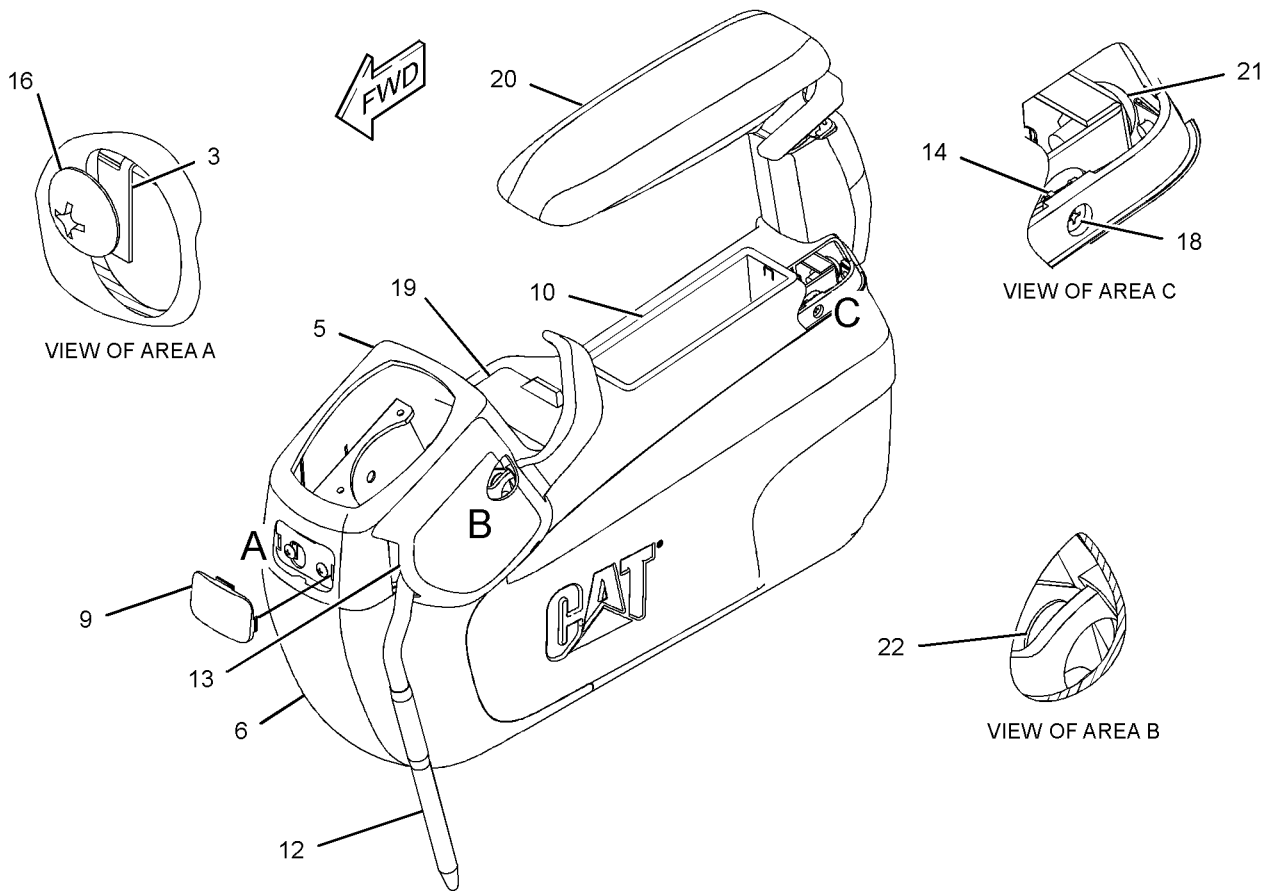
M-METRIC PART

Y-SEPARATE ILLUSTRATION

OPERATOR STATION

259-7349 CONSOLE GP-OPERATOR (contd.)

i02534951



GRAPHIC #1

<END>

g01217096

OPERATOR STATION

259-7707 CONTROL & MTG GP-JOYSTICK

S/N: MGG1-UP; JFZ1-UP
AN ATTACHMENT

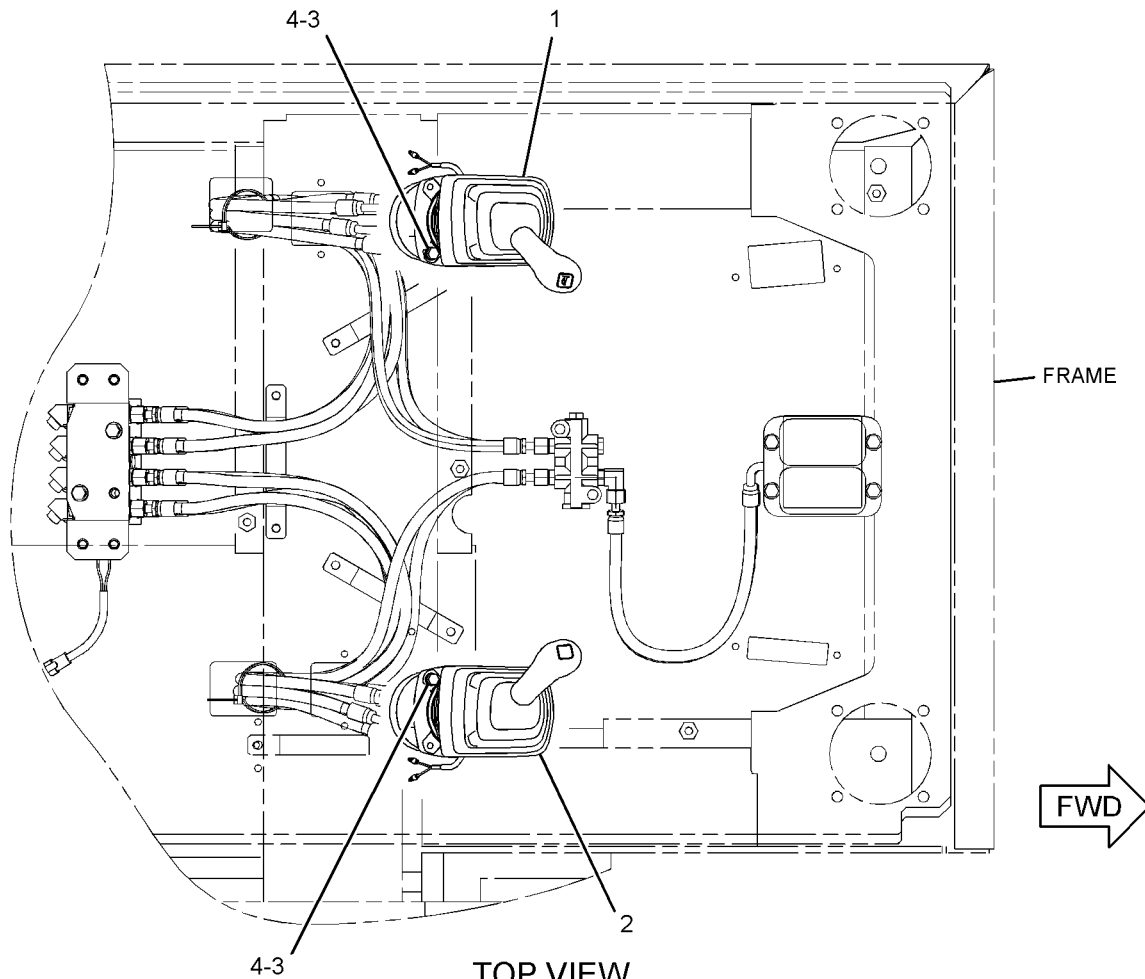
SMCS-5063, 5705

i02643147

NOTE	REF NO	GRAPHIC REF	PART NUMBER	QTY	PART NAME						SEE PAGE
					1	2	3	4	5	6 (PRODUCT LEVEL)	
Y	1	1	270-5951	1	CONTROL GP-JOYSTICK (LH)						749
Y	2	1	270-5952	1	CONTROL GP-JOYSTICK (RH)						750
M	3	1	6V-7357	6	BOLT (M6X1X25-MM)						
	4	1	9X-8256	6	WASHER (6.6X12X2-MM THK)						

M-METRIC PART

Y-SEPARATE ILLUSTRATION



GRAPHIC #1

g01239046

OPERATOR STATION

170-9497 CONTROL GP-HANDLE

S/N: MGG1-UP; JFZ1-UP

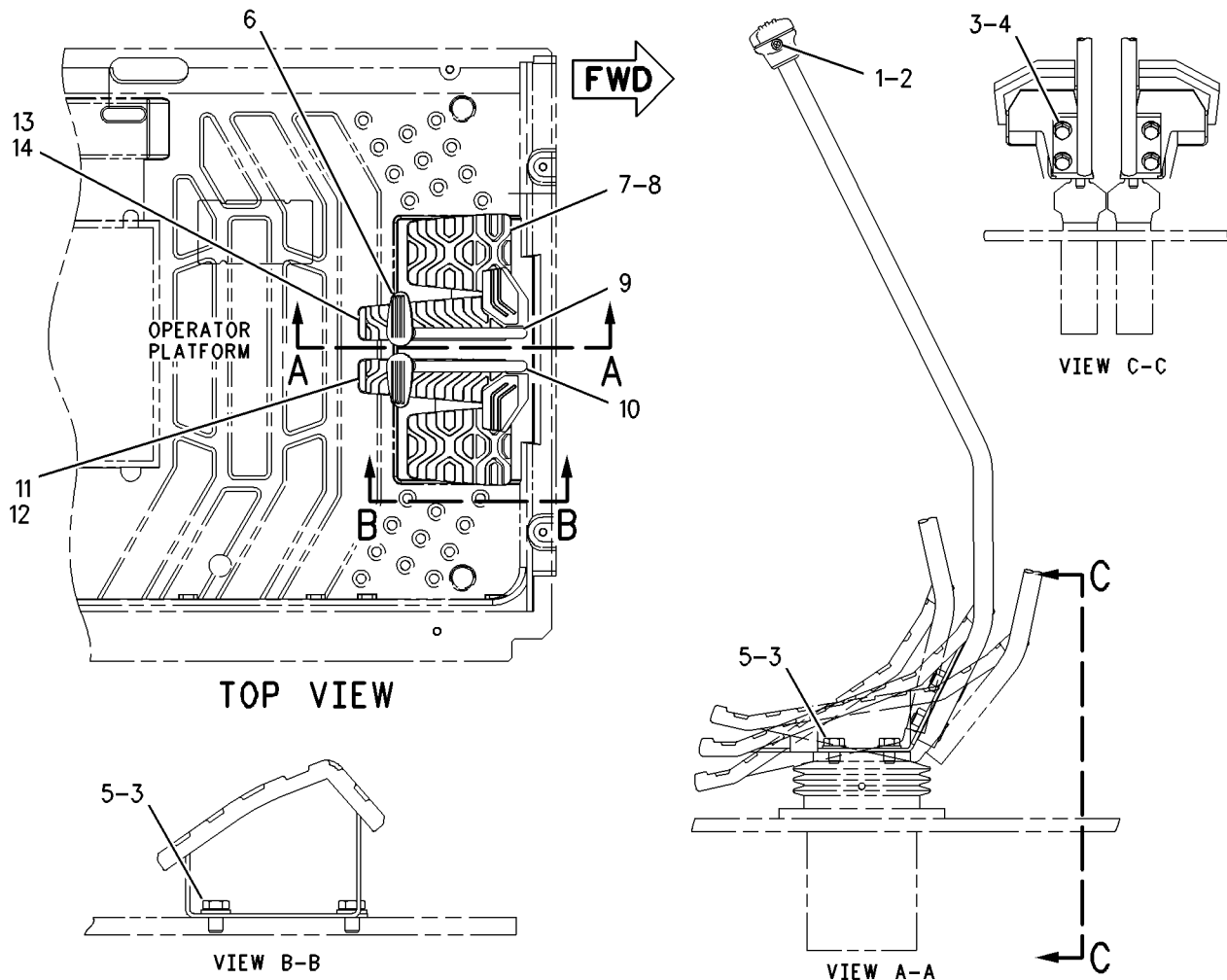
PART OF 273-5387 OPERATOR AR

SMCS-5705

i02996213

NOTE	REF NO	GRAPHIC REF	PART NUMBER	QTY	PART NAME						SEE PAGE
					1	2	3	4	5	6 (PRODUCT LEVEL)	
	1	1	096-6166	2	WASHER-HARD (4.5X9X1-MM THK)						
M	2	1	095-0728	2	SCREW-MACHINE (M4X0.7X12-MM)						
	3	1	8T-4121	12	WASHER-HARD (11X21X2.5-MM THK)						
M	4	1	8T-4136	4	BOLT (M10X1.5X25-MM)						
M	5	1	8T-4191	8	BOLT (M10X1.5X16-MM)						
	6	1	142-5546	2	KNOB						
	7	1	117-6356	2	STEP AS						
	8	1	122-9610	2	STEP						
	9	1	170-9499	1	LEVER AS (LH)						
	10	1	170-9498	1	LEVER AS (RH)						
	11	1	122-9608	1	PEDAL-RUBBER (RH)						
	12	1	117-6350	1	PEDAL AS (RH)						
	13	1	122-9609	1	PEDAL-RUBBER (LH)						
	14	1	117-6349	1	PEDAL AS (LH)						

M-METRIC PART



GRAPHIC #1

<END>

g00672963

OPERATOR STATION

235-8969 CONTROL GP-HANDLE-LH

S/N: MGG1-UP; JFZ1-UP

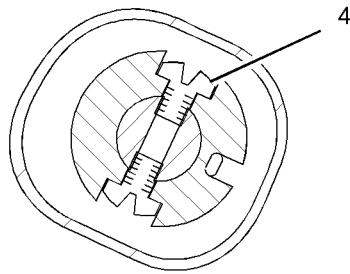
PART OF 270-5951 CONTROL GP-JOYSTICK
AN ATTACHMENT

SMCS-5705

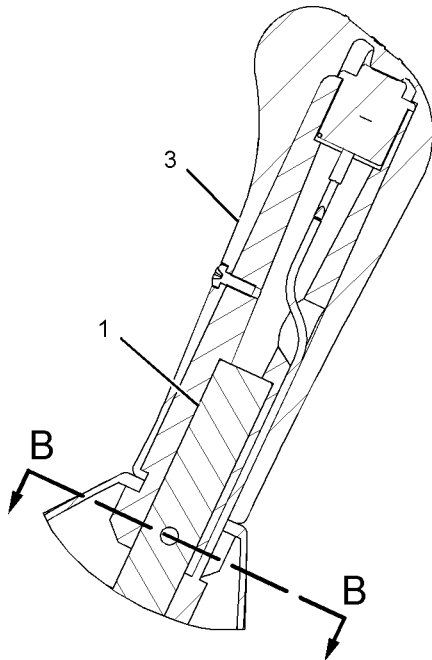
i02924511

NOTE	REF NO	GRAPHIC REF	PART NUMBER	QTY	PART NAME						SEE PAGE
					1	2	3	4	5	6 (PRODUCT LEVEL)	
	1	1	124-4010	1	LEVER						
	2	1	235-8971	1	BOOT						
	3	1	245-7842	1	KNOB AS						
M		1	61-5298	1	SCREW-TAPPING						
		1	124-4009	1	SHAFT						
		1	222-0225	1	SWITCH AS-PUSH BUTTON (HORN)						
M	4	1	096-2617	2	SCREW-MACHINE (M5X0.8X6-MM)						

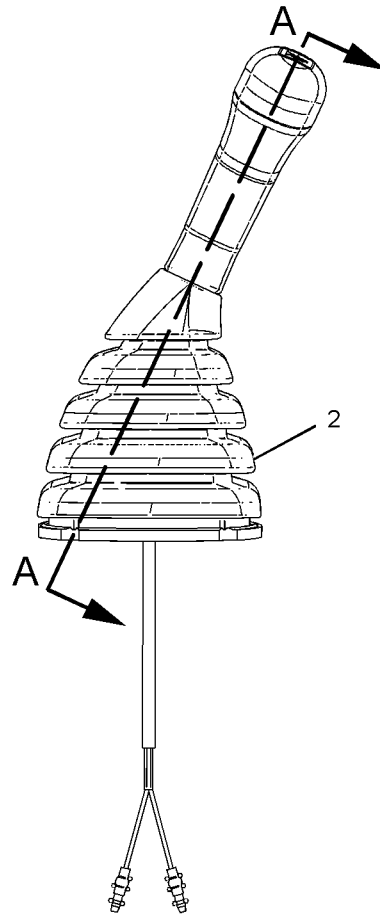
M-METRIC PART



SECTION B-B



SECTION A-A



LEFT SIDE VIEW

GRAPHIC #1

<END>

g01082395

OPERATOR STATION

235-8970 CONTROL GP-HANDLE-RH

S/N: MGG1-UP; JFZ1-UP

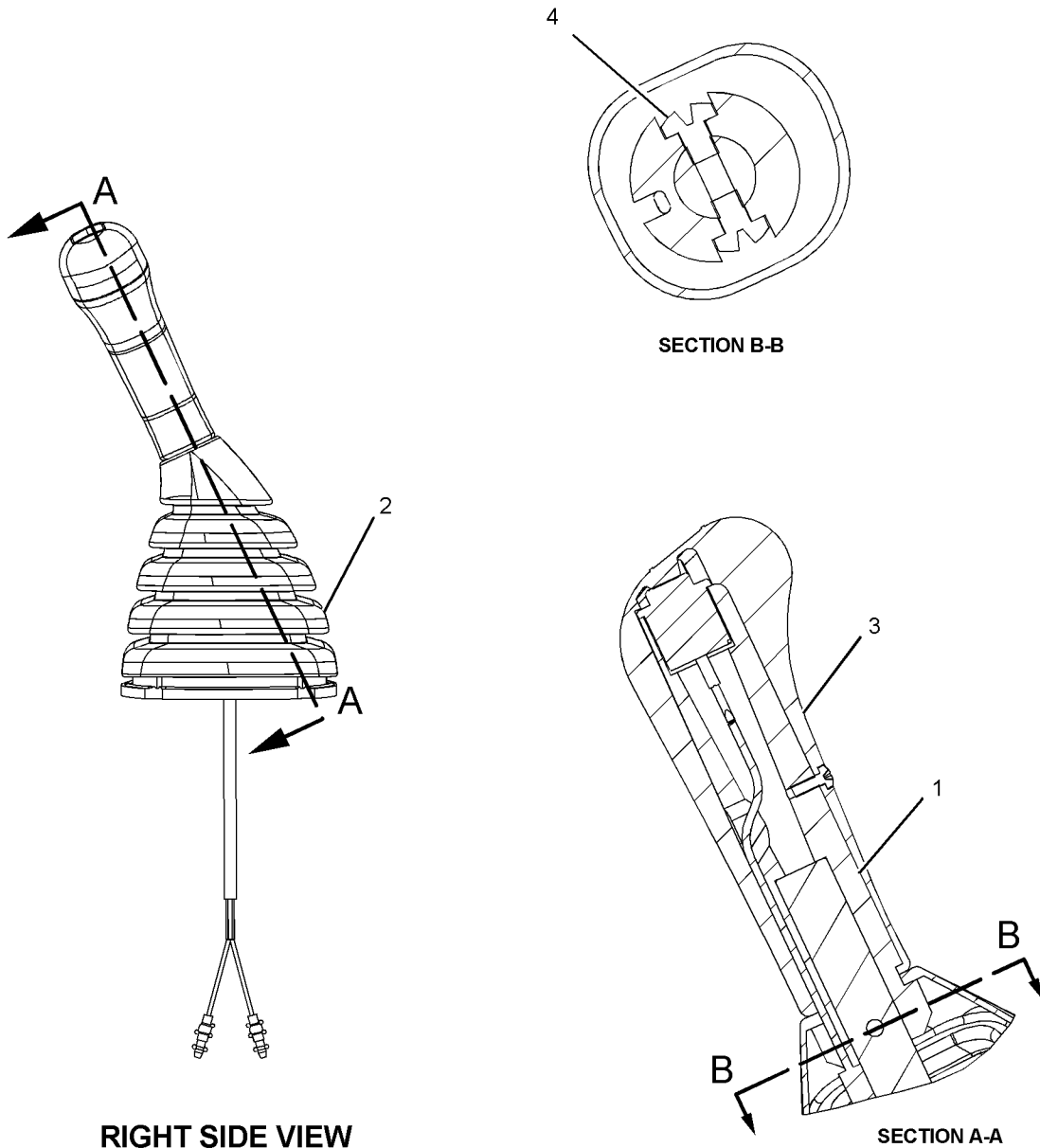
PART OF 270-5952 CONTROL GP-JOYSTICK
AN ATTACHMENT

SMCS-5705

i02923989

NOTE	REF NO	GRAPHIC REF	PART NUMBER	QTY	PART NAME						SEE PAGE
					1	2	3	4	5	6 (PRODUCT LEVEL)	
	1	1	124-4010	1	LEVER						
	2	1	235-8972	1	BOOT						
	3	1	245-7844	1	KNOB AS						
M		1	6I-5298	1	SCREW-TAPPING						
		1	124-4009	1	SHAFT						
		1	222-0225	1	SWITCH AS-PUSH BUTTON (MANUAL LOW IDLE)						
M	4	1	096-2617	2	SCREW-MACHINE (M5X0.8X6-MM)						

M-METRIC PART



GRAPHIC #1

<END>

g01082427

OPERATOR STATION

245-7846 CONTROL GP-HEAT & AIR COND

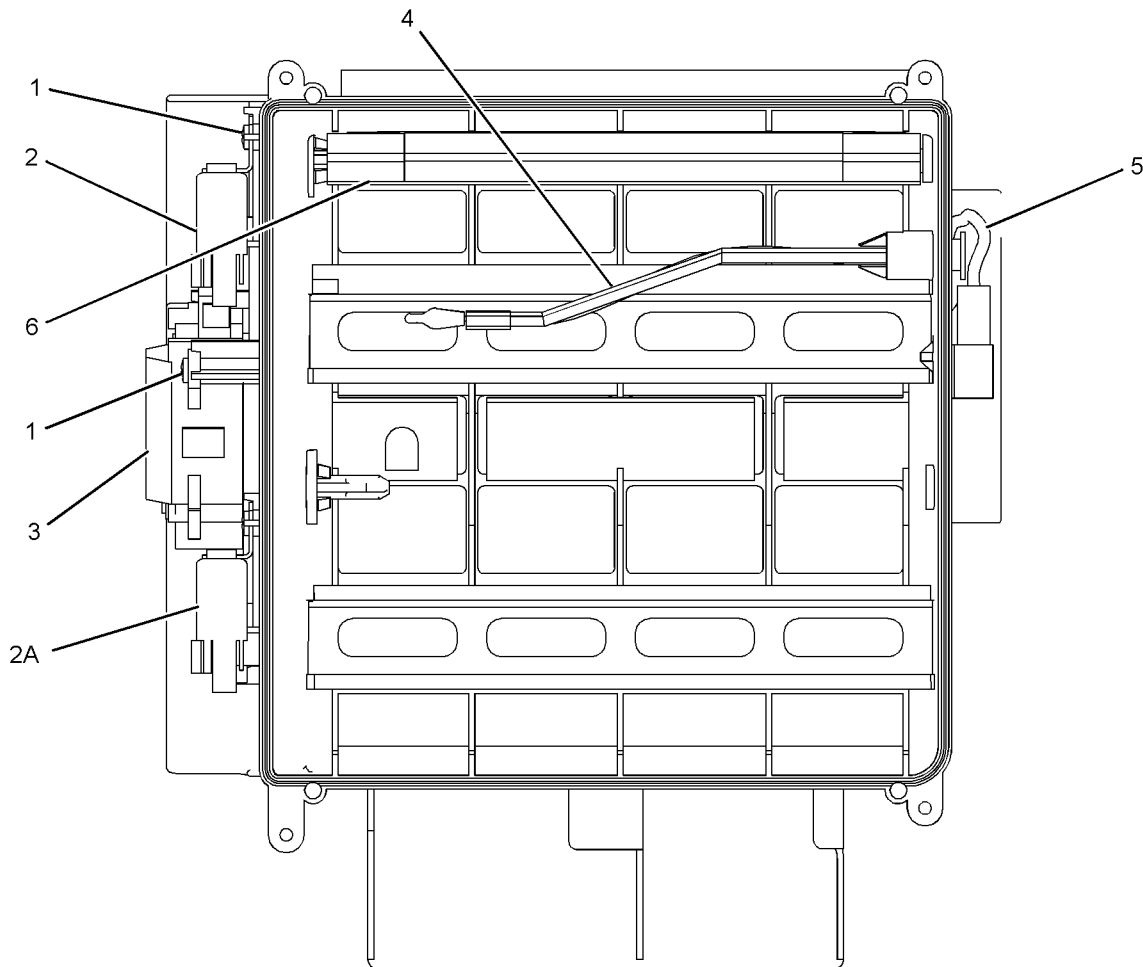
S/N: MGG1-UP; JFZ1-UP

PART OF 240-5036, 316-8811 AIR CONDITIONER GP
AN ATTACHMENT

SMCS-7309

i02547479

NOTE	REF NO	GRAPHIC REF	PART NUMBER	QTY	PART NAME						SEE PAGE
					1	2	3	4	5	6 (PRODUCT LEVEL)	
	1	1	185-8300	4	SCREW-TAPPING						
	2	1	196-1666	1	RELAY (BLOWER)						
	2A	1	196-1666	1	RELAY (BLOWER)						
	3	1	245-7813	1	MOTOR AS						
	4	1	245-7814	1	BRACKET						
	5	1	245-7815	1	SENSOR AS-TEMPERATURE (AIR)						
	6	1	245-7816	1	DAMPER AS						



GRAPHIC #1

<END>

g01245591

OPERATOR STATION

239-8693 CONTROL GP-HYDRAULIC PEDAL

S/N: MGG1-UP; JFZ1-UP

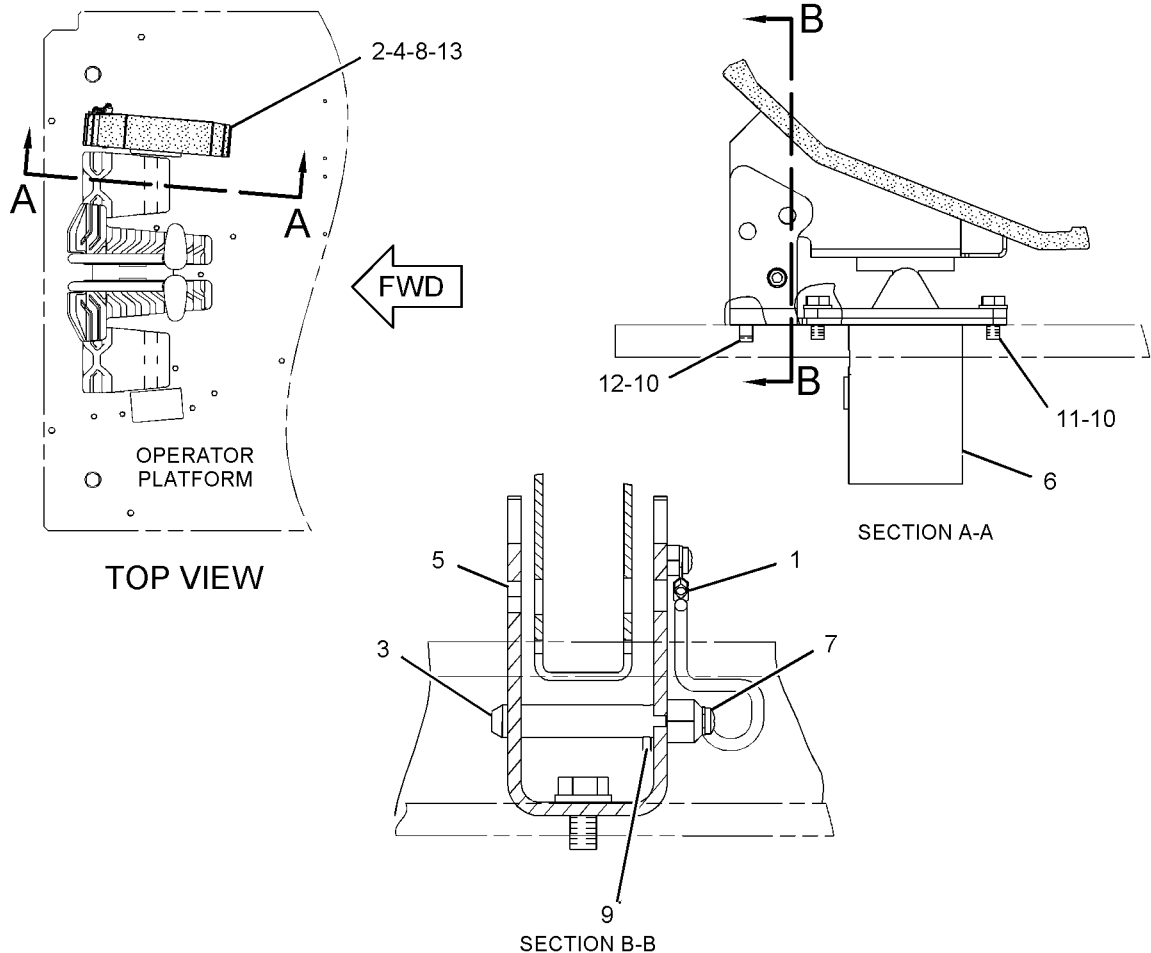
PART OF 259-7494 CONTROL AR-AUXILIARY
AN ATTACHMENT

SMCS-5059, 5063

i02996351

NOTE	REF NO	GRAPHIC REF	PART NUMBER	QTY	PART NAME						SEE PAGE
					1	2	3	4	5	6 (PRODUCT LEVEL)	
	1	1	5I-7090	1	CHAIN AS						
	2	1	122-9611	1	PEDAL-RUBBER (RH)						
	3	1	128-2173	1	PIN						
	4	1	153-8762	1	PEDAL AS						
	5	1	153-8763	1	SUPPORT AS						
	6	1	206-3336	1	VALVE GP-PILOT (WORK TOOL)						
M	7	1	095-0735	2	SCREW-MACHINE (M5X0.8X8-MM)						
M	8	1	7X-2536	2	BOLT (M8X1.25X14-MM)						
	9	1	8T-0114	1	PIN-SPRING						
	10	1	8T-4121	3	WASHER-HARD (11X21X2.5-MM THK)						
M	11	1	8T-4136	2	BOLT (M10X1.5X25-MM)						
M	12	1	8T-4137	1	BOLT (M10X1.5X20-MM)						
	13	1	8T-4224	2	WASHER-HARD (8.8X16X2-MM THK)						

M-METRIC PART



GRAPHIC #1

<END>

g01239101

OPERATOR STATION

239-8695 CONTROL GP-HYDRAULIC PEDAL

S/N: MGG1-UP; JFZ1-UP

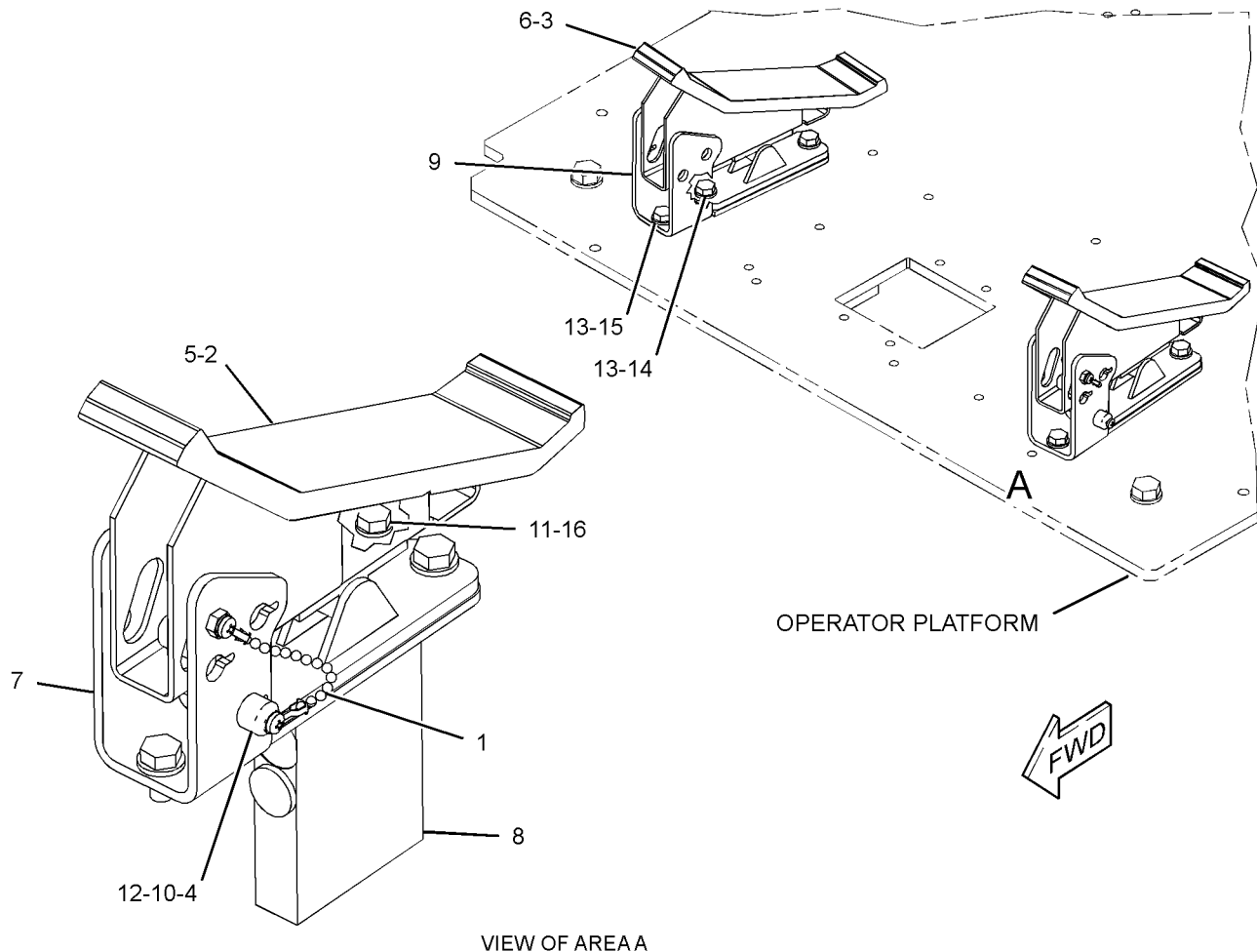
PART OF 259-7493 CONTROL AR-AUXILIARY
AN ATTACHMENT

SMCS-5059, 5063

i02996367

NOTE	REF NO	GRAPHIC REF	PART NUMBER	QTY	PART NAME						SEE PAGE
					1	2	3	4	5	6 (PRODUCT LEVEL)	
	1	1	5I-7090	2	CHAIN AS						
	2	1	121-1865	1	PEDAL-RUBBER (LH)						
	3	1	122-9611	1	PEDAL-RUBBER (RH)						
	4	1	128-2173	2	PIN						
	5	1	153-8753	1	PEDAL AS						
	6	1	153-8762	1	PEDAL AS						
	7	1	153-8763	1	SUPPORT AS						
	8	1	206-3336	2	VALVE GP-PILOT (WORK TOOL)						
	9	1	259-7877	1	SUPPORT AS						
M	10	1	095-0735	4	SCREW-MACHINE (M5X0.8X8-MM)						
M	11	1	7X-2536	4	BOLT (M8X1.25X14-MM)						
	12	1	8T-0114	2	PIN-SPRING						
	13	1	8T-4121	6	WASHER-HARD (11X21X2.5-MM THK)						
M	14	1	8T-4136	4	BOLT (M10X1.5X25-MM)						
M	15	1	8T-4137	2	BOLT (M10X1.5X20-MM)						
	16	1	8T-4224	4	WASHER-HARD (8.8X16X2-MM THK)						

M-METRIC PART



GRAPHIC #1

<END>

g01231524

OPERATOR STATION

270-5951 CONTROL GP-JOYSTICK-LH

S/N: MGG1-UP; JFZ1-UP

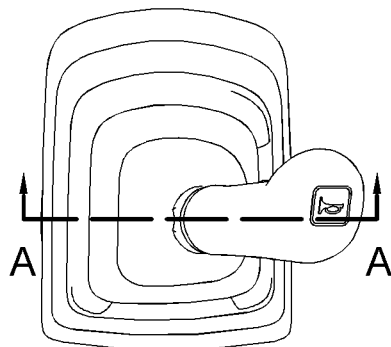
PART OF 259-7707 CONTROL & MTG GP-JOYSTICK
AN ATTACHMENT

SMCS-5705

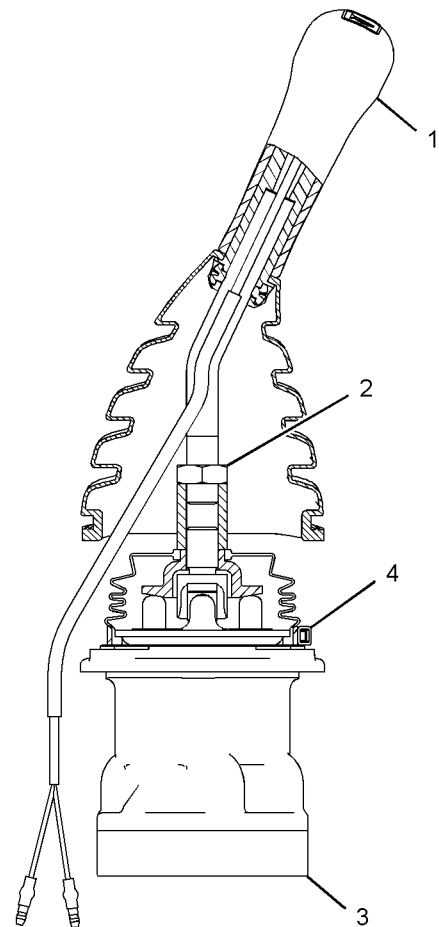
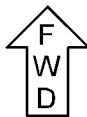
i02996302

NOTE	REF NO	GRAPHIC REF	PART NUMBER	QTY	PART NAME						SEE PAGE
					1	2	3	4	5	6 (PRODUCT LEVEL)	
Y	1	1	235-8969	1	CONTROL GP-HANDLE (JOYSTICK, LH)						744
M	2	1	7Y-8463	1	NUT (M14X2-THD)						
Y	3	1	285-1327	1	VALVE GP-PILOT (JOYSTICK)						595
	4	1	6K-0806	1	STRAP-CABLE						

M-METRIC PART
Y-SEPARATE ILLUSTRATION



TOP VIEW



SECTION A-A

GRAPHIC #1

<END>

g01475174

OPERATOR STATION

270-5952 CONTROL GP-JOYSTICK-RH

S/N: MGG1-UP; JFZ1-UP

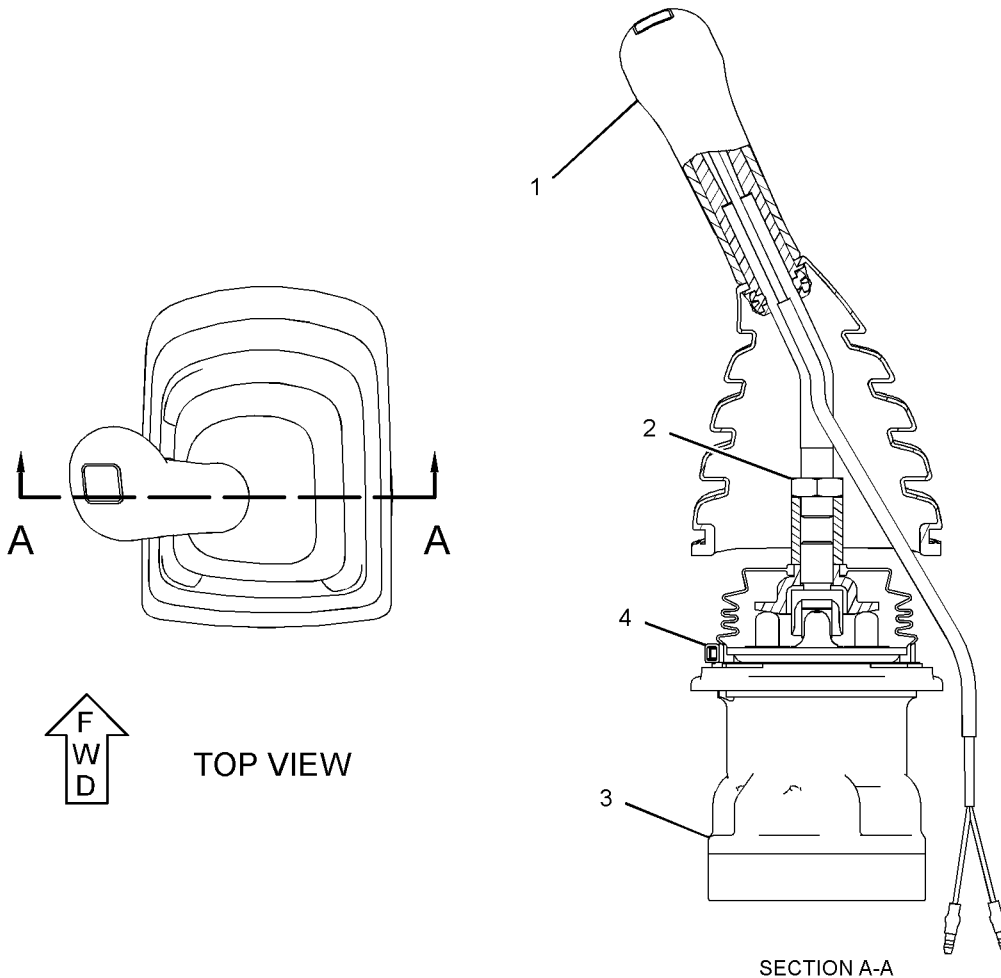
PART OF 259-7707 CONTROL & MTG GP-JOYSTICK
AN ATTACHMENT

SMCS-5705

i02996301

NOTE	REF NO	GRAPHIC REF	PART NUMBER	QTY	PART NAME						SEE PAGE
					1	2	3	4	5	6 (PRODUCT LEVEL)	
Y	1	1	235-8970	1	CONTROL GP-HANDLE (JOYSTICK, RH)						745
M	2	1	7Y-8463	1	NUT (M14X2-THD)						
Y	3	1	285-1327	1	VALVE GP-PILOT (JOYSTICK)						595
	4	1	6K-0806	1	STRAP-CABLE						

M-METRIC PART
Y-SEPARATE ILLUSTRATION



GRAPHIC #1

<END>

g01475175

OPERATOR STATION

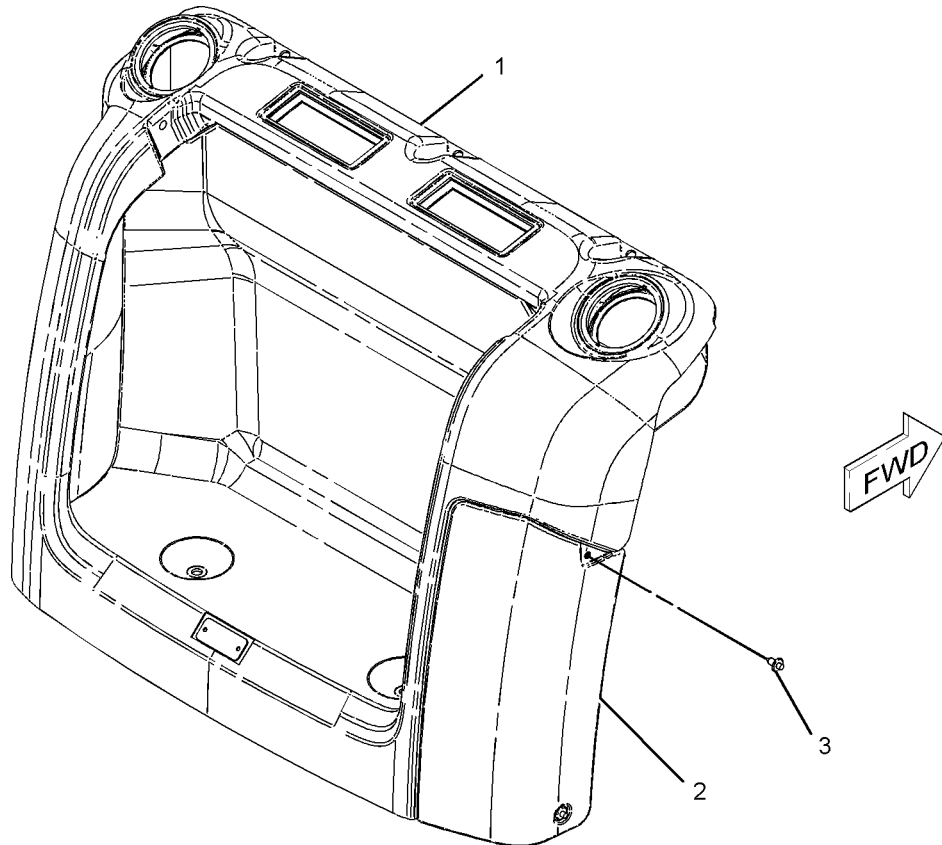
234-6501 COVER GP-CAB-REAR

S/N: MGG1-UP; JFZ1-UP
PART OF 229-9108 CAB GP
AN ATTACHMENT

SMCS-7301, 7308

i03159201

NOTE	REF NO	GRAPHIC REF	PART NUMBER	QTY	PART NAME						SEE PAGE
					1	2	3	4	5	6 (PRODUCT LEVEL)	
	1	1	234-6499	1	COVER AS						
	2	1	234-6502	1	COVER-ACCESS (FUSE-REAR PANEL)						
	3	1	234-6593	2	FASTENER						
USE WITH COVER WITH A 9-MM DIAMETER UPPER MOUNTING HOLE											
-OR-											
		1	245-7929	2	CLIP						
USE WITH COVER WITH A 7.6-MM DIAMETER UPPER MOUNTING HOLE											



GRAPHIC #1

<END>

g01101423

OPERATOR STATION

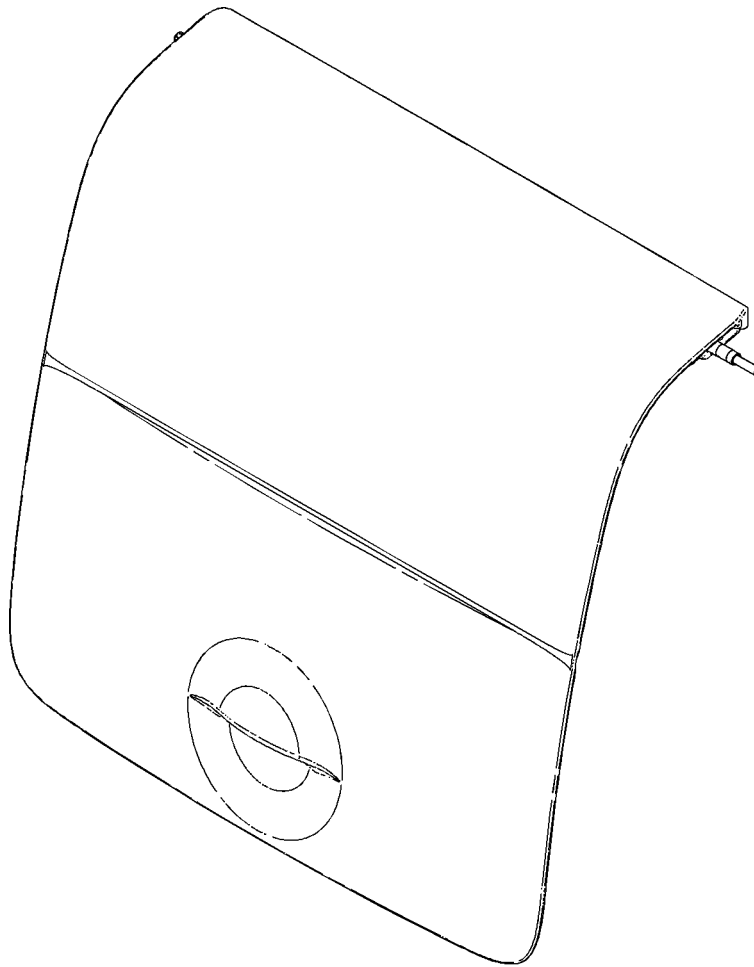
234-6500 COVER GP-STORAGE

S/N: MGG1-UP
AN ATTACHMENT

SMCS-7268

i02572880

NOTE	REF NO	GRAPHIC REF	PART NUMBER	QTY	PART NAME						SEE PAGE
					1	2	3	4	5	6 (PRODUCT LEVEL)	
(NO SERVICED PARTS)											



GRAPHIC #1

<END>

g01092876

OPERATOR STATION

189-2768 DOOR & MTG GP-CAB

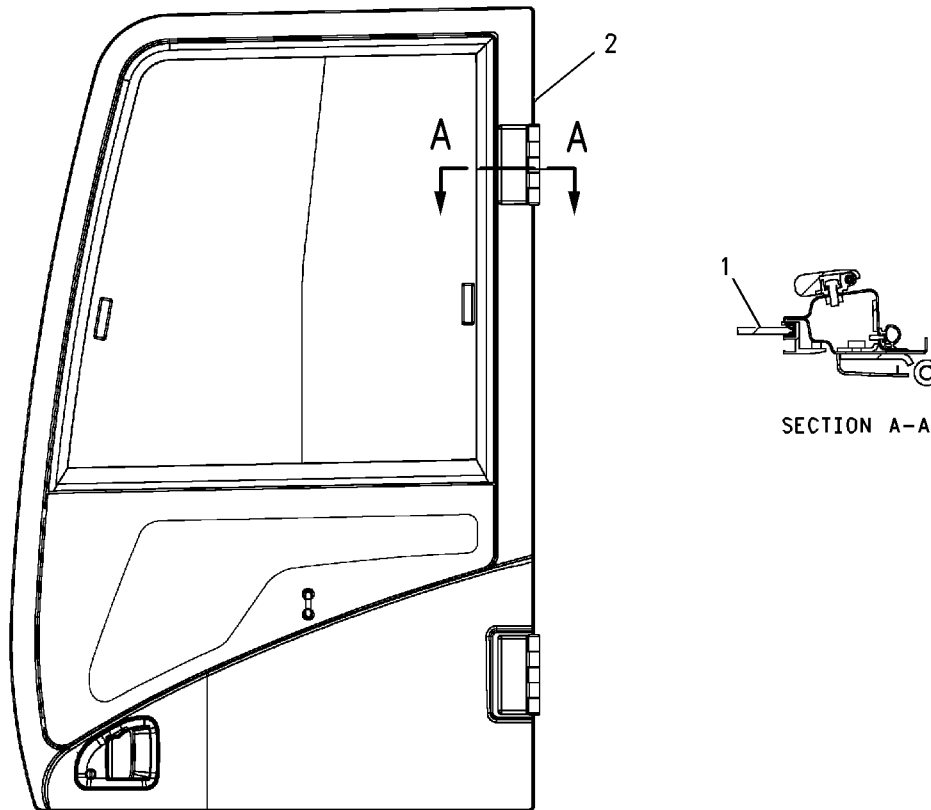
S/N: MGG1-UP; JFZ1-UP
PART OF 229-9109 CAB GP
AN ATTACHMENT

SMCS-7308

i02826691

NOTE	REF NO	GRAPHIC REF	PART NUMBER	QTY	PART NAME	SEE PAGE
					1 2 3 4 5 6 (PRODUCT LEVEL)	
Y	1	1	139-7100	1	DOOR GP-CAB	754
	2	1	151-6767	1	DOOR AS	
M		1	9X-2041	6	SCREW-TRUSS HEAD (M10X1.5X20-MM)	
		1	151-6777	2	HINGE	

M-METRIC PART
Y-SEPARATE ILLUSTRATION



LEFT SIDE VIEW

GRAPHIC #1

<END>

g00840880

OPERATOR STATION**139-7100 DOOR GP-CAB**

S/N: MGG1-UP; JFZ1-UP

PART OF 189-2768 DOOR & MTG GP-CAB

AN ATTACHMENT

TYPE 1

SMCS-7308

i02635316

NOTE	REF NO	GRAPHIC REF	PART NUMBER	QTY	PART NAME						SEE PAGE
					1	2	3	4	5	6 (PRODUCT LEVEL)	
	1	1	151-6703	1	HANDLE - PULL						
	2	1	151-6704	2	CAP						
Y	3	1	151-6792	1	WINDOW GP-DOOR						803
	4	1	156-6471	1	GLASS						
	5	1	156-6598	1	HOOK						
	6	1	156-6600	1	LOCK AS						
	7	1	156-6643	1	COVER						
	8	1	156-6645	1	HANDLE AS						
	9	1	161-3639	1	HANDLE AS						
	10	1	161-3650	1	COVER AS						
	11	1	161-3663	1	SEAL AS						
		1	151-9497	45	CLIP						
	12	1	161-3665	1	SEAL						
	13	1	259-7354	1	COVER						
	14	1	164-0515	1	JOINT						
	15	1	167-7039	1	GROMMET						
M	16	1	185-8180	3	SCREW (M6X1X16-MM)						
	17	1	189-2711	2	WASHER (8.5X16X2.3-MM THK)						
M	18	1	096-2622	2	SCREW-MACHINE (M4X0.7X8-MM)						
	19	1	3B-4505	1	LOCKWASHER						
M	20	1	101-8899	2	SCREW AS (M6X1X16-MM)						
M	21	1	101-8900	2	SCREW AS (M6X1X20-MM)						
	22	1	151-9461	4	SPACER						
	23	1	156-6644	1	COVER						
	24	1	178-5573	4	SPACER						
	25	1	178-5574	2	SPACER						
	26	1	189-2690	1	HANDLE AS						
	27	1	4I-4286	1	KNOB						
M	28	1	9X-2042	8	SCREW-TRUSS HEAD (M6X1X12-MM)						

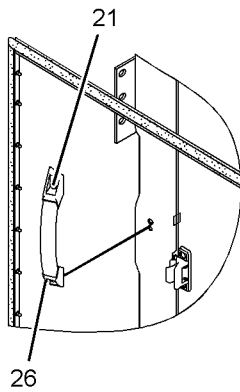
M-METRIC PART

Y-SEPARATE ILLUSTRATION

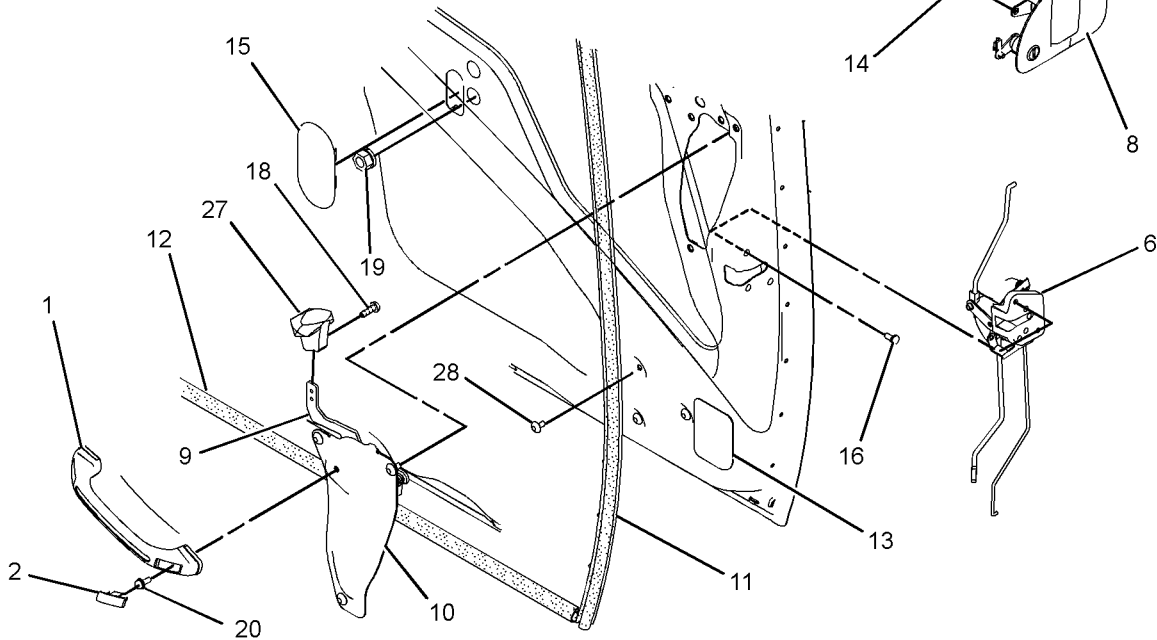
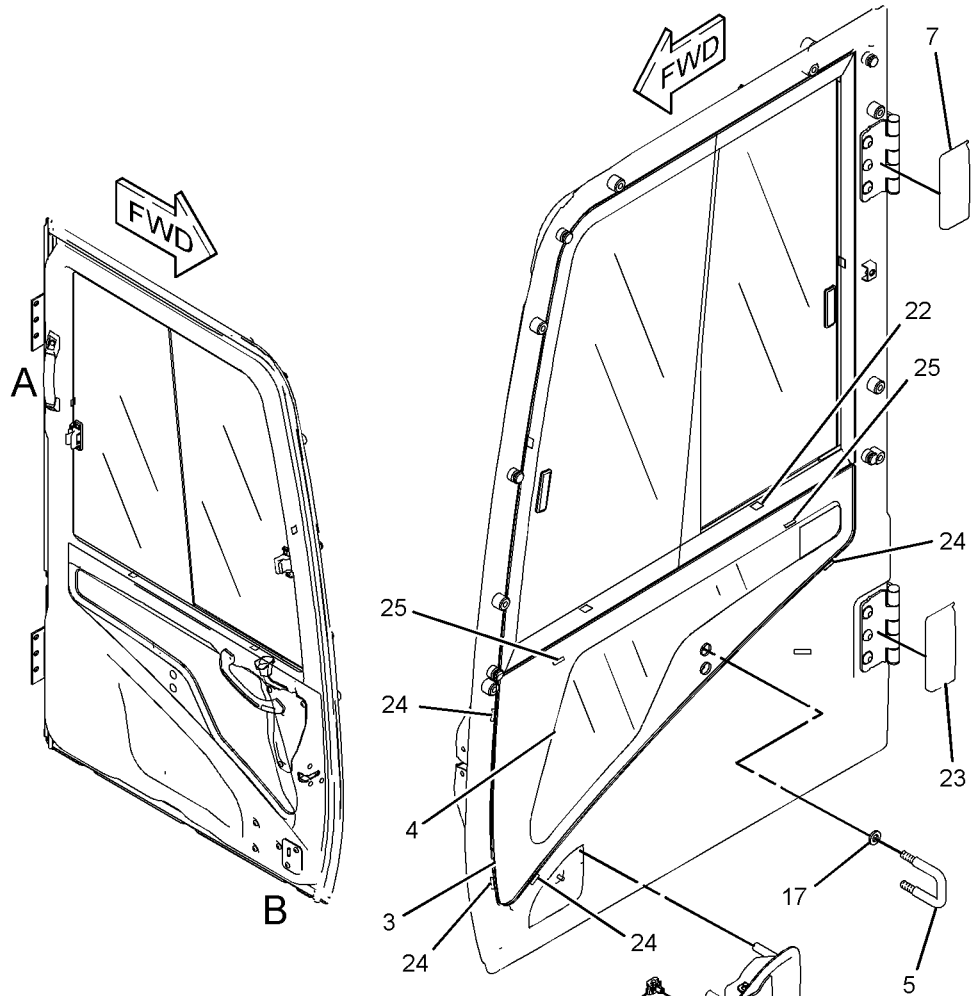
OPERATOR STATION

139-7100 DOOR GP-CAB (contd.)

i02635316



VIEW OF AREA A



VIEW OF AREA B

GRAPHIC #1

<END>

g01304731

OPERATOR STATION**139-7100 DOOR GP-CAB**

S/N: MGG1-UP; JFZ1-UP

PART OF 189-2768 DOOR & MTG GP-CAB

AN ATTACHMENT

TYPE 2

SMCS-7308

i03325670

NOTE	REF NO	GRAPHIC REF	PART NUMBER	QTY	PART NAME						SEE PAGE
					1	2	3	4	5	6 (PRODUCT LEVEL)	
C	1	1	327-6579	1	HANDLE - PULL						
Y	3	1	151-6792	1	WINDOW GP-DOOR						803
	4	1	156-6471	1	GLASS						
	5	1	156-6598	1	HOOK						
	6	1	156-6600	1	LOCK AS						
		1	164-0514	1	CLIP						
	6A	1	164-0519	1	CLIP						
	7	1	156-6643	1	COVER						
	8	1	156-6645	1	HANDLE AS						
		1	201-4391	1	CLIP						
	9	1	161-3639	1	HANDLE AS						
	10	1	161-3650	1	COVER AS						
	11	1	161-3663	1	SEAL AS						
		1	151-9497	45	CLIP						
	12	1	161-3665	1	SEAL						
	13	1	259-7354	1	COVER						
	14	1	164-0515	1	JOINT						
	15	1	167-7039	1	GROMMET						
M	16	1	185-8180	3	SCREW (M6X1X16-MM)						
	17	1	189-2711	2	WASHER (8.5X16X2.3-MM THK)						
M	18	1	096-2622	2	SCREW-MACHINE (M4X0.7X8-MM)						
M	19	1	096-3884	2	NUT-SPRING						
M	20	1	101-8899	2	SCREW AS (M6X1X16-MM)						
M	21	1	101-8900	2	SCREW AS (M6X1X20-MM)						
	22	1	151-9461	4	SPACER						
	23	1	156-6644	1	COVER						
	24	1	178-5573	4	SPACER						
	25	1	178-5574	2	SPACER						
	26	1	189-2690	1	HANDLE AS						
	27	1	4I-4286	1	KNOB						
M	28	1	9X-2042	8	SCREW-TRUSS HEAD (M6X1X12-MM)						

C-CHANGE FROM PREVIOUS TYPE

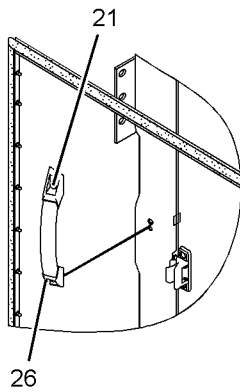
M-METRIC PART

Y-SEPARATE ILLUSTRATION

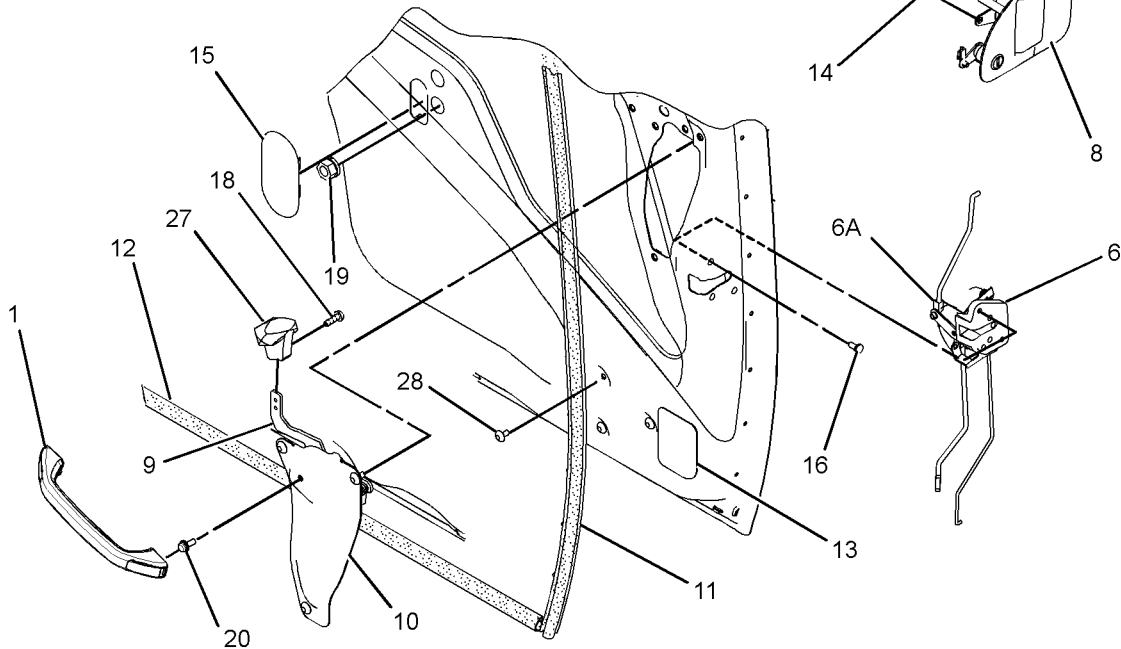
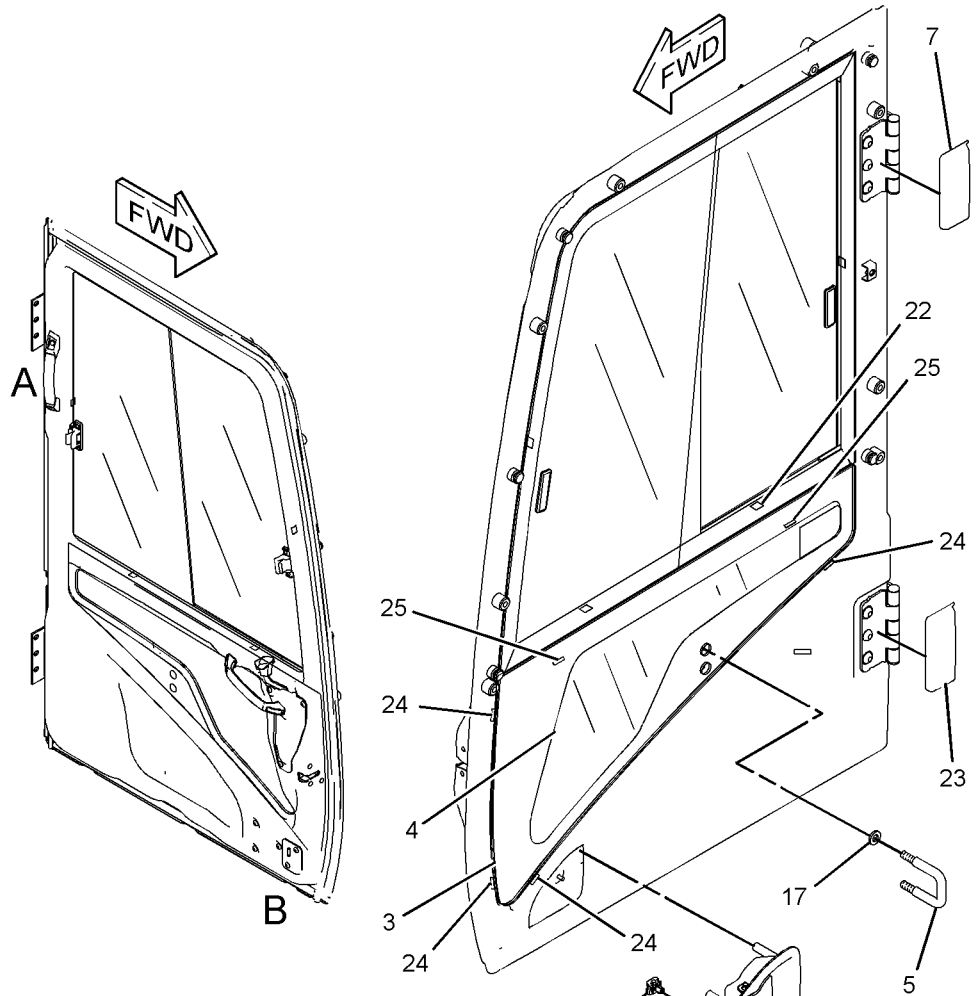
OPERATOR STATION

139-7100 DOOR GP-CAB (contd.)

i03325670



VIEW OF AREA A



VIEW OF AREA B

GRAPHIC #1

<END>

g01685016

OPERATOR STATION

229-9082 DUCT GP-CAB AIR

S/N: MGG1-UP; JFZ1-UP

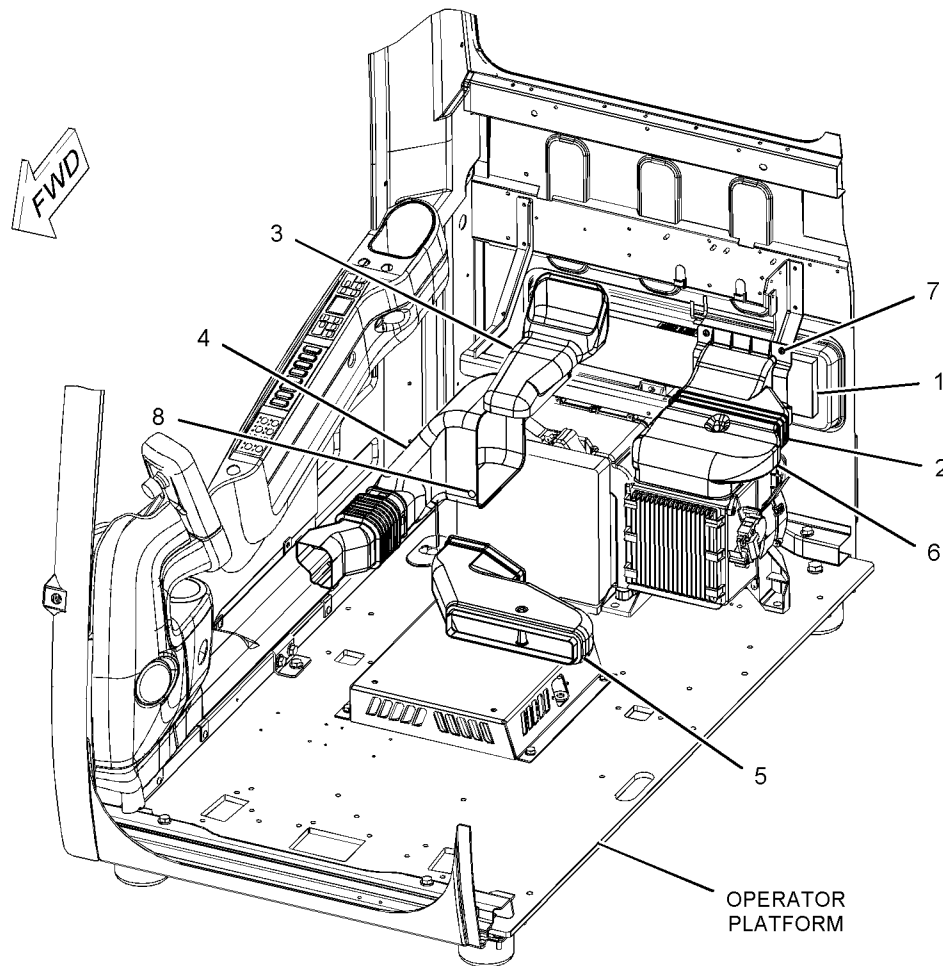
PART OF 235-9003 AIR CONDITIONER AR
AN ATTACHMENT

SMCS-734D

i03006476

NOTE	REF NO	GRAPHIC REF	PART NUMBER	QTY	PART NAME						SEE PAGE
					1	2	3	4	5	6 (PRODUCT LEVEL)	
	1	1	305-0329	1	FILTER ELEMENT AS-CAB AIR						
	2	1	235-8876	1	DUCT AS (FRESH AIR, UPPER)						
		1	245-7872	1	INSULATOR						
	3	1	235-8877	1	DUCT AS (VENT, REAR)						
		1	245-7792	1	INSULATOR						
	4	1	235-8878	1	DUCT AS (VENT, FRONT)						
		1	245-7793	1	INSULATOR						
	5	1	235-8879	1	DUCT AS (FLOOR)						
		1	245-7873	1	INSULATOR						
	6	1	240-5074	1	DUCT AS (FRESH AIR, LOWER)						
		1	245-7791	1	INSULATOR						
M	7	1	101-8899	2	SCREW AS (M6X1X16-MM)						
	8	1	176-1996	5	CLIP						

M-METRIC PART



GRAPHIC #1

<END>

g01098322

OPERATOR STATION

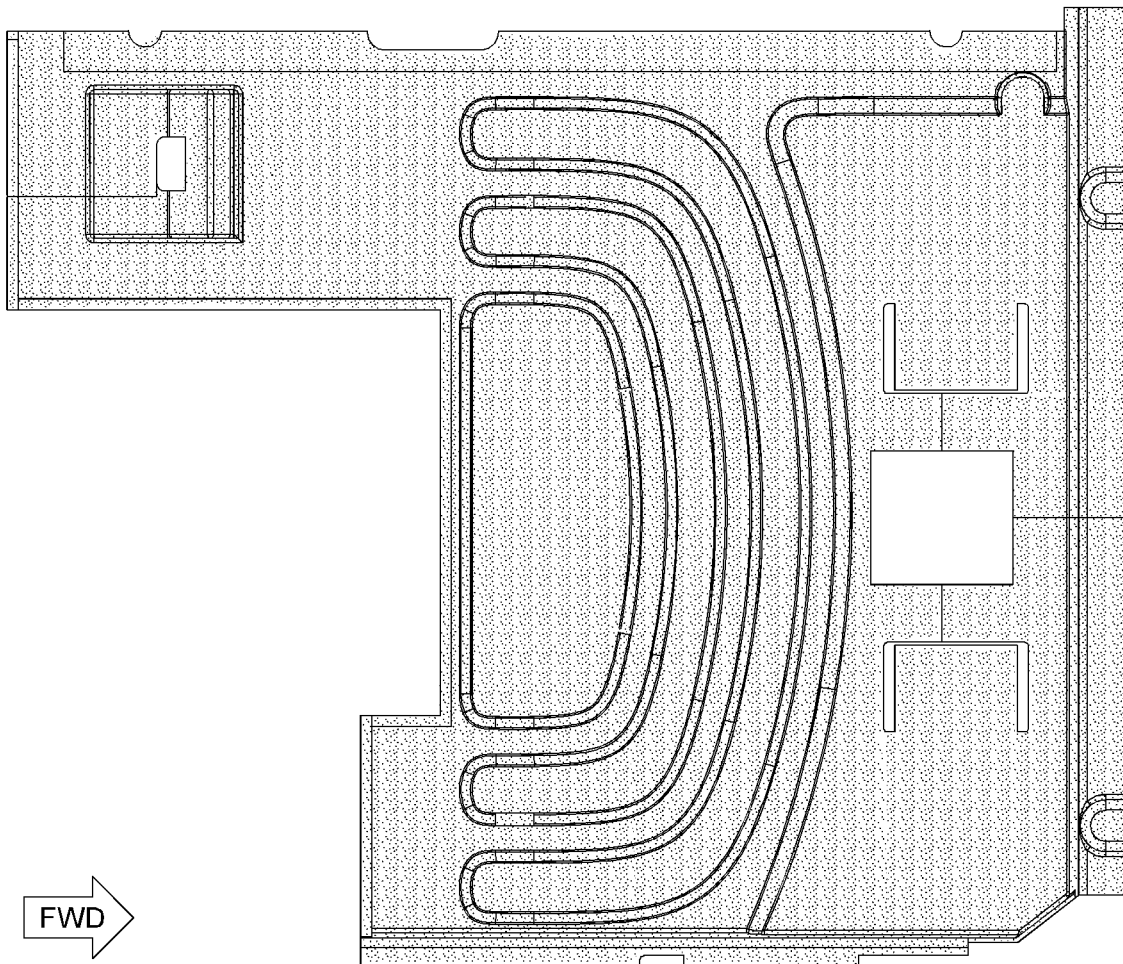
240-5071 FLOOR MAT

S/N: MGG1-UP; JFZ1-UP
AN ATTACHMENT

SMCS-726M

i02605553

NOTE	REF NO	GRAPHIC REF	PART NUMBER	QTY	PART NAME						SEE PAGE
					1	2	3	4	5	6 (PRODUCT LEVEL)	
(NO SERVICED PARTS)											



GRAPHIC #1

<END>

g01304381

OPERATOR STATION

293-1168 FLOOR MAT

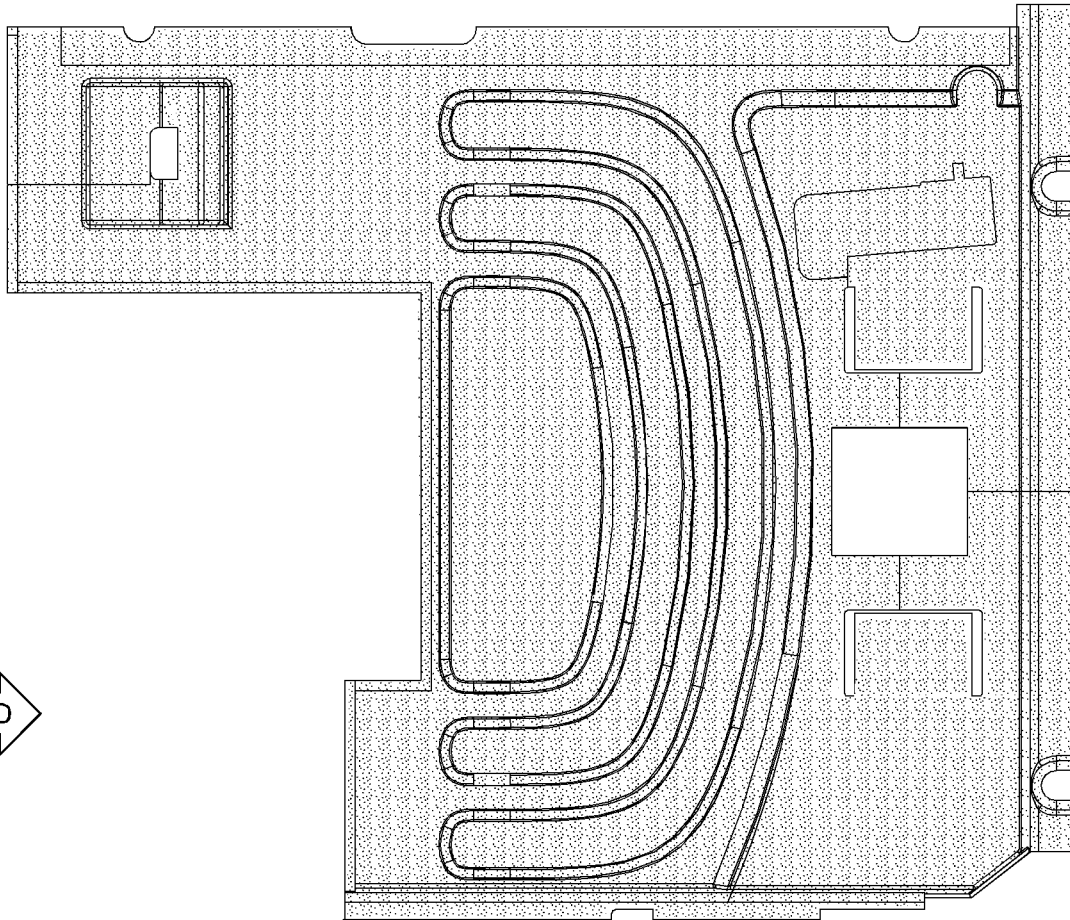
S/N: MGG1-UP

FIELD REPLACEMENT ORDER 240-5071-PAGE 759
AN ATTACHMENT

SMCS-726M

i02754354

NOTE	REF NO	GRAPHIC REF	PART NUMBER	QTY	PART NAME						SEE PAGE
					1	2	3	4	5	6 (PRODUCT LEVEL)	
(NO SERVICED PARTS)											



TOP VIEW

<END>

GRAPHIC #1

g01305140

OPERATOR STATION

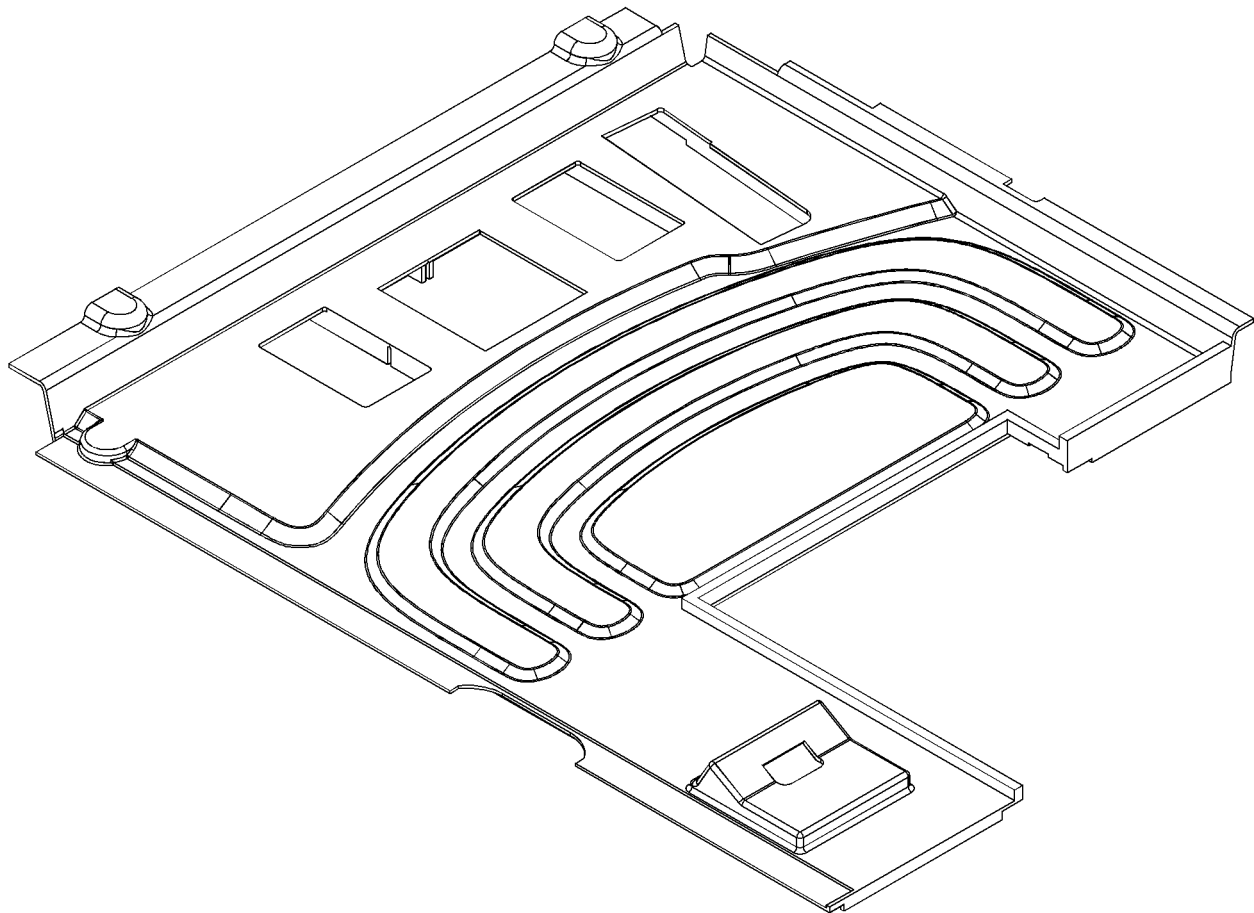
240-5073 FLOOR MAT GP

S/N: MGG1-UP; JFZ1-UP
AN ATTACHMENT

SMCS-7265, 726M

i02575389

NOTE	REF NO	GRAPHIC REF	PART NUMBER	QTY	PART NAME						SEE PAGE
					1	2	3	4	5	6 (PRODUCT LEVEL)	
(NO SERVICED PARTS)											



GRAPHIC #1

<END>

g01124624

OPERATOR STATION

171-7503 FRAME GP-UPPER FRONT WINDOW

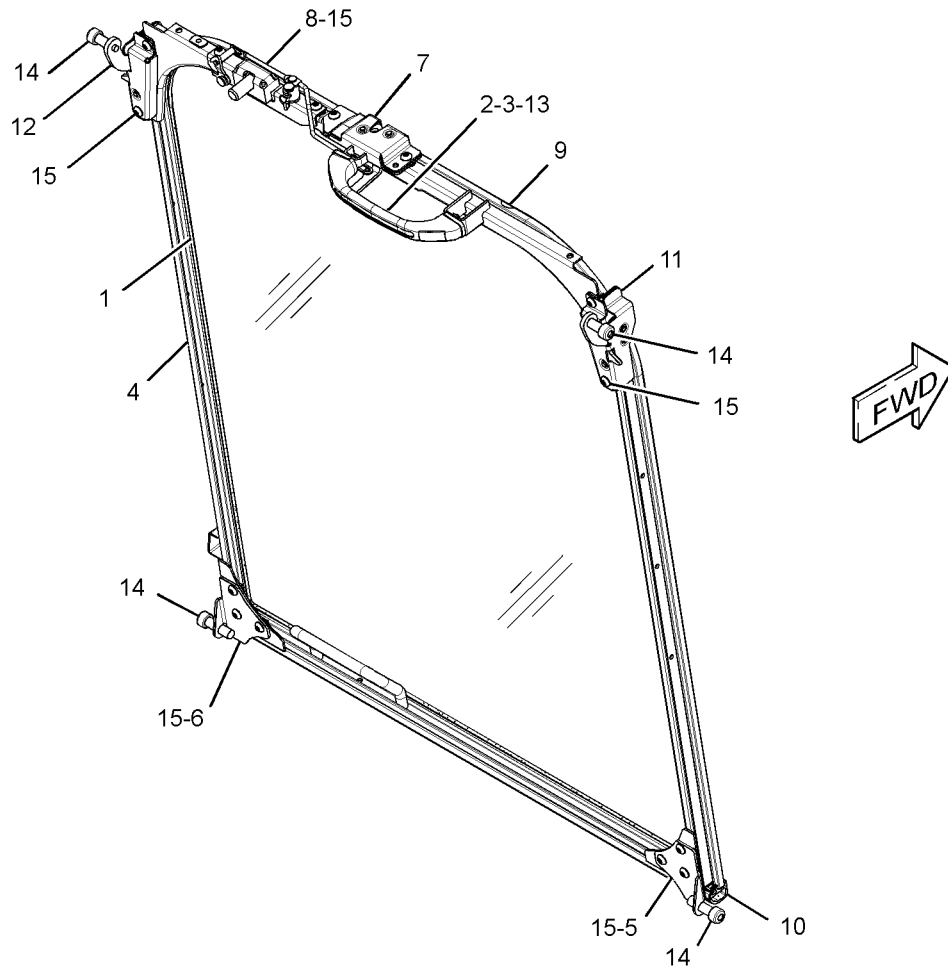
S/N: MGG1-UP; JFZ1-UP
PART OF 229-9109 CAB GP
AN ATTACHMENT

SMCS-7340

i02827169

NOTE	REF NO	GRAPHIC REF	PART NUMBER	QTY	PART NAME						SEE PAGE
					1	2	3	4	5	6 (PRODUCT LEVEL)	
	1	1	170-9722	1	CUSHION						
	2	1	151-6703	1	HANDLE - PULL						
	3	1	151-6704	2	CAP						
	4	1	151-6778	1	FRAME AS						
	5	1	151-6813	1	BRACKET AS						
	6	1	151-6815	1	BRACKET AS						
	7	1	151-6831	1	LOCK AS						
	8	1	151-6832	1	LEVER AS						
	9	1	156-6472	1	GLASS						
	10	1	161-3698	1	SEAL						
	11	1	273-5345	1	LINK AS						
	12	1	273-5346	1	LINK AS						
M	13	1	101-8900	2	SCREW AS (M6X1X20-MM)						
	14	1	151-9576	4	ROLLER						
M	15	1	9X-2042	15	SCREW-TRUSS HEAD (M6X1X12-MM)						

M-METRIC PART



GRAPHIC #1

<END>

g01421196

OPERATOR STATION

259-7350 HATCH GP-ROOF

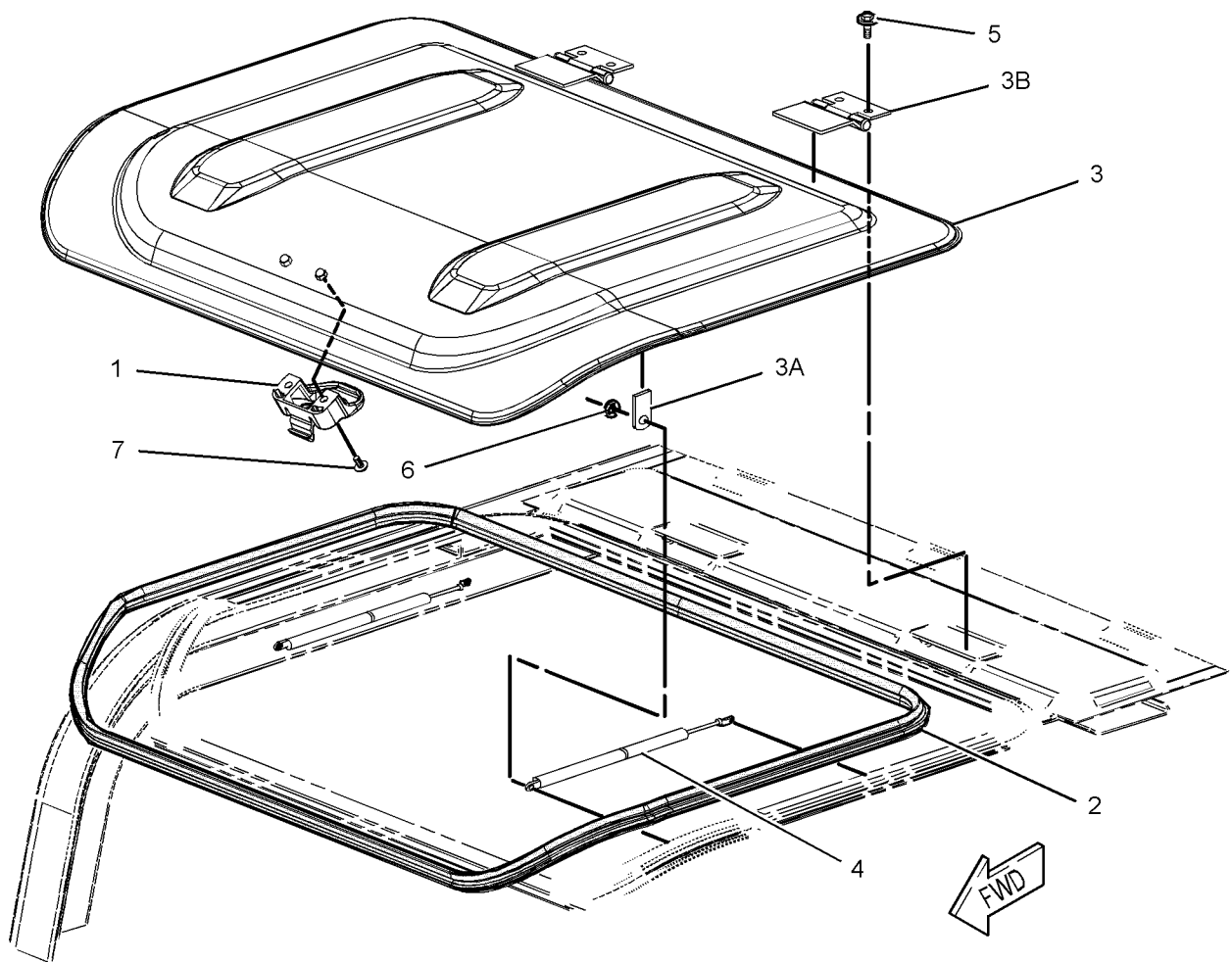
S/N: MGG1-UP; JFZ1-UP
 PART OF 229-9109 CAB GP
 AN ATTACHMENT

SMCS-7303

i02532644

NOTE	REF NO	GRAPHIC REF	PART NUMBER	QTY	PART NAME						SEE PAGE
					1	2	3	4	5	6 (PRODUCT LEVEL)	
	1	1	259-7352	1	CATCH						
	2	1	189-2847	1	SEAL						
	3	1	259-7351	1	HATCH AS						
	3A	1	176-1949	2	BRACKET AS						
	3B	1	189-2717	2	HINGE AS						
	4	1	099-3506	2	SPRING AS-GAS						
M	5	1	105-2169	4	BOLT AS						
	6	1	5D-4822	4	RING-RETAINING						
M	7	1	9X-2042	2	SCREW-TRUSS HEAD (M6X1X12-MM)						

M-METRIC PART



GRAPHIC #1

<END>

g01242907

OPERATOR STATION

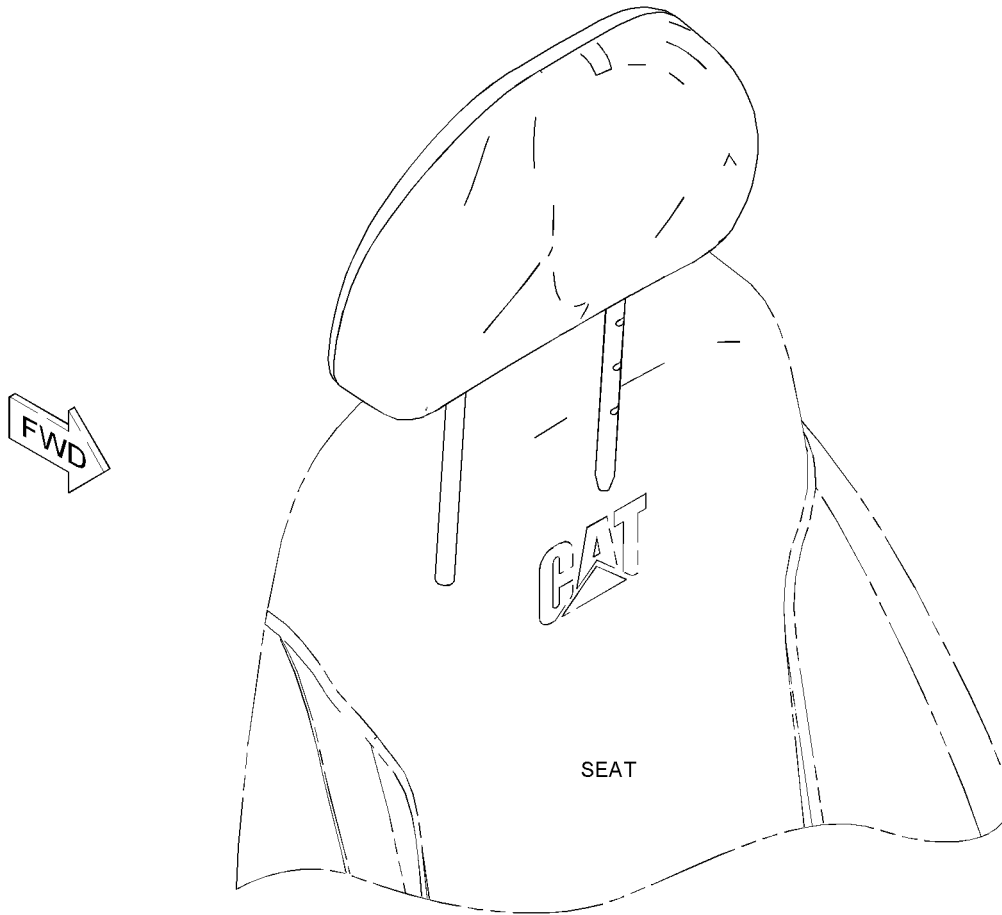
229-9094 HEADREST AS-SEAT

S/N: MGG1-UP; JFZ1-UP
AN ATTACHMENT

SMCS-7312

i02535746

NOTE	REF NO	GRAPHIC REF	PART NUMBER	QTY	PART NAME						SEE PAGE
					1	2	3	4	5	6 (PRODUCT LEVEL)	
(NO SERVICED PARTS)											



GRAPHIC #1

<END>

g01126613

OPERATOR STATION

267-8071 HORN GP-ELECTRIC

S/N: MGG1-UP; JFZ1-UP

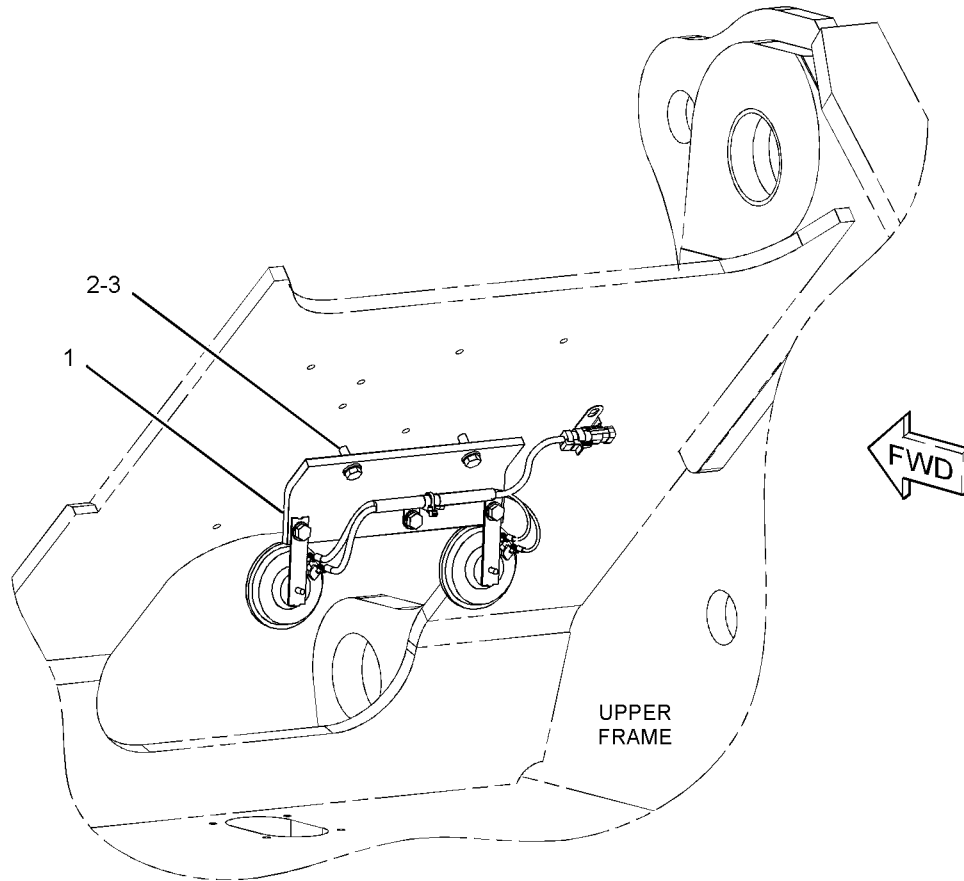
PART OF 264-8638, 264-8639 CHASSIS AR

SMCS-7402

i02644471

NOTE	REF NO	GRAPHIC REF	PART NUMBER	QTY	PART NAME						SEE PAGE
					1	2	3	4	5	6 (PRODUCT LEVEL)	
CY	1	1	291-7559	1	HORN GP-ELECTRIC						766
	2	1	8T-4121	2	WASHER-HARD (11X21X2.5-MM THK)						
M	3	1	8T-4195	2	BOLT (M10X1.5X30-MM)						

C- CHANGE FROM PREVIOUS TYPE
M- METRIC PART
Y- SEPARATE ILLUSTRATION



GRAPHIC #1

<END>

g01289732

OPERATOR STATION**291-7559 HORN GP-ELECTRIC**

S/N: MGG1-UP; JFZ1-UP

24-VOLT

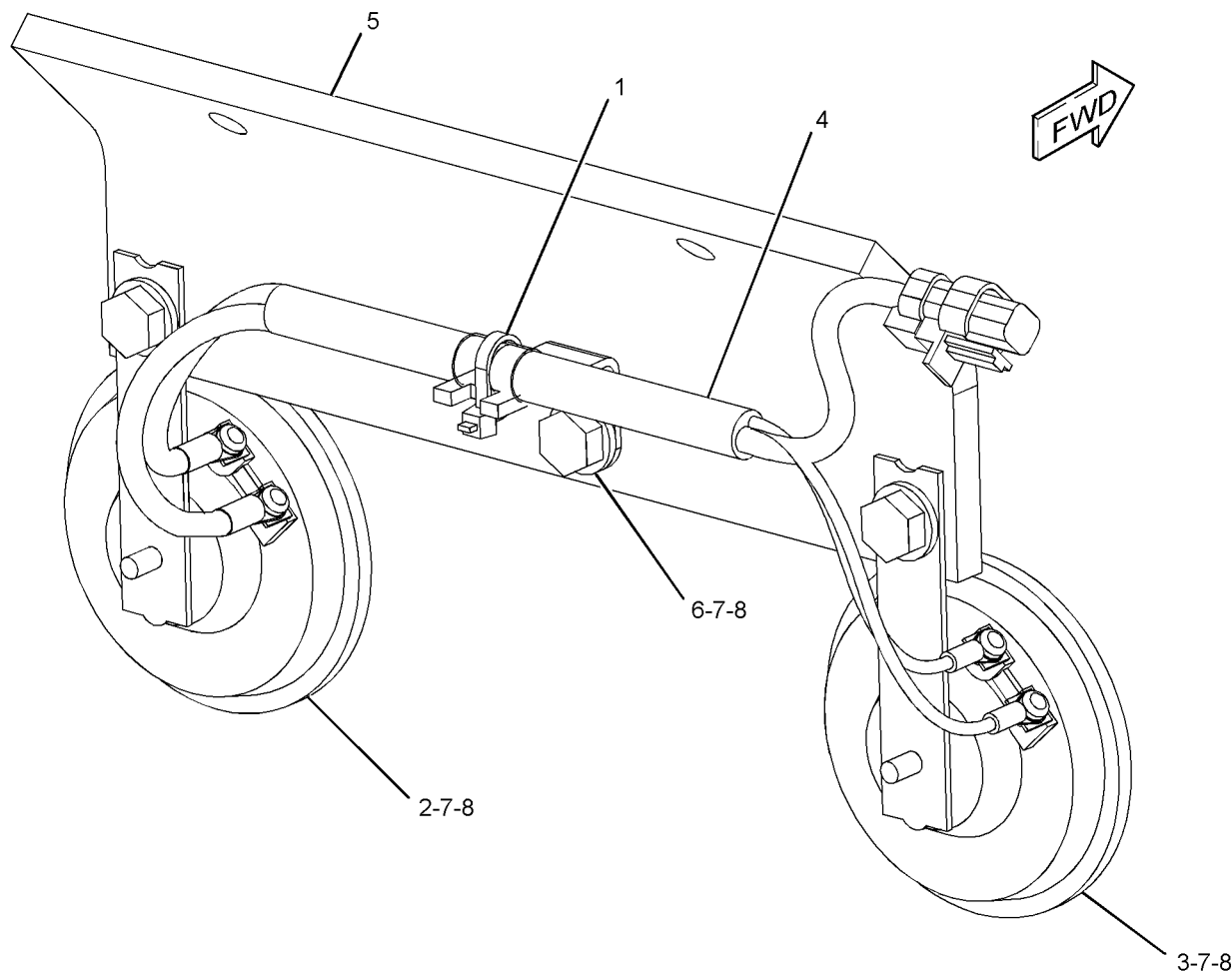
PART OF 267-8071 HORN GP-ELECTRIC

SMCS-7402

i02644478

NOTE	REF NO	GRAPHIC REF	PART NUMBER	QTY	PART NAME						SEE PAGE
					1	2	3	4	5	6 (PRODUCT LEVEL)	
	1	1	3S-2093	1	STRAP-CABLE						
	2	1	7Y-3919	1	HORN AS (24-VOLT)						
		1	095-0826	2	LOCKWASHER						
M		1	095-7930	2	SCREW-MACHINE (M4X0.07X6-MM)						
	3	1	7Y-3920	1	HORN AS (24-VOLT)						
		1	095-0826	2	LOCKWASHER						
M		1	095-7930	2	SCREW-MACHINE (M4X0.07X6-MM)						
	4	1	291-7560	1	HARNES AS-CHASSIS						
		1	3S-2093	1	STRAP-CABLE						
		1	230-4011	1	PLUG AS-CONNECTOR (2-PIN)						
	5	1	291-7561	1	BRACKET						
	6	1	132-5789	1	CLIP						
	7	1	8T-4121	3	WASHER-HARD (11X21X2.5-MM THK)						
M	8	1	8T-4191	3	BOLT (M10X1.5X16-MM)						

M-METRIC PART



GRAPHIC #1

<END>

3-7-8

g01302495

OPERATOR STATION

251-0538 INSTALLATION GP-RADIO

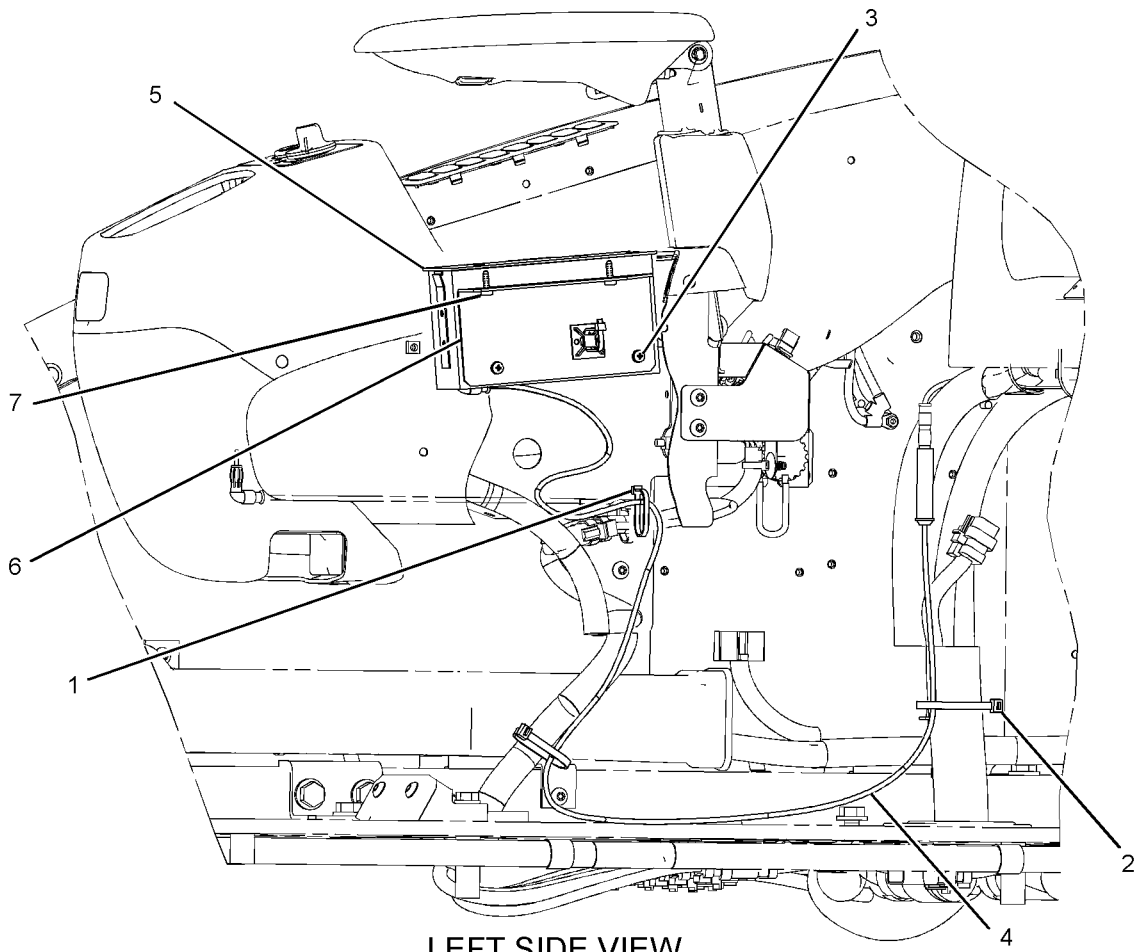
S/N: MGG1-UP; JFZ1-UP
AN ATTACHMENT

SMCS-7338

i02996044

NOTE	REF NO	GRAPHIC REF	PART NUMBER	QTY	PART NAME						SEE PAGE
					1	2	3	4	5	6 (PRODUCT LEVEL)	
	1	1	3S-2093	2	STRAP - CABLE						
	2	1	7K-1181	2	STRAP - CABLE						
M	3	1	095-0736	2	SCREW-MACHINE (M5X0.8X10-MM)						
	4	1	238-2260	1	CABLE						
	5	1	306-8802	1	RADIO-AM/FM						
	6	1	259-4914	1	BRACKET AS						
	7	1	119-5026	2	SCREW-PAN HEAD (10-16X0.63-IN)						

M-METRIC PART



LEFT SIDE VIEW

<END>

GRAPHIC #1

g01520813

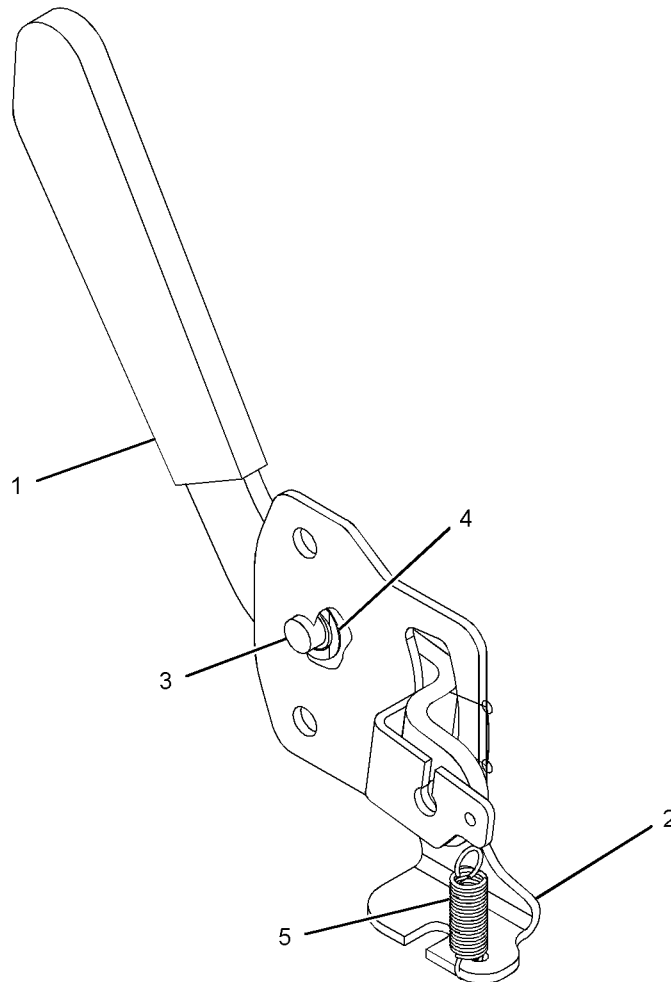
OPERATOR STATION**164-0528 LEVER GP-AIR & TEMP CONTROL**

S/N: MGG1-UP; JFZ1-UP
 PART OF 235-8910 CAB GP
 AN ATTACHMENT

SMCS-7309, 7337

i02536658

NOTE	REF NO	GRAPHIC REF	PART NUMBER	QTY	PART NAME						SEE PAGE
					1	2	3	4	5	6 (PRODUCT LEVEL)	
	1	1	156-6642	1	LEVER AS						
	2	1	164-0664	1	BRACKET						
	3	1	176-1941	1	PIN						
	4	1	185-8280	1	WASHER-WAVE (10.5X15X0.3-MM THK)						
	5	1	185-8281	1	SPRING						



GRAPHIC #1

<END>

g01217036

OPERATOR STATION

273-5166 LINES GP-AIR CONDITIONER

S/N: MGG1-UP; JFZ1-UP

PART OF 284-4442 CONDENSER & LINES GP-RFGT
AN ATTACHMENT

SMCS-1808

i02973188

NOTE	REF NO	GRAPHIC REF	PART NUMBER	QTY	PART NAME						SEE PAGE
					1	2	3	4	5	6 (PRODUCT LEVEL)	
	1	1	4I-4580	1	FITTING						
	2	1	7I-0375	1	ELBOW						
	3	2	122-9605	2	TUBE						
					-OR-						
		2	6P-8855	2	TUBE						
	4	2	122-9657	2	CLAMP						
	5	1	155-7024	2	SPACER-SPECIAL						
	6	2	176-1902	1	RECEIVER-REFRIGERANT DRYER						
	7	2	204-1611	1	STRAP-CABLE						
	8	2	235-8891	1	PLATE						
	9	1,2	235-9014	8	CLAMP-HOSE						
					-OR-						
		1,2	5D-1026	8	CLAMP-HOSE						
	10	2	235-9015	2	HOSE						
	11	1	245-7758	1	HOSE AS						
		1	121-7136	2	SEAL-O-RING						
		1	245-7851	1	PLUG						
	12	2	284-4552	1	TUBE AS						
		2	121-7137	1	SEAL-O-RING						
	13	2	293-1118	1	TUBE AS						
		2	121-7138	2	SEAL-O-RING						
	14	2	293-1119	1	TUBE AS						
		2	121-7138	1	SEAL-O-RING						
	15	2	293-1120	1	HOSE AS						
		2	121-7138	2	SEAL-O-RING						
		2	130-0270	1	SWITCH AS-PRESSURE (REFRIGERANT)						
		2	185-8293	1	SEAL-O-RING						
	16	1	095-0913	1	CLIP						
	17	1	100-4336	2	CLIP						
	18	1	293-1230	1	SUPPORT AS						
	19	2	121-7098	1	BRACKET AS						
M		2	8T-4138	2	BOLT (M6X1X20-MM)						
		2	9X-8256	2	WASHER (6.6X12X2-MM THK)						
	20	2	130-0252	2	HOSE-DRAIN						
	21	1	293-1117	1	HOSE AS						
		1	121-7137	2	SEAL-O-RING						
		1	245-7850	1	PLUG						
	22	1	4I-3503	1	GROMMET						
	23	1	4S-1962	6	CLIP						
	24	2	5K-3294	3	CLIP						
	25	2	5P-9085	3	CLIP						
	26	1	6D-1641	12	CLIP						
	27	2	6D-3479	1	CLIP						
	29	2	6V-3265	1	CLIP						
M	30	1,2	6V-7357	3	BOLT (M6X1X25-MM)						
	31	2	6W-7293	1	GROMMET						
M	33	1	8T-3647	1	BOLT (M8X1.25X80-MM)						
	34	1,2	8T-4121	25	WASHER-HARD (11X21X2.5-MM THK)						
M	35	1,2	8T-4136	5	BOLT (M10X1.5X25-MM)						
M	36	1,2	8T-4137	19	BOLT (M10X1.5X20-MM)						
M	37	2	8T-4191	1	BOLT (M10X1.5X16-MM)						
M	38	2	8T-4200	2	BOLT (M8X1.25X16-MM)						
	39	1,2	8T-4224	3	WASHER-HARD (8.8X16X2-MM THK)						
M	40	2	8T-4971	2	BOLT (M6X1X30-MM)						
	41	1,2	9X-8256	7	WASHER (6.6X12X2-MM THK)						

OPERATOR STATION

273-5166 LINES GP-AIR CONDITIONER (contd.)

i02973188

NOTE	REF NO	GRAPHIC REF	PART NUMBER	QTY	PART NAME						SEE PAGE
					1	2	3	4	5	6 (PRODUCT LEVEL)	
E	42	1	5P-0767		HOSE (380-CM)						
E	42A	1	5P-0767		HOSE (310-CM)						
	43	1,2	7K-1181	2	STRAP-CABLE						
	44	2	132-5789	1	CLIP						
E	45	1	225-5714		GUARD (75-CM)						
E	45A	1	225-5714		GUARD (55-CM)						
E	46	2	225-5707		GUARD (30-CM EACH)						
E	46A	1	225-5707		GUARD (15-CM EACH)						
E	46B	1	225-5707		GUARD (22-CM)						
	47	1,2	305-0441	1	BAND-MARKER (HS)						
	48	1,2	305-0442	1	BAND-MARKER (HR)						
M	49	1	6V-7357	2	BOLT (M6X1X25-MM)						
					-OR-						
M		1	8T-4971	2	BOLT (M6X1X30-MM)						
E-ORDER BY THE CENTIMETER											
M-METRIC PART											

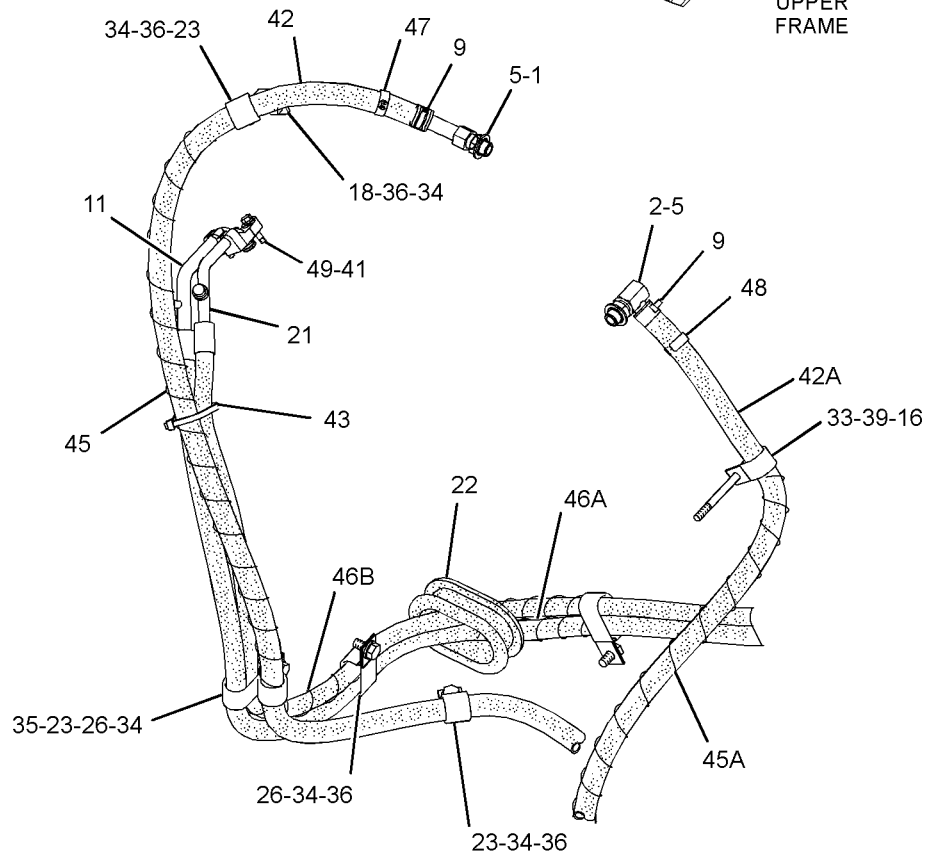
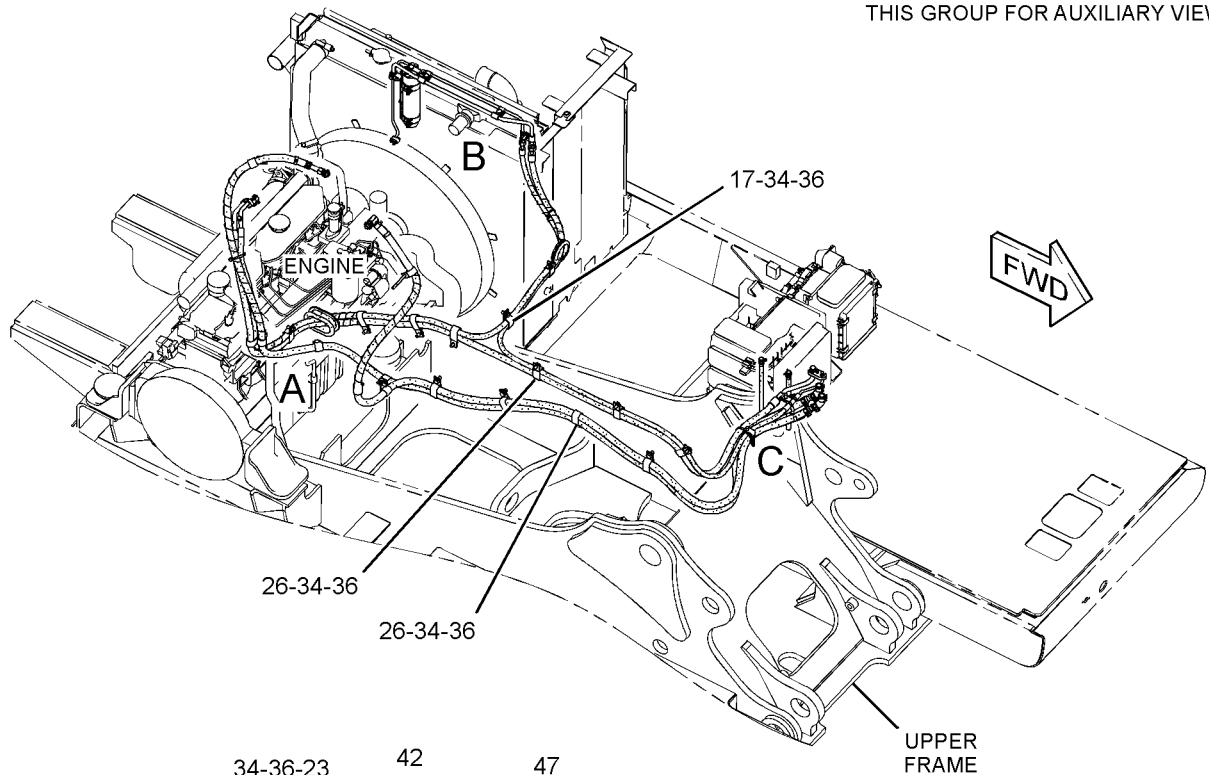


OPERATOR STATION

273-5166 LINES GP-AIR CONDITIONER (contd.)

i02973188

REFER TO ALL ILLUSTRATIONS OF THIS GROUP FOR AUXILIARY VIEWS



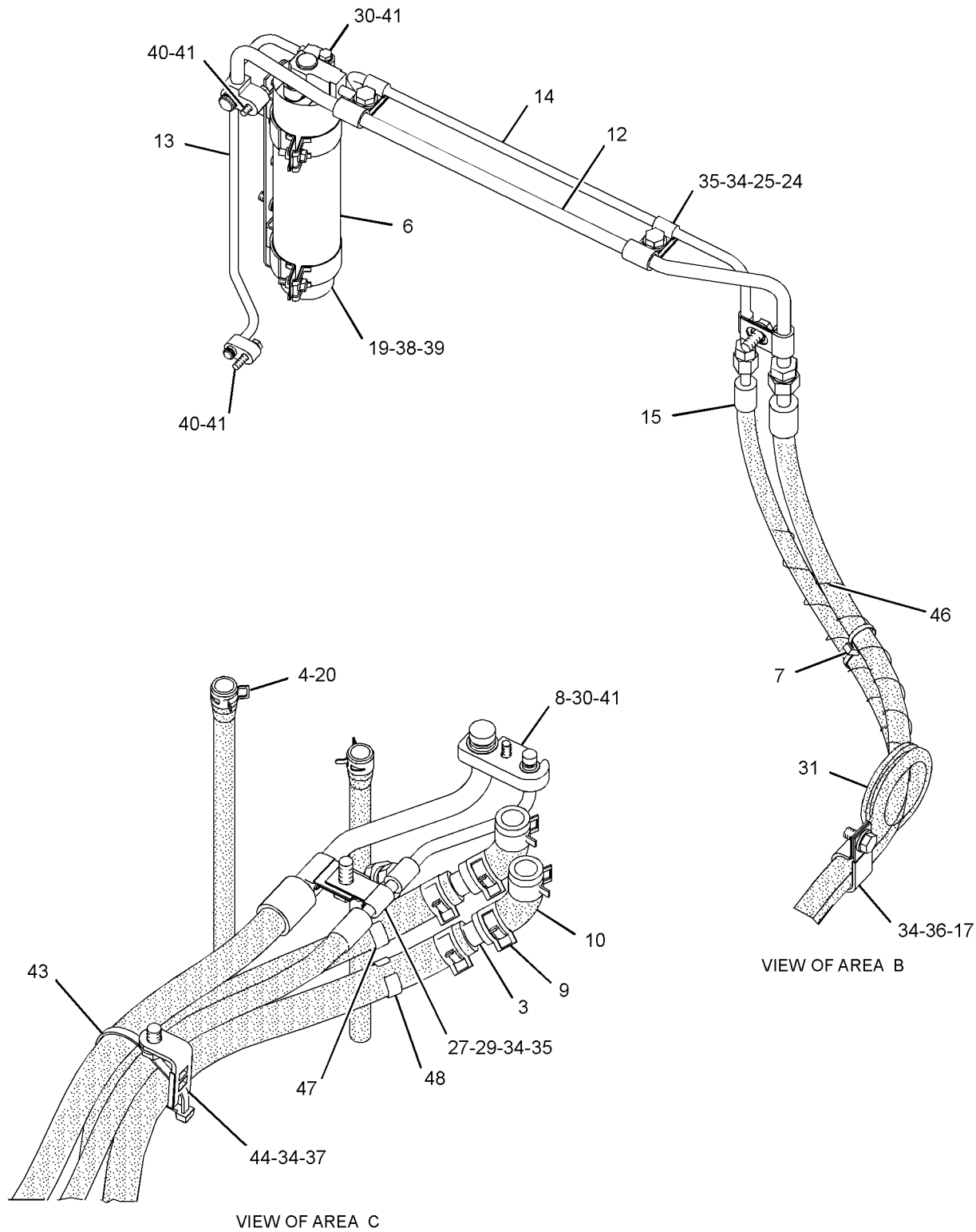
GRAPHIC #1

g01507553

OPERATOR STATION

273-5166 LINES GP-AIR CONDITIONER (contd.)

i02973188



GRAPHIC #2

<END>

g01507554

OPERATOR STATION

284-4386 LINES GP-AIR CONDITIONER

S/N: MGG1-UP; JFZ1-UP

PART OF 264-8638, 264-8639 CHASSIS AR

SMCS-1808

i02973882

NOTE	REF NO	GRAPHIC REF	PART NUMBER	QTY	PART NAME						SEE PAGE
					1	2	3	4	5	6 (PRODUCT LEVEL)	
	1	2	4I-4580	1	FITTING						
	2	2	7I-0375	1	ELBOW						
	3	2	7K-1181	2	STRAP-CABLE						
	4	2	122-9605	2	TUBE						
	5	2	122-9657	2	CLAMP						
	6	2	130-0252	2	HOSE-DRAIN						
	7	2	155-7024	2	SPACER-SPECIAL						
	8	2	176-1902	1	RECEIVER-REFRIGERANT DRYER						
	9	2	235-8891	1	PLATE						
	10	2	235-9014	8	CLAMP-HOSE						
	11	2	235-9015	2	HOSE						
	12	2	245-7756	1	TUBE AS						
		2	121-7138	2	SEAL-O-RING						
	13	2	245-7757	1	HOSE AS						
		2	121-7138	2	SEAL-O-RING						
		2	130-0270	1	SWITCH AS-PRESSURE (REFRIGERANT)						
		2	185-8293	1	SEAL-O-RING						
	14	2	245-7758	1	HOSE AS						
		2	121-7136	2	SEAL-O-RING						
		2	245-7851	1	PLUG						
	15	2	273-5400	1	HOSE AS						
		2	121-7137	2	SEAL-O-RING						
		2	245-7850	1	PLUG						
	16	2	293-1230	1	SUPPORT AS						
	17	2	305-0441	2	BAND-MARKER (HS)						
	18	2	305-0442	2	BAND-MARKER (HR)						
	19	2	095-0913	1	CLIP						
	20	2	100-4336	3	CLIP						
	21	2	121-7098	1	BRACKET AS						
M		2	8T-4138	2	BOLT (M6X1X20-MM)						
		2	9X-8256	2	WASHER (6.6X12X2-MM THK)						
	22	2	132-5789	1	CLIP						
	23	2	4I-3503	1	GROMMET						
	24	2	4S-1962	6	CLIP						
	25	1,2	6D-1641	12	CLIP						
	26	2	6D-3479	1	CLIP						
	27	2	6V-3265	1	CLIP						
M	28	2	6V-7357	3	BOLT (M6X1X25-MM)						
	29	2	6W-7293	1	GROMMET						
	30	2	8M-2773	1	CLIP						
M	31	2	8T-3647	1	BOLT (M8X1.25X80-MM)						
	32	1,2	8T-4121	24	WASHER-HARD (11X21X2.5-MM THK)						
M	33	2	8T-4136	2	BOLT (M10X1.5X25-MM)						
M	34	1,2	8T-4137	21	BOLT (M10X1.5X20-MM)						
M	35	2	8T-4191	1	BOLT (M10X1.5X16-MM)						
M	36	2	8T-4200	2	BOLT (M8X1.25X16-MM)						
	37	2	8T-4224	3	WASHER-HARD (8.8X16X2-MM THK)						
M	38	2	8T-4971	1	BOLT (M6X1X30-MM)						
	39	2	9X-8256	7	WASHER (6.6X12X2-MM THK)						
M	40	2	7X-2533	1	BOLT (M6X1X35-MM)						
					-OR-						
M		2	8T-4971	1	BOLT (M6X1X30-MM)						
M	41	2	8T-4971	2	BOLT (M6X1X30-MM)						
					-OR-						
M		2	6V-7357	2	BOLT (M6X1X25-MM)						
	44	2	225-5707		GUARD (15-CM EACH)						

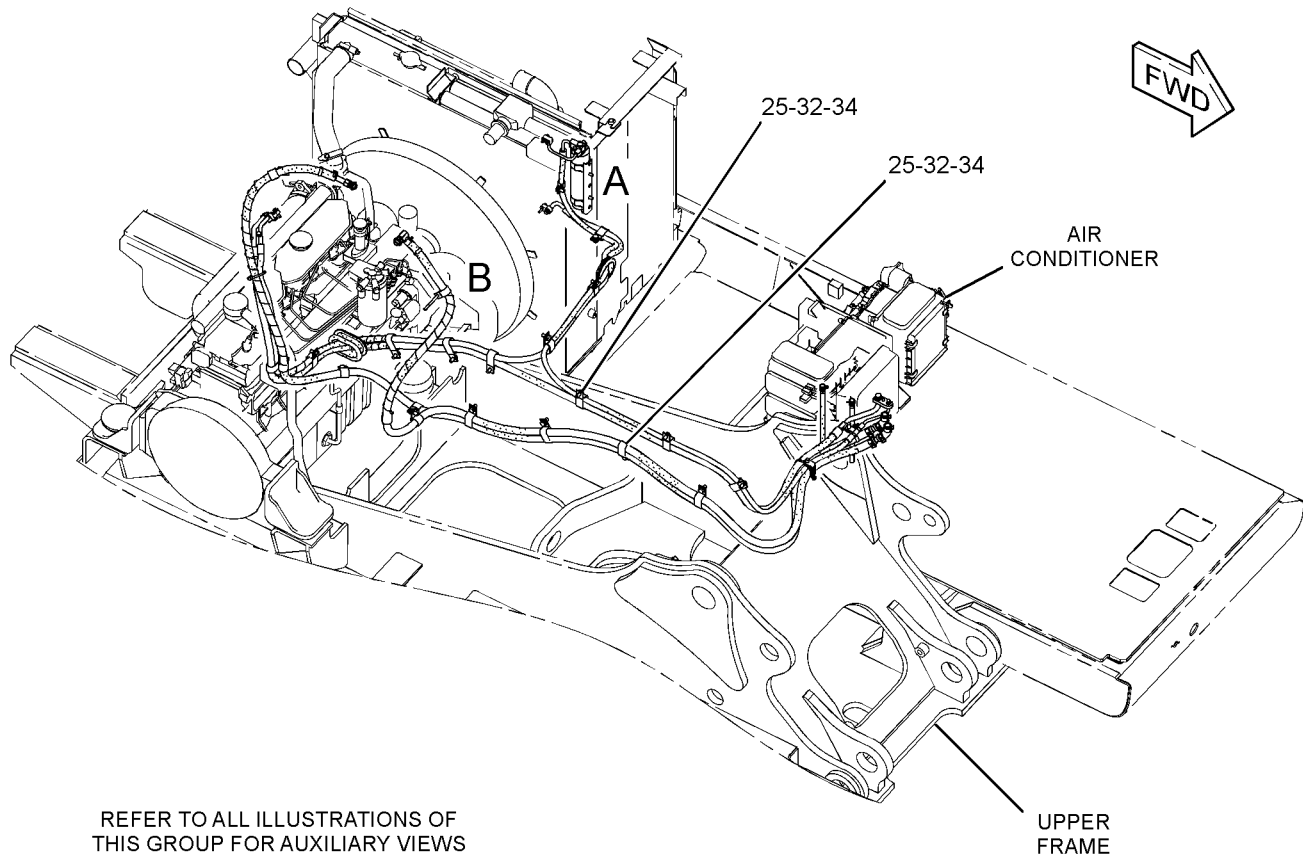
OPERATOR STATION

284-4386 LINES GP-AIR CONDITIONER (contd.)

i02973882

NOTE	REF NO	GRAPHIC REF	PART NUMBER	QTY	PART NAME						SEE PAGE
					1	2	3	4	5	6 (PRODUCT LEVEL)	
	44A	2	225-5707		GUARD (22-CM)						
	45	2	225-5714		GUARD (75-CM)						
	45A	2	225-5714		GUARD (55-CM)						
	46	2	5P-0767		HOSE (380-CM)						
	46A	2	5P-0767		HOSE (310-CM)						

M-METRIC PART



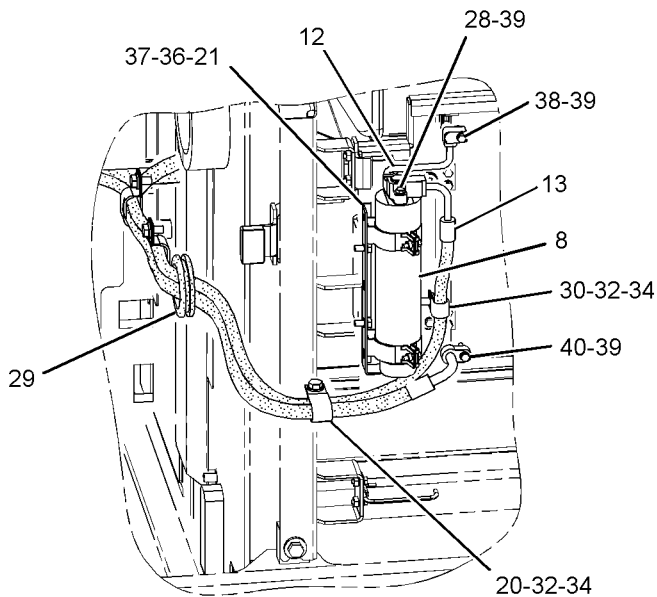
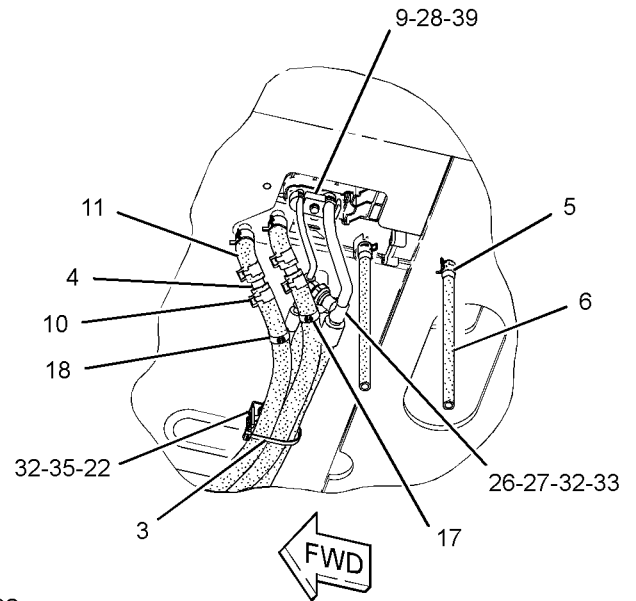
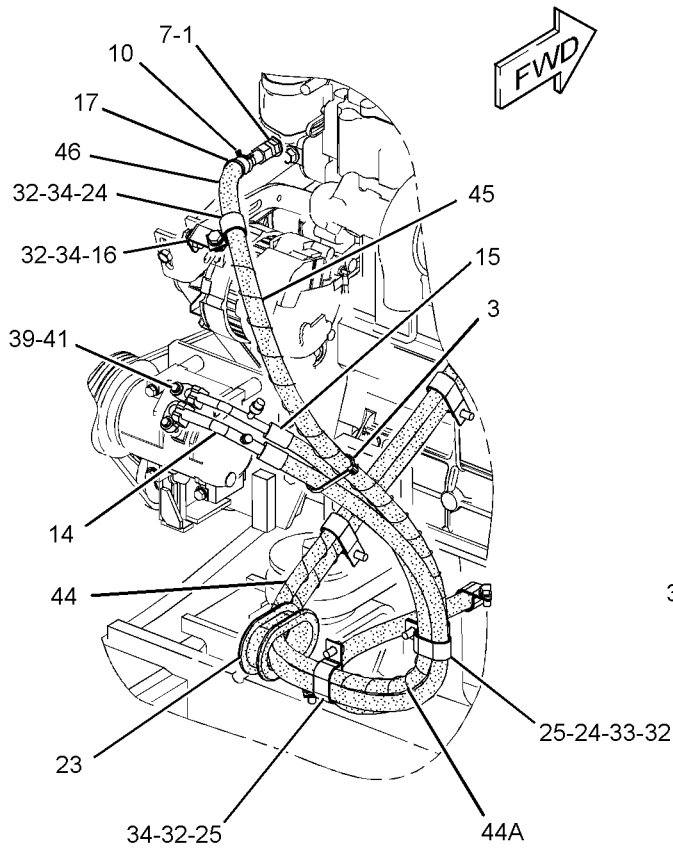
GRAPHIC #1

g01513132

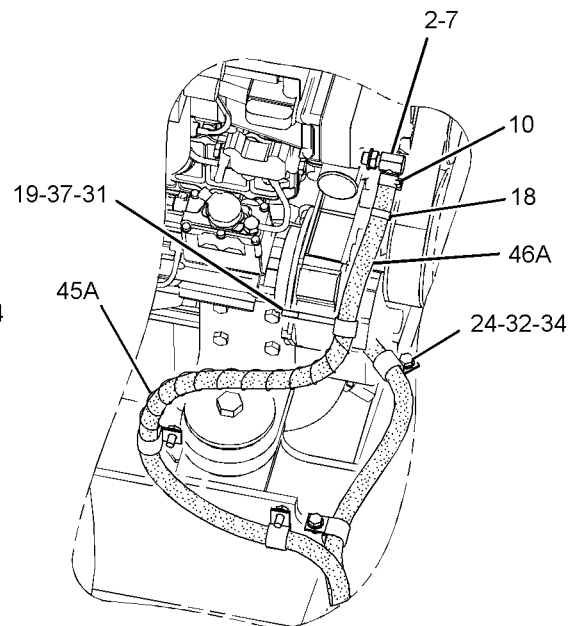
OPERATOR STATION

284-4386 LINES GP-AIR CONDITIONER (contd.)

i02973882



LEFT SIDE VIEW
(UPPER)



VIEW OF AREA B 90°

GRAPHIC #2

<END>

g01513134

OPERATOR STATION**7Y-0059 LITERATURE GP**

S/N: MGG1-UP; JFZ1-UP

PART OF 264-8638, 264-8639 CHASSIS AR

SMCS-7300

i01306224

NOTE	PART NUMBER	QTY	PART NAME						SEE PAGE
			1	2	3	4	5	6 (PRODUCT LEVEL)	
	099-3645	1	CABLE - LANYARD						
	5P-8500	2	KEY						
	5P-7958	2	SLEEVE-CABLE SPLICE						
<END>									

OPERATOR STATION

142-3836 MIRROR GP-REAR VIEW

S/N: MGG1-UP; JFZ1-UP

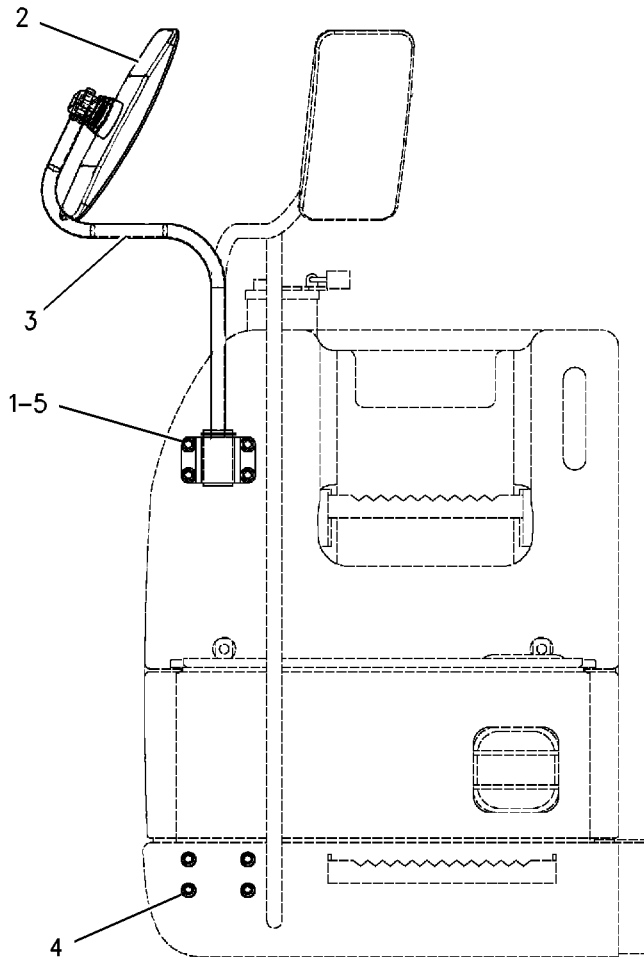
PART OF 264-8638, 264-8639 CHASSIS AR

SMCS-7319

i01306229

NOTE	REF NO	GRAPHIC REF	PART NUMBER	QTY	PART NAME						SEE PAGE
					1	2	3	4	5	6 (PRODUCT LEVEL)	
	1	1	2M-0849	4	WASHER-HARD (13.5X25.5X5-MM THK)						
	2	1	137-2270	1	MIRROR						
	3	1	165-3065	1	BRACKET-MIRROR						
	4	1	177-6315	4	PLUG						
M	5	1	8T-4192	4	BOLT (M12X1.75X25-MM)						

M-METRIC PART



FRONT VIEW

<END>

GRAPHIC #1

g00682738

OPERATOR STATION

221-8813 MONITOR & MTG GP-OPERATOR

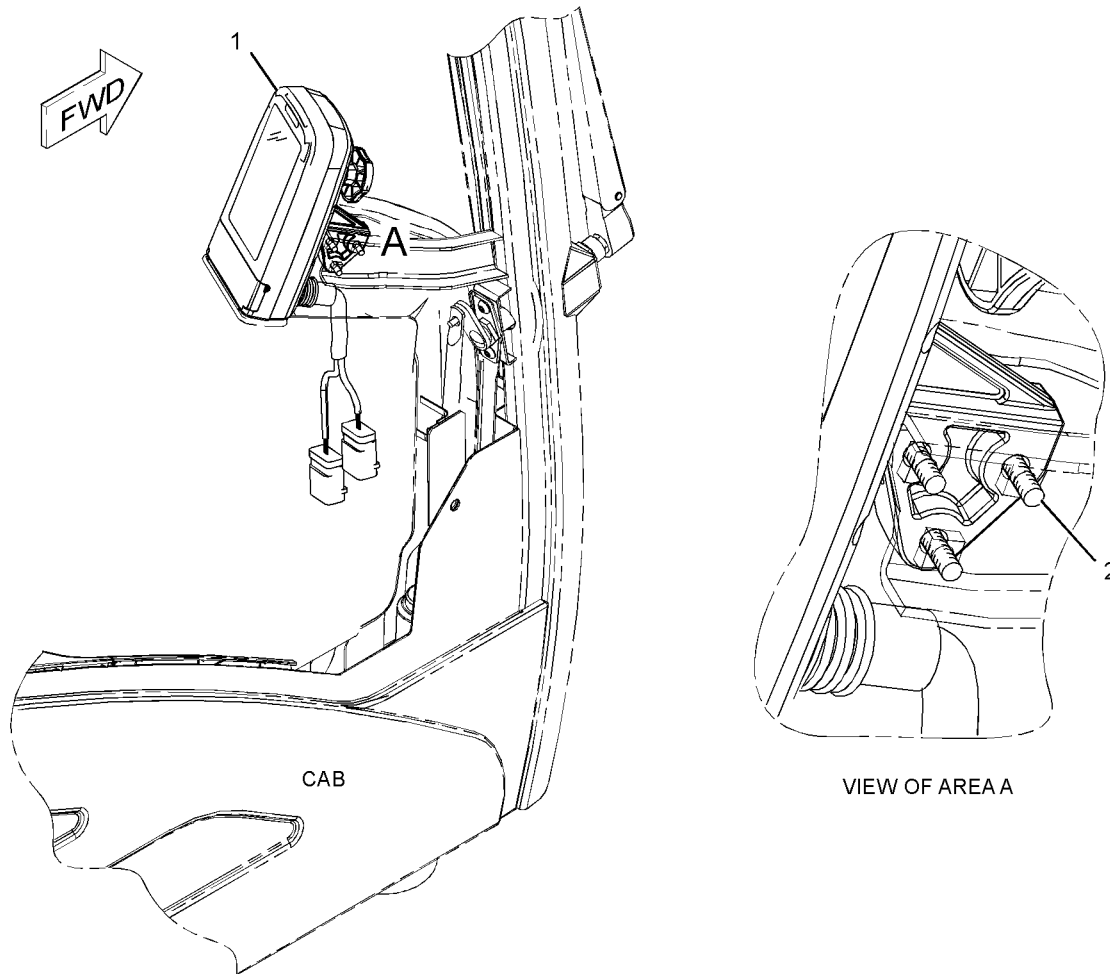
S/N: MGG1-UP; JFZ1-UP
PART OF 273-5387 OPERATOR AR

SMCS-7490

i03001662

NOTE	REF NO	GRAPHIC REF	PART NUMBER	QTY	PART NAME						SEE PAGE
					1	2	3	4	5	6 (PRODUCT LEVEL)	
Y	1	1	319-4353	1	MONITOR GP-OPERATOR						779
M	2	1	9X-2046	3	SCREW-TRUSS HEAD (M6X1X35-MM)						

M-METRIC PART
Y-SEPARATE ILLUSTRATION



GRAPHIC #1

<END>

g01231835

OPERATOR STATION

319-4353 MONITOR GP-OPERATOR

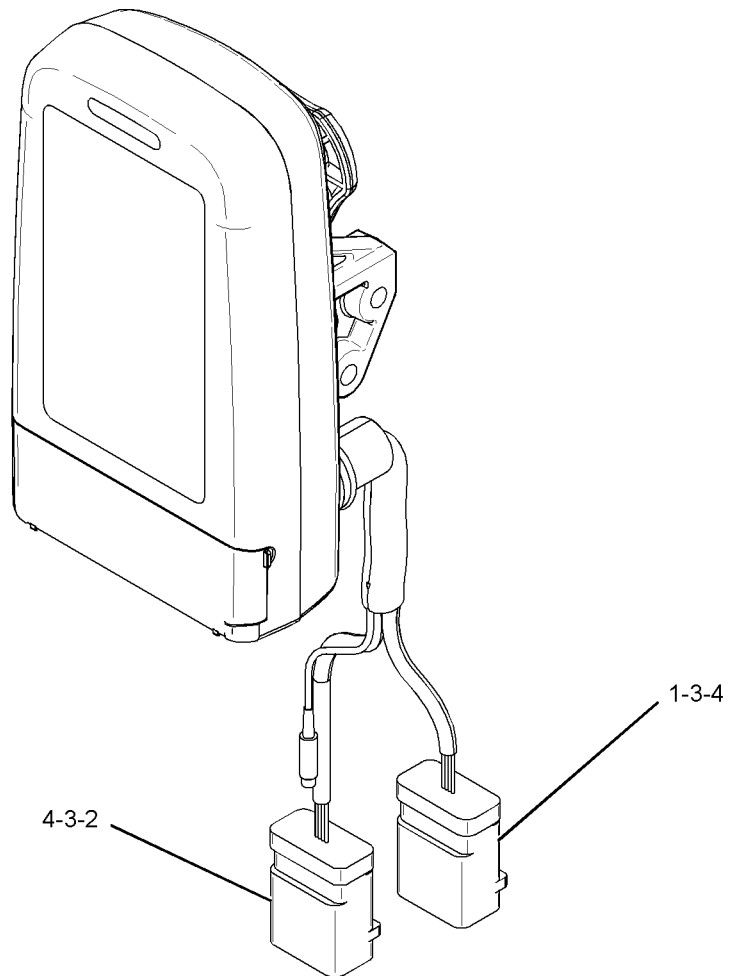
S/N: MGG1-UP; JFZ1-UP

PART OF 221-8813 MONITOR & MTG GP-OPERATOR

SMCS-7490

i03002043

NOTE	REF NO	GRAPHIC REF	PART NUMBER	QTY	PART NAME						SEE PAGE
					1	2	3	4	5	6 (PRODUCT LEVEL)	
	1	1	247-2694	1	RECEPTACLE AS-CONNECTOR (12-PIN)						
	2	1	247-2695	1	RECEPTACLE AS-CONNECTOR (12-PIN)						
	3	1	9X-3401	17	PIN-CONNECTOR (16-GA TO 18-GA)						
					-OR-						
		1	126-1767	17	PIN-CONNECTOR (14-GA)						
	4	1	8T-8737	7	PLUG-SEAL						



GRAPHIC #1

<END>

g01528758

OPERATOR STATION**245-7811 MOUNTING GP-PLATFORM**

S/N: MGG1-UP; JFZ1-UP

PART OF 264-8638, 264-8639 CHASSIS AR

SMCS-7253

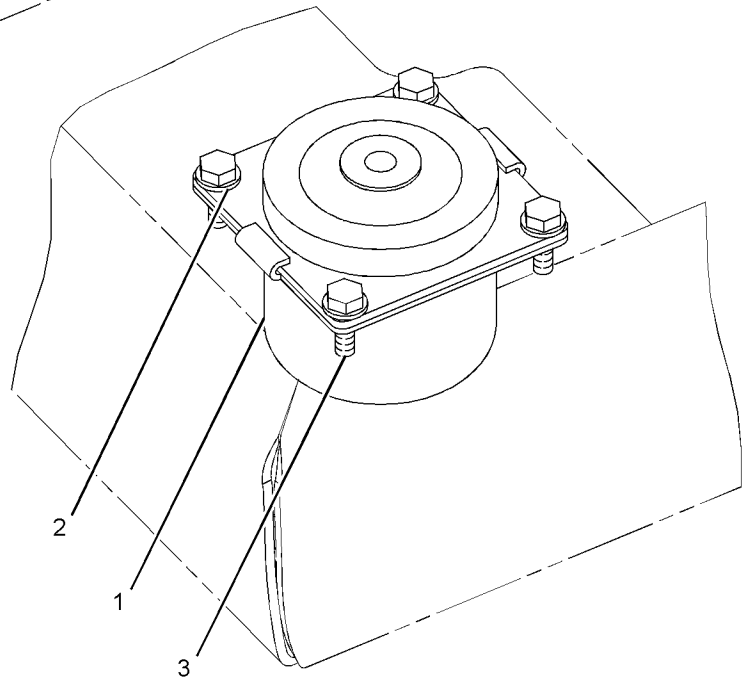
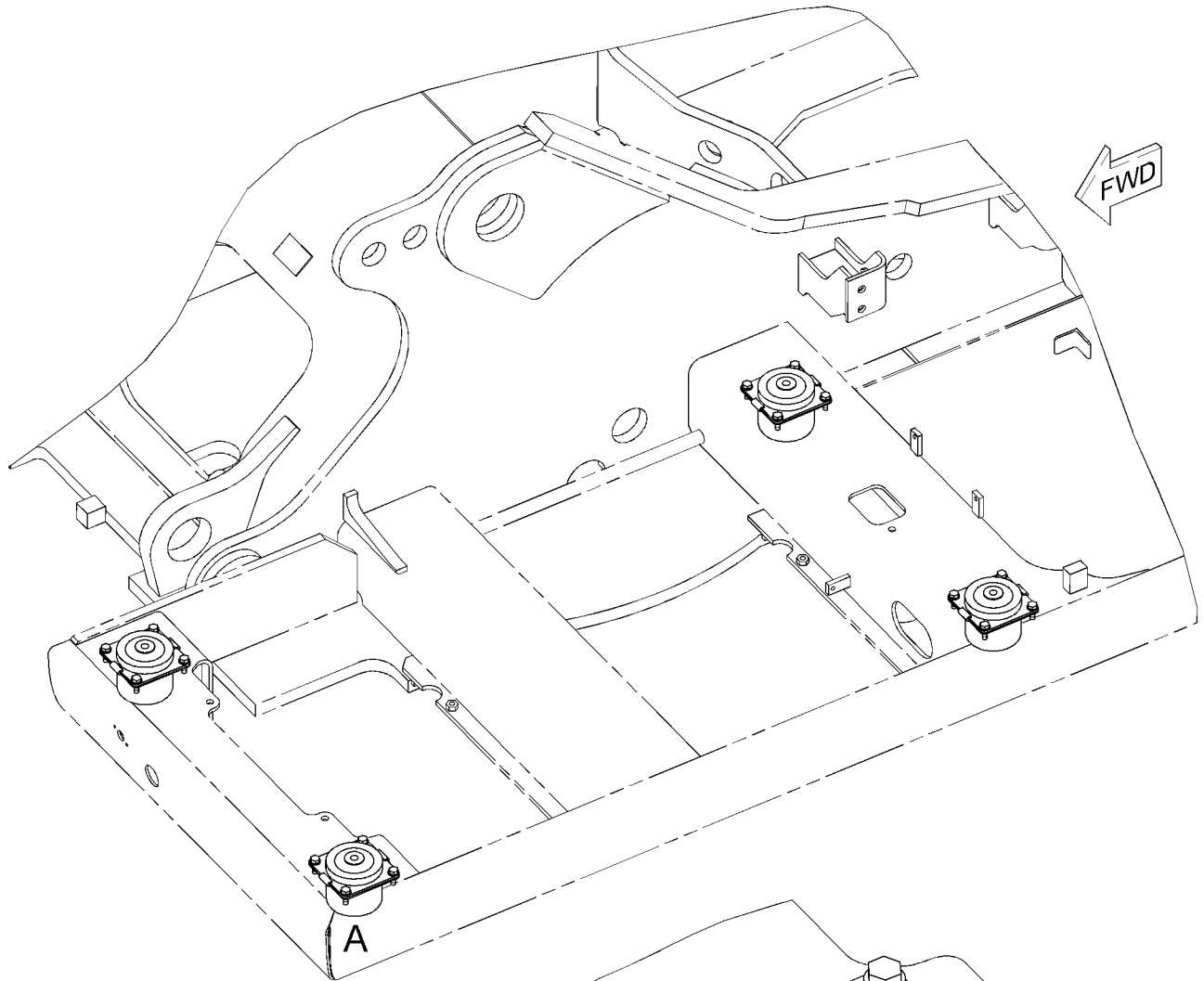
i02534063

NOTE	REF NO	GRAPHIC REF	PART NUMBER	QTY	PART NAME						SEE PAGE
					1	2	3	4	5	6 (PRODUCT LEVEL)	
	1	1	235-8862	4	MOUNT AS						
	2	1	8T-4121	16	WASHER-HARD (11X21X2.5-MM THK)						
M	3	1	8T-4195	16	BOLT (M10X1.5X30-MM)						
M-METRIC PART											

OPERATOR STATION

245-7811 MOUNTING GP-PLATFORM (contd.)

i02534063



VIEW OF AREA A

GRAPHIC #1

<END>

g01101486

OPERATOR STATION**273-5387 OPERATOR AR**

S/N: MGG1-UP; JFZ1-UP

PART OF 264-8638, 264-8639 CHASSIS AR

SMCS-7301

i03313044

NOTE	PART NUMBER	QTY	PART NAME						SEE PAGE
			1	2	3	4	5	6 (PRODUCT LEVEL)	
Y	245-7922	1	CONSOLE GP-OPERATOR						736
Y	221-8872	1	CONTROL & MTG GP-MACHINE						168
Y	170-9497	1	CONTROL GP-HANDLE (TRAVEL)						743
Y	221-8813	1	MONITOR & MTG GP-OPERATOR						778
Y	229-9078	1	PLATFORM GP-OPERATOR						783
Y	235-8856	1	SUPPORT GP-SEAT						789
			S/N: JFZ1-3475; MGG1-1339						
Y	327-6523	1	SUPPORT GP-SEAT						790
			S/N: JFZ3476-UP; MGG1340-UP						
Y	259-5161	1	WIRING GP-CAB						214
Y	251-0433	1	WIRING GP-CONSOLE						227
Y	259-5176	1	PANEL & MTG GP-CIRCUIT BREAKER						184
Y	275-7003	1	WIRING GP-PLATFORM						241

Y-SEPARATE ILLUSTRATION

<END>

OPERATOR STATION

229-9078 PLATFORM GP-OPERATOR

S/N: MGG1-UP; JFZ1-UP

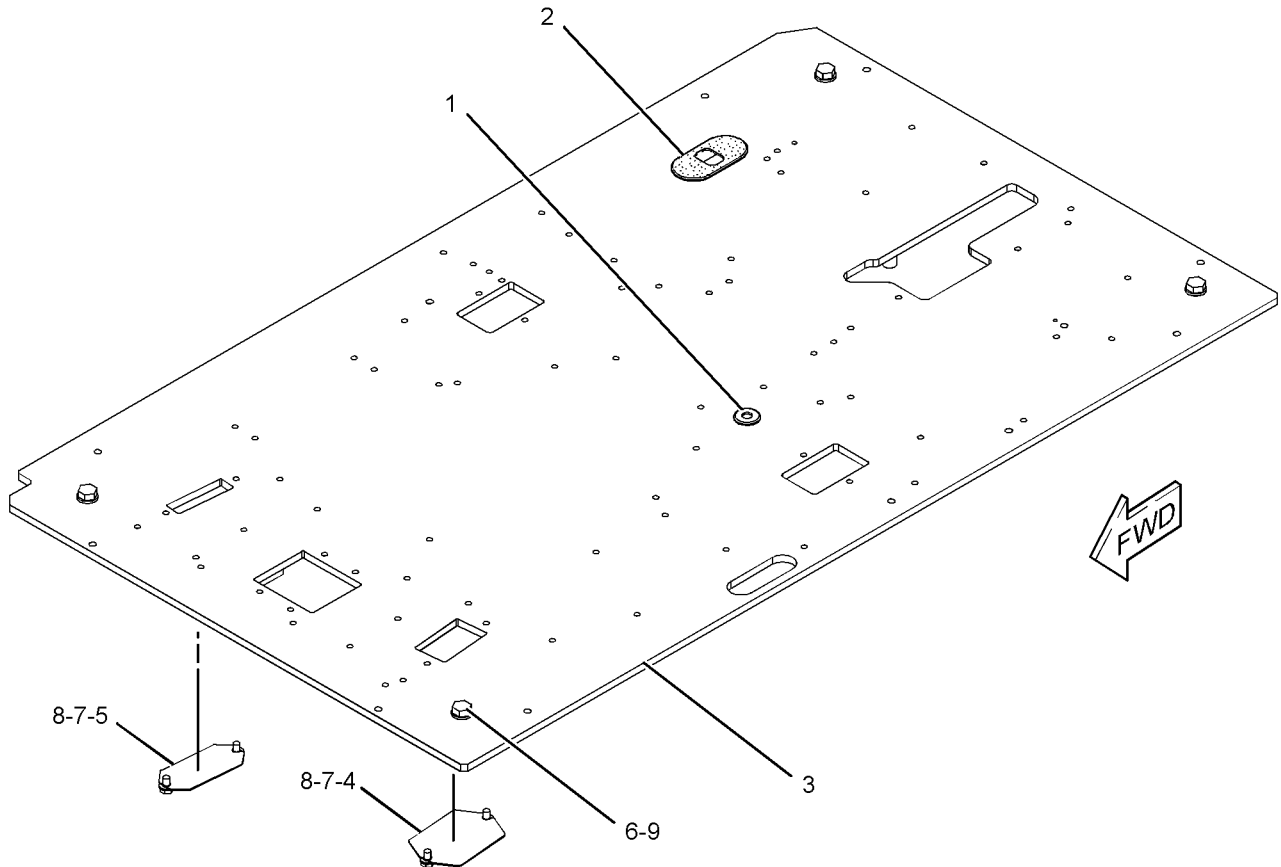
PART OF 273-5387 OPERATOR AR

SMCS-7253

i02534856

NOTE	REF NO	GRAPHIC REF	PART NUMBER	QTY	PART NAME						SEE PAGE
					1	2	3	4	5	6 (PRODUCT LEVEL)	
	1	1	135-8965	1	GROMMET						
	2	1	135-8966	1	GROMMET						
	3	1	245-7916	1	PLATFORM AS						
	4	1	161-3717	1	STRIP						
	5	1	4I-3266	1	STRIP						
M	6	1	7X-2553	4	BOLT (M16X2X40-MM)						
	7	1	8T-4121	4	WASHER-HARD (11X21X2.5-MM THK)						
M	8	1	8T-4191	4	BOLT (M10X1.5X16-MM)						
	9	1	9X-8257	4	WASHER (17.5X30X3.5-MM THK)						

M-METRIC PART



GRAPHIC #1

<END>

g01188224

OPERATOR STATION

240-4999 SEAT & MOUNTING GP-LOW BACK, TILT

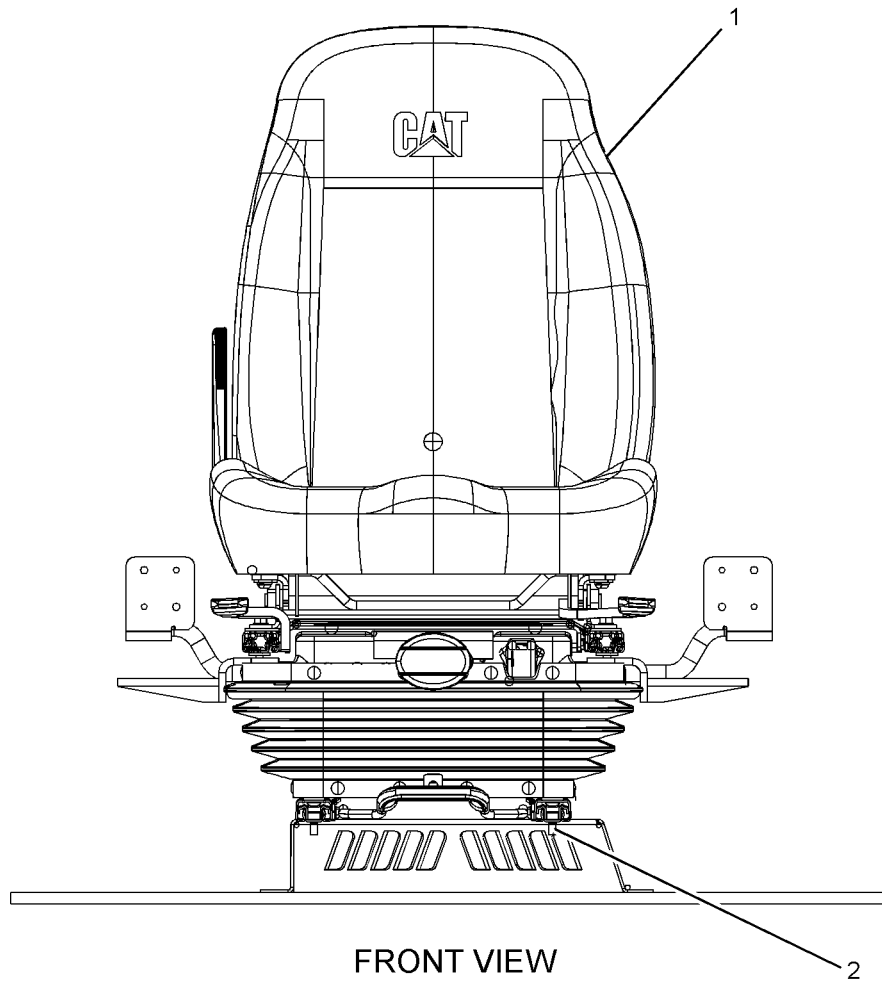
S/N: MGG1-UP; JFZ1-UP
AN ATTACHMENT

SMCS-7312

i02532317

NOTE	REF NO	GRAPHIC REF	PART NUMBER	QTY	PART NAME	SEE PAGE
					1 2 3 4 5 6 (PRODUCT LEVEL)	
Y	1	1	229-9075	1	SEAT GP-SUSPENSION (LOW BACK, TILT)	788
M	2	1	6V-8202	4	BOLT-SOCKET HEAD (M8X1.25X16-MM)	

M-METRIC PART
Y-SEPARATE ILLUSTRATION



GRAPHIC #1

g01089524

OPERATOR STATION

240-5037 SEAT BELT GP-RETRACTABLE, 46-MM

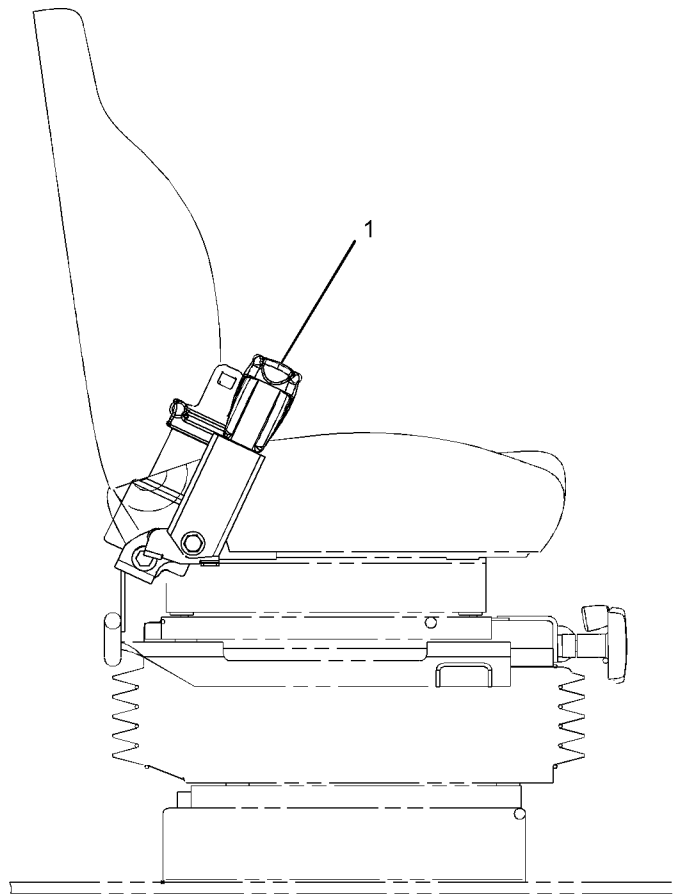
S/N: MGG1-UP; JFZ1-UP
AN ATTACHMENT

SMCS-7327

i02536639

NOTE	REF NO	GRAPHIC REF	PART NUMBER	QTY	PART NAME						SEE PAGE
					1	2	3	4	5	6 (PRODUCT LEVEL)	
Y	1	1	273-5446	1	SEAT BELT GP (RETRACTABLE, 2-IN)						786

Y-SEPARATE ILLUSTRATION



RIGHT SIDE VIEW
<END>

GRAPHIC #1

g01071615

OPERATOR STATION

273-5446 SEAT BELT GP-RETRACTABLE, 46-MM

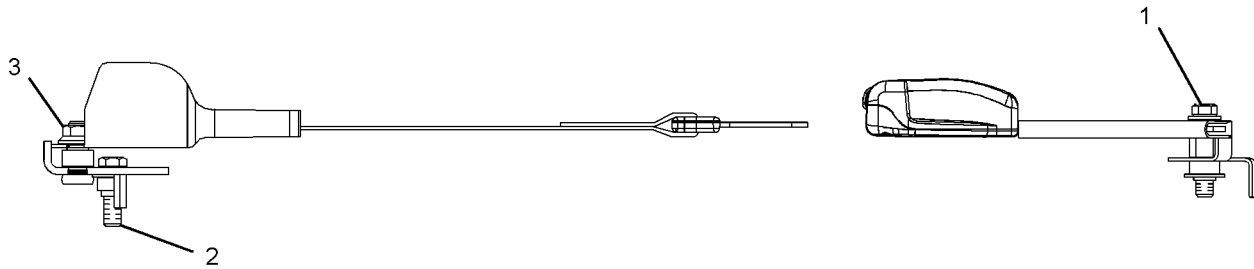
S/N: MGG1-UP; JFZ1-UP

PART OF 240-5037 SEAT BELT GP
AN ATTACHMENT

SMCS-7327

i02536641

NOTE	REF NO	GRAPHIC REF	PART NUMBER	QTY	PART NAME						SEE PAGE
					1	2	3	4	5	6 (PRODUCT LEVEL)	
	1	1	8S-4724	1	BOLT (7/16-20X2.25-IN)						
	2	1	8S-4723	1	BOLT (7/16-20X1.5-IN)						
	3	1	8S-0934	1	LOCKNUT-FLANGE (7/16-20-THD)						



GRAPHIC #1

<END>

g01253938

OPERATOR STATION

229-9076 SEAT GP-LOW BACK, TILT

S/N: MGG1-UP; JFZ1-UP

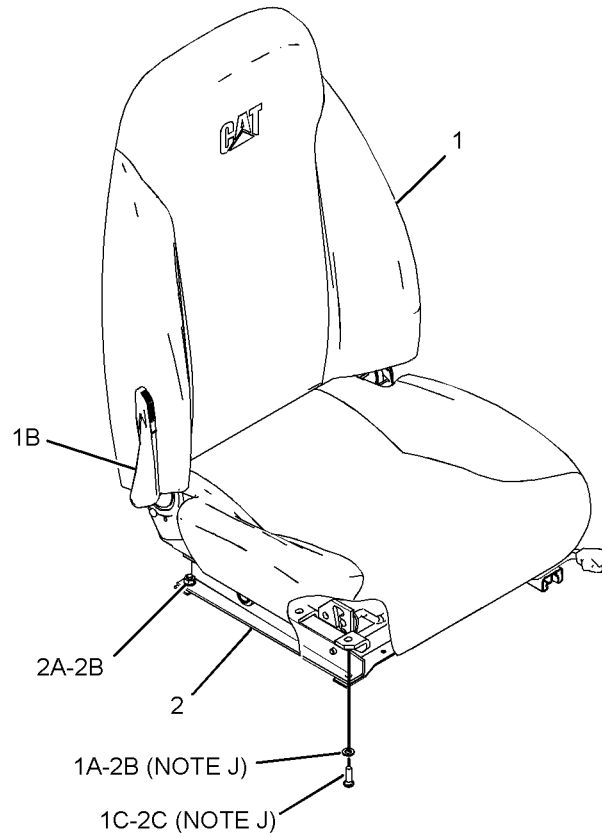
PART OF 229-9075 SEAT GP-SUSPENSION
AN ATTACHMENT

SMCS-7312

i02532320

NOTE	REF NO	GRAPHIC REF	PART NUMBER	QTY	PART NAME						SEE PAGE
					1	2	3	4	5	6 (PRODUCT LEVEL)	
	1	1	245-7883	1	KIT-SEAT						
	1A	1	8T-4224	4	WASHER-HARD (8.8X16X2-MM THK)						
	1B	1	245-7887	1	LEVER-CONTROL						
M	1C	1	245-7898	4	SCREW-BUTTON HEAD (M8X1.25X25-MM)						
	2	1	245-7888	1	KIT-SEAT SUPPORT						
M	2A	1	5C-7261	4	NUT (M8X1.25-THD)						
	2B	1	8T-4224	8	WASHER-HARD (8.8X16X2-MM THK)						
M	2C	1	245-7898	4	SCREW-BUTTON HEAD (M8X1.25X25-MM)						
J-PARTS INCLUDED IN BOTH SEAT KIT AND SEAT SUPPORT KIT											

M-METRIC PART



GRAPHIC #1

<END>

g01263931

OPERATOR STATION

229-9075 SEAT GP-SUSPENSION-LOW BACK, TILT

S/N: MGG1-UP; JFZ1-UP

PART OF 240-4999 SEAT & MOUNTING GP
AN ATTACHMENT

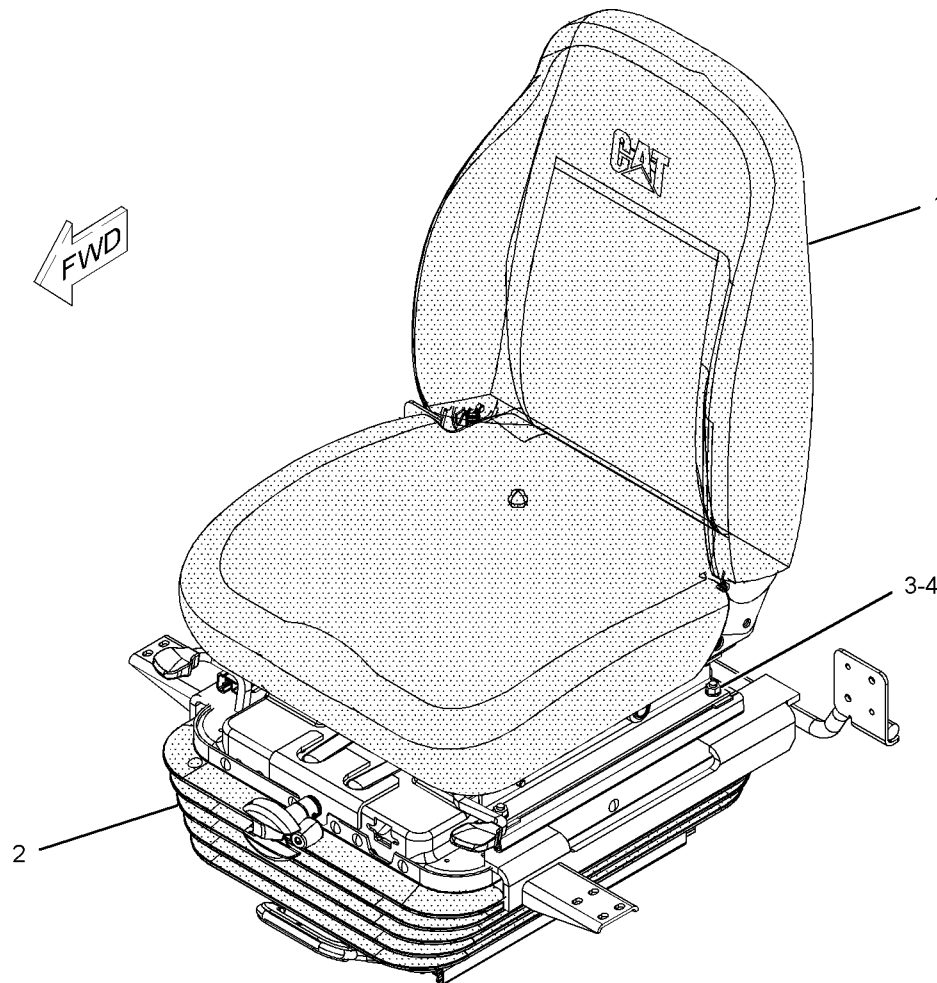
SMCS-7324, 7336

i02532319

NOTE	REF NO	GRAPHIC REF	PART NUMBER	QTY	PART NAME						SEE PAGE
					1	2	3	4	5	6 (PRODUCT LEVEL)	
Y	1	1	229-9076	1	SEAT GP (LOW BACK, TILT)						787
Y	2	1	229-9077	1	SUSPENSION GP-SEAT						791
M	3	1	5C-7261	4	NUT (M8X1.25-THD)						
	4	1	8T-4224	4	WASHER-HARD (8.8X16X2-MM THK)						

M-METRIC PART

Y-SEPARATE ILLUSTRATION



GRAPHIC #1

<END>

g01092314

OPERATOR STATION

235-8856 SUPPORT GP-SEAT

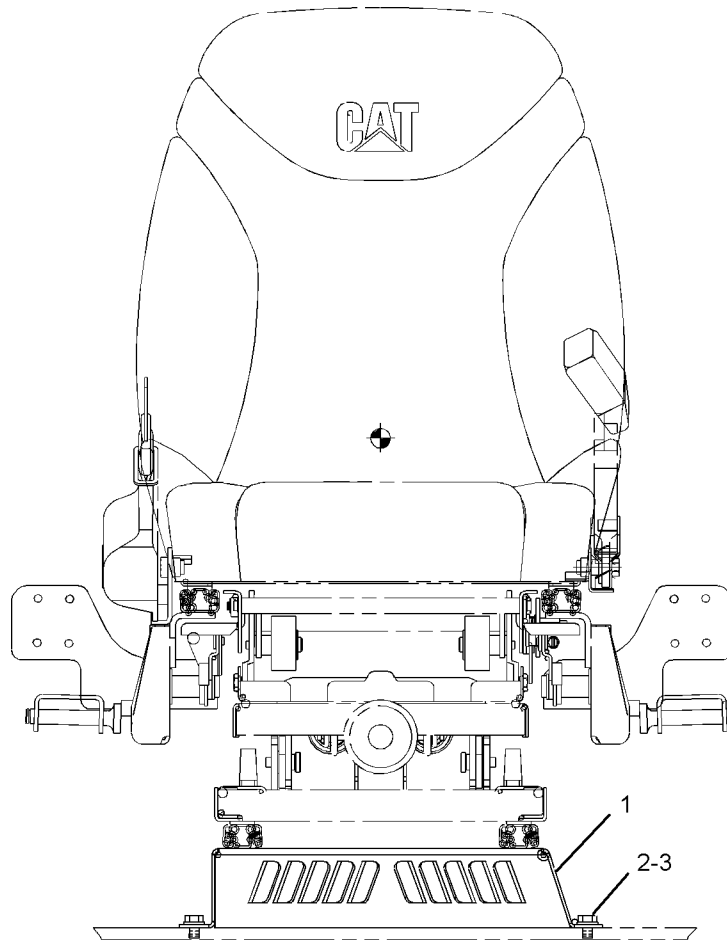
S/N: MGG1-UP; JFZ1-UP
PART OF 273-5387 OPERATOR AR

SMCS-7321

i02534863

NOTE	REF NO	GRAPHIC REF	PART NUMBER	QTY	PART NAME						SEE PAGE
					1	2	3	4	5	6 (PRODUCT LEVEL)	
	1	1	235-8857	1	SUPPORT AS						
	2	1	8T-4121	4	WASHER-HARD (11X21X2.5-MM THK)						
M	3	1	8T-4191	4	BOLT (M10X1.5X16-MM)						

M-METRIC PART



FRONT VIEW
<END>

GRAPHIC #1

g01097240

OPERATOR STATION

327-6523 SUPPORT GP-SEAT

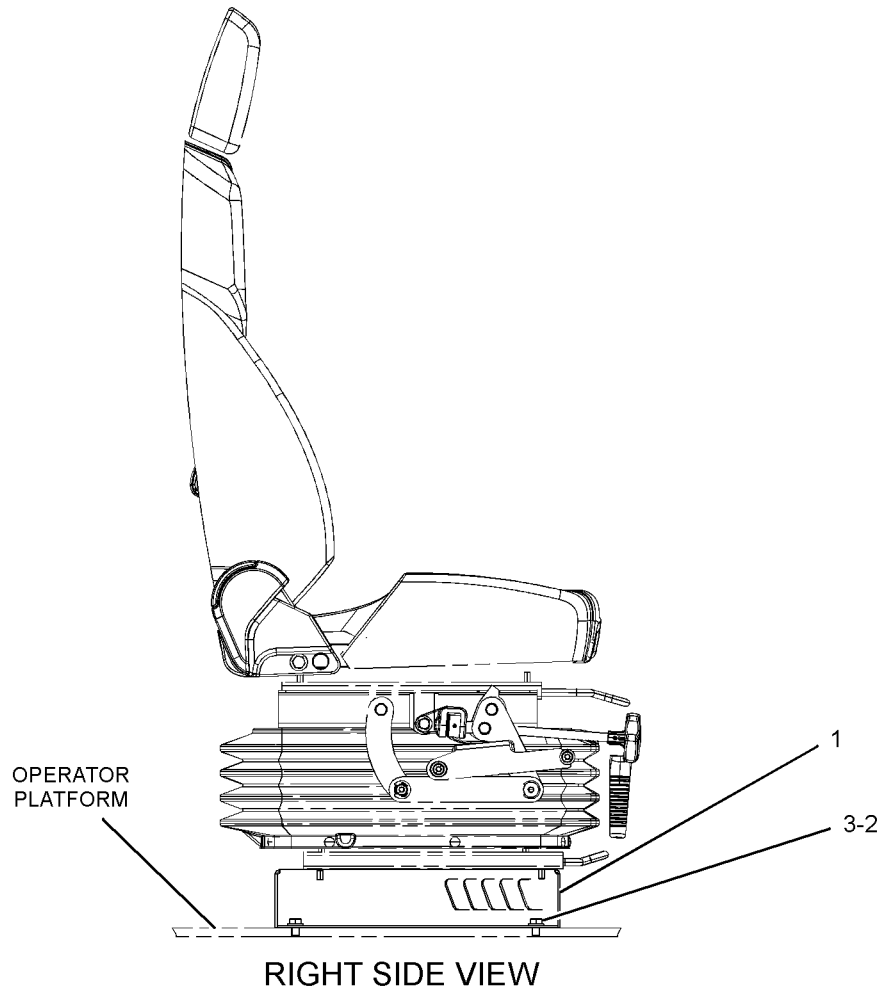
S/N: MGG1-UP; JFZ1-UP
PART OF 273-5387 OPERATOR AR

SMCS-7321

i03313081

NOTE	REF NO	GRAPHIC REF	PART NUMBER	QTY	PART NAME						SEE PAGE
					1	2	3	4	5	6 (PRODUCT LEVEL)	
	1	1	327-6538	1	SUPPORT AS-SEAT						
	2	1	8T-4121	4	WASHER-HARD (11X21X2.5-MM THK)						
M	3	1	8T-4191	4	BOLT (M10X1.5X16-MM)						

M-METRIC PART



RIGHT SIDE VIEW

<END>

GRAPHIC #1

g01528767

OPERATOR STATION

229-9077 SUSPENSION GP-SEAT

S/N: MGG1-UP; JFZ1-UP

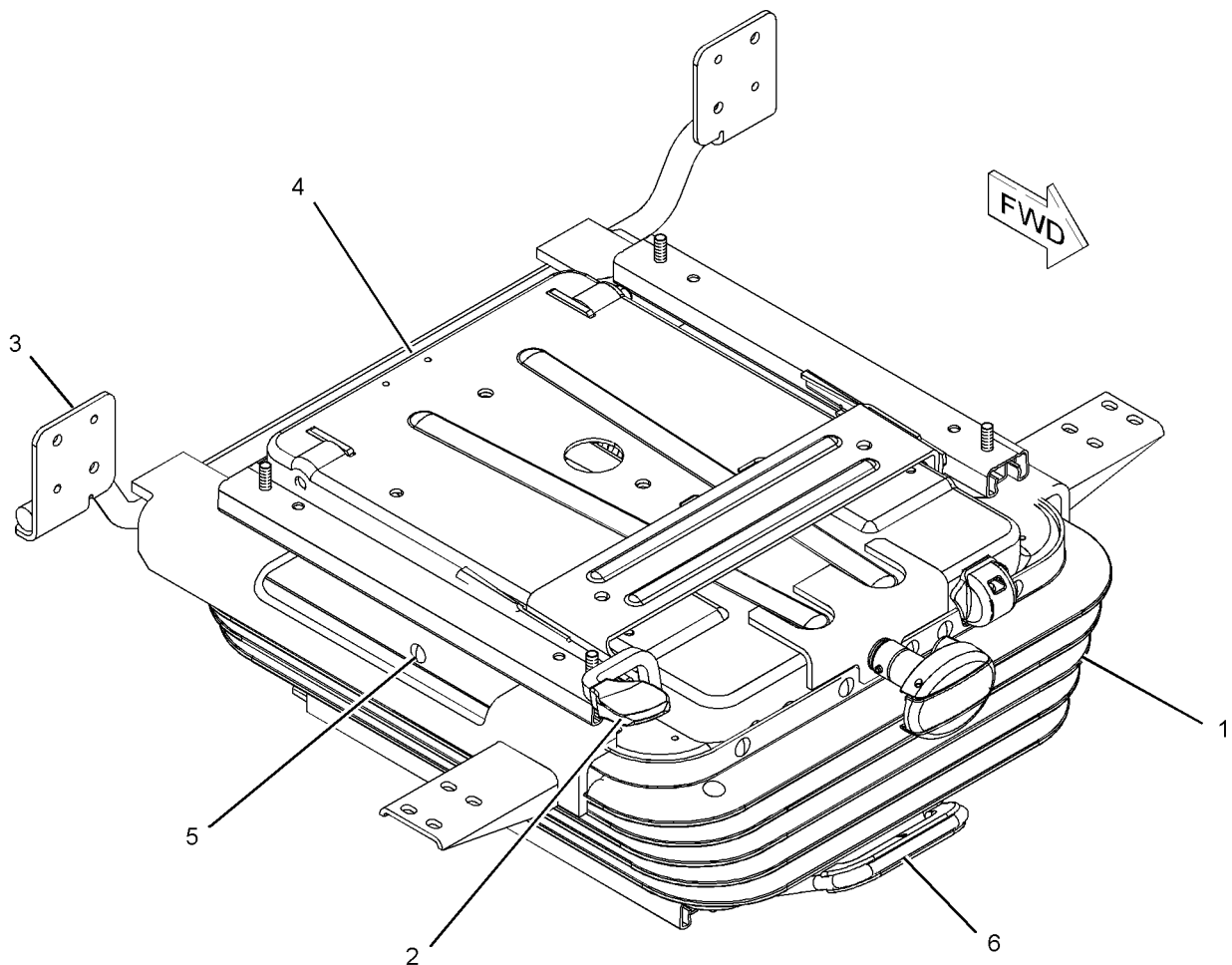
PART OF 229-9075 SEAT GP-SUSPENSION
AN ATTACHMENT

SMCS-7324

i02532323

NOTE	REF NO	GRAPHIC REF	PART NUMBER	QTY	PART NAME						SEE PAGE
					1	2	3	4	5	6 (PRODUCT LEVEL)	
	1	1	242-8768	1	COVER AS						
		1	147-4921	1	KIT-CLIP (SEAT)						
	2	1	245-7889	1	ADJUSTER GP-SEAT (UPPER SLIDE)						
M		1	5C-7261	8	NUT (M8X1.25-THD)						
		1	8T-4224	8	WASHER-HARD (8.8X16X2-MM THK)						
		1	245-7897	4	PLATE						
M		1	245-7899	4	SCREW-BUTTON HEAD (M8X1.25X30-MM)						
	3	1	245-7890	1	BRACKET GP-MOUNTING (SUSPENSION SEAT)						
M		1	5C-7261	4	NUT (M8X1.25-THD)						
		1	8T-4224	4	WASHER-HARD (8.8X16X2-MM THK)						
		1	245-7897	4	PLATE						
M		1	245-7899	4	SCREW-BUTTON HEAD (M8X1.25X30-MM)						
Y	4	1	245-7892	1	SUSPENSION GP-SEAT						792
	5	1	245-7895	1	KIT-CLIP (SUSPENSION SEAT)						
Y	6	1	245-7896	1	ADJUSTER GP-SEAT (LOWER SLIDE)						699

M-METRIC PART
Y-SEPARATE ILLUSTRATION



GRAPHIC #1

<END>

g01087842

OPERATOR STATION

245-7892 SUSPENSION GP-SEAT

S/N: MGG1-UP; JFZ1-UP

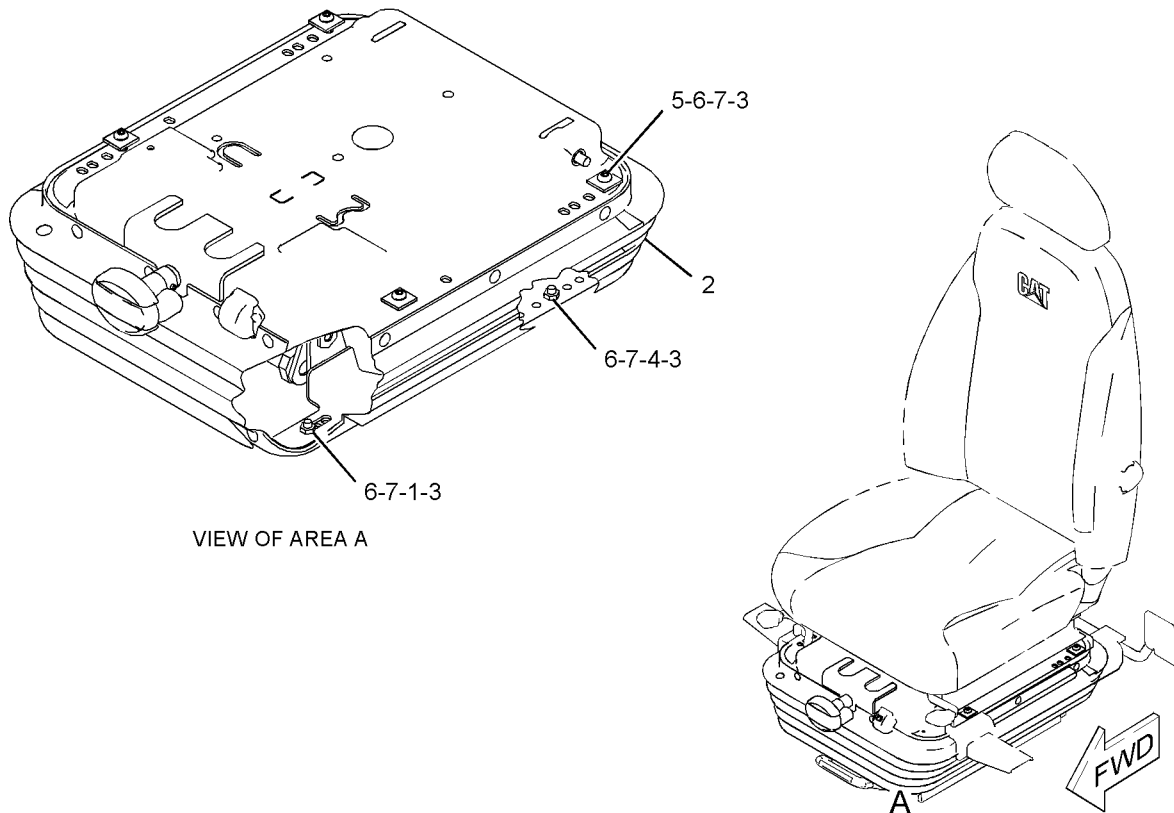
PART OF 229-9077 SUSPENSION GP-SEAT
AN ATTACHMENT

SMCS-7324

i02532331

NOTE	REF NO	GRAPHIC REF	PART NUMBER	QTY	PART NAME	SEE PAGE
M	1	1	198-3899	2	SCREW-BUTTON HEAD (M8X1.25X20-MM)	
	2	1	209-4280	1	CYLINDER-DAMPER	
	3	1	245-7897	8	PLATE	
M	4	1	245-7898	2	SCREW-BUTTON HEAD (M8X1.25X25-MM)	
M	5	1	245-7899	4	SCREW-BUTTON HEAD (M8X1.25X30-MM)	
M	6	1	5C-7261	8	NUT (M8X1.25-THD)	
	7	1	8T-4224	8	WASHER-HARD (8.8X16X2-MM THK)	

M-METRIC PART



GRAPHIC #1

<END>

g01103188

OPERATOR STATION

161-3751 VISOR GP-CAB

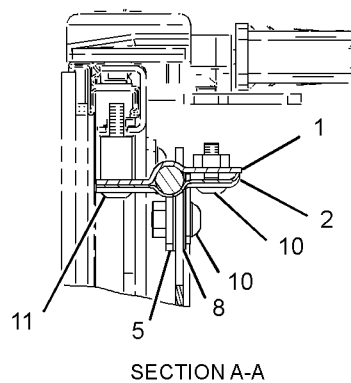
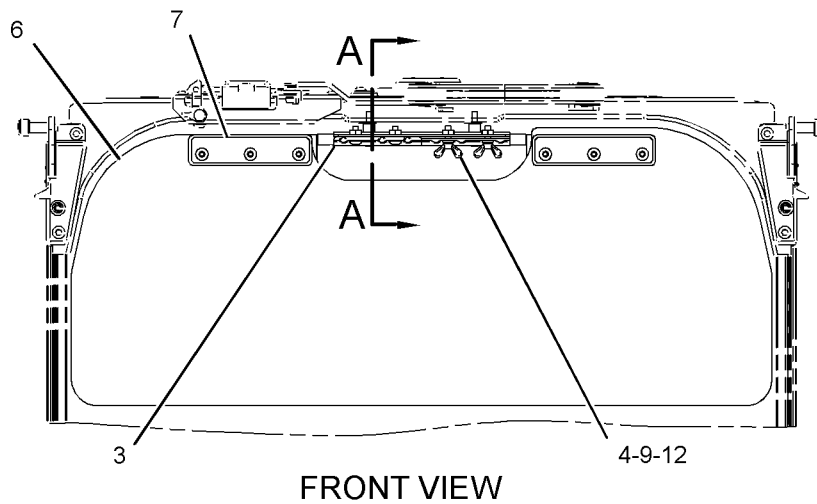
S/N: MGG1-UP
AN ATTACHMENT

SMCS-7301

i02912363

NOTE	REF NO	GRAPHIC REF	PART NUMBER	QTY	PART NAME						SEE PAGE
					1	2	3	4	5	6 (PRODUCT LEVEL)	
	1	1	164-0639	1	BRACKET AS						
	2	1	210-5827	1	PLATE						
	3	1	210-5828	1	PLATE						
	4	1	210-5829	2	BOLT						
	5	1	210-5834	1	BRACKET AS						
	6	1	210-5836	1	VISOR						
	7	1	210-5837	2	STRIP						
	8	1	210-5838	4	PACKING						
	9	1	8H-3481	2	LOCKWASHER						
M	10	1	9X-2044	8	SCREW-TRUSS HEAD (M6X1X16-MM)						
M	11	1	9X-2046	2	SCREW-TRUSS HEAD (M6X1X35-MM)						
	12	1	9X-8256	2	WASHER (6.6X12X2-MM THK)						

M-METRIC PART



GRAPHIC #1

<END>

g01447299

OPERATOR STATION**161-3750 VISOR GP-PROTECTION-RAIN**

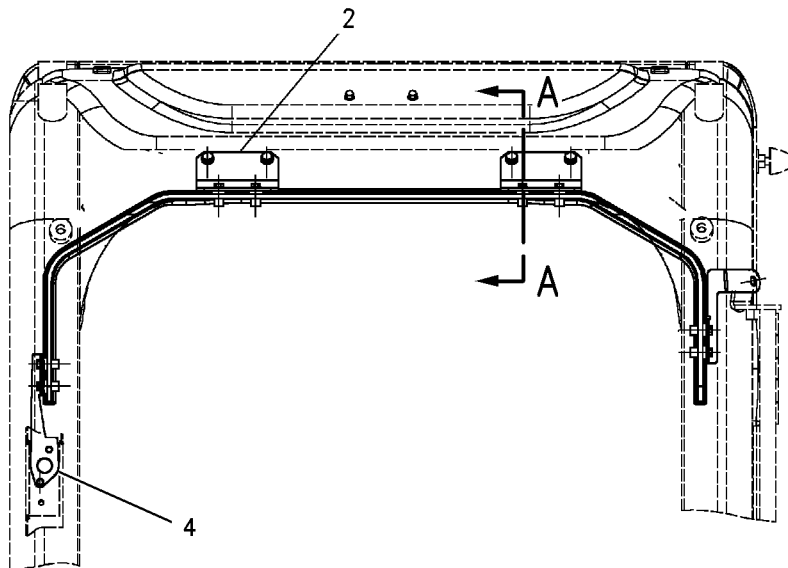
S/N: MGG1-UP; JFZ1-UP

AN ATTACHMENT

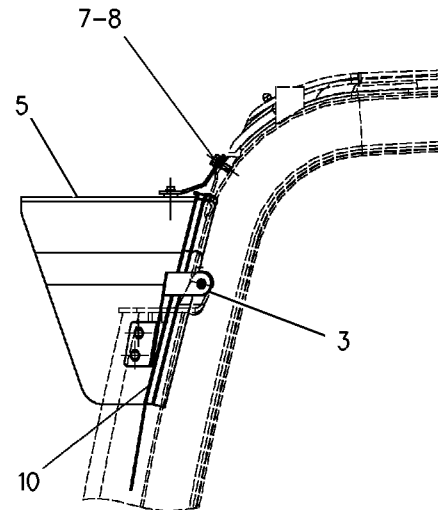
SMCS-7340

i03045743

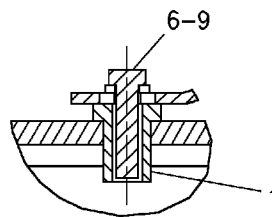
NOTE	REF NO	GRAPHIC REF	PART NUMBER	QTY	PART NAME						SEE PAGE
					1	2	3	4	5	6 (PRODUCT LEVEL)	
M	1	1	4I-5049	8	NUT-SPACER (M6X1-THD)						
	2	1	164-0618	2	BRACKET						
	3	1	164-0619	1	BRACKET						
	4	1	164-0620	1	BRACKET						
	5	1	164-0621	1	VISOR						
M	6	1	6V-7357	8	BOLT (M6X1X25-MM)						
M	7	1	8T-4189	4	BOLT (M8X1.25X20-MM)						
	8	1	8T-4224	4	WASHER-HARD (8.8X16X2-MM THK)						
	9	1	9X-8256	8	WASHER (6.6X12X2-MM THK)						
D	10	1	5P-8292		SEAL (1.4M)						

D-ORDER BY THE METER
M-METRIC PART

FRONT VIEW



LEFT SIDE VIEW



SECTION A-A

GRAPHIC #1

<END>

g00885067

OPERATOR STATION

229-9070 WASHER GP-WINDOW

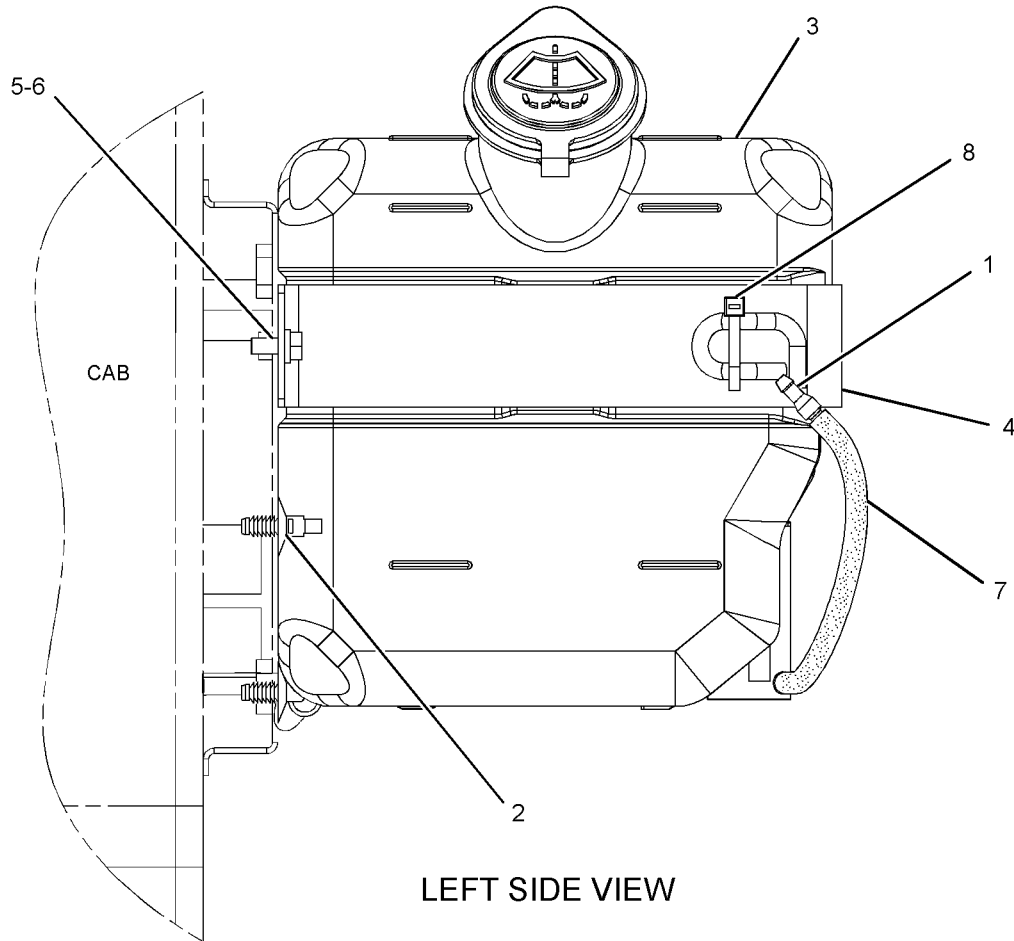
S/N: MGG1-UP; JFZ1-UP
AN ATTACHMENT

SMCS-7306

i02593864

NOTE	REF NO	GRAPHIC REF	PART NUMBER	QTY	PART NAME						SEE PAGE
					1	2	3	4	5	6 (PRODUCT LEVEL)	
	1	1	7Y-3474	1	VALVE AS-CHECK (WINDOW WASHER)						
	2	1	163-6795	2	STRAP-CABLE						
	3	1	176-1931	1	TANK AS-WINDOW WASHER						
		1	5C-8138	1	GROMMET						
		1	7T-8890	1	PUMP AS-WASHER						
		1	178-5431	1	CAP AS (WINDOW WASHER)						
		1	3W-6399		PACKING						
	4	1	235-9012	1	SUPPORT AS						
M	5	1	8T-4970	2	BOLT (M6X1X14-MM)						
	6	1	9X-8256	2	WASHER (6.6X12X2-MM THK)						
E	7	1	144-0195		HOSE (13-CM)						
	8	1	3S-2093	1	STRAP-CABLE						

E-ORDER BY THE CENTIMETER
M-METRIC PART



GRAPHIC #1

<END>

g01307642

OPERATOR STATION

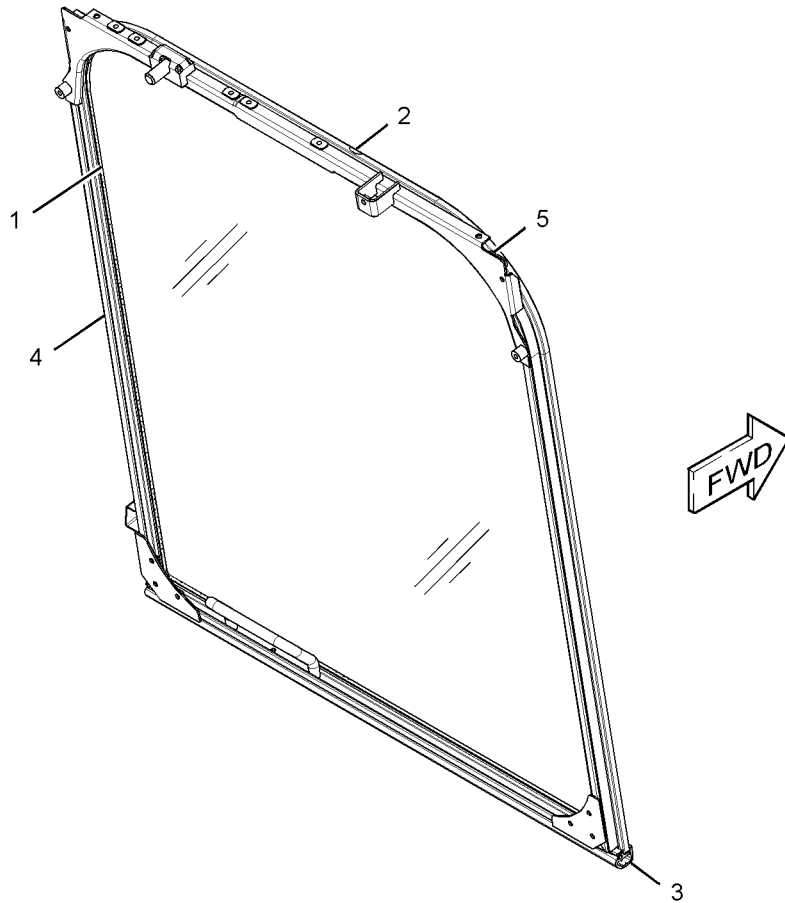
207-0144 WINDOW AS-FRONT

S/N: MGG1-UP; JFZ1-UP
PART OF 229-9109 CAB GP
AN ATTACHMENT

SMCS-7340

i02827272

NOTE	REF NO	GRAPHIC REF	PART NUMBER	QTY	PART NAME						SEE PAGE
					1	2	3	4	5	6 (PRODUCT LEVEL)	
	1	1	170-9722	1	CUSHION						
	2	1	156-6472	1	GLASS						
	3	1	161-3698	1	SEAL						
	4	1	151-6778	1	FRAME AS						
	5	1	4I-0420	1	STRIP						



GRAPHIC #1

<END>

g01424688

OPERATOR STATION

139-7101 WINDOW GP-CAB-FRONT, UPPER

S/N: MGG1-UP; JFZ1-UP

PART OF 229-9109 CAB GP
AN ATTACHMENT

SMCS-7310

i02996337

NOTE	REF NO	GRAPHIC REF	PART NUMBER	QTY	PART NAME						SEE PAGE
					1	2	3	4	5	6 (PRODUCT LEVEL)	
	1	2	170-9722	1	CUSHION						
	2	1	151-6703	1	HANDLE-PULL						
	3	1	151-6704	2	CAP						
	4	2	151-6778	1	FRAME AS						
	5	1	151-6785	1	BRACKET AS						
	6	1	151-6813	1	BRACKET AS						
	7	1	151-6815	1	BRACKET AS						
	8	1	273-5345	1	LINK AS						
	9	1	273-5346	1	LINK AS						
	10	1	151-6831	1	LOCK AS						
	11	1	151-6832	1	LEVER AS						
	12	2	151-6844	1	COVER						
	13	1	151-9557	2	STOP-RUBBER						
	14	2	156-6472	1	GLASS						
	15	2	156-6554	1	CABLE AS						
	16	1	156-6555	1	STRIKER AS						
	17	2	156-6562	1	BRACKET						
	18	2	273-5274	1	CATCH AS						
	19	2	156-6579	1	STOP						
	20	2	156-6601	1	SEAL AS						
	21	2	156-6627	1	STOP AS						
	22	1	161-3684	2	STOP						
	23	1	161-3698	1	SEAL						
	24	2	164-0648	1	BRACKET AS						
	25	1	178-5576	1	STOP						
M	26	2	185-8181	2	SCREW (M4X0.7X10-MM)						
M	27	2	185-8182	4	BOLT (M10X1.5X20-MM)						
M	28	2	5C-8312	1	NUT (M4X0.7-THD)						
	29	2	185-8187	4	WASHER (10.2X22X3.2-MM THK)						
M	30	1	185-8197	1	NUT (M10X1.15-THD)						
	31	1	185-8221	1	STOP						
M	32	1	099-0823	2	SCREW-MACHINE (M6X1X6-MM)						
M	33	1	101-8900	2	SCREW AS (M6X1X20-MM)						
	34	1	117-6306	1	SWITCH (WINDOW POSITION)						
	35	1	151-9576	4	ROLLER						
	36	1	4I-0420	1	STRIP						
	37	1	7X-0578	1	WASHER-HARD (10.2X32X2.5-MM THK)						
M	38	2	9X-2042	20	SCREW-TRUSS HEAD (M6X1X12-MM)						
M	39	1, 2	9X-2044	5	SCREW-TRUSS HEAD (M6X1X16-MM)						
M	40	2	9X-2045	3	SCREW-TRUSS HEAD (M6X1X20-MM)						
	41	2	9X-8256	2	WASHER (6.6X12X2-MM THK)						

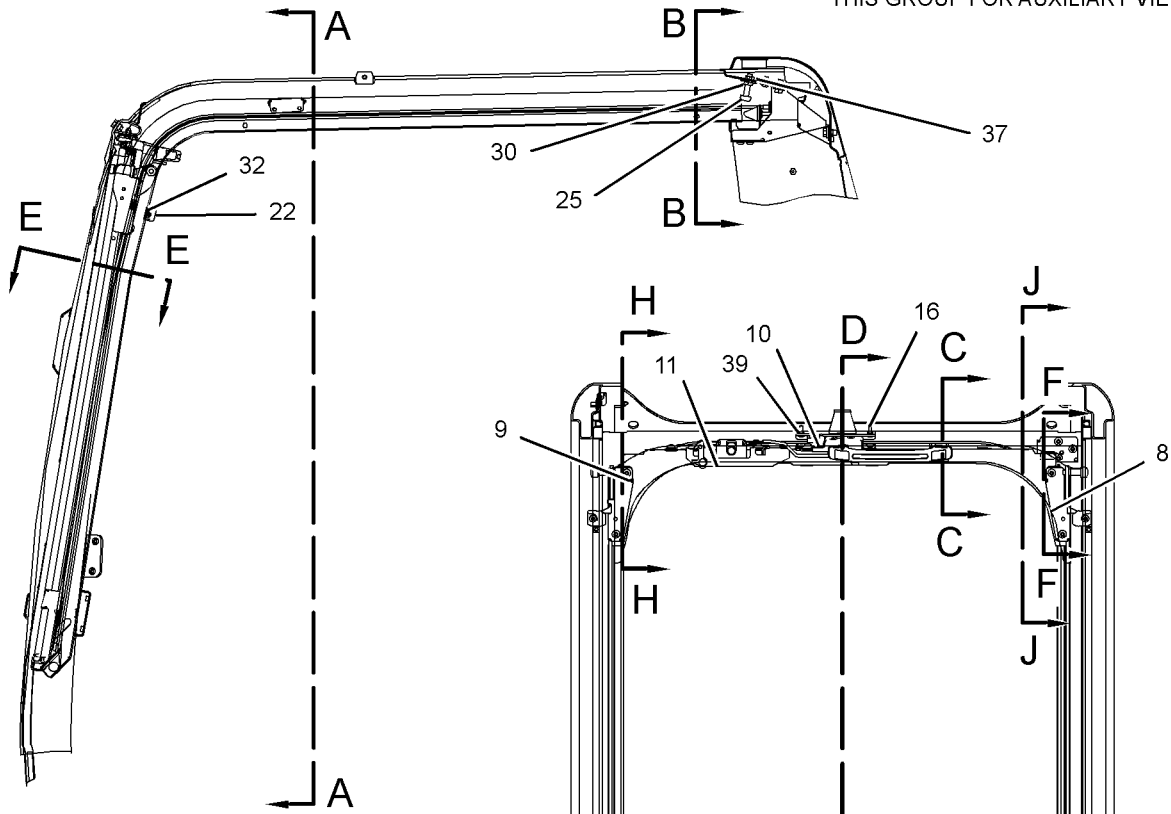
M-METRIC PART

OPERATOR STATION

139-7101 WINDOW GP-CAB (contd.)

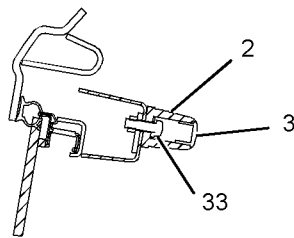
i02996337

REFER TO ALL ILLUSTRATIONS OF THIS GROUP FOR AUXILIARY VIEWS

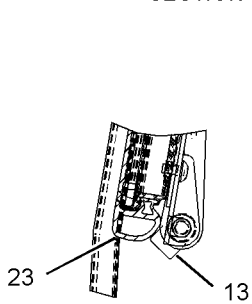


LEFT SIDE VIEW

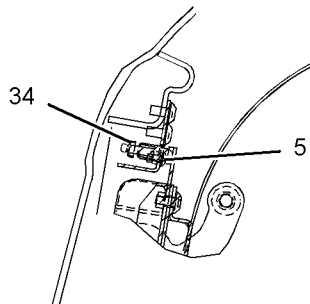
SECTION A-A



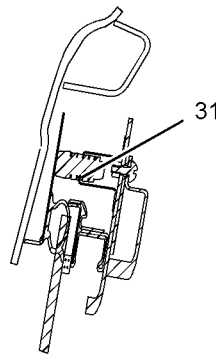
SECTION C-C



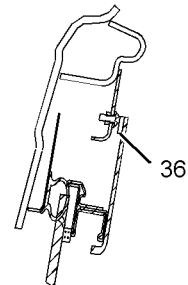
SECTION D-D



SECTION F-F



SECTION H-H



SECTION J-J

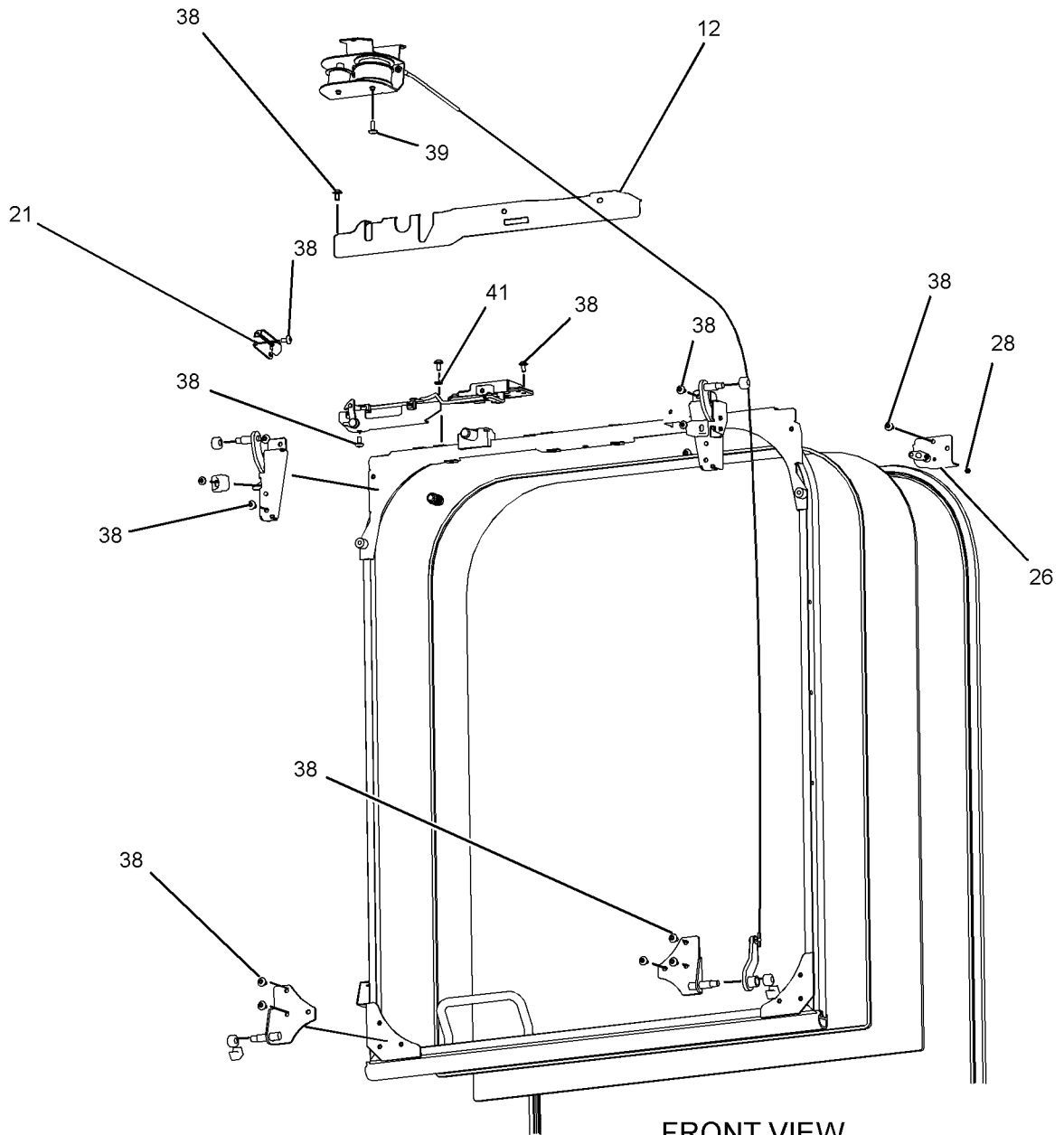
GRAPHIC #1

g01231378

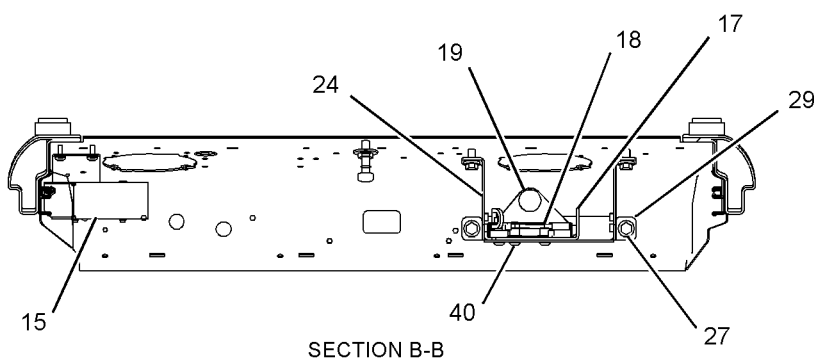
OPERATOR STATION

139-7101 WINDOW GP-CAB (contd.)

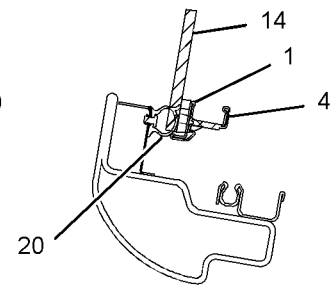
i02996337



FRONT VIEW



SECTION B-B



SECTION E-E

GRAPHIC #2

<END>

g01231379

OPERATOR STATION

176-1958 WINDOW GP-CAB-FRONT, LOWER

S/N: MGG1-UP; JFZ1-UP
PART OF 229-9109 CAB GP
AN ATTACHMENT

SMCS-7310

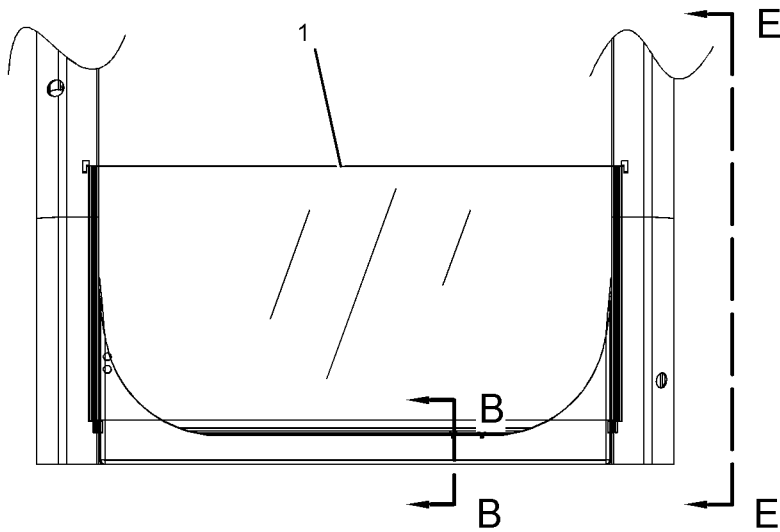
i02973067

NOTE	REF NO	GRAPHIC REF	PART NUMBER	QTY	PART NAME						SEE PAGE
					1	2	3	4	5	6 (PRODUCT LEVEL)	
	1	1	156-6473	1	GLASS (LOWER FRONT)						
	2	1	156-6631	2	STOP						
	3	1	305-0361	1	SEAL						
	4	1	178-5569	2	SEAL						
	5	1	189-2702	2	SEAL						
	6	1	139-7119	2	PLUG						

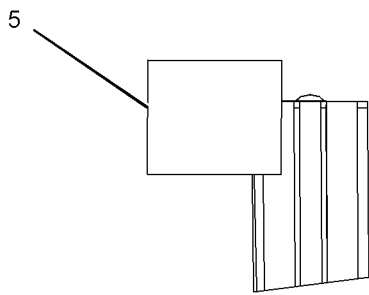
OPERATOR STATION

176-1958 WINDOW GP-CAB (contd.)

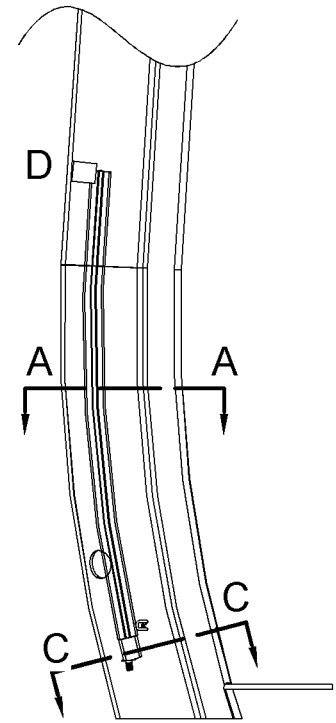
i02973067



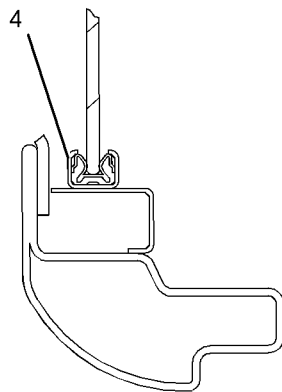
FRONT VIEW



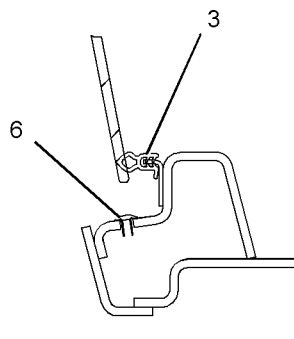
VIEW OF AREA D



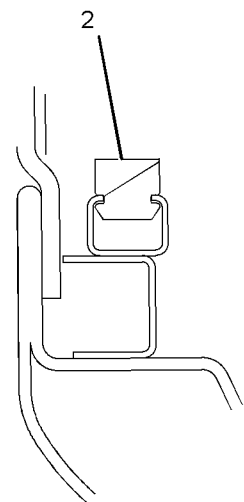
VIEW E-E



SECTION A-A



SECTION B-B



SECTION C-C

GRAPHIC #1

<END>

g01398601

OPERATOR STATION

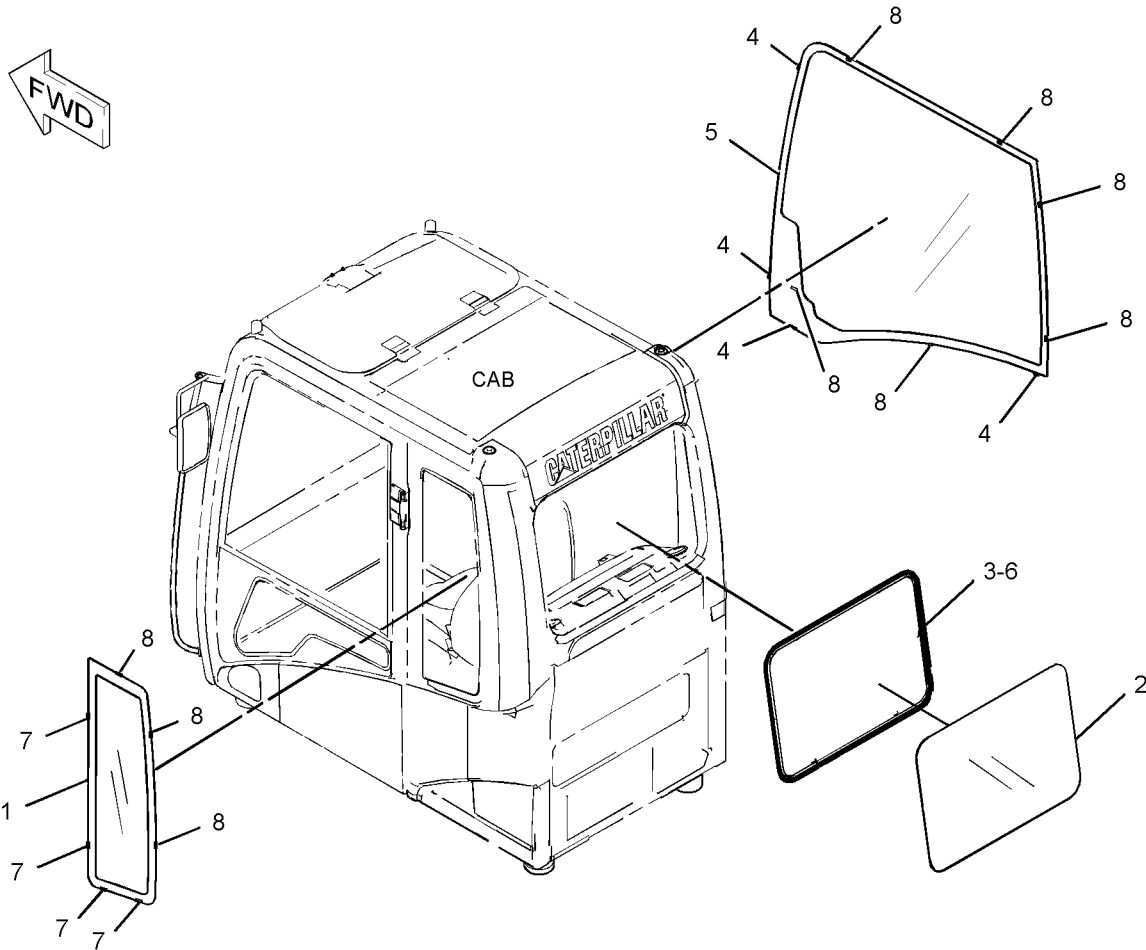
235-8909 WINDOW GP-CAB-SIDE, REAR

S/N: MGG1-UP; JFZ1-UP
PART OF 229-9109 CAB GP
AN ATTACHMENT

SMCS-7310

i03006212

NOTE	REF NO	GRAPHIC REF	PART NUMBER	QTY	PART NAME						SEE PAGE
					1	2	3	4	5	6 (PRODUCT LEVEL)	
	1	1	151-6790	1	GLASS						
	2	1	156-6469	1	GLASS						
	3	1	164-0666	1	SEAL						
	4	1	178-5572	4	SPACER						
	5	1	234-6489	1	GLASS						
	6	1	099-3629	1	RING-KEY						
	7	1	178-5573	4	SPACER						
	8	1	178-5574	9	SPACER						



GRAPHIC #1

<END>

g01432743

OPERATOR STATION**151-6792 WINDOW GP-DOOR**

S/N: MGG1-UP; JFZ1-UP

PART OF 139-7100 DOOR GP-CAB
AN ATTACHMENT

SMCS-7308, 7310

i01674594

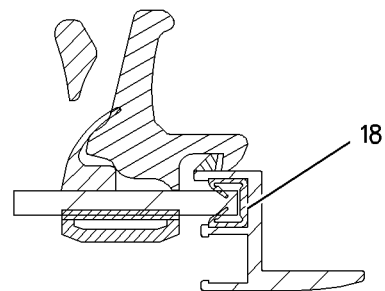
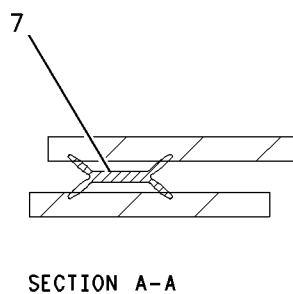
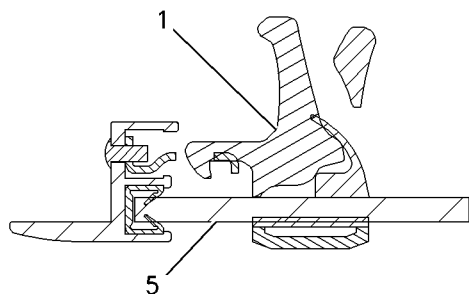
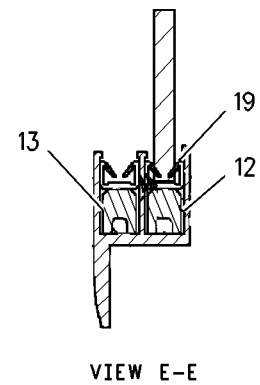
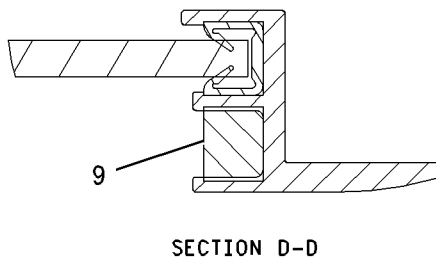
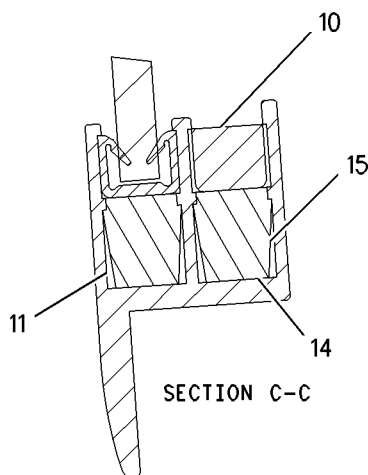
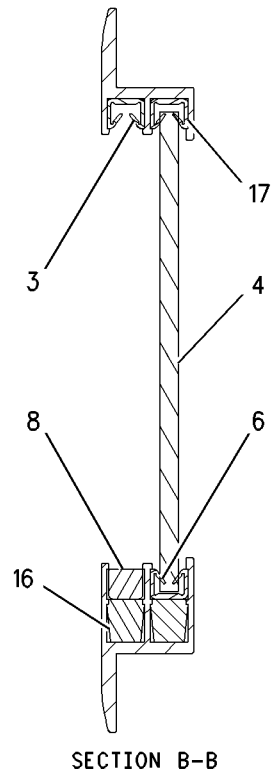
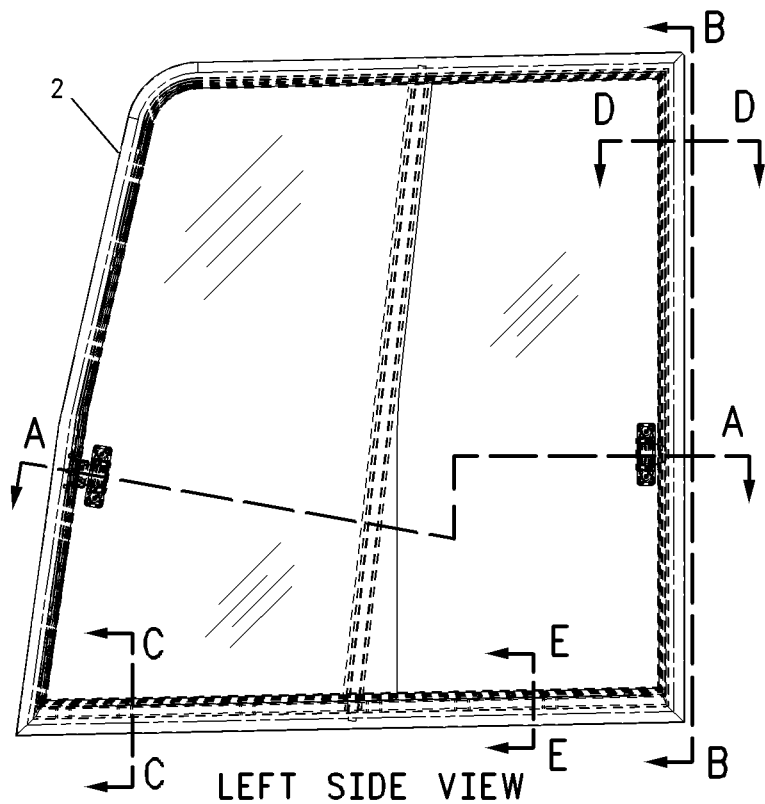
NOTE	REF NO	GRAPHIC REF	PART NUMBER	QTY	PART NAME						SEE PAGE
					1	2	3	4	5	6 (PRODUCT LEVEL)	
	1	1	085-6444	2	LATCH GP-FRONT WINDOW						
		1	085-6447	1	RETAINER						
M		1	085-6448	2	SCREW-TAPPING						
		1	085-6449	1	PACKING						
	2	1	151-6793	1	FRAME AS						
		1	4I-4300	1	CATCH						
		1	099-0139	3	RIVET						
	3	1	151-6841	1	SEAL						
	4	1	156-6474	1	GLASS						
	5	1	156-6475	1	GLASS						
	6	1	161-3695	1	SEAL						
	7	1	161-3705	1	SEAL						
	8	1	164-0516	1	RUBBER						
	9	1	164-0517	1	RUBBER						
	10	1	164-0518	1	RUBBER						
	11	1	171-7413	1	SPACER						
	12	1	171-7414	1	SPACER						
	13	1	176-1951	1	SPACER						
	14	1	176-1952	1	SPACER						
	15	1	176-1953	1	STOP						
	16	1	176-1954	1	SEAL						
	17	1	176-1955	1	SEAL						
	18	1	176-1956	1	SEAL						
	19	1	176-1957	1	SEAL						

M-METRIC PART

OPERATOR STATION

151-6792 WINDOW GP-D00R (contd.)

i01674594



GRAPHIC #1

<END>

g00721578

OPERATOR STATION

234-6594 WIPER GP-WINDOW-UPPER

S/N: MGG1-UP; JFZ1-UP
PART OF 229-9109 CAB GP
AN ATTACHMENT

SMCS-7305

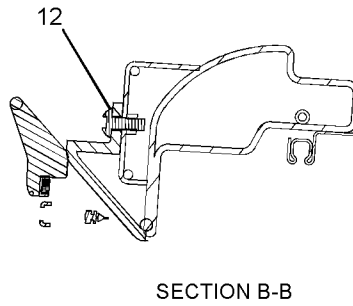
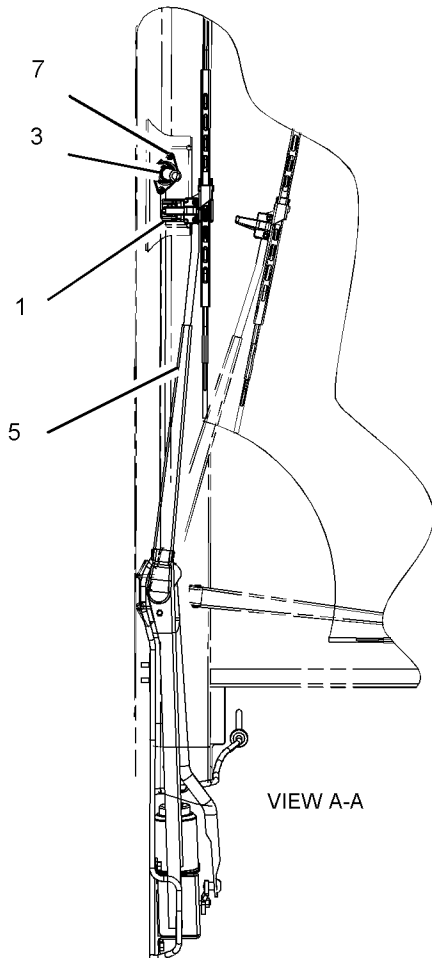
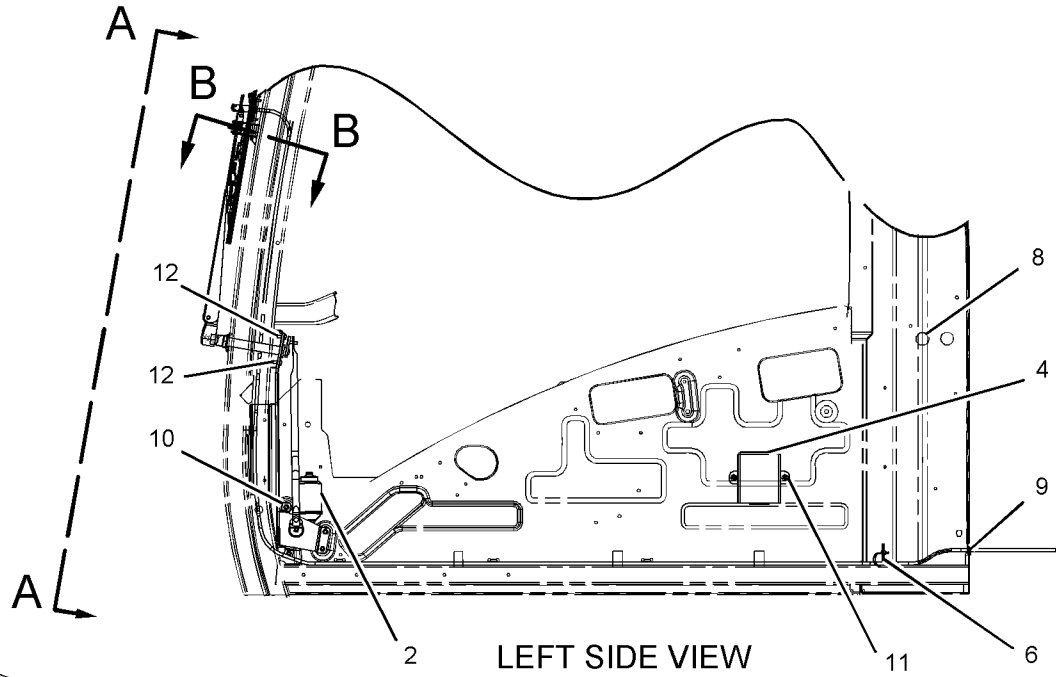
i02532648

NOTE	REF NO	GRAPHIC REF	PART NUMBER	QTY	PART NAME						SEE PAGE
					1	2	3	4	5	6 (PRODUCT LEVEL)	
	1	1	161-3677	1	HOLDER						
	2	1	245-7931	1	MOTOR AS (WIPER)						
M		1	6V-8231	1	NUT (M10X1.25-THD)						
M		1	7Y-3470	1	NUT (M20X1-THD)						
		1	7Y-3472	1	CAP						
		1	124-3953	1	WASHER (20.5X30X2-MM THK)						
3		1	235-8932	1	NOZZLE AS						
4		1	155-7042	1	RELAY AS (WIPER)						
5		1	161-3668	1	ARM AS						
		1	161-3669	1	GUIDE						
		1	161-3670	1	BLADE AS-WIPER (600-MM)						
		1	185-8290	1	SCREW AS (M35X0.06X9-MM)						
6		1	163-6795	1	STRAP-CABLE						
M	7	1	3E-9872	2	SCREW AS (M4X0.7X12-MM)						
	8	1	4I-3090	1	SEAL						
	9	1	7Y-7364	1	GROMMET						
M	10	1	8T-4134	4	NUT (M6X1-THD)						
M	11	1	9X-2042	2	SCREW-TRUSS HEAD (M6X1X12-MM)						
M	12	1	9X-2044	3	SCREW-TRUSS HEAD (M6X1X16-MM)						
M-METRIC PART											

OPERATOR STATION

234-6594 WIPER GP-WINDOW (contd.)

i02532648



GRAPHIC #1

<END>

g01098021

SERVICE EQUIPMENT AND SUPPLIES

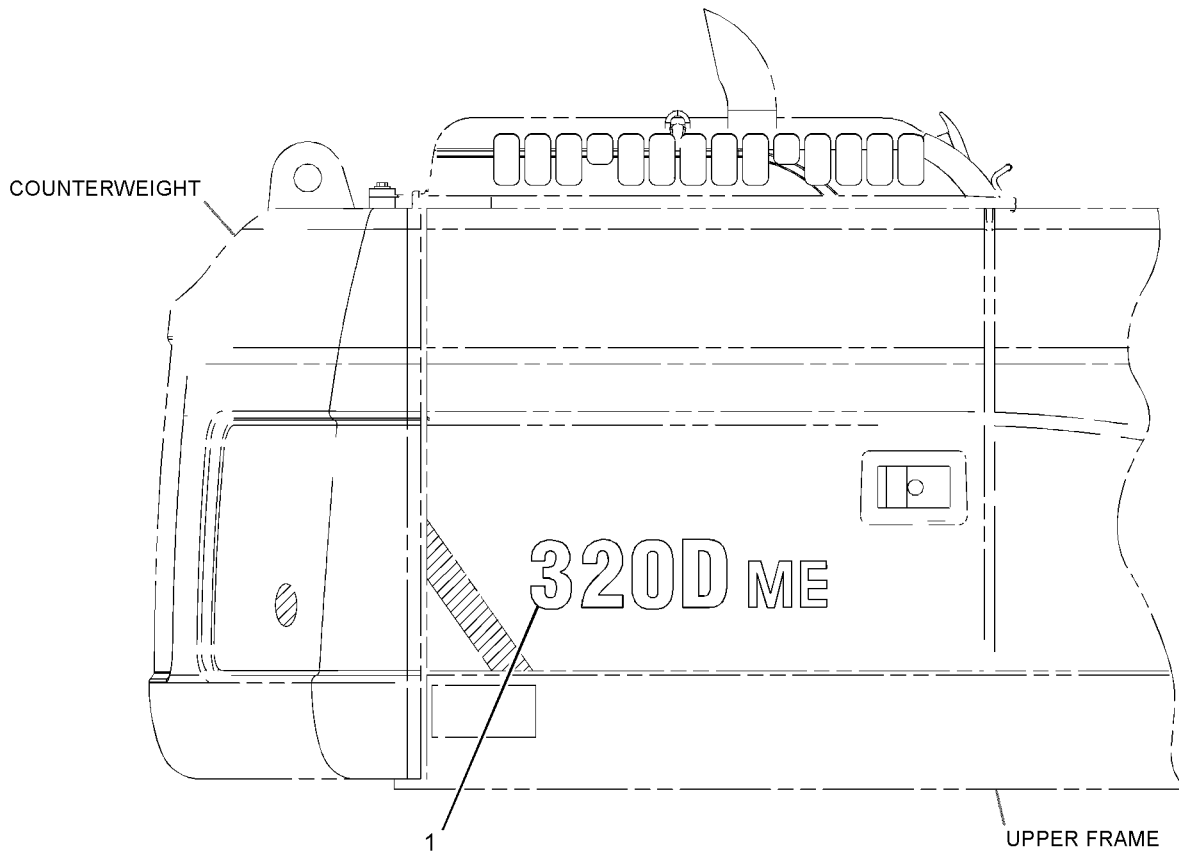
240-3898 FILM GP

S/N: JFZ1-UP
AN ATTACHMENT

SMCS-7405, 7557

i03140785

NOTE	REF NO	GRAPHIC REF	PART NUMBER	QTY	PART NAME						SEE PAGE
					1	2	3	4	5	6 (PRODUCT LEVEL)	
	1	1	290-1745	2	FILM-IDENTIFICATION (320D ME)						



RIGHT SIDE VIEW

GRAPHIC #1

<END>

g01315226

SERVICE EQUIPMENT AND SUPPLIES

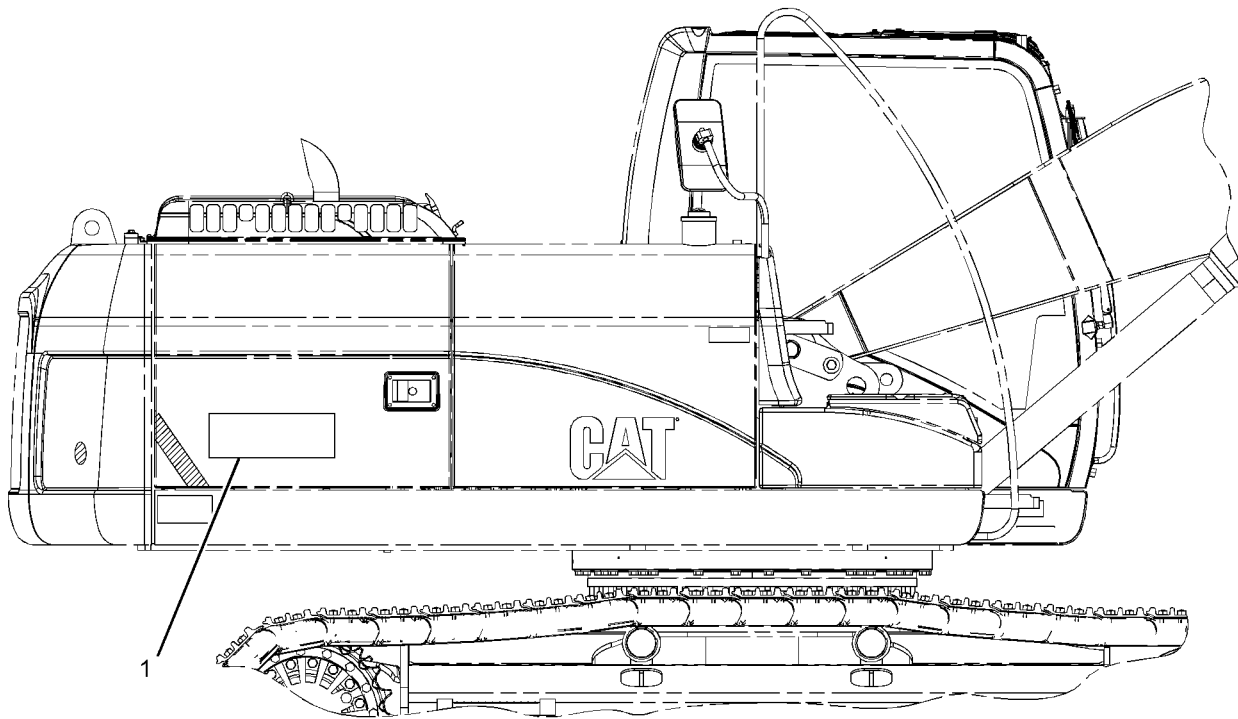
240-3899 FILM GP

S/N: MGG1-UP
AN ATTACHMENT

SMCS-7405, 7557

i03140852

NOTE	REF NO	GRAPHIC REF	PART NUMBER	QTY	PART NAME						SEE PAGE
					1	2	3	4	5	6 (PRODUCT LEVEL)	
	1	1	290-1746	2	FILM-IDENTIFICATION (320D LME)						



RIGHT SIDE VIEW

GRAPHIC #1

<END>

g01704433

SERVICE EQUIPMENT AND SUPPLIES

247-7423 FILM GP-OPERATOR CONTROLS, NOTICE

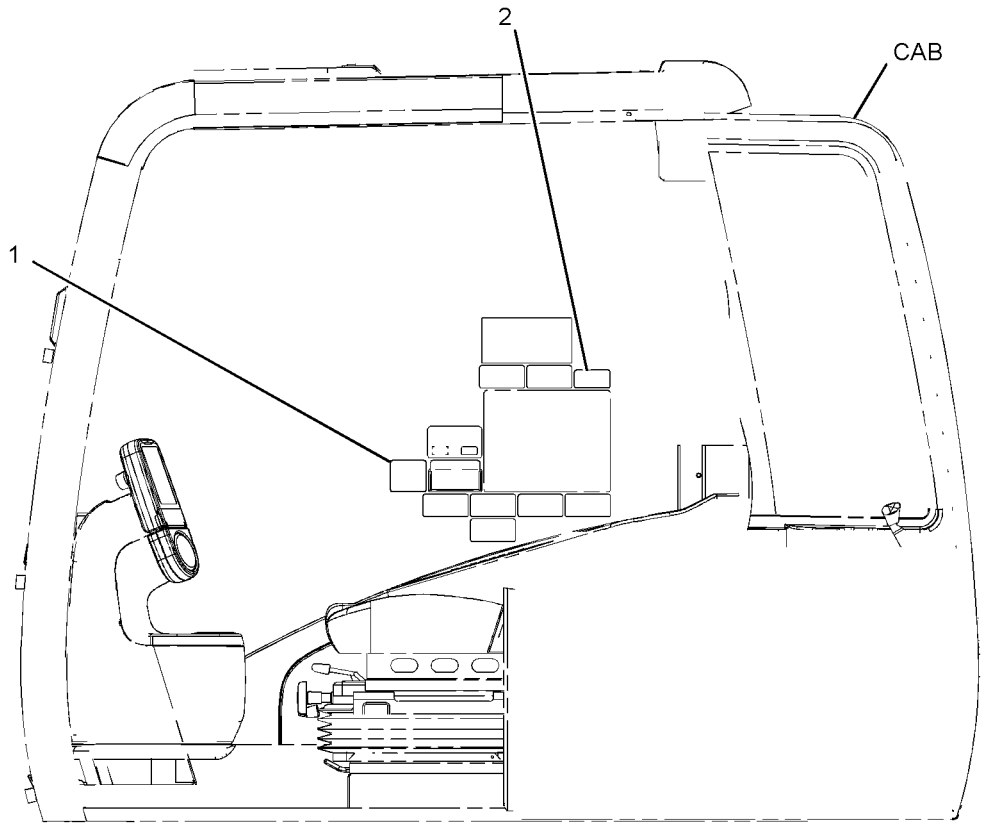
S/N: MGG1-UP; JFZ1-UP

PART OF 259-7494 CONTROL AR-AUXILIARY
AN ATTACHMENT

SMCS-7405, 7557

i02536446

NOTE	REF NO	GRAPHIC REF	PART NUMBER	QTY	PART NAME						SEE PAGE
					1	2	3	4	5	6 (PRODUCT LEVEL)	
	1	1	260-6945	1	FILM-INSTRUCTION (OPERATOR CONTROL PEDALS)						
	2	1	250-8054	1	FILM-NOTICE (HAMMER, READ OMM)						



LEFT SIDE VIEW

GRAPHIC #1

<END>

g01231531

SERVICE EQUIPMENT AND SUPPLIES

247-7424 FILM GP-OPERATOR CONTROLS, NOTICE

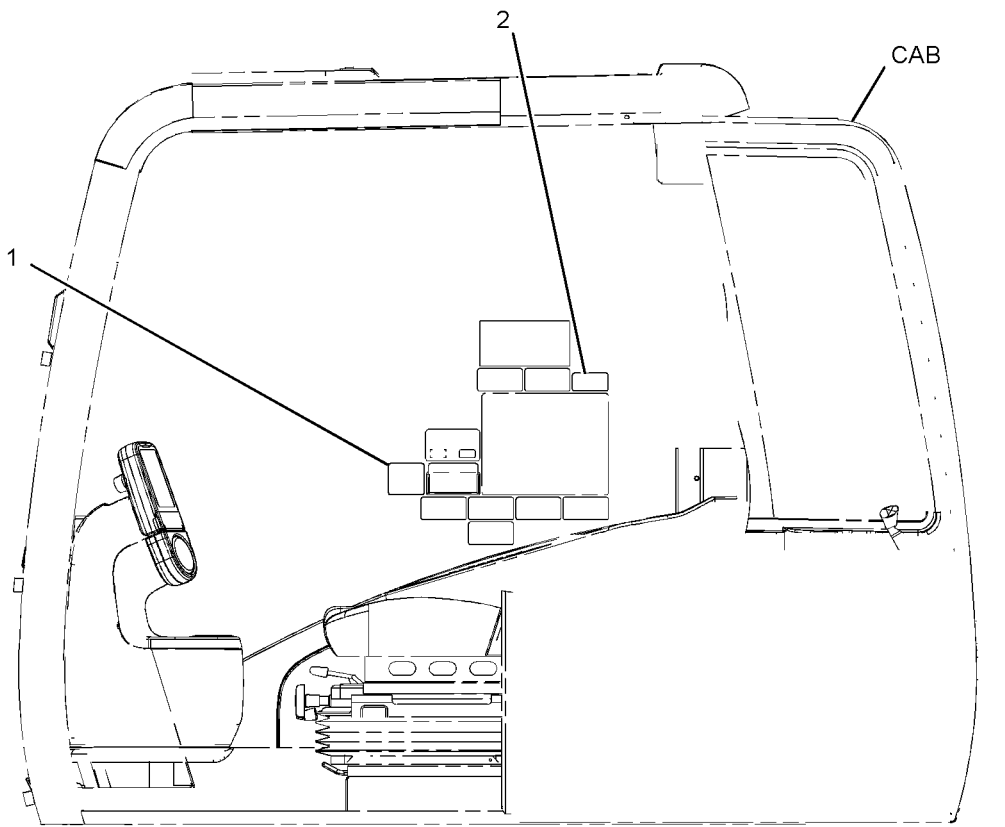
S/N: MGG1-UP; JFZ1-UP

PART OF 259-7493 CONTROL AR-AUXILIARY
AN ATTACHMENT

SMCS-7405, 7557

i02536202

NOTE	REF NO	GRAPHIC REF	PART NUMBER	QTY	PART NAME						SEE PAGE
					1	2	3	4	5	6 (PRODUCT LEVEL)	
1	1	1	260-6946	1	FILM-INSTRUCTION (OPERATOR CONTROL PEDALS)						
2	1	1	250-8054	1	FILM-NOTICE (HAMMER, READ OMM)						



LEFT SIDE VIEW

GRAPHIC #1

<END>

g01231531

SERVICE EQUIPMENT AND SUPPLIES

302-9210 FILM GP-LONG REACH

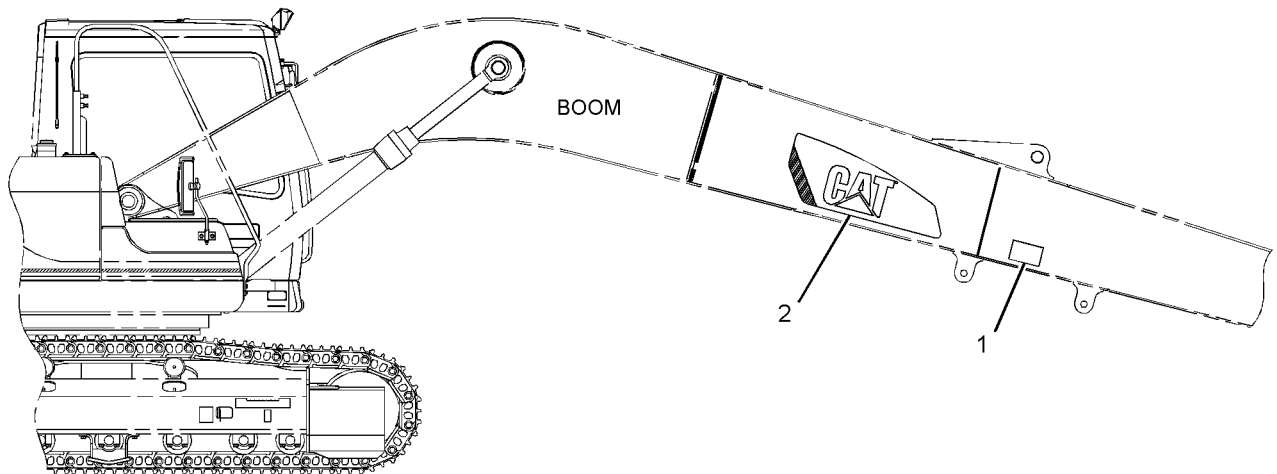
S/N: MGG1-UP

PART OF 302-9208 LINKAGE AR
AN ATTACHMENT

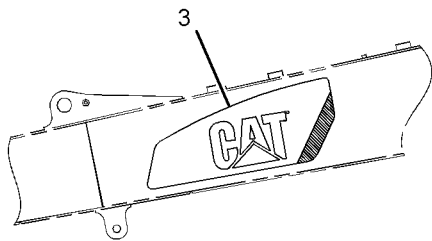
SMCS-7405, 7557

i02754273

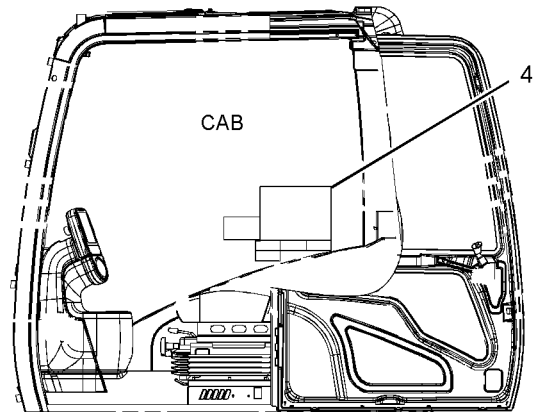
NOTE	REF NO	GRAPHIC REF	PART NUMBER	QTY	PART NAME						SEE PAGE
					1	2	3	4	5	6 (PRODUCT LEVEL)	
	1	1	116-9135	1	FILM-INFORMATION (READ OMM)						
	2	1	283-8982	1	FILM-IDENTIFICATION (CAT, RH)						
	3	1	283-8983	1	FILM-IDENTIFICATION (CAT, LH)						
	4	1	268-7188	1	FILM-INFORMATION (LIFTING CAPACITIES, READ OMM)						



RIGHT SIDE VIEW



LEFT SIDE VIEW
(BOOM)



LEFT SIDE VIEW
(CAB)

GRAPHIC #1

<END>

g01363789

SERVICE EQUIPMENT AND SUPPLIES**275-3683 PLATE & FILM GP**

S/N: JFZ1-UP

PART OF 264-8638 CHASSIS AR

TYPE 1

SMCS-7405, 7557

i03007571

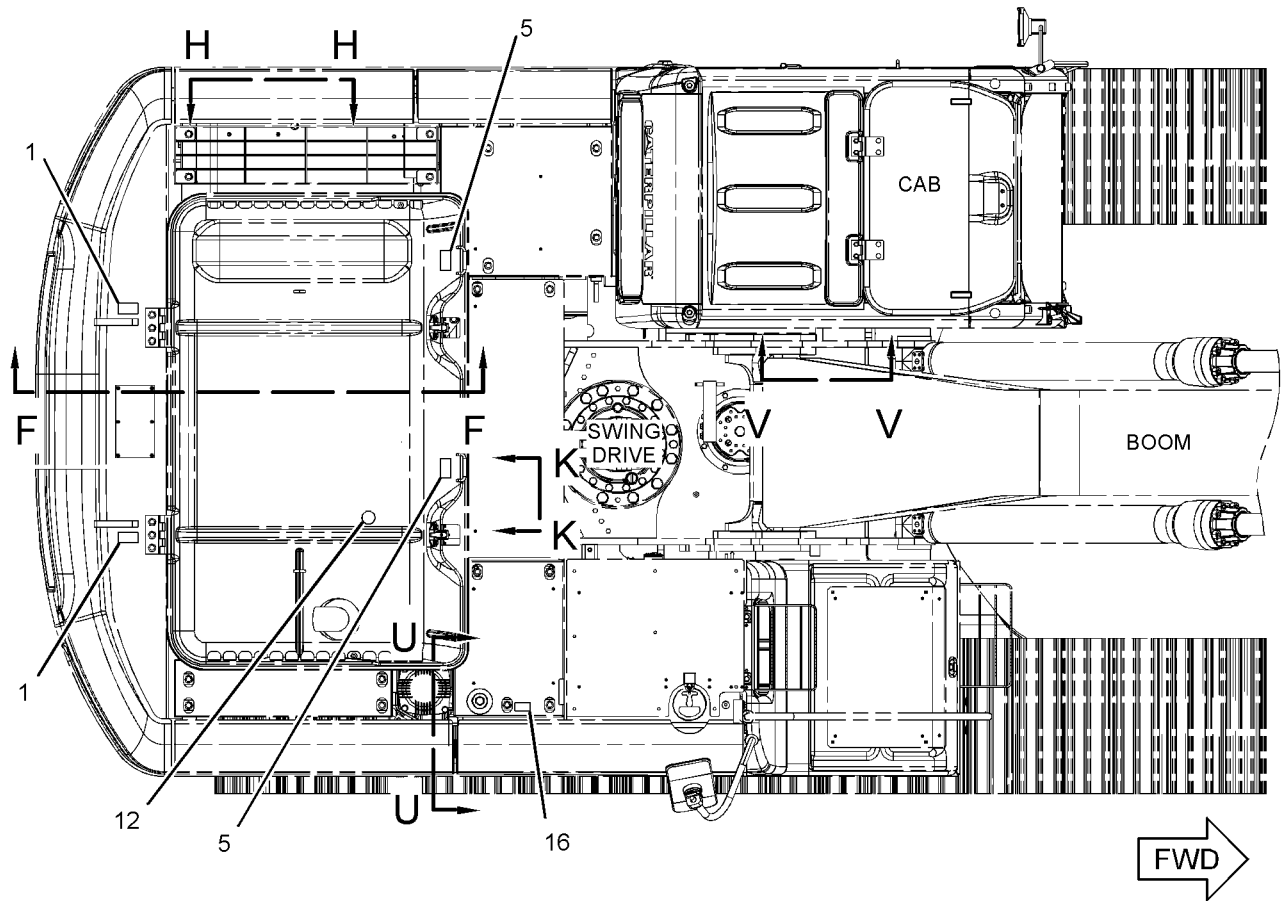
NOTE	REF NO	GRAPHIC REF	PART NUMBER	QTY	PART NAME						SEE PAGE
					1	2	3	4	5	6 (PRODUCT LEVEL)	
	1	1	1P-2807	4	FILM-INFORMATION (LIFT EYE LOCATION)						
	2	3	4I-8472	1	FILM-INSTRUCTION (OPERATOR CONTROLS, READ OMM)						
	3	2	7X-7644	4	FILM-INFORMATION (TIE-DOWN)						
	4	4	8T-6842	1	FILM-INSTRUCTION (PULL RING, ALTERNATE EXIT)						
	5	1	228-7316	2	FILM-WARNING (HOT SURFACE, HANDS CLEAR, INTL)						
E	6	1,2	290-1906		FILM-STRIPE (RED) (45-CM EACH)						
	7	1	290-1727	1	FILM-IDENTIFICATION (CAT BOOM, RH)						
	8	1,2	290-1742	2	FILM-IDENTIFICATION (320D)						
	9	1,2	290-1729	2	FILM-IDENTIFICATION (CAT UPPER STRUCTURE)						
	10	1,2	253-0861	2	FILM-INFORMATION (CAT POWER, ACERT TECHNOLOGY)						
	11	4	134-7258	1	FILM-INFORMATION (EXTENDED LIFE COOLANT, READ OMM)						
	12	1,3	167-7270	2	FILM-INSTRUCTION (NO STEP)						
	13	3	144-9126	1	FILM-INSTRUCTION (OIL)						
	14	4	242-1510	1	FILM-INSTRUCTION (HYDRAULIC OIL CHECK)						
	15	1	242-6092	1	FILM-WARNING (ACCUMULATOR PRESSURE)						
	16	1,4	225-4257	2	FILM-WARNING (HOT FLUID UNDER PRESS, INTL)						
	17	2	228-2781	2	FILM-WARNING (MACHINE SWING, CRUSHING, INTL)						
	18	2	229-0887	1	FILM-INFORMATION (AIR CLEANER)						
	19	2	224-8946	1	FILM-WARNING (NO ETHER SPRAY/AIR INTK, INTL)						
	20	2	239-6986	1	PLATE-IDENTIFICATION (MACHINE)						
	21	4	247-7437	1	FILM-IDENTIFICATION (BATTERY CIRCUIT BREAKER)						
	22	4	146-6747	1	FILM-INFORMATION (24-VOLT)						
	23	4	225-0312	1	FILM-WARNING (JUMP START, READ OMM)						
	24	2	190-5386	2	FILM-REFLECTOR (ROUND RED REFLECTIVE)						
	25	2	257-4502	1	FILM-IDENTIFICATION (CATERPILLAR)						
	26	2	247-7436	1	FILM-IDENTIFICATION (CAT)						
	27	2	290-1728	1	FILM-IDENTIFICATION (CAT BOOM, LH)						
	28	3	223-9818	1	FILM-INSTRUCTION (WINDOW CLEANING, READ OMM)						
	29	3	224-0554	1	FILM-WARNING (UNIVERSAL, READ OMM, INTL)						
	30	3	266-5431	1	FILM-WARNING (CRUSH HAZARD, READ OMM, INTL)						
	31	3	228-9254	1	FILM-WARNING (ELEC HAZARD, READ OMM, INTL)						
	32	3	214-7915	1	FILM-INSTRUCTION (ENGINE SHUTOFF)						
	33	3	221-8045	1	FILM-WARNING (SEAT BELT, INTERNATIONAL)						
	34	2	187-0661	1	FILM-INSTRUCTION (ALTERNATE EXIT)						
	35	3	242-1588	1	FILM-WARNING (FRONT WINDOW, READ OMM, INTL)						
	36	3	245-5457	1	FILM-INSTRUCTION (BACKUP CONTROL)						
	37	4	247-7438	2	FILM-IDENTIFICATION (ELECTRICAL CIRCUIT BREAKER)						
	38	3	264-8507	1	FILM-INFORMATION (LIFTING CAPACITIES, READ OMM)						
	39	4	260-7135	1	FILM-IDENTIFICATION (FUSE PANEL)						
	40	3	310-6252	1	FILM-INSTRUCTION (BACKUP CONTROL, READ OMM)						

E-ORDER BY THE CENTIMETER

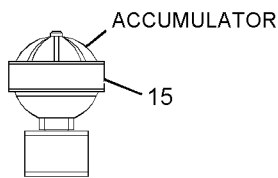
SERVICE EQUIPMENT AND SUPPLIES

275-3683 PLATE & FILM GP (contd.)

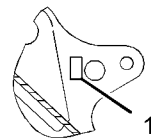
i03007571



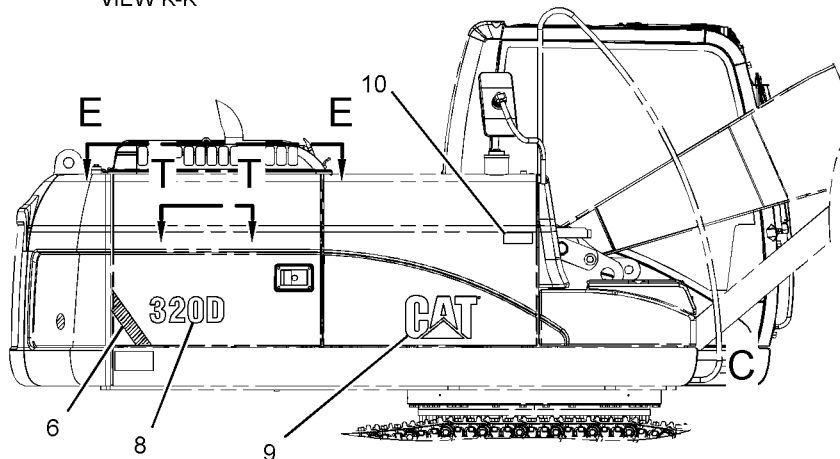
TOP VIEW



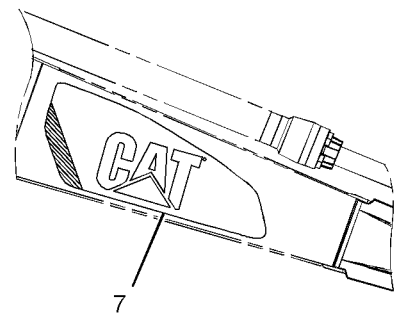
VIEW K-K



VIEW V-V



RIGHT SIDE VIEW



REFER TO ALL ILLUSTRATIONS OF THIS GROUP FOR AUXILIARY VIEWS

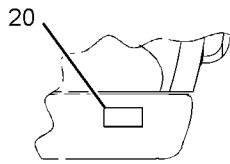
GRAPHIC #1

g01394541

SERVICE EQUIPMENT AND SUPPLIES

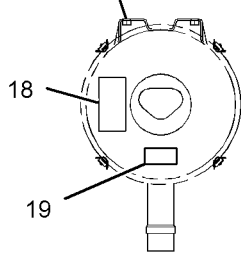
275-3683 PLATE & FILM GP (contd.)

i03007571

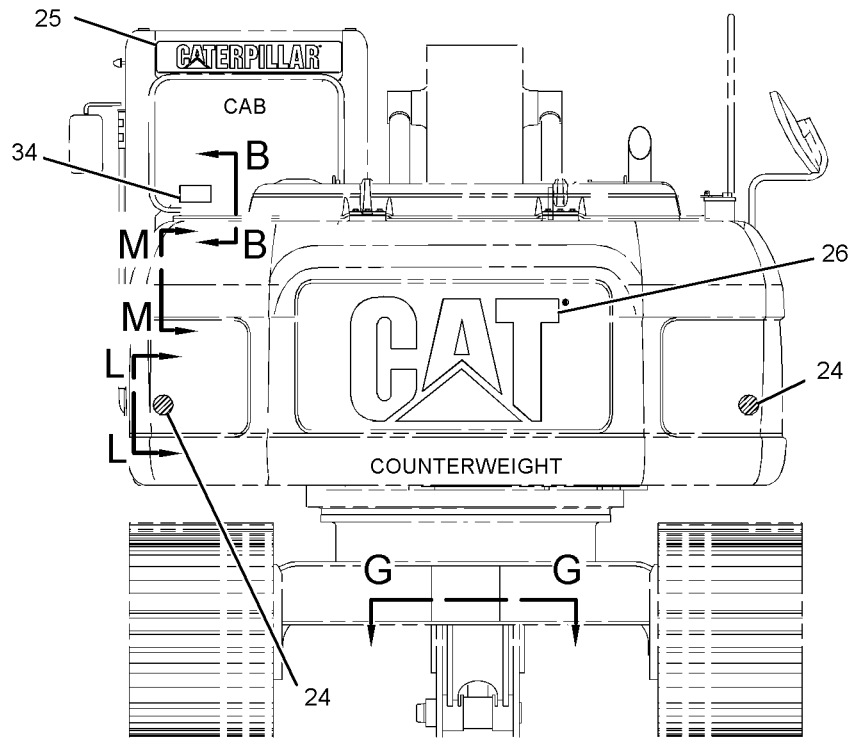


VIEW OF AREA C

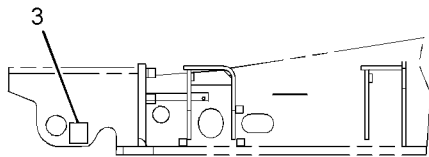
AIR CLEANER



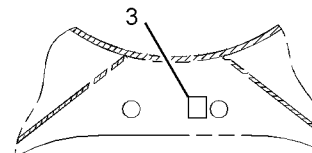
VIEW M-M



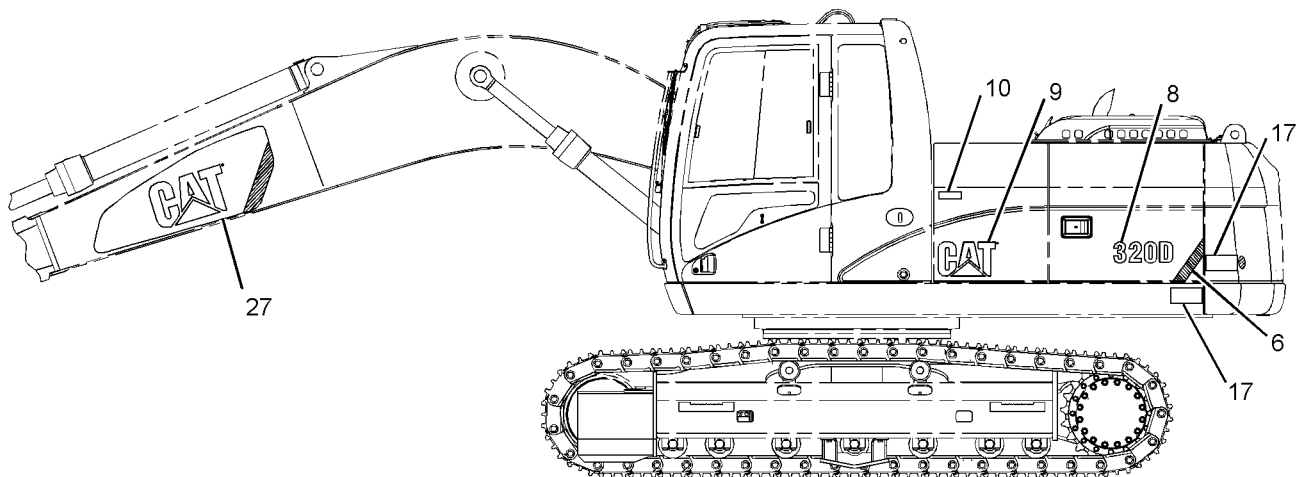
REAR VIEW



VIEW F-F



VIEW G-G



LEFT SIDE VIEW

REFER TO ALL ILLUSTRATIONS OF THIS GROUP FOR AUXILIARY VIEWS

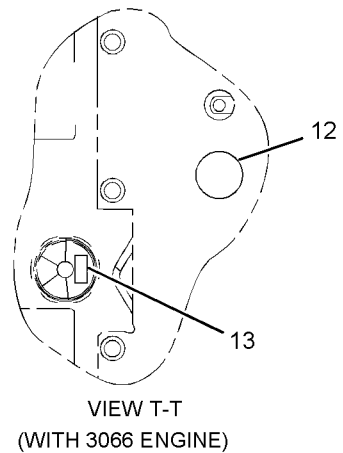
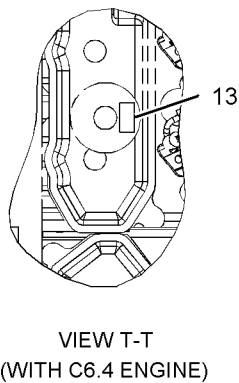
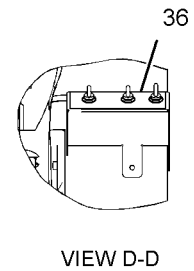
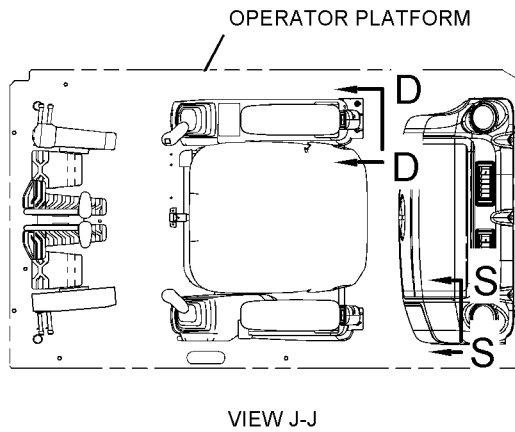
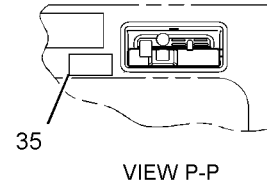
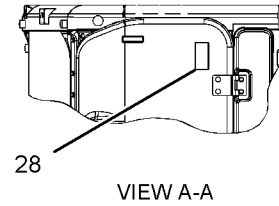
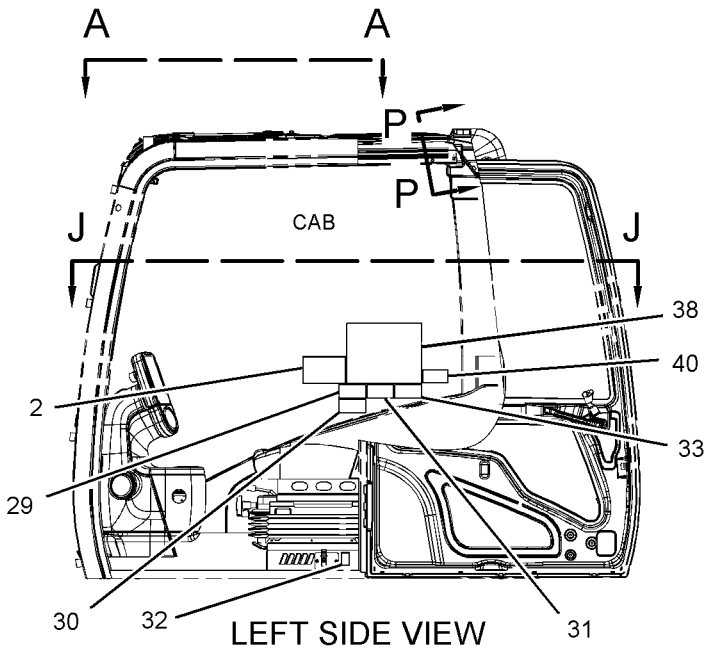
GRAPHIC #2

g01394548

SERVICE EQUIPMENT AND SUPPLIES

275-3683 PLATE & FILM GP (contd.)

i03007571



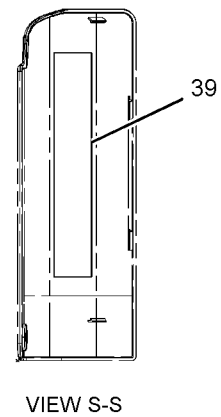
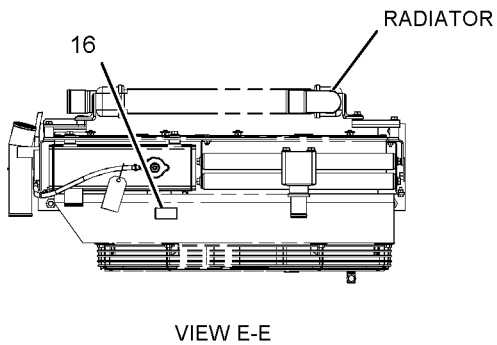
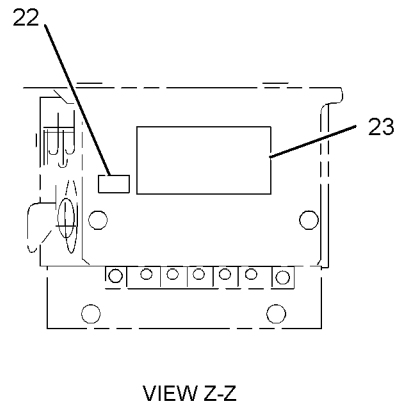
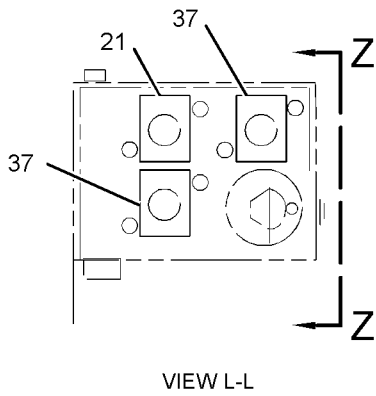
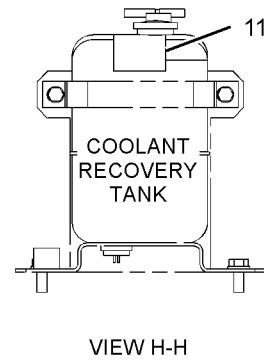
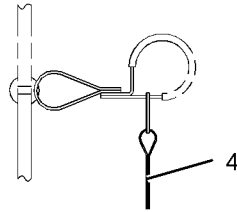
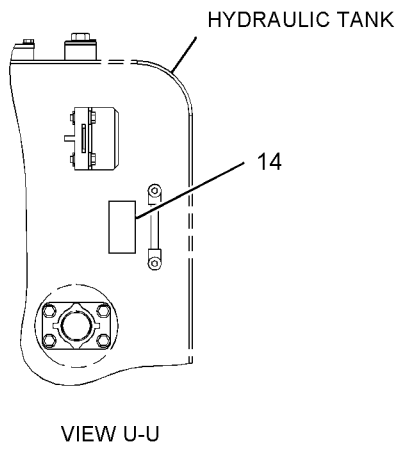
GRAPHIC #3

g01568334

SERVICE EQUIPMENT AND SUPPLIES

275-3683 PLATE & FILM GP (contd.)

i03007571



GRAPHIC #4

<END>

g01394587

SERVICE EQUIPMENT AND SUPPLIES**275-3683 PLATE & FILM GP**

S/N: JFZ1-UP

PART OF 264-8638 CHASSIS AR

TYPE 2

SMCS-7405, 7557

i03417821

NOTE	REF NO	GRAPHIC REF	PART NUMBER	QTY	PART NAME						SEE PAGE
					1	2	3	4	5	6 (PRODUCT LEVEL)	
	1	1	1P-2807	4	FILM-INFORMATION (LIFT EYE LOCATION)						
	2	3	4I-8472	1	FILM-INSTRUCTION (OPERATOR CONTROLS, READ OMM)						
	3	2	7X-7644	4	FILM-INFORMATION (TIE-DOWN)						
	4	4	8T-6842	1	FILM-INSTRUCTION (PULL RING, ALTERNATE EXIT)						
	5	1	228-7316	2	FILM-WARNING (HOT SURFACE, HANDS CLEAR, INTL)						
E	6	1,2	290-1906		FILM-STRIPE (RED) (45-CM EACH)						
	7	1	290-1727	1	FILM-IDENTIFICATION (CAT BOOM, RH)						
	8	1,2	290-1742	2	FILM-IDENTIFICATION (320D)						
	9	1,2	290-1729	2	FILM-IDENTIFICATION (CAT UPPER STRUCTURE)						
	10	1,2	253-0861	2	FILM-INFORMATION (CAT POWER, ACERT TECHNOLOGY)						
	11	4	134-7258	1	FILM-INFORMATION (EXTENDED LIFE COOLANT, READ OMM)						
	12	1,3	167-7270	2	FILM-INSTRUCTION (NO STEP)						
	13	3	144-9126	1	FILM-INSTRUCTION (OIL)						
	14	4	242-1510	1	FILM-INSTRUCTION (HYDRAULIC OIL CHECK)						
	15	1	242-6092	1	FILM-WARNING (ACCUMULATOR PRESSURE)						
	16	1,4	225-4257	2	FILM-WARNING (HOT FLUID UNDER PRESS, INTL)						
	17	2	228-2781	2	FILM-WARNING (MACHINE SWING, CRUSHING, INTL)						
	18	2	229-0887	1	FILM-INFORMATION (AIR CLEANER)						
	19	2	224-8946	1	FILM-WARNING (NO ETHER SPRAY/AIR INTK, INTL)						
	20	2	239-6986	1	PLATE-IDENTIFICATION (MACHINE)						
	21	4	247-7437	1	FILM-IDENTIFICATION (BATTERY CIRCUIT BREAKER)						
	22	4	146-6747	1	FILM-INFORMATION (24-VOLT)						
	23	4	225-0312	1	FILM-WARNING (JUMP START, READ OMM)						
	24	2	190-5386	2	FILM-REFLECTOR (ROUND RED REFLECTIVE)						
	25	2	257-4502	1	FILM-IDENTIFICATION (CATERPILLAR)						
	26	2	247-7436	1	FILM-IDENTIFICATION (CAT)						
	27	2	290-1728	1	FILM-IDENTIFICATION (CAT BOOM, LH)						
	28	3	223-9818	1	FILM-INSTRUCTION (WINDOW CLEANING, READ OMM)						
	29	3	224-0554	1	FILM-WARNING (UNIVERSAL, READ OMM, INTL)						
	30	3	266-5431	1	FILM-WARNING (CRUSH HAZARD, READ OMM, INTL)						
	31	3	228-9254	1	FILM-WARNING (ELEC HAZARD, READ OMM, INTL)						
	32	3	214-7915	1	FILM-INSTRUCTION (ENGINE SHUTOFF)						
	33	3	221-8045	1	FILM-WARNING (SEAT BELT, INTERNATIONAL)						
	34	2	187-0661	1	FILM-INSTRUCTION (ALTERNATE EXIT)						
	35	3	242-1588	1	FILM-WARNING (FRONT WINDOW, READ OMM, INTL)						
	36	3	245-5457	1	FILM-INSTRUCTION (BACKUP CONTROL)						
	37	4	247-7438	2	FILM-IDENTIFICATION (ELECTRICAL CIRCUIT BREAKER)						
	39	4	260-7135	1	FILM-IDENTIFICATION (FUSE PANEL)						
	40	3	310-6252	1	FILM-INSTRUCTION (BACKUP CONTROL, READ OMM)						
BJ	41	1	334-4603	1	FILM-INFORMATION (HYDO ADVANCED 10)						
	42	3	303-2668	1	PLATE-INSTRUCTION (AIR CONDITIONER, READ OMM)						

B-USE AS REQUIRED

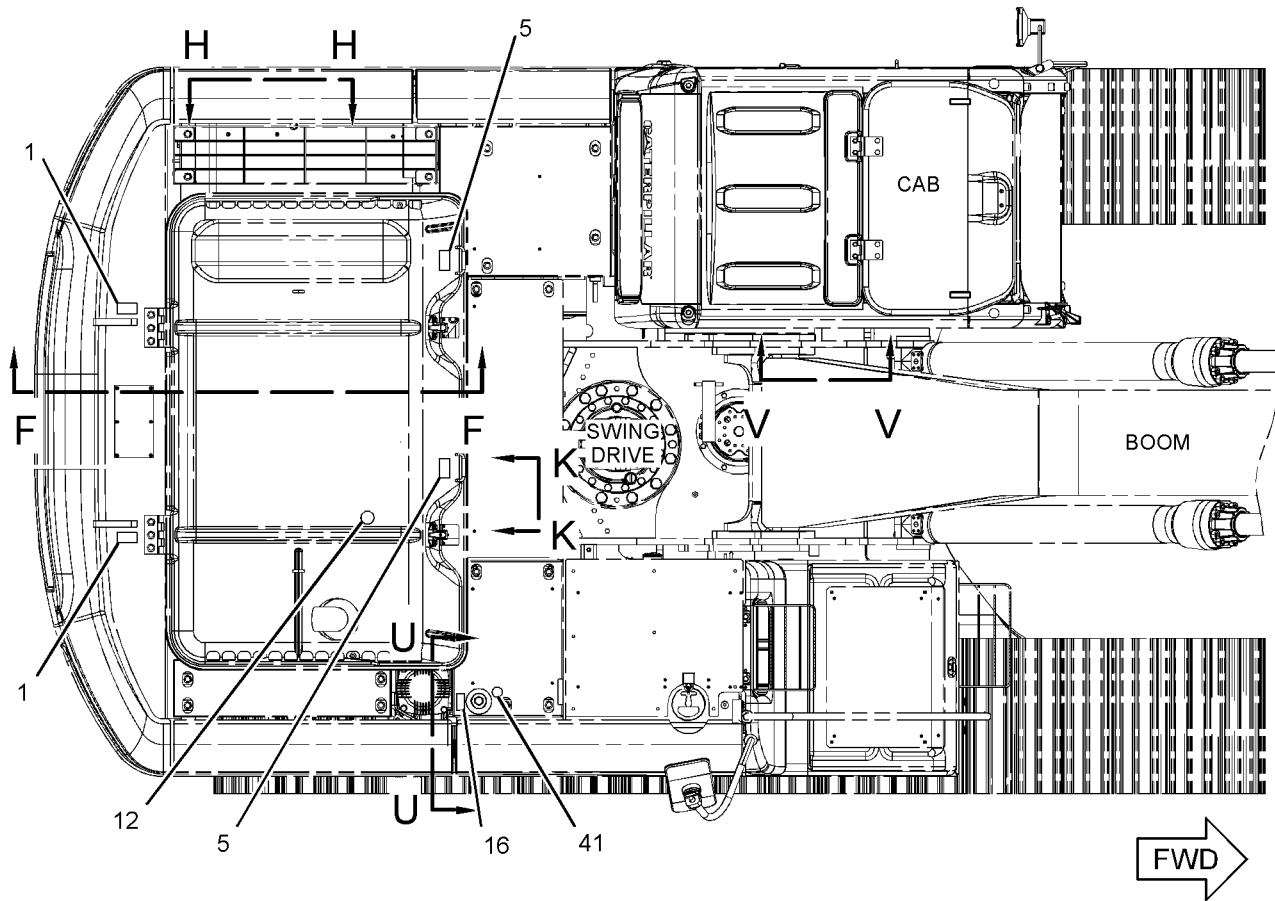
E-ORDER BY THE CENTIMETER

J-REQUIRED ONLY WHEN HYDRAULIC TANK IS FILLED WITH HYDO ADVANCED 10 OIL

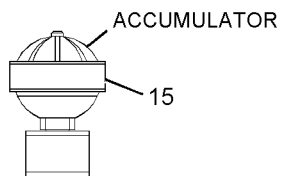
SERVICE EQUIPMENT AND SUPPLIES

275-3683 PLATE & FILM GP (contd.)

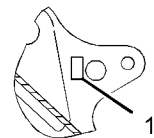
i03417821



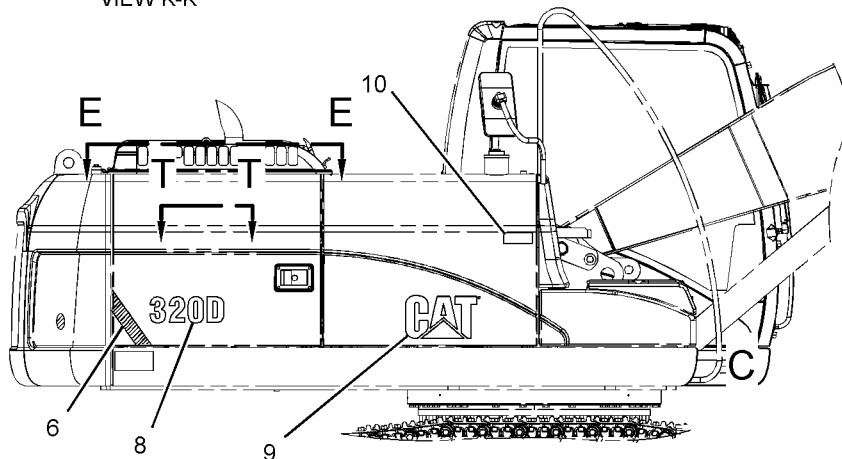
TOP VIEW



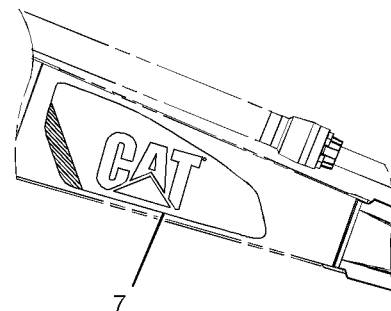
VIEW K-K



VIEW V-V



RIGHT SIDE VIEW



REFER TO ALL ILLUSTRATIONS OF THIS GROUP FOR AUXILIARY VIEWS

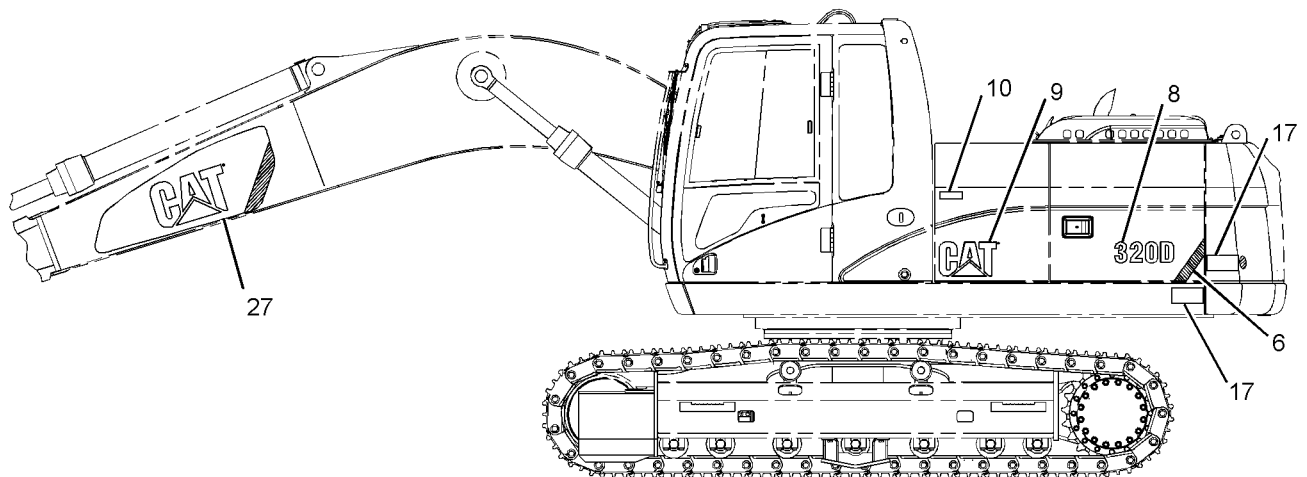
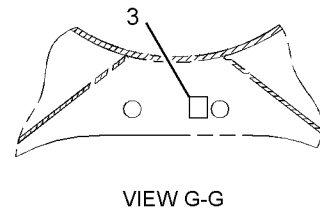
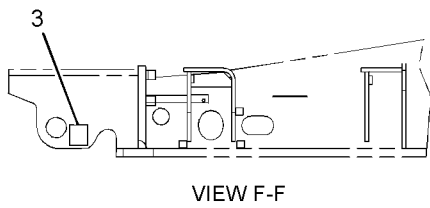
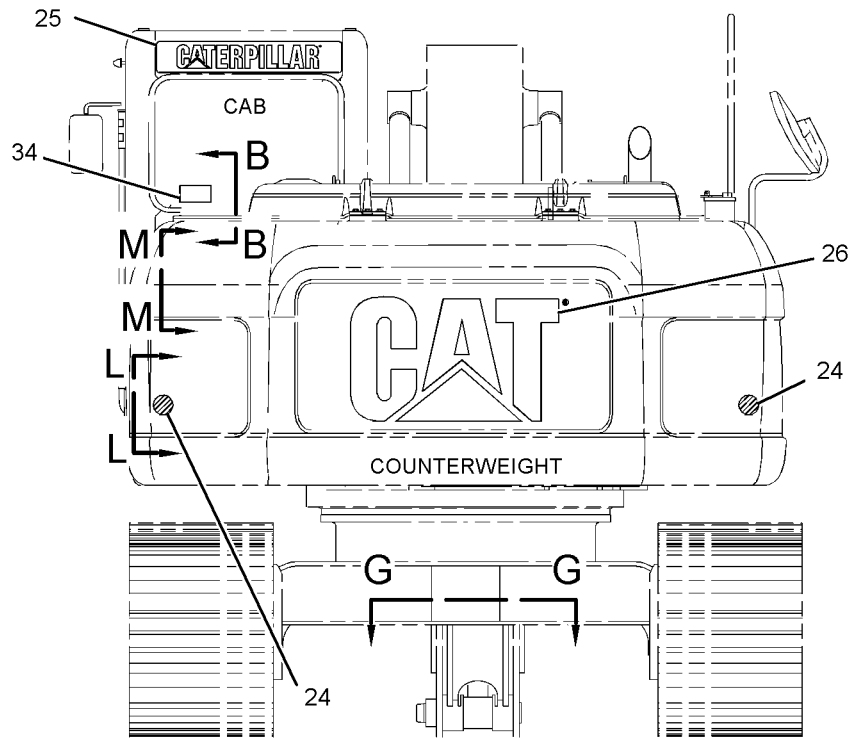
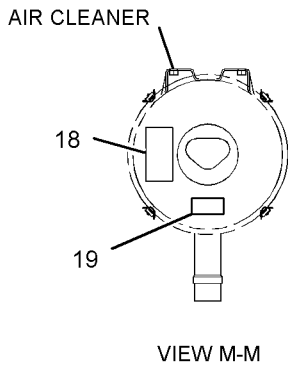
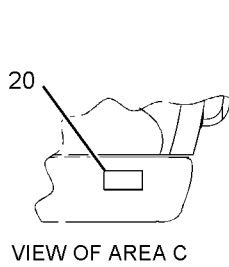
GRAPHIC #1

g01764541

SERVICE EQUIPMENT AND SUPPLIES

275-3683 PLATE & FILM GP (contd.)

i03417821



REFER TO ALL ILLUSTRATIONS OF THIS GROUP FOR AUXILIARY VIEWS

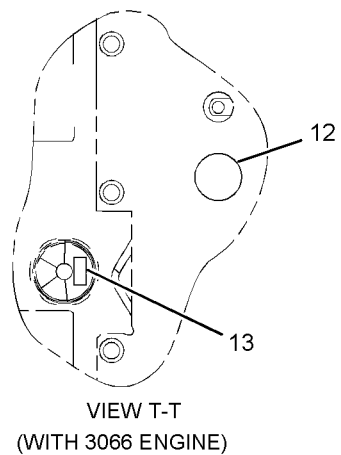
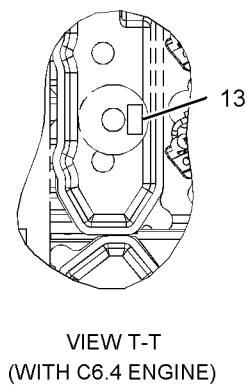
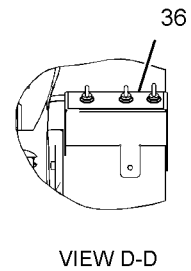
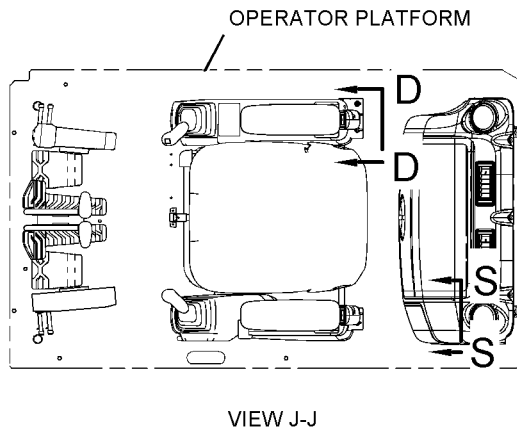
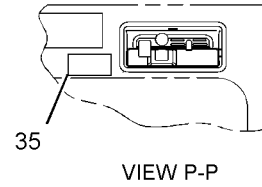
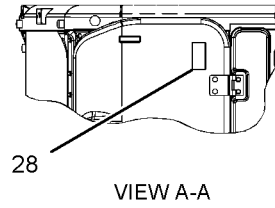
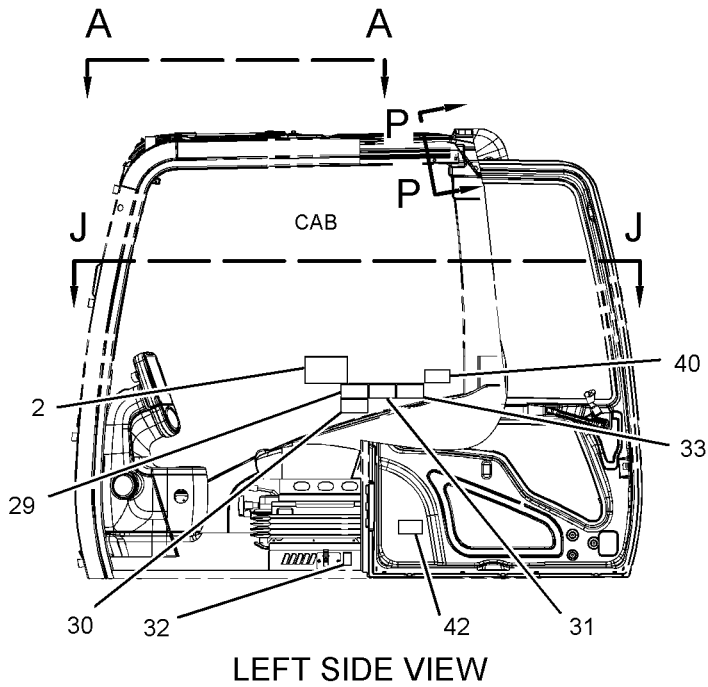
GRAPHIC #2

g01394548

SERVICE EQUIPMENT AND SUPPLIES

275-3683 PLATE & FILM GP (contd.)

i03417821



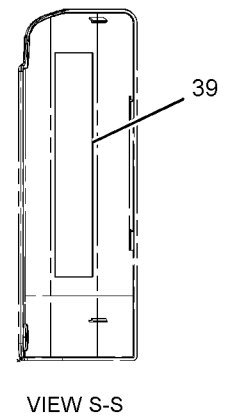
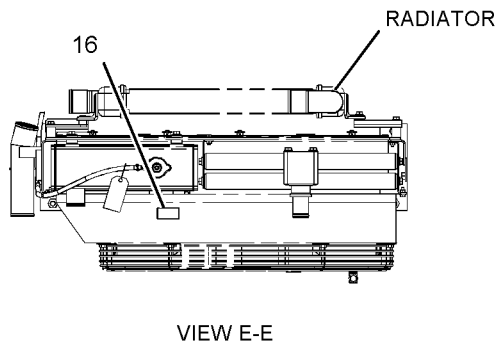
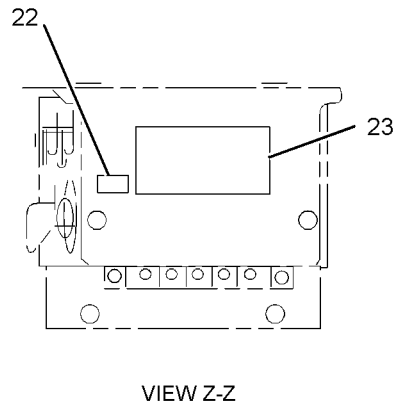
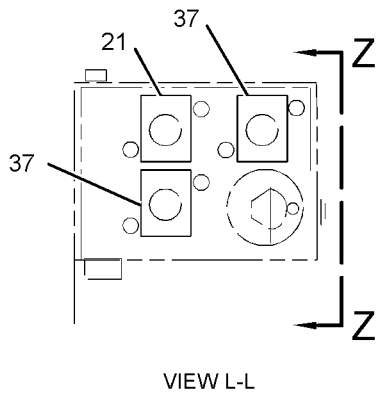
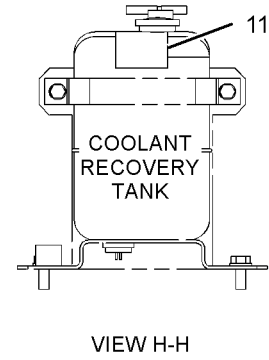
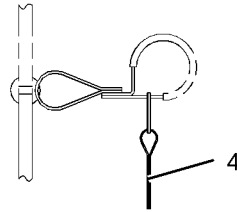
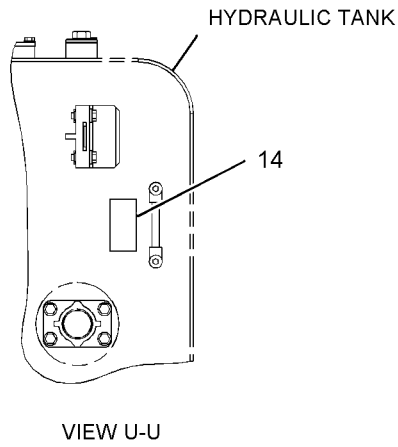
GRAPHIC #3

g01764581

SERVICE EQUIPMENT AND SUPPLIES

275-3683 PLATE & FILM GP (contd.)

i03417821



GRAPHIC #4

<END>

g01394587

SERVICE EQUIPMENT AND SUPPLIES

275-3684 PLATE & FILM GP

S/N: MGG1-1422

PART OF 264-8639 CHASSIS AR

SMCS-7405, 7557

i03007575

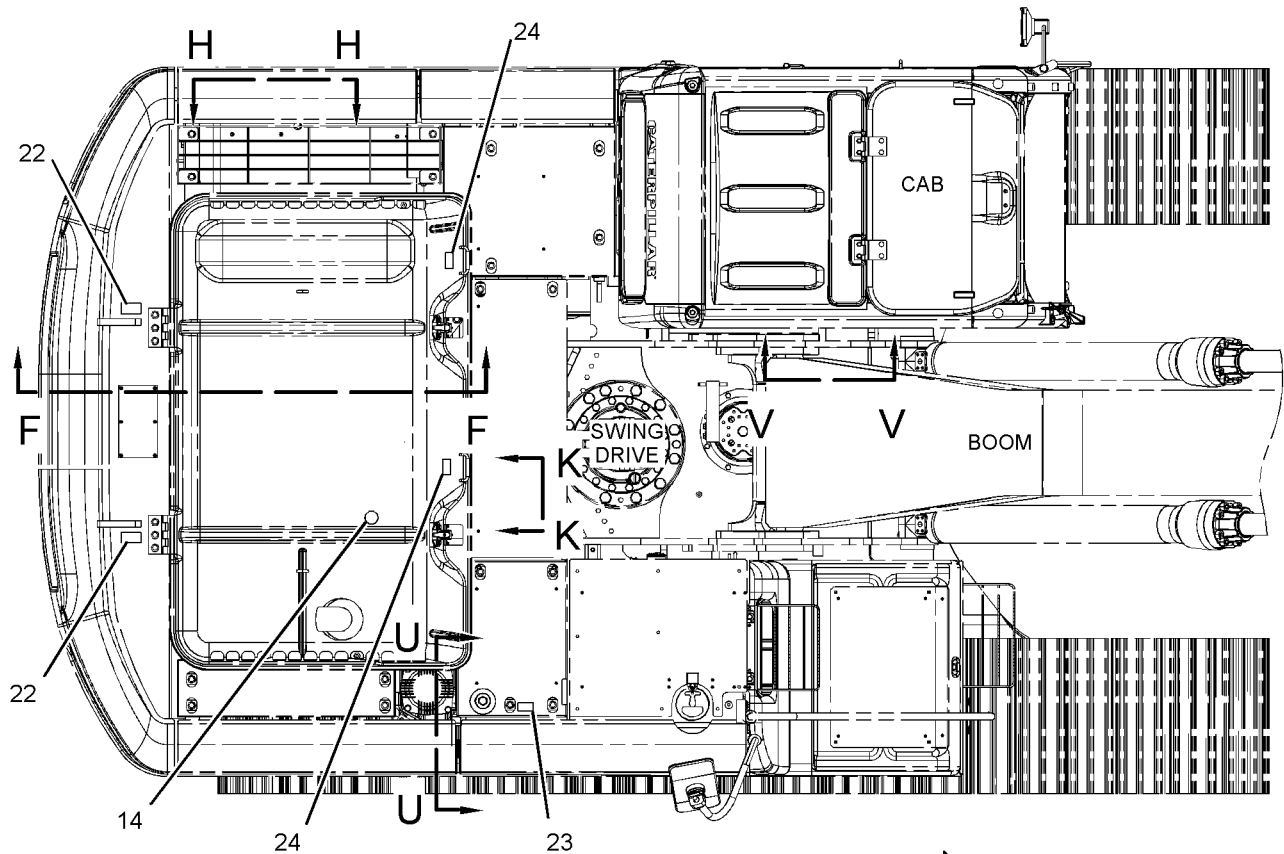
NOTE	REF NO	GRAPHIC REF	PART NUMBER	QTY	PART NAME						SEE PAGE
					1	2	3	4	5	6 (PRODUCT LEVEL)	
	1	4	4I-8472	1	FILM-INSTRUCTION (OPERATOR CONTROLS, READ OMM)						
	2	4	223-9818	1	FILM-INSTRUCTION (WINDOW CLEANING, READ OMM)						
	3	4	224-0554	1	FILM-WARNING (UNIVERSAL, READ OMM, INTL)						
	4	4	266-5431	1	FILM-WARNING (CRUSH HAZARD, READ OMM, INTL)						
	5	4	228-9254	1	FILM-WARNING (ELEC HAZARD, READ OMM, INTL)						
	6	4	214-7915	1	FILM-INSTRUCTION (ENGINE SHUTOFF)						
	7	4	221-8045	1	FILM-WARNING (SEAT BELT, INTERNATIONAL)						
	8	2	187-0661	1	FILM-INSTRUCTION (ALTERNATE EXIT)						
	9	4	242-1588	1	FILM-WARNING (FRONT WINDOW, READ OMM, INTL)						
	10	4	8T-6842	1	FILM-INSTRUCTION (PULL RING, ALTERNATE EXIT)						
	11	4	245-5457	1	FILM-INSTRUCTION (BACKUP CONTROL)						
	12	3	134-7258	1	FILM-INFORMATION (EXTENDED LIFE COOLANT, READ OMM)						
	13	3	144-9126	1	FILM-INSTRUCTION (OIL)						
	14	1,3	167-7270	2	FILM-INSTRUCTION (NO STEP)						
	15	1,2	290-1729	2	FILM-IDENTIFICATION (CAT UPPER STRUCTURE)						
	16	3	242-1510	1	FILM-INSTRUCTION (HYDRAULIC OIL CHECK)						
	17	1	242-6092	1	FILM-WARNING (ACCUMULATOR PRESSURE)						
	18	1	4I-8267	1	CAP-ACCUMULATOR						
	19	1,2	253-0861	2	FILM-INFORMATION (CAT POWER, ACERT TECHNOLOGY)						
E	20	1,2	290-1906		FILM-STRIPE (RED) (45-CM EACH)						
	21	2	247-7436	1	FILM-IDENTIFICATION (CAT)						
	22	1	1P-2807	4	FILM-INFORMATION (LIFT EYE LOCATION)						
	23	1,3	225-4257	2	FILM-WARNING (HOT FLUID UNDER PRESS, INTL)						
	24	1	228-7316	2	FILM-WARNING (HOT SURFACE, HANDS CLEAR, INTL)						
	25	1	290-1727	1	FILM-IDENTIFICATION (CAT BOOM, RH)						
	26	1,2	290-1743	2	FILM-IDENTIFICATION (320D L)						
	27	2	7X-7644	4	FILM-INFORMATION (TIE-DOWN)						
	28	2	190-5386	2	FILM-REFLECTOR (ROUND RED REFLECTIVE)						
	29	2	257-4502	1	FILM-IDENTIFICATION (CATERPILLAR)						
	30	3	225-0312	1	FILM-WARNING (JUMP START, READ OMM)						
	31	3	146-6747	1	FILM-INFORMATION (24-VOLT)						
	32	3	247-7437	1	FILM-IDENTIFICATION (BATTERY CIRCUIT BREAKER)						
	33	3	247-7438	2	FILM-IDENTIFICATION (ELECTRICAL CIRCUIT BREAKER)						
	34	2	228-2781	2	FILM-WARNING (MACHINE SWING, CRUSHING, INTL)						
	35	2	229-0887	1	FILM-INFORMATION (AIR CLEANER)						
	36	2	224-8946	1	FILM-WARNING (NO ETHER SPRAY/AIR INTK, INTL)						
	37	2	239-6986	1	PLATE-IDENTIFICATION (MACHINE)						
	38	2	290-1728	1	FILM-IDENTIFICATION (CAT BOOM, LH)						
	39	4	260-7135	1	FILM-IDENTIFICATION (FUSE PANEL)						
	40	4	264-8508	1	FILM-INFORMATION (LIFTING CAPACITIES, READ OMM)						
	41	4	310-6252	1	FILM-INSTRUCTION (BACKUP CONTROL, READ OMM)						

E-ORDER BY THE CENTIMETER

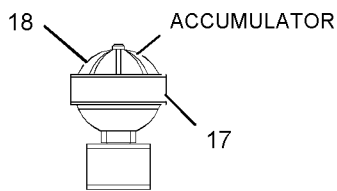
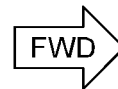
SERVICE EQUIPMENT AND SUPPLIES

275-3684 PLATE & FILM GP (contd.)

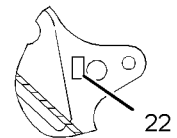
i03007575



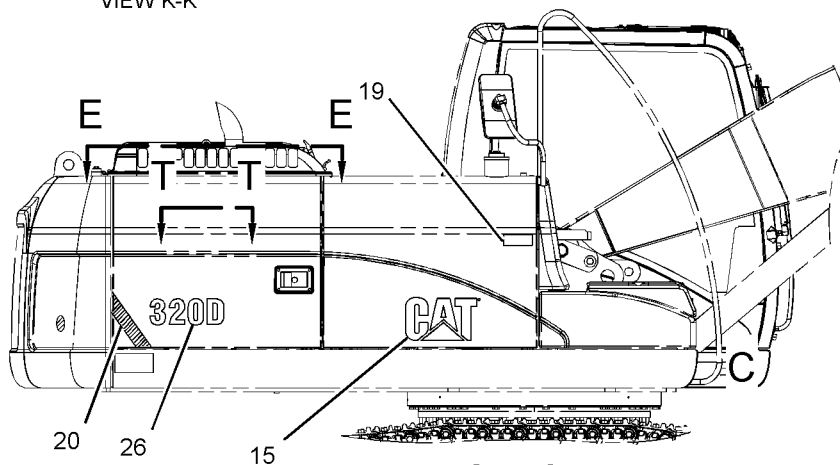
TOP VIEW



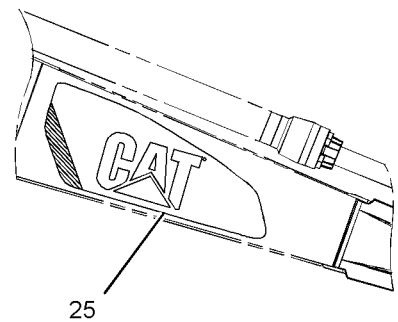
VIEW K-K



VIEW V-V



RIGHT SIDE VIEW



REFER TO ALL ILLUSTRATIONS OF THIS GROUP FOR AUXILIARY VIEWS

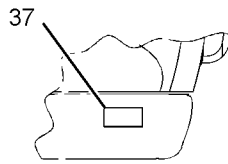
GRAPHIC #1

g01363608

SERVICE EQUIPMENT AND SUPPLIES

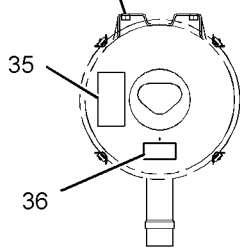
275-3684 PLATE & FILM GP (contd.)

i03007575

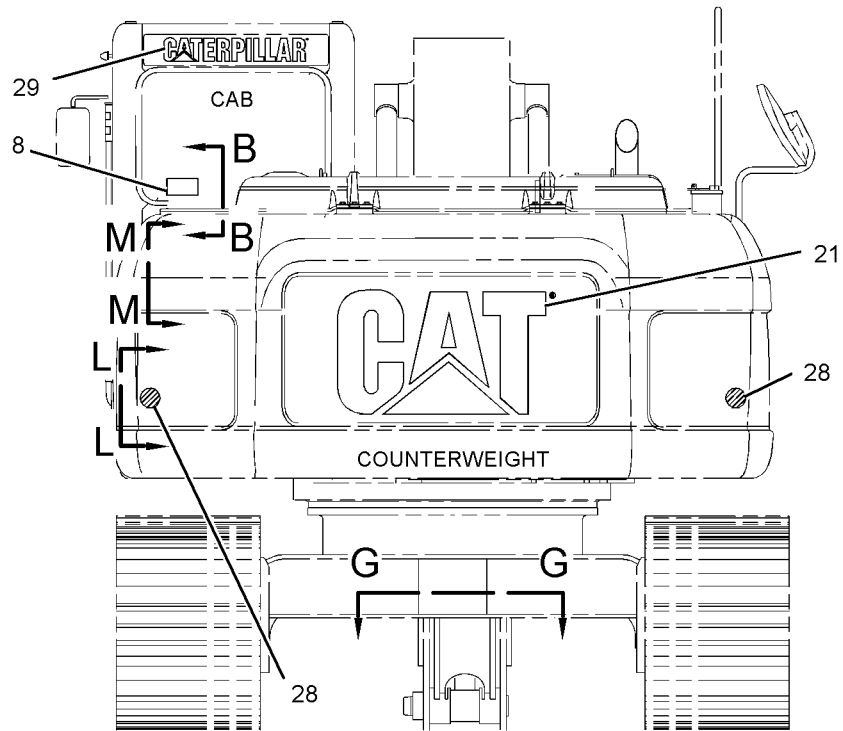


VIEW OF AREA C

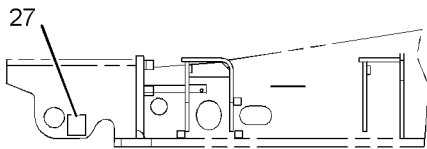
AIR CLEANER



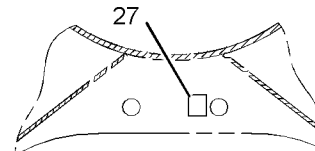
VIEW M-M



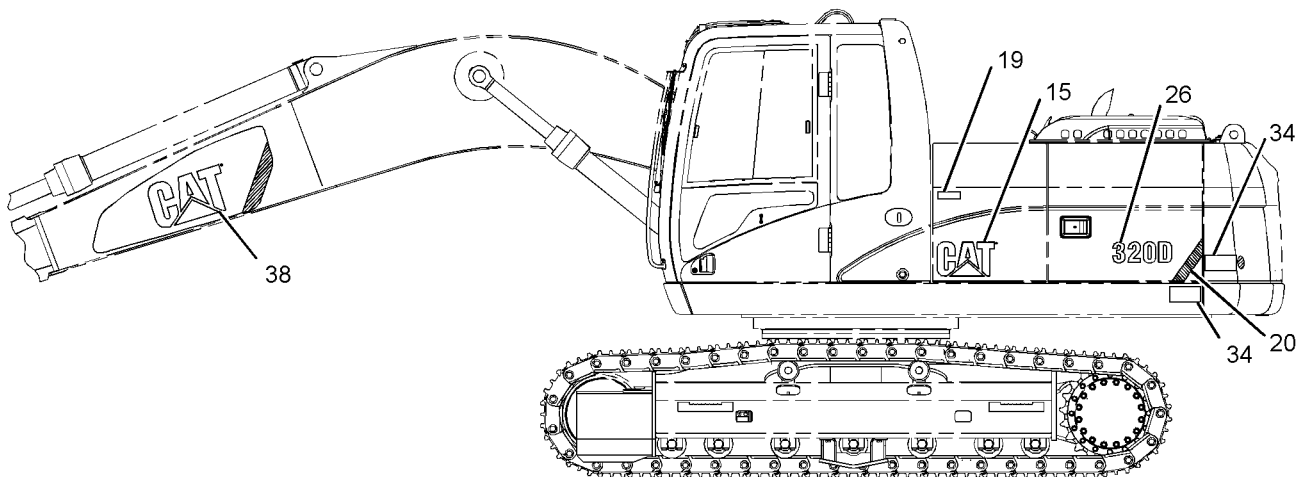
REAR VIEW



VIEW F-F



VIEW G-G



LEFT SIDE VIEW

REFER TO ALL ILLUSTRATIONS OF THIS GROUP FOR AUXILIARY VIEWS

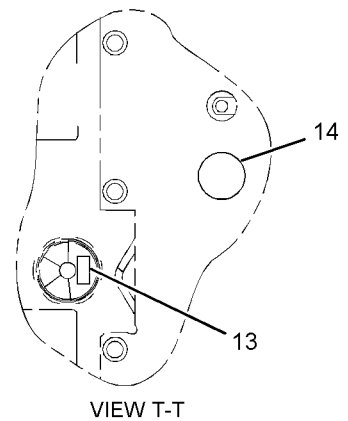
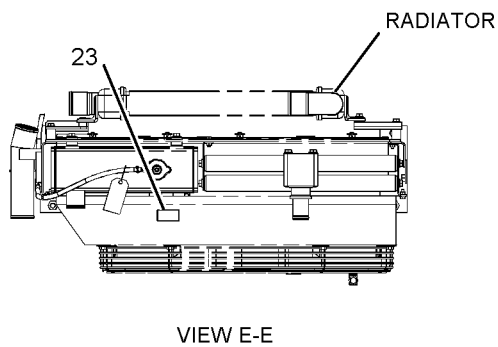
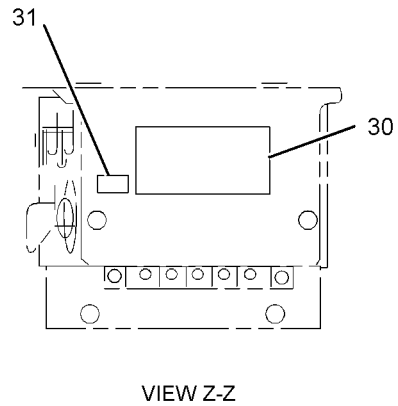
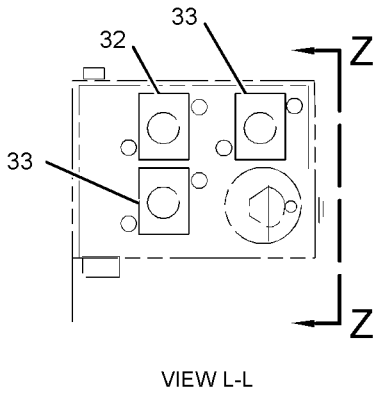
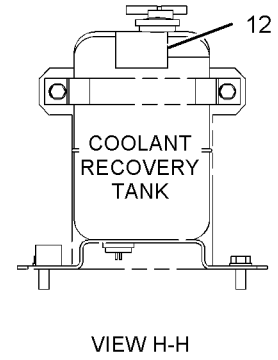
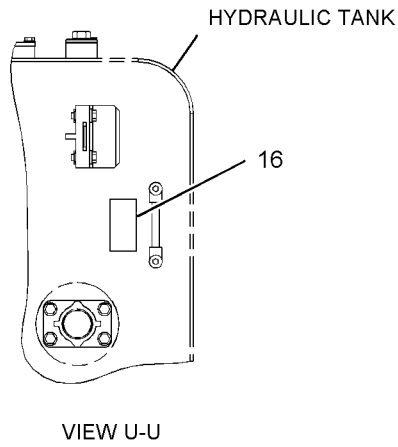
GRAPHIC #2

g01307981

SERVICE EQUIPMENT AND SUPPLIES

275-3684 PLATE & FILM GP (contd.)

i03007575



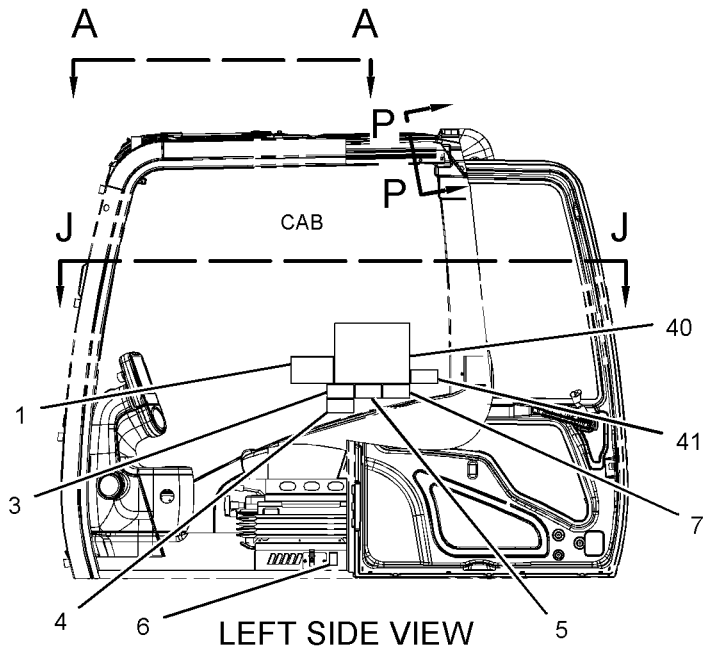
GRAPHIC #3

g01303348

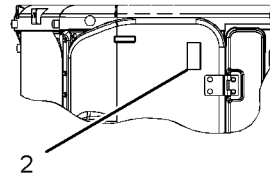
SERVICE EQUIPMENT AND SUPPLIES

275-3684 PLATE & FILM GP (contd.)

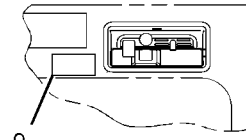
i03007575



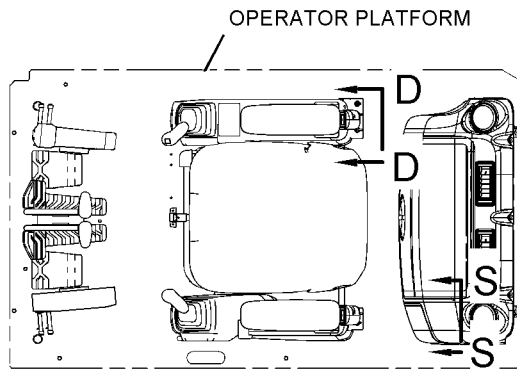
LEFT SIDE VIEW



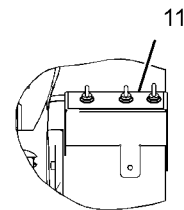
VIEW A-A



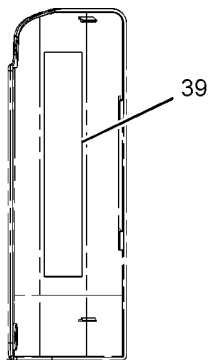
VIEW P-P



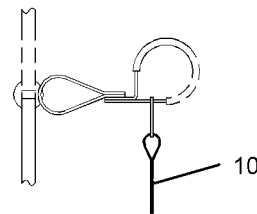
VIEW J-J



VIEW D-D



VIEW S-S



VIEW B-B

GRAPHIC #4

<END>

g01620338

SERVICE EQUIPMENT AND SUPPLIES

275-3684 PLATE & FILM GP

S/N: MGG1423-UP

PART OF 264-8639 CHASSIS AR

SMCS-7405, 7557

i03417840

NOTE	REF NO	GRAPHIC REF	PART NUMBER	QTY	PART NAME						SEE PAGE
					1	2	3	4	5	6 (PRODUCT LEVEL)	
	1	4	4I-8472	1	FILM-INSTRUCTION (OPERATOR CONTROLS, READ OMM)						
	2	4	223-9818	1	FILM-INSTRUCTION (WINDOW CLEANING, READ OMM)						
	3	4	224-0554	1	FILM-WARNING (UNIVERSAL, READ OMM, INTL)						
	4	4	266-5431	1	FILM-WARNING (CRUSH HAZARD, READ OMM, INTL)						
	5	4	228-9254	1	FILM-WARNING (ELEC HAZARD, READ OMM, INTL)						
	6	4	214-7915	1	FILM-INSTRUCTION (ENGINE SHUTOFF)						
	7	4	221-8045	1	FILM-WARNING (SEAT BELT, INTERNATIONAL)						
	8	2	187-0661	1	FILM-INSTRUCTION (ALTERNATE EXIT)						
	9	4	242-1588	1	FILM-WARNING (FRONT WINDOW, READ OMM, INTL)						
	10	4	8T-6842	1	FILM-INSTRUCTION (PULL RING, ALTERNATE EXIT)						
	11	4	245-5457	1	FILM-INSTRUCTION (BACKUP CONTROL)						
	12	3	134-7258	1	FILM-INFORMATION (EXTENDED LIFE COOLANT, READ OMM)						
	13	3	144-9126	1	FILM-INSTRUCTION (OIL)						
	14	1,3	167-7270	2	FILM-INSTRUCTION (NO STEP)						
	15	1,2	290-1729	2	FILM-IDENTIFICATION (CAT UPPER STRUCTURE)						
	16	3	242-1510	1	FILM-INSTRUCTION (HYDRAULIC OIL CHECK)						
	17	1	242-6092	1	FILM-WARNING (ACCUMULATOR PRESSURE)						
	19	1,2	253-0861	2	FILM-INFORMATION (CAT POWER, ACERT TECHNOLOGY)						
E	20	1,2	290-1906		FILM-STRIPE (RED) (45-CM EACH)						
	21	2	247-7436	1	FILM-IDENTIFICATION (CAT)						
	22	1	1P-2807	4	FILM-INFORMATION (LIFT EYE LOCATION)						
	23	1,3	225-4257	2	FILM-WARNING (HOT FLUID UNDER PRESS, INTL)						
	24	1	228-7316	2	FILM-WARNING (HOT SURFACE, HANDS CLEAR, INTL)						
	25	1	290-1727	1	FILM-IDENTIFICATION (CAT BOOM, RH)						
	26	1,2	290-1743	2	FILM-IDENTIFICATION (320D L)						
	27	2	7X-7644	4	FILM-INFORMATION (TIE-DOWN)						
	28	2	190-5386	2	FILM-REFLECTOR (ROUND RED REFLECTIVE)						
	29	2	257-4502	1	FILM-IDENTIFICATION (CATERPILLAR)						
	30	3	225-0312	1	FILM-WARNING (JUMP START, READ OMM)						
	31	3	146-6747	1	FILM-INFORMATION (24-VOLT)						
	32	3	247-7437	1	FILM-IDENTIFICATION (BATTERY CIRCUIT BREAKER)						
	33	3	247-7438	2	FILM-IDENTIFICATION (ELECTRICAL CIRCUIT BREAKER)						
	34	2	228-2781	2	FILM-WARNING (MACHINE SWING, CRUSHING, INTL)						
	35	2	229-0887	1	FILM-INFORMATION (AIR CLEANER)						
	36	2	224-8946	1	FILM-WARNING (NO ETHER SPRAY/AIR INTK, INTL)						
	37	2	239-6986	1	PLATE-IDENTIFICATION (MACHINE)						
	38	2	290-1728	1	FILM-IDENTIFICATION (CAT BOOM, LH)						
	39	4	260-7135	1	FILM-IDENTIFICATION (FUSE PANEL)						
	41	4	310-6252	1	FILM-INSTRUCTION (BACKUP CONTROL, READ OMM)						
BJ	42	1	334-4603	1	FILM-INFORMATION (HYDO ADVANCED 10)						
	43	4	303-2668	1	PLATE-INSTRUCTION (AIR CONDITIONER, READ OMM)						

B-USE AS REQUIRED

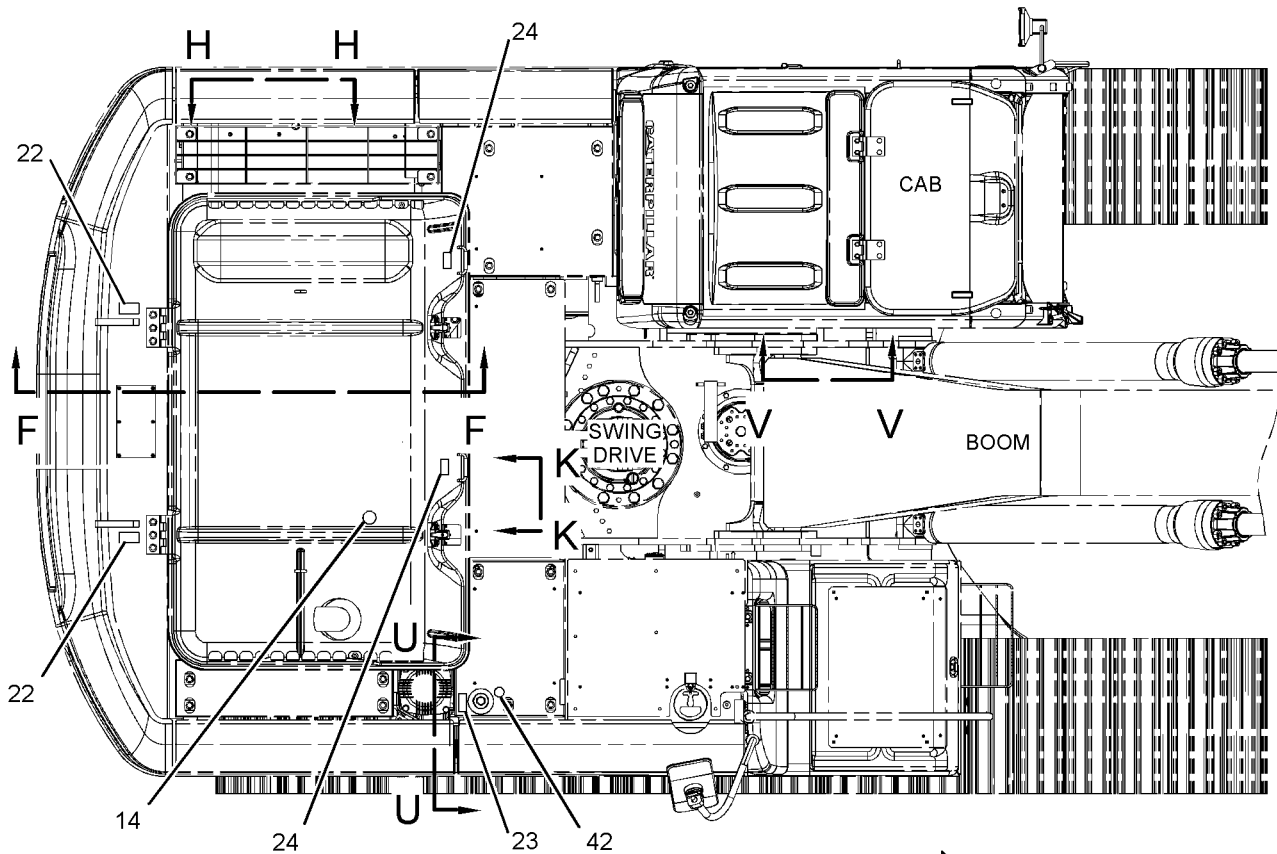
E-ORDER BY THE CENTIMETER

J-REQUIRED ONLY WHEN HYDRAULIC TANK IS FILLED WITH HYDO ADVANCED 10 OIL

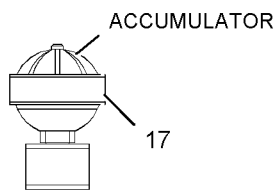
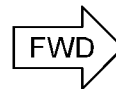
SERVICE EQUIPMENT AND SUPPLIES

275-3684 PLATE & FILM GP (contd.)

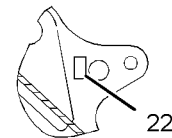
i03417840



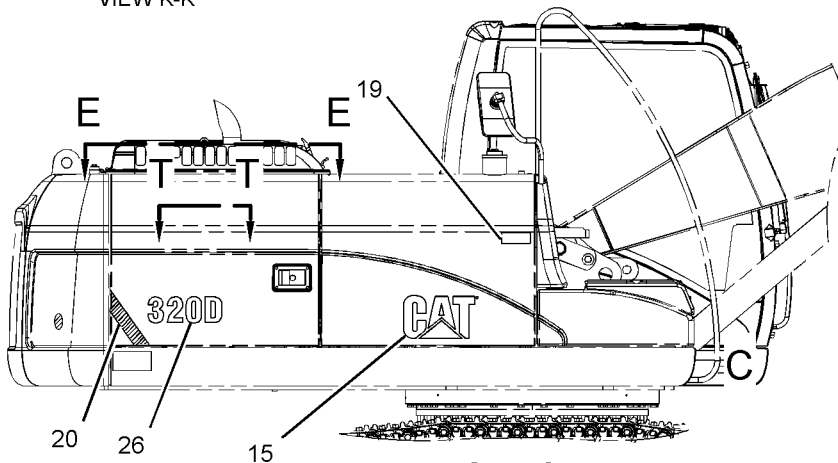
TOP VIEW



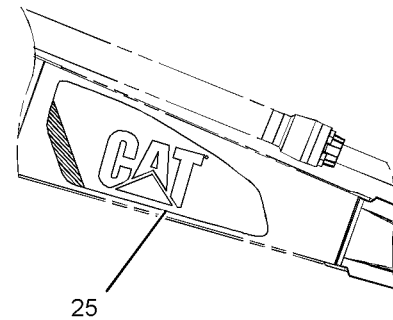
VIEW K-K



VIEW V-V



RIGHT SIDE VIEW



REFER TO ALL ILLUSTRATIONS OF THIS GROUP FOR AUXILIARY VIEWS

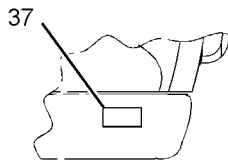
GRAPHIC #1

g01768238

SERVICE EQUIPMENT AND SUPPLIES

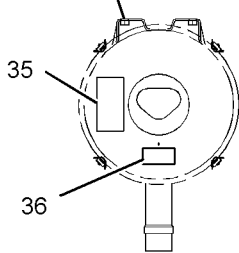
275-3684 PLATE & FILM GP (contd.)

i03417840

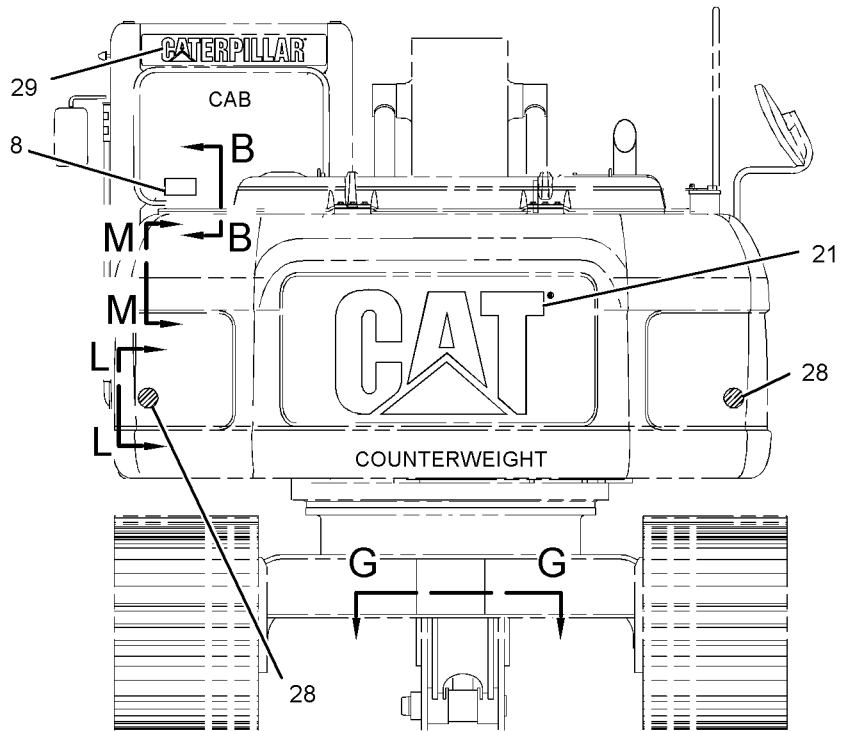


VIEW OF AREA C

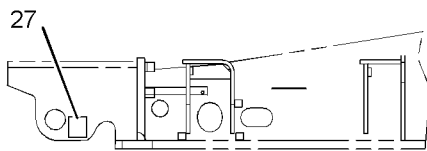
AIR CLEANER



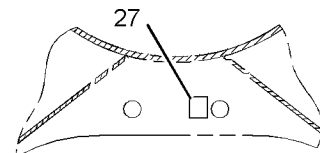
VIEW M-M



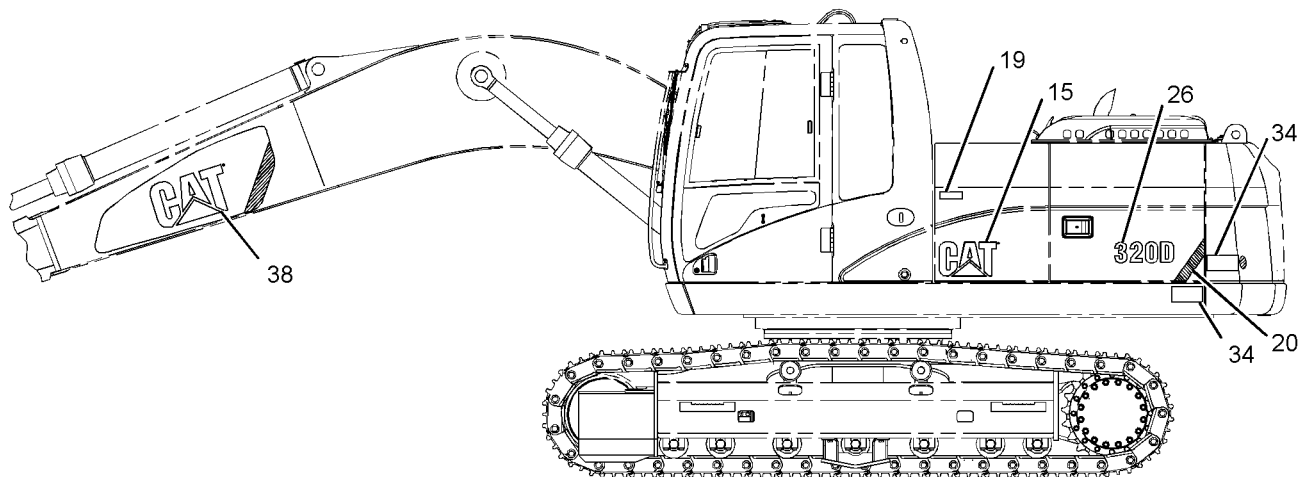
REAR VIEW



VIEW F-F



VIEW G-G



LEFT SIDE VIEW

REFER TO ALL ILLUSTRATIONS OF THIS GROUP FOR AUXILIARY VIEWS

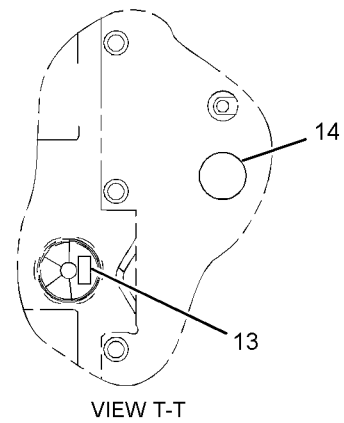
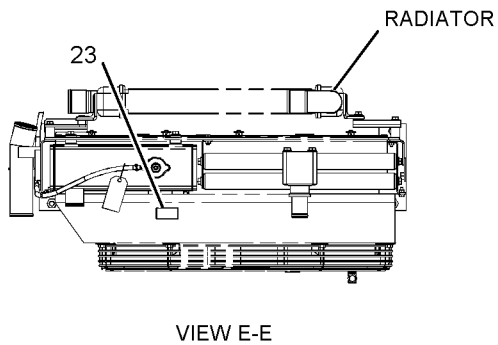
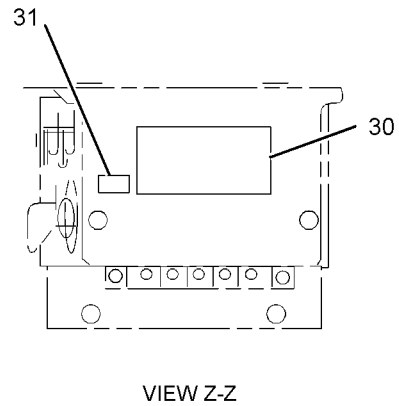
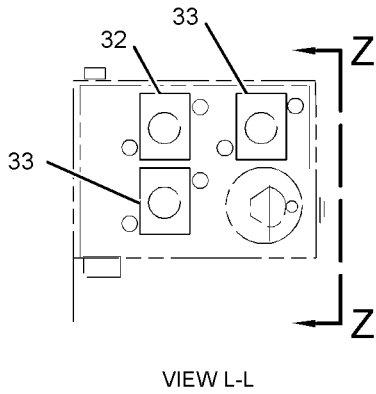
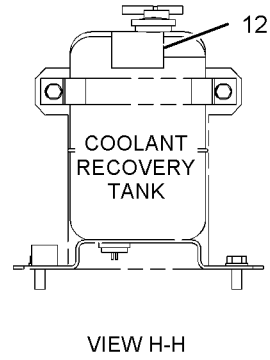
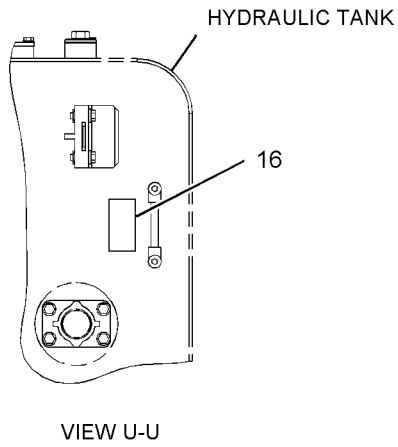
GRAPHIC #2

g01307981

SERVICE EQUIPMENT AND SUPPLIES

275-3684 PLATE & FILM GP (contd.)

i03417840



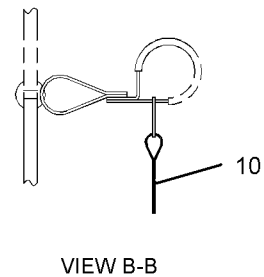
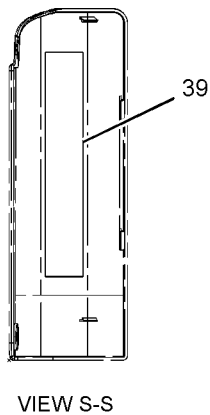
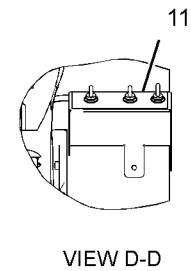
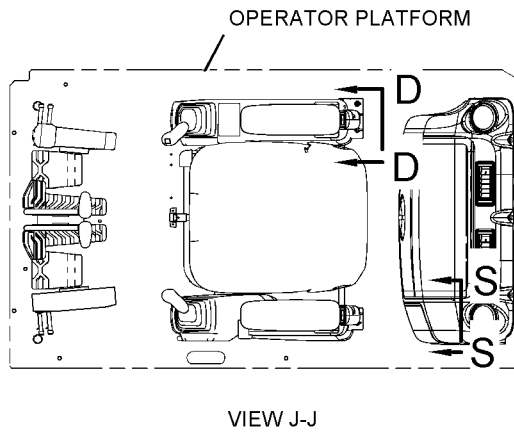
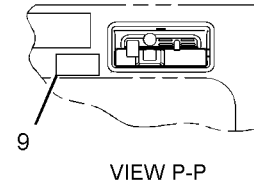
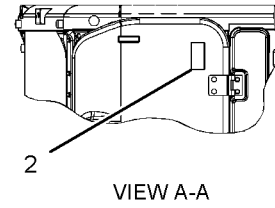
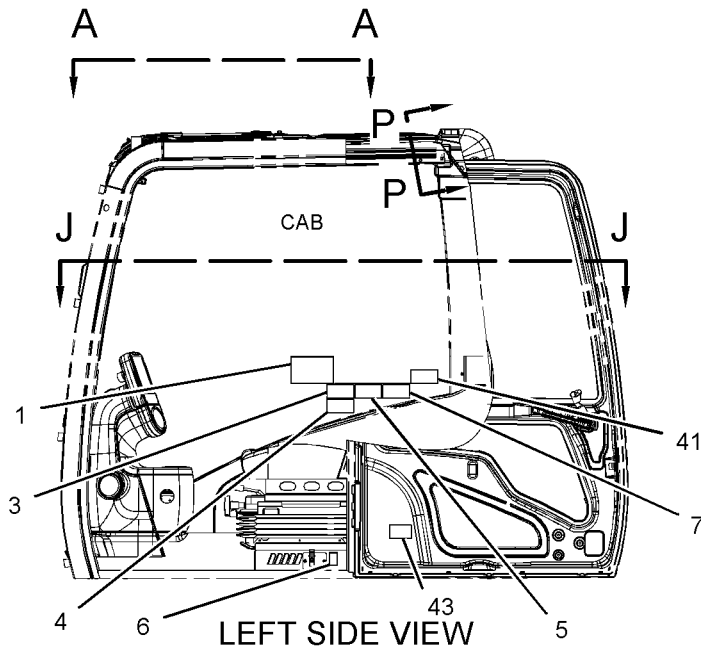
GRAPHIC #3

g01303348

SERVICE EQUIPMENT AND SUPPLIES

275-3684 PLATE & FILM GP (contd.)

i03417840



GRAPHIC #4

<END>

g01768273

MEMORANDA

PART NUMBER INDEX

Part	Page	Part	Page	Part	Page	Part	Page
1		1R-9958	281	2S-5926	322	3D-2891	616
1D-4635	689	1S-0812	287	2T-2991	54		357
1H-3338	202		204	2U-2552	713		359
1M-6119	151	1S-7252	205	2Y-5503	380		361
	152		151				363
	158		152				393
	159		158				398
	165		165				401
1M-6120	151	1U-3252	692	3B-0551	139	3D-9143	250
	152	1U-3351	697		141	3E-2310	511
	158	1U-3352	691		143		514
	159	1U-8846	243		145		518
	165		277	3B-4501	173		522
1P-2807	812		377		174	3E-2338	243
	817		379	3B-4505	47	3E-3217	318
	822		380		49	3E-3371	505
	827		532		60	3E-3383	207
1P-3702	438		534		64	3E-4297	387
	440				100	3E-5169	241
	441				167	3E-6910	541
	444				754	3E-7389	205
	448	2A-5222	59	3B-4509	434	3E-8020	718
	452	2B-0858	560	3B-4618	435	3E-8320	186
	456	2C-9259	668		282		188
	460		676	3B-8489	288	3E-9872	805
	563		679		276	3E-9874	718
	573		679		277	3F-9556	201
	591		680		357	3J-1907	114
	606		681		359		131
1P-3703	409		682		361		132
	416	2D-6642	683		363		134
	419	2G-8767	545		365		136
	421		151		366		139
	423	2H-3814	158		369		141
	425	2H-3922	65		371		143
	426	2H-3922	200		373		145
	430	2J-3507	687		643		147
	432		689		644		341
	438	2L-8076	206		645		393
	440	2M-0849	777		647		398
	441	2M-9780	391		651		401
	444		526		653		430
	448		528		658		432
	452		532		660		471
	456		534		661		472
	460		546		663		475
	463		575	3D-2824	206		476
	464		578		430		479
	467	2P-2537	54		432		481
	532	2R-1498	114		443		482
	534	2S-2596	585		447		487
1P-3704	419	2S-3440	53		451		488
	421		64		452		493
	423	2S-4078	125		455		494
	428		139		456		497
1P-3705	421		141		459		498
1P-5765	438		143		460		501
1P-5767	419		145		505		502
	421		206		526		505
	423		443		528		507
	54		447		560		509
1R-0739	109		451		612		511
1R-0751	718		455		613		514
1R-5998	113		459		614		517
1R-6573			565		615		518

PART NUMBER INDEX

Part	Page	Part	Page	Part	Page	Part	Page
	521		151	4I-0379	114		641
	522		158	4I-0420	796	4I-3503	769
	532		171		797		773
	534		191	4I-0818	481	4I-3510	612
	538		193		487		613
	543		197		493		616
	560		203		497	4I-3569	578
	578		210		501	4I-3615	357
	587		214	4I-0836	481		359
	589		215		487		361
	592		220		493		363
	617		221		497	4I-3621	434
	619		224		501		435
	630		226	4I-1022	552	4I-3627	369
3J-7354	525		228	4I-1025	509		371
	560		232	4I-1037	481		373
	598		233		487	4I-3628	369
3K-0360	338		236		493		371
	377		238		497		373
	430		240		501	4I-3631	369
	432		241	4I-1205	718		371
	443		700	4I-1206	718		373
	447		702	4I-1536	▶333	4I-3941	517
	452		766		336		521
	456		767	4I-1539	333	4I-3953	479
	460		795		340	4I-3981	479
	464	3T-4004	214	4I-1631	479	4I-3988	517
	467	3T-5760	151	4I-1671	514		521
	471		158	4I-1674	425	4I-3994	479
	475	3T-7528	387		426	4I-4270	718
	482	3W-6399	795		428	4I-4286	754
	488	3Y-9267	598		430		756
	493				432	4I-4300	803
	494				425	4I-4392	718
	497			4I-1676	426	4I-4543	643
	498				428		645
	501	4B-2049	206	4I-1704	507		647
	502	4B-4158	319		509	4I-4544	643
	505		320	4I-1739	481		645
	526	4B-7739	560		487		647
	528	4B-9783	617		493	4I-4580	769
	532		619		497		773
	534	4B-9880	366		501	4I-4618	641
	538		369	4I-1780	481		658
	539		371		487	4I-4809	635
	546		373		493		637
	552		618		497		639
	560	4D-1836	241		501		660
	585	4H-6112	379	4I-1878	517		661
	587	4I-0006	258		521		663
	589		259	4I-2187	250	4I-4811	660
3K-0835	204	4I-0117	281	4I-3038	203		661
	205		287	4I-3063	718		663
	689	4I-0118	281	4I-3090	719	4I-4812	274
3K-5234	17		287		805	4I-5049	794
3P-1896	67	4I-0232	281	4I-3123	718	4I-5394	560
3P-9847	69		287	4I-3144	718	4I-5409	1
	71	4I-0378	131	4I-3266	783		2
	73		132	4I-3308	635		▶176
	67		134		637	4I-5490	560
3S-2093	69		136		639	4I-5556	436
	71		139		641	4I-5862	333
	73		141	4I-3309	635		340
	99		143		637	4I-5906	481
	118		145		639		487

PART NUMBER INDEX

Part	Page	Part	Page	Part	Page	Part	Page
	493		501	4J-0527	464		159
	497		511		467		165
	501		514		560		600
4I-5933	481		517	4J-5267	437		601
	487		521		441		699
	493	4I-9524	471		560		787
	497		475	4J-5268	441		788
	501		479	4J-5309	578		791
4I-6054	479		481	4J-7385	604		792
4I-6365	595		487		605	5C-7793	718
4I-6397	575		493	4J-7386	604	5C-7883	152
	578		497		605		159
4I-6608	643		501	4J-7533	387	5C-8138	795
4I-6610	643		511		538	5C-8312	797
4I-7554	94		514		567	5C-9553	186
4I-7714	613		517		578		188
4I-7745	430		521		587		250
	432	4I-9525	471		589		282
4I-7889	224		475	4J-8998	563		288
4I-8019	281		479		573		560
	287		481		606		700
4I-8267	334		487	4K-1388	604		702
	822		493		605	5D-1026	380
4I-8472	812		497	4K-8864	152		769
	817		501		159	5D-4822	763
	822		511		165	5D-8159	75
	827		514		482		77
4I-8785	438		517		489		79
4I-8789	428		521		494	5G-2247	318
	463	4I-9526	471		498	5H-5672	557
4I-8864	357		475		502	5H-8624	525
	359		479	4N-9170	277	5H-8936	644
4I-8869	369	4I-9527	471	4P-7428	152	5I-3523	658
	371		475		159	5I-3878	152
	373		479	4P-7581	152		159
4I-8965	587		481		159	5I-4076	481
	589		487		215		487
4I-9521	114		493		221		493
	471		497		472		497
	475		501		476		501
	479		511	4S-1962	769	5I-4111	604
	481		514		773		605
	487		517	4T-3148	578	5I-4174	438
	493		521	4T-5074	578		440
	497		526			5I-4396	481
	501		528				487
	517	4I-9528	471				493
	521		475				497
4I-9522	471		479	5A-3604	122		501
	475		481	5B-5947	51		509
	479		487	5B-9304	106		511
	481		493	5C-2889	173		514
	487		497		174	5I-4915	22
	493		501	5C-2890	109	5I-4940	53
	497	4I-9664	17		116	5I-4983	28
	501		22		188	5I-4993	35
	517		23		202	5I-5005	26
	521	4J-0519	591		210	5I-5038	56
4I-9523	471	4J-0520	408		215	5I-5181	20
	475		415		224	5I-5597	28
	479		575	5C-6074	206		32
	481	4J-0524	464	5C-6108	123		53
	487		467		206		102
	493		570	5C-7261	60	5I-7090	747
	497		571		152		748

5

PART NUMBER INDEX

Part	Page	Part	Page	Part	Page	Part	Page
5I-7233	436	5I-7987	149		467		489
5I-7235	▶643	5I-7997	149	5K-9242	644		494
	648	5I-8009	17	5K-9243	277		498
5I-7236	643	5I-8010	64		643		502
5I-7238	644	5I-8021	102		644	5P-7464	526
5I-7239	644	5I-8023	102		645		528
5I-7505	17	5I-8040	104		647	5P-7465	526
	51	5I-8056	64	5L-3233	84		528
5I-7523	17	5I-8058	59		85	5P-7468	444
5I-7525	17		109		91		448
5I-7528	17	5I-8066	51		92		452
5I-7529	17	5I-8067	35	5L-4758	341		456
5I-7540	41	5I-8080	149	5L-6326	65		460
	42	5I-8086	149	5P-0743	57		464
5I-7549	100	5I-8087	149		58		467
5I-7550	100	5I-8088	149	5P-0747	151	5P-7469	444
5I-7558	29	5I-8089	149		158		448
5I-7559	29	5I-8090	149		165		452
5I-7561	59	5I-8094	149	5P-0761	151		456
5I-7587	106	5I-8095	149		152		460
5I-7588	20	5I-8097	149		158		464
5I-7589	▶93	5I-8098	149		165		467
	106	5I-8270	151	5P-0767	380	5P-7958	776
	34		158		770	5P-8196	54
5I-7599	34		165		774	5P-8292	794
5I-7601	100	5I-8416	▶334	5P-1075	250	5P-8309	297
5I-7602	106		336		273	5P-8444	464
5I-7610	29	5I-8417	543	5P-1076	280		467
5I-7623	59	5I-8426	543		308	5P-8500	128
5I-7630	45	5I-8510	423		430		129
	47	5I-8511	587		432		776
	49		589	5P-1296	525	5P-9085	769
5I-7632	29	5I-8623	543	5P-1442	99	5P-9297	179
5I-7633	104	5I-8625	543		114		182
5I-7642	56	5I-8670	384	5P-2568	630	5P-9617	54
5I-7645	53	5I-8708	481	5P-3108	604	5P-9909	67
5I-7646	64		487		605		69
5I-7650	11		493	5P-4115	186		71
	12		497		188		73
	13		501		282		
5I-7654	20		501		282		
5I-7655	64	5I-8853	479	5P-4116	152		
5I-7656	29	5I-9368	151		159		
5I-7660	28		158		250	6D-0692	243
5I-7666	35	5K-3294	769		728	6D-1641	54
5I-7667	37	5K-8451	114		733		769
5I-7677	102	5K-9090	390	5P-4924	114		773
5I-7678	102		406		131	6D-3479	518
5I-7679	104		409		132		522
5I-7683	29		416		134		769
5I-7683	29		428		136		773
5I-7690	60		430		139	6D-4636	114
5I-7691	60		432		141	6D-7889	122
5I-7696	65		441		143	6D-9157	525
5I-7697	65		443		145		560
5I-7724	17		444	5P-4961	99	6E-2163	585
5I-7725	53		447	5P-5998	203	6E-2271	572
5I-7735	64		448	5P-6271	215		583
5I-7750	32		451	5P-7175	114		585
5I-7784	20		452	5P-7462	482	6E-2274	573
5I-7785	20		455		489		575
5I-7786	20		456		494		578
5I-7787	20		459		498	6E-2745	550
5I-7788	20		460		502	6E-2746	550
5I-7789	20		463	5P-7463	483	6E-3653	578
5I-7867	64		464				
5I-7985	149						

6

PART NUMBER INDEX

Part	Page	Part	Page	Part	Page	Part	Page
6E-4793	550	6P-2216	282	6V-5683	713		589
6E-4816	▶550		288	6V-7238	377		619
	575	6P-8855	769	6V-7357	742	6V-8398	391
6E-5169	578	6T-9442	204		769		430
6E-5643	578	6V-0400	419		770		432
6E-5731	573		421		773		464
	575		423		794		467
	578		425	6V-7636	718		471
6F-0253	204		426	6V-7658	312		475
	205		441		387		482
6F-4855	392		464	6V-7661	317		488
6F-7045	200		467	6V-8186	201		493
6F-7556	29		525	6V-8187	186		494
6F-7557	29		532		188		497
6G-2256	152		534	6V-8200	393		498
	159	6V-0683	483		398		501
6G-2263	152		489		401		502
	159		494		530		505
6I-1418	167		498		531		526
6I-2501	85		502	6V-8202	784		528
	92	6V-0852	505	6V-8218	612		532
6I-2502	85		511		613		534
	92		514		616		620
6I-5298	744		518	6V-8231	28		622
	745		522		34	6V-8400	593
6I-5470	719		560		104		598
6I-6033	281	6V-1874	444		805	6V-8467	375
	287		448	6V-8236	29	6V-8624	526
6I-6354	679		452	6V-8337	595		528
	680		456	6V-8362	209	6V-8625	430
	681		460	6V-8378	201		432
	682	6V-2369	186	6V-8397	391		482
	683		188		430		488
6I-6355	679	6V-2722	165		432		493
	680	6V-3265	769		471		497
	681		773		472		501
	682	6V-3342	644		475		532
	683	6V-3922	575		476		534
6I-6356	679		578		479	6V-8635	390
	680	6V-3965	505		481		428
	681		511		482		443
	682		514		483		451
	683		518		487		455
6I-6371	687		522		488		463
6I-6404	676		560		489	6V-8636	430
6I-6405	676	6V-4298	385		493		432
6I-6406	676	6V-5049	197		494		471
6I-6583	243	6V-5200	540		495		475
6I-6585	243	6V-5210	173		497		482
6I-6721	428		174		498		488
6I-6795	612		215		501		494
	613	6V-5215	11		502		498
	616		12		505		502
6J-2680	526		13		507		505
	528		29		509		507
	560		109		511		509
6K-0806	749	6V-5266	54		514		517
	750	6V-5393	578		517		521
6K-8178	152	6V-5556	578		518	6V-8637	526
	159		607		521		528
	165	6V-5597	573		522	6V-8639	464
6L-3616	643		575		526		482
	644		578		528		488
	645	6V-5645	186		532		494
	647		188		534		498

PART NUMBER INDEX

Part	Page	Part	Page	Part	Page	Part	Page
	502		526		447	7I-2673	67
	505		528		452		69
	526	6V-9004	443		456		71
6V-8713	54		447		460		73
6V-8716	451		452	6V-9844	532		91
	455		456		534		92
	459		460	6V-9850	430		151
6V-8721	532		505		432		158
	534	6V-9005	443		482		179
6V-8724	471		447		488		181
	475		451		494		182
	479		456		498	7I-6843	651
	482		460		502	7I-7131	558
	488	6V-9007	443	6V-9854	443	7I-8084	618
	494		447		447		623
	498		451		451		624
	502		455		455	7J-9933	607
	505		459		459	7K-1181	54
	507		505	6V-9875	443		123
	509		526		447		125
	511		528		451		151
	514	6V-9008	464		455		158
	517		467		459		171
	521	6V-9491	191	6V-9876	526		210
	532		193		528		220
	534	6V-9672	215	6W-6005	151		221
6V-8774	482	6V-9746	412		158		224
	488		413		165		226
	494		425	6W-7293	769		228
	498		426		773		230
	502		428	6Y-0473	318		232
6V-8781	479		430	6Y-8186	313		233
	482		432		314		238
	488		436				241
	493		443				471
	497		447				475
	501		451				479
6V-8784	452		452	7C-1493	54		481
	456		455	7F-8268	318		487
	460		456	7G-1060	241		493
6V-8936	391		459	7G-5984	464		497
6V-8978	612		460		467		501
	613		463	7G-5985	464		505
	616		505		467		511
6V-9001	430		526	7G-5986	464		514
	432		528		467		517
	471	6V-9829	511	7H-3171	312		521
	475		514		317		526
	482		518	7I-0375	769		528
	488		522		773		532
	494	6V-9836	482	7I-0717	255		534
	498		488		260		736
	502		493		261		767
	507		497		262		770
	509		501		263		773
	517		511		264	7M-7410	539
	521		514	7I-0966	607	7M-8485	243
6V-9002	467		518	7I-1026	563		390
	471		521	7I-1248	573		428
	475	6V-9837	430		575		430
	482		432		578		432
	488	6V-9839	452	7I-2272	393		443
	494		456		538		444
	498		460		539		447
	502	6V-9840	443		579		448

7

PART NUMBER INDEX

Part	Page	Part	Page	Part	Page	Part	Page
	451		256		320	7Y-4399	511
	452		257	7Y-1781	321		514
	455		258	7Y-1863	277	7Y-4538	419
	456		259	7Y-1924	152		421
	459	7X-2619	152		159		423
	460		159	7Y-1976	67	7Y-4817	558
	463		188		69	7Y-4868	425
	464		236		71		426
	467		238		73		428
	552	7X-2621	152		75		436
	567		159		77		437
	575		171		79	7Y-5074	410
	579		210	7Y-2219	▶664		411
7N-0719	186		241		668	7Y-5219	579
	188		579		669	7Y-5221	543
	▶200	7X-7644	812		670	7Y-5226	152
7N-3718	181		817		671		159
7T-6799	209		822		672	7Y-5247	464
7T-8890	795		827		673		467
7W-3556	35	7X-7700	134	7Y-2292	255	7Y-5272	341
7W-9028	54	7X-7729	67		264	7Y-5456	151
7X-0578	718		69	7Y-2853	281		158
	797		71		287	7Y-5458	207
7X-0796	28		73	7Y-2854	282		208
	29		118		288	7Y-5464	207
	34		464	7Y-3470	805		208
	51		467	7Y-3472	805	7Y-5505	214
7X-0818	24		700	7Y-3474	795	7Y-6402	▶684
	152		702	7Y-3721	412	7Y-6442	437
	159	7Y-0059	1	7Y-3729	452	7Y-6510	437
	509		2		455	7Y-6511	437
7X-0851	688		▶776		459	7Y-6601	675
7X-2459	511	7Y-0063	258	7Y-3730	441	7Y-6627	658
	514		259	7Y-3731	416	7Y-6641	654
	517	7Y-0223	243		443	7Y-6649	654
	521	7Y-0225	243		447	7Y-6660	▶678
7X-2532	33	7Y-0252	377		451		684
7X-2533	152	7Y-0357	687		455	7Y-6661	678
	159	7Y-0358	687		459	7Y-6664	678
	732	7Y-0366	▶687	7Y-3732	463	7Y-6665	678
	773	7Y-0463	344	7Y-3820	151	7Y-6666	678
7X-2535	118	7Y-0466	344	7Y-3919	766	7Y-6667	678
7X-2536	321	7Y-0467	344	7Y-3920	766	7Y-6668	678
	747	7Y-0468	344	7Y-3951	214	7Y-7364	805
	748		345	7Y-3952	214	7Y-7904	436
7X-2544	464		595	7Y-3954	214	7Y-7955	511
	467	7Y-0633	274	7Y-3955	214	7Y-8036	428
7X-2549	421	7Y-0682	322	7Y-3958	214	7Y-8099	575
7X-2553	421	7Y-0729	▶688	7Y-4193	479	7Y-8165	153
	525	7Y-1426	243	7Y-4199	517		159
	783	7Y-1430	243		521	7Y-8167	114
7X-2554	67	7Y-1431	243	7Y-4202	545		153
	69	7Y-1432	243	7Y-4212	545		159
	71	7Y-1433	243	7Y-4213	545	7Y-8379	505
	73	7Y-1434	243	7Y-4215	545	7Y-8436	611
7X-2557	552		377		552	7Y-8437	611
7X-2558	540	7Y-1558	243	7Y-4216	545	7Y-8463	749
7X-2562	248	7Y-1607	305	7Y-4217	546		750
7X-2563	380		▶315	7Y-4222	546	7Y-8487	481
7X-2565	315	7Y-1608	304	7Y-4224	545		487
	316		▶316	7Y-4234	545		493
7X-2568	243	7Y-1647	277	7Y-4267	543		497
7X-2576	380	7Y-1648	277	7Y-4268	543		501
7X-2583	253	7Y-1650	277	7Y-4390	479	7Y-8561	733
	254	7Y-1746	319		534		

PART NUMBER INDEX

Part	Page	Part	Page	Part	Page	Part	Page
8							
8C-3206	408	8M-2773	647		361		440
	415	8N-0869	773		363		441
8C-3445	54		152	8T-1687	528		444
8C-3446	54	8P-9770	158	8T-1779	482		448
	560		676		488		452
8C-3451	560		677		493		456
8C-5917	152		679		497		460
	158		680		501		464
	165		681		532		467
8C-5918	151		682		534		472
	158	8S-0934	683	8T-1905	505		476
	165		786		511		483
8C-6354	215	8S-1812	206		514		489
8C-6965	598	8S-1814	206		518		495
8C-8992	308	8S-1815	206		522		499
8E-3752	▶690	8S-4723	786	8T-2920	526		503
	694	8S-4724	786		528		518
8E-4359	312	8T-0075	511	8T-3008	566		522
8E-5031	318		514		567		532
8E-5032	318		517	8T-3647	728		534
8E-5035	318	8T-0078	521		769		551
8E-5037	318		452		773		558
8E-5599	318		456	8T-3653	434		560
8E-5600	315		460		435		573
	316	8T-0114	747	8T-4121	53		575
	▶317		748		54		579
8E-5601	317	8T-0198	447		65		643
8E-5602	317		459		67		644
8E-5604	317	8T-0266	726		69		645
8E-5605	317	8T-0267	560		71		647
8E-5606	317	8T-0286	153		73		700
8E-5607	317		159		75		702
8E-5608	317	8T-0288	623		77		728
8E-6258	692		624		79		732
8E-6259	692		626		81		733
8E-6792	317		628		82		736
8E-6793	317	8T-0328	131		95		743
8E-8585	313		132		99		747
	314		134		114		748
8E-8586	313		136		118		765
	314		139		153		766
	314		141		159		769
8E-9805	248		143		165		773
8F-1434	201		145		171		780
8H-3481	793		147		179		783
8H-5303	200		153		181		789
8H-5306	200		159		182		790
8H-9819	560		186		184	8T-4123	33
8J-1256	153		188		185		243
	159		215		197		274
8J-4645	552		236		210		307
8J-4954	▶697		238		221		315
	698		293		230		316
8J-4955	▶691		385		232		380
	693		700		235		635
8J-9236	206		702		241		637
8L-2779	122	8T-0343	593		277		639
8L-8413	158	8T-0360	277		282		641
	165	8T-0362	277		288		658
8M-2770	153	8T-0380	688		419		660
	159	8T-1158	593		423		661
8M-2772	643		598		430		663
	644	8T-1159	317		432	8T-4127	215
	645	8T-1447	357		437	8T-4131	393
			359		438		397

PART NUMBER INDEX

Part	Page	Part	Page	Part	Page	Part	Page
	401		743		426		423
8T-4132	651		747		428		448
	653		748		430		456
8T-4133	114		769		432		460
	118		773		436		464
	153	8T-4137	29		437		467
	159		54		464		482
	165		67		467		488
	179		69		503		495
	181		71		526		499
	182		73		528		560
	250		75		552	8T-4184	419
	393		77	8T-4140	128		421
	397		79		129		423
	401		81		310		425
	437		82		311		426
	557		95		552		532
	593		114		562		534
	598		118		591		728
	645		153	8T-4167	380	8T-4185	51
	647		159	8T-4171	171		79
	654		167		186		153
	733		184		188		159
8T-4134	805		185		221		437
8T-4136	54		197		230	8T-4186	54
	67		221		735		464
	69		235	8T-4172	29		467
	71		241		483	8T-4189	24
	73		277		489		63
	79		282		495		75
	95		288		499		77
	114		319		503		282
	153		320		728		288
	159		472	8T-4175	553		509
	230		476	8T-4176	444		733
	235		483		448		794
	277		489		452	8T-4190	179
	393		495		456		181
	398		499		460		182
	401		503		553		714
	444		552	8T-4177	512	8T-4191	17
	448		560		514		99
	452		700		518		153
	456		702		522		159
	460		732	8T-4178	430		165
	464		733		432		221
	467		747	8T-4179	255		232
	472		748		264		274
	476		769		321		518
	483		773		658		522
	489	8T-4138	282		714		643
	495		288		733		644
	499		769	8T-4182	118		645
	503		773		153		647
	518	8T-4139	33		159		743
	522		67		430		766
	532		69		432		769
	534		71		438		773
	552		73		440		783
	558		87	8T-4183	33		789
	560		89		94		790
	587		419		280	8T-4192	165
	589		421		377		280
	700		423		419		430
	702		425		421		432

PART NUMBER INDEX

Part	Page	Part	Page	Part	Page	Part	Page
	481	8T-4199	153		495		123
	487		159		499		125
	495		236		503		173
	499		238		512		174
	503		277		515	8T-4648	421
	512	8T-4200	24		518		428
	515		67		522		430
	518		69		525		432
	522		71		526	8T-4779	718
	553		73		528	8T-4780	274
	777		122		530		635
8T-4193	591		177		531		637
	664		250		532		639
	666		769		534		641
8T-4194	123		773		560		658
	125	8T-4205	186		570		660
	385		188		571		661
	419	8T-4223	32		635		663
	421		33		637	8T-4896	434
	423		67		639		435
	441		69		641		439
	464		71		658		530
	467		73		714		531
	525		87		728	8T-4908	79
8T-4195	75		89		733		282
	77		94	8T-4224	14		288
	79		123		24		560
	114		125		54	8T-4910	430
	153		165		63		432
	159		173		67		439
	221		174		69		463
	273		231		71		530
	437		250		73		531
	551		255		75		714
	560		264		77	8T-4944	546
	573		280		79	8T-4956	419
	575		282		118		423
	579		288		167		444
	736		377		177		448
	765		385		236		452
	780		393		238		456
8T-4196	75		398		250		460
	77		401		282		463
	79		419		288		464
	153		421		509		467
	159		423		512		526
	393		425		515		528
	398		426		518		560
	401		428		522		635
	434		430		560		637
	435		432		699		639
	439		436		728		641
	444		437		747	8T-4970	177
	448		439		748		186
	452		441		769		188
	456		444		773		795
	460		448		787	8T-4971	733
	530		452		788		769
	531		456		791		770
	553		460		792		773
8T-4197	54		463		794	8T-4984	67
8T-4198	438		464	8T-4226	153		69
	440		467		159		71
	472		481		165		73
	476		487	8T-4244	94		95

PART NUMBER INDEX

Part	Page	Part	Page	Part	Page	Part	Page
8T-4986	98		208	9S-4181	444		330
8T-4987	87		210		448		331
	89		228		452		332
8T-5005	224		779		456	9W-9351	328
8T-5092	444	8T-8748	204		460		330
	448		205	9S-4182	525	9W-9455	312
	452	8T-8799	151	9S-4185	443	9X-1813	195
	456	8T-9403	430		447	9X-2041	718
	460		432		452		738
8T-5460	307		440		456		740
8T-5878	315		441		460		753
	316	8T-9598	39		526	9X-2042	215
8T-6411	177		40		528		228
8T-6412	177		65		546		718
8T-6466	118	8T-9756	151		553		722
	153		158	9S-4188	54		724
	159		165	9S-4191	393		740
	518	8T-9757	151		398		754
	522		158		471		756
	654		165		475		762
	728	8Y-6352	722		482		763
8T-6685	29		724		488		797
	419	8Y-6967	714		494		805
	423				498	9X-2043	736
	579				502	9X-2044	215
8T-6693	215	9			507		718
	293				509		793
	385	9B-4499	206		589		797
8T-6703	67	9B-7233	209		592		805
	69	9F-2167	430	9S-6130	139	9X-2045	718
	71		432		141		736
	73		463		143		797
	95	9F-5644	200		145	9X-2046	778
	470	9G-0002	151		565		793
8T-6759	539		158	9S-8001	538	9X-2201	98
	558		165	9S-8004	114		525
	579	9G-0003	151		538	9X-2205	134
	593		158		587	9X-2404	366
	598		165		630	9X-2480	168
	625	9G-0004	152	9S-8005	538	9X-3401	35
	626		158		539		195
	628		165		587		208
8T-6842	812	9G-0005	151		589		228
	817		158	9T-0835	552		471
	822		165	9T-4506	550		475
	827	9G-4343	186	9W-0335	214		505
8T-6868	570		188	9W-0625	204		507
	571		214	9W-0852	221		509
	714	9G-7641	191		228		518
8T-6870	518		193	9W-1951	215		522
	522		▶209	9W-2142	318		560
8T-6912	153	9G-8909	151	9W-2201	312		779
	159		158	9W-3137	313	9X-3463	173
8T-7087	464	9J-0705	550		314		174
	467	9J-3169	684	9W-3138	313		175
			▶692		314	9X-3495	236
8T-7338	300		54	9W-3361	327		238
8T-7547	54	9L-9188	593		328	9X-4184	205
8T-7811	630	9M-5590	123		329	9X-6032	434
8T-7964	45	9M-7958	125		330		435
	47		114		331		439
	49	9M-8406	690		332	9X-6153	713
8T-7971	560	9N-4352	114	9W-3619	327	9X-7298	375
8T-8729	148	9S-4167	387		328	9X-8256	109
	730	9S-4180	578		329		116
8T-8737	207						

PART NUMBER INDEX

Part	Page	Part	Page	Part	Page	Part	Page
	118	033-8248	643	087-4743	545		658
	152		645	087-4757	545		660
	159		647	087-4786	545		661
	168	061-7539	109	087-5166	587		663
	171	085-6444	803		589	093-0357	658
	177	085-6447	803	087-5303	479	093-0363	274
	186	085-6448	803	087-5708	593		635
	188	085-6449	803		598		637
	210	085-6452	719	087-5709	593		639
	215	085-7329	152	087-5760	481		641
	221		159		487		658
	224	085-8604	366		493		660
	230		369		497		661
	236		371		501		663
	238		373	087-5762	481	093-1342	651
	250	085-8605	366		487	093-1344	653
	282		369		493	093-1433	365
	288		371		497		658
	560		373		501	093-1436	322
	700	085-9310	128	087-5764	517	093-1512	322
	702		129		521	093-1729	377
	732		562	087-5766	511	093-5432	75
	733	085-9429	149		514		77
	735	085-9513	16	087-5772	481	093-7521	389
	742	086-0255	357		487	094-0580	243
	769		359		493	094-0584	377
	773		361		497	094-0611	243
	793		363		501		377
	794	086-0321	664		517	094-0616	243
	795	086-0322	664		521	094-0747	357
	797	086-0523	651	087-5774	481		359
9X-8257	179	087-3908	281		487		361
	181		287		493		363
	182	087-3909	281		497	094-0876	595
	300		287		501	094-1399	545
	421	087-4402	471	087-5805	653	094-1509	377
	525		475	087-5840	643	094-1516	377
	540		507	087-5908	304	094-1528	243
	549		509		305	094-1542	243
	591	087-4411	481		▶307	094-1875	393
	664		487	087-5966	644		397
	666		493	087-5974	666		401
	714		497	087-5975	666		545
	718		501	087-5976	666		552
	783	087-4454	334	087-6585	509	094-1881	393
9X-8600	108		▶335	091-3474	45		397
	134	087-4456	▶336		47		401
			338		49	094-1882	393
		087-4531	481		100		397
			487	091-9035	152		401
			493		159		545
			497	093-0083	274		552
003-7764	114		501	093-0084	635	094-1900	543
	131		481		637	094-1920	434
	132	087-4534	487		639		435
	134		493		641	094-1931	369
	136		497	093-0115	274		371
	139		501	093-0116	635		373
	141		335		637	094-2080	214
	143	087-4575	335		639	094-4628	11
	145	087-4576	335	093-0349	274		12
012-0380	202	087-4577	335		635		13
033-5853	54	087-4683	203		637		16
033-5879	550	087-4710	593		639	094-7134	37
033-6036	550		598		641	094-7154	37
033-6038	54	087-4742	545				

PART NUMBER INDEX

Part	Page	Part	Page	Part	Page	Part	Page
094-7516	37		615	095-1717	357	096-1775	243
094-7583	104		618		359	096-1776	243
094-7741	17	095-1579	612		361	096-1777	243
094-9266	60		613		363	096-1778	243
094-9267	60		616	095-1721	369	096-1779	243
094-9424	17	095-1580	600		371	096-1780	243
094-9525	45		601		373	096-1781	243
	47	095-1582	600	095-1723	366	096-2500	109
	49		601	095-1730	560	096-2501	20
094-9725	109	095-1584	383	095-1750	620		26
094-9950	198		384		622		231
094-9980	198	095-1585	545	095-1751	620	096-2591	236
095-0085	198		567		622		238
095-0410	198	095-1586	545	095-1778	578	096-2617	744
095-0673	598		596	095-1785	608		745
095-0707	541		608		611	096-2622	754
095-0723	215		611	095-1786	612		756
095-0728	241		620		613	096-3216	357
	743		621		616		359
095-0735	747		622	095-1787	573		361
	748	095-1587	612		575		363
095-0736	131		613		578	096-3321	60
	132		616		611	096-3741	17
	134	095-1590	383	095-1788	393		45
	136		384		397		47
	139		573		401		49
	141		575	095-1789	587	096-3780	250
	143		578		589	096-3785	545
	145		600	095-2005	17	096-3786	545
	767		601	095-2038	109	096-3787	545
095-0742	215		611	095-2039	17	096-3788	545
095-0826	560		612		116	096-3884	756
	766		613	095-2927	322	096-3944	552
095-0827	735		616	095-6639	557	096-3964	357
095-0843	250	095-1594	587	095-7378	545		359
095-0863	313		589	095-7380	545		361
	314	095-1595	543	095-7382	545		363
095-0882	543	095-1596	383	095-7383	545	096-3978	545
095-0886	377		384	095-7384	545	096-3983	552
095-0891	243	095-1597	434	095-7386	545	096-4003	545
	377		435	095-7387	545	096-4035	67
095-0913	769		439	095-7930	766		69
	773	095-1600	530	095-8799	14		71
	593		531		119		73
095-0936	593		566	096-0061	57		75
095-0946	552	095-1601	567	096-0131	658		77
095-1022	377		611	096-1055	375		79
095-1260	593		566	096-1519	545	096-4129	293
	598	095-1602	566	096-1521	545	096-4255	312
095-1270	243		567	096-1522	545	096-4295	318
095-1386	114	095-1603	578	096-1523	545	096-4376	545
095-1388	57	095-1608	560	096-1545	630	096-4377	545
	58	095-1625	375	096-1567	357	096-4378	545
095-1519	392		558		361	096-4402	357
095-1543	75	095-1657	567	096-1568	357		359
	77	095-1681	387		361		361
095-1547	565	095-1685	545	096-1570	369		363
095-1572	545	095-1698	607		371	096-4412	439
095-1575	545		625		373	096-4447	531
	578		626		369	096-4480	439
	598		628	096-1571	369		530
095-1576	625	095-1700	545		371	096-4498	595
	626		566		373	096-4747	688
	628		567	096-1628	595	096-4748	688
095-1578	593	095-1704	322	096-1773	243	096-4755	380
	614	095-1716	558	096-1774	243		

PART NUMBER INDEX

Part	Page	Part	Page	Part	Page	Part	Page
096-4876	651		116		598		455
096-4883	464	099-4460	231	099-6144	593		459
	467	099-5041	109		598	102-7964	214
096-4902	277		116	099-6145	593	102-8016	214
096-5625	369	099-5572	366		598	102-8802	35
	371	099-5573	366	099-6418	270		131
	373	099-6109	393		271		132
			397		272		134
096-5915	545		401	099-7127	214		136
096-5916	545	099-6110	393	099-7857	733		139
096-5919	545		397	099-8232	443		141
096-5962	215		401		447		143
096-5969	700	099-6111	393		451		145
096-6166	191		397		455		148
	193		401		459		151
	215	099-6112	393				188
	241		397				191
	743		401				201
096-6210	366	099-6113	393				202
	369		397				241
	371		401	100-3866	549		241
	373		401	100-4336	769		471
096-7803	357	099-6115	393		773		475
	359		397	101-2846	215		507
	361		401	101-7397	441		509
	363	099-6117	393		443		518
			397		447		522
096-8490	102		401		451		560
096-8569	14	099-6118	393		455	102-8803	151
096-8619	64		397		459		203
096-9435	29		401	101-7398	430		215
096-9528	29	099-6119	393		432		233
096-9532	29		397		463	102-8804	151
	64		401		443		196
099-0139	803		393	101-7401	447		241
099-0596	375	099-6120	397		451	102-8805	24
099-0600	375		401		455		207
099-0699	375	099-6121	393		459	102-8806	228
099-0700	375		397	101-7402	443	103-2529	151
099-0707	651		401		447	103-8173	578
099-0724	651	099-6122	393		451		603
099-0823	718		397		455	103-8177	578
	797		401		459	103-8236	383
099-2374	700	099-6123	393		464	103-8252	614
	702		397		467		615
099-2503	116		401	101-7403	441	103-8253	614
099-3506	763		393	101-7404	430		615
099-3607	718	099-6124	397		432	103-8254	614
099-3629	802		401		441		615
099-3645	776	099-6125	393		443	103-8255	614
099-3649	481		397		447		615
	487		401		451	103-9011	22
	494	099-6126	393		455	104-7293	572
	498		397		459		583
	502		401	101-8899	754		585
099-3669	393	099-6127	393		756	104-7294	583
	397		397		758		585
	401		401	101-8900	754	104-7296	583
099-3670	393	099-6128	393		756		585
	397		397		762	104-8838	481
	401		401		797		487
099-3671	393	099-6136	593	101-9848	293		493
	397	099-6137	593	102-0889	603		497
	401		595	102-1248	443		501
099-3913	149		598		447	104-8976	517
099-4420	17		593		451	105-2169	719
099-4437	109	099-6141	593				

1

PART NUMBER INDEX

Part	Page	Part	Page	Part	Page	Part	Page
	763		497		622	118-9785	33
105-3477	441		501	114-0706	366	118-9863	728
	443	110-5525	543	114-0710	366	118-9902	517
	447	111-0988	511	114-0711	366		521
	451		514	114-0713	366	118-9930	33
	455		517	114-0754	375	119-3253	678
	459		521	114-1398	379	119-3662	152
105-3483	441	111-4799	203	114-1399	379	119-5026	191
105-3484	481	111-4816	214	114-1497	243		193
	487	111-4836	151	114-1539	243		767
	494		158	114-1581	377	119-5388	593
	498		179	114-6285	282		598
	502		181		288	119-5389	593
105-3487	250		182	115-2677	645		598
	282		221	115-2678	645	119-5391	593
	288		235	115-8634	391		598
106-0107	191		241	115-8645	479	119-5392	593
	▶207		700	116-0114	188	119-5398	613
106-0210	207		702	116-0118	118	120-5114	123
	208	111-4837	151		151		125
106-6248	550		158		158	120-7226	647
107-6370	604		179		171	120-9027	203
	605		182		179	121-0307	54
107-6371	604		235		182	121-0987	230
	605	111-4838	151		210	121-1022	215
107-6479	593		158		221	121-1023	186
	618		241		224		188
107-6540	613	111-4839	151		232	121-1038	120
107-6541	613		158		240		151
107-6631	472		241		241	121-1039	120
	476	111-6752	532	116-0128	120	121-1168	215
	507	111-9916	393		152	121-1371	369
	509		▶620	116-0210	214	121-1372	369
107-6954	545		624	116-1628	281	121-1459	611
107-6955	545	111-9959	575		287	121-1491	538
107-6969	545	111-9998	600	116-1665	255		539
107-8618	233		601		260		578
108-4282	451	112-2481	▶689		261		▶622
	455	112-2482	▶685		262		623
	459	112-2489	685		263	121-1548	366
108-7118	532		686		264	121-1549	366
	534	112-2490	685	116-2659	87		369
108-7313	521	112-4550	233		89		371
108-7354	430	112-9717	84	116-3526	▶621		373
	432		91		626	121-1558	545
108-7373	517	113-2127	635	116-9115	648	121-1611	357
108-7375	511		637		▶654		361
	514		639	116-9129	437	121-1807	▶675
108-7516	507		641	116-9135	811	121-1811	675
	509	113-6479	409	117-1385	122	121-1865	748
108-7550	430		441	117-5540	306	121-7098	769
	432	113-6758	481	117-6306	797		773
109-2665	604	113-8490	214	117-6349	743	121-7136	726
109-2667	▶604	113-8491	214	117-6350	743		769
	606	113-8492	214	117-6356	743		773
109-5152	575	113-8493	214	118-4044	587	121-7137	769
	▶605	114-0358	690		589		773
109-5153	605		691	118-4057	545	121-7138	726
109-9313	10		695		552		769
	▶81		697	118-4086	596		773
	▶82	114-0359	690	118-4087	595	122-3979	281
109-9329	33		691	118-5982	660		287
110-5496	481		695		661	122-3980	281
	487		697		663		287
	493	114-0623	620	118-9784	33	122-4021	123

PART NUMBER INDEX

Part	Page	Part	Page	Part	Page	Part	Page
122-4101	271		507	129-7854	552		181
	272		509	129-7855	552		182
122-4120	281		522	129-7857	552	134-3296	215
	287		779	129-7859	552	134-3297	152
122-5114	545	126-1813	383	129-7863	552		215
122-5318	543	126-1865	593	129-7921	552	134-3299	114
122-9605	769		598	129-7925	552	134-7089	87
	773	126-1866	593	129-7927	552		89
122-9608	743		598	129-7978	394	134-7258	812
122-9609	743	126-1876	371		397		817
122-9610	743		373		402		822
122-9611	747	126-1935	357	129-7979	552		827
	748		359	129-8034	385	134-8948	664
122-9617	736	126-2016	552	130-0252	769	134-8950	666
122-9657	769	126-2055	543		773	135-2352	106
	773	126-5062	327	130-0270	769	135-2353	93
123-2003	385		329		773	135-2357	93
123-2008	545	126-6514	621	130-3280	87	135-2366	198
123-2430	502	126-6515	621		89	135-2369	34
	509	126-6516	621	130-7596	16	135-2370	34
	▶617	127-0580	718	131-5818	593	135-2381	149
123-2431	617	127-5937	198		598	135-8572	114
123-2485	578	127-5939	198	131-5915	595		123
123-2552	617	127-5940	198	131-8821	84		125
124-0914	531	127-5941	198		91	135-8573	123
124-1008	511	127-5943	198	131-8822	84		125
	514	127-5944	198		91		273
	517	127-5947	198	131-8824	84		281
	521	127-5948	198	131-8826	84		287
124-1019	530	127-5949	198		85	135-8575	118
124-1020	530	127-5950	198		91		281
124-1034	439	127-5952	198		92		287
124-1047	430	127-5953	198	131-8932	84	135-8576	279
	432	127-6624	▶436		91		308
124-1062	430		648	132-0999	685	135-8577	249
	432	127-6625	▶644		686		281
124-1107	421		648	132-1531	644		287
124-1108	421	127-6780	419	132-1805	151	135-8578	118
124-1212	526	127-6797	352		158		280
	528		▶437	132-1806	151		281
124-1711	81	128-2135	714		158		287
	▶84		722	132-1829	▶148	135-8965	783
124-3548	214		724		214	135-8966	783
124-3953	805		738	132-5789	118	136-0207	511
124-4009	744		740		152		514
	745	128-2136	722		159		517
124-4010	744		724		215		521
	745	128-2173	747		221	137-0856	413
125-2947	65		748		232	137-2270	777
125-2950	29	128-2686	92		766	137-3623	387
125-2968	35	128-4411	131		770	137-3624	387
125-2970	60		132		773	137-3625	387
125-2983	116		134	133-2425	274	137-3626	341
125-7874	152		136	133-5813	114		387
	221		139		471	137-3628	341
125-7875	152		141		475		387
	204		143	133-5828	430	137-3631	341
	205		145		432	137-3709	434
125-7876	188	129-3400	282	133-6777	545		435
	214		287	133-6788	626	137-5541	109
126-1767	208	129-5714	679		628	138-5708	421
	228		680	133-6904	369	139-7100	753
	471		682	133-6909	366		▶754
	475	129-5874	421	133-8016	718		▶756
	505	129-7784	557	134-3284	179	139-7101	716

PART NUMBER INDEX

Part	Page	Part	Page	Part	Page	Part	Page
	▶797	148-4644	▶377	148-8352	443		505
139-7119	800		379		447		507
139-7126	718	148-4679	247		451		509
139-7127	718		▶379		455		511
139-7814	17	148-4685	276		459		514
140-0674	603	148-4689	277	148-8353	430		517
140-0677	603	148-4703	277		432		521
141-2759	214	148-4704	277		471		532
142-3835	1	148-4705	243		475		534
	2	148-4708	243		482	148-8395	587
	▶280	148-4715	243		488		589
142-3836	1	148-4732	377		494	148-8407	471
	2	148-4733	377		498		475
	▶777	148-8323	443		502		482
142-5546	743		447		507		488
142-6582	419		451		509		494
142-7764	416		455		517		498
142-7765	406		459		521		502
142-7768	430	148-8327	526	148-8354	467		507
	432		528		471		509
142-7769	430	148-8330	447		475		589
	432		459		482	148-8411	443
143-4254	481	148-8335	390		488		447
	487		428		494		452
	493		443		498		456
	497		451		502		460
	501		455		526		526
143-8023	375		463		528		528
143-8024	375	148-8336	430	148-8355	443	148-8429	443
143-8025	375		432		447		447
143-8033	375		471		451		452
143-8149	375		475		455		456
144-0195	795		481		459		460
144-0367	98		488	148-8357	464	148-8433	482
	464		494		467		488
	467		498	148-8358	526		493
144-1636	207		502		528		497
144-9126	812		505	148-8363	526		501
	817		507		528		511
	822		509	148-8364	430		514
	827		517		432		517
145-3031	322		521		482		521
145-3035	321	148-8338	511		488	148-8435	479
145-3042	247		514		493		482
	▶248		517		497		488
145-5106	336		521		501		493
	▶337	148-8339	451		532		497
146-6747	812		455		534		501
	817		459	148-8367	430	148-8439	482
	822	148-8340	464		432		488
	827		482		482		494
147-4131	598		488		488		498
147-4184	587		494		494		502
147-4921	791		498		498	148-8443	511
147-5860	545		502		502		514
148-4632	377		505	148-8372	532		517
148-4633	377		526		534		521
148-4634	377	148-8347	443	148-8378	471	148-8444	430
148-4635	377		447		475		432
148-4636	377		451		479	148-8449	452
148-4637	377		455		482		456
148-4638	377		459		488		460
148-4640	377		505		494	149-5050	210
148-4642	377		526		498		224
148-4643	377		528		502		236

PART NUMBER INDEX

Part	Page	Part	Page	Part	Page	Part	Page
	238	153-2523	▶174	154-9024	64	158-8985	379
150-3024	114		176	155-0576	167		▶540
150-3036	505	153-2602	215	155-2260	152	158-8986	540
	511	153-2620	152		215		▶542
	514	153-2630	152		226	158-8987	▶382
	518	153-4906	54		233		560
	522	153-5223	593	155-2265	228	158-9085	▶625
150-4027	511		598	155-2270	152		627
	514	153-5239	606		191	158-9090	430
	518	153-5276	572		196		▶626
	522		583		215	159-4700	337
150-4037	532		585		221		339
	534	153-5286	575		241	159-7782	558
150-4044	482	153-5288	575	155-2271	152	159-7784	385
	488		578		241	161-3128	214
	493	153-5289	575	155-2274	191	161-3639	754
	497		578		232		756
	501	153-5290	575	155-3624	525	161-3650	754
	532		578	155-7024	769		756
	534	153-5291	575		773	161-3663	754
150-5782	552		578	155-7042	805		756
150-5797	394	153-5292	575	156-3103	93	161-3665	754
	397		578	156-6175	171		756
	402	153-5293	575		221	161-3668	805
151-1846	425		578	156-6469	802	161-3669	805
151-6703	754	153-5295	578	156-6471	754	161-3670	805
	762		▶603		756	161-3677	805
	797	153-5298	578	156-6472	762	161-3684	797
151-6704	754	153-5299	578		796	161-3685	718
	762	153-5306	578		797	161-3695	803
	797	153-5309	578	156-6473	800	161-3697	718
151-6767	753	153-5311	578	156-6474	803	161-3698	762
151-6777	753	153-5313	591	156-6475	803		796
151-6778	762		▶606	156-6554	797		797
	796	153-6237	443	156-6555	797	161-3705	803
	797		447	156-6562	797	161-3717	783
151-6785	797		452	156-6579	797	161-3750	▶794
151-6790	802		456	156-6598	754	161-3751	▶793
151-6792	754		460		756	161-6879	339
	756		505	156-6599	718	161-6880	339
	▶803	153-8623	394	156-6600	754	162-0177	587
151-6793	803		397		756	162-2168	318
151-6813	762		402	156-6601	797	162-6185	10
	797	153-8753	748	156-6617	718		▶57
151-6815	762	153-8762	747	156-6627	797	163-3729	274
	797		748	156-6631	800	163-3754	304
151-6831	762	153-8763	747	156-6642	768		305
	797		748	156-6643	754		▶308
151-6832	762	153-8798	421		756	163-3755	308
	797	154-0729	359	156-6644	754	163-4143	315
151-6841	803		363		756		316
151-6844	797	154-0730	359	156-6645	754		▶318
151-9461	754		363		756	163-6637	152
	756	154-0731	359	157-0670	64	163-6659	214
151-9497	754		363	158-4380	313	163-6699	214
	756	154-0732	359		314	163-6700	131
151-9557	797		363	158-4381	313		132
151-9576	762	154-0736	371		314		134
	797		373	158-8150	578		136
152-2938	54	154-0737	371	158-8159	573		139
152-2939	54		373		575		141
153-2521	▶173	154-0738	371		578		143
	179		373	158-8186	603		145
	181	154-0739	371	158-8206	578	163-6711	228
	182		373	158-8207	578	163-6758	214

PART NUMBER INDEX

Part	Page	Part	Page	Part	Page	Part	Page
163-6759	152		507		522		822
163-6772	▶177		509		▶623		827
163-6795	177	164-5629	507	165-9551	593	168-0765	607
	214		509	165-9552	593	168-0792	84
	226	164-6981	▶338		598	168-0794	595
	228		481	165-9553	593	168-1359	695
	795		487		598	168-6761	319
	805		493	165-9554	593		320
163-6803	214		497		598	168-8451	243
163-6813	177		501	165-9595	578	168-9523	409
163-6814	177	164-8474	714	166-1482	651	168-9759	471
164-0514	756		722	166-1486	635		475
164-0515	754		724		637	168-9760	405
	756	164-8977	481		639	168-9762	408
164-0516	803		487		641	170-2901	114
164-0517	803		493		653	170-3015	265
164-0518	803		497		658	170-3016	281
164-0519	756		501		660		287
164-0523	718	164-8983	481		661	170-6888	214
164-0527	718		487		663	170-6929	151
164-0528	718		493	166-1487	635		158
	▶768		497		637		165
164-0618	794		501		639	170-6993	173
164-0619	794	165-2823	279		641		174
164-0620	794	165-2976	268	166-1494	357	170-9324	191
164-0621	794		270		359		193
164-0639	793		271		361	170-9336	151
164-0646	722		272		363		158
	724	165-3065	777		366	170-9360	250
164-0648	797	165-3102	255		369	170-9394	215
164-0655	722		260		371	170-9417	173
	724		261		373		174
164-0664	768		262		653	170-9418	173
164-0666	802		263		660		174
164-4180	444		264		661	170-9497	▶743
	448	165-3103	255		663		782
	452		260	166-1495	635	170-9498	743
	456		261		637	170-9499	743
	460		262		639	170-9722	762
164-4858	▶108		263		641		796
	131		264		658		797
	132	165-3165	406		660	170-9724	722
	136	165-3173	409		661		724
	139	165-3185	441		663	170-9840	375
	141	165-3190	441	166-1579	645	170-9856	375
	143	165-3194	441		647	170-9938	375
	145	165-3256	560	166-3152	645	170-9941	375
164-5552	430	165-3260	526		647	171-0031	613
	432		528	167-3437	177	171-0034	612
164-5567	505	165-9282	375	167-3438	177		613
	511	165-9431	595	167-3441	▶175		616
	514	165-9435	596		177	171-0035	612
	518	165-9436	595	167-3456	177		613
	522	165-9438	596	167-3466	518		616
	560	165-9439	595	167-3542	214	171-0036	612
164-5574	452	165-9442	595		215		613
	456	165-9443	596	167-3543	214		616
	460	165-9444	595		215	171-0037	612
164-5590	560	165-9448	595	167-3593	214		613
164-5606	452	165-9460	595	167-7018	718		616
	456	165-9463	593	167-7039	754	171-0087	595
	460		598		756	171-0123	600
164-5608	528	165-9464	593	167-7042	718		601
164-5628	472		618	167-7270	812	171-0124	600
	476	165-9549	518		817		601

PART NUMBER INDEX

Part	Page	Part	Page	Part	Page	Part	Page
171-0126	600	173-3447	543	176-1972	722	178-5573	754
	601	173-3450	543		724		756
171-0127	600	173-3451	543	176-1986	718		802
	601	173-3452	542	176-1996	758	178-5574	754
171-0128	600		▶607	176-2278	635		756
	601	173-3454	543		637		802
171-0150	573	173-3473	552		639	178-5576	797
171-0188	511	173-3496	552		641	178-6450	67
	514	173-3498	552	176-4463	481		69
	518	173-3503	▶341		487		71
	522		385		493		73
	▶624	173-3505	341		497	178-6537	29
171-0198	624	173-3506	341		501	178-6538	29
171-0596	505	173-3507	385	176-4469	481	178-6543	37
171-2208	186	173-3510	385		487	178-6544	37
	188	173-3513	387		493	178-6545	37
171-2210	186	173-3515	387		497	178-6552	100
	188	173-3516	387		501	178-6554	100
171-3254	93	173-3517	387	176-4471	481		104
171-3369	67	173-3518	385		487	178-6563	56
	69	173-3529	387	176-4472	481	178-6577	167
	71	173-3536	▶608		487	178-6598	32
	73		625		493	178-6599	32
171-7325	711		626		497	178-6600	32
	712		628		501	178-6601	32
	740	173-4664	444	176-4708	479	178-6633	65
171-7413	803		448	176-4743	505	178-6634	65
171-7414	803		452	176-4768	481	178-6635	65
171-7420	722		455		487	178-6636	65
	724		459		493	179-7578	509
171-7426	718	173-4816	464		497	179-7616	517
171-7503	716		467		501		521
	▶762	173-5089	534	176-4770	526	179-7863	464
171-9073	99	173-7916	419		528		467
171-9077	67		421	177-2470	552	179-7867	464
	69		423	177-2471	552		467
	71	173-7995	421	177-2553	387	179-9682	397
	73	173-8073	54	177-2584	543	179-9763	552
171-9383	377	174-3016	152	177-2611	361	179-9806	387
171-9464	277		215		363	180-3861	173
171-9892	85	174-5415	87	177-2619	341		174
	92		89	177-2653	443	180-9419	▶339
172-2939	634	174-7791	173		447	183-1049	151
	▶645		174		451		158
173-3384	394	174-9570	▶112		455	183-5916	17
	397		114		459	183-8176	35
	402	176-1902	769		▶609	183-8177	35
173-3397	394		773		▶610	183-8224	109
	397	176-1916	736	177-2713	565	184-3833	565
	402	176-1931	795	177-5739	265	184-3906	443
173-3398	393	176-1937	718	177-5877	280		451
	397	176-1938	718	177-5879	280	184-3983	84
	401	176-1939	718	177-5880	280		91
173-3413	394	176-1941	768	177-6315	777	184-8423	281
	397	176-1942	718	177-9778	114		287
	402	176-1949	763	178-2334	196	184-8722	255
173-3427	552	176-1951	803	178-2335	196		260
173-3428	552	176-1952	803	178-2345	▶196		261
173-3439	543	176-1953	803		197		262
173-3440	543	176-1954	803	178-5422	736		263
173-3441	543	176-1955	803	178-5423	736		264
173-3442	543	176-1956	803	178-5431	795	184-8862	270
173-3443	543	176-1957	803	178-5569	800	184-9253	425
173-3444	543	176-1958	716	178-5570	718	184-9254	425
173-3445	543		▶800	178-5572	802	184-9256	425

PART NUMBER INDEX

Part	Page	Part	Page	Part	Page	Part	Page
184-9257	425		203		822	194-8380	531
184-9336	471		233		827	195-7216	▶686
	475	186-3736	196	190-5830	109	195-8212	17
185-0169	394	187-0661	812	190-6880	281	195-8322	59
	397		817		287	195-8351	56
	402		822	190-7673	394	195-9181	▶695
185-0201	394		827		397	196-0711	549
	397	187-5693	▶438		401	196-0807	464
	401		655	190-7674	393		467
185-0334	357		656		397	196-1666	746
	359	187-5954	412		401	196-3784	598
185-0383	471		413	190-7750	595	196-7973	28
	475	187-6058	440	190-7751	595	196-8217	109
185-0407	624	187-7070	481	190-7826	565	196-8366	29
185-0423	600		487	190-7865	589		35
	601		494	190-9775	108		59
185-0462	471		497	191-2578	377		60
	475		501	191-3235	243	197-0196	538
	▶618	188-2084	382	191-3236	243		539
185-0463	618		▶383	191-5542	542	197-0199	538
185-2791	51	188-2315	653		▶543		539
185-2793	51	188-3064	313	191-5543	543	197-0273	538
185-8161	736		314	191-5707	393		539
185-8180	754	188-4140	▶385		397	197-4330	188
	756		560		401	197-4385	241
185-8181	797	188-4142	385	191-5709	552	198-3899	699
185-8182	797		▶387	192-0573	552		792
185-8187	797	188-4143	387	193-1736	552	198-8463	▶693
185-8196	718	188-4181	369	193-2764	733	198-8464	▶694
185-8197	797		371	193-2765	733	198-8465	▶698
185-8205	722		373	193-5014	664	199-1286	441
	724	189-2678	722	193-5015	664	199-1965	494
185-8214	722		724	193-6606	421		498
	724	189-2690	754	194-0174	▶405		502
185-8221	797		756		441	199-2178	35
185-8280	768	189-2702	800	194-0176	405	199-2187	45
185-8281	768	189-2704	718		▶406		47
185-8284	738	189-2711	754	194-0180	▶407		49
185-8286	203		756		441	199-2188	45
	711	189-2717	763	194-0181	407		47
	712	189-2768	716		▶408		49
185-8290	805		▶753	194-0182	407	199-2189	47
185-8293	769	189-2847	763		▶409		49
	773	189-2853	722	194-1608	▶313	199-2241	109
185-8300	705		724		327	199-4561	377
	708	189-2854	722		328	199-7394	464
	746		724		331		467
185-8302	705	189-2855	722	194-1609	▶314	199-7398	295
	708		724		329	199-7403	464
185-9208	191	189-2864	719		330		467
	193	189-3396	718	194-1910	▶327	199-7447	▶340
186-3735	24	189-3409	718	194-1912	323		
	125	189-9377	54		▶328		
	131	189-9763	394	194-1920	▶329		
	132		397	194-1921	324	200-3244	393
	134		401		▶330		397
	136		552	194-8353	366		401
	139	190-3523	313	194-8354	366	200-3245	393
	141		314	194-8355	366		397
	143	190-3524	313	194-8356	366		401
	145		314	194-8359	366	200-3246	393
	188	190-4896	397		369		397
	196		552		371		401
	201	190-5386	812		373	200-3255	393
	202		817				

PART NUMBER INDEX

Part	Page	Part	Page	Part	Page	Part	Page
	398	209-5894	545		494	223-9818	812
	401	209-5909	545		498		817
200-3333	552	209-5917	630		502		822
200-3334	552	209-5920	630		▶537		827
201-3888	728	209-5992	541	215-9961	393	224-0554	812
201-4391	756		▶545		397		817
201-4417	718	209-6000	557		401		822
201-4530	718	209-6009	366	215-9962	393		827
201-9263	578	210-5808	718		397	224-8946	812
201-9299	387	210-5827	793		401		817
201-9329	▶565	210-5828	793	215-9982	246		822
	570	210-5829	793		▶541		827
	571	210-5834	793	216-4970	186	225-0312	812
202-3855	426	210-5836	793		188		817
202-3856	426	210-5837	793	216-6589	421		822
202-3857	426	210-5838	793	217-5469	57		827
202-3858	426	210-8012	95		58	225-4257	812
202-4004	479	210-8117	75	217-5589	60		817
	481		77	218-1139	443		822
	487	210-8128	75		447		827
	494		77		451	225-4543	552
	498	212-2838	274		455	225-4544	552
	502	212-5148	443		459	225-4548	558
202-6996	426		447	220-8678	112	225-4549	558
202-7127	421	212-5419	517	220-9083	696	225-4588	356
202-7128	421		521	220-9084	677		▶366
203-4889	281	212-5423	517	220-9085	677	225-4607	393
	287		521	220-9086	677		397
203-4890	281	212-8489	100	220-9090	696		401
	287	212-8521	149	221-4883	479	225-4804	567
204-1611	221	212-8561	6	221-8045	812		587
	769		▶149		817		589
204-1673	165	212-8571	29		822	225-4815	595
204-2755	▶611	212-8572	29		827	225-4816	595
	630	212-8584	41	221-8813	▶778	225-4818	587
204-2756	630		42		782		589
204-2762	387	212-8585	41	221-8859	505	225-5707	770
204-2763	341	212-8596	42	221-8861	3		773
204-2819	541	212-8613	149		4		774
	▶630	213-0677	35		▶170	225-5714	770
204-3622	357		560	221-8872	▶168		774
	361	213-0772	214		782	227-0265	470
204-3623	369		236	221-8874	168	227-0581	464
204-3663	295		238	222-0084	609		467
204-3796	570	213-9433	42		▶612	227-0590	560
205-6295	718		109	222-0085	612	227-0620	▶392
205-6788	26	214-4400	390		616		560
206-3336	747	214-4401	391	222-0124	435	227-6034	243
	748	214-4501	369	222-0126	434	227-6035	▶243
207-0144	716	214-4511	▶390	222-0225	744		246
	▶796		441		745	227-6071	276
207-6222	443	214-4512	▶391	222-4737	578	227-6081	▶276
	447		526	222-8238	60		277
	451	214-4518	390	222-8292	29	227-6105	277
	455	214-4519	391	222-8371	41	227-6106	277
	459	214-7915	812	223-3040	1	227-6147	▶277
207-6403	560		817		2		304
207-6404	560		822		▶249		305
207-6666	410		827	223-3041	249	227-6166	247
207-6667	411	215-4890	451		▶250		▶380
208-4289	268		▶566	223-3042	1	227-6215	379
	271	215-4909	383		2	227-6221	379
	272		384		▶273	227-6228	377
209-4280	792	215-5037	481	223-4453	102	227-6884	531
209-5582	201		487		▶201	227-6913	▶246

PART NUMBER INDEX

Part	Page	Part	Page	Part	Page	Part	Page
	247	230-4011	152		724		740
227-7575	214		215	234-6469	722	234-6610	738
228-2781	812		226		724		740
	817		228	234-6470	722	234-6611	740
	822		241		724	234-6612	740
	827		766	234-6471	722	234-6613	▶203
228-7092	54	230-4013	152		724		740
228-7316	812		215	234-6472	722	234-6614	740
	817	230-5008	228		724	234-6615	203
	822	230-5010	152	234-6473	722	235-7520	304
	827		221		724		306
228-9254	812		226	234-6474	722	235-7679	361
	817		228		724		363
	822		233	234-6475	722		365
	827		241	234-6476	722		651
229-0887	812	231-1827	151		724		660
	817		158	234-6477	722		661
	822	231-1836	▶226		724		663
	827		227	234-6478	722	235-7764	▶300
229-1009	375	231-2295	152	234-6480	722		323
229-1091	658		228		724		324
229-1092	651	231-6969	379	234-6483	722		325
229-1095	658	232-2147	689		724		326
229-1096	660	232-2148	689	234-6485	722	235-7765	300
	661	232-4102	481		724	235-7769	361
	663		487	234-6489	802		363
229-1785	121		494	234-6490	722	235-7770	366
	▶123		498		724	235-8856	782
	▶125		▶600	234-6491	722		▶789
229-1857	123	232-4113	566		724	235-8857	789
	125		567	234-6497	722	235-8862	780
229-1859	▶120	232-4114	567		724	235-8873	700
	123	233-1277	16	234-6498	722		702
	125	233-1279	198		724	235-8874	700
229-1860	123	233-1280	198	234-6499	751		702
	125	234-1035	186	234-6500	▶752	235-8875	700
229-1861	123	234-1037	186	234-6501	714		702
	125		188		▶751	235-8876	758
229-3218	109	234-1038	186	234-6502	751	235-8877	758
229-6966	674		188	234-6521	722	235-8878	758
	▶696	234-1097	214		724	235-8879	758
229-9070	▶795	234-1122	241	234-6547	722	235-8880	735
229-9075	784	234-1156	191		724	235-8891	769
	▶788		193	234-6548	722		773
229-9076	▶787	234-1158	191		724	235-8893	736
	788		193	234-6549	722	235-8894	736
229-9077	788	234-4440	532		724	235-8909	716
	▶791		534	234-6550	722		▶802
229-9078	782		▶558		724	235-8910	716
	▶783	234-4452	393	234-6579	722		▶718
229-9082	704		397		724	235-8912	718
	▶758		401		738	235-8914	738
229-9094	▶764	234-4453	393		740		740
229-9108	▶714		397	234-6580	738	235-8917	716
229-9109	714		401		740		▶722
	▶716	234-4492	430	234-6593	751		▶724
230-0280	648		432	234-6594	716	235-8922	722
	▶658	234-4573	366		▶805		724
230-2979	▶24	234-4574	366	234-6602	738	235-8923	722
	61	234-4576	366	234-6603	740		724
	62	234-4577	366	234-6604	738	235-8930	722
230-4009	152	234-4578	366	234-6605	740		724
	215	234-4796	56	234-6608	738	235-8932	805
	228	234-6467	716		740	235-8933	718
	241	234-6468	722	234-6609	738	235-8950	722

PART NUMBER INDEX

Part	Page	Part	Page	Part	Page	Part	Page
	724	237-3106	658	239-4362	312	240-3854	▶657
235-8951	711	237-3184	▶419	239-4378	321	240-3858	▶649
235-8952	712	238-0112	195	239-4382	321	240-3861	▶650
235-8965	740	238-0118	195	239-4383	321	240-3898	▶807
235-8966	738	238-0120	122	239-4384	321	240-3899	▶808
235-8969	▶744		195	239-4385	309	240-3920	123
	749	238-1506	186		▶310		125
235-8970	▶745	238-1570	121	239-4386	309	240-4999	▶784
	750		▶236		▶311	240-5036	700
235-8971	744		▶238	239-4387	310		▶705
235-8972	745	238-1579	236		▶319	240-5037	▶785
235-8996	711		238	239-4388	311	240-5071	▶759
	712	238-1593	236		▶320	240-5073	▶761
235-8997	711	238-1594	▶204	239-4389	319	240-5074	758
235-8998	712		236		320	241-2002	▶253
235-9001	714		238		▶321		▶254
235-9003	▶704	238-1595	204	239-4390	321		648
235-9004	▶700	238-1596	▶205		▶322	241-2003	253
	▶702		236	239-4391	322		▶255
	704		238	239-4392	322	241-7282	632
235-9005	700	238-1597	205	239-4393	321		▶635
	702	238-2171	235	239-4394	322	241-7283	635
235-9012	795	238-2212	214	239-4395	87	241-7286	631
235-9014	769	238-2260	767		89		632
	773	238-2279	186	239-6507	10		633
235-9015	769		188		▶728		▶647
	773	238-2280	186	239-6604	100	241-7287	631
236-2843	471		188	239-6612	▶85		633
	475	238-2318	214		87		▶637
236-2844	471	238-2319	215	239-6626	44	241-7288	637
	475	238-2324	188	239-6627	44	241-7291	634
236-2848	471	238-2325	188	239-6630	44		▶639
	475	238-2390	214	239-6631	44	241-7292	639
236-3212	▶410	238-2391	214	239-6632	44	241-7303	656
	441	238-2501	151	239-6681	149		▶660
236-3213	▶411		158	239-6986	812	241-7304	660
	441		165		817	241-7309	657
236-3214	410	238-2528	151		822		▶661
	▶412		158		827	241-7379	357
236-3215	411		165	239-7352	226		359
	▶413	239-1699	417		228	241-7380	357
	392		418		241		359
236-3257	392		▶430	239-7356	215	241-7381	369
236-3258	392		▶432	239-8693	343		371
236-3259	392		▶432		▶747		373
236-3669	250	239-1710	417	239-8695	342	241-7382	361
236-3670	250		418		▶748		363
236-3671	250		▶562	239-8697	537	242-1510	812
236-3702	273	239-1711	▶560		▶538		817
236-3703	273		562	239-8998	537		822
236-3747	268	239-1714	417		▶539		827
236-3748	268		418		653	242-1588	812
236-6365	651		▶441	240-2912	660		817
	653	239-1716	417	240-2913	660		822
236-6419	573		▶532		661		822
	575	239-1717	418		663		827
	578		▶534	240-2978	265	242-6092	812
236-6421	575	239-1732	▶425	240-2979	265		817
	578		634	240-2988	307		822
	304	239-2696	▶667	240-3822	4		827
236-8341	250	239-2697	667		▶304	242-6475	▶421
236-9435	250		▶676	240-3830	▶631	242-6487	▶423
236-9437	250	239-4341	304	240-3832	▶632	242-6730	▶346
236-9438	250		305	240-3835	▶634		631
236-9440	250		▶309	240-3836	▶633		648
236-9570	273	239-4350	321	240-3851	▶656	242-6731	346
237-0228	195						

PART NUMBER INDEX

Part	Page	Part	Page	Part	Page	Part	Page
	347	243-4507	241	245-5079	471	245-7834	705
	▶357	243-4508	152		475		708
242-6732	346		208	245-5285	525	245-7835	705
	348		210	245-5287	525		708
	▶434		226	245-5402	560	245-7836	705
242-6735	353		232	245-5416	534		708
	354		241	245-5427	532		▶726
	355	243-4509	152	245-5457	812	245-7837	726
	▶530		233		817	245-7838	705
242-6736	▶347		241		822		708
	631	243-4510	152		827	245-7839	705
	648		221	245-7749	732		708
242-6737	347		228		733	245-7842	744
	349		241		▶735	245-7844	745
	▶435	244-4254	653	245-7750	735	245-7846	705
242-6743	▶353	244-4255	653	245-7751	735		708
	631	244-4277	635	245-7756	773		▶746
242-6744	353		637	245-7757	773	245-7847	705
	▶369		639	245-7758	769		708
242-6745	▶348		641		773	245-7850	769
	632		658	245-7760	214		773
	633		660	245-7790	722	245-7851	769
	634		661		724		773
242-6746	348		663		738	245-7856	705
	349	244-4360	653		740		708
	▶359	244-7927	270	245-7791	758	245-7872	758
242-6747	▶354	244-7928	270	245-7792	758	245-7873	758
	632	244-7929	271	245-7793	758	245-7883	787
	633	244-8194	253	245-7811	1	245-7886	699
242-6748	354		254		2	245-7887	787
	▶371		256		▶780	245-7888	787
242-6749	▶349		257	245-7813	746	245-7889	791
	632		258	245-7814	746	245-7890	791
	633		259	245-7815	746	245-7892	791
	634	244-8198	282	245-7816	746		▶792
242-6755	▶350		288	245-7817	705	245-7895	791
	649	244-8202	281		708	245-7896	▶699
242-6756	350		287	245-7818	705		791
	▶361	244-8207	281		708	245-7897	699
242-6757	350	244-8228	281	245-7819	705		791
	351		287		708		792
	▶439	244-8234	281	245-7820	705	245-7898	699
242-6758	▶351		287		708		787
	650	244-8242	281	245-7823	705		792
242-6759	351		287		708	245-7899	791
	▶363	244-8255	281	245-7824	705		792
242-6762	▶355		287		708	245-7900	274
	634	244-8277	302	245-7825	705	245-7901	274
242-6763	355		303		708	245-7905	726
	▶373	244-8278	302	245-7826	705	245-7916	783
242-6801	552		303		708	245-7922	▶736
242-6803	552	244-8284	297	245-7827	705		782
242-6804	552	244-8288	303		708	245-7925	740
242-8768	791	244-8400	▶572	245-7828	705	245-7926	738
243-4505	125		573		708	245-7929	751
	152	244-8494	595	245-7829	705	245-7931	805
	179	244-8495	595		708	245-7948	738
	182	244-8496	595	245-7830	705		740
	215	244-8497	596		708	245-9178	67
	226	244-8498	595	245-7831	705		69
	228	244-8499	595		708		71
	241	244-8500	595	245-7832	705		73
	730	244-8501	596		708	245-9185	67
243-4506	152	245-1042	152	245-7833	705		69
	215	245-1045	152		708		71

PART NUMBER INDEX

Part	Page	Part	Page	Part	Page	Part	Page
	73	247-8864	357		260		▶193
245-9191	67		359		261	251-0543	191
	69	247-8865	357		262	251-0580	226
	71		359		263	251-0598	210
	73		361		264	251-0602	228
245-9205	67	247-8866	357	248-9428	532	251-0637	214
	69		359	248-9825	417	251-3523	677
	71		359		418	251-3871	▶668
	73	247-8867	357		▶471		674
245-9212	75		359		▶475	251-3923	668
	77	247-8868	357	248-9846	417		▶677
245-9216	75	247-8869	434		418	251-8663	677
	77	247-8870	435		▶464	251-8674	677
245-9217	75	247-8873	369		▶467	251-8684	677
	77		371	248-9847	417	253-0861	812
245-9218	75		373		418		817
	77	247-8874	369		▶525		822
245-9276	77		371	248-9848	417		827
245-9313	5		373		418	253-1346	319
	▶63	247-8876	369		▶470		320
245-9343	63		371	248-9850	417	253-2111	186
245-9344	24	247-8877	369		418		188
245-9348	67		371		▶479	253-6445	423
	69	247-8881	373	248-9851	417	253-6453	423
	71	247-8882	373		418	253-6454	423
	73	247-8883	530		▶481	253-6664	▶352
245-9349	67	247-8885	361		▶487		648
	69		363		▶493	253-6694	419
	71	247-8886	361		▶497	253-6697	419
	73		363		▶501	254-3022	305
245-9352	67	247-8887	361	248-9852	417		▶306
	69		363		418	254-3023	306
	71	247-8888	361		▶505	254-3024	306
	73	247-8920	552	248-9853	▶526	254-3052	653
246-2641	128	247-8974	369		▶528	254-3053	653
	129	247-9030	421		562	255-0339	685
246-5425	312	247-9033	421	250-2402	641		686
247-2693	226	247-9034	421	250-2446	578	255-0340	685
	228	248-7143	310	250-2447	578		686
	241		311	250-2503	553	255-0437	685
247-2694	779		▶312	250-5054	268		686
247-2695	779	248-7174	322	250-6417	666	255-0438	685
247-6019	122	248-7820	651	250-6418	▶666		686
247-7346	▶323	248-7822	651		667	255-0475	676
247-7382	▶324	248-7823	651	250-8054	809	255-0478	676
247-7423	343	248-7831	648		810	255-0479	676
	▶809		▶651	251-0299	241	255-1665	471
247-7424	342	248-7832	651	251-0303	186		475
	▶810	248-7835	651		188	255-1666	471
247-7436	812	248-7836	651	251-0304	186		475
	817	248-7854	352		188	255-1800	343
	822		▶365	251-0433	▶227		▶507
	827	248-7857	375		782	255-1802	342
247-7437	812	248-8930	266	251-0435	227		▶509
	817	248-8940	281		▶228	255-2904	60
	822		287	251-0436	▶171	255-2927	728
	827		▶301		343	255-2966	84
247-7438	812	248-8943	301	251-0467	151		85
	817	248-8944	301		158		91
	822	248-8961	270	251-0482	▶230		92
	827	248-8992	279	251-0483	230	255-3018	▶44
247-7454	3	248-8993	279	251-0529	▶210		728
	▶305	248-8994	279		342	255-3020	44
247-7457	▶564	248-8995	279	251-0538	▶767	255-3021	44
247-8782	552	248-9061	255	251-0542	▶191	255-3022	44

PART NUMBER INDEX

Part	Page	Part	Page	Part	Page	Part	Page
255-3044	▶94	259-5296	214	260-7868	417	262-2405	255
255-3160	114	259-5317	151		418		264
255-5660	578		158		▶549	262-2406	255
	▶613	259-5326	179	260-7872	443		260
255-5661	573	259-5327	181		447		261
	575	259-7184	10		451		262
	578		▶732		455		263
	▶614	259-7202	740		459		264
255-5662	587	259-7207	732	260-7904	549	262-2417	255
	589	259-7244	728	260-7906	549		260
	▶615		▶730	260-7910	▶414		261
255-5680	441	259-7286	730		441		262
	▶587	259-7295	▶713	260-7911	414		263
255-5683	441		718		▶415		264
	▶589	259-7345	712	260-7912	415	262-2427	293
255-5713	342	259-7346	▶711	260-7913	414	262-2428	293
	343		738		▶416	262-2607	1
	▶563	259-7347	▶712	260-7914	416		2
256-0093	▶393		740	260-7972	343		▶256
	552	259-7348	736		▶511		▶257
256-0096	▶397		▶738		▶514	262-2608	252
	▶401	259-7349	736	260-7974	342		▶258
	552		▶740		▶517		▶259
257-4502	812	259-7350	716		▶521	262-2623	256
	817		▶763	260-7988	441		▶260
	822	259-7351	763	260-7992	441	262-2624	260
	827	259-7352	763	260-7996	441	262-2626	258
259-0680	564	259-7353	722	260-8000	441		▶261
	▶627		724	260-8007	343	262-3840	679
259-0775	371	259-7354	754		▶443		680
	373		756		▶447		682
259-0918	557	259-7378	563	260-8008	342	262-3844	682
259-0922	▶557		▶573		▶451	262-3848	682
	560	259-7464	417		▶455	262-4781	312
259-3543	273		418		▶459	262-9372	▶127
259-4877	228		▶591	260-8010	▶426		131
259-4883	214	259-7465	▶575		631		134
259-4914	767		591		632		139
259-5043	▶179	259-7466	▶578		633		143
	631		591	260-8011	▶440	263-9574	165
	632	259-7493	▶342		657	264-1702	635
	633	259-7494	▶343	260-8043	443		637
	648	259-7631	575		447		639
259-5045	▶221		▶583		451	264-7029	215
	342	259-7632	578		455		226
259-5047	▶181		▶585		459		228
259-5052	1	259-7707	▶742	260-8315	426	264-7030	215
	2	259-7732	481	260-8316	426	264-7031	228
	▶235		487	260-8320	425	264-7032	226
259-5129	235		494	260-8321	425		228
259-5161	▶214		498	262-2286	281		233
	782		▶619		287	264-7033	228
259-5176	▶184	259-7733	619		▶293	264-7034	215
	▶185	259-7877	748	262-2309	298	264-8507	812
	782	260-2288	649	262-2313	294	264-8508	822
259-5177	184		650	262-2324	281	264-8626	▶3
	▶186		▶653		287	264-8627	▶4
259-5225	165	260-2289	653	262-2333	299	264-8627	▶1
259-5229	165	260-6692	147	262-2335	299	264-8638	3
259-5267	151	260-6945	809	262-2347	297	264-8639	▶2
	158	260-6946	810	262-2353	281		4
259-5274	186	260-7135	812		287	264-8671	▶83
	188		817	262-2363	281	264-8770	▶121
	▶202		822		287	264-9961	578
259-5290	214		827	262-2365	281	264-9982	730

PART NUMBER INDEX

Part	Page	Part	Page	Part	Page	Part	Page
264-9983	730		467	266-6299	33		▶169
264-9984	730	266-1055	464	266-6300	33	270-5947	471
265-3504	10	266-1071	443	266-6301	33		▶593
	▶95		451	266-6313	7	270-5949	593
265-3557	24		455		▶41		598
265-3581	95	266-1098	481	266-6319	104	270-5950	593
265-3585	95		487	266-6320	104		598
265-3586	95		494	266-6321	104	270-5951	742
265-3587	95		498	266-6326	42		▶749
265-3590	95		502	266-6332	42	270-5952	742
265-3591	95	266-1108	511	266-6333	42		▶750
265-3599	95		514	266-6334	42	270-5953	595
265-3600	61		517	266-6335	42	270-6259	116
	62		521	266-6336	42		167
	▶67	266-1133	511	266-6337	42	270-6338	64
	▶69		514	266-6338	42	272-4681	3
	▶71		517	266-6346	94		4
265-3602	67		521	266-7891	359		▶5
	69	266-1136	511	266-7892	363	272-4682	5
	71		517	267-6767	3		▶7
	73	266-1139	511		4	272-4683	▶6
265-3616	10		514		▶247		7
	▶73		517	267-7207	152		8
265-3624	75		521	267-7208	152		9
	77	266-1142	511	267-7627	▶182	272-4742	3
265-3625	75		514		634		4
	77		517	267-7628	182		▶10
265-3628	77		521	267-7636	221	272-4744	10
265-3629	75	266-1217	447	267-7639	215		▶98
	77		455	267-7976	191	272-4772	▶197
265-3630	75		459		193	272-4773	83
	77	266-1266	451	267-8000	1		▶87
265-3631	75		455		2		▶89
	77		459		▶151	272-4774	6
265-3632	75	266-1278	443		▶158		34
	77		447	267-8071	1		▶198
265-3633	75		447		2	272-6955	551
	77		455		▶765		▶552
265-3634	75		459	268-0749	▶266	273-3424	681
	77	266-1279	443		267		683
265-3635	75		447	268-1964	214	273-3427	681
	77		451	268-7043	▶641	273-3430	681
265-3637	75		455		648	273-3434	683
	77		459	268-7044	641	273-3438	683
265-3638	75	266-1303	443	268-7046	▶428	273-5166	731
	77		447		648		▶769
265-3639	77		451	268-7047	428	273-5167	731
265-3640	75		455	268-7048	428		▶733
265-3642	77		459	268-7049	428	273-5274	797
265-3643	77	266-1307	443	268-7074	▶463	273-5345	762
266-0136	195		451		648		797
266-0912	443		455	268-7183	463	273-5346	762
	447	266-1311	451	268-7185	463		797
	451	266-1315	451	268-7186	463	273-5387	1
	455		455	268-7188	811		2
	459		459	268-7238	428		▶782
266-0913	443	266-5431	812	268-7239	428	273-5399	733
	447		817	268-7240	428	273-5400	773
	451		822	268-7256	▶356	273-5446	785
	455		827		648		▶786
	459	266-6207	728	268-7257	356	273-6716	1
266-1028	505	266-6229	41		▶531		2
266-1037	464	266-6297	10	270-5320	112		▶274
	467		▶33	270-5512	3	273-6717	274
266-1045	464	266-6298	33		4	273-7674	279

PART NUMBER INDEX

Part	Page	Part	Page	Part	Page	Part	Page
273-7677	255		▶817	279-7871	▶344		502
	260	275-3684	2		345	285-4470	393
	261		▶822	279-7907	98		398
	262		▶827	279-7909	87		401
	263	275-5982	686		89	286-3683	167
	264	275-6803	233	279-7911	10	286-6186	114
273-7726	1	275-6846	232		▶54	286-6220	281
	2	275-6993	236	280-2747	444		287
	▶281		238		448	286-6276	281
	▶287	275-7003	▶241		452		287
273-7735	1		782		456	286-6277	296
	2	275-7004	241		460	286-6281	279
	▶114	277-0786	421	281-3488	75	286-6340	255
273-7774	267	277-0954	419		77	286-6346	255
273-7847	266		423	281-3534	75		264
273-7848	266		▶592		77	286-6359	281
273-7849	266	278-3581	250	281-3535	75		287
273-7964	250	278-3778	83		77	286-6561	517
273-8314	552		▶267	281-3568	75		521
273-8315	552	278-3832	281		77	286-6760	481
273-8316	393		287	281-3588	24		487
	397	278-3836	281	281-3601	73		494
	401		287		▶75		498
273-8317	393		▶294	281-3602	67		502
	397	278-3837	294		71	287-0047	345
	401	278-3842	281		▶77	287-0049	6
273-8318	393		287	281-3605	75		▶106
	397		▶295		77	287-0118	99
	401	278-3896	1	282-8567	35	287-0171	99
273-8319	393		2		231	287-0183	10
	397		▶128	283-2761	▶224		▶99
	401	278-3897	128	283-2762	224	287-0187	35
274-2547	439		▶130	283-2783	230	287-0188	35
274-4990	152	278-3898	130	283-3074	228	287-0189	35
274-6720	195		▶131	283-3905	296	287-0190	35
274-6721	167		▶132	283-3911	281	287-0211	98
	195	278-3899	130		287	287-6049	▶674
275-1361	526		▶134	283-6118	365	287-6241	▶669
	528		▶136		▶375	287-6242	▶670
275-1362	560	278-3900	121	283-6119	375	287-6243	▶671
275-1439	443		▶129	283-8982	811	287-6244	▶672
	447	278-3901	129	283-8983	811	287-6245	▶673
	451		▶138	284-4386	1	287-6246	669
	455	278-3902	138		2		▶681
	459		▶139		▶773	287-6247	671
275-1440	451		▶141	284-4426	718		▶683
	455	278-3903	138	284-4442	▶731	287-6248	670
	459		▶143	284-4552	769		▶682
275-1442	482		▶145	284-7325	661	287-6249	672
	488	278-3970	127	285-1327	▶595		▶679
	494	278-6470	514		749	287-6250	673
	498		521		750		▶680
	502	278-6756	451	285-1354	3	287-6298	681
275-1443	482		455		▶417		682
	488		459	285-1355	4	287-6300	683
	494	279-3161	711		▶418	288-7502	421
	498	279-7750	198	285-1399	481	288-9297	109
	502	279-7859	11		487	289-5657	472
275-1444	483		12		494		476
	489		13		498	289-5672	441
	494	279-7869	417		502	289-6424	1
	498		418	285-1465	481		2
	502		▶551		487		▶279
275-3683	1	279-7870	▶345		494	289-6572	281
	▶812		551		498		287

PART NUMBER INDEX

Part	Page	Part	Page	Part	Page	Part	Page
	▶296		188		47		65
289-6603	279	291-7559	765	294-1692	45		102
289-6695	281		▶766		47		104
	287	291-7560	766	294-1693	45	294-1739	28
	▶297	291-7561	766		47	294-1740	28
289-6697	297	291-7590	151		49	294-1741	35
289-6698	281	291-7591	152	294-1694	45	294-1742	35
	287		158		47	294-1743	35
289-6699	282	291-7592	165	294-1695	45	294-1747	37
	288	291-7593	152		47	294-1748	37
	▶298		159	294-1696	45	294-1749	16
289-6700	298	291-7716	▶233		47	294-1751	16
289-6712	165		234	294-1697	45	294-1752	26
	▶299	292-3751	122		47	294-1753	27
289-6713	299	292-7153	526	294-1698	45	294-1754	27
289-6805	282		528		47	294-1755	27
	288	292-7297	560		49	294-1756	27
289-6910	61	293-1117	769	294-1699	45	294-1757	27
	62	293-1118	769		47	294-1758	102
	▶269	293-1119	769		49	294-1760	102
289-6913	▶270	293-1120	769	294-1700	14	294-1761	100
	282	293-1121	733		45	294-1762	104
	288	293-1124	733		102	294-1763	106
289-6914	270	293-1127	733	294-1702	45	294-1764	59
289-6915	▶271	293-1136	700		47	294-1765	59
	282		702		49	294-1766	59
	288	293-1137	705	294-1703	14	294-1767	56
289-6916	271		708	294-1704	14	294-1768	56
289-6917	269	293-1168	▶760	294-1705	14		231
	▶272	293-1230	769	294-1706	14	294-1769	51
289-7836	382		773	294-1707	14	294-1770	51
	▶384	293-5677	679	294-1708	14	294-1771	51
289-8194	▶389	293-5678	679	294-1709	14	294-1772	51
	560		680	294-1710	14	294-1773	53
289-8195	389	293-6644	272	294-1711	14	294-1774	53
290-1727	812	293-6789	114	294-1712	14	294-1775	53
	817	293-6982	281	294-1713	14		167
	822		287	294-1714	14	294-1776	53
	827	293-7056	281	294-1715	11	294-1777	64
290-1728	812		287	294-1716	11	294-1778	64
	817	294-1678	22		12	294-1780	64
	822	294-1679	22		13	294-1781	42
	827	294-1680	22	294-1720	17	294-1782	▶39
290-1729	812	294-1682	23	294-1721	17		41
	817	294-1683	23	294-1722	17	294-1783	39
	822	294-1684	45	294-1723	20	294-1784	39
	827		47	294-1724	20		40
290-1742	812		49	294-1725	▶17	294-1785	39
	817	294-1685	45		20		40
290-1743	822		47	294-1726	28	294-1786	39
	827		49		29		40
290-1745	807	294-1686	45		42		45
290-1746	808		47		51		47
290-1902	▶252		49	294-1727	29		49
290-1906	812	294-1687	45	294-1728	29	294-1787	116
	817		47	294-1729	29	294-1788	116
	822		49	294-1731	29	294-1789	116
	827	294-1688	45	294-1732	29	294-1790	116
290-1911	▶61		47	294-1733	29	294-1791	116
290-5929	681		49	294-1734	29	294-1792	116
	683	294-1689	45	294-1735	29	294-1793	116
290-5930	679		47	294-1736	28	294-1794	116
291-7463	▶232		49	294-1737	28	294-1795	116
	234	294-1690	45	294-1738	28	294-1796	113
291-7547	186	294-1691	45		60	294-1800	113

PART NUMBER INDEX

Part	Page	Part	Page	Part	Page	Part	Page
294-1801	116	295-9130	6		▶37		281
294-1802	116		113	296-4661	6		287
294-1803	113	295-9685	543		▶32	298-2978	268
294-1804	109	296-4617	231	296-4662	6	298-2979	▶265
	116	296-4618	231		▶104		281
	167	296-4619	231	296-4663	37		287
	195	296-4620	231	296-4664	6	298-3038	281
294-1805	113	296-4621	195		▶167		287
294-1806	116		231	296-4665	6	298-3041	281
294-1808	116	296-4622	231		▶231		287
294-1809	116	296-4623	231	296-4666	6	298-3044	281
294-1811	109	296-4624	231		▶195		287
	116	296-4625	231	296-4667	8	298-3147	114
294-1812	116	296-4626	231		9		▶147
294-1814	116	296-4627	231		▶42	298-3257	147
294-1815	116	296-4628	231	296-4673	27	298-3258	147
294-1819	109	296-4631	195	296-4680	▶8	298-4271	▶62
294-1820	109	296-4632	167		61	299-2767	159
294-1821	14	296-4633	195	296-4733	64	299-2783	▶165
	109	296-4635	167	296-4812	116		
	119	296-4636	6	296-7067	443		
294-1822	109		▶59		447		
294-1825	109	296-4637	6		451		
294-1826	109		▶34		455	300-9715	393
294-1827	109	296-4638	6		459	300-9716	401
294-1828	109		▶53	296-7069	443	301-6874	401
294-1830	109	296-4639	6		447	301-8294	401
294-1831	109		▶11		451	302-3168	487
	118	296-4640	6		455		494
	109		▶35		459	302-3196	571
294-1833	109	296-4641	6	297-0370	455	302-9208	▶648
294-1834	119		▶56		459	302-9210	648
294-1836	119	296-4642	6		▶567		▶811
294-1837	109		▶60	297-0462	464	302-9466	592
294-1838	109	296-4643	6		467	303-2668	817
294-1839	119		▶28		▶569		827
294-1841	119	296-4644	6	297-0503	569	303-6261	102
294-1842	119		▶26		▶570	303-9933	132
294-1843	119	296-4645	6	297-0504	569		136
294-1844	109		▶23		▶571		141
294-1845	109	296-4646	6	297-7644	▶22		145
294-1846	119		▶45		23	303-9937	132
294-1848	109	296-4647	6	297-7645	23		136
294-1849	109		▶14	297-7646	29		141
294-1850	34	296-4648	6	297-7647	29		145
294-1851	34		▶20	297-7648	37	304-0093	267
294-1853	102	296-4649	6	297-7649	37		▶302
294-1854	102		▶29	297-7650	37	305-0329	758
294-1855	198	296-4650	6	297-7655	64	305-0330	724
294-1857	198		▶16	297-7656	116	305-0333	724
294-1858	198	296-4651	6	297-7657	116	305-0361	800
294-1859	32		▶27	297-7658	116	305-0441	770
294-1860	32	296-4652	6	297-7660	109		773
294-1861	32		▶102	297-7671	10	305-0442	770
294-2955	681	296-4653	6		▶118		773
	683		▶100	297-7672	118	305-4678	6
294-3031	122	296-4654	6	297-7673	118		▶119
294-3032	122		▶51	297-7674	118	305-4691	102
294-5258	680	296-4655	6	297-7706	109	305-4742	6
294-7251	29		▶65	297-7736	6		▶47
295-1257	393	296-4656	6	297-7822	109	305-4743	6
	397		▶116	298-2942	270		▶12
295-1258	393	296-4658	6		271	305-4744	6
	397		▶64		272		▶13
295-9126	119	296-4659	6	298-2977	▶268	305-4745	6
	▶122						

3

PART NUMBER INDEX

Part	Page	Part	Page	Part	Page	Part	Page
	▶109	308-8776	274	313-3779	79		▶262
305-4746	47	308-8777	274	313-3780	79	327-3249	262
	49	309-5769	471	313-3781	79	327-3252	257
305-4747	47		475	313-3782	79		▶263
	49		507	314-3727	▶655	327-3253	263
305-4748	12		509	314-3797	▶325	327-3256	254
305-4750	49		522	314-3798	▶326		▶264
305-4751	49	310-0210	502	314-6501	79	327-3257	264
305-4756	13		▶601	314-6502	79	327-6523	782
305-4781	54	310-0394	610	314-6503	79		▶790
305-4887	109		▶616	314-6504	79	327-6538	790
305-4889	109	310-0414	475	314-6505	79	327-6579	756
305-4893	231		▶598	314-6506	79	327-7416	169
305-4900	109	310-0419	598	314-6507	79	327-7417	169
305-4901	109	310-0420	598	314-6508	79	327-7483	170
305-4902	109	310-0421	598	314-6509	79	327-7486	170
305-4905	40	310-0422	598	314-6510	79	328-0021	193
305-4906	40	310-6252	812	314-8128	498	330-1182	281
305-4907	40		817		502		287
305-4908	▶40		822	314-8205	455	330-1184	281
	42		827		459		287
305-4910	6	310-9484	▶9	315-0800	274	330-1347	287
	▶49		62	315-4412	628	330-2568	503
305-4927	49	310-9498	54	316-8811	702	332-8903	331
305-4928	49	310-9500	54		▶708		332
305-4929	49	310-9509	37	316-8845	705	332-8908	326
305-4930	49	310-9510	37		708		▶331
305-4950	344	310-9511	37	316-8846	705	332-8915	325
305-4951	344	310-9533	109		708		▶332
305-4952	344		116	316-8847	705	334-4603	817
306-1611	421	310-9534	109		708		827
306-1614	421	310-9536	109	316-8848	705		
306-1615	421	310-9537	116		708		
306-8401	151	310-9582	10	316-8849	705		
	158		▶58		708		
306-8501	61	310-9607	6	316-8850	705		
	62		▶113		708		
	▶234	310-9667	82	317-4712	447		
306-8610	158		▶91		459		
306-8690	1	310-9676	89	319-1335	238		
	2		▶92	319-1344	188		
	▶240	311-6632	116	319-1346	188		
306-8691	240	312-2645	125	319-1348	220		
306-8802	767	312-8338	79	319-1386	185		
307-4918	430	312-8339	79		▶188		
	432	312-8340	79	319-1387	1		
307-4919	430	312-8341	69		2		
	432		▶79		▶220		
307-5034	426	313-3762	79	319-4353	778		
307-5035	425	313-3763	79		▶779		
307-5097	528	313-3764	79	319-4420	193		
307-5098	528	313-3765	79		▶208		
307-5120	505	313-3766	79	319-9888	467		
307-7656	271	313-3767	79	320-0198	425		
	272	313-3768	79	322-8716	432		
307-7662	281	313-3769	79		▶628		
	287	313-3770	79	323-7770	598		
	▶303	313-3771	79	324-0966	655		
307-7700	282	313-3772	79		▶663		
	288	313-3773	79	324-0968	663		
307-7702	282	313-3774	79	324-5761	125		
	288	313-3775	79	325-8865	447		
307-7803	114	313-3776	79		459		
307-7804	114	313-3777	79	326-1644	112		
308-8775	274	313-3778	79	327-3248	259		



CCRP5217-08

320D & 320D L Excavators

**JFZ1-Up
MGG1-Up**