

ATLAS COPCO

Drilling Solutions



PART LIST
MODEL: CM 785
S/N: USSG78424

Atlas Copco Drilling Solutions, LLC
2100 North First Street
Garland, Texas, 75040
(972)496-7400



Read the instruction manual before operating this equipment.
This manual contains important safety information.
Do not destroy this manual.
This manual must be available to the personnel who operate and maintain this machine.

The Distributor/Dealer serving the area in which your equipment is working will be able to give you the BEST and FASTEST SERVICE of Genuine Replacement Parts.

IMPORTANT:

Be sure the parts book which you are ordering parts from is the parts book for the Drill needing the replacement parts! Each parts book is CUSTOM MADE to a specific Drill. All parts books have a Drill SERIAL NUMBER and MODEL DESCRIPTION on the header of each parts page. All Drills have a SERIAL NUMBER welded on the frame at the drilling end of the MAIN FRAME or CHASSIS.

YOU MUST USE THE CORRECT PARTS BOOK TO INSURE CORRECT PARTS IDENTIFICATION.

Continuing Product Improvement and advancement of product design may cause changes to your Drill which may not be reflected in this Parts/Service Manual. Production models may vary in some detail. Drilling Solutions reserves the right to modify or make changes without notice or obligation.

Parts Ordering Instructions

By giving complete information, you will enable us to fill your order correctly and avoid unnecessary delays!

When ordering Replacement Parts, specify:

1. Unit Serial Number
2. The Name of each part as listed
3. The Part Number as listed in your Partsbook.
4. Quantity of parts desired.

Refer all communications concerning this unit to our nearest Branch Office, Distributor, Dealer or Agent

WARNING IN THE MANUAL

CALIFORNIA PROPOSITION 65 INFORMATION

**TO CALIFORNIA CUSTOMERS AND
TO CUSTOMERS SELLING DIESEL ENGINE EQUIPMENT
INTO OR FOR USE IN CALIFORNIA**

CALIFORNIA Proposition 65 Warning

Diesel engine exhaust and some of its constituents are known to the State of California to cause cancer, birth defects and other reproductive harm.

Table of Contents

Frame/Chassis

57792608 MAINFRAME ASSEMBLY	2
57763617 TANK,FUEL,W/STEPS	8
57928244 WALKWAY INSTALLATION	12
57762429 ENCLOSURE,INSTL	14
57762445 ENCLOSURE,ASSEMBLY 700S	22
52319142 ASY, ENCL DOME LIGHT	26

Undercarriage/Tracks

57712192 TRACK ASSEMBLY,RH	30
57712176 TRACK,RH 700 SERIES	34
57712200 TRACK ASSEMBLY,LH	64
57712184 TRACK,LH 700 SERIES	68

Cab/Console

57760241 CAB,ASSEMBLY CM700D	100
52325214 BULKHEAD,ELECTRICAL ASSY	106
52325222 BULKHEAD,HYDRAULIC ASSM	108
57763823 PANEL,BREAKER/RELAY,ASM	112
57754798 SEAT,CAB,OPERATOR	118
57761983 PANEL,LEFT FRT SEAT POD	120
57762007 PANEL,RIGHT FRT SEAT POD	124
57763849 PANEL,LEFT REAR SEAT	128
57774135 PANEL,RT REAR SEAT POD 3	132
57761801 PANEL,CORNER GAUGE	136
57762023 PANEL,ENGINE IGNITION	138
57763856 PANEL,DRILL/TRAM SELECTR	140
57762031 PANEL,SIDE CONTROL	142
52314473 JOYSTICK,TRAM CONTROL	146
57761678 VALVE,POSITION CTRL ASSM	152
52330834 SAFETY MANUAL/CABLE,700	158
57882243 3-D ANGLE IND WITH D&S	160
57728818 SCHEMATIC,3D POSITON	162
57927568 DEPTH/SPEED MOUNTING	164

Table of Contents

Boom/Guide

57881617 GUIDE,ASSEMBLY,5M	168
57882045 BOOM,ASSEMBLY,5M CM700D	170
57882037 HOSE,RETAIN,ASSY BOOM.	184
57881914 CENTRALIZER,ASSY 5M	190
57882003 HOSE,RETAIN,ASSY GUIDE	192
57881948 ROD-CHANGER,ASM,5M	196
57881625 HOSE,REEL,ASSY 5M GUIDE	214
57794489 FEED,TABLE,ASSY 5M.	218
57882078 SAFETY,TRIP-WIRE ASSY	226
57882052 FEED,ELECTRICAL GROUP.	228
57882219 FEED-REST, INSTALLATION	232
3222323650 FEED,BASE ASSY 5M.	234
57901167 GUIDE ATTACHMENT 5M.	236
57881567 ROT-HEAD,GROUP,4" 780.	238
57881708 ROTARYHEAD,MOUNTING ASSY	240
57677197 ROTARYHEAD,ASSM, 4" ROD	242
58002668 KIT,4" STEEL 785/765	250
57911349 KIT,TOOL CM780.	252
57881773 KIT,GENEVA,7ROD	254

Powerpack/Engine/Compressor

57936213 POWER PACK,CM780 INSTL	258
57760670 AIREND,ASM,CM780D	266
57910804 THERMO VALVE INSTALL	274
57768020 VALVE,LOAD SENSE SHUTTLE.	280
57914210 POWERPACK,GROUP.	282
57762668 PIPING,ENGINE,CHRG AI.	284
57762676 PIPING,ENGINE RADIATOR	286
57762635 EXHAUST,ENGINE	288
57764292 INJECTION,ETHER,ASSM	290
57762379 GUARD,BELT,ENGINE	292
57751547 BATTERY,INSTALLATION	294
57763021 INTAKE,AIR ASSEMBLY.	296
52313681 EXTENSION,AIR STACK.	298
57914228 COOLER,GROUP.	300
57763013 COOLER,RADIATOR,CHRG	302
57914442 OIL COOLER ASM,HYD/COMP.	306
57804304 MANIFOLD,ASM,FAN CONTROL	314
52318771 MANIFOLD,COOLER DRAIN.	318
52329612 VALVE ASM,THERM HYD OIL	320
57914244 AC-HEATER,GROUP	322
52322245 CONDENSER,A/C,W/RELAY.	324
57761769 PIPING,MAIN AIR,ASM	326
57936171 TANK ASSM,ASME,SEPARATOR	330
57914392 HARNESS,GROUP CM700D	334

Table of Contents

Hydraulic System

52330065 TANK,HYDRAULIC,ASSM.	338
57728768 TANK,HYDRAULIC	342
57914236 HYD-VALVE,GROUP	344
57761520 VALVE,TRACK,OSCILLATION	348
52327277 LUBRICATOR TANK ASM.	352
58002171 VALVE,RELIEF ASSEMBLY	354
57761827 VALVE,DRILL/TRAM SEL	356
57761579 VALVE,DRILL MODE,ASSM	360
57761595 MANIFOLD,HYD RETURN,ASM	364
57774465 MANIFOLD,MAIN DRAIN ASSY	366
52329851 VALVE,BANK,ASM	368
57910648 ASSEMBLY,3-BANK VALVE	382
57761878 VALVE,ROTATION SO	384
57761611 VALVE,B/U ALARM P,ASSM.	388
57694804 FILTER ASSY,HYD OIL RETN	390
57824468 PUMP,HAND HYD ASSEMBLY	392
57825051 FILTER,ASSY SERVICE AIR	396
57673493 WRENCH,CHAIN,ASM,CNTL BX	398
57927584 VALVE,AUX-CONTROL CM700D	400
57914251 VALVE,ROD CHANGER ASM.	402
57882250 HOSE,GROUP CM-785	404
57881500 SCHEMATIC,HYD 785	406
57881526 SCHEM,AIR/OIL/WATER 785	420
57762684 SCHEM,ENGINE HOSES	426
57799165 SCHEMATIC,AC/HEATER HOSE	428

Options

57737611 PREHEATER,CM700D.	432
57643827 HEATER,DIESEL FIRED	434
57737918 PREHEATER WIRING.	440
57761645 VALVE,SOLENOID,GREASE	442
57633463 REGULATOR,RELIEVING ASSY	444
52327251 PUMP,GREASE,ASSEMBLY	446
57789000 VAPOSOL PUMP ASSEMBLY	448
52286036 PUMP,VAPOSOL.	450
50139377 VALVE,PILOT	454
57763625 TANK,VAPOSAL ASM,80 GAL	456
57763682 BRACKET,MOUNTING,ASSM	458
57763716 TANK,VAPOSOL ASM.	462
57763708 BRACKET,VAPOSOL TANK	464
57794430 OPTION,DUST COLLECTOR 8"	470
57901159 ASM,DUST COLLECTOR,SEPAR	472
57824609 COLLECTOR,DUST INSTALL.	476
57794364 PICKUP POT ASM 8"	480
57738304 VALVE,FLOW CONTROL,DUST.	484

Table of Contents

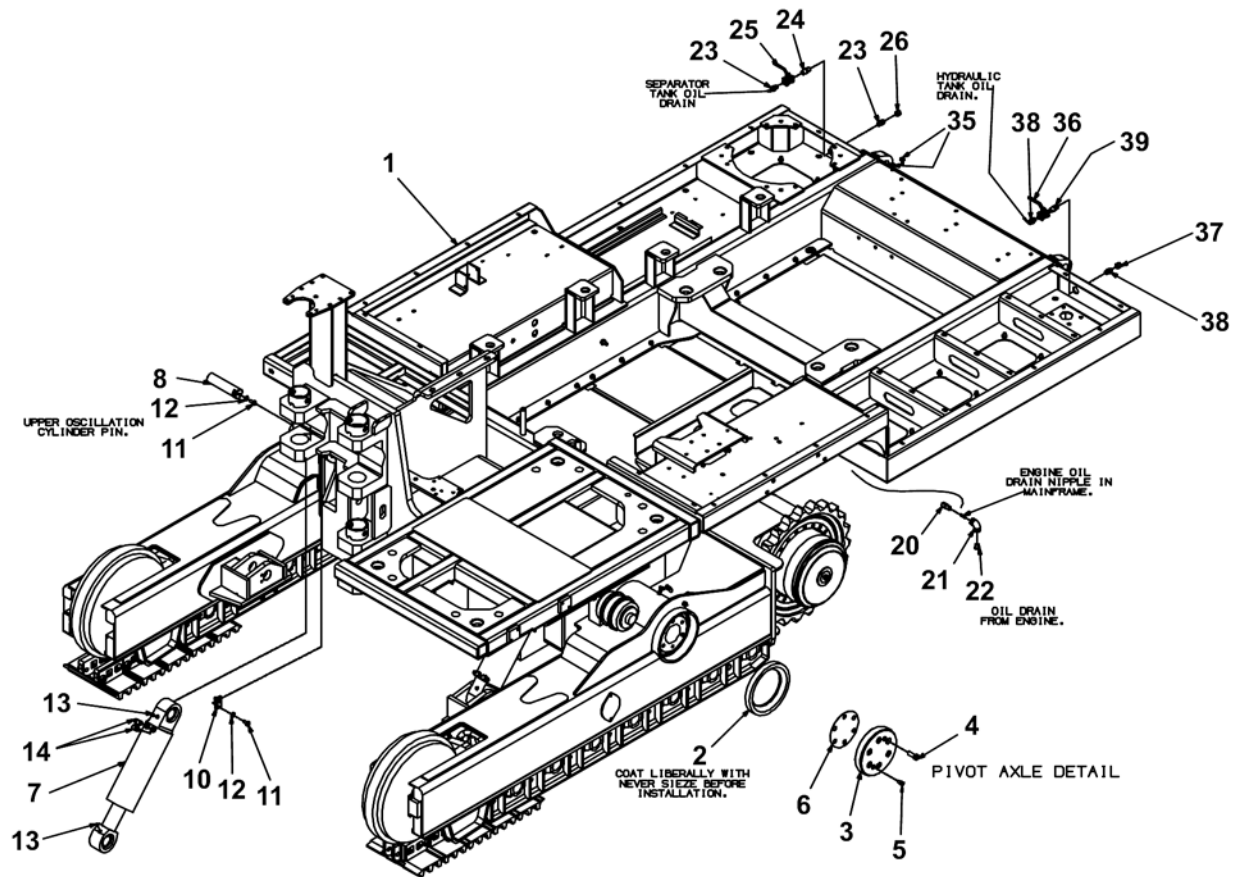
Tools/Accessories

57708190 FLUIDS,CM700D	488
52307410 KIT,HOSE BUNDLING	490
57725806 KIT,SHIP	492
51307882 BLOW GUN ASY	494
52280849 STEP ASSEMBLY	496
57916926 MAN/DECALS 785 ENG ASME	498
57927626 DECAL,SAFET ENG 785/765	500
57927634 DECAL,NAMEPLATE GROUP	504
58001280 DECAL,KIT, CM785	506
57927709 SAFETY-MANUAL INSTALL	508

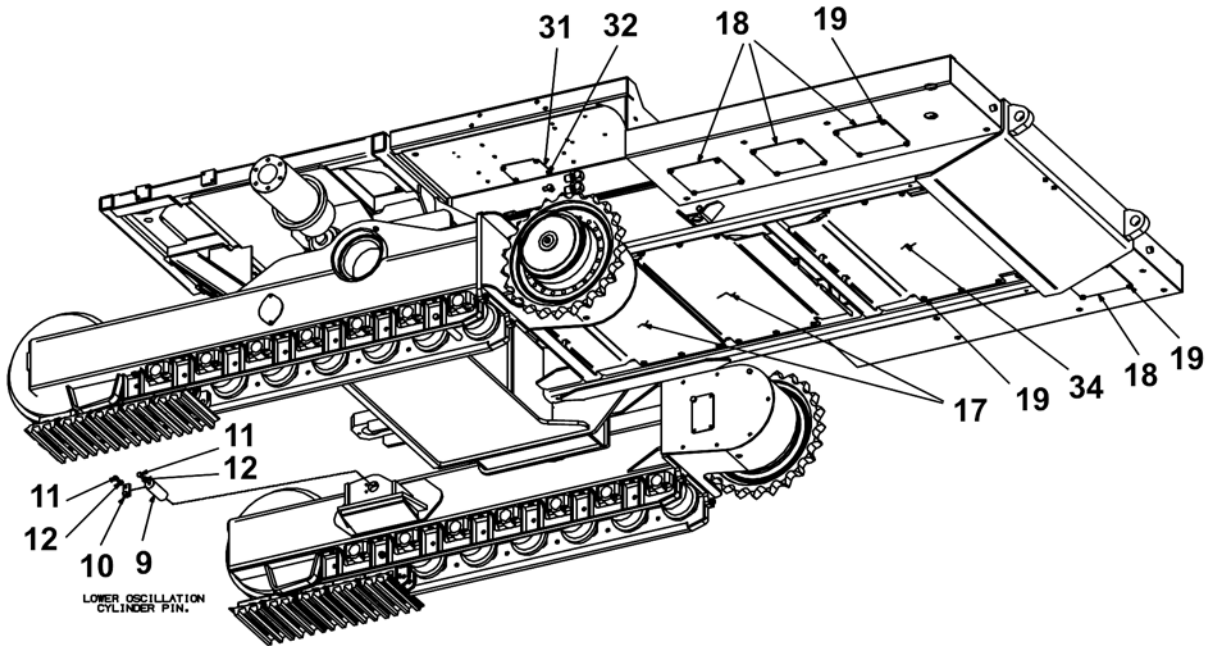
Section A - Frame/Chassis



57792608 MAINFRAME ASSEMBLY

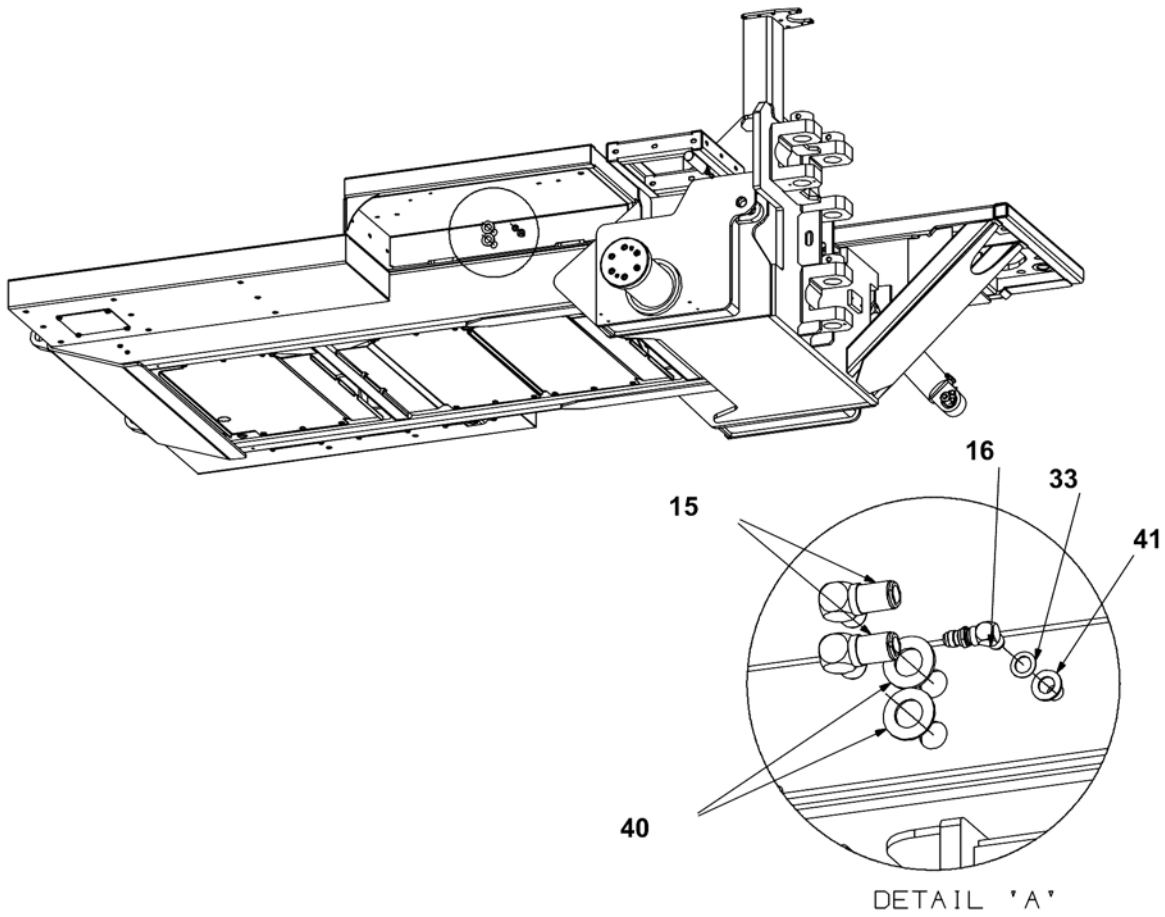


57792608 MAINFRAME ASSEMBLY



D2657792608 REV 002

57792608 MAINFRAME ASSEMBLY



D2657792608 REV 002

BOM 57792608

57792608 MAINFRAME ASSEMBLY

REF.	PART NO.	QTY	UNIT	DESCRIPTION	NOTES
001.0	57935447	1.0	EA	MAINFRAME,700	
002.0	52134863	2.0	EA	PLATE,BEARING	
003.0	51607992	2.0	EA	PLATE,THRUST	
004.0	96703095	12.0	EA	CAPSCREW/119M2AA487	
005.0	96714837	4.0	EA	CAPSCREW/119M2AA272B	
006.0	52314945	4.0	EA	PACK,SHIM	
007.0	57935694	2.0	EA	CYL,OSCILLATION 700 SER	
-	58028523	1.0	EA	- KIT,SEAL OSCILLATION CYL	
-	58028515	2.0	EA	- BEARING,SPHERICAL CYL	
008.0	51607984	2.0	EA	PIN,OSCILLATION CYL	
-	50609445	0.75	FT	- BAR/458R2-1/4	
009.0	51616399	2.0	EA	PIN,OSCILLATION CYLINDER	
-	50609445	0.577	FT	- BAR/458R2-1/4	
010.0	51609089	4.0	EA	PLATE,KEEPER	
011.0	96701495	12.0	EA	CAPSCREW/34M2AB461M3	
012.0	96702535	12.0	EA	WASHER/10M5LC15AM4HR	
013.0	95201281	4.0	EA	FITTING,HYD.LUBE	
-	03207974	1.0	EA	- FITTING	
014.0	95329975	4.0	EA	ELBOW,90 DEG STRT THRD	
015.0	95278974	4.0	EA	ADAPTER,90DEG-JIC BLKHD	
016.0	95278966	2.0	EA	FITTING,HYD	
017.0	52313806	2.0	EA	PLATE,COVER	
018.0	52304706	4.0	EA	PLATE,COVER	
019.0	96727177	34.0	EA	BOLT	
020.0	95464160	1.0	EA	FITTING,HYD	
021.0	95341020	1.0	EA	FITTING,HYD	
022.0	57824211	1.0	EA	PLUG, HEX PIPE	
023.0	95219721	2.0	EA	CONNECTOR,MALE,37 DEG.	
024.0	95315214	1.0	EA	NIPPLE,NPTF DRYSEAL	
025.0	50947357	1.0	EA	VALVE,BALL	
026.0	50996313	1.0	EA	NUT,CAP	
031.0	52316627	1.0	EA	PLATE,COVER	
032.0	96727169	4.0	EA	BOLT	
033.0	95201448	2.0	EA	LOCKWASHER	
034.0	52321536	1.0	EA	PLATE,COVER	
035.0	96726708	4.0	EA	BOLT	
036.0	50788207	1.0	EA	VALVE,BALL VBA-3/4	
037.0	95387890	1.0	EA	CAP,JIC-12	
038.0	95219747	2.0	EA	CONNECTOR,MALE,37 DEG	
039.0	95315222	1.0	EA	FITTING,HYD	
040.0	95043170	4.0	EA	WASHER,FLAT	

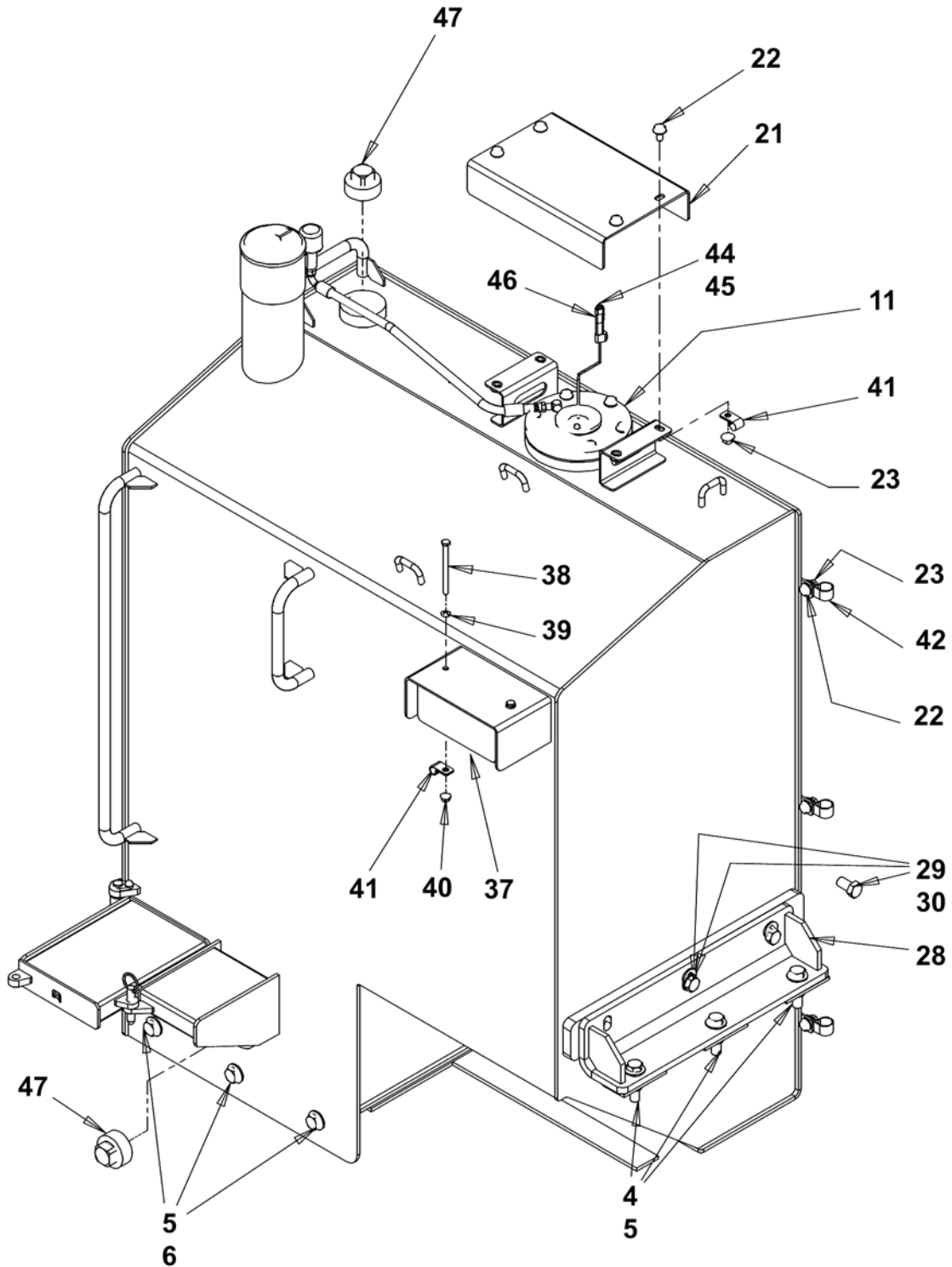
BOM 57792608

57792608 MAINFRAME ASSEMBLY

REF.	PART NO.	QTY	UNIT	DESCRIPTION	NOTES
041.0	96700976	2.0	EA	WASHER,FLAT 12M5L31	

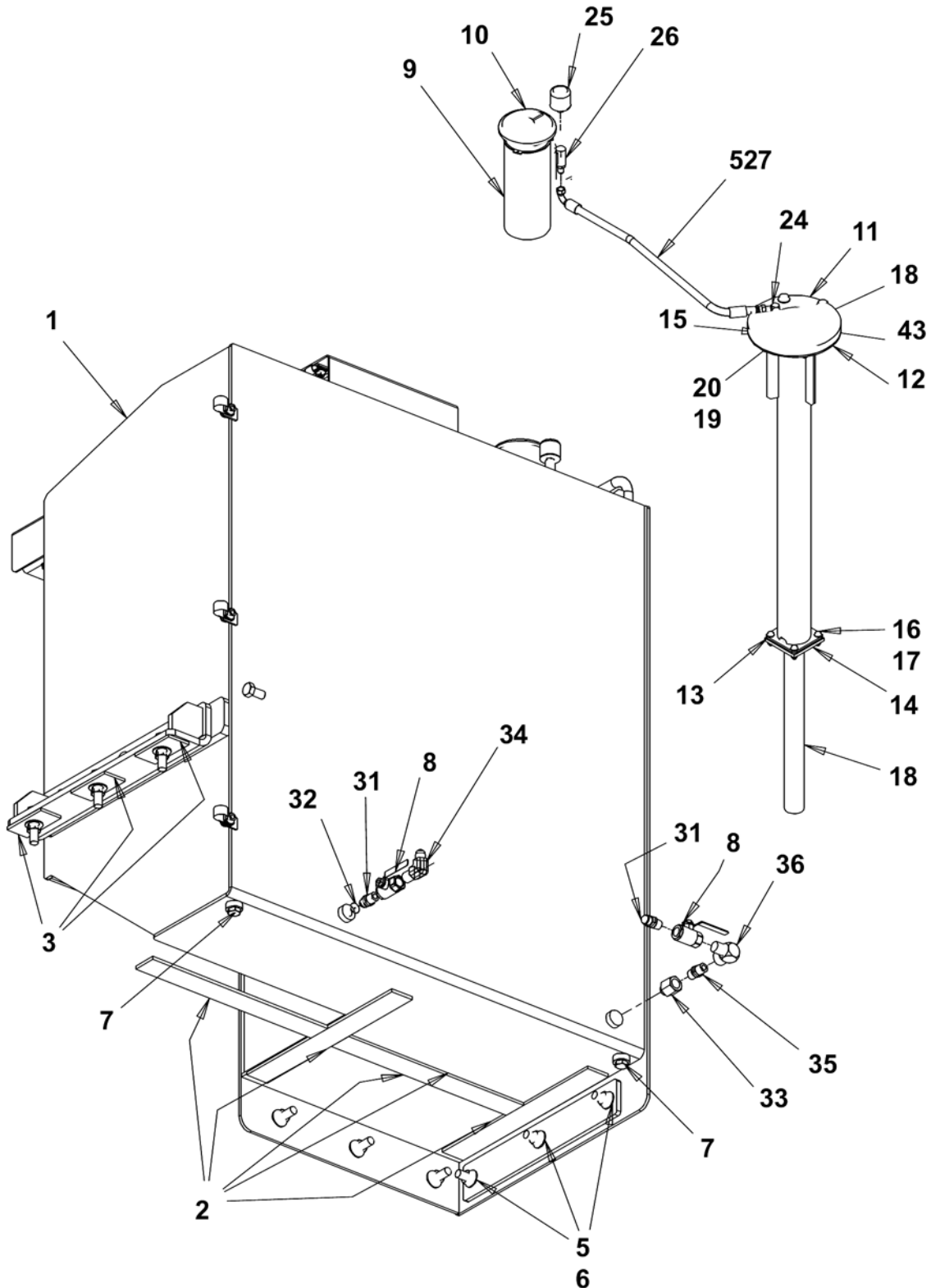
57792608 MAINFRAME ASSEMBLY

57763617 TANK,FUEL,W/STEPS



C2657763617 REV 003

57763617 TANK, FUEL, W/STEPS



C2657763617 REV 003

BOM 57763617

57763617 TANK,FUEL,W/STEPS

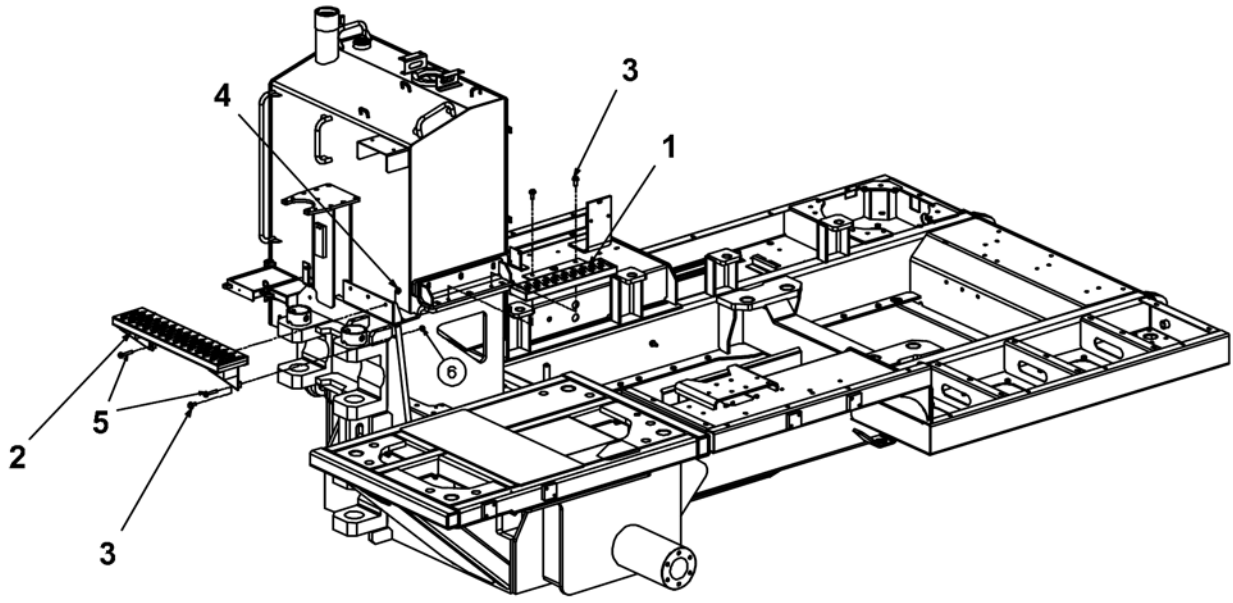
REF.	PART NO.	QTY	UNIT	DESCRIPTION	NOTES
001.0	57767808	1.0	EA	TANK,FUEL	
002.0	51619377	5.0	EA	STRIP,INSULR	
003.0	52104767	3.0	EA	PAD,ISOLATOR	
004.0	96727557	3.0	EA	BOLT	
005.0	96727748	9.0	EA	NUT,FLANGE	
006.0	96727391	6.0	EA	CAPSCREW,HEX,FLANGED	
007.0	95323465	2.0	EA	PLUG,HEX HEAD,STRT THRD	
008.0	50947357	2.0	EA	VALVE,BALL	
009.0	52093325	1.0	EA	STRAINER ASY,FUEL FILLER	
010.0	52313640	0.0	EA	CAP,FUEL TANK FILLER	
011.0	52313673	1.0	EA	TUBE,SUPPORT	
012.0	52313863	1.0	EA	GASKET	
013.0	57890378	1.0	EA	ISOLATOR FUEL SENDER	
014.0	52313889	1.0	EA	RETAINER,ISOLATOR	
015.0	96727003	6.0	EA	BOLT	
016.0	96728571	4.0	EA	BOLT/131M2AB191M3	
017.0	96726781	4.0	EA	NUT/84M4JD4M3	
018.0	57890394	1.0	EA	SENDER,FUEL LEVEL	
019.0	96738315	5.0	EA	CAPSCREW	
020.0	96702493	5.0	EA	WASHER,FLAT	
021.0	52313897	1.0	EA	COVER	
022.0	96727169	7.0	EA	BOLT	
023.0	96726807	7.0	EA	NUT/84M4JD7M3	
024.0	95293403	1.0	EA	ELBOW,90 DEG MALE	
025.0	57594426	1.0	EA	BREATHER,FUEL TANK	
026.0	95263380	1.0	EA	FITTING,HYD-NPT/JIC	
028.0	52316155	1.0	EA	BRACKET,MOUNTING	
029.0	96703178	3.0	EA	BOLT	
030.0	96702550	3.0	EA	WASHER/10M5LC17AM4HR	
031.0	95219721	2.0	EA	CONNECTOR,MALE,37 DEG.	
032.0	95209870	1.0	EA	O'RING	
033.0	51618072	1.0	EA	ADAPTER	
034.0	95279535	1.0	EA	ELBOW,90 DEG MALE	
035.0	95315214	1.0	EA	NIPPLE,NPTF DRYSEAL	
036.0	95264891	1.0	EA	ELBOW,90DEG-EXT/INT NPT	
037.0	51992535	1.0	EA	HORN, 24 VDC	
038.0	96726435	2.0	EA	BOLT,HEX HD/35M2AB373M3	
039.0	96702519	2.0	EA	WASHER	
040.0	96726799	2.0	EA	NUT/84M4JD6M3	
041.0	95301842	2.0	EA	CLAMP,HOSE	
042.0	95301867	3.0	EA	CLAMP,HOSE	
043.0	51619914	1.0	EA	GASKET	

BOM 57763617

57763617 TANK,FUEL,W/STEPS

REF.	PART NO.	QTY	UNIT	DESCRIPTION	NOTES
044.0	57214405	3.0	EA	CONTACT,#16	
045.0	57678104	1.0	EA	WEDGE,3 SOCKET	
046.0	57668071	1.0	EA	PLUG,3 CIRCUIT	
047.0	57824104	2.0	EA	PLUG,SQUARE HEAD PIPE	
527.0	57101438	0.0	EA	HOSE ASSY	

57928244 WALKWAY INSTALLATION

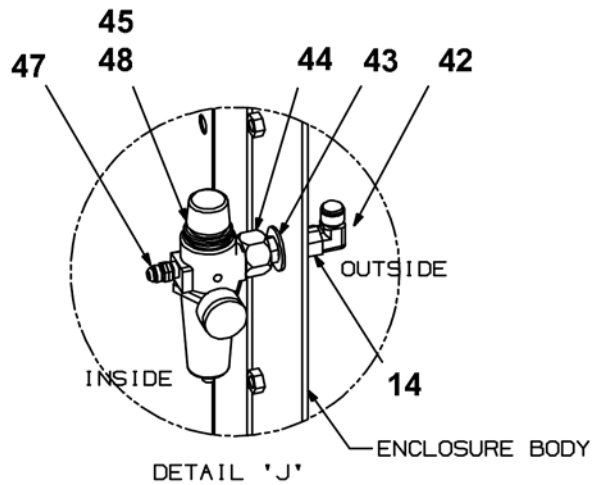
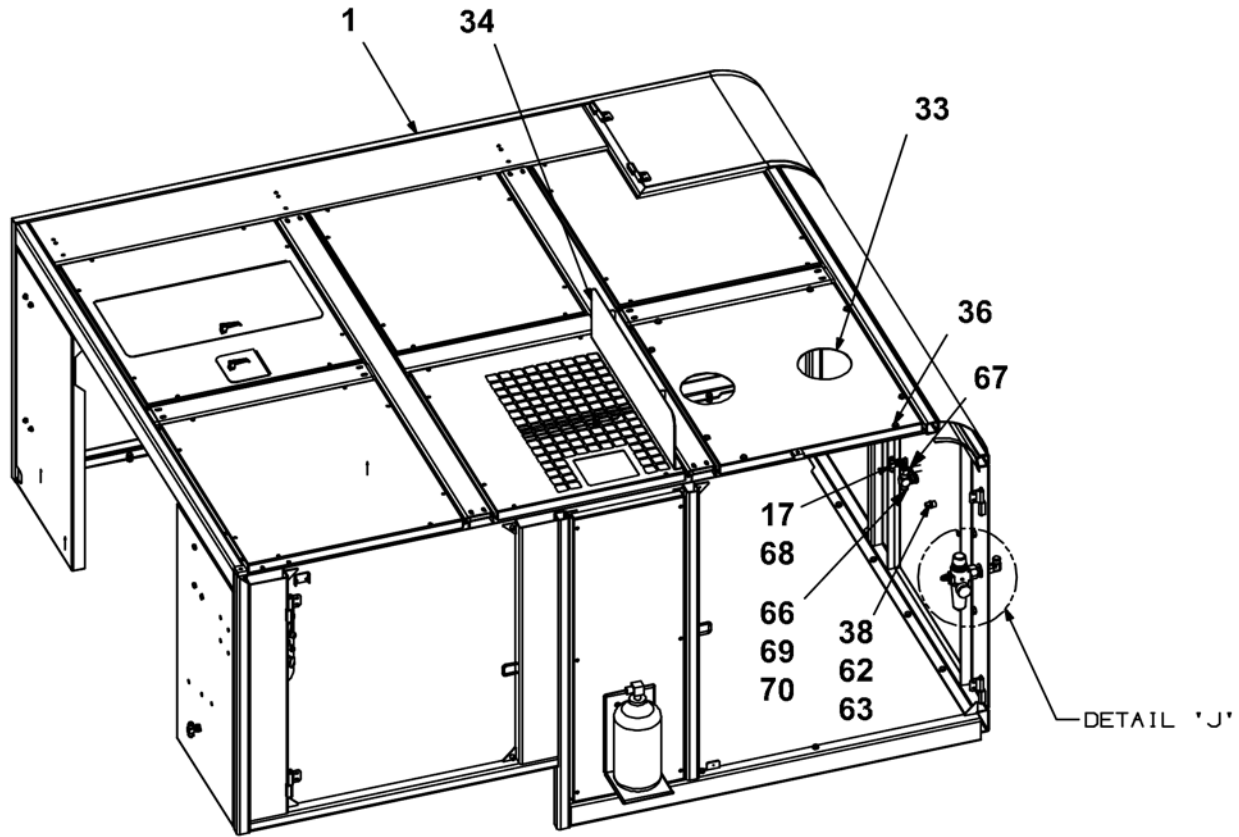


BOM 57928244

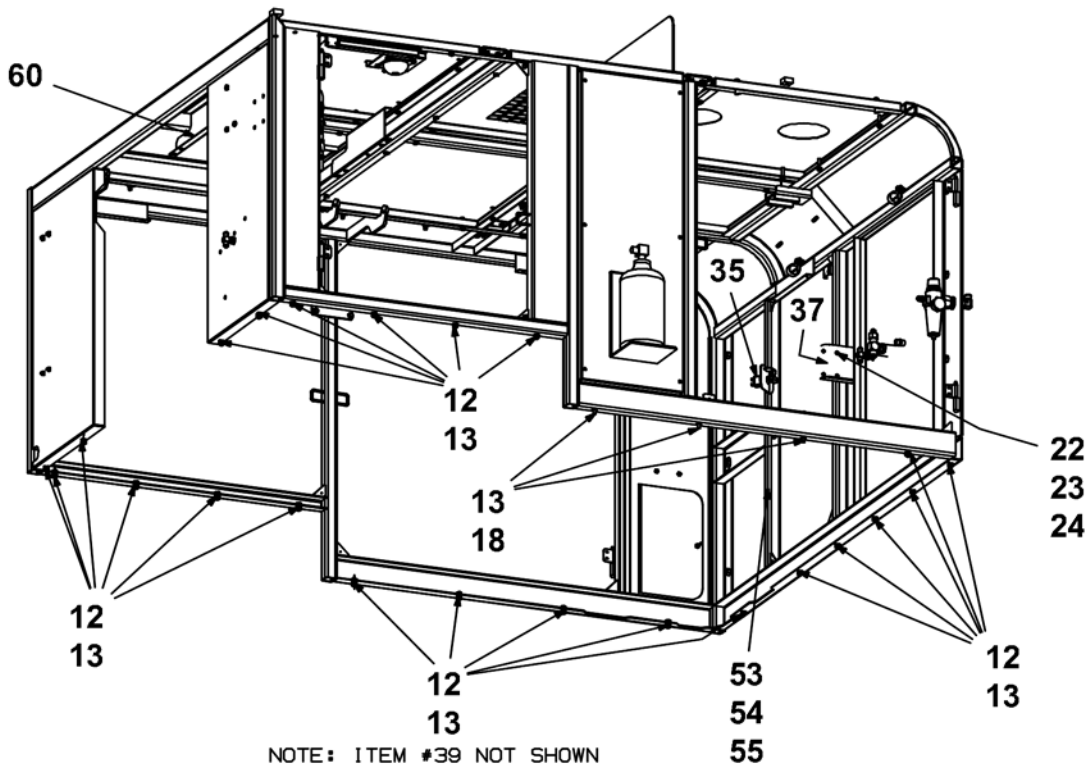
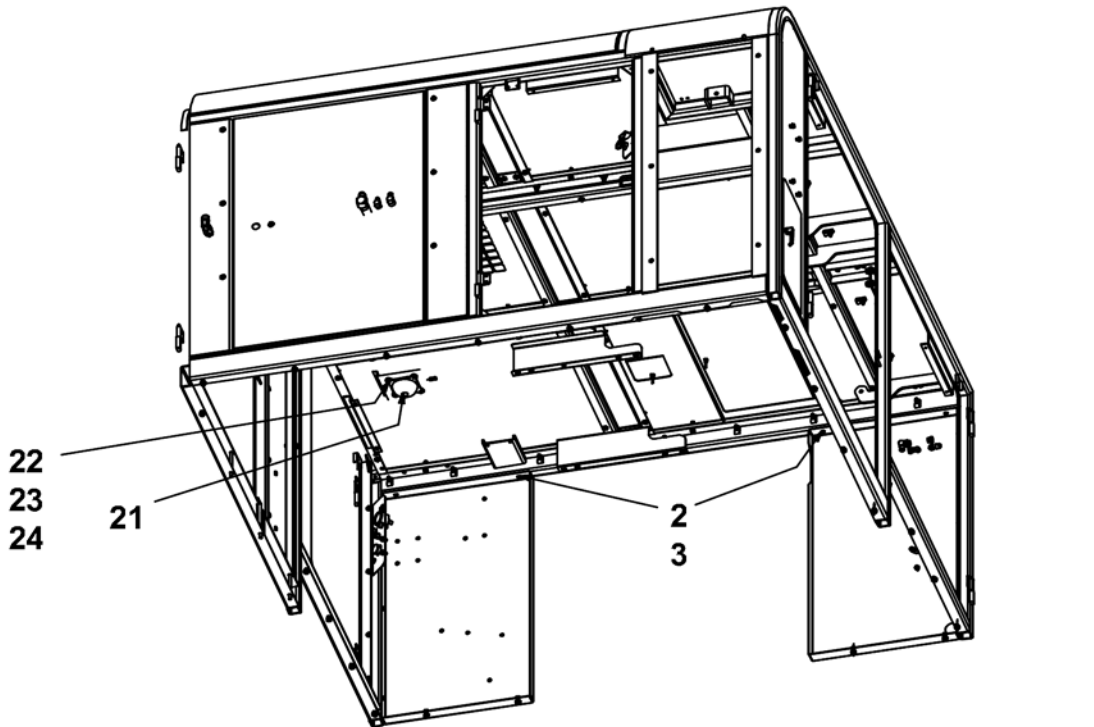
57928244 WALKWAY INSTALLATION

REF.	PART NO.	QTY	UNIT	DESCRIPTION	NOTES
001.0	57927923	1.0	EA	WALKWAY	
002.0	57927915	1.0	EA	WALKWAY	
003.0	96726716	5.0	EA	BOLT	
004.0	96726815	3.0	EA	NUT	
005.0	96727680	2.0	EA	BOLT	
006.0	96726807	2.0	EA	NUT/84M4JD7M3	

57762429 ENCLOSURE, INSTL

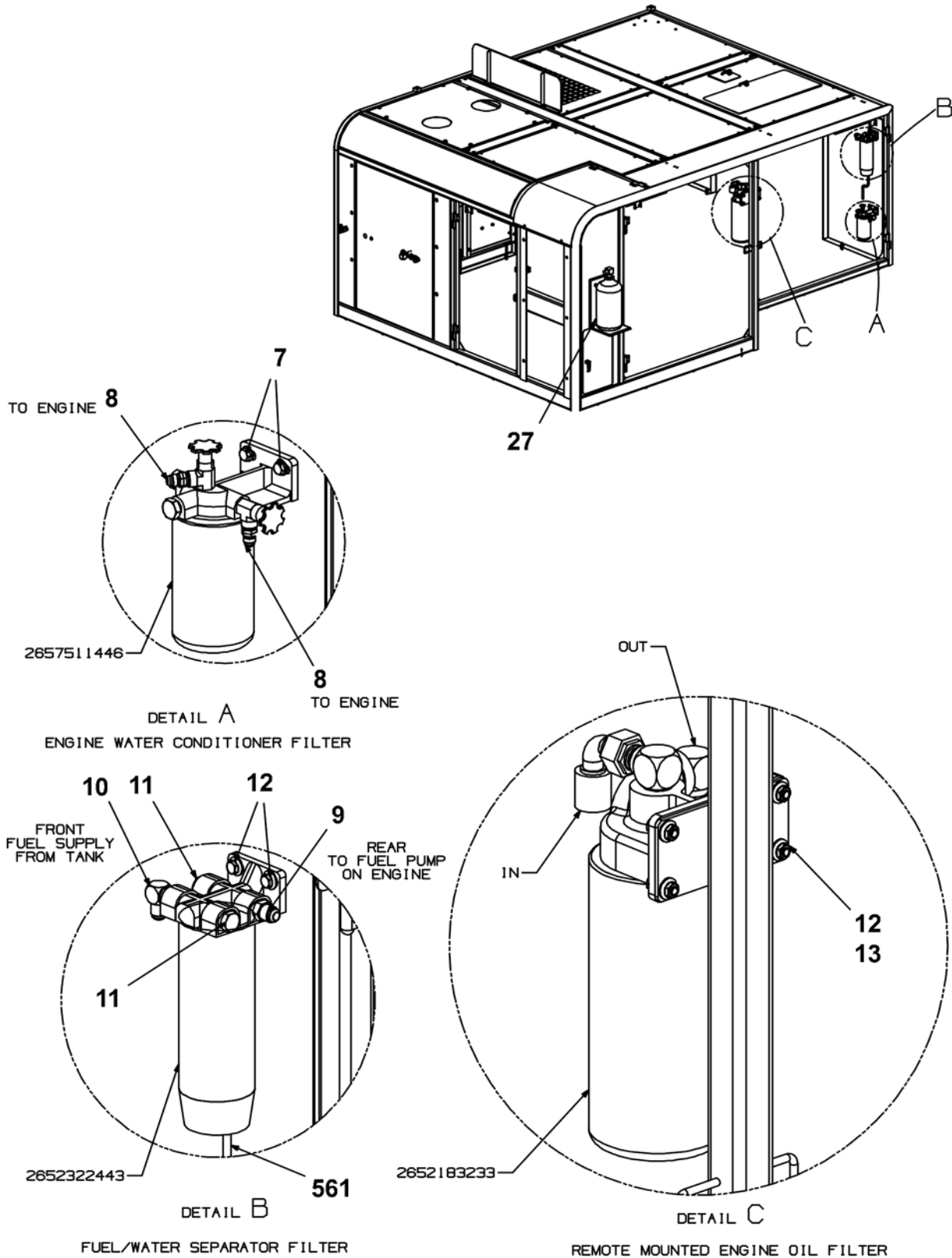


57762429 ENCLOSURE,INSTL



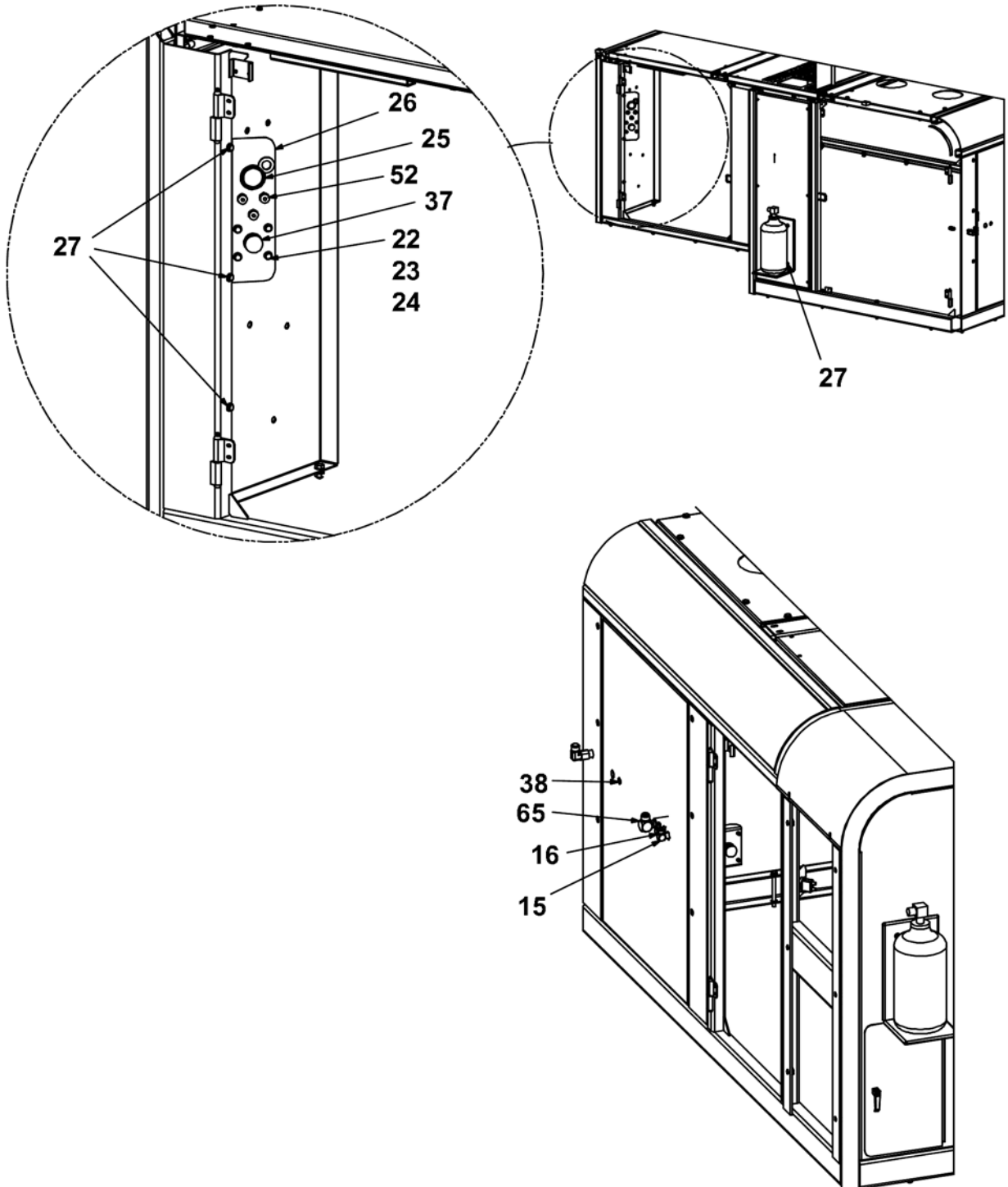
D2657762429 REV 010

57762429 ENCLOSURE, INSTL



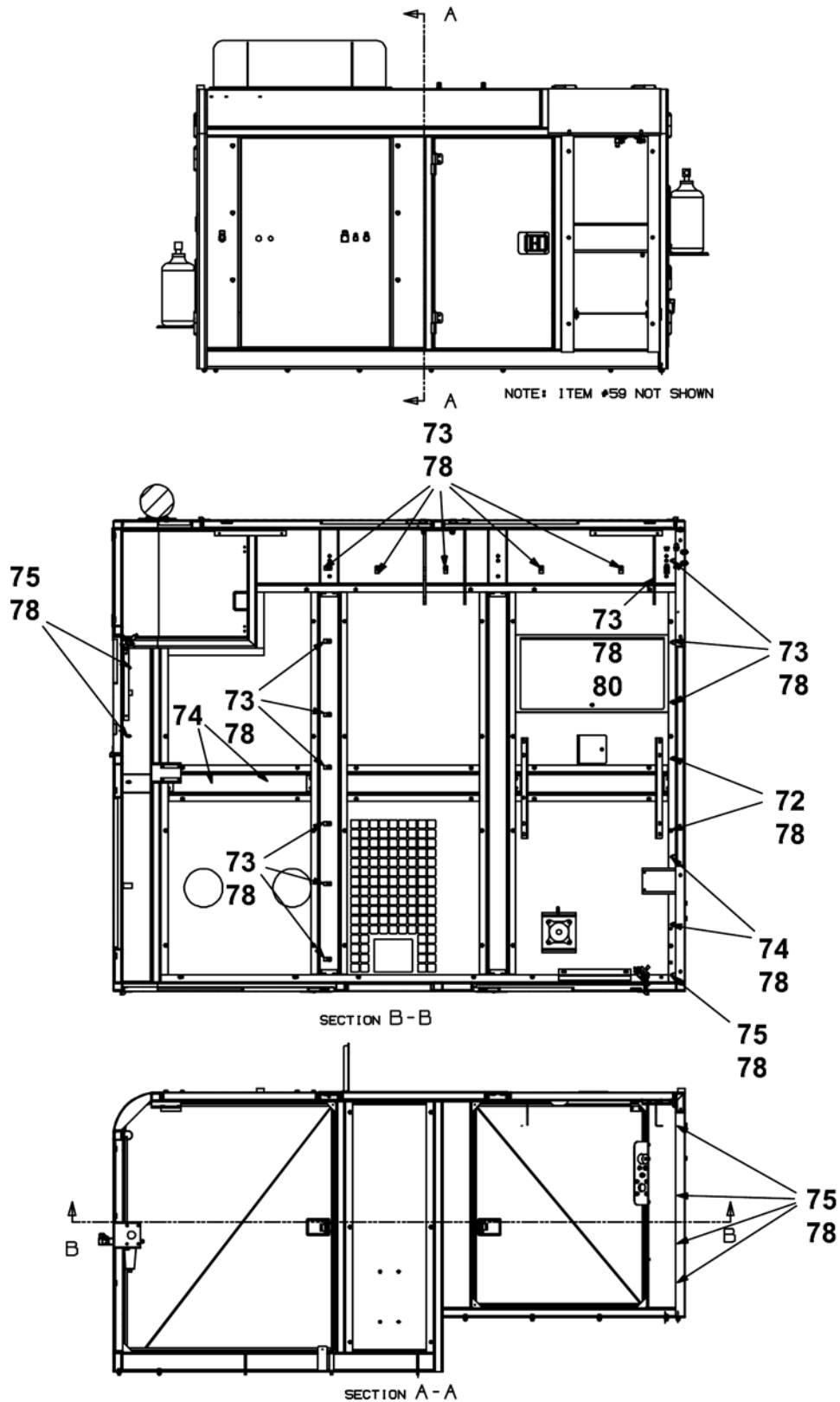
D2657762429 REV 010

57762429 ENCLOSURE,INSTL



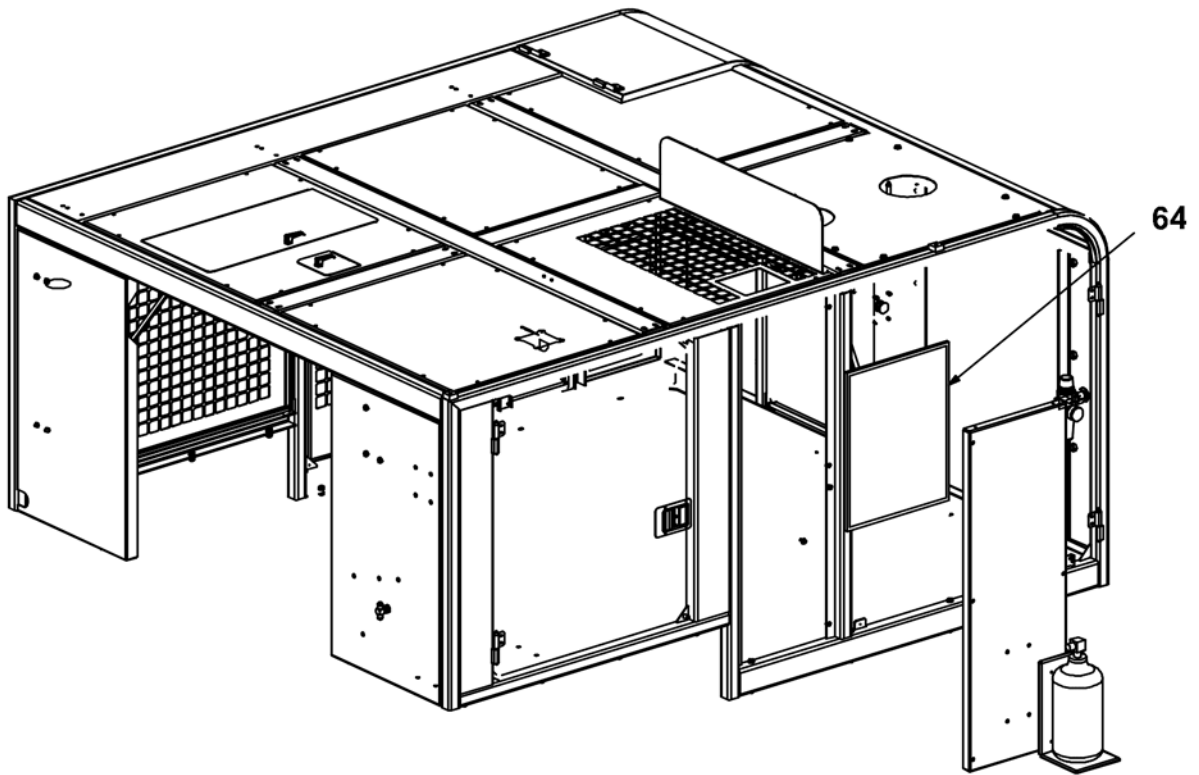
D2657762429 REV 010

57762429 ENCLOSURE, INSTL



D2657762429 REV 010

57762429 ENCLOSURE,INSTL



D2657762429 REV 010

57762429 ENCLOSURE,INSTL

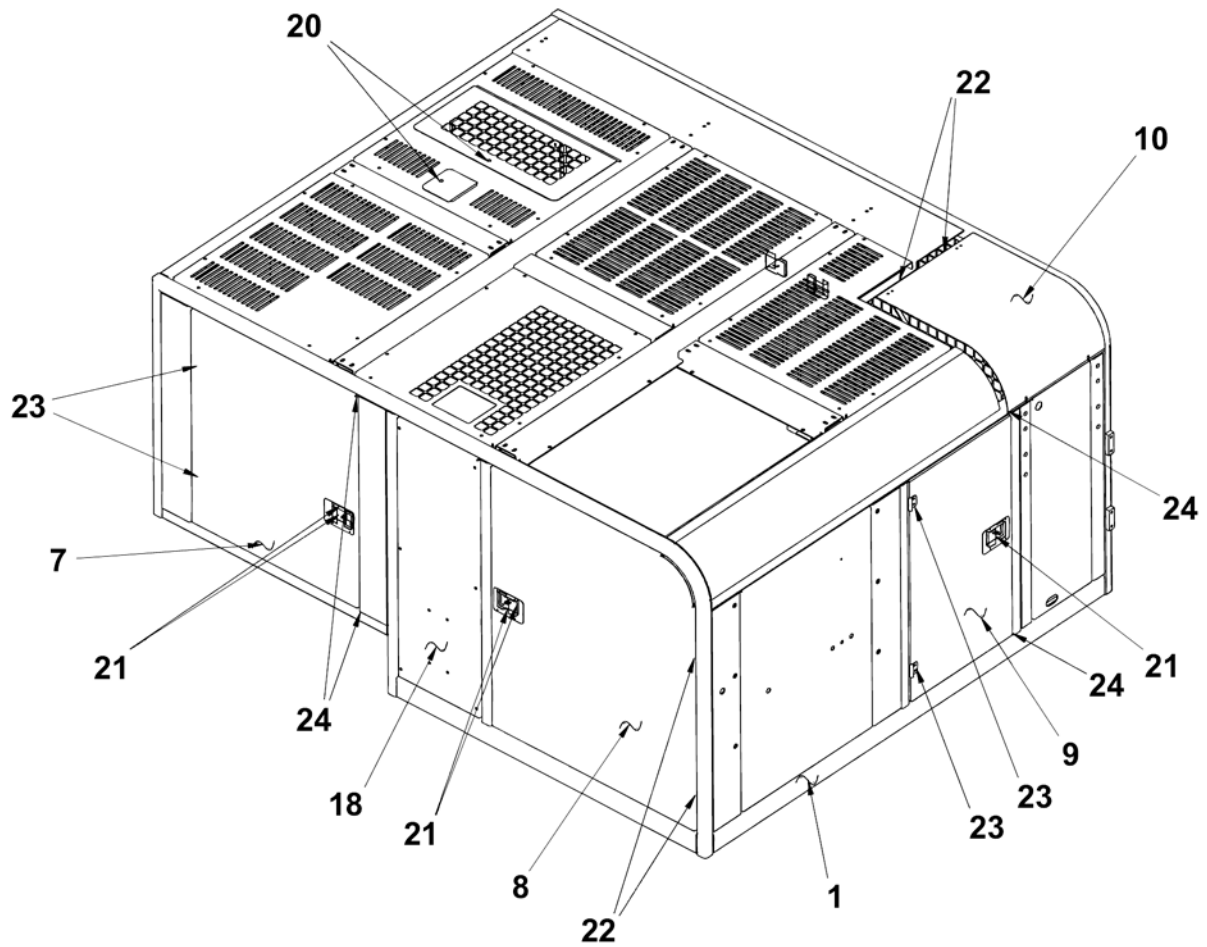
REF.	PART NO.	QTY	UNIT	DESCRIPTION	NOTES
001.0	57762445	1.0	EA	ENCLOSURE,ASSEMBLY 700S	See Page 22
002.0	96702774	5.0	EA	SCREW,HEX/34M2AA411M3HR	
002.1	96702774	29.0	EA	SCREW,HEX/34M2AA411M3HR	
003.0	96701982	5.0	EA	WASHER/10M5LC14AM4HR	
003.1	96701982	52.0	EA	WASHER/10M5LC14AM4HR	
004.1	96727300	4.0	EA	NUT	
005.0	96704564	12.0	EA	BOLT	
006.0	96702501	12.0	EA	WASHER/10M5LC11AM4HR	
007.0	96727797	2.0	EA	BOLT	
008.0	95219713	2.0	EA	CONNECTOR,MALE,37 DEG.	
009.0	95303368	1.0	EA	CONNECTOR,STRT THRD	
010.0	95303335	1.0	EA	ELBOW,90 DEG STRT THRD	
011.0	95323465	2.0	EA	PLUG,HEX HEAD,STRT THRD	
012.0	96726914	33.0	EA	BOLT	
012.1	96726914	4.0	EA	BOLT	
013.0	96726807	33.0	EA	NUT/84M4JD7M3	
014.0	52197167	1.0	EA	ADAPTOR	
015.0	95279535	1.0	EA	ELBOW,90 DEG MALE	
016.0	95279493	1.0	EA	ELBOW,90 DEG MALE	
017.0	95642484	1.0	EA	FITTING HYD	
018.0	96714795	3.0	EA	CAPSCREW,HEX HD/35M2AA42	
021.0	52319142	1.0	EA	ASY, ENCL DOME LIGHT	See Page 26
022.0	96705728	8.0	EA	BOLT	
023.0	96715008	8.0	EA	NUT,HEX LOCK/85M4JD1M3	
024.0	96702493	8.0	EA	WASHER,FLAT	
025.0	51607380	1.0	EA	GAUGE,HOURMETER	
026.0	52329711	1.0	EA	PANEL,GAUGE	
027.0	96728480	8.0	EA	BOLT,FLGD HEX HEAD	
027.1	96728480	2.0	EA	BOLT,FLGD HEX HEAD	
033.0	52327541	1.0	EA	PANEL,ROOF	
034.0	52324621	1.0	EA	PANEL,DEFLECTOR	
035.0	52105392	1.0	EA	SWITCH,BATTERY DISCONNECT	
036.0	96727607	8.0	EA	BOLT/131M2AA249M3	
037.0	52323029	1.0	EA	ENCLOSURE ASSY,E-STOP SW	
037.1	52323029	1.0	EA	ENCLOSURE ASSY,E-STOP SW	
038.0	50625946	1.0	EA	CONNECTOR,CORD GRIP	
039.0	52244605	8.0	EA	CLAMP,STICK-ON	
039.1	52244605	8.0	EA	CLAMP,STICK-ON	
039.2	52244605	4.0	EA	CLAMP,STICK-ON	
042.0	95302147	1.0	EA	ELBOW,90 DEG SWIVEL NUT	
043.0	95081709	3.0	EA	WASHER,FLAT	
044.0	56947518	1.0	EA	FITTING,HYD	

BOM 57762429

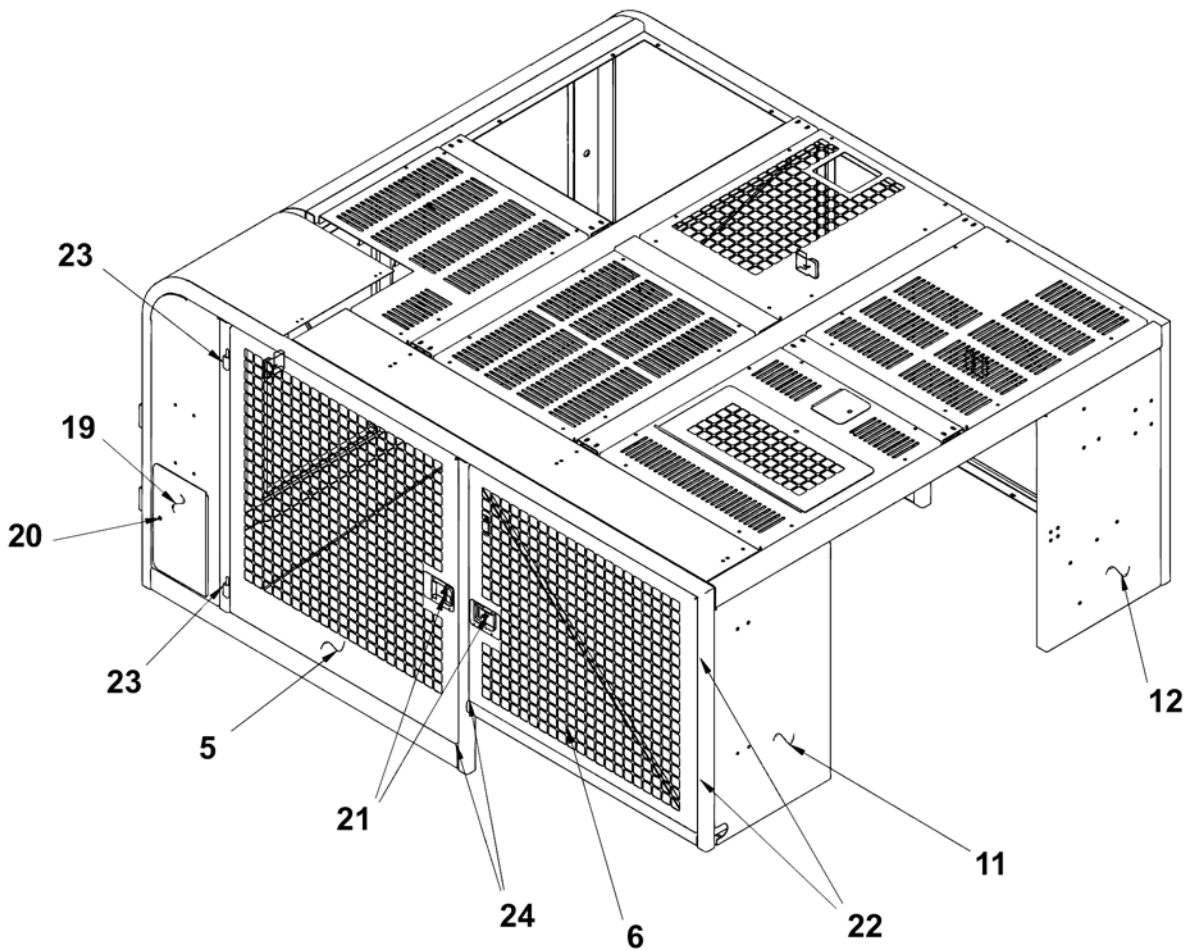
57762429 ENCLOSURE,INSTL

REF.	PART NO.	QTY	UNIT	DESCRIPTION	NOTES
045.0	57889982	1.0	EA	REGULATOR,	
-	57889990	1.0	EA	- BOWL, METAL	
047.0	95219721	1.0	EA	CONNECTOR,MALE,37 DEG.	
048.0	51903508	1.0	EA	VALVE,RELIEF	
052.0	51984128	3.0	EA	FITTING,BULKHEAD TEST	
053.0	96712161	1.0	EA	CAPSCREW,HEX/34M2AA311	
054.0	50977271	1.0	EA	WASHER	
055.0	95301875	1.0	EA	CLAMP,HOSE	
059.0	96702279	4.0	EA	CAPSCREW	
060.0	57798654	1.0	EA	BRACKET,CONDENSER,SPRT	
062.0	50619915	1.0	EA	NUT,LOCK-1/2,CONDUIT	
063.0	50625839	1.0	EA	BUSHING,CONDUIT	
064.0	57797318	1.0	EA	BLANKET,THERMAL	
065.0	95279402	1.0	EA	ELBOW,90DEG MALE 37DGFL	
066.0	95219747	1.0	EA	CONNECTOR,MALE,37 DEG	
067.0	95219713	1.0	EA	CONNECTOR,MALE,37 DEG.	
068.0	95219721	1.0	EA	CONNECTOR,MALE,37 DEG.	
069.0	95657730	1.0	EA	FITTING, HYD	
070.0	56956220	1.0	EA	FITTING, HYD	
071.0	51615490	4.0	EA	RETAINER	
561.0	52285582	0.0	EA	HOSE,FUEL	

57762445 ENCLOSURE, ASSEMBLY 700S

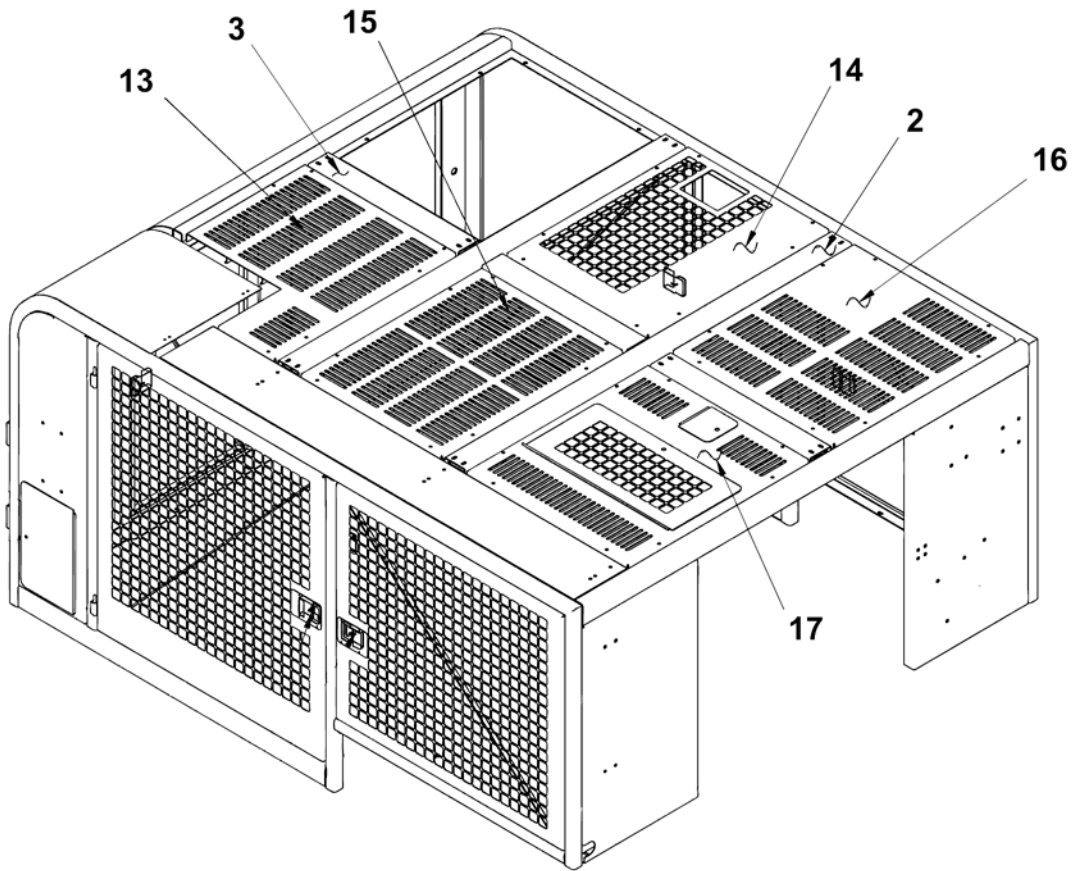


57762445 ENCLOSURE, ASSEMBLY 700S



D2657762445 REV 003

57762445 ENCLOSURE, ASSEMBLY 700S

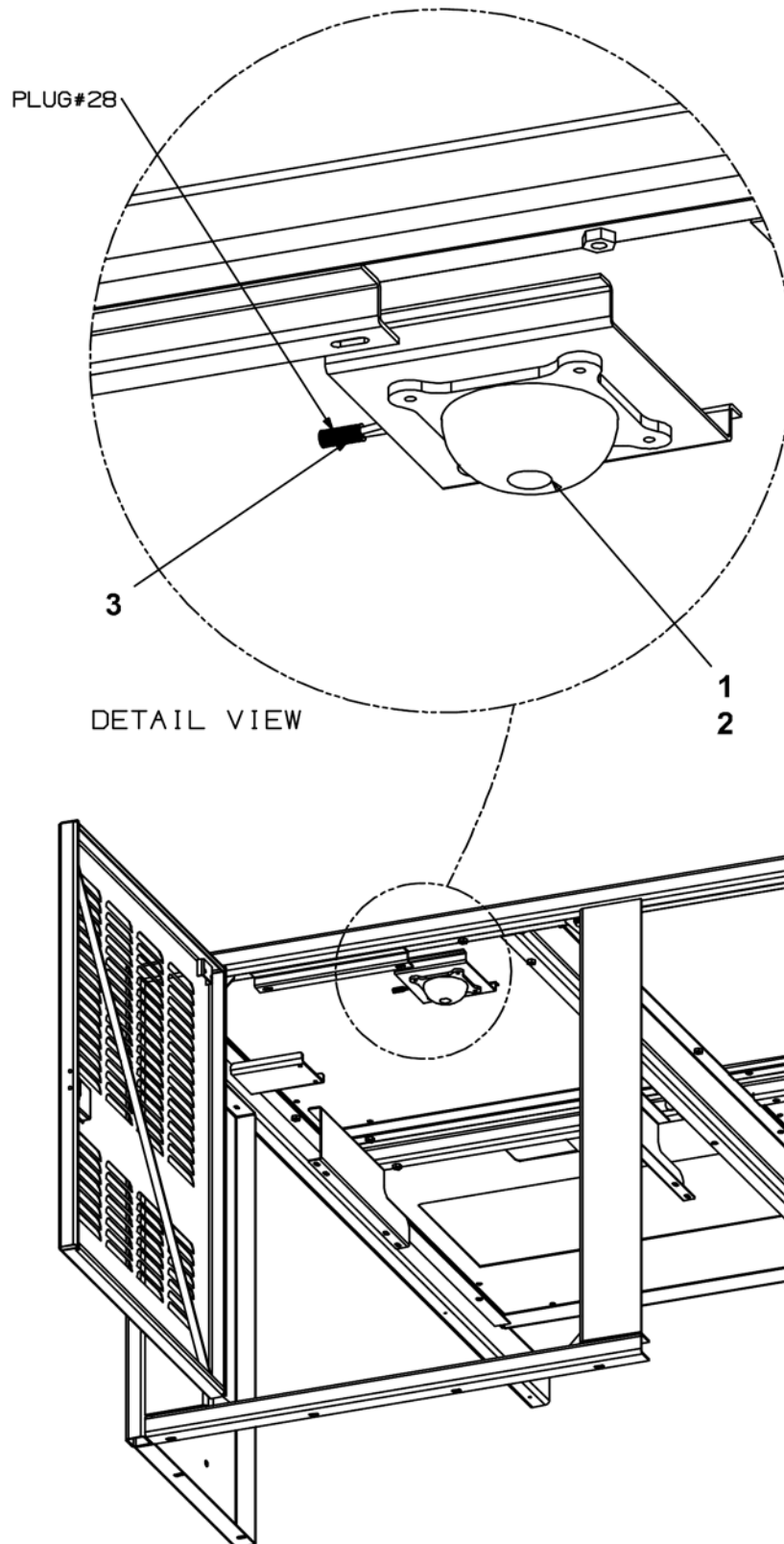


BOM 57762445

57762445 ENCLOSURE,ASSEMBLY 700S

REF.	PART NO.	QTY	UNIT	DESCRIPTION	NOTES
001.0	57910432	1.0	EA	FRAME WELDMENT	
002.0	52315819	1.0	EA	MAIN GRID WELDMENT	
003.0	52316395	1.0	EA	MEMBER,GRID	
005.0	57910440	1.0	EA	DOOR,RIGHT REAR	
006.0	57910457	1.0	EA	DOOR,RIGHT FRONT	
007.0	57762452	1.0	EA	DOOR,LEFT FRONT	
008.0	57762460	1.0	EA	DOOR,LEFT REAR	
009.0	57910465	1.0	EA	DOOR,REAR	
010.0	52313954	1.0	EA	DOOR,TOP ACCESS	
011.0	52315751	1.0	EA	PANEL,RIGHT FRONT	
012.0	52315769	1.0	EA	PANEL,LEFT FRONT	
013.0	57763641	1.0	EA	PANEL,RIGHT REAR	
014.0	52316122	1.0	EA	PANEL,LEFT MID TOP	
015.0	57763658	1.0	EA	PANEL,MID TOP RIGHT	
016.0	57763666	1.0	EA	PANEL,LEFT FRONT TOP	
017.0	57763674	1.0	EA	PANEL,RIGHT FRONT TOP	
018.0	52316163	1.0	EA	PANEL,SIDE BOLT-ON	
019.0	57910473	1.0	EA	DOOR,SIDE ACCESS	
020.0	52316403	3.0	EA	LATCH,LIFT & TURN	
021.0	52290764	5.0	EA	LATCH,SLAM	
022.0	52307311	6.0	EA	HINGE WELDMENT,RH	
023.0	52307303	6.0	EA	HINGE WELDMENT,LH	
024.0	52307501	10.0	EA	BUMPER,DOOR	
025.0	57797631	5.0	EA	DOOR, RETAINER	

52319142 ASY, ENCL DOME LIGHT



C2652319142 REV 002

BOM 52319142

52319142 ASY, ENCL DOME LIGHT

REF.	PART NO.	QTY	UNIT	DESCRIPTION	NOTES
001.0	52322161	1.0	EA	LENSE, LIGHT	
002.0	52322146	1.0	EA	BULB, LIGHT	
003.0	52322153	1.0	EA	CONNECTOR, ELECTRICAL	

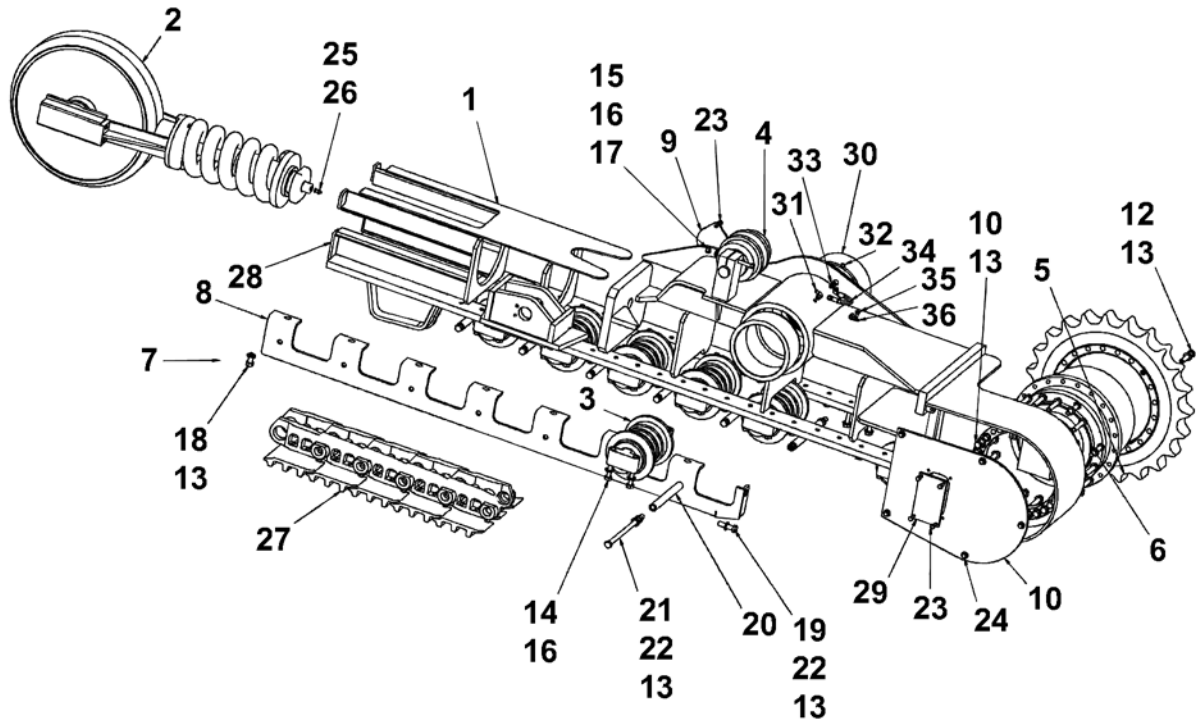
This page is intentionally blank.



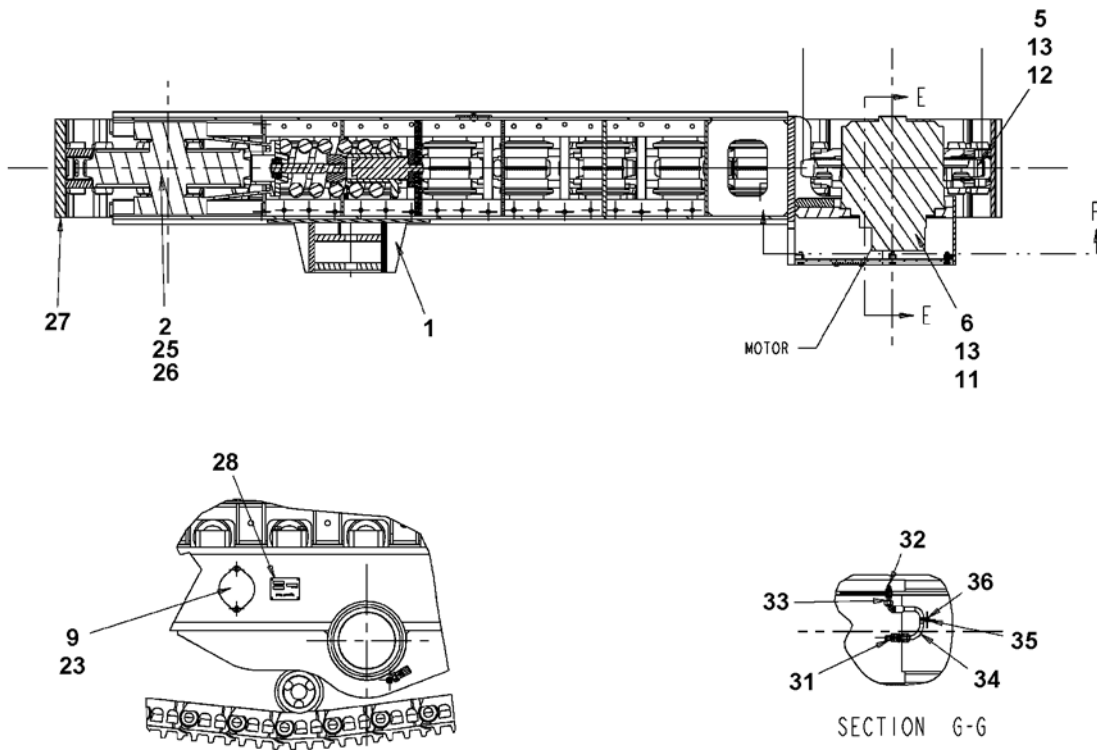
Section B - Undercarriage/Tracks



57712192 TRACK ASSEMBLY,RH

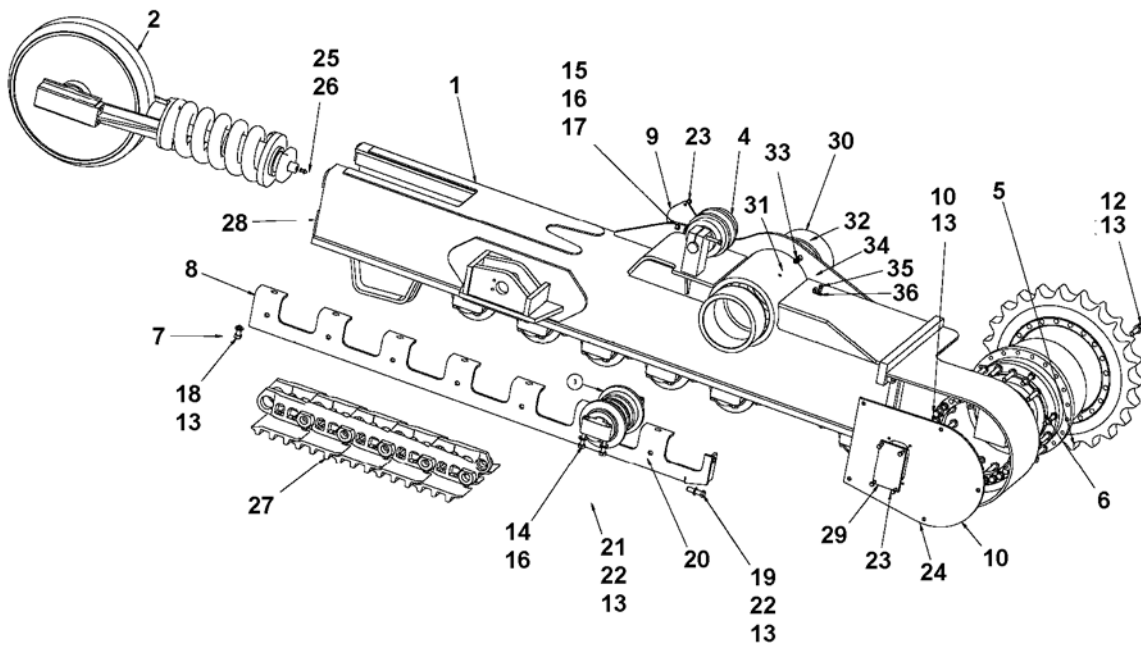


57712192 TRACK ASSEMBLY,RH



TB2657712176 REV 001

57712192 TRACK ASSEMBLY,RH



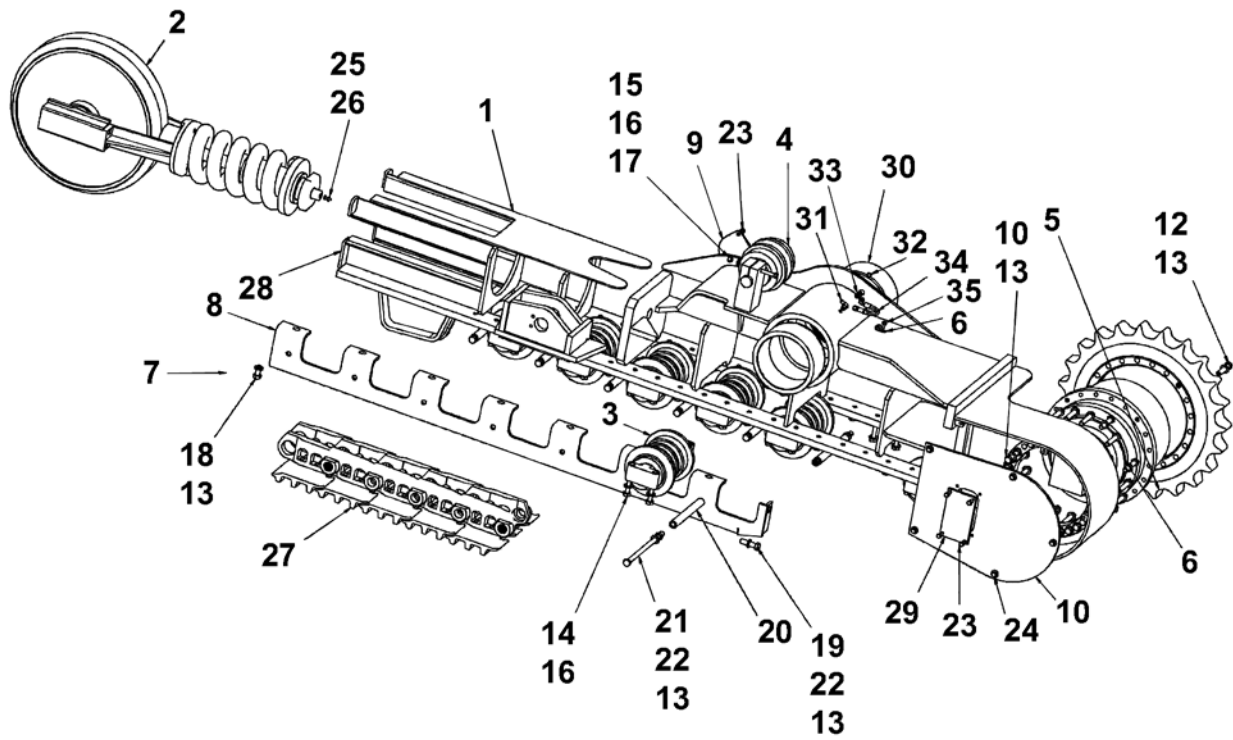
TB2657712176 REV 001

BOM 57712192

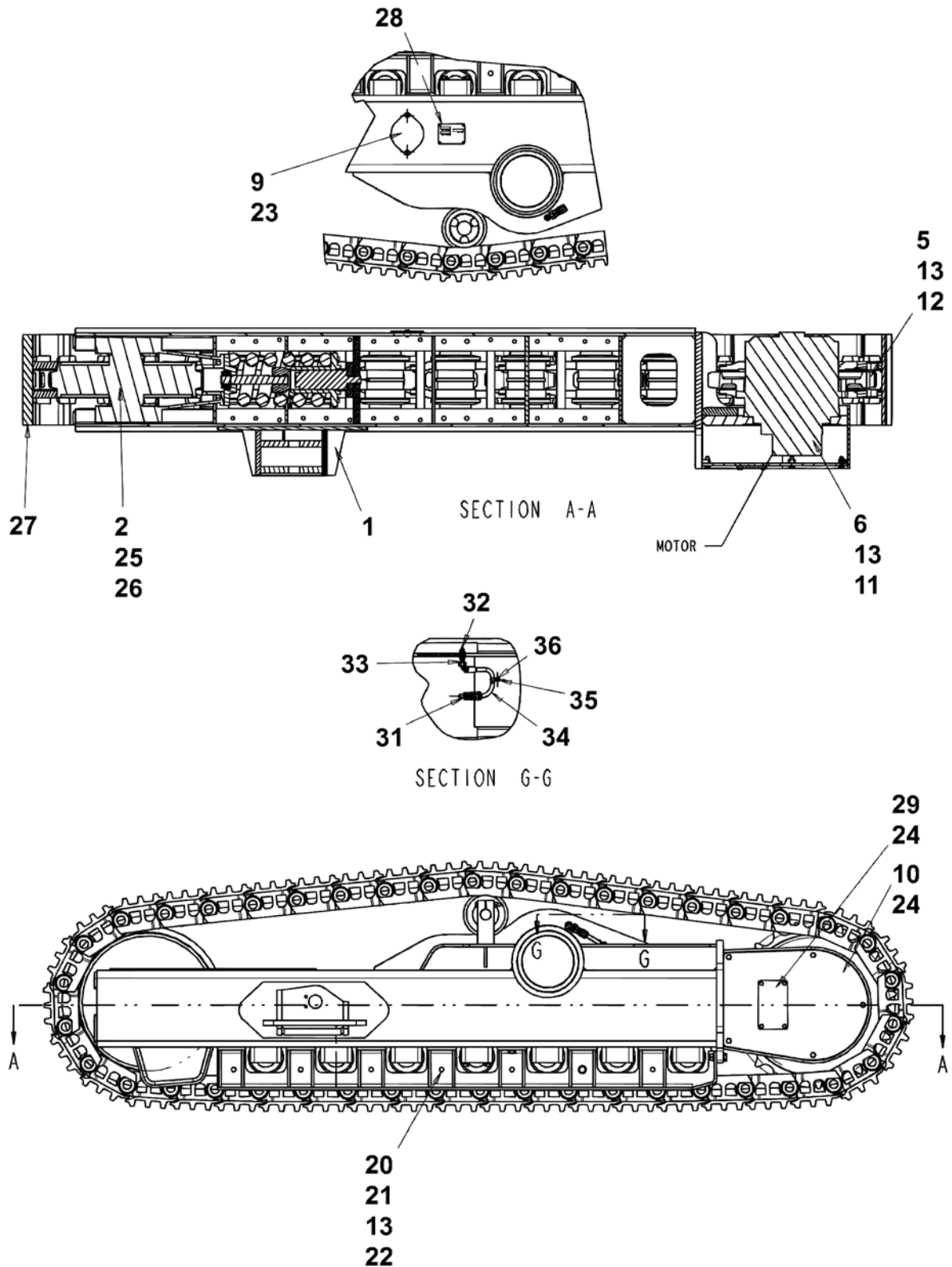
57712192 TRACK ASSEMBLY,RH

REF.	PART NO.	QTY	UNIT	DESCRIPTION	NOTES
001.0	57712176	1.0	EA	TRACK,RH 700 SERIES	See Page 34
002.0	95371217	2.0	EA	CONNECTOR,STRT THRD	
003.0	95285946	1.0	EA	FITTING,HYD	

57712176 TRACK,RH 700 SERIES

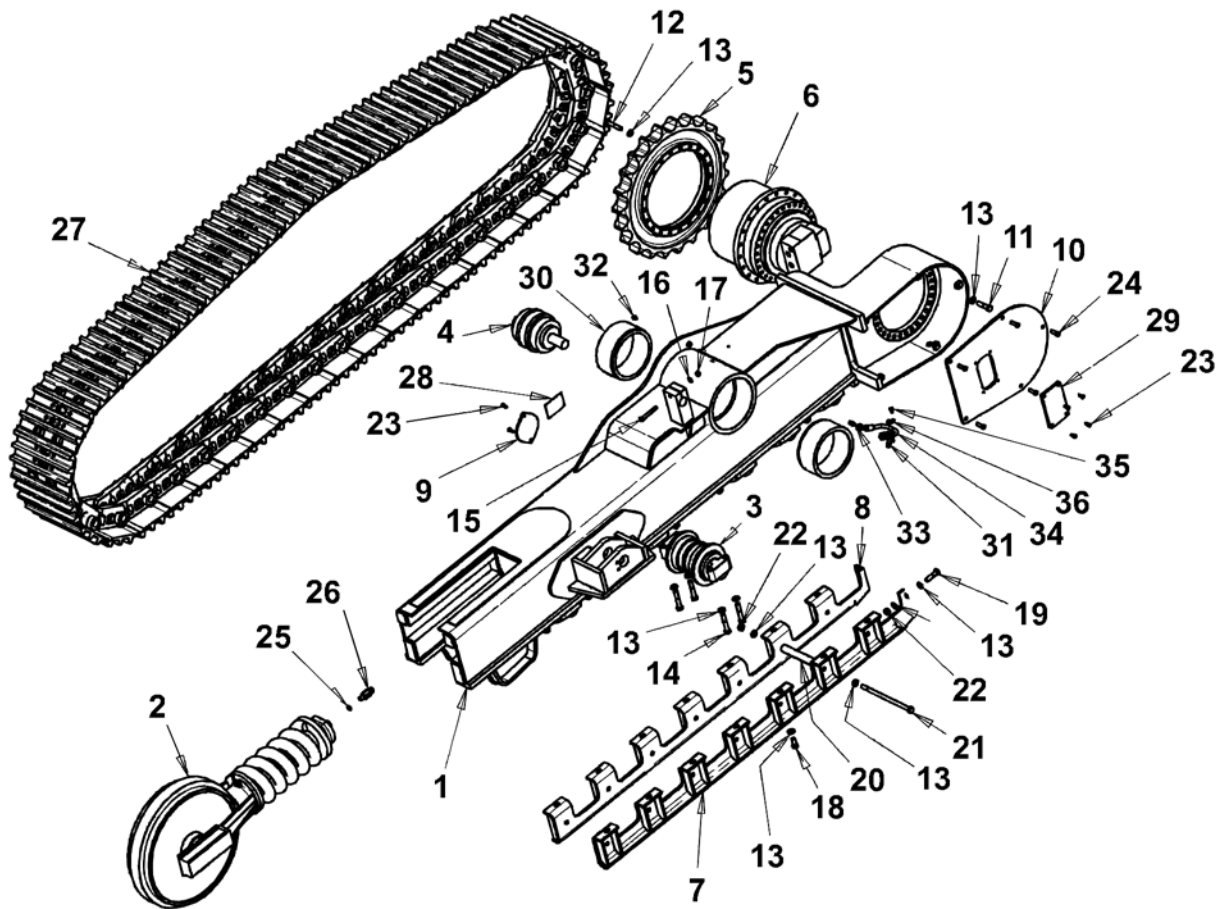


57712176 TRACK, RH 700 SERIES



TB2657712176 REV 002

57712176 TRACK,RH 700 SERIES



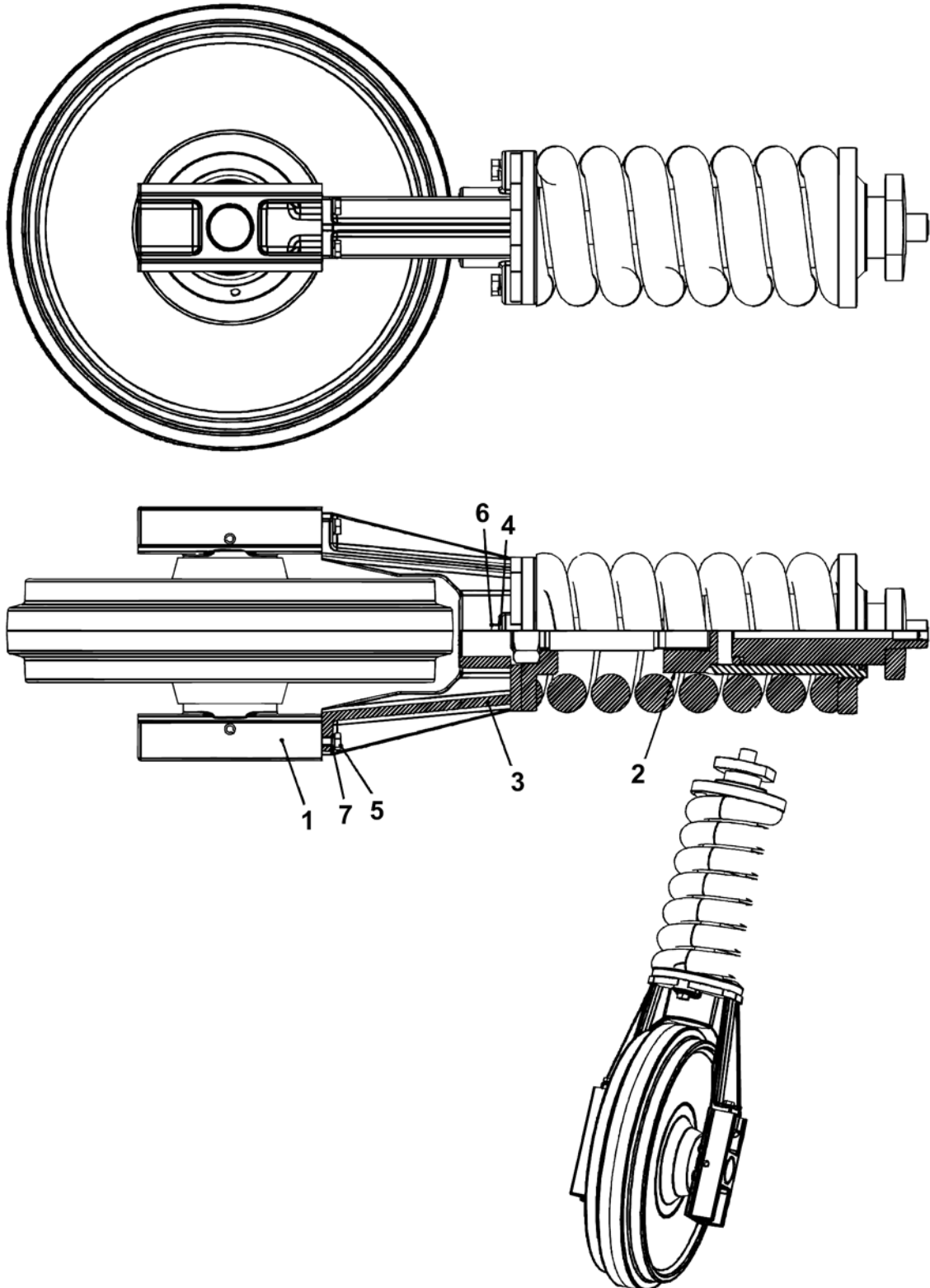
TB2657712176 REV 002

BOM 57712176

57712176 TRACK,RH 700 SERIES

REF.	PART NO.	QTY	UNIT	DESCRIPTION	NOTES
001.0	57695603	1.0	EA	FRAME,TRACK,RH	
002.0	57695611	1.0	EA	IDLER UNIT,TRACK	See Page 38
003.0	57695629	7.0	EA	ROLLER,TRACK	See Page 40
004.0	57695637	1.0	EA	ROLLER,CARR	See Page 42
005.0	57695645	1.0	EA	SPROCKET,TRACK DRIVE	
006.0	57728750	1.0	EA	FINAL DRIVE,TEIJIN SEIKI	See Page 44
007.0	57695652	1.0	EA	GUARD,LH	
008.0	57695660	1.0	EA	GUARD,ROCK(RH)	
009.0	57695678	1.0	EA	PLATE,COVER	
010.0	57695686	1.0	EA	COVER,FINAL DRIVE	
011.0	96744917	30.0	EA	BOLT	
012.0	96705520	21.0	EA	BOLT,HEX HEAD	
013.0	96702550	104.0	EA	WASHER/10M5LC17AM4HR	
014.0	96701503	28.0	EA	BOLT/35M2AB522M3	
015.0	96704721	1.0	EA	BOLT/35M2AB472M3	
016.0	96702535	1.0	EA	WASHER/10M5LC15AM4HR	
017.0	96705652	1.0	EA	NUT,LOCK	
018.0	96703186	14.0	EA	CAPSCREW/34M2AB513M3	
019.0	96700893	2.0	EA	SCREW,HEX/35M2AB518M3	
020.0	57695694	7.0	EA	SPACER,ROCK GUARD	
021.0	57695736	7.0	EA	BOLT	
022.0	96727151	9.0	EA	NUT M16	
023.0	96727169	6.0	EA	BOLT	
024.0	96727250	5.0	EA	BOLT	
025.0	51236925	1.0	EA	GASKET	
026.0	51236933	1.0	EA	FITTING	
027.0	57695702	1.0	EA	CHAIN,TRACK	See Page 62
028.0	57793986	1.0	EA	NAMEPLATE,UNDERCARRIAGE	
029.0	57695728	1.0	EA	PLATE,COVER	
030.0	51952158	2.0	EA	BUSHING,TRACK OSCILATION	
031.0	95293403	1.0	EA	ELBOW,90 DEG MALE	
032.0	95201307	1.0	EA	FITTING	
033.0	95263380	1.0	EA	FITTING,HYD-NPT/JIC	
034.0	51028371	1.0	EA	HOSE ASSY	
035.0	96728480	1.0	EA	BOLT,FLGD HEX HEAD	
036.0	95368338	1.0	EA	CLAMP,HOSE	

57695611 IDLER UNIT, TRACK



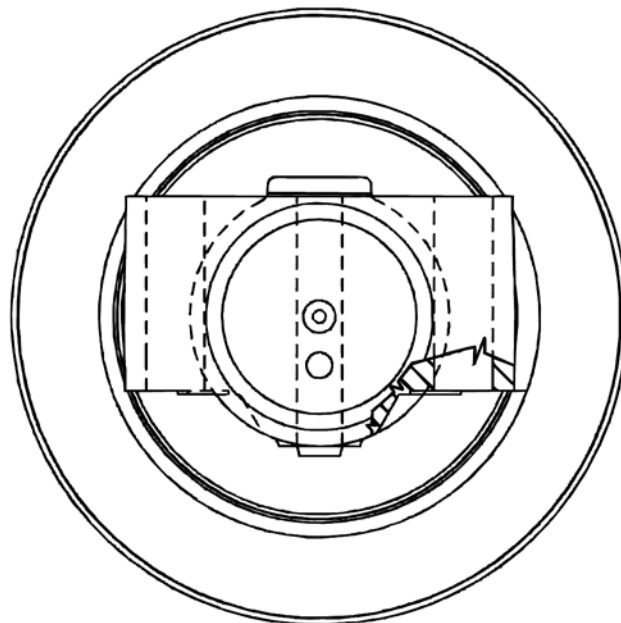
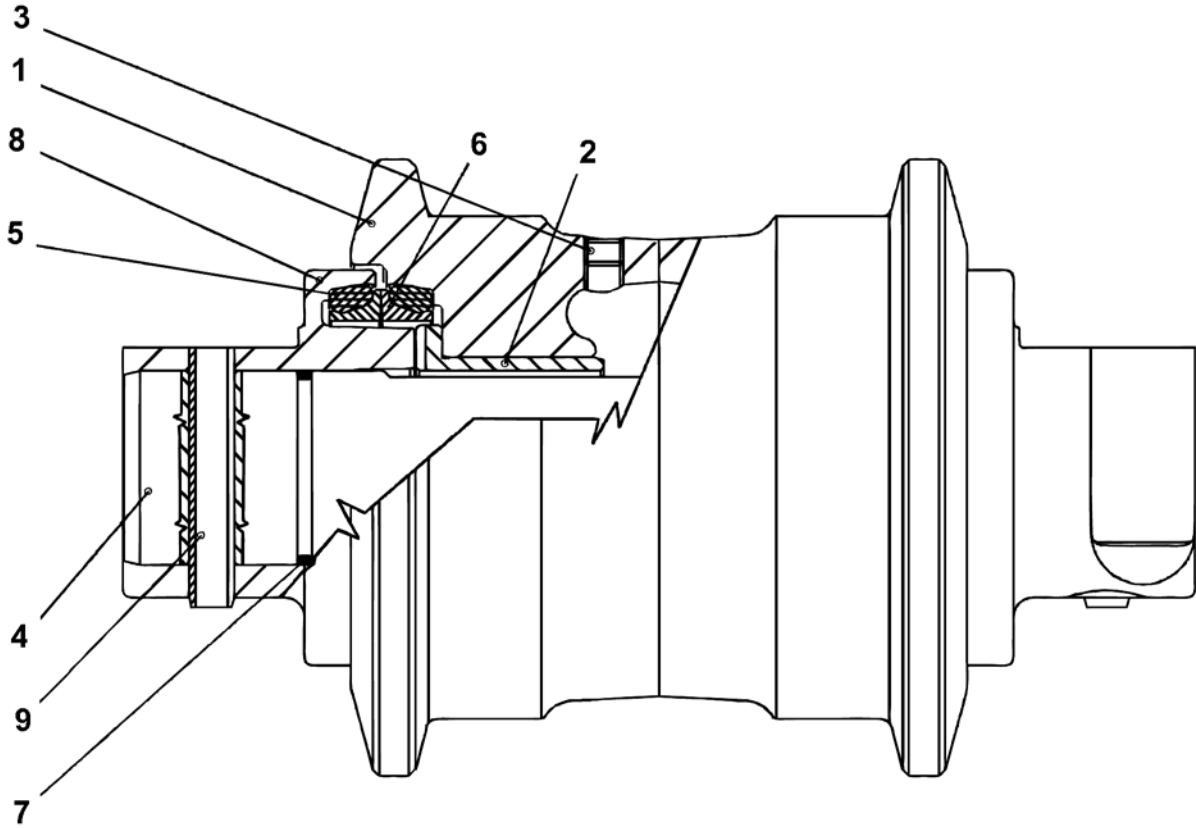
C2657695611 REV 001

BOM 57695611

57695611 IDLER UNIT,TRACK

REF.	PART NO.	QTY	UNIT	DESCRIPTION	NOTES
001.0	57695751	1.0	EA	IDLER WITH BRACKETS	
002.0	57695769	1.0	EA	SPRING & TENSION DEVICE	
003.0	57695777	1.0	EA	FORK	
004.0	96702550	2.0	EA	WASHER/10M5LC17AM4HR	
005.0	96712187	4.0	EA	BOLT	
006.0	96706262	2.0	EA	BOLT	
007.0	96702535	4.0	EA	WASHER/10M5LC15AM4HR	

57695629 ROLLER, TRACK



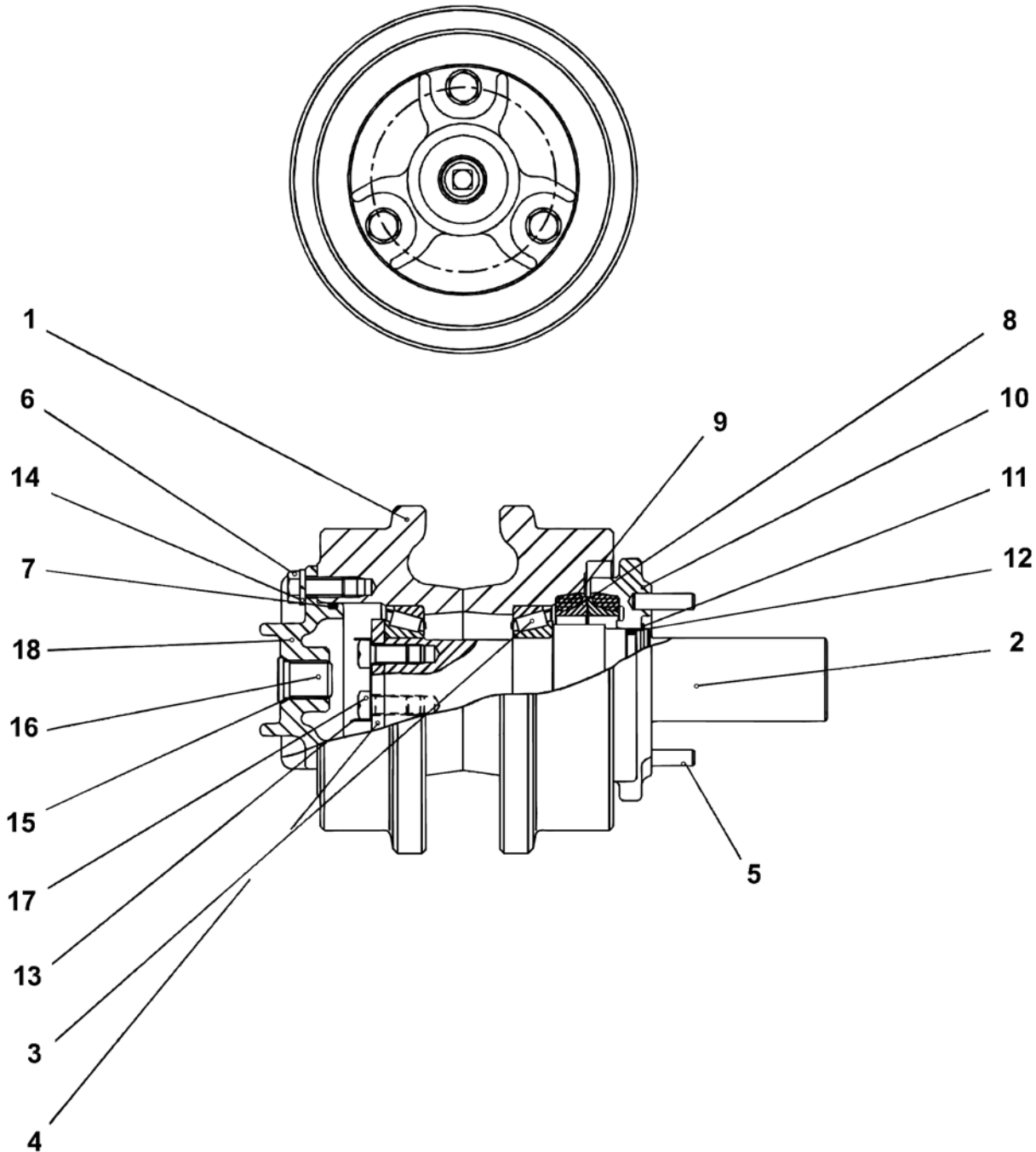
C2657695629 REV 001

BOM 57695629

57695629 ROLLER,TRACK

REF.	PART NO.	QTY	UNIT	DESCRIPTION	NOTES
001.0	57695785	1.0	EA	SHELL,ROLLER	
002.0	57695793	2.0	EA	BUSHING	
003.0	57695801	1.0	EA	PLUG	
004.0	57695819	1.0	EA	SHAFT	
005.0	57695827	4.0	EA	O-RING	
006.0	57695835	4.0	EA	RING,SEAL	
007.0	57695843	2.0	EA	O-RING	
008.0	57695850	2.0	EA	BRACKET	
009.0	57695868	2.0	EA	PIN,DOWEL	

57695637 ROLLER, CARR



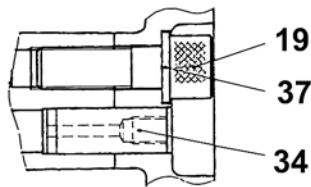
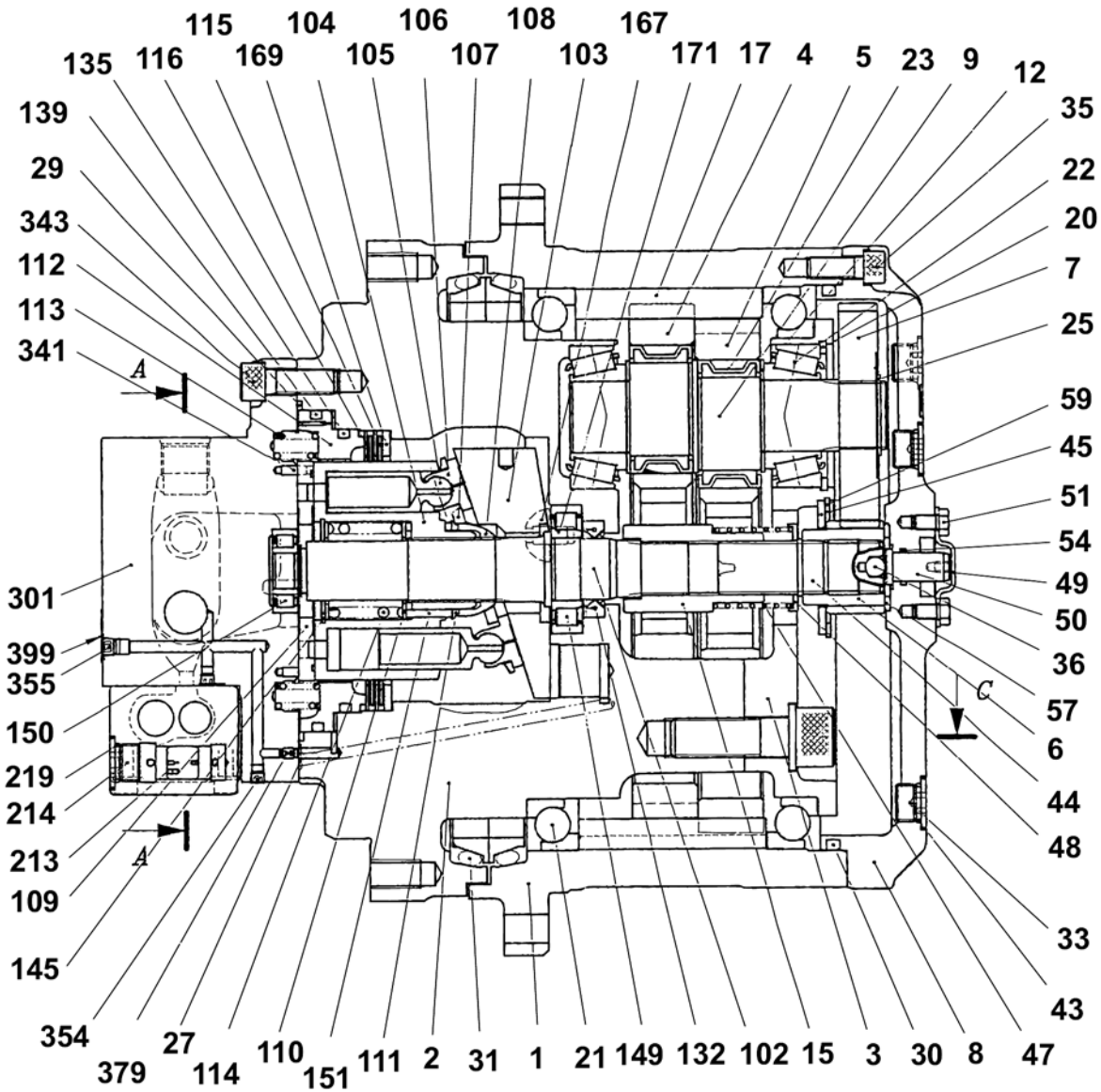
C2657695637 REV 001

BOM 57695637

57695637 ROLLER,CARR

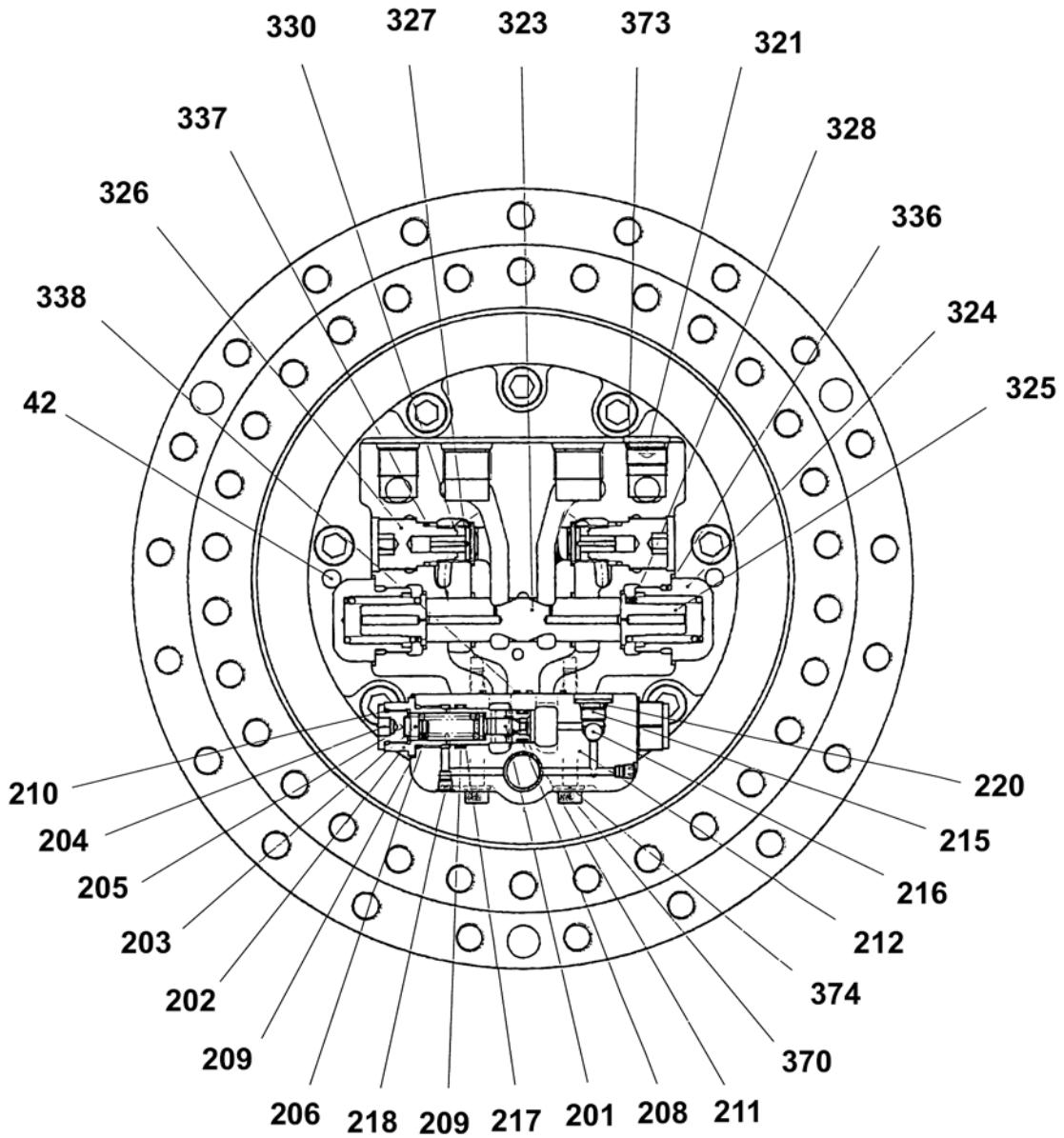
REF.	PART NO.	QTY	UNIT	DESCRIPTION	NOTES
001.0	57695876	1.0	EA	SHELL,ROLLER	
002.0	57695884	1.0	EA	SHAFT	
003.0	57695892	2.0	EA	BEARING	
004.0	57700700	1.0	EA	DISK,INTERNAL FACE	
005.0	57700718	2.0	EA	PIN	
006.0	57700726	3.0	EA	BOLT,SELF-LOCKING	
007.0	57700734	1.0	EA	O-RING	
008.0	57700742	2.0	EA	RING,SEAL	
009.0	57700759	2.0	EA	O-RING	
010.0	57700767	1.0	EA	COLLAR	
011.0	57700775	1.0	EA	RING,ELASTIC	
012.0	57700783	1.0	EA	O-RING	
013.0	57700791	1.0	EA	PLATE,SECURITY	
014.0	57700809	3.0	EA	WASHER,ELASTIC	
015.0	57700817	1.0	EA	O-RING	
016.0	57700825	1.0	EA	PLUG	
017.0	57700833	2.0	EA	BOLT,SELF-LOCKING	
018.0	57700841	1.0	EA	COVER	

57728750 FINAL DRIVE, TEIJIN SEIKI



D2657728750 REV 001

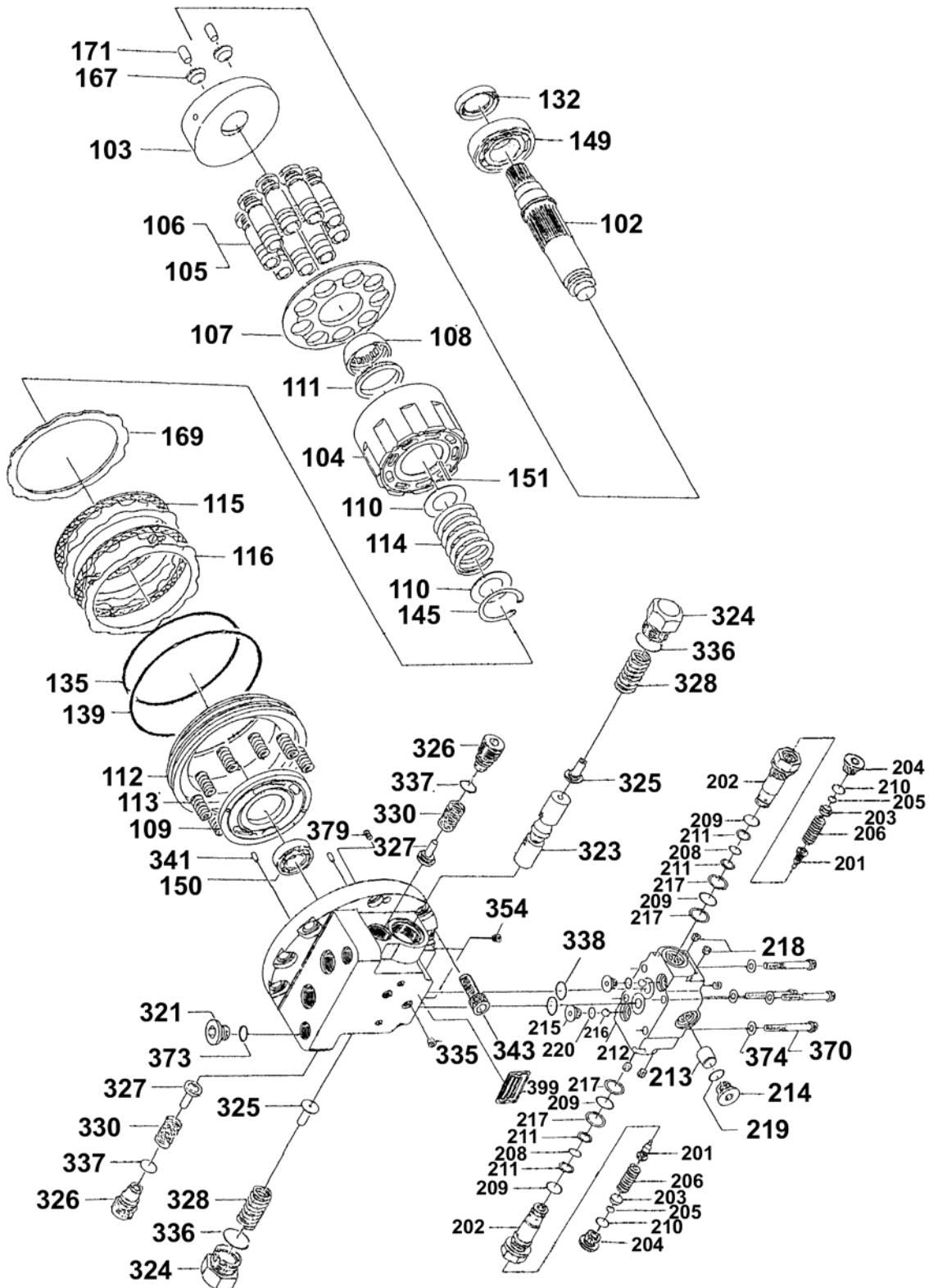
57728750 FINAL DRIVE, TEIJIN SEIKI



SECTION A - A

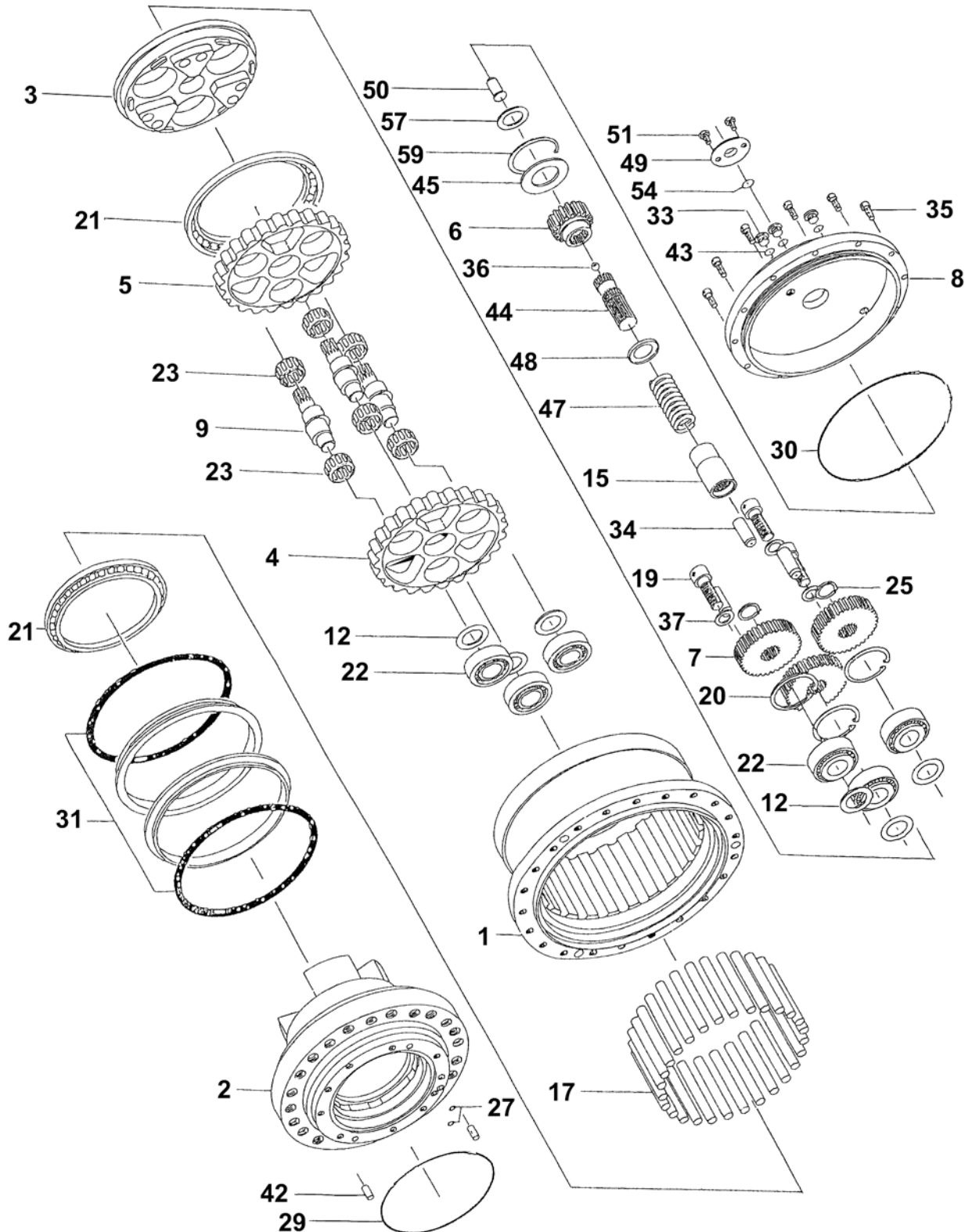
D2657728750 REV 001

57728750 FINAL DRIVE, TEIJIN SEIKI



D2657728750 REV 001

57728750 FINAL DRIVE, TEIJIN SEIKI



D2657728750 REV 001

BOM 57728750

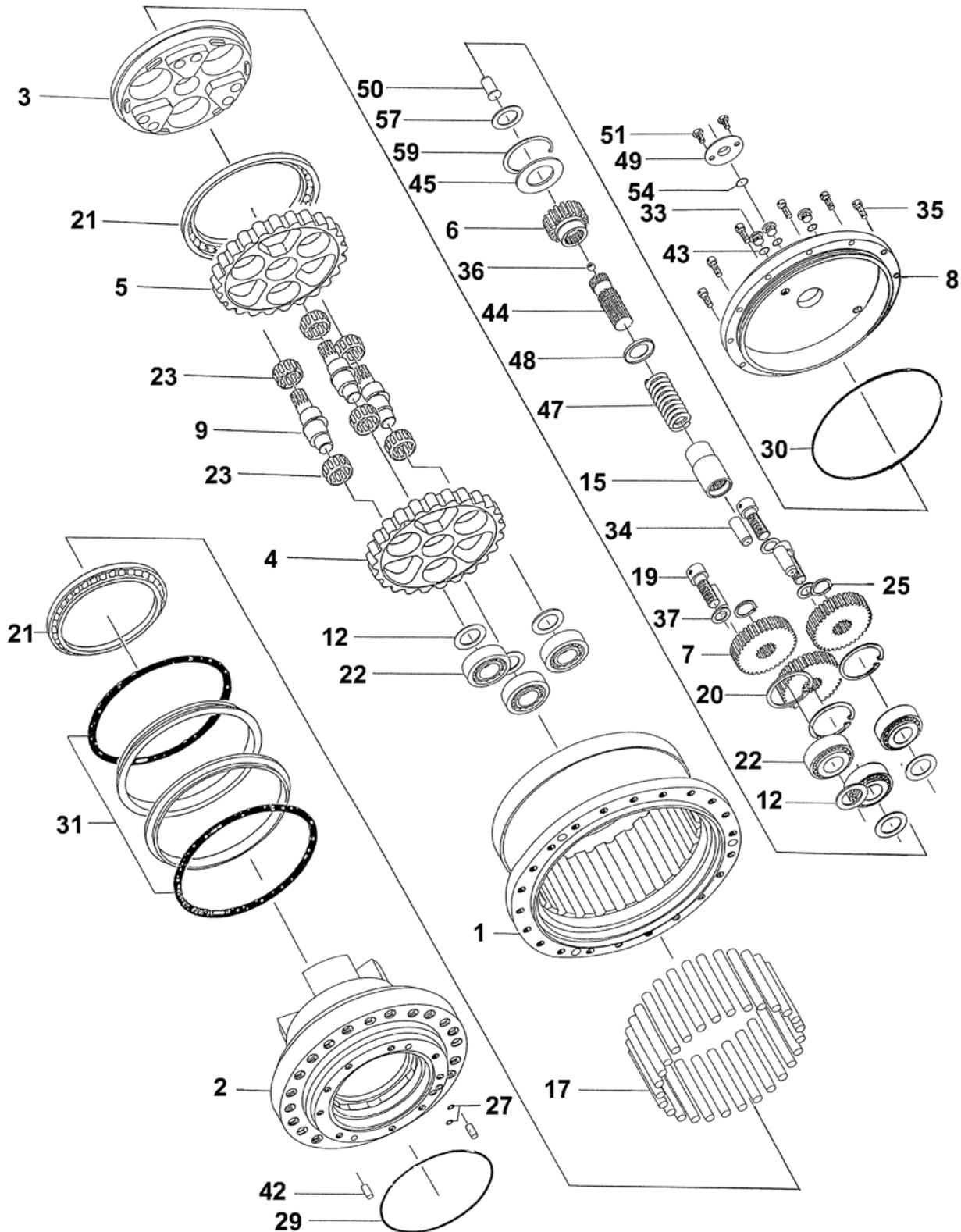
57728750 FINAL DRIVE,TEIJIN SEIKI

REF.	PART NO.	QTY	UNIT	DESCRIPTION	NOTES
	52312634	1.0	EA	ASSY,RV GEAR	
	52312733	2.0	EA	KIT,VALVE	
	52312741	1.0	EA	KIT,BODY	
	52312758	1.0	EA	VALVE,CONTROL	
	52312782	1.0	EA	KIT,SEAL	
	52312816	1.0	EA	KIT,SPUR GEAR	
	57713497	1.0	EA	MOTOR,HYDRAULIC	See Page 50
001.0	57713240	1.0	EA	HUB	
001.0	57714206	1.0	EA	SEAL KIT	
006.0	52312667	1.0	EA	GEAR,INPUT	
015.0	52312675	1.0	EA	COUPLING	
021.0	52312683	2.0	EA	BEARING,BALL	
044.0	52312691	1.0	EA	SHAFT	
149.0	52312717	1.0	EA	BEARING,ROLLER	
150.0	52312725	1.0	EA	BEARING,ROLLER	
380.0	52312766	2.0	EA	CONNECTOR	
381.0	52312774	1.0	EA	CONNECTOR	
400.0	57713182	1.0	EA	REDUCTION GEARS	See Page 54
406.0	57713497	1.0	EA	MOTOR,HYDRAULIC	See Page 50
410.0	57713661	1.0	EA	SRV2	
-	57713679	2.0	EA	- KIT,VALVE	
-	57713687	1.0	EA	- KIT,SLEEVE	
-	57713695	1.0	EA	- KIT,BODY	
-	57713703	1.0	EA	- KIT,PISTON BODY	
415.0	57713711	1.0	EA	VALVE,CONTROL	See Page 58

BOM 57728750

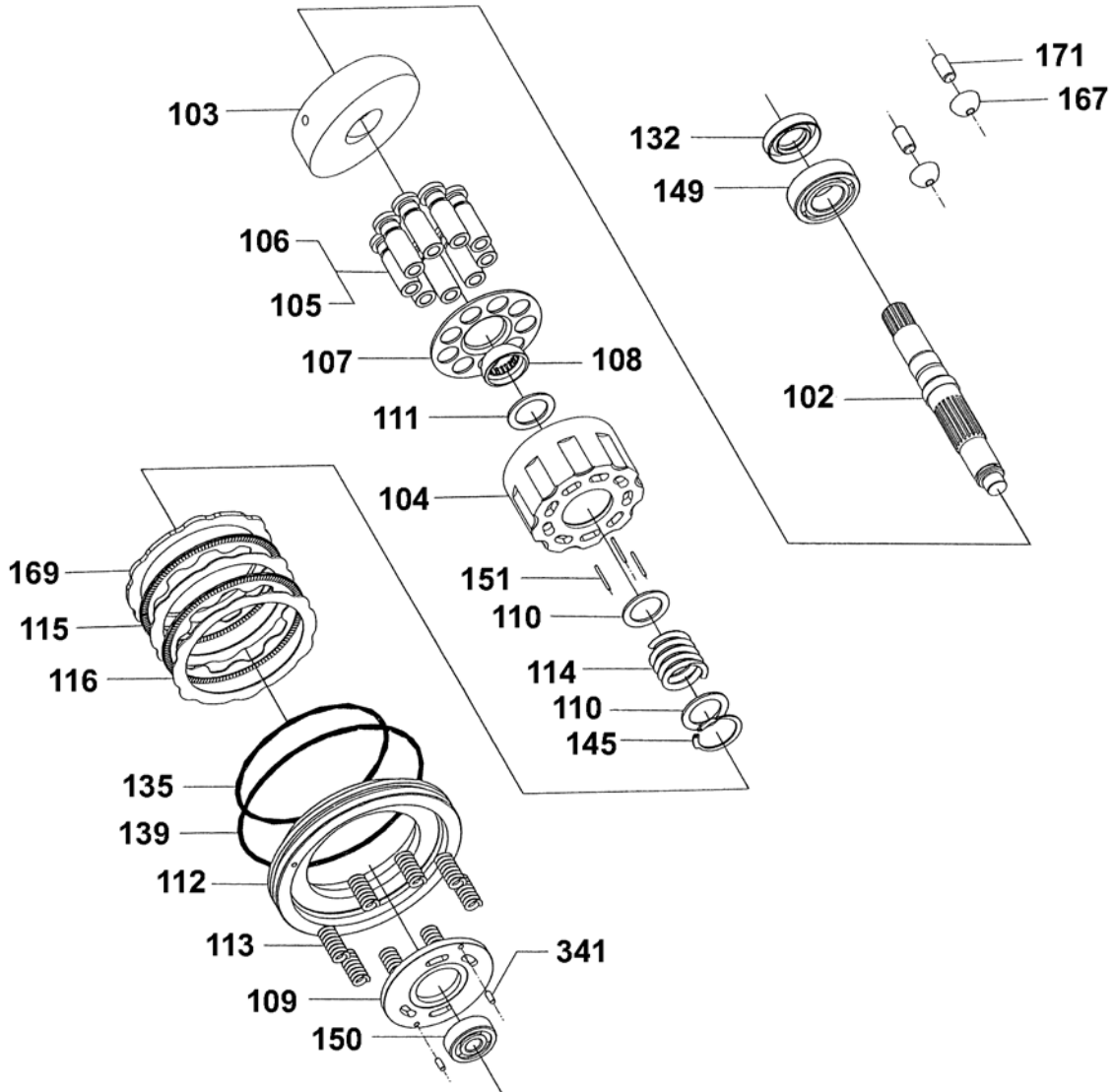
57728750 FINAL DRIVE,TEIJIN SEIKI

57713497 MOTOR, HYDRAULIC

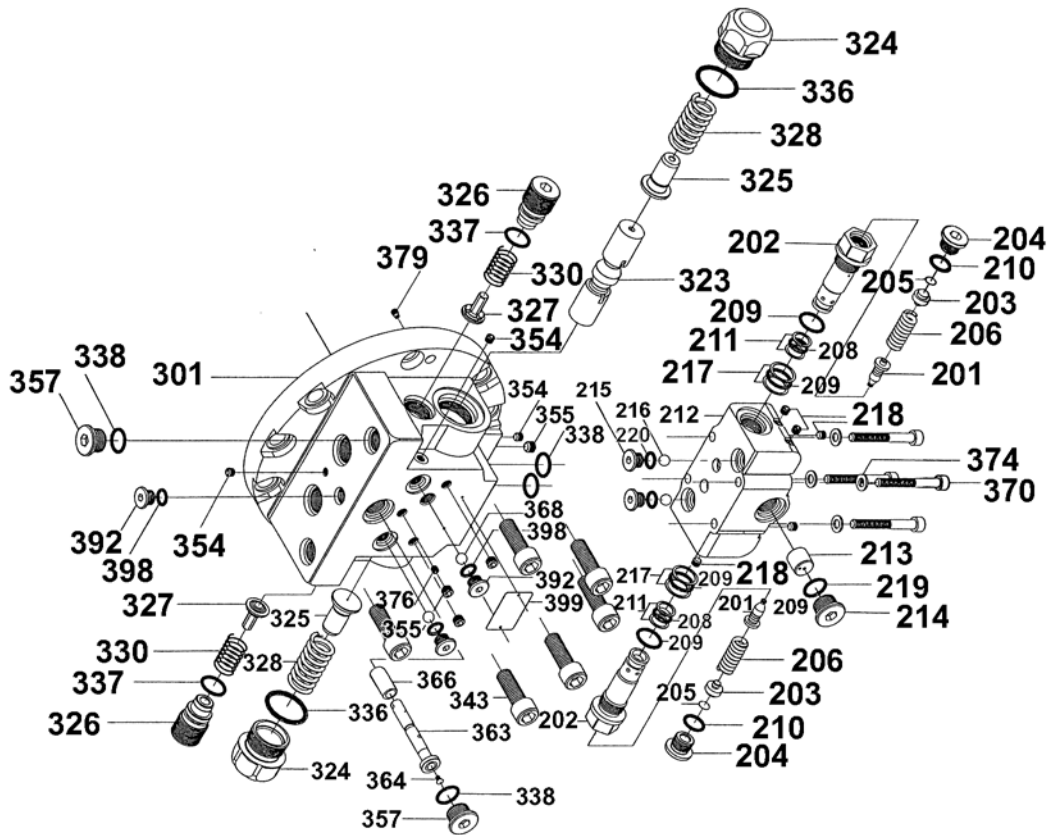


C52300654 REV 001

57713497 MOTOR, HYDRAULIC



57713497 MOTOR, HYDRAULIC



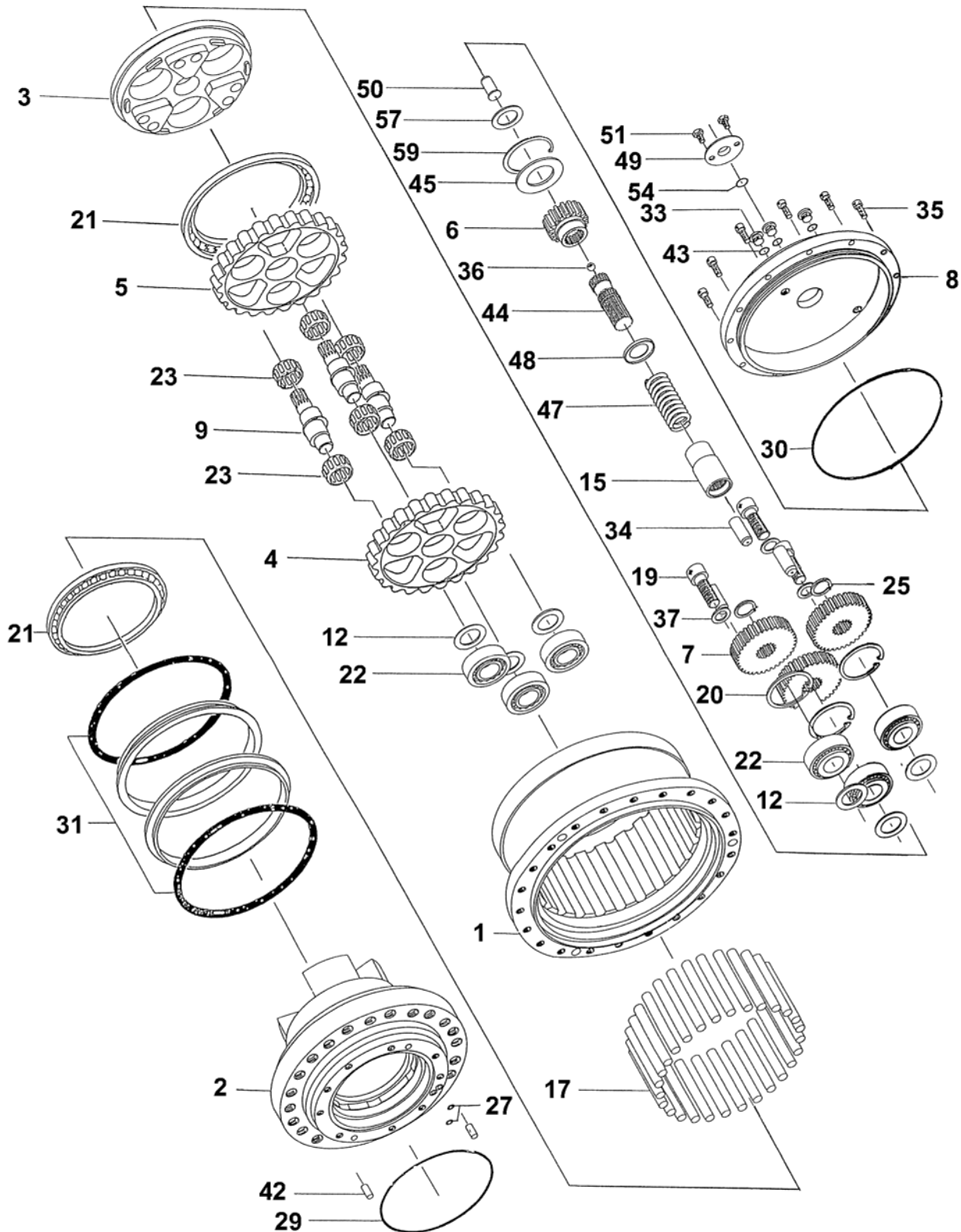
C52300654 REV 001

BOM 57713497

57713497 MOTOR, HYDRAULIC

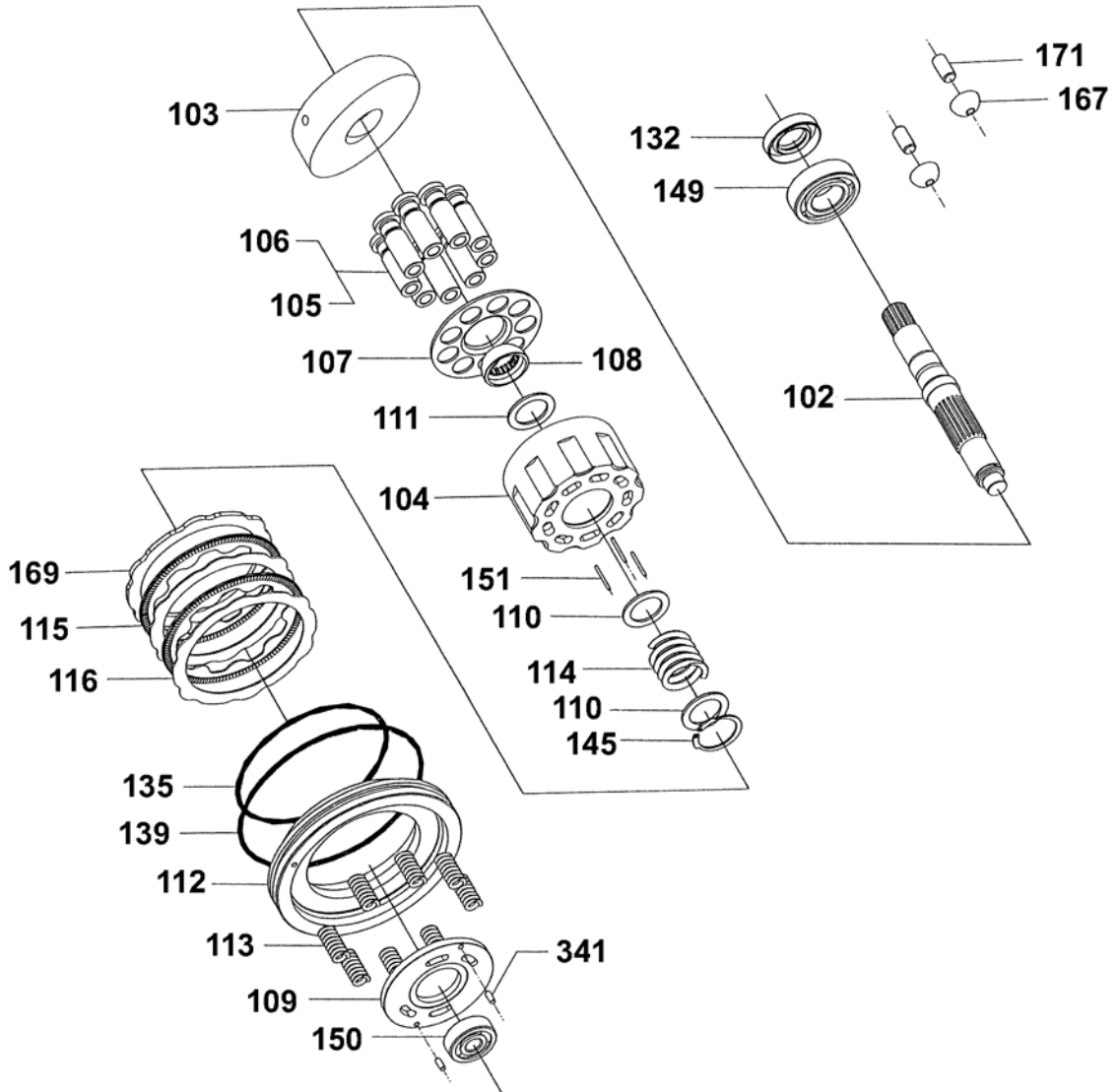
REF.	PART NO.	QTY	UNIT	DESCRIPTION	NOTES
102.0	57713513	1.0	EA	SHAFT	
103.0	57713521	1.0	EA	PLATE, SWASH	
109.0	57713539	1.0	EA	PLATE, TIMING	
112.0	57713547	1.0	EA	PISTON	
113.0	57713554	10.0	EA	SPRING	
115.0	57713562	2.0	EA	PLATE, FRICTION	
116.0	57713570	2.0	EA	PLATE, MATING	
132.0	57713588	1.0	EA	OIL SEAL	
135.0	57713596	1.0	EA	O-RING	
139.0	57713604	1.0	EA	O-RING	
149.0	57713612	1.0	EA	ROLLER BEARING	
150.0	57713620	1.0	EA	ROLLER BEARING	
167.0	57713638	2.0	EA	PIVOT	
169.0	57713646	1.0	EA	PLATE, MATING	
171.0	57713653	2.0	EA	PIN, PARALLEL	
407.0	57713505	1.0	EA	KIT, CYLINDER & PISTON	

57713182 REDUCTION GEARS

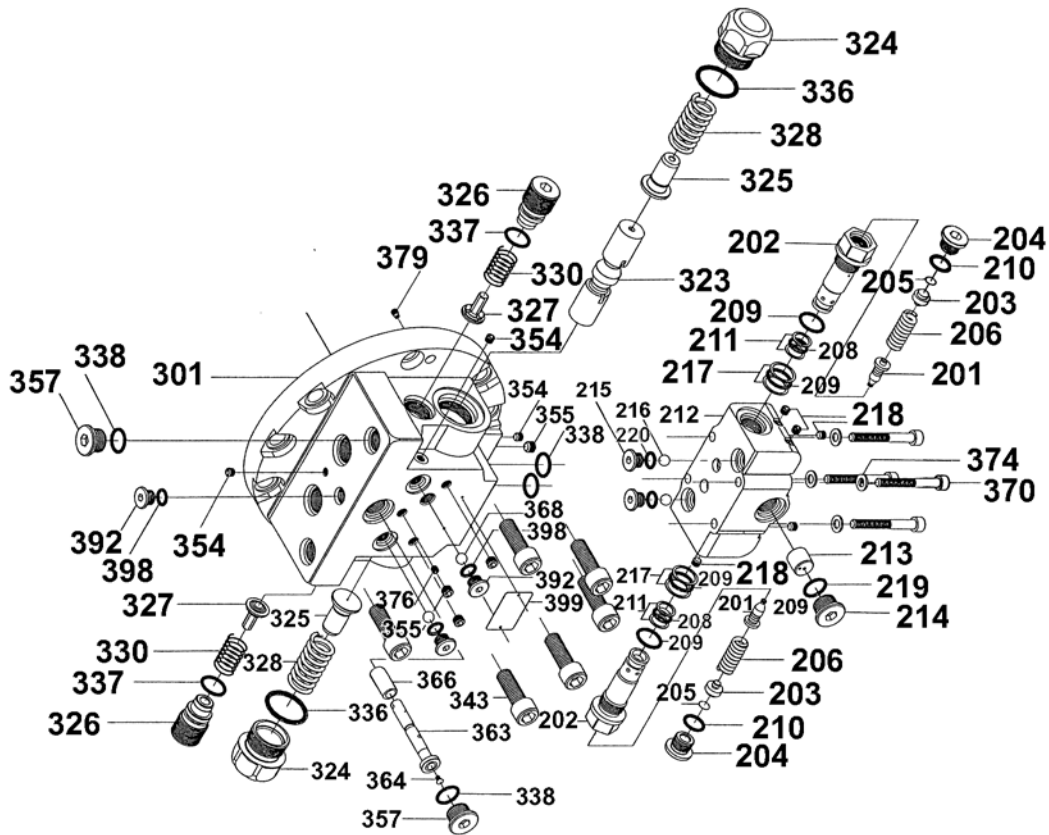


C52300654 REV 001

57713182 REDUCTION GEARS



57713182 REDUCTION GEARS



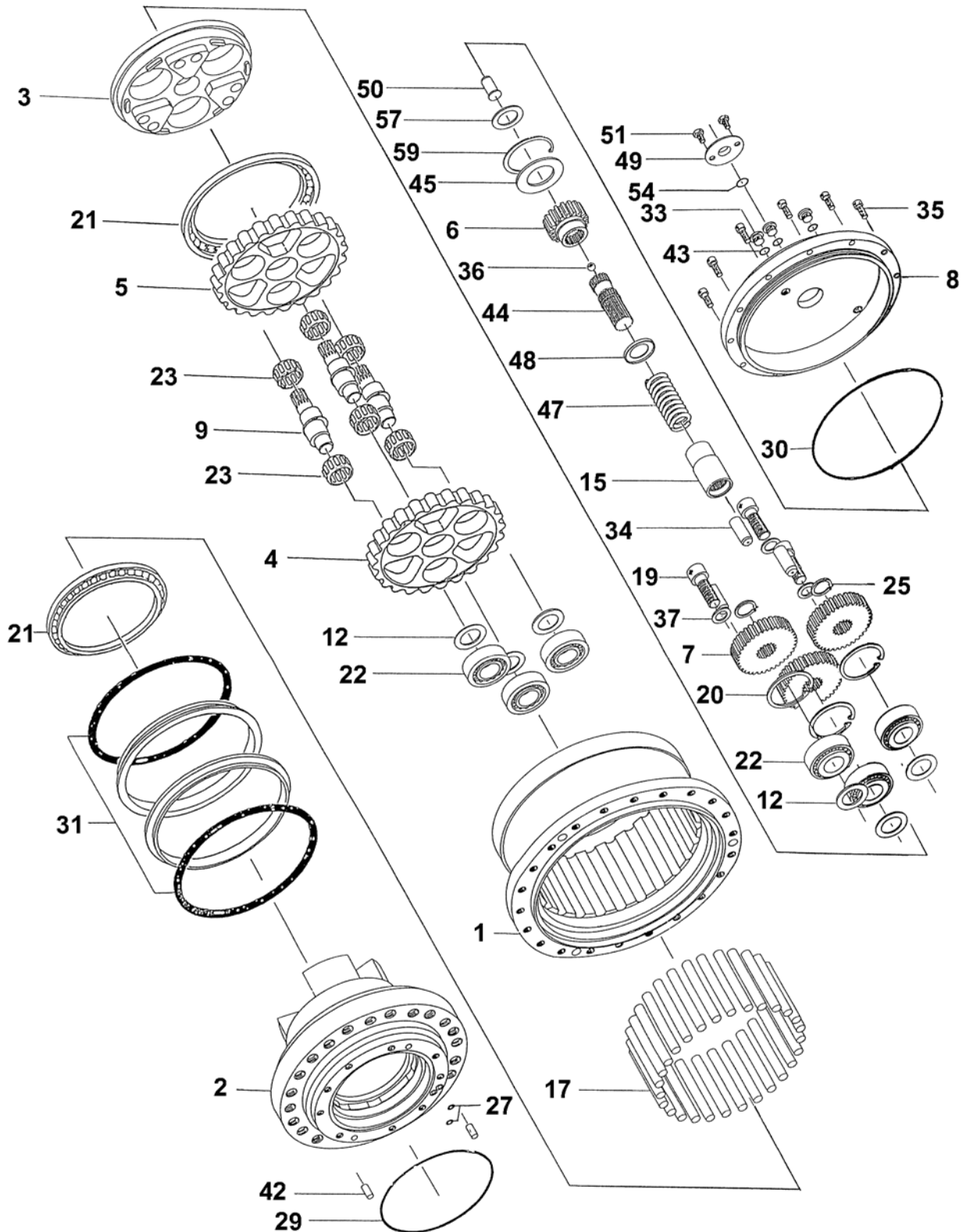
C52300654 REV 001

BOM 57713182

57713182 REDUCTION GEARS

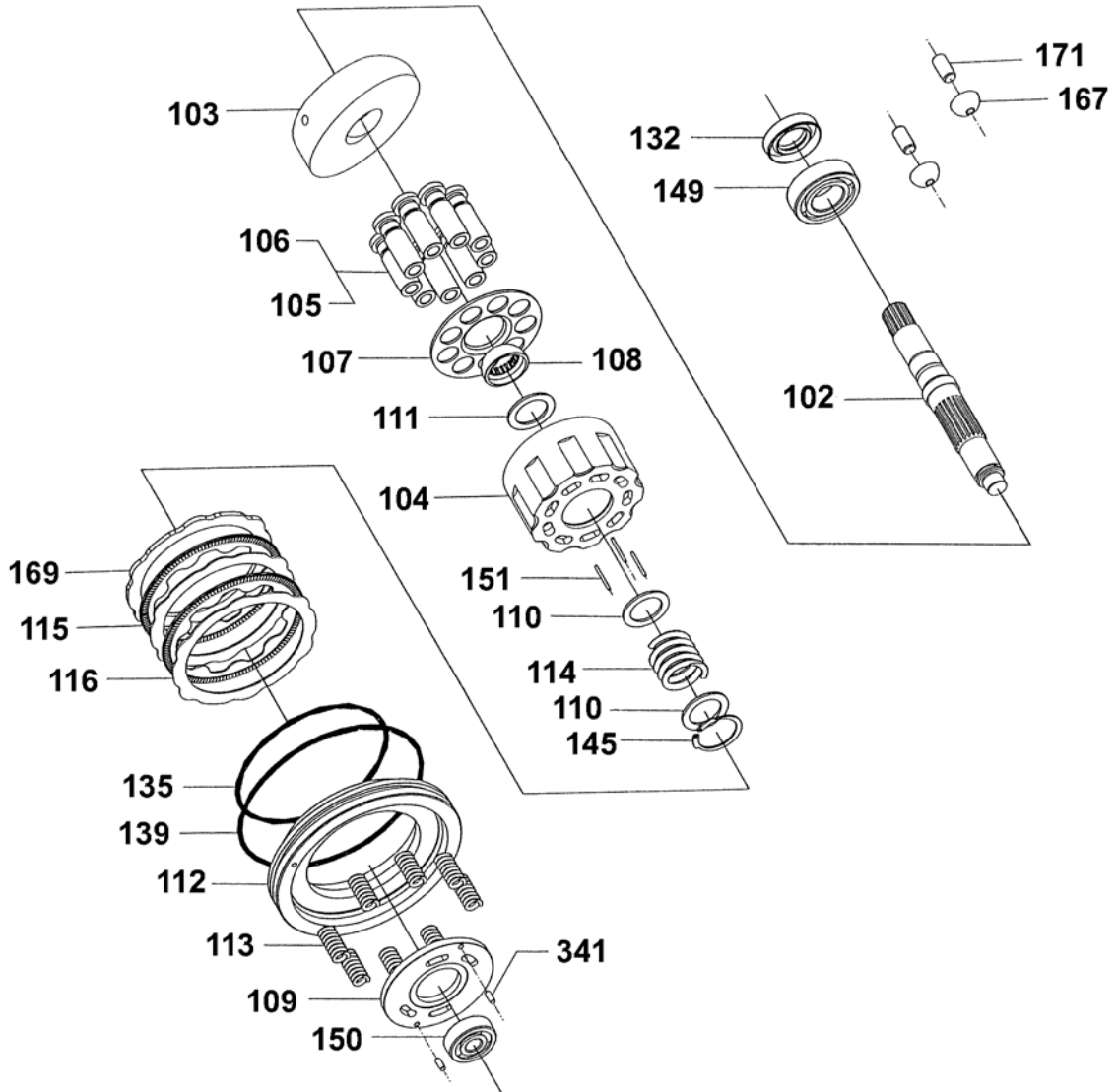
REF.	PART NO.	QTY	UNIT	DESCRIPTION	NOTES
001.0	57713240	1.0	EA	HUB	
006.0	57713257	1.0	EA	GEAR,INPUT	
008.0	57713265	1.0	EA	COVER	
015.0	57713273	1.0	EA	COUPLING	
017.0	57713281	28.0	EA	PIN	
020.0	57713299	3.0	EA	SNAP RING	
021.0	57713307	2.0	EA	BALL BEARING	
025.0	57713315	3.0	EA	RING,SNAP FOR SHAFT	
027.0	57713323	2.0	EA	O-RING	
029.0	57713331	1.0	EA	O-RING	
030.0	57713349	1.0	EA	O-RING	
033.0	57713356	3.0	EA	PLUG, SOCKET HEX	
035.0	57713364	12.0	EA	BOLT,SOCKET HEX	
036.0	57713372	1.0	EA	BALL,STEEL	
042.0	57713380	2.0	EA	PIN,PARALLEL	
043.0	57713398	3.0	EA	O-RING	
044.0	57713406	1.0	EA	SHAFT	
045.0	57713414	1.0	EA	PLATE	
047.0	57713422	1.0	EA	SPRING	
048.0	57713430	1.0	EA	SPRING GUIDE	
049.0	57713448	1.0	EA	COVER	
050.0	57713455	1.0	EA	PIN	
051.0	57713463	2.0	EA	BOLT,HEX HEAD	
054.0	57713471	1.0	EA	O-RING	
059.0	57713489	1.0	EA	SNAP RING	
401.0	57713190	1.0	EA	KIT,SPINDLE	
-	57713208	1.0	EA	- SPINDLE ASM	
403.0	57713216	1.0	EA	GEAR ASM,RV	
404.0	57713224	1.0	EA	KIT,SPUR GEAR	
405.0	57713232	1.0	EA	KIT,FLOATING SEAL	

57713711 VALVE,CONTROL

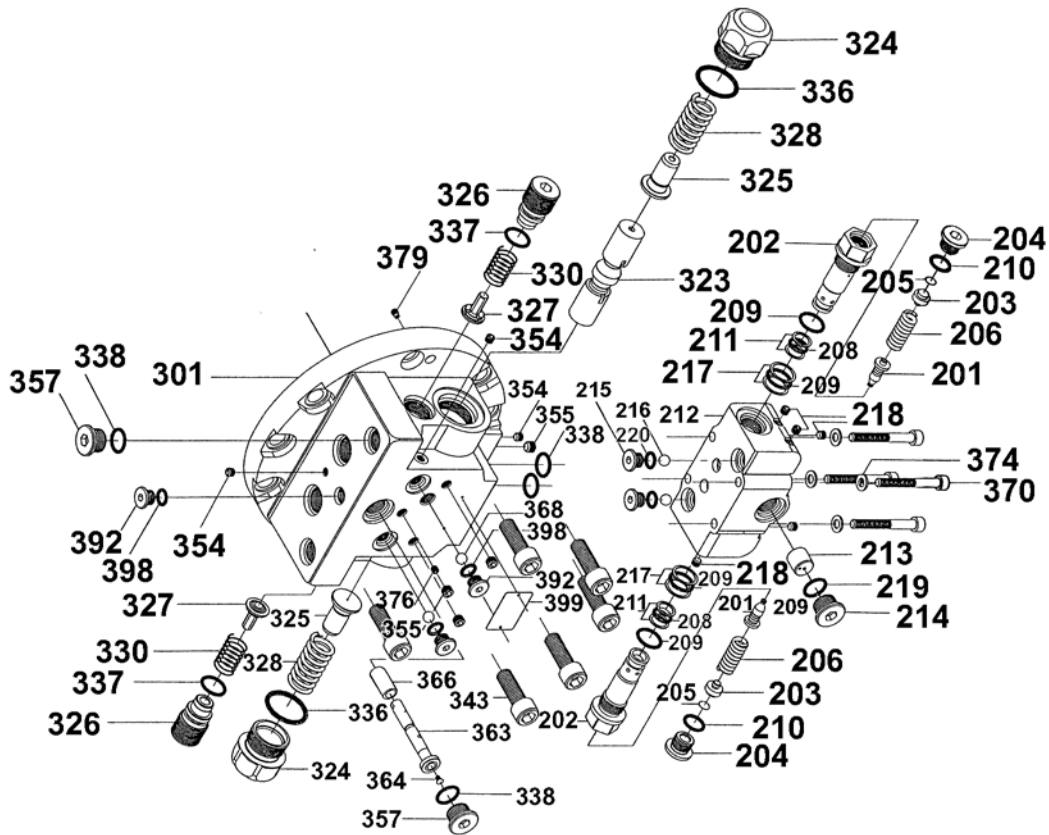


C52300654 REV 001

57713711 VALVE,CONTROL



57713711 VALVE,CONTROL



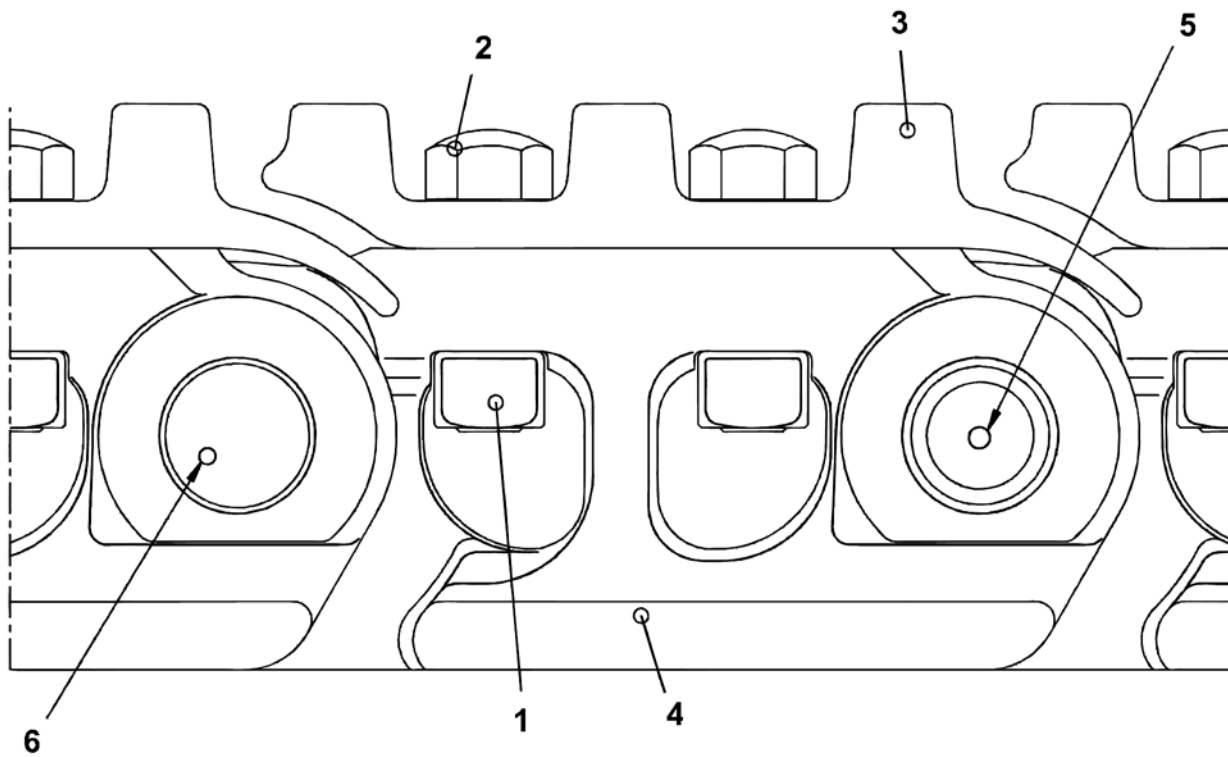
C52300654 REV 001

BOM 57713711

57713711 VALVE,CONTROL

REF.	PART NO.	QTY	UNIT	DESCRIPTION	NOTES
341.0	57713752	2.0	EA	PIN,PARALLEL	
343.0	57713760	9.0	EA	BOLT,HEX SOCKET	
416.0	57713729	1.0	EA	FLANGE ASM,REAR	
-	57713737	1.0	EA	- KIT,FLANGE REAR	
-	57713745	1.0	EA	- KIT,SPOOL	

57695702 CHAIN,TRACK

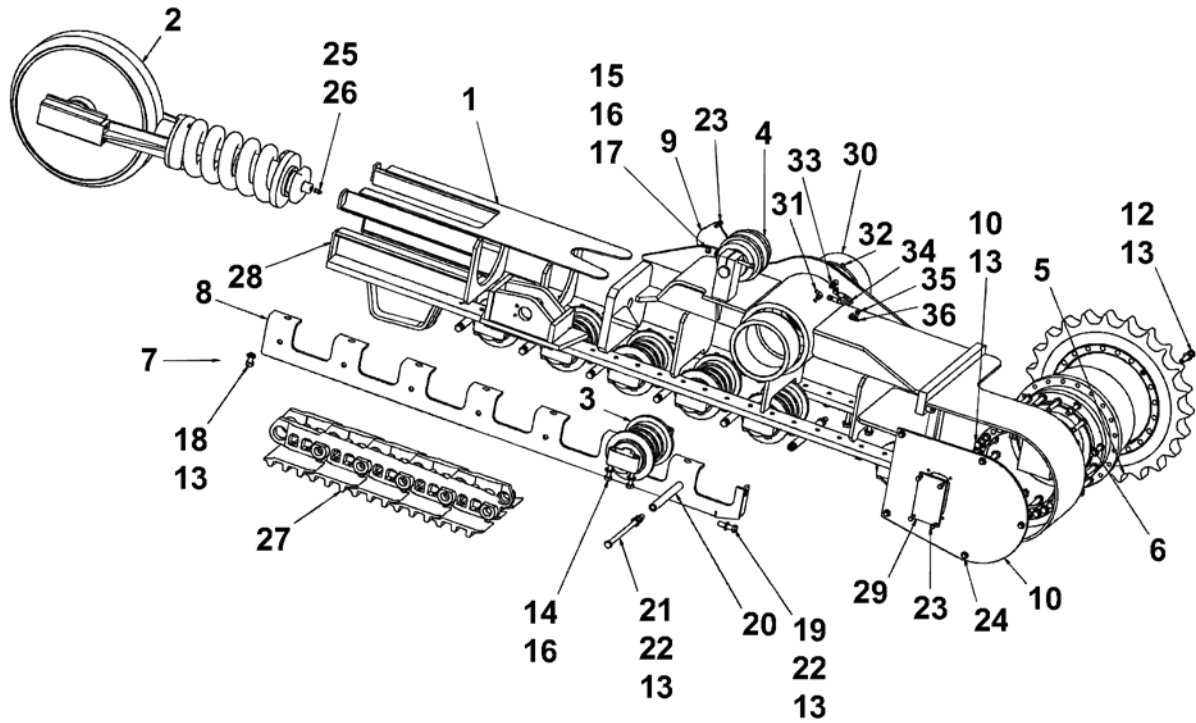


BOM 57695702

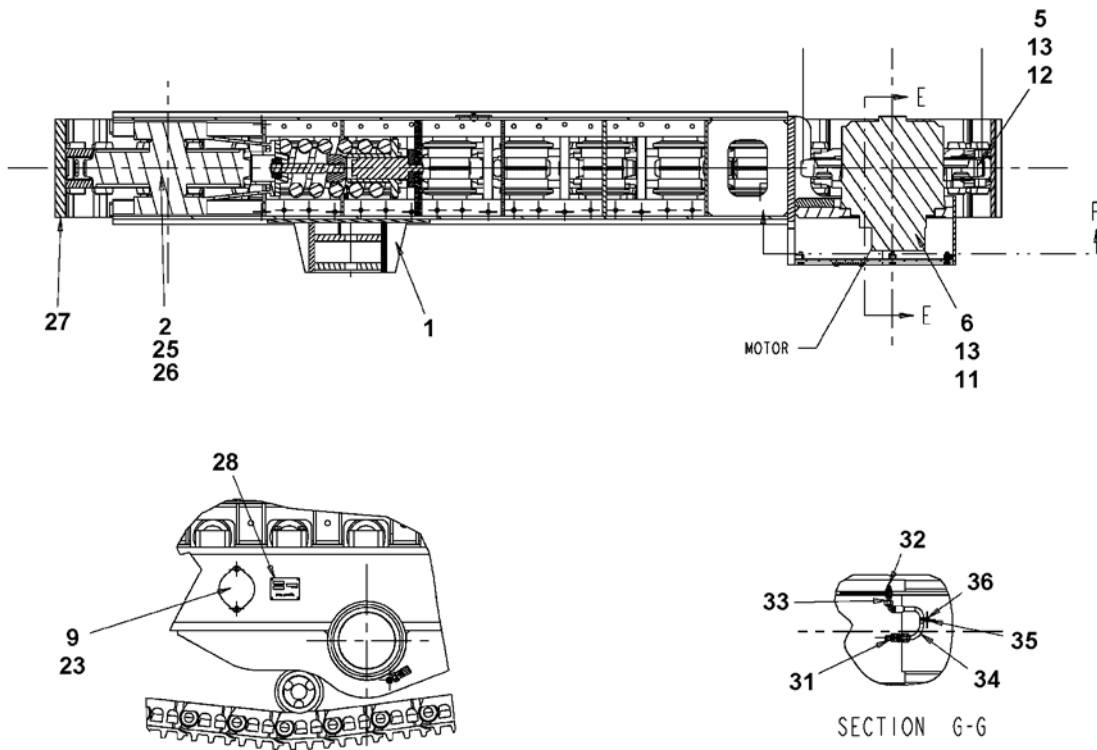
57695702 CHAIN,TRACK

REF.	PART NO.	QTY	UNIT	DESCRIPTION	NOTES
001.0	56965270	168.0	EA	NUT	
002.0	57700866	168.0	EA	BOLT	
003.0	57700874	42.0	EA	SHOES	
004.0	57700882	1.0	EA	LINK WITHOUT SHOES	
-	57818031	42.0	EA	- LINK,RH	
-	57818049	42.0	EA	- LINK,LH	
-	57818056	41.0	EA	- BUSHING TH	
-	57818064	82.0	EA	- SEAL,POLYURETHANE	
-	57818072	1.0	EA	- BUSHING MASTER	
005.0	57748642	1.0	EA	PIN,MASTER	
006.0	57814741	41.0	EA	STANDARD PIN	

57712200 TRACK ASSEMBLY,LH

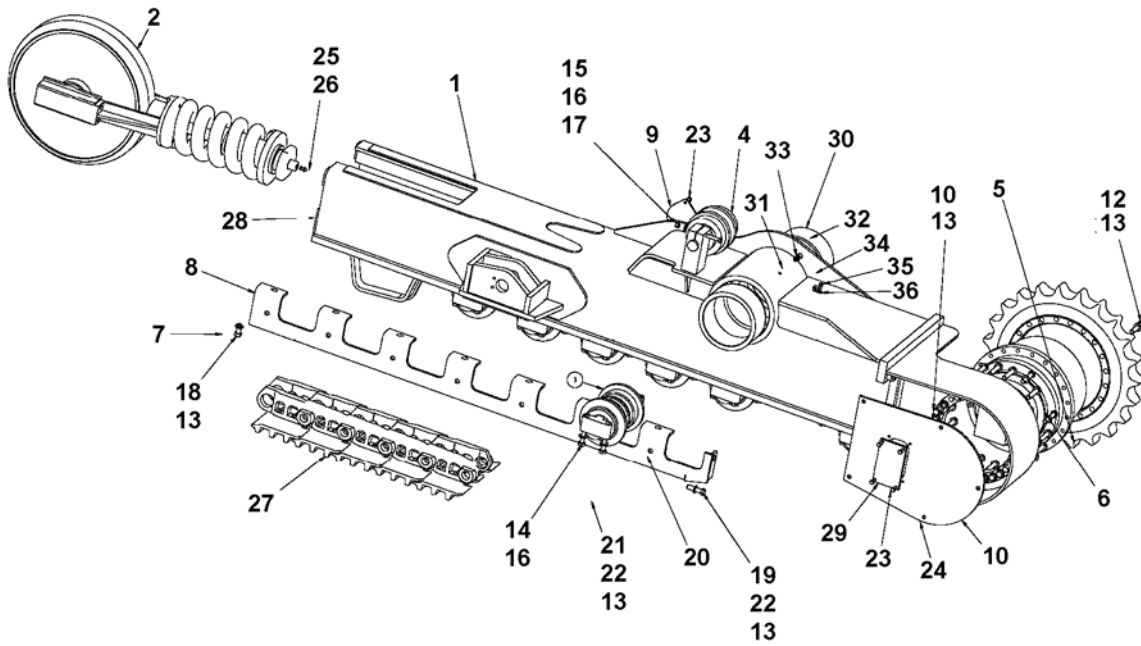


57712200 TRACK ASSEMBLY, LH



TB2657712176 REV 001

57712200 TRACK ASSEMBLY,LH



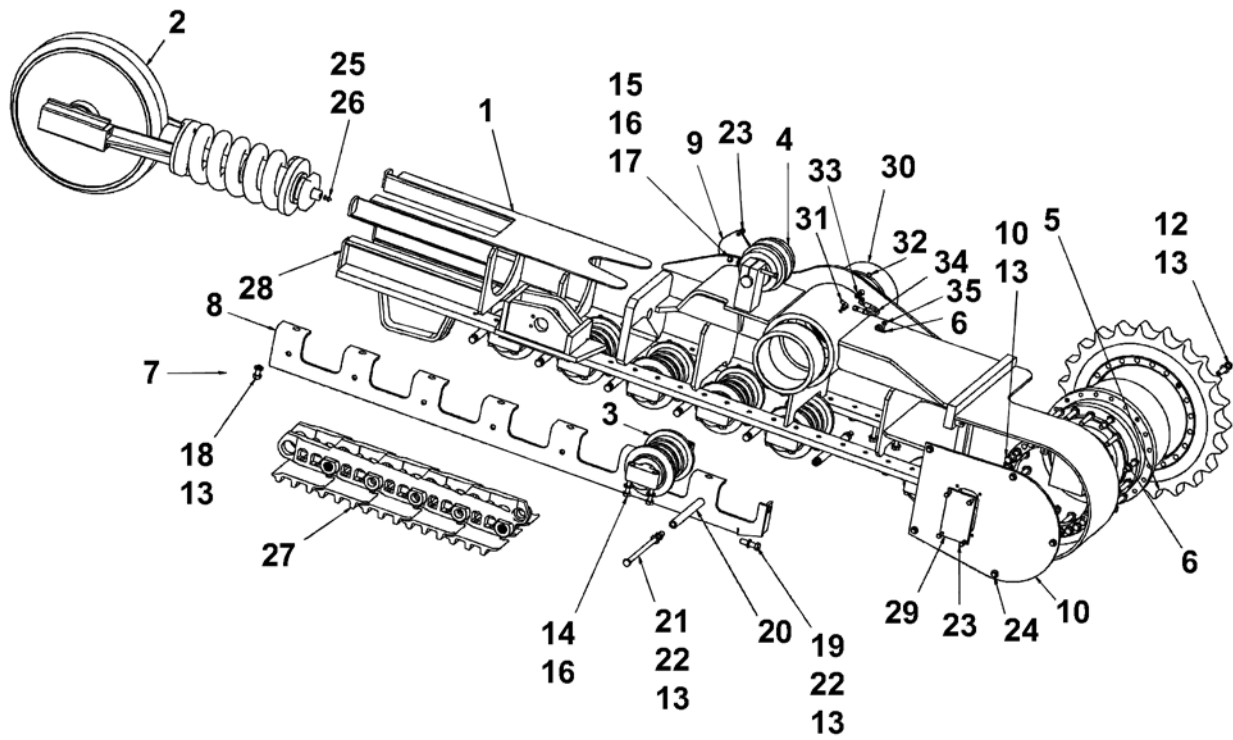
TB2657712176 REV 001

BOM 57712200

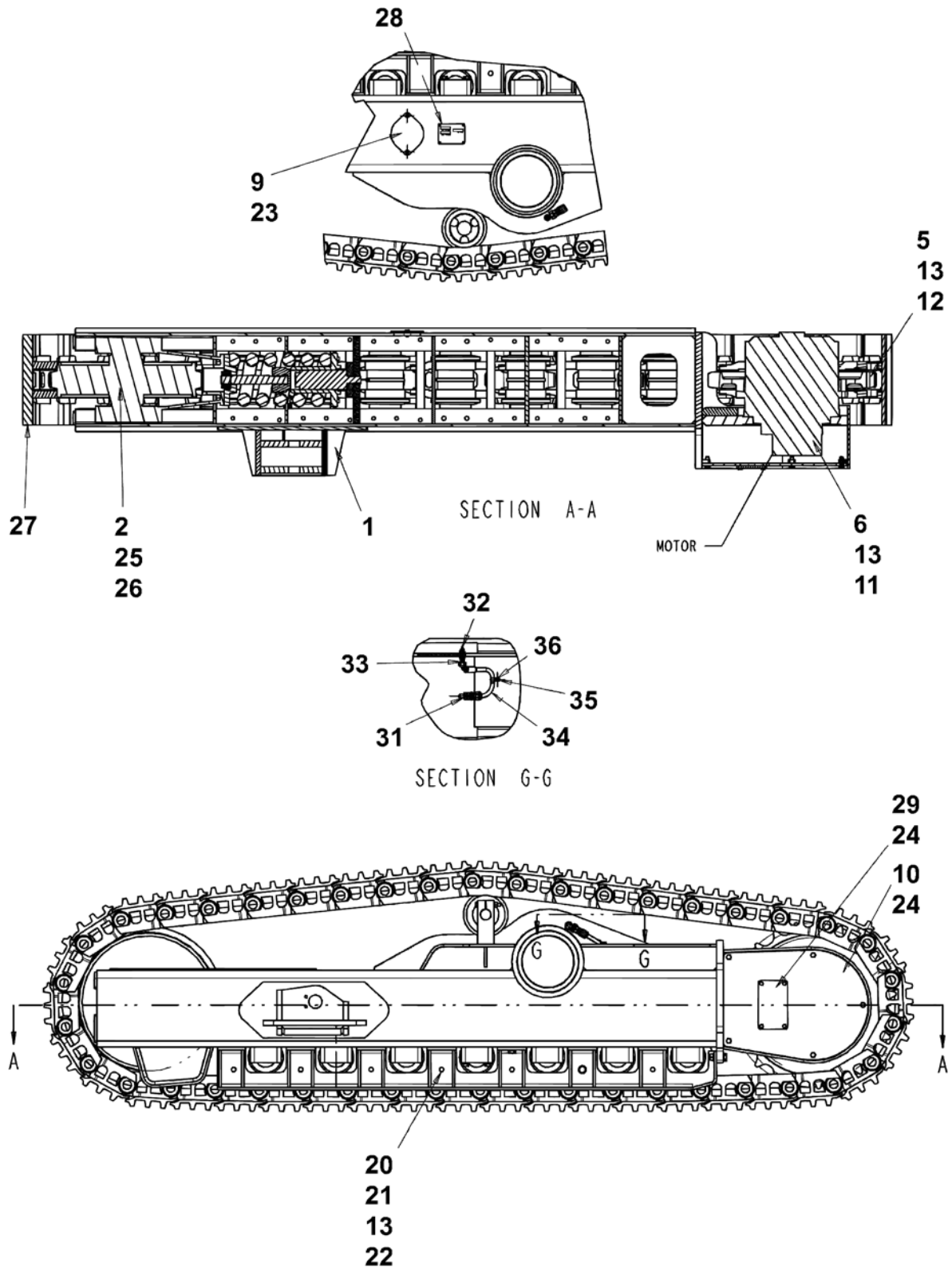
57712200 TRACK ASSEMBLY,LH

REF.	PART NO.	QTY	UNIT	DESCRIPTION	NOTES
001.0	57712184	1.0	EA	TRACK,LH 700 SERIES	See Page 68
002.0	95371217	2.0	EA	CONNECTOR,STRT THRD	
003.0	95285946	1.0	EA	FITTING,HYD	

57712184 TRACK,LH 700 SERIES

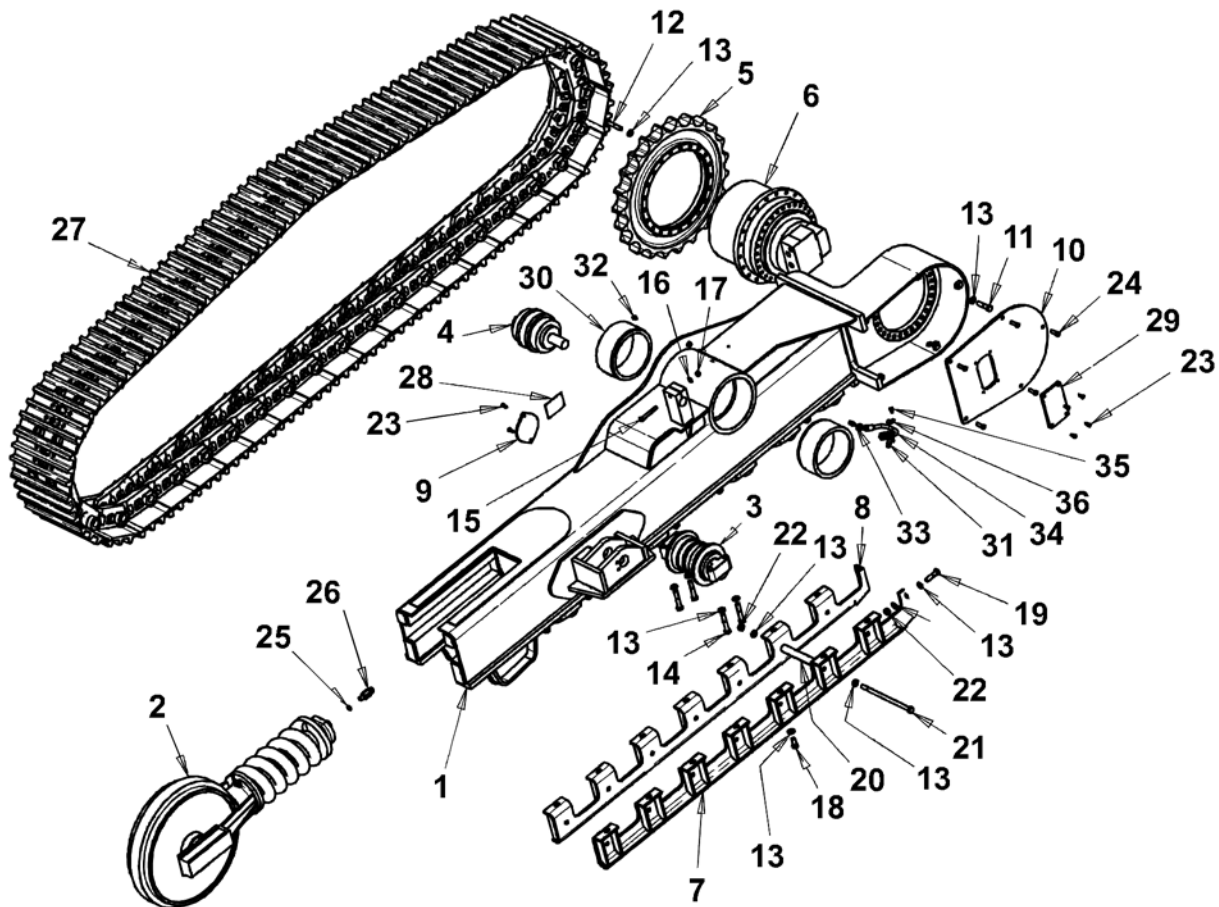


57712184 TRACK, LH 700 SERIES



TB2657712176 REV 002

57712184 TRACK,LH 700 SERIES



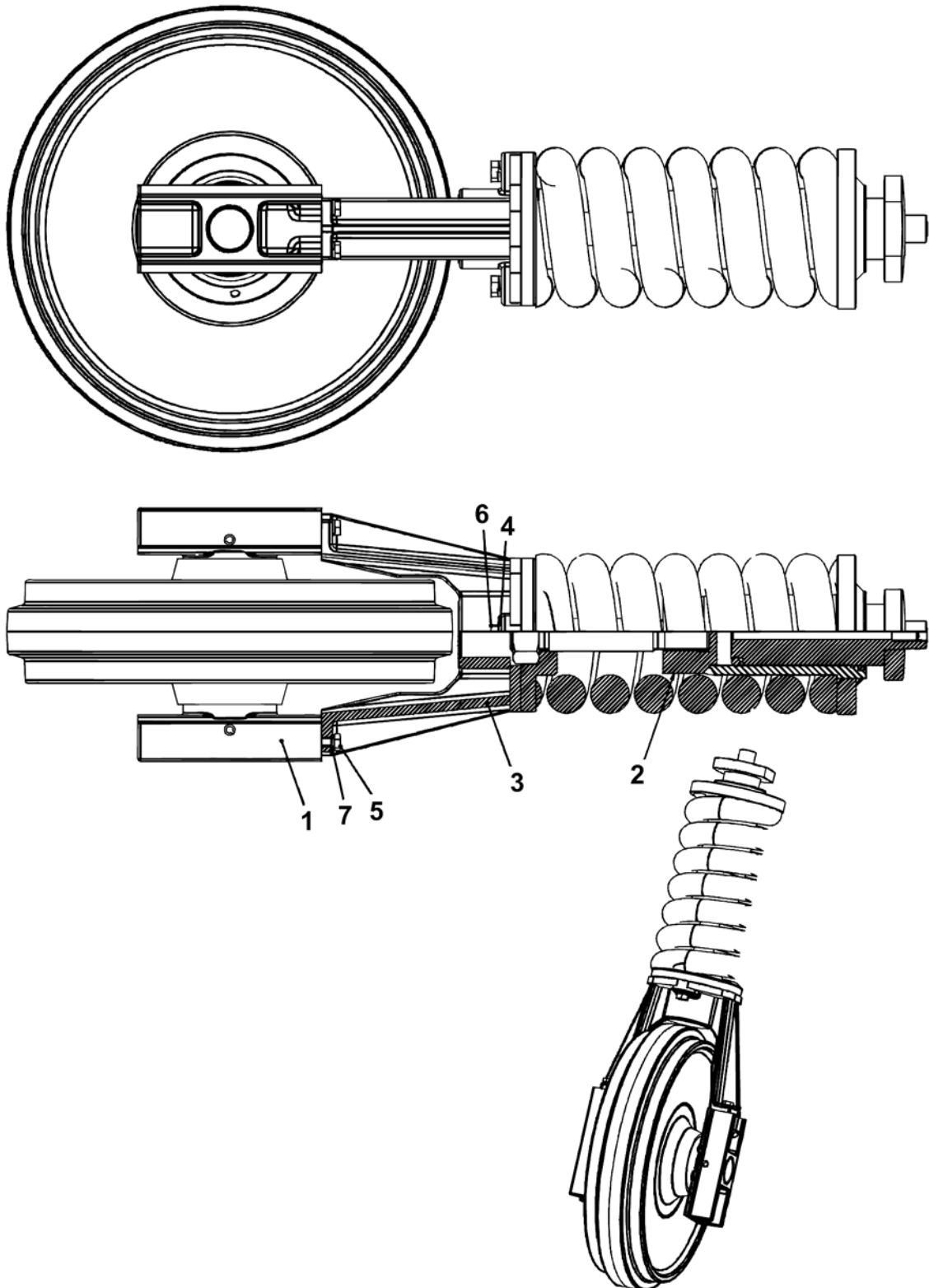
TB2657712176 REV 002

BOM 57712184

57712184 TRACK,LH 700 SERIES

REF.	PART NO.	QTY	UNIT	DESCRIPTION	NOTES
001.0	57695744	1.0	EA	FRAME,TRACK.LH	
002.0	57695611	1.0	EA	IDLER UNIT,TRACK	See Page 72
003.0	57695629	7.0	EA	ROLLER,TRACK	See Page 74
004.0	57695637	1.0	EA	ROLLER,CARR	See Page 76
005.0	57695645	1.0	EA	SPROCKET,TRACK DRIVE	
006.0	57728750	1.0	EA	FINAL DRIVE,TEIJIN SEIKI	See Page 78
007.0	57695652	1.0	EA	GUARD,LH	
008.0	57695660	1.0	EA	GUARD,ROCK(RH)	
009.0	57695678	1.0	EA	PLATE,COVER	
010.0	57695686	1.0	EA	COVER,FINAL DRIVE	
011.0	96744917	30.0	EA	BOLT	
012.0	96705520	21.0	EA	BOLT,HEX HEAD	
013.0	96702550	104.0	EA	WASHER/10M5LC17AM4HR	
014.0	96701503	28.0	EA	BOLT/35M2AB522M3	
015.0	96704721	1.0	EA	BOLT/35M2AB472M3	
016.0	96702535	1.0	EA	WASHER/10M5LC15AM4HR	
017.0	96705652	1.0	EA	NUT,LOCK	
018.0	96703186	14.0	EA	CAPSCREW/34M2AB513M3	
019.0	96700893	2.0	EA	SCREW,HEX/35M2AB518M3	
020.0	57695694	7.0	EA	SPACER,ROCK GUARD	
021.0	57695736	7.0	EA	BOLT	
022.0	96727151	9.0	EA	NUT M16	
023.0	96727169	6.0	EA	BOLT	
024.0	96727250	5.0	EA	BOLT	
025.0	51236925	1.0	EA	GASKET	
026.0	51236933	1.0	EA	FITTING	
027.0	57695702	1.0	EA	CHAIN,TRACK	See Page 96
028.0	57793986	1.0	EA	NAMEPLATE,UNDERCARRIAGE	
029.0	57695728	1.0	EA	PLATE,COVER	
030.0	51952158	2.0	EA	BUSHING,TRACK OSCILATION	
031.0	95293403	1.0	EA	ELBOW,90 DEG MALE	
032.0	95201307	1.0	EA	FITTING	
033.0	95263380	1.0	EA	FITTING,HYD-NPT/JIC	
034.0	51028371	1.0	EA	HOSE ASSY	
035.0	96728480	1.0	EA	BOLT,FLGD HEX HEAD	
036.0	95368338	1.0	EA	CLAMP,HOSE	

57695611 IDLER UNIT, TRACK



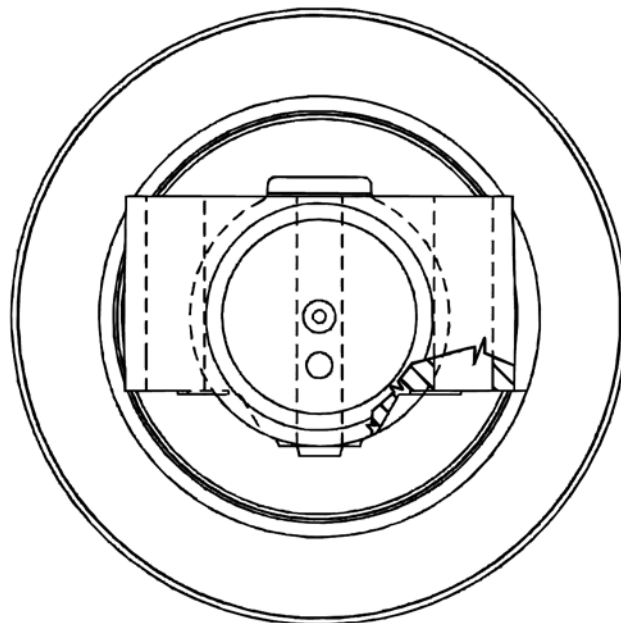
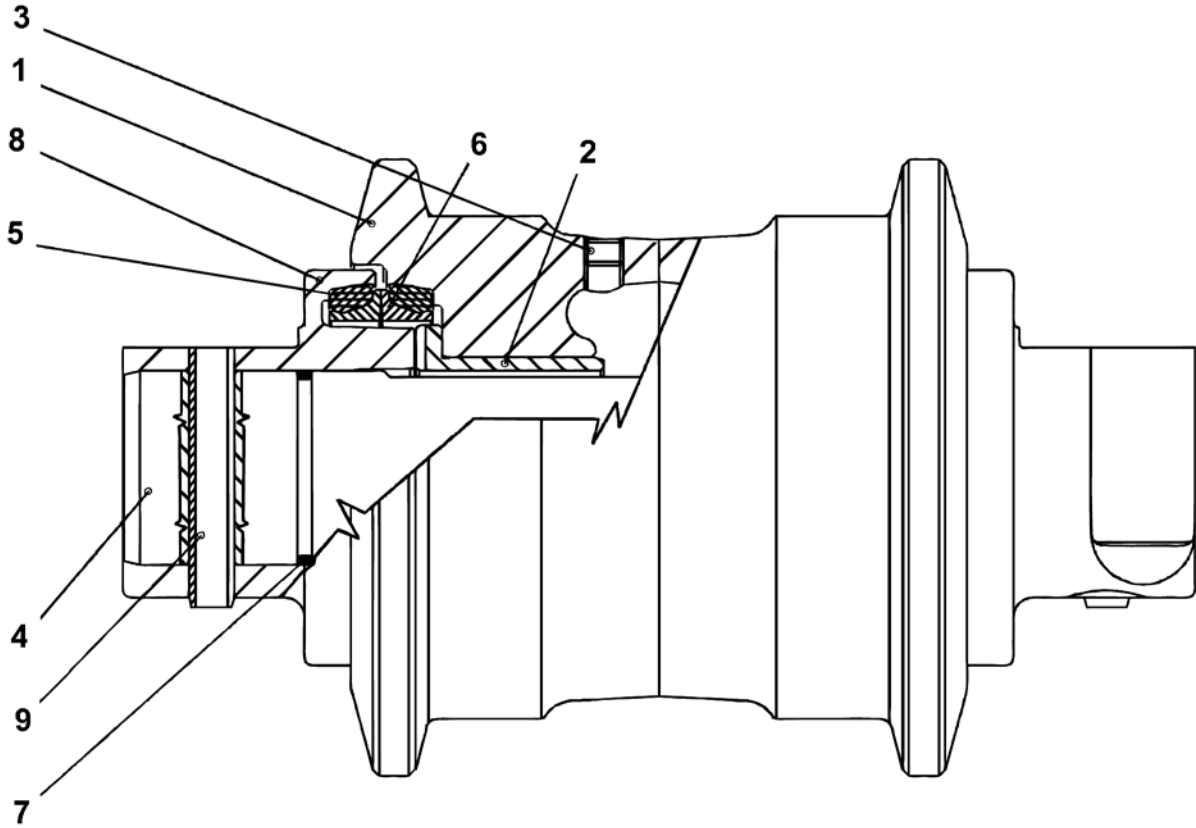
C2657695611 REV 001

BOM 57695611

57695611 IDLER UNIT,TRACK

REF.	PART NO.	QTY	UNIT	DESCRIPTION	NOTES
001.0	57695751	1.0	EA	IDLER WITH BRACKETS	
002.0	57695769	1.0	EA	SPRING & TENSION DEVICE	
003.0	57695777	1.0	EA	FORK	
004.0	96702550	2.0	EA	WASHER/10M5LC17AM4HR	
005.0	96712187	4.0	EA	BOLT	
006.0	96706262	2.0	EA	BOLT	
007.0	96702535	4.0	EA	WASHER/10M5LC15AM4HR	

57695629 ROLLER, TRACK



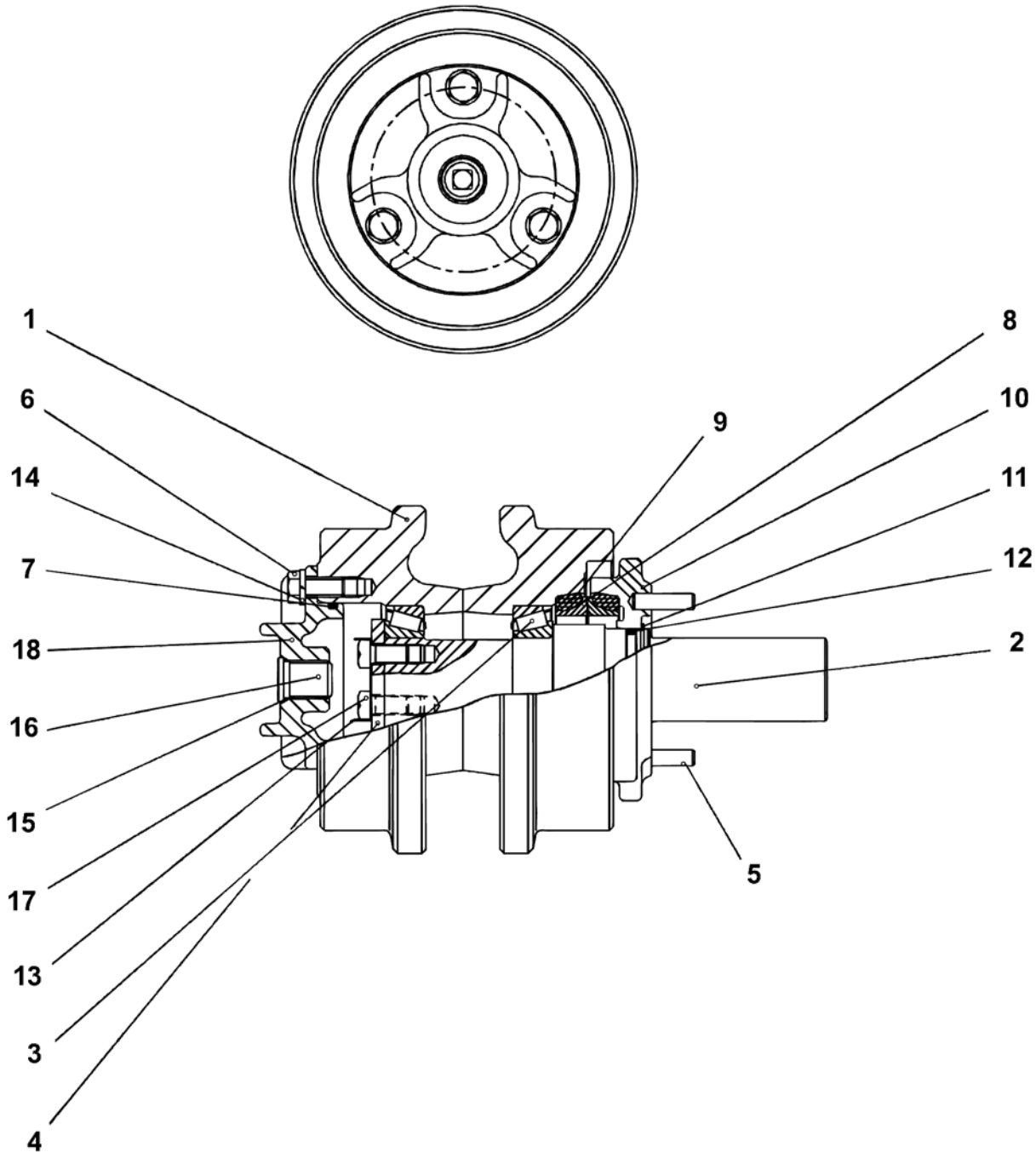
C2657695629 REV 001

BOM 57695629

57695629 ROLLER,TRACK

REF.	PART NO.	QTY	UNIT	DESCRIPTION	NOTES
001.0	57695785	1.0	EA	SHELL,ROLLER	
002.0	57695793	2.0	EA	BUSHING	
003.0	57695801	1.0	EA	PLUG	
004.0	57695819	1.0	EA	SHAFT	
005.0	57695827	4.0	EA	O-RING	
006.0	57695835	4.0	EA	RING,SEAL	
007.0	57695843	2.0	EA	O-RING	
008.0	57695850	2.0	EA	BRACKET	
009.0	57695868	2.0	EA	PIN,DOWEL	

57695637 ROLLER, CARR

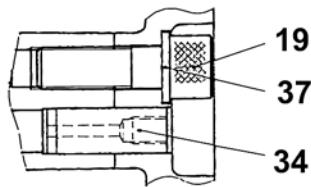
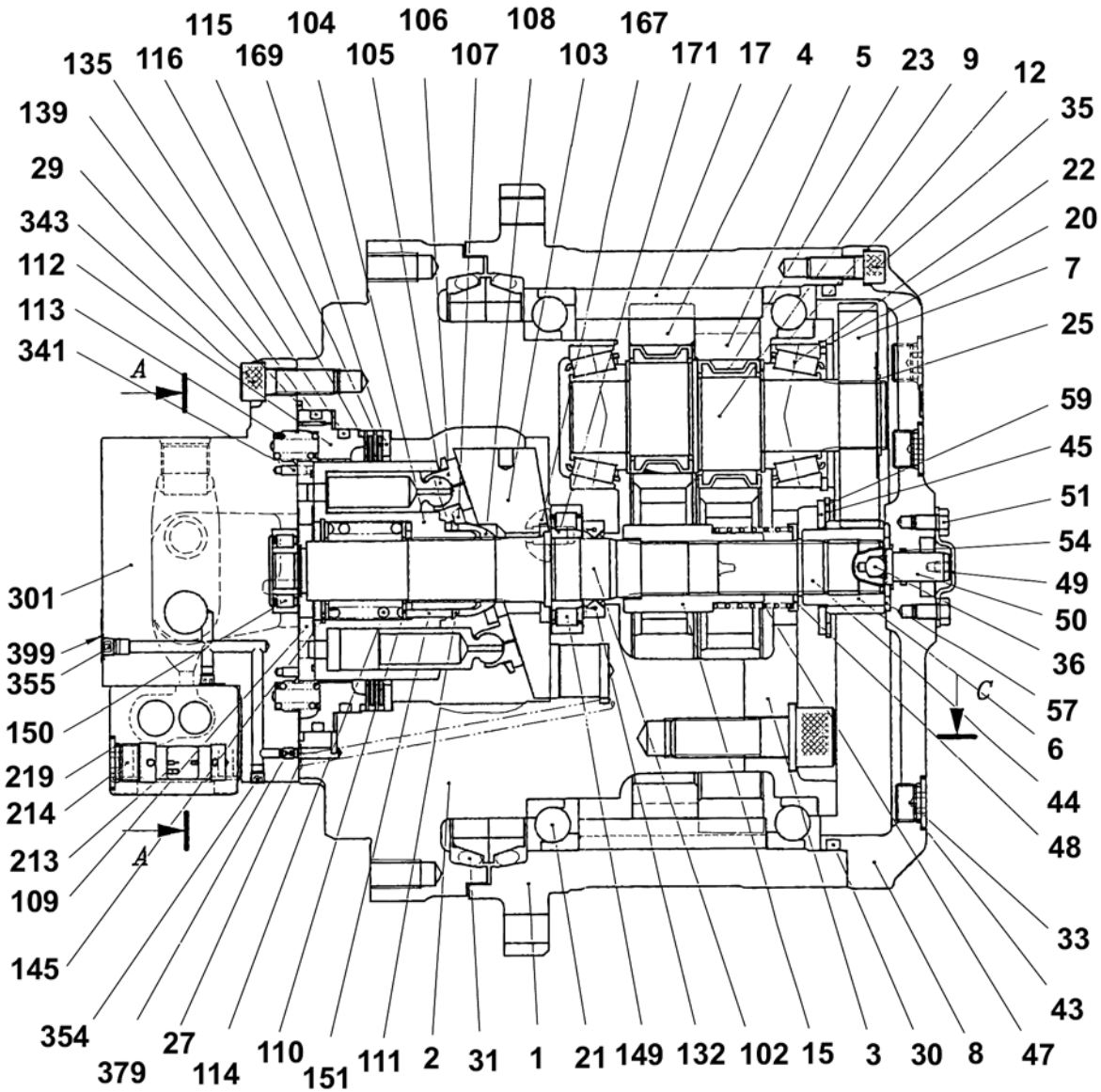


BOM 57695637

57695637 ROLLER,CARR

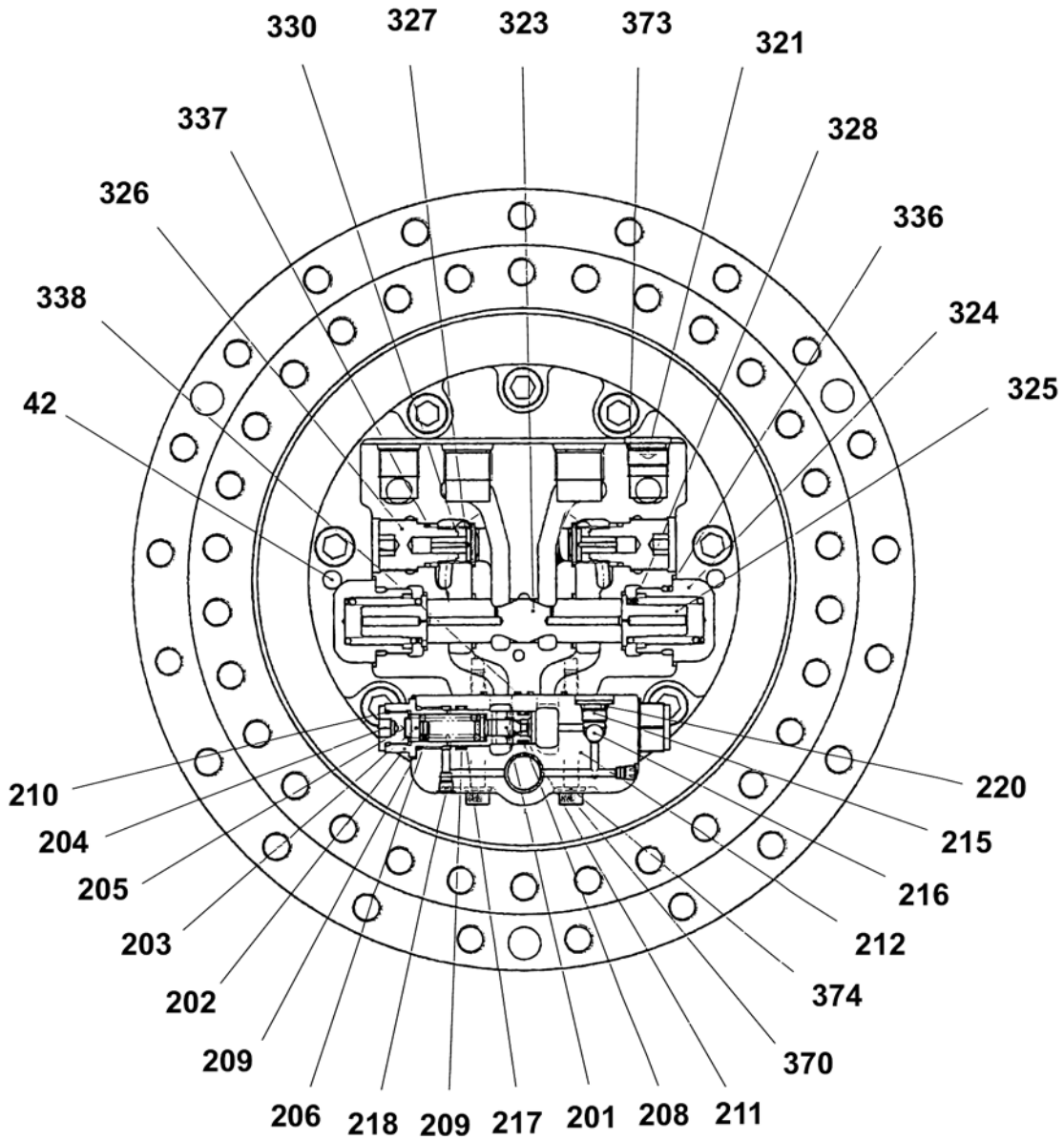
REF.	PART NO.	QTY	UNIT	DESCRIPTION	NOTES
001.0	57695876	1.0	EA	SHELL,ROLLER	
002.0	57695884	1.0	EA	SHAFT	
003.0	57695892	2.0	EA	BEARING	
004.0	57700700	1.0	EA	DISK,INTERNAL FACE	
005.0	57700718	2.0	EA	PIN	
006.0	57700726	3.0	EA	BOLT,SELF-LOCKING	
007.0	57700734	1.0	EA	O-RING	
008.0	57700742	2.0	EA	RING,SEAL	
009.0	57700759	2.0	EA	O-RING	
010.0	57700767	1.0	EA	COLLAR	
011.0	57700775	1.0	EA	RING,ELASTIC	
012.0	57700783	1.0	EA	O-RING	
013.0	57700791	1.0	EA	PLATE,SECURITY	
014.0	57700809	3.0	EA	WASHER,ELASTIC	
015.0	57700817	1.0	EA	O-RING	
016.0	57700825	1.0	EA	PLUG	
017.0	57700833	2.0	EA	BOLT,SELF-LOCKING	
018.0	57700841	1.0	EA	COVER	

57728750 FINAL DRIVE, TEIJIN SEIKI



SECTION C - C

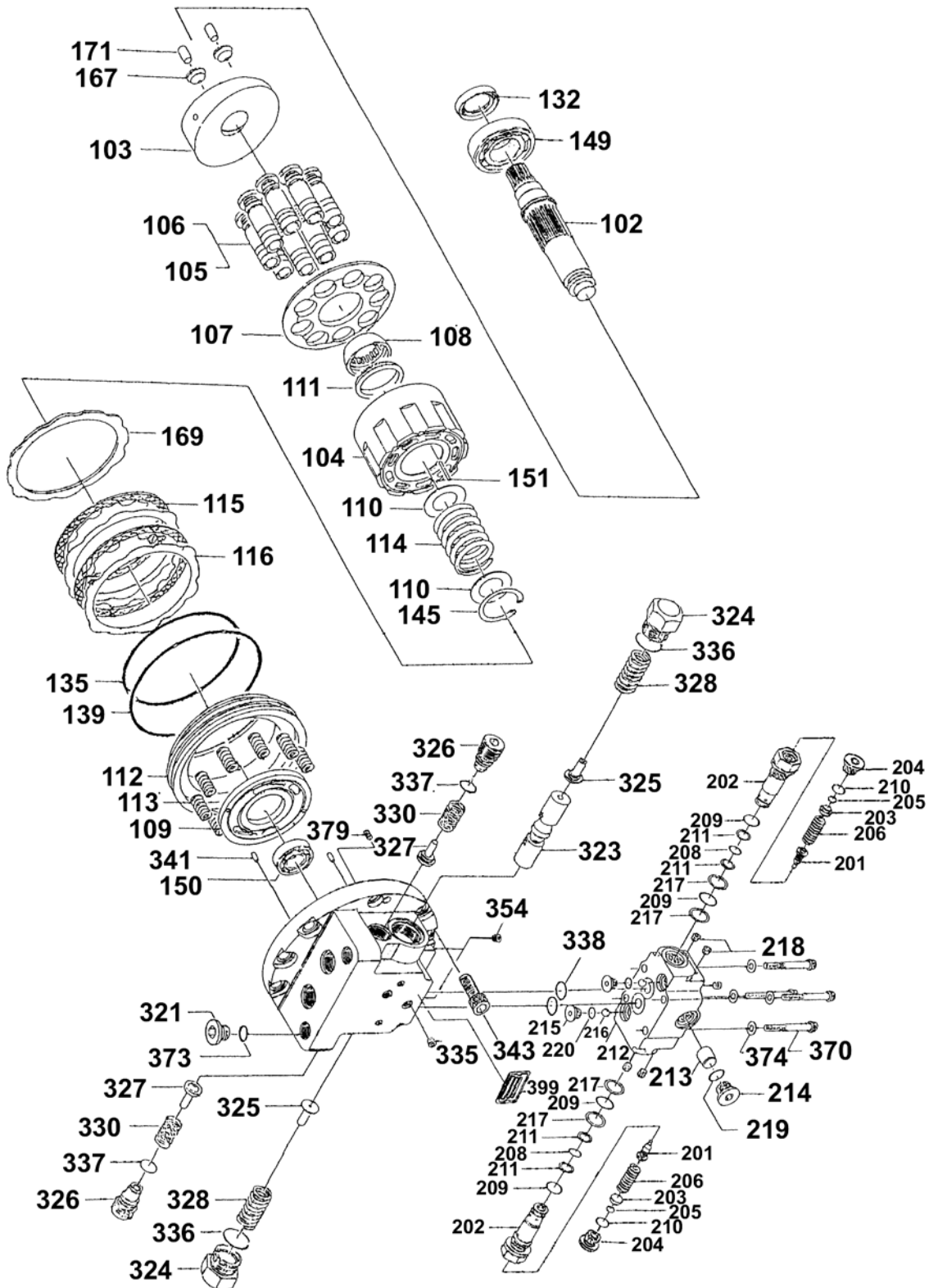
57728750 FINAL DRIVE, TEIJIN SEIKI



SECTION A - A

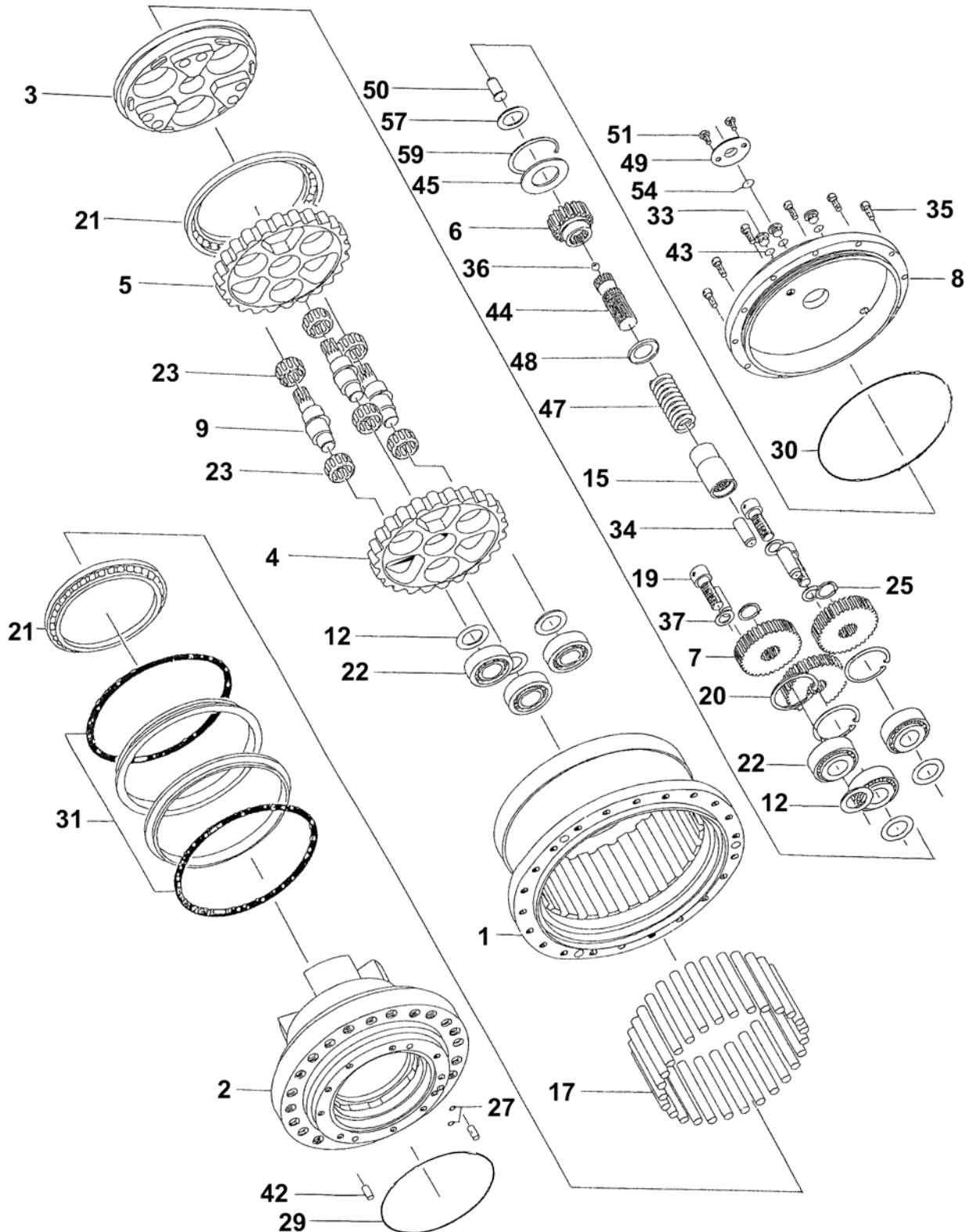
D2657728750 REV 001

57728750 FINAL DRIVE, TEIJIN SEIKI



D2657728750 REV 001

57728750 FINAL DRIVE, TEIJIN SEIKI



D2657728750 REV 001

BOM 57728750

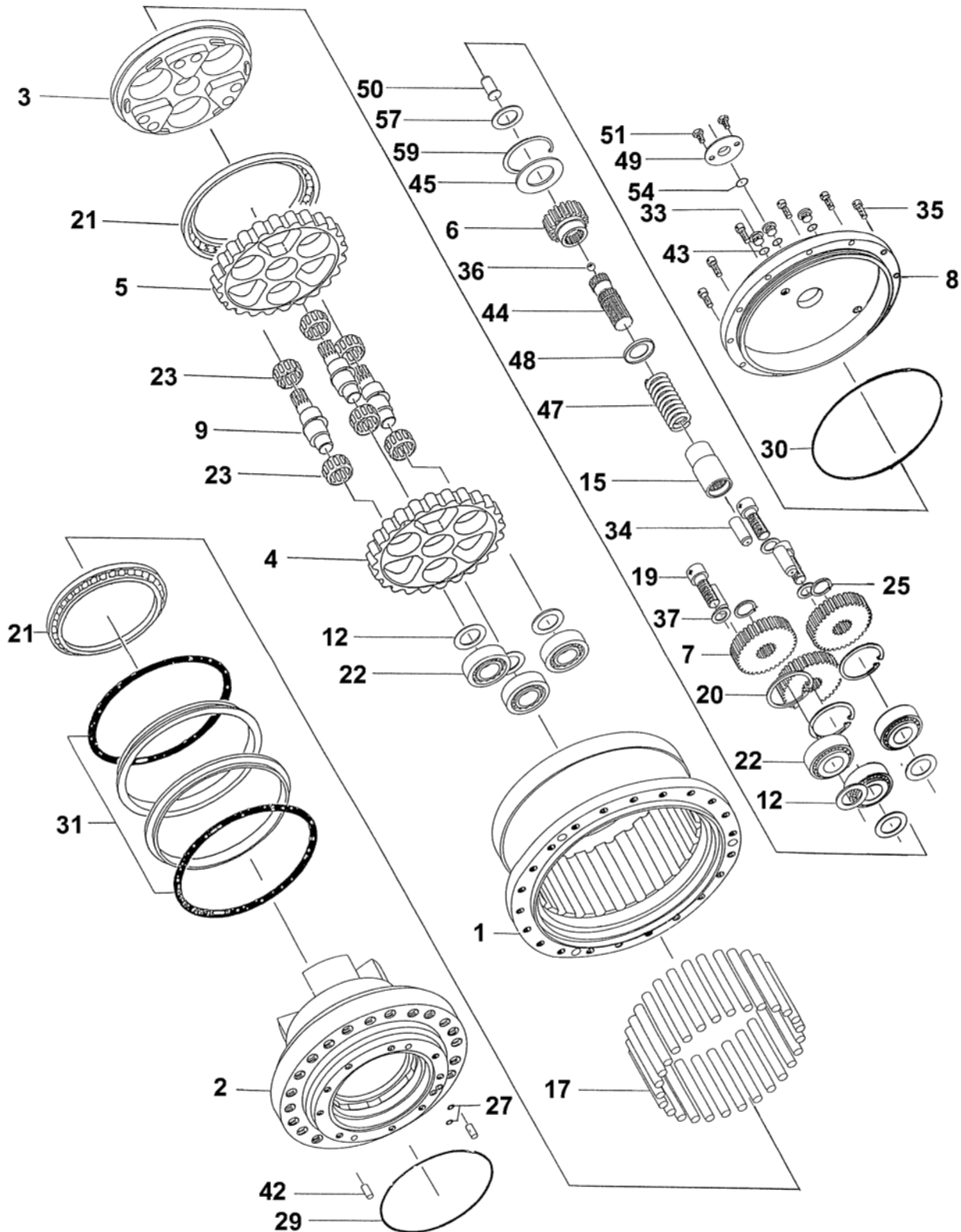
57728750 FINAL DRIVE,TEIJIN SEIKI

REF.	PART NO.	QTY	UNIT	DESCRIPTION	NOTES
	52312634	1.0	EA	ASSY,RV GEAR	
	52312733	2.0	EA	KIT,VALVE	
	52312741	1.0	EA	KIT,BODY	
	52312758	1.0	EA	VALVE,CONTROL	
	52312782	1.0	EA	KIT,SEAL	
	52312816	1.0	EA	KIT,SPUR GEAR	
	57713497	1.0	EA	MOTOR,HYDRAULIC	See Page 84
001.0	57713240	1.0	EA	HUB	
001.0	57714206	1.0	EA	SEAL KIT	
006.0	52312667	1.0	EA	GEAR,INPUT	
015.0	52312675	1.0	EA	COUPLING	
021.0	52312683	2.0	EA	BEARING,BALL	
044.0	52312691	1.0	EA	SHAFT	
149.0	52312717	1.0	EA	BEARING,ROLLER	
150.0	52312725	1.0	EA	BEARING,ROLLER	
380.0	52312766	2.0	EA	CONNECTOR	
381.0	52312774	1.0	EA	CONNECTOR	
400.0	57713182	1.0	EA	REDUCTION GEARS	See Page 88
406.0	57713497	1.0	EA	MOTOR,HYDRAULIC	See Page 84
410.0	57713661	1.0	EA	SRV2	
-	57713679	2.0	EA	- KIT,VALVE	
-	57713687	1.0	EA	- KIT,SLEEVE	
-	57713695	1.0	EA	- KIT,BODY	
-	57713703	1.0	EA	- KIT,PISTON BODY	
415.0	57713711	1.0	EA	VALVE,CONTROL	See Page 92

BOM 57728750

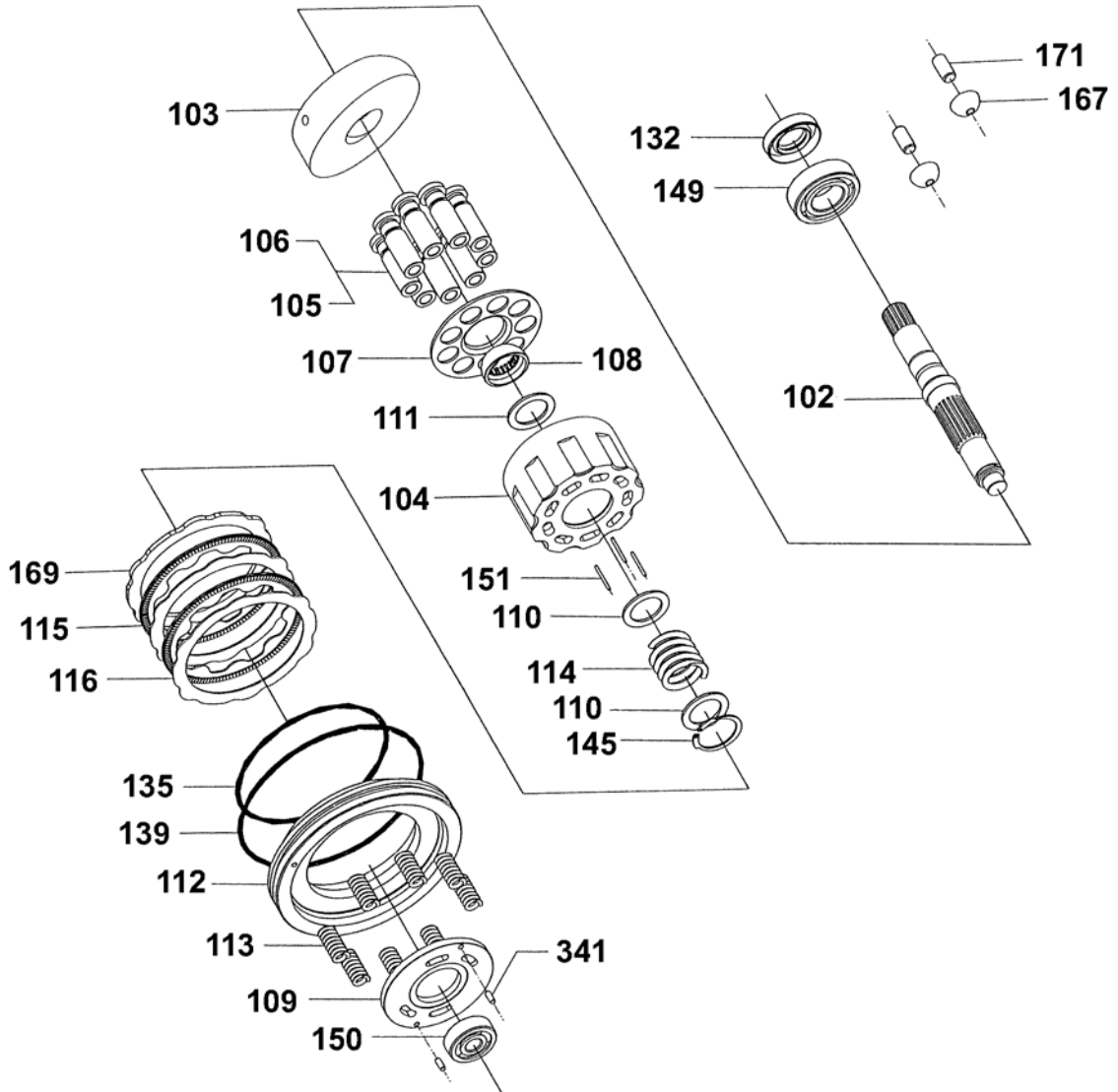
57728750 FINAL DRIVE,TEIJIN SEIKI

57713497 MOTOR, HYDRAULIC

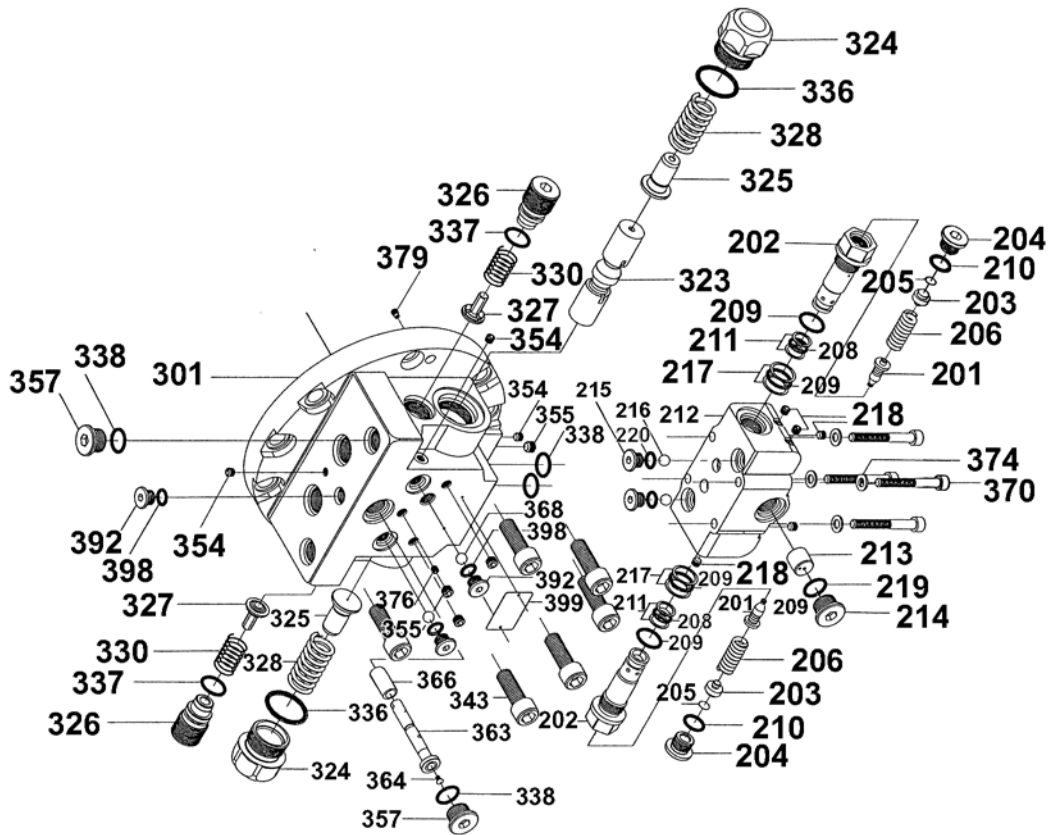


C52300654 REV 001

57713497 MOTOR, HYDRAULIC



57713497 MOTOR, HYDRAULIC



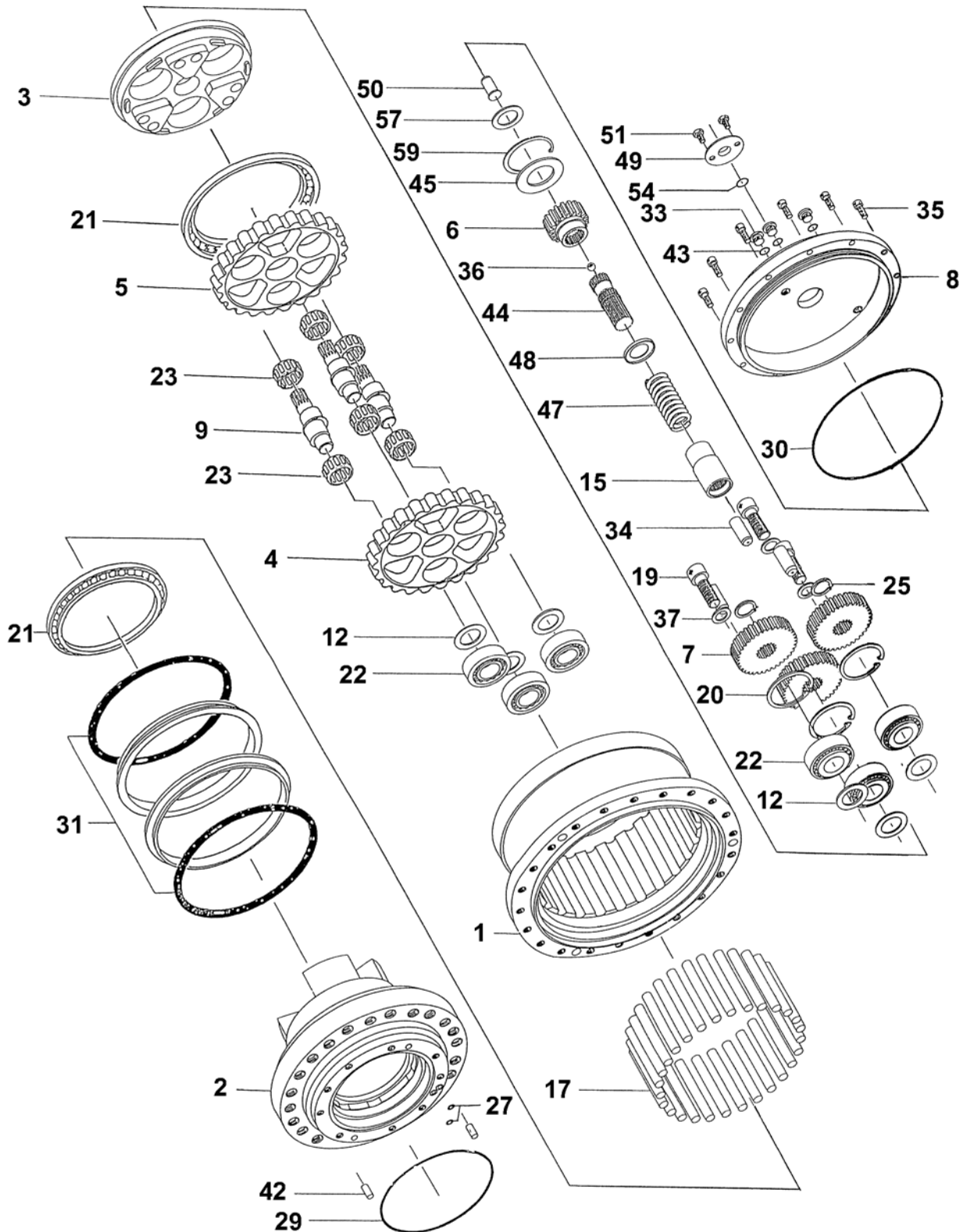
C52300654 REV 001

BOM 57713497

57713497 MOTOR, HYDRAULIC

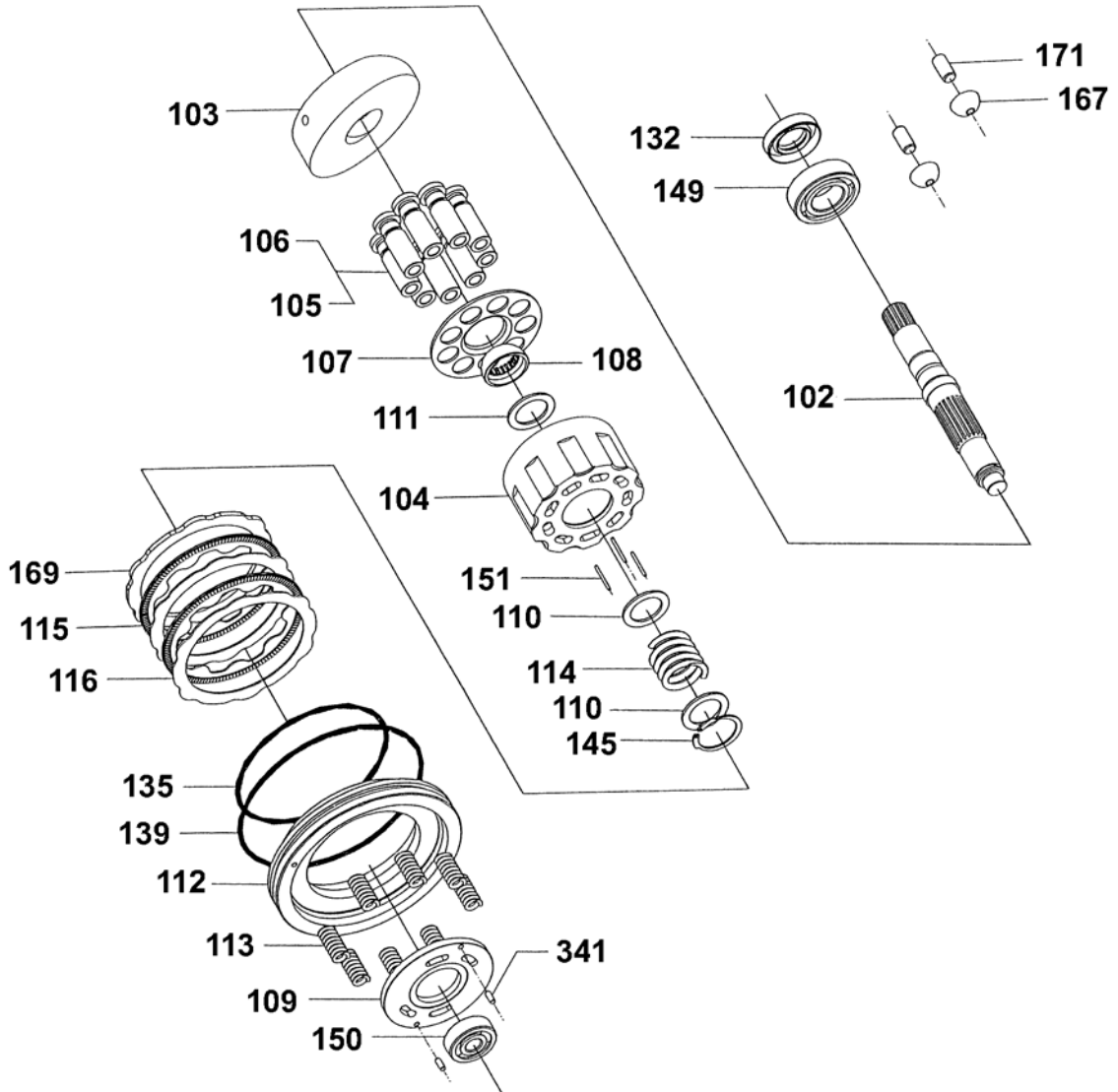
REF.	PART NO.	QTY	UNIT	DESCRIPTION	NOTES
102.0	57713513	1.0	EA	SHAFT	
103.0	57713521	1.0	EA	PLATE, SWASH	
109.0	57713539	1.0	EA	PLATE, TIMING	
112.0	57713547	1.0	EA	PISTON	
113.0	57713554	10.0	EA	SPRING	
115.0	57713562	2.0	EA	PLATE, FRICTION	
116.0	57713570	2.0	EA	PLATE, MATING	
132.0	57713588	1.0	EA	OIL SEAL	
135.0	57713596	1.0	EA	O-RING	
139.0	57713604	1.0	EA	O-RING	
149.0	57713612	1.0	EA	ROLLER BEARING	
150.0	57713620	1.0	EA	ROLLER BEARING	
167.0	57713638	2.0	EA	PIVOT	
169.0	57713646	1.0	EA	PLATE, MATING	
171.0	57713653	2.0	EA	PIN, PARALLEL	
407.0	57713505	1.0	EA	KIT, CYLINDER & PISTON	

57713182 REDUCTION GEARS

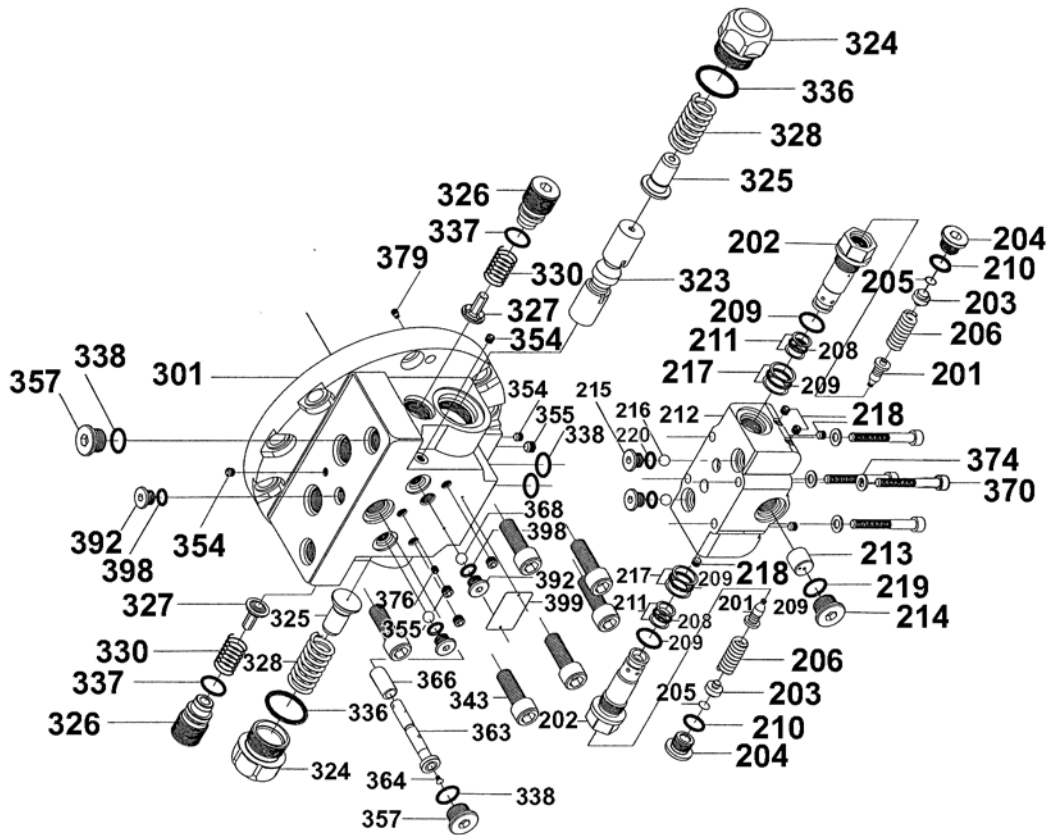


C52300654 REV 001

57713182 REDUCTION GEARS



57713182 REDUCTION GEARS



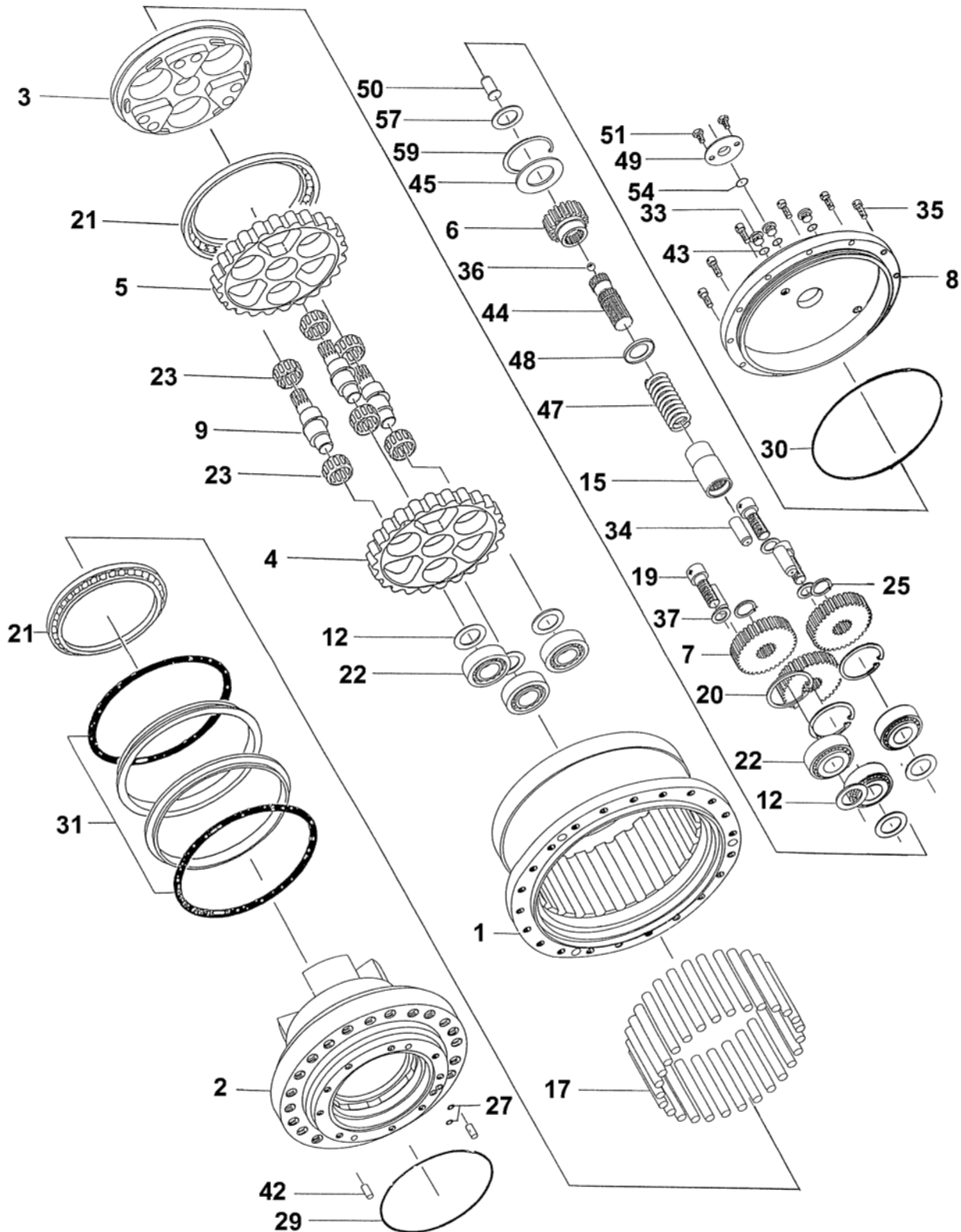
C52300654 REV 001

BOM 57713182

57713182 REDUCTION GEARS

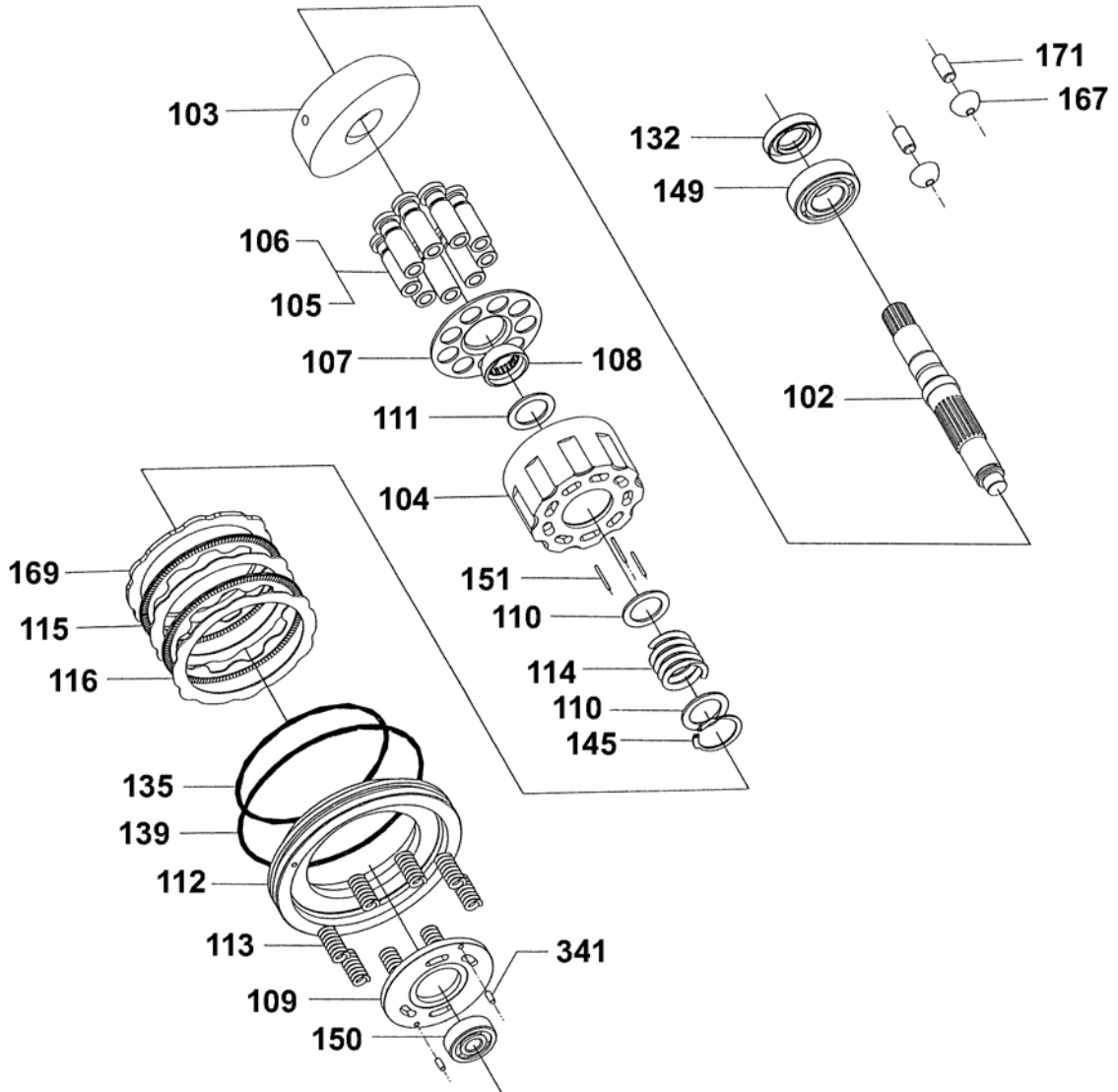
REF.	PART NO.	QTY	UNIT	DESCRIPTION	NOTES
001.0	57713240	1.0	EA	HUB	
006.0	57713257	1.0	EA	GEAR,INPUT	
008.0	57713265	1.0	EA	COVER	
015.0	57713273	1.0	EA	COUPLING	
017.0	57713281	28.0	EA	PIN	
020.0	57713299	3.0	EA	SNAP RING	
021.0	57713307	2.0	EA	BALL BEARING	
025.0	57713315	3.0	EA	RING,SNAP FOR SHAFT	
027.0	57713323	2.0	EA	O-RING	
029.0	57713331	1.0	EA	O-RING	
030.0	57713349	1.0	EA	O-RING	
033.0	57713356	3.0	EA	PLUG, SOCKET HEX	
035.0	57713364	12.0	EA	BOLT,SOCKET HEX	
036.0	57713372	1.0	EA	BALL,STEEL	
042.0	57713380	2.0	EA	PIN,PARALLEL	
043.0	57713398	3.0	EA	O-RING	
044.0	57713406	1.0	EA	SHAFT	
045.0	57713414	1.0	EA	PLATE	
047.0	57713422	1.0	EA	SPRING	
048.0	57713430	1.0	EA	SPRING GUIDE	
049.0	57713448	1.0	EA	COVER	
050.0	57713455	1.0	EA	PIN	
051.0	57713463	2.0	EA	BOLT,HEX HEAD	
054.0	57713471	1.0	EA	O-RING	
059.0	57713489	1.0	EA	SNAP RING	
401.0	57713190	1.0	EA	KIT,SPINDLE	
-	57713208	1.0	EA	- SPINDLE ASM	
403.0	57713216	1.0	EA	GEAR ASM,RV	
404.0	57713224	1.0	EA	KIT,SPUR GEAR	
405.0	57713232	1.0	EA	KIT,FLOATING SEAL	

57713711 VALVE,CONTROL



C52300654 REV 001

57713711 VALVE,CONTROL

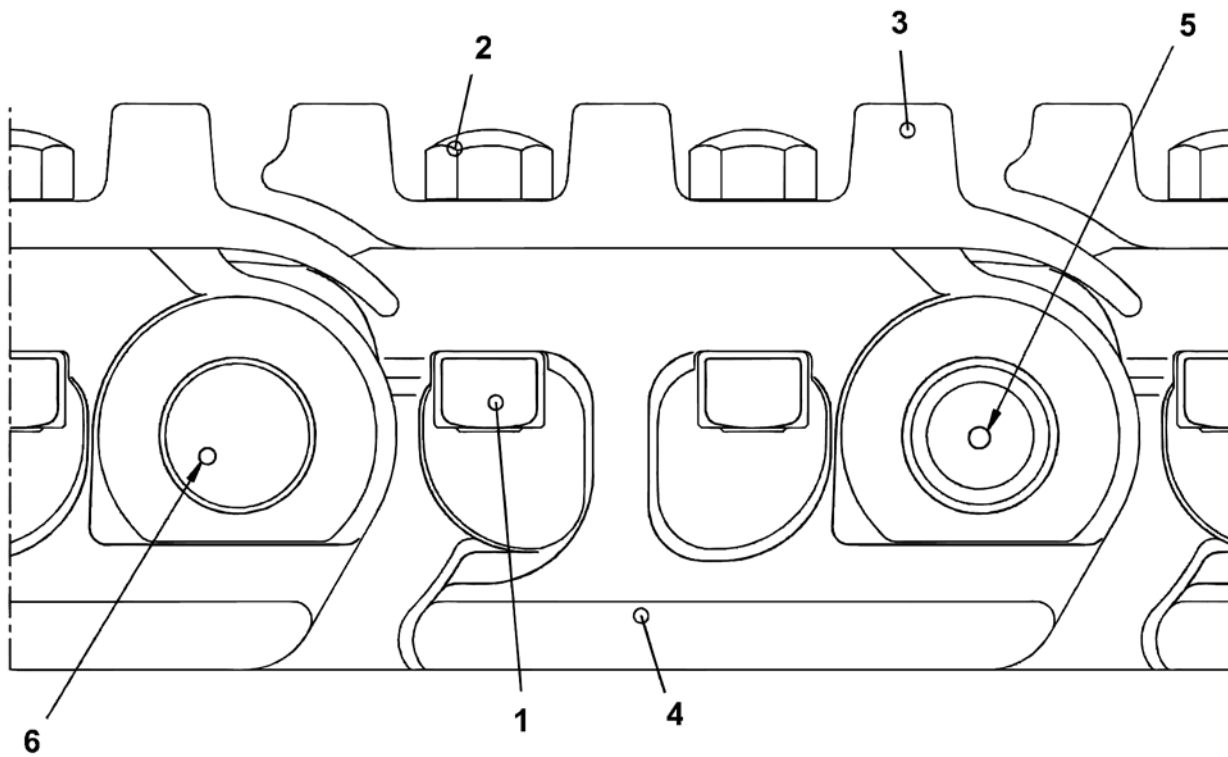


BOM 57713711

57713711 VALVE,CONTROL

REF.	PART NO.	QTY	UNIT	DESCRIPTION	NOTES
341.0	57713752	2.0	EA	PIN,PARALLEL	
343.0	57713760	9.0	EA	BOLT,HEX SOCKET	
416.0	57713729	1.0	EA	FLANGE ASM,REAR	
-	57713737	1.0	EA	- KIT,FLANGE REAR	
-	57713745	1.0	EA	- KIT,SPOOL	

57695702 CHAIN,TRACK

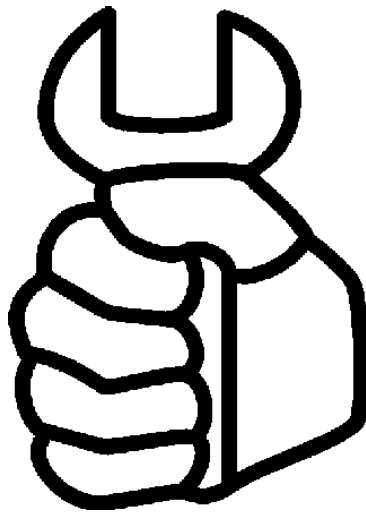


BOM 57695702

57695702 CHAIN,TRACK

REF.	PART NO.	QTY	UNIT	DESCRIPTION	NOTES
001.0	56965270	168.0	EA	NUT	
002.0	57700866	168.0	EA	BOLT	
003.0	57700874	42.0	EA	SHOES	
004.0	57700882	1.0	EA	LINK WITHOUT SHOES	
-	57818031	42.0	EA	- LINK,RH	
-	57818049	42.0	EA	- LINK,LH	
-	57818056	41.0	EA	- BUSHING TH	
-	57818064	82.0	EA	- SEAL,POLYURETHANE	
-	57818072	1.0	EA	- BUSHING MASTER	
005.0	57748642	1.0	EA	PIN,MASTER	
006.0	57814741	41.0	EA	STANDARD PIN	

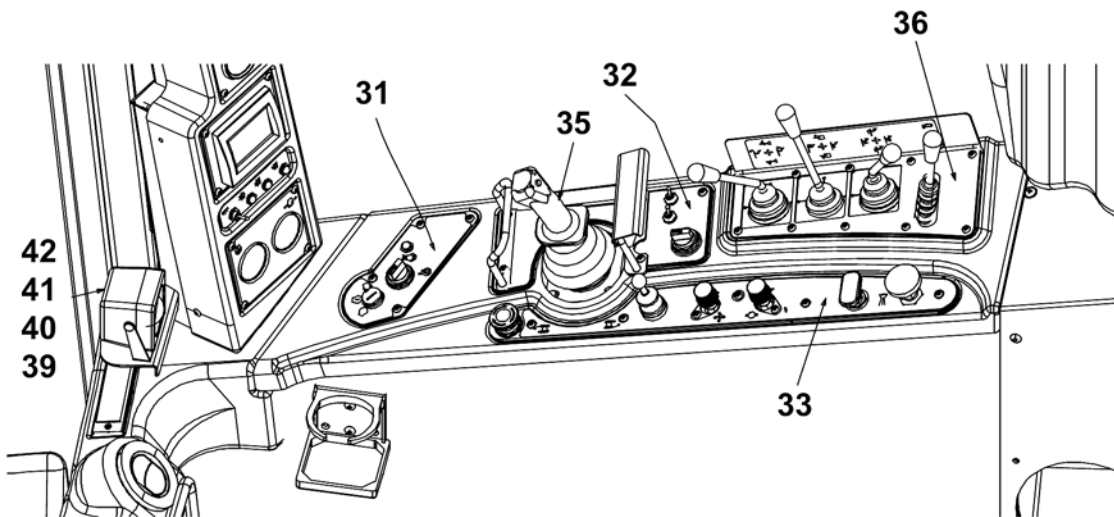
This page is intentionally blank.



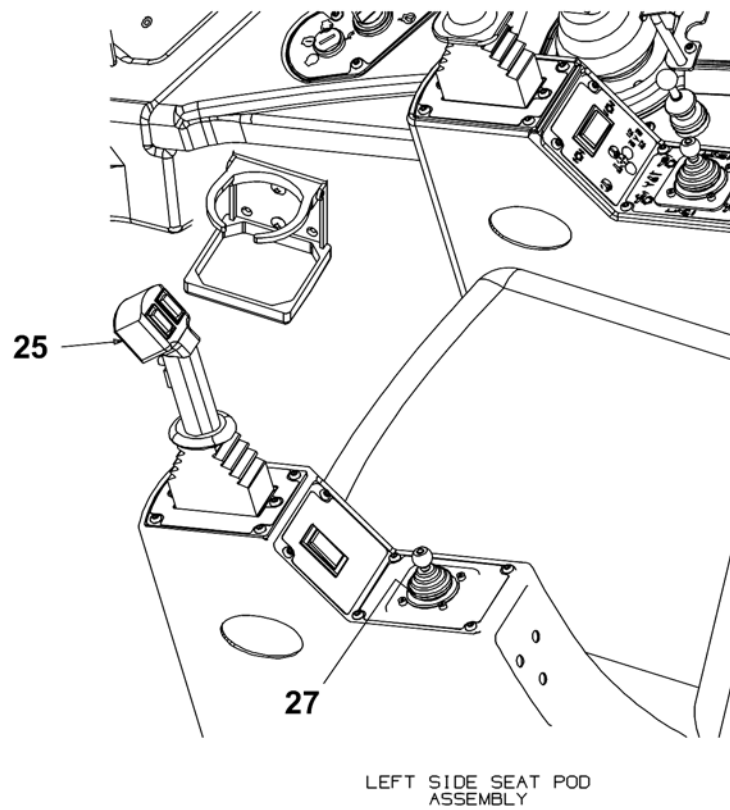
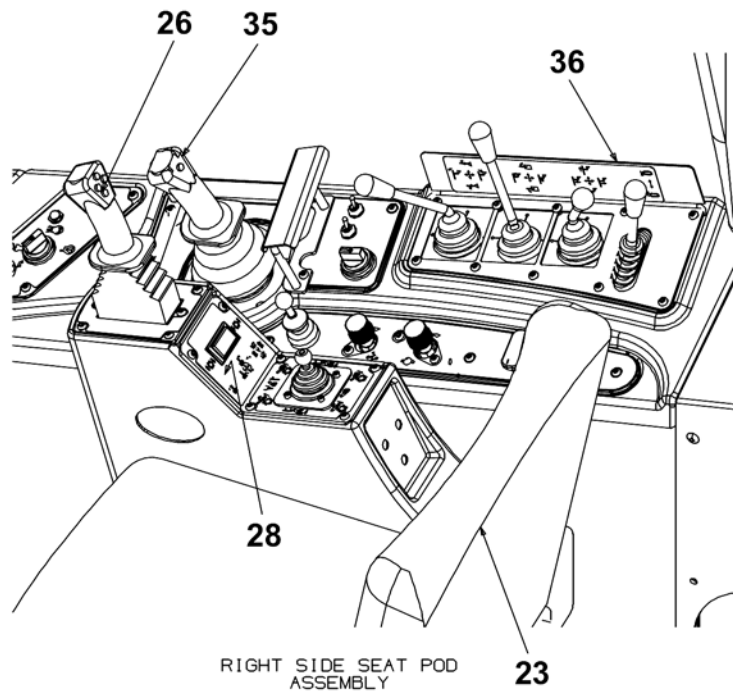
Section C - Cab/Console



57760241 CAB,ASSEMBLY CM700D

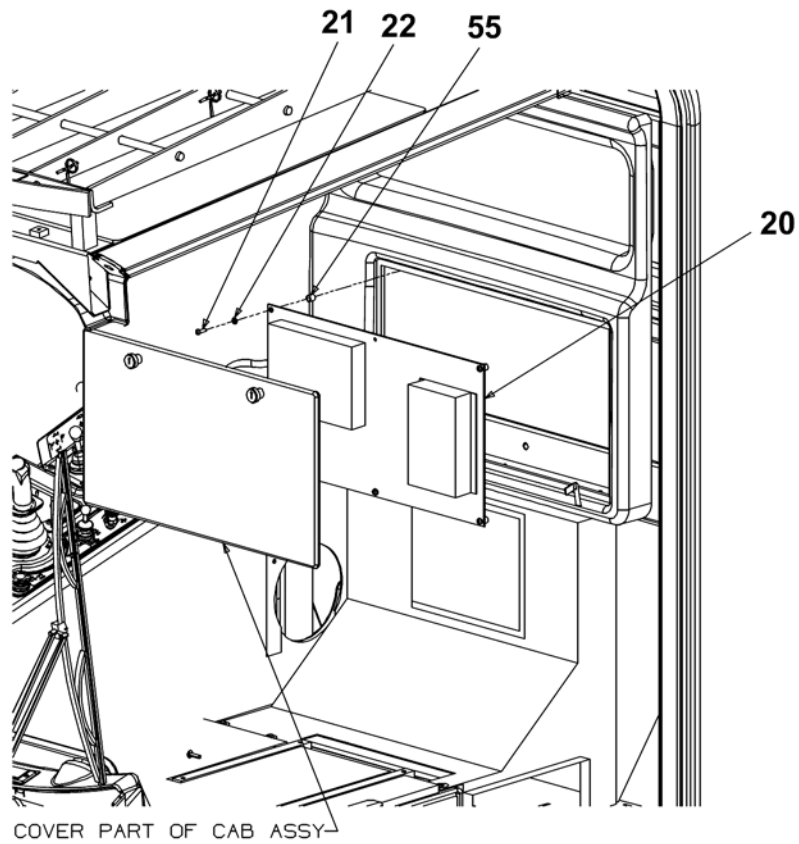
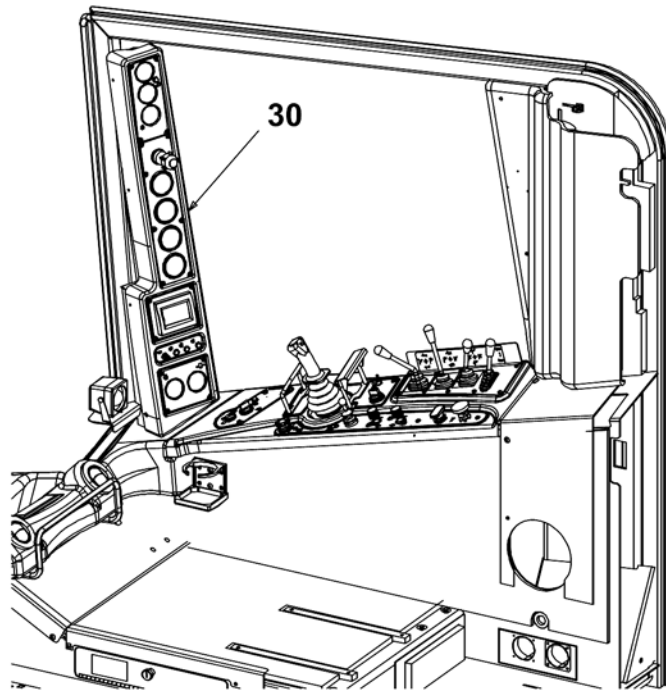


57760241 CAB,ASSEMBLY CM700D



D2657760241 REV 001

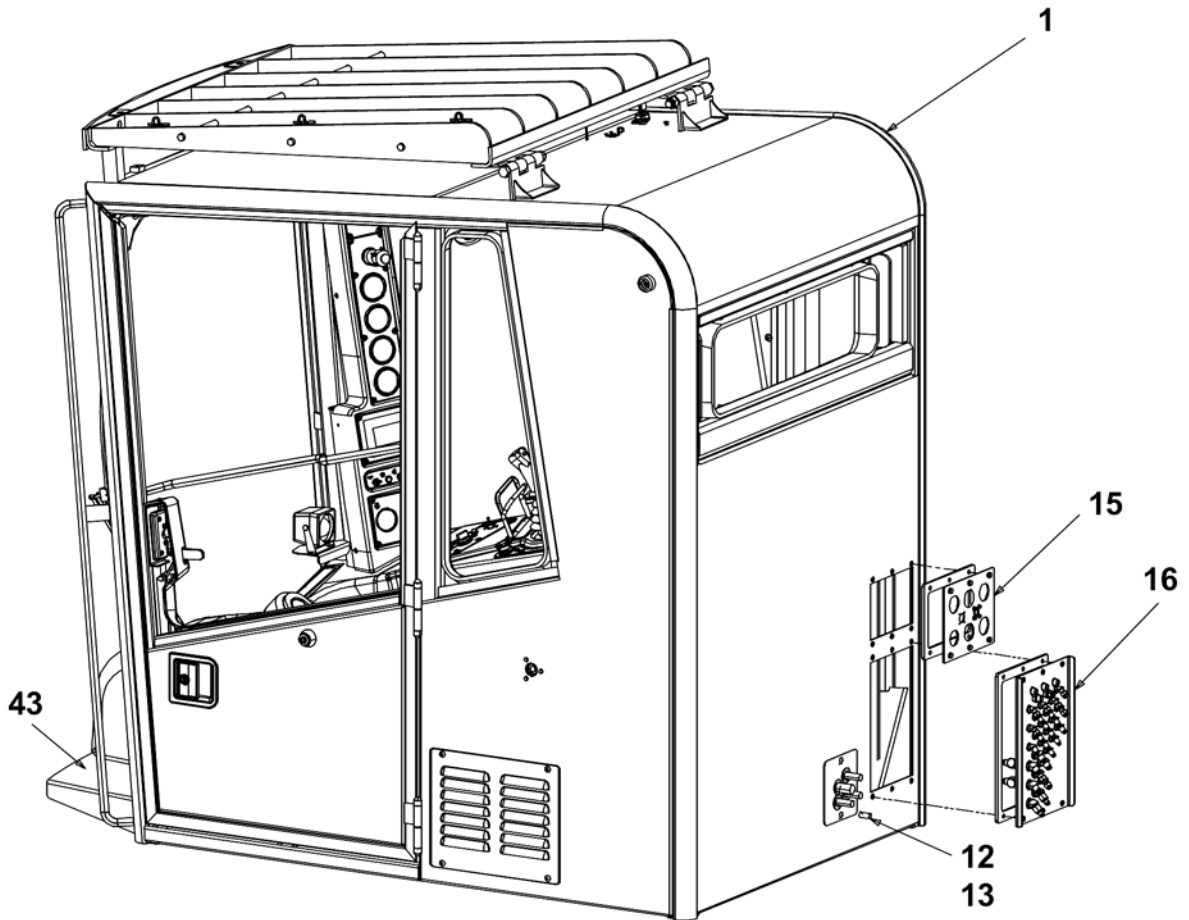
57760241 CAB,ASSEMBLY CM700D



COVER PART OF CAB ASSY

D2657760241 REV 001

57760241 CAB,ASSEMBLY CM700D



D2657760241 REV 001

57760241 CAB,ASSEMBLY CM700D

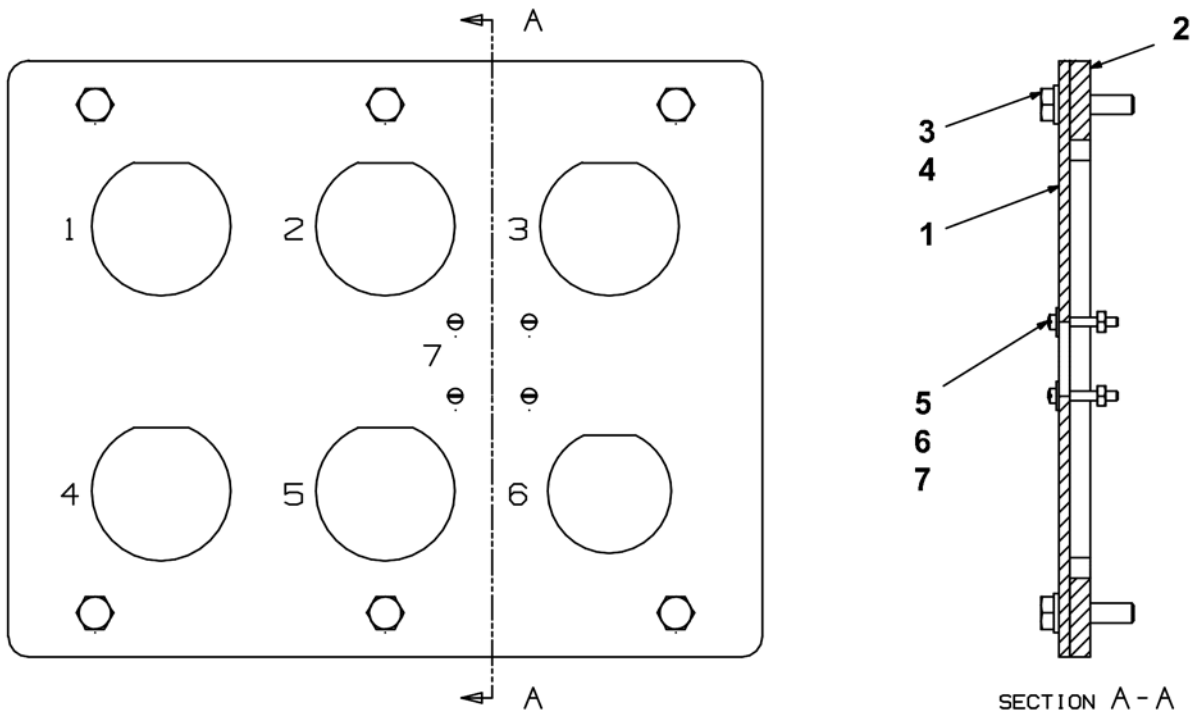
REF.	PART NO.	QTY	UNIT	DESCRIPTION	NOTES
001.0	57928582	1.0	EA	CAB,ASSEMBLY	
002.0	52086162	4.0	EA	ISOLATOR, CAB	
003.0	52086188	8.0	EA	WASHER,ISOLATOR,CAB	
004.0	52086170	8.0	EA	SPACER, CAB RETAINER	
005.0	96727052	12.0	EA	BOLT35M2AA1168M3HR	
006.0	52105483	16.0	EA	WASHER,FLAT	
012.0	52324753	1.0	EA	CABLE,GROUND	
013.0	96726815	1.0	EA	NUT	
014.0	51789220	1.0	EA	LAMP	
015.0	52325214	1.0	EA	BULKHEAD,ELECTRICAL ASSY	See Page 106
016.0	52325222	1.0	EA	BULKHEAD,HYDRAULIC ASSM	See Page 108
018.0	52325347	2.0	EA	FITTING,TEST HOSE UNION	
019.0	57762098	1.0	EA	HARNESS,WIRE,CAB,CM700D	
020.0	57763823	1.0	EA	PANEL,BREAKER/RELAY,ASM	See Page 112
021.0	95929006	5.0	EA	CAPSCREW	
022.0	96702519	5.0	EA	WASHER	
023.0	57754798	1.0	EA	SEAT,CAB,OPERATOR	See Page 118
024.0	96714621	4.0	EA	CAPSCREW/119M2AA219B	
025.0	57761983	1.0	EA	PANEL,LEFT FRT SEAT POD	See Page 120
026.0	57762007	1.0	EA	PANEL,RIGHT FRT SEAT POD	See Page 124
027.0	57763849	1.0	EA	PANEL,LEFT REAR SEAT	See Page 128
028.0	57774135	1.0	EA	PANEL,RT REAR SEAT POD 3	See Page 132
029.0	52326980	2.0	EA	SLEEVE,NYLON ABRASION	
030.0	57761801	1.0	EA	PANEL,CORNER GAUGE	See Page 136
031.0	57762023	1.0	EA	PANEL,ENGINE IGNITION	See Page 138
032.0	57763856	1.0	EA	PANEL,DRILL/TRAM SELECTR	See Page 140
033.0	57762031	1.0	EA	PANEL,SIDE CONTROL	See Page 142
035.0	52314473	1.0	EA	JOYSTICK,TRAM CONTROL	See Page 146
036.0	57761678	1.0	EA	VALVE,POSITION CTRL ASSM	See Page 152
039.0	53076576	1.0	EA	METER,INCLINATION	
040.0	96705728	2.0	EA	BOLT	
041.0	96715008	2.0	EA	NUT,HEX LOCK/85M4JD1M3	
042.0	96702493	2.0	EA	WASHER,FLAT	
043.0	57483950	2.0	EA	FLEX-TRED STRIPES,6 X24	
044.0	52105459	1.0	EA	SOCKET,12VOLT	
045.0	96727953	2.0	EA	CAPSCREW/134M2S65	
046.0	96703756	2.0	EA	NUT,M4/16M4JD5M3	
048.0	52330834	1.0	EA	SAFETY MANUAL/CABLE,700	See Page 158
055.0	57741928	5.0	EA	SPACER,NYLON 1/2 INCH	
056.0	54651245	1.0	EA	RECEPTACLE,2 CIRCUIT	
057.0	59436840	2.0	EA	PIN,SIZE 16	
058.0	59436873	1.0	EA	WEDGE	

BOM 57760241

57760241 CAB,ASSEMBLY CM700D

REF.	PART NO.	QTY	UNIT	DESCRIPTION	NOTES
059.0	57927774	1.0	EA	DECAL, PLC LAYOUT	
068.0	52325255	1.0	EA	HOSE,PRESSURE TEST	
069.0	52325255	1.0	EA	HOSE,PRESSURE TEST	
070.0	39132576	1.0	EA	SEAL,HOLE	
075.0	58027558	1.0	EA	CARD,LOADING INSTRUCT	
256.0	52325255	1.0	EA	HOSE,PRESSURE TEST	
257.0	52325255	1.0	EA	HOSE,PRESSURE TEST	
436.0	57801771	0.0	EA	HOSE ASSEMBLY	
444.0	57801771	0.0	EA	HOSE ASSEMBLY	
452.0	57801771	0.0	EA	HOSE ASSEMBLY	
453.0	57801771	0.0	EA	HOSE ASSEMBLY	

52325214 BULKHEAD,ELECTRICAL ASSY

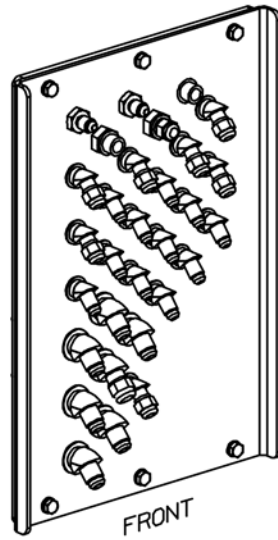


BOM 52325214

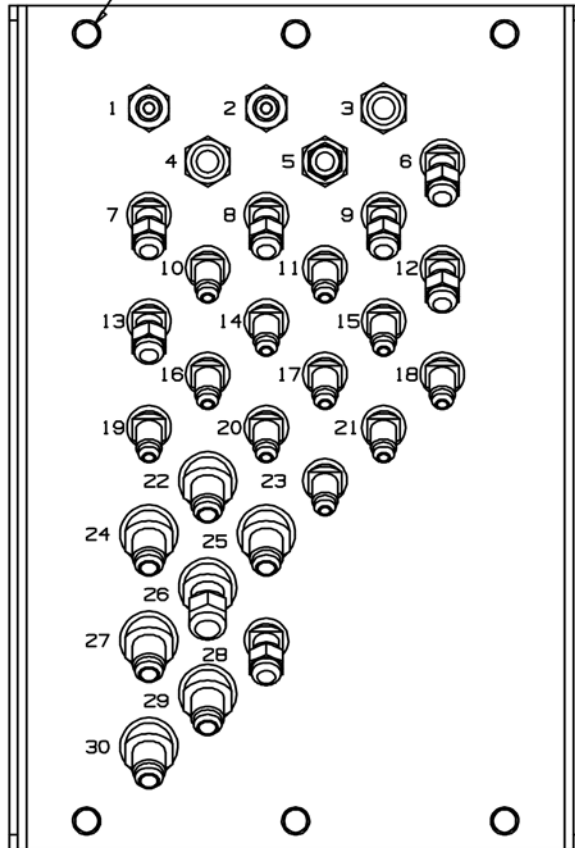
52325214 BULKHEAD,ELECTRICAL ASSY

REF.	PART NO.	QTY	UNIT	DESCRIPTION	NOTES
001.0	52318730	1.0	EA	BULKHEAD,ELECTRICAL	
002.0	52318755	1.0	EA	GASKET,BULKHEAD	
003.0	95934816	6.0	EA	CAPSCREW,HEX	
004.0	95922324	6.0	EA	WASHER,FLAT,NARROW	
005.0	95475869	4.0	EA	SCREW,MACHINE	
006.0	95475877	4.0	EA	WASHER, LOCK-#4	
007.0	95187613	4.0	EA	NUT,HEX MACHINE	

52325222 BULKHEAD, HYDRAULIC ASSM



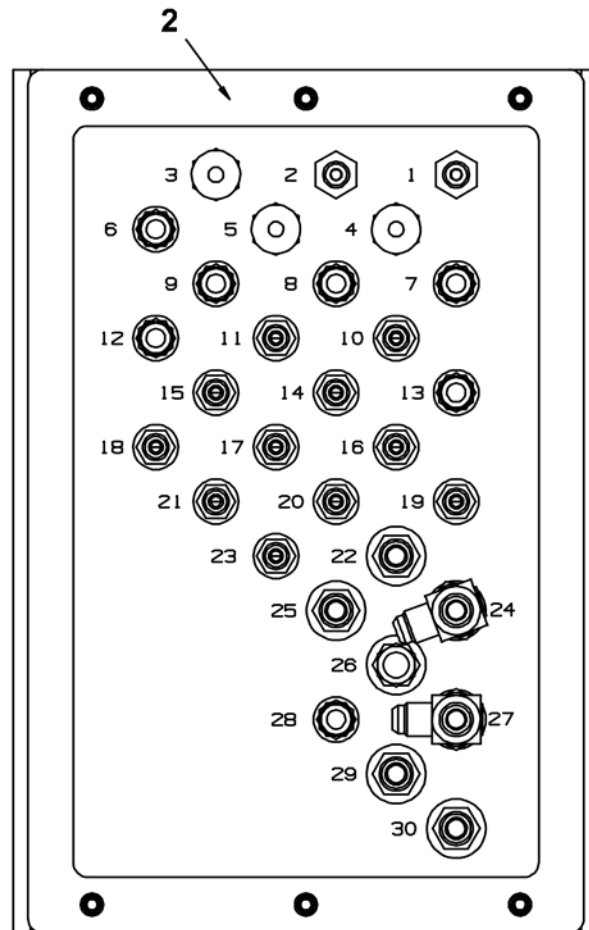
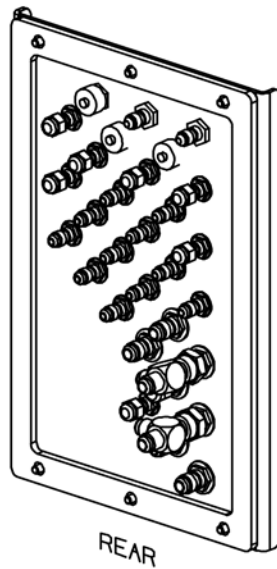
3
12



FRONT

C2652325222 REV 003

52325222 BULKHEAD, HYDRAULIC ASSM



C2652325222 REV 003

52325222 BULKHEAD, HYDRAULIC ASSM

NUMBER	ITEM NUMBER	ITEM NUMBER	ITEM NUMBER FRONT	ITEM NUMBER REAR
1	8	13		
2	8	13		
3	8	4		
4	8	4		
5	8	4	10	
6	8	5	10	10
7	8	5	10	10
8	8	5	10	10
9	8	5	10	10
10	8	5		
11	8	5		
12	8	5	10	10
13	8	5	10	10
14	8	5		
15	8	5		
16	8	5		
17	8	5		
18	8	5		
19	8	5		
20	8	5		
21	8	5		
22	7	6		
23	7	6		
24	7	6	9	
25	7	6		
26	7	6	11	11
27	7	6	9	
28	8	5	10	10
29	7	6	-	
30	7	6	-	

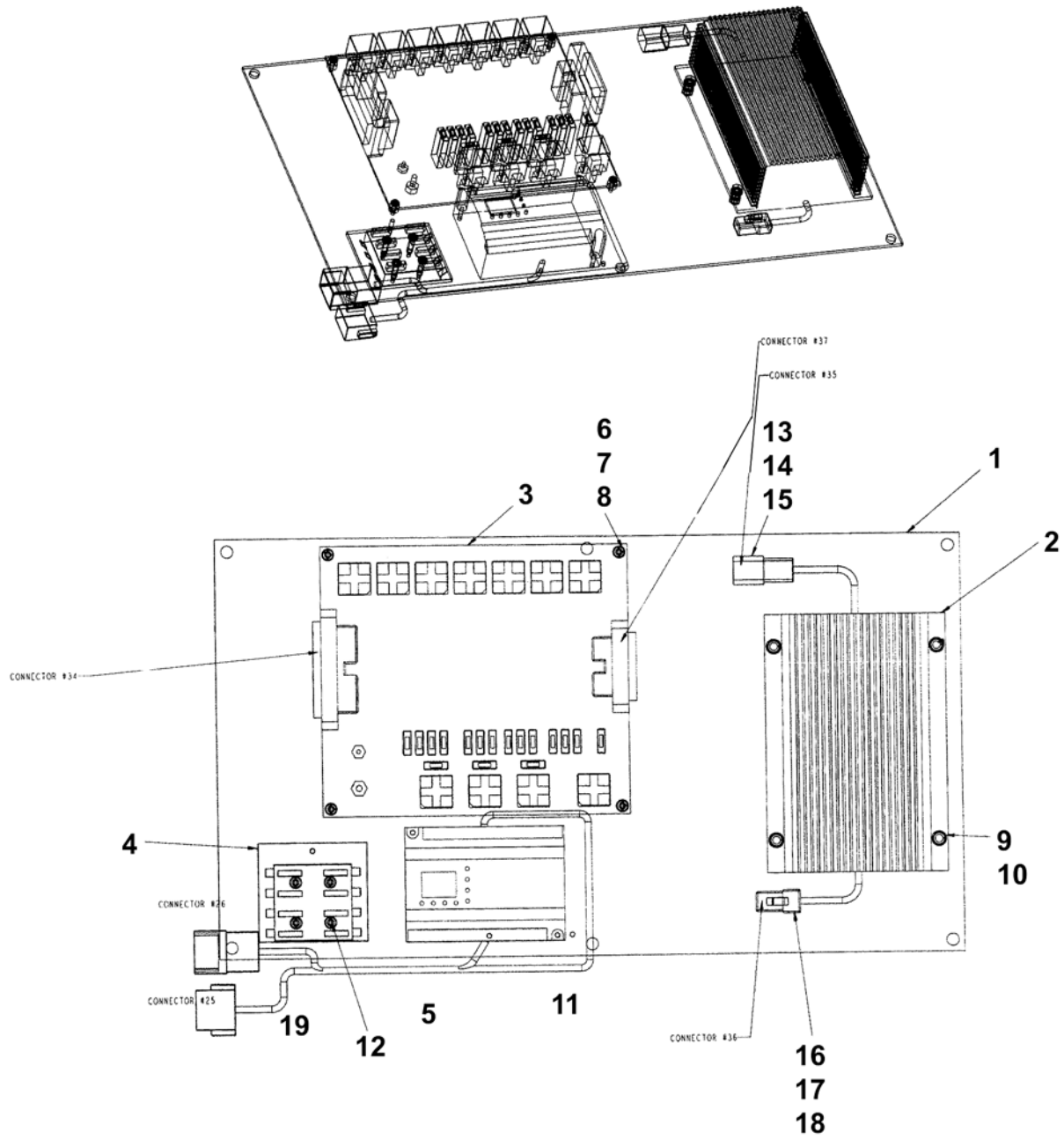
C2652325222 REV 003

BOM 52325222

52325222 BULKHEAD, HYDRAULIC ASSM

REF.	PART NO.	QTY	UNIT	DESCRIPTION	NOTES
001.0	52318748	1.0	EA	BULKHEAD, HYDRAULIC	
002.0	52318763	1.0	EA	GASKET, BULKHEAD	
003.0	95934816	6.0	EA	CAPSCREW, HEX	
004.0	51984128	3.0	EA	FITTING, BULKHEAD TEST	
005.0	95371704	18.0	EA	FITTING, HYD	
006.0	95278909	7.0	EA	FITTING, HYD	
007.0	95866513	14.0	EA	LOCKWASHER	
008.0	95248100	46.0	EA	LOCKWASHER	
009.0	95415667	2.0	EA	FITTING, HYD	
010.0	95257333	15.0	EA	CAP, JIC-4	
011.0	95257341	2.0	EA	CAP, JIC-6	
012.0	95922324	6.0	EA	WASHER, FLAT, NARROW	
013.0	95282422	2.0	EA	ADAPTER	

57763823 PANEL,BREAKER/RELAY,ASM

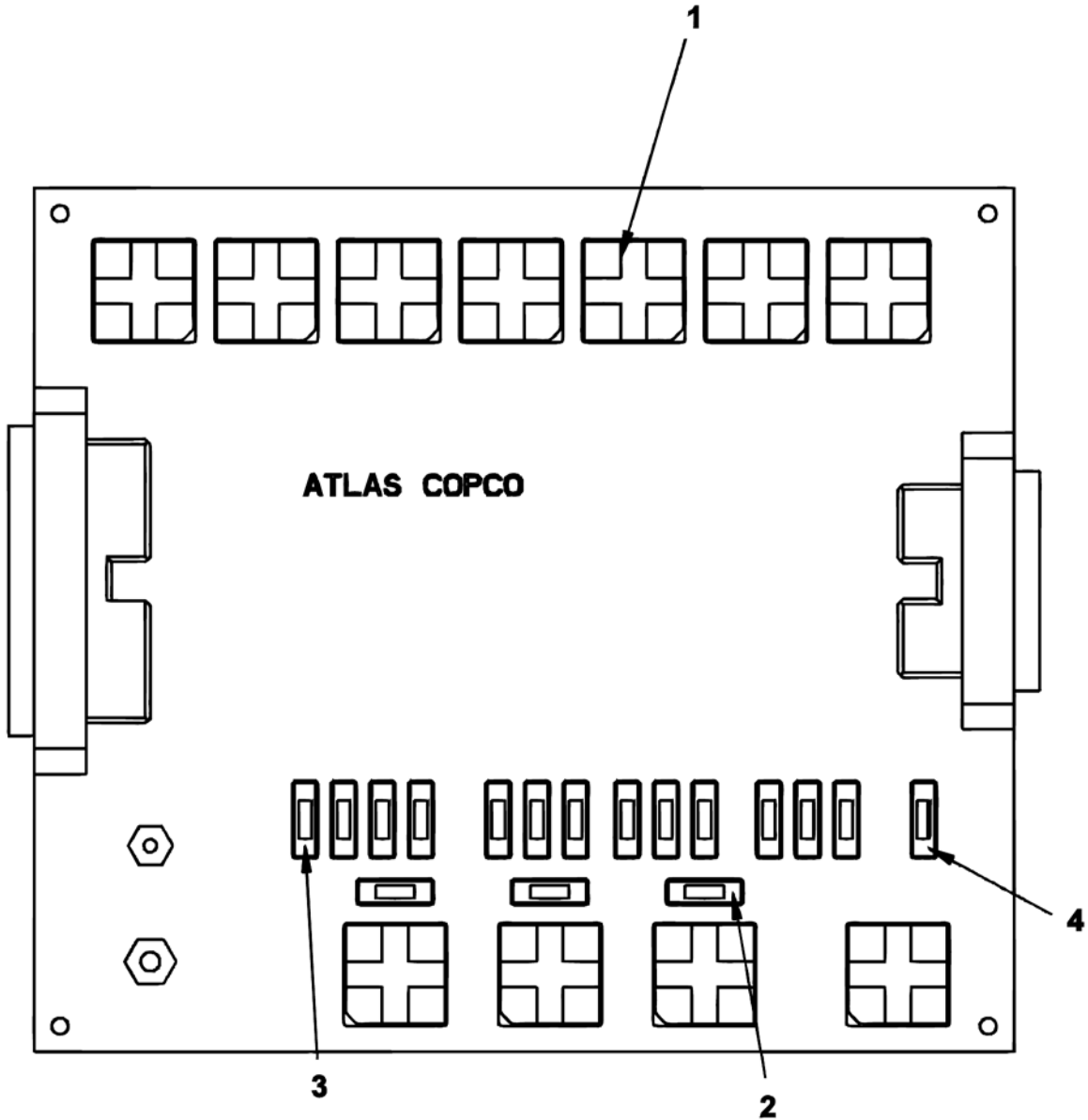


BOM 57763823

57763823 PANEL,BREAKER/RELAY,ASM

REF.	PART NO.	QTY	UNIT	DESCRIPTION	NOTES
001.0	57741878	1.0	EA	PLATE,MTG RELAY/BREAKER	
002.0	52105400	1.0	EA	CONVERTER,DC,24-12 VOLT	
-	52106010	1.0	EA	- FUSE	
-	57886293	1.0	EA	- BASE,LATCH RELAY	
003.0	57673105	1.0	EA	BOARD,RELAY AND BREAKER	See Page 114
004.0	57741902	1.0	EA	BLOCK,FUSE,8 POSITION	See Page 116
005.0	57763815	1.0	EA	PLC,ALPHA2,MITSUBISHI	
-	57935975	1.0	EA	- ALPHA II PLC W/O PROGRAM	
-	57935983	0.0	EA	- PROGRAM FOR ALPHA II PLC	
006.0	95000600	4.0	EA	SCREW, RND HEAD	
007.0	95922555	4.0	EA	WASHER,LOCK	
008.0	57741910	4.0	EA	SPACER,NYLON	
009.0	96701958	4.0	EA	CAPSCREW, HEXHEAD,METRIC	
010.0	96727573	4.0	EA	LOCKWASHER (METRIC)	
011.0	95942918	2.0	EA	SCREW,ROUND HD	
012.0	95922092	4.0	EA	SCREW,MACHINE,RD HEAD	
013.0	57741936	1.0	EA	RECEPTACLE,2 PIN	
014.0	57744690	1.0	EA	WEDGE,WP-2P	
015.0	59449827	2.0	EA	PIN,SIZE 12	
016.0	57742801	1.0	EA	CONNECTOR,2 CONTACT	
017.0	57745002	1.0	EA	WEDGE,WP-2S	
018.0	59449835	2.0	EA	SOCKET,SIZE 12	
019.0	57763807	1.0	EA	HARNESS,APLHA2 PLC	

57673105 BOARD,RELAY AND BREAKER



BOM 57673105

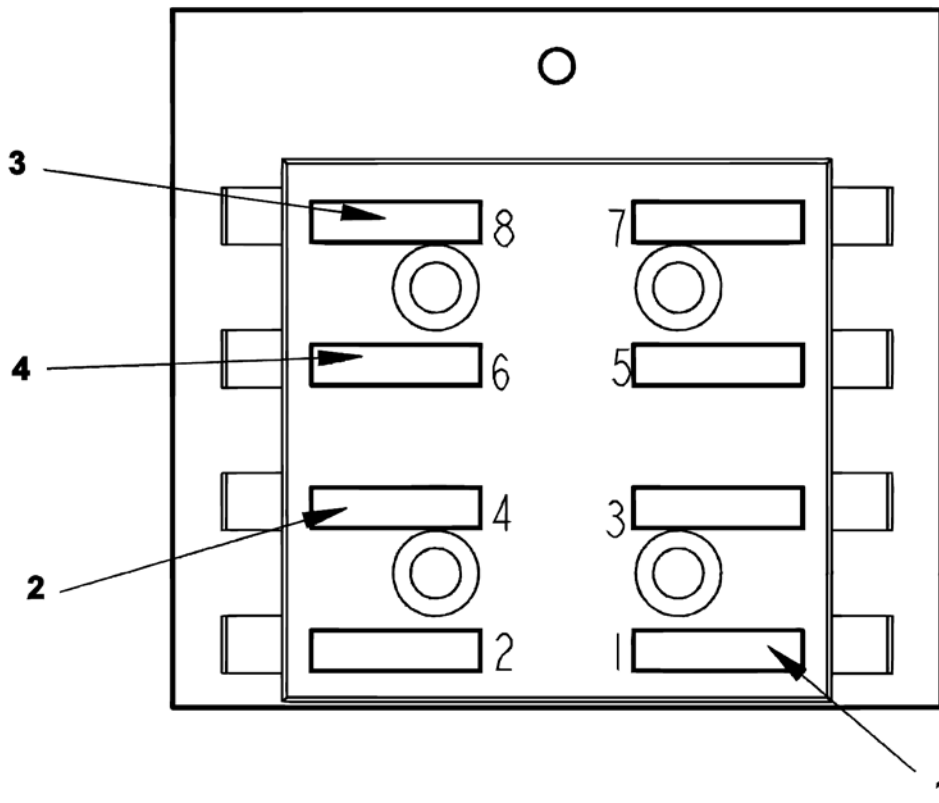
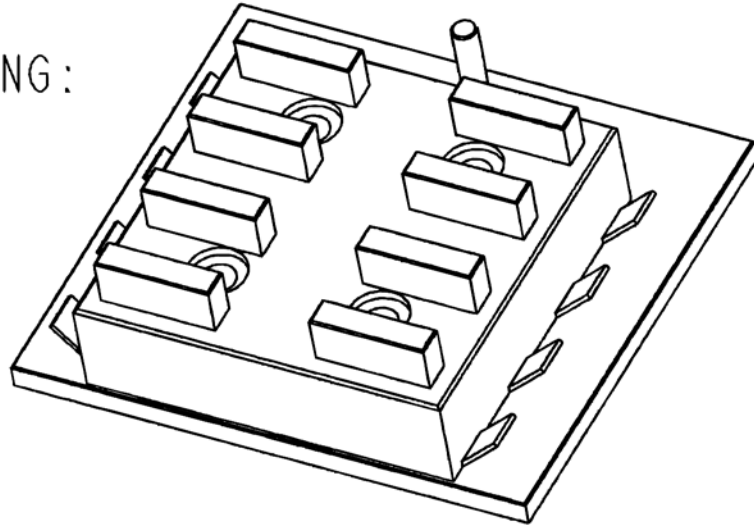
57673105 BOARD,RELAY AND BREAKER

REF.	PART NO.	QTY	UNIT	DESCRIPTION	NOTES
001.0	57741985	11.0	EA	RELAY,40A SPDT	
002.0	57741951	3.0	EA	BREAKER,30A MANUAL RESET	
003.0	57741977	7.0	EA	BREAKER,10A MANUAL RESET	
004.0	57741969	7.0	EA	BREAKER,15A MANUAL RESET	

57741902 BLOCK,FUSE,8 POSITION

FUSE RATING:

- 1 7.5A
- 2 7.5A
- 3 7.5A
- 4 10A
- 5 10A
- 6 15A
- 7 5A
- 8 5A

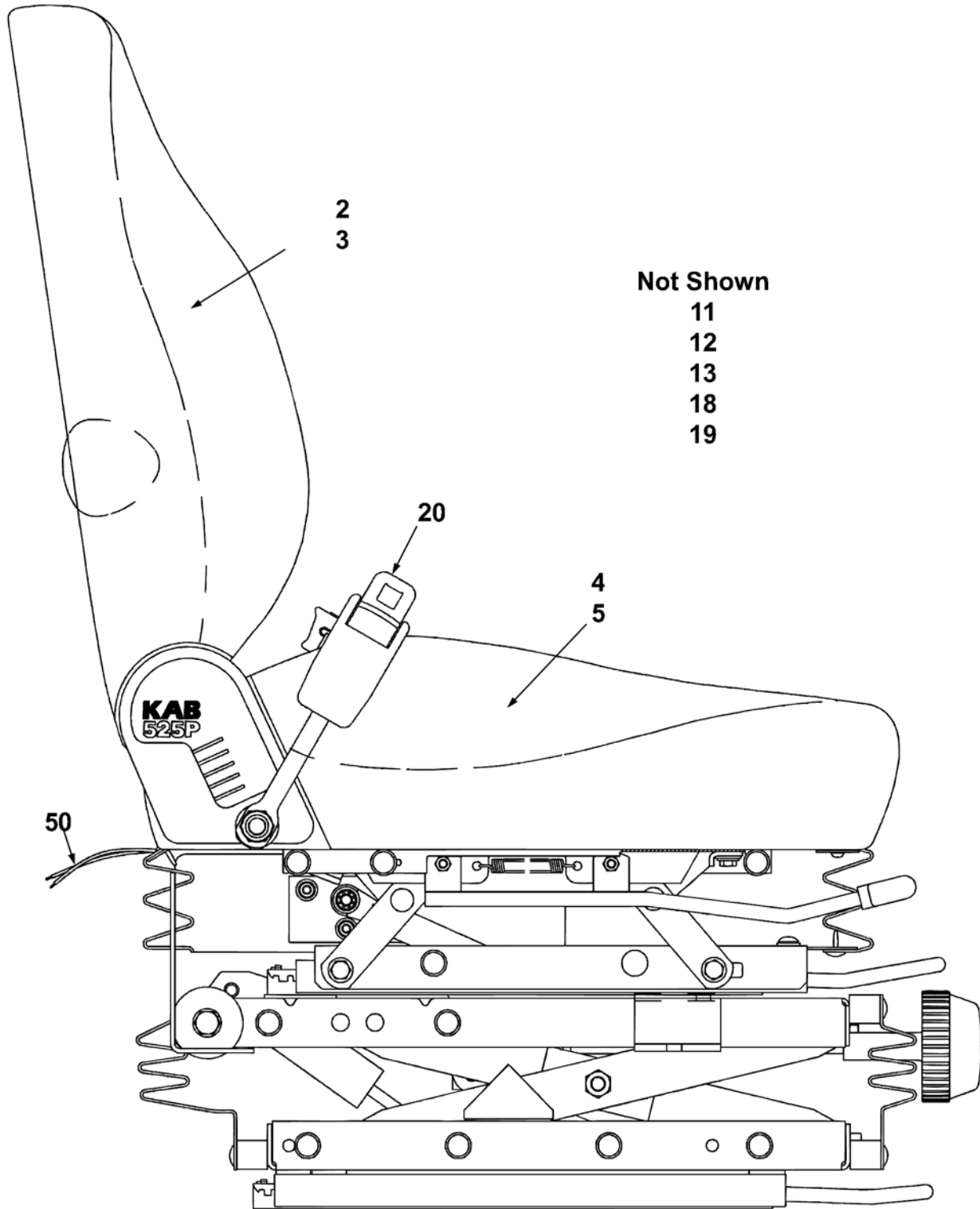


BOM 57741902

57741902 BLOCK,FUSE,8 POSITION

REF.	PART NO.	QTY	UNIT	DESCRIPTION	NOTES
001.0	57745010	3.0	EA	FUSE,7.5A,AUTOMOTIVE	
002.0	52116662	2.0	EA	FUSE,10A	
003.0	57745028	2.0	EA	FUSE,5A,AUTOMOTIVE	
004.0	52116654	1.0	EA	FUSE,15A	

57754798 SEAT,CAB,OPERATOR



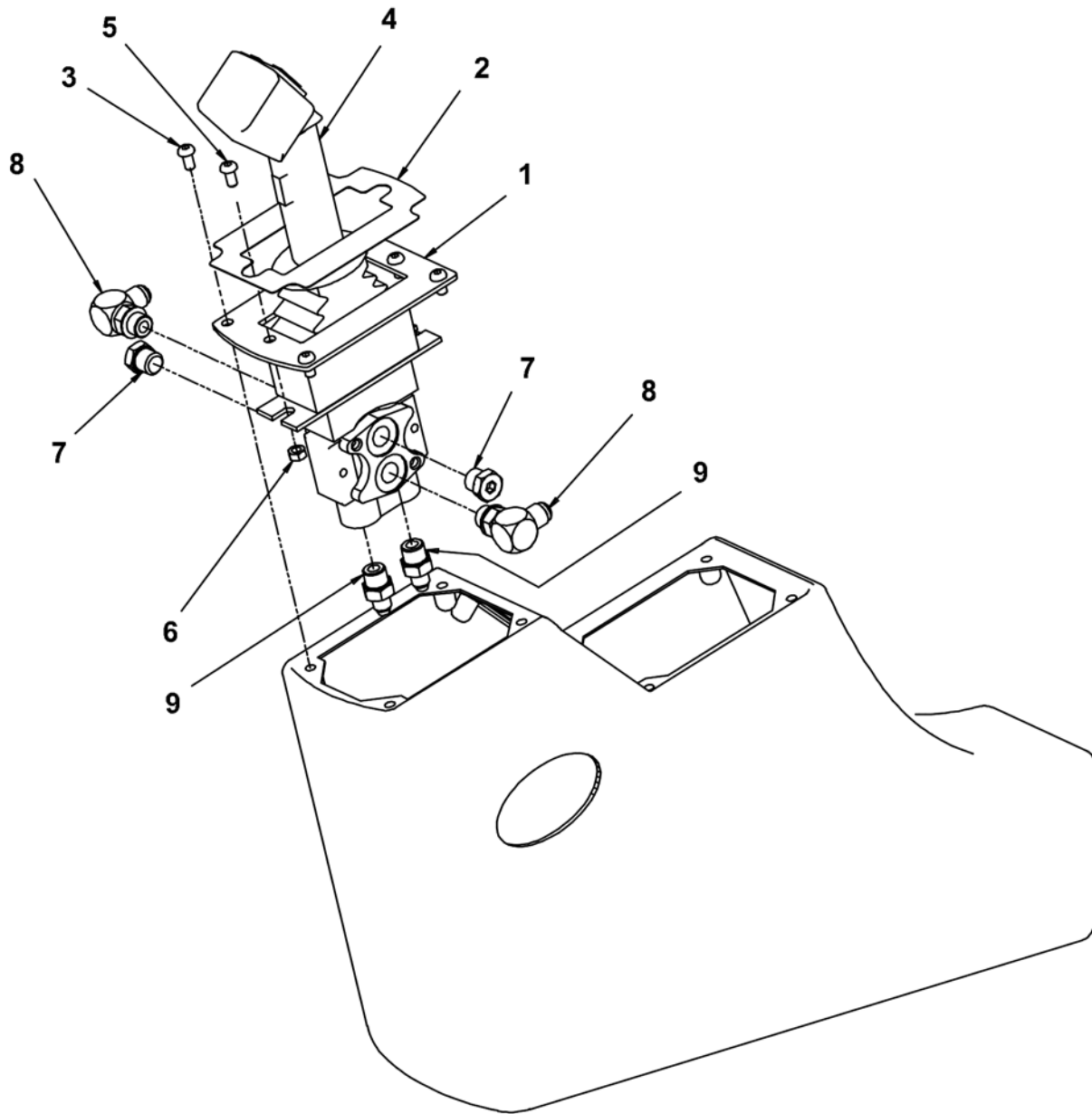
D2657754798 REV 002

BOM 57754798

57754798 SEAT,CAB,OPERATOR

REF.	PART NO.	QTY	UNIT	DESCRIPTION	NOTES
002.0	52330990	1.0	EA	KIT,SEAT BACK FOAM	
003.0	52331006	1.0	EA	KIT,SEAT BACK COVER	
004.0	52331014	1.0	EA	KIT,SEAT FOAM	
005.0	52331022	1.0	EA	KIT,SEAT COVER ASSEMBLY	
011.0	52331030	1.0	EA	KIT,RH CONTROLS POD FIX	
012.0	52331048	1.0	EA	KIT,LH CONTROLD POD FIX	
013.0	52331055	1.0	EA	KIT,POD MOUNTING BRKT	
018.0	52331063	1.0	EA	KIT,WEIGHT ADJUSTMENT	
019.0	52331071	1.0	EA	KIT,DAMPER ASSEMBLY	
020.0	57714685	1.0	EA	SEAT BELT,2"	
050.0	57755555	1.0	EA	SWITCH,SEAT	

57761983 PANEL,LEFT FRT SEAT POD

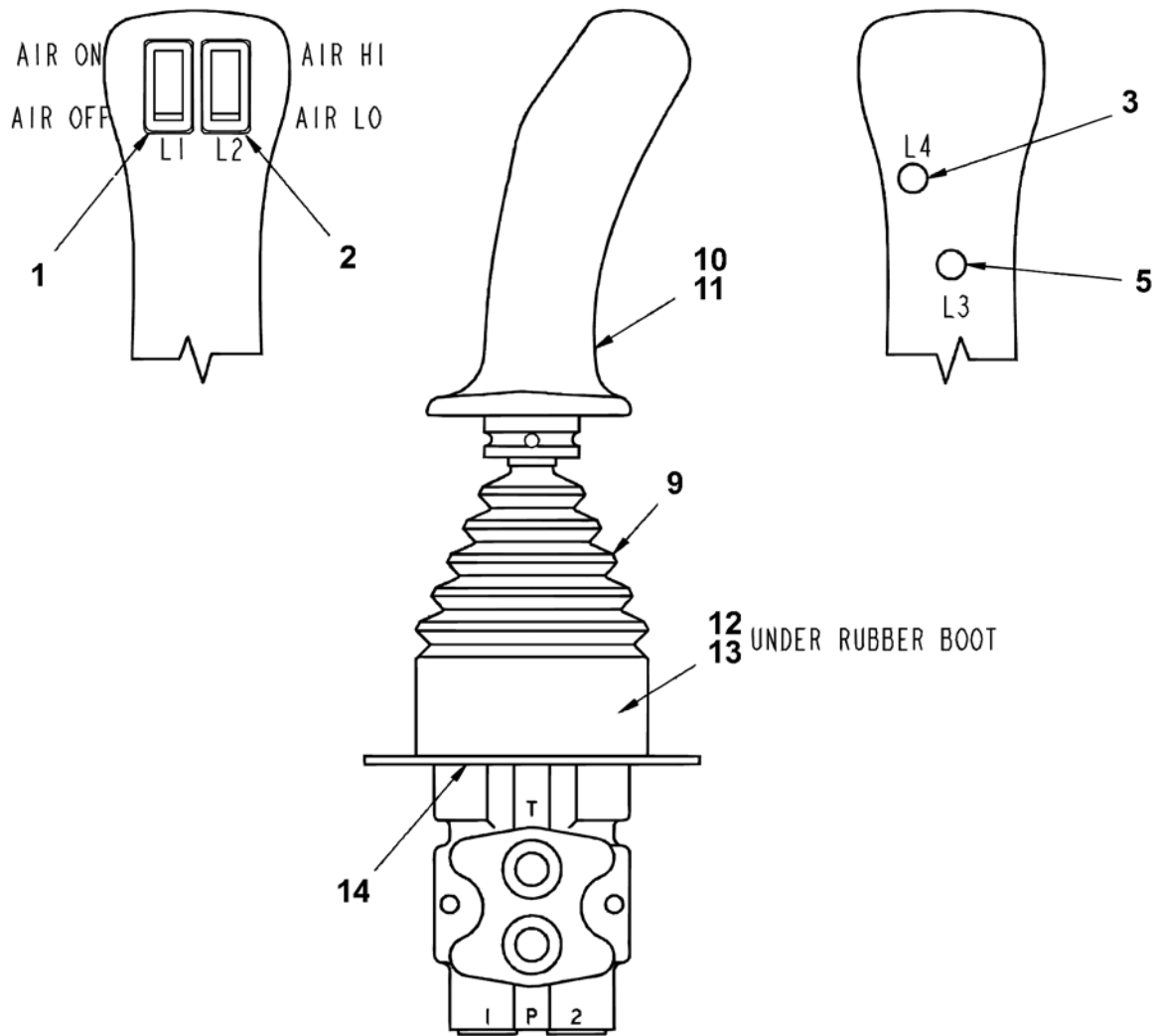


BOM 57761983

57761983 PANEL,LEFT FRT SEAT POD

REF.	PART NO.	QTY	UNIT	DESCRIPTION	NOTES
001.0	52316791	1.0	EA	PANEL,FEED CONTROL VALVE	
002.0	57763377	1.0	EA	DECAL,FEED CONTROL	
003.0	95917456	4.0	EA	CAPSCREW,HEX SOCKET	
004.0	57761991	1.0	EA	VALVE,FEED CONTROL	See Page 122
005.0	96727995	2.0	EA	CAPSCREW/134M2S169	
006.0	96704176	2.0	EA	NUT,FLANGED	
007.0	95666996	2.0	EA	PLUG,HEX HEAD,STRT THRD	
008.0	95329975	2.0	EA	ELBOW,90 DEG STRT THRD	
009.0	95371258	2.0	EA	FITTING,HYD	

57761991 VALVE, FEED CONTROL

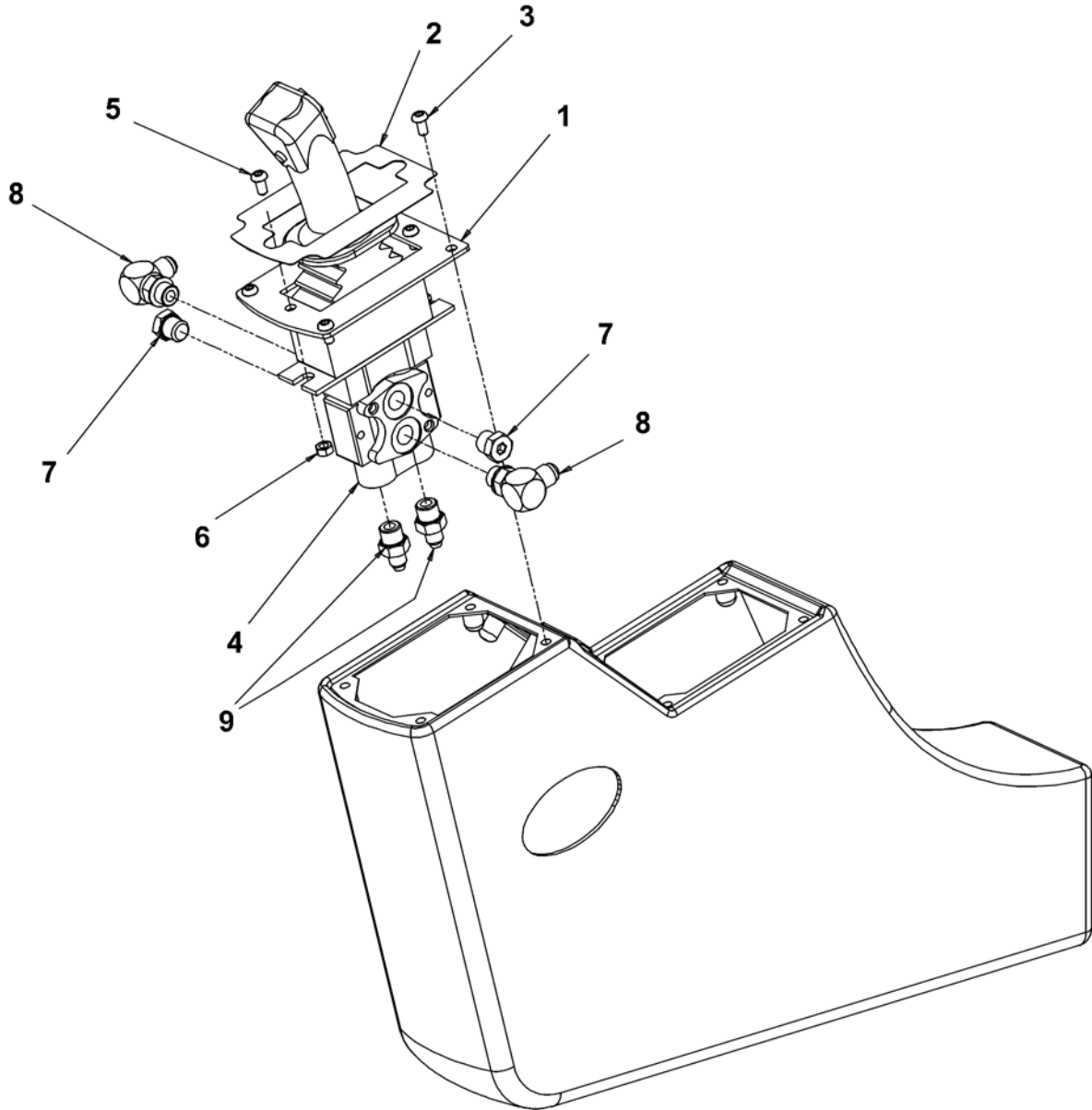


BOM 57761991

57761991 VALVE,FEED CONTROL

REF.	PART NO.	QTY	UNIT	DESCRIPTION	NOTES
001.0	57814519	1.0	EA	ROCKER SWITCH 3 POSITION	
002.0	57814527	1.0	EA	ROCKER SWITCH 2 POSITION	
003.0	57814535	1.0	EA	GREEN PUSHBUTTON SWITCH	
005.0	57814543	1.0	EA	BLACK DPST PUSHBUTTON	
009.0	57814550	1.0	EA	RUBBER BOOT RCM	
010.0	57814568	1.0	EA	HANDLE ADAPTER	
011.0	57814576	1.0	EA	MACHINE HANDLE F TYPE	
012.0	57814584	1.0	EA	DETENT PIN	
013.0	57814592	1.0	EA	DETENT KIT	
014.0	57814600	2.0	EA	PLUNGER / SPRING KIT	
015.0	57814618	1.0	EA	SEAL KIT	
016.0	57814626	1.0	EA	WIRE HARNESS	

57762007 PANEL,RIGHT FRT SEAT POD

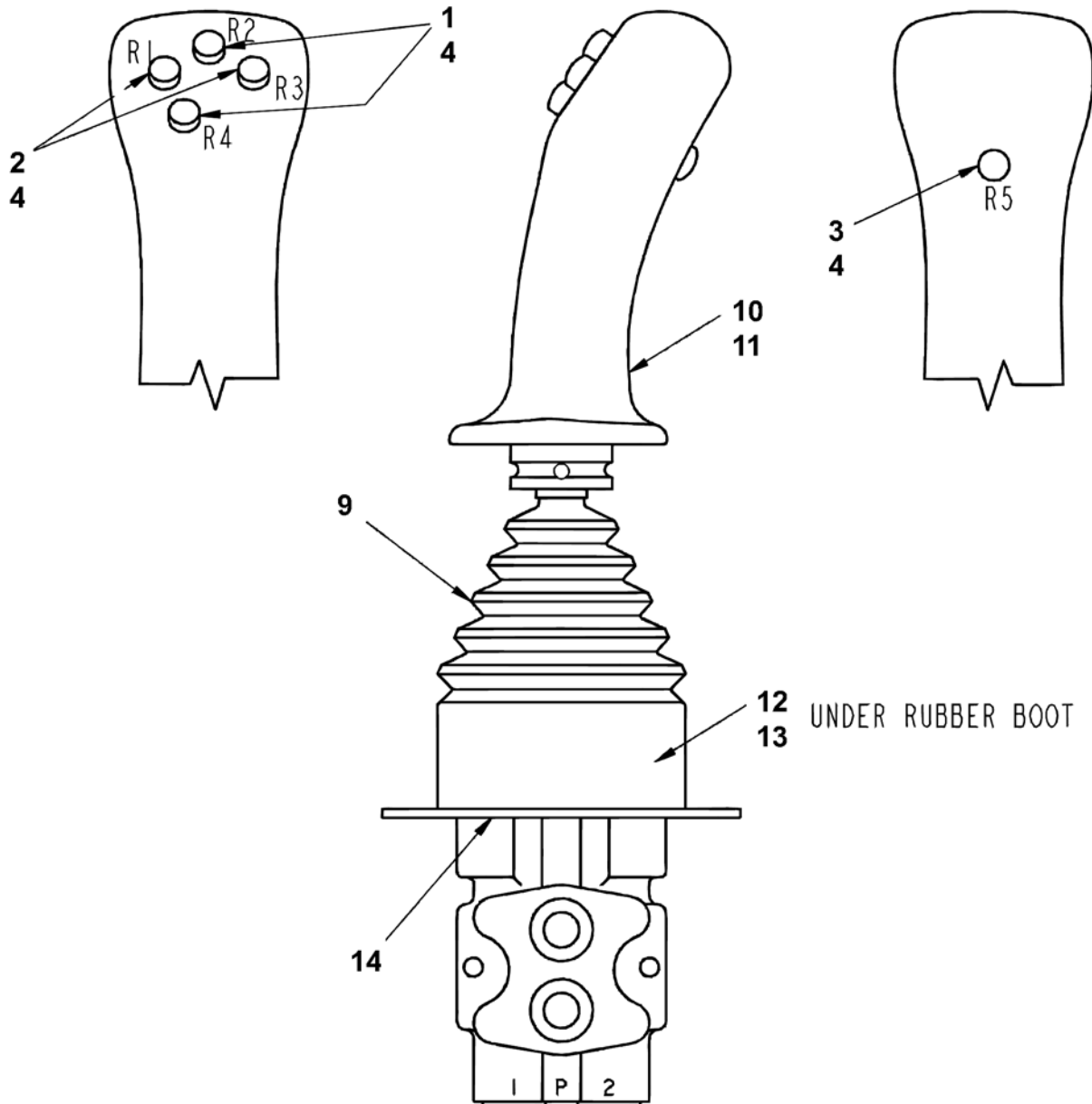


BOM 57762007

57762007 PANEL,RIGHT FRT SEAT POD

REF.	PART NO.	QTY	UNIT	DESCRIPTION	NOTES
001.0	52316791	1.0	EA	PANEL,FEED CONTROL VALVE	
002.0	52327392	1.0	EA	DECAL,ROT.CONTROL PANEL	
003.0	95917456	4.0	EA	CAPSCREW,HEX SOCKET	
004.0	57762015	1.0	EA	VALVE,ROTATION	See Page 126
005.0	96727995	2.0	EA	CAPSCREW/134M2S169	
006.0	96704176	2.0	EA	NUT,FLANGED	
007.0	95666996	2.0	EA	PLUG,HEX HEAD,STRT THRD	
008.0	95329975	2.0	EA	ELBOW,90 DEG STRT THRD	
009.0	95371258	2.0	EA	FITTING,HYD	

57762015 VALVE, ROTATION

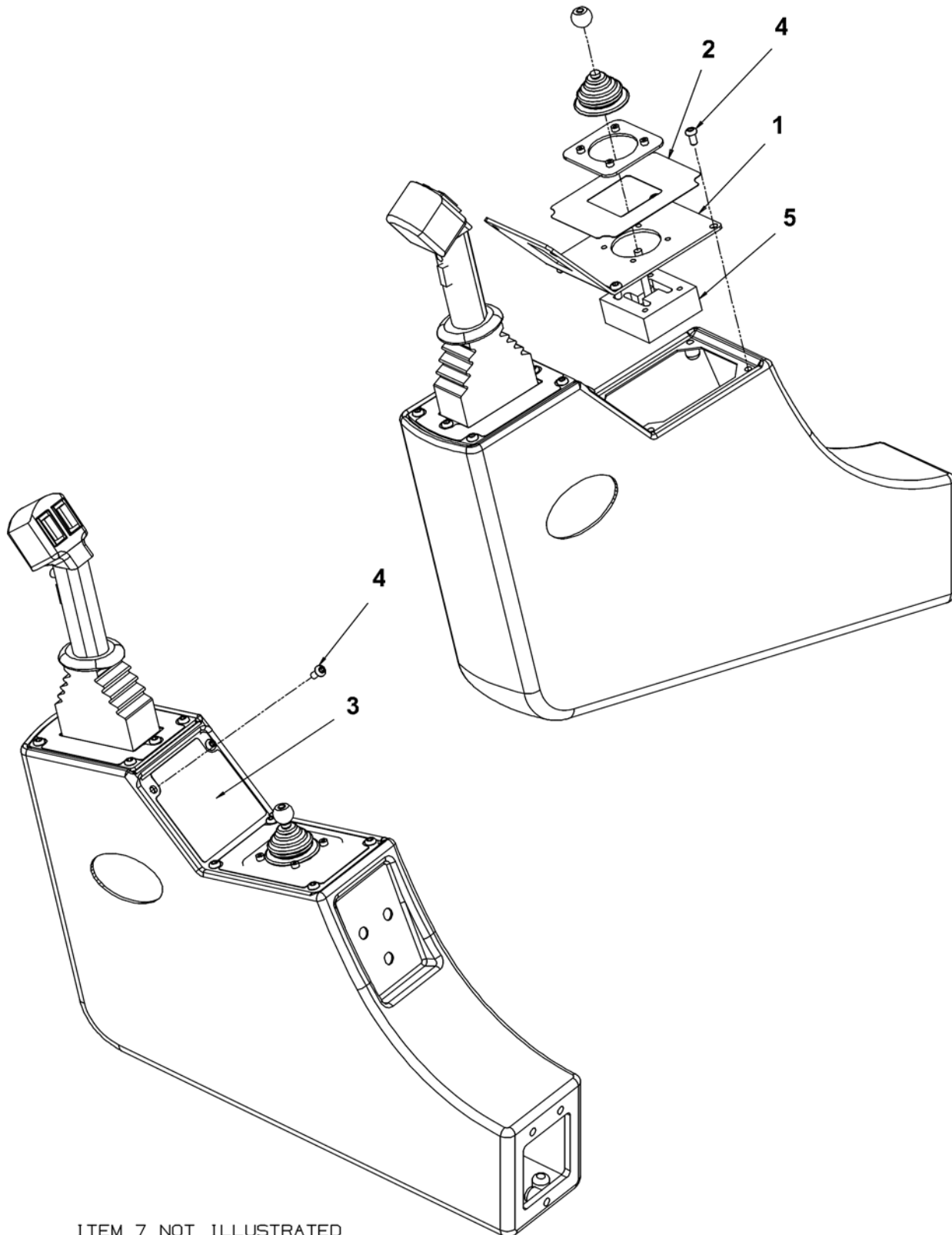


BOM 57762015

57762015 VALVE,ROTATION

REF.	PART NO.	QTY	UNIT	DESCRIPTION	NOTES
001.0	57814634	2.0	EA	GREEN SWITCH CAP	
002.0	57814642	2.0	EA	YELLOW SWITCH CAP	
003.0	57814659	1.0	EA	GREY SWITCH CAP	
004.0	57814667	5.0	EA	MICRO SWITCH	
009.0	57814550	1.0	EA	RUBBER BOOT RCM	
010.0	57814568	1.0	EA	HANDLE ADAPTER	
011.0	57814675	1.0	EA	MACHINED HANDLE F TYPE	
012.0	57814584	1.0	EA	DETENT PIN	
013.0	57814592	1.0	EA	DETENT KIT	
014.0	57814600	2.0	EA	PLUNGER / SPRING KIT	
015.0	57814618	1.0	EA	SEAL KIT	
016.0	57814626	1.0	EA	WIRE HARNESS	

57763849 PANEL,LEFT REAR SEAT



ITEM 7 NOT ILLUSTRATED

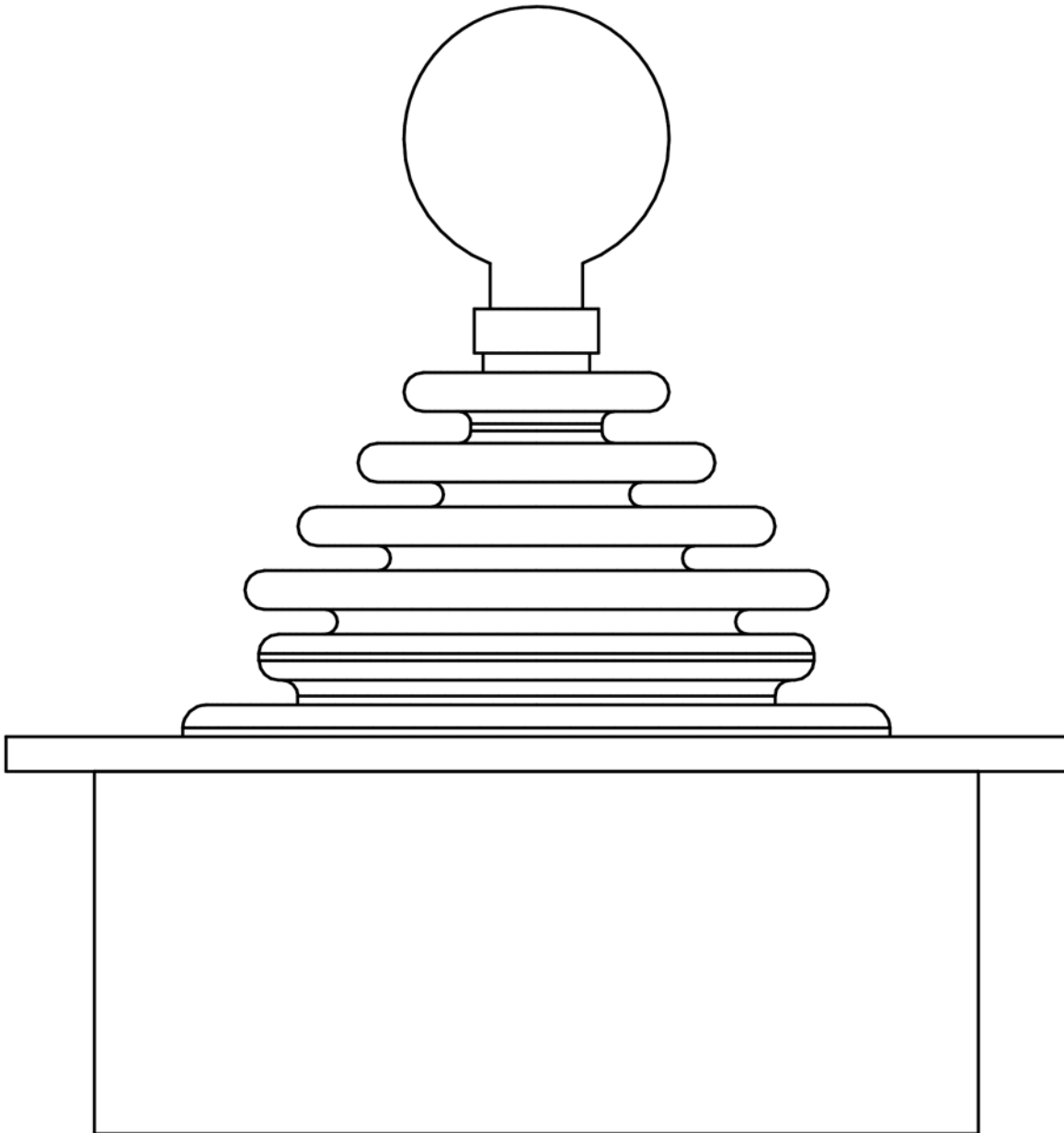
D2657763849 REV 002

BOM 57763849

57763849 PANEL,LEFT REAR SEAT

REF.	PART NO.	QTY	UNIT	DESCRIPTION	NOTES
001.0	52316775	1.0	EA	PANEL,LEFT REAR SEAT POD	
002.0	52327384	1.0	EA	DECAL-ROD LOCK & CENTRIZ	
003.0	57767600	1.0	EA	DECAL,LEFT REAR SEAT POD	
004.0	95917456	6.0	EA	CAPSCREW,HEX SOCKET	
005.0	52330982	1.0	EA	CONTROLLER,JOYSTICK	See Page 130
007.0	57763781	1.0	EA	HARNESS,CENTRALIZER	

52330982 CONTROLLER, JOYSTICK

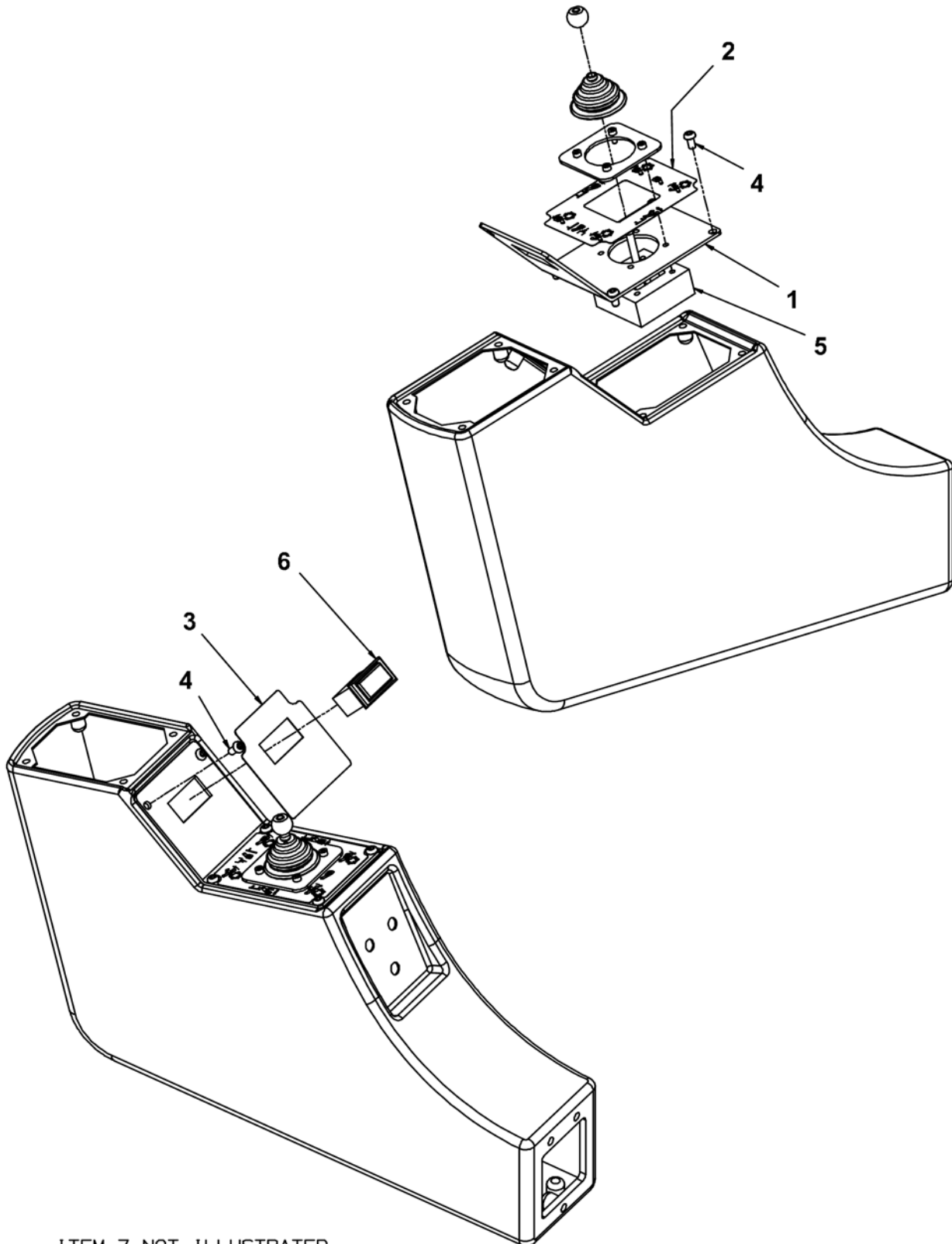


BOM 52330982

52330982 CONTROLLER,JOYSTICK

REF.	PART NO.	QTY	UNIT	DESCRIPTION	NOTES
001.0	52322344	1.0	EA	BOOT	
002.0	52322351	1.0	EA	BUSHING,BOOT	
003.0	52322385	1.0	EA	CLAMP,BOOT	
004.0	52322369	1.0	EA	SWITCH,MICRO	

57774135 PANEL,RT REAR SEAT POD 3



ITEM 7 NOT ILLUSTRATED

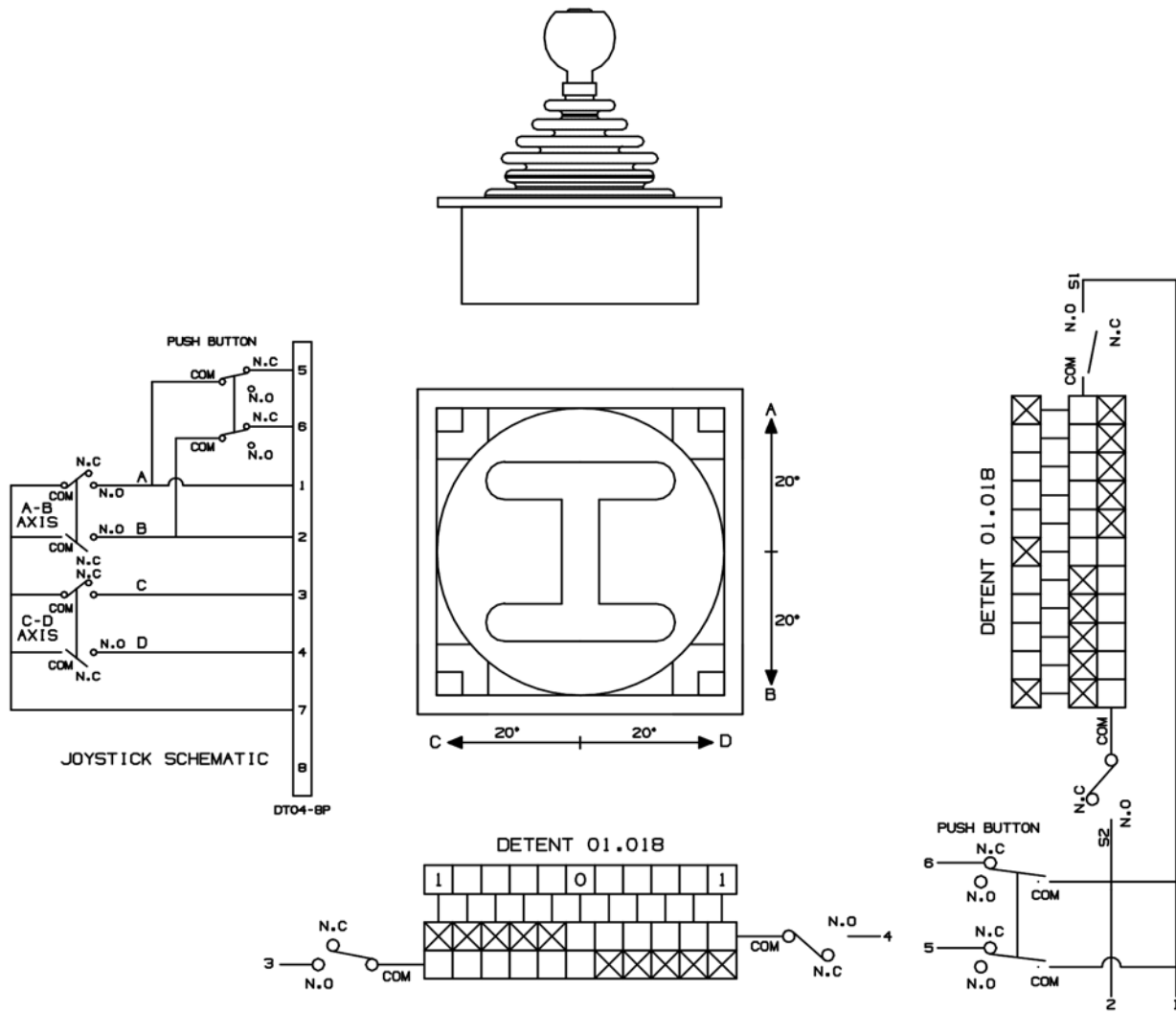
D2657774135 REV 001

BOM 57774135

57774135 PANEL,RT REAR SEAT POD 3

REF.	PART NO.	QTY	UNIT	DESCRIPTION	NOTES
001.0	57725202	1.0	EA	PANEL,RT REAR SEAT POD	
002.0	57739021	1.0	EA	DECAL,ROD CHANGER PANEL	
003.0	57774127	1.0	EA	DECAL,RIGHT SEAT POD	
004.0	95917456	6.0	EA	CAPSCREW,HEX SOCKET	
005.0	57745036	1.0	EA	JOYSTICK,ROD CHANGER	See Page 134
006.0	57742108	1.0	EA	SWITCH,ROCKER	
007.0	57742082	1.0	EA	HARNESS,CAROUSEL ROTAT.	

57745036 JOYSTICK,ROD CHANGER

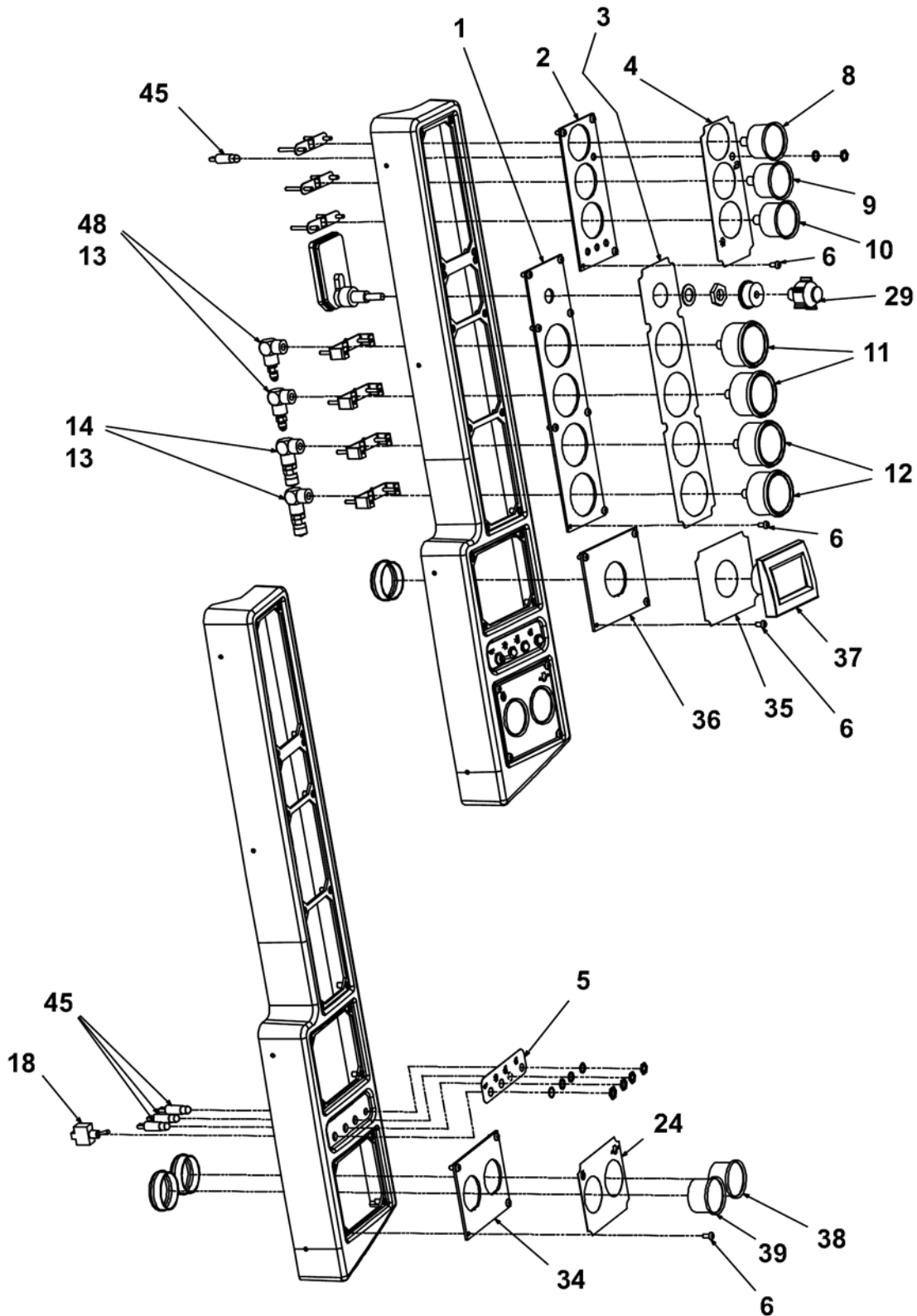


BOM 57745036

57745036 JOYSTICK,ROD CHANGER

REF.	PART NO.	QTY	UNIT	DESCRIPTION	NOTES
001.0	52322344	1.0	EA	BOOT	
002.0	57825507	1.0	EA	MICROSWITCH, W/P20 LEVER	
003.0	57825515	1.0	EA	NAMEPLATE,BLACK ALUM.	
004.0	57825523	1.0	EA	KIT, HDU PUSHBUTTON-ASSY	

57761801 PANEL,CORNER GAUGE



ITEM 30,41,42,43,44 AND 47, NOT ILLUSTRATED

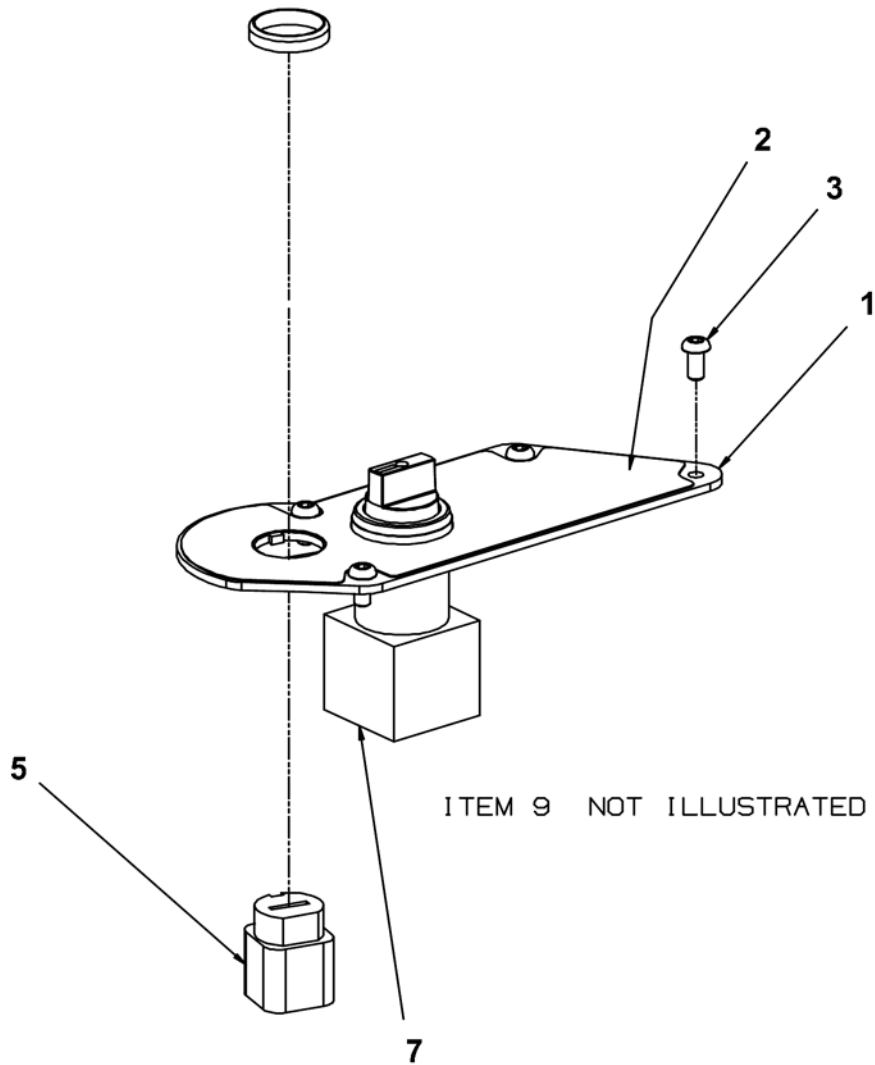
D2657761801 REV 002

BOM 57761801

57761801 PANEL,CORNER GAUGE

REF.	PART NO.	QTY	UNIT	DESCRIPTION	NOTES
001.0	52330701	1.0	EA	PANEL,LOWER GAUGE	
002.0	52330685	1.0	EA	PANEL,UPER GAUGE	
003.0	52330735	1.0	EA	DECAL,LOWER GAUGE PANEL	
004.0	57739104	1.0	EA	DECAL,UPPER GAUGE	
005.0	57725285	1.0	EA	DECAL,DIAGNOSTIC PANEL	
006.0	95919130	20.0	EA	CAPSCREW,HEX SCKT BTN HD	
008.0	51607448	1.0	EA	GAUGE,FUEL	
009.0	51618338	1.0	EA	GAUGE,OIL TEMP	
010.0	51778884	1.0	EA	GAUGE,TEMPERATURE,AIR	
011.0	51782415	2.0	EA	GAUGE,PRESSURE,0-400 PSI	
012.0	51618247	2.0	EA	GAUGE,HYD.PRESSURE	
013.0	95264917	4.0	EA	FITTING,HYD	
014.0	52325164	2.0	EA	FITTING,TEST	
018.0	57179608	1.0	EA	SWITCH,SPST/ON-OFF	
024.0	57739286	1.0	EA	DECAL,ENGINE EMS PANEL	
029.0	57493868	1.0	EA	THROTTLE,ELECTRONIC-CAT	
030.0	51795623	1.0	EA	CONNECTOR,MALE BULLET	
034.0	57739807	1.0	EA	PANEL,LOWER GAUGE	
035.0	57739278	1.0	EA	DECAL,TACH	
036.0	57739294	1.0	EA	PANEL,UPER GAUGE	
037.0	57867301	1.0	EA	POWerview	
038.0	57744641	1.0	EA	GAUGE,OIL PRESSURE	
039.0	57744658	1.0	EA	GAUGE,WATER TEMPERATURE	
041.0	57744674	2.0	EA	HARNESS,GAUGE	
042.0	57763831	1.0	EA	HARNESS,MURPHY POWerview	
043.0	57761694	1.0	EA	HARNESS,GAUGE PANEL	
044.0	57744682	1.0	EA	RESISTOR,TERMINATION	
045.0	51618437	4.0	EA	LIGHT,INDICATOR,LED	
047.0	95365367	1.0	EA	RB14-6	
048.0	95263380	2.0	EA	FITTING,HYD-NPT/JIC	

57762023 PANEL,ENGINE IGNITION

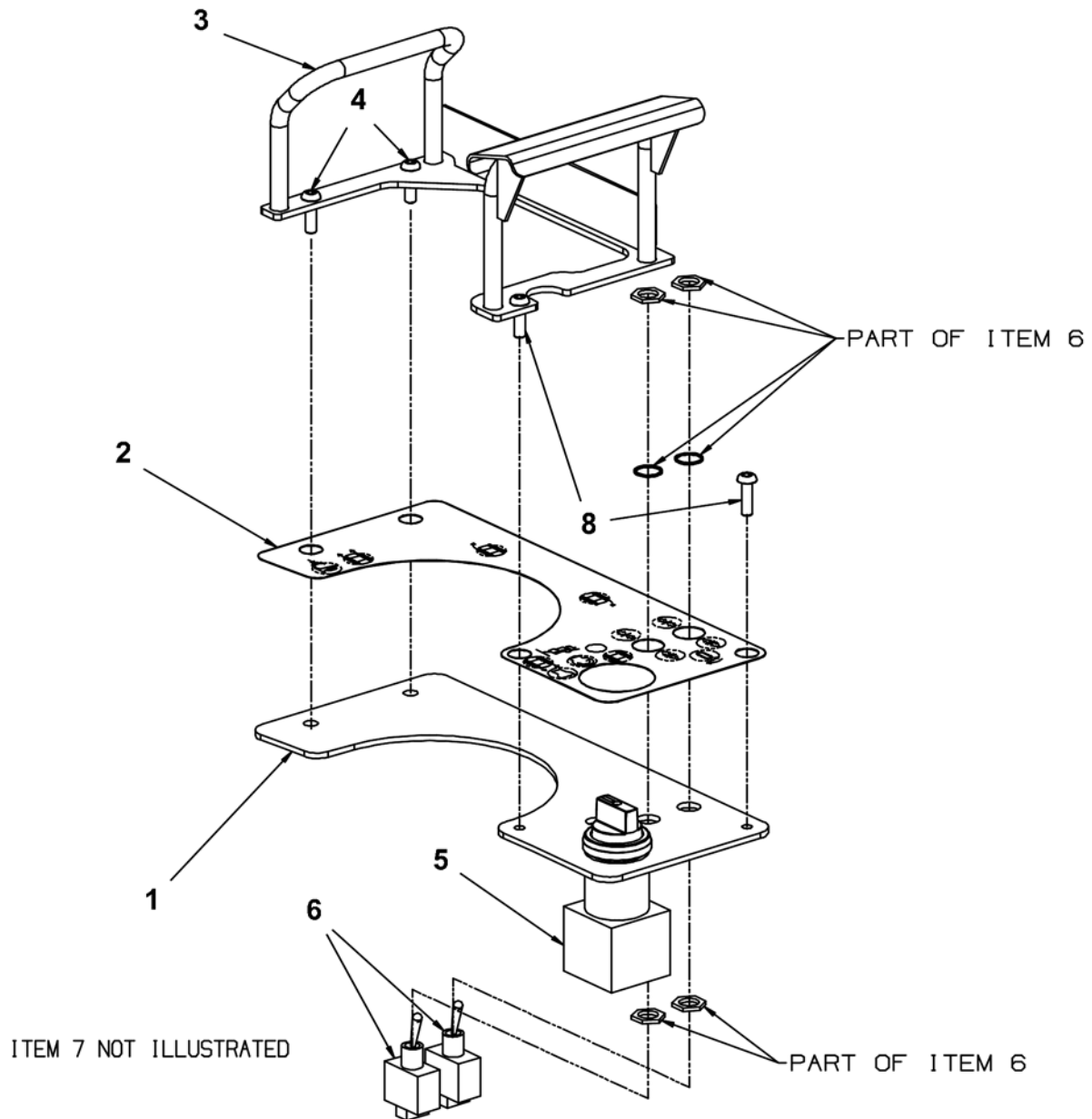


BOM 57762023

57762023 PANEL,ENGINE IGNITION

REF.	PART NO.	QTY	UNIT	DESCRIPTION	NOTES
001.0	57739633	1.0	EA	PANEL,ENGINE IGNITION	
003.0	95919130	4.0	EA	CAPSCREW,HEX SCKT BTN HD	
005.0	52083680	1.0	EA	SWITCH,IGNITION	
007.0	57762056	1.0	EA	CONTROL,SPEED,ENGINE	
009.0	57742017	1.0	EA	HARNESS,ENGINE PANEL	

57763856 PANEL, DRILL/TRAM SELECTR

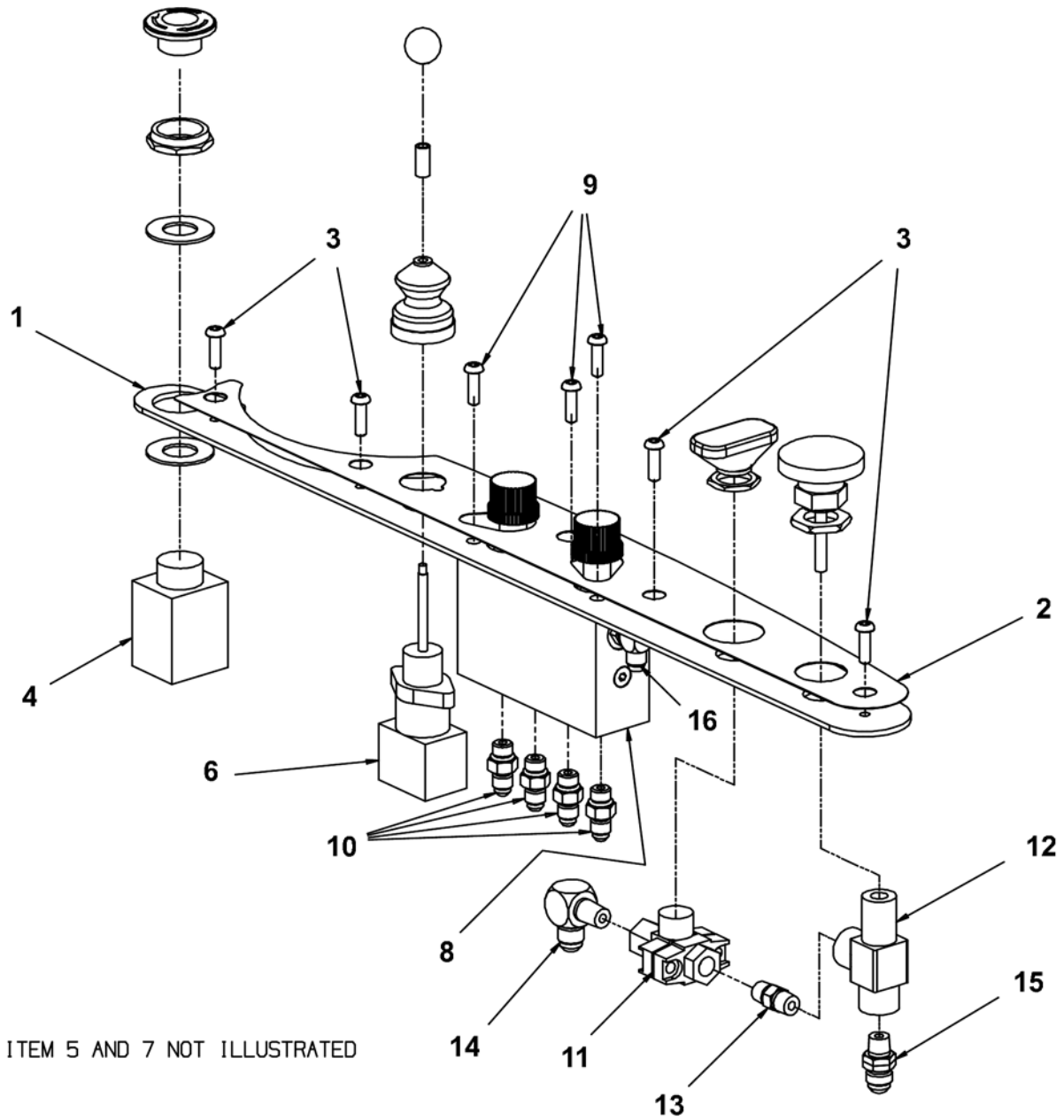


BOM 57763856

57763856 PANEL,DRILL/TRAM SELECTR

REF.	PART NO.	QTY	UNIT	DESCRIPTION	NOTES
001.0	52316742	1.0	EA	PANEL,JOYSTICK	
002.0	57739120	1.0	EA	DECAL,JOYSTICK PANEL	
003.0	52330677	1.0	EA	JOYSTICK,HAND-REST TRAM	
004.0	95919130	2.0	EA	CAPSCREW,HEX SCKT BTN HD	
005.0	52094232	1.0	EA	SWITCH,SELECTOR	
006.0	57179608	2.0	EA	SWITCH,SPST/ON-OFF	
007.0	57763799	1.0	EA	HARNESS,DRILL/TRAM SELEC	
008.0	95917472	2.0	EA	CAPSCREW,HEX SOCKET	

57762031 PANEL, SIDE CONTROL



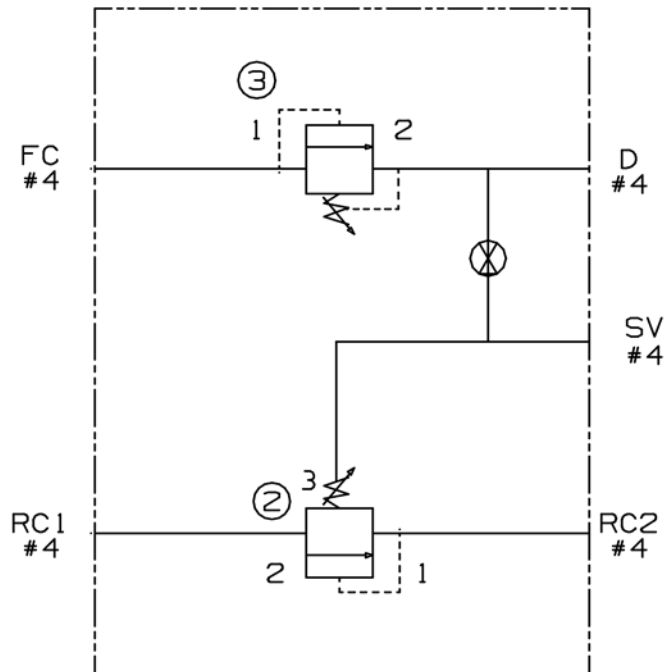
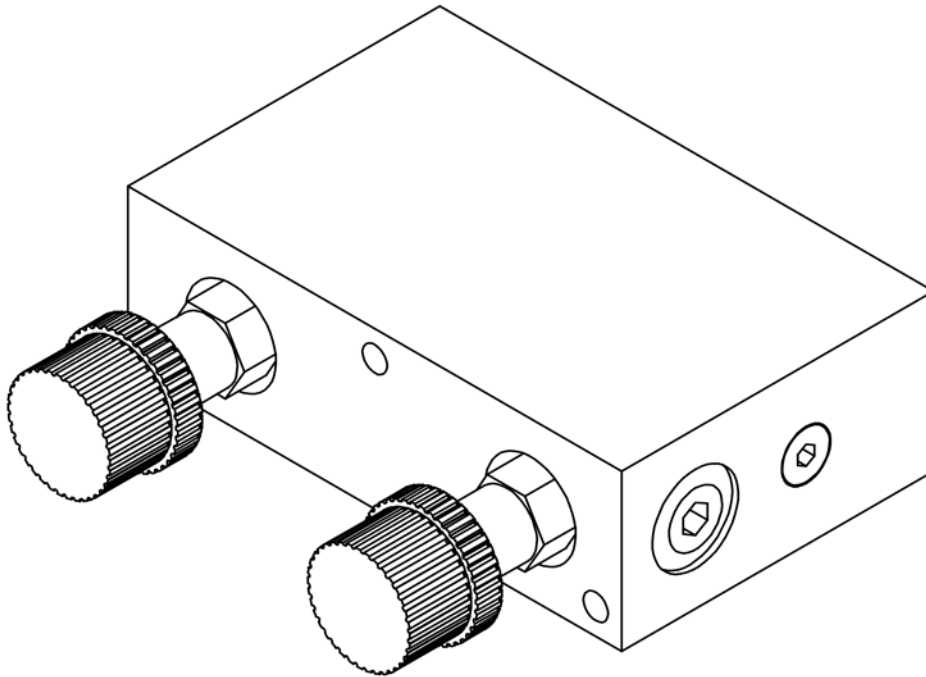
ITEM 5 AND 7 NOT ILLUSTRATED

BOM 57762031

57762031 PANEL,SIDE CONTROL

REF.	PART NO.	QTY	UNIT	DESCRIPTION	NOTES
001.0	57725111	1.0	EA	PANEL,OPERATOR CAB	
002.0	57762080	1.0	EA	DECAL,PANEL SIDE CONTROL	
003.0	95919130	4.0	EA	CAPSCREW,HEX SCKT BTN HD	
004.0	51619922	1.0	EA	SWITCH,STOP,ASSEMBLY	
-	51943959	1.0	EA	- KNOB,MUSHROOM	
005.0	57742058	1.0	EA	HARNESS,E-STOP	
006.0	57762064	1.0	EA	SWITCH,SINGLE AXIS	
007.0	57767931	1.0	EA	HARNESS,AIR JOYSTICK 780	
008.0	52321262	1.0	EA	VALVE,ASM,FEED/ROTATION	See Page 144
009.0	96727987	3.0	EA	CAPSCREW/134M2S165	
010.0	95365086	4.0	EA	CONNECTOR,STRT THRD	
011.0	58002254	1.0	EA	VALVE 2 WAY	
012.0	52298775	1.0	EA	VALVE,NEEDLE	
013.0	95323457	1.0	EA	FITTING,HYD	
014.0	95209094	1.0	EA	FITTING,HYD	
015.0	95316972	1.0	EA	CONNECTOR,MALE,37 DEG	
016.0	95341665	1.0	EA	ELBOW,90 DEG STRT THRD	

52321262 VALVE,ASM,FEED/ROTATION

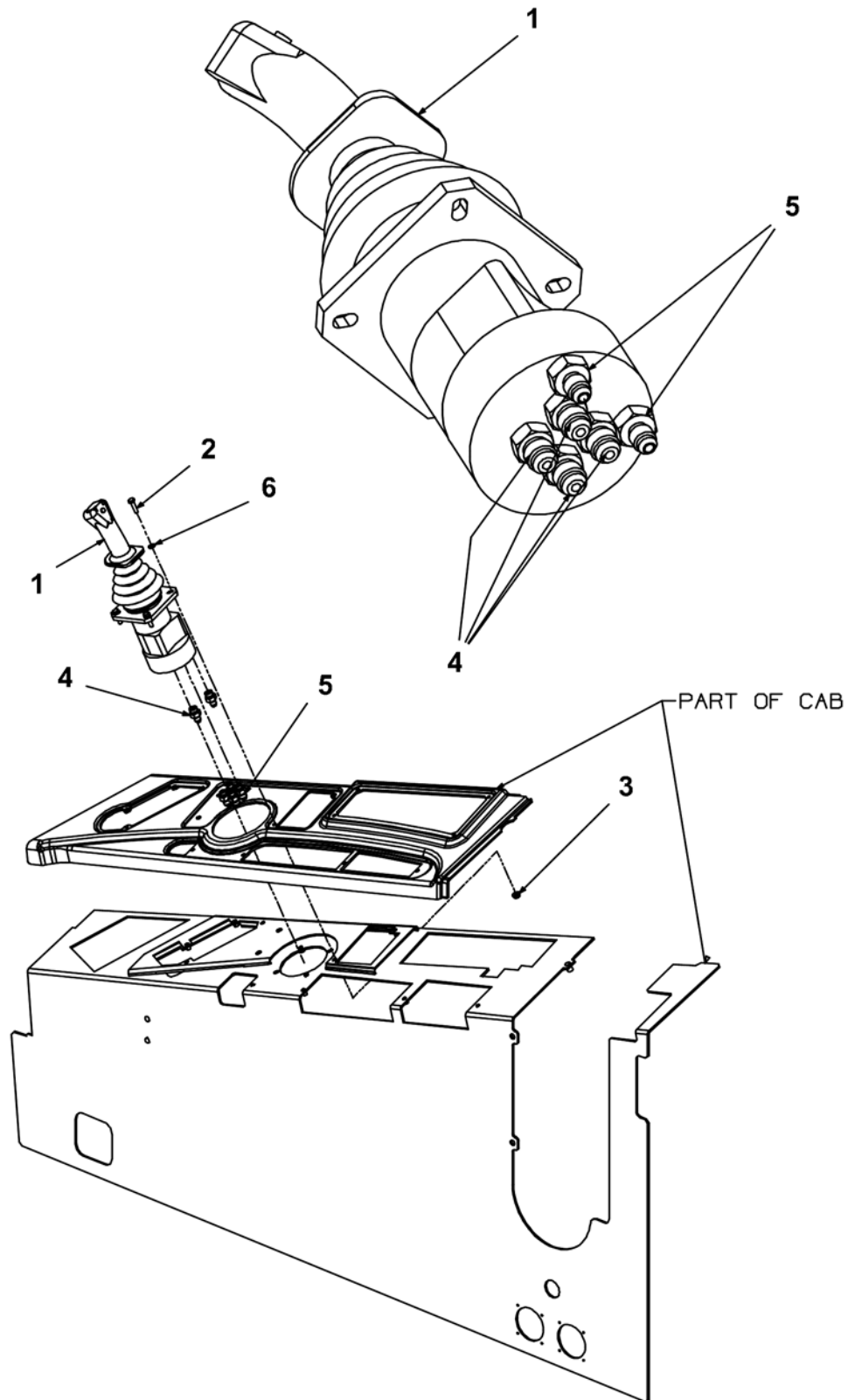


BOM 52321262

52321262 VALVE,ASM,FEED/ROTATION

REF.	PART NO.	QTY	UNIT	DESCRIPTION	NOTES
001.0	51776821	1.0	EA	VALVE,CARTRIDGE	
-	51776623	1.0	EA	- KIT,SEAL	
002.0	52301033	1.0	EA	VALVE,CART,REDUCING/RELI	
-	51776458	1.0	EA	- KIT,SEAL	
003.0	57754863	1.0	EA	PLUG,1/16 NPT	

52314473 JOYSTICK,TRAM CONTROL



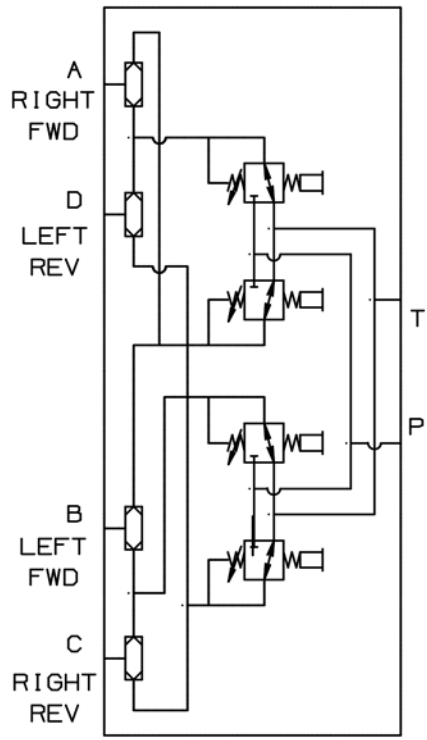
D2652314473 REV 002

BOM 52314473

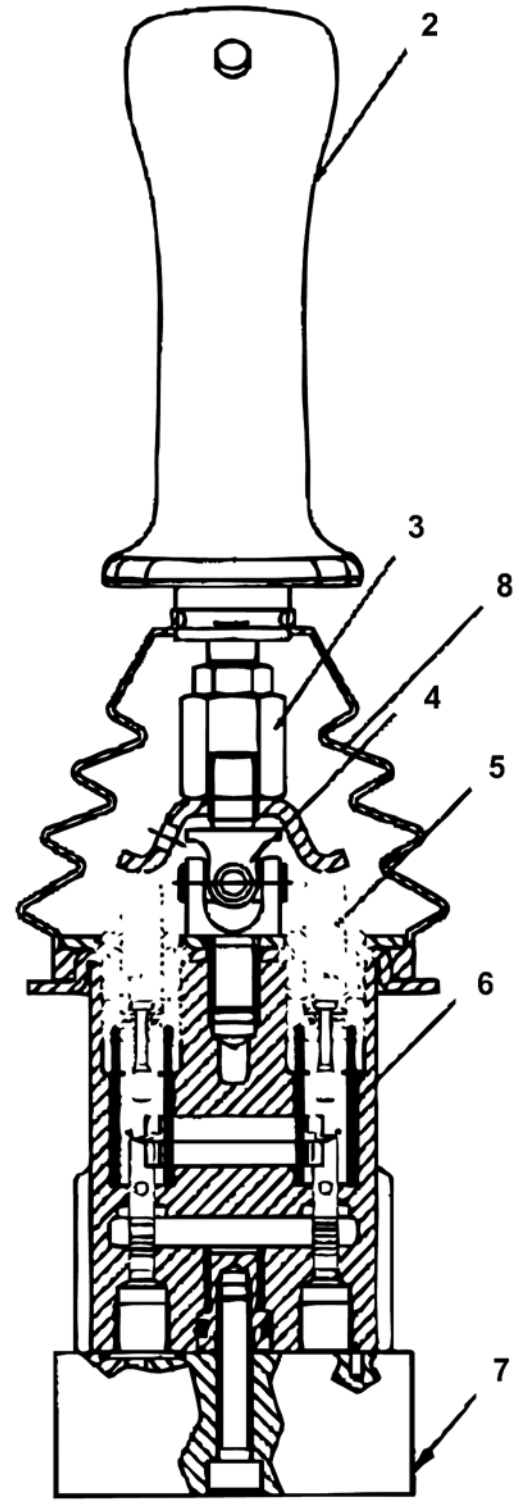
52314473 JOYSTICK,TRAM CONTROL

REF.	PART NO.	QTY	UNIT	DESCRIPTION	NOTES
001.0	52311552	1.0	EA	VALVE,PILOT,TRAM	See Page 148
002.0	96727995	4.0	EA	CAPSCREW/134M2S169	
003.0	96726781	4.0	EA	NUT/84M4JD4M3	
004.0	95365078	2.0	EA	CONNECTOR,STRT THRD	
005.0	95371258	4.0	EA	FITTING,HYD	
006.0	96701289	4.0	EA	WASHER	

52311552 VALVE,PILOT,TRAM



TRAM PILOT CONTROL VALVE

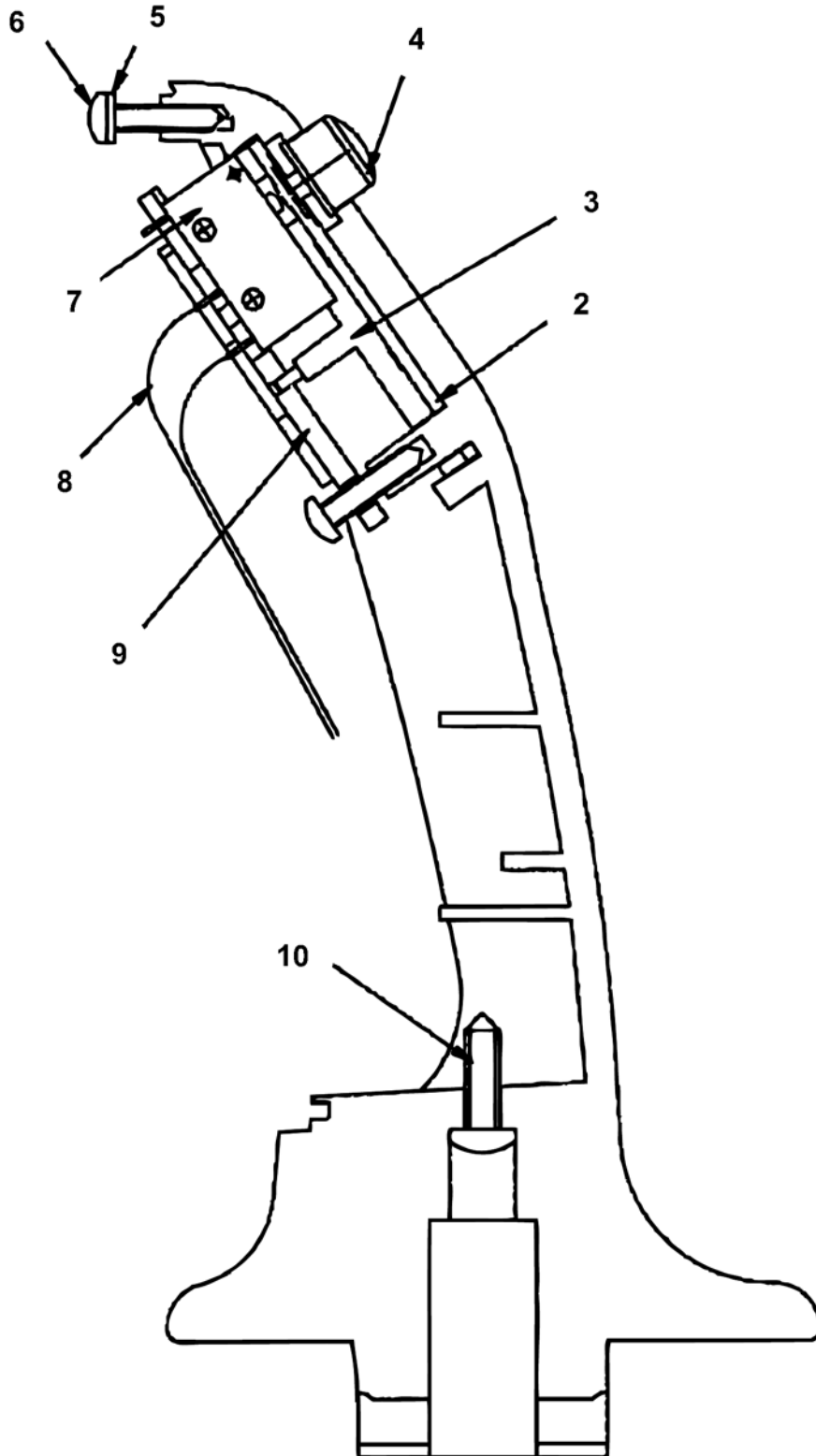


BOM 52311552

52311552 VALVE,PILOT,TRAM

REF.	PART NO.	QTY	UNIT	DESCRIPTION	NOTES
001.0	52325982	1.0	EA	KIT,SEAL	
002.0	52325990	1.0	EA	HANDLE	See Page 150
003.0	52326006	1.0	EA	LEVER	
004.0	52326014	1.0	EA	CONTROL	
005.0	52325941	4.0	EA	CURVE,SPRING	
006.0	52325933	4.0	EA	SPRING,RETURN	
007.0	52326022	1.0	EA	BLOCK,SHUTTLE VALVE	
008.0	52326030	1.0	EA	BOOT,RUBBER	

52325990 HANDLE



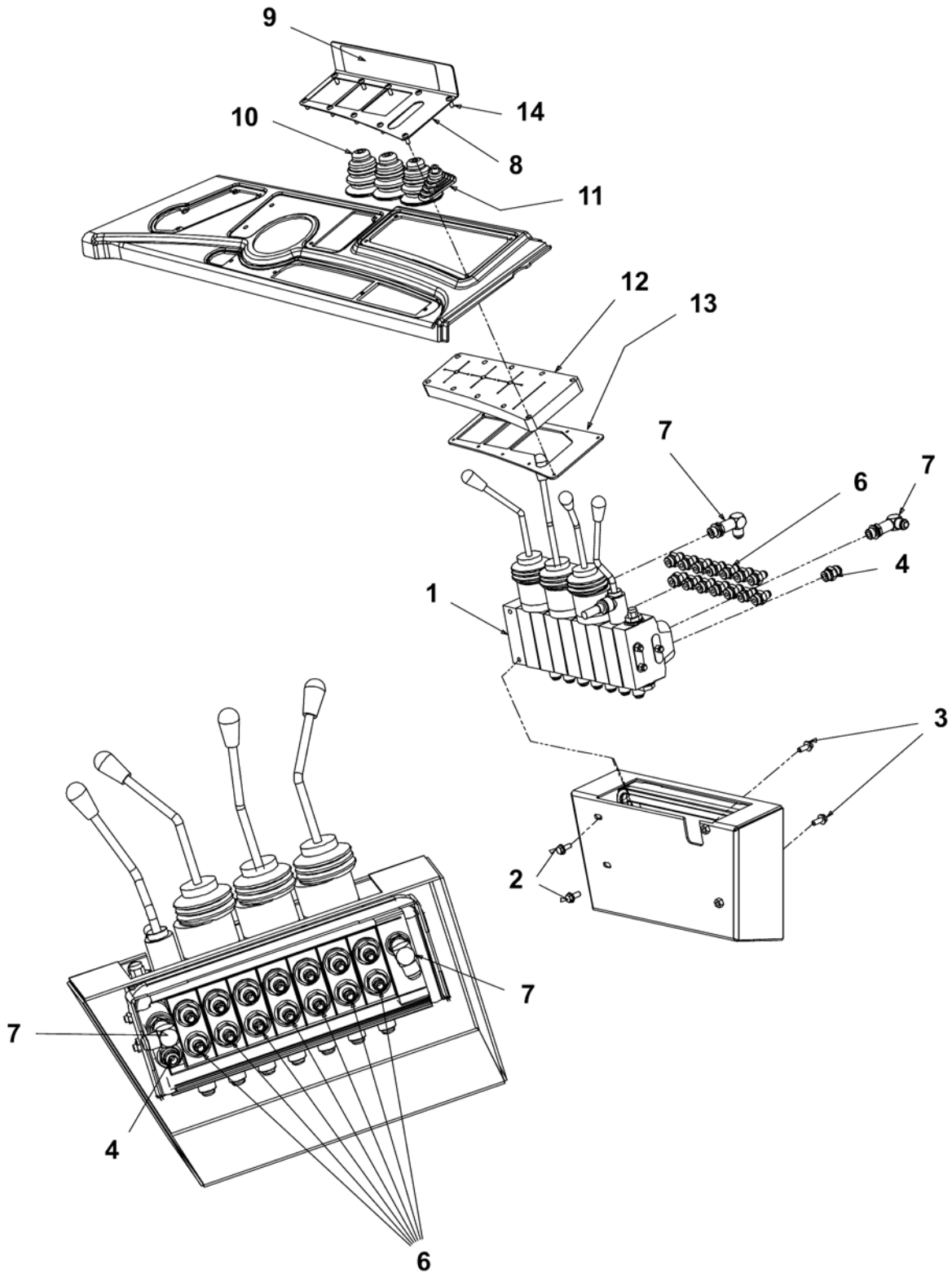
C2652325990 REV 001

BOM 52325990

52325990 HANDLE

REF.	PART NO.	QTY	UNIT	DESCRIPTION	NOTES
002.0	52326048	1.0	EA	BUSHING	
003.0	52326055	1.0	EA	SUPPORT	
004.0	52326063	1.0	EA	SWITCH,CAP,YELLOW	
005.0	52326071	1.0	EA	WASHER	
006.0	52326089	4.0	EA	SCREW	
007.0	52326097	1.0	EA	MICROSWITCH	
008.0	52326105	2.0	EA	WIRE	
009.0	52326113	1.0	EA	SUPPORT	
010.0	52326121	1.0	EA	SCREW	

57761678 VALVE, POSITION CTRL ASSM



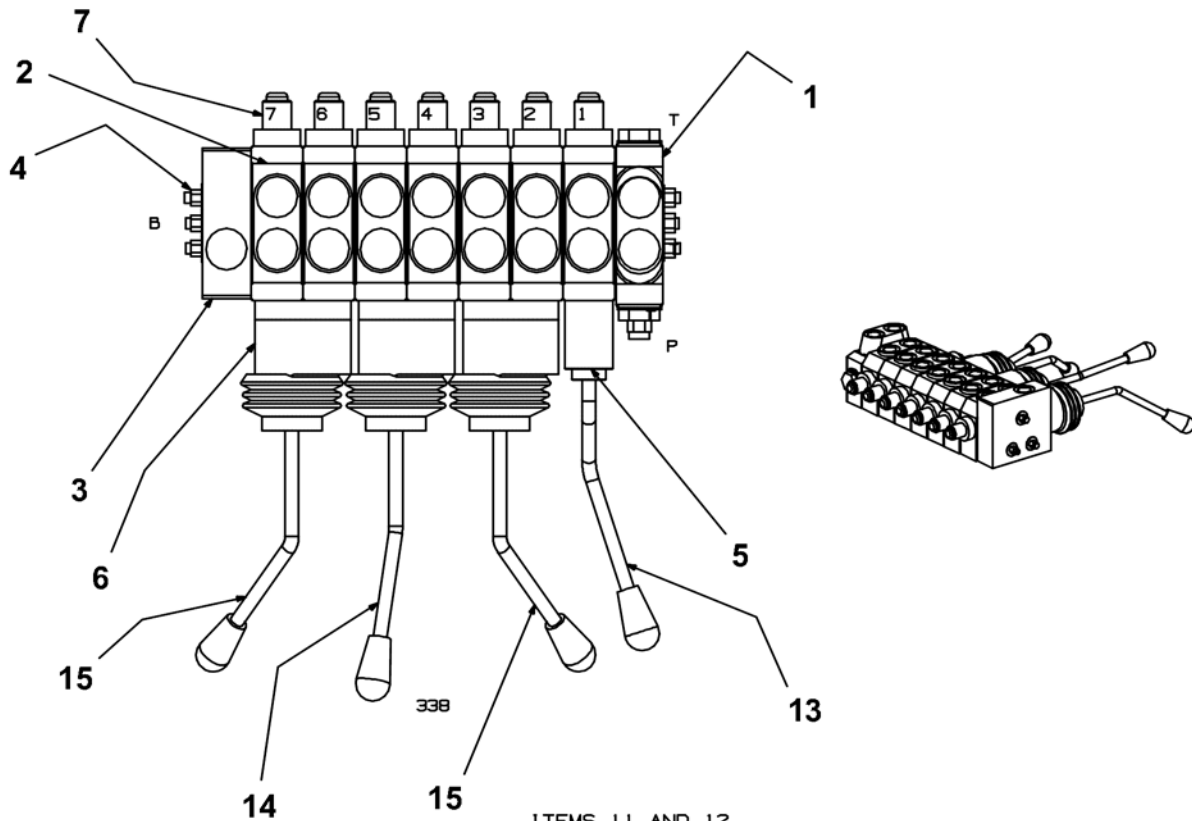
D2657761678 REV 003

BOM 57761678

57761678 VALVE,POSITION CTRL ASSM

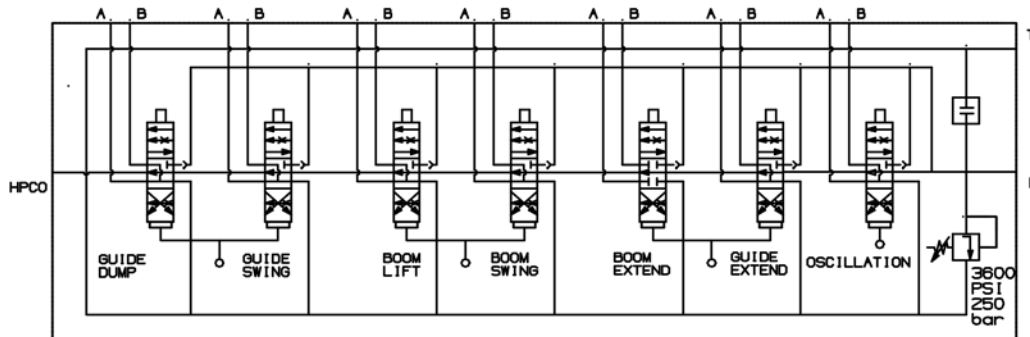
REF.	PART NO.	QTY	UNIT	DESCRIPTION	NOTES
001.0	52311537	1.0	EA	VALVE,DIRECTIONAL CNTROL	See Page 154
002.0	96727193	2.0	EA	BOLT	
003.0	96727797	2.0	EA	BOLT	
004.0	95303368	1.0	EA	CONNECTOR,STRT THRD	
006.0	95356903	14.0	EA	CONNECTOR,STRT THRD	
007.0	95748760	2.0	EA	FITTING HYD	
008.0	52316726	1.0	EA	PANEL,COVER	
009.0	52327426	1.0	EA	DECAL,POSITION CNTRL PNL	
010.0	52326972	3.0	EA	BELLOW,MODIFIED	
-	52326964	1.0	EA	- BELLOW	
011.0	51313146	1.0	EA	BOOT,LEVER CDX-6342	
012.0	52326956	1.0	EA	INSULATION	
013.0	52326949	1.0	EA	PLATE,RETAINER	
014.0	95992806	10.0	EA	CAPSCREW,HEX SCKT BTN HD	

52311537 VALVE, DIRECTIONAL CONTROL



ITEMS 11 AND 12
 NOT ILLUSTRATED

ITEM 8 SPOOL IN VALVE SECTION 1
 ITEM 9 SPOOL IN VALVE SECTION 3
 ITEM 10 SPOOL IN VALVE SECTION 2, 4, 5, 6, AND 7

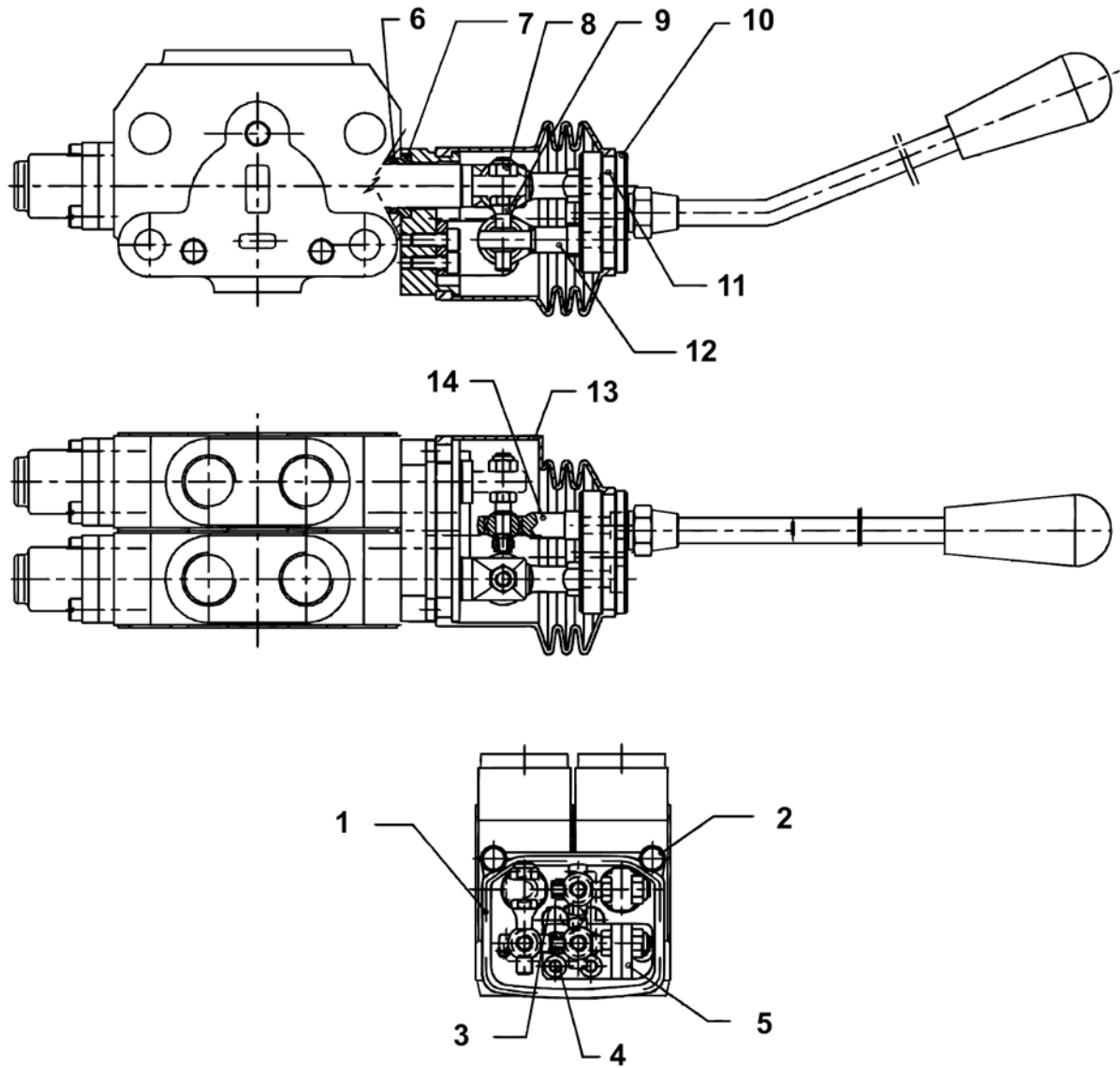


BOM 52311537

52311537 VALVE,DIRECTIONAL CNTROL

REF.	PART NO.	QTY	UNIT	DESCRIPTION	NOTES
001.0	52321205	1.0	EA	SECTION,END	
-	57783029	1.0	EA	- RELIEF,MAIN,HCD3/4	
002.0	52321213	7.0	EA	SECTION,MIDDLE	
003.0	52321221	1.0	EA	SECTION,END	
004.0	52321163	1.0	EA	KIT,TIE ROD	
005.0	52321072	1.0	EA	KIT,HANDLE	
-	52321114	1.0	EA	- BOOT,RUBBER	
-	52321106	1.0	EA	- PIN	
-	52321098	1.0	EA	- LEVER SUPPORT	
-	52321015	1.0	EA	- BUSHING	
-	95028536	1.0	EA	- O'RING	
-	52321080	4.0	EA	- CAPSCREW	
006.0	52320934	3.0	EA	KIT,CONTROL	See Page 156
007.0	52321130	7.0	EA	KIT,SPRING CENTERING	
008.0	52321171	1.0	EA	SPOOL	
009.0	52321189	1.0	EA	SPOOL	
010.0	52321197	5.0	EA	SPOOL	
011.0	52321155	8.0	EA	KIT,SECTIONAL SEAL	
012.0	52321148	7.0	EA	KIT,LOAD CHK VAL	
013.0	52321122	1.0	EA	HANDLE	
014.0	52326816	1.0	EA	HANDLE	
015.0	52326824	2.0	EA	HANDLE	

52320934 KIT,CONTROL

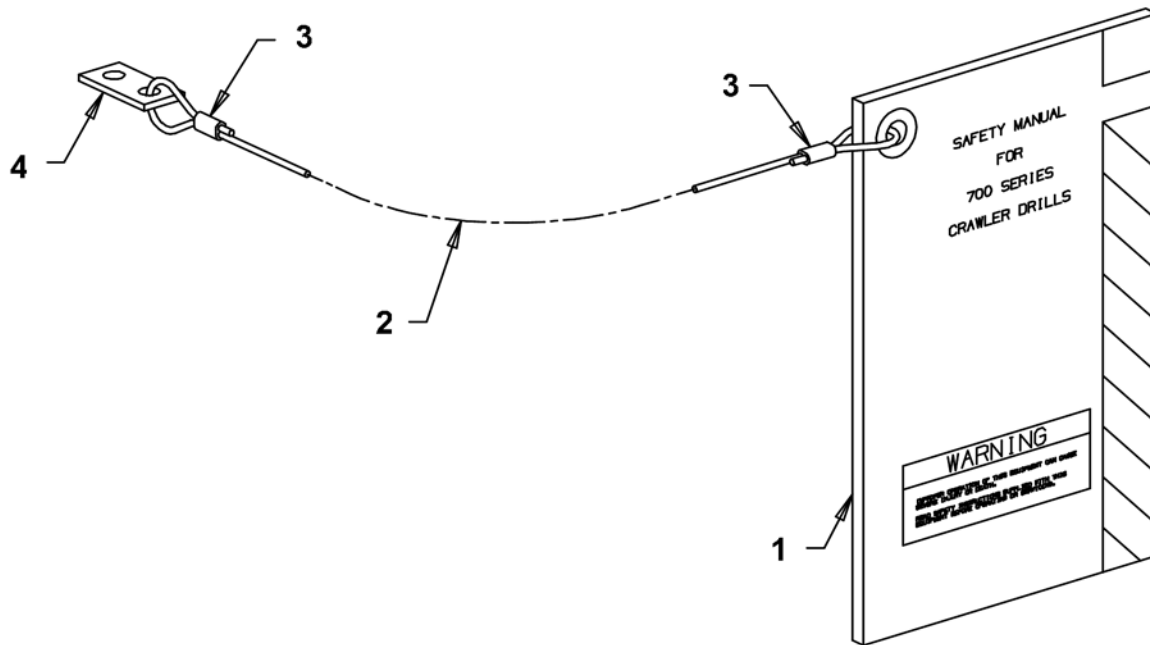


BOM 52320934

52320934 KIT,CONTROL

REF.	PART NO.	QTY	UNIT	DESCRIPTION	NOTES
001.0	52321064	1.0	EA	FLANGE	
002.0	52321056	2.0	EA	CAPSCREW	
003.0	52321049	2.0	EA	SCREW	
004.0	52321031	5.0	EA	CAPSCREW	
005.0	52321023	1.0	EA	FLANGE	
006.0	95028536	2.0	EA	O'RING	
007.0	52321015	2.0	EA	BUSHING	
008.0	52321007	3.0	EA	NUT	
009.0	52320991	1.0	EA	PIN	
010.0	52320983	1.0	EA	FLANGE	
011.0	52320975	4.0	EA	CAPSCREW	
012.0	52320967	1.0	EA	PIN	
013.0	52320959	1.0	EA	BELLOWS,RUBBER	
014.0	52320942	2.0	EA	PIN	

52330834 SAFETY MANUAL/CABLE,700



BOM 52330834

52330834 SAFETY MANUAL/CABLE,700

REF.	PART NO.	QTY	UNIT	DESCRIPTION	NOTES
002.0	03458403	2.0	FT	ROPE, BULK BWR3A	
003.0	03619830	2.0	EA	SLEEVE MLK-521	
004.0	51875433	1.0	EA	LUG,CABLE	

57882243 3-D ANGLE IND WITH D&S

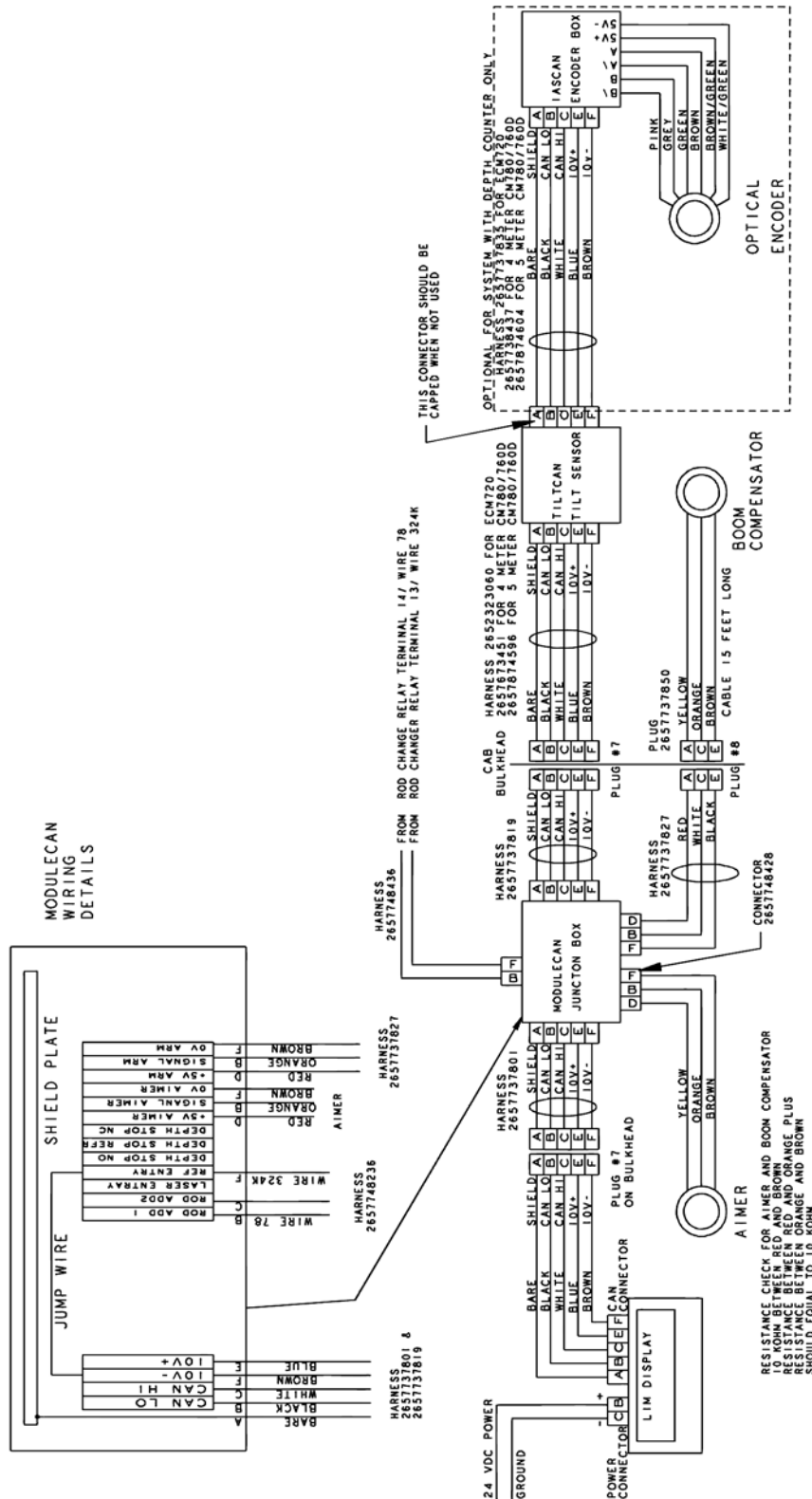


BOM 57882243

57882243 3-D ANGLE IND WITH D&S

REF.	PART NO.	QTY	UNIT	DESCRIPTION	NOTES
001.0	57738387	1.0	EA	POSITIONING,3D W/O SPEED	
-	57748337	1.0	EA	- BOOM,COMPENSATOR UNIT	
-	57748345	1.0	EA	- AIMER,UNIT + CABLE	
-	52327293	1.0	EA	- UNIT,INCLINOCAN BUS	
-	57748303	1.0	EA	- BOARD,ELECTRONIC	
-	57748311	1.0	EA	- SEAL,RUBBER	
-	52327491	1.0	EA	- PLATE,MOUNTING	
-	57748352	1.0	EA	- UNIT,MODULECAN BUS	
-	57748360	1.0	EA	- BOARD,ELECTRONIC	
-	57748311	1.0	EA	- SEAL,RUBBER	
-	52327491	1.0	EA	- PLATE,MOUNTING	
-	57748329	1.0	EA	- DISPLAY,VISUALIM 4G UNIT	
008.0	57743288	1.0	EA	KIT,DEPTH AND SPEED	
-	57719221	1.0	EA	- ENCODER,OPTICAL	
011.0	57748006	1.0	EA	KIT,3D POSITIONING	
-	57717241	1.0	EA	- BRACKET,FRAME	
-	96728241	9.0	EA	- CAPSCREW	
-	57721920	1.0	EA	- GUARD,3D POSITION	
-	57718942	1.0	EA	- PIN,3D POSITION	
-	57737819	1.0	EA	- HARNESS,BULKHEAD LIM 3D	
-	57737801	1.0	EA	- HARNESS,PATCHUP LIM 3D	
-	57737827	1.0	EA	- HARNESS,COMPENS LIM 3D	
-	57721912	1.0	EA	- BRACKET,AIMER	
-	96701958	4.0	EA	- CAPSCREW, HEXHEAD,METRIC	
-	57728800	1.0	EA	- DECAL	
-	57728818	0.0	EA	- SCHEMATIC,3D POSITON	See Page 162
-	95396768	8.0	EA	- CLAMP,HOSE	
-	96742689	2.0	EA	- BOLT,HEX FLANGE	
-	95920377	2.0	EA	- CAPSCREW,HEX/35A2A5Z1HR	
-	96704176	2.0	EA	- NUT,FLANGED	
-	52323060	1.0	EA	- HARNESS,WIRING,ANG.IND.	
-	57729949	1.0	EA	- CONNECTOR	
-	57729956	1.0	EA	- CONNECTOR	
-	57374084	2.0	EA	- CLAMP, CABLE	
-	96727797	4.0	EA	- BOLT	
-	96726799	4.0	EA	- NUT/84M4JD6M3	
012.0	57927568	1.0	EA	DEPTH/SPEED MOUNTING	See Page 164
014.0	57874596	1.0	EA	HARNESS,WIRE 5M LIM TILT	
015.0	57874604	1.0	EA	HARNESS,WIRE 5M LIM TILT	

57728818 SCHEMATIC,3D POSITON



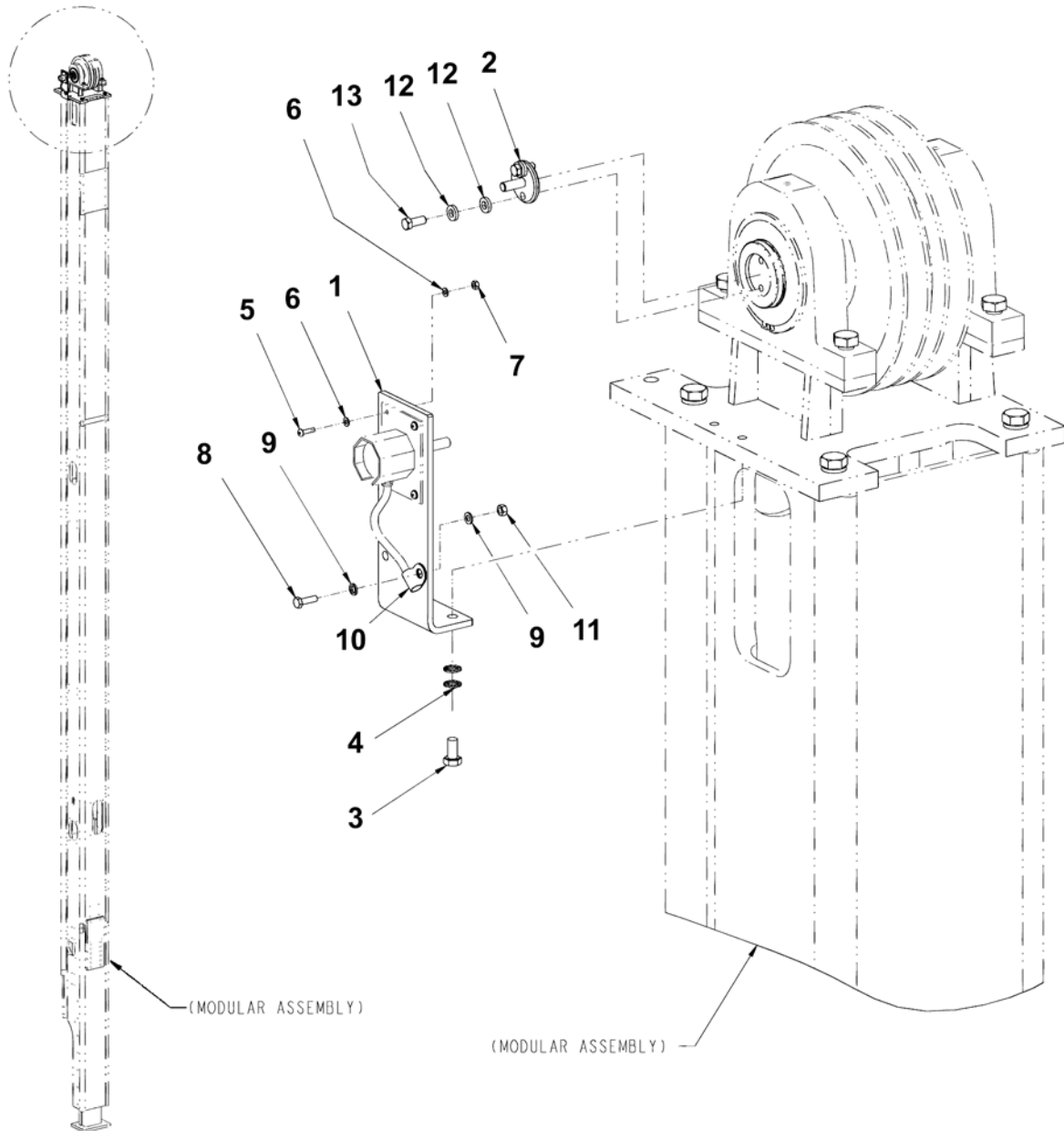
B2657728818 REV 005

BOM 57728818

57728818 SCHEMATIC,3D POSITON

REF.	PART NO.	QTY	UNIT	DESCRIPTION	NOTES
001.0	57748428	1.0	EA	CONNECTOR,6PIN	
002.0	57748436	1.0	EA	HARNESS,ROD CHANGE,LIM3D	

57927568 DEPTH/SPEED MOUNTING



BOM 57927568

57927568 DEPTH/SPEED MOUNTING

REF.	PART NO.	QTY	UNIT	DESCRIPTION	NOTES
001.0	57911109	1.0	EA	BRACKET,MOUNTING DEPTH	
002.0	57911117	1.0	EA	ADAPTOR,DEPTH ENCODER	
003.0	96702279	2.0	EA	CAPSCREW	
004.0	51377398	4.0	EA	WASHER,DISCLOCK 3/8	
005.0	96727953	4.0	EA	CAPSCREW/134M2S65	
006.0	96714464	8.0	EA	WASHER,FLAT,M4/12M5L20M4	
007.0	57927576	4.0	EA	LOCK NUT, M4	
008.0	96704564	1.0	EA	BOLT	
009.0	96702501	2.0	EA	WASHER/10M5LC11AM4HR	
010.0	95371092	1.0	EA	CLAMP,HOSE	
011.0	96703640	1.0	EA	NUT,HEX/16M4JB7M3HR	
012.0	51377406	4.0	EA	WASHER,5/16	
013.0	50782598	2.0	EA	BOLT 0506SIB4037	

This page is intentionally blank.



Section D - Boom/Guide



57881617 GUIDE, ASSEMBLY, 5M



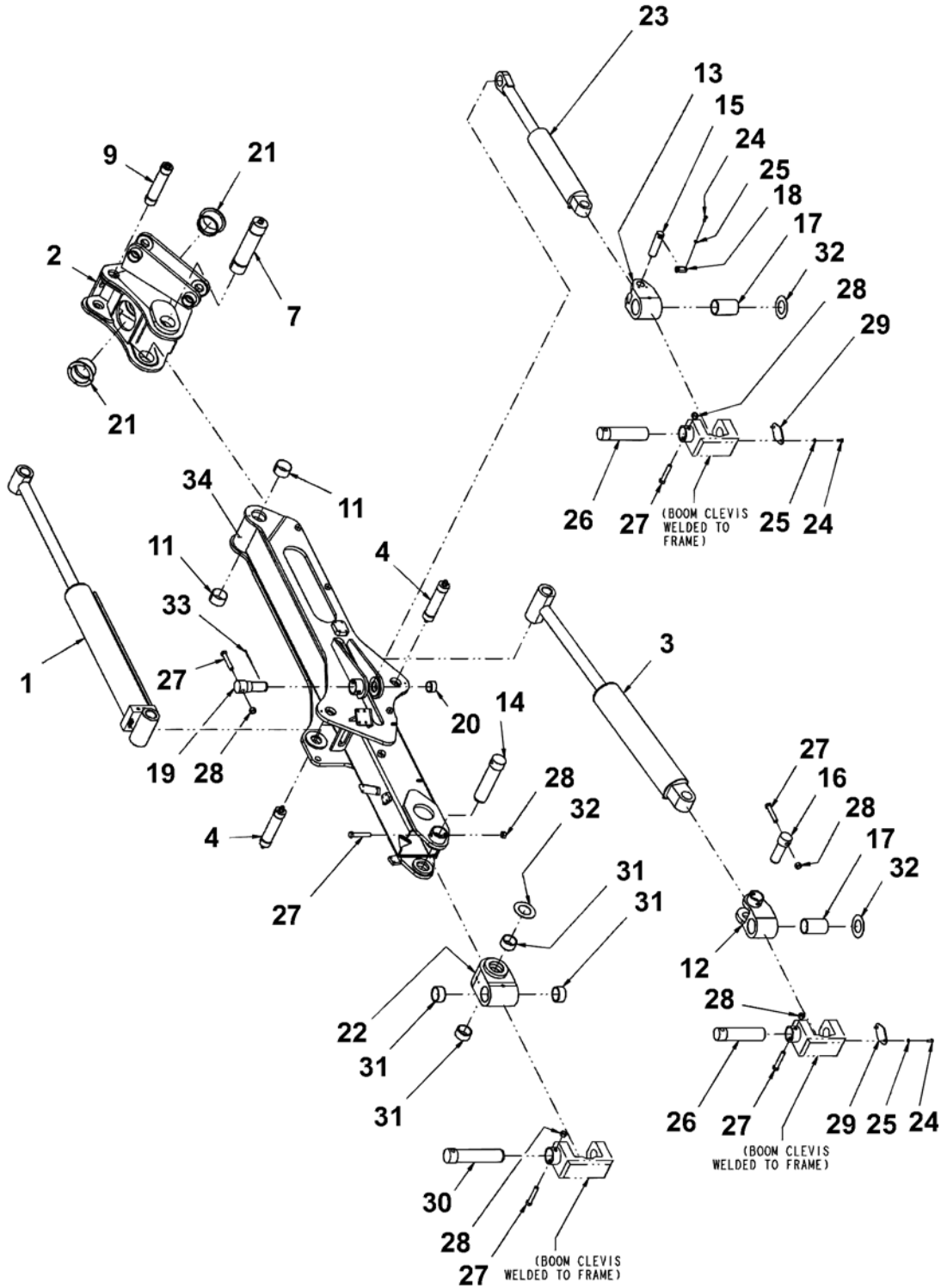
LIST REV 000

BOM 57881617

57881617 GUIDE,ASSEMBLY,5M

REF.	PART NO.	QTY	UNIT	DESCRIPTION	NOTES
001.0	57882045	1.0	EA	BOOM,ASSEMBLY,5M CM700D	See Page 170
002.0	57882037	1.0	EA	HOSE,RETAIN,ASSY BOOM	See Page 184
003.0	57881914	1.0	EA	CENTRALIZER,ASSY 5M	See Page 190
004.0	57882003	1.0	EA	HOSE,RETAIN,ASSY GUIDE	See Page 192
005.0	57881948	1.0	EA	ROD-CHANGER,ASM,5M	See Page 196
006.0	57881625	1.0	EA	HOSE,REEL,ASSY 5M GUIDE	See Page 214
007.0	57794489	1.0	EA	FEED,TABLE,ASSY 5M	See Page 218
008.0	57882078	1.0	EA	SAFETY,TRIP-WIRE ASSY	See Page 226
009.0	57882052	1.0	EA	FEED,ELECTRICAL GROUP	See Page 228
010.0	57882219	1.0	EA	FEED-REST, INSTALLATION	See Page 232
011.0	3222323650	1.0	EA	FEED,BASE ASSY 5M	See Page 234
012.0	57901167	1.0	EA	GUIDE ATTACHMENT 5M	See Page 236

57882045 BOOM,ASSEMBLY,5M CM700D



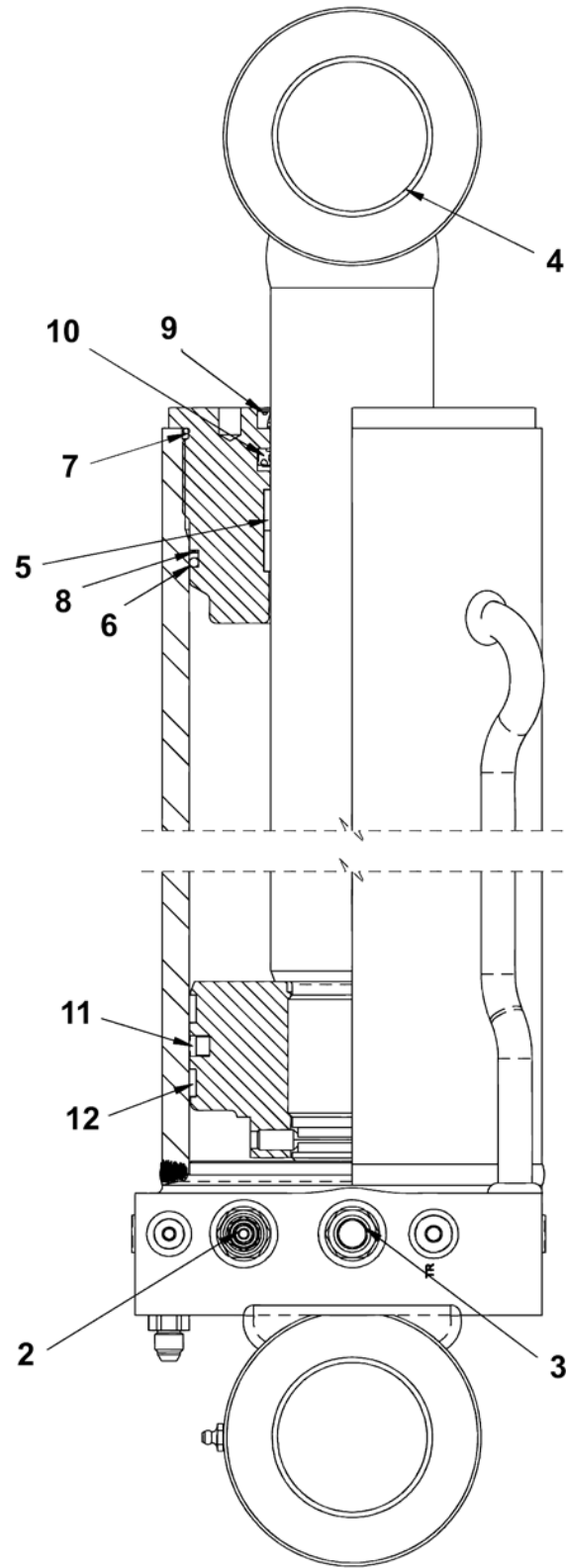
D2657882045 REV 002

BOM 57882045

57882045 BOOM,ASSEMBLY,5M CM700D

REF.	PART NO.	QTY	UNIT	DESCRIPTION	NOTES
001.0	57935769	1.0	EA	CYL,FEED DUMP 785/765	See Page 172
002.0	57882060	1.0	EA	BASE,DUMP 5M 780-760	
003.0	57935777	1.0	EA	CYL,BOOM LIFT 785/765	See Page 174
004.0	57882110	2.0	EA	SHAFT,EXPANDING	See Page 176
007.0	57882136	1.0	EA	SHAFT,ASM,100MM OD	See Page 178
009.0	57882151	1.0	EA	SHAFT,ASM,70MM OD	See Page 180
011.0	57872459	2.0	EA	BUSHING,100ID X 60MM	
012.0	52295680	1.0	EA	LINK,BOOM LIFT	
013.0	51608958	1.0	EA	LINK,CYLINDER	
014.0	52314135	1.0	EA	PIN,BOOM LIFT	
015.0	51608974	1.0	EA	PIN,BOOM SWING	
016.0	52295698	1.0	EA	PIN,BOOM LIFT CYL	
017.0	52295631	2.0	EA	BUSHING	
018.0	51608867	1.0	EA	PLATE	
019.0	52087087	1.0	EA	PIN,BOOM SWING	
020.0	52091295	1.0	EA	BUSHING	
021.0	57882375	2.0	EA	BUSHING,FEED SWING BRONZ	
022.0	52314093	1.0	EA	LINK,BOOM	
023.0	57935710	1.0	EA	CYL,BOOM SWING 700 SER	See Page 182
024.0	96714860	6.0	EA	SCREW	
025.0	96702535	6.0	EA	WASHER/10M5LC15AM4HR	
026.0	52314564	2.0	EA	PIN,VERTICAL,SHORT	
027.0	96702600	6.0	EA	CAPSCREW/35M2AA627M3HR	
028.0	96703681	6.0	EA	NUT,HEX/16M4JB13M3HR	
029.0	52096336	2.0	EA	PLATE,PIN RETAINING	
030.0	52314127	1.0	EA	PIN,VERTICAL,LONG	
031.0	52314143	4.0	EA	BUSHING,BOOM LINK	
032.0	52314150	3.0	EA	BUSHING,THRUST	
033.0	95310256	1.0	EA	PIN,COTTER	
034.0	57881799	1.0	EA	BOOM,5METER 780-760	

57935769 CYL,FEED DUMP 785/765



Seal kit contains the following items

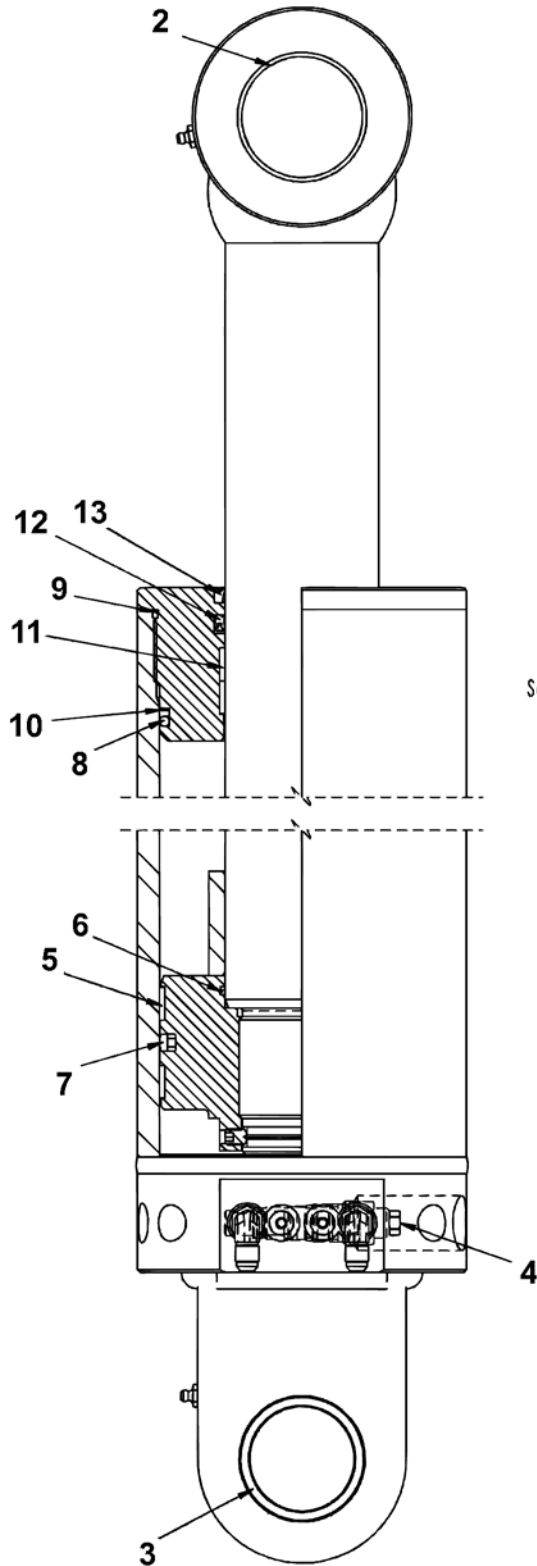
#	DESCRIPTION	QTY.
5	Wear ring	2
6	O-ring	1
7	Moisture excluder O-ring	1
8	Back-up	1
9	Can wiper	1
10	Rod Seal	1
11	Piston seal	1
12	Wear ring	2

BOM 57935769

57935769 CYL,FEED DUMP 785/765

REF.	PART NO.	QTY	UNIT	DESCRIPTION	NOTES
001.0	58002023	1.0	EA	KIT,SEAL FEED DUMP CYL	
002.0	57709677	1.0	EA	VALVE,RELIEF CARTRIDGE	
003.0	57914285	2.0	EA	VALVE,COUNTERBALANCE	
004.0	57872178	4.0	EA	BUSHING,70ID X 50MM	

57935777 CYL,BOOM LIFT 785/765



Seal kit contains the following items

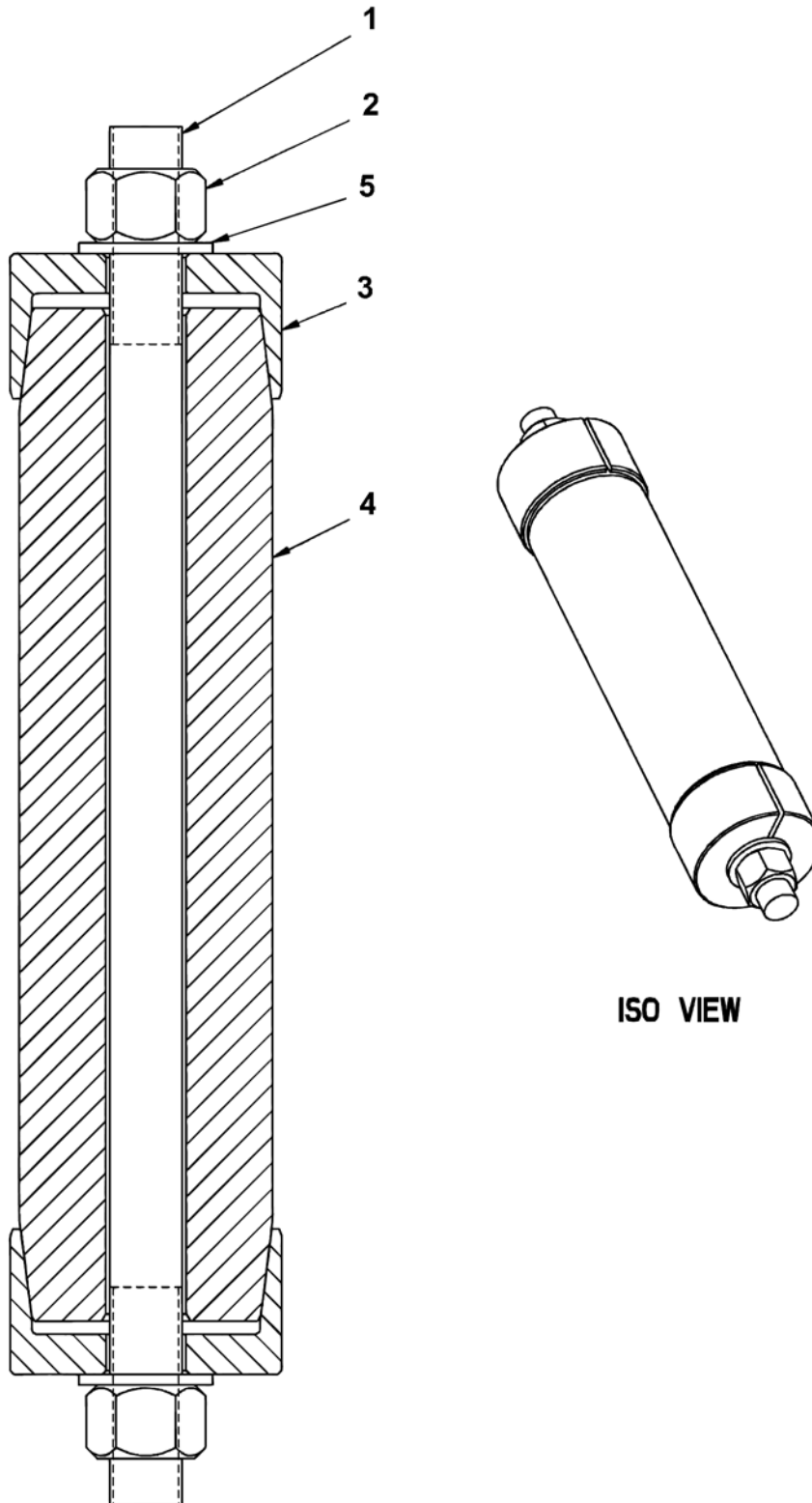
#	DESCRIPTION	QTY.
5	Wear ring	2
6	O-ring	1
7	Piston seal	1
8	O-ring	1
9	Moisture excluder, o-ring	1
10	Back-up	1
11	Wear ring	2
12	Rod Seal	1
13	Can wiper	1

BOM 57935777

57935777 CYL,BOOM LIFT 785/765

REF.	PART NO.	QTY	UNIT	DESCRIPTION	NOTES
001.0	58002031	1.0	EA	KIT,SEAL BOOM LIFT CYL	
002.0	57872178	2.0	EA	BUSHING,70ID X 50MM	
003.0	58002049	1.0	EA	BUSHING,STEEL	
004.0	57914285	2.0	EA	VALVE,COUNTERBALANCE	

57882110 SHAFT,EXPANDING



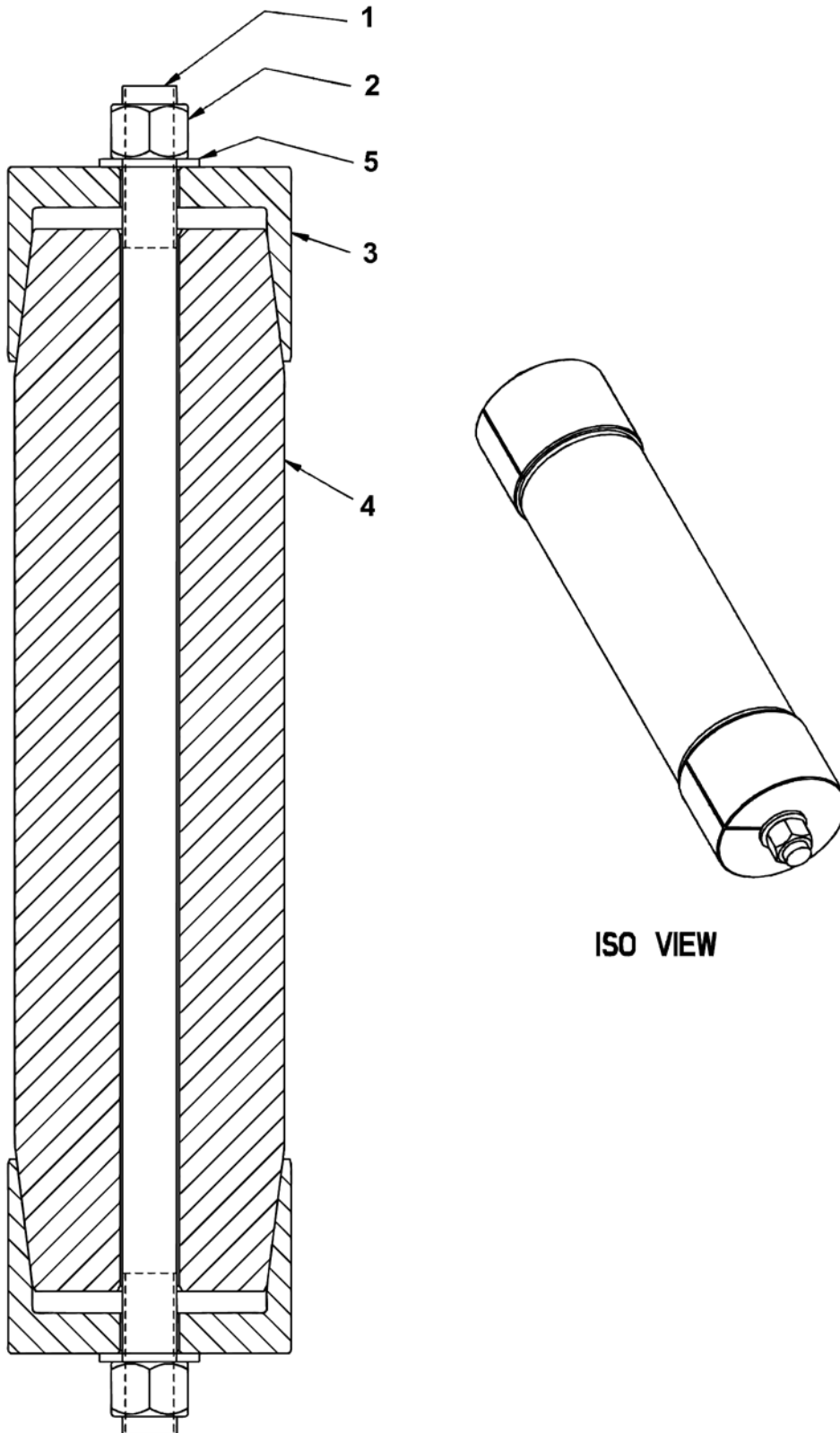
C2657882110 REV 000

BOM 57882110

57882110 SHAFT,EXPANDING

REF.	PART NO.	QTY	UNIT	DESCRIPTION	NOTES
001.0	57901217	1.0	EA	STUD,M20 X 380	
002.0	96727136	2.0	EA	NUT	
003.0	57872749	2.0	EA	BUSHING,TAPER-70 MM SHFT	
004.0	57882102	1.0	EA	PIN,DUMP CYL BASE	
005.0	96700976	2.0	EA	WASHER,FLAT 12M5L31	

57882136 SHAFT,ASM,100MM OD



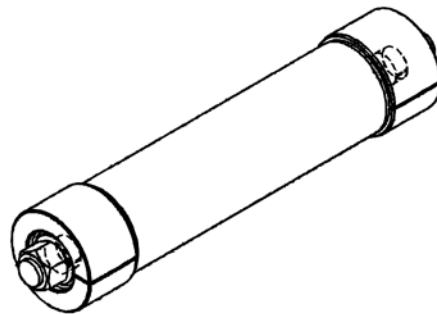
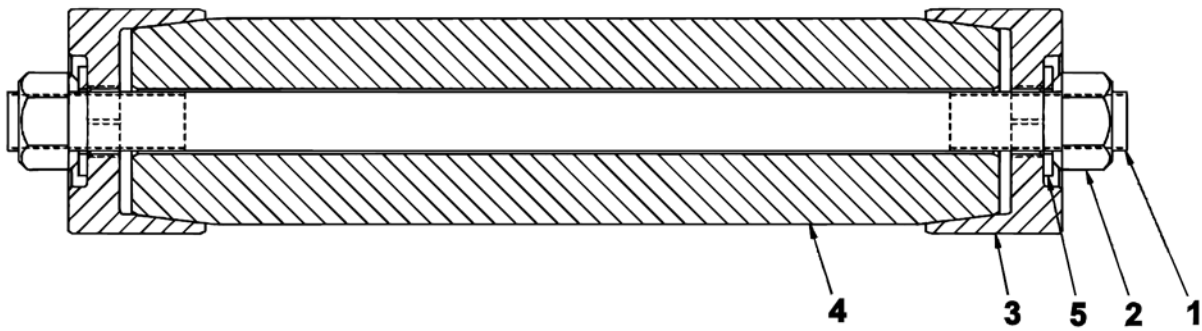
ISO VIEW

BOM 57882136

57882136 SHAFT,ASM,100MM OD

REF.	PART NO.	QTY	UNIT	DESCRIPTION	NOTES
001.0	57901209	1.0	EA	STUD,M20 X 500	
002.0	96727136	2.0	EA	NUT	
003.0	57882391	2.0	EA	BUSHING,TAPERED 100MM	
004.0	57882128	1.0	EA	PIN,100MM,ODX352L	
005.0	96700976	2.0	EA	WASHER,FLAT 12M5L31	

57882151 SHAFT,ASM,70MM OD

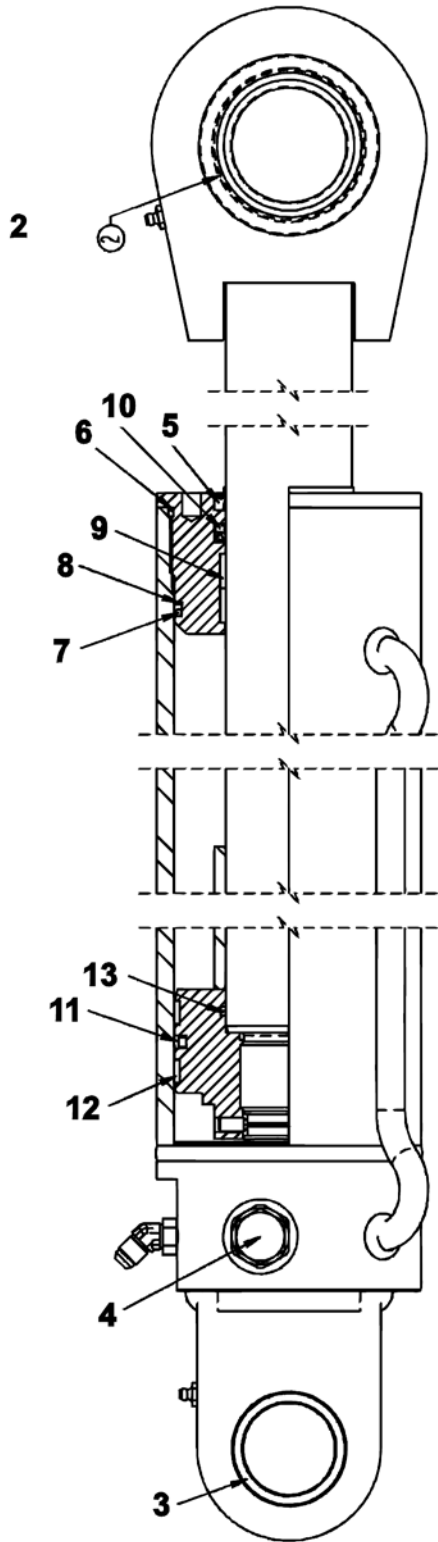


BOM 57882151

57882151 SHAFT,ASM,70MM OD

REF.	PART NO.	QTY	UNIT	DESCRIPTION	NOTES
001.0	57901217	1.0	EA	STUD,M20 X 380	
002.0	96727136	2.0	EA	NUT	
003.0	58005912	2.0	EA	BUSHING,TAPERED 70MM OD	
004.0	57882144	1.0	EA	PIN,70MM OD X 225L TAPER	
005.0	96700976	2.0	EA	WASHER,FLAT 12M5L31	

57935710 CYL,BOOM SWING 700 SER



Seal kit contains the following items

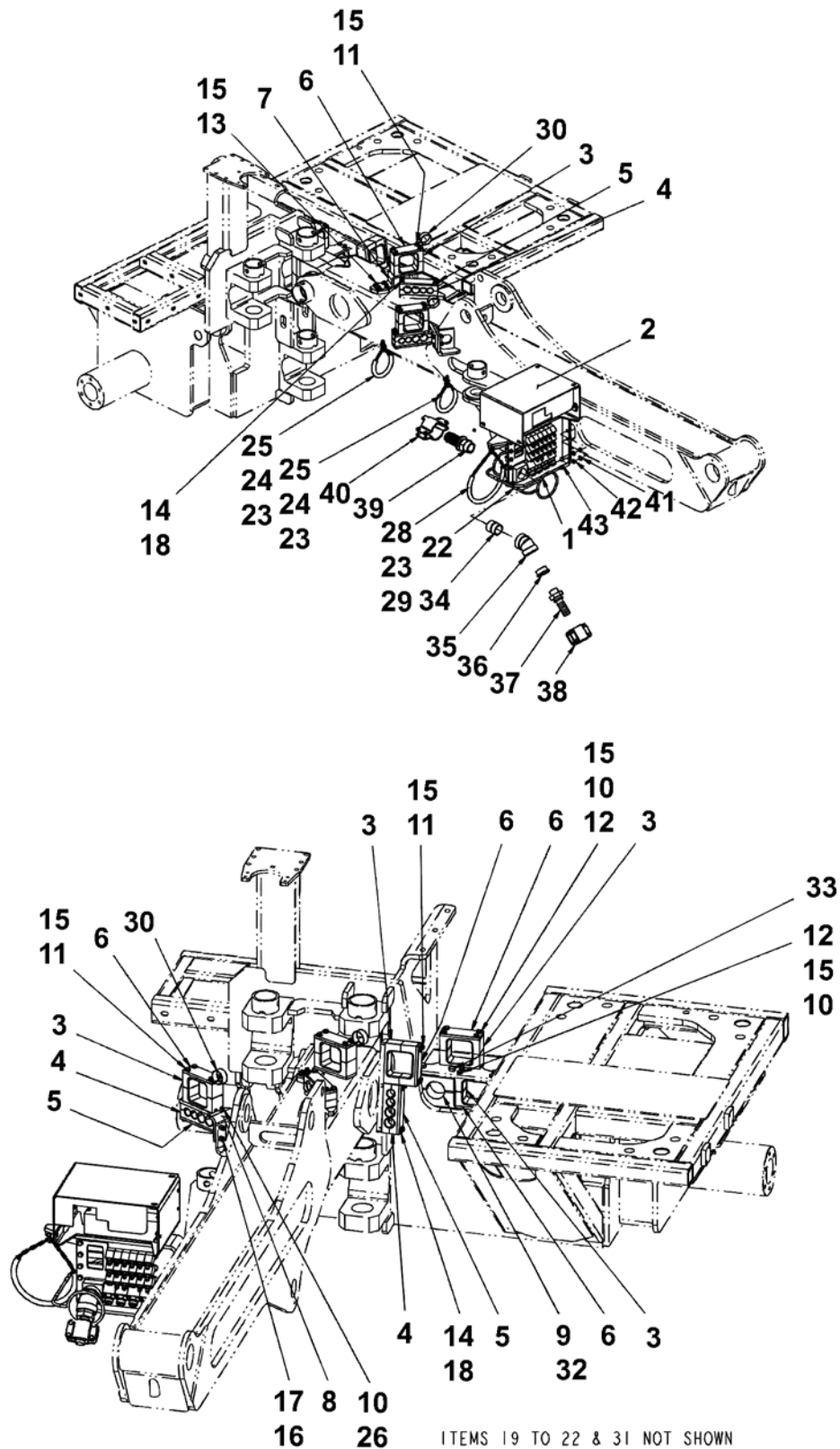
#	DESCRIPTION	QTY.
5	Can wiper	1
6	Moisture excluder, O-ring	1
7	O-ring	1
8	Back-up	1
9	Wear ring	2
10	Rod Seal	1
11	Piston seal	1
12	Wear ring	2
13	O-ring	1

BOM 57935710

57935710 CYL,BOOM SWING 700 SER

REF.	PART NO.	QTY	UNIT	DESCRIPTION	NOTES
001.0	58002015	1.0	EA	KIT,SEAL BOOM SWING CYL	
002.0	58002064	1.0	EA	BEARING,SPHERICAL CYL	
003.0	58002056	1.0	EA	BUSHING,STEEL	

57882037 HOSE,RETAIN,ASSY BOOM



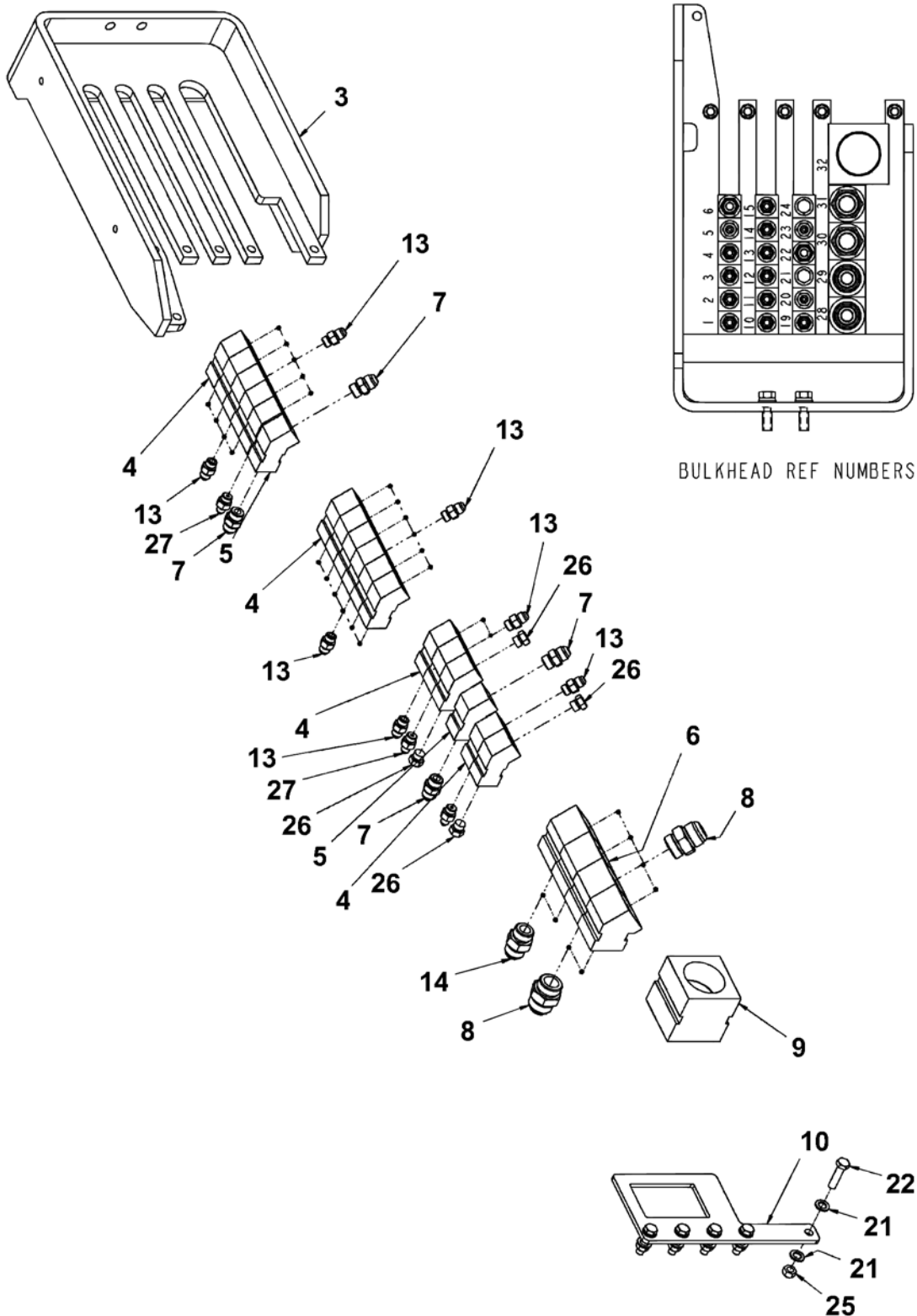
D2657882037 REV 001

BOM 57882037

57882037 HOSE,RETAIN,ASSY BOOM

REF.	PART NO.	QTY	UNIT	DESCRIPTION	NOTES
001.0	57881815	1.0	EA	BOOM BULK HEAD ASSEMBLY	See Page 186
002.0	57927766	1.0	EA	VALVE,AUX CONTROL INSTAL	See Page 188
003.0	51776391	10.0	EA	CLAMP,HOSE	
004.0	51776409	3.0	EA	CLAMP,HOSE	
005.0	51776417	3.0	EA	PLATE,HOSE CLAMP	
006.0	51776425	5.0	EA	PLATE,HOSE CLAMP	
007.0	51909059	1.0	EA	BRACKET,HOSE CLAMP	
008.0	52326634	1.0	EA	BRACKET,HOSE CLAMP	
010.0	96727300	12.0	EA	NUT	
011.0	96714803	12.0	EA	CAPSCREW,HEX HD/35M2AA42	
012.0	96727342	8.0	EA	CAPSCREW/35M2AA2025M3HR	
013.0	96726914	4.0	EA	BOLT	
014.0	96704739	8.0	EA	BOLT	
015.0	96701982	24.0	EA	WASHER/10M5LC14AM4HR	
016.0	96705652	4.0	EA	NUT,LOCK	
017.0	96701966	4.0	EA	CAPSCREW/34M2AA465M3HR	
019.0	52308681	6.0	EA	STRAP,HOSE	
020.0	52080025	20.0	EA	TIE,LASHING CABLE	
021.0	52080033	10.0	EA	TIE,LASHING CABLE	
022.0	57358145	1.0	EA	CABLE, HOSE RESTRAINT	
023.0	51783017	3.0	EA	SHACKLE,CHAIN	
024.0	57708679	2.0	EA	CHAIN	
025.0	03241395	1.2	FT	HOSE BULK BH16B	
026.0	96714761	4.0	EA	CAPSCREW/35M2AA423M3HR	
028.0	57756157	1.0	EA	CHAIN	
029.0	03241395	2.0	FT	HOSE BULK BH16B	
030.0	95322871	2.0	EA	CLAMP,HOSE	
031.0	52087160	3.0	FT	WRAP,HOSE	
032.0	57809345	1.0	EA	PLATE,HOSE CLAMP	
033.0	95104568	2.0	EA	CAPSCREW,HEX	
034.0	95097291	1.0	EA	NIPPLE,PIPE,EXTRA STRONG	
035.0	95674982	1.0	EA	ELBOW, PIPE	
036.0	95038212	1.0	EA	BUSHING,PIPE,REDUCING	
037.0	50023886	1.0	EA	STEM,AIR CONNECTION	
038.0	50141720	1.0	EA	CLAMP,HOSE	
039.0	50023910	1.0	EA	STEM	
040.0	50743731	1.0	EA	CLAMP,HOSE	
041.0	96701412	4.0	EA	WASHER/12M5L27M3	
042.0	95934733	4.0	EA	WASHER,LOCK	
043.0	95378667	4.0	EA	CAPSCREW,HEX HEAD	

57881815 BOOM BULK HEAD ASSEMBLY



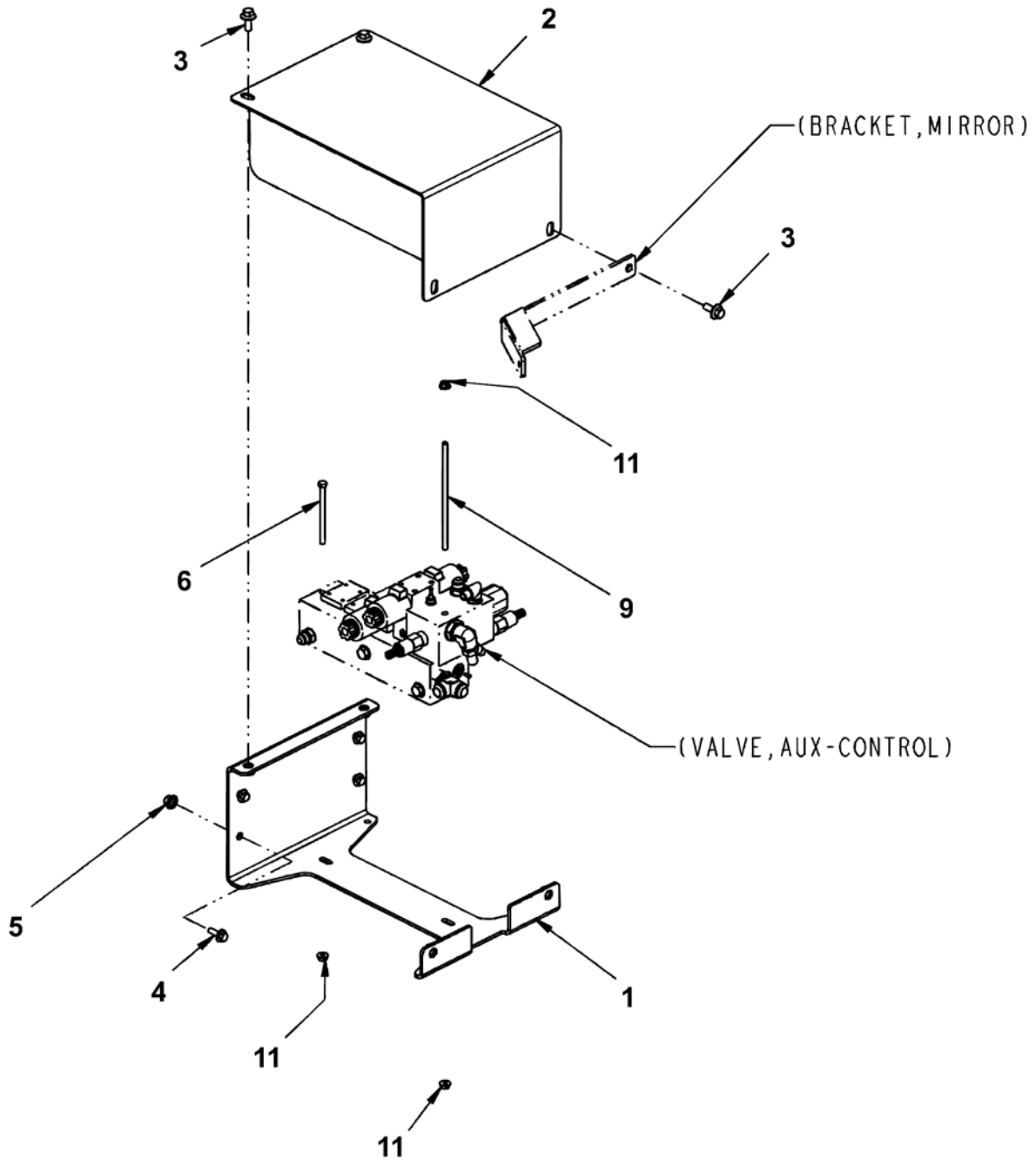
D2657881815 REV 004

BOM 57881815

57881815 BOOM BULK HEAD ASSEMBLY

REF.	PART NO.	QTY	UNIT	DESCRIPTION	NOTES
003.0	52326626	1.0	EA	BULKHEAD,CM780D BOOM	
004.0	57794448	16.0	EA	BULKHEAD,SOCKET 6 SAE	
005.0	57794455	2.0	EA	BULKHEAD,SOCKET	
006.0	57794463	4.0	EA	BULKHEAD,SOCKET	
007.0	95303368	4.0	EA	CONNECTOR,STRT THRD	
008.0	95329983	6.0	EA	CONNECTOR,STRAIGHT THRD	
009.0	52326725	1.0	EA	SOCKET,BULKHEAD	
010.0	57927485	1.0	EA	PLATE,RETAINER SOCKET	
013.0	95365078	25.0	EA	CONNECTOR,STRT THRD	
014.0	95356960	2.0	EA	CONNECTOR,STRT THRD	
021.0	96701982	10.0	EA	WASHER/10M5LC14AM4HR	
022.0	96704556	5.0	EA	CAPSCREW,HEX	
025.0	96727300	5.0	EA	NUT	
026.0	95666996	4.0	EA	PLUG,HEX HEAD,STRT THRD	

57927766 VALVE,AUX CONTROL INSTAL

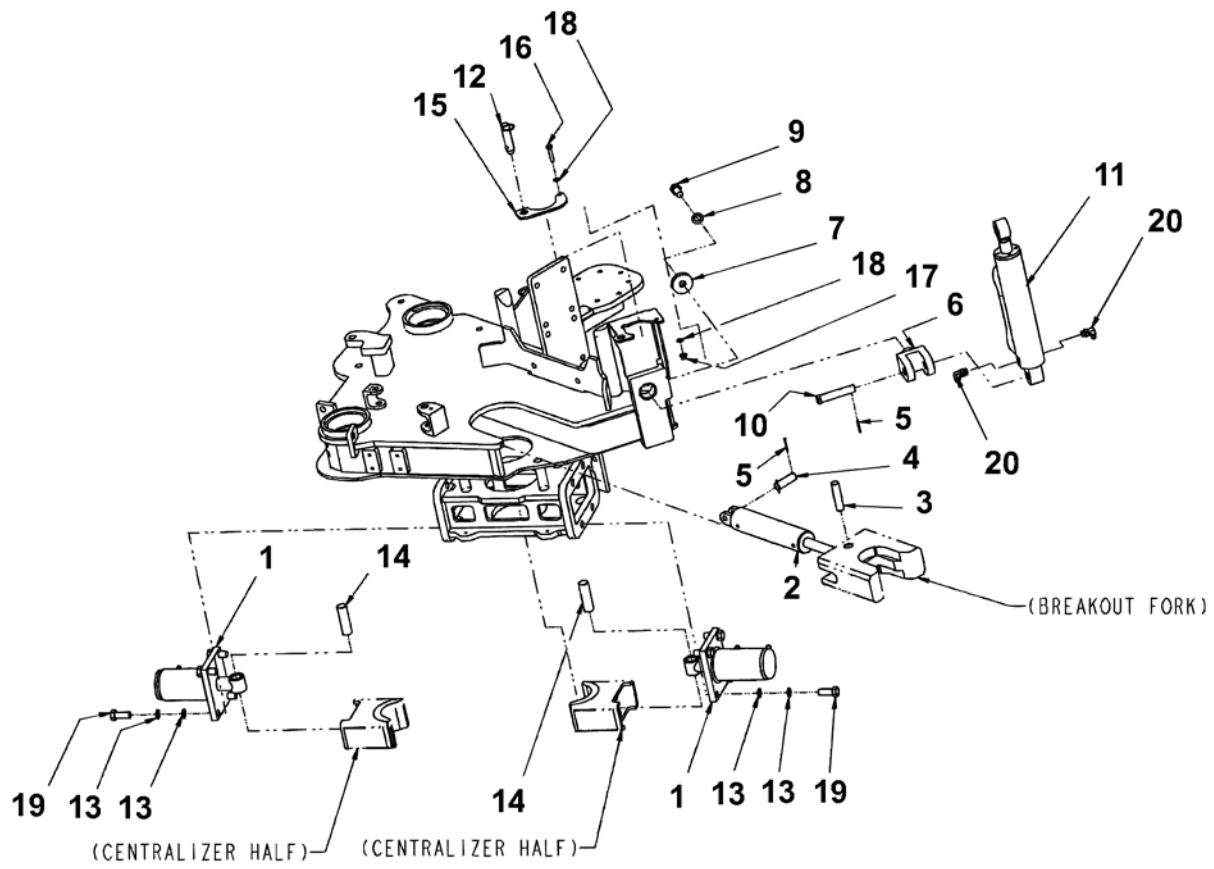


BOM 57927766

57927766 VALVE,AUX CONTROL INSTAL

REF.	PART NO.	QTY	UNIT	DESCRIPTION	NOTES
001.0	52116415	1.0	EA	BASEPLATE,ARC VALVE	
-	52089901	4.0	EA	- WELDNUT,12 MM	
002.0	52325172	1.0	EA	COVER,ROD CHGR VALVE	
003.0	96727250	4.0	EA	BOLT	
004.0	96726914	4.0	EA	BOLT	
005.0	96726807	4.0	EA	NUT/84M4JD7M3	
006.0	96714696	1.0	EA	BOLT	

57881914 CENTRALIZER, ASSY 5M

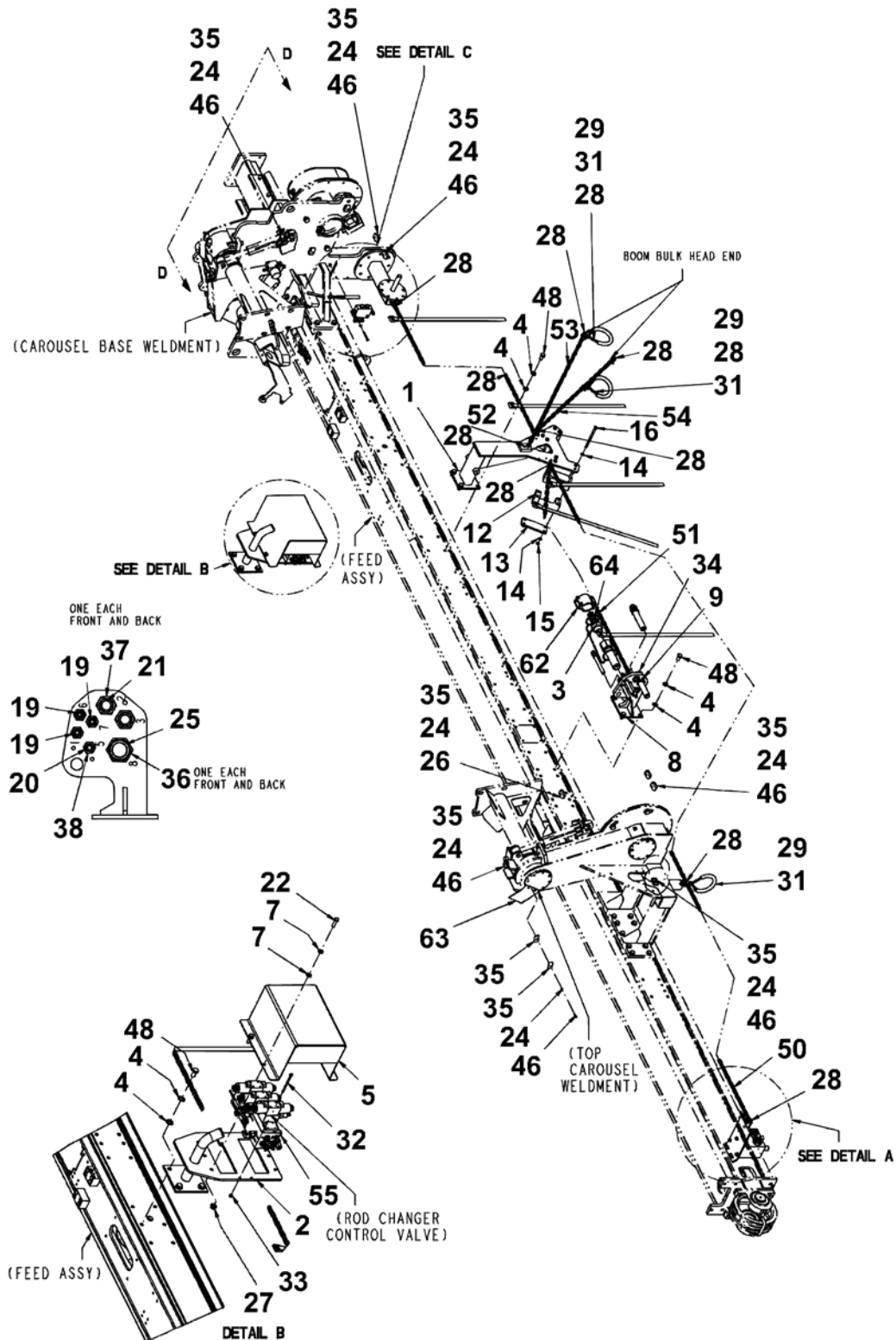


BOM 57881914

57881914 CENTRALIZER,ASSY 5M

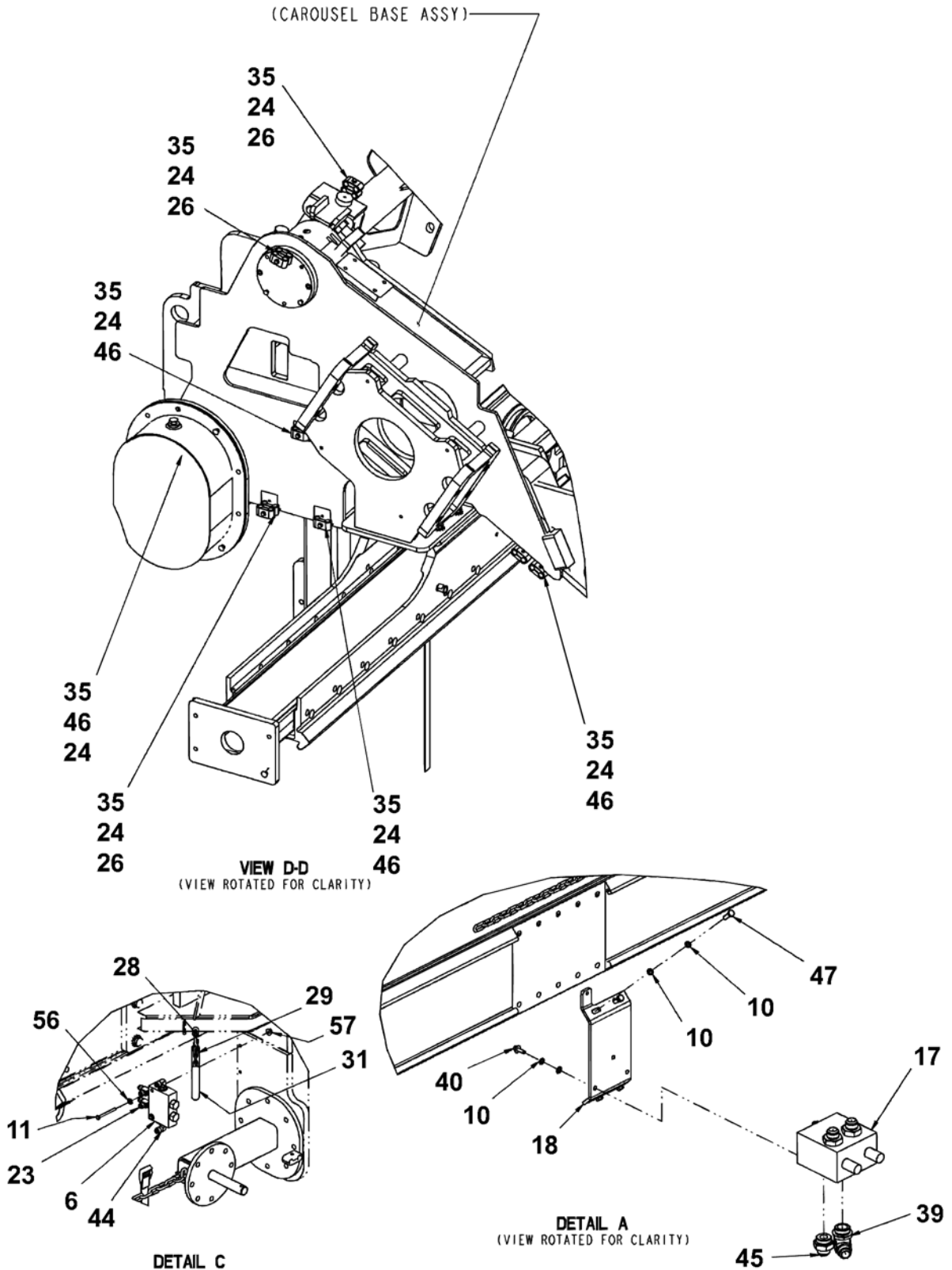
REF.	PART NO.	QTY	UNIT	DESCRIPTION	NOTES
001.0	57935793	2.0	EA	CYL,CENTRALIZER 785/765	
-	58002114	1.0	EA	- KIT,SEAL CENTRALIZER CYL	
002.0	57935678	1.0	EA	CYL,BREAKOUT FORK CM785	
-	58001983	1.0	EA	- KIT,SEAL FORK CYL	
-	58001991	1.0	EA	- BEARING,SPHERICAL CYL	
003.0	51005452	1.0	EA	PIN	
004.0	51788305	1.0	EA	PIN,FORK CYL	
005.0	95002705	5.0	EA	PIN,COTTER	
006.0	51874162	1.0	EA	PIVOT,CHAIN WRENCH CYL.	
007.0	51874170	1.0	EA	PLATE,RETAINING	
008.0	96700976	1.0	EA	WASHER,FLAT 12M5L31	
009.0	96700901	1.0	EA	SCREW,HEX/35M2AB564M3	
010.0	51779536	1.0	EA	PIN,CYLINDER	
011.0	57935728	1.0	EA	CYL,WRENCH-780/785 TOOLS	
-	58002080	1.0	EA	- KIT,SEAL CHAIN WRENC CYL	
012.0	51862696	1.0	EA	PIN,BALL LOCK	
013.0	51377349	16.0	EA	WASHER,DISC LOCK,3/4	
014.0	57917155	2.0	EA	PIN,CENTRALIZER 1.25X4.1	
015.0	57927600	1.0	EA	LINK,BREAKOUT WRENCH CYL	
016.0	96702436	1.0	EA	SCREW,HEX/35M2AA416M3HR	
017.0	96726807	1.0	EA	NUT/84M4JD7M3	
018.0	96701982	2.0	EA	WASHER/10M5LC14AM4HR	
019.0	96701891	8.0	EA	CAPSCREW,M20X2.5X50HEX H	
020.0	95356853	2.0	EA	ELBOW,90 DEG STRT THRD	

57882003 HOSE,RETAIN,ASSY GUIDE



D2657882003 REV 005

57882003 HOSE,RETAIN,ASSY GUIDE



D2657882003 REV 005

57882003 HOSE,RETAIN,ASSY GUIDE

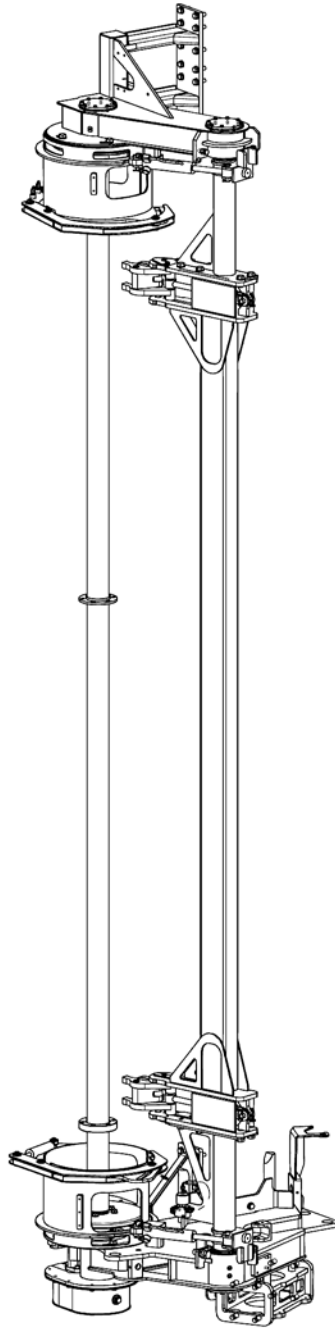
REF.	PART NO.	QTY	UNIT	DESCRIPTION	NOTES
001.0	57881989	1.0	EA	SUPPORT,HOSE	
002.0	57927436	1.0	EA	BRACKET,ROD CHANGE VALVE	
003.0	50023886	1.0	EA	STEM,AIR CONNECTION	
004.0	51377356	24.0	EA	WASHER,DISCLOCK 5/8 OR	
005.0	57927444	1.0	EA	COVER,ROD CHANGE VALVE	
006.0	50930452	1.0	EA	VALVE,CHECK	
007.0	51377372	12.0	EA	WASHER,DISCLOCK 1/2	
008.0	57861239	1.0	EA	BULKHEAD,FEED HOSE ASSY	
009.0	95077681	2.0	EA	NUT,HEX,FINISHED	
010.0	51377398	14.0	EA	WASHER,DISCLOCK 3/8	
011.0	58027475	2.0	EA	BOLT,HEX HEAD	
012.0	51776391	4.0	EA	CLAMP,HOSE	
013.0	51776425	2.0	EA	PLATE,HOSE CLAMP	
014.0	96700836	16.0	EA	WASHER/12M5L26	
015.0	96704333	8.0	EA	LOCKNUT/85M4JA4M3HR	
016.0	96714811	8.0	EA	CAPSCREW,HEX HD/35M2AB20	
017.0	57935991	1.0	EA	VALVE,COUNTER-BALANCE	
018.0	58001389	1.0	EA	PLATE,C'BALANCE VALVE	
019.0	57927535	3.0	EA	ADAPTER, JIC	
020.0	57861627	1.0	EA	ADAPTER,#8JIC-#8JIC	
021.0	57861635	2.0	EA	ADAPTER,#16JIC-#16JIC	
022.0	96702444	6.0	EA	CAPSCREW/34M2AB464M3	
023.0	95453346	2.0	EA	ST.RUN TEE	
024.0	96701289	17.0	EA	WASHER	
025.0	57911315	1.0	EA	ADAPTER,#24JIC-1.5NPT	
026.0	96714563	3.0	EA	SCREW/35M2AA316M3HR	
027.0	96726815	6.0	EA	NUT	
028.0	51783017	53.0	EA	SHACKLE,CHAIN	
029.0	57708679	44.0	EA	CHAIN	
031.0	03241395	44.0	FT	HOSE BULK BH16B	
032.0	96708128	3.0	EA	CAPSCREW HEX SOCKET	
033.0	96726799	3.0	EA	NUT/84M4JD6M3	
034.0	57927824	1.0	EA	EYE BOLT 5/16" X 4	
035.0	50034826	40.0	EA	CLAMP,HOSE,HALF	
036.0	57614638	2.0	EA	NUT	
037.0	57597155	4.0	EA	NUT,#16JIC BULKHEAD	
038.0	57901092	8.0	EA	NUT,#8JIC BULKHEAD	
039.0	95376133	1.0	EA	ADAPTER,90DEG-O-RING/JIC	
040.0	96726914	3.0	EA	BOLT	
044.0	95329975	2.0	EA	ELBOW,90 DEG STRT THRD	
045.0	95402830	3.0	EA	CONNECTOR,STRT THRD	
046.0	96701461	14.0	EA	SCREW,HEXHEAD	

BOM 57882003

57882003 HOSE,RETAIN,ASSY GUIDE

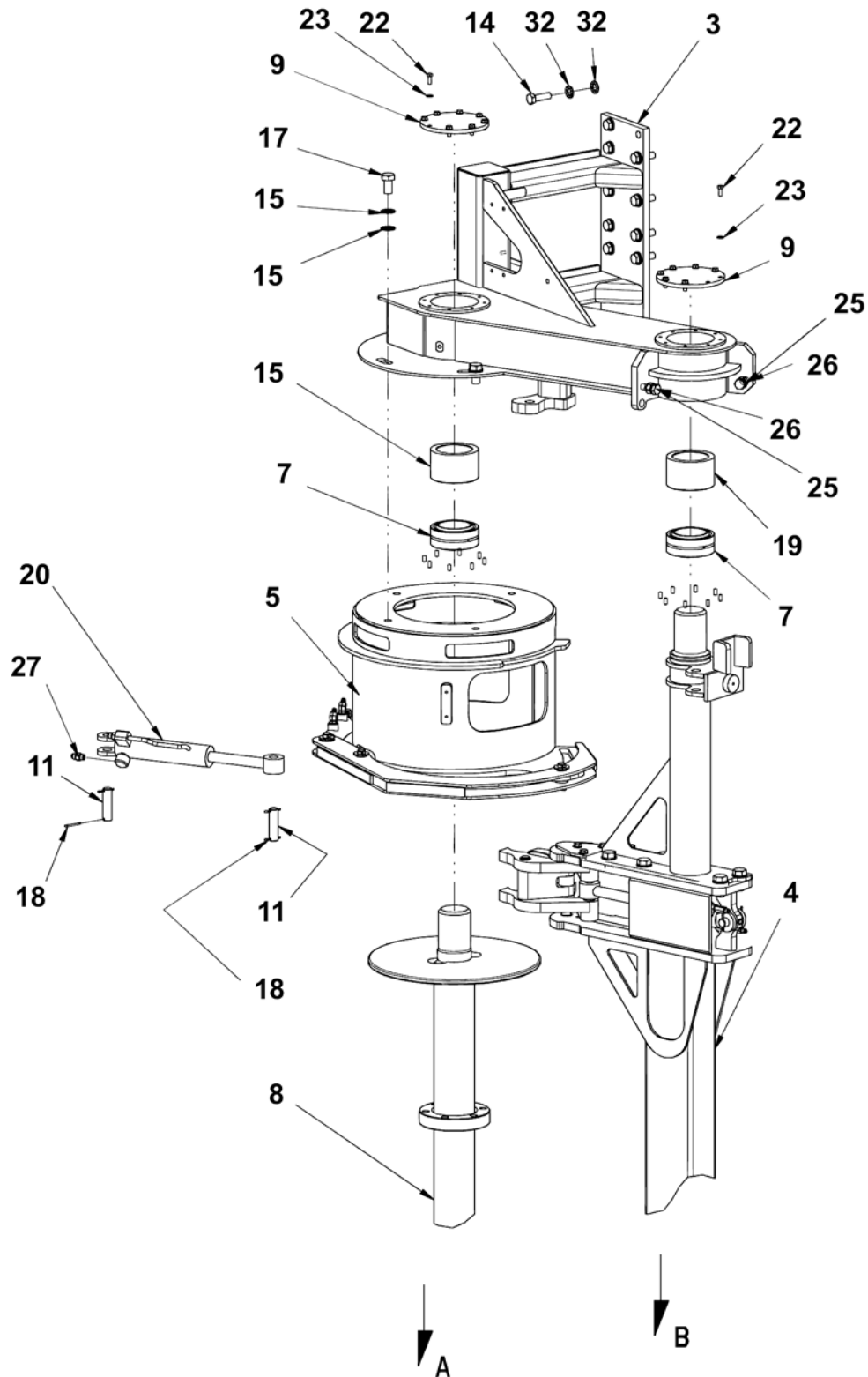
REF.	PART NO.	QTY	UNIT	DESCRIPTION	NOTES
047.0	96701487	4.0	EA	CAPSCREW,HEX/34M2AB412	
048.0	96714936	12.0	EA	SCREW/34M2AA513M3HR	
050.0	57927857	16.5	FT	CHAIN	
051.0	57927857	8.0	FT	CHAIN	
052.0	57927857	8.5	FT	CHAIN	
053.0	57927857	16.0	FT	CHAIN	
054.0	57927857	16.0	FT	CHAIN	
056.0	96702519	2.0	EA	WASHER	
057.0	96727714	2.0	EA	NUT,FLANGE	
058.0	58010083	1.0	EA	FITTING,HYD	
059.0	58010091	1.0	EA	FITTING HYD	
062.0	58027657	1.0	EA	PLATE, DECAL	
063.0	50141720	1.0	EA	CLAMP,HOSE	
064.0	57358145	1.0	EA	CABLE, HOSE RESTRAINT	

57881948 ROD-CHANGER,ASM,5M



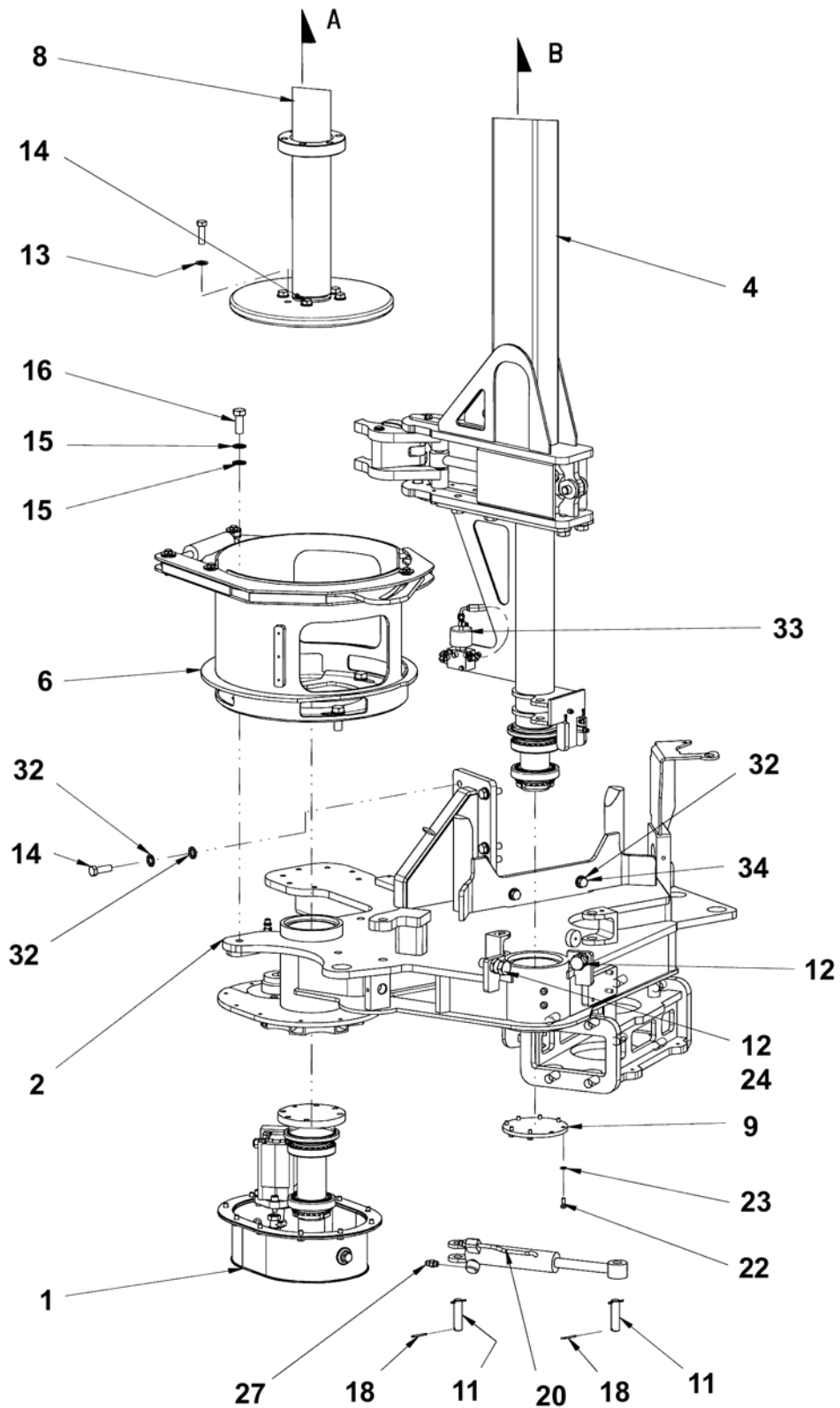
D2657881948 REV 003

57881948 ROD-CHANGER,ASM,5M



D2657881948 REV 003

57881948 ROD-CHANGER,ASM,5M



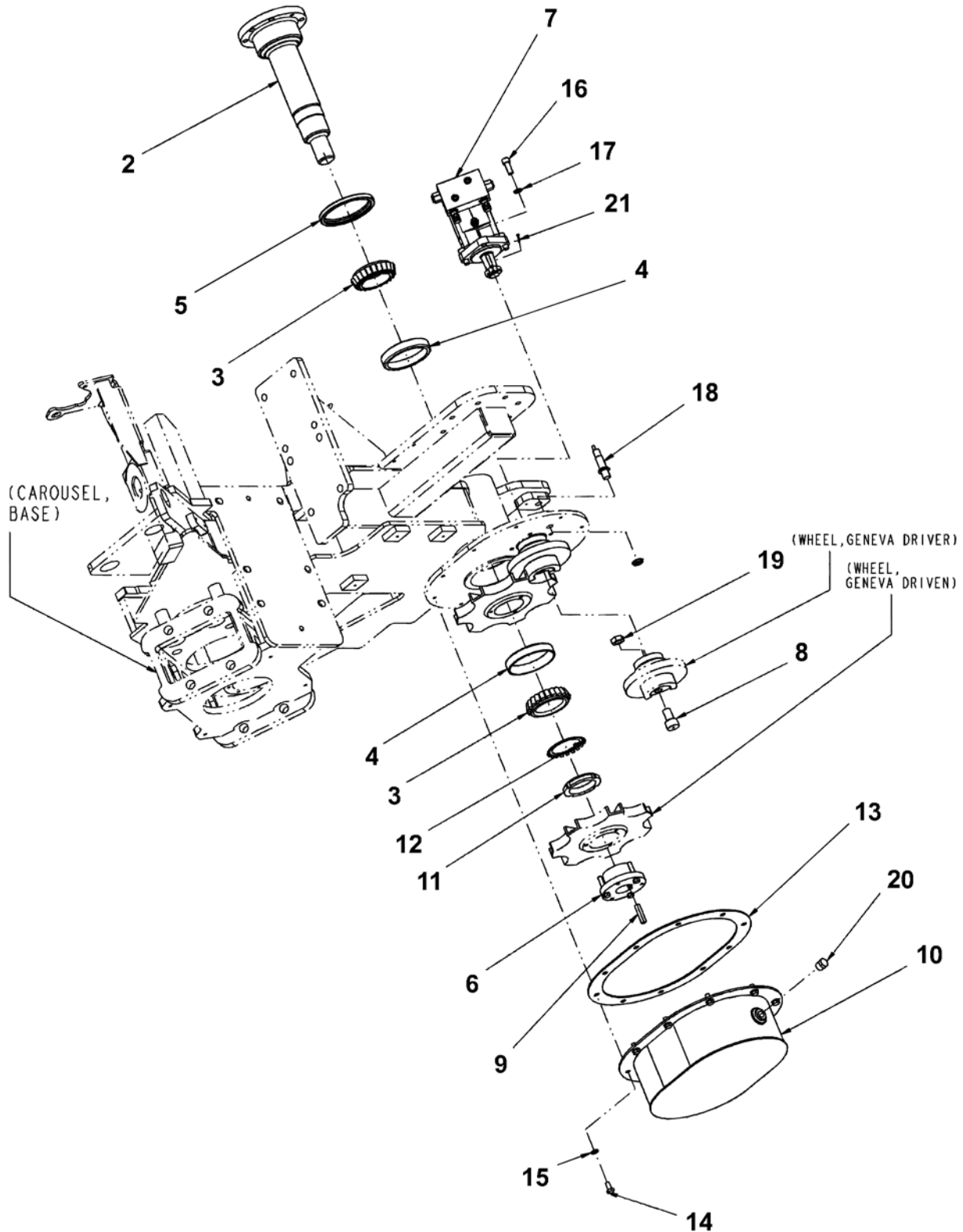
D2657881948 REV 003

BOM 57881948

57881948 ROD-CHANGER,ASM,5M

REF.	PART NO.	QTY	UNIT	DESCRIPTION	NOTES
001.0	57882177	1.0	EA	CAROUSEL,DRIVE GROUP 5M	See Page 200
002.0	58009952	1.0	EA	CAROUSEL-BASE,WELDMENT	
003.0	58009911	1.0	EA	SUPPORT CAROUSEL TOP	
004.0	58002395	1.0	EA	CAROUSEL SWING ARM ASM	See Page 204
005.0	57928145	1.0	EA	RETAINER, TOP CAROUSEL	See Page 208
006.0	57935843	1.0	EA	RETAINER, BOTTOM 5M	See Page 210
007.0	57928319	2.0	EA	BEARING,SPHER W/SEAL	
008.0	58001884	1.0	EA	CAROUSEL,WELDMENT 785	
009.0	57881955	3.0	EA	PLATE,COVER SWING ARM	
010.0	57935686	2.0	EA	CYL,ROD CHANGE/SWING	
-	58002007	1.0	EA	- KIT,SEAL ARC CYLINDER	
011.0	51788636	4.0	EA	PIN	
012.0	96746235	2.0	EA	BOLT,HEX HEAD	
013.0	96700968	6.0	EA	WASHER,FLAT 12M5L29	
014.0	96700216	24.0	EA	SCREW,HEX HEAD	
015.0	51377349	14.0	EA	WASHER,DISC LOCK,3/4	
016.0	96701891	3.0	EA	CAPSCREW,M20X2.5X50HEX H	
017.0	96705298	4.0	EA	CAPSCREW,HEX/35M2AA563	
018.0	95002705	8.0	EA	PIN,COTTER	
019.0	57881963	2.0	EA	SPACER,BEARING	
022.0	96714605	22.0	EA	SCREW/35M2AA360M3HR	
023.0	96701396	22.0	EA	WASHER/12M5L25M3	
024.0	96703681	2.0	EA	NUT,HEX/16M4JB13M3HR	
025.0	96742531	2.0	EA	SCREW,HEX HEAD	
026.0	51326759	2.0	EA	NUT N-M16-2-3	
027.0	95365078	4.0	EA	CONNECTOR,STRT THRD	
032.0	51377356	48.0	EA	WASHER,DISCLOCK 5/8 OR	
033.0	51909398	1.0	EA	VALVE,GREASER,ASSY	See Page 212
034.0	96714936	6.0	EA	SCREW/34M2AA513M3HR	

57882177 CAROUSEL,DRIVE GROUP 5M



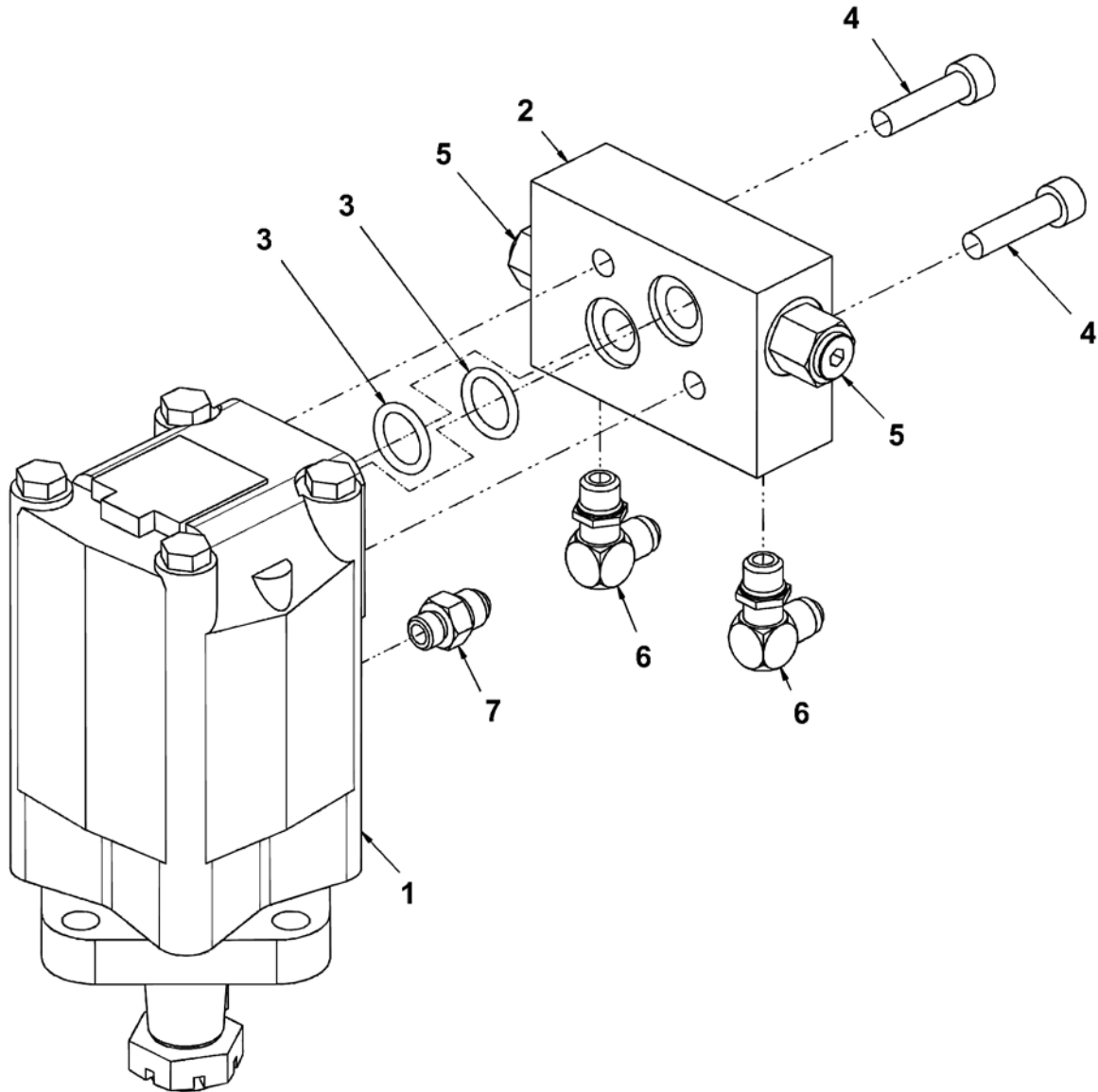
D2657882177 REV 003

BOM 57882177

57882177 CAROUSEL,DRIVE GROUP 5M

REF.	PART NO.	QTY	UNIT	DESCRIPTION	NOTES
002.0	58001322	1.0	EA	SPINDLE,ROD CAROUSEL 785	
003.0	95362190	2.0	EA	CONE,BRG/90A19T42688X000	
004.0	95362158	2.0	EA	BEARING,CUP	
005.0	51780567	1.0	EA	SEAL,OIL	
006.0	51780526	1.0	EA	BUSHING,SPLIT TAPER	
007.0	51780583	1.0	EA	MOTOR ASSEMBLY	See Page 202
008.0	51780534	1.0	EA	ROLLER,TRACK	
009.0	95263976	1.0	EA	KEY	
010.0	51780518	1.0	EA	OIL PAN,ROD INDEXER	
011.0	95209912	1.0	EA	NUT,AN-15	
012.0	95212114	1.0	EA	WASHER	
013.0	51780609	1.0	EA	GASKET,OIL PAN	
014.0	96712146	10.0	EA	CAPSCREW/34M2AA410M3HR	
015.0	96700836	10.0	EA	WASHER/12M5L26	
016.0	96714886	4.0	EA	CAPSCREW/119M2AA274B	
017.0	51616209	4.0	EA	WASHER,SEAL	
018.0	51780575	1.0	EA	SENSOR,OIL TIGHT PROXMTY	
019.0	95245296	1.0	EA	NUT,HEX JAM	
020.0	95730545	2.0	EA	PLUG,PIPE	
021.0	95231494	1.0	EA	PIN,COTTER	

51780583 MOTOR ASSEMBLY

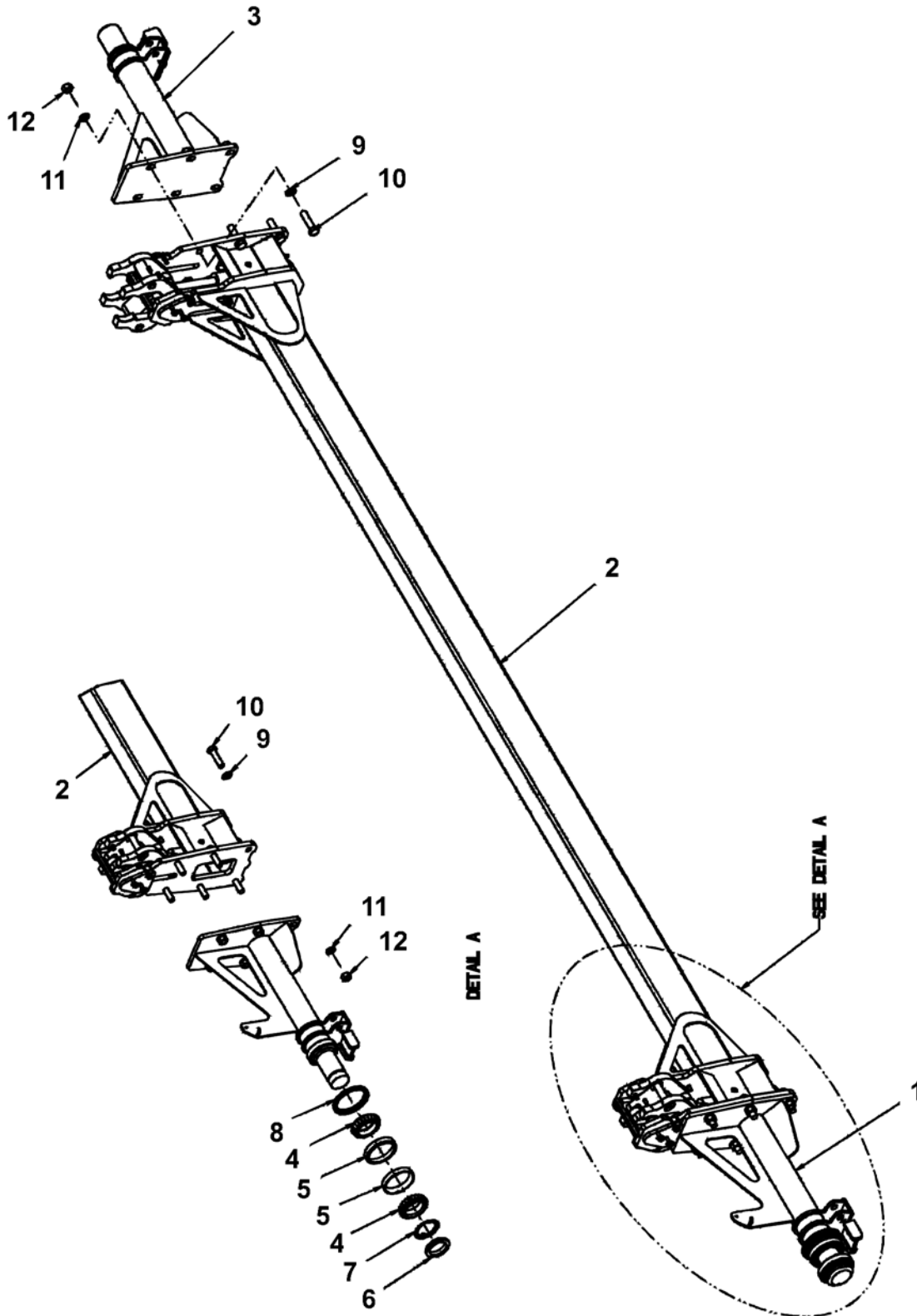


BOM 51780583

51780583 MOTOR ASSEMBLY

REF.	PART NO.	QTY	UNIT	DESCRIPTION	NOTES
001.0	51909133	1.0	EA	MOTOR,HYD	
002.0	51909141	1.0	EA	MANIFOLD,HYD. BARE	
003.0	95086484	2.0	EA	O-RING	
004.0	96700398	2.0	EA	CAPSCREW/119M2AA246	
005.0	51918183	2.0	EA	CARTRIDGE,FLOW CONTROL	
006.0	95329975	2.0	EA	ELBOW,90 DEG STRT THRD	
007.0	51605541	1.0	EA	ADAPTER	

58002395 CAROUSEL SWING ARM ASM



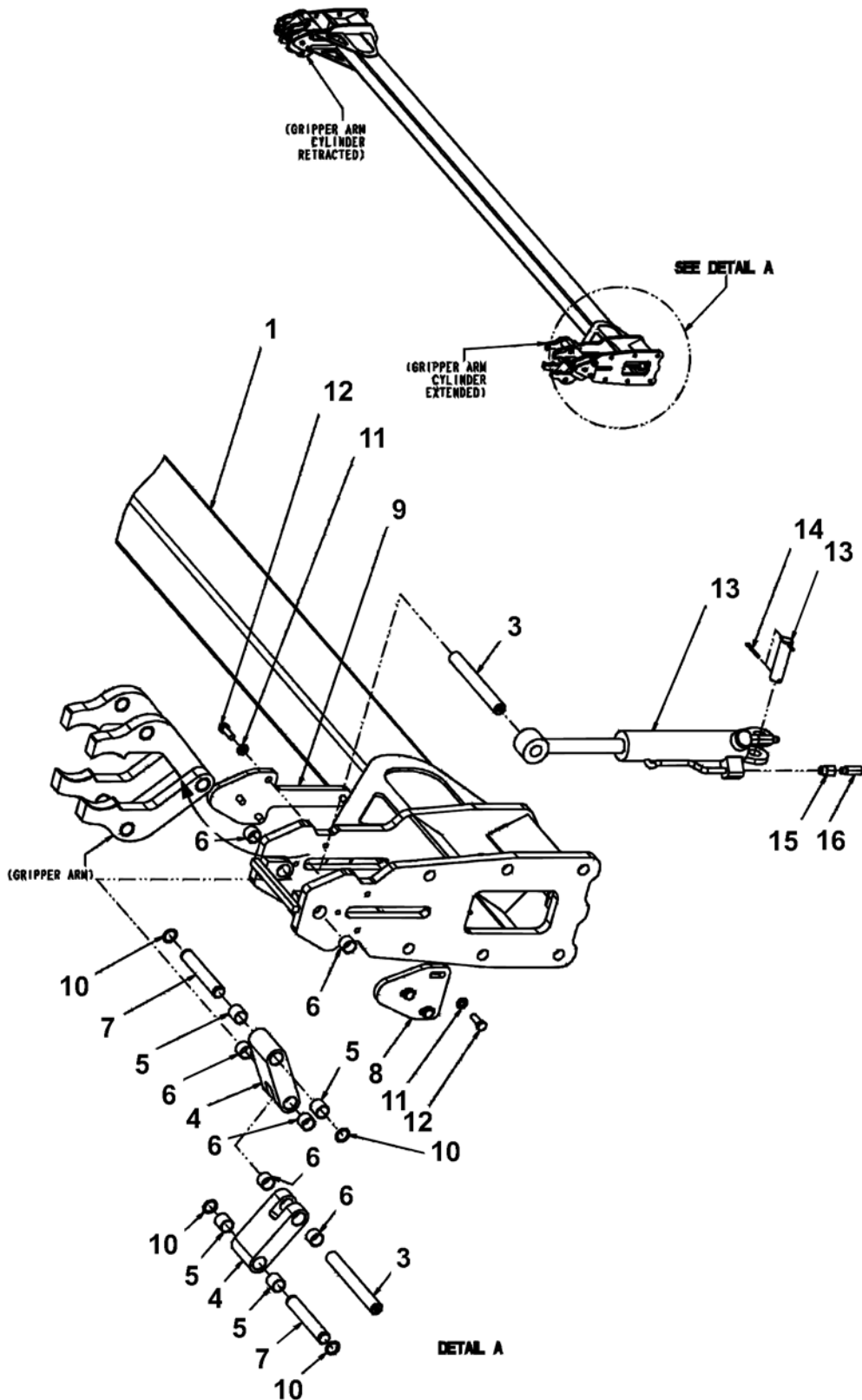
D2658002395 REV 000

BOM 58002395

58002395 CAROUSEL SWING ARM ASM

REF.	PART NO.	QTY	UNIT	DESCRIPTION	NOTES
001.0	58002403	1.0	EA	ROD-SWING,LWR WELDMENT	
002.0	58002411	1.0	EA	ROD-SWING,GRIPPER ASM	See Page 206
003.0	58002437	1.0	EA	ROD-SWING,TOP WELDMENT	
004.0	95362190	2.0	EA	CONE,BRG/90A19T42688X000	
005.0	95362158	2.0	EA	BEARING,CUP	
006.0	95209912	1.0	EA	NUT,AN-15	
007.0	95212114	1.0	EA	WASHER	
008.0	51780567	1.0	EA	SEAL,OIL	
010.0	56946247	12.0	EA	CAPSCREW	
011.0	51377349	24.0	EA	WASHER,DISC LOCK,3/4	
012.0	96703665	12.0	EA	NUT,HEX/16M4JB12M3HR	

58002411 ROD-SWING,GRIPPER ASM



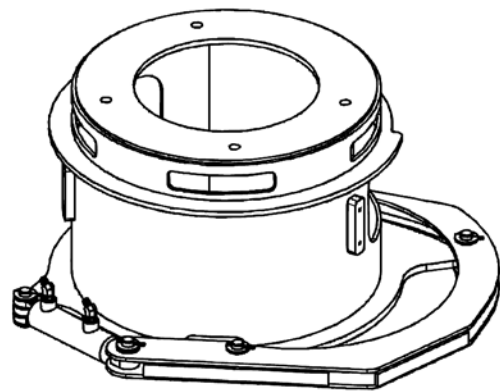
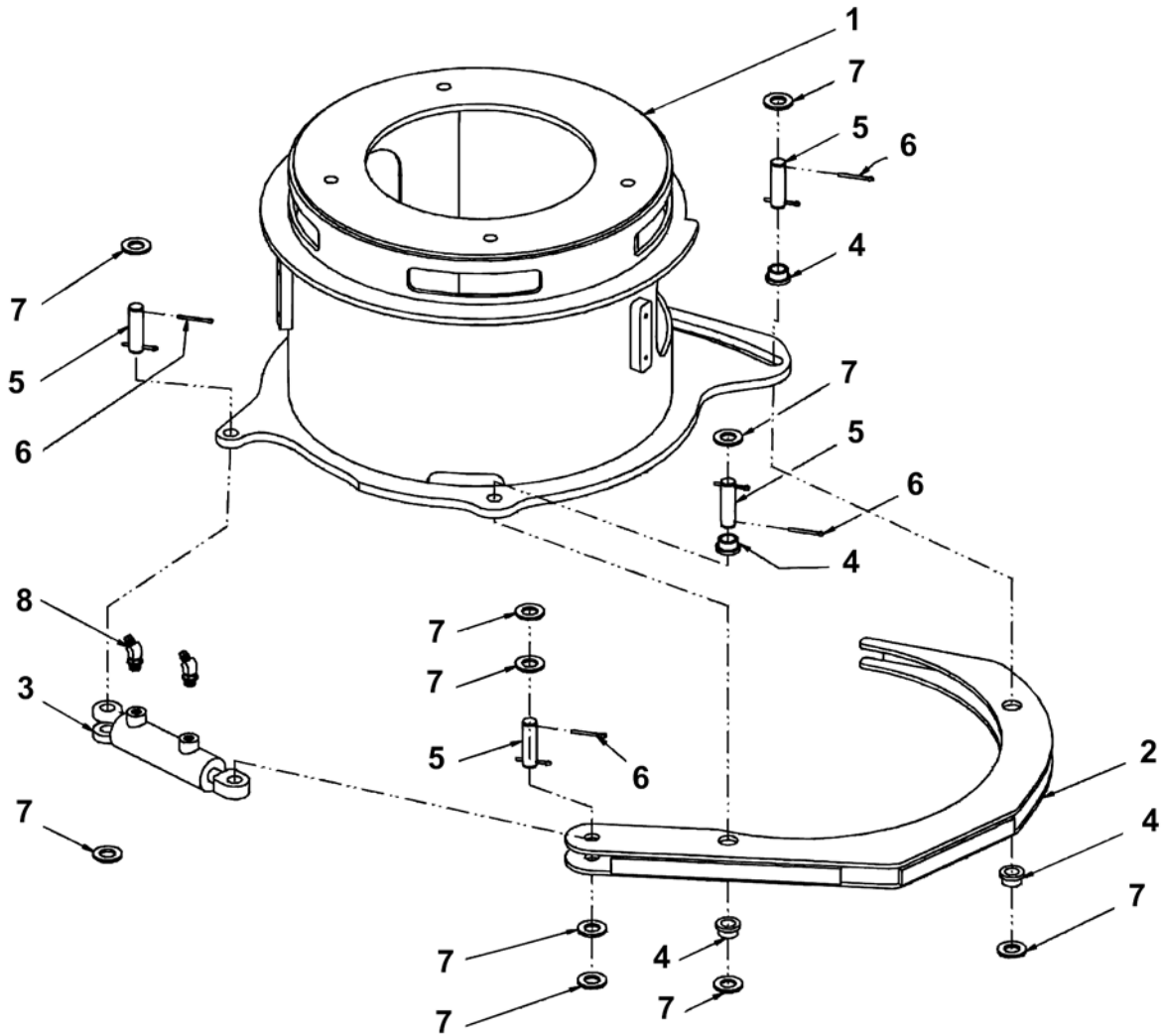
D2658002411 REV 000

BOM 58002411

58002411 ROD-SWING,GRIPPER ASM

REF.	PART NO.	QTY	UNIT	DESCRIPTION	NOTES
001.0	58002429	1.0	EA	ROD-SWING,MID WELDMENT	
002.0	57935686	2.0	EA	CYL,ROD CHANGE/SWING	
-	58002007	1.0	EA	- KIT,SEAL ARC CYLINDER	
003.0	51788537	4.0	EA	PIN	
004.0	51788511	4.0	EA	LINKAGE,GRIPPER	
-	52117082	1.0	EA	- SLUG/15F1-1/2X3X6	
005.0	51788552	8.0	EA	BUSHING	
006.0	51910875	12.0	EA	BUSHING	
007.0	51788545	4.0	EA	PIN	
008.0	58027756	2.0	EA	COVER,GRIPPER PIN	
009.0	58027749	2.0	EA	COVER,GRIPPER PIN	
010.0	51909364	8.0	EA	RING,RETAINING,SPRIOLOK	
011.0	96700836	12.0	EA	WASHER/12M5L26	
012.0	96714738	12.0	EA	SCREW	
013.0	51788636	2.0	EA	PIN	
014.0	95002705	4.0	EA	PIN,COTTER	
015.0	95147674	4.0	EA	ADAPTER	
016.0	51916096	4.0	EA	ADAPTER,LONG STRAIGHT	

57928145 RETAINER, TOP CAROUSEL



ISO VIEW

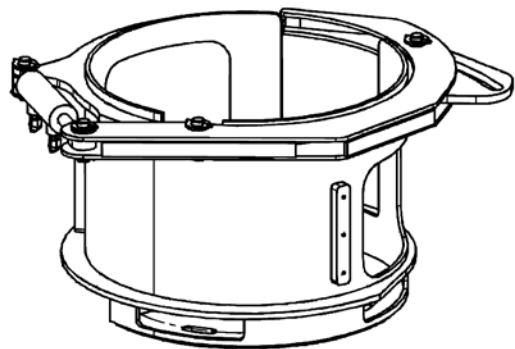
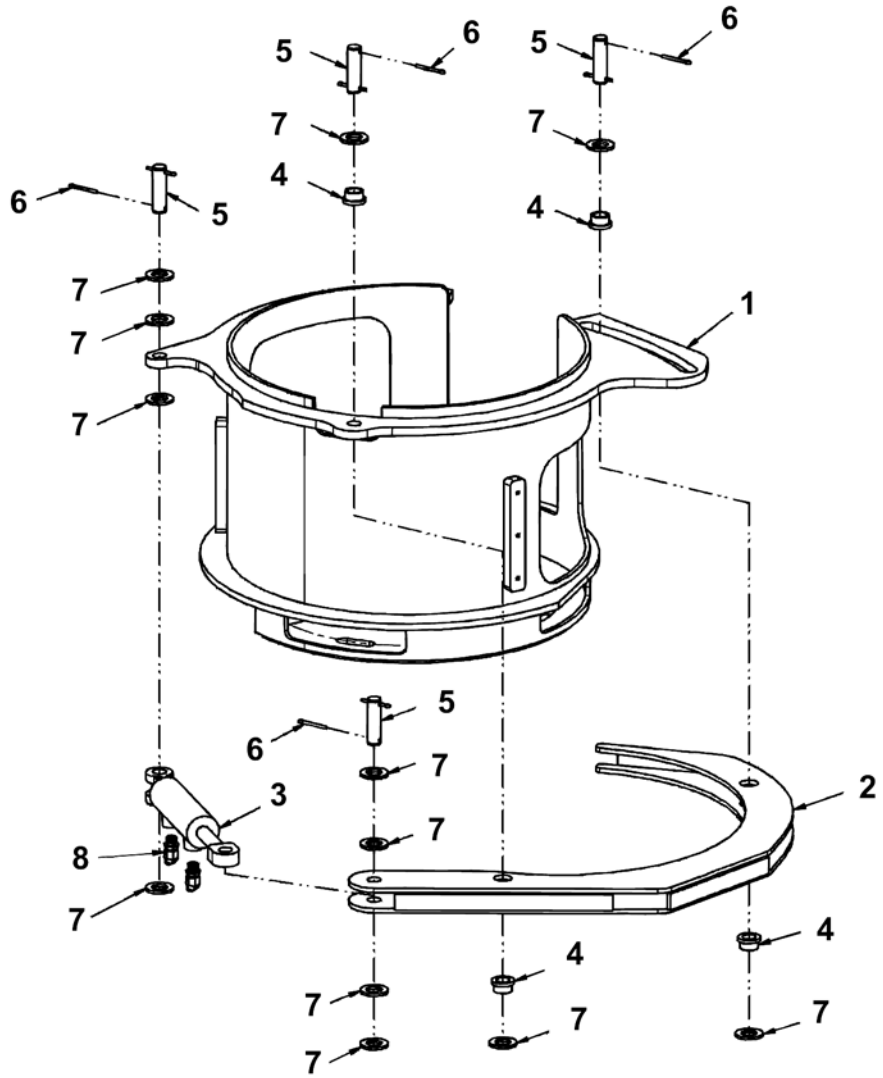
D2657928145 REV 001

BOM 57928145

57928145 RETAINER, TOP CAROUSEL

REF.	PART NO.	QTY	UNIT	DESCRIPTION	NOTES
001.0	57928152	1.0	EA	CAROUSEL,RETAIN TOP WELD	
002.0	57928160	1.0	EA	GATE,CAROUSEL RETAINER	
003.0	57935801	1.0	EA	CYL,CAR GATE 785/765	
-	58002130	1.0	EA	- KIT,SEAL GATE CYL	
004.0	57928178	4.0	EA	BUSHING,3/4" FLANGED	
005.0	57928194	4.0	EA	PIN,CAROUSEL GATE	
006.0	95002705	8.0	EA	PIN,COTTER	
007.0	96702576	12.0	EA	WASHER/12M5L30	
008.0	50700814	2.0	EA	ADAPTER	

57935843 RETAINER, BOTTOM 5M



ISO VIEW

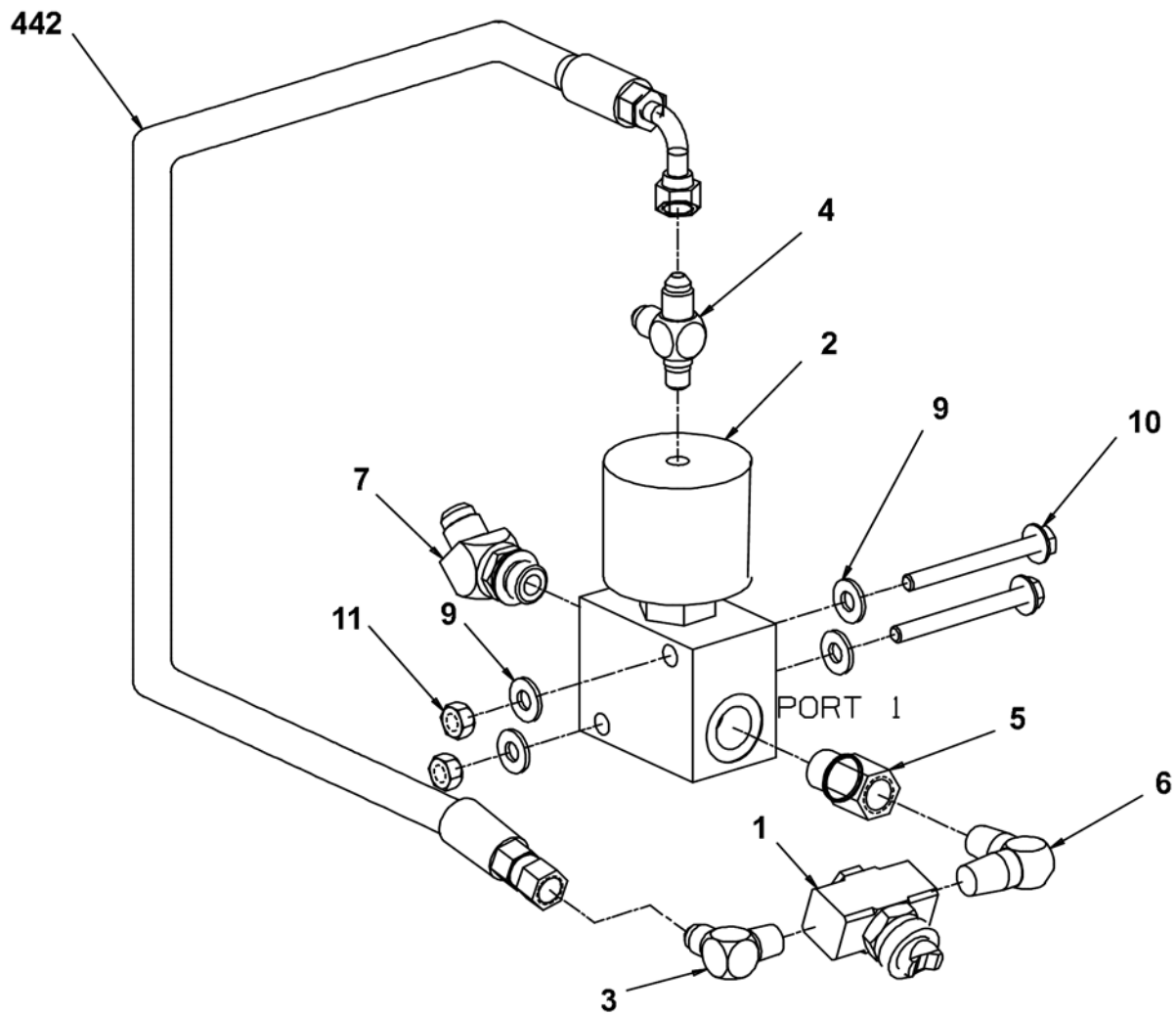
D2657935843 REV 001

BOM 57935843

57935843 RETAINER, BOTTOM 5M

REF.	PART NO.	QTY	UNIT	DESCRIPTION	NOTES
001.0	57935850	1.0	EA	CAGE,CAROUSEL LOWER	
002.0	57928160	1.0	EA	GATE,CAROUSEL RETAINER	
003.0	57935801	1.0	EA	CYL,CAR GATE 785/765	
-	58002130	1.0	EA	- KIT,SEAL GATE CYL	
004.0	57928178	4.0	EA	BUSHING,3/4" FLANGED	
005.0	57928194	4.0	EA	PIN,CAROUSEL GATE	
006.0	95002705	8.0	EA	PIN,COTTER	
007.0	96702576	12.0	EA	WASHER/12M5L30	
008.0	50700814	2.0	EA	ADAPTER	

51909398 VALVE,GREASER,ASSY

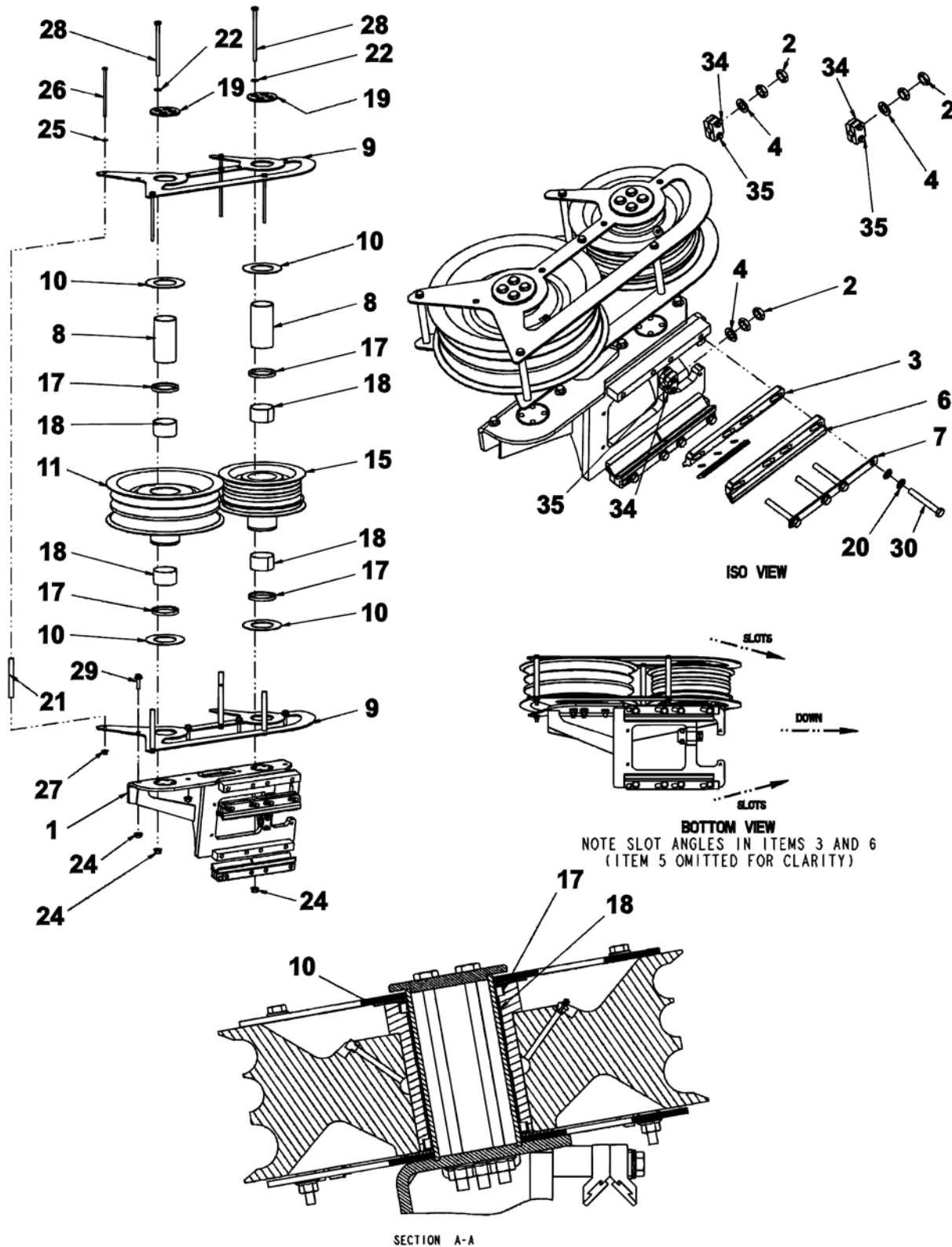


BOM 51909398

51909398 VALVE,GREASER,ASSY

REF.	PART NO.	QTY	UNIT	DESCRIPTION	NOTES
001.0	51619088	1.0	EA	NOZZLE,SPRAY	
-	51948529	1.0	EA	- AIR CAP,NOZZLE	
-	51948537	1.0	EA	- RETAINING RING,NOZZLE	
002.1	52130044	1.0	EA	VALVE,PILOT OPERATED	
003.0	95293403	1.0	EA	ELBOW,90 DEG MALE	
004.0	95002598	1.0	EA	TEE	
005.0	95655064	1.0	EA	ADAPTER,FEMALE,STRT THRD	
006.0	95364469	1.0	EA	FITTING,HYD	
007.0	95003273	1.0	EA	ELBOW 561A10C060A	
009.0	96701289	4.0	EA	WASHER	
010.0	96714555	2.0	EA	CAPSCREW/35M2AA318M3HR	
011.1	96703640	2.0	EA	NUT,HEX/16M4JB7M3HR	
442.0	51916005	0.0	EA	HOSE ASSY	

57881625 HOSE, REEL, ASSY 5M GUIDE



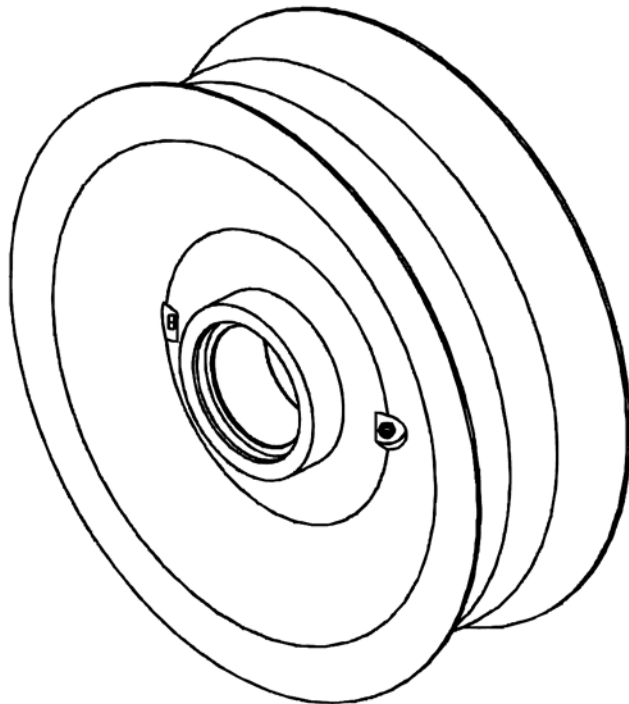
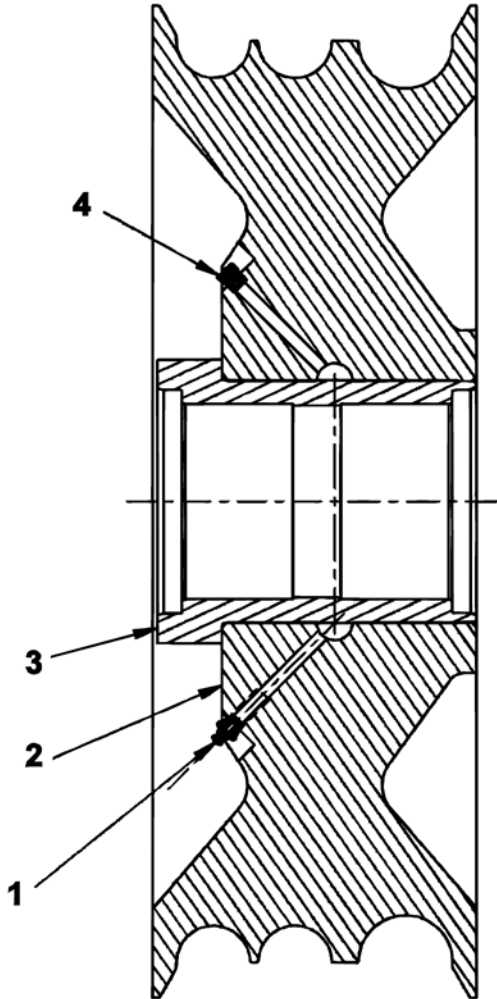
D2657881625 REV 002

BOM 57881625

57881625 HOSE,REEL,ASSY 5M GUIDE

REF.	PART NO.	QTY	UNIT	DESCRIPTION	NOTES
001.0	57881633	1.0	EA	HOSE REEL MOUNT,WLDMT	
002.0	96703681	6.0	EA	NUT,HEX/16M4JB13M3HR	
003.0	57872764	2.0	EA	WEAR-PAD,ASSEMBLY LEFT	
-	3128078438	1.0	EA	- HOLDER,RIGHT	
-	57873226	2.0	EA	- WEAR-PAD,SLIDE 200MM BLK	
-	57872798	6.0	EA	- KEY,4MM	
004.0	57753204	3.0	EA	WASHER	
006.0	57872806	2.0	EA	WEAR-PAD,ASSEMBLY RIGHT	
-	3128078439	1.0	EA	- HOLDER LEFT	
-	57873226	2.0	EA	- WEAR-PAD,SLIDE 200MM BLK	
-	57872798	6.0	EA	- KEY,4MM	
007.0	57868887	2.0	EA	WASHER,PLATE ADJUST PADS	
008.0	57881690	2.0	EA	PIPE,100MM OD REEL SHAFT	
009.0	57794232	2.0	EA	RETAINER,HOSE REEL	
010.0	3128048500	4.0	EA	WASHER,THRUST	
011.0	57881641	1.0	EA	HOSE REEL ASM,21"	See Page 216
015.0	57881666	1.0	EA	HOSE REEL ASM,15"	
-	57881682	1.0	EA	- SHAFT,HOSE REEL 105 ID	
-	57881674	1.0	EA	- SHEAVE,15"HOSE REEL	
-	95201547	1.0	EA	- FITTING,LUBE	
-	95305512	1.0	EA	- BREATHER	
017.0	57917189	4.0	EA	SEAL,LIP 100MM ID	
018.0	57872459	4.0	EA	BUSHING,100ID X 60MM	
019.0	57873234	2.0	EA	RETAINER,HOSE REEL SHAFT	
020.0	51377356	16.0	EA	WASHER,DISCLOCK 5/8 OR	
021.0	57641276	5.0	EA	SPACER,HOSE REEL	
022.0	96701438	8.0	EA	WASHER,PLAIN M16	
024.0	96727748	12.0	EA	NUT,FLANGE	
025.0	96702535	5.0	EA	WASHER/10M5LC15AM4HR	
026.0	56740567	5.0	EA	SCREW,CAP	
027.0	96726815	5.0	EA	NUT	
028.0	96721683	8.0	EA	BOLT,HEX HEAD, COARSE	
029.0	96727391	4.0	EA	CAPSCREW,HEX,FLANGED	
030.0	96722293	8.0	EA	SCREW,CAP	
031.0	57901191	1.0	EA	CABLE,16MM DIA X 4610MM	
034.0	57874570	3.0	EA	PLATE	
035.0	96726708	6.0	EA	BOLT	

57881641 HOSE REEL ASM,21"

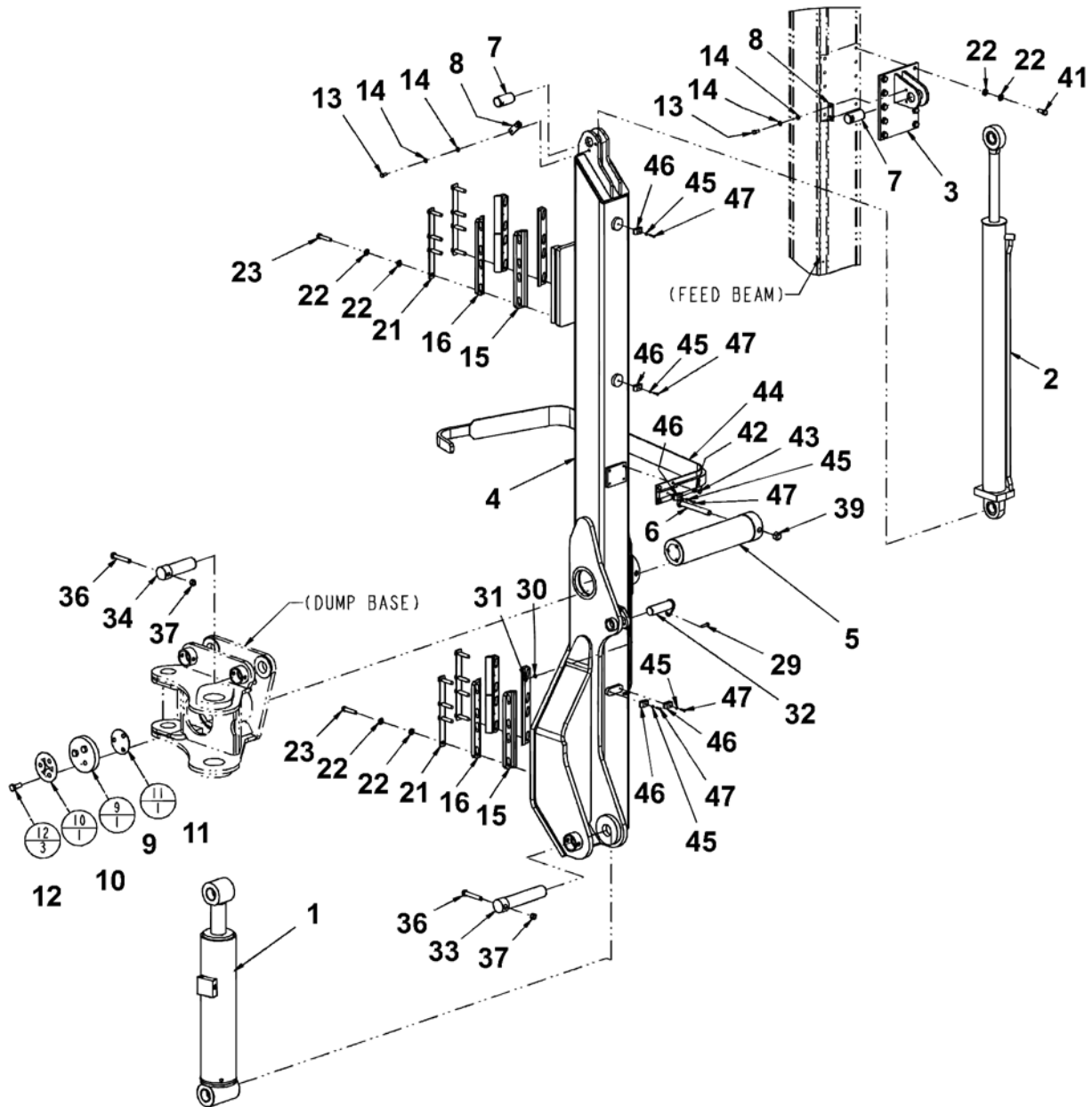


BOM 57881641

57881641 HOSE REEL ASM,21"

REF.	PART NO.	QTY	UNIT	DESCRIPTION	NOTES
001.0	95201547	1.0	EA	FITTING,LUBE	
002.0	57881658	1.0	EA	SHEAVE,21"HOSE REEL	
003.0	57881682	1.0	EA	SHAFT,HOSE REEL 105 ID	
004.0	95305512	1.0	EA	BREATHER	

57794489 FEED, TABLE, ASSY 5M



D2657794489 REV 002

BOM 57794489

57794489 FEED, TABLE, ASSY 5M

REF.	PART NO.	QTY	UNIT	DESCRIPTION	NOTES
001.0	57935413	1.0	EA	CYL, FEED SWING CM-700D	See Page 222
002.0	57935744	1.0	EA	CYL, FEED EXT. 785/765	See Page 224
003.0	58001298	1.0	EA	WELDMENT, EXT CYL BRACKET	
004.0	57794497	1.0	EA	FEED TABLE WELDMENT	
005.0	57882094	1.0	EA	PIN, FEED SWING	
006.0	96727110	1.0	EA	CAPSCREW/35M2AA631M3HR	
007.0	57872814	2.0	EA	PIN, 1.6(50MM) X 3.94	
008.0	57872822	2.0	EA	PIN TAB 1.18 X 3.54	
009.0	57882363	1.0	EA	PLATE, THRUST 7.25OD	
010.0	57882383	1.0	EA	WASHER, LOCK SWING PIN	
011.0	51610749	1.0	EA	SHIM PACK	
012.0	96703343	3.0	EA	CAPSCREW/34M2AA566	
013.0	96701495	4.0	EA	CAPSCREW/34M2AB461M3	
014.0	51377380	8.0	ST	WASHER, DISCLOCK 7/16	
015.0	57872764	4.0	EA	WEAR-PAD, ASSEMBLY LEFT	
-	3128078438	1.0	EA	- HOLDER, RIGHT	
-	57873226	2.0	EA	- WEAR-PAD, SLIDE 200MM BLK	
-	57872798	6.0	EA	- KEY, 4MM	
016.0	57872806	4.0	EA	WEAR-PAD, ASSEMBLY RIGHT	
-	3128078439	1.0	EA	- HOLDER LEFT	
-	57873226	2.0	EA	- WEAR-PAD, SLIDE 200MM BLK	
-	57872798	6.0	EA	- KEY, 4MM	
021.0	57868887	4.0	EA	WASHER, PLATE ADJUST PADS	
022.0	51377356	32.0	EA	WASHER, DISCLOCK 5/8 OR	
022.1	51377356	20.0	EA	WASHER, DISCLOCK 5/8 OR	
023.0	96718796	16.0	EA	BOLT, HEX HEAD M16 X 80	
029.0	96714746	1.0	EA	SCREW/35M2AA414M3HR	
030.0	96712096	1.0	EA	LOCKWASHER/14M5EA12M4HRT	
031.0	96701990	1.0	EA	NUT, HEX/16M4JB9M3HR	
032.0	57935439	1.0	EA	PIN, LOCK	
033.0	57882169	1.0	EA	PIN, 2 3/8 DIA(60MM) X 10	
034.0	57882367	1.0	EA	PIN, 2 3/8 DIA(60MM) X 7	
035.0	57873408	4.0	EA	BUSHING, 60IDX65ODX40L	
036.0	96727102	2.0	EA	CAPSCREW/35M2AA1118M3HR	
037.0	96704275	2.0	EA	NUT, HEXAGON/16M4JB11AM3HR	
039.0	96727235	1.0	EA	NUT, HEX	
041.0	96714936	10.0	EA	SCREW/34M2AA513M3HR	
042.0	96700836	4.0	EA	WASHER/12M5L26	
043.0	96712146	4.0	EA	CAPSCREW/34M2AA410M3HR	
044.0	58002627	1.0	EA	GUARD, DRILL ROD	
045.0	96701289	5.0	EA	WASHER	

BOM 57794489

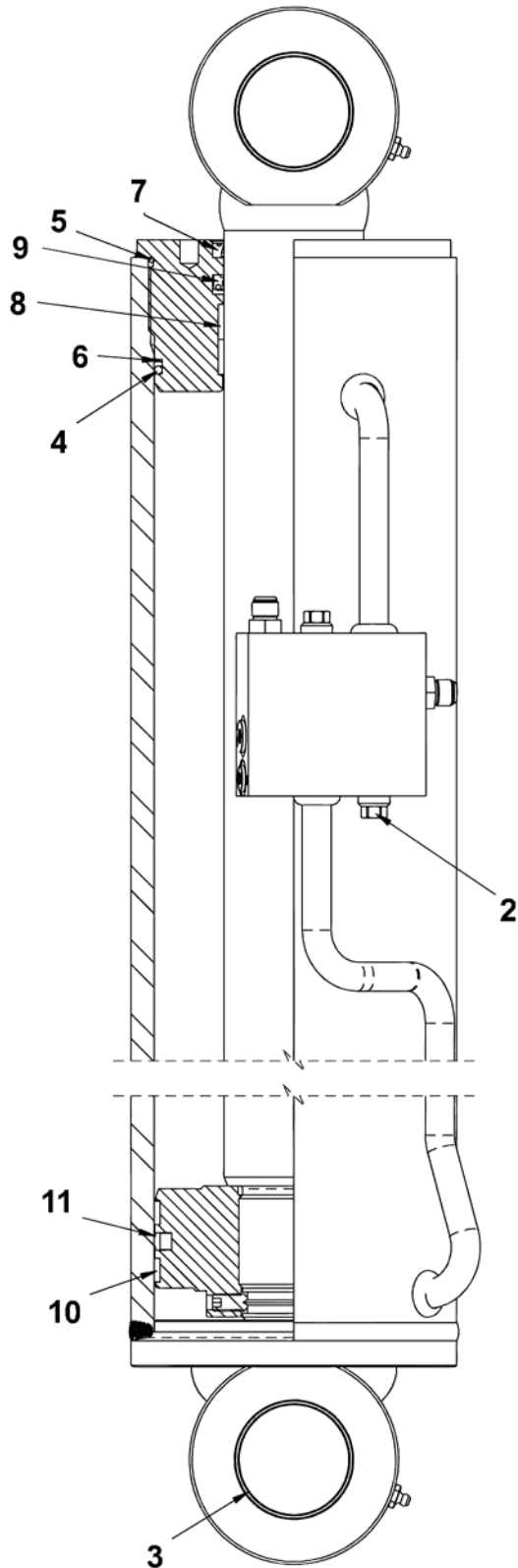
57794489 FEED, TABLE, ASSY 5M

REF.	PART NO.	QTY	UNIT	DESCRIPTION	NOTES
046.0	50034826	10.0	EA	CLAMP, HOSE, HALF	
047.0	96701461	5.0	EA	SCREW, HEXHEAD	

BOM 57794489

57794489 FEED, TABLE, ASSY 5M

57935413 CYL,FEED SWING CM-700D



Seal kit contains the following items

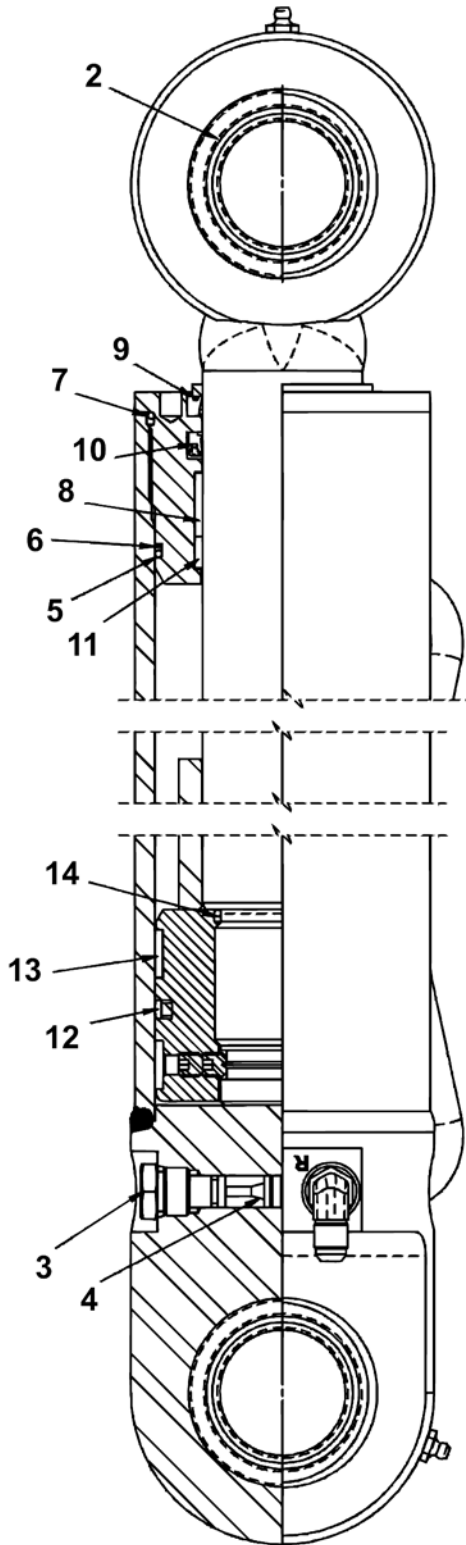
#	DESCRIPTION	QTY.
4	O-ring	1
5	Moisture excluder, o-ring	1
6	Back-up	1
7	Can wiper	1
8	Wear ring	2
9	Rod Seal	1
10	Wear ring	2
11	Piston seal	1

BOM 57935413

57935413 CYL,FEED SWING CM-700D

REF.	PART NO.	QTY	UNIT	DESCRIPTION	NOTES
001.0	58002122	1.0	EA	KIT,SEAL FEED SWING CYL	
002.0	57914285	2.0	EA	VALVE,COUNTERBALANCE	
003.0	57873408	4.0	EA	BUSHING,60IDX65ODX40L	

57935744 CYL,FEED EXT. 785/765



Seal kit includes the following items

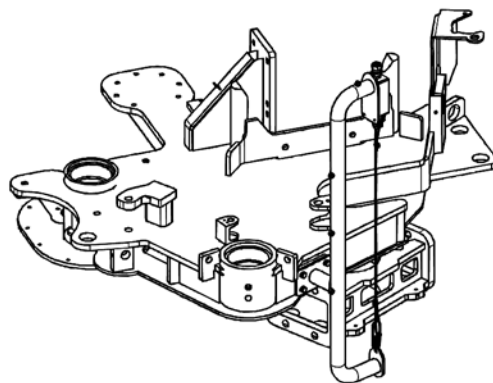
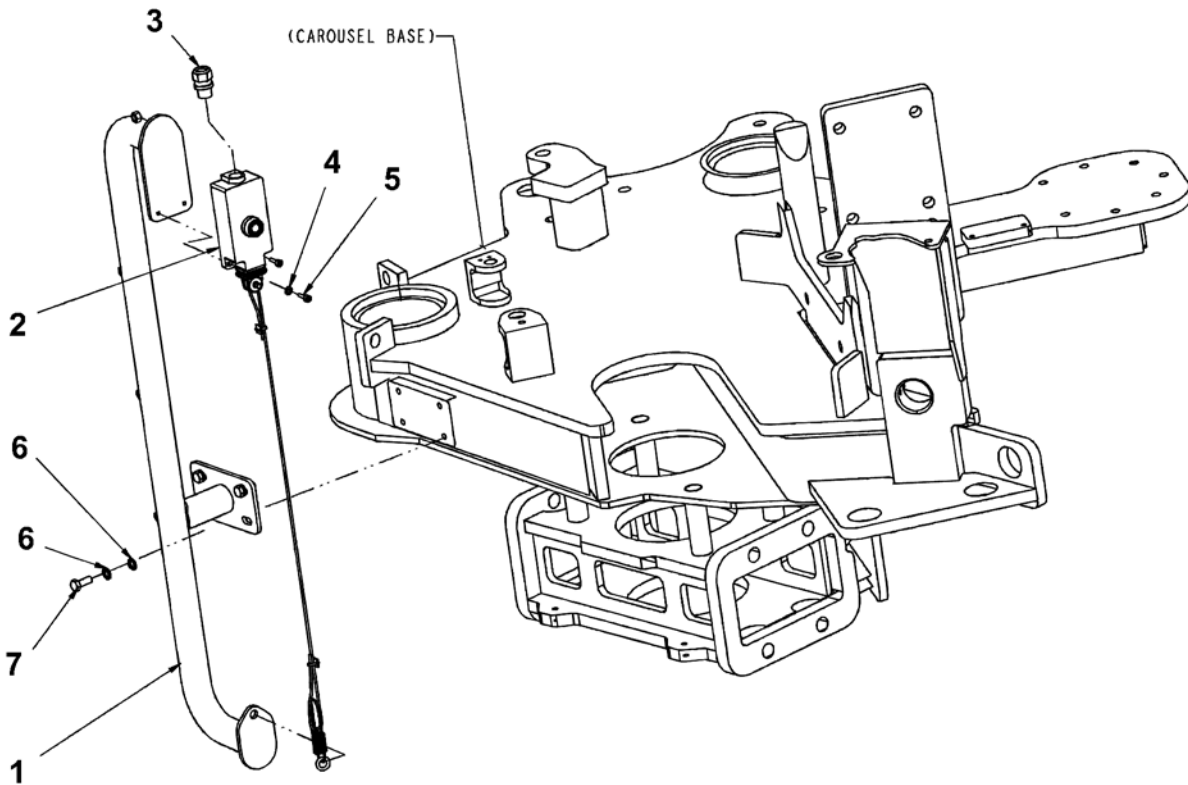
#	DESCRIPTION	QTY.
5	O-ring	1
6	Back-up	1
7	Moisture excluder O-ring	1
8	Wear ring	1
9	Can wiper	1
10	Rod Seal	1
11	Wear ring	1
12	Piston seal	1
13	Wear ring	2
14	O-ring	1

BOM 57935744

57935744 CYL,FEED EXT. 785/765

REF.	PART NO.	QTY	UNIT	DESCRIPTION	NOTES
001.0	58002098	1.0	EA	KIT,SEAL FEED EXT CYL	
002.0	58002106	2.0	EA	BEARING,SPHER CYL ROD	
003.0	58002148	2.0	EA	VALVE,CARTRIDGE	
004.0	58002155	1.0	EA	VALVE,SHUTTLE	

57882078 SAFETY,TRIP-WIRE ASSY



ISO VIEW

BOM 57882078

57882078 SAFETY,TRIP-WIRE ASSY

REF.	PART NO.	QTY	UNIT	DESCRIPTION	NOTES
001.0	57911190	1.0	EA	BRACKET,E-STOP TRIP WIRE	
002.0	86415650	1.0	EA	SWITCH,SAFETY TRIP WIRE	
-	57662868	1.0	EA	- SPRING,SAFETY	
003.0	51874691	1.0	EA	CONNECTOR	
004.0	96701289	2.0	EA	WASHER	
005.0	96703012	2.0	EA	CAPSCREW/119M2AB190	
006.0	51377398	8.0	EA	WASHER,DISCLOCK 3/8	
007.0	96702774	4.0	EA	SCREW,HEX/34M2AA411M3HR	

57882052 FEED,ELECTRICAL GROUP



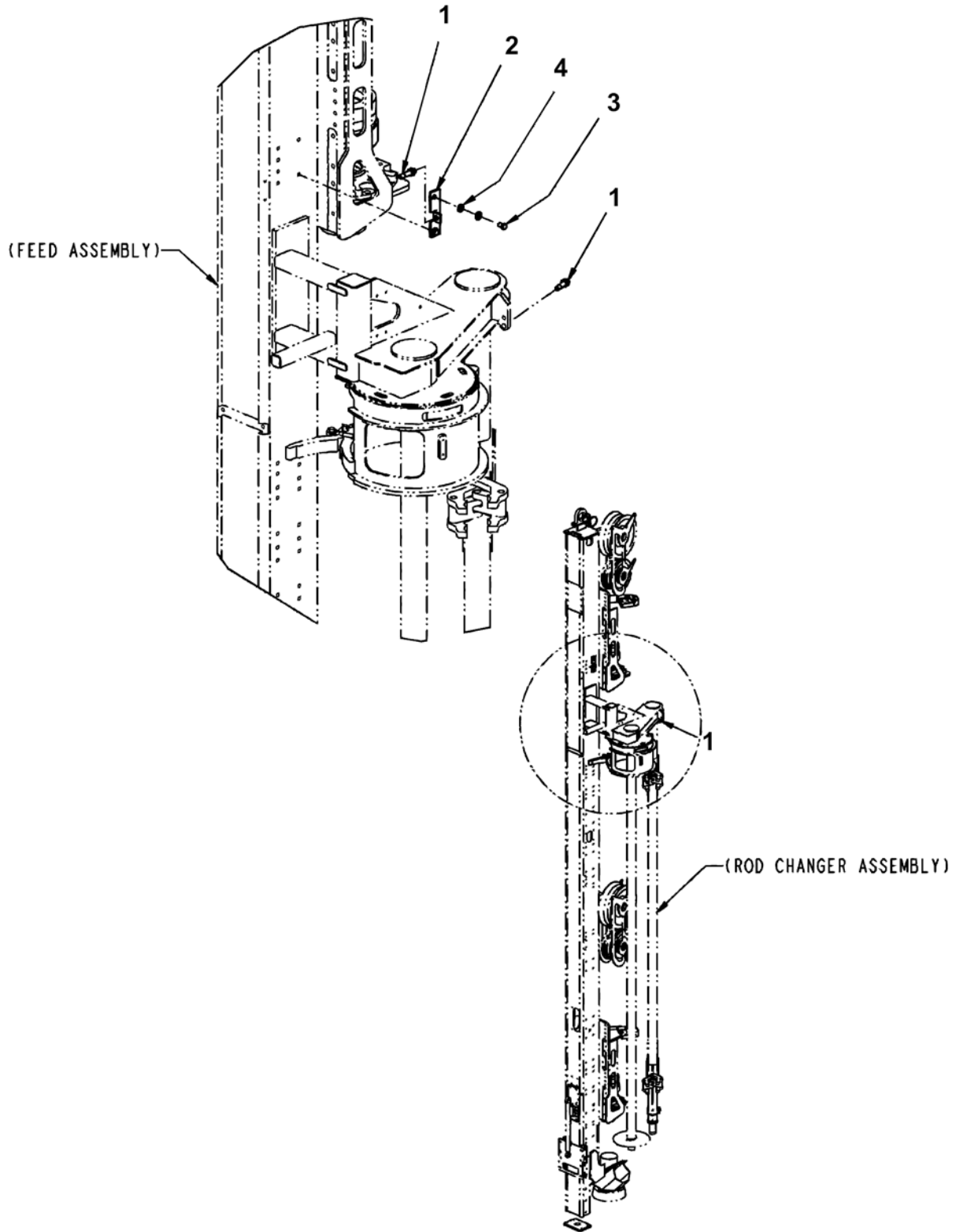
BOM 57882052

57882052 FEED,ELECTRICAL GROUP

REF.	PART NO.	QTY	UNIT	DESCRIPTION	NOTES
001.0	57868572	1.0	EA	HARNESS,SET,FEED WIRING	
-	57914350	1.0	EA	- HARNESS,SWAP WIRE SWITCH	
-	57914368	1.0	EA	- HARNESS,FEED STOP PRO	
-	57914376	1.0	EA	- HARNESS,ARM RETRACT	
-	57914384	1.0	EA	- HARNESS,CAROUSEL INDEX	
002.0	57678088	3.0	EA	CONNECTOR,3 PIN	
003.0	59436840	9.0	EA	PIN,SIZE 16	
004.0	57678096	3.0	EA	WEDGE,3 PIN	
005.0	57868556	1.0	EA	FEED,WIRING ASM	
006.0	57868549	1.0	EA	HARNESS,ROD CHANGE WIRE	
007.0	57868564	1.0	EA	HARNESS,AUX CONTROL VLVE	
008.0	57927550	1.0	EA	PROX SWITCH	
009.0	57761918	1.0	EA	SWITCH,PRESSURE	

See Page 230

57927550 PROX SWITCH

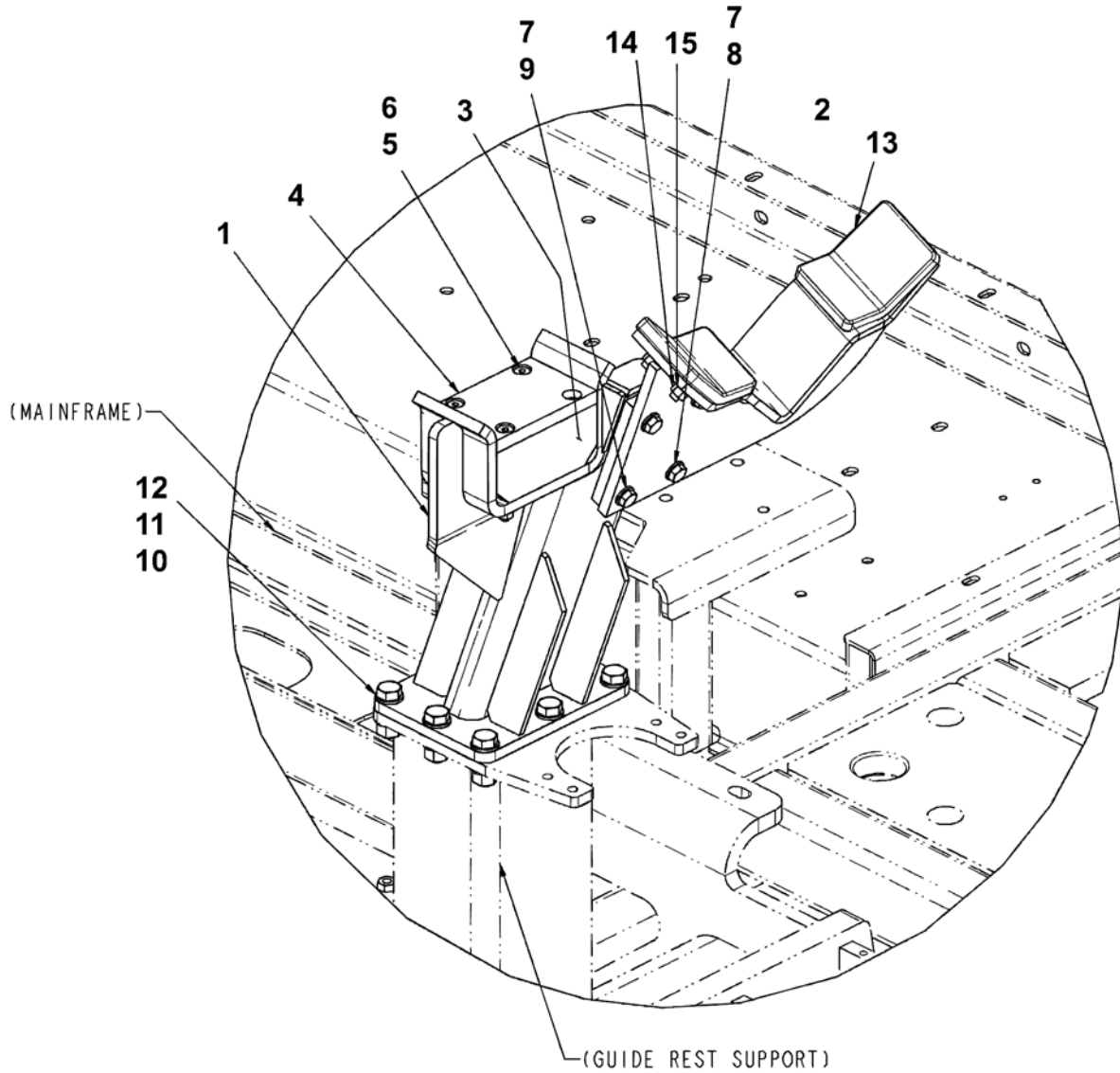


BOM 57927550

57927550 PROX SWITCH

REF.	PART NO.	QTY	UNIT	DESCRIPTION	NOTES
001.0	51780575	2.0	EA	SENSOR,OIL TIGHT PROXMTY	
002.0	57911083	1.0	EA	BRACKET,MOUNTING	
003.0	96703426	2.0	EA	CAPSCREW/35M2AA511	
004.0	51377356	2.0	EA	WASHER,DISCLOCK 5/8 OR	

57882219 FEED-REST, INSTALLATION

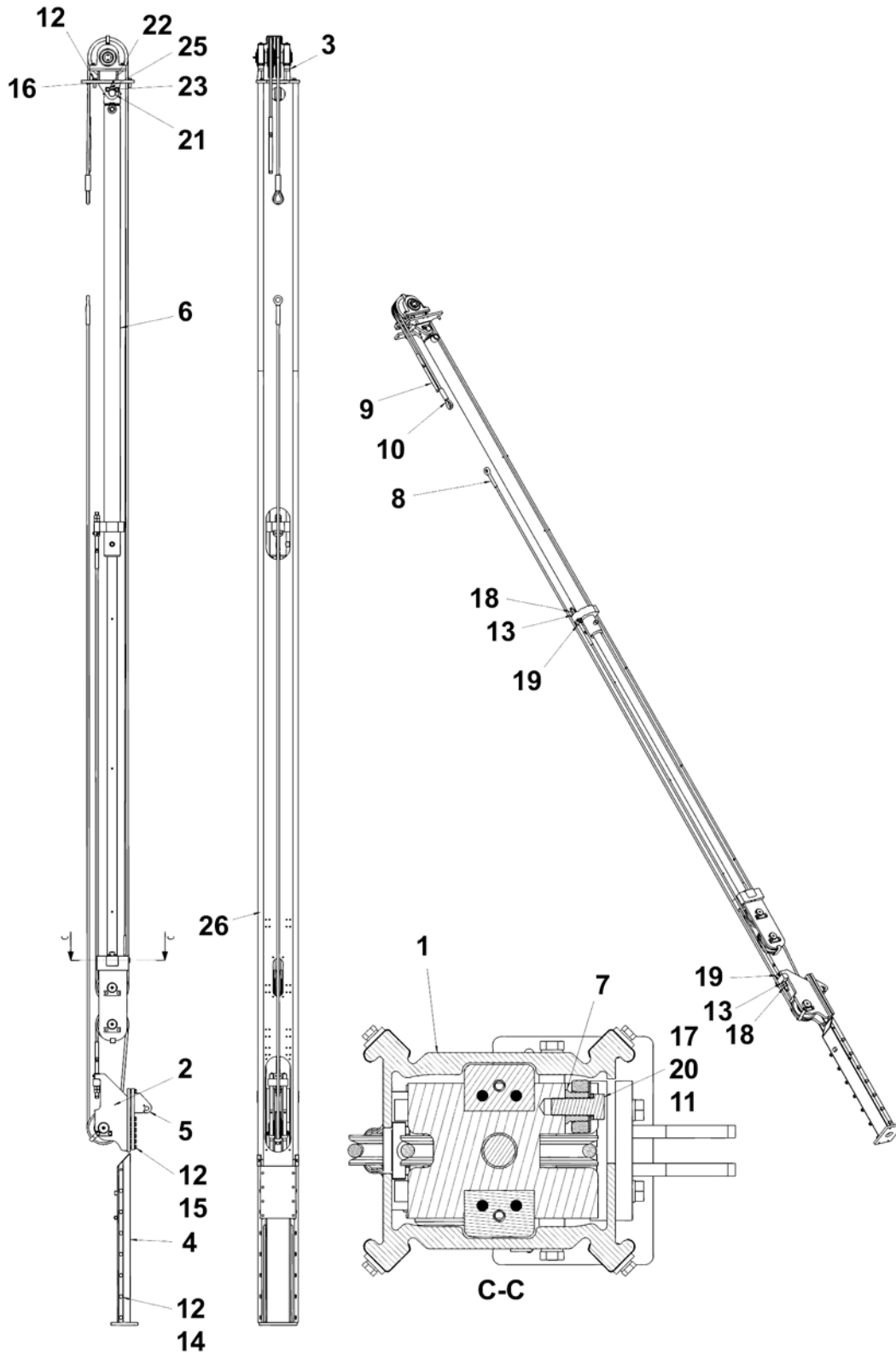


BOM 57882219

57882219 FEED-REST, INSTALLATION

REF.	PART NO.	QTY	UNIT	DESCRIPTION	NOTES
001.0	57882227	1.0	EA	FEED-REST,WELDMENT	
002.0	58002189	1.0	EA	SUPPORT,FEED REST	
003.0	52091352	1.0	EA	PAD,HEADREST	
004.0	52091360	1.0	EA	PLATE,HEADREST	
005.0	95957544	3.0	EA	SCREW,SHOULDER	
006.0	96726807	3.0	EA	NUT/84M4JD7M3	
007.0	96702535	4.0	EA	WASHER/10M5LC15AM4HR	
008.0	96714860	2.0	EA	SCREW	
009.0	96702444	2.0	EA	CAPSCREW/34M2AB464M3	
010.0	96701438	14.0	EA	WASHER,PLAIN M16	
011.0	96700216	7.0	EA	SCREW,HEX HEAD	
012.0	96703657	7.0	EA	NUT,HEX/16M4JB11M3HR	
013.0	58002262	2.0	EA	PAD,FEED REST 785	
014.0	96735550	4.0	EA	NUT,HEX,STYLE 1	
015.0	96701982	4.0	EA	WASHER/10M5LC14AM4HR	

3222323650 FEED, BASE ASSY 5M



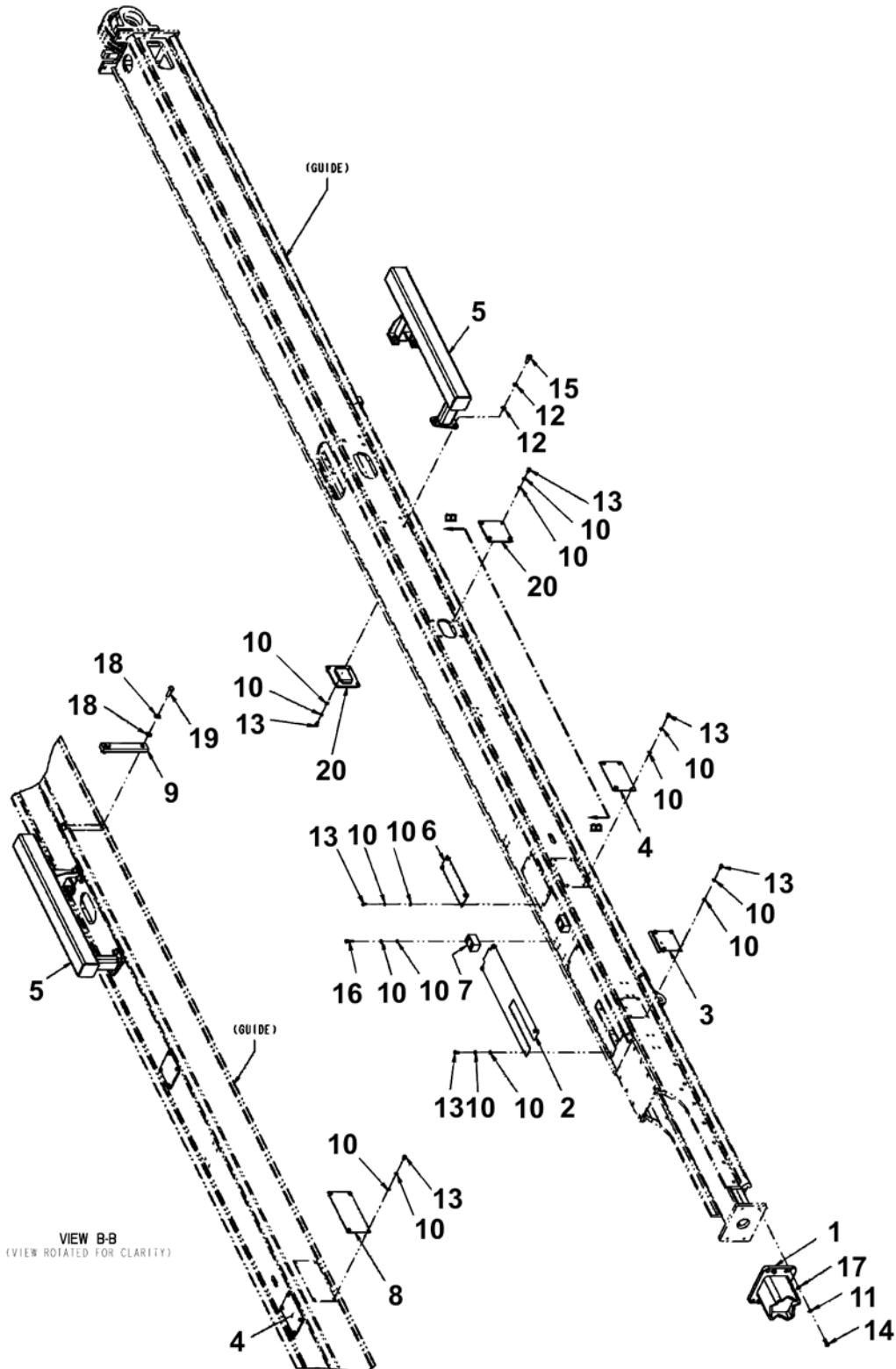
S3222323650 REV 005

BOM 3222323650

3222323650 FEED, BASE ASSY 5M

REF.	PART NO.	QTY	UNIT	DESCRIPTION	NOTES
001.0	3222323288	1.0	EA	BEAM,FEED	
002.0	3222320770	1.0	EA	HOLDER, SET	
003.0	3222320805	1.0	EA	HOLDER,SET	
004.0	3222320837	1.0	EA	FOOT,BEAM	
005.0	3222320849	1.0	EA	PLATE,ATTACHM	
006.0	3222323287	1.0	EA	CYLINDER, COMPL	
-	3222326372	1.0	EA	- KIT,CYL SEALS FEED CYL	
007.0	3222323441	1.0	EA	PIPE	
008.0	3222323656	1.0	EA	ROPE	
009.0	3222323658	1.0	EA	ROPE	
010.0	3222323657	1.0	EA	ROPE	
014.0	96706262	14.0	EA	BOLT	
016.0	96719836	4.0	EA	SCREW,CAP	
017.0	96704481	1.0	EA	CAPSCREW/34M2AB566M3	
018.0	0266211800	2.0	EA	NUT HEX	
019.0	3222325268	6.0	EA	RING,SPACER	
021.0	3222324685	1.0	EA	SHAFT	
022.0	3215512800	1.0	EA	PIN TAB 1.18 X 3.54	
025.0	96702329	2.0	EA	CAPSCREW,HEX HEAD	

57901167 GUIDE ATTACHMENT 5M



D2657901167 REV 001

BOM 57901167

57901167 GUIDE ATTACHMENT 5M

REF.	PART NO.	QTY	UNIT	DESCRIPTION	NOTES
001.0	57901175	1.0	EA	FOOT,WELDMENT 5M FEED	
002.0	57872400	1.0	EA	COVER, 7.4 X 27.6	
003.0	57872376	1.0	EA	COVER, 5.9 X 5.7	
004.0	57872392	1.0	EA	COVER, 5.5 X 8.6	
005.0	57927428	1.0	EA	REST,FEED SUPPORT BAR	
006.0	57872384	1.0	EA	COVER, 3.5 X 12.2	
007.0	57872426	2.0	EA	STOP,BLOCK 2 X 3.14	
008.0	57872418	1.0	EA	COVER, 5.6 X 12.2	
009.0	57927618	1.0	EA	STOP WEARSTRIP 5METER	
010.0	51377398	72.0	EA	WASHER,DISCLOCK 3/8	
011.0	96720834	4.0	EA	WASHER, SPRING LOCK	
012.0	57927717	12.0	EA	NORD-LOCK WASHER, N16	
013.0	96745971	28.0	EA	SCREW,HEX HEAD	
014.0	96702329	4.0	EA	CAPSCREW,HEX HEAD	
015.0	96708383	6.0	EA	CAPSCREW,M16X2X30SOCH.	
016.0	96711932	8.0	EA	SCREW	
017.0	96700844	4.0	EA	WASHER/12M5L27	
018.0	51377356	4.0	EA	WASHER,DISCLOCK 5/8 OR	
019.0	96703962	2.0	EA	CAPSCREW/34M2AB516M3	
020.0	58009929	2.0	EA	COVER 5M FEED	

57881567 ROT-HEAD, GROUP, 4" 780



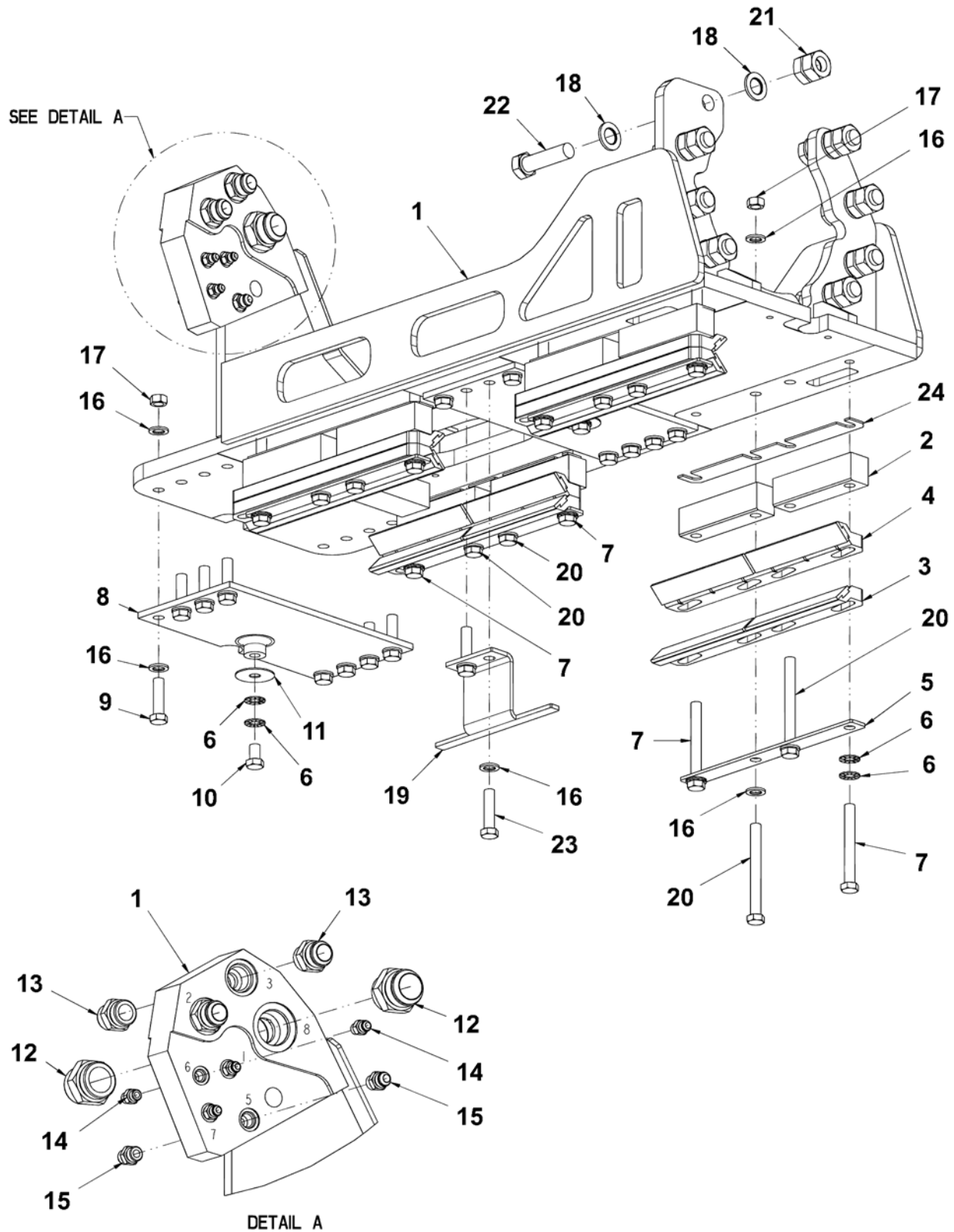
LIST REV 000

BOM 57881567

57881567 ROT-HEAD,GROUP,4" 780

REF.	PART NO.	QTY	UNIT	DESCRIPTION	NOTES
001.0	57881708	1.0	EA	ROTARYHEAD,MOUNTING ASSY	See Page 240
002.0	57677197	1.0	EA	ROTARYHEAD,ASSM, 4" ROD	See Page 242
003.0	58002668	1.0	EA	KIT,4" STEEL 785/765	See Page 250
004.0	57911349	1.0	EA	KIT,TOOL CM780	See Page 252
005.0	57881773	1.0	EA	KIT,GENEVA,7ROD	See Page 254

57881708 ROTARYHEAD, MOUNTING ASSY



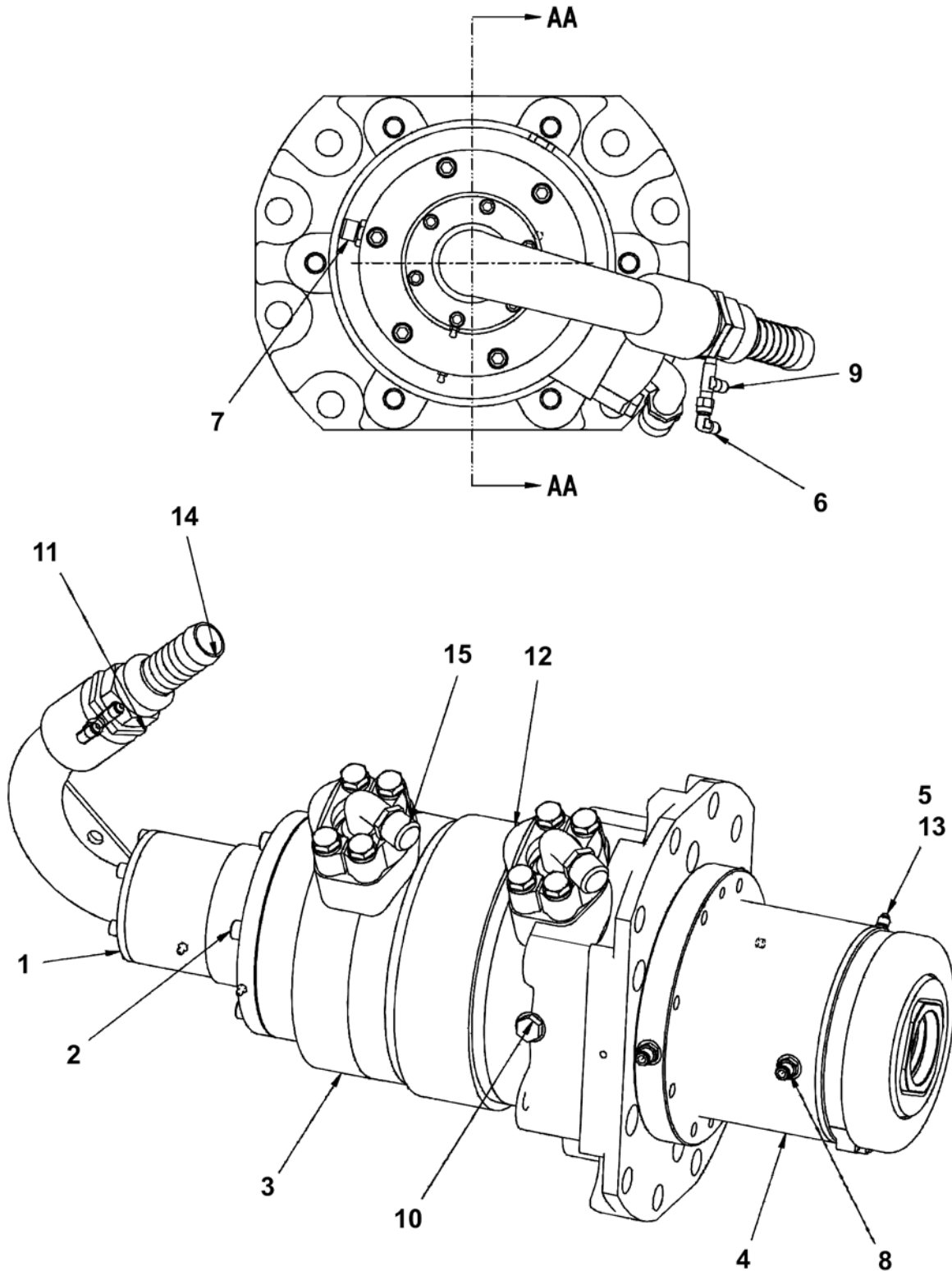
D2657881708 REV 003

BOM 57881708

57881708 ROTARYHEAD,MOUNTING ASSY

REF.	PART NO.	QTY	UNIT	DESCRIPTION	NOTES
001.0	58009986	1.0	EA	ROT HEAD MTG PLAT DDRH-C	
002.0	57872756	8.0	EA	SPACER,WEAR PADS	
003.0	57872764	4.0	EA	WEAR-PAD,ASSEMBLY LEFT	
-	3128078438	1.0	EA	- HOLDER,RIGHT	
-	57873226	2.0	EA	- WEAR-PAD,SLIDE 200MM BLK	
-	57872798	6.0	EA	- KEY,4MM	
004.0	57872806	4.0	EA	WEAR-PAD,ASSEMBLY RIGHT	
-	3128078439	1.0	EA	- HOLDER LEFT	
-	57873226	2.0	EA	- WEAR-PAD,SLIDE 200MM BLK	
-	57872798	6.0	EA	- KEY,4MM	
005.0	57868887	4.0	EA	WASHER,PLATE ADJUST PADS	
006.0	51377356	20.0	EA	WASHER,DISCLOCK 5/8 OR	
007.0	96735758	8.0	EA	BOLT/35M2AB526M3	
008.0	57928574	2.0	EA	HOLDER,FEED CABLE	
009.0	96742531	14.0	EA	SCREW,HEX HEAD	
010.0	96706239	2.0	EA	BOLT,METRIC	
011.0	57873713	2.0	EA	WASHER,2.36 OD	
012.0	95310116	2.0	EA	ADAPTER,STR JIC/O-RING	
013.0	95329983	4.0	EA	CONNECTOR,STRAIGHT THRD	
014.0	95365078	6.0	EA	CONNECTOR,STRT THRD	
015.0	95303368	2.0	EA	CONNECTOR,STRT THRD	
016.0	96701438	48.0	EA	WASHER,PLAIN M16	
017.0	96727151	12.0	EA	NUT M16	
018.0	57753204	16.0	EA	WASHER	
019.0	58010364	1.0	EA	TARGET,PROX SENSR CM785	
020.0	58027699	8.0	EA	BOLT,M16 35M2AB528M5	
021.0	57714644	8.0	EA	NUT,LOCK	
022.0	96715164	8.0	EA	CAPSCREW	
023.0	96701222	2.0	EA	SCREW,HEX HEAD/35M2AA519	
024.0	58009960	4.0	EA	SHIM PACK HOSE REEL	
025.0	57358145	1.0	EA	CABLE, HOSE RESTRAINT	

57677197 ROTARYHEAD, ASSM, 4" ROD



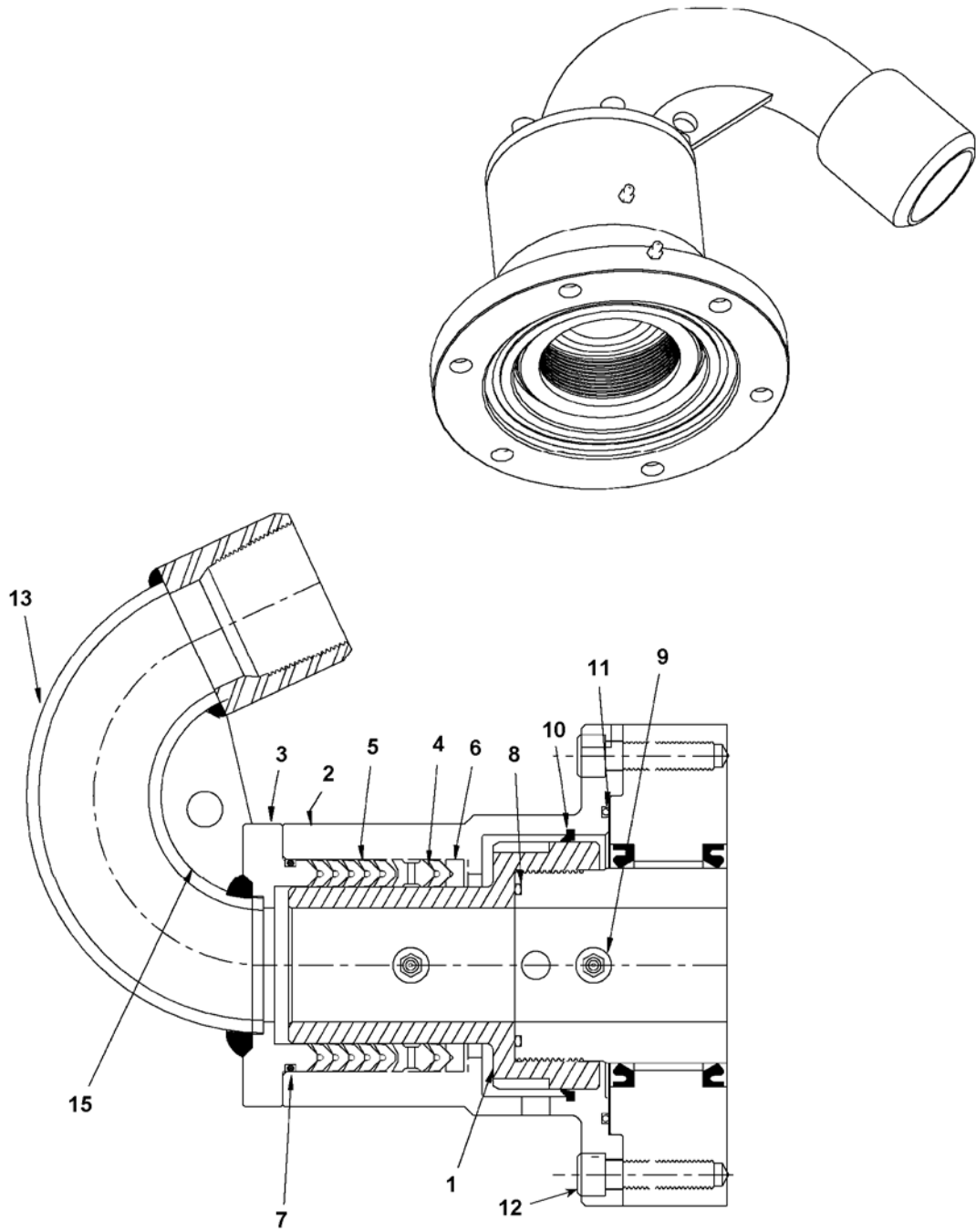
TB2657677197 REV 002

BOM 57677197

57677197 ROTARYHEAD,ASSM, 4" ROD

REF.	PART NO.	QTY	UNIT	DESCRIPTION	NOTES
001.0	57683849	1.0	EA	HEAD,SWIVEL,ROTARY HEAD	See Page 244
002.0	96709241	14.0	EA	CAPSCREW,SOCKET HEAD	
003.0	57804619	1.0	EA	MOTOR,HYDRAULIC DDRH-C	See Page 246
004.0	57677205	1.0	EA	LOCK,ROD,ASSM,4"ROD	See Page 248
005.0	95287629	1.0	EA	CONNECTOR,MALE,37 DEG	
006.0	95302113	1.0	EA	FITTING,HYD	
007.0	95303368	1.0	EA	CONNECTOR,STRT THRD	
008.0	95365078	2.0	EA	CONNECTOR,STRT THRD	
009.0	95790622	1.0	EA	TEE 553A10C041A	
010.0	95323465	2.0	EA	PLUG,HEX HEAD,STRT THRD	
011.0	57824146	1.0	EA	BUSHING,HEX HEAD FITTING	
012.0	56950579	2.0	EA	KIT,SPLIT FLANGE	
013.0	51776284	1.0	EA	ADAPTER,ORIFICE	
014.0	51910958	1.0	EA	STEM,HOSE,MODIFIED	
-	50023886	1.0	EA	- STEM,AIR CONNECTION	
015.0	56950561	2.0	EA	ADAPTER	

57683849 HEAD, SWIVEL, ROTARY HEAD



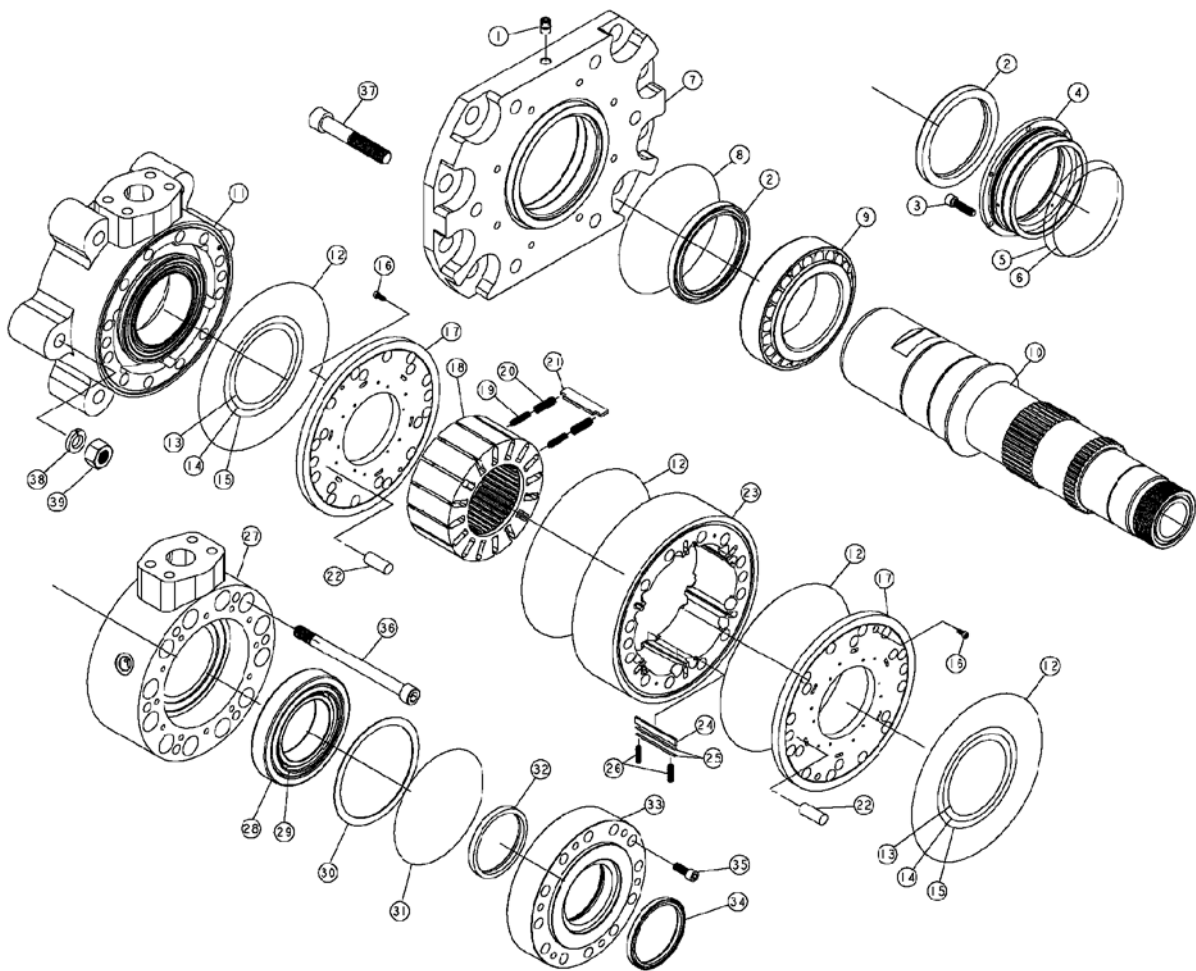
TB57683849 REV 001

BOM 57683849

57683849 HEAD,SWIVEL,ROTARY HEAD

REF.	PART NO.	QTY	UNIT	DESCRIPTION	NOTES
001.0	57698136	1.0	EA	WASHPIPE	
002.0	57698144	1.0	EA	BOX,PACKING	
003.0	57698151	1.0	EA	GOOSENECK	
004.0	57698169	1.0	EA	RING,LANTERN	
005.0	57698177	6.0	EA	RINGS,PACKING	
006.0	57698185	1.0	EA	ADAPTER,PACKING	
007.0	57698193	1.0	EA	O'RING	
008.0	57698201	1.0	EA	O'RING	
009.0	57698219	2.0	EA	FITTING,GREASE	
010.0	57698227	1.0	EA	WIPER,ROD	
011.0	57698235	1.0	EA	O'RING	
012.0	57698243	6.0	EA	SCREW,CAP	
013.0	57751380	1.0	EA	ELBOW,160DEG	
014.0	57751398	1.0	EA	COUPLING,2"NPT	
015.0	57751406	1.0	EA	PLATE,SUPPORT	

57804619 MOTOR, HYDRAULIC DDRH-C



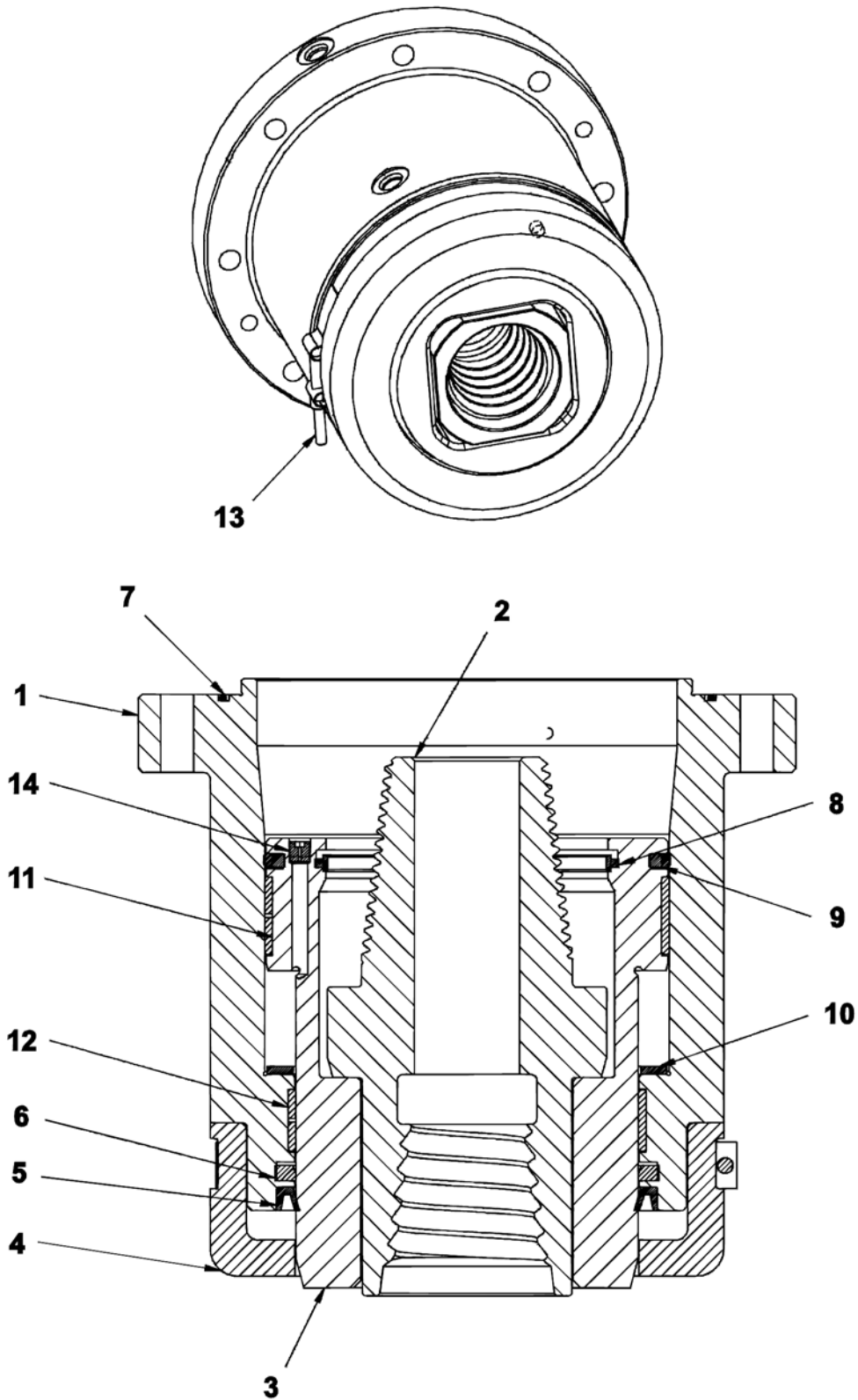
D2657804619 REV 002

BOM 57804619

57804619 MOTOR, HYDRAULIC DDRH-C

REF.	PART NO.	QTY	UNIT	DESCRIPTION	NOTES
	57748881	1.0	EA	KIT,VANE & SPRING	
-	57698425	34.0	EA	- SPRING,INNER ROTOR	
-	57698433	34.0	EA	- SPRING,OUTER ROTOR	
-	57698458	16.0	EA	- VANE,ROTOR	
-	57698482	6.0	EA	- VANE,STATOR	
-	57698490	14.0	EA	- SPRING,OBS PER 7095-075	
	57748899	1.0	EA	KIT,SPRING	
-	57698425	34.0	EA	- SPRING,INNER ROTOR	
-	57698433	34.0	EA	- SPRING,OUTER ROTOR	
-	57698490	14.0	EA	- SPRING,OBS PER 7095-075	
	57809535	1.0	EA	SEAL KIT,COMPLETE MOTOR	
-	57809519	2.0	EA	- SEAL,ROT HEAD SHAFT	
-	57698284	1.0	EA	- O'RING,SEAL CARRIER	
-	57698292	1.0	EA	- O'RING,SEAL CARRIER	
-	57698318	1.0	EA	- O'RING,MOUNTING PLATE	
-	57698359	4.0	EA	- O'RING	
-	57698367	2.0	EA	- O'RING,THERMAL,INNER	
-	57698375	2.0	EA	- O'RING,THERMAL,MIDDLE	
-	57698383	2.0	EA	- O'RING,THERMAL,OUTER	
-	57698540	1.0	EA	- O'RING,SEAL PLATE	
-	57809436	1.0	EA	- SEAL, SHAFT ROT HEAD	
-	57809444	1.0	EA	- SHAFT SEAL,ROT HEAD	
	57809543	1.0	EA	KIT, SHAFT SEALS ONLY	
-	57809519	2.0	EA	- SEAL,ROT HEAD SHAFT	
-	57698284	1.0	EA	- O'RING,SEAL CARRIER	
-	57698292	1.0	EA	- O'RING,SEAL CARRIER	
-	57698318	1.0	EA	- O'RING,MOUNTING PLATE	
-	57698540	1.0	EA	- O'RING,SEAL PLATE	
-	57809436	1.0	EA	- SEAL, SHAFT ROT HEAD	
-	57809444	1.0	EA	- SHAFT SEAL,ROT HEAD	

57677205 LOCK,ROD,ASSM,4"ROD



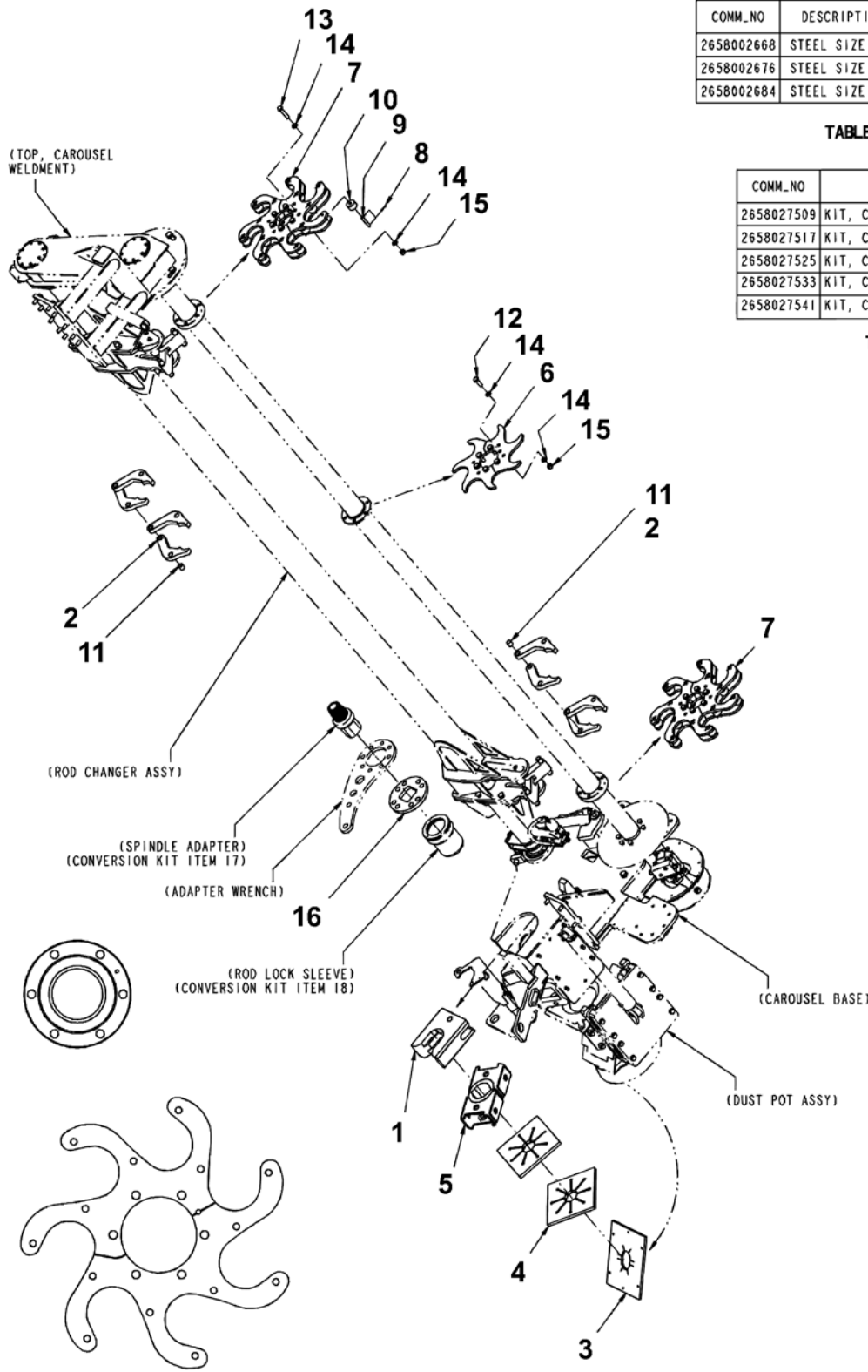
D2657677205 REV 001

BOM 57677205

57677205 LOCK,ROD,ASSM,4"ROD

REF.	PART NO.	QTY	UNIT	DESCRIPTION	NOTES
001.0	57683724	1.0	EA	HOUSING,ROD LOCK	
002.0	57683914	1.0	EA	ADAPTER,SPINDLE,4" 780	
003.0	57683757	1.0	EA	SLEEVE,ROD LOCK,4" 780	
004.0	57683773	1.0	EA	BOOT,DUST	
005.0	57683799	1.0	EA	WIPER,ROD	
006.0	57683807	1.0	EA	SEAL,PISTON	
007.0	95086849	1.0	EA	O'RING	
008.0	57683823	1.0	EA	SEAL,INNER PISTON	
009.0	57683831	1.0	EA	SEAL,OUTER PISTON	
010.0	57683781	1.0	EA	WASHER,THRUST	
011.0	57683880	1.0	EA	RING,WEAR PISTON	
012.0	57683898	1.0	EA	RING,WEAR PISTON	
013.0	57683872	1.0	EA	CLAMP,T-BOLT	
014.0	51728541	1.0	EA	ORIFICE,PLUG	
-	95033346	1.0	EA	- PLUG	

58002668 KIT, 4" STEEL 785/765



COMM_NO	DESCRIPTION	STEEL SIZE (INCHES)
2658002668	STEEL SIZE KIT	4.0
2658002676	STEEL SIZE KIT	3.5
2658002684	STEEL SIZE KIT	3.0

TABLE 1

COMM_NO	DESCRIPTION
2658027509	KIT, CONVERT 785 TO 4"
2658027517	KIT, CONVERT 785 TO 3.5"
2658027525	KIT, CONVERT 765 TO 4"
2658027533	KIT, CONVERT 765 TO 3.5"
2658027541	KIT, CONVERT 765 TO 3"

TABLE 2

BOM 58002668

58002668 KIT,4" STEEL 785/765

REF.	PART NO.	QTY	UNIT	DESCRIPTION	NOTES
001.0	51788321	1.0	EA	FORK,BREAKOUT,4 INCH	
002.0	52282795	8.0	EA	ARM,GRIPPER,4"ROD	
003.0	57703704	1.0	EA	GASKET,INTERMEDIATE 4"	
004.0	57701898	2.0	EA	SEAL, TOP 4"	
005.0	57794414	2.0	EA	CENTRALIZER HALF 4"	
006.0	57881740	1.0	EA	PLATE,STAR 4"X7 MID	
007.0	58001892	4.0	EA	PLATE,STAR 4"X7 765/785	
008.0	95002663	56.0	EA	PIN,COTTER	
009.0	57689283	28.0	EA	PIN,STAR PLATE 5M FEED	
010.0	57689291	28.0	EA	ROLLER,780 ROD CHANGER	
011.0	51788552	16.0	EA	BUSHING	
012.0	96705520	6.0	EA	BOLT,HEX HEAD	
013.0	96701503	12.0	EA	BOLT/35M2AB522M3	
014.0	96700968	36.0	EA	WASHER,FLAT 12M5L29	
015.0	96727151	18.0	EA	NUT M16	
016.0	57766990	1.0	EA	PLATE,ADAPTER,4"	
760.1	52100427	0.0	EA	ADAPTER,SPINDLE,4" 760	
-	52102597	1.0	EA	- SLUG/458R4-1/4X7-7/8	
-	PRINTX396266	1.0	EA	- PRINT,THREAD	
760.2	57756793	0.0	EA	SLEEVE,ROD LOCK,4" 760	
780.1	57683914	0.0	EA	ADAPTER,SPINDLE,4" 780	
780.2	57683757	0.0	EA	SLEEVE,ROD LOCK,4" 780	

57911349 KIT, TOOL CM780

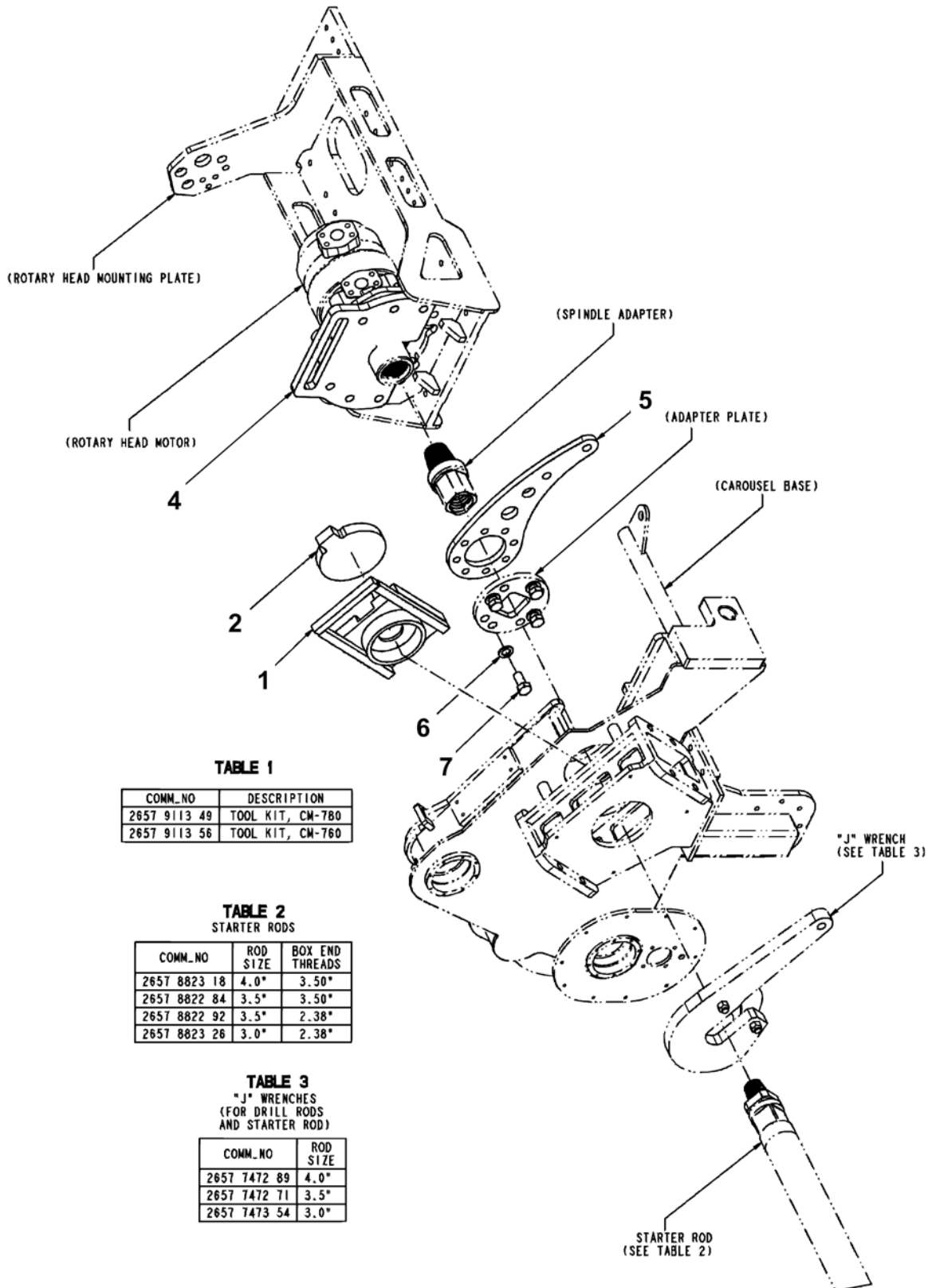


TABLE 1

COMM. NO	DESCRIPTION
2657 9113 49	TOOL KIT, CM-780
2657 9113 56	TOOL KIT, CM-780

TABLE 2
STARTER RODS

COMM. NO	ROD SIZE	BOX END THREADS
2657 8823 18	4.0"	3.50"
2657 8822 84	3.5"	3.50"
2657 8822 92	3.5"	2.38"
2657 8623 26	3.0"	2.38"

TABLE 3
"J" WRENCHES
(FOR DRILL RODS
AND STARTER ROD)

COMM. NO	ROD SIZE
2657 7472 89	4.0"
2657 7472 71	3.5"
2657 7473 54	3.0"

BOM 57911349

57911349 KIT,TOOL CM780

REF.	PART NO.	QTY	UNIT	DESCRIPTION	NOTES
001.0	51862514	1.0	EA	CHUCK,BIT DETACHING	
002.0	51791770	1.0	EA	CHUCK,BIT(BLANK)	
003.0	51792570	1.0	EA	MANUAL,TEMPLATES,CHUCK B	
004.0	57683906	1.0	EA	PLATE,LOCKING	
005.0	57767196	1.0	EA	WRENCH,ADAPTER	
006.0	57753204	4.0	EA	WASHER	
007.0	96711957	4.0	EA	CAPSCREW,HEX HEAD/35M2AA	

57881773 KIT,GENEVA,7ROD



BOM 57881773

57881773 KIT,GENEVA,7ROD

REF.	PART NO.	QTY	UNIT	DESCRIPTION	NOTES
001.0	51999092	1.0	EA	WHEEL,GENEVA DRIVEN,3 IN	
002.0	51999100	1.0	EA	WHEEL,GENEVA DRIVER,7-3	

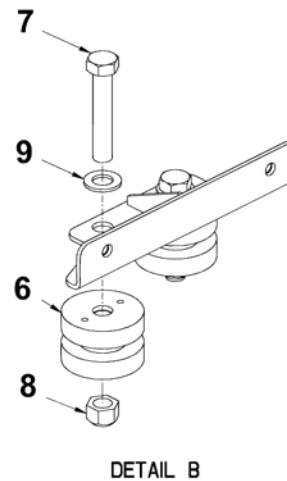
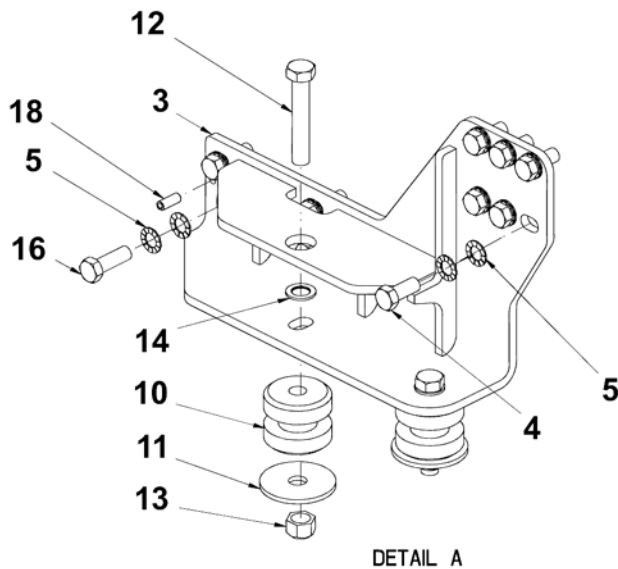
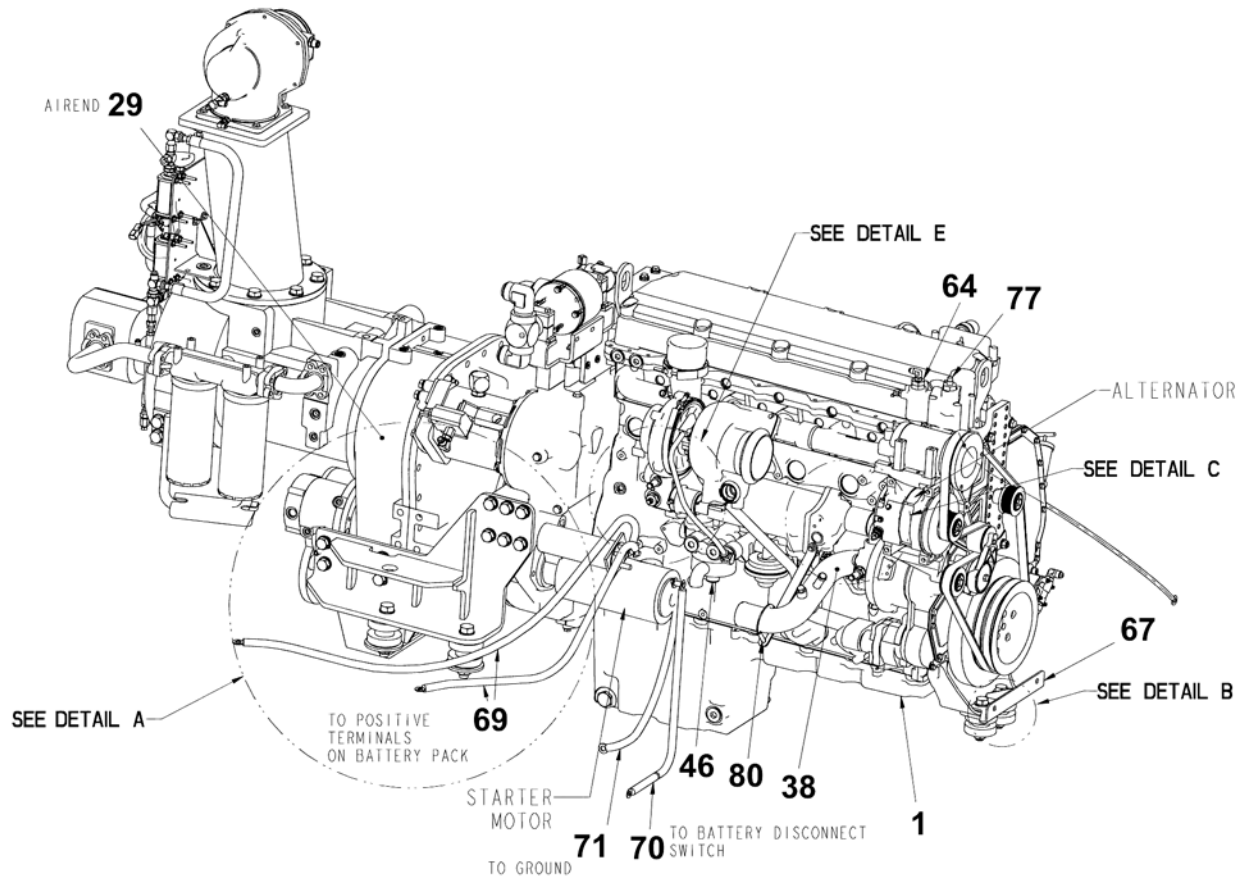
This page is intentionally blank.



Section E - Powerpack/Engine/Compressor

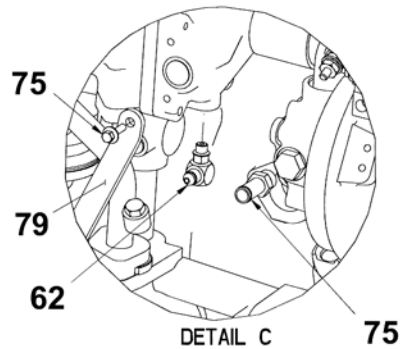
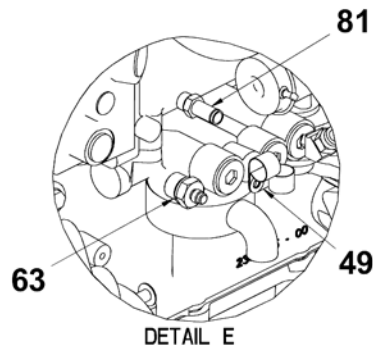
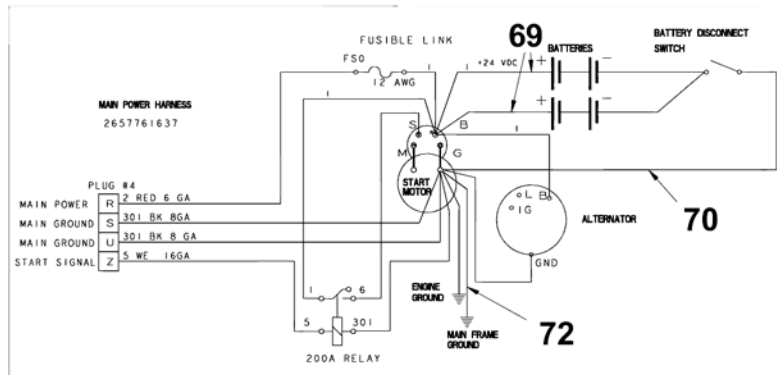


57936213 POWER PACK, CM780 INSTL

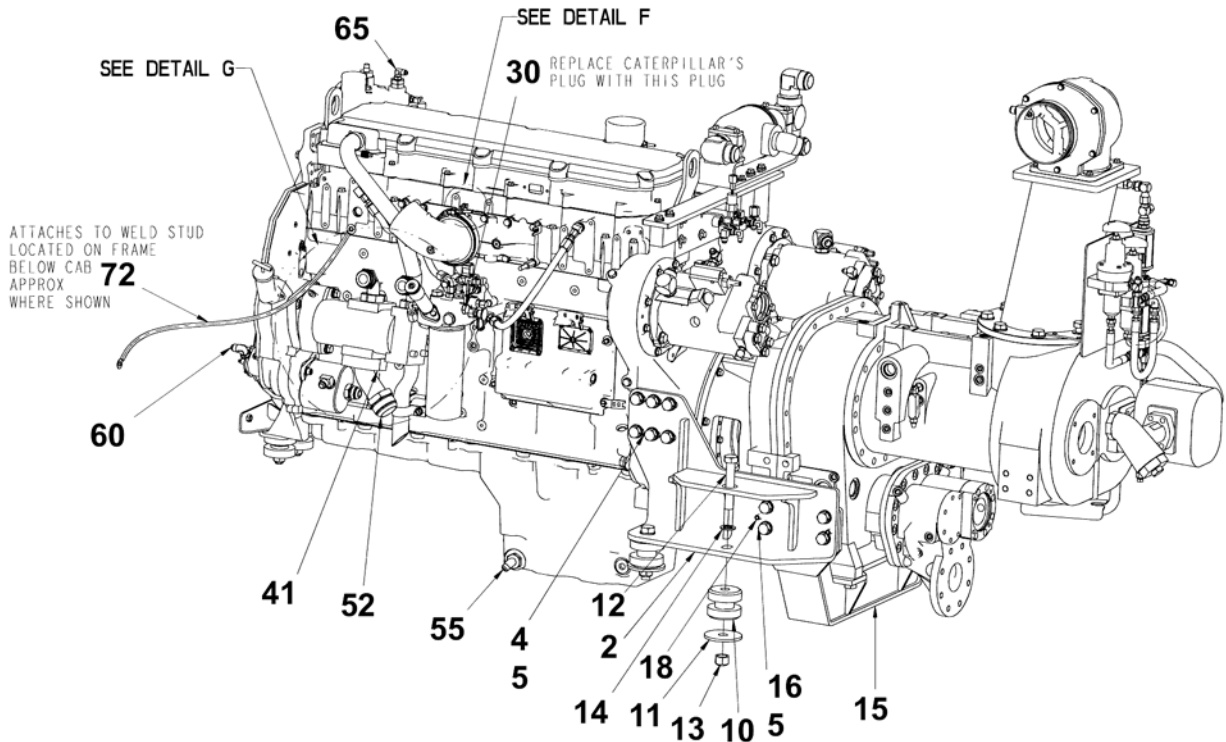


D2657936213 REV 000

57936213 POWER PACK, CM780 INSTL

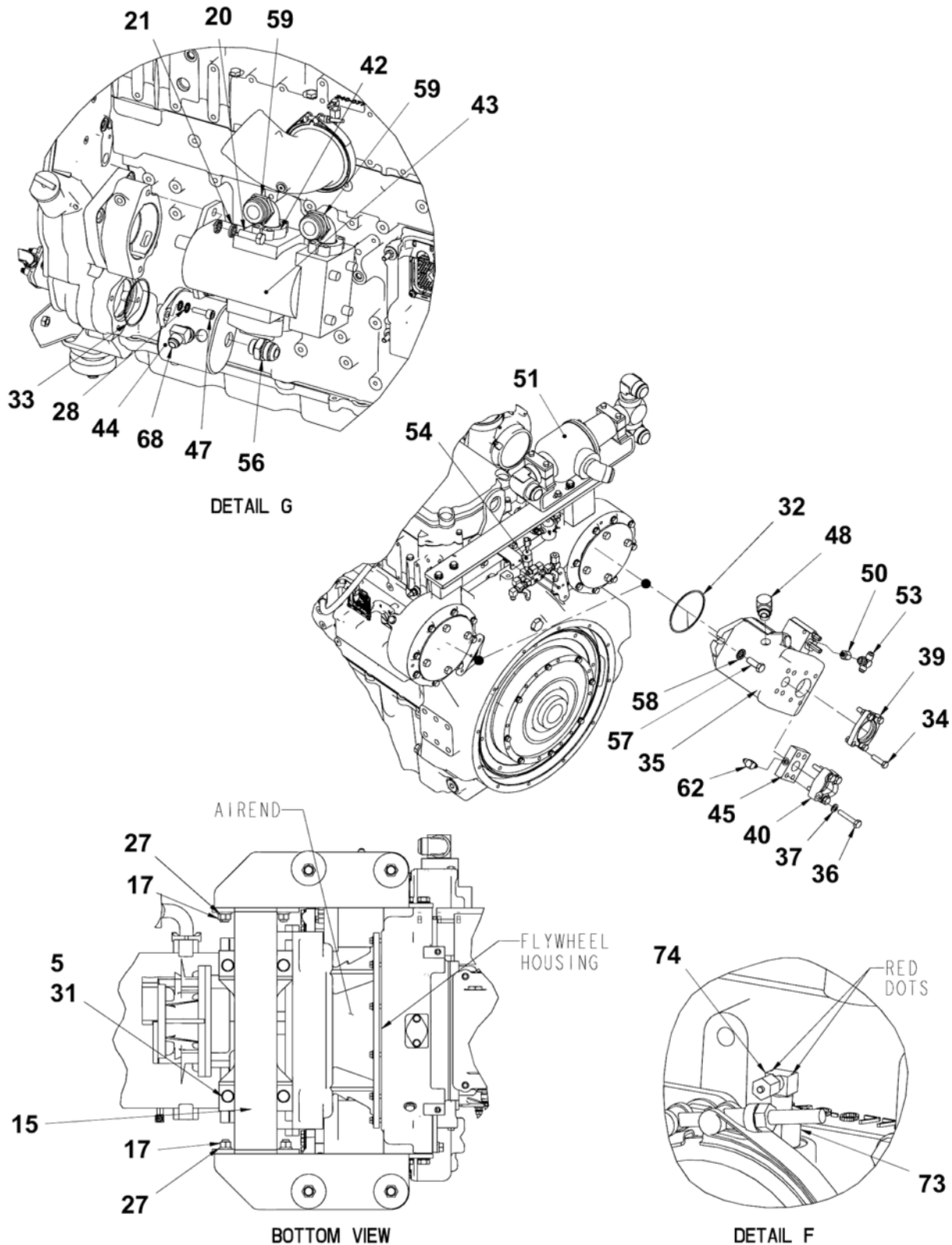


ITEM 38 (PIPE) HAS BEEN REMOVED FROM THIS VIEW



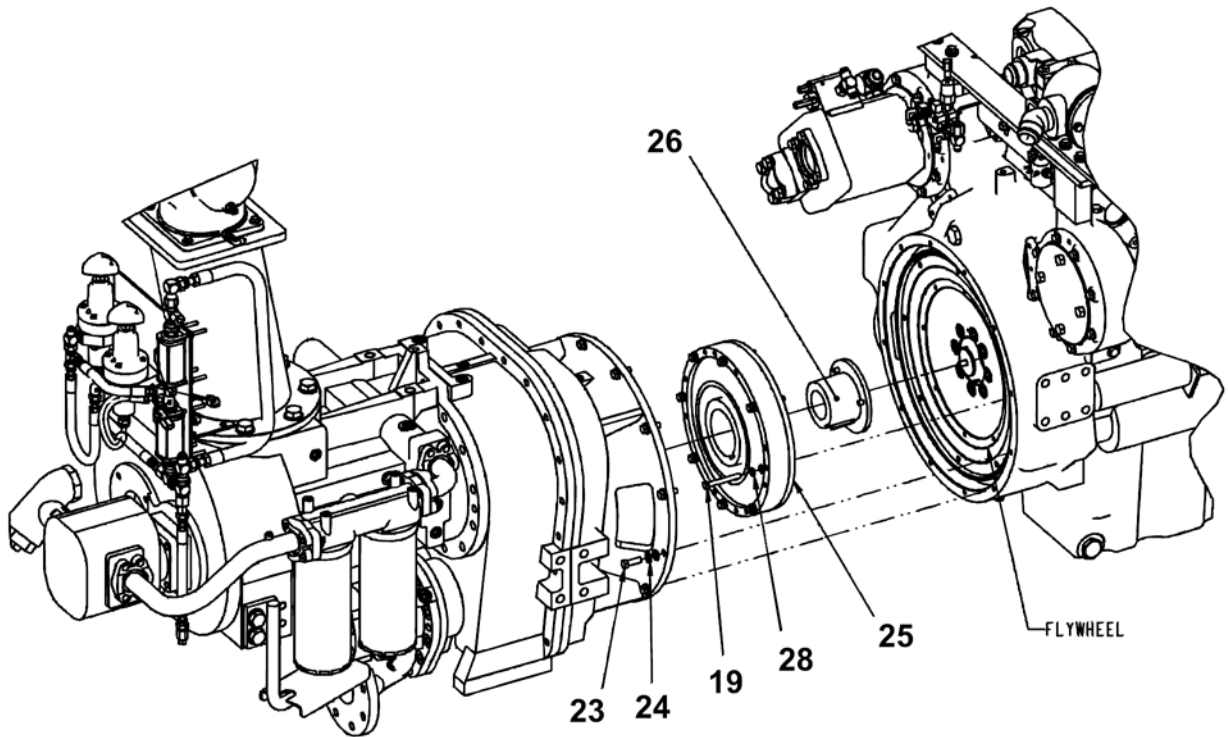
D2657936213 REV 000

57936213 POWER PACK, CM780 INSTL



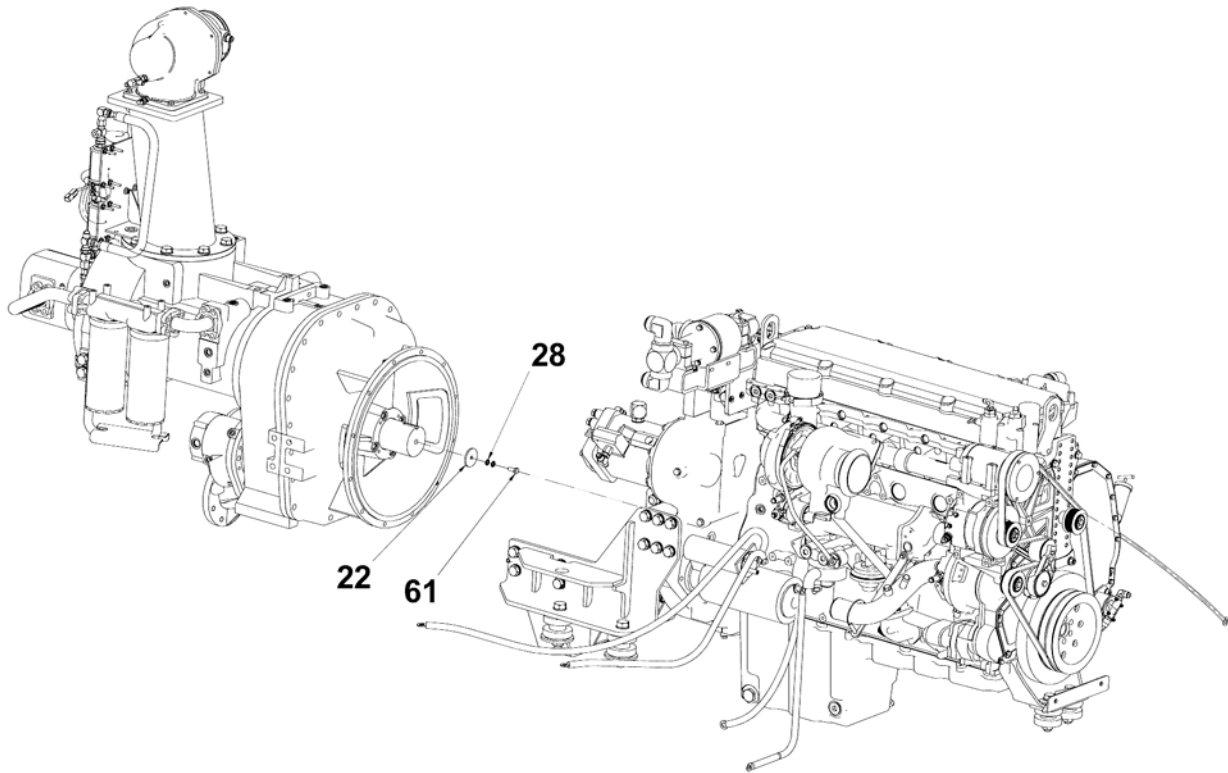
D2657936213 REV 000

57936213 POWER PACK, CM780 INSTL



D2657936213 REV 000

57936213 POWER PACK,CM780 INSTL



D2657936213 REV 000

BOM 57936213

57936213 POWER PACK,CM780 INSTL

REF.	PART NO.	QTY	UNIT	DESCRIPTION	NOTES
001.0	57910663	1.0	EA	ENGINE CAT C13 TIER 3	
002.0	52325040	1.0	EA	BRACKET,ENGINE SUPT LH	
003.0	52325032	1.0	EA	BRACKET,ENGINE SUPT RH	
004.0	95920021	12.0	EA	CAPSCREW/35A2A377Z1HR	
005.0	51377349	48.0	EA	WASHER,DISC LOCK,3/4	
006.0	52324928	2.0	EA	MOUNT,CENTER BONDED	
007.0	95920104	2.0	EA	CAPSCREW/35A2A386Z1HR	
008.0	95943916	2.0	EA	LOCKNUT/85A4CA12Z1HR	
009.0	50959030	2.0	EA	WASHER BOW-36708	
010.0	52324936	4.0	EA	MOUNT,CENTER BONDED	
011.0	52086188	4.0	EA	WASHER,ISOLATOR,CAB	
012.0	95983318	4.0	EA	CAPSCREW	
013.0	95955886	4.0	EA	LOCKNUT/85A4CA14Z1HR	
014.0	96704150	4.0	EA	WASHER/10M5LC20AM4HR	
015.0	52324860	1.0	EA	BRACKET,SUPPORT	
016.0	95920047	8.0	EA	CAPSCREW/35A2A379Z1HR	
017.0	95922928	8.0	EA	NUT,HEX,FINISHED	
018.0	95078283	4.0	EA	PIN	
019.0	95919320	8.0	EA	CAPSCREW/35A2A121Z1HR	
020.0	95919569	2.0	EA	CAPSCREW	
021.0	51377372	4.0	EA	WASHER,DISCLOCK 1/2	
022.0	58034950	1.0	EA	WASHER,ROLLER	
023.0	95919445	12.0	EA	CAPSCREW/35A2A166Z1HR	
024.0	51377380	24.0	ST	WASHER,DISCLOCK 7/16	
025.0	57903494	1.0	EA	COUPLING,LORD	
026.0	57405821	1.0	EA	BUSHING,QD,2-3/8 SHAFT	
027.0	95935011	8.0	EA	WASHER	
028.0	51377398	22.0	EA	WASHER,DISCLOCK 3/8	
029.0	57760670	1.0	EA	AIREND,ASM,CM780D	See Page 266
030.0	95323465	1.0	EA	PLUG,HEX HEAD,STRT THRD	
031.0	96704440	4.0	EA	CAPSCREW,HEX	
032.0	95045324	2.0	EA	O-RING,20A11CM250	
033.0	95022117	1.0	EA	O-RING	
034.0	96701966	8.0	EA	CAPSCREW/34M2AA465M3HR	
035.0	52314382	2.0	EA	PUMP,ROTATION 85CC	
-	52320884	1.0	EA	- PUMP	
-	52320892	1.0	EA	- GROUP,ROTARY	
-	52320918	1.0	EA	- GROUP,ROTARY	
-	51789634	1.0	EA	- SPRING	
-	52315033	1.0	EA	- V-RING,SEEGER	
-	51789667	1.0	EA	- RING,THRUST	

57936213 POWER PACK,CM780 INSTL

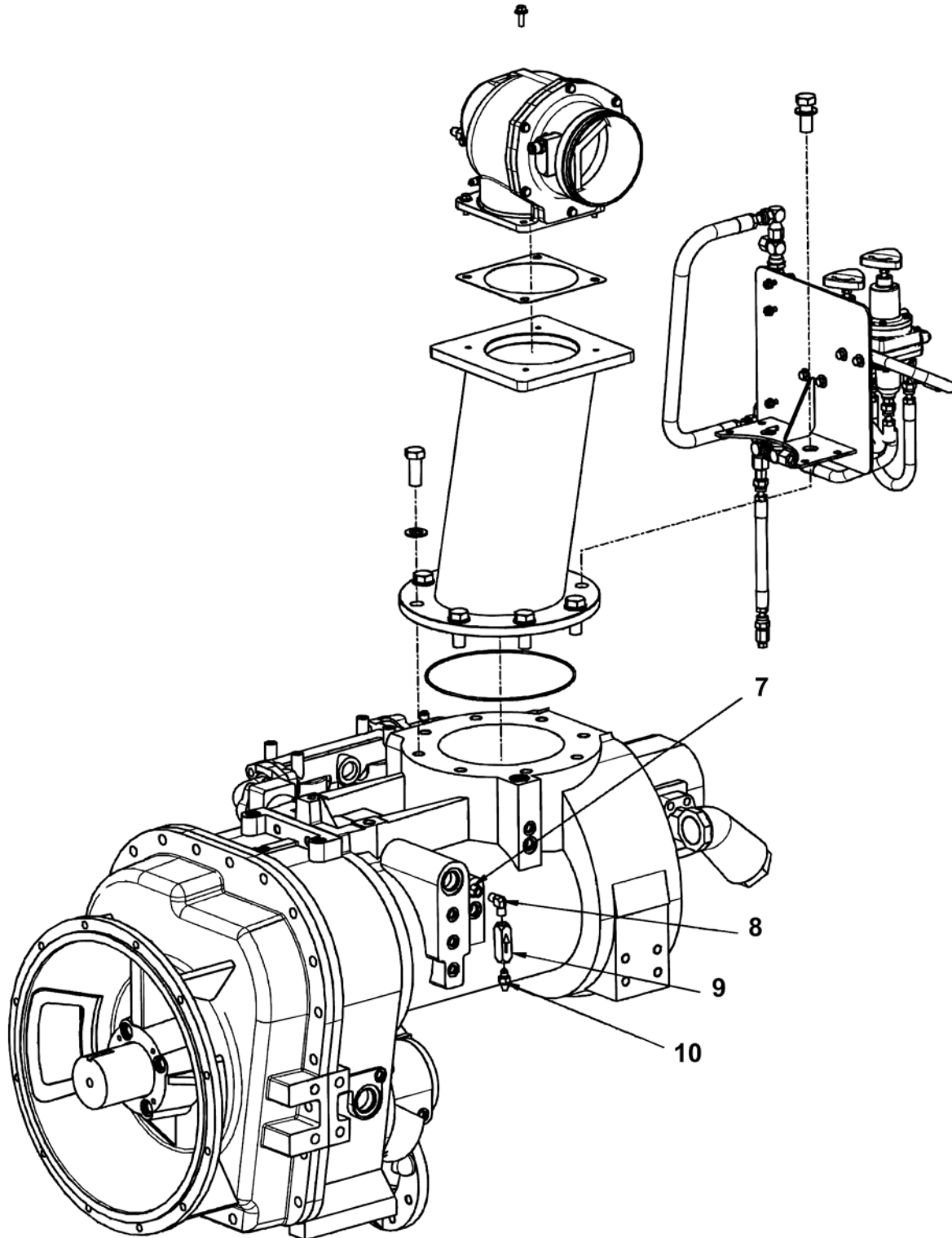
REF.	PART NO.	QTY	UNIT	DESCRIPTION	NOTES
-	52320926	1.0	EA	- PLATE,DISTRIBUTOR	
-	52315058	1.0	EA	- VALVE,PILOT	
-	51352862	3.0	EA	- O-RING	
-	51352839	4.0	EA	- SCREW,SOCKET	
-	51352870	1.0	EA	- PLUG	
036.0	96711924	8.0	EA	BOLT,HEX HEAD	
037.0	96726625	8.0	EA	LOCKWASHER/14M5EG14Z3	
038.0	57760696	1.0	EA	PIPE,INLET,WATER PUMP	
039.0	51366615	2.0	EA	FLANGE,SPLIT	
040.0	51366649	2.0	EA	FLANGE,SPLIT	
-	51367795	1.0	EA	- O-RING	
041.0	51914299	1.0	EA	KIT,SPLIT FLANGE	
042.0	52086329	2.0	EA	KIT,FLANGE	
043.0	57911166	1.0	EA	PUMP,TANDEM GEAR	
-	58027467	1.0	EA	- KIT,SEAL	
044.0	57809550	1.0	EA	PUMP,1.77 CU IN/REV	
045.0	52325461	2.0	EA	SPACER,GAUGE PORT ADAPTR	
046.0	95329983	1.0	EA	CONNECTOR,STRAIGHT THRD	
047.0	96739610	2.0	EA	CAPSCREW, HEX SOCKET	
048.0	95368890	2.0	EA	ELBOW,90 DEG,STRT THRD	
049.0	95654208	2.0	EA	CLAMP,HOSE	
050.0	35287945	2.0	EA	EXPANDER	
051.0	57910804	1.0	EA	THERMO VALVE INSTALL	See Page 274
052.0	52304631	1.0	EA	ADAPTER,SPLIT FLANGE	
053.0	95003166	2.0	EA	TEE	
054.0	57768020	1.0	EA	VALVE,LOAD SENSE SHUTTLE	See Page 280
055.0	95157400	1.0	EA	ELBOW/561A10C080X	
056.0	95371217	1.0	EA	CONNECTOR,STRT THRD	
057.0	95919817	4.0	EA	CAPSCREW,HEX HEAD	
058.0	51377356	8.0	EA	WASHER,DISCLOCK 5/8 OR	
059.0	52311081	2.0	EA	ADAPTER,SPLIT FLANGE	
060.0	95303335	1.0	EA	ELBOW,90 DEG STRT THRD	
061.0	96714944	1.0	EA	SCREW/35M2AA411M3HR	
062.0	95653614	3.0	EA	ADAPTER-90DEG,ORING/JIC	
063.0	51021764	1.0	EA	ADAPTER,STR-12-6SJIC/ORG	
064.0	52209913	1.0	EA	ADAPTER,SAE	
065.0	95329975	1.0	EA	ELBOW,90 DEG STRT THRD	
067.0	52319415	1.0	EA	BRACKET,MOUNTING	
068.0	95433264	1.0	EA	ELBOW	
069.0	52324712	2.0	EA	CABLE,BATTERY	
070.0	52324720	1.0	EA	CABLE,BATTERY	

BOM 57936213

57936213 POWER PACK,CM780 INSTL

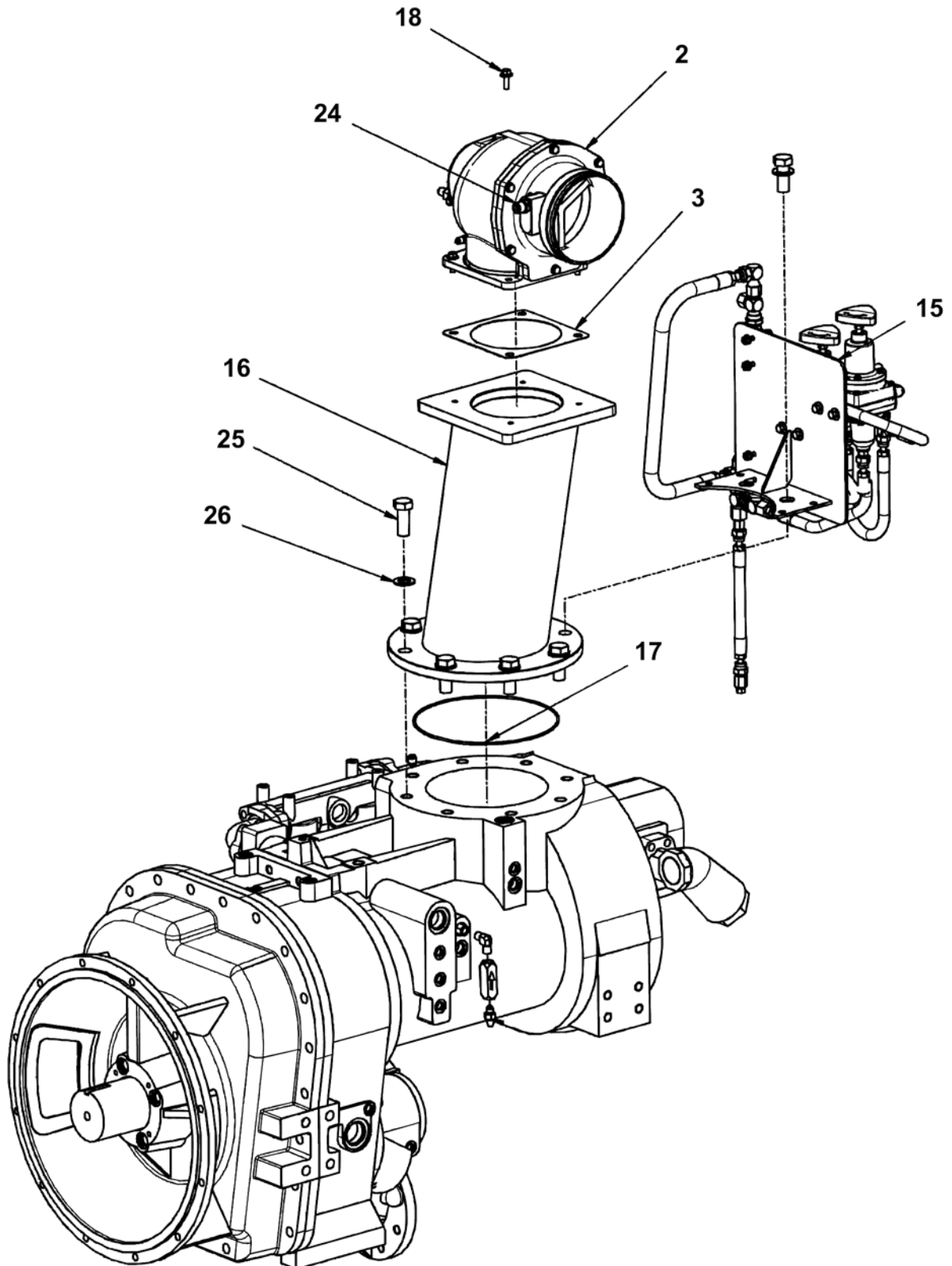
REF.	PART NO.	QTY	UNIT	DESCRIPTION	NOTES
071.0	52117603	1.0	EA	CABLE,BATTERY	
072.0	52324746	1.0	EA	CABLE,GROUND	
073.0	57767220	1.0	EA	ADAPTOR,PIPE,FEMALE	
074.0	51792976	1.0	EA	NOZZLE	
075.0	57764276	2.0	EA	FITTING,HOSE	
076.0	57787913	1.0	EA	ADAPTER	
077.0	57804346	1.0	EA	SWITCH,TEMPERATURE,195	
078.0	95372173	1.0	EA	FITTING,HYD	
079.0	57814006	1.0	EA	PIPE,SUPPORT	
080.0	52223070	1.0	EA	CLAMP	
081.0	96727797	1.0	EA	BOLT	
220.0	36795102	0.0	EA	KEY,DRIVE SHAFT	

57760670 AIREND,ASM,CM780D



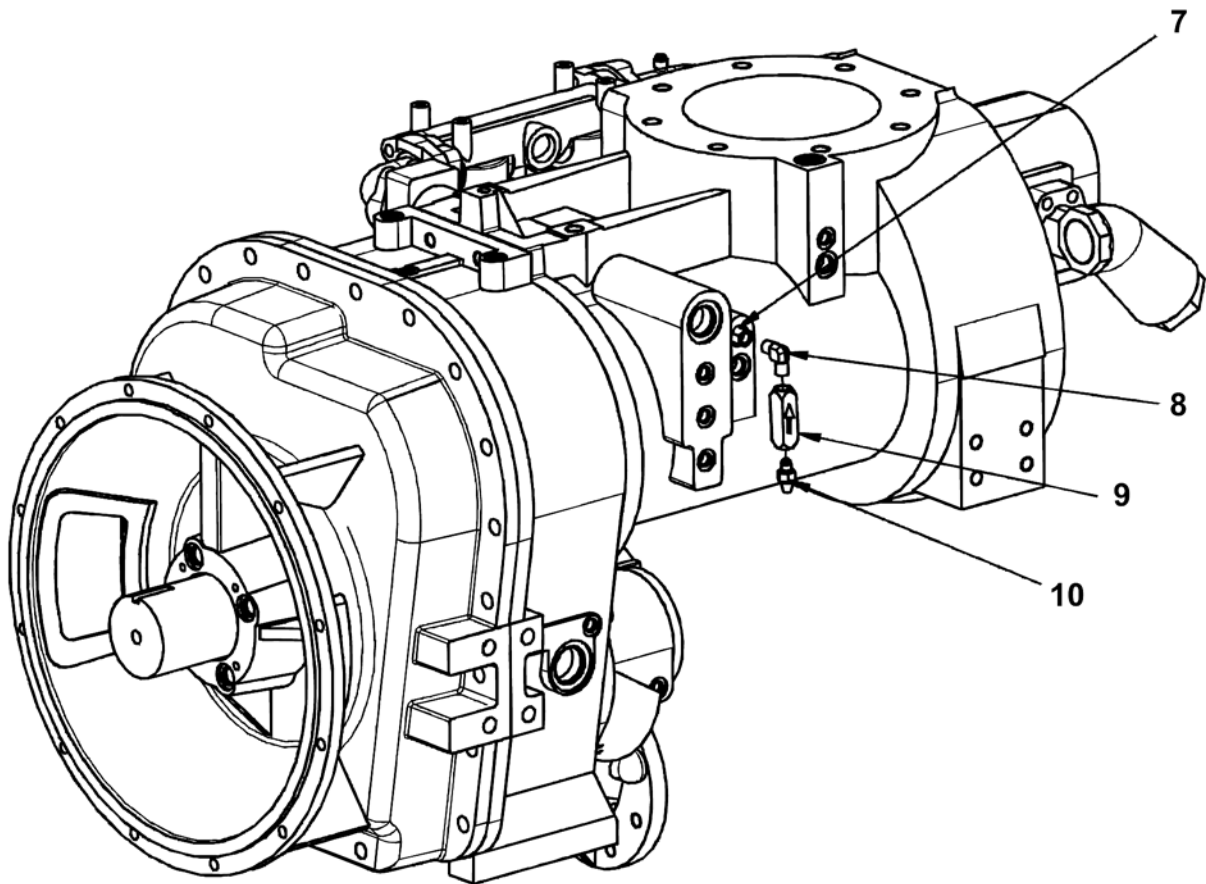
D2657760670 REV 003

57760670 AIREND,ASM,CM780D



D2657760670 REV 003

57760670 AIREND,ASM,CM780D



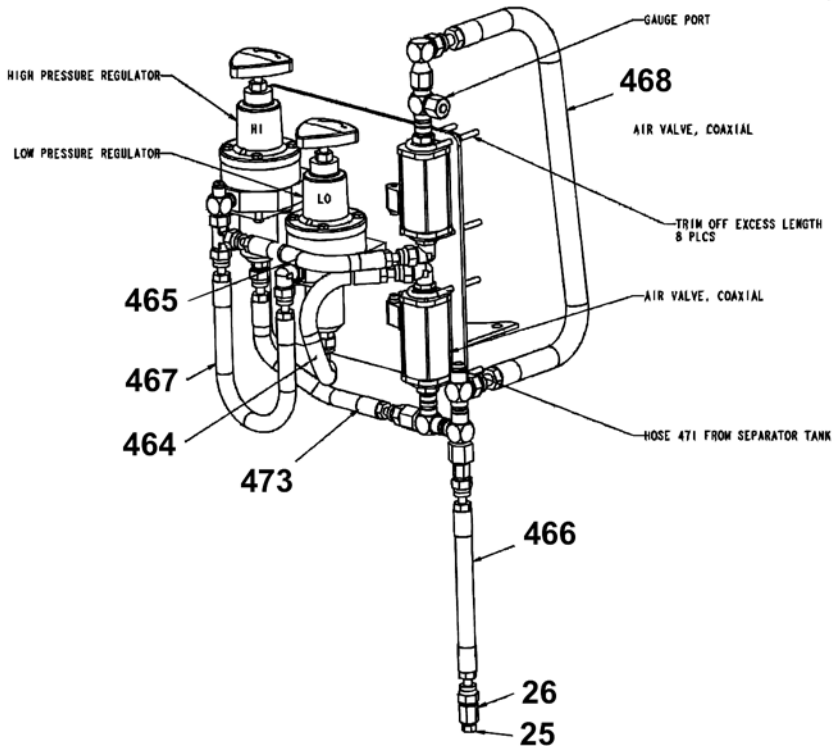
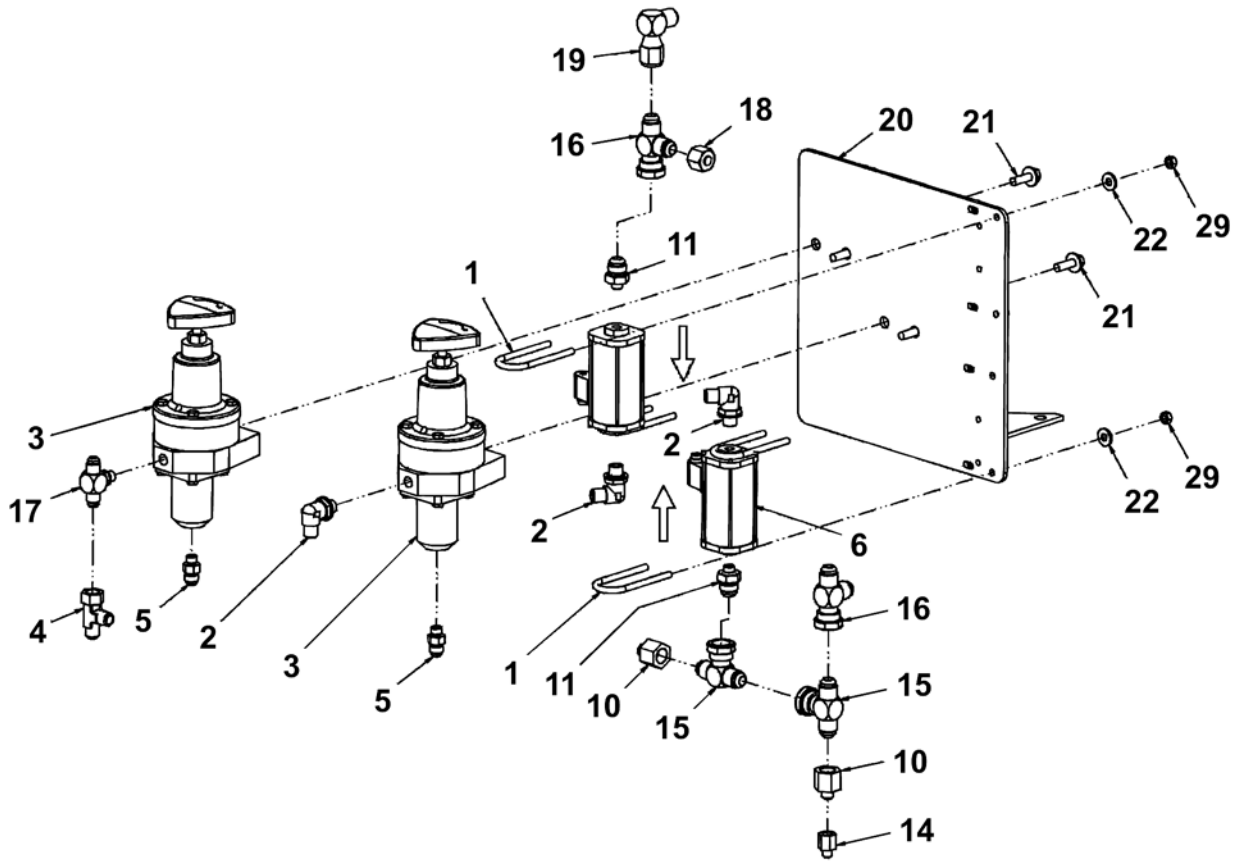
D2657760670 REV 003

BOM 57760670

57760670 AIREND,ASM,CM780D

REF.	PART NO.	QTY	UNIT	DESCRIPTION	NOTES
001.0	42535294	1.0	EA	AIREND	
-	35092279	1.0	EA	- STRAINER ASSY-HR2	
-	36751295	1.0	EA	- STRAINER BODY	
-	35609098	1.0	EA	- PLUG,STRAINER	
-	35370063	1.0	EA	- ELEMENT,STRAINER-HR2	
-	35277797	1.0	EA	- O'RING	
-	36860476	1.0	EA	- FILTER, BASE	
-	36860336	2.0	EA	- ELEMENT,OIL FILTER	
-	36861144	1.0	EA	- PUMP,OIL	
-	22098982	1.0	EA	- GEAR SET	
002.0	57792731	1.0	EA	VALVE,UNLOADER	
003.0	57774630	1.0	EA	SUB 58313001 GASKET UNL.	
004.0	57794570	1.0	EA	TUBE METAL 3.9"	
005.0	57794562	1.0	EA	HUMP,STRAIGHT	
006.0	57440554	2.0	EA	CLAMP,CONSTANT TORQUE	
007.0	95655064	1.0	EA	ADAPTER,FEMALE,STRT THRD	
008.0	95364469	1.0	EA	FITTING,HYD	
009.0	57552275	1.0	EA	VALVE,CHECK,.25NPT	
010.0	95263380	1.0	EA	FITTING,HYD-NPT/JIC	
011.0	52329679	1.0	EA	BRACKET,HOSE	
012.0	50959030	2.0	EA	WASHER BOW-36708	
013.0	96700901	2.0	EA	SCREW,HEX/35M2AB564M3	
015.0	57793531	1.0	EA	REGULATOR ASSEMBLY	See Page 270
016.0	57774481	1.0	EA	ADAPTER,UNLOADER TUBE	
017.0	95008256	1.0	EA	O'RING	
018.0	96726914	4.0	EA	BOLT	
019.0	57794836	1.0	EA	ADAPTER	
020.0	57794828	1.0	EA	ADAPTER	
021.0	95003182	1.0	EA	TEE 555A10C060A	
022.0	95302113	1.0	EA	FITTING,HYD	
023.0	51027928	1.0	EA	ADAPTER/221501-6-4S	
024.0	59820548	1.0	EA	FITTING,HYD	
025.0	96704481	8.0	EA	CAPSCREW/34M2AB566M3	
026.0	96700976	8.0	EA	WASHER,FLAT 12M5L31	

57793531 REGULATOR ASSEMBLY



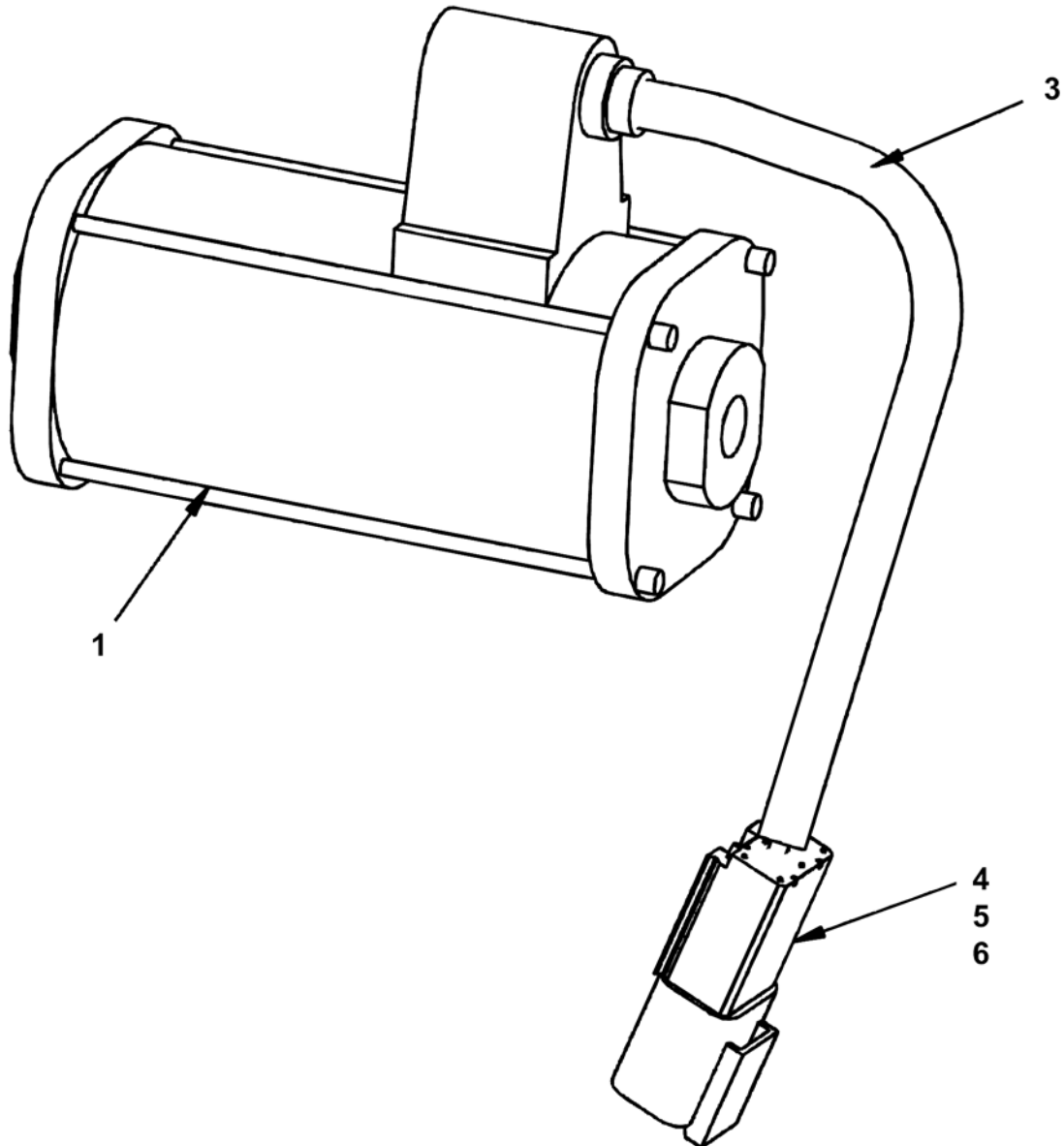
D2657793531 REV 006

BOM 57793531

57793531 REGULATOR ASSEMBLY

REF.	PART NO.	QTY	UNIT	DESCRIPTION	NOTES
001.0	95364162	4.0	EA	U-BOLT	
002.0	57804452	3.0	EA	Fitting, Hyd	
003.0	57927758	2.0	EA	REGULATOR,AIR UNLOADER	
-	57927782	1.0	EA	- KIT,REGULATOR SERVICE	
004.0	95003182	1.0	EA	TEE 555A10C060A	
005.0	57794828	2.0	EA	ADAPTER	
006.0	58002197	2.0	EA	VALVE,AIR,ASM	See Page 272
010.0	51028751	2.0	EA	ADAPTER	
011.0	58001272	2.0	EA	FITTING,ADAPTER	
014.0	52104486	1.0	EA	ADAPTER,RESTRICTOR	
015.0	95642484	2.0	EA	FITTING HYD	
016.0	95416731	2.0	EA	NUT,SWIVEL TEE	
017.0	58001405	1.0	EA	TEE,FITTING	
018.0	95257325	1.0	EA	CAP,37 DEG FLARED	
019.0	95302121	1.0	EA	FITTING,HYD	
020.0	57774648	1.0	EA	BRACKET,UNLOADER	
021.0	96726914	4.0	EA	BOLT	
022.0	95922183	8.0	EA	WASHER,FLAT	
025.0	36766731	1.0	EA	MUFFLER,ORIFACE	
026.0	95286514	1.0	EA	CONNECTOR,FEMALE,37 DEG	
029.0	95116869	8.0	EA	NUT,FLEX LOCK	
464.0	57804627	0.0	EA	HOSE ASSEMBLY	
465.0	57804635	0.0	EA	HOSE ASSEMBLY	
466.0	57794752	0.0	EA	HOSE,ASSEMBLY	
467.0	57793341	0.0	EA	HOSE,ASSEMBLY	
468.0	57794760	0.0	EA	HOSE,ASSEMBLY	
473.0	57793341	0.0	EA	HOSE,ASSEMBLY	

58002197 VALVE,AIR,ASM

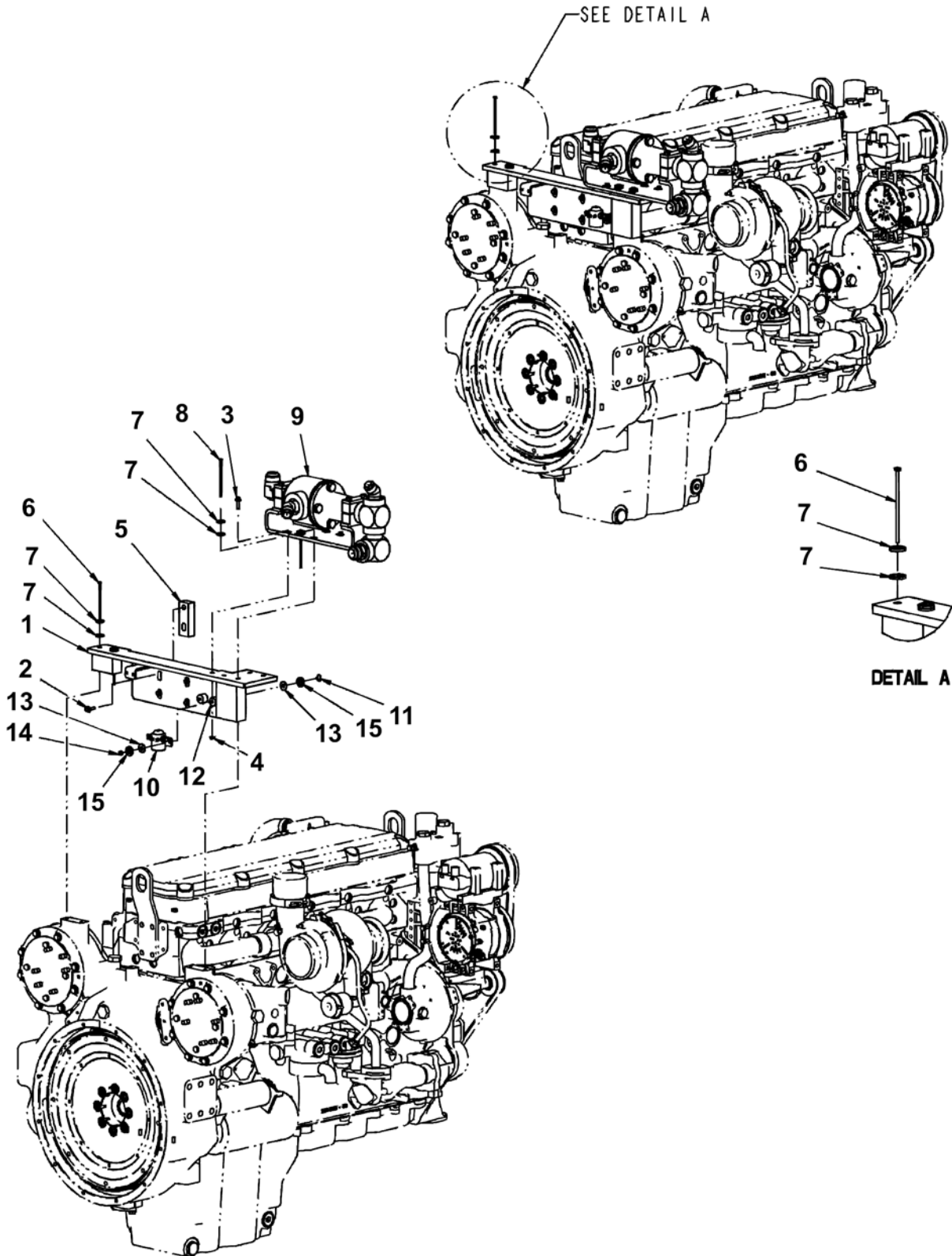


BOM 58002197

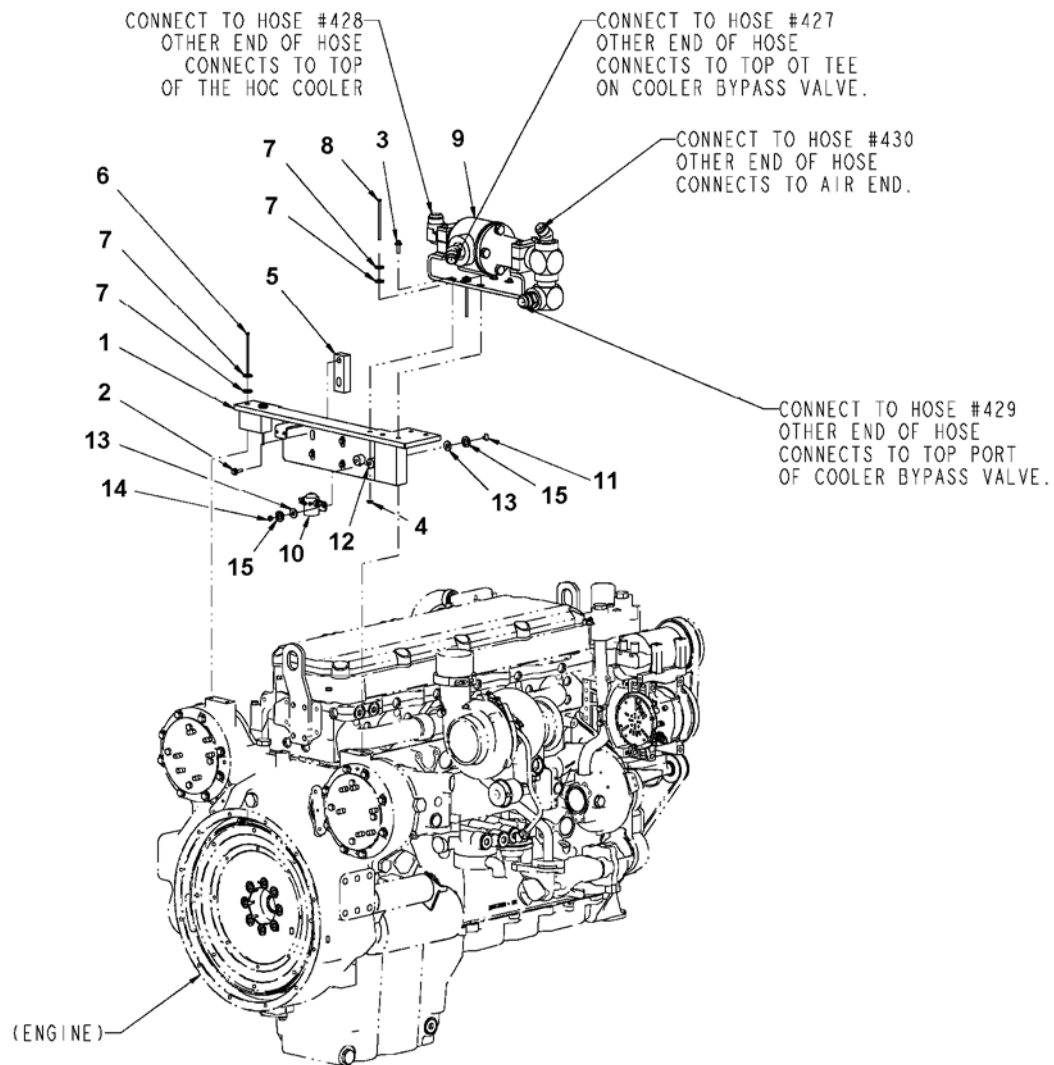
58002197 VALVE,AIR,ASM

REF.	PART NO.	QTY	UNIT	DESCRIPTION	NOTES
001.0	57927741	1.0	EA	VALVE,COAXIAL AIR	
003.0	51919488	12.0	IN	LOOM,ELECTRCAL WIRE,1/4"	
004.0	54651245	1.0	EA	RECEPTACLE,2 CIRCUIT	
005.0	59436873	1.0	EA	WEDGE	
006.0	54530985	2.0	EA	PIN,SIZE 16	

57910804 THERMO VALVE INSTALL

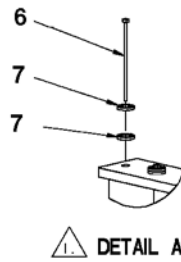
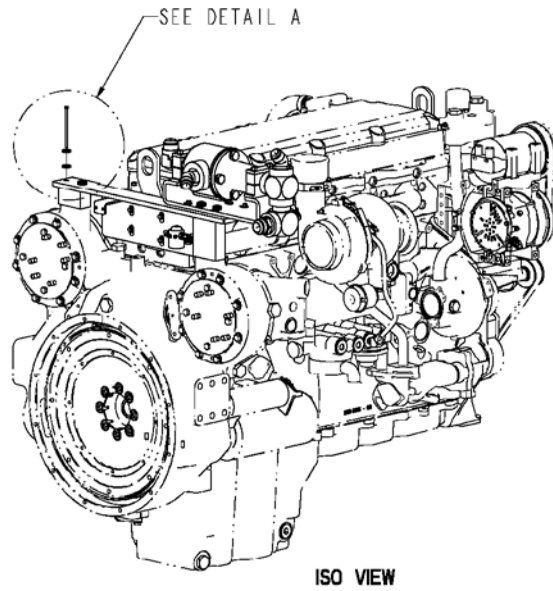


57910804 THERMO VALVE INSTALL



D2657910804 REV 000

57910804 THERMO VALVE INSTALL



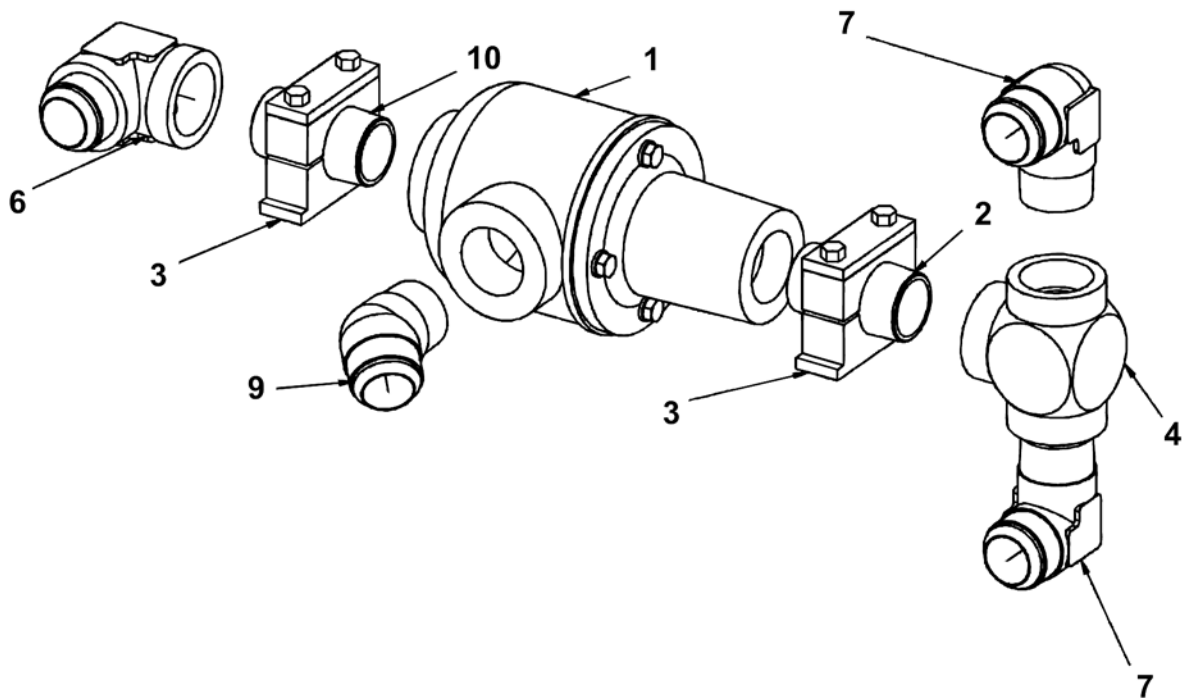
D2657910804 REV 000

BOM 57910804

57910804 THERMO VALVE INSTALL

REF.	PART NO.	QTY	UNIT	DESCRIPTION	NOTES
001.0	57910689	1.0	EA	BRACKET,THERMAL MIXING	
002.0	96727326	4.0	EA	BOLT	
003.0	96726708	3.0	EA	BOLT	
004.0	96726807	3.0	EA	NUT/84M4JD7M3	
005.0	57910747	2.0	EA	BRACKET,SUPPORT	
006.0	96704739	2.0	EA	BOLT	
007.0	51377372	8.0	EA	WASHER,DISCLOCK 1/2	
008.0	96727342	2.0	EA	CAPSCREW/35M2AA2025M3HR	
009.0	57744278	1.0	EA	VALVE,THERMAL,COMPR,ASM	See Page 278
010.0	59956466	1.0	EA	RELAY,SOLENOID-24VMARINE	
011.0	57141939	2.0	EA	FASTENER,1/4-20 TEENUT	
012.0	57139131	2.0	EA	MOUNT,FLEX-BOLTSANDWICH	
013.0	95922183	4.0	EA	WASHER,FLAT	
014.0	95931564	2.0	EA	NUT,HEX,FINISHED	
015.0	95934766	1.0	EA	WASHER,LOCK,HELICAL	
016.0	57910754	1.0	EA	BRACKET,SUPPORT	
024.0	95922183	4.0	EA	WASHER,FLAT	

57744278 VALVE,THERMAL,COMPR,ASM

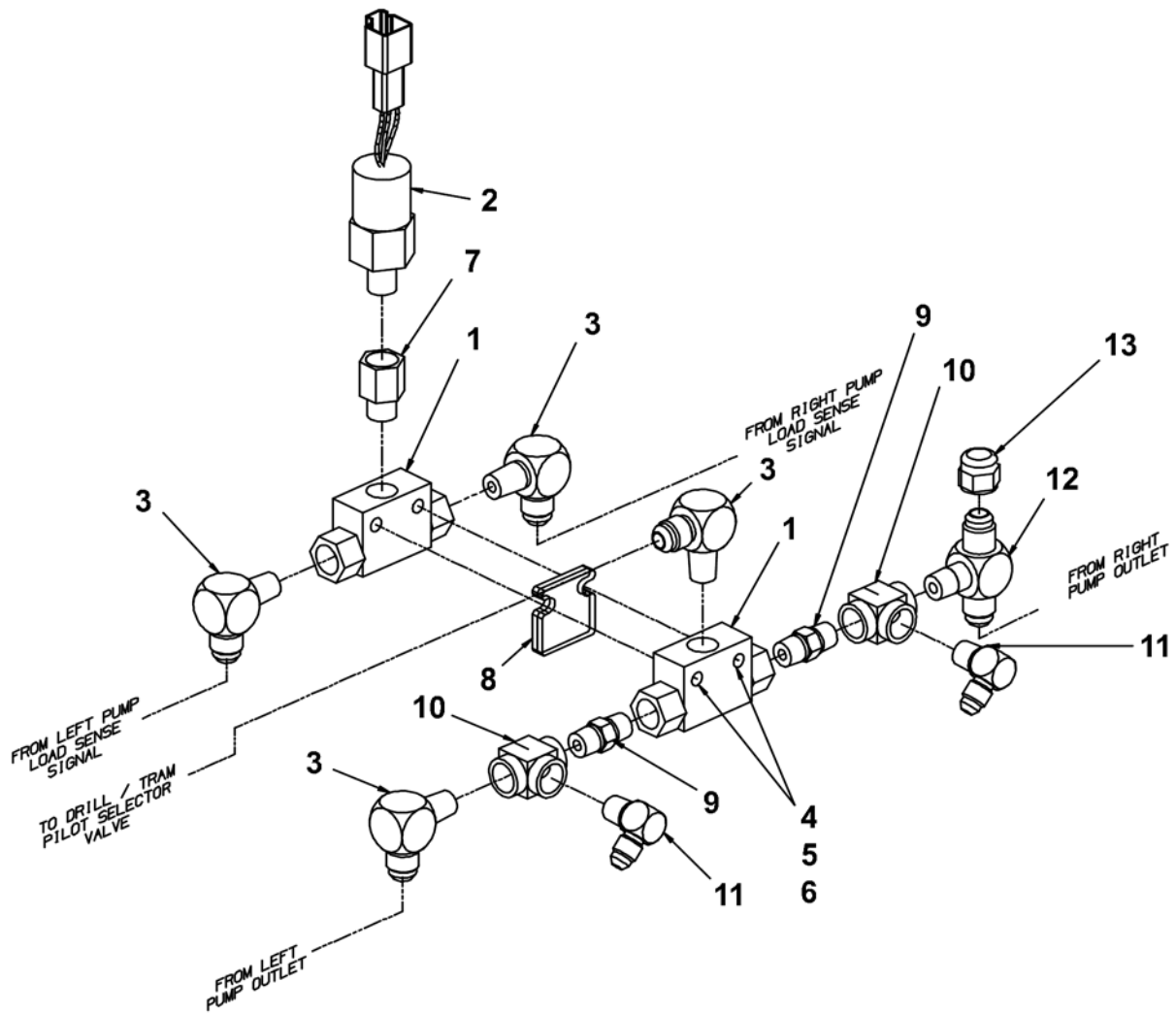


BOM 57744278

57744278 VALVE,THERMAL,COMPR,ASM

REF.	PART NO.	QTY	UNIT	DESCRIPTION	NOTES
001.0	57657587	1.0	EA	VALVE,HYD.THERMOSTATIC	
-	57767626	1.0	EA	- KIT,REPAIR VALVE	
-	52320215	1.0	EA	- SEAL, O-RING	
-	52320223	1.0	EA	- SEAL, LIP	
-	57767634	1.0	EA	- ELEMENT	
002.0	95243143	1.0	EA	NIPPLE,PIPE	
003.0	51726255	2.0	EA	ASSY,CLAMP	
004.0	95678041	1.0	EA	FITTING, HYD	
006.0	95279246	1.0	EA	FITTING,HYD	
007.0	95279477	2.0	EA	FITTING,HYD	
009.0	95279139	1.0	EA	FITTING,HYD	
010.0	50691831	1.0	EA	NIPPLE	

57768020 VALVE,LOAD SENSE SHUTTLE



BOM 57768020

57768020 VALVE,LOAD SENSE SHUTTLE

REF.	PART NO.	QTY	UNIT	DESCRIPTION	NOTES
001.0	50805100	2.0	EA	VALVE,SHUTTLE	
002.0	57761959	1.0	EA	SWITCH,PRESSURE 250PSI	
003.0	95209094	4.0	EA	FITTING,HYD	
004.0	96744826	2.0	EA	BOLT,HEXHEAD	
005.0	95942769	4.0	EA	WASHER,FLAT	
006.0	96715008	2.0	EA	NUT,HEX LOCK/85M4JD1M3	
007.0	52292570	1.0	EA	CONNECTOR	
008.0	52327012	1.0	EA	SPACER,SHUTTLE VALVE	
009.0	95323457	2.0	EA	FITTING,HYD	
010.0	95302998	2.0	EA	TEE,FEMALE,NPTF PIPE	
011.0	95293403	2.0	EA	ELBOW,90 DEG MALE	
012.0	56924962	1.0	EA	FITTING, HYD-TEE ADAPTER	
013.0	95257341	1.0	EA	CAP,JIC-6	

57914210 POWERPACK, GROUP



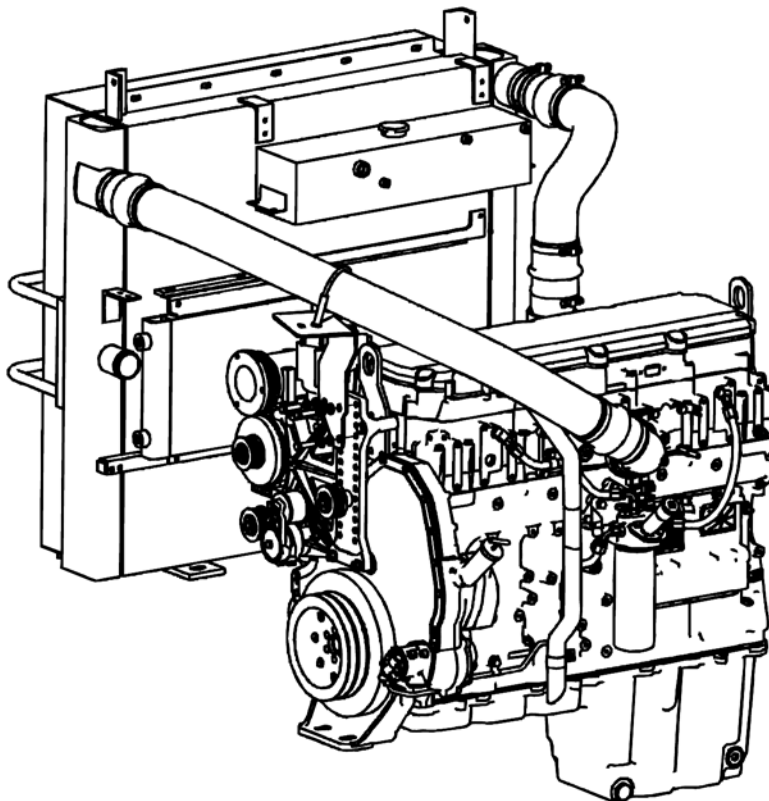
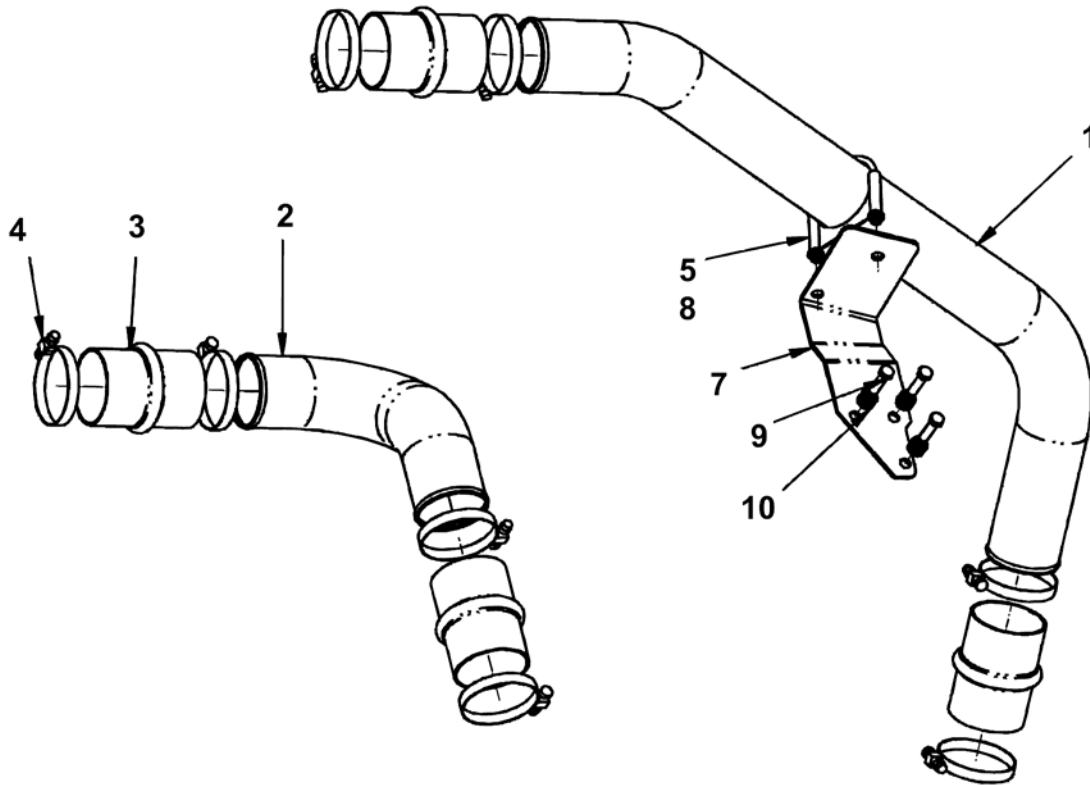
LIST REV 000

BOM 57914210

57914210 POWERPACK, GROUP

REF.	PART NO.	QTY	UNIT	DESCRIPTION	NOTES
001.0	57762668	1.0	EA	PIPING,ENGINE,CHRG AI	See Page 284
002.0	57762676	1.0	EA	PIPING,ENGINE RADIATOR	See Page 286
003.0	57762635	1.0	EA	EXHAUST,ENGINE	See Page 288
004.0	57764292	1.0	EA	INJECTION,ETHER,ASSM	See Page 290
005.0	57762379	1.0	EA	GUARD,BELT,ENGINE	See Page 292

57762668 PIPING,ENGINE,CHRG AI



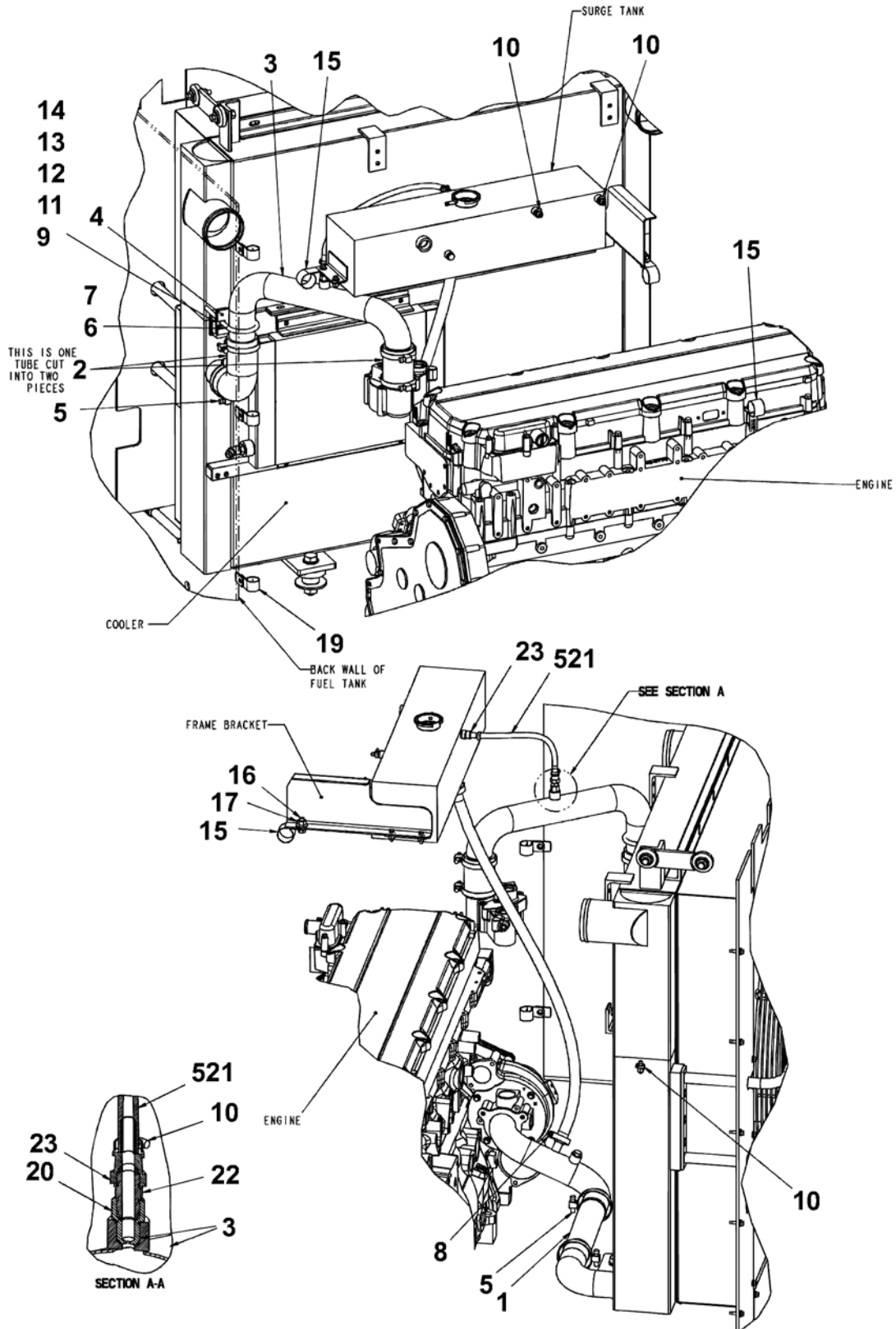
C2657762668 REV 002

BOM 57762668

57762668 PIPING,ENGINE,CHRG AI

REF.	PART NO.	QTY	UNIT	DESCRIPTION	NOTES
001.0	57762353	1.0	EA	TUBE,CAC,LONG	
002.0	57763146	1.0	EA	PIPE,CAC,SHORT,TO CLR	
003.0	57824765	4.0	EA	CONNECTOR, CHARGE AIR	
004.0	56280852	8.0	EA	CLAMP,CONSTANT TORQUE	
005.0	95922225	2.0	EA	WASHER,FLAT	
007.0	57764201	1.0	EA	BRACKET,PIPE,CAC	
008.0	51300010	1.0	EA	CLAMP,MUFLR	
009.0	51069912	3.0	EA	CAPSCREW	
010.0	51377372	6.0	EA	WASHER,DISCLOCK 1/2	

57762676 PIPING,ENGINE RADIATOR



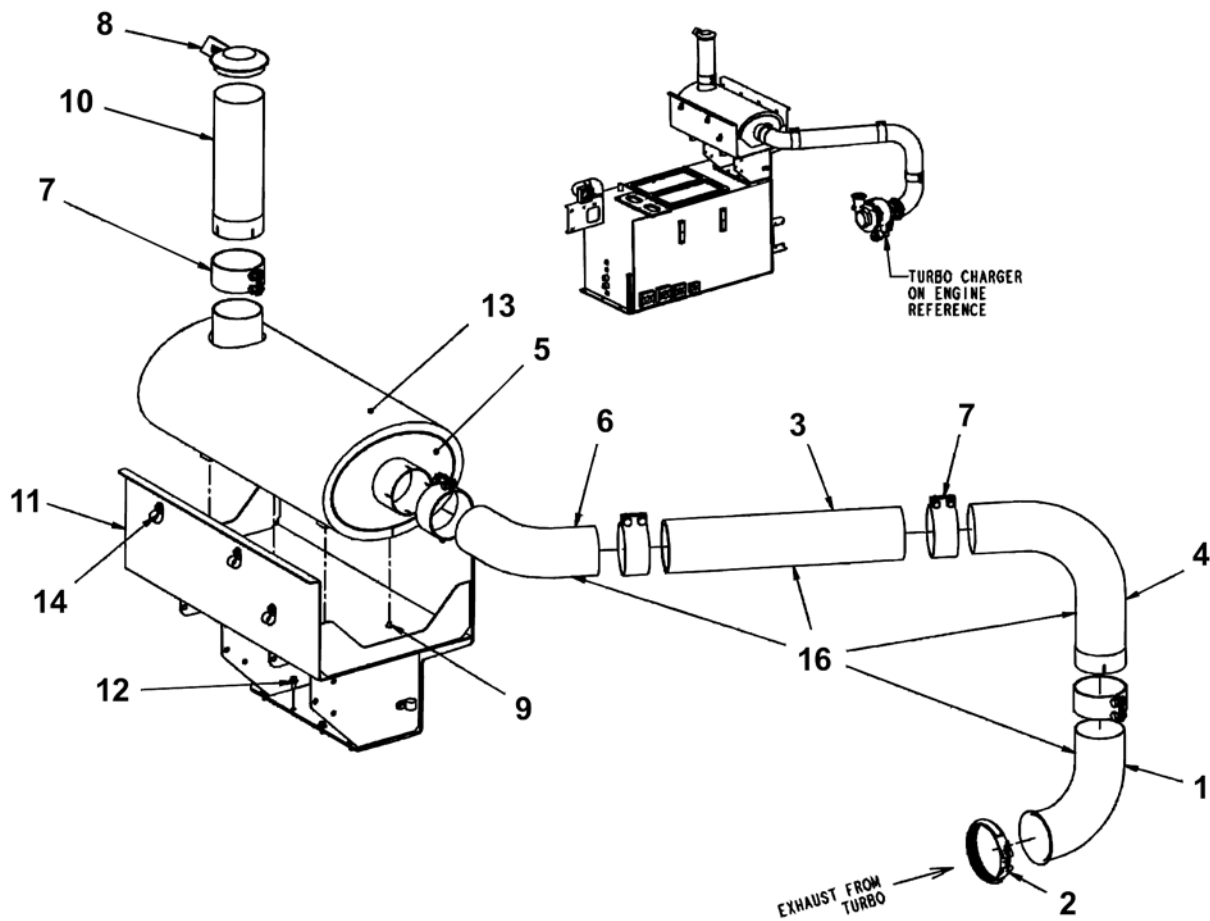
D57762676 REV 002

BOM 57762676

57762676 PIPING,ENGINE RADIATOR

REF.	PART NO.	QTY	UNIT	DESCRIPTION	NOTES
001.0	57783508	1.0	EA	HOSE,ENGINE COOLANT,14"L	
002.0	57772535	1.0	EA	ELBOW,RUBBER,RADIATOR	
-	54506738	1.0	EA	- HOSE,COOLANT	
003.0	57764227	1.0	EA	PIPE,ENG TO RADIATOR	
004.0	57068942	4.0	IN	RUBBER STRIP, 1/4 X4	
005.0	51874253	4.0	EA	CLAMP,HOSE	
005.1	51874253	2.0	EA	CLAMP,HOSE	
006.0	51874220	1.0	EA	U-BOLT	
007.0	95922894	2.0	EA	NUT,HEX	
008.0	95235131	2.0	EA	CLAMP,HOSE	
009.0	57772543	1.0	EA	BRACKET,RADIATOR PIPE	
010.0	56942691	5.0	EA	CLAMP, HOSE	
011.0	95077681	2.0	EA	NUT,HEX,FINISHED	
012.0	95922183	4.0	EA	WASHER,FLAT	
013.0	95934766	2.0	EA	WASHER,LOCK,HELICAL	
014.0	95934816	2.0	EA	CAPSCREW,HEX	
015.0	95301875	3.0	EA	CLAMP,HOSE	
016.0	96727250	1.0	EA	BOLT	
017.0	96726815	1.0	EA	NUT	
019.0	95396776	3.0	EA	CLAMP,HOSE SUPPORT	
020.0	57598088	1.0	EA	ORIFICE,094	
022.0	95396875	1.0	EA	FITTING,HYD	
023.0	59506436	2.0	EA	FITTING,HOSE	
521.0	57772592	0.0	EA	HOSE,SURGE TANK TO RADTR	

57762635 EXHAUST,ENGINE

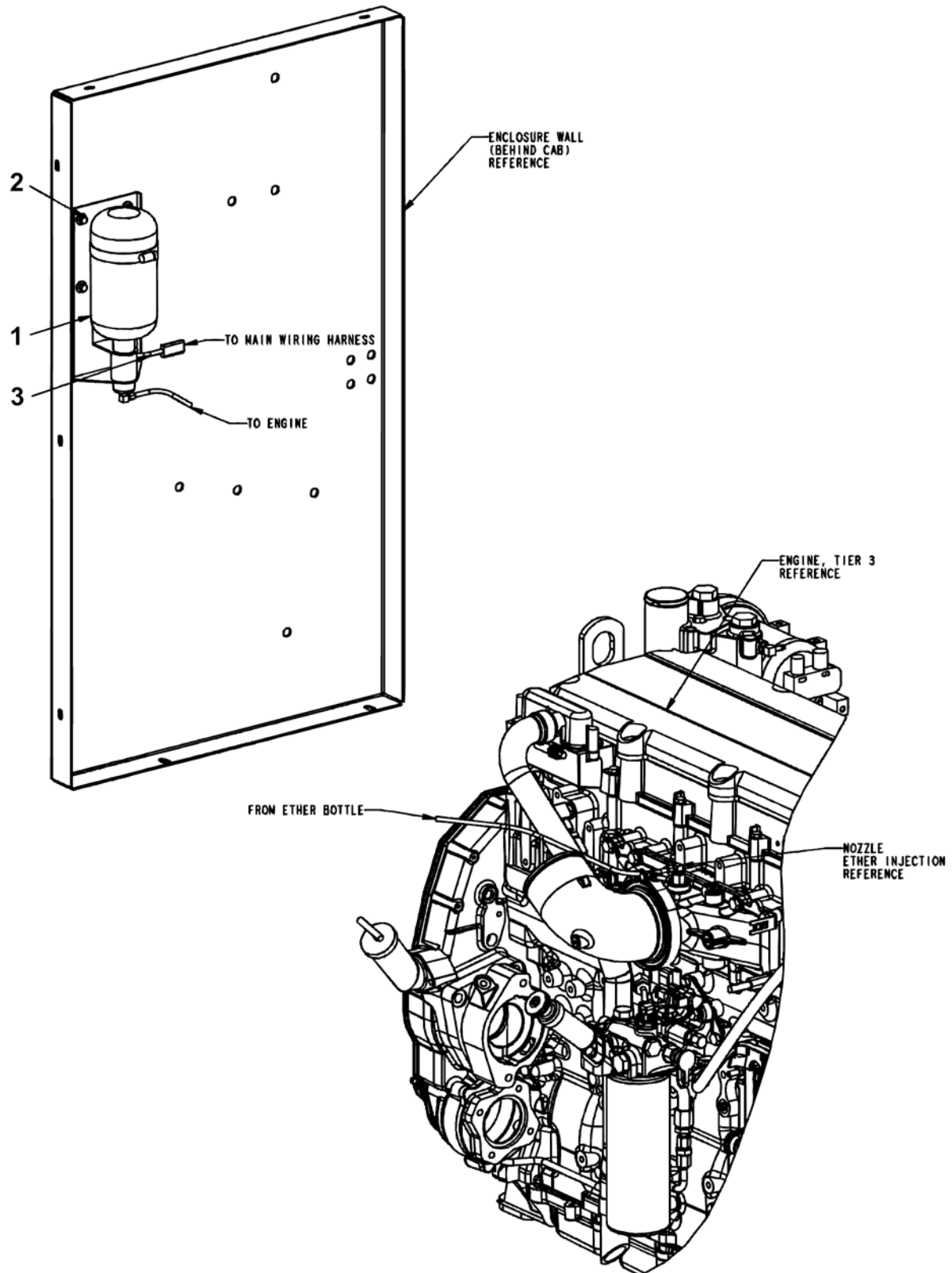


BOM 57762635

57762635 EXHAUST,ENGINE

REF.	PART NO.	QTY	UNIT	DESCRIPTION	NOTES
001.0	52313913	1.0	EA	ELBOW,EXHAUST	
002.0	52315629	0.0	EA	CLAMP,EXHAUST	
003.0	52315652	1.0	EA	TUBING,FLEX EXHAUST	
004.0	57763138	1.0	EA	ELBOW,EXHAUST,SLOTTED	
005.0	52313665	1.0	EA	MUFFLER,EXHAUST	
006.0	57763120	1.0	EA	ELBOW,EXHAUST,63 DEG	
007.0	51608123	1.0	EA	CLAMP,SEAL,EXHAUST	
007.1	51608123	4.0	EA	CLAMP,SEAL,EXHAUST	
008.0	51608149	1.0	EA	RAIN CAP,EXHAUST	
009.0	96726914	4.0	EA	BOLT	
010.0	52315686	1.0	EA	TUBE,EXHAUST	
011.0	57767584	1.0	EA	BRACKET,MUNTING MUFFLER	
012.0	96727169	13.0	EA	BOLT	
013.0	52319324	1.0	EA	INSULATION,MUFFLER BLNKT	
014.0	95654208	5.0	EA	CLAMP,HOSE	
015.0	51038214	100.0	FT	WIRE,LOCKING	
016.0	57578718	100.0	FT	INSULATION,WRAP	

57764292 INJECTION,ETHER,ASSM



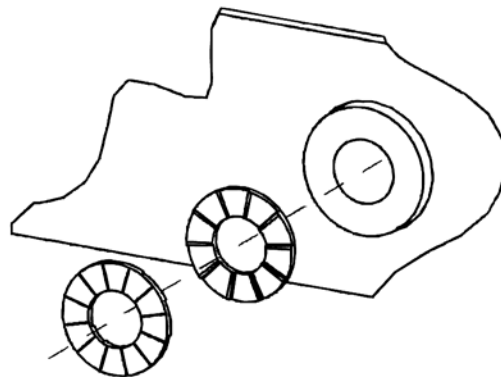
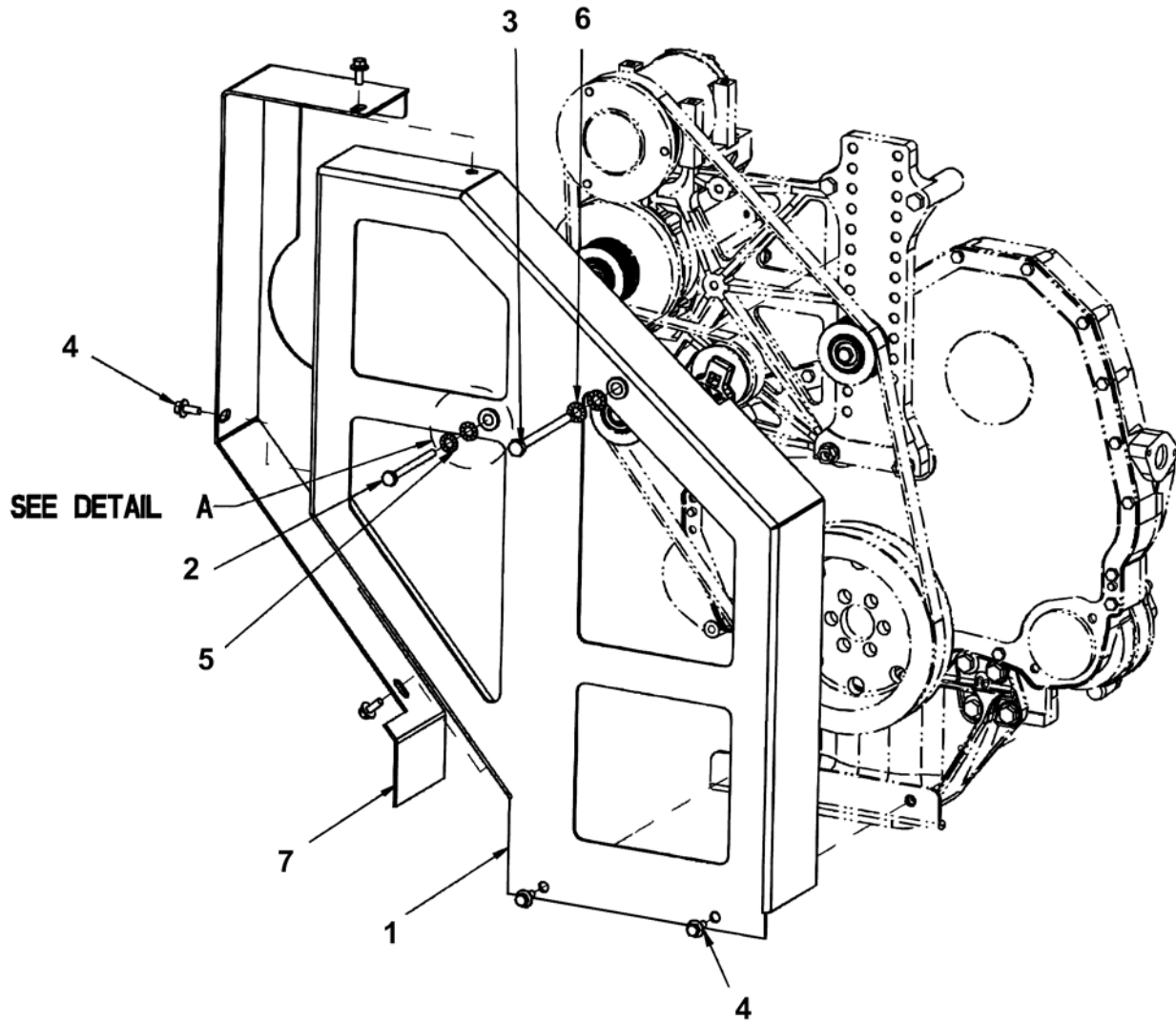
C2657764292 REV 001

BOM 57764292

57764292 INJECTION,ETHER,ASSM

REF.	PART NO.	QTY	UNIT	DESCRIPTION	NOTES
001.0	52099827	1.0	EA	KIT,INJ.,ETHER	
-	51789790	1.0	EA	- VALVE	
-	51789808	1.0	EA	- TUBING	
-	51308666	1.0	EA	- BLOCKOR	
-	51308682	1.0	EA	- CLAMP	
-	51792968	1.0	EA	- LOOM	
002.0	96728480	4.0	EA	BOLT,FLGD HEX HEAD	
003.0	51919488	10.0	IN	LOOM,ELECTRCAL WIRE,1/4"	

57762379 GUARD,BELT,ENGINE



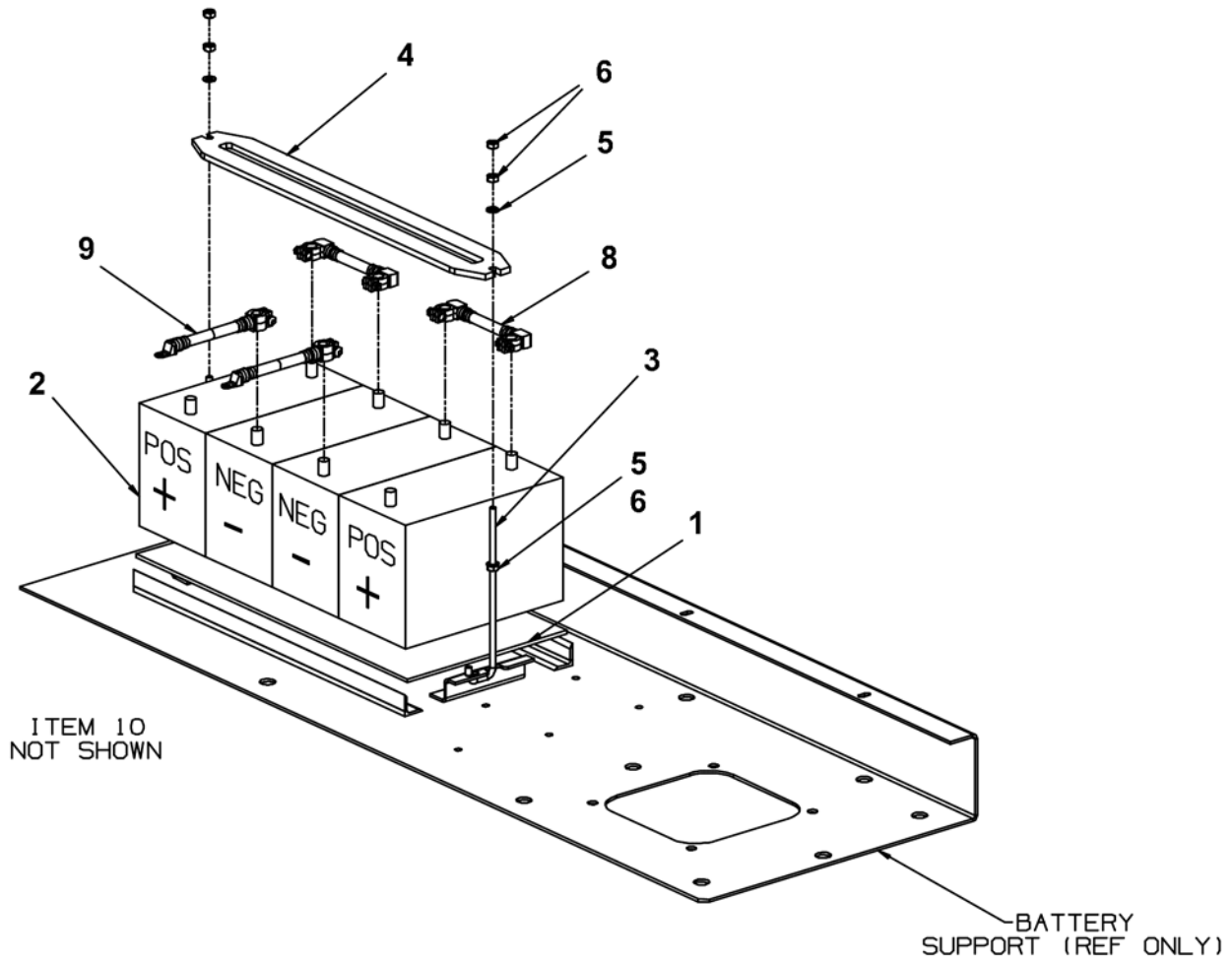
C2657762379 REV 002

BOM 57762379

57762379 GUARD,BELT,ENGINE

REF.	PART NO.	QTY	UNIT	DESCRIPTION	NOTES
001.0	57763922	1.0	EA	GUARD,ENGINE,ECM700	
002.0	96713490	1.0	EA	BOLT,HEX HD,M10	
003.0	96721535	1.0	EA	BOLT,HEX HD,M12	
004.0	96727169	5.0	EA	BOLT	
005.0	51377380	2.0	ST	WASHER,DISCLOCK 7/16	
006.0	51377372	2.0	EA	WASHER,DISCLOCK 1/2	
007.0	57772790	1.0	EA	GUARD,ENGINE	

57751547 BATTERY,INSTALLATION

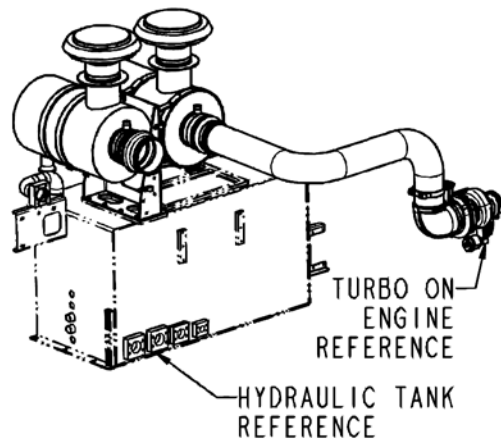
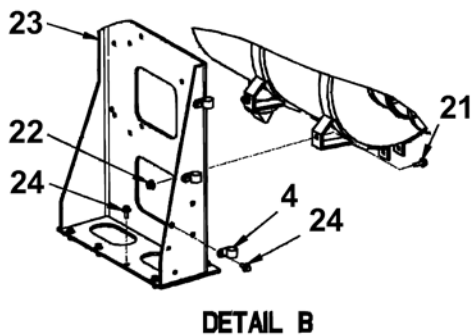
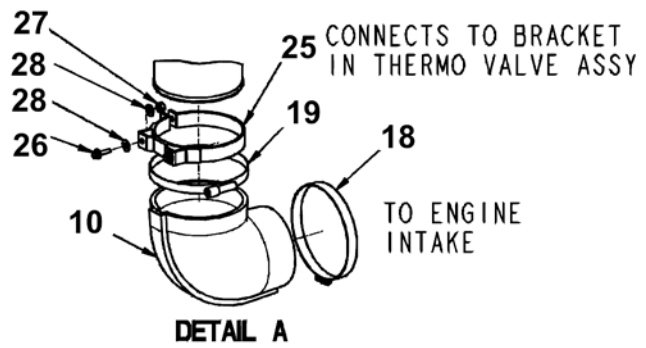
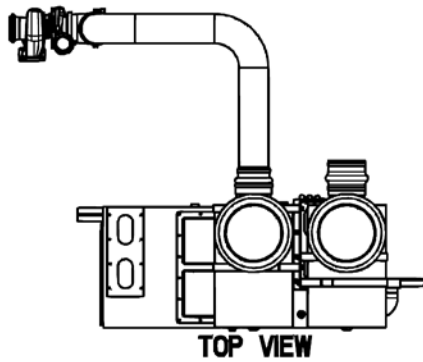
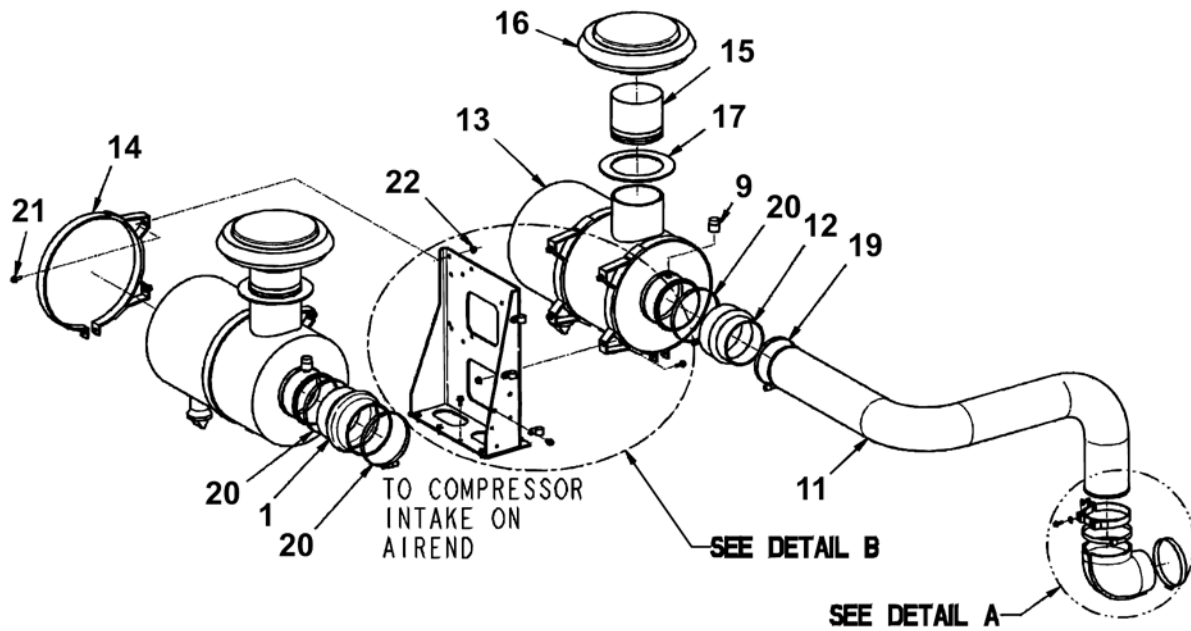


BOM 57751547

57751547 BATTERY,INSTALLATION

REF.	PART NO.	QTY	UNIT	DESCRIPTION	NOTES
001.0	57751505	1.0	EA	PAD,BATTERY	
002.0	57751513	4.0	EA	BATTERY,12 VOLTS	
003.0	52086238	2.0	EA	ROD CLAMP,BATTERY	
004.0	57751521	1.0	EA	BRACKET	
005.0	96701982	4.0	EA	WASHER/10M5LC14AM4HR	
006.0	95922894	6.0	EA	NUT,HEX	
008.0	51775823	2.0	EA	CABLE (370,590,670,690)	
009.0	52324738	2.0	EA	CABLE,BATTERY	
010.0	51858132	2.0	FT	WRAP,HOSE, SPIRAL CUT	

57763021 INTAKE,AIR ASSEMBLY

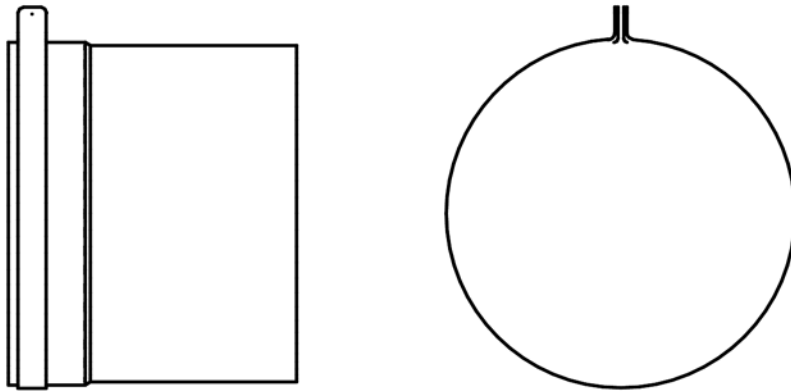


BOM 57763021

57763021 INTAKE,AIR ASSEMBLY

REF.	PART NO.	QTY	UNIT	DESCRIPTION	NOTES
001.0	56799844	1.0	EA	HOSE HUMP	
004.0	95654208	3.0	EA	CLAMP,HOSE	
009.0	51618296	2.0	EA	INDICATOR,RESTRICTION	
010.0	57764235	1.0	EA	ELBOW,RUBBER,6X5	
011.0	57762346	1.0	EA	TUBE,INTAKE,ENGINE	
012.0	58044561	1.0	EA	HOSE HUMP,REDUCING	
013.0	35711209	2.0	EA	AIR CLEANER	
-	35123595	1.0	EA	- MARKING	
-	35123504	1.0	EA	- BODY ASSEMBLY	
-	35123512	1.0	EA	- ELEMENT,PRIMARY	
-	35123520	1.0	EA	- ELEMENT,SAFETY	
-	35123538	1.0	EA	- PIN	
-	35123546	1.0	EA	- GASKET	
-	35123553	1.0	EA	- NUT,WING	
-	35123561	1.0	EA	- CLIP	
-	35255869	1.0	EA	- NUT	
-	35123587	1.0	EA	- VALVE,ACTUATOR	
-	57889271	1.0	EA	- CLAMP, WORM 2.81-3.75	
014.0	58044744	4.0	EA	BAND,MOUNTING	
015.0	52313681	2.0	EA	EXTENSION,AIR STACK	See Page 298
016.0	35112259	2.0	EA	RAINCAP,7 INCH	
017.0	52106051	2.0	EA	SEAL,INTAKE	
018.0	51713287	1.0	EA	CLAMP,T-BOLT	
019.0	51904787	2.0	EA	CLAMP,HOSE	
020.0	57440554	3.0	EA	CLAMP,CONSTANT TORQUE	
020.1	57440554	5.0	EA	CLAMP,CONSTANT TORQUE	
021.0	96726914	8.0	EA	BOLT	
022.0	96726807	8.0	EA	NUT/84M4JD7M3	
023.0	52313905	1.0	EA	BRACKET,MTG INTAKE FILTR	
024.0	96727169	11.0	EA	BOLT	
025.0	57064941	1.0	EA	BAND,MOUNTING-6 IN	
026.0	96727797	2.0	EA	BOLT	
027.0	96726799	2.0	EA	NUT/84M4JD6M3	
028.0	51791457	4.0	EA	WASHER,5/16 FLAT	

52313681 EXTENSION,AIR STACK

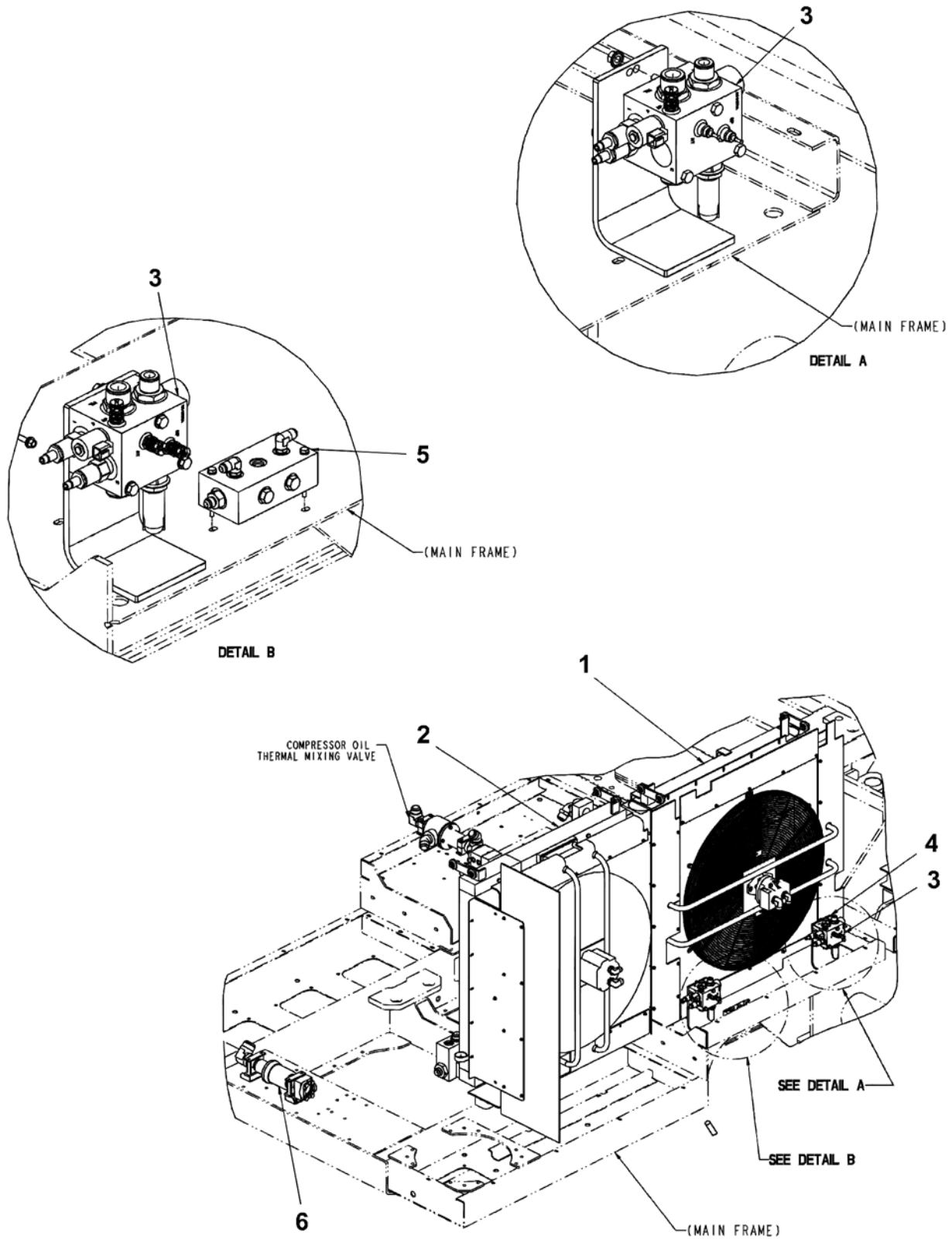


BOM 52313681

52313681 EXTENSION,AIR STACK

REF.	PART NO.	QTY	UNIT	DESCRIPTION	NOTES
001.0	59852988	1.0	EA	EXTENSION	

57914228 COOLER, GROUP



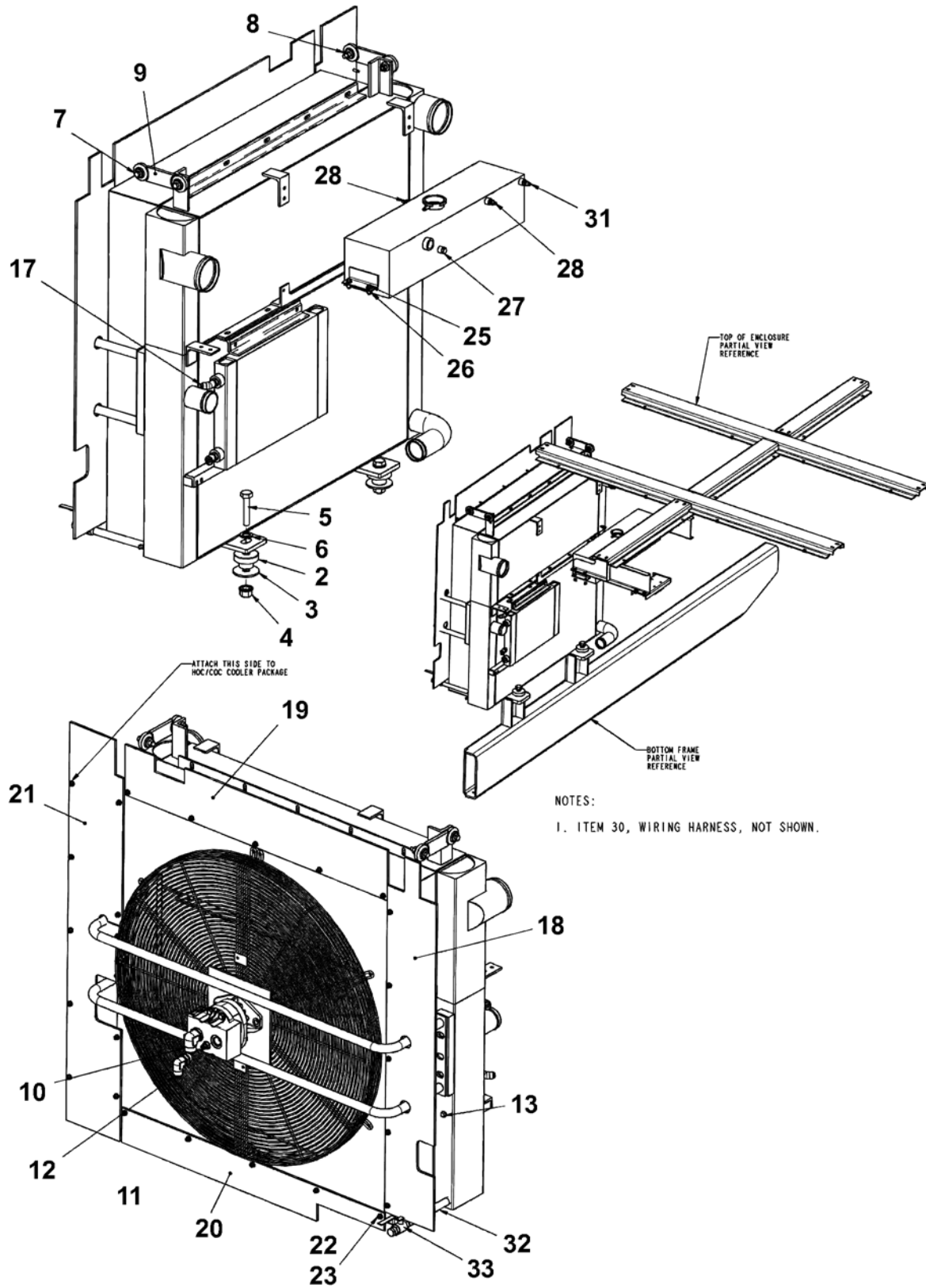
D2657914228 REV 001

BOM 57914228

57914228 COOLER, GROUP

REF.	PART NO.	QTY	UNIT	DESCRIPTION	NOTES
001.0	57763013	1.0	EA	COOLER,RADIATOR,CHRG	See Page 302
002.0	57914442	1.0	EA	OIL COOLER ASM,HYD/COMP	See Page 306
003.0	57804304	2.0	EA	MANIFOLD,ASM,FAN CONTROL	See Page 314
005.0	52318771	1.0	EA	MANIFOLD,COOLER DRAIN	See Page 318
006.0	52329612	1.0	EA	VALVE ASM,THERM HYD OIL	See Page 320

57763013 COOLER,RADIATOR,CHRG



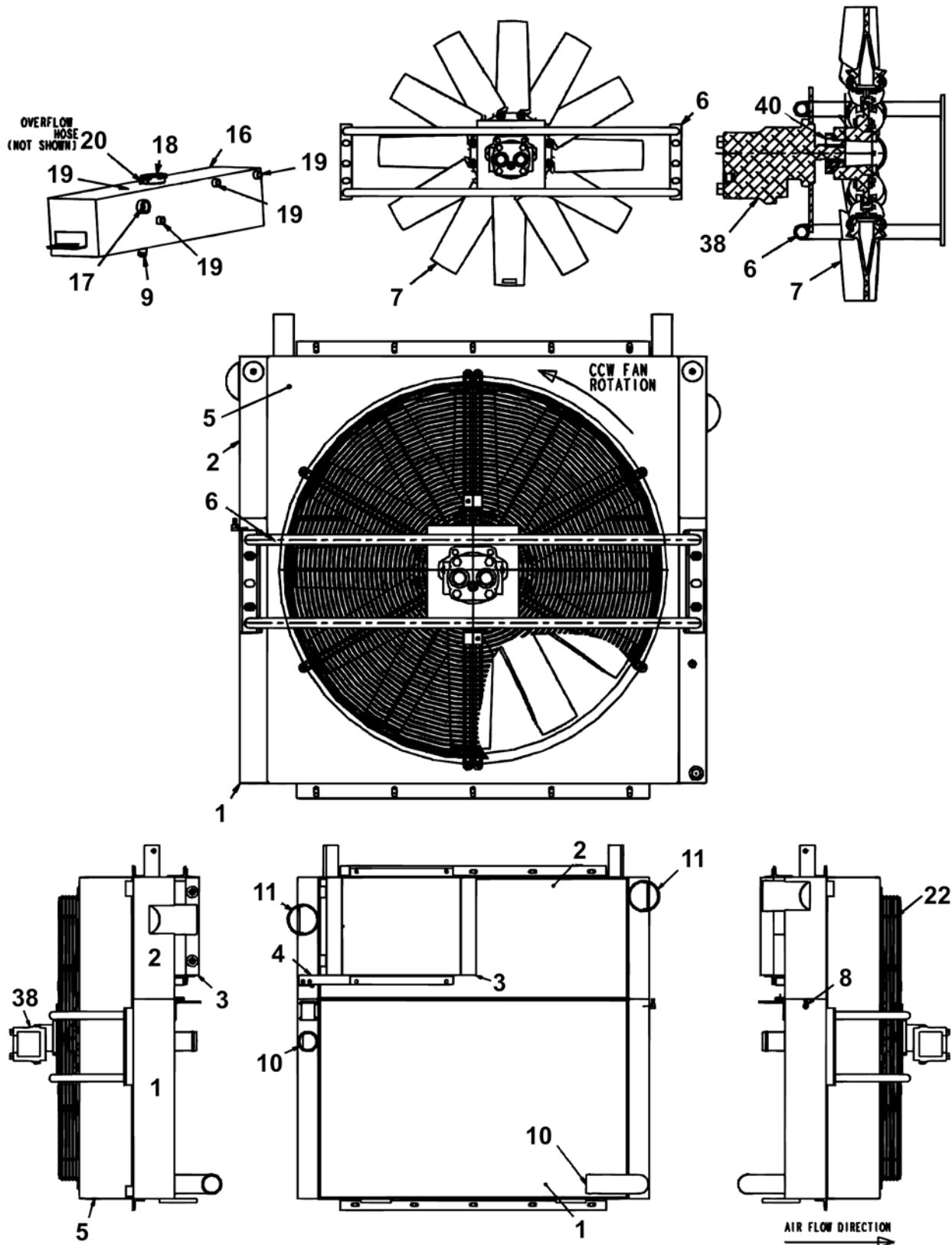
C57763013 REV 002

BOM 57763013

57763013 COOLER,RADIATOR,CHRG

REF.	PART NO.	QTY	UNIT	DESCRIPTION	NOTES
001.0	57890113	1.0	EA	COOLER,CAC/RADIATOR,700	See Page 304
002.0	51061661	2.0	EA	MOUNTING,ANTI-VIBRATION	
003.0	57314825	2.0	EA	WASHER	
004.0	96727755	2.0	EA	NUT,FLANGE	
005.0	96704044	2.0	EA	CAPSCREW/35M2AA572	
006.0	96702568	2.0	EA	WASHER/10M5LC19AM4HR	
007.0	96727185	4.0	EA	BOLT	
008.0	96727730	4.0	EA	NUT,FLANGE	
009.0	52116761	2.0	EA	ASY,STRUT	
-	52116753	1.0	EA	- BAR,STRUT	
-	52116688	2.0	EA	- JOINT,BALL	
010.0	95366001	1.0	EA	ADAPTER,90DEG-O-RING/JIC	
011.0	95365078	1.0	EA	CONNECTOR,STRT THRD	
012.0	95280194	1.0	EA	ELBOW,90 DEG STRT THRD	
013.0	57824369	1.0	EA	PLUG, SQUARE HEAD	
017.0	95280152	2.0	EA	ADAPTER,45DEG-ORING/JIC	
018.0	52316189	1.0	EA	BAFFLE,COOLER	
019.0	52316197	1.0	EA	BAFFLE,COOLER	
020.0	52316205	1.0	EA	BAFFLE,COOLER	
021.0	52316213	1.0	EA	BAFFLE,COOLER	
022.0	52306370	6.0	EA	SCREW,SELF TAPPING	
022.1	52306370	20.0	EA	SCREW,SELF TAPPING	
023.0	52237179	20.0	EA	WASHER	
023.1	52237179	6.0	EA	WASHER	
025.0	96727193	4.0	EA	BOLT	
026.0	96726799	4.0	EA	NUT/84M4JD6M3	
027.0	95370714	1.0	EA	PLUG,PIPE	
028.0	95316972	2.0	EA	CONNECTOR,MALE,37 DEG	
031.0	57017485	1.0	EA	FITTING,HOSE	
032.0	57809972	1.0	EA	NIPPLE,STANDARD PIPE	
033.0	50947357	1.0	EA	VALVE,BALL	
034.0	57928442	1.0	EA	PAD,RUBBER	

57890113 COOLER,CAC/RADIATOR,700



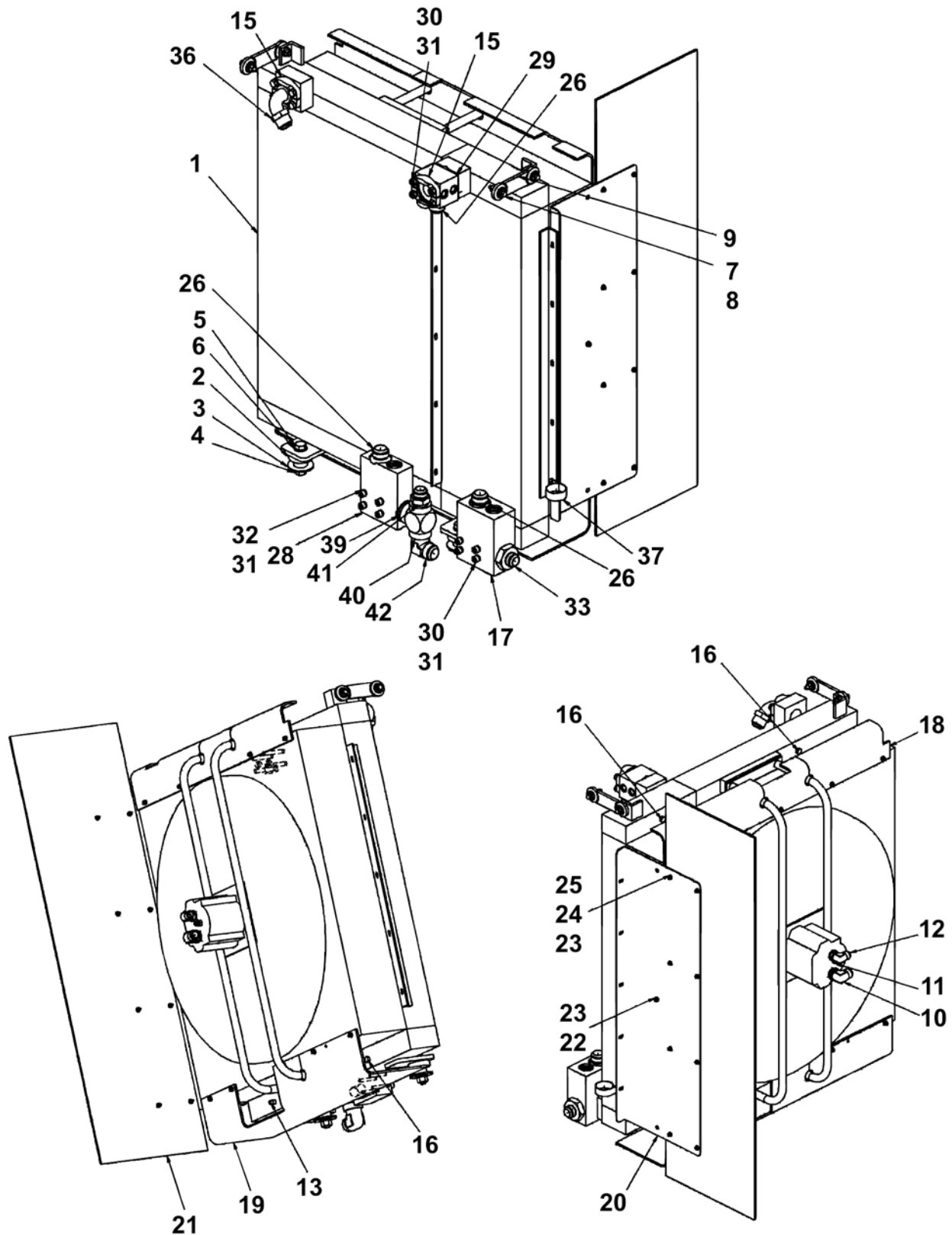
C2657890113 REV 001

BOM 57890113

57890113 COOLER,CAC/RADIATOR,700

REF.	PART NO.	QTY	UNIT	DESCRIPTION	NOTES
001.0	52315967	1.0	EA	RADIATOR	
002.0	52315959	1.0	EA	RADIATOR/CHARGE AIR COOL	
003.0	52315991	1.0	EA	COOLER,FUEL	
005.0	52316015	1.0	EA	SHROUD	
006.0	52306859	1.0	EA	MOUNT,MTR	
007.0	52306875	1.0	EA	FAN	
016.0	52322500	1.0	EA	TANK,SURGE	
017.0	57547580	1.0	EA	GAUGE,SIGHT	
018.0	51792323	1.0	EA	CAP,RADIATOR	
022.0	52305323	1.0	EA	FINGERGUARD	
038.0	57825184	1.0	EA	MOTOR,HYDRAULIC GEAR TEK	
040.0	57825192	1.0	EA	BUSHING,FAN	

57914442 OIL COOLER ASM, HYD/COMP



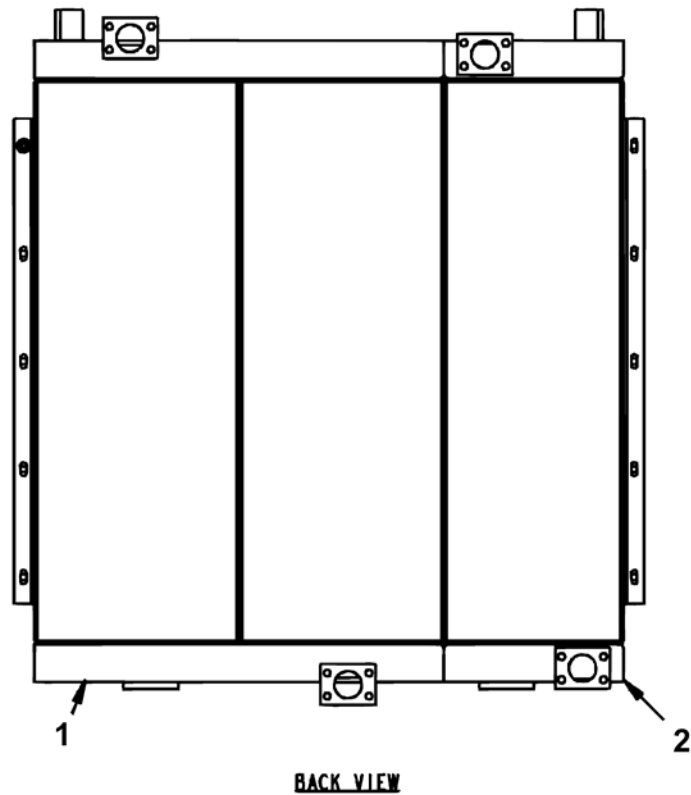
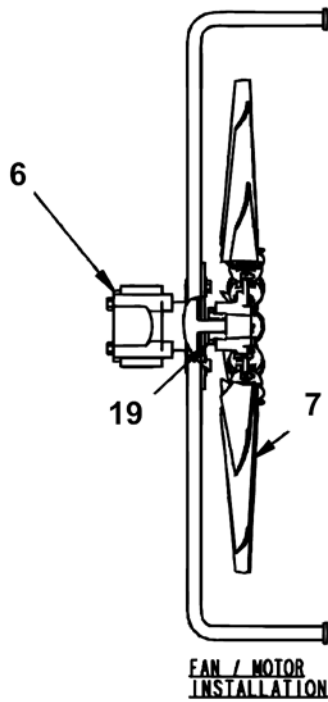
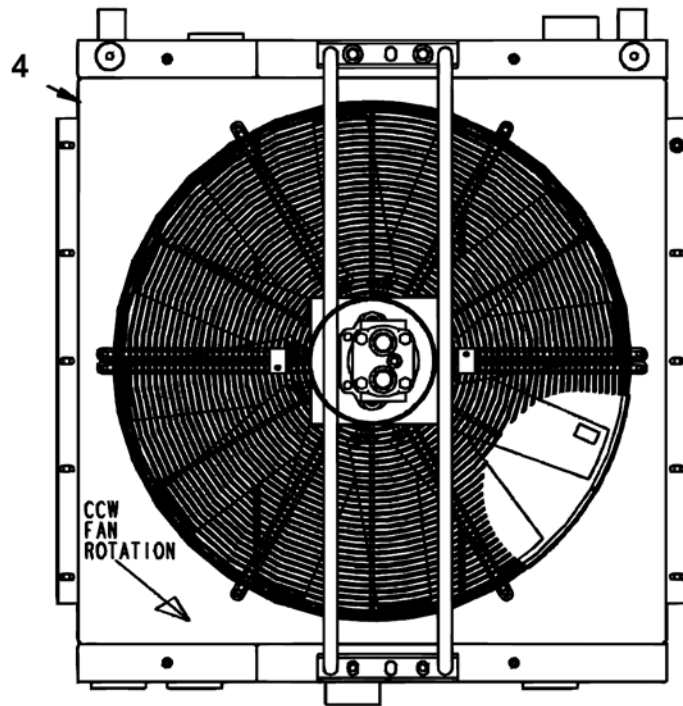
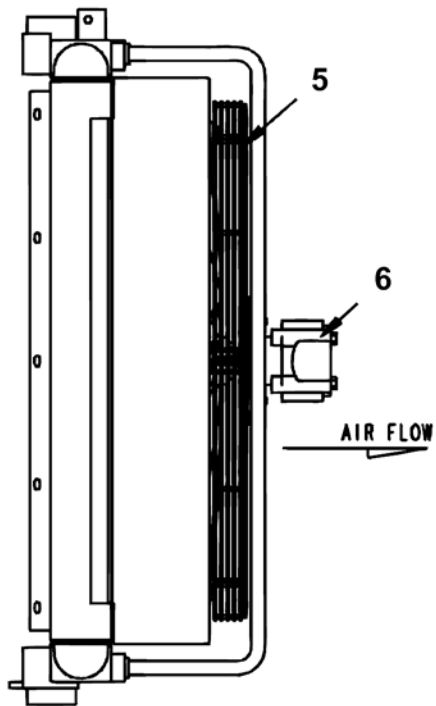
2657914442 REV 000

BOM 57914442

57914442 OIL COOLER ASM,HYD/COMP

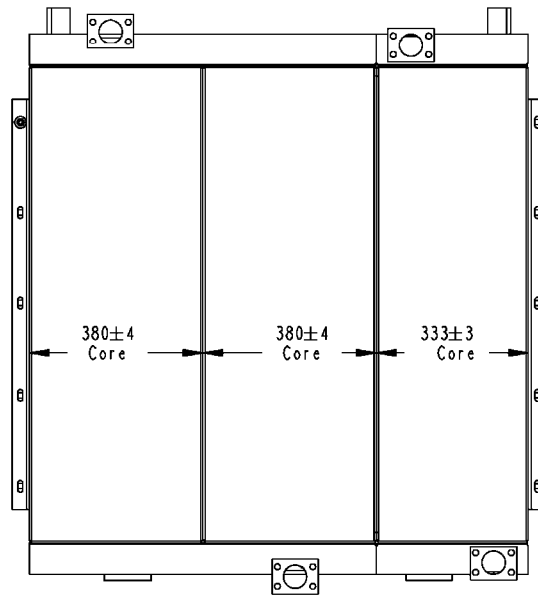
REF.	PART NO.	QTY	UNIT	DESCRIPTION	NOTES
001.0	57890121	1.0	EA	COOLER,HOC/COC,700	See Page 308
002.0	51061661	2.0	EA	MOUNTING,ANTI-VIBRATION	
003.0	57314825	2.0	EA	WASHER	
004.0	96727755	2.0	EA	NUT,FLANGE	
005.0	96704044	2.0	EA	CAPSCREW/35M2AA572	
006.0	96702568	2.0	EA	WASHER/10M5LC19AM4HR	
007.0	96727185	4.0	EA	BOLT	
008.0	96727730	4.0	EA	NUT,FLANGE	
009.0	52116761	2.0	EA	ASY,STRUT	
-	52116753	1.0	EA	- BAR,STRUT	
-	52116688	2.0	EA	- JOINT,BALL	
010.0	95366001	1.0	EA	ADAPTER,90DEG-O-RING/JIC	
011.0	95365078	1.0	EA	CONNECTOR,STRT THRD	
012.0	95280194	1.0	EA	ELBOW,90 DEG STRT THRD	
013.0	57927832	1.0	EA	SWITCH,TEMPERATURE,160	
015.0	56928534	2.0	EA	KIT, -32 SPLIT FLANGE	
016.0	95096434	3.0	EA	PLUG,PIPE	
017.0	57729006	1.0	EA	VALVE,HYD,LOWER BYPASS	
018.0	52316221	1.0	EA	BAFFLE,COOLER	
019.0	52316239	1.0	EA	BAFFLE,COOLER	
020.0	52316247	1.0	EA	PLATE,BAFFLE	
021.0	52316254	1.0	EA	BAFFLE,COOLER	
022.0	52306370	11.0	EA	SCREW,SELF TAPPING	
023.0	52237179	19.0	EA	WASHER	
024.0	96728571	8.0	EA	BOLT/131M2AB191M3	
025.0	96726781	8.0	EA	NUT/84M4JD4M3	
026.0	95310116	3.0	EA	ADAPTER,STR JIC/O-RING	
028.0	57668592	1.0	EA	VALVE,HYDRAULIC	See Page 312
029.0	57728990	1.0	EA	VALVE,HYD,UPPER BYPASS	
030.0	95055133	8.0	EA	CAPSCREW,AH	
031.0	95955936	12.0	EA	LOCKWASHER/14A5C96Z3	
032.0	95055091	4.0	EA	CAPSCREW,AH	
033.0	95371241	1.0	EA	ADAPTER,STR.-JIC/O-RING	
036.0	56928559	1.0	EA	ADAPTER	
037.0	95322871	1.0	EA	CLAMP,HOSE	
039.0	52165776	1.0	EA	FITTING,HYD	
040.0	95678041	1.0	EA	FITTING, HYD	
041.0	95208682	1.0	EA	FITTING,HYD	
042.0	95279477	1.0	EA	FITTING,HYD	

57890121 COOLER,HOC/COC,700

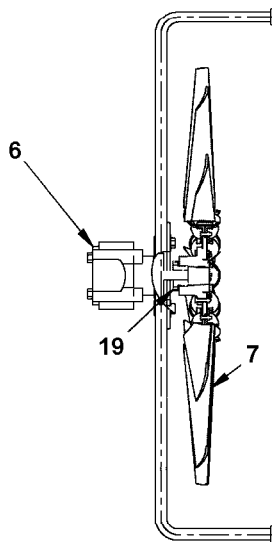


C2657890121 REV 000

57890121 COOLER, HOC/COC, 700



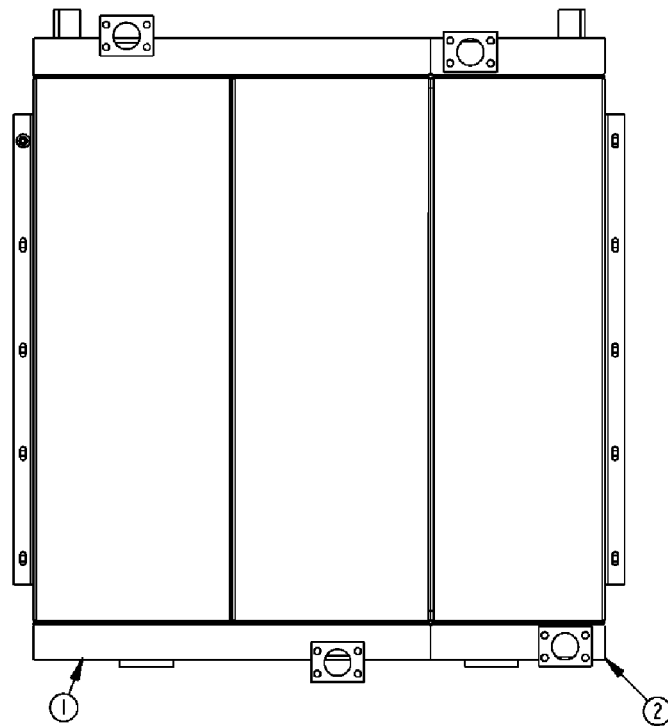
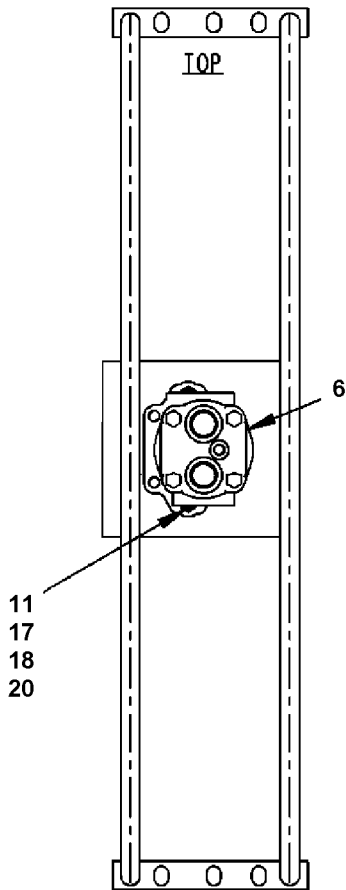
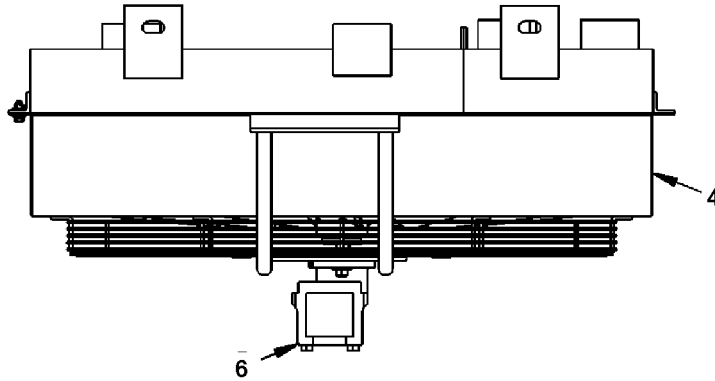
BACK VIEW



FAN / MOTOR
INSTALLATION

C2657890121 REV 000

57890121 COOLER,HOC/COC,700



BACK VIEW

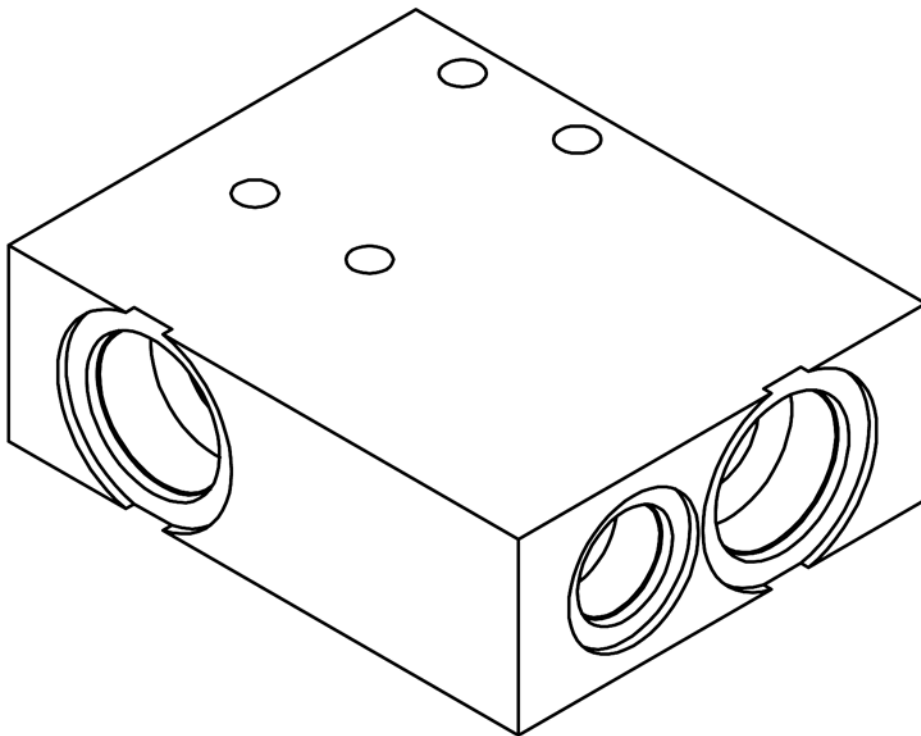
C2657890121 REV 000

BOM 57890121

57890121 COOLER,HOC/COC,700

REF.	PART NO.	QTY	UNIT	DESCRIPTION	NOTES
001.0	52315983	1.0	EA	COOLER,OIL-LARGE	
002.0	57729188	1.0	EA	COOLER,OIL	
003.0	52306859	1.0	EA	MOUNT,MTR	
004.0	52316015	1.0	EA	SHROUD	
005.0	52305323	1.0	EA	FINGERGUARD	
006.0	57825184	1.0	EA	MOTOR,HYDRAULIC GEAR TEK	
007.0	52306875	1.0	EA	FAN	
019.0	57825192	1.0	EA	BUSHING,FAN	

57668592 VALVE, HYDRAULIC

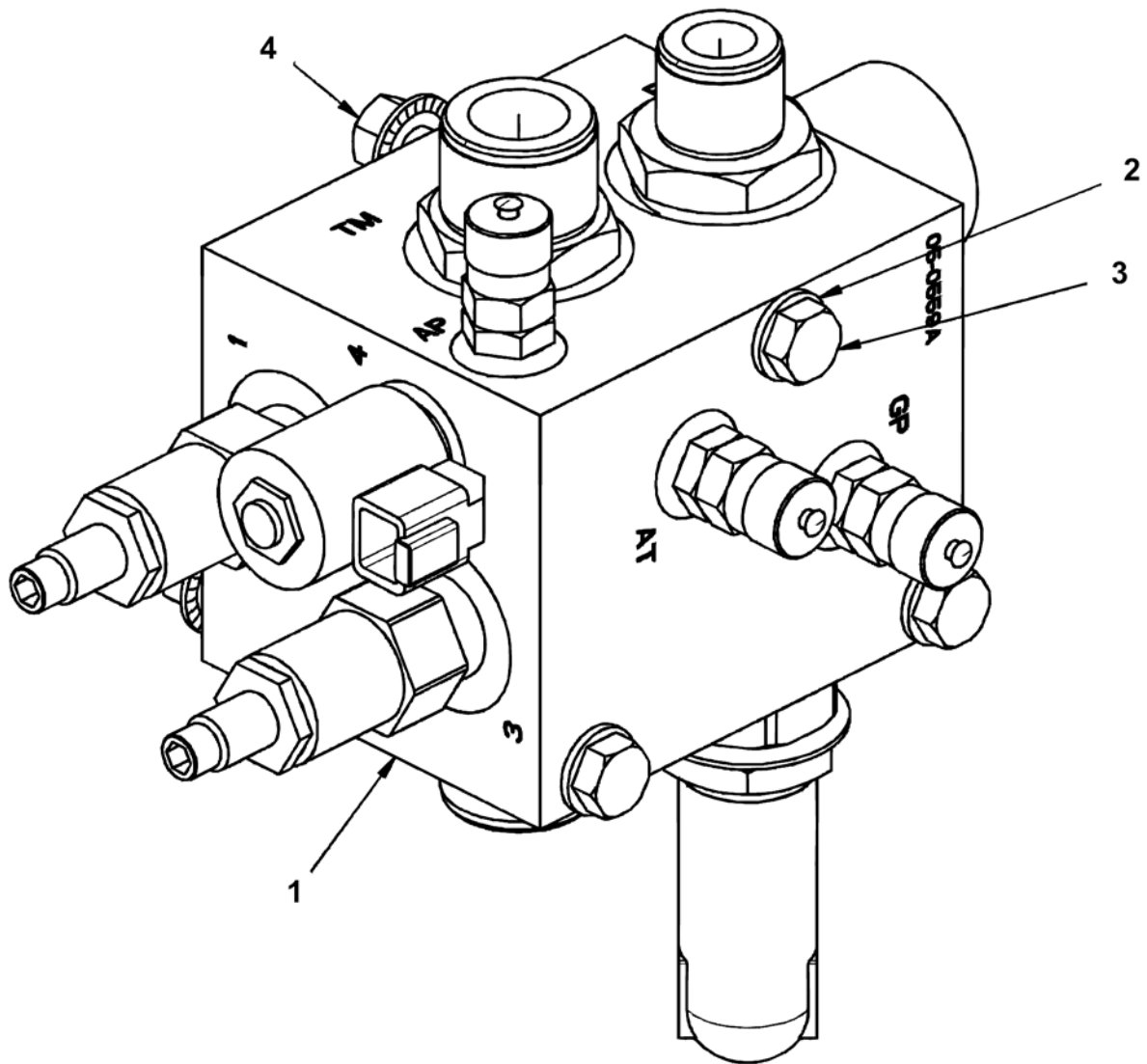


BOM 57668592

57668592 VALVE,HYDRAULIC

REF.	PART NO.	QTY	UNIT	DESCRIPTION	NOTES
001.0	95018461	1.0	EA	O-RING	
002.0	52330974	2.0	EA	VALVE,CHECK	
003.0	51869188	2.0	EA	RETAINER	
004.0	95527990	1.0	EA	PLUG	

57804304 MANIFOLD,ASM,FAN CONTROL

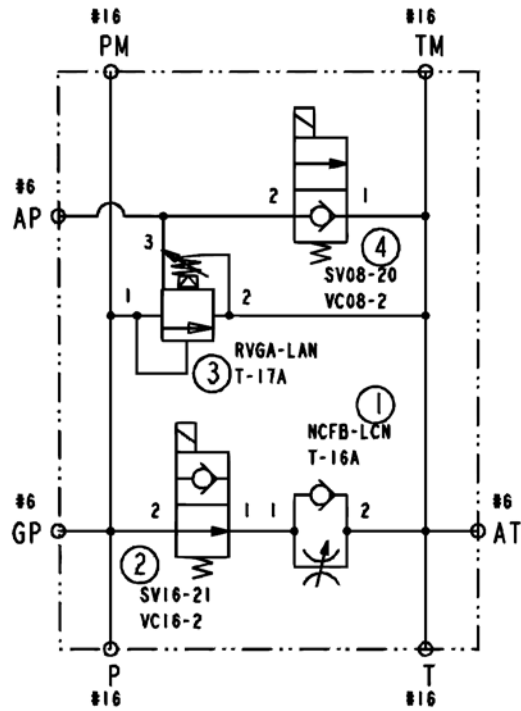
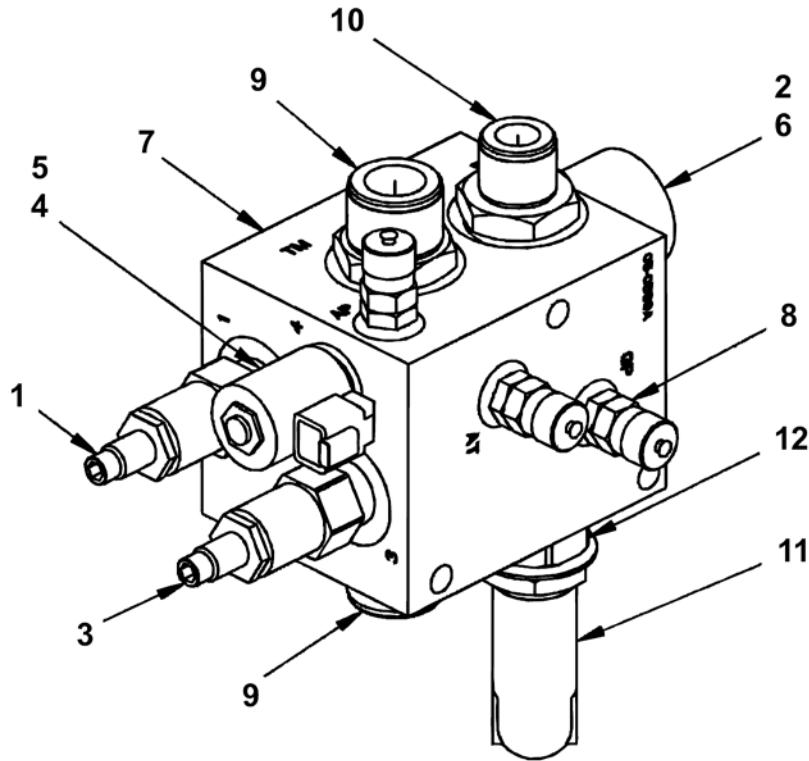


BOM 57804304

57804304 MANIFOLD,ASM,FAN CONTROL

REF.	PART NO.	QTY	UNIT	DESCRIPTION	NOTES
001.0	57803793	1.0	EA	VALVE, FAN CONTROL	See Page 316
002.0	96701982	3.0	EA	WASHER/10M5LC14AM4HR	
003.0	96703871	3.0	EA	CAPSCREW/35M2AA427	
004.0	96726807	3.0	EA	NUT/84M4JD7M3	

57803793 VALVE, FAN CONTROL



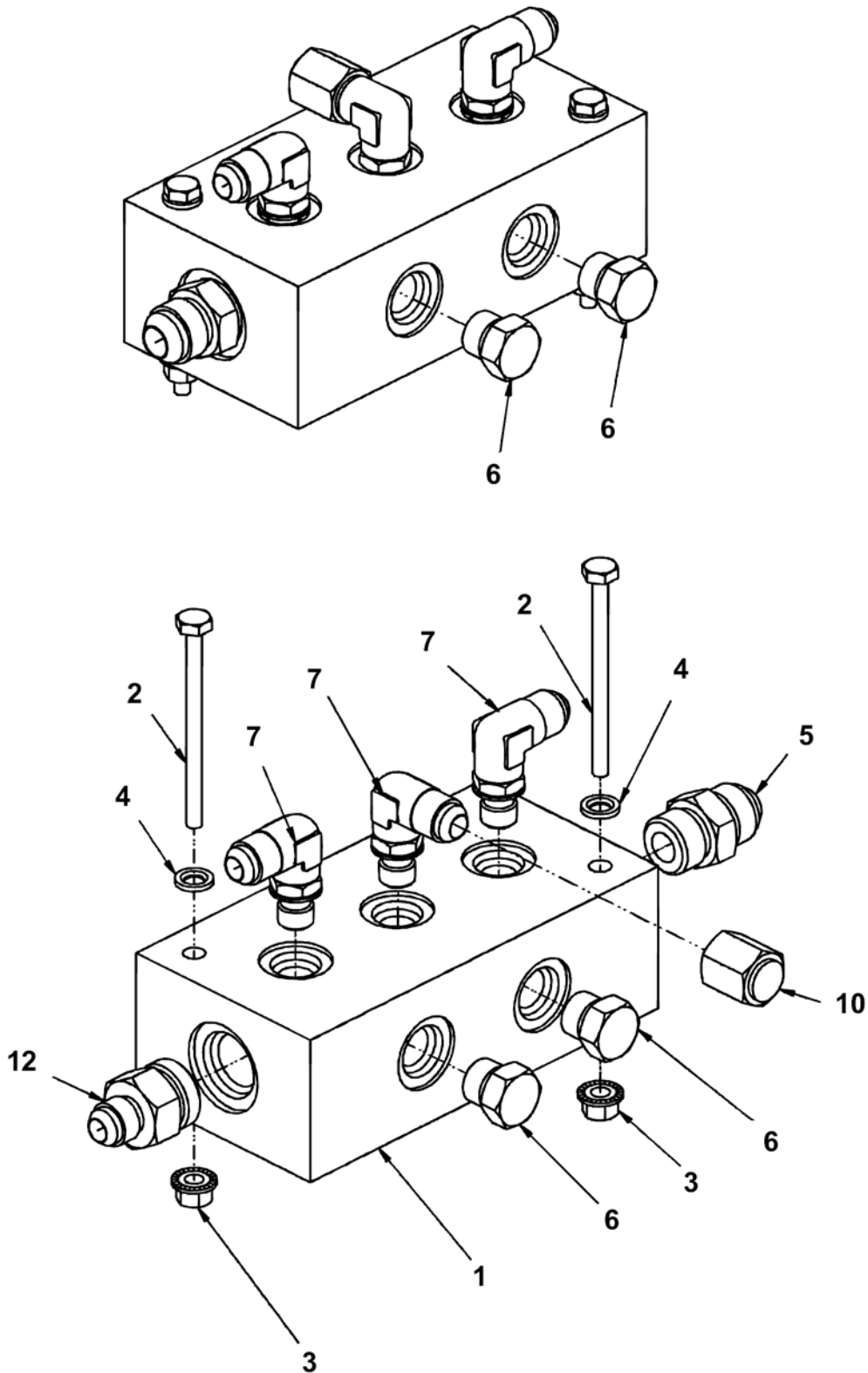
C2657803793 REV 000

BOM 57803793

57803793 VALVE, FAN CONTROL

REF.	PART NO.	QTY	UNIT	DESCRIPTION	NOTES
001.0	57804536	1.0	EA	CARTRIDGE,VALVE,NCFB-LCN	
002.0	57804502	1.0	EA	CARTRIDGE,VALVE SV16-21	
003.0	57804510	1.0	EA	CARTRIDGE,VALVE	
004.0	57695231	1.0	EA	VALVE,PILOT POPPET	
-	57695249	1.0	EA	- KIT,SEAL VALVE	
005.0	57774416	1.0	EA	COIL,SOLENOID	
006.0	57774408	1.0	EA	COIL,SOLENOID	
007.0	57804338	1.0	EA	BODY,VALVE,FAN CONTROL	
008.0	52306602	3.0	EA	FITTING,PRESSURE TEST	
009.0	95329983	2.0	EA	CONNECTOR,STRAIGHT THRD	
010.0	95356978	1.0	EA	ADAPTER,STR,JIC/O-RING	
011.0	95090601	1.0	EA	FITTING,HYD	
012.0	95528808	1.0	EA	ADAPTER	

52318771 MANIFOLD, COOLER DRAIN



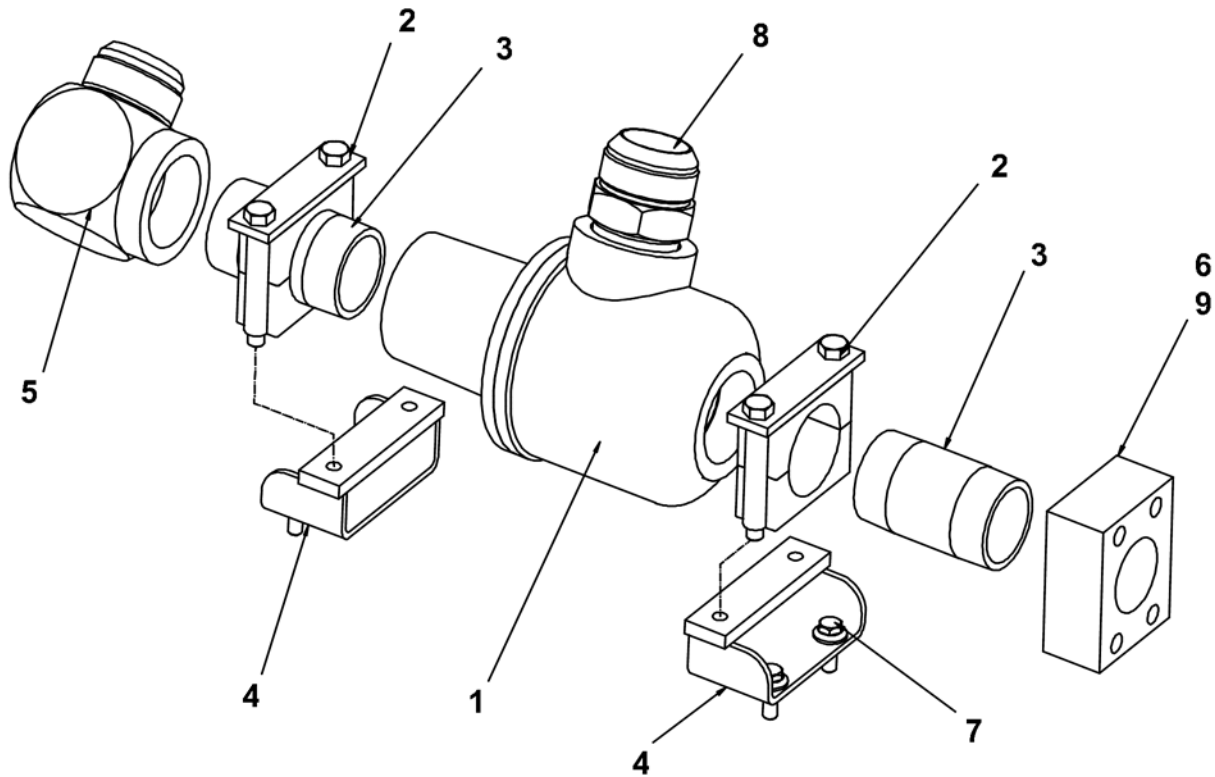
C2652318771 REV 003

BOM 52318771

52318771 MANIFOLD,COOLER DRAIN

REF.	PART NO.	QTY	UNIT	DESCRIPTION	NOTES
001.0	51608685	1.0	EA	MANIFOLD,CAB DRAIN	
002.0	96706825	2.0	EA	BOLT,HEX HEAD	
003.0	96726781	2.0	EA	NUT/84M4JD4M3	
004.0	96702501	2.0	EA	WASHER/10M5LC11AM4HR	
005.0	95303368	1.0	EA	CONNECTOR,STRT THRD	
006.0	95343596	4.0	EA	PLUG,HEX HEAD,O-RING	
007.0	95653614	3.0	EA	ADAPTER-90DEG,ORING/JIC	
010.0	95257341	1.0	EA	CAP,JIC-6	
012.0	95356903	1.0	EA	CONNECTOR,STRT THRD	

52329612 VALVE ASM, THERM HYD OIL



BOM 52329612

52329612 VALVE ASM, THERM HYD OIL

REF.	PART NO.	QTY	UNIT	DESCRIPTION	NOTES
001.0	52301629	1.0	EA	VALVE, HYD THERMOSTATIC	
-	57767626	1.0	EA	- KIT, REPAIR VALVE	
-	52320215	1.0	EA	- SEAL, O-RING	
-	52320223	1.0	EA	- SEAL, LIP	
-	57767634	1.0	EA	- ELEMENT	
002.0	52319332	2.0	EA	CLAMP ASSY, PIPE	
003.0	57824179	2.0	EA	NIPPLE, EXTRA STRONG	
004.0	52321411	2.0	EA	BRACKET, MOUNTING	
005.0	95316915	1.0	EA	ADPT 90 DEG.	
006.0	57747875	1.0	EA	FLANGE, IN-LINE, NPTF THRD	
007.0	96726914	4.0	EA	BOLT	
008.0	95279352	1.0	EA	FITTING, HYD	
009.0	56928534	1.0	EA	KIT, -32 SPLIT FLANGE	

57914244 AC-HEATER, GROUP



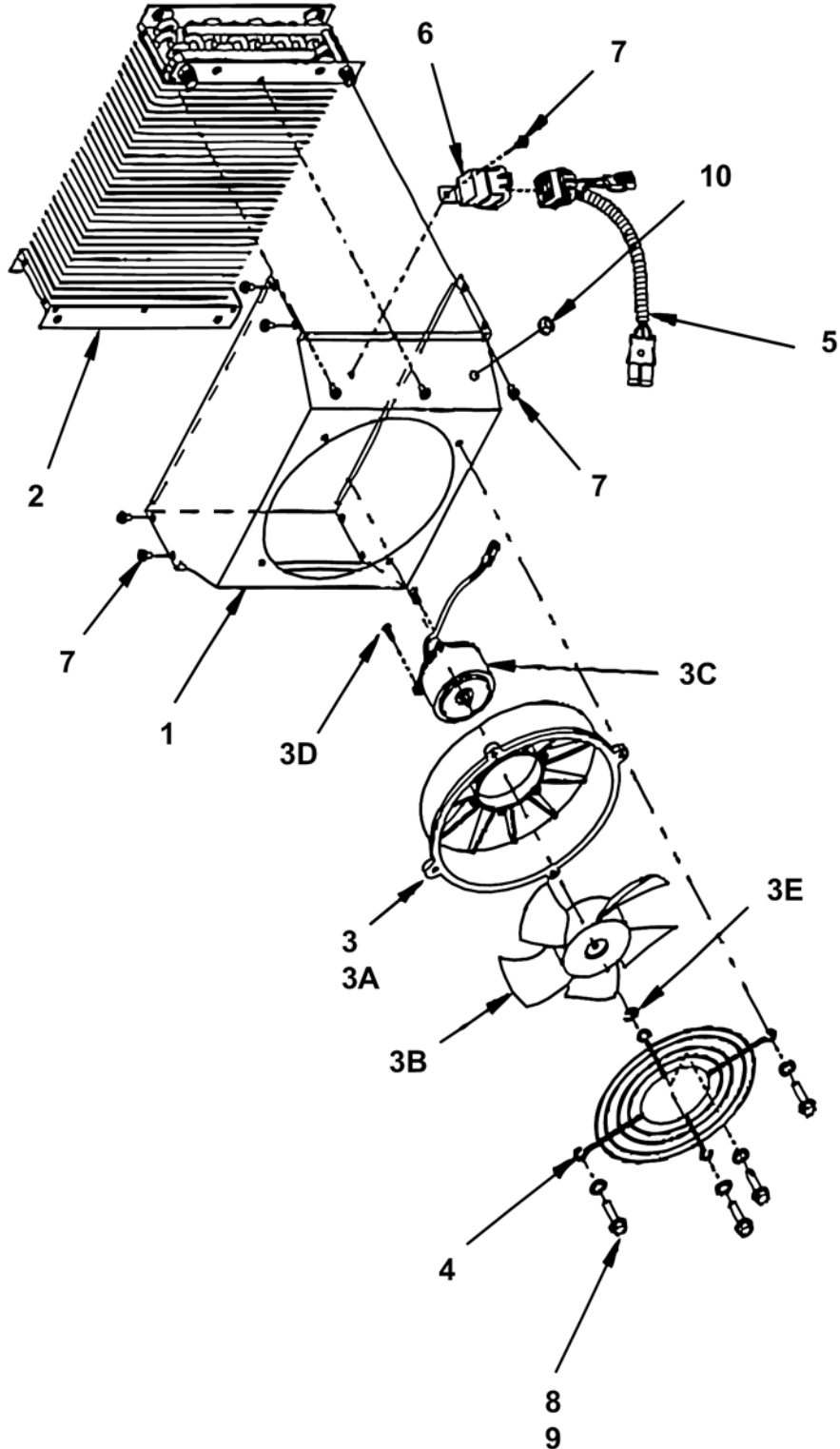
PENDING REV 000

BOM 57914244

57914244 AC-HEATER, GROUP

REF.	PART NO.	QTY	UNIT	DESCRIPTION	NOTES
001.0	57799157	1.0	EA	CONDENSER,A/C INSTAL	
-	52322245	1.0	EA	- CONDENSER,A/C,W/RELAY	See Page 324
-	52322252	1.0	EA	- RECEIVER DRIER ASM	
-	52322260	1.0	EA	- DRIER,RECEIVER	
-	52322278	1.0	EA	- SWITCH,PRESSURE	
-	52321353	1.0	EA	- BRACKET,MOUNTING	
-	96727193	10.0	EA	- BOLT	
-	96726799	2.0	EA	- NUT/84M4JD6M3	
-	95301867	2.0	EA	- CLAMP,HOSE	
-	95818837	2.0	EA	- CAPSCREW 35A2A110	
-	95064689	2.0	EA	- WASHER,PLAIN,FLAT,TYPE A	
-	95937413	2.0	EA	- WASHER,LOCK,HELICAL	
-	95922894	2.0	EA	- NUT,HEX	
002.0	57762650	1.0	EA	COMPRESSOR.A/C INSTL	
-	57783581	1.0	EA	- ADAPTER,COMPR,A/C,90 DEG	
-	57783599	1.0	EA	- COMPRESSOR,A/C	
-	57783607	2.0	EA	- CLAMP,BAR,A/C COMPRESSOR	
-	96726435	4.0	EA	- BOLT,HEX HD/35M2AB373M3	
-	96741467	4.0	EA	- WASHER,SPRING LOCK	
-	92304609	4.0	EA	- WASHER,FLAT	
003.0	57793523	1.0	EA	VALVE,MOTORIZED,INSTL	
-	57740425	1.0	EA	- VALVE,MOTORIZED,ASM	
-	57804387	1.0	EA	- CONNECTOR 6 PIN PACKARD	
-	57804395	6.0	EA	- TERMINAL, PACKARD	
-	57804403	6.0	EA	- SEAL, CONNECTOR,PACKARD	
-	57804411	1.0	EA	- TPA, CONNECTOR,PACKARD	
-	57804429	6.0	EA	- PLUG, SEAL, PACKARD	
-	96702501	4.0	EA	- WASHER/10M5LC11AM4HR	
-	96727573	4.0	EA	- LOCKWASHER (METRIC)	
-	96704564	4.0	EA	- BOLT	

52322245 CONDENSER,A/C,W/RELAY



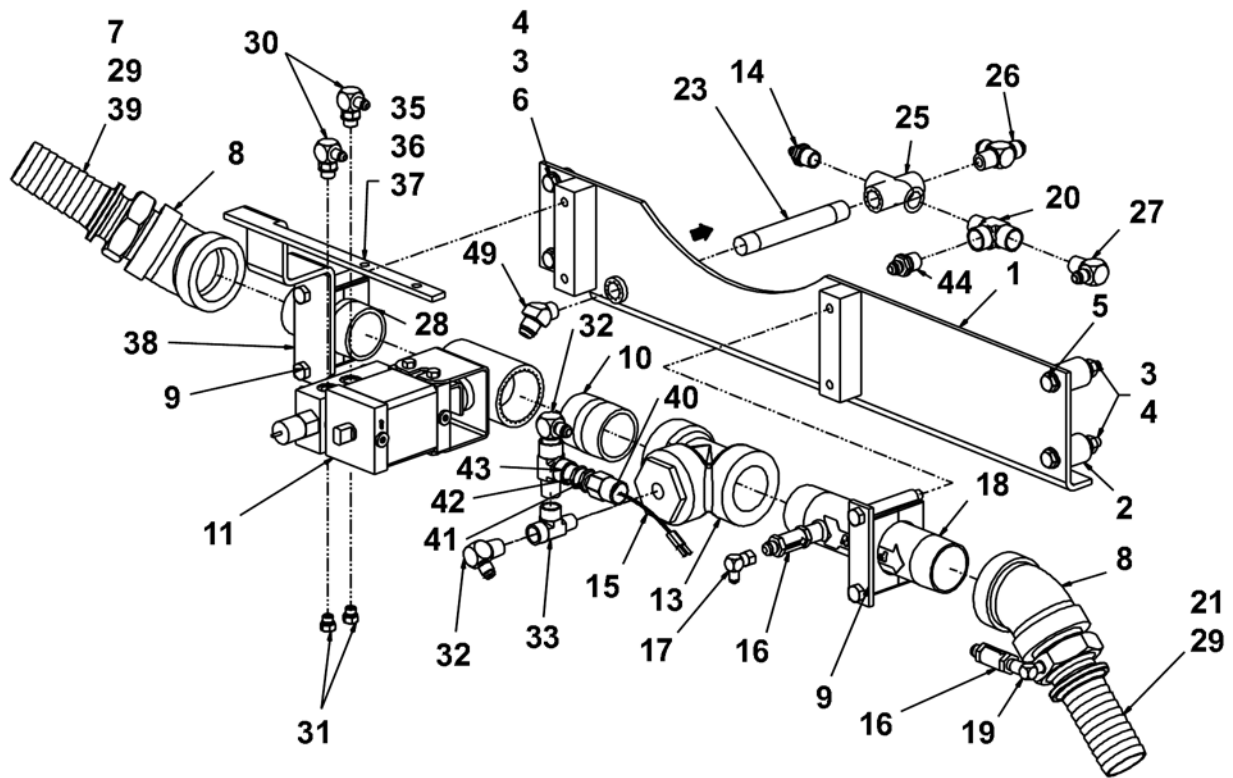
C2652322245 REV 001

BOM 52322245

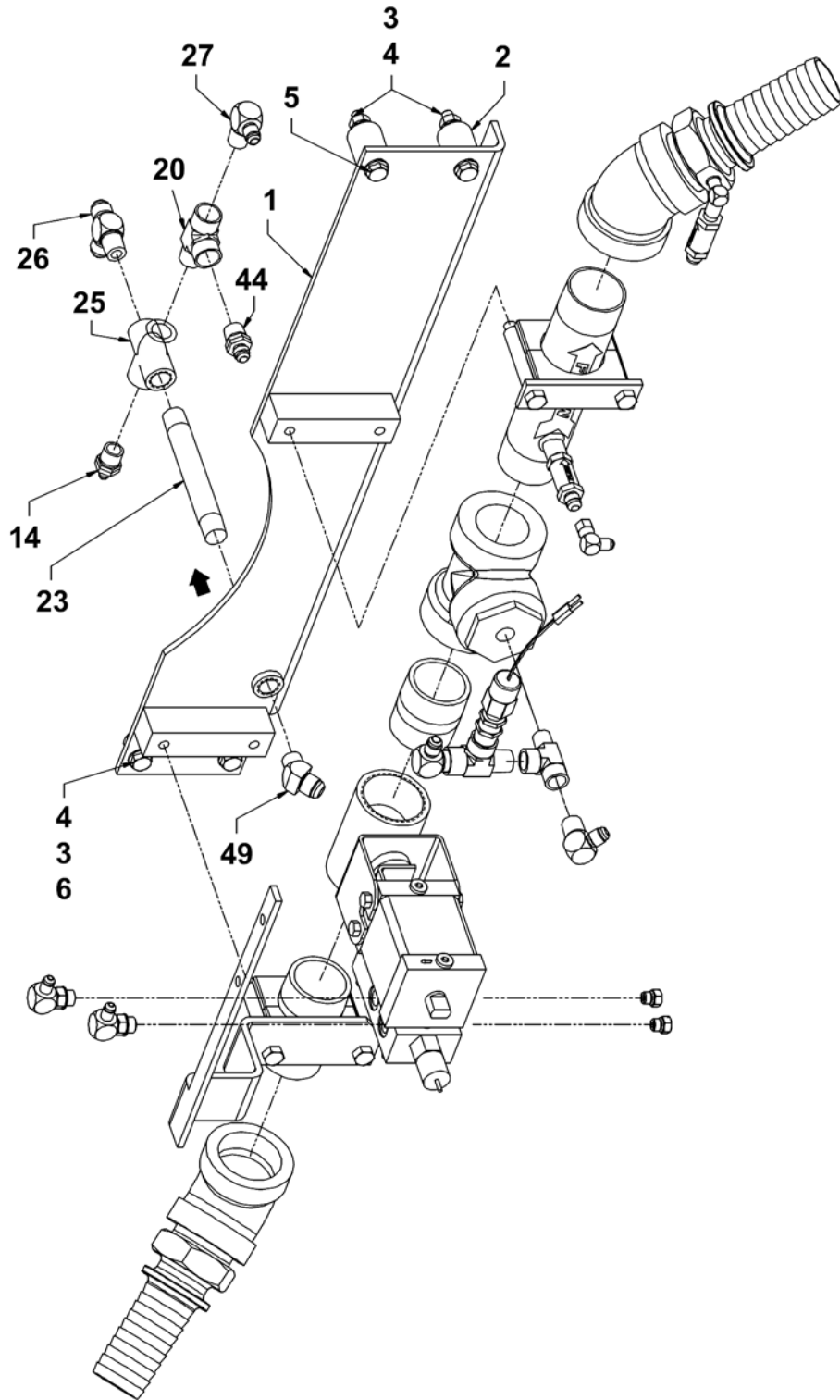
52322245 CONDENSER,A/C,W/RELAY

REF.	PART NO.	QTY	UNIT	DESCRIPTION	NOTES
001.0	52322179	1.0	EA	CASING	
002.0	52322187	1.0	EA	COIL CONDENSER	
003.0	57823478	1.0	EA	FAN ASEMBLY 24VDC	
-	52322195	1.0	EA	- VENTURI	
-	52322203	1.0	EA	- FAN, CONDENSER	
-	52322211	1.0	EA	- MOTOR, CONDENSER (24 V)	
-	57825267	3.0	EA	- # 10-31 SCREW HEX.SOCKET	
-	52322229	1.0	EA	- C-CLIP	
003.A	52322195	1.0	EA	VENTURI	
003.B	52322203	1.0	EA	FAN, CONDENSER	
003.C	52322211	1.0	EA	MOTOR, CONDENSER (24 V)	
003.E	52322229	1.0	EA	C-CLIP	
004.0	52322237	1.0	EA	GUARD,CONDENSER FINGER	
005.0	57825275	1.0	EA	WIRE HARNESS	
006.0	51716066	1.0	EA	RELAY,24 VDC,SPDT	
007.0	57825283	15.0	EA	SCREW M5 X 10	
008.0	57825291	4.0	EA	SCREW M8 X 30	
009.0	57825309	4.0	EA	LOCK WASHER M8	
010.0	57825317	1.0	EA	GROMMET	

57761769 PIPING,MAIN AIR,ASM



57761769 PIPING,MAIN AIR,ASM



D2657761769 REV 003

BOM 57761769

57761769 PIPING,MAIN AIR,ASM

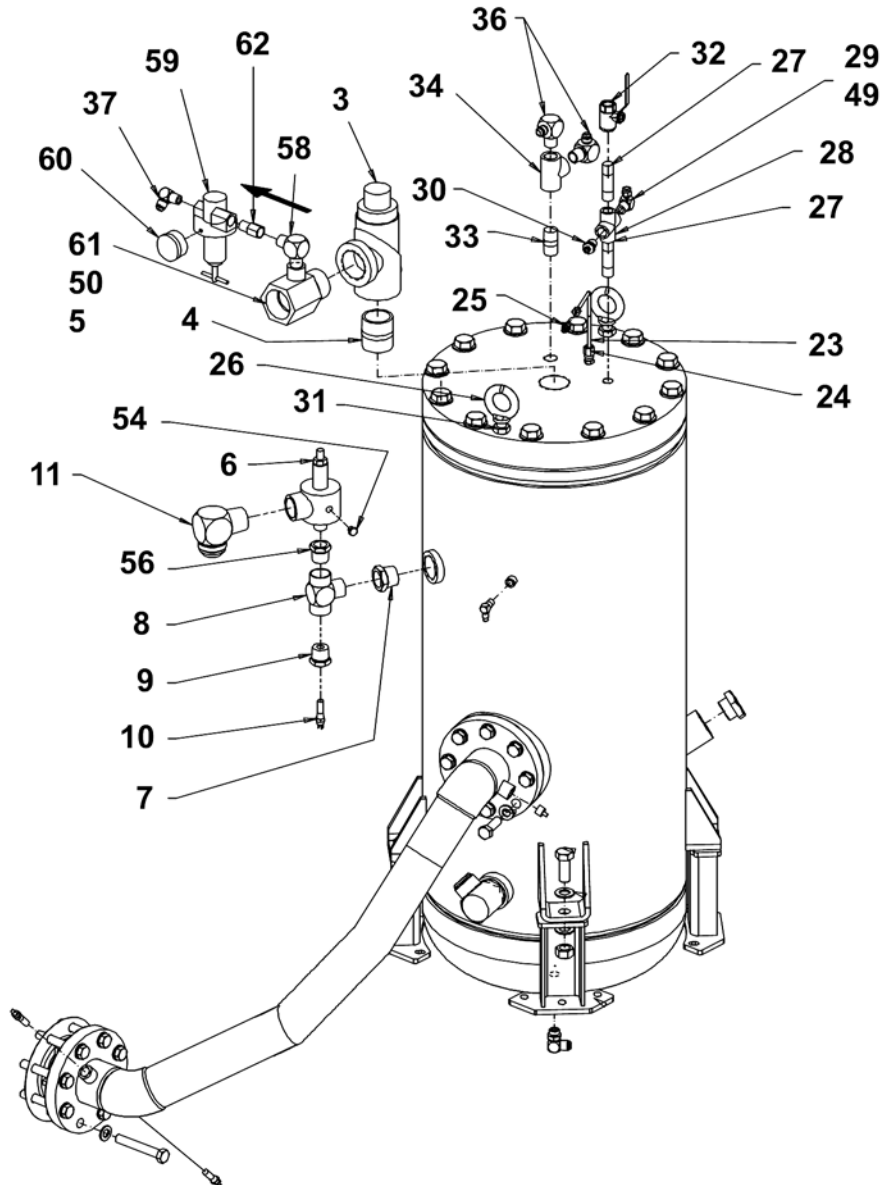
REF.	PART NO.	QTY	UNIT	DESCRIPTION	NOTES
001.0	57765315	1.0	EA	BRACKET,MAIN AIR PIPEING	
002.0	52327244	2.0	EA	SPACER,PIPING BRACKET	
003.0	96727300	4.0	EA	NUT	
004.0	96701982	4.0	EA	WASHER/10M5LC14AM4HR	
005.0	96727680	2.0	EA	BOLT	
006.0	96727003	2.0	EA	BOLT	
007.0	50023910	1.0	EA	STEM	
008.0	95674982	2.0	EA	ELBOW, PIPE	
009.0	52319332	2.0	EA	CLAMP ASSY,PIPE	
010.0	57824195	1.0	EA	NIPPLE,EXTRA STRONG	
011.0	57767824	1.0	EA	VALVE,AIR BLOW ACTUATOR	
-	52288099	1.0	EA	- VALVE,BALL,BLOW AIR	
-	57806788	1.0	EA	- KIT,REPAIR	
-	57774416	2.0	EA	- COIL,SOLENOID	
-	57747487	1.0	EA	- VALVE,CATRIDGE,3 WAY	
-	52330875	1.0	EA	- KIT,SEAL	
-	95357786	2.0	EA	- O-RING	
013.0	57824112	1.0	EA	TEE,EXTRA STRONG FITTING	
014.0	95330023	1.0	EA	FITTING, HYD	
015.0	57824120	1.0	EA	BUSHING,HEX HEAD PIPE	
016.0	50573823	2.0	EA	VALVE,CHECK	
017.0	95326930	1.0	EA	ELBOW	
018.0	50964576	1.0	EA	LUBRICATOR FWD-V320750	
019.0	95279998	1.0	EA	ELBOW,90 DEG STREET	
020.0	95264941	1.0	EA	TEE,MALE RUN,NPTF	
021.0	52326733	1.0	EA	STEM,HOSE	
023.0	57809964	1.0	EA	NIPPLE, PIPE FITTING	
025.0	95378907	1.0	EA	CROSS,FEMALE PIPE	
026.0	95434353	1.0	EA	TEE, NPT/JIC-8-8S	
027.0	95279527	1.0	EA	ELBOW,90 DEG MALE	
028.0	57824187	1.0	EA	NIPPLE, EXTRA STRONG	
029.0	50743731	1.0	EA	CLAMP,HOSE	
029.1	50743731	1.0	EA	CLAMP,HOSE	
030.0	95365094	2.0	EA	ELBOW,90DEG,STRT THRD	
031.0	95666996	2.0	EA	PLUG,HEX HEAD,STRT THRD	
032.0	95279527	2.0	EA	ELBOW,90 DEG MALE	
033.0	95264941	1.0	EA	TEE,MALE RUN,NPTF	
035.0	57064941	1.0	EA	BAND,MOUNTING-6 IN	
036.0	96727797	2.0	EA	BOLT	
037.0	96726799	2.0	EA	NUT/84M4JD6M3	
038.0	57745275	1.0	EA	BRACKET,TUBE,INTAKE	

BOM 57761769

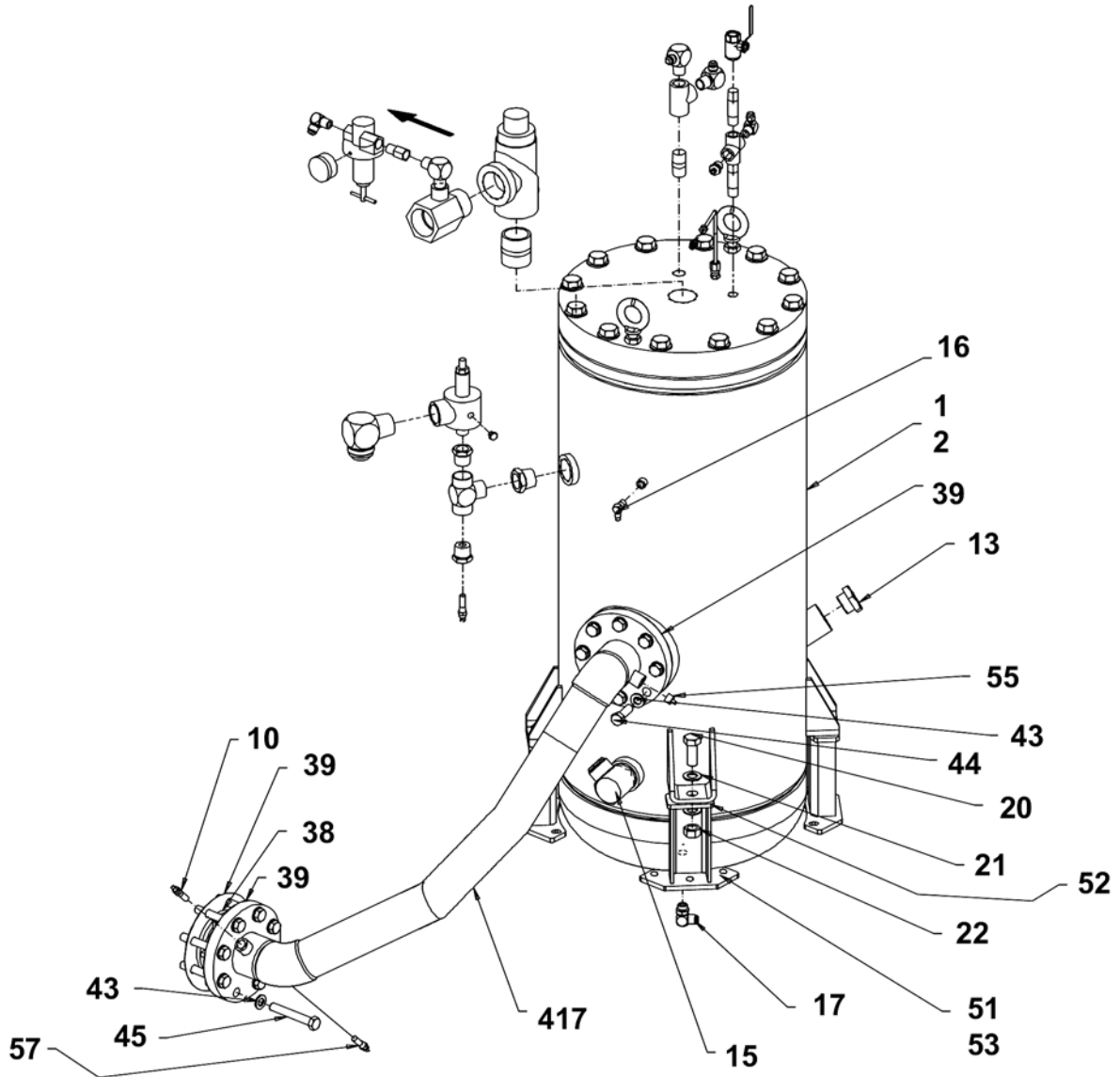
57761769 PIPING,MAIN AIR,ASM

REF.	PART NO.	QTY	UNIT	DESCRIPTION	NOTES
039.0	57358145	1.0	EA	CABLE, HOSE RESTRAINT	
040.0	57761900	1.0	EA	SWITCH,PRESSURE	
041.0	57809915	1.0	EA	BUSHING, HEX HEAD	
043.0	95264941	1.0	EA	TEE,MALE RUN,NPTF	
044.0	95231031	1.0	EA	FITTING,HYD	
049.0	95279097	1.0	EA	FITTING,HYD	

57936171 TANK ASSM,ASME,SEPARATOR



57936171 TANK ASSM,ASME,SEPARATOR



D2657936171 REV 000

BOM 57936171

57936171 TANK ASSM,ASME,SEPARATOR

REF.	PART NO.	QTY	UNIT	DESCRIPTION	NOTES
001.0	57698862	1.0	EA	TANK,SEPARATOR ASME	
002.0	57569758	1.0	EA	ELEMENT,SEPARATOR	
003.0	57391047	1.0	EA	VALVE,MIN.PRESSURE	
-	57514846	1.0	EA	- KIT-REPAIR	
004.0	57824195	1.0	EA	NIPPLE,EXTRA STRONG	
005.0	50023910	1.0	EA	STEM	
006.0	35596733	1.0	EA	VALVE,SAFETY	
007.0	52226164	1.0	EA	FITTING, HYD	
008.0	95323432	1.0	EA	FITTING-TEE,EXT/INT RUN	
009.0	52198397	1.0	EA	FITTING, HYD	
010.0	36865756	1.0	EA	SWITCH,THERMAL	
010.1	36865756	1.0	EA	SWITCH,THERMAL	
011.0	95279469	1.0	EA	FITTING,HYD	
012.0	57889453	1.0	EA	GLASS,SIGHT-RECEIVER TNK	
013.0	35579630	1.0	EA	PLUG,FILLER,OIL	
-	35279942	1.0	EA	- O'RING	
015.0	95431292	1.0	EA	ELBOW,90 DEG STRT THRD	
016.0	95293403	1.0	EA	ELBOW,90 DEG MALE	
017.0	95303335	1.0	EA	ELBOW,90 DEG STRT THRD	
020.0	96716337	4.0	EA	CAPSCREW,HEX HEAD	
021.0	96702568	8.0	EA	WASHER/10M5LC19AM4HR	
022.0	96727136	4.0	EA	NUT	
023.0	39871694	1.0	EA	TUBE,SCAVENGE	
024.0	39417118	1.0	EA	ADAPTER,1/4"	
025.0	39322748	1.0	EA	ORIFICE,.110 SCAVENGE	
026.0	95235370	2.0	EA	BOLT,EYE	
027.0	95242558	2.0	EA	NIPPLE,PIPE	
028.0	95378907	1.0	EA	CROSS,FEMALE PIPE	
029.0	95279527	1.0	EA	ELBOW,90 DEG MALE	
030.0	95330023	1.0	EA	FITTING, HYD	
031.0	95922928	2.0	EA	NUT,HEX,FINISHED	
032.0	50947357	1.0	EA	VALVE,BALL	
033.0	95242525	1.0	EA	NIPPLE	
034.0	95264974	1.0	EA	FITTING,HYD	
035.0	95356721	1.0	EA	ELBOW,90 DEG MALE	
036.0	95279386	2.0	EA	FITTING,HYD	
037.0	95279535	1.0	EA	ELBOW,90 DEG MALE	
038.0	36843720	1.0	EA	VALVE,CHECK	
039.0	95364154	2.0	EA	GASKET	
039.1	95364154	1.0	EA	GASKET	
043.0	96702550	16.0	EA	WASHER/10M5LC17AM4HR	

BOM 57936171

57936171 TANK ASSM,ASME,SEPARATOR

REF.	PART NO.	QTY	UNIT	DESCRIPTION	NOTES
043.1	96702550	8.0	EA	WASHER/10M5LC17AM4HR	
044.0	96720040	8.0	EA	BOLT	
045.0	96735758	8.0	EA	BOLT/35M2AB526M3	
049.0	95257341	1.0	EA	CAP,JIC-6	
050.0	50743731	1.0	EA	CLAMP,HOSE	
051.0	52325180	4.0	EA	BRACKET,MOUNTING	
052.0	52104767	4.0	EA	PAD,ISOLATOR	
053.0	96726716	12.0	EA	BOLT	
054.0	57810038	1.0	EA	PLUG,HEX HEAD FITTING	
055.0	51607430	1.0	EA	SENDER,TEMP	
056.0	52198405	1.0	EA	FITTING,HYD	
057.0	57927840	1.0	EA	SWITCH,TEMPERATURE,220	
058.0	95317434	1.0	EA	FITTING,HYD	
059.0	52089810	1.0	EA	REGULATOR,HIGH TEMP	
-	57756843	1.0	EA	- VALVE,SEALS	
060.0	81664658	1.0	EA	GAUGE	
061.0	57757387	1.0	EA	COUPLING,AIR 2"	
062.0	56947518	1.0	EA	FITTING,HYD	
417.0	57794596	1.0	EA	HOSE ASSEMBLY	

57914392 HARNESS, GROUP CM700D



LIST REV 000

BOM 57914392

57914392 HARNESS, GROUP CM700D

REF.	PART NO.	QTY	UNIT	DESCRIPTION	NOTES
001.0	57804361	1.0	EA	HARNESS, COOLER FAN CNTRL	
002.0	57763336	1.0	EA	HARNESS, ENCLURE LEFT	
003.0	57798712	1.0	EA	HARNESS, A/C CONDENSOR	
004.0	57763351	1.0	EA	HARNESS, HYD TANK, LEFT	
005.0	57763880	1.0	EA	HARNESS, TRACK OSCIL	
006.0	57763898	1.0	EA	HARNESS, FUEL TANK, ECM700	
007.0	57763310	1.0	EA	HARNESS, HYD, TANK, INSIDE	
008.0	57761637	1.0	EA	HARNESS, WIRING MAIN P	
009.0	57761629	1.0	EA	HARNESS, ENGINE ECM	
010.0	57763872	1.0	EA	HARNESS, ENCLOSURE MAIN	
-	57890568	1.0	EA	- RESISTOR, 470 OHM	

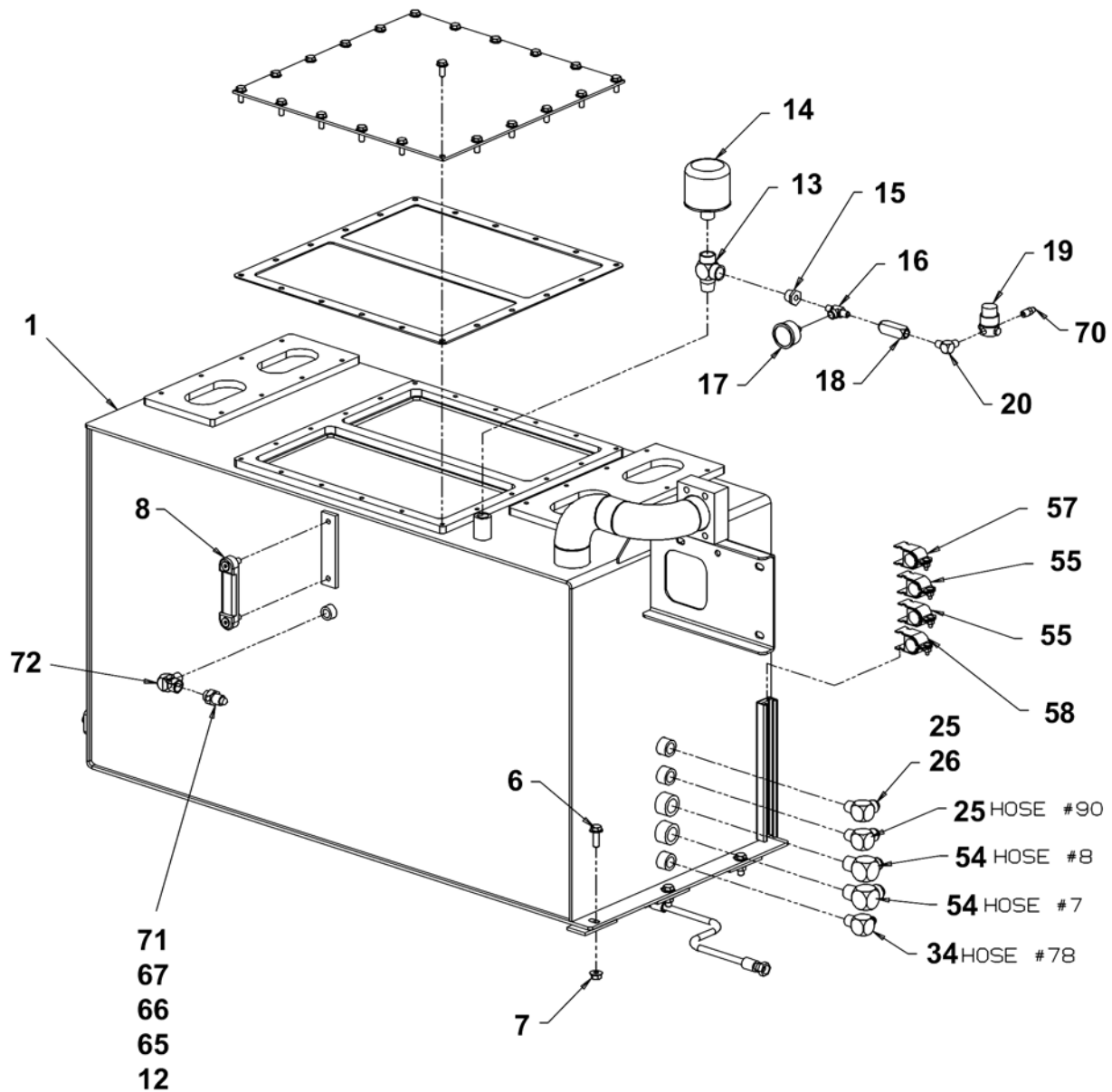
This page is intentionally blank.



Section F - Hydraulic System

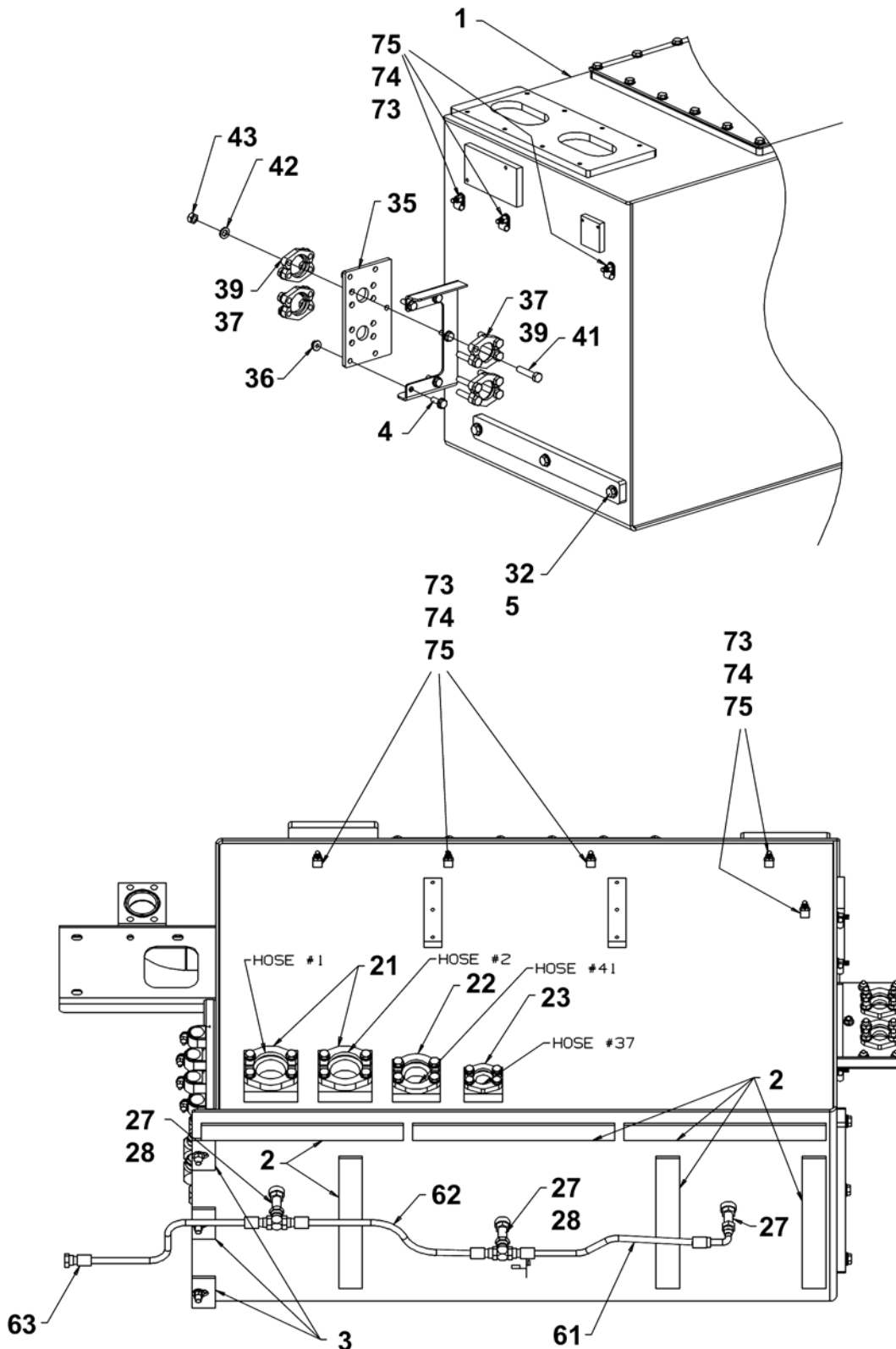


52330065 TANK, HYDRAULIC, ASSM



D2652330065 REV 007

52330065 TANK, HYDRAULIC, ASSM



D2652330065 REV 007

52330065 TANK, HYDRAULIC, ASSM

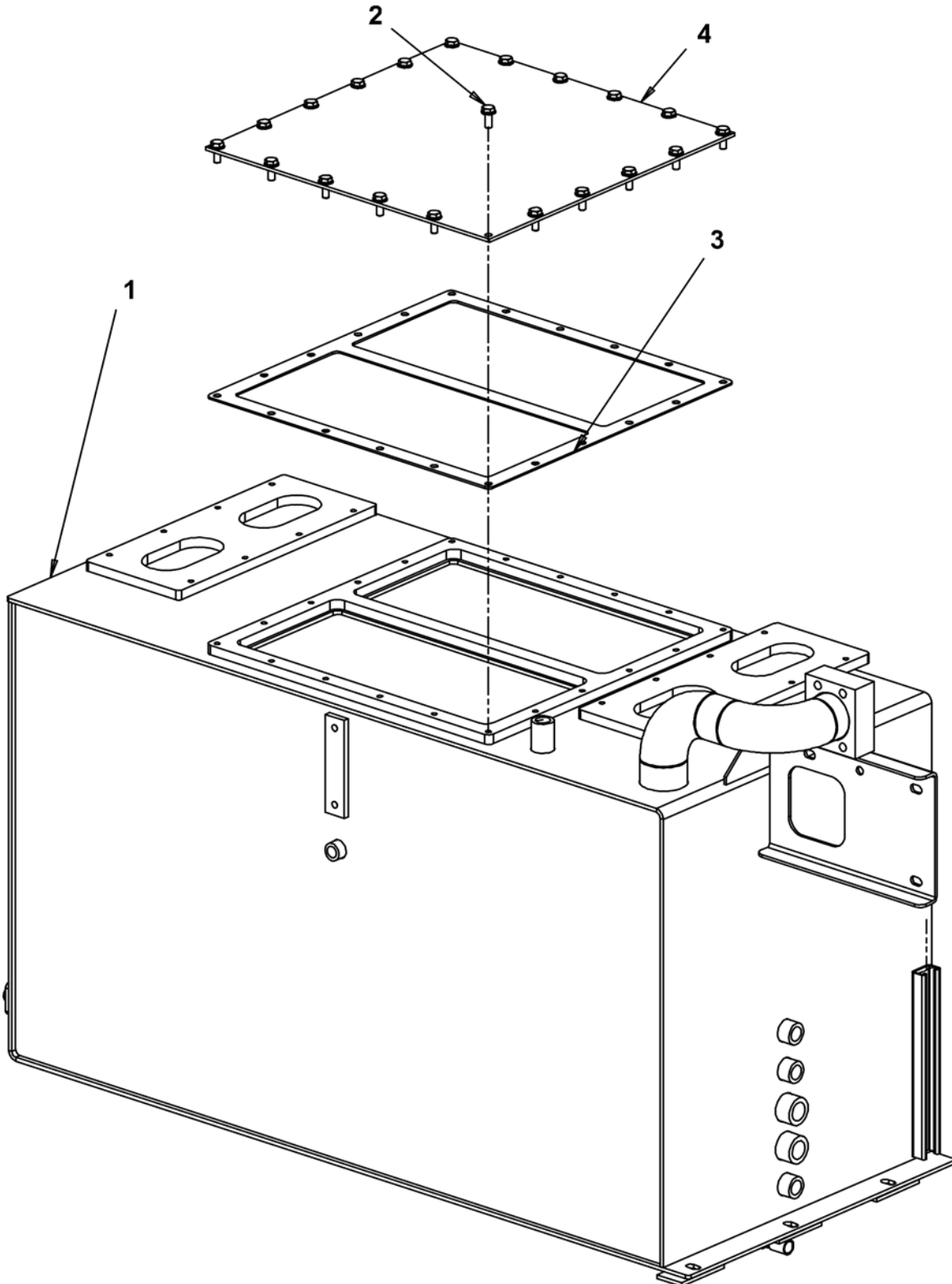
REF.	PART NO.	QTY	UNIT	DESCRIPTION	NOTES
001.0	57728768	1.0	EA	TANK, HYDRAULIC	See Page 342
002.0	51619377	6.0	EA	STRIP, INSULR	
003.0	52104767	3.0	EA	PAD, ISOLATOR	
004.0	96726914	5.0	EA	BOLT	
005.0	96702535	3.0	EA	WASHER/10M5LC15AM4HR	
006.0	96726716	3.0	EA	BOLT	
007.0	96726815	3.0	EA	NUT	
008.0	51612356	1.0	EA	GAUGE, RESERVOIR, HYD OIL	
012.0	57677056	1.0	EA	SENSOR, LEVEL	
013.0	95264958	1.0	EA	TEE, MALE RUN, NPTF	
014.0	52306461	1.0	EA	BREATHER	
015.0	57824237	1.0	EA	BUSHING, HEX STEEL	
016.0	51352136	1.0	EA	TEE	
017.0	51615946	1.0	EA	GAUGE, PRES	
018.0	57552275	1.0	EA	VALVE, CHECK, .25NPT	
019.0	52306479	1.0	EA	REGULATOR	
020.0	95364469	1.0	EA	FITTING, HYD	
021.0	51366615	2.0	EA	FLANGE, SPLIT	
022.0	51914299	1.0	EA	KIT, SPLIT FLANGE	
023.0	52086337	1.0	EA	KIT, FLANGE	
025.0	95279402	2.0	EA	ELBOW, 90DEG MALE 37DGFL	
026.0	95387890	1.0	EA	CAP, JIC-12	
027.0	95527321	3.0	EA	ADAPTER/559A10C121X	
028.0	95657730	2.0	EA	FITTING, HYD	
032.0	96727177	3.0	EA	BOLT	
034.0	95279386	1.0	EA	FITTING, HYD	
035.0	52322633	1.0	EA	PLATE, BULKHEAD	
036.0	96726807	5.0	EA	NUT/84M4JD7M3	
037.0	95375093	8.0	EA	FLANGE, HALF	
039.0	95357919	4.0	EA	O'RING	
041.0	95999173	8.0	EA	SCREW, FLANGEHEAD	
042.0	95939955	8.0	EA	WASHER, LOCK	
043.0	95955894	8.0	EA	LOCKNUT/85A4CA7Z1HR	
054.0	95219853	2.0	EA	ELBOW, 90 DEG MALE	
055.0	57342420	2.0	EA	CLAMP, ASM	
057.0	57443681	1.0	EA	CLAMP, HYDRA-ZORB	
058.0	57262503	1.0	EA	CLAMP ASSY	
061.0	57824773	0.0	EA	HOSE ASSEMBLY	
062.0	57824781	0.0	EA	HOSE ASSEMBLY	
063.0	51300465	0.0	EA	HOSE ASSY	
065.0	57678088	1.0	EA	CONNECTOR, 3 PIN	
066.0	59436840	3.0	EA	PIN, SIZE 16	

BOM 52330065

52330065 TANK, HYDRAULIC, ASSM

REF.	PART NO.	QTY	UNIT	DESCRIPTION	NOTES
067.0	57678096	1.0	EA	WEDGE, 3 PIN	
070.0	95263380	1.0	EA	FITTING, HYD-NPT/JIC	
071.0	57358830	8.0	IN	CONDUIT, 3/8 NYLON	
072.0	95264891	1.0	EA	ELBOW, 90DEG-EXT/INT NPT	
073.0	95301842	8.0	EA	CLAMP, HOSE	
074.0	95922894	8.0	EA	NUT, HEX	
075.0	95922233	8.0	EA	WASHER, FLAT, WIDE	
331.0	50978543	0.0	EA	HOSE ASSY	

57728768 TANK, HYDRAULIC



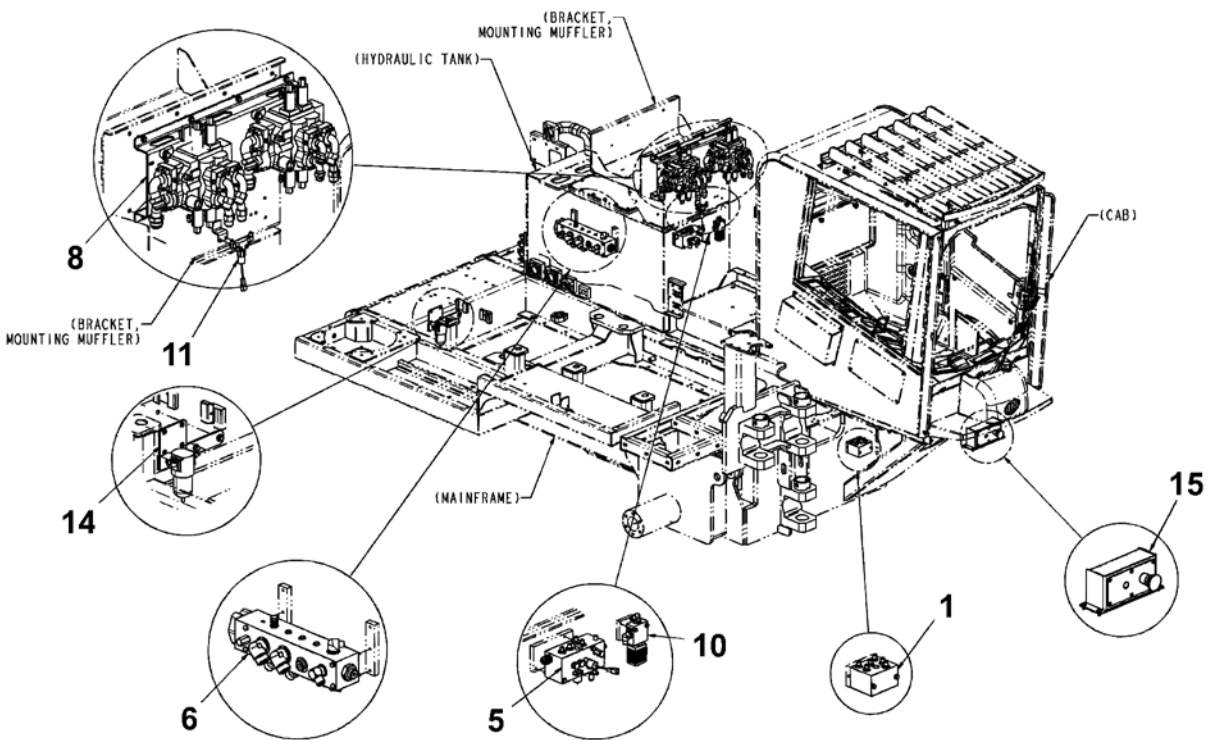
D2657728768 REV 002

BOM 57728768

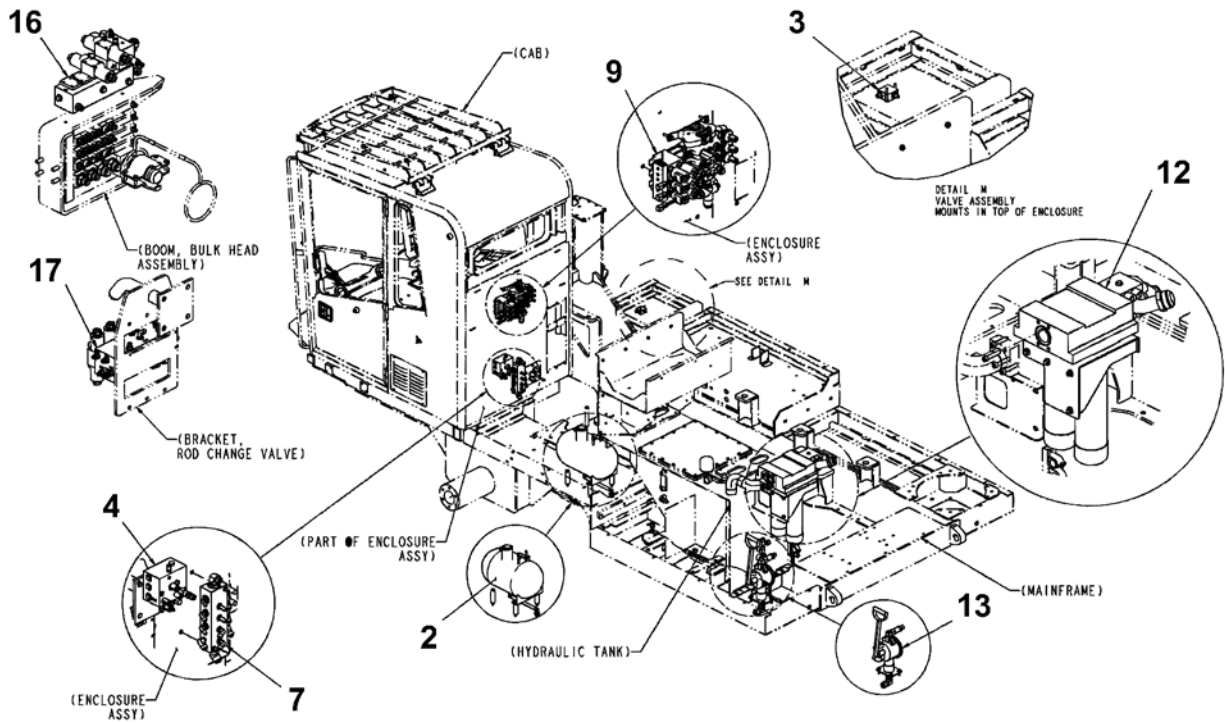
57728768 TANK,HYDRAULIC

REF.	PART NO.	QTY	UNIT	DESCRIPTION	NOTES
001.0	52330073	1.0	EA	TANK,HYDRAULIC	
002.0	96726914	20.0	EA	BOLT	
003.0	52301652	1.0	EA	GASKET,TANK	
004.0	52301660	1.0	EA	PLATE,COVER	

57914236 HYD-VALVE, GROUP



57914236 HYD-VALVE, GROUP



D2657914236 REV 001

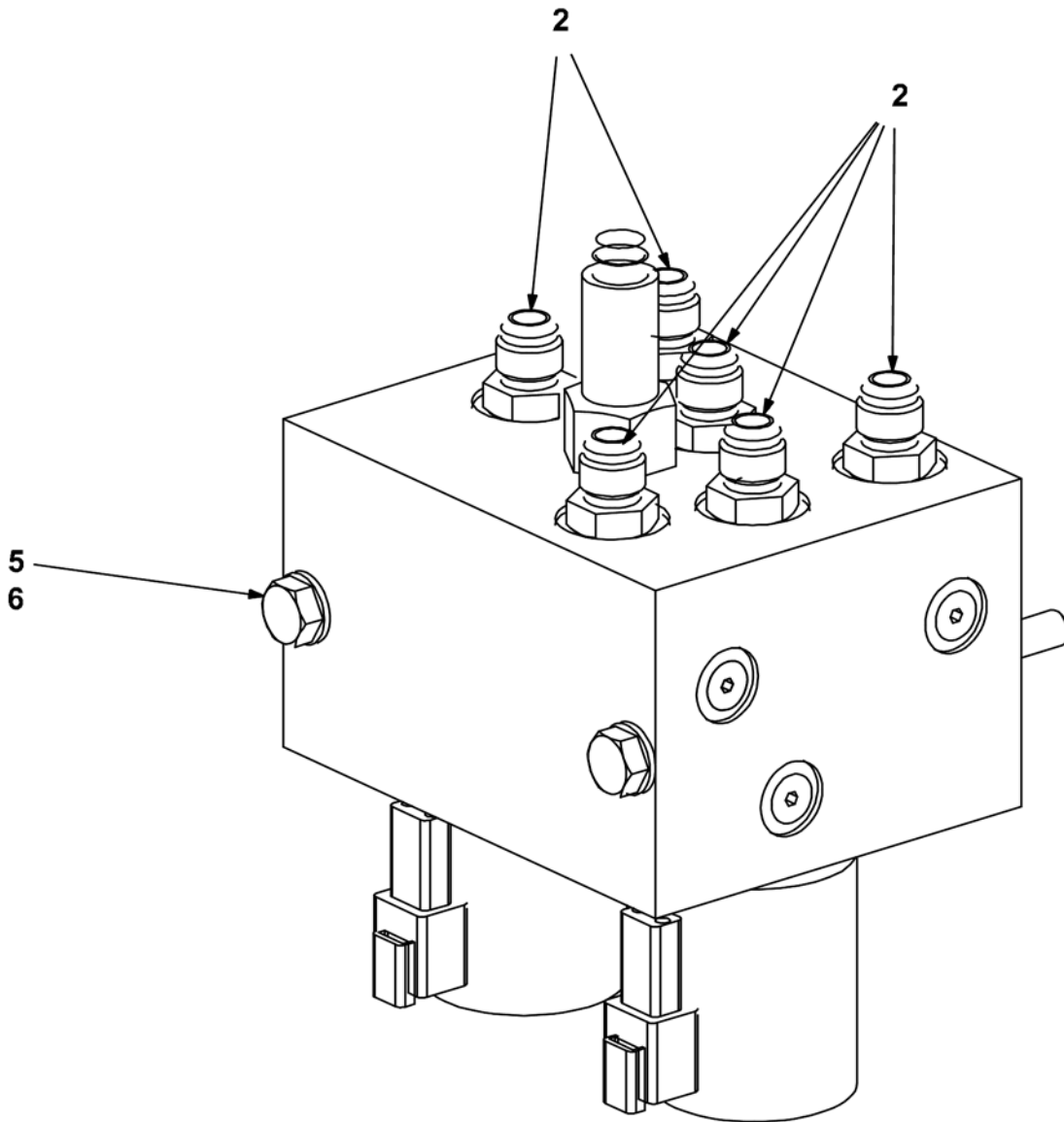
57914236 HYD-VALVE, GROUP

REF.	PART NO.	QTY	UNIT	DESCRIPTION	NOTES
001.0	57761520	1.0	EA	VALVE, TRACK, OSCILLATION	See Page 348
002.0	52327277	1.0	EA	LUBRICATOR TANK ASM	See Page 352
003.0	58002171	1.0	EA	VALVE, RELIEF ASSEMBLY	See Page 354
004.0	57761827	1.0	EA	VALVE, DRILL/TRAM SEL	See Page 356
005.0	57761579	1.0	EA	VALVE, DRILL MODE, ASSM	See Page 360
006.0	57761595	1.0	EA	MANIFOLD, HYD RETURN, ASM	See Page 364
007.0	57774465	1.0	EA	MANIFOLD, MAIN DRAIN ASSY	See Page 366
008.0	52329851	1.0	EA	VALVE, BANK, ASM	See Page 368
009.0	57910648	1.0	EA	ASSEMBLY, 3-BANK VALVE	See Page 382
010.0	57761878	1.0	EA	VALVE, ROTATION SO	See Page 384
011.0	57761611	1.0	EA	VALVE, B/U ALARM P, ASSM	See Page 388
012.0	57694804	1.0	EA	FILTER ASSY, HYD OIL RETN	See Page 390
013.0	57824468	1.0	EA	PUMP, HAND HYD ASSEMBLY	See Page 392
014.0	57825051	1.0	EA	FILTER, ASSY SERVICE AIR	See Page 396
015.0	57673493	1.0	EA	WRENCH, CHAIN, ASM, CNTL BX	See Page 398
016.0	57927584	1.0	EA	VALVE, AUX-CONTROL CM700D	See Page 400
017.0	57914251	1.0	EA	VALVE, ROD CHANGER ASM	See Page 402

BOM 57914236

57914236 HYD-VALVE, GROUP

57761520 VALVE, TRACK, OSCILLATION



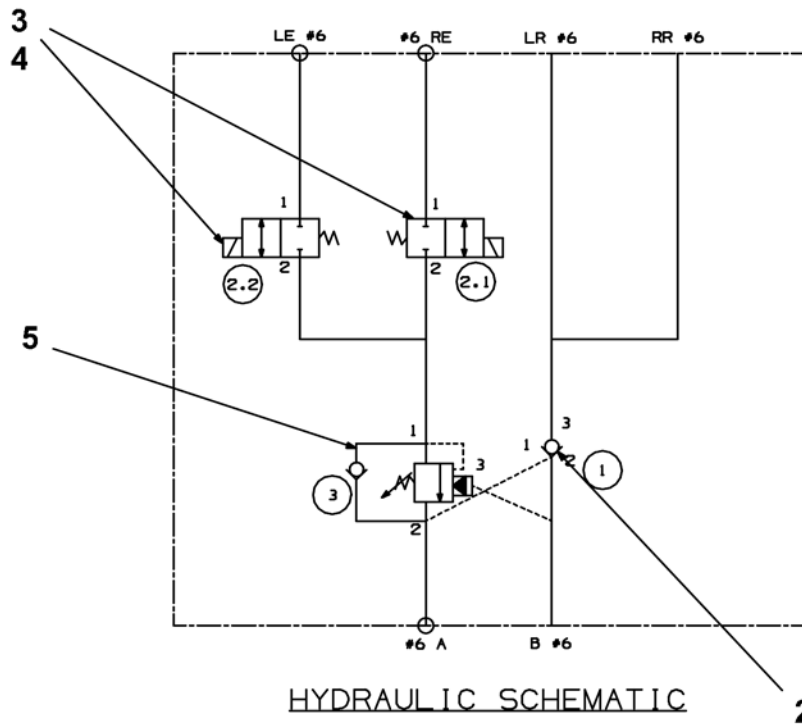
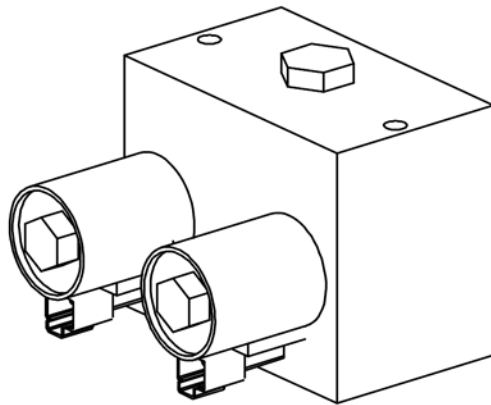
THIS MANIFOLD IS MOUNTED ON
THE MAINFRAME UNDER THE CAB

BOM 57761520

57761520 VALVE,TRACK,OSCILLATION

REF.	PART NO.	QTY	UNIT	DESCRIPTION	NOTES
001.0	57761538	1.0	EA	VALVE,TRACK OSCILLATION	See Page 350
002.0	95365078	6.0	EA	CONNECTOR,STRT THRD	
005.0	96713128	2.0	EA	BOLT	
006.0	96702519	2.0	EA	WASHER	

57761538 VALVE, TRACK OSCILLATION

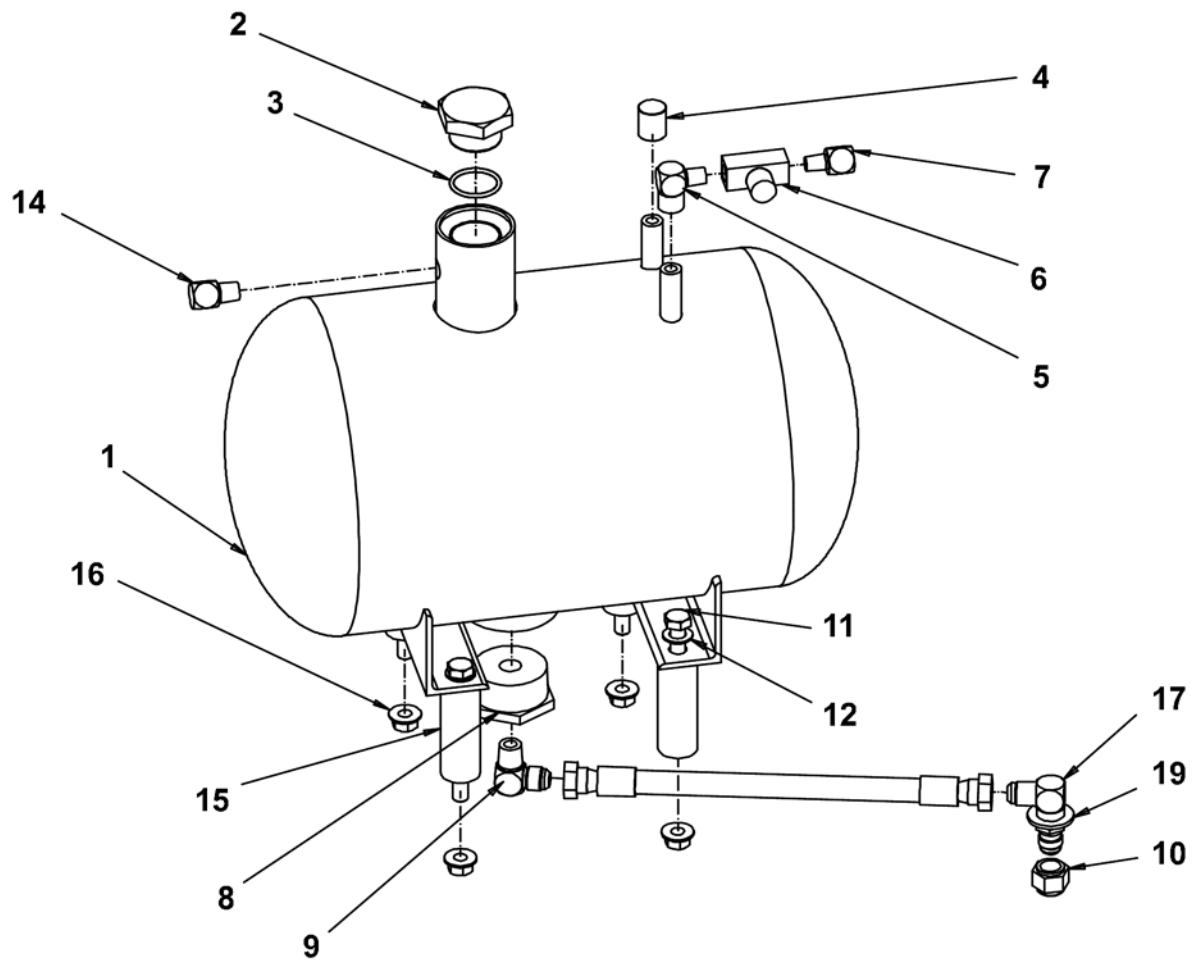


BOM 57761538

57761538 VALVE,TRACK OSCILLATION

REF.	PART NO.	QTY	UNIT	DESCRIPTION	NOTES
002.0	51782605	1.0	EA	CARTRIDGE,HYD	
003.0	51729663	2.0	EA	VALVE,SOLNOD	
004.0	57761892	2.0	EA	COIL,SOLENOID	
005.0	52138237	1.0	EA	VALVE CARTRDGE,CNTRBAL	

52327277 LUBRICATOR TANK ASM



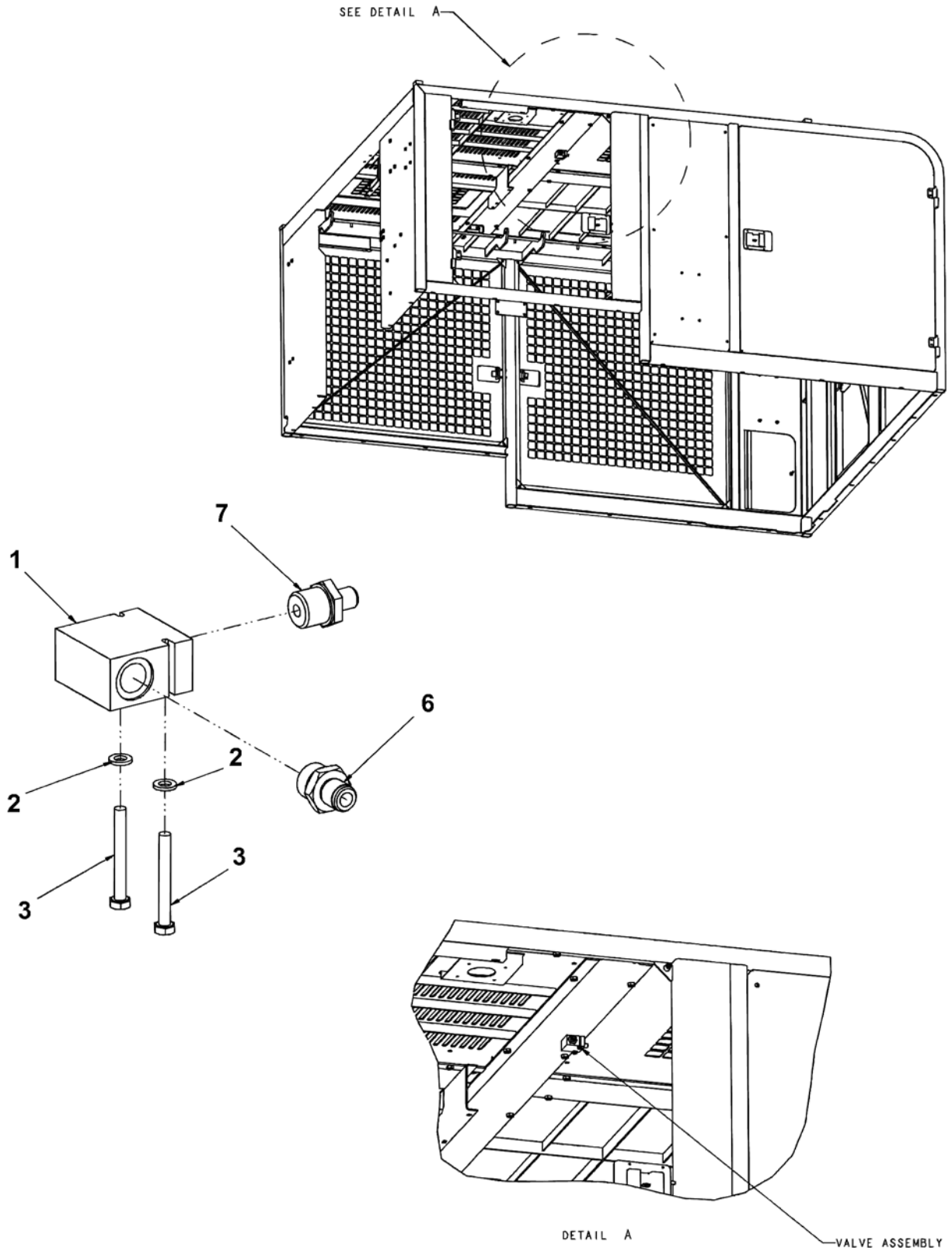
C2652327277 REV 001

BOM 52327277

52327277 LUBRICATOR TANK ASM

REF.	PART NO.	QTY	UNIT	DESCRIPTION	NOTES
001.0	51910859	1.0	EA	LUBE TANK,EEC CODED	
002.0	35579630	1.0	EA	PLUG,FILLER,OIL	
-	35279942	1.0	EA	- O'RING	
003.0	35279942	0.0	EA	O'RING	
004.0	57824286	1.0	EA	CAP,THREADED PIPE	
005.0	95424370	1.0	EA	ELBOW-90DEG,EXT/INT NPT	
006.0	51005627	1.0	EA	VALVE, NEEDLE	
007.0	95209094	1.0	EA	FITTING,HYD	
008.0	57824120	1.0	EA	BUSHING,HEX HEAD PIPE	
009.0	95279535	1.0	EA	ELBOW,90 DEG MALE	
010.0	95257325	1.0	EA	CAP,37 DEG FLARED	
011.0	96745393	4.0	EA	BOLT,HEX HEAD,COARSE THD	
012.0	96700844	4.0	EA	WASHER/12M5L27	
014.0	95279493	1.0	EA	ELBOW,90 DEG MALE	
015.0	52326782	4.0	EA	SPACER	
016.0	96727730	4.0	EA	NUT,FLANGE	
017.0	95278966	1.0	EA	FITTING,HYD	
018.0	96702568	2.0	EA	WASHER/10M5LC19AM4HR	

58002171 VALVE,RELIEF ASSEMBLY



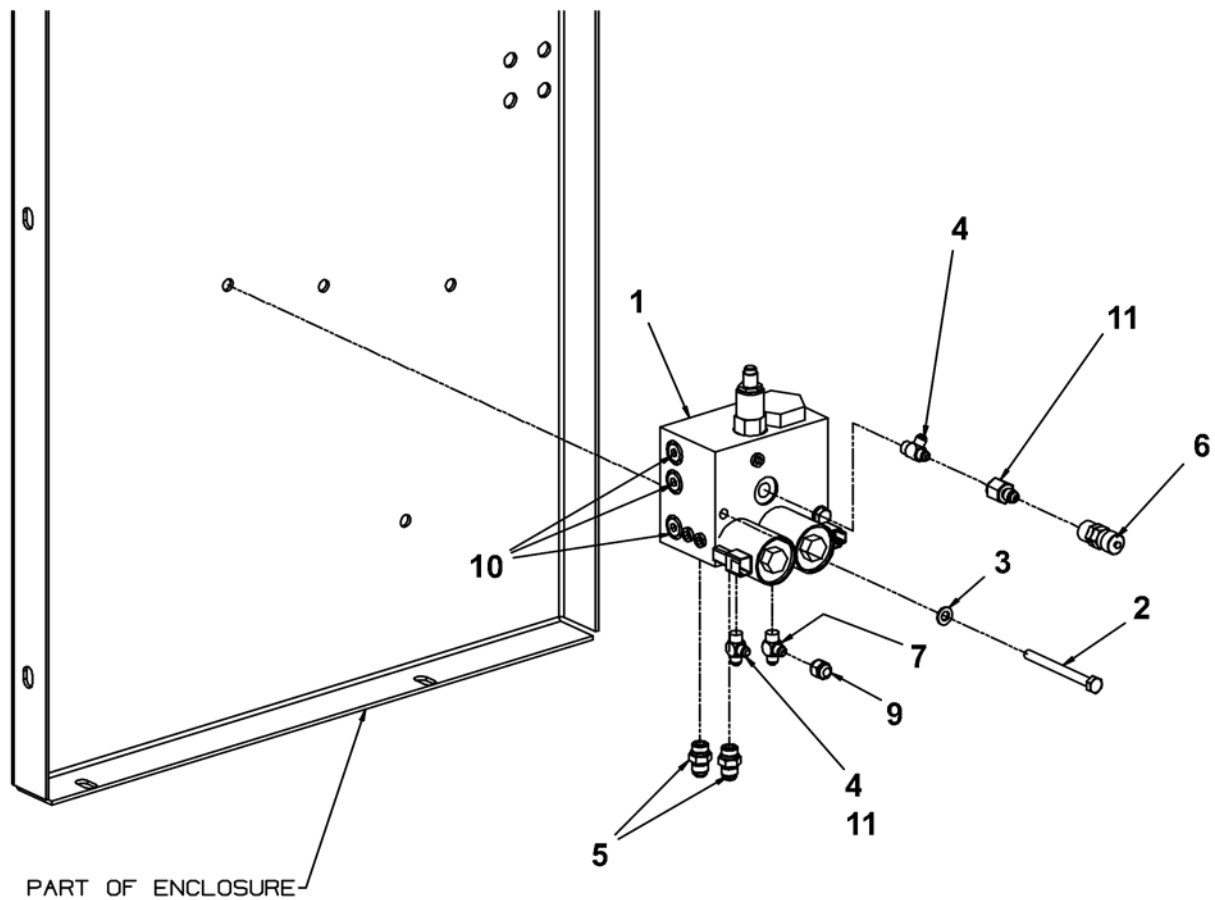
D2658002171 REV 000

BOM 58002171

58002171 VALVE,RELIEF ASSEMBLY

REF.	PART NO.	QTY	UNIT	DESCRIPTION	NOTES
001.0	57927873	1.0	EA	RELIEF VALVE	
002.0	96701289	2.0	EA	WASHER	
003.0	96714563	2.0	EA	SCREW/35M2AA316M3HR	
004.0	95473443	1.0	EA	FITTING, HYD	
005.0	95003182	1.0	EA	TEE 555A10C060A	
006.0	95356903	1.0	EA	CONNECTOR,STRT THRD	
007.0	95419594	1.0	EA	CONNECTOR,STRT THRD	

57761827 VALVE, DRILL/TRAM SEL

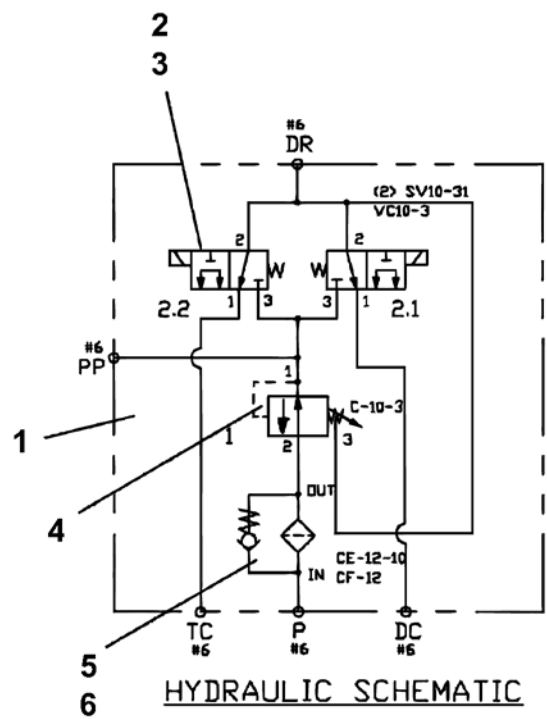
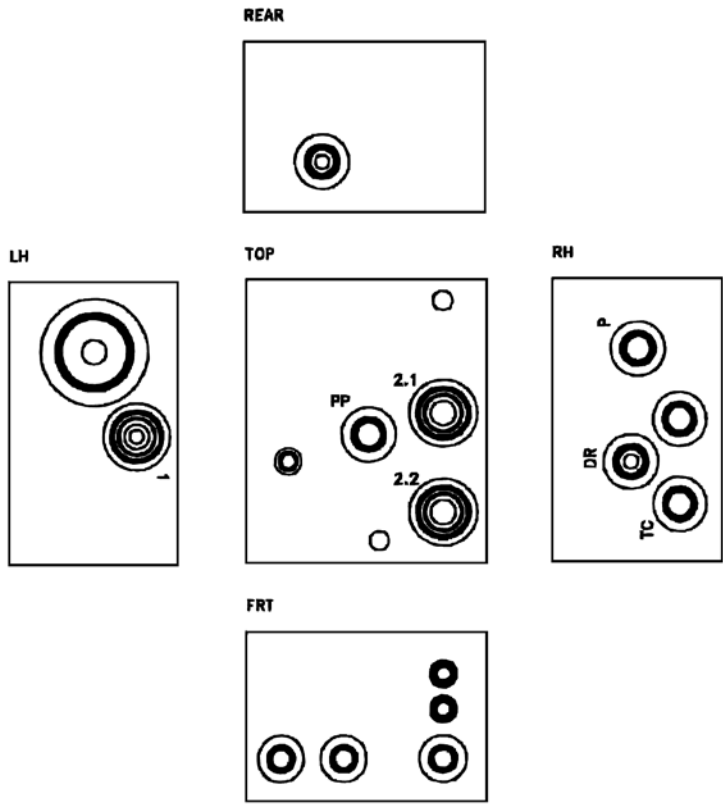


BOM 57761827

57761827 VALVE,DRILL/TRAM SEL

REF.	PART NO.	QTY	UNIT	DESCRIPTION	NOTES
001.0	57761835	1.0	EA	VALVE,DRILL/TRAM	See Page 358
002.0	96713094	2.0	EA	BOLT	
003.0	96702519	2.0	EA	WASHER	
004.0	95453346	2.0	EA	ST.RUN TEE	
005.0	95365078	2.0	EA	CONNECTOR,STRT THRD	
006.0	52306602	1.0	EA	FITTING,PRESSURE TEST	
007.0	95453346	1.0	EA	ST.RUN TEE	
009.0	95257341	1.0	EA	CAP,JIC-6	
010.0	95754867	3.0	EA	FITTING,HYD	
011.0	56955867	2.0	EA	FITTING, HYD	

57761835 VALVE, DRILL/TRAM



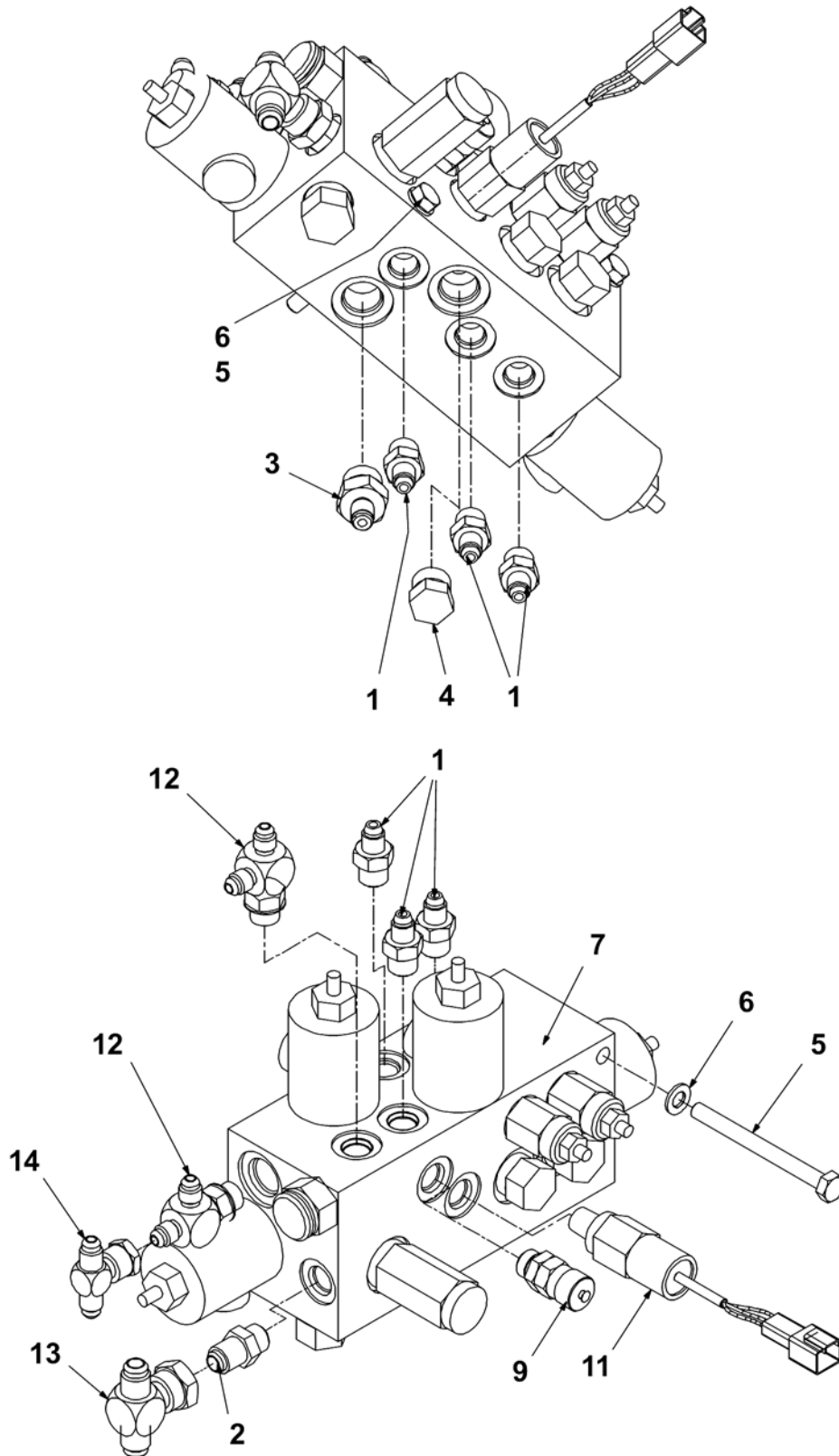
C57761835 REV 001

BOM 57761835

57761835 VALVE,DRILL/TRAM

REF.	PART NO.	QTY	UNIT	DESCRIPTION	NOTES
001.0	52309341	1.0	EA	BLOCK,MANFOLD,DRILL/TRAM	
002.0	52309358	2.0	EA	VALVE,SOLENOID,3-WAY	
003.0	57774408	2.0	EA	COIL,SOLENOID	
004.0	52309366	1.0	EA	CARTRIDGE,REDUCING/REL	
005.0	52293289	1.0	EA	ELEMENT,FILTER	
006.0	52293297	1.0	EA	CAP,FILTER BYPASS	

57761579 VALVE,DRILL MODE,ASSM



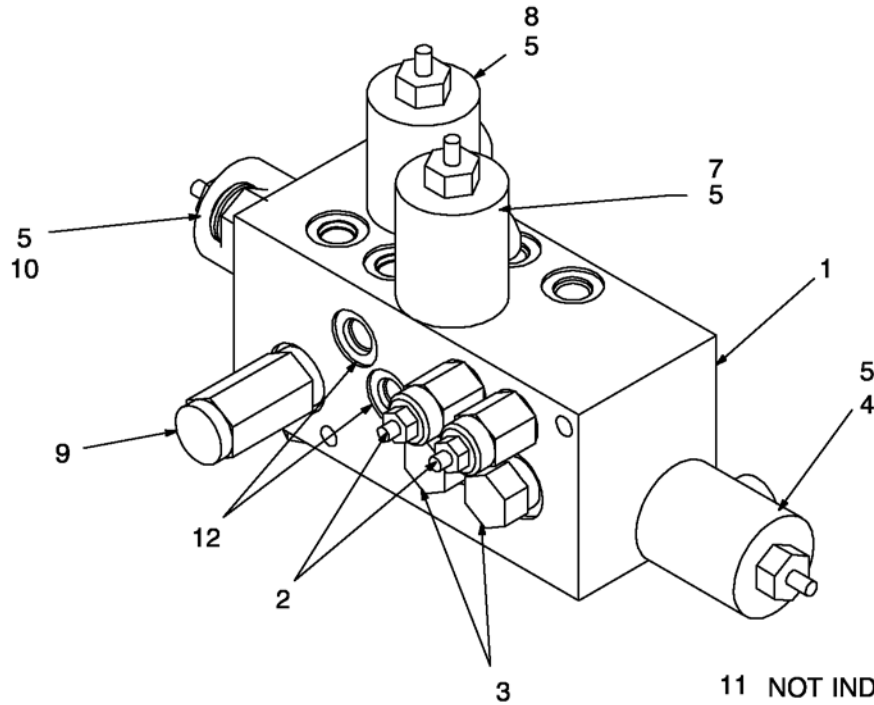
C2657761579 REV 002

BOM 57761579

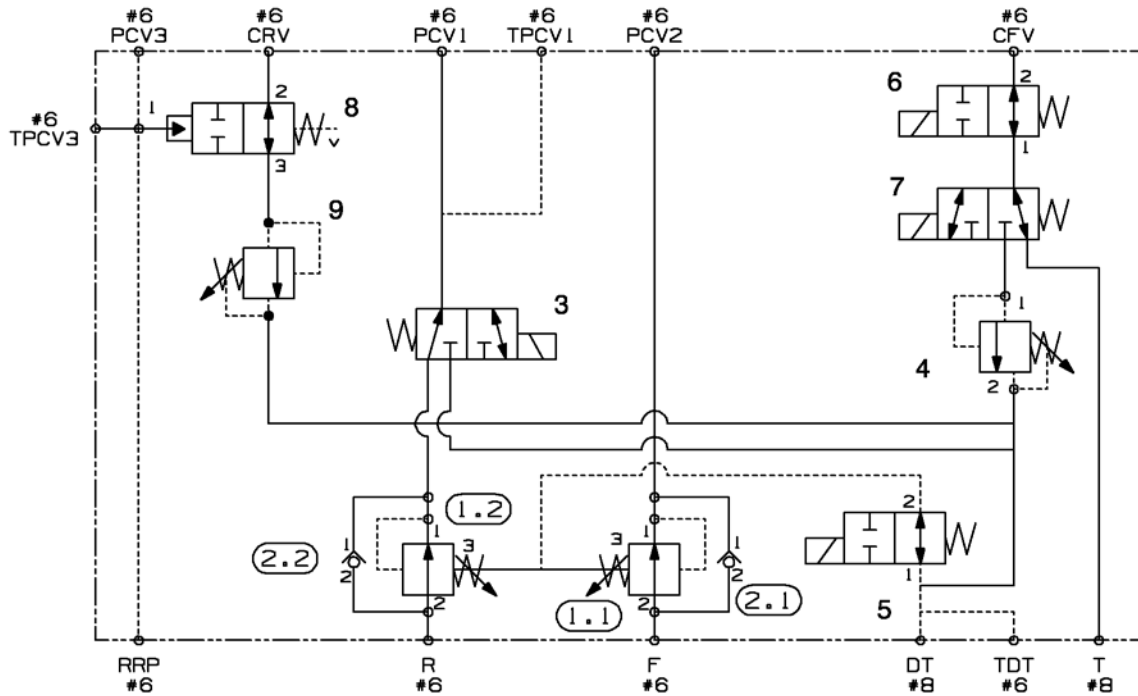
57761579 VALVE,DRILL MODE,ASSM

REF.	PART NO.	QTY	UNIT	DESCRIPTION	NOTES
001.0	95371258	6.0	EA	FITTING,HYD	
002.0	95365078	1.0	EA	CONNECTOR,STRT THRD	
003.0	95419594	1.0	EA	CONNECTOR,STRT THRD	
004.0	95323465	1.0	EA	PLUG,HEX HEAD,STRT THRD	
005.0	96714712	2.0	EA	CAPSCREW/35M2AA372M3HR	
006.0	96702519	2.0	EA	WASHER	
007.0	57761587	1.0	EA	VALVE,DRILL MODE	See Page 362
009.0	51620664	1.0	EA	FITTING,PRESSURE TEST	
011.0	57761926	1.0	EA	SWITCH,PRESSURE	
012.0	95838231	2.0	EA	FITTING,TUBE	
013.0	95003182	1.0	EA	TEE 555A10C060A	
014.0	95473443	1.0	EA	FITTING, HYD	

57761587 VALVE, DRILL MODE



11 NOT INDICATED
 13 NOT INDICATED

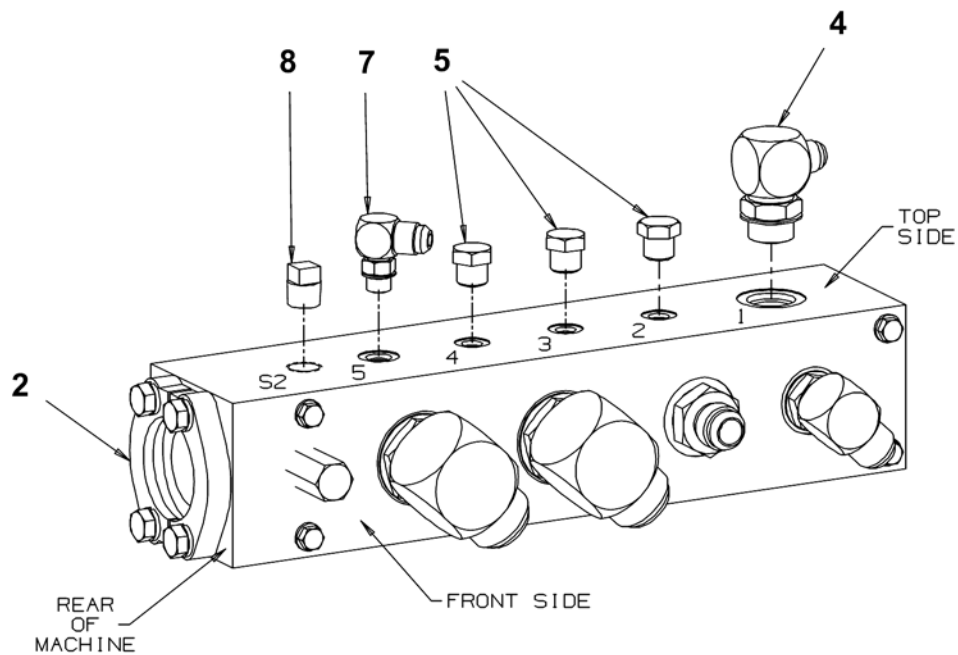
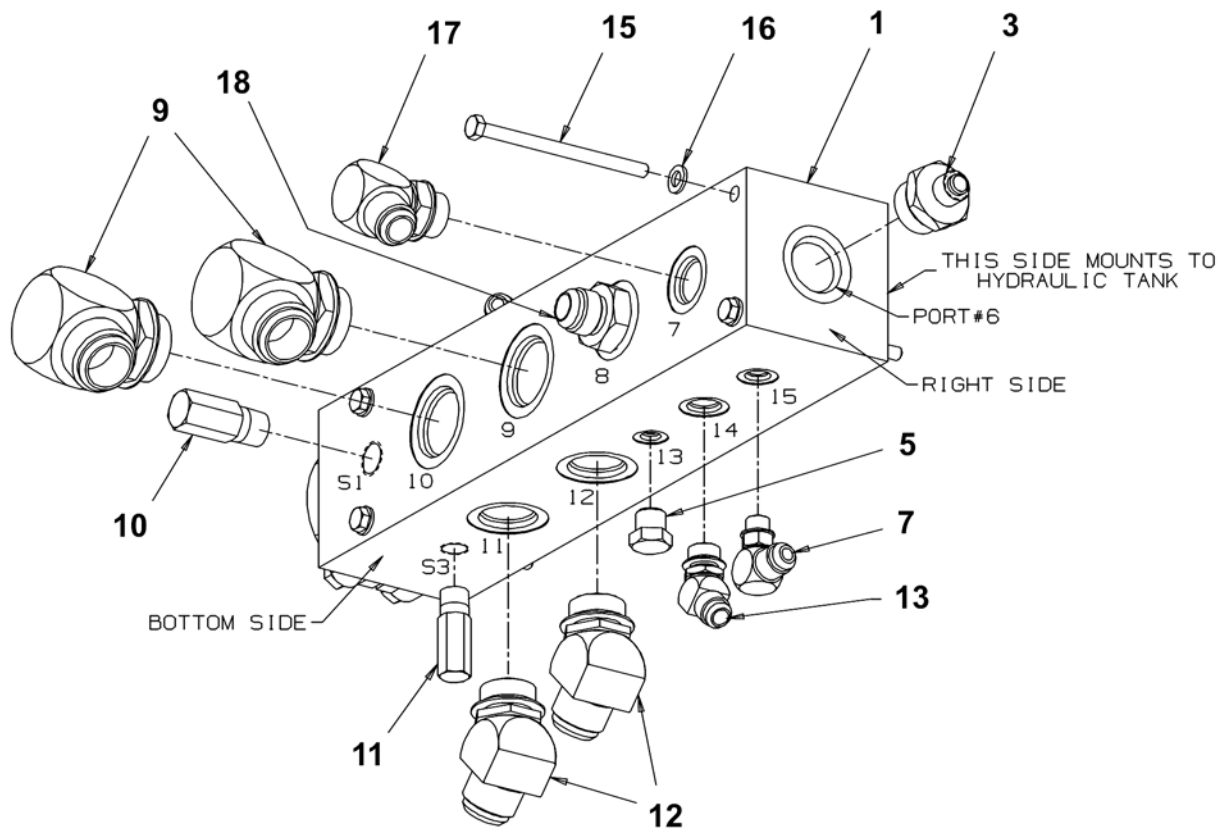


BOM 57761587

57761587 VALVE,DRILL MODE

REF.	PART NO.	QTY	UNIT	DESCRIPTION	NOTES
001.0	52326451	1.0	EA	BODY,MANIFOLD	
002.0	52326469	2.0	EA	CARTRIDGE,VALVE	
003.0	51874444	2.0	EA	VALVE,CARTRIDGE CHECK	
004.0	57761843	1.0	EA	COIL,SOLENOID	
005.0	57774408	4.0	EA	COIL,SOLENOID	
006.0	52104395	1.0	EA	CARTRIDGE,RELIEF VALVE	
007.0	52326477	1.0	EA	CARTRIDGE,VALVE	
-	51919397	1.0	EA	- SEAL KIT	
008.0	52326485	1.0	EA	CARTRIDGE,VALVE	
-	52326535	1.0	EA	- KIT,SEAL	
009.0	52326501	1.0	EA	CARTRIDGE,VALVE	
-	52326543	1.0	EA	- KIT,SEAL	
010.0	57717381	1.0	EA	CARTRIDGE, VALVE	
-	51919397	1.0	EA	- SEAL KIT	
011.0	52326527	1.0	EA	CARTRIDGE,VALVE	
-	51919397	1.0	EA	- SEAL KIT	
012.0	52306602	3.0	EA	FITTING,PRESSURE TEST	
013.0	95838231	1.0	EA	FITTING,TUBE	

57761595 MANIFOLD, HYD RETURN, ASM



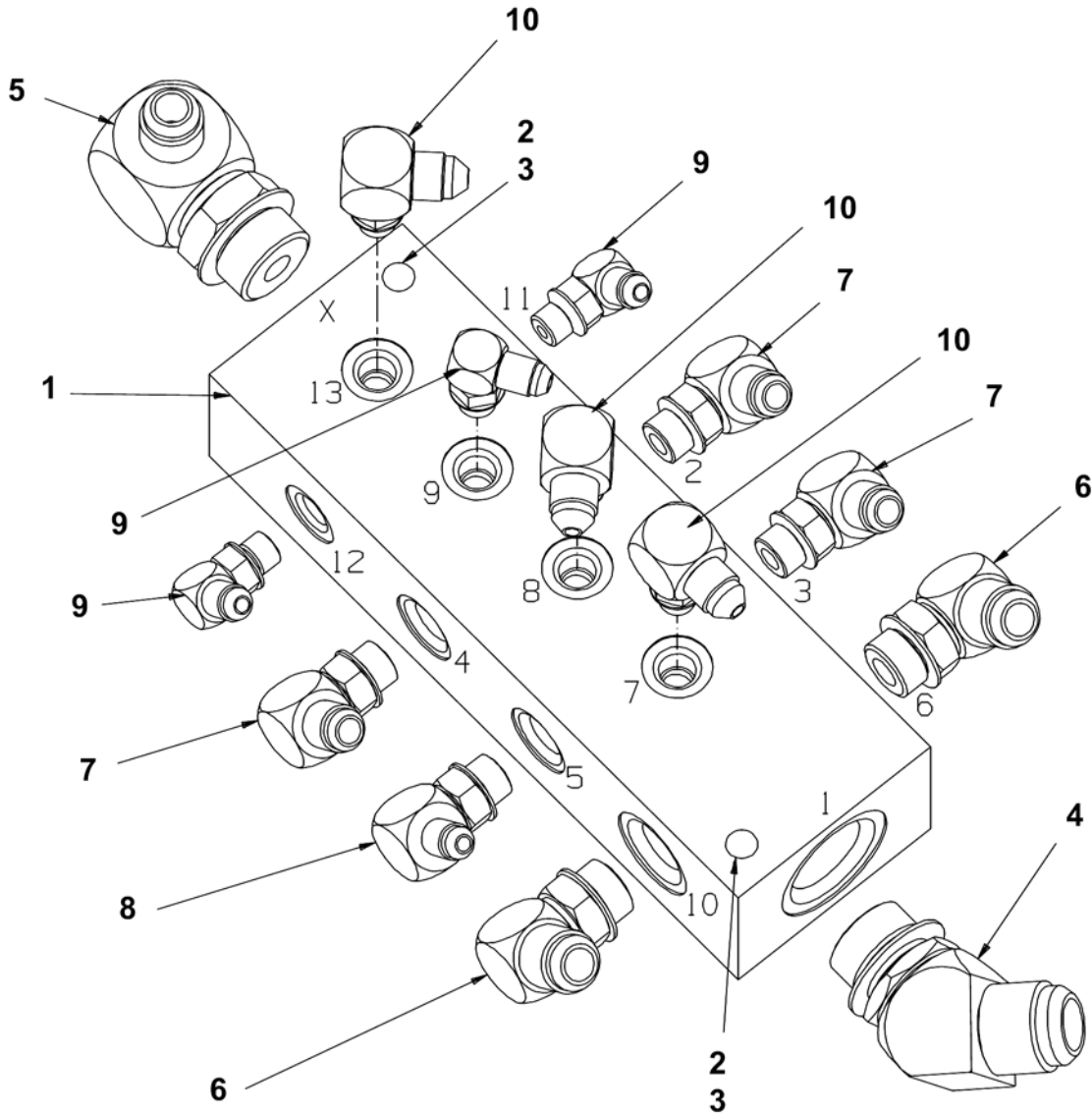
C2657761595 REV 003

BOM 57761595

57761595 MANIFOLD, HYD RETURN, ASM

REF.	PART NO.	QTY	UNIT	DESCRIPTION	NOTES
001.0	52319233	1.0	EA	MANIFOLD, HYD RETURN	
002.0	51914299	1.0	EA	KIT, SPLIT FLANGE	
003.0	95366019	1.0	EA	FITTING, HYD	
004.0	95330692	1.0	EA	ELBOW, 90 DEG STRT THRD	
005.0	95754867	4.0	EA	FITTING, HYD	
007.0	95480109	2.0	EA	FITTING, HYD-90DEGO-RING	
008.0	57809998	1.0	EA	PLUG, SQUARE HEAD	
009.0	95469151	2.0	EA	FITTING 560A10C200X	
010.0	51618510	1.0	EA	SWITCH, TEMPERATURE	
011.0	51618346	1.0	EA	SENDER, TEMPERATURE	
012.0	95280160	2.0	EA	FITTING, HYD	
013.0	95280152	1.0	EA	ADAPTER, 45DEG-ORING/JIC	
015.0	96713128	4.0	EA	BOLT	
016.0	96702519	4.0	EA	WASHER	
017.0	95280186	1.0	EA	ELBOW, 90 DEG STRT THRD	
018.0	95356978	1.0	EA	ADAPTER, STR, JIC/O-RING	

57774465 MANIFOLD, MAIN DRAIN ASSY



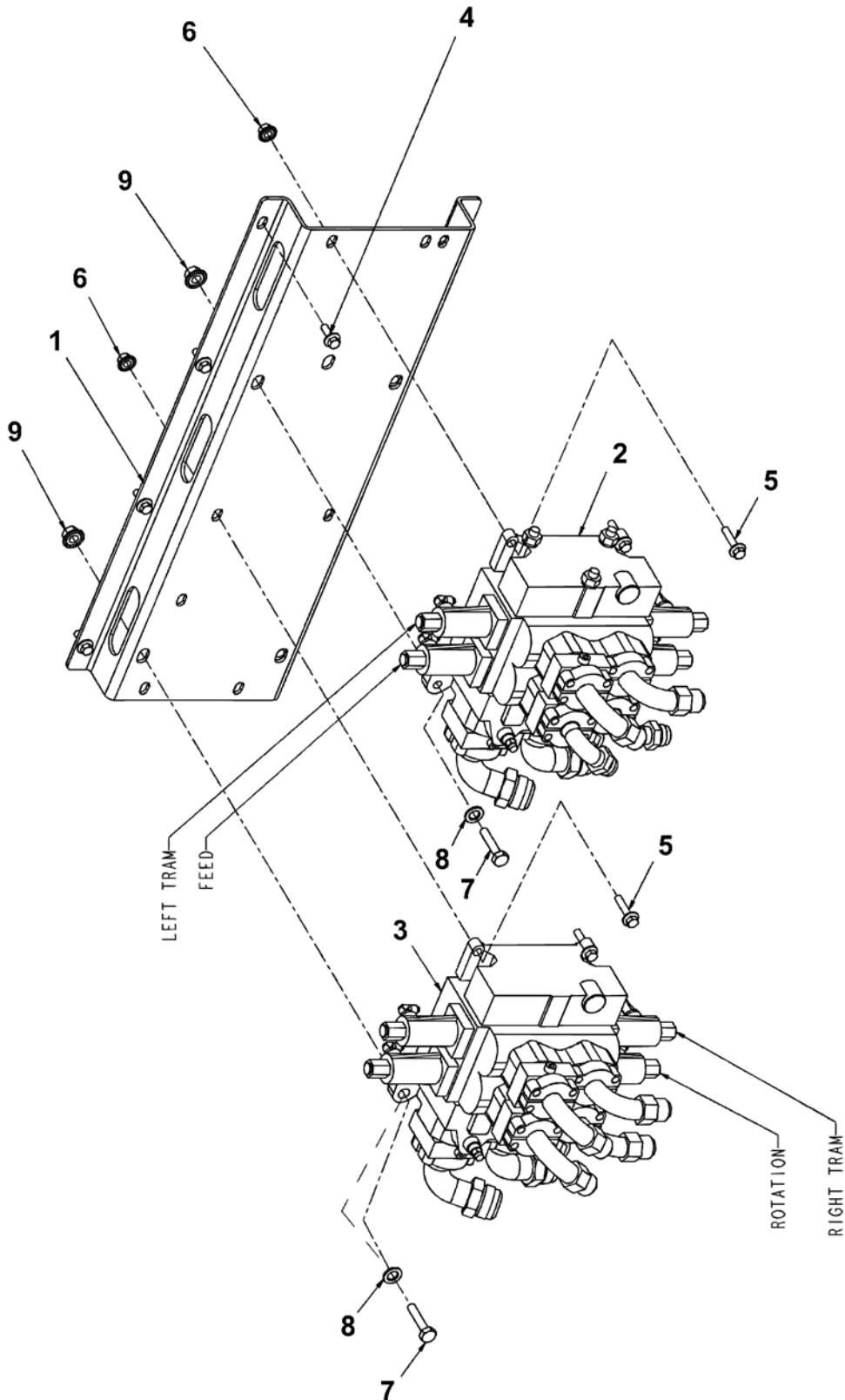
D2657774465 REV 002

BOM 57774465

57774465 MANIFOLD,MAIN DRAIN ASSY

REF.	PART NO.	QTY	UNIT	DESCRIPTION	NOTES
001.0	51608693	1.0	EA	MANIFOLD,DRAIN	
002.0	96714688	2.0	EA	CAPSCREW,HEX HD/35M2AA37	
003.0	96702519	2.0	EA	WASHER	
004.0	95679031	1.0	EA	FITTING,TUBE	
005.0	95330692	1.0	EA	ELBOW,90 DEG STRT THRD	
006.0	95303335	2.0	EA	ELBOW,90 DEG STRT THRD	
007.0	95329975	2.0	EA	ELBOW,90 DEG STRT THRD	
008.0	95365094	1.0	EA	ELBOW,90DEG,STRT THRD	
009.0	95341665	3.0	EA	ELBOW,90 DEG STRT THRD	
010.0	95653614	3.0	EA	ADAPTER-90DEG,ORING/JIC	
011.0	95754867	1.0	EA	FITTING,HYD	

52329851 VALVE,BANK,ASM



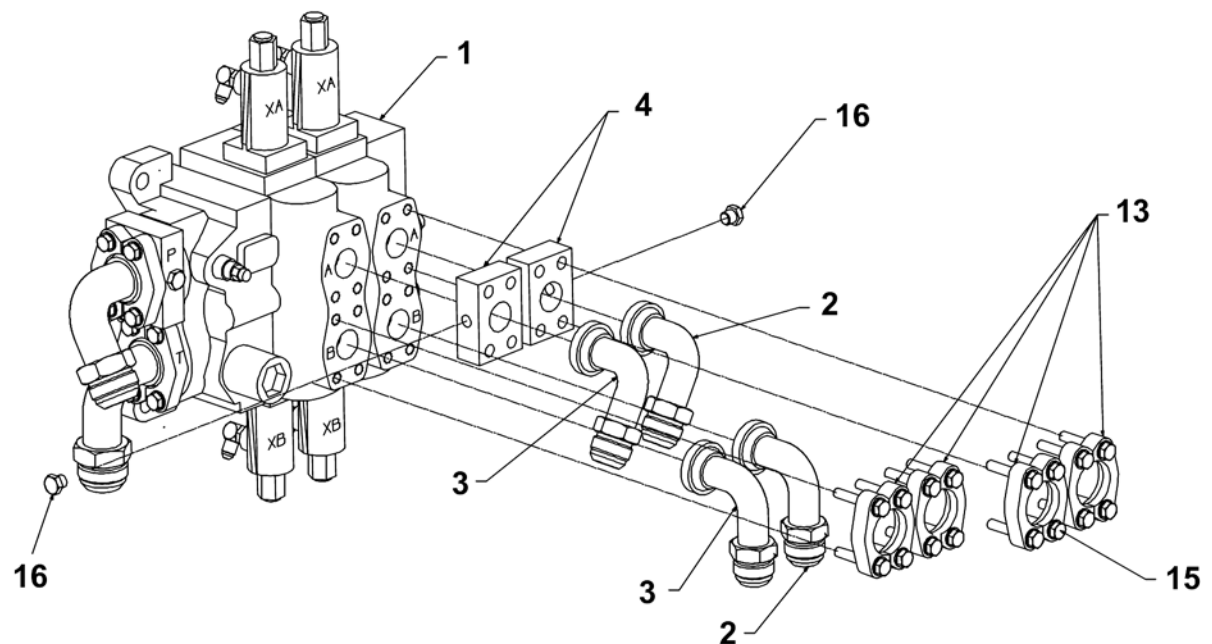
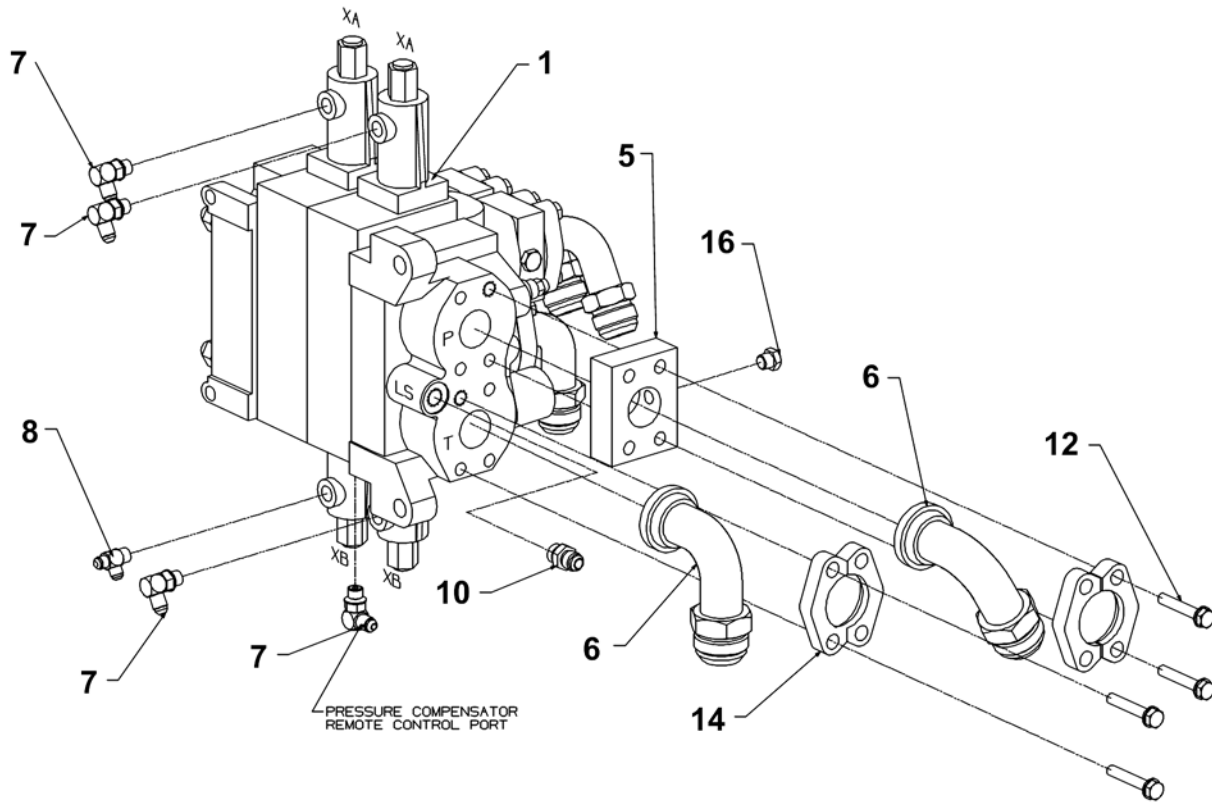
D2652329851 REV 003

BOM 52329851

52329851 VALVE,BANK,ASM

REF.	PART NO.	QTY	UNIT	DESCRIPTION	NOTES
001.0	52322625	1.0	EA	BRACKET,MOUNTING	
002.0	52329836	1.0	EA	VALVE,TRAM/FEED,LH ASSM	See Page 370
003.0	52329844	1.0	EA	VALVE,TRAM/ROT,RH ASSM	See Page 376
004.0	96726914	8.0	EA	BOLT	
005.0	96726708	4.0	EA	BOLT	
006.0	96726807	4.0	EA	NUT/84M4JD7M3	
007.0	96711890	4.0	EA	SCREW,HEX/35M2AA466M3HR	
008.0	96702535	4.0	EA	WASHER/10M5LC15AM4HR	
009.0	96726815	4.0	EA	NUT	

52329836 VALVE, TRAM/FEED, LH ASSM



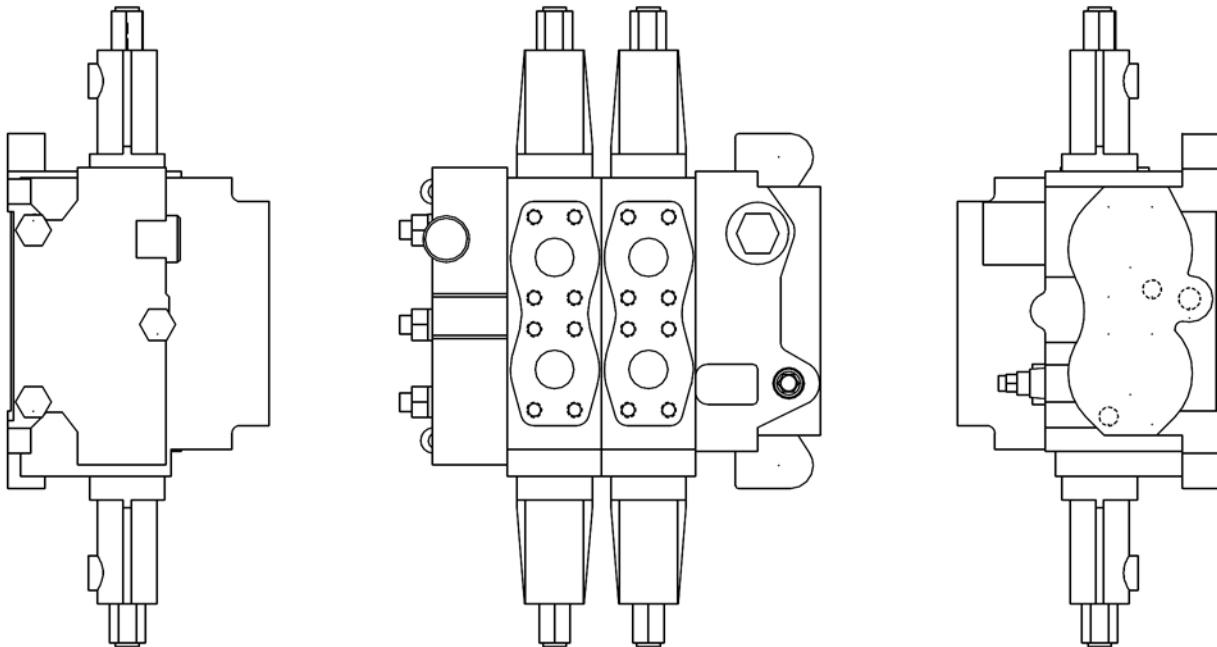
D2652329836 REV 002

BOM 52329836

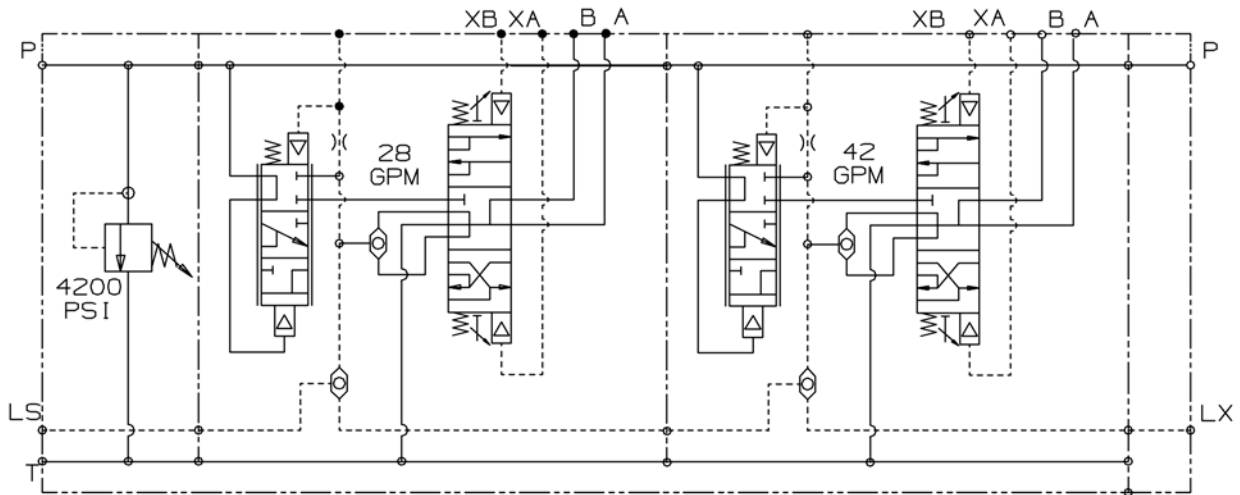
52329836 VALVE,TRAM/FEED,LH ASSM

REF.	PART NO.	QTY	UNIT	DESCRIPTION	NOTES
001.0	52321239	1.0	EA	VALVE,FEED,TRAM 28/42GPM	See Page 372
002.0	85691202	2.0	EA	ADAPTER	
003.0	56898778	2.0	EA	ADAPTER	
004.0	57699894	2.0	EA	ADAPTER,SPACER/GAUGEPORT	
-	95086518	1.0	EA	- O-RING	
005.0	52329869	1.0	EA	GAUGE,PORT ADAPTER	
-	95042289	1.0	EA	- O-RING	
006.0	52086311	2.0	EA	ADAPTER,ELBOW	
007.0	95341665	4.0	EA	ELBOW,90 DEG STRT THRD	
008.0	95147971	1.0	EA	TEE	
010.0	57199028	1.0	EA	FITTING, HYD	
012.0	95931614	4.0	EA	CAPSCREW,HEX HEAD	
013.0	52086329	4.0	EA	KIT,FLANGE	
014.0	52086337	2.0	EA	KIT,FLANGE	
015.0	95919288	8.0	EA	CAPSCREW	
016.0	95250932	3.0	EA	PLUG,PIPE-HEX SOCKET	

52321239 VALVE,FEED,TRAM 28/42GPM



52321239 VALVE,FEED,TRAM 28/42GPM



HYDRAULIC SCHEMATIC

52321239 VALVE,FEED,TRAM 28/42GPM

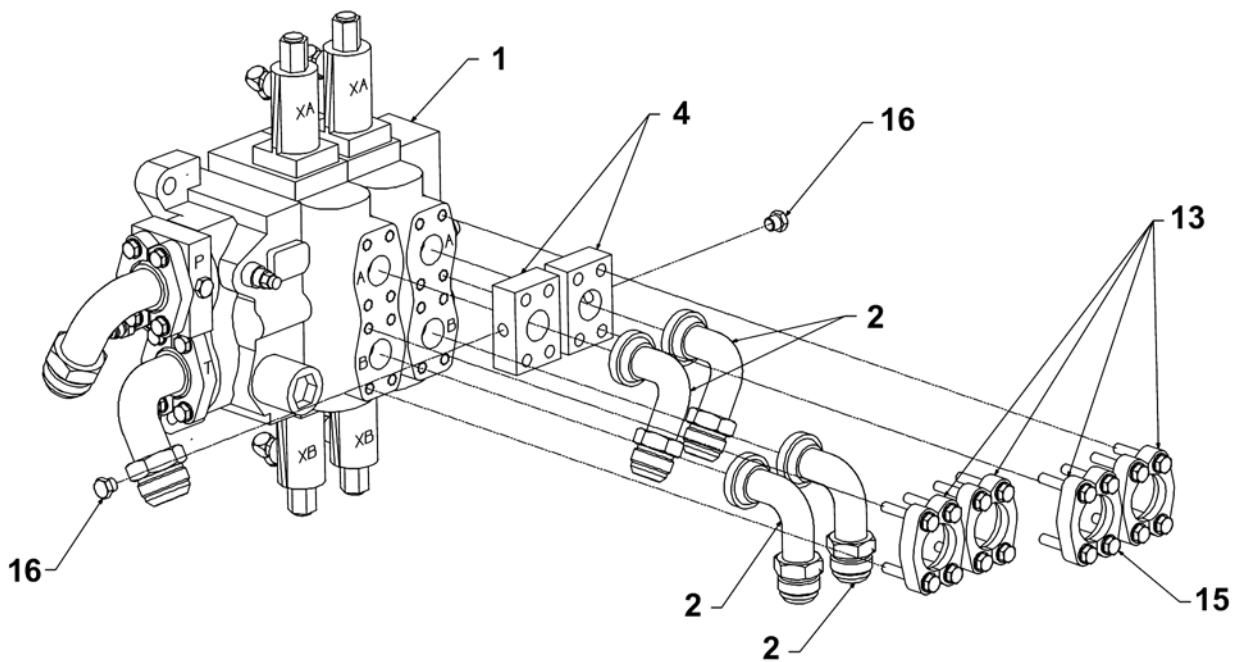
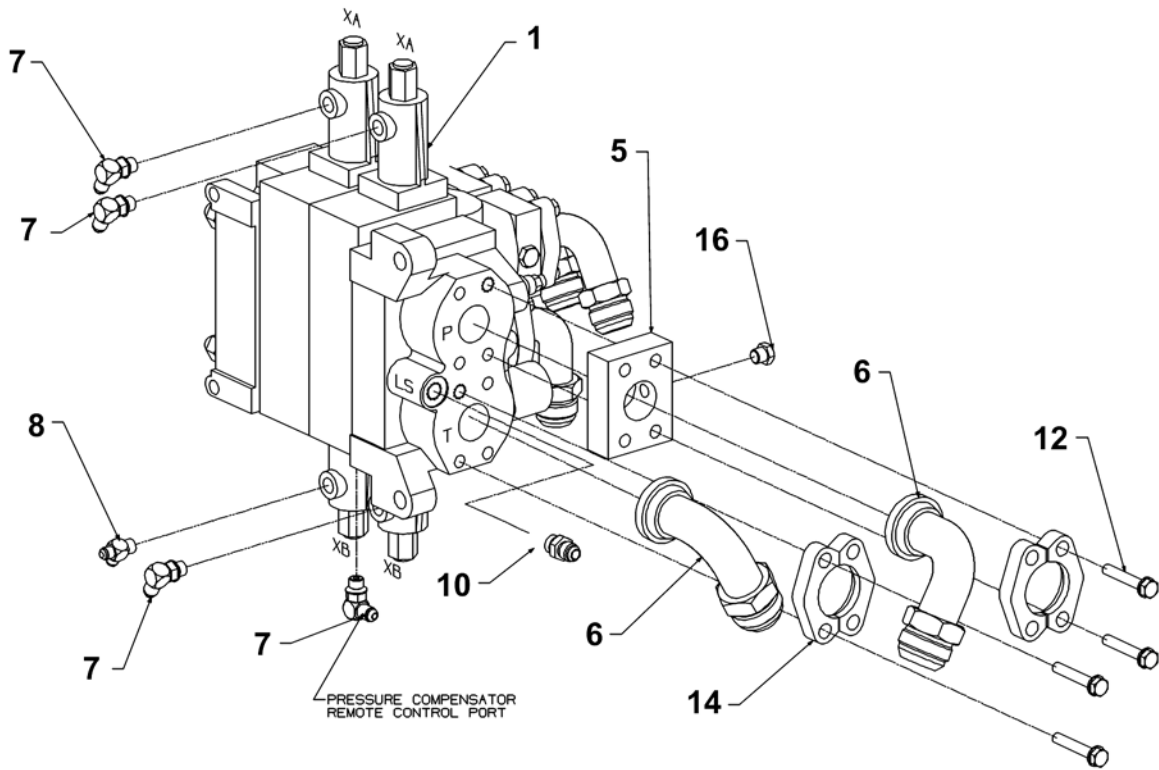
REF.	PART NO.	QTY	UNIT	DESCRIPTION	NOTES
001.0	52326311	1.0	EA	INLET SECT ASSEMBLY	
002.0	52107927	1.0	EA	COVER,END	
003.0	52326378	1.0	EA	ASY,MOTOR BODY SECTION	
-	52326360	1.0	EA	- SPOOL,MOTOR	
-	52107497	2.0	EA	- O-RING	
-	51858686	1.0	EA	- PLUG W/O-RING	
-	52320744	1.0	EA	- SPOOL, COMPENSATOR	
-	51947596	1.0	EA	- SPRING,COMPENSATOR	
-	52326493	1.0	EA	- ASY,PRIMARY HSG	
-	51050516	1.0	EA	- BEARING,BALL	
-	52320728	1.0	EA	- ASSY,SHUTTLE PLUG SEAT	
-	51947638	1.0	EA	- COUPLING	
-	52320785	2.0	EA	- ASSY, ACTUATOR HOUSING	
-	51947612	4.0	EA	- RETAINER	
-	52320793	4.0	EA	- CAPSCREW, HEX. HD	
-	51947570	1.0	EA	- COUPLING	
-	51947562	2.0	EA	- NUT	
-	51947554	2.0	EA	- SPRING	
-	51050490	2.0	EA	- PLUG ASSY	
-	51055374	1.0	EA	- PLUG	
-	51055382	1.0	EA	- O-RING	
-	51055390	1.0	EA	- RING,BACK-UP	
-	51055408	1.0	EA	- O-RING	
-	51982833	1.0	EA	- ASSEMBLY,HOUSING	
004.0	52326337	1.0	EA	MOTOR BODY ASSEMBLY	
-	52320736	1.0	EA	- SPOOL	
-	52107497	2.0	EA	- O-RING	
-	51858686	1.0	EA	- PLUG W/O-RING	
-	52320744	1.0	EA	- SPOOL, COMPENSATOR	
-	51947596	1.0	EA	- SPRING,COMPENSATOR	
-	52320751	1.0	EA	- SPRING COMPENSATOR(INR)	
-	52326493	1.0	EA	- ASY,PRIMARY HSG	
-	51050516	1.0	EA	- BEARING,BALL	
-	52320728	1.0	EA	- ASSY,SHUTTLE PLUG SEAT	
-	51947638	1.0	EA	- COUPLING	
-	52320785	2.0	EA	- ASSY, ACTUATOR HOUSING	
-	51947612	4.0	EA	- RETAINER	
-	52320793	4.0	EA	- CAPSCREW, HEX. HD	
-	51947570	1.0	EA	- COUPLING	

BOM 52321239

52321239 VALVE,FEED,TRAM 28/42GPM

REF.	PART NO.	QTY	UNIT	DESCRIPTION	NOTES
-	51947562	2.0	EA	- NUT	
-	51947554	2.0	EA	- SPRING	
-	51050490	2.0	EA	- PLUG ASSY	
-	51055374	1.0	EA	- PLUG	
-	51055382	1.0	EA	- O-RING	
-	51055390	1.0	EA	- RING,BACK-UP	
-	51055408	1.0	EA	- O-RING	
005.0	52326345	3.0	EA	STUD	
006.0	52326352	3.0	EA	NUT,HEX	
007.0	52320678	3.0	EA	WASHER	
008.0	52320694	6.0	EA	O-RING	
009.0	52107968	3.0	EA	RING,BACK UP	
010.0	52320702	3.0	EA	O-RING	
011.0	52107984	3.0	EA	RING,BACK UP	
012.0	51719664	3.0	EA	O-RING,SPEC	
013.0	51050326	9.0	EA	SHIM,ROUND	

52329844 VALVE,TRAM/ROT,RH ASSM



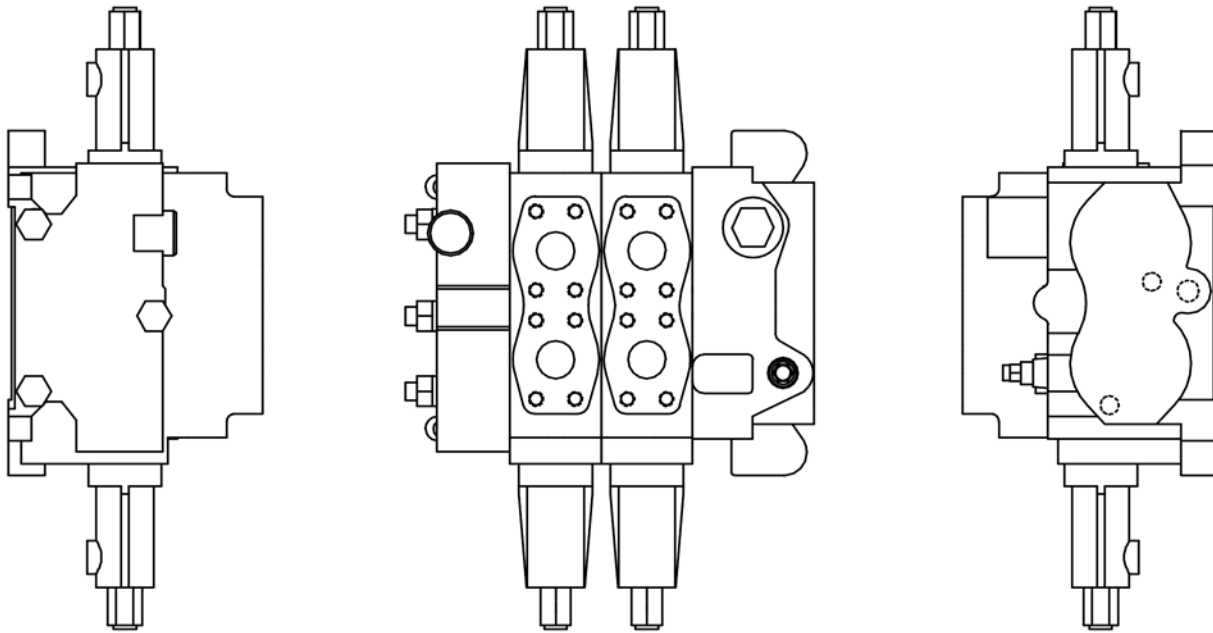
D2652329844 REV 002

BOM 52329844

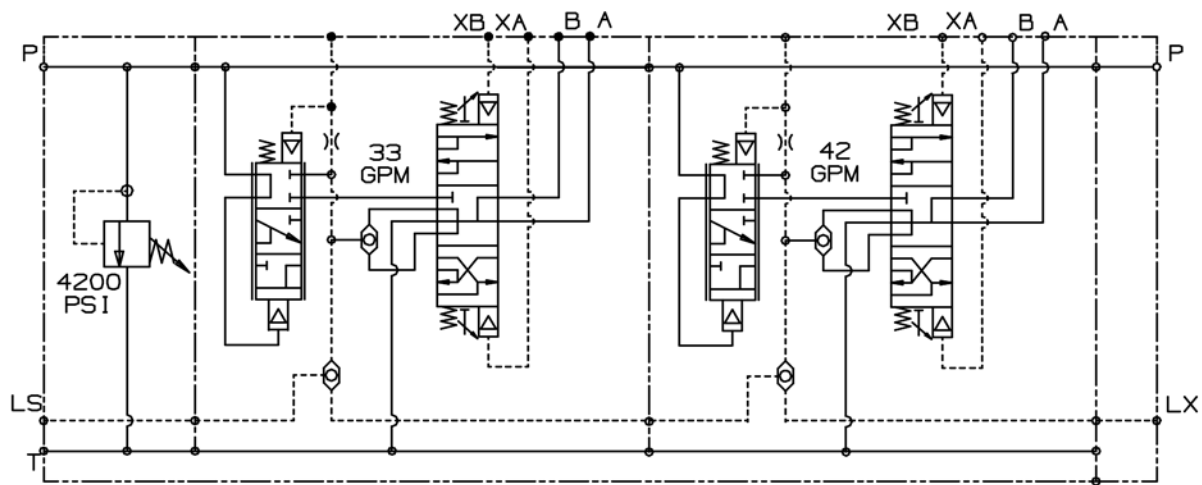
52329844 VALVE,TRAM/ROT,RH ASSM

REF.	PART NO.	QTY	UNIT	DESCRIPTION	NOTES
001.0	52321254	1.0	EA	VALVE,ROT,TRAM 33/42 GPM	See Page 378
002.0	85691202	4.0	EA	ADAPTER	
004.0	57699894	2.0	EA	ADAPTER,SPACER/GAUGEPORT	
-	95086518	1.0	EA	- O-RING	
005.0	52329869	1.0	EA	GAUGE,PORT ADAPTER	
-	95042289	1.0	EA	- O-RING	
006.0	52086311	2.0	EA	ADAPTER,ELBOW	
007.0	95341665	4.0	EA	ELBOW,90 DEG STRT THRD	
008.0	95147971	1.0	EA	TEE	
010.0	95365078	1.0	EA	CONNECTOR,STRT THRD	
012.0	95931614	4.0	EA	CAPSCREW,HEX HEAD	
013.0	52086329	4.0	EA	KIT,FLANGE	
014.0	52086337	2.0	EA	KIT,FLANGE	
015.0	95919288	8.0	EA	CAPSCREW	
016.0	95250932	2.0	EA	PLUG,PIPE-HEX SOCKET	

52321254 VALVE,ROT,TRAM 33/42 GPM



52321254 VALVE,ROT,TRAM 33/42 GPM



HYDRAULIC SCHEMATIC

52321254 VALVE,ROT,TRAM 33/42 GPM

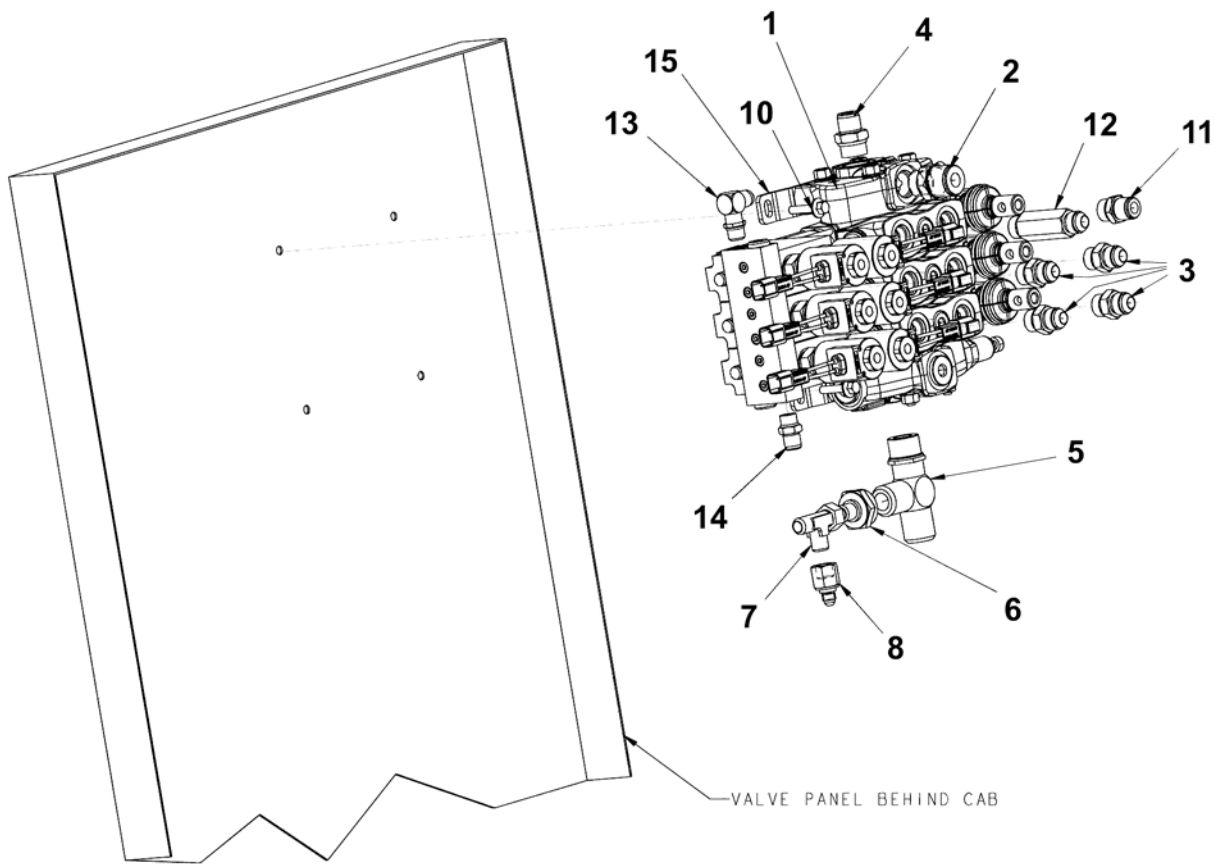
REF.	PART NO.	QTY	UNIT	DESCRIPTION	NOTES
001.0	52326311	1.0	EA	INLET SECT ASSEMBLY	
002.0	52107927	1.0	EA	COVER,END	
003.0	52326329	1.0	EA	MOTOR BODY ASSEMBLY	
-	52326360	1.0	EA	- SPOOL,MOTOR	
-	52107497	2.0	EA	- O-RING	
-	51858686	1.0	EA	- PLUG W/O-RING	
-	52320744	1.0	EA	- SPOOL, COMPENSATOR	
-	51947596	1.0	EA	- SPRING,COMPENSATOR	
-	52320751	1.0	EA	- SPRING COMPENSATOR(INR)	
-	52326493	1.0	EA	- ASY,PRIMARY HSG	
-	51050516	1.0	EA	- BEARING,BALL	
-	52320728	1.0	EA	- ASSY,SHUTTLE PLUG SEAT	
-	51947638	1.0	EA	- COUPLING	
-	52320785	2.0	EA	- ASSY, ACTUATOR HOUSING	
-	51947612	4.0	EA	- RETAINER	
-	52320793	4.0	EA	- CAPSCREW, HEX. HD	
-	51947570	1.0	EA	- COUPLING	
-	51947562	2.0	EA	- NUT	
-	51947554	2.0	EA	- SPRING	
-	51050490	2.0	EA	- PLUG ASSY	
-	51055374	1.0	EA	- PLUG	
-	51055382	1.0	EA	- O-RING	
-	51055390	1.0	EA	- RING,BACK-UP	
-	51055408	1.0	EA	- O-RING	
-	51982833	1.0	EA	- ASSEMBLY,HOUSING	
004.0	52326337	1.0	EA	MOTOR BODY ASSEMBLY	
-	52320736	1.0	EA	- SPOOL	
-	52107497	2.0	EA	- O-RING	
-	51858686	1.0	EA	- PLUG W/O-RING	
-	52320744	1.0	EA	- SPOOL, COMPENSATOR	
-	51947596	1.0	EA	- SPRING,COMPENSATOR	
-	52320751	1.0	EA	- SPRING COMPENSATOR(INR)	
-	52326493	1.0	EA	- ASY,PRIMARY HSG	
-	51050516	1.0	EA	- BEARING,BALL	
-	52320728	1.0	EA	- ASSY,SHUTTLE PLUG SEAT	
-	51947638	1.0	EA	- COUPLING	
-	52320785	2.0	EA	- ASSY, ACTUATOR HOUSING	
-	51947612	4.0	EA	- RETAINER	
-	52320793	4.0	EA	- CAPSCREW, HEX. HD	

BOM 52321254

52321254 VALVE,ROT,TRAM 33/42 GPM

REF.	PART NO.	QTY	UNIT	DESCRIPTION	NOTES
-	51947570	1.0	EA	- COUPLING	
-	51947562	2.0	EA	- NUT	
-	51947554	2.0	EA	- SPRING	
-	51050490	2.0	EA	- PLUG ASSY	
-	51055374	1.0	EA	- PLUG	
-	51055382	1.0	EA	- O-RING	
-	51055390	1.0	EA	- RING,BACK-UP	
-	51055408	1.0	EA	- O-RING	
005.0	52326345	3.0	EA	STUD	
006.0	52326352	3.0	EA	NUT,HEX	
007.0	52320678	3.0	EA	WASHER	
008.0	52320694	6.0	EA	O-RING	
009.0	52107968	3.0	EA	RING,BACK UP	
010.0	52320702	3.0	EA	O-RING	
011.0	52107984	3.0	EA	RING,BACK UP	
012.0	51719664	3.0	EA	O-RING,SPEC	
013.0	51050326	9.0	EA	SHIM,ROUND	

57910648 ASSEMBLY,3-BANK VALVE

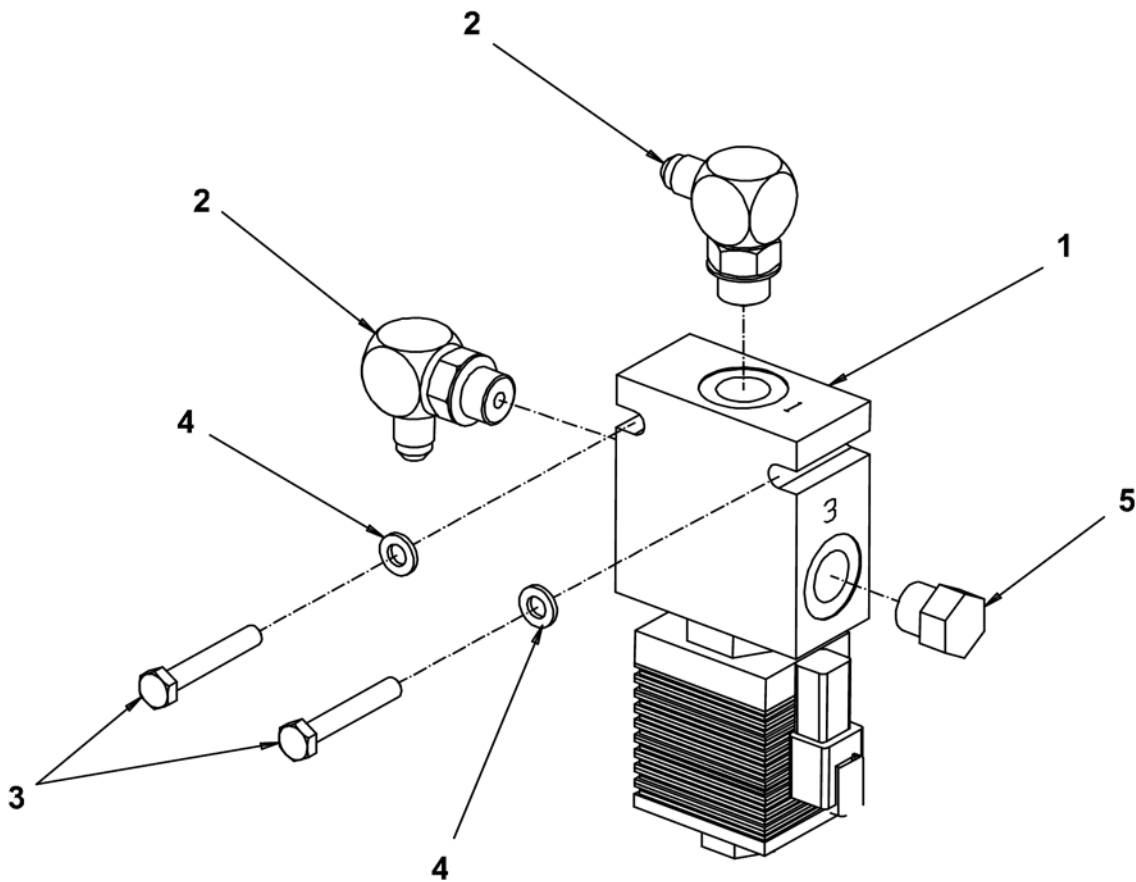


BOM 57910648

57910648 ASSEMBLY,3-BANK VALVE

REF.	PART NO.	QTY	UNIT	DESCRIPTION	NOTES
001.0	57910655	1.0	EA	VALVE,3-BANK,WAVIOL	
-	57897605	2.0	EA	- BRACKET,MOUNTING,3-BANK	
002.0	95303392	1.0	EA	CONNECTOR,STRT THRD	
003.0	95356093	4.0	EA	ADAPTER	
004.0	95285946	1.0	EA	FITTING,HYD	
005.0	57910770	1.0	EA	FITTING,TEE ADAPATOR	
006.0	57910788	1.0	EA	FITTING,REDUCER #8-#6	
007.0	95415667	1.0	EA	FITTING, HYD	
008.0	56955867	1.0	EA	FITTING, HYD	
010.0	96728688	4.0	EA	BOLT,HEX FLANGE HEAD	
011.0	95303368	1.0	EA	CONNECTOR,STRT THRD	
012.0	50748128	1.0	EA	ADAPTER,STR-8-8SJIC/ORNG	
013.0	95329975	1.0	EA	ELBOW,90 DEG STRT THRD	
014.0	95365078	1.0	EA	CONNECTOR,STRT THRD	

57761878 VALVE, ROTATION SO

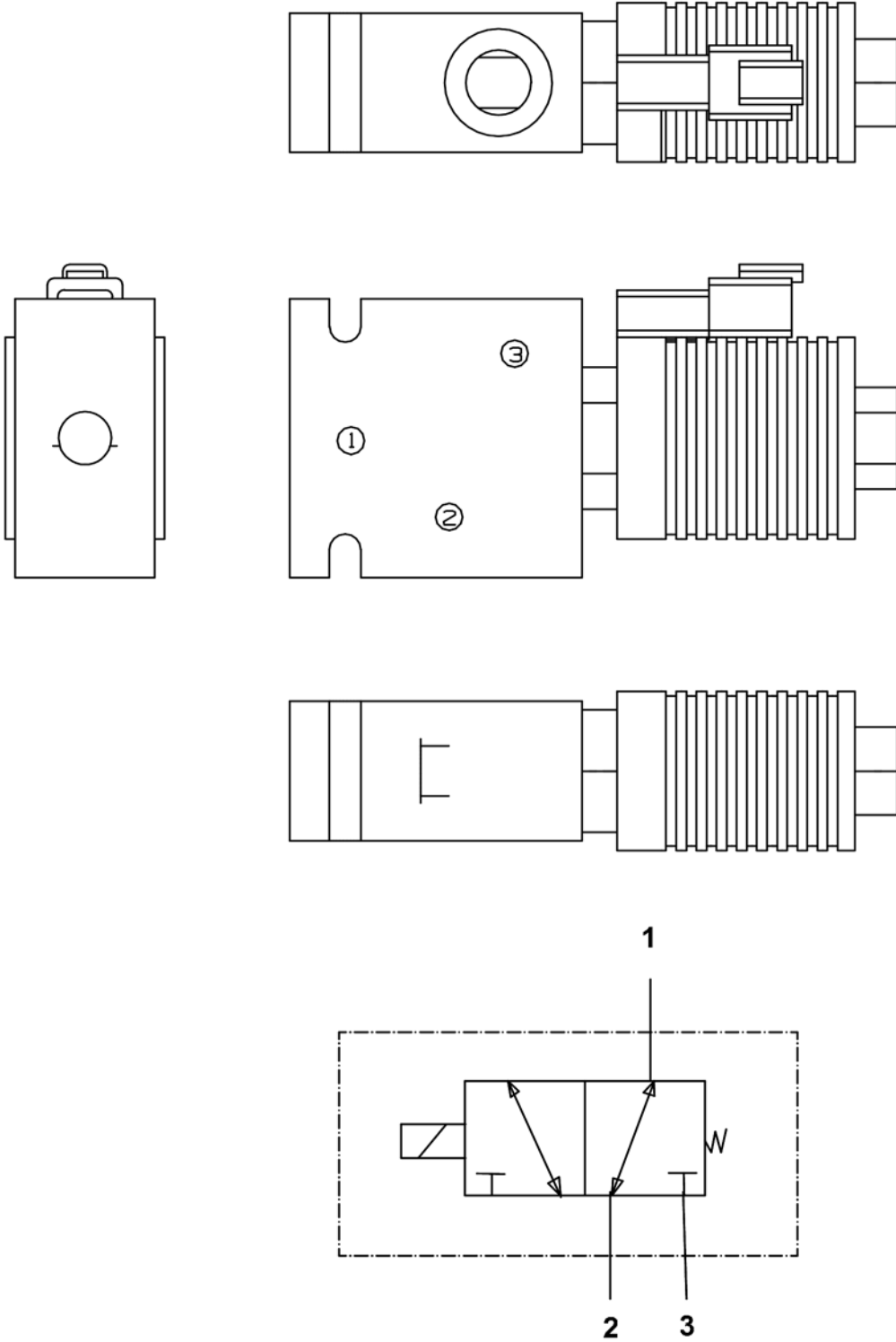


BOM 57761878

57761878 VALVE,ROTATION SO

REF.	PART NO.	QTY	UNIT	DESCRIPTION	NOTES
001.0	57761884	1.0	EA	VALVE,SOLENOID	See Page 386
002.0	95365094	2.0	EA	ELBOW,90DEG,STRT THRD	
003.0	96703939	2.0	EA	CAPSCREW/35M2AA314	
004.0	96701289	2.0	EA	WASHER	
005.0	95666996	1.0	EA	PLUG,HEX HEAD,STRT THRD	

57761884 VALVE,SOLENOID

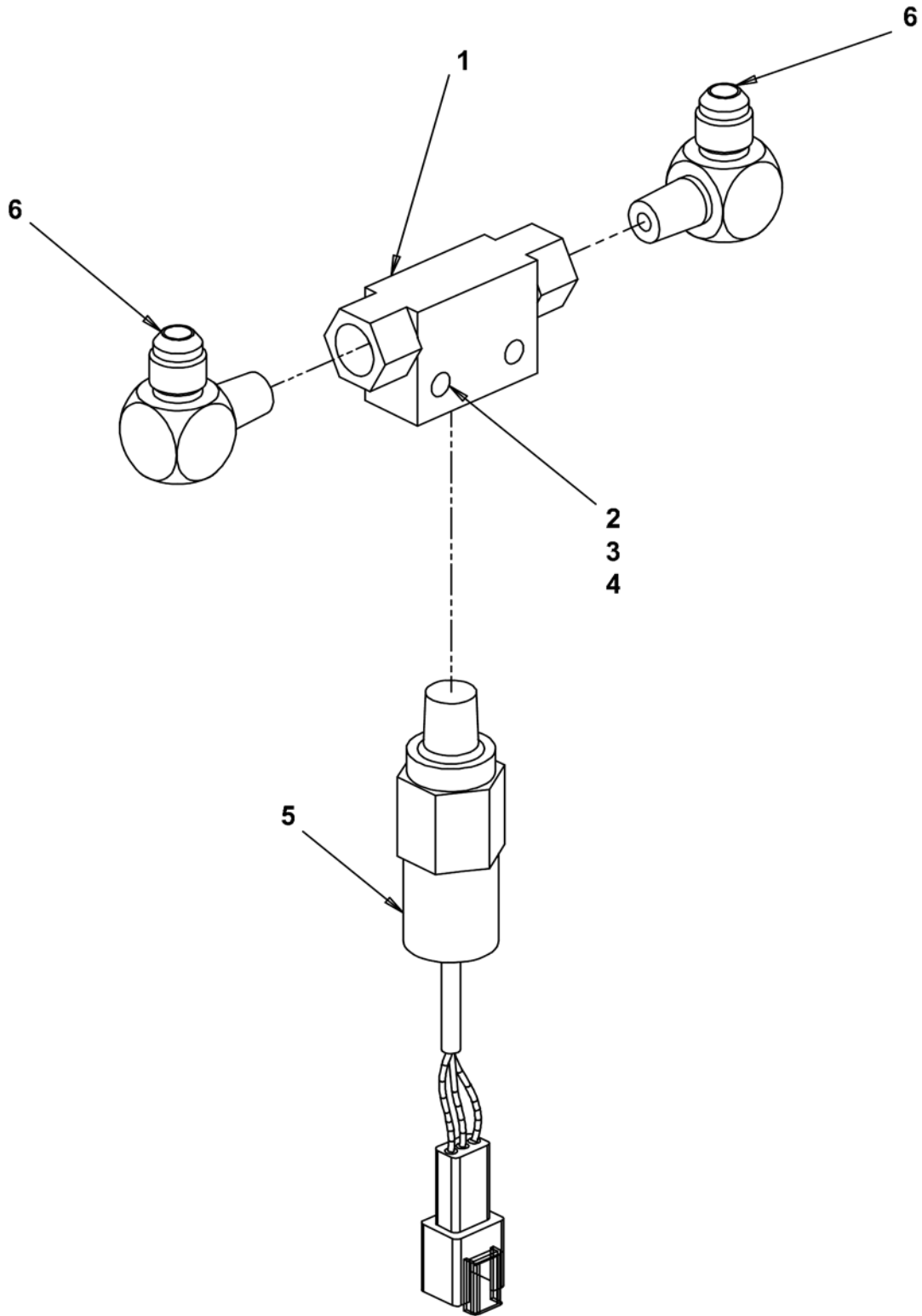


BOM 57761884

57761884 VALVE,SOLENOID

REF.	PART NO.	QTY	UNIT	DESCRIPTION	NOTES
001.0	57761892	1.0	EA	COIL,SOLENOID	
002.0	51776516	1.0	EA	VALVE,CARTRIDGE	
003.0	51776524	1.0	EA	KIT,SEAL	

57761611 VALVE,B/U ALARM P,ASSM

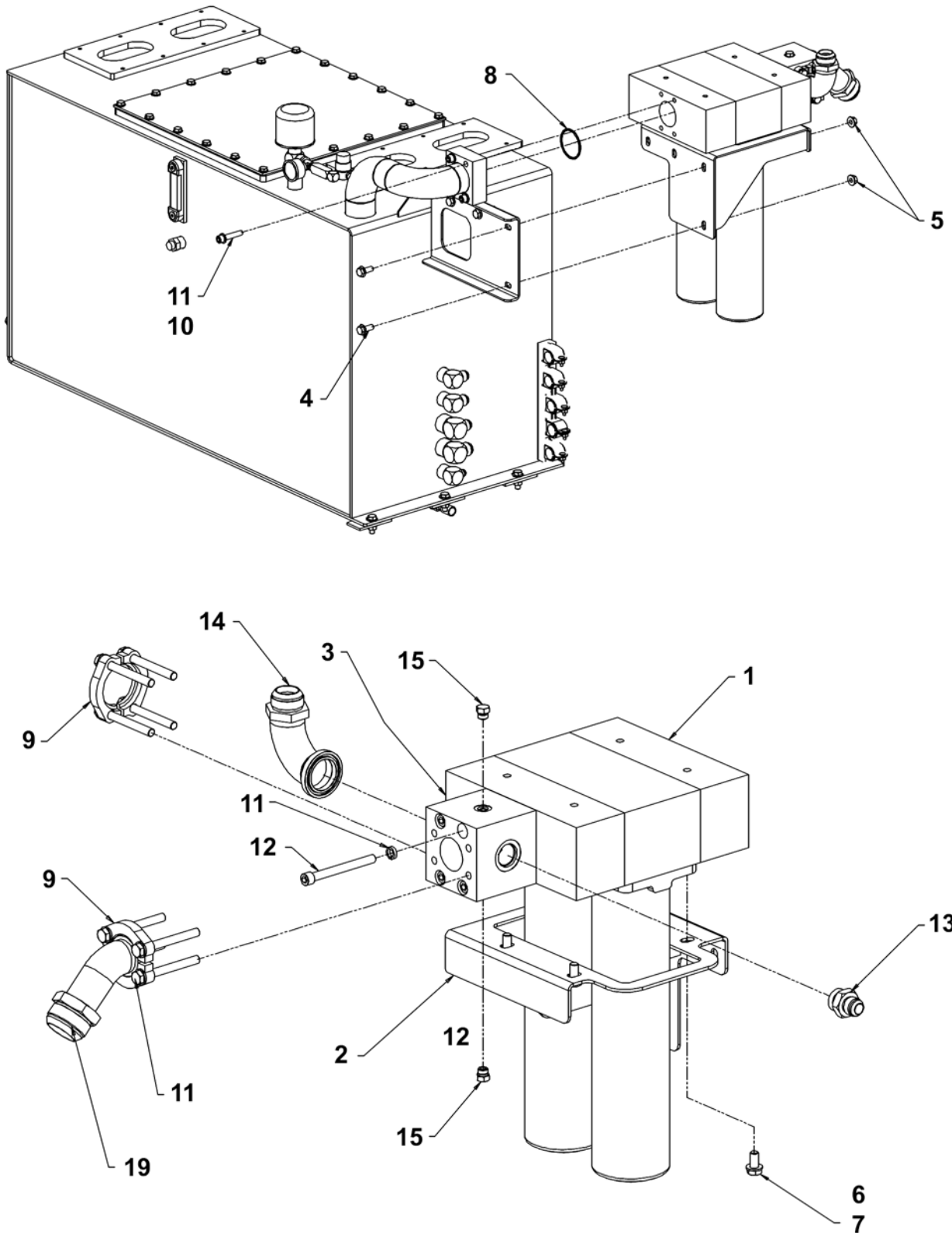


BOM 57761611

57761611 VALVE,B/U ALARM P,ASSM

REF.	PART NO.	QTY	UNIT	DESCRIPTION	NOTES
001.0	50805100	1.0	EA	VALVE,SHUTTLE	
002.0	96738448	2.0	EA	BOLT/35M2AB264M3	
003.0	96702493	4.0	EA	WASHER,FLAT	
004.0	96715008	2.0	EA	NUT,HEX LOCK/85M4JD1M3	
005.0	57761926	1.0	EA	SWITCH,PRESSURE	
006.0	95293403	2.0	EA	ELBOW,90 DEG MALE	

57694804 FILTER ASSY, HYD OIL RETN



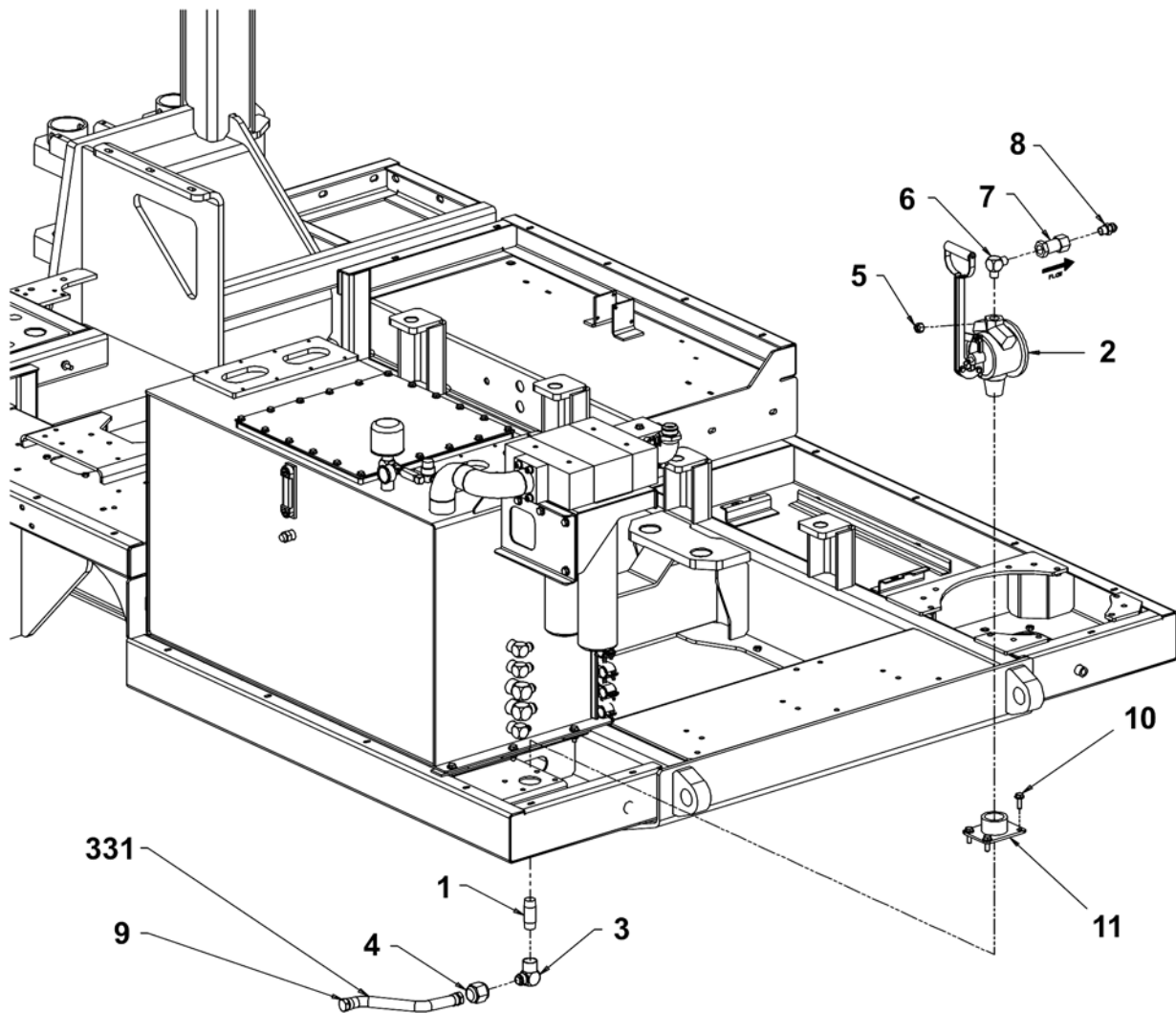
D2657694804 REV 004

BOM 57694804

57694804 FILTER ASSY, HYD OIL RETN

REF.	PART NO.	QTY	UNIT	DESCRIPTION	NOTES
001.0	57803835	1.0	EA	FILTER, HYD RETURN 3 MIC	
-	57913436	1.0	EA	- BOWL ASSEMBLY	
002.0	52319316	1.0	EA	BRACKET, FILTER SUPPORT	
003.0	52319225	1.0	EA	MANIFOLD, FILTER	
004.0	96727177	4.0	EA	BOLT	
005.0	96726815	4.0	EA	NUT	
006.0	95919544	4.0	EA	CAPSCREW/35A2A217Z1HR	
007.0	50977289	4.0	EA	WASHER	
008.0	95086583	2.0	EA	O-RING, 20A11CM232	
009.0	51914299	2.0	EA	KIT, SPLIT FLANGE	
010.0	95055059	4.0	EA	CAPSCREW, AH	
011.0	95955936	8.0	EA	LOCKWASHER/14A5C96Z3	
012.0	95055133	4.0	EA	CAPSCREW, AH	
013.0	95356978	1.0	EA	ADAPTER, STR, JIC/O-RING	
014.0	57347411	1.0	EA	ADAPTER	
015.0	95666996	2.0	EA	PLUG, HEX HEAD, STRT THRD	
019.0	52304631	1.0	EA	ADAPTER, SPLIT FLANGE	

57824468 PUMP,HAND HYD ASSEMBLY

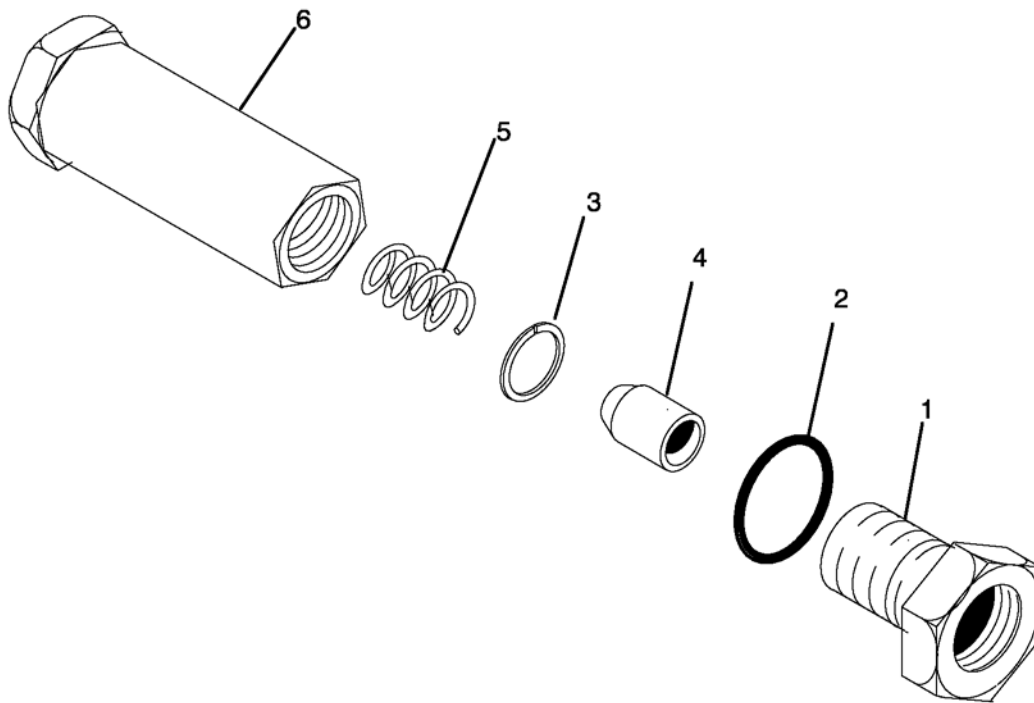


BOM 57824468

57824468 PUMP,HAND HYD ASSEMBLY

REF.	PART NO.	QTY	UNIT	DESCRIPTION	NOTES
001.0	95344321	1.0	EA	NIPPLE	
002.0	57426926	1.0	EA	PUMP,HAND FILL	
003.0	95279238	1.0	EA	FITTING,HYD	
004.0	95387924	1.0	EA	CAP,JIC-16	
005.0	57824211	1.0	EA	PLUG, HEX PIPE	
006.0	95317434	1.0	EA	FITTING,HYD	
007.0	50805118	1.0	EA	VALVE,CHECK	See Page 394
008.0	95219747	1.0	EA	CONNECTOR,MALE,37 DEG	
009.0	95422838	1.0	EA	PLUG, JIC-16	
010.0	96726716	4.0	EA	BOLT	
011.0	57824450	1.0	EA	BRACKET,HAND PUMP	
331.0	50978543	0.0	EA	HOSE ASSY	

50805118 VALVE,CHECK



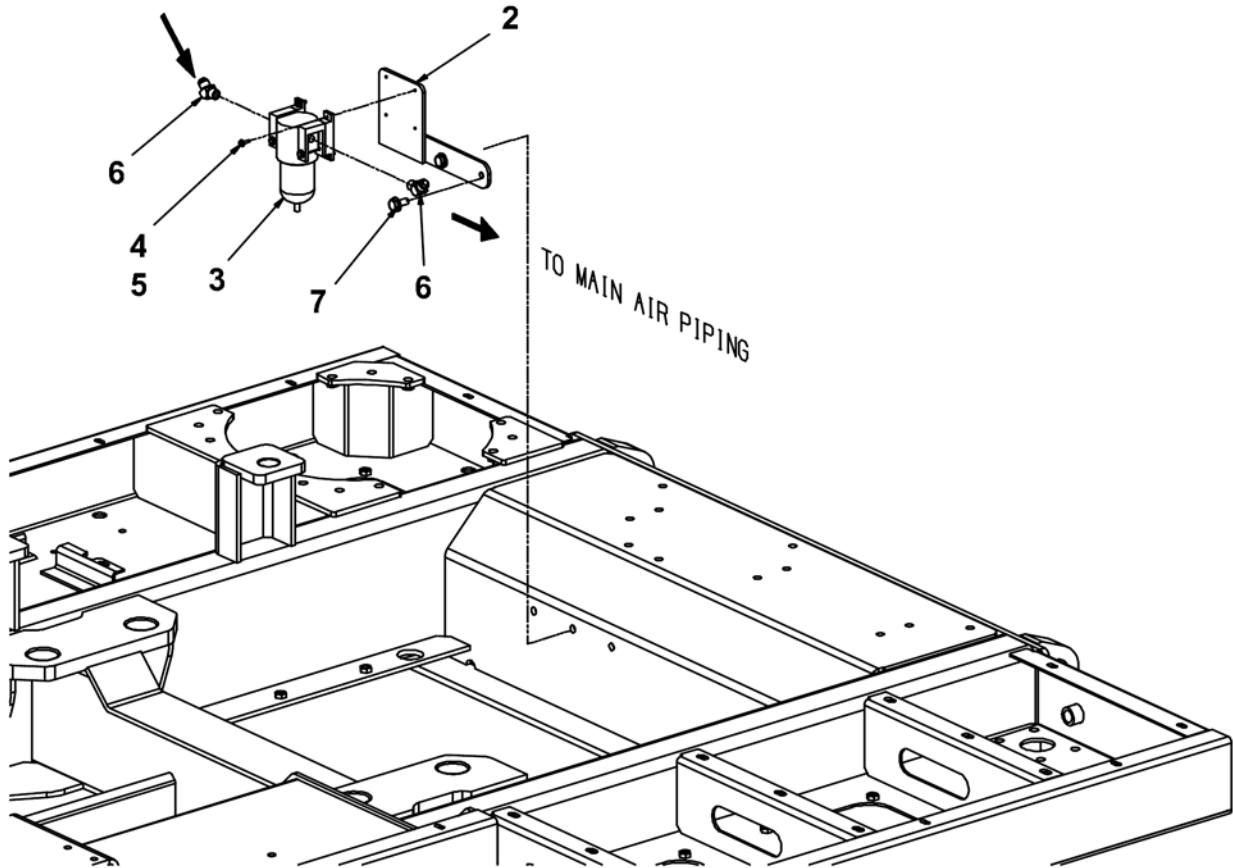
BOM 50805118

50805118 VALVE,CHECK

REF.	PART NO.	QTY	UNIT	DESCRIPTION	NOTES
001.0	50879246	1.0	EA	CAP,END KP-1004C-10	
002.0	50879253	1.0	EA	SEAL,FLEXBLE KP-3004-105	
003.0	50879261	1.0	EA	RETAINER KP-3004C-10	
004.0	50879279	1.0	EA	POPPET KP-3004C-10	
005.0	50879287	1.0	EA	SPRING KP-1004-104	
006.0	50879295	1.0	EA	BODY KP-1004C-10	

57825051 FILTER, ASSY SERVICE AIR

FROM SERVICE AIR REGULATOR

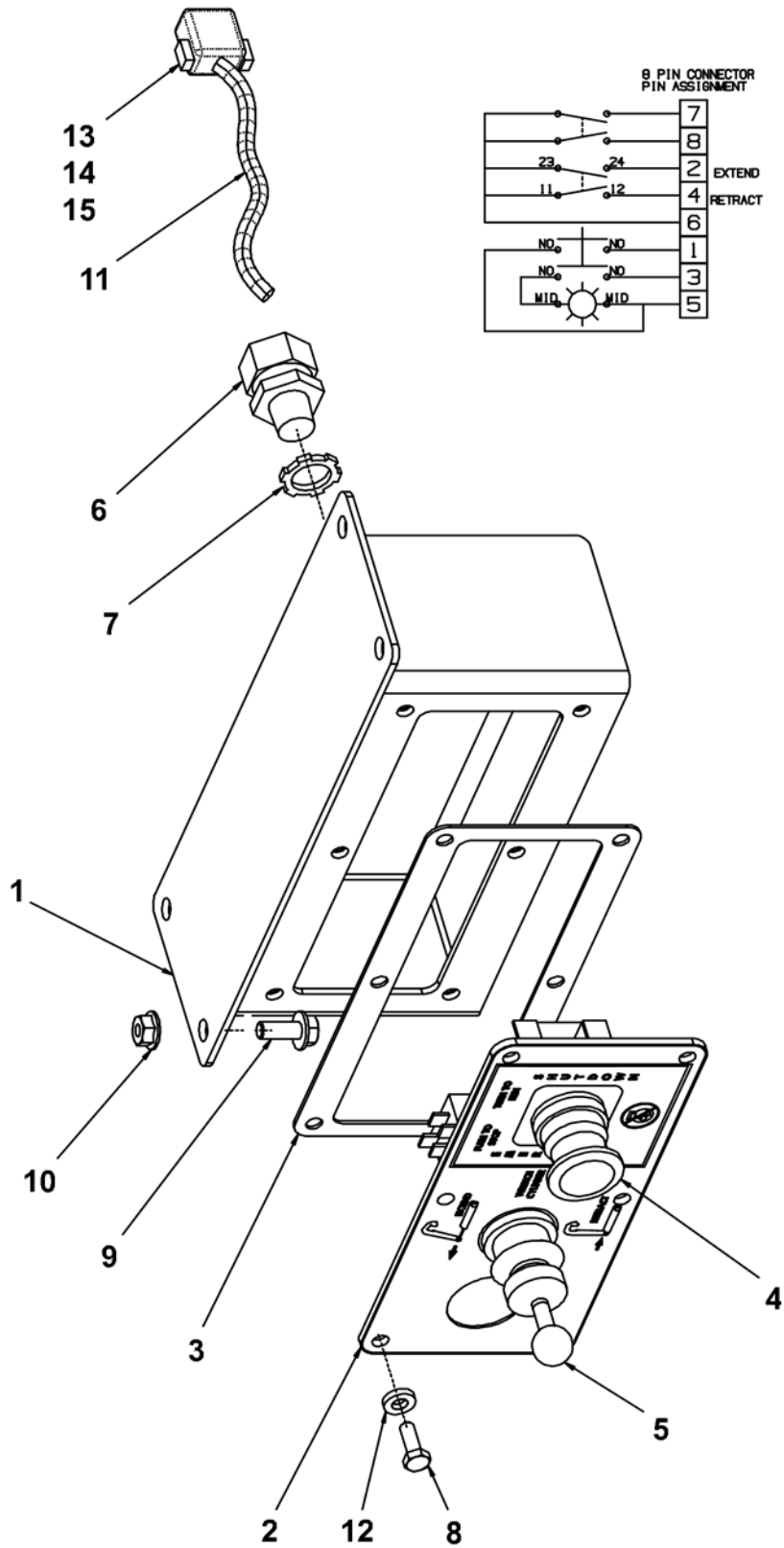


BOM 57825051

57825051 FILTER,ASSY SERVICE AIR

REF.	PART NO.	QTY	UNIT	DESCRIPTION	NOTES
002.0	57825044	1.0	EA	BRACKET,FILTER	
003.0	57798829	1.0	EA	FILTER,SERVIC AIR	
-	57798803	1.0	EA	- FILTER,MICRON	
004.0	96705728	4.0	EA	BOLT	
005.0	95234456	4.0	EA	WASHER,FLAT-NO.10	
006.0	95279097	2.0	EA	FITTING,HYD	
007.0	96727177	2.0	EA	BOLT	

57673493 WRENCH,CHAIN,ASM,CNTL BX



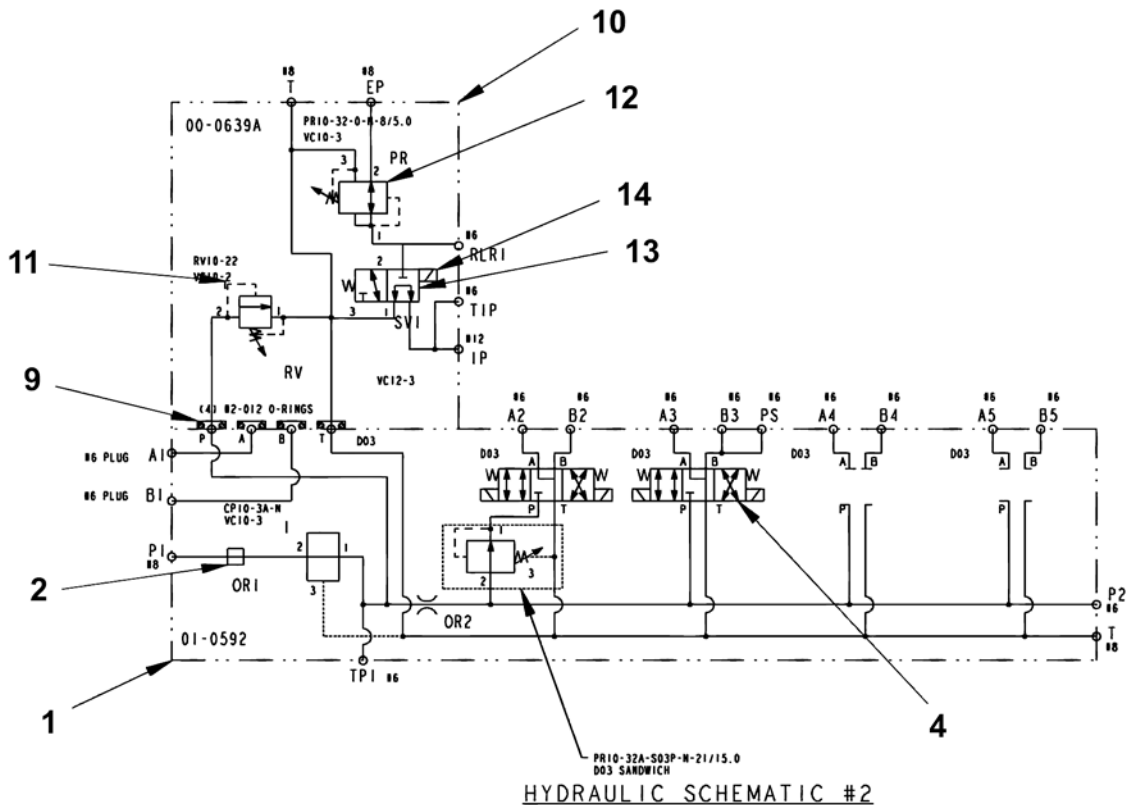
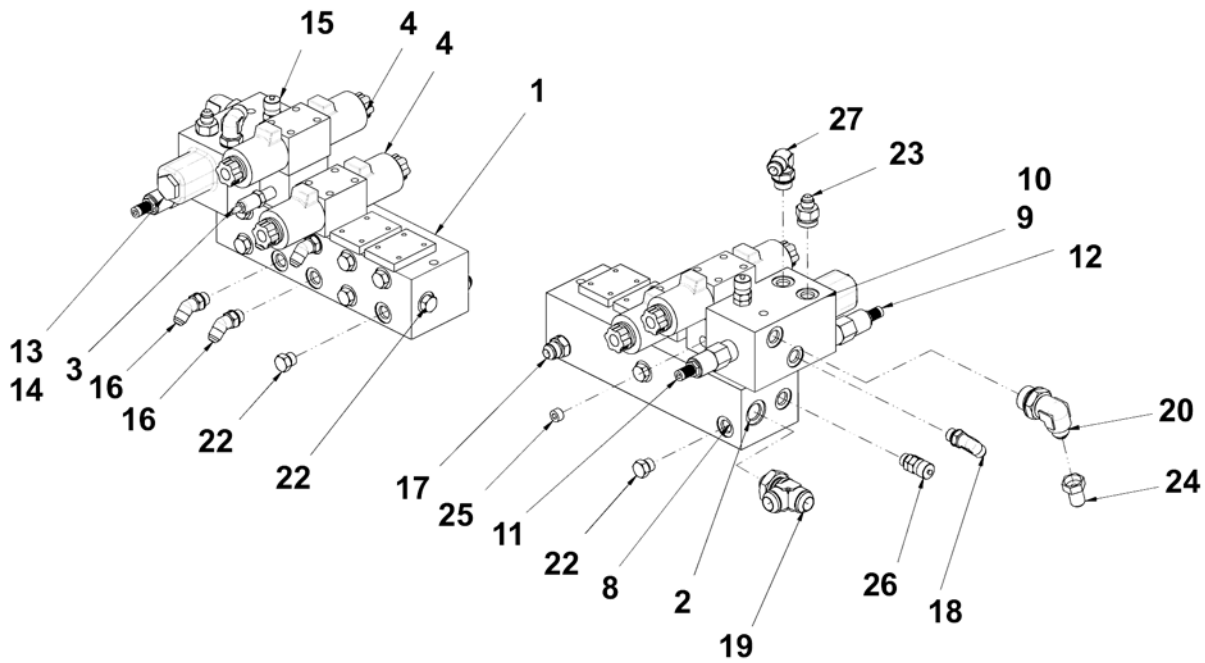
D2657673493 REV 003

BOM 57673493

57673493 WRENCH,CHAIN,ASM,CNTL BX

REF.	PART NO.	QTY	UNIT	DESCRIPTION	NOTES
001.0	51992493	1.0	EA	BOX,ELECTRICAL	
002.0	51992477	1.0	EA	NAMEPLATE, WRENCH/HOIST	
003.0	51915957	1.0	EA	GASKET,PANEL	
004.0	52325453	1.0	EA	SWITCH,EMERGENCY STOP	
005.0	51869931	1.0	EA	SWITCH,JOYSTICK	
-	51985950	1.0	EA	- BOOT,DUST	
006.0	56992191	1.0	EA	CONNECTOR	
007.0	51948735	1.0	EA	LOCKNUT,1/2 IN. SEAL	
008.0	96727987	6.0	EA	CAPSCREW/134M2S165	
011.0	57161788	2.0	FT	CABLE,16AWG/10CONDUCTRS	
012.0	96701289	6.0	EA	WASHER	
013.0	54529623	1.0	EA	PLUG,ELEC CONNECTOR	
014.0	59434001	8.0	EA	SOCKET,SIZE 16	
015.0	59437251	1.0	EA	WEDGE,8 CIRCUIT,SOCKETS	

57927584 VALVE,AUX-CONTROL CM700D



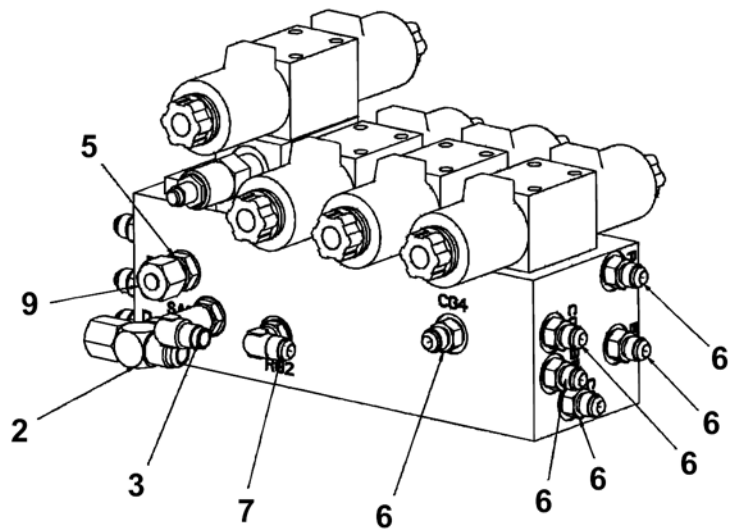
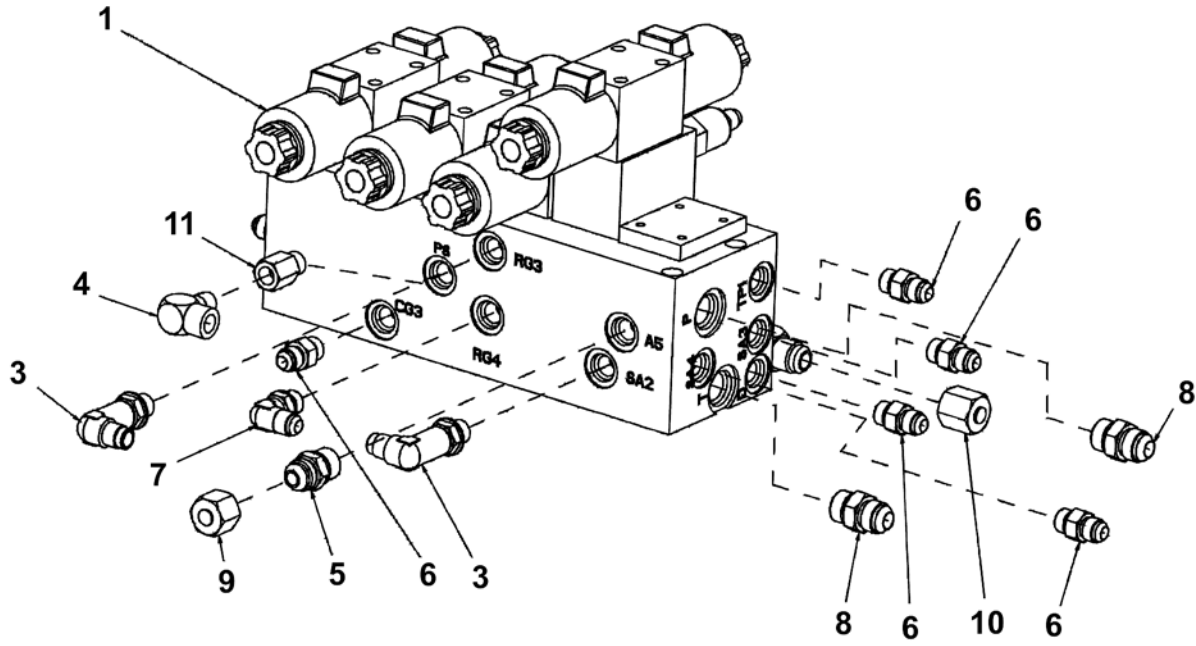
C2657927584 REV 001

BOM 57927584

57927584 VALVE,AUX-CONTROL CM700D

REF.	PART NO.	QTY	UNIT	DESCRIPTION	NOTES
001.0	52326261	1.0	EA	BODY,MANIFOLD	
002.0	52308962	1.0	EA	PLUG,ORIFACE	
003.0	52326287	1.0	EA	ASY,CART. VALVE	
-	52326303	1.0	EA	- VALVE,CARTRIDGE	
-	52326295	1.0	EA	- KIT,SEAL	
004.0	57768061	1.0	EA	VALVE,HYDRAULIC	
007.0	95976270	4.0	EA	CAPSCREW, SHCS	
008.0	52326279	1.0	EA	PLUG,FLO THROUGH	
009.0	95017984	4.0	EA	O-RING	
010.0	52318995	1.0	EA	BODY, MANIFOLD	
011.0	52319001	1.0	EA	VALVE, CARTRIDGE	
-	52321270	1.0	EA	- KIT,SEAL	
012.0	52319019	1.0	EA	CARTRIDGE, PRES, RED	
-	51919397	1.0	EA	- SEAL KIT	
013.0	52330842	1.0	EA	VALVE,SOLENOID	
014.0	57774986	1.0	EA	COIL,SOLENOID	
015.0	52306602	1.0	EA	FITTING,PRESSURE TEST	
016.0	95363339	4.0	EA	ADAPTER,45DEG-ORING/JIC	
017.0	95303368	1.0	EA	CONNECTOR,STRT THRD	
018.0	95329975	1.0	EA	ELBOW,90 DEG STRT THRD	
019.0	95164653	1.0	EA	TEE	
020.0	95330692	1.0	EA	ELBOW,90 DEG STRT THRD	
022.0	95666996	9.0	EA	PLUG,HEX HEAD,STRT THRD	
023.0	95356093	1.0	EA	ADAPTER	
024.0	56919004	1.0	EA	FITTING, HYD	
025.0	95250932	1.0	EA	PLUG,PIPE-HEX SOCKET	
026.0	51620664	1.0	EA	FITTING,PRESSURE TEST	
027.0	95303335	1.0	EA	ELBOW,90 DEG STRT THRD	

57914251 VALVE, ROD CHANGER ASM



BOM 57914251

57914251 VALVE,ROD CHANGER ASM

REF.	PART NO.	QTY	UNIT	DESCRIPTION	NOTES
001.0	57914269	1.0	EA	VALVE,ROD CHANGE CONTROL	
002.0	95003166	1.0	EA	TEE	
003.0	95188405	3.0	EA	FITTING,HYD	
004.0	95279998	1.0	EA	ELBOW,90 DEG STREET	
005.0	95372173	2.0	EA	FITTING,HYD	
006.0	95365078	11.0	EA	CONNECTOR,STRT THRD	
007.0	95329975	2.0	EA	ELBOW,90 DEG STRT THRD	
008.0	95303368	2.0	EA	CONNECTOR,STRT THRD	
009.0	95257325	2.0	EA	CAP,37 DEG FLARED	
010.0	95257341	1.0	EA	CAP,JIC-6	
011.0	95655064	1.0	EA	ADAPTER,FEMALE,STRT THRD	

57882250 HOSE, GROUP CM-785



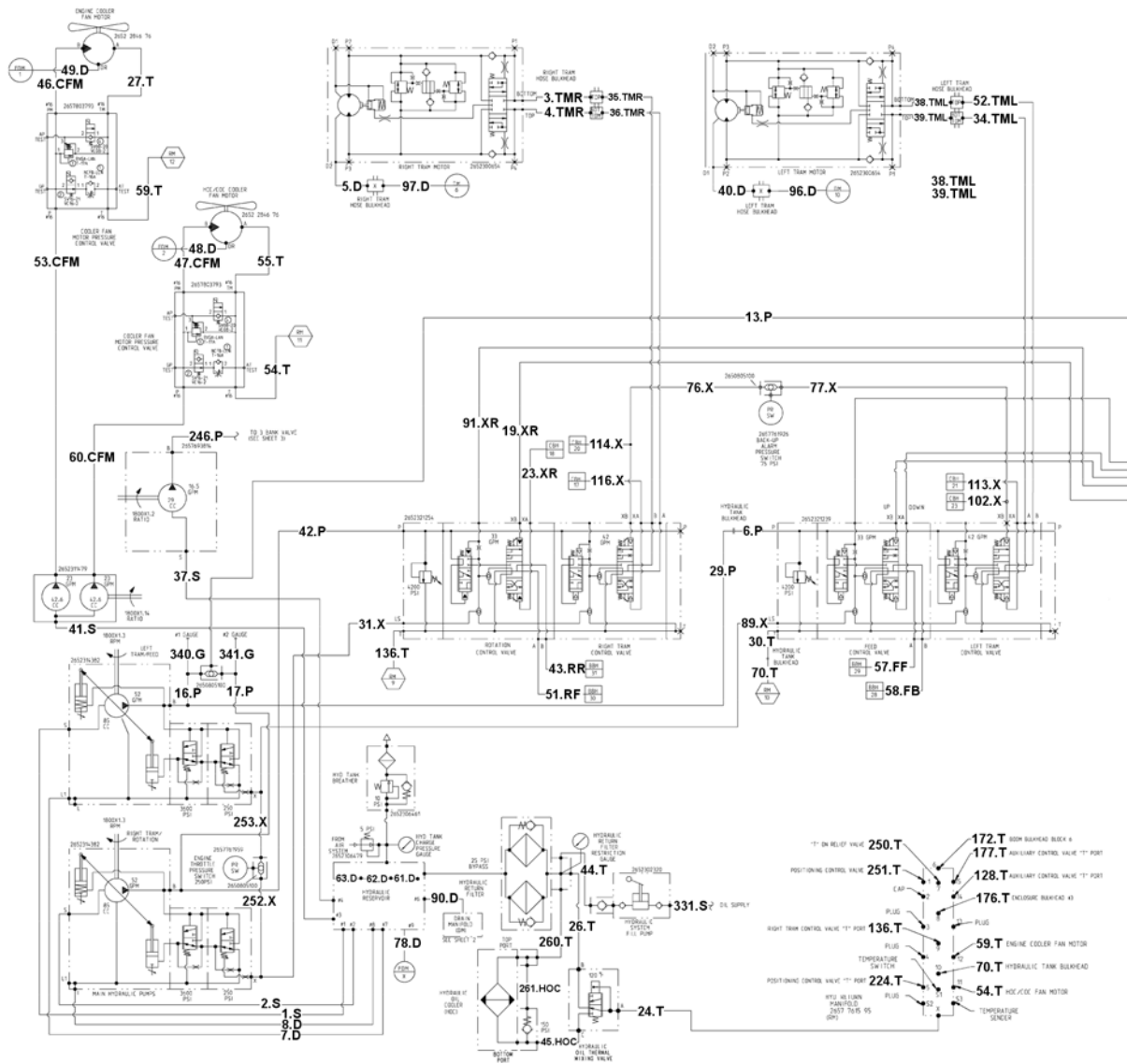
LIST REV 000

BOM 57882250

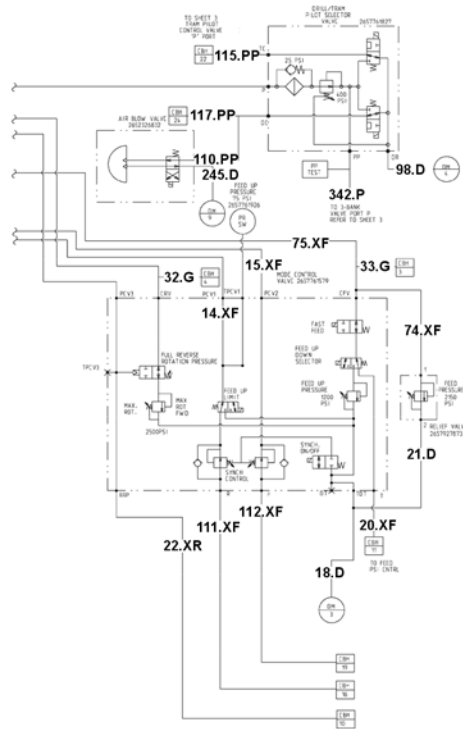
57882250 HOSE, GROUP CM-785

REF.	PART NO.	QTY	UNIT	DESCRIPTION	NOTES
001.0	57881500	1.0	EA	SCHEMATIC, HYD 785	See Page 406
002.0	57881526	1.0	EA	SCHEM, AIR/OIL/WATER 785	See Page 420
003.0	57762684	1.0	EA	SCHEM, ENGINE HOSES	See Page 426
004.0	57799165	1.0	EA	SCHEMATIC, AC/HEATER HOSE	See Page 428

57881500 SCHEMATIC, HYD 785



57881500 SCHEMATIC, HYD 785

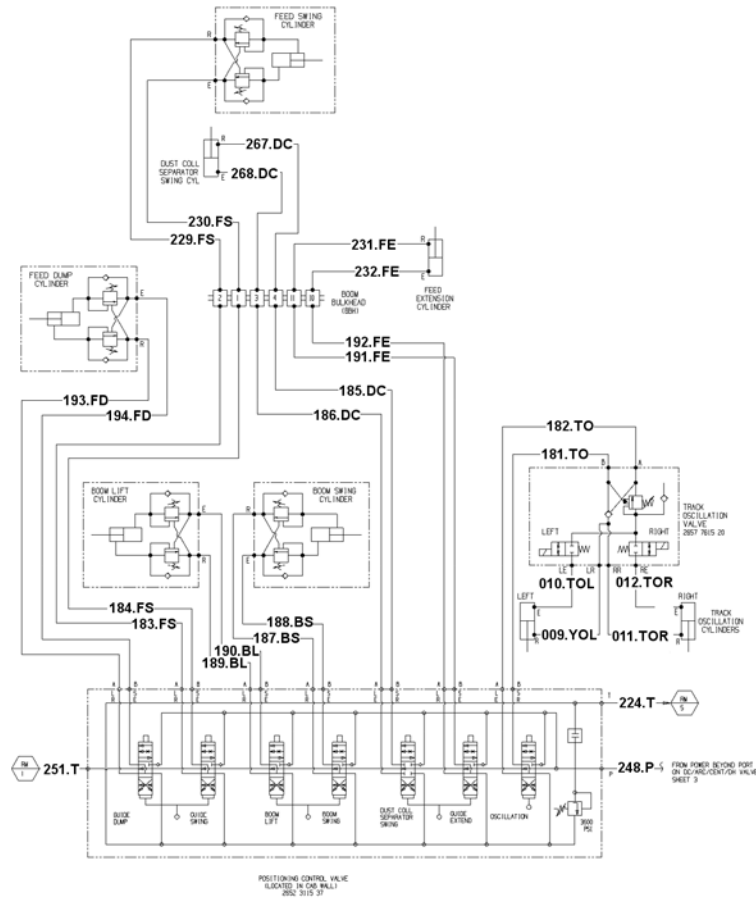


E2657881500 REV 001

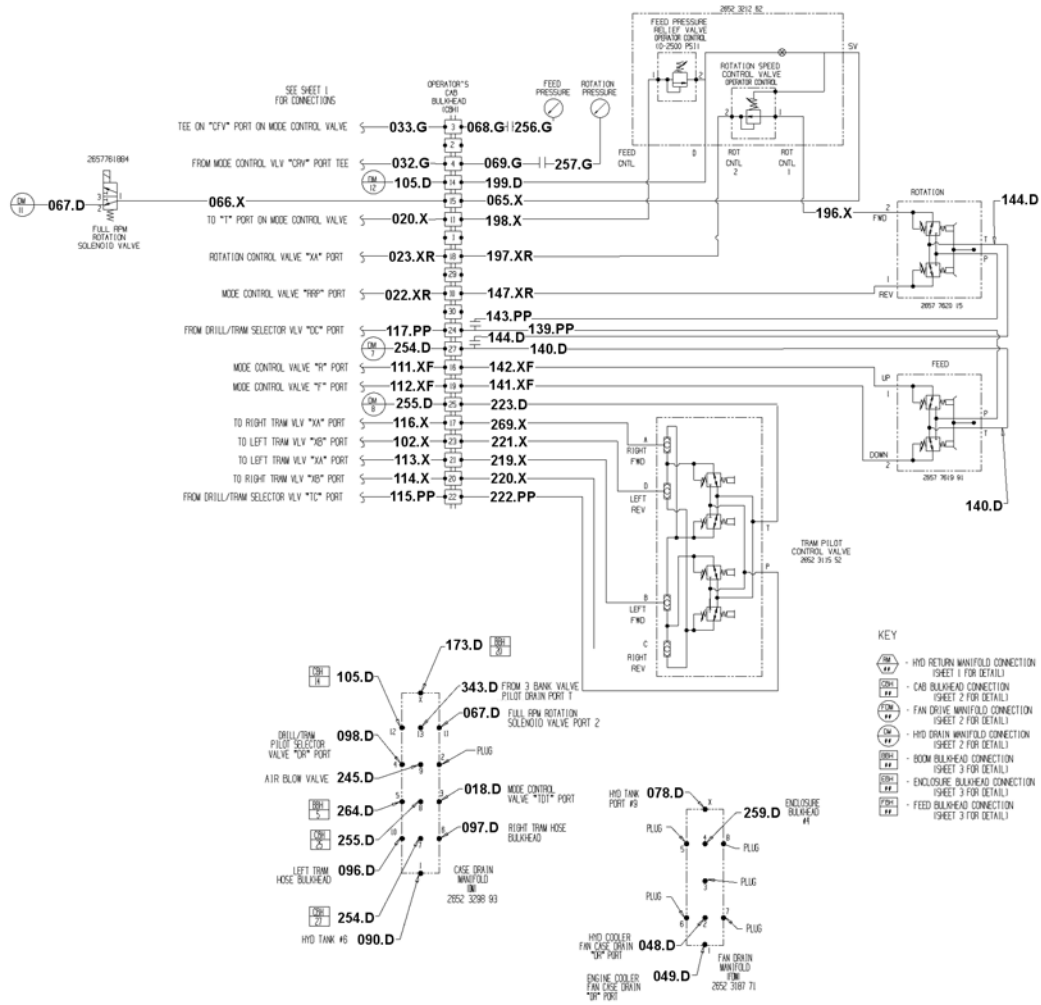
57881500 SCHEMATIC, HYD 785

EACH HOSE HAS A UNIQUE IDENTIFICATION NUMBER. AFTER THE ID NUMBER, THE ALPHA CHARACTERS GIVE A GENERAL DESCRIPTION OF THE FUNCTION AS LISTED IN THE TABLE BELOW.

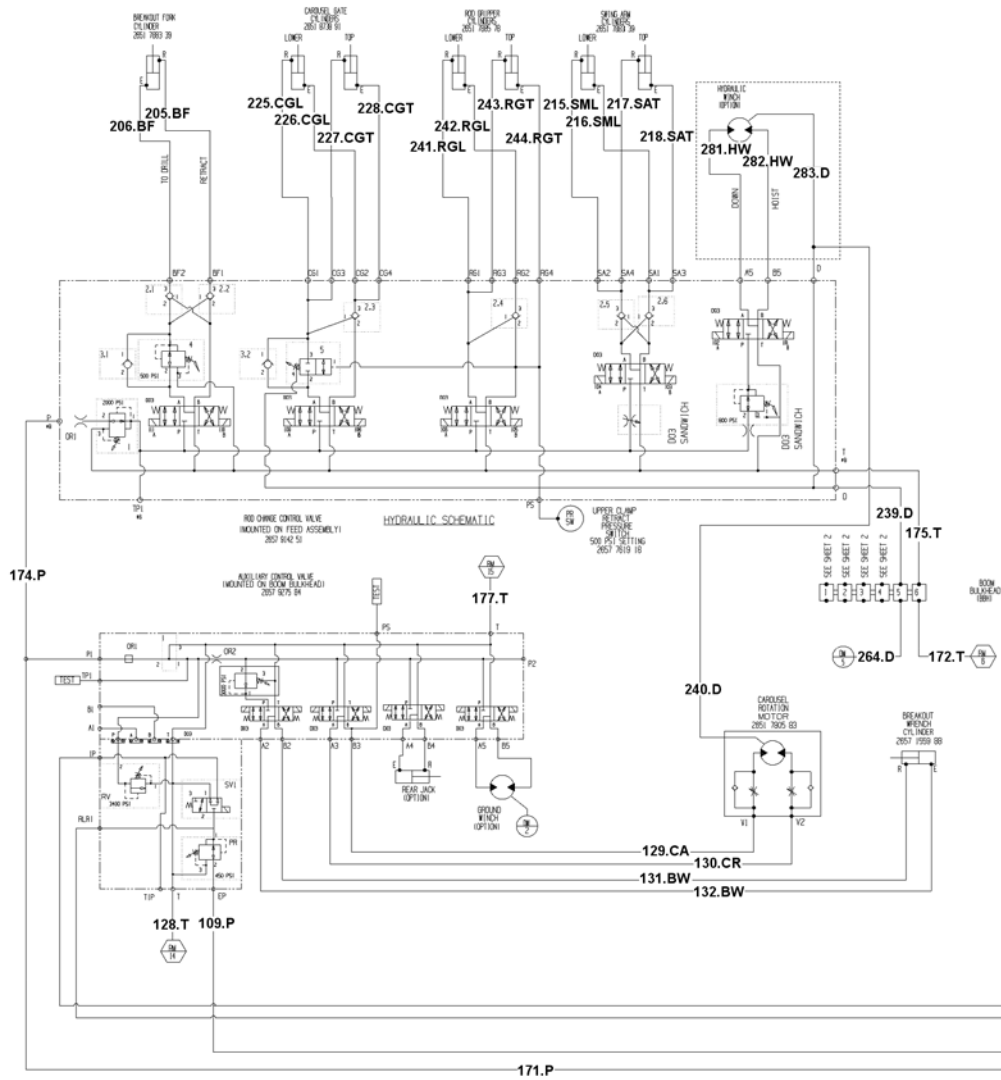
BF Breakout Fork	FB Feed Back	RLE Rod Lock Extend
BL Boom Lift	FD Feed Dump	RLR Rod Lock Retract
BS Boom Swing	FE Feed Extend	RR Rotation Reverse
BW Breakout Wrench	FF Feed Forward	S Suction
C Centralizer	FS Feed Swing	SA Swing Arm
CFM Cooler Fan Motor	G Gage	SAL Swing Arm Lower
CS Carousel Gate	HOC Hydraulic Oil Cooler	SAT Swing Arm Top
CSL Carousel Gate Lower	P Pressure	T Tank
CST Carousel Gate Top	PP Pilot Pressure	TML Tram Motor Left
CR Carousel Rotation	RF Rotation Forward	TMR Tram Motor Right
D Drain	RG Rod Gripper	TO Tram Oscillation
DC Dust Collector	RGL Rod Gripper Lower	TOL Tram Oscillation Left
DFM Dust Fan Motor	RGT Rod Gripper Top	TOR Tram Oscillation Right
DH Dust Hood		X Control
		XF Control Feed
		XR Control Rotation



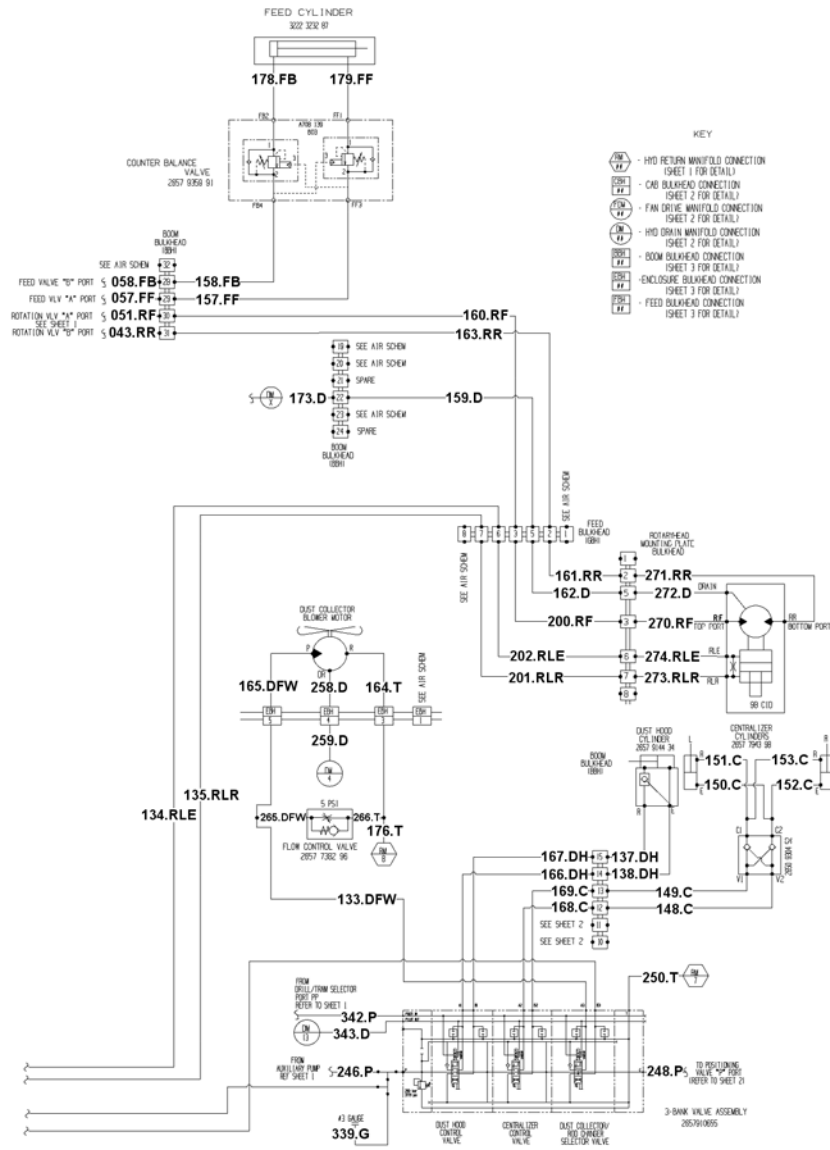
57881500 SCHEMATIC, HYD 785



57881500 SCHEMATIC, HYD 785



57881500 SCHEMATIC, HYD 785



BOM 57881500

57881500 SCHEMATIC, HYD 785

REF.	PART NO.	QTY	UNIT	DESCRIPTION	NOTES
001.S	57728693	1.0	EA	HOSE ASSEMBLY	
002.S	57694739	1.0	EA	HOSE ASSEMBLY	
003.TMR	57347494	1.0	EA	HOSE ASSY	
004.TMR	52317625	1.0	EA	HOSE ASSY	
005.D	56955610	1.0	EA	HOSE ASSY	
006.P	57698870	1.0	EA	HOSE,ASSEMBLY	
007.D	57728669	1.0	EA	HOSE,ASSEMBLY	
008.D	57714651	1.0	EA	HOSE ASSEMBLY	
009.TOL	56971955	1.0	EA	HOSE ASSY	
-	56946601	18.0	IN	- HOSE,HYD-F06 BULK	
010.TOL	56971955	1.0	EA	HOSE ASSY	
-	56946601	18.0	IN	- HOSE,HYD-F06 BULK	
011.TOR	52317658	1.0	EA	HOSE ASSY	
-	56946601	42.0	IN	- HOSE,HYD-F06 BULK	
012.TOR	56966278	1.0	EA	HOSE ASSY	
-	56946601	40.0	IN	- HOSE,HYD-F06 BULK	
013.P	56953896	1.0	EA	HOSE ASSY	
-	56946601	117.0	IN	- HOSE,HYD-F06 BULK	
014.XF	52226479	1.0	EA	HOSE ASSY	
015.XF	57004020	1.0	EA	HOSE ASSY	
016.P	56953870	1.0	EA	HOSE ASSY	
-	56946601	20.0	IN	- HOSE,HYD-F06 BULK	
017.P	56961840	1.0	EA	HOSE ASSY	
-	56946601	16.0	IN	- HOSE,HYD-F06 BULK	
018.D	58207325	1.0	EA	HOSE ASSY	
-	56946601	68.0	IN	- HOSE,HYD-F06 BULK	
019.XR	56964125	1.0	EA	HOSE ASSY	
020.X	56964273	1.0	EA	HOSE ASSY	
021.D	51028538	1.0	EA	HOSE ASSY (SAE100R2)	
022.XR	56972680	1.0	EA	HOSE ASSY	
023.XR	57506370	1.0	EA	HOSE ASSY	
024.T	57728701	1.0	EA	HOSE ASSEMBLY	
026.T	57803181	1.0	EA	HOSE ASSY	
027.T	52115227	1.0	EA	HOSE ASSY	
029.P	57728685	1.0	EA	HOSE ASSEMBLY	
030.T	57694952	1.0	EA	HOSE ASSEMBLY	
031.X	57116899	1.0	EA	HOSE ASSY	
-	56946601	90.0	IN	- HOSE,HYD-F06 BULK	
032.G	51867224	1.0	EA	HOSE ASSY	
033.G	57020802	1.0	EA	HOSE ASSY	
034.TML	57002248	1.0	EA	HOSE ASSY	

BOM 57881500

57881500 SCHEMATIC, HYD 785

REF.	PART NO.	QTY	UNIT	DESCRIPTION	NOTES
035.TMR	57525347	1.0	EA	HOSE ASSY	
036.TMR	57525347	1.0	EA	HOSE ASSY	
037.S	52317831	1.0	EA	HOSE ASSY	
038.TML	57347494	1.0	EA	HOSE ASSY	
039.TML	52317625	1.0	EA	HOSE ASSY	
040.D	56955610	1.0	EA	HOSE ASSY	
041.S	57729071	1.0	EA	HOSE ASSY	
042.P	57728677	1.0	EA	HOSE ASSEMBLY	
043.RR	52316064	1.0	EA	HOSE ASSM	
044.T	57714669	1.0	EA	HOSE ASSEMBLY	
045.HOC	57748014	1.0	EA	HOSE,ASSEMBLY	
046.CFM	57924680	1.0	EA	HOSE ASSY	
047.CM	57924698	1.0	EA	HOSE ASSY	
048.D	51867489	1.0	EA	HOSE ASSY	
-	56946601	52.0	IN	- HOSE, HYD-F06 BULK	
049.D	58154352	1.0	EA	HOSE ASSY	
-	56946601	26.0	IN	- HOSE, HYD-F06 BULK	
051.RF	52127388	1.0	EA	HOSE ASSY	
052.TML	57534406	1.0	EA	HOSE ASSY	
053.CFM	52318052	1.0	EA	HOSE ASSY	
054.T	56953920	1.0	EA	HOSE ASSY	
055.T	57919797	1.0	EA	HOSE,ASSEMBLY	
057.FF	51866804	1.0	EA	HOSE ASSY	
058.FB	52127370	1.0	EA	HOSE ASSY	
059.T	52318110	1.0	EA	HOSE ASSY	
060.CFM	52318128	1.0	EA	HOSE ASSY	
061.D	57824773	1.0	EA	HOSE ASSEMBLY	
062.D	57824781	1.0	EA	HOSE ASSEMBLY	
063.D	57824922	1.0	EA	HOSE ASSEMBLY	
065.X	56964208	1.0	EA	HOSE ASSY	
066.X	58144585	1.0	EA	HOSE ASSY	
067.D	56972680	1.0	EA	HOSE ASSY	
068.G	52325255	0.0	EA	HOSE,PRESSURE TEST	
069.G	52325255	0.0	EA	HOSE,PRESSURE TEST	
070.D	57703878	1.0	EA	HOSE ASSEMBLY	
074.XF	51232197	1.0	EA	HOSE ASSY	
075.XF	57004020	1.0	EA	HOSE ASSY	
076.X	52317823	1.0	EA	HOSE ASSY	
077.X	57695959	1.0	EA	HOSE ASSEMBLY	
078.D	56992084	1.0	EA	HOSE ASSY	
089.X	58207325	1.0	EA	HOSE ASSY	

BOM 57881500

57881500 SCHEMATIC, HYD 785

REF.	PART NO.	QTY	UNIT	DESCRIPTION	NOTES
-	56946601	68.0	IN	- HOSE, HYD-F06 BULK	
090.D	57397960	1.0	EA	HOSE ASSY	
091.XR	56964133	1.0	EA	HOSE ASSY	
096.D	57703886	1.0	EA	HOSE ASSEMBLY	
097.D	57696197	1.0	EA	HOSE ASSEMBLY	
098.D	56961774	1.0	EA	HOSE ASSY	
-	56946601	24.0	IN	- HOSE, HYD-F06 BULK	
102.X	56966211	1.0	EA	HOSE ASSY	
105.D	56964232	1.0	EA	HOSE ASSY	
109.P	57363855	1.0	EA	HOSE ASSY	
-	56946601	207.0	IN	- HOSE, HYD-F06 BULK	
110.PP	57209355	1.0	EA	HOSE ASSY	
111.XF	56972680	1.0	EA	HOSE ASSY	
112.XF	56972680	1.0	EA	HOSE ASSY	
113.X	56974579	1.0	EA	HOSE ASSY	
114.X	56966211	1.0	EA	HOSE ASSY	
115.PP	58081696	1.0	EA	HOSE ASSY	
-	56946601	50.0	IN	- HOSE, HYD-F06 BULK	
116.X	57506370	1.0	EA	HOSE ASSY	
117.PP	58081696	1.0	EA	HOSE ASSY	
-	56946601	50.0	IN	- HOSE, HYD-F06 BULK	
128.T	57370439	1.0	EA	HOSE ASSY	
129.CR	57919631	1.0	EA	HOSE, ASSEMBLY	
130.CR	57919631	1.0	EA	HOSE, ASSEMBLY	
131.BW	57919805	1.0	EA	HOSE, ASSEMBLY	
132.BW	57919805	1.0	EA	HOSE, ASSEMBLY	
133.DFM	57696205	1.0	EA	HOSE ASSEMBLY	
134.RLE	57919771	1.0	EA	HOSE, ASSEMBLY	
135.RLR	57919771	1.0	EA	HOSE, ASSEMBLY	
136.T	57694978	1.0	EA	HOSE ASSEMBLY	
137.DH	58020116	1.0	EA	HOSE ASSEMBLY	
138.DH	58020116	1.0	EA	HOSE ASSEMBLY	
139.PP	56992522	1.0	EA	HOSE ASSY	
-	56946601	75.0	IN	- HOSE, HYD-F06 BULK	
140.D	56992522	1.0	EA	HOSE ASSY	
-	56946601	75.0	IN	- HOSE, HYD-F06 BULK	
141.XF	57010142	1.0	EA	HOSE ASSY	
142.XF	57010142	1.0	EA	HOSE ASSY	
143.PP	58182791	1.0	EA	HOSE ASSY	
-	56946601	56.0	IN	- HOSE, HYD-F06 BULK	
144.D	58182791	1.0	EA	HOSE ASSY	

BOM 57881500

57881500 SCHEMATIC, HYD 785

REF.	PART NO.	QTY	UNIT	DESCRIPTION	NOTES
-	56946601	56.0	IN	- HOSE, HYD-F06 BULK	
147.XR	56964257	1.0	EA	HOSE ASSY	
148.C	51867943	1.0	EA	HOSE ASSY	
-	56946601	234.0	IN	- HOSE, HYD-F06 BULK	
149.C	51867943	1.0	EA	HOSE ASSY	
-	56946601	234.0	IN	- HOSE, HYD-F06 BULK	
150.C	57924409	1.0	EA	HOSE, ASSEMBLY	
151.C	51213312	1.0	EA	HOSE ASSY	
152.C	56949407	1.0	EA	HOSE ASSY	
-	56946601	36.0	IN	- HOSE, HYD-F06 BULK	
153.C	56949407	1.0	EA	HOSE ASSY	
-	56946601	36.0	IN	- HOSE, HYD-F06 BULK	
157.FF	58020124	1.0	EA	HOSE ASSEMBLY	
158.FB	57919698	1.0	EA	HOSE, ASSEMBLY	
159.D	57040818	1.0	EA	HOSE ASSY	
160.RF	58020173	1.0	EA	HOSE ASSEMBLY	
161.RR	58020140	1.0	EA	HOSE ASSEMBLY	
162.D	56954217	1.0	EA	HOSE ASSY	
163.RR	58020173	1.0	EA	HOSE ASSEMBLY	
164.T	52320553	1.0	EA	HOSE ASSY	
165.DFM	57010126	1.0	EA	HOSE ASSY	
166.DH	57330284	1.0	EA	HOSE ASSY	
-	56946601	197.0	IN	- HOSE, HYD-F06 BULK	
167.DH	57919722	1.0	EA	HOSE, ASSEMBLY	
168.C	57330284	1.0	EA	HOSE ASSY	
-	56946601	197.0	IN	- HOSE, HYD-F06 BULK	
169.C	57919722	1.0	EA	HOSE, ASSEMBLY	
171.P	58020181	1.0	EA	HOSE ASSEMBLY	
172.T	57005951	1.0	EA	HOSE ASSY	
173.D	52319597	1.0	EA	HOSE ASSY	
174.P	52319662	1.0	EA	HOSE ASSY	
175.T	57919821	1.0	EA	HOSE, ASSEMBLY	
176.T	57809832	1.0	EA	HOSE ASSEMBLY	
177.T	52126158	1.0	EA	HOSE ASSY	
178.FB	57494940	1.0	EA	HOSE ASSY	
179.FF	57345449	1.0	EA	HOSE ASSY	
181.TO	57112526	1.0	EA	HOSE ASSY	
-	56946601	66.0	IN	- HOSE, HYD-F06 BULK	
182.TO	57696130	1.0	EA	HOSE ASSEMBLY	
-	56946601	66.0	IN	- HOSE, HYD-F06 BULK	
183.FS	57345373	1.0	EA	HOSE ASSY	

BOM 57881500

57881500 SCHEMATIC, HYD 785

REF.	PART NO.	QTY	UNIT	DESCRIPTION	NOTES
-	56946601	166.0	IN	- HOSE, HYD-F06 BULK	
184.FS	57138885	1.0	EA	HOSE ASSY	
-	56946601	165.0	IN	- HOSE, HYD-F06 BULK	
185.DC	57138885	1.0	EA	HOSE ASSY	
-	56946601	165.0	IN	- HOSE, HYD-F06 BULK	
186.DC	57345373	1.0	EA	HOSE ASSY	
-	56946601	166.0	IN	- HOSE, HYD-F06 BULK	
187.BS	57696163	1.0	EA	HOSE ASSEMBLY	
-	56946601	109.0	IN	- HOSE, HYD-F06 BULK	
188.BS	52238474	1.0	EA	HOSE, ASSM	
-	56946601	111.0	IN	- HOSE, HYD-F06 BULK	
189.BL	52325586	1.0	EA	HOSE ASSY	
-	56946601	97.0	IN	- HOSE, HYD-F06 BULK	
190.BL	58207333	1.0	EA	HOSE ASSY	
-	56946601	96.0	IN	- HOSE, HYD-F06 BULK	
191.FE	57138885	1.0	EA	HOSE ASSY	
-	56946601	165.0	IN	- HOSE, HYD-F06 BULK	
192.FE	57345373	1.0	EA	HOSE ASSY	
-	56946601	166.0	IN	- HOSE, HYD-F06 BULK	
193.FD	58087032	1.0	EA	HOSE ASSY	
-	56946601	144.0	IN	- HOSE, HYD-F06 BULK	
194.FD	52319720	1.0	EA	HOSE ASSY	
-	56946601	144.0	IN	- HOSE, HYD-F06 BULK	
196.X	58020256	1.0	EA	HOSE ASSEMBLY	
197.XR	56964208	1.0	EA	HOSE ASSY	
198.X	56964208	1.0	EA	HOSE ASSY	
199.D	56964208	1.0	EA	HOSE ASSY	
200.RF	58020140	1.0	EA	HOSE ASSEMBLY	
201.RLR	56955776	1.0	EA	HOSE ASSY	
-	56946601	156.0	IN	- HOSE, HYD-F06 BULK	
202.RLE	56955776	1.0	EA	HOSE ASSY	
-	56946601	156.0	IN	- HOSE, HYD-F06 BULK	
205.BF	57392912	1.0	EA	HOSE ASSY	
-	56946601	100.0	IN	- HOSE, HYD-F06 BULK	
206.BF	51305902	1.0	EA	HOSE ASSY	
215.SAL	57924417	1.0	EA	HOSE, ASSEMBLY	
216.SAL	57924417	1.0	EA	HOSE, ASSEMBLY	
217.SAT	57924425	1.0	EA	HOSE, ASSEMBLY	
218.SAT	57924425	1.0	EA	HOSE, ASSEMBLY	
219.X	52226453	1.0	EA	HOSE ASSY	
220.X	56964208	1.0	EA	HOSE ASSY	

BOM 57881500

57881500 SCHEMATIC, HYD 785

REF.	PART NO.	QTY	UNIT	DESCRIPTION	NOTES
221.X	56964208	1.0	EA	HOSE ASSY	
222.PP	56954043	1.0	EA	HOSE ASSY	
-	56946601	38.0	IN	- HOSE, HYD-F06 BULK	
223.D	56954043	1.0	EA	HOSE ASSY	
-	56946601	38.0	IN	- HOSE, HYD-F06 BULK	
224.T	52118882	1.0	EA	HOSE ASSY	
225.CGT	58020199	1.0	EA	HOSE ASSEMBLY	
226.CGT	58020199	1.0	EA	HOSE ASSEMBLY	
227.CGL	58020207	1.0	EA	HOSE ASSEMBLY	
228.CGL	58020207	1.0	EA	HOSE ASSEMBLY	
229.FS	56971559	1.0	EA	HOSE ASSY	
-	56946601	138.0	IN	- HOSE, HYD-F06 BULK	
230.FS	56971559	1.0	EA	HOSE ASSY	
-	56946601	138.0	IN	- HOSE, HYD-F06 BULK	
231.FE	52118452	1.0	EA	HOSE ASSY	
232.FE	52118452	1.0	EA	HOSE ASSY	
239.D	51855849	1.0	EA	HOSE ASSY	
240.D	51729812	1.0	EA	HOSE ASSY	
241.RGL	57924458	1.0	EA	HOSE, ASSEMBLY	
242.RGL	58020215	1.0	EA	HOSE ASSEMBLY	
243.RGT	58020223	1.0	EA	HOSE ASSEMBLY	
244.RGT	57924482	1.0	EA	HOSE, ASSEMBLY	
245.D	56966187	1.0	EA	HOSE ASSY	
246.P	58144544	1.0	EA	HOSE ASSY	
248.P	57767725	1.0	EA	HOSE, ASSEMBLY	
250.T	51982346	1.0	EA	HOSE ASSY	
251.T	56992084	1.0	EA	HOSE ASSY	
252.X	57085714	1.0	EA	HOSE ASSY	
-	56946601	29.0	IN	- HOSE, HYD-F06 BULK	
253.X	56971955	1.0	EA	HOSE ASSY	
-	56946601	18.0	IN	- HOSE, HYD-F06 BULK	
254.D	56949399	1.0	EA	HOSE ASSY	
-	56946601	35.0	IN	- HOSE, HYD-F06 BULK	
255.D	56954050	1.0	EA	HOSE ASSY	
-	56946601	42.0	IN	- HOSE, HYD-F06 BULK	
256.G	52325255	0.0	EA	HOSE, PRESSURE TEST	
257.G	52325255	0.0	EA	HOSE, PRESSURE TEST	
258.D	58002593	1.0	EA	HOSE ASSY PART	
259.D	52319605	1.0	EA	HOSE ASSY	
-	56946601	144.0	IN	- HOSE, HYD-F06 BULK	
260.T	57729071	1.0	EA	HOSE ASSY	

BOM 57881500

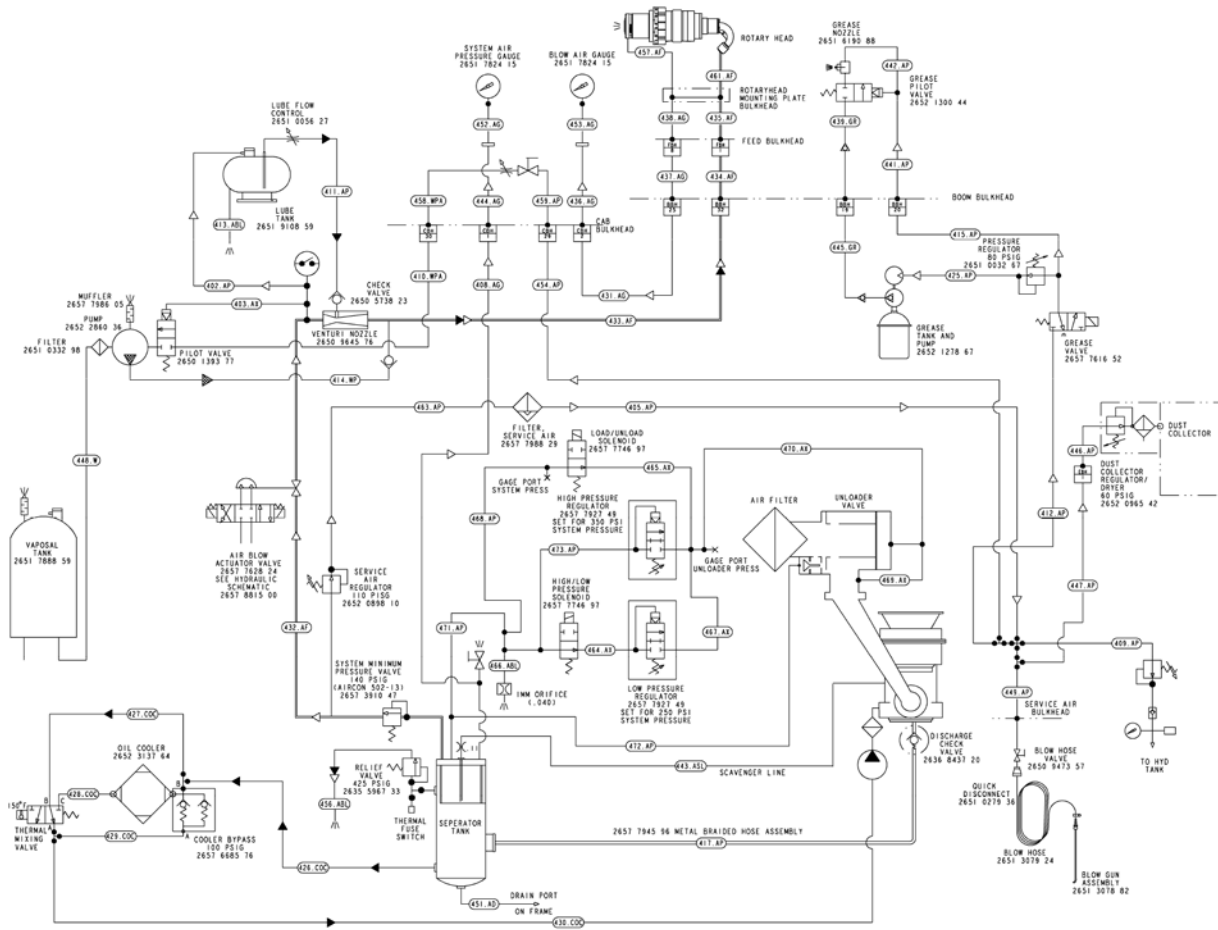
57881500 SCHEMATIC, HYD 785

REF.	PART NO.	QTY	UNIT	DESCRIPTION	NOTES
261.HOC	57704777	1.0	EA	HOSE ASSEMBLY	
264.D	57442907	1.0	EA	HOSE ASSY	
265.DFM	57739732	1.0	EA	HOSE,ASSEMBLY	
266.T	57809865	1.0	EA	HOSE ASSEMBLY	
267.DC	51300549	1.0	EA	HOSE ASSY	
268.DC	51300549	1.0	EA	HOSE ASSY	
269.X	56964208	1.0	EA	HOSE ASSY	
270.RF	58020264	1.0	EA	HOSE ASSEMBLY	
271.RR	58020272	1.0	EA	HOSE ASSEMBLY	
272.D	57866931	1.0	EA	HOSE ASSY	
273.RLR	51867471	1.0	EA	HOSE ASSY	
274.RLE	58020231	1.0	EA	HOSE ASSEMBLY	
331.S	50978543	1.0	EA	HOSE ASSY	
339.G	51867158	1.0	EA	HOSE ASSY	
340.G	52225950	1.0	EA	HOSE ASSY	
341.G	52197647	1.0	EA	HOSE,ASM	
342.P	58002585	1.0	EA	HOSE ASSY	
343.D	56956014	1.0	EA	HOSE ASSY	
-	56946601	21.0	IN	- HOSE, HYD-F06 BULK	

BOM 57881500

57881500 SCHEMATIC, HYD 785







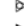

57881526 SCHEM,AIR/OIL/WATER 785



D2657881526 REV 001

57881526 SCHEM,AIR/OIL/WATER 785

KEY

-  - BOOM BULKHEAD CONNECTION
-  - CAB BULKHEAD CONNECTION
-  - ENCLOSURE BULKHEAD CONNECTION
-  - FEED BULKHEAD CONNECTION
-  COMPRESSED AIR
-  PRESSURIZED OIL
-  PRESSURIZED GREASE
-  PRESSURIZED WATER

EACH HOSE HAS A UNIQUE IDENTIFICATION NUMBER.
AFTER THE ID NUMBER, THE ALPHA CHARACTERS
GIVE A GENERAL DESCRIPTION OF THE FUNCTION
AS LISTED IN THE TABLE BELOW.

- ABL - AIR BLEEDER
- ASL - AIR SCAVENGER LINE
- AD - AIR SEPARATOR DRAIN
- AF - FLUSHING AIR
- AG - AIR GAUGE
- AL - AIR LUBRICATION
- AP - AIR PRESSURE
- AS - SERVICE AIR
- AX - CONTROL AIR
- COC - COMPRESSOR OIL COOLER
- GR - GREASE
- W - WATER
- WP - WATER PRESSURE
- WPA - WATER PUMP AIR

BOM 57881526

57881526 SCHEM,AIR/OIL/WATER 785

REF.	PART NO.	QTY	UNIT	DESCRIPTION	NOTES
402.AP	56948763	1.0	EA	HOSE ASSY	
403.AX	57815425	1.0	EA	HOSE ASSY	
405.AP	57730475	1.0	EA	HOSE,ASSEMBLY	
408.AG	57694879	1.0	EA	HOSE ASSEMBLY	
409.AP	56953151	1.0	EA	HOSE ASSY	
410.WPA	57815409	1.0	EA	HOSE ASSY	
411.AL	56948755	1.0	EA	HOSE ASSY	
412.AP	57694929	1.0	EA	HOSE ASSEMBLY	
413.ABL	57739732	1.0	EA	HOSE,ASSEMBLY	
414.WP	57798779	1.0	EA	HOSE ASSEMBLY	
415.AP	51867919	1.0	EA	HOSE ASSEMBLY	
417.AP	57794596	0.0	EA	HOSE ASSEMBLY	
425.AP	57005647	1.0	EA	HOSE ASSY	
-	56946601	68.0	IN	- HOSE,HYD-F06 BULK	
426.COC	57753063	1.0	EA	HOSE,ASSEMBLY	
427.COC	57753014	1.0	EA	HOSE,ASSY/L24X037J--/J--	
428.COC	57143521	1.0	EA	HOSE ASSY	
429.COC	57753030	1.0	EA	HOSE,ASSY/L24X026J--/J--	
430.COC	57031882	1.0	EA	HOSE ASSY	
431.AG	56964331	1.0	EA	HOSE ASSY	
432.AF	57919839	1.0	EA	HOSE,ASSEMBLY	
433.AF	57919847	1.0	EA	HOSE,ASSEMBLY	
434.AF	57919854	1.0	EA	HOSE,ASSEMBLY	
435.AF	58020157	1.0	EA	HOSE ASSEMBLY	
436.AG	57801771	1.0	EA	HOSE ASSEMBLY	
437.AG	57919748	1.0	EA	HOSE,ASSEMBLY	
438.AG	58020165	1.0	EA	HOSE ASSEMBLY	
439.GR	57919607	1.0	EA	HOSE,ASSEMBLY	
441.AP	57919730	1.0	EA	HOSE,ASSEMBLY	
442.AP	51916005	1.0	EA	HOSE ASSY	
443.ASL	57730483	1.0	EA	HOSE,ASSEMBLY	
444.AG	57801771	1.0	EA	HOSE ASSEMBLY	
445.GR	57038424	1.0	EA	HOSE ASSY	See Page 424
446.AP	56957798	1.0	EA	HOSE ASSY	
447.AP	58051210	1.0	EA	HOSE ASSY	
448.W	57798613	1.0	EA	HOSE ASSEMBLY	
449.AP	57734238	1.0	EA	HOSE,ASSEMBLY	
451.AD	52318011	1.0	EA	HOSE ASSY	
452.AG	57801771	1.0	EA	HOSE ASSEMBLY	
453.AG	57801771	1.0	EA	HOSE ASSEMBLY	
454.AP	57815417	1.0	EA	HOSE ASSY	

BOM 57881526

57881526 SCHEM,AIR/OIL/WATER 785

REF.	PART NO.	QTY	UNIT	DESCRIPTION	NOTES
456.ABL	57711137	1.0	EA	HOSE,ASSEMBLY	
457.AF	57919813	1.0	EA	HOSE,ASSEMBLY	
458.WPA	57044521	1.0	EA	HOSE ASSY	
-	56946601	40.0	IN	- HOSE,HYD-F06 BULK	
459.AP	57044521	1.0	EA	HOSE ASSY	
-	56946601	40.0	IN	- HOSE,HYD-F06 BULK	
461.AF	57911372	1.0	EA	HOSE,ASSEMBLY	
463.AP	57798746	1.0	EA	HOSE ASSEMBLY	
464.AX	57804627	1.0	EA	HOSE ASSEMBLY	
465.AX	57793341	1.0	EA	HOSE,ASSEMBLY	
466.ABL	57794752	1.0	EA	HOSE,ASSEMBLY	
467.AX	57793341	1.0	EA	HOSE,ASSEMBLY	
468.AP	57794760	1.0	EA	HOSE,ASSEMBLY	
469.AX	57794810	1.0	EA	HOSE,ASSEMBLY	
470.AX	57794851	1.0	EA	HOSE,ASSEMBLY	
471.AP	57794869	1.0	EA	HOSE,ASSEMBLY	
472.AP	57794869	1.0	EA	HOSE,ASSEMBLY	
473.AP	57793341	1.0	EA	HOSE,ASSEMBLY	

57038424 HOSE ASSY



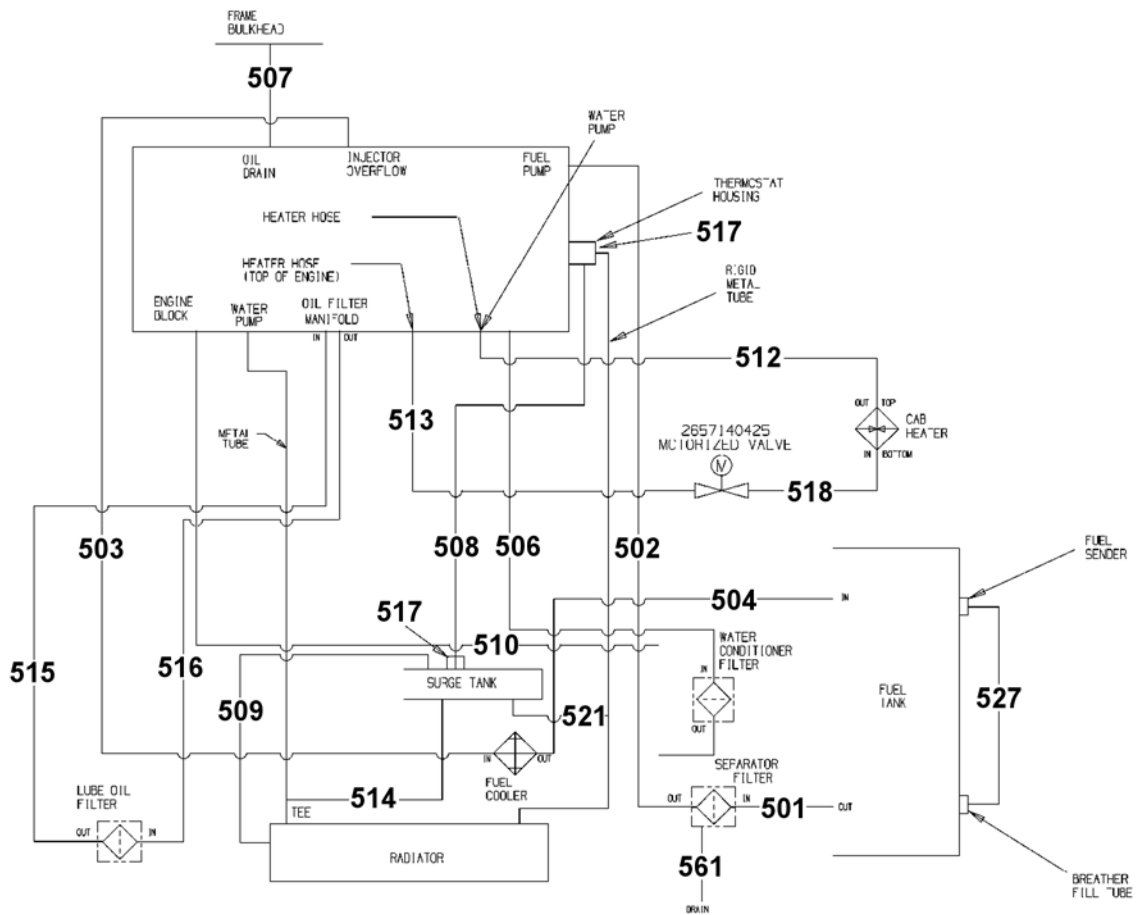
UNAVAILABLE

BOM 57038424

57038424 HOSE ASSY

REF.	PART NO.	QTY	UNIT	DESCRIPTION	NOTES
002.0	56946601	189.0	IN	HOSE, HYD-F06 BULK	

57762684 SCHEM,ENGINE HOSES

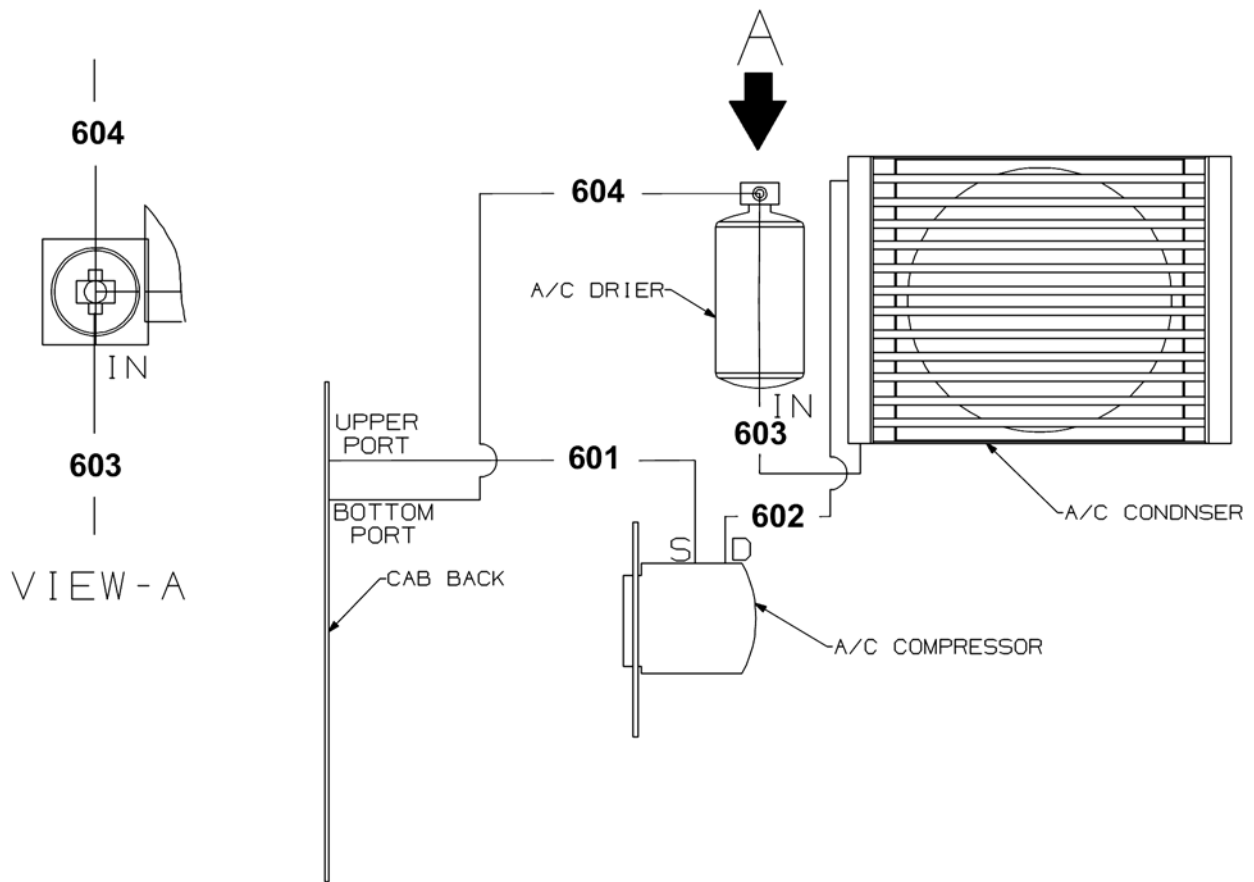


BOM 57762684

57762684 SCHEM,ENGINE HOSES

REF.	PART NO.	QTY	UNIT	DESCRIPTION	NOTES
501.0	52118346	1.0	EA	HOSE ASSY	
502.0	57803132	1.0	EA	HOSE ASSY	
503.0	51916823	1.0	EA	HOSE ASSY	
504	51303873	1.0	EA	HOSE ASSY	
506.0	52320439	1.0	EA	HOSE ASSEMBLY	
507.0	52320447	1.0	EA	HOSE ASSY	
508.0	57749657	1.0	EA	HOSE	
509.0	52325115	1.0	EA	HOSE	
510.0	57749665	1.0	EA	HOSE	
512.0	57790719	1.0	EA	HOSE,HEATER	
513.0	57777294	1.0	EA	HOSE,HEATER	
514.0	57783482	1.0	EA	HOSE,FILL,WATER	
515.0	57807232	1.0	EA	HOSE ASSY	
516.0	57803116	1.0	EA	HOSE ASSY	
517.0	51713451	2.0	EA	FITTING,SOCKETLESS	
518.0	57790727	1.0	EA	HOSE,HEATER	
521	58020108	1.0	EA	HOSE ASSEMBLY	
527.0	57101438	1.0	EA	HOSE ASSY	
561.0	52285582	1.0	EA	HOSE,FUEL	

57799165 SCHEMATIC,AC/HEATER HOSE



BOM 57799165

57799165 SCHEMATIC,AC/HEATER HOSE

REF.	PART NO.	QTY	UNIT	DESCRIPTION	NOTES
001.0	52331725	1.0	EA	O'RING	
002.0	52331733	1.0	EA	O'RING	
003.0	52331725	3.0	EA	O'RING	
004.0	52331733	1.0	EA	O'RING	
005.0	52331741	2.0	EA	O'RING	
601.0	57783672	1.0	EA	HOSE,A/C,CAB TO COMPRS	
602.0	57799272	1.0	EA	HOSE,A/C,COMP TO COND	
603.0	52320488	1.0	EA	HOSE	
604.0	57783649	1.0	EA	HOSE,A/C,DRYER TO CAB	

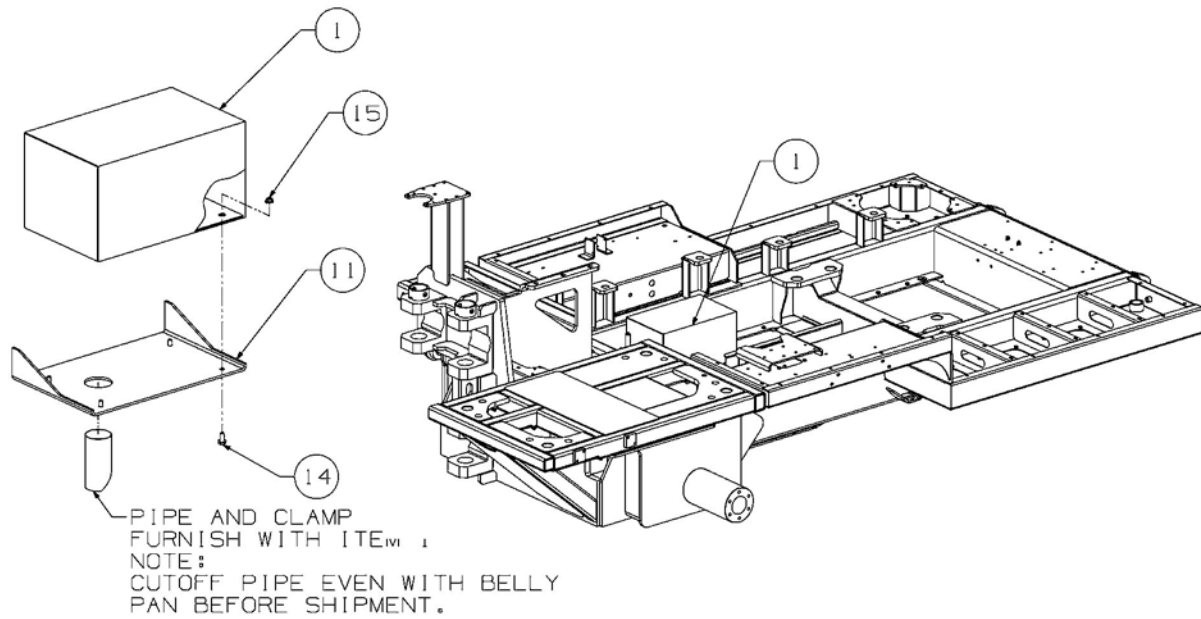
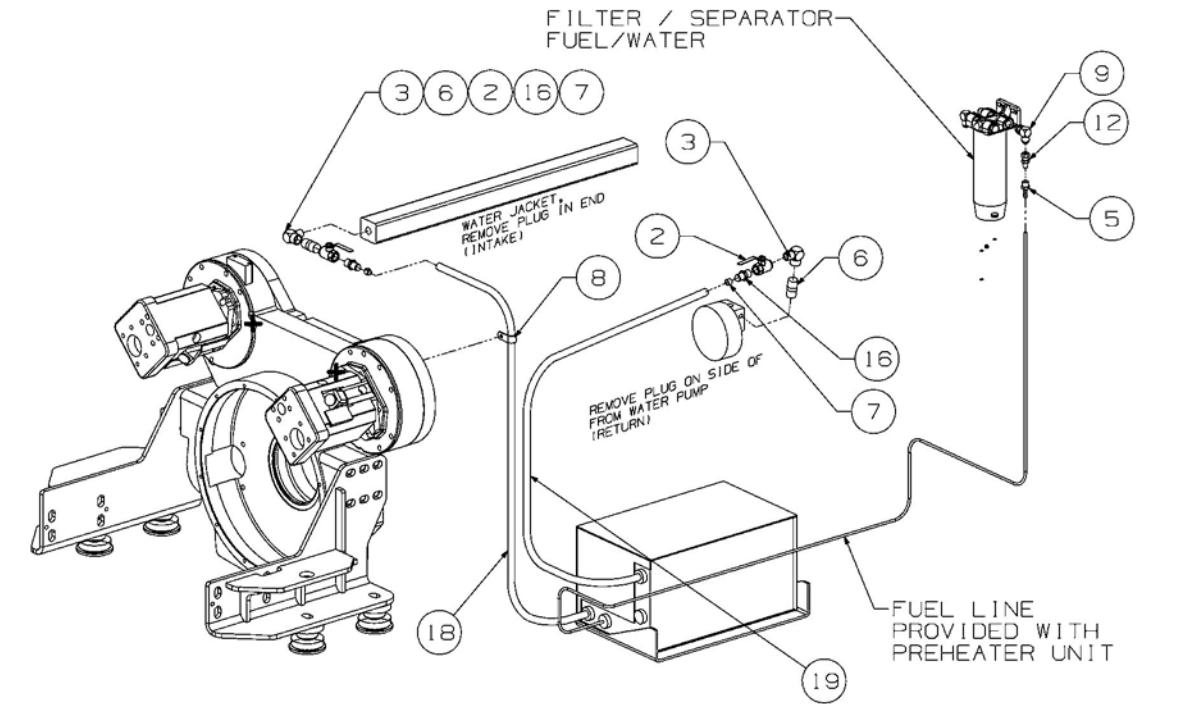
This page is intentionally blank.



Section G - Options



57737611 PREHEATER, CM700D



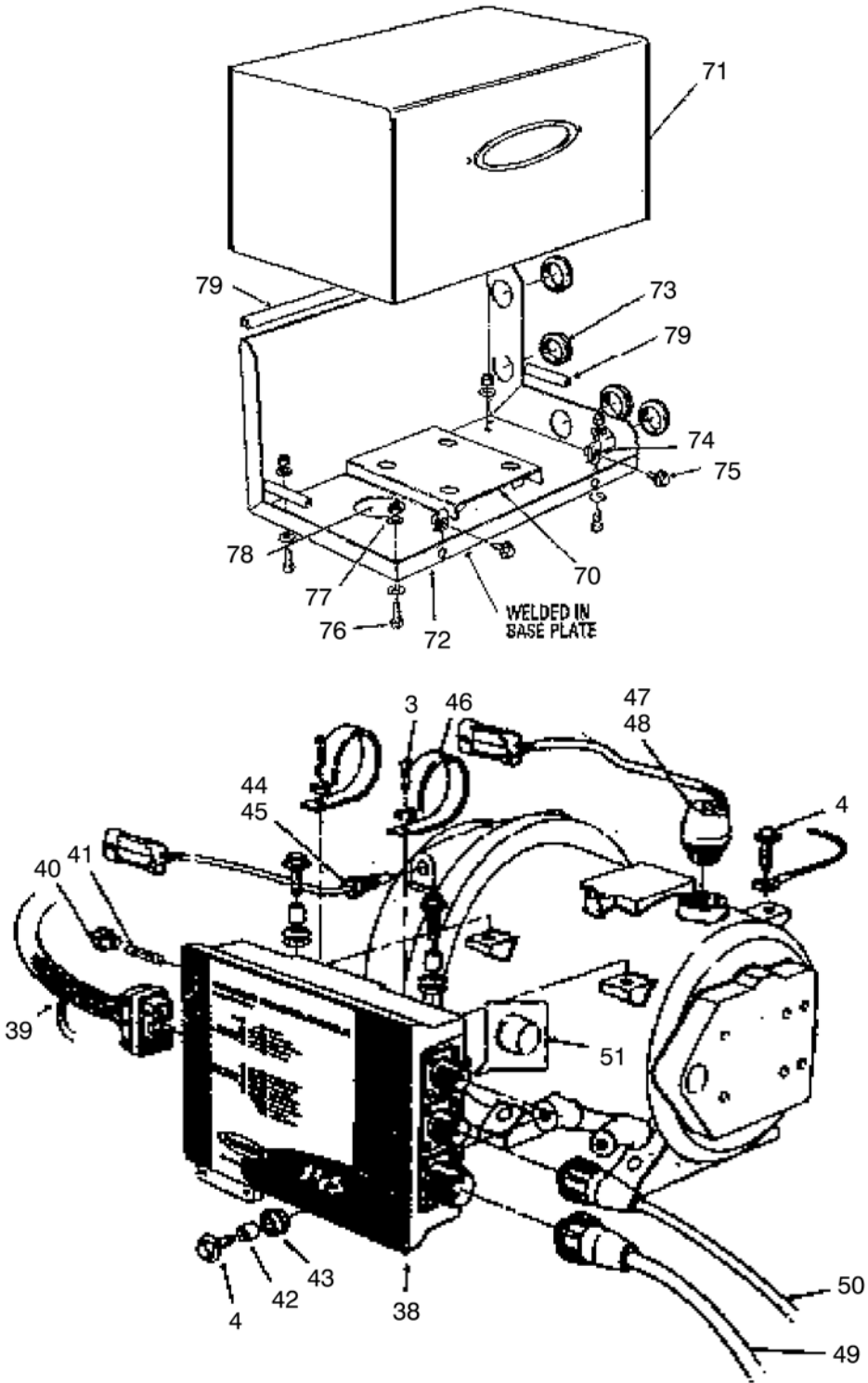
D2657737611 REV 002

BOM 57737611

57737611 PREHEATER,CM700D

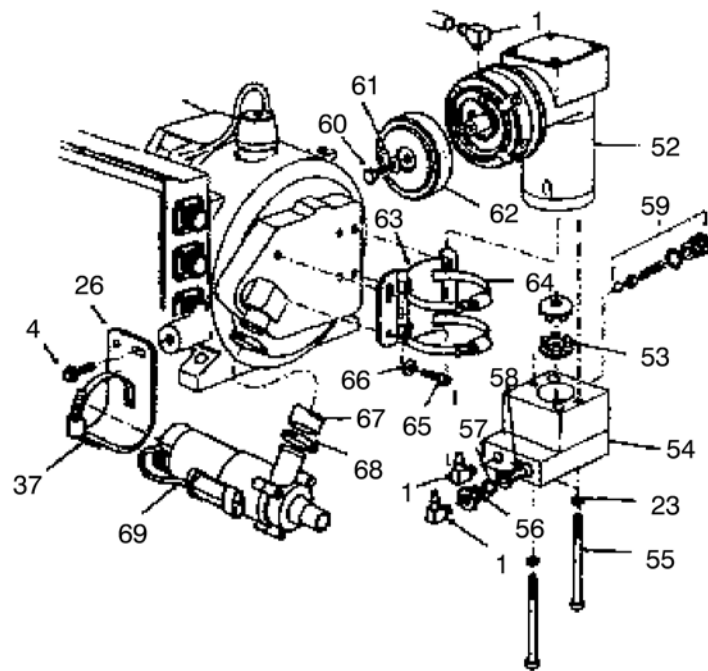
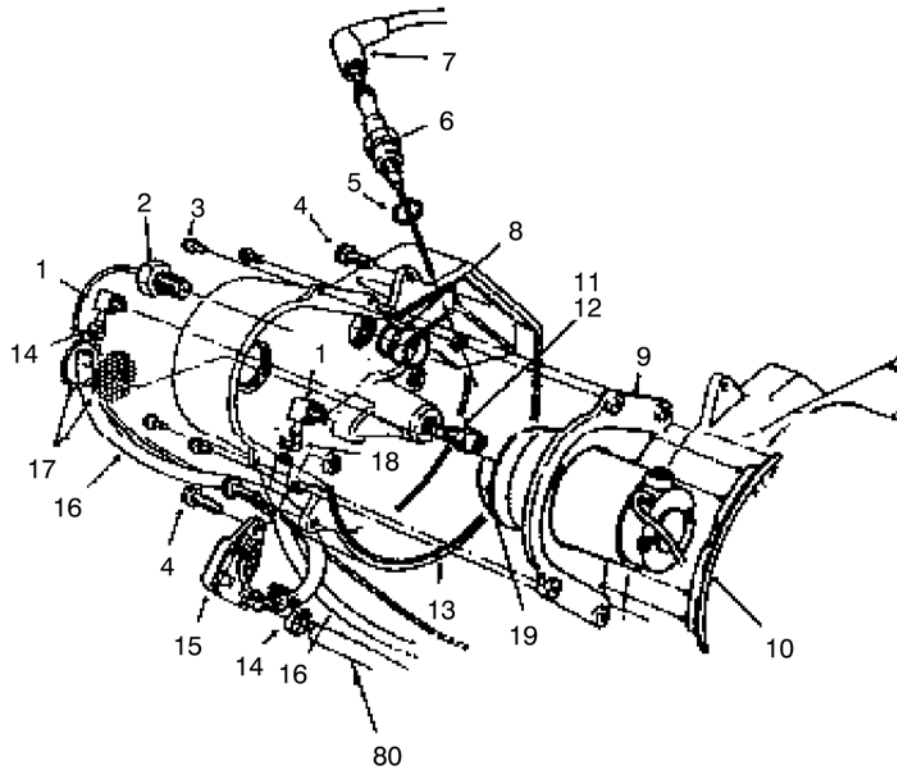
REF.	PART NO.	QTY	UNIT	DESCRIPTION	NOTES
001.0	57643827	1.0	EA	HEATER,DIESEL FIRED	See Page 434
002.0	50829605	2.0	EA	VALVE,BALL-1/2	
003.0	95264891	2.0	EA	ELBOW,90DEG-EXT/INT NPT	
005.0	51730265	1.0	EA	FITTING	
006.0	95315214	2.0	EA	NIPPLE,NPTF DRYSEAL	
007.0	95220844	4.0	EA	CLAMP,HOSE	
008.0	95457586	1.0	EA	CLAMP,HOSE	
009.0	95356853	1.0	EA	ELBOW,90 DEG STRT THRD	
010.0	57655722	1.0	EA	TIMER,7 DAY DIGITAL	
011.0	52330370	1.0	EA	PLATE,MOUNTING-PREHEATER	
012.0	51304434	1.0	EA	ADAPTER	
014.0	96727797	4.0	EA	BOLT	
015.0	96726799	4.0	EA	NUT/84M4JD6M3	
016.0	57737652	2.0	EA	CONNECTOR,HOSE	
017.0	57737918	1.0	EA	PREHEATER WIRING	See Page 440
018.0	57803082	1.0	EA	Hose, Heater	
019.0	57803165	1.0	EA	Hose, Heater	

57643827 HEATER, DIESEL FIRED



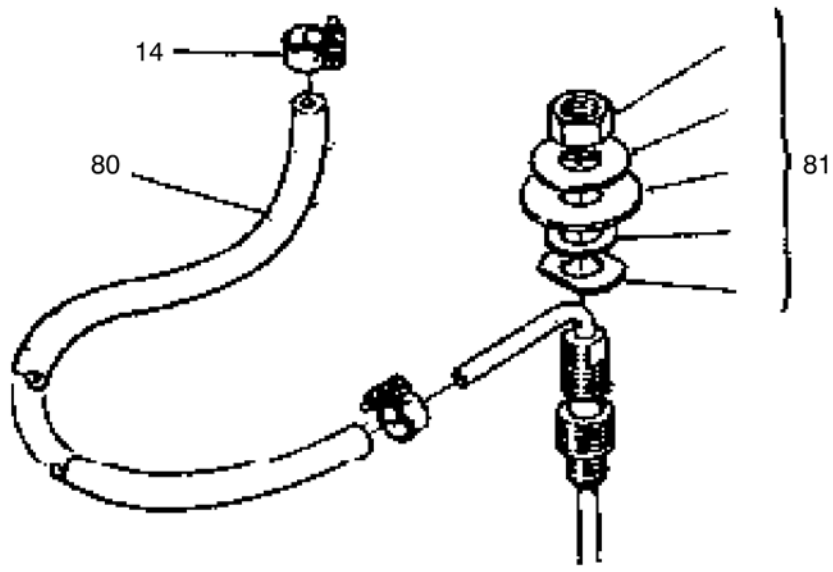
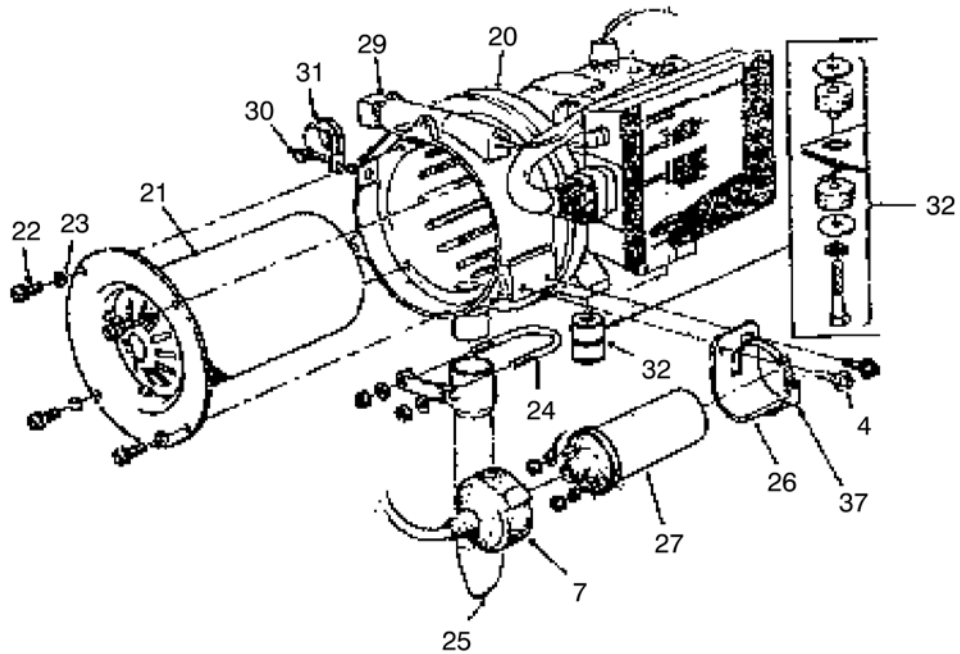
E2657643827 REV 001

57643827 HEATER, DIESEL FIRED



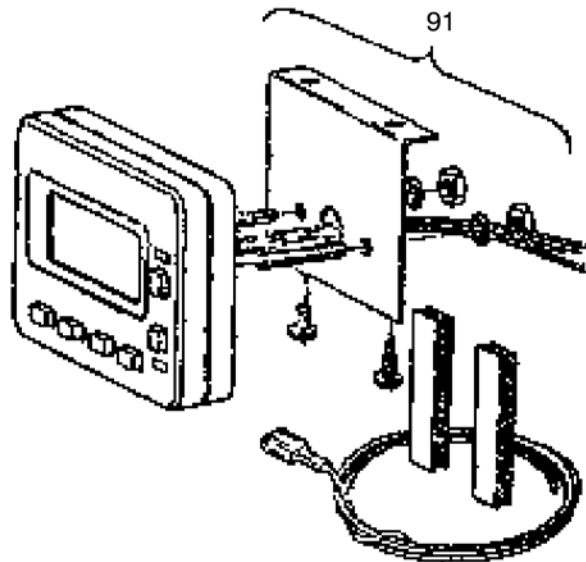
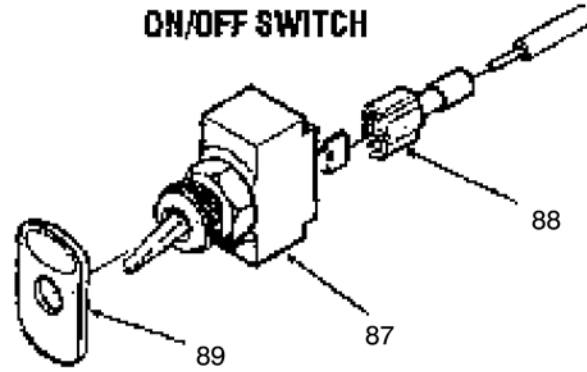
E2657643827 REV 001

57643827 HEATER, DIESEL FIRED



E2657643827 REV 001

57643827 HEATER, DIESEL FIRED



E2657643827 REV 001

57643827 HEATER,DIESEL FIRED

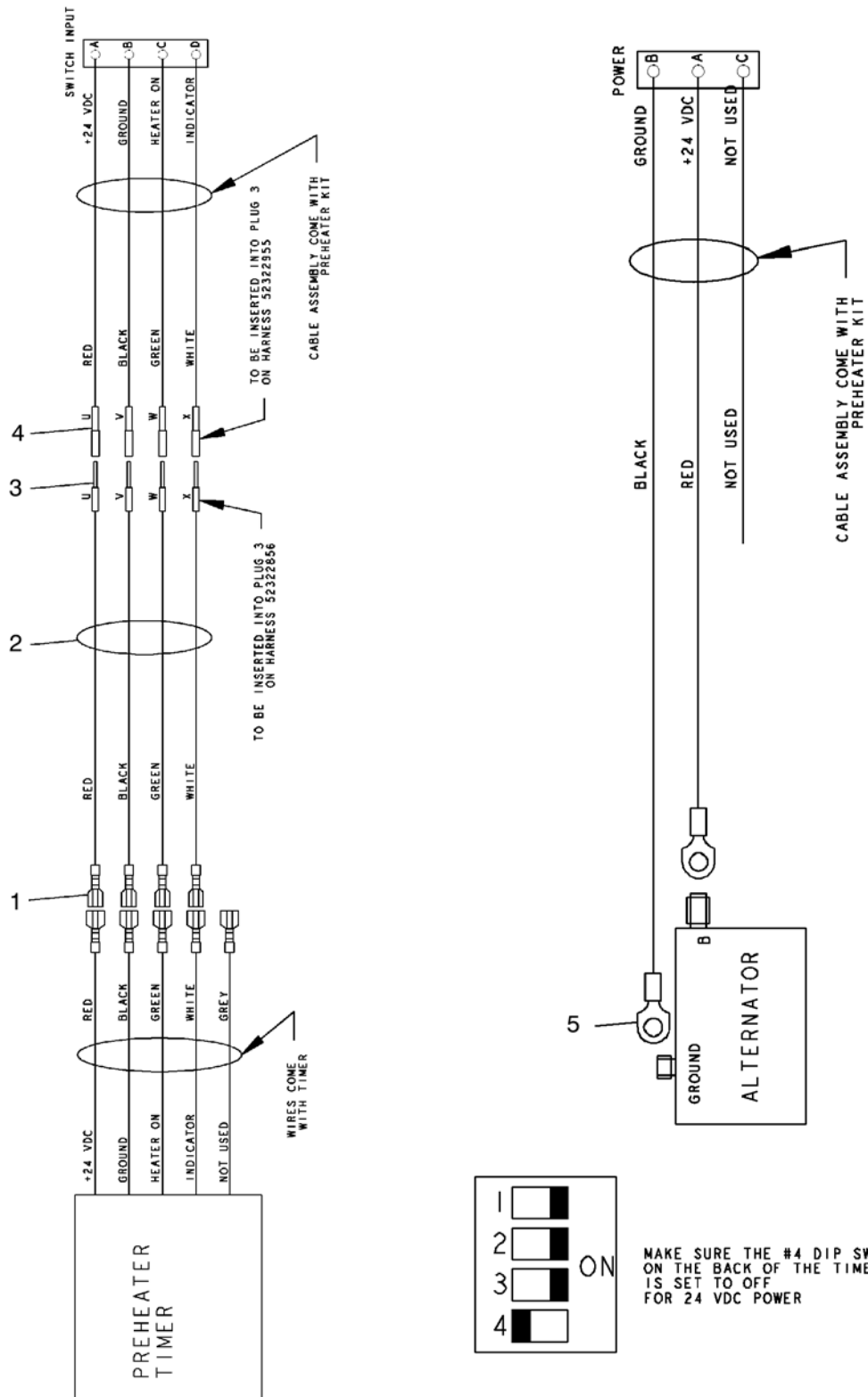
REF.	PART NO.	QTY	UNIT	DESCRIPTION	NOTES
001.0	57654949	5.0	EA	ELBOW,3/16HOSE X 1/8 NPT	
002.0	57654956	1.0	EA	SENSOR,FLAME	
003.0	57654964	6.0	EA	SCREW,HEX HD	
004.0	57654972	12.0	EA	SCREW,HEX FLNG	
005.0	57654980	1.0	EA	GASKET,SEAT,IGNITER	
006.0	57654998	1.0	EA	IGNITER	
007.0	57655003	1.0	EA	LEAD,IGNITION W/BOOT	
008.0	57655011	1.0	EA	GLASS KIT,SIGHT	
009.0	57655029	1.0	EA	BLOWER,24V	
010.0	57655037	1.0	EA	GASKET,BLOWER	
011.0	57655045	1.0	EA	NOZZLE,FUEL	
012.0	57655052	1.0	EA	O-RING,NOZZLE	
013.0	57655060	1.0	EA	CASTING,FAN END	
014.0	57655078	5.0	EA	CLAMP,FUEL HOSE	
015.0	57655086	1.0	EA	REGULATOR,FUEL	
016.0	57655094	5.0	FT	HOSE,AIR & FUEL	
017.0	57655102	1.0	EA	SCREEN,BLOWER INLET KIT	
018.0	57655110	1.0	EA	CLAMP,SPRING,AIR	
019.0	57655128	1.0	EA	BLADE,FAN	
020.0	57655136	1.0	EA	HEAT EXCHANGER	
021.0	57655144	1.0	EA	TUBE,COMBUSTION	
022.0	57655151	4.0	EA	SCREW,SOCKET	
023.0	57655169	6.0	EA	LOCKWASHER,#10	
024.0	57655177	1.0	EA	CLAMP,EXHAUST PIPE	
025.0	57655185	1.0	EA	PIPE,EXHAUST	
026.0	57655193	3.0	EA	BRACKET, "J"	
027.0	57655201	1.0	EA	COIL,IGNITION	
029.0	57655219	2.0	EA	ELBOW,3/4 HOSE	
030.0	57655227	1.0	EA	NUT,NYLON	
031.0	57655235	1.0	EA	CLAMP,CUSHIONED	
032.0	57655243	1.0	EA	MOUNT KIT,RUBBER	
037.0	57655250	2.0	EA	CLAMP,GEAR #32	
038.0	57655268	1.0	EA	INPUT,AUXILIARY PCM	
039.0	57655276	1.0	EA	HARNESS,MAIN INTERNAL	
040.0	57655284	1.0	EA	KIT,HOLDER,FUSE	
041.0	57655292	1.0	EA	FUSE,15A	
042.0	57655300	3.0	EA	SPACER,CONTROLLER	
043.0	57655318	3.0	EA	GROMMET,CONTROLLER MOUNT	
044.0	57655326	1.0	EA	SENSOR,TEMPERATURE	
045.0	57655334	1.0	EA	O-RING,TEMP.SENSOR	
046.0	57655342	2.0	EA	CLIP,WIRE HARNESS	
047.0	57655359	1.0	EA	SENSOR,OVERHEAT	

BOM 57643827

57643827 HEATER, DIESEL FIRED

REF.	PART NO.	QTY	UNIT	DESCRIPTION	NOTES
048.0	57655367	1.0	EA	O-RING,OVERHEAT	
049.0	57655375	1.0	EA	HARNESS,SWITCH	
050.0	57655383	1.0	EA	HARNESS,POWER	
051.0	57655391	1.0	EA	COVER,CONNECTOR	
052.0	57655409	1.0	EA	COMPRESSOR,24V	
053.0	57655417	2.0	EA	COUPLING	
054.0	57655425	1.0	EA	PUMP,FUEL-GEAR	
055.0	57655433	2.0	EA	SCREW	
056.0	57655441	1.0	EA	FITTING,FILTER CAP	
057.0	57655458	1.0	EA	O-RING,FUEL FILTER	
058.0	57655466	1.0	EA	FILTER,FUEL	
059.0	57655474	1.0	EA	VALVE KIT,RELIEF	
060.0	57655482	1.0	EA	SCREW	
061.0	57655748	1.0	EA	WASHER,SEALING	
062.0	57655490	1.0	EA	FILTER,AIR	
063.0	57655508	1.0	EA	BRACKET	
064.0	57655516	2.0	EA	CLAMP GEAR #36	
065.0	57655524	4.0	EA	SCREW,SOCKET	
066.0	57655532	4.0	EA	LOCKWASHER,1/4	
067.0	57655540	1.0	EA	HOSE,COOLANT	
068.0	57655557	2.0	EA	CLAMP,#10 SILICONE	
069.0	57655565	1.0	EA	PUMP,COOLANT 24V	
070.0	57655573	1.0	EA	PLATE,BASE MOUNTING	
071.0	57655581	1.0	EA	LID,ENCLOSURE	
072.0	57655599	1.0	EA	BASE,ENCLOSURE	
073.0	57655607	4.0	EA	GROMMET	
074.0	57655615	2.0	EA	NUTS,PANEL	
075.0	57655623	2.0	EA	SCREW,HEX FLNG	
076.0	57655631	4.0	EA	SCREW	
077.0	57655649	8.0	EA	WASHER,5/16	
078.0	57655656	4.0	EA	NUT,SELF-LOCKING	
079.0	57655664	2.5	FT	SEAL,WEATHER,ENCLOSURE	
080.0	57655672	15.0	FT	HOSE,AIR & FUEL	
081.0	57655680	1.0	EA	PICKUP ASM,FUEL	
087.0	57655698	1.0	EA	SWITCH,ON/OFF,24V	
088.0	57655706	4.0	EA	CONNECTOR	
089.0	57655714	1.0	EA	DECAL,TOGGLE SWITCH	
091.0	57655730	1.0	EA	TIMER KIT INSTALLATION	

57737918 PREHEATER WIRING



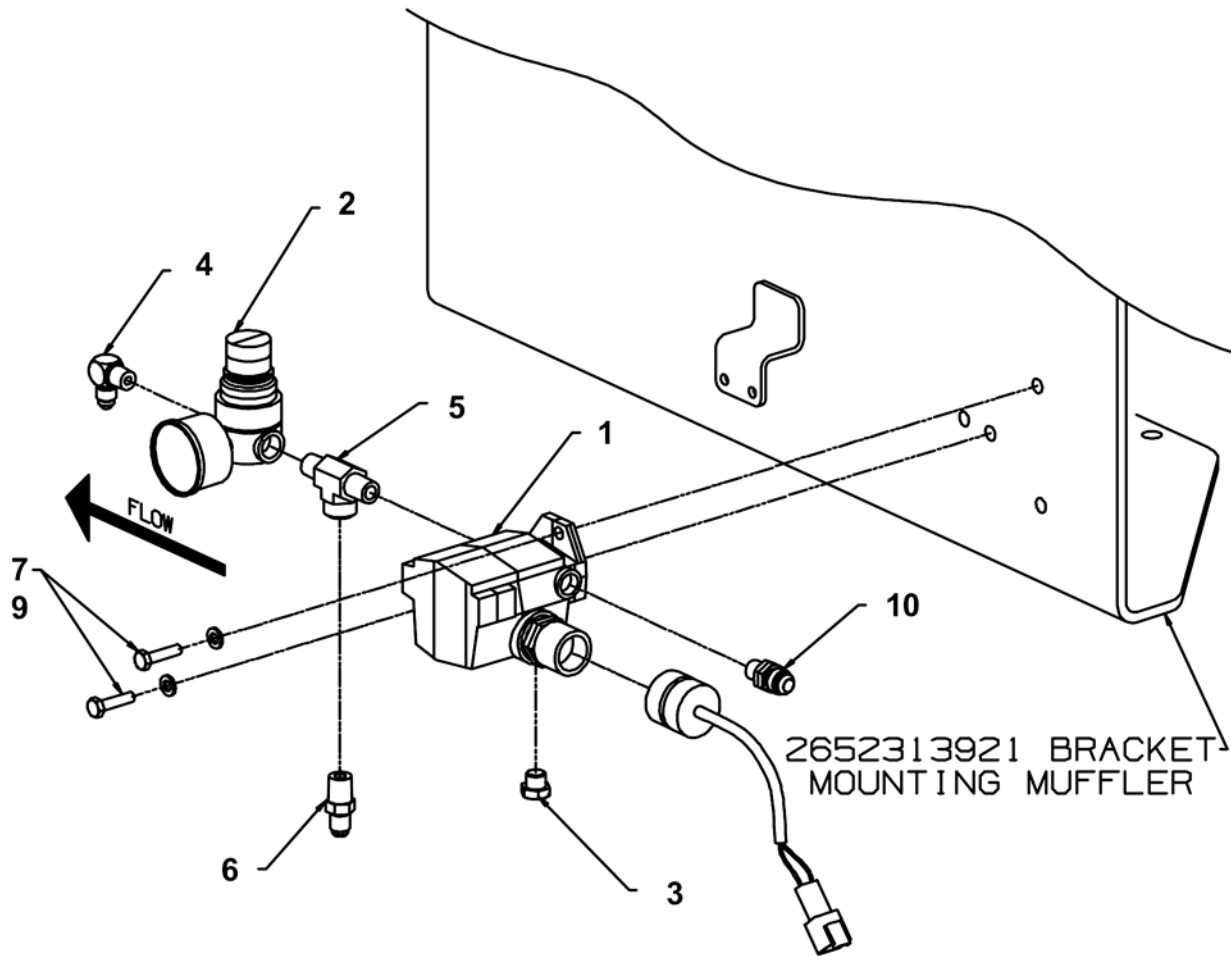
57737918

BOM 57737918

57737918 PREHEATER WIRING

REF.	PART NO.	QTY	UNIT	DESCRIPTION	NOTES
001.0	58150228	4.0	EA	TERMINAL, 14RB-2577	
002.0	57473563	6.0	FT	CABLE,18AWG/6COND,PVC	
003.0	59436840	4.0	EA	PIN,SIZE 16	
004.0	54530993	4.0	EA	SOCKET,SIZE 16	
005.0	95373841	2.0	EA	TERMINAL,16-14,1/4"RING	

57761645 VALVE,SOLENOID,GREASE

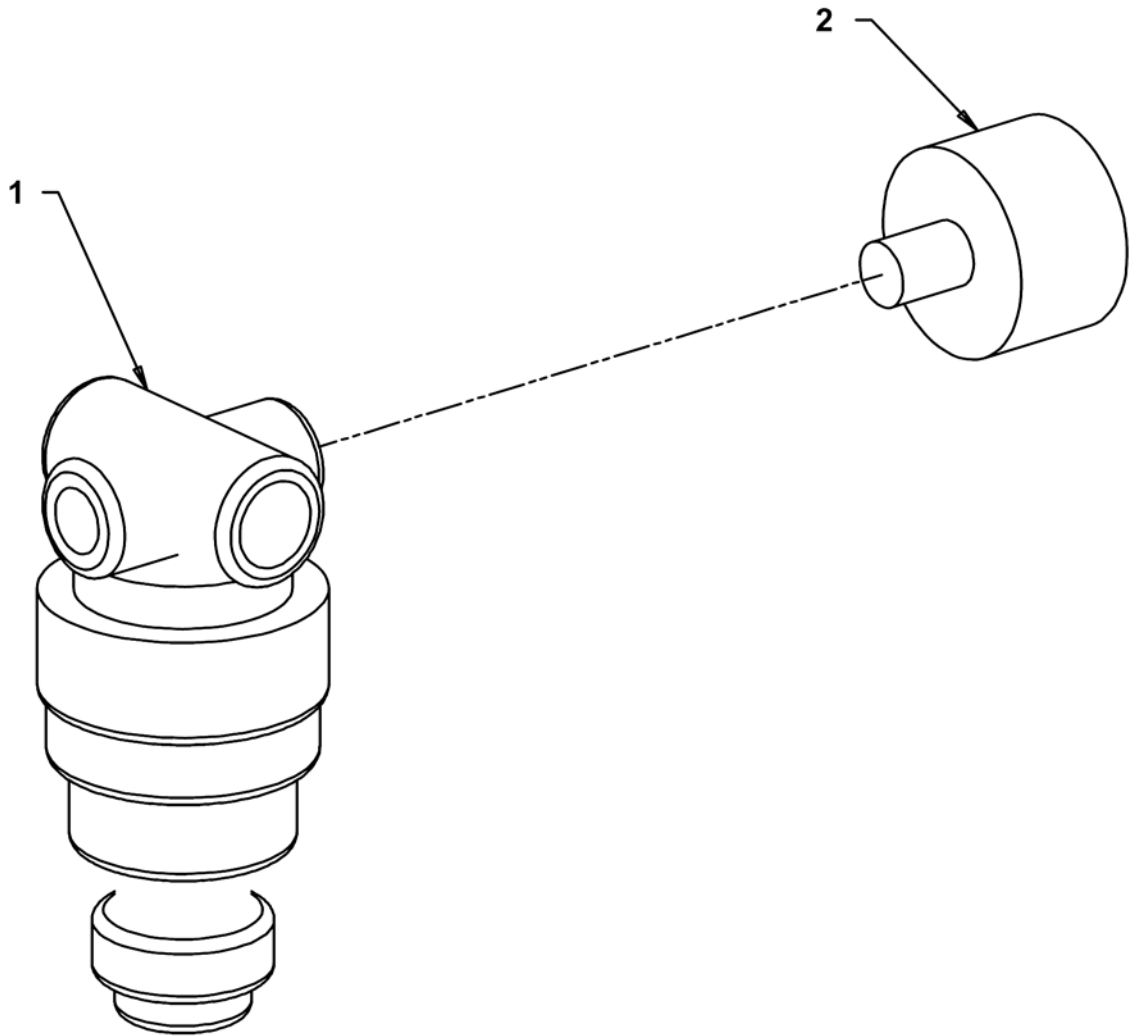


BOM 57761645

57761645 VALVE,SOLENOID,GREASE

REF.	PART NO.	QTY	UNIT	DESCRIPTION	NOTES
001.0	57761652	1.0	EA	VALVE,SOLENOID,ASSEMBLY	
-	51790244	1.0	EA	- ASSEMBLY,CONDUIT SEAL	
-	51790251	1.0	EA	- ASSEMBLY,COIL	
-	51790236	1.0	EA	- KIT,BODY	
002.0	57633463	1.0	EA	REGULATOR,RELIEVING ASSY	See Page 444
003.0	03692076	1.0	EA	PLUG VENT CE210-120	
004.0	95209094	1.0	EA	FITTING,HYD	
005.0	51352136	1.0	EA	TEE	
006.0	95263380	1.0	EA	FITTING,HYD-NPT/JIC	
007.0	96720164	2.0	EA	CAPSCREW,HEX SOCKET HD	
009.0	96702501	4.0	EA	WASHER/10M5LC11AM4HR	
010.0	95316972	1.0	EA	CONNECTOR,MALE,37 DEG	

57633463 REGULATOR,RELIEVING ASSY

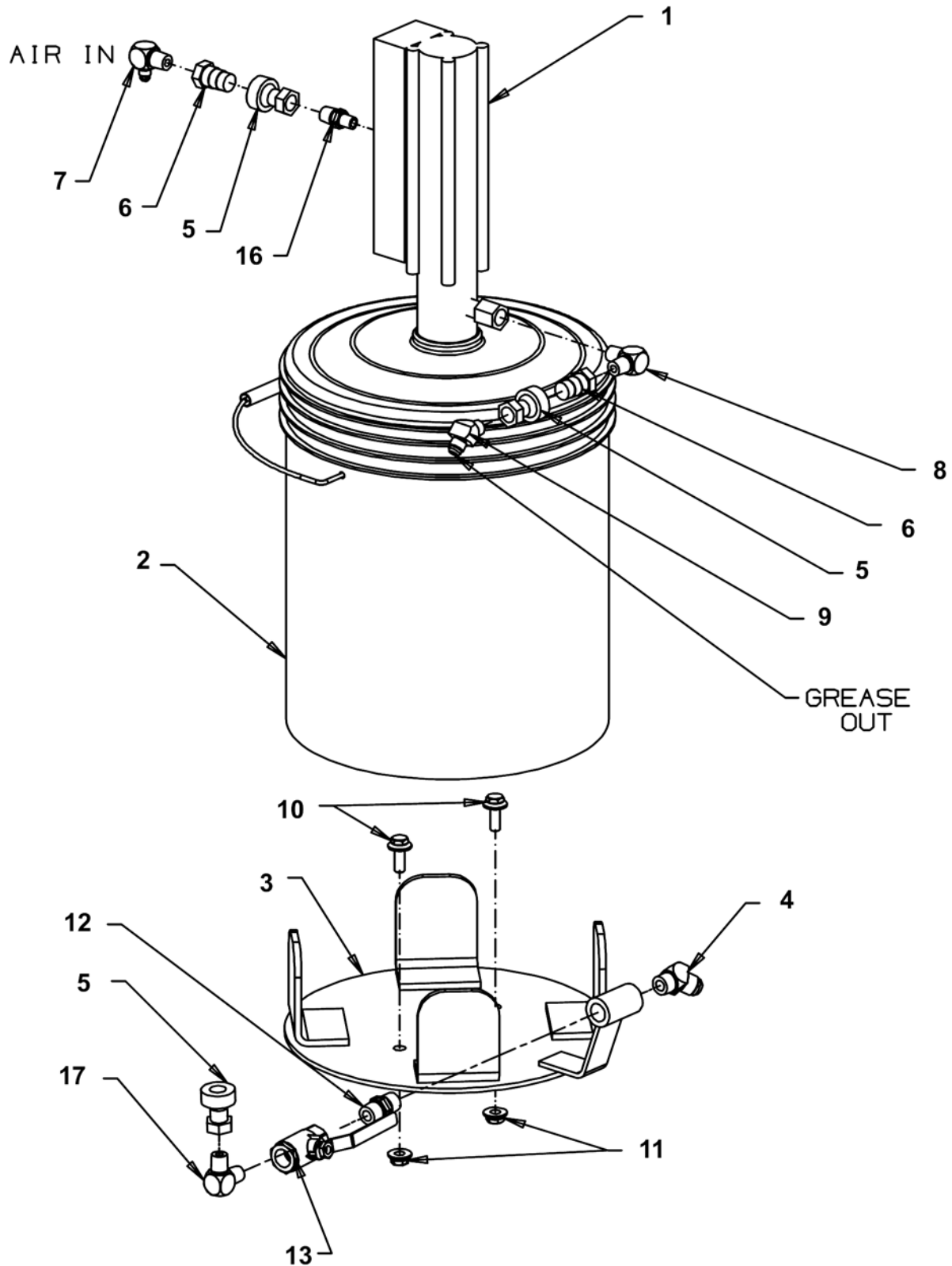


BOM 57633463

57633463 REGULATOR,RELIEVING ASSY

REF.	PART NO.	QTY	UNIT	DESCRIPTION	NOTES
001.0	81325219	1.0	EA	REGULATOR,MINIATURE,DIA	
002.0	81335507	1.0	EA	GAUGE	

52327251 PUMP, GREASE, ASSEMBLY



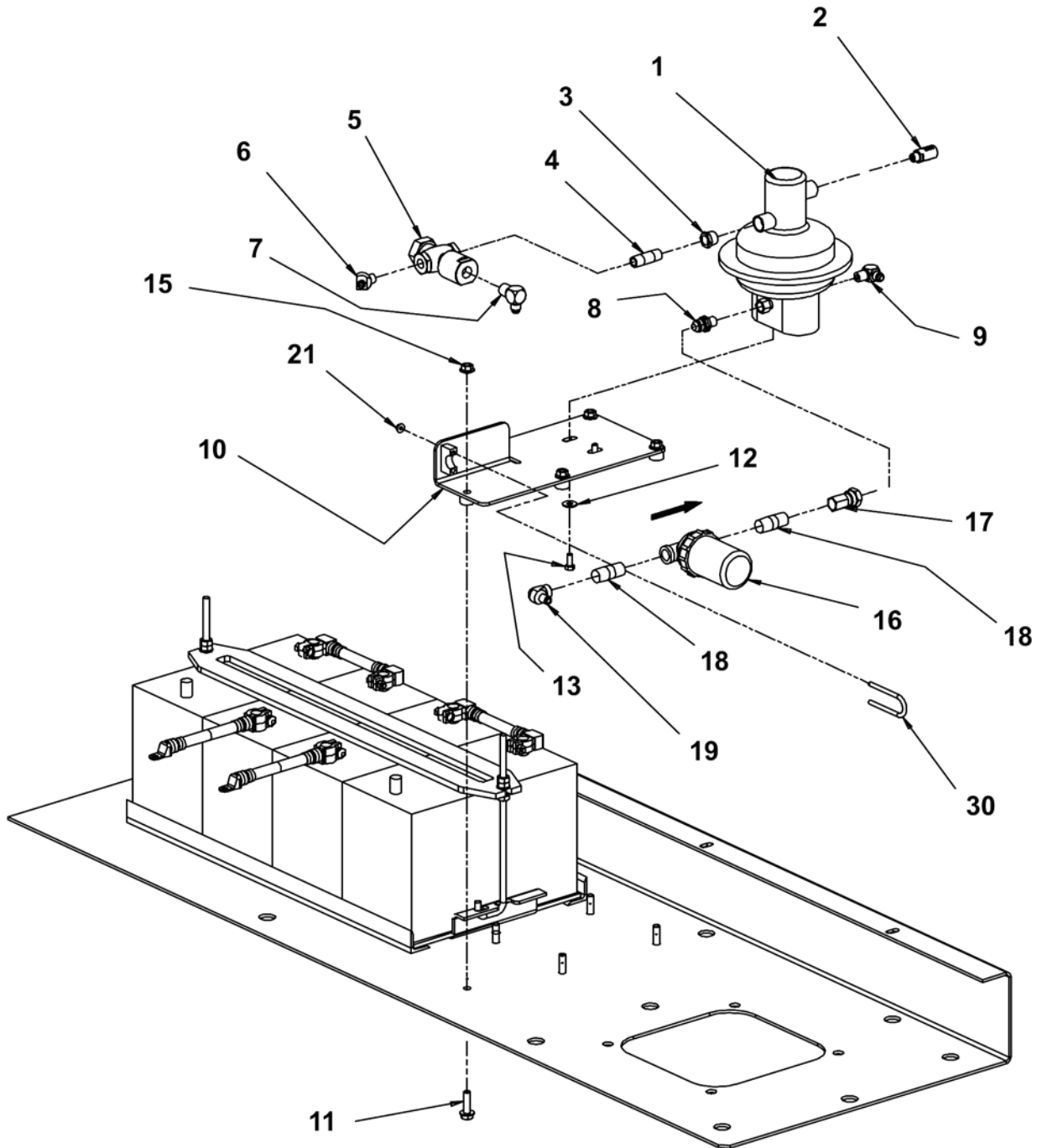
C2652327251 REV 004

BOM 52327251

52327251 PUMP,GREASE,ASSEMBLY

REF.	PART NO.	QTY	UNIT	DESCRIPTION	NOTES
001.0	57336430	1.0	EA	POWERLUBER,AUTO-GREASING	
002.0	52335015	1.0	EA	SUPER LUBE,STEEL,5 GAL.	
003.0	52327269	1.0	EA	TRAY,GREASE BUCKET	
004.0	95279097	1.0	EA	FITTING,HYD	
005.0	51027936	3.0	EA	COUPLING	
006.0	51027902	2.0	EA	COUPLING	
007.0	95279493	1.0	EA	ELBOW,90 DEG MALE	
008.0	95654448	1.0	EA	ELBOW,90DEG MALE,NPTF	
009.0	95279089	1.0	EA	ELBOW	
010.0	96726914	2.0	EA	BOLT	
011.0	96726807	2.0	EA	NUT/84M4JD7M3	
012.0	95315214	1.0	EA	NIPPLE,NPTF DRYSEAL	
013.0	50947357	1.0	EA	VALVE,BALL	
016.0	95377156	1.0	EA	NIPPLE,NPTF DRYSEAL	
017.0	95447108	1.0	EA	FITTING,HYD	

57789000 VAPOSOL PUMP ASSEMBLY



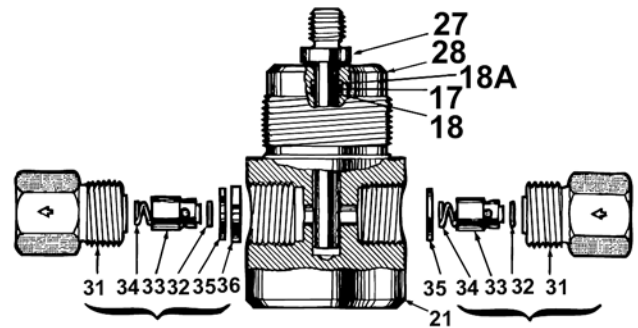
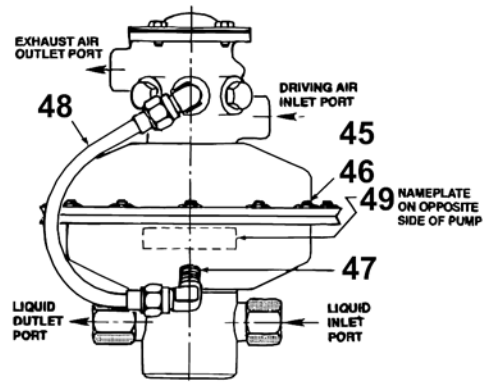
D2657789000 REV 001

BOM 57789000

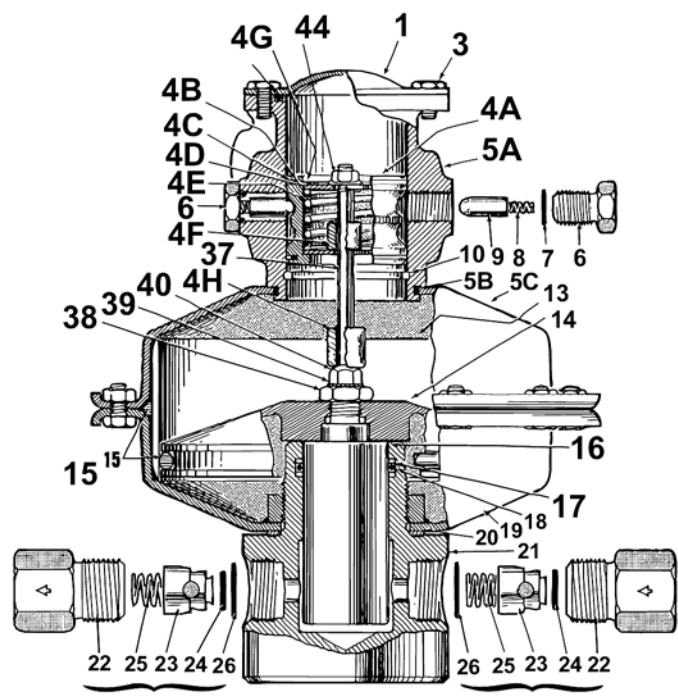
57789000 VAPOSOL PUMP ASSEMBLY

REF.	PART NO.	QTY	UNIT	DESCRIPTION	NOTES
001.0	52286036	1.0	EA	PUMP,VAPOSOL	See Page 450
002.0	57798605	1.0	EA	MUFFLER,ORIFACE	
003.0	57809956	1.0	EA	BUSHING,PIPE FITTING	
004.0	57824328	1.0	EA	NIPPLE, PIPE	
005.0	50139377	1.0	EA	VALVE,PILOT	See Page 454
006.0	95396404	1.0	EA	FITTING,HYD	
007.0	95326922	1.0	EA	ADAPTER,45DEG. NPT/JIC	
008.0	95263398	1.0	EA	FITTING,HYD	
009.0	95279493	1.0	EA	ELBOW,90 DEG MALE	
010.0	57789018	1.0	EA	BRACKET,VAPOSOL PUMP	
011.0	96726708	5.0	EA	BOLT	
012.0	95922365	2.0	EA	WASHER,FLAT	
013.0	95101804	2.0	EA	CAPSCREW	
015.0	96726807	5.0	EA	NUT/84M4JD7M3	
016.0	51033298	1.0	EA	STRAINER	
017.0	52244704	1.0	EA	FITTING,HYD	
018.0	57809931	2.0	EA	NIPPLE,1/2X1-1/2	
019.0	95279212	1.0	EA	FITTING,HYD	
020.0	95822458	1.0	EA	U-BOLT 146A2C02	
021.0	95116869	2.0	EA	NUT,FLEX LOCK	

52286036 PUMP, VAPOSOL



OUTLET Check Valve Assembly INLET Check Valve Assembly



OUTLET Check Valve Assembly INLET Check Valve Assembly

NOTE :
FOLLOWING ITEMS ARE NOT SOLD SEPERATELY
4A, 4B, 4C, 4D, 4E, 4F, 4G, 4H, 5A, 5B, 5C

C2652286036 REV 001

BOM 52286036

52286036 PUMP,VAPOSOL

REF.	PART NO.	QTY	UNIT	DESCRIPTION	NOTES
001.0	50085745	1.0	EA	COVER SE-S216-17	
001.0	57892663	1.0	EA	COVER,AIR VALVE	
002.0	50137728	1.0	EA	GASKET	
002.0	57892671	1.0	EA	O-RING	
003.0	50495696	4.0	EA	CAPSCREW SE-MS90725-	
004.0	51069110	1.0	EA	VALVE/HOUSNG	
-	51069128	1.0	EA	- VALVE	
-	50288976	1.0	EA	- BODY SE78216	
-	50084771	4.0	EA	- BOLT	
-	50084789	4.0	EA	- O-RING SE79552-5	
-	50084755	4.0	EA	- SPRING	
-	50457365	4.0	EA	- PIN	
-	50370998	1.0	EA	- STOP SE-S216-56	
-	50137736	1.0	EA	- GASKET SE-S216-51	
-	50288968	1.0	EA	- HOUSING SE-S216-19	
004.0	57892689	1.0	EA	AIR VALVE & HOUSING ASSY	
005.0	50137694	1.0	EA	CYLINDER SE-S216-13	
005.0	51069144	1.0	EA	BODY/HOUSING	
-	51069151	1.0	EA	- HOUSING,LOWR	
-	51069169	1.0	EA	- GASKET	
-	52219375	1.0	EA	- BODY	
006.0	50084771	4.0	EA	BOLT	
006.0	50088129	1.0	EA	PISTON	
007.0	50084789	4.0	EA	O-RING SE79552-5	
007.0	50090190	1.0	EA	PACKING	
008.0	50084755	4.0	EA	SPRING	
008.0	51069136	1.0	EA	PISTON	
009.0	50087618	1.0	EA	PACKING	
009.0	50457365	4.0	EA	PIN	
010.0	50090182	2.0	EA	RING	
010.0	57892697	1.0	EA	STOP	
011.0	51069144	1.0	EA	BODY/HOUSING	
-	51069151	1.0	EA	- HOUSING,LOWR	
-	51069169	1.0	EA	- GASKET	
-	52219375	1.0	EA	- BODY	
012.0	51069177	1.0	EA	VALVE ASSY.	
-	51069193	1.0	EA	- BODY,VALVE	
-	51069201	1.0	EA	- POPPET ASSY.	
-	51069219	1.0	EA	- POPPET	
-	51069227	1.0	EA	- O-RING	

52286036 PUMP,VAPOSOL

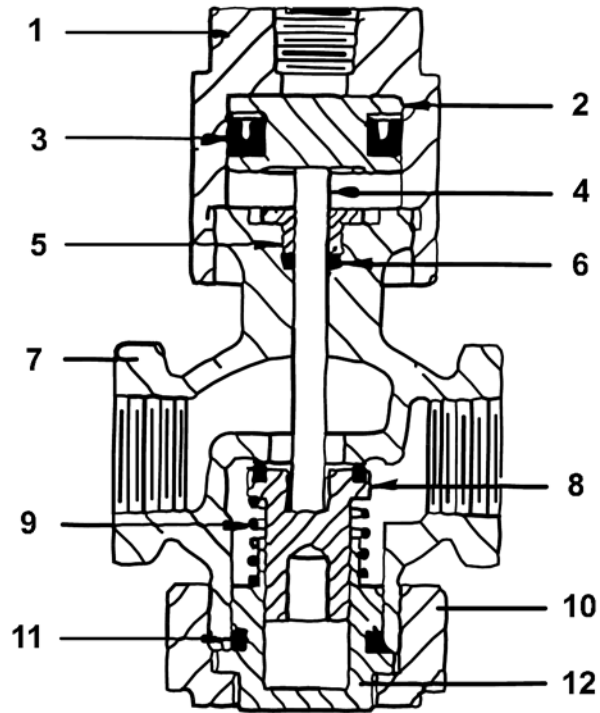
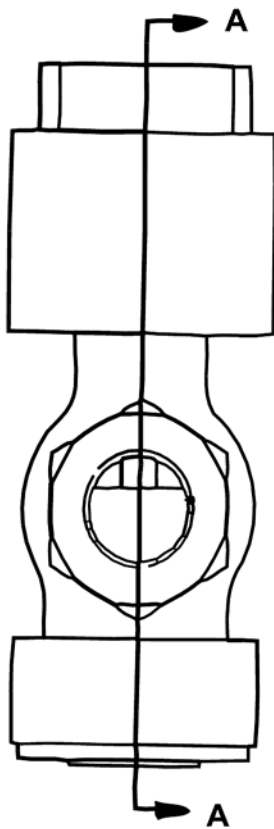
REF.	PART NO.	QTY	UNIT	DESCRIPTION	NOTES
-	50091297	1.0	EA	- SPRING	
-	52261294	1.0	EA	- O-RING	
013.0	50137694	1.0	EA	CYLINDER SE-S216-13	
013.0	51069185	1.0	EA	VALVE ASSY.	
-	51069193	1.0	EA	- BODY,VALVE	
-	51069201	1.0	EA	- POPPET ASSY.	
-	51069219	1.0	EA	- POPPET	
-	51069227	1.0	EA	- O-RING	
-	50091297	1.0	EA	- SPRING	
-	52261294	1.0	EA	- O-RING	
014.0	50088095	1.0	EA	ROD	
014.0	50088129	1.0	EA	PISTON	
015.0	50090190	2.0	EA	PACKING	
015.0	51069235	1.0	EA	NUT	
016.0	50718238	2.0	EA	LOCKWASHER SE-MS35335-	
016.0	51069136	1.0	EA	PISTON	
017.0	50087618	1.0	EA	PACKING	
017.0	50091008	1.0	EA	NUT	
018.0	50090182	2.0	EA	RING	
018.0	50137702	1.0	EA	SPRING	
019.0	50454560	1.0	EA	SPRING	
019.0	57892705	1.0	EA	HOUSING,LOWER	
020.0	50092923	1.0	EA	NUT SE-S216-32	
020.0	57892713	1.0	EA	GASKET	
021.0	50718246	1.0	EA	NUT SE-MS21045-	
021.0	57892721	1.0	EA	LIQUID BODY	
022.0	50495696	4.0	EA	CAPSCREW SE-MS90725-	
022.0	57892739	1.0	EA	CHECK VALVE BODY	
023.0	51069243	12.0	EA	NUT	
023.0	57892747	1.0	EA	POPPET	
024.0	50100593	2.0	EA	ELBOW SE-AN822-6D	
024.0	51069227	1.0	EA	O-RING	
025.0	50091297	1.0	EA	SPRING	
025.0	51069250	1.0	EA	TUBE ASSY	
026.0	57892754	1.0	EA	O-RING	
027.0	52290889	1.0	EA	SEAL	
037.0	57892762	1.0	EA	ROD,CONNECTING	
038.0	95076790	1.0	EA	NUT,HEX	
039.0	50718238	1.0	EA	LOCKWASHER SE-MS35335-	
040.0	50091008	1.0	EA	NUT	
044.0	57892770	1.0	EA	NUT,SELF LOCKING,1/4-28	

BOM 52286036

52286036 PUMP,VAPOSOL

REF.	PART NO.	QTY	UNIT	DESCRIPTION	NOTES
045.0	50495696	12.0	EA	CAPSCREW SE-MS90725-	
046.0	51069243	12.0	EA	NUT	
047.0	50100593	2.0	EA	ELBOW SE-AN822-6D	
048.0	51069250	1.0	EA	TUBE ASSY	
049.0	57892788	1.0	EA	NAMEPLATE	

50139377 VALVE,PILOT



SECTION A-A

BOM 50139377

50139377 VALVE,PILOT

REF.	PART NO.	QTY	UNIT	DESCRIPTION	NOTES
001.0	50550938	1.0	EA	CAP,PILOT	
002.0	50550920	1.0	EA	PISTON	
003.0	50098839	1.0	EA	U-CUP	
004.0	50550904	1.0	EA	PIN	
005.0	50373745	1.0	EA	GLAND	
006.0	50098821	1.0	EA	O'RING	
007.0	50710698	1.0	EA	BODY	
008.0	50097765	1.0	EA	POPPET	
009.0	50097773	1.0	EA	SPRING	
010.0	50550946	1.0	EA	NUT	
011.0	50098813	1.0	EA	O'RING	
012.0	50097732	1.0	EA	GUIDE	

57763625 TANK,VAPOSAL ASM,80 GAL



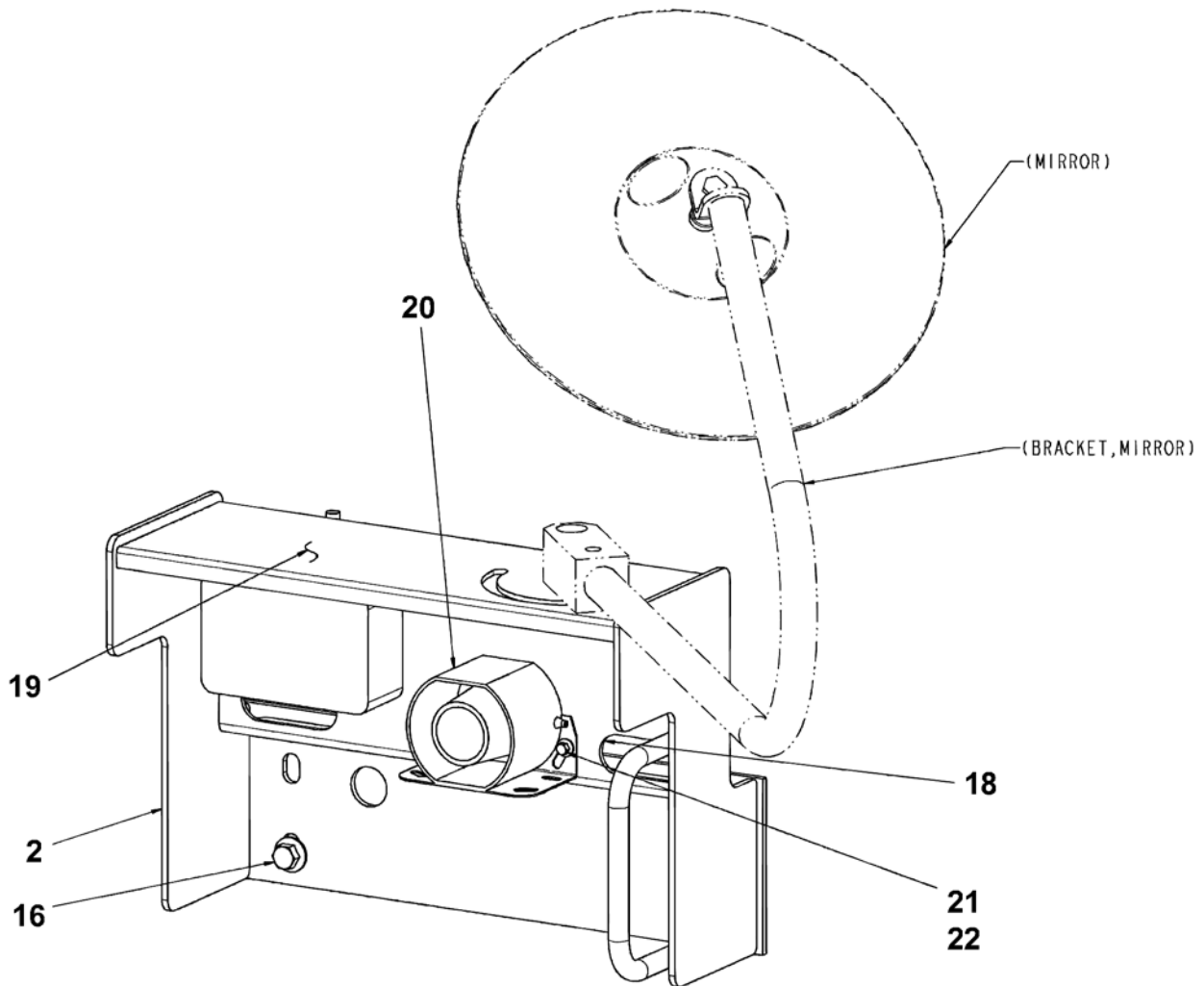
LIST REV 000

BOM 57763625

57763625 TANK,VAPOSAL ASM,80 GAL

REF.	PART NO.	QTY	UNIT	DESCRIPTION	NOTES
001.0	57763682	1.0	EA	BRACKET,MOUNTING,ASSM	See Page 458
002.0	57763716	1.0	EA	TANK,VAPOSOL ASM	See Page 462
003.0	57763708	1.0	EA	BRACKET,VAPOSOL TANK	See Page 464

57763682 BRACKET, MOUNTING, ASSM

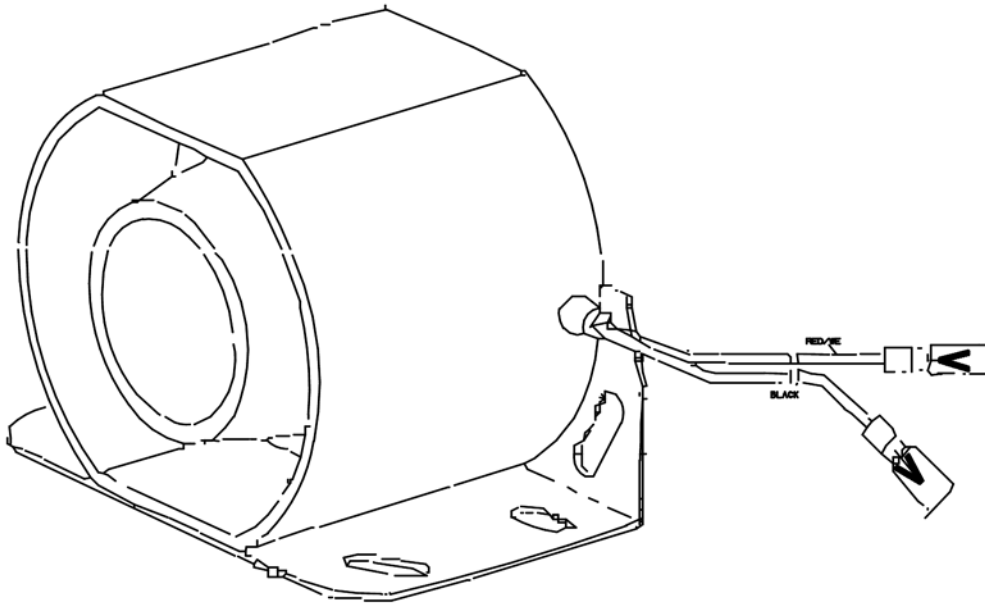


BOM 57763682

57763682 BRACKET,MOUNTING,ASSM

REF.	PART NO.	QTY	UNIT	DESCRIPTION	NOTES
002.0	57763690	1.0	EA	BRACKET,MOUNTING B/U	
016.0	96727318	4.0	EA	BOLT	
018.0	50882281	1.0	EA	GROMMET	
019.0	51789220	1.0	EA	LAMP	
020.0	51857324	1.0	EA	ALARM,BACKUP ASSY	See Page 460
021.0	96727193	2.0	EA	BOLT	
022.0	96726799	2.0	EA	NUT/84M4JD6M3	

51857324 ALARM, BACKUP ASSY

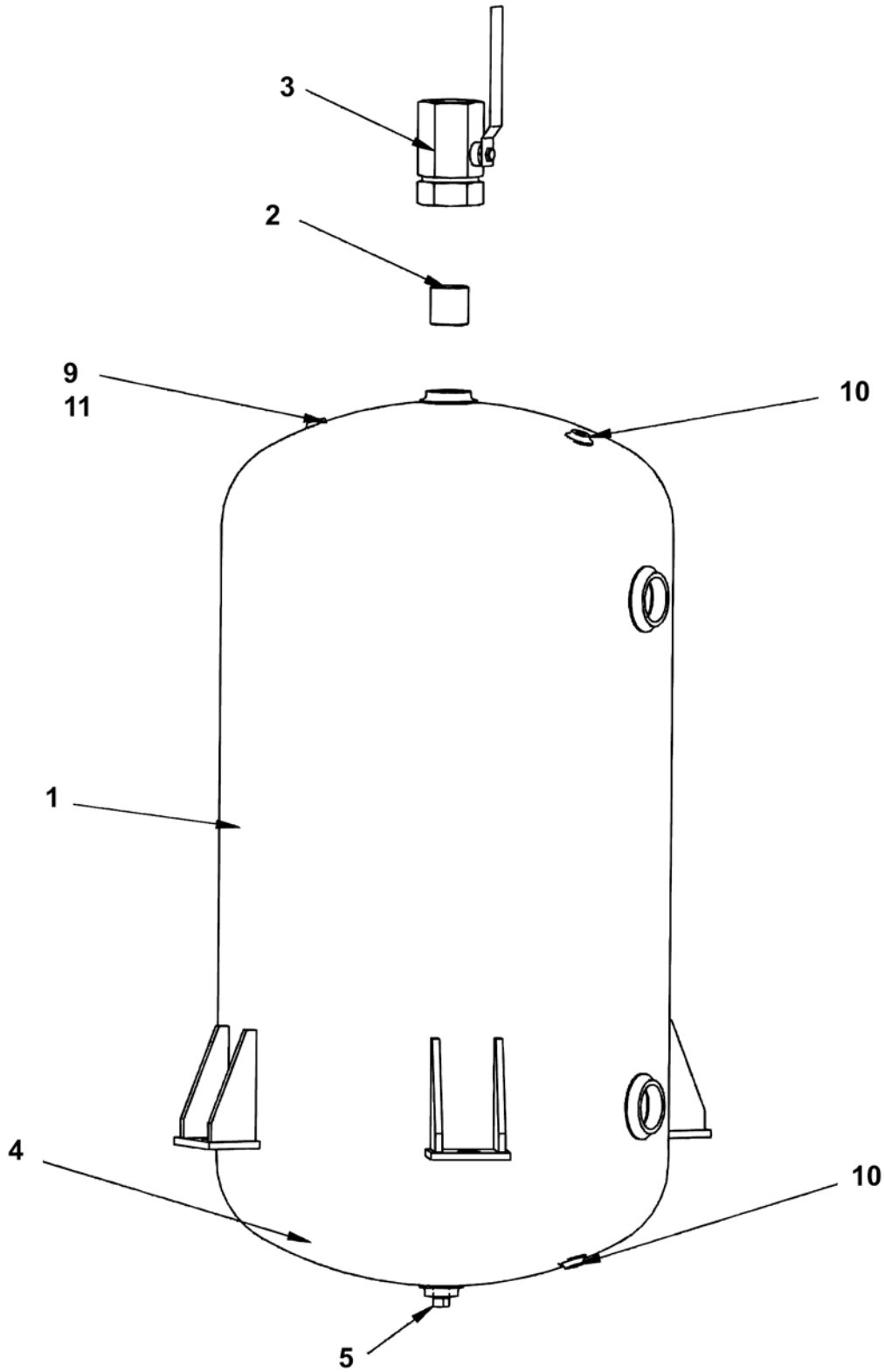


BOM 51857324

51857324 ALARM,BACKUP ASSY

REF.	PART NO.	QTY	UNIT	DESCRIPTION	NOTES
001.0	51618288	1.0	EA	ALARM,BACKUP	
002.0	51791879	1.0	EA	CONNECTOR	
003.0	51795623	1.0	EA	CONNECTOR,MALE BULLET	

57763716 TANK,VAPOSOL ASM



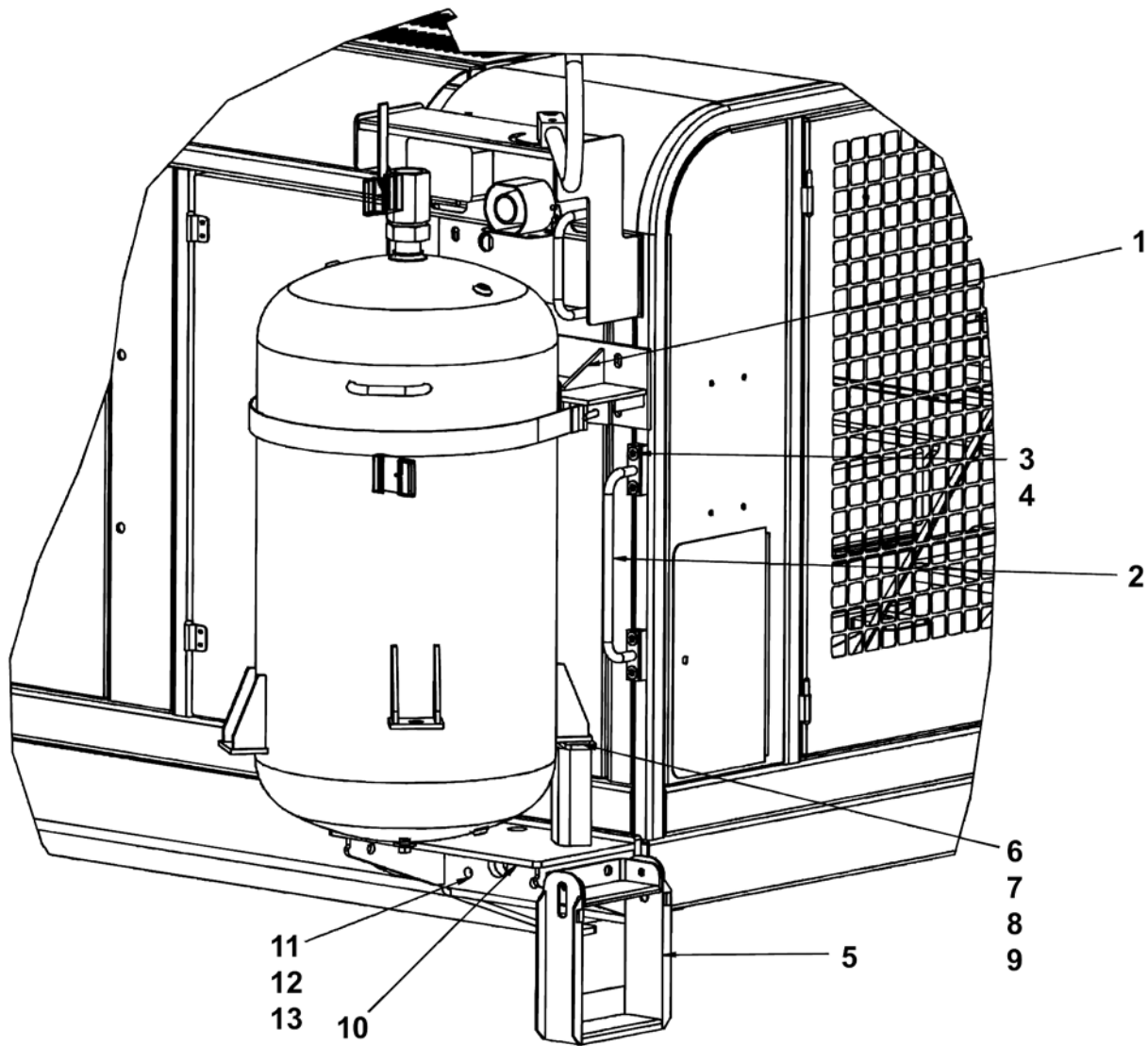
C2657763716 REV 004

BOM 57763716

57763716 TANK,VAPOSOL ASM

REF.	PART NO.	QTY	UNIT	DESCRIPTION	NOTES
001.0	57762403	1.0	EA	TANK,VAPOSOL,80 GAL,ASME	
002.0	57824153	1.0	EA	NIPPLE EXTRA STRONG	
003.0	50963735	1.0	EA	VALVE,BALL	
004.0	95279535	1.0	EA	ELBOW,90 DEG MALE	
005.0	57824229	1.0	EA	PLUG,SQUARE HEAD	
008.0	57809923	1.0	EA	BUSHING , HEX HEAD	
009.0	50903236	1.0	EA	BREATHER	
010.0	57809980	2.0	EA	PLUG, HEX HEAD	
011.0	56947518	1.0	EA	FITTING,HYD	

57763708 BRACKET, VAPOSOL TANK



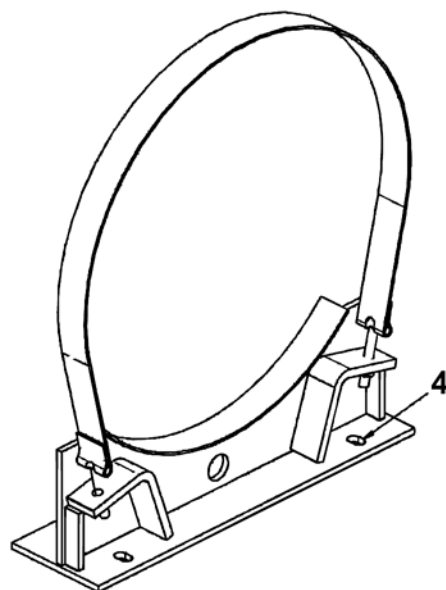
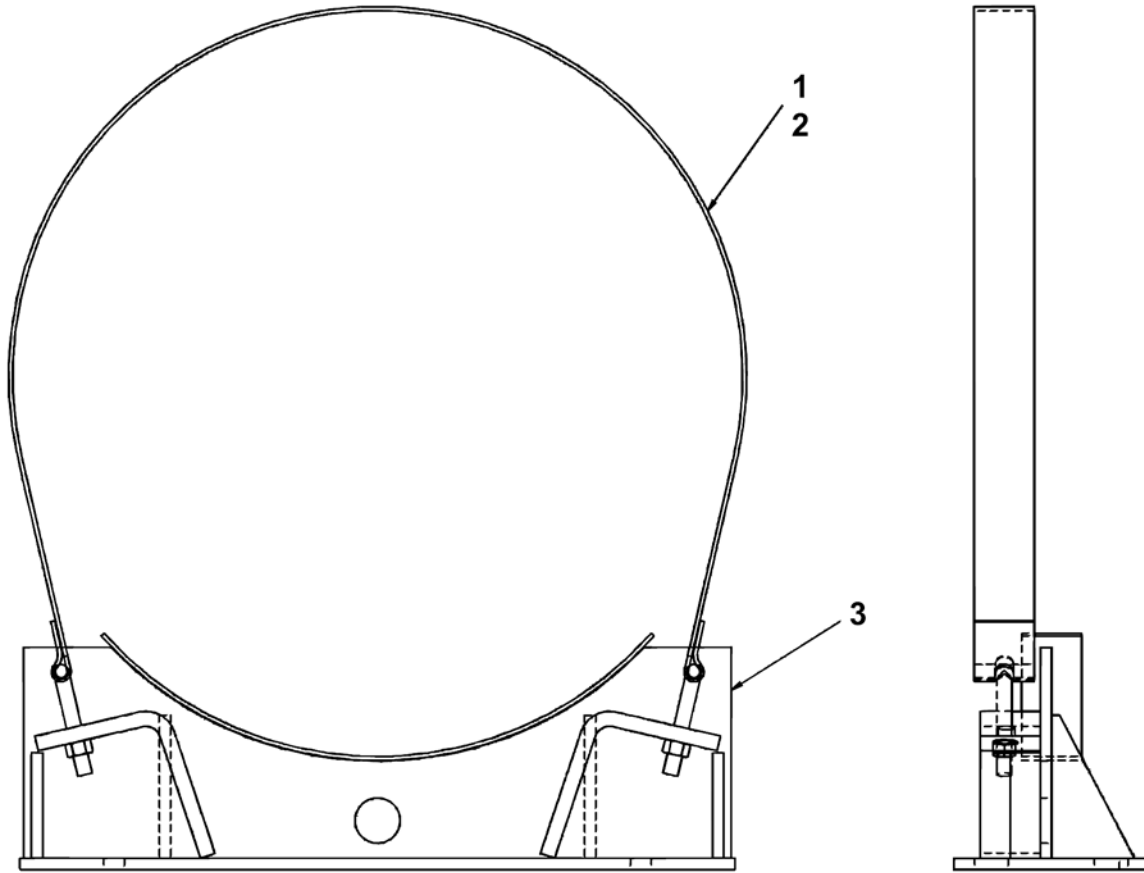
D2657763708 REV 001

BOM 57763708

57763708 BRACKET,VAPOSOL TANK

REF.	PART NO.	QTY	UNIT	DESCRIPTION	NOTES
001.0	57763724	1.0	EA	BRACKET,ASSM,VAPOSOL,TOP	See Page 466
002.0	57763765	1.0	EA	HANDRAIL,WELDMENT	
003.0	95919544	4.0	EA	CAPSCREW/35A2A217Z1HR	
004.0	50977289	4.0	EA	WASHER	
005.0	57789398	1.0	EA	STEP ASSEMBLY	See Page 468
006.0	96716337	2.0	EA	CAPSCREW,HEX HEAD	
007.0	96702568	4.0	EA	WASHER/10M5LC19AM4HR	
008.0	96727136	2.0	EA	NUT	
009.0	52104767	2.0	EA	PAD,ISOLATOR	
010.0	57763773	1.0	EA	BRACKET,WELDMENT,LOWER	
011.0	95934378	6.0	EA	CAPSCREW,HEX	
012.0	95935011	6.0	EA	WASHER	
013.0	95934691	6.0	EA	WASHER,LOCK,HELICAL	

57763724 BRACKET,ASSM,VAPOSOL,TOP



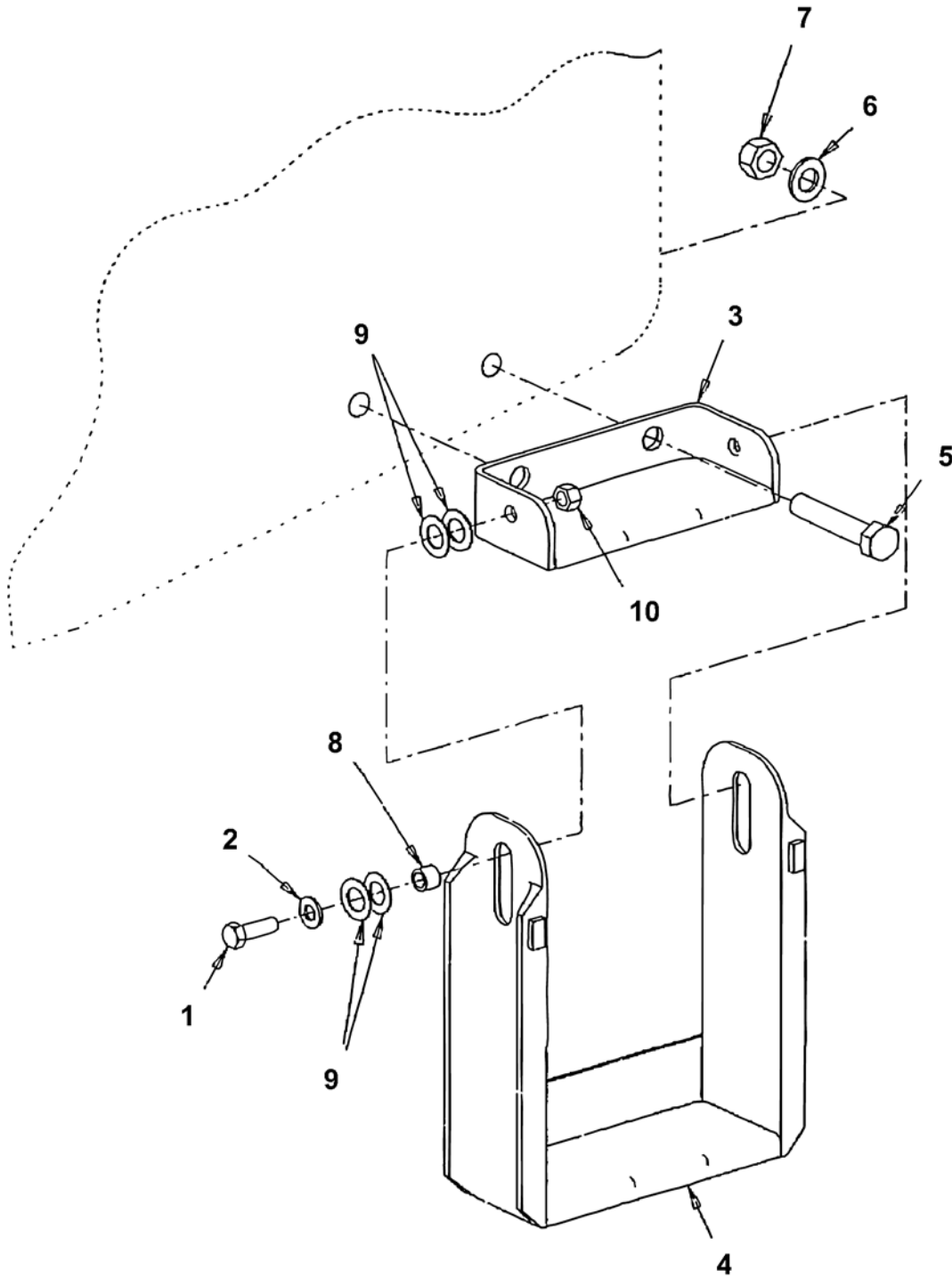
D2657763724 REV 001

BOM 57763724

57763724 BRACKET,ASSM,VAPOSOL,TOP

REF.	PART NO.	QTY	UNIT	DESCRIPTION	NOTES
001.0	57763732	1.0	EA	BAND,ASSEMBLY	
002.0	57763740	96.0	IN	INSULATOR,RUBBER	
003.0	57763757	1.0	EA	BRACKET,WELDMENT,TOP	
004.0	96727318	4.0	EA	BOLT	

57789398 STEP ASSEMBLY



BOM 57789398

57789398 STEP ASSEMBLY

REF.	PART NO.	QTY	UNIT	DESCRIPTION	NOTES
001.0	95919569	2.0	EA	CAPSCREW	
002.0	50977289	2.0	EA	WASHER	
003.0	51727360	1.0	EA	STEP, FIXED	
004.0	51727378	1.0	EA	STEP, SWINGING	
005.0	95920021	2.0	EA	CAPSCREW/35A2A377Z1HR	
006.0	50959030	2.0	EA	WASHER BOW-36708	
007.0	95943916	2.0	EA	LOCKNUT/85A4CA12Z1HR	
008.0	51616837	2.0	EA	BUSHING	
009.0	51615953	8.0	EA	WASHER, NYLON	
010.0	95943080	2.0	EA	NUT, HEX 1/2/85A4CA8Z1HR	

57794430 OPTION,DUST COLLECTOR 8"



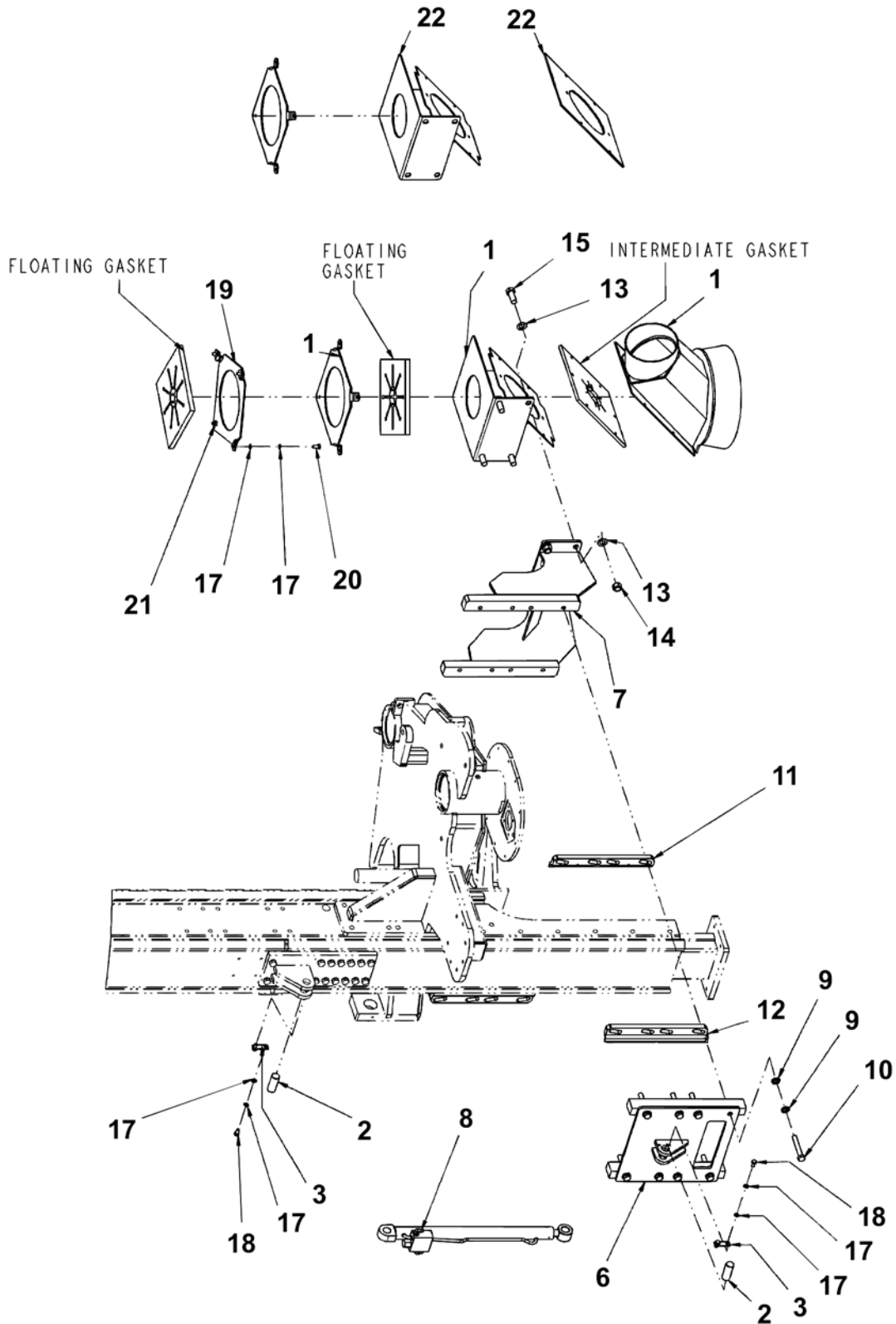
LIST REV 000

BOM 57794430

57794430 OPTION,DUST COLLECTOR 8"

REF.	PART NO.	QTY	UNIT	DESCRIPTION	NOTES
001.0	57901159	1.0	EA	ASM,DUST COLLECTOR,SEPAR	See Page 472
002.0	57824609	1.0	EA	COLLECTOR,DUST INSTALL	See Page 476
003.0	57794364	1.0	EA	PICKUP POT ASM 8"	See Page 480
004.0	57738304	1.0	EA	VALVE,FLOW CONTROL,DUST	See Page 484

57901159 ASM,DUST COLLECTOR,SEPAR



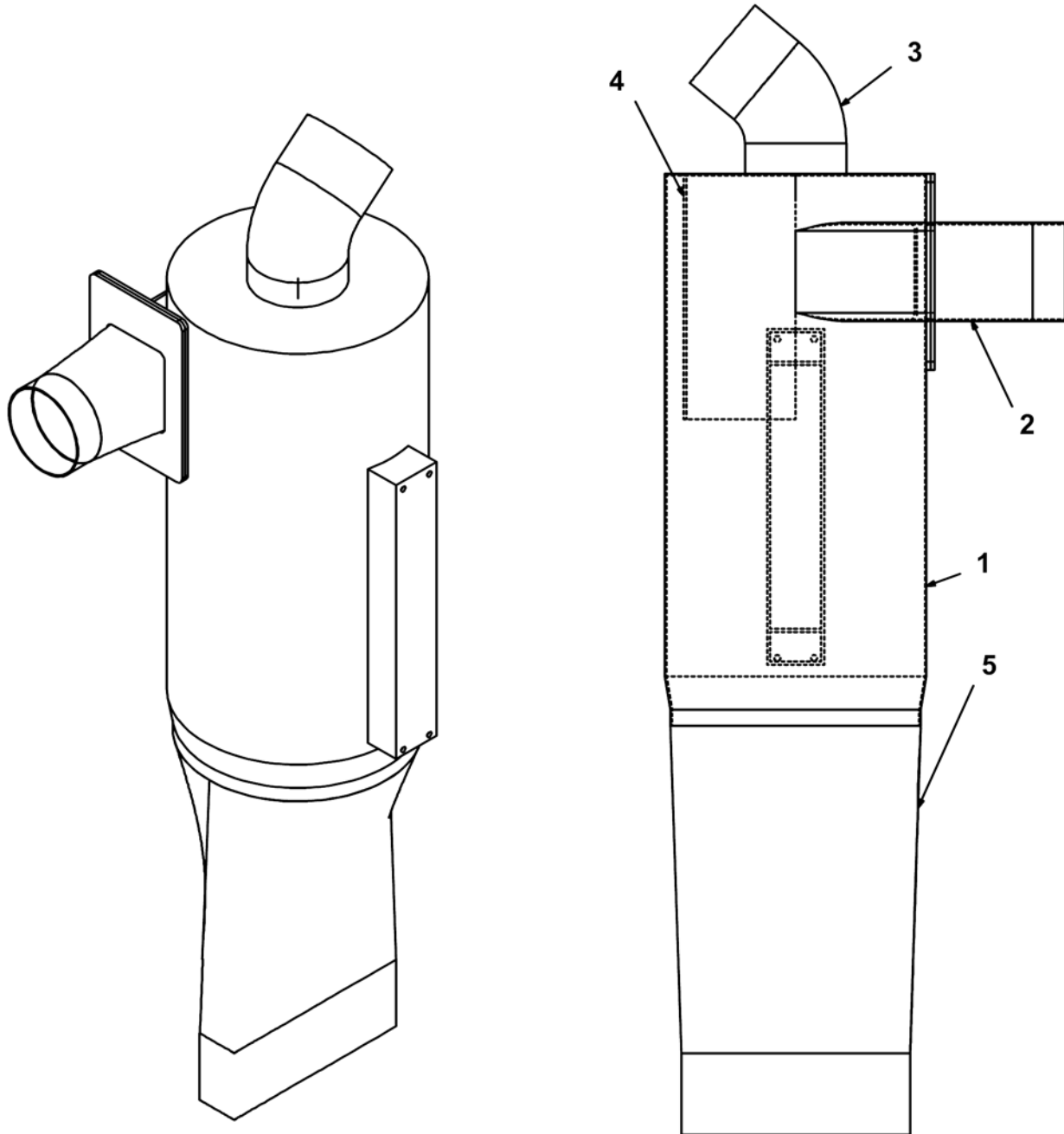
TB2657914426 REV 000

BOM 57901159

57901159 ASM,DUST COLLECTOR,SEPAR

REF.	PART NO.	QTY	UNIT	DESCRIPTION	NOTES
001.0	96700844	40.0	EA	WASHER/12M5L27	
002.0	96711890	20.0	EA	SCREW,HEX/35M2AA466M3HR	
004.0	52091493	1.0	EA	SEPARATOR,PIN	
005.0	52093168	2.0	EA	BEARING,SLEEVE	
005.0	57901126	0.0	EA	ARM,PIVOT SEPARATOR 5M	
006.0	57901126	1.0	EA	ARM,PIVOT SEPARATOR 5M	
007.0	57935686	1.0	EA	CYL,ROD CHANGE/SWING	
-	58002007	1.0	EA	- KIT,SEAL ARC CYLINDER	
009.0	57901134	1.0	EA	SUPPORT,SEPARATOR 5M	
010.0	52329646	1.0	EA	SEPARATOR,DUST COLLECTOR	See Page 474
011.0	57901142	1.0	EA	BRACKET,SEPARATOR 5M	
012.0	57756116	1.0	EA	PIVOT,SEPARATOR	
013.0	95098703	2.0	EA	PIN,ROLL	
014.0	95201281	3.0	EA	FITTING,HYD.LUBE	
-	03207974	1.0	EA	- FITTING	
015.0	57756140	2.0	EA	PIN,SEPARATOR	
017.0	96728241	2.0	EA	CAPSCREW	
019.0	96727169	1.0	EA	BOLT	
020.0	96714910	4.0	EA	CAPSCREW,HEX HD/35M2AA46	
022.0	96705652	20.0	EA	NUT,LOCK	
024.0	95081709	2.0	EA	WASHER,FLAT	
025.0	52329745	1.0	EA	HOSE,DUSTCOLLECT 8"X12'	
026.0	52329778	2.0	EA	CLAMP,DBL BOLT 8.0-8.9"	
030.0	57291049	1.0	EA	RESTRICTOR, JIC/JIC .062	
031.0	57756157	1.0	EA	CHAIN	
032.0	03241395	1.0	FT	HOSE BULK BH16B	
033.0	51783017	2.0	EA	SHACKLE,CHAIN	
034.0	57199028	2.0	EA	FITTING, HYD	
035.0	51785970	1.0	EA	SCREEN,WIND CLEARPLASTIC	
036.0	52284825	1.0	EA	BAND,MOUNTING,WINDSCREEN	

52329646 SEPARATOR, DUST COLLECTOR

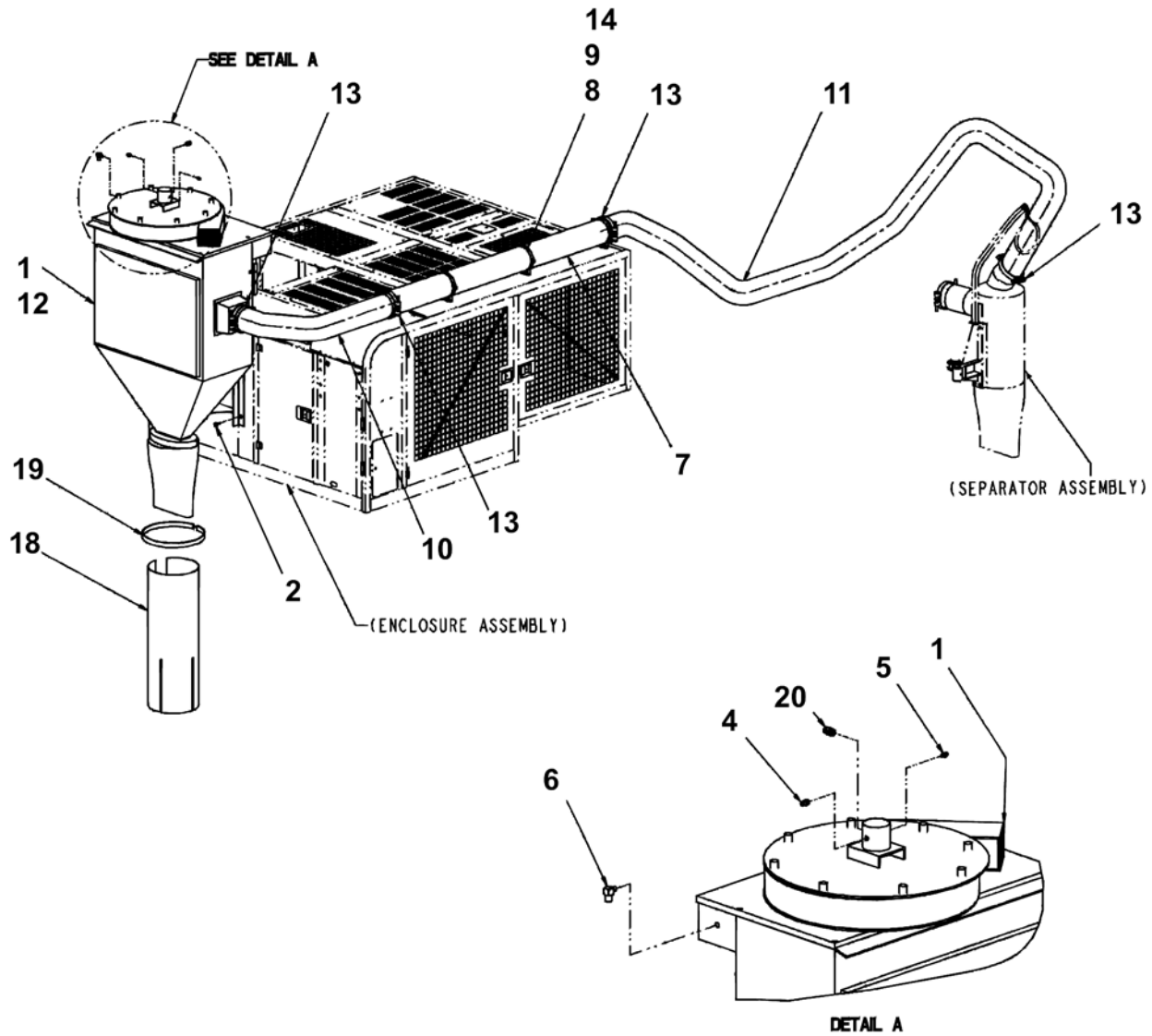


BOM 52329646

52329646 SEPARATOR,DUST COLLECTOR

REF.	PART NO.	QTY	UNIT	DESCRIPTION	NOTES
001.0	57742892	1.0	EA	BODY	
002.0	57742884	1.0	EA	INLET,8"	
003.0	57742876	1.0	EA	OUTLET,8"	
004.0	57742868	1.0	EA	PLATE,INTERNAL WEAR	
005.0	57742850	1.0	EA	HOSE,DISCHARGE	
006.0	57748063	1.0	EA	BAND	
007.0	57748071	1.0	EA	CAGE	
008.0	95996815	4.0	EA	BOLT, CARRIAGE	
009.0	95923199	4.0	EA	NUT,ELASTIC LOCK-1/4-20	

57824609 COLLECTOR,DUST INSTALL

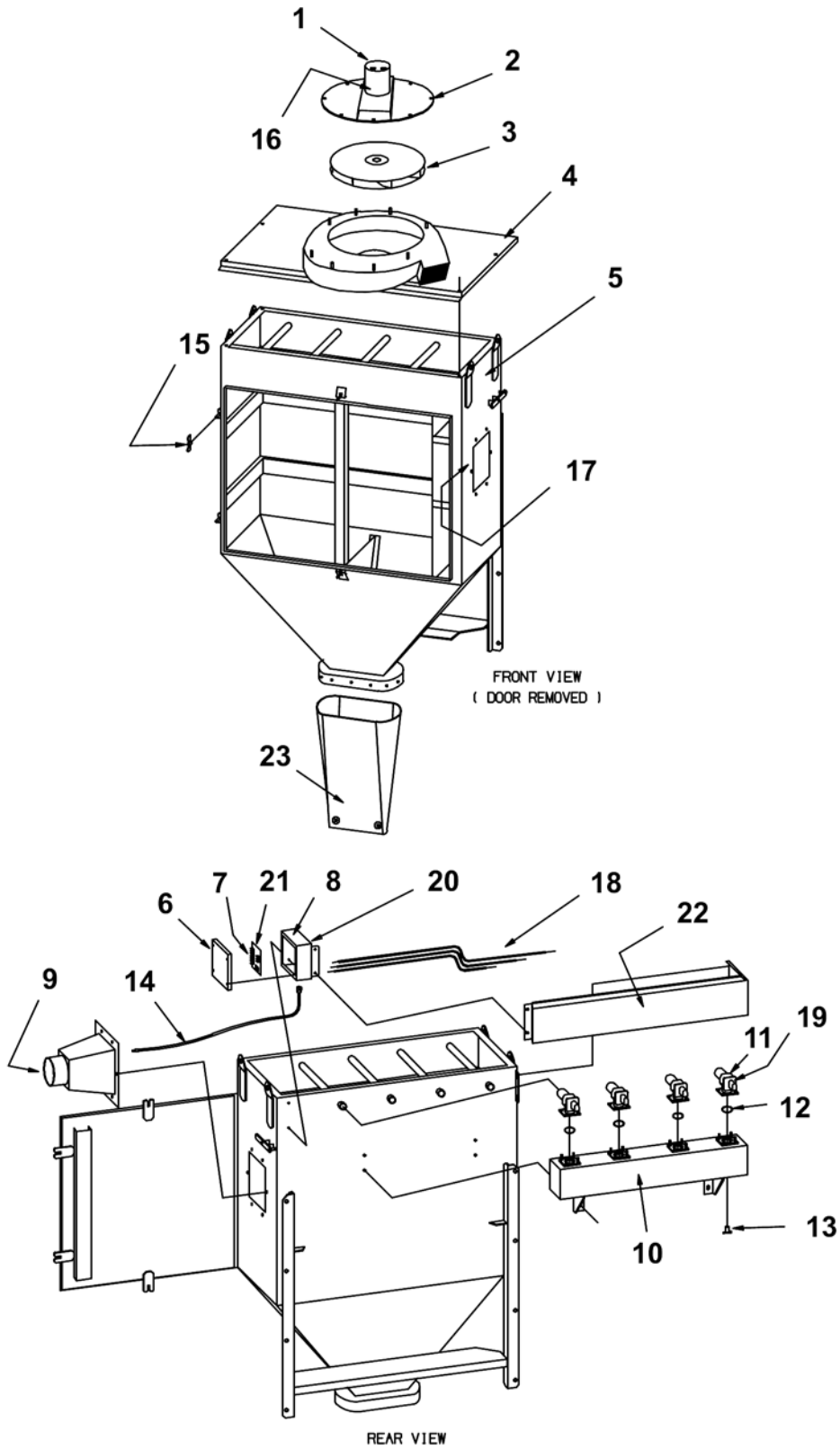


BOM 57824609

57824609 COLLECTOR,DUST INSTALL

REF.	PART NO.	QTY	UNIT	DESCRIPTION	NOTES
001.0	57824559	1.0	EA	COLLECTOR, DUST	See Page 478
002.0	96727318	6.0	EA	BOLT	
004.0	95303368	1.0	EA	CONNECTOR,STRT THRD	
005.0	95402806	1.0	EA	CONNECTOR,STRT THRD	
006.0	95279543	1.0	EA	FITTING,HYD	
007.0	52327533	1.0	EA	TUBE,DUST COLLECTOR	
008.0	57064958	3.0	EA	BAND,MOUNTING,8	
009.0	51989572	6.0	EA	BOLT,HEX FLANGE	
010.0	52329752	1.0	EA	HOSE,DUST COLLECTOR	
011.0	52329760	1.0	EA	HOSE,DUST COLLECTOR	
012.0	57714388	4.0	EA	FILTER,DUST COLLECTOR	
013.0	52329778	4.0	EA	CLAMP,DBL BOLT 8.0-8.9"	
014.0	52321395	3.0	EA	SPACER,DUST TUBE	
018.0	51785970	1.0	EA	SCREEN,WIND CLEARPLASTIC	
019.0	52284825	1.0	EA	BAND,MOUNTING,WINDSCREEN	
020.0	95364949	1.0	EA	FITTING, HYD	

57824559 COLLECTOR, DUST



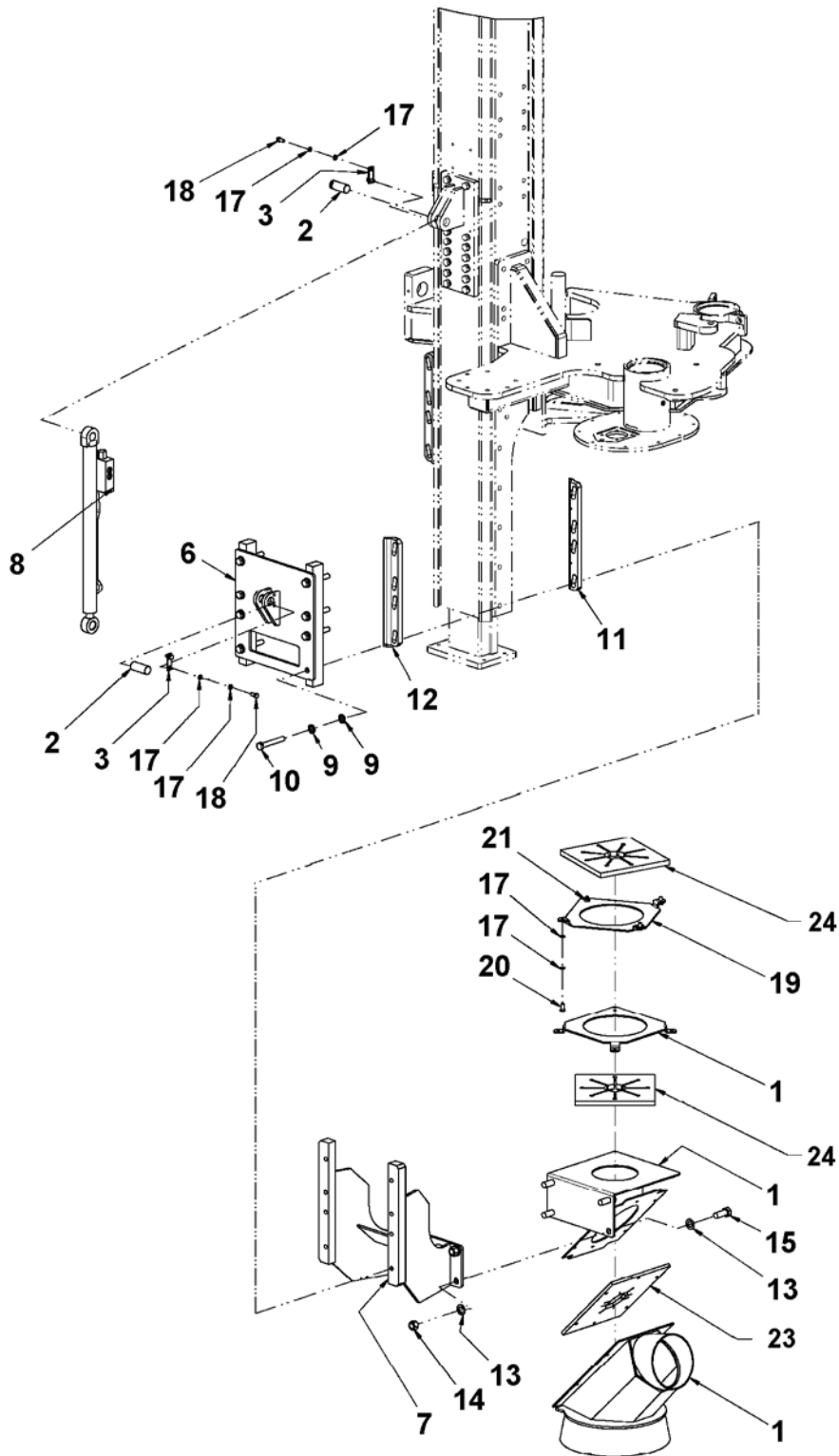
D2657824559 REV 001

BOM 57824559

57824559 COLLECTOR, DUST

REF.	PART NO.	QTY	UNIT	DESCRIPTION	NOTES
001.0	52131323	1.0	EA	MOTOR,FAN,DUST COLL 14CC	
-	52327145	1.0	EA	- KIT,SEAL	
002.0	52331527	1.0	EA	PLATE,FAN MOTOR	
003.0	52331519	1.0	EA	WHEEL,FAN	
004.0	52331501	1.0	EA	COVER,FAN HSG/CABINET	
006.0	52327202	1.0	EA	COVER,TIMER BOX	
007.0	51793461	1.0	EA	CARD,TIMER	
-	52130960	1.0	EA	- FUSE,TIMER	
008.0	52327194	1.0	EA	BOX,TIMER	
009.0	52331535	1.0	EA	INLET,DC(8")	
010.0	57762734	1.0	EA	MANIFOLD,AIR	
011.0	57686438	4.0	EA	VALVE,AIR PULSE	
-	57686446	1.0	EA	- KIT,DIAPHRAM REPAIR	
-	57686453	1.0	EA	- VALVE,SOLENOID 24/DC	
012.0	52327103	4.0	EA	O-RING	
013.0	51793404	1.0	EA	VALVE,AIR DRAIN	
014.0	52327228	1.0	EA	WIRE,POWER CONN.CORD	
015.0	51793438	1.0	EA	NUT,WING	
016.0	52327145	0.0	EA	KIT,SEAL	
017.0	52327178	1.0	EA	PLATE,RUBBER WEAR	
018.0	52331469	1.0	EA	HARNESS,WIRING	
019.0	57686453	4.0	EA	VALVE,SOLENOID 24/DC	
021.0	52130960	1.0	EA	FUSE,TIMER	
022.0	57814220	1.0	EA	SHIELD,AIR VALVE	
023.0	57824575	1.0	EA	HOSE,DUMP	

57794364 PICKUP POT ASM 8"



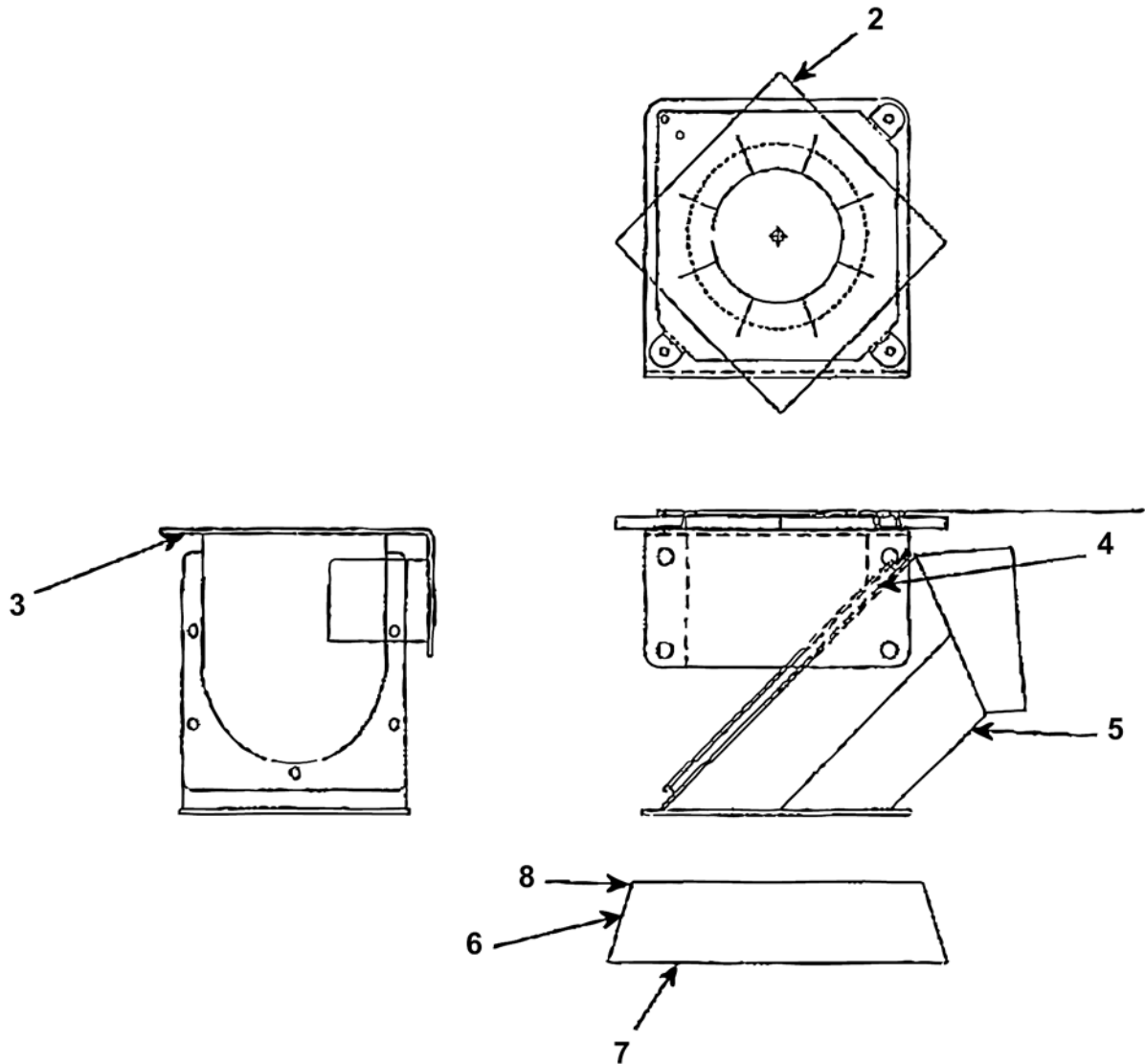
D2657911224 REV 000

BOM 57794364

57794364 PICKUP POT ASM 8"

REF.	PART NO.	QTY	UNIT	DESCRIPTION	NOTES
001.0	52331089	1.0	EA	DUSTPOT 8"	See Page 482
002.0	57873556	2.0	EA	PIN,1.2(30MM) OD X 2 7/8	
003.0	57873564	2.0	EA	TAB,PIN-2.36 X .79	
006.0	57873572	1.0	EA	BRACKET,CYLINDER CRADLE	
007.0	57917163	1.0	EA	BRACKET,DUSTPOT WELDMENT	
008.0	57935736	1.0	EA	CYL,DUST HOOD 785/765	
-	58002072	1.0	EA	- KIT,SEAL DUST HOOD CYL	
-	54479407	1.0	EA	- VALVE,PO CHECK CART.	
-	59476705	1.0	EA	- SEAL KIT	
009.0	51377356	16.0	EA	WASHER,DISCLOCK 5/8 OR	
010.0	96735758	8.0	EA	BOLT/35M2AB526M3	
011.0	57872764	2.0	EA	WEAR-PAD,ASSEMBLY LEFT	
-	3128078438	1.0	EA	- HOLDER,RIGHT	
-	57873226	2.0	EA	- WEAR-PAD,SLIDE 200MM BLK	
-	57872798	6.0	EA	- KEY,4MM	
012.0	57872806	2.0	EA	WEAR-PAD,ASSEMBLY RIGHT	
-	3128078439	1.0	EA	- HOLDER LEFT	
-	57873226	2.0	EA	- WEAR-PAD,SLIDE 200MM BLK	
-	57872798	6.0	EA	- KEY,4MM	
013.0	96700976	8.0	EA	WASHER,FLAT 12M5L31	
014.0	96727136	4.0	EA	NUT	
015.0	96704481	4.0	EA	CAPSCREW/34M2AB566M3	
016.0	96719836	6.0	EA	SCREW,CAP	
017.0	51377398	14.0	EA	WASHER,DISCLOCK 3/8	
018.0	96702279	4.0	EA	CAPSCREW	
019.0	57701880	1.0	EA	BRACKET,TOP SEAL 8"	
020.0	96712146	4.0	EA	CAPSCREW/34M2AA410M3HR	
021.0	96727300	1.0	EA	NUT	
023.0	52138054	0.0	EA	GASKET,INTERMEDIATE 3"	
023.0	57703704	0.0	EA	GASKET,INTERMEDIATE 4"	
023.0	57774721	0.0	EA	GASKET,INTERMEDIATE 3.5"	
024.0	51994978	0.0	EA	SEAL,TOP 3"	
024.0	57701898	0.0	EA	SEAL,TOP 4"	
024.0	57774747	0.0	EA	SEAL,TOP 3.5"	

52331089 DUSTPOT 8"

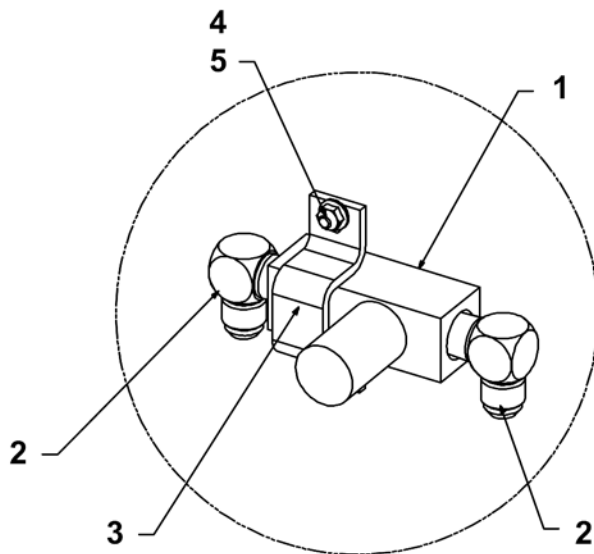
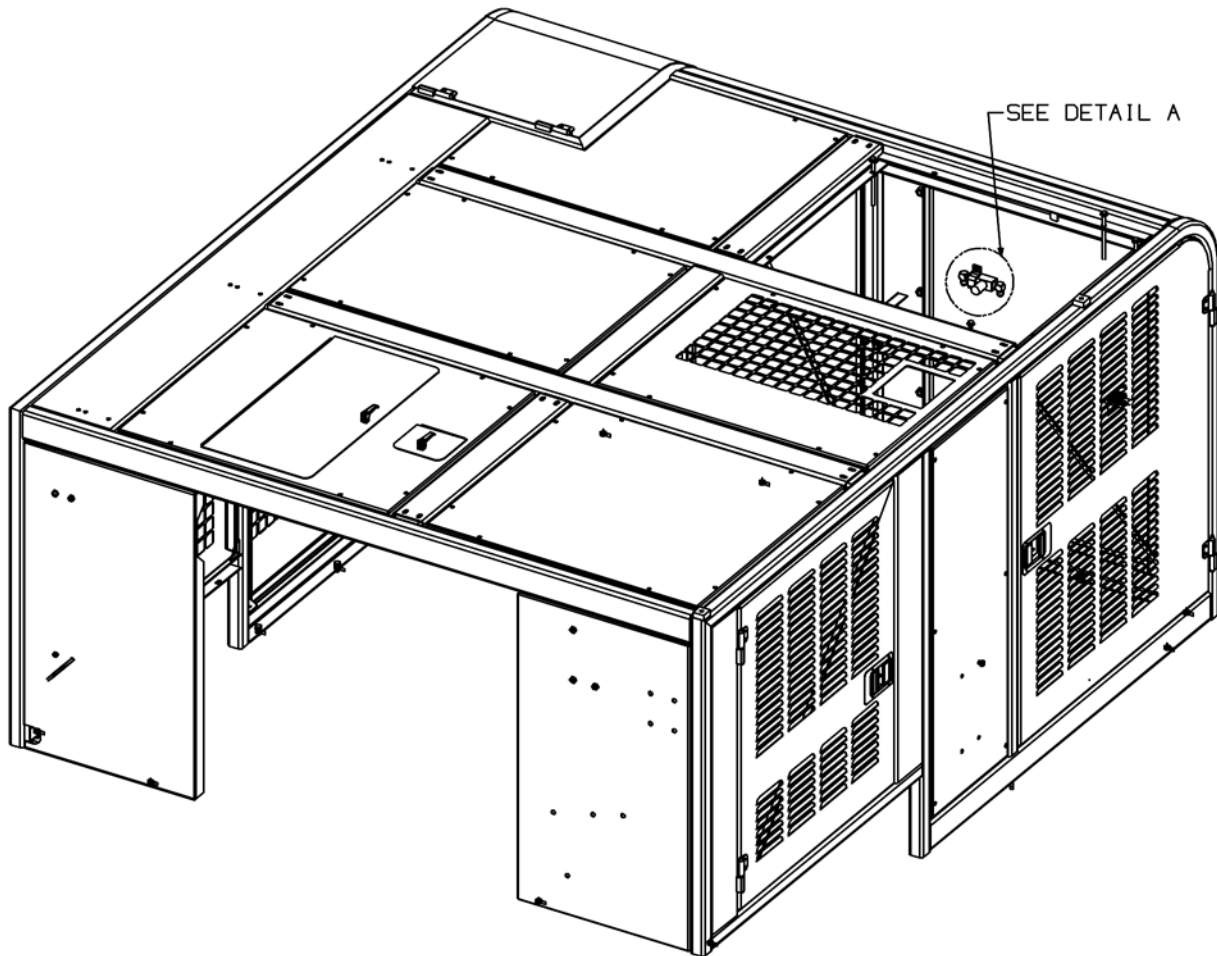


BOM 52331089

52331089 DUSTPOT 8"

REF.	PART NO.	QTY	UNIT	DESCRIPTION	NOTES
001.0	57701880	1.0	EA	BRACKET, TOP SEAL 8"	
003.0	52331584	1.0	EA	SECTION, UPPER, DUSTPOT	
005.0	52331592	1.0	EA	SECTION, LOWER DUSTPOT	
006.0	57703712	1.0	EA	SKIRT, RUBBER W/RETAINERS	
007.0	57703720	1.0	EA	WASHER, RETAINER, SKIRT	

57738304 VALVE, FLOW CONTROL, DUST



DETAIL A

D2657738304 REV 001

BOM 57738304

57738304 VALVE, FLOW CONTROL, DUST

REF.	PART NO.	QTY	UNIT	DESCRIPTION	NOTES
001.0	57738296	1.0	EA	VALVE, FLOW CONTROL	
002.0	95279535	2.0	EA	ELBOW, 90 DEG MALE	
003.0	57737116	1.0	EA	BRACKET, FLOW CONTROL VLV	
004.0	96742689	2.0	EA	BOLT, HEX FLANGE	
005.0	96726781	2.0	EA	NUT/84M4JD4M3	

This page is intentionally blank.



Section H - Tools/Accessories



57708190 FLUIDS,CM700D



LIST REV 000

BOM 57708190

57708190 FLUIDS,CM700D

REF.	PART NO.	QTY	UNIT	DESCRIPTION	NOTES
001.0	22252043	24.0	GL	OIL,BULK XHP605	
002.0	51352201	210.0	GL	OIL,HYRAULIC	
003.0	50862705	6.0	QT	OIL,GEAR	
004.0	50257112	2.0	GL	OIL,ROCK DRILL	
005.0	50651918	5.0	LB	GREASE	
006.0	50946797	28.0	QT	OIL,ENG MTR	
007.0	50651900	40.0	GL	OIL,FUEL	
008.0	50262526	10.0	GL	ANTI-FREEZE	
011.0	52307410	1.0	EA	KIT,HOSE BUNDLING	See Page 490
012.0	57803843	2.0	EA	FILTER ELEMENT,HIGH PRES	

52307410 KIT,HOSE BUNDLING



BOM 52307410

52307410 KIT,HOSE BUNDLING

REF.	PART NO.	QTY	UNIT	DESCRIPTION	NOTES
001.0	50393529	75.0	EA	TIES TBC-WE-TY27MX	
002.0	52308681	50.0	EA	STRAP,HOSE	
003.0	52308681	25.0	EA	STRAP,HOSE	
005.0	52087160	35.0	FT	WRAP,HOSE	
006.0	51858124	100.0	FT	WRAP,HOSE,SPIRAL CUT	
007.0	51858140	30.0	FT	WRAP,HOSE,SPIRAL CUT	
008.0	51858132	50.0	FT	WRAP,HOSE,SPIRAL CUT	

57725806 KIT,SHIP



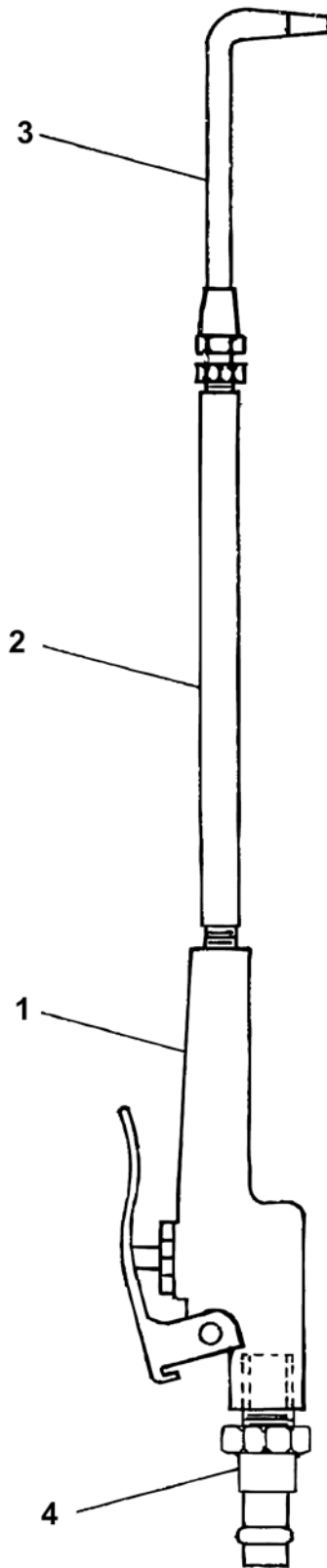
UNAVAILABLE

BOM 57725806

57725806 KIT,SHIP

REF.	PART NO.	QTY	UNIT	DESCRIPTION	NOTES
001.0	51989077	1.0	EA	AIR HOSE ASSY	
-	51027902	1.0	EA	- COUPLING	
002.0	51307882	1.0	EA	BLOW GUN ASY	See Page 494
003.0	50141829	1.0	EA	GUN,GREASE	
004.0	50141894	1.0	EA	HOSE ASSY,GREASE GUN	
005.0	51307874	1.0	EA	ADAPTER	
006.0	57725889	1.0	EA	KIT,FILTER ASM,CM700D	
-	57890436	1.0	EA	- FILTER,FUEL	
-	57890444	1.0	EA	- FILTER,OIL	
-	57890451	1.0	EA	- COOLANT TREATMENT	
-	36860336	2.0	EA	- ELEMENT,OIL FILTER	
-	57803843	2.0	EA	- FILTER ELEMENT,HIGH PRES	
-	52293289	1.0	EA	- ELEMENT,FILTER	
007.0	51297612	1.0	EA	CYLINDER,ETHER	
008.0	51994762	2.0	EA	BRACKET,MIRROR	
009.0	52123387	2.0	EA	BRACKET,MIRROR	
010.0	96728571	4.0	EA	BOLT/131M2AB191M3	
011.0	96727706	4.0	EA	NUT,FLANGE	
012.0	52123486	1.0	EA	MIRROR,WEST COAST	
013.0	51789220	2.0	EA	LAMP	
014.0	52307436	1.0	EA	BRACKET,MIRROR	
015.0	51776961	1.0	EA	MIRROR,CONVEX	
016.0	95366555	1.0	EA	SCREW	
017.0	95943072	1.0	EA	NUT,HEX LOCK 5/8/85A4CA1	
018.0	96714050	1.0	EA	BOLT	
019.0	96726815	1.0	EA	NUT	
020.0	52280849	2.0	EA	STEP ASSEMBLY	See Page 496
022.0	96727177	8.0	EA	BOLT	
023.0	96726815	4.0	EA	NUT	
024.0	52122777	1.0	EA	BRACKET,MIRROR	
025.0	51994770	1.0	EA	MIRROR,CONVEX	
026.0	51856060	1.0	EA	MANUAL,CIMA SAFETY RD110	

51307882 BLOW GUN ASY



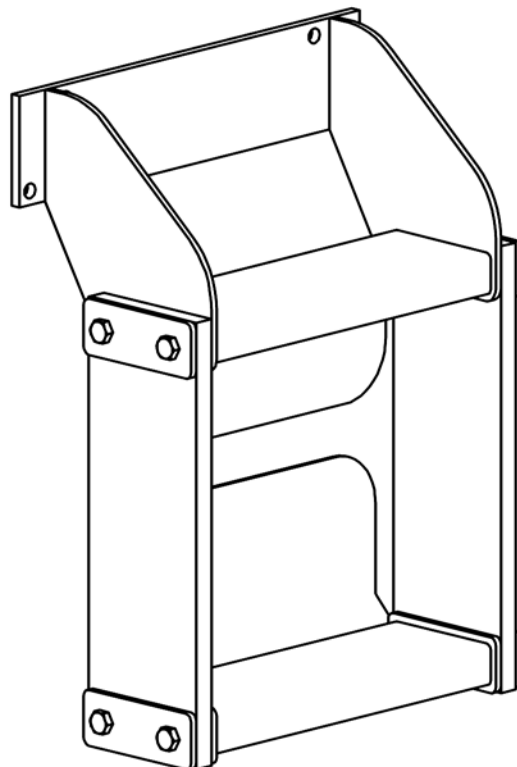
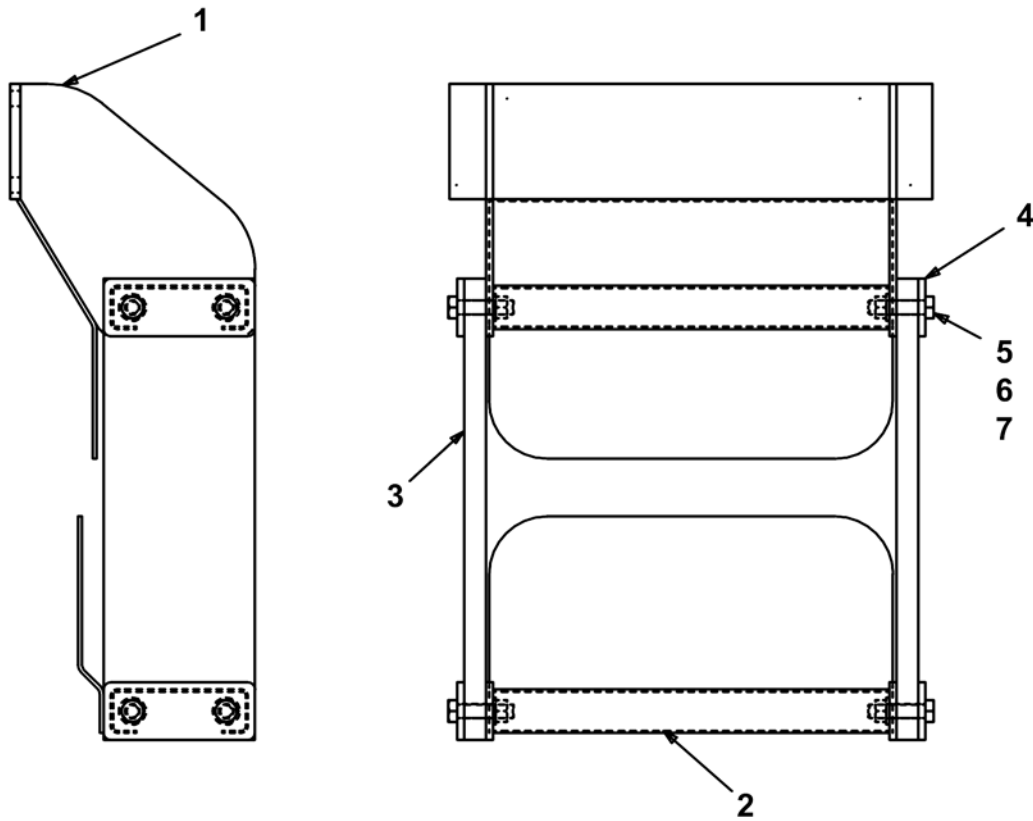
B2651307882 REV 002

BOM 51307882

51307882 BLOW GUN ASY

REF.	PART NO.	QTY	UNIT	DESCRIPTION	NOTES
001.0	51307890	1.0	EA	GUN,BLOW	
002.0	51307908	1.0	EA	BLOW GUN EXT	
003.0	51307916	1.0	EA	BLOW GUN EXT	
004.1	51617967	1.0	EA	MALE END	

52280849 STEP ASSEMBLY



C2652280849 REV 003

BOM 52280849

52280849 STEP ASSEMBLY

REF.	PART NO.	QTY	UNIT	DESCRIPTION	NOTES
001.0	52280856	1.0	EA	TOP WELDMENT,STEP	
002.0	52280864	1.0	EA	BOTTOM WELDMENT,STEP	
003.0	52280880	2.0	EA	RUBBER,STEP	
004.0	52280872	4.0	EA	PLATE	
005.0	96711890	8.0	EA	SCREW,HEX/35M2AA466M3HR	
006.0	96701412	8.0	EA	WASHER/12M5L27M3	
007.0	51862852	8.0	EA	LOCKNUT	

57916926 MAN/DECALS 785 ENG ASME



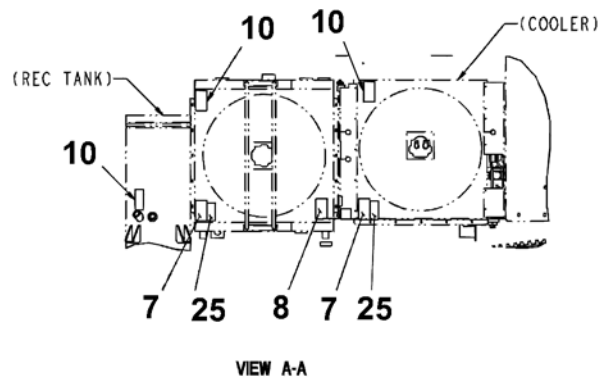
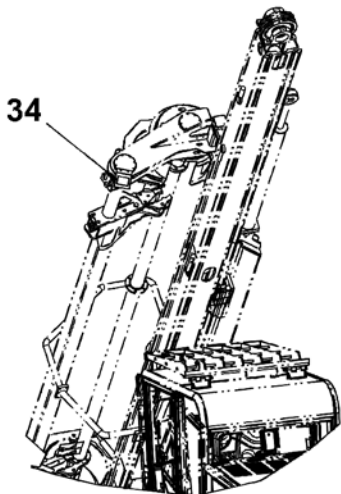
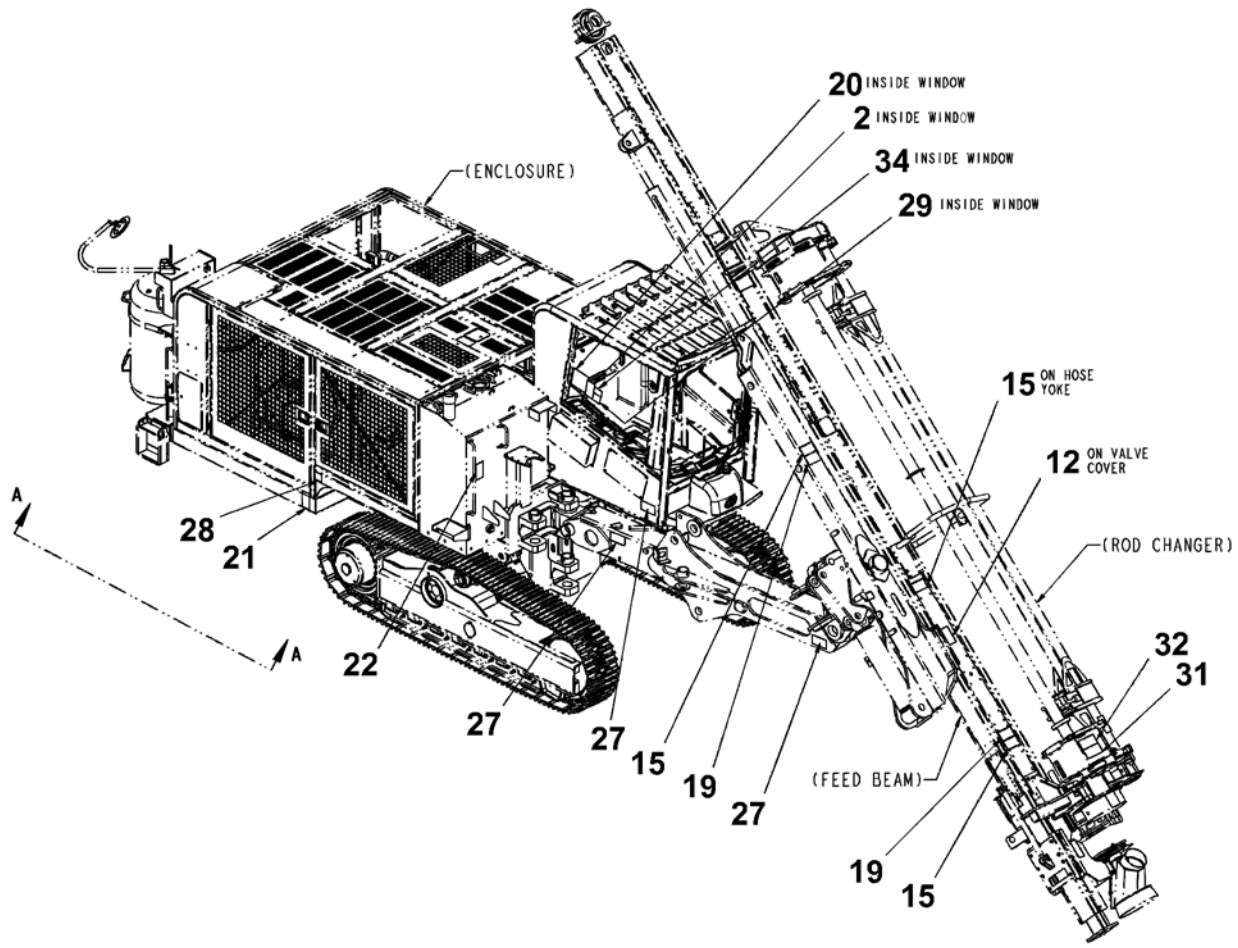
LIST REV 000

BOM 57916926

57916926 MAN/DECALS 785 ENG ASME

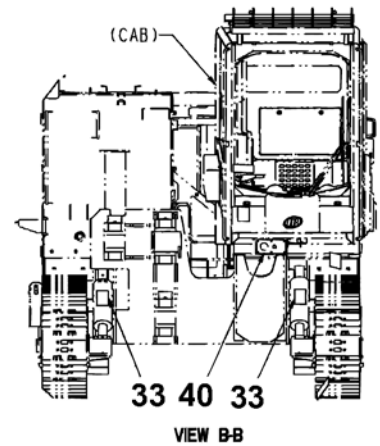
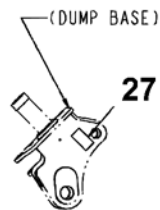
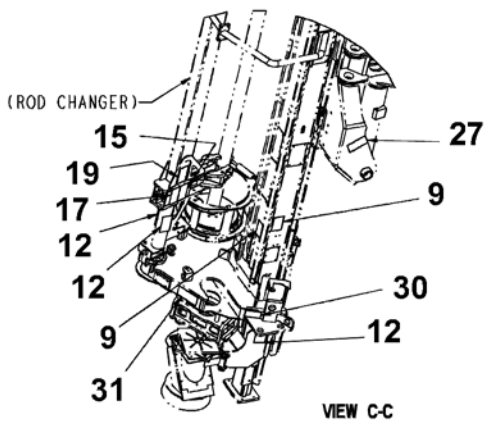
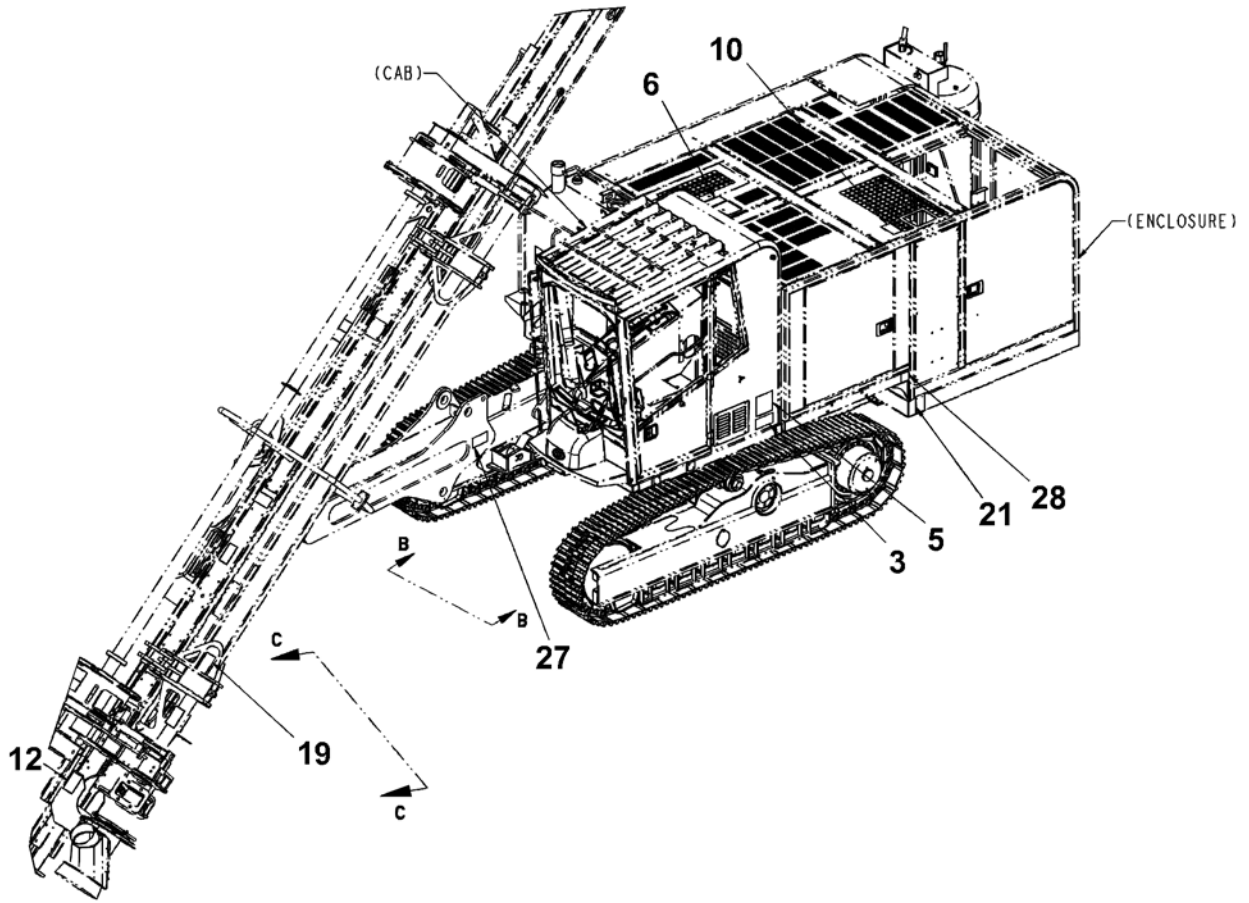
REF.	PART NO.	QTY	UNIT	DESCRIPTION	NOTES
002.0	57927626	1.0	EA	DECAL,SAFET ENG 785/765	See Page 500
003.0	57927634	1.0	EA	DECAL,NAMEPLATE GROUP	See Page 504
004.0	58001280	1.0	EA	DECAL,KIT, CM785	See Page 506
005.0	57927691	1.0	EA	SAFETY MANUAL 700 SERIES	
006.0	57927709	1.0	EA	SAFETY-MANUAL INSTALL	See Page 508
007.0	57935454	2.0	EA	EXTINGUISHER FIRE	
008.0	57935470	2.0	EA	BRACKET, FIRE EXT.	

57927626 DECAL, SAFET ENG 785/765



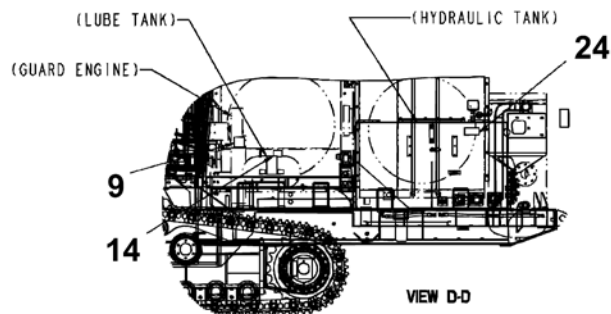
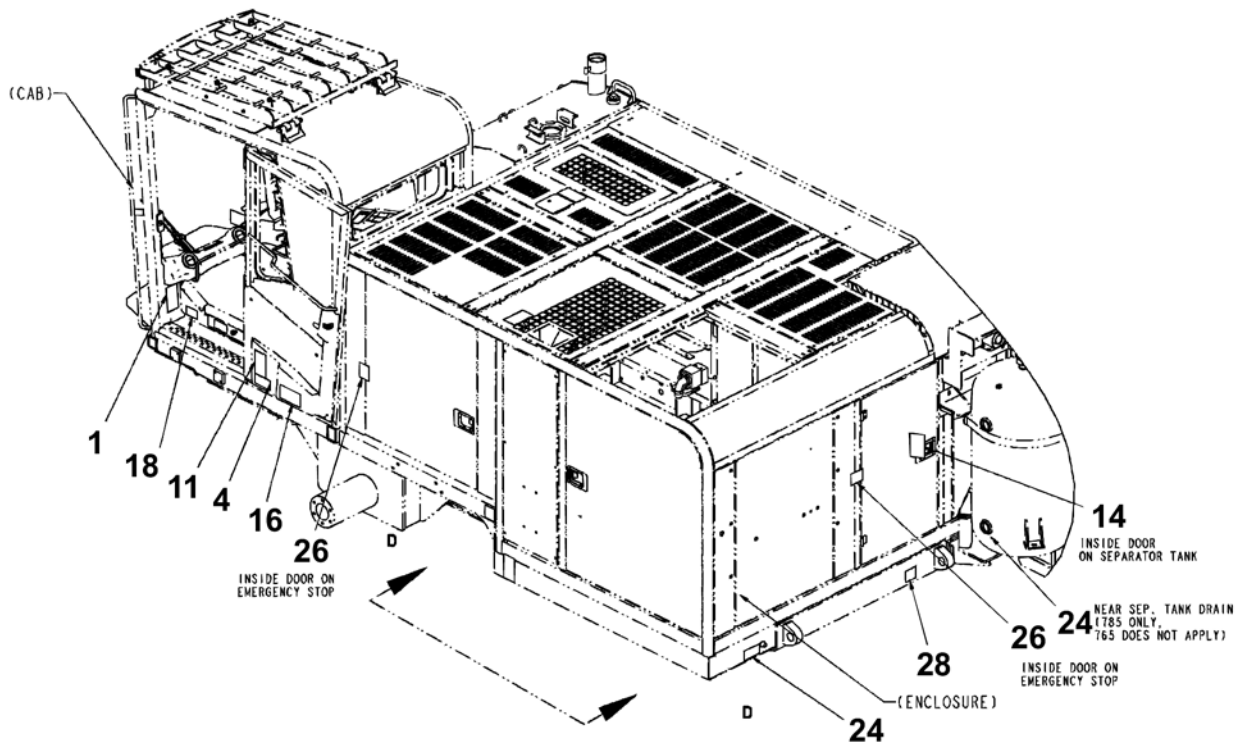
C2657927626 REV 002

57927626 DECAL, SAFET ENG 785/765



C2657927626 REV 002

57927626 DECAL, SAFET ENG 785/765



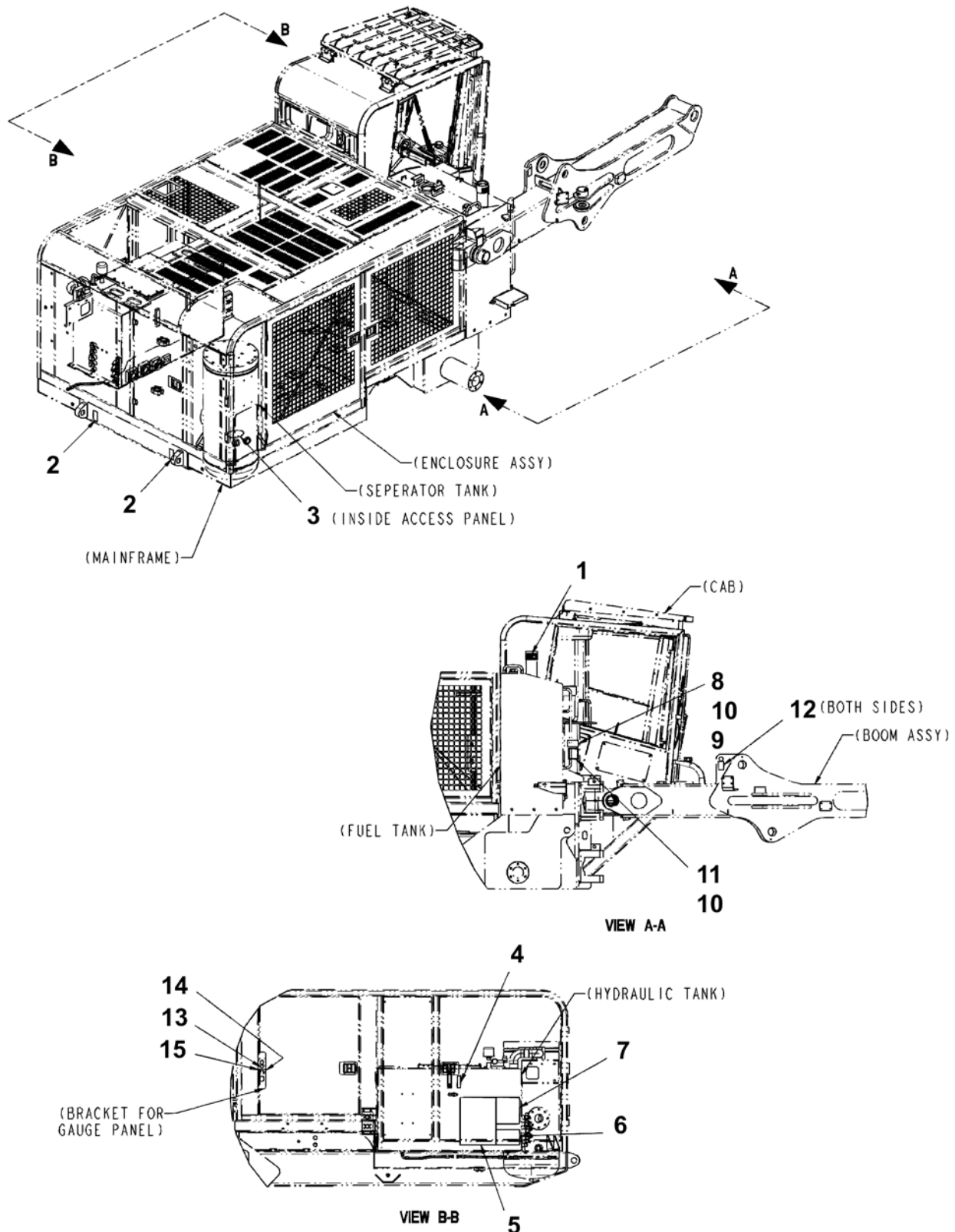
C2657927626 REV 002

BOM 57927626

57927626 DECAL,SAFET ENG 785/765

REF.	PART NO.	QTY	UNIT	DESCRIPTION	NOTES
001.0	51777357	1.0	EA	NAMEPLATE,ELECTROCUTION	
002.0	51778876	1.0	EA	NAMEPLATE,ROLLOVER,WARNI	
003.0	52292844	1.0	EA	NAMEPLATE,READ MANUAL	
004.0	51792414	1.0	EA	NAMEPLATE,MANUAL INSIDE	
005.0	52292851	1.0	EA	NAMEPLATE,DO NOT ALTER	
006.0	51777415	1.0	EA	NAMEPLATE,HI PRESS FLUID	
007.0	51777464	2.0	EA	NAMEPLATE,FAN BLADE	
008.0	51777365	1.0	EA	NAMEPLATE,COMBUSTIBLEGAS	
009.0	51357408	3.0	EA	NAMEPLATE,ROTATING PARTS	
010.0	51777407	4.0	EA	NAMEPLATE,HOT SURFACE	
011.0	51777373	3.0	EA	NAMEPLATE,DO NOT BREATHE	
012.0	51792695	5.0	EA	NAMEPLATE,CRUSH AREA	
014.0	51777381	2.0	EA	NAMEPLATE,HI PRESS AIR	
015.0	51777456	4.0	EA	NAMEPLATE,ROTATING STEEL	
016.0	51949691	1.0	EA	NAMEPLATE,NO PASSENGERS	
017.0	51949709	1.0	EA	NAMEPLATE,NO RIDING	
018.0	51996593	1.0	EA	PROPOSITION 65 WARNING	
019.0	51993145	4.0	EA	NAMEPLATE,DANGER ZONE	
020.0	57927683	1.0	EA	DECAL,STABILITY 5 METER	
021.0	51917904	2.0	EA	NAMEPLATE,RUNAWAYMACHINE	
022.0	52326410	1.0	EA	DECAL,FALL HAZARD	
024.0	52326436	3.0	EA	DECAL,HI PRESS FLUID	
025.0	52326444	2.0	EA	DECAL,WASH,FAN	
026.0	51991933	2.0	EA	DECAL,EMERGENCY SHUTDOWN	
027.0	51777449	6.0	EA	NAMEPLATE,CRUSH AREA	
028.0	51985968	3.0	EA	NAMEPLATE,TOW LIMIT	
029.0	51780906	1.0	EA	NAMEPLATE,OSCILLATION	
030.0	57927493	1.0	EA	DECAL,PRESSURIZED FLUID	
031.0	57927501	2.0	EA	DECAL,WARNING CRUSH	
032.0	57927519	1.0	EA	DECAL,WARNING ROTATING	
033.0	57927527	2.0	EA	DECAL DANGER OSCILLATION	
034.0	58027566	2.0	EA	DECAL,LOAD AND UNLOAD	
REF	51992477	0.0	EA	NAMEPLATE, WRENCH/HOIST	

57927634 DECAL,NAMEPLATE GROUP



D2657927634 REV 000

BOM 57927634

57927634 DECAL,NAMEPLATE GROUP

REF.	PART NO.	QTY	UNIT	DESCRIPTION	NOTES
001.0	57911174	1.0	EA	DECAL,DIESEL FUEL	
002.0	57927592	2.0	EA	DECAL,TOW/TIE DOWN	
003.0	54640040	1.0	EA	DECAL,XHP605 OVAL	
004.0	57701732	1.0	EA	DECAL,HYD OIL LEVEL	
005.0	52327517	1.0	EA	DECAL,MAINTENANCE CM700D	
006.0	57782831	1.0	EA	DECAL,LUBE ITEMS	
007.0	57910622	1.0	EA	DECAL,SERVICE CM700	
008.0	57767014	1.0	EA	NAMEPLATE	
009.0	57767006	1.0	EA	NAMEPLATE,CE	
010.0	95064192	4.0	EA	SCREW,DRIVE	
011.0	57701138	1.0	EA	PLATE,NOISE LABEL,CE	
012.0	51991867	2.0	EA	NAMEPLATE,LIFT POINT	
013.0	52327475	1.0	EA	DECAL,PUMP PRESSURE	
014.0	52292885	1.0	EA	DECAL,P2 PUMP PRESSURE	
015.0	52292877	1.0	EA	DECAL,P1 PUMP PRESSURE	
016.0	36512739	1.0	EA	DECAL,OIL LEVEL	

58001280 DECAL,KIT, CM785

2658001348



Decal on enclosure left side

2658001355



Decal on enclosure right side

2657935322



AC logo on enclosure left side

2657935330



AC logo on enclosure right side

2657935348

atlascopeco.com

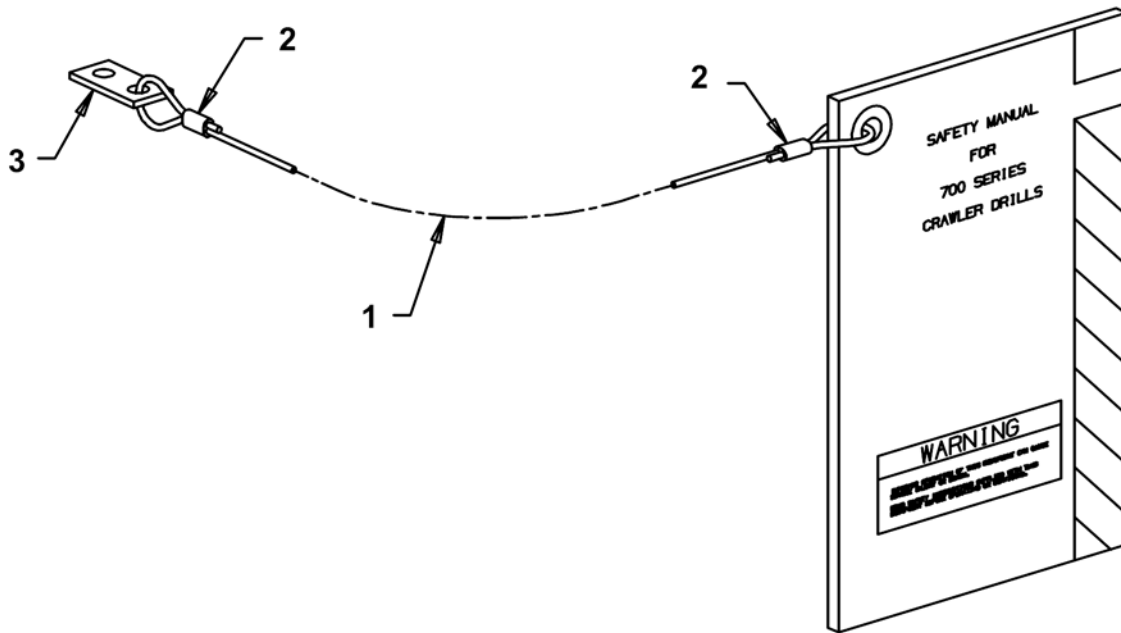
ac.com decal on cab door

BOM 58001280

58001280 DECAL,KIT, CM785

REF.	PART NO.	QTY	UNIT	DESCRIPTION	NOTES
001.0	58001348	1.0	EA	DECAL,ROCK CM 785 LEFT	
002.0	58001355	1.0	EA	DECAL,BRANDING CM 785	
003.0	57935322	1.0	EA	DECAL,AC LOGO 9.41"	
004.0	57935330	1.0	EA	DECAL,AC LOGO 6.94"	
005.0	57935348	1.0	EA	DECAL,AC.COM	
006.0	58002213	0.0	EA	BRANDING GUIDELINES	

57927709 SAFETY-MANUAL INSTALL



BOM 57927709

57927709 SAFETY-MANUAL INSTALL

REF.	PART NO.	QTY	UNIT	DESCRIPTION	NOTES
001.0	03458403	2.0	FT	ROPE, BULK BWR3A	
002.0	03619830	2.0	EA	SLEEVE MLK-521	
003.0	51875433	1.0	EA	LUG,CABLE	

This page is intentionally blank.



Kit Index

Numerics

32 SPLIT FLANGE KIT (56928534) 307, 321
3D POSITIONING KIT (57748006) 161
4" STEEL 785/765 KIT (58002668) 239

B

BODY KIT (51790236) 443
BODY KIT (52312741) 48, 82
BODY KIT (57713695) 48, 82

C

CONTROL KIT (52320934) 155
CYL SEALS FEED CYL KIT (3222326372) 235
CYLINDER & PISTON KIT (57713505) 53, 87

D

DAMPER ASSEMBLY KIT (52331071) 119
DECAL CM785 KIT (58001280) 499
DEPTH AND SPEED KIT (57743288) 161
DETENT KIT (57814592) 123, 127
DIAPHRAM REPAIR KIT (57686446) 479

F

FILTER ASM CM700D KIT (57725889) 493
FLANGE KIT (52086329) 264, 371, 377
FLANGE KIT (52086337) 340, 371, 377
FLANGE REAR KIT (57713737) 61, 95
FLOATING SEAL KIT (57713232) 57, 91

G

GENEVA 7ROD KIT (57881773) 239
GLASS SIGHT KIT (57655011) 438

H

HANDLE KIT (52321072) 155
HDU PUSHBUTTON-ASSY KIT (57825523) 135
HOLDER FUSE KIT (57655284) 438
HOSE BUNDLING KIT (52307410) 489

I

INJ. ETHER KIT (52099827) 291

L

LH CONTROLD POD FIX KIT (52331048) 119
LOAD CHK VAL KIT (52321148) 155

M

MOUNT RUBBER KIT (57655243) 438

P

PISTON BODY KIT (57713703) 48, 82
PLUNGER / SPRING KIT (57814600) 123, 127
POD MOUNTING BRKT KIT (52331055) 119

R

REGULATOR SERVICE KIT (57927782) 271
REPAIR KIT (57514846) 332
REPAIR KIT (57806788) 328
REPAIR VALVE KIT (57767626) 279, 321
RH CONTROLS POD FIX KIT (52331030) 119

S

SCREEN BLOWER INLET KIT (57655102) 438

SEAL ARC CYLINDER KIT (58002007) 199, 207, 473
SEAL BOOM LIFT CYL KIT (58002031) 175
SEAL BOOM SWING CYL KIT (58002015) 183
SEAL CENTRALIZER CYL KIT (58002114) 191
SEAL CHAIN WRENC CYL KIT (58002080) 191
SEAL COMPLETE MOTOR KIT (57809535) 247
SEAL DUST HOOD CYL KIT (58002072) 481
SEAL FEED DUMP CYL KIT (58002023) 173
SEAL FEED EXT CYL KIT (58002098) 225
SEAL FEED SWING CYL KIT (58002122) 223
SEAL FORK CYL KIT (58001983) 191
SEAL GATE CYL KIT (58002130) 209, 211
SEAL KIT (51776458) 145
SEAL KIT (51776524) 387
SEAL KIT (51776623) 145
SEAL KIT (51919397) 363, 401
SEAL KIT (52312782) 48, 82
SEAL KIT (52321270) 401
SEAL KIT (52325982) 149
SEAL KIT (52326295) 401
SEAL KIT (52326535) 363
SEAL KIT (52326543) 363
SEAL KIT (52327145) 479
SEAL KIT (52330875) 328
SEAL KIT (57714206) 48, 82
SEAL KIT (57814618) 123, 127
SEAL KIT (58027467) 264
SEAL KIT (59476705) 481
SEAL OSCILLATION CYL KIT (58028523) 5
SEAL VALVE KIT (57695249) 317
SEAT BACK COVER KIT (52331006) 119
SEAT BACK FOAM KIT (52330990) 119
SEAT COVER ASSEMBLY KIT (52331022) 119
SEAT FOAM KIT (52331014) 119
SECTIONAL SEAL KIT (52321155) 155
SHAFT SEALS ONLY KIT (57809543) 247
SLEEVE KIT (57713687) 48, 82
SPINDLE KIT (57713190) 57, 91
SPLIT FLANGE KIT (51914299) 264, 340, 365, 391
SPLIT FLANGE KIT (56950579) 243
SPOOL KIT (57713745) 61, 95
SPRING CENTERING KIT (52321130) 155
SPRING KIT (57748899) 247
SPUR GEAR KIT (52312816) 48, 82
SPUR GEAR KIT (57713224) 57, 91

T

TIE ROD KIT (52321163) 155
TIMER INSTALLATION KIT (57655730) 439
TOOL CM780 KIT (57911349) 239

V

VALVE KIT (52312733) 48, 82
VALVE KIT (57713679) 48, 82
VALVE RELIEF KIT (57655474) 439

Kit Index

VANE & SPRING KIT (57748881) 247

W

WEIGHT ADJUSTMENT KIT (52331063) 119

Index

Symbols

10-31 SCREW HEX.SOCKET 325

A

ADAPTER 10, 111, 203, 207, 209, 211, 243, 265, 269, 271, 307, 317, 371, 377, 383, 391, 401, 433, 493

#16JIC-#16JIC 194

#24JIC-1.5NPT 194

#8JIC-#8JIC 194

1/4" 332

45DEG. NPT/JIC 449

45DEG-ORING/JIC 303, 365, 401

90DEG-JIC BLKHD 5

90DEG-O-RING/JIC 194, 303, 307

COMPR

A/C

90 DEG 323

ELBOW 371, 377

FEMALE

STRT THRD 213, 269, 403

JIC 194

LONG STRAIGHT 207

ORIFICE 243

PACKING 245

RESTRICTOR 271

SAE 264

SPACER/GAUGEPORT 371, 377

SPINDLE

4" 760 251

4" 780 249, 251

SPLIT FLANGE 264, 391

STR

JIC/O-RING 317, 365, 391

STR JIC/O-RING 241, 307

STR.-JIC/O-RING 307

STR-12-6SJIC/ORG 264

STR-8-8SJIC/ORNG 383

UNLOADER TUBE 269

ADAPTER/221501-6-4S 269

ADAPTER/559A10C121X 340

ADAPTER-90DEG

ORING/JIC 264, 319, 367

ADAPTOR 20

DEPTH ENCODER 165

PIPE

FEMALE 265

ADPT 90 DEG. 321

AIMER

UNIT + CABLE 161

AIR CAP

NOZZLE 213

AIR CLEANER 297

AIR HOSE ASSY 493

AIR VALVE & HOUSING ASSY 451

AIREND 269

ASM

CM780D 263

ALARM

BACKUP 461

BACKUP ASSY 459

ALPHA II PLC W/O PROGRAM 113

ANTI-FREEZE 489

ARM

GRIPPER

4"ROD 251

PIVOT SEPARATOR 5M 473

ASM

DUST COLLECTOR

SEPAR 471

ASSEMBLY

3-BANK VALVE 346

COIL 443

CONDUIT SEAL 443

HOUSING 374, 380

ASSY

ACTUATOR HOUSING 374, 380

CLAMP 279

RV GEAR 48, 82

SHUTTLE PLUG SEAT 374, 380

ASY

CART. VALVE 401

ENCL DOME LIGHT 20

MOTOR BODY SECTION 374

PRIMARY HSG 374, 380

STRUT 303, 307

B

BAFFLE

COOLER 303, 307

BALL

STEEL 57, 91

BALL BEARING 57, 91

BAND 475

ASSEMBLY 467

MOUNTING 297

8 477

WINDSCREEN 473, 477

MOUNTING-6 IN 297, 328

BAR

STRUT 303, 307

BAR/458R2-1/4 5

BASE

DUMP 5M 780-760 171

ENCLOSURE 439

LATCH RELAY 113

Index

BASEPLATE		BOLT 5, 10, 13, 20, 37, 39, 63, 71, 73, 97, 104, 153,
ARC VALVE	189	161, 165, 185, 189, 194, 215, 235, 265, 269, 271, 277,
BATTERY		287, 289, 293, 297, 303, 307, 321, 323, 328, 333, 340,
12 VOLTS	295	343, 349, 357, 365, 369, 391, 393, 397, 433, 447, 449,
BEAM		451, 459, 467, 473, 477, 493
FEED	235	CARRIAGE
BEARING	43, 77	EYE
BALL	48, 82, 374, 380	FLGD HEX HEAD
CUP	201, 205	HEX FLANGE
ROLLER	48, 82	HEX FLANGE HEAD
SLEEVE	473	HEX HD
SPHER CYL ROD	225	M10
SPHER W/SEAL	199	M12
SPHERICAL CYL	5, 183, 191	HEX HD/35M2AB373M3
BELLOW	153	HEX HEAD 37, 57, 71, 91, 194, 199, 251, 264, 319
MODIFIED	153	COARSE
BELLOWS		COARSE THD
RUBBER	157	HEX HEAD M16 X 80
BLACK DPST PUSHBUTTON	123	HEX SOCKET
BLADE		HEXHEAD
FAN	438	M16 35M2AB528M5
BLANKET		METRIC
THERMAL	21	SELF-LOCKING
BLOCK		SOCKET HEX
FUSE		BOLT 0506SIB4037
8 POSITION	113	BOLT/131M2AA249M3
MANFOLD		BOLT/131M2AB191M3
DRILL/TRAM	359	BOLT/35M2AB264M3
SHUTTLE VALVE	149	BOLT/35M2AB472M3
BLOCKOR	291	BOLT/35M2AB522M3
BLOW GUN ASY	493	BOLT/35M2AB526M3
BLOW GUN EXT	495	BOLT35M2AA1168M3HR
BLOWER		BOOM
24V	438	5METER 780-760
BOARD		ASSEMBLY
ELECTRONIC	161	5M CM700D
RELAY AND BREAKER	113	COMPENSATOR UNIT
BODY	451, 455, 475	BOOM BULK HEAD ASSEMBLY
MANIFOLD	363, 401	BOOT
VALVE	451, 452	DUST
FAN CONTROL	317	LEVER CDX-6342
BODY ASSEMBLY	297	RUBBER
BODY KP-1004C-10	395	BOTTOM WELDMENT
BODY SE78216	451	STEP
BODY/HOUSING	451	BOWL
		METAL
		BOWL ASSEMBLY
		BOX
		ELECTRICAL
		PACKING
		TIMER

Index

BRACKET	41, 75, 295, 439	BULB	
"J"	438	LIGHT	27
AIMER	161	BULKHEAD	
ASSM		CM780D BOOM	187
VAPOSOL		ELECTRICAL	107
TOP	465	ELECTRICAL ASSY	104
CONDENSER		FEED HOSE ASSY	194
SPRT	21	HYDRAULIC	111
CYLINDER CRADLE	481	HYDRAULIC ASSM	104
DUSTPOT WELDMENT	481	SOCKET	187
ENGINE SUPT LH	263	SOCKET 6 SAE	187
ENGINE SUPT RH	263	BUMPER	
E-STOP TRIP WIRE	227	DOOR	25
FILTER	397	BUSHING 41, 75, 151, 155, 157, 171, 207, 251, 469	
FILTER SUPPORT	391	100ID X 60MM	171, 215
FIRE EXT.	499	3/4" FLANGED	209, 211
FLOW CONTROL VLV	485	60IDX65ODX40L	219, 223
FRAME	161	70ID X 50MM	173, 175
HAND PUMP	393	BOOM LINK	171
HOSE	269	BOOT	131
HOSE CLAMP	185	CONDUIT	21
MAIN AIR PIPEING	328	FAN	305, 311
MIRROR	493	FEED SWING BRONZ	171
MOUNTING . . 10, 231, 264, 321, 323, 333, 369		HEX HEAD	329, 463
3-BANK	383	HEX HEAD FITTING	243
ASSM	457	HEX HEAD PIPE	328, 353
MOUNTING B/U	459	HEX STEEL	340
MOUNTING DEPTH	165	PIPE	
MTG INTAKE FILTR	297	REDUCING	185
MUNTING MUFFLER	289	PIPE FITTING	449
PIPE		QD	
CAC	285	2-3/8 SHAFT	263
RADIATOR PIPE	287	SPLIT TAPER	201
ROD CHANGE VALVE	194	STEEL	175, 183
SEPARATOR 5M	473	TAPER-70 MM SHFT	177
SUPPORT	263, 277	TAPERED 100MM	179
THERMAL MIXING	277	TAPERED 70MM OD	181
TOP SEAL 8"	481, 483	THRUST	171
TUBE		TRACK OSCILATION	37, 71
INTAKE	328	BUSHING MASTER	63, 97
UNLOADER	271	BUSHING TH	63, 97
VAPOSOL PUMP	449		
VAPOSOL TANK	457	C	
WELDMENT		CAB	
LOWER	465	ASSEMBLY	104
TOP	467	CABLE	
BRANDING GUIDELINES	507	16AWG/10CONDUCTRS	399
BREAKER		16MM DIA X 4610MM	215
10A MANUAL RESET	115	18AWG/6COND	
15A MANUAL RESET	115	PVC	441
30A MANUAL RESET	115	BATTERY	264, 265, 295
BREATHER	215, 217, 340, 463	GROUND	104, 265
FUEL TANK	10	HOSE RESTRAINT	185, 195, 241, 329

Index

CENTRALIZER HALF 4"	251	CONDENSER	
CHAIN	185, 194, 195, 473	A/C	
TRACK	37, 71	W/RELAY	323
CHECK VALVE BODY	452	A/C INSTAL	323
CHUCK		CONDUIT	
BIT DETACHING	253	3/8 NYLON	341
BIT(BLANK)	253	CONE	
CLAMP	265, 291	BRG/90A19T42688X000	201, 205
#10 SILICONE	439	CONNECTOR 48, 82, 161, 227, 281, 399, 439, 461	
ASM	340	2 CONTACT	113
BAR		3 PIN	229, 340
A/C COMPRESSOR	323	6PIN	163
BOOT	131	CHARGE AIR	285
CABLE	161	CORD GRIP	20
CONSTANT TORQUE	269, 285, 297	ELECTRICAL	27
CUSHIONED	438	FEMALE	
DBL BOLT 8.0-8.9"	473, 477	37 DEG	271
EXHAUST	289	HOSE	433
EXHAUST PIPE	438	MALE	
FUEL HOSE	438	37 DEG	5, 21, 143, 243, 303, 393, 443
GEAR #32	438	37 DEG.	5, 10, 20, 21
HOSE 10, 21, 37, 71, 161, 165, 185, 194, 195, 264, 287, 289, 297, 307, 323, 328, 333, 341, 433		MALE BULLET	137, 461
HALF	194, 220	STRAIGHT THRD	187, 241, 264, 317
HOSE SUPPORT	287	STRT THRD 20, 33, 67, 143, 147, 153, 187, 194, 199, 241, 243, 264, 303, 307, 319, 349, 355, 357, 361, 377, 383, 401, 403, 477	
HYDRA-ZORB	340	CONNECTOR 6 PIN PACKARD	323
MUFLR	285	CONTACT	
SEAL		#16	11
EXHAUST	289	CONTROL	149
SPRING		SPEED	
AIR	438	ENGINE	139
STICK-ON	20	CONTROLLER	
T-BOLT	249, 297	JOYSTICK	129
WORM 2.81-3.75	297	CONVERTER	
CLAMP ASSY	340	DC	
PIPE	321, 328	24-12 VOLT	113
CLAMP GEAR #36	439	COOLANT TREATMENT	493
CLIP	297	COOLER	
WIRE HARNESS	438	CAC/RADIATOR	
COIL		700	303
IGNITION	438	FUEL	305
SOLENOID	317, 328, 351, 359, 363, 387, 401	HOC/COC	
COIL CONDENSER	325	700	307
COLLAR	43, 77	OIL	311
COLLECTOR		OIL-LARGE	311
DUST	477	RADIATOR	
DUST INSTALL	471	CHRG	301
COMPRESSOR		COUPLING 48, 57, 82, 91, 374, 380, 381, 439, 447, 493	
24V	439	2"NPT	245
A/C	323	AIR 2"	333
COMPRESSOR.A/C INSTL	323	LORD	263

Index

COVER	10, 43, 57, 77, 91	D	
3.5 X 12.2	237	DECAL	161
5.5 X 8.6	237	AC LOGO 6.94"	507
5.6 X 12.2	237	AC LOGO 9.41"	507
5.9 X 5.7	237	AC.COM	507
7.4 X 27.6	237	BRANDING CM 785	507
AIR VALVE	451	DIAGNOSTIC PANEL	137
CONNECTOR	439	DIESEL FUEL	505
END	374, 380	EMERGENCY SHUTDOWN	503
FAN HSG/CABINET	479	ENGINE EMS PANEL	137
FINAL DRIVE	37, 71	FALL HAZARD	503
GRIPPER PIN	207	FEED CONTROL	121
ROD CHANGE VALVE	194	HI PRESS FLUID	503
ROD CHGR VALVE	189	HYD OIL LEVEL	505
TIMER BOX	479	JOYSTICK PANEL	141
COVER 5M FEED	237	KIT	
COVER SE-S216-17	451	CM785	499
CROSS		LEFT REAR SEAT POD	129
FEMALE PIPE	328, 332	LOAD AND UNLOAD	503
CURVE		LOWER GAUGE PANEL	137
SPRING	149	LUBE ITEMS	505
CYLINDER		MAINTENANCE CM700D	505
COMPL	235	NAMEPLATE GROUP	499
CYL		OIL LEVEL	505
BOOM LIFT 785/765	171	P1 PUMP PRESSURE	505
BOOM SWING 700 SER	171	P2 PUMP PRESSURE	505
BREAKOUT FORK CM785	191	PANEL SIDE CONTROL	143
CAR GATE 785/765	209, 211	PLC LAYOUT	105
CENTRALIZER 785/765	191	POSITION CNTRL PNL	153
DUST HOOD 785/765	481	PRESSURIZED FLUID	503
FEED DUMP 785/765	171	PUMP PRESSURE	505
FEED EXT. 785/765	219	RIGHT SEAT POD	133
FEED SWING CM-700D	219	ROCK CM 785 LEFT	507
OSCILLATION 700 SER	5	ROD CHANGER PANEL	133
ROD CHANGE/SWING	199, 207, 473	ROT.CONTROL PANEL	125
WRENCH-780/785 TOOLS	191	SAFET ENG 785/765	499
CYLINDER		SERVICE CM700	505
ETHER	493	STABILITY 5 METER	503
CYLINDER SE-S216-13	451, 452	TACH	137
		TOGGLE SWITCH	439
		TOW/TIE DOWN	505
		UPPER GAUGE	137
		WARNING CRUSH	503
		WARNING ROTATING	503
		WASH	
		FAN	503
		XHP605 OVAL	505
		DECAL DANGER OSCILLATION	503
		DECAL-ROD LOCK & CENTRIZ	129
		DEPTH/SPEED MOUNTING	161
		DETENT KIT	123, 127
		DETENT PIN	123, 127

Index

DISK		ELEMENT	279, 321
INTERNAL FACE	43, 77	FILTER	359, 493
DISPLAY		OIL FILTER	269, 493
VISUALIM 4G UNIT	161	PRIMARY	297
DOOR		SAFETY	297
LEFT FRONT	25	SEPARATOR	332
LEFT REAR	25	STRAINER-HR2	269
REAR	25	ENCLOSURE	
RETAINER	25	ASSEMBLY 700S	20
RIGHT FRONT	25	ENCLOSURE ASSY	
RIGHT REAR	25	E-STOP SW	20
SIDE ACCESS	25	ENCODER	
TOP ACCESS	25	OPTICAL	161
DRIER		ENGINE CAT C13 TIER 3	263
RECEIVER	323	EXHAUST	
DUSTPOT 8"	481	ENGINE	283
E		EXPANDER	264
ELBOW	264, 328, 447	EXTENSION	299
160DEG	245	AIR STACK	297
3/16HOSE X 1/8 NPT	438	EXTINGUISHER FIRE	499
3/4 HOSE	438	EYE BOLT 5/16" X 4	194
90 DEG		F	
STRT THRD	264	FAN	305, 311
90 DEG MALE 10, 20, 37, 71, 213, 281, 328, 332, 340, 353, 389, 447, 449, 463, 485		CONDENSER	325
90 DEG STREET	328, 403	FAN ASEMBLY 24VDC	325
90 DEG STRT THRD .5, 20, 121, 125, 143, 191, 194, 203, 264, 303, 307, 332, 365, 367, 371, 377, 383, 401, 403, 433		FASTENER	
90 DEG SWIVEL NUT	20	1/4-20 TEENUT	277
90DEG		FEED	
STRT THRD	328, 367, 385	BASE ASSY 5M	169
90DEG MALE		ELECTRICAL GROUP	169
NPTF	447	TABLE	
90DEG MALE 37DGFL	21, 340	ASSY 5M	169
90DEG-EXT/INT NPT	10, 341, 433	WIRING ASM	229
EXHAUST	289	FEED TABLE WELDMENT	219
63 DEG	289	FEED-REST	
SLOTTED	289	INSTALLATION	169
PIPE	185, 328	WELDMENT	233
RUBBER		FILTER	
6X5	297	AIR	439
RADIATOR	287	ASSY SERVICE AIR	346
ELBOW 561A10C060A	213	BASE	269
ELBOW SE-AN822-6D	452, 453	DUST COLLECTOR	477
ELBOW/561A10C080X	264	FUEL	439, 493
ELBOW-90DEG		HYD RETURN 3 MIC	391
EXT/INT NPT	353	MICRON	397
		OIL	493
		SERVIC AIR	397
		FILTER ASSY	
		HYD OIL RETN	346
		FILTER ELEMENT	
		HIGH PRES	489, 493

Index

FINAL DRIVE	
TEIJIN SEIKI	37, 71
FINGERGUARD	305, 311
FITTING	5, 37, 71, 433, 473
ADAPTER	271
BULKHEAD TEST	21, 111
FILTER CAP	439
GREASE	245
HOSE	265, 287, 303
HYD	5, 20, 21, 33, 67, 111, 121, 125, 137, 143, 147, 195, 213, 243, 265, 269, 271, 279, 281, 287, 307, 317, 321, 328, 329, 332, 333, 340, 353, 355, 357, 361, 365, 367, 371, 383, 393, 397, 401, 403, 443, 447, 449, 463, 473, 477
HYD.LUBE	5, 473
HYD-90DEGO-RING	365
HYD-NPT/JIC	10, 37, 71, 137, 269, 341, 443
HYD-TEE ADAPTER	281
LUBE	215, 217
PRESSURE TEST	317, 357, 361, 363, 401
REDUCER #8-#6	383
SOCKETLESS	427
TEE ADAPATOR	383
TEST	137
TEST HOSE UNION	104
TUBE	361, 363, 367
Fitting	
Hyd	271
FITTING 560A10C200X	365
FITTING HYD	20, 153, 195, 271
FITTING-TEE	
EXT/INT RUN	332
FLANGE	157
HALF	340
IN-LINE	
NPTF THRD	321
SPLIT	264, 340
FLANGE ASM	
REAR	61, 95
FLEX-TRED STRIPES	
6 X24	104
FOOT	
BEAM	235
WELDMENT 5M FEED	237
FORK	39, 73
BREAKOUT	
4 INCH	251
FRAME	
TRACK	
RH	37
TRACK.LH	71
FRAME WELDMENT	25
FUSE	113
10A	117
15A	117, 438
5A	
AUTOMOTIVE	117
7.5A	
AUTOMOTIVE	117
TIMER	479
G	
GASKET	10, 37, 71, 297, 332, 451, 452
BLOWER	438
BULKHEAD	107, 111
INTERMEDIATE 3"	481
INTERMEDIATE 3.5"	481
INTERMEDIATE 4"	251, 481
OIL PAN	201
PANEL	399
SEAT	
IGNITER	438
TANK	343
GASKET SE-S216-51	451
GATE	
CAROUSEL RETAINER	209, 211
GAUGE	333, 445
FUEL	137
HOURMETER	20
HYD.PRESSURE	137
OIL PRESSURE	137
OIL TEMP	137
PORT ADAPTER	371, 377
PRES	340
PRESSURE	
0-400 PSI	137
RESERVOIR	
HYD OIL	340
SIGHT	305
TEMPERATURE	
AIR	137
WATER TEMPERATURE	137
GEAR	
INPUT	48, 57, 82, 91
GEAR ASM	
RV	57, 91
GEAR SET	269
GLAND	455
GLASS	
SIGHT-RECEIVER TNK	332
GLASS KIT	
SIGHT	438
GOOSENECK	245
GREASE	489
GREEN PUSHBUTTON SWITCH	123

Index

GREEN SWITCH CAP	127	HARNASS	
GREY SWITCH CAP	127	A/C CONDENSOR	335
GROMMET	325, 439, 459	AIR JOYSTICK 780	143
CONTROLLER MOUNT	438	APLHA2 PLC	113
GROUP		ARM RETRACT	229
ROTARY	263	AUX CONTROL VLVE	229
GUARD		BULKHEAD LIM 3D	161
3D POSITION	161	CAROUSEL INDEX	229
BELT		CAROUSEL ROTAT.	133
ENGINE	283	CENTRALIZER	129
CONDENSER FINGER	325	COMPENS LIM 3D	161
DRILL ROD	219	COOLER FAN CNTRL	335
ENGINE	293	DRILL/TRAM SELEC	141
ECM700	293	ENCLOSURE MAIN	335
LH	37, 71	ENCLURE LEFT	335
ROCK(RH)	37, 71	ENGINE ECM	335
GUIDE	455	ENGINE PANEL	139
GUIDE ATTACHMENT 5M	169	E-STOP	143
GUN		FEED STOP PRO	229
BLOW	495	FUEL TANK	
GREASE	493	ECM700	335
H		GAUGE	137
HANDLE	149, 155	GAUGE PANEL	137
HANDLE ADAPTER	123, 127	HYD	
HANDRAIL		TANK	
WELDMENT	465	INSIDE	335
		HYD TANK	
		LEFT	335
		MAIN INTERNAL	438
		MURPHY POWERVIEW	137
		PATCHUP LIM 3D	161
		POWER	439
		ROD CHANGE	
		LIM3D	163
		ROD CHANGE WIRE	229
		SET	
		FEED WIRING	229
		SWAP WIRE SWITCH	229
		SWITCH	439
		TRACK OSCIL	335
		WIRE	
		CAB	
		CM700D	104
		WIRE 5M LIM TILT	161
		WIRING	479
		ANG.IND.	161
		WIRING MAIN P	335
		HEAD	
		SWIVEL	
		ROTARY HEAD	243
		HEAT EXCHANGER	438
		HEATER	
		DIESEL FIRED	433

Index

HINGE WELDMENT		HOSE HUMP	297
LH	25	REDUCING	297
RH	25	HOSE REEL ASM	
HOLDER		15"	215
FEED CABLE	241	21"	215
RIGHT	215, 219, 241, 481	HOSE REEL MOUNT	
SET	235	WLDMT	215
HOLDER LEFT	215, 219, 241, 481	HOUSING	
HORN		LOWER	452
24 VDC	10	LOWR	451
HOSE	427, 429	ROD LOCK	249
A/C		HOUSING SE-S216-19	451
CAB TO COMPRS	429	HUB	48, 57, 82, 91
COMP TO COND	429	HUMP	
DRYER TO CAB	429	STRAIGHT	269
AIR & FUEL	438, 439		
ASM	418	I	
ASSEMBLY	271, 412, 413, 414, 415, 416, 417, 418, 422, 423	IDLER UNIT	
ASSM	416	TRACK	37, 71
ASSY/L24X026J--/J--	422	IDLER WITH BRACKETS	39, 73
ASSY/L24X037J--/J--	422	IGNITER	438
COOLANT	287, 439	INDICATOR	
DISCHARGE	475	RESTRICTION	297
DUMP	479	INJECTION	
DUST COLLECTOR	477	ETHER	
DUSTCOLLECT 8"X12'	473	ASSM	283
ENGINE COOLANT		INLET	
14"L	287	8"	475
FILL		DC(8")	479
WATER	427	INLET SECT ASSEMBLY	374, 380
FUEL	21, 427	INPUT	
HEATER	427	AUXILIARY PCM	438
HYD-F06 BULK	412, 413, 414, 415, 416, 417, 418, 422, 423, 425	INSULATION	153
PRESSURE TEST	105, 413, 417	MUFFLER BLNKT	289
REEL		WRAP	289
ASSY 5M GUIDE	169	INSULATOR	
RETAIN		RUBBER	467
ASSY BOOM	169	ISOLATOR	
ASSY GUIDE	169	CAB	104
SURGE TANK TO RADTR	287	ISOLATOR FUEL SENDER	10
Hose			
Heater	433	J	
HOSE ASSEMBLY	105, 271, 333, 340, 412, 413, 414, 415, 416, 417, 418, 422, 423, 427	JOINT	
HOSE ASSM	413	BALL	303, 307
HOSE ASSY	11, 37, 71, 213, 340, 341, 393, 412, 413, 414, 415, 416, 417, 418, 422, 423, 427	JOYSTICK	
GREASE GUN	493	HAND-REST TRAM	141
HOSE ASSY (SAE100R2)	412	ROD CHANGER	133
HOSE ASSY PART	417	TRAM CONTROL	104
HOSE BULK BH16B	185, 194, 473		

Index

K		479	
KEY	201	SEAL ARC CYLINDER	199, 207, 473
4MM	215, 219, 241, 481	SEAL BOOM LIFT CYL	175
DRIVE SHAFT	265	SEAL BOOM SWING CYL	183
KIT		SEAL CENTRALIZER CYL	191
-32 SPLIT FLANGE	307, 321	SEAL CHAIN WRENC CYL	191
3D POSITIONING	161	SEAL DUST HOOD CYL	481
4" STEEL 785/765	239	SEAL FEED DUMP CYL	173
BODY	48, 82, 443	SEAL FEED EXT CYL	225
CONTROL	155	SEAL FEED SWING CYL	223
CYL SEALS FEED CYL	235	SEAL FORK CYL	191
CYLINDER & PISTON	53, 87	SEAL GATE CYL	209, 211
DAMPER ASSEMBLY	119	SEAL OSCILLATION CYL	5
DEPTH AND SPEED	161	SEAL VALVE	317
DIAPHRAM REPAIR	479	SEAT BACK COVER	119
FILTER ASM		SEAT BACK FOAM	119
CM700D	493	SEAT COVER ASSEMBLY	119
FLANGE	264, 340, 371, 377	SEAT FOAM	119
FLANGE REAR	61, 95	SECTIONAL SEAL	155
FLOATING SEAL	57, 91	SHAFT SEALS ONLY	247
GENEVA		SLEEVE	48, 82
7ROD	239	SPINDLE	57, 91
HANDLE	155	SPLIT FLANGE	243, 264, 340, 365, 391
HDU PUSHBUTTON-ASSY	135	SPOOL	61, 95
HOLDER		SPRING	247
FUSE	438	SPRING CENTERING	155
HOSE BUNDLING	489	SPUR GEAR	48, 57, 82, 91
INJ.		TIE ROD	155
ETHER	291	TOOL CM780	239
LH CONTROLD POD FIX	119	VALVE	48, 82
LOAD CHK VAL	155	VANE & SPRING	247
PISTON BODY	48, 82	WEIGHT ADJUSTMENT	119
POD MOUNTING BRKT	119	KIT-REPAIR	332
REGULATOR SERVICE	271	KNOB	
REPAIR	328	MUSHROOM	143
REPAIR VALVE	279, 321		
RH CONTROLS POD FIX	119	L	
SEAL 48, 82, 145, 149, 264, 328, 363, 387, 401,		LAMP	104, 459, 493
		LATCH	
		LIFT & TURN	25
		SLAM	25
		LEAD	
		IGNITION W/BOOT	438
		LENSE	
		LIGHT	27
		LEVER	149
		LEVER SUPPORT	155
		LID	
		ENCLOSURE	439
		LIGHT	
		INDICATOR	
		LED	137

Index

LINK		MANIFOLD	
BOOM	171	AIR	479
BOOM LIFT	171	ASM	
BREAKOUT WRENCH CYL	191	FAN CONTROL	301
CYLINDER	171	CAB DRAIN	319
LH	63, 97	COOLER DRAIN	301
RH	63, 97	DRAIN	367
LINK WITHOUT SHOES	63, 97	FILTER	391
LINKAGE		HYD RETURN	365
GRIPPER	207	ASM	346
LIQUID BODY	452	HYD. BARE	203
LOCK		MAIN DRAIN ASSY	346
ROD		MANUAL	
ASSM		CIMA SAFETY RD110	493
4"ROD	243	TEMPLATES	
LOCK NUT		CHUCK B	253
M4	165	MARKING	297
LOCK WASHER M8	325	MEMBER	
LOCKNUT	497	GRID	25
1/2 IN. SEAL	399	METER	
LOCKNUT/85A4CA12Z1HR	263, 469	INCLINATION	104
LOCKNUT/85A4CA14Z1HR	263	MICRO SWITCH	127
LOCKNUT/85A4CA7Z1HR	340	MICROSWITCH	151
LOCKNUT/85M4JA4M3HR	194	W/P20 LEVER	135
LOCKWASHER	5, 111	MIRROR	
#10	438	CONVEX	493
1/4	439	WEST COAST	493
LOCKWASHER (METRIC)	113, 323	MOTOR	
LOCKWASHER SE-MS35335-	452	CONDENSER (24 V)	325
LOCKWASHER/14A5C96Z3	307, 391	FAN	
LOCKWASHER/14M5EA12M4HRT	219	DUST COLL 14CC	479
LOCKWASHER/14M5EG14Z3	264	HYD	203
LOOM	291	HYDRAULIC	48, 82
ELECTRCAL WIRE		HYDRAULIC DDRH-C	243
1/4"	273, 291	HYDRAULIC GEAR TEK	305, 311
LUBE TANK		MOTOR ASSEMBLY	201
EEC CODED	353	MOTOR BODY ASSEMBLY	374, 380
LUBRICATOR FWD-V320750	328	MOUNT	
LUBRICATOR TANK ASM	346	CENTER BONDED	263
LUG		FLEX-BOLTSANDWICH	277
CABLE	159, 509	MTR	305, 311
M		MOUNT KIT	
MACHINE HANDLE F TYPE	123	RUBBER	438
MACHINED HANDLE F TYPE	127	MOUNTING	
MAIN GRID WELDMENT	25	ANTI-VIBRATION	303, 307
MAINFRAME		MUFFLER	
700	5	EXHAUST	289
MALE END	495	ORIFACE	271, 449

Index

N

NAMEPLATE	453, 505	NUT 13, 20, 63, 97, 104, 157, 177, 179, 181, 185, 187, 194, 215, 287, 297, 328, 332, 340, 369, 374, 375, 380, 381, 391, 452, 453, 455, 465, 481, 493	
BLACK ALUM.	135	#16JIC BULKHEAD	194
CE	505	#8JIC BULKHEAD	194
COMBUSTIBLEGAS	503	AN-15	201, 205
CRUSH AREA	503	CAP	5
DANGER ZONE	503	ELASTIC LOCK-1/4-20	475
DO NOT ALTER	503	FLANGE	10, 195, 215, 303, 307, 353, 493
DO NOT BREATHE	503	FLANGED	121, 125, 161
ELECTROCUTION	503	FLEX LOCK	271, 449
FAN BLADE	503	HEX	219, 287, 295, 323, 341, 375, 381, 452
HI PRESS AIR	503	FINISHED	194, 263, 277, 287, 332
HI PRESS FLUID	503	STYLE 1	233
HOT SURFACE	503	HEX 1/2/85A4CA8Z1HR	469
LIFT POINT	505	HEX JAM	201
MANUAL INSIDE	503	HEX LOCK 5/8/85A4CA1	493
NO PASSENGERS	503	HEX LOCK/85M4JD1M3	20, 104, 281, 389
NO RIDING	503	HEX MACHINE	107
OSCILLATION	503	HEX/16M4JB11M3HR	233
READ MANUAL	503	HEX/16M4JB12M3HR	205
ROLLOVER		HEX/16M4JB13M3HR	171, 199, 215
WARNI	503	HEX/16M4JB7M3HR	165, 213
ROTATING PARTS	503	HEX/16M4JB9M3HR	219
ROTATING STEEL	503	HEXGON/16M4JB11AM3HR	219
RUNAWAYMACHINE	503	LOCK	37, 71, 185, 241, 473
TOW LIMIT	503	LOCK-1/2	
UNDERCARRIAGE	37, 71	CONDUIT	21
WRENCH/HOIST	399, 503	M4/16M4JD5M3	104
NIPPLE	279, 332, 393	NYLON	438
1/2X1-1/2	449	SELF LOCKING	
EXTRA STRONG	321, 328, 332	1/4-28	452
NPTF DRYSEAL	5, 10, 433, 447	SELF-LOCKING	439
PIPE	279, 332, 449	SWIVEL TEE	271
EXTRA STRONG	185	WING	297, 479
PIPE FITTING	328	NUT HEX	235
STANDARD PIPE	303	NUT M16	37, 71, 241, 251
NIPPLE EXTRA STRONG	463	NUT N-M16-2-3	199
NORD-LOCK WASHER		NUT SE-MS21045-	452
N16	237	NUT SE-S216-32	452
NOZZLE	265	NUT/84M4JD4M3	10, 147, 307, 319, 485
FUEL	438	NUT/84M4JD6M3	10, 161, 194, 297, 303, 323, 328, 433, 459
SPRAY	213	NUT/84M4JD7M3	10, 13, 20, 189, 191, 233, 277, 297, 315, 340, 369, 447, 449
		NUTS	
		PANEL	439

Index

O

O-RING	10, 155, 157, 245, 247, 249, 269, 332, 340, 353, 429, 455
MOUNTING PLATE	247
SEAL CARRIER	247
SEAL PLATE	247
THERMAL	
INNER	247
MIDDLE	247
OUTER	247
OIL	
BULK XHP605	489
ENG MTR	489
FUEL	489
GEAR	489
HYRAULIC	489
ROCK DRILL	489
OIL COOLER ASM	
HYD/COMP	301
OIL PAN	
ROD INDEXER	201
OIL SEAL	53, 87
ORIFICE	
.110 SCAVENGE	332
094	287
PLUG	249
O-RING	41, 43, 53, 57, 75, 77, 87, 91, 203, 263, 264, 313, 328, 371, 374, 375, 377, 380, 381, 401, 451, 452, 479
20A11CM232	391
20A11CM250	263
FUEL FILTER	439
NOZZLE	438
OVERHEAT	439
SPEC	375, 381
TEMP.SENSOR	438
O-RING SE79552-5	451
OUTLET	
8"	475

P

PACK	
SHIM	5
PACKING	451, 452
PAD	
BATTERY	295
FEED REST 785	233
HEADREST	233
ISOLATOR	10, 333, 340, 465
RUBBER	303

PANEL

BREAKER/RELAY	
ASM	104
CORNER GAUGE	104
COVER	153
DEFLECTOR	20
DRILL/TRAM SELECTR	104
ENGINE IGNITION	104, 139
FEED CONTROL VALVE	121, 125
GAUGE	20
JOYSTICK	141
LEFT FRONT	25
LEFT FRONT TOP	25
LEFT FRT SEAT POD	104
LEFT MID TOP	25
LEFT REAR SEAT	104
LEFT REAR SEAT POD	129
LOWER GAUGE	137
MID TOP RIGHT	25
OPERATOR CAB	143
RIGHT FRONT	25
RIGHT FRONT TOP	25
RIGHT FRT SEAT POD	104
RIGHT REAR	25
ROOF	20
RT REAR SEAT POD	133
RT REAR SEAT POD 3	104
SIDE BOLT-ON	25
SIDE CONTROL	104
UPER GAUGE	137
PICKUP ASM	
FUEL	439
PICKUP POT ASM 8"	471

Index

PIN 43, 57, 77, 91, 155, 157, 191, 199, 207, 263, 297, 451, 455		PIVOT	53, 87
1.2(30MM) OD X 2 7/8	481	CHAIN WRENCH CYL.	191
1.6(50MM) X 3.94	219	SEPARATOR	473
100MM		PLATE	57, 91, 171, 215, 497
ODX352L	179	ADAPTER	
2 3/8 DIA(60MM) X 10	219	4"	251
2 3/8 DIA(60MM) X 7	219	ATTACHM	235
3D POSITION	161	BAFFLE	307
70MM OD X 225L TAPER	181	BASE MOUNTING	439
BALL LOCK	191	BEARING	5
BOOM LIFT	171	BULKHEAD	340
BOOM LIFT CYL	171	C'BALANCE VALVE	194
BOOM SWING	171	COVER	5, 37, 71, 343
CAROUSEL GATE	209, 211	COVER SWING ARM	199
CENTRALIZER 1.25X4.1	191	DECAL	195
COTTER 171, 191, 199, 201, 207, 209, 211, 251		DISTRIBUTOR	264
CYLINDER	191	FAN MOTOR	479
DOWEL	41, 75	FRICTION	53, 87
DUMP CYL BASE	177	HEADREST	233
FEED SWING	219	HOSE CLAMP	185, 194
FORK CYL	191	INTERNAL WEAR	475
LOCK	219	KEEPER	5
MASTER	63, 97	LOCKING	253
OSCILLATION CYL	5	MATING	53, 87
OSCILLATION CYLINDER	5	MOUNTING	161
PARALLEL	53, 57, 61, 87, 91, 95	MOUNTING-PREHEATER	433
ROLL	473	MTG RELAY/BREAKER	113
SEPARATOR	473	NOISE LABEL	
SIZE 12	113	CE	505
SIZE 16	104, 229, 273, 340, 441	PIN RETAINING	171
STAR PLATE 5M FEED	251	RETAINER	153
VERTICAL		RETAINER SOCKET	187
LONG	171	RETAINING	191
SHORT	171	RUBBER WEAR	479
PIN TAB 1.18 X 3.54	219, 235	SECURITY	43, 77
PIPE	235	STAR 4"X7 765/785	251
100MM OD REEL SHAFT	215	STAR 4"X7 MID	251
CAC		SUPPORT	245
SHORT		SWASH	53, 87
TO CLR	285	THRUST	5
ENG TO RADIATOR	287	THRUST 7.25OD	219
EXHAUST	438	TIMING	53, 87
INLET		PLC	
WATER PUMP	264	ALPHA2	
SUPPORT	265	MITSUBISHI	113
PIPING			
ENGINE			
CHRG AI	283		
ENGINE RADIATOR	283		
PISTON	53, 87, 451, 452, 455		

Index

PLUG 41, 43, 75, 77, 249, 264, 313, 374, 375, 380, 381	
1/16 NPT	145
3 CIRCUIT	11
ELEC CONNECTOR	399
FILLER	
OIL	332, 353
FLO THROUGH	401
HEX HEAD	463
O-RING	319
STRT THRD 10, 20, 121, 125, 187, 243, 263, 328, 361, 385, 391, 401	
HEX HEAD FITTING	333
HEX PIPE	5, 393
JIC-16	393
ORIFACE	401
PIPE	201, 303, 307
PIPE-HEX SOCKET	371, 377, 401
SEAL	
PACKARD	323
SOCKET HEX	57, 91
SQUARE HEAD	303, 365, 463
SQUARE HEAD PIPE	11
STRAINER	269
PLUG ASSY	374, 375, 380, 381
PLUG VENT CE210-120	443
PLUG W/O-RING	374, 380
PLUNGER / SPRING KIT	123, 127
POPPET	451, 452, 455
POPPET ASSY.	451, 452
POPPET KP-3004C-10	395
POSITIONING	
3D W/O SPEED	161
POWERLUBER	
AUTO-GREASING	447
POWerview	137
PREHEATER WIRING	433
PRINT	
THREAD	251
PROGRAM FOR ALPHA II PLC	113
PROPOSITION 65 WARNING	503
PROX SWITCH	229
PUMP	263
1.77 CU IN/REV	264
COOLANT 24V	439
FUEL-GEAR	439
HAND FILL	393
HAND HYD ASSEMBLY	346
OIL	269
ROTATION 85CC	263
TANDEM GEAR	264
VAPOSOL	449
R	
RADIATOR	305
RADIATOR/CHARGE AIR COOL	305
RAIN CAP	
EXHAUST	289
RAINCAP	
7 INCH	297
RB14-6	137
RECEIVER DRIER ASM	323
RECEPTACLE	
2 CIRCUIT	104, 273
2 PIN	113
REDUCTION GEARS	48, 82
REGULATOR	340
AIR UNLOADER	271
FUEL	438
HIGH TEMP	333
MINIATURE	
DIA	445
RELIEVING ASSY	443
REGULATOR ASSEMBLY	269
RELAY	
24 VDC	
SPDT	325
40A SPDT	115
SOLENOID-24VMARINE	277
RELIEF	
MAIN	
HCD3/4	155
RELIEF VALVE	355
RESISTOR	
470 OHM	335
TERMINATION	137
REST	
FEED SUPPORT BAR	237
RESTRICTOR	
JIC/JIC .062	473
RETAINER	21, 313, 374, 380
BOTTOM 5M	199
HOSE REEL	215
HOSE REEL SHAFT	215
ISOLATOR	10
TOP CAROUSEL	199
RETAINER KP-3004C-10	395
RETAINING RING	
NOZZLE	213

Index

RING	451, 452	SCHEM	
BACK UP	375, 381	AIR/OIL/WATER 785	405
BACK-UP	374, 375, 380, 381	ENGINE HOSES	405
ELASTIC	43, 77	SCHEMATIC	
LANTERN	245	3D POSITON	161
RETAINING		AC/HEATER HOSE	405
SPRIOLOK	207	HYD 785	405
SEAL	41, 43, 75, 77	SCREEN	
SNAP FOR SHAFT	57, 91	BLOWER INLET KIT	438
SPACER	235	WIND CLEARPLASTIC	473, 477
THRUST	263	SCREW	151, 157, 171, 207, 233, 237, 439, 493
WEAR PISTON	249	CAP	215, 235, 245, 481
RINGS		DRIVE	505
PACKING	245	FLANGEHEAD	340
ROCKER SWITCH 2 POSITION	123	HEX FLNG	438, 439
ROCKER SWITCH 3 POSITION	123	HEX HD	438
ROD	452	HEX HEAD	199, 233, 237, 241
CONNECTING	452	HEX HEAD/35M2AA519	241
ROD CLAMP		HEX/34M2AA411M3HR	20, 227
BATTERY	295	HEX/35M2AA416M3HR	191
ROD-CHANGER		HEX/35M2AA466M3HR	369, 473, 497
ASM		HEX/35M2AB518M3	37, 71
5M	169	HEX/35M2AB564M3	191, 269
ROD-SWING		HEXHEAD	194, 220
GRIPPER ASM	205	MACHINE	107
LWR WELDMENT	205	RD HEAD	113
MID WELDMENT	207	RND HEAD	113
TOP WELDMENT	205	ROUND HD	113
ROLLER		SELF TAPPING	303, 307
780 ROD CHANGER	251	SHOULDER	233
CARR	37, 71	SOCKET	264, 438, 439
TRACK	37, 71, 201	SCREW M5 X 10	325
ROLLER BEARING	53, 87	SCREW M8 X 30	325
ROPE	235	SCREW/34M2AA513M3HR	195, 199, 219
BULK BWR3A	159, 509	SCREW/35M2AA316M3HR	194, 355
ROT HEAD MTG PLAT DDRH-C	241	SCREW/35M2AA360M3HR	199
ROTARYHEAD		SCREW/35M2AA411M3HR	264
ASSM		SCREW/35M2AA414M3HR	219
4" ROD	239		
MOUNTING ASSY	239		
RUBBER			
STEP	497		
RUBBER BOOT RCM	123, 127		
RUBBER STRIP			
1/4 X4	287		
S			
SAFETY			
TRIP-WIRE ASSY	169		
SAFETY MANUAL 700 SERIES	499		
SAFETY MANUAL/CABLE			
700	104		
SAFETY-MANUAL INSTALL	499		

Index

SEAL	452	SHAFT .. 41, 43, 48, 53, 57, 75, 77, 82, 87, 91, 235	
CONNECTOR		ASM	
PACKARD	323	100MM OD	171
FLEXBLE KP-3004-105	395	70MM OD	171
HOLE	105	EXPANDING	171
INNER PISTON	249	HOSE REEL 105 ID	215, 217
INTAKE	297	SHAFT SEAL	
LIP	279, 321	ROT HEAD	247
LIP 100MM ID	215	SHEAVE	
OIL	201, 205	15"HOSE REEL	215
O-RING	279, 321	21"HOSE REEL	217
OUTER PISTON	249	SHELL	
PISTON	249	ROLLER	41, 43, 75, 77
POLYURETHANE	63, 97	SHIELD	
ROT HEAD SHAFT	247	AIR VALVE	479
RUBBER	161	SHIM	
SHAFT ROT HEAD	247	ROUND	375, 381
TOP 3"	481	SHIM PACK	219
TOP 3.5"	481	SHIM PACK HOSE REEL	241
TOP 4"	251, 481	SHOES	63, 97
WEATHER		SHROUD	305, 311
ENCLOSURE	439	SKIRT	
SEAL KIT	48, 82, 123, 127, 363, 401, 481	RUBBER W/RETAINERS	483
COMPLETE MOTOR	247	SLEEVE	
SEAT		NYLON ABRASION	104
CAB		ROD LOCK	
OPERATOR	104	4" 760	251
SEAT BELT		4" 780	249, 251
2"	119	SLEEVE MLK-521	159, 509
SECTION		SLUG/15F1-1/2X3X6	207
END	155	SLUG/458R4-1/4X7-7/8	251
LOWER DUSTPOT	483	SNAP RING	57, 91
MIDDLE	155	SOCKET	
UPPER		12VOLT	104
DUSTPOT	483	BULKHEAD	187
SENDER		SIZE 12	113
FUEL LEVEL	10	SIZE 16	399, 441
TEMP	333	SPACER	353
TEMPERATURE	365	BEARING	199
SENSOR		CAB RETAINER	104
FLAME	438	CONTROLLER	438
LEVEL	340	DUST TUBE	477
OIL TIGHT PROXMTY	201, 231	GAUGE PORT ADAPTR	264
OVERHEAT	438	HOSE REEL	215
TEMPERATURE	438	NYLON	113
SEPARATOR		NYLON 1/2 INCH	104
DUST COLLECTOR	473	PIPING BRACKET	328
PIN	473	ROCK GUARD	37, 71
SHACKLE		SHUTTLE VALVE	281
CHAIN	185, 194, 473	WEAR PADS	241
		SPINDLE	
		ROD CAROUSEL 785	201
		SPINDLE ASM	57, 91

Index

SPOOL	155, 374, 380	SWITCH	
COMPENSATOR	374, 380	BATTERY DISCONNECT	20
MOTOR	374, 380	CAP	
SPRING 53, 57, 87, 91, 263, 374, 375, 380, 381, 451, 452, 455		YELLOW	151
COMPENSATOR	374, 380	EMERGENCY STOP	399
INNER ROTOR	247	IGNITION	139
OBS PER 7095-075	247	JOYSTICK	399
OUTER ROTOR	247	MICRO	131
RETURN	149	ON/OFF	
SAFETY	227	24V	439
SPRING & TENSION DEVICE	39, 73	PRESSURE	229, 323, 329, 361, 389
SPRING COMPENSATOR(INR)	374, 380	PRESSURE 250PSI	281
SPRING GUIDE	57, 91	ROCKER	133
SPRING KP-1004-104	395	SAFETY TRIP WIRE	227
SPROCKET		SEAT	119
TRACK DRIVE	37, 71	SELECTOR	141
SRV2	48, 82	SINGLE AXIS	143
ST.RUN TEE	194, 357	SPST/ON-OFF	137, 141
STANDARD PIN	63, 97	STOP	
STEM	185, 328, 332	ASSEMBLY	143
AIR CONNECTION	185, 194, 243	TEMPERATURE	365
HOSE	328	160	307
MODIFIED	243	195	265
STEP		220	333
FIXED	469	THERMAL	332
SWINGING	469		
STEP ASSEMBLY	465, 493	T	
STOP	451	TAB	
BLOCK 2 X 3.14	237	PIN-2.36 X .79	481
STOP SE-S216-56	451	TANK	
STOP WEARSTRIP 5METER	237	FUEL	10
STRAINER	449	HYDRAULIC	340, 343
STRAINER ASSY-HR2	269	SEPARATOR ASME	332
STRAINER ASY		SURGE	305
FUEL FILLER	10	VAPOSOL	
STRAINER BODY	269	80 GAL	
STRAP		ASME	463
HOSE	185, 491	VAPOSOL ASM	457
STRIP		TARGET	
INSULR	10, 340	PROX SENSR CM785	241
STUD	375, 381	TEE	213, 264, 340, 371, 377, 401, 403, 443
M20 X 380	177, 181	EXTRA STRONG FITTING	328
M20 X 500	179	FEMALE	
SUB 58313001 GASKET UNL.	269	NPTF PIPE	281
SUPER LUBE		FITTING	271
STEEL		MALE RUN	
5 GAL.	447	NPTF	328, 329, 340
SUPPORT	151	NPT/JIC-8-8S	328
FEED REST	233	TEE 553A10C041A	243
HOSE	194	TEE 555A10C060A	269, 271, 355, 361
SEPARATOR 5M	473		
SUPPORT CAROUSEL TOP	199		

Index

TERMINAL	
14RB-2577	441
16-14	
1/4"RING	441
PACKARD	323
THERMO VALVE INSTALL	264
THROTTLE	
ELECTRONIC-CAT	137
TIE	
LASHING CABLE	185
TIES TBC-WE-TY27MX	491
TIMER	
7 DAY DIGITAL	433
TIMER KIT INSTALLATION	439
TOP WELDMENT	
STEP	497
TPA	
CONNECTOR	
PACKARD	323
TRACK	
LH 700 SERIES	67
RH 700 SERIES	33
TRAY	
GREASE BUCKET	447
TUBE	
CAC	
LONG	285
COMBUSTION	438
DUST COLLECTOR	477
EXHAUST	289
INTAKE	
ENGINE	297
SCAVENGE	332
SUPPORT	10
TUBE ASSY	452, 453
TUBE METAL 3.9"	269
TUBING	291
FLEX EXHAUST	289
U	
U-BOLT	271, 287
U-BOLT 146A2C02	449
U-CUP	455
UNIT	
INCLINOCAN BUS	161
MODULECAN BUS	161

Index

V	
VALVE	291, 451
3-BANK	
WAVIOL	383
ACTUATOR	297
AIR	
ASM	271
AIR BLOW ACTUATOR	328
AIR DRAIN	479
AIR PULSE	479
ASM	
FEED/ROTATION	143
AUX CONTROL INSTAL	185
AUX-CONTROL CM700D	346
B/U ALARM P	
ASSM	346
BALL	5, 10, 303, 332, 447, 463
BLOW AIR	328
BALL VBA-3/4	5
BALL-1/2	433
BANK	
ASM	346
CART	
REDUCING/RELI	145
CARTRIDGE	145, 225, 387, 401
CARTRIDGE CHECK	363
CATRIDGE	
3 WAY	328
CHECK	194, 313, 328, 332, 393
.25NPT	269, 340
COAXIAL AIR	273
CONTROL	48, 82
COUNTER-BALANCE	194
COUNTERBALANCE	173, 175, 223
DIRECTIONAL CNTROL	153
DRILL MODE	361
ASSM	346
DRILL/TRAM	357
DRILL/TRAM SEL	346
FAN CONTROL	315
FEED	
TRAM 28/42GPM	371
FEED CONTROL	121
FLOW CONTROL	485
DUST	471
GREASER	
ASSY	199
HYD	
LOWER BYPASS	307
UPPER BYPASS	307
HYD THERMOSTATIC	321
HYD.THERMOSTATIC	279
HYDRAULIC	307, 401
LOAD SENSE SHUTTLE	264
MIN.PRESSURE	332
MOTORIZED	
ASM	323
INSTL	323
NEEDLE	143, 353
PILOT	264, 449
TRAM	147
PILOT OPERATED	213
PILOT POPPET	317
PO CHECK CART.	481
POSITION CTRL ASSM	104
RELIEF	21
RELIEF ASSEMBLY	346
RELIEF CARTRIDGE	173
ROD CHANGE CONTROL	403
ROD CHANGER ASM	346
ROT	
TRAM 33/42 GPM	377
ROTATION	125
ROTATION SO	346
SAFETY	332
SEALS	333
SHUTTLE	225, 281, 389
SOLENOID	385, 401
3-WAY	359
ASSEMBLY	443
SOLENOID 24/DC	479
SOLNOD	351
THERMAL	
COMPR	
ASM	277
TRACK	
OSCILLATION	346
TRACK OSCILLATION	349
TRAM/FEED	
LH ASSM	369
TRAM/ROT	
RH ASSM	369
UNLOADER	269
VALVE 2 WAY	143
VALVE ASM	
THERM HYD OIL	301
VALVE ASSY.	451, 452
VALVE CARTRDGE	
CNTRBAL	351
VALVE KIT	
RELIEF	439
VALVE/HOUSNG	451
VANE	
ROTOR	247
STATOR	247
VENTURI	325

Index

V-RING	
SEEGER	263
W	
WALKWAY	13
WASHER 10, 21, 104, 147, 151, 194, 195, 201, 205, 213, 215, 219, 227, 241, 253, 263, 303, 307, 349, 355, 357, 361, 365, 367, 375, 381, 385, 391, 399, 465, 469	
2.36 OD	241
5/16	165, 439
5/16 FLAT	297
DISC LOCK	
3/4	191, 199, 205, 263
DISCLOCK 1/2	194, 263, 277, 285, 293
DISCLOCK 3/8	165, 194, 227, 237, 263, 481
DISCLOCK 5/8 OR 194, 199, 215, 219, 231, 237, 241, 264, 481	
DISCLOCK 7/16	219, 263, 293
ELASTIC	43, 77
FLAT 5, 10, 20, 104, 271, 277, 281, 285, 287, 323, 389, 449, 473	
M4/12M5L20M4	165
NARROW	107, 111
WIDE	341
FLAT 12M5L29	199, 251
FLAT 12M5L31 .6, 177, 179, 181, 191, 269, 481	
FLAT-NO.10	397
ISOLATOR	
CAB	104, 263
LOCK	113, 185, 340
HELICAL	277, 287, 323, 465
LOCK SWING PIN	219
LOCK-#4	107
NYLON	469
PLAIN	
FLAT	
TYPE A	323
PLAIN M16	215, 233, 241
PLATE ADJUST PADS	215, 219, 241
RETAINER	
SKIRT	483
ROLLER	263
SEAL	201
SEALING	439
SPRING LOCK	237, 323
THRUST	215, 249
WASHER BOW-36708	263, 269, 469
WASHER/10M5LC11AM4HR 20, 165, 319, 323, 443	
WASHER/10M5LC14AM4HR 20, 185, 187, 191, 233, 295, 315, 328	
WASHER/10M5LC15AM4HR 5, 37, 39, 71, 73, 171, 215, 233, 340, 369	
WASHER/10M5LC17AM4HR 10, 37, 39, 71, 73, 332, 333	
WASHER/10M5LC19AM4HR 303, 307, 332, 353, 465	
WASHER/10M5LC20AM4HR	263
WASHER/12M5L25M3	199
WASHER/12M5L26	194, 201, 207, 219
WASHER/12M5L27	237, 353, 473
WASHER/12M5L27M3	185, 497
WASHER/12M5L30	209, 211
WASHPIPE	245
WEAR-PAD	
ASSEMBLY LEFT	215, 219, 241, 481
ASSEMBLY RIGHT	215, 219, 241, 481
SLIDE 200MM BLK	215, 219, 241, 481
WEDGE	104, 273
3 PIN	229, 341
3 SOCKET	11
8 CIRCUIT	
SOCKETS	399
WP-2P	113
WP-2S	113
WELDMENT	
EXT CYL BRACKET	219
WELDNUT	
12 MM	189
WHEEL	
FAN	479
GENEVA DRIVEN	
3 IN	255
GENEVA DRIVER	
7-3	255
WIPER	
ROD	245, 249
WIRE	151
LOCKING	289
POWER CONN.CORD	479
WIRE HARNESS	123, 127, 325
WRAP	
HOSE	185, 491
SPIRAL CUT	295, 491
WRENCH	
ADAPTER	253
CHAIN	
ASM	
CNTL BX	346
Y	
YELLOW SWITCH CAP	127

Numeric Index

PART NO.	PAGE	PART NO.	PAGE	PART NO.	PAGE	PART NO.	PAGE
0266211800	235	35279942	332	50098813	455	50805100	281
03207974	5		353	50098821	455		389
	473	35287945	264	50098839	455	50805118	393
03241395	185	35370063	269	50100593	452	50829605	433
	194	35579630	332		453	50862705	489
	473		353	50137694	451	50879246	395
03458403	159	35596733	332		452	50879253	395
	509	35609098	269	50137702	452	50879261	395
03619830	159	35711209	297	50137728	451	50879279	395
	509	36512739	505	50137736	451	50879287	395
03692076	443	36751295	269	50139377	449	50879295	395
22098982	269	36766731	271	50141720	185	50882281	459
22252043	489	36795102	265		195	50903236	463
3128048500	215	36843720	332	50141829	493	50930452	194
3128078438	215	36860336	269	50141894	493	50946797	489
	219		493	50257112	489	50947357	5
	241	36860476	269	50262526	489		10
	481	36861144	269	50288968	451		303
3128078439	215	36865756	332	50288976	451		332
	219	39132576	105	50370998	451		447
	241	39322748	332	50373745	455	50959030	263
	481	39417118	332	50393529	491		269
3215512800	235	39871694	332	50454560	452		469
3222320770	235	42535294	269	50457365	451	50963735	463
3222320805	235	50023886	185	50495696	451	50964576	328
3222320837	235		194		452	50977271	21
3222320849	235		243		453	50977289	391
3222323287	235	50023910	185	50550904	455		465
3222323288	235		328	50550920	455		469
3222323441	235		332	50550938	455	50978543	341
3222323650	169	50034826	194	50550946	455		393
3222323656	235		220	50573823	328		418
3222323657	235	50084755	451	50609445	5	50996313	5
3222323658	235	50084771	451	50619915	21	51005452	191
3222324685	235	50084789	451	50625839	21	51005627	353
3222325268	235	50085745	451	50625946	20	51021764	264
3222326372	235	50087618	451	50651900	489	51027902	447
35092279	269		452	50651918	489		493
35112259	297	50088095	452	50691831	279	51027928	269
35123504	297	50088129	451	50700814	209	51027936	447
35123512	297		452		211	51028371	37
35123520	297	50090182	451	50710698	455		71
35123538	297		452	50718238	452	51028538	412
35123546	297	50090190	451	50718246	452	51028751	271
35123553	297		452	50743731	185	51033298	449
35123561	297	50091008	452		328	51038214	289
35123587	297	50091297	452		333	51050326	375
35123595	297	50092923	452	50748128	383		381
35255869	297	50097732	455	50782598	165		
35277797	269	50097765	455	50788207	5		
		50097773	455				

Numeric Index

PART NO.	PAGE	PART NO.	PAGE	PART NO.	PAGE	PART NO.	PAGE
51050490	374	51236933	37	51377398	165	51727360	469
	375		71		194	51727378	469
	380	51297612	493		227	51728541	249
	381	51300010	285		237	51729663	351
51050516	374	51300465	340		263	51729812	417
	380	51300549	418		481	51730265	433
51055374	374	51303873	427	51377406	165	51775823	295
	375	51304434	433	51605541	203	51776284	243
	380	51305902	416	51607380	20	51776391	185
	381	51307874	493	51607430	333		194
51055382	374	51307882	493	51607448	137	51776409	185
	375	51307890	495	51607984	5	51776417	185
	380	51307908	495	51607992	5	51776425	185
	381	51307916	495	51608123	289		194
51055390	374	51308666	291	51608149	289	51776458	145
	375	51308682	291	51608685	319	51776516	387
	380	51313146	153	51608693	367	51776524	387
	381	51326759	199	51608867	171	51776623	145
51055408	374	51352136	340	51608958	171	51776821	145
	375		443	51608974	171	51776961	493
	380	51352201	489	51609089	5	51777357	503
	381	51352839	264	51610749	219	51777365	503
51061661	303	51352862	264	51612356	340	51777373	503
	307	51352870	264	51615490	21	51777381	503
51069110	451	51357408	503	51615946	340	51777407	503
51069128	451	51366615	264	51615953	469	51777415	503
51069136	451		340	51616209	201	51777449	503
	452	51366649	264	51616399	5	51777456	503
51069144	451	51367795	264	51616837	469	51777464	503
51069151	451	51377349	191	51617967	495	51778876	503
51069169	451		199	51618072	10	51778884	137
51069177	451		205	51618247	137	51779536	191
51069185	452		263	51618288	461	51780518	201
51069193	451	51377356	194	51618296	297	51780526	201
	452		199	51618338	137	51780534	201
51069201	451		215	51618346	365	51780567	201
	452		219	51618437	137		205
51069219	451		231	51618510	365	51780575	201
	452		237	51619088	213		231
51069227	451		241	51619377	10	51780583	201
	452		264		340	51780609	201
51069235	452		481	51619914	10	51780906	503
51069243	452	51377372	194	51619922	143	51782415	137
	453		263	51620664	361	51782605	351
51069250	452		277		401	51783017	185
	453		285	51713287	297		194
51069912	285		293	51713451	427		473
51213312	415	51377380	219	51716066	325	51785970	473
51232197	413		263	51719664	375		477
51236925	37		293		381	51788305	191
	71			51726255	279	51788321	251

Numeric Index

PART NO.	PAGE	PART NO.	PAGE	PART NO.	PAGE	PART NO.	PAGE
51788511	207	51869931	399	51947638	374	52089901	189
51788537	207	51874162	191		380	52091295	171
51788545	207	51874170	191	51948529	213	52091352	233
51788552	207	51874220	287	51948537	213	52091360	233
	251	51874253	287	51948735	399	52091493	473
51788636	199	51874444	363	51949691	503	52093168	473
	207	51874691	227	51949709	503	52093325	10
51789220	104	51875433	159	51952158	37	52094232	141
	459		509		71	52096336	171
	493	51903508	21	51982346	417	52099827	291
51789634	263	51904787	297	51982833	374	52100427	251
51789667	263	51909059	185		380	52102597	251
51789790	291	51909133	203	51984128	21	52104395	363
51789808	291	51909141	203		111	52104486	271
51790236	443	51909364	207	51985950	399	52104767	10
51790244	443	51909398	199	51985968	503		333
51790251	443	51910859	353	51989077	493		340
51791457	297	51910875	207	51989572	477		465
51791770	253	51910958	243	51991867	505	52105392	20
51791879	461	51914299	264	51991933	503	52105400	113
51792323	305		340	51992477	399	52105459	104
51792414	503		365		503	52105483	104
51792570	253		391	51992493	399	52106010	113
51792695	503	51915957	399	51992535	10	52106051	297
51792968	291	51916005	213	51993145	503	52107497	374
51792976	265		422	51994762	493		380
51793404	479	51916096	207	51994770	493	52107927	374
51793438	479	51916823	427	51994978	481		380
51793461	479	51917904	503	51996593	503	52107968	375
51795623	137	51918183	203	51999092	255		381
	461	51919397	363	51999100	255	52107984	375
51855849	417		401	52080025	185		381
51856060	493	51919488	273	52080033	185	52115227	412
51857324	459		291	52083680	139	52116415	189
51858124	491	51943959	143	52086162	104	52116654	117
51858132	295	51947554	374	52086170	104	52116662	117
	491		375	52086188	104	52116688	303
51858140	491		380		263		307
51858686	374		381	52086238	295	52116753	303
	380	51947562	374	52086311	371		307
51862514	253		375		377	52116761	303
51862696	191		380	52086329	264		307
51862852	497		381		371	52117082	207
51866804	413	51947570	374		377	52117603	265
51867158	418		380	52086337	340	52118346	427
51867224	412		381		371	52118452	417
51867471	418	51947596	374		377	52118882	417
51867489	413		380	52087087	171	52122777	493
51867919	422	51947612	374	52087160	185	52123387	493
51867943	415		380		491	52123486	493
51869188	313			52089810	333	52126158	415

Numeric Index

PART NO.	PAGE	PART NO.	PAGE	PART NO.	PAGE	PART NO.	PAGE
52127370	413	52298775	143	52312733	48	52316163	25
52127388	413	52301033	145		82	52316189	303
52130044	213	52301629	321	52312741	48	52316197	303
52130960	479	52301652	343		82	52316205	303
52131323	479	52301660	343	52312758	48	52316213	303
52134863	5	52304631	264		82	52316221	307
52138054	481		391	52312766	48	52316239	307
52138237	351	52304706	5		82	52316247	307
52165776	307	52305323	305	52312774	48	52316254	307
52197167	20		311		82	52316395	25
52197647	418	52306370	303	52312782	48	52316403	25
52198397	332		307		82	52316627	5
52198405	333	52306461	340	52312816	48	52316726	153
52209913	264	52306479	340		82	52316742	141
52219375	451	52306602	317	52313640	10	52316775	129
52223070	265		357	52313665	289	52316791	121
52225950	418		363	52313673	10		125
52226164	332		401	52313681	297	52317625	412
52226453	416	52306859	305	52313806	5		413
52226479	412		311	52313863	10	52317658	412
52237179	303	52306875	305	52313889	10	52317823	413
	307		311	52313897	10	52317831	413
52238474	416	52307303	25	52313905	297	52318011	422
52244605	20	52307311	25	52313913	289	52318052	413
52244704	449	52307410	489	52313954	25	52318110	413
52261294	452	52307436	493	52314093	171	52318128	413
52280849	493	52307501	25	52314127	171	52318730	107
52280856	497	52308681	185	52314135	171	52318748	111
52280864	497		491	52314143	171	52318755	107
52280872	497	52308962	401	52314150	171	52318763	111
52280880	497	52309341	359	52314382	263	52318771	301
52282795	251	52309358	359	52314473	104	52318995	401
52284825	473	52309366	359	52314564	171	52319001	401
	477	52311081	264	52314945	5	52319019	401
52285582	21	52311537	153	52315033	263	52319142	20
	427	52311552	147	52315058	264	52319225	391
52286036	449	52312634	48	52315629	289	52319233	365
52288099	328		82	52315652	289	52319316	391
52290764	25	52312667	48	52315686	289	52319324	289
52290889	452		82	52315751	25	52319332	321
52292570	281	52312675	48	52315769	25		328
52292844	503		82	52315819	25	52319415	264
52292851	503	52312683	48	52315959	305	52319597	415
52292877	505		82	52315967	305	52319605	417
52292885	505	52312691	48	52315983	311	52319662	415
52293289	359		82	52315991	305	52319720	416
	493	52312717	48	52316015	305	52320215	279
52293297	359		82		311		321
52295631	171	52312725	48	52316064	413	52320223	279
52295680	171		82	52316122	25		321
52295698	171			52316155	10	52320439	427

Numeric Index

PART NO.	PAGE	PART NO.	PAGE	PART NO.	PAGE	PART NO.	PAGE
52320447	427	52321189	155	52325180	333	52326493	374
52320488	429	52321197	155	52325214	104		380
52320553	415	52321205	155	52325222	104	52326501	363
52320678	375	52321213	155	52325255	105	52326527	363
	381	52321221	155		413	52326535	363
52320694	375	52321239	371		417	52326543	363
	381	52321254	377	52325347	104	52326626	187
52320702	375	52321262	143	52325453	399	52326634	185
	381	52321270	401	52325461	264	52326725	187
52320728	374	52321353	323	52325586	416	52326733	328
	380	52321395	477	52325933	149	52326782	353
52320736	374	52321411	321	52325941	149	52326816	155
	380	52321536	5	52325982	149	52326824	155
52320744	374	52322146	27	52325990	149	52326949	153
	380	52322153	27	52326006	149	52326956	153
52320751	374	52322161	27	52326014	149	52326964	153
	380	52322179	325	52326022	149	52326972	153
52320785	374	52322187	325	52326030	149	52326980	104
	380	52322195	325	52326048	151	52327012	281
52320793	374	52322203	325	52326055	151	52327103	479
	380	52322211	325	52326063	151	52327145	479
52320884	263	52322229	325	52326071	151	52327178	479
52320892	263	52322237	325	52326089	151	52327194	479
52320918	263	52322245	323	52326097	151	52327202	479
52320926	264	52322252	323	52326105	151	52327228	479
52320934	155	52322260	323	52326113	151	52327244	328
52320942	157	52322278	323	52326121	151	52327269	447
52320959	157	52322344	131	52326261	401	52327277	346
52320967	157		135	52326279	401	52327293	161
52320975	157	52322351	131	52326287	401	52327384	129
52320983	157	52322369	131	52326295	401	52327392	125
52320991	157	52322385	131	52326303	401	52327426	153
52321007	157	52322500	305	52326311	374	52327475	505
52321015	155	52322625	369		380	52327491	161
	157	52322633	340	52326329	380	52327517	505
52321023	157	52323029	20	52326337	374	52327533	477
52321031	157	52323060	161		380	52327541	20
52321049	157	52324621	20	52326345	375	52329612	301
52321056	157	52324712	264		381	52329646	473
52321064	157	52324720	264	52326352	375	52329679	269
52321072	155	52324738	295		381	52329711	20
52321080	155	52324746	265	52326360	374	52329745	473
52321098	155	52324753	104		380	52329752	477
52321106	155	52324860	263	52326378	374	52329760	477
52321114	155	52324928	263	52326410	503	52329778	473
52321122	155	52324936	263	52326436	503		477
52321130	155	52325032	263	52326444	503	52329836	369
52321148	155	52325040	263	52326451	363	52329844	369
52321155	155	52325115	427	52326469	363	52329851	346
52321163	155	52325164	137	52326477	363	52329869	371
52321171	155	52325172	189	52326485	363		377

Numeric Index

PART NO.	PAGE	PART NO.	PAGE	PART NO.	PAGE	PART NO.	PAGE
52330073	343	56946247	205	56966278	412	57342420	340
52330370	433	56946601	412	56971559	417	57345373	415
52330677	141		413	56971955	412		416
52330685	137		414		417	57345449	415
52330701	137		415	56972680	412	57347411	391
52330735	137		416		413	57347494	412
52330834	104		417		414		413
52330842	401		418	56974579	414	57358145	185
52330875	328		422	56992084	413		195
52330974	313		423		417		241
52330982	129		425	56992191	399		329
52330990	119	56947518	20	56992522	414	57358830	341
52331006	119		333	57002248	412	57363855	414
52331014	119		463	57004020	412	57370439	414
52331022	119	56948755	422		413	57374084	161
52331030	119	56948763	422	57005647	422	57391047	332
52331048	119	56949399	417	57005951	415	57392912	416
52331055	119	56949407	415	57010126	415	57397960	414
52331063	119	56950561	243	57010142	414	57405821	263
52331071	119	56950579	243	57017485	303	57426926	393
52331089	481	56953151	422	57020802	412	57440554	269
52331469	479	56953870	412	57031882	422		297
52331501	479	56953896	412	57038424	422	57442907	418
52331519	479	56953920	413	57040818	415	57443681	340
52331527	479	56954043	417	57044521	423	57473563	441
52331535	479	56954050	417	57064941	297	57483950	104
52331584	483	56954217	415		328	57493868	137
52331592	483	56955610	412	57064958	477	57494940	415
52331725	429		413	57068942	287	57506370	412
52331733	429	56955776	416	57085714	417		414
52331741	429	56955867	357	57101438	11	57514846	332
52335015	447		383		427	57525347	413
53076576	104	56956014	418	57112526	415	57534406	413
54479407	481	56956220	21	57116899	412	57547580	305
54506738	287	56957798	422	57138885	416	57552275	269
54529623	399	56961774	414	57139131	277		340
54530985	273	56961840	412	57141939	277	57569758	332
54530993	441	56964125	412	57143521	422	57578718	289
54640040	505	56964133	414	57161788	399	57594426	10
54651245	104	56964208	413	57179608	137	57597155	194
	273		416		141	57598088	287
56280852	285		417	57199028	371	57614638	194
56740567	215		418		473	57633463	443
56799844	297	56964232	414	57209355	414	57641276	215
56898778	371	56964257	415	57214405	11	57643827	433
56919004	401	56964273	412	57262503	340	57654949	438
56924962	281	56964331	422	57291049	473	57654956	438
56928534	307	56965270	63	57314825	303	57654964	438
	321		97		307	57654972	438
56928559	307	56966187	417	57330284	415	57654980	438
56942691	287	56966211	414	57336430	447	57654998	438

Numeric Index

PART NO.	PAGE	PART NO.	PAGE	PART NO.	PAGE	PART NO.	PAGE
57655003	438	57655516	439	57683906	253	57695793	41
57655011	438	57655524	439	57683914	249		75
57655029	438	57655532	439		251	57695801	41
57655037	438	57655540	439	57686438	479		75
57655045	438	57655557	439	57686446	479	57695819	41
57655052	438	57655565	439	57686453	479		75
57655060	438	57655573	439	57689283	251	57695827	41
57655078	438	57655581	439	57689291	251		75
57655086	438	57655599	439	57694739	412	57695835	41
57655094	438	57655607	439	57694804	346		75
57655102	438	57655615	439	57694879	422	57695843	41
57655110	438	57655623	439	57694929	422		75
57655128	438	57655631	439	57694952	412	57695850	41
57655136	438	57655649	439	57694978	414		75
57655144	438	57655656	439	57695231	317	57695868	41
57655151	438	57655664	439	57695249	317		75
57655169	438	57655672	439	57695603	37	57695876	43
57655177	438	57655680	439	57695611	37		77
57655185	438	57655698	439		71	57695884	43
57655193	438	57655706	439	57695629	37		77
57655201	438	57655714	439		71	57695892	43
57655219	438	57655722	433	57695637	37		77
57655227	438	57655730	439		71	57695959	413
57655235	438	57655748	439	57695645	37	57696130	415
57655243	438	57657587	279		71	57696163	416
57655250	438	57662868	227	57695652	37	57696197	414
57655268	438	57668071	11		71	57696205	414
57655276	438	57668592	307	57695660	37	57698136	245
57655284	438	57673105	113		71	57698144	245
57655292	438	57673493	346	57695678	37	57698151	245
57655300	438	57677056	340		71	57698169	245
57655318	438	57677197	239	57695686	37	57698177	245
57655326	438	57677205	243		71	57698185	245
57655334	438	57678088	229	57695694	37	57698193	245
57655342	438		340		71	57698201	245
57655359	438	57678096	229	57695702	37	57698219	245
57655367	439		341		71	57698227	245
57655375	439	57678104	11	57695728	37	57698235	245
57655383	439	57683724	249		71	57698243	245
57655391	439	57683757	249	57695736	37	57698284	247
57655409	439		251		71	57698292	247
57655417	439	57683773	249	57695744	71	57698318	247
57655425	439	57683781	249	57695751	39	57698359	247
57655433	439	57683799	249		73	57698367	247
57655441	439	57683807	249	57695769	39	57698375	247
57655458	439	57683823	249		73	57698383	247
57655466	439	57683831	249	57695777	39	57698425	247
57655474	439	57683849	243		73	57698433	247
57655482	439	57683872	249	57695785	41	57698458	247
57655490	439	57683880	249		75	57698482	247
57655508	439	57683898	249			57698490	247

Numeric Index

PART NO.	PAGE	PART NO.	PAGE	PART NO.	PAGE	PART NO.	PAGE
57698540	247	57703878	413	57713380	57	57713638	53
57698862	332	57703886	414		91		87
57698870	412	57704777	418	57713398	57	57713646	53
57699894	371	57708679	185		91		87
	377		194	57713406	57	57713653	53
57700700	43	57709677	173		91		87
	77	57711137	423	57713414	57	57713661	48
57700718	43	57712176	33		91		82
	77	57712184	67	57713422	57	57713679	48
57700726	43	57713182	48		91		82
	77		82	57713430	57	57713687	48
57700734	43	57713190	57		91		82
	77		91	57713448	57	57713695	48
57700742	43	57713208	57		91		82
	77		91	57713455	57	57713703	48
57700759	43	57713216	57		91		82
	77		91	57713463	57	57713711	48
57700767	43	57713224	57		91		82
	77		91	57713471	57	57713729	61
57700775	43	57713232	57		91		95
	77		91	57713489	57	57713737	61
57700783	43	57713240	48		91		95
	77		57	57713497	48	57713745	61
57700791	43		82		82		95
	77		91	57713505	53	57713752	61
57700809	43	57713257	57		87		95
	77		91	57713513	53	57713760	61
57700817	43	57713265	57		87		95
	77		91	57713521	53	57714206	48
57700825	43	57713273	57		87		82
	77		91	57713539	53	57714388	477
57700833	43	57713281	57		87	57714644	241
	77		91	57713547	53	57714651	412
57700841	43	57713299	57		87	57714669	413
	77		91	57713554	53	57714685	119
57700866	63	57713307	57		87	57717241	161
	97		91	57713562	53	57717381	363
57700874	63	57713315	57		87	57718942	161
	97		91	57713570	53	57719221	161
57700882	63	57713323	57		87	57721912	161
	97		91	57713588	53	57721920	161
57701138	505	57713331	57		87	57725111	143
57701732	505		91	57713596	53	57725202	133
57701880	481	57713349	57		87	57725285	137
	483		91	57713604	53	57725889	493
57701898	251	57713356	57		87	57728669	412
	481		91	57713612	53	57728677	413
57703704	251	57713364	57		87	57728685	412
	481		91	57713620	53	57728693	412
57703712	483	57713372	57		87	57728701	412
57703720	483		91				

Numeric Index

PART NO.	PAGE	PART NO.	PAGE	PART NO.	PAGE	PART NO.	PAGE
57728750	37	57742876	475	57756116	473	57762650	323
	71	57742884	475	57756140	473	57762668	283
57728768	340	57742892	475	57756157	185	57762676	283
57728800	161	57743288	161		473	57762684	405
57728818	161	57744278	277	57756793	251	57762734	479
57728990	307	57744641	137	57756843	333	57763013	301
57729006	307	57744658	137	57757387	333	57763120	289
57729071	413	57744674	137	57760670	263	57763138	289
	417	57744682	137	57760696	264	57763146	285
57729188	311	57744690	113	57761520	346	57763310	335
57729949	161	57745002	113	57761538	349	57763336	335
57729956	161	57745010	117	57761579	346	57763351	335
57730475	422	57745028	117	57761587	361	57763377	121
57730483	422	57745036	133	57761595	346	57763641	25
57734238	422	57745275	328	57761611	346	57763658	25
57737116	485	57747487	328	57761629	335	57763666	25
57737652	433	57747875	321	57761637	335	57763674	25
57737801	161	57748006	161	57761652	443	57763682	457
57737819	161	57748014	413	57761678	104	57763690	459
57737827	161	57748063	475	57761694	137	57763708	457
57737918	433	57748071	475	57761801	104	57763716	457
57738296	485	57748303	161	57761827	346	57763724	465
57738304	471	57748311	161	57761835	357	57763732	467
57738387	161	57748329	161	57761843	363	57763740	467
57739021	133	57748337	161	57761878	346	57763757	467
57739104	137	57748345	161	57761884	385	57763765	465
57739120	141	57748352	161	57761892	351	57763773	465
57739278	137	57748360	161		387	57763781	129
57739286	137	57748428	163	57761900	329	57763799	141
57739294	137	57748436	163	57761918	229	57763807	113
57739633	139	57748642	63	57761926	361	57763815	113
57739732	418		97		389	57763823	104
	422	57748881	247	57761959	281	57763831	137
57739807	137	57748899	247	57761983	104	57763849	104
57740425	323	57749657	427	57761991	121	57763856	104
57741878	113	57749665	427	57762007	104	57763872	335
57741902	113	57751380	245	57762015	125	57763880	335
57741910	113	57751398	245	57762023	104	57763898	335
57741928	104	57751406	245	57762031	104	57763922	293
57741936	113	57751505	295	57762056	139	57764201	285
57741951	115	57751513	295	57762064	143	57764227	287
57741969	115	57751521	295	57762080	143	57764235	297
57741977	115	57753014	422	57762098	104	57764276	265
57741985	115	57753030	422	57762346	297	57764292	283
57742017	139	57753063	422	57762353	285	57765315	328
57742058	143	57753204	215	57762379	283	57766990	251
57742082	133		241	57762403	463	57767006	505
57742108	133		253	57762445	20	57767014	505
57742801	113	57754798	104	57762452	25	57767196	253
57742850	475	57754863	145	57762460	25	57767220	265
57742868	475	57755555	119	57762635	283	57767584	289

Numeric Index

PART NO.	PAGE	PART NO.	PAGE	PART NO.	PAGE	PART NO.	PAGE
57767600	129	57794232	215	57804395	323	57814626	123
57767626	279	57794364	471	57804403	323		127
	321	57794414	251	57804411	323	57814634	127
57767634	279	57794448	187	57804429	323	57814642	127
	321	57794455	187	57804452	271	57814659	127
57767725	417	57794463	187	57804502	317	57814667	127
57767808	10	57794489	169	57804510	317	57814675	127
57767824	328	57794497	219	57804536	317	57814741	63
57767931	143	57794562	269	57804619	243		97
57768020	264	57794570	269	57804627	271	57815409	422
57768061	401	57794596	333		423	57815417	422
57772535	287		422	57804635	271	57815425	422
57772543	287	57794752	271	57806788	328	57818031	63
57772592	287		423	57807232	427		97
57772790	293	57794760	271	57809345	185	57818049	63
57774127	133		423	57809436	247		97
57774135	104	57794810	423	57809444	247	57818056	63
57774408	317	57794828	269	57809519	247		97
	359		271	57809535	247	57818064	63
	363	57794836	269	57809543	247		97
57774416	317	57794851	423	57809550	264	57818072	63
	328	57794869	423	57809832	415		97
57774465	346	57797318	21	57809865	418	57823478	325
57774481	269	57797631	25	57809915	329	57824104	11
57774630	269	57798605	449	57809923	463	57824112	328
57774648	271	57798613	422	57809931	449	57824120	328
57774721	481	57798654	21	57809956	449		353
57774747	481	57798712	335	57809964	328	57824146	243
57774986	401	57798746	423	57809972	303	57824153	463
57777294	427	57798779	422	57809980	463	57824179	321
57782831	505	57798803	397	57809998	365	57824187	328
57783029	155	57798829	397	57810038	333	57824195	328
57783482	427	57799157	323	57814006	265		332
57783508	287	57799165	405	57814220	479	57824211	5
57783581	323	57799272	429	57814519	123		393
57783599	323	57801771	105	57814527	123	57824229	463
57783607	323		422	57814535	123	57824237	340
57783649	429	57803082	433	57814543	123	57824286	353
57783672	429	57803116	427	57814550	123	57824328	449
57787913	265	57803132	427		127	57824369	303
57789018	449	57803165	433	57814568	123	57824450	393
57789398	465	57803181	412		127	57824468	346
57790719	427	57803793	315	57814576	123	57824559	477
57790727	427	57803835	391	57814584	123	57824575	479
57792731	269	57803843	489		127	57824609	471
57793341	271		493	57814592	123	57824765	285
	423	57804304	301		127	57824773	340
57793523	323	57804338	317	57814600	123		413
57793531	269	57804346	265		127	57824781	340
57793986	37	57804361	335	57814618	123		413
	71	57804387	323		127	57824922	413

Numeric Index

PART NO.	PAGE	PART NO.	PAGE	PART NO.	PAGE	PART NO.	PAGE
57825044	397	57872814	219	57882177	199	57910473	25
57825051	346	57872822	219	57882219	169	57910622	505
57825184	305	57873226	215	57882227	233	57910648	346
	311		219	57882363	219	57910655	383
57825192	305		241	57882367	219	57910663	263
	311		481	57882375	171	57910689	277
57825267	325	57873234	215	57882383	219	57910747	277
57825275	325	57873408	219	57882391	179	57910754	277
57825283	325		223	57886293	113	57910770	383
57825291	325	57873556	481	57889271	297	57910788	383
57825309	325	57873564	481	57889453	332	57910804	264
57825317	325	57873572	481	57889982	21	57911083	231
57825507	135	57873713	241	57889990	21	57911109	165
57825515	135	57874570	215	57890113	303	57911117	165
57825523	135	57874596	161	57890121	307	57911166	264
57861239	194	57874604	161	57890378	10	57911174	505
57861627	194	57881500	405	57890394	10	57911190	227
57861635	194	57881526	405	57890436	493	57911315	194
57866931	418	57881625	169	57890444	493	57911349	239
57867301	137	57881633	215	57890451	493	57911372	423
57868549	229	57881641	215	57890568	335	57913436	391
57868556	229	57881658	217	57892663	451	57914251	346
57868564	229	57881666	215	57892671	451	57914269	403
57868572	229	57881674	215	57892689	451	57914285	173
57868887	215	57881682	215	57892697	451		175
	219		217	57892705	452		223
	241	57881690	215	57892713	452	57914350	229
57872178	173	57881708	239	57892721	452	57914368	229
	175	57881740	251	57892739	452	57914376	229
57872376	237	57881773	239	57892747	452	57914384	229
57872384	237	57881799	171	57892754	452	57914442	301
57872392	237	57881815	185	57892762	452	57917155	191
57872400	237	57881914	169	57892770	452	57917163	481
57872418	237	57881948	169	57892788	453	57917189	215
57872426	237	57881955	199	57897605	383	57919607	422
57872459	171	57881963	199	57901092	194	57919631	414
	215	57881989	194	57901126	473	57919698	415
57872749	177	57882003	169	57901134	473	57919722	415
57872756	241	57882037	169	57901142	473	57919730	422
57872764	215	57882045	169	57901159	471	57919748	422
	219	57882052	169	57901167	169	57919771	414
	241	57882060	171	57901175	237	57919797	413
	481	57882078	169	57901191	215	57919805	414
57872798	215	57882094	219	57901209	179	57919813	423
	219	57882102	177	57901217	177	57919821	415
	241		181		181	57919839	422
	481	57882110	171	57903494	263	57919847	422
57872806	215	57882128	179	57910432	25	57919854	422
	219	57882136	171	57910440	25	57924409	415
	241	57882144	181	57910457	25	57924417	416
	481	57882151	171	57910465	25	57924425	416
		57882169	219				

Numeric Index

PART NO.	PAGE	PART NO.	PAGE	PART NO.	PAGE	PART NO.	PAGE
57924458	417	57935330	507	58002114	191	58027657	195
57924482	417	57935348	507	58002122	223	58027699	241
57924680	413	57935413	219	58002130	209	58027749	207
57924698	413	57935439	219		211	58027756	207
57927428	237	57935447	5	58002148	225	58028515	5
57927436	194	57935454	499	58002155	225	58028523	5
57927444	194	57935470	499	58002171	346	58034950	263
57927485	187	57935678	191	58002189	233	58044561	297
57927493	503	57935686	199	58002197	271	58044744	297
57927501	503		207	58002213	507	58051210	422
57927519	503		473	58002254	143	58081696	414
57927527	503	57935694	5	58002262	233	58087032	416
57927535	194	57935710	171	58002395	199	58144544	417
57927550	229	57935728	191	58002403	205	58144585	413
57927568	161	57935736	481	58002411	205	58150228	441
57927576	165	57935744	219	58002429	207	58154352	413
57927584	346	57935769	171	58002437	205	58182791	414
57927592	505	57935777	171	58002585	418	58207325	412
57927600	191	57935793	191	58002593	417		413
57927618	237	57935801	209	58002627	219	58207333	416
57927626	499		211	58002668	239	59434001	399
57927634	499	57935843	199	58005912	181	59436840	104
57927683	503	57935850	211	58009911	199		229
57927691	499	57935975	113	58009929	237		340
57927709	499	57935983	113	58009952	199		441
57927717	237	57935991	194	58009960	241	59436873	104
57927741	273	58001272	271	58009986	241		273
57927758	271	58001280	499	58010083	195	59437251	399
57927766	185	58001298	219	58010091	195	59449827	113
57927774	105	58001322	201	58010364	241	59449835	113
57927782	271	58001348	507	58020108	427	59476705	481
57927824	194	58001355	507	58020116	414	59506436	287
57927832	307	58001389	194	58020124	415	59820548	269
57927840	333	58001405	271	58020140	415	59852988	299
57927857	195	58001884	199		416	59956466	277
57927873	355	58001892	251	58020157	422	81325219	445
57927915	13	58001983	191	58020165	422	81335507	445
57927923	13	58001991	191	58020173	415	81664658	333
57928145	199	58002007	199	58020181	415	85691202	371
57928152	209		207	58020199	417		377
57928160	209		473	58020207	417	86415650	227
	211	58002015	183	58020215	417	92304609	323
57928178	209	58002023	173	58020223	417	95000600	113
	211	58002031	175	58020231	418	95002598	213
57928194	209	58002049	175	58020256	416	95002663	251
	211	58002056	183	58020264	418	95002705	191
57928319	199	58002064	183	58020272	418		199
57928442	303	58002072	481	58027467	264		207
57928574	241	58002080	191	58027475	194		209
57928582	104	58002098	225	58027558	105		211
57935322	507	58002106	225	58027566	503		

Numeric Index

PART NO.	PAGE	PART NO.	PAGE	PART NO.	PAGE	PART NO.	PAGE
95003166	264	95201281	5	95263380	10	95279998	328
	403		473		37		403
95003182	269	95201307	37		71	95280152	303
	271		71		137		365
	355	95201448	5		269	95280160	365
	361	95201547	215		341	95280186	365
95003273	213		217		443	95280194	303
95008256	269	95208682	307	95263398	449		307
95017984	401	95209094	143	95263976	201	95282422	111
95018461	313		281	95264891	10	95285946	33
95022117	263		353		341		67
95028536	155		443		433		383
	157	95209870	10	95264917	137	95286514	271
95033346	249	95209912	201	95264941	328	95287629	243
95038212	185		205		329	95293403	10
95042289	371	95212114	201	95264958	340		37
	377		205	95264974	332		71
95043170	5	95219713	20	95278909	111		213
95045324	263		21	95278966	5		281
95055059	391	95219721	5		353		332
95055091	307		10	95278974	5		389
95055133	307		21	95279089	447	95301842	10
	391	95219747	5	95279097	329		341
95064192	505		21		397	95301867	10
95064689	323		393		447		323
95076790	452	95219853	340	95279139	279	95301875	21
95077681	194	95220844	433	95279212	449		287
	287	95231031	329	95279238	393	95302113	243
95078283	263	95231494	201	95279246	279		269
95081709	20	95234456	397	95279352	321	95302121	271
	473	95235131	287	95279386	332	95302147	20
95086484	203	95235370	332		340	95302998	281
95086518	371	95242525	332	95279402	21	95303335	20
	377	95242558	332		340		264
95086583	391	95243143	279	95279469	332		332
95086849	249	95245296	201	95279477	279		367
95090601	317	95248100	111		307		401
95096434	307	95250932	371	95279493	20	95303368	20
95097291	185		377		353		153
95098703	473		401		447		187
95101804	449	95257325	271		449		241
95104568	185		353	95279527	328		243
95116869	271		403		332		319
	449	95257333	111	95279535	10		383
95147674	207	95257341	111		20		401
95147971	371		281		332		403
	377		319		353		477
95157400	264		333		463	95303392	383
95164653	401		357		485	95305512	215
95187613	107		403	95279543	477		217
95188405	403						

Numeric Index

PART NO.	PAGE	PART NO.	PAGE	PART NO.	PAGE	PART NO.	PAGE
95310116	241	95344321	393	95370714	303	95527990	313
	307	95356093	383	95371092	165	95528808	317
95310256	171		401	95371217	33	95642484	20
95315214	5	95356721	332		67		271
	10	95356853	191		264	95653614	264
	433		433	95371241	307		319
	447	95356903	153	95371258	121		367
95315222	5		319		125	95654208	264
95316915	321		355		147		289
95316972	143	95356960	187		361		297
	303	95356978	317	95371704	111	95654448	447
	443		365	95372173	265	95655064	213
95317434	333		391		403		269
	393	95357786	328	95373841	441		403
95322871	185	95357919	340	95375093	340	95657730	21
	307	95362158	201	95376133	194		340
95323432	332		205	95377156	447	95666996	121
95323457	143	95362190	201	95378667	185		125
	281		205	95378907	328		187
95323465	10	95363339	401		332		328
	20	95364154	332	95387890	5		385
	243	95364162	271		340		391
	263	95364469	213	95387924	393		401
	361		269	95396404	449	95674982	185
95326922	449		340	95396768	161		328
95326930	328	95364949	477	95396776	287	95678041	279
95329975	5	95365078	147	95396875	287		307
	121		187	95402806	477	95679031	367
	125		199	95402830	194	95730545	201
	194		241	95415667	111	95748760	153
	203		243		383	95754867	357
	264		303	95416731	271		365
	367		307	95419594	355		367
	383		349		361	95790622	243
	401		357	95422838	393	95818837	323
	403		361	95424370	353	95822458	449
95329983	187		377	95431292	332	95838231	361
	241		383	95433264	264		363
	264		403	95434353	328	95866513	111
	317	95365086	143	95447108	447	95917456	121
95330023	328	95365094	328	95453346	194		125
	332		367		357		129
95330692	365		385	95457586	433		133
	367	95365367	137	95464160	5	95917472	141
	401	95366001	303	95469151	365	95919130	137
95341020	5		307	95473443	355		139
95341665	143	95366019	365		361		141
	367	95366555	493	95475869	107		143
	371	95368338	37	95475877	107	95919288	371
	377		71	95480109	365		377
95343596	319	95368890	264	95527321	340	95919320	263

Numeric Index

PART NO.	PAGE	PART NO.	PAGE	PART NO.	PAGE	PART NO.	PAGE
95919445	263	95955894	340	96701495	5	96702535	5
95919544	391	95955936	307		219		37
	465		391	96701503	37		39
95919569	263	95957544	233		71		71
	469	95976270	401		251		73
95919817	264	95983318	263	96701891	191		171
95920021	263	95992806	153		199		215
	469	95996815	475	96701958	113		233
95920047	263	95999173	340		161		340
95920104	263	96700216	199	96701966	185		369
95920377	161		233		263	96702550	10
95922092	113	96700398	203	96701982	20		37
95922183	271	96700836	194		185		39
	277		201		187		71
	287		207		191		73
95922225	285		219		233		332
95922233	341	96700844	237		295		333
95922324	107		353		315	96702568	303
	111		473		328		307
95922365	449	96700893	37	96701990	219		332
95922555	113		71	96702279	21		353
95922894	287	96700901	191		165		465
	295		269		481	96702576	209
	323	96700968	199	96702329	235		211
	341		251		237	96702600	171
95922928	263	96700976	6	96702436	191	96702774	20
	332		177	96702444	194		227
95923199	475		179		233	96703012	227
95929006	104		181	96702493	10	96703095	5
95931564	277		191		20	96703178	10
95931614	371		269		104	96703186	37
	377		481		389		71
95934378	465	96701222	241	96702501	20	96703343	219
95934691	465	96701289	147		165	96703426	231
95934733	185		194		319	96703640	165
95934766	277		213		323		213
	287		219		443	96703657	233
95934816	107		227	96702519	10	96703665	205
	111		355		104	96703681	171
	287		385		195		199
95935011	263		399		349		215
	465	96701396	199		357	96703756	104
95937413	323	96701412	185		361	96703871	315
95939955	340		497		365	96703939	385
95942769	281	96701438	215		367	96703962	237
95942918	113		233			96704044	303
95943072	493		241				307
95943080	469	96701461	194			96704150	263
95943916	263		220			96704176	121
	469	96701487	195				125
95955886	263						161

Numeric Index

PART NO.	PAGE	PART NO.	PAGE	PART NO.	PAGE	PART NO.	PAGE
96704275	219	96714464	165	96726716	13	96726914	20
96704333	194	96714555	213		333		185
96704440	263	96714563	194		340		189
96704481	235		355		393		194
	269	96714605	199	96726781	10		269
	481	96714621	104		147		271
96704556	187	96714688	367		307		289
96704564	20	96714696	189		319		297
	165	96714712	361		485		321
	323	96714738	207	96726799	10		340
96704721	37	96714746	219		161		343
	71	96714761	185		194		369
96704739	185	96714795	20		297		447
	277	96714803	185		303	96727003	10
96705298	199	96714811	194		323		328
96705520	37	96714837	5		328	96727052	104
	71	96714860	171		433	96727102	219
	251		233		459	96727110	219
96705652	37	96714886	201	96726807	10	96727136	177
	71	96714910	473		13		179
	185	96714936	195		20		181
	473		199		189		332
96705728	20		219		191		465
	104	96714944	264		233		481
	397	96715008	20		277	96727151	37
96706239	241		104		297		71
96706262	39		281		315		241
	73		389		340		251
	235	96715164	241		369	96727169	5
96706825	319	96716337	332		447		10
96708128	194		465		449		37
96708383	237	96718796	219	96726815	13		71
96709241	243	96719836	235		104		289
96711890	369		481		194		293
	473	96720040	333		215		297
	497	96720164	443		287		473
96711924	264	96720834	237		340	96727177	5
96711932	237	96721535	293		369		340
96711957	253	96721683	215		391		391
96712096	219	96722293	215		493		397
96712146	201	96726435	10				493
	219		323			96727185	303
	481	96726625	264				307
96712161	21	96726708	5			96727193	153
96712187	39		215				303
	73		277				323
96713094	357		369				459
96713128	349		449			96727235	219
	365						
96713490	293						
96714050	493						

Numeric Index

PART NO.	PAGE	PART NO.	PAGE	PART NO.	PAGE	PART NO.	PAGE
96727250	37	96728480	20				
	71		37				
	189		71				
	287		291				
96727300	20	96728571	10				
	185		307				
	187		493				
	328	96728688	383				
	481	96735550	233				
96727318	459	96735758	241				
	467		333				
	477		481				
96727326	277	96738315	10				
96727342	185	96738448	389				
	277	96739610	264				
96727391	10	96741467	323				
	215	96742531	199				
96727557	10		241				
96727573	113	96742689	161				
	323		485				
96727607	20	96744826	281				
96727680	13	96744917	37				
	328		71				
96727706	493	96745393	353				
96727714	195	96745971	237				
96727730	303	96746235	199				
	307	PRINTX396266	251				
	353						
96727748	10						
	215						
96727755	303						
	307						
96727797	20						
	153						
	161						
	265						
	297						
	328						
	433						
96727953	104						
	165						
96727987	143						
	399						
96727995	121						
	125						
	147						
96728241	161						
	473						

Numeric Index

PART NO.	PAGE	PART NO.	PAGE	PART NO.	PAGE	PART NO.	PAGE



**We are committed to your
superior productivity through
interaction and innovation.**



**Atlas Copco Drilling Solutions, LLC
A Company Within the Atlas Copco Group
P.O. Box 462288, 2100 North First Street
Garland, Texas 75040 USA
www.atlascopco.com/drillingsolutions**