





TEREX  MINING 	RH40E 40151	HYDR.EXCAVATOR HYDRAULIKBAGGER	00000 3102529
---	-----------------------	-----------------------------------	-------------------------



TEREX  MINING		RH40E		HYDR.EXCAVATOR		00000	
		40151		HYDRAULIKBAGGER		3102529	
Item	Quantity	ME	P/N	see page	Description	Beschreibung	
1	1	ST	(2803732)	2	FOREWORD	VORWORT	
2	1	ST	(2803722)	3	LIST OF MACHINE TYPES	MASCHINENTYPUEBERSICHT	
3	1	ST	(3659929)	4	LOWER CARRIAGE	UNTERWAGEN	
4	1	ST	(3663228)	5	UPPER CARRIAGE	OBERWAGEN	
5	1	ST	(3657268)	6	EQUIPMENT	AUSRUESTUNG	
7	1	ST	(2803777)	87	ELECTRICAL SYSTEM	ELEKTROANLAGE	

* : quantity see description

list 1 - page 1

TEREX  MINING	RH40E 40151	FOREWORD VORWORT	00001 2803732
--	-----------------------	-----------------------------------	-------------------------

2 803 732.000
1 - 3

This machine-specific Spare Parts List applies to the machine number indicated in the header or on the title label of the ring binder.

Spare Parts List Layout


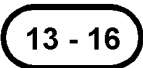

- The tables of contents include type-referred general outline illustrations and machine-specific lists of assemblies. The table of contents for the basic machine refers to machine-specific table of contents 00.500.
- An assembly consists of a spare parts illustration and an itemised spare parts list. Both the illustration and the parts list are identified by the same assembly number and an ID number. In the example, the boom substructure bears assembly number 60 011 and ID number 3 659 391 with revision index 000.

Itemised Spare Parts List

- The itemised spare parts list indicates the item, quantity, ID number, and the description of the respective spare part. By the item number, the associated ID number can be determined from the itemised spare parts list. The quantity (pieces, sets) indicated refers to the assembly shown. It is not indicated how many assemblies are in the machine. If the quantity of a part is marked "*", please refer to the "Description" column for the required length or square metres, respectively. For spare parts orders, the ID number shall be binding. If reference to an assembly is made in the parts list (a note in the "see page" or "►" in "item" column on display) spare parts of this assembly can only be found on the indicated page of the spare parts list.

Spare Part Illustration

The spare part illustration may contain the following information:

- 5** The item identifies the spare part.
-  The encircled item represents the assembly which can be ordered as a complete unit.
-  The items following the first item will be delivered together with the latter but can also be ordered separately.
-  The assembly number indicates where the component parts are listed.
- (1)** The entire assembly is listed in the spare parts list under the item. For component parts, refer to "page 27", for example.

TEREX  MINING 	RH40E 40151	FOREWORD VORWORT	00001 2803732
---	------------------------------	-----------------------------------	--------------------------------

2 803 732.000
3 - 3

Ordering Instructions

For spare parts orders, we need the following information:

- Machine model and machine serial number (if necessary, also the aggregate number)
- ID number
Quantity (pieces, length, square metres, sets)
- Forwarding address (consignee, railway station, airport)
- Mode of transport (mail, express, air freight)
- Invoice address (if other than forwarding address)

Prompt delivery will only be possible if all information is given in full.

Spare parts can be ordered with

- Terex-Germany GmbH & Co KG in Dortmund
- the Spare Parts Service Department
- Terex subsidiaries
- Terex dealers

Spare parts deliveries are subject to our Terms of Sale and Delivery.

Terex-Germany GmbH & Co. KG will not be liable for any wrong shipments as a result of non-observance of these Ordering Instructions.

The illustrations of the parts are not binding with respect to their design.

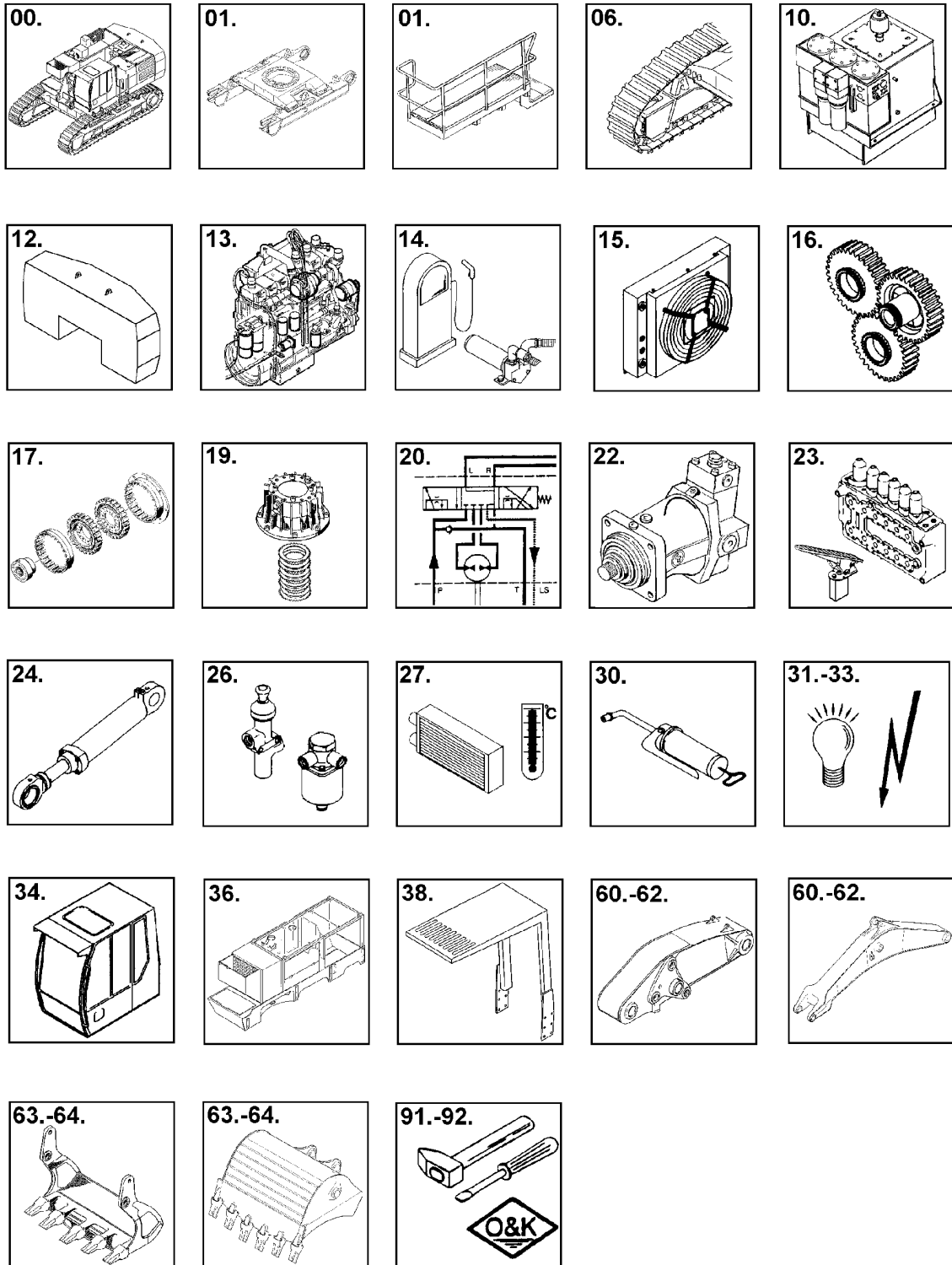
We reserve the right to modifications in the course of technical advance.

TEREX  MINING 	RH40E 40151	LIST OF MACHINE TYPES MASCHINENTYPUEBERSICHT	00002 2803722
---	-----------------------	---	-------------------------

2 803 722.000
1 - 4

List of machine types

2 803 722.000
2 - 4



2 803 722.000

3 - 4

TABLE OF CONTENTS / HYDRAULIC EXCAVATOR

Assembly No.	Description
00 ...	Hydraulic excavator
01 ...	Frame, catwalk
06 ...	Crawler chassis
10 ...	Reservoir
12 ...	Ballast
13 ...	Engine
14 ...	Fuelling system
15 ...	Cooling system
16 ...	Transmission gear
17 ...	Coupling/clutch
19 ...	Brake system
20 ...	Hydraulic system, basic machine
22 ...	Hydraulic system, components
24 ...	Hydraulic system, cylinders
26 ...	Hydraulic system, valves
27 ...	Heating, ventilation, air conditioning
30 ...	Lubricating system
31 ...	Electrical system, basic machine
32 ...	Electrical system, supplementary
34 ...	Cab module
36 ...	Panelling, covering, sound insulation
38 ...	Protective coachwork
60 ...	Working equipment, load bearing
61 ...	Working equipment, receiving
62 ...	Working equipment, bearing
63 ...	Working equipment, bucket
64 ...	Working equipment, loading bucket
91 ...	Signs and labels
92 ...	Tools

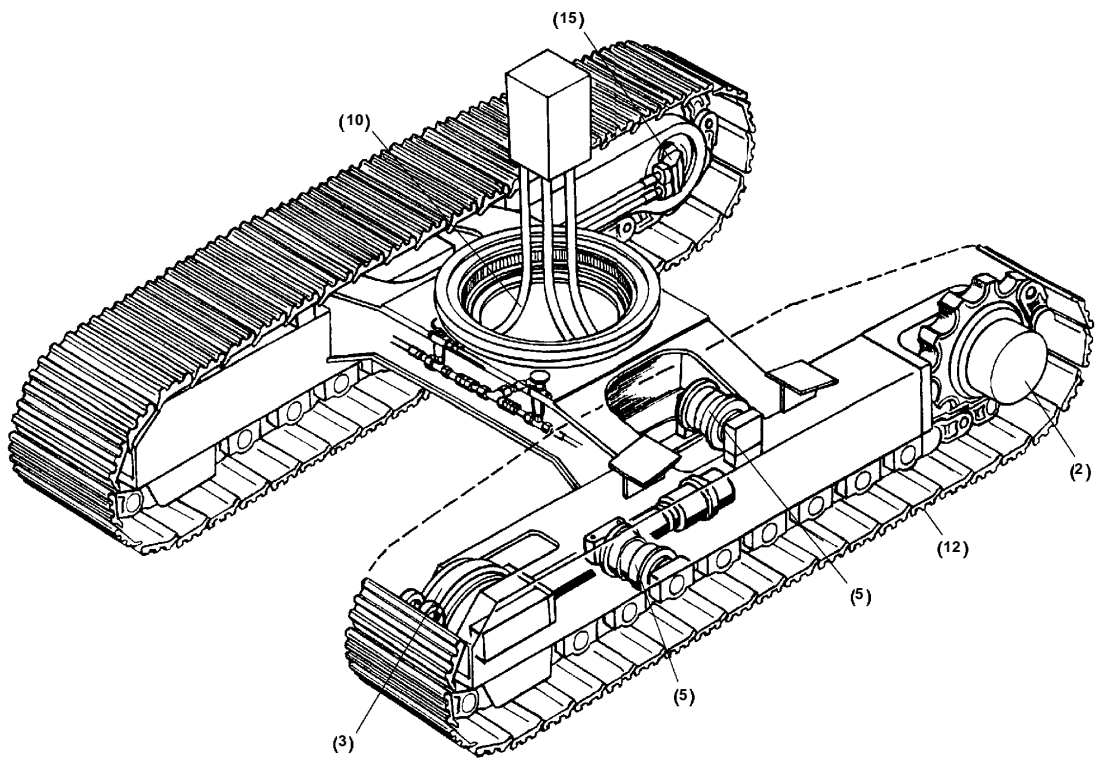
2 803 722.000

4 - 4

TABLE OF CONTENTS / HYDRAULIC EXCAVATOR

Assembly No.	Description
12 ...	Ballast
19 ...	Brake system
34 ...	Cab module
15 ...	Cooling system
17 ...	Coupling/clutch
06 ...	Crawler chassis
31 ...	Electrial system, basic machine
32 ...	Electrial system, supplementary
13 ...	Engine
01 ...	Frame, catwalk
14 ...	Fuelling system
27 ...	Heating, ventilation, air conditioning
00 ...	Hydraulic excavator
20 ...	Hydraulic system, basic machine
22 ...	Hydraulic system, components
24 ...	Hydraulic system, cylinders
26 ...	Hydraulic system, valves
30 ...	Lubricating system
36 ...	Panelling, covering, sound insulation
38 ...	Protective coachwork
10 ...	Reservoir
91 ...	Signs and labels
92 ...	Tools
16 ...	Transmission gear
62 ...	Working equipment, bearing
63 ...	Working equipment, bucket
60 ...	Working equipment, load bearing
64 ...	Working equipment, loading bucket
61 ...	Working equipment, receiving

00.200
3 659 929.000





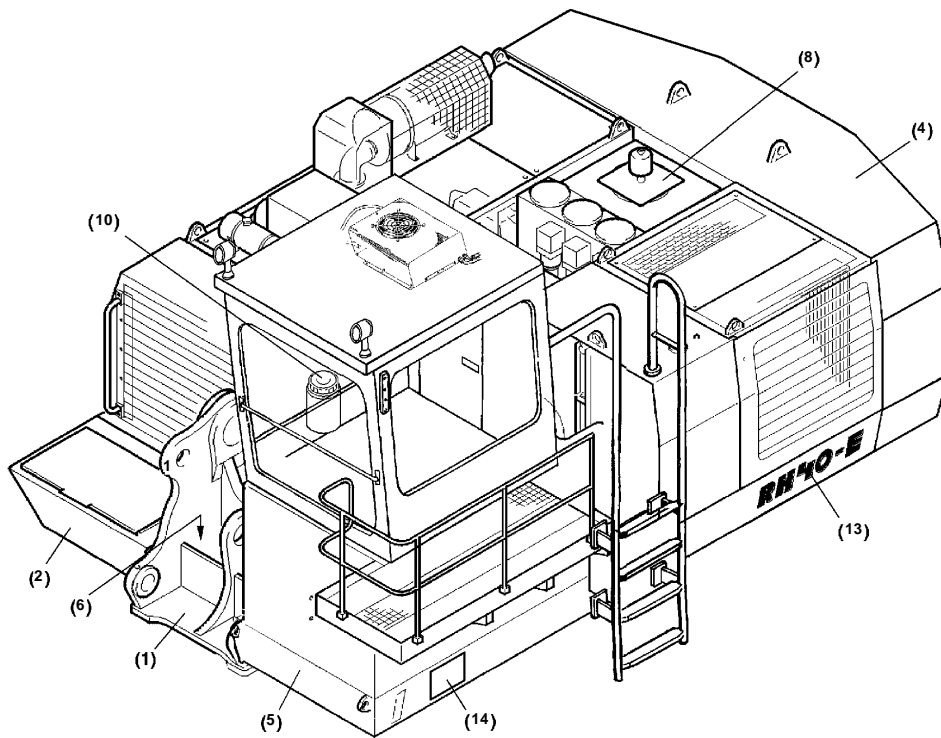
TEREX  MINING		RH40E	LOWER CARRIAGE	00200
		40151	UNTERWAGEN	3659929

Item	Quantity	ME	P/N	see page	Description	Beschreibung
2	2	ST	(3659928)	11	CHAIN WHEEL DRIVE	KETTENRADANTRIEB
3	2	ST	(3659924)	14	TENSIONING DEVICE	SPANNVORRICHTUNG
5	2	ST	(3659922)	9	CRAWLER CHASSIS	RAUPENFAHRWERK
10	1	ST	(3659918)	36	HYDRAULIC SYSTEM LOWER CARRIAGE	HYDRAULIKANLAGE UNTERWAGEN
12	2	ST	(3659931)	10	DRIVING CHAIN	FAHRKETTE
15	2	ST	(3659930)	102	COVER TRAVEL GEAR	ABDECKUNG FAHRGETRIEBE


* : quantity see description

list 1 - page 4

TEREX  MINING 	RH40E 40151	UPPER CARRIAGE OBERWAGEN	00300 3663228
---	-----------------------	---	-------------------------



00.300
3 663 228.000

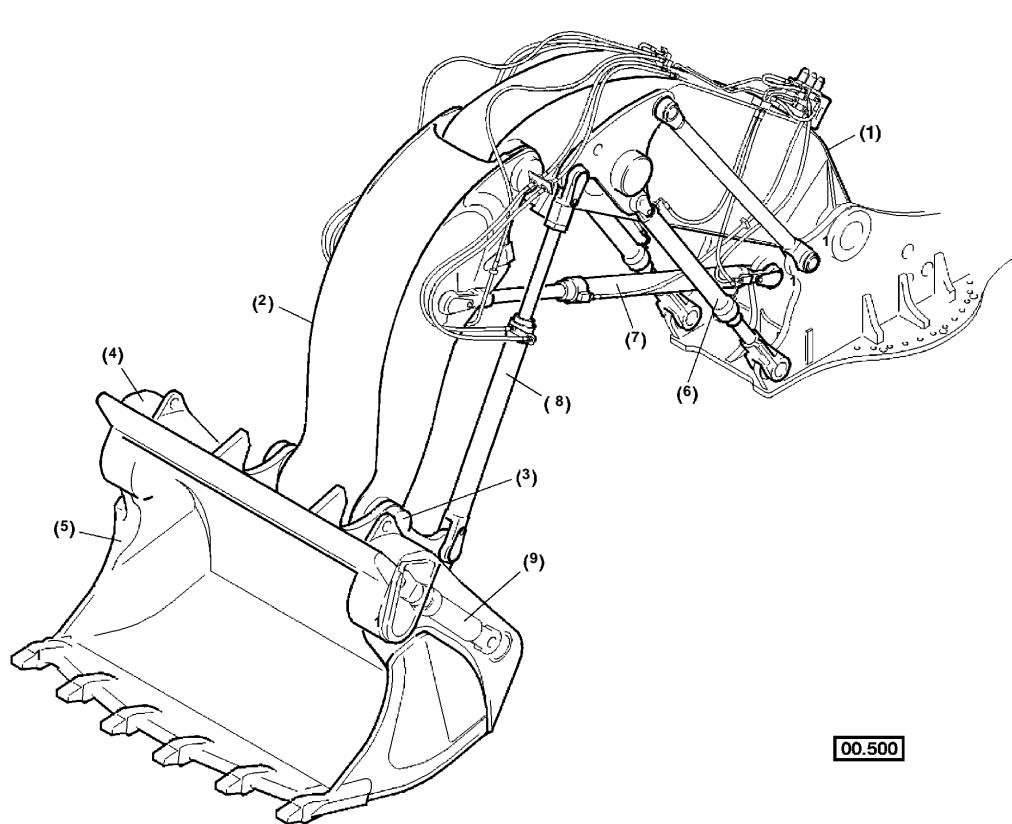
TEREX  MINING		RH40E 40151	UPPER CARRIAGE OBERWAGEN	00300 3663228
--	--	-----------------------	---	-------------------------

Item	Quantity	ME	P/N	see page	Description	Beschreibung
1	1	ST	(3659954)	7	FRAME UPPER CARRIAGE	RAHMEN OBERWAGEN
2	1	ST	(3659946)	17	ENGINE	MOTOR
4	1	ST	(3663285)	16	BALLAST INSTALL.MATERIAL	BALLAST EINBAU
5	1	ST	(3663207)	89	CAB MODULE	FAHRERHAUSMODUL
6	1	ST	(2804110)	8	LOCKING DEVICE FRAME	VERRIEGELUNG RAHMEN
8	1	ST	(3663265)	35	HYDRAULIC SYSTEM BASIC MACHINE	HYDRAULIKANLAGE GRUNDGERAET
10	1	ST	(3663278)	82	GREASING SYSTEM	SCHMIERANLAGE
13	1	ST	(3663282)	115	PLATES	SCHILDER
14	1	ST	(3663284)	117	ACCESSORIES	BETRIEBSMITTELSATZ

* : quantity see description



list 1 - page 5

TEREX  MINING 	RH40E 40151	EQUIPMENT AUSRÜSTUNG	00400 3657268
---	-----------------------	---------------------------------------	-------------------------



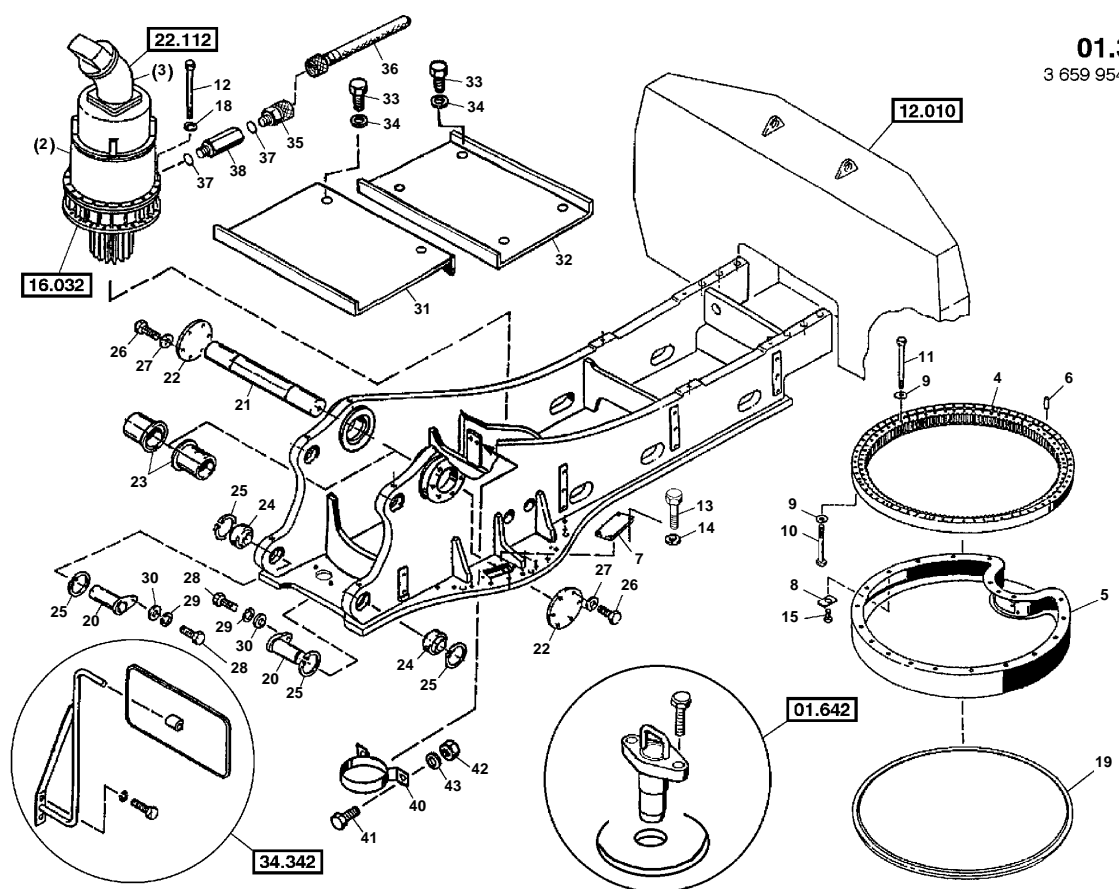
00.400
3 657 268.000

00.500

TEREX  MINING		RH40E		EQUIPMENT		00400	
		40151		AUSRUESTUNG		3657268	
Item	Quantity	ME	P/N	see page	Description	Beschreibung	
1	1	ST	(3657265)	104	BOOM BOTTOM INSTALL.MATERIAL	AUSLEGERUNTERTEIL EINBAU	
2	1	ST	(3657194)	107	STICK INSTALL.MATERIAL	STIEL EINBAU	
3	1	ST	(3657262)	110	PIN NO.2	LAGERUNG NR:2	
4	1	ST	(3657261)	112	SHOVEL REAR WALL	KLAPPSCH RUECKWAND	
5	1	ST	(3657269)	113	SHOVEL FRONT SHELL	KLAPPSCH VORDERT	
6	2	ST	(3657192)	73	BOOM CYLINDERS	AUSLEGERZYLINDER	
7	1	ST	(3657191)	74	STICK CYLINDER	STIELZYLINDER	
8	2	ST	(3657263)	75	BUCKET CYLINDER	SCHAUFELZYLINDER	
9	2	ST	(3659432)	76	DUMP CYLINDER	KLAPPENZYLINDER	

* : quantity see description

list 1 - page 6



TEREX  MINING			RH40E		FRAME UPPER CARRIAGE		01300	
			40151		RAHMEN OBERWAGEN		3659954	
Item	Quantity	ME	P/N	see page	Description	Beschreibung		
1	1	ST	(3659953)	15	HYD. OIL TANK MOUNTING PARTS	HYDRAULIKTANK ANBAUTEILE		
2	1	ST	(3659949)	31	SLEWING GEAR COMPLETE	SCHWENKGETRIEBE KOMPLETT		
3	1	ST	(3659947)	54	SWING MOTOR	SCHWENKMOTOR		
4	1	ST	2270612		SWIVEL CONNECTION	DREHVERBINDUNG		
5	1	ST	2470571		COVER	ABDECKUNG		
6	1	ST	1774917		PIN	STIFT		
7	1	ST	2246239		LID	DECKEL		
8	20	ST	0920492		PLATE	PLATTE		
9	96	ST	2268687		DISK/WASHER	SCHEIBE		
10	48	ST	2270624		HEX.HD.SCREW	SECHSKANTSCHRAUBE		
11	48	ST	2270625		HEX.HD.SCREW	SECHSKANTSCHRAUBE		
12	24	ST	2270641		CYL.HEAD SCREW	ZYLINDERSCHRAUBE		
13	4	ST	0056656		HEX.HD.SCREW	SECHSKANTSCHRAUBE		
14	4	ST	0056988		DISK/WASHER	SCHEIBE		
15	20	ST	0056661		HEX.HD.SCREW	SECHSKANTSCHRAUBE		
18	24	ST	1751371		DISK/WASHER	SCHEIBE		
19	*	M	0902252		GASKET ; 5,9 M	DICHTUNG ; 5,9 M		
20	2	ST	1929993		PIN	BOLZEN		
21	1	ST	1929979		PIN	BOLZEN		
22	2	ST	1929980		LID	DECKEL		
23	2	ST	2711466		BUSHING	BUCHSE		
24	2	ST	0583126		JOINT BEARING	GELENKLAGER		
25	4	ST	0012565		CIRCLIP	SICHERUNGSRING		
26	8	ST	0271197		HEX.HD.SCREW	SECHSKANTSCHRAUBE		
27	8	ST	0153214		DISK/WASHER	SCHEIBE		
28	2	ST	0119713		HEX.HD.SCREW	SECHSKANTSCHRAUBE		
29	2	ST	0725736		LOCK WASHER	FEDERRING		
30	2	ST	0080200		DISK/WASHER	SCHEIBE		
31	1	ST	2418421		BASE	BODEN		
32	1	ST	2416982		BASE	BODEN		
33	8	ST	0054431		HEX.HD.SCREW	SECHSKANTSCHRAUBE		
34	8	ST	0080731		DISK/WASHER	SCHEIBE		
35	1	ST	1758452		SCREW PLUG	VERSCHLUSSCHRAUBE		
36	1	ST	1983041		SOCKET	STUTZEN		
37	2	ST	0043454		SEALING RING	DICHTRING		
38	1	ST	2418425		SOCKET	STUTZEN		
40	1	ST	0936408		CLIP	SCHELLE		
41	2	ST	0055064		HEX.HD.SCREW	SECHSKANTSCHRAUBE		
42	2	ST	0057125		HEXAGONAL NUT	SECHSKANTMUTTER		
43	2	ST	0063704		DISK/WASHER	SCHEIBE		

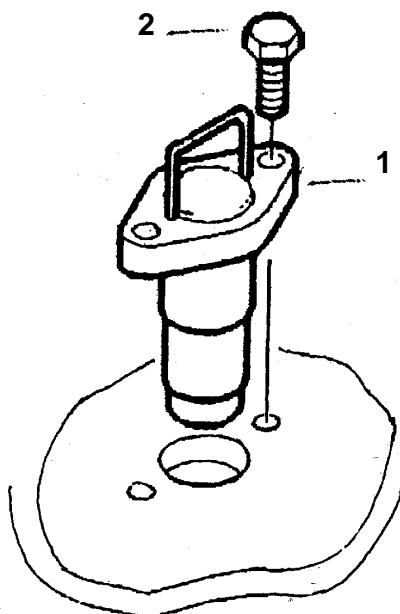
* : quantity see description

list 1 - page 7

TEREX  MINING 	RH40E 40151	LOCKING DEVICE FRAME VERRIEGELUNG RAHMEN	01642 2804110
---	-----------------------	---	-------------------------

01.642

2 804 110.000



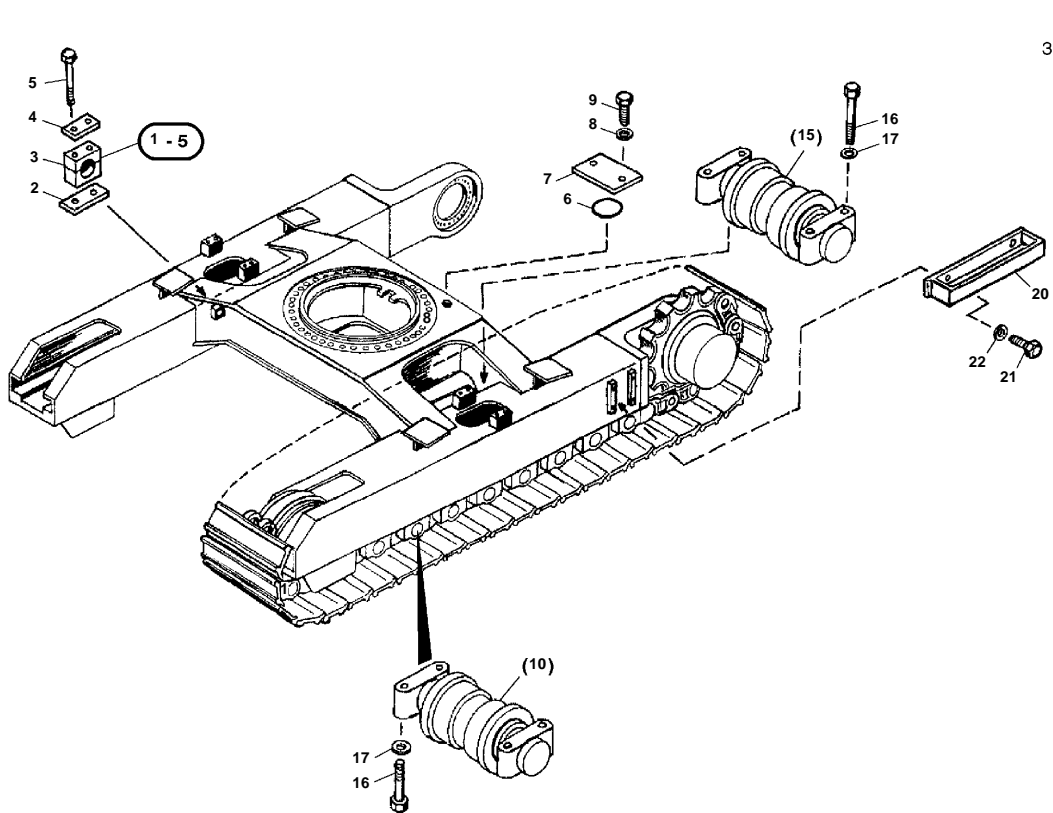
TEREX  **MINING****RH40E****40151****LOCKING DEVICE FRAME****VERRIEGELUNG RAHMEN****01642**

2804110

Item	Quantity	ME	P/N	see page	Description	Beschreibung
1	1	ST	2418389		LOCKING BAR	RIEGEL
2	2	ST	0056685		HEX.HD.SCREW	SECHSKANTSCHRAUBE

* : quantity see description

list 1 - page 8



06.000
3 659 922.000

TEREX  MINING		RH40E 40151	CRAWLER CHASSIS RAUPENFAHRWERK	06000 3659922
--	--	-----------------------	---	-------------------------

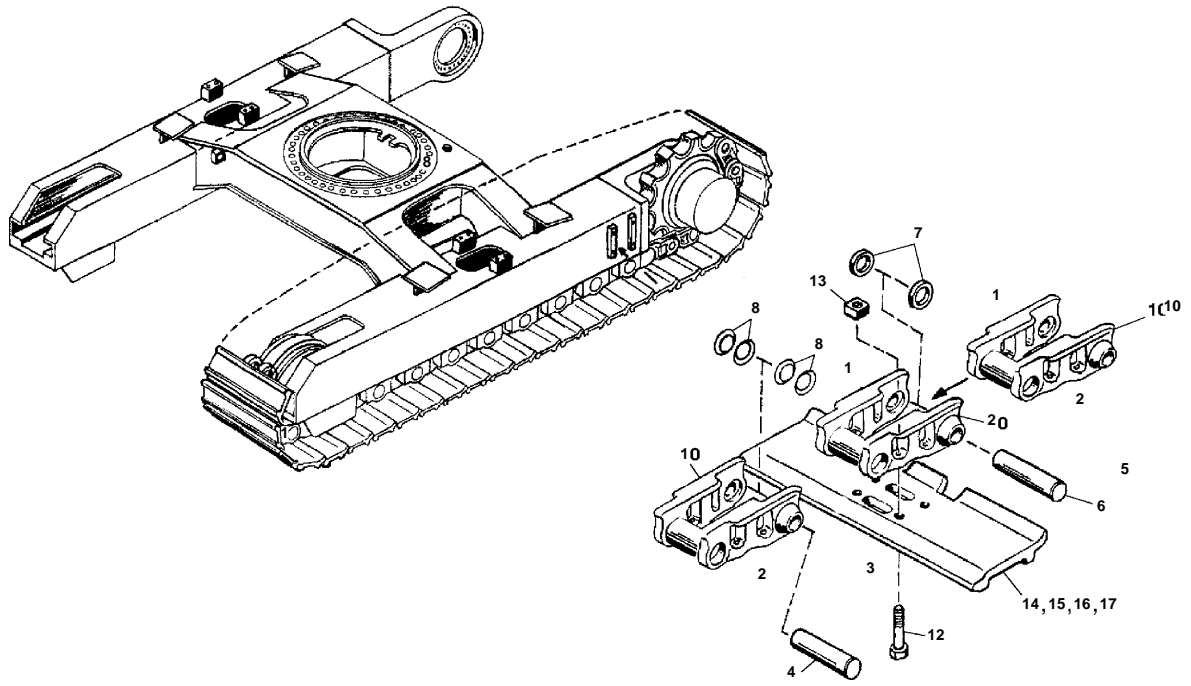
Item	Quantity	ME	P/N	see page	Description	Beschreibung
1	2	ST	0913703		CLIP	SCHELLE
2	2	ST	0217645		PLATE	PLATTE
3	2	ST	0971585		CLIP	SCHELLE
4	2	ST	0598093		PLATE	PLATTE
5	4	ST	0063249		HEX.HD.SCREW	SECHSKANTSCHRAUBE
6	1	ST	1751984		O-RING	O-RING
7	1	ST	1751972		LID	DECKEL
8	2	ST	0041254		DISK/WASHER	SCHEIBE
9	2	ST	0063316		HEX.HD.SCREW	SECHSKANTSCHRAUBE
10	16	ST	(3659921)	12	BOTTOM ROLLER	LAUFROLLE
15	2	ST	(3659919)	13	TOP ROLLER	STUETZROLLE
16	72	ST	0750963		HEX.HD.SCREW	SECHSKANTSCHRAUBE
17	72	ST	0920486		DISK/WASHER	SCHEIBE
20	2	ST	2416659		STEP	TRITT
21	8	ST	0057076		HEX.HD.SCREW	SECHSKANTSCHRAUBE
22	8	ST	0056992		DISK/WASHER	SCHEIBE

* : quantity see description

list 1 - page 9


TEREX  MINING 	RH40E 40151	DRIVING CHAIN FAHRKETTE	06.100 3659931
---	-----------------------	--	--------------------------

06.100
3 659 931.000

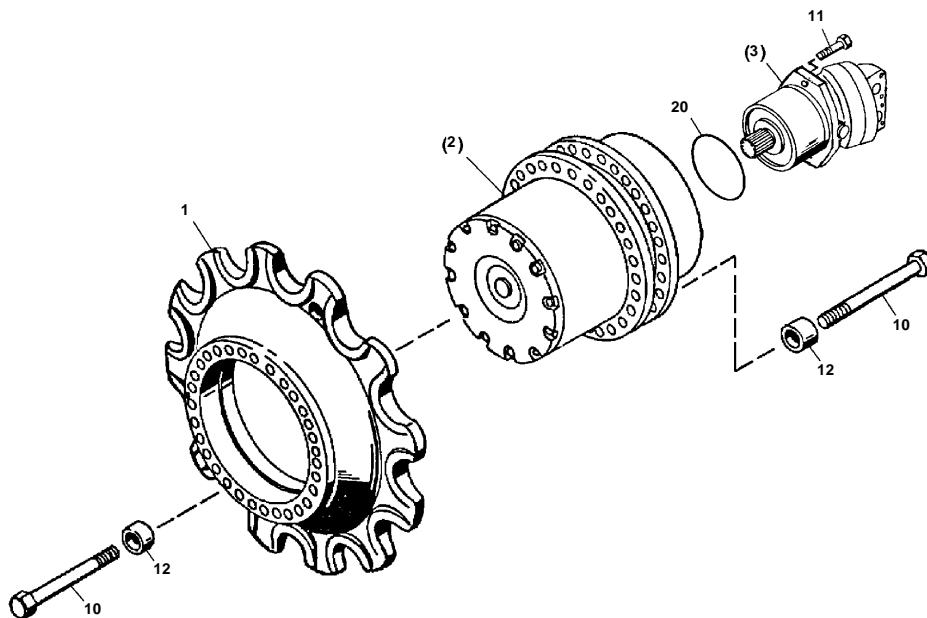


Item	Quantity	ME	P/N	see page	Description	Beschreibung
4	47	ST	1975643		PIN	BOLZEN
6	1	ST	1975644		PIN	BOLZEN
7	2	ST	1596620		DISK/WASHER	SCHEIBE
8	188	ST	0237766		GASKET	DICHTUNG
10	48	ST	1596764		SEGMENT	SEGMENT
12	192	ST	2270598		HEX.HD.SCREW	SECHSKANTSCHRAUBE
13	192	ST	2133462		NUT	MUTTER
14	48	ST	1925961		BASEPLATE	BODENPLATTE
15	48	ST	1728285		BASEPLATE	BODENPLATTE
16	48	ST	1714248		BASEPLATE	BODENPLATTE
17	48	ST	1925978		BASEPLATE	BODENPLATTE

* : quantity see description

TEREX  MINING 	RH40E 40151	CHAIN WHEEL DRIVE KETTENRADANTRIEB	06140 3659928
---	-----------------------	---	-------------------------

06.140
3 659 928.000

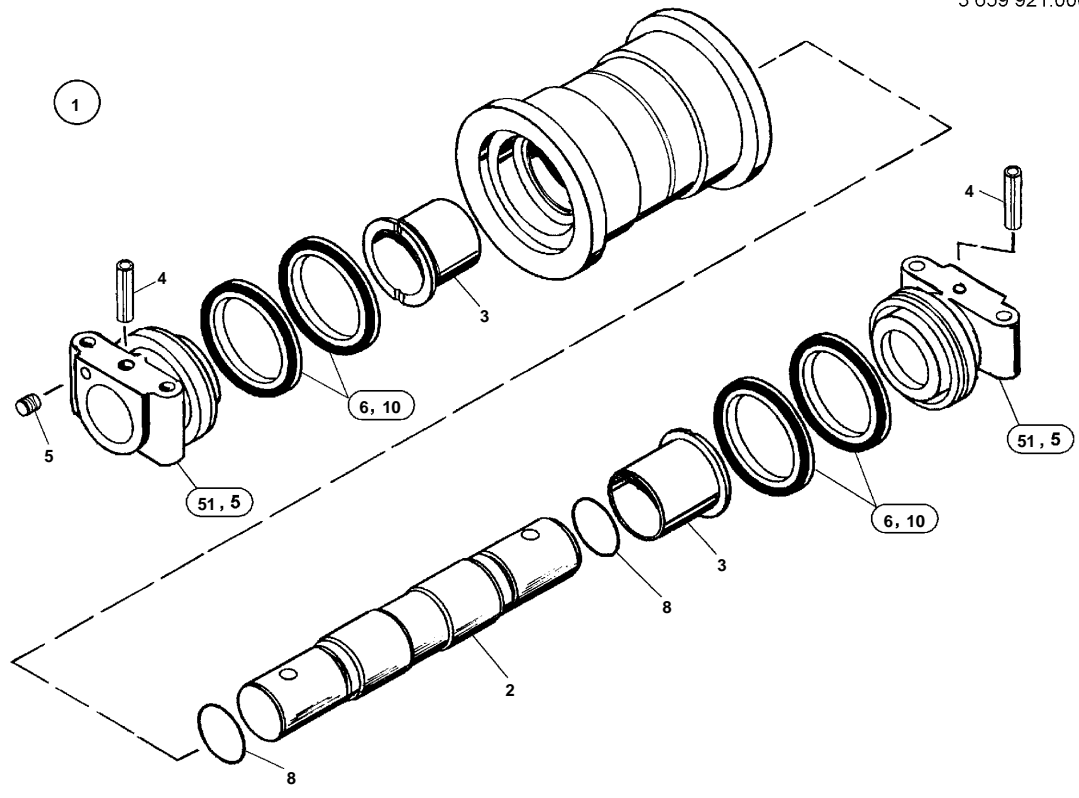


Item	Quantity	ME	P/N	see page	Description	Beschreibung
1	1	ST	2102521		SPROCKET	KETTENRAD
2	1	ST	(3659927)	30	TRAVEL GEAR COMPLETE	FAHRGETRIEBE KOMPLETT
3	1	ST	(3659925)	53	TRAVEL MOTOR	FAHRMOTOR
10	76	ST	0260183		HEX.HD.SCREW	SECHSKANTSCHRAUBE
11	2	ST	0119713		HEX.HD.SCREW	SECHSKANTSCHRAUBE
12	76	ST	1751371		DISK/WASHER	SCHEIBE
20	1	ST	0660420		O-RING	O-RING

* : quantity see description

TEREX  MINING 	RH40E 40151	BOTTOM ROLLER LAUFROLLE	06150 3659921
---	-----------------------	--	-------------------------

06.150
3 659 921.000



TEREX  MINING		RH40E 40151	BOTTOM ROLLER LAUFROLLE	06150 3659921
--	--	------------------------------	--	-------------------------

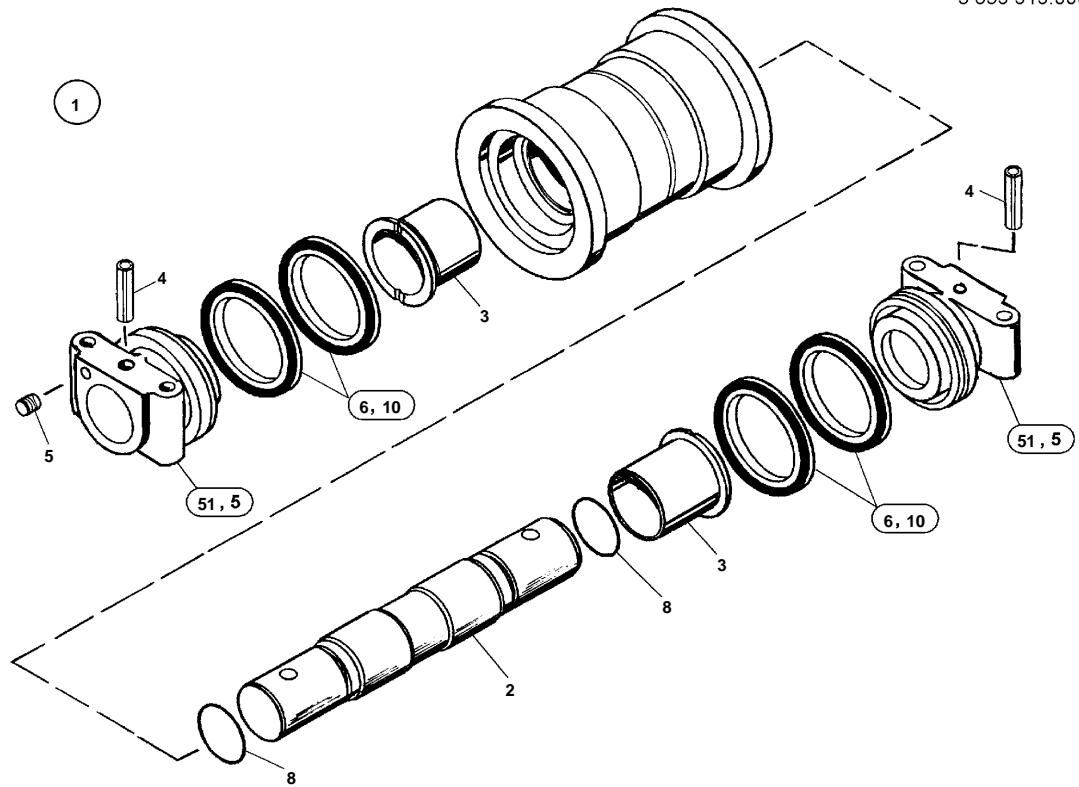
Item	Quantity	ME	P/N	see page	Description	Beschreibung
1	1	ST	3648775		BOTTOM ROLLER	LAUFROLLE
2	1	ST	3648129		AXLE	ACHSE
3	2	ST	2452843		FLANGED BUSH	BUNDBUCHSE
4	2	ST	2452844		LOCKING PIN	SPANNSTIFT
5	2	ST	1466541		SCREW PLUG	VERSCHLUSSCHRAUBE
6	2	ST	2452845		DUO-CONE SEAL	GLEITRINGDICHTUNG
8	2	ST	1421088		O-RING	O-RING
10	4	ST	2452847		O-RING	O-RING
51	2	ST	2707441		BEARING HOUSING	LAGERGEHAEUSE


* : quantity see description

list 1 - page 12

TEREX  MINING 	RH40E 40151	TOP ROLLER STUETZROLLE	06180 3659919
---	-----------------------	---	-------------------------

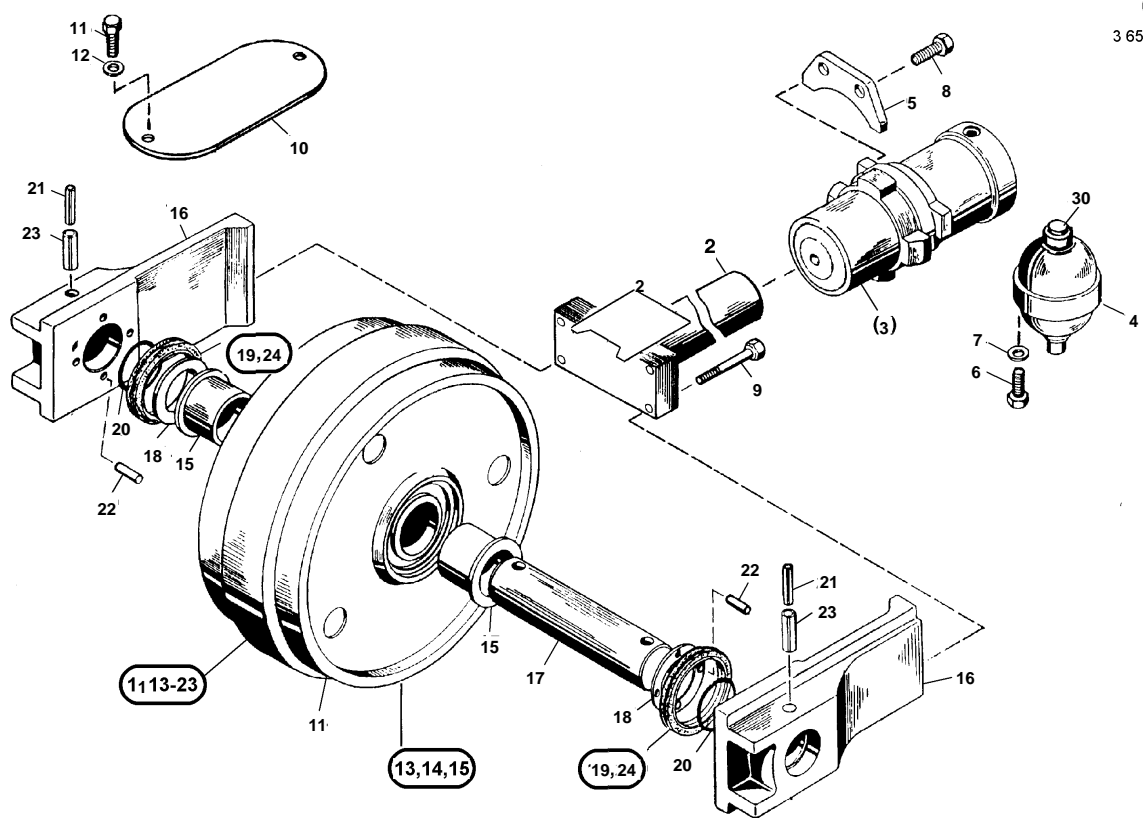
06.180
3 659 919.000



TEREX  MINING			RH40E 40151		TOP ROLLER STUETZROLLE		06180 3659919	
Item	Quantity	ME	P/N	see page	Description	Beschreibung		
1	1	ST	3648775		BOTTOM ROLLER	LAUFROLLE		
2	1	ST	3648129		AXLE	ACHSE		
3	2	ST	2452843		FLANGED BUSH	BUNDBUCHSE		
4	2	ST	2452844		LOCKING PIN	SPANNSTIFT		
5	2	ST	1466541		SCREW PLUG	VERSCHLUSSCHRAUBE		
6	2	ST	2452845		DUO-CONE SEAL	GLEITRINGDICHTUNG		
8	2	ST	1421088		O-RING	O-RING		
10	4	ST	2452847		O-RING	O-RING		
51	2	ST	2707441		BEARING HOUSING	LAGERGEHAEUSE		

* : quantity see description

list 1 - page 13

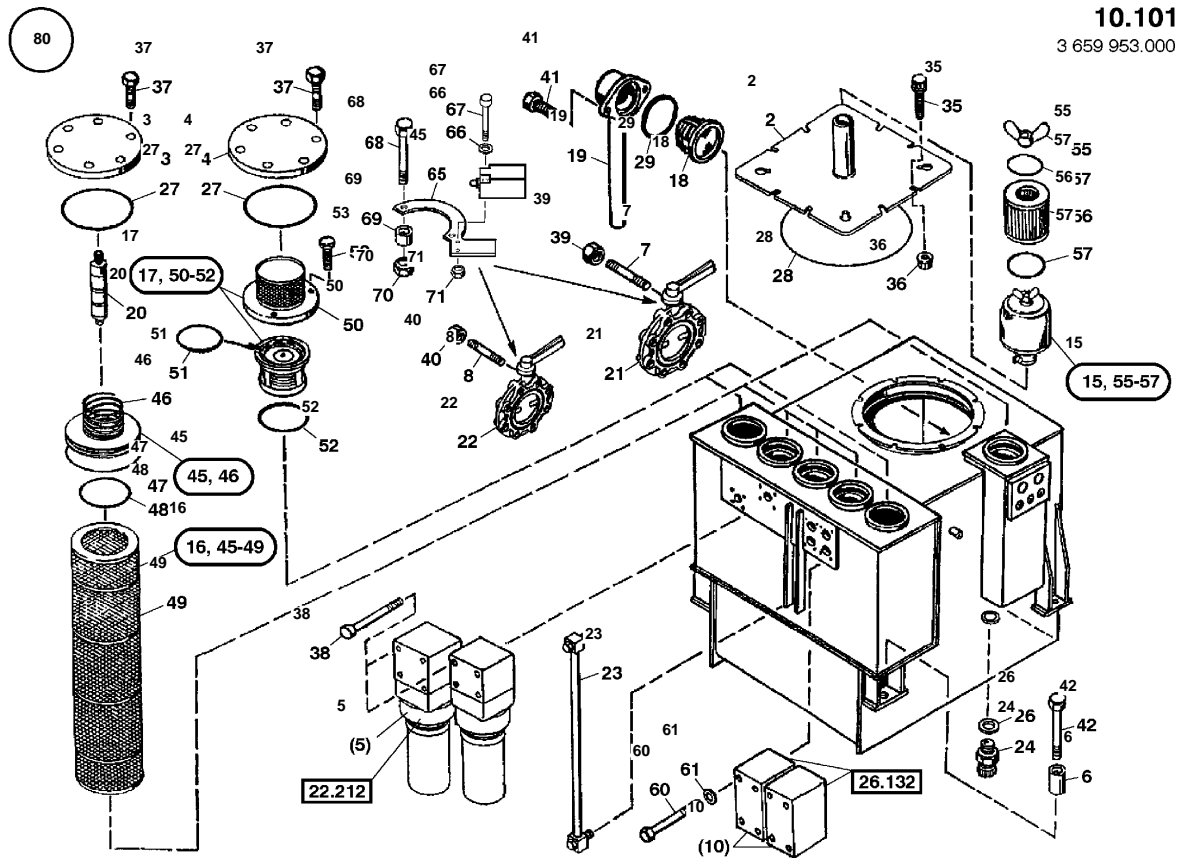


06.190
3 659 924.000

TEREX  MINING		RH40E		TENSIONING DEVICE		06190	
		40151		SPANNVORRICHTUNG		3659924	
Item	Quantity	ME	P/N	see page	Description	Beschreibung	
1	1	ST	2246195		IDLER	LEITRAD	
	1	ST	2246216		IDLER	LEITRAD	
2	1	ST	3677995		SPACER PIECE	ZWISCHENSTUECK	
3	1	ST	(3659923)	77	CLAMPING CYLINDER	SPANNZYLINDER	
4	1	ST	2270658		RESERVOIR	SPEICHER	
5	1	ST	1952564		PLATE	PLATTE	
6	4	ST	0057013		HEX.HD.SCREW	SECHSKANTSCHRAUBE	
7	4	ST	0063668		LOCK WASHER	FEDERRING	
8	2	ST	0271197		HEX.HD.SCREW	SECHSKANTSCHRAUBE	
9	4	ST	1324015		HEX.HD.SCREW	SECHSKANTSCHRAUBE	
10	1	ST	2272811		PLATE	PLATTE	
11	2	ST	0056677		HEX.HD.SCREW	SECHSKANTSCHRAUBE	
12	2	ST	0515370		DISK/WASHER	SCHEIBE	
13	1	ST	2246195		IDLER	LEITRAD	
14	1	ST	1596581		IDLER	LEITRAD	
15	2	ST	2183818		FLANGED BUSH	BUNDBUCHSE	
16	2	ST	1779526		SLIDING PIECE	GLEITSTUECK	
17	1	ST	0529654		AXLE	ACHSE	
18	2	ST	0920484		DISK/WASHER	SCHEIBE	
19	2	ST	0043212		GASKET	DICHTUNG	
20	2	ST	0073850		O-RING	O-RING	
21	2	ST	0145076		LOCKING PIN	SPANNSTIFT	
22	8	ST	0013901		PIN	STIFT	
23	2	ST	0620625		LOCKING SLEEVE	SPANNHUELSE	
24	4	ST	0043211		O-RING	O-RING	
30	1	ST	1429836		DEVICE	VORRICHTUNG	

* : quantity see description

list 1 - page 14



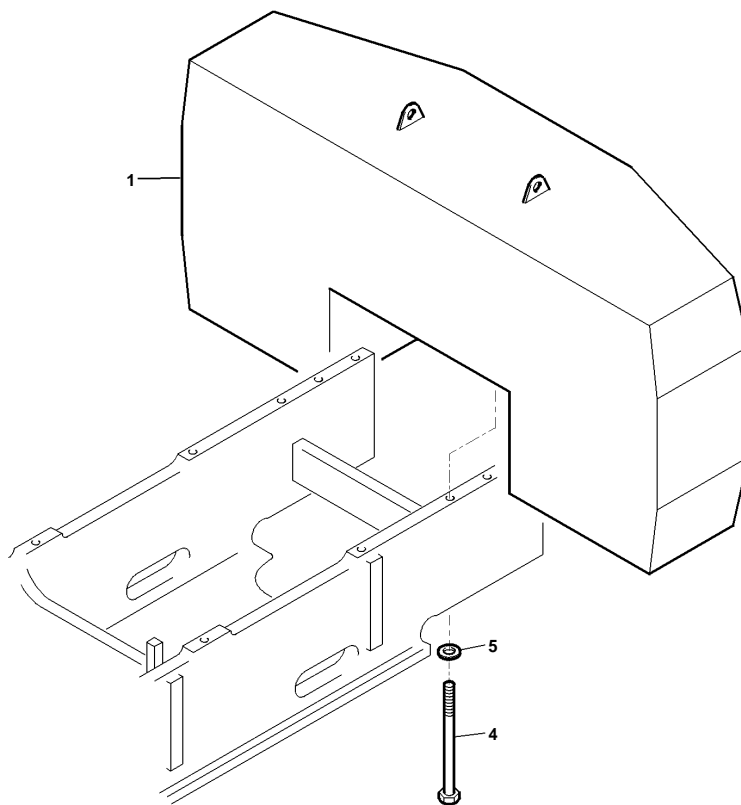
10.101
3 659 953.000

			RH40E 40151		HYD. OIL TANK MOUNTING PARTS HYDRAULIKTANK ANBAUTEILE		10101 3659953	
Item	Quantity	ME	P/N	see page	Description	Beschreibung		
2	1	ST	1999600		LID	DECKEL		
3	4	ST	2241218		LID	DECKEL		
4	2	ST	2241219		LID	DECKEL		
5	1	ST	(3659991)	56	HP FILTER	HOCHDRUCKFILTER		
6	4	ST	2273196		SLEEVE	HUELSE		
7	8	ST	2243147		STUD	STIFTSCHRAUBE		
8	8	ST	2246336		STUD	STIFTSCHRAUBE		
10	2	ST	(2800384)	78	VALVE	VENTIL		
15	1	ST	1196420		FILTER	FILTER		
16	4	ST	2241227		FILTER	FILTER		
17	2	ST	2119948		VALVE	VENTIL		
18	2	ST	0755015		VALVE	VENTIL		
19	2	ST	1263652		HOUSING	GEHAEUSE		
20	4	ST	0755256		MAGNET	MAGNET		
21	1	ST	2243145		FLAP	KLAPPE		
22	1	ST	2241235		FLAP	KLAPPE		
23	1	ST	1781391		SIGHT GLASS	SCHAUGLAS		
24	1	ST	1758619		DRAIN PLUG	OELABLASSCHRAUBE		
25	1	ST	1758623		CONNECTION	ANSCHLUSS		
26	1	ST	0010445		SEALING RING	DICHTRING		
27	6	ST	0422733		ROUND SEALING RING	RUNDDICHTRING		
28	1	ST	1901055		O-RING	O-RING		
29	2	ST	0243572		O-RING	O-RING		
35	12	ST	1740621		SCREW	SCHRAUBE		
36	12	ST	1590888		HEXAGONAL NUT	SECHSKANTMUTTER		
37	36	ST	0056668		HEX.HD.SCREW	SECHSKANTSCHRAUBE		
38	8	ST	2142948		CYL.HEAD SCREW	ZYL-SCHRB		
39	8	ST	0057136		HEXAGONAL NUT	SECHSKANTMUTTER		
40	8	ST	0057133		HEXAGONAL NUT	SECHSKANTMUTTER		
41	2	ST	0054405		HEX.HD.SCREW	SECHSKANTSCHRAUBE		
42	4	ST	0271552		HEX.HD.SCREW	SECHSKANTSCHRAUBE		
45	4	ST	1415481		PRESSURE PIECE	DRUCKSTUECK		
46	4	ST	1415482		SPRING	FEDER		
47	4	ST	0422831		O-RING	O-RING		
48	4	ST	1547653		O-RING	O-RING		
49	4	ST	1717467		RETURN FILTER	RUECKLAUFFILTER		
50	2	ST	1451894		CAGE	KORB		
51	2	ST	4799086		O-RING	O-RING		
52	2	ST	1451893		O-RING	O-RING		
53	6	ST	0056661		HEX.HD.SCREW	SECHSKANTSCHRAUBE		
55	1	ST	0083730		WING NUT	FLUEGELMUTTER		
56	1	ST	1415064		BREATHER FILTER	ENTLUEFTUNGSFILTER		
57	2	ST	0867168		O-RING	O-RING		
60	8	ST	1312383		HEX.HD.SCREW	SECHSKANTSCHRAUBE		
61	8	ST	0031375		DISK/WASHER	SCHEIBE		
65	2	ST	2452354		BRACKET	HALTER		
66	8	ST	0056982		DISK/WASHER	SCHEIBE		
67	4	ST	1350451		CYL.HEAD SCREW	ZYLINDERSCHRAUBE		
68	4	ST	0933517		CYL.HEAD SCREW	ZYLINDERSCHRAUBE		
69	4	ST	2452356		BUSHING	BUCHSE		
70	4	ST	0057126		HEXAGONAL NUT	SECHSKANTMUTTER		
71	4	ST	0057121		HEXAGONAL NUT	SECHSKANTMUTTER		
80	1	ST	2454363		HYDRAULIC TANK	HYDRAULIKBEHAELTER		

* : quantity see description

list 1 - page 15

TEREX  MINING 	RH40E 40151	BALLAST INSTALL.MATERIAL BALLAST EINBAU	12010 3663285
---	-----------------------	--	-------------------------



12.010
3 663 285.000



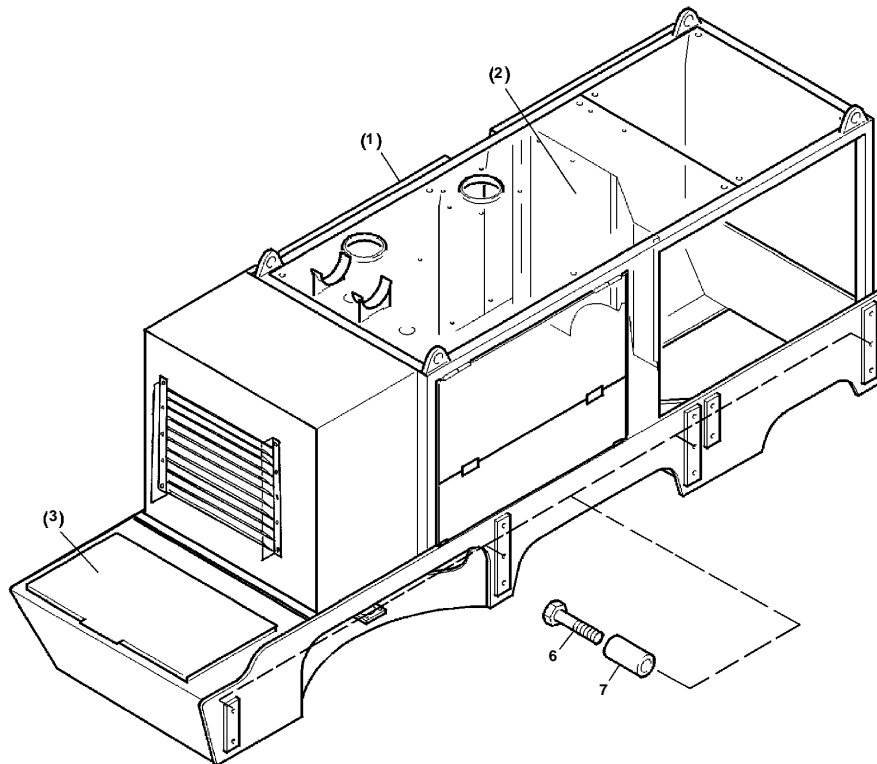
Item	Quantity	ME	P/N	see page	Description	Beschreibung
1	1	ST	2241241		BALLAST	BALLAST
4	6	ST	2247068		HEX.HD.SCREW	SECHSKANTSCHRAUBE
5	6	ST	1542312		DISK/WASHER	SCHEIBE

* : quantity see description

list 1 - page 16

TEREX  MINING 	RH40E 40151	ENGINE MOTOR	13000 3659946
---	------------------------------	-------------------------------	--------------------------------

13.000
3 659 946.000



TEREX  MINING		RH40E	ENGINE	13000
		40151	MOTOR	3659946

Item	Quantity	ME	P/N	see page	Description	Beschreibung
1	1	ST	(3659945)	101	PANELING	VERKLEIDUNG
2	1	ST	(3659944)	18	ENGINE INSTALL.MATERIAL	MOTOR EINBAU
3	1	ST	(2800376)	88	BATTERY INSTALL.MATERIAL	BATTERIE EINBAU
6	19	ST	0271552		HEX.HD.SCREW	SECHSKANTSCHRAUBE
7	19	ST	1129975		SLEEVE	HUELSE

* : quantity see description

list 1 - page 17

TEREX  MINING 	RH40E 40151	ENGINE INSTALL.MATERIAL MOTOR EINBAU	13010 3659944
---	-----------------------	---	-------------------------

3 659 700.000



Diese Bau-Gruppe ist ohne Bildseite

There is no illustrated page for this assembly

**El grupo constructivo presente no cuenta con
página con imagen**



Ce sous-ensemble n'est pas illustré

Questo gruppo non ha la pagina con l'immagine

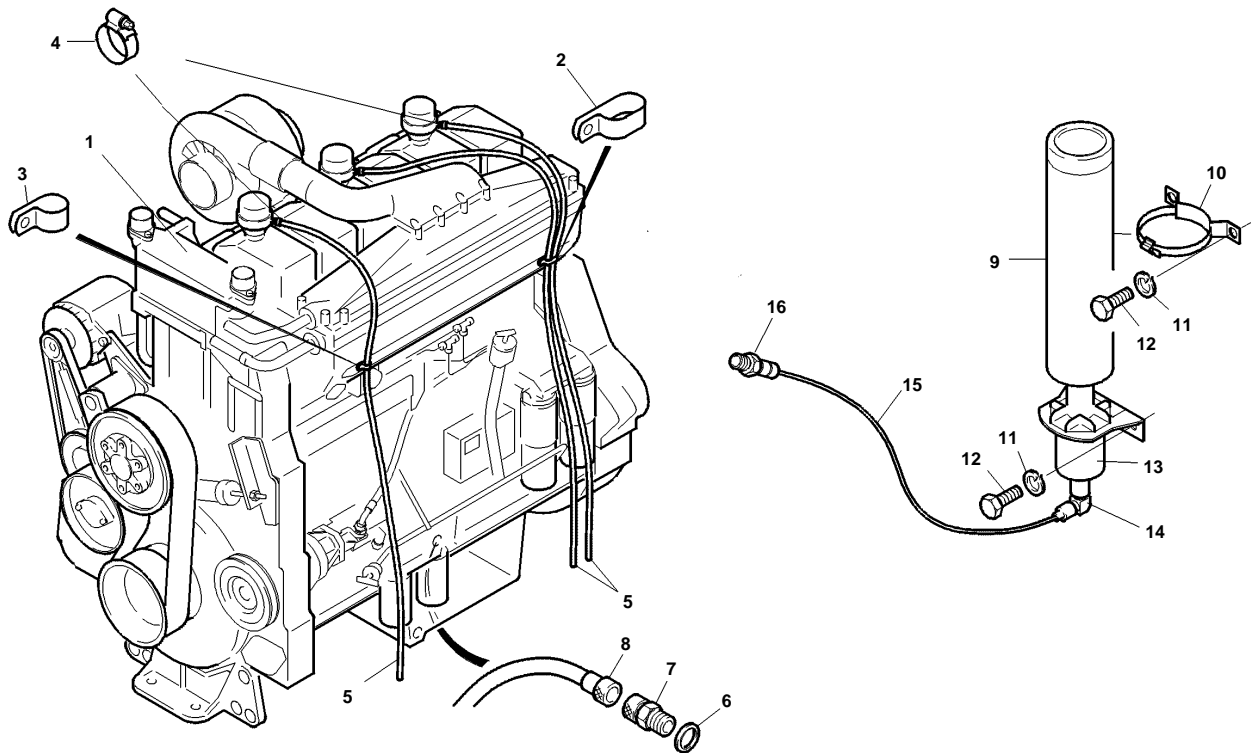
TEREX  MINING			RH40E		ENGINE INSTALL.MATERIAL MOTOR EINBAU		13010	
			40151				3659944	
Item	Quantity	ME	P/N	see page	Description	Beschreibung		
1	1	ST	(3659943)	19	ENGINE MOUNTING PARTS	MOTOR ANBAUTEILE		
2	1	ST	(3663116)	28	PUMP GEARBOX INSTALL.MATERIAL	PUMPENGETRIEBE EINBAU		
3	1	ST	(3659237)	33	COUPLING/CLUTCH INSTALL.MATERIAL	KUPPLUNG EINBAU		
4	1	ST	(3659940)	47	PUMP INSTALL.MATERIAL	PUMPE EINBAU		
5	1	ST	(3659937)	21	BEARING ENGINE	LAGERUNG MOTOR		
6	1	ST	(3659936)	27	COOLING SYSTEM WATER	KUEHLANLAGE WASSER		
7	1	ST	(3659941)	22	INTAKE/EXH.SYSTEM	ANSAUG/ABGASANLAGE		
10	1	ST	(3659958)	25	FUEL SYSTEM	KRAFTSTOFFANLAGE		
11	1	ST	(3659959)	20	ENGINE MOUNTING PARTS	MOTOR ANBAUTEILE		


* : quantity see description

list 1 - page 18

TEREX  MINING 	RH40E 40151	ENGINE MOUNTING PARTS MOTOR ANBAUTEILE	13011 3659943
---	------------------------------	---	--------------------------------



13.011
3 659 943.000

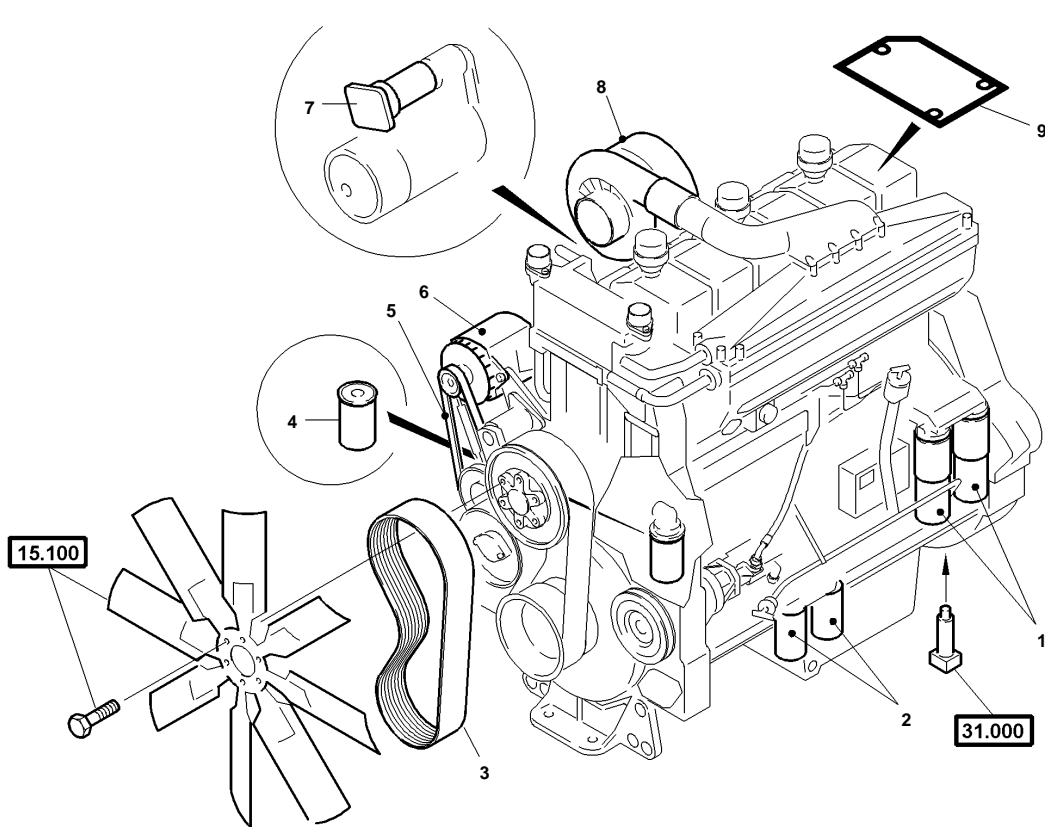


TEREX  MINING			RH40E		ENGINE MOUNTING PARTS		13011	
			40151		MOTOR ANBAUTEILE		3659943	
Item	Quantity	ME	P/N	see page	Description	Beschreibung		
1	1	ST	2767866		DIESEL ENGINE	DIESELMOTOR		
2	1	ST	0936570		CLIP	SCHELLE		
3	3	ST	0750518		CLIP	SCHELLE		
4	4	ST	0026209		CLIP	SCHELLE		
5	*	M	0207367		HOSE ; 1,6 M	SCHLAUCH ; 1,6 M		
6	1	ST	6000162		O-RING	O-RING		
7	1	ST	4516112		DRAIN VALVE	ABLASSVENTIL		
8	1	ST	1758623		CONNECTION	ANSCHLUSS		
9	1	ST	0788248		CONTAINER	BEHAELTER		
10	1	ST	0599811		CLIP	SCHELLE		
11	4	ST	0511788		LOCK WASHER	FEDERRING		
12	4	ST	0063290		HEX.HD.SCREW	SECHSKANTSCHRAUBE		
13	1	ST	1400712		VALVE	VENTIL		
14	1	ST	1411752		TUBE FITTING	VERSCHRAUBUNG		
15	1	ST	1411695		HOSE	SCHLAUCH		
16	1	ST	1411753		INJECTOR	DUESE		



* : quantity see description

list 1 - page 19

TEREX  MINING 	RH40E 40151	ENGINE MOUNTING PARTS MOTOR ANBAUTEILE	13011 3659959
---	-----------------------	---	-------------------------

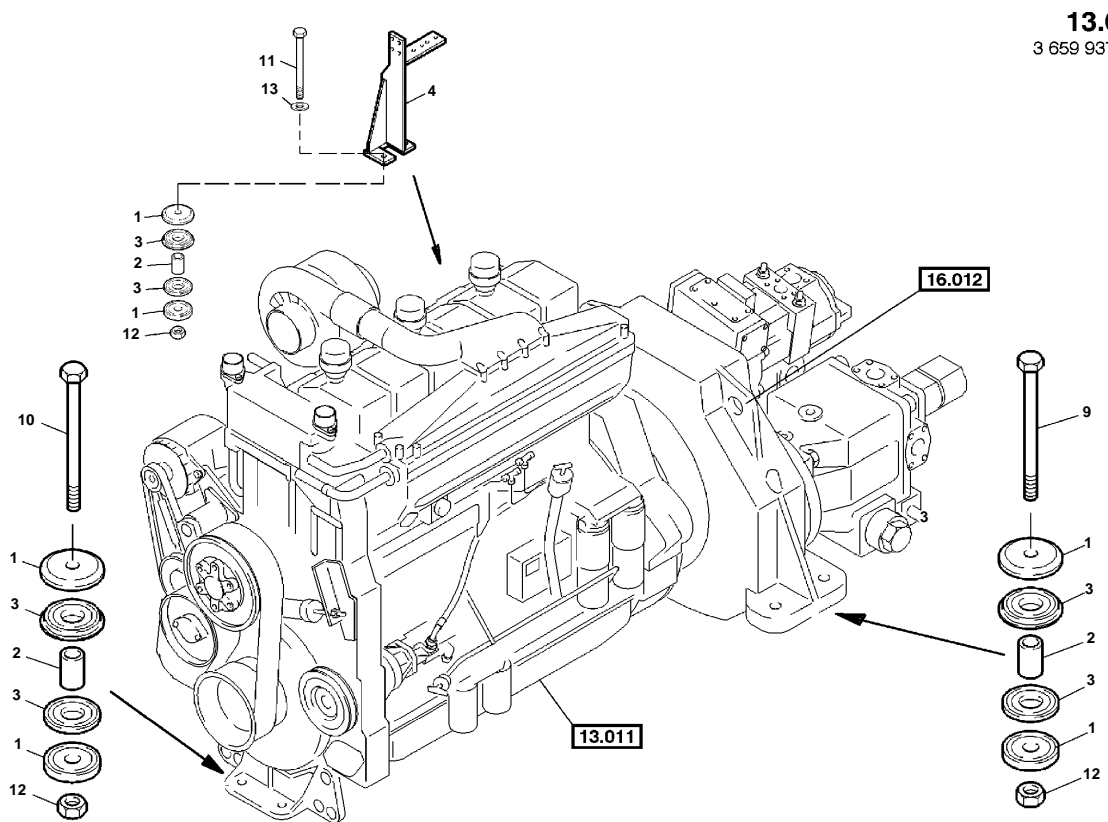


13.011
3 659 959.000

TEREX  MINING		RH40E		ENGINE MOUNTING PARTS		13011	
		40151		MOTOR ANBAUTEILE		3659959	
Item	Quantity	ME	P/N	see page	Description	Beschreibung	
1	2	ST	8482339		ENGINE OIL FILTER	MOTOROELFILTER	
2	2	ST	1478371		FUEL FILTER	KRAFTSTOFFFILTER	
3	1	ST	6000219		'V'-BELT	KEILRIEMEN	
4	1	ST	8477192		WATER-FILTER ELE.	WASSERFILT.ELEMENT	
5	1	ST	1403780		'V'-BELT	KEILRIEMEN	
6	1	ST	1476297		GENERATOR	GENERATOR	
7	1	ST	6000426		STARTER	ANLASSER	
8	1	ST	6000175		TURBO-CHARGER	TURBOLADER	
9	6	ST	8033579		GASKET	DICHTUNG	

* : quantity see description

TEREX  MINING 	RH40E 40151	BEARING ENGINE LAGERUNG MOTOR	13020 3659937
---	------------------------------	--	--------------------------------



13.020
3 659 937.000

Item	Quantity	ME	P/N	see page	Description	Beschreibung
1	12	ST	1714081		DISK/WASHER	SCHEIBE
2	6	ST	2241173		SLEEVE	HUELSE
3	12	ST	1713026		DISK/WASHER	SCHEIBE
4	1	ST	2762733		BRACKET	HALTER
9	2	ST	1186395		HEX.HD.SCREW	SECHSKANTSCHRAUBE
10	2	ST	0251935		HEX.HD.SCREW	SECHSKANTSCHRAUBE
11	2	ST	0258999		HEX.HD.SCREW	SECHSKANTSCHRAUBE
12	6	ST	0057133		HEXAGONAL NUT	SECHSKANTMUTTER
13	2	ST	0031375		DISK/WASHER	SCHEIBE

* : quantity see description

TEREX  MINING	RH40E 40151	INTAKE/EXH.SYSTEM ANSAUG/ABGASANLAGE	13202 3659941
--	-----------------------	---	-------------------------

3 659 700.000

Diese Bau-Gruppe ist ohne Bildseite

There is no illustrated page for this assembly

**El grupo constructivo presente no cuenta con
página con imagen**

Ce sous-ensemble n'est pas illustré

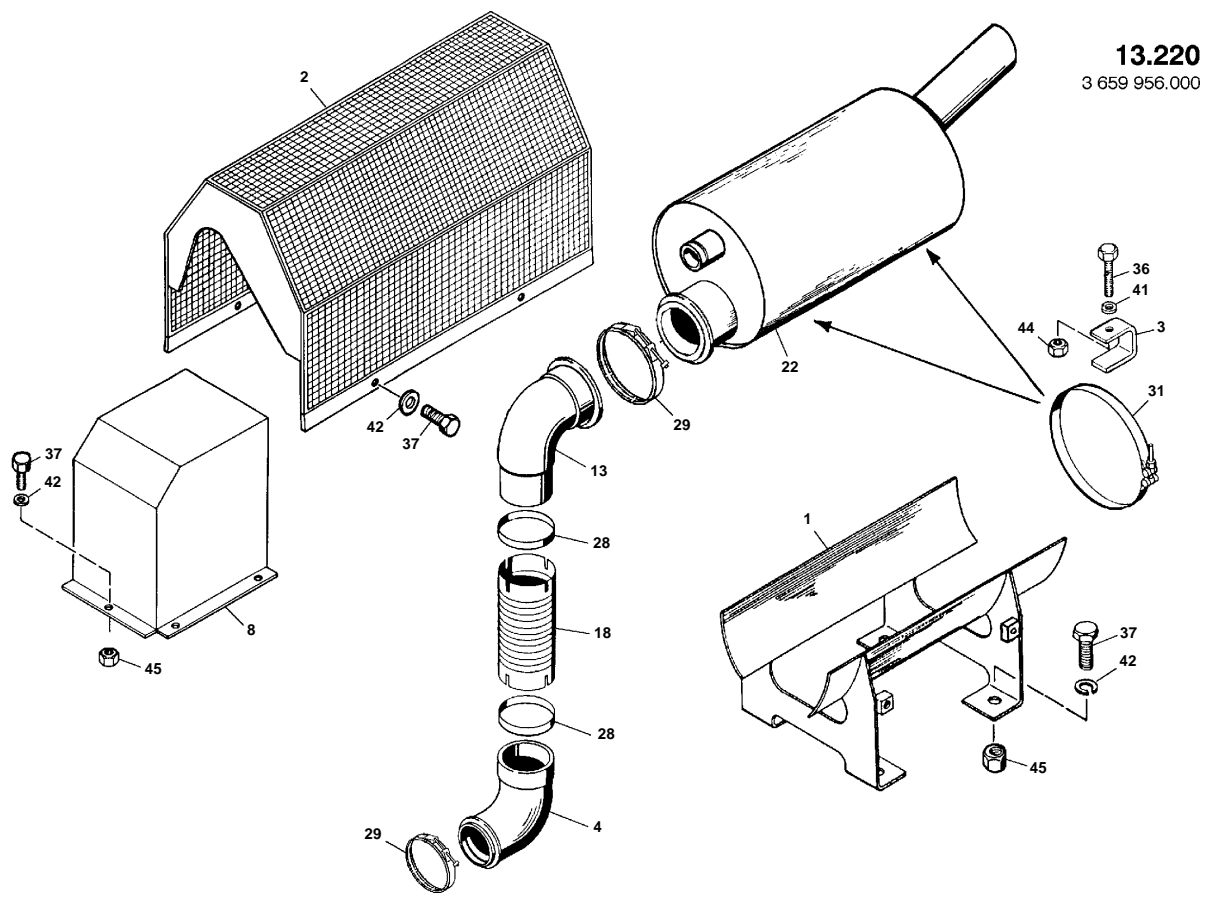
Questo gruppo non ha la pagina con l'immagine


TEREX  **MINING****RH40E****40151****INTAKE/EXH.SYSTEM
ANSAUG/ABGASANLAGE****13202****3659941**

Item	Quantity	ME	P/N	see page	Description	Beschreibung
1	1	ST	(3659956)	23	EXHAUST SYSTEM INSTALL.MATERIAL	ABGASANLAGE EINBAU
2	1	ST	(3659957)	24	INTAKE SYSTEM INSTALL.MATERIAL	ANSAUGANLAGE EINBAU

* : quantity see description

list 1 - page 22

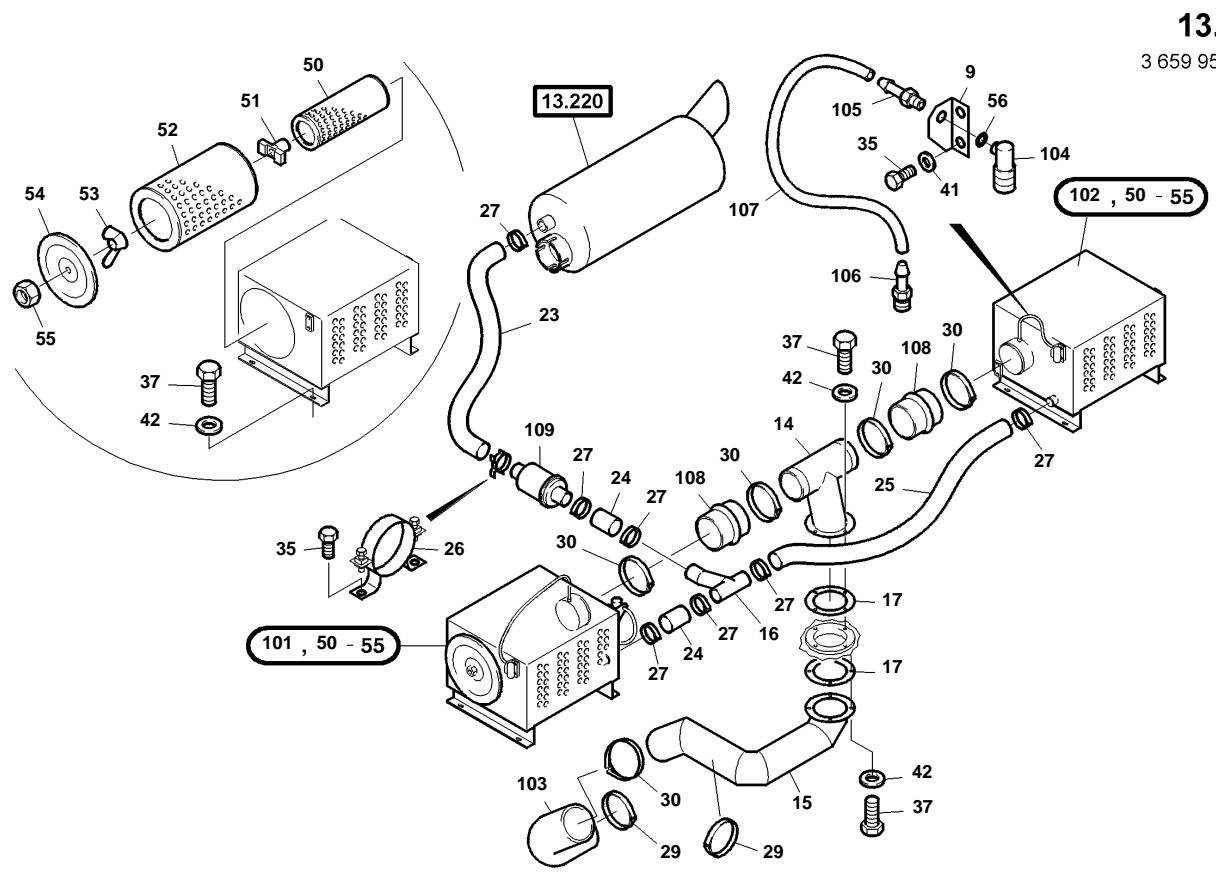


TEREX  MINING			RH40E		EXHAUST SYSTEM INSTALL.MATERIAL ABGASANLAGE EINBAU		13220	
			40151				3659956	
Item	Quantity	ME	P/N	see page	Description	Beschreibung		
1	1	ST	2763266		BRACKET	HALTER		
2	1	ST	2763269		BONNET	HAUBE		
3	1	ST	1781442		BRACKET	HALTER		
4	1	ST	2763263		ELBOW	KRUEMMER		
8	1	ST	2763265		BONNET	HAUBE		
13	1	ST	2763264		ELBOW	KRUEMMER		
18	1	ST	2450662		HOSE	SCHLAUCH		
22	1	ST	2761406		MUFFLER	SCHALLDAEMPFER		
28	2	ST	2115624		CLIP	SCHELLE		
29	1	ST	2168077		HOSE CLIP	SCHLAUCHSCHELLE		
30	2	ST	2168078		HOSE CLIP	SCHLAUCHSCHELLE		
31	2	ST	2764228		HOSE CLIP	SCHLAUCHSCHELLE		
36	2	ST	0057013		HEX.HD.SCREW	SECHSKANTSCHRAUBE		
37	13	ST	0056668		HEX.HD.SCREW	SECHSKANTSCHRAUBE		
41	2	ST	0063704		DISK/WASHER	SCHEIBE		
42	13	ST	0063701		DISK/WASHER	SCHEIBE		
44	2	ST	0034230		NUT	MUTTER		
45	9	ST	0056973		WELDING NUT	SCHWEISSMUTTER		


* : quantity see description

list 1 - page 23

TEREX  MINING 	RH40E 40151	INTAKE SYSTEM INSTALL.MATERIAL ANSAUGANLAGE EINBAU	13230 3659957
---	-----------------------	---	-------------------------

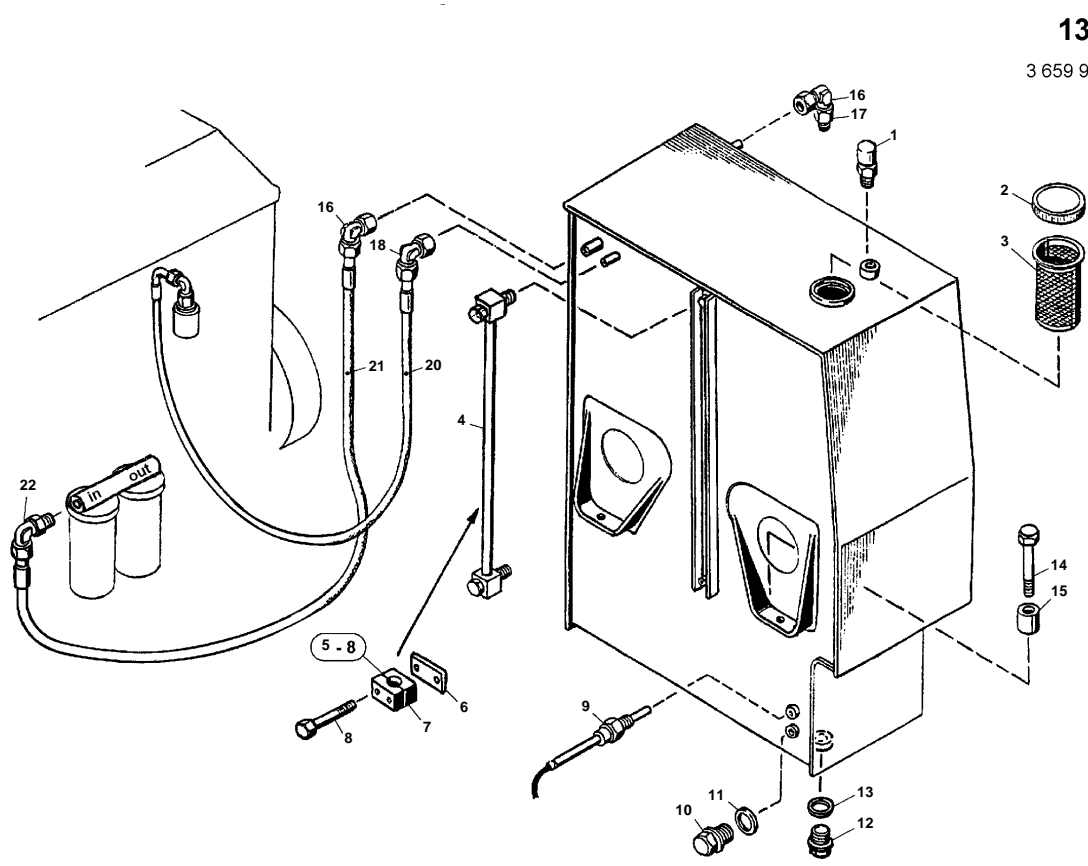


13.230
3 659 957.000

TEREX  MINING			RH40E		INTAKE SYSTEM INSTALL.MATERIAL ANSAUGANLAGE EINBAU		13230	
			40151				3659957	
Item	Quantity	ME	P/N	see page	Description	Beschreibung		
9	2	ST	1781441		ANGLE	WINKEL		
14	1	ST	2762746		LINE	LEITUNG		
15	1	ST	2762671		LINE	LEITUNG		
16	1	ST	2762745		LINE	LEITUNG		
17	2	ST	2762673		GASKET	DICHTUNG		
23	1	ST	2764794		SUCTION HOSE	SAUGSCHLAUCH		
24	2	ST	2764352		SUCTION HOSE	SAUGSCHLAUCH		
25	1	ST	2764353		SUCTION HOSE	SAUGSCHLAUCH		
26	1	ST	0936408		CLIP	SCHELLE		
27	7	ST	2168068		HOSE CLIP	SCHLAUCHSCHELLE		
29	2	ST	2168077		HOSE CLIP	SCHLAUCHSCHELLE		
30	5	ST	2168078		HOSE CLIP	SCHLAUCHSCHELLE		
35	6	ST	0063296		HEX.HD.SCREW	SECHSKANTSCHRAUBE		
37	12	ST	0056668		HEX.HD.SCREW	SECHSKANTSCHRAUBE		
41	6	ST	0063704		DISK/WASHER	SCHEIBE		
42	12	ST	0063701		DISK/WASHER	SCHEIBE		
50	2	ST	1433799		SAFETY ELEMENT	SICHERHEITSELEMENT		
51	2	ST	0957221		INDICATOR	ANZEIGER		
52	2	ST	1433798		MAIN FILTER ELEM.	HAUPTFILTERELEMENT		
53	2	ST	1406935		WING NUT	FLUEGELMUTTER		
54	2	ST	1433800		LID	DECKEL		
55	2	ST	1438620		NUT	MUTTER		
56	2	ST	0010385		SEALING RING	DICHRING		
101	1	ST	1950213		FILTER	FILTER		
102	1	ST	2762808		AIR FILTER	LUFTFILTER		
103	1	ST	8450697		ELBOW	KRUEMMER		
104	2	ST	0991332		VACUUMMETER	VAKUUMMETER		
105	2	ST	0559120		NIPPLE	NIPPEL		
106	2	ST	1791363		NIPPLE	NIPPEL		
107	*	M	8406361		HOSE ; 2 M	SCHLAUCH ; 2 M		
108	2	ST	0572883		CONNECTION	VERBINDUNG		
109	1	ST	1436992		VALVE	VENTIL		

* : quantity see description

list 1 - page 24





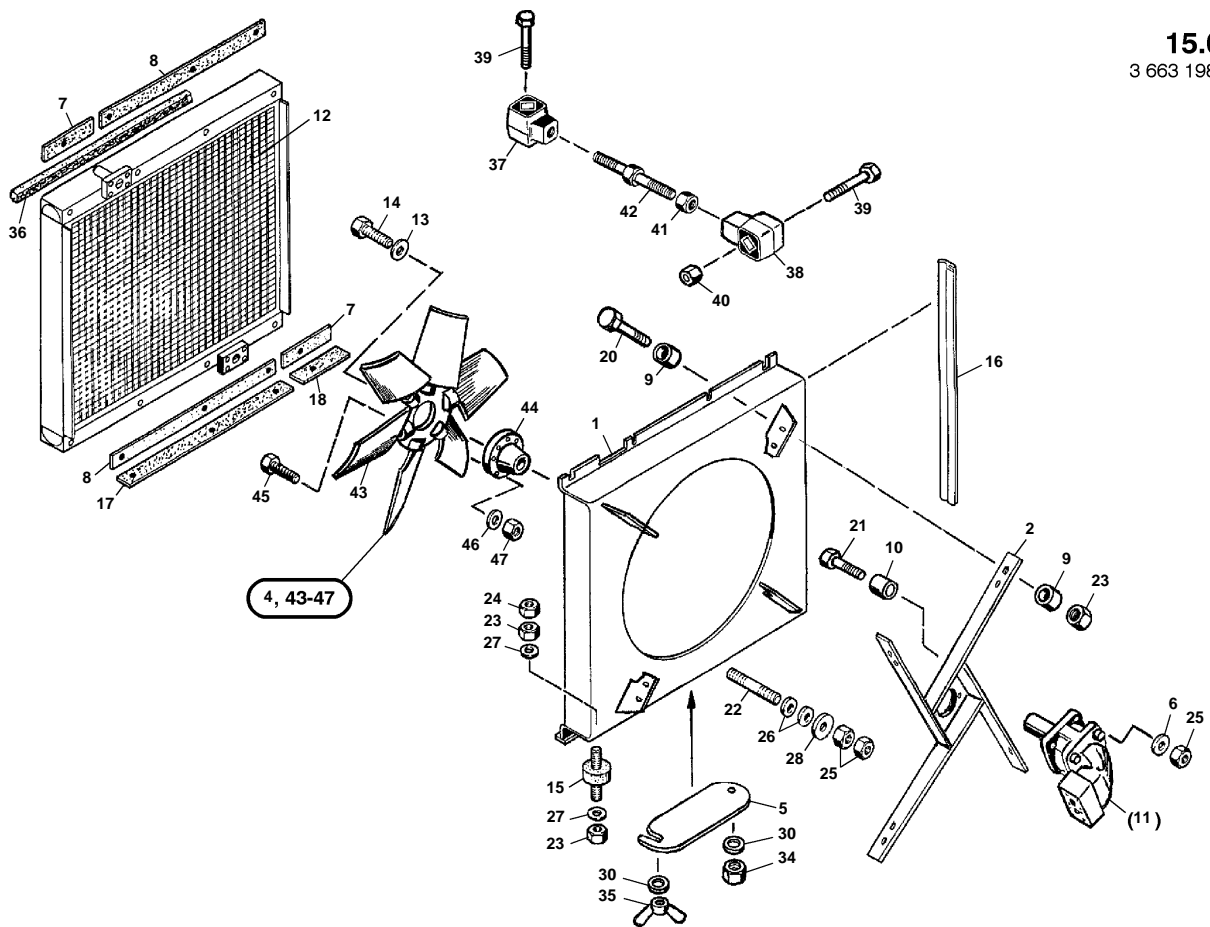
13.300
 3 659 958.000

TEREX  MINING			RH40E 40151		FUEL SYSTEM KRAFTSTOFFANLAGE		13300 3659958	
Item	Quantity	ME	P/N	see page	Description	Beschreibung		
1	1	ST	0029493		FILTER	FILTER		
2	1	ST	0216336		SEAL CAP	VERSCHLUSSDECKEL		
3	1	ST	7227854		SIEVE	SIEB		
4	1	ST	2273561		SIGHT GLASS	SCHAUGLAS		
5	2	ST	1715657		CLIP	SCHELLE		
6	2	ST	0218757		PLATE	PLATTE		
7	2	ST	0145155		CLIP	SCHELLE		
8	4	ST	0249775		SCREW	SCHRAUBE		
9	1	ST	2186913		SWITCH	SCHALTER		
10	1	ST	0771839		SCREW PLUG	VERSCHLUSSSCHRAUBE		
11	1	ST	0054837		SEALING RING	DICHRING		
12	1	ST	1758619		DRAIN PLUG	OELABLASSSCHRAUBE		
13	1	ST	0010445		SEALING RING	DICHRING		
14	4	ST	0271552		HEX.HD.SCREW	SECHSKANTSCHRAUBE		
15	4	ST	1182795		SLEEVE	HUELSE		
16	2	ST	0035199		TUBE FITTING	VERSCHRAUBUNG		
17	1	ST	0773014		PLUG	STOPFEN		
18	1	ST	0010679		TUBE FITTING	VERSCHRAUBUNG		
20	1	ST	2765811		HOSE	SCHLAUCHLEITUNG		
21	1	ST	1725879		HOSE	SCHLAUCH		
22	1	ST	0339238		TUBE FITTING	VERSCHRAUBUNG		

* : quantity see description

list 1 - page 25

TEREX  MINING 	RH40E 40151	COOLING SYSTEM HYDRAULIC OIL KUEHLANLAGE HYDRAULIKOEL	15010 3663198
---	-----------------------	--	-------------------------



15.010
3 663 198.000

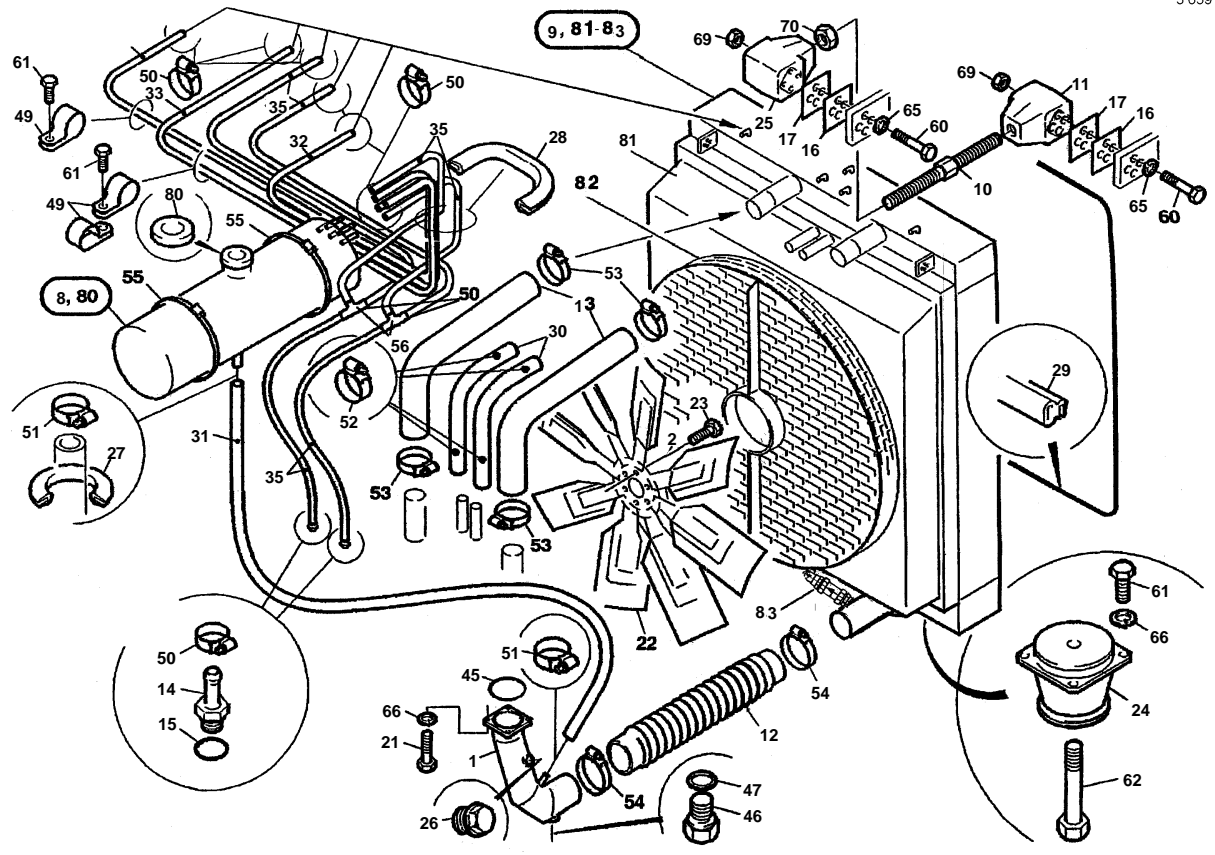
TEREX  MINING			RH40E		COOLING SYSTEM HYDRAULIC OIL KUEHLANLAGE HYDRAULIKOEL		15010	
			40151				3663198	
Item	Quantity	ME	P/N	see page	Description	Beschreibung		
1	1	ST	3647925		BONNET	HAUBE		
2	1	ST	2157140		BRACKET	HALTER		
4	1	ST	2273277		FAN WHEEL	LUEFTERRAD		
5	1	ST	2273569		PLATE	PLATTE		
6	4	ST	3674283		DISK/WASHER	SCHEIBE		
7	2	ST	1929233		GASKET	DICHTUNG		
8	2	ST	1929234		GASKET	DICHTUNG		
9	16	ST	3674264		SLEEVE	HUELSE		
10	4	ST	1903549		SLEEVE	HUELSE		
11	1	ST	(3657434)	55	FAN MOTOR	LUEFTERMOTOR		
12	1	ST	3647508		OIL COOLER	OELKUEHLER		
14	1	ST	8402045		HEX.HD.SCREW	SECHSKANTSCHRAUBE		
15	2	ST	0057512		BUMPER	PUFFER		
16	*	M	1740787		PROFILE ; 2,4 M	PROFIL ; 2,4 M		
17	*	M	1758363		GASKET ; 0,94 M	DICHTUNG ; 0,94 M		
18	*	M	1758363		GASKET ; 0,24 M	DICHTUNG ; 0,24 M		
20	8	ST	0216105		HEX.HD.SCREW	SECHSKANTSCHRAUBE		
21	4	ST	0598079		HEX.HD.SCREW	SECHSKANTSCHRAUBE		
22	8	ST	8407127		STUD	STIFTSCHRAUBE		
23	12	ST	0057133		HEXAGONAL NUT	SECHSKANTMUTTER		
24	2	ST	0271289		HEXAGONAL NUT	SECHSKANTMUTTER		
25	20	ST	0057130		HEXAGONAL NUT	SECHSKANTMUTTER		
26	16	ST	0063701		DISK/WASHER	SCHEIBE		
27	4	ST	0031375		DISK/WASHER	SCHEIBE		
28	12	ST	0080731		DISK/WASHER	SCHEIBE		
30	2	ST	0725721		DISK/WASHER	SCHEIBE		
34	1	ST	0057127		HEXAGONAL NUT	SECHSKANTMUTTER		
35	1	ST	0053267		WING NUT	FLUEGELMUTTER		
36	*	M	0370541		SEALING BAND ; 5,2 M	DICHTBAND ; 5,2 M		
37	2	ST	1929228		BEARING	LAGER		
38	2	ST	1929227		BUMPER	PUFFER		
39	8	ST	0518092		HEX.HD.SCREW	SECHSKANTSCHRAUBE		
40	4	ST	0057127		HEXAGONAL NUT	SECHSKANTMUTTER		
41	2	ST	0057136		HEXAGONAL NUT	SECHSKANTMUTTER		
42	2	ST	1717678		SCREW	SCHRAUBE		
43	1	ST	2419173		FAN WHEEL	LUEFTERRAD		
44	1	ST	2273274		HUB	NABE		
45	9	ST	0057026		HEX.HD.SCREW	SECHSKANTSCHRAUBE		
46	9	ST	0515369		DISK/WASHER	SCHEIBE		
47	9	ST	0068841		LOCKING NUT	SICHERUNGSMUTTER		

* : quantity see description

list 1 - page 26

15.100



3 659 936.000

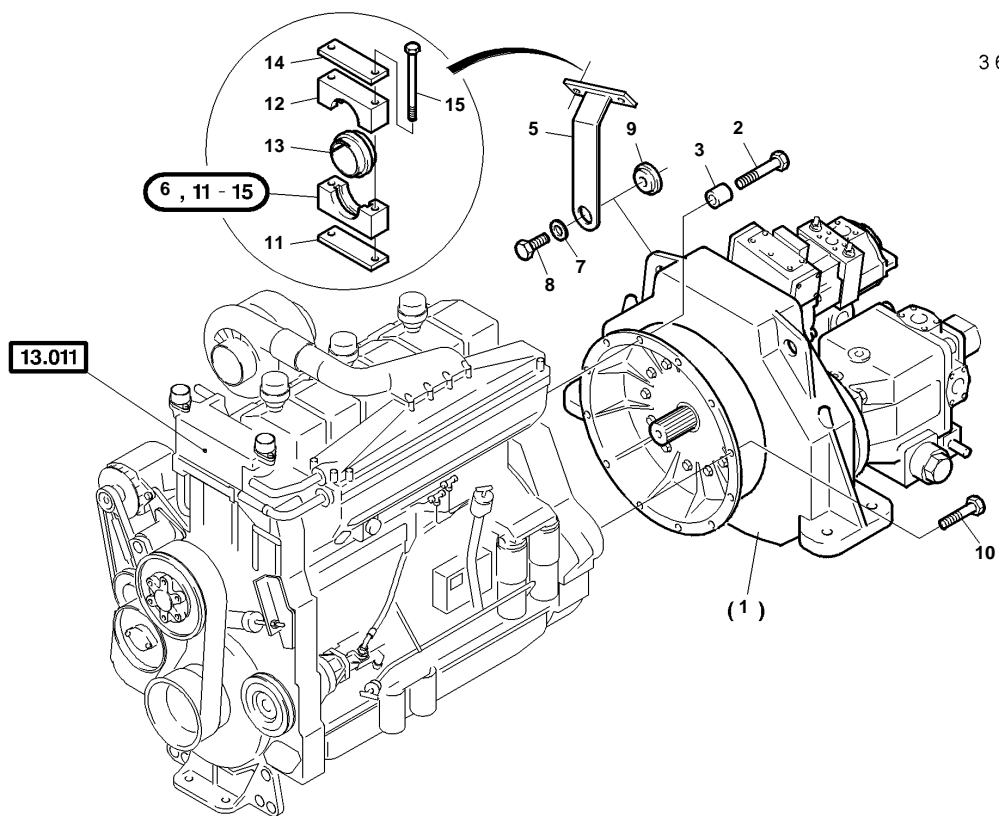


TEREX  MINING		RH40E		COOLING SYSTEM WATER		15100	
		40151		KUEHLANLAGE WASSER		3659936	
Item	Quantity	ME	P/N	see page	Description	Beschreibung	
1	1	ST	2762732		LINE	LEITUNG	
2	6	ST	0570265		SOCKET	STUTZEN	
8	1	ST	2762674		RESERVOIR	AUSGLEICHSBEHAELTER	
9	1	ST	2762805		WATER RADIATOR	WASSERKUEHLER	
10	2	ST	1949440		SCREW	SCHRAUBE	
11	2	ST	1768312		HEAD	KOPF	
12	1	ST	0943329		SOCKET	STUTZEN	
13	2	ST	2762702		HOSE	SCHLAUCH	
14	2	ST	2765472		SOCKET	STUTZEN	
15	2	ST	0218904		O-RING	O-RING	
16	4	ST	2765475		PLATE	PLATTE	
17	4	ST	2765476		PLATE	PLATTE	
21	4	ST	1960489		HEX.HD.SCREW	SECHSKANTSCHRAUBE	
22	1	ST	2142659		FAN	LUEFTER	
23	6	ST	8402070		HEX.HD.SCREW	SECHSKANTSCHRAUBE	
24	2	ST	0067404		BUMPER	PUFFER	
25	2	ST	1768311		HEAD	KOPF	
26	1	ST	1406392		PLUG	STOPFEN	
27	*	M	0146430		EDGE PROTECTION ; 0,28 M	KANTENSCHUTZ ; 0,28 M	
28	*	M	0146430		EDGE PROTECTION ; 0,31 M	KANTENSCHUTZ ; 0,31 M	
29	*	M	0625547		PROFILE ; 4,7 M	PROFIL ; 4,7 M	
30	2	ST	2764408		SUCTION HOSE	SAUGSCHLAUCH	
31	*	M	0026123		HOSE ; 1,7 M	SCHLAUCH ; 1,7 M	
32	*	M	1960059		HOSE ; 1 M	SCHLAUCH ; 1 M	
33	*	M	1960059		HOSE ; 1,65 M	SCHLAUCH ; 1,65 M	
34	*	M	1960059		HOSE ; 1,8 M	SCHLAUCH ; 1,8 M	
35	*	M	1960059		HOSE ; 3,5 M	SCHLAUCH ; 3,5 M	
45	1	ST	0146672		O-RING	O-RING	
46	1	ST	1758618		SCREW	SCHRAUBE	
47	1	ST	0029263		SEALING RING	DICHRING	
49	3	ST	0726581		CLIP	SHELLE	
50	14	ST	0773927		CLIP	SHELLE	
51	2	ST	0725335		CLIP	SHELLE	
52	4	ST	2142664		CLIP	SHELLE	
53	4	ST	4606352		CLIP	KLEMME	
54	2	ST	1590731		CLIP	SHELLE	
55	2	ST	2168083		HOSE CLIP	SCHLAUCHSHELLE	
56	2	ST	8411230		SOCKET	STUTZEN	
60	8	ST	0063240		HEX.HD.SCREW	SECHSKANTSCHRAUBE	
61	10	ST	0056656		HEX.HD.SCREW	SECHSKANTSCHRAUBE	
62	2	ST	0063262		HEX.HD.SCREW	SECHSKANTSCHRAUBE	
65	8	ST	0063668		LOCK WASHER	FEDERRING	
66	12	ST	0063667		LOCK WASHER	FEDERRING	
69	8	ST	0057126		HEXAGONAL NUT	SECHSKANTMUTTER	
70	2	ST	0057133		HEXAGONAL NUT	SECHSKANTMUTTER	
80	1	ST	1466839		SEAL CAP	VERSCHLUSSDECKEL	
81	1	ST	6000684		FAN COVER	VENTILATORHAUBE	
82	1	ST	6000683		GUARD GRID	SCHUTZGITTER	
83	1	ST	6001141		CHECK VALVE	RUECKSCHLAGVENTIL	

* : quantity see description

list 1 - page 27

TEREX  MINING 	RH40E 40151	PUMP GEARBOX INSTALL.MATERIAL PUMPENGETRIEBE EINBAU	16010 3663116
---	-----------------------	--	-------------------------



16.010
3 663 116.000

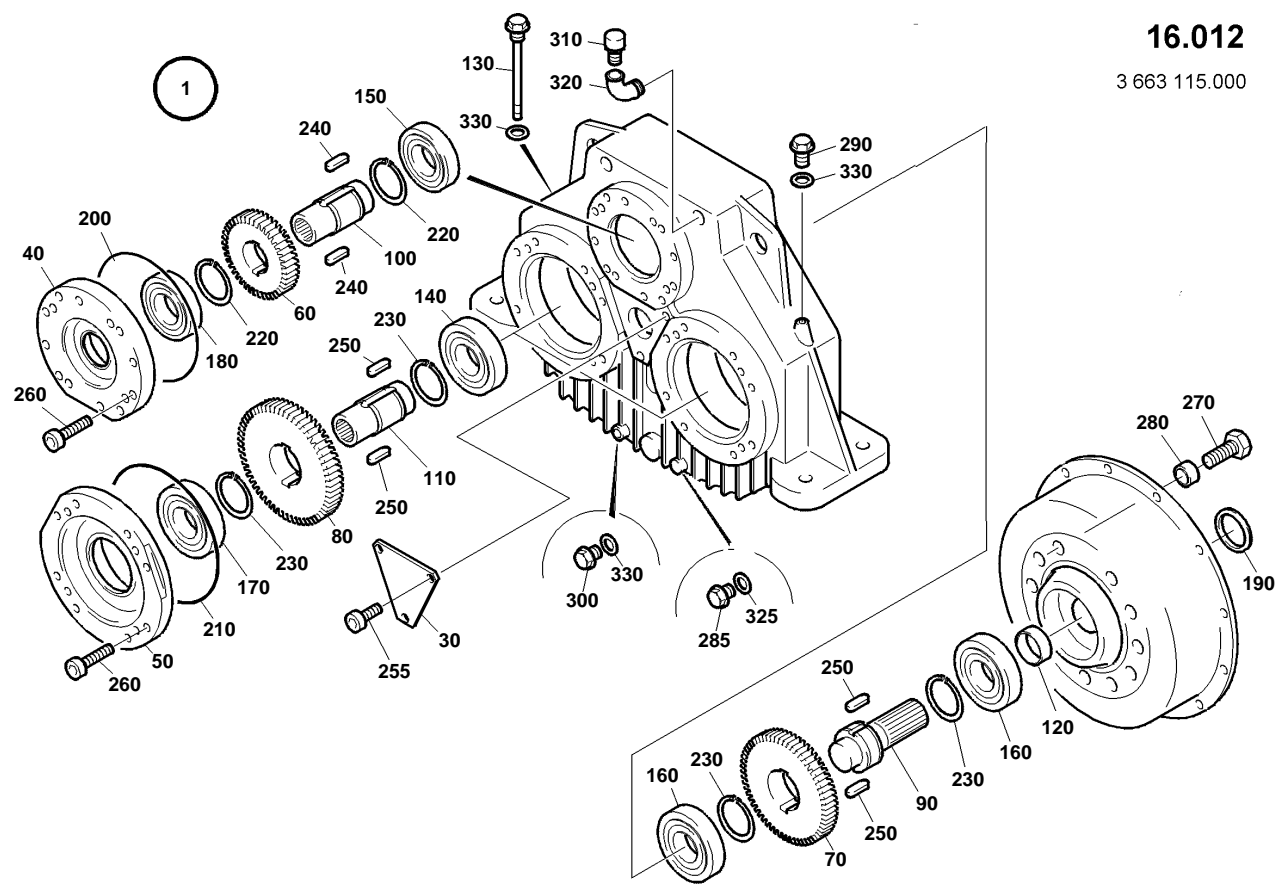
TEREX  **MINING****RH40E****40151****PUMP GEARBOX
INSTALL.MATERIAL
PUMPENGETRIEBE
EINBAU****16010**

3663116


Item	Quantity	ME	P/N	see page	Description	Beschreibung
1	1	ST	(3663115)	29	PUMP GEARBOX	PUMPENGETRIEBE
2	20	ST	0970091		HEX.HD.SCREW	SECHSKANTSCHRAUBE
5	1	ST	2418148		BRACKET	HALTER
6	1	ST	1350498		CLIP	SHELLE
7	1	ST	0031375		DISK/WASHER	SCHEIBE
8	1	ST	0054449		HEX.HD.SCREW	SECHSKANTSCHRAUBE
9	1	ST	2762029		COLLAR NUT	BUNDMUTTER
10	4	ST	0591238		HEX.HD.SCREW	SECHSKANTSCHRAUBE
11	1	ST	0217914		PLATE	PLATTE
12	1	ST	0251296		CLIP	SHELLE
13	1	ST	1570703		INSERT	EINSATZ
14	1	ST	0217918		PLATE	PLATTE
15	2	ST	0598079		HEX.HD.SCREW	SECHSKANTSCHRAUBE

* : quantity see description

list 1 - page 28





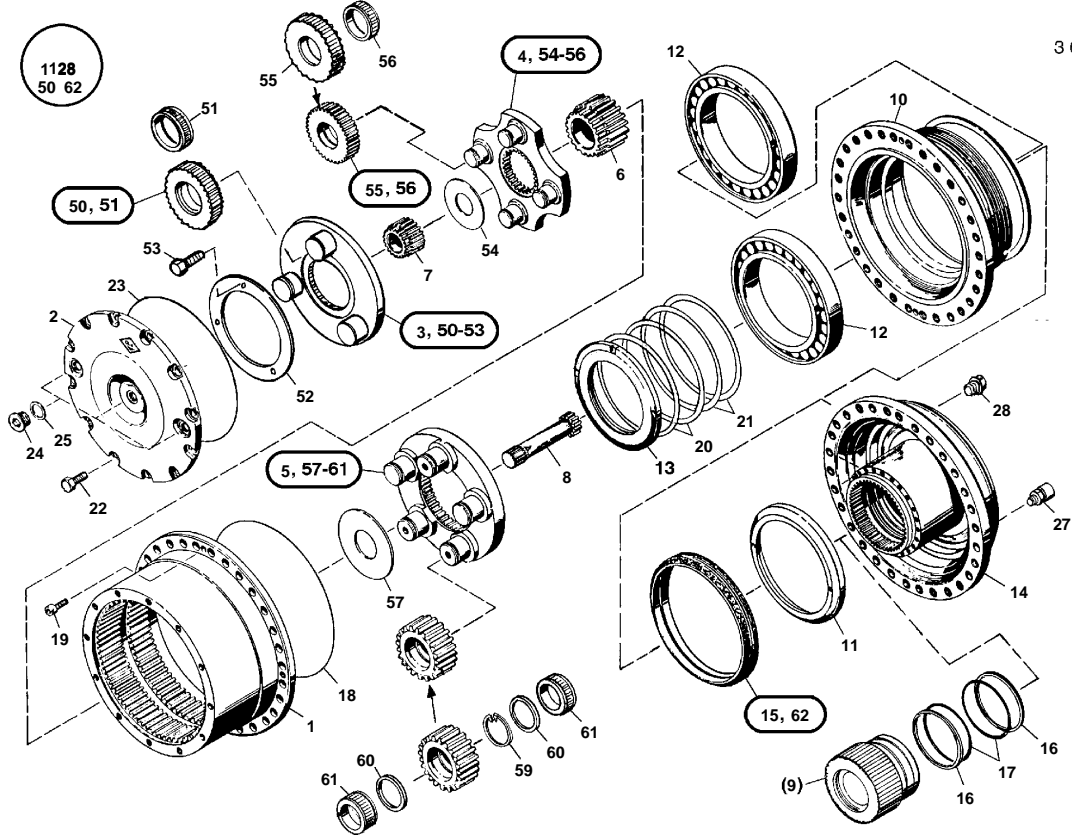
16.012
 3 663 115.000

TEREX  MINING			RH40E 40151		PUMP GEARBOX PUMPENGETRIEBE		16012 3663115	
Item	Quantity	ME	P/N	see page	Description	Beschreibung		
1	1	ST	3676885		TRANSFER GEARBOX	VERTEILERGETRIEBE		
30	1	ST	6000044		LID	DECKEL		
40	1	ST	6000045		FLANGE	FLANSCH		
50	2	ST	6000046		FLANGE	FLANSCH		
60	1	ST	6001834		SPUR GEAR	STIRNRAD		
70	1	ST	6001835		SPUR GEAR	STIRNRAD		
80	2	ST	6001836		SPUR GEAR	STIRNRAD		
90	1	ST	6000050		SERRATED SHAFT	ZAHNWELLE		
100	1	ST	6000051		HOLLOW SHAFT	HOHLWELLE		
110	2	ST	6000052		HOLLOW SHAFT	HOHLWELLE		
120	1	ST	6000053		RACE/RING	LAUFRING		
130	1	ST	6001837		DIPSTICK	OELMESSTAB		
140	2	ST	0011347		BALL BEARING	KUGELLAGER		
150	1	ST	0011366		BALL BEARING	KUGELLAGER		
160	2	ST	0030618		BALL BEARING	KUGELLAGER		
170	2	ST	6000060		GROOVE BALL BEAR.	RILLENKUGELLAGER		
180	1	ST	5069471		GROOVE BALL BEAR.	RILLENKUGELLAGER		
190	1	ST	6000061		ROT.SHAFT LIP SEAL	WELLENDICHTRING		
200	1	ST	6000062		O-RING	O-RING		
210	2	ST	1709315		O-RING	O-RING		
220	2	ST	0012520		CIRCLIP	SICHERUNGSRING		
230	6	ST	0012539		CIRCLIP	SICHERUNGSRING		
240	2	ST	1472097		FEATHER KEY	PASSFEDER		
250	6	ST	6000063		FEATHER KEY	PASSFEDER		
255	3	ST	0056711		CYL.HEAD SCREW	ZYLINDERSCHRAUBE		
260	24	ST	0119724		CYL.HEAD SCREW	ZYLINDERSCHRAUBE		
270	11	ST	0251837		HEX.HD.SCREW	SECHSKANTSCHRAUBE		
280	11	ST	2768699		SLEEVE	HUELSE		
285	1	ST	8406637		SCREW PLUG	VERSCHLUSSCHRAUBE		
290	1	ST	0597250		SCREW PLUG	VERSCHLUSSCHRAUBE		
300	1	ST	6000055		MANETIC SCREW	MAGNETSCHRAUBE		
310	1	ST	1461463		BREATHER FILTER	ENTLUEFTUNGSFILTER		
320	1	ST	6000056		ELBOW FITTING	WINKELSTUECK		
325	1	ST	0054837		SEALING RING	DICHRING		
330	3	ST	0084782		SEALING RING	DICHRING		

* : quantity see description

list 1 - page 29

TEREX  MINING 	RH40E 40151	TRAVEL GEAR COMPLETE FAHRGETRIEBE KOMPLETT	16022 3659927
---	------------------------------	---	--------------------------------

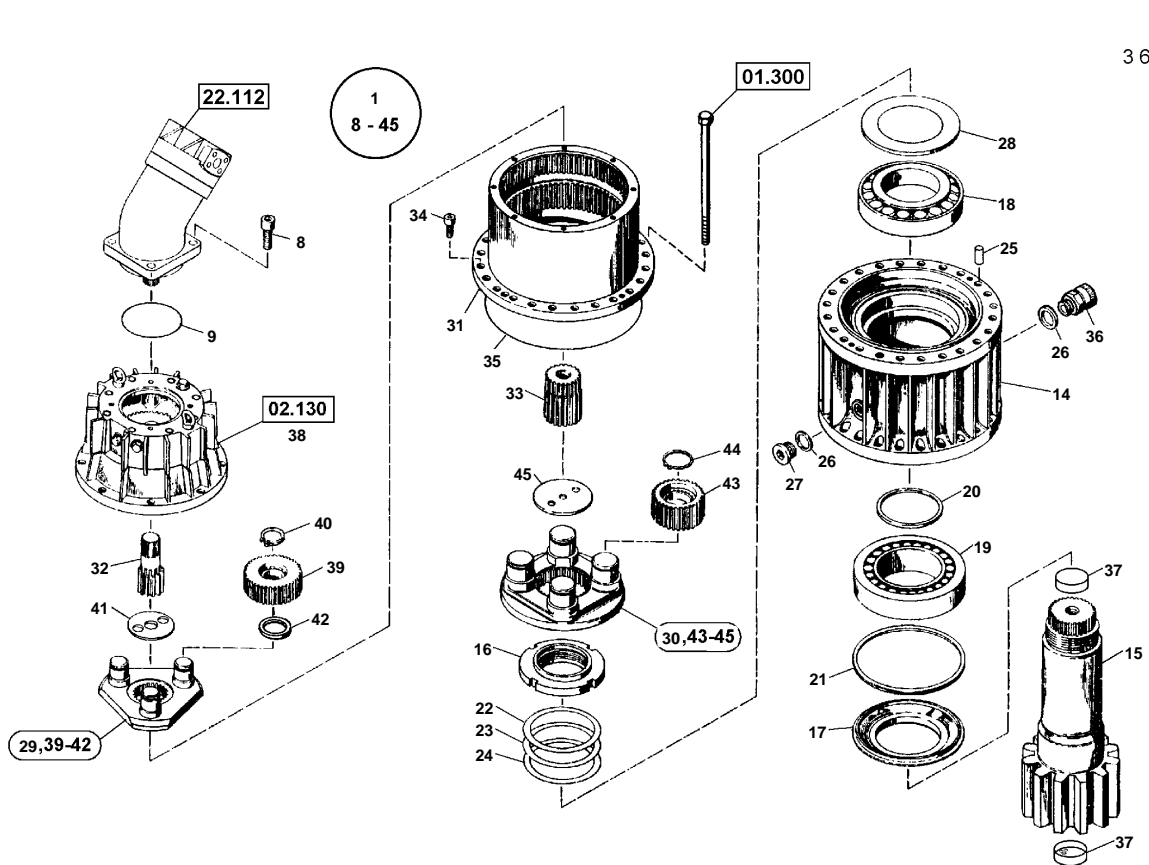


16.022
3 659 927.000

TEREX  MINING				RH40E		TRAVEL GEAR COMPLETE		16022	
				40151		FAHRGETRIEBE		3659927	
						KOMPLETT			
Item	Quantity	ME	P/N	see page	Description	Beschreibung			
1	1	ST	2241357		HOLLOW WHEEL	HOHLRAD			
2	1	ST	2455818		LID	DECKEL			
3	1	ST	2244128		BEAM	TRAEGER			
4	1	ST	2244133		BEAM	TRAEGER			
5	1	ST	2244148		BEAM	TRAEGER			
6	1	ST	2244145		SPUR GEAR	STIRNRAD			
7	1	ST	2244138		SPUR GEAR	STIRNRAD			
8	1	ST	2244125		GEAR PINION	RITZEL			
9	1	ST	(3659926)	32	GEARBOX BRAKE	GETRIEBEBREMSE			
10	1	ST	2241352		HUB	NABE			
11	1	ST	2241355		RING	RING			
12	2	ST	2268619		TAP.ROLLER BEARING	KEGELROLLENLAGER			
13	1	ST	2241354		NUT	MUTTER			
14	1	ST	2241350		PIPE	ROHR			
15	1	ST	2271775		DUO-CONE SEAL	GLEITRINGDICHTUNG			
16	2	ST	2268624		SUPPORT RING	STUETZRING			
17	2	ST	0243548		O-RING	O-RING			
18	1	ST	0425423		ROUND SEALING RING	RUNDDICHTRING			
19	3	ST	0301455		CYL.HEAD SCREW	ZYLINDERSCHRAUBE			
20	2	ST	2268621		SHIM RING	PASS-SCHEIBE			
21	2	ST	2268620		SHIM RING	PASS-SCHEIBE			
22	20	ST	6220208		CYL.HEAD SCREW	ZYLINDERSCHRAUBE			
23	1	ST	0690139		ROUND SEALING RING	RUNDDICHTRING			
24	2	ST	0744237		SCREW PLUG	VERSCHLUSSSCHRAUBE			
25	2	ST	0054841		SEALING RING	DICHRING			
27	1	ST	0145946		VALVE	VENTIL			
28	1	ST	1637351		SCREW PLUG	VERSCHLUSSSCHRAUBE			
50	1	ST	1473529			STIRNRAD-SATZ			
51	3	ST	1753126		CYLINDER ROLLER BEARING	ZYL.ROLLENLAGER			
52	1	ST	2244126		DISK/WASHER	SCHEIBE			
53	3	ST	0012927		HEX.HD.SCREW	SECHSKANTSCHRAUBE			
54	1	ST	2244144		DISK/WASHER	SCHEIBE			
55	1	ST	1473528			STIRNRAD-SATZ			
56	4	ST	1904154		CYLINDER ROLLER BEARING	ZYL.ROLLENLAGER			
57	1	ST	2244147		DISK/WASHER	SCHEIBE			
58	1	ST	1473527			STIRNRAD-SATZ			
59	5	ST	0012550		CIRCLIP	SICHERUNGSRING			
60	10	ST	1740815		DISK/WASHER	SCHEIBE			
61	10	ST	1731367			ZYL. ROLLENLAGERPAAR			
62	2	ST	2271773		O-RING	RUNDSCHNURRING			
80	1	ST	2767468		TRAVEL GEAR	FAHRGETRIEBE			

* : quantity see description

list 1 - page 30

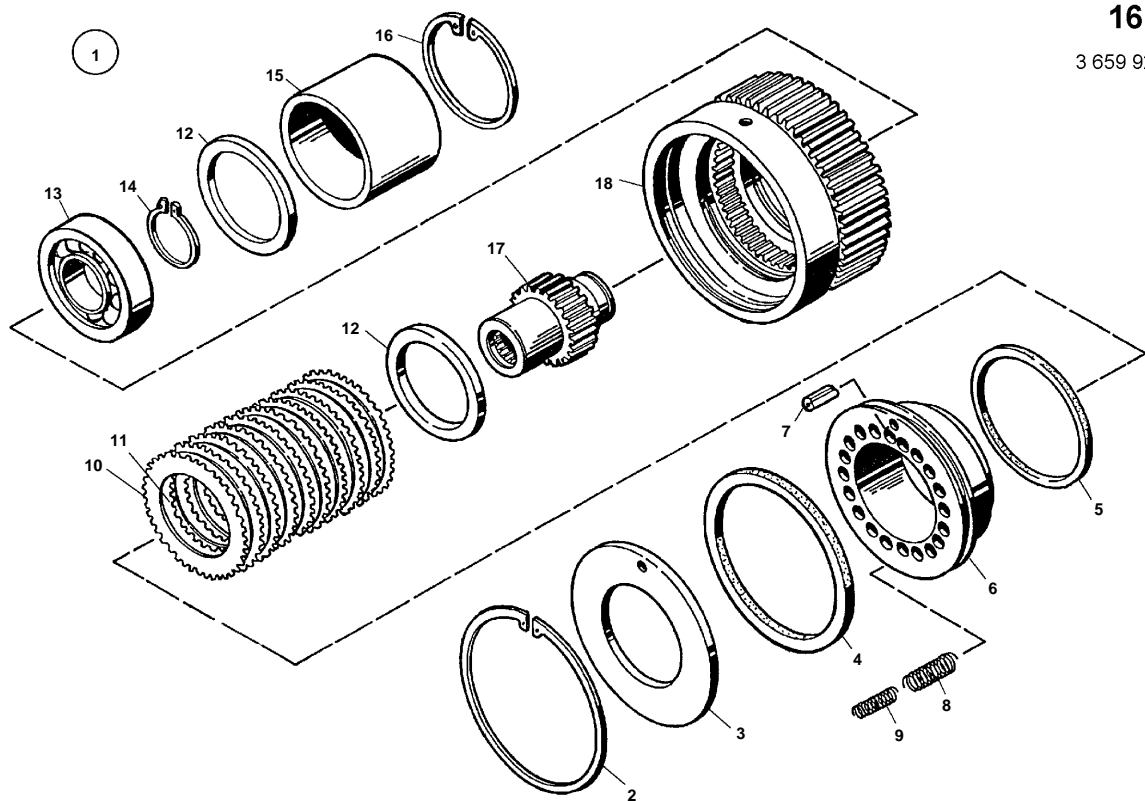


16.032
3 659 949.000

TEREX  MINING			RH40E		SLEWING GEAR COMPLETE SCHWENKGETRIEBE KOMPLETT		16032	
			40151				3659949	
Item	Quantity	ME	P/N	see page	Description	Beschreibung		
1	1	ST	2767452		SLEWING GEAR	SCHWENKGETRIEBE		
8	4	ST	1324293		CYL.HEAD SCREW	ZYLINDERSCHRAUBE		
9	1	ST	0023833		O-RING	O-RING		
14	1	ST	1927566		HOUSING	GEHAEUSE		
15	1	ST	1929441		GEAR PINION	RITZEL		
16	1	ST	1927613		NUT	MUTTER		
17	1	ST	1927615		RING	RING		
18	1	ST	1758541		TAP.ROLLER BEARING	KEGELROLLENLAGER		
19	1	ST	1758542		TAP.ROLLER BEARING	KEGELROLLENLAGER		
20	1	ST	0422109		ROT.SHAFT LIP SEAL	WELLENDICHTRING		
21	1	ST	1909211		ROT.SHAFT LIP SEAL	WELLENDICHTRING		
22	0	ST	1758578		DISK/WASHER	SCHEIBE		
	0				0,1MM	0,1MM		
23	0	ST	1758577		DISK/WASHER	SCHEIBE		
	0				0,2MM	0,2MM		
24	0	ST	1758576		DISK/WASHER	SCHEIBE		
	0				0,5MM	0,5MM		
25	1	ST	0013923		STRAIGHT PIN	ZYLINDERSTIFT		
26	2	ST	0043454		SEALING RING	DICHRING		
27	1	ST	0264061		SCREW PLUG	VERSCHLUSSCHRAUBE		
28	1	ST	1991069		SEALING RING	DICHRING		
29	1	ST	2759309		PLANETARY CARRIER	PLANETENTRAEGER		
30	1	ST	1927971		BEAM	TRAEGER		
31	1	ST	1927605		HOLLOW WHEEL	HOHLRAD		
32	1	ST	2182684		GEAR PINION	RITZEL		
33	1	ST	1751085		SPUR GEAR	STIRNRAD		
34	2	ST	0013454		CYL.HEAD SCREW	ZYLINDERSCHRAUBE		
35	1	ST	1791637		O-RING	O-RING		
36	1	ST	1758452		SCREW PLUG	VERSCHLUSSCHRAUBE		
37	2	ST	1537737		CAP	KAPPE		
38	1	ST	2182688		SWING BRAKE	SCHWENKBREMSE		
39	1	ST	2759396		SET OF SPUR GEARS	STIRNRADSATZ		
40	3	ST	0012479		CIRCLIP	SICHERUNGSRING		
41	1	ST	2246986		DISK/WASHER	SCHEIBE		
42	3	ST	2759310		DISK/WASHER	SCHEIBE		
43	1	ST	1433705			STIRNRAD-SATZ		
44	5	ST	0012508		CIRCLIP	SICHERUNGSRING		
45	1	ST	1751144		DISK/WASHER	SCHEIBE		


* : quantity see description

list 1 - page 31



16.022

3 659 926.000

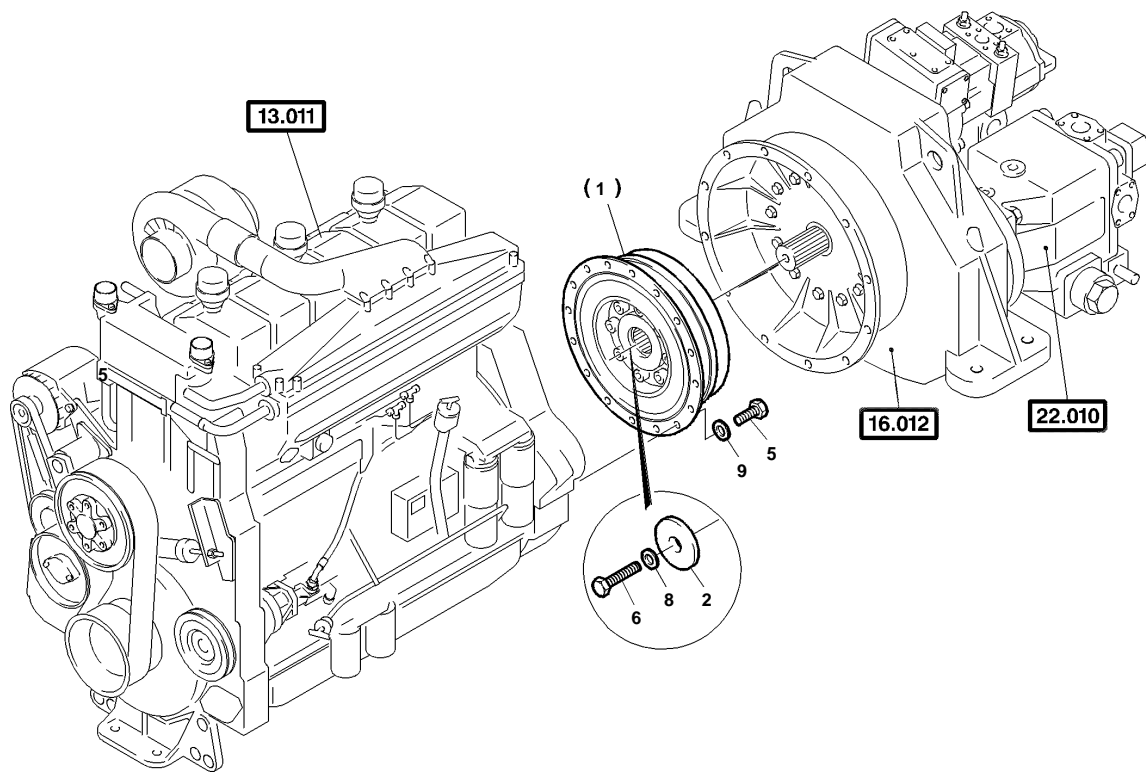
TEREX  MINING			RH40E 40151		GEARBOX BRAKE GETRIEBEBREMSE		16400 3659926	
Item	Quantity	ME	P/N	see page	Description	Beschreibung		
1	1	ST	2244113		BRAKE	BREMSE		
2	1	ST	0012564		CIRCLIP	SICHERUNGSRING		
3	1	ST	2244116		LID	DECKEL		
4	1	ST	2268623		ROD SEAL	STANGENDICHTUNG		
5	1	ST	1444872		GASKET	DICHTUNG		
6	1	ST	2268622		PISTON	KOLBEN		
7	1	ST	0054164		LOCKING PIN	SPANNSTIFT		
8	20	ST	1589327		SPRING	FEDER		
9	20	ST	1589326		SPRING	FEDER		
10	12	ST	2223816		EXTERNAL DISC	AUSSENLAMELLE		
11	11	ST	1477302		INTERNAL DISC	INNENLAMELLE		
12	2	ST	0744576		DISK/WASHER	SCHEIBE		
13	1	ST	0108857		BALL BEARING	KUGELLAGER		
14	1	ST	0012520		CIRCLIP	SICHERUNGSRING		
15	1	ST	2241356		BUSHING	BUCHSE		
16	1	ST	0012553		CIRCLIP	SICHERUNGSRING		
17	1	ST	2224381		SLEEVE	HUELSE		
18	1	ST	2224382		HUB	NABE		


* : quantity see description

list 1 - page 32

TEREX  MINING 	RH40E 40151	COUPLING/CLUTCH INSTALL.MATERIAL KUPPLUNG EINBAU	17100 3659237
---	-----------------------	---	-------------------------



17.100
3 659 237.000



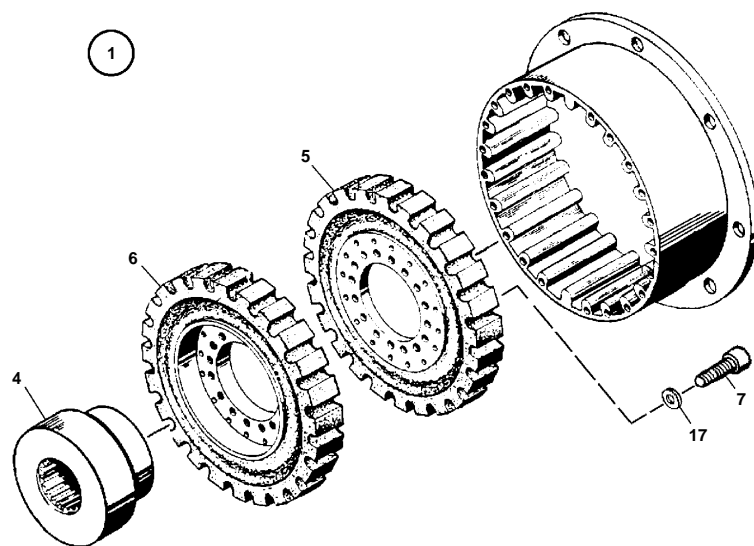
TEREX  MINING			RH40E 40151		COUPLING/CLUTCH INSTALL.MATERIAL KUPPLUNG EINBAU		17100 3659237	
Item	Quantity	ME	P/N	see page	Description	Beschreibung		
1	1	ST	(2803887)	34	COUPLING/CLUTCH	KUPPLUNG		
2	1	ST	0262744		DISK/WASHER	SCHEIBE		
5	16	ST	8402047		HEX.HD.SCREW	SECHSKANTSCHRAUBE		
	0				ANZIEHDREHMOMENT 71NM	ANZIEHDREHMOMENT 71NM		
6	1	ST	0056637		HEX.HD.SCREW	SECHSKANTSCHRAUBE		
	0				ANZIEHDREHMOMENT 170NM	ANZIEHDREHMOMENT 170NM		
8	1	ST	0056992		DISK/WASHER	SCHEIBE		
9	16	ST	0063701		DISK/WASHER	SCHEIBE		



* : quantity see description

list 1 - page 33

TEREX  MINING 	RH40E 40151	COUPLING/CLUTCH KUPPLUNG	17102 2803887
---	-----------------------	---	-------------------------

17.102
2 803 887.001





TEREX  MINING		RH40E	COUPLING/CLUTCH	17102
		40151	KUPPLUNG	2803887

Item	Quantity	ME	P/N	see page	Description	Beschreibung
1	1	ST	2768607		COUPLING/CLUTCH	KUPPLUNG
4	1	ST	1461474		HUB	NABE
5	1	ST	6000611		COUPLING ELEMENT	KUPPLUNGSELEMENT
6	1	ST	6000611		COUPLING ELEMENT	KUPPLUNGSELEMENT
7	12	ST	6220353		CYL.HEAD SCREW	ZYLINDERSCHRAUBE
17	12	ST	1461477		DISK/WASHER	SCHEIBE

* : quantity see description

list 1 - page 34

TEREX  MINING 	RH40E 40151	HYDRAULIC SYSTEM BASIC MACHINE HYDRAULIKANLAGE GRUNDGERAET	20000 3663265
---	-----------------------	---	-------------------------

3 659 700.000



Diese Bau-Gruppe ist ohne Bildseite

There is no illustrated page for this assembly

**El grupo constructivo presente no cuenta con
página con imagen**



Ce sous-ensemble n'est pas illustré

Questo gruppo non ha la pagina con l'immagine

TEREX  MINING 			RH40E 40151		HYDRAULIC SYSTEM BASIC MACHINE HYDRAULIKANLAGE GRUNDGERAET		20000 3663265	
Item	Quantity	ME	P/N	see page	Description	Beschreibung		
2	1	ST	(3663221)	40	OIL SUCTION SYSTEM	OELANSAUGANLAGE		
3	1	ST	(3663223)	37	HYDRAULIC SYSTEM DRIVING	HYDRAULIKANLAGE FAHREN		
4	1	ST	(3663224)	39	HYDRAULIC SYSTEM TRAVEL CONTROL BLOCK	HYDRAULIKANLAGE FAHRBLOCK		
5	1	ST	(3663225)	46	HYDRAULIC SYSTEM SLEWING	HYDRAULIKANLAGE SCHWENKEN		
6	1	ST	(3663222)	42	HYDRAULIC SYSTEM OIL COOLER	HYDRAULIKANLAGE OELKUEHLER		
7	1	ST	(3663268)	43	HYDRAULIC SYSTEM OPERATOR'S CAB	HYDRAULIKANLAGE FAHRERHAUS		
8	1	ST	(3663227)	41	HYDRAULIC SYSTEM PUMP GOVERNING	HYDRAULIKANLAGE PUMPENSTEUERUNG		

* : quantity see description

list 1 - page 35

TEREX  MINING 	RH40E 40151	HYDRAULIC SYSTEM LOWER CARRIAGE HYDRAULIKANLAGE UNTERWAGEN	20020 3659918
---	-----------------------	---	-------------------------

3 659 700.000



Diese Bau-Gruppe ist ohne Bildseite

There is no illustrated page for this assembly

**El grupo constructivo presente no cuenta con
página con imagen**

Ce sous-ensemble n'est pas illustré



Questo gruppo non ha la pagina con l'immagine

TEREX  MINING 		RH40E 40151	HYDRAULIC SYSTEM LOWER CARRIAGE HYDRAULIKANLAGE UNTERWAGEN	20020 3659918
---	--	----------------------------------	---	------------------------------------

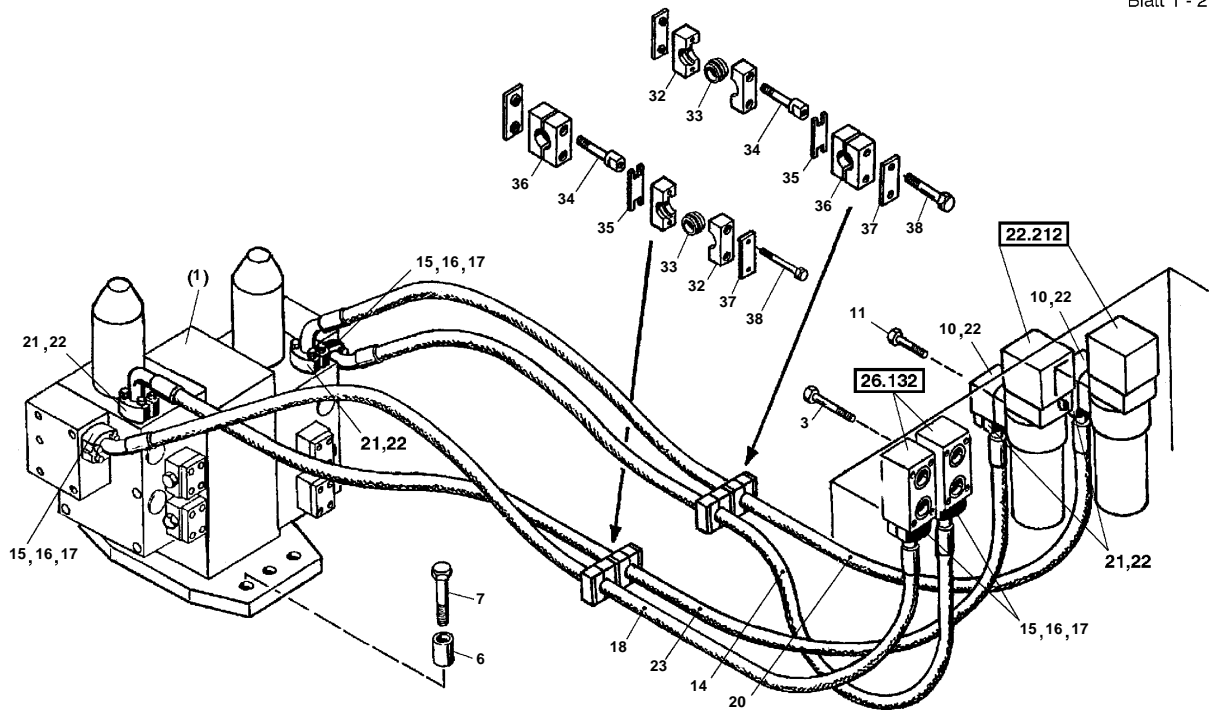
Item	Quantity	ME	P/N	see page	Description	Beschreibung
1	1	ST	(3659917)	38	HYDRAULIC SYSTEM DRIVING	HYDRAULIKANLAGE FAHREN
2	1	ST	(3659916)	44	HYDRAULIC SYSTEM CHAIN TENSIONER	HYDRAULIKANLAGE KETTENSPEANUNG
3	1	ST	(3659915)	45	HYDRAULIC SYSTEM CLAMPING CYLINDER	HYDRAULIKANLAGE SPANNZYLINDER



* : quantity see description

list 1 - page 36

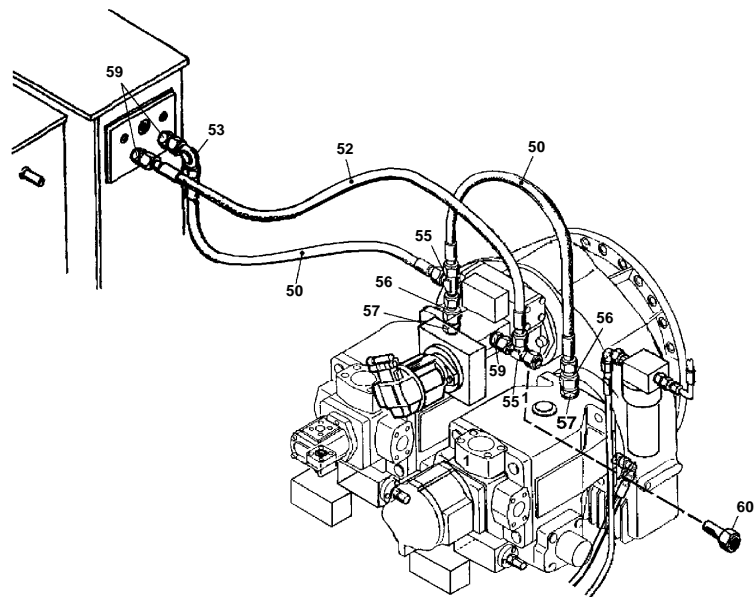
TEREX  MINING 	RH40E 40151	HYDRAULIC SYSTEM DRIVING HYDRAULIKANLAGE FAHREN	20100 3663223
---	-----------------------	--	-------------------------

20.100
3 663 223.000
Blatt 1 - 2



TEREX  MINING 	RH40E 40151	HYDRAULIC SYSTEM DRIVING HYDRAULIKANLAGE FAHREN	20100 3663223
---	-----------------------	---	-------------------------



20.100
3 663 223.000
Blatt 2 - 2

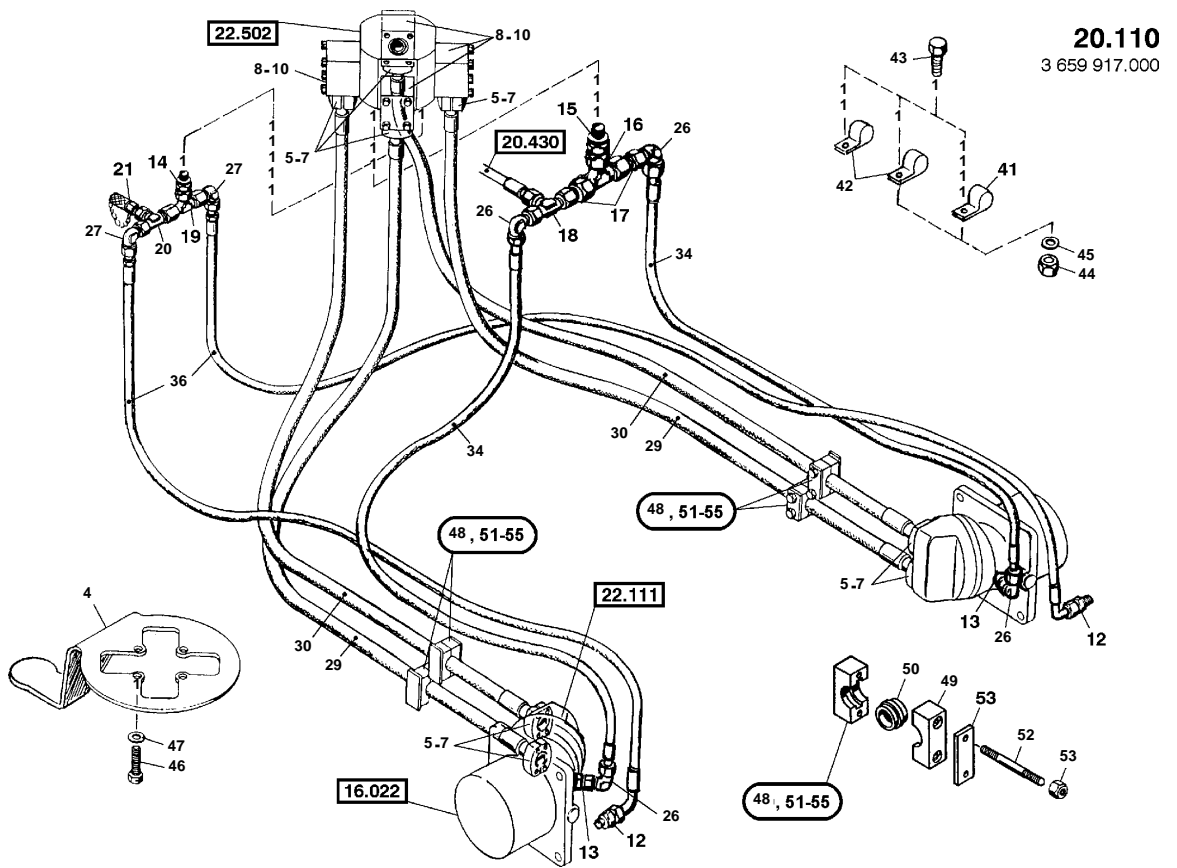


TEREX  MINING				RH40E		HYDRAULIC SYSTEM DRIVING HYDRAULIKANLAGE FAHREN		20100	
				40151				3663223	
Item	Quantity	ME	P/N	see page	Description	Beschreibung			
1	1	ST	(3663237)	72	TRAVEL CONTROL BLOCK	FAHRBLOCK FAHRBLOCK(KPL)			
2	2	ST	(2800384)	78	VALVE	VENTIL			
3	8	ST	1312383		HEX.HD.SCREW	SECHSKANTSCHRAUBE			
4	1	ST	(3659991)	56	HP FILTER	HOCHDRUCKFILTER			
6	6	ST	1714102		BUSHING	BUCHSE			
7	6	ST	0119594		HEX.HD.SCREW	SECHSKANTSCHRAUBE			
10	2	ST	0974790		FLANGE	FLANSCH			
11	8	ST	0056643		HEX.HD.SCREW	SECHSKANTSCHRAUBE			
14	1	ST	2415322		HOSE	SCHLAUCHLEITUNG			
15	8	ST	1725421		SEALING RING	DICHRING			
16	8	ST	0440207		FLANGE	FLANSCH			
17	2	ST	1183270		SCREW	SCHRAUBE			
18	1	ST	1983877		HOSE	SCHLAUCH			
20	1	ST	1983882		HOSE	SCHLAUCH			
21	16	ST	0974652		SCREW	SCHRAUBE			
22	6	ST	1725420		SEALING RING	DICHRING			
23	1	ST	1983135		HOSE	SCHLAUCH			
32	2	ST	0251296		CLIP	SCHELLE			
33	2	ST	0251299		INSERT	EINSATZ			
34	4	ST	0217916		SCREW	SCHRAUBE			
35	2	ST	0217917		PLATE	PLATTE			
36	2	ST	2426297		CLIP	SCHELLE			
37	2	ST	0217918		PLATE	PLATTE			
38	4	ST	0598079		HEX.HD.SCREW	SECHSKANTSCHRAUBE			
50	2	ST	1709035		HOSE	SCHLAUCH			
52	1	ST	1709036		HOSE	SCHLAUCH			
53	1	ST	0970228		SOCKET	STUTZEN			
55	2	ST	0744800		TUBE FITTING	VERSCHRAUBUNG			
56	2	ST	7723960		REDUCTION	REDUZIERUNG			
57	2	ST	0970026		SOCKET	STUTZEN			
59	3	ST	0010724		TUBE FITTING	VERSCHRAUBUNG			
60	1	ST	1781446		SOCKET	STUTZEN			

* : quantity see description

list 1 - page 37



TEREX  MINING 	RH40E 40151	HYDRAULIC SYSTEM DRIVING HYDRAULIKANLAGE FAHREN	20.110 3659917
---	------------------------------	--	---------------------------------

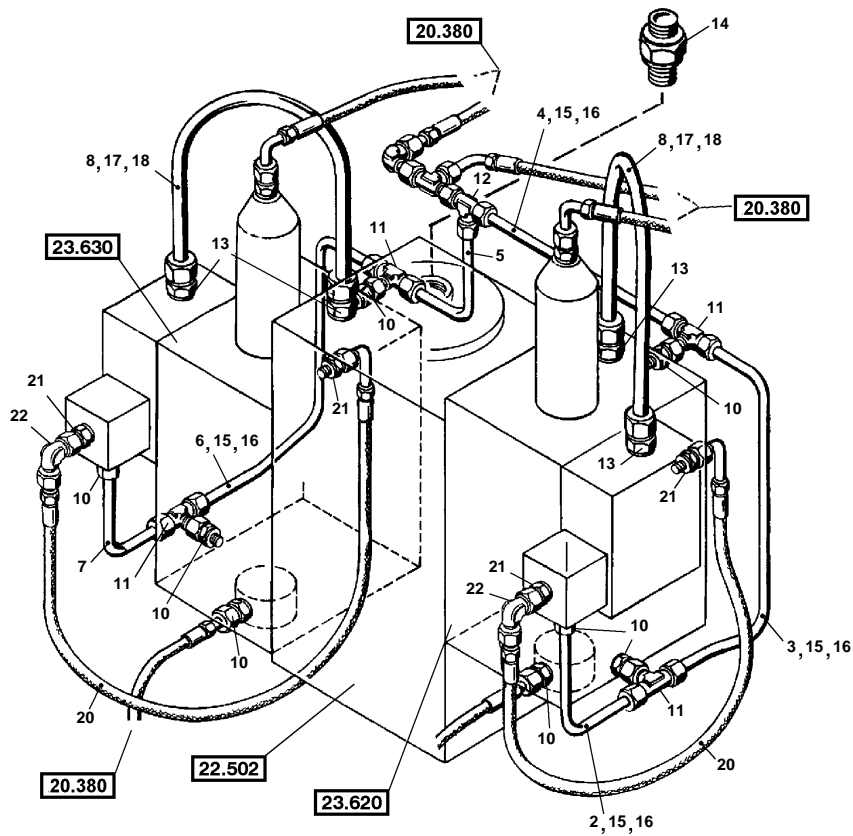


TEREX  MINING			RH40E		HYDRAULIC SYSTEM DRIVING HYDRAULIKANLAGE FAHREN		20110	
			40151				3659917	
Item	Quantity	ME	P/N	see page	Description	Beschreibung		
4	1	ST	2244044		RETAINER	MITNEHMER		
5	16	ST	0974791		FLANGE	FLANSCH		
6	8	ST	1725419		SEALING RING	DICHRING		
7	32	ST	0974650		SCREW	SCHRAUBE		
8	4	ST	1599874		FLANGE	FLANSCH		
9	4	ST	1725420		SEALING RING	DICHRING		
10	16	ST	0260167		HEX.HD.SCREW	SECHSKANTSCHRAUBE		
12	2	ST	2186806		TUBE FITTING	VERSCHRAUBUNG		
13	2	ST	2010678		TUBE FITTING	VERSCHRAUBUNG		
14	2	ST	0010625		TUBE FITTING	VERSCHRAUBUNG		
15	1	ST	0118062		SOCKET	STUTZEN		
16	1	ST	0524749		TUBE FITTING	VERSCHRAUBUNG		
17	2	ST	0033866		TUBE FITTING	VERSCHRAUBUNG		
18	1	ST	0146080		TUBE FITTING	VERSCHRAUBUNG		
19	1	ST	0146750		SOCKET	STUTZEN		
20	1	ST	0069451		SOCKET	STUTZEN		
21	1	ST	0599894		COUPLING/CLUTCH	KUPPLUNG		
25	1	ST	0576255		TUBE FITTING	VERSCHRAUBUNG		
26	4	ST	0042827		TUBE FITTING	VERSCHRAUBUNG		
27	2	ST	0035534		TUBE FITTING	VERSCHRAUBUNG		
29	2	ST	2270659		HOSE	SCHLAUCHLEITUNG		
30	2	ST	2244045		HOSE	SCHLAUCHLEITUNG		
34	2	ST	2418984		HOSE	SCHLAUCHLEITUNG		
36	2	ST	2418981		HOSE	SCHLAUCHLEITUNG		
40	8	ST	2711196		CLIP	SCHELLE		
41	4	ST	0750518		CLIP	SCHELLE		
42	6	ST	0925744		CLIP	SCHELLE		
43	10	ST	0056659		HEX.HD.SCREW	SECHSKANTSCHRAUBE		
44	8	ST	0057127		HEXAGONAL NUT	SECHSKANTMUTTER		
45	8	ST	0056988		DISK/WASHER	SCHEIBE		
46	4	ST	0056645		HEX.HD.SCREW	SECHSKANTSCHRAUBE		
47	4	ST	0146763		DISK/WASHER	SCHEIBE		
51	8	ST	0251296		CLIP	SCHELLE		
52	8	ST	2465901		INSERT	EINSATZ		
53	8	ST	0217918		PLATE	PLATTE		
54	16	ST	0145938		STUD	STIFTSCHRAUBE		
55	16	ST	0057130		HEXAGONAL NUT	SECHSKANTMUTTER		

* : quantity see description

list 1 - page 38

TEREX  MINING 	RH40E 40151	HYDRAULIC SYSTEM TRAVEL CONTROL BLOCK HYDRAULIKANLAGE FAHRBLOCK	20.130 3663224
---	---------------------------	--	------------------------------



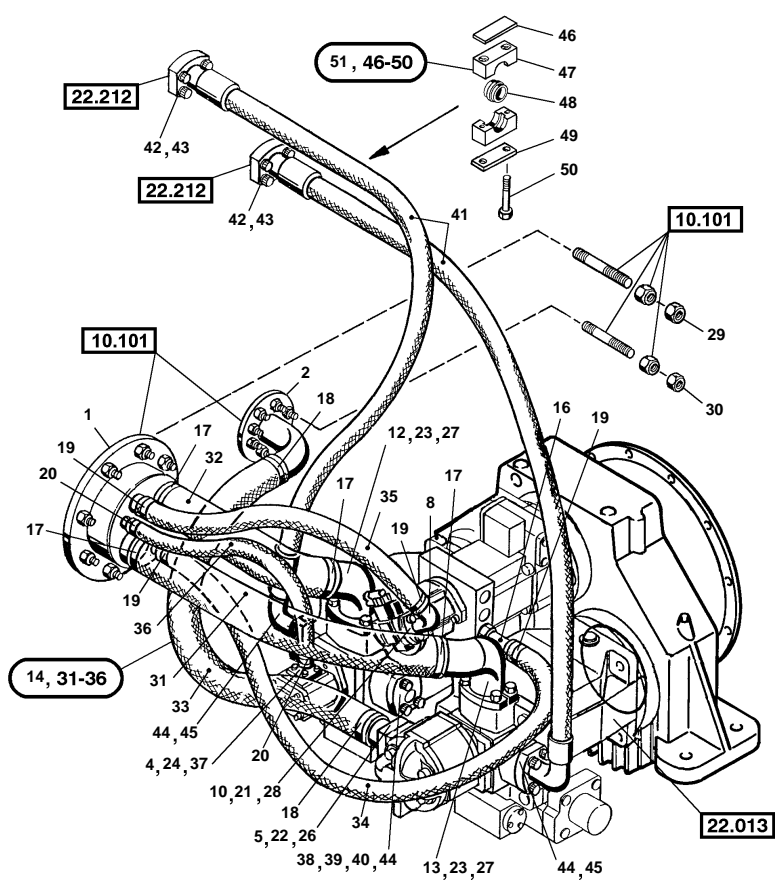
20.130
3 663 224.000

TEREX  **MINING****RH40E****40151****HYDRAULIC SYSTEM
TRAVEL CONTROL
BLOCK
HYDRAULIKANLAGE
FAHRBLOCK****20130****3663224**

Item	Quantity	ME	P/N	see page	Description	Beschreibung
2	1	ST	2250142		LINE	LEITUNG
3	1	ST	2250143		LINE	LEITUNG
4	1	ST	2453060		PIPE	ROHR
5	1	ST	2250145		LINE	LEITUNG
6	1	ST	2250144		LINE	LEITUNG
7	1	ST	2250141		LINE	LEITUNG
8	2	ST	2250580		LINE	LEITUNG
10	14	ST	0046801		SOCKET	STUTZEN
11	4	ST	1547907		SOCKET	STUTZEN
12	1	ST	0070263		SOCKET	STUTZEN
13	4	ST	0064899		SOCKET	STUTZEN
14	1	ST	0118062		SOCKET	STUTZEN
15	12	ST	0010629		CONN.NUT	UEBERWURFMUTTER
16	12	ST	0010615		CUTTING RING	SCHNEIDRING
17	4	ST	0010699		CONN.NUT	UEBERWURFMUTTER
18	4	ST	0010695		CUTTING RING	SCHNEIDRING
20	2	ST	1328133		HOSE	SCHLAUCH
21	4	ST	2700788		SOCKET	STUTZEN
22	2	ST	0986265		SOCKET	STUTZEN

* : quantity see description

list 1 - page 39

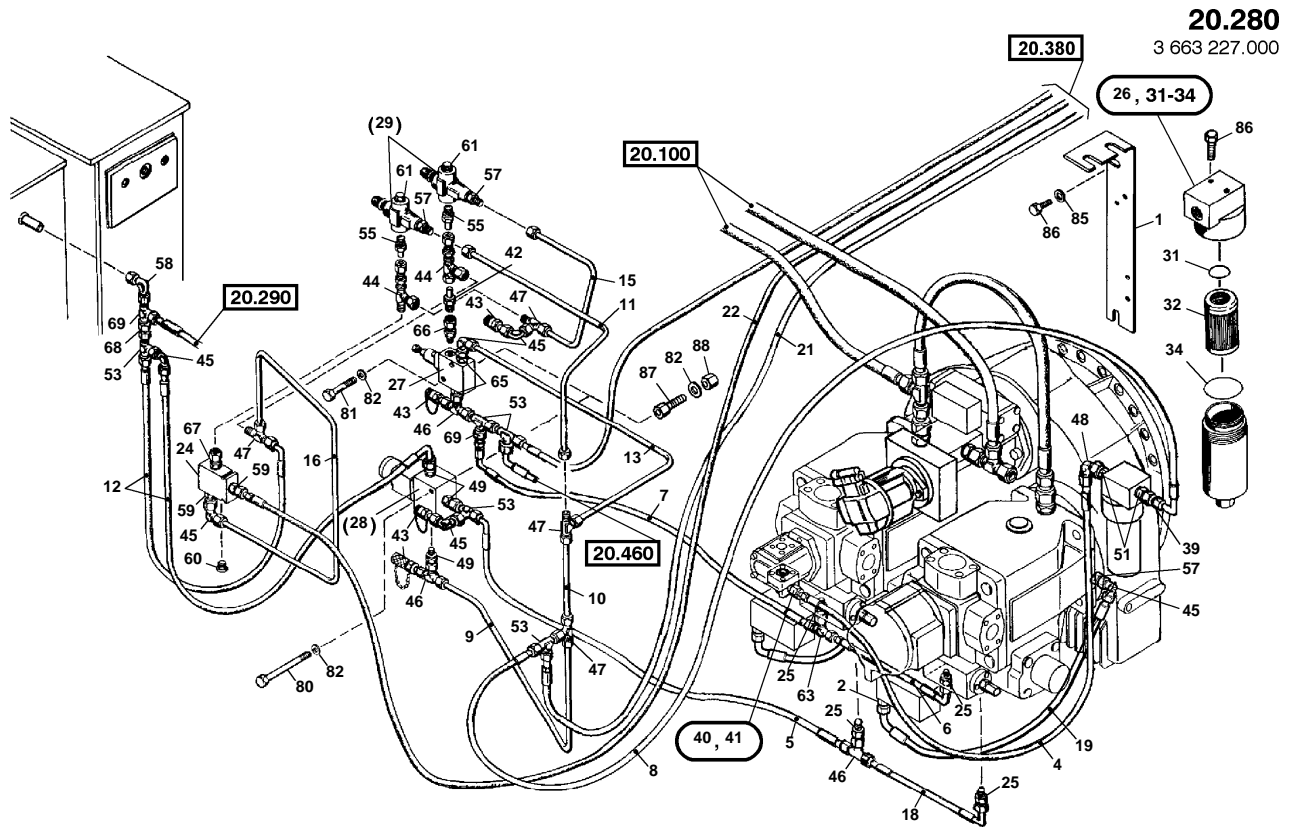


20.260
3 663 221.000

TEREX  MINING		RH40E		OIL SUCTION SYSTEM		20260	
		40151		OELANSAUGANLAGE		3663221-001	
Item	Quantity	ME	P/N	see page	Description	Beschreibung	
1	1	ST	3678611			ANSAUGVERTEILER	
2	1	ST	2273198		SOCKET	STUTZEN	
4	1	ST	2415335		SUCTION PIPE	SAUGSTUTZEN	
5	1	ST	1951133		SOCKET	STUTZEN	
8	1	ST	2415331		FLANGE	FLANSCH	
10	2	ST	0576762		FLANGE	FLANSCH	
12	1	ST	3678628		ARMATURE	ARMATUR	
13	1	ST	2415330		FLANGE	FLANSCH	
14	1	ST	2245189		SUCTION HOSE	SAUGSCHLAUCH	
16	1	ST	2415332		NIPPLE	NIPPEL	
17	4	ST	2168074		HOSE CLIP	SCHLAUCHSCHELLE	
18	2	ST	1464211		CLIP	SCHELLE	
19	4	ST	2168066		CLIP	SCHELLE	
20	2	ST	1464213		CLIP	SPANNSCHELLE	
21	1	ST	1725419		SEALING RING	DICHRING	
22	1	ST	0620474		O-RING	O-RING	
23	2	ST	0042111		O-RING	O-RING	
24	1	ST	0011934		O-RING	O-RING	
26	4	ST	0119724		CYL.HEAD SCREW	ZYLINDERSCHRAUBE	
27	8	ST	0056679		HEX.HD.SCREW	SECHSKANTSCHRAUBE	
28	4	ST	0054431		HEX.HD.SCREW	SECHSKANTSCHRAUBE	
29	8	ST	0057136		HEXAGONAL NUT	SECHSKANTMUTTER	
30	8	ST	0057133		HEXAGONAL NUT	SECHSKANTMUTTER	
31	1	ST	2415323		SUCTION HOSE	SAUGSCHLAUCH	
32	1	ST	2415324		SUCTION HOSE	SAUGSCHLAUCH	
33	1	ST	2415325		SUCTION HOSE	SAUGSCHLAUCH	
34	1	ST	2415326		SUCTION HOSE	SAUGSCHLAUCH	
35	1	ST	2415327		SUCTION HOSE	SAUGSCHLAUCH	
36	1	ST	2415328		SUCTION HOSE	SAUGSCHLAUCH	
37	4	ST	0063286		HEX.HD.SCREW	SECHSKANTSCHRAUBE	
38	4	ST	0974792		FLANGE	FLANSCH	
39	2	ST	2168899		SOCKET	STUTZEN	
40	8	ST	0974652		SCREW	SCHRAUBE	
41	2	ST	2244375		HOSE	SCHLAUCH	
42	2	ST	1725419		SEALING RING	DICHRING	
43	8	ST	1355169		CYL.HEAD SCREW	ZYLINDERSCHRAUBE	
44	4	ST	1725420		SEALING RING	DICHRING	
45	8	ST	1324293		CYL.HEAD SCREW	ZYLINDERSCHRAUBE	
46	1	ST	0217914		PLATE	PLATTE	
47	1	ST	0251296		CLIP	SCHELLE	
48	1	ST	0274117		INSERT	EINSATZ	
49	1	ST	0217918		PLATE	PLATTE	
50	2	ST	0598079		HEX.HD.SCREW	SECHSKANTSCHRAUBE	
51	1	ST	2711196		CLIP	SCHELLE	

* : quantity see description



list 1 - page 40



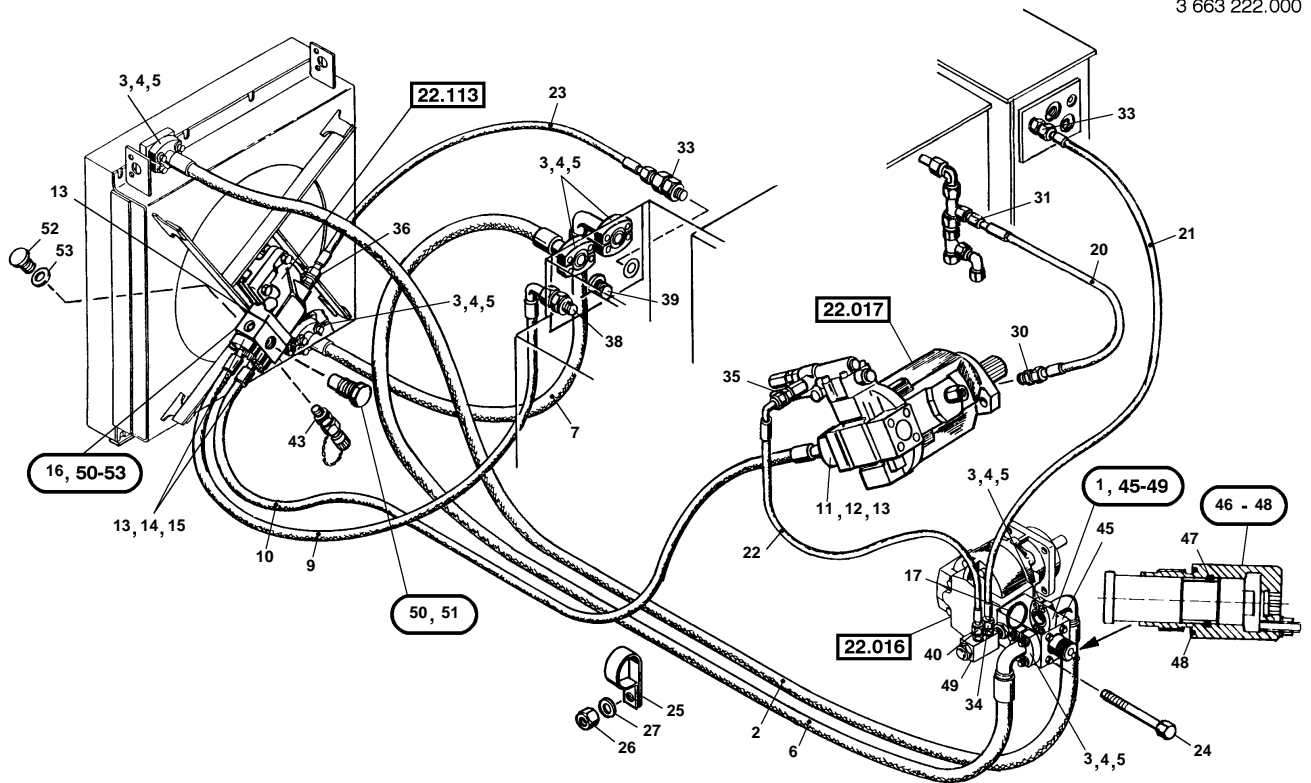
TEREX  MINING			RH40E		HYDRAULIC SYSTEM PUMP GOVERNING HYDRAULIKANLAGE PUMPENSTEUERUNG		20280	
			40151				3663227	
Item	Quantity	ME	P/N	see page	Description	Beschreibung		
1	1	ST	2223407		PLATE	PLATTE		
2	2	ST	2465129		SOCKET	STUTZEN		
4	1	ST	1791219		HOSE	SCHLAUCH		
5	1	ST	0941285		HOSE	SCHLAUCH		
6	1	ST	2765809		HOSE	SCHLAUCHLEITUNG		
7	1	ST	2417901		HOSE	SCHLAUCHLEITUNG		
8	1	ST	2243284		HOSE	SCHLAUCH		
9	1	ST	2250127		LINE	LEITUNG		
10	1	ST	2250124		LINE	LEITUNG		
11	1	ST	2250119		LINE	LEITUNG		
12	2	ST	1215482		HOSE	SCHLAUCH		
13	1	ST	2250122		LINE	LEITUNG		
15	1	ST	2250104		LINE	LEITUNG		
16	1	ST	2250120		LINE	LEITUNG		
18	1	ST	2711816		HOSE	SCHLAUCHLEITUNG		
19	2	ST	2711841		HOSE	SCHLAUCHLEITUNG		
21	1	ST	0996370		HOSE	SCHLAUCH		
22	1	ST	1218899		HOSE	SCHLAUCH		
24	1	ST	2274619		VALVE BLOCK	VENTILBLOCK		
25	2	ST	1755801		NIPPLE	NIPPEL		
26	1	ST	2222940		FILTER	FILTER		
27	1	ST	1752979		VALVE	VENTIL		
28	1	ST	(2732382)	60	SHIFT VALVE	SCHALTVENTIL		
29	2	ST	(2732380)	58	PRESS.REL.VALVE	DRUCKBEGR.VENTIL		
31	1	ST	0783355		O-RING	O-RING		
32	1	ST	1433860		FILTER INSERT	FILTEREINSATZ		
34	1	ST	0064697		O-RING	O-RING		
39	1	ST	7723935		SOCKET	STUTZEN		
40	1	ST	0014974		TUBE FITTING	VERSCHRAUBUNG		
41	1	ST	0011926		O-RING	O-RING		
42	1	ST	7723930		REDUCTION	REDUZIERUNG		
43	4	ST	0599894		COUPLING/CLUTCH	KUPPLUNG		
44	2	ST	1254370		TUBE FITTING	VERSCHRAUBUNG		
45	10	ST	1547924		SOCKET	STUTZEN		
46	3	ST	1547907		SOCKET	STUTZEN		
47	4	ST	0035534		TUBE FITTING	VERSCHRAUBUNG		
48	1	ST	0042827		TUBE FITTING	VERSCHRAUBUNG		
49	3	ST	0217405		TUBE FITTING	VERSCHRAUBUNG		
51	2	ST	0010649		TUBE FITTING	VERSCHRAUBUNG		
53	6	ST	0069451		SOCKET	STUTZEN		
55	2	ST	2247411		SOCKET	STUTZEN		
57	5	ST	2186806		TUBE FITTING	VERSCHRAUBUNG		
58	1	ST	0035199		TUBE FITTING	VERSCHRAUBUNG		
59	4	ST	0010625		TUBE FITTING	VERSCHRAUBUNG		
60	1	ST	1405047		SCREW PLUG	VERSCHLUSSCHRAUBE		
61	2	ST	1009480		TUBE FITTING	VERSCHRAUBUNG		
63	1	ST	0217417		SOCKET	STUTZEN		
64	1	ST	7723986		REDUCER FITTING	REDUZIERSTUTZEN		
65	2	ST	1042669		SOCKET	STUTZEN		
66	1	ST	0662969		SOCKET	STUTZEN		
67	1	ST	1665706		SOCKET/ADAPTER	EINSCHRAUBSTUTZEN		
68	1	ST	7723994		REDUCER FITTING	REDUZIERSTUTZEN		
69	1	ST	0984975		SOCKET	STUTZEN		
80	2	ST	0055068		HEX.HD.SCREW	SECHSKANTSCHRAUBE		
81	2	ST	0063249		HEX.HD.SCREW	SECHSKANTSCHRAUBE		
82	8	ST	0063678		DISK/WASHER	SCHEIBE		
85	2	ST	0056988		DISK/WASHER	SCHEIBE		
86	2	ST	0056656		HEX.HD.SCREW	SECHSKANTSCHRAUBE		
87	4	ST	0490211		SCREW	SCHRAUBE		
88	4	ST	0057125		HEXAGONAL NUT	SECHSKANTMUTTER		

* : quantity see description

list 1 - page 41

TEREX  MINING 	RH40E 40151	HYDRAULIC SYSTEM OIL COOLER HYDRAULIKANLAGE OELKUEHLER	20.290 3663222
---	-----------------------	---	--------------------------



20.290
3 663 222.000

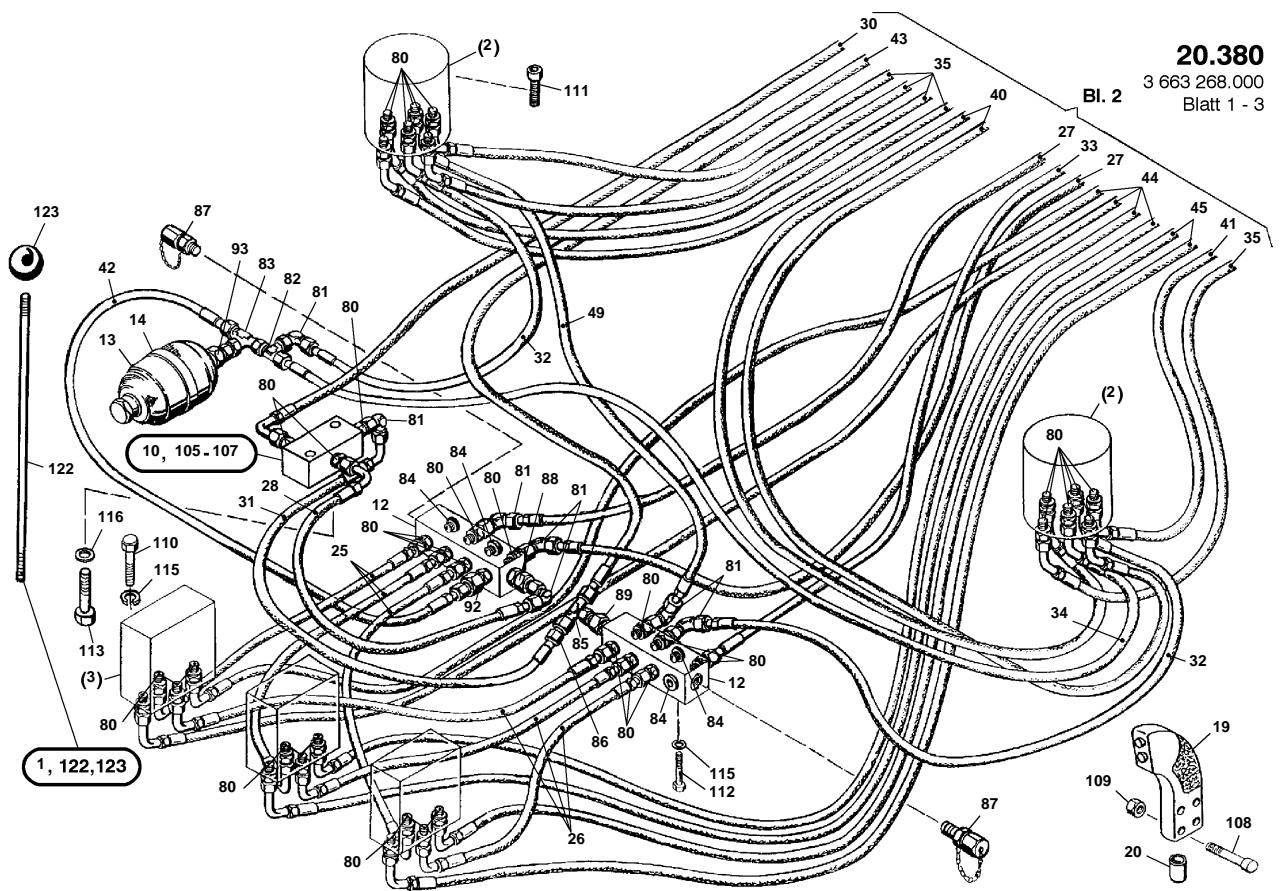


TEREX  MINING			RH40E		HYDRAULIC SYSTEM OIL COOLER HYDRAULIKANLAGE OELKUEHLER		20290	
			40151				3663222	
Item	Quantity	ME	P/N	see page	Description	Beschreibung		
1	1	ST	2245192		REGULATOR	REGLER		
2	1	ST	2416771		HOSE	SCHLAUCHLEITUNG		
3	6	ST	1725419		SEALING RING	DICHTRING		
4	12	ST	0440266		FLANGE	FLANSCH		
5	24	ST	1183270		SCREW	SCHRAUBE		
6	1	ST	2416772		HOSE	SCHLAUCHLEITUNG		
7	1	ST	1388468		HOSE	SCHLAUCHLEITUNG		
9	1	ST	2273279		HOSE	SCHLAUCHLEITUNG		
10	1	ST	2415751		HOSE	SCHLAUCHLEITUNG		
11	4	ST	1183269		SCREW	SCHRAUBE		
12	2	ST	0842973		FLANGE	FLANSCH		
13	5	ST	1725417		SEALING RING	DICHTRING		
14	8	ST	0217107		CYL.HEAD SCREW	ZYLINDERSCHRAUBE		
15	4	ST	0727077		FLANGE	FLANSCH		
16	1	ST	2415752		CHECK VALVE	RUECKSCHLAGVENTIL		
17	1	ST	1725421		SEALING RING	DICHTRING		
20	1	ST	1211343		HOSE	SCHLAUCH		
21	1	ST	2416773		HOSE	SCHLAUCHLEITUNG		
22	1	ST	0836989		HOSE	SCHLAUCH		
23	1	ST	1547153		HOSE	SCHLAUCH		
24	4	ST	0119590		HEX.HD.SCREW	SECHSKANTSCHRAUBE		
25	6	ST	0925448		CLIP	SCHELLE		
26	6	ST	0053496		HEXAGONAL NUT	SECHSKANTMUTTER		
27	6	ST	0056988		DISK/WASHER	SCHEIBE		
30	1	ST	0010654		TUBE FITTING	VERSCHRAUBUNG		
31	1	ST	7723948		FITTING	VERSCHRIB		
33	2	ST	0010625		TUBE FITTING	VERSCHRAUBUNG		
34	1	ST	8473553		SOCKET	STUTZEN		
35	1	ST	0046814		SOCKET	STUTZEN		
36	1	ST	2186806		TUBE FITTING	VERSCHRAUBUNG		
38	1	ST	0010696		TUBE FITTING	VERSCHRAUBUNG		
39	1	ST	1350997		SCREW PLUG	VERSCHLUSSCHRAUBE		
40	1	ST	1589145		TUBE FITTING	VERSCHRAUBUNG		
43	1	ST	1589843		CONNECTION	ANSCHLUSS		
45	1	ST	2245193		HOUSING	GEHAEUSE		
46	1	ST	2245041		THERMOSTAT	THERMOSTAT		
47	1	ST	0146187		O-RING	O-RING		
48	1	ST	0762226		O-RING	O-RING		
49	1	ST	2458291		THERMOSTAT	THERMOSTAT		
50	1	ST	1469736		CHECK VALVE	RUECKSCHLAGVENTIL		
51	1	ST	1469737		GASKET SET	DICHTUNG SATZ		
52	1	ST	0986982		PLUG	STOPFEN		
53	1	ST	1411987		GASKET SET	DICHTUNG		

* : quantity see description

list 1 - page 42

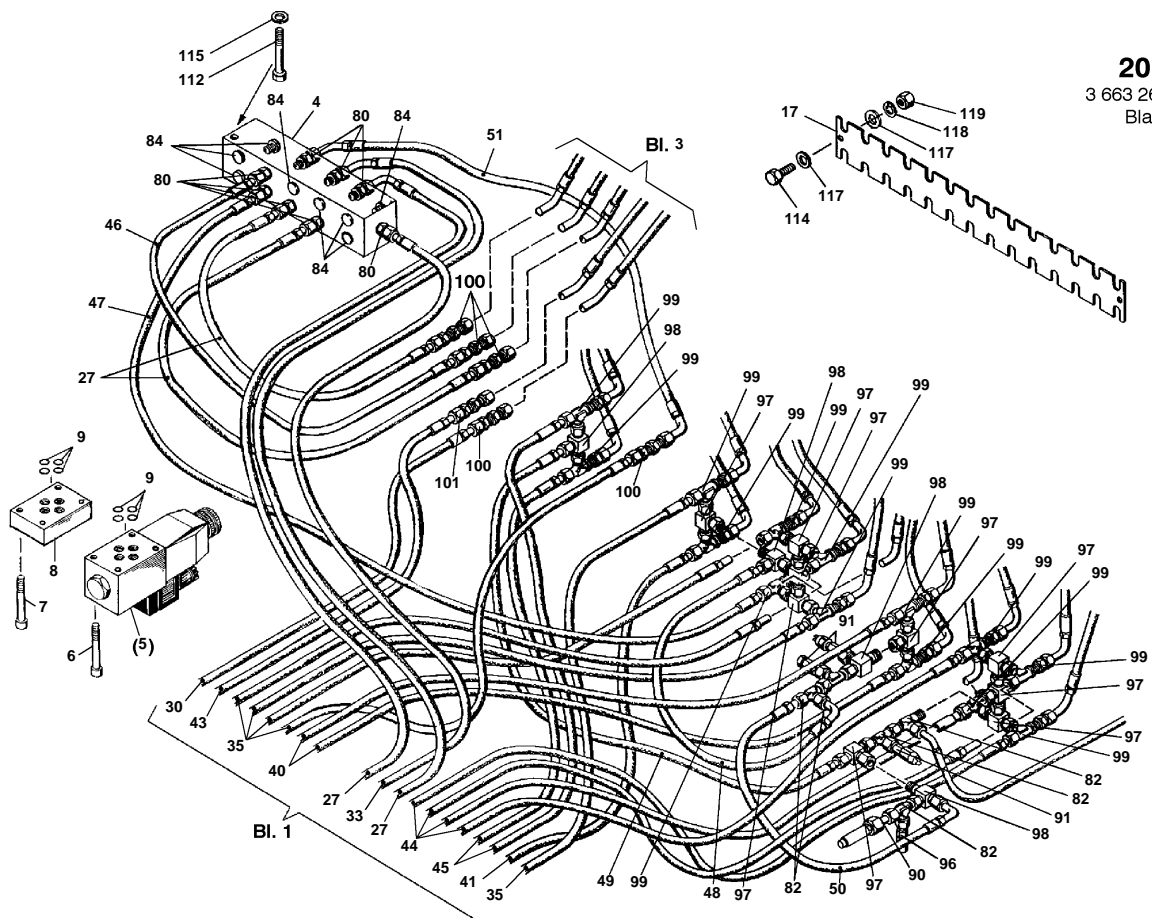
TEREX  MINING 	RH40E 40151	HYDRAULIC SYSTEM OPERATOR'S CAB HYDRAULIKANLAGE FAHRERHAUS	20380 3663268
---	------------------------------	---	--------------------------------



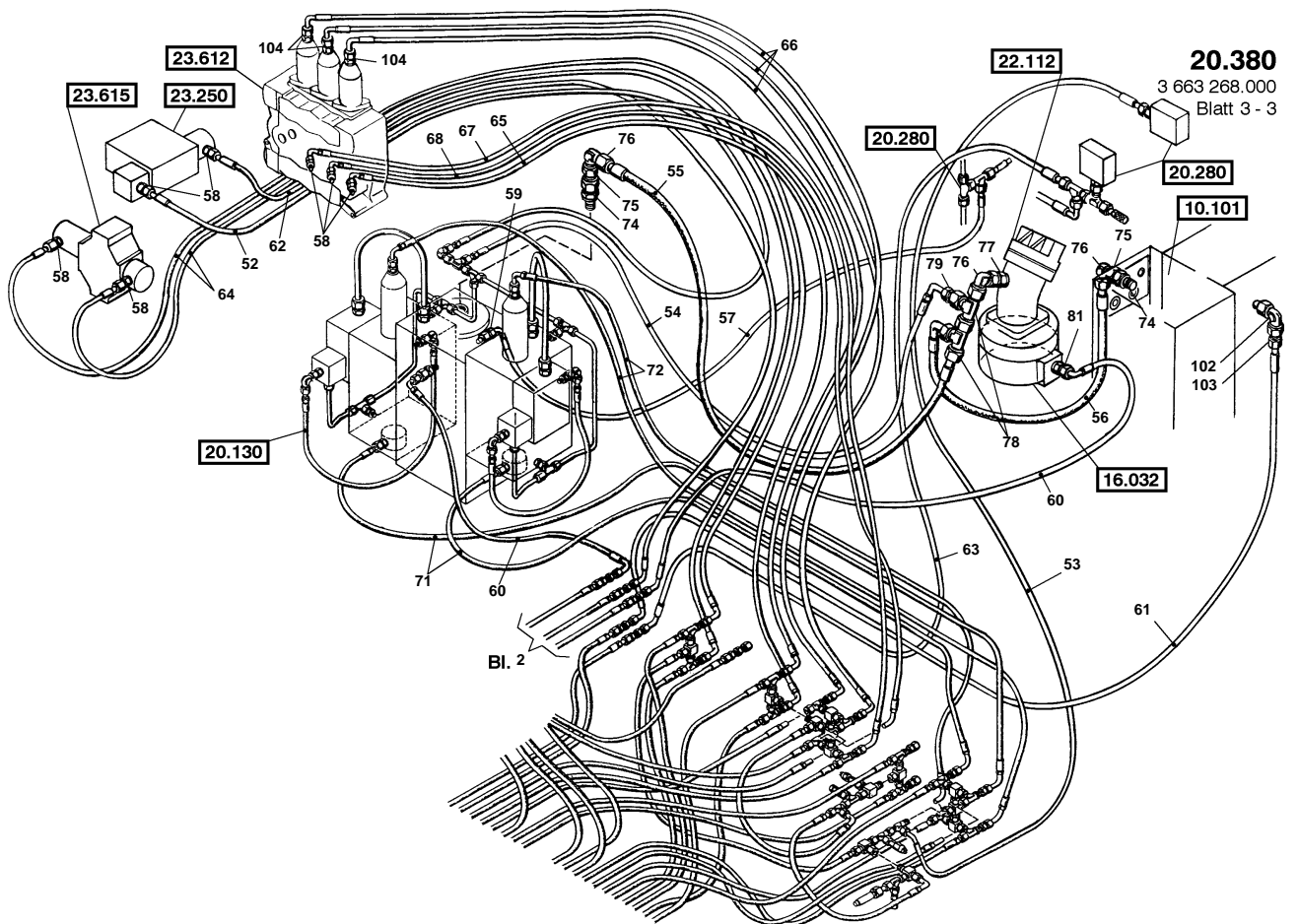
20.380

3 663 268.000
Blatt 1 - 3

Bl. 2



20.380
 3 663 268.000
 Blatt 2 - 3



TEREX  MINING			RH40E		HYDRAULIC SYSTEM OPERATOR'S CAB HYDRAULIKANLAGE FAHRERHAUS		20380	
			40151				3663268	
Item	Quantity	ME	P/N	see page	Description	Beschreibung		
1	2	ST	1585484		ROD	STANGE		
2	2	ST	(2800631)	63	SERVO VALVE	SERVOVENTIL		
3	3	ST	(2800584)	64		TRITTPLATTENVENTI ANBAUTEILE		
4	1	ST	2273260		STRIP	LEISTE		
5	3	ST	(2800640)	61	SOLENOID VALVE	MAGNETVENTIL		
6	12	ST	1570684		CYL.HEAD SCREW	ZYLINDERSCHRAUBE		
7	8	ST	0725386		CYL.HEAD SCREW	ZYLINDERSCHRAUBE		
8	2	ST	2426836		COVER PLATES	ABDECKPLATTE		
9	20	ST	0763075		O-RING	O-RING		
10	1	ST	2458944		CONTROL BLOCK	STUEBERBLOCK		
12	2	ST	1779234		STRIP	LEISTE		
13	1	ST	2417883		RESERVOIR	SPEICHER		
14	1	ST	2168077		HOSE CLIP	SCHLAUCHSCHELLE		
17	1	ST	1951207		PLATE	PLATTE		
19	2	ST	1509827		HANDLE	GRIFF		
20	2	ST	1509997		SLEEVE	HUELSE		
21	1	ST	6000380		VALVE	VENTIL		
22	1	ST	6000680		SOLENOID COIL	MAGNETSPULE		
23	1	ST	6000381		GASKET SET	DICHTUNGSSATZ		
25	3	ST	1547153		HOSE	SCHLAUCH		
26	3	ST	1589024		HOSE	SCHLAUCH		
27	4	ST	0941286		HOSE	SCHLAUCH		
28	1	ST	2426824		HOSE	SCHLAUCHLEITUNG		
30	1	ST	2426833		HOSE	SCHLAUCHLEITUNG		
31	1	ST	0264623		HOSE	SCHLAUCH		
32	2	ST	0936193		HOSE	SCHLAUCH		
33	1	ST	1791368		HOSE	SCHLAUCH		
34	1	ST	0936199		HOSE	SCHLAUCH		
35	5	ST	2426825		HOSE	SCHLAUCHLEITUNG		
40	2	ST	1758785		HOSE	SCHLAUCH		
41	1	ST	1768229		HOSE	SCHLAUCH		
42	1	ST	0998001		HOSE	SCHLAUCH		
43	1	ST	0991937		HOSE	SCHLAUCH		
44	4	ST	0941294		HOSE	SCHLAUCH		
45	2	ST	0941279		HOSE	SCHLAUCH		
46	1	ST	0950402		HOSE	SCHLAUCH		
47	1	ST	0958674		HOSE	SCHLAUCH		
48	1	ST	1725891		HOSE	SCHLAUCH		
49	1	ST	0936223		HOSE	SCHLAUCH		
50	1	ST	0941303		HOSE	SCHLAUCH		
51	1	ST	2426941		HOSE	SCHLAUCHLEITUNG		
52	1	ST	1909896		HOSE	SCHLAUCH		
53	1	ST	1991803		HOSE	SCHLAUCH		
54	1	ST	1128811		HOSE	SCHLAUCH		
55	1	ST	1558780		HOSE	SCHLAUCH		
56	1	ST	1537753		HOSE	SCHLAUCH		
57	1	ST	0996370		HOSE	SCHLAUCH		
58	4	ST	1768189		TUBE FITTING	VERSCHRAUBUNG		
59	1	ST	2186806		TUBE FITTING	VERSCHRAUBUNG		
60	2	ST	2416789		HOSE	SCHLAUCHLEITUNG		
61	1	ST	2426834		HOSE	SCHLAUCHLEITUNG		
62	1	ST	2426832		HOSE	SCHLAUCHLEITUNG		
63	1	ST	1768304		HOSE	SCHLAUCH		
64	2	ST	2426829		HOSE	SCHLAUCHLEITUNG		
65	1	ST	2417903		HOSE	SCHLAUCHLEITUNG		
66	3	ST	2426830		HOSE	SCHLAUCHLEITUNG		
67	1	ST	2417902		HOSE	SCHLAUCHLEITUNG		
68	1	ST	2426831		HOSE	SCHLAUCHLEITUNG		
71	2	ST	1768797		HOSE	SCHLAUCH		
72	2	ST	2426827		HOSE	SCHLAUCHLEITUNG		



* : quantity see description

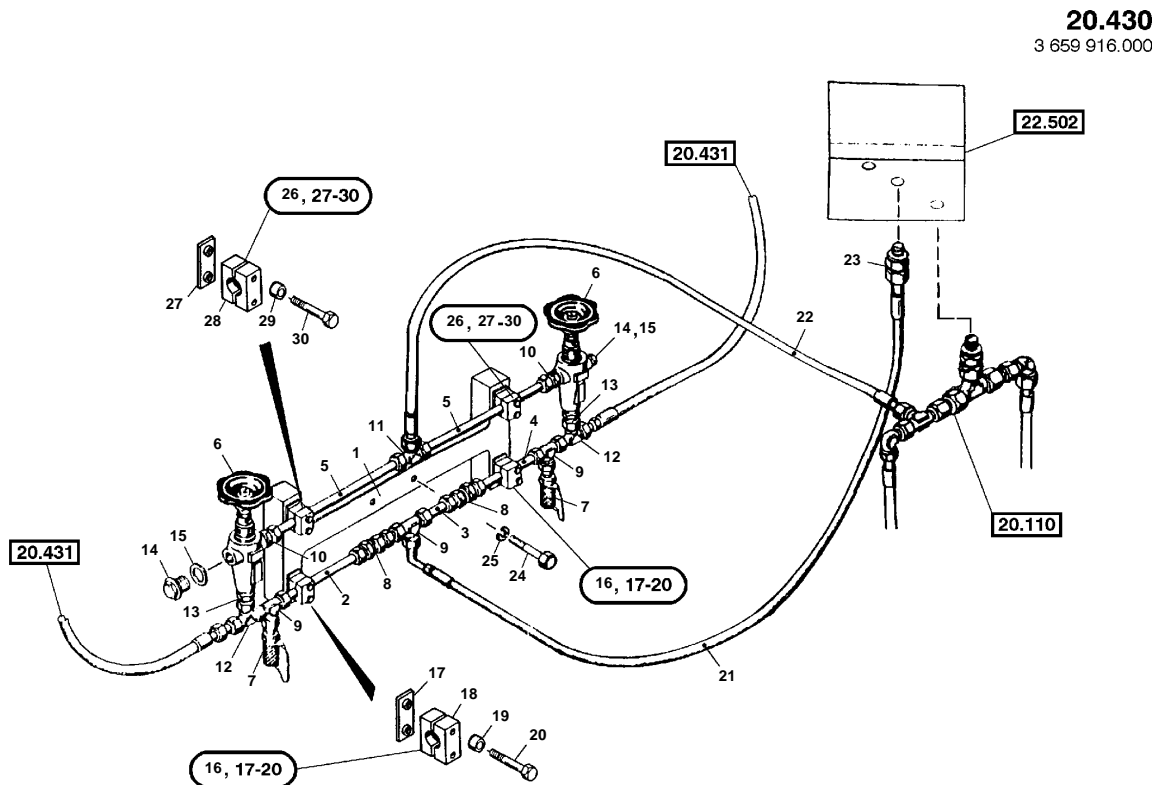
list 1 - page 43

TEREX  MINING			RH40E		HYDRAULIC SYSTEM OPERATOR'S CAB HYDRAULIKANLAGE FAHRERHAUS		20380	
			40151				3663268	
Item	Quantity	ME	P/N	see page	Description	Beschreibung		
73	1	ST	2057798		TUBE FITTING	VERSCHRAUBUNG		
74	2	ST	0118062		SOCKET	STUTZEN		
75	2	ST	7723956		REDUCTION	REDUZIERUNG		
76	3	ST	0035533		TUBE FITTING	VERSCHRAUBUNG		
77	1	ST	1554994		REDUCTION	REDUZIERUNG		
78	2	ST	0090825		SOCKET	STUTZEN		
79	1	ST	7723994		REDUCER FITTING	REDUZIERSTUTZEN		
80	46	ST	1768189		TUBE FITTING	VERSCHRAUBUNG		
81	10	ST	1547924		SOCKET	STUTZEN		
82	5	ST	1636028		SOCKET	STUTZEN		
84	12	ST	1350997		SCREW PLUG	VERSCHLUSSCHRAUBE		
85	1	ST	1589018		SOCKET	STUTZEN		
86	1	ST	7723935		SOCKET	STUTZEN		
87	2	ST	0599862		TUBE FITTING	VERSCHRAUBUNG		
88	1	ST	2416742		NIPPLE	NIPPEL		
89	1	ST	2417904		NIPPLE	NIPPEL		
90	1	ST	2479099		TUBE FITTING	VERSCHRAUBUNG		
91	3	ST	1238104		SOCKET	STUTZEN		
92	1	ST	0850259		VALVE	VENTIL		
93	1	ST	1983295		SOCKET	STUTZEN		
96	1	ST	0599894		COUPLING/CLUTCH	KUPPLUNG		
97	9	ST	1725525		VALVE	VENTIL		
98	4	ST	1725526		VALVE	VENTIL		
99	14	ST	1254370		TUBE FITTING	VERSCHRAUBUNG		
100	5	ST	2142470		SOCKET	STUTZEN		
101	1	ST	2247784		TUBE FITTING	VERSCHRAUBUNG		
102	1	ST	0035199		TUBE FITTING	VERSCHRAUBUNG		
103	1	ST	7723948		FITTING	VERSCHRIB		
104	3	ST	0010630		TUBE FITTING	VERSCHRAUBUNG		
105	1	ST	6000380		VALVE	VENTIL		
106	1	ST	6000680		SOLENOID COIL	MAGNETSPULE		
107	1	ST	6000381		GASKET SET	DICHTUNGSSATZ		
108	8	ST	0064132		CYL.HEAD SCREW	ZYLINDERSCHRAUBE		
109	8	ST	1175064		HEXAGONAL NUT	SECHSKANTMUTTER		
110	6	ST	0054405		HEX.HD.SCREW	SECHSKANTSCHRAUBE		
111	6	ST	0515283		CYL.HEAD SCREW	ZYLINDERSCHRAUBE		
112	6	ST	0055089		HEX.HD.SCREW	SECHSKANTSCHRAUBE		
113	2	ST	0055068		HEX.HD.SCREW	SECHSKANTSCHRAUBE		
114	2	ST	0056659		HEX.HD.SCREW	SECHSKANTSCHRAUBE		
115	12	ST	0063668		LOCK WASHER	FEDERRING		
116	2	ST	0063707		DISK/WASHER	SCHEIBE		
117	4	ST	0056988		DISK/WASHER	SCHEIBE		
118	2	ST	0063667		LOCK WASHER	FEDERRING		
119	2	ST	0057127		HEXAGONAL NUT	SECHSKANTMUTTER		
122	2	ST	1585485		ROD	STANGE		
123	2	ST	0589156		BUTTON	KNOPF		

* : quantity see description

list 2 - page 43



TEREX  MINING 	RH40E 40151	HYDRAULIC SYSTEM CHAIN TENSIONER HYDRAULIKANLAGE KETTENSPIANNUNG	20430 3659916
---	-----------------------	---	-------------------------



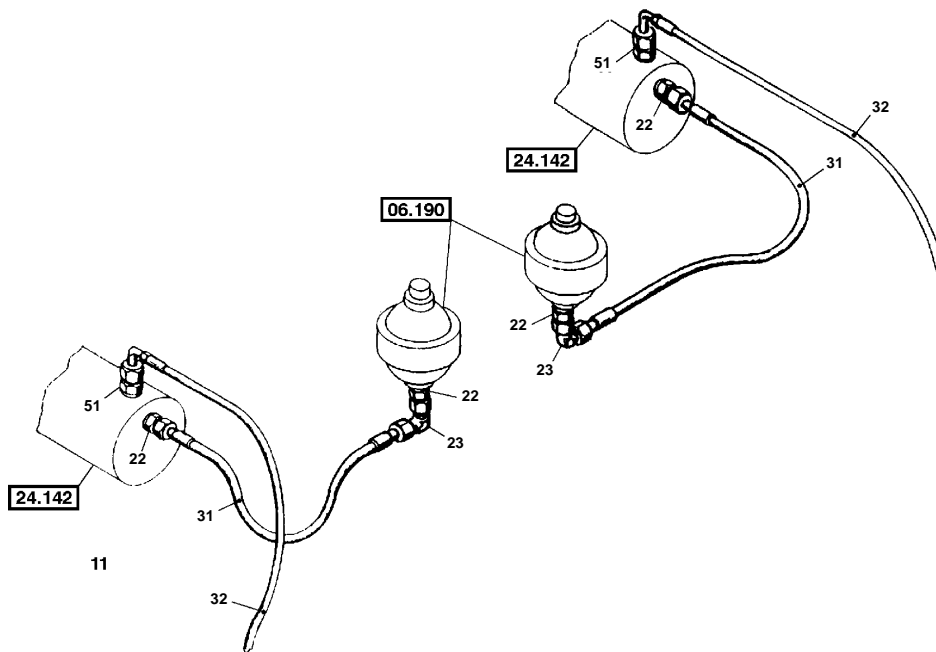
			RH40E 40151		HYDRAULIC SYSTEM CHAIN TENSIONER HYDRAULIKANLAGE KETTENSPIANNUNG		20430 3659916	
Item	Quantity	ME	P/N	see page	Description	Beschreibung		
1	1	ST	1978654		BRACKET	HALTER		
2	*	M	0065184		PIPE ; 0,11 M	ROHR ; 0,11 M		
3	*	M	0065184		PIPE ; 0,04 M	ROHR ; 0,04 M		
4	*	M	0065184		PIPE ; 0,12 M	ROHR ; 0,12 M		
5	*	M	0037515		PIPE ; 0,22 M	ROHR ; 0,22 M		
6	2	ST	2244013		PRESS.REL.VALVE	DRUCKBEGR.VENTIL		
7	2	ST	0599894		COUPLING/CLUTCH	KUPPLUNG		
8	2	ST	0559336		VALVE	VENTIL		
9	3	ST	0145162		TUBE FITTING	VERSCHRAUBUNG		
10	2	ST	0010654		TUBE FITTING	VERSCHRAUBUNG		
11	1	ST	0033875		TUBE FITTING	VERSCHRAUBUNG		
12	2	ST	0035511		TUBE FITTING	VERSCHRAUBUNG		
13	2	ST	0035536		SOCKET	STUTZEN		
14	2	ST	0080716		SCREW PLUG	VERSCHLUSSCHRAUBE		
15	2	ST	0043454		SEALING RING	DICHTRING		
16	2	ST	0217666		CLIP	SCHELLE		
17	2	ST	0218106		PLATE	PLATTE		
18	2	ST	0145154		CLIP	SCHELLE		
19	4	ST	0145150		SLEEVE	HUELSE		
20	4	ST	0145151		HEX.HD.SCREW	SECHSKANTSCHRAUBE		
21	1	ST	2418983		HOSE	SCHLAUCHLEITUNG		
22	1	ST	2418982		HOSE	SCHLAUCHLEITUNG		
23	1	ST	0010625		TUBE FITTING	VERSCHRAUBUNG		
24	2	ST	0056661		HEX.HD.SCREW	SECHSKANTSCHRAUBE		
25	2	ST	0056988		DISK/WASHER	SCHEIBE		
26	2	ST	0515607		CLIP	SCHELLE		
27	2	ST	0218757		PLATE	PLATTE		
28	2	ST	0598084		CLIP	SCHELLE		
29	4	ST	0145150		SLEEVE	HUELSE		
30	4	ST	0145152		HEX.HD.SCREW	SECHSKANTSCHRAUBE		

* : quantity see description

list 1 - page 44

TEREX  MINING 	RH40E 40151	HYDRAULIC SYSTEM CLAMPING CYLINDER HYDRAULIKANLAGE SPANNZYLINDER	20431 3659915
---	-----------------------	---	-------------------------

20.431
3 659 915.000



TEREX  **MINING****RH40E**

40151



**HYDRAULIC SYSTEM
CLAMPING CYLINDER
HYDRAULIKANLAGE
SPANNZYLINDER****20431**

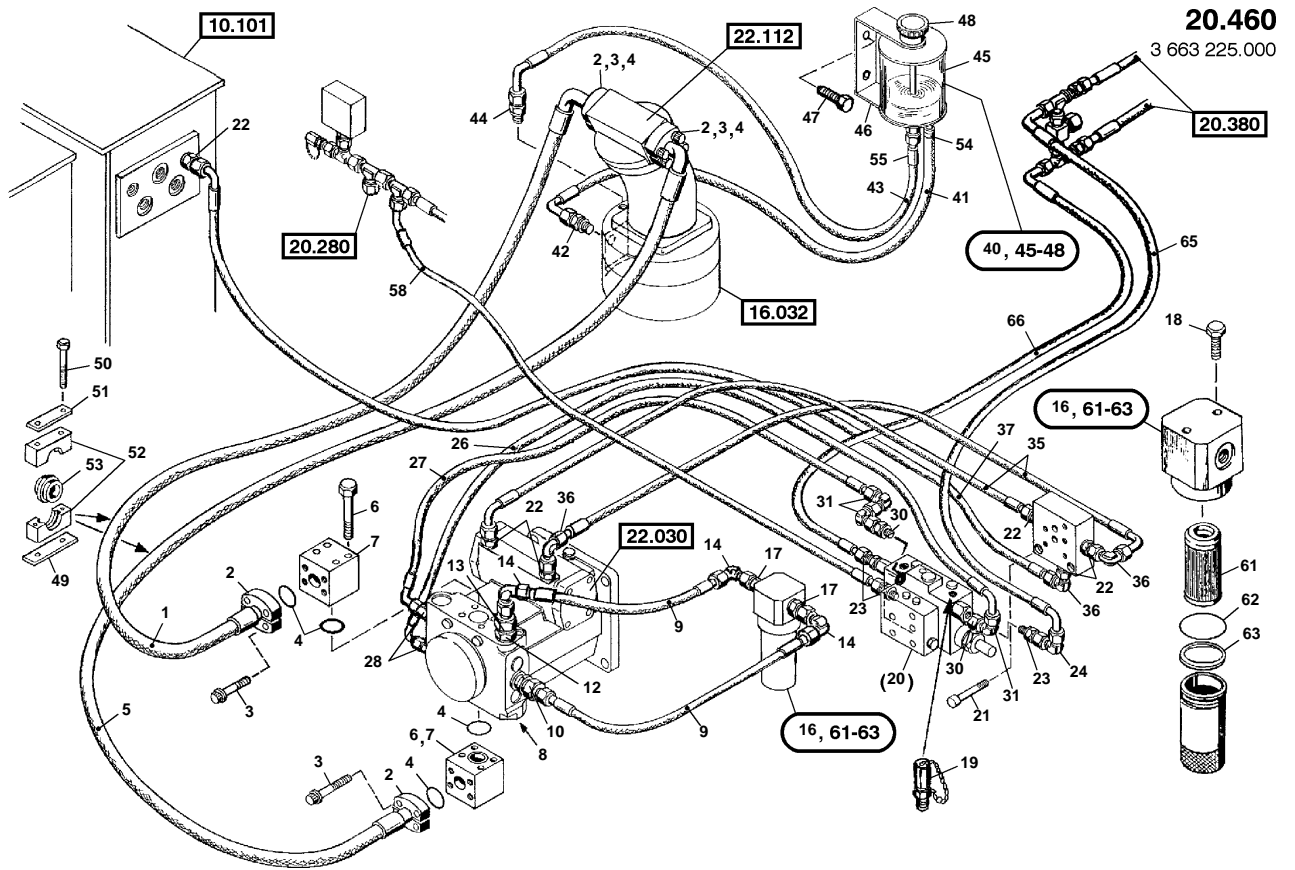
3659915

Item	Quantity	ME	P/N	see page	Description	Beschreibung
11	2	ST	0035536		SOCKET	STUTZEN
22	4	ST	0010684		TUBE FITTING	VERSCHRAUBUNG
23	2	ST	0062685		SOCKET	STUTZEN
31	2	ST	1960300		HOSE	SCHLAUCH
32	2	ST	1520639		HOSE	SCHLAUCH

* : quantity see description

list 1 - page 45

TEREX  MINING 	RH40E 40151	HYDRAULIC SYSTEM SLEWING HYDRAULIKANLAGE SCHWENKEN	20460 3663225
---	-----------------------	---	-------------------------

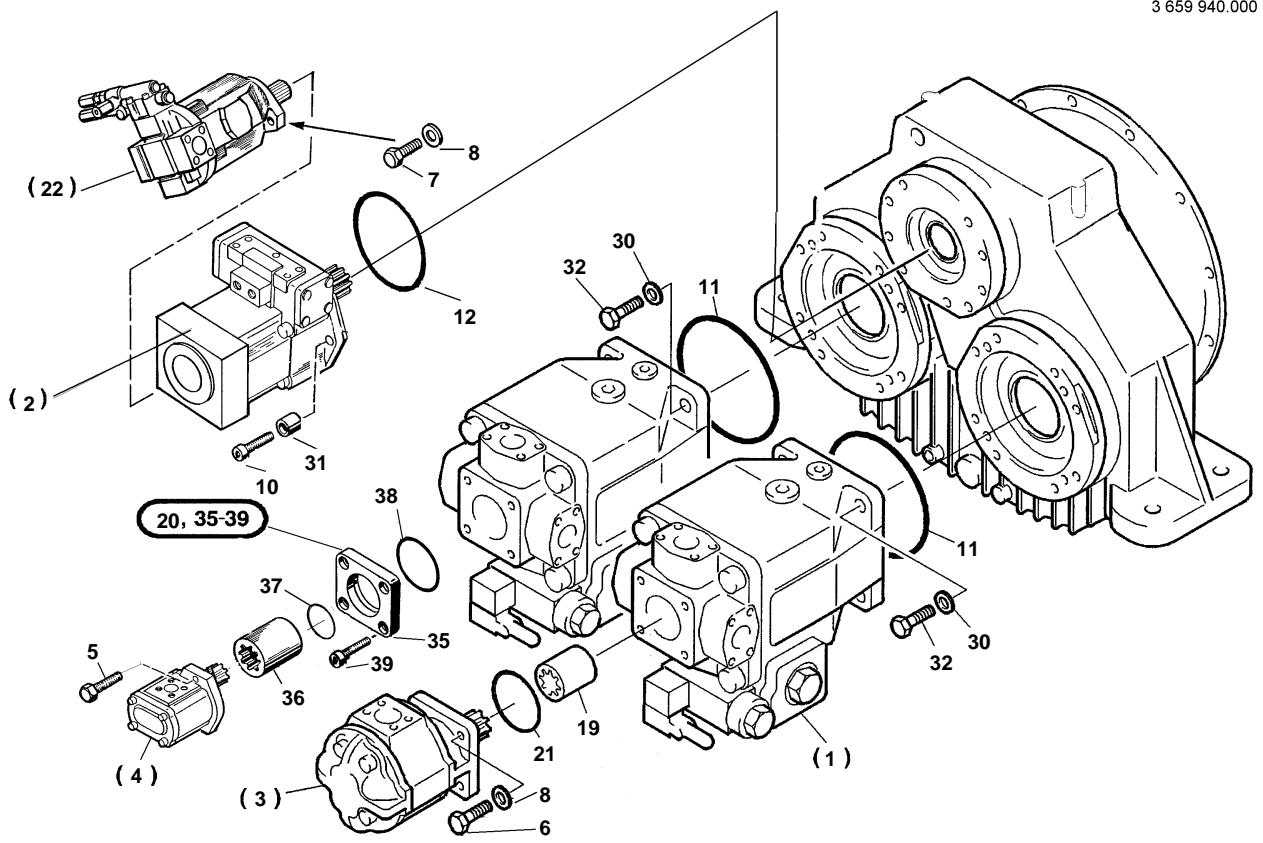


TEREX  MINING				RH40E		HYDRAULIC SYSTEM SLEWING HYDRAULIKANLAGE SCHWENKEN		20460	
				40151				3663225	
Item	Quantity	ME	P/N	see page	Description	Beschreibung			
1	1	ST	2415750		HOSE	SCHLAUCHLEITUNG			
2	8	ST	0974791		FLANGE	FLANSCH			
3	16	ST	0974650		SCREW	SCHRAUBE			
4	3	ST	1725419		SEALING RING	DICHRING			
5	1	ST	2273280		HOSE	SCHLAUCHLEITUNG			
6	8	ST	0271050		HEX.HD.SCREW	SECHSKANTSCHRAUBE			
7	2	ST	0974789		FLANGE	FLANSCH			
8	1	ST	0970423		SCREW PLUG	VERSCHLUSSCHRAUBE			
9	1	ST	1725840		HOSE	SCHLAUCH			
10	1	ST	2415333		SOCKET	STUTZEN			
12	1	ST	0118062		SOCKET	STUTZEN			
13	1	ST	1768308		FITTING	VERSCHRIB			
14	3	ST	0984973		SOCKET	STUTZEN			
16	1	ST	2416775		FILTER	FILTER			
17	2	ST	0986307		SOCKET	STUTZEN			
18	2	ST	0249152		HEX.HD.SCREW	SECHSKANTSCHRAUBE			
19	2	ST	1791059		CONNECTION	ANSCHLUSS			
20	1	ST	(3663266)	59	PRESS. REG. VALVE	DRUCKREGELVENTIL			
21	4	ST	0924213		CYL.HEAD SCREW	ZYLINDERSCHRAUBE			
22	6	ST	0046801		SOCKET	STUTZEN			
23	3	ST	2213269		SOCKET	STUTZEN			
24	1	ST	1547924		SOCKET	STUTZEN			
26	1	ST	2450045		HOSE	SCHLAUCHLEITUNG			
27	1	ST	2415321		HOSE	SCHLAUCHLEITUNG			
28	2	ST	2465046		SOCKET	STUTZEN			
30	2	ST	1768396		SOCKET	STUTZEN			
31	3	ST	1768395		SOCKET	STUTZEN			
35	2	ST	1725891		HOSE	SCHLAUCH			
36	3	ST	1547924		SOCKET	STUTZEN			
37	1	ST	0941292		HOSE	SCHLAUCH			
40	1	ST	2418058		OIL RESERVOIR	OELBEHAELTER			
41	1	ST	2416776		HOSE	SCHLAUCHLEITUNG			
42	1	ST	0010675		TUBE FITTING	VERSCHRAUBUNG			
43	1	ST	2416777		HOSE	SCHLAUCHLEITUNG			
44	1	ST	0034494		SOCKET	STUTZEN			
45	1	ST	2426523		OIL RESERVOIR	OELBEHAELTER			
46	1	ST	2416753		BRACKET	HALTER			
47	2	ST	0057013		HEX.HD.SCREW	SECHSKANTSCHRAUBE			
48	1	ST	1477261		LID	DECKEL			
49	6	ST	0217914		PLATE	PLATTE			
50	12	ST	0598079		HEX.HD.SCREW	SECHSKANTSCHRAUBE			
51	6	ST	0217918		PLATE	PLATTE			
52	6	ST	0251296		CLIP	SCHELLE			
53	6	ST	0251333		INSERT	EINSATZ			
54	1	ST	8414159		CLIP	SCHELLE			
55	1	ST	1838188		CLIP	SCHELLE			
56	2	ST	0982399		CLIP	SCHELLE			
58	1	ST	1547153		HOSE	SCHLAUCH			
61	1	ST	2418098		FILTERELEMENT	FILTERELEMENT			
62	1	ST	1461014		O-RING	O-RING			
63	1	ST100	1461015		SUPPORT RING	STUETZRING			
65	1	ST	2426828		HOSE	SCHLAUCHLEITUNG			
66	1	ST	1991803		HOSE	SCHLAUCH			

* : quantity see description

list 1 - page 46

22.010
3 659 940.000



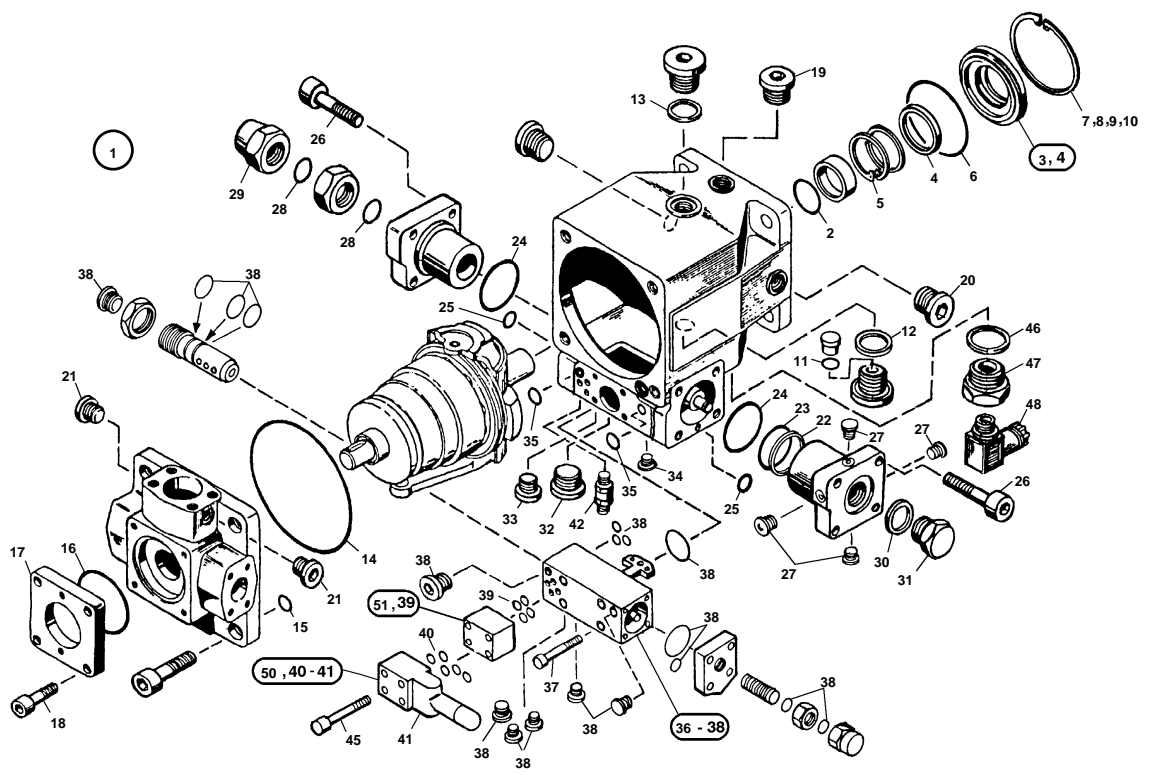
TEREX  MINING			RH40E 40151		PUMP INSTALL.MATERIAL PUMPE EINBAU		22010 3659940	
Item	Quantity	ME	P/N	see page	Description	Beschreibung		
1	1	ST	(3659797)	48	WORKING PUMP	ARBEITSPUMPE		
2	1	ST	(3659939)	52	SWING PUMP	SCHWENKPUMPE		
3	1	ST	(2804307)	50	HYD.OIL COOL.PMP.	KUEHLPUMPE-HYD.OEL		
4	1	ST	(3657440)	49	SERVO PUMP	STEUERPUMPE		
5	2	ST	0056661		HEX.HD.SCREW	SECHSKANTSCHRAUBE		
6	4	ST	0056672		HEX.HD.SCREW	SECHSKANTSCHRAUBE		
7	2	ST	0063314		HEX.HD.SCREW	SECHSKANTSCHRAUBE		
8	4	ST	0080731		DISK/WASHER	SCHEIBE		
10	2	ST	0218513		CYL.HEAD SCREW	ZYLINDERSCHRAUBE		
11	2	ST	2533152		O-RING	O-RING		
12	1	ST	0470176		O-RING	O-RING		
14	???	KG	0244905		FITTING COMPOUND	SCHMIERPASTE		
19	1	ST	2426198		HUB	NABE		
20	1	ST	1732312		ADAPTER	ADAPTER		
21	1	ST	0511340		O-RING	O-RING		
22	1	ST	(3659938)	51	VARIABLE PUMP	VERSTELLPUMPE		
30	8	ST	0056993		DISK/WASHER	SCHEIBE		
31	2	ST	1781719		SLEEVE	HUELSE		
32	8	ST	2764699		HEX.HD.SCREW	SECHSKANTSCHRAUBE		
35	1	ST	1437547		FLANGE	FLANSCH		
36	1	ST	1437548		HUB	NABE		
37	1	ST	1437549		O-RING	O-RING		
38	1	ST	1437504		O-RING	O-RING		
39	1	ST	0056711		CYL.HEAD SCREW	ZYLINDERSCHRAUBE		

* : quantity see description

list 1 - page 47

TEREX  MINING 	RH40E 40151	WORKING PUMP ARBEITSPUMPE	22013 3659797
---	------------------------------	--	--------------------------------

22.013
3 659 797.000



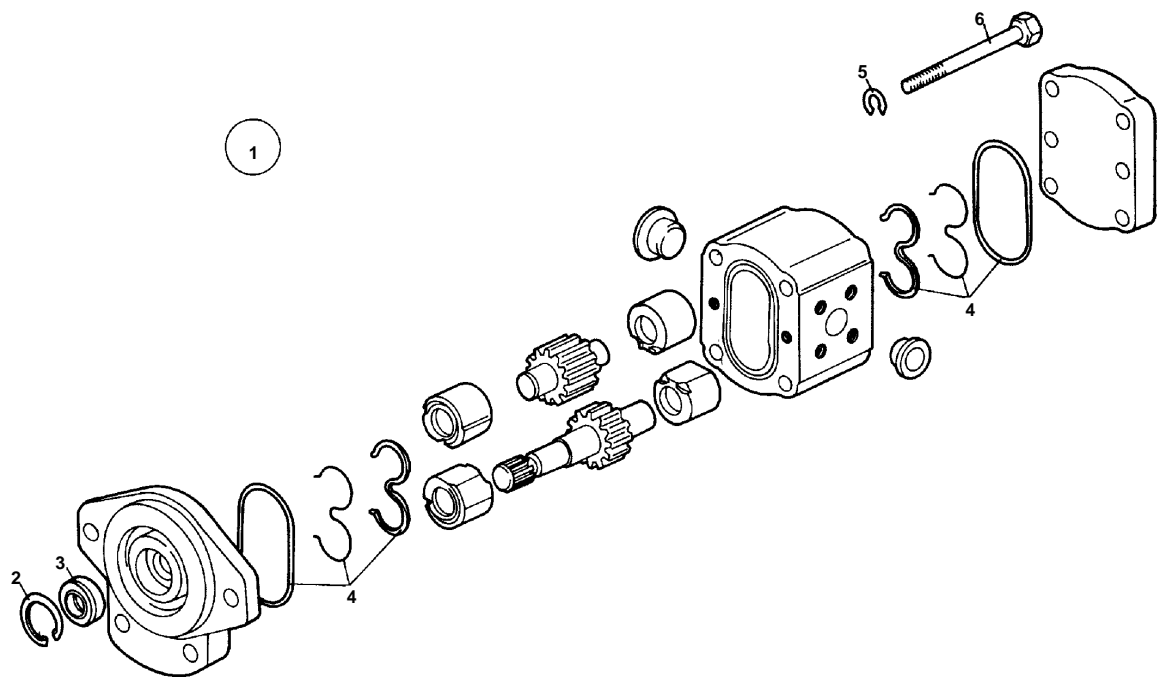
TEREX  MINING			RH40E 40151		WORKING PUMP ARBEITSPUMPE		22013 3659797	
Item	Quantity	ME	P/N	see page	Description	Beschreibung		
1	1	ST	3675203		VARIABLE PUMP	VERSTELLPUMPE		
2	1	ST	6000268		O-RING	O-RING		
3	1	ST	6000267		SEAL CAP	VERSCHLUSSDECKEL		
4	1	ST	6000266		ROT.SHAFT LIP SEAL	WELLENDICHTRING		
5	1	ST	0012540		CIRCLIP	SICHERUNGSRING		
6	1	ST	6000269		O-RING	O-RING		
7	1	ST	2764355		CIRCLIP	SICHERUNGSRING		
	0				140 X 3,6	140 X 3,6		
8	1	ST	2764356		CIRCLIP	SICHERUNGSRING		
	0				140 X 3,7	140 X 3,7		
9	1	ST	2764357		CIRCLIP	SICHERUNGSRING		
	0				140 X 3,8	140 X 3,8		
10	1	ST	2764358		CIRCLIP	SICHERUNGSRING		
	0				140 X 3,9	140 X 3,9		
11	1	ST	6000291		RING	RING		
12	1	ST	1411989		GASKET	DICHTUNG		
13	1	ST	1411989		GASKET	DICHTUNG		
14	1	ST	1466819		O-RING	O-RING		
15	1	ST	1458514		GASKET	DICHTUNG		
16	1	ST	1437504		O-RING	O-RING		
17	0	ST	1471740		LID	DECKEL		
18	4	ST	0056714		CYL.HEAD SCREW	ZYLINDERSCHRAUBE		
19	1	ST	1009480		TUBE FITTING	VERSCHRAUBUNG		
20	2	ST	0271804		PLUG	STOPFEN		
21	2	ST	0773596		PLUG	STOPFEN		
22	1	ST	1467801		SEALING RING	DICHTRING		
23	1	ST	1991528		O-RING	O-RING		
24	2	ST	3291280		O-RING	O-RING		
25	2	ST	0030131		O-RING	O-RING		
26	8	ST	1355169		CYL.HEAD SCREW	ZYLINDERSCHRAUBE		
27	4	ST	1637351		SCREW PLUG	VERSCHLUSSSCHRAUBE		
28	2	ST	1437506		O-RING	O-RING		
29	1	ST	1444648		CAP NUT	HUTMUTTER		
30	1	ST	1411989		GASKET	DICHTUNG		
31	1	ST	1444654		SCREW PLUG	VERSCHLUSSSCHRAUBE		
32	1	ST	1660534		TUBE FITTING	VERSCHRAUBUNG		
33	1	ST	0056802		SCREW PLUG	VERSCHLUSSSCHRAUBE		
34	1	ST	1009480		TUBE FITTING	VERSCHRAUBUNG		
35	2	ST	0200485		O-RING	O-RING		
36	1	ST	6000292		DRIVING UNIT	ANSTEUERGERAET		
37	4	ST	0251300		CYL.HEAD SCREW	ZYLINDERSCHRAUBE		
38	1	ST	6000293		GASKET SET	DICHTUNG SATZ		
39	4	ST	0763075		O-RING	O-RING		
40	5	ST	0763075		O-RING	O-RING		
41	1	ST	1474521		SEALING KIT	DICHTSATZ		
42	1	ST	6000264		CHECK VALVE	RUECKSCHLAGVENTIL		
45	4	ST	1665052		CYL.HEAD SCREW	ZYLINDERSCHRAUBE		
46	1	ST	1411989		GASKET	DICHTUNG		
47	1	ST	1441073		SOCKET	STUTZEN		
48	1	ST	2765948		SWITCH	SCHALTER		
50	1	ST	6001146		CONTROL VALVE	STEUERVENTIL		
51	0	ST	6001565		SANDWICH PLATE	ZWISCHENPLATTE		

* : quantity see description

list 1 - page 48

TEREX  MINING 	RH40E 40151	SERVO PUMP STEUERPUMPE	22014 3657440
---	-----------------------	---	-------------------------

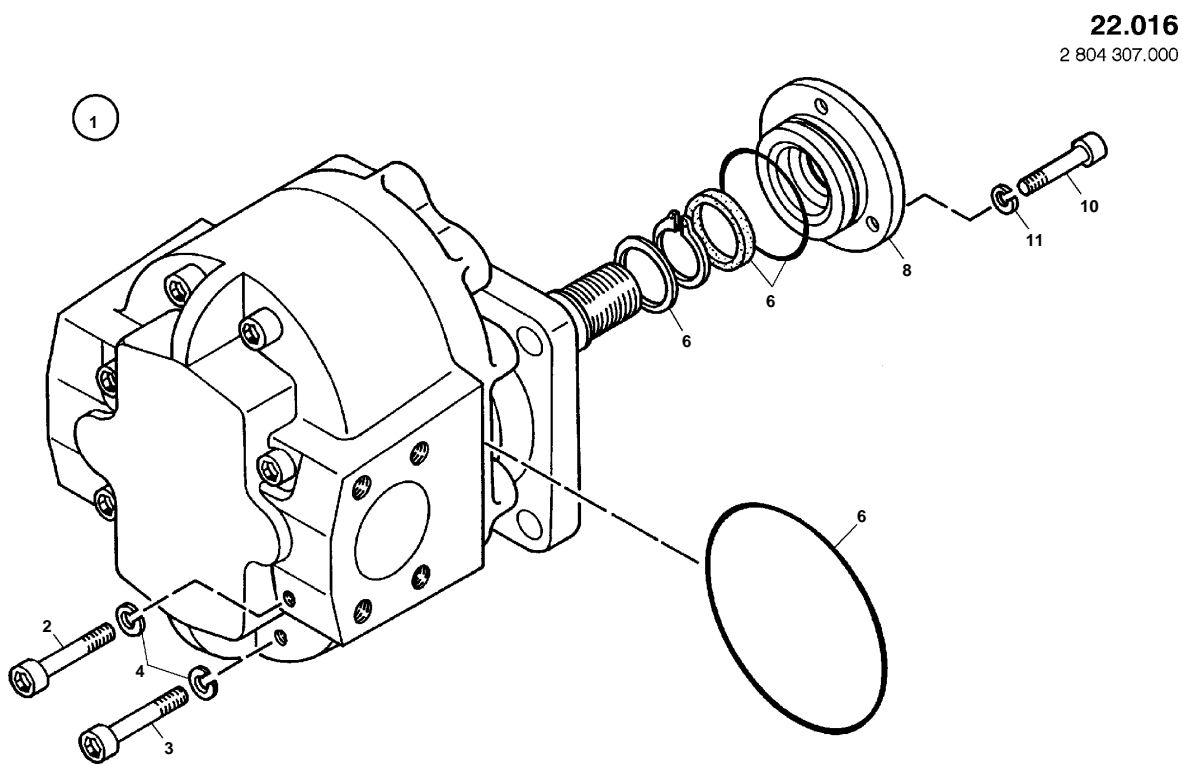
22.014
3 657 440.000



Item	Quantity	ME	P/N	see page	Description	Beschreibung
1	1	ST	1774114		PUMP	PUMPE
2	1	ST	0012467		CIRCLIP	SICHERUNGSRING
3	1	ST	0583082		ROT.SHAFT LIP SEAL	WELLENDICHTRING
4	2	ST	0764058		GASKET SET	DICHTUNG SATZ
5	4	ST	0063667		LOCK WASHER	FEDERRING
6	4	ST	0012940		HEX.HD.SCREW	SECHSKANTSCHRAUBE

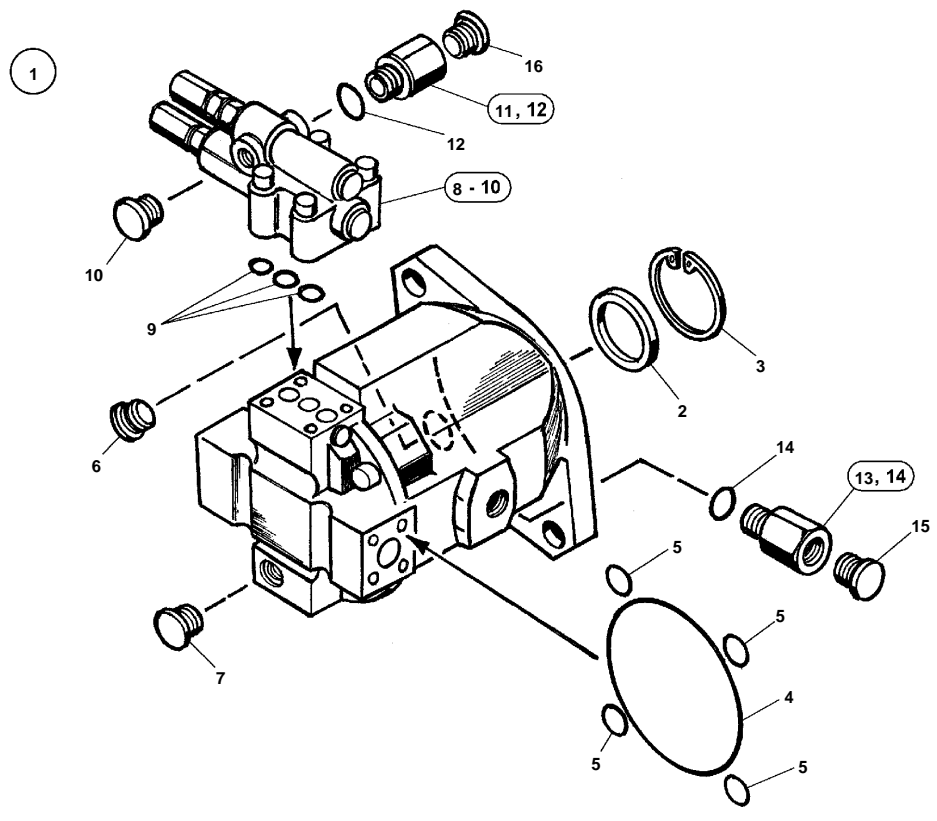
* : quantity see description

TEREX  MINING 	RH40E 40151	HYD.OIL COOL.PMP. KUEHLPUMPE-HYD.OEL	22016 2804307
---	-----------------------	---	-------------------------





Item	Quantity	ME	P/N	see page	Description	Beschreibung
1	1	ST	1948091		PUMP	PUMPE
2	4	ST	0625906		CYL.HEAD SCREW	ZYLINDERSCHRAUBE
3	4	ST	0303682		CYL.HEAD SCREW	ZYLINDERSCHRAUBE
4	8	ST	0249846		LOCK WASHER	FEDERRING
6	1	ST	1442317		GASKET SET	DICHTUNG SATZ
8	1	ST	1442313		DISK/WASHER	SCHEIBE
10	3	ST	0861950		CYL.HEAD SCREW	ZYLINDERSCHRAUBE
11	3	ST	0061853		LOCK WASHER	FEDERRING

* : quantity see description



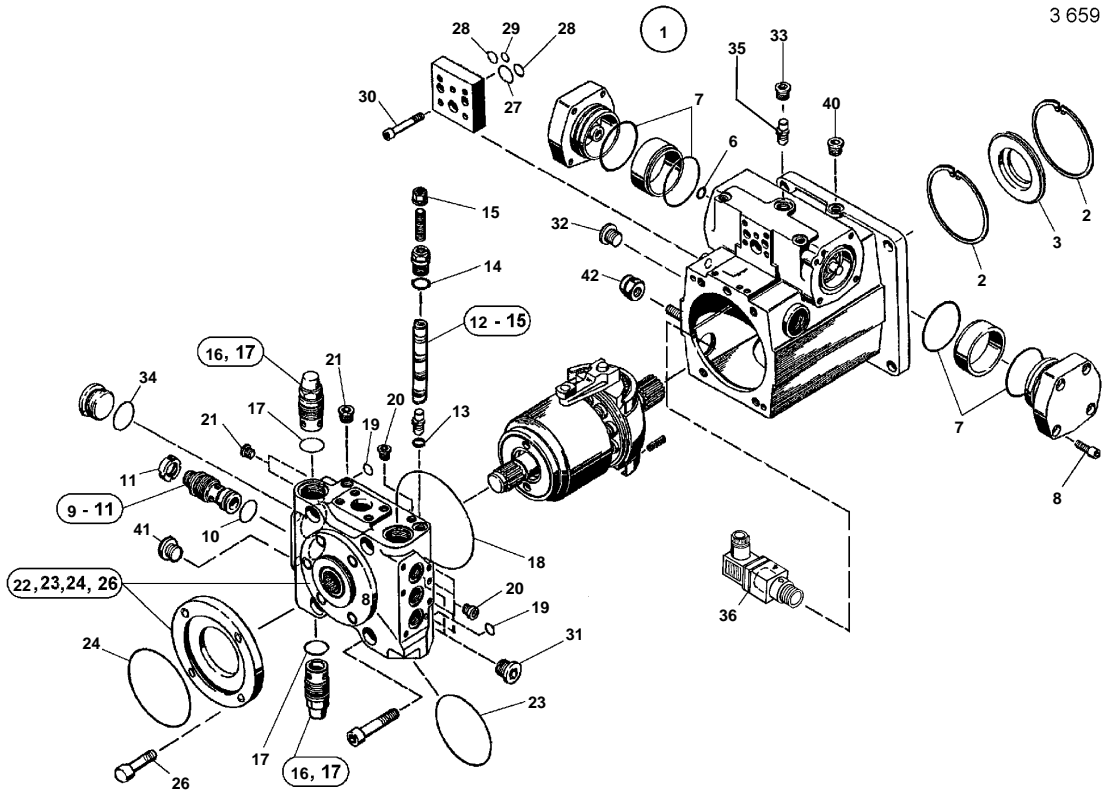
22.017
 3 365 938.000

TEREX  MINING		RH40E		VARIABLE PUMP		22017	
		40151		VERSTELLPUMPE		3659938	
Item	Quantity	ME	P/N	see page	Description	Beschreibung	
1	1	ST	2273049		PUMP	PUMPE	
2	1	ST	1468804		ROT.SHAFT LIP SEAL	WELLENDICHTRING	
3	1	ST	8401124		CIRCLIP	SICHERUNGSRING	
4	1	ST	7301807		O-RING	O-RING	
5	4	ST	7301808		O-RING	O-RING	
6	1	ST	7301809		SCREW PLUG	VERSCHLUSSCHRAUBE	
7	1	ST	1637351		SCREW PLUG	VERSCHLUSSCHRAUBE	
8	1	ST	1468805		CONTROL VALVE	STEUERVENTIL	
9	3	ST	0215176		O-RING	O-RING	
10	1	ST	7301810		SCREW PLUG	VERSCHLUSSCHRAUBE	
11	1	ST	1468802		ADAPTER	ADAPTER	
12	1	ST	8484827		O-RING	O-RING	
13	1	ST	1468803		ADAPTER	ADAPTER	
14	1	ST	1402904		O-RING	O-RING	
15	1	ST	1009480		TUBE FITTING	VERSCHRAUBUNG	
16	1	ST	0773596		PLUG	STOPFEN	

* : quantity see description

list 1 - page 51

22.030
3 659 939.000



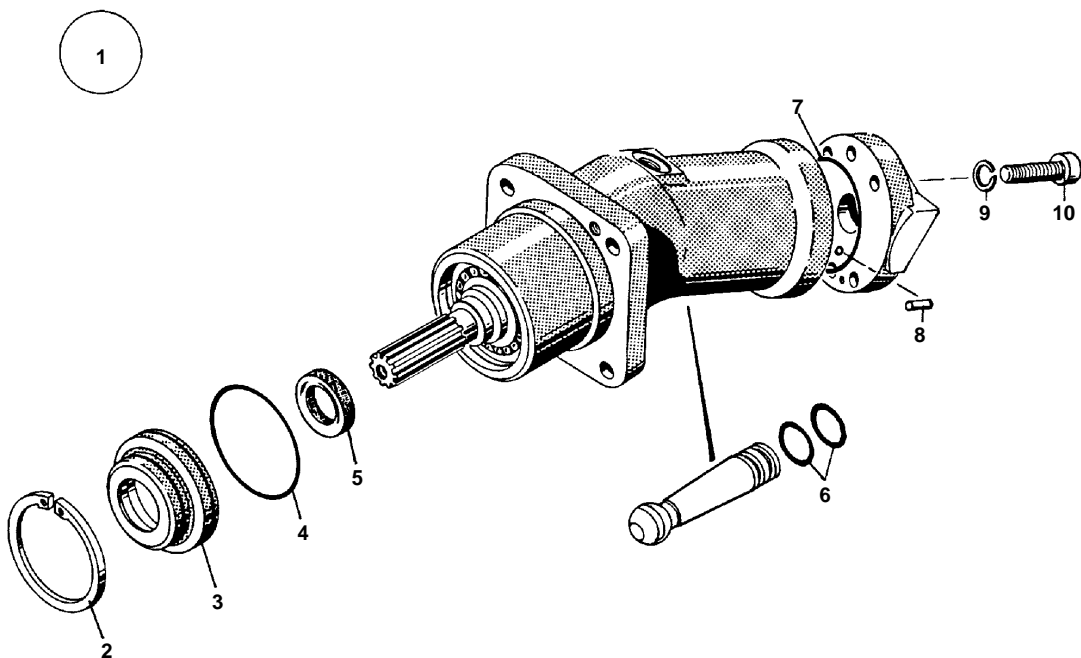
TEREX  MINING			RH40E 40151		SWING PUMP SCHWENKPUMPE		22030 3659939	
Item	Quantity	ME	P/N	see page	Description	Beschreibung		
1	1	ST	2245086		SWING PUMP	SCHWENKPUMPE		
2	2	ST	0944618		CIRCLIP	SICHERUNGSRING		
3	1	ST	1476328		ROT.SHAFT LIP SEAL	WELLENDICHTRING		
6	1	ST	1402905		O-RING	O-RING		
7	4	ST	1405289		O-RING	O-RING		
8	8	ST	0515285		CYL.HEAD SCREW	ZYLINDERSCHRAUBE		
9	1	ST	8485039		PRESS.REL.VALVE	DRUCKBEGR.VENTIL		
10	1	ST	0971901		O-RING	O-RING		
11	1	ST	1412648		NUT	MUTTER		
12	1	ST	1467264		VALVE	VENTIL		
13	1	ST	0044765		O-RING	O-RING		
14	1	ST	0200485		O-RING	O-RING		
15	1	ST	0764416		HEXAGONAL NUT	SECHSKANTMUTTER		
16	2	ST	1445087		VALVE	VENTIL		
17	2	ST	1476330		SEALING KIT	DICHTSATZ		
18	1	ST	1467265		O-RING	O-RING		
19	2	ST	1402905		O-RING	O-RING		
20	4	ST	1403736		SCREW PLUG	VERSCHLUSSCHRAUBE		
21	3	ST	0970659		PLUG	STOPFEN		
22	1	ST	6000010		INTERNAL GEAR PUMP	INNENZAHNRADPUMPE		
23	2	ST	1467266		O-RING	O-RING		
24	1	ST	1448971		O-RING	O-RING		
26	4	ST	0260177		CYL.HEAD SCREW	ZYLINDERSCHRAUBE		
27	1	ST	0012000		O-RING	O-RING		
28	2	ST	0591468		O-RING	O-RING		
29	1	ST	0044765		O-RING	O-RING		
30	4	ST	1059012		CYL.HEAD SCREW	ZYLINDERSCHRAUBE		
31	3	ST	1041939		PLUG	STOPFEN		
32	1	ST	1009480		TUBE FITTING	VERSCHRAUBUNG		
33	3	ST	1350997		SCREW PLUG	VERSCHLUSSCHRAUBE		
34	1	ST	8476823		O-RING	O-RING		
35	2	ST	6000544		INJECTOR	DUESE		
36	1	ST	2765946		CHIP CONTROL	VERSCHMUTZUNGSSCHALTER		
40	3	ST	0970659		PLUG	STOPFEN		
41	1	ST	0945328		PLUG	STOPFEN		
42	1	ST	1408272		COLLAR NUT	BUNDMUTTER		

* : quantity see description

list 1 - page 52



TEREX  MINING 	RH40E 40151	TRAVEL MOTOR FAHRMOTOR	22111 3659925
---	-----------------------	---	-------------------------

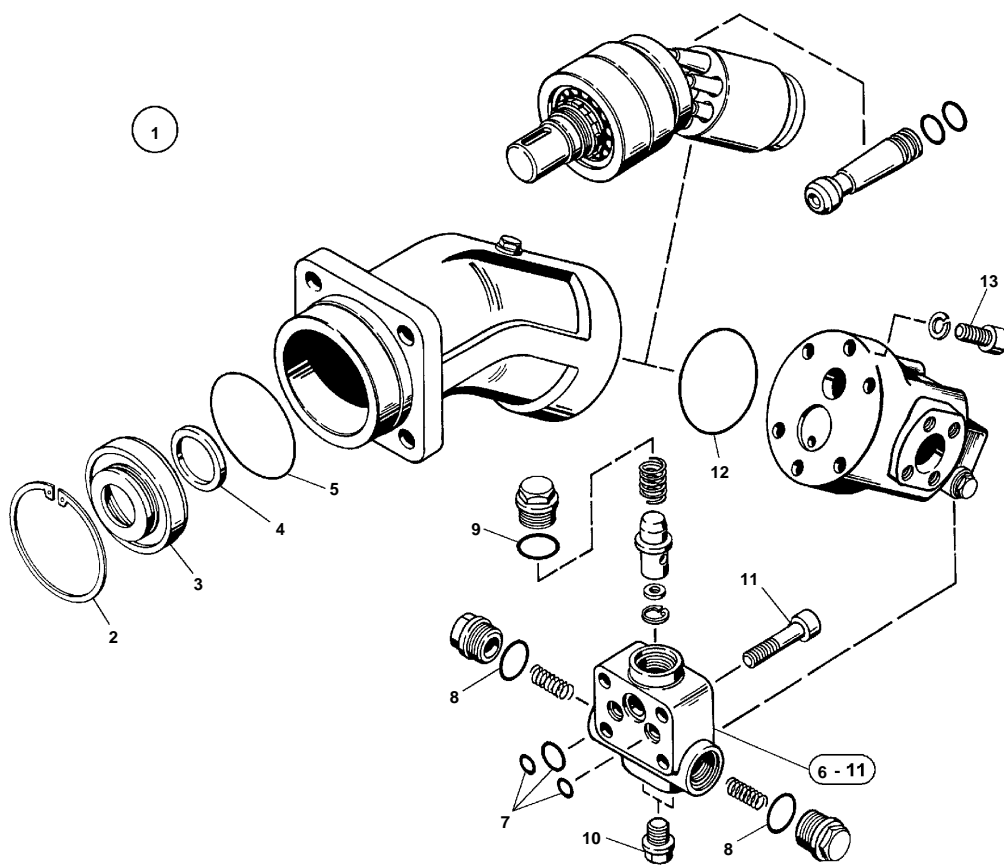
22.111
3 659 925.000





Item	Quantity	ME	P/N	see page	Description	Beschreibung
1	1	ST	1751743		HYDRAULIC MOTOR	HYDRAULIKMOTOR
2	1	ST	0012555		CIRCLIP	SICHERUNGSRING
3	1	ST	1426307		RING	RING
4	1	ST	0592103		O-RING	O-RING
5	1	ST	0982721		ROT.SHAFT LIP SEAL	WELLENDICHTRING
6	14	ST	1432845		RING	RING
7	1	ST	0215571		O-RING	O-RING
8	1	ST	0054280		PIN	STIFT
9	6	ST	1558926		LOCK WASHER	FEDERRING
10	6	ST	0301505		CYL.HEAD SCREW	ZYLINDERSCHRAUBE

* : quantity see description


TEREX  MINING 	RH40E 40151	SWING MOTOR SCHWENKMOTOR	22112 3659947
---	-----------------------	---	-------------------------



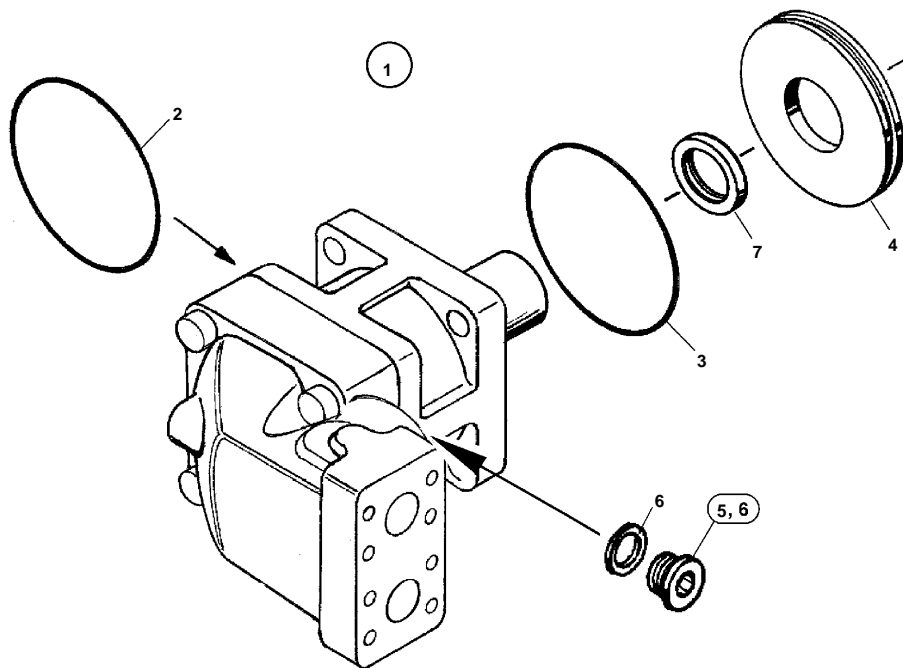
22.112
3 659 947.000

TEREX  MINING		RH40E		SWING MOTOR		22112
		40151		SCHWENKMOTOR		3659947
Item	Quantity	ME	P/N	see page	Description	Beschreibung
1	1	ST	2415345		SWING MOTOR	SCHWENKMOTOR
2	1	ST	0012555		CIRCLIP	SICHERUNGSRING
3	1	ST	1426307		RING	RING
4	1	ST	0982721		ROT.SHAFT LIP SEAL	WELLENDICHTRING
5	1	ST	0592103		O-RING	O-RING
6	1	ST	1469735		VALVE	VENTIL
7	3	ST	0031112		O-RING	O-RING
8	2	ST	0200485		O-RING	O-RING
9	1	ST	8476824		O-RING	O-Ring
10	2	ST	0970659		PLUG	STOPFEN
11	4	ST	0599812		CYL.HEAD SCREW	ZYLINDERSCHRAUBE
12	1	ST	0215571		O-RING	O-RING
13	6	ST	0924172		CYL.HEAD SCREW	ZYLINDERSCHRAUBE

* : quantity see description

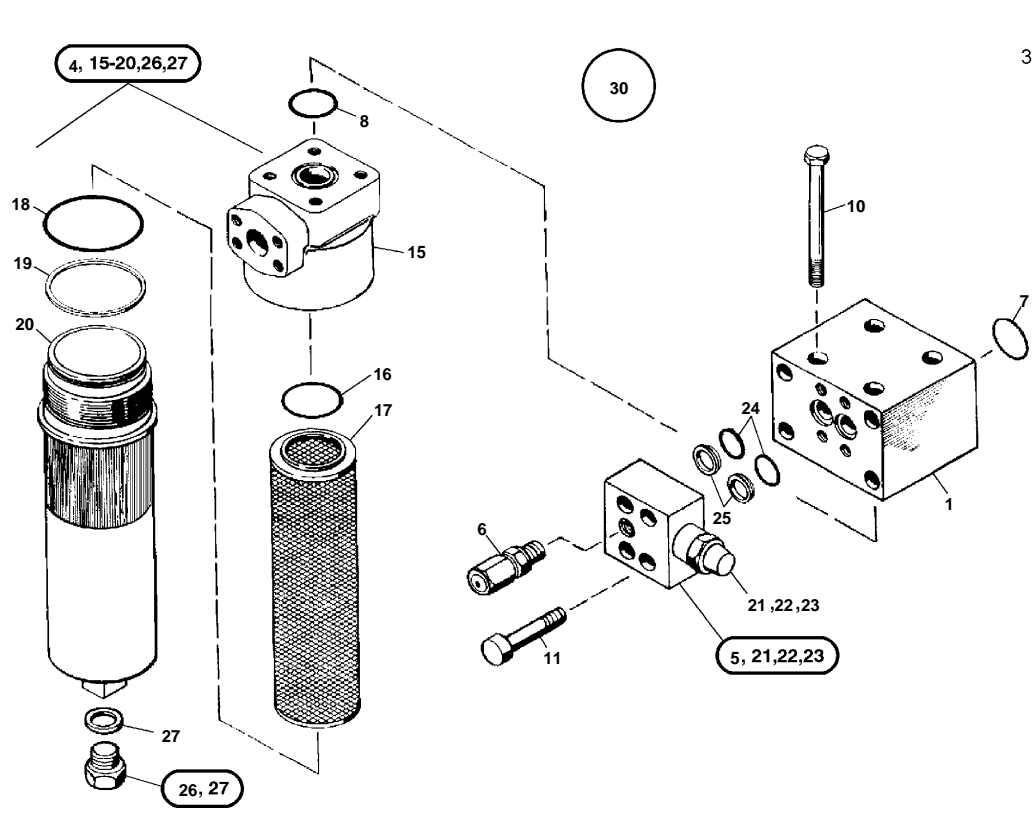
TEREX  MINING 	RH40E 40151	FAN MOTOR LUEFTERMOTOR	22113 3657434
---	-----------------------	---	-------------------------

22.113
3 657 434.000



Item	Quantity	ME	P/N	see page	Description	Beschreibung
1	1	ST	2760290			KONSTANTMOTOR
2	1	ST	1467922		O-RING	O-RING
3	1	ST	0118591		O-RING	O-RING
4	1	ST	1445993		SEAL CAP	VERSCHLUSSDECKEL
5	1	ST	0945328		PLUG	STOPFEN
6	1	ST	1411988		GASKET	DICHTUNG
7	1	ST	6000290		ROT.SHAFT LIP SEAL	WELLENDICHTRING

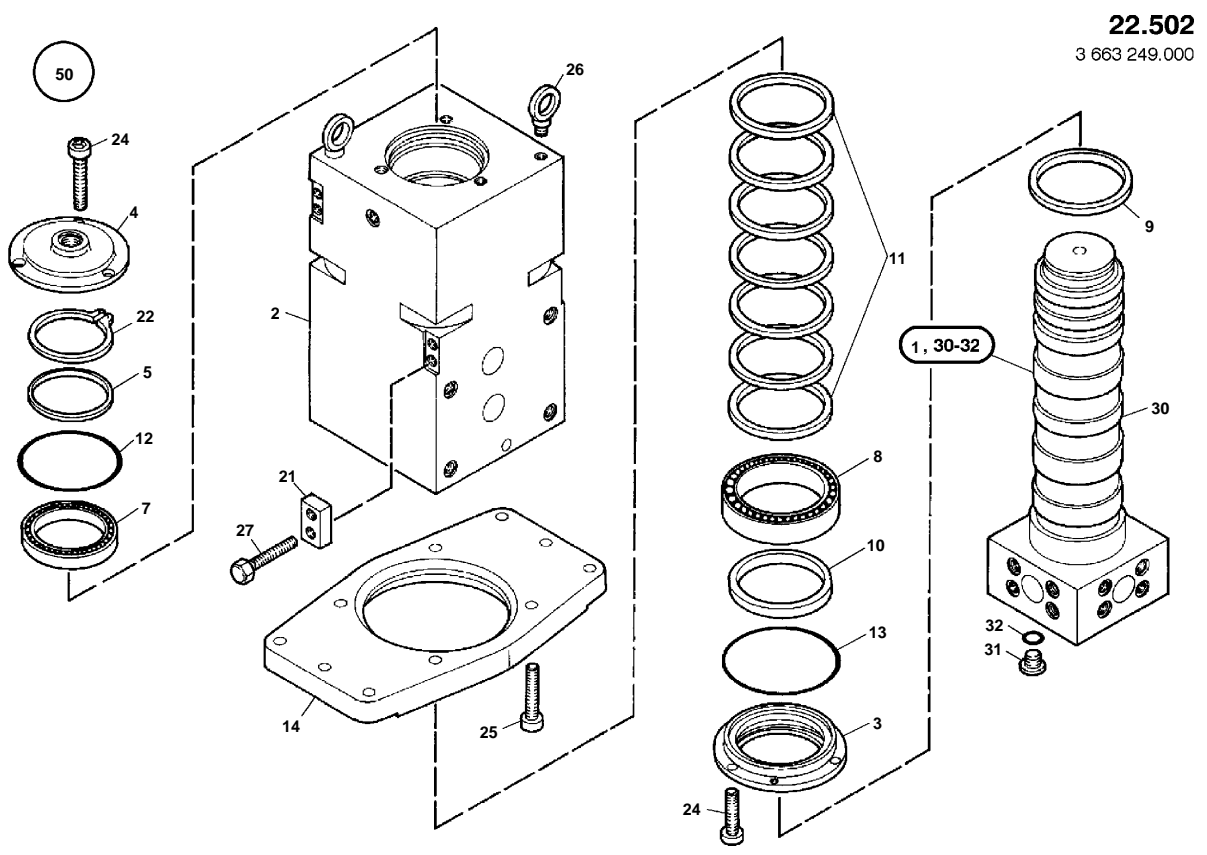
* : quantity see description




22.212
3 659 991.000

TEREX  MINING		RH40E		HP FILTER		22212	
		40151		HOCHDRUCKFILTER		3659991	
Item	Quantity	ME	P/N	see page	Description	Beschreibung	
1	1	ST	2224953		HOUSING	GEHAEUSE	
4	1	ST	1771442		FILTER	FILTER	
5	1	ST	1740304		VALVE	VENTIL	
6	1	ST	0310324		SCREW COUPLING	SCHRAUBKUPPLUNG	
7	1	ST	1725417		SEALING RING	DICHRING	
8	1	ST	1725420		SEALING RING	DICHRING	
10	4	ST	1148315		HEX.HD.SCREW	SECHSKANTSCHRAUBE	
11	4	ST	0764532		CYL.HEAD SCREW	ZYLINDERSCHRAUBE	
14	1	ST	6000149		SEALING KIT	DICHSATZ	
15	1	ST	2762094		PRESS.REL.VALVE	DRUCKBEGR.VENTIL	
16	1	ST	6000574			SICHERUNGSKAPPE	
17	2	ST	0559272		O-RING	O-RING	
18	2	ST	0936575		SUPPORT RING	STUETZRING	
19	1	ST	1431770		HEAD	KOPF	
20	1	ST	1476213		FILTER HOUSING	FILTERGEHAEUSE	
21	1	ST	0986982		PLUG	STOPFEN	
22	1	ST	1414010		GASKET	DICHTUNG	
23	1	ST	0012134		O-RING	O-RING	
24	1	ST	1409828		FILTER INSERT	FILTEREINSATZ	
25	1	ST	0009085		O-RING	O-RING	
26	1	ST	1417641		SUPPORT RING	STUETZRING	
30	1	ST	2415299		HP FILTER	HOCHDRUCKFILTER	



* : quantity see description



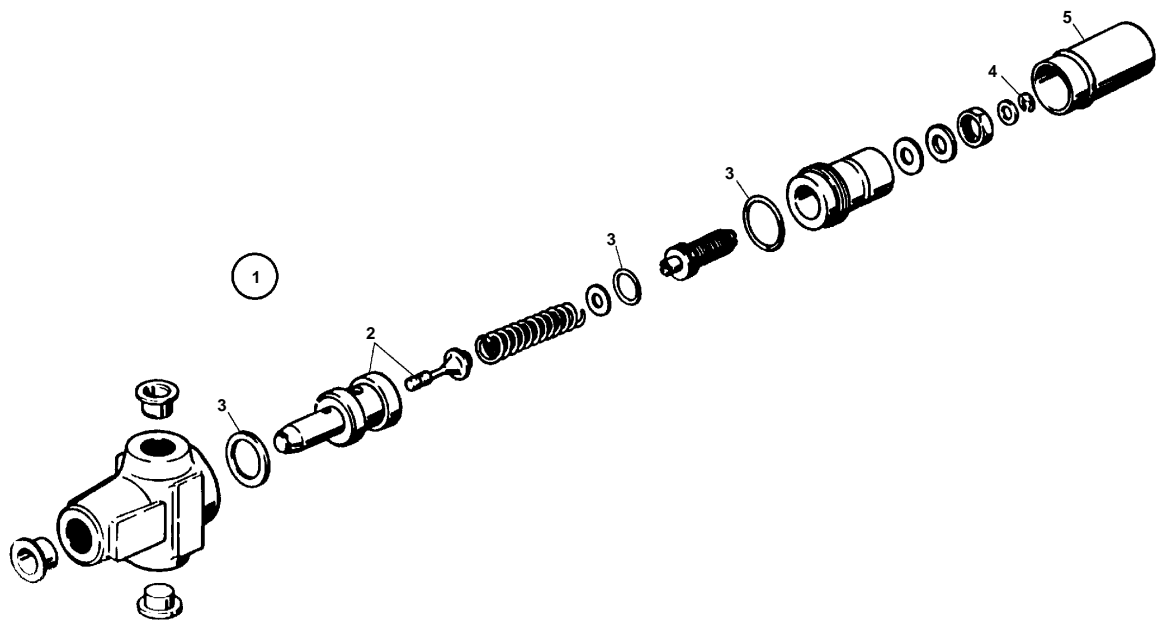
22.502
3 663 249.000

TEREX  MINING		RH40E		ROTOR		22502	
		40151		ROTOR		3663249	
Item	Quantity	ME	P/N	see page	Description	Beschreibung	
1	1	ST	1778516		PISTON	KOLBEN	
2	1	ST	1778519		HOUSING	GEHAEUSE	
3	1	ST	1774176		LID	DECKEL	
4	1	ST	1778521		LID	DECKEL	
5	1	ST	0535207		DISK/WASHER	SCHEIBE	
7	1	ST	0559358		BALL BEARING	KUGELLAGER	
8	1	ST	0559359		BALL BEARING	KUGELLAGER	
9	1	ST	0215947		ROT.SHAFT LIP SEAL	WELLENDICHTRING	
10	1	ST	0759782		SEALING RING	DICHTRING	
11	7	ST	0743803		SEALING RING	DICHTRING	
12	1	ST	1777073		O-RING	O-RING	
13	1	ST	1777072		O-RING	O-RING	
14	1	ST	1778523		PLATE	PLATTE	
21	4	ST	1713293		BLOCK	KLOTZ	
22	1	ST	0012556		CIRCLIP	SICHERUNGSRING	
24	6	ST	0030607		CYL.HEAD SCREW	ZYLINDERSCHRAUBE	
25	4	ST	0788329		CYL.HEAD SCREW	ZYLINDERSCHRAUBE	
26	2	ST	0031870		EYE BOLT	RINGSCHRAUBE	
27	8	ST	0016129		HEX.HD.SCREW	SECHSKANTSCHRAUBE	
30	1	ST	1778517		PISTON	KOLBEN	
31	4	ST	1930332		SCREW PLUG	VERSCHLUSSCHRAUBE	
32	1	ST	1777072		O-RING	O-RING	
50	1	ST	1778490		ROTOR	ROTOR	

* : quantity see description

TEREX  MINING 	RH40E 40151	PRESS.REL.VALVE DRUCKBEGR.VENTIL	23032 2732380
---	-----------------------	---	-------------------------

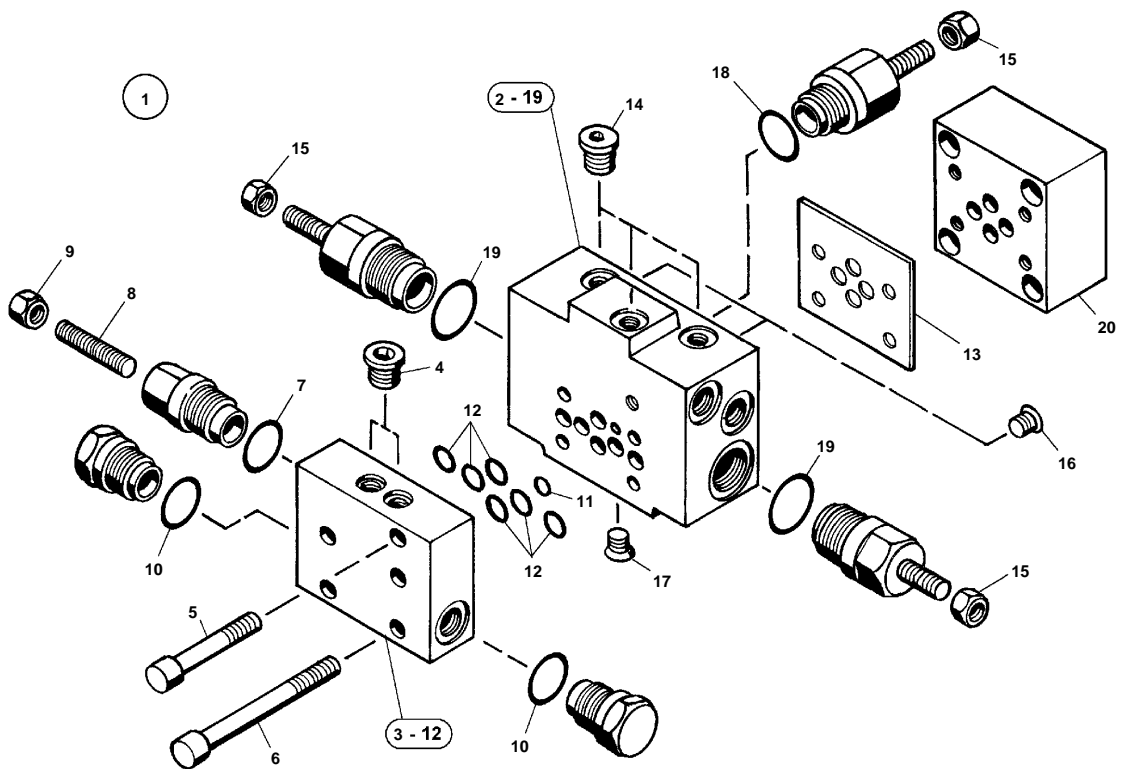
23.032
2 732 380.000





Item	Quantity	ME	P/N	see page	Description	Beschreibung
1	1	ST	1175138		VALVE	VENTIL
2	1	ST	1414237		VALVE INSERT	VENTILEINSATZ
3	1	ST	1405602		GASKET SET	DICHTUNG SATZ
4	1	ST	0063075		DISK/WASHER	SCHEIBE
5	1	ST	0917918		CAP	KAPPE

* : quantity see description

23.035
3 663 266.000



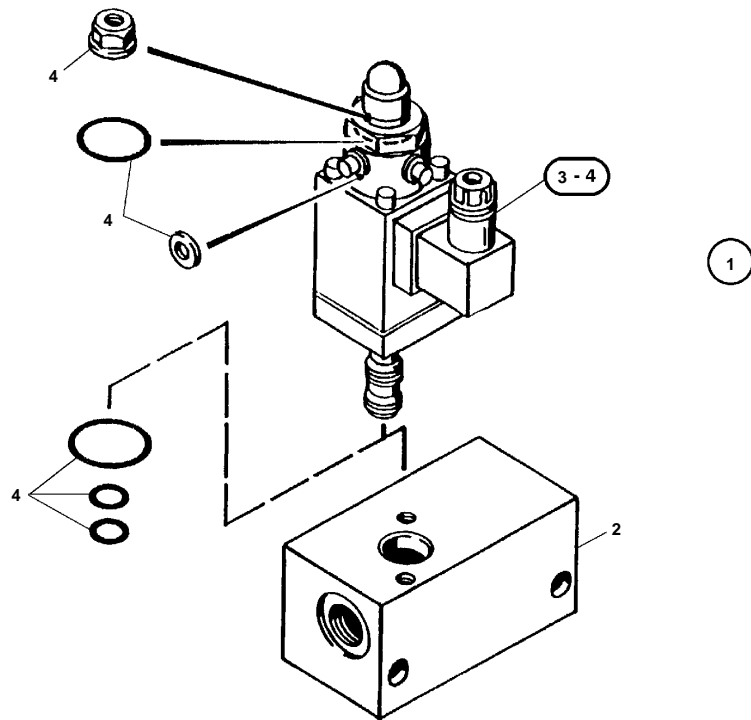
TEREX  MINING		RH40E		PRESS. REG. VALVE		23035	
		40151		DRUCKREGELVENTIL		3663266	
Item	Quantity	ME	P/N	see page	Description	Beschreibung	
1	1	ST	2245093		MAIN REGULAT.VALVE	REGULIERVENTIL	
2	1	ST	1460115		PRESS. REG. VALVE	DRUCKREGELVENTIL	
3	1	ST	1460606		BRAKE VALVE	BREMSVENTIL	
4	2	ST	1403736		SCREW PLUG	VERSCHLUSSSCHRAUBE	
5	1	ST	1059013		CYL.HEAD SCREW	ZYLINDERSCHRAUBE	
6	4	ST	1558712		CYL.HEAD SCREW	ZYLINDERSCHRAUBE	
7	1	ST	0200485		O-RING	O-RING	
8	1	ST	0215098		GRUB SCREW	GEWINDESTIFT	
9	1	ST	0900778		NUT	MUTTER	
10	2	ST	1403721		O-RING	O-RING	
11	1	ST	0044765		O-RING	O-RING	
12	6	ST	0215176		O-RING	O-RING	
13	1	ST	1459319		GASKET	DICHTUNG	
14	3	ST	0970659		PLUG	STOPFEN	
15	3	ST	0900778		NUT	MUTTER	
16	2	ST	1412652		PLUG	STOPFEN	
17	1	ST	1415585		PLUG	STOPFEN	
18	1	ST	0030131		O-RING	O-RING	
19	2	ST	0202868		O-RING	O-RING	
20	1	ST	1467221		CONNECTING PLATE	ANSCHLUSSPLATTE	

* : quantity see description

list 1 - page 59



TEREX  MINING 	RH40E 40151	SHIFT VALVE SCHALTVENTIL	23212 2732382
---	-----------------------	---	-------------------------

23.212
2 732 382.000

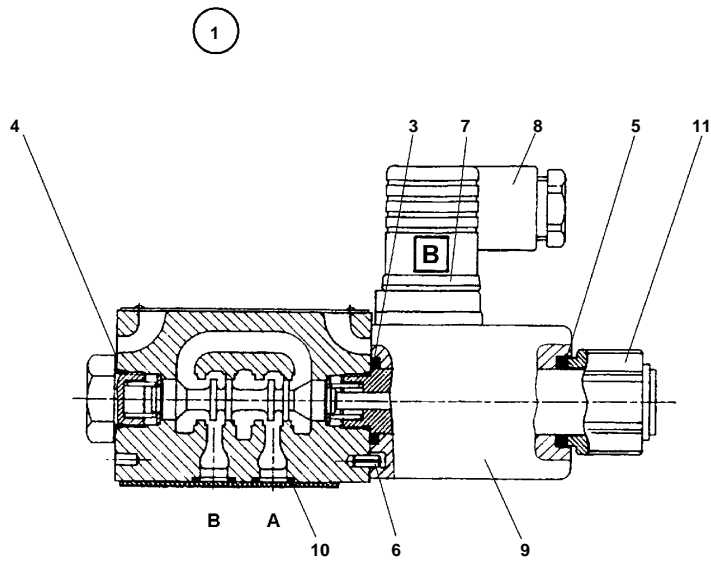


Item	Quantity	ME	P/N	see page	Description	Beschreibung
1	1	ST	1975100		VALVE	VENTIL
2	1	ST	1444387		PLATE	PLATTE
3	1	ST	1960776		VALVE	VENTIL
4	1	ST	1444178		GASKET SET	DICHTUNG SATZ

* : quantity see description

TEREX  MINING 	RH40E 40151	SOLENOID VALVE MAGNETVENTIL	23232 2800640
---	-----------------------	--	-------------------------

23.232
2 800 640.000

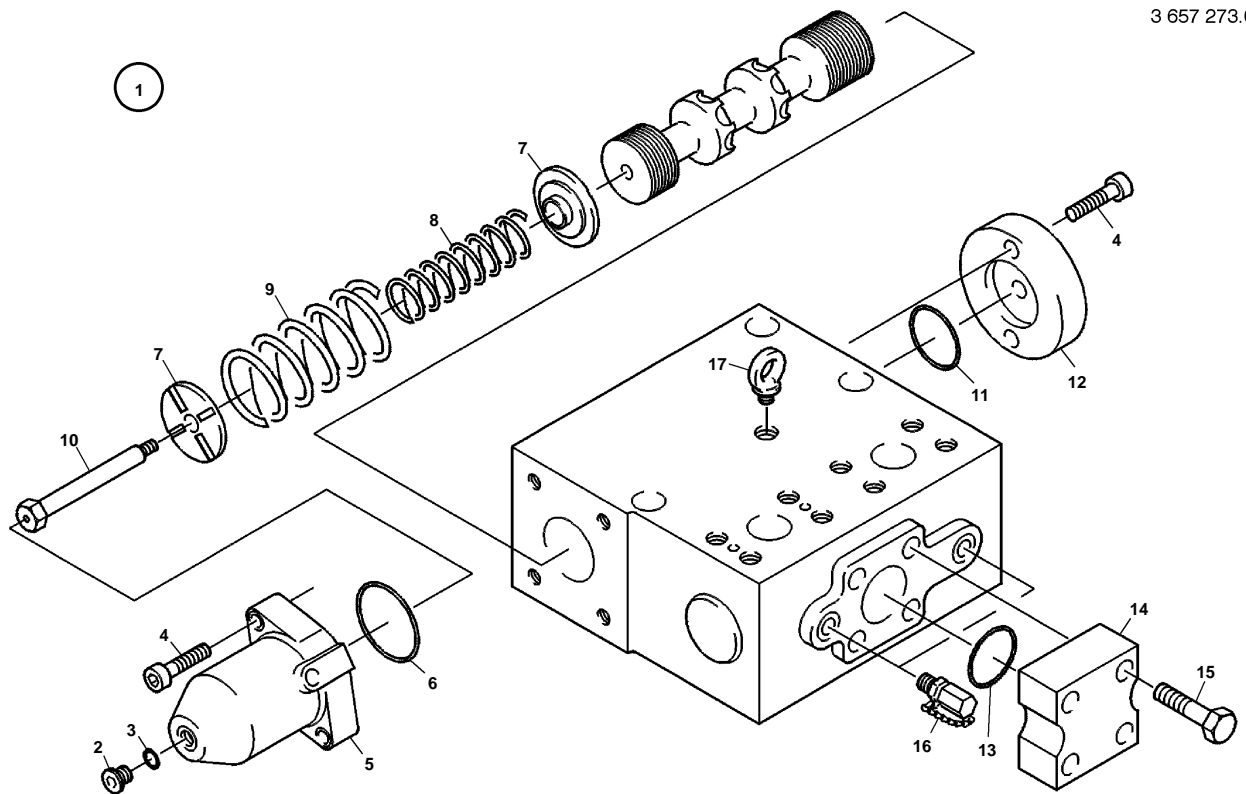




Item	Quantity	ME	P/N	see page	Description	Beschreibung
1	1	ST	2159343		SOLENOID VALVE	MAGNETVENTIL
3	1	ST	1458540		O-RING	O-RING
4	1	ST	1458541		O-RING	O-RING
5	1	ST	1458542		GASKET	DICHTUNG
6	1	ST	0056901		LOCKING PIN	SPANNSTIFT
7	1	ST	1458543		GASKET	DICHTUNG
8	1	ST	1458549		PLUG	STECKER
9	1	ST	1458545		COIL	SPULE
10	4	ST	1458547		O-RING	O-RING
11	1	ST	1458548		KNURLED NUT	RAENDELMUTTER

* : quantity see description

TEREX  MINING 	RH40E 40151	FLOAT VALVE EILGANGVENTIL	23250 3657273
---	-----------------------	--	-------------------------

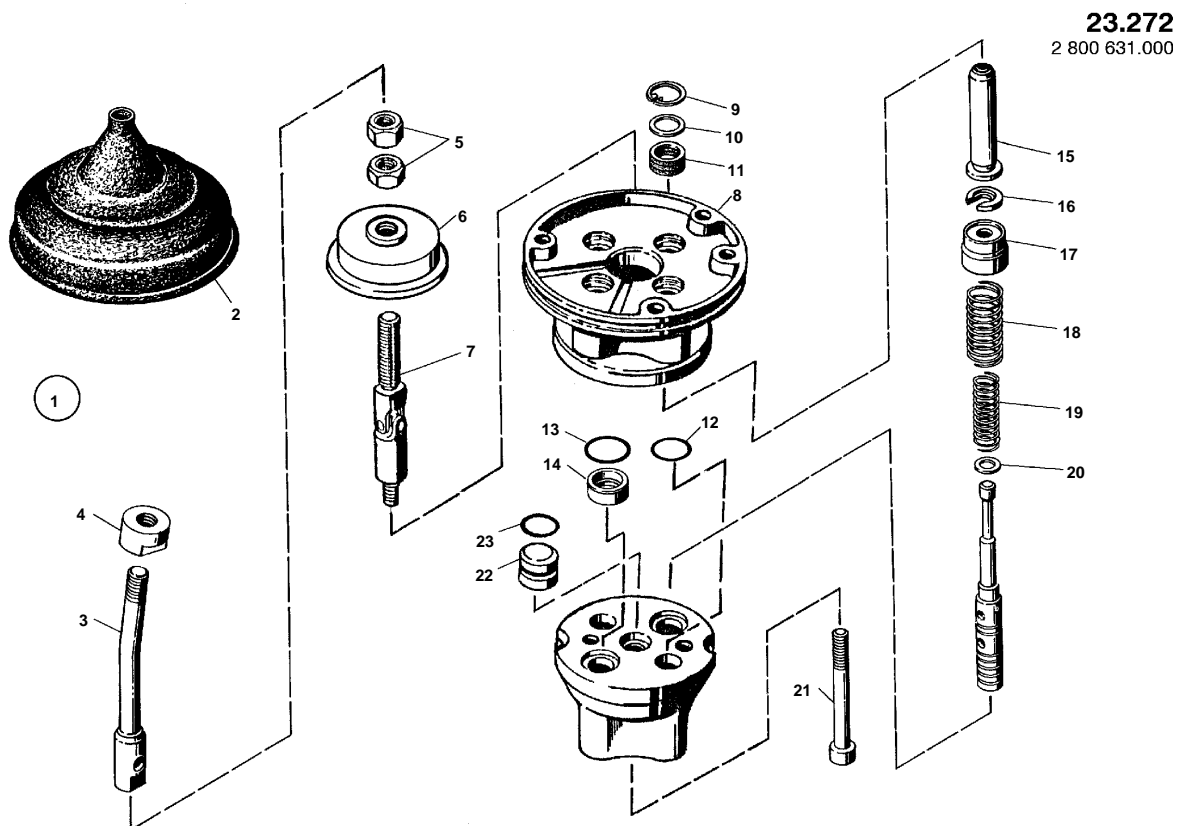
23.250
3 657 273.000



TEREX  MINING		RH40E		FLOAT VALVE		23250	
		40151		EILGANGVENTIL		3657273	
Item	Quantity	ME	P/N	see page	Description	Beschreibung	
1	1	ST	2765067		VALVE	VENTIL	
2	1	ST	0043144		SCREW PLUG	VERSCHLUSSSCHRAUBE	
3	1	ST	0010411		SEALING RING	DICHTRING	
4	4	ST	1185345		CYL.HEAD SCREW	ZYLINDERSCHRAUBE	
5	1	ST	1949738		BONNET	HAUBE	
6	1	ST	0030778		O-RING	O-RING	
7	2	ST	1949752		SPRING SEAT	FEDERTELLER	
8	1	ST	1949753		SPRING	FEDER	
9	1	ST	1949754		SPRING	FEDER	
10	1	ST	1949755		SCREW	SCHRAUBE	
11	1	ST	0012143		O-RING	O-RING	
12	1	ST	2404646		LID	DECKEL	
13	1	ST	0057783		O-RING	O-RING	
14	1	ST	0714153		FLANGE	FLANSCH	
15	4	ST	0271195		HEX.HD.SCREW	SECHSKANTSCHRAUBE	
16	2	ST	0599862		TUBE FITTING	VERSCHRAUBUNG	
17	1	ST	0031870		EYE BOLT	RINGSCHRAUBE	



* : quantity see description

list 1 - page 62

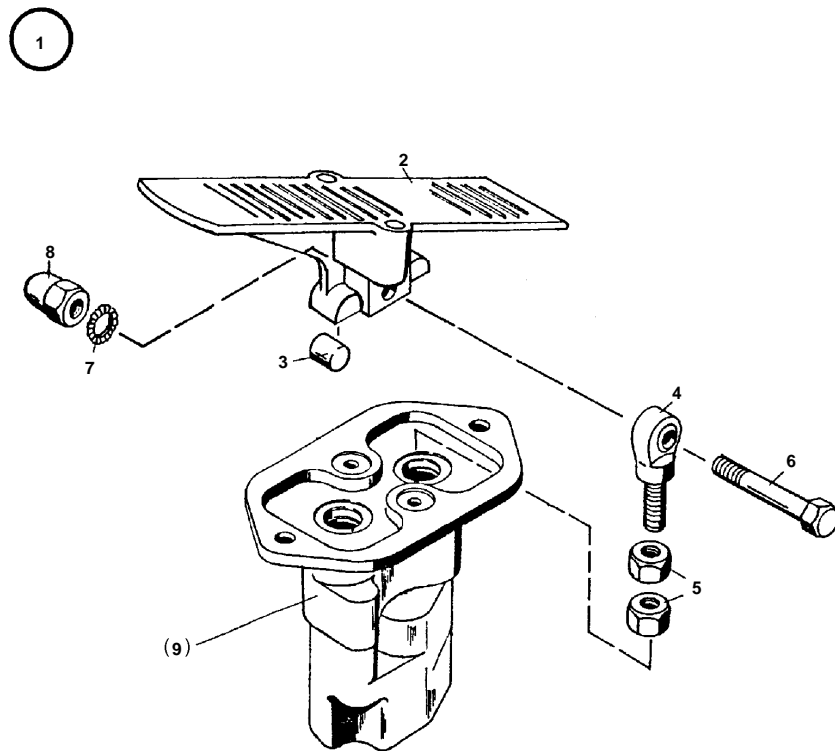


TEREX  MINING			RH40E		SERVO VALVE		23272	
			40151		SERVOVENTIL		2800631	
Item	Quantity	ME	P/N	see page	Description	Beschreibung		
1	1	ST	2456590		SERVO VALVE	VORSTEUERVENTIL		
2	1	ST	1196802		BELLOWS	BALG		
3	1	ST	1199550		LEVER	HEBEL		
4	1	ST	0057130		HEXAGONAL NUT	SECHSKANTMUTTER		
5	2	ST	0057112		HEXAGONAL NUT	SECHSKANTMUTTER		
6	1	ST	2404644		PLATE	TELLER		
7	1	ST	2404633		UNIVERSAL JOINT	WELLENGELENK		
8	1	ST	1595217		GUIDE	FUEHRUNG		
9	4	ST	0012451		CIRCLIP	SICHERUNGSRING		
10	4	ST	1585457		DISK/WASHER	SCHEIBE		
11	4	ST100	1589985		GASKET	DICHTUNG		
12	2	ST	0801038		O-RING	O-RING		
13	2	ST	0422651		O-RING	O-RING		
14	2	ST	1713314		BUSHING	BUCHSE		
15	4	ST	2135875		TAPPET	STOESSEL		
16	4	ST	2455058		DISK/WASHER	SCHEIBE		
17	4	ST	1541381		PLATE	TELLER		
18	4	ST	1149010		SPRING	FEDER		
19	4	ST	1505629		SPRING	FEDER		
20	4	ST	1541380		DISK/WASHER	SCHEIBE		
21	2	ST	0013445		CYL.HEAD SCREW	ZYLINDERSCHRAUBE		
22	1	ST	1595215		DISK/WASHER	SCHEIBE		
23	1	ST	0806063		O-RING	O-RING		

* : quantity see description

TEREX  MINING 	RH40E 40151	TREADLE VALVE MOUNTING PARTS TRITTPLATTENVENTIL ANBAUTEILE	23291 2800584
---	-----------------------	--	-------------------------

23.291
2 800 584.000



TEREX  **MINING****RH40E**

40151

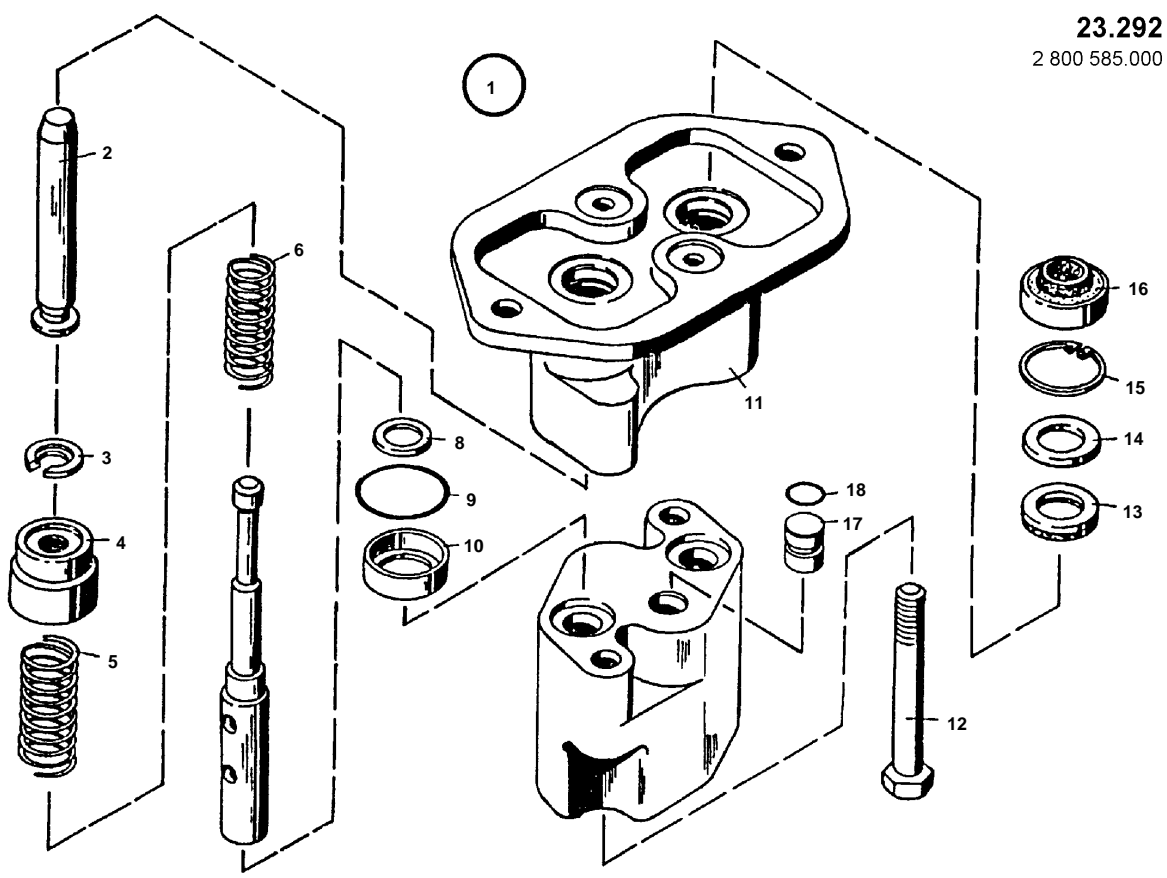
**TREADLE VALVE
MOUNTING PARTS
TRITTPLATTENVENTIL
ANBAUTEILE****23291**

2800584

Item	Quantity	ME	P/N	see page	Description	Beschreibung
1	1	ST	1595203		VALVE	VENTIL
2	1	ST	1595191		PEDAL	PEDAL
3	2	ST	1590495		ROLLER	ROLLE
4	2	ST	1589741		HEAD	KOPF
5	4	ST	0057126		HEXAGONAL NUT	SECHSKANTMUTTER
6	1	ST	0055089		HEX.HD.SCREW	SECHSKANTSCHRAUBE
7	1	ST	0090034		LOCKING PLATE	SICHERUNGSBLECH
8	1	ST	0530812		CAP NUT	HUTMUTTER
9	1	ST	(2800585)	65	TREADLE VALVE	TRITTPLATTENVENTIL

* : quantity see description

list 1 - page 64



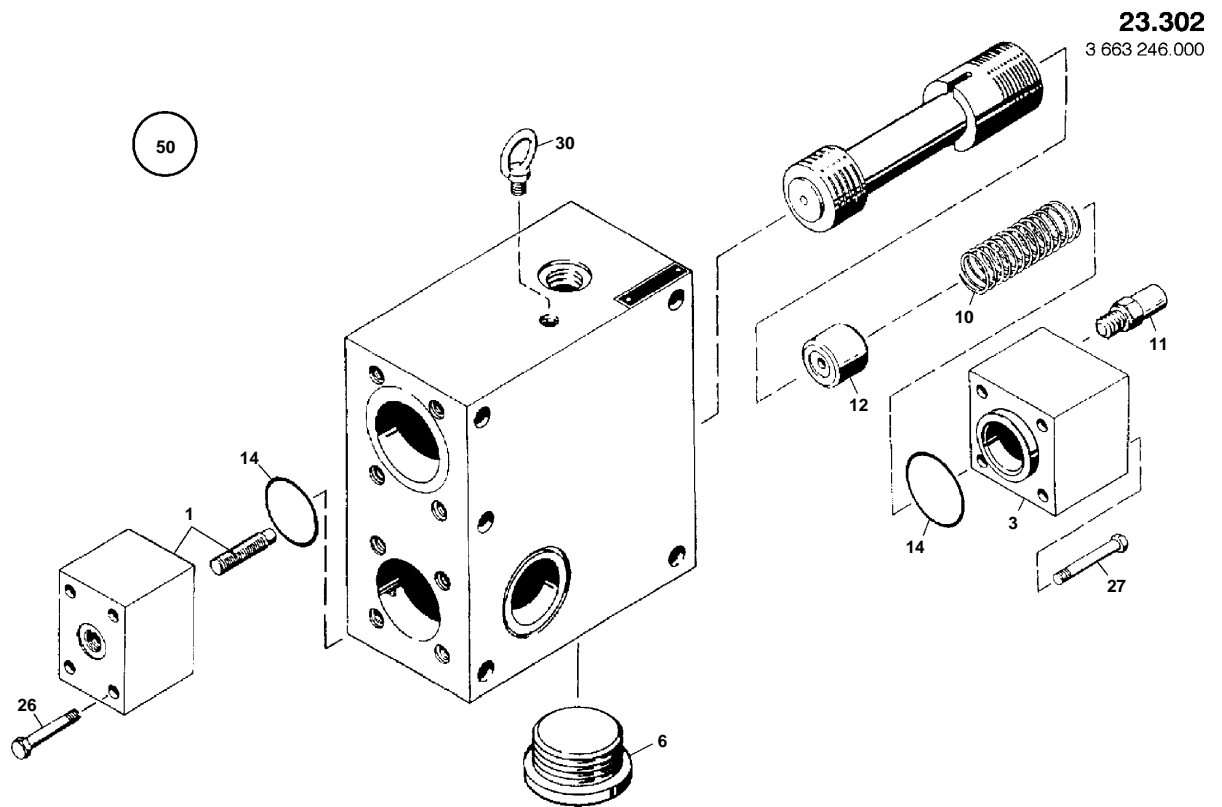
23.292
 2 800 585.000

TEREX  MINING				RH40E		TREADLE VALVE		23292	
				40151		TRITTPLATTENVENTIL		2800585	
Item	Quantity	ME	P/N	see page	Description	Beschreibung			
1	1	ST	1585355		VALVE	VENTIL			
2	2	ST	1713346		TAPPET	STOESSEL			
3	2	ST	1505638		DISK/WASHER	SCHEIBE			
4	2	ST	1598272		PLATE	TELLER			
5	2	ST	1977600		SPRING	FEDER			
6	2	ST	1505629		SPRING	FEDER			
8	2	ST	1541380		DISK/WASHER	SCHEIBE			
9	2	ST	0422651		O-RING	O-RING			
10	2	ST	1713314		BUSHING	BUCHSE			
11	1	ST	1585351		GUIDE	FUEHRUNG			
12	2	ST	0107397		CYL.HEAD SCREW	ZYLINDERSCHRAUBE			
13	2	ST100	1589985		GASKET	DICHTUNG			
14	2	ST	1585457		DISK/WASHER	SCHEIBE			
15	2	ST	0012451		CIRCLIP	SICHERUNGSRING			
16	2	ST	1148280		SCRAPER	ABSTREIFER			
17	1	ST	1595215		DISK/WASHER	SCHEIBE			
18	1	ST	0806063		O-RING	O-RING			

* : quantity see description

list 1 - page 65

TEREX  MINING 	RH40E 40151	TRAVEL RTRDR.VLV. FAHRBREMSVENTIL FAHRBREMSVENTIL,RE	23302 3663246
---	-----------------------	---	-------------------------



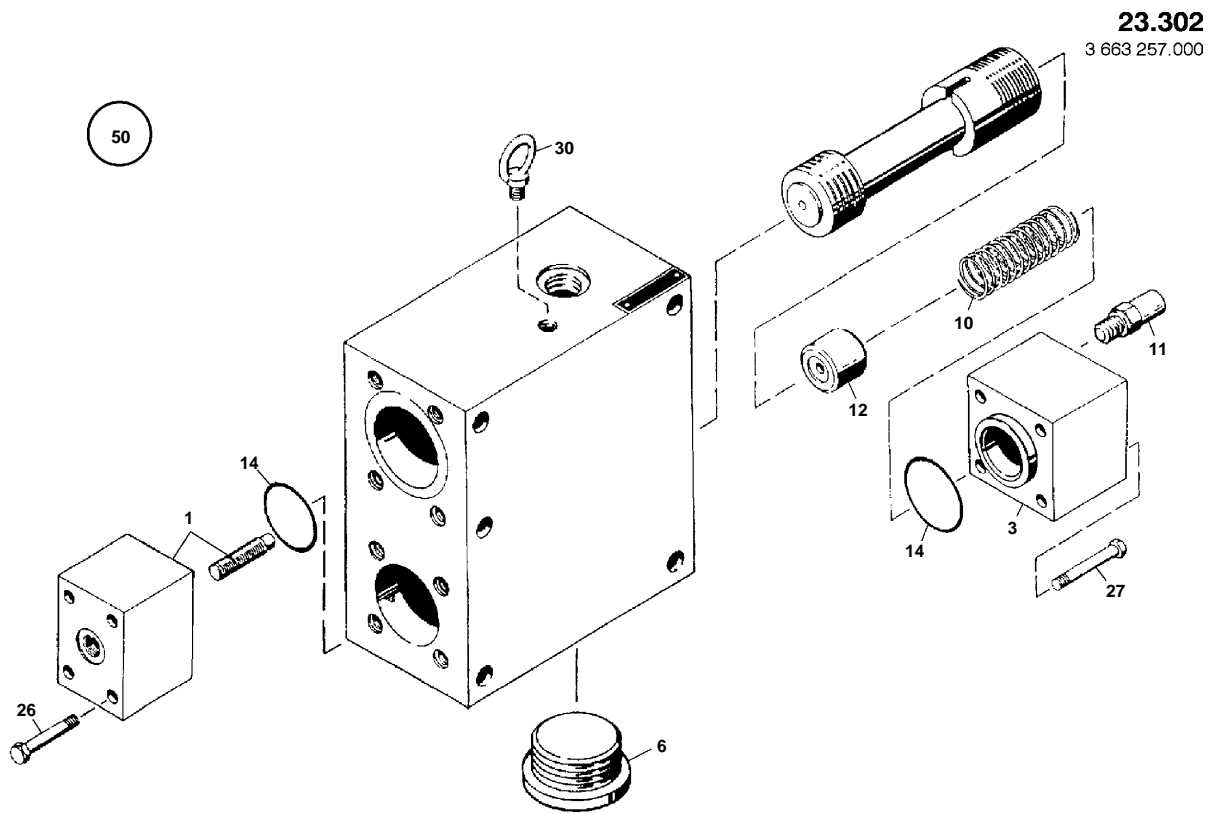
TEREX  **MINING****RH40E****40151****TRAVEL RTRDR.VLV.
FAHRBREMSVENTIL
FAHRBREMSVENTIL,RE****23302**
3663246

Item	Quantity	ME	P/N	see page	Description	Beschreibung
1	1	ST	1714504		GUIDE	FUEHRUNG
3	1	ST	1598187		CAP	KAPPE
6	1	ST	0271804		PLUG	STOPFEN
10	1	ST	0507642		SPRING	FEDER
11	1	ST	0091433		VALVE	VENTIL
12	1	ST	1121264		VALVE	VENTIL
14	2	ST	0011961		O-RING	O-RING
26	4	ST	0044368		HEX.HD.SCREW	SECHSKANTSCHRAUBE
27	4	ST	0032618		HEX.HD.SCREW	SECHSKANTSCHRAUBE
30	1	ST	0052692		EYE BOLT	RINGSCHRAUBE
50	1	ST	2223943		VALVE	VENTIL

* : quantity see description

list 1 - page 66

TEREX  MINING 	RH40E 40151	TRAVEL RTRDR.VLV. FAHRBREMSVENTIL FAHRBREMSVENTIL,LI	23302 3663257
---	-----------------------	---	-------------------------

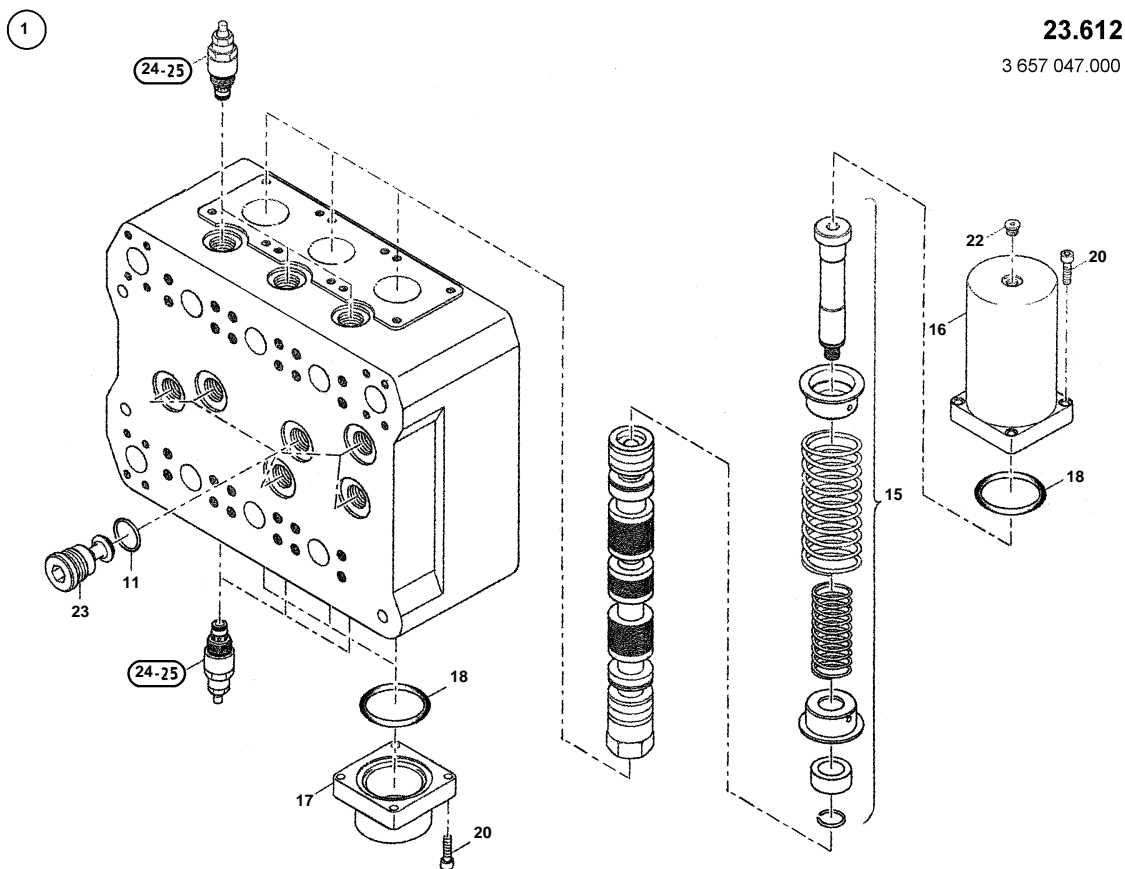


TEREX  **MINING****RH40E****40151****TRAVEL RTRDR.VLV.
FAHRBREMSVENTIL
FAHRBREMSVENTIL,LI****23302**
3663257

Item	Quantity	ME	P/N	see page	Description	Beschreibung
1	1	ST	1714504		GUIDE	FUEHRUNG
3	1	ST	1598187		CAP	KAPPE
6	1	ST	0271804		PLUG	STOPFEN
10	1	ST	0507642		SPRING	FEDER
11	1	ST	0091433		VALVE	VENTIL
12	1	ST	1121264		VALVE	VENTIL
14	2	ST	0011961		O-RING	O-RING
26	4	ST	0044368		HEX.HD.SCREW	SECHSKANTSCHRAUBE
27	4	ST	0032618		HEX.HD.SCREW	SECHSKANTSCHRAUBE
30	1	ST	0052692		EYE BOLT	RINGSCHRAUBE
50	1	ST	2223944		VALVE	VENTIL

* : quantity see description

list 1 - page 67



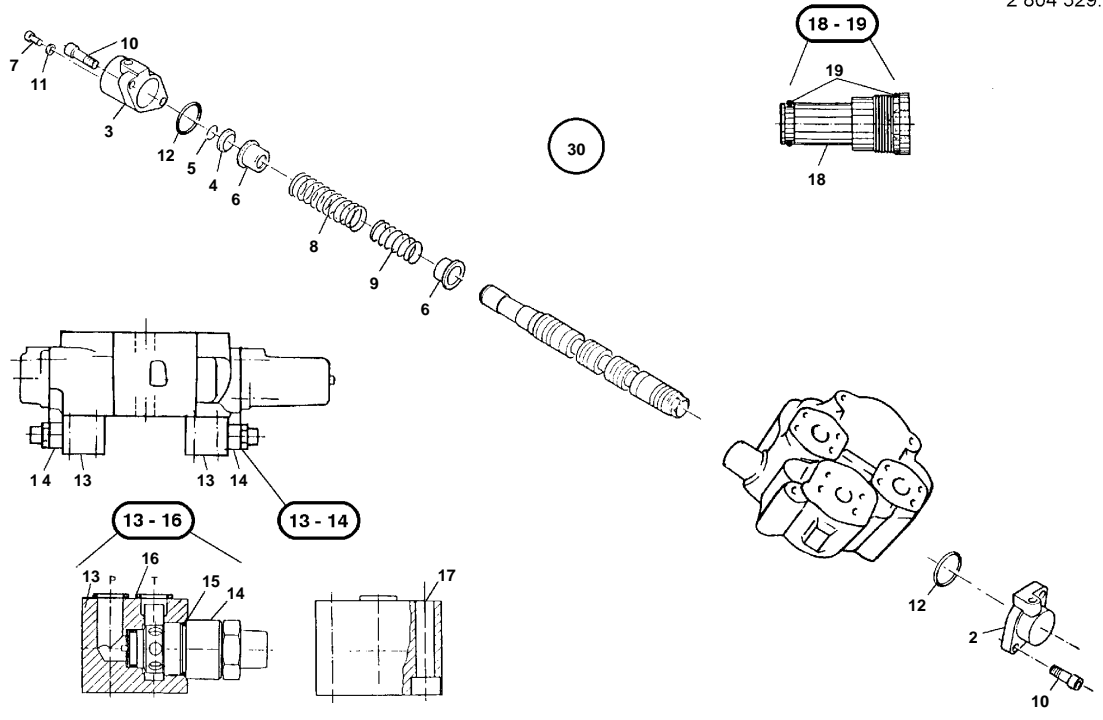




Item	Quantity	ME	P/N	see page	Description	Beschreibung
1	1	ST	2762180		CONTROL BLOCK	STUEBERBLOCK
11	6	ST	1909261		O-RING	O-RING
15	3	ST	6000698		SPRING ASSEMBLY	FEDERPAKET
16	3	ST	6000699		LID	DECKEL
17	3	ST	6000662		LID	DECKEL
18	6	ST	0009072		O-RING	O-RING
20	24	ST	0037638		CYL.HEAD SCREW	ZYLINDERSCHRAUBE
22	3	ST	1350997		SCREW PLUG	VERSCHLUSSCHRAUBE
23	6	ST	6000663		VALVE	VENTIL
24	6	ST	6000664		VALVE	VENTIL
25	6	ST	6000665		SEALING KIT	DICHTSATZ

* : quantity see description

list 1 - page 68



23.612
2 804 329.001

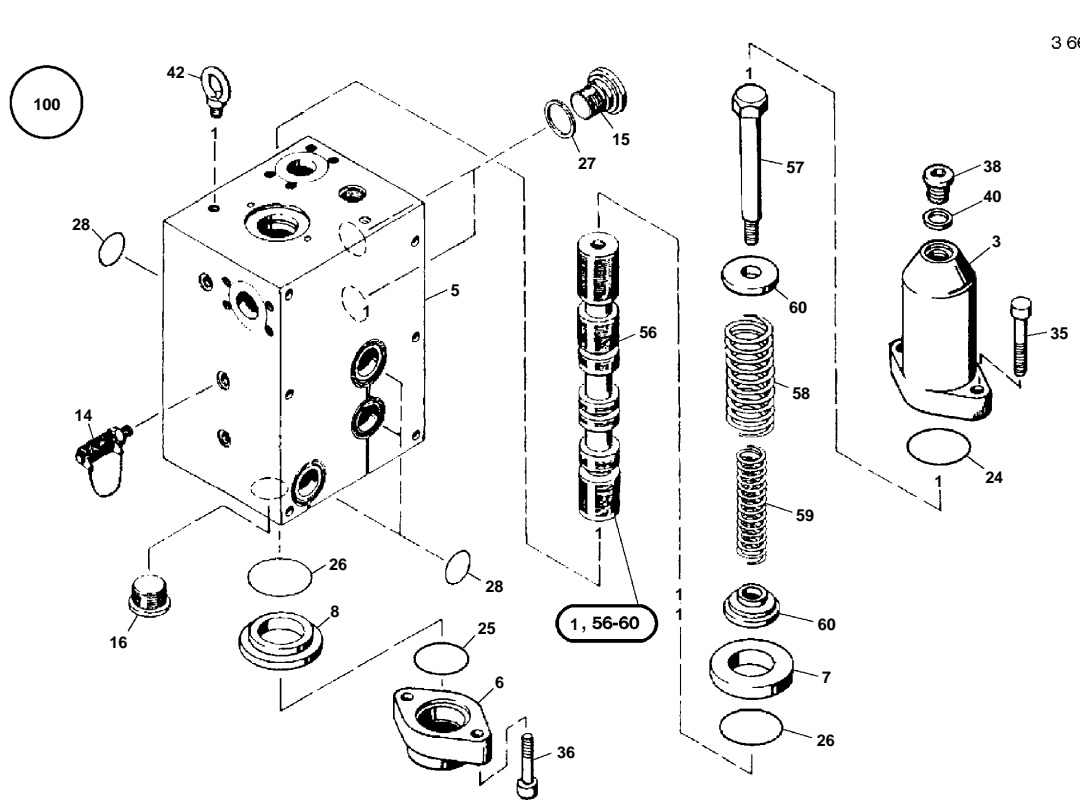


TEREX  MINING			RH40E		SPOOL BLOCK		23615	
			40151		MOBILSTUEURBLOCK		2804329-001	
Item	Quantity	ME	P/N	see page	Description	Beschreibung		
2	1	ST	1437553		LID	DECKEL		
3	1	ST	1437554		LID	DECKEL		
4	1	ST	1437560		RING	RING		
5	1	ST	1437561		CIRCLIP	SICHERUNGSRING		
6	2	ST	1437558		SPRING SEAT	FEDERTELLER		
7	1	ST	1428453		SCREW PLUG	VERSCHLUSSSCHRAUBE		
8	1	ST	1437556		SPRING	FEDER		
9	1	ST	1437557		SPRING	FEDER		
10	4	ST	0830246		CYL.HEAD SCREW	ZYLINDERSCHRAUBE		
11	1	ST	0010378		SEALING RING	DICHRING		
12	2	ST	1437559		O-RING	O-RING		
14	2	ST	1751740		VALVE	VENTIL		
15	4	ST	1431979		GASKET SET	DICHTUNG SATZ		
16	4	ST	1423396		GASKET SET	DICHTUNG SATZ		
17	8	ST	0764532		CYL.HEAD SCREW	ZYLINDERSCHRAUBE		
18	1	ST	1423394		PIN	BOLZEN		
19	1	ST	1435560		GASKET SET	DICHTUNG SATZ		
30	1	ST	1772335		VALVE	VENTIL		

* : quantity see description

list 1 - page 69

TEREX  MINING 	RH40E 40151	CONTROL BLOCK STUEBERBLOCK FAHREN, LI	23620 3663247
---	-----------------------	--	-------------------------





23.620
3 663 247.000

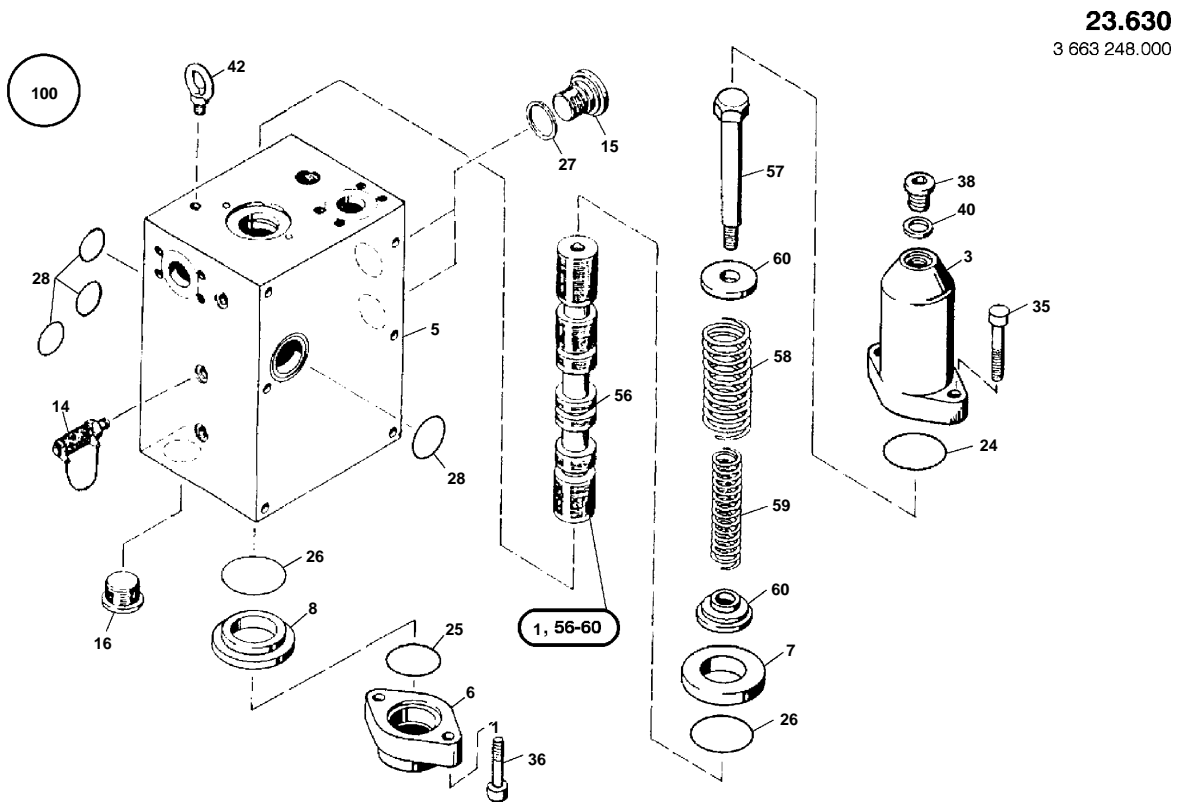


Item	Quantity	ME	P/N	see page	Description	Beschreibung
1	1	ST	2223956		PISTON	KOLBEN
3	1	ST	1949738		BONNET	HAUBE
5	1	ST	2223950		HOUSING	GEHAEUSE
6	1	ST	1949740		BONNET	HAUBE
7	1	ST	2223954		DISK/WASHER	SCHEIBE
8	1	ST	2223955		DISK/WASHER	SCHEIBE
14	1	ST	0599862		TUBE FITTING	VERSCHRAUBUNG
15	1	ST	1930332		SCREW PLUG	VERSCHLUSSCHRAUBE
16	1	ST	0271804		PLUG	STOPFEN
24	1	ST	0030778		O-RING	O-RING
25	1	ST	0012152		O-RING	O-RING
26	2	ST	1758727		O-RING	O-RING
27	2	ST	1411989		GASKET	DICHTUNG
28	4	ST	1725420		SEALING RING	DICHTRING
35	2	ST	1148124		CYL.HEAD SCREW	ZYLINDERSCHRAUBE
36	2	ST	1185345		CYL.HEAD SCREW	ZYLINDERSCHRAUBE
38	1	ST	0043144		SCREW PLUG	VERSCHLUSSCHRAUBE
40	1	ST	0010411		SEALING RING	DICHTRING
42	2	ST	0052692		EYE BOLT	RINGSCHRAUBE
56	1	ST	2223957		PISTON	KOLBEN
57	1	ST	1949755		SCREW	SCHRAUBE
58	1	ST	1949754		SPRING	FEDER
59	1	ST	1949753		SPRING	FEDER
60	2	ST	1949752		SPRING SEAT	FEDERTELLER
100	1	ST	2223942		VALVE LH	FAHRVENTIL LI

* : quantity see description

list 1 - page 70

TEREX  MINING 	RH40E 40151	CONTROL BLOCK STUERBLOCK FAHREN, RE	23630 3663248
---	-----------------------	--	-------------------------



23.630
3 663 248.000



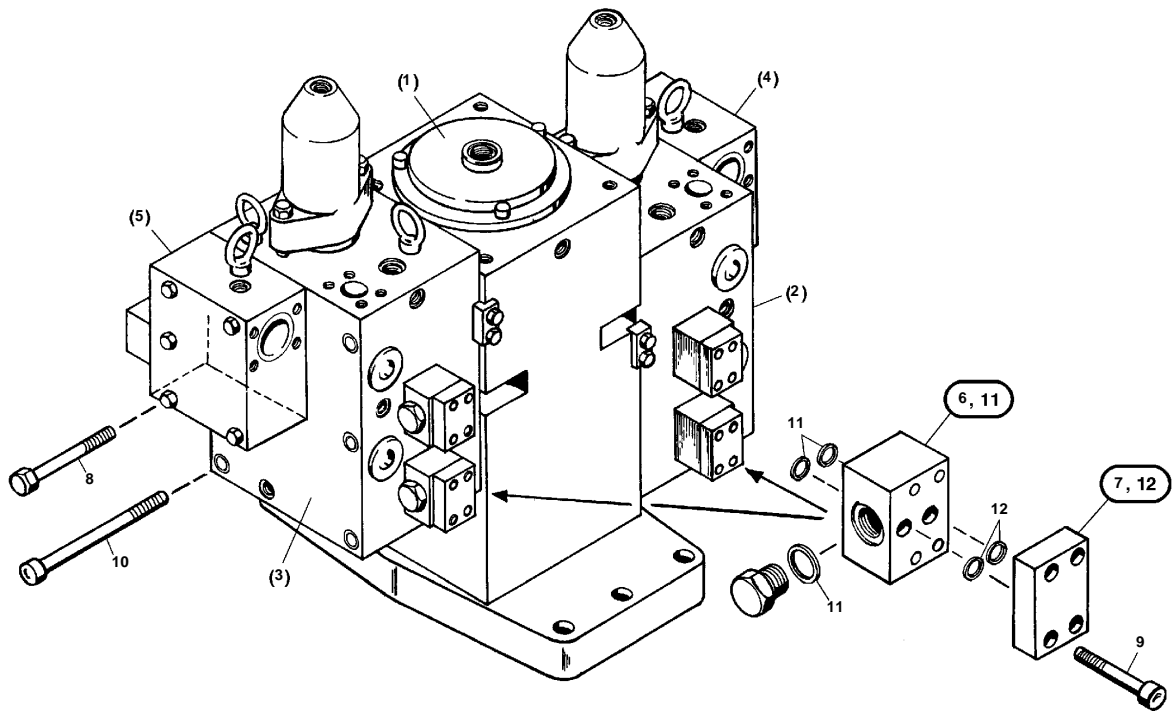
Item	Quantity	ME	P/N	see page	Description	Beschreibung
1	1	ST	2223956		PISTON	KOLBEN
3	1	ST	1949738		BONNET	HAUBE
5	1	ST	2223949		HOUSING	GEHAEUSE
6	1	ST	1949740		BONNET	HAUBE
7	1	ST	2223954		DISK/WASHER	SCHEIBE
8	1	ST	2223955		DISK/WASHER	SCHEIBE
14	1	ST	0599862		TUBE FITTING	VERSCHRAUBUNG
15	1	ST	1930332		SCREW PLUG	VERSCHLUSSCHRAUBE
16	1	ST	0271804		PLUG	STOPFEN
24	1	ST	0030778		O-RING	O-RING
25	1	ST	0012152		O-RING	O-RING
26	2	ST	1758727		O-RING	O-RING
27	2	ST	1411989		GASKET	DICHTUNG
28	4	ST	1725420		SEALING RING	DICHTRING
35	2	ST	1148124		CYL.HEAD SCREW	ZYLINDERSCHRAUBE
36	2	ST	1185345		CYL.HEAD SCREW	ZYLINDERSCHRAUBE
38	1	ST	0043144		SCREW PLUG	VERSCHLUSSCHRAUBE
40	1	ST	0010411		SEALING RING	DICHTRING
42	2	ST	0052692		EYE BOLT	RINGSCHRAUBE
56	1	ST	2223957		PISTON	KOLBEN
57	1	ST	1949755		SCREW	SCHRAUBE
58	1	ST	1949754		SPRING	FEDER
59	1	ST	1949753		SPRING	FEDER
60	2	ST	1949752		SPRING SEAT	FEDERTELLER
100	1	ST	2223941		VALVE RH	FAHRVENTIL RE



* : quantity see description

list 1 - page 71

TEREX  MINING 	RH40E 40151	TRAVEL CONTROL BLOCK FAHRBLOCK FAHRBLOCK(KPL)	23650 3663237
---	-----------------------	---	-------------------------



23.650
3 663 237.000

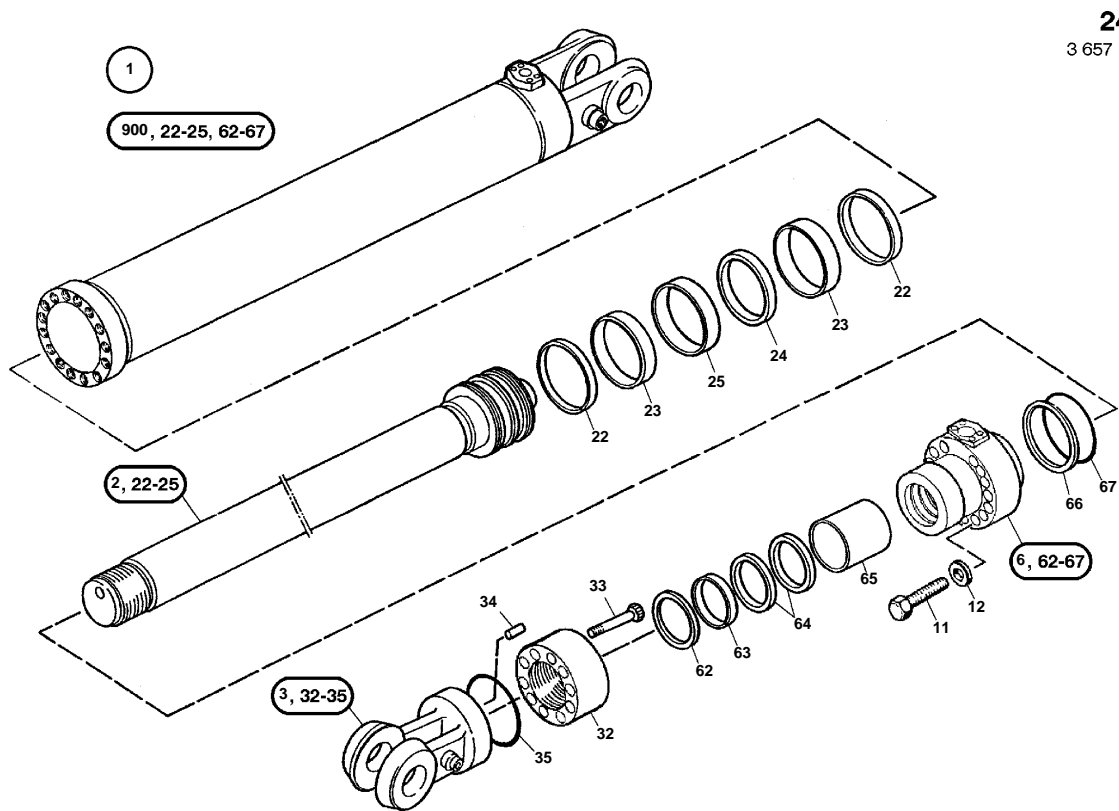


TEREX  MINING			RH40E		TRAVEL CONTROL BLOCK FAHRBLOCK FAHRBLOCK(KPL)		23650	
			40151				3663237	
Item	Quantity	ME	P/N	see page	Description	Beschreibung		
1	1	ST	(3663249)	57	ROTOR	ROTOR		
2	1	ST	(3663248)	71	CONTROL BLOCK	STUEBERBLOCK FAHREN,RE		
3	1	ST	(3663247)	70	CONTROL BLOCK	STUEBERBLOCK FAHREN,LI		
4	1	ST	(3663246)	66	TRAVEL RTRDR.VLV.	FAHRBREMSVENTIL FAHRBREMSVENTIL,RE		
5	1	ST	(3663257)	67	TRAVEL RTRDR.VLV.	FAHRBREMSVENTIL FAHRBREMSVENTIL,LI		
6	4	ST	1570802		VALVE	VENTIL		
7	4	ST	1709067		PLATE	PLATTE		
8	10	ST	0518098		HEX.HD.SCREW	SECHSKANTSCHRAUBE		
9	16	ST	0764532		CYL.HEAD SCREW	ZYLINDERSCHRAUBE		
10	8	ST	7225009		CYL.HEAD SCREW	ZYLINDERSCHRAUBE		
11	4	ST	1423396		GASKET SET	DICHTUNG SATZ		
12	4	ST	1423397		GASKET SET	DICHTUNG SATZ		



* : quantity see description

list 1 - page 72

TEREX  MINING 	RH40E 40151	BOOM CYLINDERS AUSLEGERZYLINDER	24022 3657192
---	-----------------------	--	-------------------------





24.022
3 657 192.000

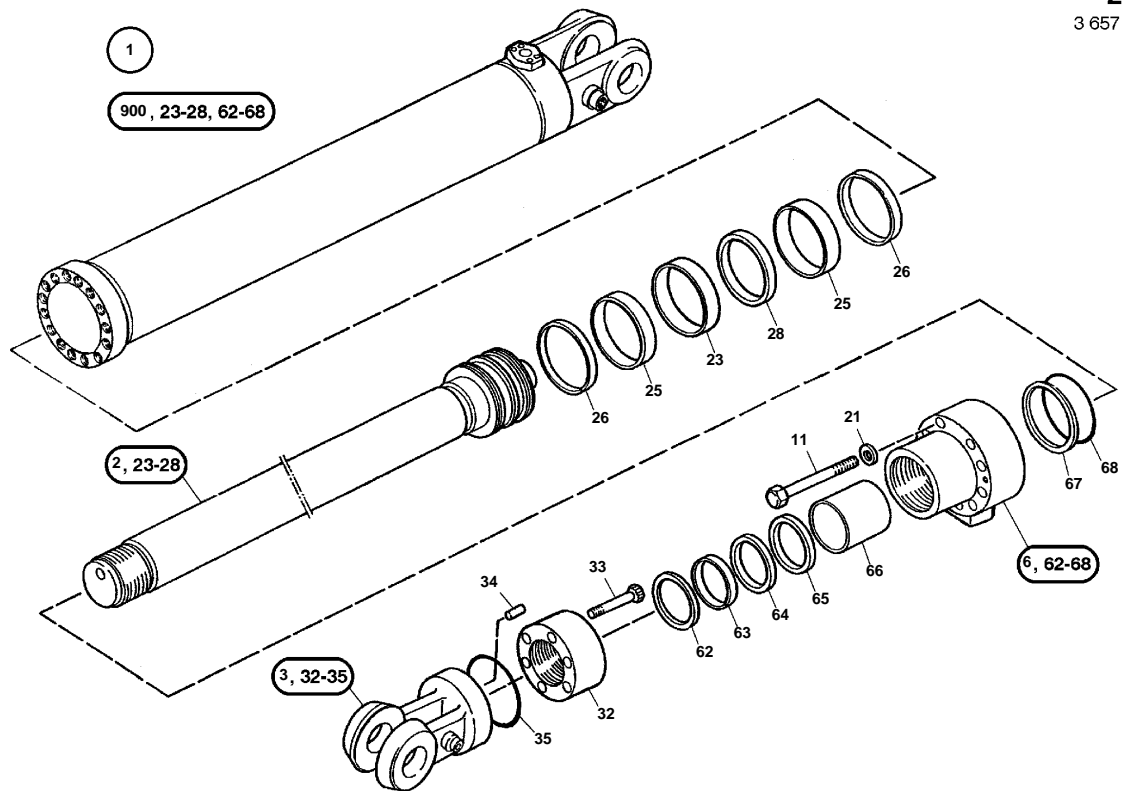
TEREX  MINING		RH40E		BOOM CYLINDERS		24022
		40151		AUSLEGERZYLINDER		3657192
Item	Quantity	ME	P/N	see page	Description	Beschreibung
1	1	ST	4525808		BOOM CYLINDERS	AUSLEGERZYLINDER
2	1	ST	4525204		PISTON ROD	KOLBENSTANGE
3	1	ST	1979323		FORK	GABEL
6	1	ST	4525862		GUIDE	FUEHRUNG
11	11	ST	0861655		HEX.HD.SCREW	SECHSKANTSCHRAUBE
12	11	ST	0271626		DISK/WASHER	SCHEIBE
22	2	ST	1740522		RING	RING
23	2	ST	0271944		RING	RING
24	1	ST	1128580		RING	RING
25	1	ST	1590964		GASKET SET	DICHTUNG SATZ
32	1	ST	1950123		FLANGE	FLANSCH
33	10	ST	1122621		SCREW	SCHRAUBE
34	1	ST	0029054		PIN	STIFT
35	1	ST	1503652		O-RING	O-RING
62	1	ST	0264851		SCRAPER	ABSTREIFER
63	1	ST	1589484		SCRAPER	ABSTREIFER
64	2	ST	1791246		GASKET	DICHTUNG
65	1	ST	4525108		PISTON GUIDE RING	FUEHRUNGSRING
66	1	ST	1547115		SUPPORT RING	STUETZRING
67	1	ST	0274932		O-RING	O-RING
900	1	ST	4525863		SEALING KIT	DICHTSATZ


* : quantity see description

list 1 - page 73

TEREX  MINING 	RH40E 40151	STICK CYLINDER STIELZYLINDER	24032 3657191
---	-----------------------	---	-------------------------



24.032
3 657 191.000

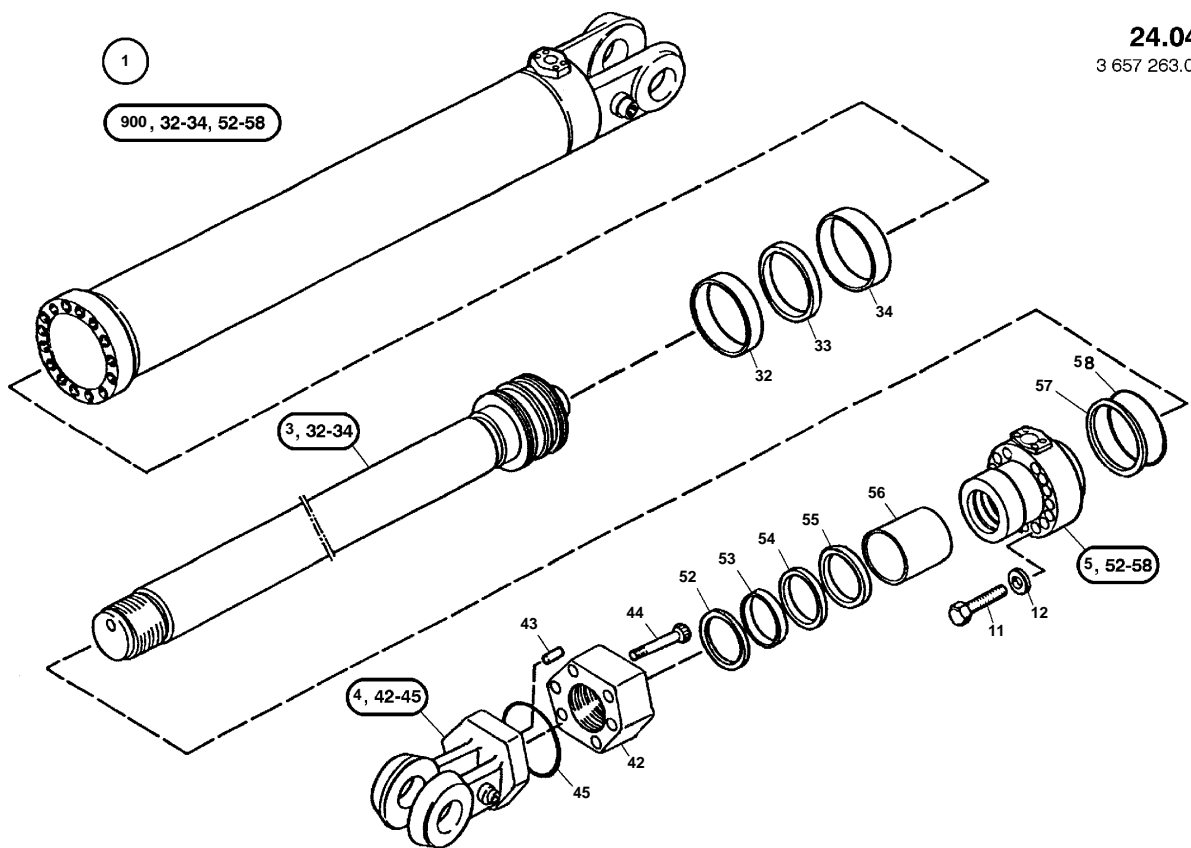


TEREX  MINING			RH40E 40151		STICK CYLINDER STIELZYLINDER		24032 3657191	
Item	Quantity	ME	P/N	see page	Description	Beschreibung		
1	1	ST	4525809		STICK CYLINDER	STIELZYLINDER		
2	1	ST	2403963		PISTON ROD	KOLBENSTANGE		
3	1	ST	2403965		FORK	GABEL		
6	1	ST	4525864		GUIDE	FUEHRUNG		
11	11	ST	0251785		HEX.HD.SCREW	SECHSKANTSCHRAUBE		
21	11	ST	0271626		DISK/WASHER	SCHEIBE		
23	1	ST	1590964		GASKET SET	DICHTUNG SATZ		
25	2	ST	0271944		RING	RING		
26	2	ST	1740522		RING	RING		
28	1	ST	1128580		RING	RING		
32	1	ST	1931767		FLANGE	FLANSCH		
33	6	ST	0994227		SCREW	SCHRAUBE		
34	1	ST	0029054		PIN	STIFT		
35	1	ST	1503655		O-RING	O-RING		
62	1	ST	0274137		SCRAPER	ABSTREIFER		
63	1	ST	1589485		SCRAPER	ABSTREIFER		
64	1	ST	1991703		SEALING RING	DICHTRING		
65	1	ST	1991702		SEALING RING	DICHTRING		
66	1	ST	4525111		PISTON GUIDE RING	FUEHRUNGSRING		
67	1	ST	2426592		SUPPORT RING	STUETZRING		
68	1	ST	0505343		O-RING	O-RING		
900	1	ST	4525865		SEALING KIT	DICHTSATZ		


* : quantity see description

list 1 - page 74

TEREX  MINING 	RH40E 40151	BUCKET CYLINDER SCHAUFELZYLINDER	24042 3657263
---	-----------------------	---	-------------------------




24.042
3 657 263.000

TEREX  MINING			RH40E 40151		BUCKET CYLINDER SCHAUFELZYLINDER		24042 3657263	
Item	Quantity	ME	P/N	see page	Description	Beschreibung		
1	1	ST	4525810			SCHAUFELKIPPZYLIND		
3	1	ST	4525194		PISTON ROD	KOLBENSTANGE		
4	1	ST	2105357		FORK	GABEL		
5	1	ST	4525860		GUIDE	FUEHRUNG		
11	14	ST	1791248		HEX.HD.SCREW	SECHSKANTSCHRAUBE		
12	14	ST	1774191		DISK/WASHER	SCHEIBE		
32	1	ST	1128581		RING	RING		
33	1	ST	1590963		GASKET SET	DICHTUNG SATZ		
34	1	ST	0271943		RING	RING		
42	1	ST	0990169		FLANGE	FLANSCH		
43	1	ST	0029054		PIN	STIFT		
44	6	ST	0978791		SCREW	SCHRAUBE		
45	1	ST	1503656		O-RING	O-RING		
52	1	ST	0264851		SCRAPER	ABSTREIFER		
53	1	ST	1589484		SCRAPER	ABSTREIFER		
54	1	ST	1939954		SEALING RING	DICHRING		
55	1	ST	1791246		GASKET	DICHTUNG		
56	1	ST	4525108		PISTON GUIDE RING	FUEHRUNGSRING		
57	1	ST	1547114		SUPPORT RING	STUETZRING		
58	1	ST	0274931		O-RING	O-RING		
900	1	ST	4525866		SEALING KIT	DICHTSATZ		



* : quantity see description

list 1 - page 75

TEREX  MINING			RH40E 40151		DUMP CYLINDER KLAPPENZYLINDER		24062 3659432	
Item	Quantity	ME	P/N	see page	Description	Beschreibung		
1	1	ST	2766998		CYLINDER LINER	ZYLINDERROHR		
2	1	ST	2766909		PISTON ROD	KOLBENSTANGE		
3	1	ST	2766999		GUIDE BUSH	FUEHRUNGSBUCHSE		
4	1	ST	3672044		FORK	GABEL		
8	1	ST	0264923		SCRAPER	ABSTREIFER		
9	1	ST	1589480		SCRAPER	ABSTREIFER		
10	1	ST	1939950		SEALING RING	DICHRING		
11	1	ST	1758682		SEALING RING	DICHRING		
13	1	ST	4525077		PISTON GUIDE RING	FUEHRUNGSRING		
14	1	ST	4525103		PISTON GUIDE RING	FUEHRUNGSRING		
15	2	ST	0271940		RING	RING		
16	1	ST	1590960		GASKET SET	DICHTUNG SATZ		
17	2	ST	1547111		SUPPORT RING	STUETZRING		
18	1	ST	2764738		SUPPORT RING	STUETZRING		
21	1	ST	2764739		O-RING	O-RING		
22	1	ST	0274927		O-RING	O-RING		
24	2	ST	0090080		PIN	STIFT		
30	2	ST	0010528		GREASE NIPPLE	SCHMIERNIPPEL		
31	2	ST	0760274		CAP	KAPPE		
32	1	ST	1768939		JOINT BEARING	GELENKLAGER		
33	1	ST	0012550		CIRCLIP	SICHERUNGSRING		
34	2	ST	1791042		CYL.HEAD SCREW	ZYLINDERSCHRAUBE		
35	2	ST	2766906		DISK/WASHER	SCHEIBE		
100	1	ST	3672043		DUMP CYLINDER	KLAPPENZYLINDER		
900	1	ST	2766908		SEALING KIT	DICHTSATZ		

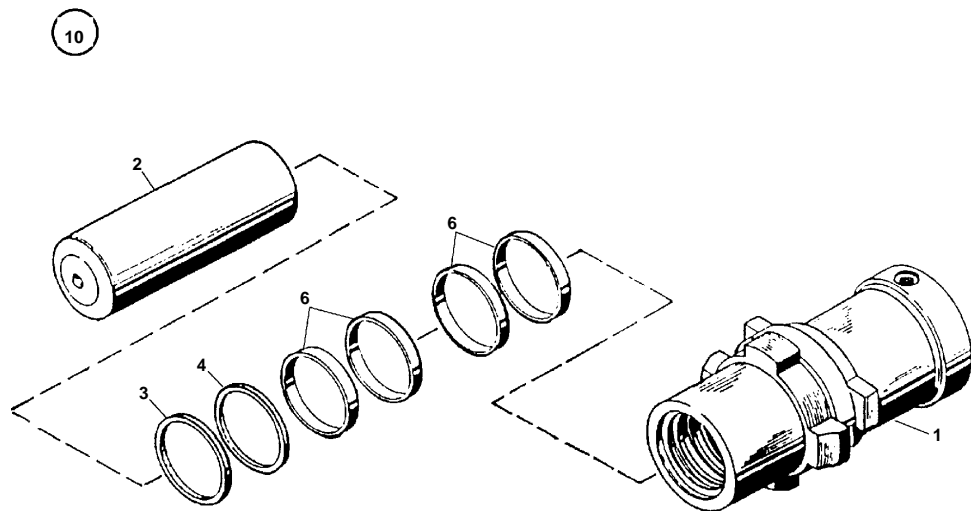
* : quantity see description

list 1 - page 76

TEREX  MINING 	RH40E 40151	CLAMPING CYLINDER SPANNZYLINDER	24142 3659923
---	-----------------------	--	-------------------------

24.142

3 659 923.000

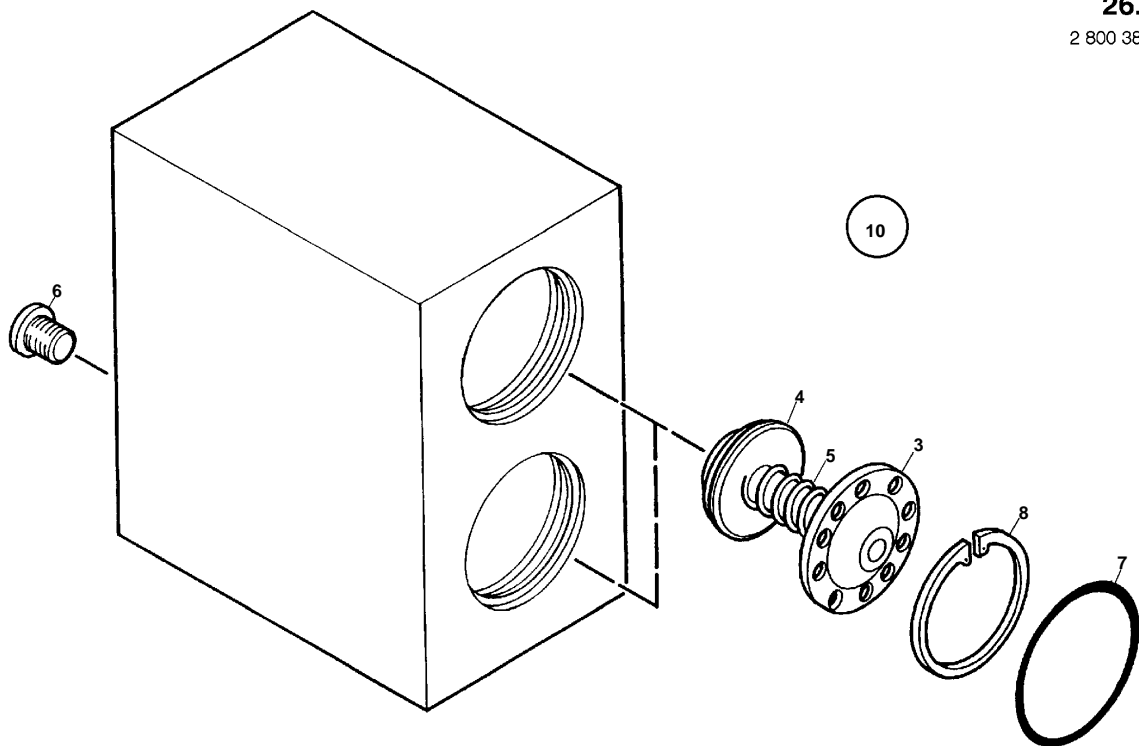


Item	Quantity	ME	P/N	see page	Description	Beschreibung
1	1	ST	2224759		CYLINDER LINER	ZYLINDERROHR
2	1	ST	2181029		PISTON	KOLBEN
3	1	ST	1589486		SCRAPER	ABSTREIFER
4	1	ST	0264639		GROOVED RING	NUTRING
6	4	ST	4525085		PISTON GUIDE RING	FUEHRUNGSRING
10	1	ST	4525804		CYLINDER	ZYLINDER

* : quantity see description

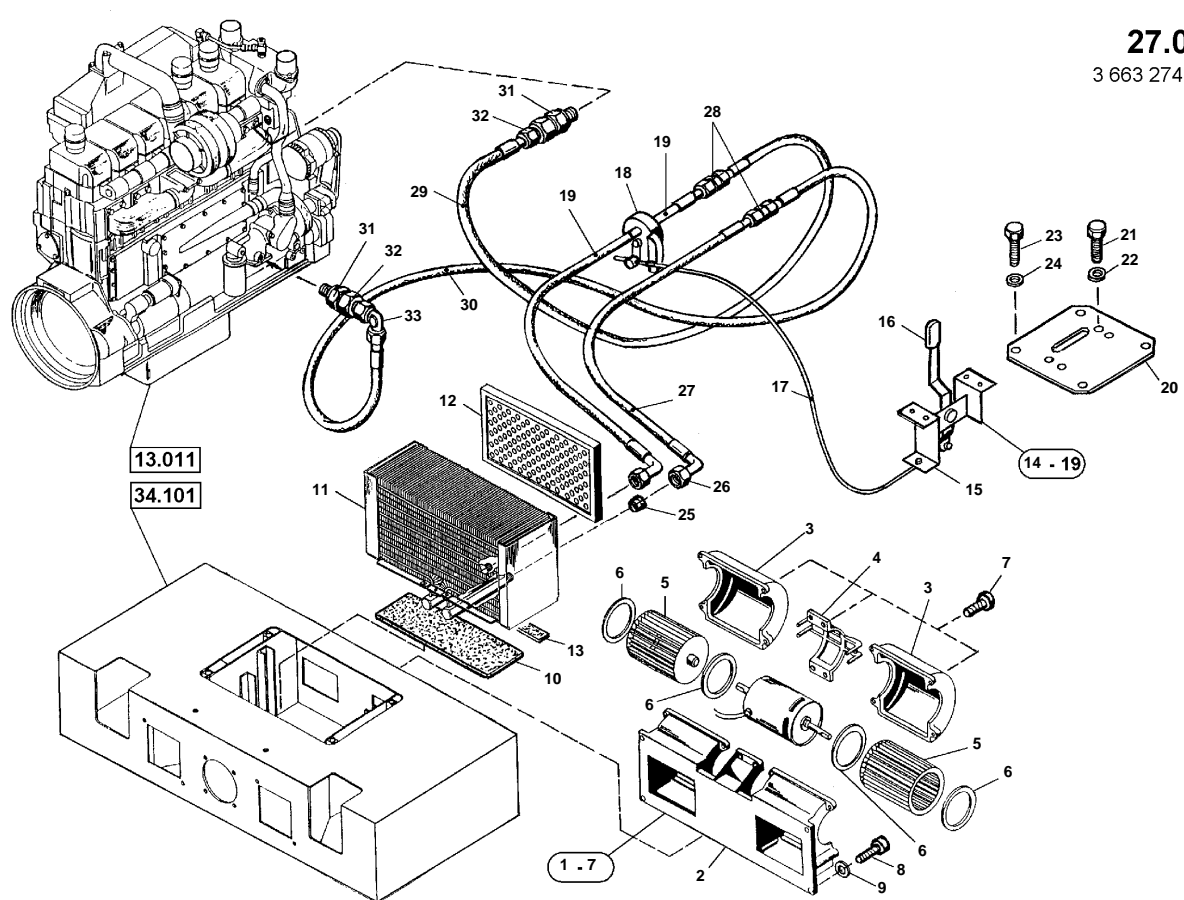
TEREX  MINING 	RH40E 40151	VALVE VENTIL	26132 2800384
---	-----------------------	-------------------------------	-------------------------

26.132
2 800 384.000



Item	Quantity	ME	P/N	see page	Description	Beschreibung
3	2	ST	1975101		GUIDE	FUEHRUNG
4	2	ST	1952308		TAPPET	STOESSEL
5	2	ST	1952309		SPRING	FEDER
6	1	ST	0773596		PLUG	STOPFEN
7	2	ST	1547790		O-RING	O-RING
8	2	ST	0012510		CIRCLIP	SICHERUNGSRING
10	1	ST	1976162		VALVE	VENTIL

* : quantity see description

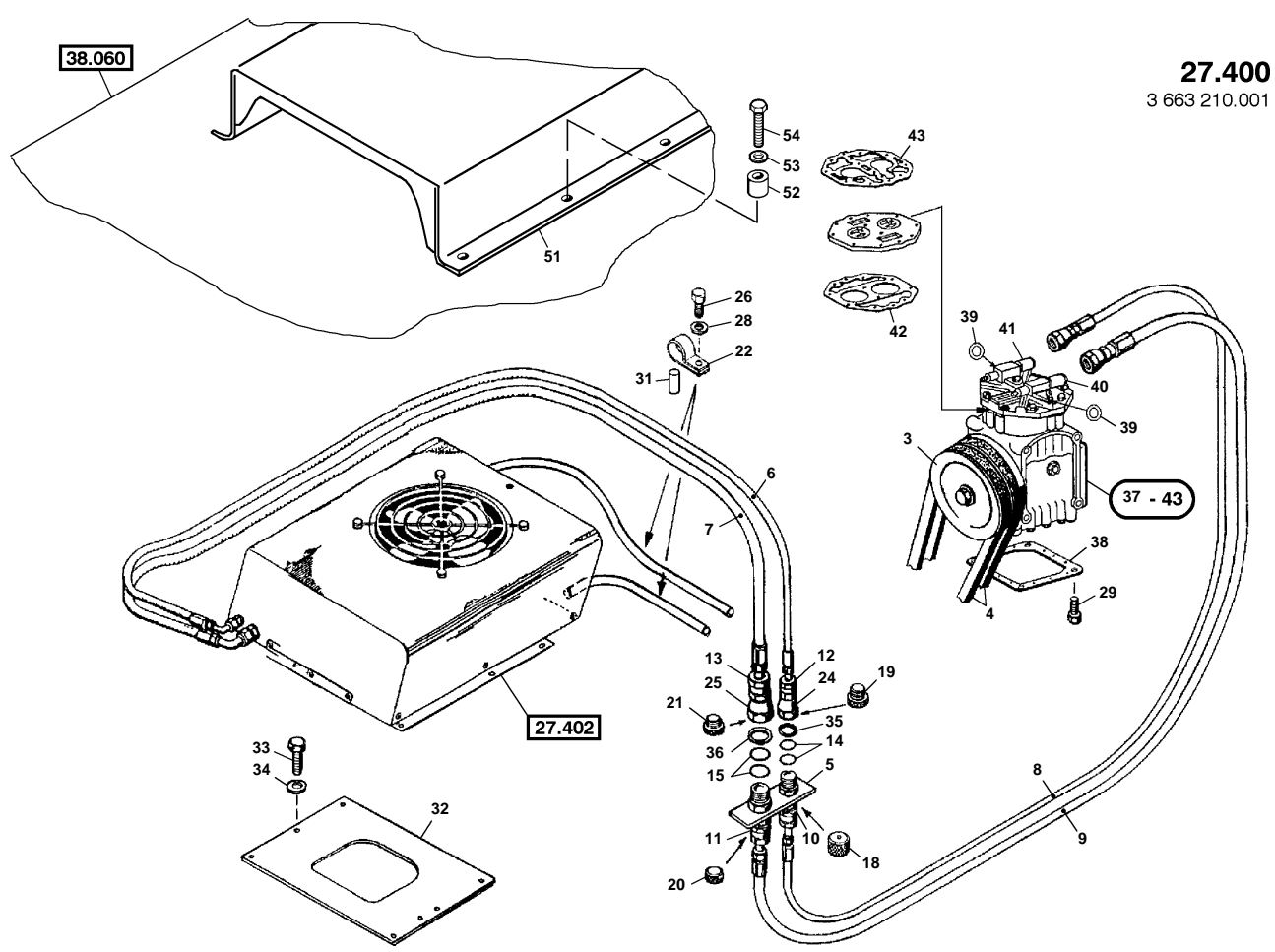


27.020
3 663 274.000

TEREX  MINING			RH40E 40151		CAB HEATING KABINENHEIZUNG		27020 3663274	
Item	Quantity	ME	P/N	see page	Description	Beschreibung		
1	1	ST	1127622		BLOWER	GEBLAESE		
2	1	ST	1411731		HOUSING	GEHAEUSE		
3	2	ST	1411732		PANELING	VERKLEIDUNG		
4	1	ST	1411736		CLIP	KLEMME		
5	2	ST	1411734		FAN WHEEL	LUEFTERRAD		
6	4	ST	1411733		RING	RING		
7	12	ST	0952155		SELF-TAPPING SCREW	BLECHSCHRAUBE		
8	5	ST	0771807		SELF-TAPPING SCREW	BLECHSCHRAUBE		
9	5	ST	0511788		LOCK WASHER	FEDERRING		
10	1	ST	1127956		PLATE	PLATTE		
11	1	ST	2418683		OIL COOLER	OELKUEHLER		
12	1	ST	1186361		FILTER	FILTER		
13	*	M	0052045		PROFILE ; 0,16 M	PROFIL ; 0,16 M		
14	1	ST	2416825		REGULATION	VERSTELLUNG		
15	1	ST	1469823		CONTROL ELEMENT	BEDIENUNGSELEMENT		
16	1	ST	1469824		BUTTON	KNOPF		
17	1	ST	1469821		CONTROL CABLE	BOWDENZUG		
18	1	ST	1469825		VALVE	VENTIL		
19	1	ST	1469822		HOSE	SCHLAUCHLEITUNG		
20	1	ST	2417525		PLATE	PLATTE		
21	4	ST	0053942		CYL.HEAD SCREW	ZYLINDERSCHRAUBE		
22	4	ST	0056982		DISK/WASHER	SCHEIBE		
23	4	ST	0725385		CYL.HEAD SCREW	ZYLINDERSCHRAUBE		
24	4	ST	0063713		DISK/WASHER	SCHEIBE		
25	1	ST	0010650		CUTTING RING	SCHNEIDRING		
26	1	ST	0010657		CONN.NUT	UEBERWURFMUTTER		
27	1	ST	1230553		HOSE	SCHLAUCH		
28	2	ST	0146122		TUBE FITTING	VERSCHRAUBUNG		
29	1	ST	2244374		HOSE	SCHLAUCH		
30	1	ST	2244373		HOSE	SCHLAUCH		
31	2	ST	0306714		TUBE FITTING	VERSCHRAUBUNG		
32	2	ST	0108700		CONNECTION	ANSCHLUSS		
33	1	ST	0042827		TUBE FITTING	VERSCHRAUBUNG		

* : quantity see description

list 1 - page 79



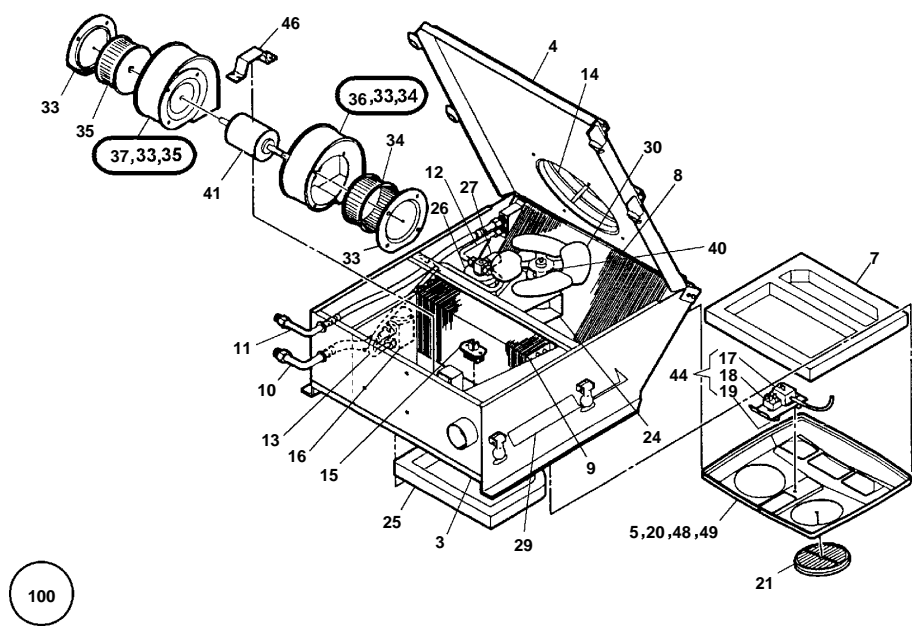
27.400
3 663 210.001

TEREX  MINING			RH40E		AIR CONDITION INSTALL.MATERIAL KLIMAAANLAGE EINBAU		27400	
			40151				3663210-001	
Item	Quantity	ME	P/N	see page	Description	Beschreibung		
3	1	ST	1547399		COUPLING/CLUTCH	KUPPLUNG		
4	2	ST	0219501		'V'-BELT	KEILRIEMEN		
5	1	ST	0975610		BRACKET	HALTER		
6	1	ST	2451496		HOSE	SCHLAUCHLEITUNG		
7	1	ST	2451497		HOSE	SCHLAUCHLEITUNG		
8	1	ST	2400204		HOSE	SCHLAUCHLEITUNG		
9	1	ST	2400205		HOSE	SCHLAUCHLEITUNG		
10	1	ST	0970250		COUPLING/CLUTCH	KUPPLUNG		
11	1	ST	0970251		COUPLING/CLUTCH	KUPPLUNG		
12	1	ST	0970252		COUPLING/CLUTCH	KUPPLUNG		
13	1	ST	0970253		COUPLING/CLUTCH	KUPPLUNG		
14	2	ST	8441400		O-RING	O-RING		
15	2	ST	2292043		O-RING	O-RING		
18	1	ST	0970260		CAP	KAPPE		
19	1	ST	0970261		PLUG	STOPFEN		
20	1	ST	0970262		CAP	KAPPE		
21	1	ST	0970263		PLUG	STOPFEN		
22	6	ST	0936570		CLIP	SCHELLE		
24	1	ST	0970254		NUT	MUTTER		
25	1	ST	0970255		NUT	MUTTER		
26	4	ST	0054405		HEX.HD.SCREW	SECHSKANTSCHRAUBE		
28	4	ST	0057111		DISK/WASHER	SCHEIBE		
29	4	ST	0146563		HEX.HD.SCREW	SECHSKANTSCHRAUBE		
31	4	ST	1991811		NUT	MUTTER		
32	1	ST	3677492		LID	DECKEL		
33	6	ST	0056661		HEX.HD.SCREW	SECHSKANTSCHRAUBE		
34	6	ST	0056988		DISK/WASHER	SCHEIBE		
35	1	ST	0970258		TOOTHED WASHER	ZAHNSCHEIBE		
36	1	ST	0970259		TOOTHED WASHER	ZAHNSCHEIBE		
37	1	ST	2292013		COMPRESSOR	KOMPRESSOR		
38	1	ST	1468043		GASKET SET	DICHTUNG		
39	2	ST	1468515		O-RING	O-RING		
40	1	ST	6001605		VALVE	VENTIL		
41	1	ST	6001604		VALVE	VENTIL		
42	1	ST	1468516		CYLIND.HEAD GASKET	ZYL.-KOPFDICHTUNG		
43	1	ST	1468044		GASKET SET	DICHTUNG		
51	1	ST	3679826		BONNET	HAUBE		
52	8	ST	3674264		SLEEVE	HUELSE		
53	8	ST	3674279		DISK/WASHER	SCHEIBE		
54	8	ST	0063263		HEX.HD.SCREW	SECHSKANTSCHRAUBE		


* : quantity see description

list 1 - page 80

27.402
3 663 208.000

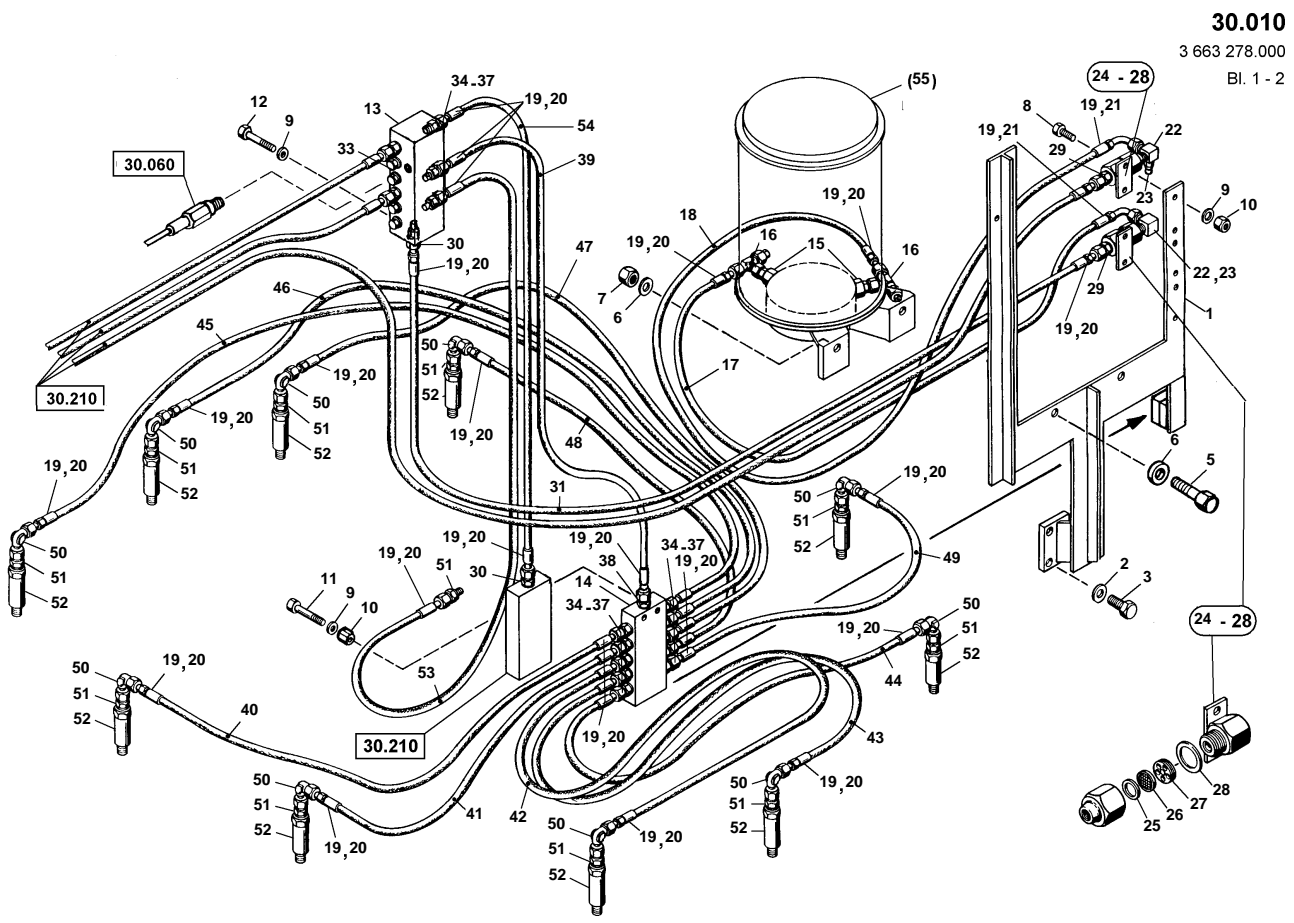


100

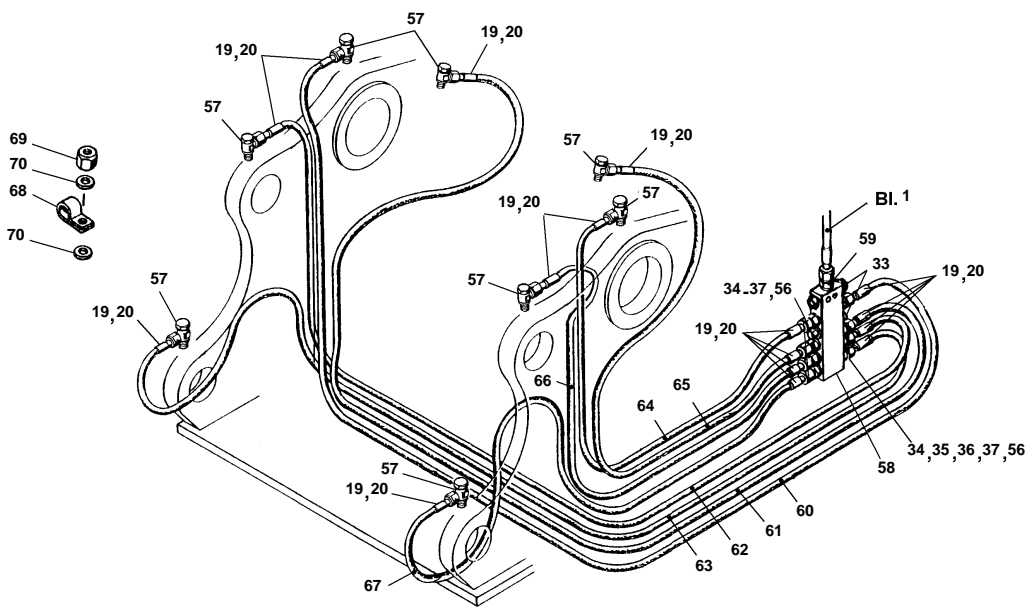
TEREX  MINING			RH40E 40151		AIR CONDITION KLIMAANLAGE		27402 3663208	
Item	Quantity	ME	P/N	see page	Description	Beschreibung		
7	1	ST	1479906		GASKET	DICHTUNG		
8	1	ST	1479907		HEAT EXCHANGER	WAERMETAUSCHER		
9	1	ST	1479908		HEAT EXCHANGER	WAERMETAUSCHER		
10	1	ST	1479909		HOSE	SCHLAUCHLEITUNG		
11	1	ST	1479910		HOSE	SCHLAUCHLEITUNG		
13	1	ST	1479912		PIPE	ROHRLEITUNG		
14	1	ST	1479913		GRID	GITTER		
15	1	ST	1479914		RESISTANCE	WIDERSTAND		
16	1	ST	1479915		VALVE	VENTIL		
17	1	ST	1480016		THERMOSTAT	THERMOSTAT		
18	1	ST	1480017		SWITCH	SCHALTER		
19	1	ST	1480018		BUTTON	KNOPF		
21	1	ST	1480019		INJECTOR	DUESE		
22	1	ST	1480020		COUPLING/CLUTCH	KUPPLUNG		
23	1	ST	1480908		HOSE	SCHLAUCH		
25	1	ST	1480909		SEALING RING	DICHRING		
26	1	ST	1480910			FILTER-TROCKNER		
27	1	ST	1480911		PRESSUR.SWITCH	DRUCKSCHALTER		
30	1	ST	1480912		FAN	LUEFTER		
33	2	ST	1480913		RING	RING		
34	1	ST	1480914		BLOWER WHEEL	GEBLAESERAD		
35	1	ST	1480915		BLOWER WHEEL	GEBLAESERAD		
36	1	ST	1480916		BLOWER	GEBLAESE		
37	1	ST	1480917		BLOWER	GEBLAESE		
40	1	ST	1480918			MOTOR-KOND.		
41	1	ST	1480919			MOTOR-GEBL.		
48	1	ST	1480920			FILTER-UMLUFT		
100	1	ST	2761546		AIR CONDITION	KLIMAGERAET		

* : quantity see description

list 1 - page 81



30.010
3 663 278.000
Bl. 2 - 2



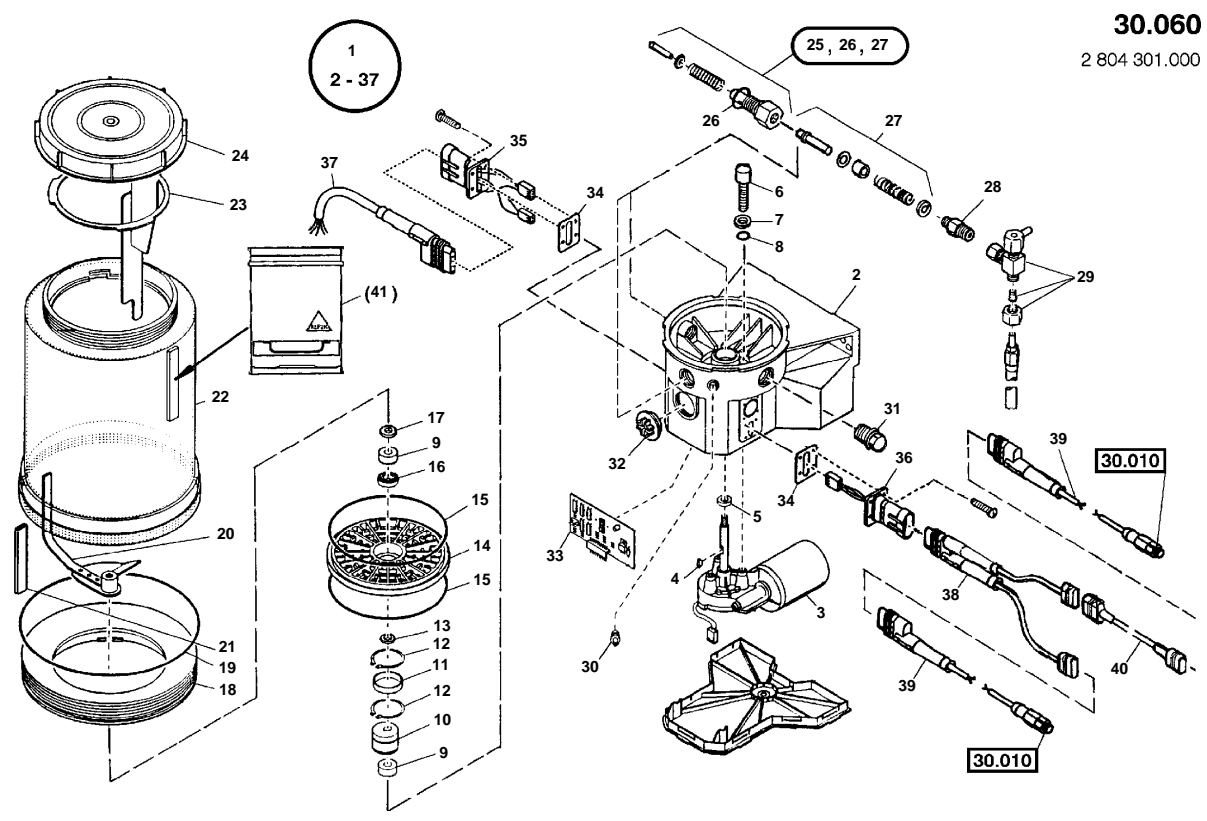
TEREX  MINING			RH40E	GREASING SYSTEM	30010	
			40151	SCHMIERANLAGE	3663278	
Item	Quantity	ME	P/N	see page	Description	Beschreibung
1	1	ST	2274170		BRACKET	HALTER
2	4	ST	0515369		DISK/WASHER	SCHEIBE
3	4	ST	0054405		HEX.HD.SCREW	SECHSKANTSCHRAUBE
5	4	ST	0057026		HEX.HD.SCREW	SECHSKANTSCHRAUBE
6	8	ST	0515369		DISK/WASHER	SCHEIBE
7	4	ST	0057126		HEXAGONAL NUT	SECHSKANTMUTTER
8	4	ST	7121030		HEX.HD.SCREW	SECHSKANTSCHRAUBE
9	8	ST	0511792		DISK/WASHER	SCHEIBE
10	6	ST	0057125		HEXAGONAL NUT	SECHSKANTMUTTER
11	2	ST	0038849		HEX.HD.SCREW	SECHSKANTSCHRAUBE
12	2	ST	0054391		HEX.HD.SCREW	SECHSKANTSCHRAUBE
13	1	ST	6000074		DISTRIBUTOR	VERTEILER
14	1	ST	1791653		DISTRIBUTOR	VERTEILER
15	2	ST	1473123		CHECK VALVE	RUECKSCHLAGVENTIL
16	2	ST	1909573		VALVE	VENTIL
17	*	M	1423786		HOSE ; 0,76 M	SCHLAUCH ; 0,76 M
18	*	M	1423786		HOSE ; 1,08 M	SCHLAUCH ; 1,08 M
19	48	ST	1431140		SLEEVE	HUELSE
20	46	ST	1431139		SOCKET	STUTZEN
21	2	ST	1791251		SOCKET	STUTZEN
22	2	ST	1909574		NIPPLE	NIPPEL
23	2	ST	1467800		GREASE NIPPLE	SCHMIERNIPPEL
24	2	ST	1909828		FILTER	FILTER
25	2	ST	0042283		SEALING RING	DICHTRING
26	2	ST	1338046		SIEVE	SIEB
27	2	ST	1423819		RING	RING
28	2	ST	0218488		SEALING RING	DICHTRING
29	2	ST	0010560		TUBE FITTING	VERSCHRAUBUNG
30	2	ST	0035187		TUBE FITTING	VERSCHRAUBUNG
31	*	M	1423786		HOSE ; 0,68 M	SCHLAUCH ; 0,68 M
32	13	ST	1558867		SEALING RING	DICHTRING
33	13	ST	6000078		SCREW PLUG	VERSCHLUSSCHRAUBE
34	23	ST	1558870		SOCKET	STUTZEN
35	23	ST	1413300		SEALING RING	DICHTRING
36	23	ST	1558868		CONN.NUT	UEBERWURFMUTTER
37	23	ST	1558869		CUTTING RING	SCHNEIDRING
38	23	ST	0010559		TUBE FITTING	VERSCHRAUBUNG
39	*	M	1423786		HOSE ; 0,8 M	SCHLAUCH ; 0,8 M
40	*	M	1423786		HOSE ; 3,65 M	SCHLAUCH ; 3,65 M
41	*	M	1423786		HOSE ; 3 M	SCHLAUCH ; 3 M
42	*	M	1423786		HOSE ; 2,53 M	SCHLAUCH ; 2,53 M
43	*	M	1423786		HOSE ; 1,84 M	SCHLAUCH ; 1,84 M
44	*	M	1423786		HOSE ; 2,16 M	SCHLAUCH ; 2,16 M
45	*	M	1423786		HOSE ; 3,47 M	SCHLAUCH ; 3,47 M
46	*	M	1423786		HOSE ; 2,87 M	SCHLAUCH ; 2,87 M
47	*	M	1423786		HOSE ; 3,17 M	SCHLAUCH ; 3,17 M
48	*	M	1423786		HOSE ; 2,86 M	SCHLAUCH ; 2,86 M
49	*	M	1423786		HOSE ; 2,14 M	SCHLAUCH ; 2,14 M
50	10	ST	0146722		TUBE FITTING	VERSCHRAUBUNG
51	11	ST	0010561		TUBE FITTING	VERSCHRAUBUNG
52	10	ST	2273717		SOCKET	STUTZEN
53	*	M	1423786		HOSE ; 3,2 M	SCHLAUCH ; 3,2 M
54	*	M	1423786		HOSE ; 0,85 M	SCHLAUCH ; 0,85 M
55	1	ST	(2804301)	83	LUBE PUMP	SCHMIERPUMPE
56	23	ST	2361696		CHECK VALVE	RUECKSCHLAGVENTIL
57	1	ST	0043603		TUBE FITTING	VERSCHRAUBUNG
58	1	ST	1709041		DISTRIBUTOR	VERTEILER
59	1	ST	0035187		TUBE FITTING	VERSCHRAUBUNG
60	*	M	1423786		HOSE ; 5,24 M	SCHLAUCH ; 5,24 M
61	*	M	1423786		HOSE ; 5,23 M	SCHLAUCH ; 5,23 M
62	*	M	1423786		HOSE ; 5,14 M	SCHLAUCH ; 5,14 M
63	*	M	1423786		HOSE ; 4,92 M	SCHLAUCH ; 4,92 M

* : quantity see description

list 1 - page 82

Item	Quantity	ME	P/N	see page	Description	Beschreibung
64	*	M	1423786		HOSE ; 4,3 M	SCHLAUCH ; 4,3 M
65	*	M	1423786		HOSE ; 4,42 M	SCHLAUCH ; 4,42 M
66	*	M	1423786		HOSE ; 4,24 M	SCHLAUCH ; 4,24 M
67	*	M	1423786		HOSE ; 4,22 M	SCHLAUCH ; 4,22 M
68	1	ST	1423794		CLIP	SHELLE
69	2	ST	0057126		HEXAGONAL NUT	SECHSKANTMUTTER
70	2	ST	0063704		DISK/WASHER	SCHEIBE

* : quantity see description



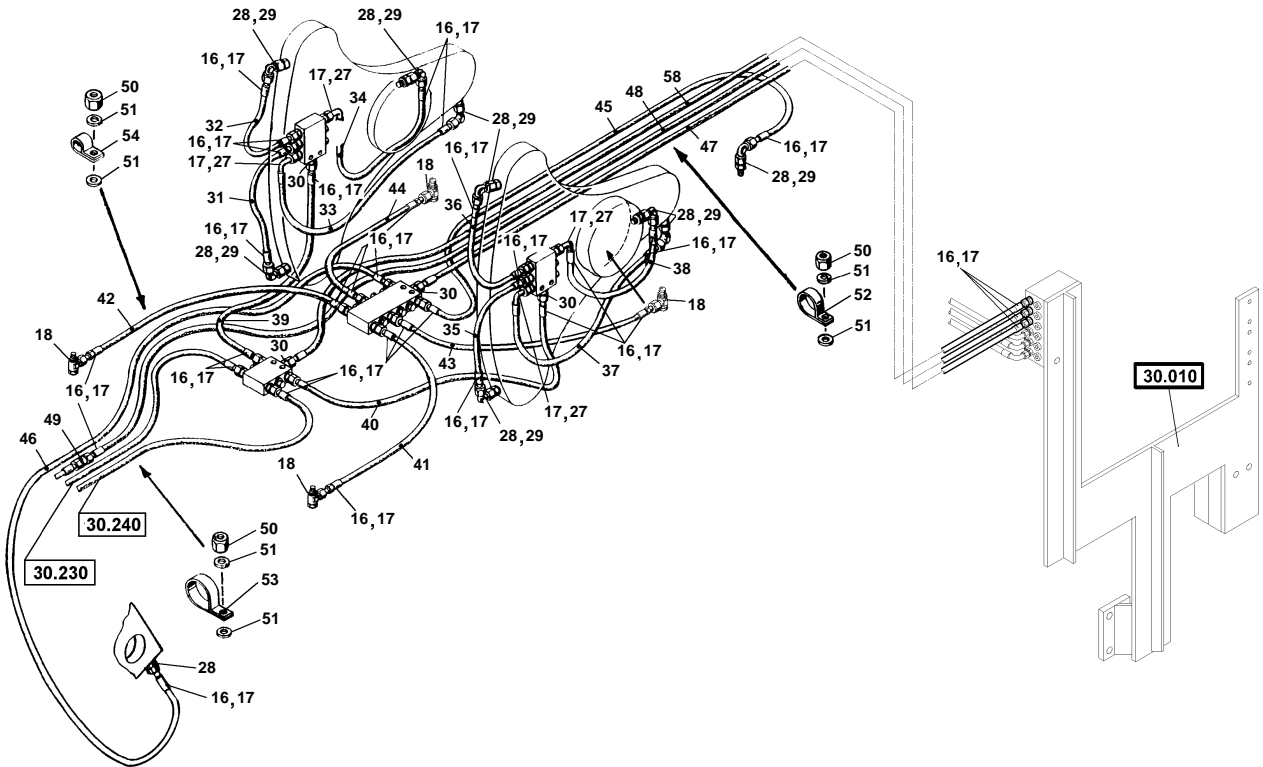
30.060
2 804 301.000



TEREX  MINING		RH40E		LUBE PUMP		30060
		40151		SCHMIERPUMPE		2804301
Item	Quantity	ME	P/N	see page	Description	Beschreibung
1	1	ST	1473117		LUBE PUMP	SCHMIERPUMPE
2	1	ST	1473194		PUMP HOUSING	PUMPENGEHAEUSE
3	1	ST	1473213		ENGINE	MOTOR
4	1	ST	0013747		WOODRUFF KEY	SCHEIBENFEDER
5	1	ST	1448025		ROT.SHAFT LIP SEAL	WELLENDICHTRING
6	3	ST	0053642		CYL.HEAD SCREW	ZYLINDERSCHRAUBE
7	3	ST	0063707		DISK/WASHER	SCHEIBE
8	3	ST	0036865		O-RING	O-RING
9	2	ST	1473190		BEARING RACE	LAGERRING
10	1	ST	1473193		ECCENTRIC	EXZENTER
11	1	ST	1473192		INNER RING	INNENRING
12	2	ST	1473210		SNAP RING	SPRENGRING
13	1	ST	1473209			PASSSCHEIBE
14	1	ST	1473191		INTERMEDIAT.BOTTOM	ZWISCHENBODEN
15	2	ST	0057871		O-RING	O-RING
16	1	ST	1439566		BALL BEARING	KUGELLAGER
17	1	ST	0062543		DISK/WASHER	SCHEIBE
18	1	ST	1473189		RING	RING
19	1	ST	8402876		ROUND SEALING RING	RUNDDICHRING
20	1	ST	1473188		VANE	FLUEGEL
21	1	ST	1473187		HOSE	SCHLAUCH
22	1	ST	1473186		CONTAINER	BEHAELTER
23	1	ST	1473185		VANE	FLUEGEL
24	1	ST	1473184		LID	DECKEL
25	2	ST	1424911		PUMP ELEMENT	PUMPENELEMENT
26	2	ST	1439562		SEALING RING	DICHTRING
27	2	ST	1456814		CHECK VALVE	RUECKSCHLAGVENTIL
28	2	ST	1473123		CHECK VALVE	RUECKSCHLAGVENTIL
29	2	ST	1909573		VALVE	VENTIL
30	1	ST	0032834		GREASE NIPPLE	SCHMIERNIPPEL
31	1	ST	0945328		PLUG	STOPFEN
32	1	ST	1473215		PLUG	STOPFEN
33	1	ST	1473214		CIRCUIT BOARD	PLATINE
34	2	ST	1473211		GASKET	FLACHDICHTUNG
35	1	ST	1473216		PLUG	STECKER
36	1	ST	1473212		PLUG	STECKER
37	1	ST	1473217			ANSCHLUSS-KABEL
38	1	ST	1473121		ADAPTER	ADAPTER
39	2	ST	6000068		SENSOR	SENSOR
40	1	ST	1473122		CABLE	KABEL
41	1	ST	1999274		GREASE CARTRIDGE	FETTPATRONE

* : quantity see description

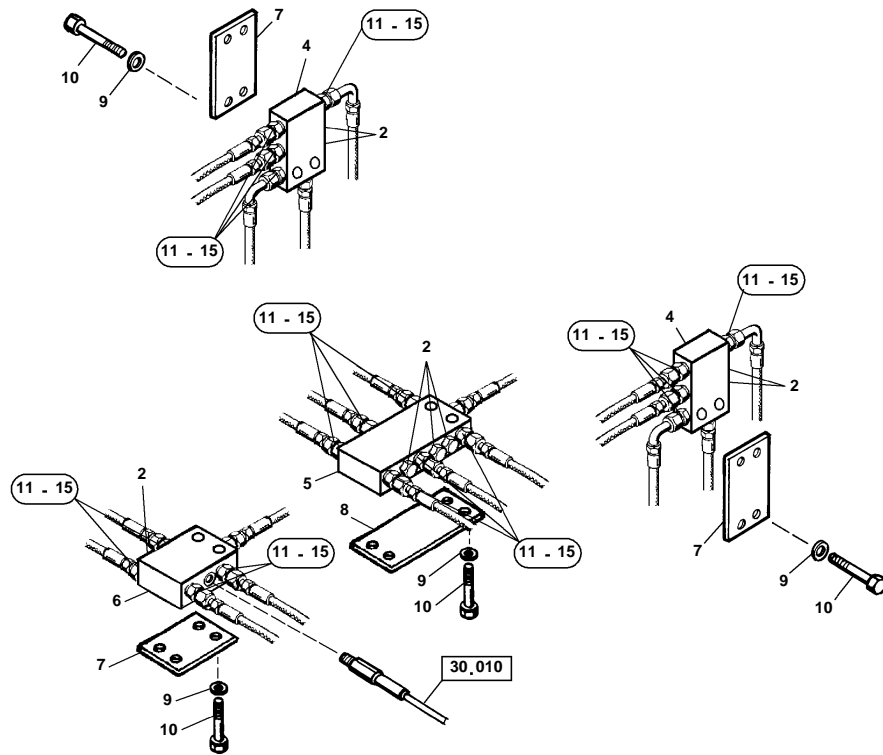




30.210
3 657 267.000
Blatt 1-2



TEREX  MINING 	RH40E 40151	GREASING SYSTEM BOOM BOTTOM SCHMIERANLAGE AUSLEGERUNTERTEIL	30210 3657267
---	-----------------------	---	-------------------------



30.210
3 657 267.000
Blatt 2-2

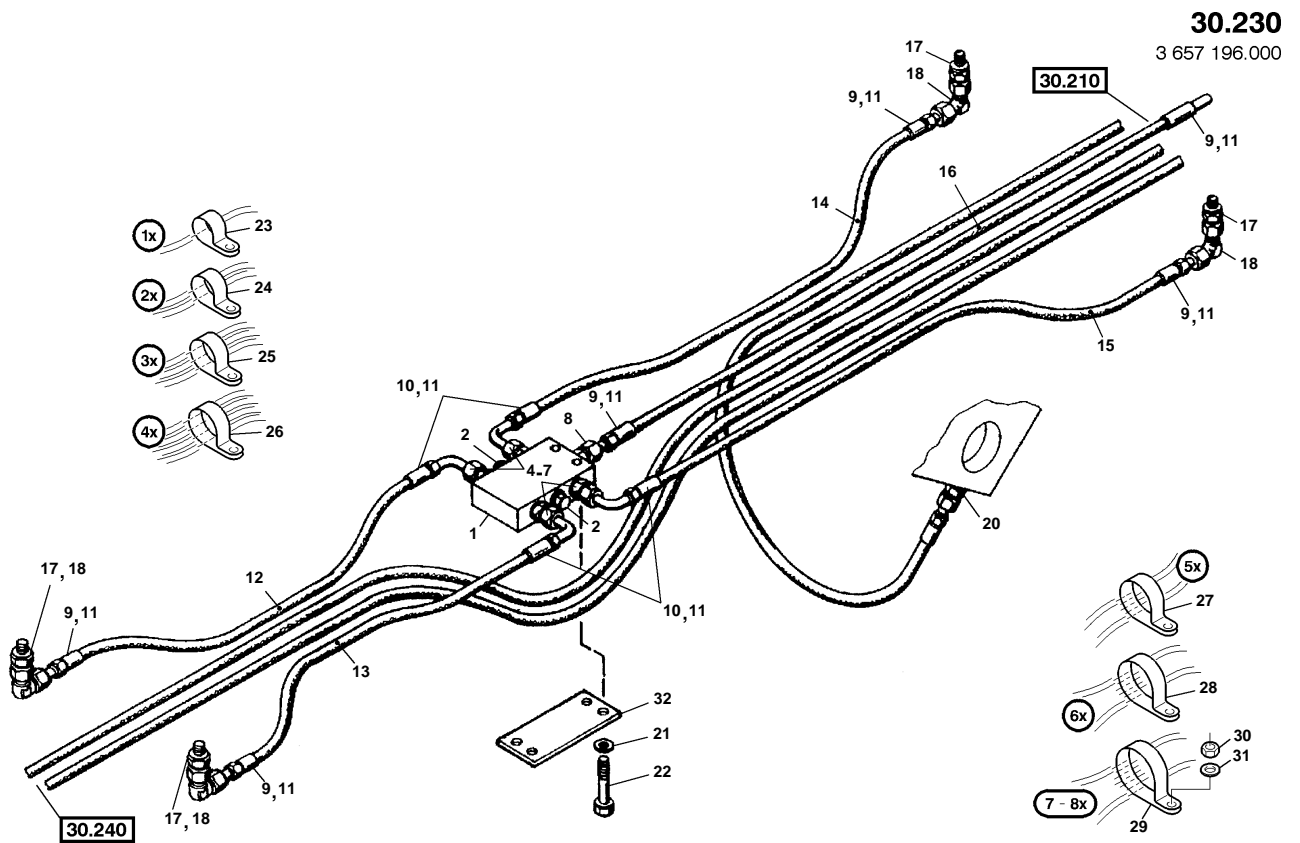



TEREX  MINING			RH40E		GREASING SYSTEM BOOM BOTTOM SCHMIERANLAGE AUSLEGERUNTERTEIL		30210	
			40151				3657267	
Item	Quantity	ME	P/N	see page	Description	Beschreibung		
2	14	ST	6000078		SCREW PLUG	VERSCHLUSSSCHRAUBE		
4	2	ST	1088916		DISTRIBUTOR	VERTEILER		
5	1	ST	1709041		DISTRIBUTOR	VERTEILER		
6	1	ST	6000072		DISTRIBUTOR	VERTEILER		
7	3	ST	1774784		PLATE	PLATTE		
8	1	ST	1774785		PLATE	PLATTE		
9	16	ST	0511792		DISK/WASHER	SCHEIBE		
10	16	ST	0055068		HEX.HD.SCREW	SECHSKANTSCHRAUBE		
11	26	ST	2361696		CHECK VALVE	RUECKSCHLAGVENTIL		
12	18	ST	1558870		SOCKET	STUTZEN		
13	18	ST	1413300		SEALING RING	DICHTRING		
14	18	ST	1558868		CONN.NUT	UEBERWURFMUTTER		
15	18	ST	1558869		CUTTING RING	SCHNEIDRING		
16	32	ST	1431139		SOCKET	STUTZEN		
17	36	ST	1431140		SLEEVE	HUELSE		
18	4	ST	0043603		TUBE FITTING	VERSCHRAUBUNG		
27	4	ST	1791251		SOCKET	STUTZEN		
28	9	ST	0010561		TUBE FITTING	VERSCHRAUBUNG		
29	10	ST	0146722		TUBE FITTING	VERSCHRAUBUNG		
30	4	ST	0035187		TUBE FITTING	VERSCHRAUBUNG		
31	*	M	1423786		HOSE ; 0,71 M	SCHLAUCH ; 0,71 M		
32	*	M	1423786		HOSE ; 0,56 M	SCHLAUCH ; 0,56 M		
34	*	M	1423786		HOSE ; 0,55 M	SCHLAUCH ; 0,55 M		
35	*	M	1423786		HOSE ; 0,71 M	SCHLAUCH ; 0,71 M		
36	*	M	1423786		HOSE ; 0,56 M	SCHLAUCH ; 0,56 M		
37	*	M	1423786		HOSE ; 1,12 M	SCHLAUCH ; 1,12 M		
38	*	M	1423786		HOSE ; 0,55 M	SCHLAUCH ; 0,55 M		
39	*	M	1423786		HOSE ; 1,8 M	SCHLAUCH ; 1,8 M		
40	*	M	1423786		HOSE ; 1,8 M	SCHLAUCH ; 1,8 M		
41	*	M	1423786		HOSE ; 1,3 M	SCHLAUCH ; 1,3 M		
42	*	M	1423786		HOSE ; 1,3 M	SCHLAUCH ; 1,3 M		
43	*	M	1423786		HOSE ; 0,57 M	SCHLAUCH ; 0,57 M		
44	*	M	1423786		HOSE ; 0,57 M	SCHLAUCH ; 0,57 M		
45	*	M	1423786		HOSE ; 4,45 M	SCHLAUCH ; 4,45 M		
46	*	M	1423786		HOSE ; 3,2 M	SCHLAUCH ; 3,2 M		
47	*	M	1423786		HOSE ; 5,76 M	SCHLAUCH ; 5,76 M		
48	*	M	1423786		HOSE ; 6,2 M	SCHLAUCH ; 6,2 M		
49	1	ST	0010555		TUBE FITTING	VERSCHRAUBUNG		
50	10	ST	0057126		HEXAGONAL NUT	SECHSKANTMUTTER		
51	20	ST	0063704		DISK/WASHER	SCHEIBE		
52	6	ST	0750327		CLIP	SHELLE		
53	2	ST	0726779		CLIP	SHELLE		
54	1	ST	0925744		CLIP	SHELLE		
55	1	ST	1423794		CLIP	SHELLE		

* : quantity see description

list 1 - page 84

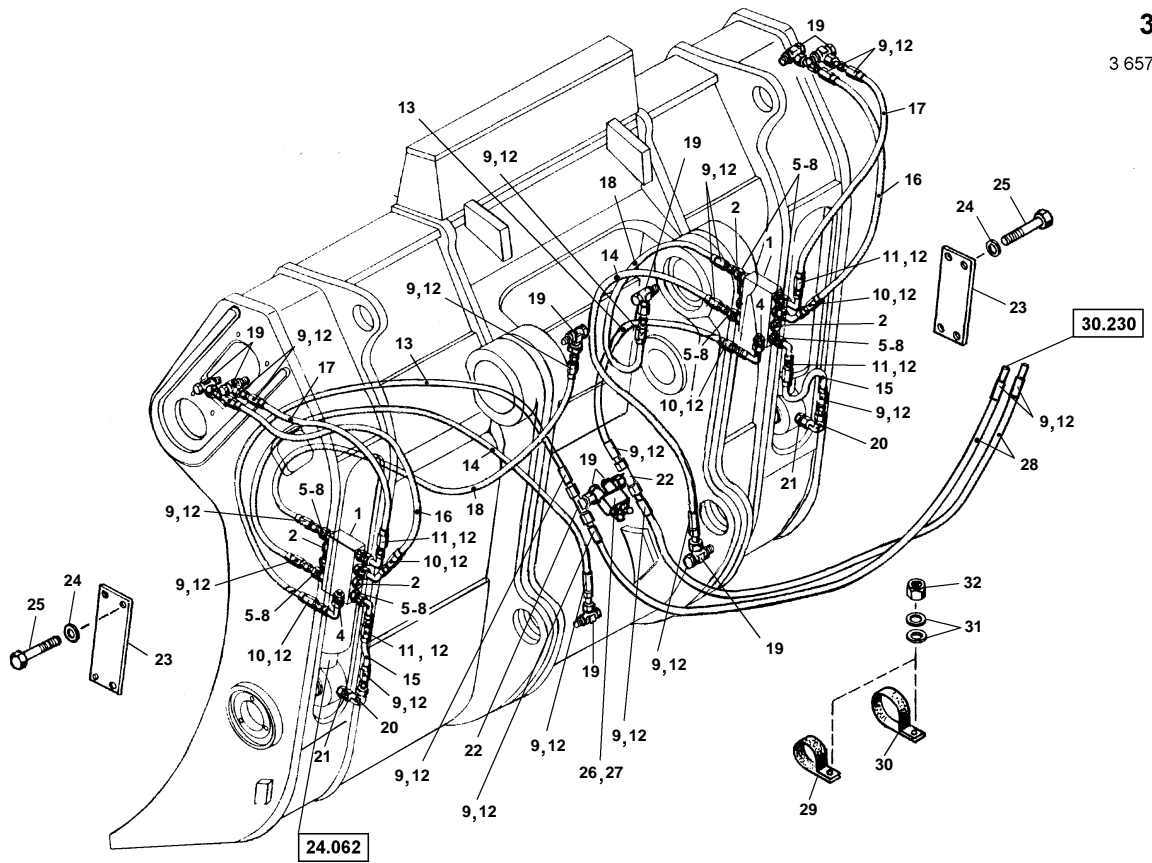
TEREX  MINING 	RH40E 40151	STICK LUBE SYSTEM STICK SCHMIERANLAGE STIEL STIEL	30230 3657196
---	---------------------------	--	-----------------------------



			RH40E 40151		STICK LUBE SYSTEM STICK SCHMIERANLAGE STIEL STIEL		30230 3657196	
Item	Quantity	ME	P/N	see page	Description	Beschreibung		
1	1	ST	1088916		DISTRIBUTOR	VERTEILER		
2	2	ST	6000078		SCREW PLUG	VERSCHLUSSCHRAUBE		
4	4	ST	1558870		SOCKET	STUTZEN		
5	4	ST	1413300		SEALING RING	DICHTRING		
6	4	ST	1558868		CONN.NUT	UEBERWURFMUTTER		
7	4	ST	1558869		CUTTING RING	SCHNEIDRING		
8	1	ST	5620319			EINSCHR-VERSCHRAUB		
9	6	ST	1431139		SOCKET	STUTZEN		
10	4	ST	1791251		SOCKET	STUTZEN		
11	10	ST	1431140		SLEEVE	HUELSE		
12	*	M	1423786		HOSE ; 1,42 M	SCHLAUCH ; 1,42 M		
13	*	M	1423786		HOSE ; 1,32 M	SCHLAUCH ; 1,32 M		
14	*	M	1423786		HOSE ; 3,28 M	SCHLAUCH ; 3,28 M		
15	*	M	1423786		HOSE ; 3,18 M	SCHLAUCH ; 3,18 M		
16	*	M	1423786		HOSE ; 3,2 M	SCHLAUCH ; 3,2 M		
17	4	ST	0215075		SOCKET	STUTZEN		
18	4	ST	0146722		TUBE FITTING	VERSCHRAUBUNG		
20	1	ST	0010561		TUBE FITTING	VERSCHRAUBUNG		
21	2	ST	0063707		DISK/WASHER	SCHEIBE		
22	2	ST	0055068		HEX.HD.SCREW	SECHSKANTSCHRAUBE		
23	1	ST	1423794		CLIP	SHELLE		
24	1	ST	0925744		CLIP	SHELLE		
25	1	ST	0936457		CLIP	SHELLE		
26	1	ST	0750518		CLIP	SHELLE		
27	1	ST	0936438		CLIP	SHELLE		
28	1	ST	0726779		CLIP	SHELLE		
29	1	ST	0936570		CLIP	SHELLE		
30	1	ST	0057126		HEXAGONAL NUT	SECHSKANTMUTTER		
31	1	ST	0063704		DISK/WASHER	SCHEIBE		
32	1	ST	1774784		PLATE	PLATTE		


* : quantity see description

list 1 - page 85



30.240

3 657 199.000

			RH40E 40151		GREASING SYSTEM REAR WALL SCHMIERANLAGE RUECKWAND		30240 3657199	
Item	Quantity	ME	P/N	see page	Description	Beschreibung		
1	2	ST	1558862		DISTRIBUTOR	VERTEILER		
2	6	ST	6000078		SCREW PLUG	VERSCHLUSSSCHRAUBE		
3	6	ST	1558867		SEALING RING	DICHTRING		
4	2	ST	0035187		TUBE FITTING	VERSCHRAUBUNG		
5	10	ST	1558870		SOCKET	STUTZEN		
6	10	ST	1413300		SEALING RING	DICHTRING		
7	10	ST	0035193		CONN.NUT	UEBERWURFMUTTER		
8	10	ST	0035194		CUTTING RING	SCHNEIDRING		
9	20	ST	1431139		SOCKET	STUTZEN		
10	4	ST	1791251		SOCKET	STUTZEN		
11	4	ST	1909575		SOCKET	STUTZEN		
12	28	ST	1431140		SLEEVE	HUELSE		
13	*	M	1423786		HOSE ; 1,17 M	SCHLAUCH ; 1,17 M		
14	*	M	1423786		HOSE ; 1,62 M	SCHLAUCH ; 1,62 M		
15	*	M	1423786		HOSE ; 0,32 M	SCHLAUCH ; 0,32 M		
16	*	M	1423786		HOSE ; 1,16 M	SCHLAUCH ; 1,16 M		
17	*	M	1423786		HOSE ; 1,06 M	SCHLAUCH ; 1,06 M		
18	*	M	1423786		HOSE ; 1,51 M	SCHLAUCH ; 1,51 M		
19	10	ST	0043603		TUBE FITTING	VERSCHRAUBUNG		
20	2	ST	0146722		TUBE FITTING	VERSCHRAUBUNG		
21	2	ST	0215075		SOCKET	STUTZEN		
22	2	ST	0145211		TUBE FITTING	VERSCHRAUBUNG		
23	2	ST	1774784		PLATE	PLATTE		
24	8	ST	0063707		DISK/WASHER	SCHEIBE		
25	8	ST	0055068		HEX.HD.SCREW	SECHSKANTSCHRAUBE		
26	1	ST	1991734		DISTRIBUTOR	VERTEILER		
27	2	ST	0063281		HEX.HD.SCREW	SECHSKANTSCHRAUBE		
28	*	M	1423786		HOSE ; 1 M	SCHLAUCH ; 1 M		
29	4	ST	1423794		CLIP	SHELLE		
30	2	ST	0925744		CLIP	SHELLE		
31	12	ST	0515369		DISK/WASHER	SCHEIBE		
32	6	ST	0057126		HEXAGONAL NUT	SECHSKANTMUTTER		

* : quantity see description

list 1 - page 86

TEREX  MINING 	RH40E 40151	ELECTRICAL SYSTEM ELEKTROANLAGE	31000 2803777
---	-----------------------	--	-------------------------

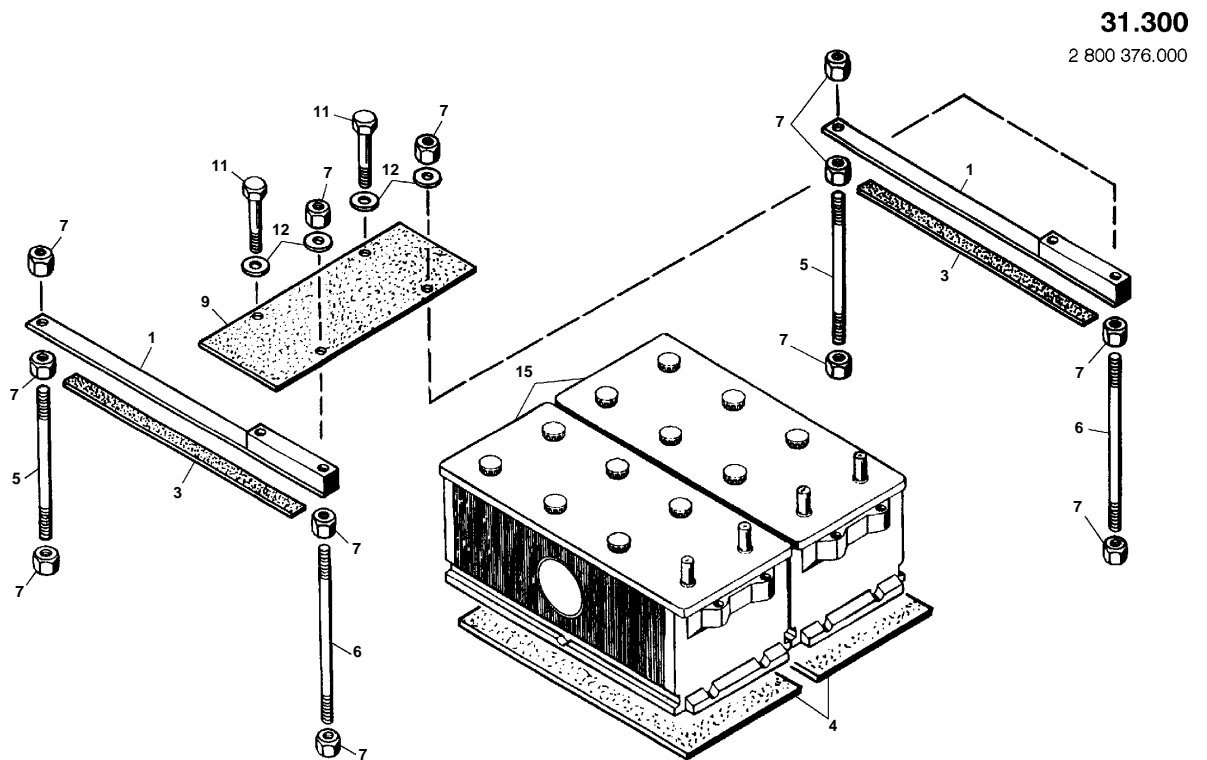
2 803 777.000



**Der Elektroschaltplan und die zugehörige Legende
befinden sich im Band 2 der Ersatzteilliste**

**The electrical circuit diagram and the respective legend
can be found in volume 2 of the spare parts list.**

**El esquema de circuitos eléctricos y la correspondiente leyenda se
encuentran en el torno 2 de la lista de piezas de recambio.**

**Le schéma électrique et la légende de trouvant dans
le volume 2 de la liste des pièces de rechange.**

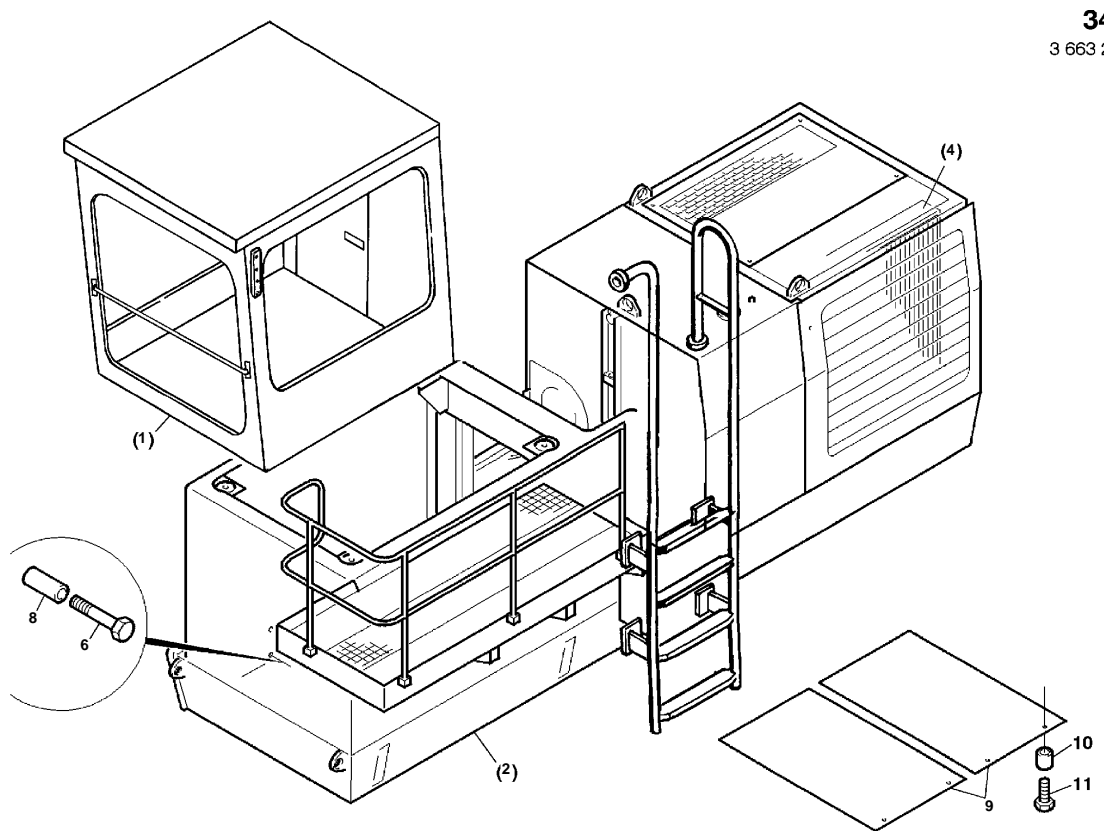


TEREX  MINING			RH40E		BATTERY INSTALL.MATERIAL BATTERIE EINBAU		31300	
			40151				2800376	
Item	Quantity	ME	P/N	see page	Description	Beschreibung		
1	2	ST	2418725		STRIP	LEISTE		
3	2	ST	2250853		PLATE	PLATTE		
4	2	ST	2250854		PLATE	PLATTE		
5	*	M	1758470		ROD ; 0,23 M	STANGE ; 0,23 M		
6	*	M	1758470		ROD ; 0,26 M	STANGE ; 0,26 M		
7	12	ST	0057127		HEXAGONAL NUT	SECHSKANTMUTTER		
9	1	ST	2134741		MAT	MATTE		
11	2	ST	0056656		HEX.HD.SCREW	SECHSKANTSCHRAUBE		
12	4	ST	0530811		DISK/WASHER	SCHEIBE		
15	2	ST	1589252		BATTERY	BATTERIE		



* : quantity see description

list 1 - page 88

TEREX  MINING 	RH40E 40151	CAB MODULE FAHRERHAUSMODUL	34000 3663207
---	-----------------------	---	-------------------------





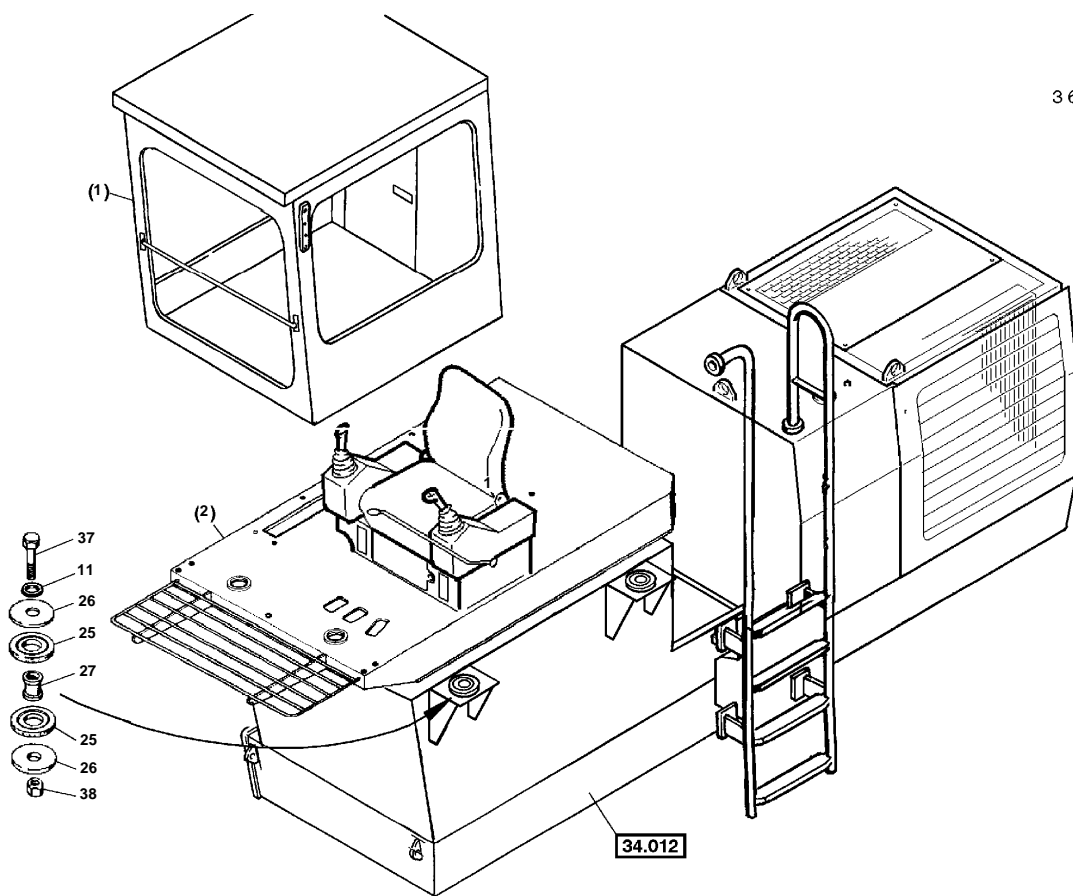
34.000
3 663 207.000

TEREX  MINING		RH40E		CAB MODULE		34000	
		40151		FAHRERHAUSMODUL		3663207	
Item	Quantity	ME	P/N	see page	Description	Beschreibung	
1	1	ST	(3663206)	90	CAB MODULE INSTALL.MATERIAL	FAHRERHAUSMODUL EINBAU	
2	1	ST	(3663199)	91	CAB MODULE	FAHRERHAUSMODUL	
4	1	ST	(3663198)	26	COOLING SYSTEM HYDRAULIC OIL	KUEHLANLAGE HYDRAULIKOEL	
5	1	ST	2415721			DAEMMSCHUTZ	
6	15	ST	1129975		SLEEVE	HUELSE	
8	15	ST	0271552		HEX.HD.SCREW	SECHSKANTSCHRAUBE	
9	2	ST	2415720		PLATE	PLATTE	
10	4	ST	0511799		DISK/WASHER	SCHEIBE	
11	4	ST	0054405		HEX.HD.SCREW	SECHSKANTSCHRAUBE	



* : quantity see description

list 1 - page 89

TEREX  MINING 	RH40E 40151	CAB MODULE INSTALL.MATERIAL FAHRERHAUSMODUL EINBAU	34010 3663206
---	-----------------------	---	-------------------------



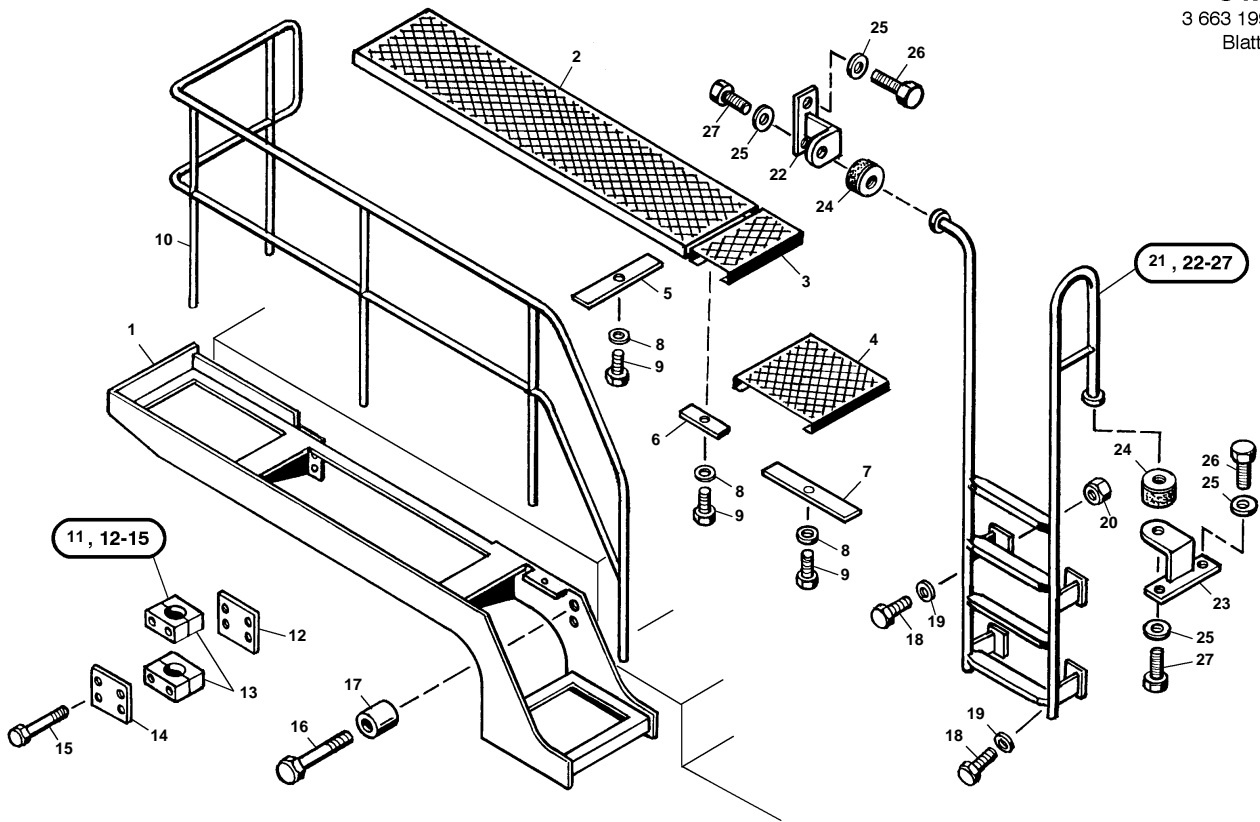
34.010
3 663 206.000

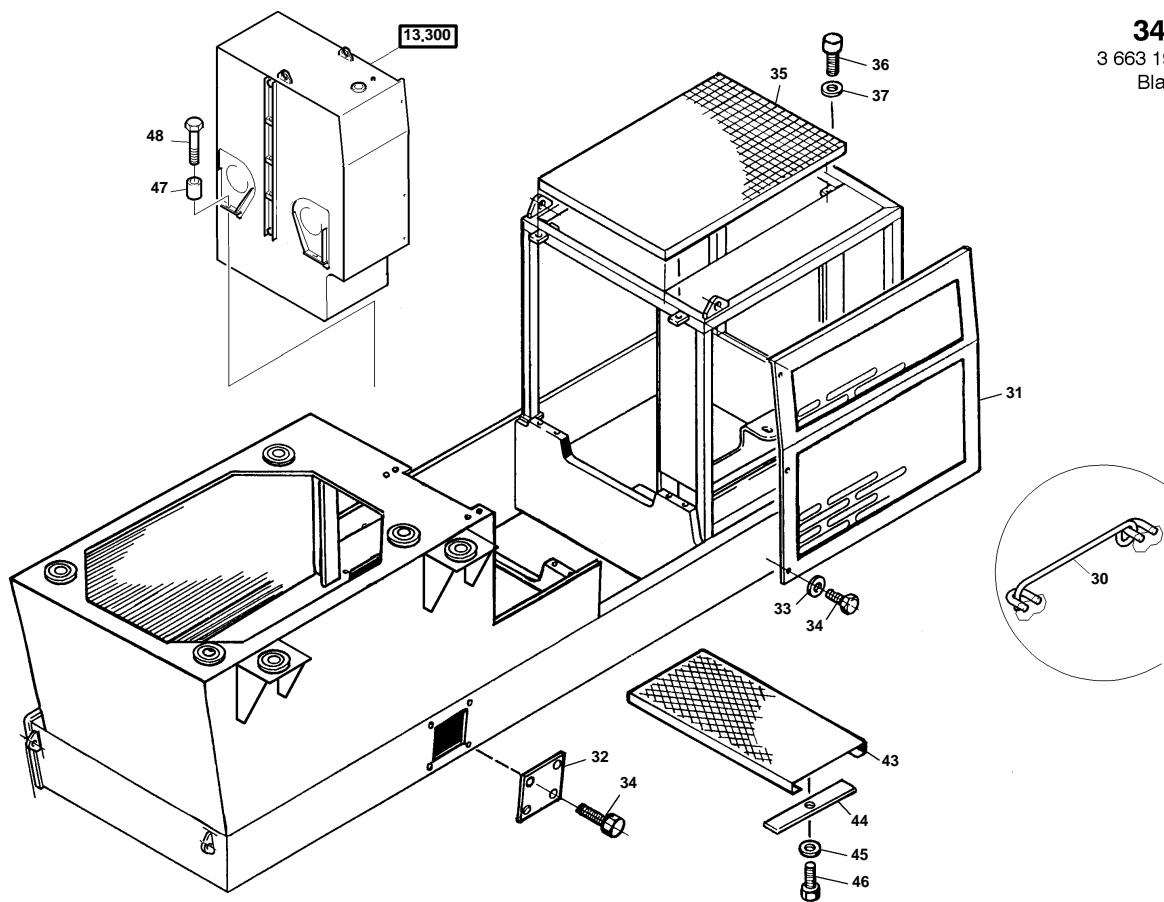
TEREX  MINING			RH40E		CAB MODULE INSTALL.MATERIAL FAHRERHAUSMODUL EINBAU		34010	
			40151				3663206	
Item	Quantity	ME	P/N	see page	Description	Beschreibung		
1	1	ST	(3663205)	92	OPERATOR'S CAB INSTALL.MATERIAL	FAHRERHAUS EINBAU		
2	1	ST	(3663218)	94	PLATFORM PLATE INSTALL.MATERIAL	PODESTPLATTE EINBAU		
11	6	ST	1713017		DISK/WASHER	SCHEIBE		
25	12	ST	1713026		DISK/WASHER	SCHEIBE		
26	12	ST	1714139		DISK/WASHER	SCHEIBE		
27	6	ST	1770398		SLEEVE	HUELSE		
37	6	ST	0303759		HEX.HD.SCREW	SECHSKANTSCHRAUBE		
38	6	ST	0725637		LOCKING NUT	SICHERUNGSMUTTER		

* : quantity see description

list 1 - page 90

34.012
 3 663 199.000
 Blatt 1 - 2





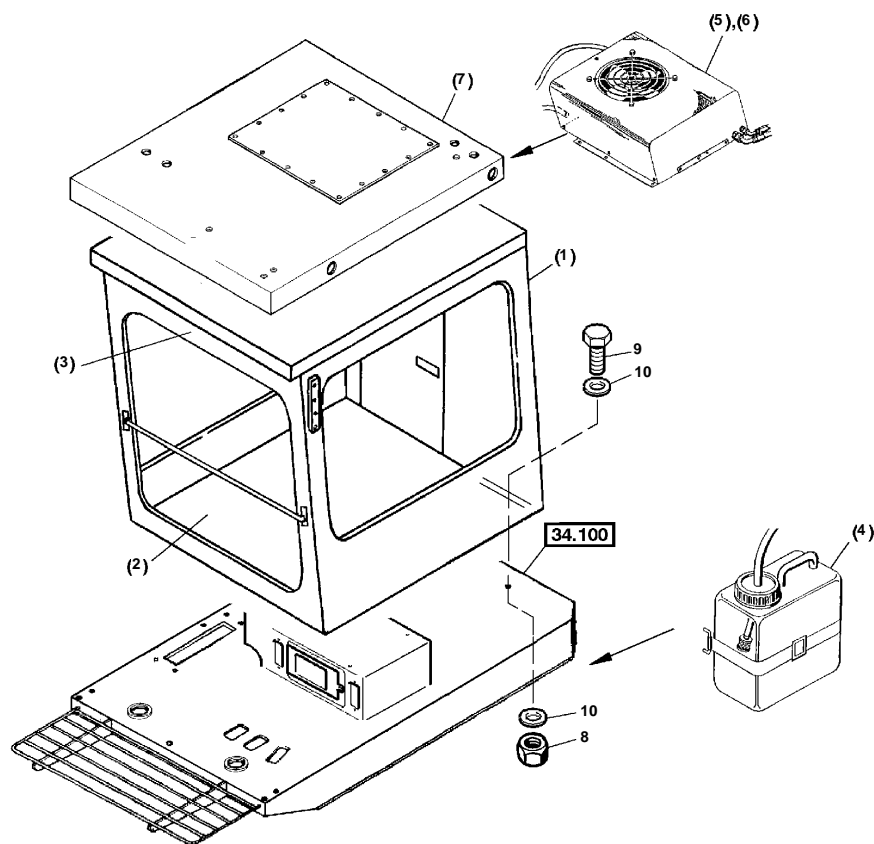
34.012
3 663 199.000
Blatt 2 - 2

TEREX  MINING			RH40E 40151		CAB MODULE FAHRERHAUSMODUL		34012 3663199	
Item	Quantity	ME	P/N	see page	Description	Beschreibung		
1	1	ST	2451763		PLATFORM	PODEST		
2	1	ST	2416180		GRID	GITTER		
3	1	ST	2416165		GRID	GITTER		
4	1	ST	2451766		SAFETY GRILL	SICHERHEITSROST		
5	3	ST	1751665		STRIP	LEISTE		
6	2	ST	1751691		PLATE	PLATTE		
7	2	ST	1751665		STRIP	LEISTE		
8	7	ST	0063701		DISK/WASHER	SCHEIBE		
9	7	ST	0056668		HEX.HD.SCREW	SECHSKANTSCHRAUBE		
10	1	ST	2418417		RAILINGS	GELAENDER		
11	5	ST	1590140		CLIP	SCHELLE		
12	5	ST	0598102		PLATE	PLATTE		
13	10	ST	0750450		CLIP	SCHELLE		
14	5	ST	0598101		PLATE	PLATTE		
15	20	ST	0056619		HEX.HD.SCREW	SECHSKANTSCHRAUBE		
16	8	ST	0421283		HEX.HD.SCREW	SECHSKANTSCHRAUBE		
17	8	ST	1597181		SLEEVE	HUELSE		
18	4	ST	0054449		HEX.HD.SCREW	SECHSKANTSCHRAUBE		
19	4	ST	0094407		DISK/WASHER	SCHEIBE		
20	4	ST	0057133		HEXAGONAL NUT	SECHSKANTMUTTER		
21	1	ST	2761498		LADDER	LEITER		
22	1	ST	2451772		BRACKET	HALTER		
23	1	ST	2451775		BRACKET	HALTER		
24	2	ST	0215819		BUMPER	PUFFER		
25	6	ST	2451769		DISK/WASHER	SCHEIBE		
26	4	ST	0056661		HEX.HD.SCREW	SECHSKANTSCHRAUBE		
27	2	ST	0056659		HEX.HD.SCREW	SECHSKANTSCHRAUBE		
30	1	ST	2415078		ARRESTOR	FESTSTELLER		
31	1	ST	2274092		DOOR	TUER		
32	1	ST	2418945		LID	DECKEL		
33	3	ST	0080731		DISK/WASHER	SCHEIBE		
34	7	ST	0054431		HEX.HD.SCREW	SECHSKANTSCHRAUBE		
35	1	ST	2415763		GRID	GITTER		
36	4	ST	0590410		CYL.HEAD SCREW	ZYLINDERSCHRAUBE		
37	4	ST	0063677		DISK/WASHER	SCHEIBE		
43	1	ST	2418408		SAFETY GRILL	SICHERHEITSROST		
44	2	ST	1751665		STRIP	LEISTE		
45	2	ST	0063701		DISK/WASHER	SCHEIBE		
46	2	ST	0056668		HEX.HD.SCREW	SECHSKANTSCHRAUBE		
47	4	ST	3676830		SLEEVE	HUELSE		
48	4	ST	1740079		HEX.HD.SCREW	SECHSKANTSCHRAUBE		

* : quantity see description

list 1 - page 91

TEREX  MINING 	RH40E 40151	OPERATOR'S CAB INSTALL.MATERIAL FAHRERHAUS EINBAU	34020 3663205
---	-----------------------	--	-------------------------

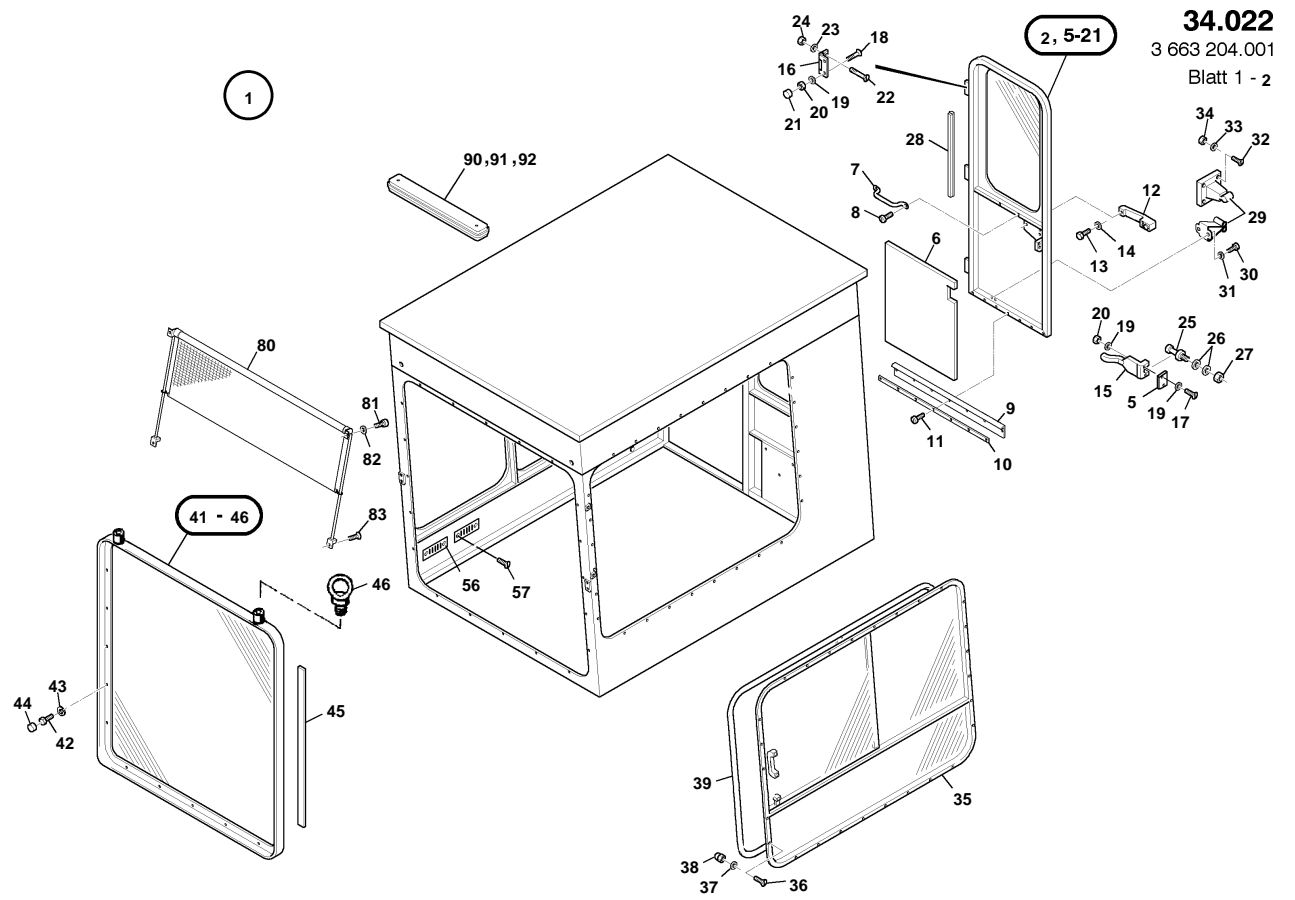


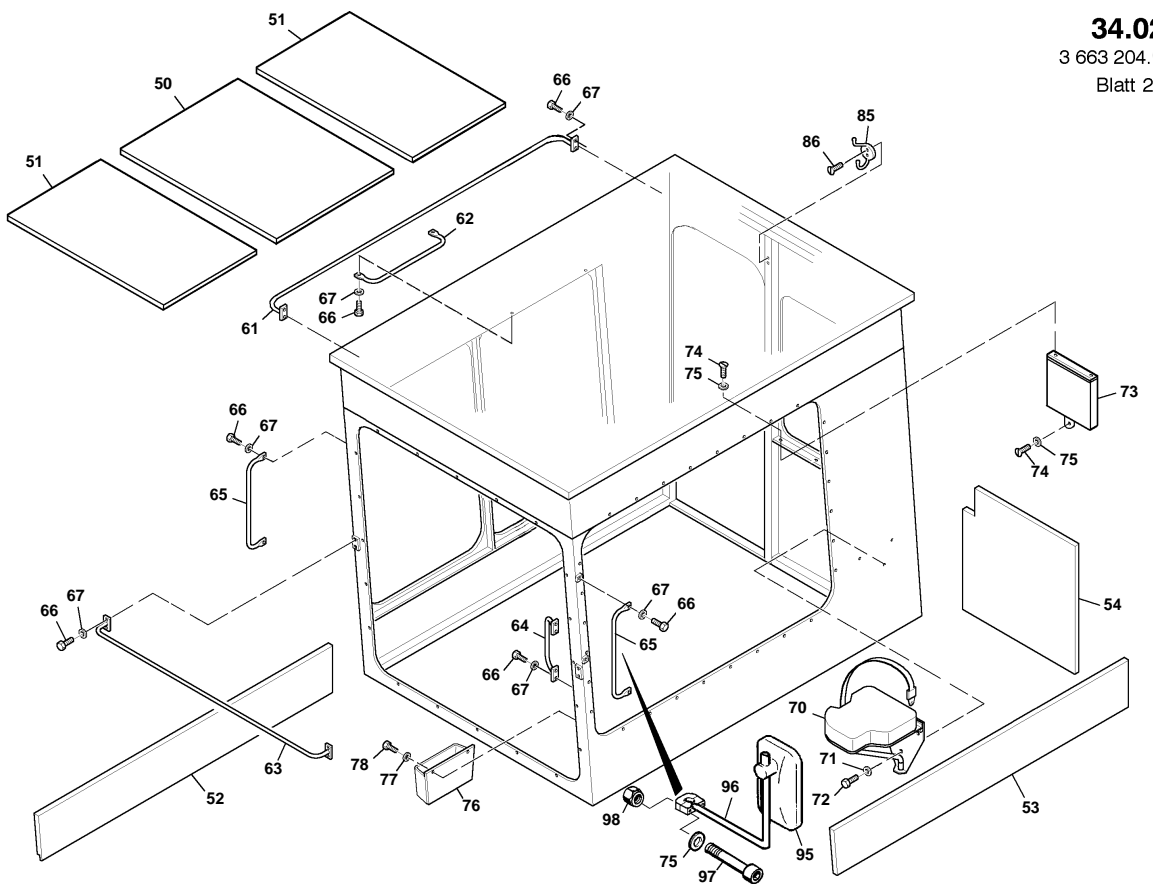
34.020
3 663 205.000

TEREX  MINING			RH40E		OPERATOR'S CAB INSTALL.MATERIAL FAHRERHAUS EINBAU		34020	
			40151				3663205	
Item	Quantity	ME	P/N	see page	Description	Beschreibung		
1	1	ST	(3663204)	93	OPERATOR'S CAB	FAHRERHAUS		
2	1	ST	(3663203)	97	GLAZING OPERATOR'S CAB	VERGLASUNG FAHRERHAUS		
3	1	ST	(3663202)	99	WINDSCREEN WIPER INSTALL.MATERIAL	SCHEIBENWISCHER EINBAU		
4	1	ST	(3663209)	100	WASHER SYSTEM INSTALL.MATERIAL	SCHEIBENWASCHANLAGE EINBAU		
5	1	ST	(3663210)	80	AIR CONDITION INSTALL.MATERIAL	KLIMAAANLAGE EINBAU		
6	1	ST	(3663208)	81	AIR CONDITION	KLIMAAANLAGE		
7	1	ST	(3663211)	103	FOPS	SCHUTZDACH		
8	7	ST	0118490		LOCKING NUT	SICHERUNGSMUTTER		
9	7	ST	0598079		HEX.HD.SCREW	SECHSKANTSCHRAUBE		
10	7	ST	1730794		DISK/WASHER	SCHEIBE		

* : quantity see description

list 1 - page 92





34.022
3 663 204.001
Blatt 2 - 2

TEREX  MINING			RH40E		OPERATOR'S CAB		34022	
			40151		FAHRERHAUS		3663204-001	
Item	Quantity	ME	P/N	see page	Description	Beschreibung		
1	1	ST	3673365		OPERATOR'S CAB	FAHRERHAUS		
2	1	ST	1774582		DOOR	TUER		
5	1	ST	2104960		BRACKET	HALTER		
6	1	ST	1774585		PANELING	VERKLEIDUNG		
7	1	ST	1589348		HANDLE	GRIFF		
8	2	ST	0952288		SELF-TAPPING SCREW	BLECHSCHRAUBE		
9	*	M	1768012		PROFILE ; 0,65 M	PROFIL ; 0,65 M		
10	1	ST	1774584		STRIP	LEISTE		
11	7	ST	0152190		SELF-TAPPING SCREW	BLECHSCHRAUBE		
12	1	ST	1778753		HANDLE	GRIFF		
13	3	ST	0063290		HEX.HD.SCREW	SECHSKANTSCHRAUBE		
14	3	ST	0511788		LOCK WASHER	FEDERRING		
15	1	ST	1755437		LOCK	SCHLOSS		
16	3	ST	2157842		HINGE	SCHARNIER		
17	6	ST	1185465		FLAT HEAD SCREW	SENKSCHEIBE		
18	6	ST	1768194		FLAT HEAD SCREW	SENKSCHEIBE		
19	8	ST	0063668		LOCK WASHER	FEDERRING		
20	8	ST	0057126		HEXAGONAL NUT	SECHSKANTMUTTER		
21	6	ST	1758732		CAP	KAPPE		
22	6	ST	1960512		FLAT HEAD SCREW	SENKSCHEIBE		
23	6	ST	0057111		DISK/WASHER	SCHEIBE		
24	6	ST	0057126		HEXAGONAL NUT	SECHSKANTMUTTER		
25	1	ST	1547776		PIN	BOLZEN		
26	2	ST	1547774		DISK/WASHER	SCHEIBE		
27	1	ST	0971884		HEXAGONAL NUT	SECHSKANTMUTTER		
28	*	M	1768327		PROFILE ; 4,9 M	PROFIL ; 4,9 M		
29	1	ST	1709468		BRACKET	HALTER		
30	2	ST	0054365		HEX.HD.SCREW	SECHSKANTSCHRAUBE		
31	2	ST	0725726		LOCK WASHER	FEDERRING		
32	4	ST	0725195		FLAT HEAD SCREW	SENKSCHEIBE		
33	4	ST	0511815		DISK/WASHER	SCHEIBE		
34	4	ST	0057121		HEXAGONAL NUT	SECHSKANTMUTTER		
35	1	ST	1717725		WINDOW	FENSTER		
36	30	ST	0973408		FLAT HEAD SCREW	SENKSCHEIBE		
37	30	ST	0725727		LOCK WASHER	FEDERRING		
38	30	ST	0766033		CAP NUT	HUTMUTTER		
39	*	M	0782632		SEALING BAND ; 6,5 M	DICHTBAND ; 6,5 M		
41	1				PANZERGLASSCHEIBE KPL.	PANZERGLASSCHEIBE KPL.		
42	18	ST	0054405		HEX.HD.SCREW	SECHSKANTSCHRAUBE		
43	18	ST	0063668		LOCK WASHER	FEDERRING		
44	18	ST	1758732		CAP	KAPPE		
45	*	M	0782632		SEALING BAND ; 6,5 M	DICHTBAND ; 6,5 M		
46	2	ST	0052692		EYE BOLT	RINGSCHRAUBE		
50	1	ST	1778730		INSULATION	ISOLIERUNG		
51	1	ST	1418963		INSULATION	ISOLIERUNG		
52	2	ST	1774580		INSULATION	ISOLIERUNG		
53	1	ST	1418958		INSULATION	ISOLIERUNG		
54	1	ST	1418960		INSULATION	ISOLIERUNG		
56	21	ST	2465751		INJECTOR	DUESE		
57	42	ST	0107432		FLAT HEAD SCREW	SENKSCHEIBE		
61	1				GRIFF	GRIFF		
62	1				GRIFF	GRIFF		
63	1	ST	2415263		HANDLE	GRIFF		
64	1	ST	1585914		HANDLE	GRIFF		
65	2	ST	1585915		HANDLE	GRIFF		
66	18	ST	0056656		HEX.HD.SCREW	SECHSKANTSCHRAUBE		
67	18	ST	0056988		DISK/WASHER	SCHEIBE		
70	1	ST	1597158		OPERATOR'S SEAT	FAHRERSITZ		
71	3	ST	0063704		DISK/WASHER	SCHEIBE		
72	3	ST	0054399		HEX.HD.SCREW	SECHSKANTSCHRAUBE		
73	1				POLSTER	POLSTER		
74	3	ST	0766480		FLAT HEAD SCREW	SENKSCHEIBE		

* : quantity see description

list 1 - page 93

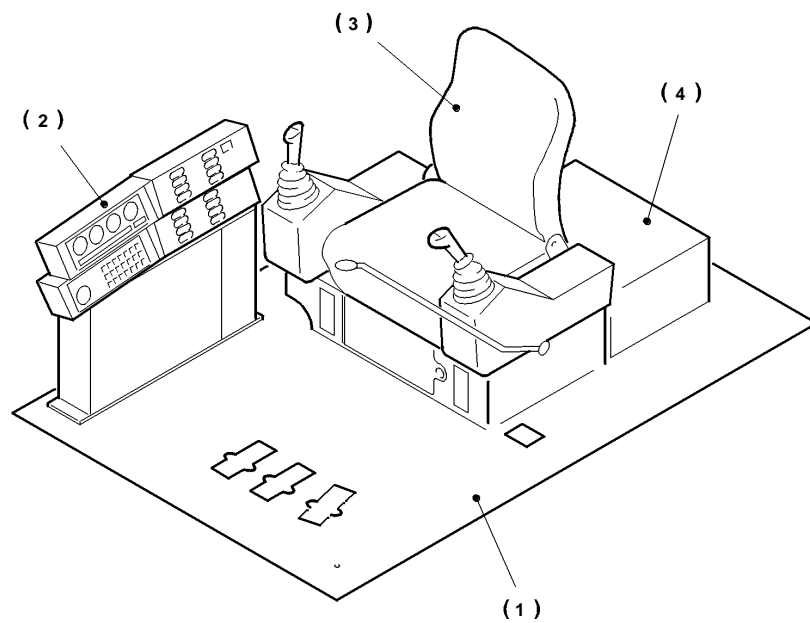
TEREX  MINING		RH40E		OPERATOR'S CAB		34022
		40151		FAHRERHAUS		3663204-001
Item	Quantity	ME	P/N	see page	Description	Beschreibung
75	3	ST	0063707		DISK/WASHER	SCHEIBE
76	1	ST	1774602		INSERT	EINSATZ
77	3	ST	0063713		DISK/WASHER	SCHEIBE
78	3	ST	0598267		SELF-TAPPING SCREW	BLECHSCHRAUBE
80	1	ST	1774568		LOUVRE	JALOUSIE
81	2	ST	0251430		CYL.HEAD SCREW	ZYLINDERSCHRAUBE
82	2	ST	0056982		DISK/WASHER	SCHEIBE
83	2	ST	0725408		FLAT HEAD SCREW	SENKSCHRAUBE
85	1	ST	1590004		HOOK	HAKEN
86	2	ST	0725195		FLAT HEAD SCREW	SENKSCHRAUBE
90	2	ST	1537807		LAMP	LEUCHTE
91	4	ST	0118663		BULB	GLUEHLAMPE
92	4	ST	0598261		SELF-TAPPING SCREW	BLECHSCHRAUBE
95	1	ST	1570622		MIRROR	SPIEGEL
96	1	ST	6002135		BRACKET	HALTER
97	2	ST	1148433		CYL.HEAD SCREW	ZYLINDERSCHRAUBE
98	2	ST	0069419		LOCKING NUT	SICHERUNGSMUTTER



* : quantity see description

list 2 - page 93

TEREX  MINING 	RH40E 40151	PLATFORM PLATE INSTALL.MATERIAL PODESTPLATTE EINBAU	34100 3663218
---	-----------------------	--	-------------------------

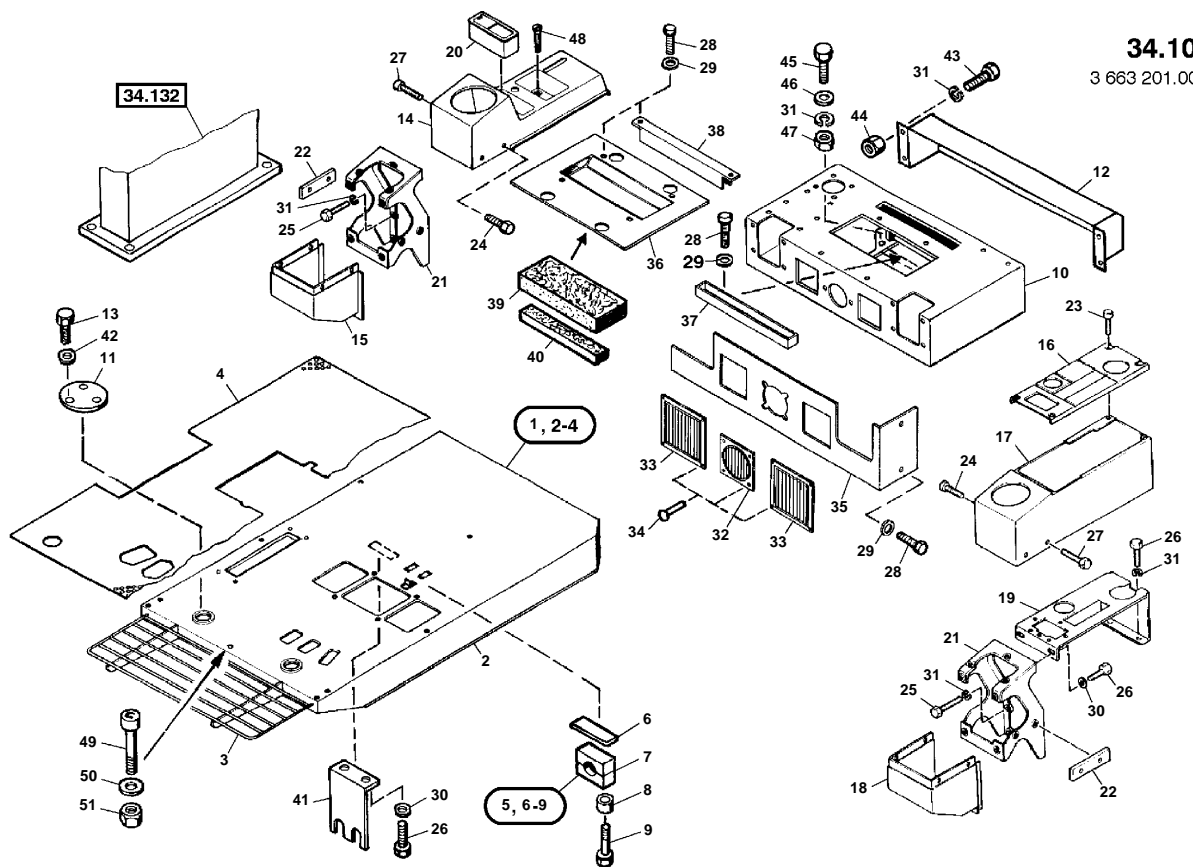
34.100
3 663 218.000



TEREX  MINING 			RH40E 40151		PLATFORM PLATE INSTALL.MATERIAL PODESTPLATTE EINBAU		34100 3663218	
Item	Quantity	ME	P/N	see page	Description	Beschreibung		
1	1	ST	(3663201)	95	PLATFORM PLATE MOUNTING PARTS	PODESTPLATTE ANBAUTEILE		
2	1	ST	(3659185)	96	CONTROL COLUMN	BEDIENSAEULE		
3	1	ST	(2731554)	98	SEAT	SITZ		
4	1	ST	(3663274)	79	CAB HEATING	KABINENHEIZUNG		

* : quantity see description

list 1 - page 94

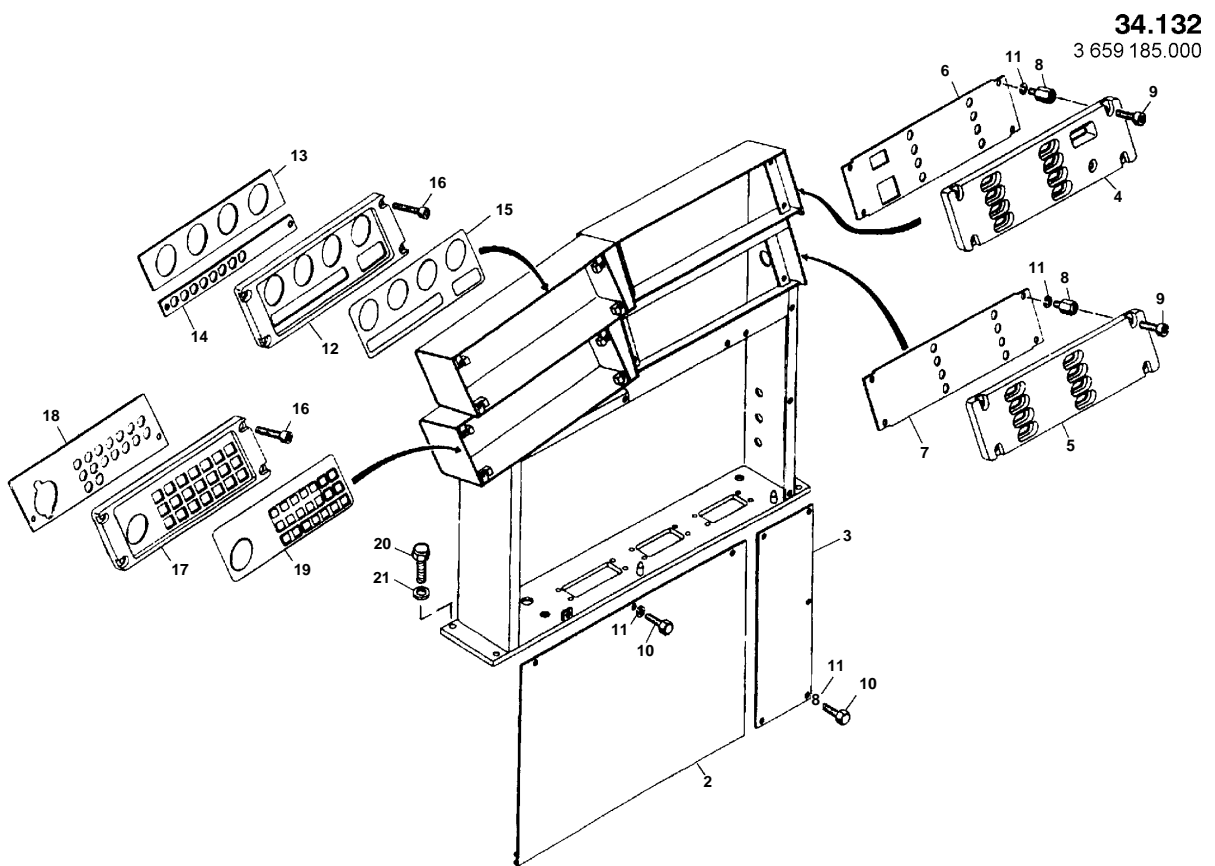


TEREX  MINING				RH40E		PLATFORM PLATE MOUNTING PARTS PODESTPLATTE ANBAUTEILE		34101	
				40151				3663201	
Item	Quantity	ME	P/N	see page	Description	Beschreibung			
1	1	ST	3650413		PLATFORM	PODEST			
2	1	ST	2763315		BASE	BODEN			
3	1	ST	1554679		PLATFORM	PODEST			
4	1	ST	2763309		MAT	MATTE			
5	3	ST	0776236		CLIP	SCHELLE			
6	3	ST	0773388		PLATE	PLATTE			
7	3	ST	0145154		CLIP	SCHELLE			
8	6	ST	0145150		SLEEVE	HUELSE			
9	6	ST	0145151		HEX.HD.SCREW	SECHSKANTSCHRAUBE			
10	1	ST	2273606		BOX	KASTEN			
11	2	ST	2416121		LID	DECKEL			
12	1	ST	2417353		COVER	ABDECKUNG			
13	6	ST	0054365		HEX.HD.SCREW	SECHSKANTSCHRAUBE			
14	1	ST	1928601		PANELING	VERKLEIDUNG			
15	1	ST	1731638		PANELING	VERKLEIDUNG			
16	1	ST	1731637		PANELING	VERKLEIDUNG			
17	1	ST	1731641		PANELING	VERKLEIDUNG			
18	1	ST	1731639		PANELING	VERKLEIDUNG			
19	1	ST	1731628		BRACKET	HALTER			
20	1	ST	0771002		ASHTRAY	ASCHER			
21	2	ST	1731644		BRACKET	KONSOLE			
22	2	ST	1731643		STRIP	LEISTE			
23	4	ST	0725385		CYL.HEAD SCREW	ZYLINDERSCHRAUBE			
24	4	ST	0219041		CYL.HEAD SCREW	ZYLINDERSCHRAUBE			
25	8	ST	0515285		CYL.HEAD SCREW	ZYLINDERSCHRAUBE			
26	6	ST	0054399		HEX.HD.SCREW	SECHSKANTSCHRAUBE			
27	4	ST	0055066		HEX.HD.SCREW	SECHSKANTSCHRAUBE			
28	10	ST	1725364		SELF-TAPPING SCREW	BLECHSCHRAUBE			
29	10	ST	1725598		DISK/WASHER	SCHEIBE			
30	4	ST	0063704		DISK/WASHER	SCHEIBE			
31	18	ST	0063668		LOCK WASHER	FEDERRING			
32	1	ST	1186358		INJECTOR	DUESE			
33	2	ST	1127621		GRID	GITTER			
34	12	ST	1570665		COTTER PIN	SPLINT			
35	1	ST	1928600		COVER	ABDECKUNG			
36	1	ST	1904509		COVER	ABDECKUNG			
37	1	ST	1566607		BRACKET	HALTER			
38	1	ST	1566608		COVER	ABDECKUNG			
39	1	ST	1589908		INSULATION	ISOLIERUNG			
40	*	M	0052045		PROFILE ; 0,32 M	PROFIL ; 0,32 M			
41	1	ST	2415753		BRACKET	HALTER			
42	2	ST	0063708		DISK/WASHER	SCHEIBE			
43	4	ST	0064618		HEX.HD.SCREW	SECHSKANTSCHRAUBE			
44	4	ST	0034230		NUT	MUTTER			
45	4	ST	0057027		CYL.HEAD SCREW	ZYLINDERSCHRAUBE			
46	4	ST	0056987		DISK/WASHER	SCHEIBE			
47	4	ST	0057126		HEXAGONAL NUT	SECHSKANTMUTTER			
48	2	ST	0766799		FLAT HEAD SCREW	SENKSCHEIBE			
49	1	ST	0933422		CYL.HEAD SCREW	ZYLINDERSCHRAUBE			
50	1	ST	1730794		DISK/WASHER	SCHEIBE			
51	1	ST	0118490		LOCKING NUT	SICHERUNGSMUTTER			

* : quantity see description

list 1 - page 95

TEREX  MINING 	RH40E 40151	CONTROL COLUMN BEDIENSAEULE	34132 3659185
---	-----------------------	--	-------------------------

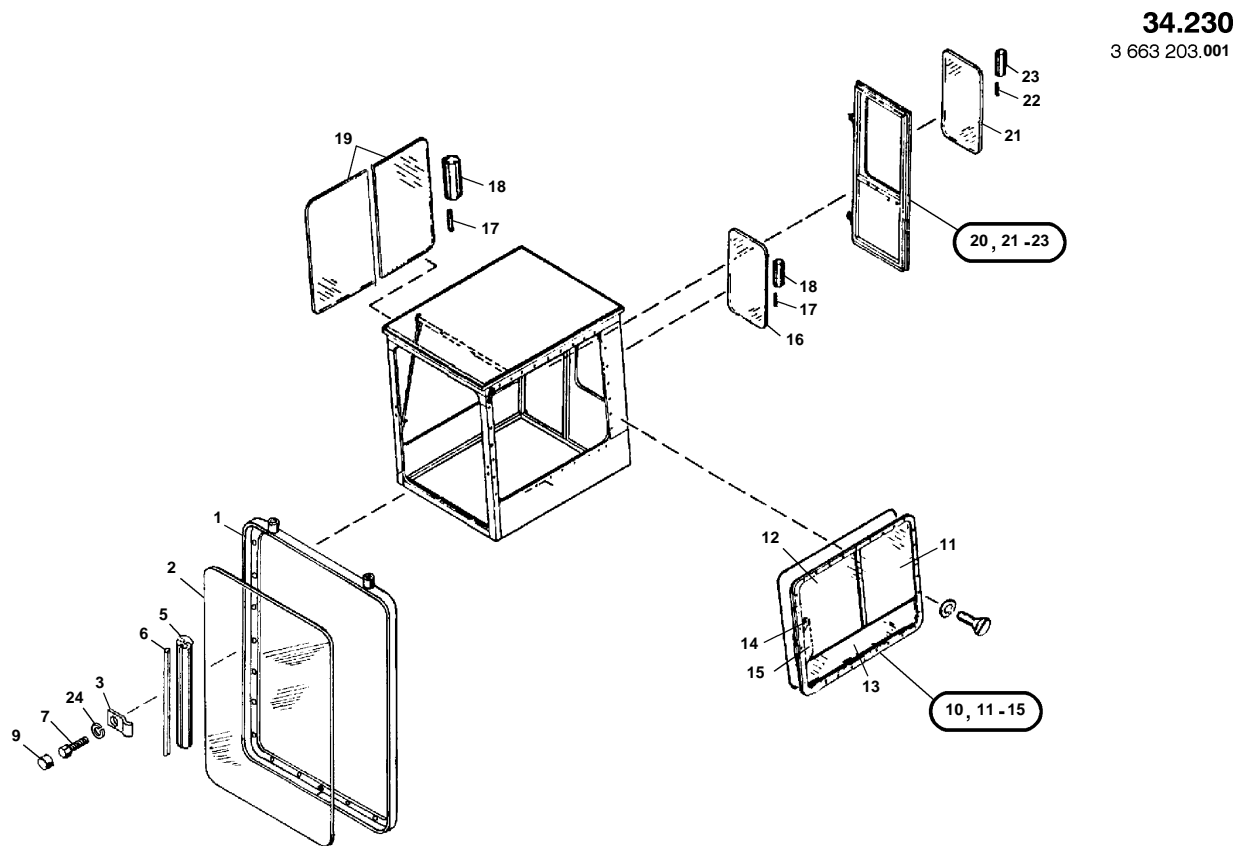


TEREX  MINING			RH40E 40151		CONTROL COLUMN BEDIENSAEULE		34132 3659185	
Item	Quantity	ME	P/N	see page	Description	Beschreibung		
2	1	ST	2707912		FRONT PLATE	FRONTPLATTE		
3	1	ST	1925550		BLIND	BLENDE		
4	1	ST	3648407		PANELING	VERKLEIDUNG		
5	1	ST	3648408		PANELING	VERKLEIDUNG		
6	1	ST	1999113		BRACKET	HALTER		
7	1	ST	1999111		BRACKET	HALTER		
8	8	ST	1983137		PIN	BOLZEN		
9	8	ST	0063582		CYL.HEAD SCREW	ZYLINDERSCHRAUBE		
10	8	ST	0056650		HEX.HD.SCREW	SECHSKANTSCHRAUBE		
11	16	ST	0511788		LOCK WASHER	FEDERRING		
12	1	ST	3647965		LID	DECKEL		
13	1	ST	1781988		PLATE	PLATTE		
14	1	ST	1925545		STRIP	LEISTE		
15	1	ST	3648405		SUPPORT	AUFLAGE		
16	8	ST	0785727		CYL.HEAD SCREW	ZYLINDERSCHRAUBE		
17	1	ST	3647978		LID	DECKEL		
18	1	ST	1949112		PLATE	PLATTE		
19	1	ST	3648406		SUPPORT	AUFLAGE		
20	4	ST	0056659		HEX.HD.SCREW	SECHSKANTSCHRAUBE		
21	4	ST	0056988		DISK/WASHER	SCHEIBE		

* : quantity see description

list 1 - page 96

TEREX  MINING 	RH40E 40151	GLAZING OPERATOR'S CAB VERGLASUNG FAHRERHAUS	34230 3663203-001
---	-----------------------	---	-----------------------------



34.230
3 663 203.001

TEREX  **MINING****RH40E**

40151

**GLAZING OPERATOR'S
CAB
VERGLASUNG
FAHRERHAUS****34230**

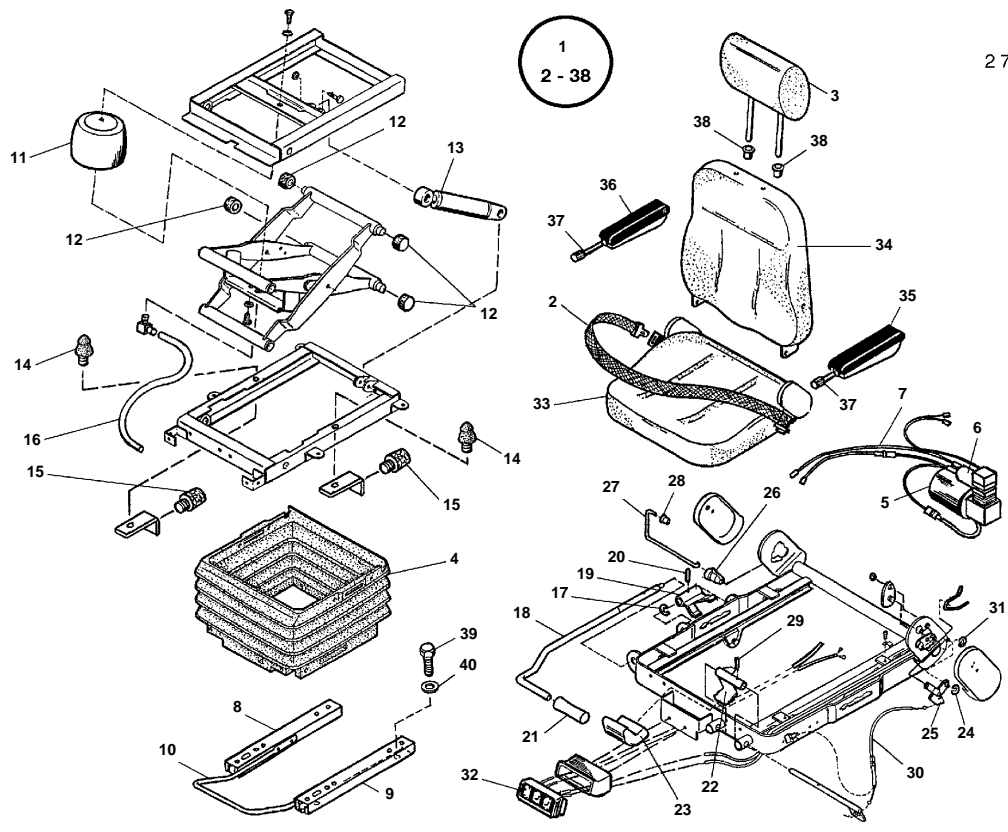
3663203-001

Item	Quantity	ME	P/N	see page	Description	Beschreibung
1	1	ST	1752362		FRAME	RAHMEN
2	1	ST	1771596		PANE	GLASSCHEIBE
3	8	ST	1948830		CLIP	KLEMME
5	*	M	1740693		PROFILE ; 6,2 M	PROFIL ; 6,2 M
6	*	M	0012096		PACKING STRIP ; 6,2 M	FUELLKOEDER ; 6,2 M
7	8	ST	0056653		HEX.HD.SCREW	SECHSKANTSCHRAUBE
9	8	ST	1758732		CAP	KAPPE
10	1	ST	1717725		WINDOW	FENSTER
11	1	ST	1432755		PANE	GLASSCHEIBE
12	1	ST	1432756		PANE	GLASSCHEIBE
13	1	ST	1432754		PANE	GLASSCHEIBE
14	1	ST	1439926		HANDLE	GRIFF
15	1	ST	1421560		HANDLE	GRIFF
16	1	ST	1533313		PANE	GLASSCHEIBE
17	*	M	0012096		PACKING STRIP ; 12 M	FUELLKOEDER ; 12 M
18	*	M	0041459		WINDOW STRIP ; 12 M	KLEMMPROFIL ; 12 M
19	2	ST	1948744		PANE	GLASSCHEIBE
20	1	ST	1774582		DOOR	TUER
21	1	ST	1533313		PANE	GLASSCHEIBE
22	*	M	0012096		PACKING STRIP ; 2,8 M	FUELLKOEDER ; 2,8 M
23	*	M	0041459		WINDOW STRIP ; 2,8 M	KLEMMPROFIL ; 2,8 M
24	8	ST	0063668		LOCK WASHER	FEDERRING

* : quantity see description

list 1 - page 97

TEREX  MINING 	RH40E 40151	SEAT SITZ	34502 2731554
---	------------------------------	----------------------------	--------------------------------





34.502
2 731 554.000

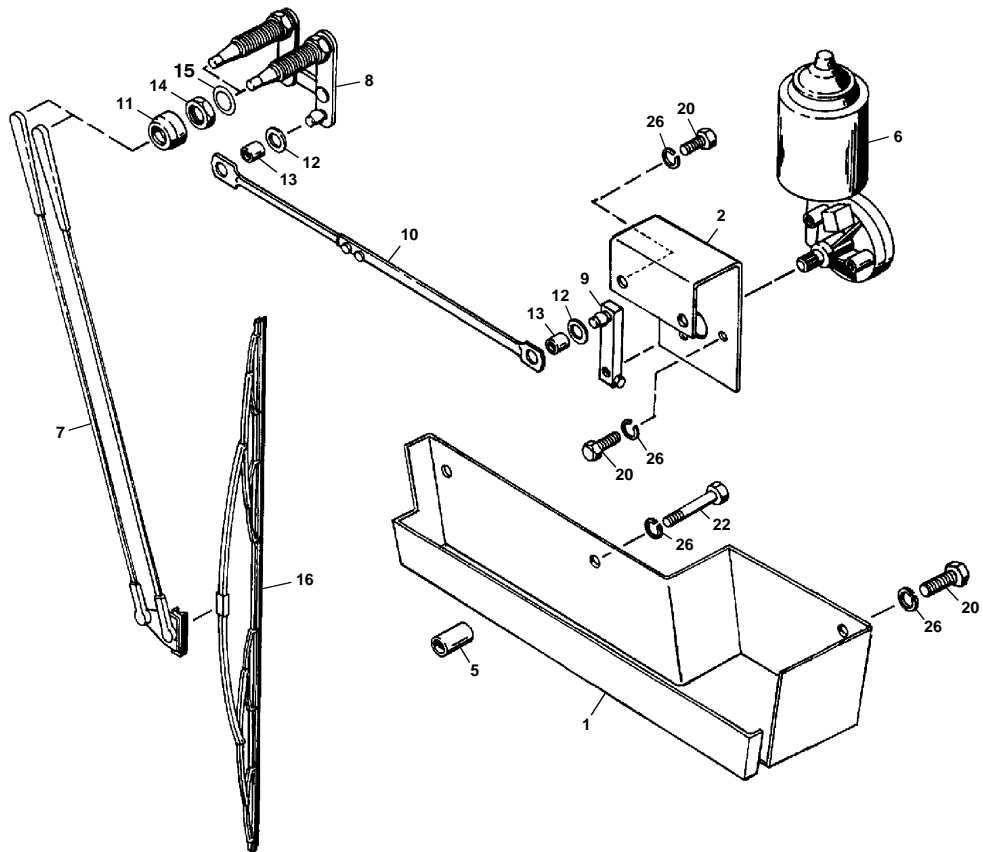
TEREX  MINING			RH40E 40151		SEAT SITZ		34502 2731554	
Item	Quantity	ME	P/N	see page	Description	Beschreibung		
1	1	ST	2426255		OPERATOR'S SEAT	FAHRERSITZ		
2	1	ST	1709815		BELT	RIEMEN		
3	1	ST	1469860		HEAD REST	KOPFSTUETZE		
4	1	ST	8485678		BELLOWS	FALTENBALG		
5	1	ST	2247869		COMPRESSOR	KOMPRESSOR		
6	1	ST	8485680		RELAY	RELAIS		
7	1	ST	2247870		CABLE HARNESS	KABELBAUM		
8	1	ST	8485732		RAIL	SCHIENE		
9	1	ST	8485733		RAIL	SCHIENE		
10	1	ST	8485734		STRAP	BUEGEL		
11	1	ST	1466836		SPRING	FEDER		
12	4	ST	8477477		BOTTOM ROLLER	LAUFROLLE		
13	1	ST	1448107		SHOCK ABSORBER	STOSSDAEMPFER		
14	2	ST	2695434		BUMPER	PUFFER		
15	2	ST	2695433		BUMPER	PUFFER		
16	1	ST	8485739		HOSE	SCHLAUCH		
17	1	ST	0015386		DISK/WASHER	SCHEIBE		
18	1	ST	8485685		ROD	STANGE		
19	1	ST	8485686		CLAW	KLAUE		
20	1	ST	0217190		LOCKING PIN	SPANNSTIFT		
21	1	ST	8485687			KNAUF		
22	1	ST	8485688		LEVER	HEBEL		
23	1	ST	1438121		HANDLE	GRIFF		
24	1	ST	0063075		DISK/WASHER	SCHEIBE		
25	1	ST	8485690		LEVER	HEBEL		
26	1	ST	8477441		BEARING	LAGER		
27	1	ST	1460821		TORSION BAR	DREHSTAB		
28	1	ST	8477439		SLEEVE	HUELSE		
29	1	ST	1430941		LOCKING SLEEVE	SPANNHUELSE		
30	1	ST	1460730		CONTROL CABLE	BOWDENZUG		
31	1	ST	0063075		DISK/WASHER	SCHEIBE		
32	1	ST	8485693		CONTROL DEVICE	BETAETIGUNG		
33	1	ST	1469862		SEAT CUSHION	SITZKISSEN		
34	1	ST	8485725		BACKREST CUSHION	RUECKENPOLSTER		
35	1	ST	1463415		ARM REST,LEFT	ARMLEHNE,LINKS		
36	1	ST	1463416		ARM REST,RIGHT	ARMLEHNE,RECHTS		
37	2	ST	1454109		ROD	STANGE		
38	2	ST	7302409		CAP	KAPPE		
39	4	ST	0515285		CYL.HEAD SCREW	ZYLINDERSCHRAUBE		
40	4	ST	0057111		DISK/WASHER	SCHEIBE		


* : quantity see description

list 1 - page 98

TEREX  MINING 	RH40E 40151	WINDSCREEN WIPER INSTALL.MATERIAL; 2,8 M SCHEIBENWISCHER EINBAU	34630 3663202
---	-----------------------	--	-------------------------



34.630
3 663 202.000

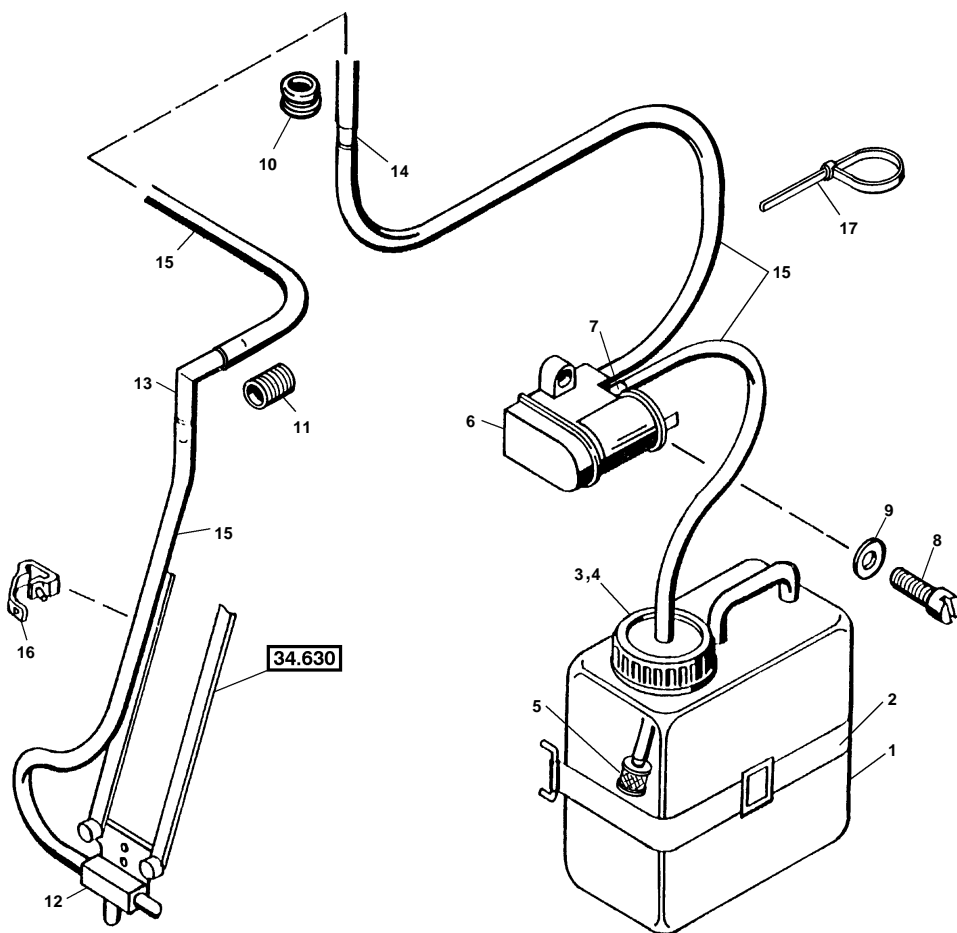


TEREX  MINING				RH40E		WINDSCREEN WIPER INSTALL.MATERIAL; 2,8 M SCHEIBENWISCHER EINBAU		34630	
				40151				3663202	
Item	Quantity	ME	P/N	see page	Description	Beschreibung			
1	1	ST	1774566		BONNET	HAUBE			
2	1	ST	1774581		BRACKET	HALTER			
5	*	M	0062262		PIPE ; 0,06 M	ROHR ; 0,06 M			
6	1	ST	2241732		WIPER MOTOR	WISCHERMOTOR			
7	1	ST	1715417		LEVER	HEBEL			
8	1	ST	1725258		BEARING	LAGER			
9	1	ST	1715421		LINKAGE	GESTAENGE			
10	1	ST	1715418		ROD	STANGE			
11	2	ST	1725252		CAP	KAPPE			
12	2	ST	0727524		DISK/WASHER	SCHEIBE			
13	2	ST	1725253		BELLOWS	BALG			
14	2	ST	1725254		NUT	MUTTER			
15	2	ST	1725255		DISK/WASHER	SCHEIBE			
16	1	ST	1547240		WIPER BLADE	WISCHBLATT			
20	6	ST	0057013		HEX.HD.SCREW	SECHSKANTSCHRAUBE			
22	2	ST	0511097		HEX.HD.SCREW	SECHSKANTSCHRAUBE			
26	8	ST	0063668		LOCK WASHER	FEDERRING			

* : quantity see description

list 1 - page 99

TEREX  MINING 	RH40E 40151	WASHER SYSTEM INSTALL.MATERIAL SCHEIBENWASCHANLAGE EINBAU	34640 3663209
---	-----------------------	--	-------------------------



34.640
3 663 209.000

TEREX  **MINING****RH40E**

40151

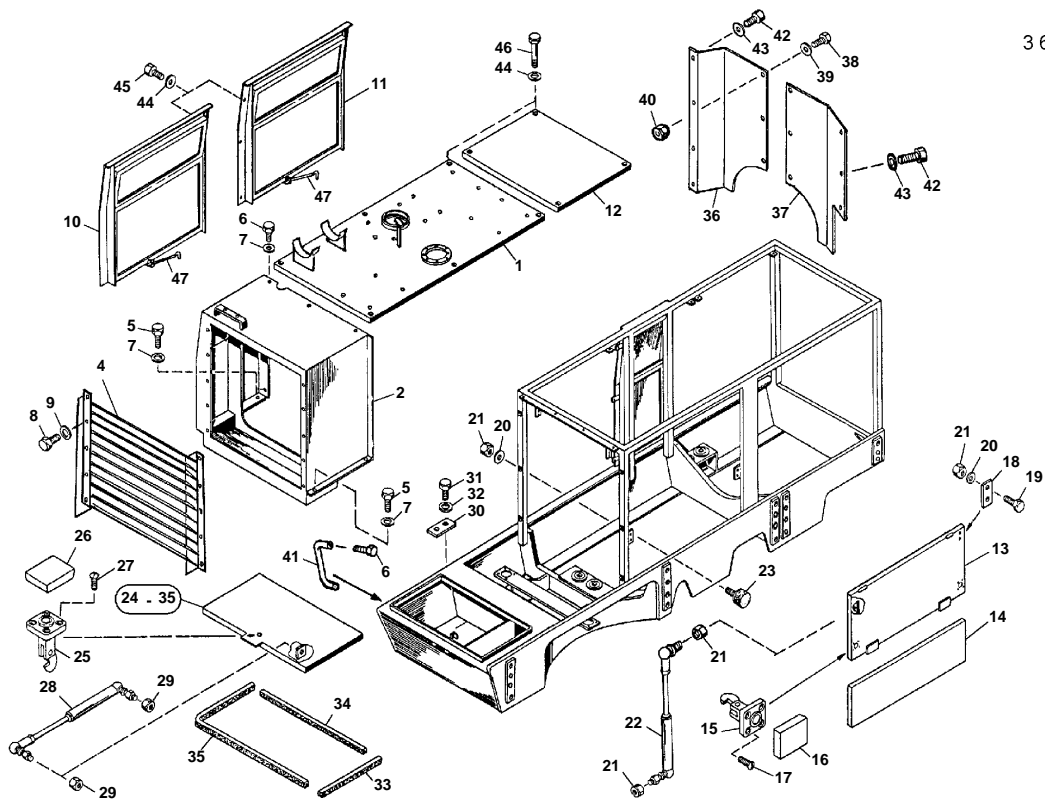
**WASHER SYSTEM
INSTALL.MATERIAL
SCHEIBENWASCHANLAGE
EINBAU****34640**

3663209

Item	Quantity	ME	P/N	see page	Description	Beschreibung
1	1	ST	1589560		CONTAINER	BEHAELTER
2	1	ST	1589599		BELT	RIEMEN
3	1	ST	1589561		RING	RING
4	1	ST	1589562		NIPPLE	NIPPEL
5	1	ST	1725272		VALVE	VENTIL
6	1	ST	1590526		GEARED PUMP	ZAHNRADPUMPE
7	1	ST	0218998		VALVE	VENTIL
8	4	ST	0053948		CYL.HEAD SCREW	ZYLINDERSCHRAUBE
9	4	ST	0725726		LOCK WASHER	FEDERRING
10	1	ST	0900021		NOZZLE/GROMMET	TUELLE
11	1	ST	1056683		TUBE FITTING	VERSCHRAUBUNG
12	1	ST	1520368		INJECTOR	DUESE
13	1	ST	1520367		SOCKET	STUTZEN
14	1	ST	0760501		CONNECTION	VERBINDUNG
15	*	M	0057563		HOSE ; 8,5 M	SCHLAUCH ; 8,5 M
16	3	ST	1520366		CLAMP	KLAMMER
17	4	ST	0271362		CONNEXION D CABLES	KABELVERBINDER

* : quantity see description

list 1 - page 100





36.000
3 659 945.000

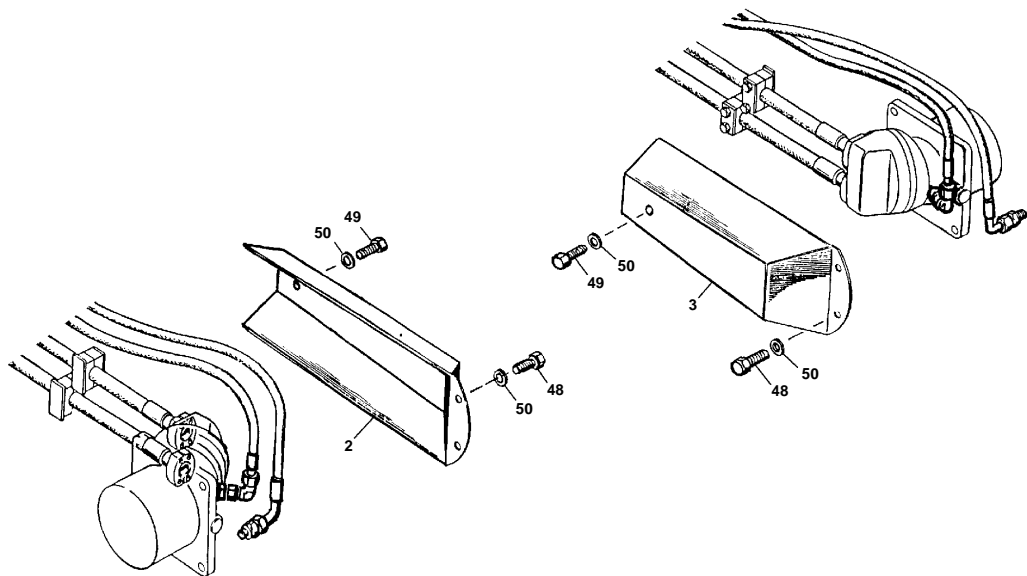
TEREX  MINING			RH40E 40151		PANELING VERKLEIDUNG		36000 3659945	
Item	Quantity	ME	P/N	see page	Description	Beschreibung		
1	1	ST	2762680		COVER	ABDECKUNG		
2	1	ST	2763954		BONNET	HAUBE		
4	1	ST	2763931		GRID	GITTER		
5	4	ST	0054431		HEX.HD.SCREW	SECHSKANTSCHRAUBE		
6	5	ST	0056665		HEX.HD.SCREW	SECHSKANTSCHRAUBE		
7	7	ST	0063701		DISK/WASHER	SCHEIBE		
8	10	ST	0056656		HEX.HD.SCREW	SECHSKANTSCHRAUBE		
9	10	ST	0056988		DISK/WASHER	SCHEIBE		
10	1	ST	2415051		DOOR	TUER		
11	1	ST	2415053		DOOR	TUER		
12	1	ST	2762677		COVER	ABDECKUNG		
13	1	ST	2415055		FLAP	KLAPPE		
14	1	ST	2415056		WALL	WAND		
15	2	ST	1462494		LOCK	SCHLOSS		
16	2	ST	0974853		COVER	ABDECKUNG		
17	8	ST	0725231		FLAT HEAD SCREW	SENKSCHEIBE		
18	1	ST	1904502		PLATE	PLATTE		
19	2	ST	0057013		HEX.HD.SCREW	SECHSKANTSCHRAUBE		
20	6	ST	0063704		DISK/WASHER	SCHEIBE		
21	8	ST	0057126		HEXAGONAL NUT	SECHSKANTMUTTER		
22	2	ST	2273580		DAMPER	DAEMPFER		
23	4	ST	0026102		BUMPER	PUFFER		
24	1	ST	1948550		FLAP	KLAPPE		
25	1	ST	1462494		LOCK	SCHLOSS		
26	1	ST	0974853		COVER	ABDECKUNG		
27	4	ST	0725231		FLAT HEAD SCREW	SENKSCHEIBE		
28	1	ST	1190878		SPRING	FEDER		
29	2	ST	0057126		HEXAGONAL NUT	SECHSKANTMUTTER		
30	1	ST	1147786		PLATE	PLATTE		
31	2	ST	0054399		HEX.HD.SCREW	SECHSKANTSCHRAUBE		
32	2	ST	0063704		DISK/WASHER	SCHEIBE		
33	*	M	0744276		PROFILE ; 0,6 M	PROFIL ; 0,6 M		
34	*	M	0744276		PROFILE ; 1,93 M	PROFIL ; 1,93 M		
35	*	M	0744276		PROFILE ; 1,78 M	PROFIL ; 1,78 M		
36	1	ST	2415063		WALL	WAND		
37	1	ST	2415062		WALL	WAND		
38	3	ST	0056659		HEX.HD.SCREW	SECHSKANTSCHRAUBE		
39	3	ST	0063677		DISK/WASHER	SCHEIBE		
40	3	ST	0056972		WELDING NUT	SCHWEISSMUTTER		
41	1	ST	2105848		HANDLE	GRIFF		
42	7	ST	0056659		HEX.HD.SCREW	SECHSKANTSCHRAUBE		
43	7	ST	0063677		DISK/WASHER	SCHEIBE		
44	16	ST	0080731		DISK/WASHER	SCHEIBE		
45	6	ST	0063310		HEX.HD.SCREW	SECHSKANTSCHRAUBE		
46	10	ST	0216623		HEX.HD.SCREW	SECHSKANTSCHRAUBE		
47	2	ST	2415079		HOOK	HAKEN		

* : quantity see description

list 1 - page 101

TEREX  MINING 	RH40E 40151	COVER TRAVEL GEAR ABDECKUNG FAHRGETRIEBE	36540 3659930
---	-----------------------	---	-------------------------

36.540
3 659 930.000



Item	Quantity	ME	P/N	see page	Description	Beschreibung
2	1	ST	2270591		COVER	ABDECKUNG
3	1	ST	2270594		COVER	ABDECKUNG
48	4	ST	0518173		HEX.HD.SCREW	SECHSKANTSCHRAUBE
49	2	ST	0264164		HEX.HD.SCREW	SECHSKANTSCHRAUBE
50	6	ST	0153213		DISK/WASHER	SCHEIBE

* : quantity see description

TEREX  MINING	RH40E 40151	FOPS SCHUTZDACH	38060 3663211-001
--	-----------------------	----------------------------------	-----------------------------

3 659 701.000



**Diese Bau-Gruppe ist in Arbeit.
Sie wird Ihnen ohne Aufforderung nachgeliefert.**

**This assembly group is in work.
We will deliver without request.**

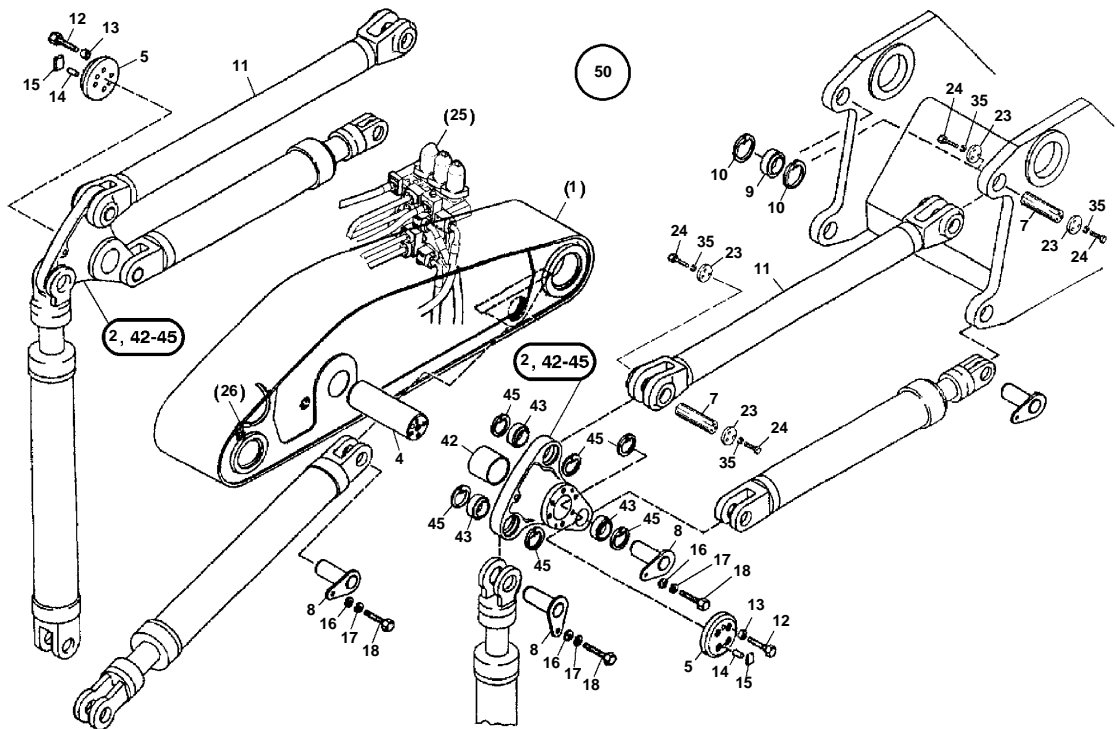
**Se está trabajando en el grupo constructivo.
Se lo entregará a Ud., no tiene que pedirlo de nuevo.**

**Ce sous-ensemble est en cours.
Il vous sera livré sans que vous ne le réclamiez.**

**Gruppo in fase di realizzazione.
Verrà inviato senza sollecito.**

TEREX  MINING 	RH40E 40151	BOOM BOTTOM INSTALL.MATERIAL AUSLEGERUNTERTEIL EINBAU	60010 3657265
---	-----------------------	---	-------------------------

60.010
3 657 265.000



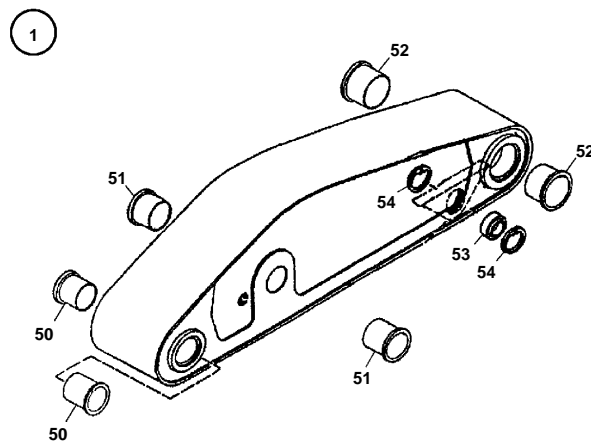
TEREX  MINING			RH40E		BOOM BOTTOM INSTALL.MATERIAL AUSLEGERUNTERTEIL EINBAU		60010	
			40151				3657265	
Item	Quantity	ME	P/N	see page	Description	Beschreibung		
1	1	ST	(3657264)	105	BOOM BOTTOM	AUSLEGERUNTERTEIL		
2	2	ST	2117909		CONTROL LEVER	LENKER		
4	1	ST	1928343		PIN	BOLZEN		
5	2	ST	1928344		DISK/WASHER	SCHEIBE		
7	4	ST	2417012		PIN	BOLZEN		
8	5	ST	1951685		PIN	BOLZEN		
9	2	ST	0145084		JOINT BEARING	GELENKLAGER		
10	4	ST	2243046		CIRCLIP	SICHERUNGSRING		
11	2	ST	2712816		GUIDE BAR	LENKERSTANGE		
12	8	ST	0271552		HEX.HD.SCREW	SECHSKANTSCHRAUBE		
13	8	ST	0227237		DISK/WASHER	SCHEIBE		
14	4	ST	0041273		PIN	STIFT		
15	4	ST	1266035		PLATE	PLATTE		
16	5	ST	0080200		DISK/WASHER	SCHEIBE		
17	5	ST	0725736		LOCK WASHER	FEDERRING		
18	5	ST	0119713		HEX.HD.SCREW	SECHSKANTSCHRAUBE		
23	8	ST	2417014		LID	DECKEL		
24	24	ST	0056680		HEX.HD.SCREW	SECHSKANTSCHRAUBE		
25	1	ST	(3657266)	106	HYDRAULIC SYSTEM BOOM BOTTOM	HYDRAULIKANLAGE AUSLEGERUNTERTEIL		
26	1	ST	(3657267)	84	GREASING SYSTEM BOOM BOTTOM	SCHMIERANLAGE AUSLEGERUNTERTEIL		
35	25	ST	0515370		DISK/WASHER	SCHEIBE		
42	2	ST	1928324		BUSHING	BUCHSE		
43	12	ST	0012559		CIRCLIP	SICHERUNGSRING		
45	6	ST	0576769		JOINT BEARING	GELENKLAGER		
50	1	ST	3680427		BOOM	AUSLEGER		

* : quantity see description

list 1 - page 104

TEREX  MINING 	RH40E 40151	BOOM BOTTOM AUSLEGERUNTERTEIL	60012 3657264-001
---	-----------------------	--	-----------------------------

60.012
3 657 264.000

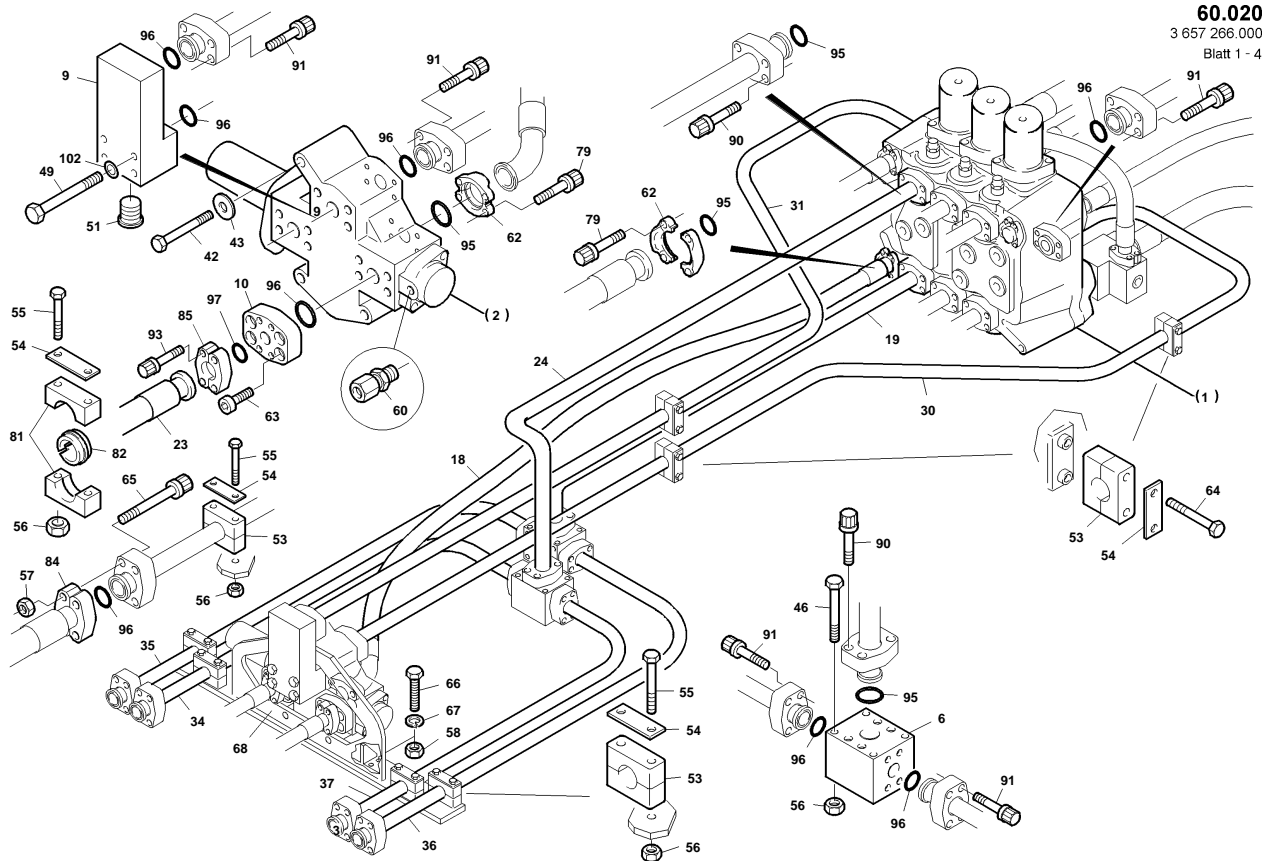




Item	Quantity	ME	P/N	see page	Description	Beschreibung
1	1	ST	3680428		BOOM	AUSLEGER
50	2	ST	1928321		BUSHING	BUCHSE
51	2	ST	1928322		BUSHING	BUCHSE
52	2	ST	2711466		BUSHING	BUCHSE
53	1	ST	0145084		JOINT BEARING	GELENKLAGER
54	2	ST	2243046		CIRCLIP	SICHERUNGSRING

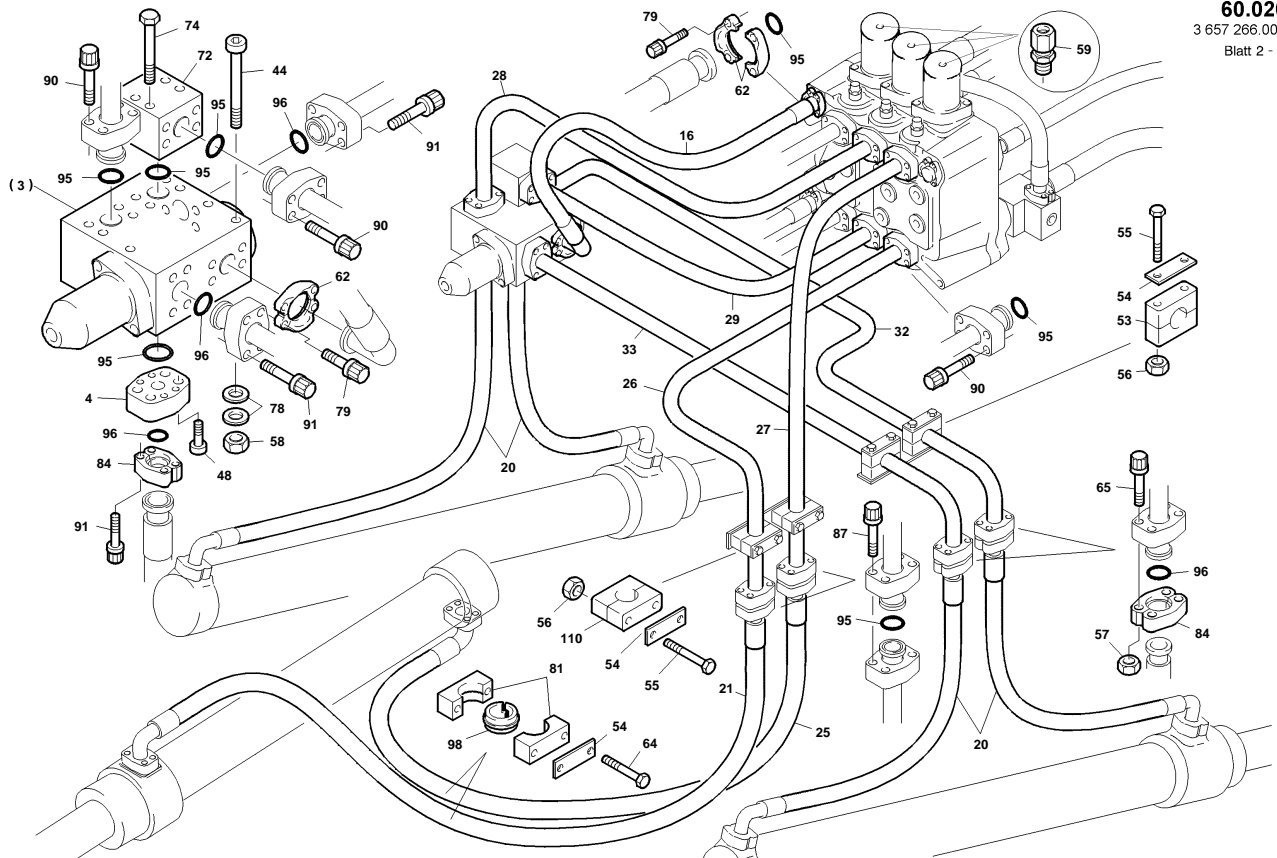
* : quantity see description

list 1 - page 105



60.020

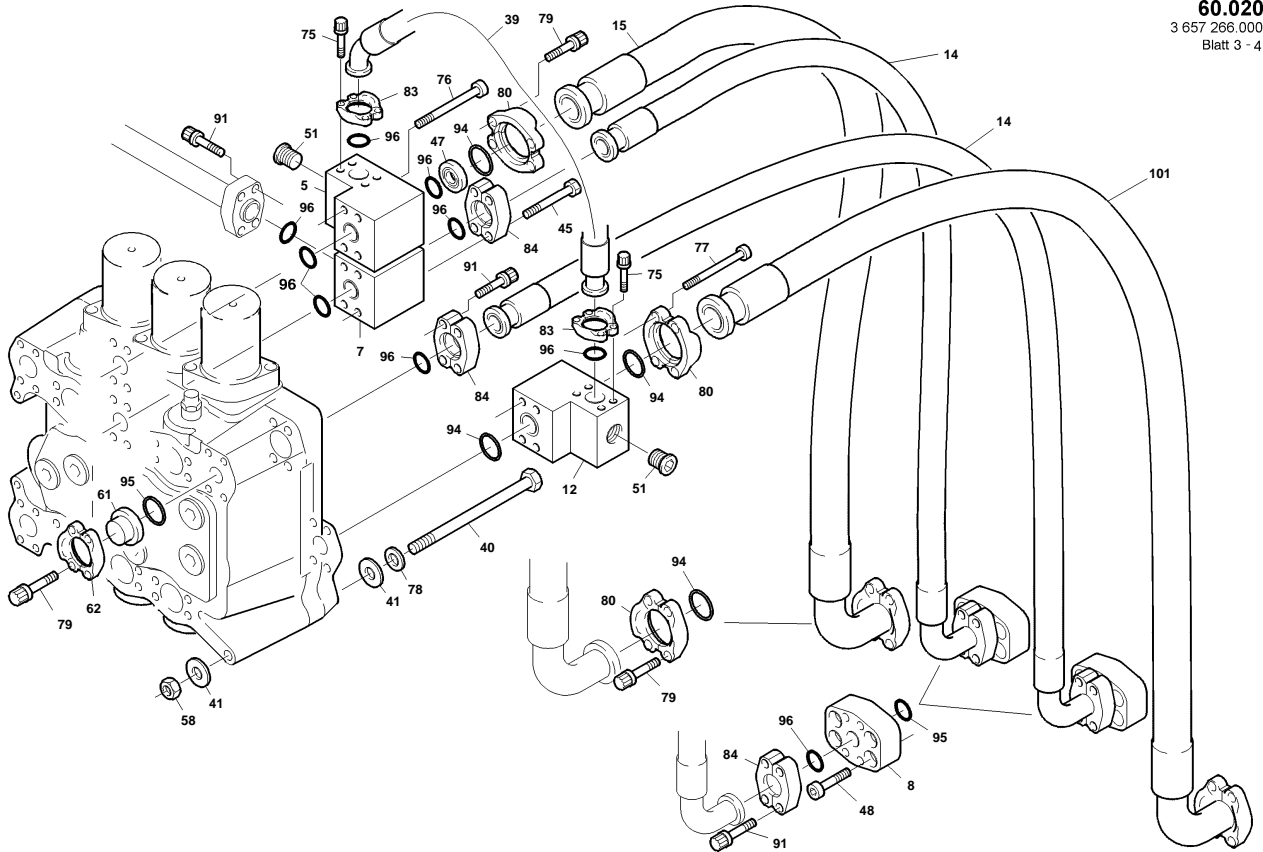
3 657 266 000
Blatt 1 - 4



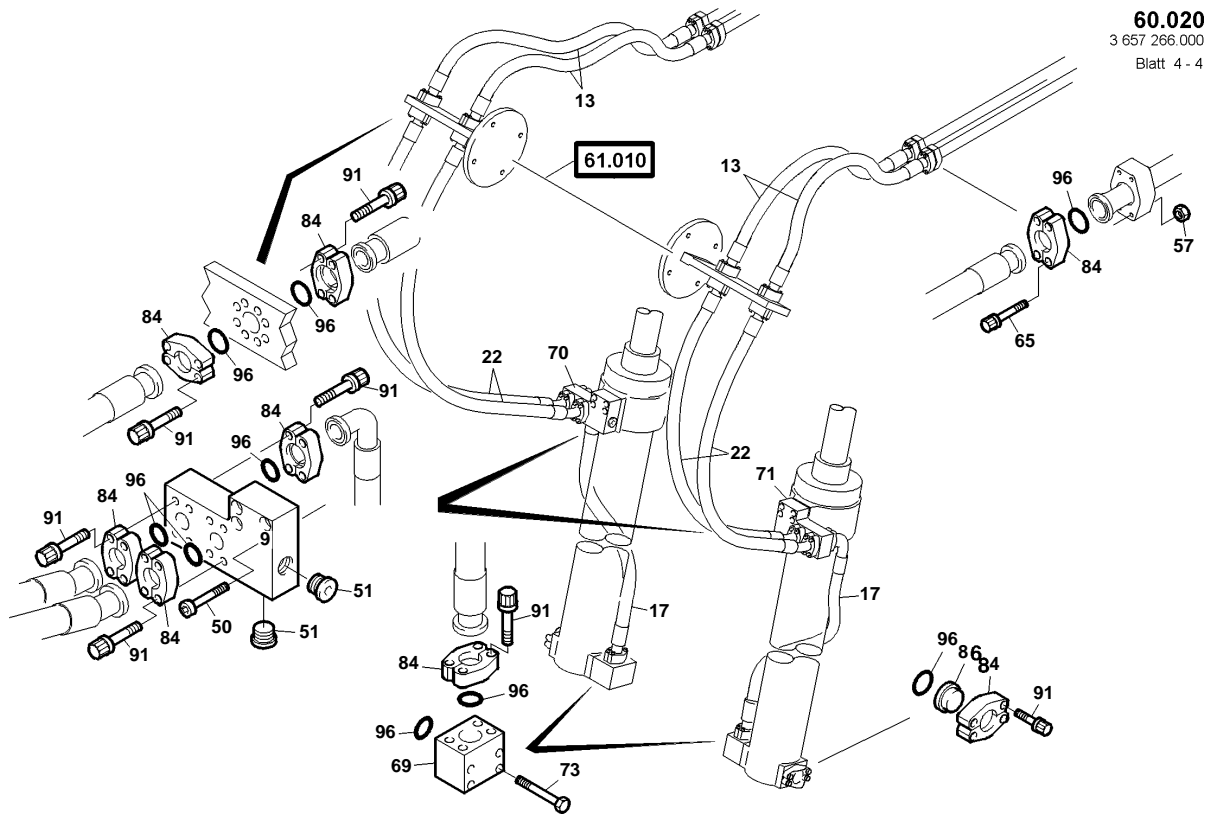
60.020

3 657 266.000

Blatt 2 - 4



60.020
3 657 266.000
Blatt 3 - 4





60.020
3 657 266.000
Blatt 4 - 4

TEREX  MINING			RH40E		HYDRAULIC SYSTEM BOOM BOTTOM HYDRAULIKANLAGE AUSLEGERUNTERTEIL		60020	
			40151				3657266-001	
Item	Quantity	ME	P/N	see page	Description	Beschreibung		
1	1	ST	(3657047)	68	CONTROL BLOCK	STUEERBLOCK		
2	1	ST	(2804329)	69	CONTROL BLOCK	STUEERBLOCK		
3	1	ST	(3657273)	62	FLOAT VALVE	EILGANGVENTIL		
4	2	ST	1542690		FLANGE	FLANSCH		
5	1	ST	1976200		BLOCK	KLOTZ		
6	2	ST	1951016		DISTRIBUTOR	VERTEILER		
7	1	ST	3678887		BLOCK	KLOTZ		
8	2	ST	1585968		FLANGE	FLANSCH		
9	1	ST	1927352		CONNECTION	VERBINDUNG		
10	2	ST	1583051		FLANGE	FLANSCH		
12	1	ST	1976202		BLOCK	KLOTZ		
13	4	ST	3679437		HOSE	SCHLAUCHLEITUNG		
14	2	ST	3679434		HOSE	SCHLAUCHLEITUNG		
15	1	ST	1128806		HOSE	SCHLAUCH		
16	1	ST	1709085		HOSE	SCHLAUCH		
17	2	ST	3679438		HOSE	SCHLAUCHLEITUNG		
18	1	ST	1983959		HOSE	SCHLAUCH		
19	1	ST	2769822		LINE	LEITUNG		
20	4	ST	1589172		HOSE	SCHLAUCH		
21	1	ST	1709170		HOSE	SCHLAUCH		
22	4	ST	2452948		HOSE	SCHLAUCHLEITUNG		
23	2	ST	1249879		HOSE	SCHLAUCH		
24	1	ST	2769823		LINE	LEITUNG		
25	1	ST	1983957		HOSE	SCHLAUCH		
26	1	ST	2769824		LINE	LEITUNG		
27	1	ST	2769825		LINE	LEITUNG		
28	1	ST	2769826		LINE	LEITUNG		
29	1	ST	2769827		LINE	LEITUNG		
30	1	ST	1978265		LINE	LEITUNG		
31	1	ST	1978266		LINE	LEITUNG		
32	1	ST	1978267		LINE	LEITUNG		
33	1	ST	1978268		LINE	LEITUNG		
34	1	ST	2270849		LINE	LEITUNG		
35	1	ST	2270850		LINE	LEITUNG		
36	1	ST	2270851		LINE	LEITUNG		
37	1	ST	2270852		LINE	LEITUNG		
39	1	ST	2183544		LINE	LEITUNG		
40	3	ST	2700358		HEXAGON BOLT	6KT-SCHRB		
41	12	ST	0717430		DISK/WASHER	SCHEIBE		
42	3	ST	0788128		HEX.HD.SCREW	SECHSKANTSCHRAUBE		
43	6	ST	0080731		DISK/WASHER	SCHEIBE		
44	6	ST	1537859		CYL.HEAD SCREW	ZYLINDERSCHRAUBE		
45	4	ST	2479373		HEX.HD.SCREW	SECHSKANTSCHRAUBE		
46	8	ST	0119590		HEX.HD.SCREW	SECHSKANTSCHRAUBE		
47	1	ST	1976192		DISK/WASHER	SCHEIBE		
48	8	ST	1190518		CYL.HEAD SCREW	ZYLINDERSCHRAUBE		
49	4	ST	0264343		HEX.HD.SCREW	SECHSKANTSCHRAUBE		
50	8	ST	1009020		CYL.HEAD SCREW	ZYLINDERSCHRAUBE		
51	7	ST	1041939		PLUG	STOPFEN		
52	2	ST	0773596		PLUG	STOPFEN		
53	7	ST	0727286		CLIP	SCHELLE		
54	13	ST	0217918		PLATE	PLATTE		
55	16	ST	0056632		HEX.HD.SCREW	SECHSKANTSCHRAUBE		
56	18	ST	0057130		HEXAGONAL NUT	SECHSKANTMUTTER		
57	11	ST	0061501		HEXAGONAL NUT	SECHSKANTMUTTER		
58	17	ST	0987230		HEXAGONAL NUT	SECHSKANTMUTTER		
59	10	ST	0010625		TUBE FITTING	VERSCHRAUBUNG		
60	2	ST	0217405		TUBE FITTING	VERSCHRAUBUNG		
61	1	ST	1725049		SOCKET	STUTZEN		
62	14	ST	0440266		FLANGE	FLANSCH		

* : quantity see description

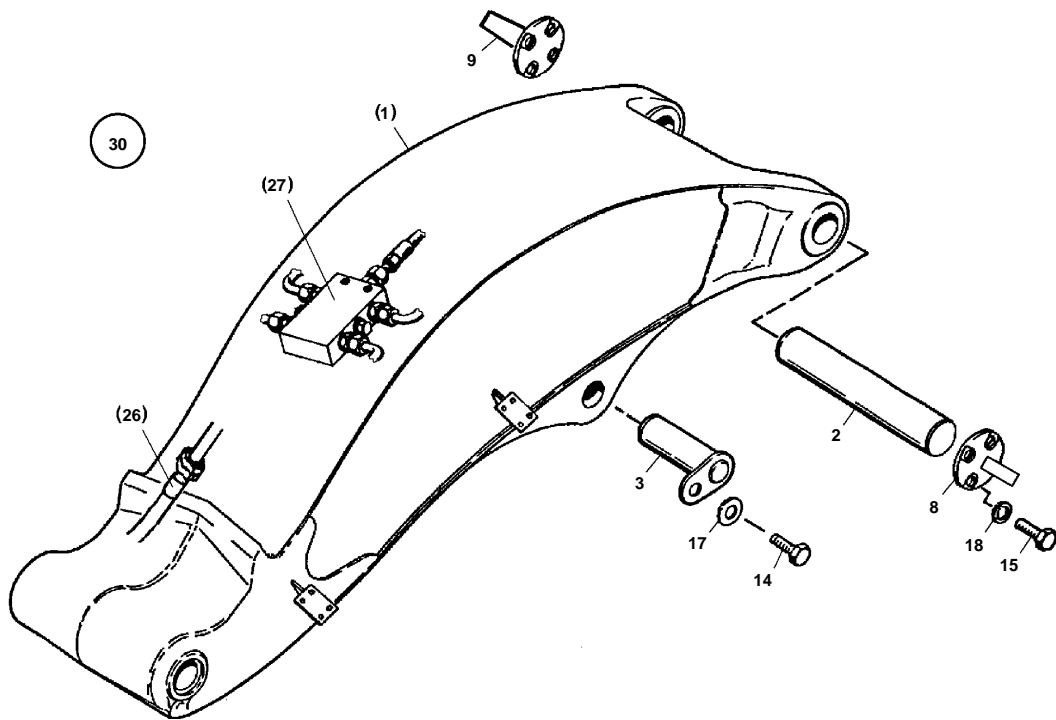
list 1 - page 106



TEREX  MINING			RH40E		HYDRAULIC SYSTEM BOOM BOTTOM HYDRAULIKANLAGE AUSLEGERUNTERTEIL		60020	
			40151				3657266-001	
Item	Quantity	ME	P/N	see page	Description	Beschreibung		
63	8	ST	0152533		CYL.HEAD SCREW	ZYLINDERSCHRAUBE		
64	4	ST	1190518		CYL.HEAD SCREW	ZYLINDERSCHRAUBE		
65	8	ST	0974651		SCREW	SCHRAUBE		
66	8	ST	0056637		HEX.HD.SCREW	SECHSKANTSCHRAUBE		
67	8	ST	0725735		LOCK WASHER	FEDERRING		
68	1	ST	2117914		BRACKET	HALTER		
69	2	ST	0974789		FLANGE	FLANSCH		
70	1	ST	2760604		BLOCK	KLOTZ		
71	1	ST	2760605		BLOCK	KLOTZ		
72	1	ST	0974790		FLANGE	FLANSCH		
73	8	ST	0271050		HEX.HD.SCREW	SECHSKANTSCHRAUBE		
74	8	ST	0260167		HEX.HD.SCREW	SECHSKANTSCHRAUBE		
75	2	ST	0063242		HEX.HD.SCREW	SECHSKANTSCHRAUBE		
76	4	ST	0924425		CYL.HEAD SCREW	ZYLINDERSCHRAUBE		
77	4	ST	4154992		CYL.HEAD SCREW	ZYLINDERSCHRAUBE		
79	40	ST	1183270		SCREW	SCHRAUBE		
80	8	ST	0440207		FLANGE	FLANSCH		
81	6	ST	0251296		CLIP	SHELLE		
82	2	ST	0251333		INSERT	EINSATZ		
83	16	ST	0974792		FLANGE	FLANSCH		
84	48	ST	0974791		FLANGE	FLANSCH		
85	8	ST	1127093		FLANGE	FLANSCH		
86	2	ST	2168898		SOCKET	STUTZEN		
87	8	ST	0269244		SCREW	SCHRAUBE		
88	8	ST	0440207		FLANGE	FLANSCH		
89	32	ST	1183270		SCREW	SCHRAUBE		
90	64	ST	0974652		SCREW	SCHRAUBE		
91	92	ST	0974650		SCREW	SCHRAUBE		
92	32	ST	0974651		SCREW	SCHRAUBE		
93	8	ST	0974646		SCREW	SCHRAUBE		
94	4	ST	1725421		SEALING RING	DICHTRING		
95	28	ST	1725420		SEALING RING	DICHTRING		
96	47	ST	1725419		SEALING RING	DICHTRING		
97	4	ST	1725418		SEALING RING	DICHTRING		
98	4	ST	2465901		INSERT	EINSATZ		
99	1	ST	1909896		HOSE	SCHLAUCH		
101	1	ST	1590943		HOSE	SCHLAUCH		
102	4	ST	0249392		DISK/WASHER	SCHEIBE		
110	2	ST	0727287		CLIP	SHELLE		

* : quantity see description

list 2 - page 106

61.010
3 657 194.000



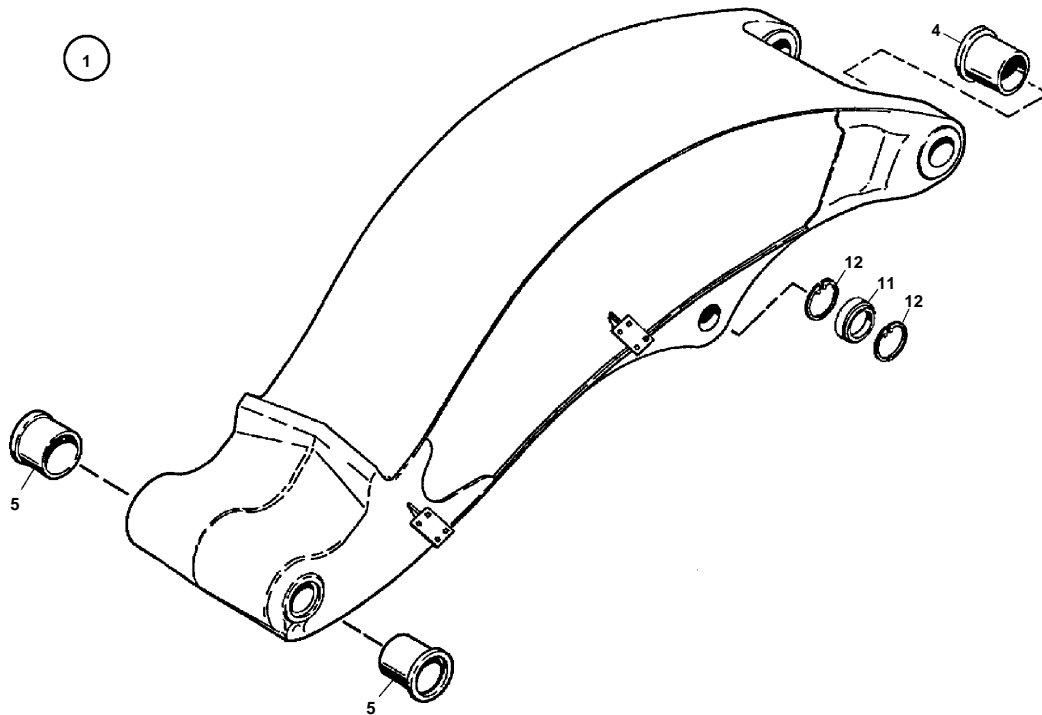
TEREX  MINING		RH40E		STICK INSTALL.MATERIAL		61010	
		40151		STIEL EINBAU		3657194	
Item	Quantity	ME	P/N	see page	Description	Beschreibung	
3	1	ST	(3657193)	108	STICK	STIEL	
2	1	ST	1948402		PIN	BOLZEN	
3	1	ST	1952365		PIN	BOLZEN	
8	1	ST	2270936		LID	DECKEL	
9	1	ST	2270937		LID	DECKEL	
14	1	ST	0264164		HEX.HD.SCREW	SECHSKANTSCHRAUBE	
15	8	ST	0260466		HEX.HD.SCREW	SECHSKANTSCHRAUBE	
17	1	ST	0080200		DISK/WASHER	SCHEIBE	
18	8	ST	0153214		DISK/WASHER	SCHEIBE	
26	1	ST	(3657195)	109	HYDRAULIC SYSTEM STICK	HYDRAULIKANLAGE STIEL	
27	1	ST	(3657196)	85	GREASING SYSTEM STICK	SCHMIERANLAGE STIEL	
30	1	ST	1979793		STICK	STIEL	

* : quantity see description

list 1 - page 107



TEREX  MINING 	RH40E 40151	STICK STIEL	61012 3657193
---	-----------------------	------------------------------	-------------------------

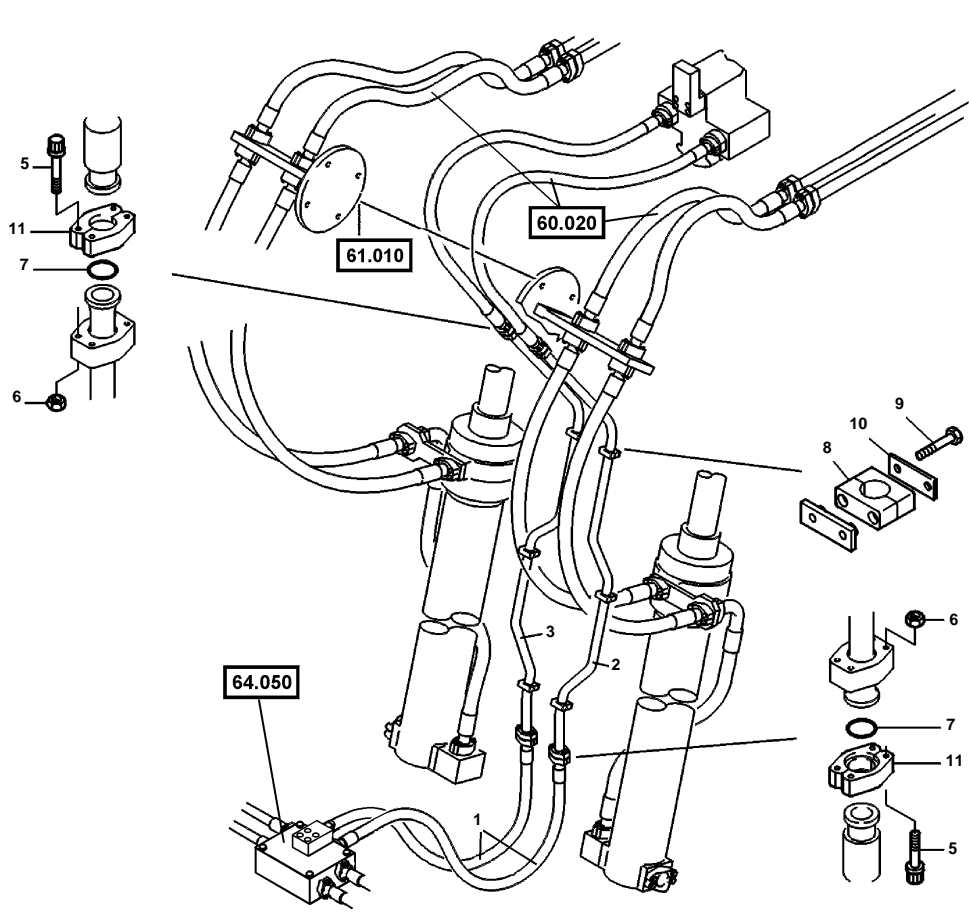
61.012
3 657 193.000




Item	Quantity	ME	P/N	see page	Description	Beschreibung
1	1	ST	2763017		STICK	STIEL
4	2	ST	1928321		BUSHING	BUCHSE
5	2	ST	2762484		BUSHING	BUCHSE
11	1	ST	0576769		JOINT BEARING	GELENKLAGER
12	2	ST	0012559		CIRCLIP	SICHERUNGSRING

* : quantity see description

TEREX  MINING 	RH40E 40151	HYDRAULIC SYSTEM STICK HYDRAULIKANLAGE STIEL	61032 3657195-001
---	-----------------------	---	-----------------------------



61.032
3 657 195.000

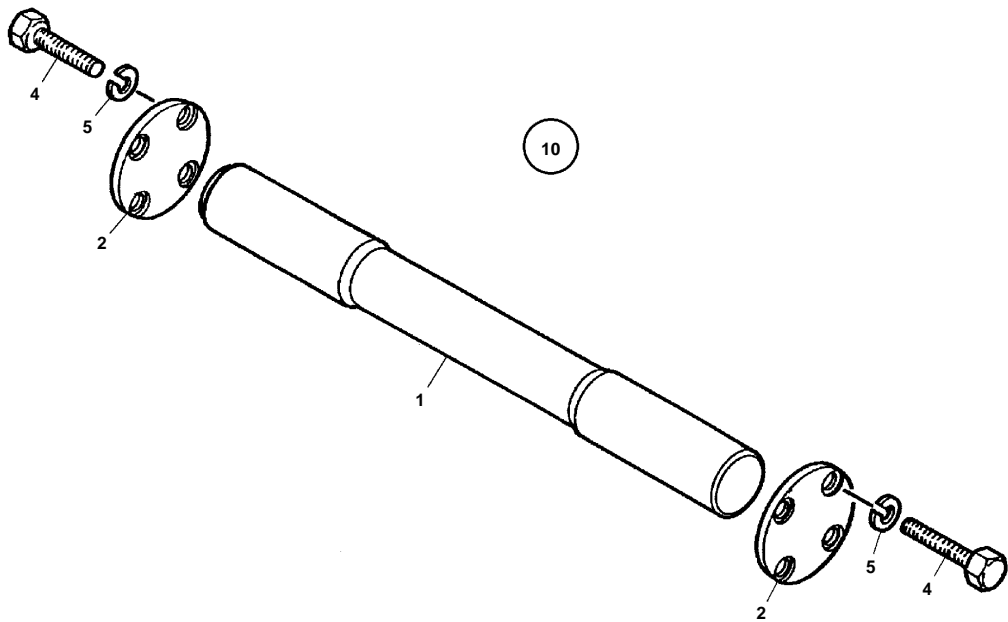
					RH40E 40151		HYDRAULIC SYSTEM STICK HYDRAULIKANLAGE STIEL		61032 3657195-001	
Item	Quantity	ME	P/N	see page	Description	Beschreibung				
1	2	ST	3679435		HOSE	SCHLAUCHLEITUNG				
2	1	ST	1978274		LINE	LEITUNG				
3	1	ST	1978275		LINE	LEITUNG				
5	16	ST	0974648		SCREW	SCHRAUBE				
6	16	ST	0935073		HEXAGONAL NUT	SECHSKANTMUTTER				
7	6	ST	1725418		SEALING RING	DICHRING				
8	6	ST	0788875		CLIP	SCHELLE				
9	12	ST	0056619		HEX.HD.SCREW	SECHSKANTSCHRAUBE				
10	6	ST	0598104		PLATE	PLATTE				
11	8	ST	1127093		FLANGE	FLANSCH				

* : quantity see description

list 1 - page 109

TEREX  MINING 	RH40E 40151	PIN NO.2 LAGERUNG NR:2	62220 3657262
---	-----------------------	---	-------------------------

62.220
3 657 262.000



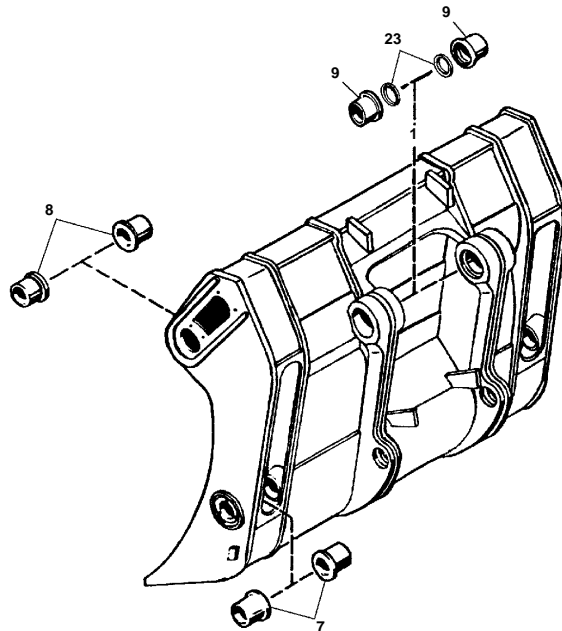
TEREX  MINING		RH40E	PIN NO.2	62220
		40151	LAGERUNG NR:2	3657262

Item	Quantity	ME	P/N	see page	Description	Beschreibung
1	1	ST	1929505		PIN	BOLZEN
2	2	ST	2766514		LID	DECKEL
4	8	ST	0612903		HEX.HD.SCREW	SECHSKANTSCHRAUBE
5	8	ST	0725736		LOCK WASHER	FEDERRING
10	1	ST1000	1929508		BEARING	LAGERUNG

* : quantity see description

TEREX  MINING 	RH40E 40151	SHOVEL REAR WALL KLAPPSCH RUECKWAND	64020 3657198
---	-----------------------	--	-------------------------

64.020
3 657 198.000

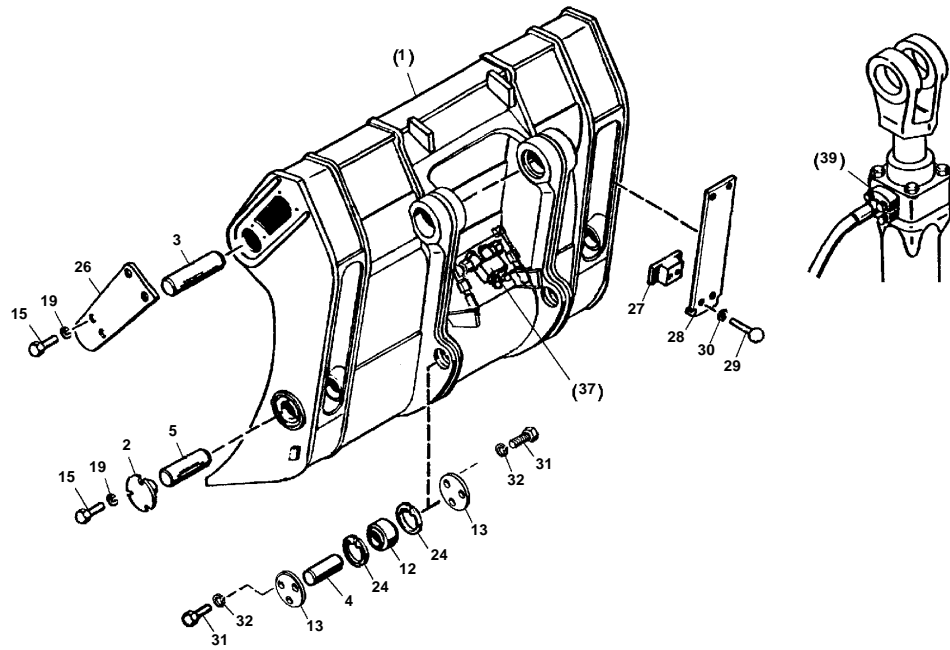




Item	Quantity	ME	P/N	see page	Description	Beschreibung
7	4	ST	1728744		BUSHING	BUCHSE
8	4	ST	1927477		BUSHING	BUCHSE
9	2	ST	2762484		BUSHING	BUCHSE
23	2	ST	0991413		SCRAPER	ABSTREIFER

* : quantity see description

TEREX  MINING 	RH40E 40151	SHOVEL REAR WALL KLAPPSCH RUECKWAND	64020 3657261
---	-----------------------	--	-------------------------

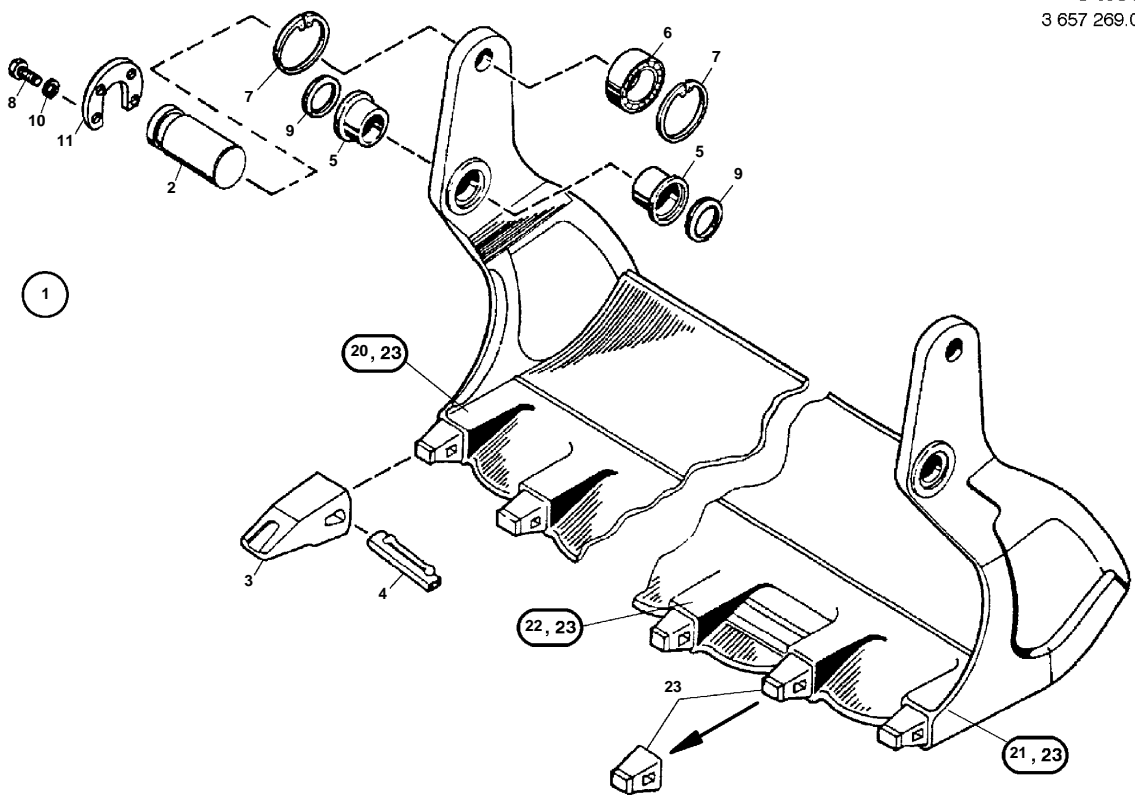
64.020
3 657 261.000





TEREX  MINING		RH40E		SHOVEL REAR WALL		64020	
		40151		KLAPPSCH RUECKWAND		3657261	
Item	Quantity	ME	P/N	see page	Description	Beschreibung	
1	1	ST	(3657198)	111	SHOVEL REAR WALL	KLAPPSCH RUECKWAND	
2	2	ST	1757289		LID	DECKEL	
3	2	ST	1952372		PIN	BOLZEN	
4	2	ST	2102152		PIN	BOLZEN	
5	2	ST	1977416		PIN	BOLZEN	
12	2	ST	0576769		JOINT BEARING	GELENKLAGER	
13	4	ST	2102153		LID	DECKEL	
15	14	ST	0057068		HEX.HD.SCREW	SECHSKANTSCHRAUBE	
19	14	ST	0725735		LOCK WASHER	FEDERRING	
24	4	ST	0012559		CIRCLIP	SICHERUNGSRING	
26	2	ST	1927473		LID	DECKEL	
27	2	ST	1779721		SHACKLE	LASCHE	
28	2	ST	1929512		LID	DECKEL	
29	8	ST	0056668		HEX.HD.SCREW	SECHSKANTSCHRAUBE	
30	8	ST	0249845		LOCK WASHER	FEDERRING	
31	12	ST	0056679		HEX.HD.SCREW	SECHSKANTSCHRAUBE	
32	12	ST	0725735		LOCK WASHER	FEDERRING	
37	1	ST	(3657199)	86	GREASING SYSTEM REAR WALL	SCHMIERANLAGE RUECKWAND	
39	1	ST	(3657197)	114	HYDRAULIC SYSTEM	HYDRAULIKANLAGE KLAPPSCH	

* : quantity see description

list 1 - page 112





64.030
3 657 269.000

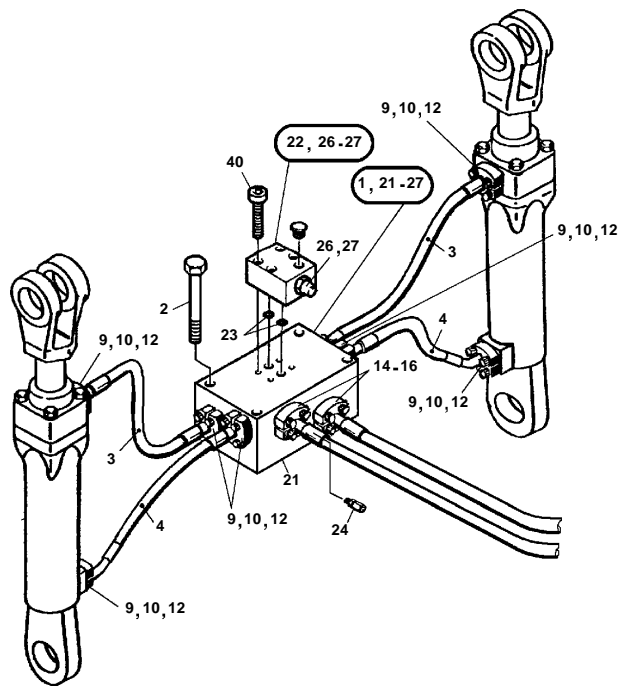
TEREX  MINING		RH40E		SHOVEL FRONT SHELL		64030	
		40151		KLAPPSCH VORDERT		3657269	
Item	Quantity	ME	P/N	see page	Description	Beschreibung	
1	0	ST	1927111		BUCKET	SCHAUFEL	
2	2	ST	2102157		PIN	BOLZEN	
3	6	ST	1927116		POINT	SPITZE	
4	6	ST	1752188		LOCKING DEVICE	ZAHNSICHERUNG	
5	4	ST	2454110		BUSHING	BUCHSE	
6	2	ST	0249625		JOINT BEARING	GELENKLAGER	
7	4	ST	0012550		CIRCLIP	SICHERUNGSRING	
8	8	ST	0056659		HEX.HD.SCREW	SECHSKANTSCHRAUBE	
9	4	ST	0970126		SCRAPER	ABSTREIFER	
10	8	ST	0040283		DISK/WASHER	SCHEIBE	
11	2	ST	2102274		BRACKET	HALTER	
20	1	ST	2451926		CORNER BLADE	ECKMESSER	
21	1	ST	2707242		CORNER BLADE	ECKMESSER	
22	4	ST	2451927			SPITZENHALTER	
23	6	ST	2102296		ADAPTER	ADAPTER	

* : quantity see description

list 1 - page 113

TEREX  MINING 	RH40E 40151	HYDRAULIC SYSTEM HYDRAULIKANLAGE KLAPPSCH	64050 3657197-001
---	-----------------------	--	-----------------------------

64.050
3 657 197.000

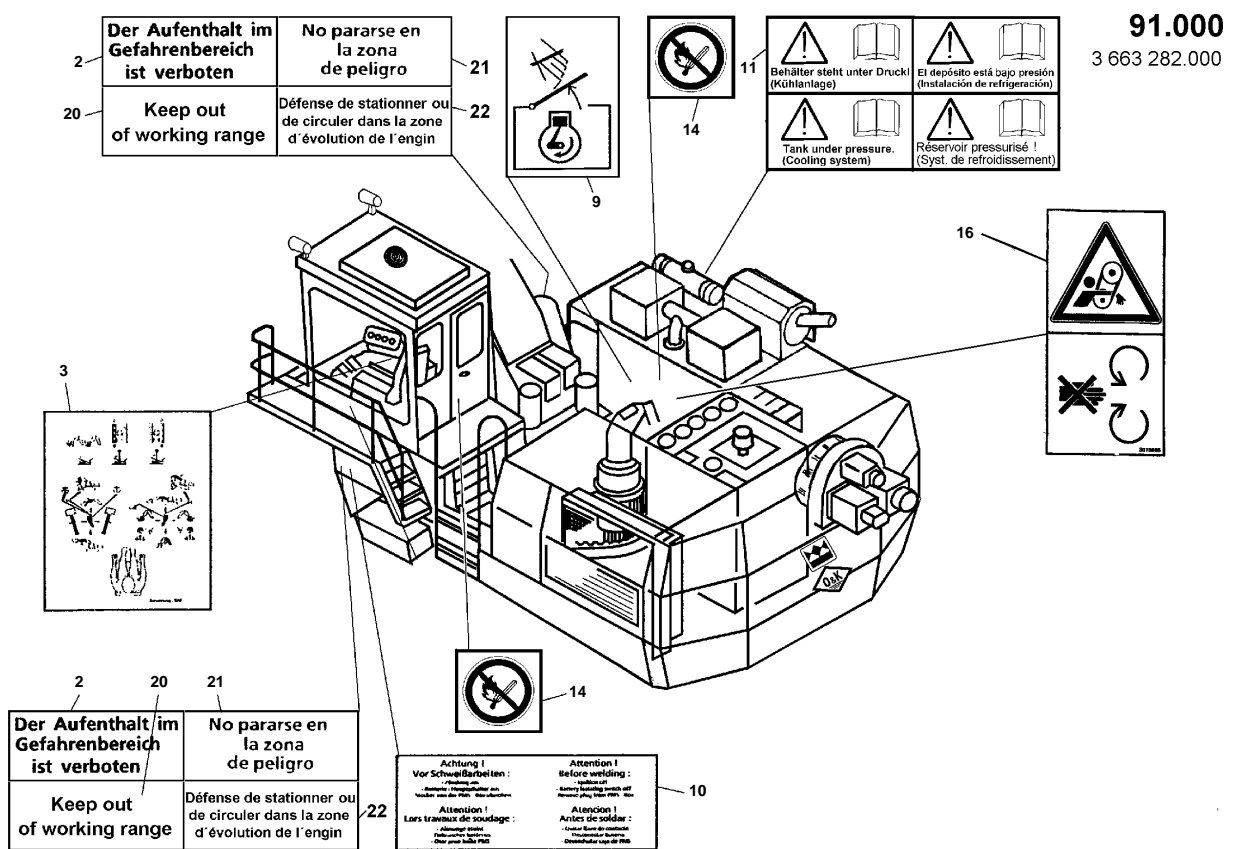




Item	Quantity	ME	P/N	see page	Description	Beschreibung
1	1	ST	3646187		DISTRIBUTOR	VERTEILER
2	4	ST	0056632		HEX.HD.SCREW	SECHSKANTSCHRAUBE
3	2	ST	3679433		HOSE	SCHLAUCHLEITUNG
4	2	ST	3679432		HOSE	SCHLAUCHLEITUNG
9	16	ST	1127094		FLANGE	FLANSCH
10	8	ST	1725417		SEALING RING	DICHTRING
12	32	ST	0974642		SCREW	SCHRAUBE
14	2	ST	1725418		SEALING RING	DICHTRING
15	4	ST	1127093		FLANGE	FLANSCH
16	8	ST	0974646		SCREW	SCHRAUBE
21	1	ST	3646177		DISTRIBUTOR	VERTEILER
22	1	ST	2712731		VALVE	VENTIL
23	2	ST	1440468		SEALING RING	DICHTRING
24	1	ST	2213963		TUBE FITTING	VERSCHRAUBUNG
25	4	ST	1355168		CYL.HEAD SCREW	ZYLINDERSCHRAUBE
26	1	ST	1570833		VALVE	VENTIL
27	1	ST	1421384		GASKET SET	DICHTUNG SATZ



* : quantity see description

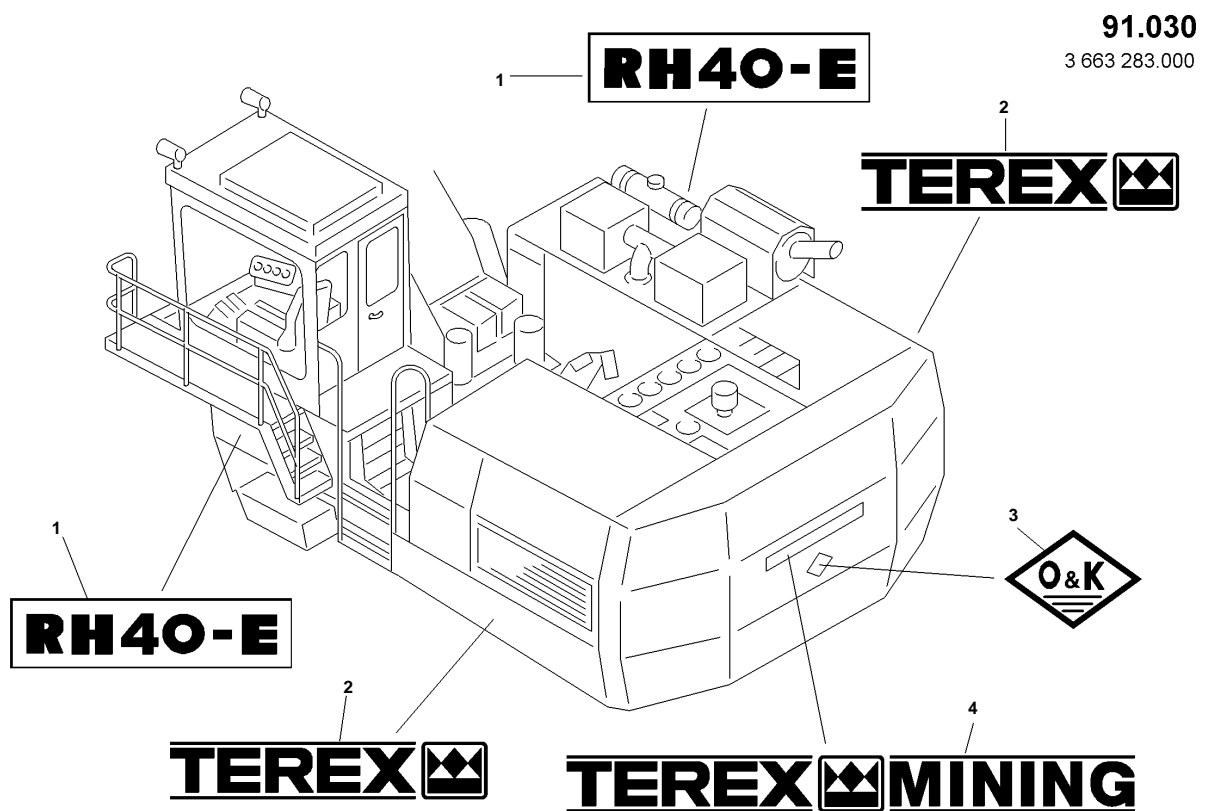
list 1 - page 114



Item	Quantity	ME	P/N	see page	Description	Beschreibung
2	1	ST	0720880		PLATE	SCHILD
3	1	ST	2416745		INSTRUCTION PLATE	BEDIENUNGSSCHILD
9	1	ST	1508127		PLATE	SCHILD
10	1	ST	2451689		PLATE	SCHILD
11	1	ST	1772232		PLATE	SCHILD
14	1	ST	2710674			VERBOTSZEICHEN
17	1	ST	(3663283)	116	PLATES LAYOUT	SCHILDER LAYOUT
20	2	ST	0768662		PLATE	SCHILD
21	2	ST	1211918		PLATE	SCHILD
22	2	ST	1248388		PLATE	SCHILD

* : quantity see description

TEREX  MINING 	RH40E 40151	PLATES LAYOUT SCHILDER LAYOUT	91030 3663283
---	-----------------------	--	-------------------------





Item	Quantity	ME	P/N	see page	Description	Beschreibung
1	2	ST	3649323		LOGO	LOGO
2	2	ST	3649325		LOGO	LOGO
3	1	ST	2761872			O&K MARKE
4	1	ST	3648517		LOGO	LOGO

* : quantity see description

list 1 - page 116

TEREX  MINING	RH40E 40151	ACCESSORIES BETRIEBSMITTELSATZ	92000 3663284
--	-----------------------	---	-------------------------

3 659 700.000

Diese Bau-Gruppe ist ohne Bildseite

There is no illustrated page for this assembly


**El grupo constructivo presente no cuenta con
página con imagen**

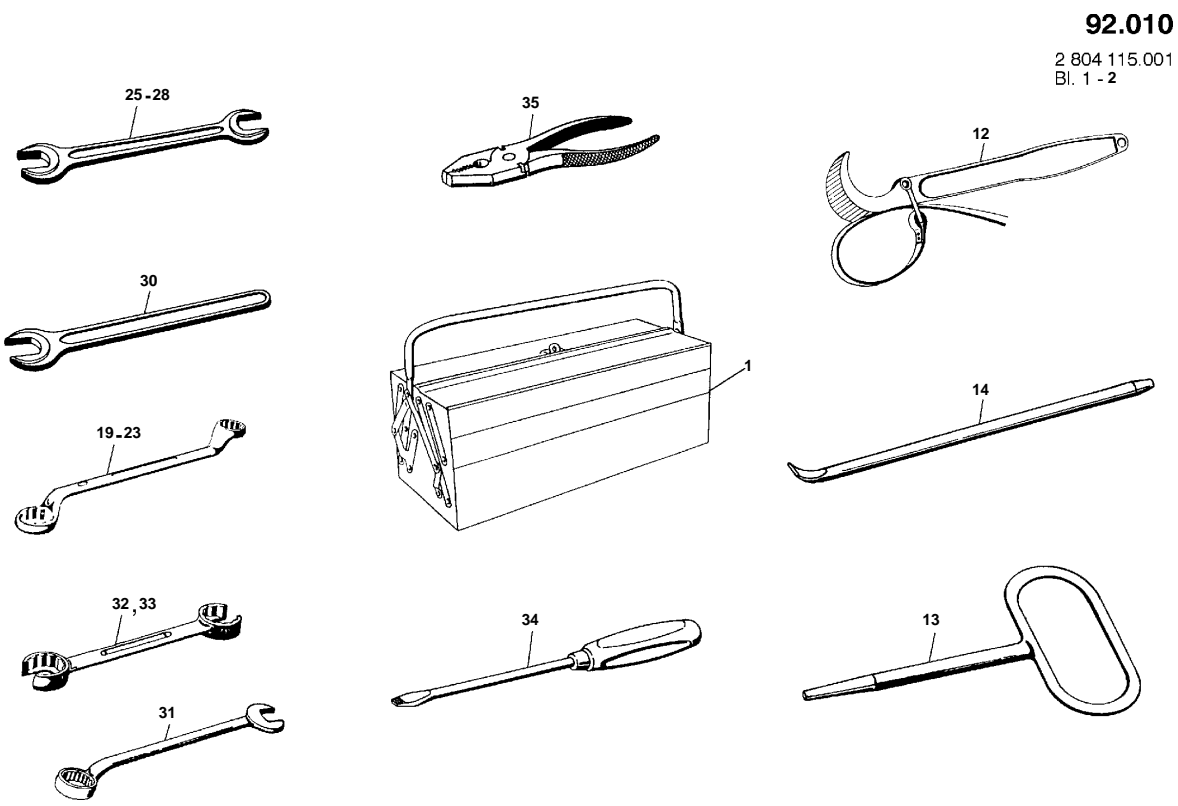
Ce sous-ensemble n'est pas illustré

Questo gruppo non ha la pagina con l'immagine

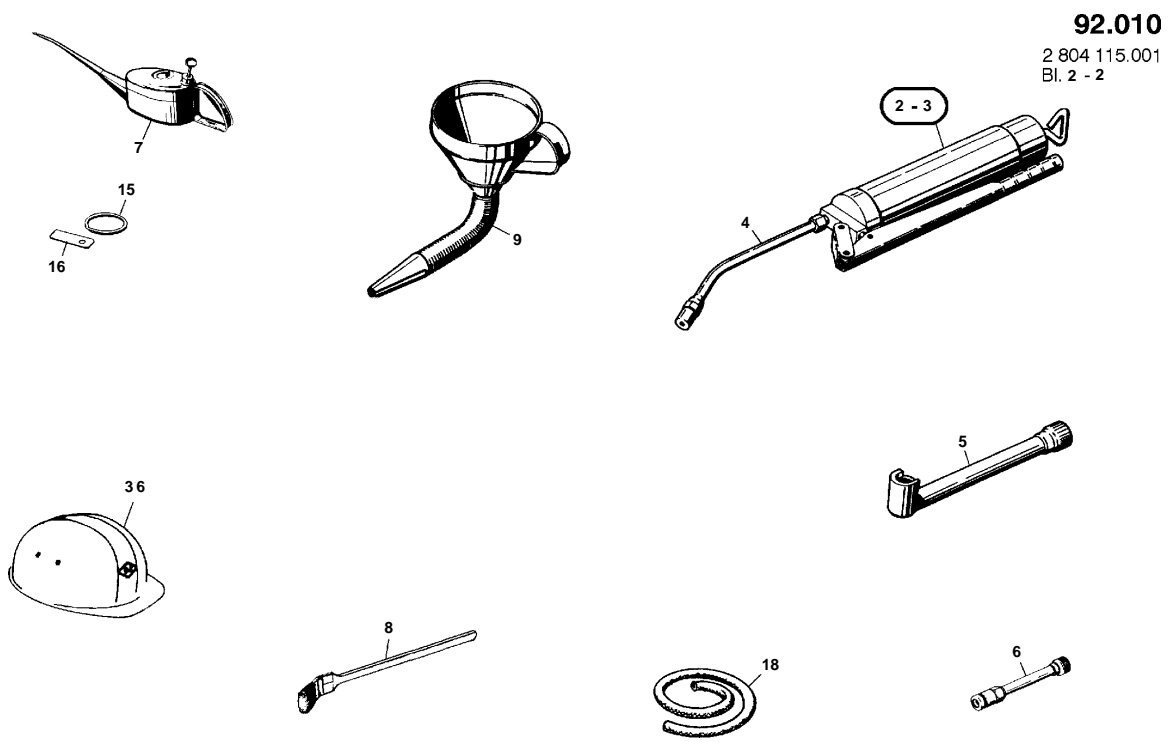
Item	Quantity	ME	P/N	see page	Description	Beschreibung
1	1	ST	(2804115)	118	TOOL SET	WERKZEUGSATZ
2	1	ST	1999274		GREASE CARTRIDGE	FETTPATRONE
3	1	ST	(3663281)	119	MAINTENANCE MATER.	WARTUNGSMATERIAL

* : quantity see description

TEREX  MINING 	RH40E 40151	TOOL SET WERKZEUGSATZ	92010 2804115-001
---	-----------------------	--	-----------------------------



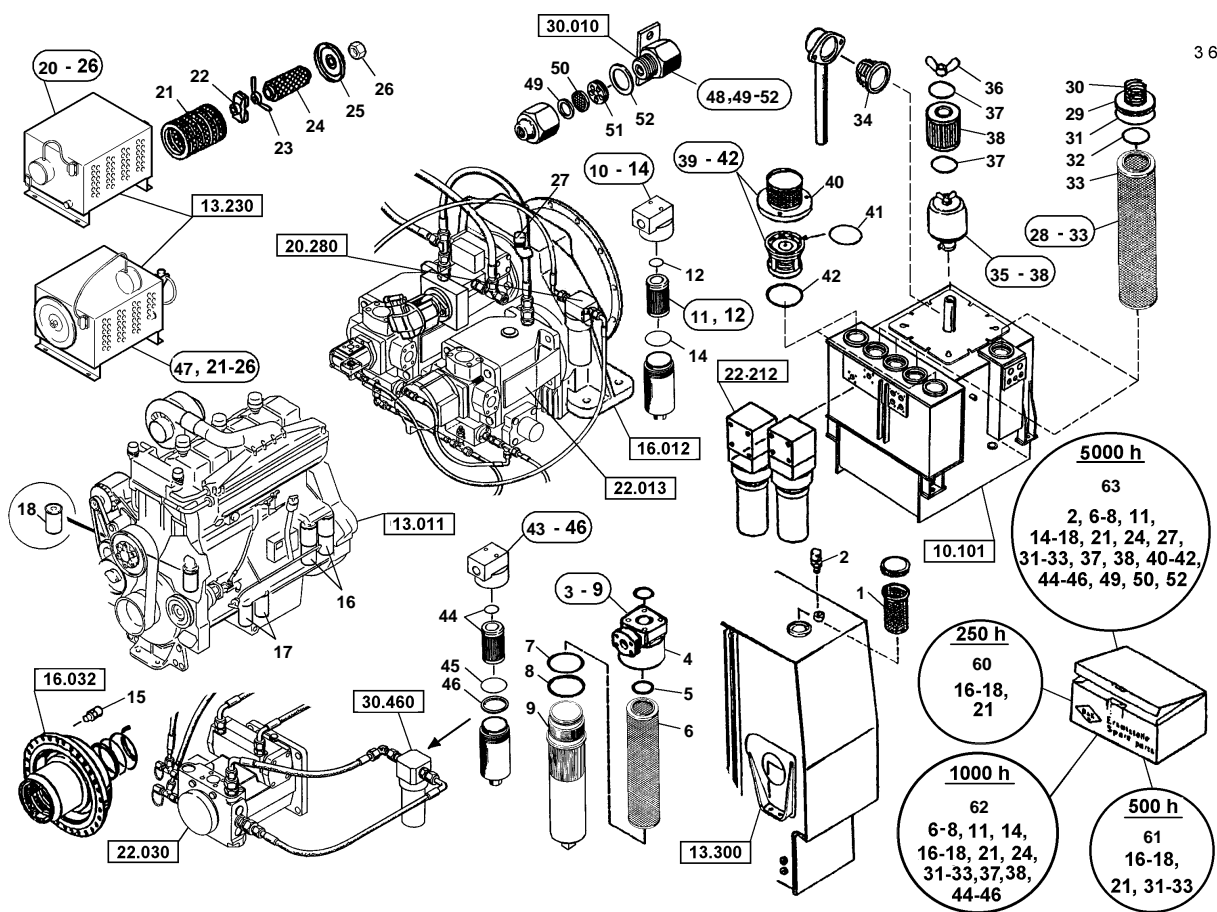
TEREX  MINING 	RH40E 40151	TOOL SET WERKZEUGSATZ	92010 2804115-001
---	-----------------------	--	-----------------------------



TEREX  MINING			RH40E 40151		TOOL SET WERKZEUGSATZ		92010 2804115-001	
Item	Quantity	ME	P/N	see page	Description	Beschreibung		
1	1	ST	0031916		TOOL-BOX	WERKZEUGKASTEN		
2	1	ST	0044527		VALVE	VENTIL		
3	1	ST	0036203		GRAESE GUN	SCHMIERPRESSE		
4	1	ST	0036205		PIPE	ROHR		
5	1	ST	0718577		ORIFICE	MUNDSTUECK		
6	1	ST	0095797		ORIFICE	MUNDSTUECK		
7	1	ST	0014235		CAN	KANNE		
8	1	ST	0014234		BRUSH	PINSEL		
9	1	ST	0725338		FUNNEL	TRICHTER		
12	1	ST	0216747		KEY	SCHLUESSEL		
13	1	ST	0064045		PIN LOCK KEY	DORNSCHLUESSEL		
14	1	ST	0014229		CROWBAR	BRECHSTANGE		
15	1	ST	0766235					
16	1	ST	0069859		PLATE	SCHILD		
18	1	ST	0095796		HOSE	SCHLAUCH		
19	1	ST	0059544		RING SPANNER	RINGSCHLUESSEL		
20	1	ST	0035167		RING SPANNER	RINGSCHLUESSEL		
21	1	ST	0014176		RING SPANNER	RINGSCHLUESSEL		
22	1	ST	0014180		RING SPANNER	RINGSCHLUESSEL		
23	1	ST	0014183		RING SPANNER	RINGSCHLUESSEL		
25	1	ST	0014098		KEY	SCHLUESSEL		
26	1	ST	0045276		SPANNER	MAULSCHLUESSEL		
27	1	ST	0014102		SPANNER	MAULSCHLUESSEL		
28	1	ST	0014106		SPANNER	MAULSCHLUESSEL		
30	1	ST	0038749		SPANNER	MAULSCHLUESSEL		
31	1	ST	0717906		KEY	SCHLUESSEL		
32	1	ST	0071431		RING SPANNER	RINGSCHLUESSEL		
33	1	ST	0071430		KEY	SCHLUESSEL		
34	1	ST	0014204		SCREW DRIVER	SCHRAUBENDREHER		
35	1	ST	0014165		PLIERS	ZANGE		
36	1	ST	0145540		CAP	KAPPE		

* : quantity see description

list 1 - page 118



92.020
3 663 281.000

TEREX  MINING				RH40E	MAINTENANCE MATER.	92020
				40151	WARTUNGSMATERIAL	3663281
Item	Quantity	ME	P/N	see page	Description	Beschreibung
1	1	ST	0766753		SIEVE	SIEB
2	1	ST	0029493		FILTER	FILTER
3	2	ST	2415299		HP FILTER	HOCHDRUCKFILTER
4	2	ST	1431770		HEAD	KOPF
5	2	ST	0012134		O-RING	O-RING
6	2	ST	1409828		FILTER INSERT	FILTEREINSATZ
7	2	ST	0009085		O-RING	O-RING
8	2	ST	1417641		SUPPORT RING	STUETZRING
9	2	ST	1410062		HOUSING	GEHAEUSE
10	1	ST	2222940		FILTER	FILTER
11	1	ST	1433860		FILTER INSERT	FILTEREINSATZ
12	1	ST	0783355		O-RING	O-RING
14	1	ST	0064697		O-RING	O-RING
15	1	ST	0145946		VALVE	VENTIL
16	2	ST	8482339		ENGINE OIL FILTER	MOTOROELFILTER
17	2	ST	1478371		FUEL FILTER	KRAFTSTOFFILTER
18	1	ST	8477192		WATER-FILTER ELE.	WASSERFILT.ELEMENT
20	1	ST	2762808		AIR FILTER	LUFTFILTER
21	2	ST	1433798		MAIN FILTER ELEM.	HAUPTFILTERELEMENT
22	2	ST	0957221		INDICATOR	ANZEIGER
23	2	ST	1406935		WING NUT	FLUEGELMUTTER
24	2	ST	1433799		SAFETY ELEMENT	SICHERHEITSELEMENT
25	2	ST	1433800		LID	DECKEL
26	2	ST	1438620		NUT	MUTTER
27	1	ST	1461463		BREATHER FILTER	ENTLUEFTUNGSFILTER
28	4	ST	3678608		FILTER	FILTER
29	4	ST	1415481		PRESSURE PIECE	DRUCKSTUECK
30	4	ST	1415482		SPRING	FEDER
31	4	ST	0422831		O-RING	O-RING
32	4	ST	1547653		O-RING	O-RING
33	4	ST	3678607		RETURN FILTER	RUECKLAUFFILTER
34	2	ST	0755015		VALVE	VENTIL
35	1	ST	1196420		FILTER	FILTER
36	1	ST	0083730		WING NUT	FLUEGELMUTTER
37	2	ST	0867168		O-RING	O-RING
38	1	ST	1415064		BREATHER FILTER	ENTLUEFTUNGSFILTER
39	2	ST	2119948		VALVE	VENTIL
40	2	ST	1451894		CAGE	KORB
41	2	ST	4799086		O-RING	O-RING
42	2	ST	1451893		O-RING	O-RING
43	1	ST	2416775		FILTER	FILTER
44	1	ST	2418098		FILTERELEMENT	FILTERELEMENT
45	1	ST	1461014		O-RING	O-RING
46	1	ST100	1461015		SUPPORT RING	STUETZRING
47	1	ST	1950213		FILTER	FILTER
48	1	ST	1909828		FILTER	FILTER
49	1	ST	0042283		SEALING RING	DICHTRING
50	1	ST	1338046		SIEVE	SIEB
51	1	ST	1423819		RING	RING
52	1	ST	0218488		SEALING RING	DICHTRING
60	1	ST	6000326		SERVICING KIT	WARTUNGSSATZ
61	1	ST	6000327		SERVICING KIT	WARTUNGSSATZ
62	1	ST	6000328		SERVICING KIT	WARTUNGSSATZ
63	1	ST	6000329		SERVICING KIT	WARTUNGSSATZ

* : quantity see description

list 1 - page 119