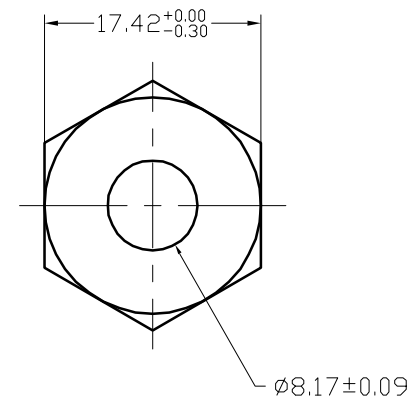
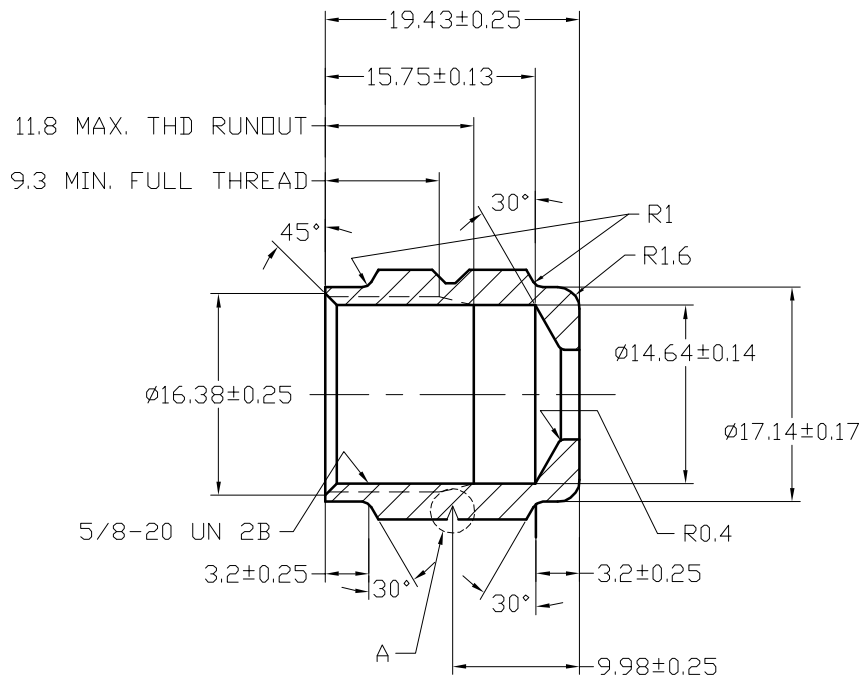
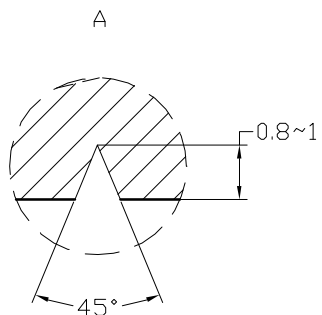


REV 更改号	DATE 日期	REVISION DETAILS 更改内容	APPD 审核并批准
X	19/03/13	SAMPLE ISSUE	MJ
A		Production Issue	



UNLESS SPECIFIED
ALL DIMENSIONS IN mm
MACHINED SURFACES Ra=3.2um
ANGLE TOLERANCES $\pm 1^\circ$
DECIMAL TOLERANCES:

.x: ± 0.5
.xx: ± 0.25
.xxx: ± 0.127

未注公差
图示尺寸单位为mm
表面粗糙度Ra=3.2um
角度公差 $\pm 1^\circ$
小数部分公差:

.x: ± 0.5
.xx: ± 0.25
.xxx: ± 0.127

MATERIAL	Chinese steel 45			
FINISH	Remove all sharp edges, burrs, slivers and swarf, break all edges 0.127-0.254mm. ZINC PLATED WITH TRIVALENT CHROMATE AND NO RED CORROSION IN 96 HOURS SALT SPRAY TEST.	去除所有毛刺, 铁屑等残留物, 锐边倒钝0.127-0.254mm. 镀三价铬锌, 银白色, 96小时盐雾试验无红斑。	PART No 零件名	MS350-5
			SCALE:	APPD: ZHANGJIAN 批准 2013/3/19
			NTS	DRN: 制图 TangHaiLin DATE: 2013.03.18 日期 2013.03.18 CHK: 审核 LIJunBiao