



Atlas Copco

PARTS LIST

MODEL: CM760D



Read the instruction manual before operating this equipment.

This page is intentionally blank.

GENERAL PARTS LIST SECTION BREAKDOWN

GENERAL PARTS LIST SECTION BREAKDOWN

<u>SECTION #</u>	<u>SECTION TITLE</u>
Word Index	ALPHABETICAL INDEX
CPN Index	PART NUMBER INDEX
S	SAFETY
1.0	GENERAL ASSEMBLY
2.0	MAINFRAME ASSEMBLY
3.0	TRACK ASSEMBLY
4.0	BOOM ASSEMBLY
5.0	DRILL GUIDE ASSEMBLY
6.0	ENCLOSURE ASSEMBLY & COMPONENTS
7.0	ENGINE ASSEMBLY - POWER PACK SYSTEM
8.0	AIR SYSTEM - HOSING AND COMPONENTS
9.0	HYDRAULIC SYSTEM - HOSING AND COMPONENTS
10.0	DUST CONTROL SYSTEMS - DUST COLLECTOR, VAPOSOLr
11.0	MACHINE LABELS - NAMEPLATE, SAFETY, AND STRIPING
12.0	ELECTRICAL COMPONENTS
13.0	CAB ASSEMBLY
14.0	STANDARD EQUIPMENT
15.0	OPTIONAL EQUIPMENT
16.0	MAINTENANCE SPECIFICATIONS AND SERVICE LIST - TORQUE SPECS, FLUIDS, SERVICE ITEMS, INTERVALS, SPECIFICATIONS
17.0	MACHINE SCHEMATICS - AIR, HYDRAULIC, ELECTRICAL
20.0	HOSING DIAGRAMS

ADDITIONAL MANUALS FURNISHED WITH EACH MACHINE

- INSTRUCTION MANUAL FOR CRAWLER DRILLING MACHINE
MODEL: CM760D IM6193
- SAFETY MANUAL FOR HYDRAULIC CRAWLER DRILL;
MODEL: 700 SERIES SM6189
- PARTS LIST FOR DIRECT DRIVE ROTARY HEAD
MODEL: DDRH PL6082
- TECHNICAL MANUAL FOR "Quantum Leap®" DOWNHOLE DRILLS
MODEL: QL SERIES TM6121

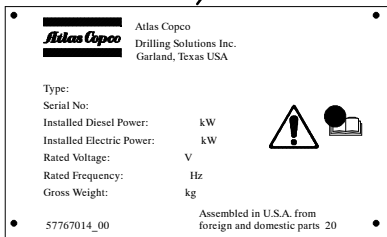
WRITE PRODUCT IDENTIFICATION NUMBERS

Accurately record all the numbers. Always use the serial number of the machine when requesting service information or when ordering parts. Early or later models (identification made by serial number) may use different parts, or it may be necessary to use a different procedure in doing a specific service operation.

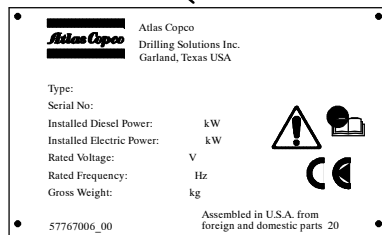
MACHINE: _____



Serial Number Location



FOR ASME MACHINES



FOR CE MACHINES

NOTICE

All information, illustrations, and specifications in this manual are based on the latest information available at the time of publication. Product improvement is a continuing goal at Atlas Copco®. Design and specifications are subject to change without notice or obligation.

WRITE PRODUCT IDENTIFICATION NUMBERS



ENGINE: _____

WRITE PRODUCT IDENTIFICATION NUMBERS

ROTARY HEAD: _____

Serial Number
Located In This
Area



Model : DDRH ROTARY HEAD

WRITE PRODUCT IDENTIFICATION NUMBERS

IMPORTANT:

The Atlas Copco Distributer/Dealer serving the area in which your equipment is working will be able to give you the BEST and FASTEST SERVICE of Genuine Atlas Copco Replacement Parts.

Continuing Product Improvement and advancement of product design may cause changes to your Rotary Drill which may not be reflected in this Parts/Service Manual. Production models may vary in some detail. Atlas Copco reserves the right to modify or make changes without notice or obligation.

Parts Ordering Instructions

By giving complete information, you will enable us to fill your order correctly and avoid unnecessary delays!

When ordering Replacement Parts, specify:

1. Unit **Serial Number**
 2. The **Name** of each part as listed
 3. The **Part Number** as listed in your parts book.
 4. **Quantity** of parts desired.
-

Refer all communications concerning this unit to our nearest Branch Office, Distributor, Dealer or Agent

WARNING IN THE MANUAL

CALIFORNIA PROPOSITION 65 INFORMATION

**TO CALIFORNIA CUSTOMERS AND
TO CUSTOMERS SELLING DIESEL ENGINE EQUIPMENT
INTO OR FOR USE IN CALIFORNIA**

CALIFORNIA Proposition 65 Warning

Diesel engine exhaust and some of its constituents are known to the State of California to cause cancer, birth defects and other reproductive harm.

MODIFICATIONS/ALTERATIONS ON THE MACHINE

NOTE: BEFORE WELDING ON A MACHINE WITH ELECTRONIC ENGINE, THE FOLLOWING PRECAUTIONS SHOULD BE OBSERVED:

- TURN THE ENGINE CONTROL SWITCH TO THE OFF POSITION.
- DISCONNECT THE NEGATIVE BATTERY CABLE AT THE BATTERY. TURN THE BATTERY DISCONNECT SWITCH TO THE ON POSITION.
- CONNECT THE WELDER GROUND CABLE DIRECTLY TO THE MEMBER TO BE WELDED. PLACE THE GROUND CABLE CLAMP AS CLOSE AS POSSIBLE TO THE WELD TO REDUCE THE POSSIBILITY OF WELDING CURRENT DAMAGE TO BEARINGS, HYDRAULIC COMPONENTS, ELECTRICAL COMPONENTS, AND GROUND STRAPS. **DO NOT USE ELECTRICAL COMPONENTS, THE ECM OR ELECTRONIC GROUND STUD FOR GROUNDING OF THE WELDER.**
- PROTECT WIRING FROM WELDING DEBRIS OR SPLATTER.
- USE STANDARD WELDING TECHNIQUES TO WELD THE MATERIALS TOGETHER.

WARNING

Modification or alteration of this machine can result in severe injury or death.

Do not alter or modify this machine without the express written consent of the manufacturer.

ADVERTENCIA

La modificación o alteración de esta máquina puede resultar en lesión grave o la muerte.

No cambie o modifique esta máquina sin el consentimiento expreso por escrito del fabricante.

AVERTISSEMENT

Des modifications à cette machine peuvent causer des blessures graves ou la mort.

N'apportez aucune modification à cette machine sans l'accord écrit du fabricant.

WARNUNG

Eine Modifikation oder Änderung dieser Maschine kann zu schweren Verletzungen oder zum Tod führen.

Diese Maschine darf ohne ausdrückliche schriftliche Zustimmung vom Hersteller nicht geändert oder modifiziert werden.

AVVERTENZA

Modifiche o alterazioni di questa macchina.

Possono causare infortuni gravi o morte.

Non alterare o modificare questa macchina senza aver prima ottenuto l'espresso consenso scritto del fabbricante.

 **Ingersoll-Rand.**

52292851

HOW TO USE THIS MANUAL

PAGE NUMBERING:

- THE PAGE NUMBERING SCHEME OF THIS MANUAL REFLECTS THE SECTION NUMBER FOLLOWED BY A PERIOD, THE SUB-SECTION FOLLOWED BY A DASH, AND THE PAGE NUMBER. (EX. 4.0-1, 4.0-2. ETC.)

WHEN THE DESCRIPTION IS KNOWN - USE THE WORD INDEX:

- THE WORD INDEX IS FOUND IN THE FRONT OF THIS MANUAL. THE ITEMS LISTED ARE IN ALPHABETICAL ORDER AND MAY BE REPEATED SEVERAL TIMES DEPENDING ON THEIR FUNCTIONAL DESCRIPTION. AT THE END OF THE PART NAME THE SECTION AND PAGE NUMBER WILL APPEAR. (EX. BACKUP ALARM, 2.1-8)
- IF THE PART CANNOT BE FOUND BY USING THE ABOVE STEP, ANOTHER WAY OF FINDING THE PART IS BY REFERRING TO GENERAL INFORMATION (WHICH IS THE NEXT SECTION IN THIS MANUAL). LOOK AT THE PARTS LIST SECTION BREAKDOWN AND SELECT THE MOST APPROPRIATE SECTION TITLE THAT THE PART YOU ARE LOOKING FOR MAY BE FOUND. THE SECTION NUMBER IS CALLED OUT TO THE LEFT OF THE SECTION TITLE.

WHEN THE PART NUMBER (CPN) IS KNOWN - USE THE CPN INDEX:

- IF YOU ALREADY KNOW THE PART NUMBER (CPN) FOR THE ITEM REQUIRED, A CPN INDEX (NUMERICAL ORDER) IS PROVIDED IN THE FRONT OF THIS MANUAL. LOOK UP THE PART NUMBER (CPN) DESIRED AND THE CPN INDEX WILL SHOW THE SECTION AND PAGE NUMBER.

SERIAL NUMBER RANGES:

- WHEN AN ASSEMBLY OR PART IS AFFECTED BY A SERIAL NUMBER CHANGE, THE SERIAL NUMBER WILL APPEAR IN THE SPECIFIC SECTION INVOLVED, AND THE INDEX. (REFER TO PAGE HOW-4 FOR EXAMPLES.)

USING THE PARTS IDENTIFICATION PAGES:

- THE PARTS IDENTIFICATION PAGES CONSIST OF THE PARTS ILLUSTRATION AND THE PARTS LIST.
- THE PARTS ILLUSTRATION SHOWS THE ASSEMBLY WITH ITS COMPONENT PARTS IDENTIFIED BY A REF. NO.
- ON THE PARTS LIST, THE COMPONENTS ARE LISTED IN REF. NO. ORDER. OTHER INFORMATION PROVIDED BY THE PARTS LIST IS THE PART NO. (CPN), THE QUANTITY REQUIRED TO ASSEMBLE THE ASSEMBLY, THE PART NAME, A DESCRIPTION OF THE PART (ON HARDWARE ITEMS), AND ANY OTHER ADDITIONAL NOTES OR REMARKS REQUIRED TO HELP PLACE THE PARTS ORDER.

ORDERING INSTRUCTIONS

When ordering service parts, please specify:

1. The **NAME** of each part as listed.
2. The **PART NUMBER** as listed or stamped on the part.
3. The **SERIAL NUMBER** of the machine. (Refer to Figure 1.)

HOW TO USE THIS MANUAL

DO NOT use the REF. NO. when ordering service parts, use the Part No. and the PART NAME. To save time send all orders for parts to the nearest branch office or agent. IF IT IS NECESSARY TO SEND ANY PART OF THIS MACHINE TO THE FACTORY, INQUIRE AT OUR NEAREST BRANCH OFFICE OR AGENT FOR SPECIAL INSTRUCTIONS. PRODUCT IMPROVEMENT IS A CONTINUING GOAL AT INGERSOLL-RAND. DESIGN AND SPECIFICATIONS ARE SUBJECT TO CHANGE WITHOUT NOTICE OR OBLIGATION.

NOTICE: *When a black bar is seen to the left of any text or graphic, there has been a change or modification made to that particular text or graphic.*

HOW TO USE THIS MANUAL



Figure 1. Serial Number Location

		Atlas Copco Drilling Solutions Inc. Garland, Texas USA	
Type:			
Serial No:			
Installed Diesel Power:	kW		
Installed Electric Power:	kW		
Rated Voltage:	V		
Rated Frequency:	Hz		
Gross Weight:	kg		
57767006_00	Assembled in U.S.A. from foreign and domestic parts 20		

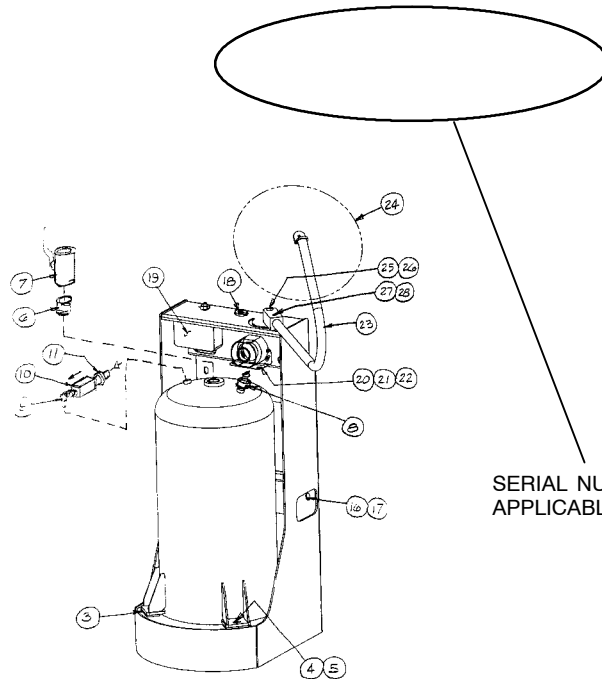
FOR CE MACHINES

		Atlas Copco Drilling Solutions Inc. Garland, Texas USA	
Type:			
Serial No:			
Installed Diesel Power:	kW		
Installed Electric Power:	kW		
Rated Voltage:	V		
Rated Frequency:	Hz		
Gross Weight:	kg		
57767014_00	Assembled in U.S.A. from foreign and domestic parts 20		

FOR ASME MACHINES

NOTE: References to the right-hand side and left-hand side of the machine are made looking from the main frame end toward the drill end.

HOW TO USE THIS MANUAL



WARNING: This manual contains data SPECIFIC to ECM 710.

10.4-1

Index

S

- SAFETY
 - DECALS, S-7
 - INFORMATION, S-1
 - NAMEPLATE ASSEMBLY, 13.2-1
 - TRIP WIRE ASSEMBLY, 5.0-6
- SAFETY TRIP WIRE ASSEMBLY, 5.25-6
- SCHEMATIC
 - AIR/OIL/WATER (570/670), 17.2-1
 - AIR/OIL/WATER (672), 17.4-1
 - ELECTRICAL
 - FOR MACHINES STARTING WITH THE FOLLOWING SERIAL #.: ECM570 - 87082, ECM670 - 88078, CM672 - 89072, 17.0A-1
 - FOR MACHINES THRU THE FOLLOWING SERIAL #.: ECM570 - 87081, ECM670 - 88077, CM672 - 89071, 17.0-1
 - HYDRAULIC (570/670), 17.1-1
 - HYDRAULIC (672), 17.3-1
- SEAT, OPERATOR'S CAB, 6.0-6
- SEPARATOR, HYDRAULIC RESERVOIR, 2.3-2
- SEPARATOR TANK
 - ASSEMBLY (ASME), 9.10-1
 - ASSEMBLY (CE), 9.11-1
 - COMPRESSOR DISCHARGE PIPE, 9.10-4, 9.11-5
 - INLINE FILTER, 9.10-5, 9.11-4
 - NEEDLE VALVE, 9.10-5, 9.11-5
 - OIL LEVEL DECAL, 9.10-5, 9.11-5
 - OIL SEPARATOR ELEMENT, 9.10-4, 9.11-4
 - ENGINE SHUTDOWN, 8.0-10

- ETHER LOW TEMPERATURE, 8.0-10
- GREASER FOOT, 6.0-7
- HYDRAULIC (OIL FAN), 8.10-7
- IGNITION, 6.5-1
- JOYSTICK, 6.8-1
- LIGHT, 6.6-1
- OIL PRESSURE, 8.1-2
- OSCILLATION, 6.3-1
- OVERRIDE, 6.5-1
- PRESSURE (BACKUP ALARM), 7.18-1
- PRESSURE (LOAD SENSE), 7.12-2
- PROXIMITY (GRIPPER ARM), 5.6-4
- SAFETY TRIP WIRE, 5.0-7
- SAFETY TRIP WIRE ASSEMBLY, 5.0-7
- SEPARATOR TANK THERMAL, 9.10-5, 9.11-4
- SHUTDOWN (AIR END), 9.5-5
- START, 6.3-1, 6.5-1
- TEMPERATURE (HYD. OIL THERMAL VALVE), 7.19-2
- TOGGLE, 6.5-1
- WIPER, 6.6-1

T

- TEMPERATURE SENDER (HYD. OIL THERMAL VALVE), 7.19-2
- TORQUE SPECIFICATIONS, 15.0-17
- TRACK ASSEMBLY
 - BOTTOM ROLLER ASSEMBLY, 3.0A-3
 - BOTTOM TRACK ROLLER, 3.0-3
 - BOTTOM TRACK ROLLER ASSEMBLY, 3.2-1
 - CARRIER ROLLER ASSEMBLY, 3.0-3, 3.0A-3, 3.5-1

SERIAL NUMBER

Numbers

03167228, 5.4-4
03167905, 6.9-2
03190550, 5.9-2
03241395, 4.2-2
03692076, 6.0-4, 10.2-2
22291280, 8.5-2
35086347, 7.0-6
35092279, 7.0-6
35112259, 7.5-2
35123512, 7.10-2, 16.1-1, 16.2-1
35123520, 7.10-2, 16.1-1, 16.2-1
35123538, 7.10-2
35123546, 7.10-2
35123553, 7.10-2
35123561, 7.10-2
35123587, 7.10-2
35255869, 7.10-2
35279942, 6.4-2
35287945, 7.0-6
35294156, 2.5-3
35323955, 8.5-2
35324649, 8.5-2
35366657, 7.0-6
35376318, 8.1-5
35579630, 6.4-2, 8.5-2, 8.6-2
35596733, 8.5-2, 8.6-2
35711209, 7.5-2, 7.10-1
35834795, 7.0-5
36502870, 7.0-6
36746410, 7.0-6
36766731, 10.3-2
36783710, 7.0-6
36843720, 8.5-3, 8.6-2
36860336, 7.0-6, 16.1-1, 16.2-1
36865756, 8.5-2, 8.6-2
39113543, 8.1-5
39301940, 8.1-5
39322748, 8.5-2, 8.6-2
39325113, 8.1-5
39329701, 8.1-5
39329719, 8.1-5
39329800, 8.1-5
39417118, 8.5-2, 8.6-2
39476916, 8.6-2
39590963, 8.1-5
39591326, 8.1-5
39591920, 8.1-5
39871694, 8.6-2
39871702, 8.5-2
39913876, 8.1-5
39913967, 8.1-5
39915699, 8.1-5
39915798, 8.1-5
39919501, 8.1-5
39922877, 7.0-7, 8.1-1
39923750, 8.1-5
39923834, 8.1-5
39932256, 8.1-5
39932686, 8.1-5
39932918, 8.1-5
39932959, 8.1-5
39932975, 8.1-5
39932983, 8.1-5
39932991, 8.1-5
39933007, 8.1-5
39933015, 8.1-5
50023886, 4.1-2
50023910, 4.1-2, 8.2-2, 8.5-2, 8.6-2
50034826, 5.11-2
50097732, 10.5-2
50097765, 10.5-2
50097773, 10.5-2
50098813, 10.5-2
50098821, 10.5-2
50098839, 10.5-2
50139377, 10.3-2, 10.5-1
50141720, 4.1-2, 5.11-2

50257112, 16.0-2
50258276, 8.5-3
50262526, 16.0-2
50373745, 10.5-2
50550904, 10.5-2
50550920, 10.5-2
50550938, 10.5-2
50550946, 10.5-2
50573823, 8.2-2
50625946, 6.1-5
50651900, 16.0-2
50651918, 16.0-2
50700814, 9.15-2
50709336, 9.53-2
50710698, 10.5-2
50743731, 4.1-2, 8.2-2, 8.5-2, 8.6-3
50788207, 10.2-2
50788454, 9.42-2
50805100, 9.28-2, 9.39-2
50805118, 9.17-2
50829605, 13.17-2
50850924, 9.42-2
50854884, 9.42-5
50855915, 5.10-4
50862705, 16.0-2
50882281, 10.1-2, 10.6-2
50906726, 12.0-4
50930452, 5.5-2, 5.15-2
50930460, 5.10-3
50946797, 16.0-2
50947357, 2.0-3, 2.4-2, 6.0-2, 8.5-2, 8.6-2
50959030, 7.0-5
50963735, 10.2-2
50964576, 8.2-2
50970201, 8.5-3
50977271, 6.1-6
50977289, 9.31-3
50978543, 2.5-4, 9.17-2, 17.0-10, 17.4-10
50979350, 17.0-9
50996313, 2.0-3
51005452, 5.10-2
51005486, 5.10-2
51005627, 6.4-2
51027902, 6.0-2
51027928, 13.3-2
51027936, 6.0-2
51028371, 3.1-2, 3.3-2, 17.0-6, 17.4-6
51028462, 2.5-3
51028579, 17.0-8, 17.4-8
51028751, 5.10-3, 9.35-2
51030799, 17.0-9, 17.4-9
51030815, 17.0-7, 17.0-10, 17.4-7, 17.4-10
51033298, 10.6-2
51038214, 7.4-2
51041085, 17.0-9, 17.4-9
51043750, 17.0-7, 17.4-7
51050326, 9.26-2, 9.27-2
51050490, 9.26-4, 9.26-6, 9.27-4, 9.27-6
51050516, 9.26-4, 9.26-6, 9.27-4, 9.27-6
51059723, 17.0-7, 17.4-7
51059772, 17.0-9, 17.4-9
51060143, 17.0-10, 17.4-10
51061661, 7.2-2, 7.3-3
51063378, 17.0-7, 17.4-7
51103778, 9.42-5
51193290, 4.0-2
51204469, 9.42-3, 9.42-4, 9.42-6
51214864, 17.0-8
51232197, 17.1-4, 17.5-4
51236925, 3.1-2, 3.3-2, 5.10-3
51236933, 3.1-2, 3.3-2, 5.10-3
51298198, 7.0-7
51300010, 7.4-2
51300390, 17.0-9, 17.4-9
51300549, 11.25-3, 17.1-3
51300564, 17.0-9, 17.4-9
51304434, 13.17-2
51306934, 17.2-3
51308666, 6.12-2

51308682, 6.12-2
51309243, 16.0-2
51309250, 16.0-2
51313146, 13.14-2
51326759, 5.4-4
51352136, 2.5-3, 6.0-4
51352201, 16.0-2
51352839, 7.0-6
51352862, 7.0-6
51352870, 7.0-6
51357408, 11.1-2
51366615, 2.5-3, 7.0-6
51366649, 7.0-6
51371367, 9.14-2
51373322, 6.0-2
51377349, 7.0-5
51377356, 7.0-6
51377372, 7.0-5
51377380, 7.0-5
51377398, 5.10-2, 7.0-5
51377406, 5.10-3
51377497, 5.10-3
51377505, 5.10-3
51607299, 13.10-2
51607315, 13.10-2
51607380, 6.1-5
51607430, 8.5-2, 8.6-3
51607448, 13.9-2
51607984, 2.0-3
51607992, 2.0-3
51608123, 6.2-2
51608149, 6.2-2
51608263, 9.3-2, 9.10-1
51608487, 13.12-2
51608685, 9.41-2
51608693, 9.40-2
51608867, 4.0-2
51608958, 4.0-2
51608974, 4.0-2
51609048, 5.15-2
51609089, 2.0-3
51609196, 5.15-2
51610723, 5.15-2
51610731, 5.15-2
51610749, 5.15-2
51611390, 5.4-4, 5.10-4
51612356, 2.5-3
51615946, 2.5-3
51616209, 5.5-2
51616399, 2.0-3
51616621, 5.9-2
51616647, 5.9-2
51618072, 2.4-2
51618247, 13.9-2
51618296, 7.5-2
51618338, 13.9-2
51618346, 9.23-2
51618379, 13.1-8
51618437, 13.9-2
51618510, 9.23-2
51618619, 5.15-2
51618767, 5.10-2
51618809, 5.10-2
51618817, 5.10-2
51618825, 5.10-2
51618833, 5.10-2
51618858, 5.10-2
51618882, 5.10-2
51618890, 5.10-2
51619088, 5.7-2
51619377, 2.4-2, 2.5-3
51619492, 13.5-3
51619914, 2.4-3
51620318, 6.0-4
51620664, 9.3-2, 9.14-2, 9.15-2, 9.21-2
51680486, 9.35-2, 9.42-1
51713220, 7.5-2
51713261, 7.5-2
51713287, 7.5-2

51713436, 7.0-7
51713451, 7.0-7, 17.2-3
51713717, 5.10-2
51715795, 5.10-2
51716017, 9.21-2, 9.39-2
51716066, 6.7-2
51716124, 13.9-2
51717627, 5.10-2
51719664, 9.26-2, 9.27-2
51728236, 8.5-2
51728517, 5.1-2
51729663, 2.6-2
51729846, 9.10-2
51730265, 13.17-2
51775823, 6.3-2
51776391, 4.2-2, 5.11-2
51776409, 4.2-2
51776417, 4.2-2
51776425, 4.2-2, 5.11-2
51776458, 9.10-2
51776516, 9.58-2
51776524, 9.58-2
51776581, 9.10-2
51776599, 9.10-2
51776607, 9.10-2
51776821, 9.43-2
51776961, 10.1-2, 10.6-2
51777357, 11.1-2
51777365, 11.1-2
51777373, 11.1-2
51777381, 11.1-2
51777407, 11.1-2
51777415, 11.1-2
51777423, 11.0-5
51777449, 11.1-2
51777456, 11.1-2
51777464, 11.1-2
51778876, 11.1-2
51778884, 13.9-2
51779114, 10.11-2
51779155, 10.11-2
51779163, 10.11-2
51779171, 10.11-2
51779379, 10.11-2
51779536, 5.10-3
51780377, 5.10-2
51780492, 5.5-2
51780500, 5.5-2
51780518, 5.5-2
51780526, 5.5-2
51780534, 5.5-2
51780542, 13.12-2
51780559, 5.4-3
51780567, 5.4-3, 5.5-2
51780575, 5.4-4, 5.5-2, 5.10-4
51780583, 5.5-2, 5.8-1
51780591, 5.4-3
51780609, 5.5-2
51780617, 5.1-1, 5.10-2
51780625, 5.10-2
51780633, 5.4-3
51780666, 5.4-3
51780674, 5.4-3
51780682, 5.4-3
51780690, 5.4-3
51780708, 5.4-3
51780898, 17.0-7, 17.0-9, 17.4-7
51780906, 11.0-5
51780963, 11.25-3
51782498, 5.9-2
51782506, 5.9-2, 5.15-2
51782514, 5.9-2
51782522, 5.9-2, 5.15-2
51782548, 8.5-2
51782605, 2.6-2, 9.8-2
51782613, 9.8-2
51782647, 5.10-4
51782654, 5.10-3
51783017, 4.2-2

51783512, 11.25-3
51785871, 9.8-2, 9.10-2
51785889, 2.6-2, 9.22-3, 9.58-2
51785962, 10.8-3
51785970, 10.8-3
51785988, 10.8-3
51786333, 13.5-3
51788222, 5.4-3, 5.10-2
51788230, 5.10-2
51788248, 5.10-2
51788255, 5.10-2
51788263, 5.10-2
51788289, 5.10-2
51788297, 5.10-2
51788305, 5.10-2
51788339, 5.10-2
51788362, 5.10-2
51788404, 5.13-2
51788412, 5.13-2
51788420, 5.13-2
51788438, 5.13-2
51788461, 5.10-2
51788511, 5.6-2
51788529, 5.6-2
51788537, 5.6-2
51788545, 5.6-2
51788552, 5.6-2
51788560, 5.6-2
51788578, 5.4-3, 5.6-2
51788594, 5.4-3
51788636, 5.4-3, 5.6-2
51789220, 10.1-2, 10.6-2, 13.0-4
51789790, 6.12-2
51789808, 6.12-2
51791770, 11.27-2, 11.28-2
51791879, 13.9-2
51792042, 5.10-2
51792323, 7.7-2
51792414, 11.1-2
51792570, 11.27-2, 11.28-2
51792695, 11.1-2
51792968, 6.12-2
51792976, 7.0-7
51793404, 10.9-3
51793438, 10.9-3
51793461, 10.9-3
51795623, 13.9-2
51857324, 10.1-2, 10.6-2
51858132, 6.3-2
51858686, 9.26-4, 9.26-6, 9.27-4, 9.27-6
51862225, 5.15-2
51862332, 5.15-2
51862340, 5.9-2, 5.15-2
51862357, 5.15-2
51862365, 5.9-1
51862373, 5.9-2
51862415, 5.0-2, 5.13-1
51862514, 11.27-2, 11.28-2
51862522, 11.25-3
51862647, 5.13-2
51862654, 5.13-2
51862670, 5.13-2
51862696, 5.10-2
51862852, 2.1-2
51863009, 9.11-4, 9.12-2
51863017, 9.11-4, 9.12-2
51863025, 9.11-4, 9.12-2
51866333, 5.10-2
51867158, 17.0-9, 17.0-10, 17.4-10
51867224, 17.0-5, 17.4-5
51867521, 17.0-9
51867547, 17.0-9
51867570, 17.0-7
51867919, 17.0-7, 17.0-9, 17.0-10, 17.1-3,
17.5-3
51869188, 9.45-2
51869808, 10.10-2
51869824, 10.10-2
51869931, 11.25-3, 12.5-2

51873776, 5.15-2
51873842, 5.0-2, 5.11-1
51873875, 5.4-3
51873891, 5.4-3
51873925, 11.27-1
51874154, 11.25-3
51874162, 5.10-3
51874170, 5.10-3
51874196, 5.10-3
51874220, 7.2-2
51874238, 7.6-3
51874246, 7.6-3
51874253, 7.6-3
51874444, 9.22-3
51874600, 5.11-2
51874618, 5.11-2
51874691, 5.3-2, 12.0-4
51874972, 12.0-4
51903508, 6.1-6
51904787, 7.5-2
51908804, 5.5-2, 9.14-2
51909059, 4.2-2
51909067, 10.11-2
51909117, 5.10-2
51909125, 9.7-2, 9.8-1
51909133, 5.8-2
51909141, 5.8-2
51909364, 5.6-2
51909372, 5.4-3
51909398, 5.4-3, 5.7-1
51909406, 5.4-3, 9.7-1
51909448, 5.10-2, 9.3-1
51909497, 17.0-8
51910586, 17.0-8
51910594, 17.0-9
51910628, 17.0-8
51910636, 17.0-10, 17.4-10
51910669, 17.0-8
51910701, 5.11-2
51910859, 6.4-2
51910867, 9.14-2
51910875, 5.6-2
51910990, 9.8-2
51913077, 13.5-3
51914299, 2.5-3, 7.0-6, 9.23-2, 9.31-3
51915957, 12.5-2
51916005, 5.7-2, 17.1-3, 17.5-3
51916047, 17.0-9, 17.4-9
51916054, 17.0-10, 17.4-10
51916062, 17.0-9, 17.4-9
51916096, 5.6-2
51916401, 17.1-3
51916443, 17.1-3, 17.5-3
51916526, 9.17-2
51917904, 11.1-2
51918183, 5.8-2
51918381, 12.0-4
51918399, 5.0-2, 12.7-2
51919397, 9.11-4, 9.22-3
51919488, 2.6-2, 6.12-2
51944486, 5.10-2
51944494, 5.4-3, 5.6-2
51944502, 5.10-2
51944536, 5.4-3
51947554, 9.26-4, 9.26-6, 9.27-4, 9.27-6
51947562, 9.26-4, 9.26-6, 9.27-4, 9.27-6
51947570, 9.26-4, 9.26-6, 9.27-4, 9.27-6
51947596, 9.26-4, 9.26-6, 9.27-4, 9.27-6
51947612, 9.26-4, 9.26-6, 9.27-4, 9.27-6
51947638, 9.26-4, 9.26-6, 9.27-4, 9.27-6
51948495, 11.25-3
51948529, 5.7-2
51948537, 5.7-2
51948602, 5.4-4
51948628, 5.9-2, 5.10-3
51948735, 12.0-4, 12.5-2
51948750, 11.25-3
51948768, 11.25-3
51948776, 11.25-3

51948784, 11.25-3
51948792, 11.25-3
51948800, 11.25-3
51948818, 11.25-3
51948826, 11.25-3
51948834, 11.25-3
51948842, 11.25-3
51948859, 11.25-3
51948867, 11.25-3
51948875, 11.25-3
51948883, 11.25-3
51948891, 11.25-3
51948909, 11.25-3
51948917, 11.25-3
51948925, 11.25-3
51948941, 11.25-3
51948958, 11.25-3
51948966, 11.25-3
51948982, 11.25-3
51949196, 5.1-2
51949204, 5.1-2
51949212, 5.1-2
51949220, 5.1-2
51949246, 5.1-2
51949253, 5.1-2
51949279, 5.1-2
51949287, 5.1-2
51949295, 5.1-2
51949303, 5.1-2
51949311, 5.1-2
51949329, 5.1-2
51949394, 5.1-2
51949402, 5.1-2
51949410, 5.1-2
51949428, 5.1-2
51949436, 5.1-2
51949444, 5.1-2
51949451, 5.1-2
51949469, 5.1-2
51949477, 5.1-2
51949485, 5.1-2
51949493, 5.1-2
51949501, 5.1-2
51949519, 5.1-2
51949527, 5.1-2
51949535, 5.1-2
51949543, 5.1-2
51949550, 5.1-2
51949568, 5.1-2
51949576, 5.1-2
51949584, 5.1-2
51949592, 5.1-2
51949691, 11.1-2
51949709, 11.1-2
51952158, 3.1-2, 3.3-2
51952240, 8.2-3
51958122, 5.11-2
51958130, 5.11-2
51982833, 9.26-4, 9.27-4
51984128, 6.1-6
51984367, 9.10-2
51984888, 11.0-5
51985968, 11.0-5
51989564, 10.11-2, 10.14-1
51990612, 10.15-2
51991172, 6.1-5
51991867, 11.0-5
51991933, 11.0-5
51992055, 13.12-2
51992303, 2.0-3
51992311, 4.0-2
51992345, 4.0-2
51992352, 5.15-2
51992410, 2.0-3, 4.0-2
51992428, 4.0-2
51992436, 5.15-2
51992444, 4.0-2
51992451, 5.15-2
51992477, 12.5-2

51992493, 12.5-2
51992535, 2.4-2
51992840, 10.14-2
51992857, 10.14-2
51992865, 10.14-2
51992873, 10.14-2, 10.15-2
51992881, 10.14-2
51992899, 10.14-2
51992907, 10.14-2
51992915, 10.14-2
51992923, 10.14-2
51993145, 11.1-2
51994218, 5.3-2
51994598, 13.0-5
51994762, 13.0-4
51994770, 4.2-2
51994853, 17.0-9
51994895, 17.0-8
51994903, 17.0-9
51994937, 5.3-1, 5.10-3
51994952, 5.3-2
51996593, 11.1-2
51997740, 5.13-2, 5.14-1
51999092, 11.29-2
51999100, 11.29-2
51999878, 5.4-4
51999886, 5.4-4
51999894, 5.4-4
52080025, 4.2-2
52080033, 4.2-2
52080124, 5.14-2
52080132, 5.14-2
52080140, 5.14-2
52080165, 5.14-2
52080173, 5.14-2
52080181, 5.14-2
52083052, 5.15-2
52083151, 13.1-4, 13.1-7
52083805, 7.3-3, 7.7-2
52086162, 13.0-4
52086170, 13.0-4
52086188, 7.0-5, 13.0-4
52086238, 6.3-2
52086311, 9.29-2, 9.30-2
52086329, 7.0-6, 9.29-2, 9.30-2
52086337, 2.5-3, 9.29-2, 9.30-2
52087087, 4.0-2
52087160, 4.2-2
52089810, 8.2-2, 8.5-3
52091295, 4.0-2
52091352, 2.10-2
52091360, 2.10-2
52093325, 2.4-2
52094232, 13.11-2
52096336, 4.0-2
52099827, 6.12-2
52104395, 9.22-3
52104742, 10.2-2
52104767, 2.4-2, 2.5-3, 8.5-3, 8.6-3, 10.1-2
52105384, 13.0-5
52105392, 6.1-5
52105400, 13.5-3
52105459, 13.0-5
52105483, 13.0-4
52106515, 13.1-5, 13.1-8
52106630, 13.1-12
52106796, 7.0-5
52107497, 9.26-4, 9.26-6, 9.27-4, 9.27-6
52107927, 9.26-2, 9.27-2
52107968, 9.26-2, 9.27-2
52107984, 9.26-2, 9.27-2
52115078, 10.10-2
52115086, 10.11-2
52115524, 10.10-2
52115649, 9.28-2
52115771, 17.0-10
52116415, 9.14-2
52116647, 13.5-3
52116654, 13.5-3

52116662, 13.5-3
52116761, 7.2-2, 7.3-3
52117421, 13.5-3
52117603, 7.0-7
52118841, 9.33-2, 9.64-2
52118882, 17.0-9, 17.4-9
52119005, 5.11-2
52122256, 2.10-2
52122777, 4.2-2
52123387, 13.0-4
52123486, 13.0-4
52125861, 13.1-6
52126455, 13.1-12
52127867, 6.0-2
52129111, 11.27-2, 11.28-2
52129905, 10.12-2
52130044, 5.7-2
52130960, 10.9-3
52131323, 10.9-3
52134863, 2.0-3
52135423, 13.5-3
52136819, 4.0-2
52137122, 10.15-2
52137148, 10.15-2
52137171, 5.10-3, 10.11-2
52138112, 11.29-2
52138120, 2.6-2
52138203, 11.29-2
52138211, 11.29-2
52138237, 2.6-2
52138963, 11.28-1
52151420, 9.15-2
52165776, 7.3-4
52183233, 7.12-2, 16.1-1, 16.2-1
52197167, 6.1-5
52197647, 17.0-10, 17.4-10
52198397, 8.6-2
52198405, 8.6-3
52225950, 17.0-10, 17.4-10
52226164, 8.6-2
52226453, 17.0-9, 17.4-9
52226479, 17.0-5, 17.4-5
52237179, 7.2-2, 7.3-3
52238474, 17.0-8
52244605, 6.1-5
52255098, 17.0-8, 17.4-8
52280849, 2.0-3, 2.1-1
52280856, 2.1-2
52280864, 2.1-2
52280872, 2.1-2
52280880, 2.1-2
52282845, 5.15-3
52282852, 5.15-2
52282860, 4.0-2
52282878, 4.0-2
52283058, 4.0-2
52283330, 13.5-3
52284122, 5.15-3
52284676, 7.3-3, 7.7-2
52284825, 10.8-3
52284957, 5.4-3, 5.5-1
52284965, 5.4-3, 5.6-1
52286036, 10.3-2
52286622, 5.4-3
52288099, 8.0-2
52290764, 6.5-2
52292570, 9.28-2
52292844, 11.1-2
52292851, 11.1-2
52292877, 11.0-5
52292885, 11.0-5
52293289, 16.2-1
52295631, 4.0-2
52295649, 4.0-2
52295656, 4.0-2
52295680, 4.0-2
52295698, 4.0-2
52296704, 10.11-2, 10.15-1
52298452, 10.15-2

52298809, 10.10-2
52301033, 9.43-2
52301041, 7.0-7, 7.3-3, 8.5-3, 8.6-3
52301629, 9.9-2, 9.49-1
52301751, 9.35-2
52302015, 9.33-2, 9.64-2
52302031, 9.1-2
52302171, 10.9-3
52304482, 10.9-3
52304631, 9.31-3
52304706, 2.0-3
52304862, 9.33-2, 9.64-2
52305323, 7.3-3, 7.7-2
52306370, 7.2-2, 7.3-3
52306396, 9.35-2
52306461, 2.5-3, 16.2-1
52306479, 2.5-3
52306602, 9.1-2, 9.11-4, 9.22-3
52306693, 10.8-3
52306859, 7.3-3, 7.7-2
52306875, 7.3-3, 7.7-2
52306933, 9.11-4, 9.12-2
52307303, 6.5-2
52307311, 6.5-2
52307410, 16.0-2
52307436, 10.1-2, 10.6-2
52307501, 6.5-2
52308681, 4.2-2
52308962, 9.11-4
52309358, 9.22-3
52310215, 9.50-2
52310223, 9.50-2
52311081, 7.0-6
52311479, 7.0-6
52311537, 9.52-1, 9.62-2
52311552, 9.60-1, 13.13-2
52313590, 2.4-1
52313640, 2.4-2
52313665, 6.2-2
52313673, 2.4-2
52313681, 7.5-2
52313723, 7.5-2
52313731, 7.0-5, 7.12-1
52313756, 7.2-2, 7.7-1
52313780, 7.4-2
52313798, 7.6-3
52313806, 2.0-3
52313822, 7.4-2
52313830, 7.6-3
52313848, 2.4-2
52313855, 2.4-2
52313863, 2.4-2
52313871, 2.4-2
52313889, 2.4-2
52313897, 2.4-2
52313905, 7.5-2
52313913, 6.2-2
52313921, 6.2-2
52313954, 6.5-2
52314044, 10.1-2
52314051, 7.4-1
52314069, 7.6-1, 7.6-2, 7.6-3
52314085, 7.2-1
52314093, 4.0-2
52314127, 4.0-2
52314135, 4.0-2
52314143, 4.0-2
52314150, 4.0-2
52314374, 10.8-3, 10.9-1
52314382, 7.0-6
52314465, 9.62-1, 13.0-5
52314473, 13.0-5, 13.13-1
52314531, 9.21-2, 9.22-1
52314549, 4.0-2
52314564, 4.0-2
52314853, 7.0-6
52314945, 2.0-3
52315058, 7.0-6
52315611, 6.2-1

52315629, 6.2-2
52315652, 6.2-2
52315660, 6.2-2
52315678, 6.2-2
52315686, 6.2-2
52315744, 6.5-2
52315751, 6.5-2
52315769, 6.5-2
52315819, 6.5-2
52315827, 6.5-2
52315835, 6.5-2
52315884, 13.16-2
52315959, 7.7-2
52315967, 7.7-2
52315983, 7.3-3
52315991, 7.7-2
52316015, 7.3-3, 7.7-2
52316098, 6.5-2
52316106, 6.5-2
52316114, 6.5-2
52316122, 6.5-2
52316130, 6.5-2
52316148, 6.5-2
52316155, 2.4-2
52316163, 6.5-2
52316171, 10.0-1, 10.1-1
52316189, 7.2-2
52316197, 7.2-2
52316205, 7.2-2
52316213, 7.2-2
52316221, 7.3-3
52316239, 7.3-3
52316247, 7.3-3
52316254, 7.3-3
52316270, 11.0-5
52316320, 10.7-2, 10.8-1
52316346, 6.5-2
52316353, 6.5-2
52316361, 6.5-2
52316379, 6.5-2
52316387, 6.5-2
52316395, 6.5-2
52316403, 6.5-2
52316601, 7.2-2
52316627, 2.0-3
52316643, 2.6-1
52316692, 13.12-2
52316726, 13.14-2
52316734, 13.10-2
52316742, 13.11-2
52316775, 13.15-2
52316791, 13.4-2, 13.7-2
52316825, 7.0-6, 9.28-1
52317617, 17.0-5
52317658, 17.0-5, 17.4-5
52317823, 17.0-6, 17.4-6
52317831, 17.0-5, 17.4-5
52317864, 17.0-6, 17.4-6
52318011, 17.1-4, 17.5-4
52318052, 17.0-6, 17.4-6
52318086, 17.0-6, 17.4-6
52318110, 17.0-6, 17.4-6
52318128, 17.0-6, 17.4-6
52318342, 13.1-1
52318367, 13.1-8
52318375, 13.1-10
52318383, 13.1-4
52318391, 13.1-4
52318409, 13.1-6
52318417, 13.1-5
52318433, 13.1-6
52318441, 13.1-6
52318466, 13.1-4
52318474, 13.1-7
52318482, 13.1-7
52318508, 13.1-2
52318516, 13.1-2
52318524, 13.1-2
52318532, 13.1-2

52318540, 13.1-2
52318557, 13.1-12
52318565, 13.1-7
52318581, 13.1-4
52318649, 9.64-1
52318664, 9.35-1
52318706, 13.5-3
52318730, 13.2-1
52318748, 13.3-2
52318755, 13.2-1
52318763, 13.3-2
52318771, 9.41-1
52318995, 9.11-4
52319001, 9.11-4
52319019, 9.11-4
52319035, 9.11-4
52319142, 6.1-5, 6.10-1
52319159, 6.10-2
52319191, 13.16-2
52319217, 9.15-2
52319225, 9.31-3
52319233, 9.23-2
52319316, 9.31-3
52319324, 6.2-2
52319332, 8.2-2, 9.9-2
52319373, 9.23-2
52319407, 7.0-7
52319415, 7.0-7
52319423, 7.1-2
52319431, 7.1-2
52319449, 7.4-2
52319456, 7.11-2
52319464, 7.11-2
52319472, 7.11-2
52319480, 7.11-2
52319498, 7.11-2
52319506, 7.1-2
52319563, 7.11-1
52319571, 7.11-2
52319589, 7.11-2
52319605, 17.0-10, 17.4-10
52319720, 17.0-8
52319795, 17.0-7, 17.4-7
52319845, 13.1-12
52319852, 13.1-4
52319860, 13.1-4
52319886, 13.1-2, 13.1-7, 16.2-1
52319902, 13.1-1
52319910, 13.1-2, 13.1-12
52319928, 13.1-6
52319936, 13.1-5
52319951, 13.1-12
52319977, 13.1-11
52319993, 13.1-5
52320009, 13.1-3
52320017, 13.1-1
52320025, 13.1-1
52320033, 13.1-1
52320041, 13.1-12
52320058, 13.1-8
52320066, 13.1-6
52320439, 17.2-3
52320447, 17.2-3
52320462, 20.13-2
52320470, 20.13-2
52320488, 20.13-2
52320496, 20.13-2
52320512, 17.2-3
52320678, 9.26-2, 9.27-2
52320694, 9.26-2, 9.27-2
52320702, 9.26-2, 9.27-2
52320728, 9.26-4, 9.26-6, 9.27-4, 9.27-6
52320736, 9.26-6, 9.27-6
52320744, 9.26-4, 9.26-6, 9.27-4, 9.27-6
52320751, 9.26-6, 9.27-4, 9.27-6
52320785, 9.26-4, 9.26-6, 9.27-4, 9.27-6
52320793, 9.26-4, 9.26-6, 9.27-4, 9.27-6
52320868, 8.6-1
52320884, 7.0-6

52320892, 7.0-6
52320934, 9.52-2
52320942, 9.52-4
52320959, 9.52-4
52320967, 9.52-4
52320975, 9.52-4
52320983, 9.52-4
52320991, 9.52-4
52321007, 9.52-4
52321015, 9.52-3, 9.52-4
52321023, 9.52-4
52321031, 9.52-4
52321049, 9.52-4
52321056, 9.52-4
52321064, 9.52-4
52321072, 9.52-2
52321080, 9.52-3
52321098, 9.52-3
52321106, 9.52-3
52321114, 9.52-3
52321130, 9.52-2
52321148, 9.52-2
52321155, 9.52-2
52321163, 9.52-2
52321171, 9.52-2
52321189, 9.52-2
52321197, 9.52-2
52321205, 9.52-2
52321213, 9.52-2
52321221, 9.52-2
52321239, 9.26-1, 9.29-2
52321254, 9.27-1, 9.30-2
52321262, 9.43-1, 13.12-2
52321270, 9.11-4
52321288, 9.53-2
52321296, 9.53-2
52321304, 9.53-2
52321312, 9.53-2
52321320, 9.53-2

52321338, 9.31-3, 9.53-1
52321346, 7.1-1
52321353, 6.6-2
52321379, 6.6-1
52321387, 10.8-3
52321395, 10.8-3
52321411, 9.9-2
52321460, 7.11-2
52321510, 2.0-3
52321536, 2.0-3
52321544, 2.0-1
52321569, 6.1-5, 6.5-1
52322146, 6.10-2
52322153, 6.10-2
52322179, 6.7-2
52322187, 6.7-2
52322195, 6.7-2
52322203, 6.7-2
52322211, 6.7-2
52322229, 6.7-2
52322237, 6.7-2
52322245, 6.6-2, 6.7-1
52322252, 6.6-2, 6.8-1
52322260, 6.8-2
52322278, 6.8-2
52322419, 7.12-2
52322427, 7.12-2
52322443, 7.12-2, 16.1-1, 16.2-1
52322450, 7.12-2, 16.1-1, 16.2-1
52322468, 7.12-2, 16.1-1
52322500, 7.7-2
52322518, 9.50-2
52322534, 7.12-2
52322542, 9.51-2
52322559, 9.51-2
52322567, 9.51-2
52322575, 9.51-2
52322583, 9.51-2
52322625, 9.24-2
52322633, 2.5-3

52322807, 10.8-3
52322849, 12.13-1
52322864, 13.12-2
52322872, 12.7-1
52322880, 12.11-1
52322898, 13.0-4, 13.5-1
52322906, 13.12-2
52322914, 13.10-2
52322922, 13.11-2
52322930, 12.12-1
52322948, 12.10-1
52322955, 12.6-1
52322963, 13.9-2
52322971, 13.9-2
52322989, 13.16-2
52323003, 7.3-4, 12.8-1
52323011, 7.2-2, 12.9-1
52323029, 6.1-5
52323037, 13.0-5
52323045, 13.9-2
52323094, 8.5-2, 8.6-3
52323102, 8.5-2, 8.6-3
52324621, 6.1-5
52324712, 7.0-7
52324720, 7.0-7
52324738, 6.3-2
52324746, 7.0-7
52324753, 13.0-4
52324860, 7.0-5
52324902, 9.51-1, 13.4-2
52324910, 9.25-2, 9.58-1
52324928, 7.0-5
52324936, 7.0-5
52324944, 4.0-1, 5.0-2
52324951, 4.0-2
52324985, 9.12-1, 9.14-2
52324993, 9.11-1, 9.15-2
52325032, 7.0-5
52325040, 7.0-5
52325099, 17.2-3
52325115, 17.2-3
52325149, 9.33-1
52325156, 6.12-1
52325164, 13.9-2
52325172, 9.14-2
52325180, 8.6-3
52325214, 13.0-4, 13.2-1
52325222, 13.0-4, 13.3-1
52325248, 13.3-2
52325255, 13.9-2, 17.0-6, 17.0-10, 17.1-3,
17.1-4, 17.4-6, 17.4-10, 17.5-3, 17.5-4
52325347, 13.0-4
52325396, 13.0-5, 13.10-1
52325404, 2.10-1, 5.0-2
52325420, 13.0-5, 13.11-1
52325438, 13.0-5
52325453, 12.5-2, 13.12-2
52325461, 7.0-7
52325545, 13.9-2
52325560, 13.10-2
52325578, 13.0-4, 13.6-1
52325586, 17.0-8
52325842, 9.51-2
52325859, 9.51-2
52325867, 9.51-2
52325875, 9.51-2
52325883, 9.51-4
52325891, 9.51-4
52325909, 9.51-4
52325917, 9.51-4
52325925, 9.51-4
52325933, 9.51-4, 9.60-1
52325941, 9.51-4, 9.60-1
52325958, 9.51-4
52325966, 9.51-4
52325974, 9.51-2
52325982, 9.60-1
52325990, 9.60-1
52326006, 9.60-1

52326014, 9.60-1	52326543, 9.22-3
52326022, 9.60-1	52326568, 7.12-2
52326030, 9.60-1	52326576, 7.12-2
52326048, 9.60-2	52326592, 4.2-1, 5.0-2
52326055, 9.60-2	52326600, 4.2-2, 9.14-1
52326063, 9.60-2	52326618, 4.1-1, 4.2-2
52326071, 9.60-2	52326626, 4.1-2
52326089, 9.60-2	52326634, 4.2-2
52326097, 9.60-2	52326642, 8.2-1
52326105, 9.60-2	52326659, 4.1-2
52326113, 9.60-2	52326667, 4.1-2
52326121, 9.60-2	52326675, 4.1-2
52326261, 9.11-4, 9.12-2	52326683, 4.1-2
52326279, 9.11-4	52326691, 4.1-2
52326287, 9.11-4	52326725, 4.1-2
52326295, 9.11-4, 9.12-2	52326733, 8.2-2
52326303, 9.11-4, 9.12-2	52326758, 4.1-2
52326311, 9.26-2, 9.27-2	52326782, 6.4-2
52326329, 9.27-2	52326840, 13.12-2
52326337, 9.26-2, 9.27-2	52326857, 13.12-2
52326345, 9.26-2, 9.27-2	52326865, 13.11-2
52326352, 9.26-2, 9.27-2	52326949, 13.14-2
52326360, 9.26-4, 9.27-4	52326972, 13.14-2
52326378, 9.26-2	52326980, 13.0-4
52326386, 9.12-2	52326998, 13.9-2
52326394, 9.12-2	52327012, 9.28-2
52326402, 9.12-2	52327061, 14.0-1
52326410, 11.1-2	52327103, 10.9-3
52326428, 11.1-2	52327129, 10.9-3
52326436, 11.1-2	52327137, 10.9-3
52326444, 11.1-2	52327152, 10.9-3
52326451, 9.22-3	52327160, 10.9-3
52326469, 9.22-3	52327178, 10.9-3
52326477, 9.22-3	52327186, 10.9-3
52326485, 9.22-3	52327194, 10.9-3
52326493, 9.26-4, 9.26-6, 9.27-4, 9.27-6	52327202, 10.9-3
52326501, 9.22-3	52327210, 10.9-3
52326527, 9.22-3	52327228, 10.9-3
52326535, 9.22-3	52327236, 8.2-2
	52327244, 8.2-2

52327251, 6.0-1
52327269, 6.0-2
52327277, 6.4-1
52327293, 14.2-2
52327319, 10.0-1, 10.2-1
52327327, 10.3-2
52327335, 10.0-1, 10.3-1, 10.6-2
52327343, 14.0-1
52327368, 13.7-2
52327376, 13.15-2
52327384, 13.15-2
52327392, 13.4-2
52327400, 13.16-2
52327418, 13.16-2
52327426, 13.14-2
52327475, 11.0-5
52327517, 11.0-5
52327525, 11.0-5
52329596, 10.0-1, 10.6-1, 10.6-2
52329612, 9.9-1
52329620, 9.62-2
52329687, 6.9-2
52329695, 6.9-2
52329703, 6.9-1
52329711, 6.1-5
52329727, 10.6-2
52329737, 6.9-2
52329778, 10.8-3
52329810, 6.1-1
52329828, 7.3-1
52329836, 9.24-2, 9.29-1
52329844, 9.24-2, 9.30-1
52329851, 9.24-1
52329869, 9.29-2, 9.30-2
52329885, 9.23-1
52329893, 9.40-1
52329919, 9.25-1
52329927, 9.62-1
52329935, 9.15-1
52329943, 9.21-1
52329950, 5.4-3
52329968, 5.4-3
52330008, 11.29-2
52330032, 11.29-2
52330065, 2.5-1
52330099, 8.5-1
52330107, 7.5-1
52330115, 8.5-3
52330123, 8.5-2
52330131, 7.5-2
52330149, 7.5-2
52330370, 13.17-2
52330594, 11.0-5
52330628, 17.3-1, 17.3-2, 17.3-3, 17.3-4,
17.3-5
52330644, 9.1-1
52330651, 11.0-5, 12.0-4
52330677, 13.11-2
52330685, 13.9-2
52330701, 13.9-2
52330719, 13.9-2
52330735, 13.9-2
52330834, 13.0-5
52330842, 9.11-4
52330859, 8.0-2
52330875, 8.0-2
52330891, 13.0-1
52330909, 13.0-4, 13.7-1
52330917, 13.0-4, 13.4-1
52330925, 13.0-4, 13.15-1
52330933, 13.0-4
52330941, 13.0-4, 13.9-1
52330958, 13.0-5, 13.14-1
52330966, 13.12-1
52330974, 9.45-2
52330982, 9.54-1, 13.15-2
52330990, 13.6-2
52331006, 13.6-2
52331014, 13.6-2

52331022, 13.6-2
52331030, 13.6-2
52331048, 13.6-2
52331055, 13.6-2
52331063, 13.6-2
52331071, 13.6-2
52331097, 13.1-12
52331113, 13.1-6
52331121, 13.1-5
52331139, 13.1-2
52331147, 13.1-2
52331154, 13.1-4
52331162, 13.1-8
52331170, 13.1-12
52331188, 13.1-12
52331196, 13.1-8
52331204, 13.1-3
52331212, 13.1-1
52331220, 13.1-1
52331238, 13.1-5
52331246, 13.1-3
52331477, 10.9-3
52331618, 13.8-2
52331626, 13.8-2
52331634, 13.8-2
52331667, 13.8-2
52331675, 13.8-2
52331683, 13.8-2
52331691, 13.8-2
52331725, 13.8-2
52331733, 13.8-2
52331741, 13.8-2
52331758, 13.8-2
52331766, 13.8-2
52331774, 13.8-2
53076576, 13.0-5
53119566, 9.42-2
53119574, 9.42-2
53119582, 9.42-2
53119590, 9.42-2
53119616, 9.42-2
53133732, 9.42-3
53138921, 9.42-3, 9.42-4, 9.42-6
53138939, 9.42-3, 9.42-4, 9.42-6
53138947, 9.42-3
53138954, 9.42-3, 9.42-4
53139127, 9.42-3, 9.42-4
53139143, 9.42-3
53139150, 9.42-3
53139168, 9.42-3
53139176, 9.42-3
53139184, 9.42-3
53139192, 9.42-4
54371612, 8.1-5
54418850, 16.0-2
54480496, 8.1-5
54505391, 8.1-5
54530993, 5.0-2, 13.18-2
54577986, 8.1-5
54606595, 13.5-3
54640040, 11.0-5
54651286, 9.35-2, 12.5-2
54651328, 13.5-3
54651344, 13.5-3
54651351, 13.5-3
56037179, 7.2-2
56264245, 7.12-2, 16.1-1, 16.2-1
56280852, 7.4-2
56762206, 9.35-2
56901200, 10.6-2
56919004, 9.15-2, 9.19-2
56924962, 9.28-2
56928534, 7.3-3, 7.3-4
56928559, 7.3-4
56942691, 7.6-3
56943699, 4.2-2
56947518, 5.0-2, 6.1-5, 8.5-3
56948755, 17.1-3, 17.5-3
56948763, 17.1-3, 17.5-3

56949399, 17.0-10, 17.4-10
56950082, 17.4-5
56951239, 17.1-3, 17.5-3
56953607, 17.0-8
56953870, 17.0-5
56953896, 17.0-5, 17.4-5
56953920, 17.0-6, 17.4-6
56953987, 17.2-3
56954001, 17.0-5
56954043, 17.0-9, 17.4-9
56954050, 17.0-10, 17.4-10
56954076, 17.0-7, 17.4-7
56954167, 17.1-3, 17.5-3
56955610, 17.0-5, 17.0-6
56955867, 9.1-2
56956014, 7.0-7
56956220, 9.19-2
56956923, 17.0-10, 17.4-10
56957772, 17.0-6, 17.4-6
56957798, 17.1-3, 17.5-3
56958259, 17.0-6, 17.0-10, 17.4-6
56958374, 17.1-3, 17.5-3
56958705, 17.0-7
56961774, 7.0-7, 17.0-7, 17.4-7
56961840, 17.0-5, 17.4-5
56962236, 17.0-8, 17.2-3
56964125, 17.0-5, 17.4-5
56964133, 17.0-6, 17.4-6
56964166, 17.1-4
56964208, 17.0-6, 17.0-8, 17.0-9, 17.0-10,
17.4-6, 17.4-8, 17.4-9, 17.4-10
56964232, 17.0-7, 17.4-7
56964273, 17.0-5, 17.4-5
56964331, 17.0-8, 17.1-3, 17.4-8
56964349, 17.0-10
56966187, 17.0-10, 17.4-10
56966211, 17.0-7, 17.4-7
56966278, 17.0-5, 17.4-5
56966302, 17.0-8, 17.4-8
56967904, 17.1-4
56968365, 17.0-10, 17.4-10
56970635, 17.1-3, 17.5-3
56971955, 17.0-5, 17.0-10, 17.4-5, 17.4-10
56972664, 17.1-4
56972680, 17.0-5, 17.0-6, 17.0-7, 17.4-5,
17.4-6, 17.4-7
56972797, 17.0-6, 17.4-6
56974579, 17.0-7, 17.4-7
56987944, 17.0-6, 17.4-6
56988778, 9.29-2
56991193, 12.5-2
56992068, 17.5-3
56992084, 17.0-6, 17.0-10, 17.4-6, 17.4-10
56994577, 17.0-7, 17.4-7
56998875, 2.5-3
56999246, 9.19-2
57002248, 17.0-5, 17.4-5, 17.4-6
57004020, 17.0-5, 17.0-6, 17.4-5
57004673, 17.0-7
57005647, 17.1-3, 17.5-3
57005654, 17.0-7, 17.4-7
57006520, 17.0-6, 17.4-6
57007486, 17.0-10, 17.4-10
57010118, 17.4-8
57010126, 17.0-8, 17.4-8
57015505, 17.0-6, 17.4-6
57017485, 7.2-2
57020802, 17.0-5
57038424, 17.0-8
57040818, 17.0-8
57041550, 17.0-6, 17.4-6
57044521, 17.1-4, 17.5-4
57064941, 7.5-2, 8.2-2, 10.8-3
57065260, 13.17-2
57097909, 17.1-3
57101420, 17.4-6
57101438, 2.4-2
57102139, 17.0-6, 17.4-6
57112526, 17.0-8, 17.4-8

57116881, 17.0-8
57116899, 17.0-5, 17.4-5
57136780, 17.0-6
57137986, 17.5-3
57155988, 5.10-3
57156549, 5.10-3
57161788, 12.5-2
57179608, 13.1-8, 13.9-2, 13.10-2, 13.11-2
57179616, 13.10-2
57199028, 9.29-2, 9.30-2
57209355, 17.0-7, 17.4-7
57214405, 2.4-3
57216913, 13.9-2
57262503, 2.5-3
57314825, 7.2-2, 7.3-3
57342420, 2.5-3
57347411, 7.0-6, 9.31-3
57347494, 17.0-5
57358145, 4.1-2, 4.2-2, 5.11-2, 8.2-2
57358830, 2.5-4
57366494, 17.2-3
57386955, 13.5-3
57391047, 8.6-2
57392920, 17.0-7, 17.4-7
57397960, 17.0-6, 17.4-6
57400004, 9.35-2, 13.5-3
57403958, 17.0-5
57428336, 17.0-8
57435430, 9.53-2
57438681, 17.0-8, 17.4-8
57440554, 7.5-2
57443681, 2.5-3
57443954, 13.0-5
57450660, 17.2-3
57473563, 13.18-2
57496135, 17.0-6, 17.4-6
57496309, 17.0-7
57506370, 17.0-5, 17.0-7, 17.4-5, 17.4-7
57511446, 7.12-2
57525347, 17.0-5, 17.4-5
57529745, 9.35-2
57534406, 17.0-6
57541138, 13.1-5
57541153, 13.1-5
57546061, 8.5-3, 8.6-3
57547580, 7.7-2
57552275, 2.5-3, 7.0-7
57561581, 13.1-12
57569758, 8.6-2
57578718, 6.2-2, 7.4-2
57580516, 7.4-2
57594426, 2.4-2, 16.2-1
57599060, 17.0-6, 17.4-6
57625964, 12.0-4
57633463, 6.0-4
57643827, 13.17-2
57655722, 13.17-2
57657587, 9.50-1
57660011, 17.2-1
57662868, 5.3-2
57668071, 2.4-3, 5.0-2
57668592, 7.3-3, 9.45-1
57670010, 16.1-1
57670317, 16.2-1
57673378, 5.14-2
57673444, 5.0-2, 12.0-1
57673451, 12.1-1, 14.0-1, 14.5-2, 14.6-3
57673469, 5.0-2, 12.2-1
57673477, 12.3-1
57673485, 12.4-1
57673493, 12.5-1
57673980, 17.4-10
57675977, 5.15-2
57677056, 2.5-3
57677254, 16.0-2, 16.1-1, 16.2-1
57677643, 7.0-7
57678088, 2.5-3, 12.0-4
57678096, 2.5-4
57678104, 2.4-3, 5.0-2

57686438, 10.9-3
57687170, 3.1-2, 3.3-2
57687642, 17.4-9
57687659, 17.4-7
57687667, 17.4-9
57687725, 17.4-9
57687733, 17.4-9
57687782, 17.4-9
57687790, 17.4-8
57687808, 17.4-8
57687824, 17.4-9, 17.4-10
57687832, 17.4-7, 17.4-9
57687857, 17.4-9
57689234, 9.19-2
57690570, 17.0-10, 17.4-10
57690588, 17.0-10, 17.4-10
57690596, 17.0-10, 17.4-10
57691586, 17.4-8
57691594, 17.4-9
57691602, 17.4-8
57691610, 17.4-8
57691628, 17.4-8
57691925, 13.5-3
57692147, 20.13-1
57693814, 7.0-6
57694804, 9.31-1
57694853, 17.5-3
57694861, 17.1-3, 17.5-3
57694879, 17.1-3, 17.5-3
57694887, 17.1-3, 17.5-3
57694895, 17.5-3
57694929, 17.1-3, 17.5-3
57694937, 17.1-3, 17.5-3
57694945, 17.1-3
57694952, 17.0-5, 17.4-5
57694978, 17.0-7, 17.4-7
57695603, 3.3-2
57695611, 3.1-2, 3.3-2, 3.4-1
57695629, 3.1-2, 3.3-2, 3.5-1
57695637, 3.1-2, 3.3-2, 3.6-1
57695645, 3.1-2, 3.3-2
57695652, 3.1-2, 3.3-2
57695660, 3.1-2, 3.3-2
57695678, 3.1-2, 3.3-2
57695686, 3.1-2, 3.3-2
57695694, 3.1-2, 3.3-2
57695702, 3.1-2, 3.3-2, 3.7-1
57695728, 3.1-2, 3.3-2
57695736, 3.1-2, 3.3-2
57695744, 3.1-2
57695751, 3.4-2
57695769, 3.4-2
57695777, 3.4-2
57695785, 3.5-2
57695793, 3.5-2
57695801, 3.5-2
57695819, 3.5-2
57695827, 3.5-2
57695835, 3.5-2
57695843, 3.5-2
57695850, 3.5-2
57695868, 3.5-2
57695876, 3.6-2
57695884, 3.6-2
57695892, 3.6-2
57695959, 17.0-6, 17.4-6
57696130, 17.0-8, 17.4-8
57696148, 17.0-8
57696155, 17.0-8
57696163, 17.0-8
57696197, 17.0-6, 17.4-6
57696205, 17.0-7, 17.4-7
57696254, 17.0-5
57696270, 17.0-6
57698714, 9.31-3
57698862, 8.6-2
57698870, 17.0-5, 17.4-5
57698896, 9.19-2
57698920, 13.15-2

57699019, 11.29-2	57705014, 17.5-3
57699027, 11.29-2	57705022, 17.5-3
57699068, 5.4-4	57705030, 17.5-3
57699209, 5.0-1	57705089, 4.2-1
57699217, 14.0-1	57705097, 5.9-2
57699225, 10.0-1	57705113, 7.3-4
57699399, 10.10-2, 10.12-1	57705121, 5.4-1
57699407, 10.12-2	57705147, 5.9-2
57699415, 10.12-2	57708190, 16.0-1
57699423, 10.12-2	57708505, 11.29-1
57699894, 9.29-2, 9.30-2	57708596, 9.39-1
57700700, 3.6-2	57708679, 4.2-2
57700718, 3.6-2	57708711, 10.6-2
57700726, 3.6-2	57709131, 17.1-1
57700734, 3.6-2	57709180, 7.0-1
57700742, 3.6-2	57709198, 11.0-5
57700759, 3.6-2	57709206, 11.0-1
57700767, 3.6-2	57709230, 13.5-3
57700775, 3.6-2	57709248, 13.5-3
57700783, 3.6-2	57709339, 12.7-2
57700791, 3.6-2	57709347, 12.7-2
57700809, 3.6-2	57709511, 12.0-4
57700817, 3.6-2	57709529, 12.0-4
57700825, 3.6-2	57709537, 9.17-1
57700833, 3.6-2	57711137, 17.1-4, 17.5-4
57700841, 3.6-2	57712176, 3.2-2, 3.3-1
57700858, 3.7-2	57712184, 3.0-2, 3.1-1
57700866, 3.7-2	57712192, 3.2-1
57700874, 3.7-2	57712200, 3.0-1
57700882, 3.7-2	57713166, 11.1-2
57701138, 11.0-5	57714388, 10.8-3
57701724, 17.4-7	57714602, 5.15-1
57701732, 11.0-5	57714651, 17.0-5, 17.4-5
57703746, 10.12-2	57714669, 17.0-6, 17.4-6
57703878, 17.0-6, 17.4-6	57714685, 13.6-2
57703886, 17.0-6, 17.4-6	57714693, 5.0-2, 5.10-1
57703993, 6.0-3	57714750, 17.5-3
57704082, 17.1-4, 17.5-4	57714768, 17.5-3
57704777, 17.0-10, 17.4-10	57716052, 5.4-4
	57717241, 14.5-2, 14.6-3

57717274, 17.0-1
57717381, 9.22-3
57718942, 14.5-2, 14.6-3
57718959, 17.0-5, 17.4-5
57719205, 14.1-5, 14.3-1
57719213, 14.4-2
57719221, 14.4-2
57719254, 14.1-1
57720377, 17.5-3
57720385, 17.5-3
57720468, 11.1-1
57721912, 14.5-2, 14.6-3
57721920, 14.5-2, 14.6-3
57722639, 11.0-5
57726804, 5.4-4
57728669, 17.0-5, 17.4-5
57728677, 17.0-6, 17.4-6
57728685, 17.0-5, 17.4-5
57728693, 17.0-5, 17.4-5
57728701, 17.0-5, 17.4-5
57728750, 3.1-2, 3.3-2
57728768, 2.5-3
57728800, 14.5-2, 14.6-3
57728818, 14.5-2, 14.6-3
57728990, 7.3-3
57729006, 7.3-3
57729063, 7.3-3
57729071, 17.0-10, 17.4-10
57729188, 7.3-3
57730194, 10.7-2, 10.10-1
57730202, 10.7-1
57730368, 7.7-2
57730376, 7.7-2
57730459, 17.1-3
57730467, 17.1-3
57730475, 17.1-3
57730483, 17.1-3
57733305, 17.4-5
57733313, 17.4-5
57733321, 17.4-5, 17.4-6
57733339, 17.4-5
57733347, 17.4-5
57733354, 17.4-5
57733362, 17.4-7
57733370, 17.4-7
57733388, 17.4-6
57733396, 17.4-6
57733404, 17.4-7
57733412, 17.4-8
57733420, 17.4-8
57733438, 17.4-8
57733446, 17.4-8
57733453, 17.4-8
57733461, 17.4-8
57733479, 17.4-8
57733487, 17.4-8
57733495, 17.4-8
57733503, 17.4-8
57733511, 17.4-8
57733537, 17.4-8
57733545, 17.4-8
57733552, 17.4-10
57733560, 17.4-8
57733578, 17.4-9
57733586, 17.5-3
57733594, 17.5-3
57733602, 17.5-3
57733610, 17.5-3
57733628, 17.5-3
57733636, 17.4-1
57733644, 17.5-1
57733651, 10.6-1
57734238, 17.1-3
57736621, 9.2-2
57736662, 9.2-1
57737058, 17.0-9
57737066, 17.0-8
57737090, 11.25-1
57737116, 9.13-2

57737611, 13.17-1
57737652, 13.17-2
57737801, 14.5-2, 14.6-3
57737819, 14.5-2, 14.6-3
57737827, 14.5-2, 14.6-3
57737918, 13.17-2, 13.18-1
57738296, 9.13-2
57738304, 9.13-1, 10.7-2
57738387, 14.1-5, 14.2-1, 14.6-3
57738429, 14.6-1
57739732, 17.0-10, 17.1-3, 17.4-10
57740367, 13.0-4, 13.1-1
57740409, 13.1-7, 13.8-1
57740425, 13.8-4
57740433, 13.8-3
57740565, 14.3-2
57740573, 14.3-2
57740581, 14.3-2
57740599, 14.3-2
57741043, 14.3-2
57741795, 13.8-2
57741803, 13.8-2
57741852, 17.2-3
57742207, 10.7-2, 10.11-1
57743288, 14.1-5, 14.4-1
57744211, 13.0-4
57744237, 13.7-2
57744260, 7.0-7
57744286, 7.3-4
57745275, 8.2-2
57747487, 8.0-2
57747529, 8.0-1, 8.2-2
57747875, 9.9-2
57748006, 14.1-5, 14.5-1
57748014, 17.0-6, 17.4-6
57748022, 10.12-2
57748030, 10.12-2
57748329, 14.2-2
57748337, 14.2-2
57748345, 14.2-2
57748352, 14.2-2
57748410, 17.0-5, 17.4-5
57748618, 9.49-2
57749632, 17.2-3
57749640, 17.2-3
57749657, 17.2-3
57749665, 17.2-3
57751422, 5.10-4
57751505, 6.3-2
57751513, 6.3-2
57751521, 6.3-2
57751547, 6.3-1
57751554, 17.0-6, 17.4-6
57753014, 17.1-3
57753022, 17.1-3
57753030, 17.1-3
57753048, 17.1-3
57753055, 17.1-3
57753188, 5.9-2
57753196, 5.9-2
57753212, 13.15-2
57754814, 9.19-1
57756157, 4.2-2
57756306, 8.5-3, 8.6-3, 17.1-3
57757387, 8.5-3
57767006, 11.0-5
57767014, 11.0-5
57774614, 5.10-4
57776361, 13.8-4
58044561, 7.5-2
58044744, 7.5-2
58051210, 17.1-3, 17.5-3
58087032, 17.0-8
58143181, 2.5-3
58144585, 17.0-6, 17.4-6
58147125, 17.4-10
58150103, 12.0-4, 12.7-2
58150111, 12.0-4
58150228, 13.18-2

58150244, 13.0-5
58150251, 13.0-5
58173360, 7.5-2
58182791, 17.0-7, 17.4-7
58207325, 17.0-5, 17.0-6, 17.4-5, 17.4-6
58207333, 17.0-8
58797119, 13.5-3
58818212, 13.5-3
59434001, 12.5-2
59436840, 2.5-4, 9.35-2, 13.5-3, 13.18-2
59437227, 9.35-2
59437251, 12.5-2
59731257, 11.0-5
81372831, 6.1-5
81664658, 6.1-5, 8.5-3
85691202, 9.29-2, 9.30-2
86415650, 5.3-2
92121532, 8.5-2
92304609, 5.9-2
94293403, 9.39-2
95002598, 5.7-2
95002705, 5.4-3, 5.6-2, 5.10-2
95002937, 9.41-2
95003166, 7.0-6
95003182, 11.25-3
95003273, 5.7-2
95008215, 8.1-5
95017984, 9.11-4
95018461, 9.45-2
95018982, 10.11-2
95021721, 8.1-5
95022117, 7.0-7
95022141, 8.1-5
95022166, 8.1-5
95028536, 9.52-3, 9.52-4
95030771, 10.2-2
95033593, 8.5-3, 8.6-3
95033601, 7.2-2
95033619, 9.23-2

95037255, 8.5-2
95037347, 7.0-7, 8.2-3, 10.3-2
95037412, 10.2-2, 10.3-2
95037438, 7.0-7, 8.5-2
95037453, 2.5-3
95038030, 7.0-7
95038147, 8.2-3
95038212, 4.1-2
95038261, 6.4-2, 8.2-2
95045092, 8.1-5
95048971, 10.9-3
95055059, 9.31-3
95055091, 7.3-4
95055133, 7.3-3, 9.31-3
95056040, 8.5-2
95064192, 11.0-5
95064655, 5.3-2
95064671, 10.3-2, 11.25-3
95069522, 5.4-4
95076717, 12.0-4
95076907, 5.9-2
95077269, 6.9-2
95077681, 5.3-2
95077822, 7.0-5
95078283, 7.0-5
95081667, 6.1-6
95081709, 6.1-5, 10.10-2
95086484, 5.8-2
95086583, 9.31-3
95093381, 5.15-2
95096434, 7.3-3
95097291, 4.1-2, 8.2-2, 8.5-2, 8.6-2
95097333, 10.2-2
95098653, 8.1-5
95098703, 10.10-2
95101804, 10.3-2
95116869, 10.6-2
95147674, 5.4-4, 5.6-2
95147971, 5.5-2, 9.29-2, 9.30-2
95187613, 13.2-1

95188710, 7.0-6
95200093, 6.1-6, 7.0-7
95200333, 2.0-3
95201281, 2.0-3, 4.0-2, 5.4-4, 5.10-2, 5.15-2
95201307, 3.1-2, 3.3-2
95201448, 2.0-3
95201547, 5.6-2
95208682, 7.3-4
95209086, 5.10-4
95209094, 5.15-2, 6.0-4, 6.4-2, 7.0-7, 9.28-2, 11.25-3, 13.12-2
95209862, 10.6-2
95209870, 2.4-2
95209912, 5.4-3, 5.5-2
95212114, 5.4-3, 5.5-2
95219713, 4.1-2, 6.1-5, 7.0-7
95219721, 2.0-3, 2.4-2, 4.1-2, 7.0-7, 8.5-2
95219739, 8.6-2
95219747, 4.1-2, 9.17-2
95219762, 4.1-2
95219853, 2.5-3
95220844, 7.6-3, 13.17-2
95223640, 8.1-5
95225116, 8.5-3, 8.6-2
95231494, 5.5-2
95235131, 7.6-3
95235370, 8.6-2
95242525, 8.5-2, 8.6-2
95242558, 8.6-2
95243002, 10.3-2
95243010, 8.2-2
95243051, 8.5-2
95243093, 9.9-2
95243200, 8.2-2
95245072, 12.0-4
95245296, 5.5-2
95248100, 13.3-2
95250932, 9.15-2, 9.29-2, 9.30-2
95257325, 4.1-2, 6.4-2, 8.1-5, 10.6-2
95257333, 4.1-2, 8.1-5, 13.3-2
95257341, 8.5-3, 8.6-3, 9.1-2, 9.28-2, 9.41-2, 13.3-2
95263380, 2.4-2, 2.5-4, 3.1-2, 3.3-2, 4.1-2, 6.0-4
95263398, 10.3-2
95263976, 5.5-2
95264891, 2.4-2, 2.5-4, 13.17-2
95264917, 13.9-2
95264941, 8.2-2, 8.2-3
95264958, 2.5-3
95266417, 9.23-2
95266425, 7.0-7
95267191, 9.17-2
95278909, 13.3-2
95278958, 6.1-5
95278966, 2.0-3, 6.1-5, 6.4-2
95278974, 2.0-3
95279055, 4.1-2
95279089, 4.1-2, 6.0-2
95279097, 4.1-2, 6.0-2, 8.2-2
95279105, 4.1-2
95279121, 4.1-2
95279196, 5.15-2
95279238, 9.17-2
95279352, 9.9-2
95279386, 2.5-3, 8.6-2
95279402, 2.5-3
95279469, 8.5-2, 8.6-2
95279477, 7.3-4
95279493, 6.0-2, 6.4-2, 10.3-2
95279527, 8.2-2, 8.5-2, 8.6-2, 10.3-2
95279535, 2.4-2, 6.1-6, 6.4-2, 7.0-7, 8.5-3, 9.13-2, 10.2-2
95279543, 10.8-3
95279998, 8.2-2
95280152, 7.0-6, 7.2-2, 9.23-2
95280160, 9.23-2
95280186, 7.2-2, 7.3-3, 9.3-2, 9.23-2
95280541, 8.5-2
95280707, 5.10-2

95285235, 11.25-3
95285946, 3.0-2, 3.2-2
95286514, 13.12-2
95293130, 5.4-3
95293403, 2.4-2, 3.1-2, 3.3-2, 5.7-2, 7.0-7,
8.6-2, 9.28-2
95301834, 5.3-2, 5.4-4, 5.5-2
95301842, 2.4-2, 2.5-4
95301867, 2.4-2
95301875, 6.1-6, 7.6-3, 11.25-3
95302113, 5.10-3
95302147, 6.1-5, 9.33-2
95302170, 5.10-4, 8.1-6
95302998, 9.28-2
95303335, 6.1-5, 7.0-6, 8.6-2, 9.14-2, 9.15-2,
9.40-2
95303368, 6.1-5, 9.14-2, 9.15-2, 9.41-2, 9.62-2,
10.8-3
95305512, 5.4-4
95310116, 7.3-3
95310256, 4.0-2
95313961, 8.5-3, 17.1-3, 17.5-3
95315214, 2.0-3, 2.4-2, 6.0-2, 13.17-2
95316915, 9.9-2
95316972, 6.0-4, 7.0-7
95317434, 8.5-3, 9.17-2, 10.2-2
95322871, 7.3-4
95323366, 9.41-2
95323432, 8.6-2
95323457, 9.28-2
95323465, 2.4-2, 6.1-5
95326740, 12.0-4
95326930, 8.2-2
95329975, 2.0-3, 4.0-2, 5.5-2, 5.10-3, 5.15-2,
9.3-2, 9.15-2, 9.40-2, 9.41-2, 13.4-2,
13.7-2
95330023, 8.5-2, 8.6-2
95330692, 9.15-2, 9.23-2, 9.40-2
95335907, 6.0-2
95335980, 8.5-2, 10.3-2
95341020, 2.0-3
95341665, 9.29-2, 9.30-2, 9.40-2
95344321, 9.17-2
95356721, 8.6-2
95356853, 5.10-3, 9.15-2, 9.41-2, 13.17-2
95356903, 9.62-2
95356960, 9.3-2
95356978, 9.31-3
95357786, 8.0-2
95357919, 2.5-3
95359410, 7.0-7
95362158, 5.4-3, 5.5-2
95362190, 5.4-3, 5.5-2
95363339, 4.0-2, 9.15-2
95364469, 2.5-3, 5.7-2
95364956, 8.5-2, 8.6-2
95365078, 2.6-2, 5.5-2, 5.10-3, 5.15-3, 7.2-2,
7.3-3, 9.1-2, 9.7-2, 9.14-2, 9.21-2, 13.13-2
95365086, 5.4-4, 9.23-2, 13.12-2
95365094, 5.5-2, 5.10-3, 8.1-6, 8.2-2, 9.1-2,
9.7-2, 9.25-2, 9.62-2, 10.11-2
95365367, 13.0-5
95366019, 9.23-2
95366555, 10.1-2, 10.6-2
95367025, 8.2-2
95368338, 3.1-2, 3.3-2
95368890, 7.0-6, 7.2-2, 7.3-3
95370714, 7.2-2
95371209, 8.5-2
95371217, 3.0-2, 3.2-2, 7.0-7
95371241, 7.3-4
95371258, 5.4-4, 9.2-2, 9.7-2, 9.21-2, 9.62-2,
10.11-2, 13.4-2, 13.7-2, 13.13-2
95371449, 17.1-3, 17.5-3
95371704, 13.3-2
95372173, 7.0-6
95373841, 13.18-2
95375093, 2.5-3
95377156, 6.0-2
95378667, 4.1-2
95378873, 4.2-2

95378907, 8.2-2, 8.5-3, 8.6-2
95381380, 8.5-2
95386959, 10.6-2
95387890, 2.5-3
95387924, 9.17-2
95388575, 7.0-5
95396404, 4.1-2
95396768, 14.3-2, 14.5-2, 14.6-3
95396776, 7.6-3
95402806, 10.8-3
95410627, 12.0-4
95414223, 8.5-3
95415667, 13.3-2
95416731, 9.19-2
95419594, 9.21-2
95422838, 9.17-2
95424370, 6.4-2
95431292, 8.6-2
95433264, 7.0-6
95434353, 8.2-2
95447108, 6.0-2
95447850, 5.9-2
95453346, 5.5-2, 9.1-2
95457586, 13.17-2
95464160, 2.0-3
95469151, 9.23-2
95469169, 9.19-2
95473443, 8.2-2, 9.21-2
95475869, 13.2-1
95475877, 13.2-1
95480109, 9.23-2
95480117, 9.3-2
95488110, 9.33-2, 9.64-2
95507588, 12.0-4
95527321, 9.62-2
95527990, 9.45-2
95635094, 9.40-2
95642484, 2.5-3, 6.1-5, 9.19-2
95653002, 5.4-4
95653317, 9.21-2
95653614, 7.0-6, 9.3-2, 9.40-2
95654208, 7.0-7, 9.14-2
95654372, 6.4-2
95655064, 5.7-2, 9.14-2
95663191, 8.2-2
95666996, 8.2-2, 9.14-2, 9.15-2, 9.25-2, 9.31-3,
13.4-2, 13.7-2
95674982, 4.1-2, 8.2-2
95676243, 5.15-2
95678041, 7.3-4
95679031, 9.40-2
95708301, 9.33-2, 9.64-2
95730545, 5.5-2, 10.2-2
95748760, 9.62-2
95752465, 9.3-2
95754867, 9.1-2, 9.23-2, 9.40-2
95818837, 7.0-5
95822458, 10.6-2
95838231, 5.10-3, 9.21-2
95866513, 13.3-2
95900767, 5.4-4
95917456, 13.4-2, 13.7-2, 13.15-2, 13.16-2
95917472, 13.11-2
95919130, 13.9-2, 13.10-2, 13.11-2, 13.12-2
95919221, 10.15-2
95919254, 7.0-6
95919288, 9.29-2, 9.30-2
95919544, 9.31-3
95919569, 7.0-5
95919817, 7.0-6
95920021, 7.0-5
95920047, 7.0-5
95920104, 7.0-5
95920377, 14.5-2, 14.6-3
95920484, 11.25-3
95922050, 9.28-2
95922233, 2.5-4
95922324, 9.31-3, 13.2-1, 13.3-2
95922894, 2.5-4, 6.3-2, 7.2-2

95922902, 8.5-2
95922928, 8.6-2
95923033, 8.1-6
95923041, 8.1-6
95923199, 10.12-2
95929006, 13.0-4
95931564, 9.31-3
95931614, 9.29-2, 9.30-2
95934568, 9.31-3
95934733, 4.1-2
95934766, 9.31-3
95934816, 13.2-1, 13.3-2
95937579, 8.1-6
95938049, 8.1-6
95938114, 8.1-6
95938932, 8.1-6
95939955, 2.5-3
95940813, 17.1-3, 17.5-3
95942546, 8.1-6
95942579, 8.1-6
95942769, 9.28-2
95942819, 8.5-2
95943072, 10.1-2, 10.6-2
95943247, 10.15-2
95943254, 10.15-2
95943346, 9.28-2
95943668, 5.10-3
95943916, 7.0-5
95946059, 8.1-6
95955886, 7.0-5
95955894, 2.5-3
95955936, 7.3-4, 9.31-3
95957544, 2.10-2
95959730, 8.1-6
95976270, 9.11-4
95976775, 8.1-6
95981429, 8.1-6
95983318, 7.0-5
95984175, 8.1-6
95985859, 8.1-6
95985891, 8.1-6
95985941, 8.1-6
95986014, 8.1-6
95992475, 8.1-6
95992806, 13.9-2, 13.14-2
95994711, 13.0-5
95996815, 10.12-2
95999173, 2.5-3
96700216, 2.10-2, 5.4-4, 5.13-2, 11.25-3,
11.29-2
96700398, 5.8-2
96700828, 5.4-4, 5.5-2, 5.10-3, 5.10-4, 5.15-2,
9.3-2, 9.7-2, 12.5-2
96700836, 5.3-2, 5.4-4, 5.5-2, 5.6-2, 5.9-2,
5.11-2, 5.13-2, 5.15-2
96700844, 5.10-3, 5.11-2, 6.4-2
96700893, 3.1-2, 3.3-2, 5.4-4
96700901, 5.10-3
96700968, 5.4-4, 5.11-2, 5.13-2, 5.15-2,
10.10-2, 11.25-3, 11.29-2
96700976, 5.4-4, 5.10-3, 5.15-2, 10.11-2
96701222, 5.15-2
96701289, 5.3-2, 5.7-2, 5.10-3, 5.11-2, 9.25-2,
9.62-2, 12.5-2, 13.13-2, 14.3-2
96701412, 2.1-2, 4.1-2
96701438, 2.10-2
96701495, 2.0-3
96701503, 3.1-2, 3.3-2
96701511, 8.5-3
96701867, 10.11-2
96701875, 5.4-4
96701958, 14.5-2
96701966, 4.2-2
96701982, 4.1-2, 4.2-2, 6.1-5, 6.3-2, 8.2-2,
9.33-2, 9.64-2
96701990, 5.4-4, 5.15-3
96702030, 5.4-4
96702410, 5.10-4
96702493, 2.4-2, 6.1-5, 9.39-2, 13.0-5
96702501, 6.0-4, 6.1-5, 9.41-2, 13.8-4
96702519, 2.4-2, 2.6-2, 9.1-2, 9.14-2, 9.15-2,
9.21-2, 9.23-2, 9.40-2, 13.0-4

96702535, 2.0-3, 2.5-3, 3.4-2, 4.0-2, 4.2-2,
7.11-2, 9.24-2
96702550, 2.4-2, 3.1-2, 3.3-2, 3.4-2, 8.5-3,
8.6-3, 10.1-2, 10.6-2
96702568, 6.4-2, 7.2-2, 7.3-3, 8.5-3, 8.6-2
96702600, 4.0-2
96702774, 5.15-2, 6.1-5
96702840, 9.15-2
96702857, 5.10-3
96703012, 5.3-2
96703046, 5.11-2
96703079, 5.11-2, 5.13-2
96703095, 2.0-3
96703152, 5.4-4, 10.10-2
96703178, 2.4-2
96703186, 3.1-2, 3.3-2, 10.1-2, 10.6-2
96703343, 5.10-2, 5.15-2
96703426, 5.13-2
96703640, 5.7-2
96703657, 2.10-2, 5.4-4, 5.13-2, 11.25-3,
11.29-2
96703673, 5.4-3
96703681, 4.0-2
96703756, 13.0-5
96703939, 9.25-2
96703962, 8.6-3
96704044, 5.9-2, 7.2-2, 7.3-3, 10.11-2
96704077, 5.15-2
96704119, 5.10-3
96704150, 7.0-5
96704176, 14.5-2, 14.6-3
96704275, 4.0-2, 5.15-3
96704333, 5.11-2
96704440, 7.0-6
96704556, 4.1-2
96704564, 6.1-5, 13.8-4
96704721, 3.1-2, 3.3-2
96704739, 4.2-2
96705181, 5.9-2
96705280, 5.4-3
96705462, 5.11-2
96705504, 8.5-3, 8.6-3
96705520, 3.1-2, 3.3-2
96705652, 3.1-2, 3.3-2, 4.2-2
96705728, 6.1-5, 13.0-5
96705736, 2.4-2
96706262, 3.4-2
96706825, 9.41-2
96708060, 8.1-6
96708359, 7.11-2
96710488, 5.13-2
96711890, 2.1-2, 5.10-3, 9.24-2
96711924, 7.0-7
96711957, 5.4-4
96712096, 5.15-3
96712146, 5.3-2, 5.4-4, 5.5-2, 5.6-2, 5.10-3,
5.15-3
96712161, 6.1-6
96712187, 3.4-2
96713094, 9.1-2
96713128, 2.6-2, 9.23-2
96714050, 10.1-2, 10.6-2
96714548, 5.10-3, 5.11-2
96714555, 5.7-2
96714571, 9.62-2
96714605, 5.9-2, 5.10-3, 5.15-2
96714613, 5.4-4, 5.10-4, 12.5-2
96714621, 5.4-3, 13.0-4
96714647, 5.3-2, 5.4-4
96714654, 5.10-3, 5.15-2
96714662, 5.5-2
96714688, 9.40-2
96714696, 9.3-2, 9.7-2, 9.14-2
96714712, 9.21-2
96714738, 5.4-4, 7.0-6
96714746, 5.10-3, 5.15-3
96714761, 4.2-2
96714795, 5.13-2, 6.1-5
96714803, 4.2-2
96714811, 5.11-2

96714829, 5.10-3
96714837, 2.0-3
96714860, 4.0-2, 5.11-2, 5.15-2
96714886, 5.5-2
96714944, 5.9-2
96715008, 6.1-5, 9.39-2, 13.0-5
96716337, 8.6-2
96719794, 9.33-2, 9.64-2
96720164, 6.0-4
96721832, 8.1-6
96726435, 2.4-2, 9.15-2
96726708, 7.11-2, 9.24-2
96726716, 2.5-3, 8.6-3
96726740, 10.10-2
96726781, 2.4-2, 7.3-3, 9.13-2, 9.41-2, 13.4-2,
13.7-2, 13.13-2
96726799, 2.4-2, 5.3-2, 5.4-4, 6.6-2, 7.1-2,
7.2-2, 7.5-2, 8.2-2, 9.14-2, 9.15-2, 10.1-2,
10.6-2, 13.17-2, 14.5-2, 14.6-3
96726807, 2.4-2, 2.5-3, 2.10-2, 6.0-2, 6.1-5,
7.5-2, 7.11-2, 9.14-2, 9.19-2, 9.24-2,
9.33-2, 9.64-2
96726815, 2.0-3, 2.5-3, 7.0-7, 7.6-3, 7.11-2,
9.24-2, 9.31-3, 10.1-2, 13.0-4
96726831, 2.4-2, 10.1-2
96726914, 2.5-3, 4.2-2, 5.13-2, 6.0-2, 6.1-5,
6.2-2, 7.5-2, 9.9-2, 9.14-2, 9.24-2, 9.35-2,
11.29-2, 14.3-2
96727003, 2.4-2, 8.2-2, 9.19-2, 10.3-2
96727052, 13.0-4
96727102, 4.0-2, 5.15-3
96727136, 5.15-2, 8.6-2, 10.11-2
96727151, 3.1-2, 3.3-2, 8.5-3
96727169, 2.0-3, 2.4-2, 3.1-2, 3.3-2, 6.2-2,
7.1-2, 7.4-2, 7.5-2, 7.6-3
96727177, 2.0-3, 2.5-3, 7.11-2, 9.31-3, 10.6-2,
10.10-2
96727185, 7.2-2, 7.3-3, 8.5-2
96727193, 6.6-2, 7.2-2, 9.2-2, 9.14-2, 9.62-2,
10.1-2
96727250, 2.0-3, 3.1-2, 3.3-2, 7.6-3, 9.14-2,
14.3-2
96727300, 4.1-2, 4.2-2, 6.1-5, 8.2-2

96727318, 10.8-3
96727342, 4.2-2
96727391, 2.4-2, 10.1-2
96727557, 2.4-2
96727565, 11.25-3
96727573, 13.8-4
96727607, 6.1-5
96727680, 8.2-2
96727706, 13.0-4
96727730, 6.4-2, 7.2-2, 7.3-3, 10.6-2, 10.10-2
96727755, 7.2-2, 7.3-3
96727797, 6.1-5, 7.5-2, 8.2-2, 9.62-2, 13.17-2,
14.5-2, 14.6-3
96727896, 7.11-2
96727904, 9.19-2
96727953, 13.0-5
96727987, 12.5-2, 13.12-2
96727995, 13.4-2, 13.7-2, 13.13-2
96728241, 14.5-2, 14.6-3
96728480, 3.1-2, 3.3-2, 6.1-5, 6.12-2, 7.1-2,
14.3-2
96728571, 2.4-2, 7.3-3, 13.0-4
96728688, 10.8-3
96735543, 8.1-6
96738448, 9.39-2
96740345, 8.1-6
96742689, 9.13-2, 14.3-2, 14.5-2, 14.6-3
96743182, 14.3-2
96744826, 9.28-2
96744917, 3.1-2, 3.3-2
96745393, 6.4-2
96745922, 5.4-3
96745971, 14.3-2
96746813, 5.4-4

A

A/C COMPRESSOR, 7.11-2
A/C COMPRESSOR INSTALLATION, 7.11-1
A/C COMPRESSOR V-BELT, 7.11-2
A/C CONDENSER, 6.6-2, 6.7-1

A/C CONDENSER INSTALLATION, 6.6-1
 A/C RECEIVER DRIER ASSEMBLY, 6.6-2,
 6.8-1
 AIR BLOW VALVE, 8.0-1
 AIR END
 INLET PIPE, 8.6-3
 OIL PUMP, 7.0-6
 AIR END ASSEMBLY, 7.0-6
 AIR END UNLOADER, 7.0-7, 8.1-1
 AIR INTAKE ASSEMBLY, 7.5-1
 AIR STACK EXTENSION, 7.5-2
 AIR/OIL, SYSTEM, ARCTIC, 17.5-1
 AIR/OIL/WATER SCHEMATIC, 17.1-1
 ALARM, BACKUP, 10.1-2
 ASSEMBLY, MODE CONTROL VALVE, 9.21-1
 AUXILIARY CONTROL VALVE, 9.11-1,
 9.15-1
 AUXILIARY CONTROL VALVE COVER AS-
 SEMBLY, 6.9-1
 AUXILLIARY WINCH ASSY, 11.25-1

B

BACKUP ALARM, 10.1-2
 BACKUP ALARM PRESSURE SWITCH
 SHUTTLE VALVE ASSY., 9.39-1
 BATTERY, 6.3-2
 BATTERY CABLE, 6.3-2, 7.0-7
 BATTERY DISCONNECT SWITCH, 6.1-5
 BATTERY INSTALLATION, 6.3-1
 BELTGUARD ASSEMBLY, 7.1-1
 BOOM ASSEMBLY, 4.0-1
 BOOM BULKHEAD ASSEMBLY, 4.1-1
 BOOM HOSE RETAINER ASSEMBLY, 4.2-1
 BRACKET, 6.3-2
 A/C CONDENSER MOUNTING, 6.6-2
 AIR INTAKE MOUNTING, 7.5-2
 COMPRESSOR SUPPORT, 7.0-5
 ENGINE SUPPORT, 7.0-5
 FUEL TANK MOUNTING, 2.4-2
 MAIN AIR PIPING MOUNTING, 8.2-2
 MIRROR MOUNTING (REAR), 10.1-2
 MUFFLER MOUNTING, 6.2-2
 RADIATOR TUBE MOUNTING, 7.0-7

ROD CHANGER VALVE MOUNTING,
 9.14-2
 SAFETY TRIP WIRE, 5.3-2
 SEPARATOR TANK MOUNTING, 8.6-3
 VAPOSOL MOUNTING, 10.1-2
 VAPOSOL PUMP MOUNTING, 10.3-2
 VAPOSOL STRAINER, 10.6-2
 BRACKET, MIRROR, 10.6-2
 BREAKOUT FORK CYLINDER, 5.10-2
 BREAKOUT FORK POINTER, 5.9-2
 BREATHER, HYDRAULIC TANK, 2.5-3
 BULKHEAD
 ELECTRICAL (CAB), 13.2-1
 HYDRAULIC (CAB), 13.3-1

C

CAB ASSEMBLY, 13.0-1
 CAB SEAT, 13.0-4
 CAB, 700 SERIES, 13.0-4, 13.1-1
 CAP, RADIATOR, 7.7-2
 CAROUSEL DRIVE GROUP ASSEMBLY,
 5.4-3, 5.5-1
 CAROUSEL ROD, 5.4-3
 CENTRALIZER CYLINDER, 5.10-2
 CHAIN, FEED, 5.10-2
 CHAIN WRENCH CYLINDER, 5.10-3
 CHARGE AIR COOLER PIPING, 7.4-1
 COMPRESSOR OIL BYPASS VALVE, 9.45-1
 COMPRESSOR, A/C, 7.11-2
 CONTROL BOX, CHAIN WRENCH ASM,
 12.5-1
 CONVERTER, POWER, 13.5-3
 COOLER
 FUEL, 7.7-2
 RADIATOR/CHARGE AIR, 7.7-1
 RADIATOR/CHARGE AIR ASSEMBLY,
 7.2-1
 COOLER (HYD. OIL/COMPRESSOR OIL),
 FINGERGUARD, 7.3-3
 COOLER BYPASS VALVE, 7.3-3
 COOLER FAN CONTROL MODULE VALVE
 ASSEMBLY, 9.2-1
 COOLER FAN VALVE ASSEMBLY, 9.64-1
 COOLERS DRAIN MANIFOLD ASSEMBLY,
 9.41-1

CORNER GAUGE PANEL ASSEMBLY, 13.0-4,
13.9-1
COUPLING, AIREND DRIVE, 7.0-5
COUPLING ASSY, 7.0-6
COUPLING, AIR 2", 8.5-3
CYLINDER
BOOM LIFT, 4.0-2
BOOM SWING, 4.0-2
BREAKOUT FORK, 5.10-2
CENTRALIZER, 5.10-2
CHAIN WRENCH, 5.10-3
DUSTHOOD, 10.14-1
GREASE (DRILL GUIDE), 5.10-2
GRIPPER ARM, 5.6-2
GUIDE DUMP, 4.0-2
GUIDE EXTENSION, 5.15-2
GUIDE SWING, 5.15-2
OSCILLATION, 2.0-3
ROD CHANGER, 5.4-3
ROD CHANGER DOOR, 5.4-3

D

DECAL
DIAGNOSTIC PANEL, 13.9-2
DRILL/TRAM JOYSTICK, 13.11-2
DUST COLLECT & ARC, 13.15-2
DUSTHOOD/CENTRALIZER, 13.16-2
ENGINE EMS PANEL, 13.9-2
ENGINE IGNITION (CAB), 13.10-2
FEED CONTROL, 13.7-2
LOWER GAUGE PANEL, 13.9-2
POSITIONING CONTROL VALVE, 13.14-2
ROD CHANGER, 13.16-2
ROD LOCK & BREAKOUT FORK, 13.15-2
ROTATION CONTROL, 13.4-2
SIDE CONTROL, 13.12-2
UPPER GAUGE PANEL, 13.9-2
DECAL & NAMEPLATE ASSEMBLY, 11.0-1
DECAL, FILTER MAINT., 7.0-6
DEPTH AND SPEED OPTION, 14.3-1
DIESEL ENGINE, 7.12-1
DOOR, ENCLOSURE, 6.5-2
DOOR ASSEMBLY (CAB), 13.1-2, 13.1-12
DRIFTER HOURMETER, 6.1-5
DRILL GUIDE CENTRALIZER CYLINDER,
5.10-2
DRILL GUIDE CHAIN IDLER, 5.10-2

DRILL GUIDE DRIVE SPROCKET, 5.10-2
DRILL GUIDE GREASE CYLINDER, 5.10-2
DRILL GUIDE IDLER SPROCKET, 5.10-2
DRILL GUIDE YOKE, 5.10-2
DRILL PIPE GUARD, 5.15-2
DRILL/TRAM SELECTION JOYSTICK PANEL
ASSEMBLY, 13.0-5
DRILL/TRAM SELECTOR PANEL ASSEMBLY,
13.11-1
DRILL/TRAM SELECTOR VALVE ASSEMBLY,
9.1-1
DUMP BASE, 4.0-2
DUST COLLECTOR, 10.9-1
FILTER, 10.8-3
MOTOR, 10.9-3
TIMER CARD, 10.9-3
DUST COLLECTOR ASSEMBLY, 10.7-1
DUST COLLECTOR HOSE, 10.8-3
DUST COLLECTOR MOTOR BYPASS VALVE
ASSEMBLY, 9.13-1
DUST COLLECTOR SEPARATOR, 10.10-1,
10.12-1
DUST COLLECTOR WINDSCREEN, 10.8-3
DUST COLLECTOR/ARC SELECTOR /DUST-
HOOD/CENTRALIZER CONTROL VALVE
ASSEMBLY, 9.35-1
DUST COLLECTOR/ARC SELECTOR/DUST-
HOOD/CENTRALIZER CONTROL
VALVE, 9.42-1
DUSTHOOD CYLINDER, 10.14-1
DUSTPOT, 10.15-1

E

ELECTRICAL BULKHEAD ASSEMBLY,
13.0-4, 13.2-1
ELEMENT
COOLANT CONDITIONER MAINTENANCE,
7.12-2
COOLANT CONDITIONER PRE-CHARGE,
7.12-2
HYDRAULIC RETURN FILTER, 9.53-2
HYDRAULIC THERMOSTATIC VALVE,
9.50-2
SEPARATOR TANK, 8.5-2, 8.6-2
ELEMENT,OIL FILTER, 7.0-6
EMS MAIN UNIT, 7.12-2

ENCLOSURE ASSEMBLY, 6.5-1
ENCLOSURE DOME LIGHT, 6.1-5
ENCLOSURE DOME LIGHT ASSEMBLY,
6.10-1
ENCLOSURE DOOR, 6.5-2
ENCLOSURE INSTALLATION, 6.1-1
ENCLOSURE LATCH, 6.5-2
ENGINE, 7.12-1
ENGINE DIP STICK ASSEMBLY, 7.12-2
ENGINE EXHAUST ASSEMBLY, 6.2-1
ENGINE GROUND CABLE, 7.0-7
ENGINE IGNITION PANEL ASSEMBLY,
13.0-5
ENGINE IGNITION PANEL ASSEMBLY,
13.10-1
ENGINE INTAKE FILTER, 7.5-2
ENGINE, DIESEL, 7.0-5
ENGINE/RADIATOR PIPING, 7.6-1, 7.6-2,
7.6-3
ETHER INJECTION ASSEMBLY, 6.12-1
ETHER INJECTION KIT, 6.12-2
ETHER INJECTION NOZZLE, 7.0-7

F

FAN TEMPERATURE SENSOR, 7.0-7
FEED CHAIN, 5.10-2
FEED CONTROL MANIFOLD ASSEMBLY,
9.3-1
FEED MOTOR, 5.10-2
FEED MOTOR MANIFOLD, 9.10-1
FEED/ROTATION CONTROL VALVE (CAB),
9.43-1
FEED/ROTATION HYDRAULIC PUMP AS-
SEMBLY, 7.0-6
FEED/TRAM VALVE, 9.26-1
FILTER
DUST COLLECTOR, 10.8-3
ENGINE LUBE OIL, 7.12-2
HYDRAULIC OIL RETURN ASSEMBLY,
9.31-1
HYDRAULIC RETURN, 9.53-1
INTAKE (ENGINE), 7.5-2

SECONDARY FUEL, 7.12-2
FILTER KIT, 250HR, , 16.1-1
FILTER KIT, 500HR, , 16.2-1
FINGERSHIELD, (HYD. OIL/COMPRESSOR
OIL COOLER), 7.3-3
FIRE EXTINGUISHER, 6.1-5
FLUIDS, , 16.0-1
FUEL CAP, 2.4-2
FUEL LEVEL SENDER, 2.4-2
FUEL TANK ASSEMBLY, 2.4-1
FUEL TANK BREATHER, 2.4-2
FUEL TANK STRAINER, 2.4-2
FUSE, DUST COLLECTOR TIMER CARD,
10.9-3
FUSE, ELECTRICAL, 13.5-3
FUSE/RELAY PANEL ASSEMBLY, 13.0-4,
13.5-1

G

GASKET
CAROUSEL DRIVE OIL PAN, 5.5-2
COMPRESSOR DISCHARGE, 8.6-2
FUEL LEVEL FILL TUBE, 2.4-2
GAUGE, 8.5-3
AIR DISCHARGE TEMPERATURE, 13.9-2
FUEL LEVEL, 13.9-2
HYDRAULIC OIL TEMPERATURE, 13.9-2
HYDRAULIC TANK LEVEL, 2.5-3
PRESSURE (CAB), 13.9-2
GAUGE UNIT, EMS QUAD, 7.12-2
GEAR SET, 7.0-6
GREASE PUMP ASSEMBLY, 6.0-1
GREASE SOLENOID ASSEMBLY, 6.0-3
GREASER FOOT SWITCH, 13.0-5
GREASER SPRAY NOZZLE, 5.7-2
GREASER VALVE ASSEMBLY, 5.4-3, 5.7-1
GRIPPER ASSEMBLY, 5.4-3, 5.6-1
GUARD, DRILL PIPE (GUIDE EXTENSION),
5.15-2
GUIDE ASSEMBLY, 5.10-1
GUIDE ASSEMBLY, 4M, 5.0-1
GUIDE EXTENSION ASSEMBLY, 5.15-1
GUIDE EXTENSION CYLINDER, 5.15-2

GUIDE EXTENSION TUBE, 5.15-2
GUIDE HOSE ROUTING ASSEMBLY, 5.11-1
GUIDE REST ASSEMBLY, 2.10-1
GUIDE SWING CYLINDER, 5.15-2
GUIDE WIRING ASM, 12.0-1

H

HARNESS

12V POWER OUTLET WIRING, 13.0-5
CAC/RAD COOLER WIRING, 7.2-2
CAROUSEL ROTATION WIRING (CAB),
13.12-2
DRILL/TRAM FUNCTION, 12.4-1
DRILL/TRAM SELECTOR PANEL WIRING,
13.11-2
DUST COLLECTOR SOLENOID VALVE
WIRING, 10.9-3
EMERGENCY STOP WIRING (CAB),
13.12-2
ENGINE EDM PANEL WIRING, 13.9-2
ENGINE IGNITION PANEL WIRING,
13.10-2
GAUGE PANEL WIRING (CAB), 13.9-2
HOC/COC WIRING, 7.3-4
LIM SENSOR, 12.1-1, 14.0-1
MAIN CAB WIRING, 13.0-4
QUAD GAUGE PANEL LIGHT WIRING,
13.9-2
ROD CHANGER WIRING, 12.2-1, 12.3-1
WIRING CAC/RAD, 12.9-1
WIRING COC/HOC, 12.8-1
WIRING DRL GUIDE, 12.7-1
WIRING ENCL, 12.10-1
WIRING ENG. ECM, 12.11-1, 12.12-1
WIRING MAIN ASM, 12.6-1
WIRING ROD CHGR, 12.13-1
HARNESS, AIR/DUST, 13.15-2
HEAT & A/C AIR SYSTEM, 13.8-1
HEAT & A/C BLOWER ASSEMBLY, 13.8-2,
13.8-4
HORN, FORWARD WARNING, 2.4-2
HOSE, DUST COLLECTOR, 10.8-3
HOSE CARRIER, 5.13-2, 5.14-1
HOSE CARRIER ASSEMBLY, 5.13-1
HOSE, SHIELD, 5.10-4
HOSES
ENGINE SCHEMATIC, 17.2-1

HEATER, A/C, 20.13-1
HOURMETER, DRIFTER, 6.1-5
HYD. OIL/COMPRESSOR OIL COOLER
FAN, 7.3-3
FINGERGUARD, 7.3-3
SHROUD, 7.3-3
HYDRAULIC BULKHEAD ASSEMBLY,
13.0-4, 13.3-1
HYDRAULIC FEED MOTOR, 5.1-1
HYDRAULIC MOTOR, ROD CHANGER
ROTATION, 5.8-1
HYDRAULIC OIL RETURN FILTER AS-
SEMBLY, 9.31-1
HYDRAULIC OIL THERMAL VALVE AS-
SEMBLY, 9.9-1
HYDRAULIC OIL/COMPRESSOR OIL COOL-
ER ASSEMBLY, 7.3-1
HYDRAULIC RETURN FILTER, 9.53-1
HYDRAULIC SCHEMATIC, 17.0-1
HYDRAULIC SCHEMATIC, ARCTIC, 17.4-1
HYDRAULIC TANK ASSEMBLY, 2.5-1
HYDRAULIC TANK BREATHER, 2.5-3
HYDRAULIC TANK LEVEL GAUGE, 2.5-3
HYDRAULIC TANK REGULATOR, 2.5-3
HYDRAULIC THERMOSTATIC VALVE,
9.50-1
(120 DEGREE NOMINAL), 9.49-1

I

INCLINOMETER, 13.0-5, 14.0-1
INDICATOR, ANGLE INSTALLATION, 14.0-1
INDICATOR, 3D, DEPTH, SPEED, 14.1-1
INSULATION, MUFFLER WRAP, 6.2-2
INTAKE (ENGINE) FILTER, 7.10-1

J

JOYSTICK, ROD LOCK & BREAKOUT FORK,
13.15-2
JOYSTICK
ROD CHANGER CONTROL, 13.16-2
ROD LOCK/BREAKOUT FORK, 9.54-1
TRAM CONTROL, 13.13-1, 13.13-2

K

KIT

ETHER INJECTION, 6.12-2

HYDRAULIC TANDEM FAN PUMP SEAL,
7.0-6
OSCILLATION CYLINDER SERVICE, 2.0-3
KIT, 3D POSITIONING, 14.5-1
KIT, DEPTH AND SPEED, 14.4-1
KIT, FILTER, 250HR, 16.1-1
KIT, FILTER, 500HR, 16.2-1
KIT, REPAIR, VALVE, 9.49-2

L

LAMP
GUAD GAUGE (CAT), 13.9-2
INDICATOR (CAB), 13.9-2
LATCH, ENCLOSURE DOOR, 6.5-2
LEFT FRONT SEAT POD PANEL ASSEMBLY,
13.0-4, 13.7-1
LEFT REAR SEAT POD PANEL ASSEMBLY,
13.0-4, 13.15-1
LIGHT
ENCLOSURE DOME, 6.1-5
REAR, 10.1-2
LIGHT ASSEMBLY, 6.10-1
LIGHT BULB, ENCLOSURE DOME, 6.10-2
LIGHTS TOGGLE SWITCH (DRILLING),
13.1-8
LINK, WITHOUT SHOES, 3.7-2
LOAD SENSE SELECTOR VALVE, 9.58-1
LOAD SENSE SHUTTLE VALVE ASSEMBLY,
9.28-1
LUBRICANT, GREASE (5 GAL), 6.0-2
LUBRICATOR ASSEMBLY, 6.4-1
LUBRICATOR NEEDLE VALVE, 6.4-2
LUBRICATOR TANK, 6.4-2

M

MAIN AIR PIPING ASSEMBLY, 8.2-1
MAIN DRAIN MANIFOLD ASSEMBLY, 9.40-1
MAINFRAME ASSEMBLY, 2.0-1
MANIFOLD
COOLERS DRAIN ASSEMBLY, 9.41-1
FEED CONTROL, 9.3-1
FEED MOTOR, 9.10-1

HYD. RETURN, 9.23-1, 9.23-2
MAIN DRAIN ASSEMBLY, 9.40-1
ROD CHANGER, 9.8-1
ROD CHANGER ASSEMBLY, 9.7-1
TRACK OSCILLATION, 2.6-1
MANIFOLD ASSEMBLY, SLOW ROTATION,
9.62-1
MIRROR
CAB, 13.0-4
REAR, 10.1-2
MIRROR ASSEMBLY, 4.2-1
MIRROR, CONVEX, 10.6-2
MODE CONTROL VALVE, 9.22-1
MOTOR
COOLER FAN (HYD. OIL/COMPRESSOR
OIL), 7.3-3
DUST COLLECTOR, 10.9-3
FEED, HYDRAULIC, 5.10-2
HYDRAULIC FEED, 5.1-1
RADIATOR COOLER FAN HYDRAULIC,
7.7-2
MOUNTING BRACKET, VAPOSOL, 10.6-2

N

NAMEPLATE ASSEMBLY, 11.0-1

O

OPERATOR'S CAB ASSEMBLY, 13.0-1
OPERATOR'S CAB SEAT, 13.6-1
OPERATOR'S CAB STEPS, 2.0-3, 2.1-1
ORIFICE,. SCAVENGE, 8.5-2
OSCILLATION CYLINDER, 2.0-3

P

PANEL
DRILL/TRAM SELECTOR, 13.11-1
FUSE/RELAY ASSEMBLY, 13.5-1
LEFT FRONT SEAT POD ASSEMBLY, 13.7-1
LEFT REAR SEAT POD ASSEMBLY, 13.15-1
RIGHT FRONT SEAT POD ASSEMBLY,
13.4-1
SIDE CONTROL, 13.12-1
PANEL ASSEMBLY (CAB)
CORNER GAUGE, 13.9-1
ENGINE IGNITION, 13.10-1

IPICK-UP POT, 10.11-1
PILOT RELIEF VALVE, 9.19-1
PIN
 OSCILLATION CYLINDER (UPPER), 2.0-3
 OSCILLATION CYLINDER (LOWER), 2.0-3
POSITIONING 3D W/O SPEED, 14.2-1, 14.6-3
POSITIONING CONTROL VALVE, 9.52-1
POSITIONING CONTROL VALVE ASSEMBLY,
 9.62-1
POSITIONING CONTROL VALVE PANEL AS-
 SEMBLY, 13.0-5, 13.14-1
POSITIONING VALVE ASSEMBLY, 13.0-5
POSITIONING, 3D, 14.6-1
POWER OUTLET (12V), 13.0-5
POWER PACK INSTALLATION, 7.0-1
PREHEATER, 13.17-1
PREHEATER WIRING, 13.18-1
PRIMARY FUEL FILTER/WATER SEPARA-
 TOR, 7.12-2
PUMP
 FEED/ROTATION HYDRAULIC ASSEMBLY,
 7.0-6
 GREASER, 6.0-2
 HYDRAULIC GEAR (DUST COLLECTOR),
 7.0-6
 HYDRAULIC TANDEM (FAN), 7.0-6
PUMP ASM, HYD HAND, 9.17-1

Q

QUICK DISCONNECT COUPLING, 6.0-2

R

RAD/CAC COOLER FAN VALVE ASSEMBLY,
 9.33-1
RADIATOR
 FAN, 7.7-2
 FINGERSHIELD, 7.7-2
 PETCOCK, 7.7-2
 SHROUD, 7.7-2
RADIATOR CAP, 7.7-2
RADIATOR SURGE TANK, 7.7-2
RADIATOR TUBE, 7.6-3

RADIATOR/CHARGE AIR COOLER, 7.7-1
RADIATOR/CHARGE AIR COOLER AS-
 SEMBLY, 7.2-1
RAIN CAP (MUFFLER), 6.2-2
REGULATOR, HYDRAULIC TANK, 2.5-3
REGULATOR, HIGH TEMP, 8.5-3
REGULATOR, RELIEVING ASSY, 6.0-4
RIGHT FRONT SEAT POD PANEL AS-
 SEMBLY, 13.0-4, 13.4-1
RIGHT REAR SEAT POD PANEL ASSEMBLY,
 13.0-4
ROD CHANGER ASSEMBLY, 5.4-1
ROD CHANGER CYLINDER, 5.4-3
ROD CHANGER DOOR CYLINDER, 5.4-3
ROD CHANGER MANIFOLD, 9.8-1
ROD CHANGER MANIFOLD ASSEMBLY,
 5.4-3, 9.7-1
ROD CHANGER ROTATION HYDRAULIC
 MOTOR, 5.8-1
ROD CHANGER ROTATION HYDRAULIC
 MOTOR ASSEMBLY, 5.5-2
ROD CHANGER VALVE, 9.12-1, 9.14-2
ROD CHANGER VALVE ASSEMBLY, 9.14-1
ROD CHANGER VALVE COVER, 9.14-2
ROD LOCK/BREAKOUT FORK JOYSTICK,
 9.54-1
ROTARY HEAD MOUNTING PLATE AS-
 SEMBLY, 5.9-1, 5.9-2
ROTATION FUNCTION CONTROL VALVE,
 9.51-1
ROTATION/TRAM VALVE, 9.27-1
RUBBER BOOT, POSITIONING VALVE,
 13.14-2

S

SAFETY DRIP WIRE ASSEMBLY, 5.3-1
SAFETY NAMEPLATE ASSEMBLY, 11.1-1
SAFETY TRIP WIRE ASSEMBLY, 5.10-3
SCHEMATIC
 AIR/OIL, ARCTIC, 17.5-1
 AIR/OIL/WATER, 17.1-1
 ELECTRICAL, 17.3-1, 17.3-2, 17.3-3,
 17.3-4, 17.3-5
 ENGINE HOSES, 17.2-1

HYDRAULIC, 17.0-1
ARCTIC, 17.4-1

SEAT, OPERATOR'S CAB, 13.0-4

SEAT, OPERATOR'S CAB, 13.6-1

SENDER, TEMP, 8.5-2

SENSOR
FAN TEMPERATURE, 7.0-7
HYD. OIL/COMPRESSOR OIL COOLER
TEMPERATURE (FAN), 7.3-3
HYDRAULIC TANK LOW OIL LEVEL, 2.5-3

SENSOR, TEMPERATURE FAN, 8.5-3

SEPARATOR
ELEMENT, 8.5-2, 8.6-2
THERMAL SWITCH, 8.6-2

SEPARATOR TANK
INLET PIPE, 8.6-3
ISOLATOR PAD, 8.6-3

SEPARATOR TANK ASSEMBLY , 8.5-1

SEPARATOR TANK ASSEMBLY (ASME), 8.6-1

SEPARATOR, DUST COLLECTOR, 10.7-2,
10.10-1

SIDE CONTROL PANEL ASSEMBLY, 13.0-5,
13.12-1

SOCKET, 12V POWER OUTLET, 13.0-5

STEPS, OPERATOR'S CAB, 2.0-3

STRAINER, VAPOSOL, 10.6-2

STRAINER ASSY, 7.0-6

SURGE TANK, 7.7-2

SWITCH
BATTERY DISCONNECT, 6.1-5
CAROUSEL ROTATION (CAB), 13.12-2
DRILL/TRAM SELECTOR, 13.11-2
DRILLING LIGHTS TOGGLE, 13.1-8
EMERGENCY STOP (CAB), 13.12-2
EMS SCROLL TOGGLE, 13.9-2
ENGINE IGNITION, 13.10-2
ENGINE SPEED TOGGLE, 13.10-2
ENGINE START, 13.10-2
ETHER INJECTION ON/OFF TOGGLE,
13.10-2
GREASER FOOT, 13.0-5
PANEL LIGHTS TOGGLE, 13.9-2
SAFETY TRIP WIRE, 5.3-2
SEPARATOR TANK THERMAL, 8.6-2
TRACK OSCILLATION LOCK TOGGLE,
13.11-2
WIPER CONTROL, 13.1-8

SWITCH, PRESSURE, 9.21-2
SWITCH, THERMAL, 8.5-2

T

TANK, SURGE (COOLER), 7.7-2

TANK , VAPOSOL ASSEMBLY, 10.0-1

THERMAL VALVE, 7.0-7

TOOL KIT
3.5 INCH ROD, 11.28-1, 11.29-1
4 INCH ROD, 11.27-1

TRACK ASSEMBLY, (LH), 3.0-1, 3.2-1

TRACK ASSEMBLY, LH, 3.0-2

TRACK ASSEMBLY, RH, 3.2-2

TRACK CHAIN, 3.7-1

TRACK CHAIN (GROUSER), 3.1-2, 3.3-2

TRACK IDLER UNIT, 3.4-1

TRACK OSCILLATION MANIFOLD AS-
SEMBLY, 2.6-1

TRACK ROLLER ASSEMBLY, 3.5-1, 3.6-1

TRACK, LH, 3.1-1

TRACK, RH, 3.3-1

TRAM CONTROL JOYSTICK ASSEMBLY,
13.0-5, 13.13-1

TRAM PILOT VALVE, 9.60-1

TRIP WIRE BRACKET, 5.3-2

U

UNLOADER, AIR END, 8.1-1

V

V-BELT
A/C COMPRESSOR, 7.11-2
ALTERNATOR, 7.12-2

VALVE
AIR BLOW , 8.0-1
AIR BLOW ACTUATOR, 8.2-2
AUXILIARY CONTROL, 9.11-1, 9.15-1
BACKUP ALARM PRESSURE SWITCH
SHUTTLE ASSEMBLY, 9.39-1
COMPRESSOR OIL BYPASS, 9.45-1
COOLER BYPASS, 7.3-3
COOLER FAN ASSEMBLY, 9.64-1

COOLER FAN CONTROL MODULE, 9.2-1
DUST COLLECTOR/ARC SELECTOR/
DUSTHOOD/CENTRALIZER CONTROL
ASSEMBLY, 9.35-1
DRILL/TRAM SELECTOR, 9.1-1
DUST COLLECTOR MOTOR BYPASS AS-
SEMBLY, 9.13-1
DUST COLLECTOR/ARC SELECTOR/
DUSTHOOD/CENTRALIZER CON-
TROL, 9.42-1
ENGINE OIL DRAIN BALL, 2.0-3
FEED CONTROL, 13.7-2
FEED PRESSURE/ROTATION SPEED,
13.12-2
FEED/ROTATION (CAB), 9.43-1
FEED/TRAM, 9.26-1
HYDRAULIC OIL THERMAL ASSEMBLY,
9.9-1
HYDRAULIC THERMOSTATIC, 9.50-1
HYDRAULIC THERMOSTATIC (120 DE-
GREE NOMINAL), 9.49-1
LOAD SENSE SELECTOR, 9.58-1
LOAD SENSE SHUTTLE, 7.0-6, 9.28-1
MODE CONTROL, 9.21-1, 9.22-1
PILOT OPERATED GREASER, 5.7-2
PILOT RELIEF, 9.19-1
POSITIONING CONTROL, 9.52-1
POSITIONING CONTROL PANEL AS-
SEMBLY, 13.14-1
POSITIONING CONTROL VALVE AS-
SEMBLY, 9.62-1
RAD/CAC COOLER FAN ASSEMBLY, 9.33-1
ROD CHANGER, 9.12-1
ROD CHANGER ASSEMBLY, 9.14-1
ROTATION CONTROL, 13.4-2
ROTATION FUNCTION CONTROL, 9.51-1
ROTATION/TRAM, 9.27-1

TRAM PILOT, 9.60-1
VAPOSOL ADJUST, 13.12-2
VAPOSOL ON/OFF, 13.12-2
VAPOSOL PUMP PILOT, 10.5-1
VALVE ASSY
LH TRAM/FEED, 9.29-1
RH TRAM/ROT, 9.30-1
ROTATION SOL., 9.25-1
VALVE BANK ASSY, 9.24-1
VALVE, CARTRIDGE, 3 WAY, 8.0-2
VALVE, MOTORIZED, HEATER, 13.8-3
VALVE, SAFETY, 8.5-2
VALVE, SOLENOID, ASSEMBLY, 6.0-4
VAPOSOL BRACKET ASSEMBLY, 10.1-1
VAPOSOL PUMP ASSEMBLY, 10.3-1
VAPOSOL PUMP PILOT VALVE, 10.5-1
VAPOSOL STAINER ASSEMBLY, 10.6-1
VAPOSOL TANK, 10.2-2
VAPOSOL TANK ASSEMBLY (CE), 10.2-1
VAPOSOL TANK ASSEMBLY W/O TANK,
10.6-1

W

WINDSCREEN, DUST COLLECTOR, 10.8-3
WIPER CONTROL SWITCH (CAB), 13.1-8
WIRING HARNESS
CAB FOPS (LIGHTS), 13.1-11
RIGHT REAR SEAT POD, 13.16-2

SAFETY INFORMATION

BE AWARE OF SAFETY INFORMATION

This is the Safety–Alert symbol. When you see this symbol on your machine or in this manual, be alert to the potential for personal injury.

Follow recommended precautions and safe operating practices.



SAFETY ALERT SYMBOL

UNDERSTAND SIGNAL WORDS

A signal word – DANGER, WARNING, or CAUTION – is used with the safety-alert symbol. DANGER identifies the most serious hazards.

DANGER, WARNING, or CAUTION safety labels are located near specific hazards.

NOTICE labels are for general information.



(RED BACKGROUND)

DANGER IS USED TO INDICATE THE PRESENCE OF A HAZARD WHICH WILL CAUSE SEVERE PERSONAL INJURY OR DEATH IF THE WARNING IS IGNORED.



(ORANGE BACKGROUND)

WARNING IS USED TO INDICATE THE PRESENCE OF A HAZARD WHICH CAN CAUSE SEVERE INJURY OR DEATH IF THE WARNING IS IGNORED.



(YELLOW BACKGROUND)

CAUTION IS USED TO INDICATE THE PRESENCE OF A HAZARD WHICH WILL OR CAN CAUSE PERSONAL INJURY, OR PROPERTY DAMAGE IF THE WARNING IS IGNORED.



(BLUE BACKGROUND)

Notice is used to notify people of installation, operation, or maintenance information which is important but not hazard related.

SAFETY INFORMATION

FOLLOW INSTRUCTIONS

Carefully read all safety messages in this manual and on your machine's safety labels. Keep safety labels in good condition. Replace all missing or damaged safety labels.

Replacement safety labels can be obtained at no cost from your local Atlas Copco dealer or representative or by contacting the factory.

Learn how to operate the machine and how to use the controls properly. **DO NOT LET ANYONE OPERATE THIS MACHINE WITHOUT PROPER INSTRUCTION.**

If you do not understand any part of this manual and need assistance, contact your local Ingersoll-Rand dealer.

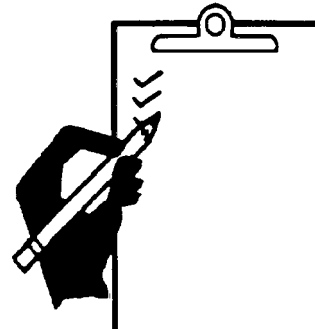


KEEP MACHINE IN GOOD WORKING CONDITION

Keep your machine in proper working condition. Unauthorized modifications to the machine may impair the function and/or safety and effect machine life.

Make sure all safety devices, including shields are installed and functioning properly.

Visually inspect the machine daily before starting the machine. Do not operate the machine with loose, worn, or broken parts.

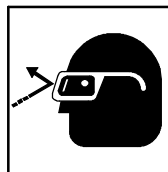


WEAR PROTECTIVE CLOTHING

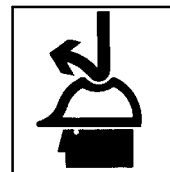
Wear APPROVED safety equipment (safety shoes, safety glasses, hearing protection, hard hat, gloves, respirator, etc.) when operating or maintaining the machine.

Wear close fitting clothing and confine long hair.

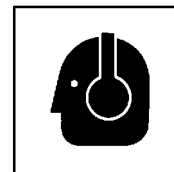
Operating equipment requires the full attention of the operator. Do not wear radio or music headphones while operating the machine.



Safety Glasses



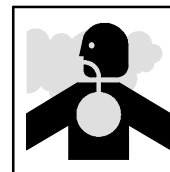
Hard Hat



Ear Protection



Electrically Insulated Gloves



Respirator



Electrically Insulated Boots

SAFETY INFORMATION

HANDLE FUEL SAFELY - AVOID FIRES

Handle fuel with care, it is highly flammable. Do not refuel the machine while smoking or when near open flame or sparks.

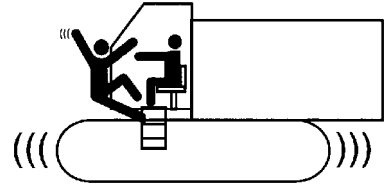
Always stop engine before refueling machine. Fill fuel tank outdoors.

Prevent fire by keeping machine clean of accumulated trash, debris, and grease. Always clean up spilled fuel.



KEEP RIDERS OFF MACHINE

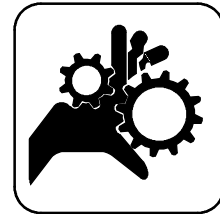
Never ride on a machine. The operator's cab is for one person only. Riders are subject to injury such as being thrown off the machine.



AVOID MOVING PARTS

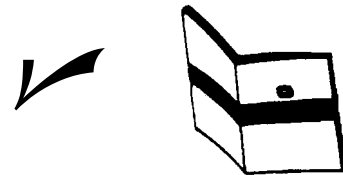
Keep hands, feet, and clothing away from power driven parts.

Keep safety shields in place and properly secured.



CHECK LAWS AND REGULATIONS

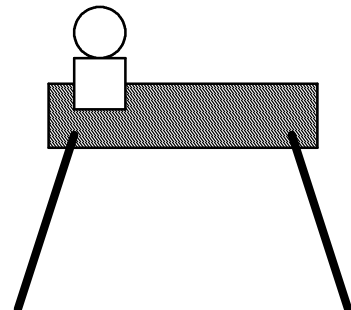
Know and obey all Federal, State, and local laws and regulations that apply to your work situation.



PLACE WARNING BARRIERS AROUND WORK SITE

Set up traffic barriers around the work area with warning signs facing outward.

Place pedestrian and traffic barriers around the job site in accordance with Federal, State, local, and governing agency laws and regulations.



SAFETY INFORMATION

CHECK FOR UNDERGROUND UTILITY LINES

Before starting work, remember that contact with buried utilities may cause serious injury or death. Electric line contact may cause electric shock or electrocution. Gas line contact may rupture pipe causing explosion or fire. Fiber optic cables can blind you if you look into the laser light in them. Water line rupture may cause a flood and possible ground collapse. Before drilling, check with qualified sources to properly locate all buried utilities in and around drill path. Select a drill path that will not intersect buried utilities. Never launch a drill bit on a path toward electric, gas, or water lines. Until their location is known, have the utility company shut it off before starting any underground work. Excavate to confirm its exact location.



DO NOT WORK ON OR NEAR UNSTABLE GROUND

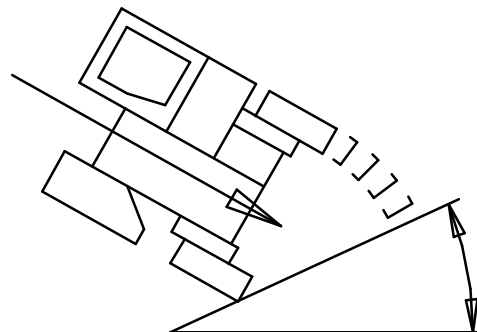
Do not work in trenches with unstable sides which could cave in. Do not work near faces or walls that can collapse. Do not work near benches that can collapse. Specific requirements for shoring or sloping trench walls, faces, and benches are available from several sources including Federal and State O.S.H.A. offices, or appropriate governing agency. Be sure to contact suitable authorities for these requirements before working in a trench. Federal O.S.H.A. regulations can be obtained by contacting the Superintendent of Documents, U.S. Government Printing Office, Washington, D.C. 20402. State O.S.H.A. regulations are available at your local state O.S.H.A. office, or appropriate governing agency.



ROLLOVER POSSIBLE

Proceed slowly; be alert and use extreme caution when operating on hillsides, or near ditches, gullies, holes, or obstructions where rollover could occur.

Refer to Stability Chart in cab for specific information on rollover angle data.

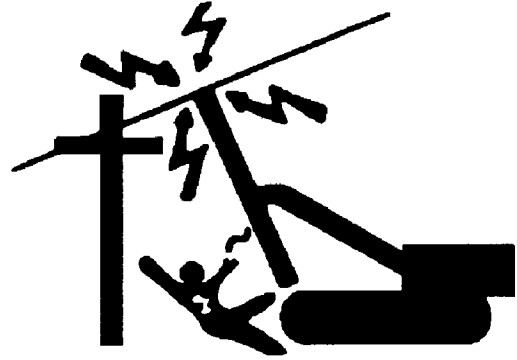


SAFETY INFORMATION

AVOID ELECTROCUTION. STAY AWAY.

Electrocution possible. Serious injury or death may result if the machine strikes an energized powerline. Take the following precautions to prevent electrocution. Also refer to the operating instructions.

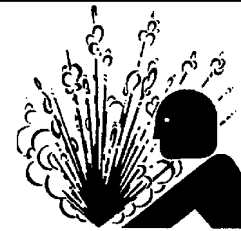
- ◆ Always contact your local utility company when working in the vicinity of utilities.
- ◆ Locate underground utilities by qualified persons.
- ◆ Do not raise, lower, or move drill guide or boom near power lines.
- ◆ Always wear proper electrically insulated lineman's gloves and boots.
- ◆ Never touch metal parts on machine while standing on bare ground if machine comes in contact with a powerline.
- ◆ Always stay in cab during all drilling operations.
- ◆ Never step onto or off of a machine if an electric strike occurs.



AVOID COOLANT BURNS

Hot fluid under pressure can erupt and scald if opened.

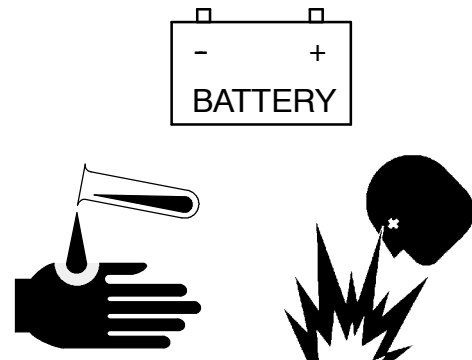
Allow to cool before opening.



AVOID BATTERY BURNS AND EXPLOSION

Battery contains sulfuric acid which can cause severe burns. Avoid contact with eyes, skin, and clothing.

Battery fumes are flammable and can explode. Keep all burning materials away from battery. Do not smoke. Tools and cable clamps can make sparks. Shield eyes and face from battery.



SAFETY INFORMATION

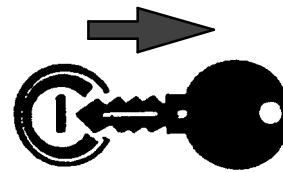
CHECK FOR OVERHEAD UTILITY LINES

Check for overhead electrical power lines or other obstructions and be certain there is adequate clearance when handling drill rod or moving machine.



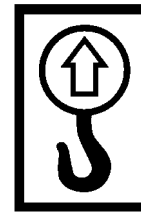
USE NORMAL SHUTDOWN PROCEDURE

Before servicing, cleaning, repairing, inspecting, lubricating, fueling, or transporting the machine, make sure the machine has been shutdown in accordance with this instruction manual.



WHEN TRANSPORTING ON TRUCK OR TRAILER

Attach chains and binders to the machine to securely tie down the machine to the truck or trailer. Refer to LIFTING POINTS in Section 2 for proper location.



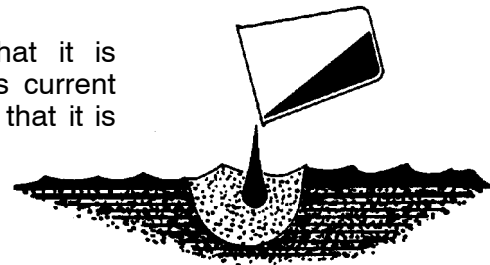
OBSERVE ENVIRONMENTAL PROTECTION REGULATIONS

Be mindful of the environment and ecology.

Before draining any fluids, find the correct way of disposing them.

Observe the relevant environmental protection regulations when disposing of oil, fuel, coolant, brake fluid, filters and batteries.

When using any solvent to clean parts, make sure that it is nonflammable, that it will not harm the skin, that it meets current O.S.H.A. standards, or appropriate governing agency. And that it is used in an area that is adequately ventilated.



WARNING: Failure to follow any of the above safety instructions or those that follow within this manual, could result in serious injury or death. This machine is to be used only for those purposes for which it was intended as explained in this instruction manual.

SAFETY DECALS

INSPECTING SAFETY DECALS

Safety decals located on your machine contain important and useful information that will help you operate your equipment safely.

To assure that all decals remain in place and in good condition, follow the instructions given below:

Keep decals clean. Use soap and water, not mineral spirits, abrasive cleaners, or other similar cleaners that will damage the decal.

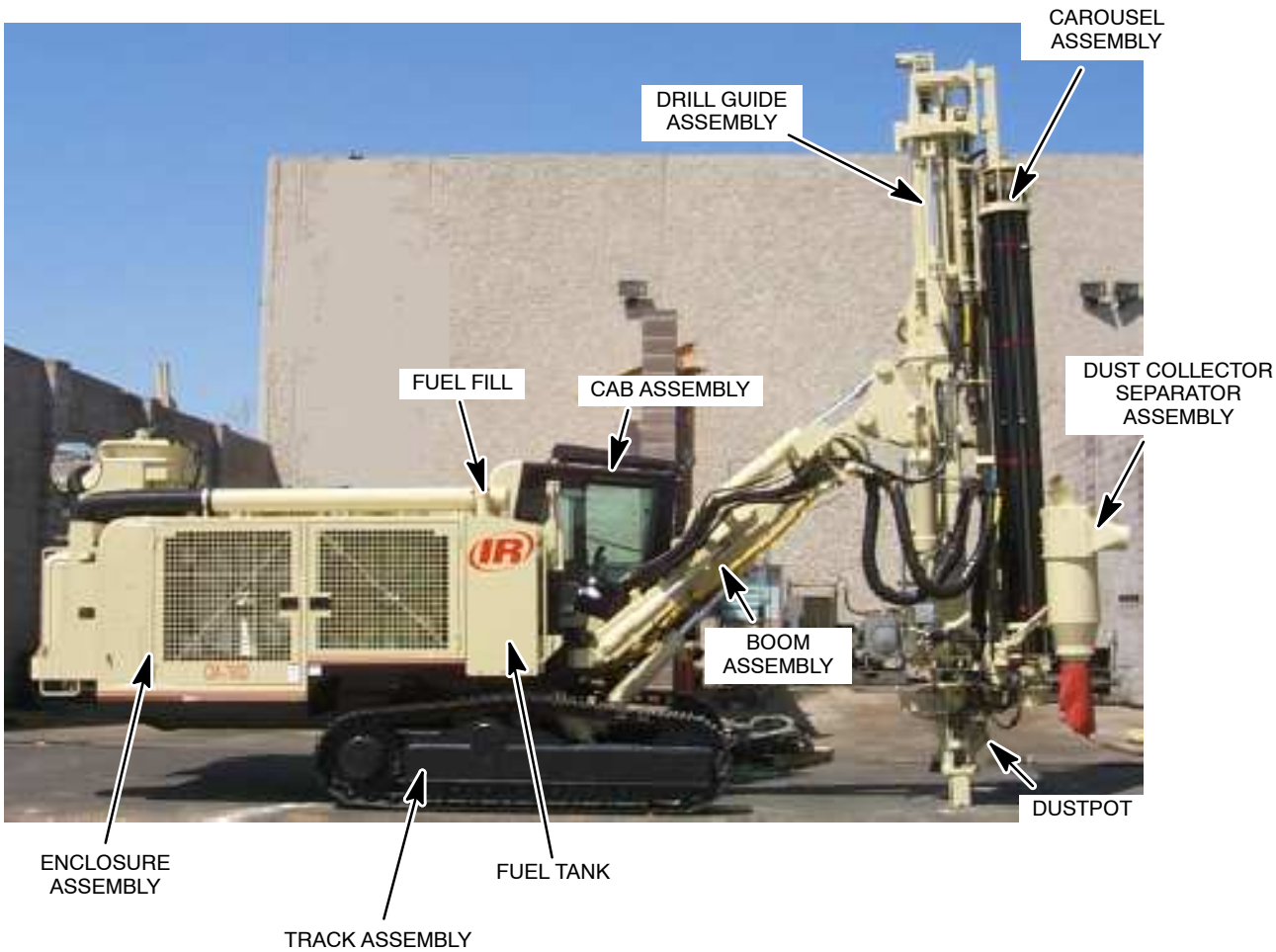
Replace any damaged or missing decals. When attaching decals, surface temperature of the metal must be at least 40°F (5°C). The metal must also be clean and dry.

When replacing a machine component with a decal attached, replace the decal also. (Decals part numbers and locations on the machine are shown in the safety manual located inside the operator's cab door pocket.)

Replacement decals can be obtained at no cost from your local Atlas Copco dealer or representative or by contacting the factory.

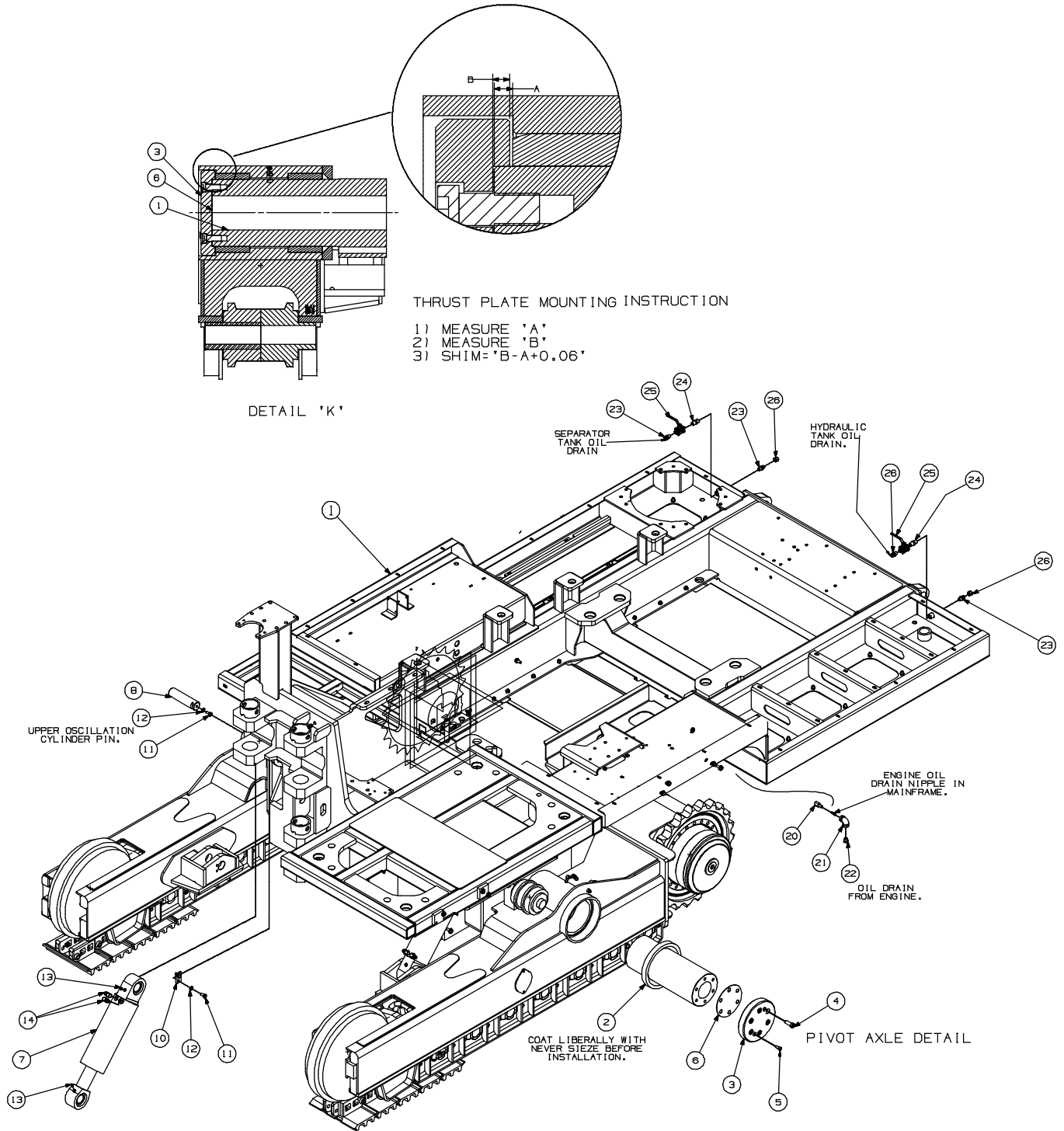
If you do not understand any part of this manual and need assistance, contact your local Atlas Copco dealer.

GENERAL ASSEMBLY



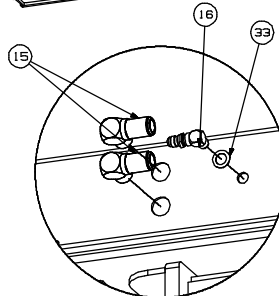
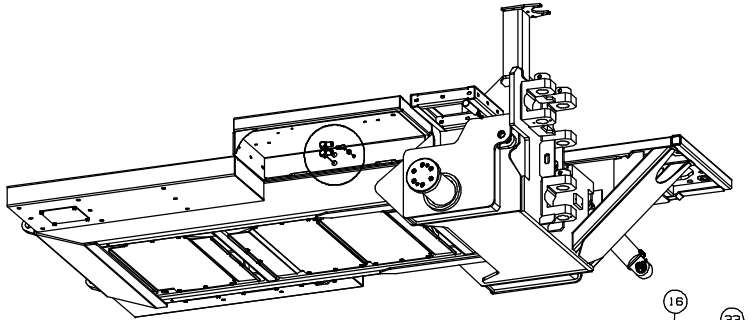
GENERAL ASSEMBLY



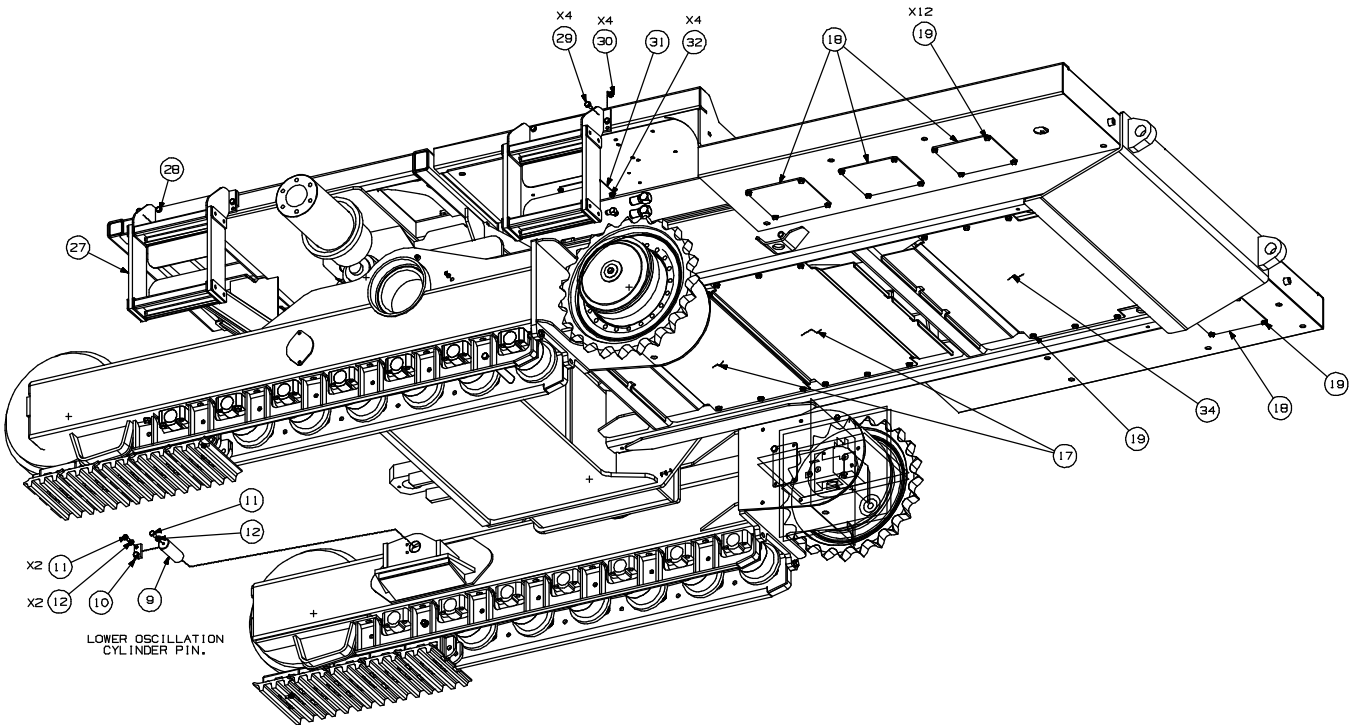


DETAIL-K

D52321544_02



DETAIL 'A'

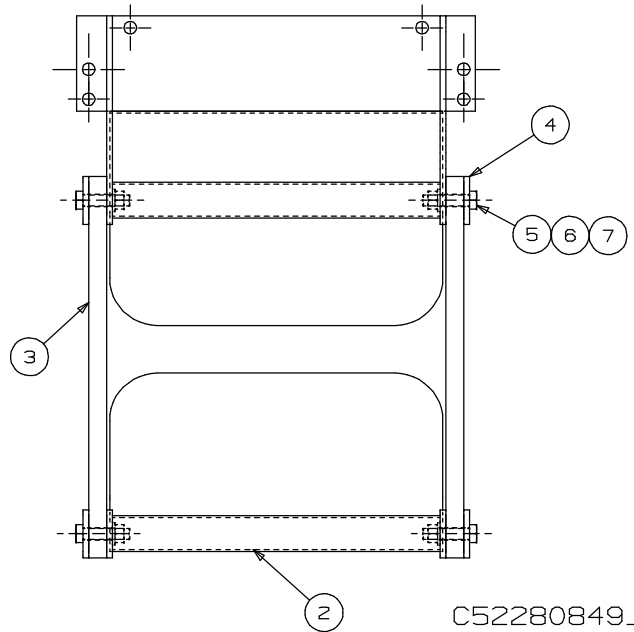
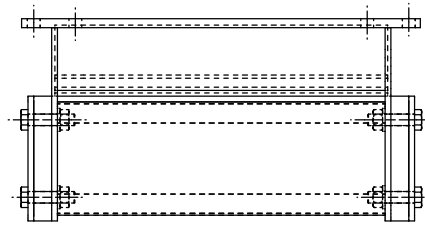
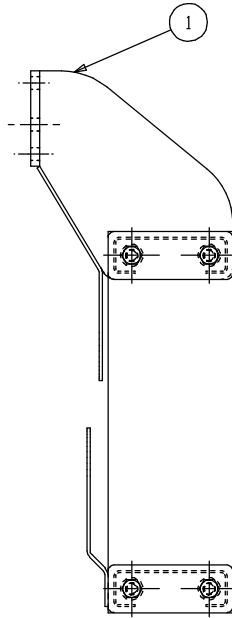
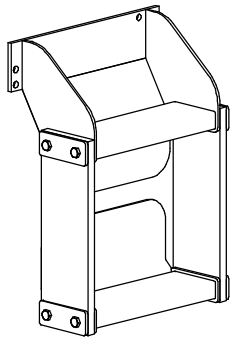


52321544

MAINFRAME ASSEMBLY

REF.

NO.	PART NO.	QTY.	PART NAME REMARKS	SERIAL NO.
1	52321510	1	MAINFRAME (WELDMENT)	
2	52134863	2	PLATE, BEARING	
3	51607992	2	PLATE, THRUST	
4	96703095	12	CAPSCREW, SOC. HD.	
5	96714837	4	CASPCREW, SOC, HD.	
6	52314945	2	PACK, TRACK PIVOT AXLE SHIM	
7	51992303	2	CYLINDER, OSCILLATON	
	51992410	2	.KIT, SERVICE	
8	51607984	2	PIN, OSCILLATION CYLINDER (UPPER)	
9	51616399	2	PIN, OSCILLATION CYLINDER (LOWER)	
10	51609089	4	PLATE, KEEPER	
11	96701495	12	CAPSCREW, HEX. HD.	
12	96702535	12	WASHER, FLAT	
13	95201281	4	FITTING, GREASE	
14	95329975	4	ADAPTER	
15	95278974	4	FITTING, BULKHEAD	
16	95278966	2	FITTING, BULKHEAD	
17	52313806	2	PLATE, COVER	
18	52304706	4	PLATE, COVER	
19	96727177	34	BOLT, FLANGED HD.	
20	95464160	1	ADAPTER	
21	95341020	1	ADAPTER	
22	95200333	1	PLUG, PIPE	
23	95219721	4	ADAPTER	
24	95315214	2	ADAPTER	
25	50947357	2	VALVE, ENGINE OIL DRAIN BALL	
26	50996313	2	CAP	
27	52280849	2	STEPS, OPERATOR CAB <i>REFER TO PAGE 2.1-1</i>	
28	96727250	4	BOLT, FLANGED HD.	
29	96727177	4	BOLT, FLANGED HD.	
30	96726815	4	LOCKNUT, FLANGED HD.	
31	52316627	1	PLATE, PAJ VALVE MOUNTING COVER	
32	96727169	4	BOLT, FLANGED HD.	
33	95201448	2	LOCKWASHER	
34	52321536	1	PLATE, COVER	



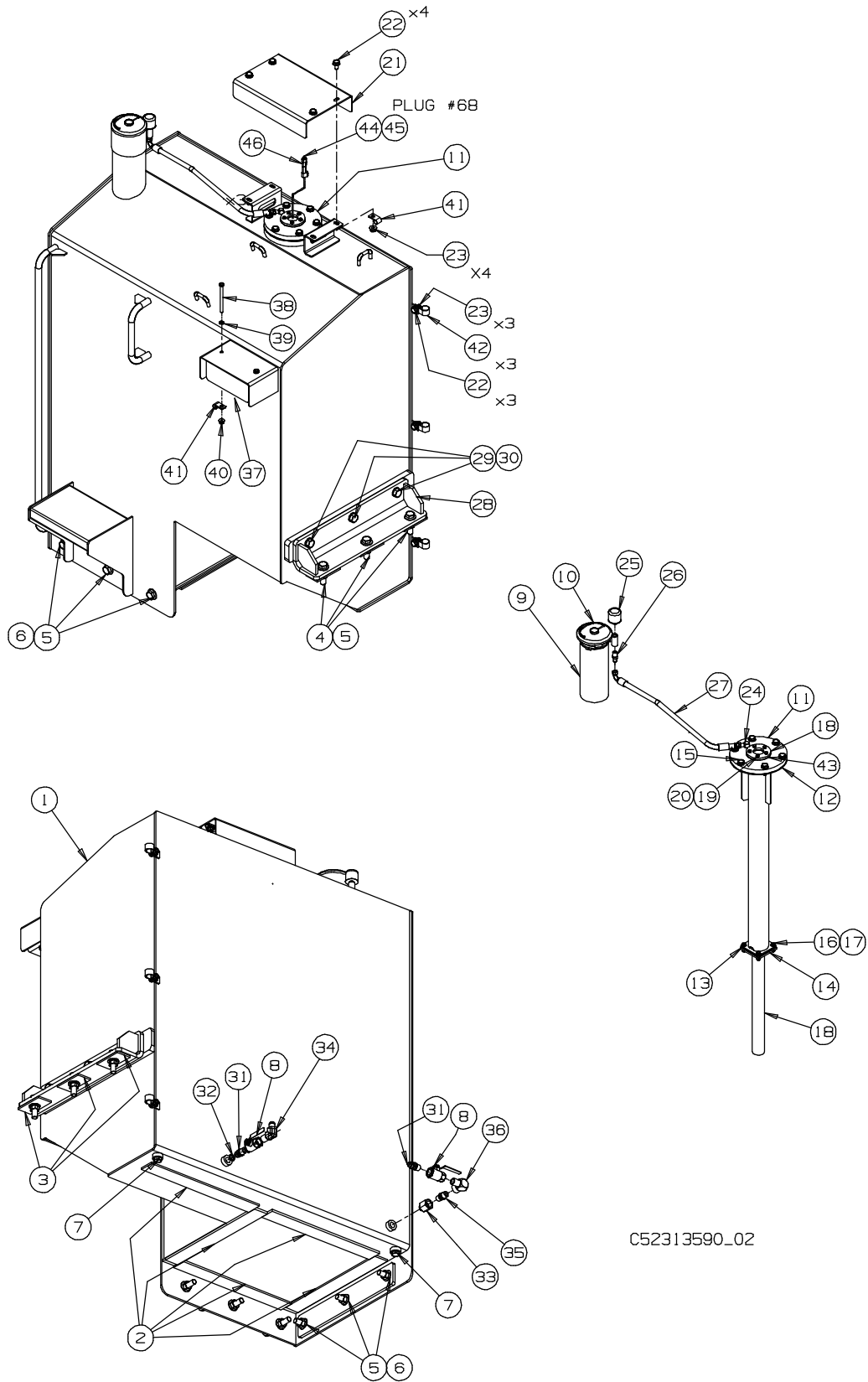
C52280849_01

52280849**OPERATOR'S CAB STEPS****REF.**

NO.	PART NO.	QTY.	PART NAME REMARKS	SERIAL NO.
1	52280856	1	TOP WELDMENT, STEP	
2	52280864	1	BOTTOM WELDMENT, STEP	
3	52280880	2	RUBBER, STEP	
4	52280872	4	PLATE	
5	96711890	8	CAPSCREW, HEX	
6	96701412	8	WASHER, PLAIN	
7	51862852	8	LOCKNUT	

52313590

FUEL TANK ASSEMBLY



C52313590_02

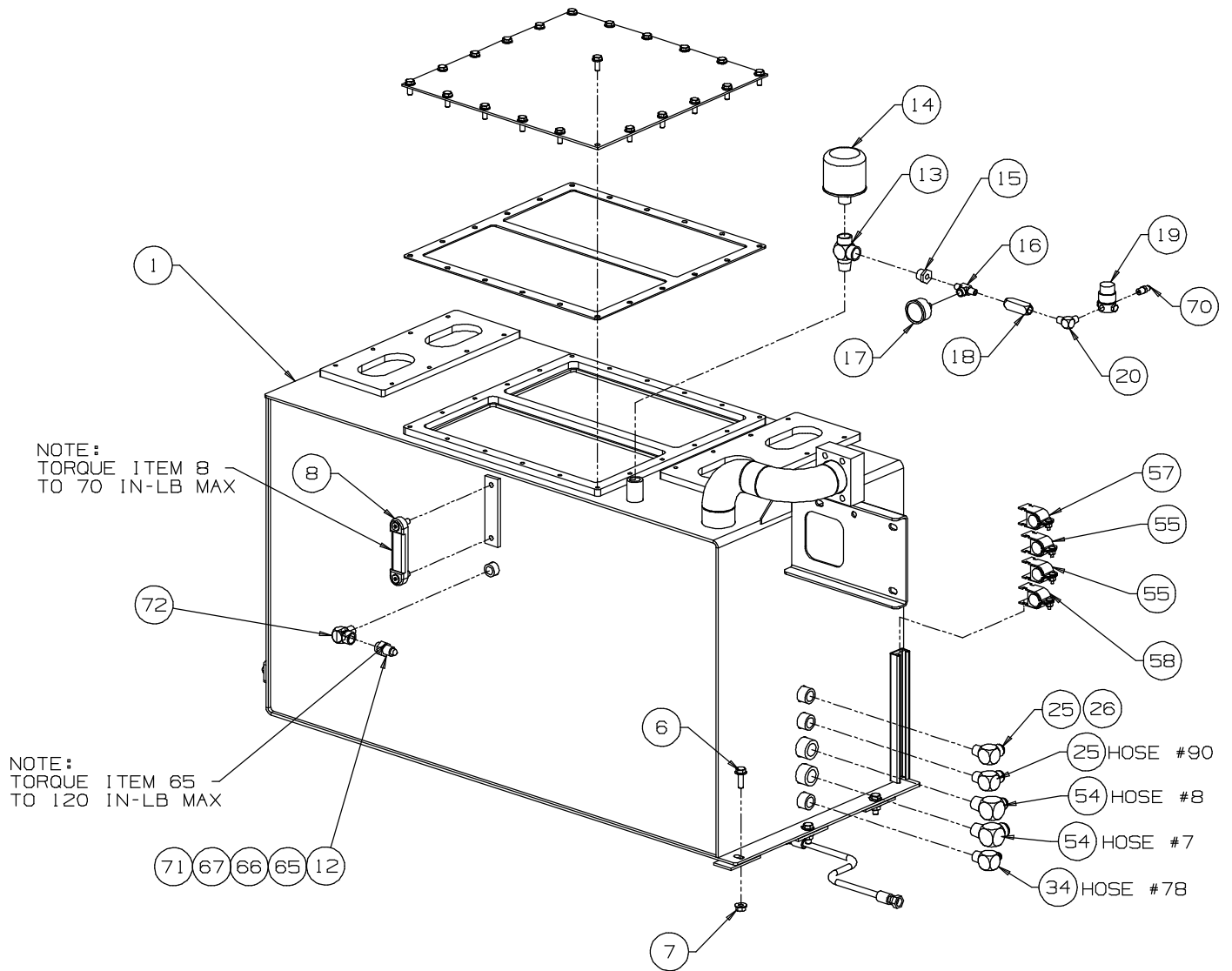
52313590**FUEL TANK ASSEMBLY****REF.**

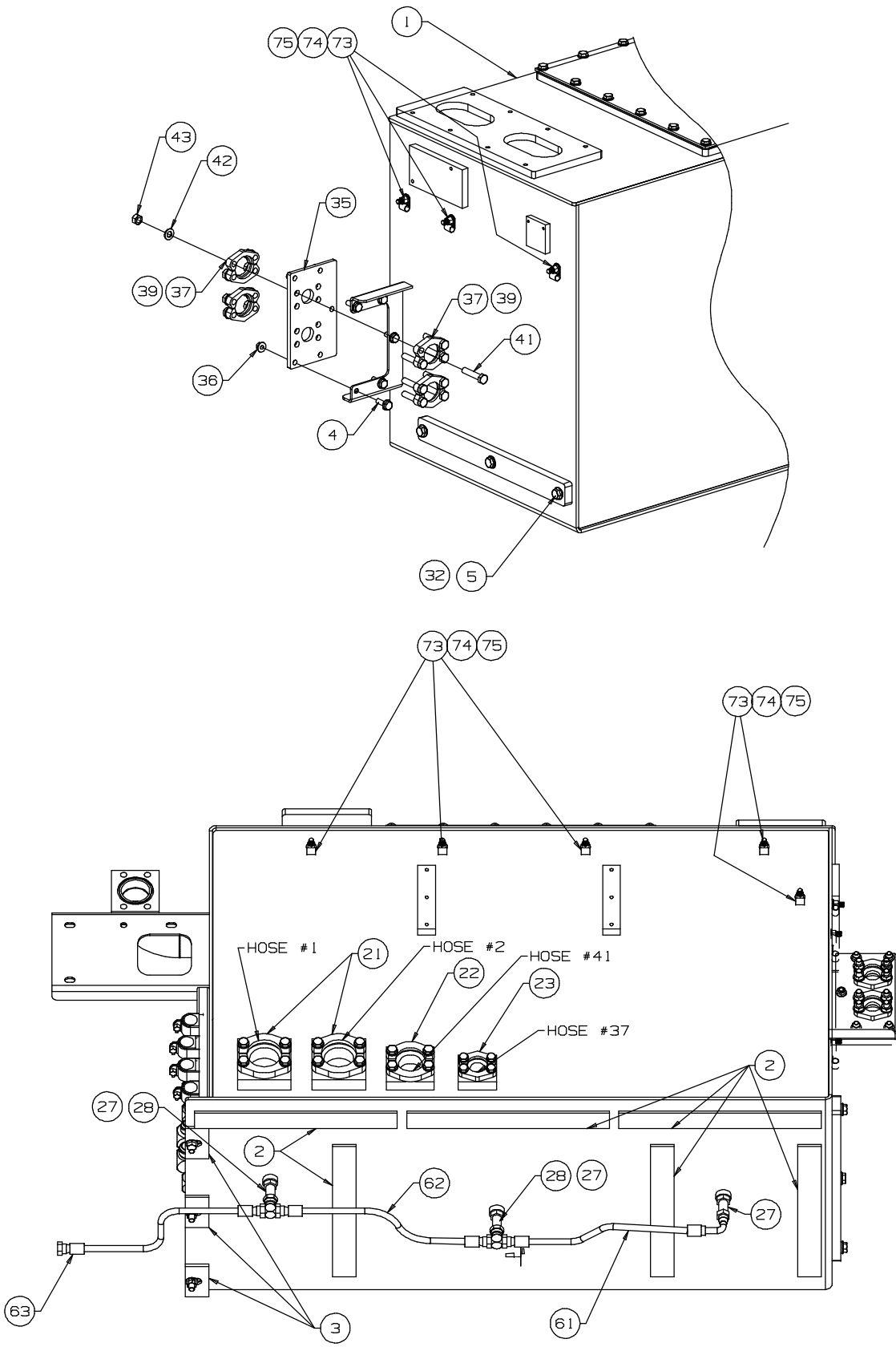
NO.	PART NO.	QTY.	PART NAME	SERIAL
			REMARKS	NO.
1	52313848	1	TANK, FUEL	
2	51619377	5	STRIP, ISOLATOR	
3	52104767	3	STRIP, ISOLATOR	
4	96727557	3	BOLT, FLANGED HD.	
5	96726831	9	LOCKNUT, FLANGED HD.	
6	96727391	6	BOLT, FLANGED HD.	
7	95323465	2	PLUG, PORT	
8	50947357	2	VALVE, BALL	
9	52093325	1	STRAINER, FUEL	
10	52313640	0	CAP, FUEL	
11	52313673	1	TUBE, SUPPORT	
12	52313863	1	GASKET, FUEL LEVEL FILL TUBE	
13	52313871	1	ISOLATOR, SENDER	
14	52313889	1	RETAINER, ISOLATOR	
15	96727003	6	BOLT, FLANGED HD.	
16	96728571	4	BOLT, FLANGED HD.	
17	96726781	4	LOCKNUT, FLANGED HD.	
18	52313855	1	SENDER, FUEL LEVEL	
19	96705736	5	SCREW, HEX. HD.	
20	96702493	5	WASHER, FLAT	
21	52313897	1	COVER, TUBE SUPPORT	
22	96727169	7	BOLT, FLANGED HD.	
23	96726807	7	LOCKNUT, FLANGED HD.	
24	95293403	1	ADAPTER	
25	57594426	1	BREATHER, FUEL TANK	
26	95263380	1	ADAPTER	
27	57101438	1	ASSEMBLY, HOSE	
28	52316155	1	BRACKET, FUEL TANK MOUNTING	
29	96703178	3	BOLT, HEX. HD.	
30	96702550	3	WASHER, FLAT	
31	95219721	2	ADAPTER	
32	95209870	1	O-RING	
33	51618072	1	ADAPTER	
34	95279535	1	ADAPTER	
35	95315214	1	ADAPTER	
36	95264891	1	ADAPTER	
37	51992535	1	HORN, FORWARD WARNING	
38	96726435	2	BOLT, HEX. HD.	
39	96702519	2	WASHER, FLAT	
40	96726799	2	LOCKNUT, FLANGED HD.	
41	95301842	2	CLAMP, VINYL	
42	95301867	3	CLAMP, VINYL	

52313590**FUEL TANK ASSEMBLY****REF.**

NO.	PART NO.	QTY.	PART NAME	SERIAL
			REMARKS	NO.

43	51619914	1	GASKET	
44	57214405	3	CONTACT, #16	
45	57678104	1	WEDGE, 3 SOCKET	
46	57668071	1	PLUG, 3 CIRCUIT	





52330065

HYDRAULIC TANK ASSEMBLY

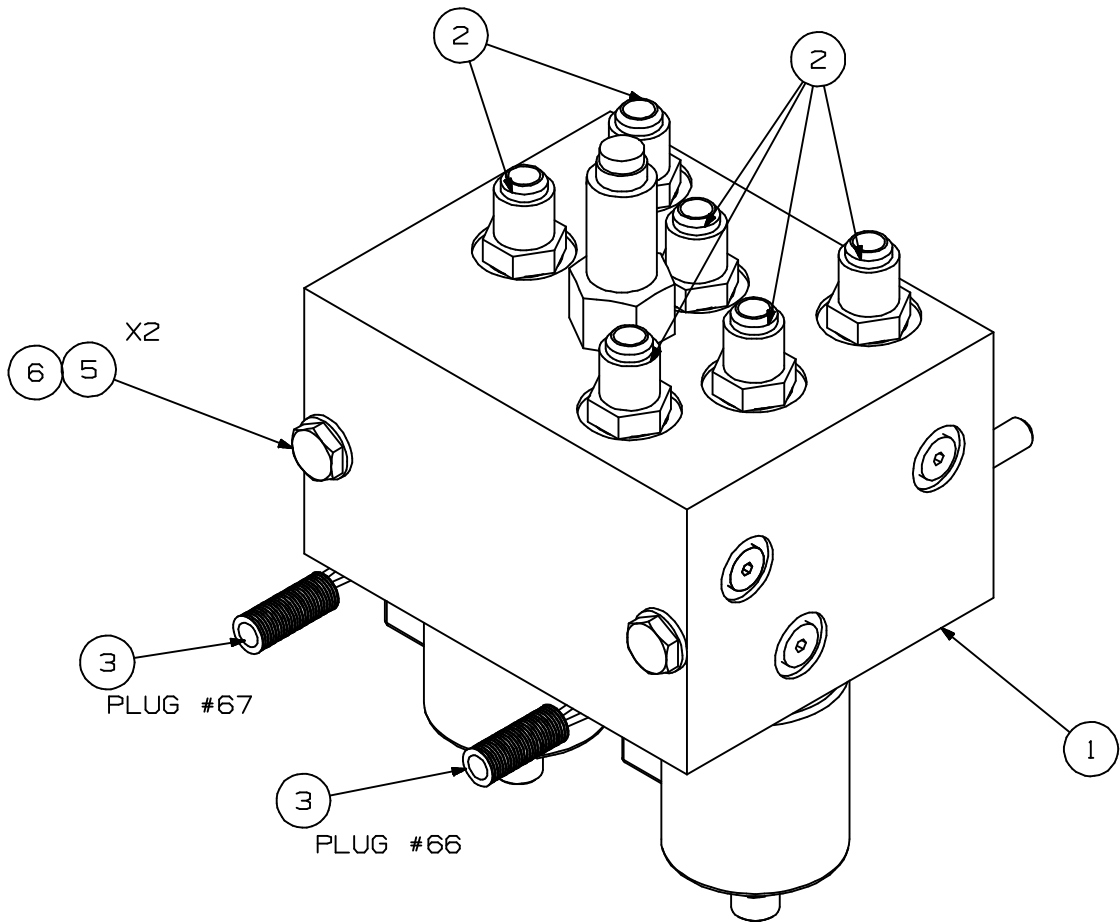
<i>REF.</i>				
<i>NO.</i>	<i>PART NO.</i>	<i>QTY.</i>	<i>PART NAME</i>	<i>SERIAL</i>
			<i>REMARKS</i>	<i>NO.</i>
1	57728768	1	TANK, HYDRAULIC	
2	51619377	6	STRIP, ISOLATOR	
3	52104767	3	STRIP, ISOLATOR	
4	96726914	5	BOLT, FLANGED HD.	
5	96702535	3	WASHER, FLAT	
6	96726716	3	BOLT, FLANGED HD.	
7	96726815	3	LOCKNUT, FLANGED HD.	
8	51612356	1	GAUGE, LEVEL	
12	57677056	1	SENSOR, LOW OIL LEVEL	
13	95264958	1	TEE	
14	52306461	1	BREATHER, HYDRAULIC TANK	
15	95037453	1	BUSHING, REDUCING	
16	51352136	1	TEE	
17	51615946	1	GAUGE	
18	57552275	1	VALVE, CHECK	
19	52306479	1	REGULATOR	
20	95364469	1	ADAPTER	
21	51366615	2	KIT, FLANGE	
22	51914299	1	KIT, FLANGE	
23	52086337	1	KIT, FLANGE	
25	95279402	2	ADAPTER	
26	95387890	1	CAP	
27	35294156	3	ADAPTER	
28	95642484	2	ADAPTER	
32	96727177	3	BOLT	
34	95279386	1	ADAPTER	
35	52322633	1	PLATE, BULKHEAD	
36	96726807	5	LOCKNUT, FLANGED HD.	
37	95375093	8	FLANGE, SPLIT HALVE	
39	95357919	4	O-RING	
41	95999173	8	SCREW, FLANGEHEAD	
42	95939955	8	WASHER, LOCK	
43	95955894	8	LOCKNUT, HEX.	
54	95219853	2	ADAPTER	
55	57342420	2	CLAMP	
57	57443681	1	CLAMP, HYDRA ZORB	
58	57262503	1	CLAMP, HYDRA ZORB	
61	51028462	0	HOSE	
62	56998875	0	HOSE	
63	58143181	0	HOSE	
65	57678088	1	CONNECTOR,3 PIN	

52330065**HYDRAULIC TANK ASSEMBLY****REF.**

NO.	PART NO.	QTY.	PART NAME REMARKS	SERIAL NO.
66	59436840	3	PIN,SIZE 16	
67	57678096	1	WEDGE,3 PIN	
70	95263380	1	FITTING	
71	57358830	8	CONDUIT	
72	95264891	1	ELBOW	
73	95301842	8	CLAMP, HOSE	
74	95922894	8	NUT	
75	95922233	8	WASHER, FLAT	
331	50978543	0	HOSE	

52316643

TRACK OSCILLATION MANIFOLD ASSEMBLY



THIS MANIFOLD IS MOUNTED ON
THE MAINFRAME UNDER THE CAB

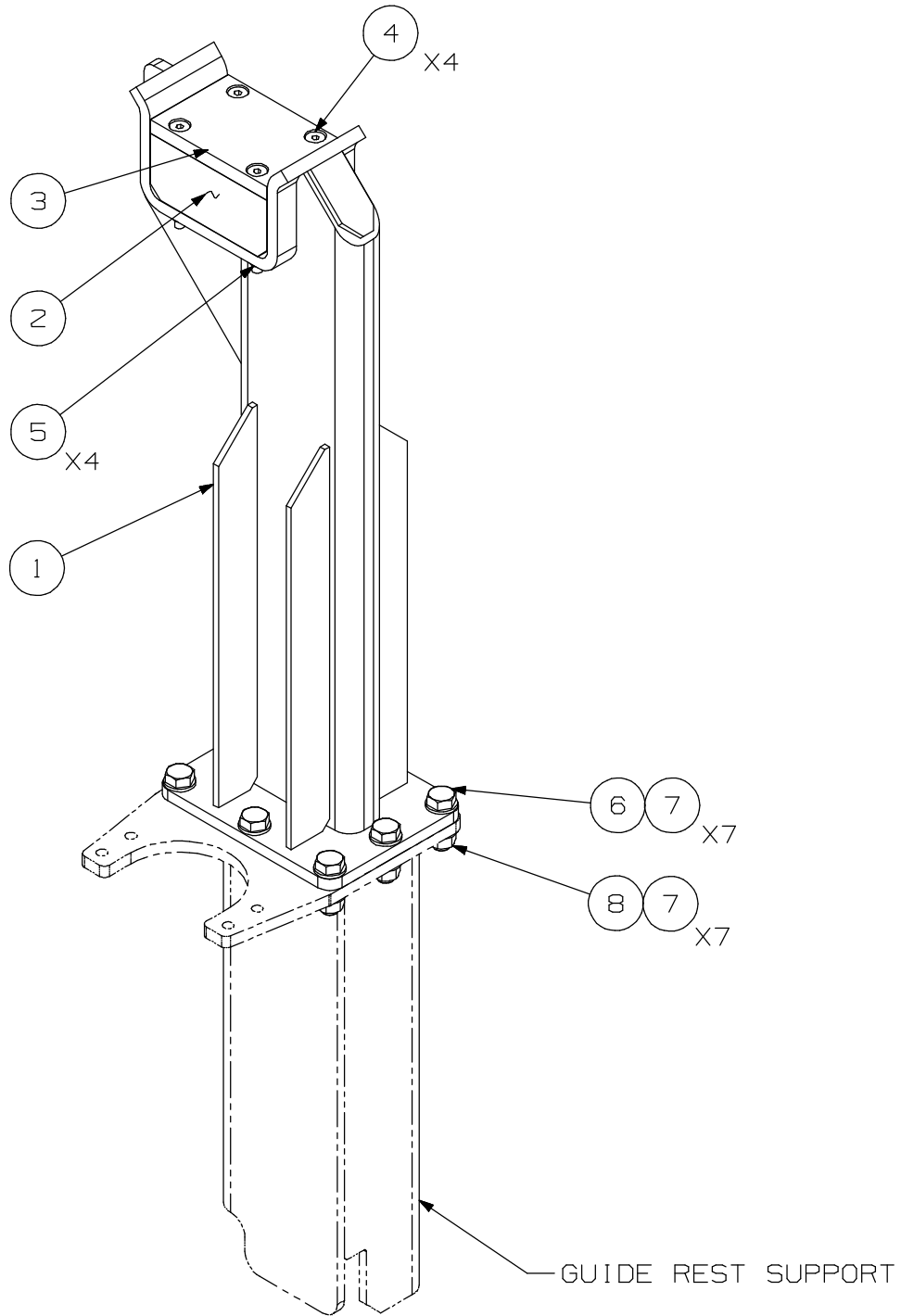
C52316643_01

52316643**TRACK OSCILLATION MANIFOLD ASSEMBLY****REF.**

NO.	PART NO.	QTY.	PART NAME REMARKS	SERIAL NO.
1	52138120	1	MANIFOLD, TRACK OSCILLATION	
1A	51782605	1	.CARTRIDGE, HYDRAULIC	
1B	51729663	2	.VALVE, SOLENOID	
1C	51785889	2	.COIL, SOLENOID	
1D	52138237	1	.CARTRIDGE, COUNTERBALANCE VALVE	
2	95365078	6	ADAPTER	
3	51919488	15	LOOM, ELECTRICAL WIRE	
5	96713128	2	CAPSCREW	
6	96702519	2	WASHER, FLAT	

52325404

GUIDE REST ASSEMBLY



C52325404_01

52325404**GUIDE REST ASSEMBLY****REF.**

NO.	PART NO.	QTY.	PART NAME REMARKS	SERIAL NO.
1	52122256	1	WELDMENT, HEADREST	
2	52091352	1	PAD, HEADREST	
3	52091360	1	PLATE, HEADREST	
4	95957544	4	SCREW, SHOULDER	
5	96726807	4	LOCKNUT	
6	96700216	7	CAPSCREW	
7	96701438	14	WASHER, PLAIN	
8	96703657	7	NUT, HEX	

57712200

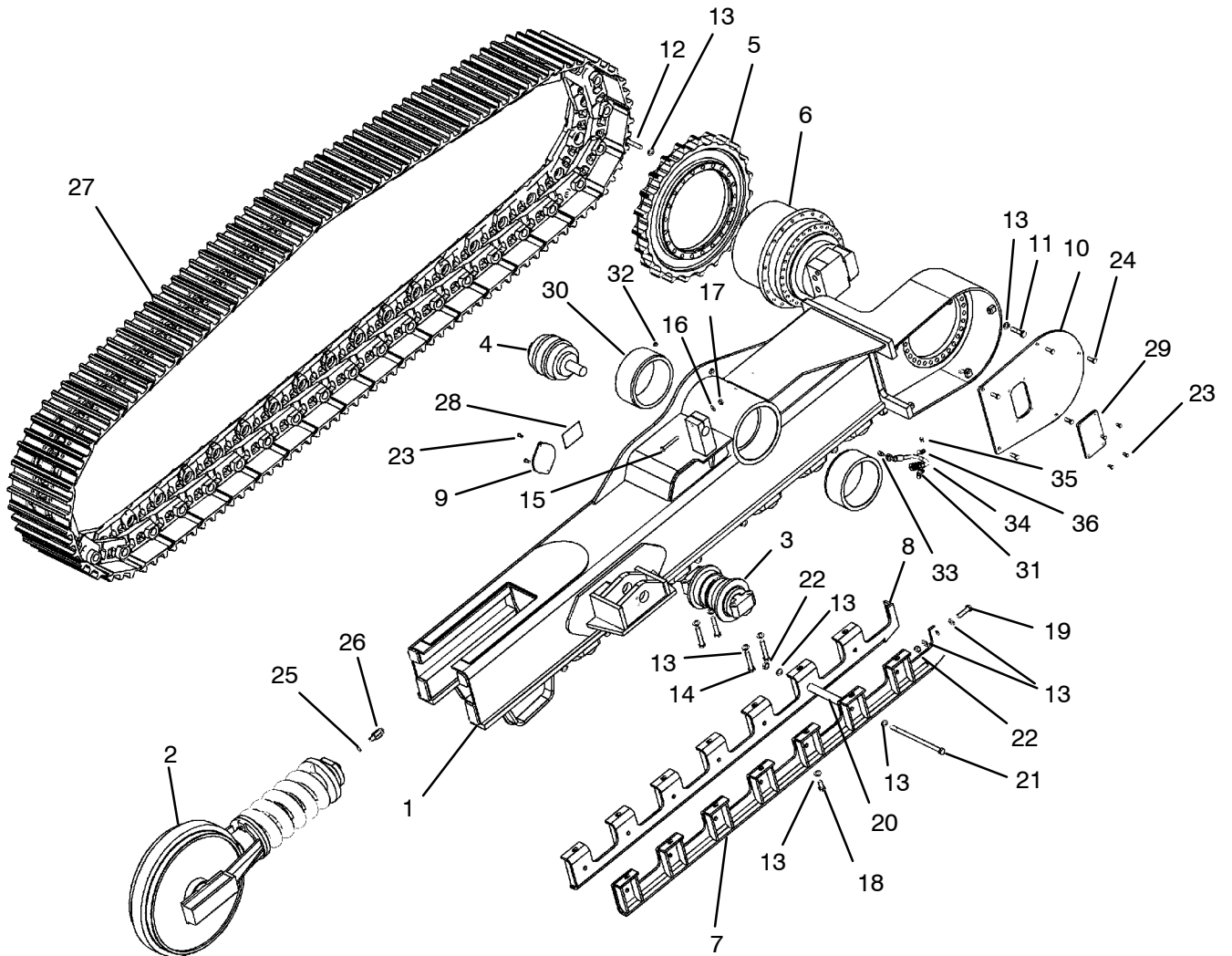
TRACK ASSEMBLY (LH)

NO DRAWING AVAILABLE AT THIS TIME

57712200

TRACK ASSEMBLY (LH)

<i>REF.</i>				
<i>NO.</i>	<i>PART NO.</i>	<i>QTY.</i>	<i>PART NAME</i>	<i>SERIAL</i>
			<i>REMARKS</i>	<i>NO.</i>
1	57712184	1	TRACK ASSEMBLY, LH <i>REFER TO PAGE 3.1-1</i>	
2	95371217	2	CONNECTOR, STRT THRD	
3	95285946	1	FITTING, HYD	



57712184

TRACK, LH

REF.

REF. NO.	PART NO.	QTY.	PART NAME REMARKS	SERIAL NO.
1	57695744	1	FRAME, TRACK, LH	
2	57695611	1	IDLER UNIT, TRACK <i>REFER TO PAGE 3.4-1</i>	
3	57695629	7	ROLLER, TRACK <i>REFER TO PAGE 3.5-1</i>	
4	57695637	1	ROLLER, CARRIER <i>REFER TO PAGE 3.6-1</i>	
5	57695645	1	SPROCKET, TRACK DRIVE	
6	57728750	1	FINAL DRIVE	
7	57695652	1	GUARD, LH	
8	57695660	1	GUARD, ROCK (RH)	
9	57695678	1	PLATE, COVER	
10	57695686	1	COVER, FINAL DRIVE	
11	96744917	30	BOLT	
12	96705520	21	BOLT	
13	96702550	104	WASHER	
14	96701503	28	BOLT	
15	96704721	1	BOLT	
16	96702535	1	WASHER	
17	96705652	1	NUT, LOCK	
18	96703186	14	CAPSCREW	
19	96700893	2	SCREW, HEX	
20	57695694	7	SPACER, ROCK GUARD	
21	57695736	7	BOLT	
22	96727151	9	NUT	
23	96727169	6	BOLT	
24	96727250	5	BOLT	
25	51236925	1	GASKET	
26	51236933	1	FITTING	
27	57695702	1	CHAIN, TRACK <i>REFER TO PAGE 3.7-1</i>	
28	57687170	1	DECAL, UNDERCARRIAGE	
29	57695728	1	PLATE, COVER	
30	51952158	2	BUSHING, TRACK OSCILLATION	
31	95293403	1	ELBOW	
32	95201307	1	FITTING	
33	95263380	1	FITTING	
34	51028371	1	HOSE ASSY	
35	96728480	1	BOLT, FLANGED HD.	
36	95368338	1	CLAMP, HOSE	

57712192

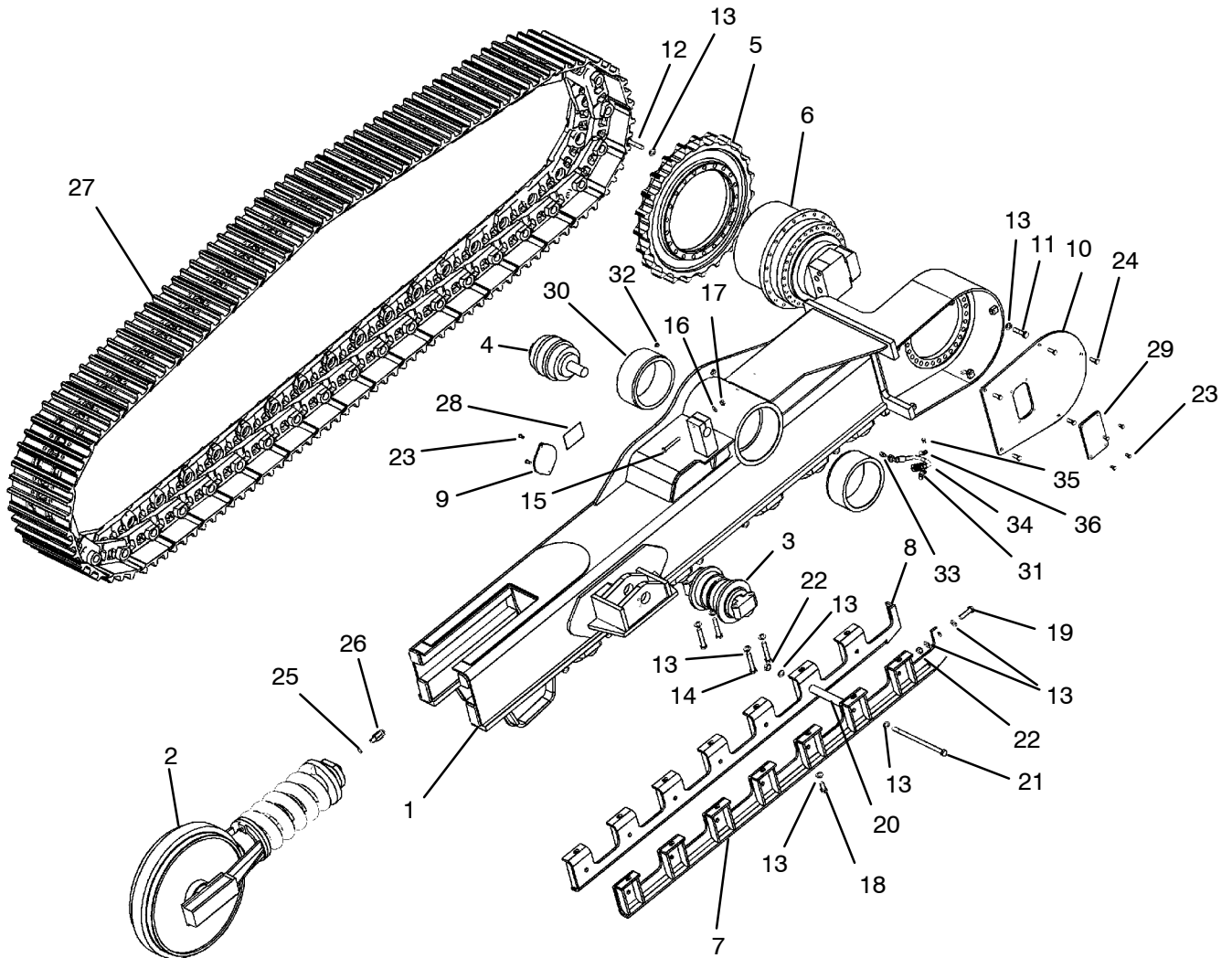
TRACK ASSEMBLY (RH)

NO DRAWING AVAILABLE AT THIS TIME

57712192

TRACK ASSEMBLY (RH)

<i>REF.</i>				
<i>NO.</i>	<i>PART NO.</i>	<i>QTY.</i>	<i>PART NAME</i>	<i>SERIAL</i>
			<i>REMARKS</i>	<i>NO.</i>
1	57712176	1	TRACK ASSEMBLY, RH <i>REFER TO PAGE 3.3-1</i>	
2	95371217	2	CONNECTOR, STRT THRD	
3	95285946	1	FITTING, HYD	



57712176

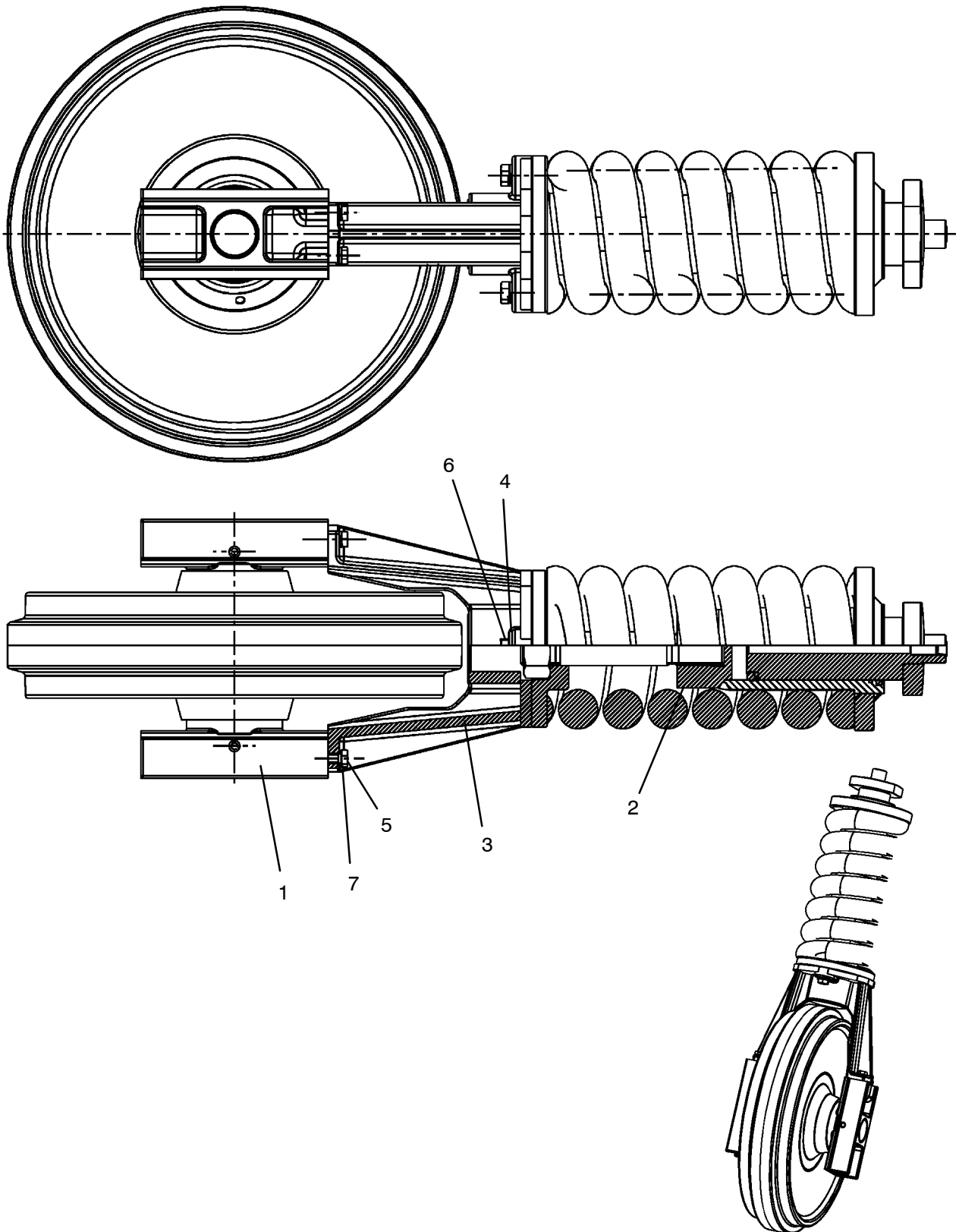
TRACK, RH

REF.

NO.	PART NO.	QTY.	PART NAME	SERIAL
			REMARKS	NO.
1	57695603	1	FRAME, TRACK, RH	
2	57695611	1	IDLER UNIT, TRACK <i>REFER TO PAGE 3.4-1</i>	
3	57695629	7	ROLLER, TRACK <i>REFER TO PAGE 3.5-1</i>	
4	57695637	1	ROLLER, CARRIER <i>REFER TO PAGE 3.6-1</i>	
5	57695645	1	SPROCKET, TRACK DRIVE	
6	57728750	1	FINAL DRIVE	
7	57695652	1	GUARD, LH	
8	57695660	1	GUARD, ROCK (RH)	
9	57695678	1	PLATE, COVER	
10	57695686	1	COVER, FINAL DRIVE	
11	96744917	30	BOLT	
12	96705520	21	BOLT	
13	96702550	104	WASHER	
14	96701503	28	BOLT	
15	96704721	1	BOLT	
16	96702535	1	WASHER	
17	96705652	1	NUT, LOCK	
18	96703186	14	CAPSCREW	
19	96700893	2	SCREW, HEX	
20	57695694	7	SPACER, ROCK GUARD	
21	57695736	7	BOLT	
22	96727151	9	NUT	
23	96727169	6	BOLT	
24	96727250	5	BOLT	
25	51236925	1	GASKET	
26	51236933	1	FITTING	
27	57695702	1	CHAIN, TRACK <i>REFER TO PAGE 3.7-1</i>	
28	57687170	1	DECAL, UNDERCARRIAGE	
29	57695728	1	PLATE, COVER	
30	51952158	2	BUSHING, TRACK OSCILLATION	
31	95293403	1	ELBOW	
32	95201307	1	FITTING	
33	95263380	1	FITTING	
34	51028371	1	HOSE ASSY	
35	96728480	1	BOLT, FLANGED HD.	
36	95368338	1	CLAMP, HOSE	

57695611

TRACK IDLER UNIT

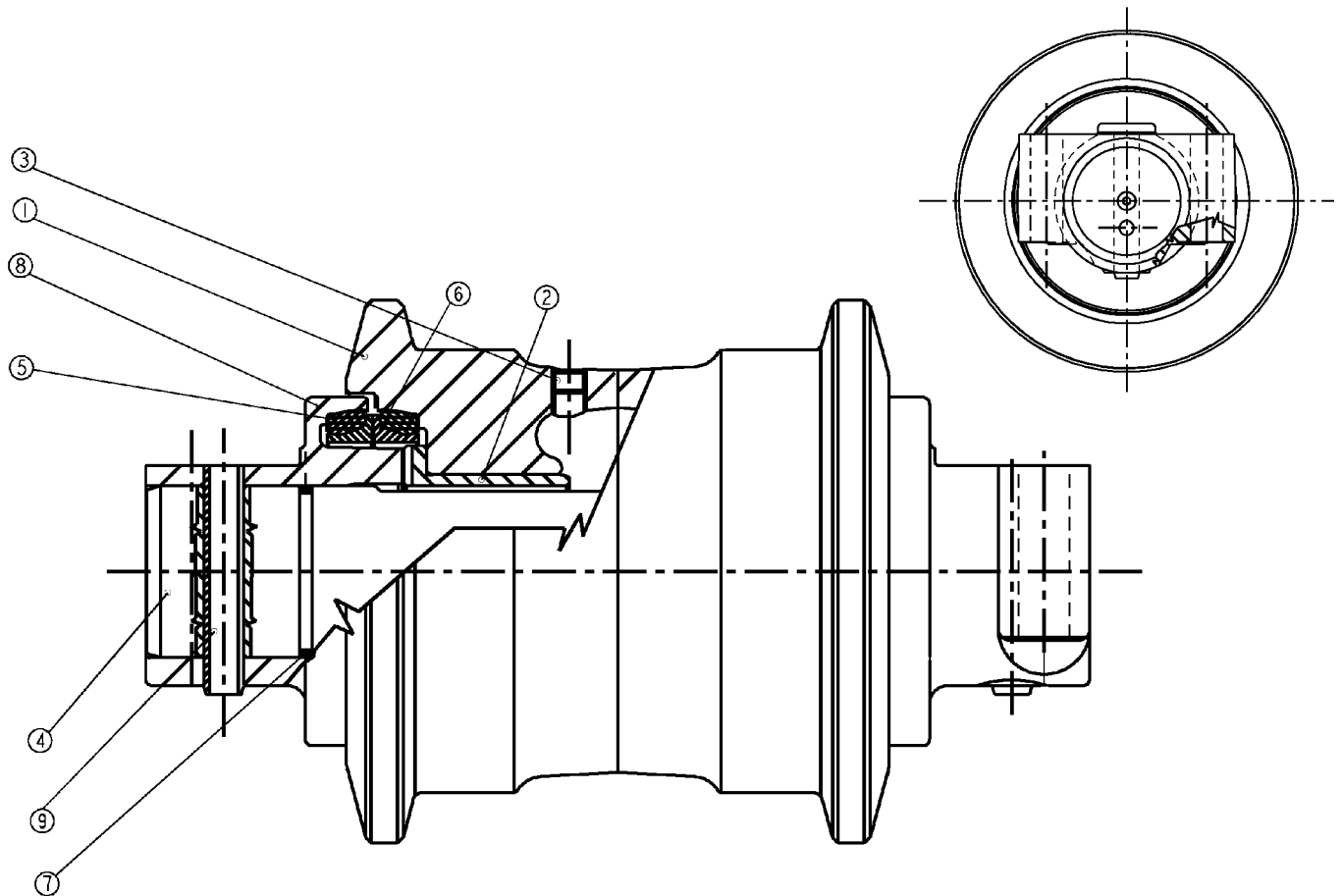


57695611**TRACK IDLER UNIT****REF.**

NO.	PART NO.	QTY.	PART NAME REMARKS	SERIAL NO.
1	57695751	1	IDLER WITH BRACKETS	
2	57695769	1	SPRING & TENSION DEVICE	
3	57695777	1	FORK	
4	96702550	2	WASHER	
5	96712187	4	BOLT	
6	96706262	2	BOLT	
7	96702535	4	WASHER	

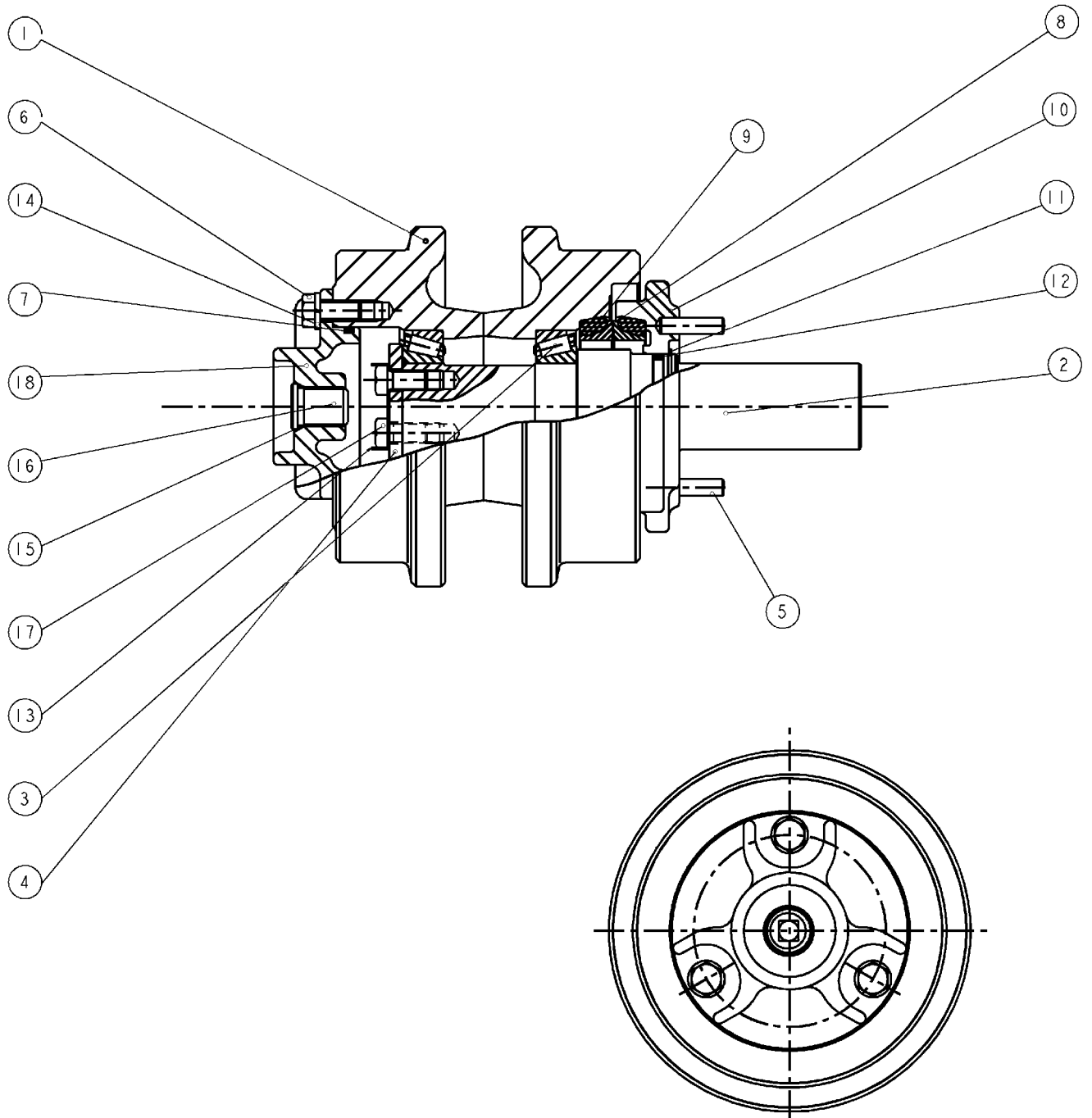
57695629

TRACK ROLLER ASSEMBLY



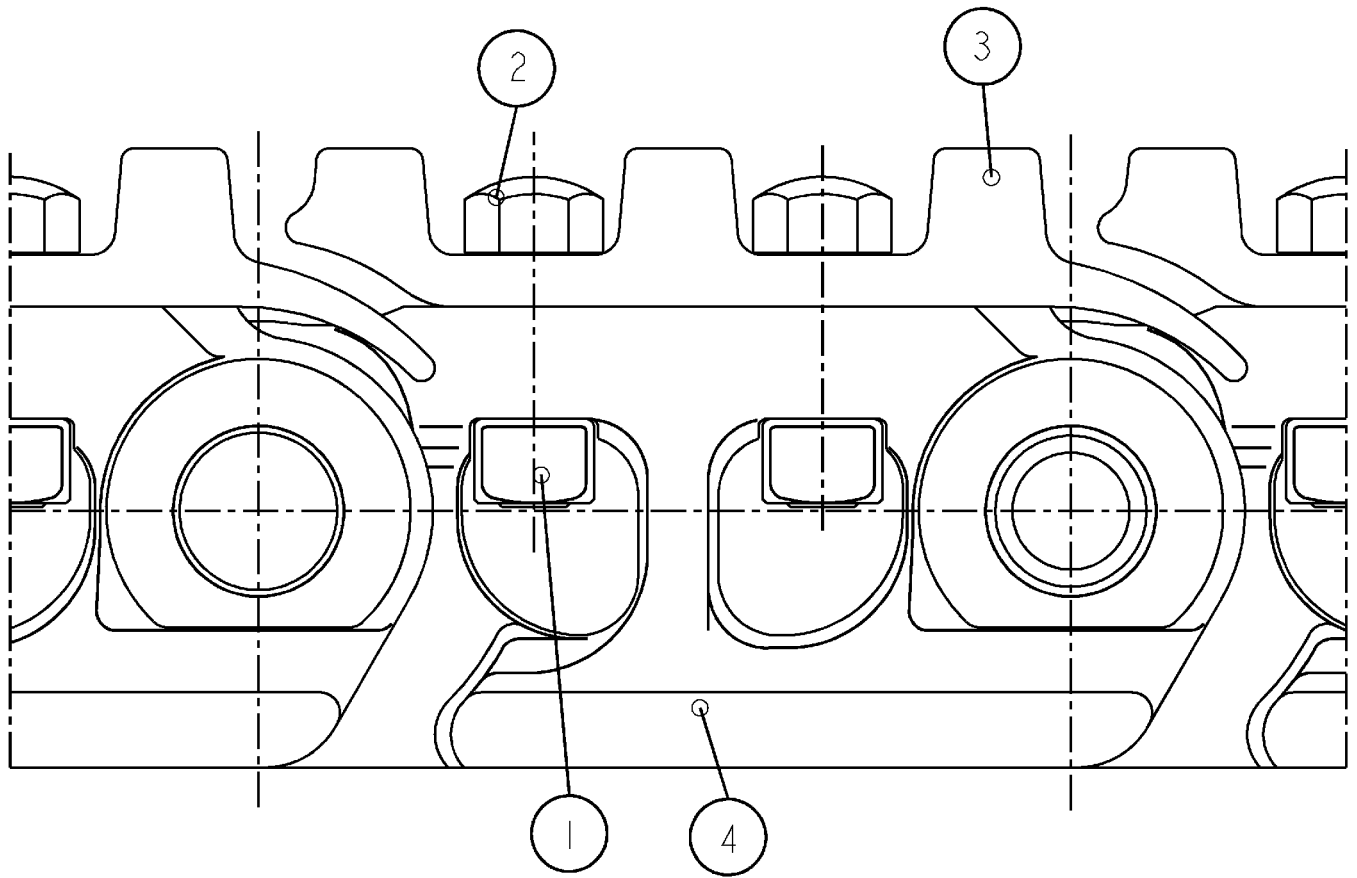
57695629**TRACK ROLLER ASSEMBLY****REF.**

NO.	PART NO.	QTY.	PART NAME REMARKS	SERIAL NO.
1	57695785	1	SHELL, ROLLER	
2	57695793	2	BUSHING	
3	57695801	1	PLUG	
4	57695819	1	SHAFT	
5	57695827	4	O-RING	
6	57695835	4	RING, SEAL	
7	57695843	2	O-RING	
8	57695850	2	BRACKET	
9	57695868	2	PIN, DOWEL	



57695637**ROLLER CARRIER ASSEMBLY****REF.**

NO.	PART NO.	QTY.	PART NAME REMARKS	SERIAL NO.
1	57695876	1	SHELL, ROLLER	
2	57695884	1	SHAFT	
3	57695892	2	BEARING	
4	57700700	1	DISK, INTERNAL	
5	57700718	2	PIN	
6	57700726	3	BOLT, SELF-LOCKING	
7	57700734	1	O-RING	
8	57700742	2	RING, SEAL	
9	57700759	2	O-RING	
10	57700767	1	COLLAR	
11	57700775	1	RING, ELASTIC	
12	57700783	1	O-RING	
13	57700791	1	PLATE, SECURITY	
14	57700809	3	WASHER, ELASTIC	
15	57700817	1	O-RING	
16	57700825	1	PLUG	
17	57700833	2	BOLT, SELF-LOCKING	
18	57700841	1	COVER	



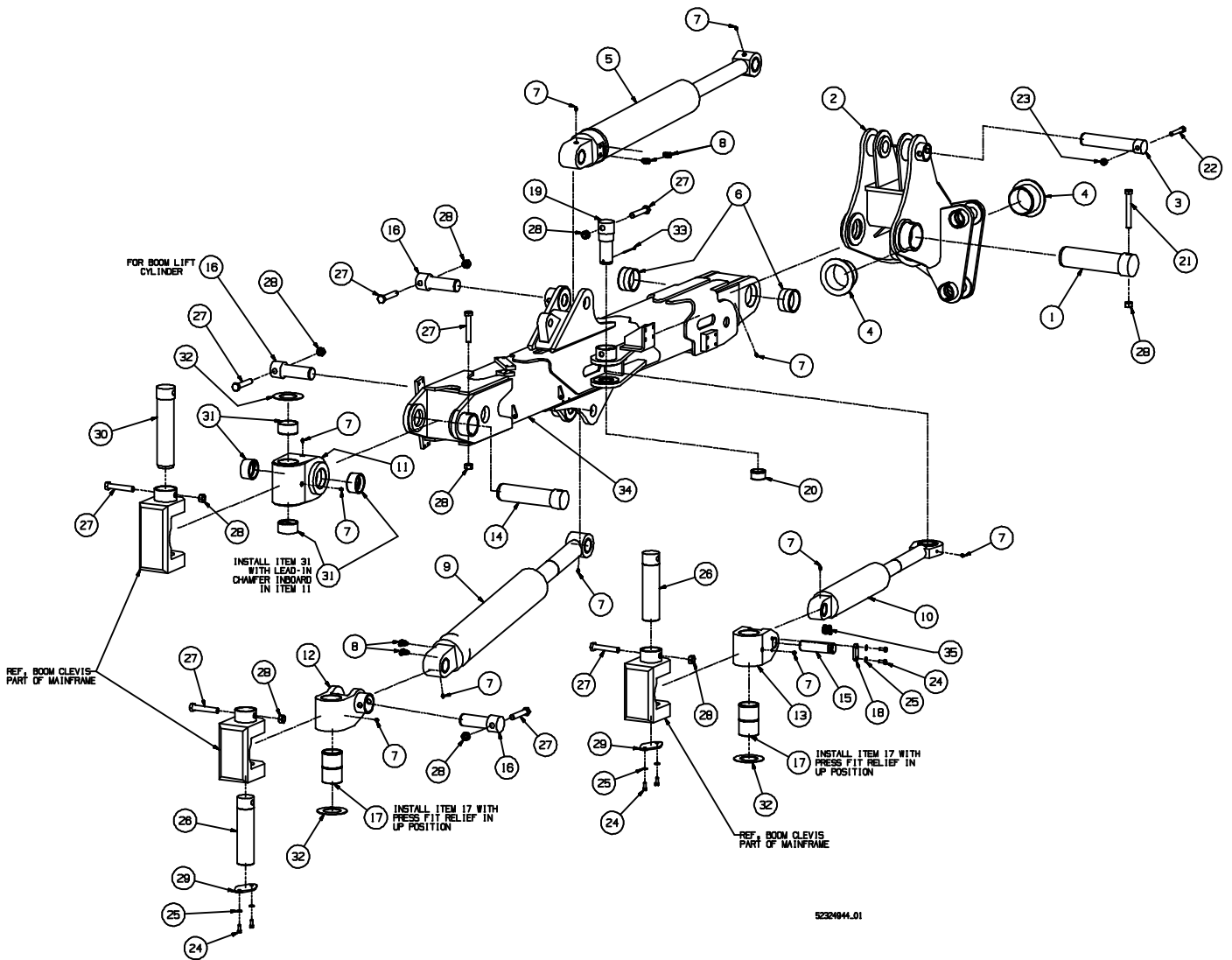
57695702

TRACK CHAIN

REF.

<i>NO.</i>	<i>PART NO.</i>	<i>QTY.</i>	<i>PART NAME</i> <i>REMARKS</i>	<i>SERIAL</i> <i>NO.</i>
------------	-----------------	-------------	------------------------------------	-----------------------------

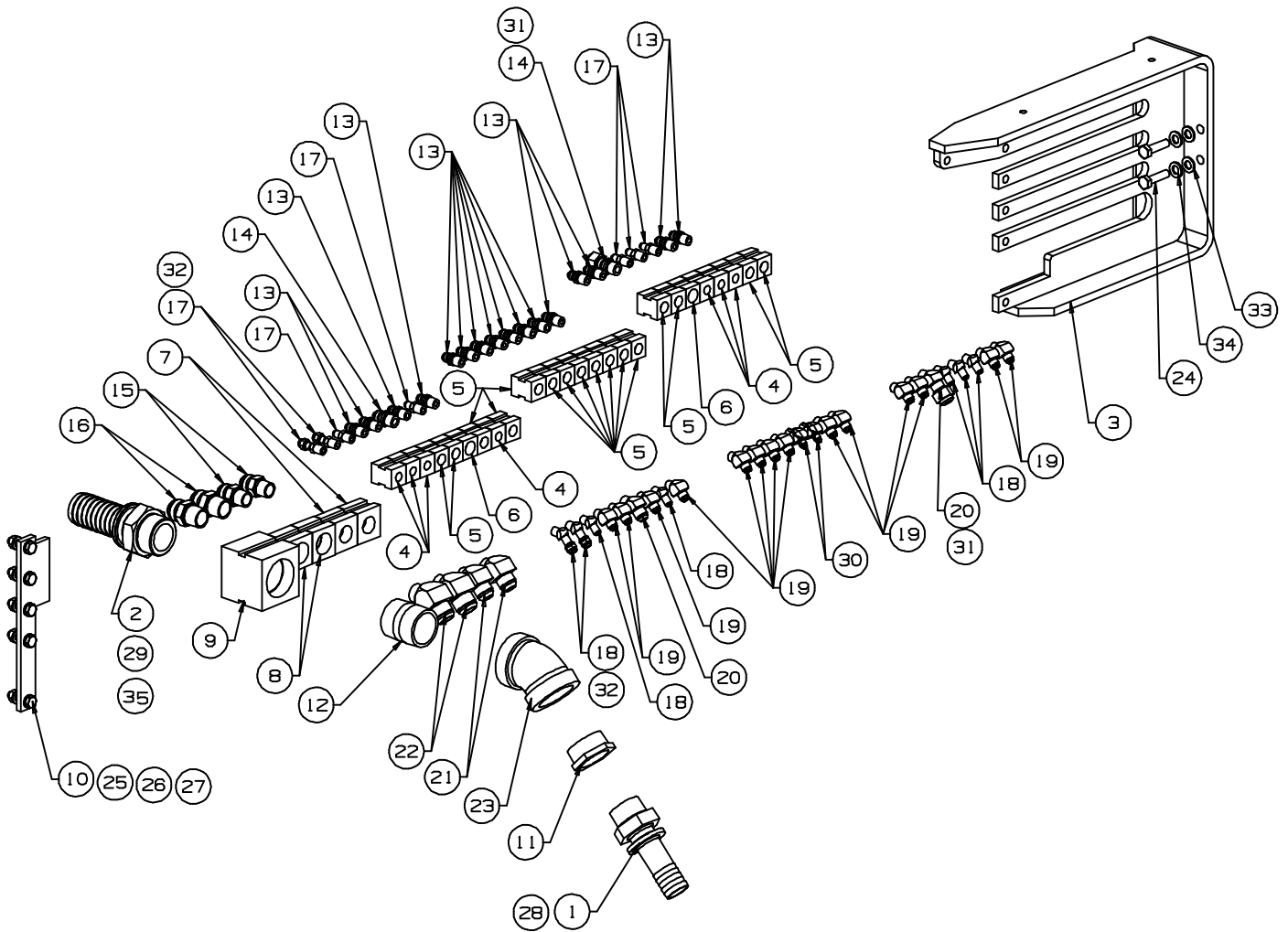
1	57700858	168	NUT	
2	57700866	168	BOLT	
3	57700874	42	SHOES	
4	57700882	1	LINK, WITHOUT SHOES	



52324944

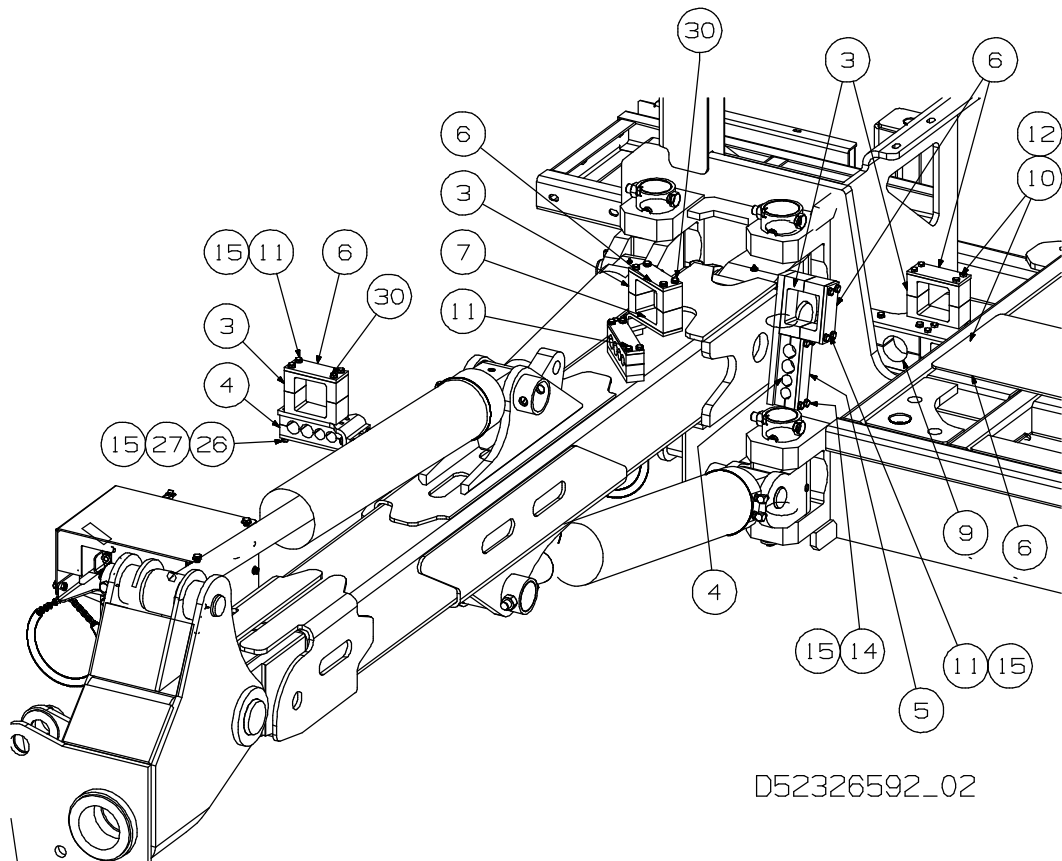
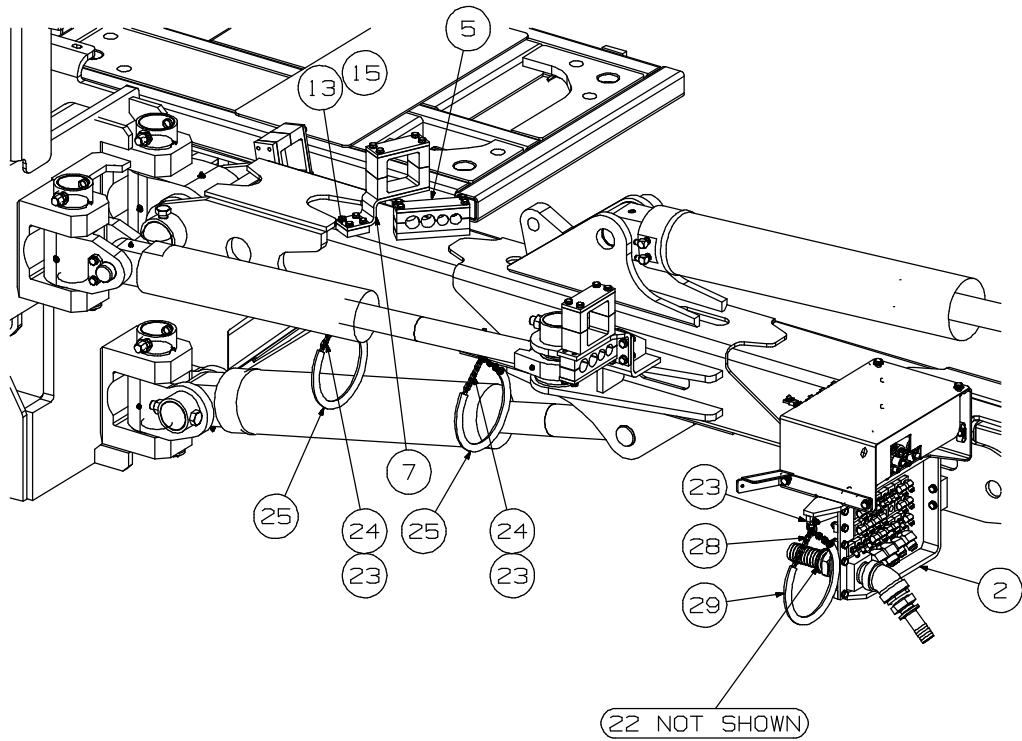
BOOM ASSEMBLY

<i>REF.</i>	<i>PART NO.</i>	<i>QTY.</i>	<i>PART NAME</i>	<i>SERIAL</i>
<i>NO.</i>			<i>REMARKS</i>	<i>NO.</i>
1	52282878	1	PIN, BOOM/DUMP BASE	
2	52136819	1	BASE, DUMP	
3	52282860	1	PIN, DUMP CYLINDER/DUMP BASE	
4	52295656	2	BUSHING, GUIDE SWING	
5	51992345	1	CYLINDER, GUIDE DUMP	
	51992444	1	.KIT, SEAL	
6	52295649	2	BUSHING, GUIDE DUMP	
7	95201281	11	FITTING, GREASE	
8	95329975	6	ELBOW	
9	51992311	1	CYLINDER, BOOM LIFT	
	51992428	1	.KIT, SEAL	
	52314549	1	.BUSHING, ROD EYE	
10	52283058	1	CYLINDER, BOOM SWING	
	51992410	1	.KIT, SEAL	
11	52314093	1	LINK, MAIN BOOM	
12	52295680	1	LINK, BOOM LIFT CYLINDER	
13	51608958	1	LINK, BOOM SWING CYLINDER	
14	52314135	1	PIN, MAIN BOOM LIFT	
15	51608974	1	PIN, BOOM SWING CYLINDER	
16	52295698	3	PIN, CYLINDER	
17	52295631	2	BUSHING, SWING CYLINDER LINKS	
18	51608867	1	PLATE, PIN RETAINER	
19	52087087	1	PIN, BOOM SWING CYLINDER	
20	52091295	1	BUSHING, BOOM SWING CYLINDER	
21	51193290	1	CAPSCREW	
22	96727102	1	CAPSCREW	
23	96704275	1	NUT	
24	96714860	6	CAPSCREW	
25	96702535	6	WASHER	
26	52314564	2	PIN, VERTICAL (SHORT)	
27	96702600	8	CAPSCREW	
28	96703681	9	NUT	
29	52096336	2	PLATE, PIN RETAINER	
30	52314127	1	PIN, VERTICAL (LONG)	
31	52314143	4	BUSHING, BOOM LINK	
32	52314150	3	BUSHING, THRUST	
33	95310256	1	PIN, COTTER	
34	52324951	1	WELDMENT, BOOM	
35	95363339	2	ADAPTER	



52326618**BOOM BULKHEAD ASSEMBLY**

REF. NO.	PART NO.	QTY.	PART NAME REMARKS	SERIAL NO.
1	50023886	1	STEM, HOSE	
2	50023910	1	STEM, HOSE	
3	52326626	1	BULKHEAD, BOOM	
4	52326659	7	SOCKET, BULKHEAD (1/4 NPT)	
5	52326667	16	SOCKET, BULKHEAD (3/8 NPT)	
6	52326675	2	SOCKET, BULKHEAD (1/2 NPT)	
7	52326683	2	SOCKET, BULKHEAD (3/4 NPT)	
8	52326691	2	SOCKET, BULKHEAD (1 NPT)	
9	52326725	1	SOCKET, BULKHEAD (2 NPT)	
10	52326758	1	PLATE, SOCKET RETAINER	
11	95038212	1	BUSHING, REDUCING	
12	95097291	1	NIPPLE, PIPE	
13	95219713	16	ADAPTER	
14	95219721	2	ADAPTER	
15	95219747	2	ADAPTER	
16	95219762	2	ADAPTER	
17	95263380	7	ADAPTER	
18	95279055	7	ADAPTER	
19	95279089	14	ADAPTER	
20	95279097	2	ADAPTER	
21	95279105	2	ADAPTER	
22	95279121	2	ADAPTER	
23	95674982	1	ELBOW	
24	95378667	4	CAPSCREW	
25	96727300	5	NUT, HEX.	
26	96704556	5	CAPSCREW, HEX.	
27	96701982	10	WASHER, PLAIN	
28	50141720	1	CLAMP, HOSE	
29	50743731	1	CLAMP, HOSE	
30	95396404	2	FITTING	
31	95257325	2	CAP	
32	95257333	4	CAP	
33	96701412	4	WASHER	
34	95934733	4	WASHER, LOCK	
35	57358145	1	CABLE, HOSE RESTRAINT	

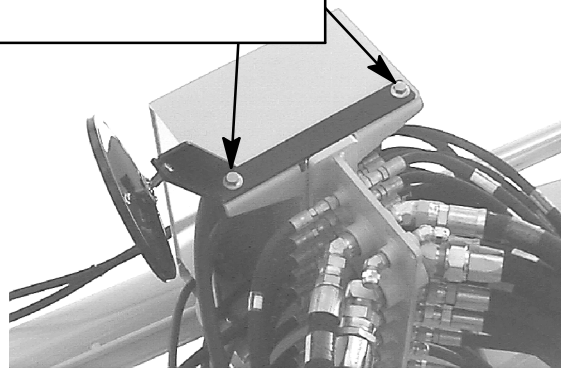


D52326592_02

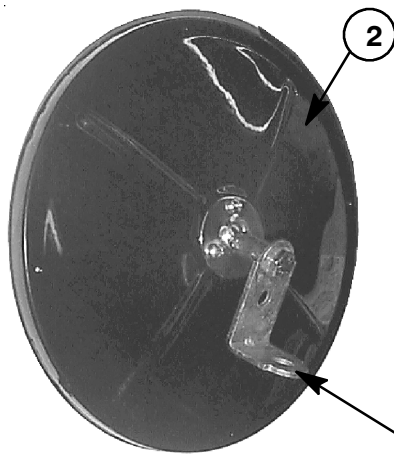
52326592**BOOM HOSE RETAINER ASSEMBLY**

REF. NO.	PART NO.	QTY.	PART NAME REMARKS	SERIAL NO.
1	52326600	1	VALVE ASM,ROD CHANGER <i>REFER TO PAGE 9.14-1</i>	
2	52326618	1	BOOM BULKHEAD ASM <i>REFER TO PAGE 4.1-1</i>	
3	51776391	10	CLAMP,HOSE	
4	51776409	3	CLAMP,HOSE	
5	51776417	3	PLATE,HOSE CLAMP	
6	51776425	5	PLATE,HOSE CLAMP	
7	51909059	1	BRACKET,HOSE CLAMP	
8	52326634	1	BRACKET,HOSE CLAMP	
9	56943699	1	CLAMP ASSY,3 TUBE	
10	96727300	8	NUT	
11	96714803	12	CAPSCREW	
12	96727342	8	CAPSCREW	
13	96726914	4	BOLT	
14	96704739	8	BOLT	
15	96701982	24	WASHER	
16	96705652	4	LOCKNUT	
17	96701966	4	CAPSCREW	
18	96702535	8	WASHER	
19	52308681	6	STRAP,HOSE	
20	52080025	20	TIE,LASHING CABLE	
21	52080033	10	TIE,LASHING CABLE	
22	57358145	2	CABLE, HOSE RESTRAINT	
23	51783017	3	SHACKLE,CHAIN	
24	57708679	2	CHAIN	
25	03241395	1	HOSE BULK	
26	96714761	4	CAPSCREW	
27	96727300	4	NUT	
28	57756157	1	CHAIN	
29	03241395	1	HOSE BULK	
30	95378873	2	CLAMP, HOSE	
31	52087160	3	WRAP,HOSE	

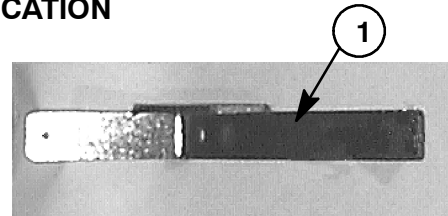
**MOUNT ITEM 23 TO ROD CHANGER
VALVE COVER USING EXISTING
BOLTS.**



LOCATION



**REMOVE THIS BRACKET AND
CONNECT MIRROR TO ITEM 23
USING EXISTING BOLT.**



RIGHT SIDE MIRROR ASSEMBLY

57705089

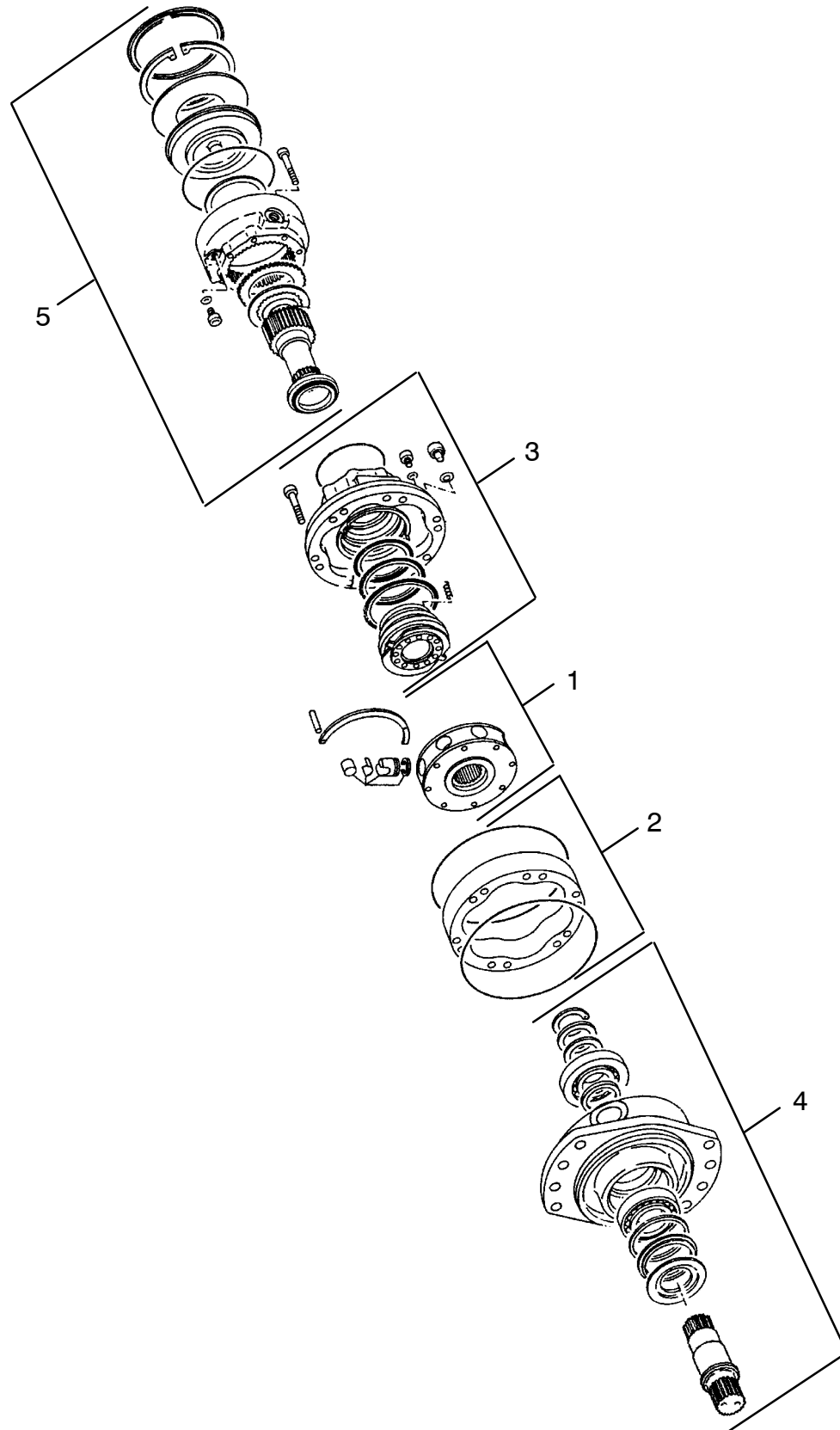
MIRROR ASSEMBLY

<i>REF.</i>				
<i>NO.</i>	<i>PART NO.</i>	<i>QTY.</i>	<i>PART NAME</i>	<i>SERIAL</i>
			<i>REMARKS</i>	<i>NO.</i>
1	52122777	1	BRACKET,MIRROR	
2	51994770	1	MIRROR,CONVEX	

There is no drawing available at this time.

57699209**GUIDE ASSEMBLY, 4M**

REF. NO.	PART NO.	QTY.	PART NAME REMARKS	SERIAL NO.
5	52325404	1	GUIDE REST ASSY <i>REFER TO PAGE 2.10-1</i>	
8	52324944	1	BOOM ASSEMBLY <i>REFER TO PAGE 5.11-1</i>	
9	52326592	1	HOSE RETAINING ASM,BOOM <i>REFER TO PAGE 4.2-1</i>	
10	57714693	1	GUIDE ASSEMBLY <i>REFER TO PAGE 5.10-1</i>	
12	57705121	1	ROD CHANGER ASSEMBLY <i>REFER TO PAGE 5.4-1</i>	
14	51873842	1	GUIDE HOSE ROUTING ASY <i>REFER TO PAGE 5.11-1</i>	
17	51862415	1	HOSE CARRIER ASSY <i>REFER TO PAGE 5.13-1</i>	
18	57714602	1	GUIDE EXTENSION ASSY <i>REFER TO PAGE 5.15-1</i>	
66	57668071	3	PLUG	
67	54530993	9	SOCKET	
68	57678104	3	WEDGE	
69	57673444	1	GUIDE WIRING ASSY <i>REFER TO PAGE 12.0-1</i>	
71	57673469	1	HARNESS, ROD CHANGER WIRING <i>REFER TO PAGE 12.2-1</i>	



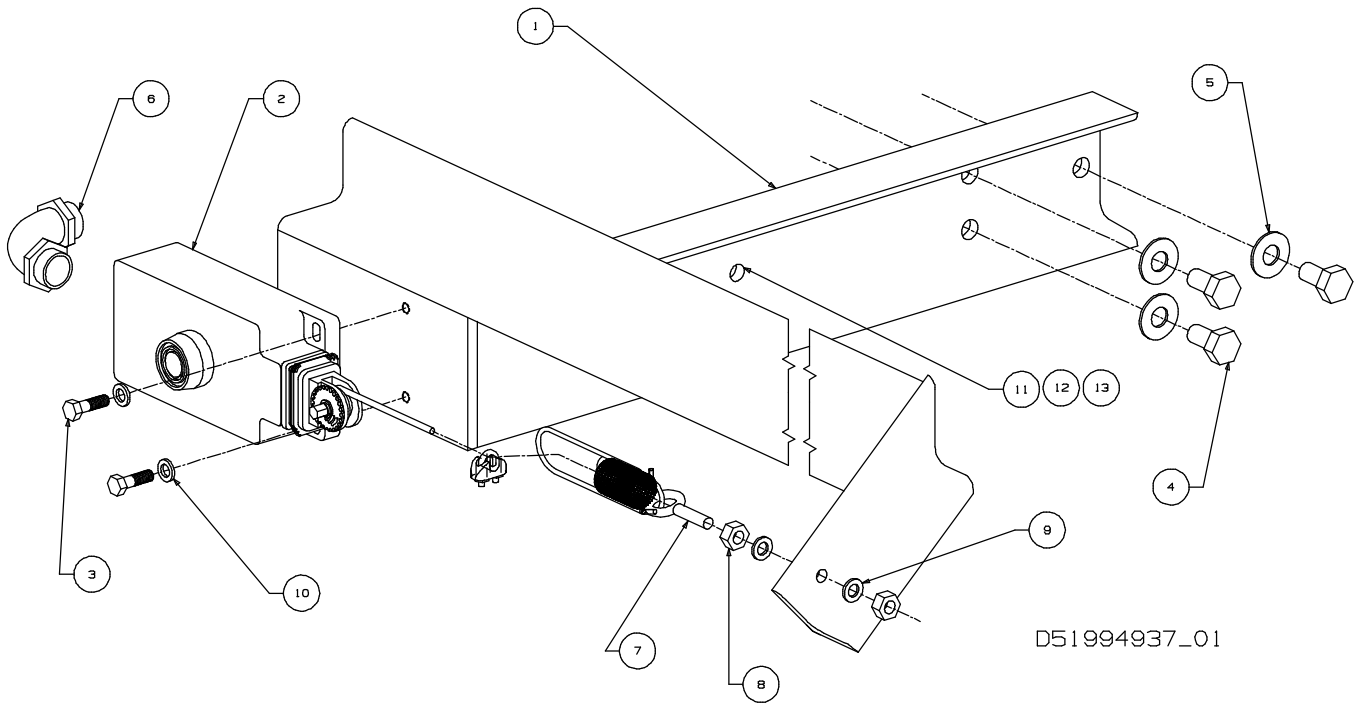
51780617

HYDRAULIC FEED MOTOR

<i>REF.</i>	<i>PART NO.</i>	<i>QTY.</i>	<i>PART NAME</i>	<i>SERIAL</i>
<i>NO.</i>			<i>REMARKS</i>	<i>NO.</i>
1	51949196	1	BLOCK, CYLINDER	
	51949204	8	.PISTON	
	51949212	1	.KIT, PISTON REPAIR	
2	51949220	1	CAM	
	51728517	1	.O-RING, METRIC	
3	51949246	1	PLATE	
	51949253	1	.PLATE, COVER	
	51949279	2	.WASHER	
	51949287	2	.SCREW	
	51949295	1	.SEAL	
	51949303	1	.VALVE	
	51949311	1	.RING, SEAL	
	51949329	9	.SPRING	
4	51949394	1	ASSEMBLY, SUPPORT	
	51949402	1	.SUPPORT	
	51949410	1	.SEAL, SHAFT (INNER)	
	51949428	1	.BEARING	
	51949436	1	.BEARING	
	51949444	1	.SET, SHIM	
	51949451	1	.WASHER	
	51949469	1	.RING, SNAP	
	51949477	1	.SEAL, SHAFT (OUTER)	
	51949485	1	.SHAFT	
5	51949493	1	ASSEMBLY, BRAKE	
	51949501	1	.HOUSING, BRAKE	
	51949519	8	.SCREW	
	51949527	1	.O-RING	
	51949535	1	.PISTON, BRAKE	
	51949543	1	.WASHER, SPRING	
	51949550	1	.RING, SNAP	
	51949568	1	.SHAFT, BRAKE	
	51949576	1	.KIT, BRAKE	
	51949584	2	.SCREW, BLEED	
	51949592	2	.SEAL	

51994937

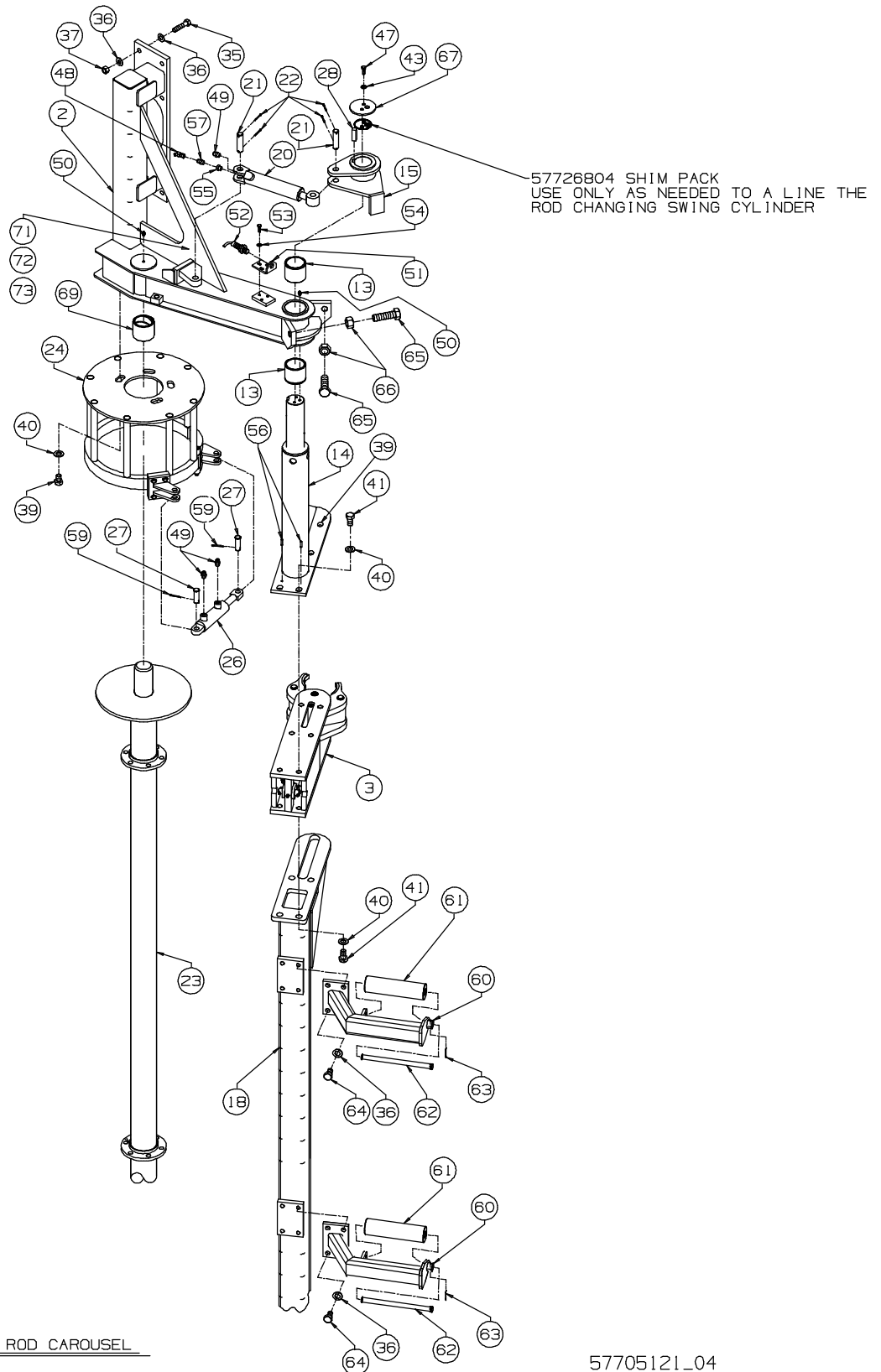
SAFETY DRIP WIRE ASSEMBLY

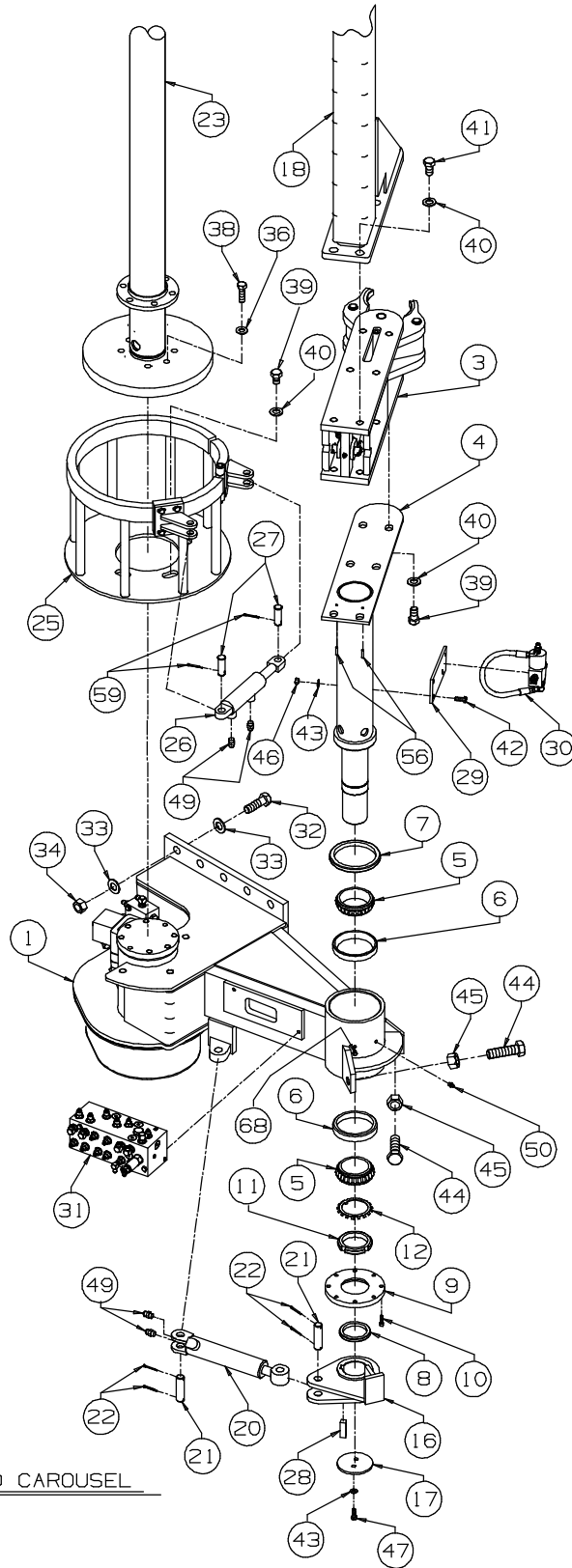


D51994937_01

51994937**SAFETY DRIP WIRE ASSEMBLY**

<i>REF.</i>				
<i>NO.</i>	<i>PART NO.</i>	<i>QTY.</i>	<i>PART NAME</i>	<i>SERIAL</i>
			<i>REMARKS</i>	<i>NO.</i>
1	51994218	1	BRACKET, TRIP WIRE	
2	86415650	1	SWITCH, SAFETY TRIP WIRE (INCLUDES: SWITCH, WIRE CABLE, SPRING, SPRING CABLE END & WIRE THIMBLE)	
	57662868	1	.SPRING, SAFETY	
3	96703012	2	CAPSCREW	
4	96712146	3	CAPSCREW	
5	96700836	3	WASHER	
6	51874691	1	CONNECTOR	
7	51994952	1	EYEBOLT	
8	95077681	2	NUT	
9	95064655	2	WASHER	
10	96701289	2	WASHER	
11	96714647	1	CAPSCREW	
12	96726799	1	NUT	
13	95301834	1	CLAMP, HOSE	





LOWER ROD CAROUSEL

57705121

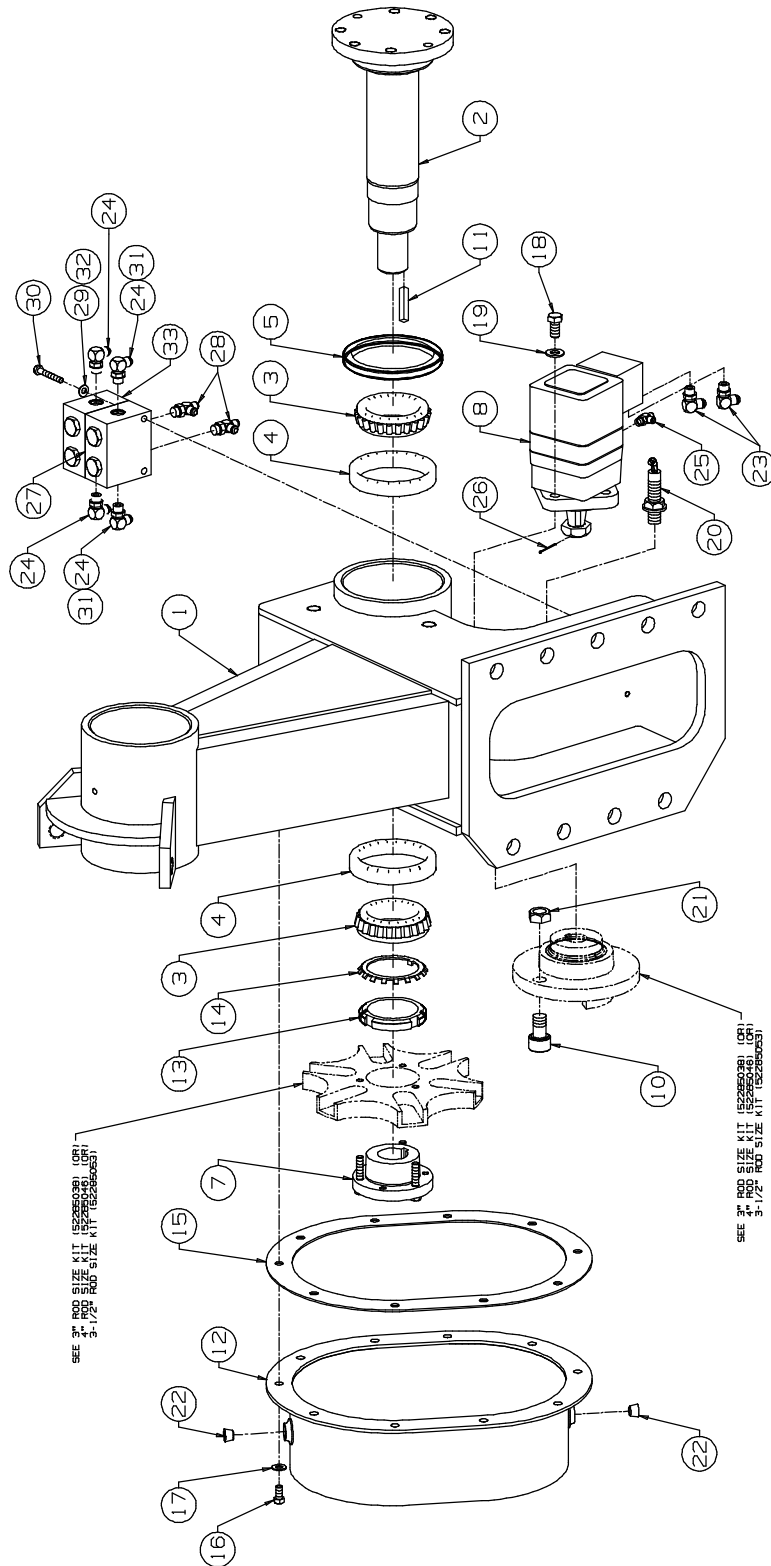
ROD CHANGER ASSEMBLY

<i>REF.</i>	<i>PART NO.</i>	<i>QTY.</i>	<i>PART NAME</i>	<i>SERIAL</i>
<i>NO.</i>			<i>REMARKS</i>	<i>NO.</i>
1	52284957	1	ASSEMBLY, CAROUSEL DRIVE GROUP <i>REFER TO PAGE 5.5-1</i>	
2	51780633	1	CAROUSEL, ROD (TOP WELDMENT)	
3	52284965	2	ASSEMBLY, GRIPPER <i>REFER TO PAGE 5.6-1</i>	
4	51780674	1	PIVOT, BOTTOM ROD SWING	
5	95362190	2	CONE, BEARING	
6	95362158	2	CUP, BEARING	
7	51780567	1	SEAL, OIL	
8	51780559	1	SEAL, OIL	
9	51780591	1	RETAINER, SEAL	
10	96714621	8	CAPSCREW	
11	95209912	1	NUT, BEARING LOCK	
12	95212114	1	WASHER	
13	51788594	3	BUSHING	
14	51780666	1	PIVOT, ROD SWING, TOP	
15	51780708	1	ROD SWING CLEVIS, TOP	
16	51780690	1	ROD SWING CLEVIS, BOTTOM	
17	51788222	2	PLATE, SPROCKET RETAINING	
18	51780682	1	PIVOT, MIDDLE ROD SWING	
20	51788578	2	CYLINDER, ROD CHANGER HYDRAULIC	
	51944494	1	.KIT, SEAL	
21	51788636	4	PIN	
22	95002705	8	PIN, COTTER	
23	52286622	1	ROD, CAROUSEL	
24	52329950	1	RETAINER, TOP CAROUSEL	
25	52329968	1	RETAINER, CAROUSEL BOTTOM	
26	51873891	2	CYLINDER, HYDRAULIC DOOR	
	51944536	1	.KIT, SEAL	
27	51873875	4	PIN, HEADED CYLINDER	
28	95293130	2	KEY	
29	51909372	1	MOUNTING PLATE, NOZZLE	
30	51909398	1	ASSEMBLY, GREASER VALVE <i>REFER TO PAGE 5.7-1</i>	
31	51909406	1	ASSEMBLY, ROD CHANGER MANIFOLD <i>REFER TO PAGE 9.7-1</i>	
32	96705280	9	CAPSCREW, HEX HEAD	
33	96745922	18	WASHER	
34	96703673	9	NUT, HEX	

57705121

ROD CHANGER ASSEMBLY

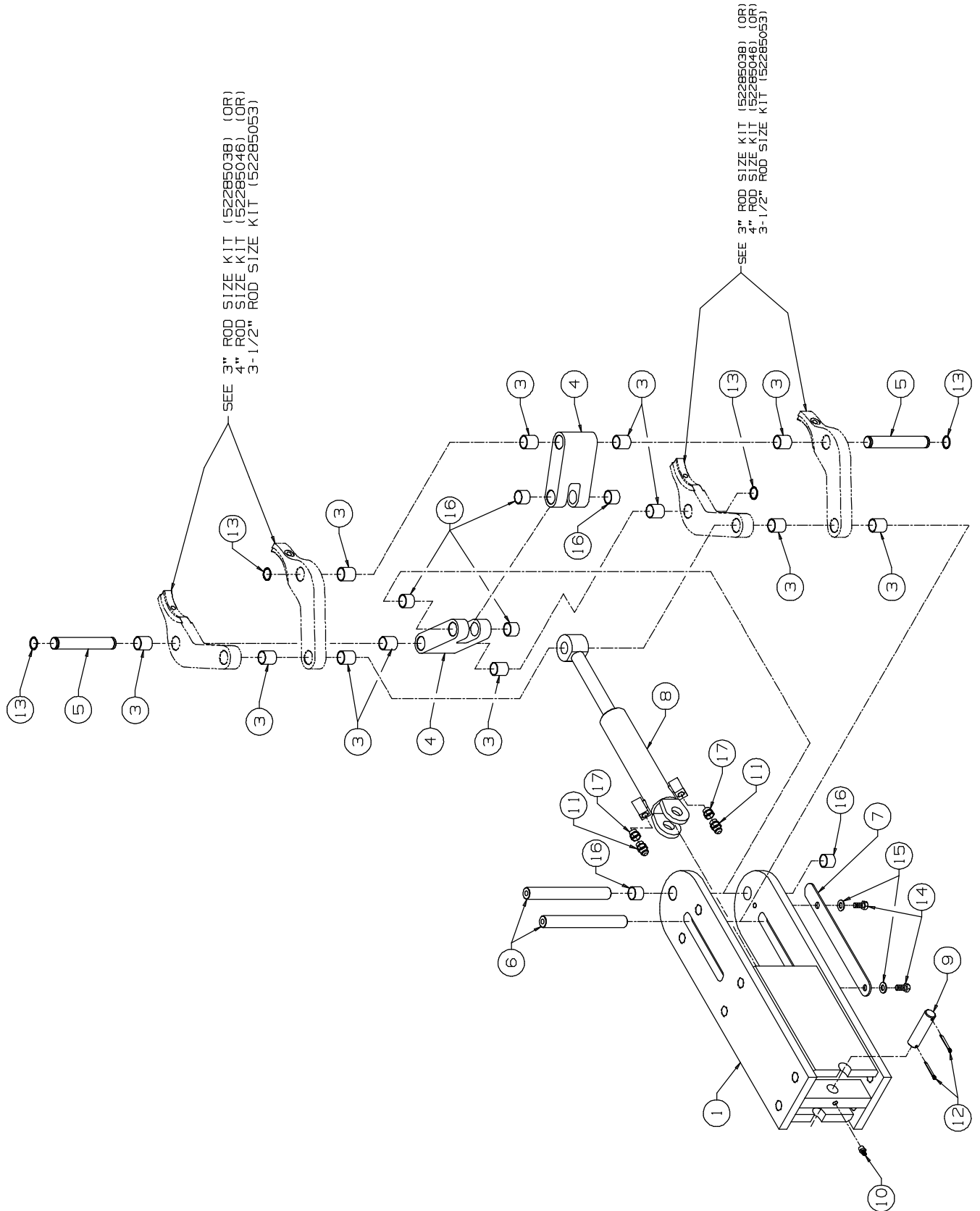
<i>REF.</i>	<i>PART NO.</i>	<i>QTY.</i>	<i>PART NAME</i>	<i>SERIAL</i>
<i>NO.</i>			<i>REMARKS</i>	<i>NO.</i>
35	96702030	8	CAPSCREW, HEX HD	
36	96700968	30	WASHER, FLAT	
37	96703657	8	NUT, HEX	
38	96700216	6	SCREW, HEX HD	
39	96701875	11	CAPSCREW	
40	96700976	27	WASHER, FLAT	
41	96746813	16	CAPSCREW, HEX HD	
42	96714738	2	SCREW	
43	96700836	8	WASHER	
44	96711957	2	CAPSCREW, HEX. HD.	
45	51948602	2	NUT, JAM	
46	96701990	2	NUT, HEX	
47	96712146	4	CAPSCREW	
48	95653002	1	ELBOW	
49	95371258	7	ADAPTER	
50	95201281	3	FITTING, HYD. LUBE	
51	51611390	1	BRACKET, PROXIMITY SWITCH	
52	51780575	1	SENSOR, OIL TIGHT PROXIMITY	
53	96714613	3	SCREW, HEX HD	
54	96700828	3	WASHER	
55	95147674	1	REDUCER	
56	95069522	4	PIN	
57	95365086	1	ADAPTER	
58	96701875	12	CAPSCREW	
59	03167228	4	COTTER	
60	51999878	1	BRACKET, ROLLER	
61	51999886	1	ROLLER, HOSE CARRIER	
62	51999894	1	PIN, ROLLER	
63	95900767	1	PIN, COTTER	
64	96703152	4	CAPSCREW	
65	96700893	2	CAPSCREW	
66	51326759	2	NUT	
67	57699068	1	PLATE, SPROCKET RETAINING	
68	95305512	1	BREATHER	
69	57716052	1	BUSHING	
70	57726804	0	SHIM PACK, SPRKT RETAIN.	
71	96714647	1	CAPSCREW	
72	96726799	1	NUT	
73	95301834	1	CLAMP, HOSE	



52284957

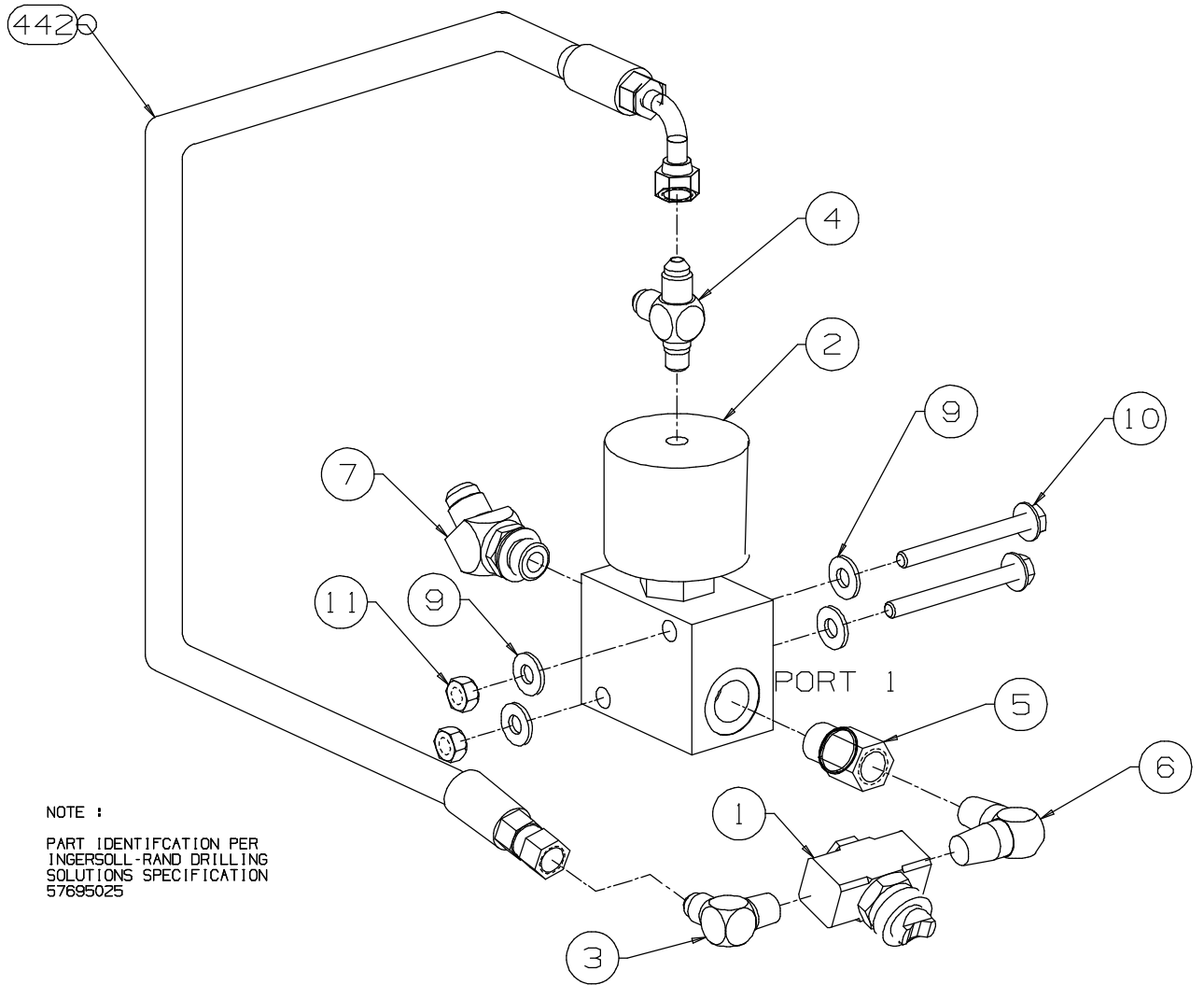
CAROUSEL DRIVE GROUP ASSEMBLY

<i>REF.</i>	<i>PART NO.</i>	<i>QTY.</i>	<i>PART NAME</i>	<i>SERIAL</i>
<i>NO.</i>	<i>PART NO.</i>	<i>QTY.</i>	<i>REMARKS</i>	<i>NO.</i>
1	51780500	1	BASE, ROD CAROUSEL	
2	51780492	1	SPINDLE, ROD CAROUSEL	
3	95362190	2	CONE, BEARING	
4	95362158	2	CUP, BEARING	
5	51780567	1	SEAL, OIL	
7	51780526	1	BUSHING, SPLIT TAPER	
8	51780583	1	ASSEMBLY, ROD CHANGER ROTATION HYDRAULIC MOTOR <i>REFER TO PAGE 5.8-1</i>	
10	51780534	1	ROLLER, TRACK	
11	95263976	1	KEY	
12	51780518	1	OIL PAN, ROD INDEXER	
13	95209912	1	NUT, BEARING LOCK	
14	95212114	1	WASHER	
15	51780609	1	GASKET, OIL PAN	
16	96712146	10	CAPSCREW	
17	96700836	10	WASHER	
18	96714886	4	CAPSCREW	
19	51616209	4	WASHER, SEAL	
20	51780575	1	SENSOR, OIL TIGHT PROXIMITY	
21	95245296	1	NUT, HEX JAM	
22	95730545	2	PLUG, PIPE	
23	95365094	2	ADAPTER	
24	95329975	4	ELBOW	
25	95147971	1	TEE	
26	95231494	1	PIN, COTTER	
27	50930452	2	VALVE, CHECK	
28	95453346	2	TEE	
29	96700828	2	WASHER	
30	96714662	2	CAPSCREW	
31	51908804	2	ADAPTER, RESTRICTOR	
32	95301834	1	CLAMP, HOSE	
33	95365078	2	CONNECTOR	



52284965**GRIPPER ASSEMBLY**

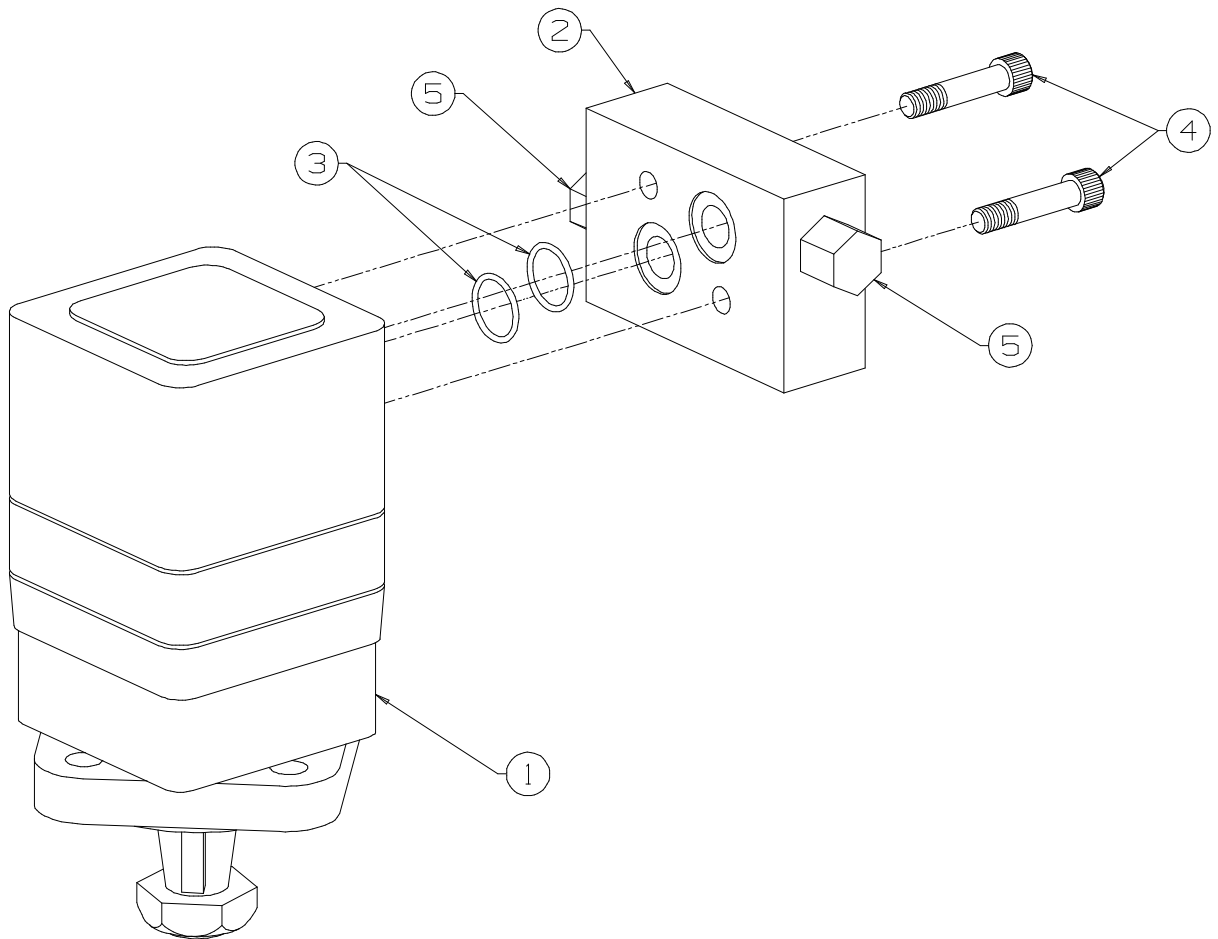
<i>REF.</i>				
<i>NO.</i>	<i>PART NO.</i>	<i>QTY.</i>	<i>PART NAME</i>	<i>SERIAL</i>
			<i>REMARKS</i>	<i>NO.</i>
1	51788529	1	HOUSING, ROD GRIPPER	
3	51788552	12	BUSHING	
4	51788511	2	LINKAGE, GRIPPER	
5	51788545	2	PIN	
6	51788537	2	PIN	
7	51788560	1	PLATE, COVER	
8	51788578	1	CYLINDER, GRIPPER ARM	
	51944494	1	.KIT, SEAL	
9	51788636	1	PIN	
10	95201547	1	FITTING, GREASE	
11	51916096	2	ADAPTER, LONG STRAIGHT	
12	95002705	2	PIN, COTTER	
13	51909364	4	RING, RETAINING, SPIROLOK	
14	96712146	2	CAPSCREW	
15	96700836	2	WASHER	
16	51910875	6	BUSHING	
17	95147674	2	REDUCER	



NOTE :
 PART IDENTIFICATION PER
 INGERSOLL-RAND DRILLING
 SOLUTIONS SPECIFICATION
 57695025

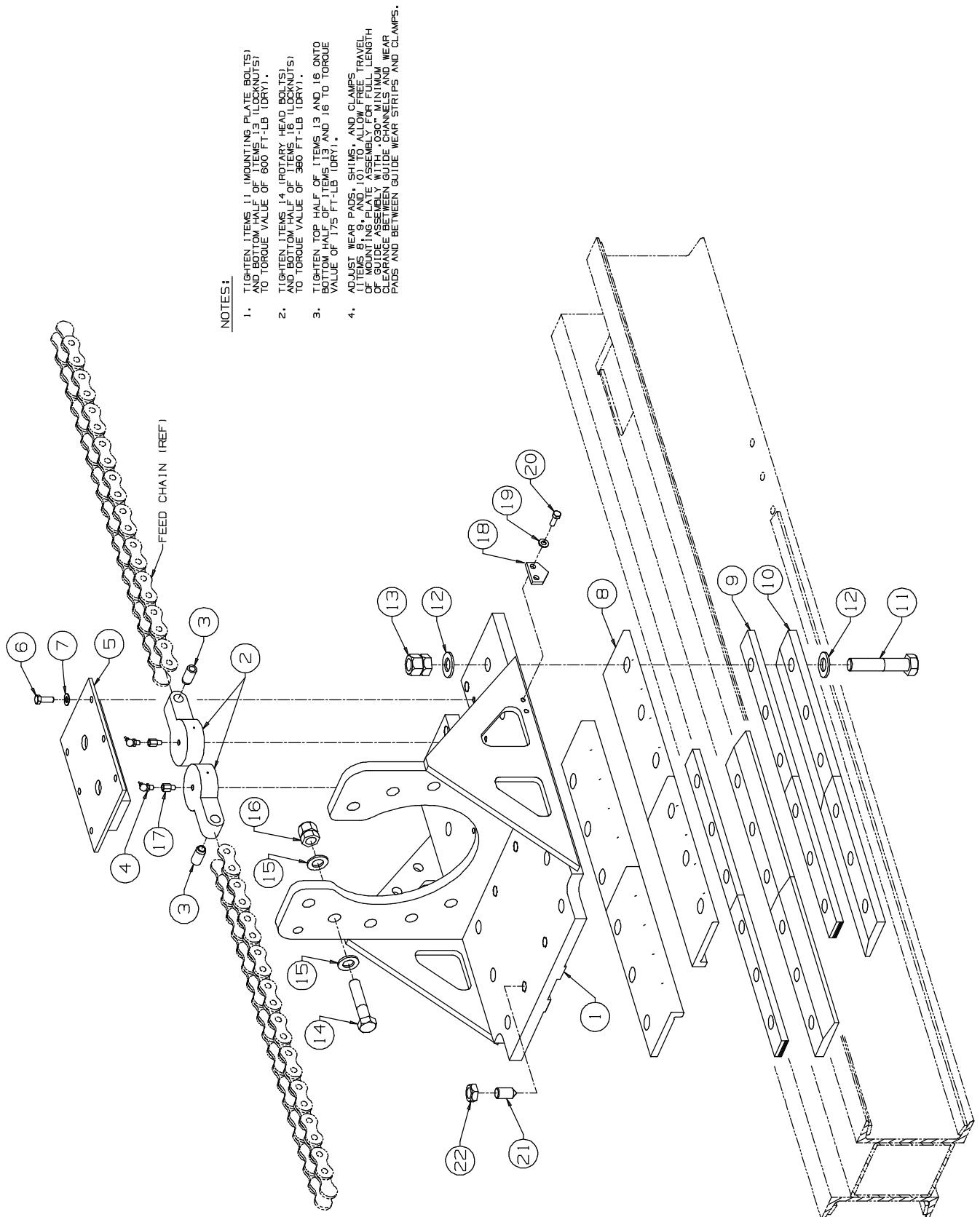
51909398**GREASER VALVE ASSEMBLY**

<i>REF.</i>				
<i>NO.</i>	<i>PART NO.</i>	<i>QTY.</i>	<i>PART NAME</i>	<i>SERIAL</i>
			<i>REMARKS</i>	<i>NO.</i>
1	51619088	1	NOZZLE, SPRAY	
	51948529	1	.AIR CAP, NOZZLE	
	51948537	1	.RETAINING RING, NOZZLE	
2	52130044	1	VALVE, PILOT OPERATED GREASER	
3	95293403	1	ELBOW	
4	95002598	1	TEE	
5	95655064	1	ADAPTER	
6	95364469	1	FITTING, HYD	
7	95003273	1	ELBOW	
9	96701289	4	WASHER	
10	96714555	2	CAPSCREW	
11	96703640	2	NUT, HEX	
442	51916005	0	HOSE ASSY	



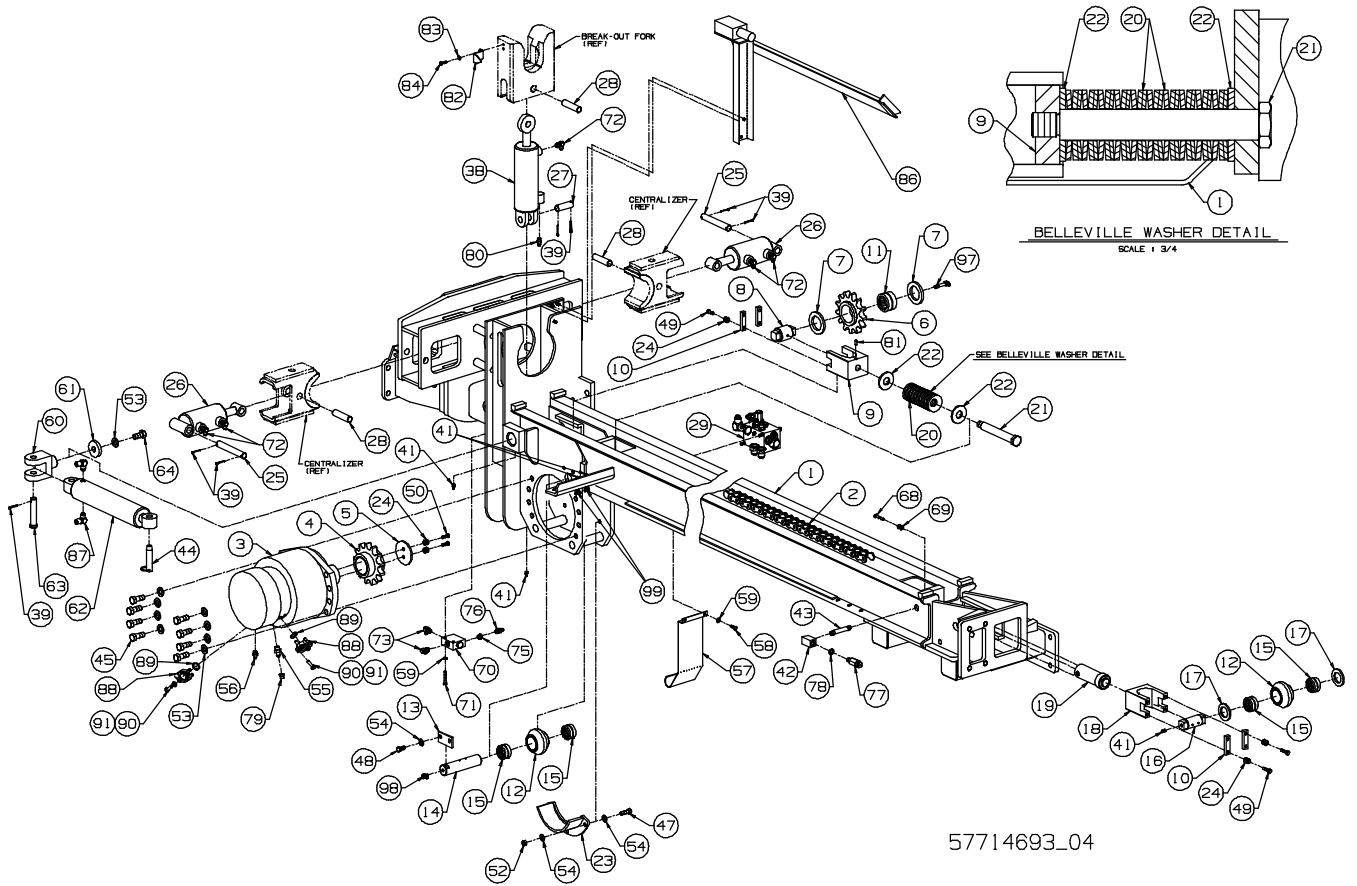
51780583**ROD CHANGER ROTATION HYDRAULIC MOTOR**

<i>REF.</i>				
<i>NO.</i>	<i>PART NO.</i>	<i>QTY.</i>	<i>PART NAME</i>	<i>SERIAL</i>
			<i>REMARKS</i>	<i>NO.</i>
1	51909133	1	MOTOR, HYDRAULIC	
2	51909141	1	MANIFOLD, HYDRAULIC BARE	
3	95086484	2	O-RING	
4	96700398	2	CAPSCREW	
5	51918183	2	CARTRIDGE, FLOW CONTROL	



51862365**ROTARY HEAD MOUNTING PLATE ASSEMBLY**

<i>REF.</i>				
<i>NO.</i>	<i>PART NO.</i>	<i>QTY.</i>	<i>PART NAME</i>	<i>SERIAL</i>
			<i>REMARKS</i>	<i>NO.</i>
1	51782498	1	PLATE, MOUNTING	
2	51616621	2	ANCHOR, CHAIN	
3	51616647	2	BUSHING	
4	95447850	2	FITTING, GREASE	
5	51782514	1	COVER, CHAIN ANCHOR	
6	96714944	6	CAPSCREW	
7	96700836	6	WASHER	
8	51782522	4	PAD, WEAR	
9	51862340	6	SHIM PACK, GUIDE EXTENSION CLAMP	
10	51782506	4	CLAMP STRIP	
11	96705181	12	CAPSCREW	
12	57753196	24	WASHER	
13	57705097	12	NUT, LOCK	
14	96704044	10	CAPSCREW	
15	57753188	20	WASHER, FLAT	
16	57705147	10	NUT, DRAKE LOCK	
17	51862373	2	ADAPTER	
18	52316031	1	POINTER, BREAKOUT FORK	
19	92304609	2	WASHER, FLAT	
20	96714605	2	CAPSCREW	
21	03190550	8	SETSCREW	
22	95076907	8	NUT	



57714693

GUIDE ASSEMBLY

<i>REF.</i>	<i>NO.</i>	<i>PART NO.</i>	<i>QTY.</i>	<i>PART NAME</i>	<i>SERIAL</i>
				<i>REMARKS</i>	<i>NO.</i>
	1	51788461	1	WELDMENT, GUIDE	
	2	51780625	1	CHAIN, FEED	
	3	51780617	1	MOTOR, HYDRAULIC FEED <i>REFER TO PAGE 5.1-1</i>	
	4	51788362	1	SPROCKET, DRIVE	
	5	51788222	1	PLATE, SPROCKET RETAINING	
	6	51618817	1	SPROCKET, IDLER	
	7	51715795	2	WASHER, THRUST	
	8	51618825	1	PIN	
	9	51618858	1	YOKE	
	10	51618890	4	CAP, YOKE	
	11	51618833	1	BEARNG, NEEDLE	
	12	51788255	2	IDLER, CHAIN	
	13	51618767	1	PLATE, KEEPER	
	14	51788289	1	PIN, IDLER	
	15	51618809	4	BEARING	
	16	51788263	1	PIN, IDLER	
	17	51788230	2	WASHER, THRUST	
	18	51788297	1	YOKE, IDLER	
	19	51780377	1	CYLINDER, GREASE	
		51792042	1	.KIT, SEAL	
	20	51717627	30	WASHER, BELLEVILLE	
	21	51788248	1	BOLT, TENSIONING	
	22	51618882	2	WASHER, SPRING SEAT	
	23	51713717	1	RETAINER, CHAIN	
	24	51377398	20	WASHER	
	25	51005486	2	PIN	
	26	51909117	2	CYLINDER, HYDRAULIC CENTRALIZER	
		51944486	1	.KIT, SEAL	
	27	51788305	1	PIN, FORK CYLINDER	
	28	51005452	3	PIN	
	29	51909448	1	ASSEMBLY, FEED CONTROL MANIFOLD <i>REFER TO PAGE 9.3-1</i>	
	38	51788339	1	CYLINDER, BREAKOUT FORK	
		51944502	1	.KIT, SEAL	
	39	95002705	8	PIN, COTTER	
	41	95201281	5	FITTING	
	42	51866333	1	MANIFOLD, GREASE	
	43	95280707	1	NIPPLE	
	44	51862696	1	PIN, BALL LOCK	
	45	96703343	8	CAPSCREW	

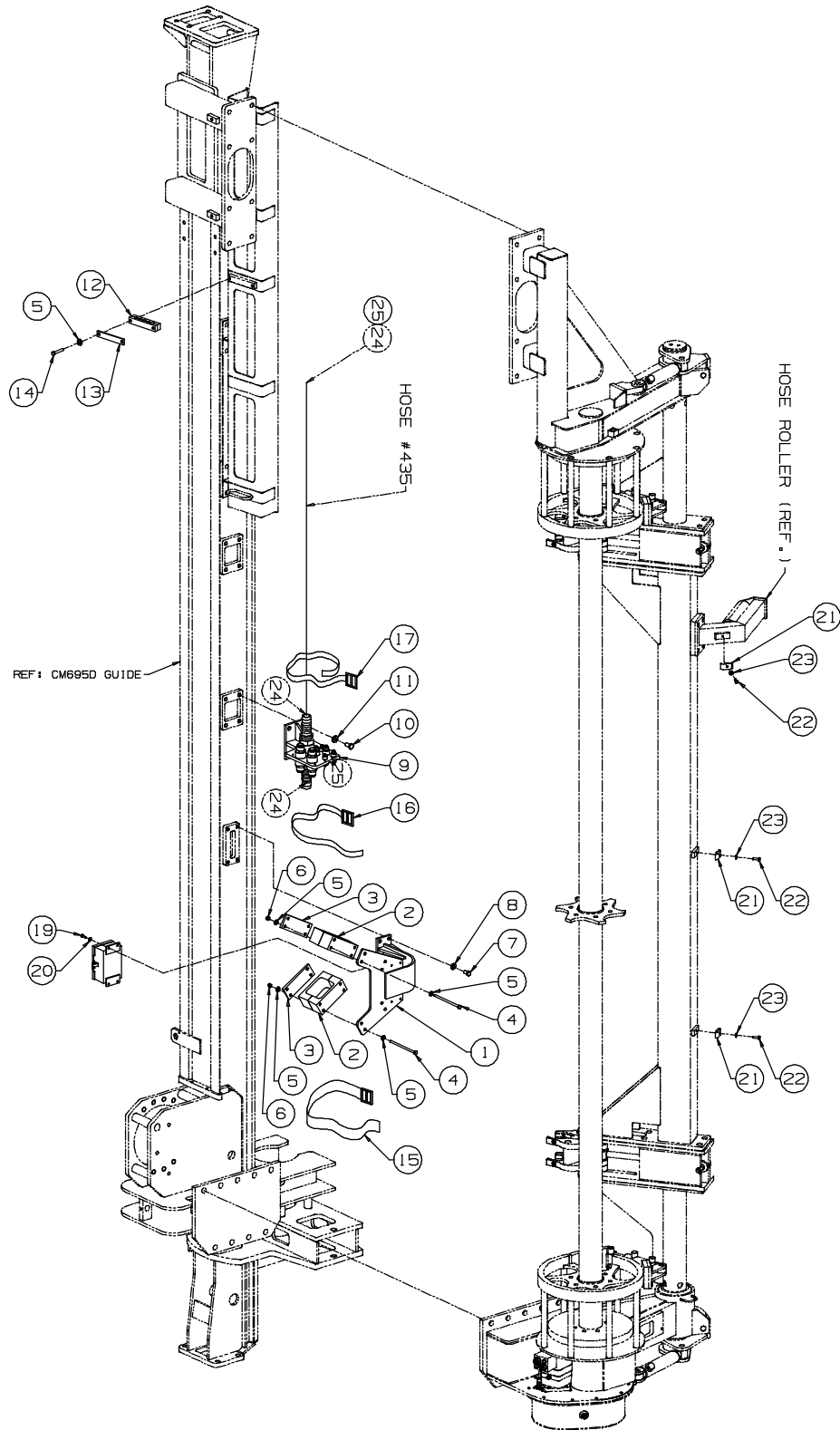
57714693

GUIDE ASSEMBLY

<i>REF.</i>	<i>PART NO.</i>	<i>QTY.</i>	<i>PART NAME</i>	<i>SERIAL</i>
<i>NO.</i>			<i>REMARKS</i>	<i>NO.</i>
47	96711890	3	CAPSCREW	
48	96714829	2	CAPSCREW	
49	96714746	8	CAPSCREW	
50	96712146	2	CAPSCREW	
52	96702857	3	NUT, HEX	
53	96700976	8	WASHER, FLAT	
54	96700844	8	WASHER	
55	51377497	1	ADAPTER	
56	51377505	1	ADAPTER	
57	51874196	1	COVER, FEED CHAIN	
58	96714605	2	CAPSCREW	
59	96700828	4	WASHER	
60	51874162	1	PIVOT, CHAIN WRENCH CYLINDER	
61	51874170	1	PLATE, RETAINING	
62	57155988	1	CYLINDER, HYDRAULIC CHAIN WRENCH	
	57156549	1	.KIT, SEAL	
63	51779536	1	PIN, CYLINDER	
64	96700901	1	CAPSCREW	
68	95943668	2	CAPSCREW	
69	51377406	4	WASHER, 5/16	
70	50930460	1	VALVE, CHECK	
71	96714654	2	CAPSCREW	
72	95329975	5	ELBOW	
73	95365094	2	ELBOW	
75	95302113	1	FITTING, HYD.	
76	95838231	1	FITTING, TUBE	
77	51236933	1	FITTING	
78	51236925	1	GASKET	
79	51028751	1	ADAPTER	
80	95365078	1	ADAPTER	
81	96704119	1	SCREW, SET	
82	51948628	1	POINTER, STEEL FLATS	
83	96701289	2	WASHER	
84	96714548	2	CAPSCREW	
86	51994937	1	ASSEMBLY, SAFETY TRIP WIRE	
			<i>REFER TO PAGE 5.3-1</i>	
87	95356853	2	ADAPTER	
88	51782654	4	FLANGE, SPLIT	
88	52137171	1	SKIRT,DUST POT,4"	

57714693**GUIDE ASSEMBLY**

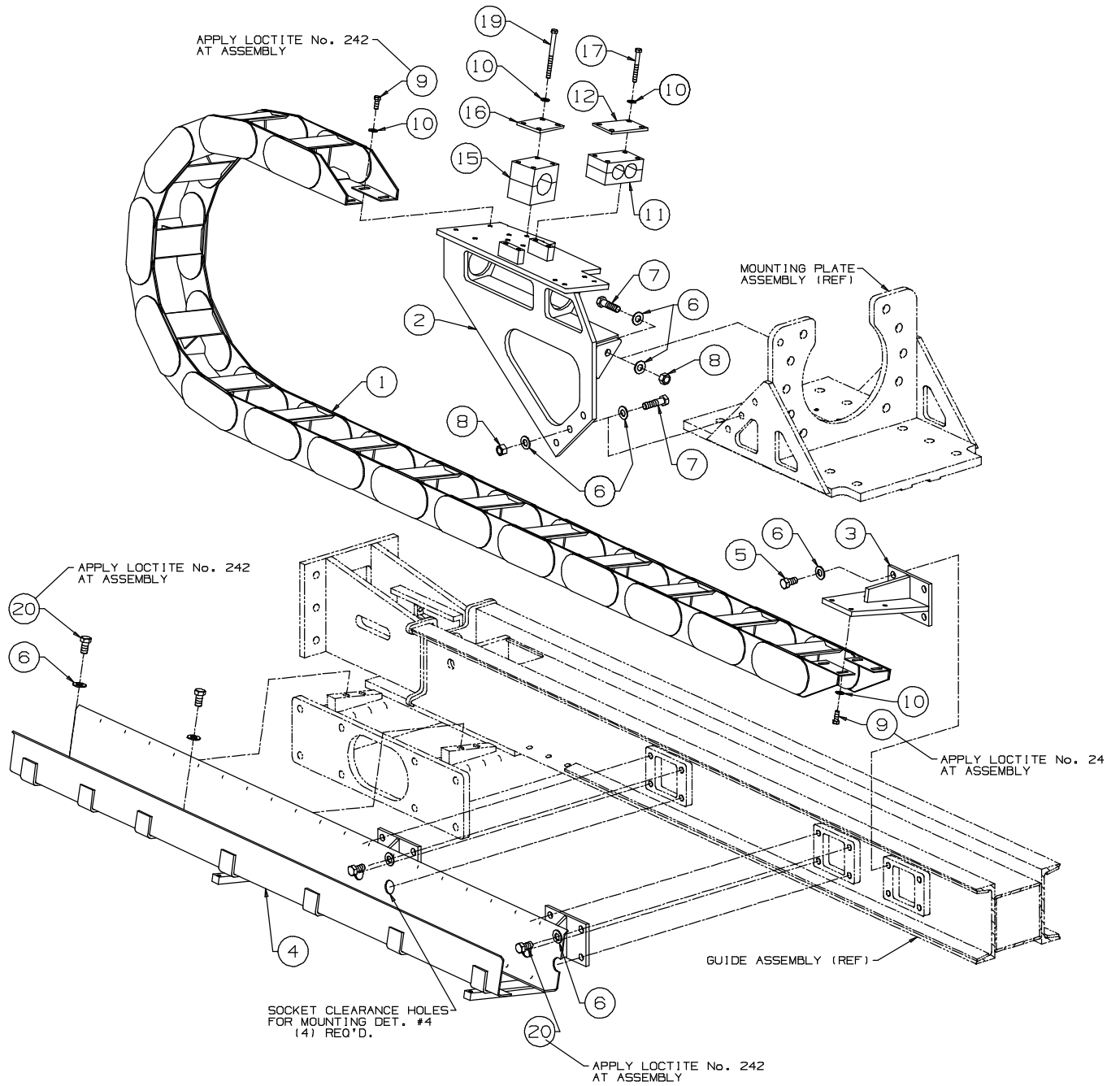
<i>REF.</i>				
<i>NO.</i>	<i>PART NO.</i>	<i>QTY.</i>	<i>PART NAME</i>	<i>SERIAL</i>
			<i>REMARKS</i>	<i>NO.</i>
89	51782647	2	O-RING	
90	96702410	8	SCREW, HEX	
91	50855915	8	WASHER	
92	51611390	1	BRACKET, PROX. SWITCH	
93	51780575	1	SENSOR,OIL TIGHT PROXMTY	
94	96714613	3	SCREW	
95	96700828	3	WASHER	
96	57751422	1	HOSE, SHIELD	
97	57774614	1	FITTING, HYD.	
98	95302170	1	FITTING, HYD.	
99	95209086	2	FITTING, HYD.	



E51873842_07

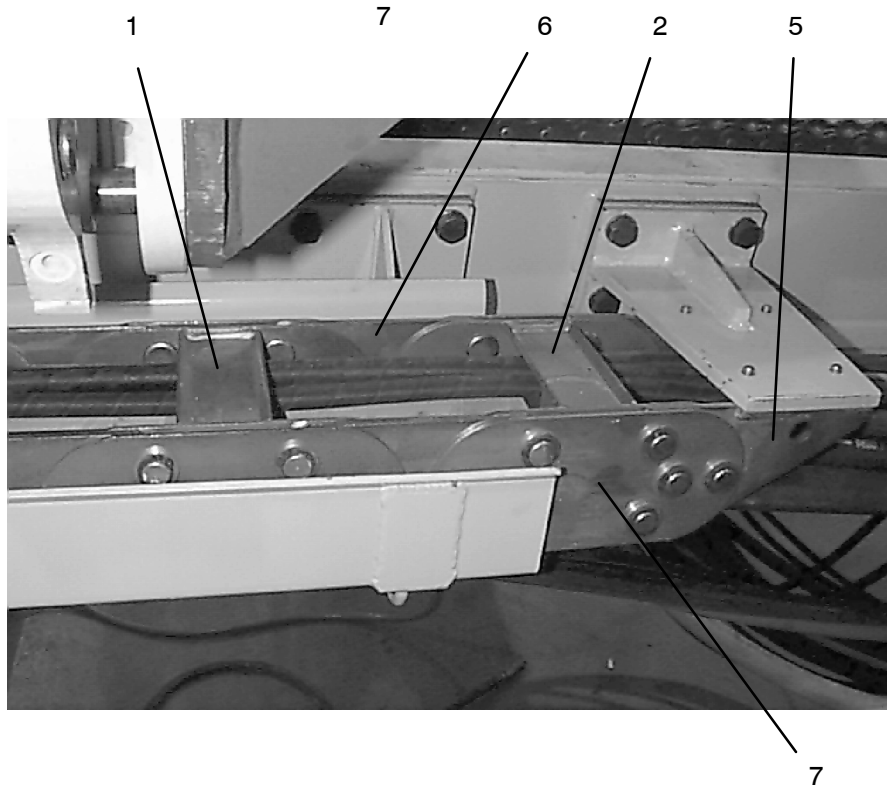
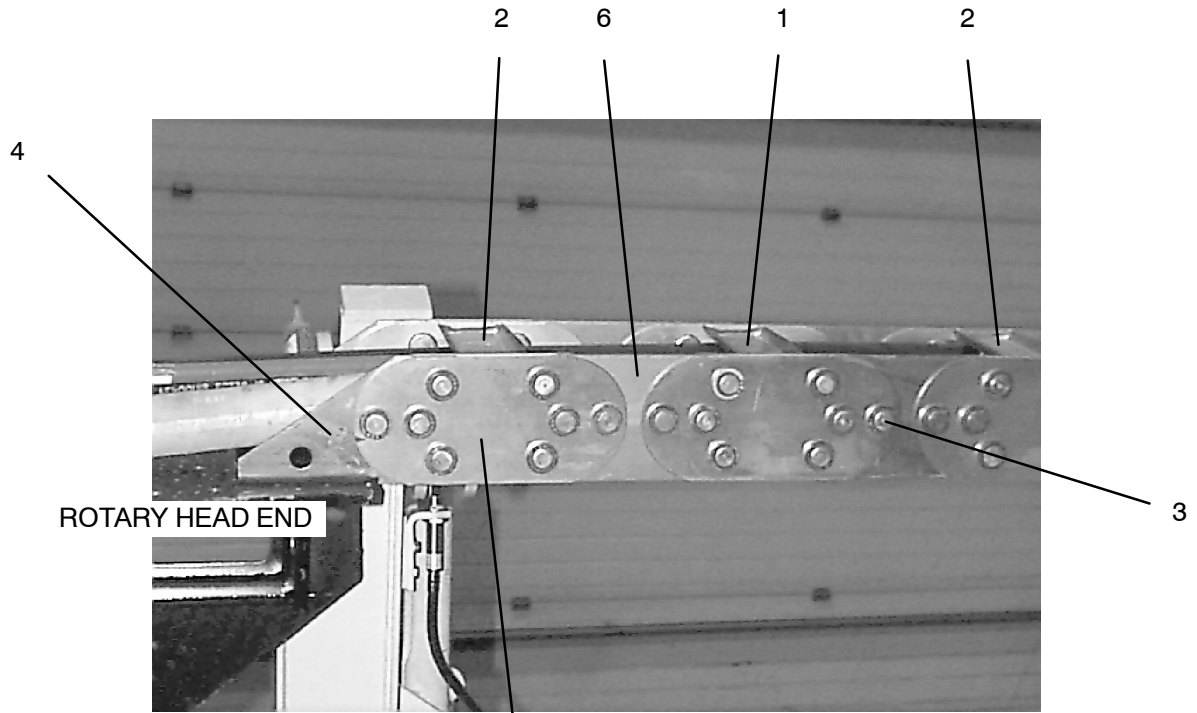
51873842**GUIDE HOSE ROUTING ASSEMBLY**

REF. NO.	PART NO.	QTY.	PART NAME REMARKS	SERIAL NO.
1	52119005	1	SUPPORT, HOSE	
2	51776391	4	CLAMP, HOSE	
3	51776425	2	PLATE, HOSE CLAMP	
4	96714811	8	CAPSCREW	
5	96700836	18	WASHER	
6	96704333	8	NUT, HEX, LOCK	
7	96714860	4	CAPSCREW	
8	96700844	4	WASHER	
9	51910701	1	ASSEMBLY, GUIDE HOSE BULKHEAD	
10	96703079	4	CAPSCREW	
11	96700968	4	WASHER, FLAT	
12	51958130	1	CLAMP, HOSE	
13	51958122	1	PLATE, HOSE CLAMP	
14	96705462	2	CAPSCREW	
15	52308681	6	STRA[
16	51874600	6	STRAP	
17	51874618	6	STRAP	
19	96714548	4	CAPSCREW	
20	96701289	4	WASHER	
21	50034826	3	CLAMP	
22	96703046	3	SCREW	
23	96701289	3	WASHER	
24	50141720	3	CLAMP, HOSE	
25	57358145	2	CABLE, HOSE RESTRAINT	



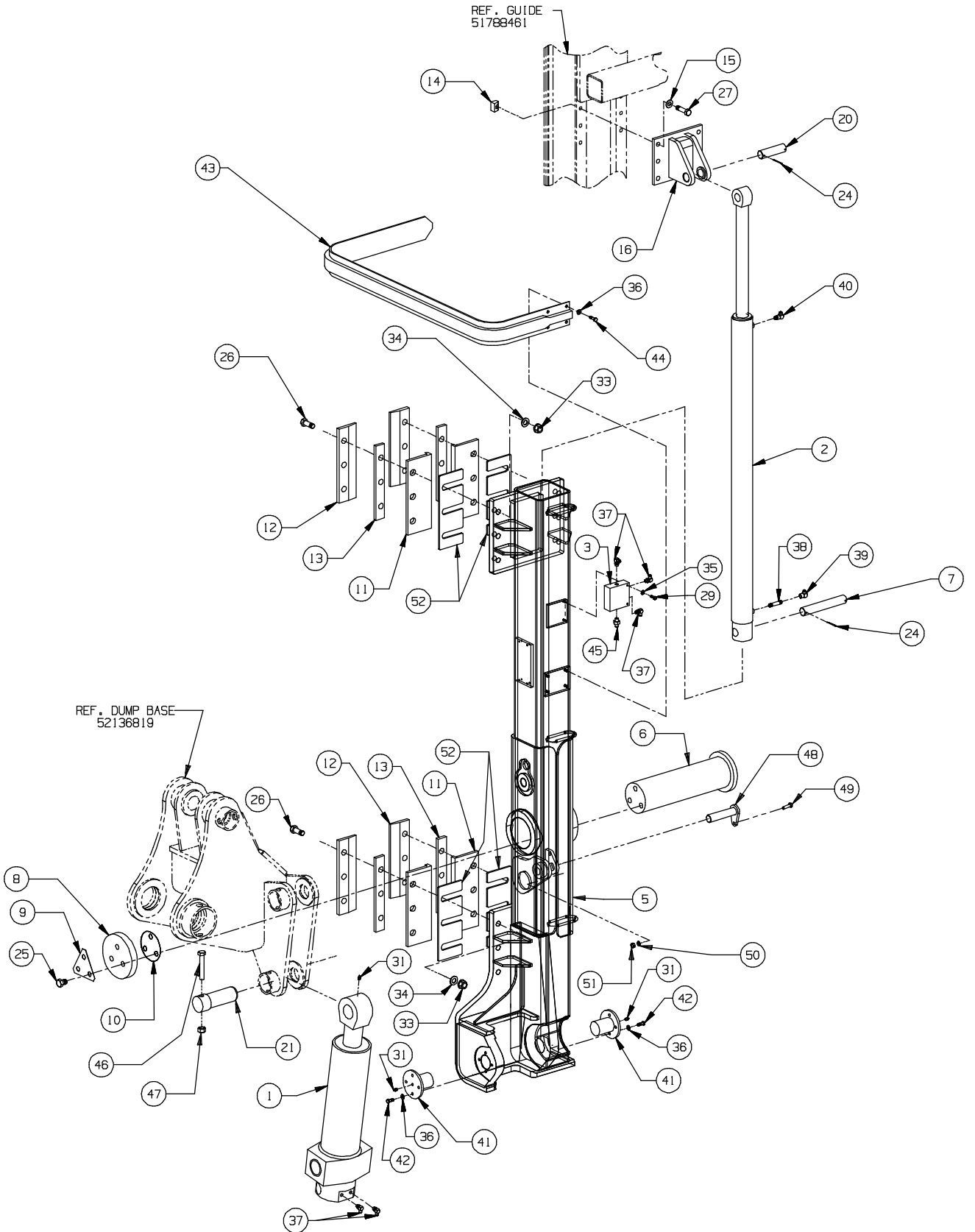
51862415**HOSE CARRIER ASSEMBLY**

REF. NO.	PART NO.	QTY.	PART NAME REMARKS	SERIAL NO.
1	51997740	1	HOSE CARRIER <i>REFER TO PAGE 5.14-1</i>	
2	51788404	1	MOUNT, HOSE CARRIER, MOVING	
3	51788438	1	MOUNT, HOSE CARRIER, FIXED	
4	51788420	1	TRAY, HOSE CARRIER	
5	96703079	4	CAPSCREW	
6	96700968	24	WASHER, FLAT	
7	96700216	4	CAPSCREW	
8	96703657	4	NUT, HEX	
9	96726914	8	CAPSCREW	
10	96700836	8	WASHER	
11	51862647	1	CLAMP, HOSE, UPPER	
12	51862670	1	PLATE, HOSE CLAMP	
15	51862654	1	CLAMP, HOSE, MIDDLE	
16	51788412	1	PLATE, HOSE CLAMP	
17	96710488	4	CAPSCREW	
19	96714795	4	CAPSCREW	
20	96703426	10	CAPSCREW	



51997740**HOSE CARRIER**

<i>REF.</i>				
<i>NO.</i>	<i>PART NO.</i>	<i>QTY.</i>	<i>PART NAME</i>	<i>SERIAL</i>
			<i>REMARKS</i>	<i>NO.</i>
1	52080124	7	WELDMENT, CARRIER (WITHOUT SEPARATOR PLATES)	
2	52080132	8	WELDMENT, CARRIER (WITH SEPARATOR PLATES)	
3	52080140	240	ASSEMBLY, LINK PIN	
4	57673378	1	FOOT, MOUNTING	
5	52080165	1	FOOT, MOUNTING	
6	52080173	56	LINK, RADIUS	
7	52080181	30	LINK, CARRIER	



57714602

GUIDE EXTENSION ASSEMBLY

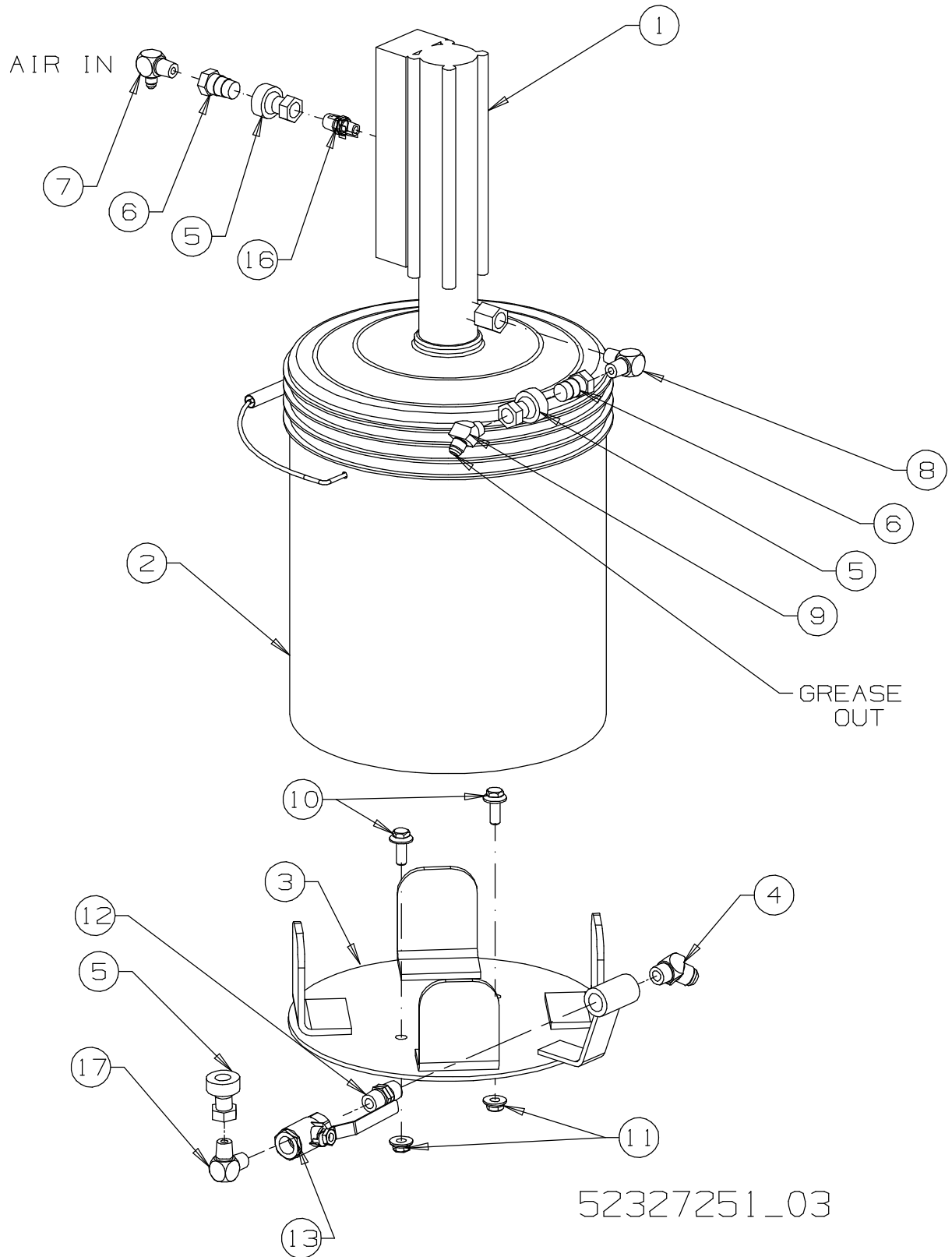
<i>REF.</i>	<i>PART NO.</i>	<i>QTY.</i>	<i>PART NAME</i>	<i>SERIAL</i>
<i>NO.</i>			<i>REMARKS</i>	<i>NO.</i>
1	57675977	1	CYLINDER, GUIDE SWING	
	51992436	1	,KIT, SEAL	
2	51992352	1	CYLINDER, GUIDE EXTENSION	
	51992451		.KIT, SEAL	
3	50930452	1	VALVE, CHECK	
5	52083052	1	WELDMENT, GUIDE EXTENSION TUBE	
6	51609196	1	PIN, SWING	
7	51862357	1	PIN, GUIDE EXTENSION CYLINDER	
8	51610723	1	PLATE, THRUST	
9	51610731	1	WASHER, LOCK	
10	51610749	1	SHIM PACK	
11	51782522	4	PAD, WEAR	
12	51782506	4	CLAMP STRIP	
13	51862340	6	SHIM PACK, GUIDE EXTENSION CLAMP	
14	51618619	6	NUT	
15	96700968	6	WASHER, FLAT	
16	51862225	1	ANCHOR, GUIDE EXTENSION	
20	51862332	1	PIN, GUIDE EXTENSION CYLINDER	
21	52282852	1	PIN, CYLINDER	
24	95093381	4	PIN, COTTER	
25	96703343	3	CAPSCREW	
26	96704077	12	CAPSCREW	
27	96701222	6	SCREW, HEX HEAD	
28	96714605	2	CAPSCREW	
29	96714654	2	CAPSCREW	
30	96714860	2	CAPSCREW	
31	95201281	3	FITTING, GREASE	
33	96727136	12	NUT	
34	96700976	12	WASHER, FLAT	
35	96700828	4	WASHER	
36	96700836	12	WASHER	
37	95329975	5	ELBOW	
38	95676243	1	NIPPLE, PIPE	
39	95279196	2	ELBOW	
40	95209094	1	ELBOW	
41	51609048	2	PIN, GUIDE DUMP	
42	96702774	8	CAPSCREW	
43	51873776	1	GUARD, DRILL ROD (GUIDE)	

57714602**GUIDE EXTENSION ASSEMBLY**

<i>REF.</i>				
<i>NO.</i>	<i>PART NO.</i>	<i>QTY.</i>	<i>PART NAME</i>	<i>SERIAL</i>
			<i>REMARKS</i>	<i>NO.</i>
44	96712146	4	CAPSCREW	
45	95365078	1	ADAPTER	
46	96727102	1	CAPSCREW	
47	96704275	1	NUT	
48	52284122	1	PIN, GUIDE INDEX	
49	96714746	1	CAPSCREW	
50	96712096	1	LOCKWASHER	
51	96701990	1	NUT, HEX	
52	52282845	4	SPACER, GUIDE EXTENSION TUBE	

52327251

GREASE PUMP ASSEMBLY



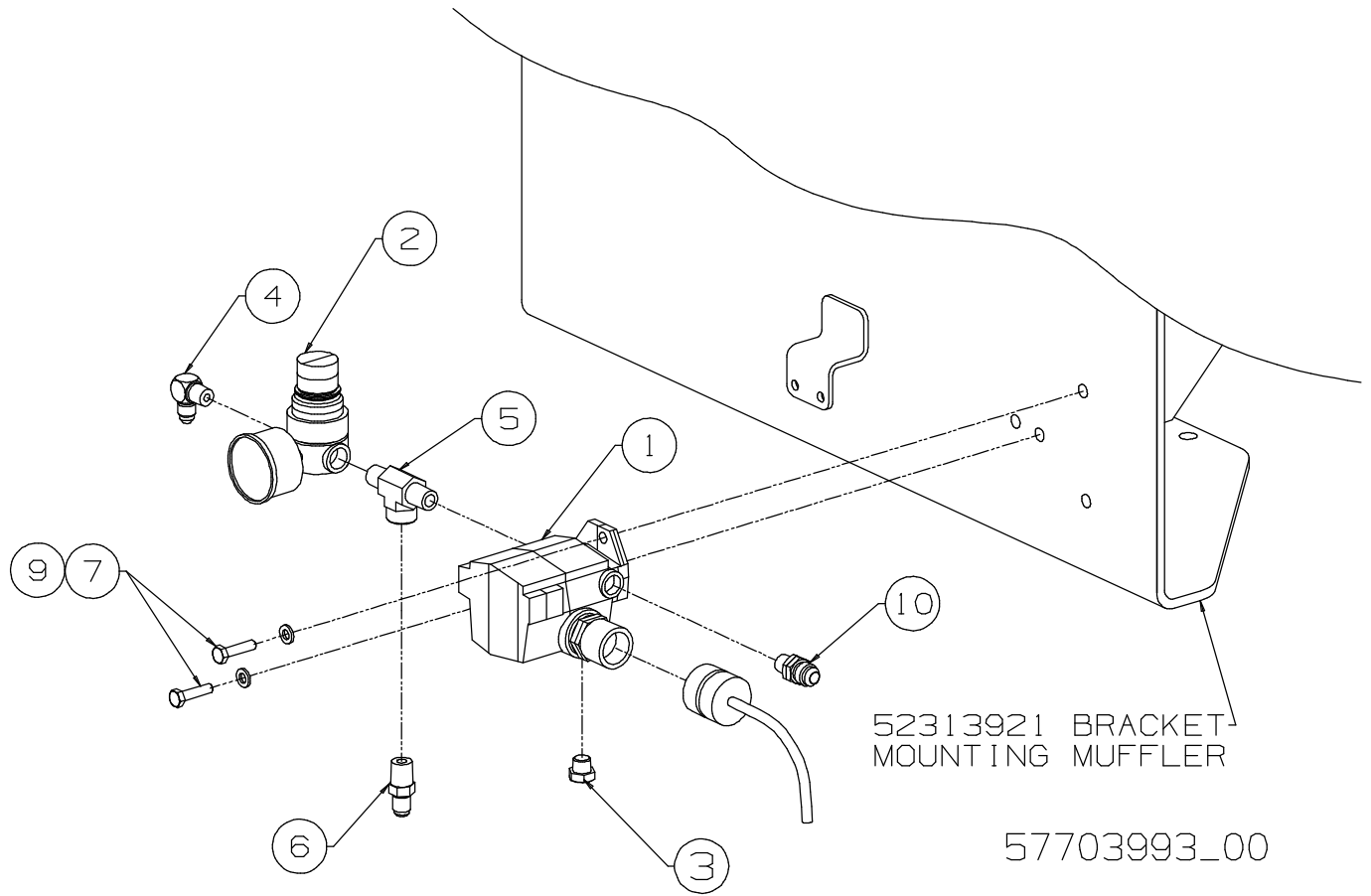
52327251_03

52327251**GREASE PUMP ASSEMBLY**

<i>REF.</i>				
<i>NO.</i>	<i>PART NO.</i>	<i>QTY.</i>	<i>PART NAME</i>	<i>SERIAL</i>
			<i>REMARKS</i>	<i>NO.</i>
1	52127867	1	PUMP, GREASE	
2	51373322	1	LUBRICANT, THREAD (5 GAL)	
3	52327269	1	TRAY, GREASE BUCKET	
4	95279097	1	ADAPTER	
5	51027936	3	COUPLING, ACCESSORY AIR QUICK DISCONNECT	
6	51027902	2	COUPLING	
7	95279493	1	ADAPTER	
8	95335907	1	ADAPTER	
9	95279089	1	ADAPTER	
10	96726914	2	CAPSCREW	
11	96726807	2	NUT	
12	95315214	1	ADAPTER	
13	50947357	1	VALVE, BALL	
16	95377156	1	NIPPLE	
17	95447108	1	FITTING	

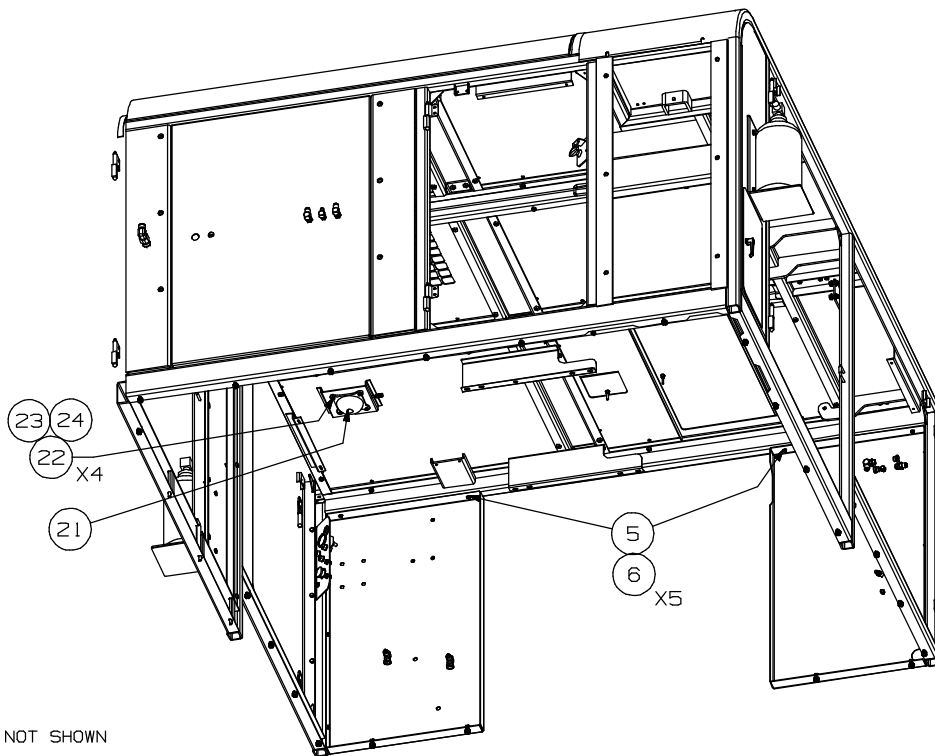
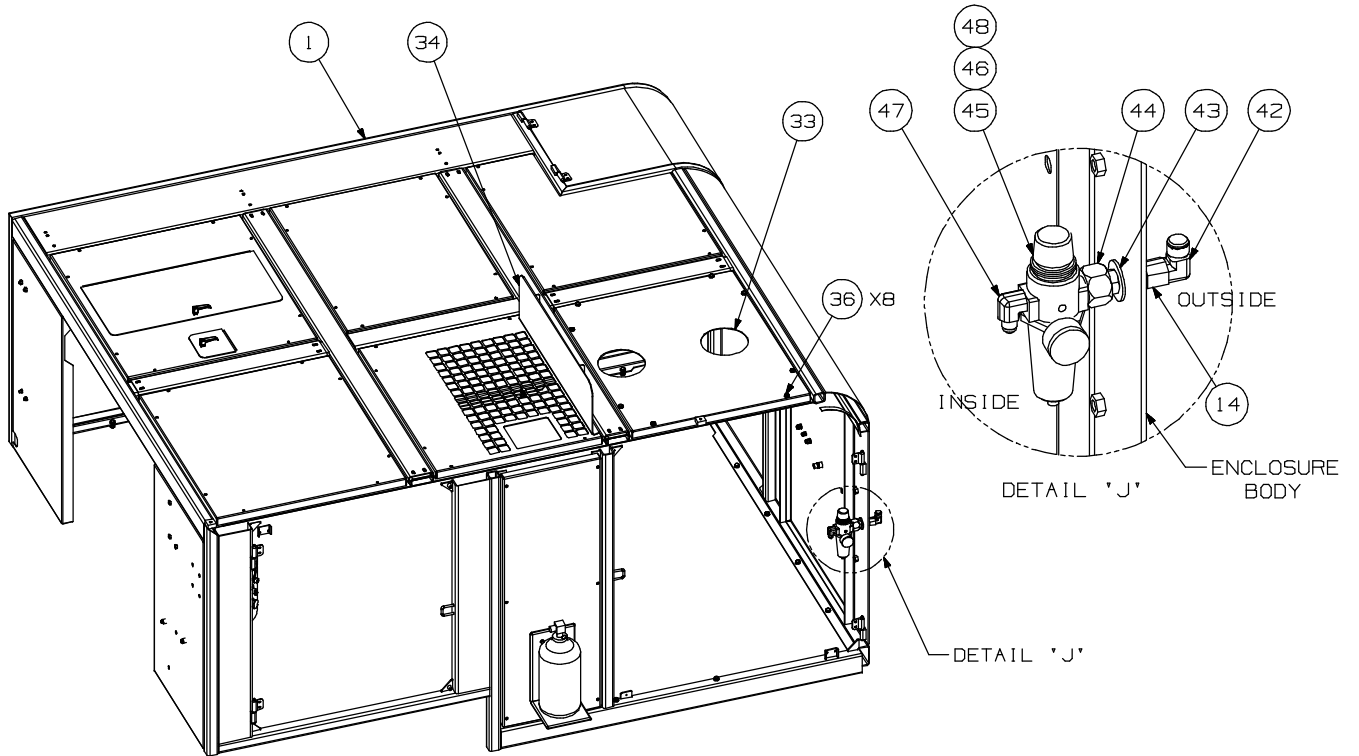
57703993

GREASE SOLENOID ASSEMBLY



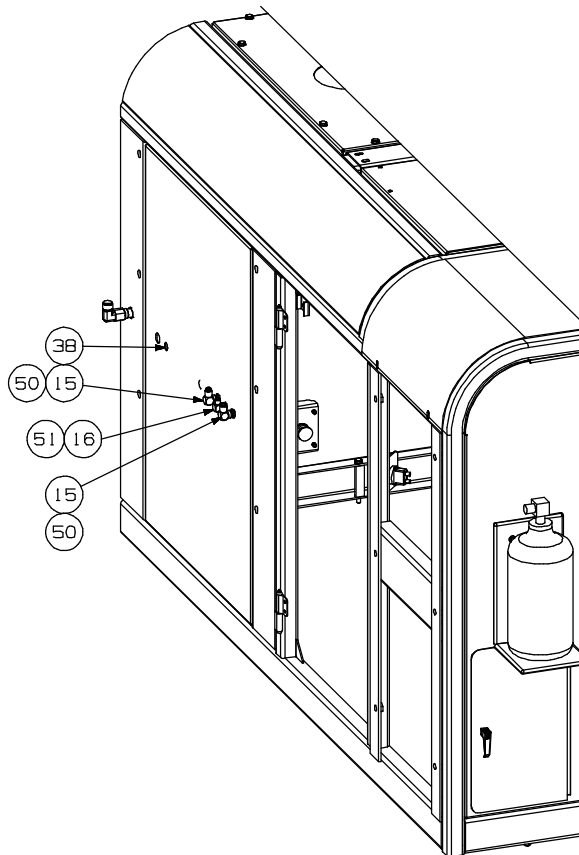
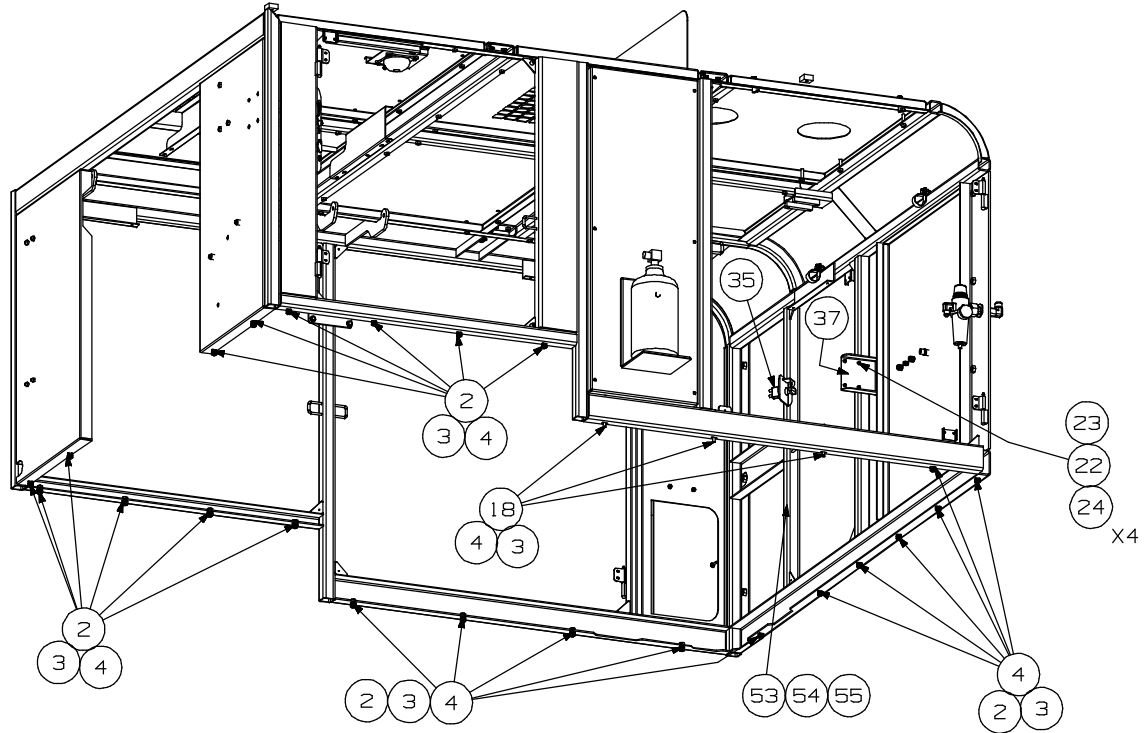
57703993**GREASE SOLENOID ASSEMBLY**

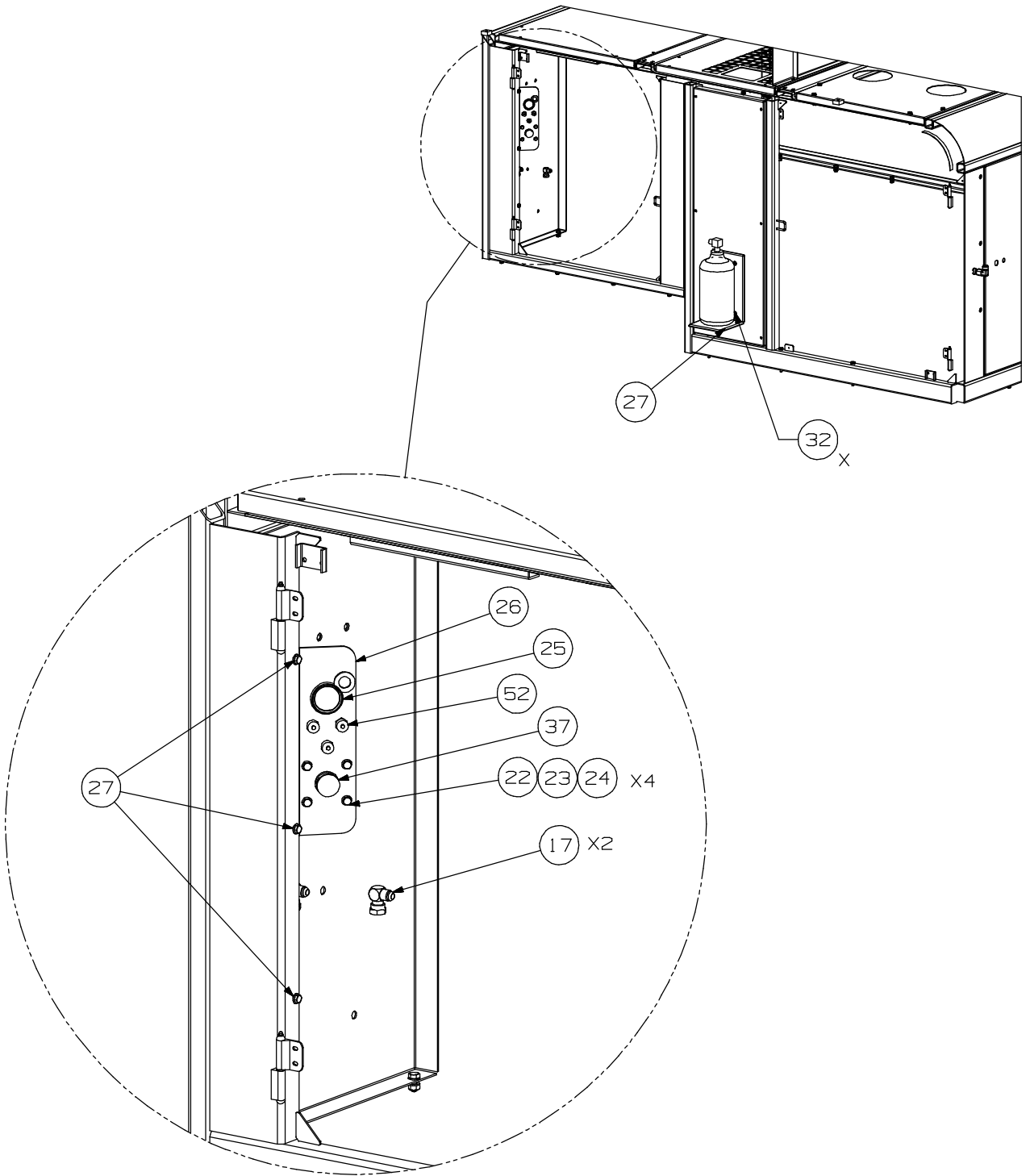
<i>REF.</i>				
<i>NO.</i>	<i>PART NO.</i>	<i>QTY.</i>	<i>PART NAME</i>	<i>SERIAL</i>
			<i>REMARKS</i>	<i>NO.</i>
1	51620318	1	VALVE, SOLENOID, ASSEMBLY	
2	57633463	1	REGULATOR, RELIEVING ASSY	
3	03692076	1	PLUG VENT	
4	95209094	1	FITTING, HYD	
5	51352136	1	TEE	
6	95263380	1	FITTING, HYD	
7	96720164	2	CAPSCREW	
9	96702501	4	WASHER	
10	95316972	1	CONNECTOR	

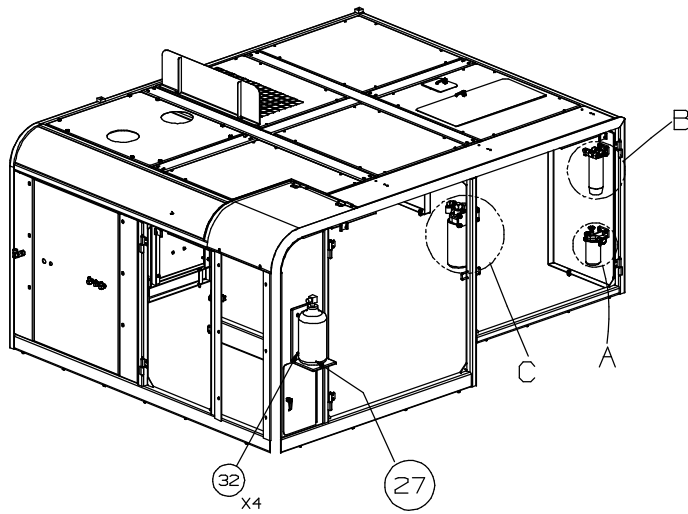


ITEM #39 NOT SHOWN

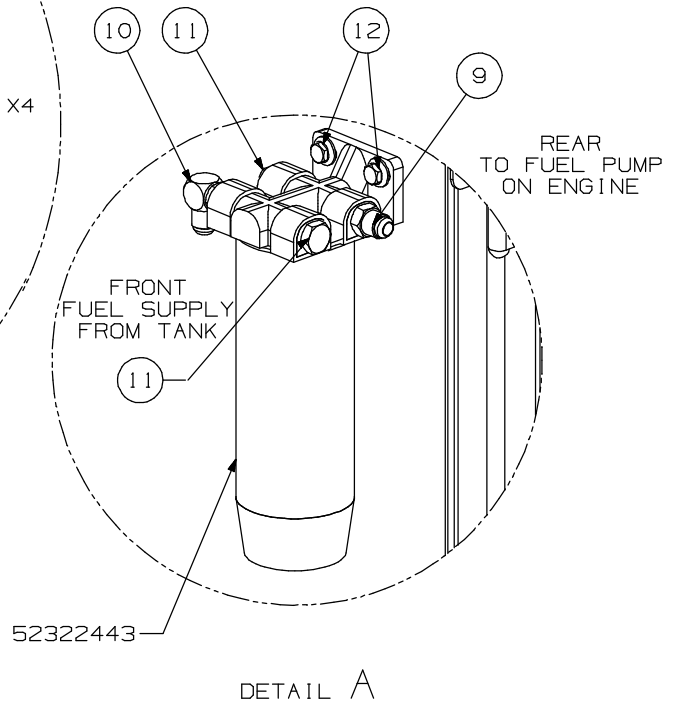
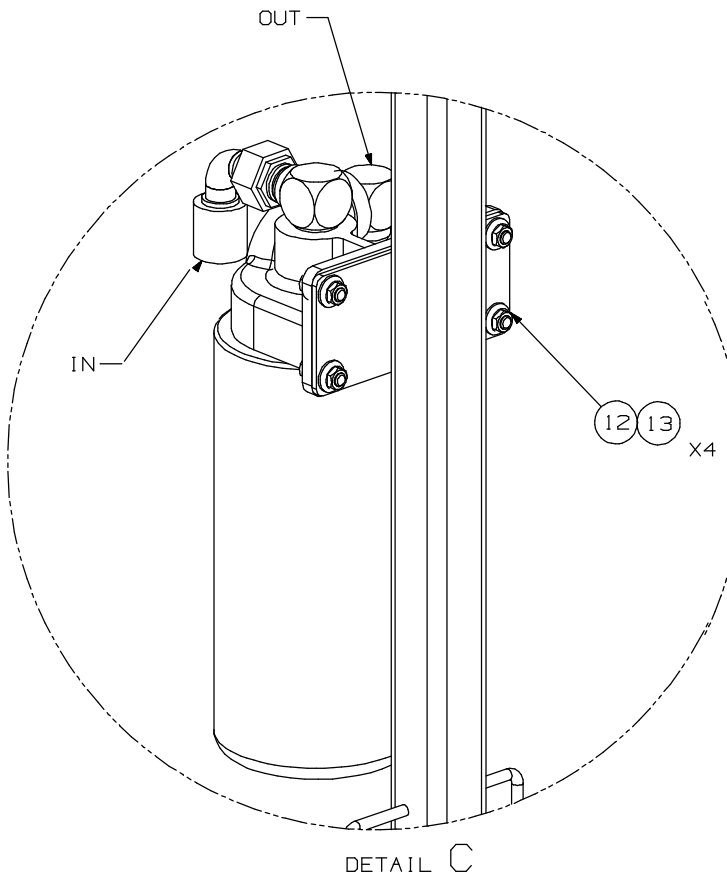
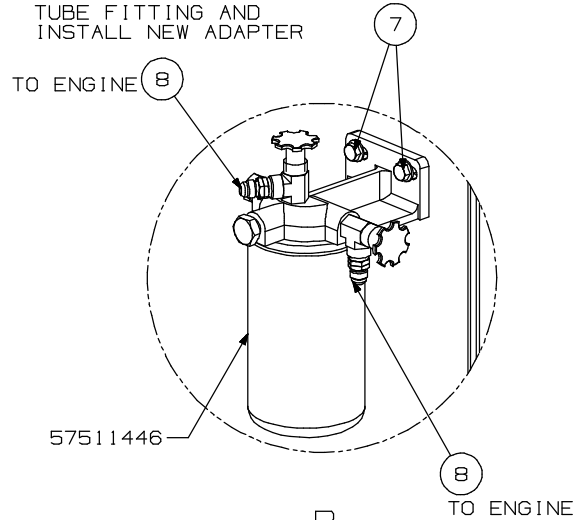
D52329810_02







REMOVE EXISTING
TUBE FITTING AND
INSTALL NEW ADAPTER



52329810

ENCLOSURE INSTALLATION

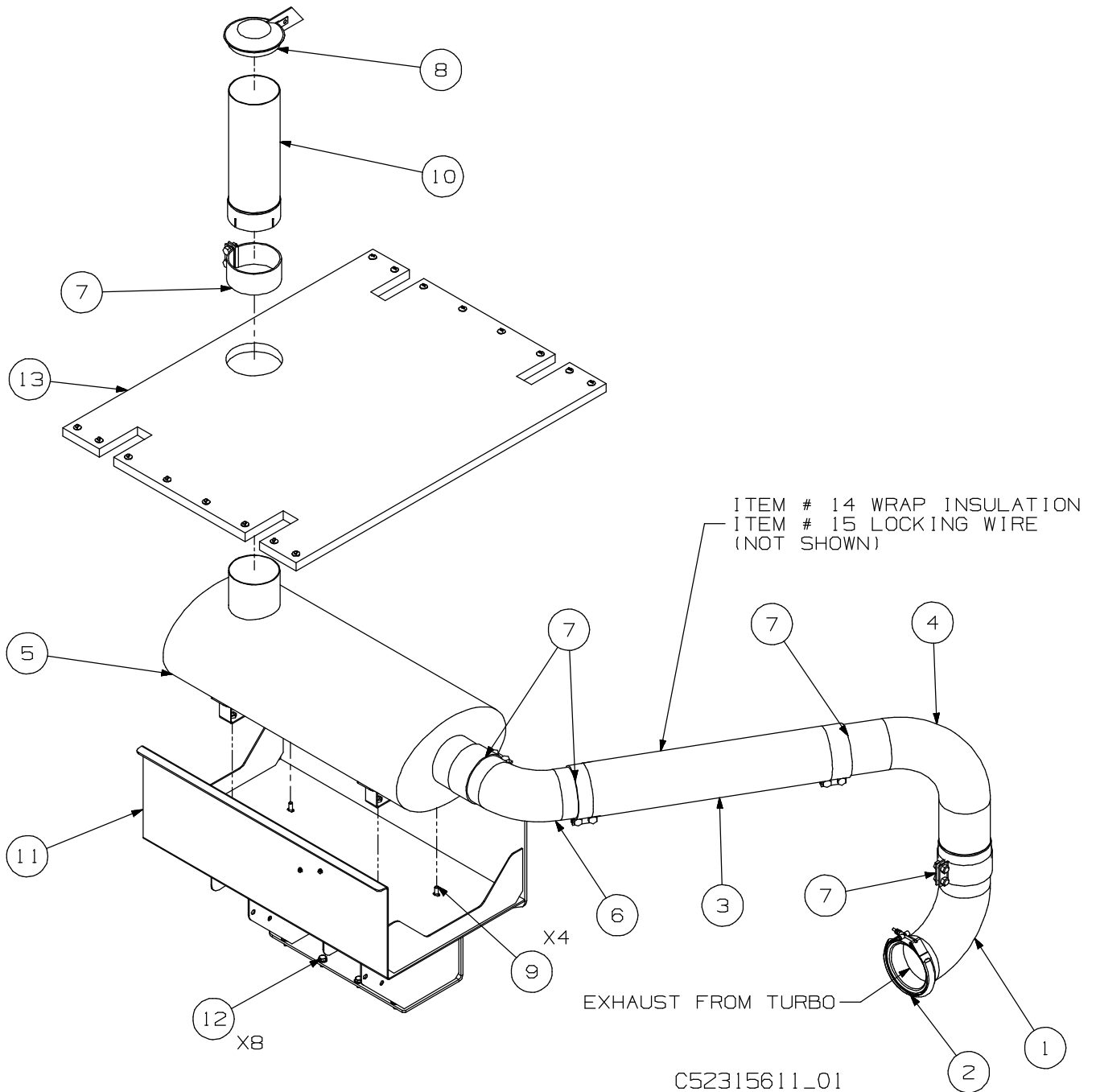
REF.	NO.	PART NO.	QTY.	PART NAME	SERIAL
				REMARKS	NO.
	1	52321569	1	ASSEMBLY, ENCLOSURE <i>REFER TO PAGE 6.5-1</i>	
	2	96702774	23	SCREW, HEX. HD.	
	3	96701982	50	WASHER, FLAT	
	4	96727300	23	LOCKNUT, HEX. HD.	
	5	96704564	12	SCREW, HEX. HD.	
	6	96702501	12	WASHER, FLAT	
	7	96727797	2	BOLT, FLANGED HD.	
	8	95219713	2	ADAPTER	
	9	95303368	1	ADAPTER	
	10	95303335	1	ADAPTER	
	11	95323465	2	PLUG	
	12	96726914	6	BOLT	
	13	96726807	4	LOCKNUT, FLANGED HD.	
	14	52197167	1	ADAPTER	
	15	95278966	2	ADAPTER	
	16	95278958	1	ADAPTER	
	17	95642484	2	ADAPTER	
	18	96714795	3	BOLT, HEX. HD.	
	21	52319142	1	ASSEMBLY, ENCLOSURE DOME LIGHT <i>REFER TO PAGE 6.10-1</i>	
	22	96705728	8	CAPSCREW, HEX. HD.	
	23	96715008	8	LOCKNUT, HEX. HD.	
	24	96702493	8	WASHER, FLAT	
	25	51607380	1	HOURMETER, DRIFTER	
	26	52329711	1	PANEL, GAUGE	
	27	96728480	10	BOLT, FLANGED HD.	
	32	51991172	2	EXTINGUISHER, FIRE	
	33	52327541	1	PANEL, ROOF	
	34	52324621	1	PANEL, DEFLECTOR	
	35	52105392	1	SWITCH, BATTERY DISCONNECT	
	36	96727607	8	BOLT, HEX. FLANGED HD.	
	37	52323029	2	ASSEMBLY, E-STOP SWITCH ENCLOSURE	
	38	50625946	1	GRIP, CORD	
	39	52244605	20	TIE, ADHESIVE MOUNTED	
	42	95302147	1	ELBOW	
	43	95081709	3	WASHER, FLAT	
	44	56947518	1	FITTING, HYD.	
	45	81372831	1	REGULATOR, HEAVY DUTY DIA	
	46	81664658	1	GAUGE	

52329810**ENCLOSURE INSTALLATION**

<i>REF.</i>				
<i>NO.</i>	<i>PART NO.</i>	<i>QTY.</i>	<i>PART NAME</i>	<i>SERIAL</i>
			<i>REMARKS</i>	<i>NO.</i>
47	95279535	1	ELBOW	
48	51903508	1	VALVE, RELIEF	
50	95200093	1	WASHER, FLAT	
51	95081667	1	WASHER, FLAT, WIDE	
52	51984128	3	FITTING, BULKHEAD TEST	
53	96712161	1	CAPSCREW	
54	50977271	1	WASHER	
55	95301875	1	CLAMP, HOSE	

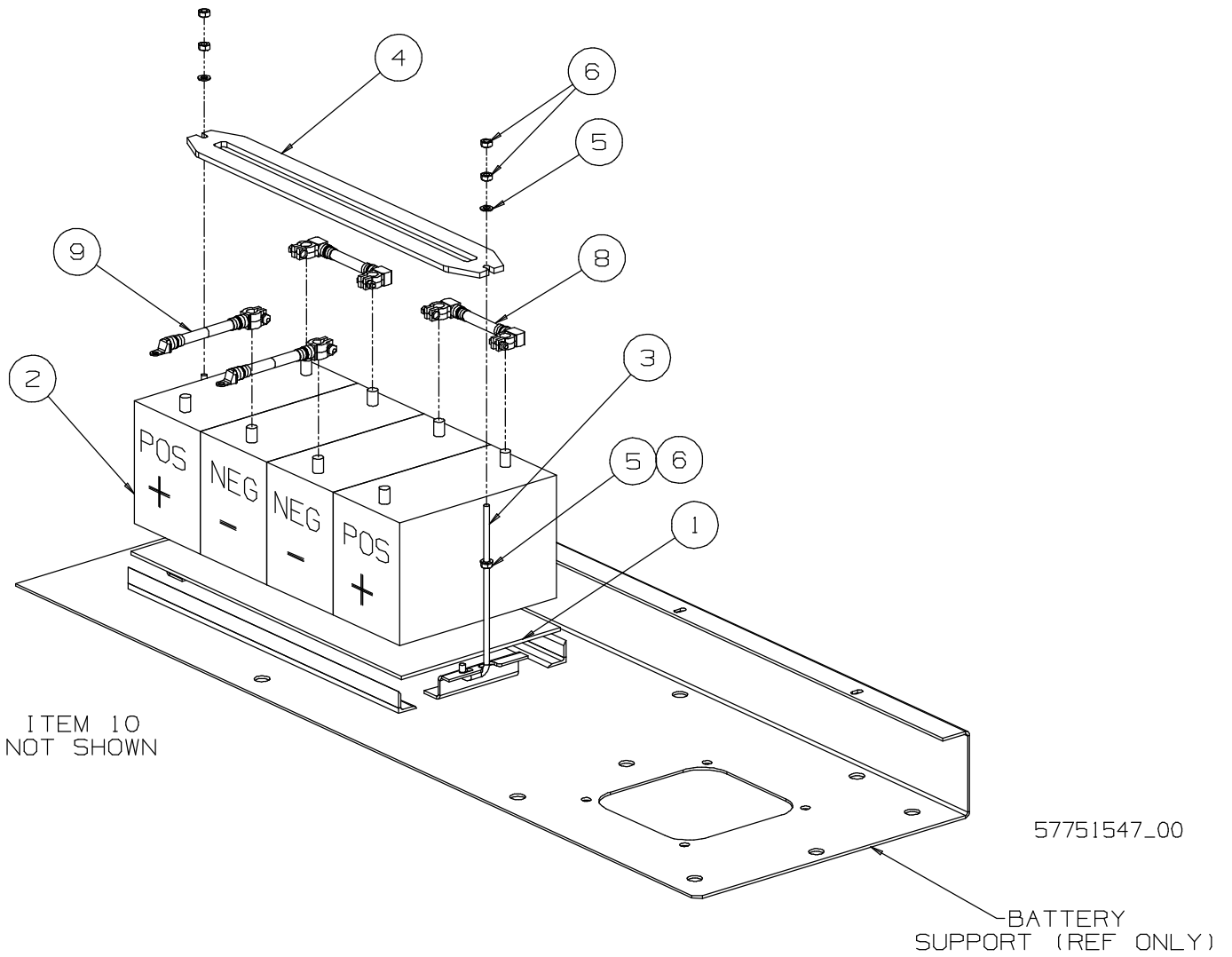
52315611

ENGINE EXHAUST ASSEMBLY



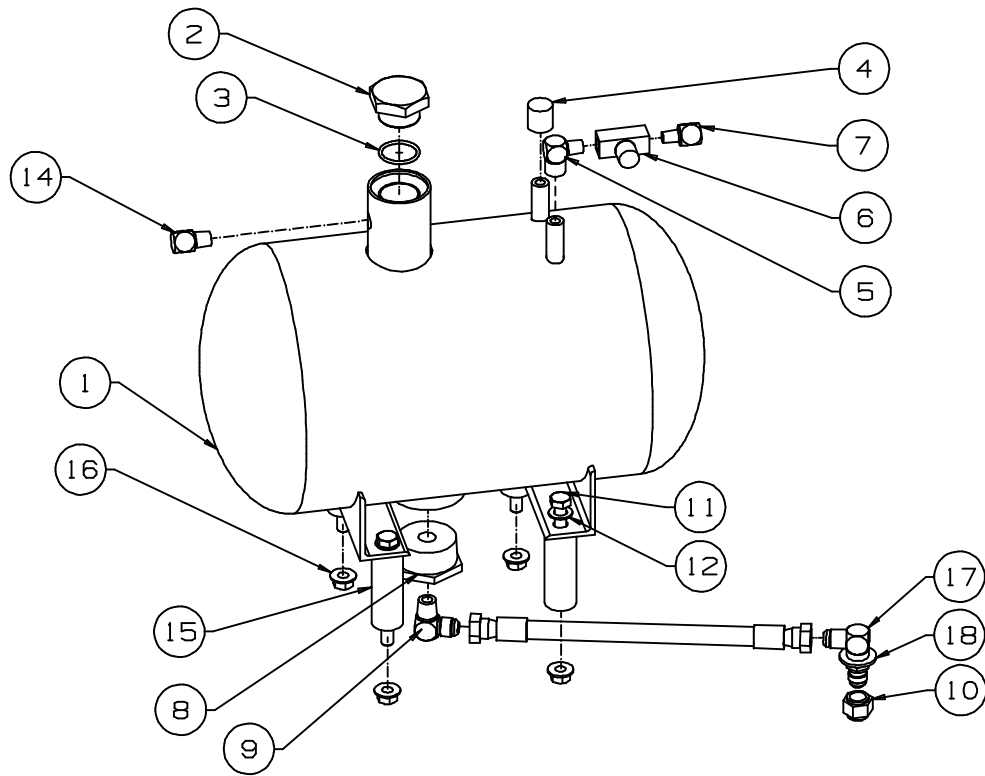
52315611**ENGINE EXHAUST ASSEMBLY****REF.**

NO.	PART NO.	QTY.	PART NAME REMARKS	SERIAL NO.
1	52313913	1	ELBOW, EXHAUST	
2	52315629	0	CLAMP, EXHAUST	
3	52315652	1	TUBING, FLEX	
4	52315660	1	ELBOW, EXHAUST	
5	52313665	1	MUFFLER, EXHAUST	
6	52315678	1	ELBOW, EXHAUST	
7	51608123	5	CLAMP, EXHAUST	
8	51608149	1	CAP, RAIN	
9	96726914	4	BOLT, FLANGED HD.	
10	52315686	1	TUBE, EXHAUST	
11	52313921	1	BRACKET, MUFFLER MOUNTING	
12	96727169	8	BOLT, FLANGED HD.	
13	52319324	1	INSULATION, MUFFLER WRAP	
14	57578718	100	INSULATION, WRAP (FT)	



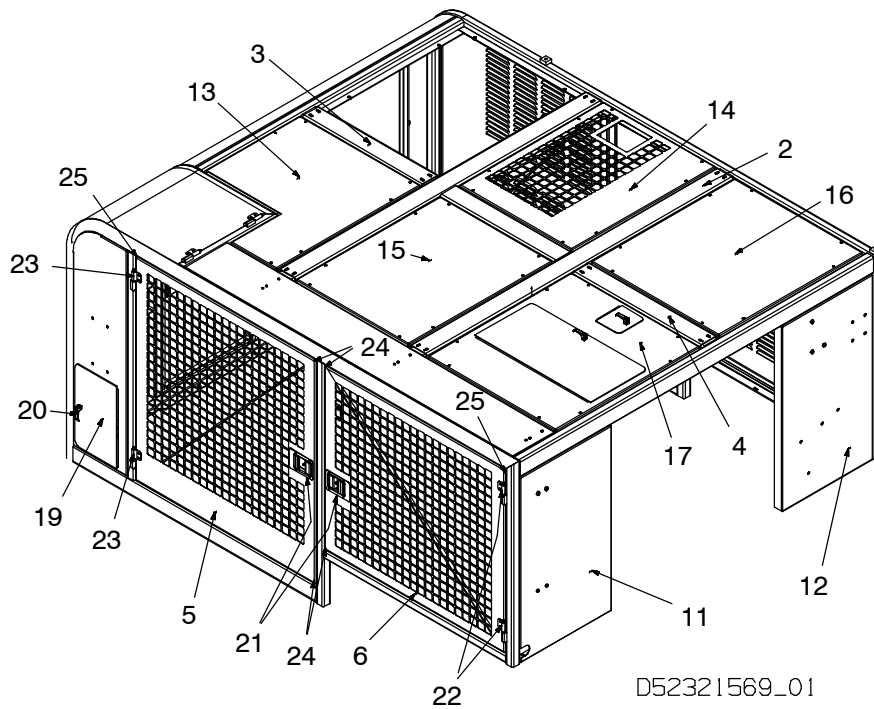
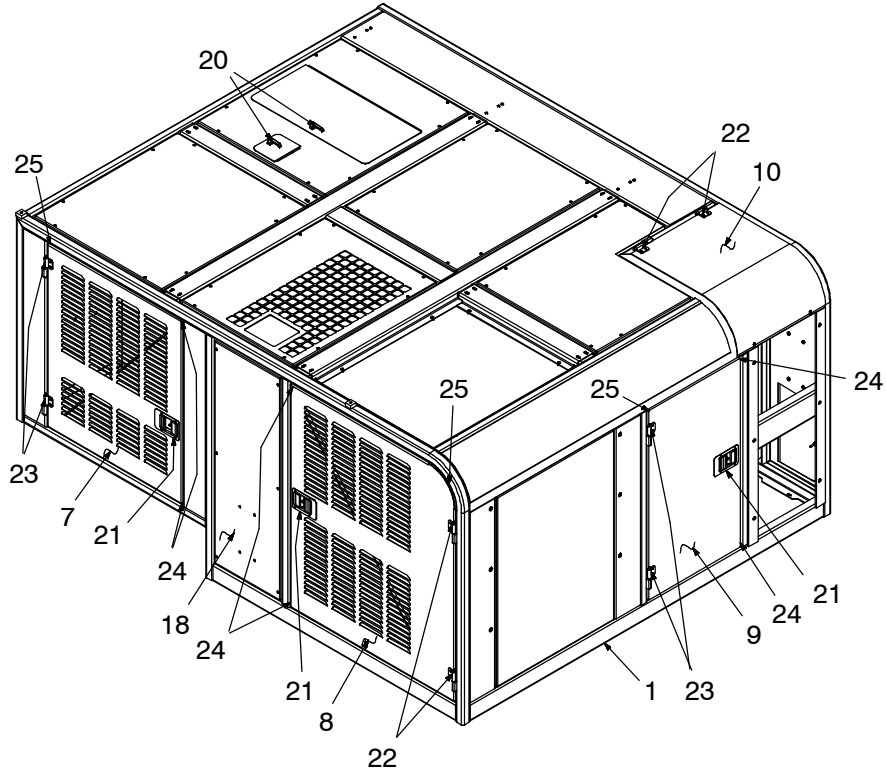
57751547**BATTERY INSTALLATION**

<i>REF. NO.</i>	<i>PART NO.</i>	<i>QTY.</i>	<i>PART NAME REMARKS</i>	<i>SERIAL NO.</i>
1	57751505	2	PAD, INSULATOR	
2	57751513	4	BATTERY	
3	52086238	2	ROD CLAMP, BATTERY	
4	57751521	1	BRACKET	
5	96701982	4	WASHER, FLAT	
6	95922894	6	NUT, HEX. HD.	
8	51775823	2	CABLE, BATTERY (JUMPER)	
9	52324738	2	CABLE, BATTERY (NEG)	
10	51858132	2	WRAP, SPIRAL (12 FT)	



52327277**LUBRICATOR ASSEMBLY**

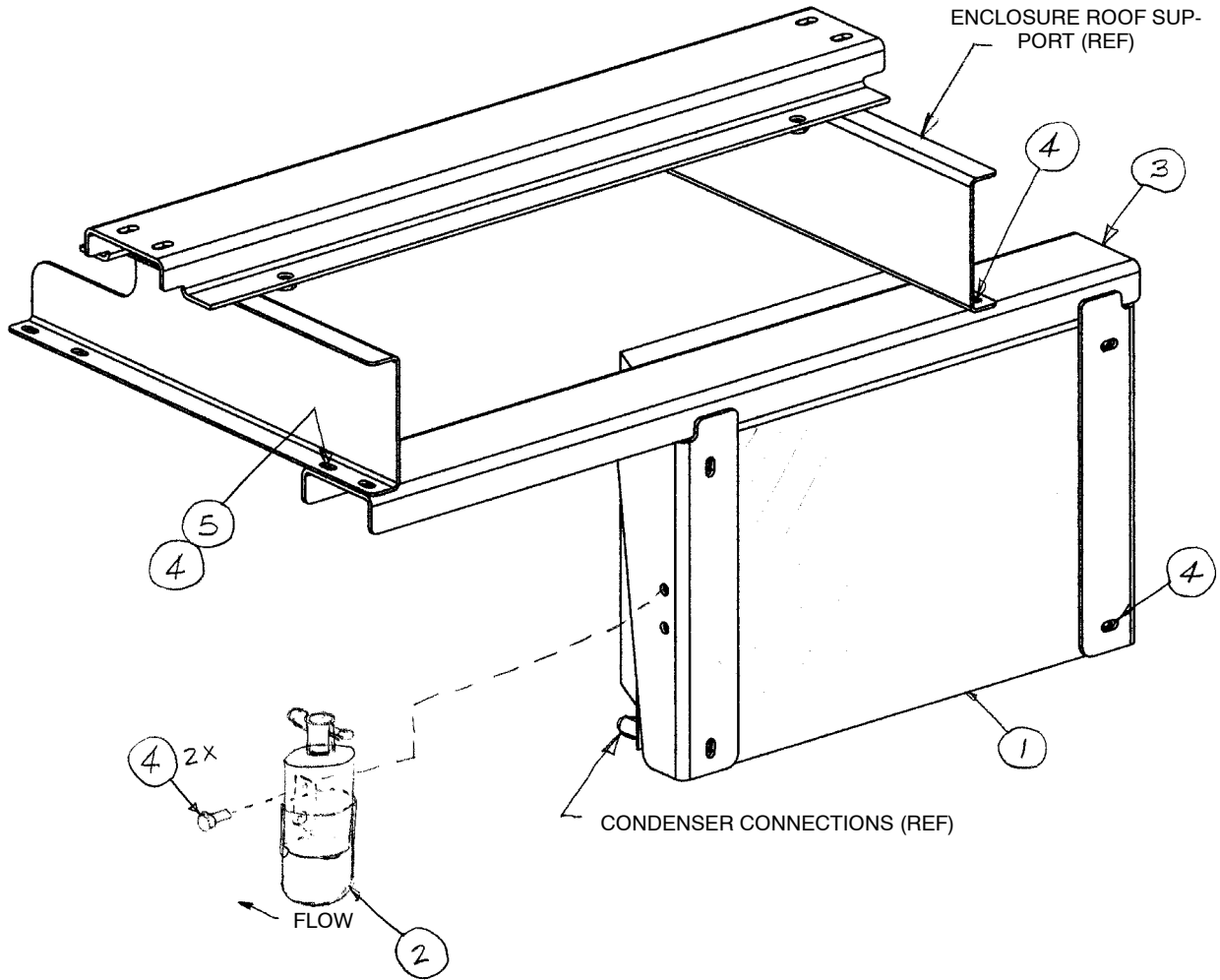
REF. NO.	PART NO.	QTY.	PART NAME REMARKS	SERIAL NO.
1	51910859	1	TANK, LUBE (6.4 GAL)	
2	35579630	1	PLUG	
3	35279942	1	O-RING	
4	95654372	1	CAP	
5	95424370	1	ELBOW	
6	51005627	1	VALVE, NEEDLE	
7	95209094	1	ELBOW	
8	95038261	1	BUSHING, REDUCING	
9	95279535	1	ELBOW	
10	95257325	1	CAP	
11	96745393	4	CAPSCREW	
12	96700844	4	WASHER	
14	95279493	1	ELBOW	
15	52326782	4	SPACER	
16	96727730	4	NUT	
17	95278966	1	FITTING	
18	96702568	2	WASHER	



D52321569_01

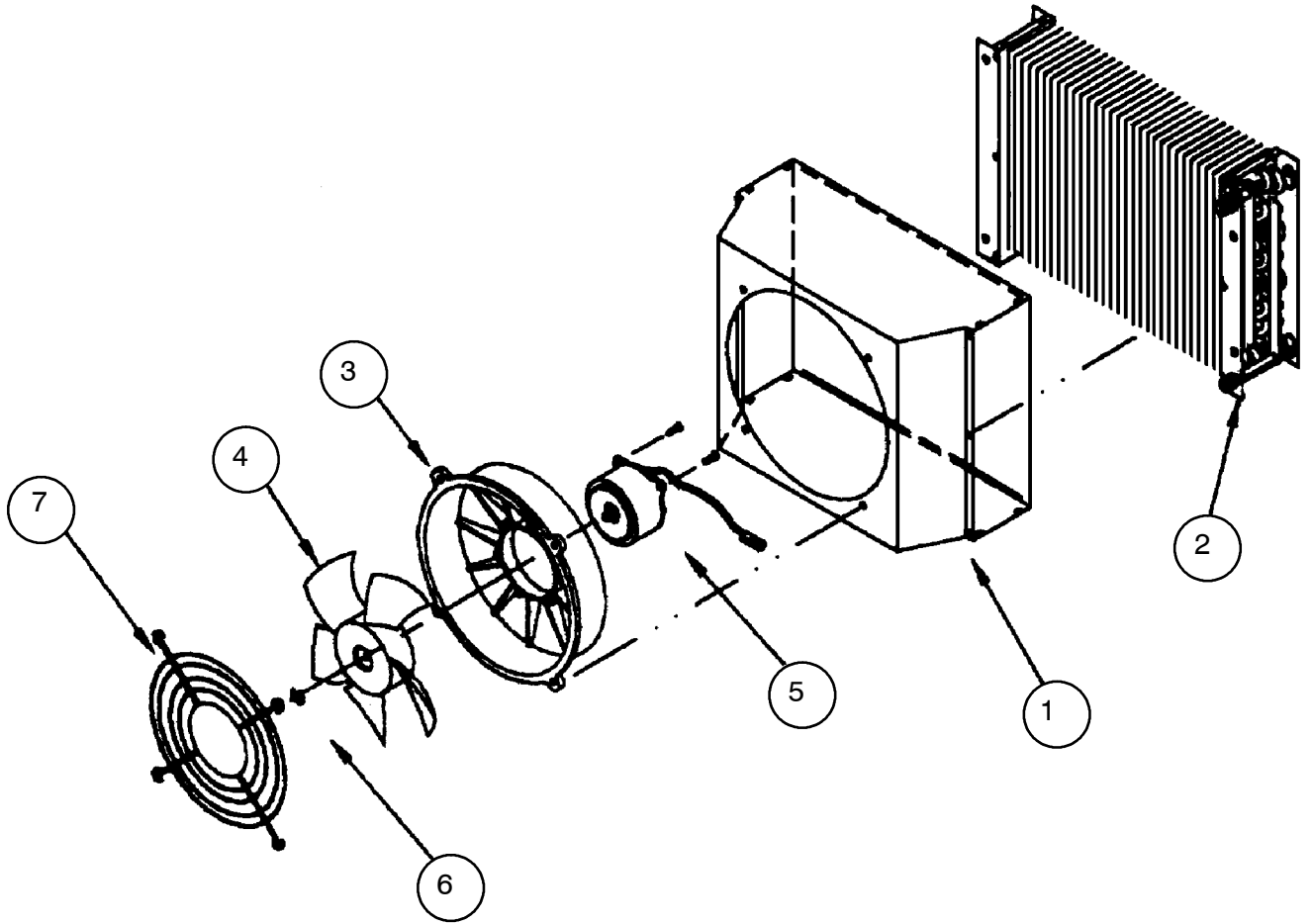
52321569**ENCLOSURE ASSEMBLY**

REF. NO.	PART NO.	QTY.	PART NAME REMARKS	SERIAL NO.
1	52315744	1	WELDMENT, FRAME	
2	52315819	1	WELDMENT, MAIN GRID	
3	52316395	1	MEMBER, GRID	
4	52315827	1	MEMBER, GRID	
5	52316361	1	DOOR, RIGHT REAR	
6	52316379	1	DOOR, RIGHT FRONT	
7	52316353	1	DOOR, LEFT FRONT	
8	52316346	1	DOOR, LEFT REAR	
9	52316387	1	DOOR, REAR	
10	52313954	1	DOOR, TOP ACCESS	
11	52315751	1	PANEL, RIGHT FRONT	
12	52315769	1	PANEL, LEFT FRONT	
13	52316130	1	PANEL, RIGHT REAR	
14	52316122	1	PANEL, LEFT MID TOP	
15	52316114	1	PANEL, MID TOP RIGHT	
16	52316106	1	PANEL, LEFT FRONT TOP	
17	52316098	1	PANEL, RIGHT FRONT TOP	
18	52316163	1	PANEL, SIDE BOLT-ON	
19	52316148	1	DOOR, SIDE ACCESS	
20	52316403	3	LATCH, LIFT & TURN	
21	52290764	5	LATCH, SLAM	
22	52307311	6	WELDMENT, HINGE (RH)	
23	52307303	6	WELDMENT, HINGE (LH)	
24	52307501	10	BUMPER, DOOR	
25	52315835	5	SPRING, DOOR	



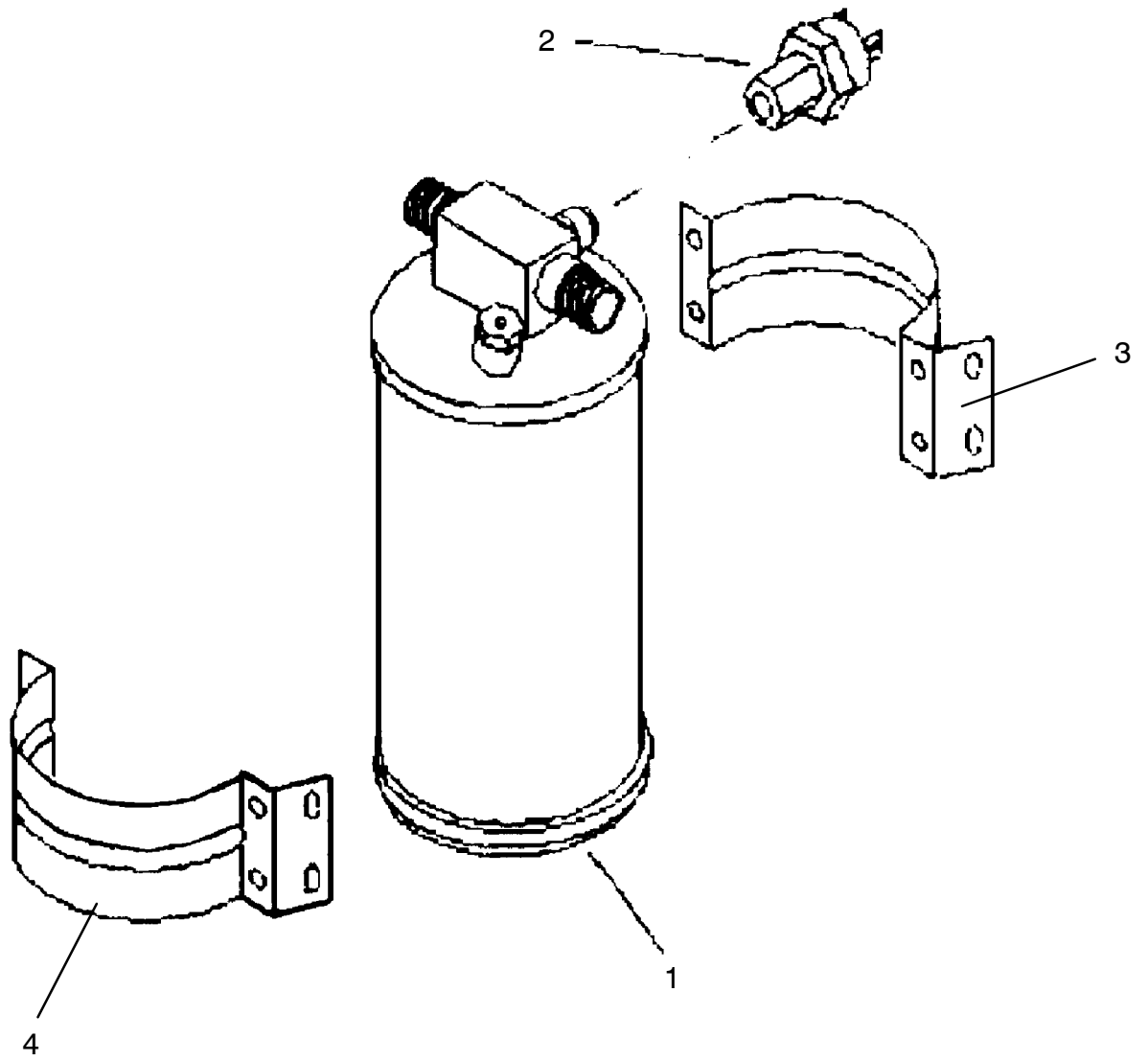
52321379**A/C CONDENSER INSTALLATION**

REF. NO.	PART NO.	QTY.	PART NAME REMARKS	SERIAL NO.
1	52322245	1	CONDENSER, A/C <i>REFER TO PAGE 6.7-1</i>	
2	52322252	1	ASSEMBLY, A/C RECEIVER DRIER <i>REFER TO PAGE 6.8-1</i>	
3	52321353	1	BRACKET, MOUNTING	
4	96727193	10	BOLT, FLANGED HD.	
5	96726799	2	LOCKNUT, FLANGED HD.	



52322245**A/C CONDENSER**

<i>REF.</i>				
<i>NO.</i>	<i>PART NO.</i>	<i>QTY.</i>	<i>PART NAME</i>	<i>SERIAL</i>
			<i>REMARKS</i>	<i>NO.</i>
1	52322179	1	CASING, CONDENSER	
2	52322187	1	COIL, CONDENSER	
3	52322195	1	VENTURI, CONDENSER	
4	52322203	1	FAN, CONDENSER	
5	52322211	1	MOTOR, CONDENSER (24V)	
6	52322229	1	C-CLIP, CONDENSER MOTOR SHAFT	
7	52322237	1	GUARD, CONDENSER FAN FINGER	
8	51716066	1	RELAY, 24 VDC	



52322252

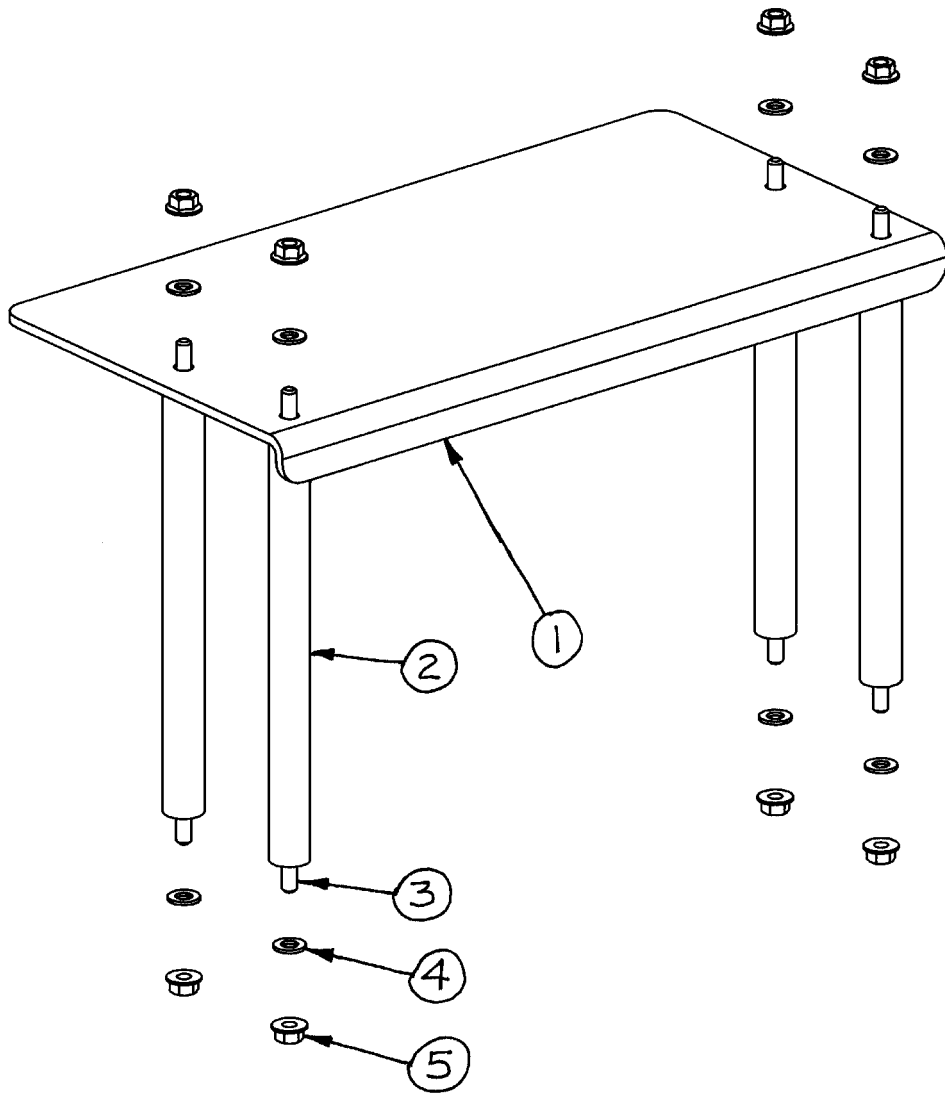
A/C RECEIVER DRIER ASSEMBLY

<i>REF.</i>				
<i>NO.</i>	<i>PART NO.</i>	<i>QTY.</i>	<i>PART NAME</i>	<i>SERIAL</i>
			<i>REMARKS</i>	<i>NO.</i>
1	52322260	1	DRIER, RECEIVER	
2	52322278	1	SWITCH, PRESSURE	
3	NSS	1	BRACKET, MOUNTING	
4	NSS	1	BRACKET, MOUNTING	

NSS NOTICE: THESE PARTS ARE NOT SOLD SEPARATELY.

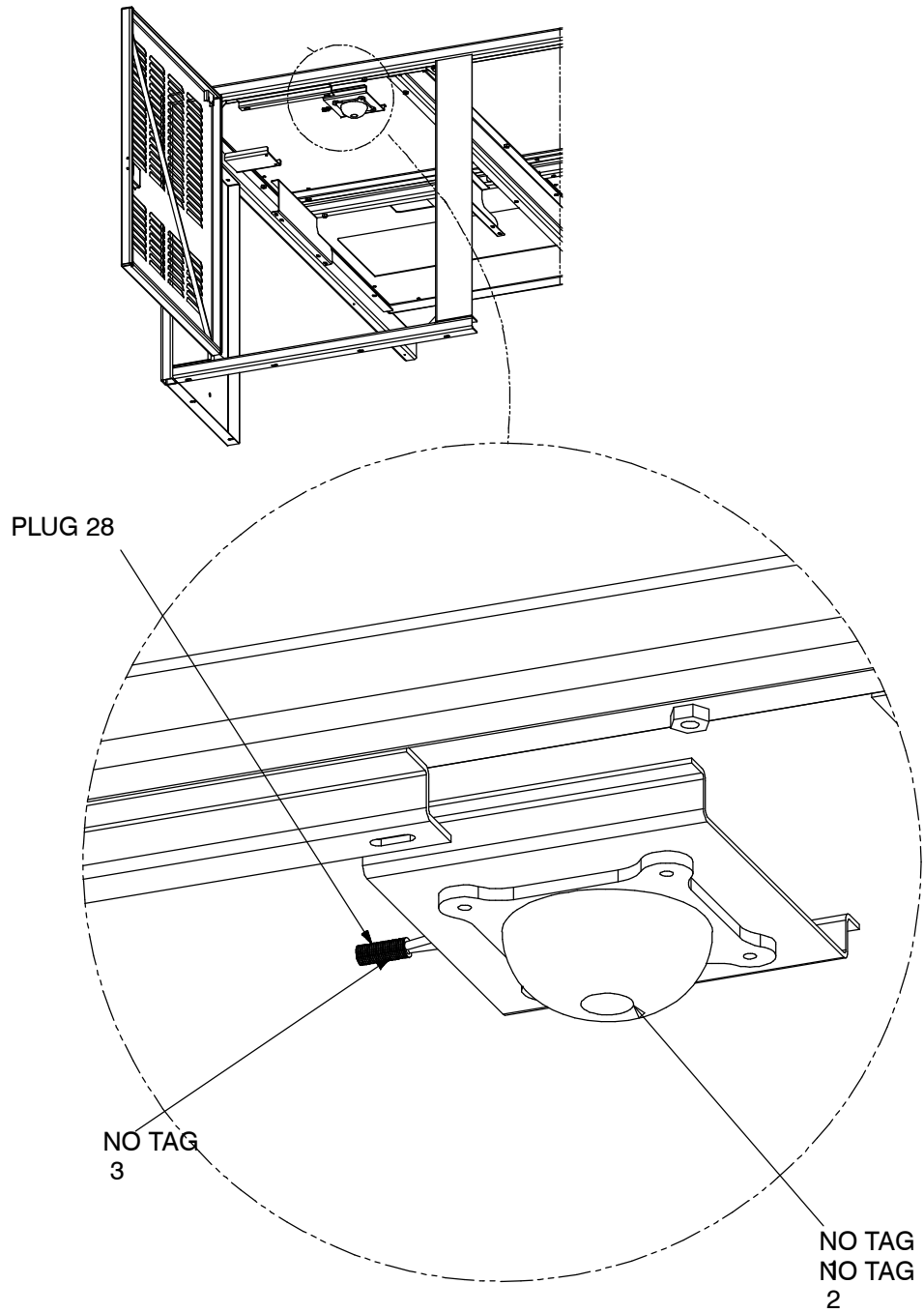
52329703

AUXILIARY CONTROL VALVE COVER ASSEMBLY



52329703**AUXILIARY CONTROL VALVE COVER ASSEMBLY**

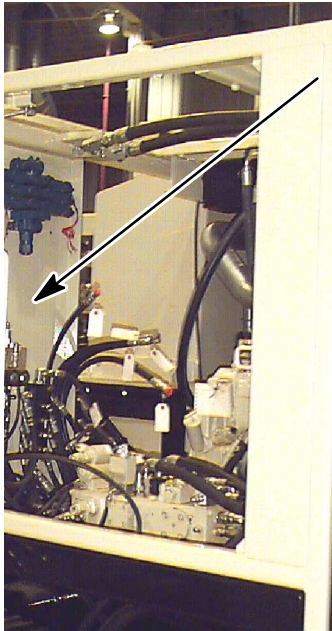
<i>REF. NO.</i>	<i>PART NO.</i>	<i>QTY.</i>	<i>PART NAME REMARKS</i>	<i>SERIAL NO.</i>
1	52329687	1	COVER, VALVE ASSEMBLY	
2	52329695	4	SPACER, VALVE COVER	
3	52329737	4	ROD, THREADED	
4	03167905	8	WASHER, PLAIN	
5	95077269	8	NUT, HEX. HD.	



C52319142_01

52319142**ENCLOSURE DOME LIGHT ASSEMBLY**

<i>REF. NO.</i>	<i>PART NO.</i>	<i>QTY.</i>	<i>PART NAME REMARKS</i>	<i>SERIAL NO.</i>
1	52322161	1	LENS, DOME LIGHT	
2	52322146	1	BULB, LIGHT	
3	52322153	1	CONNECTOR, ELECTRICAL	



LOCATION

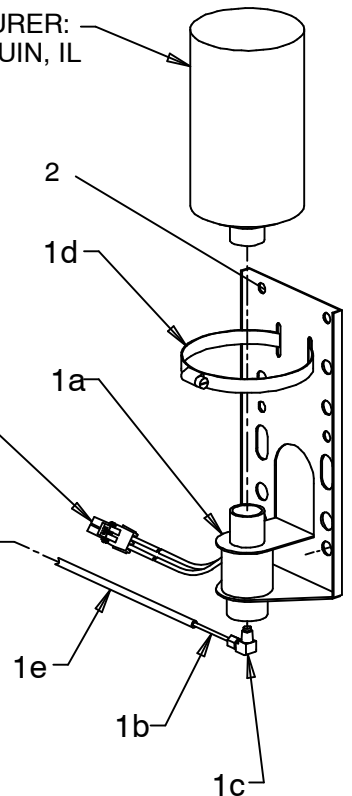
ETHER CANISTER BRACKET LOCATED BEHIND GAUGES



ORDER DIRECTLY FROM MANUFACTURER:
KOLD BAN INTERNATIONAL, ALGONQUIN, IL
60102. KBI PART NUMBER 020020.

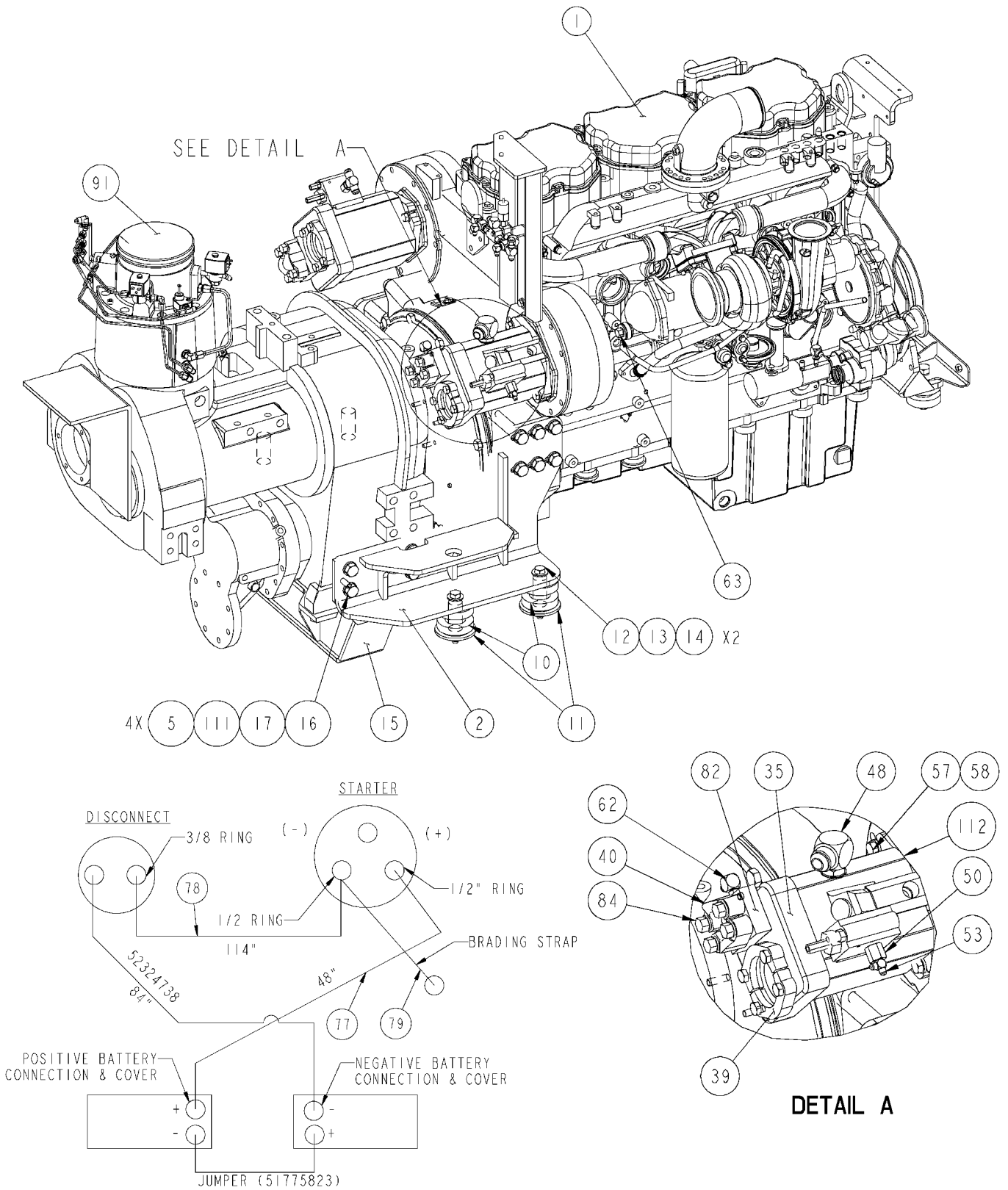
ELECTRICAL CONNECTOR FOR
ETHER INJECTION SOLENOID

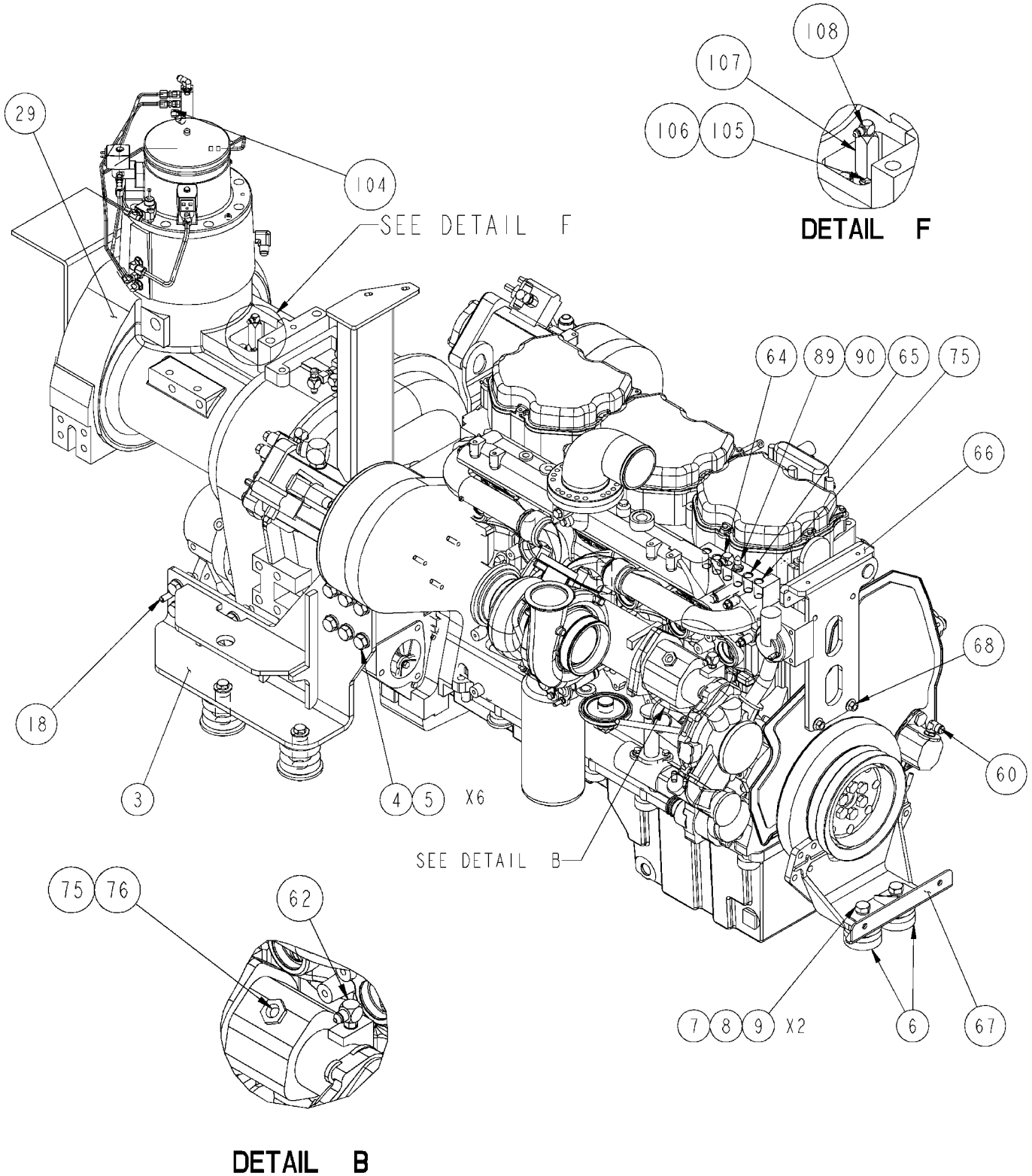
TO ETHER INJECTION NOZZLE ON ENGINE



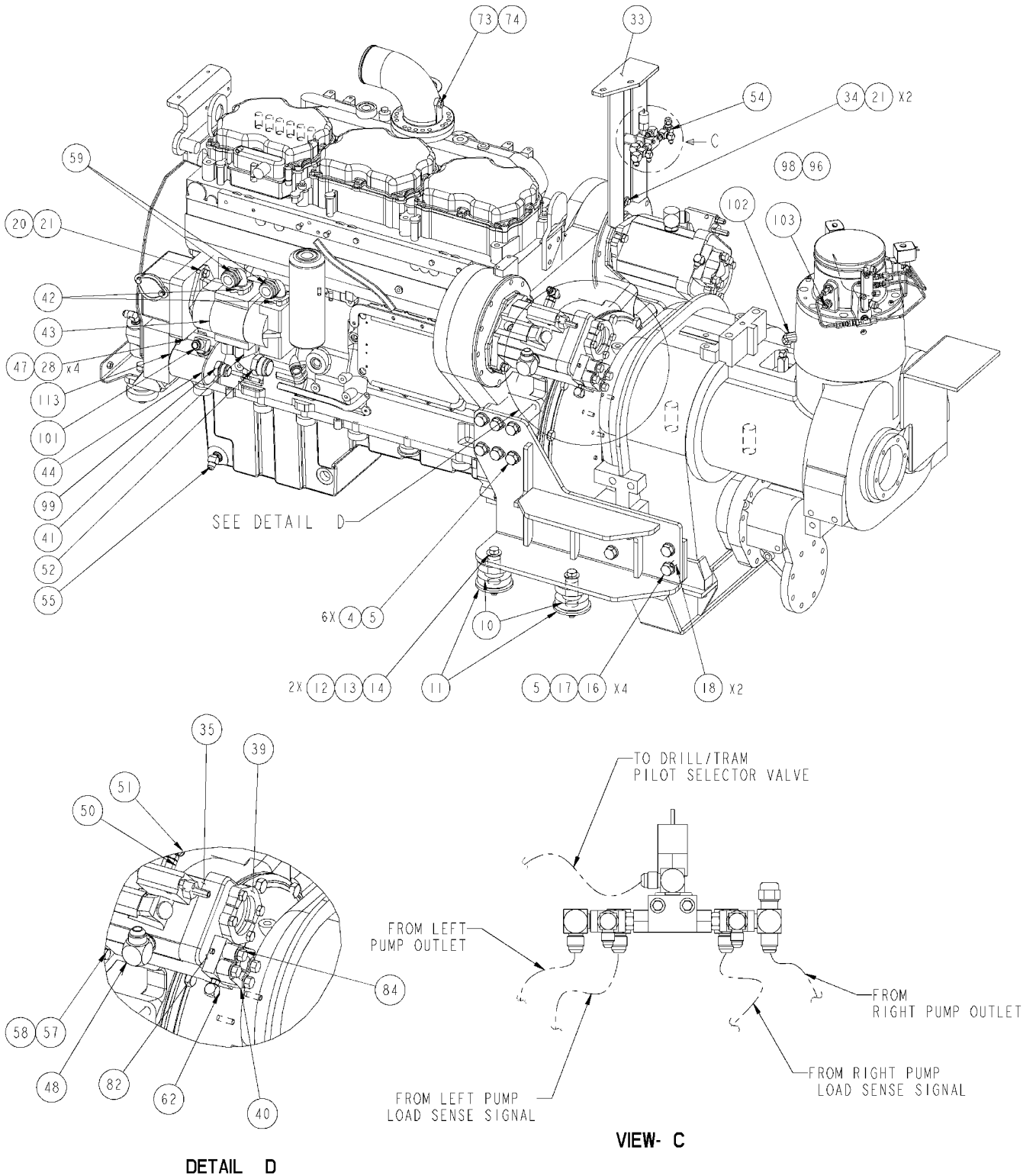
52325156**ETHER INJECTION ASSEMBLY**

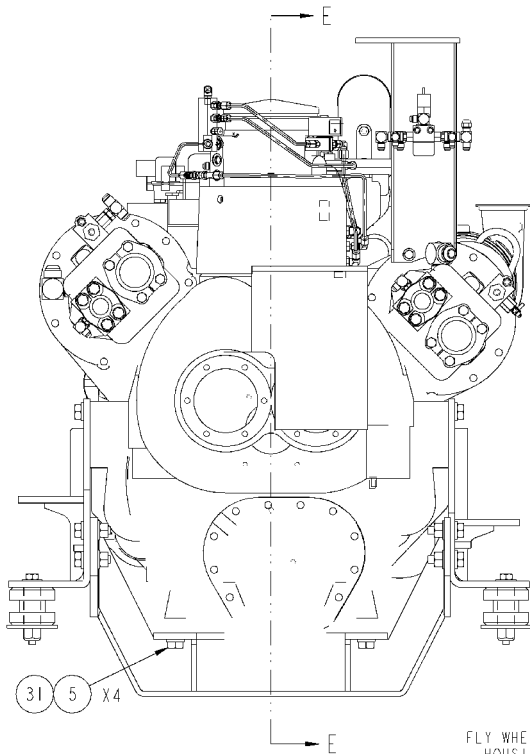
<i>REF.</i>				
<i>NO.</i>	<i>PART NO.</i>	<i>QTY.</i>	<i>PART NAME</i>	<i>SERIAL</i>
			<i>REMARKS</i>	<i>NO.</i>
1	52099827		ETHER INJECTION KIT	
1a	51789790	1	.VALVE	
1b	51789808	1	.TUBING	
1c	51308666	1	.BLOCKOR	
1d	51308682	1	.CLAMP	
1e	51792968	1	.LOOM	
2	96728480	4	BOLT, FLANGED HD.	
3	51919488	1	LOOM, 10 IN.	



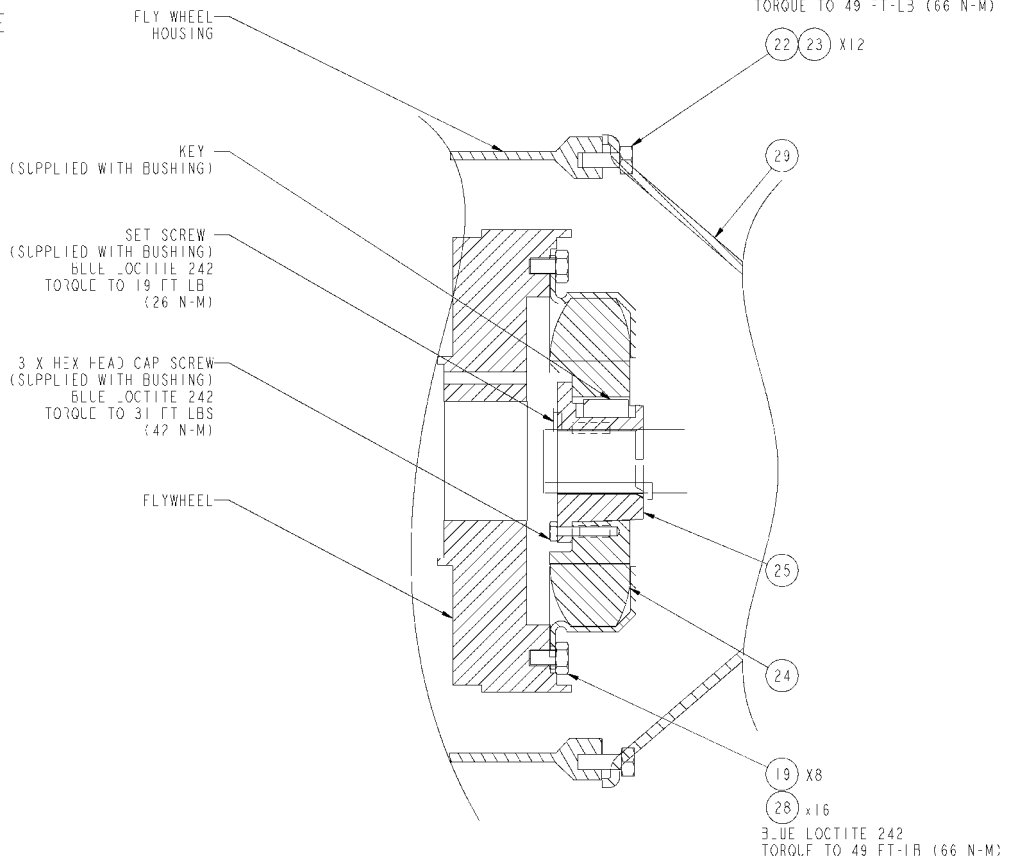


1. #63 IS ON THE LOWER SIDE OF THE COOLER GP--ENGINE OIL(CLOSE TO RH PUMP.)
2. #61 IS ON FUEL INJECTOR VALVE.
3. ITEM #46 IS ON REMOTE FILTER ADAPTER.





31 5 X4



SECTION E-E

57709180

POWER PACK INSTALLATION

<i>REF.</i>	<i>PART NO.</i>	<i>QTY.</i>	<i>PART NAME</i>	<i>SERIAL</i>
<i>NO.</i>			<i>REMARKS</i>	<i>NO.</i>
1	52313731	1	ENGINE, DIESEL	
2	52325040	1	BRACKET, ENGINE SUPPORT (L)	
3	52325032	1	BRACKET, ENGINE SUPPORT (R)	
4	95920021	12	BOLT, HEX. HD.	
5	51377349	48	WASHER, DISC-LOK	
6	52324928	2	ISOLATOR, ENGINE FRONT	
7	95920104	2	BOLT, HEX. HD.	
8	95943916	2	LOCKNUT, HEX HD.	
9	50959030	8	WASHER, FLAT	
10	52324936	4	MOUNT, CENTER BONDED	
11	52086188	4	WASHER, ISOLATOR	
12	95983318	4	BOLT, HEX. HD.	
13	95955886	4	LOCKNUT	
14	96704150	4	WASHER, FLAT	
15	52324860	1	BRACKET, COMPRESSOR SUPPORT	
16	95920047	8	BOLT	
17	95077822	8	HEX NUT	
18	95078283	4	PIN, ROLL	
19	95818837	8	CAPSCREW	
20	95919569	2	CAPSCREW, HEX. HD.	
21	51377372	6	WASHER, DISC-LOK	
22	95388575	12	SCREW,CAP	
23	51377380	12	WASHER,FLAT	
24	35834795	1	COUPLING, DRIVE AIREND	
25	52106796	1	BUSHING	
28	51377398	20	WASHER, DISC-LOK	

57709180

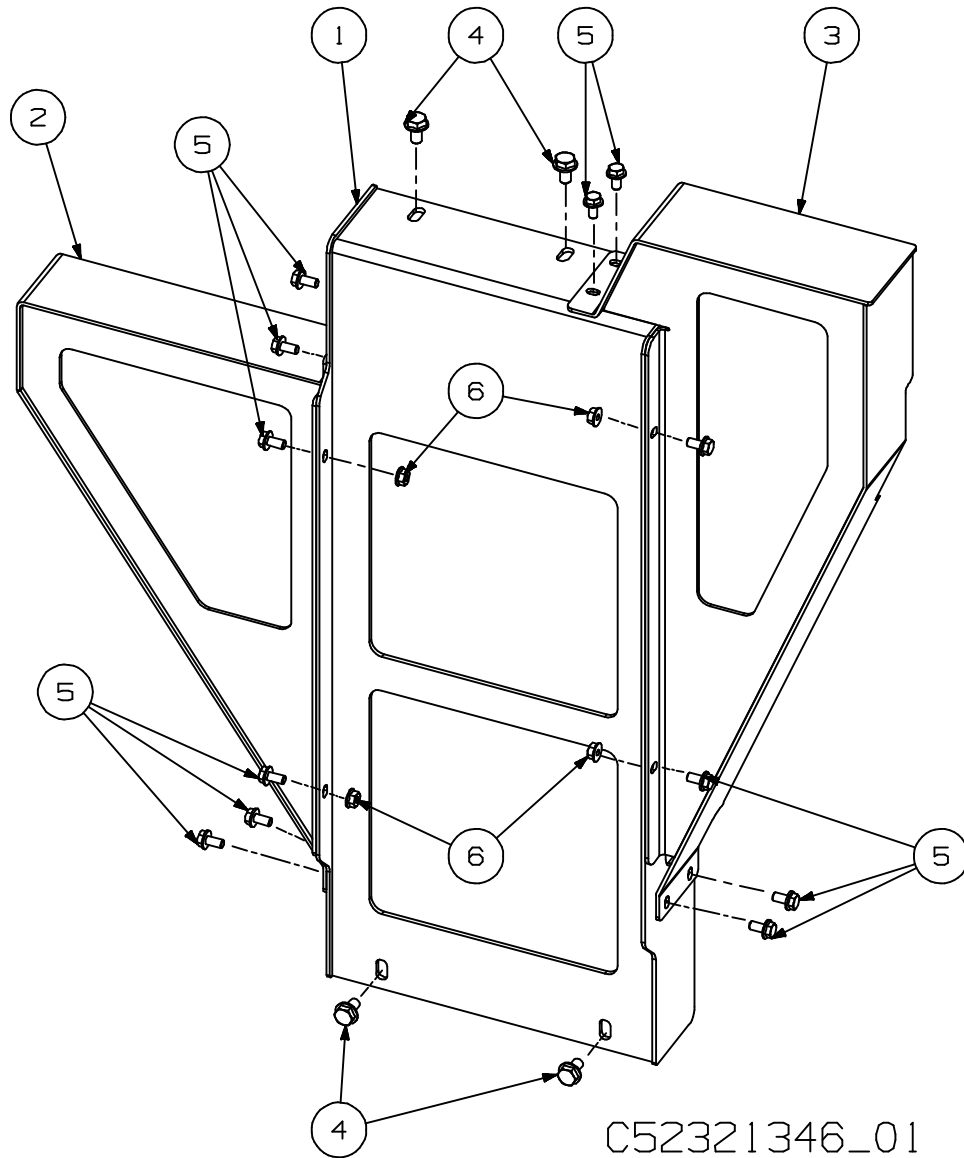
POWER PACK INSTALLATION

<i>REF.</i>	<i>PART NO.</i>	<i>QTY.</i>	<i>PART NAME</i>	<i>SERIAL</i>
<i>NO.</i>	<i>PART NO.</i>	<i>QTY.</i>	<i>REMARKS</i>	<i>NO.</i>
29	35086347	1	ASSEMBLY, AIR END	
	36746410	1	.GEAR SET	
	35366657	1	.PUMP, OIL	
	36783710	1	.COUPLING ASSY	
	35092279	1	.STRAINER ASSY	
	36502870	1	.DECAL, FILTER MAINT.	
	36860336	2	.ELEMENT,OIL FILTER	
30	95919254	12	CAPSCREW, HEX. HD.	
31	96704440	4	CAPSCREW, HEX. HD.	
35	52314382	2	ASSEMBLY, FEED/ROTATION HYDRAULIC PUMP	
	52320884	1	.PUMP	
	52320892	1	..GROUP,ROTARY	
	52315058	1	.VALVE,PILOT	
	51352862	3	..O-RING	
	51352839	4	..SCREW, SOCKET	
	51352870	1	..PLUG	
39	51366615	2	KIT, FLANGE	
40	51366649	2	KIT, FLANGE	
41	51914299	1	KIT, FLANGE	
42	52086329	2	KIT, FLANGE	
43	52311479	1	PUMP, HYDRAULIC TANDEM (FAN)	
	52314853	1	.KIT, SEAL	
44	57693814	1	PUMP, HYDRAULIC GEAR (DUST COLLECTOR)	
46	95329983	1	CONNECTOR	
47	96714738	2	CAPSCREW, HEX. HD.	
48	95368890	2	ADAPTER	
50	35287945	2	ADAPTER, EXPANDER	
51	95188710	1	ADAPTER, TEE	
52	57347411	1	ADAPTER	
53	95003166	1	ADAPTER, TEE	
54	52316825	1	ASSEMBLY, LOAD SENSE SHUTTLE VALVE <i>REFER TO PAGE 9.28-1</i>	
55	95280152	1	ADAPTER	
57	95919817	4	CAPSCREW	
58	51377356	8	WASHER	
59	52311081	2	ADAPTER	
60	95303335	1	ADAPTER	
61	95372173	1	ADAPTER	
62	95653614	3	ADAPTER	

57709180

POWER PACK INSTALLATION

<i>REF.</i>				
<i>NO.</i>	<i>PART NO.</i>	<i>QTY.</i>	<i>PART NAME</i>	<i>SERIAL</i>
			<i>REMARKS</i>	<i>NO.</i>
63	95219713	1	ADAPTER	
64	95209094	1	ADAPTER	
65	51713451	1	ADAPTER	
66	52319407	1	BRACKET, RADIATOR TUBE MOUNTING	
67	52319415	1	BRACKET, MOUNTING	
68	96726815	2	LOCKNUT, FLANGED HD.	
73	95038030	1	BUSHING	
74	51792976	1	NOZZLE, ETHER INJECTION	
75	51713436	2	CONNECTOR, HOSE	
76	95037438	1	BUSHING, PIPE	
77	52324712	1	CABLE, BATTERY (+)	
78	52324720	1	CABLE, BATTERY (-)	
79	52117603	1	CABLE, BATTERY (GRD STRAP)	
80	52324746	1	CABLE, GROUND	
82	52325461	1	SPACER, GAUGE PORT ADAPTER	
84	96711924	4	CAPSCREW	
88	95654208	2	CLAMP, VINYL HOSE	
89	95037347	1	BUSHING, PIPE	
90	52301041	1	SENSOR, FAN TEMPERATURE	
91	39922877	1	UNLOADER, AIR END	
			<i>REFER TO PAGE 8.1-1</i>	
99	95371217	1	CONNECTOR, STRT THRD	
101	95359410	1	ELBOW	
102	95279535	1	FITTING	
103	95219721	1	FITTING	
104	51298198	1	ORIFICE	
105	95316972	1	CONNECTOR	
106	95266425	1	O-RING	
107	57552275	1	CHECK VALVE	
108	95293403	1	ELBOW	
111	95200093	8	WASHER	
112	57677643	2	SEAL, O-RING	
113	95022117	1	O-RING	
114	57744260	1	THERMAL VALVE	
252	56961774	0	HOSE ASSY	
253	56956014	0	HOSE ASSY	

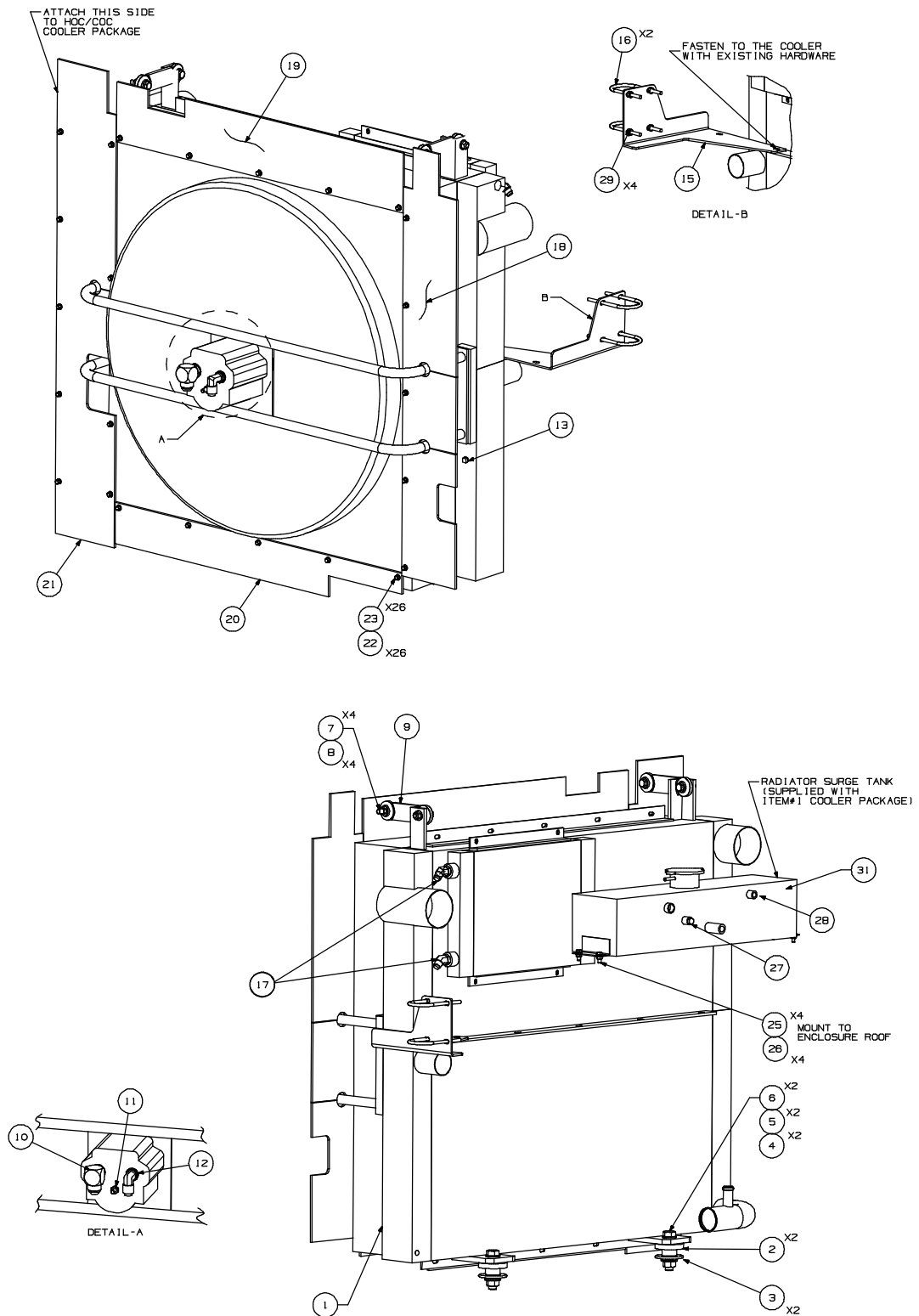


52321346**BELTGUARD ASSEMBLY**

<i>REF.</i>				
<i>NO.</i>	<i>PART NO.</i>	<i>QTY.</i>	<i>PART NAME</i>	<i>SERIAL</i>
			<i>REMARKS</i>	<i>NO.</i>
1	52319423	1	BELTGUARD, ENGINE	
2	52319431	1	BELTGUARD, ALTERNATER	
3	52319506	1	BELTGUARD, A/C COMPRESSOR	
4	96727169	4	BOLT, FLANGED HD.	
5	96728480	12	BOLT, FLANGED HD.	
6	96726799	4	LOCKNUT, FLANGED HD.	

52314085

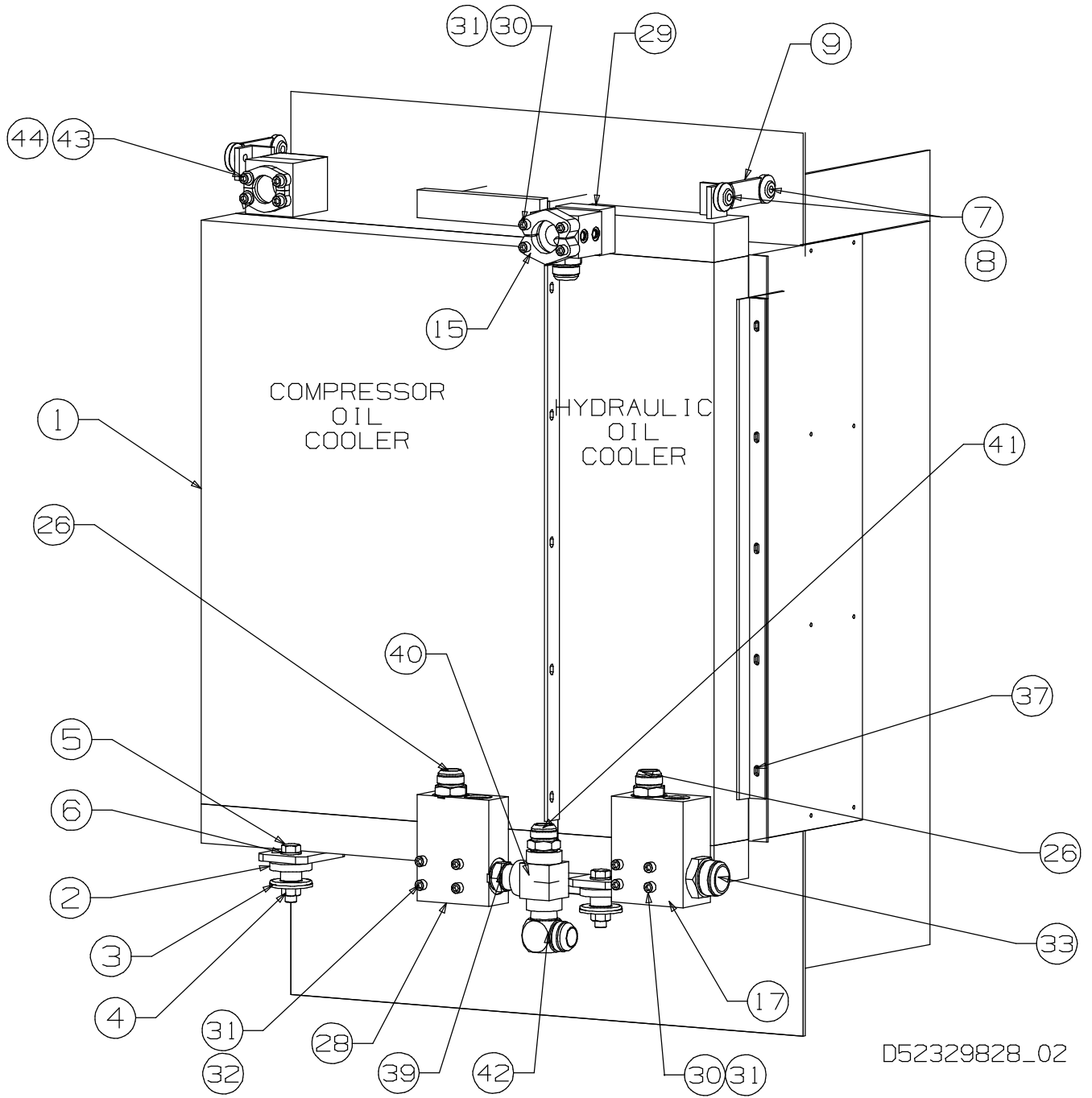
RADIATOR/CHARGE AIR COOLER ASSEMBLY



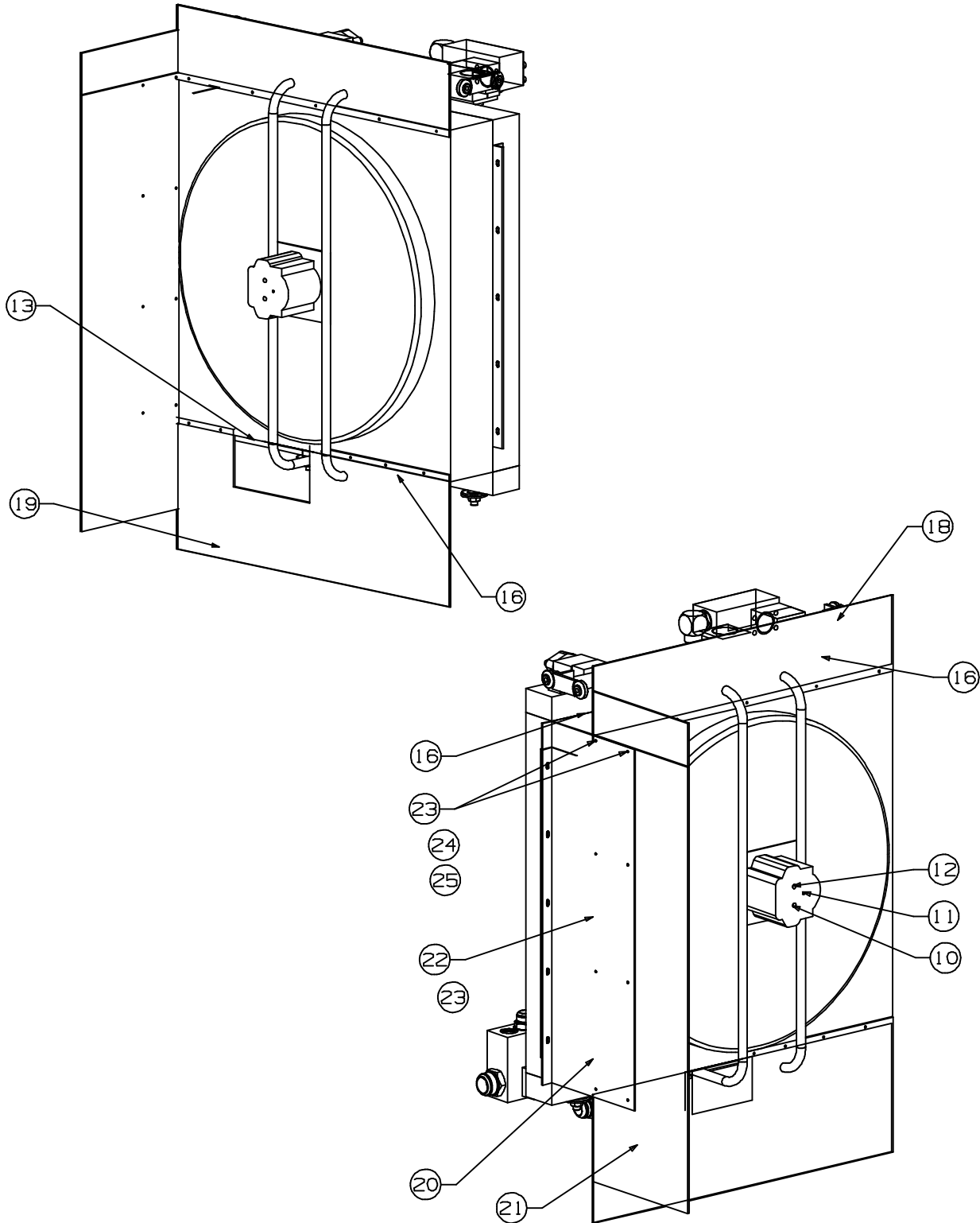
D52314085_05

52314085**RADIATOR/CHARGE AIR COOLER ASSEMBLY**

REF. NO.	PART NO.	QTY.	PART NAME REMARKS	SERIAL NO.
1	52313756	1	COOLER, RADIATOR/CHARGE AIR <i>REFER TO PAGE 7.7-1</i>	
2	51061661	2	ISOLATOR	
3	57314825	2	WASHER, ISOLATOR	
4	96727755	2	LOCKNUT, FLANGED	
5	96704044	2	BOLT	
6	96702568	2	WASHER, FLAT	
7	96727185	4	BOLT, FLANGED	
8	96727730	4	LOCKNUT, FLANGED	
9	52116761	2	STRUT, SUPPORT	
10	95368890	1	ADAPTER	
11	95365078	1	ADAPTER	
12	95280186	1	ADAPTER	
13	95033601	1	PLUG, PIPE	
15	52316601	1	BRACKET, SUPPORT	
16	51874220	2	U-BOLT	
17	95280152	2	ADAPTER	
18	52316189	1	BAFFLE, COOLER	
19	52316197	1	BAFFLE, COOLER	
20	52316205	1	BAFFLE, COOLER	
21	52316213	1	BAFFLE, COOLER	
22	52306370	26	SCREW, SELF TAPPING	
23	52237179	26	WASHER	
25	96727193	4	BOLT, FLANGED HD.	
26	96726799	4	LOCKNUT, FLANGED HD.	
27	95370714	1	PLUG, PIPE	
28	56037179	1	FITTING, HOSE	
29	95922894	4	NUT, HEX	
30	52323011	1	HARNES, CAC/RAD COOLER WIRING	
31	57017485	1	FITTING,HOSE	



D52329828_02



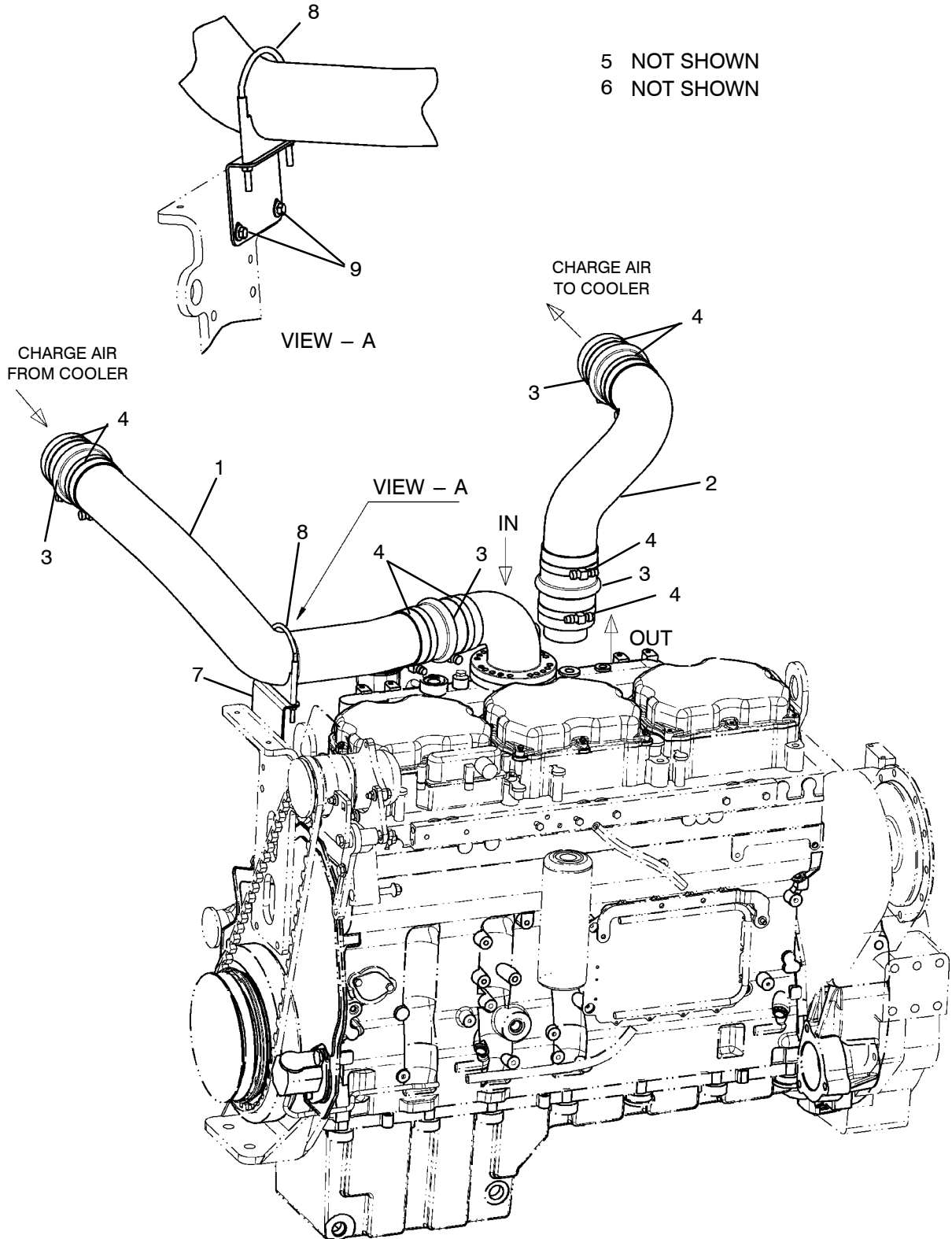
52329828

HYDRAULIC OIL/COMPRESSOR OIL COOLER ASSEMBLY

<i>REF.</i>	<i>NO.</i>	<i>PART NO.</i>	<i>QTY.</i>	<i>PART NAME</i>	<i>SERIAL</i>
				<i>REMARKS</i>	<i>NO.</i>
1	57729063	1	1	COOLER, HYDRAULIC OIL/COMPRESSOR OIL	
	52284676	1	1	.MOTOR, COOLER FAN	
	52083805	1	1	..KIT, SEAL	
	52305323	1	1	.FINGERGUARD	
	52315983	1	1	.COOLER, OIL	
	57729188	1	1	.COOLER, OIL	
	52306859	1	1	.MOUNT, FAN MOTOR	
	52306875	1	1	.FAN	
	52316015	1	1	.SHROUD	
2	51061661	2	2	ISOLATOR	
3	57314825	2	2	WASHER, ISOLATOR	
4	96727755	2	2	LOCKNUT, FLANGED	
5	96704044	2	2	BOLT	
6	96702568	2	2	WASHER, FLAT	
7	96727185	4	4	BOLT, FLANGED	
8	96727730	4	4	LOCKNUT, FLANGED	
9	52116761	2	2	STRUT, SUPPORT	
10	95368890	1	1	ADAPTER	
11	95365078	1	1	ADAPTER	
12	95280186	1	1	ADAPTER	
13	52301041	1	1	SENSOR, TEMPERATURE (FAN)	
15	56928534	1	1	KIT, SPLIT FLANGE	
16	95096434	2	2	PLUG, PIPE	
17	57729006	1	1	VALVE, HYD, LOWER BYPASS	
18	52316221	1	1	BAFFLE, COOLER	
19	52316239	1	1	BAFFLE, COOLER	
20	52316247	1	1	PLATE, BAFFLE	
21	52316254	1	1	BAFFLE, COOLER	
22	52306370	14	14	SCREW, SELF TAPPING	
23	52237179	30	30	WASHER, FENDER	
24	96728571	8	8	CAPSCREW, HEX.	
25	96726781	8	8	NUT	
26	95310116	3	3	ADAPTER	
28	57668592	1	1	VALVE, COOLER BYPASS	
				<i>REFER TO PAGE 9.45-1</i>	
29	57728990	1	1	VALVE, HYD, UPPER BYPASS	
30	95055133	8	8	CAPSCREW, SOC. HD.	

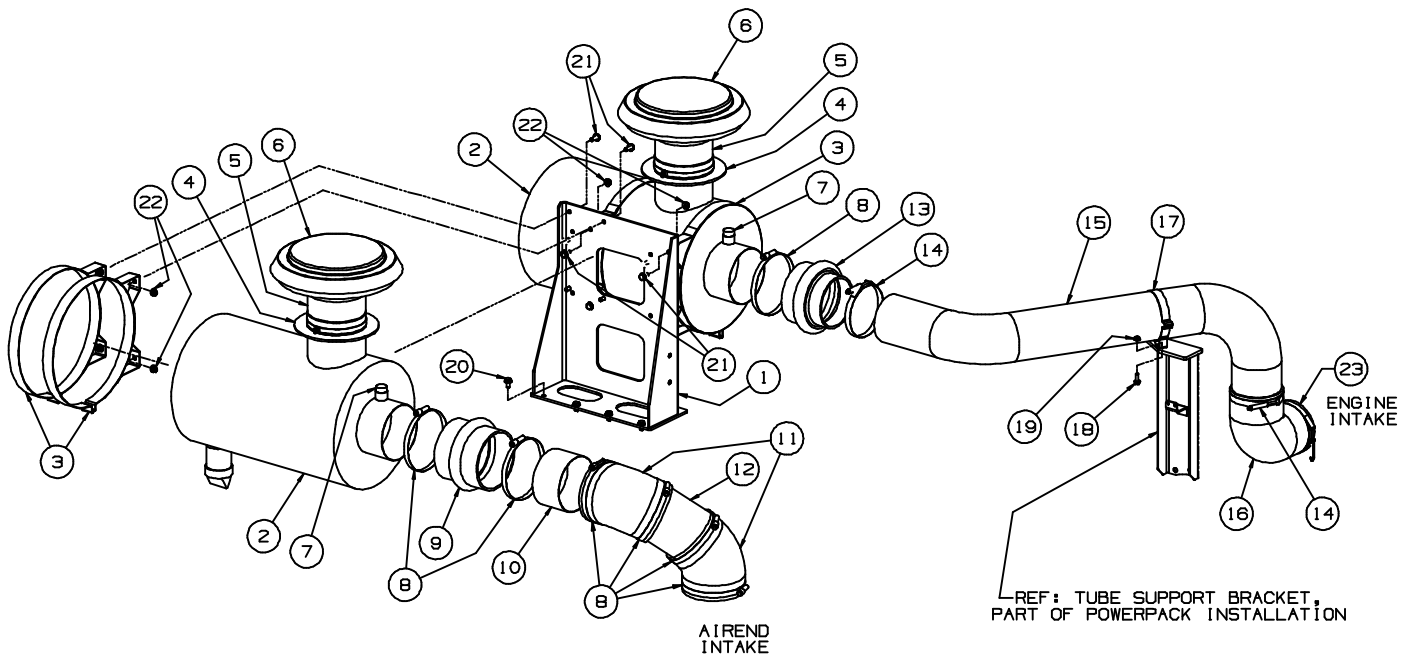
52329828**HYDRAULIC OIL/COMPRESSOR OIL COOLER ASSEMBLY**

REF. NO.	PART NO.	QTY.	PART NAME REMARKS	SERIAL NO.
31	95955936	16	LOCKWASHER, HI-COLLAR	
32	95055091	4	CAPSCREW, SOC. HD.	
33	95371241	1	ADAPTER	
35	52323003	1	HARNESS, HOC/COC WIRING <i>REFER TO PAGE 12.8-1</i>	
36	56928559	1	ADAPTER	
37	95322871	1	CLAMP, HOSE	
38	57705113	1	VALVE, THRML COMPRESSOR <i>REFER TO PAGE 7.17-1</i>	
39	52165776	1	FITTING	
40	95678041	1	FITTING	
41	95208682	1	FITTING	
42	95279477	1	FITTING	
43	56928534	1	KIT, SPLIT FLANGE	
44	57744286	1	FITTING	



52314051**CHARGE AIR COOLER PIPING**

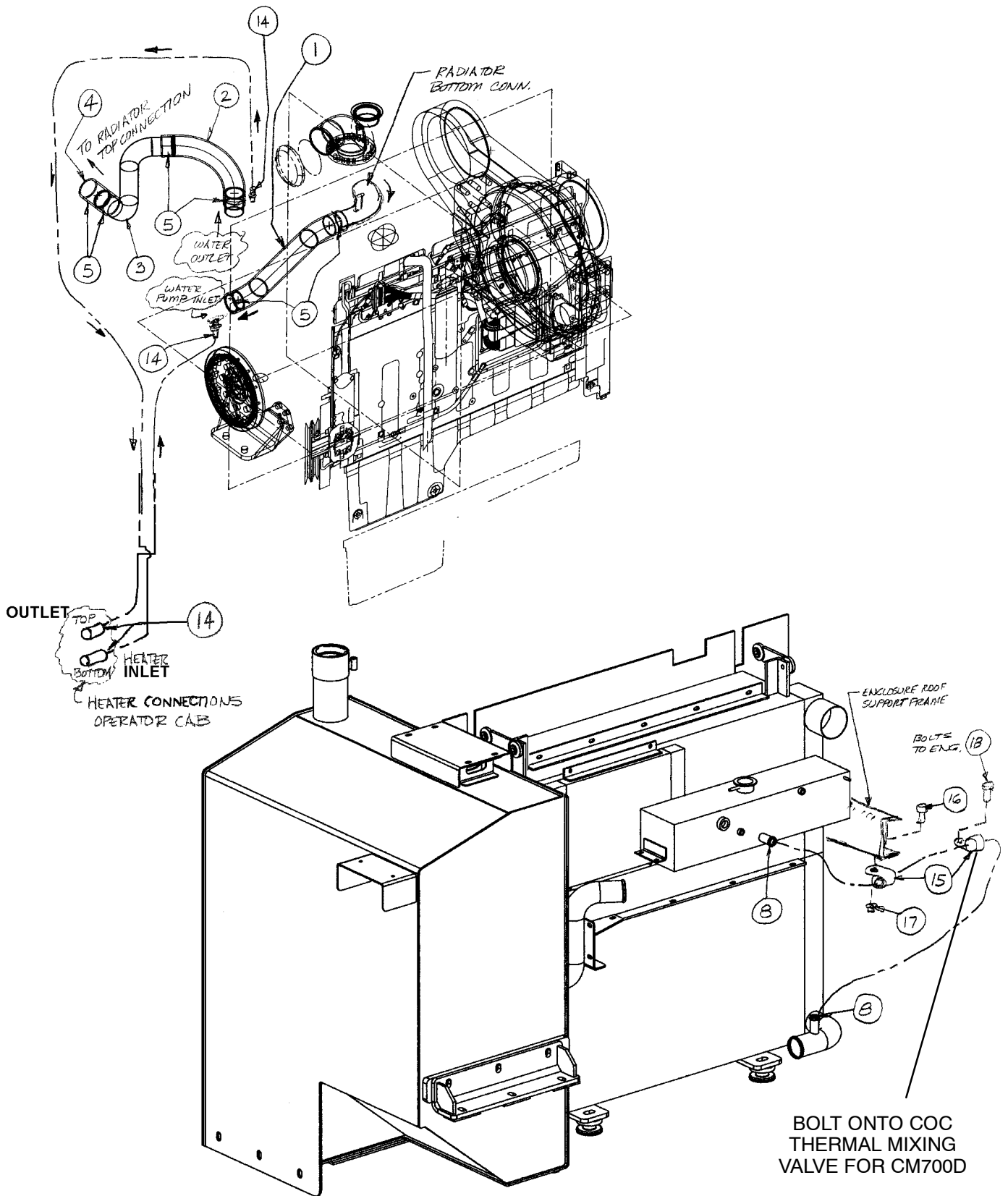
<i>REF.</i>				
<i>NO.</i>	<i>PART NO.</i>	<i>QTY.</i>	<i>PART NAME</i>	<i>SERIAL</i>
			<i>REMARKS</i>	<i>NO.</i>
1	52313780	1	TUBE, AIR COOLER	
2	52313822	1	TUBE, AIR COOLER	
3	57580516	4	CONNECTOR, CHARGE AIR	
4	56280852	8	CLAMP, HOSE	
5	57578718	100	INSULATION, WRAP (FT)	
6	51038214	25	WIRE, LOCKING (FT)	
7	52319449	1	BRACKET, SUPPORT	
8	51300010	1	CLAMP, MUFFLER	
9	96727169	2	BOLT, FLANGED HD.	

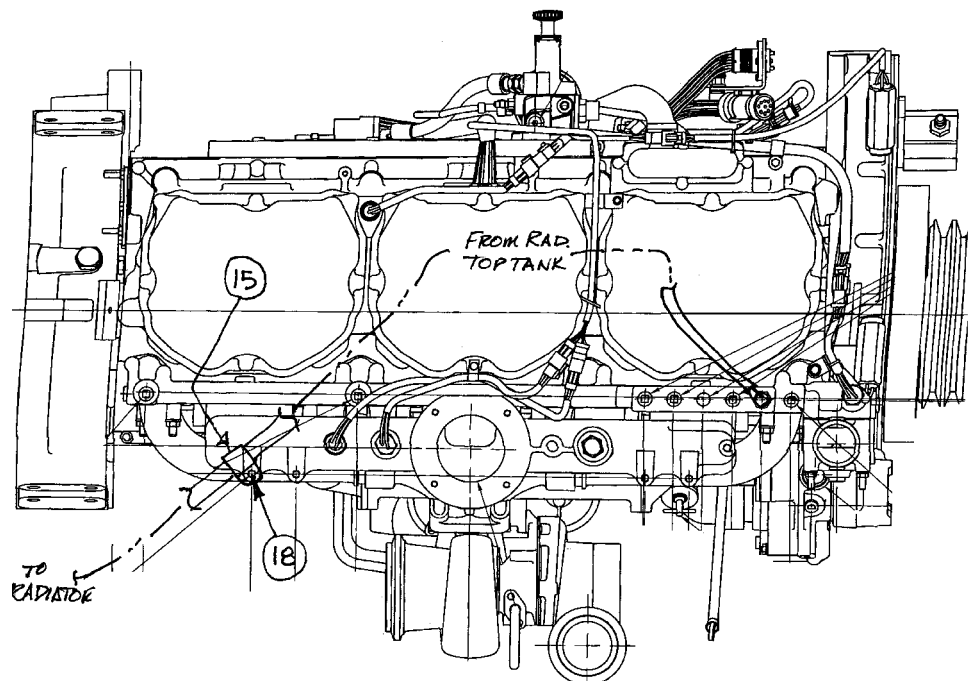
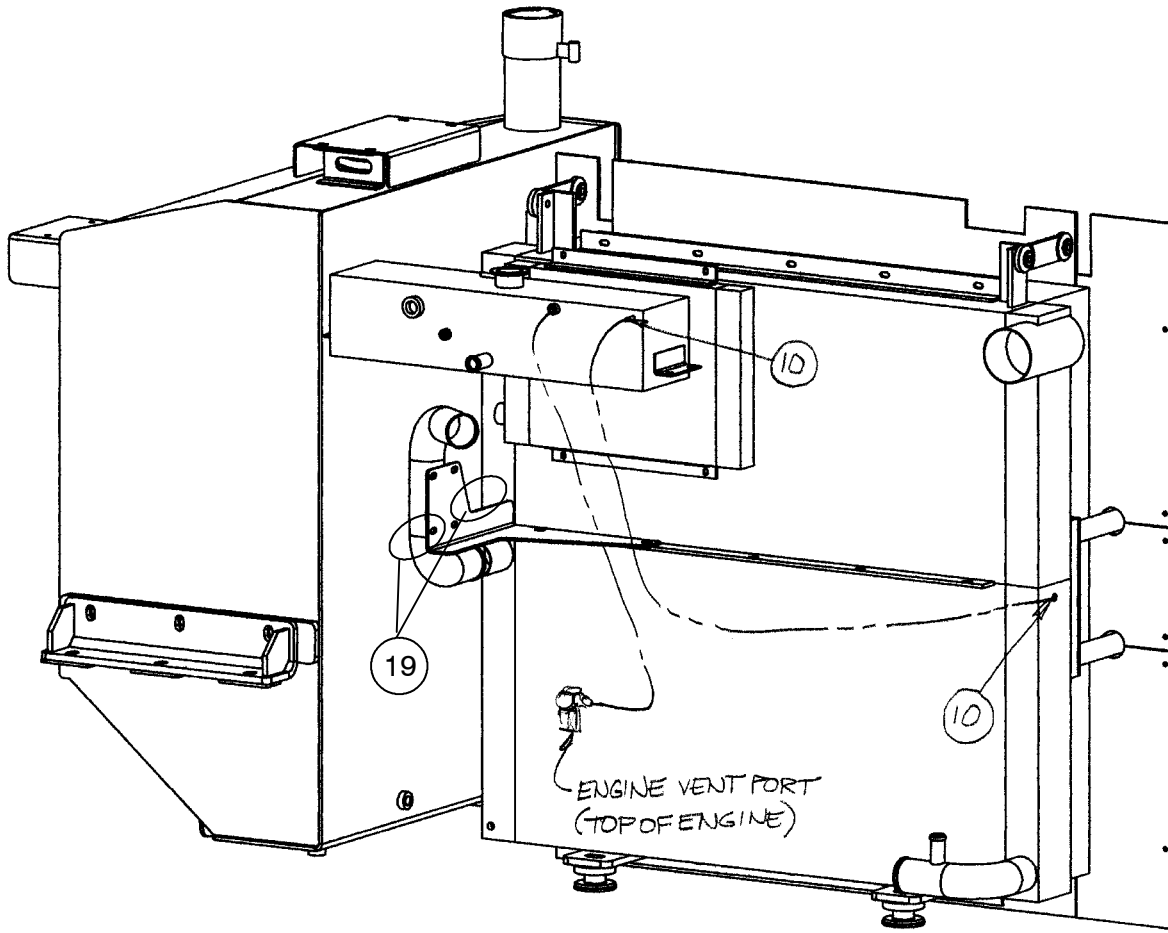


D52330107_00

52330107**AIR INTAKE ASSEMBLY**

REF. NO.	PART NO.	QTY.	PART NAME REMARKS	SERIAL NO.
1	52313905	1	BRACKET, AIR INTAKE MOUNTING	
2	35711209	2	FILTER, INTAKE <i>REFER TO PAGE 7.10-1</i>	
3	58044744	4	BAND, MOUNTING	
4	52106051	2	RING, SEAL	
5	52313681	2	EXTENSION, AIR STACK	
6	35112259	2	HOOD, INLET	
7	51618296	2	INDICATOR, SERVICE	
8	57440554	7	CLAMP, HOSE	
9	51713220	1	HUMP, STRAIGHT	
10	52330131	1	TUBE, INTAKE	
11	58173360	2	ELBOW, RUBBER, 45 DEG	
12	52330149	1	TUBE, INTAKE	
13	58044561	1	HOSE HUMP, REDUCING	
14	51904787	2	CLAMP, HOSE	
15	52313723	1	TUBE, INTAKE	
16	51713261	1	REDUCER, ELBOW (90 DEG)	
17	57064941	1	BAND, MOUNTING	
18	96727797	2	BOLT	
19	96726799	2	NUT	
20	96727169	8	BOLT	
21	96726914	8	BOLT, HEX. FLANGED HD.	
22	96726807	8	NUT, HEX. FLANGED HD.	
23	51713287	1	CLAMP, T-BOLT	



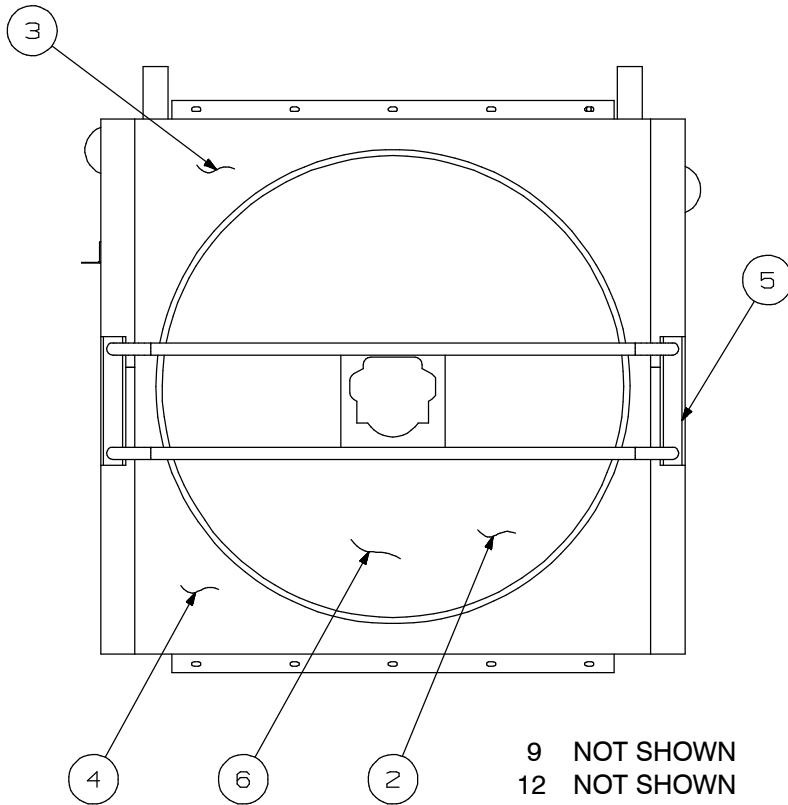
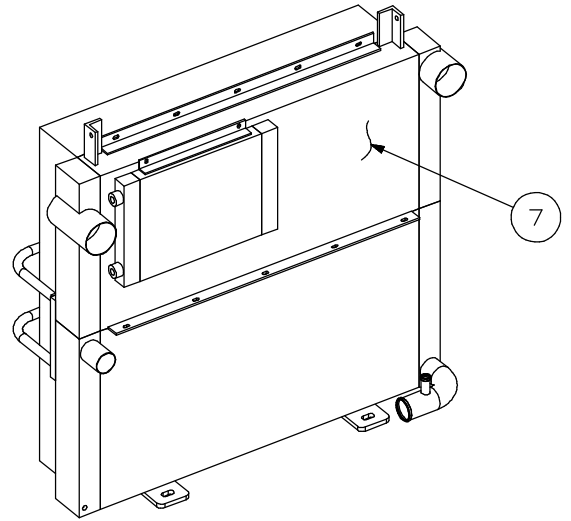
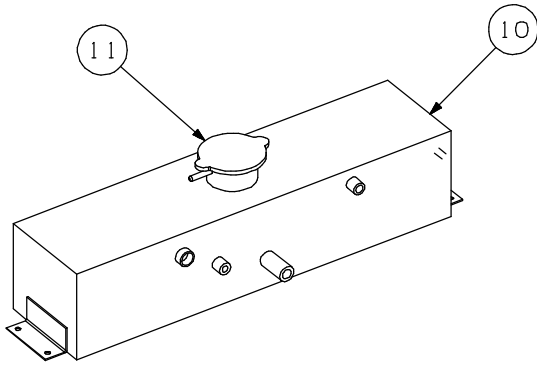


52314069**ENGINE/RADIATOR PIPING****REF.**

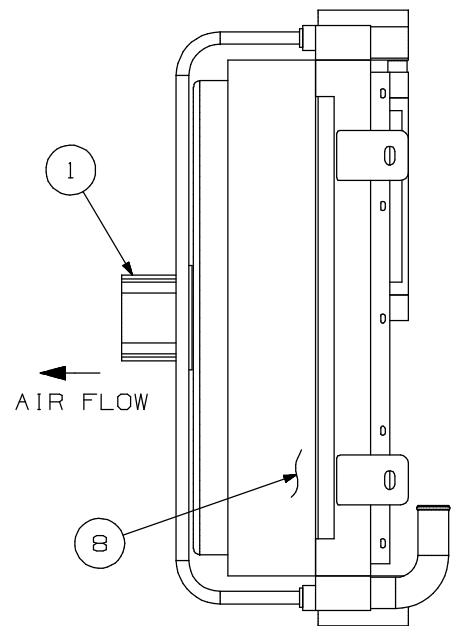
NO.	PART NO.	QTY.	PART NAME REMARKS	SERIAL NO.
1	51874246	1	HOSE, FLEXIBLE	
2	51874238	1	HOSE, FLEXIBLE	
3	52313798	1	TUBE, RADIATOR	
4	52313830	1	HOSE, COOLANT	
5	51874253	6	CLAMP, HOSE	
8	95235131	2	CLAMP, HOSE	
10	56942691	2	CLAMP, HOSE	
14	95220844	6	CLAMP, HOSE	
15	95301875	2	CLAMP, VINYL	
16	96727250	1	BOLT, FLANGED HD.	
17	96726815	1	LOCKNUT, FLANGED HD.	
18	96727169	1	BOLT, FLANGED HD.	
19	95396776	2	CLAMP, VINYL	

52313756

RADIATOR/CHARGE AIR COOLER



9 NOT SHOWN
12 NOT SHOWN
13 NOT SHOWN



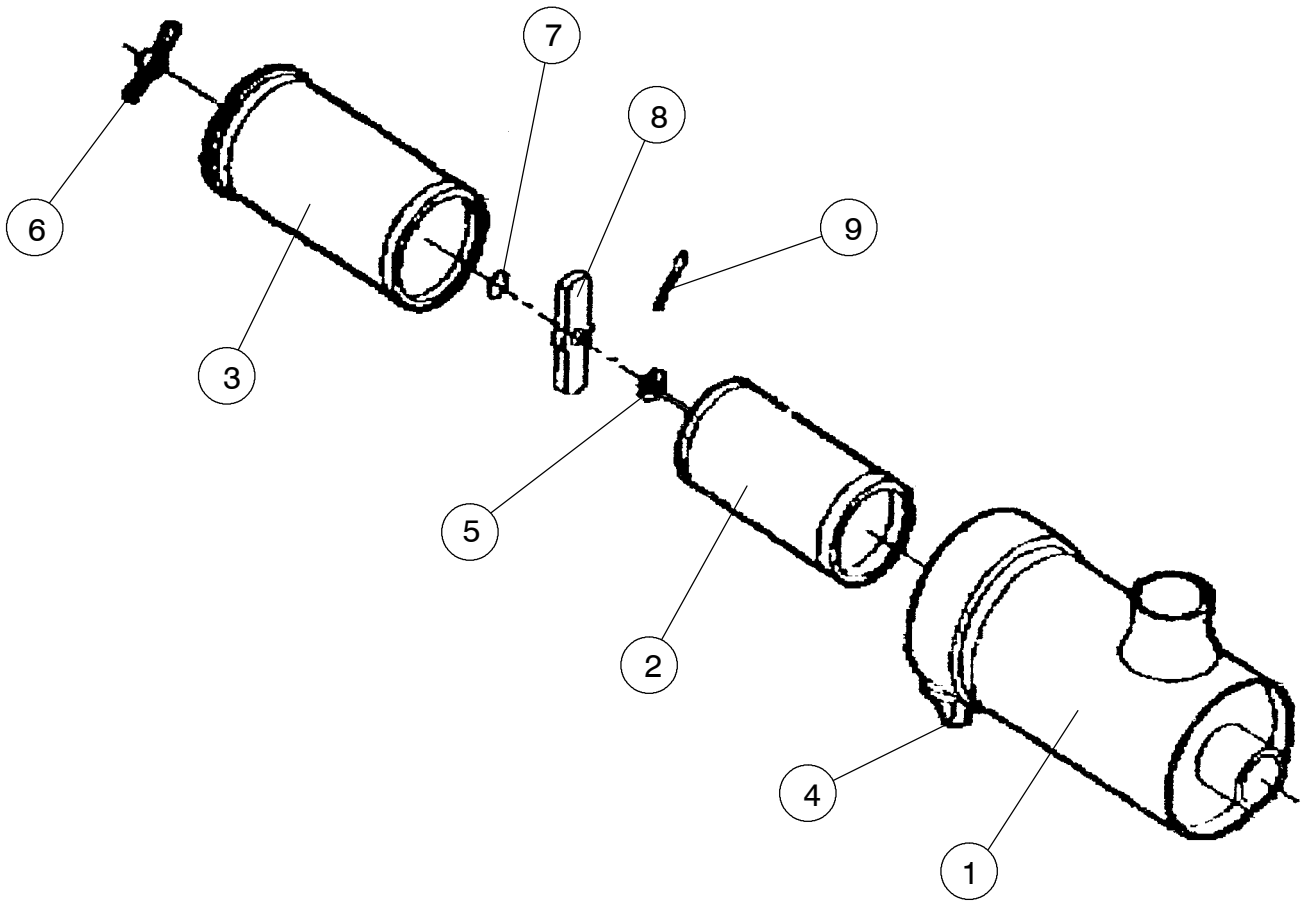
BOTTOM VIEW
C52313756_01

52313756**RADIATOR/CHARGE AIR COOLER**

<i>REF. NO.</i>	<i>PART NO.</i>	<i>QTY.</i>	<i>PART NAME REMARKS</i>	<i>SERIAL NO.</i>
1	52284676	1	MOTOR, COOLER FAN	
	52083805	1	.KIT, SEAL	
2	52305323	1	FINGERGUARD	
3	52315959	1	RADIATOR/CHARGE AIR COOL	
4	52315967	1	RADIATOR	
5	52306859	1	MOUNT, FAN MOTOR	
6	52306875	1	FAN	
7	52315991	1	COOLER, FUEL	
8	52316015	1	SHROUD	
9	57730368	2	PETCOCK (NOT ILLUSTRATED)	
10	52322500	1	TANK, SURGE	
11	51792323	1	CAP, RADIATOR	
12	57730376	1	FITTING, BRASS	
13	57547580	1	GUAGE, SIGHT	

35711209

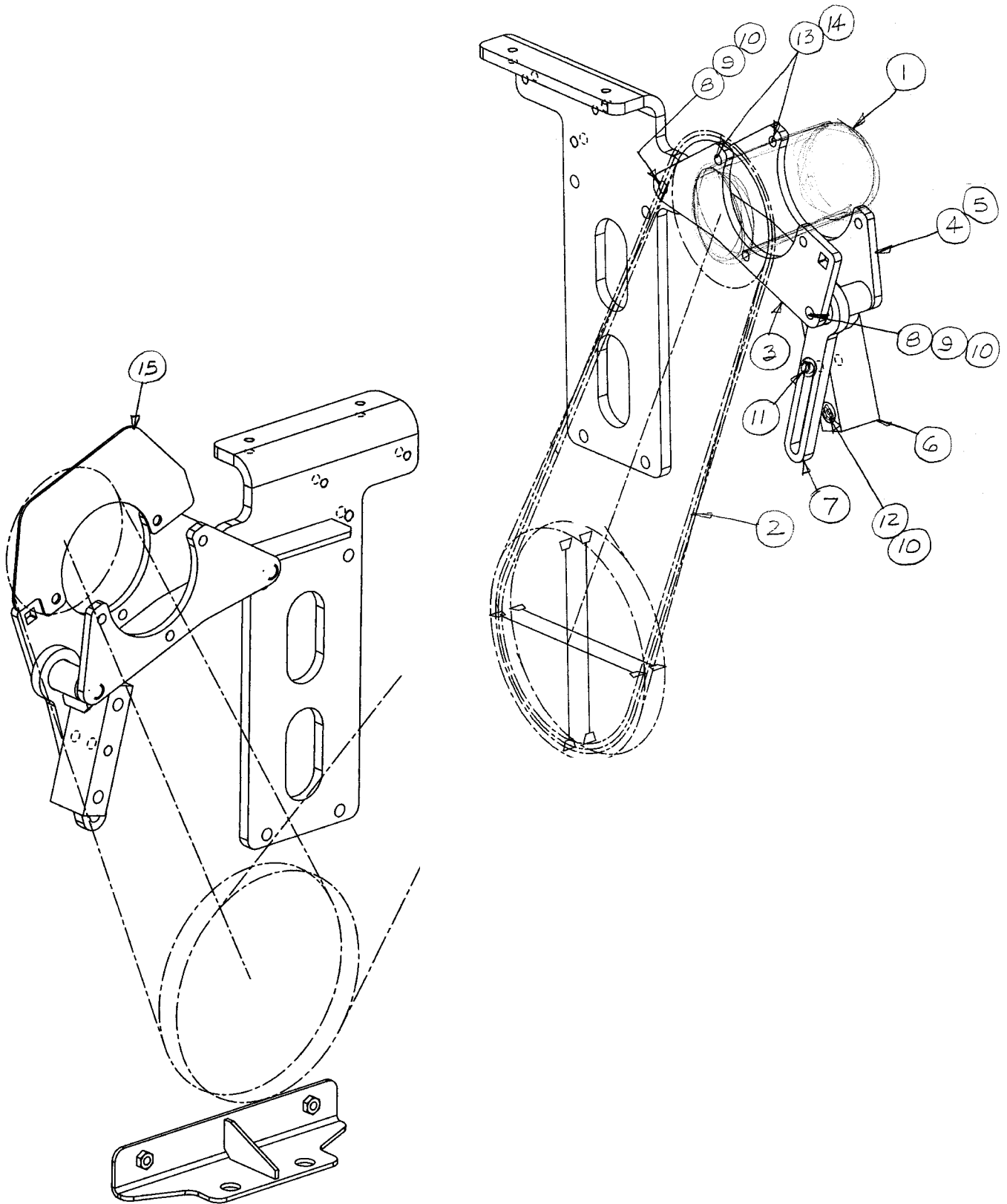
INTAKE FILTER



35711209**INTAKE FILTER**

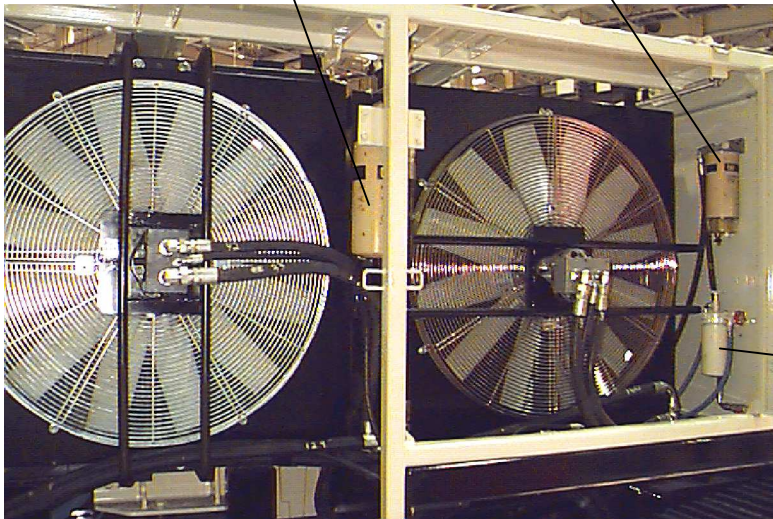
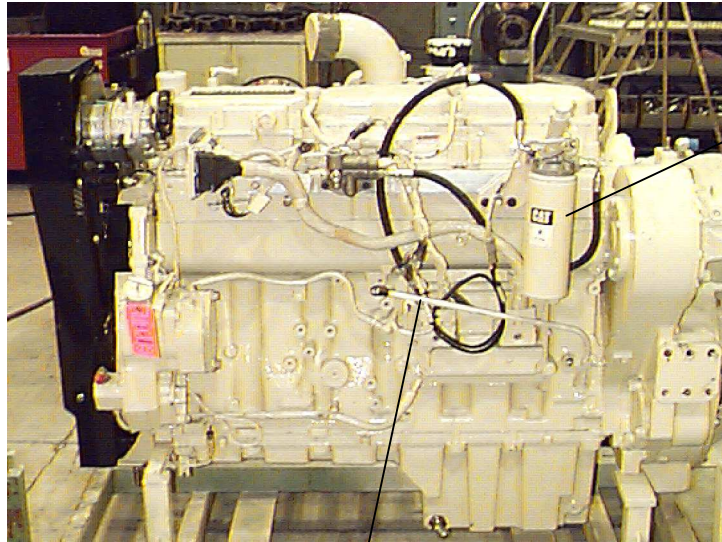
<i>REF.</i>				
<i>NO.</i>	<i>PART NO.</i>	<i>QTY.</i>	<i>PART NAME</i>	<i>SERIAL</i>
			<i>REMARKS</i>	<i>NO.</i>
1	++	1	BODY	
2	35123520	1	ELEMENT, SAFETY	
3	35123512	1	ELEMENT, PRIMARY	
4	35123587	1	VALVE, ACTUATOR	
5	35123546	1	GASKET	
6	35123553	1	NUT, WING	
7	35123561	1	CLIP	
8	35255869	1	NUT	
9	35123538	1	PIN	

++ **NOTICE:** THIS PART IS NOT SOLD SEPARATELY.



52319563**A/C COMPRESSOR INSTALLATION**

<i>REF.</i>				
<i>NO.</i>	<i>PART NO.</i>	<i>QTY.</i>	<i>PART NAME</i>	<i>SERIAL</i>
			<i>REMARKS</i>	<i>NO.</i>
1	52319571	1	COMPRESSOR, A/C	
2	52319589	1	V-BELT, A/C COMPRESSOR	
3	52319456	1	PLATE, FRONT MOUNTING	
4	52319464	1	PLATE, REAR MOUNTING	
5	52319472	2	SPACER	
6	52319480	1	BAR, TAKEUP	
7	52319498	1	ARM, TAKEUP	
8	96727896	2	BOLT, HEX. HD.	
9	96702535	2	WASHER, FLAT	
10	96726815	4	LOCKNUT, FLANGED HEAD	
11	96727177	1	BOLT, FLANGED HEAD	
12	96708359	2	CAPSCREW, SOC. HD.	
13	96726708	6	BOLT, FLANGED HEAD	
14	96726807	6	LOCKNUT, FLANGED HD.	
15	52321460	1	PLATE, GUARD	



CAB INSTALLATION

52313731**ENGINE**

<i>REF.</i>				
<i>NO.</i>	<i>PART NO.</i>	<i>QTY.</i>	<i>PART NAME</i>	<i>SERIAL</i>
			<i>REMARKS</i>	<i>NO.</i>
1	52183233	1	FILTER, LUBE OIL	
2	52322443	1	SEPARATOR, PRIMARY FUEL FILTER/WATER	
	52322450	1	.BOWL, WATER SEPARATOR	
3	52322468	1	FILTER, SECONDARY FUEL	
4	57511446	1	ELEMENT, COOLANT CONDITIONER PRE-CHARGE	
5	56264245	1	ELEMENT, COOLANT CONDITIONER MAINTENANCE	
6	52322419	1	ASSEMBLY, DIP STICK	
7	52322427	1	ASSEMBLY, DIP STICK TUBE	
8	52322534	1	V-BELT, ALTERNATOR	
9	52326568	1	EMS MAIN UNIT, ENGINE	
10	52326576	1	GAUGE UNIT, EMS QUAD	

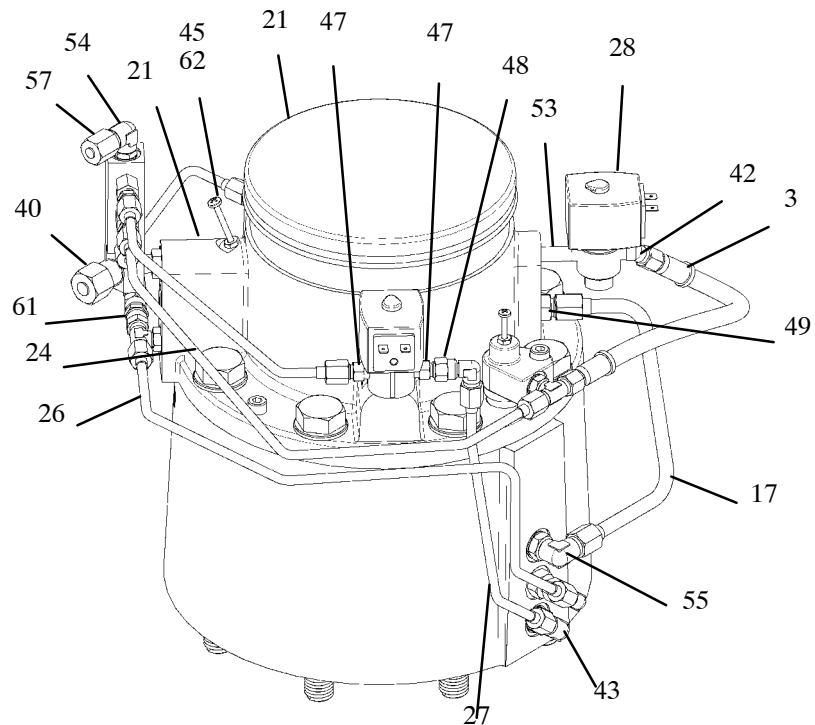
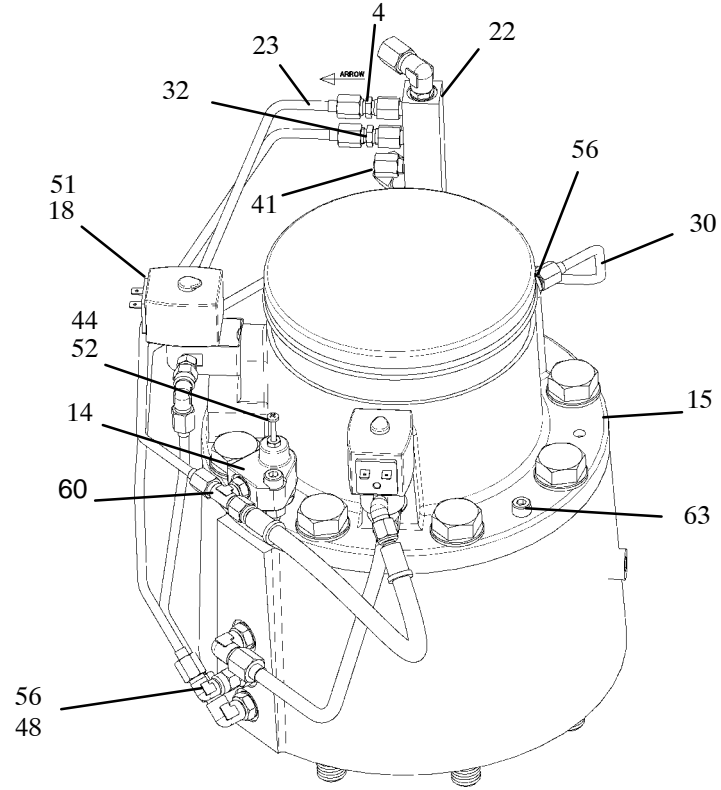
57747529

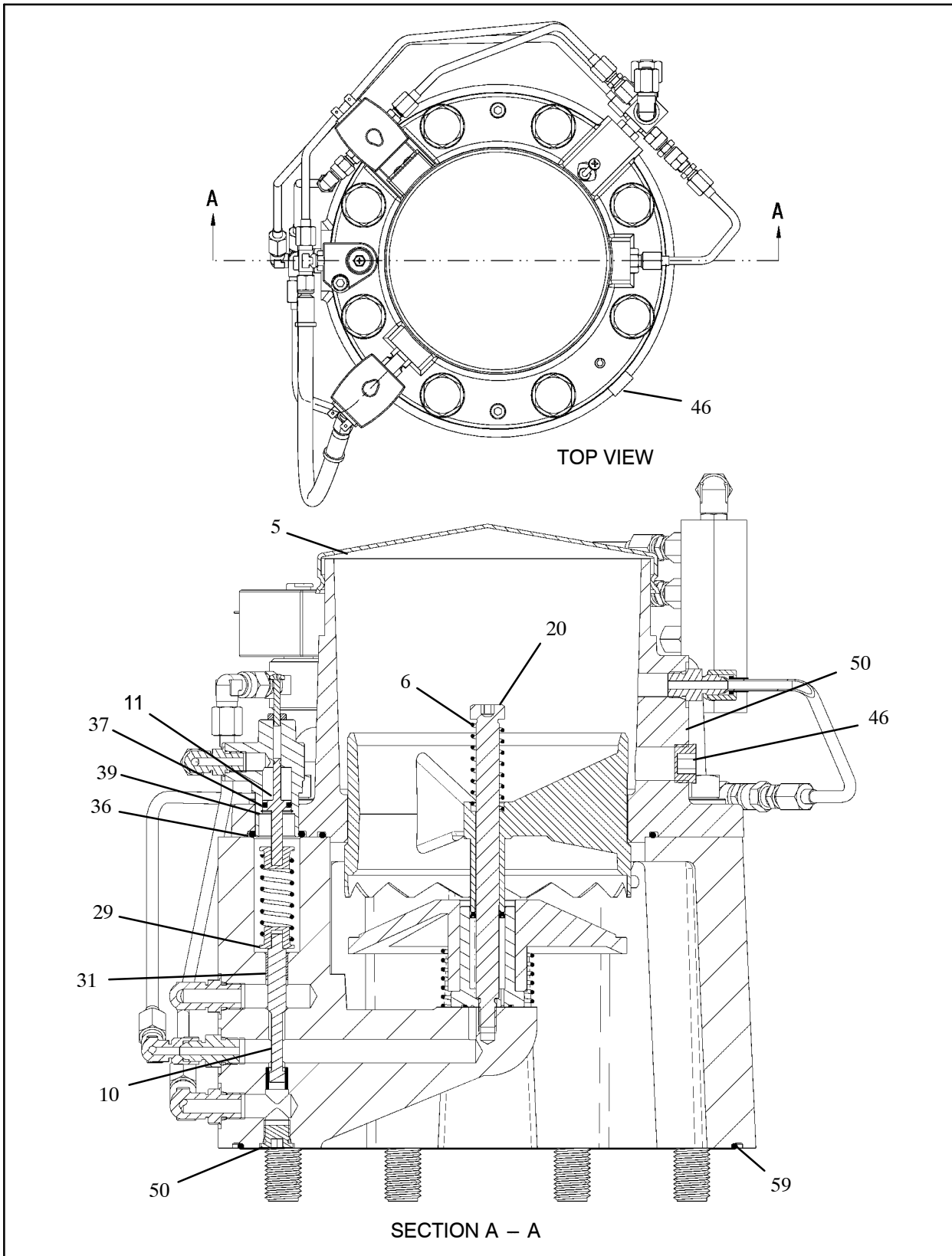
AIR BLOW VALVE

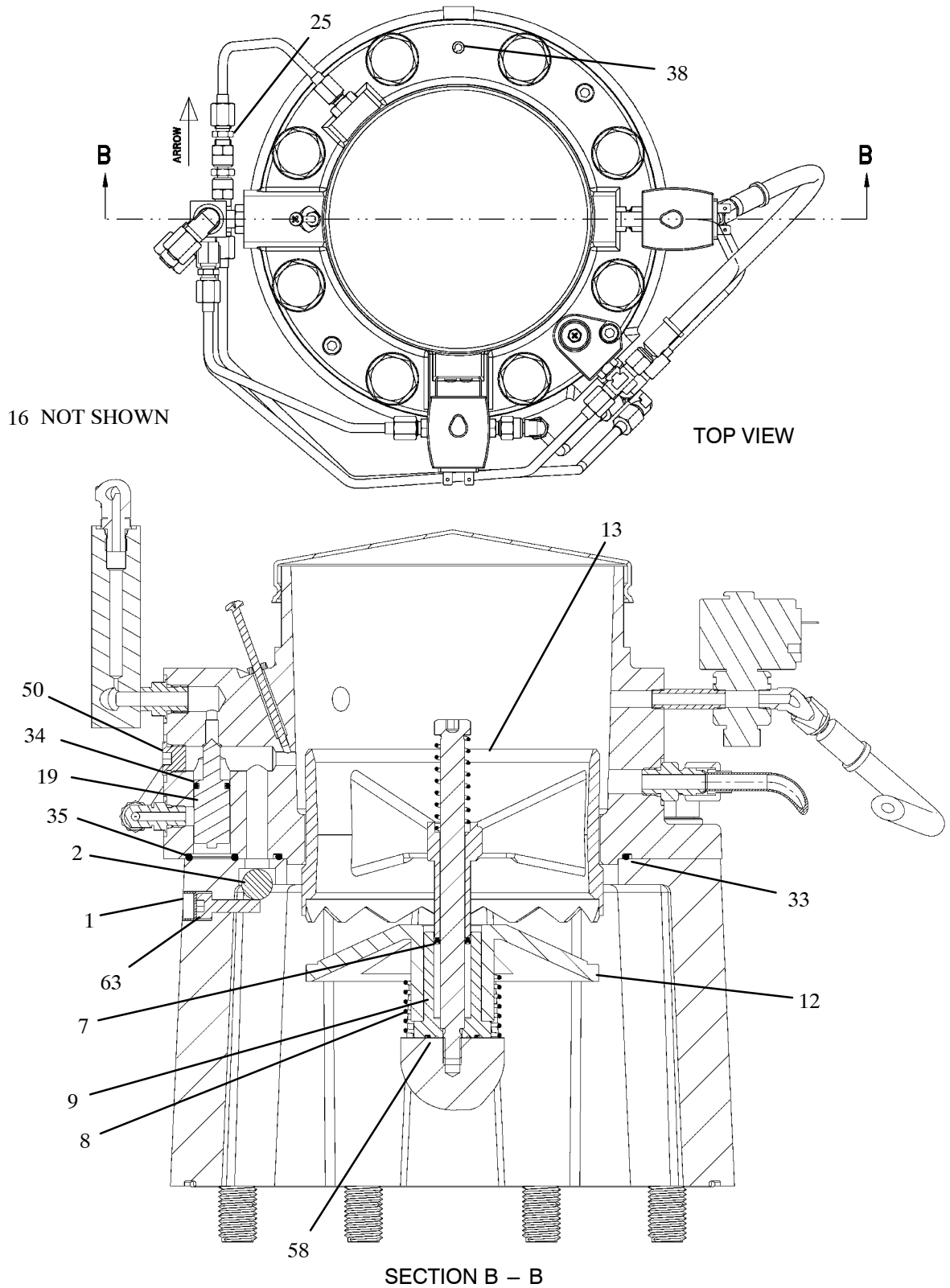
NO DRAWING AVAILABLE AT THIS TIME

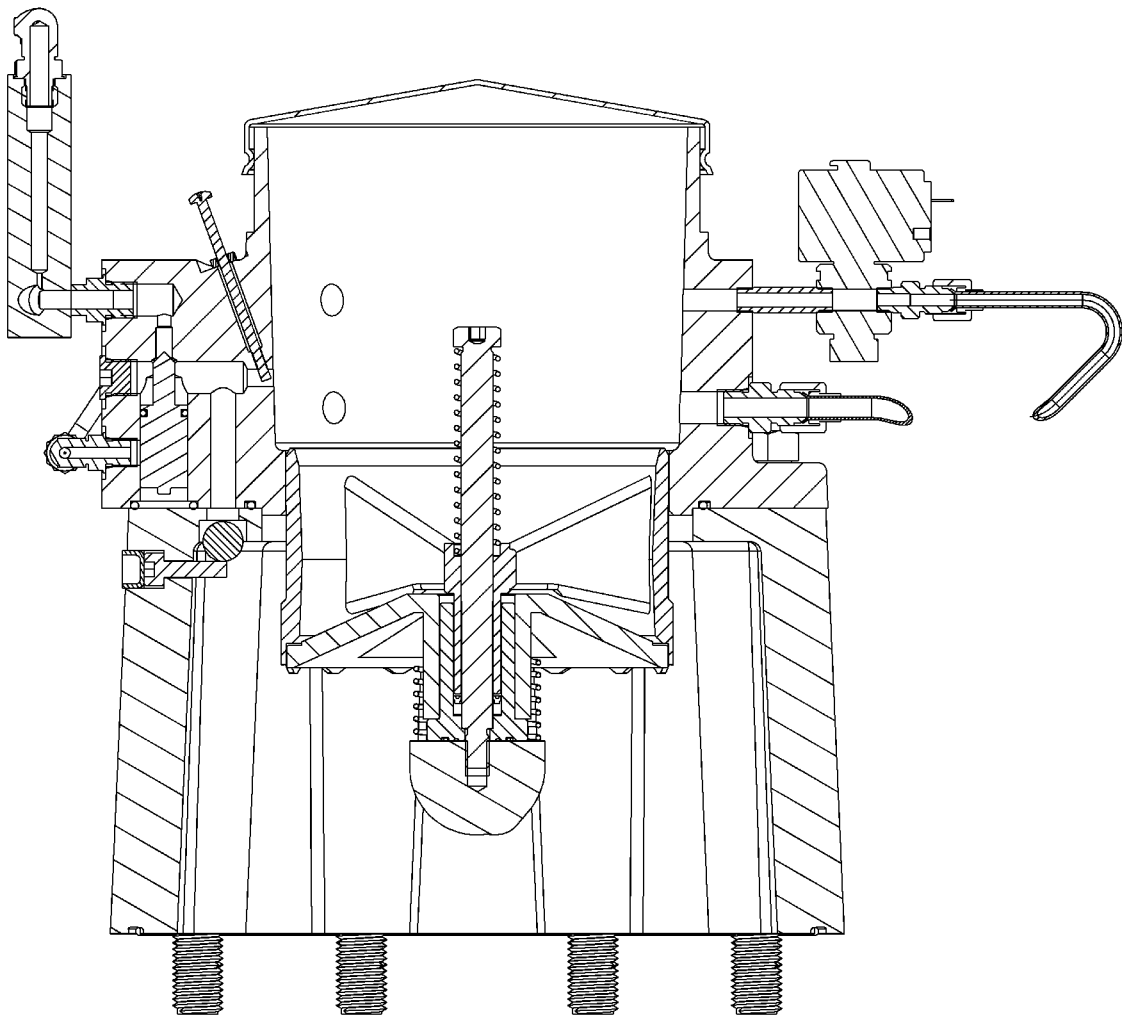
57747529**AIR BLOW VALVE**

<i>REF.</i>				
<i>NO.</i>	<i>PART NO.</i>	<i>QTY.</i>	<i>PART NAME</i>	<i>SERIAL</i>
			<i>REMARKS</i>	<i>NO.</i>
1	52288099	1	VALVE, AIR BLOW	
2	52330859	1	COIL	
3	57747487	1	VALVE, CARTRIDGE, 3 WAY	
4	52330875	1	KIT, SEAL	
5	95357786	2	O-RING	









SECTION B - B

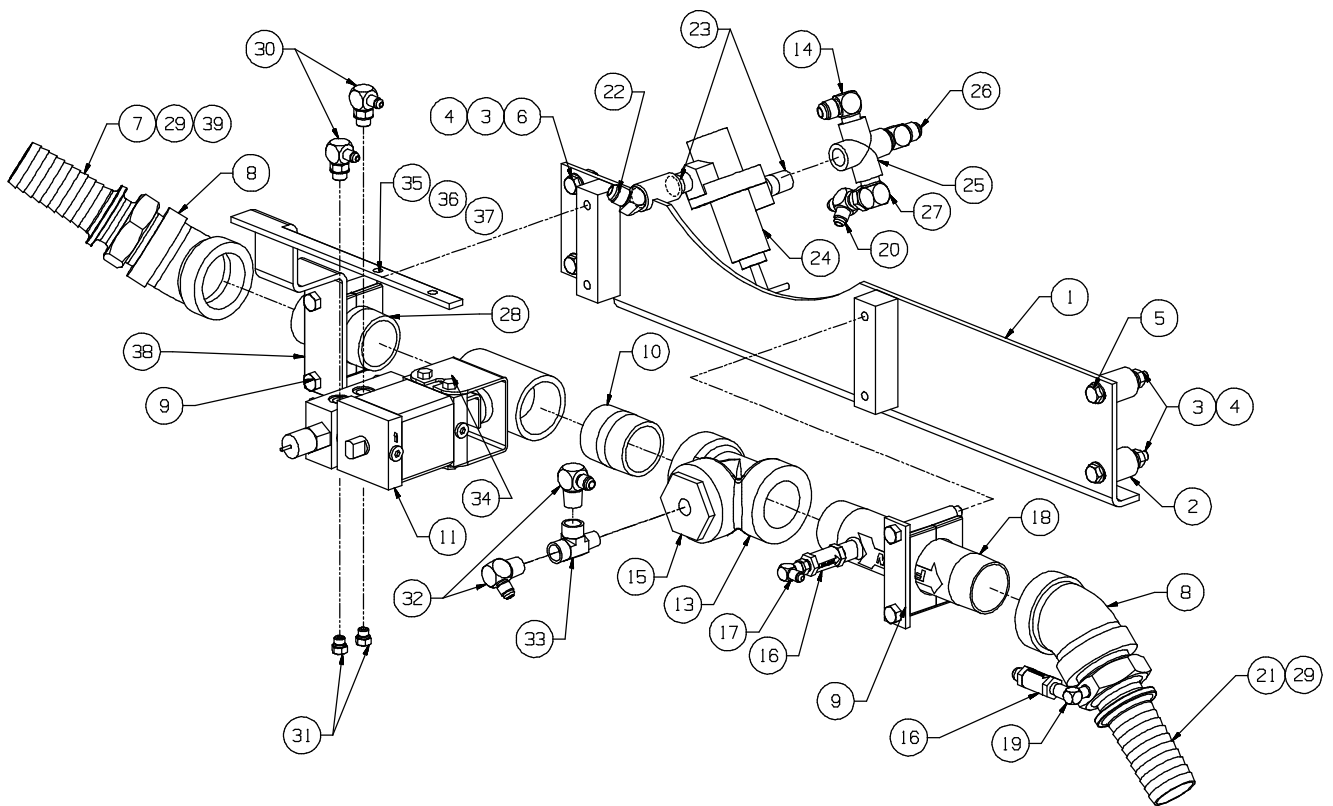
(REFERENCE VIEW ONLY SHOWING
VALVE IN THE UNLOADED POSITION)

39922877**AIR END UNLOADER**

<i>REF.</i>					
<i>NO.</i>	<i>PART NO.</i>	<i>QTY.</i>	<i>PART NAME</i>	<i>REMARKS</i>	<i>SERIAL</i>
					<i>NO.</i>
1	35376318	1	BALL,STEEL		
2	39113543	1	HOSE		
3	39301940	1	ORIFICE, SCAVENGE		
4	39325113	1	COVER, INLET		
5	39329701	2	SPRING,COIL,COMPRESSION		
6	39329719	1	SEAL, ROD		
7	39329800	1	SPRING, CHECK VALVE		
8	39590963	1	CYLINDER, SUPPORT		
9	39591326	1	VALVE, CONTROL		
10	39591920	1	PISTON, CONTROL		
11	39913876	1	VALVE, CHECK INLET MACH		
12	39913967	1	SLEEVE, INLET		
13	39915699	1	VALVE, HI-LO CONTROL		
14	39915798	1	FLANGE, INLET, UNLOADER		
15	39919501	1	HOUSING, UNLOADER		
16	39923750	1	TUBE		
17	39923834	1	VALVE, SOLENOID		
18	39932256	1	VALVE, ANTI-RUMBLE		
19	39932686	1	BOLT, SHDR		
20	39932918	1	SUB ASSEMBLY, HR2		
21	39932959	1	MANIFOLD ASM, HR2		
22	39932975	1	TUBE		
23	39932983	1	TUBE		
24	39932991	2	ORIFICE, UNION		
25	39933007	1	TUBE		
26	39933015	1	TUBE		
27	54371612	1	VALVE, SOLENOID		
28	54480496	2	BAR		
29	54505391	1	TUBE, ORIFICE VENT		
30	54577986	1	BEARING		
31	95008215	1	O-RING		
32	95021721	1	O-RING		
33	95022141	1	O-RING		
34	95022166	1	O-RING		
35	95045092	1	O-RING		
36	95098653	1	PIN		
37	95223640	1	RING, RETAINING INTERNAL		
38	95257325	1	CAP		
39	95257333	1	CAP		

39922877**AIR END UNLOADER**

REF.					
NO.	PART NO.	QTY.	PART NAME	REMARKS	SERIAL NO.
40	95302170	1	FITTING, HYD		
41	95365094	1	ELBOW, 90 DEG.		
42	95923033	1	NUT		
43	95923041	1	NUT		
44	95937579	2	CONNECTOR		
45	95938049	2	ELBOW		
46	95938114	1	CONNECTOR		
47	95938932	2	PLUG, SOCKET HD.		
48	95942546	2	SCREW		
49	95942579	1	SCREW		
50	95946059	1	NIPPLE		
51	95959730	1	ELBOW		
52	95976775	1	ELBOW		
53	95981429	2	CONNECTOR		
54	95984175	1	CAP		
55	95985859	1	O-RING		
56	95985891	1	O-RING		
57	95985941	2	TEE, BRANCH		
58	95986014	1	CONNECTOR		
59	95992475	1	SCREW		
60	96708060	3	SCREW, SOCKET HEAD		
61	96721832	8	SCREW, HEX HEAD		
62	96735543	1	NUT, HEX		
63	96740345	1	SCREW, SOCKET HEAD		



52326642_04

40 NOT SHOWN
 41 NOT SHOWN
 42 NOT SHOWN
 43 NOT SHOWN

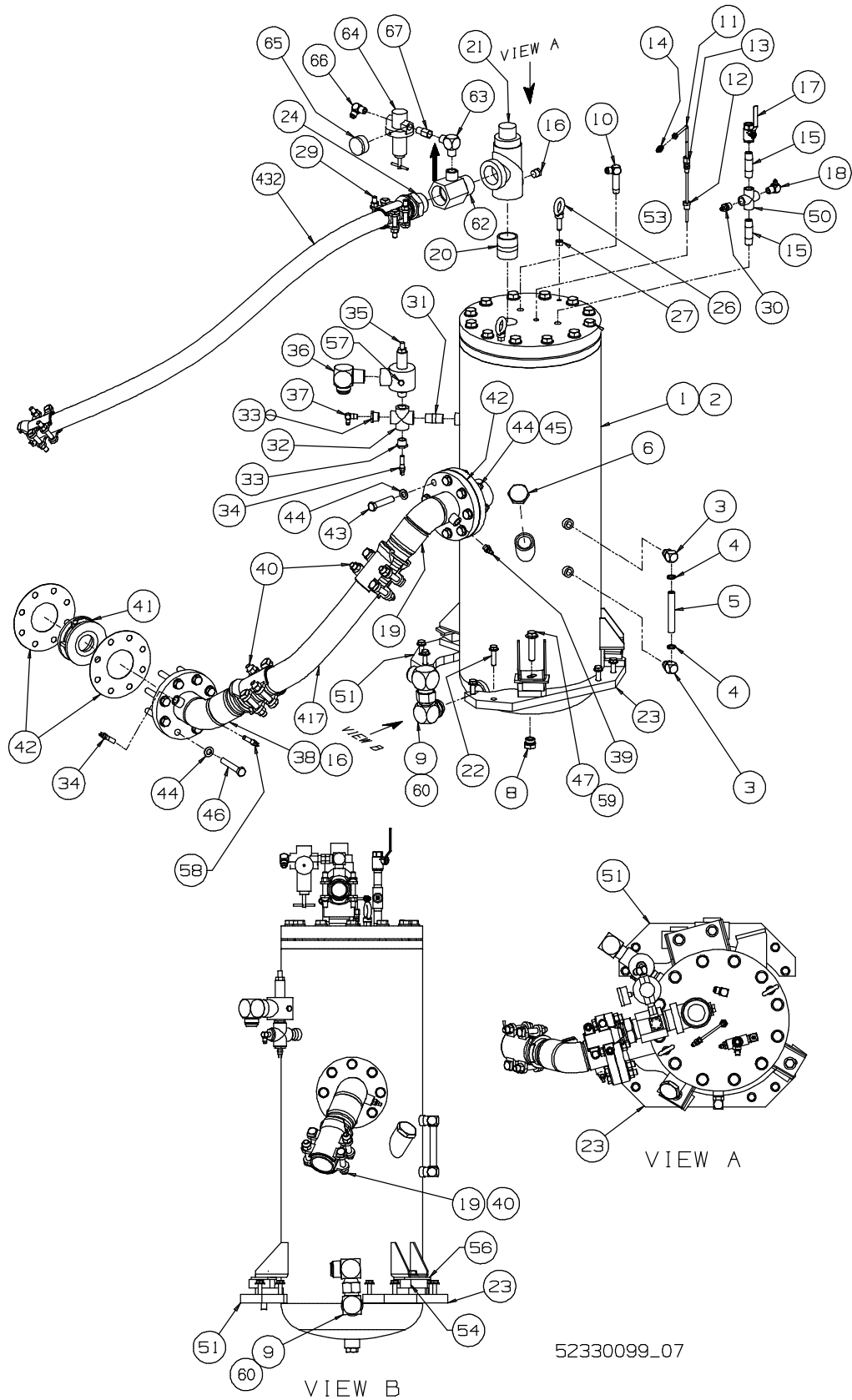
52326642

MAIN AIR PIPING ASSEMBLY

<i>REF.</i>				
<i>NO.</i>	<i>PART NO.</i>	<i>QTY.</i>	<i>PART NAME</i>	<i>SERIAL</i>
			<i>REMARKS</i>	<i>NO.1</i>
1	52327236	1	BRACKET, MAIN AIR PIPING	
2	52327244	2	SPACER, PIPING BRACKET	
3	96727300	4	NUT, HEX. HD	
4	96701982	4	WASHER, PLAIN	
5	96727680	2	CAPSCREW, HEX. FLANGED	
6	96727003	2	CAPSCREW, HEX. FLANGED	
7	50023910	1	STEM, HOSE	
8	95674982	2	ELBOW, 45 DEGREE	
9	52319332	2	ASSEMBLY, PIPE CLAMP	
10	95097291	1	NIPPLE	
11	57747529	1	VALVE, AIR BLOW ACTUATOR <i>REFER TO PAGE 8.0-1</i>	
13	95663191	1	TEE	
14	95279527	1	ELBOW	
15	95038261	1	BUSHING, REDUCING	
16	50573823	2	VALVE, CHECK	
17	95326930	1	ELBOW	
18	50964576	1	LUBRICATOR	
19	95279998	1	ADAPTER	
20	95473443	1	ADAPTER	
21	52326733	1	STEM, HOSE	
22	95279097	1	ADAPTER	
23	95243010	2	NIPPLE, PIPE	
24	52089810	1	REGULATOR	
25	95378907	1	ADAPTER	
26	95434353	1	ADAPTER	
27	95367025	1	ADAPTER	
28	95243200	1	NIPPLE	
29	50743731	2	CLAMP, HOSE	
30	95365094	2	ELBOW	
31	95666996	2	PLUG	
32	95279527	2	ELBOW	
33	95264941	1	TEE	
35	57064941	1	BAND, MOUNTING	
36	96727797	2	BOLT	
37	96726799	2	NUT	
38	57745275	1	BRACKET	
39	57358145	1	CABLE, HOSE RESTRAINT	

52326642**MAIN AIR PIPING ASSEMBLY**

<i>REF.</i>				
<i>NO.</i>	<i>PART NO.</i>	<i>QTY.</i>	<i>PART NAME</i>	<i>SERIAL</i>
			<i>REMARKS</i>	<i>NO.1</i>
40	51952240	1	SWITCH, PRESSURE	
41	95038147	1	BUSHING	
42	95037347	1	BUSHING	
43	95264941	1	ADAPTER	



52330099_07

52330099**SEPARATOR TANK ASSEMBLY**

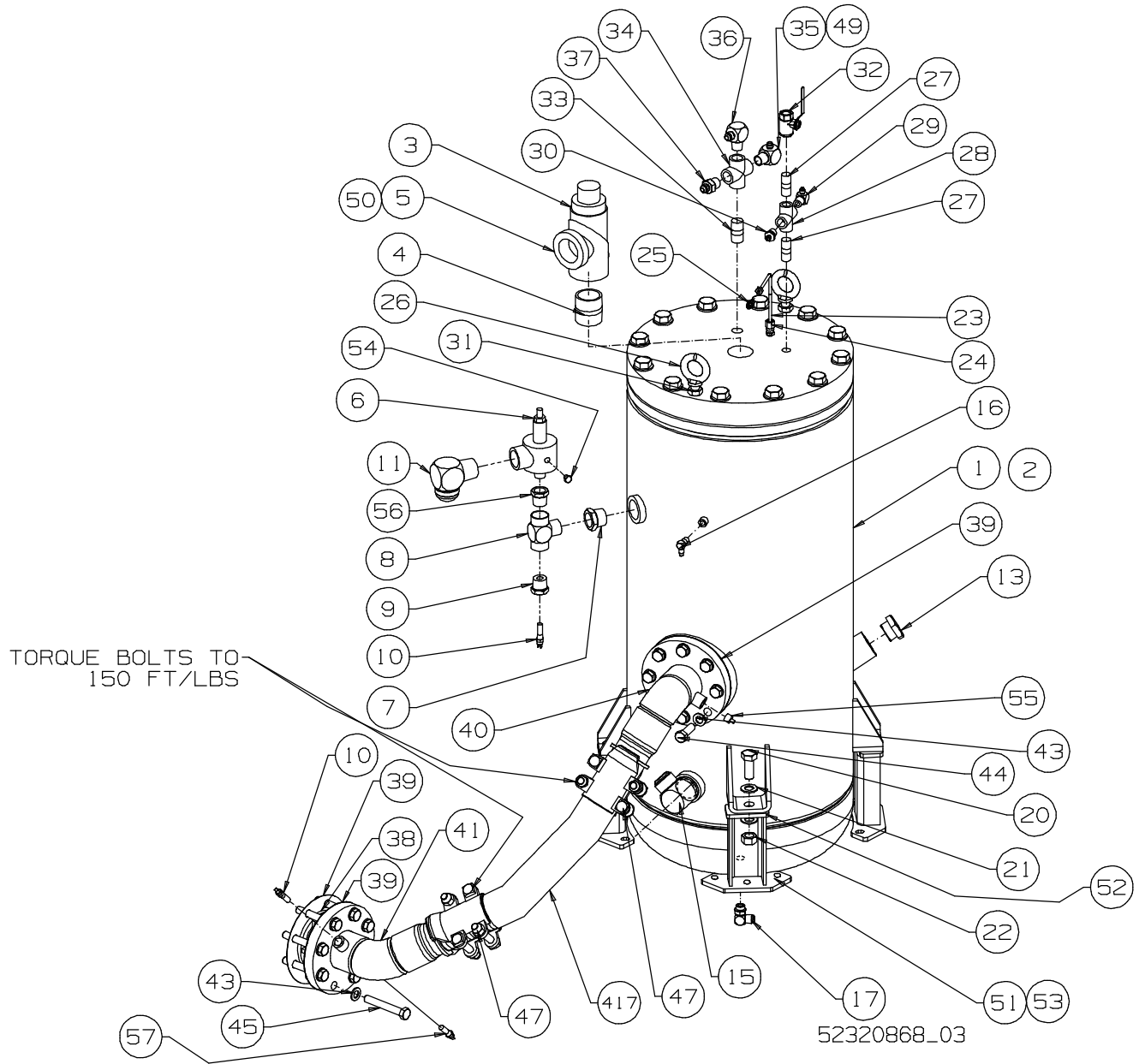
<i>REF.</i>				
<i>NO.</i>	<i>PART NO.</i>	<i>QTY.</i>	<i>PART NAME</i>	<i>SERIAL</i>
			<i>REMARKS</i>	<i>NO.</i>
1	51782548	1	TANK, SEPARATOR	
2	22291280	1	ELEMENT, SEPARATOR	
3	35323955	2	FITTING, SIGHT TUBE	
4	35324649	2	GASKET, SIGHT TUBE	
5	92121532	1	TUBE	
6	35579630	1	PLUG, FILLER,OIL	
8	95280541	1	FITTING, HYD	
9	95371209	1	FITTING, HYD.	
10	95381380	1	FITTING, HYD	
11	39871702	1	TUBE, SCAVENGE	
12	95056040	1	BUSHING	
13	39417118	1	FITTING	
14	39322748	1	ORAFICE, SCAVENGE	
15	95243051	2	NIPPLE PIPE	
16	95942819	2	PLUG, PIPE	
17	50947357	1	VALVE, BALL	
18	95279527	1	ELBOW	
19	52323102	1	PIPE, INLET, SEPARATOR TANK	
20	95097291	1	NIPPLE, PIPE	
21	51728236	1	VALVE, MINIMUM PRESSURE	
22	96727185	9	BOLT	
23	52330123	1	ADAPTER,PLATE REAR	
24	50023910	1	STEM	
25	95219721	1	CONNECTOR	
26	95037255	2	BOLT, EYE	
27	95922902	2	NUT	
29	50743731	1	CLAMP, HOSE	
30	95330023	1	ADAPTER	
31	95242525	1	NIPPLE.	
32	95364956	1	FITTING	
33	95037438	1	BUSHING, PIPE	
34	36865756	2	SWITCH, THERMAL	
35	35596733	1	VALVE, SAFETY	
36	95279469	1	FITTING, HYD	
37	95335980	1	ELBOW, 90 DEG MALE	
38	52323094	1	PIPE, AIREND OUTLET	
39	51607430	1	SENDER, TEMP	

52330099**SEPARATOR TANK ASSEMBLY**

<i>REF.</i>				
<i>NO.</i>	<i>PART NO.</i>	<i>QTY.</i>	<i>PART NAME</i>	<i>SERIAL</i>
			<i>REMARKS</i>	<i>NO.</i>
40	57546061	2	CLAMP, HOSE	
41	36843720	1	VALVE, CHECK	
42	95225116	3	GASKET RING	
43	96701511	8	BOLT	
44	96702550	24	WASHER	
45	96727151	8	NUT	
46	96705504	8	BOLT	
47	50970201	4	BOLT	
50	95378907	1	CROSS, FEMALE PIPE	
51	52330115	1	ADAPTER, PLATE FORWARD	
53	95257341	1	CAP	
54	50258276	4	CLEVIS	
56	52104767	4	PAD, ISOLATOR	
57	95033593	1	PLUG	
58	52301041	1	SENSOR, TEMPERATURE FAN	
59	96702568	4	WASHER	
60	95414223	1	SWIVEL ADAPTER	
62	57757387	1	COUPLING, AIR 2"	
63	95317434	1	FITTING, HYD.	
64	52089810	1	REGULATOR, HIGH TEMP	
65	81664658	1	GAUGE	
66	95279535	1	ELBOW	
67	56947518	1	FITTING, HYD.	
417	57756306	1	HOSE, AIR	
432	95313961	1	HOSE, AIR	

52330099

SEPARATOR TANK ASSEMBLY



12 NOT SHOWN

52320868**SEPARATOR TANK ASSEMBLY**

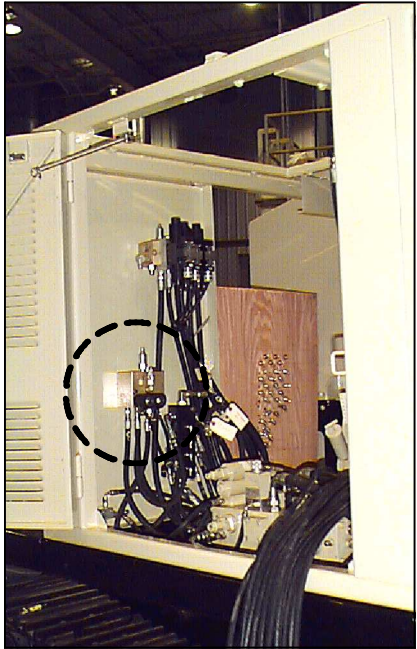
REF. NO.	PART NO.	QTY.	PART NAME REMARKS	SERIAL NO.
1	57698862	1	TANK, SEPARATOR (ASME)	
2	57569758	1	ELEMENT, SEPARATOR	
3	57391047	1	VALVE, MINIMUM PRESSURE	
4	95097291	1	NIPPLE, PIPE	
5	50023910	1	STEM, HOSE	
6	35596733	1	VALVE, SAFETY RELIEF	
7	52226164	1	NIPPLE, PIPE	
8	95323432	1	TEE	
9	52198397	1	FITTING, HYD.	
10	36865756	1	SWITCH, THERMAL	
11	95279469	1	FITTING, HYD.	
12	39476916	1	GLASS, SIGHT	
13	35579630	1	PLUG	
15	95431292	1	ELBOW	
16	95293403	1	ELBOW	
17	95303335	1	ELBOW	
20	96716337	4	CAPSCREW, HEX. HD.	
21	96702568	8	WASHER, FLAT	
22	96727136	4	NUT, HEX.	
23	39871694	1	TUBE, SCAVENGE	
24	39417118	1	ADAPTER	
25	39322748	1	ADAPTER, ORIFICE	
26	95235370	2	EYE, LIFTING	
27	95242558	2	NIPPLE	
28	95378907	1	TEE	
29	95279527	1	ELBOW	
30	95330023	1	ADAPTER	
31	95922928	2	NUT, HEX.	
32	50947357	1	VALVE, BALL	
33	95242525	1	NIPPLE	
34	95364956	1	TEE	
35	95356721	1	ELBOW	
36	95279386	1	ELBOW	
37	95219739	1	ADAPTER	
38	36843720	1	VALVE, CHECK	
39	95225116	3	GASKET, COMPRESSOR DISCHARGE	

52320868**SEPARATOR TANK ASSEMBLY**

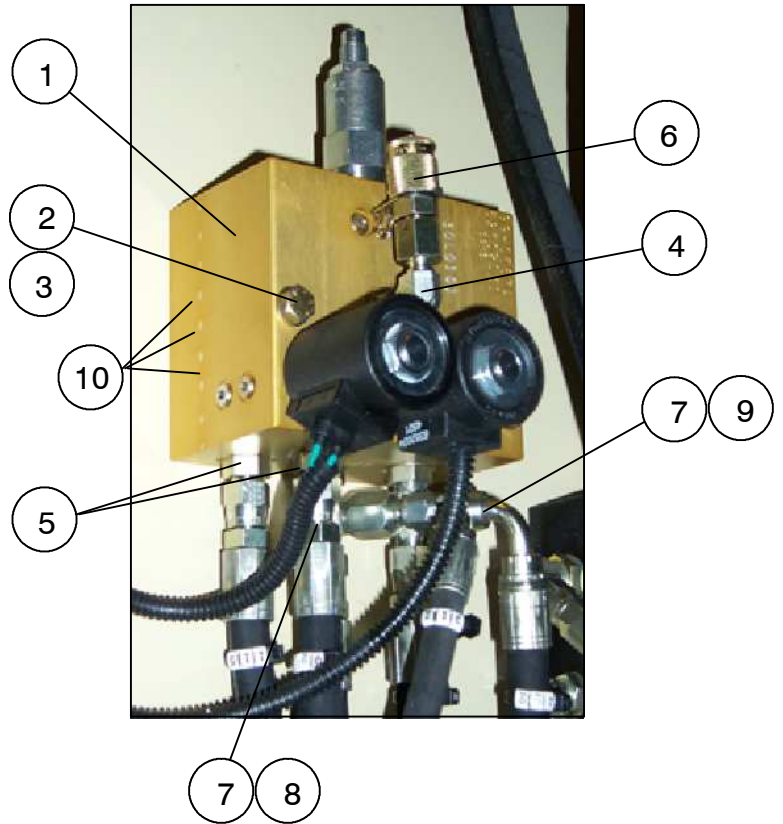
<i>REF.</i>				
<i>NO.</i>	<i>PART NO.</i>	<i>QTY.</i>	<i>PART NAME</i>	<i>SERIAL</i>
			<i>REMARKS</i>	<i>NO.</i>
40	52323102	1	PIPE, SEPARATOR TANK INLET	
41	52323094	1	PIPE, AIR END OUTLET	
43	96702550	16	WASHER, FLAT	
44	96703962	8	CAPSCREW, HEX. HD.	
45	96705504	8	CAPSCREW, HEX. HD.	
47	57546061	2	CLAMP, HOSE	
49	95257341	1	CAP	
50	50743731	1	CLAMP, HOSE	
51	52325180	4	BRACKET, SEPARATOR TANK MOUNTING	
52	52104767	4	PAD, ISOLATOR	
53	96726716	12	BOLT, FLANGED HD.	
54	95033593	1	PLUG	
55	51607430	1	SENDER,TEMP	
56	52198405	1	FITTING, HYD.	
57	52301041	1	SENSOR, TEMPERATURE FAN	
417	57756306	1	HOSE, AIR	

52320868

SEPARATOR TANK ASSEMBLY

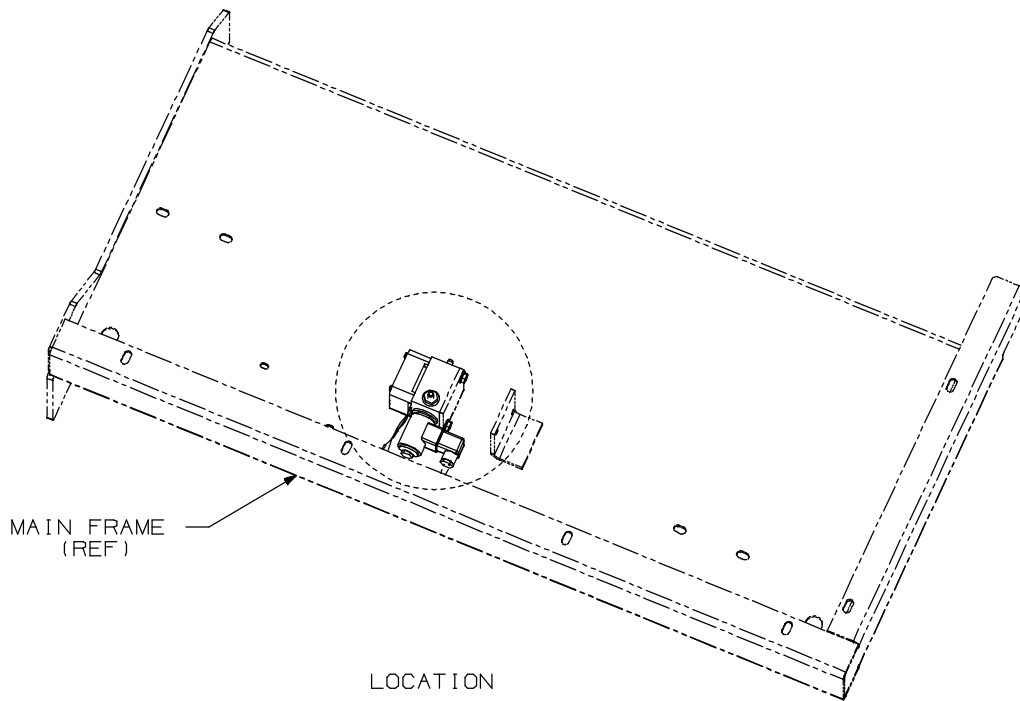
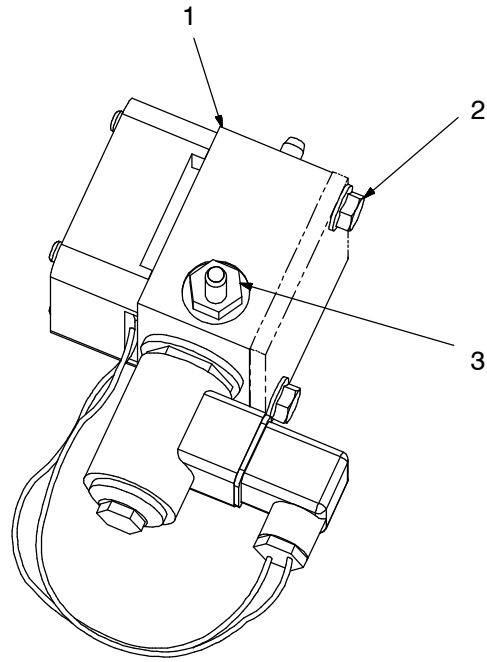


LOCATION



52330644**DRILL/TRAM SELECTOR VALVE ASSEMBLY**

<i>REF.</i>				
<i>NO.</i>	<i>PART NO.</i>	<i>QTY.</i>	<i>PART NAME</i>	<i>SERIAL</i>
			<i>REMARKS</i>	<i>NO.</i>
1	52302031	1	VALVE, DRILL/TRAM SELECTOR	
2	96713094	2	BOLT	
3	96702519	2	WASHER	
4	95365094	1	ADAPTER	
5	95365078	2	ADAPTER	
6	52306602	1	FITTING, PRESSURE TEST	
7	95453346	2	TEE	
8	56955867	1	ADAPTER	
9	95257341	1	CAP	
10	95754867	3	FITTING, HYD	



57736662_00

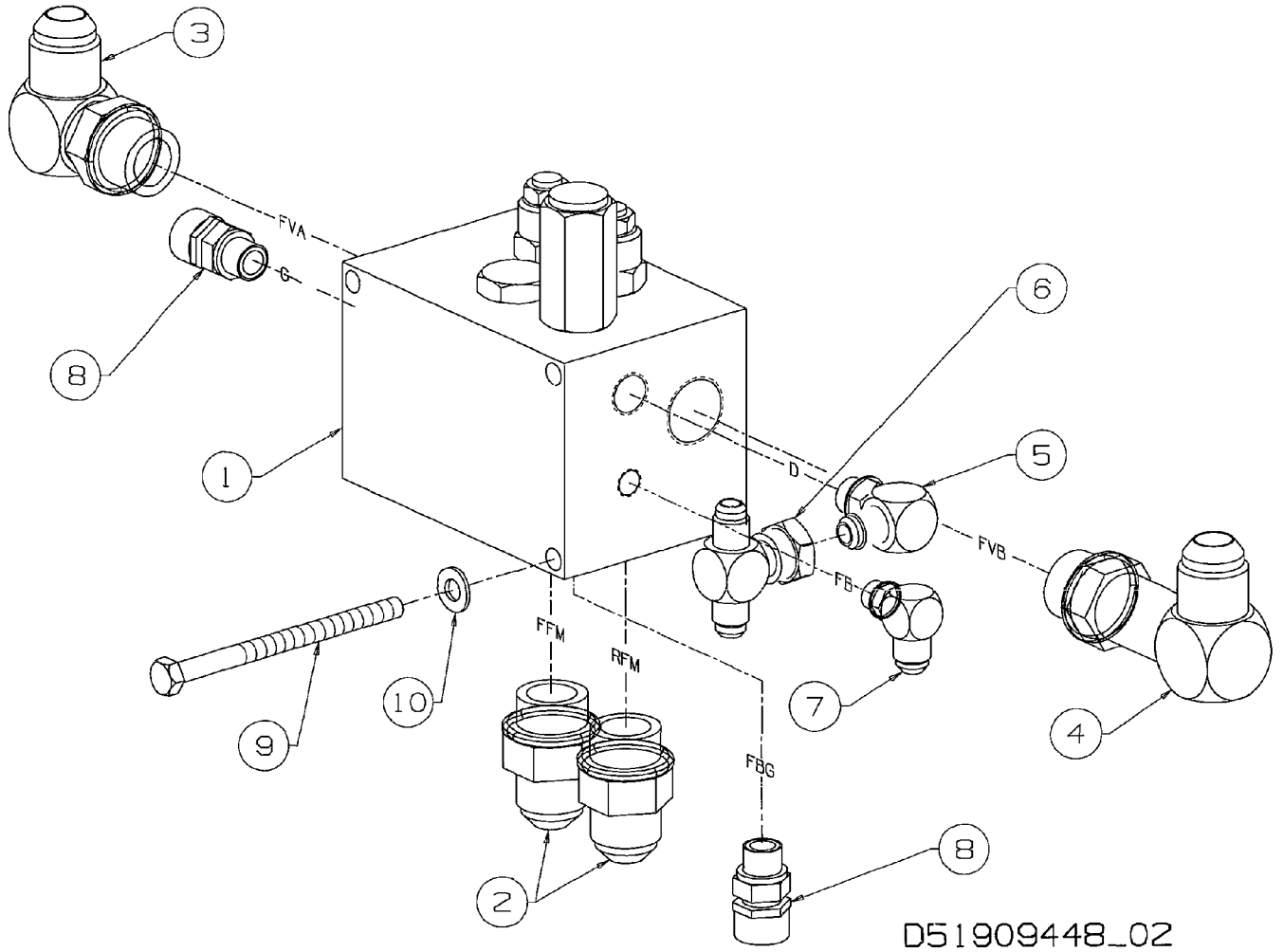
57736662

COOLER FAN CONTROL MODULE VALVE ASSEMBLY

<i>REF. NO.</i>	<i>PART NO.</i>	<i>QTY.</i>	<i>PART NAME REMARKS</i>	<i>SERIAL NO.</i>
1	57736621	1	VALVE, FAN CONTROL	
2	96727193	2	BOLT	
3	95371258	2	ADAPTER	

51909448

FEED CONTROL MANIFOLD ASSEMBLY

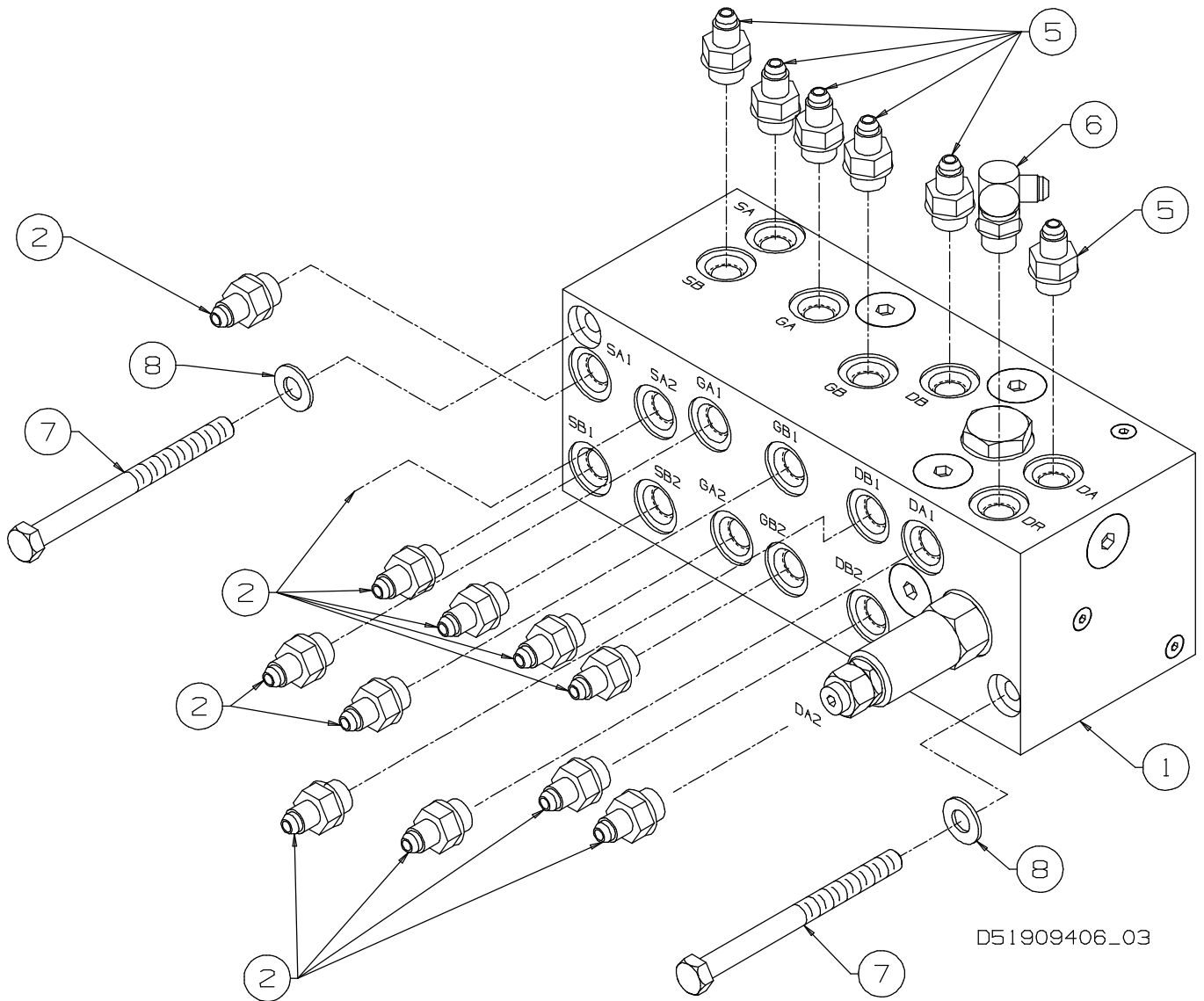


51909448**FEED CONTROL MANIFOLD ASSEMBLY**

<i>REF.</i>				
<i>NO.</i>	<i>PART NO.</i>	<i>QTY.</i>	<i>PART NAME</i>	<i>SERIAL</i>
			<i>REMARKS</i>	<i>NO.</i>
1	51608263	1	MANIFOLD, FEED MOTOR <i>REFER TO PAGE 9.10-1</i>	
2	95356960	2	ADAPTER	
3	95280186	1	ADAPTER	
4	95752465	1	ELBOW	
5	95329975	1	ELBOW	
6	95480117	1	TEE	
7	95653614	1	ELBOW	
8	51620664	2	FITTING, PRESSURE TEST	
9	96714696	3	BOLT	
10	96700828	3	WASHER	

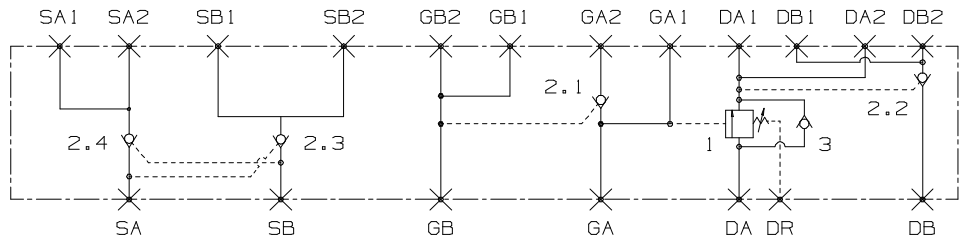
51909406

ROD CHANGER MANIFOLD ASSEMBLY

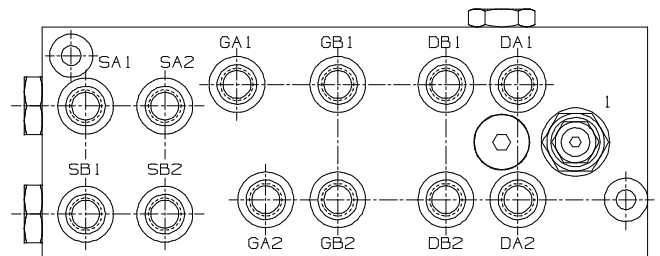
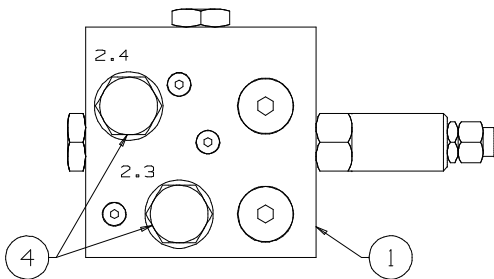
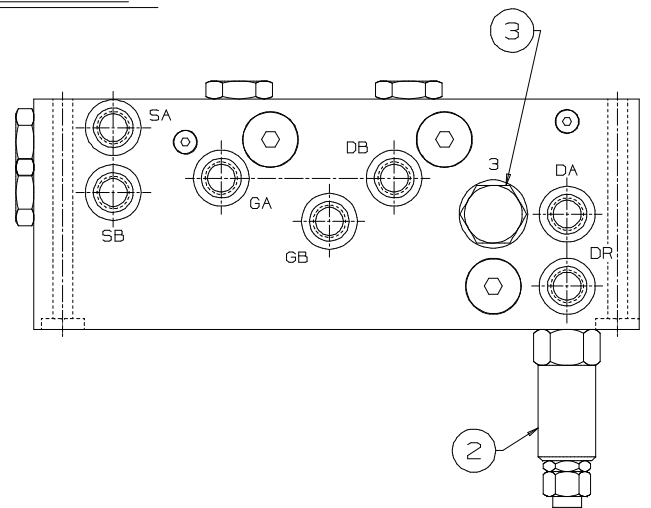
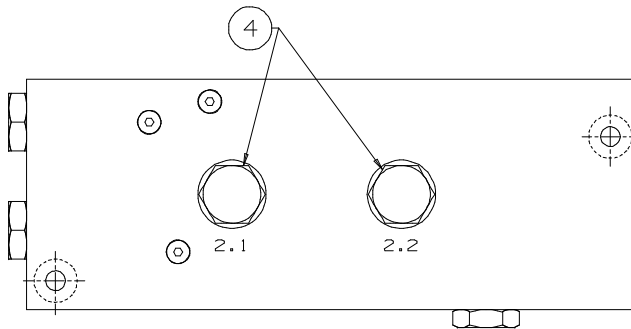


51909406**ROD CHANGER MANIFOLD ASSEMBLY**

REF. NO.	PART NO.	QTY.	PART NAME REMARKS	SERIAL NO.
1	51909125	1	MANIFOLD, ROD CHANGER <i>REFER TO PAGE 9.8-1</i>	
2	95371258	12	ADAPTER	
5	95365078	6	ADAPTER	
6	95365094	1	ADAPTER	
7	96714696	2	CAPSCREW	
8	96700828	2	WASHER	



HYDRAULIC SCHEMATIC

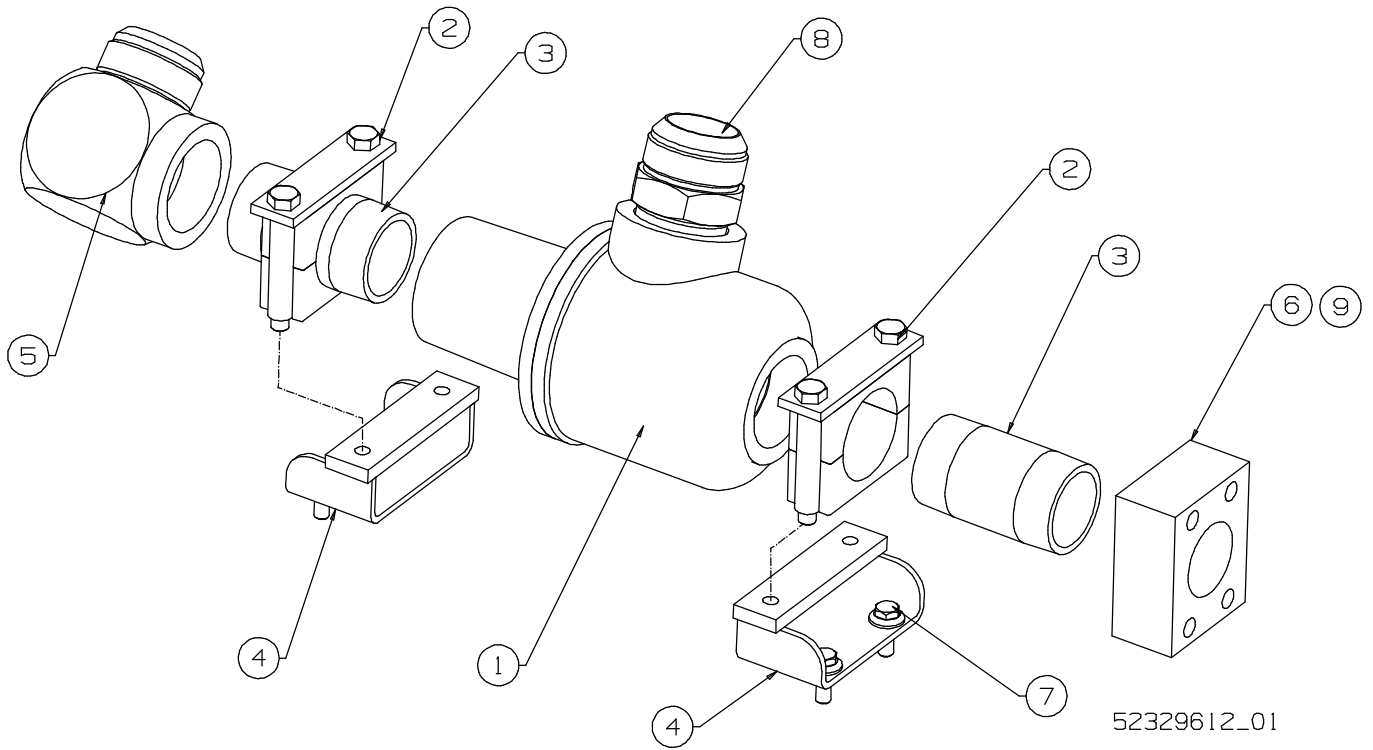


51909125**ROD CHANGER MANIFOLD**

<i>REF.</i>			<i>PART NAME</i>	<i>SERIAL</i>
<i>NO.</i>	<i>PART NO.</i>	<i>QTY.</i>	<i>REMARKS</i>	<i>NO.</i>
1	51910990	1	BLOCK, MANIFOLD	
2	51782613	1	CARTRIDGE, SEQUENCE	
3	51785871	1	CARTRIDGE, CHECK	
4	51782605	4	CARTRIDGE, PILOT CHECK	

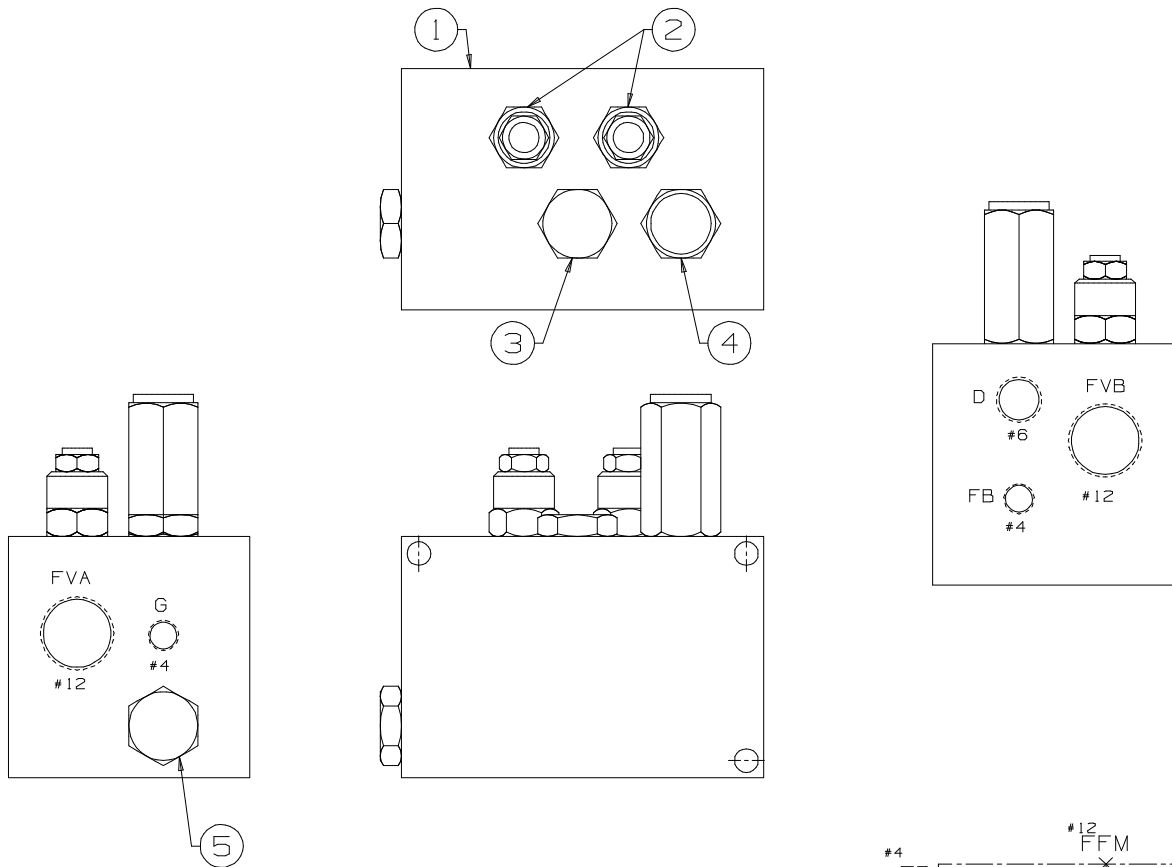
52329612

HYDRAULIC OIL THERMAL VALVE ASSEMBLY



52329612**HYDRAULIC OIL THERMAL VALVE ASSEMBLY**

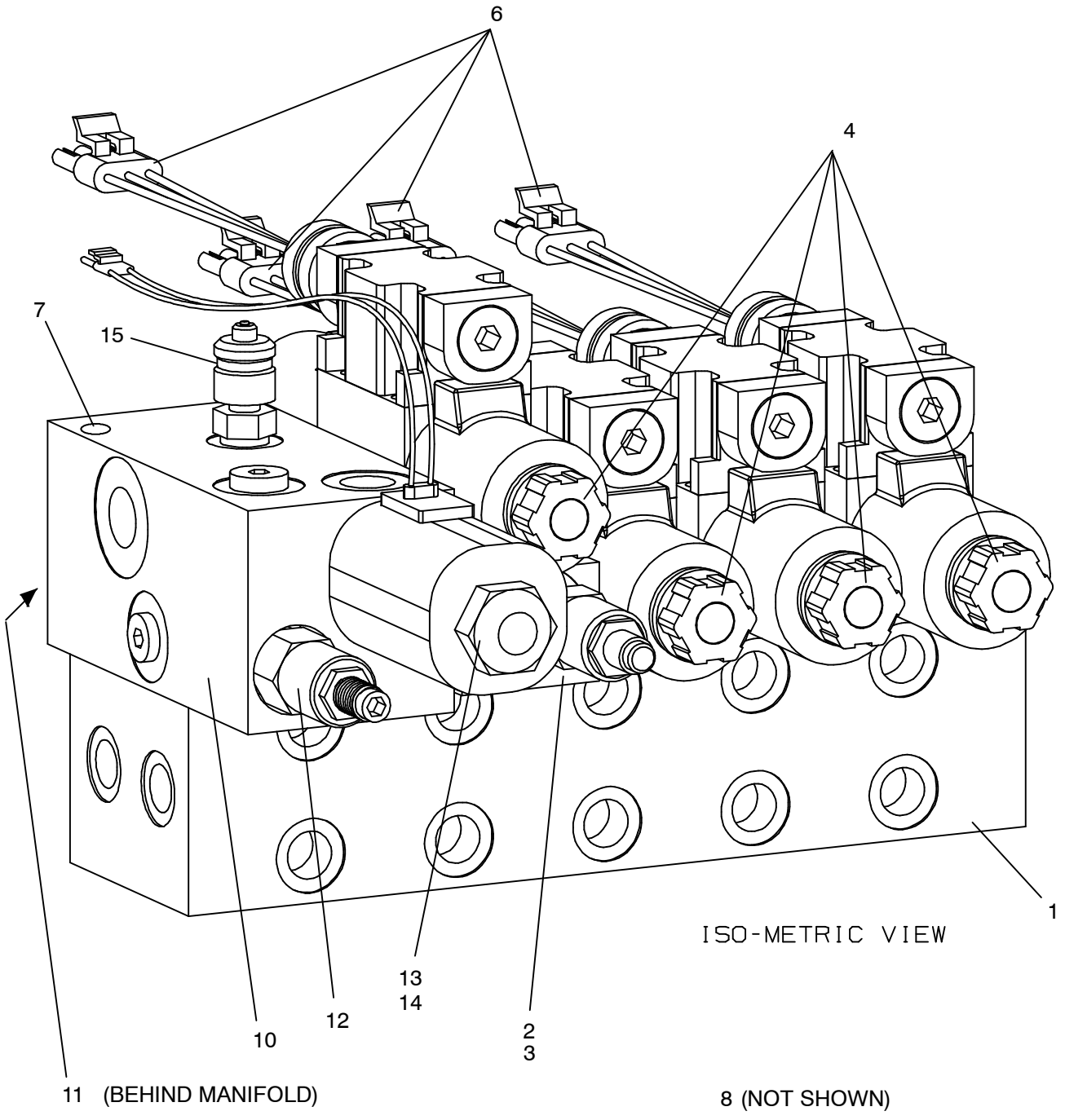
REF. NO.	PART NO.	QTY.	PART NAME REMARKS	SERIAL NO.
1	52301629	1	VALVE, HYDRAULIC THERMOSTATIC (NOM. 120 DEGREE) <i>REFER TO PAGE 9.49-1</i>	
2	52319332	2	CLAMP, PIPE	
3	95243093	1	NIPPLE, PIPE	
4	52321411	2	BRACKET, MOUNTING	
5	95316915	1	ADAPTER	
6	57747875	1	FLANGE, IN-LINE	
7	96726914	4	CAPSCREW	
8	95279352	1	ADAPTER	

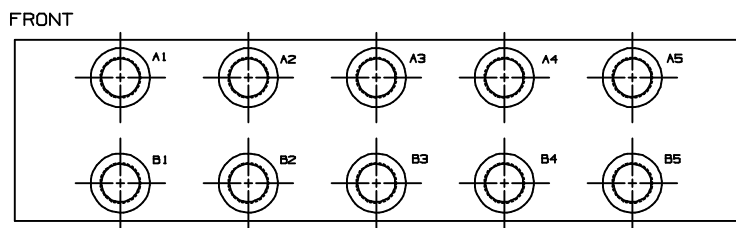
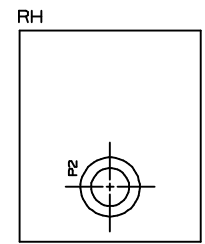
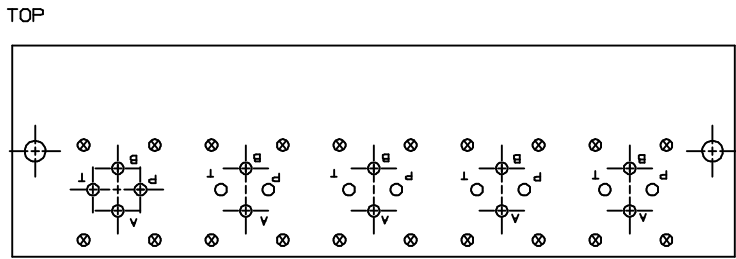
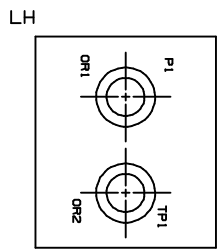
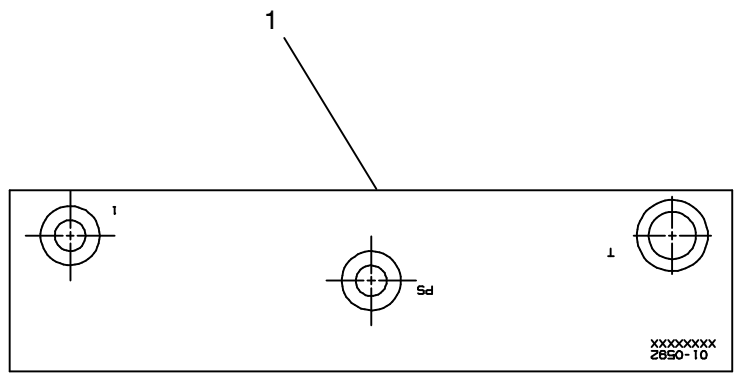


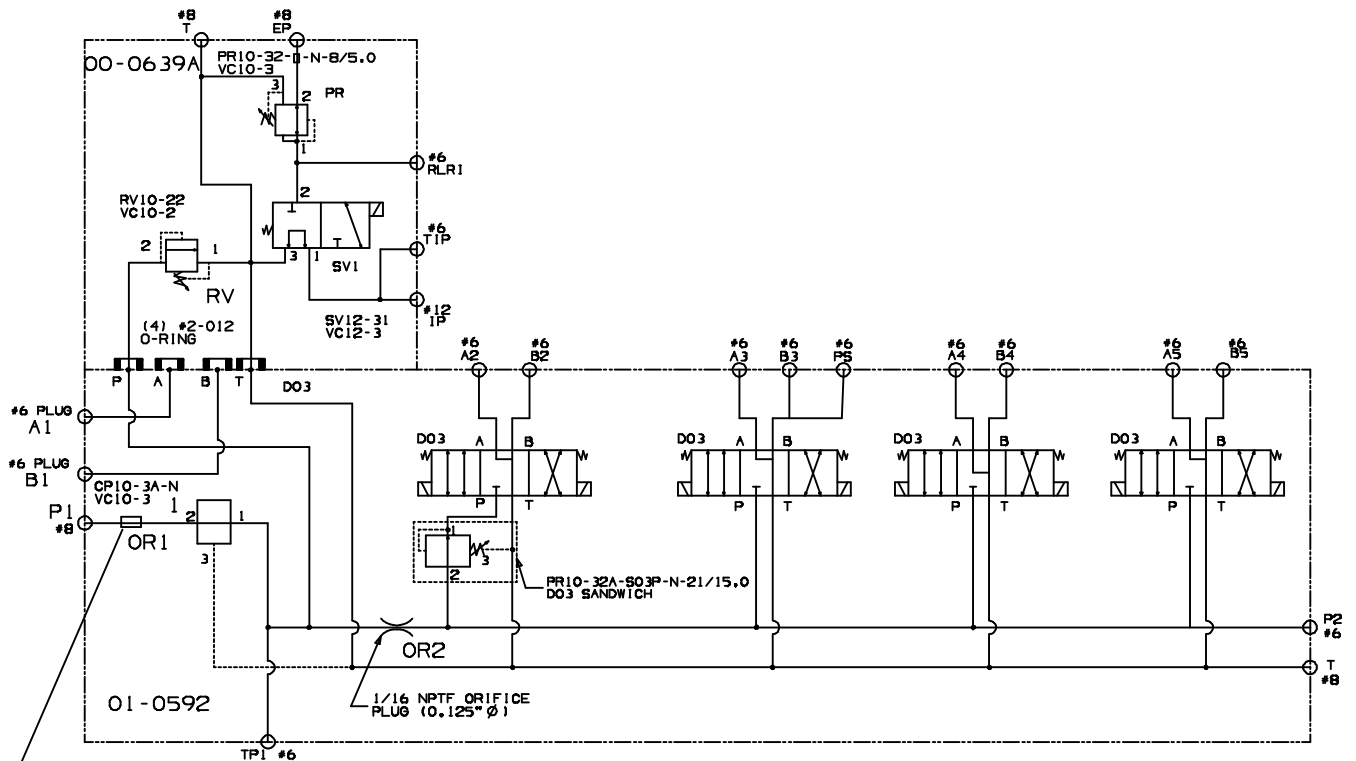
HYDRAULIC SCHEMATIC

51608263**FEED MOTOR MANIFOLD**

<i>REF. NO.</i>	<i>PART NO.</i>	<i>QTY.</i>	<i>PART NAME REMARKS</i>	<i>SERIAL NO.</i>
1	51776599	1	BLOCK, MANIFOLD	
2	51776607	2	VALVE, CARTRIDGE	
	51776607		.KIT, SEAL	
3	51729846	1	VALVE, SHUTTLE	
4	51984367	1	VALVE, CARTRIDGE	
	51776581		.KIT, SEAL	
5	51785871	1	CARTRIDGE, CHECK VALVE	
	51776458	1	.KIT, SEAL	



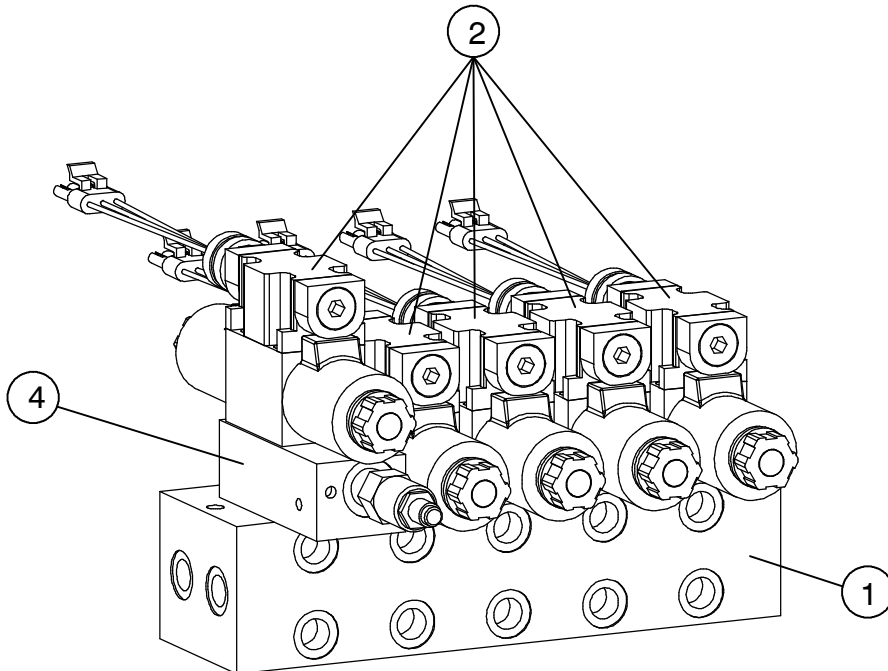
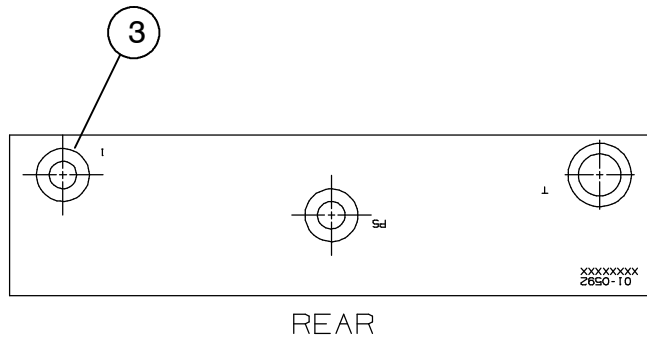




HYDRAULIC SCHEMATIC

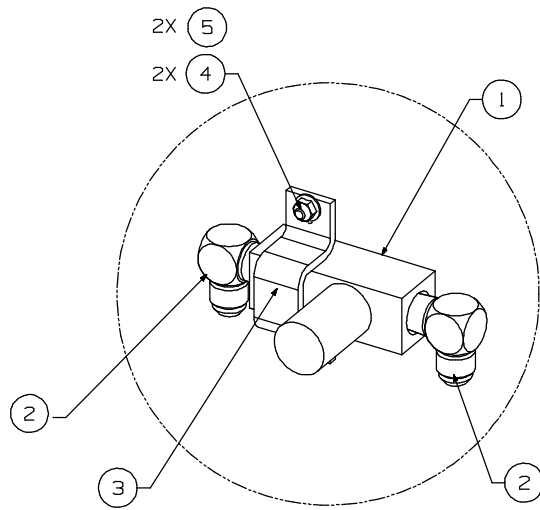
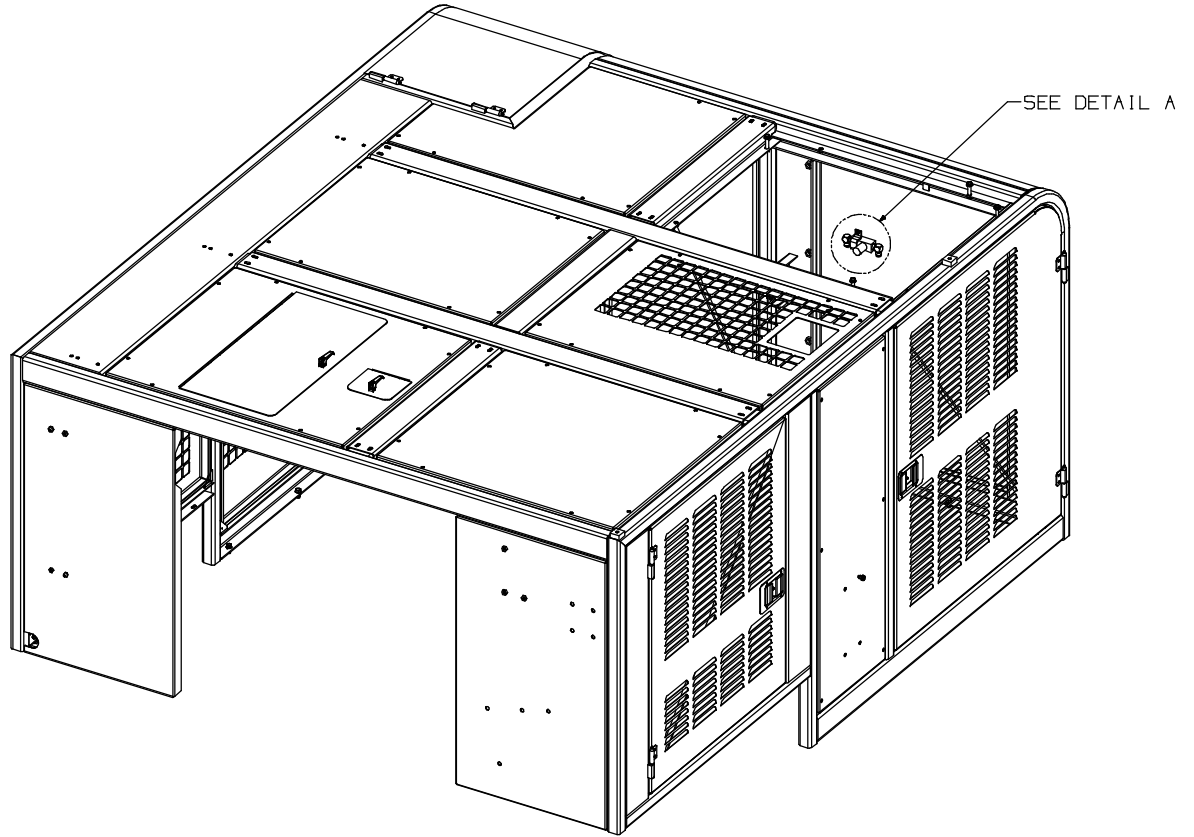
52324993**AUXILIARY CONTROL VALVE**

REF. NO.	PART NO.	QTY.	PART NAME REMARKS	SERIAL NO.
1	52326261	1	BLOCK, MANIFOLD	
2	52308962	1	PLUG, ORIFICE	
3	52326287	1	ASSEMBLY, PRESSURE REDUCING VALVE	
	52326303	1	.CARTRIDGE, PRESSURE REDUCING VALVE	
	52326295	1	..KIT, SEAL	
4	51863025	4	VALVE, HYDRAULIC	
	51863017	4	.KIT, SEAL	
	51863009	4	.COIL, SOLENOID	
6	52306933	4	HARNESS, SOLENOID COIL WIRING	
7	95976270	4	CAPSCREW	
8	52326279	1	PLUG, FLOW THROUGH	
	95017984	4	O-RING (INSTALLED BETWEEN THE MANIFOLD & UNLOADER BLOCKS)	
10	52318995	1	BODY, MANIFOLD	
11	52319001	1	VALVE, CARTRIDGE	
	52321270	1	.KIT, SEAL	
12	52319019	1	CARTRIDGE, PRESSURE REDUCING	
	51919397	1	.KIT, SEAL	
13	52330842	1	VALVE, SOLENOID	
14	52319035	1	COIL	
15	52306602	1	FITTING, HYDRAULIC TEST	



52324985**ROD CHANGER VALVE**

<i>REF.</i>				
<i>NO.</i>	<i>PART NO.</i>	<i>QTY.</i>	<i>PART NAME</i>	<i>SERIAL</i>
			<i>REMARKS</i>	<i>NO.</i>
1	52326261	1	BLOCK, MANIFOLD	
2	51863025	5	VALVE, HYDRAULIC	
	51863017	5	.KIT, SEAL	
	51863009	5	.COIL, SOLENOID	
	52306933	4	.HARNES, SOLENOID COIL WIRING	
3	52326303	1	CARTRIDGE, PRESSURE REDUCING	
	52326295	1	.KIT, SEAL	
4	52326386	1	VALVE, PRESSURE REDUCING	
	52326394	1	.CARTRIDGE	
	52326402	1	.KIT, SEAL	

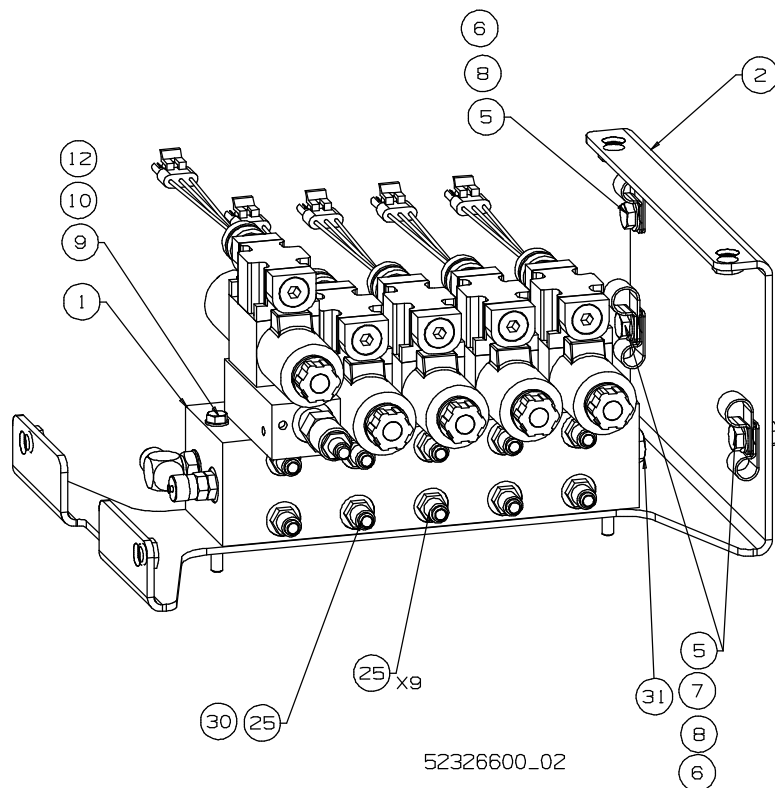
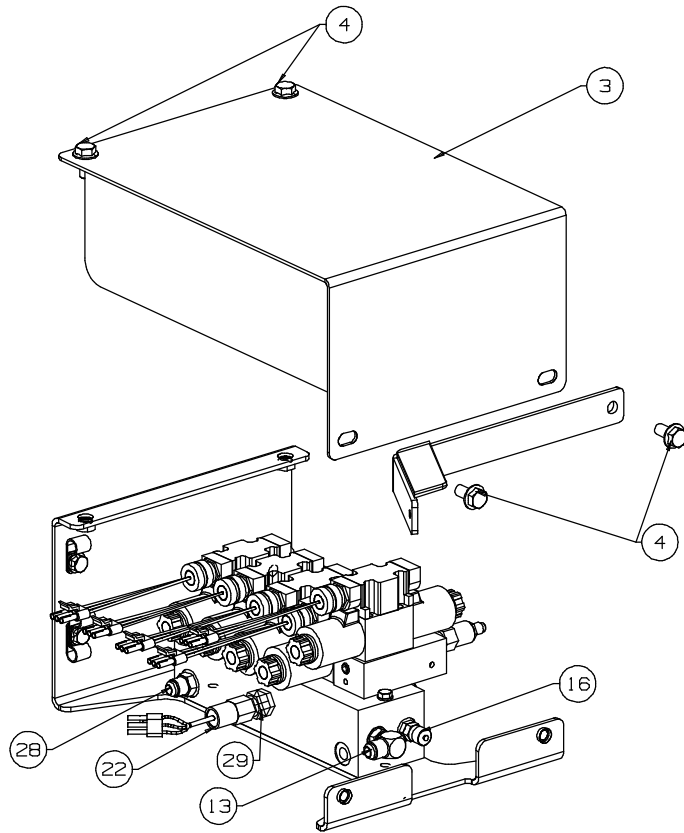


57738304**DUST COLLECTOR MOTOR BYPASS VALVE ASSEMBLY**

<i>REF.</i>				
<i>NO.</i>	<i>PART NO.</i>	<i>QTY.</i>	<i>PART NAME</i>	<i>SERIAL</i>
			<i>REMARKS</i>	<i>NO.</i>
1	57738296	1	VALVE, FLOW CONTROL	
2	95279535	2	ELBOW	
3	57737116	1	BRACKET	
4	96742689	2	BOLT, HEX FLANGE	
5	96726781	2	NUT	

52326600

ROD CHANGER VALVE ASSEMBLY



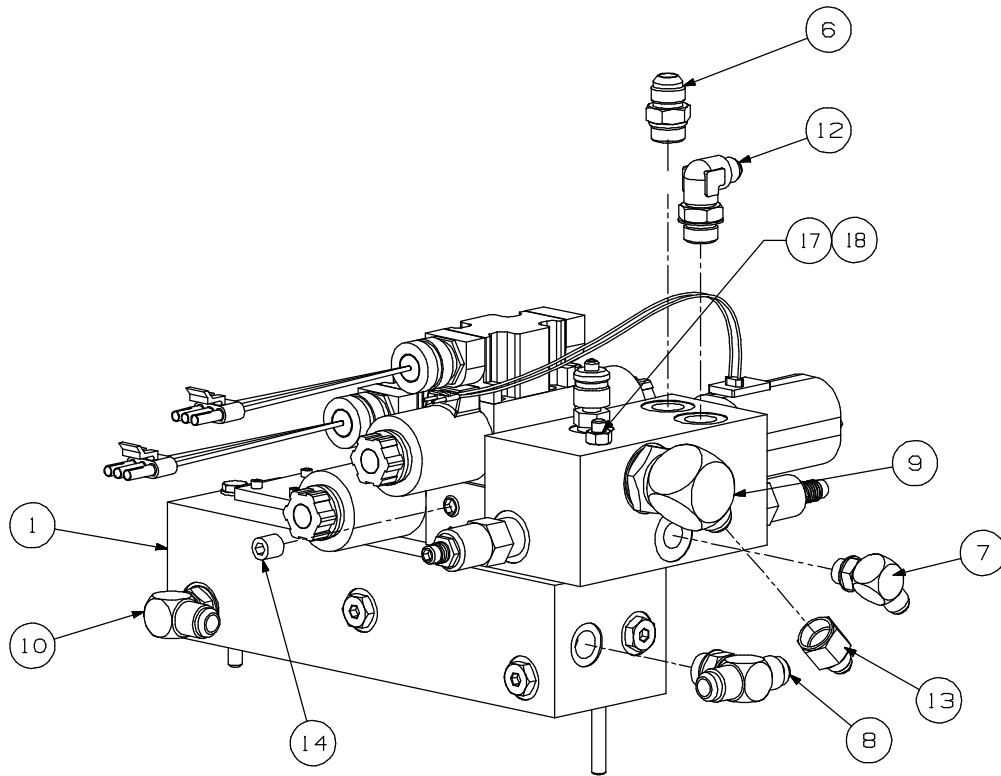
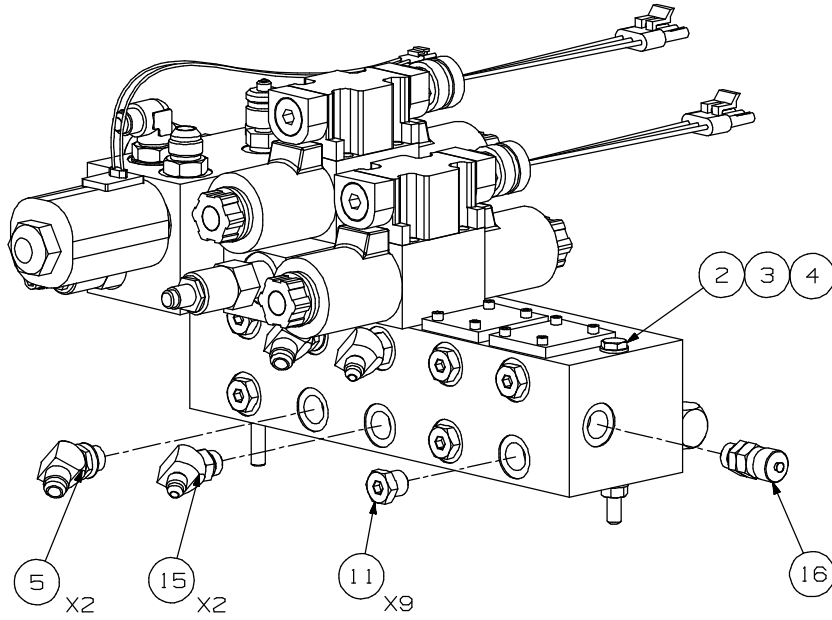
52326600_02

52326600**ROD CHANGER VALVE ASSEMBLY**

REF. NO.	PART NO.	QTY.	PART NAME REMARKS	SERIAL NO.
1	52324985	1	VALVE, ROD CHANGER <i>REFER TO PAGE 9.12-1</i>	
2	52116415	1	BASEPLATE, ROD CHANGER VALVE	
3	52325172	1	COVER, ROD CHANGER VALVE	
4	96727250	4	BOLT, FLANGED HD.	
5	96726914	3	BOLT, FLANGED HD.	
6	96726807	3	LOCKNUT, FLANGED HD.	
7	51371367	2	CLAMP, VINYL	
8	95654208	3	CLAMP, VINYL	
9	96714696	2	BOLT, HEX. HD.	
10	96702519	2	LOCKNUT, FLANGED HD.	
12	96726799	2	NUT, HEX.	
13	95303335	1	ADAPTER	
16	51620664	1	FITTING, HYDRAULIC TEST	
22	51910867	1	SWITCH, PRESSURE	
25	95365078	10	ADAPTER	
26	96727193	1	BOLT	
27	96726799	1	NUT	
28	95303368	1	CONNECTOR	
29	95655064	1	ADAPTER	
30	51908804	1	ADAPTER, RESTRICTOR	
31	95666996	1	PLUG	

52329935

AUXILIARY CONTROL VALVE



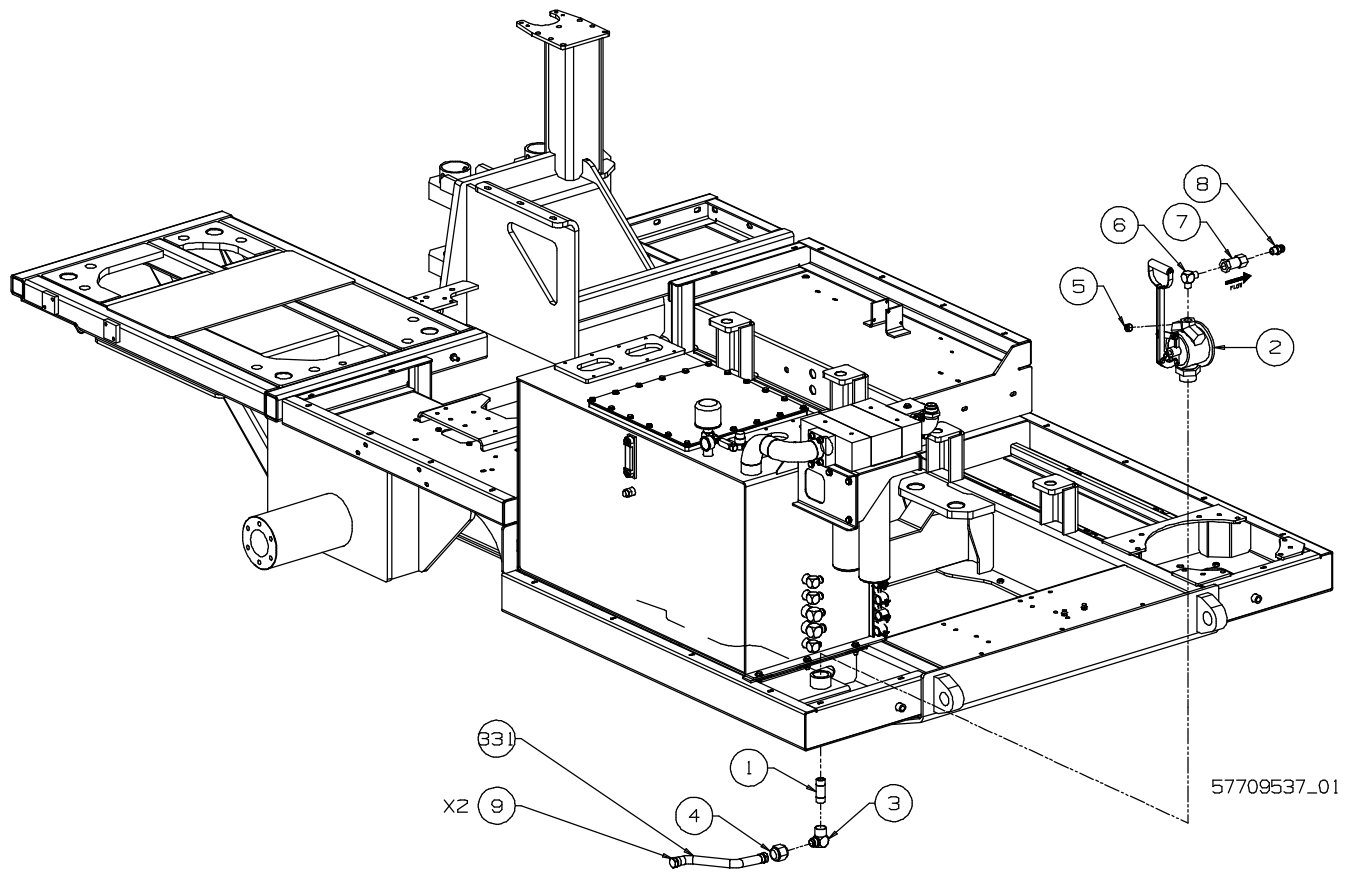
C52329935_00

52329935**AUXILIARY CONTROL VALVE**

REF. NO.	PART NO.	QTY.	PART NAME REMARKS	SERIAL NO.
1	52324993	1	VALVE CONTROL, AUXILIARY <i>REFER TO PAGE 9.11-1</i>	
2	96726435	2	BOLT,HEX HD	
3	96702519	4	WASHER	
4	96726799	2	NUT	
5	95363339	8	ADAPTER	
6	95303368	1	CONNECTOR	
7	95329975	2	ELBOW	
8	52151420	1	ADAPTER	
9	95330692	1	ELBOW	
10	95303335	1	ELBOW	
11	95666996	9	PLUG	
12	95356853	1	ADAPTER, 90 DEGREE	
13	56919004	1	FITTING	
14	95250932	1	PLUG	
15	50700814	2	ADAPTER	
16	51620664	1	FITTING, PRESSURE TEST	
17	96702840	1	NUT	
18	52319217	1	ROD, THREADED	

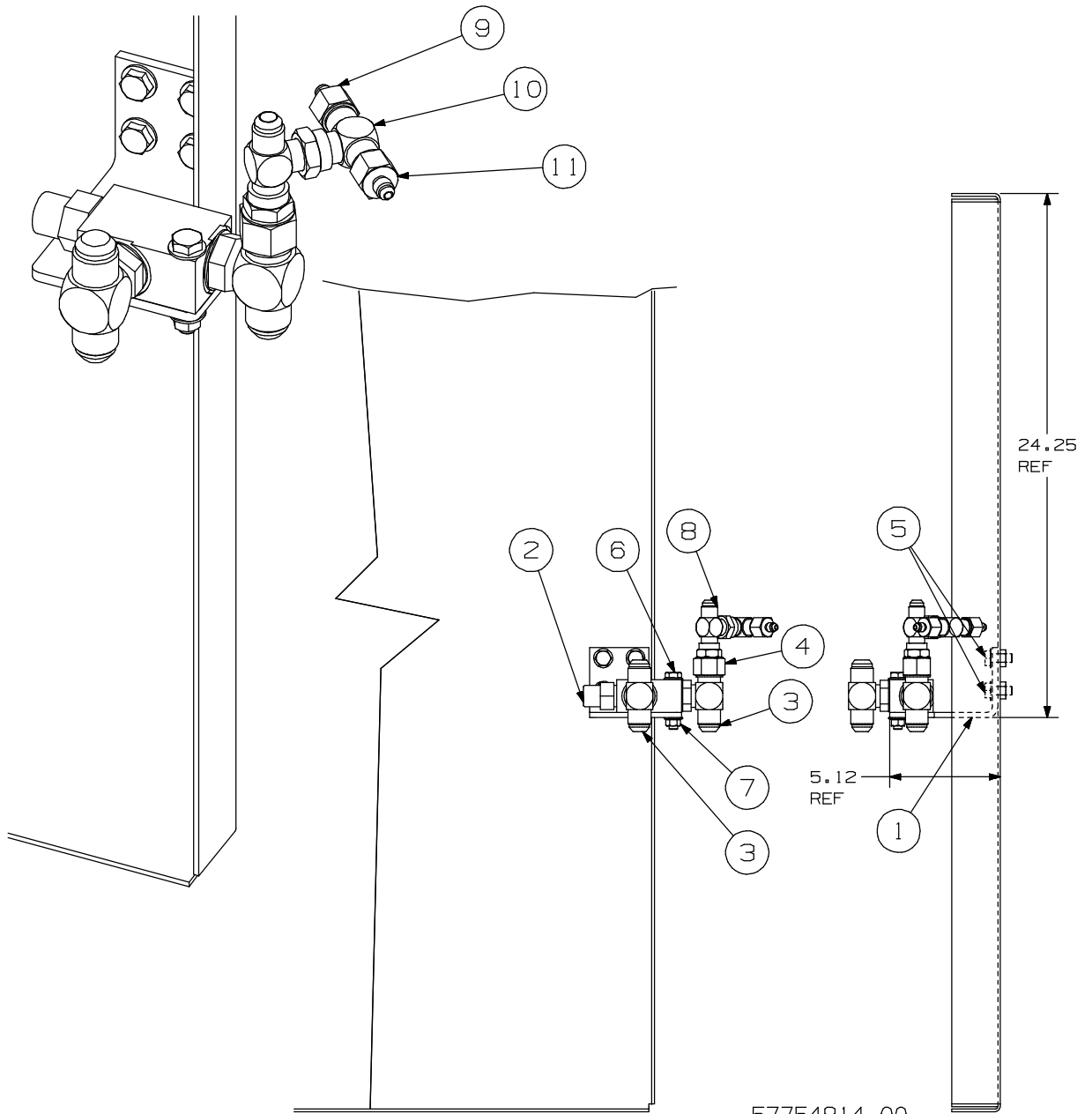
57709537

PUMP ASM, HYD HAND



57709537**PUMP ASM, HYD HAND**

<i>REF.</i>				
<i>NO.</i>	<i>PART NO.</i>	<i>QTY.</i>	<i>PART NAME</i>	<i>SERIAL</i>
			<i>REMARKS</i>	<i>NO.</i>
1	95344321	1	NIPPLE	
2	51916526	1	PUMP, HAND	
3	95279238	1	FITTING HYD	
4	95387924	1	CAP	
5	95267191	1	PLUG, PIPE	
6	95317434	1	FITTING	
7	50805118	1	VALVE, CHECK	
8	95219747	1	CONNECTOR	
9	95422838	2	PLUG	
331	50978543	1	HOSE ASSY	



57754814**VALVE ASM, PILOT RELIEF**

<i>REF.</i>				
<i>NO.</i>	<i>PART NO.</i>	<i>QTY.</i>	<i>PART NAME</i>	<i>SERIAL</i>
			<i>REMARKS</i>	<i>NO.</i>
1	57689234	1	BRACKET, VALVE MOUNTING	
2	57698896	1	VALVE, PILOT OP RELIEF	
3	95469169	2	FITTING, TUBE	
4	56956220	1	FITTING, HYD	
5	96727003	4	BOLT	
6	96727904	1	BOLT	
7	96726807	1	NUT, FLANGED HEAD	
8	95416731	1	NUT, SWIVEL TEE	
9	56999246	1	FITTING, HYD	
10	95642484	1	FITTING, HYD	
11	56919004	1	FITTING, HYD	

52329943

MODE CONTROL VALVE ASSY

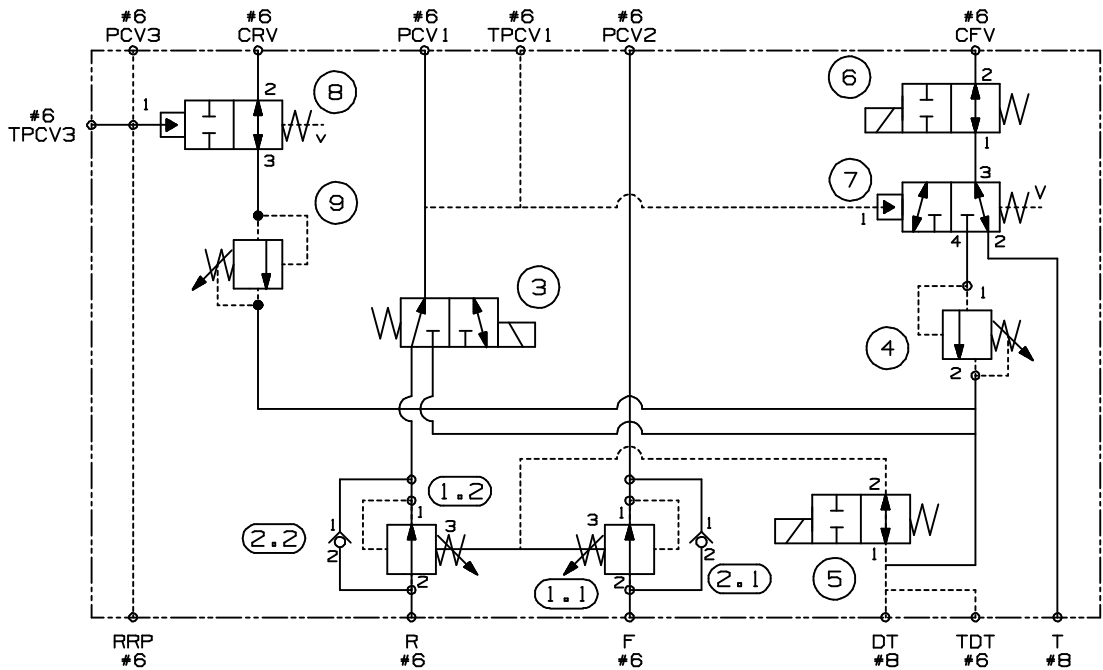
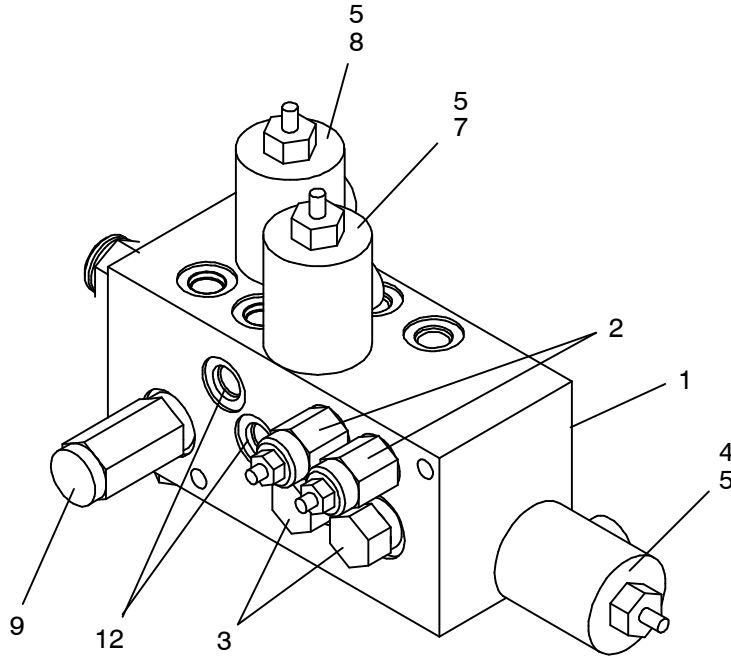
There is no drawing available at this time

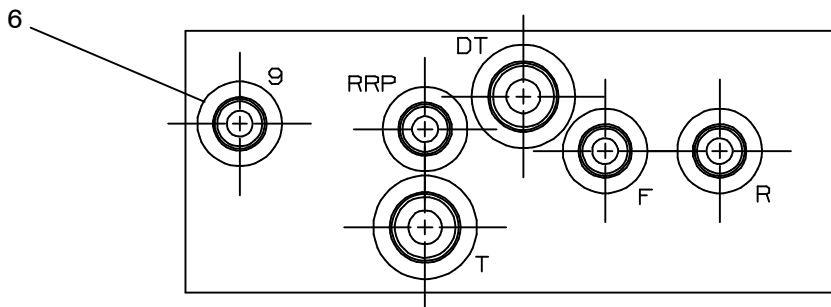
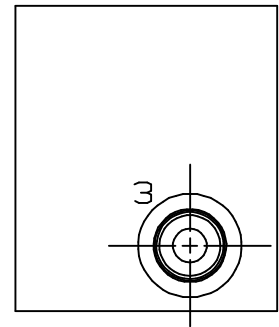
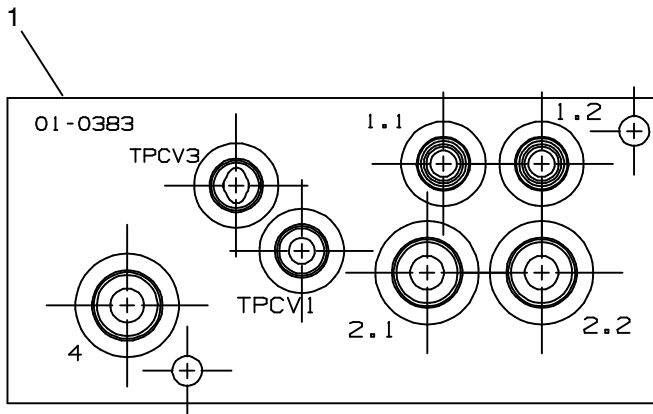
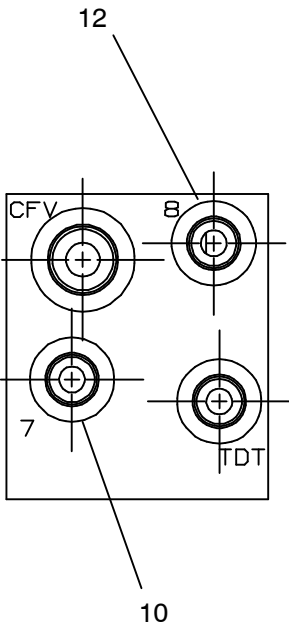
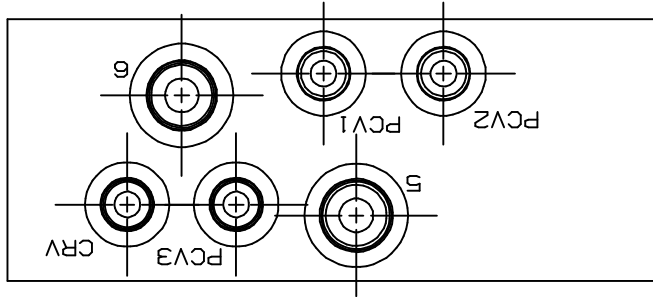
52329943**MODE CONTROL VALVE ASSY**

<i>REF.</i>				
<i>NO.</i>	<i>PART NO.</i>	<i>QTY.</i>	<i>PART NAME</i>	<i>SERIAL</i>
			<i>REMARKS</i>	<i>NO.</i>
1	95371258	8	FITTING, HYD	
2	95365078	1	CONNECTOR,STRT THRD	
3	95419594	1	CONNECTOR,STRT THRD	
4	95653317	1	PLUG,HEX HEAD	
5	96714712	2	CAPSCREW	
6	96702519	2	WASHER	
7	52326477	1	VALVE,DRILL MODE	
8	95473443	1	FITTING, HYD	
9	51620664	2	FITTING,PRESSURE TEST	
11	51716017	1	SWITCH, PRESSURE	
12	95838231	2	FITTING, TUBE	



LOCATION



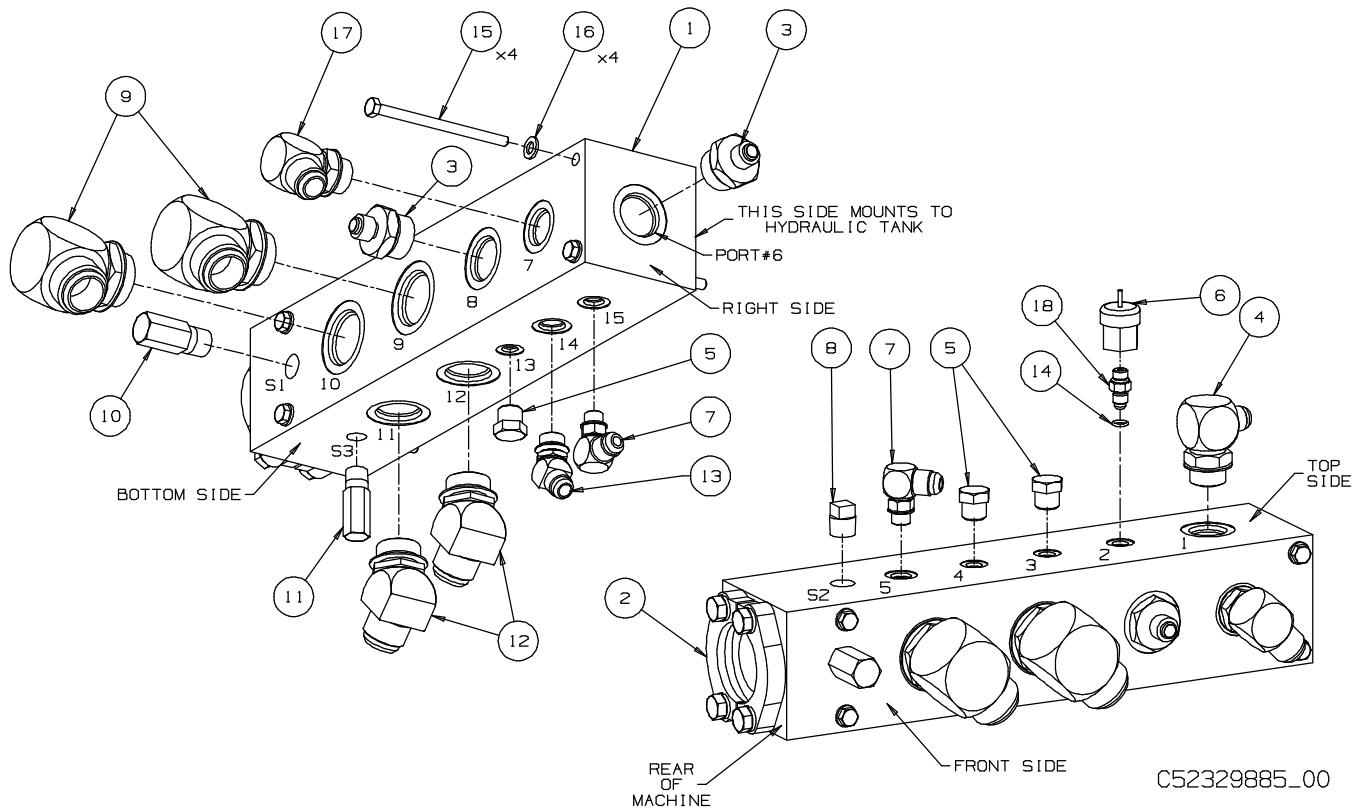


52314531**MODE CONTROL VALVE**

<i>REF.</i>			<i>PART NAME</i>	<i>SERIAL</i>
<i>NO.</i>	<i>PART NO.</i>	<i>QTY.</i>	<i>REMARKS</i>	<i>NO.</i>
1	52326451	1	BLOCK, MANIFOLD	
2	52326469	2	VALVE, PILOT OPERATED REDUCING/RELIEVING	
3	51874444	2	VALVE, CHECK	
4	52309358	1	CARTRIDGE, VALVE	
	51919397	1	.KIT, SEAL	
5	51785889	3	COIL	
6	52104395	1	CARTRIDGE, VALVE	
7	52326477	1	CARTRIDGE, VALVE	
	51919397	1	.KIT, SEAL	
8	52326485	1	CARTRIDGE, VALVE	
	52326535	1	.KIT, SEAL	
9	52326501	1	CARTRIDGE, VALVE	
	52326543	1	.KIT, SEAL	
10	57717381	1	CARTRIDGE, VALVE	
	51919397	1	.KIT, SEAL	
11	52326527	1	CARTRIDGE, VALVE	
	51919397	1	.KIT, SEAL	
12	52306602	3	FITTING, HYDRAULIC TEST	

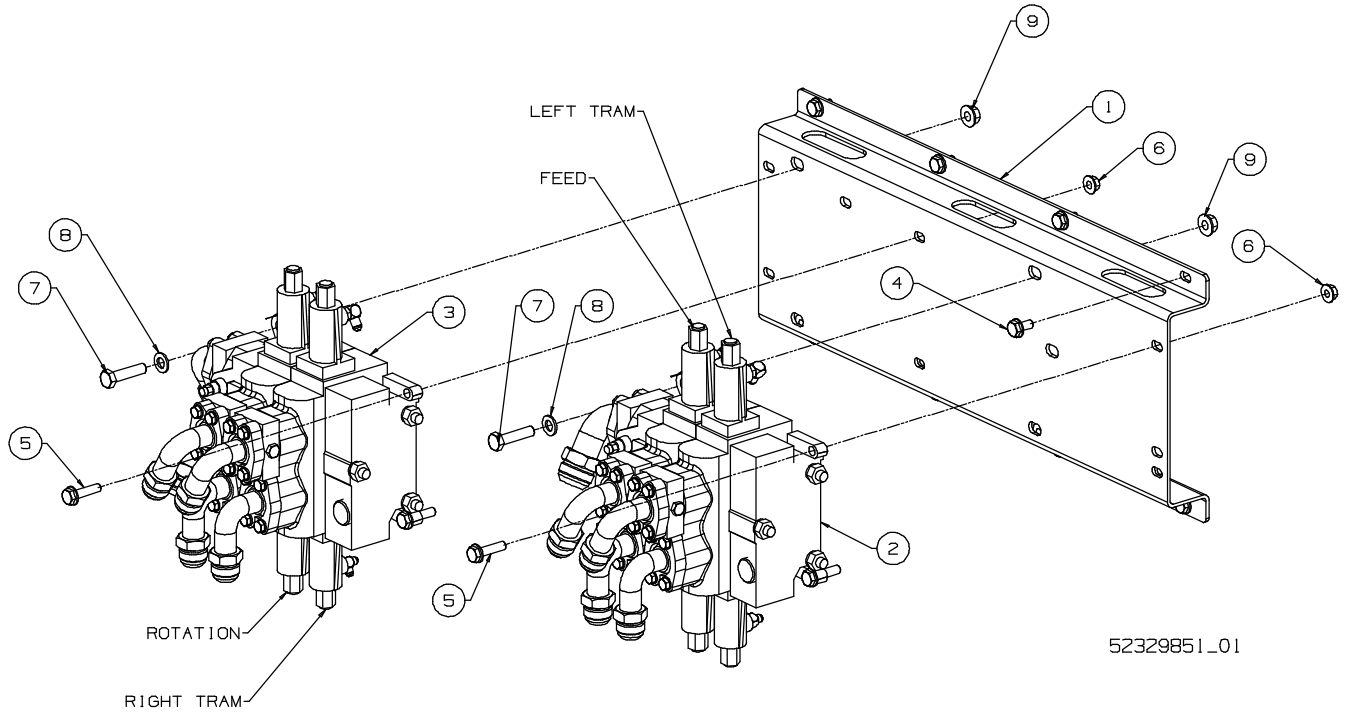
52329885

MANIFOLD, HYD. RETURN



52329885**MANIFOLD, HYD. RETURN**

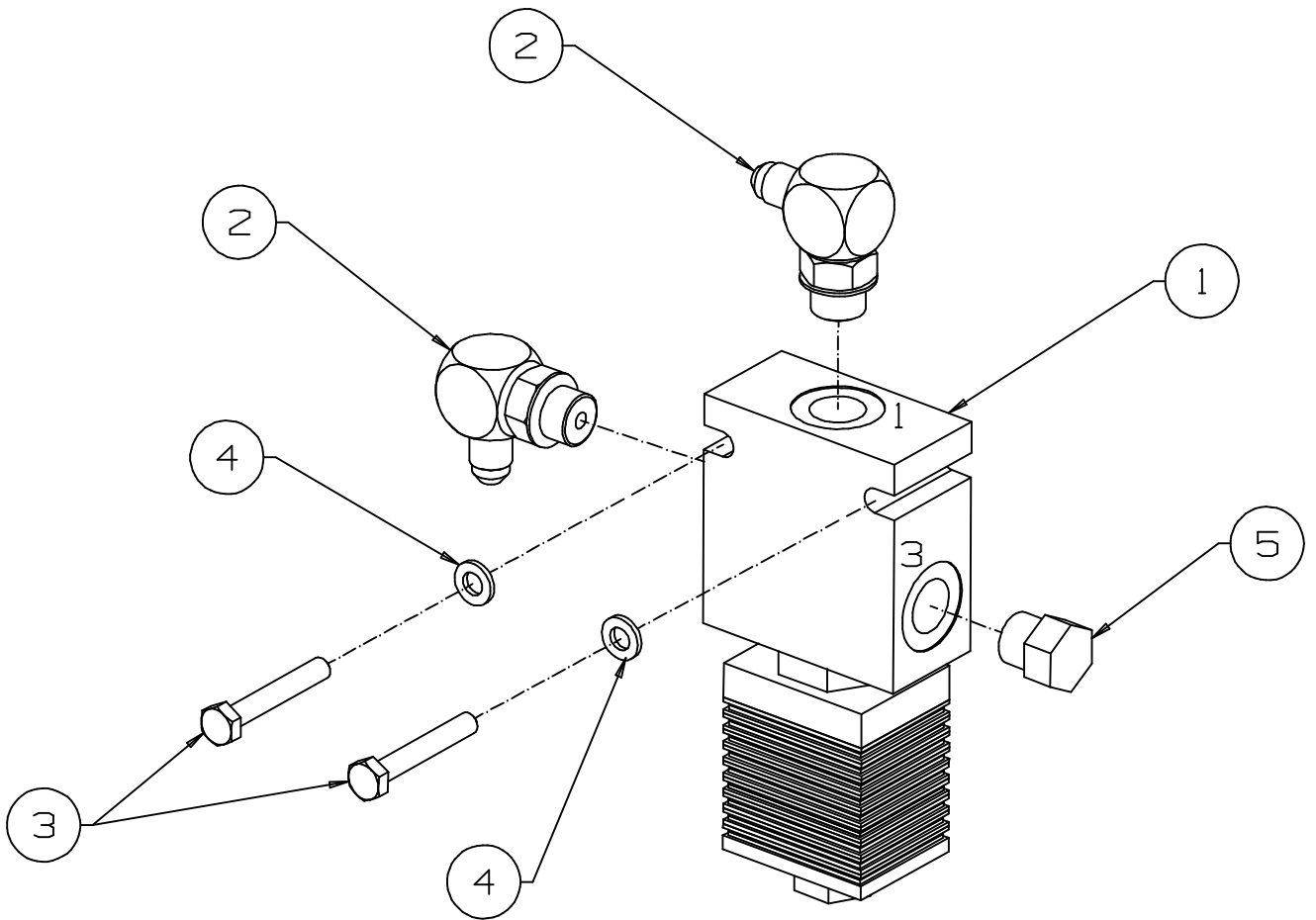
<i>REF.</i>			<i>PART NAME</i>	<i>SERIAL</i>
<i>NO.</i>	<i>PART NO.</i>	<i>QTY.</i>	<i>REMARKS</i>	<i>NO.</i>
1	52319233	1	MANIFOLD, HYD RETURN	
2	51914299	1	KIT, SPLIT FLANGE	
3	95366019	2	FITTING, HYD	
4	95330692	2	ELBOW	
5	95754867	3	FITTING, HYD	
6	95365086	1	CONNECTOR, STRT THRD	
7	95480109	2	FITTING, HYD	
8	95033619	1	PLUG, PIPE	
9	95469151	2	ADAPTER	
10	51618510	1	SWITCH, TEMPERATURE	
11	51618346	1	SENDER, TEMPERATURE	
12	95280160	2	FITTING, HYD	
13	95280152	1	ADAPTER	
14	95266417	1	O-RING	
15	96713128	4	BOLT	
16	96702519	4	WASHER, FLAT	
17	95280186	1	ELBOW	
18	52319373	1	SENSOR, PRESSURE	



52329851

VALVE BANK ASSY

<i>REF.</i>				
<i>NO.</i>	<i>PART NO.</i>	<i>QTY.</i>	<i>PART NAME</i>	<i>SERIAL</i>
			<i>REMARKS</i>	<i>NO.</i>
1	52322625	1	BRACKET, MOUNTING	
2	52329836	1	VALVE ASM, LH TRAM/FEED <i>REFER TO PAGE 9.29-1</i>	
3	52329844	1	VALVE ASM, RH TRAM/ROT <i>REFER TO PAGE 9.30-1</i>	
4	96726914	8	BOLT	
5	96726708	4	BOLT	
6	96726807	4	NUT	
7	96711890	4	SCREW	
8	96702535	4	WASHER	
9	96726815	4	NUT	



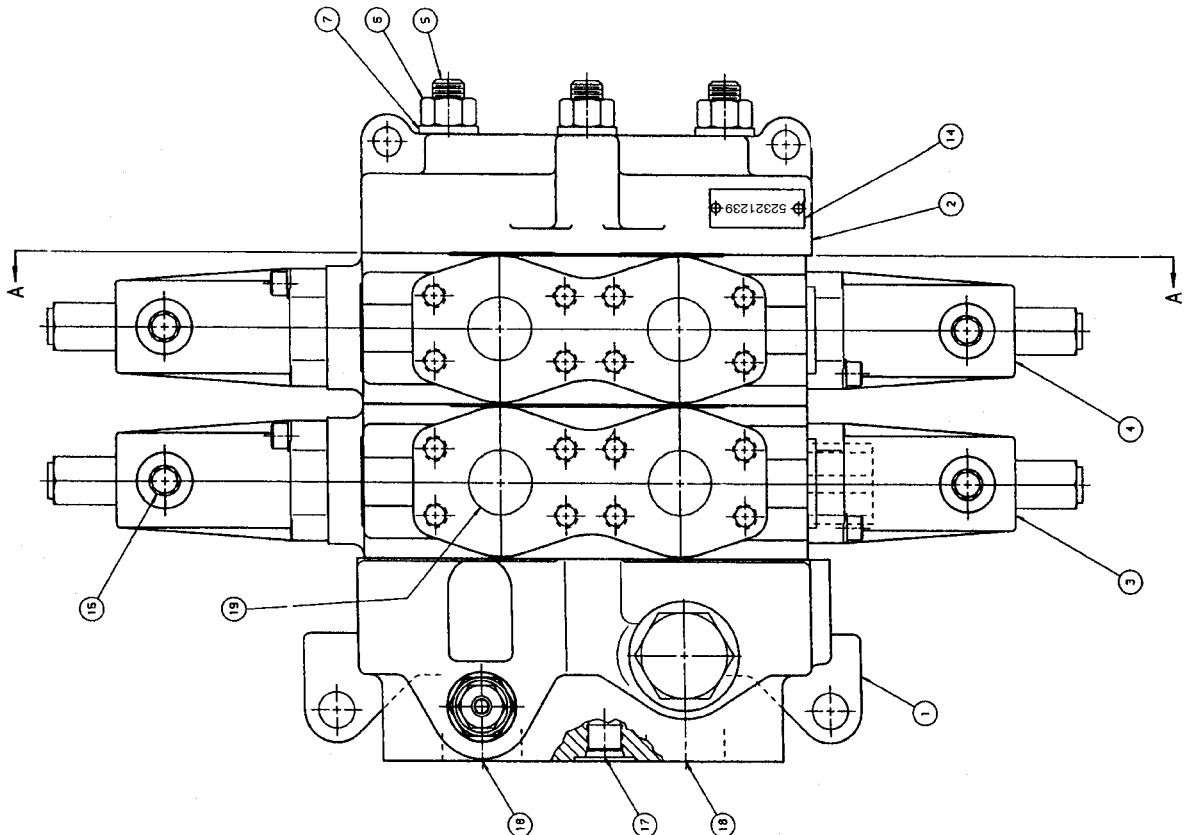
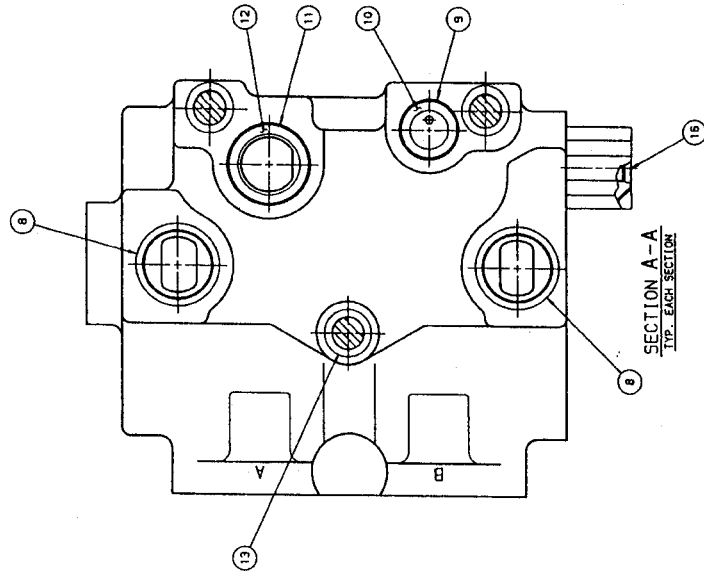
52329919

VALVE ASSY, ROTATION SOL.

<i>REF.</i>				
<i>NO.</i>	<i>PART NO.</i>	<i>QTY.</i>	<i>PART NAME</i>	<i>SERIAL</i>
			<i>REMARKS</i>	<i>NO.</i>
1	52324910	1	VALVE,SOLENOID	
2	95365094	2	ELBOW	
3	96703939	2	CAPSCREW	
4	96701289	2	WASHER	
5	95666996	1	PLUG	

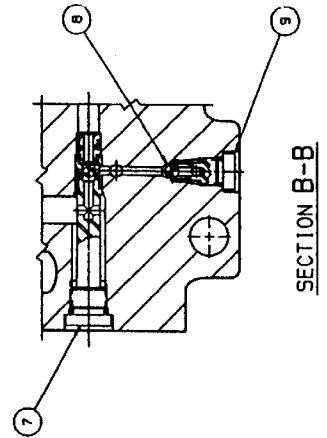
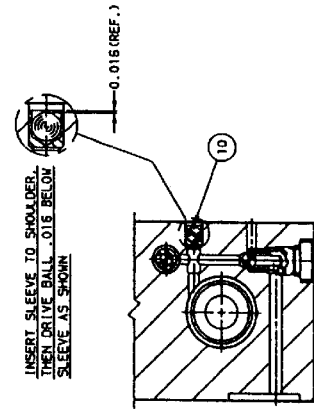
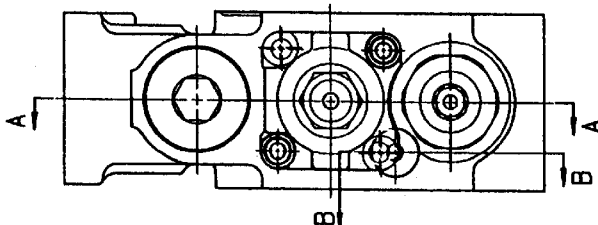
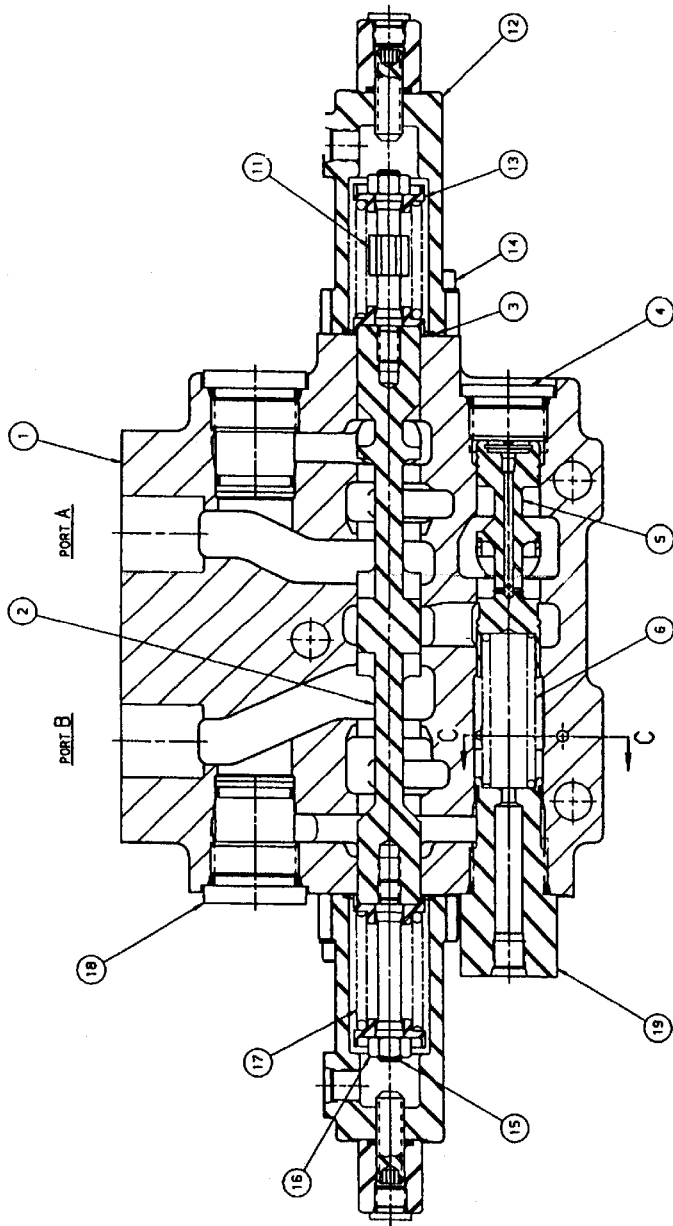
52321239

FEED/TRAM VALVE



52321239**FEED/TRAM VALVE**

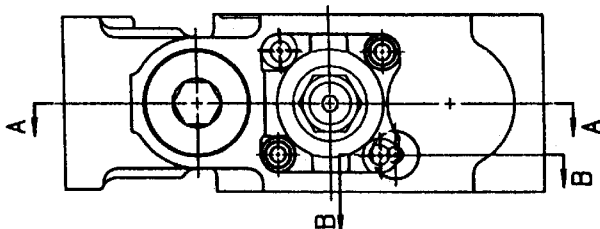
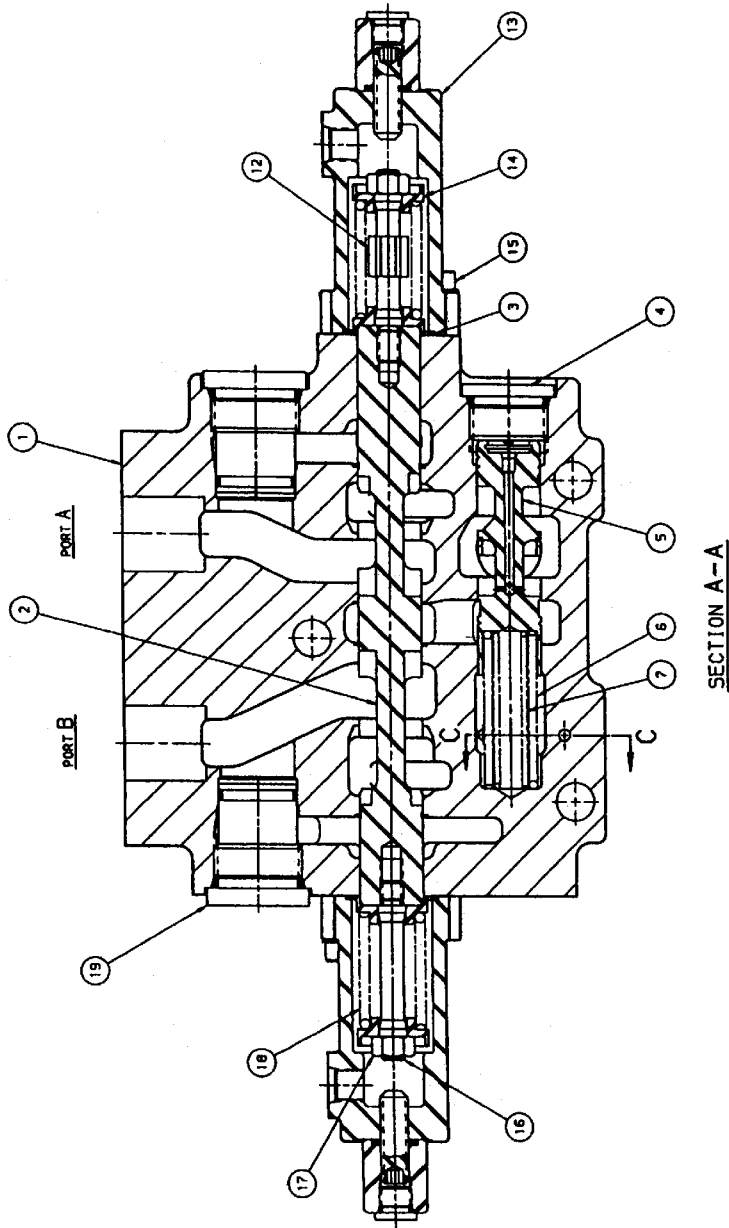
REF. NO.	PART NO.	QTY.	PART NAME REMARKS	SERIAL NO.
1	52326311	1	ASSEMBLY, INLET BODY SECTION	
2	52107927	1	COVER, END	
3	52326378	1	ASSEMBLY, MOTOR BODY SECTION <i>REFER TO PAGE 9.26-3</i>	
4	52326337	1	ASSEMBLY, MOTOR BODY SECTION <i>REFER TO PAGE 9.26-5</i>	
5	52326345	3	STUD	
6	52326352	3	NUT, HEX.	
7	52320678	3	WASHER	
8	52320694	6	O-RING	
9	52107968	3	RING, BACKUP	
10	52320702	3	O-RING	
11	52107984	3	RING, BACKUP	
12	51719664	3	O-RING	
13	51050326	9	SHIM	



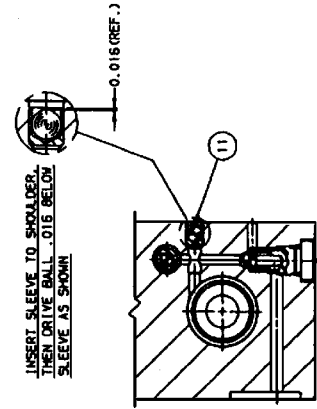
52326378**MOTOR BODY SECTION ASSEMBLY**

REF. NO.	PART NO.	QTY.	PART NAME REMARKS	SERIAL NO.
1	NSS	1	BODY, FLOAT	
2	52326360	1	SPOOL, MOTOR	
3	52107497	2	O-RING	
4	51858686	1	PLUG W/O-RING	
5	52320744	1	SPOOL, COMPENSATOR	
6	51947596	1	SPRING, COMPENSATOR	
7	52326493	1	ASSEMBLY, PRIMARY HOUSING	
8	51050516	1	BEARING, BALL	
9	52320728	1	ASSEMBLY, SHUTTLE SEAT PLUG	
11	51947638	1	COUPLING, SOLENOID	
12	52320785	2	ASSEMBLY, ACTUATOR HOUSING	
13	51947612	4	RETAINER, SPRING	
14	52320793	4	CAPSCREW, SOCKET HD.	
15	51947570	1	COUPLING, SOLENOID	
16	51947562	2	NUT, HEX.	
17	51947554	2	SPRING	
18	51050490	2	ASSEMBLY, PLUG	
19	51982833	1	ASSEMBLY, REMOTE REGULATOR HOUSING	

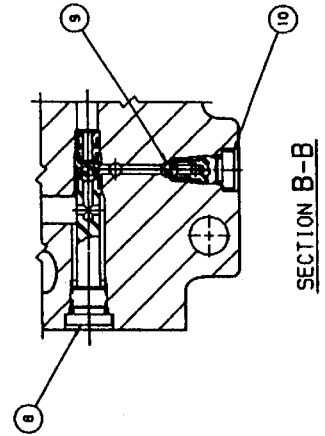
NSS NOTE: THESE PARTS ARE NOT SOLD SEPARATELY. THE COMPLETE MOTOR SECTION ASSEMBLY MUST BE PURCHASED.



SECTION A-A



SECTION C-C



SECTION B-B

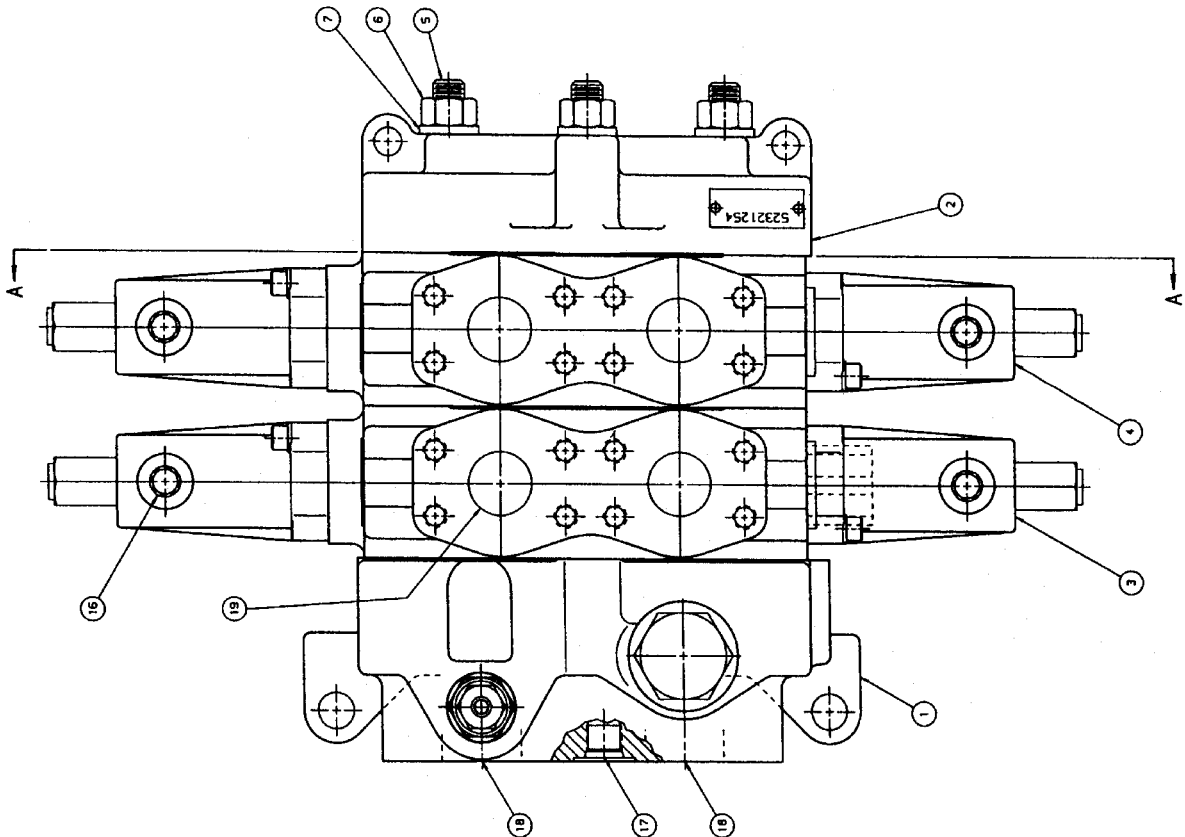
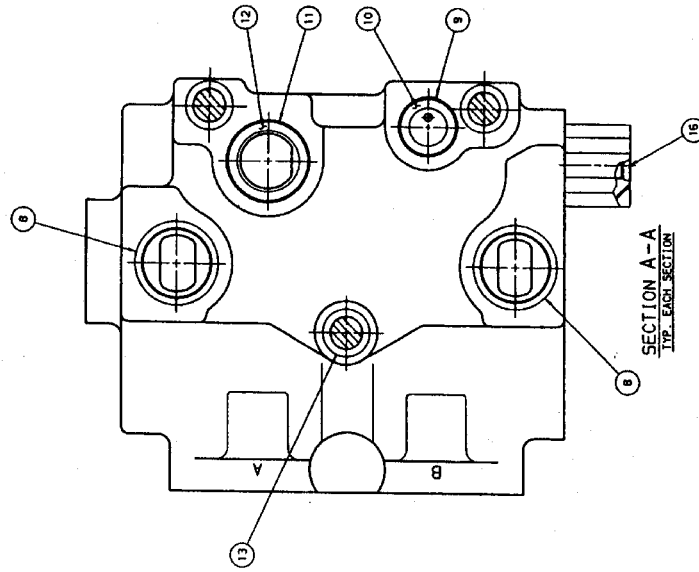
52326337**MOTOR BODY SECTION ASSEMBLY**

<i>REF.</i>				
<i>NO.</i>	<i>PART NO.</i>	<i>QTY.</i>	<i>PART NAME</i>	<i>SERIAL</i>
			<i>REMARKS</i>	<i>NO.</i>
1	NSS	1	BODY, FLOAT	
2	52320736	1	SPOOL, MOTOR	
3	52107497	2	O-RING	
4	51858686	1	PLUG W/O-RING	
5	52320744	1	SPOOL, COMPENSATOR	
6	51947596	1	SPRING, COMPENSATOR	
7	52320751	1	SPRING, COMPENSATOR (INNER)	
8	52326493	1	ASSEMBLY, PRIMARY HOUSING	
9	51050516	1	BEARING, BALL	
10	52320728	1	ASSEMBLY, SHUTTLE SEAT PLUG	
12	51947638	1	COUPLING, SOLENOID	
13	52320785	2	ASSEMBLY, ACTUATOR HOUSING	
14	51947612	4	RETAINER, SPRING	
15	52320793	4	CAPSCREW, SOCKET HD.	
16	51947570	1	COUPLING, SOLENOID	
17	51947562	2	NUT, HEX.	
18	51947554	2	SPRING	
19	51050490	2	ASSEMBLY, PLUG	

NSS NOTE: THESE PARTS ARE NOT SOLD SEPARATELY. THE COMPLETE MOTOR SECTION ASSEMBLY MUST BE PURCHASED.

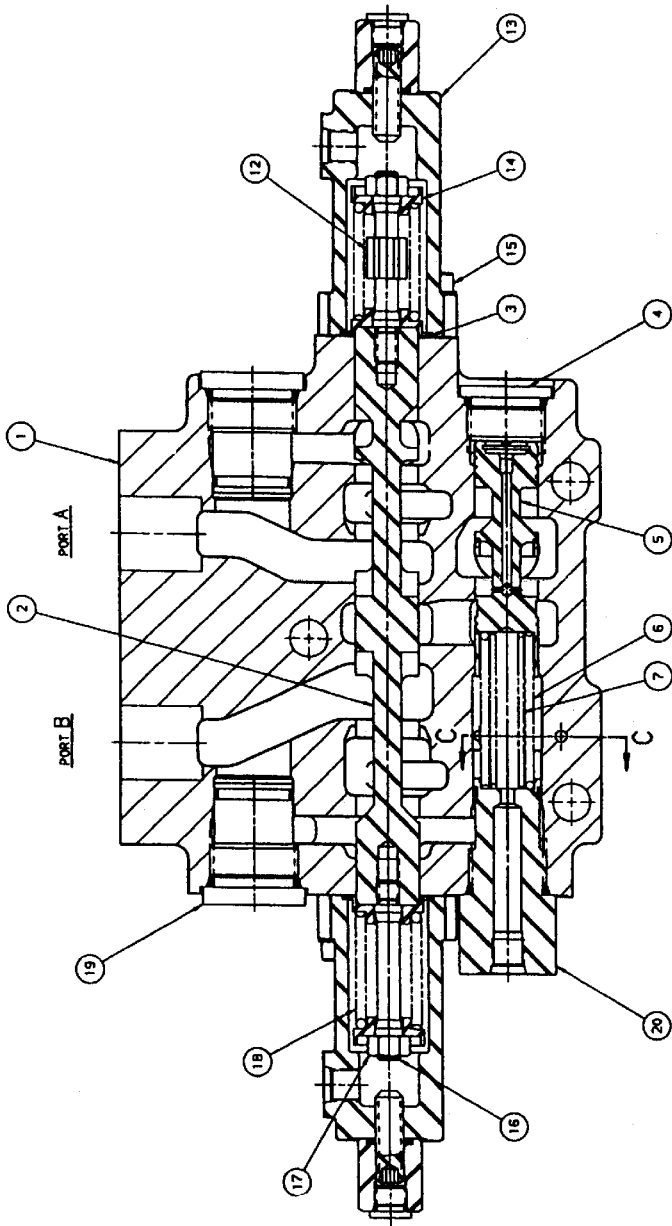
52321254

ROTATION/TRAM VALVE

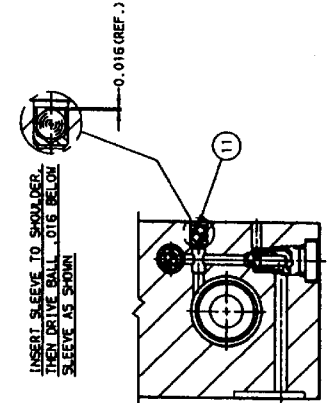
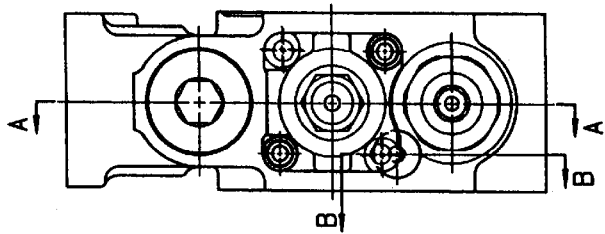


52321254**ROTATION/TRAM VALVE**

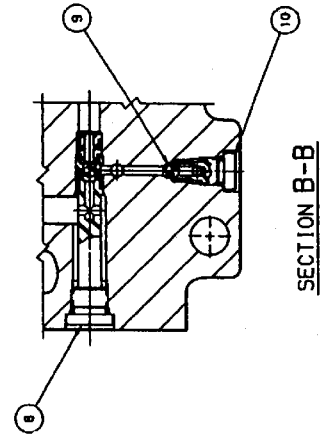
REF. NO.	PART NO.	QTY.	PART NAME REMARKS	SERIAL NO.
1	52326311	1	ASSEMBLY, INLET BODY SECTION	
2	52107927	1	COVER, END	
3	52326329	1	ASSEMBLY, MOTOR BODY SECTION <i>REFER TO PAGE 9.27-3</i>	
4	52326337	1	ASSEMBLY, MOTOR BODY SECTION <i>REFER TO PAGE 9.27-5</i>	
5	52326345	3	STUD	
6	52326352	3	NUT, HEX.	
7	52320678	3	WASHER	
8	52320694	6	O-RING	
9	52107968	3	RING, BACKUP	
10	52320702	3	O-RING	
11	52107984	3	RING, BACKUP	
12	51719664	3	O-RING	
13	51050326	9	SHIM	



SECTION A-A



SECTION C-C

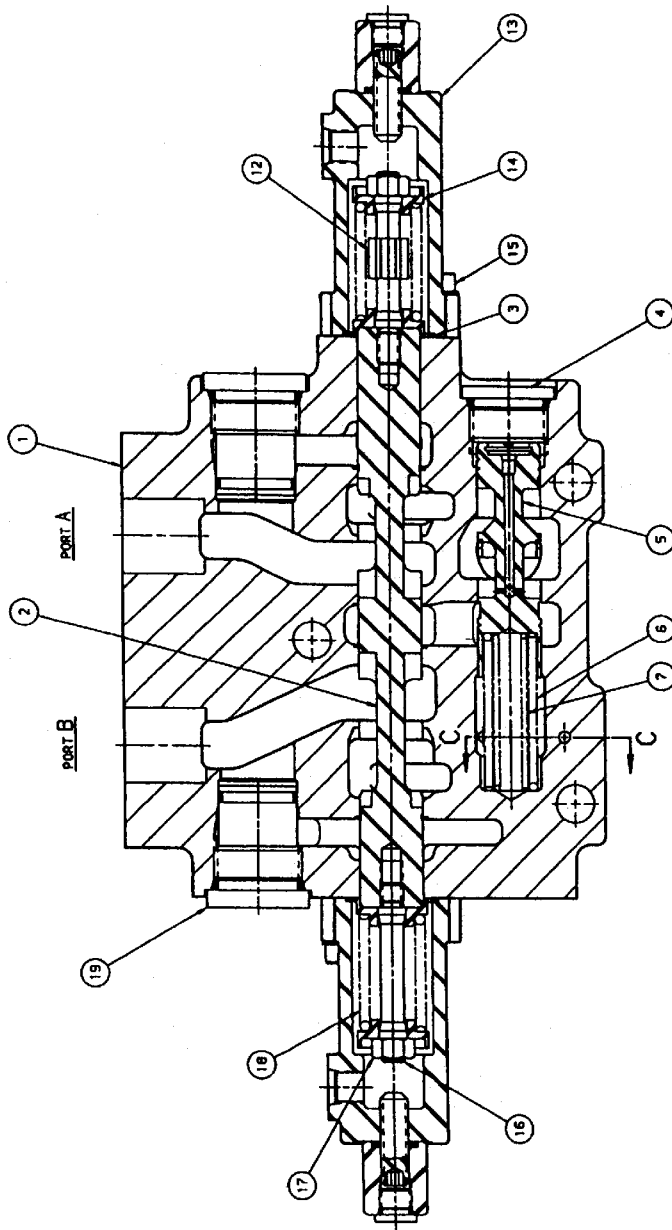


SECTION B-B

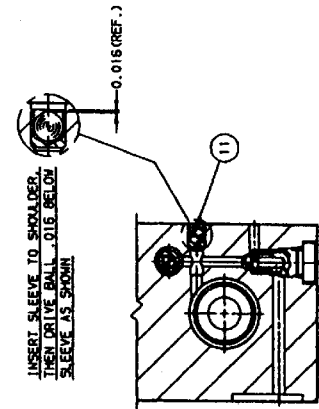
52326329**MOTOR BODY SECTION ASSEMBLY**

REF. NO.	PART NO.	QTY.	PART NAME REMARKS	SERIAL NO.
1	NSS	1	BODY, FLOAT	
2	52326360	1	SPOOL, MOTOR	
3	52107497	2	O-RING	
4	51858686	1	PLUG W/O-RING	
5	52320744	1	SPOOL, COMPENSATOR	
6	51947596	1	SPRING, COMPENSATOR	
7	52320751	1	SPRING, COMPENSATOR (INNER)	
8	52326493	1	ASSEMBLY, PRIMARY HOUSING	
9	51050516	1	BEARING, BALL	
10	52320728	1	ASSEMBLY, SHUTTLE SEAT PLUG	
12	51947638	1	COUPLING, SOLENOID	
13	52320785	2	ASSEMBLY, ACTUATOR HOUSING	
14	51947612	4	RETAINER, SPRING	
15	52320793	4	CAPSCREW, SOCKET HD.	
16	51947570	1	COUPLING, SOLENOID	
17	51947562	2	NUT, HEX.	
18	51947554	2	SPRING	
19	51050490	2	ASSEMBLY, PLUG	
20	51982833	1	ASSEMBLY, REMOTE REGULATOR HOUSING	

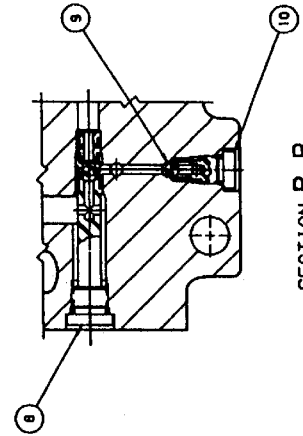
NSS NOTE: THESE PARTS ARE NOT SOLD SEPARATELY. THE COMPLETE MOTOR SECTION ASSEMBLY MUST BE PURCHASED.



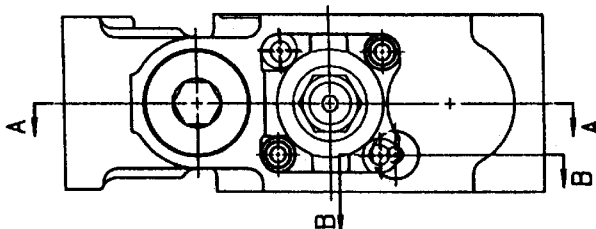
SECTION A-A



SECTION C-C



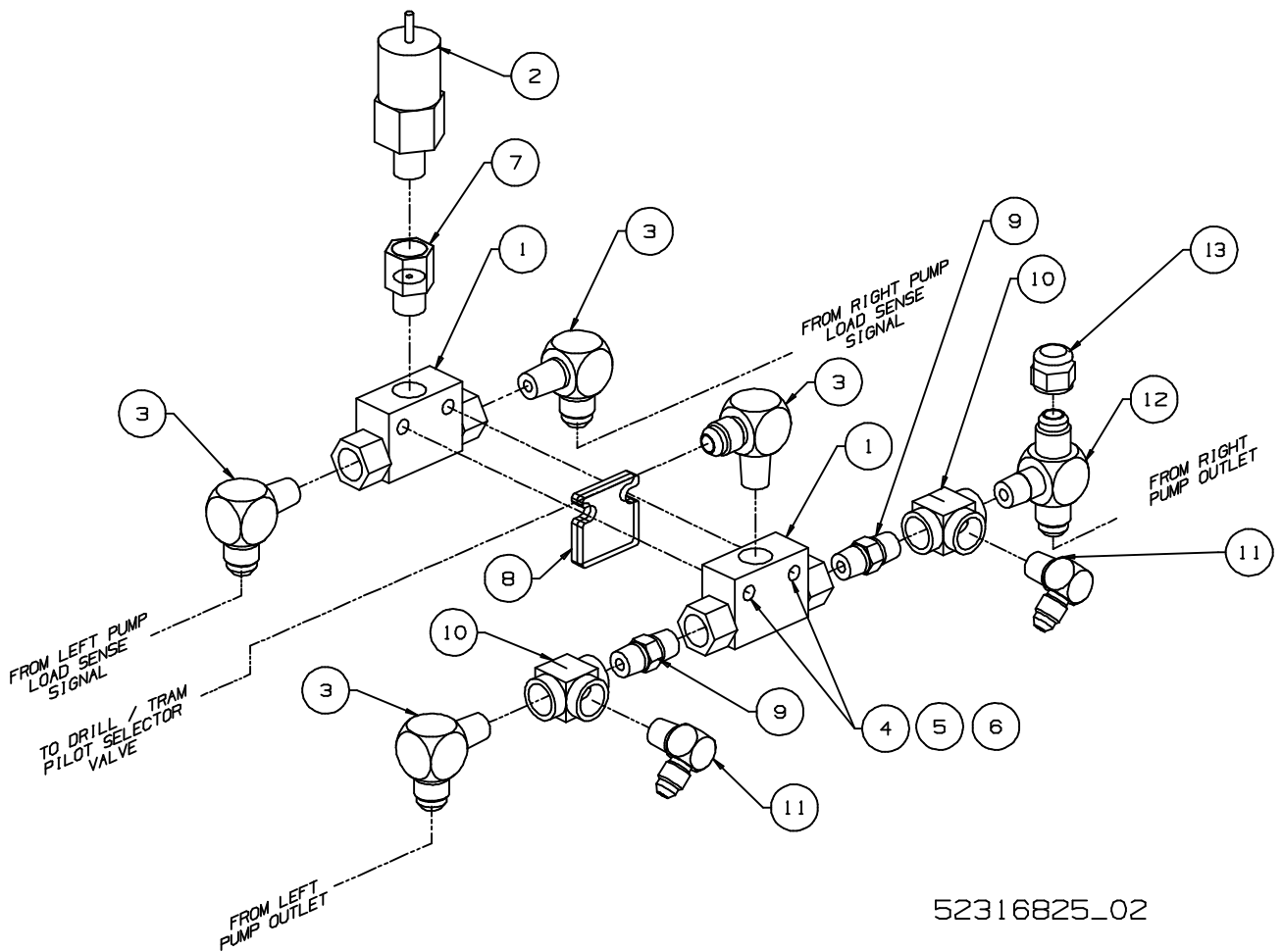
SECTION B-B



52326337**MOTOR BODY SECTION ASSEMBLY**

<i>REF.</i>				
<i>NO.</i>	<i>PART NO.</i>	<i>QTY.</i>	<i>PART NAME</i>	<i>SERIAL</i>
			<i>REMARKS</i>	<i>NO.</i>
1	NSS	1	BODY, FLOAT	
2	52320736	1	SPOOL, MOTOR	
3	52107497	2	O-RING	
4	51858686	1	PLUG W/O-RING	
5	52320744	1	SPOOL, COMPENSATOR	
6	51947596	1	SPRING, COMPENSATOR	
7	52320751	1	SPRING, COMPENSATOR (INNER)	
8	52326493	1	ASSEMBLY, PRIMARY HOUSING	
9	51050516	1	BEARING, BALL	
10	52320728	1	ASSEMBLY, SHUTTLE SEAT PLUG	
12	51947638	1	COUPLING, SOLENOID	
13	52320785	2	ASSEMBLY, ACTUATOR HOUSING	
14	51947612	4	RETAINER, SPRING	
15	52320793	4	CAPSCREW, SOCKET HD.	
16	51947570	1	COUPLING, SOLENOID	
17	51947562	2	NUT, HEX.	
18	51947554	2	SPRING	
19	51050490	2	ASSEMBLY, PLUG	

NSS NOTE: THESE PARTS ARE NOT SOLD SEPARATELY. THE COMPLETE MOTOR SECTION ASSEMBLY MUST BE PURCHASED.



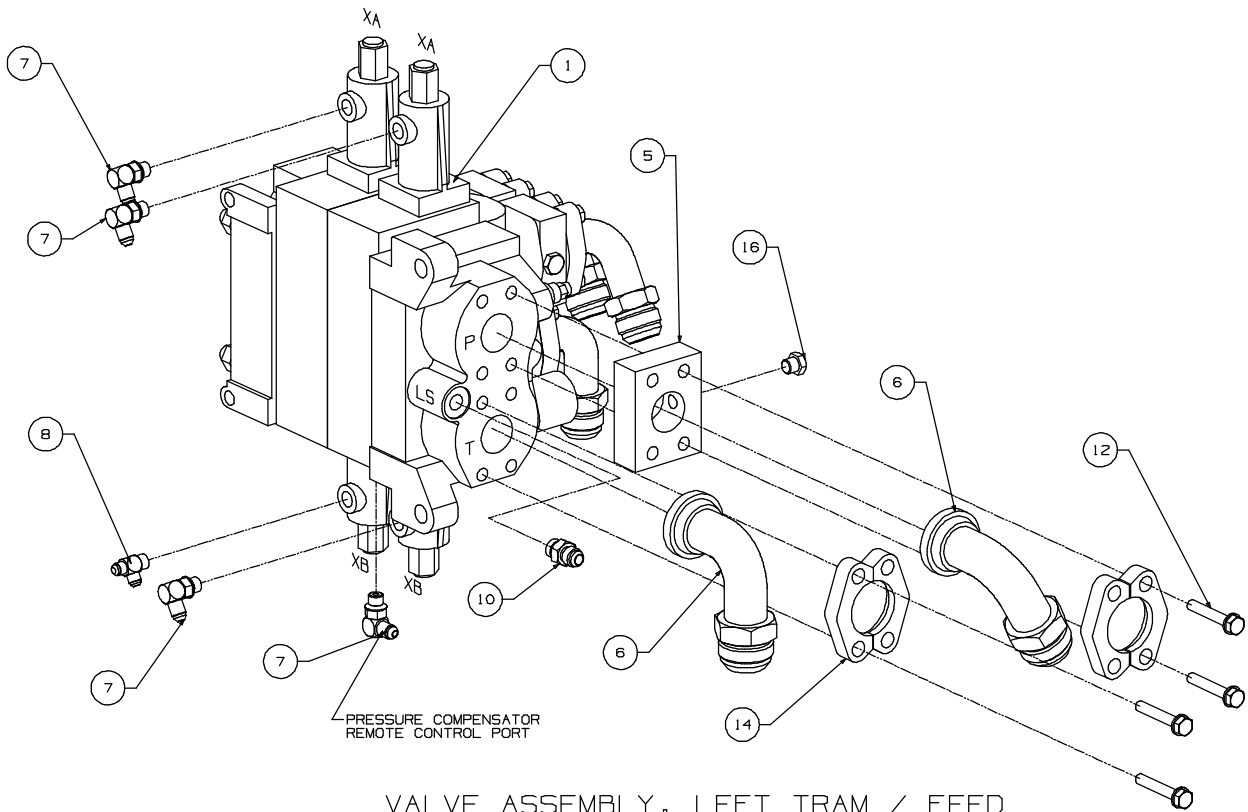
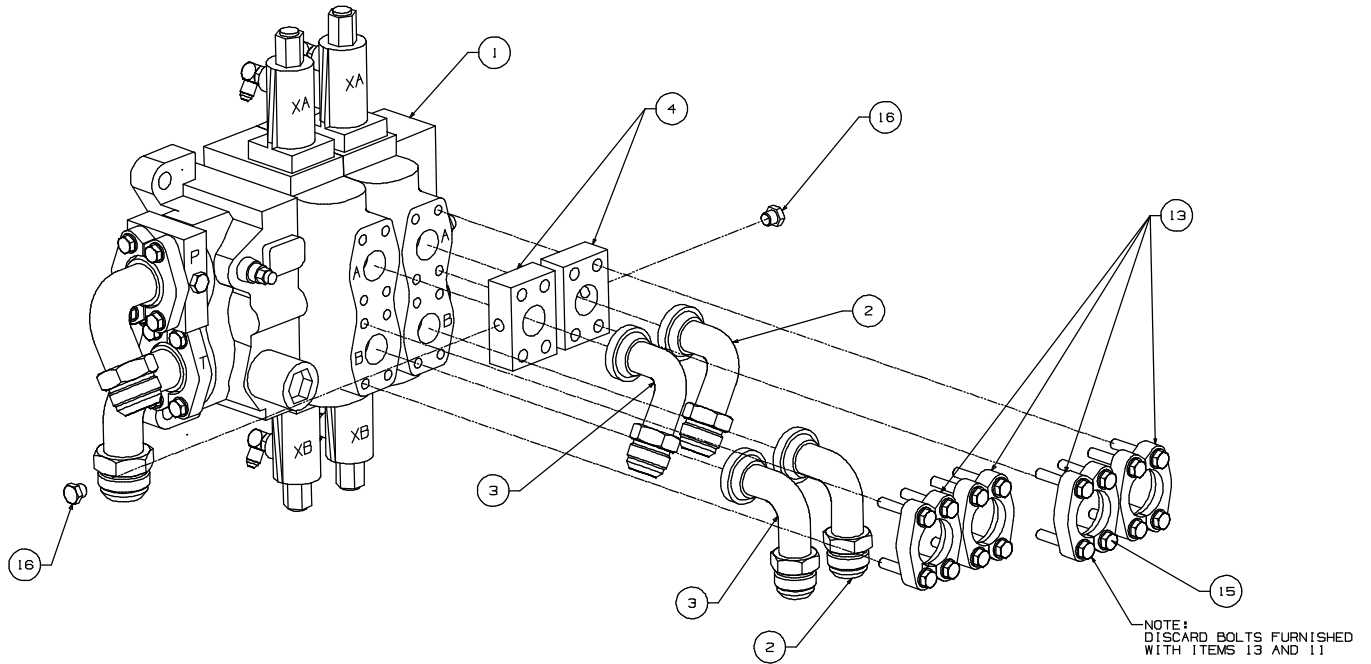
52316825_02

52316825**LOAD SENSE SHUTTLE VALVE ASSEMBLY**

<i>REF.</i>				
<i>NO.</i>	<i>PART NO.</i>	<i>QTY.</i>	<i>PART NAME</i>	<i>SERIAL</i>
			<i>REMARKS</i>	<i>NO.</i>
1	50805100	2	VALVE, SHUTTLE	
2	52115649	1	SWITCH, PRESSURE	
3	95209094	4	ADAPTER	
4	95922050	2	SCREW, MACHINE	
4	96744826	2	BOLT, HEXHEAD	
5	95942769	4	WASHER, FLAT	
6	95943346	2	NUT, LOCK	
7	52292570	1	ADAPTER	
8	52327012	1	SPACER	
9	95323457	2	ADAPTER	
10	95302998	2	TEE, ADAPTER	
11	95293403	2	ELBOW	
12	56924962	1	FITTING, HYD-TEE ADAPTER	
13	95257341	1	CAP	

52329836

VALVE ASSY, LH TRAM/FEED



VALVE ASSEMBLY, LEFT TRAM / FEED

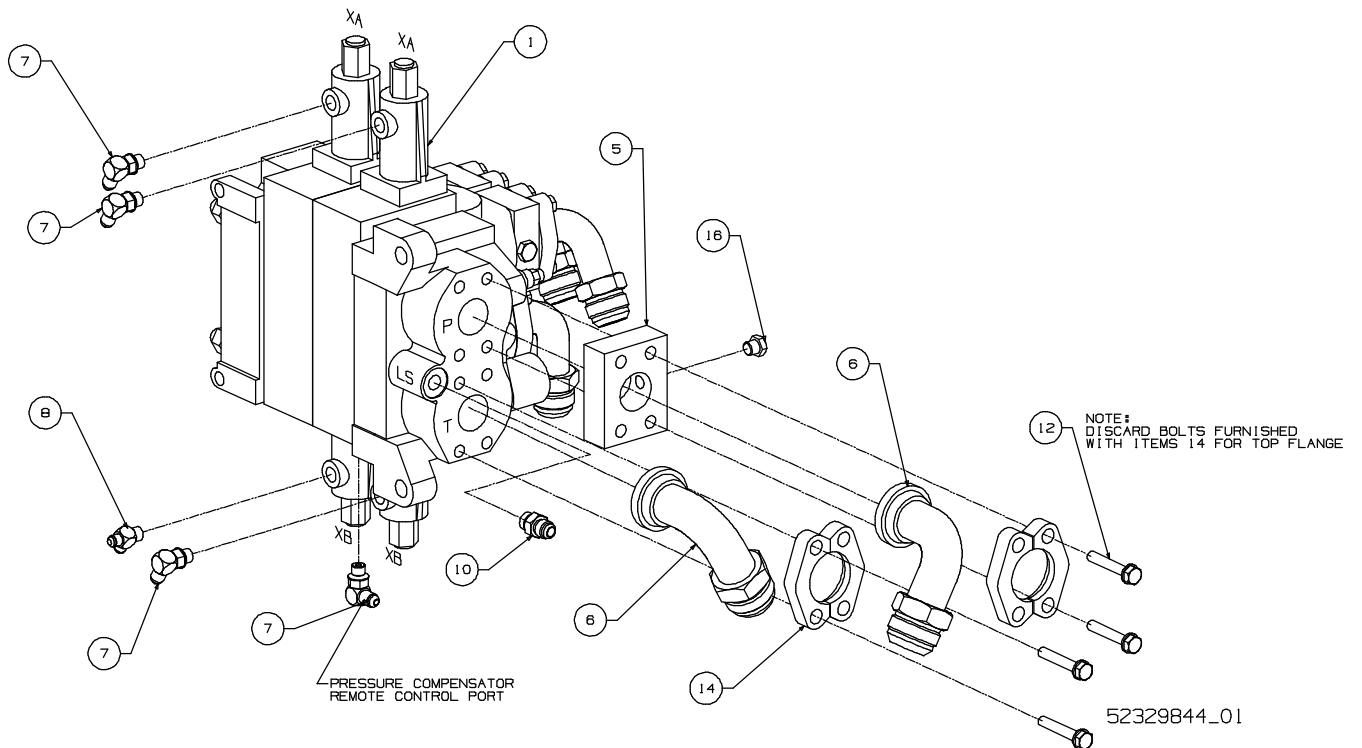
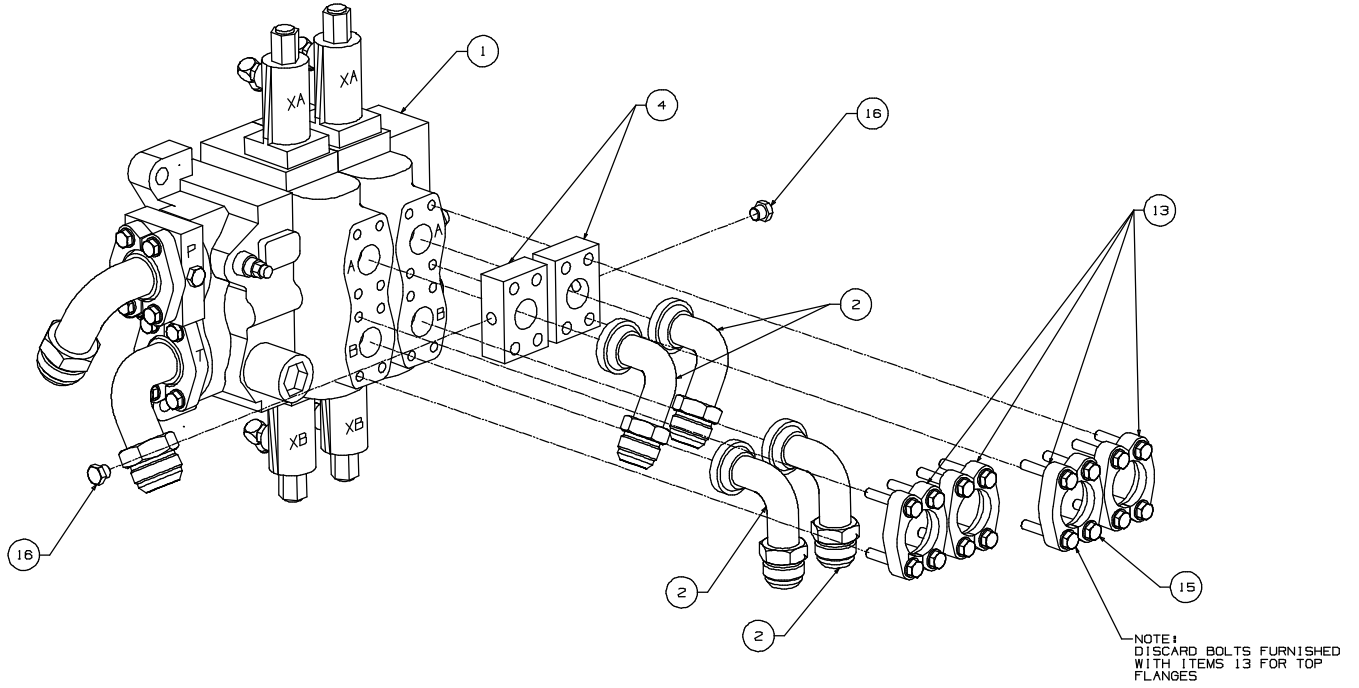
52329836_01

52329836**VALVE ASSY, LH TRAM/FEED**

REF. NO.	PART NO.	QTY.	PART NAME REMARKS	SERIAL NO.
1	52321239	1	VALVE, FEED, TRAM <i>REFER TO PAGE 9.26-1</i>	
2	85691202	2	ADAPTER	
3	56988778	2	ADAPTER	
4	57699894	2	ADAPTER, SPACER/GAUGEPORT	
5	52329869	1	GAUGE, PORT ADAPTER	
6	52086311	2	ADAPTER, ELBOW	
7	95341665	4	ELBOW	
8	95147971	1	TEE	
10	57199028	1	CONNECTOR, STRT THRD	
12	95931614	4	CAPSCREW, HEX HEAD	
13	52086329	4	KIT, FLANGE	
14	52086337	2	KIT, FLANGE	
15	95919288	8	CAPSCREW	
16	95250932	3	PLUG	

52329844

VALVE ASSY, RH TRAM/FEED



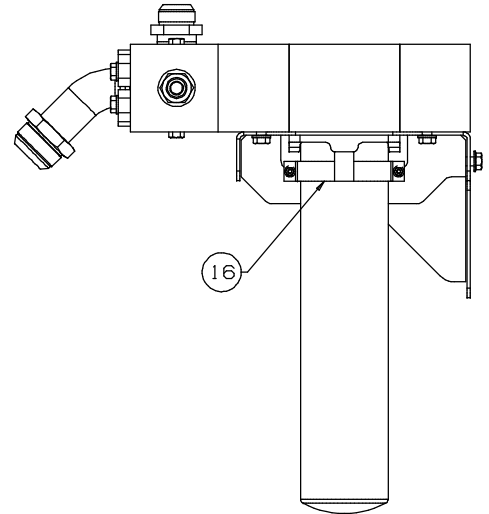
VALVE ASSEMBLY RIGHT TRAM / ROTATION

52329844**VALVE ASSY,RH TRAM/ROT**

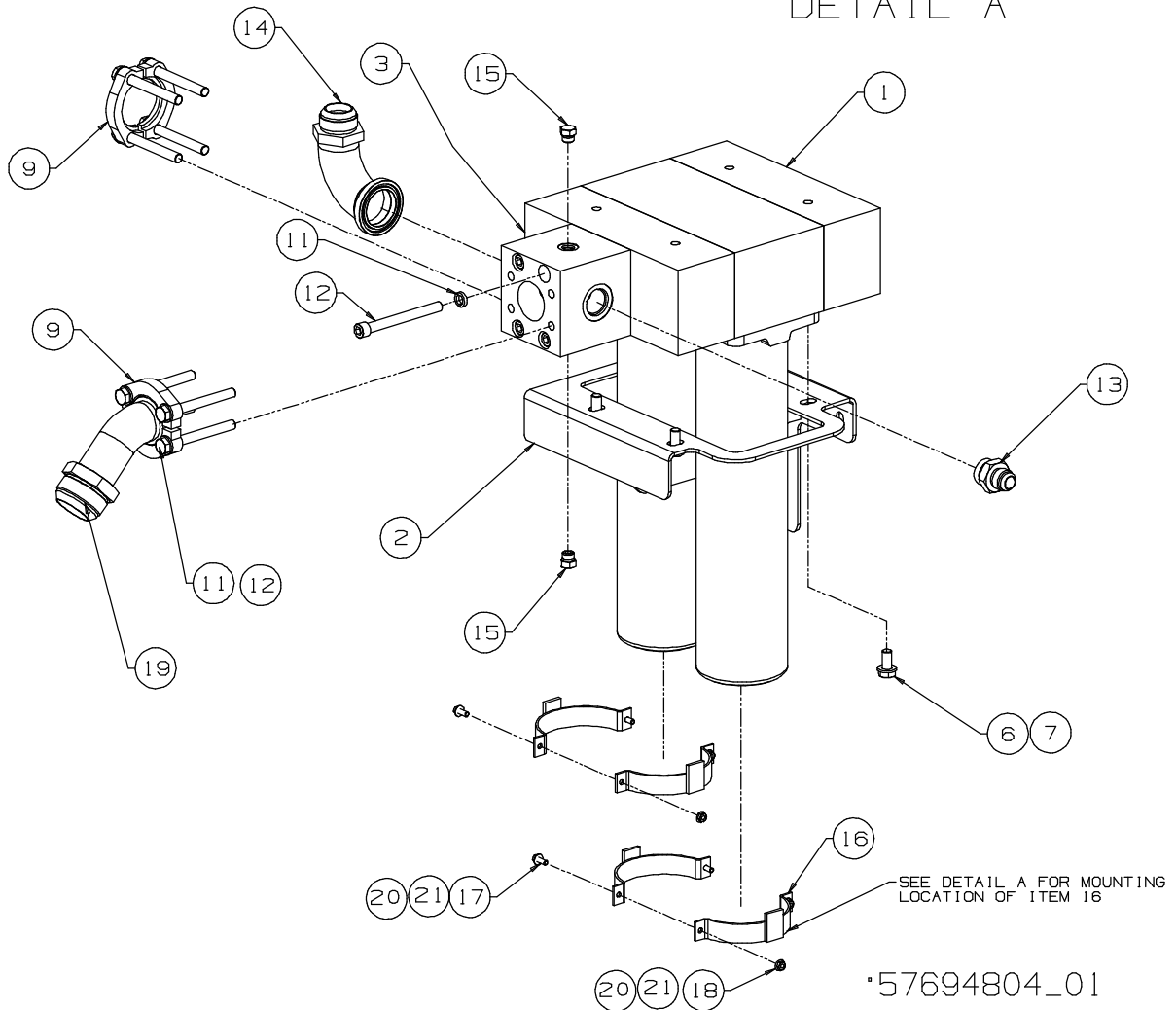
REF. NO.	PART NO.	QTY.	PART NAME REMARKS	SERIAL NO.
1	52321254	1	VALVE, ROTATION, TRAM <i>REFER TO PAGE 9.27-1</i>	
2	85691202	4	ADAPTER	
4	57699894	2	ADAPTER, SPACER/GAUGEPORT	
5	52329869	1	GAUGE, PORT ADAPTER	
6	52086311	2	ADAPTER, ELBOW	
7	95341665	4	ELBOW	
8	95147971	1	TEE	
10	57199028	1	FITTING, HYD	
12	95931614	4	CAPSCREW, HEX HEAD	
13	52086329	4	KIT, FLANGE	
14	52086337	2	KIT, FLANGE	
15	95919288	8	CAPSCREW	
16	95250932	2	PLUG	

57694804

HYDRAULIC OIL RETURN FILTER ASSEMBLY

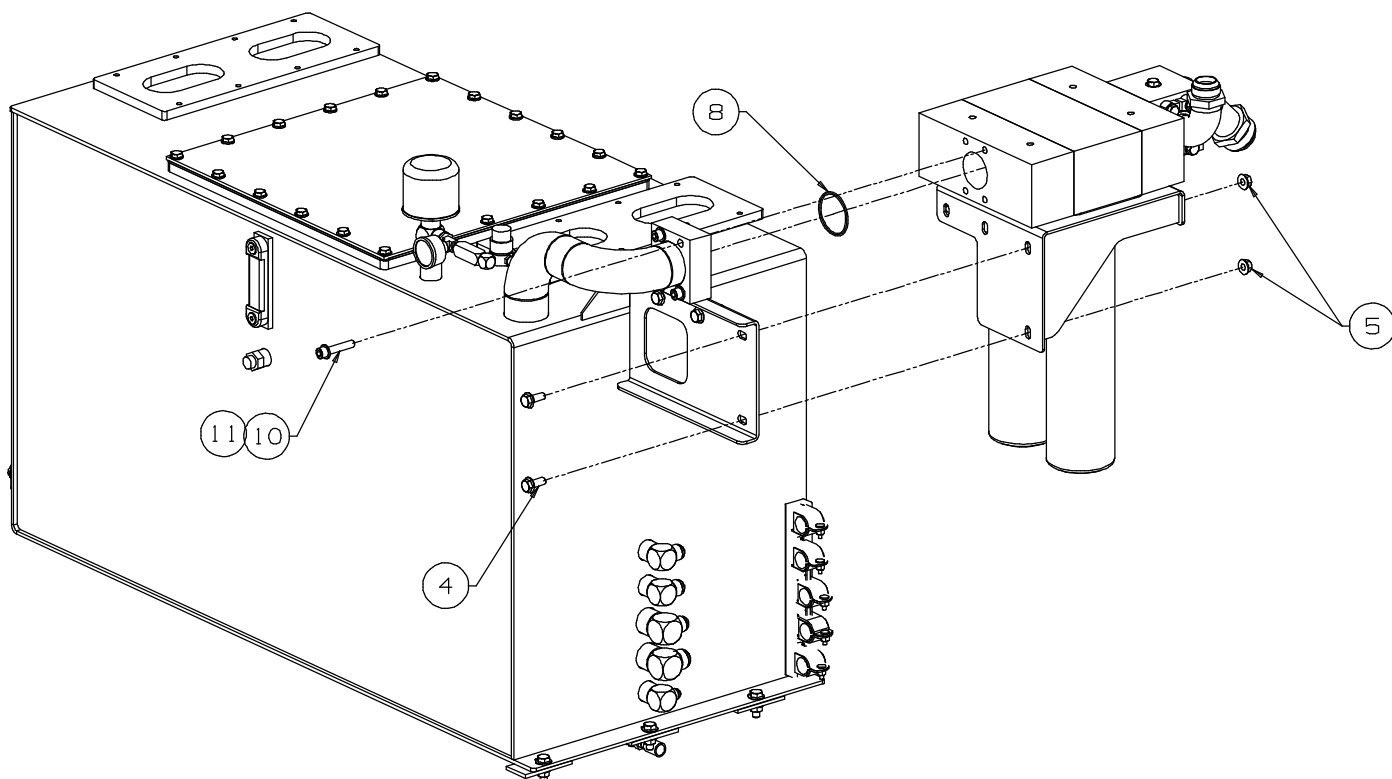


DETAIL A



57694804

HYDRAULIC OIL RETURN FILTER ASSEMBLY



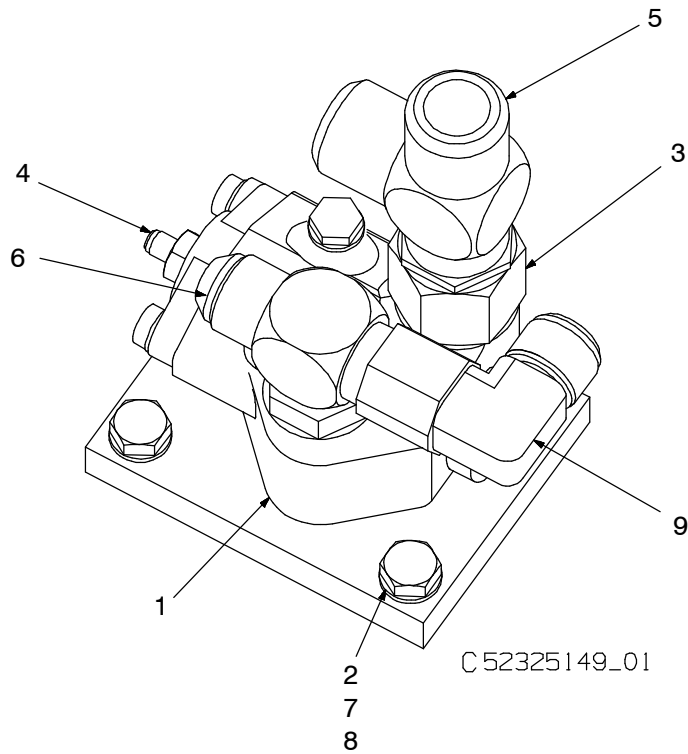
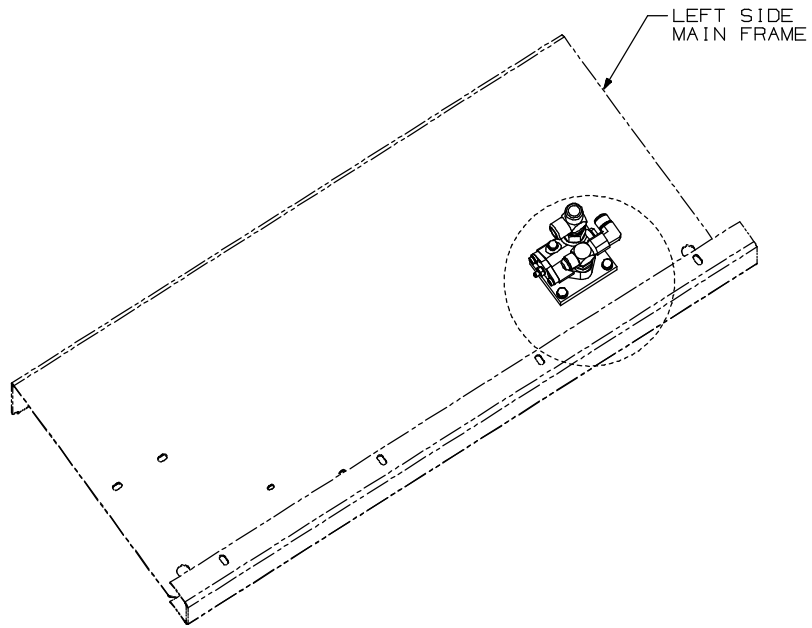
57694804

HYDRAULIC OIL RETURN FILTER ASSEMBLY

<i>REF.</i>	<i>PART NO.</i>	<i>QTY.</i>	<i>PART NAME</i>	<i>SERIAL</i>
<i>NO.</i>			<i>REMARKS</i>	<i>NO.</i>
1	52321338	1	FILTER, HYDRAULIC RETURN <i>REFER TO PAGE 9.53-1</i>	
2	52319316	1	BRACKET, HYDRAULIC OIL RETURN FILTER SUPPORT	
3	52319225	1	MANIFOLD, HYDRAULIC OIL RETURN FILTER	
4	96727177	3	BOLT, FLANGED HD.	
5	96726815	3	LOCKNUT, FLANGED HD.	
6	95919544	4	CAPSCREW, HEX. HD.	
7	50977289	4	WASHER, FLAT	
8	95086583	2	O-RING	
9	51914299	2	KIT, FLANGE	
10	95055059	4	CAPSCREW, SOC. HD.	
11	95955936	8	LOCKWASHER, HI COLLAR	
12	95055133	4	CAPSCREW, SOC. HD.	
13	95356978	1	ADAPTER	
14	57347411	1	ADAPTER	
15	95666996	2	PLUG, PORT	
16	57698714	4	CLAMP	
17	95934568	2	BOLT	
18	95931564	4	NUT	
19	52304631	1	ADAPTER, SPLIT-FLANGE	
20	95934766	2	WASHER, LOCK	
21	95922324	4	WASHER, FLAT	

52325149

RAD/CAC COOLER FAN VALVE ASSEMBLY



52325149**RAD/CAC COOLER FAN VALVE ASSEMBLY**

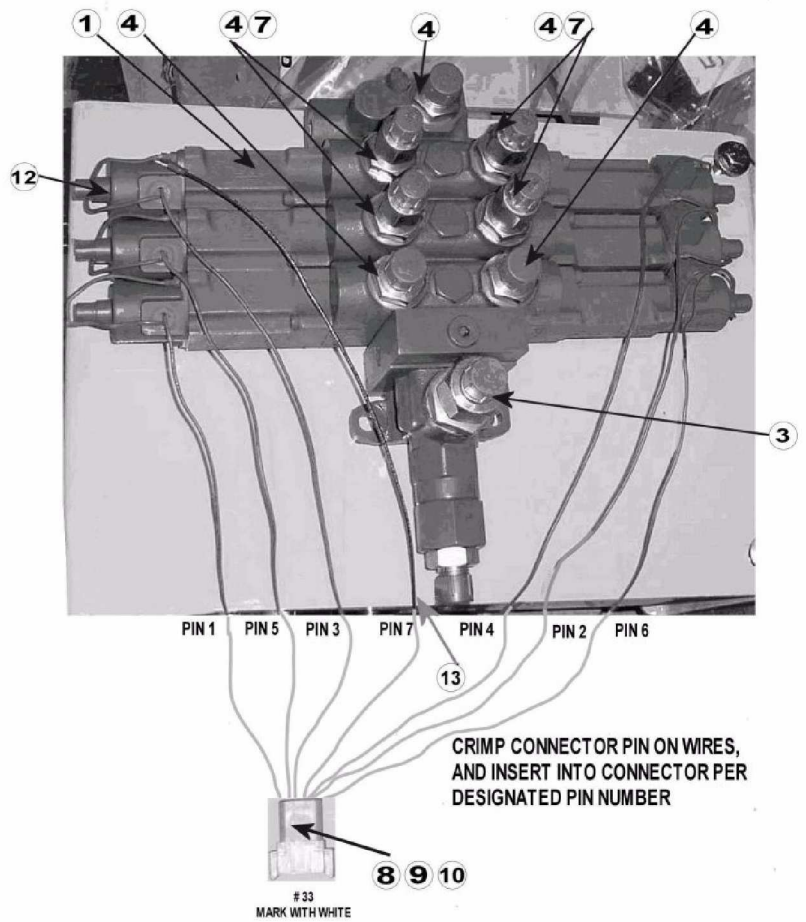
<i>REF.</i>				
<i>NO.</i>	<i>PART NO.</i>	<i>QTY.</i>	<i>PART NAME</i>	<i>SERIAL</i>
			<i>REMARKS</i>	<i>NO.</i>
1	52302015	1	VALVE, FAN CONTROL	
2	96719794	2	CAPSCREW	
3	95708301	1	ADAPTER	
4	52118841	1	ADAPTER	
5	95488110	1	ADAPTER, TEE	
6	52304862	1	ADAPTER, TEE	
7	96726807	2	LOCKNUT, FLANGED HD.	
8	96701982	2	WASHER, FLAT HD.	
9	95302147	1	ADAPTER	

52318664

DUST COLLECTOR/ARC SELECTOR /DUSTHOOD/ CENTRALIZER CONTROL VALVE ASSEMBLY



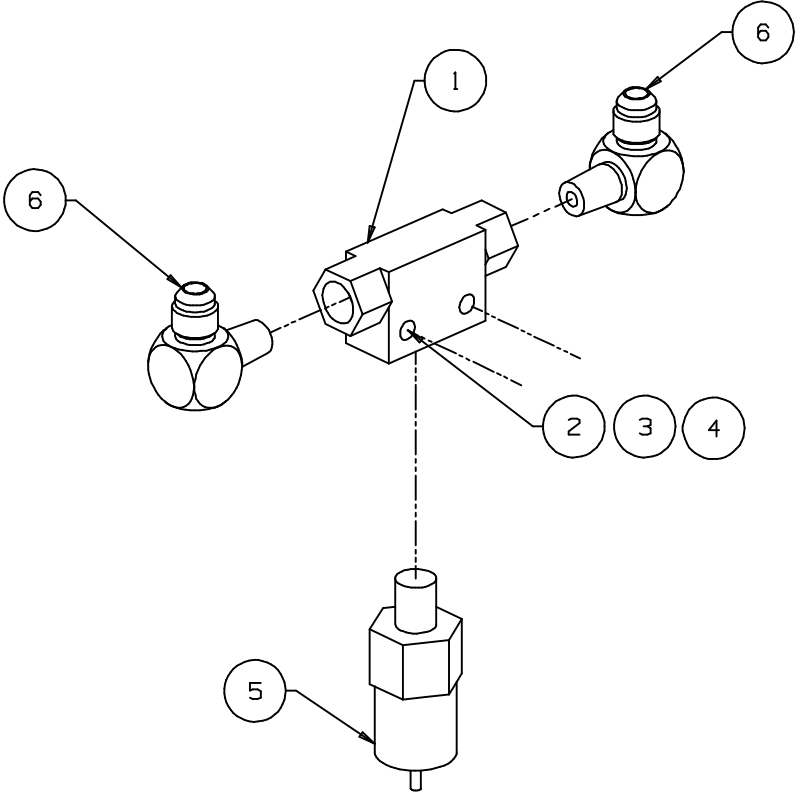
LOCATION



52318664**DUST COLLECTOR/ARC SELECTOR /DUSTHOOD/
CENTRALIZER CONTROL VALVE ASSEMBLY**

REF. NO.	PART NO.	QTY.	PART NAME REMARKS	SERIAL NO.
1	51680486	1	VALVE, DC/ARC/DH/CENTRALIZER CONTROL <i>REFER TO PAGE 9.42-1</i>	
2	96726914	3	BOLT, FLANGED HD.	
3	52306396	1	ADAPTER, CONVERSION	
4	52301751	8	ADAPTER, CONVERSION	
7	51028751	4	ADAPTER	
8	54651286	1	RECEPTACLE	
9	59436840	8	PIN	
10	59437227	1	WEDGE	
11	57400004	1	PLUG, SEALING	
12	56762206	1	CONNECTOR	
13	57529745	1	WIRE	

57708596 BACKUP ALARM PRESSURE SWITCH SHUTTLE VALVE ASSY.

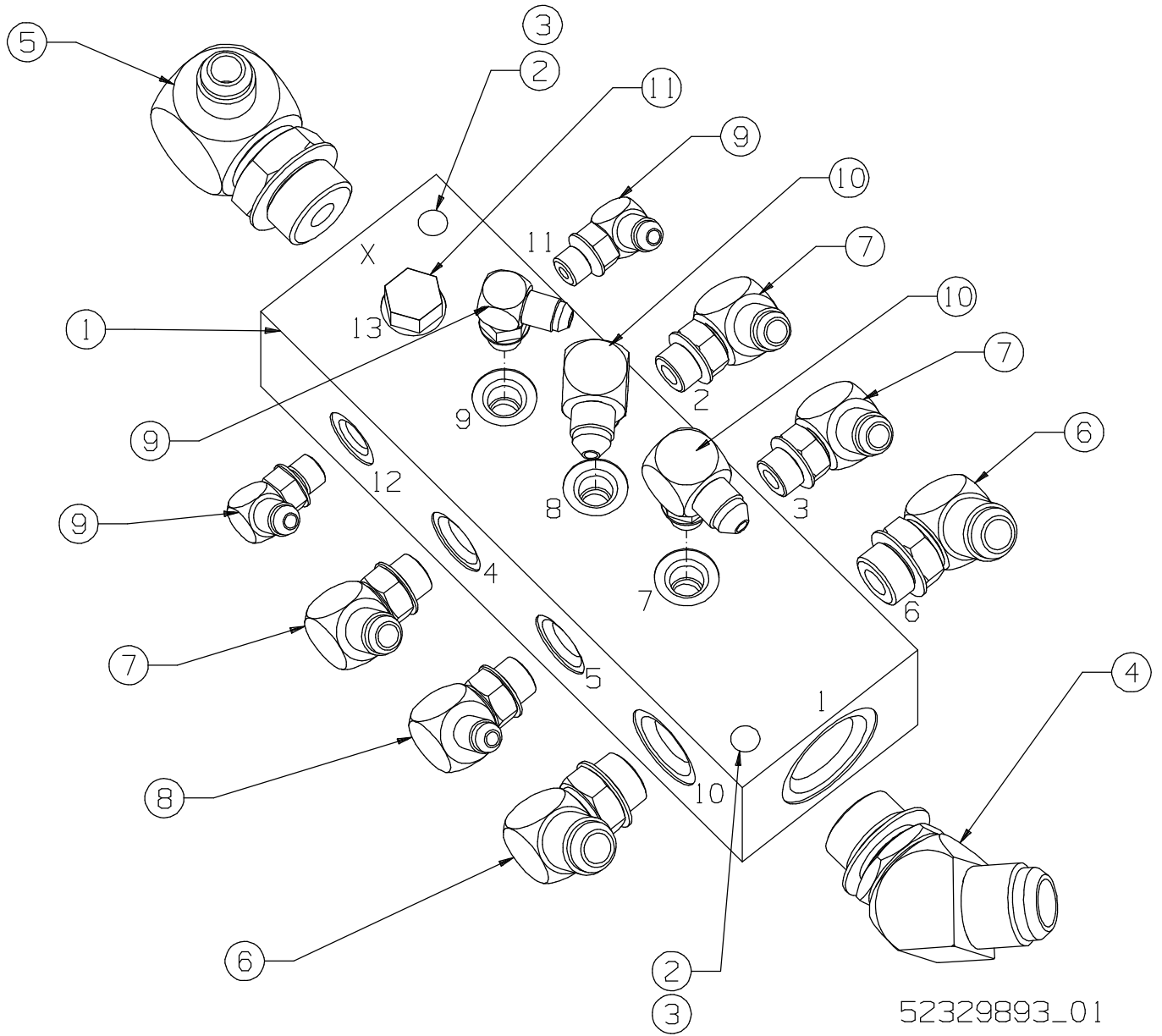


57708596 BACKUP ALARM PRESSURE SWITCH SHUTTLE VALVE ASSY.

<i>REF.</i>				
<i>NO.</i>	<i>PART NO.</i>	<i>QTY.</i>	<i>PART NAME</i>	<i>SERIAL</i>
			<i>REMARKS</i>	<i>NO.</i>
1	50805100	1	VALVE, BACKUP ALARM PRESSURE SWITCH SHUTTLE	
2	96738448	2	BOLT, HEX. HD.	
3	96702493	4	WASHER, FLAT	
4	96715008	2	NUT, LOCK	
5	51716017	1	SWITCH, PRESSURE	
6	94293403	2	ADAPTER	

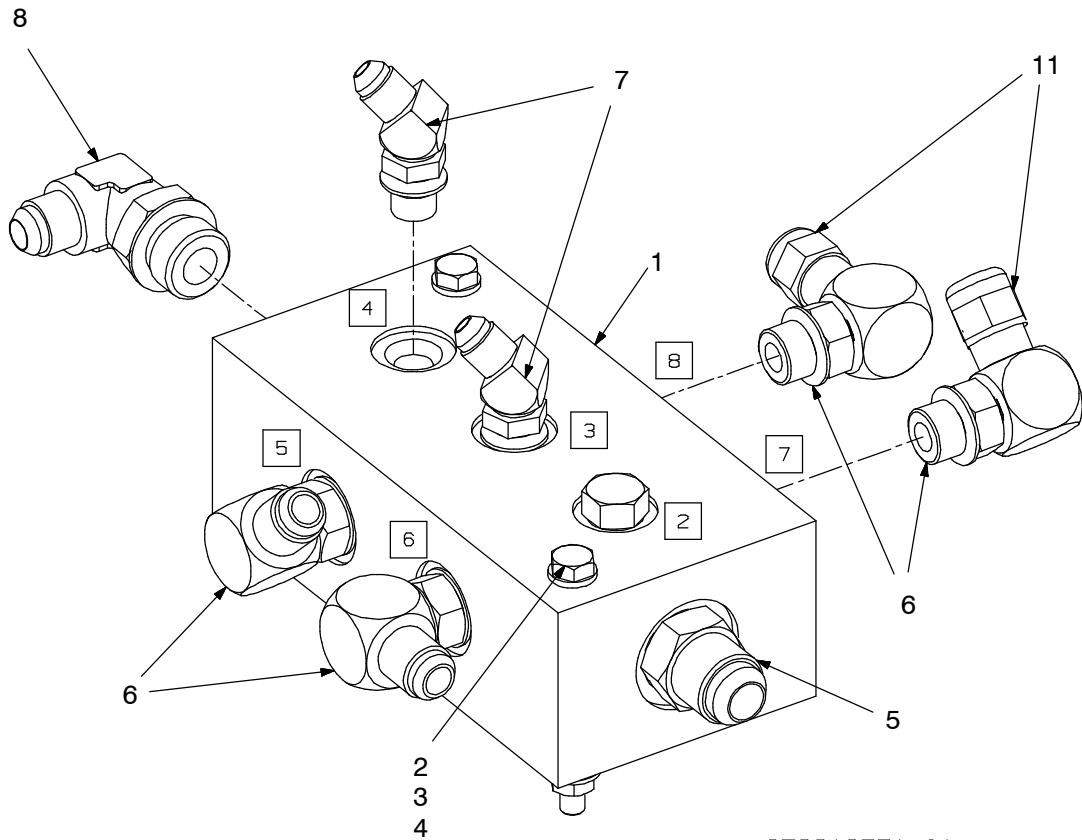
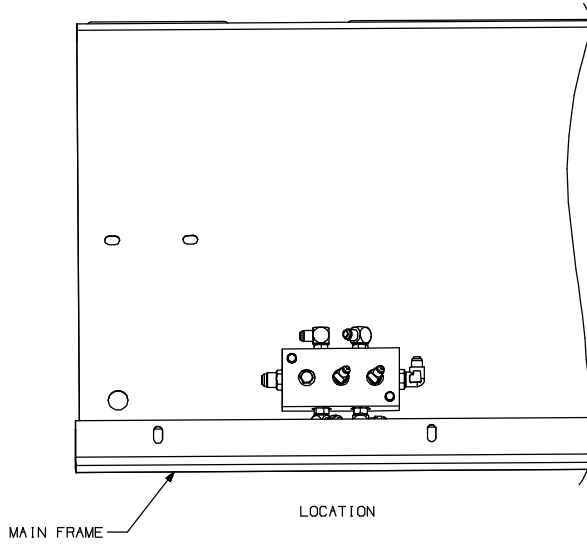
52329893

MAIN DRAIN MANIFOLD ASSEMBLY



52329893**MAIN DRAIN MANIFOLD ASSEMBLY**

<i>REF.</i>				
<i>NO.</i>	<i>PART NO.</i>	<i>QTY.</i>	<i>PART NAME</i>	<i>SERIAL</i>
			<i>REMARKS</i>	<i>NO.</i>
1	51608693	1	MANIFOLD, MAIN DRAIN	
2	96714688	2	BOLT, HEX. HD.	
3	96702519	2	WASHER	
4	95679031	1	FITTING, TUBE	
5	95330692	1	ELBOW	
6	95303335	2	ELBOW	
7	95329975	3	ELBOW	
8	95365094	1	ELBOW	
9	95341665	3	ELBOW	
10	95653614	2	ADAPTER, 90 DEGREE	
11	95754867	1	FITTING	



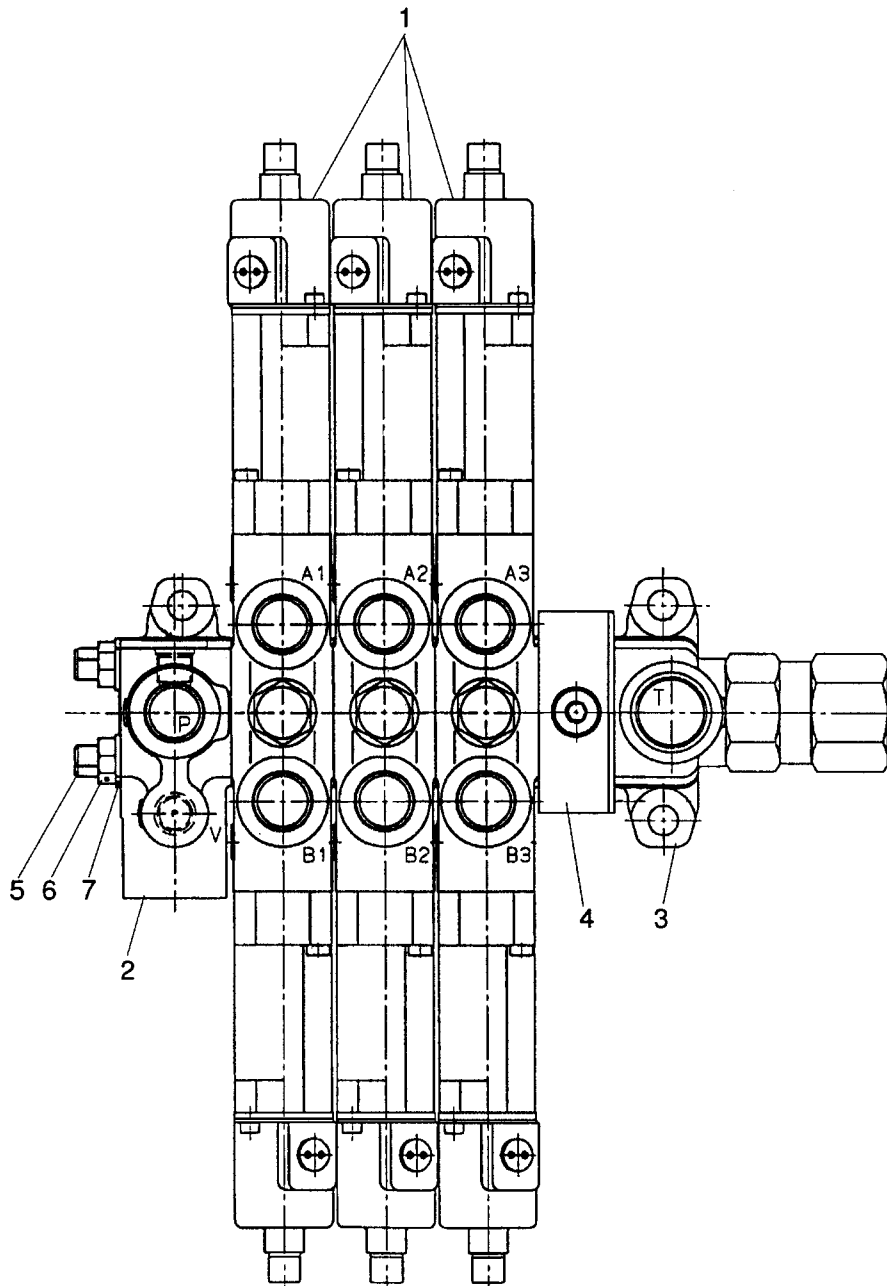
C52318771_01

52318771**COOLERS DRAIN MANIFOLD ASSEMBLY**

<i>REF. NO.</i>	<i>PART NO.</i>	<i>QTY.</i>	<i>PART NAME REMARKS</i>	<i>SERIAL NO.</i>
1	51608685	1	MANIFOLD, COOLERS DRAIN	
2	96706825	2	BOLT, HEX. HD.	
3	96726781	2	LOCKNUT, FLANGED HD.	
4	96702501	2	WASHER, FLAT	
5	95303368	1	ADAPTER	
6	95329975	4	ADAPTER	
7	95002937	2	ADAPTER	
8	95356853	1	ADAPTER	
10	95323366	1	PLUG	
11	95257341	2	CAP	

51680486

DUST COLLECTOR/ARC SELECTOR/DUSTHOOD/
CENTRALIZER CONTROL VALVE



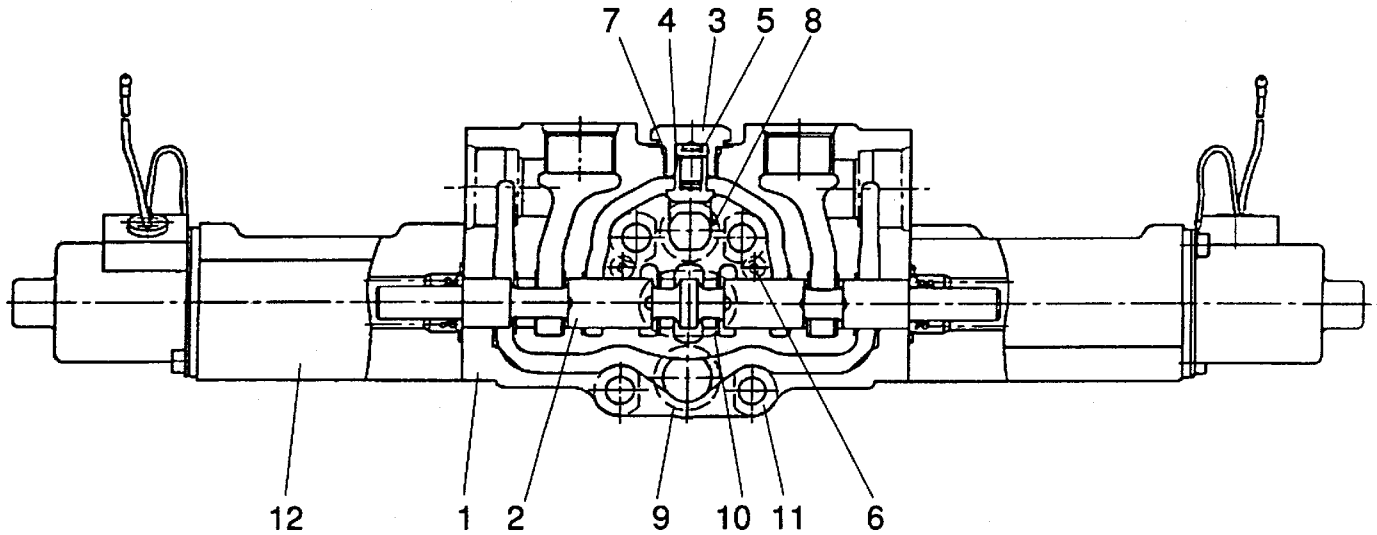
51680486

DUST COLLECTOR/ARC SELECTOR /DUSTHOOD/
CENTRALIZER CONTROL VALVE

<i>REF. NO.</i>	<i>PART NO.</i>	<i>QTY.</i>	<i>PART NAME REMARKS</i>	<i>SERIAL NO.</i>
1	53119566	3	ASSEMBLY, BODY <i>REFER TO PAGE 9.42-3</i>	
2	53119574	1	ASSEMBLY, P-COVER <i>REFER TO PAGE 9.42-4</i>	
3	53119582	1	ASSEMBLY, T-COVER <i>REFER TO PAGE 9.42-5</i>	
4	53119616	1	ASSEMBLY, VALVE BLOCK <i>REFER TO PAGE 9.42-6</i>	
5	53119590	4	BOLT, TIE	
6	50850924	4	NUT	
7	50788454	4	WASHER, SPRING	

53119566

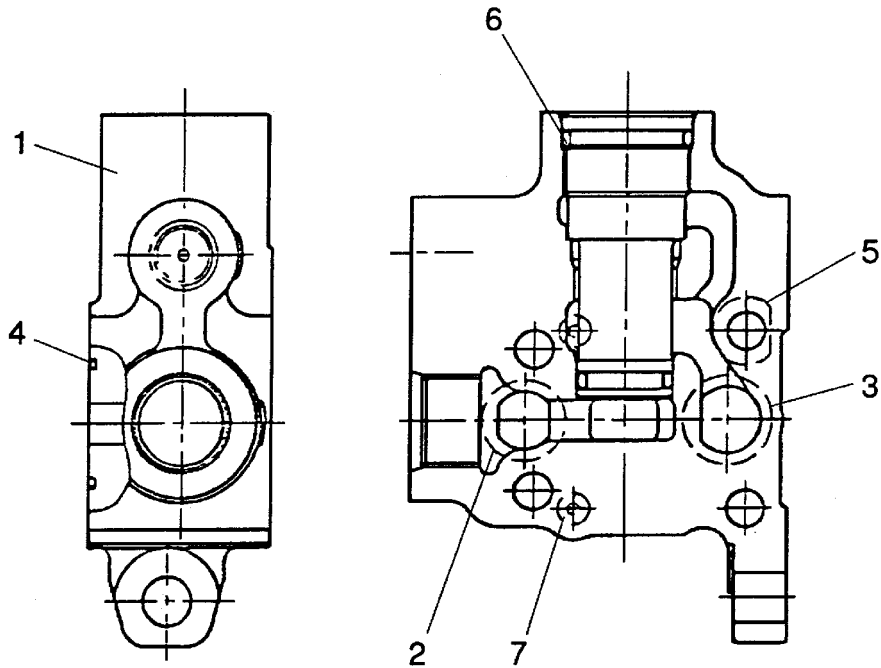
BODY ASSEMBLY

**REF.****NO. PART NO.****QTY.****PART NAME****SERIAL****REMARKS****NO.**

REF. NO.	PART NO.	QTY.	PART NAME	SERIAL NO.
1	53139143	1	BODY	
2	53139150	1	SPOOL	
3	53139168	1	PLUG	
4	53139176	1	PLUNGER	
5	53139184	1	SPRING	
6	51204469	2	O-RING	
7	53138947	1	O-RING	
8	53138954	1	RING	
9	53138921	1	RING	
10	53138939	1	RING	
11	53139127	4	SHIM	
12	53133732	2	ASSEMBLY, PILOT COVER	

53119574

P-COVER ASSEMBLY

**REF.**

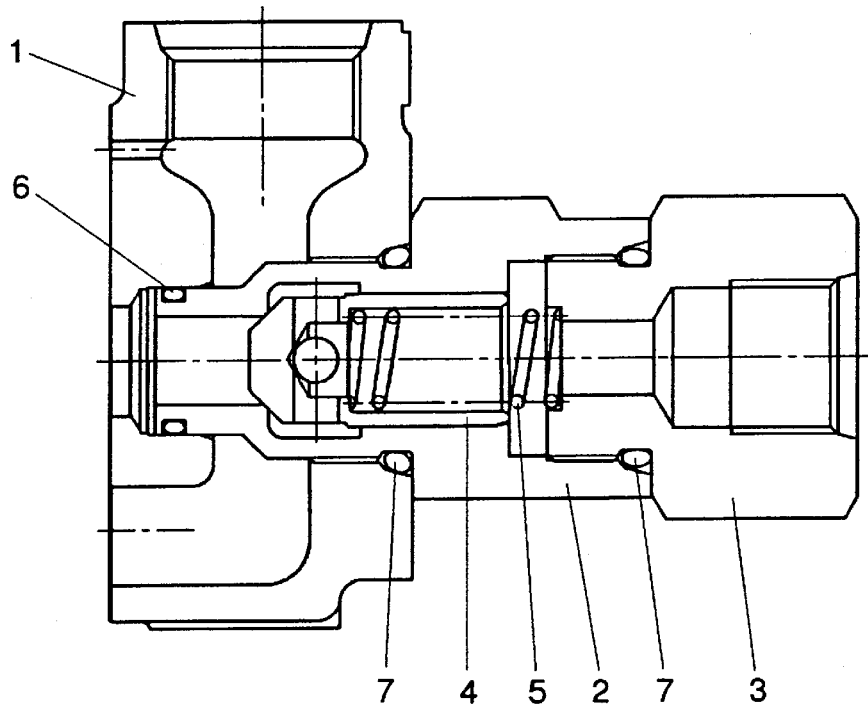
NO.	PART NO.	QTY.	PART NAME	SERIAL
			REMARKS	NO.

1	++	1	COVER	
2	53138954	1	RING	
3	53138921	1	RING	
4	53138939	1	RING	
5	53139127	4	SHIM	
6	53139192	1	ASSEMBLY, PLUG	
7	51204469	2	O-RING	

++ NOTE: THIS PART IS NOT SOLD SEPARATELY.

53119582

T-COVER ASSEMBLY

**REF.**

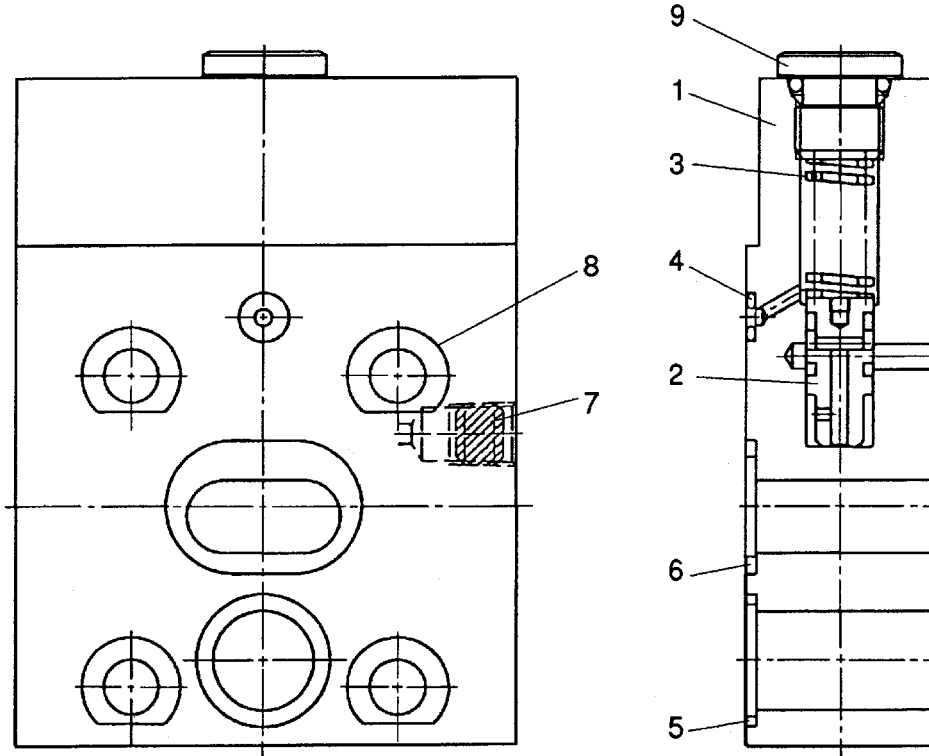
NO.	PART NO.	QTY.	PART NAME	SERIAL
			REMARKS	NO.

1	++	1	COVER	
2	++	1	BODY	
3	++	1	BUSHING	
4	++	1	PLUNGER	
5	++	1	SPRING	
6	50854884	1	O-RING	
7	51103778	2	O-RING	

++ NOTE: THESE PARTS ARE NOT SOLD SEPARATELY.

53119616

VALVE BLOCK ASSEMBLY

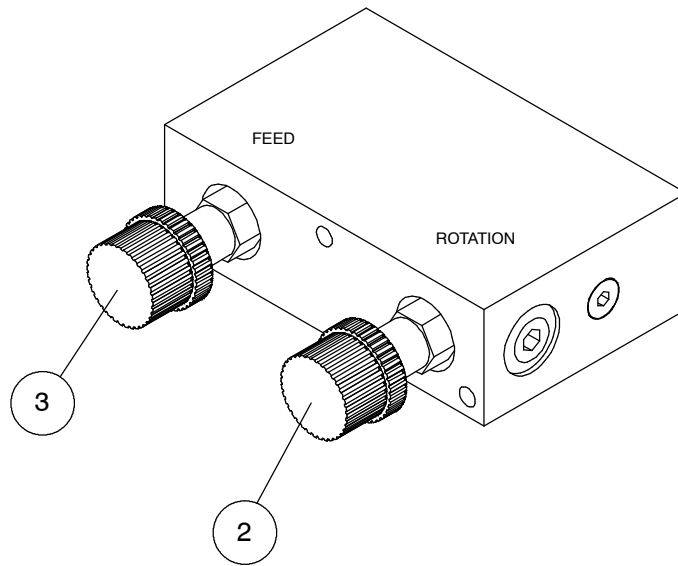
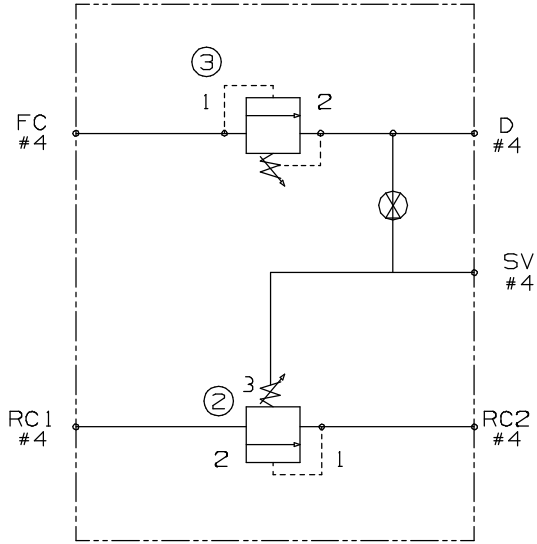


REF.

NO.	PART NO.	QTY.	PART NAME	SERIAL
			REMARKS	NO.

1	++	1	BODY	
2	++	1	SPOOL	
3	++	1	SPRING	
4	51204469	1	O-RING	
5	53138921	1	RING	
6	53138939	1	RING	
7	++	1	PLUG	
8	++	4	SHIM	
9	++	1	PLUG	

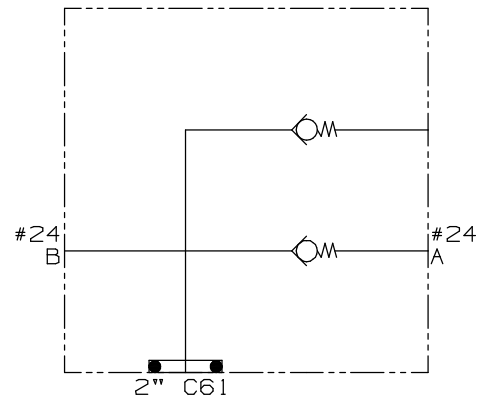
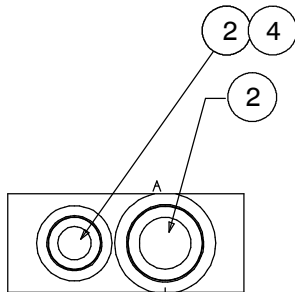
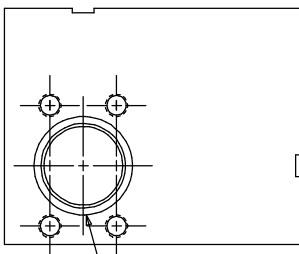
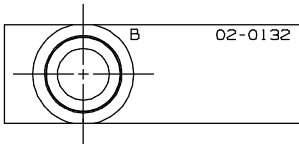
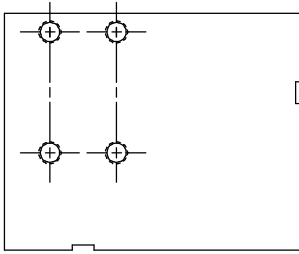
++ NOTE: THESE PARTS ARE NOT SOLD SEPARATELY.



52321262

FEED/ROTATION CONTROL VALVE (CAB)

<i>REF.</i>				
<i>NO.</i>	<i>PART NO.</i>	<i>QTY.</i>	<i>PART NAME</i>	<i>SERIAL</i>
			<i>REMARKS</i>	<i>NO.</i>
2	52301033	1	CARTRIDGE, ROTATION	
3	51776821	1	CARTRIDGE, FEED	



HYDRAULIC SCHEMATIC

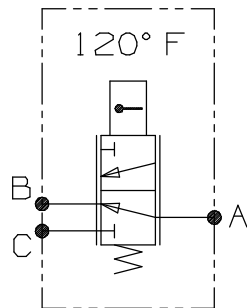
57668592

COMPRESSOR OIL BYPASS VALVE

<i>REF. NO.</i>	<i>PART NO.</i>	<i>QTY.</i>	<i>PART NAME REMARKS</i>	<i>SERIAL NO.</i>
1	95018461	1	O-RING	
2	52330974	2	VALVE, CHECK	
3	51869188	2	KIT, RETAINER/SEAL	
4	95527990	1	PLUG, PORT	

52301629

HYDRAULIC THERMOSTATIC VALVE (120 DEGREE NOM.)



HYDRAULIC
SCHEMATIC

B52301629_00

52301629

HYDRAULIC THERMOSTATIC VALVE (120 DEGREE NOM.)

REF.

NO. PART NO.

QTY.

PART NAME

SERIAL

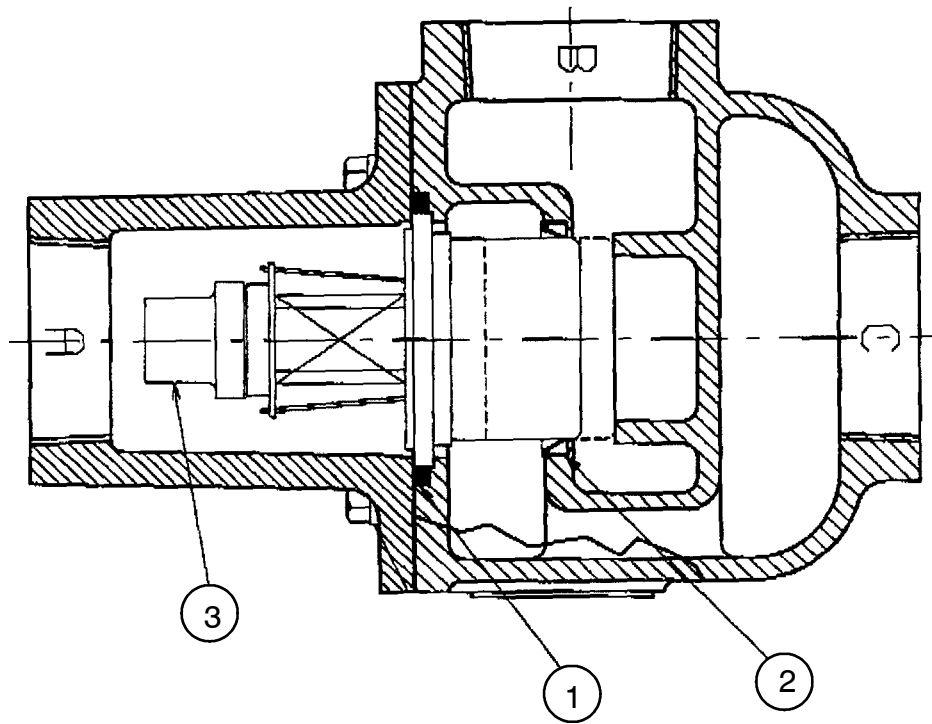
REMARKS

NO.

1	57748618	1	KIT, REPAIR, VALVE		
---	----------	---	--------------------	--	--

57657587

HYDRAULIC THERMOSTATIC VALVE (150 DEGREE NOM.)

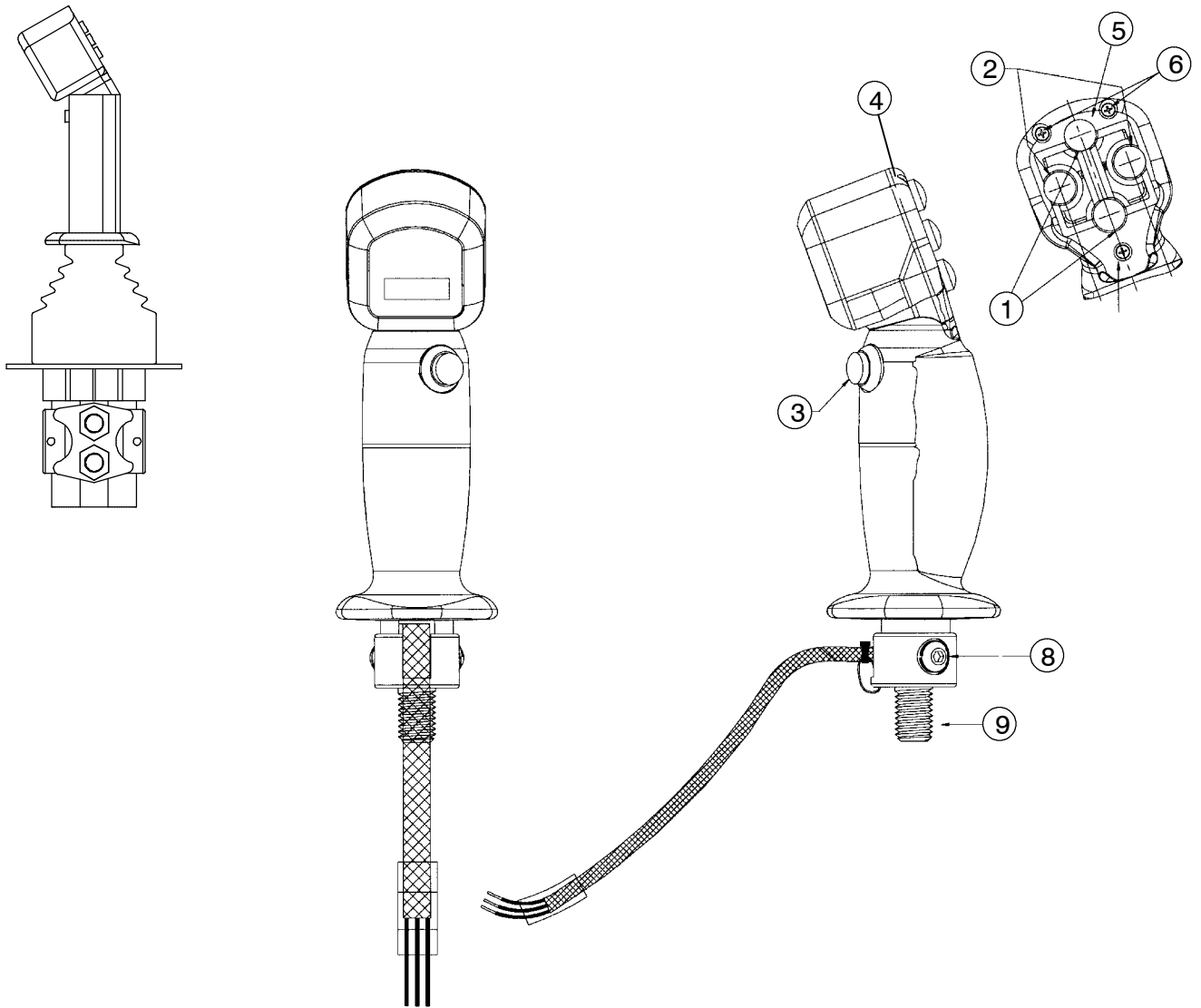


57657587**HYDRAULIC THERMOSTATIC VALVE (150 DEGREE NOM.)****REF.****NO. PART NO.****QTY.****PART NAME****SERIAL****REMARKS****NO.**

1	52320215	1	SEAL, O-RING	
2	52320223	1	SEAL, LIP	
3	52322518	1	ELEMENT	

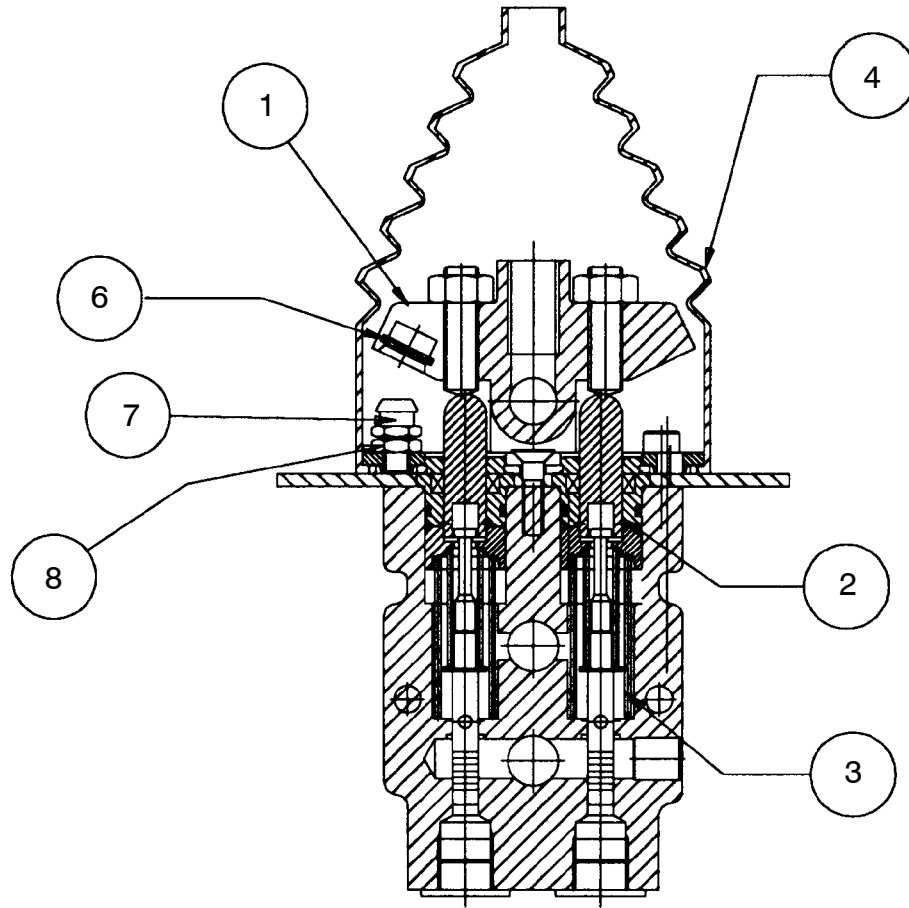
52324902

ROTATION FUNCTION CONTROL VALVE



52324902**ROTATION FUNCTION CONTROL VALVE**

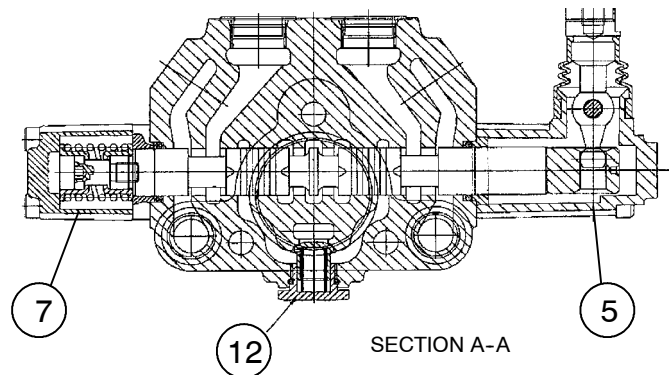
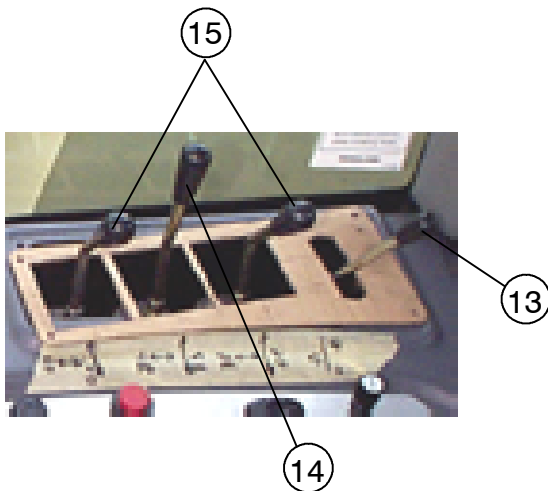
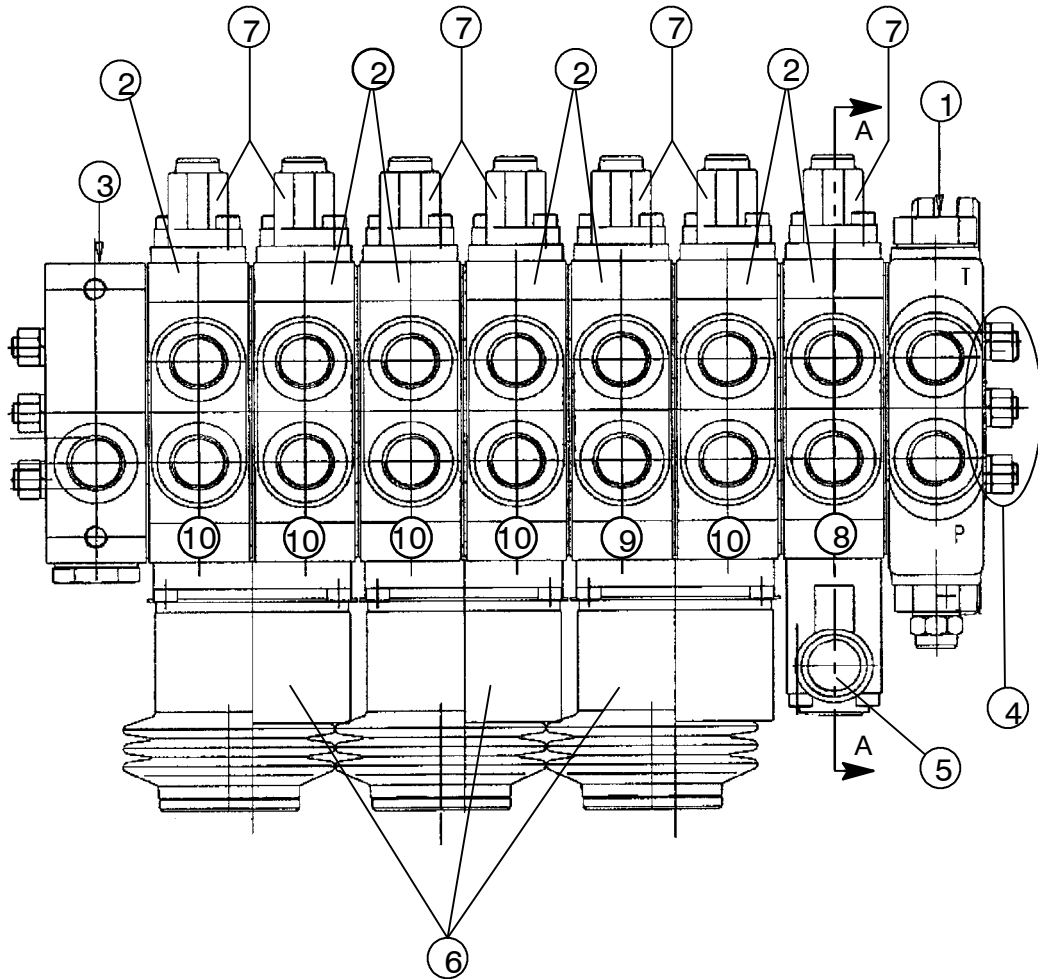
<i>REF.</i>				
<i>NO.</i>	<i>PART NO.</i>	<i>QTY.</i>	<i>PART NAME</i>	<i>SERIAL</i>
			<i>REMARKS</i>	<i>NO.</i>
	52325974	1	ASSEMBLY, MODE VALVE HANDLE	
1	52322542	2	.SWITCH, BLUE	
2	52322559	2	.SWITCH, ORANGE	
3	52322567	1	.SWITCH, GREEN	
4	52322575	1	.PLATE, BACK	
5	52322583	1	.PLATE, FACE	
6	52325859	2	.SCREW	
7	52325842	1	.SCREW	
8	52325875	1	.SCREW, LOCKING	
9	52325867	1	.ADAPTER, MOUNTING	



NOTE: REFERENCE NO. 5 IS NOT ILLUSTRATED.

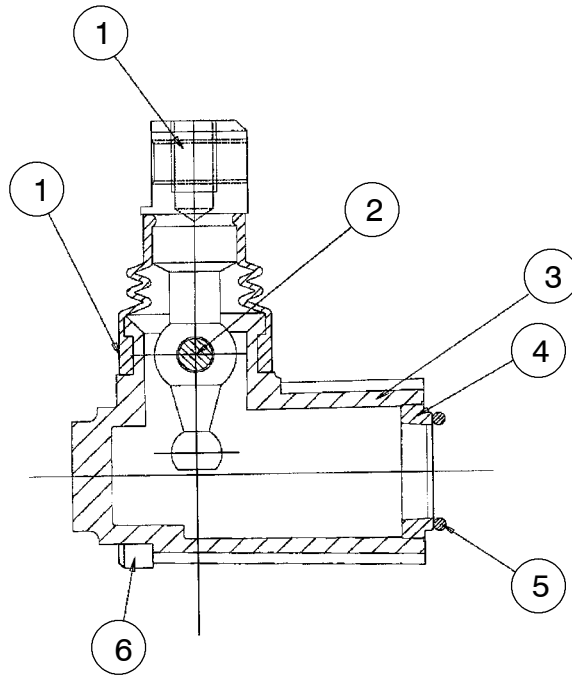
52324902**ROTATION FUNCTION CONTROL VALVE**

<i>REF.</i>				
<i>NO.</i>	<i>PART NO.</i>	<i>QTY.</i>	<i>PART NAME</i>	<i>SERIAL</i>
			<i>REMARKS</i>	<i>NO.</i>
	52325966	1	ASSEMBLY, MODE VALVE FUNCTION BODY	
1	52325958	1	.DETENT, POSITION ONE	
2	52325941	4	.CURVE, SPRING	
3	52325933	4	.SPRING, RETURN	
4	52325925	1	.BOOT	
5	52325917	1	.KIT, SEAL	
6	52325909	1	.CLIP, DETENT	
7	52325891	1	.STUD, DETENT	
8	52325883	1	.NUT	



52311537**POSITIONING CONTROL VALVE**

REF. NO.	PART NO.	QTY.	PART NAME REMARKS	SERIAL NO.
1	52321205	1	SECTION, END	
2	52321213	7	SECTION, MIDDLE	
3	52321221	1	SECTION, END	
4	52321163	1	KIT, TIE ROD	
5	52321072	1	KIT, HANDLE <i>REFER TO PAGE 9.52-3</i>	
6	52320934	3	KIT, CONTROL <i>REFER TO PAGE 9.52-4</i>	
7	52321130	7	KIT, SPRING CENTERING	
8	52321171	1	SPOOL	
9	52321189	1	SPOOL	
10	52321197	5	SPOOL	
11	52321155	8	KIT, SECTIONAL SEAL (NOT ILLUSTRATED)	
12	52321148	7	KIT, LOAD CHECK VALVE	

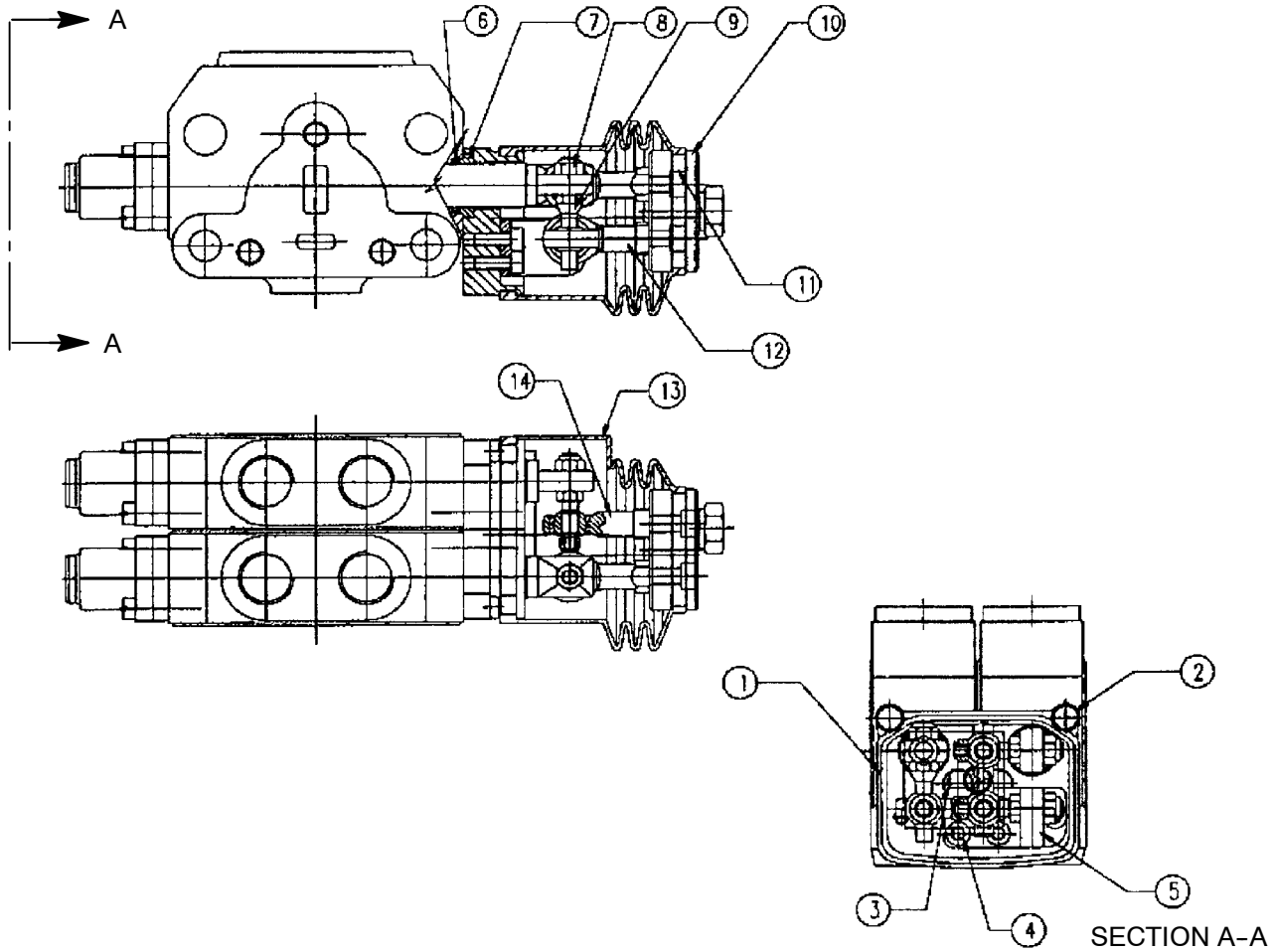
**REF.**

NO.	PART NO.	QTY.	PART NAME	SERIAL
			REMARKS	NO.

1	52321114	1	BOOT, RUBBER	
2	52321106	1	PIN	
3	52321098	1	SUPPORT	
4	52321015	1	BUSHING	
5	95028536	1	O-RING	
6	52321080	4	CAPSCREW, ALLEN HD.	

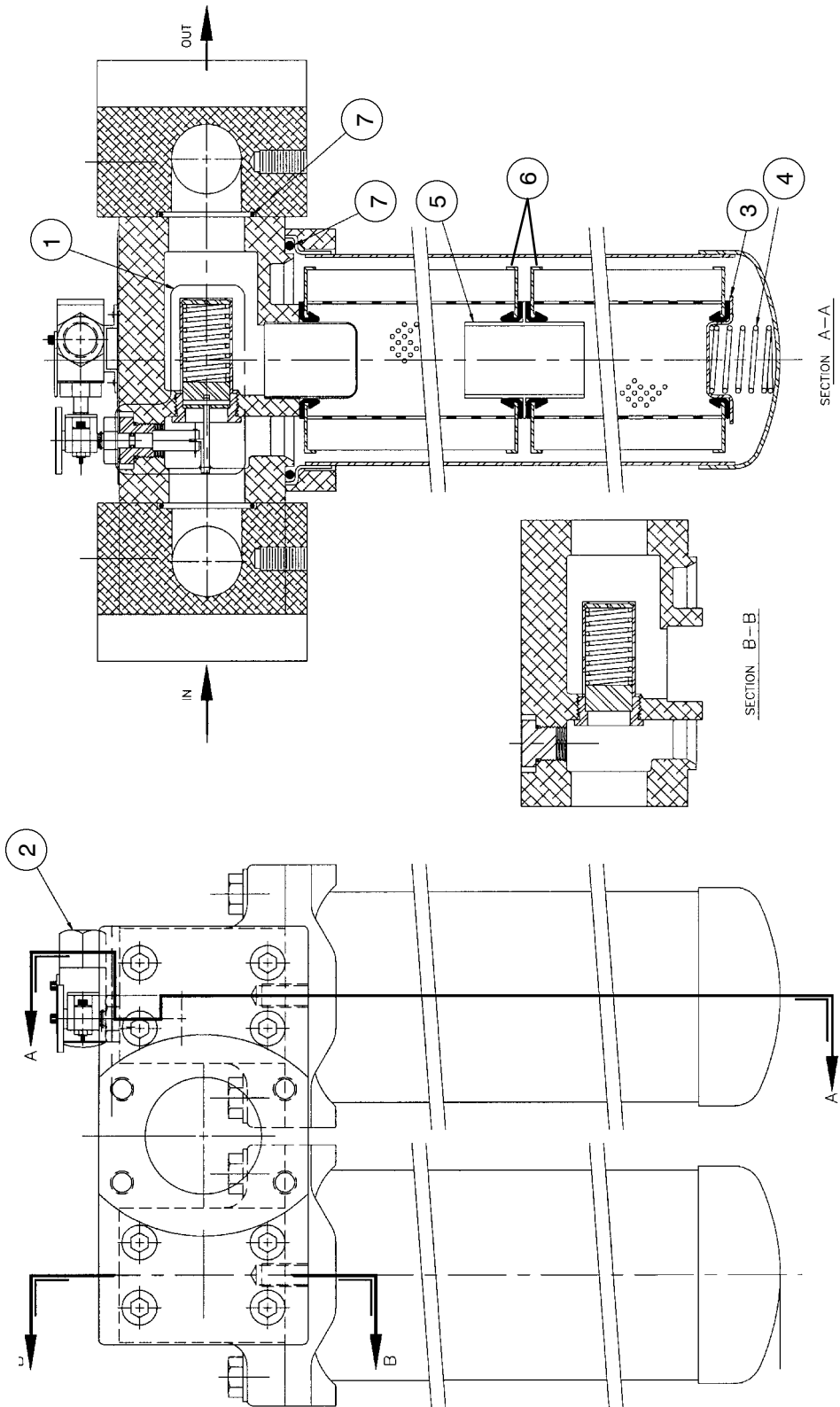
52320934

CONTROL KIT



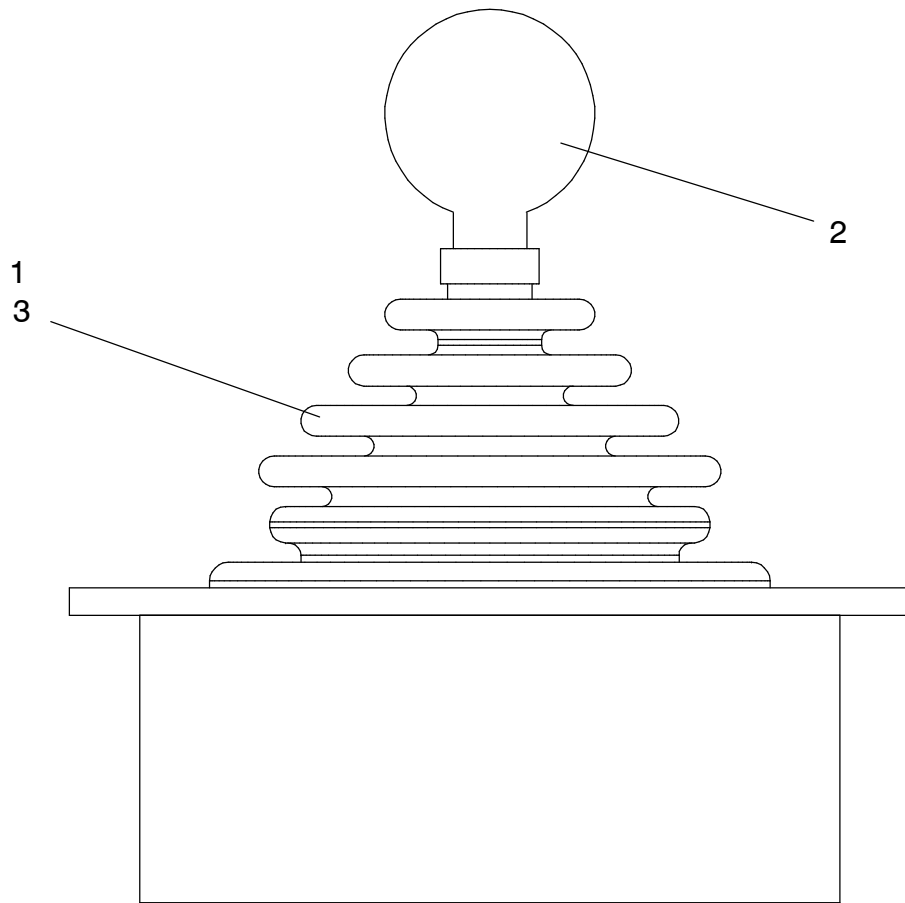
REF.

REF. NO.	PART NO.	QTY.	PART NAME	SERIAL NO.
			REMARKS	
1	52321064	1	FLANGE	
2	52321056	2	CAPSCREW, ALLEN HD.	
3	52321049	2	SCREW	
4	52321031	5	CAPSCREW, ALLEN HD.	
5	52321023	1	FLANGE	
6	95028536	2	O-RING	
7	52321015	2	BUSHING	
8	52321007	3	NUT	
9	52320991	1	PIN	
10	52320983	1	FLANGE	
11	52320975	4	CAPSCREW, ALLEN HD.	
12	52320967	1	PIN	
13	52320959	1	BELLOWS, RUBBER	
14	52320942	2	PIN	



52321338**HYDRAULIC RETURN FILTER**

<i>REF.</i>				
<i>NO.</i>	<i>PART NO.</i>	<i>QTY.</i>	<i>PART NAME</i>	<i>SERIAL</i>
			<i>REMARKS</i>	<i>NO.</i>
1	52321304	1	ASSEMBLY, BYPASS VALVE AND LINKAGE	
2	57435430	1	SWITCH, DIRT ALARM ELECTRICAL CAM OPERATED	
3	52321312	2	PLATE, COMPRESSION SPRING	
4	50709336	2	SPRING, COMPRESSION	
5	52321320	2	CONNECTOR, ELEMENT	
6	52321296	4	ELEMENT	
7	52321288	1	KIT, SEAL	

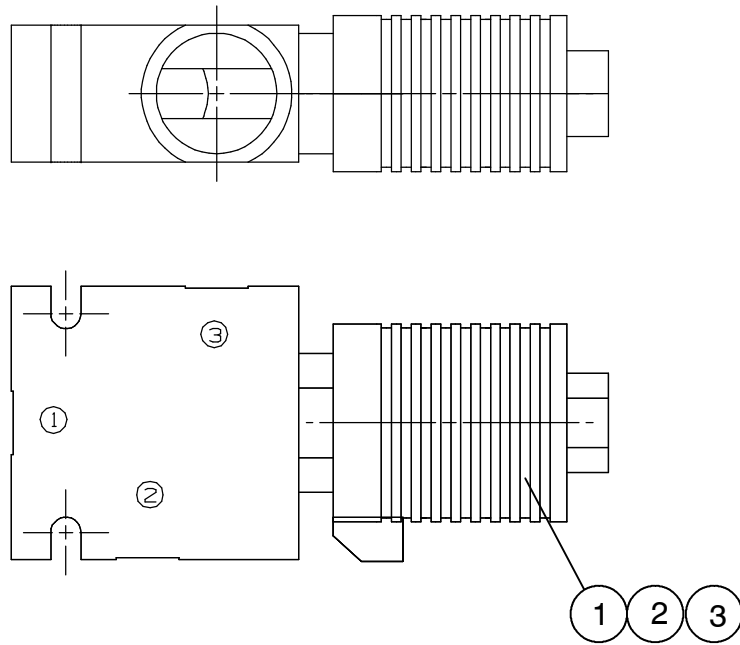


52330982**ROD LOCK/BREAKOUT FORK JOYSTICK**

<i>REF. NO.</i>	<i>PART NO.</i>	<i>QTY.</i>	<i>PART NAME REMARKS</i>	<i>SERIAL NO.</i>
1	52322344	1	BOOT	
2	52322351	1	BUSHING, BOOT	
3	52322385	1	CLAMP, BOOT	
	52322369	1	MICROSWITCH	

52324910

LOAD SENSE SELECTOR VALVE



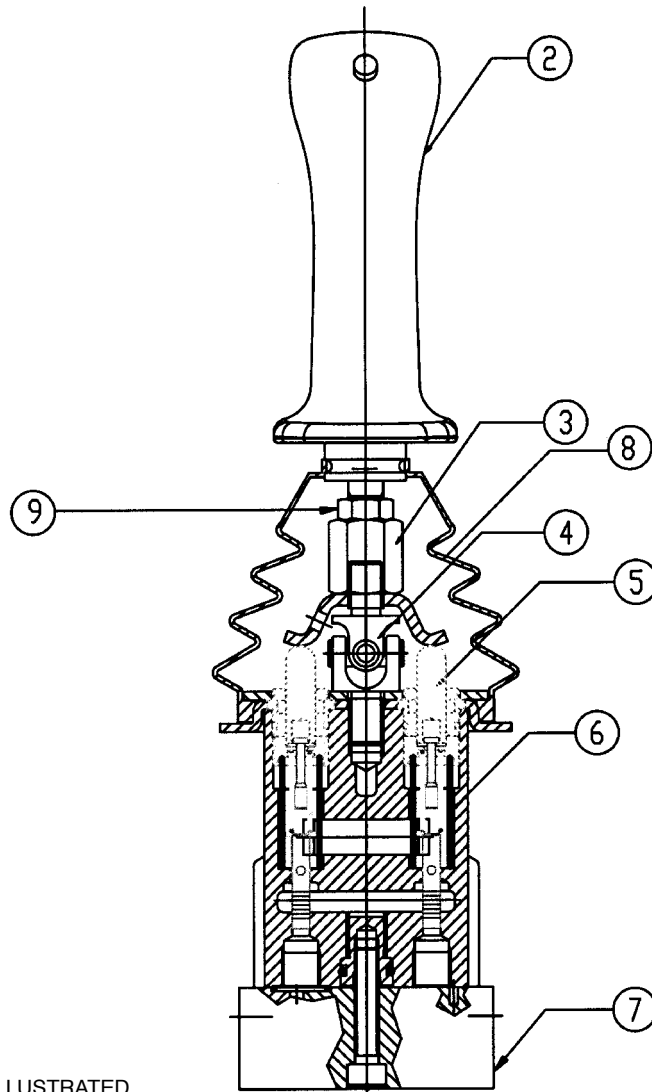
52324910

LOAD SENSE SELECTOR VALVE

<i>REF.</i>				
<i>NO.</i>	<i>PART NO.</i>	<i>QTY.</i>	<i>PART NAME</i>	<i>SERIAL</i>
			<i>REMARKS</i>	<i>NO.</i>
1	51785889	1	COIL, 24V WITH CONNECTOR	
2	51776516	1	CARTRIDGE	
3	51776524	1	KIT, CARTRIDGE SEAL	

52311552

TRAM PILOT VALVE



NOTE: REFERENCE NO. 1 IS NOT ILLUSTRATED.

REF.

NO. PART NO.

QTY.

PART NAME

SERIAL

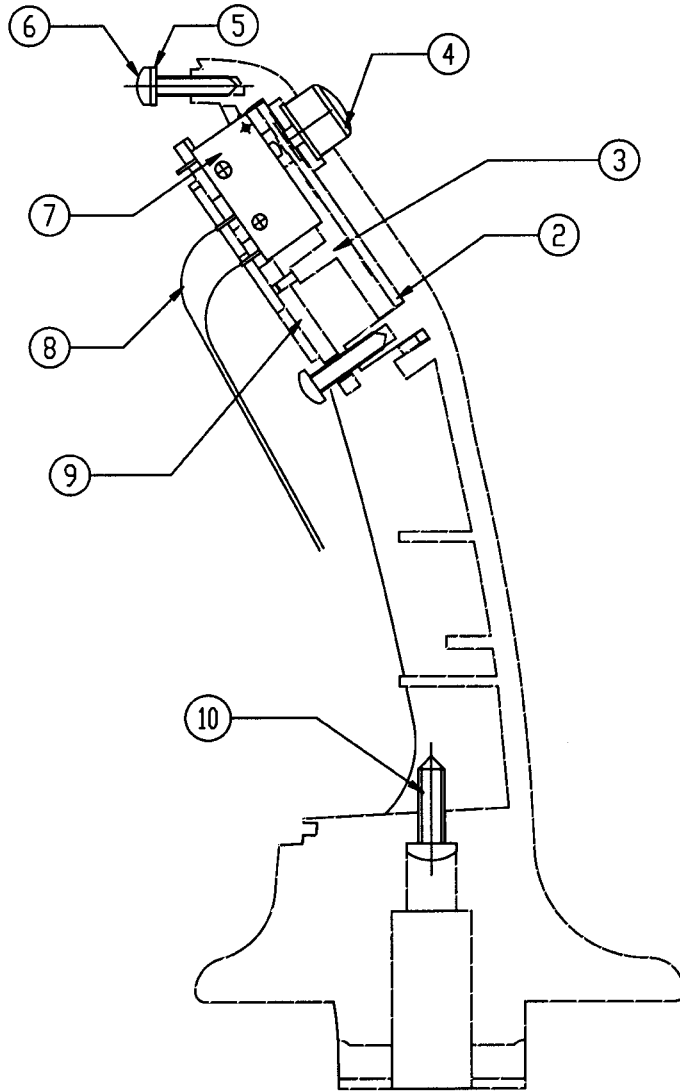
REMARKS

NO.

1	52325982	1	KIT, SEAL	
2	52325990	1	HANDLE	
			<i>REFER TO PAGE 9.60-2</i>	
3	52326006	1	LEVER	
4	52326014	1	CONTROL	
5	52325941	4	CURVE, SPRING	
6	52325933	4	SPRING, RETURN	
7	52326022	1	BLOCK, SHUTTLE VALVE	
8	52326030	1	BOOT, RUBBER	

52325990

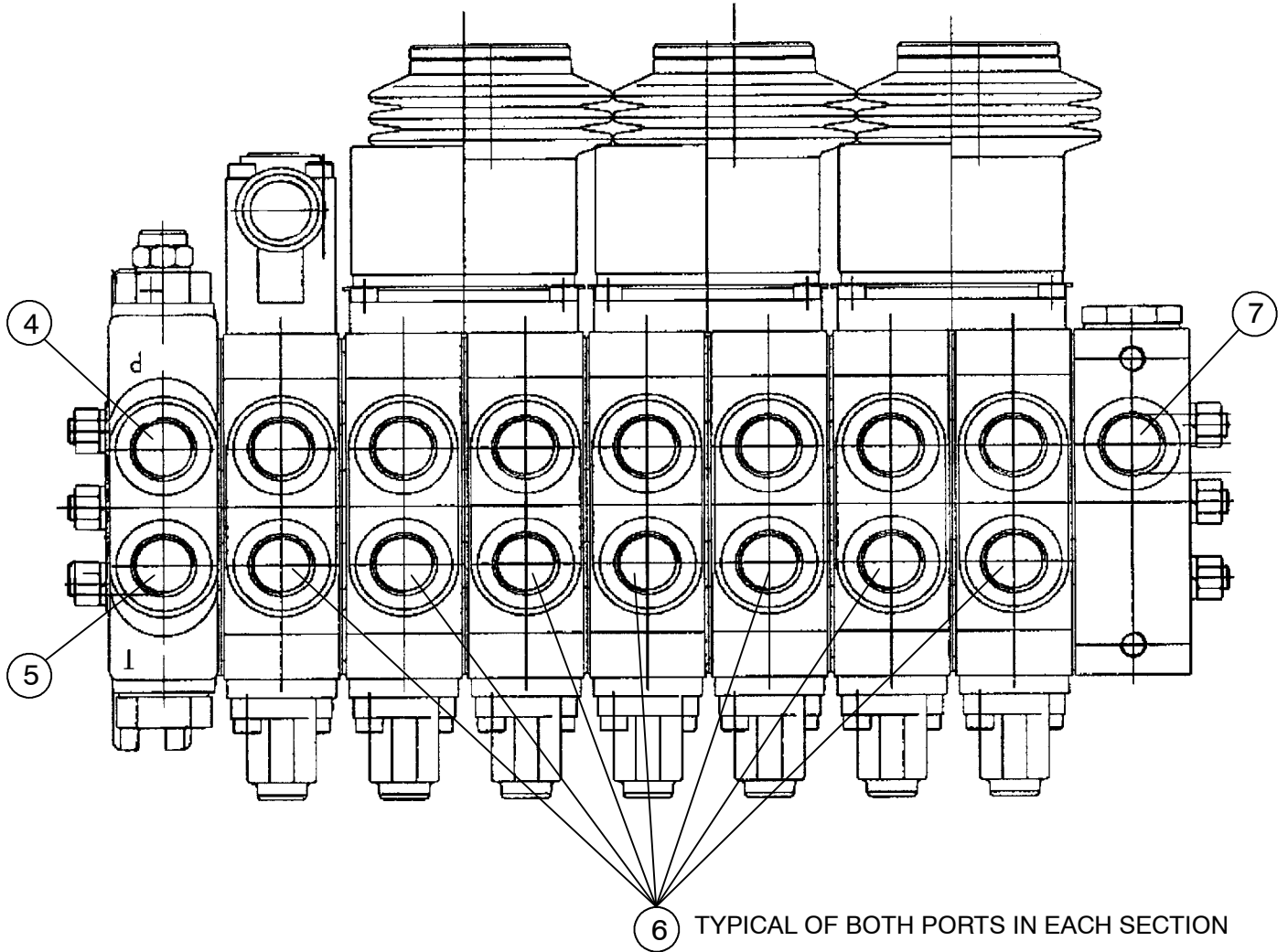
HANDLE



REF.

NO.	PART NO.	QTY.	PART NAME	SERIAL NO.
			REMARKS	

2	52326048	1	BUSHING	
3	52326055	1	SUPPORT	
4	52326063	1	SWITCH, YELLOW	
5	52326071	1	WASHER	
6	52326089	4	SCREW	
7	52326097	1	MICROSWITCH	
8	52326105	2	WIRE	
9	52326113	1	SUPPORT	
10	52326121	1	SCREW	



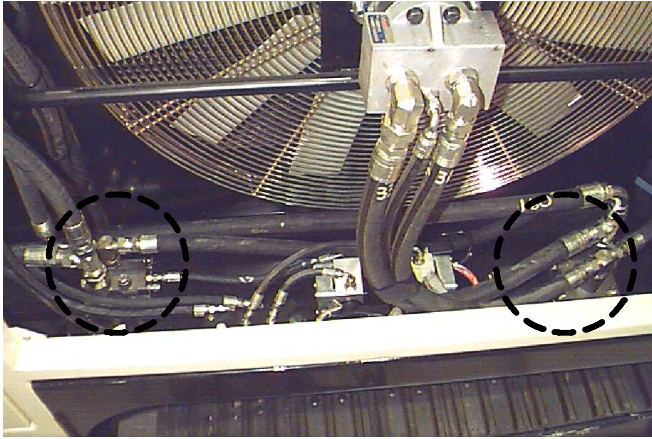
52314465**POSITIONING CONTROL VALVE ASSEMBLY**

REF. NO.	PART NO.	QTY.	PART NAME REMARKS	SERIAL NO.
1	52311537	1	VALVE, POSITIONING CONTROL <i>REFER TO PAGE 9.52-1</i>	
2	96727193	2	BOLT, FLANGED HD.	
3	96727797	2	BOLT, FLANGED HD.	
4	95527321	1	ADAPTER	
5	95303368	1	ADAPTER	
6	95356903	14	ADAPTER	
7	95748760	1	ADAPTER	

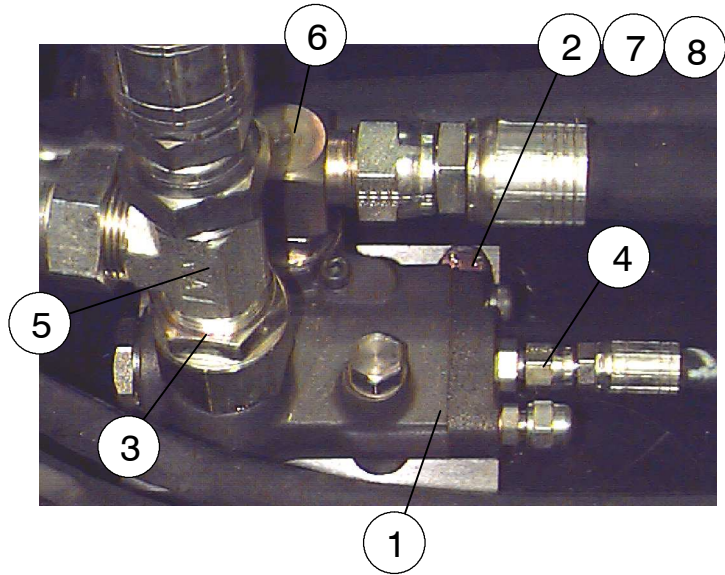
There is no drawing available at this time

52329927**MANIFOLD ASSEMBLY, SLOW ROTATION**

<i>REF.</i>				
<i>NO.</i>	<i>PART NO.</i>	<i>QTY.</i>	<i>PART NAME</i>	<i>SERIAL</i>
			<i>REMARKS</i>	<i>NO.</i>
1	52329620	1	CONTROL VALVE, SLOW ROTATION	
2	96714571	3	CAPSCREW	
3	96701289	3	WASHER	
4	95365094	1	ELBOW	
5	95371258	1	FITTING, HYD	



LOCATION

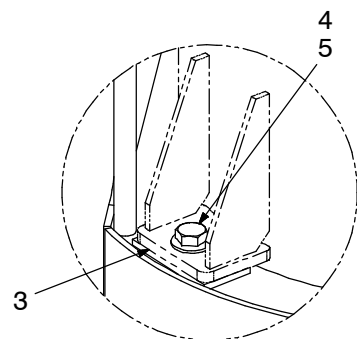
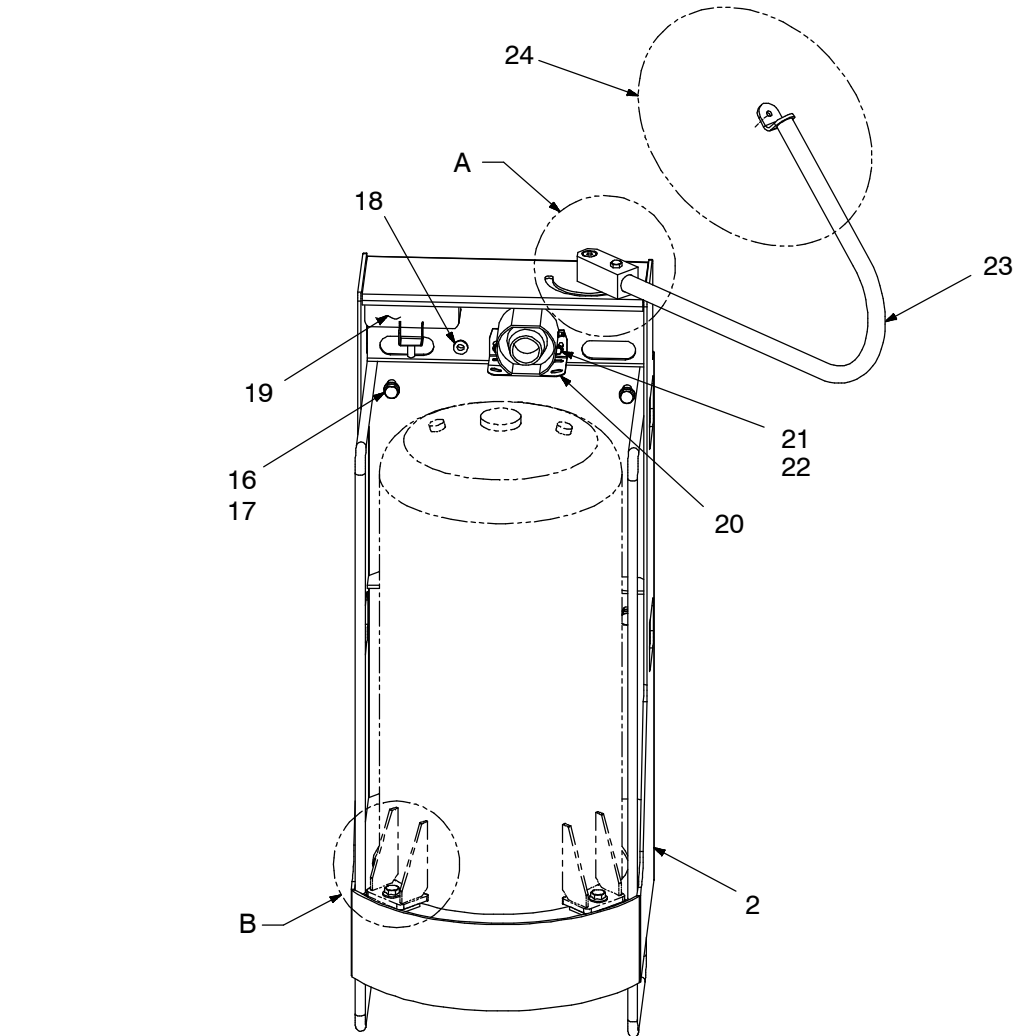


52318649**COOLER FAN VALVE ASSEMBLY**

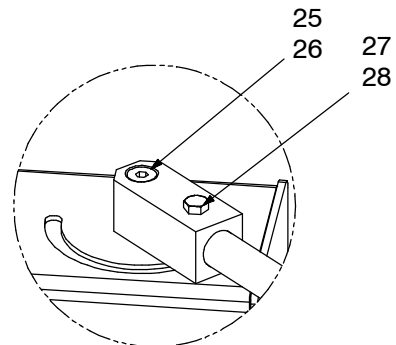
<i>REF.</i>				
<i>NO.</i>	<i>PART NO.</i>	<i>QTY.</i>	<i>PART NAME</i>	<i>SERIAL</i>
			<i>REMARKS</i>	<i>NO.</i>
1	52302015	1	VALVE, FAN CONTROL	
2	96719794	2	CAPSCREW	
3	95708301	1	ADAPTER	
4	52118841	1	ADAPTER	
5	95488110	1	ADAPTER, TEE	
6	52304862	1	ADAPTER, TEE	
7	96726807	2	LOCKNUT, FLANGED HD.	
8	96701982	2	WASHER, FLAT HD.	

57699225**TANK, VAPOSOL ASSEMBLY (CE)**

REF. NO.	PART NO.	QTY.	PART NAME REMARKS	SERIAL NO.
53	52316171	1	ASSEMBLY, VAPOSOL BRACKET <i>REFER TO PAGE 10.1-1</i>	
54	52327319	1	ASSEMBLY, VAPOSOL TANK (CE) <i>REFER TO PAGE 10.2-1</i>	
56	52327335	1	ASSEMBLY, VAPOSOL PUMP <i>REFER TO PAGE 10.3-1</i>	
57	52329596	1	ASSEMBLY, VAPOSOL STRAINER <i>REFER TO PAGE 10.6-1</i>	



DETAIL - B

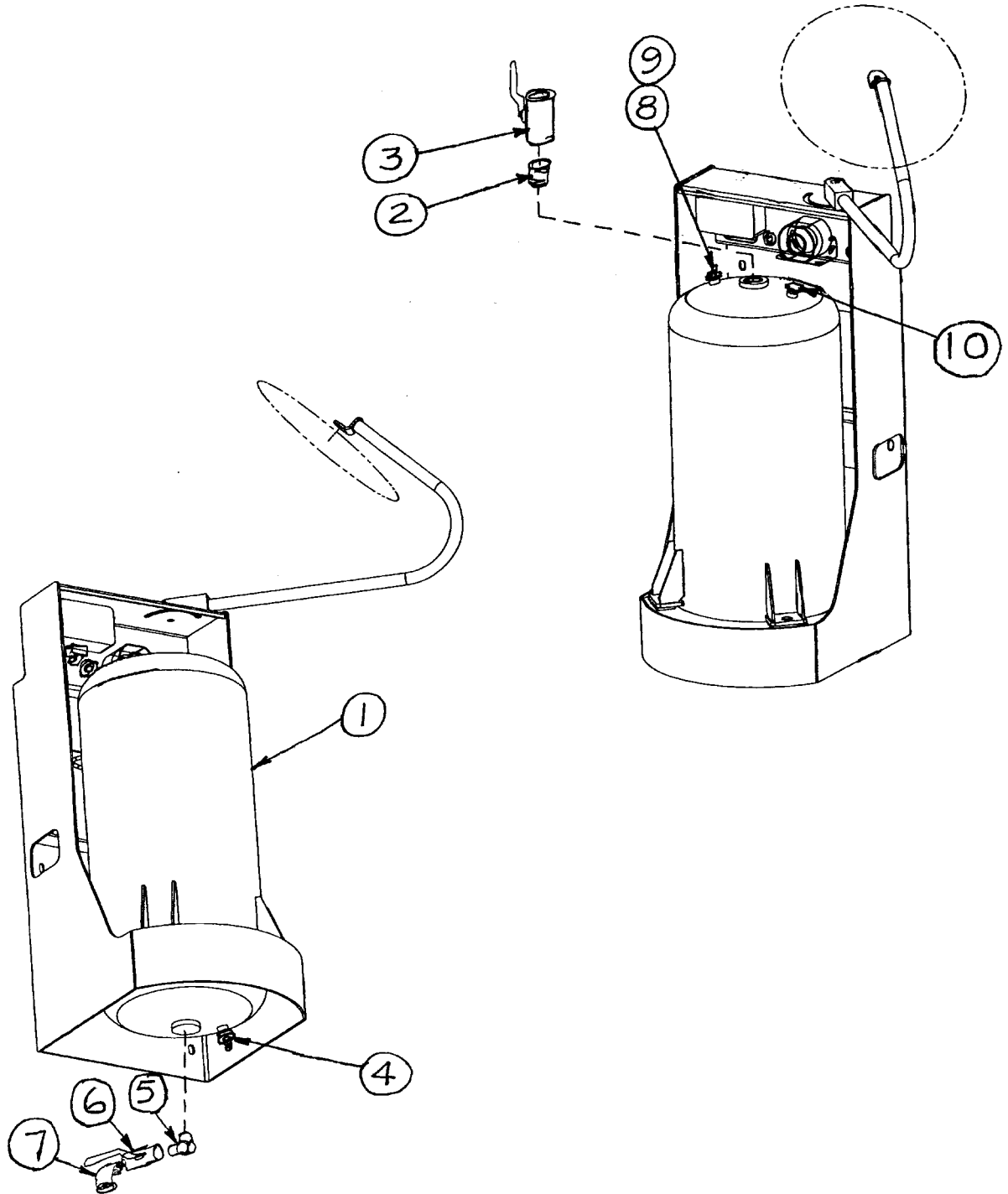


DETAIL - A

C52316171_01

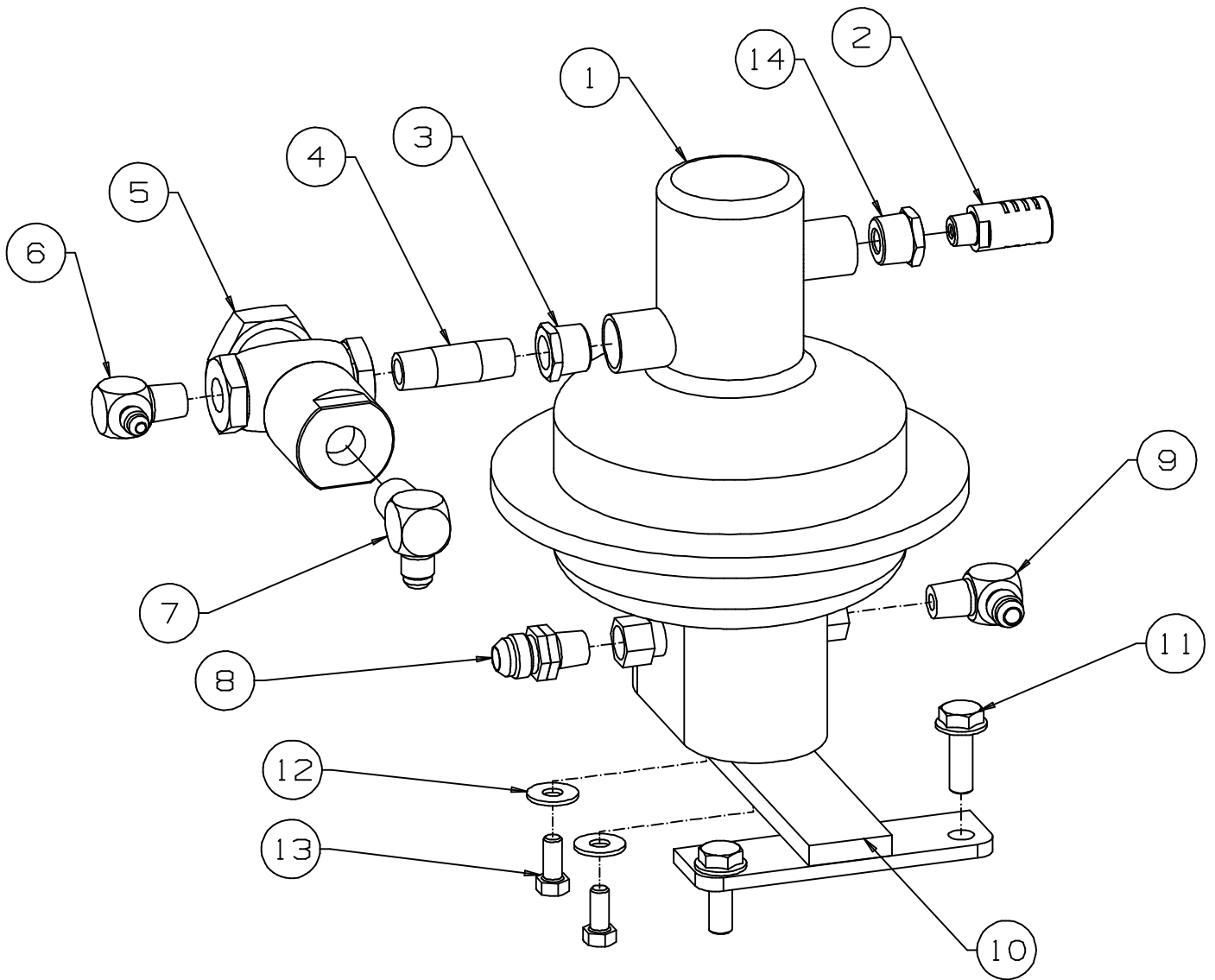
52316171**VAPOSOL BRACKET ASSEMBLY**

<i>REF.</i>				
<i>NO.</i>	<i>PART NO.</i>	<i>QTY.</i>	<i>PART NAME</i>	<i>SERIAL</i>
			<i>REMARKS</i>	<i>NO.</i>
2	52314044	1	BRACKET, VAPOSOL MOUNTING	
3	52104767	3	PAD, ISOLATOR	
4	96726831	3	LOCKNUT, FLANGED HD.	
5	96727391	3	BOLT, FLANGED HD.	
16	96703186	6	BOLT, HEX. HD.	
17	96702550	6	WASHER, FLAT	
18	50882281	1	GROMMET	
19	51789220	1	LIGHT, BACK	
20	51857324	1	ALARM, BACKUP	
21	96727193	2	BOLT, FLANGED HD.	
22	96726799	2	LOCKNUT, FLANGED HD.	
23	52307436	1	BRACKET, MIRROR MOUNTING	
24	51776961	1	MIRROR, REAR	
25	95366555	1	SCREW. SOC. HD. SHOULDER	
26	95943072	1	LOCKNUT, HEX. HD.	
27	96714050	1	BOLT, HEX. HD.	
28	96726815	1	LOCKNUT, FLANGED HD.	



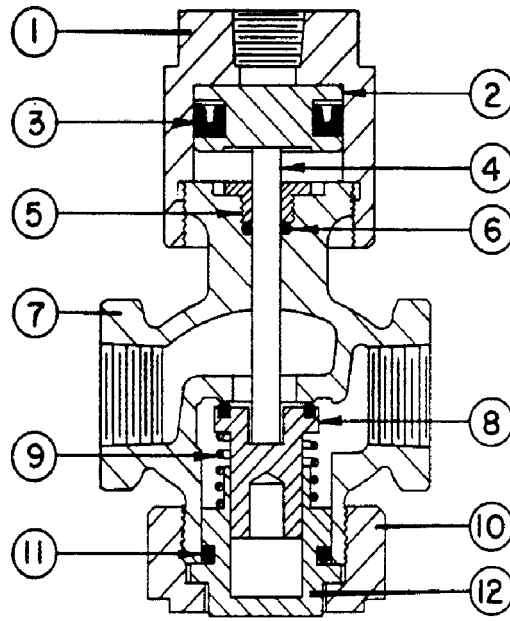
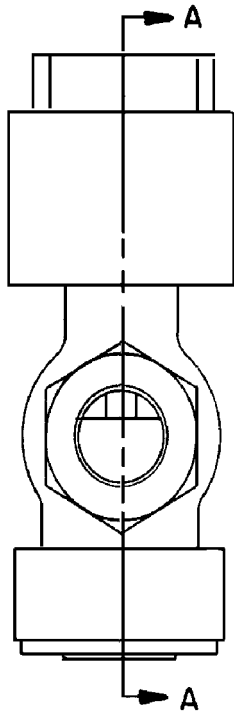
52327319**VAPOSOL TANK ASSEMBLY (CE)**

<i>REF.</i>				
<i>NO.</i>	<i>PART NO.</i>	<i>QTY.</i>	<i>PART NAME</i>	<i>SERIAL</i>
			<i>REMARKS</i>	<i>NO.</i>
1	52104742	1	TANK, VAPOSAL	
2	95097333	1	NIPPLE	
3	50963735	1	VALVE, BALL (2")	
4	95279535	1	ADAPTER	
5	95317434	1	ADAPTER	
6	50788207	1	VALVE, BALL	
7	95030771	1	ELBOW, 90 DEGREE STREET	
8	95037412	1	BUSHING, REDUCING	
9	03692076	1	PLUG, VENT	
10	95730545	1	PLUG	



52327335**VAPOSOL PUMP ASSEMBLY**

REF. NO.	PART NO.	QTY.	PART NAME REMARKS	SERIAL NO.
1	52286036	1	PUMP, VAPOSOL	
2	36766731	1	MUFFLER, ORIFICED	
3	95037347	1	BUSHING	
4	95243002	1	NIPPLE	
5	50139377	1	VALVE, PILOT <i>REFER TO PAGE 10.5-1</i>	
6	95335980	1	ADAPTER	
7	95279527	1	ADAPTER	
8	95263398	1	FITTING	
9	95279493	1	ADAPTER	
10	52327327	1	BRACKET, VAPOSOL PUMP MOUNTING	
11	96727003	2	CAPSCREW	
12	95064671	2	WASHER, PLAIN	
13	95101804	2	CAPSCREW	
14	95037412	1	BUSHING	

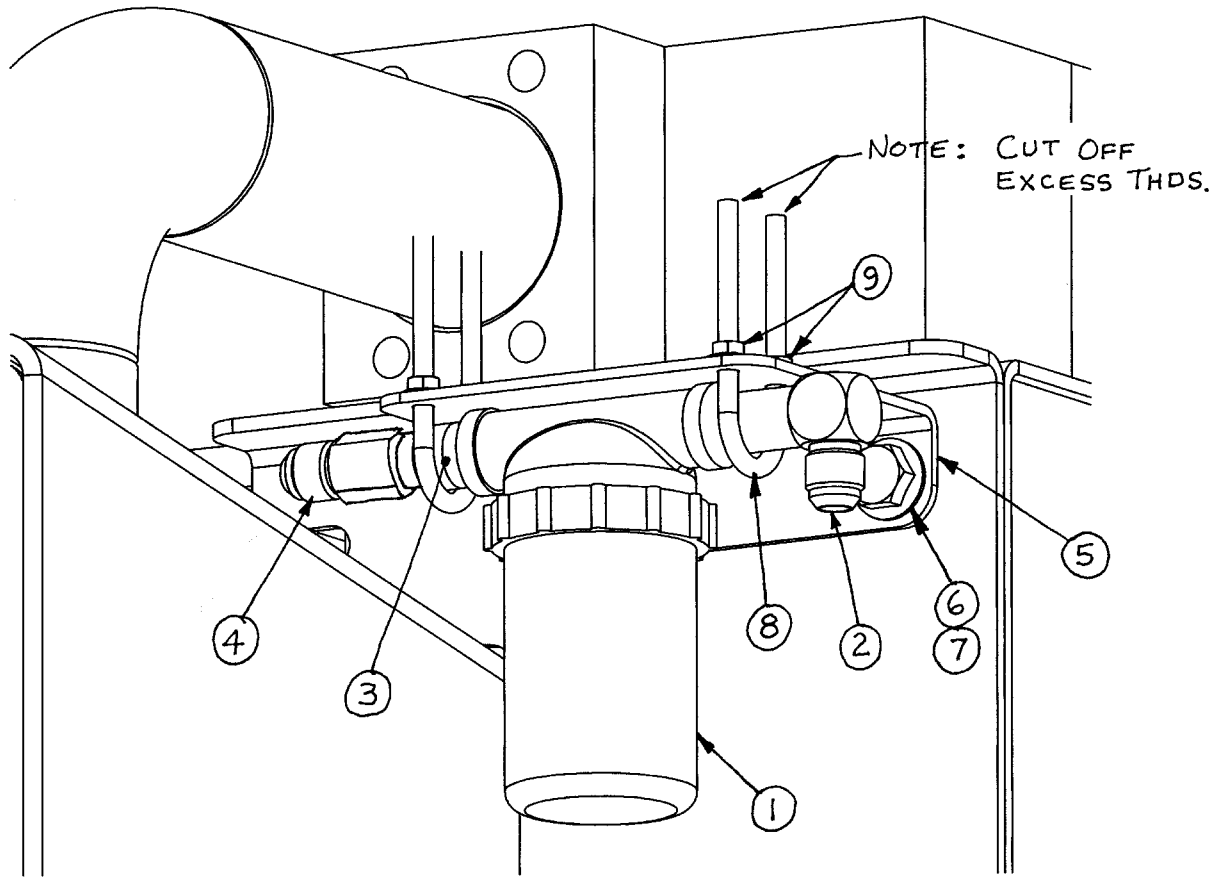


YP1832

SECTION A-A

50139377**VAPOSOL PUMP PILOT VALVE**

<i>REF.</i>				
<i>NO.</i>	<i>PART NO.</i>	<i>QTY.</i>	<i>PART NAME</i>	<i>SERIAL</i>
			<i>REMARKS</i>	<i>NO.</i>
1	50550938	1	CAP, PILOT	
2	50550920	1	PISTON	
3	50098839	1	U-CUP	
4	50550904	1	PIN	
5	50373745	1	GLAND	
6	50098821	1	O-RING	
7	50710698	1	BODY	
8	50097765	1	POPPET	
9	50097773	1	SPRING	
10	50550946	1	NUT	
11	50098813	1	O-RING	
12	50097732	1	GUIDE	



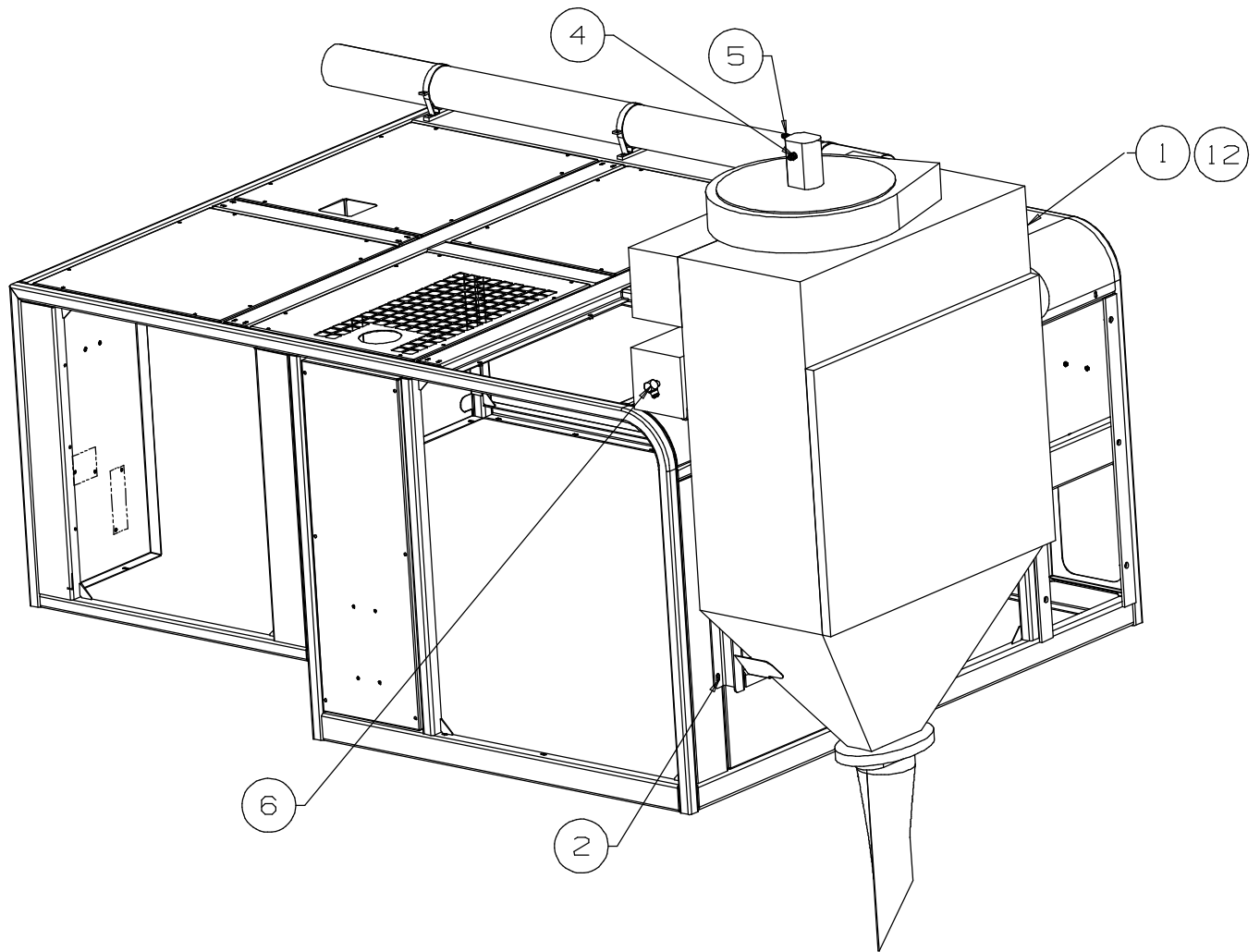
52329596**VAPOSOL STAINER ASSEMBLY**

<i>REF.</i>				
<i>NO.</i>	<i>PART NO.</i>	<i>QTY.</i>	<i>PART NAME</i>	<i>SERIAL</i>
			<i>REMARKS</i>	<i>NO.</i>
1	51033298	1	STRAINER, VAPOSOL	
2	56901200	1	ADAPTER	
3	95209862	1	NIPPLE	
4	95386959	1	ADAPTER	
5	52329727	1	BRACKET, VAPOSOL STRAINER	
6	96727177	2	CAPSCREW	
7	96727730	2	NUT, HEX. FLANGED	
8	95822458	2	U-BOLT	
9	95116869	4	NUT, HEX	

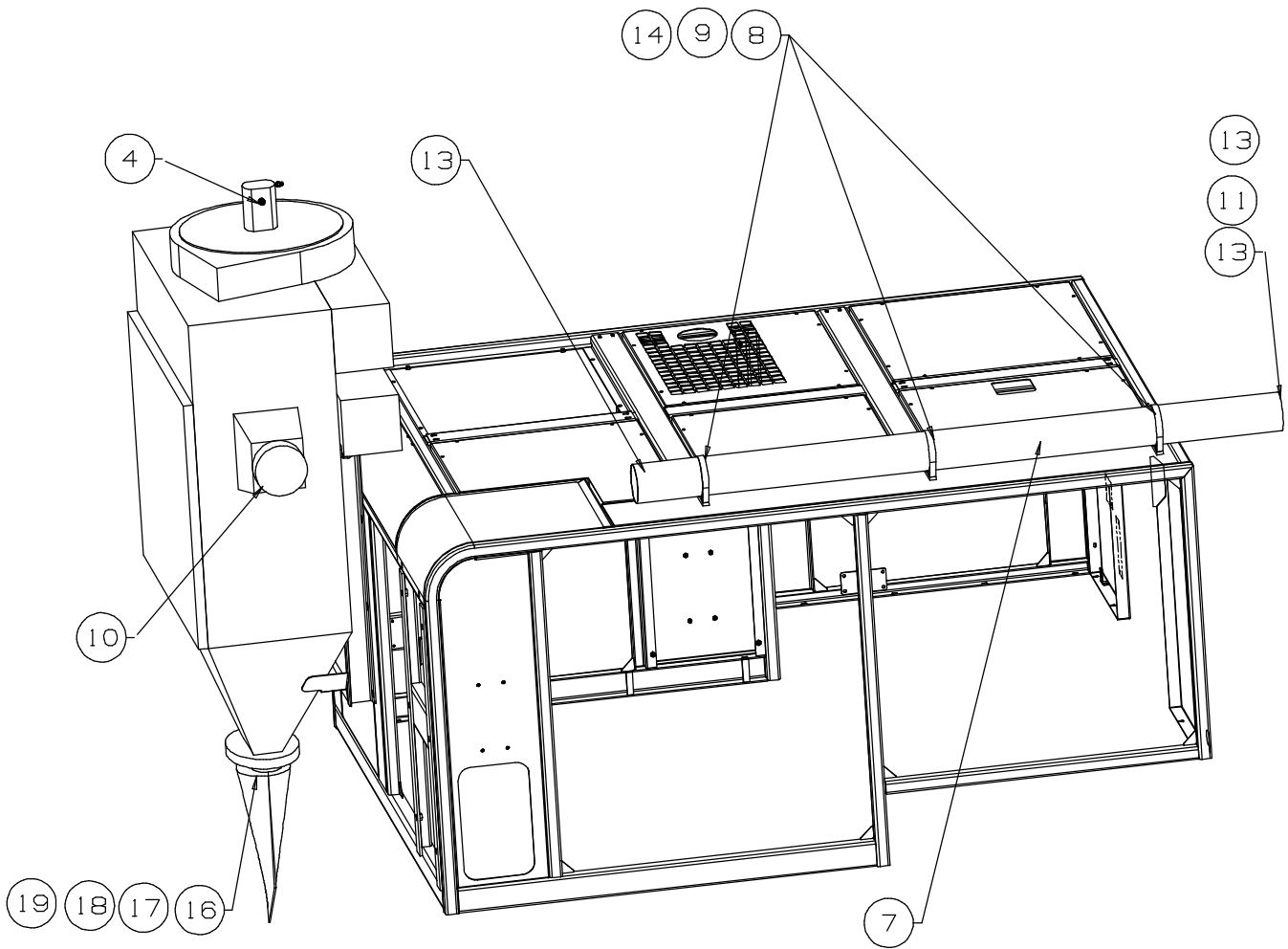
NO DRAWING AVAILABLE AT THIS TIME

57730202**DUST COLLECTOR ASSEMBLY**

REF. NO.	PART NO.	QTY.	PART NAME REMARKS	SERIAL NO.
1	52316320	1	DUST COLLECTOR INSTAL <i>REFER TO PAGE 10.8-1</i>	
2	57730194	1	SEPARATOR, DUST COLLECTOR <i>REFER TO PAGE 10.10-1</i>	
3	57742207	1	ASSY, PICK-UP POT <i>REFER TO PAGE 10.11-1</i>	
4	57738304	1	VALVE, DUST COLL MTR <i>REFER TO PAGE 9.13-1</i>	

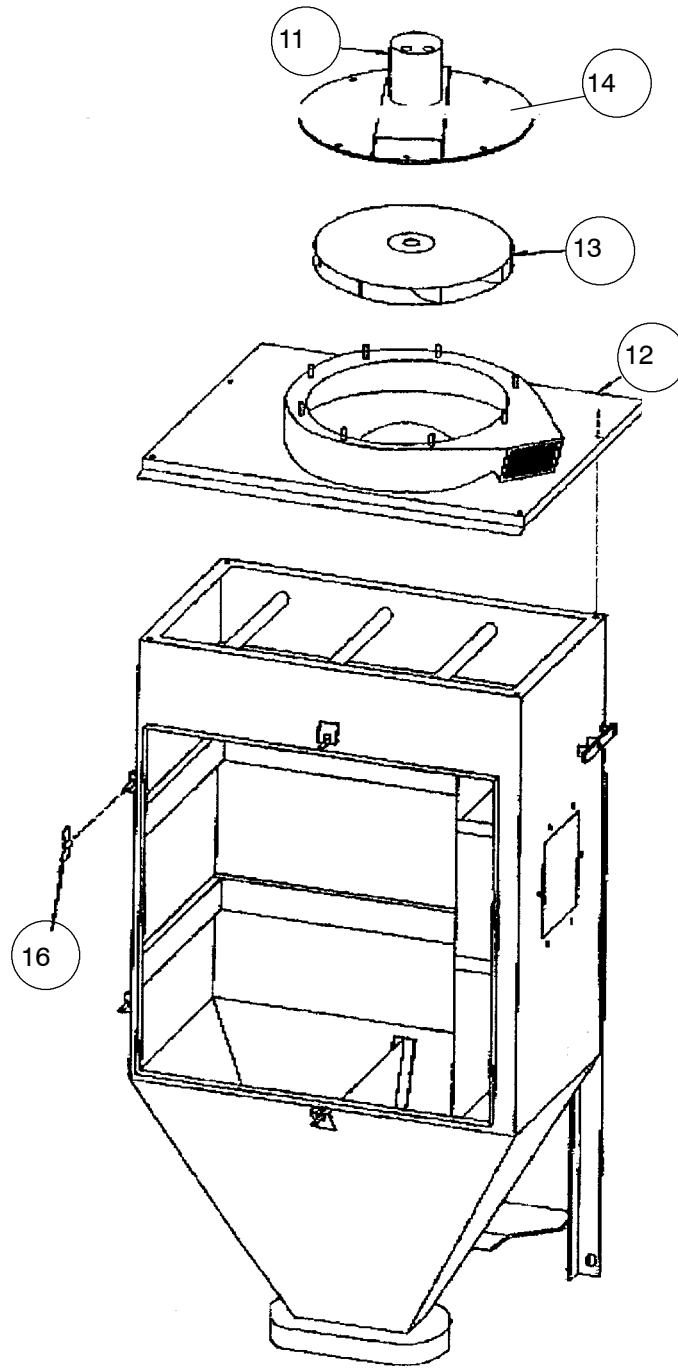


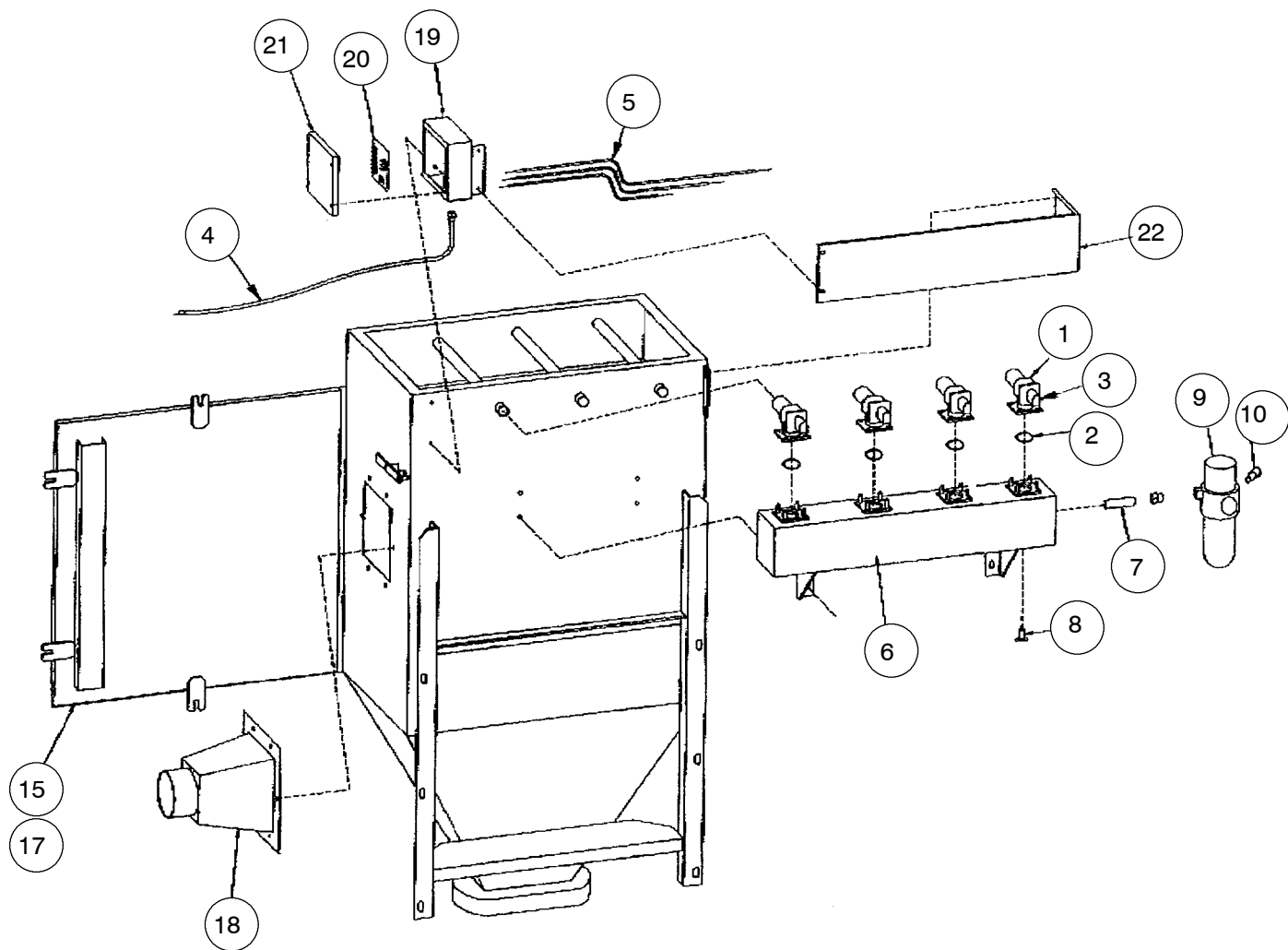
52316320



52316320**DUST COLLECTOR INSTALLATION**

REF. NO.	PART NO.	QTY.	PART NAME REMARKS	SERIAL NO.
1	52314374	1	COLLECTOR, DUST <i>REFER TO PAGE 10.9-1</i>	
2	96727318	6	CAPSCREW, HEX. HD.	
4	95303368	2	ADAPTER	
5	95402806	1	ADAPTER	
6	95279543	1	ADAPTER	
7	52321387	1	TUBE, DUST COLLECTOR	
8	57064941	3	BAND, MOUNTING	
9	96728688	6	BOLT, FLANGED HD.	
10	52322807	1	HOSE, DUST COLLECTOR	
11	52306693	1	HOSE, DUST COLLECTOR	
12	57714388	3	FILTER, DUST COLLECTOR	
13	51869808	3	CLAMP, HOSE	
14	52321395	3	SPACER	
16	51785962	1	HOSE, DUMP	
17	51785988	1	CLAMP	
18	51785970	1	WINDSCREEN, DUST COLLECTOR	
19	52284825	1	BAND, MOUNTING, WINDSCREEN	





NOTE: REF. NO. 23 IS NOT ILLUSTRATED.

52314374**DUST COLLECTOR****REF.**

NO.	PART NO.	QTY.	PART NAME REMARKS	SERIAL NO.
1	57686438	3	VALVE, AIR PULSE	
2	52327103	3	O-RING, DIAPHRAGM VALVE	
4	52327228	1	CORD, POWER CONNECTION	
5	52327129	1	HARNESS, SOLENOID VALVE WIRING	
6	52327137	1	MANIFOLD, AIR	
7	95048971	1	NIPPLE	
8	51793404	1	DRAINCOCK	
11	52131323	1	MOTOR, HYDRAULIC FAN	
12	52327152	1	COVER, FAN HOUSING/CABINET	
13	52304482	1	WHEEL, FAN	
14	52302171	1	PLATE, FAN MOTOR	
15	52327160	1	DOOR, CABINET	
16	51793438	3	NUT, DOOR WING	
17	52327178	1	RUBBER, INSIDE CABINET WEAR PLATE	
18	52327186	1	INLET (6 inch)	
19	52327194	1	BOX, TIMER	
20	51793461	1	CARD, TIMER	
	52130960		.FUSE, TIMER	
21	52327202	1	COVER, TIMER BOX	
22	52327210	1	COVER, MANIFOLD	
23	52331477	3	BRACKET, FILTER	

NOTE: REFER TO DUST COLLECTOR INSTALLATION (PAGE 10.8-1) FOR DUST COLLECTOR FILTERS PART NUMBER.

57730194

DUST COLLECTOR SEPARATOR

NO DRAWING AVAILABLE AT THIS TIME

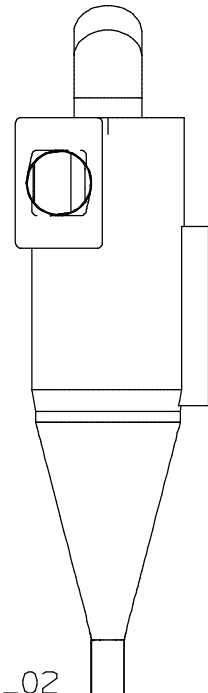
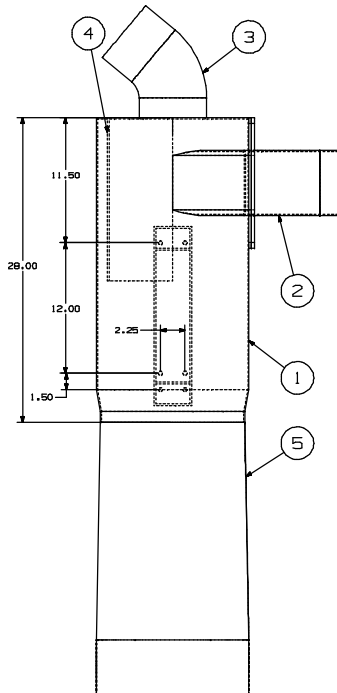
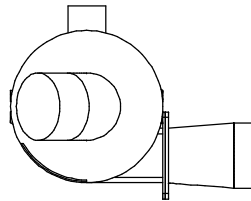
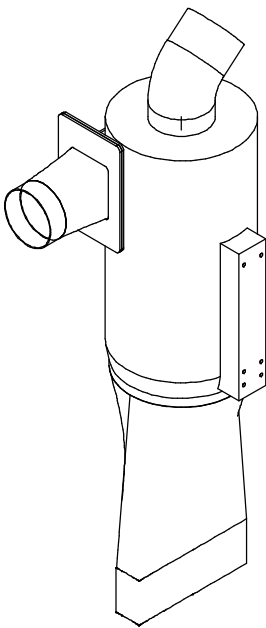
57730194**DUST COLLECTOR SEPARATOR**

REF. NO.	PART NO.	QTY.	PART NAME REMARKS	SERIAL NO.
1	57699399	1	SEPARATOR, DUST COLLECTOR <i>REFER TO PAGE 10.12-1</i>	
6	52298809	1	SUPPORT, SEPARATOR	
7	52115524	1	ARM, PIVOT SEPARATOR	
8	52115078	1	BRACKET, SEPARATOR	
9	95098703	2	PIN, ROLL	
10	95081709	2	WASHER	
11	96727177	8	BOLT	
12	96727730	11	NUT, FLANGE	
13	96726740	7	BOLT	
20	51869808	3	CLAMP, HOSE	
22	51869824	1	HOSE	
23	96703152	4	CAPSCREW	
24	96700968	4	WASHER, FLAT	

57742207

PICK-UP POT

<i>REF.</i>				
<i>NO.</i>	<i>PART NO.</i>	<i>QTY.</i>	<i>PART NAME</i>	<i>SERIAL</i>
			<i>REMARKS</i>	<i>NO.</i>
1	51779163	2	CLAMP	
2	51779171	2	PACK, SHIM	
3	51779114	1	SLIDE, DUSTHOOD WELDMENT	
4	51779155	2	PAD, WEAR HYD. CENTRALIZER	
5	51989564	1	CYL, DUSTHOOD 760-80 <i>REFER TO PAGE 10.14-1</i>	
6	51779361	1	PIN, CYLINDER	
7	51779379	1	PIN, CYLINDER	
8	95018982	4	PIN, COTTER	
9	51909067	1	FOOT, STINGER	
10	96701867	4	CAPSCREW	
11	96727136	8	NUT	
12	96700976	16	WASHER, FLAT	
13	96704044	4	CAPSCREW	
14	95365094	1	ELBOW	
15	95371258	1	FITTING, HYD	
16	52296704	1	DUSTPOT <i>REFER TO PAGE 10.15-1</i>	
17	52137171	1	SKIRT, DUST POT,4"	



57699399_02

- 6 NOT INDICATED
- 7 NOT INDICATED
- 8 NOT INDICATED
- 9 NOT INDICATED

57699399**DUST COLLECTOR SEPARATOR**

<i>REF.</i>				
<i>NO.</i>	<i>PART NO.</i>	<i>QTY.</i>	<i>PART NAME</i>	<i>SERIAL</i>
			<i>REMARKS</i>	<i>NO.</i>
1	57699415	1	BODY, SEPARATOR, DUST COLLECTOR	
2	57699407	1	INLET, SEPARATOR, DUST COLLECTOR	
3	52129905	1	OUTLET, TOP	
4	57699423	1	PLATE,WEAR,SEPARATOR	
5	57703746	1	HOSE,DISCHARGE,SEPARATOR	
6	57748022	1	BAND	
7	57748030	1	CAGE	
8	95996815	4	BOLT, CARRIAGE	
9	95923199	4	NUT, ELASTIC LOCK	

57733651

VAPOSOL TANK ASSEMBLY W/O TANK

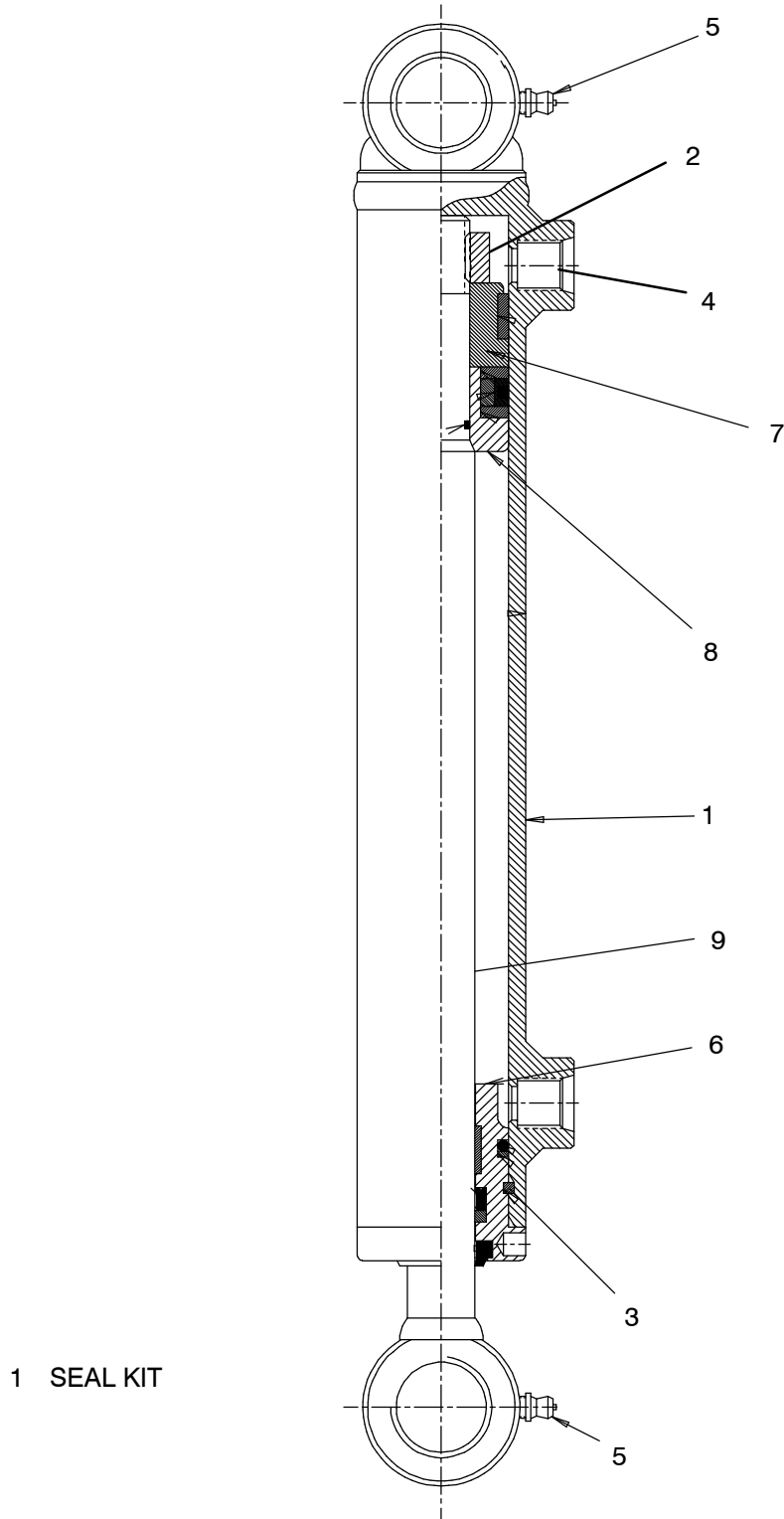
NO DRAWING AVAILABLE AT THIS TIME

57733651**VAPOSOL TANK ASSEMBLY W/O TANK**

<i>REF.</i>				
<i>NO.</i>	<i>PART NO.</i>	<i>QTY.</i>	<i>PART NAME</i>	<i>SERIAL</i>
			<i>REMARKS</i>	<i>NO.</i>
1	57708711	1	BRACKET, MOUNTING	
2	96703186	6	CAPSCREW	
3	96702550	6	WASHER	
4	50882281	1	GROMMET	
5	51789220	1	LAMP	
6	51857324	1	ALARM, BACKUP ASSY	
7	96726799	2	NUT	
8	52307436	1	BRACKET, MIRROR	
9	51776961	1	MIRROR, CONVEX	
10	95366555	1	SCREW	
11	95943072	1	NUT	
12	96714050	1	BOLT	
13	52327335	1	PUMP,VAPOSOL ASSEMBLY	
14	52329596	1	STRAINER,VAPOSOL ASM	
15	95257325	1	CAP	

51989564

DUSTHOOD CYLINDER



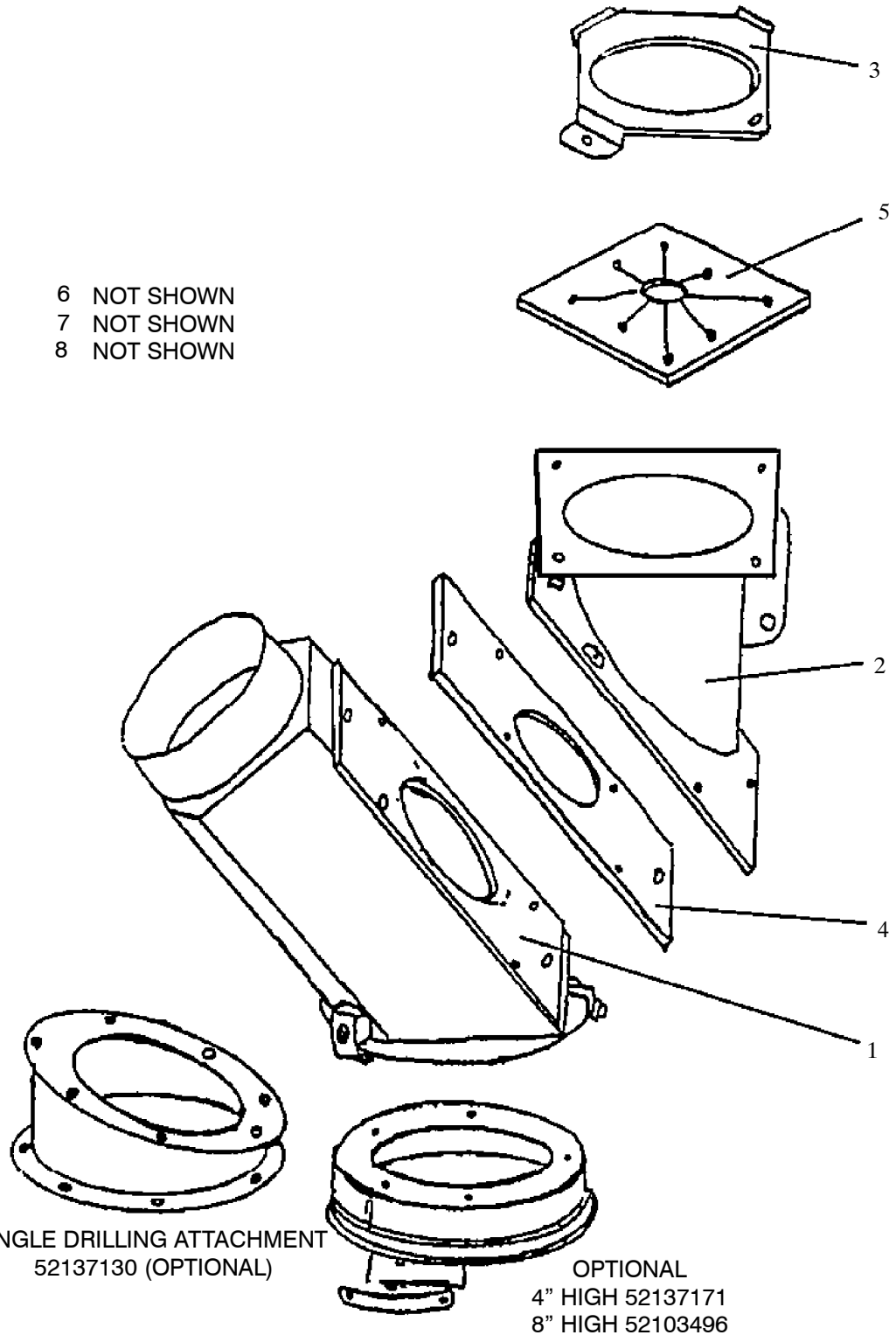
51989564**DUSTHOOD CYLINDER****REF.**

NO.	PART NO.	QTY.	PART NAME REMARKS	SERIAL NO.
1	51992840	1	KIT, SEAL	
2	51992857	1	LOCK NUT	
3	51992865	1	RING, RETAINING	
4	51992873	2	PLUG, PORT	
5	51992881	2	FITTING, LUBE	
6	51992899	1	HEAD	
7	51992907	1	PISTON, SPLIT	
8	51992915	1	PISTON, SPLIT	
9	51992923	1	ROD ASSEMBLY	

52296704

DUSTPOT

6 NOT SHOWN
7 NOT SHOWN
8 NOT SHOWN



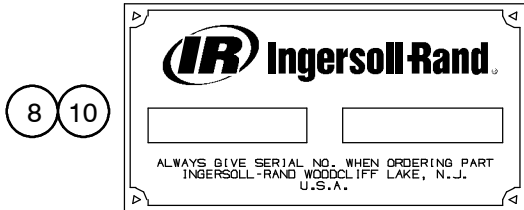
52296704

DUSTPOT

REF.

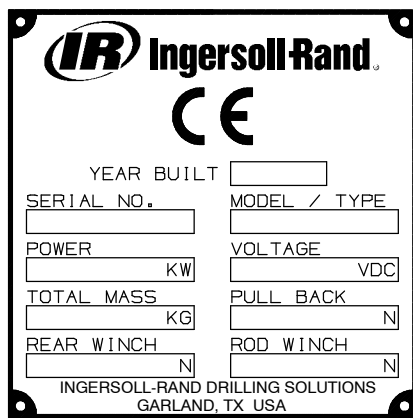
<i>NO.</i>	<i>PART NO.</i>	<i>QTY.</i>	<i>PART NAME</i> <i>REMARKS</i>	<i>SERIAL</i> <i>NO.</i>
------------	-----------------	-------------	------------------------------------	-----------------------------

1	52298452	1	BODY, LOWER DUSTHOOD	
2	52137148	1	BODY, UPPER DUSTHOOD	
3	52137122	1	RETAINER, UPPER GASKET	
4	52138054	1	GASKET, INTERMEDIATE	
5	51990612	1	GASKET, DUSTHOOD	
6	95919221	18	CAPSCREW	
7	95943247	18	LOCKWASHER	
8	95943254	18	LOCKNUT	



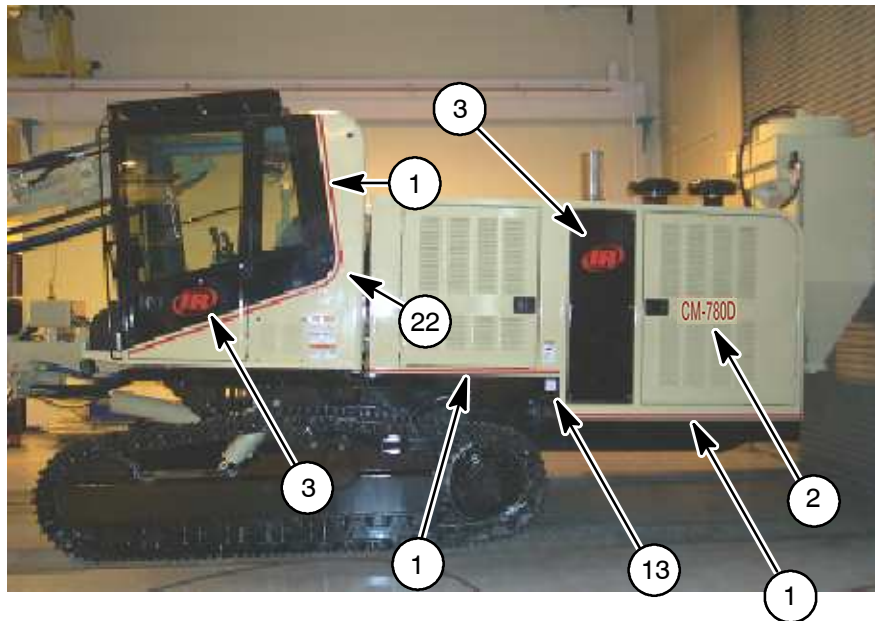
8 10

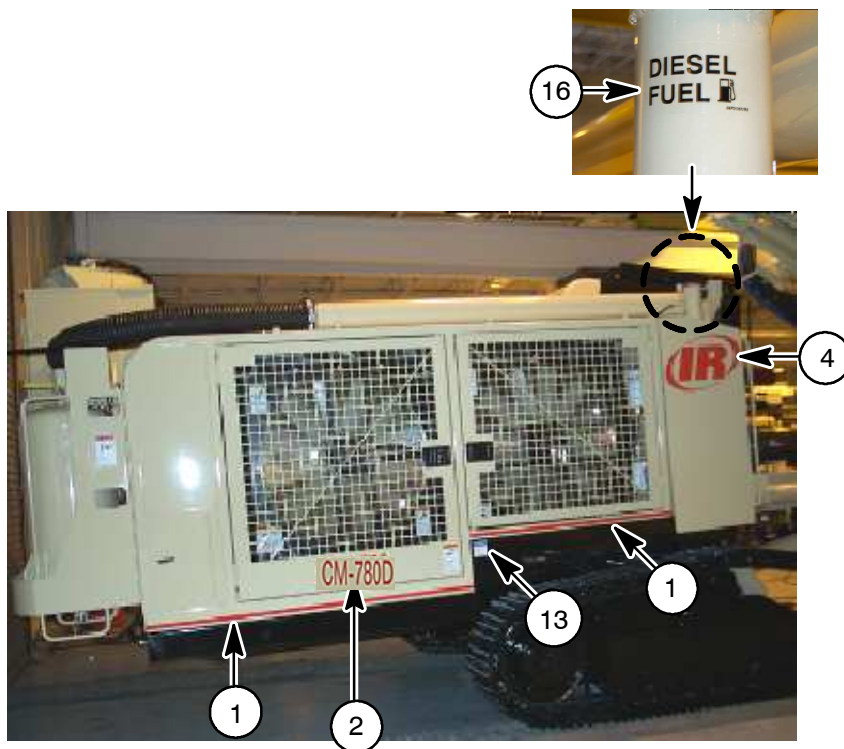
FOR ASME MACHINES



9 10

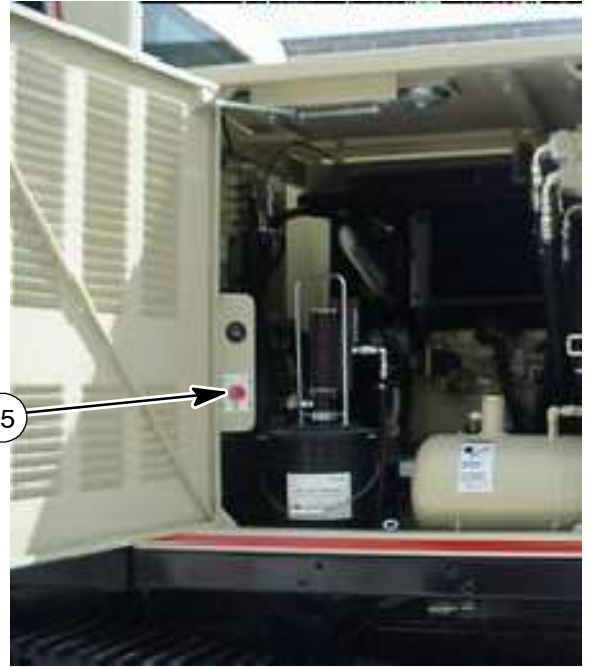
FOR CE MACHINES



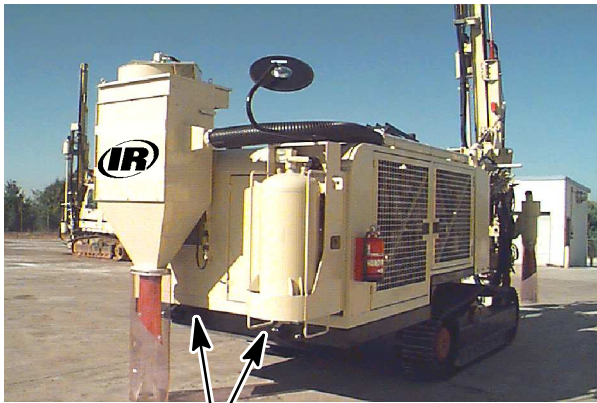




TOP OF ENCLOSURE



SIDE ENCLOSURE DOOR



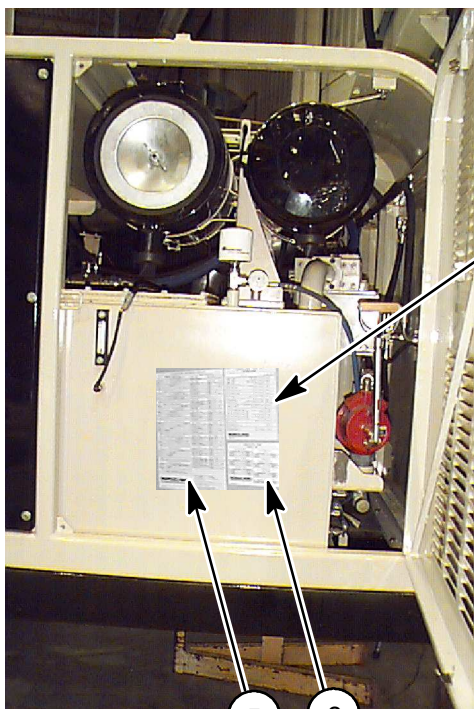
14



SEPARATOR TANK



FRONT OF CAB



25 NOT SHOWN
26 NOT SHOWN
27 NOT SHOWN
28 NOT SHOWN

57709206**DECAL & NAMEPLATE ASSEMBLY**

REF. NO.	PART NO.	QTY.	PART NAME REMARKS	SERIAL NO.
1	51984888	1	STRIPE, RED (7/8" X 50') (NOT ILLUSTRATED)	
2	57709198	2	DECAL, CM780D RED LETTER SET	
3	52316270	2	DECAL, IR MONOGRAM (7" TALL SWOOSH)	
4	57722639	3	DECAL, IR MONOGRAM (15" TALL SWOOSH)	
5	52327517	1	DECAL, MAINTENANCE SUMMARY	
6	52330594	1	DECAL, LUBE ITEMS	
7	52327525	1	DECAL, SERVICE ITEMS	
8	57767014	1	NAMEPLATE	
9	57767006	1	NAMEPLATE, CE	
10	95064192	4	SCREW, DRIVE	
11	51777423	1	NAMEPLATE (NOTICE "TRAM ONLY")	
12	51780906	1	NAMEPLATE (NOTICE "OPEN BOTH OSCILLATION CYLINDERS")	
13	51985968	2	NAMEPLATE (NOTICE "DO NOT TOW THIS MACHINE FASTER THAN 2 MPH")	
14	51991867	3	NAMEPLATE (LIFT POINT)	
15	51991933	2	DECAL (EMERGENCY SHUTDOWN)	
16	59731257	1	DECAL (DIESEL FUEL)	
22	52330651	1	DECAL, CORNER STRIPE	
23	57701138	1	PLACE, NOISE LABEL, CE	
24	57701732	1	DECAL, HYDRAULIC OIL LEVEL	
25	52327475	1	DECAL, PUMP PRESSURE	
26	52292877	1	DECAL, P1 PUMP PRESSURE	
27	52292885	1	DECAL, P2 PUMP PRESSURE	
28	54640040	1	DECAL, XHP605 OVAL	

57720468

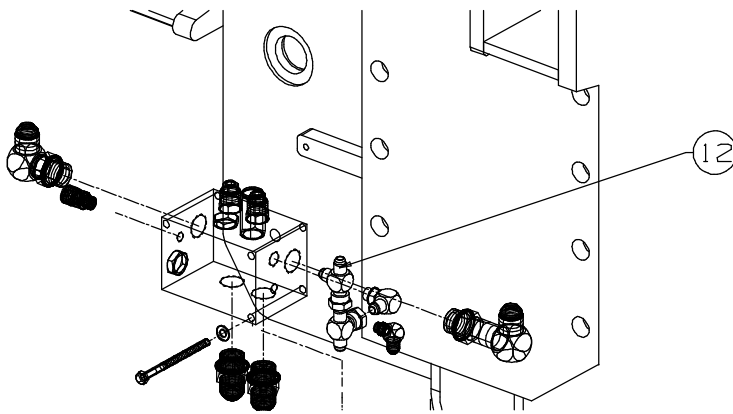
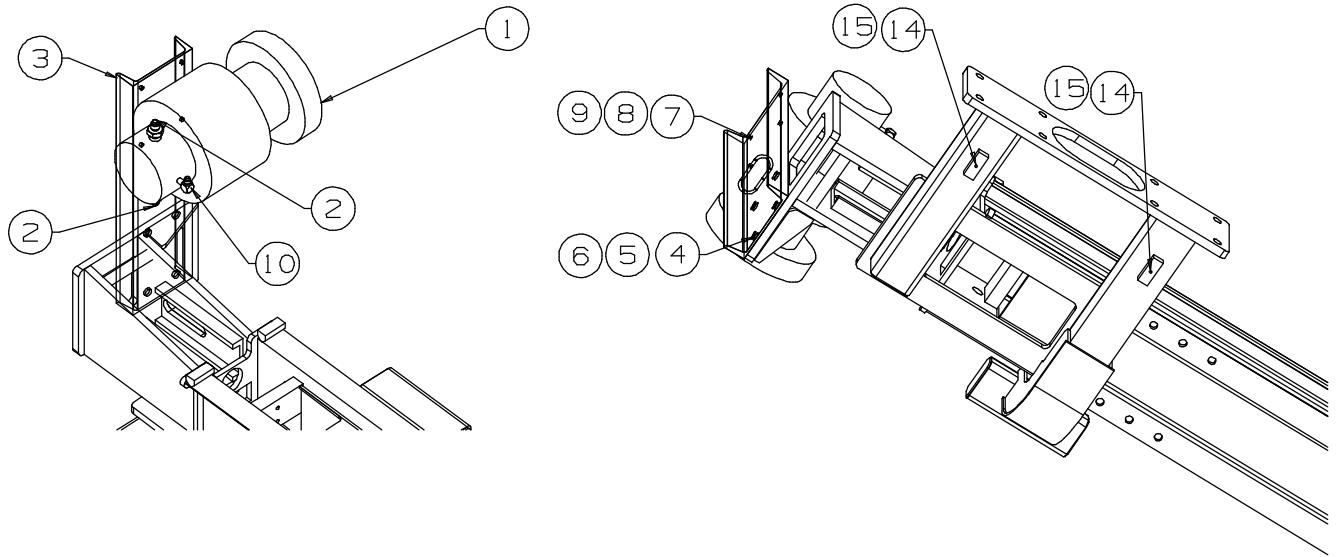
SAFETY NAMEPLATE ASSEMBLY

NO DRAWING AVAILABLE AT THIS TIME

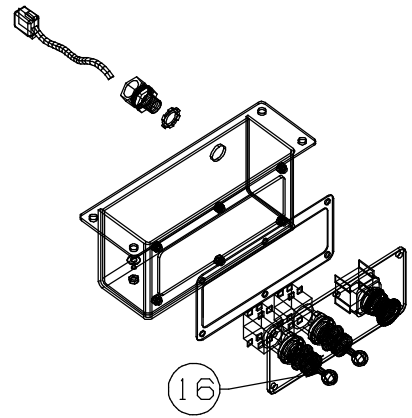
57720468

SAFETY NAMEPLATE ASSEMBLY

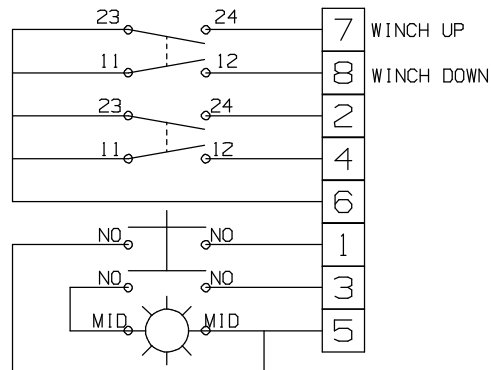
<i>REF.</i>	<i>PART NO.</i>	<i>QTY.</i>	<i>PART NAME</i>	<i>SERIAL</i>
<i>NO.</i>			<i>REMARKS</i>	<i>NO.</i>
1	51777357	1	NAMEPLATE, DANGER (HAZARD VOLTAGE)	
2	51778876	1	NAMEPLATE, WARNING (MACHINE ROLLOVER)	
3	52292844	1	NAMEPLATE, WARNING (IMPROPER OPERATION)	
4	51792414	1	NAMEPLATE, CAUTION (SAFETY MANUAL INSIDE)	
5	52292851	1	NAMEPLATE, WARNING (MODIFICATION OR ALTERATION)	
6	51777415	1	NAMEPLATE, CAUTION (HOT PRESSURIZED FLUID)	
7	51777464	2	NAMEPLATE, WARNING (ROTATING FAN BLADE)	
8	51777365	1	NAMEPLATE, WARNING (COMBUSTIBLE GAS)	
9	51357408	1	NAMEPLATE, WARNING (ROTATING PARTS)	
10	51777407	4	NAMEPLATE, WARNING (HOT SURFACE)	
11	51777373	1	NAMEPLATE, DANGER (CARBON MONOXIDE)	
12	51792695	1	NAMEPLATE, WARNING (CRUSH AREA)	
13	51777449	4	NAMEPLATE, WARNING (CRUSH AREA)	
14	51777381	2	NAMEPLATE, WARNING (HIGH PRESSURE AIR)	
15	51777456	1	NAMEPLATE, WARNING (ROTATING DRILL STEEL)	
16	51949691	1	NAMEPLATE, WARNING (PASSENGERS ON MACHINE)	
17	51949709	1	NAMEPLATE, WARNING (RIDING ROTARY HEAD/DRIFTER)	
18	51996593	1	NAMEPLATE, WARNING (PROPOSITION 65)	
19	51993145	1	NAMEPLATE, DANGER (DANGER ZONE)	
20	57713166	1	STABILITY DECAL	
21	51917904	2	NAMEPLATE, WARNING (RUNAWAY MACHINE)	
22	52326410	1	NAMEPLATE, WARNING (FALL HAZARD)	
23	52326428	2	NAMEPLATE, WARNING (FALL HAZARD)	
24	52326436	3	NAMEPLATE, CAUTION (HOT PRESSURIZED FLUID)	
25	52326444	2	NAMEPLATE, CAUTION (AIRBORNE PARTICLES)	
26	51949709	1	NAMEPLATE, WARNING	
27	51777449	5	NAMEPLATE, WARNING	

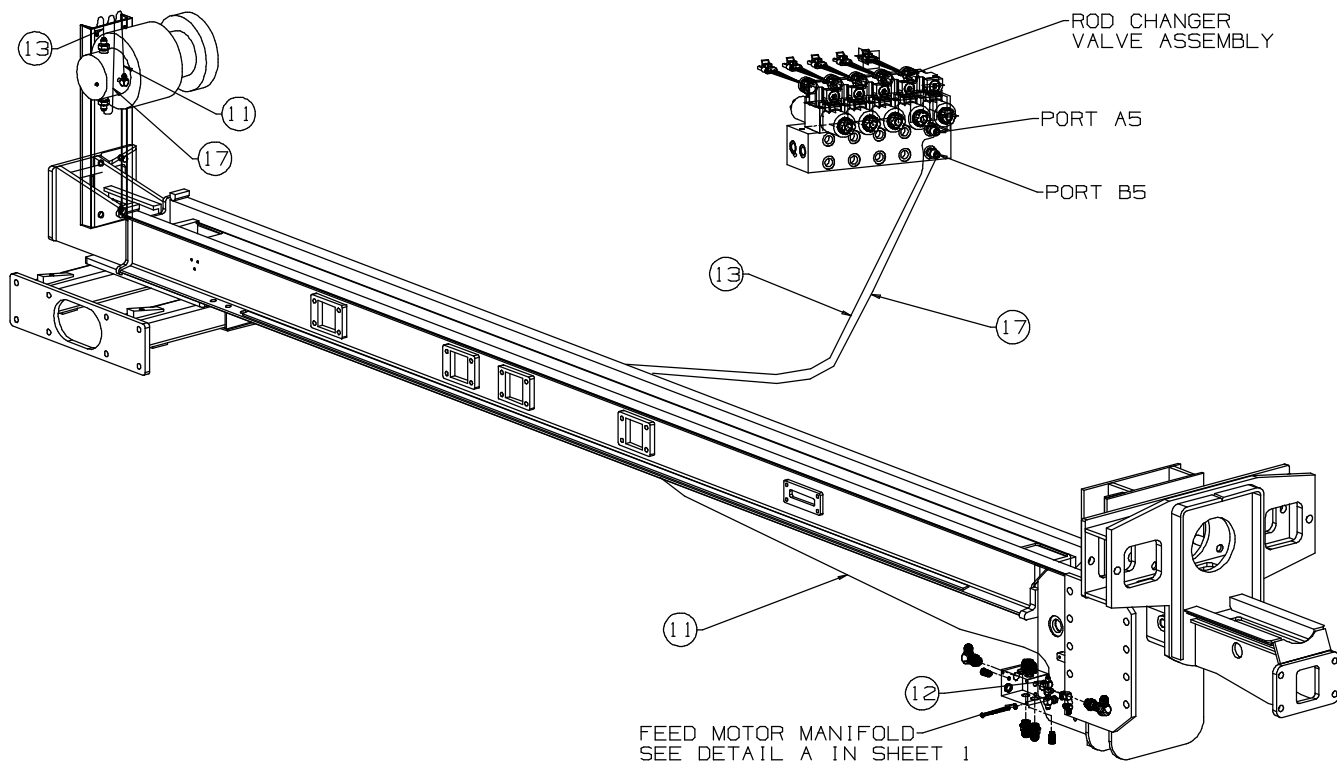


DETAIL A



8 PIN CONNECTOR
PIN ASSIGNMENT





57737090

AUXILLIARY WINCH ASSY.

<i>REF.</i>	<i>NO.</i>	<i>PART NO.</i>	<i>QTY.</i>	<i>PART NAME</i>	<i>SERIAL</i>
				<i>REMARKS</i>	<i>NO.</i>
1	51862522	1	1	WINCH, HYD ROD, 1/2 TON	
	51948495	1	1	HUB, FINAL PLANET	
	51948750	3	3	PIN, FINAL PLANET	
	51948768	6	6	CIRCLIP	
	51948776	3	3	GEAR, FINAL PLANET	
	51948784	3	3	BEARING, NEEDLE	
	51948982	1	1	SUNGEAR, FINAL	
	51948792	2	2	CIRCLIP	
	51948800	1	1	HUB, PRIMARY PLANET	
	51948818	3	3	PIN, PRIMARY PLANET	
	51948826	6	6	CIRCLIP	
	51948834	3	3	GEAR, PRIMARY PLANET	
	51948842	3	3	BEARING, NEEDLE	
	51948859	1	1	SUNGEAR, PRIMARY	
	51948867	1	1	BEARING, BALL	
	51948875	1	1	BEARING, BALL	
	51948883	3	3	PLATE, DIVIDER	
	51948891	2	2	PLATE, FRICTION	
	51948909	1	1	HUB, BRAKE	
	51948917	2	2	ALIGNER, SPRAG CLUTCH	
	51948925	1	1	CLUTCH, SPRING	
	51948941	6	6	SPRING, BRAKE	
	51948958	1	1	VALVE, SAFETY	
	51948966	1	1	ASSEMBLY, MOTOR	
2	51783512	2	2	ADAPTER	
3	51874154	1	1	MOUNT, HOIST	
4	96700216	4	4	SCREW, HEX HEAD	
5	96703657	4	4	NUT, HEX	
6	96700968	8	8	WASHER, FLAT	
7	95920484	4	4	CAPSCREW	
8	95285235	4	4	LOCKNUT, HEX	
9	95064671	8	8	SUB 95922365 WASHER, PLT	
10	95209094	1	1	FITTING, HYD	
11	51300549	1	1	HOSE ASSY	
12	95003182	1	1	TEE	
13	51780963	1	1	HOSE ASSY	
14	96727565	2	2	BOLT	
15	95301875	3	3	CLAMP, HOSE	
16	51869931	1	1	SWITCH, JOYSTICK	
17	51780963	1	1	HOSE ASSY	

51873925

TOOL KIT, 4 INCH ROD

LIST ONLY, NO DRAWING REQUIRED

51873925**TOOL KIT, 4 INCH ROD**

<i>REF.</i>				
<i>NO.</i>	<i>PART NO.</i>	<i>QTY.</i>	<i>PART NAME</i>	<i>SERIAL</i>
			<i>REMARKS</i>	<i>NO.</i>
5	51862514	1	CHUCK,BIT DETACHING	
6	51791770	1	CHUCK,BIT(BLANK)	
7	51792570	1	MANUAL,TEMPLATES,CHUCK B	
19	52129111	1	PLATE, LOCKING	

52138963

TOOL KIT, 3.5 INCH ROD

LIST ONLY, NO DRAWING REQUIRED

52138963**TOOL KIT, 3.5 INCH ROD**

<i>REF. NO.</i>	<i>PART NO.</i>	<i>QTY.</i>	<i>PART NAME REMARKS</i>	<i>SERIAL NO.</i>
6	51862514	1	CHUCK,BIT DETACHING	
7	51791770	1	CHUCK,BIT(BLANK)	
8	51792570	1	MANUAL,TEMPLATES,CHUCK B	
19	52129111	1	PLATE, LOCK	

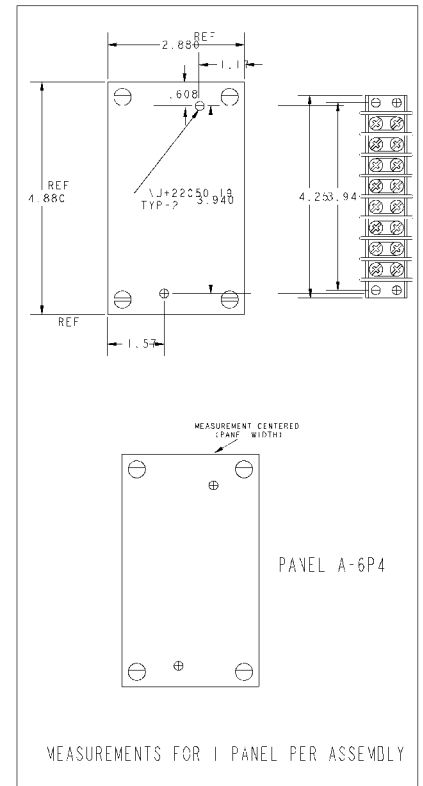
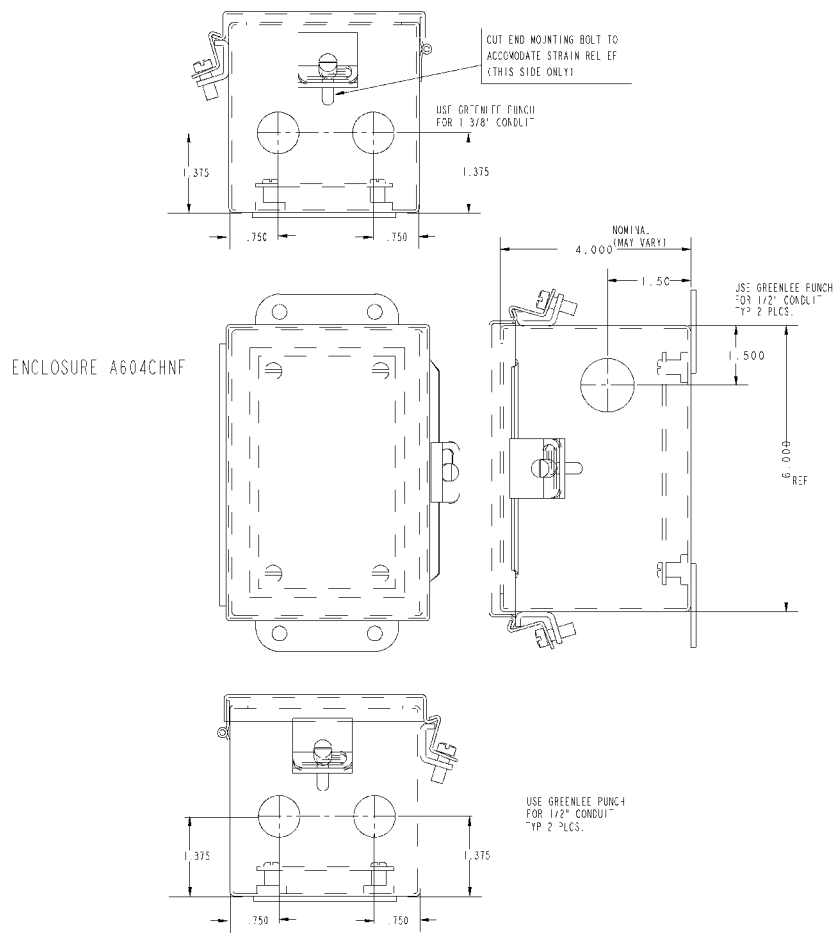
57708505

KIT, 3.5 INCH DRILL ROD

LIST ONLY, NO DRAWING REQUIRED

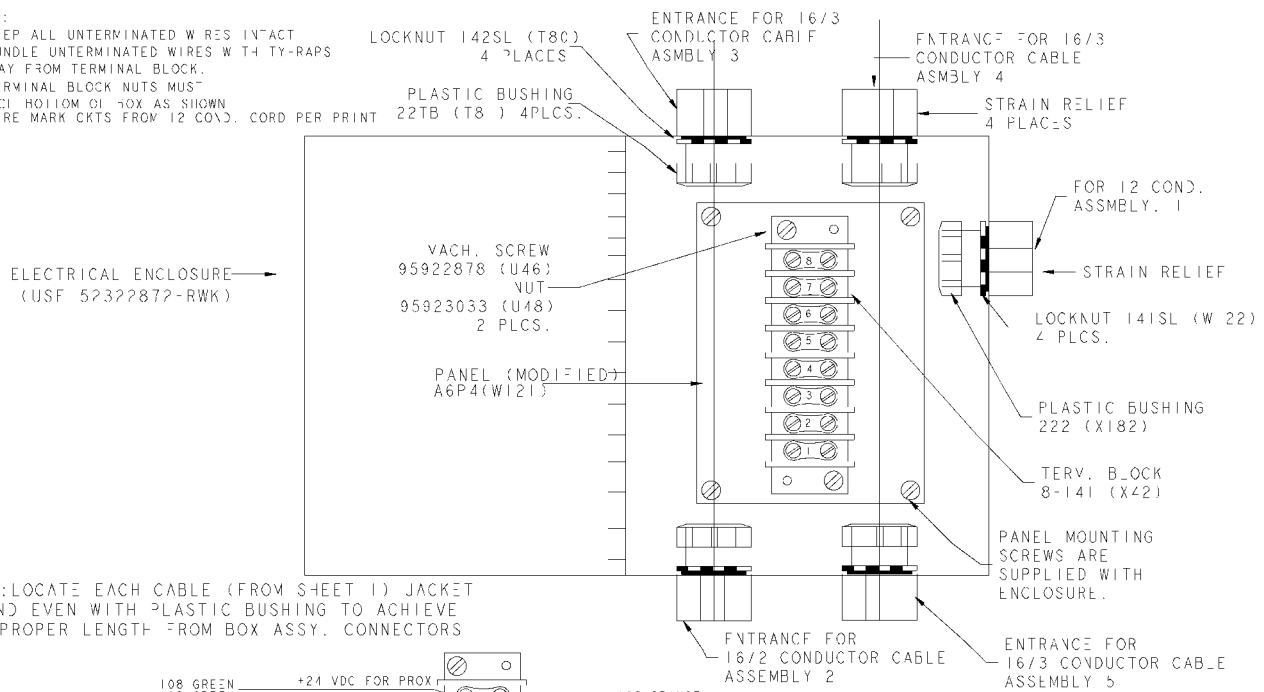
57708505**3.5 INCH DRILL ROD**

<i>REF.</i>				
<i>NO.</i>	<i>PART NO.</i>	<i>QTY.</i>	<i>PART NAME</i>	<i>SERIAL</i>
			<i>REMARKS</i>	<i>NO.</i>
1	57699027	1	BUSHING ASSEMBLY	
2	57699019	1	FORK, BREAKOUT WRENCH	
3	52138203	2	WELDMENT, STAR, 3.5" X 7, T	
4	52138211	1	WELDMENT, STAR, 3.5" X 7, M	
5	96700216	18	SCREW, HEX HEAD	
6	96700968	36	WASHER, FLAT	
7	96703657	18	NUT,HEX	
10	52138112	8	ARM, GRIPPER	
11	51999092	1	WHEEL, GENEVA DRIVEN, 3 IN.	
12	51999100	1	WHEEL, GENEVA DRIVER,7-3	
13	52330008	4	RING, CAROUSEL, 3.5"	
14	52330032	2	RING, GATE, 3.5" PIPE	
15	96726914	38	BOLT	

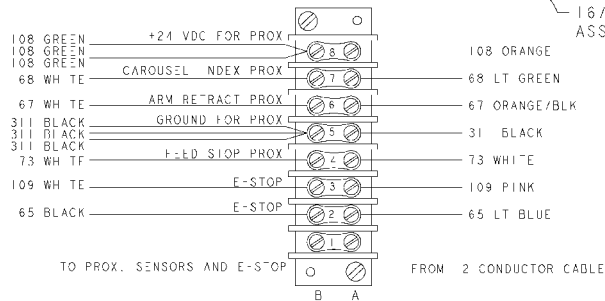


NOTES:

1. KEEP ALL UNTERMINATED WIRES INTACT
2. BUNDLE UNTERMINATED WIRES WITH TY-RAPS AWAY FROM TERMINAL BLOCK.
3. TERMINAL BLOCK NUTS MUST FACE BOTTOM OF BOX AS SHOWN
4. WIRE MARK CKTS FROM 12 COND. CORD PER PRINT



NOTE: LOCATE EACH CABLE (FROM SHEET 1) JACKET END EVEN WITH PLASTIC BUSHING TO ACHIEVE PROPER LENGTH FROM BOX ASSY. CONNECTORS



57673444**GUIDE WIRING ASM**

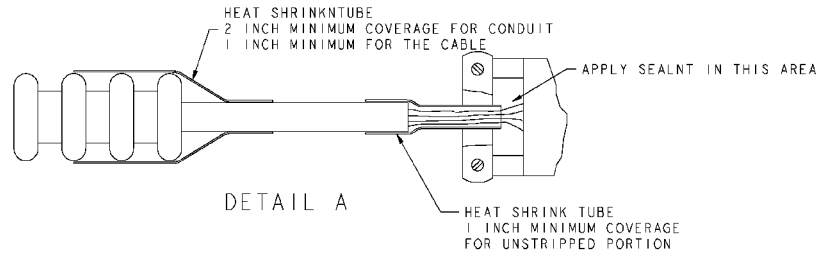
<i>REF.</i>				
<i>NO.</i>	<i>PART NO.</i>	<i>QTY.</i>	<i>PART NAME</i>	<i>SERIAL</i>
			<i>REMARKS</i>	<i>NO.</i>
1	57709511	1	HARNES,GUIDE WIRING	
2	58150103	1	CORD,14/2 (97 INCHES)	
3	58150111	1	WIRE, ELECTRICAL-14/3 (200 INCHES)	
4	58150111	1	WIRE, ELECTRICAL-14/3 (150 INCHES)	
5	58150111	1	WIRE, ELECTRICAL-14/3 (128 INCHES)	
6	57709529	1	NEMA,4 BOX,MODIFIED	
7	50906726	1	STRIP, TERMNL	
8	95410627	2	SCREW	
9	95076717	2	NUT	
10	95326740	2	WASHER	
11	51918381	1	PANEL,ELEC BOX,MODIFIED	
12	95245072	4	CONNECTOR	
13	51948735	5	LOCKNUT	
14	51874691	1	CONNECTOR	
15	51874972	7	TONGUE,RING	
16	57678088	3	CONNECTOR,3 PIN	
17	57678096	3	WEDGE,3 PIN	
18	57625964	9	PIN, MALE	
19	95507588	7	TERMINAL	

57673451

HARNESS, LIM SENSOR

NOTES:

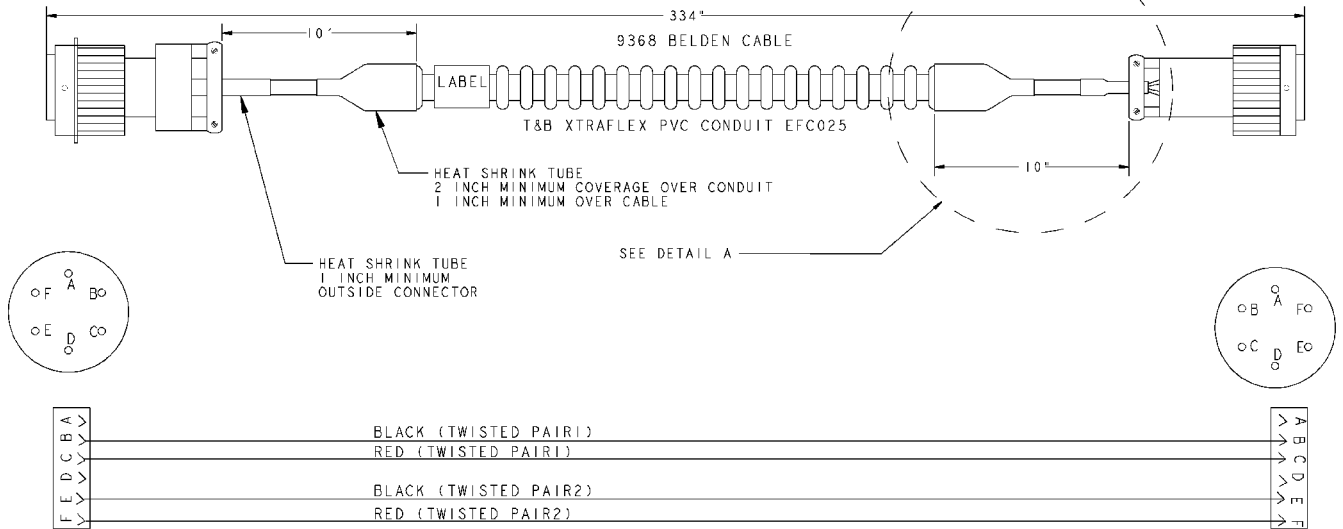
1. [|||||] DENOTES EFC025 CONDUIT
 [---] DENOTES UNLOOMED WIRES.
2. UNLESS OTHERWISE SPECIFIED ALL DIMENSIONS ARE IN INCHES +1/2" TOL.
3. NO WIRES CAN BE EXPOSED OUTSIDE CONNECTORS. SEAL WIRES AT THE REAR END OF THE CONNECTORS



AMPHENOL

CONN.
97-3106A-14S-04P
CLAMP
9767-14-6

AMPHENOL
CONN.
MS3116F10-6S

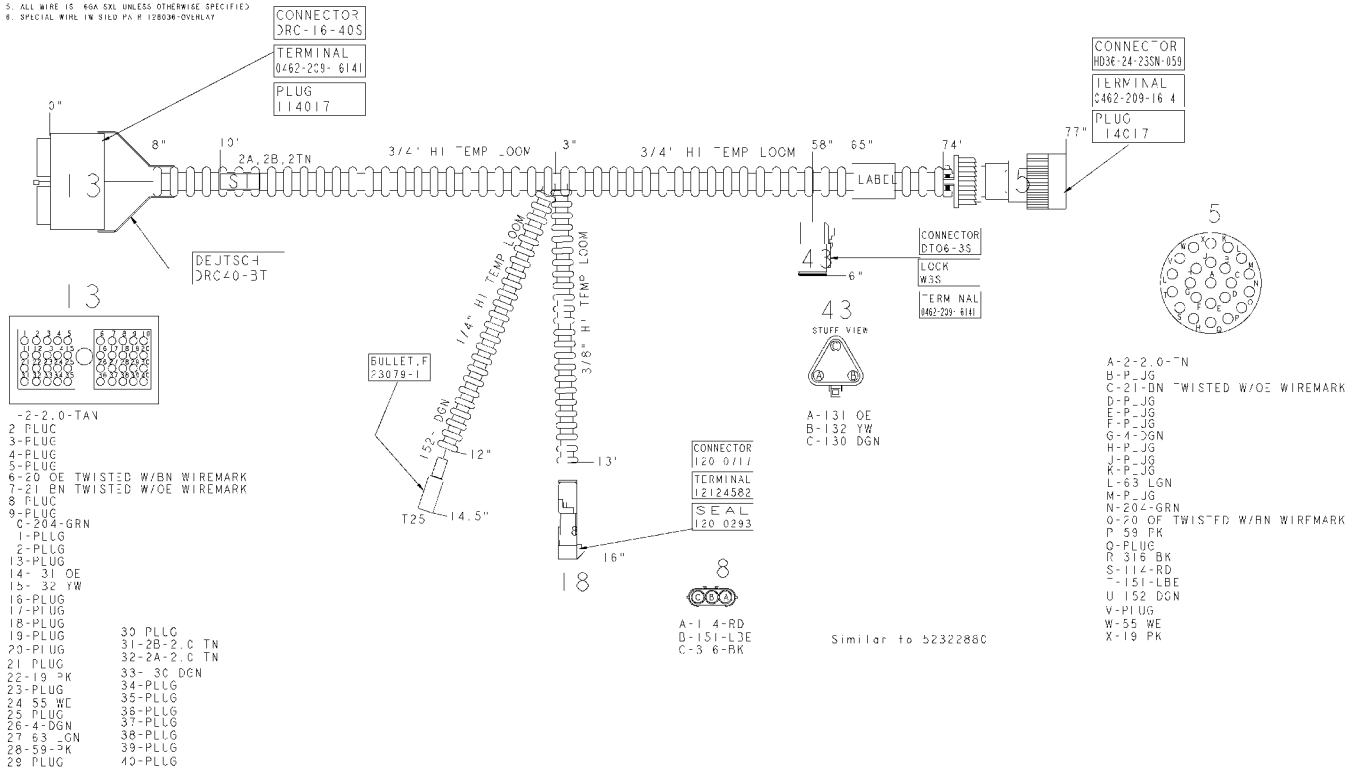


57673477

HARNESS, ENGINE ECM

NOTES:

1. [] DENOTES HI TEMP LOOM
2. [] DENOTES UNLOOMED WIRE
3. UNLESS OTHERWISE SPECIFIED ALL DIMENSIONS ARE IN INCHES ± 1/32" OR
4. WIREMARK BOTH ENDS OF EACH WIRE INCLUDING LETTERS EXCLUDING DASHED LETTERS
5. MARK CONNECTORS AS SHOWN
6. ALL WIRE IS #16 AWG UNLESS OTHERWISE SPECIFIED
7. SPECIAL WIRE IN SHIELD PER 128038-OVERLAY

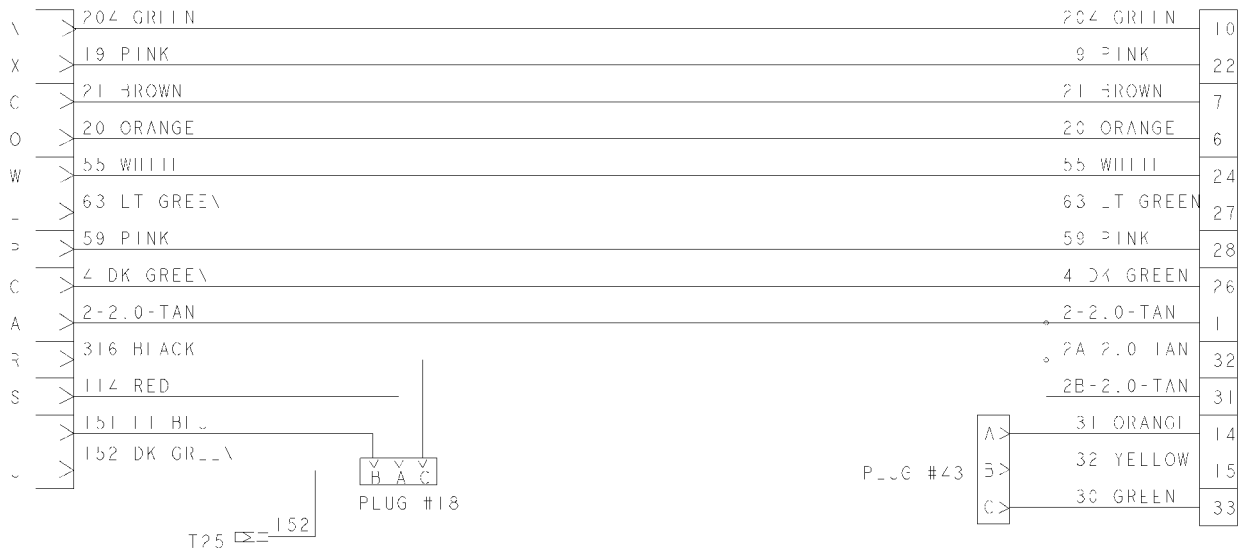


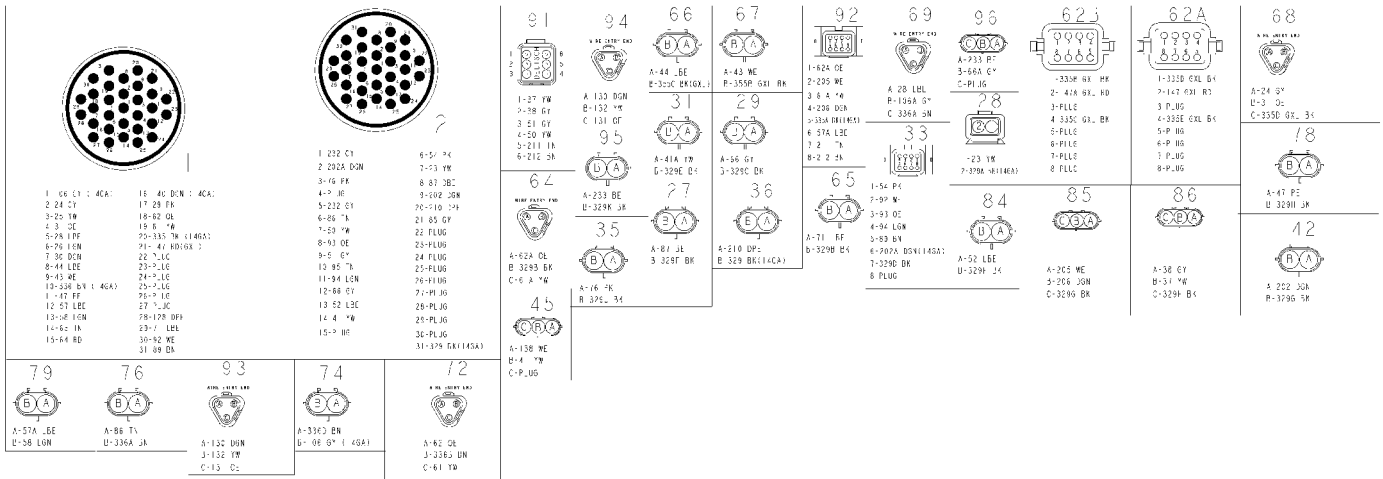
57673477

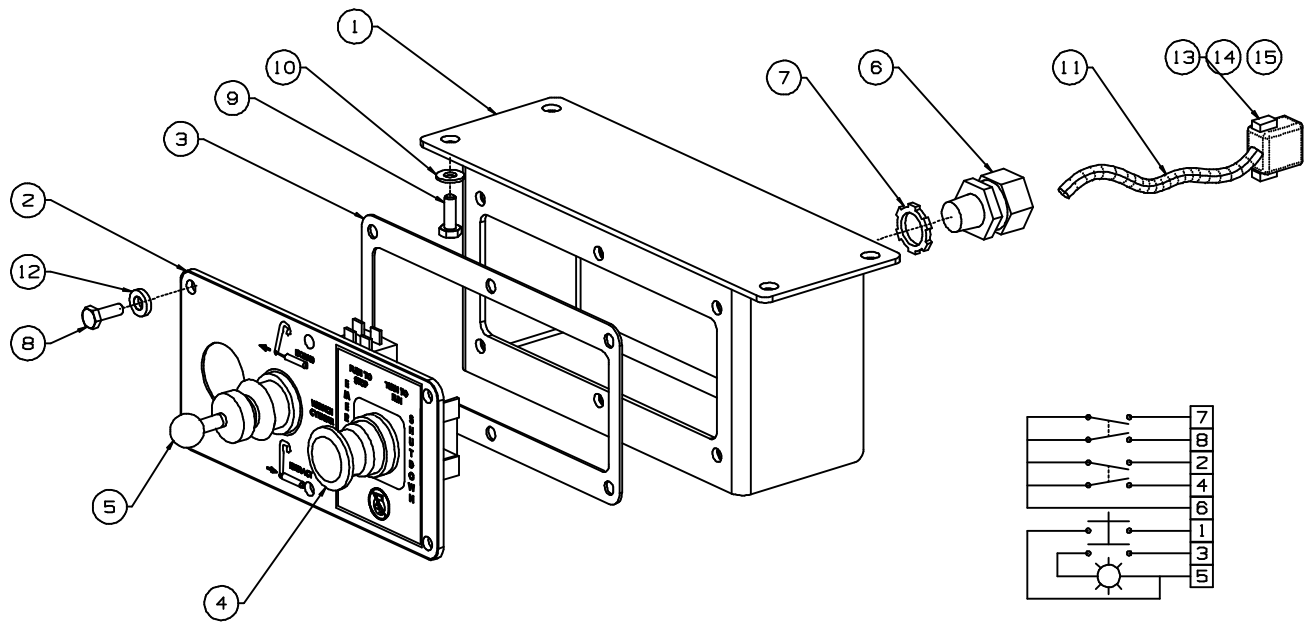
HARNESS, ENGINE ECM

PLUG #5 24 PIN

PLUG #13 40 PIN







NOTE: FINISH PAINT REQUIRED

1. MACHINED SURFACES TO BE GREASED PRIOR TO PAINTING
2. CLEAN AND PRIMER PAINT PER INGERSOLL-RAND ROTARY DRILL SPECIFICATION RDS -1- 001,
3. TOP COAT PAINT TO BE HIGH SOLIDS POLYURETHANE, 3-5 MIL THICK, SHERWIN WILLIAMS PART NO. F63JXH0466-7040 OR EQUIVALENT. COLOR: INGERSOLL RAND BEIGE.

57673493

CONTROL BOX, CHAIN WRENCH ASM

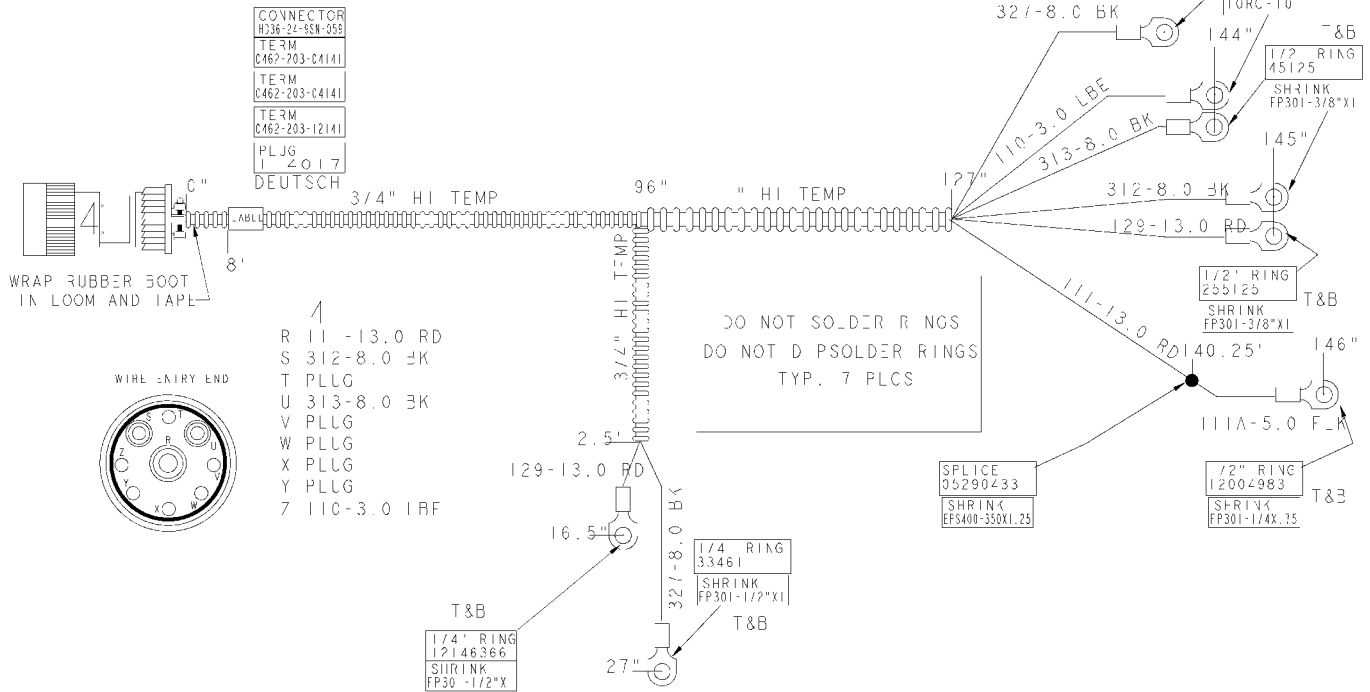
1	51992493	1	BOX, ELECTRICAL
2	51992477	1	NAMEPLATE, WRENCH/HOIST
3	51915957	1	GASKET, PANEL
4	52325453	1	SWITCH, EMERGENCY STOP
5	51869931	1	SWITCH, JOYSTICK
6	56991193	1	CONNECTOR
7	51948735	1	LOCKNUT
8	96727987	6	CAPSCREW
9	96714613	4	SCREW
10	96700828	4	WASHER
11	57161788	1	CABLE
12	96701289	6	WASHER
13	54651286	1	RECEPTACLE, 8 CIRCUIT
14	59434001	8	SOCKET SIZE
15	59437251	1	WEDGE, 8 CIRCUIT, SOCKETS

52322955


HARNESS, WIRING MAIN ASM

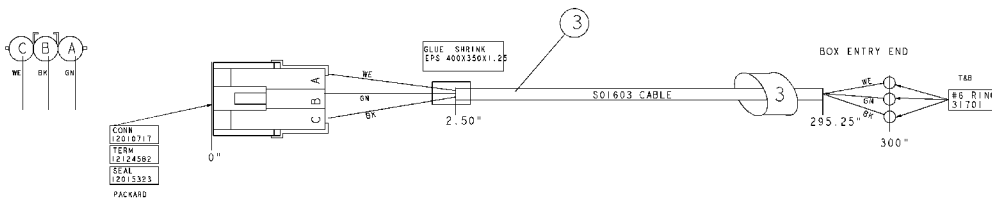
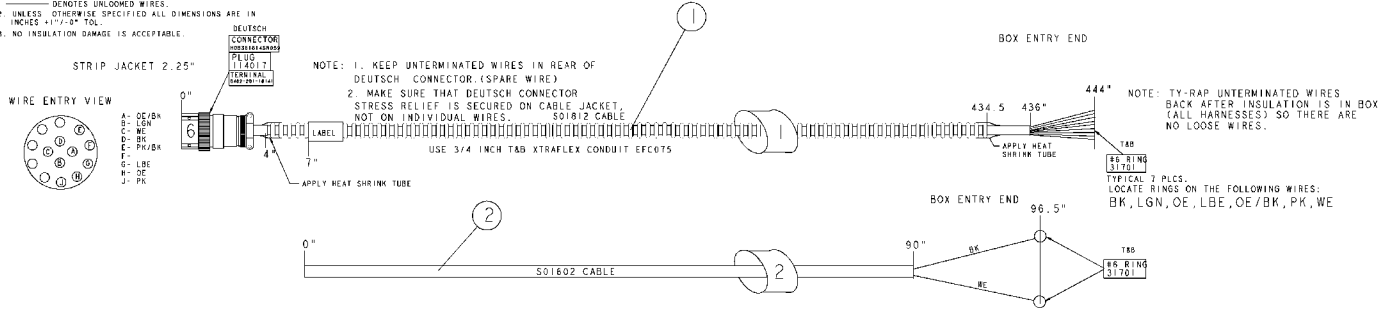
NOTES:

1. DENOTES HI TEMP LOOM. DENOTES UNLOOMED WIRES.
2. UNLESS OTHERWISE SPECIFIED ALL DIMENSIONS ARE IN INCHES -1/2"-0" TOL.
3. W/REMARK BOTH ENDS OF EACH WIRE INCLUDING LETTERS EXCLUDING DASHED LETTERS.
4. MARK CONNECTORS AS SHOWN.
5. DO NOT SOLDER OR DIP ANY RINGS.



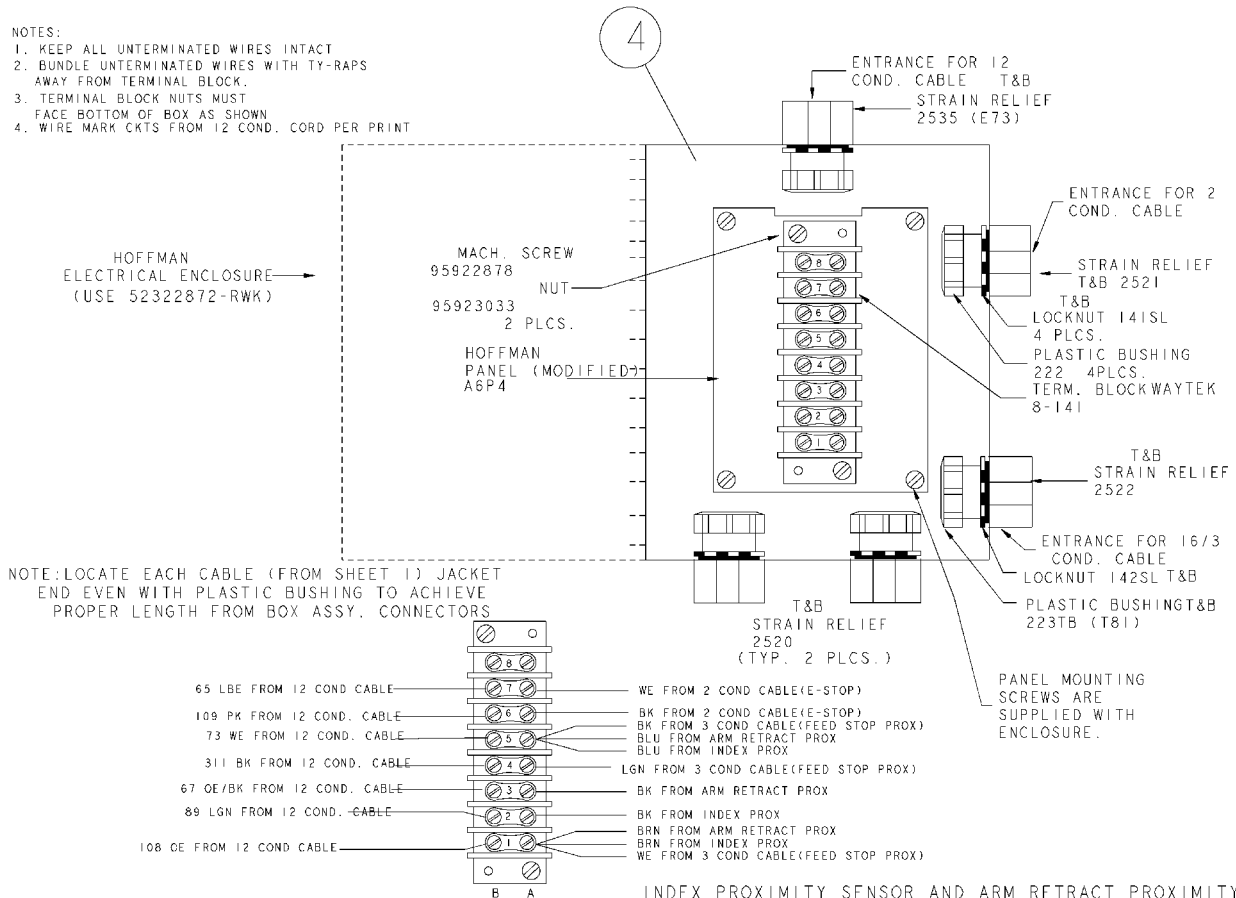
NOTES:

1.  DENOTES HI-TEMP LOOM DENOTES UNLOOMED WIRES.
2. UNLESS OTHERWISE SPECIFIED ALL DIMENSIONS ARE IN INCHES ±1/16" TOL.
3. NO INSULATION DAMAGE IS ACCEPTABLE.



NOTES:


1. KEEP ALL UNTERMINATED WIRES INTACT
2. BUNDLE UNTERMINATED WIRES WITH TY-RAPS AWAY FROM TERMINAL BLOCK.
3. TERMINAL BLOCK NUTS MUST FACE BOTTOM OF BOX AS SHOWN
4. WIRE MARK CKTS FROM 12 COND. CORD PER PRINT

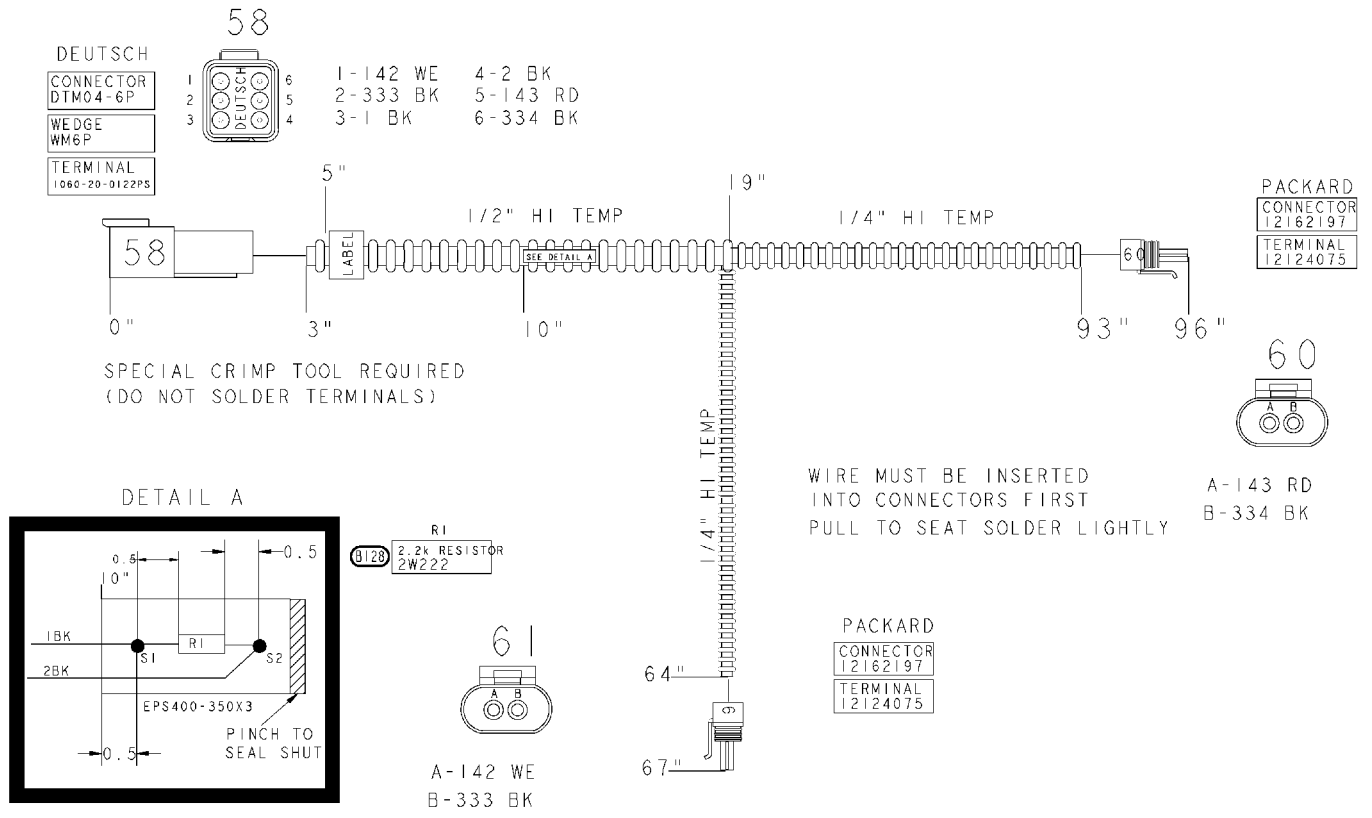


52322872**HARNESS, WIRING DRL GUIDE**

<i>REF. NO.</i>	<i>PART NO.</i>	<i>QTY.</i>	<i>PART NAME REMARKS</i>	<i>SERIAL NO.</i>
1	57709339	1	HARNESS,BULKHEAD	
2	58150103	97	INCHES CORD,14/2	
3	57709347	1	HARNESS,FEED STOP WIRING	
4	51918399	1	ASSY,BOX,ELECTRICAL	

NOTES:


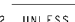
1.  DENOTES HI TEMP LOOM
DENOTES UNLOOMED WIRES.
2. UNLESS OTHERWISE SPECIFIED ALL DIMENSIONS ARE IN INCHES +1"/-0" TOL.
3. WIREMARK BOTH ENDS OF EACH WIRE INCLUDING LETTERS EXCLUDING DASHED LETTERS
4. MARK CONNECTORS AS SHOWN
5. SPECIAL TOOLING REQUIRED
6. ALL WIRE IS 16GA GXL UNLESS OTHERWISE SPECIFIED

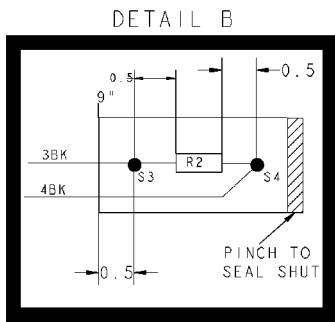
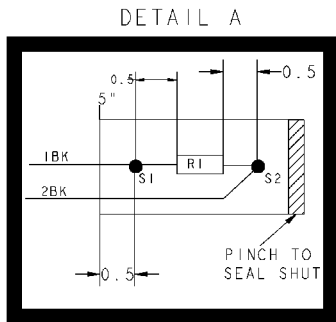
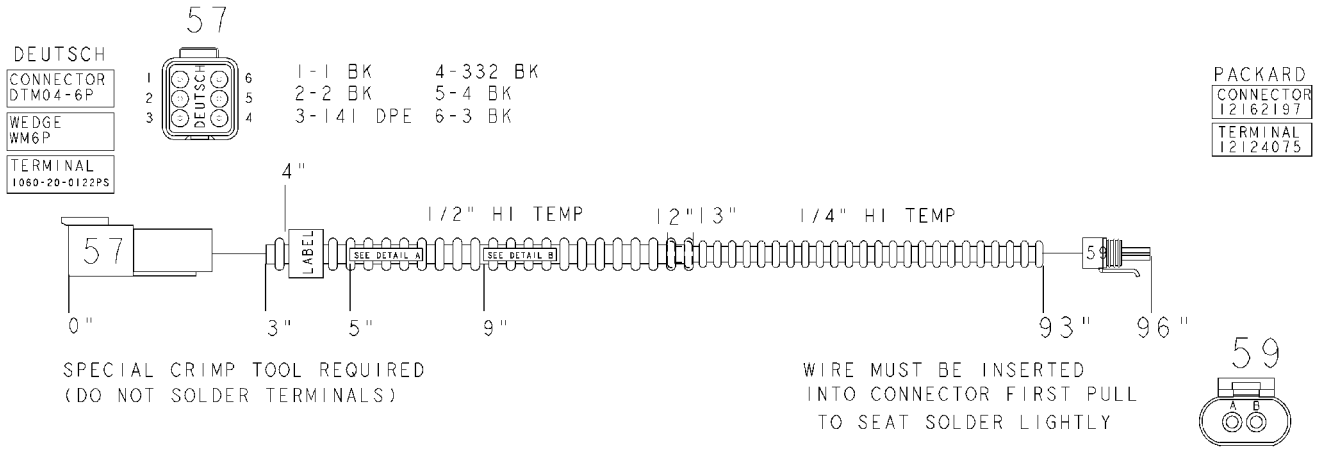


52323011

HARNESS, WIRING CAC/RAD

NOTES:

1.  DENOTES HI TEMP LOOM  DENOTES UNLOOMED WIRES.
2. UNLESS OTHERWISE SPECIFIED ALL DIMENSIONS ARE IN INCHES +1/16"-0" TOL.
3. WIREMARK BOTH ENDS OF EACH WIRE INCLUDING LETTERS EXCLUDING DASHED LETTERS
4. MARK CONNECTORS AS SHOWN
5. SPECIAL TOOLING REQUIRED
6. ALL WIRE IS 16GA GXL UNLESS OTHERWISE SPECIFIED

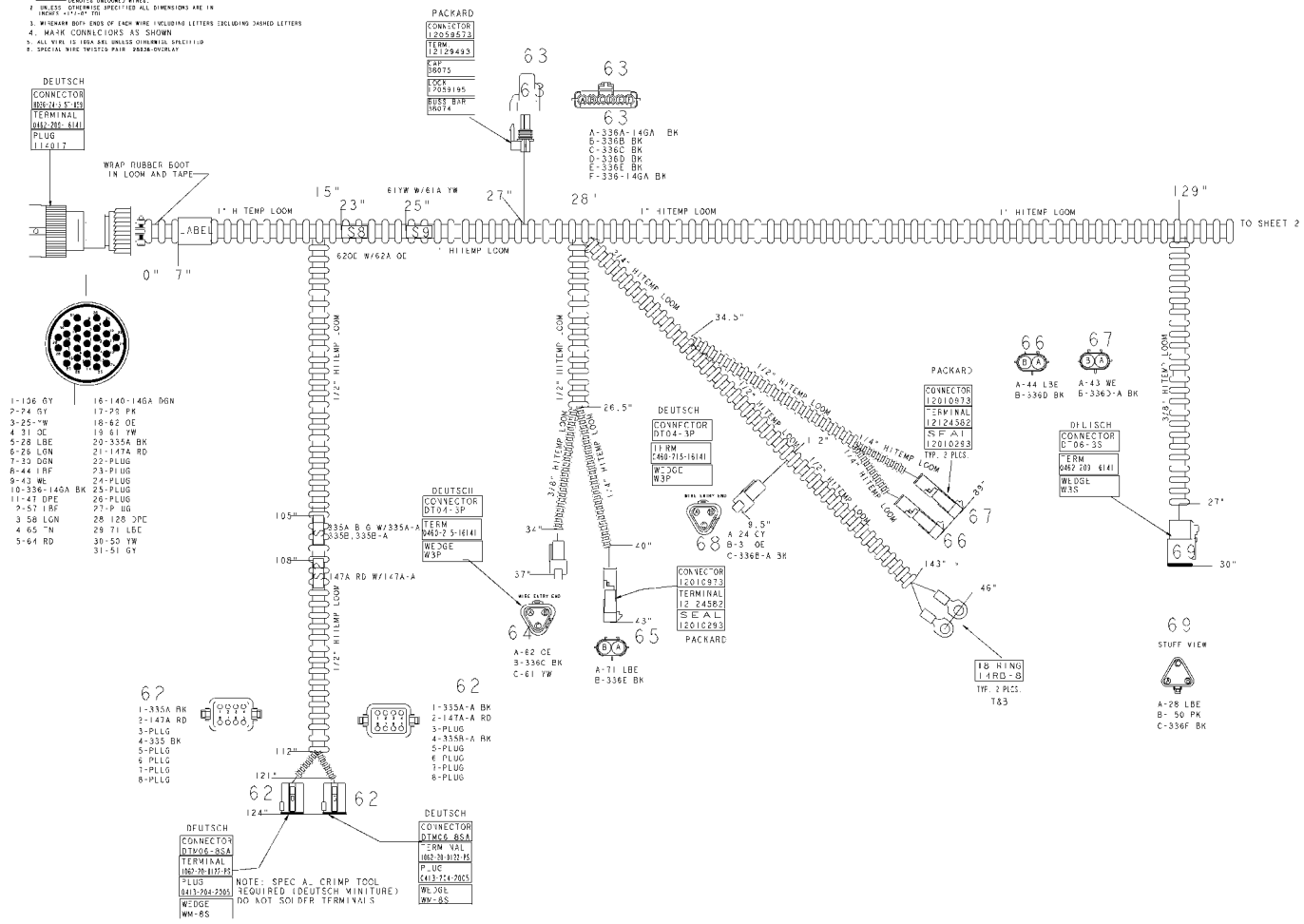


R1 & R2
2.2k RESISTOR
2W222

A-141 DPE
B-332 BK

NOTES:

1. DIMENSIONS UNLESS OTHERWISE SPECIFIED ARE IN INCHES - ALL TYPICAL
2. UNLESS OTHERWISE SPECIFIED ALL DIMENSIONS ARE IN INCHES - ALL TYPICAL
3. WIRE MARK BOP: ENDS OF EACH WIRE INCLUDING LETTERS INCLUDING DASHED LETTERS
4. WIRE CONNECTORS AS SHOWN
5. ALL WIRE IS 18 GA UNLESS OTHERWISE SPECIFIED
6. SPECIAL WIRE TWISTED PAIR - 28AWG-DUAL

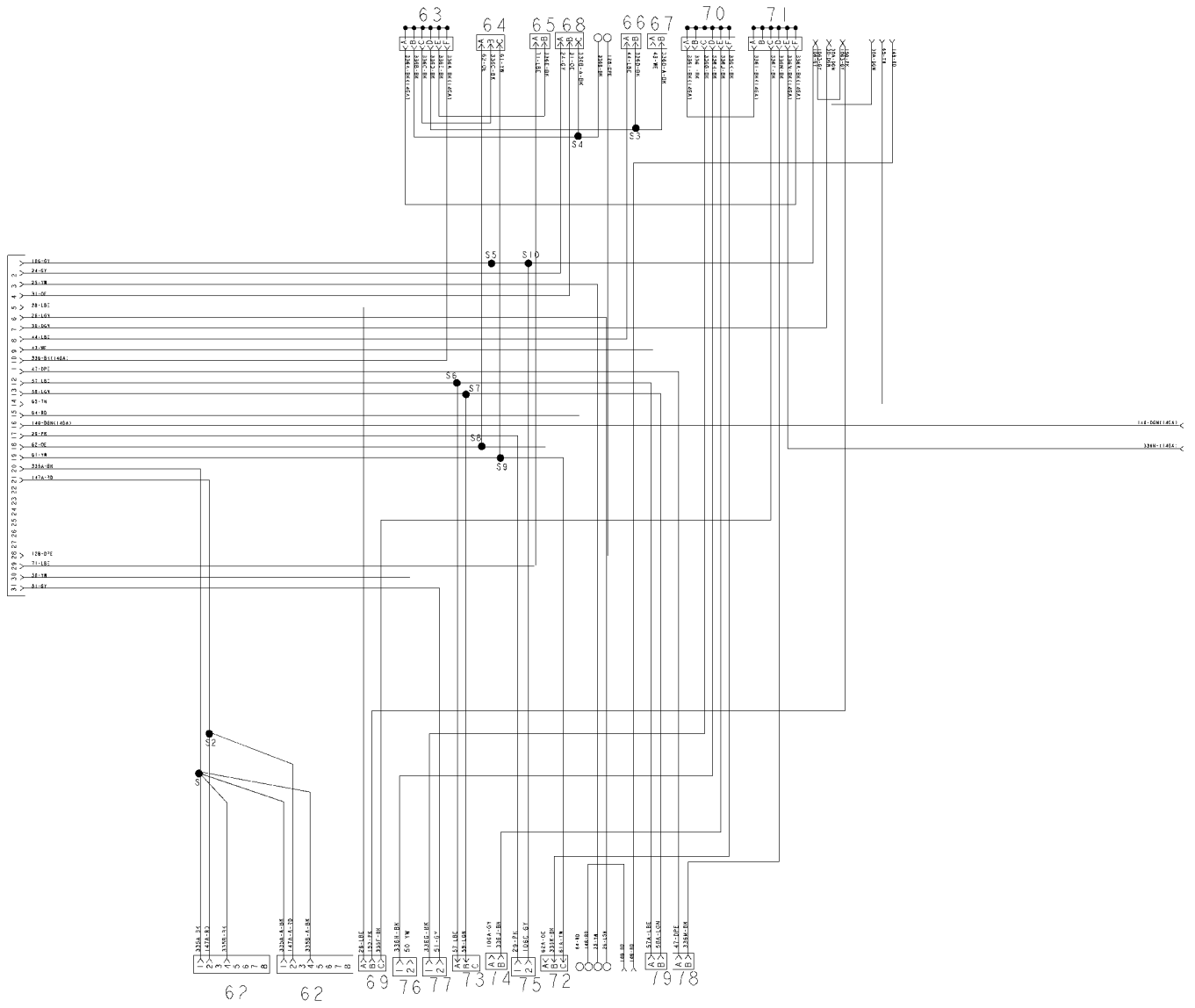


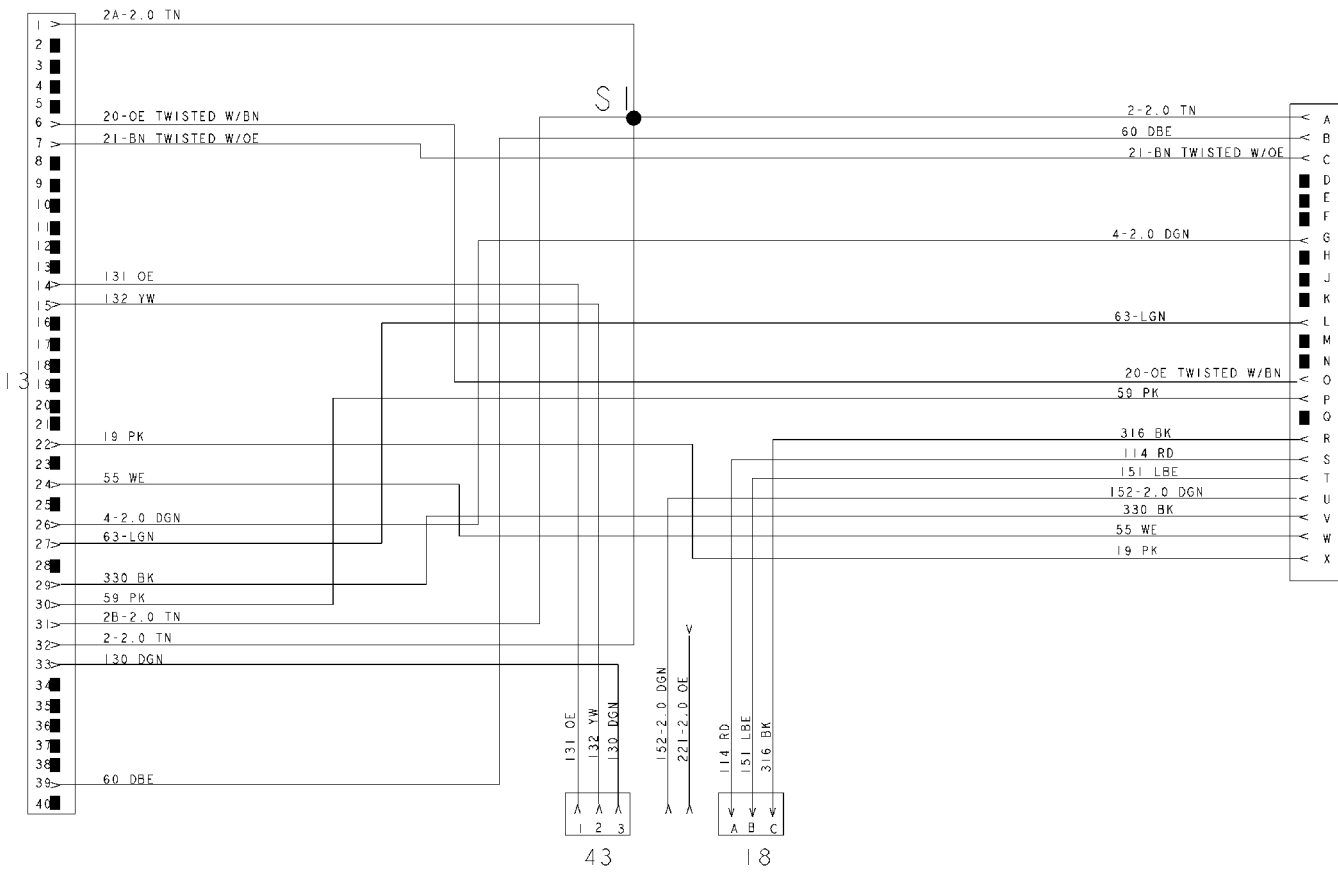
- 1-136 GY
- 7-74 GY
- 3-25 YW
- 4-31 OE
- 9-28 LBE
- 6-28 LBN
- 7-33 DGN
- 8-44 IRF
- 9-43 WE
- 10-336-146A BK
- 11-41 DPE
- 5-57 IRF
- 3-58 LBN
- 4-65 YW
- 5-64 RD
- 16-140-146A DGN
- 17-95 PK
- 18-62 OE
- 19-61 YW
- 20-335A BK
- 21-147A RD
- 22-PLUG
- 23-PLUG
- 24-PLUG
- 25-PLUG
- 26-PLUG
- 27-P DG
- 28-128 3PC
- 29-71 LBE
- 30-50 YW
- 31-51 GY

- 62 1-335A BK
- 2-147A RD
- 3-PLUG
- 4-335 BK
- 5-PLUG
- 6-PLUG
- 7-PLUG
- 8-PLUG
- 62 1-335A BK
- 2-147A RD
- 3-PLUG
- 4-335A BK
- 5-PLUG
- 6-PLUG
- 7-PLUG
- 8-PLUG

DEUTSCH CONNECTOR DT04-3P
 TERMINAL DT04-3P
 PLUG W3PC
 WEDGE WM-8S

NOTE: SPEC A, CRIMP TOOL REQUIRED (DEUTSCH MINITURE) DO NOT SOLDFER TERMINALS

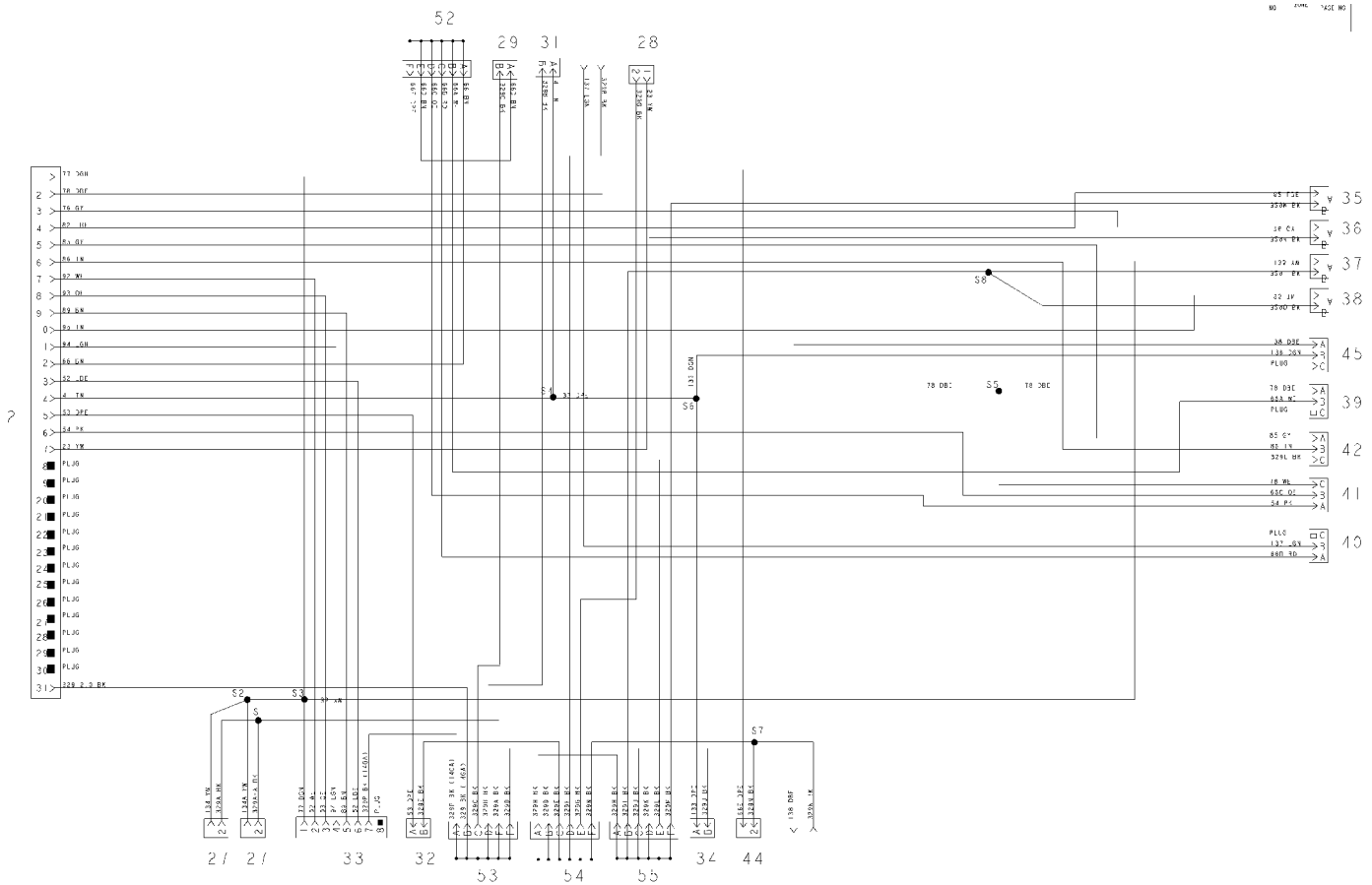


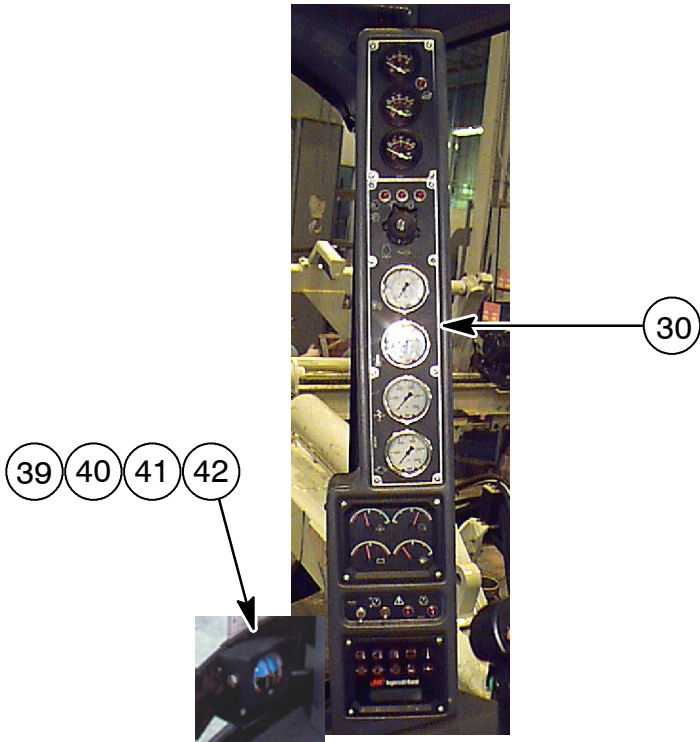
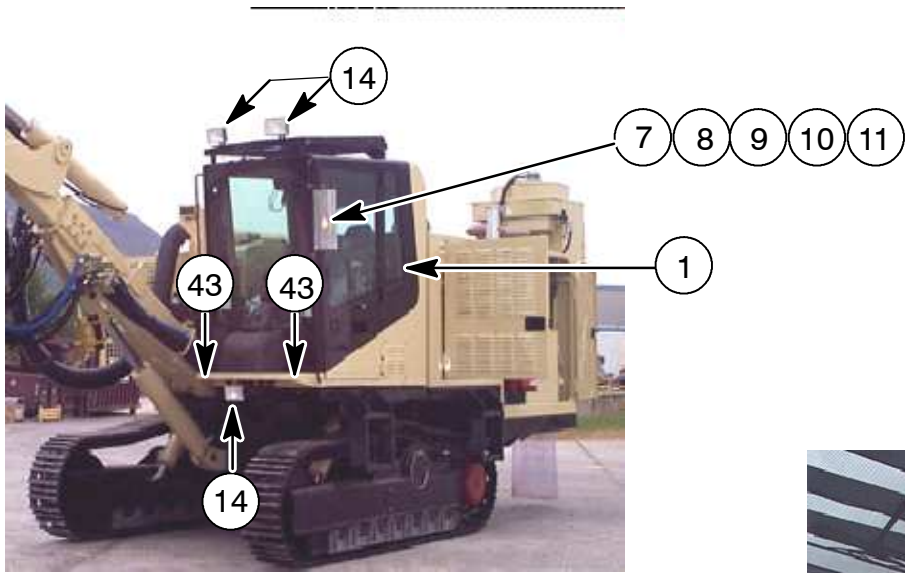


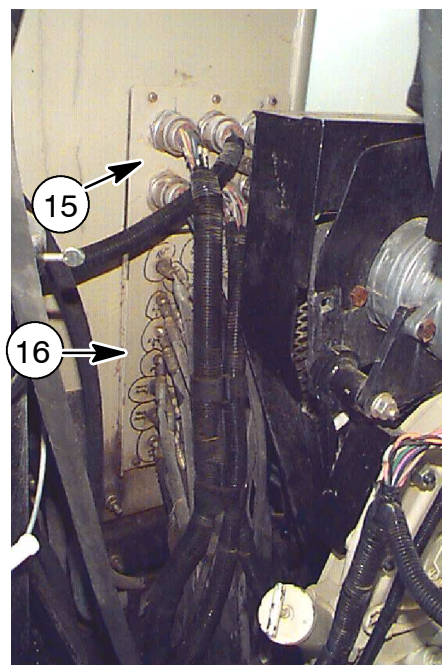
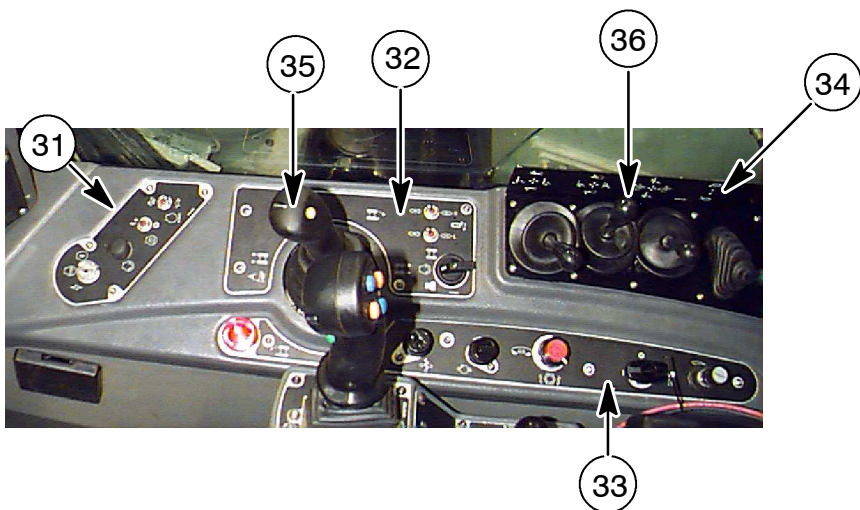
5

52322930

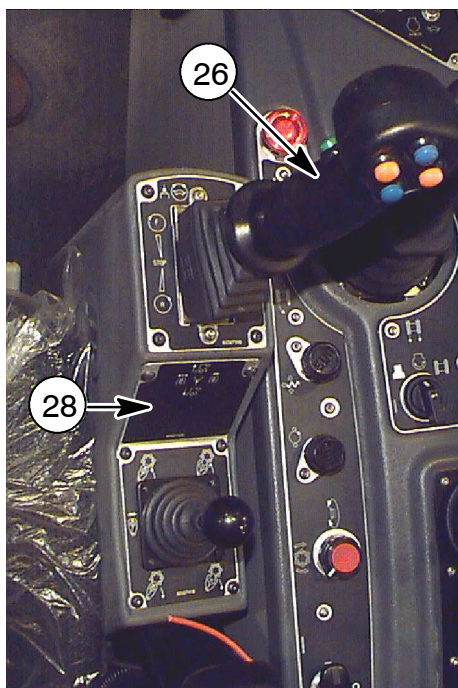
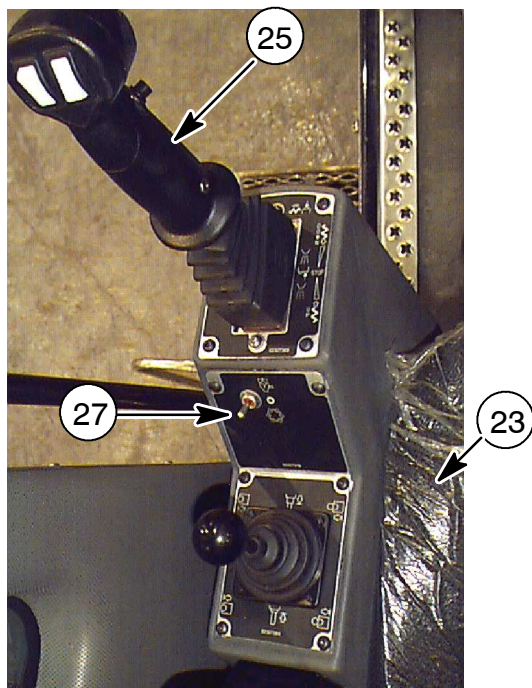
HARNESS, WIRING ENCL

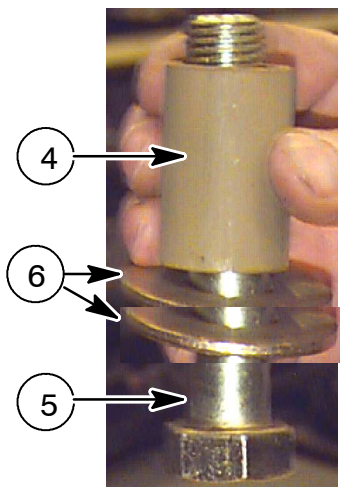
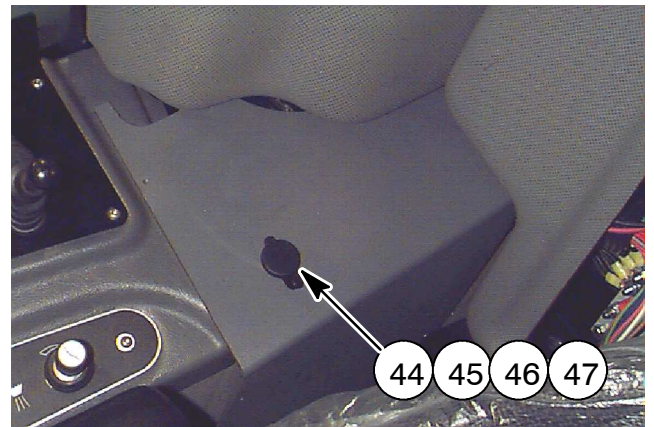
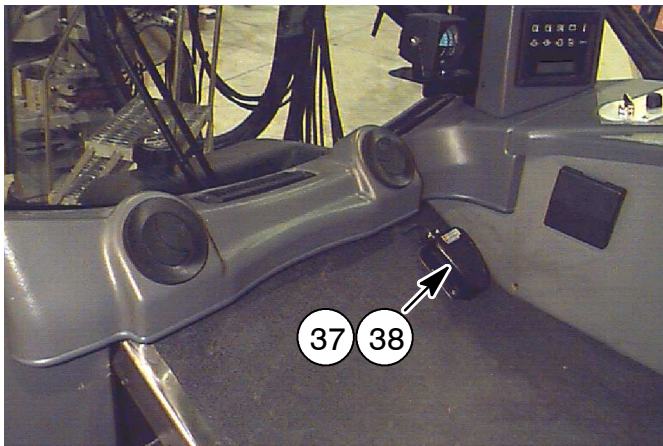
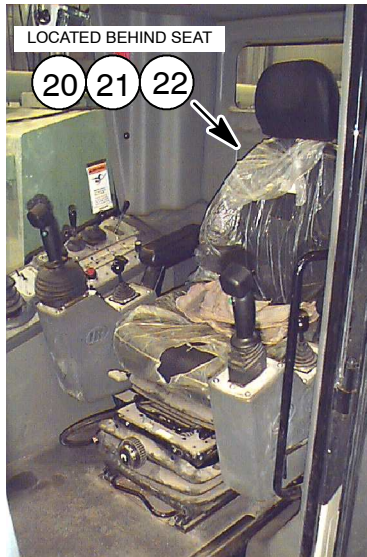
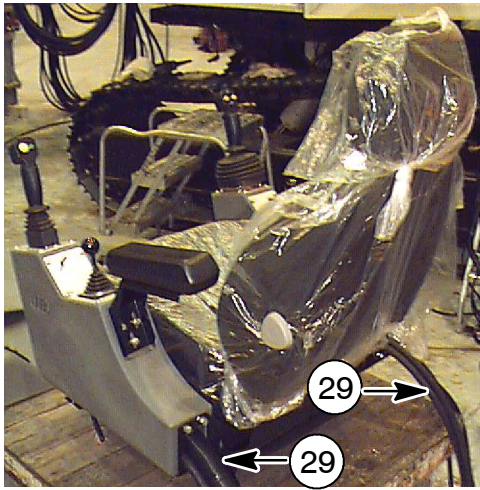






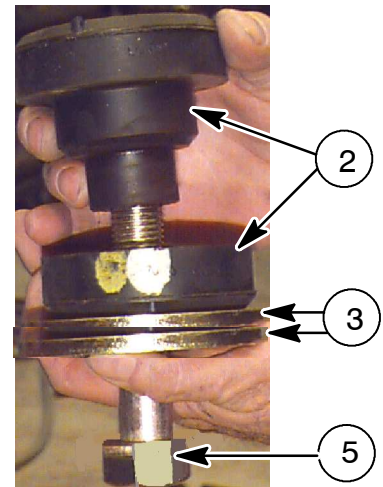
BACK OF CAB





CAB RETAINERS (8 REQD.)

- 12 (NOT SHOWN)
- 18 (NOT SHOWN)
- 19 (NOT SHOWN)
- 49 (NOT SHOWN)
- 50 (NOT SHOWN)
- 51 (NOT SHOWN)
- 52 (NOT SHOWN)



CAB ISOLATORS (4 REQD.)

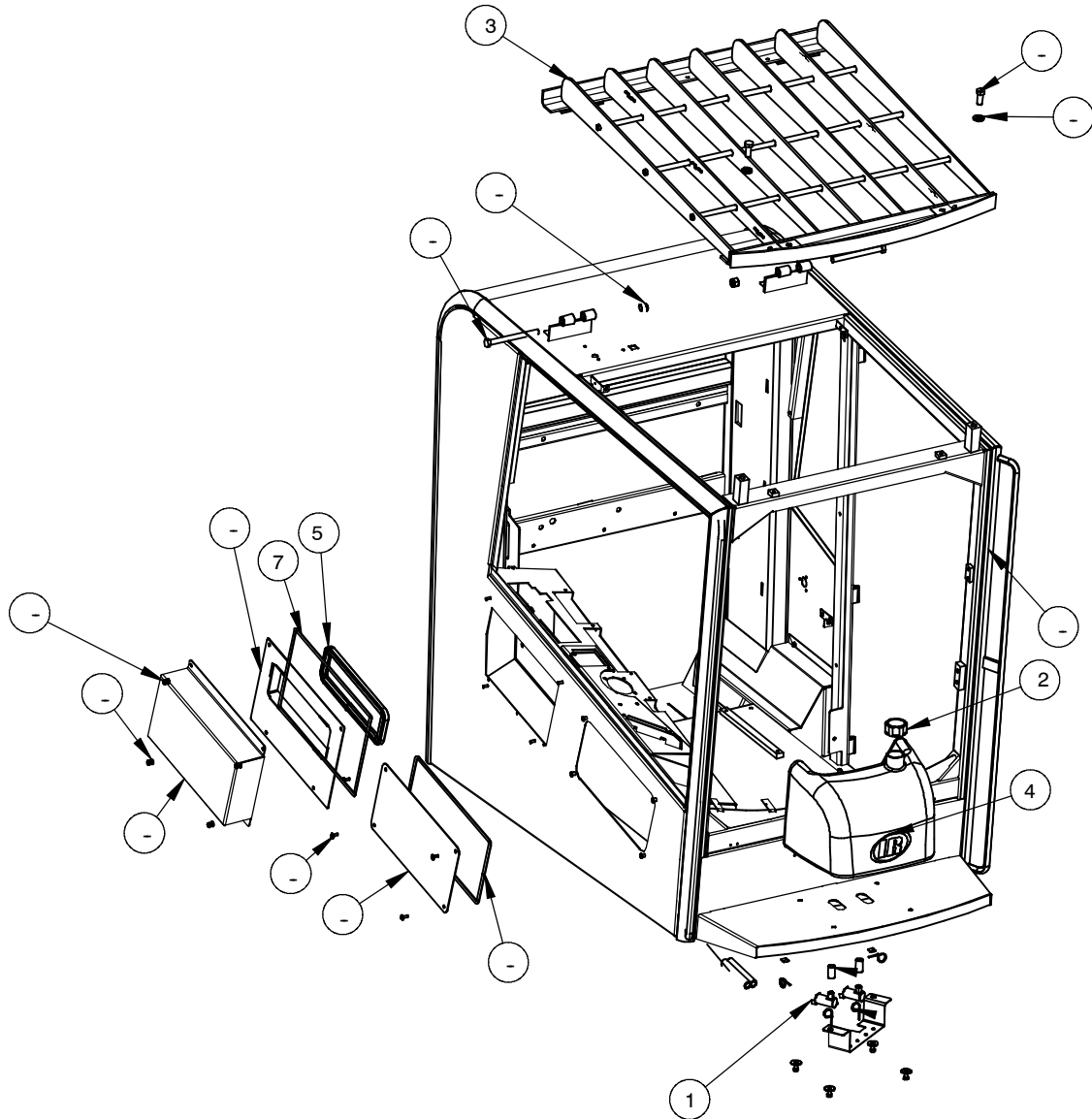
52330891

OPERATOR'S CAB ASSEMBLY

REF.	NO.	PART NO.	QTY.	PART NAME	SERIAL
				REMARKS	NO.
1	57740367	1		CAB, 700 SERIES <i>REFER TO PAGE 13.1-1</i>	
2	52086162	4		ISOLATOR, CAB	
3	52086188	8		WASHER, ISOLATOR	
4	52086170	8		SPACER, CAB RETAINER	
5	96727052	12		BOLT, HEX. HD.	
6	52105483	16		WASHER, FLAT	
7	52123486	1		MIRROR, WEST COAST	
8	51994762	2		BRACKET, MIRROR	
9	52123387	2		BRACKET, MIRROR	
10	96728571	4		BOLT, FLANGED HD.	
11	96727706	4		LOCKNUT, FLANGED HD.	
12	52324753	1		CABLE, GROUND	
13	96726815	1		LOCKNUT, FLANGED HD.	
14	51789220	3		LIGHT, DRILL	
15	52325214	1		ASSEMBLY, ELECTRICAL BULKHEAD <i>REFER TO PAGE 13.2-1</i>	
16	52325222	1		ASSEMBLY, HYDRAULIC BULKHEAD <i>REFER TO PAGE 13.3-1</i>	
18	52325347	4		FITTING, PRESSURE TEST UNION	
19	57744211	1		HARNESS, CAB. MAIN, 700	
20	52322898	1		ASSEMBLY, FUSE/RELAY PANEL (LOCATED ON WALL BEHIND OPERATOR'S SEAT) <i>REFER TO PAGE 13.5-1</i>	
21	95929006	6		CAPSCREW, HEX. HD. (USED FOR MOUNTING FUSE/RELAY PANEL)	
22	96702519	6		WASHER, FLAT (USED FOR MOUNTING FUSE/RELAY PANEL)	
23	52325578	1		SEAT, OPERATOR'S CAB <i>REFER TO PAGE 13.6-1</i>	
24	96714621	4		CAPSCREW, SOC. HD.	
25	52330909	1		ASSEMBLY, LEFT FRONT SEAT POD PANEL <i>REFER TO PAGE 13.7-1</i>	
26	52330917	1		ASSEMBLY, RIGHT FRONT SEAT POD PANEL <i>REFER TO PAGE 13.4-1</i>	
27	52330925	1		ASSEMBLY, LEFT REAR SEAT POD PANEL <i>REFER TO PAGE 13.15-1</i>	
28	52330933	1		ASSEMBLY, RIGHT REAR SEAT POD PANEL <i>REFER TO PAGE 13.16-1</i>	
29	52326980	1		SLEEVE, NYLON ABRASION	
30	52330941	1		ASSEMBLY, CORNER GAUGE PANEL <i>REFER TO PAGE 13.9-1</i>	

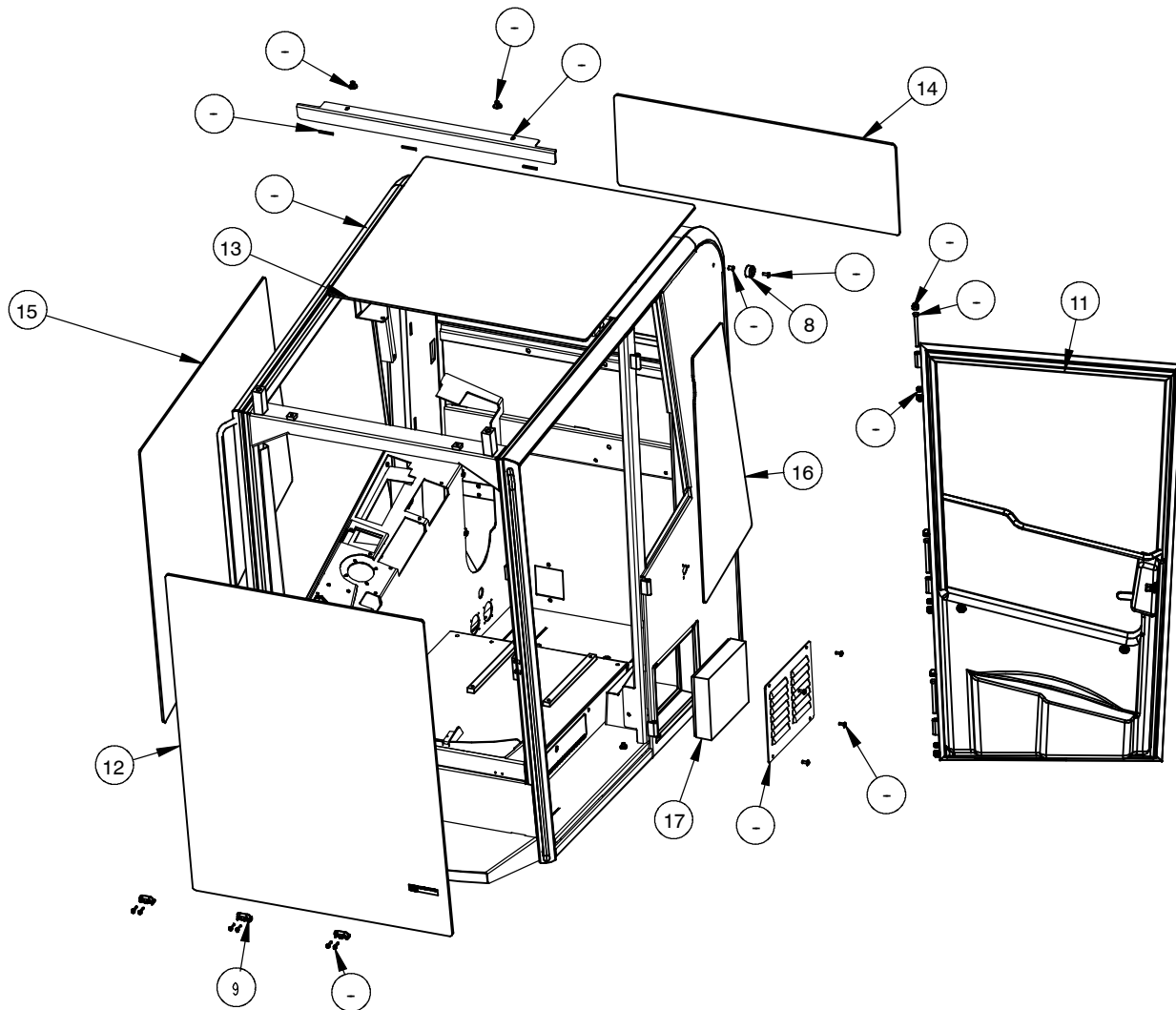
52330891**OPERATOR'S CAB ASSEMBLY**

REF. NO.	PART NO.	QTY.	PART NAME REMARKS	SERIAL NO.
31	52325396	1	ASSEMBLY, ENGINE IGNITION PANEL <i>REFER TO PAGE 13.10-1</i>	
32	52325420	1	ASSEMBLY, DRILL/TRAM SELECTION JOYSTICK PANEL <i>REFER TO PAGE 13.11-1</i>	
33	52325438	1	ASSEMBLY, SIDE CONTROL PANEL <i>REFER TO PAGE 13.12-1</i>	
34	52330958	1	ASSEMBLY, POSITIONING CONTROL VALVE PANEL <i>REFER TO PAGE 13.14-1</i>	
35	52314473	1	ASSEMBLY, TRAM CONTROL JOYSTICK <i>REFER TO PAGE 13.13-1</i>	
36	52314465	1	ASSEMBLY, POSITIONING VALVE <i>REFER TO PAGE 9.62-1</i>	
37	52105384	1	SWITCH, GREASER FOOT	
38	95994711	2	CAPSCREW, BUTTON HD.	
39	53076576	1	INCLINOMETER	
40	96705728	2	CAPSCREW, HEX. HD.	
41	96715008	2	LOCKNUT, HEX.	
42	96702493	4	WASHER, FLAT	
43	51994598	2	TAPE, ADHESIVE TRACTION	
44	52105459	1	SOCKET	
45	96727953	2	CAPSCREW	
46	96703756	2	LOCKNUT	
47	52323037	1	HARNESS, 12V POWER OUTLET WIRING	
48	52330834	1	ASSEMBLY, SAFETY MANUAL/CABLE	
49	58150251	6	TERMINAL, FEMALE	
50	58150244	6	TERMINAL, MALE	
51	95365367	9	TERMINAL, RING	
52	57443954	3	KIT, LIGHT GAUGE-24VDC	

**REF.**

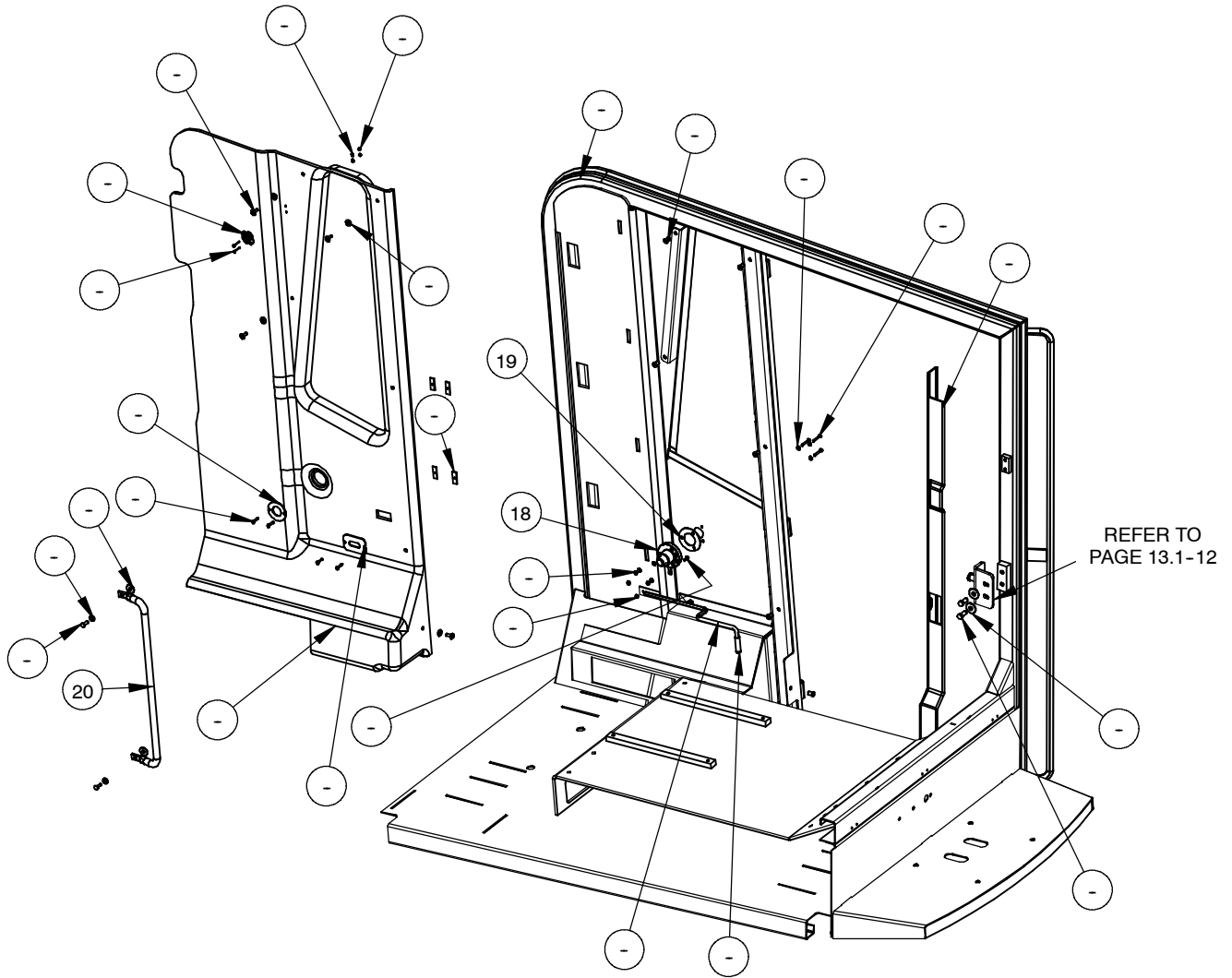
NO.	PART NO.	QTY.	PART NAME	SERIAL
			REMARKS	NO.

1	52331212	2	PUMP, WINDSHIELD WASHER	
2	52331220	1	CAP, WINDSHIELD WASHER BOTTLE	
3	52319902	1	WELDMENT, FOPS	
4	52318342	1	BOTTLE, WINDSHIELD WASHER	
5	52320017	1	SEAL, HYDRAULIC VALVE COVER	
6	52320025	1	SEAL, EXTERIOR ACCESS COVER	
7	52320033	1	SEAL, HYDRAULIC COVER	



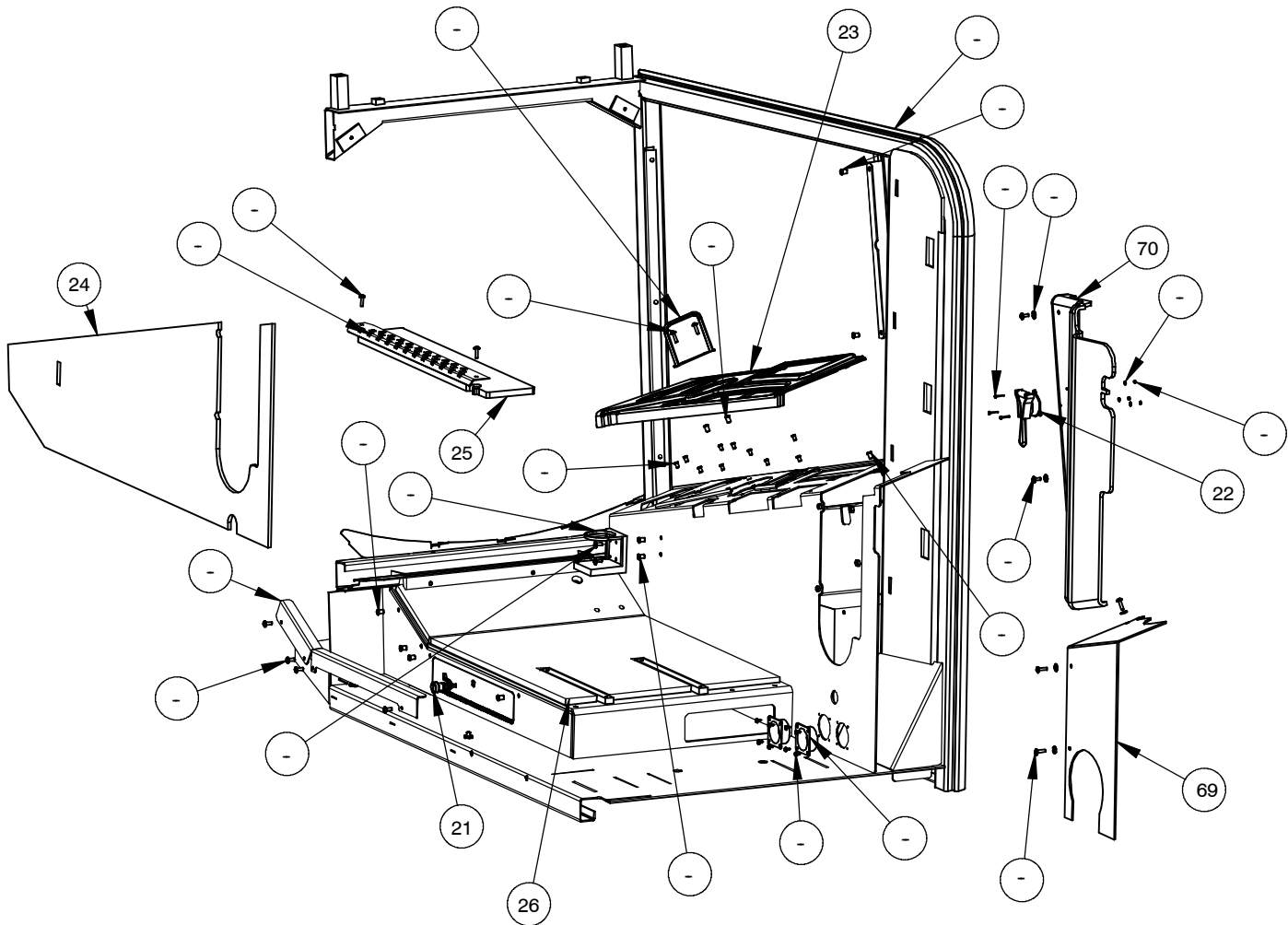
REF. NO.	PART NO.	QTY.	PART NAME REMARKS	SERIAL NO.
-------------	----------	------	----------------------	---------------

8	52331139	1	BUMPER, RUBBER	
9	52331147	3	CLIP, WINDOW	
11	52319910	1	ASSEMBLY, DOOR	
12	52318508	1	WINDOW, FRONT	
13	52318516	1	WINDOW, SKY LIGHT	
14	52318524	1	WINDOW, REAR	
15	52318532	1	WINDOW, RIGHT HAND SIDE	
16	52318540	1	WINDOW, LEFT HAND SIDE	
17	52319886	2	FILTER, AIR	

**REF.**

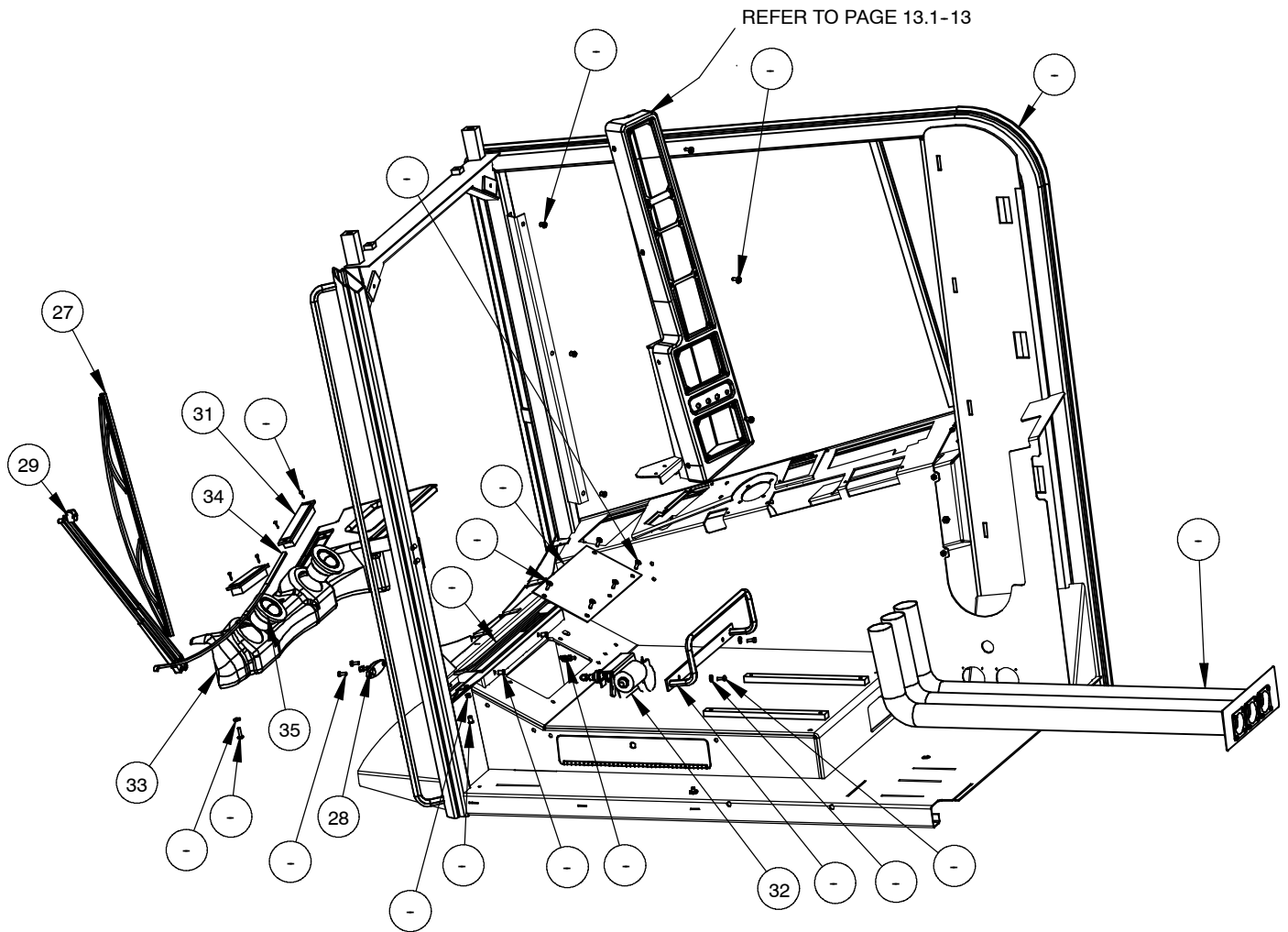
NO.	PART NO.	QTY.	PART NAME	SERIAL
			REMARKS	NO.

18	52331204	1	HOLD-OPEN, DOOR	
19	52331246	1	SEAL, DOOR HOLD-OPEN	
20	52320009	1	HANDLE, DOOR POST GRAB	

**REF.**

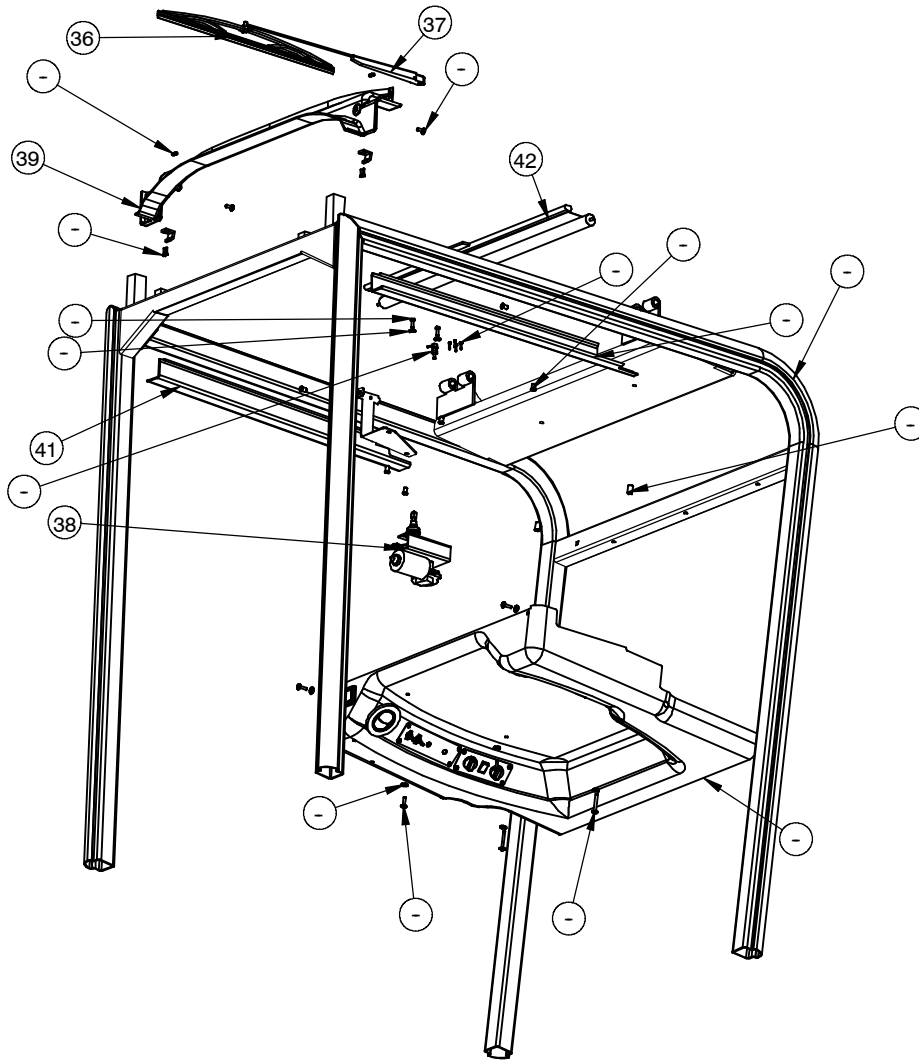
NO.	PART NO.	QTY.	PART NAME	SERIAL
			REMARKS	NO.

21	52083151	1	LATCH, ARROWHEAD	
22	52331154	1	HAMMER, EMERGENCY EXIT (WITH CABLE)	
23	52318383	1	COVER, FRONT RIGHT HAND CONSOLE	
24	52318581	1	FOAM, RH CONSOLE (ALSO INCLUDES LOWER DOOR PANEL FOAM)	
25	52319852	1	FLOORMAT, LOWER	
26	52319860	1	FLOORMAT, PEDESTAL	
69	52318391	1	COVER, RH CONSOLE REAR PLASTIC/FOAM	
70	52318466	1	PANEL, RH SIDE CLOSE-OUT PLASTIC/FOAM	

**REF.**

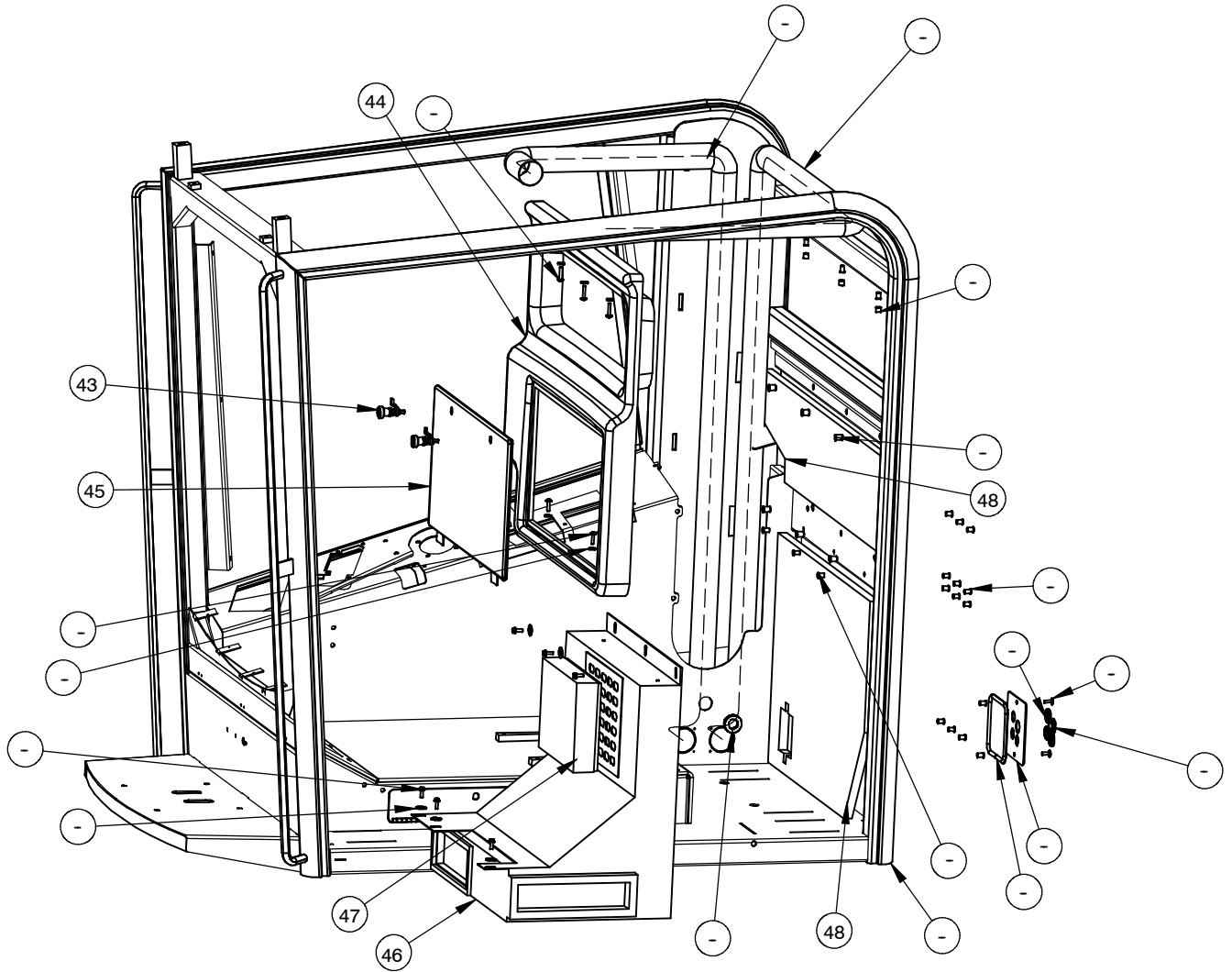
NO.	PART NO.	QTY.	PART NAME	SERIAL
			REMARKS	NO.

27	57541138	1	BLADE, WIPER (28")	
28	52331121	1	PLATE, PIVOT ASSEMBLY MOUNTING	
29	57541153	1	ARM, WIPER (28")	
31	52331238	2	LOUVER, RECTANGULAR	
32	52319936	1	ASSEMBLY, WIPER MOTOR (FRONT)	
33	52318417	1	COVER, FRONT LOWER PLASTIC	
34	52319993	1	SEAL, FRONT DUCT UPPER	
35	52106515	2	LOUVER, ROUND (4")	

**REF.**

NO.	PART NO.	QTY.	PART NAME	SERIAL
			REMARKS	NO.

36	52331113	1	BLADE, WIPER (SKY LIGHT)	
37	52125861	1	ARM, WIPER (SKY LIGHT)	
38	52319928	1	ASSEMBLY, WIPER MOTOR (SKY LIGHT)	
39	52318409	1	COVER, FRONT UPPER PLASTIC	
40	52318433	1	COVER, UPPER LONG (LH)	
41	52318441	1	COVER, UPPER LONG (RH)	
42	52320066	1	BLIND, ROLLER	

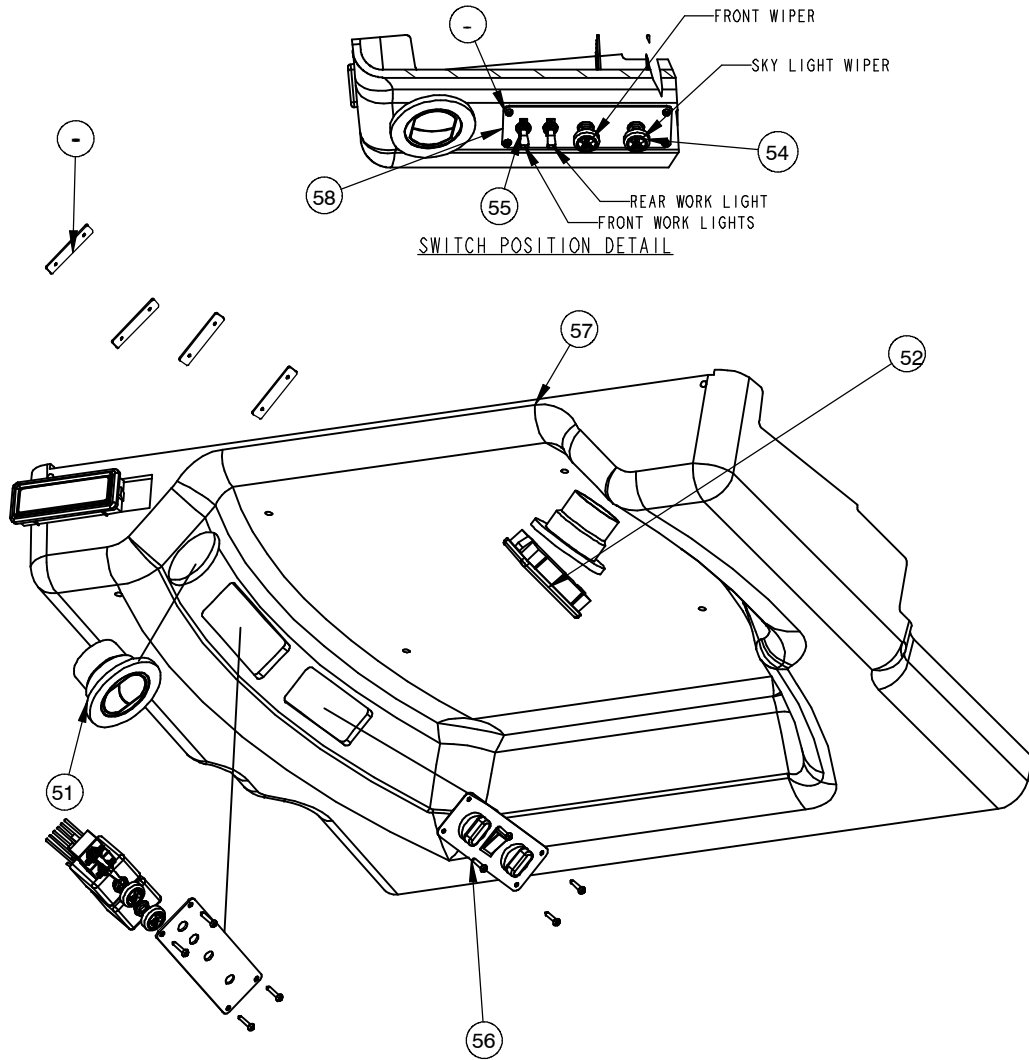
**REF.**

NO.	PART NO.	QTY.	PART NAME	SERIAL
			REMARKS	NO.

43	52083151	2	LATCH, ARROWHEAD	
44	52318474	1	PANEL, CLOSE-OUT REAR	
45	52318482	1	PANEL, REAR ELECTRICAL ACCESS	
46	57740409	1	SYSTEM, HEAT & A/C AIR <i>REFER TO PAGE 13.8-1</i>	
47	52319886	1	FILTER, AIR	
48	52318565	1	FOAM, REAR BOTTOM/UPPER	

57740367

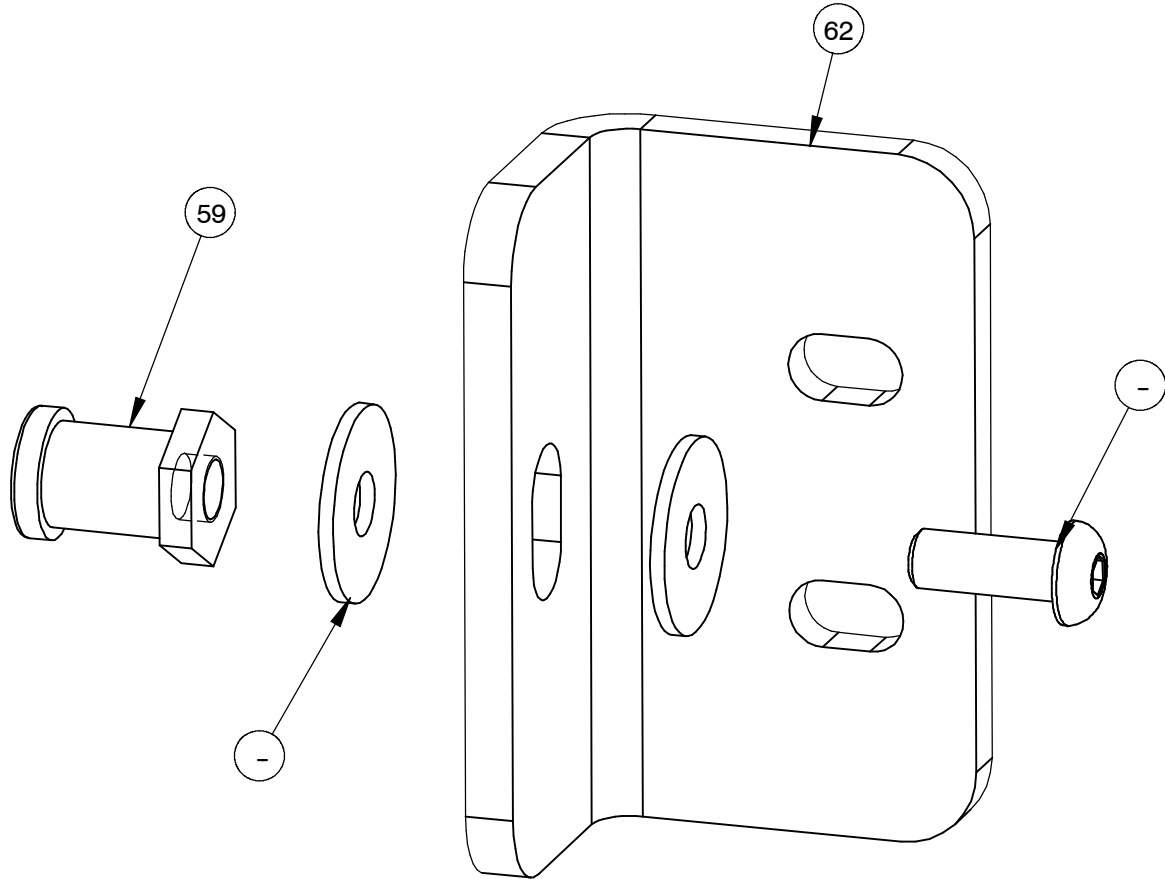
CAB, 700 SERIES



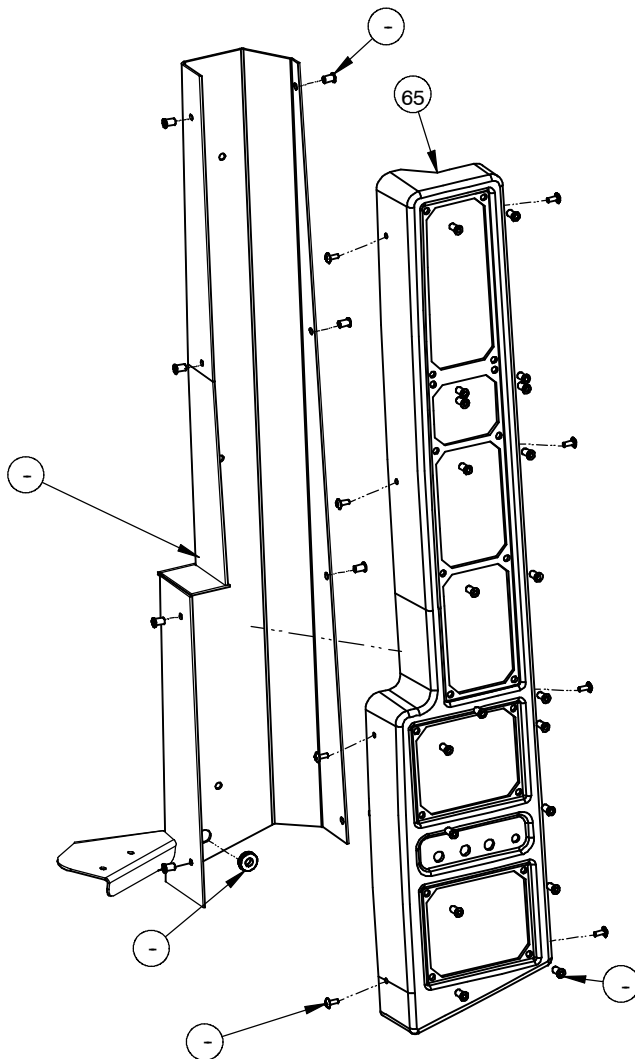
REF.

NO.	PART NO.	QTY.	PART NAME	SERIAL
			REMARKS	NO.

51	52106515	2	LOUVER, ROUND (4")	
52	52331162	2	DOMELIGHT	
54	51618379	2	SWITCH, WIPER	
55	57179608	2	SWITCH, TOGGLE	
56	52331196	1	PANEL, HEAT/AC CONTROL	
57	52318367	1	HEADLINER	
58	52320058	1	PLATE, SWITCH	

**REF.****NO. PART NO.****QTY.****PART NAME****SERIAL****REMARKS****NO.**

59	52331105	1	STRIKER	
62	52319944	1	MOUNTING, STRIKER BOLT	



REF.

NO. PART NO. QTY.

PART NAME

SERIAL

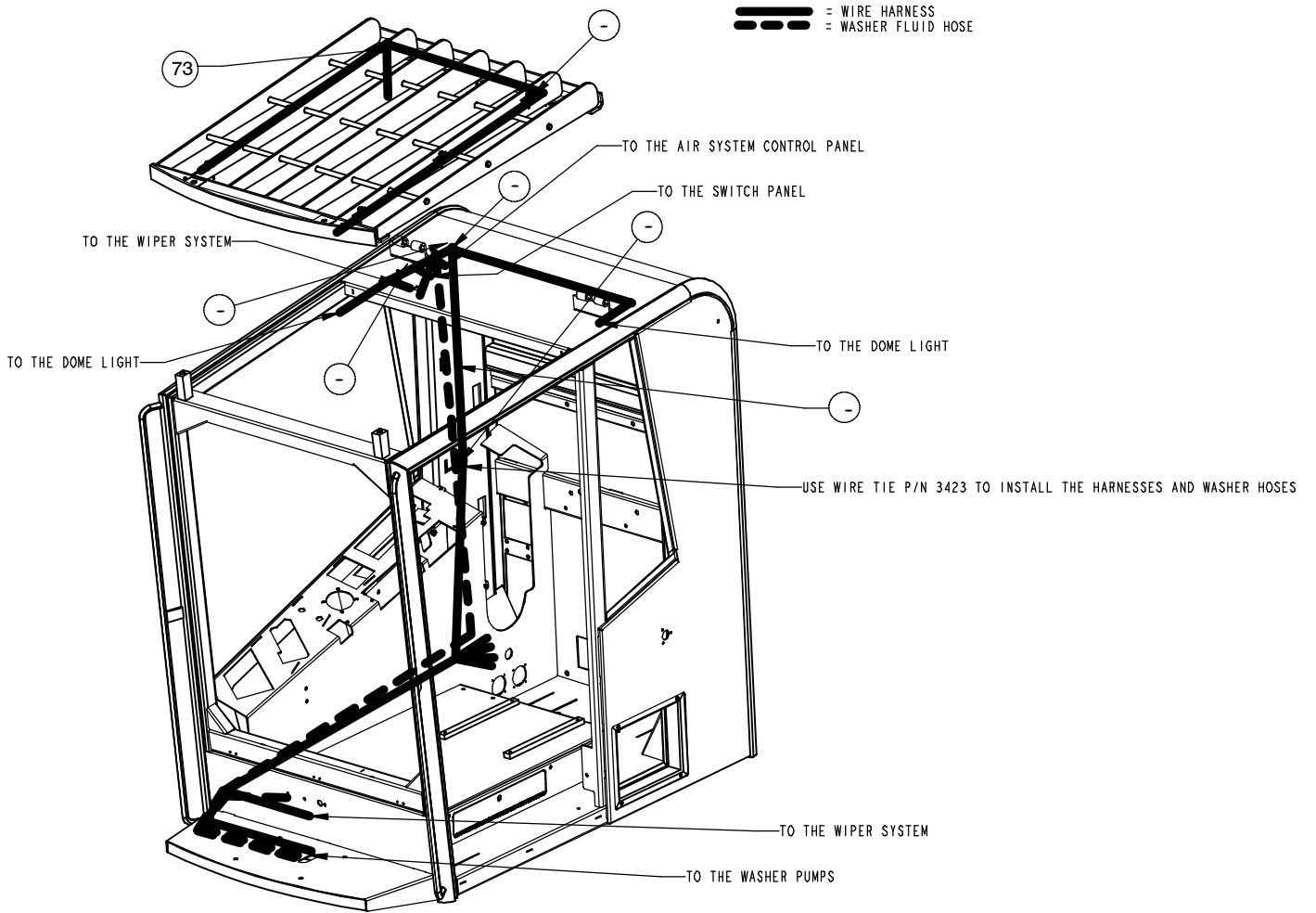
REMARKS

NO.

65	52318375	1	PANEL, CORNER PLASTIC GAUGE	
----	----------	---	-----------------------------	--

57740367

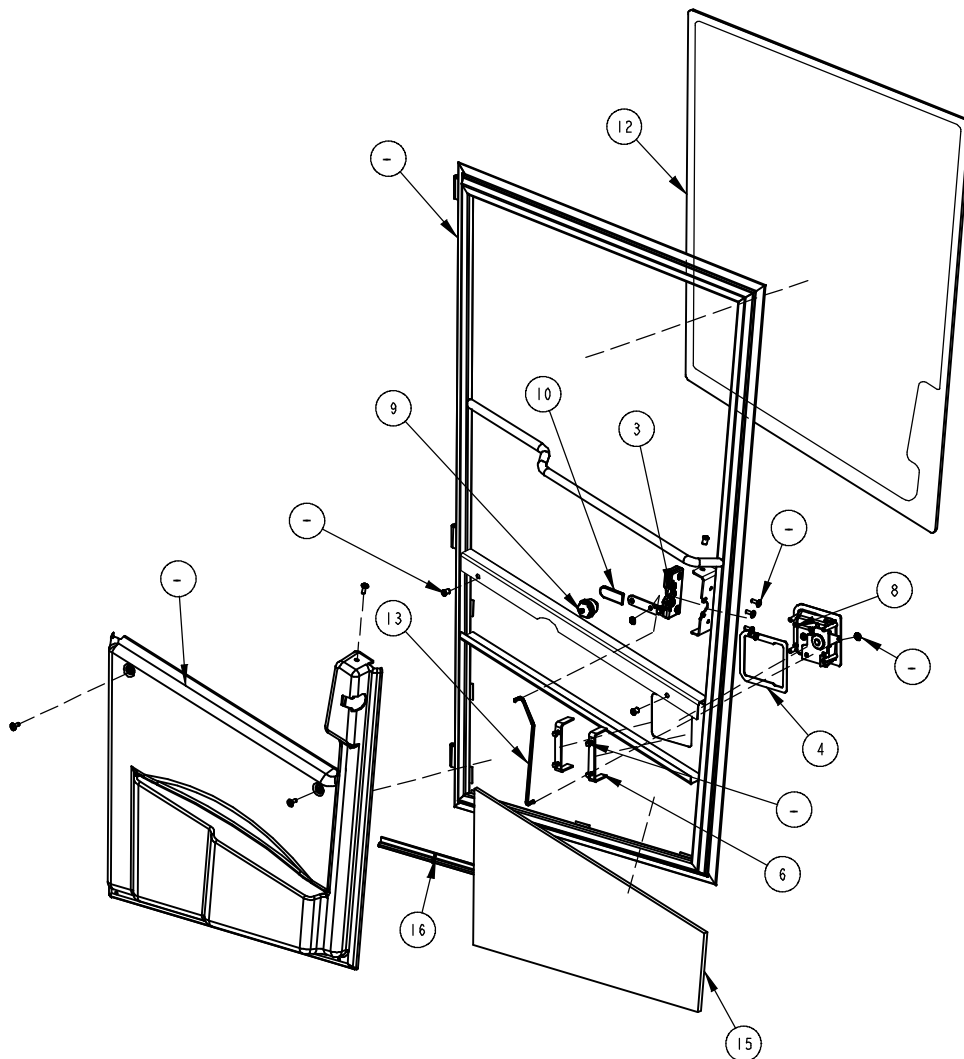
CAB, 700 SERIES



REF.

NO.	PART NO.	QTY.	PART NAME	SERIAL
			REMARKS	NO.

73	52319977	1	HARNESS, CAB FOPS (LIGHTS)	
----	----------	---	----------------------------	--

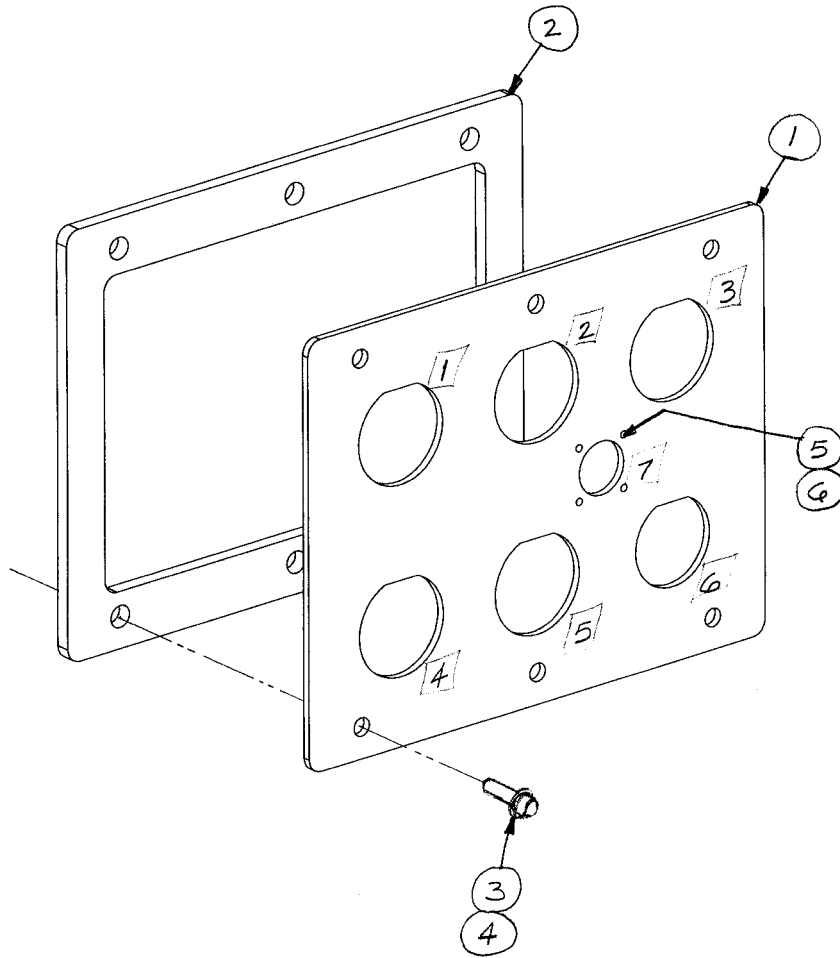
**REF.**

NO.	PART NO.	QTY.	PART NAME	SERIAL
			REMARKS	NO.

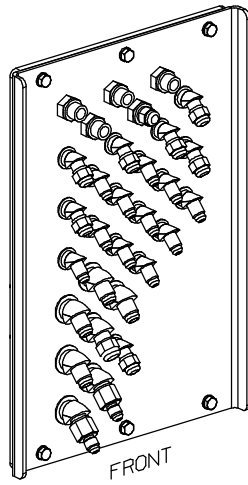
3	52331097	1	LATCH, CAM (RH)	
4	57561581	1	LATCH, GASKET	
6	52106630	2	BRACKET, MOUNTING	
8	52126455	1	ASSEMBLY, PADDLE HANDLE	
9	52331170	1	HOLD-OPEN, DOOR	
10	52331188	1	GRIP, VINYL HANDLE	
12	52318557	1	WINDOW, DOOR	
13	52319951	1	ROD, DOOR RELEASE	
15	52319845	1	FOAM, LOWER DOOR	
16	52320041	1	SEAL, DOOR (BOTTOM)	

52325214

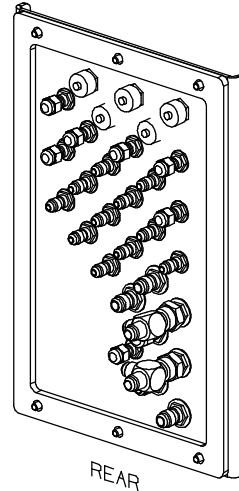
ELECTRICAL BULKHEAD ASSEMBLY

**REF.**

NO.	PART NO.	QTY.	PART NAME REMARKS	SERIAL NO.
1	52318730	1	BULKHEAD, ELECTRICAL (UPPER)	
2	52318755	1	GASKET, ELECTRICAL BULKHEAD (UPPER)	
3	95934816	6	CAPSCREW, HEX. HD.	
4	95922324	6	WASHER, FLAT	
5	95475869	4	SCREW, MACHINE	
6	95475877	4	WASHER, LOCK	
7	95187613	4	NUT, HEX MACHINE	



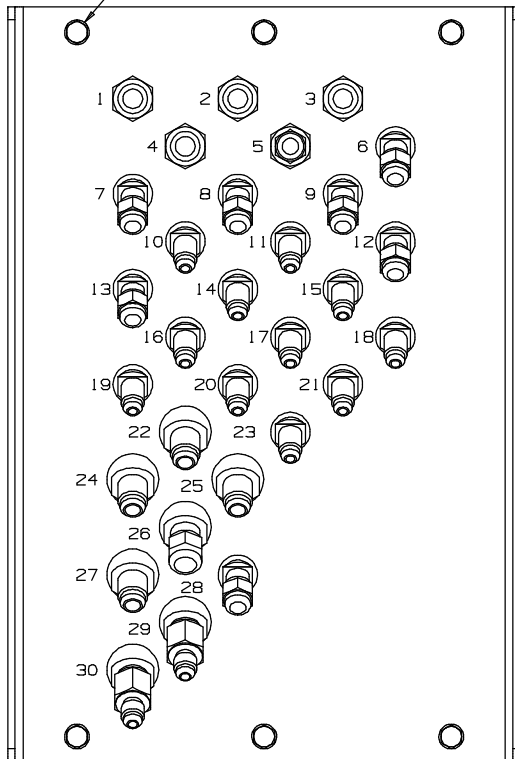
FRONT



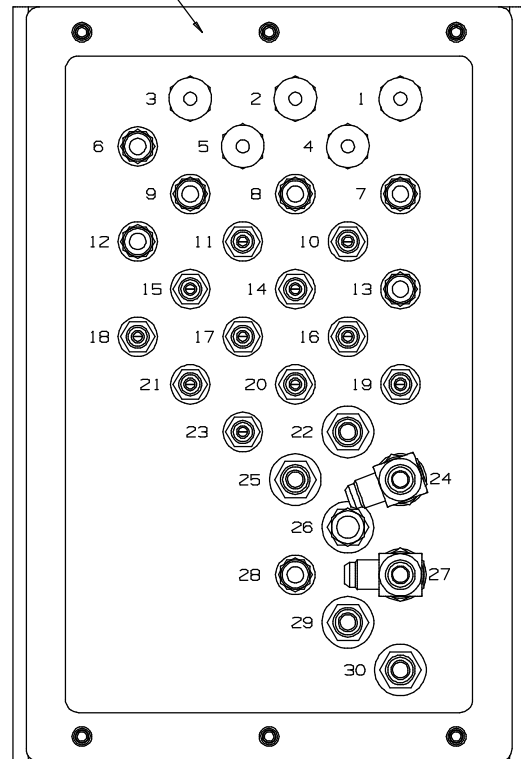
REAR

3 12

2



FRONT

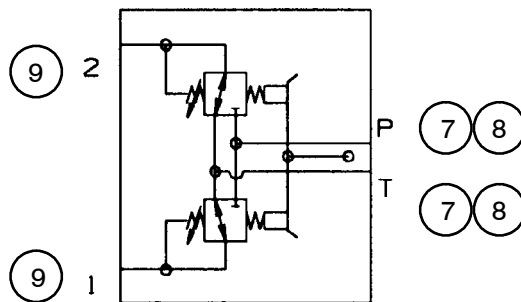
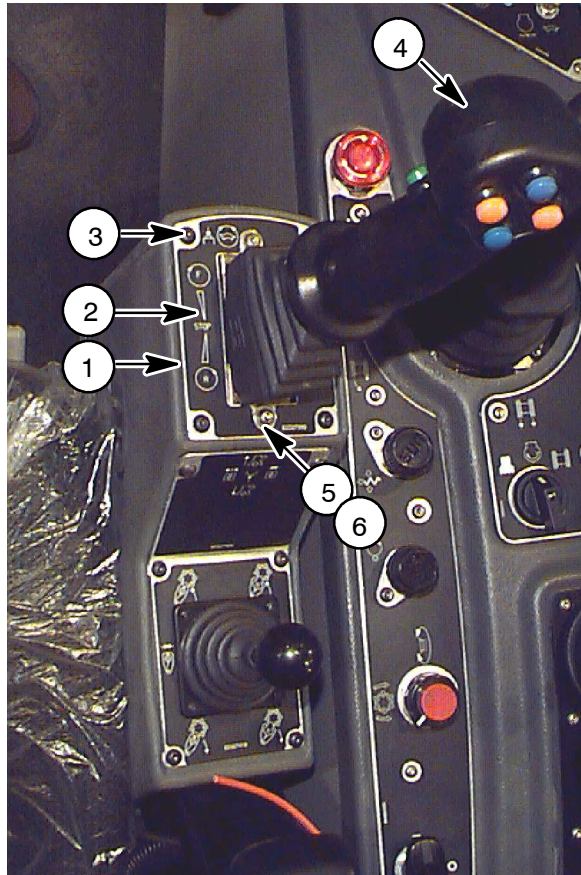


REAR

52325222_01

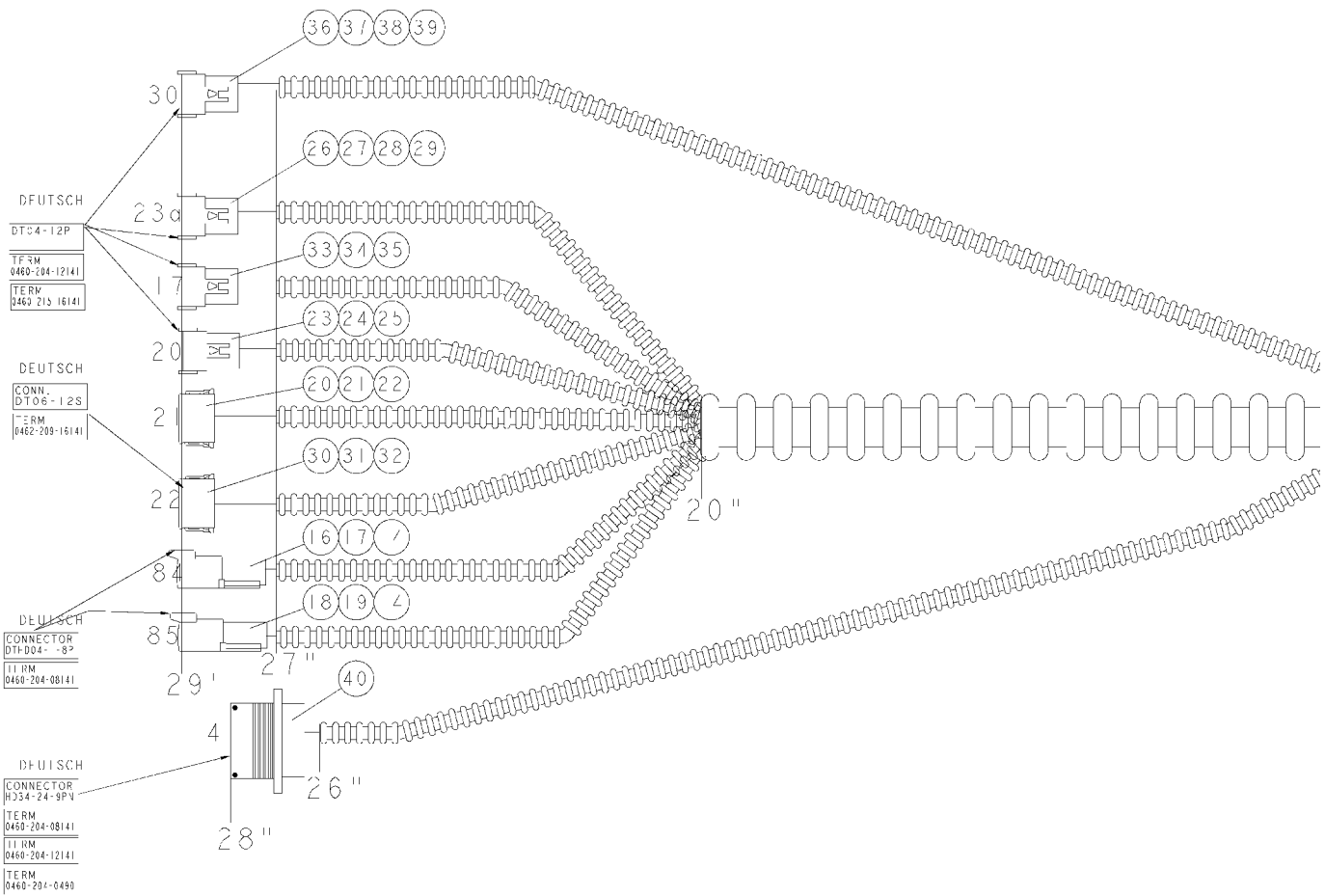
52325222**HYDRAULIC BULKHEAD ASSEMBLY**

<i>REF.</i>				
<i>NO.</i>	<i>PART NO.</i>	<i>QTY.</i>	<i>PART NAME</i>	<i>SERIAL</i>
			<i>REMARKS</i>	<i>NO.</i>
1	52318748	1	BULKHEAD, HYDRAULIC (LOWER)	
2	52318763	1	GASKET, BULKHEAD (LOWER)	
3	95934816	6	CAPSCREW	
4	52325248	5	FITTING, BULKHEAD TEST	
5	95371704	18	ADAPTER, BULKHEAD	
6	95278909	7	ADAPTER, BULKHEAD	
7	95866513	14	WASHER, INTERNAL TOOTH LOCK	
8	95248100	46	WASHER, INTERNAL TOOTH LOCK	
9	95415667	2	ADAPTER, TEE	
10	95257333	16	CAP	
11	95257341	2	CAP	
12	95922324	6	WASHER, FLAT	
14	51027928	2	ADAPTER	



52330917**RIGHT FRONT SEAT POD PANEL ASSEMBLY**

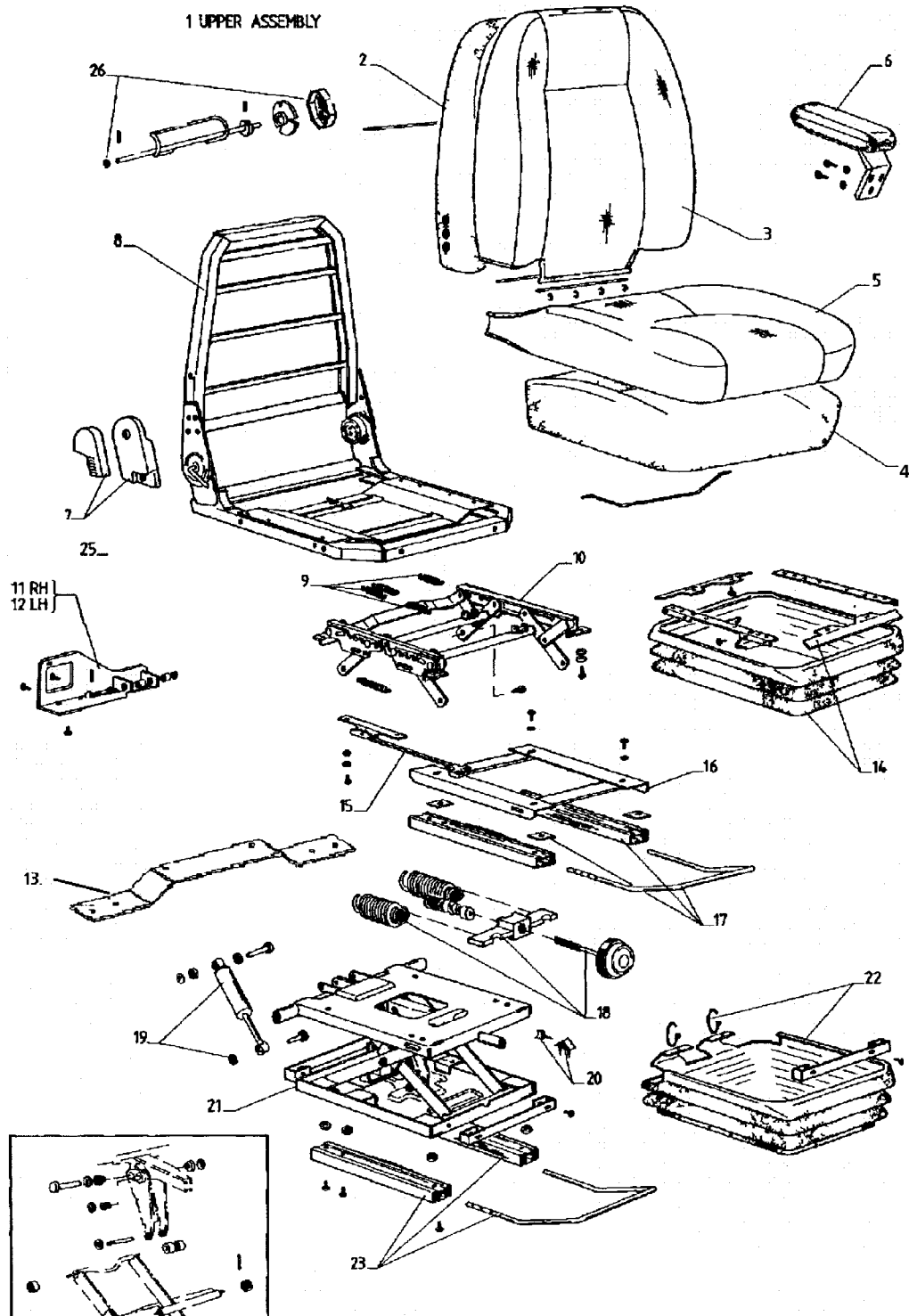
REF. NO.	PART NO.	QTY.	PART NAME REMARKS	SERIAL NO.
1	52316791	1	PANEL, ROTATION CONTROL VALVE	
2	52327392	1	DECAL, ROTATION CONTROL	
3	95917456	4	CAPSCREW, BUTTON HD. HEX. SOCKET	
4	52324902	1	VALVE, ROTATION CONTROL <i>REFER TO PAGE 9.51-1</i>	
5	96727995	2	CAPSCREW, BUTTON HD. HEX. SOCKET	
6	96726781	2	LOCKNUT, FLANGED HD.	
7	95666996	2	PLUG, PORT	
8	95329975	2	ADAPTER	
9	95371258	2	ADAPTER	



52322898

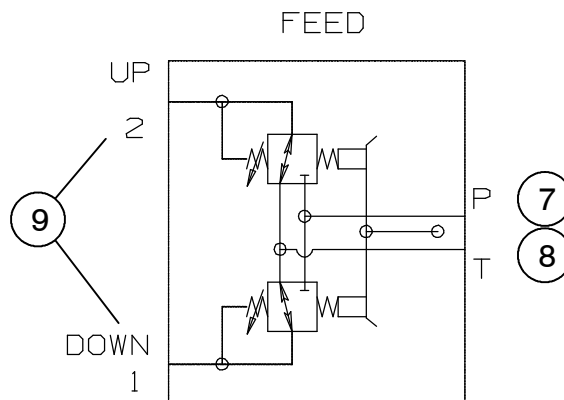
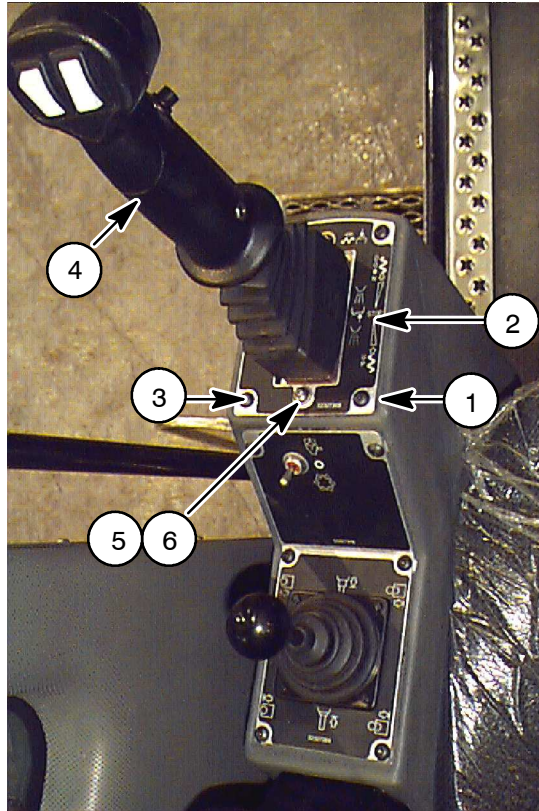
FUSE/RELAY PANEL ASSEMBLY

<i>REF.</i>	<i>PART NO.</i>	<i>QTY.</i>	<i>PART NAME</i>	<i>SERIAL</i>
<i>NO.</i>	<i>PART NO.</i>	<i>QTY.</i>	<i>REMARKS</i>	<i>NO.</i>
1	52318706	1	PANEL, MOUNTING	
2	52105400	1	CONVERTER, 24 VDC TO 12 VDC	
3	51913077	8	RELAY, ELECTRICAL (SPDT)	
4	51786333	1	RELAY, ELECTRICAL (DPDT)	
5	52283330	1	RELAY, ELECTRICAL (LATCHING)	
6	51619492	2	SOLENOID, POWER (SPST /NO)	
7	52116662	6	FUSE, ELECTRICAL (10 AMP)	
8	52116654	4	FUSE, ELECTRICAL (15 AMP)	
9	52116647	1	FUSE, ELECTRICAL (20 AMP)	
10	52135423	1	FUSE, ELECTRICAL (25 AMP)	
11	52117421	1	FUSE, ELECTRICAL (30 AMP)	
12	57709230	1	CONNECTOR,1 SKT CONTACT	
13	58818212	1	SOCKET,SIZE 8	
14	57709248	1	CONNECTOR,1 PIN CONTACT	
15	58797119	1	PIN,SIZE 8	
16	57709248	1	CONNECTOR,1 PIN CONTACT	
17	58797119	1	PIN,SIZE 8	
18	57709248	1	CONNECTOR,1 PIN CONTACT	
19	58797119	1	PIN,SIZE 8	
20	54651328	1	PLUG,12 CIRCUIT	
21	57386955	12	CONTACT, 14 AWG SOCKET	
22	54651344	1	WEDGE,SOCKETS	
23	54606595	1	RECEPTACLE,12 CIRCUIT	
24	59436840	12	PIN,SIZE 16	
25	54651351	1	WEDGE,PINS	
26	54606595	1	RECEPTACLE,12 CIRCUIT	
27	59436840	10	PIN,SIZE 16	
28	54651351	1	WEDGE,PINS	
29	57400004	2	PLUG, SEALING--SIZE 12	
30	54651328	1	PLUG,12 CIRCUIT	
31	57386955	12	CONTACT, 14 AWG SOCKET	
32	54651344	1	WEDGE,SOCKETS	
33	54606595	1	RECEPTACLE,12 CIRCUIT	
34	59436840	12	PIN,SIZE 16	
35	54651351	1	WEDGE,PINS	
36	54606595	1	RECEPTACLE,12 CIRCUIT	
37	59436840	11	PIN,SIZE 16	
38	54651351	1	WEDGE,PINS	
39	57400004	1	PLUG, SEALING--SIZE 12	
40	57691925	1	CONNECTOR PLUG	



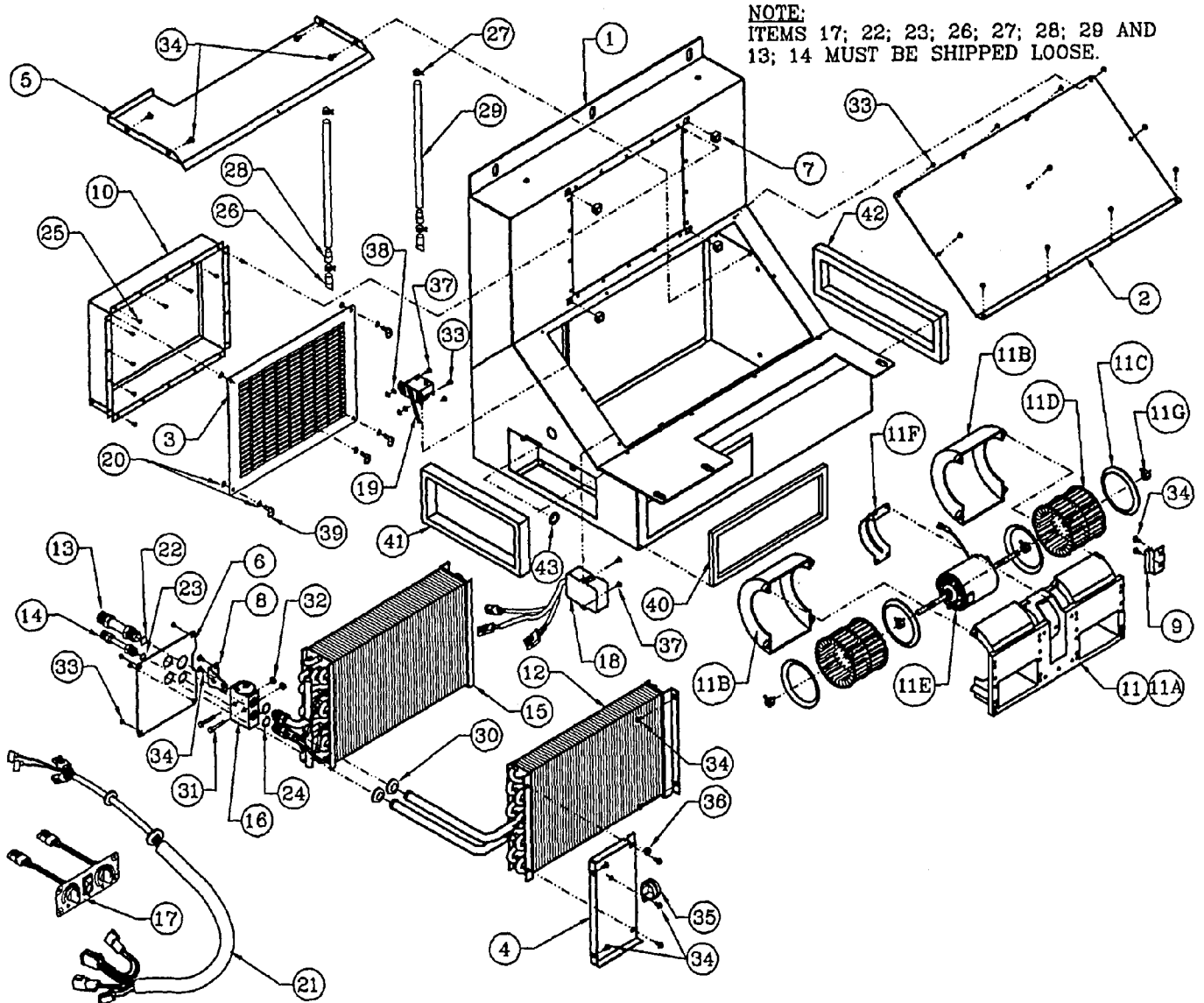
52325578**OPERATOR'S CAB SEAT**

<i>REF.</i>				
<i>NO.</i>	<i>PART NO.</i>	<i>QTY.</i>	<i>PART NAME</i>	<i>SERIAL</i>
			<i>REMARKS</i>	<i>NO.</i>
2	52330990	1	KIT, SEAT BACK FOAM	
3	52331006	1	KIT, SEAT BACK COVER	
4	52331014	1	KIT, SEAT FOAM	
5	52331022	1	KIT, SEAT COVER ASSEMBLY	
11	52331030	1	KIT, RH CONTROLS POD FIXING	
12	52331048	1	KIT, LH CONTROLS POD FIXING	
13	52331055	1	KIT, POD MOUNTING BRACKET	
18	52331063	1	KIT, WEIGHT ADJUSTMENT	
19	52331071	1	KIT, DAMPER ASSEMBLY	
20	57714685	1	SEAT BELT	



52330909**LEFT FRONT SEAT POD PANEL ASSEMBLY**

<i>REF.</i>				
<i>NO.</i>	<i>PART NO.</i>	<i>QTY.</i>	<i>PART NAME</i>	<i>SERIAL</i>
			<i>REMARKS</i>	<i>NO.</i>
1	52316791	1	PANEL, FEED CONTROL VALVE	
2	52327368	1	DECAL, FEED CONTROL	
3	95917456	4	CAPSCREW, BUTTON HD. HEX. SOCKET	
4	57744237	1	VALVE, FEED CONTROL	
5	96727995	2	CAPSCREW, BUTTON HD. HEX. SOCKET	
6	96726781	2	LOCKNUT, FLANGED HD.	
7	95666996	2	PLUG, PORT	
8	95329975	2	ADAPTER	
9	95371258	2	ADAPTER	

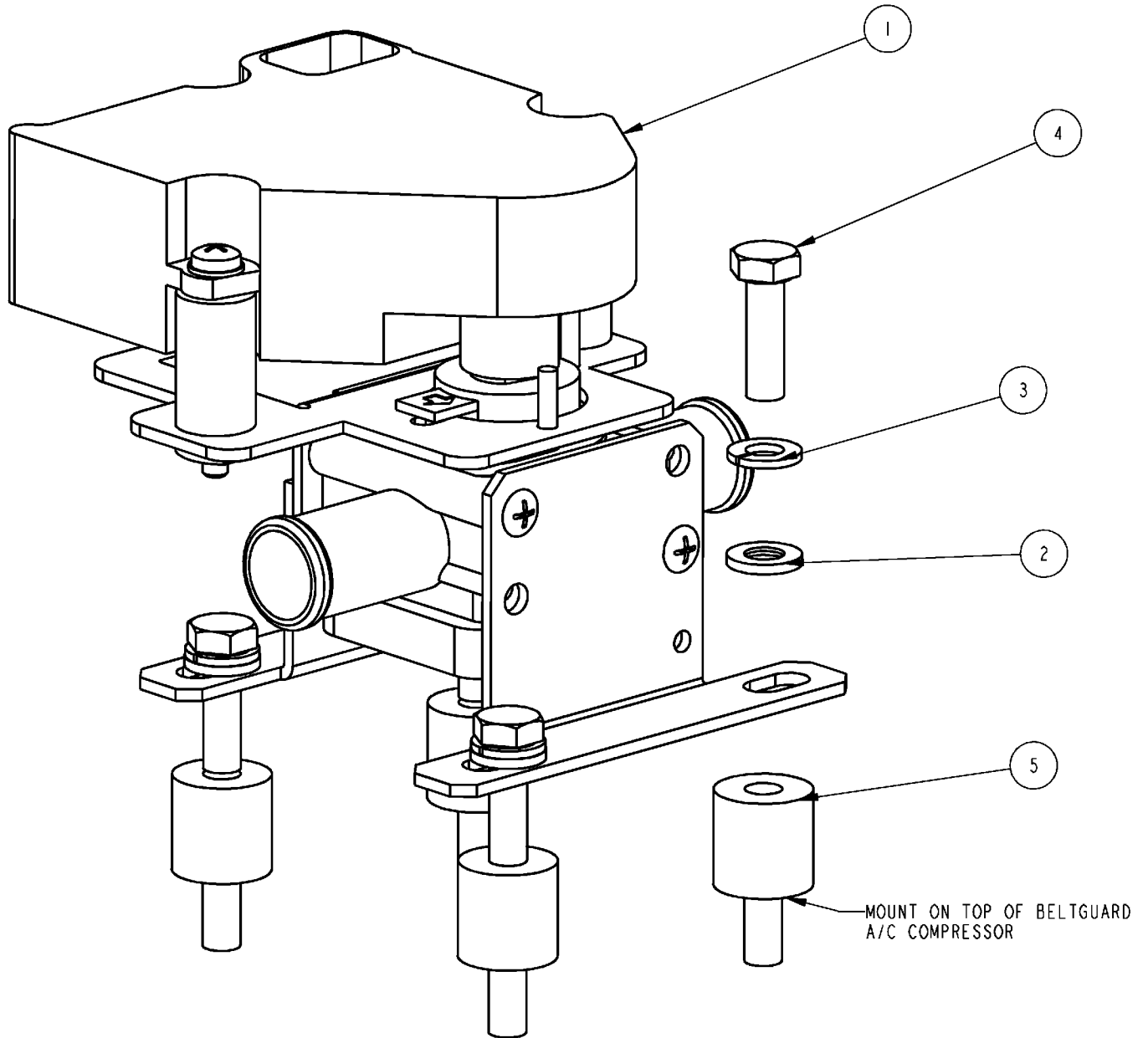


57740409**HEAT & A/C AIR SYSTEM**

<i>REF.</i>			<i>PART NAME</i>	<i>SERIAL</i>
<i>NO.</i>	<i>PART NO.</i>	<i>QTY.</i>	<i>REMARKS</i>	<i>NO.</i>
11	52331618	1	ASSEMBLY, BLOWER	
11D	52331626	2	.WHEEL, BLOWER	
11E	52331634	1	.MOTOR	
12	57741795	1	COIL, HEATER	
15	52331667	1	COIL, EVAPORATOR	
16	52331675	1	VALVE, BLOCK	
18	52331683	1	ASSEMBLY, BLOWER DRIVE	
19	52331691	1	THERMOSTAT	
21	57741803	1	HARNES, WIRING	
22	52331725	1	O-RING	
23	52331733	1	O-RING	
24	52331741	2	O-RING	
39	52331758	4	STUD	
40	52331766	1	FOAM	
41	52331774	1	FOAM	
42	52331774	1	FOAM	

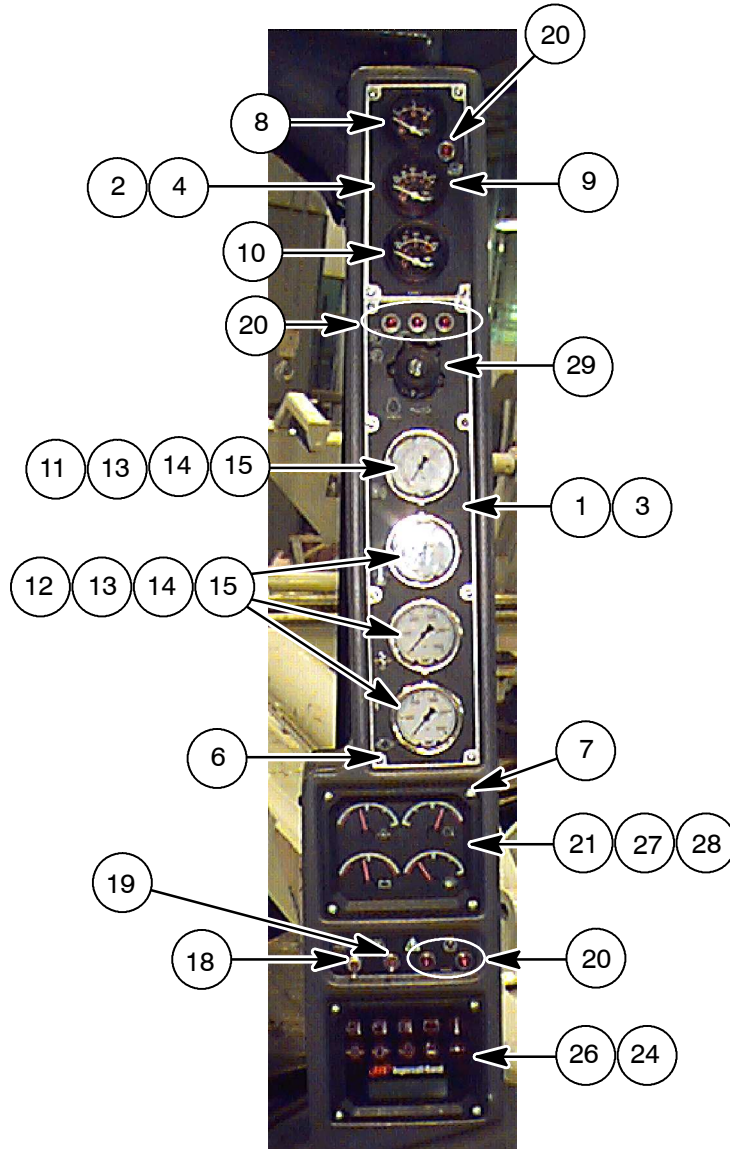
57740433

VALVE, MOTORIZED, HEATER



57740433**VALVE, MOTORIZED, HEATER**

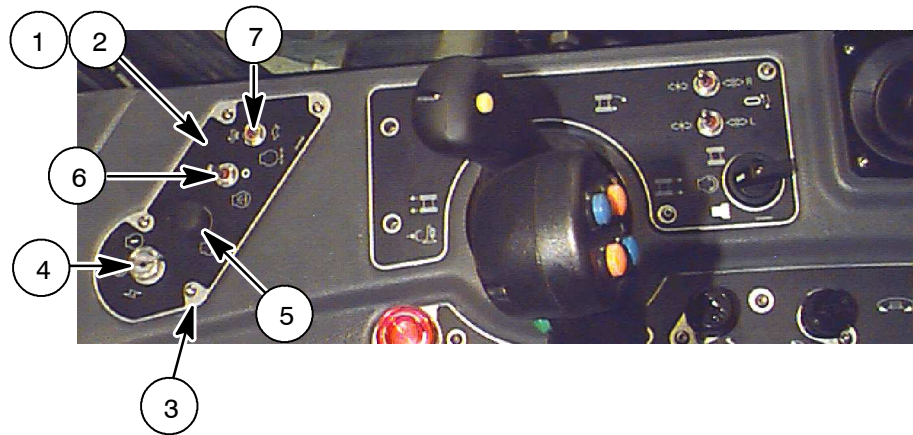
<i>REF.</i>				
<i>NO.</i>	<i>PART NO.</i>	<i>QTY.</i>	<i>PART NAME</i>	<i>SERIAL</i>
			<i>REMARKS</i>	<i>NO.</i>
1	57740425	1	ASSEMBLY, BLOWER	
2	96702501	4	WASHER	
3	96727573	4	LOCKWASHER (METRIC)	
4	96704564	4	BOLT	
5	57776361	4	ISOLATOR	



NOTE: REFERENCE NOS. 16, 17, 22 & 23 ARE NOT ILLUSTRATED.

52330941**CORNER GAUGE PANEL ASSEMBLY**

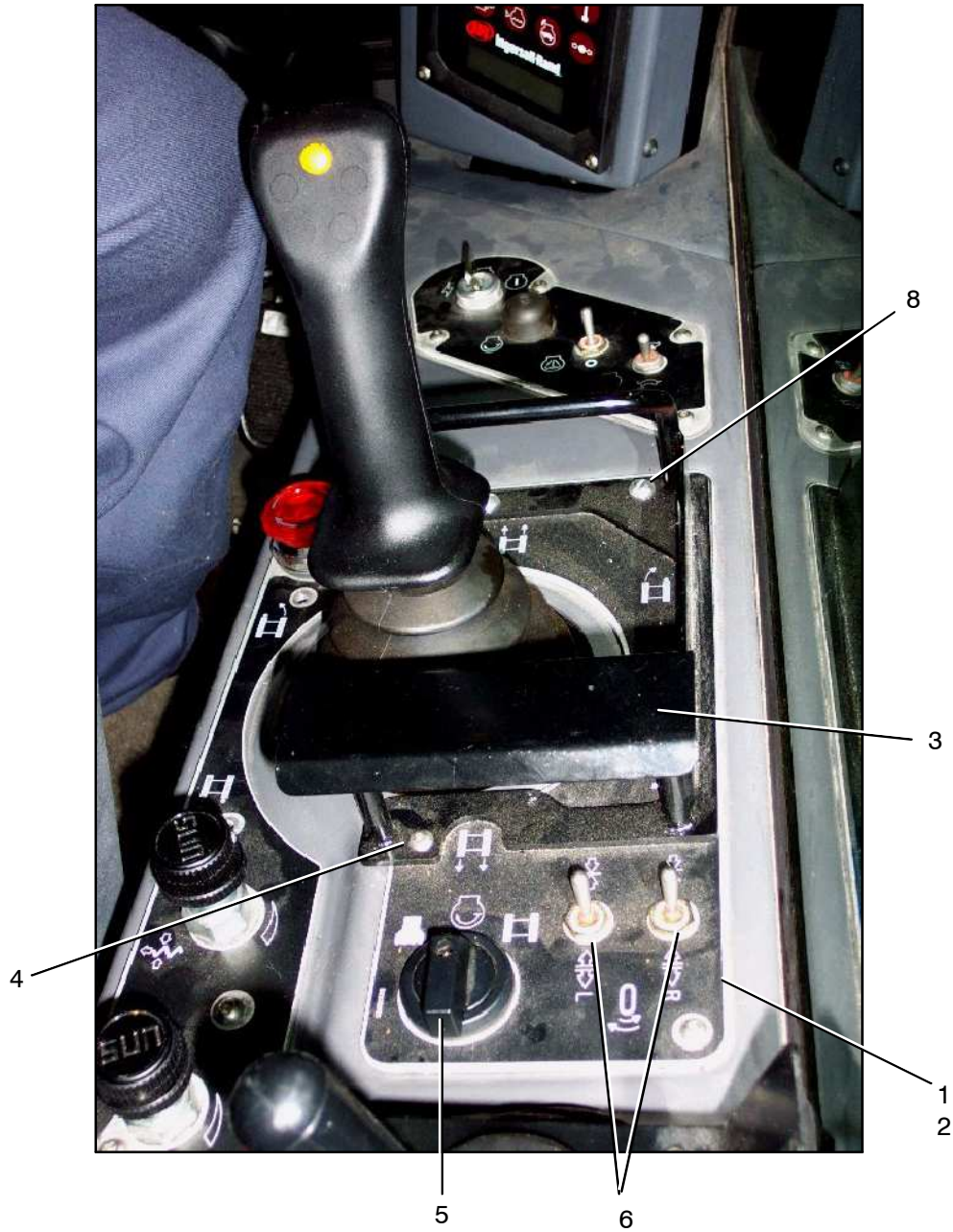
REF. NO.	PART NO.	QTY.	PART NAME REMARKS	SERIAL NO.
1	52330701	1	PANEL, LOWER GAUGE	
2	52330685	1	PANEL, UPPER GAUGE	
3	52330735	1	DECAL, LOWER GAUGE PANEL	
4	52330719	1	DECAL, UPPER GAUGE PANEL	
5	52325545	1	DECAL, DIAGNOSTIC PANEL	
6	95919130	12	CAPSCREW, BUTTON HD. HEX. SOCKET	
7	95992806	8	CAPSCREW, BUTTON HD. HEX. SOCKET	
8	51607448	1	GAUGE, FUEL LEVEL	
9	51618338	1	GAUGE, HYDRAULIC OIL TEMPERATURE	
10	51778884	1	GAUGE, AIR DISCHARGE TEMPERATURE	
11	51782415	2	GAUGE, PRESSURE (0-400 PSI)	
12	51618247	3	GAUGE, PRESSURE (0-5000 PSI)	
13	95264917	5	ADAPTER	
14	52325164	5	FITTING, PRESSURE TEST	
15	52325255	0	HOSE, PRESSURE TEST	
16	52322963	1	HARNESS, WIRING (GAUGE PANEL)	
17	52322971	1	HARNESS, WIRING (ENGINE EDM PANEL)	
18	57179608	1	SWITCH, TOGGLE (PANEL LIGHTS)	
19	57216913	1	SWITCH, TOGGLE (EMS SCROLL)	
20	51618437	6	LAMP, INDICATOR	
21	51716124	2	LAMP, QUAD GAUGE (CAT QUAD GAUGE)	
22	51791879	12	CONNECTOR, WIRE	
23	51795623	12	CONNECTOR, WIRE	
24	52326998	1	DECAL, ENGINE EMS PANEL	
28	52323045	1	HARNESS, QUAD GAUGE PANEL LIGHT WIRING	



NOTE: REF. NO. 8 IS NOT ILLUSTRATED.

52325396**ENGINE IGNITION PANEL ASSEMBLY**

<i>REF.</i>				
<i>NO.</i>	<i>PART NO.</i>	<i>QTY.</i>	<i>PART NAME</i>	<i>SERIAL</i>
			<i>REMARKS</i>	<i>NO.</i>
1	52316734	1	PANEL, ENGINE IGNITION	
2	52325560	1	DECAL, ENGINE IGNITION	
3	95919130	4	CAPSCREW, BUTTON HD. HEX. SOCKET	
4	51607299	1	SWITCH, ENGINE IGNITION	
5	51607315	1	SWITCH, ENGINE START	
6	57179608	1	SWITCH, ETHER INJECTION ON/OFF TOGGLE	
7	57179616	1	SWITCH, ENGINE SPEED TOGGLE	
8	52322914	1	HARNESS, ENGINE IGNITION PANEL WIRING	

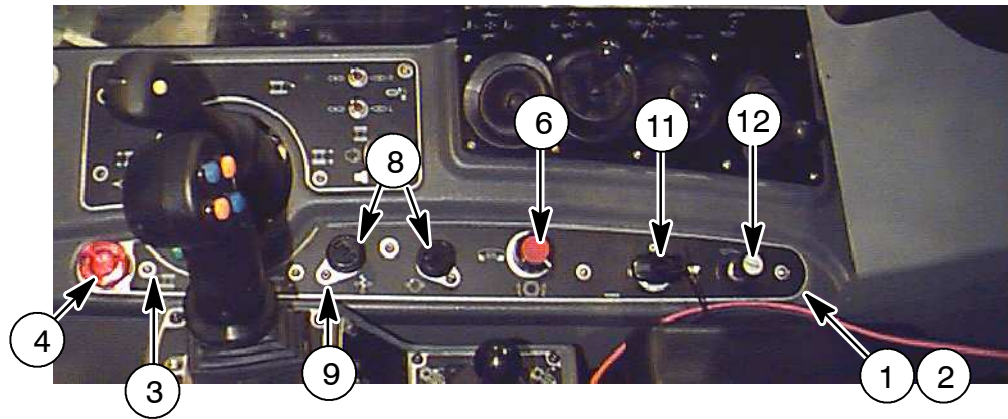


7 NOT SHOWN

52325420**DRILL/TRAM SELECTOR PANEL ASSEMBLY**

<i>REF. NO.</i>	<i>PART NO.</i>	<i>QTY.</i>	<i>PART NAME REMARKS</i>	<i>SERIAL NO.</i>
1	52316742	1	PANEL, DRILL/TRAM JOYSTICK	
2	52326865	1	DECAL, DRILL/TRAM JOYSTICK	
3	52330677	1	HANDREST, TRAM CONTROL	
4	95919130	2	CAPSCREW, BUTTON HD.HEX. SOCKET	
5	52094232	1	SWITCH, DRILL/TRAM SELECTOR	
6	57179608	2	SWITCH, TRACK OSCILLATION LOCK TOGGLE	
7	52322922	1	HARNES, DRILL/TRAM SELECTOR PANEL WIRING	
8	95917472	2	CAPSCREW	

NOTE: THIS PART IS FURNISHED WITH CAB.



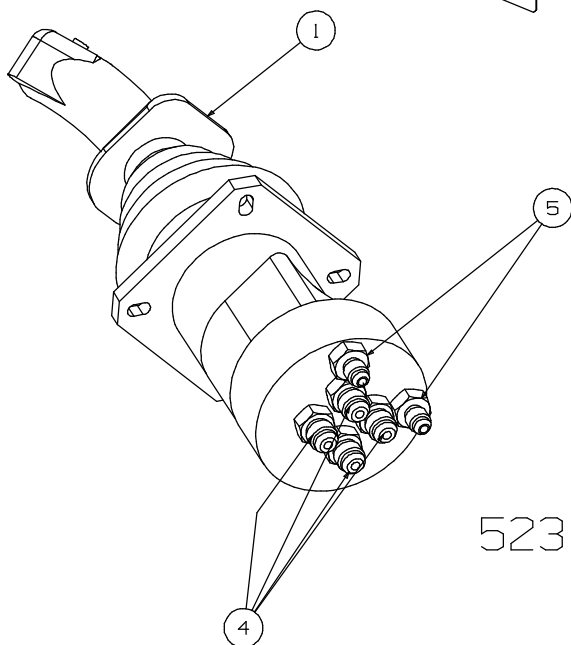
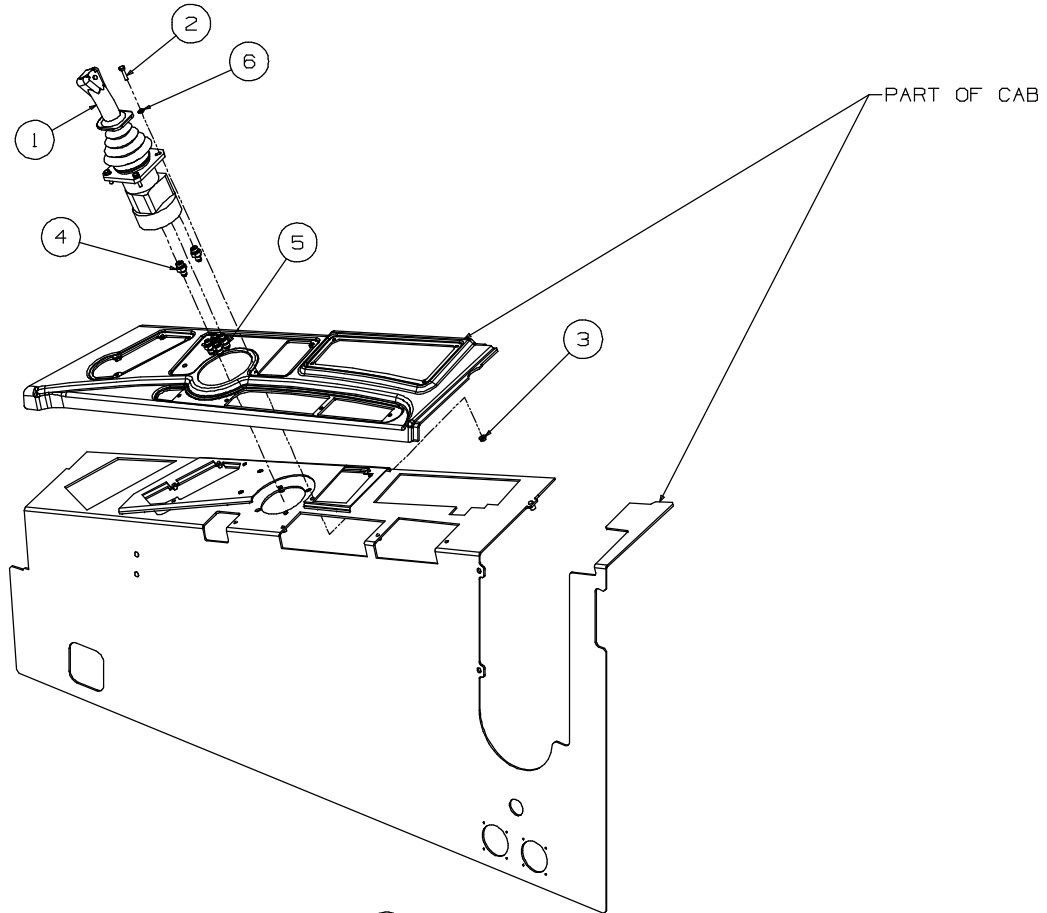
NOTE: REF. NOS. 5, 7, 10, 13, 14 & 15 ARE NOT ILLUSTRATED.

52330966**SIDE CONTROL PANEL ASSEMBLY**

REF. NO.	PART NO.	QTY.	PART NAME REMARKS	SERIAL NO.
1	52316692	1	PANEL, SIDE CONTROL	
2	52326840	1	DECAL, SIDE CONTROL	
3	95919130	4	CAPSCREW, BUTTON HD. HEX. SOCKET	
4	52325453	1	SWITCH, EMERGENCY STOP	
5	52322864	1	HARNESS, EMERGENCY STOP WIRING	
6	51780542	1	SWITCH, CAROUSEL ROTATION	
7	52322906	1	HARNESS, CAROUSEL ROTATION WIRING	
8	52321262	1	VALVE, FEED PRESSURE/ROTATION SPEED <i>REFER TO PAGE 9.43-1</i>	
9	96727987	3	CAPSCREW, BUTTON HD. HEX. SOCKET	
10	95365086	4	ADAPTER	
11	51608487	1	VALVE, VAPOSOL ON/OFF	
12	51992055	1	VALVE, VAPOSOL ADJUST	
13	52326857	1	ADAPTER (BETWEEN VAPOSOL VALVES)	
14	95209094	1	ADAPTER (WATER "IN" BALL VALVE)	
15	95286514	1	ADAPTER (WATER "OUT" NEEDLE VALVE)	

52314473

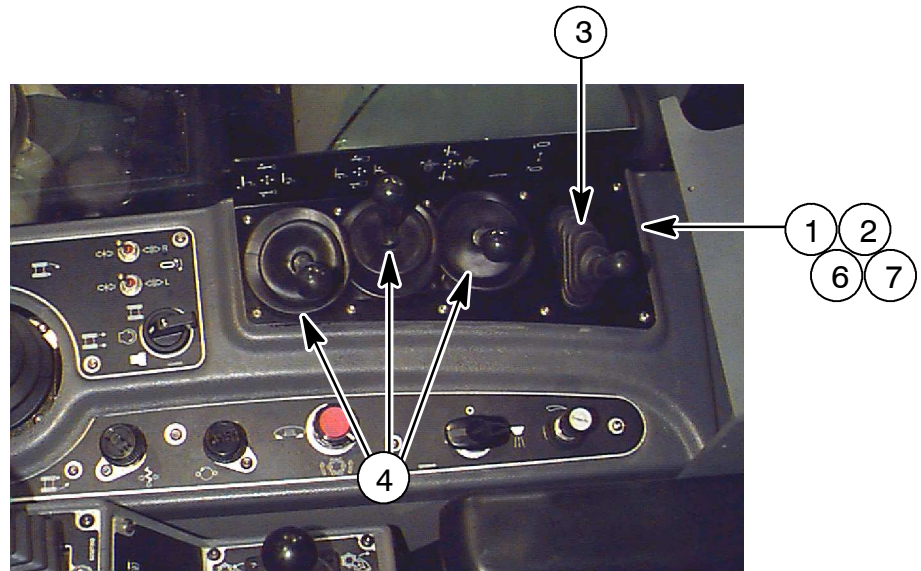
TRAM CONTROL JOYSTICK ASSEMBLY



52314473_01

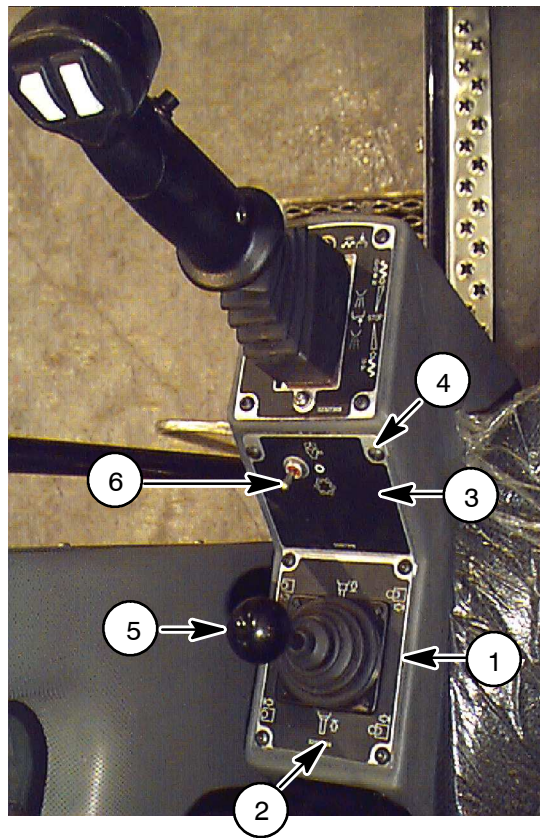
52314473**TRAM CONTROL JOYSTICK ASSEMBLY**

REF. NO.	PART NO.	QTY.	PART NAME REMARKS	SERIAL NO.
1	52311552	1	JOYSTICK, TRAM CONTROL <i>REFER TO PAGE 9.60-1</i>	
2	96727995	4	CAPSCREW, BUTTON HD. HEX. SOC.	
3	96726781	4	LOCKNUT, FLANGED HD.	
4	95365078	2	ADAPTER	
5	95371258	4	ADAPTER	
6	96701289	4	WASHER	



52330958**POSITIONING CONTROL VALVE PANEL ASSEMBLY**

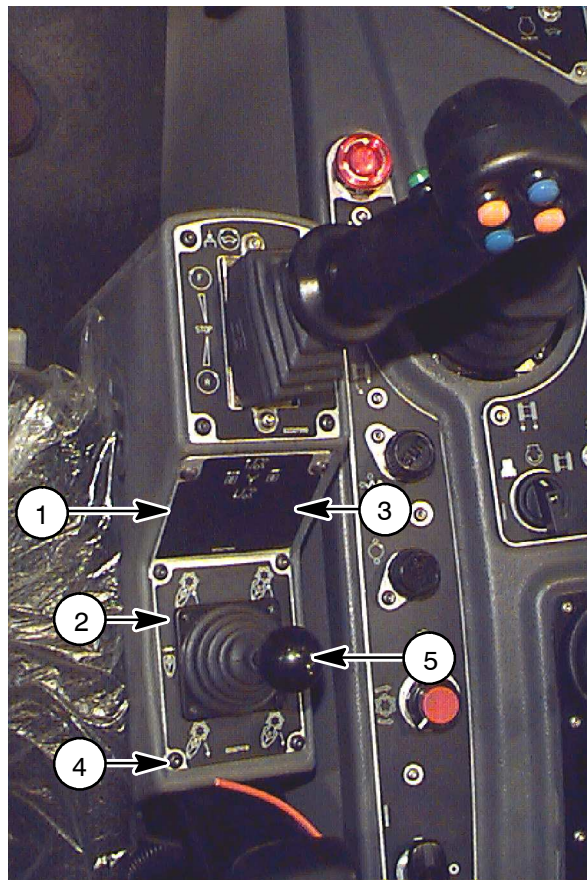
<i>REF.</i>				
<i>NO.</i>	<i>PART NO.</i>	<i>QTY.</i>	<i>PART NAME</i>	<i>SERIAL</i>
			<i>REMARKS</i>	<i>NO.</i>
1	52316726	1	PANEL, POSITIONING CONTROL VALVE	
2	52327426	1	DECAL, POSITIONING CONTROL VALVE	
3	51313146	1	BOOT, LEVER	
4	52326972	3	BELLOWS	
6	52326949	1	PLATE, RETAINER	
7	95992806	10	CAPSCREW, BUTTON HD. HEX. SOC.	



NOTE: REF. NO. 7 IS NOT ILLUSTRATED.

52330925**LEFT REAR SEAT POD PANEL ASSEMBLY**

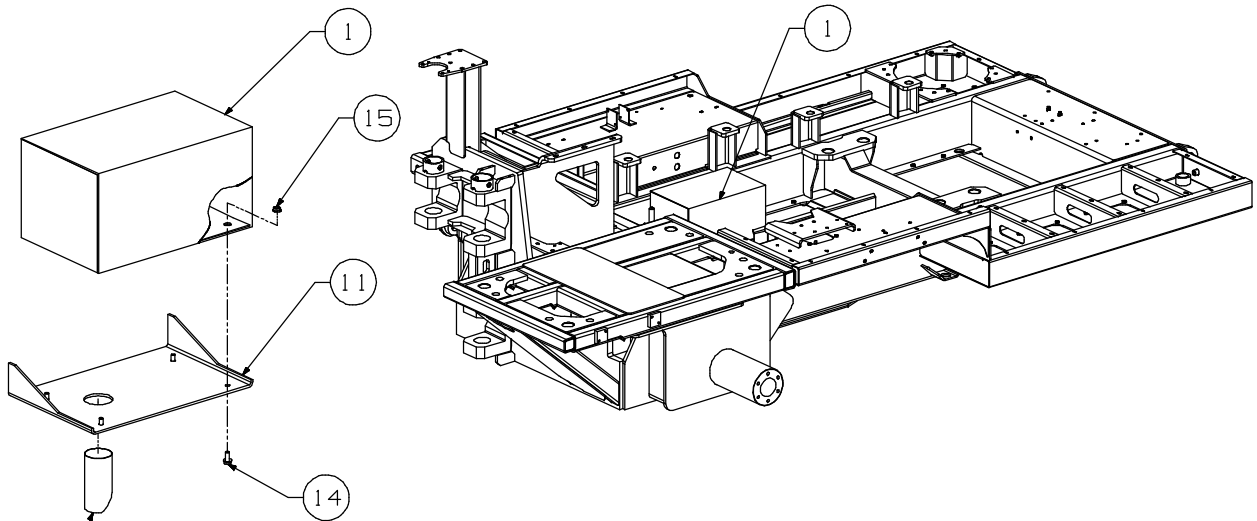
REF. NO.	PART NO.	QTY.	PART NAME REMARKS	SERIAL NO.
1	52316775	1	PANEL, LEFT REAR SEAT POD	
2	52327384	1	DECAL, ROD LOCK & BREAKOUT FORK	
3	52327376	1	DECAL, DUST COLLECTOR & ARC	
4	95917456	6	CAPSCREW, BUTTON HD. HEX. SOCKET	
5	52330982	1	JOYSTICK, ROD LOCK & BREAKOUT FORK <i>REFER TO PAGE 9.54-1</i>	
6	57698920	1	SWITCH, TOGGLE	
7	57753212	1	HARNESS, AIR/DUST	



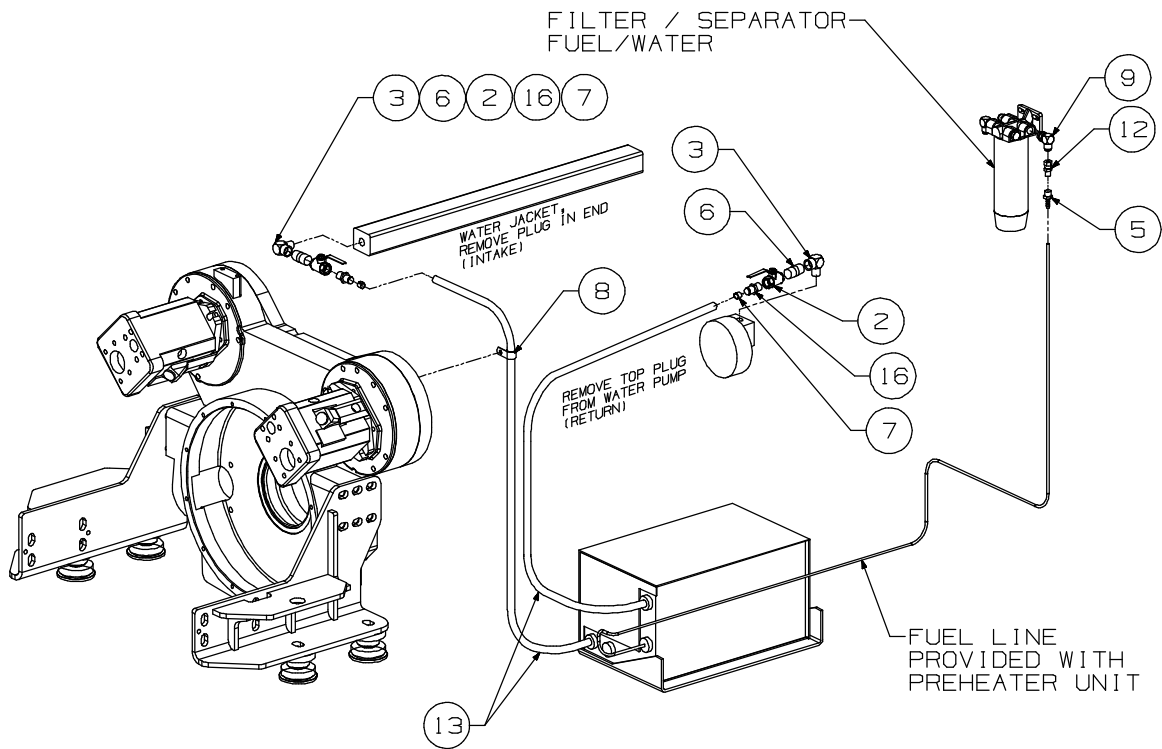
NOTE: REF. NO. 7 IS NOT ILLUSTRATED.

52330933**RIGHT REAR SEAT POD PANEL ASSEMBLY**

<i>REF.</i>				
<i>NO.</i>	<i>PART NO.</i>	<i>QTY.</i>	<i>PART NAME</i>	<i>SERIAL</i>
			<i>REMARKS</i>	<i>NO.</i>
1	52319191	1	PANEL, RIGHT REAR SEAT POD	
2	52327418	1	DECAL, ROD CHANGER	
3	52327400	1	DECAL, DUSTHOOD/ CENTRALIZER	
4	95917456	6	CAPSCREW, BUTTON HD. HEX. SOCKET	
5	52315884	1	JOYSTICK, ROD CHANGER CONTROL	
7	52322989	1	HARNES, RIGHT REAR SEAT POD WIRING	



PIPE AND CLAMP
FURNISH WITH ITEM 1



57737611_00

57737611**PREHEATER**

<i>REF.</i>				
<i>NO.</i>	<i>PART NO.</i>	<i>QTY.</i>	<i>PART NAME</i>	<i>SERIAL</i>
			<i>REMARKS</i>	<i>NO.</i>
1	57643827	1	HEATER,DIESEL FIRED	
2	50829605	2	VALVE,BALL-1/2	
3	95264891	2	ELBOW, 90DEG	
5	51730265	1	FITTING	
6	95315214	2	NIPPLE,NPTF DRYSEAL	
7	95220844	8	CLAMP, HOSE	
8	95457586	1	CLAMP, HOSE	
9	95356853	1	ELBOW,90 DEG	
10	57655722	1	TIMER,7 DAY DIGITAL	
11	52330370	1	PLATE,MOUNTING-PREHEATER	
12	51304434	1	ADAPTER	
13	57065260	1	HOSE,HYD	
14	96727797	4	BOLT	
15	96726799	4	NUT	
16	57737652	2	CONNECTOR, HOSE	
17	57737918	1	PREHEATER WIRING	
			<i>REFER TO PAGE 13.18-1</i>	

57737918**PREHEATER WIRING**

<i>REF.</i>				
<i>NO.</i>	<i>PART NO.</i>	<i>QTY.</i>	<i>PART NAME</i>	<i>SERIAL</i>
			<i>REMARKS</i>	<i>NO.</i>
1	58150228	4	TERMINAL, FEMALE PUSHON	
2	57473563	6	CABLE, 18/6 CONDUCTOR	
3	59436840	4	PIN	
4	54530993	4	SOCKET	
5	95373841	2	TERMINAL	

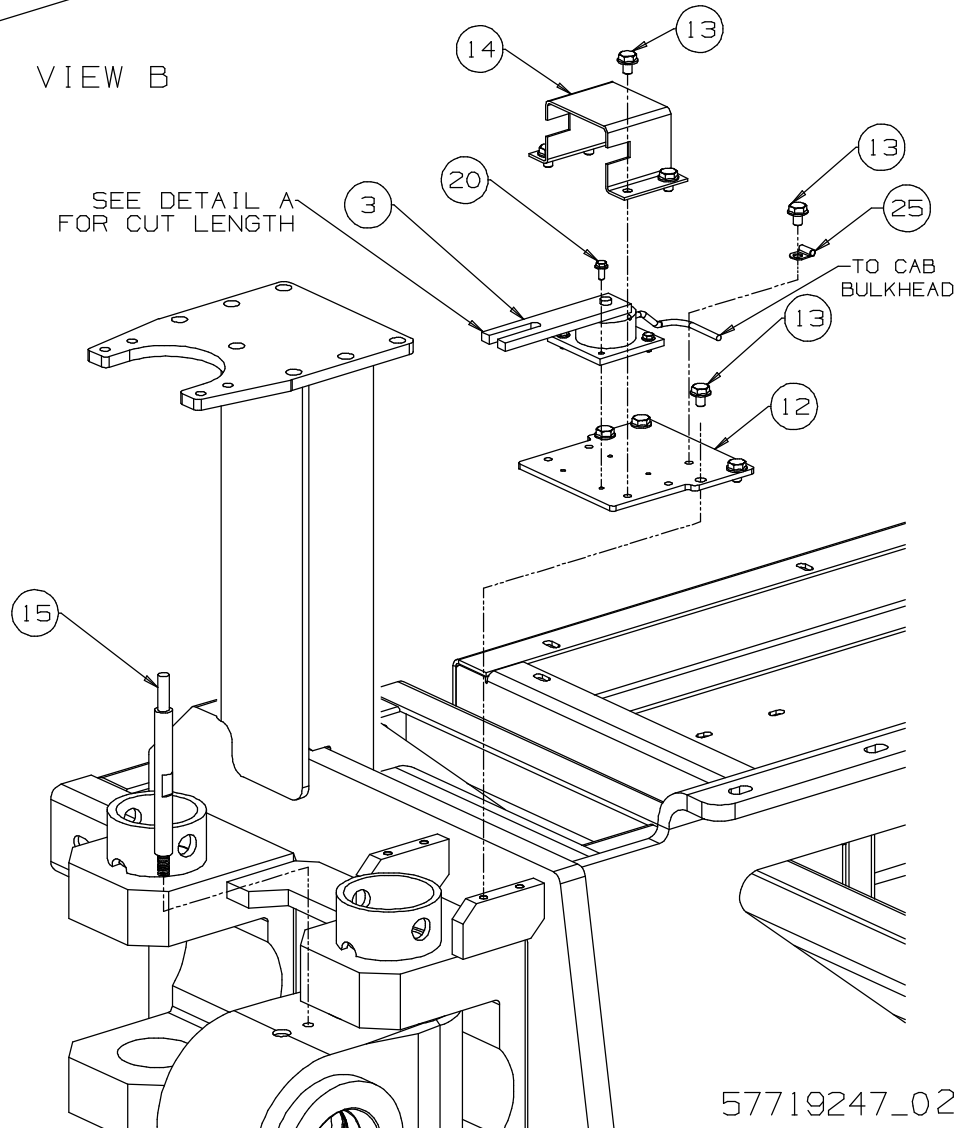
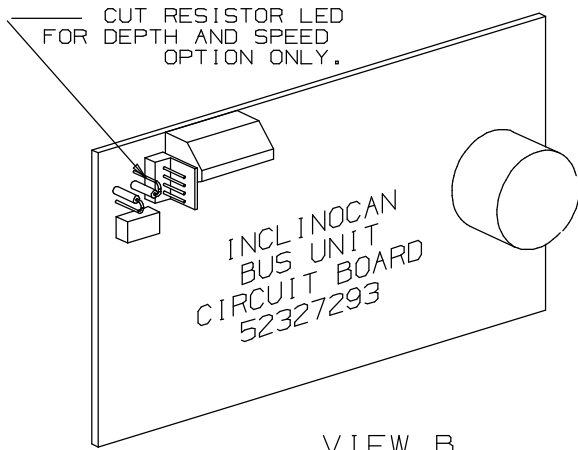
57699217

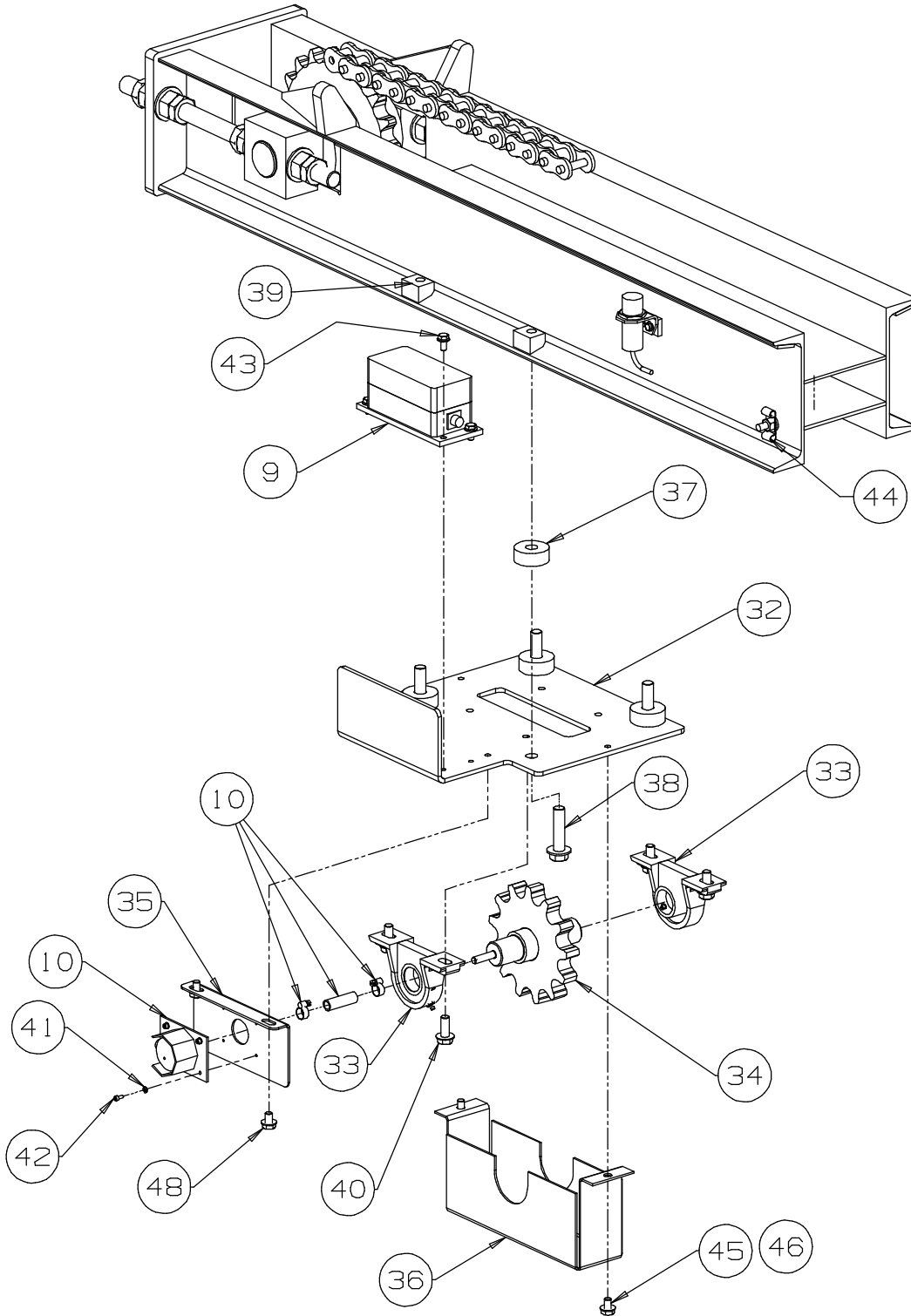
INDICATOR, ANGLE INSTL

LIST ONLY
NO DRAWING AVAILABLE

<i>REF.</i>				
<i>NO.</i>	<i>PART NO.</i>	<i>QTY.</i>	<i>PART NAME</i>	<i>SERIAL</i>
			<i>REMARKS</i>	<i>NO.</i>
70	57673451	1	HARNES, LIM SENSOR	
87	52327061	1	KIT, ANGLE INDIACATOR (2D)	
88	52327343	1	DECAL, I-R ANGLE INDICATOR	

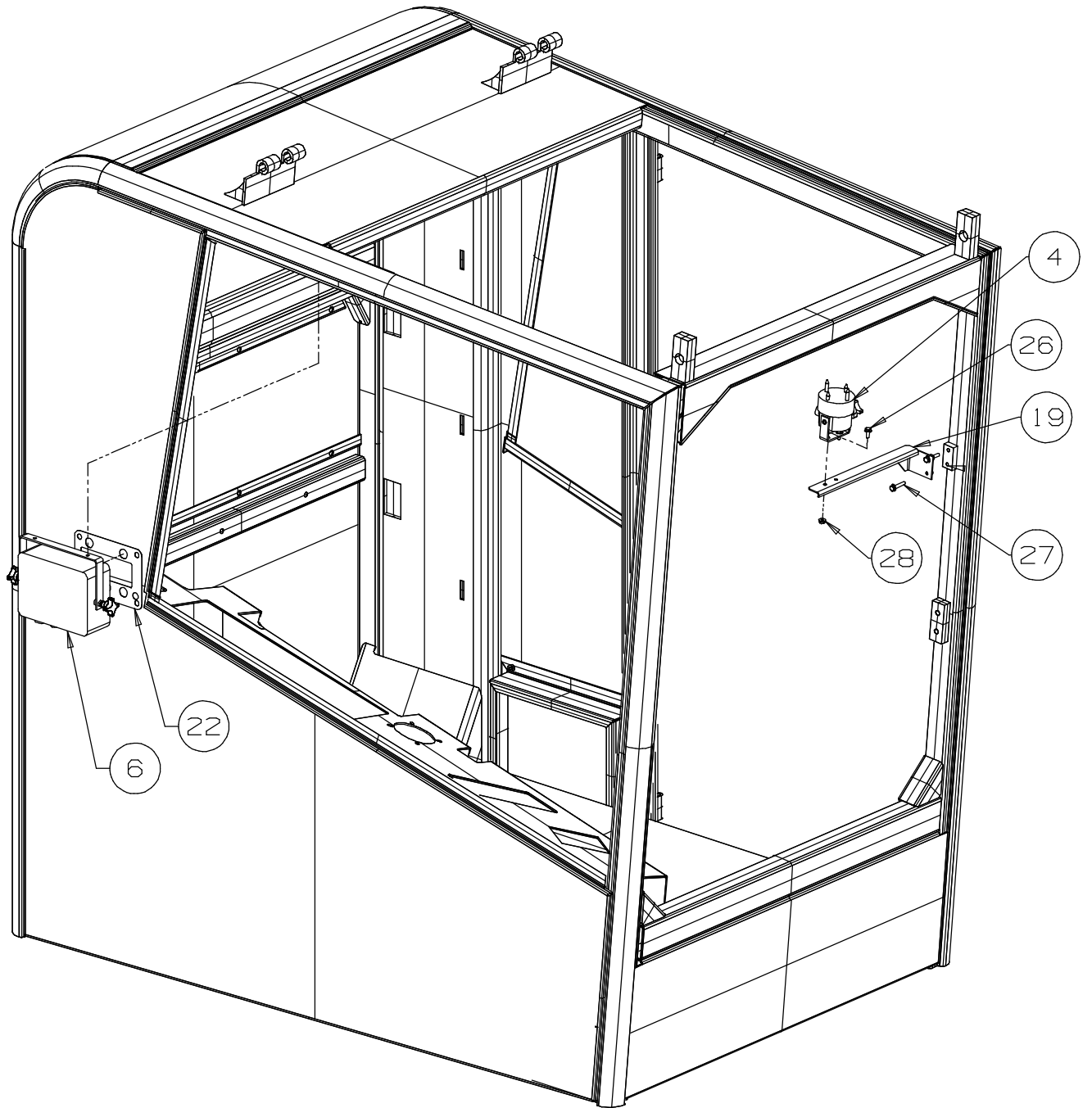
THIS PAGE IS INTENTIONALLY BLANK





57719254

INDICATOR, 3D, DEPTH, SPEED



NOTE :

1. ITEM 1 CONSIST OF ITEMS 3,4,5 AND 6.
2. ITEM 7 CONSIST OF ITEMS 32,33,34,35,36,37,38,39,40,41,42,43,44,45,46,47,AND 48.
3. ITEM 8 CONSIST OF ITEMS 9 AND 10.
4. ITEM 11 CONSIST OF ITEMS 12,13,14,15,16,17,18,19,20,22,23,25,26,27,28,29,30 AND 31.

NOTE :

1. ITEM 43, IS A HARNESS, IASCAN.
2. ITEMS 16,17,18 AND 29 ARE WIRE HARNESS.

57719254

INDICATOR, 3D, DEPTH, SPEED

<i>REF.</i>				
<i>NO.</i>	<i>PART NO.</i>	<i>QTY.</i>	<i>PART NAME</i>	<i>SERIAL</i>
			<i>REMARKS</i>	<i>NO.</i>
1	57738387	1	POSITIONING 3D W/O SPEED	
7	57719239	1	DEPTH AND SPEED OPTION	
8	57743288	1	KIT, DEPTH AND SPEED	
11	57748006	1	KIT,3D POSITIONING	

THIS PAGE IS INTENTIONALLY BLANK

57738387

POSITIONING 3D W/O SPEED

LIST ONLY, NO DRAWING AVAILABLE

57738387

POSITIONING 3D W/O SPEED

2	57748337	1	BOOM,COMPENSATOR UNIT <i>REFER TO PAGE 14.1-1</i>
3	57748345	1	AIMER,UNIT + CABLE <i>REFER TO PAGE 14.1-1</i>
4	52327293	1	UNIT,INCLINOCAN BUS <i>REFER TO PAGE 14.1-1</i>
5	57748352	1	UNIT,MODULECAN BUS <i>REFER TO PAGE 14.1-1</i>
6	57748329	1	DISPLAY VISUALIM 4G UNIT <i>REFER TO PAGE 14.1-1</i>

LIST ONLY, NO DRAWING AVAILABLE

32	57740573	1	PLATE,MOUNTING <i>REFER TO PAGE 14.1-1</i>
33	57740565	2	BEARING,PILLOW <i>REFER TO PAGE 14.1-1</i>
34	57740581	1	SPROCKET, 3D <i>REFER TO PAGE 14.1-1</i>
35	57740599	1	GUARD,SPROCKET <i>REFER TO PAGE 14.1-1</i>
36	57741043	1	SPACER <i>REFER TO PAGE 14.1-1</i>
37	96727250	1	BOLT <i>REFER TO PAGE 14.1-1</i>
38	96726914	4	BOLT <i>REFER TO PAGE 14.1-1</i>
39	96701289	4	WASHER <i>REFER TO PAGE 14.1-1</i>
40	96743182	1	SCREW.CAP,HEX SOCKET <i>REFER TO PAGE 14.1-1</i>
41	96745971	5	SCREW,HEX HEAD <i>REFER TO PAGE 14.1-1</i>
42	96742689	8	BOLT,HEX FLANGE <i>REFER TO PAGE 14.1-1</i>
43	96728480	1	HARNESS,WIRE <i>REFER TO PAGE 14.1-1</i>
44	95396768	3	CLAMP,HOSE <i>REFER TO PAGE 14.1-1</i>

57743288

KIT, DEPTH AND SPEED

LIST ONLY, NO DRAWING AVAILABLE

57743288

KIT, DEPTH AND SPEED

9	57719213	1	VIACAN BUS UNIT <i>REFER TO PAGE 14.1-1</i>
10	57719221	1	ENCODER, OPTICAL <i>REFER TO PAGE 14.1-1</i>

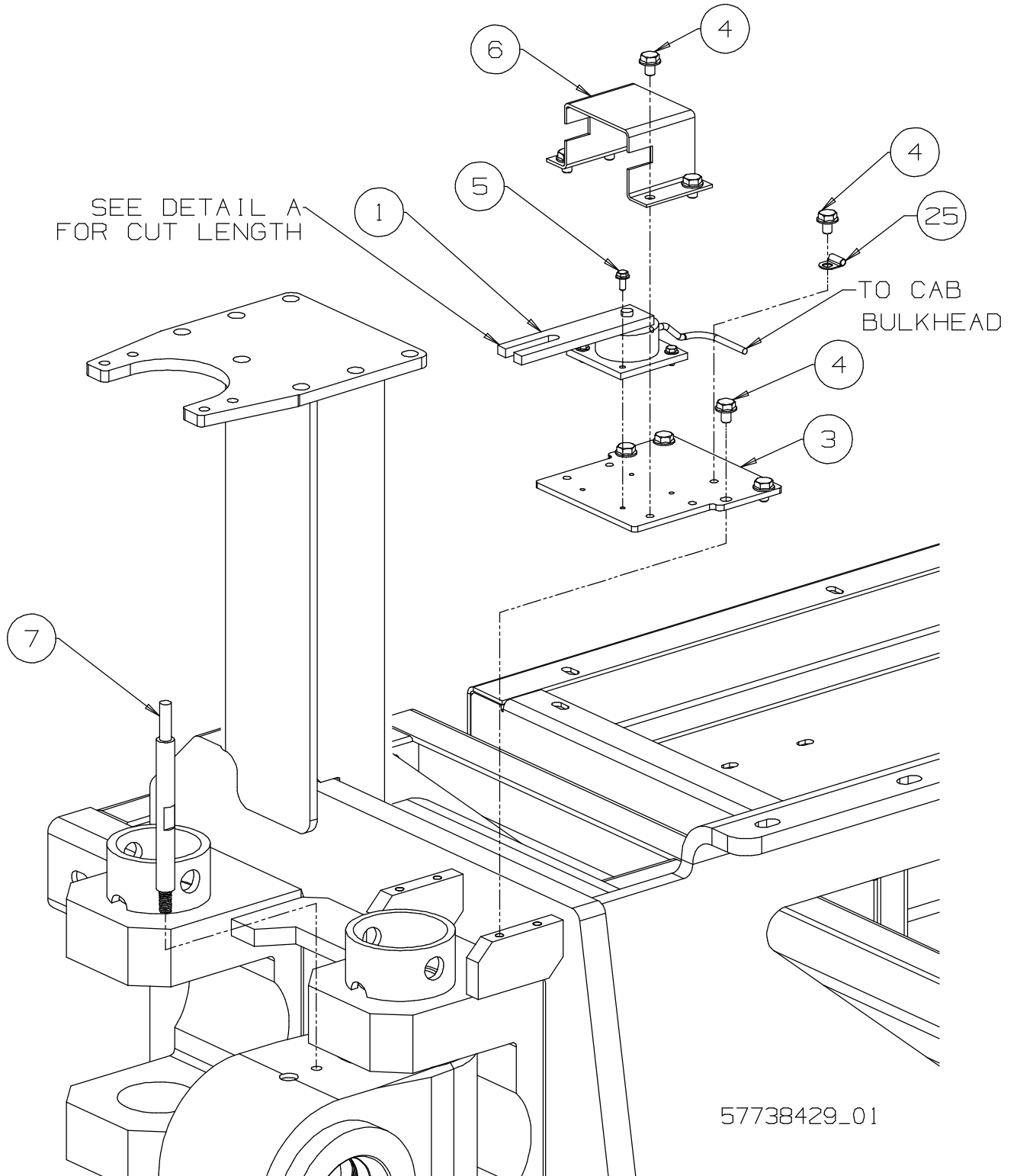
57748006

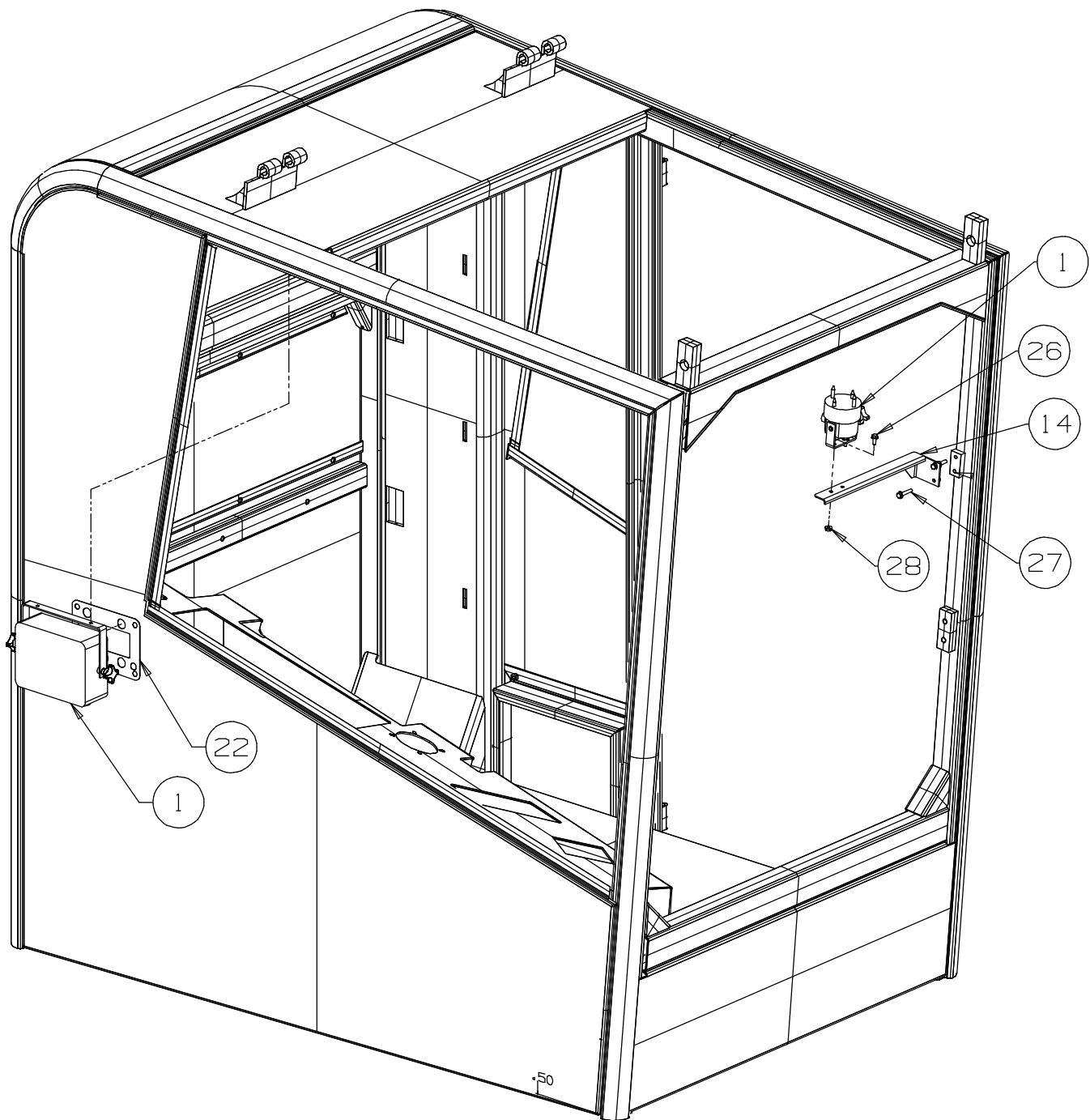
KIT, 3D POSITIONING

LIST ONLY, NO DRAWING AVAILABLE

57748006**KIT, 3D POSITIONING**

12	57717241	1	BRACKET, FRAME <i>REFER TO PAGE 14.1-1</i>
13	96728241	9	CAPSCREW <i>REFER TO PAGE 14.1-1</i>
14	57721920	1	GUARD, 3D POSITION <i>REFER TO PAGE 14.1-1</i>
15	57718942	1	PIN, 3D POSITION <i>REFER TO PAGE 14.1-1</i>
16	57737819	1	HARNESS, BULKHEAD LIM 3D <i>REFER TO PAGE 14.1-1</i>
17	57737801	1	HARNESS, PATCHUP LIM 3D <i>REFER TO PAGE 14.1-1</i>
18	57737827	1	HARNESS-COMPENSATOR LIM <i>REFER TO PAGE 14.1-1</i>
19	57721912	1	BRACKET,AIMER <i>REFER TO PAGE 14.1-1</i>
20	96701958	4	CAPSCREW, HEXHEAD <i>REFER TO PAGE 14.1-1</i>
22	57728800	1	DECAL <i>REFER TO PAGE 14.1-1</i>
23	57728818	0	SCHEMATIC,3D POSITON <i>REFER TO PAGE 14.1-1</i>
25	95396768	8	CLAMP,HOSE <i>REFER TO PAGE 14.1-1</i>
26	96742689	2	BOLT,HEX FLANGE <i>REFER TO PAGE 14.1-1</i>
27	95920377	2	CAPSCREW,HEX <i>REFER TO PAGE 14.1-1</i>
28	96704176	2	NUT, FLANGED <i>REFER TO PAGE 14.1-1</i>
29	57673451	1	HARNESS,LIM SENSOR <i>REFER TO PAGE 14.1-1</i>
30	96727797	4	BOLT <i>REFER TO PAGE 14.1-1</i>
31	96726799	4	NUT <i>REFER TO PAGE 14.1-1</i>





- 8 NOT SHOWN
- 9 NOT SHOWN
- 10 NOT SHOWN
- 23 NOT SHOWN
- 29 NOT SHOWN

57738429**POSITIONING,3D**

<i>REF.</i>				
<i>NO.</i>	<i>PART NO.</i>	<i>QTY.</i>	<i>PART NAME</i>	<i>SERIAL</i>
			<i>REMARKS</i>	<i>NO.</i>
1	57738387	1	POSITIONING 3D W/O SPEED	
3	57717241	1	BRACKET, FRAME	
4	96728241	7	CAPSCREW	
6	57721920	1	GUARD, 3D POSITION	
7	57718942	1	PIN, 3D POSITION	
8	57737819	1	HARNESS, BULKHEAD	
9	57737801	1	HARNESS, PATCHUP	
10	57737827	1	HARNESS - COMPENSATOR	
14	57721912	1	BRACKET, AIMER	
22	57728800	1	DECAL	
23	57728818	0	SCHEMATIC, 3D POSITON	
25	95396768	8	CLAMP, HOSE	
26	96742689	2	BOLT, HEX FLANGE	
27	95920377	2	CAPSCREW	
28	96704176	2	NUT, FLANGED	
29	57673451	1	HARNESS, LIM SENSOR.	
30	96727797	4	BOLT	
31	96726799	4	NUT	

THIS PAGE IS INTENTIONALLY BLANK

NO DRAWING IS AVAILABLE AT THIS TIME

57708190**FLUIDS**

<i>REF.</i>				
<i>NO.</i>	<i>PART NO.</i>	<i>QTY.</i>	<i>PART NAME</i>	<i>SERIAL</i>
			<i>REMARKS</i>	<i>NO.</i>
1	54418850	24	GALLONS FLUID, COMP. XHP505	
2	51352201	210	GALLONS OIL, HYRAULIC	
3	50862705	6	QUARTS GEAR OIL	
4	50257112	2	GALLONS ROCK DRILL OIL	
5	50651918	5	POUNDS GREASE	
6	50946797	28	QUARTS ENG MTR OIL	
7	50651900	40	GALLONS FUEL OIL	
8	50262526	10	GALLONS ANTI-FREEZE	
9	51309243	8	GALLONS PAINT, BEIGE	
10	51309250	2	GALLONS PAINT, BLACK	
11	52307410	1	KIT, HOSE BUNDLING	
12	57677254	2	FILTER ELEMENT, HIGH PRESSURE	

57670010**FILTER KIT, 250HR****LIST ONLY, NO DRAWING REQUIRED**

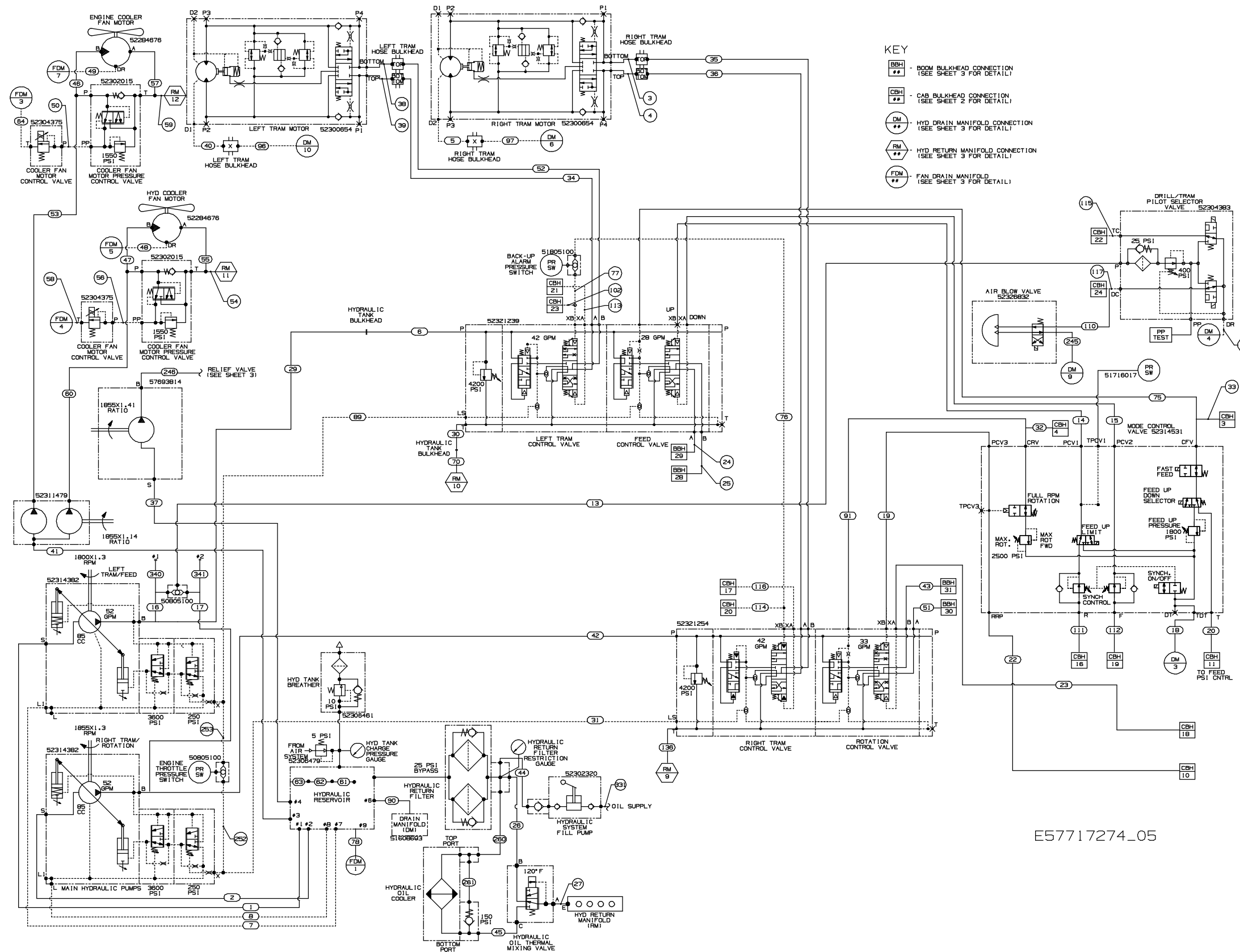
<i>REF.</i>				
<i>NO.</i>	<i>PART NO.</i>	<i>QTY.</i>	<i>PART NAME</i>	<i>SERIAL</i>
			<i>REMARKS</i>	<i>NO.</i>
1	35123512	2	ELEMENT, PRIMARY	
2	35123520	2	ELEMENT, SAFETY	
3	36860336	1	ELEMENT, OIL FILTER	
4	52183233	1	FILTER, OIL-ENGINE	
5	57677254	2	FILTER ELEMENT, HIGH PRESSURE	
6	52322443	1	FILTER/SEPARATOR PRIMARY	
	52322450	1	BOWL, WATER SEPARATOR PLASTIC	
7	52322468	1	FILTER, SECONDARY FUEL	
8	56264245	2	ELEMENT, COOLANT, ENGINE	

THIS PAGE IS INTENTIONALLY BLANK

57670317**FILTER KIT, 500HR****LIST ONLY, NO DRAWING REQUIRED**

<i>REF.</i>				
<i>NO.</i>	<i>PART NO.</i>	<i>QTY.</i>	<i>PART NAME</i>	<i>SERIAL</i>
			<i>REMARKS</i>	<i>NO.</i>
1	35123512	2	ELEMENT, PRIMARY	
2	35123520	2	ELEMENT, SAFETY	
3	36860336	1	ELEMENT, OIL FILTER	
4	52183233	1	FILTER, OIL-ENGINE	
5	52293289	1	ELEMENT, FILTER	
6	52306461	1	BREATHER	
7	52319886	2	FILTER, AIR	
8	57677254	2	FILTER ELEMENT, HIGH PRESSURE	
9	52322443	1	FILTER/SEPARATOR PRIMARY	
	52322450	1	BOWL, WATER SEPARATOR PLASTIC	
10	56264245	2	ELEMENT, COOLANT, ENGINE	
11	57594426	1	BREATHER, FUEL TANK	

THIS PAGE IS INTENTIONALLY BLANK



- KEY
- BBH ●● ROOM BULKHEAD CONNECTION (SEE SHEET 3 FOR DETAIL)
 - CBH ●● CAB BULKHEAD CONNECTION (SEE SHEET 2 FOR DETAIL)
 - DM ●● HYD DRAIN MANIFOLD CONNECTION (SEE SHEET 3 FOR DETAIL)
 - RM ●● HYD RETURN MANIFOLD CONNECTION (SEE SHEET 3 FOR DETAIL)
 - FDM ●● FAN DRAIN MANIFOLD (SEE SHEET 3 FOR DETAIL)

E57717274_05

THIS PAGE IS INTENTIONALLY BLANK

57717274

HYDRAULIC SCHEMATIC

<i>REF.</i>	<i>PART NO.</i>	<i>QTY.</i>	<i>PART NAME</i>	<i>SERIAL</i>
<i>NO.</i>			<i>REMARKS</i>	<i>NO.</i>
1	57728693	1	ASSEMBLY, HOSE	
2	57718959	1	ASSEMBLY, HOSE	
3	57347494	1	ASSEMBLY, HOSE	
4	56954001	1	ASSEMBLY, HOSE	
5	56955610	1	ASSEMBLY, HOSE	
6	57698870	1	ASSEMBLY, HOSE	
7	57728669	1	ASSEMBLY, HOSE	
8	57714651	1	ASSEMBLY, HOSE	
9	56971955	1	ASSEMBLY, HOSE	
10	56971955	1	ASSEMBLY, HOSE	
11	52317658	1	ASSEMBLY, HOSE	
12	56966278	1	ASSEMBLY, HOSE	
13	56953896	1	ASSEMBLY, HOSE	
14	52226479	1	ASSEMBLY, HOSE	
15	57004020	1	ASSEMBLY, HOSE	
16	56953870	1	ASSEMBLY, HOSE	
17	56961840	1	ASSEMBLY, HOSE	
18	58207325	1	ASSEMBLY, HOSE	
19	56964125	1	ASSEMBLY, HOSE	
20	56964273	1	ASSEMBLY, HOSE	
22	56972680	1	ASSEMBLY, HOSE	
23	57506370	1	ASSEMBLY, HOSE	
24	57696254	1	ASSEMBLY, HOSE	
25	57403958	1	ASSEMBLY, HOSE	
26	57748410	1	ASSEMBLY, HOSE	
27	57728701	1	ASSEMBLY, HOSE	
29	57728685	1	ASSEMBLY, HOSE	
30	57694952	1	ASSEMBLY, HOSE	
31	57116899	1	ASSEMBLY, HOSE	
32	51867224	1	ASSEMBLY, HOSE	
33	57020802	1	ASSEMBLY, HOSE	
34	57002248	1	ASSEMBLY, HOSE	
35	57525347	1	ASSEMBLY, HOSE	
36	57525347	1	ASSEMBLY, HOSE	
37	52317831	1	ASSEMBLY, HOSE	
38	52317617	1	ASSEMBLY, HOSE	
39	56954001	1	ASSEMBLY, HOSE	

57717274

HYDRAULIC SCHEMATIC

<i>REF.</i>				
<i>NO.</i>	<i>PART NO.</i>	<i>QTY.</i>	<i>PART NAME</i>	<i>SERIAL</i>
			<i>REMARKS</i>	<i>NO.</i>
40	56955610	1	ASSEMBLY, HOSE	
41	52317864	1	ASSEMBLY, HOSE	
42	57728677	1	ASSEMBLY, HOSE	
43	57696270	1	ASSEMBLY, HOSE	
44	57714669	1	ASSEMBLY, HOSE	
45	57748014	1	ASSEMBLY, HOSE	
46	57751554	1	ASSEMBLY, HOSE	
47	52318086	1	ASSEMBLY, HOSE	
48	57006520	1	ASSEMBLY, HOSE	
49	56958259	1	ASSEMBLY, HOSE	
50	51028371	1	ASSEMBLY, HOSE	
51	57136780	1	ASSEMBLY, HOSE	
52	57534406	1	ASSEMBLY, HOSE	
53	52318052	1	ASSEMBLY, HOSE	
54	56953920	1	ASSEMBLY, HOSE	
55	56972797	1	ASSEMBLY, HOSE	
56	57015505	1	ASSEMBLY, HOSE	
57	56987944	1	ASSEMBLY, HOSE	
58	57102139	1	ASSEMBLY, HOSE	
59	52318110	1	ASSEMBLY, HOSE	
60	52318128	1	ASSEMBLY, HOSE	
61	57496135	1	ASSEMBLY, HOSE	
62	56957772	1	ASSEMBLY, HOSE	
63	57599060	1	ASSEMBLY, HOSE	
64	57041550	1	ASSEMBLY, HOSE	
65	56964208	1	ASSEMBLY, HOSE	
66	58144585	1	ASSEMBLY, HOSE	
67	56972680	1	ASSEMBLY, HOSE	
68	52325255	1	ASSEMBLY, HOSE	
69	52325255	1	ASSEMBLY, HOSE	
70	57703878	1	ASSEMBLY, HOSE	
75	57004020	1	ASSEMBLY, HOSE	
76	52317823	1	ASSEMBLY, HOSE	
77	57695959	1	ASSEMBLY, HOSE	
78	56992084	1	ASSEMBLY, HOSE	
89	58207325	1	ASSEMBLY, HOSE	
90	57397960	1	ASSEMBLY, HOSE	
91	56964133	1	ASSEMBLY, HOSE	
96	57703886	1	ASSEMBLY, HOSE	
97	57696197	1	ASSEMBLY, HOSE	

57717274

HYDRAULIC SCHEMATIC

<i>REF.</i>	<i>PART NO.</i>	<i>QTY.</i>	<i>PART NAME</i>	<i>SERIAL</i>
<i>NO.</i>			<i>REMARKS</i>	<i>NO.</i>
98	56961774	1	ASSEMBLY, HOSE	
102	56966211	1	ASSEMBLY, HOSE	
105	56964232	1	ASSEMBLY, HOSE	
109	58182791	1	ASSEMBLY, HOSE	
110	57209355	1	ASSEMBLY, HOSE	
111	56972680	1	ASSEMBLY, HOSE	
112	56972680	1	ASSEMBLY, HOSE	
113	56974579	1	ASSEMBLY, HOSE	
114	56966211	1	ASSEMBLY, HOSE	
115	56954076	1	ASSEMBLY, HOSE	
116	57506370	1	ASSEMBLY, HOSE	
117	56954076	1	ASSEMBLY, HOSE	
128	56994577	1	ASSEMBLY, HOSE	
129	57496309	1	ASSEMBLY, HOSE	
130	57496309	1	ASSEMBLY, HOSE	
131	57004673	1	ASSEMBLY, HOSE	
132	57004673	1	ASSEMBLY, HOSE	
133	57696205	1	ASSEMBLY, HOSE	
134	56958705	1	ASSEMBLY, HOSE	
135	56958705	1	ASSEMBLY, HOSE	
136	57694978	1	ASSEMBLY, HOSE	
137	51867919	1	ASSEMBLY, HOSE	
138	51867919	1	ASSEMBLY, HOSE	
139	57005654	1	ASSEMBLY, HOSE	
140	57005654	1	ASSEMBLY, HOSE	
141	52319795	1	ASSEMBLY, HOSE	
142	52319795	1	ASSEMBLY, HOSE	
143	57392920	1	ASSEMBLY, HOSE	
144	57392920	1	ASSEMBLY, HOSE	
145	51063378	1	ASSEMBLY, HOSE	
146	51030815	1	ASSEMBLY, HOSE	
147	58146622	1	ASSEMBLY, HOSE	
148	51780898	1	ASSEMBLY, HOSE	
149	51780898	1	ASSEMBLY, HOSE	
150	51043750	1	ASSEMBLY, HOSE	
151	51043750	1	ASSEMBLY, HOSE	
152	51059723	1	ASSEMBLY, HOSE	
153	51059723	1	ASSEMBLY, HOSE	
154	51867570	1	ASSEMBLY, HOSE	

57717274

HYDRAULIC SCHEMATIC

<i>REF.</i>	<i>PART NO.</i>	<i>QTY.</i>	<i>PART NAME</i>	<i>SERIAL</i>
<i>NO.</i>			<i>REMARKS</i>	<i>NO.</i>
155	51028579	1	ASSEMBLY, HOSE	
156	51028579	1	ASSEMBLY, HOSE	
157	51909497	1	ASSEMBLY, HOSE	
158	51910628	1	ASSEMBLY, HOSE	
159	51214864	1	ASSEMBLY, HOSE	
160	51910586	1	ASSEMBLY, HOSE	
161	57737066	1	ASSEMBLY, HOSE	
162	51994895	1	ASSEMBLY, HOSE	
163	51910586	1	ASSEMBLY, HOSE	
164	57010126	1	ASSEMBLY, HOSE	
165	57010126	1	ASSEMBLY, HOSE	
166	57116881	1	ASSEMBLY, HOSE	
167	57116881	1	ASSEMBLY, HOSE	
168	57116881	1	ASSEMBLY, HOSE	
169	57116881	1	ASSEMBLY, HOSE	
171	57438681	1	ASSEMBLY, HOSE	
172	57040818	1	ASSEMBLY, HOSE	
173	57428336	1	ASSEMBLY, HOSE	
174	56953607	1	ASSEMBLY, HOSE	
176	56962236	1	ASSEMBLY, HOSE	
177	52255098	1	ASSEMBLY, HOSE	
178	57038424	1	ASSEMBLY, HOSE	
179	56964331	1	ASSEMBLY, HOSE	
181	57696130	1	ASSEMBLY, HOSE	
182	57112526	1	ASSEMBLY, HOSE	
183	57696148	1	ASSEMBLY, HOSE	
184	51910669	1	ASSEMBLY, HOSE	
185	57696155	1	ASSEMBLY, HOSE	
186	51910669	1	ASSEMBLY, HOSE	
187	52238474	1	ASSEMBLY, HOSE	
188	57696163	1	ASSEMBLY, HOSE	
189	52325586	1	ASSEMBLY, HOSE	
190	58207333	1	ASSEMBLY, HOSE	
191	57696148	1	ASSEMBLY, HOSE	
192	51910669	1	ASSEMBLY, HOSE	
193	58087032	1	ASSEMBLY, HOSE	
194	52319720	1	ASSEMBLY, HOSE	
196	56966302	1	ASSEMBLY, HOSE	
197	56964208	1	ASSEMBLY, HOSE	
198	56964208	1	ASSEMBLY, HOSE	

57717274








HYDRAULIC SCHEMATIC





<i>REF.</i>				
<i>NO.</i>	<i>PART NO.</i>	<i>QTY.</i>	<i>PART NAME</i>	<i>SERIAL</i>
			<i>REMARKS</i>	<i>NO.</i>
199	56964208	1	ASSEMBLY, HOSE	
200	57737058	1	ASSEMBLY, HOSE	
201	51910594	1	ASSEMBLY, HOSE	
202	51994903	1	ASSEMBLY, HOSE	
203	51910594	1	ASSEMBLY, HOSE	
204	51994903	1	ASSEMBLY, HOSE	
205	51780898	1	ASSEMBLY, HOSE	
206	51780898	1	ASSEMBLY, HOSE	
207	51059772	1	ASSEMBLY, HOSE	
208	51059772	1	ASSEMBLY, HOSE	
209	51994903	1	ASSEMBLY, HOSE	
210	51994903	1	ASSEMBLY, HOSE	
211	51994903	1	ASSEMBLY, HOSE	
212	51994903	1	ASSEMBLY, HOSE	
213	51994903	1	ASSEMBLY, HOSE	
214	51994903	1	ASSEMBLY, HOSE	
215	51867158	1	ASSEMBLY, HOSE	
216	51916047	1	ASSEMBLY, HOSE	
217	51916047	1	ASSEMBLY, HOSE	
218	51030799	1	ASSEMBLY, HOSE	
219	52226453	1	ASSEMBLY, HOSE	
220	56964208	1	ASSEMBLY, HOSE	
221	56964208	1	ASSEMBLY, HOSE	
222	56954043	1	ASSEMBLY, HOSE	
223	56954043	1	ASSEMBLY, HOSE	
224	52118882	1	ASSEMBLY, HOSE	
225	51916062	1	ASSEMBLY, HOSE	
226	51916062	1	ASSEMBLY, HOSE	
227	51041085	1	ASSEMBLY, HOSE	
228	51041085	1	ASSEMBLY, HOSE	
229	50979350	1	ASSEMBLY, HOSE	
230	50979350	1	ASSEMBLY, HOSE	
231	51867547	1	ASSEMBLY, HOSE	
232	51867521	1	ASSEMBLY, HOSE	
233	51300390	1	ASSEMBLY, HOSE	
234	51300564	1	ASSEMBLY, HOSE	
235	51994853	1	ASSEMBLY, HOSE	
236	51994853	1	ASSEMBLY, HOSE	
237	51867919	1	ASSEMBLY, HOSE	
238	51867919	1	ASSEMBLY, HOSE	

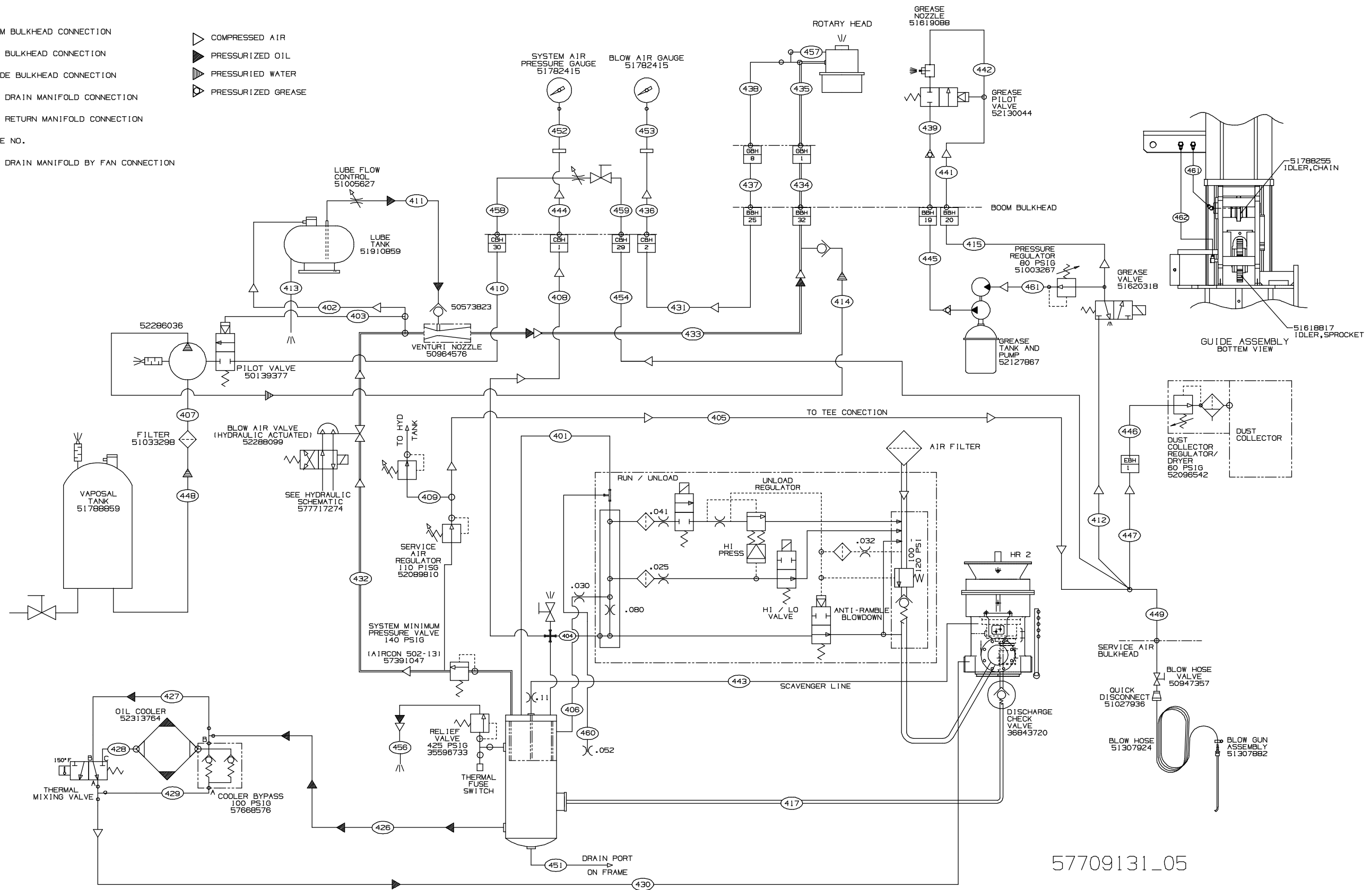
57717274**HYDRAULIC SCHEMATIC**

REF. NO.	PART NO.	QTY.	PART NAME REMARKS	SERIAL NO.
239	51867919	1	ASSEMBLY, HOSE	
240	51030815	1	ASSEMBLY, HOSE	
241	51060143	1	ASSEMBLY, HOSE	
242	51060143	1	ASSEMBLY, HOSE	
243	51916054	1	ASSEMBLY, HOSE	
244	51916054	1	ASSEMBLY, HOSE	
245	56966187	1	ASSEMBLY, HOSE	
246	56956923	1	ASSEMBLY, HOSE	
247	57690570	1	ASSEMBLY, HOSE	
248	57690588	1	ASSEMBLY, HOSE	
249	57690596	1	ASSEMBLY, HOSE	
250	57007486	1	ASSEMBLY, HOSE	
251	56992084	1	ASSEMBLY, HOSE	
252	56958259	1	ASSEMBLY, HOSE	
253	56971955	1	ASSEMBLY, HOSE	
254	56949399	1	ASSEMBLY, HOSE	
255	56954050	1	ASSEMBLY, HOSE	
256	52325255	1	ASSEMBLY, HOSE	
257	52325255	1	ASSEMBLY, HOSE	
258	56968365	1	ASSEMBLY, HOSE	
259	52319605	1	ASSEMBLY, HOSE	
260	57729071	1	ASSEMBLY, HOSE	
261	57704777	1	ASSEMBLY, HOSE	
262	51910636	1	ASSEMBLY, HOSE	
263	51910636	1	ASSEMBLY, HOSE	
264	56964349	1	ASSEMBLY, HOSE	
265	57739732	1	ASSEMBLY, HOSE	
266	57739732	1	ASSEMBLY, HOSE	
267	52115771	1	ASSEMBLY, HOSE	
268	52115771	1	ASSEMBLY, HOSE	
269	56964208	1	ASSEMBLY, HOSE	
331	50978543	1	ASSEMBLY, HOSE	
339	51867158	1	ASSEMBLY, HOSE	
340	52225950	1	ASSEMBLY, HOSE	
341	52197647	1	ASSEMBLY, HOSE	

KEY

-  - BOOM BULKHEAD CONNECTION
-  - CAB BULKHEAD CONNECTION
-  - GUIDE BULKHEAD CONNECTION
-  - HYD DRAIN MANIFOLD CONNECTION
-  - HYD RETURN MANIFOLD CONNECTION
-  - HOSE NO.
-  - HYD DRAIN MANIFOLD BY FAN CONNECTION

-  COMPRESSED AIR
-  PRESSURIZED OIL
-  PRESSURIZED WATER
-  PRESSURIZED GREASE



57709131_05

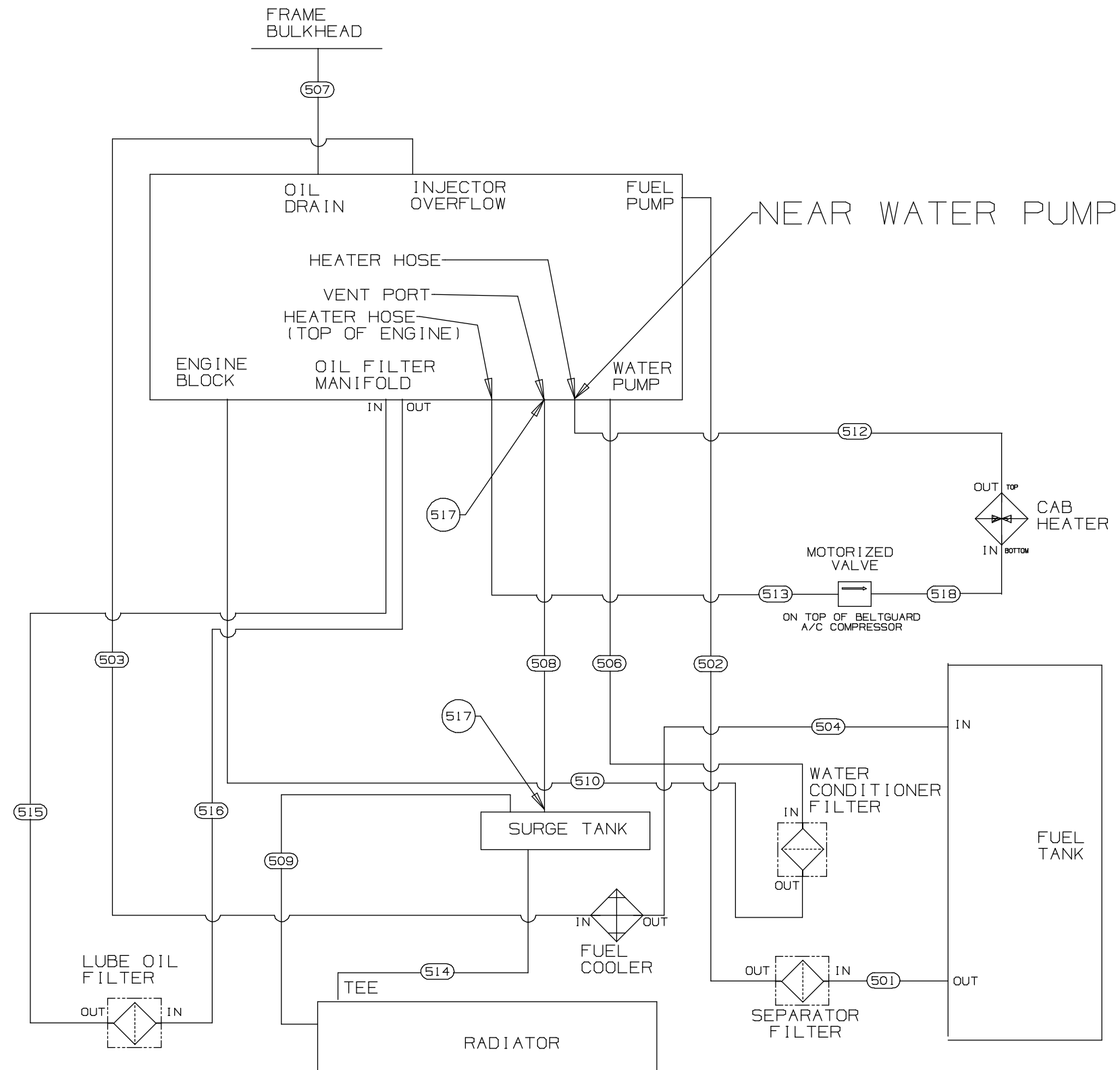
THIS PAGE IS INTENTIONALLY BLANK

57709131**AIR/OIL/WATER SCHEMATIC**

REF.					
NO.	PART NO.	QTY.	PART NAME	REMARKS	SERIAL NO.
401	57730459	1	ASSEMBLY, HOSE		
402	56948763	1	ASSEMBLY, HOSE		
403	56958374	1	ASSEMBLY, HOSE		
404	57730467	1	ASSEMBLY, HOSE		
405	57730475	1	ASSEMBLY, HOSE		
406	57694861	1	ASSEMBLY, HOSE		
407	56954167	1	ASSEMBLY, HOSE		
408	57694879	1	ASSEMBLY, HOSE		
409	56951239	1	ASSEMBLY, HOSE		
410	57694887	1	ASSEMBLY, HOSE		
411	56948755	1	ASSEMBLY, HOSE		
412	57694929	1	ASSEMBLY, HOSE		
413	57739732	1	ASSEMBLY, HOSE		
414	57694937	1	ASSEMBLY, HOSE		
415	57694945	1	ASSEMBLY, HOSE		
417	57756306	1	ASSEMBLY, HOSE		
425	57005647	1	ASSEMBLY, HOSE		
426	57753048	1	ASSEMBLY, HOSE		
427	57753014	1	ASSEMBLY, HOSE		
428	57753022	1	ASSEMBLY, HOSE		
429	57753030	1	ASSEMBLY, HOSE		
430	57753055	1	ASSEMBLY, HOSE		
431	56964331	1	ASSEMBLY, HOSE		
432	95313961	1	ASSEMBLY, HOSE		
433	95313961	1	ASSEMBLY, HOSE		
434	95940813	1	ASSEMBLY, HOSE		
435	95371449	1	ASSEMBLY, HOSE		
436	52325255	1	ASSEMBLY, HOSE		
437	51916443	1	ASSEMBLY, HOSE		
438	51867919	1	ASSEMBLY, HOSE		
439	51300549	1	ASSEMBLY, HOSE		
441	51916401	1	ASSEMBLY, HOSE		
442	51916005	1	ASSEMBLY, HOSE		
443	57730483	1	ASSEMBLY, HOSE		
444	52325255	1	HOSE, PRESSURE TEST		
445	57097909	1	ASSEMBLY, HOSE		
446	56957798	1	ASSEMBLY, HOSE		
447	58051210	1	ASSEMBLY, HOSE		
448	56970635	1	ASSEMBLY, HOSE		
449	57734238	1	ASSEMBLY, HOSE		

57709131**AIR/OIL/WATER SCHEMATIC**

REF.				
NO.	PART NO.	QTY.	PART NAME	SERIAL
			REMARKS	NO.
451	52318011	0	ASSEMBLY, HOSE	
452	52325255	1	HOSE, PRESSURE TEST	
453	52325255	1	HOSE, PRESSURE TEST	
454	57704082	1	ASSEMBLY, HOSE	
456	57711137	1	ASSEMBLY, HOSE	
457	51232197	1	ASSEMBLY, HOSE	
458	57044521	1	ASSEMBLY, HOSE	
459	57044521	1	ASSEMBLY, HOSE	
460	56967904	1	HOSE ASSY	
461	56972664	1	HOSE ASSY	
462	56964166	1	HOSE ASSY	



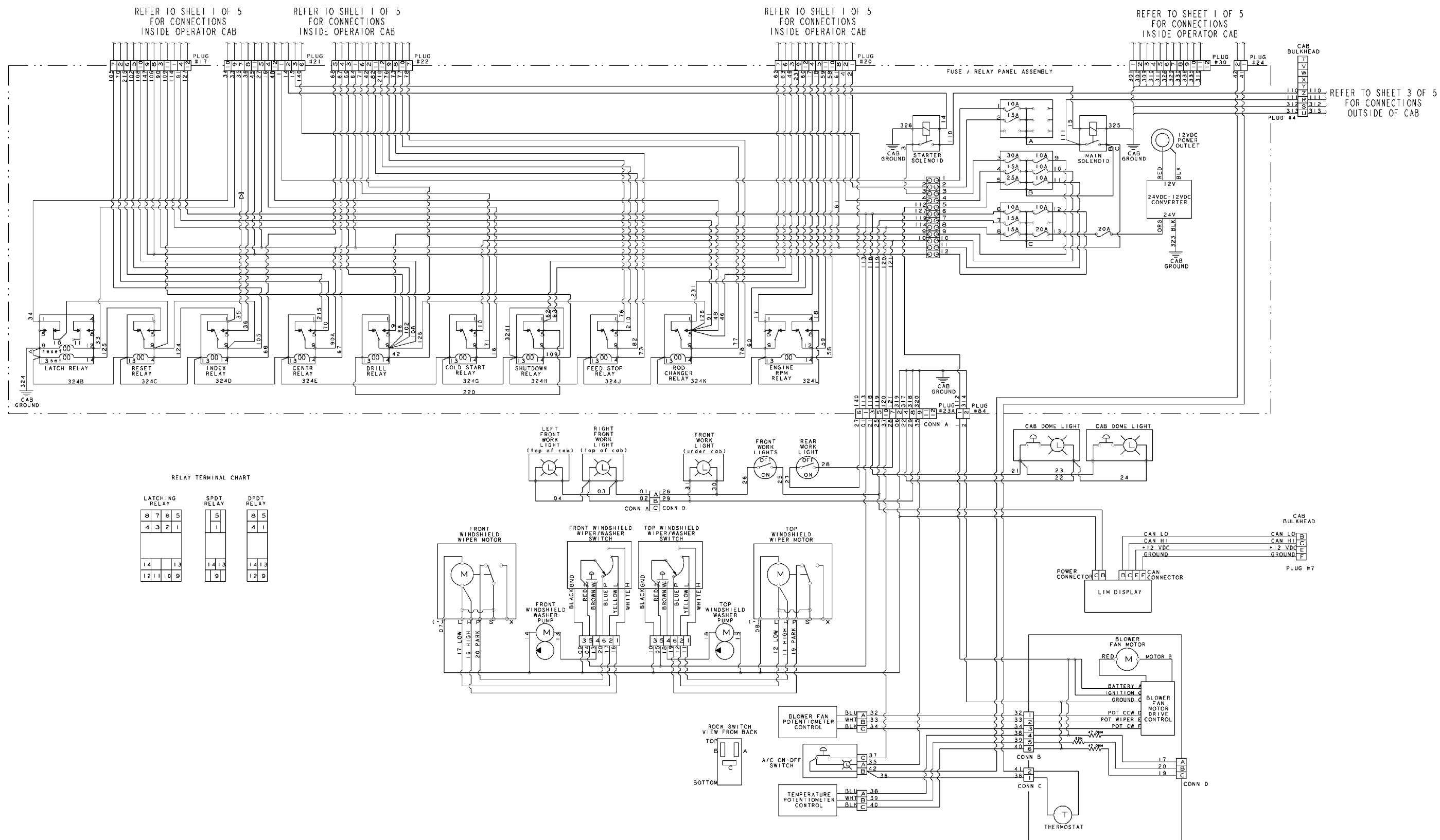
57660011_03

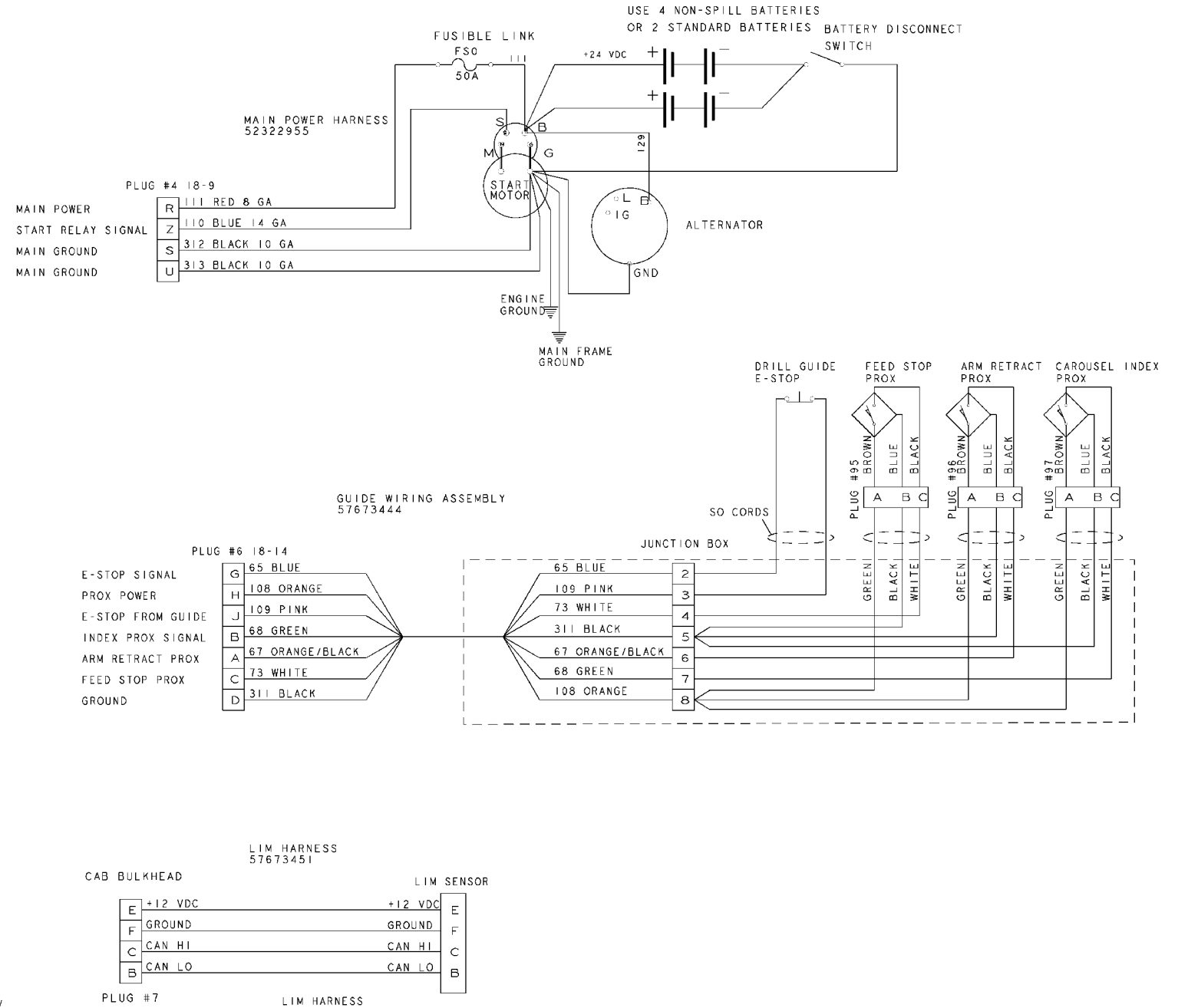
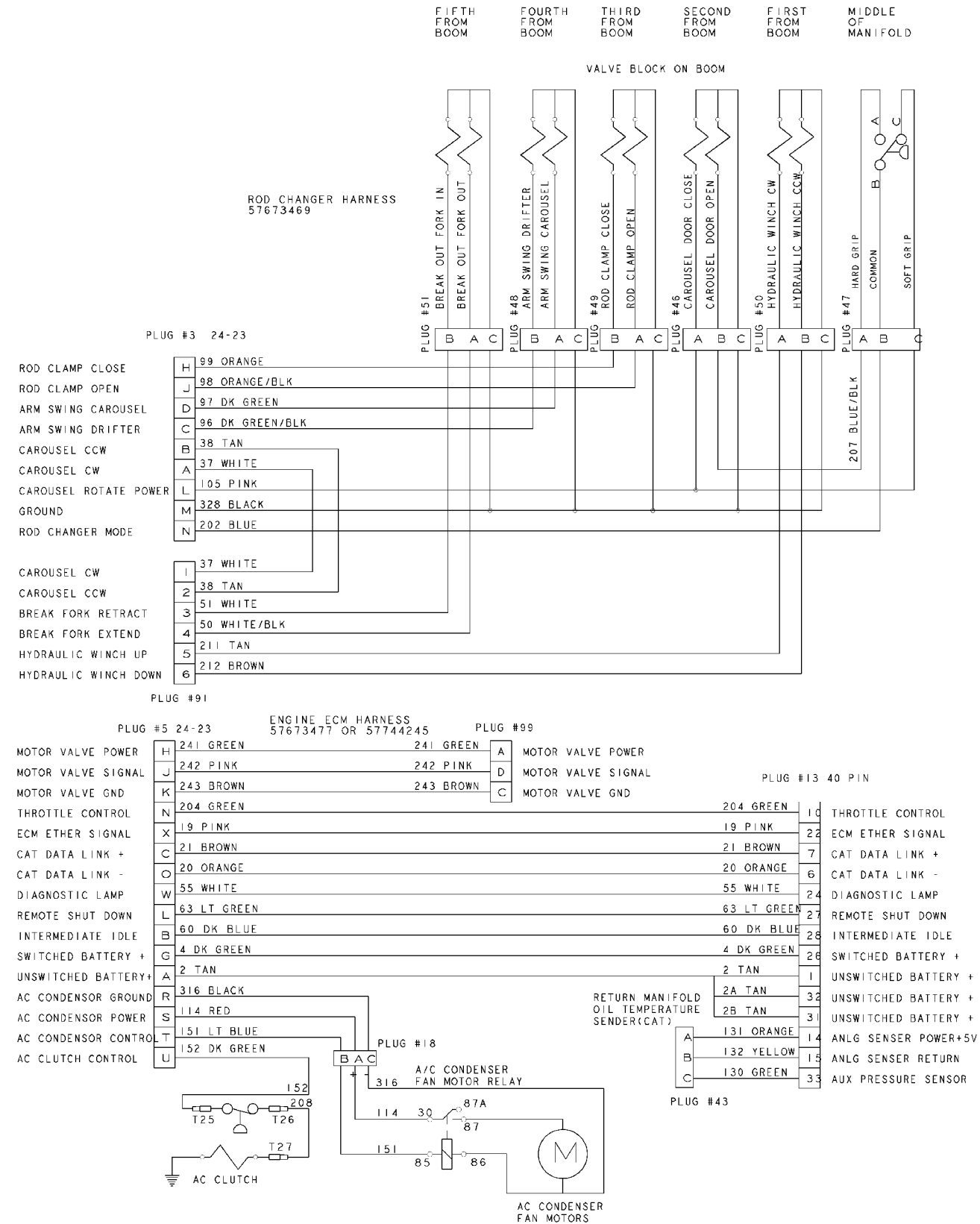
THIS PAGE IS INTENTIONALLY BLANK

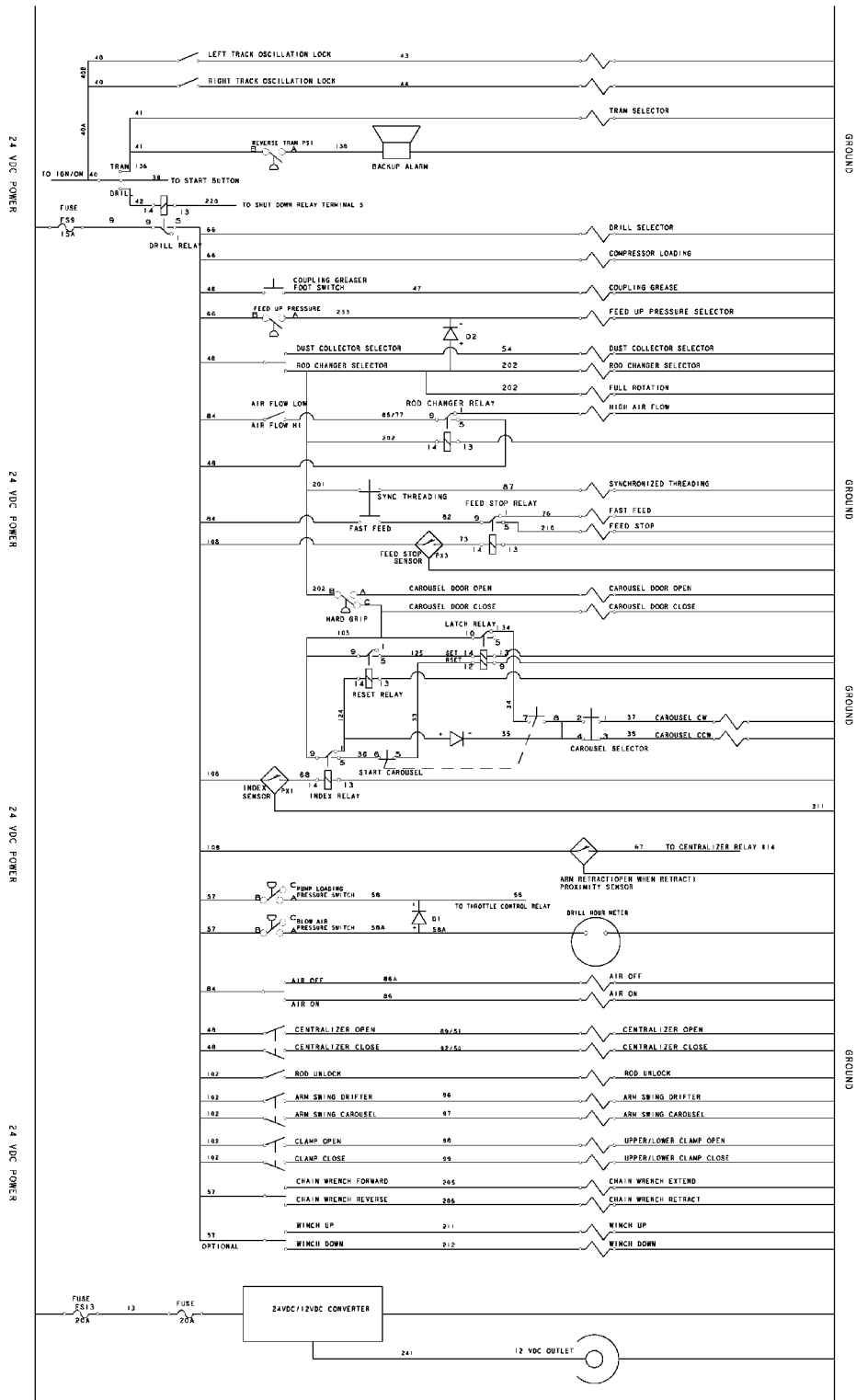
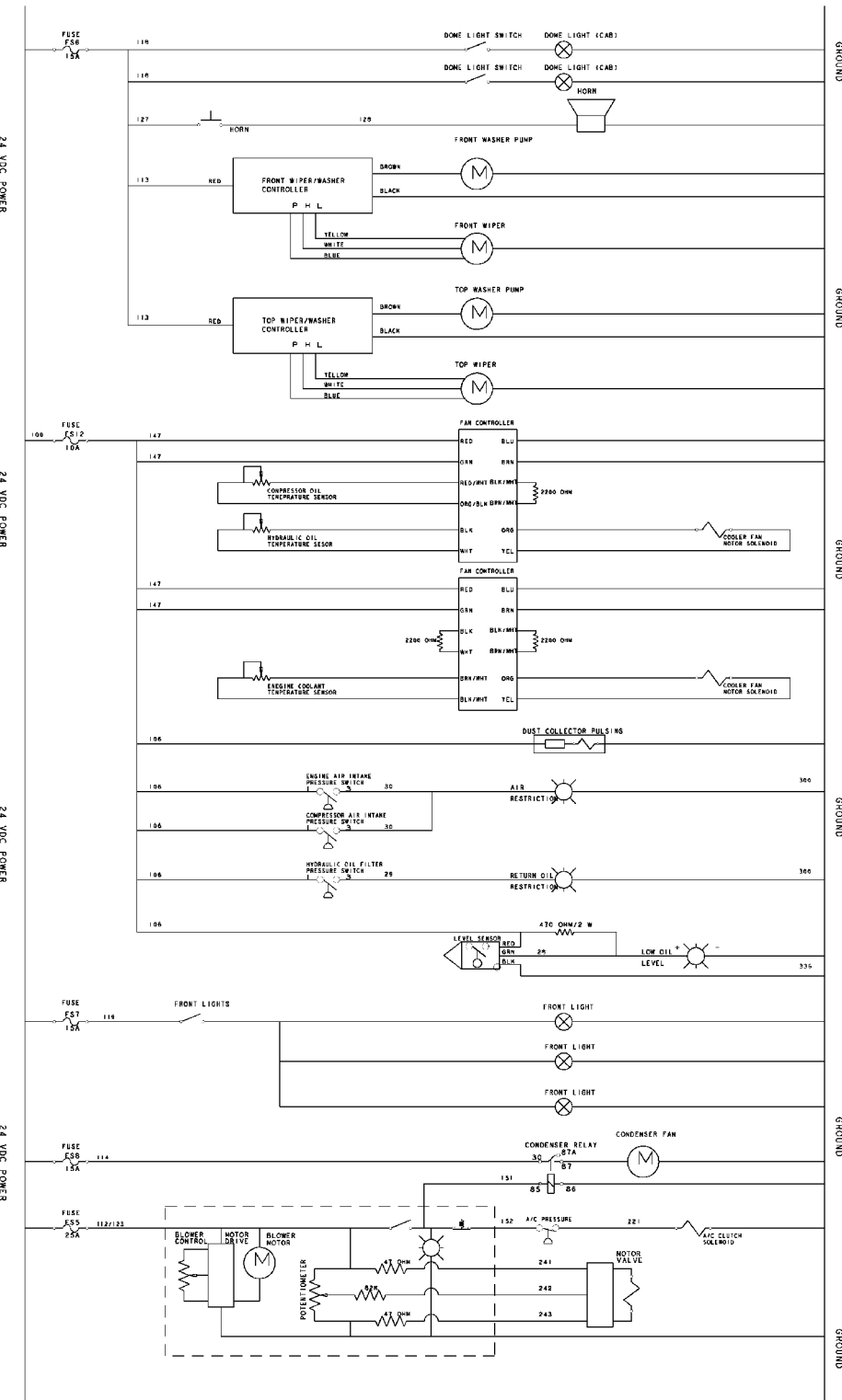
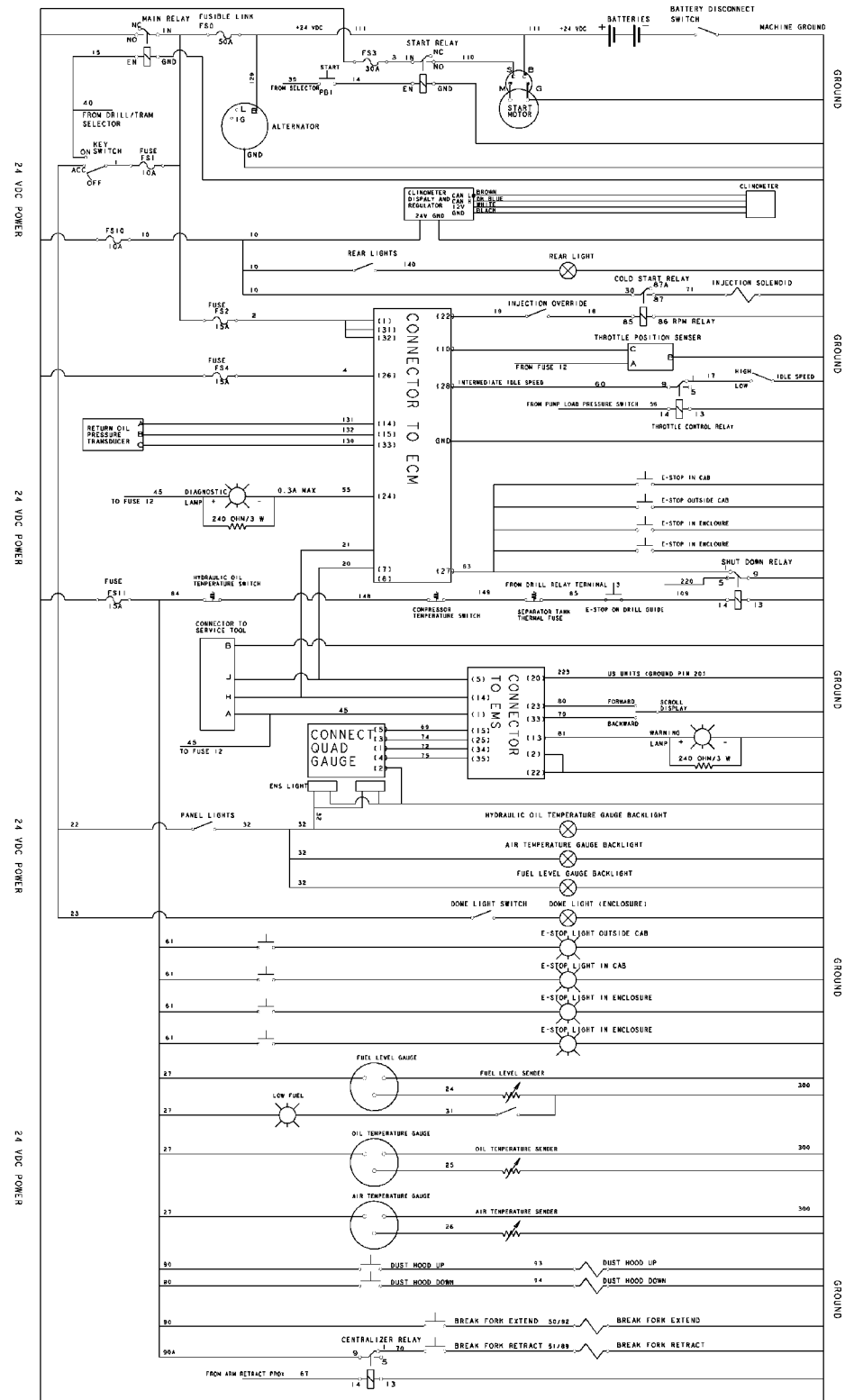
57660011**HOSES, ENGINE SCHEMATIC**

<i>REF.</i>				
<i>NO.</i>	<i>PART NO.</i>	<i>QTY.</i>	<i>PART NAME</i>	<i>SERIAL</i>
			<i>REMARKS</i>	<i>NO.</i>
501	57450660	1	ASSEMBLY, HOSE	
502	56962236	1	ASSEMBLY, HOSE	
503	57366494	1	ASSEMBLY, HOSE	
504	51306934	1	ASSEMBLY, HOSE	
506	52320439	1	ASSEMBLY, HOSE	
507	52320447	1	ASSEMBLY, HOSE	
508	57749657	1	ASSEMBLY, HOSE	
509	52325115	1	ASSEMBLY, HOSE	
510	57749665	1	ASSEMBLY, HOSE	
512	57749640	1	ASSEMBLY, HEATER HOSE	
513	57749632	1	ASSEMBLY, HEATER HOSE	
514	52325099	1	ASSEMBLY, HOSE	
515	52320512	1	ASSEMBLY, HOSE	
516	56953987	1	ASSEMBLY, HOSE	
517	51713451	2	FITTING, SOCKETLESS	
518	57741852	1	ASSEMBLY, HEATER HOSE	

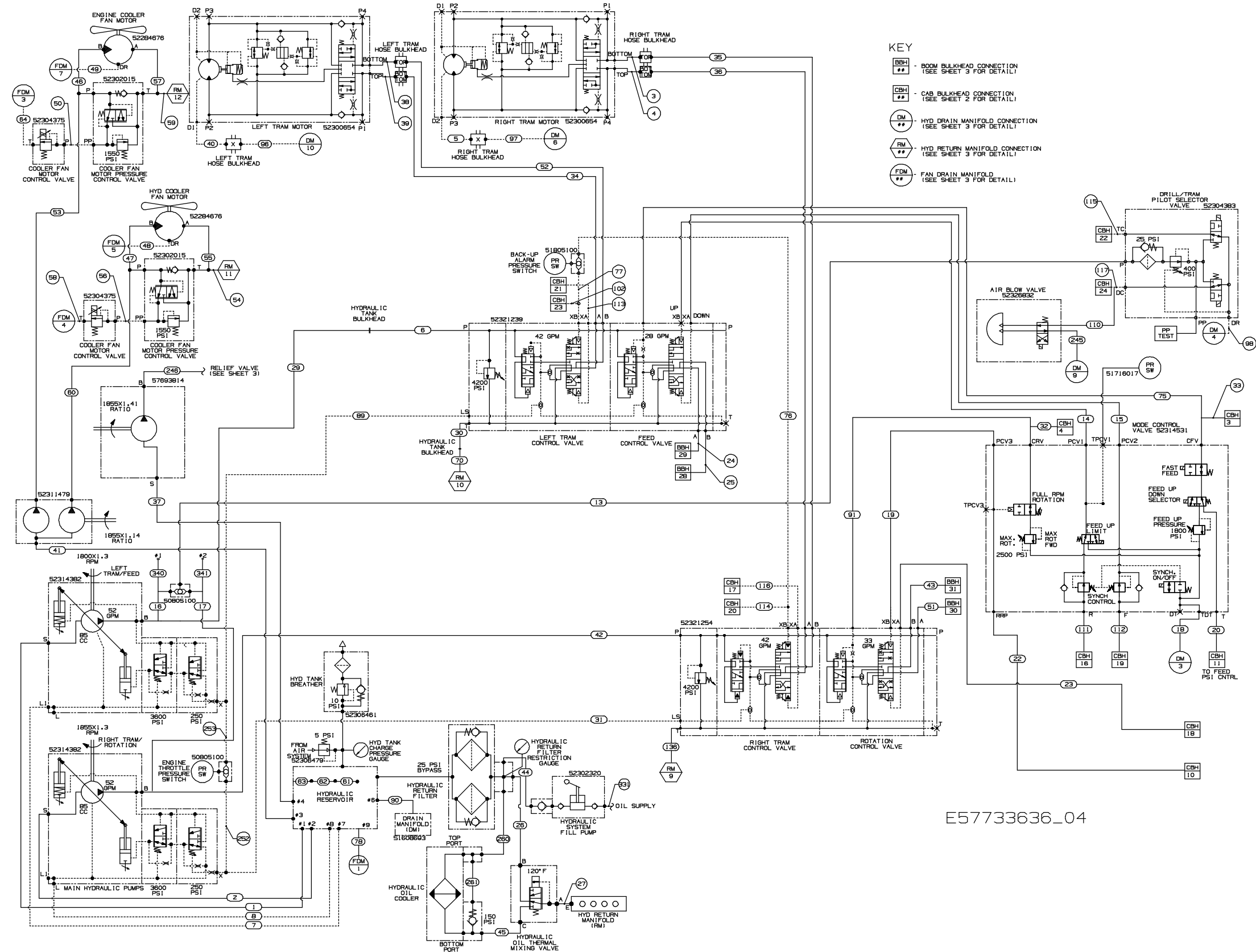
THIS PAGE IS INTENTIONALLY BLANK



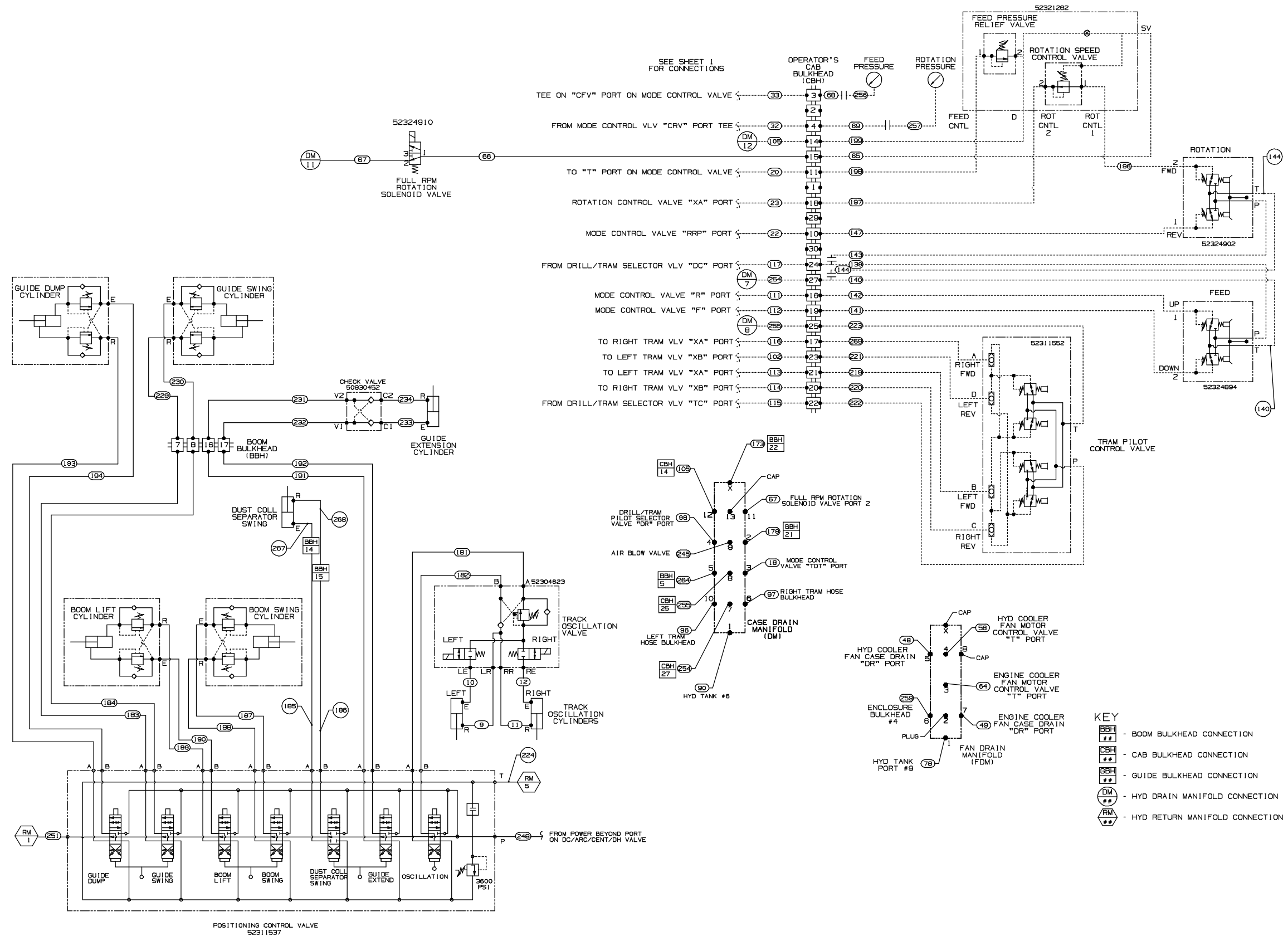


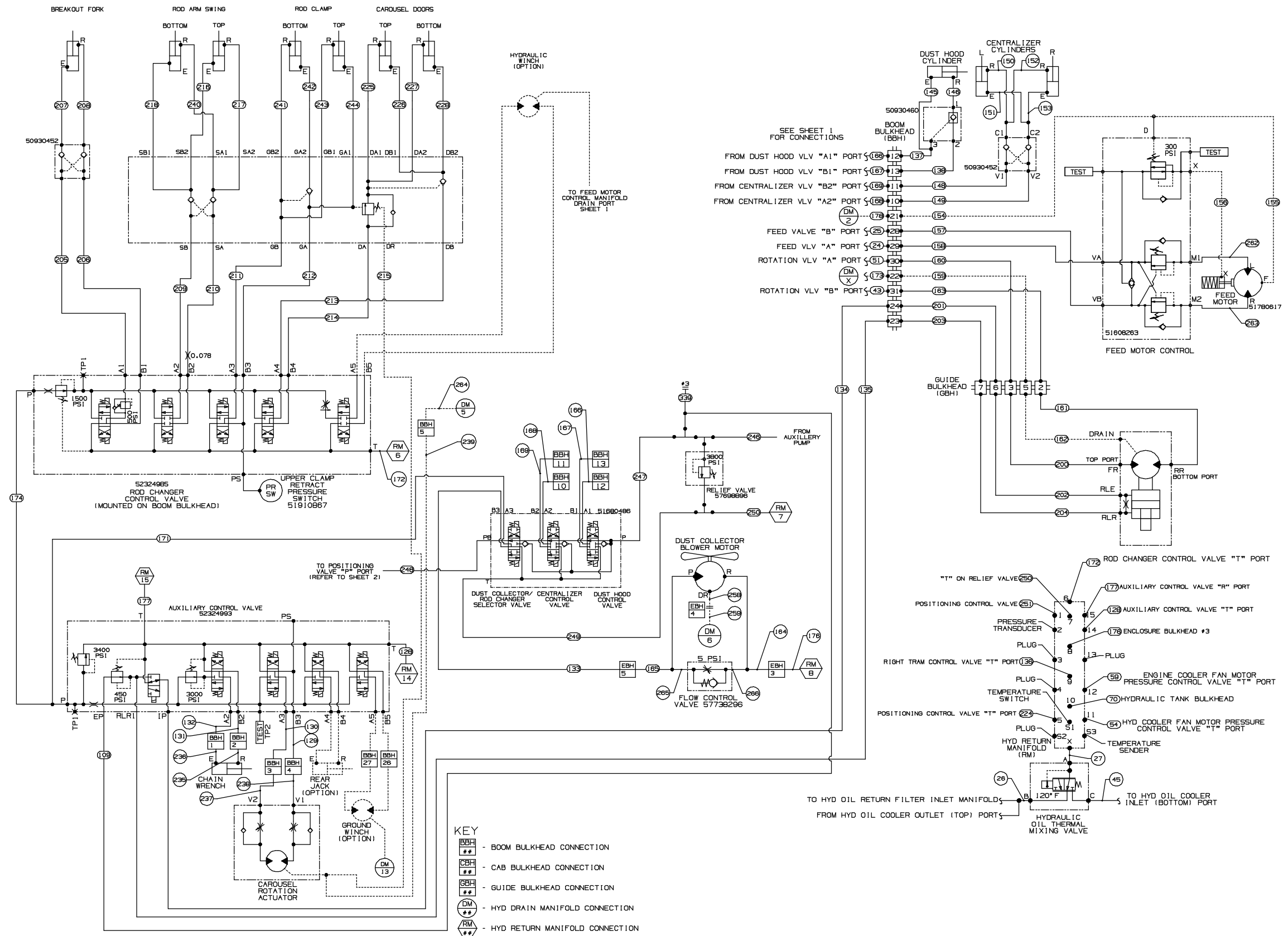


THIS PAGE IS INTENTIONALLY BLANK



E57733636_04





57733636**HYDRAULIC SCHEMATIC, ARCTIC**

<i>REF.</i>	<i>PART NO.</i>	<i>QTY.</i>	<i>PART NAME</i>	<i>SERIAL</i>
<i>NO.</i>			<i>REMARKS</i>	<i>NO.</i>
1	57728693	1	ASSEMBLY, HOSE	
2	57718959	1	ASSEMBLY, HOSE	
3	57733305	1	ASSEMBLY, HOSE	
4	57733313	1	ASSEMBLY, HOSE	
5	57733321	1	ASSEMBLY, HOSE	
6	57698870	1	ASSEMBLY, HOSE	
7	57728669	1	ASSEMBLY, HOSE	
8	57714651	1	ASSEMBLY, HOSE	
9	56971955	1	ASSEMBLY, HOSE	
10	56971955	1	ASSEMBLY, HOSE	
11	52317658	1	ASSEMBLY, HOSE	
12	56966278	1	ASSEMBLY, HOSE	
13	56953896	1	ASSEMBLY, HOSE	
14	52226479	1	ASSEMBLY, HOSE	
15	57004020	1	ASSEMBLY, HOSE	
16	56950082	1	ASSEMBLY, HOSE	
17	56961840	1	ASSEMBLY, HOSE	
18	58207325	1	ASSEMBLY, HOSE	
19	56964125	1	ASSEMBLY, HOSE	
20	56964273	1	ASSEMBLY, HOSE	
22	56972680	1	ASSEMBLY, HOSE	
23	57506370	1	ASSEMBLY, HOSE	
24	57733339	1	ASSEMBLY, HOSE	
25	57733347	1	ASSEMBLY, HOSE	
26	57748410	1	ASSEMBLY, HOSE	
27	57728701	1	ASSEMBLY, HOSE	
29	57728685	1	ASSEMBLY, HOSE	
30	57694952	1	ASSEMBLY, HOSE	
31	57116899	1	ASSEMBLY, HOSE	
32	51867224	1	ASSEMBLY, HOSE	
33	51867224	1	ASSEMBLY, HOSE	
34	57002248	1	ASSEMBLY, HOSE	
35	57525347	1	ASSEMBLY, HOSE	
36	57525347	1	ASSEMBLY, HOSE	
37	52317831	1	ASSEMBLY, HOSE	
38	57733354	1	ASSEMBLY, HOSE	
39	57733313	1	ASSEMBLY, HOSE	

57733636

HYDRAULIC SCHEMATIC, ARCTIC

<i>REF.</i>				
<i>NO.</i>	<i>PART NO.</i>	<i>QTY.</i>	<i>PART NAME</i>	<i>SERIAL</i>
			<i>REMARKS</i>	<i>NO.</i>
40	57733321	1	ASSEMBLY, HOSE	
41	52317864	1	ASSEMBLY, HOSE	
42	57728677	1	ASSEMBLY, HOSE	
43	57733388	1	ASSEMBLY, HOSE	
44	57714669	1	ASSEMBLY, HOSE	
45	57748014	1	ASSEMBLY, HOSE	
46	57751554	1	ASSEMBLY, HOSE	
47	52318086	1	ASSEMBLY, HOSE	
48	57006520	1	ASSEMBLY, HOSE	
49	56958259	1	ASSEMBLY, HOSE	
50	51028371	1	ASSEMBLY, HOSE	
51	57733396	1	ASSEMBLY, HOSE	
52	57002248	1	ASSEMBLY, HOSE	
53	52318052	1	ASSEMBLY, HOSE	
54	56953920	1	ASSEMBLY, HOSE	
55	56972797	1	ASSEMBLY, HOSE	
56	57015505	1	ASSEMBLY, HOSE	
57	56987944	1	ASSEMBLY, HOSE	
58	57102139	1	ASSEMBLY, HOSE	
59	52318110	1	ASSEMBLY, HOSE	
60	52318128	1	ASSEMBLY, HOSE	
61	57496135	1	ASSEMBLY, HOSE	
62	56957772	1	ASSEMBLY, HOSE	
63	57599060	1	ASSEMBLY, HOSE	
64	57041550	1	ASSEMBLY, HOSE	
65	56964208	1	ASSEMBLY, HOSE	
66	58144585	1	ASSEMBLY, HOSE	
67	56972680	1	ASSEMBLY, HOSE	
68	52325255	1	ASSEMBLY, HOSE	
69	52325255	1	ASSEMBLY, HOSE	
70	57703878	1	ASSEMBLY, HOSE	
75	57101420	1	ASSEMBLY, HOSE	
76	52317823	1	ASSEMBLY, HOSE	
77	57695959	1	ASSEMBLY, HOSE	
78	56992084	1	ASSEMBLY, HOSE	
89	58207325	1	ASSEMBLY, HOSE	
90	57397960	1	ASSEMBLY, HOSE	
91	56964133	1	ASSEMBLY, HOSE	
96	57703886	1	ASSEMBLY, HOSE	
97	57696197	1	ASSEMBLY, HOSE	

57733636

HYDRAULIC SCHEMATIC, ARCTIC

<i>REF.</i>	<i>PART NO.</i>	<i>QTY.</i>	<i>PART NAME</i>	<i>SERIAL</i>
<i>NO.</i>	<i>PART NO.</i>	<i>QTY.</i>	<i>REMARKS</i>	<i>NO.</i>
98	56961774	1	ASSEMBLY, HOSE	
102	56966211	1	ASSEMBLY, HOSE	
105	56964232	1	ASSEMBLY, HOSE	
109	58182791	1	ASSEMBLY, HOSE	
110	57209355	1	ASSEMBLY, HOSE	
111	56972680	1	ASSEMBLY, HOSE	
112	56972680	1	ASSEMBLY, HOSE	
113	56974579	1	ASSEMBLY, HOSE	
114	56966211	1	ASSEMBLY, HOSE	
115	56954076	1	ASSEMBLY, HOSE	
116	57506370	1	ASSEMBLY, HOSE	
117	56954076	1	ASSEMBLY, HOSE	
128	56994577	1	ASSEMBLY, HOSE	
129	57733362	1	ASSEMBLY, HOSE	
130	57733362	1	ASSEMBLY, HOSE	
131	57733370	1	ASSEMBLY, HOSE	
132	57733370	1	ASSEMBLY, HOSE	
133	57696205	1	ASSEMBLY, HOSE	
134	57733404	1	ASSEMBLY, HOSE	
135	57733404	1	ASSEMBLY, HOSE	
136	57694978	1	ASSEMBLY, HOSE	
137	57687659	1	ASSEMBLY, HOSE	
138	57687659	1	ASSEMBLY, HOSE	
139	57005654	1	ASSEMBLY, HOSE	
140	57005654	1	ASSEMBLY, HOSE	
141	52319795	1	ASSEMBLY, HOSE	
142	52319795	1	ASSEMBLY, HOSE	
143	57392920	1	ASSEMBLY, HOSE	
144	57392920	1	ASSEMBLY, HOSE	
145	51063378	1	ASSEMBLY, HOSE	
146	51030815	1	ASSEMBLY, HOSE	
147	58146622	1	ASSEMBLY, HOSE	
148	57687832	1	ASSEMBLY, HOSE	
149	57687832	1	ASSEMBLY, HOSE	
150	51043750	1	ASSEMBLY, HOSE	
151	51043750	1	ASSEMBLY, HOSE	
152	51059723	1	ASSEMBLY, HOSE	
153	51059723	1	ASSEMBLY, HOSE	
154	57701724	1	ASSEMBLY, HOSE	

57733636**HYDRAULIC SCHEMATIC, ARCTIC**

<i>REF.</i>				
<i>NO.</i>	<i>PART NO.</i>	<i>QTY.</i>	<i>PART NAME</i>	<i>SERIAL</i>
			<i>REMARKS</i>	<i>NO.</i>
155	51028579	1	ASSEMBLY, HOSE	
156	51028579	1	ASSEMBLY, HOSE	
157	57691610	1	ASSEMBLY, HOSE	
158	57691628	1	ASSEMBLY, HOSE	
159	57687790	1	ASSEMBLY, HOSE	
160	57691602	1	ASSEMBLY, HOSE	
161	57691586	1	ASSEMBLY, HOSE	
162	57733560	1	ASSEMBLY, HOSE	
163	57691602	1	ASSEMBLY, HOSE	
164	57010126	1	ASSEMBLY, HOSE	
165	57010126	1	ASSEMBLY, HOSE	
166	57733412	1	ASSEMBLY, HOSE	
167	57733412	1	ASSEMBLY, HOSE	
168	57733412	1	ASSEMBLY, HOSE	
169	57733412	1	ASSEMBLY, HOSE	
171	57438681	1	ASSEMBLY, HOSE	
172	57733420	1	ASSEMBLY, HOSE	
173	57733438	1	ASSEMBLY, HOSE	
174	57733446	1	ASSEMBLY, HOSE	
176	57010118	1	ASSEMBLY, HOSE	
177	52255098	1	ASSEMBLY, HOSE	
178	57733453	1	ASSEMBLY, HOSE	
179	56964331	1	ASSEMBLY, HOSE	
181	57696130	1	ASSEMBLY, HOSE	
182	57112526	1	ASSEMBLY, HOSE	
183	57733461	1	ASSEMBLY, HOSE	
184	57687808	1	ASSEMBLY, HOSE	
185	57733479	1	ASSEMBLY, HOSE	
186	57687808	1	ASSEMBLY, HOSE	
187	57733487	1	ASSEMBLY, HOSE	
188	57733495	1	ASSEMBLY, HOSE	
189	57733503	1	ASSEMBLY, HOSE	
190	57733511	1	ASSEMBLY, HOSE	
191	57733461	1	ASSEMBLY, HOSE	
192	57687808	1	ASSEMBLY, HOSE	
193	57733537	1	ASSEMBLY, HOSE	
194	57733545	1	ASSEMBLY, HOSE	
196	56966302	1	ASSEMBLY, HOSE	
197	56964208	1	ASSEMBLY, HOSE	
198	56964208	1	ASSEMBLY, HOSE	

57733636

HYDRAULIC SCHEMATIC, ARCTIC

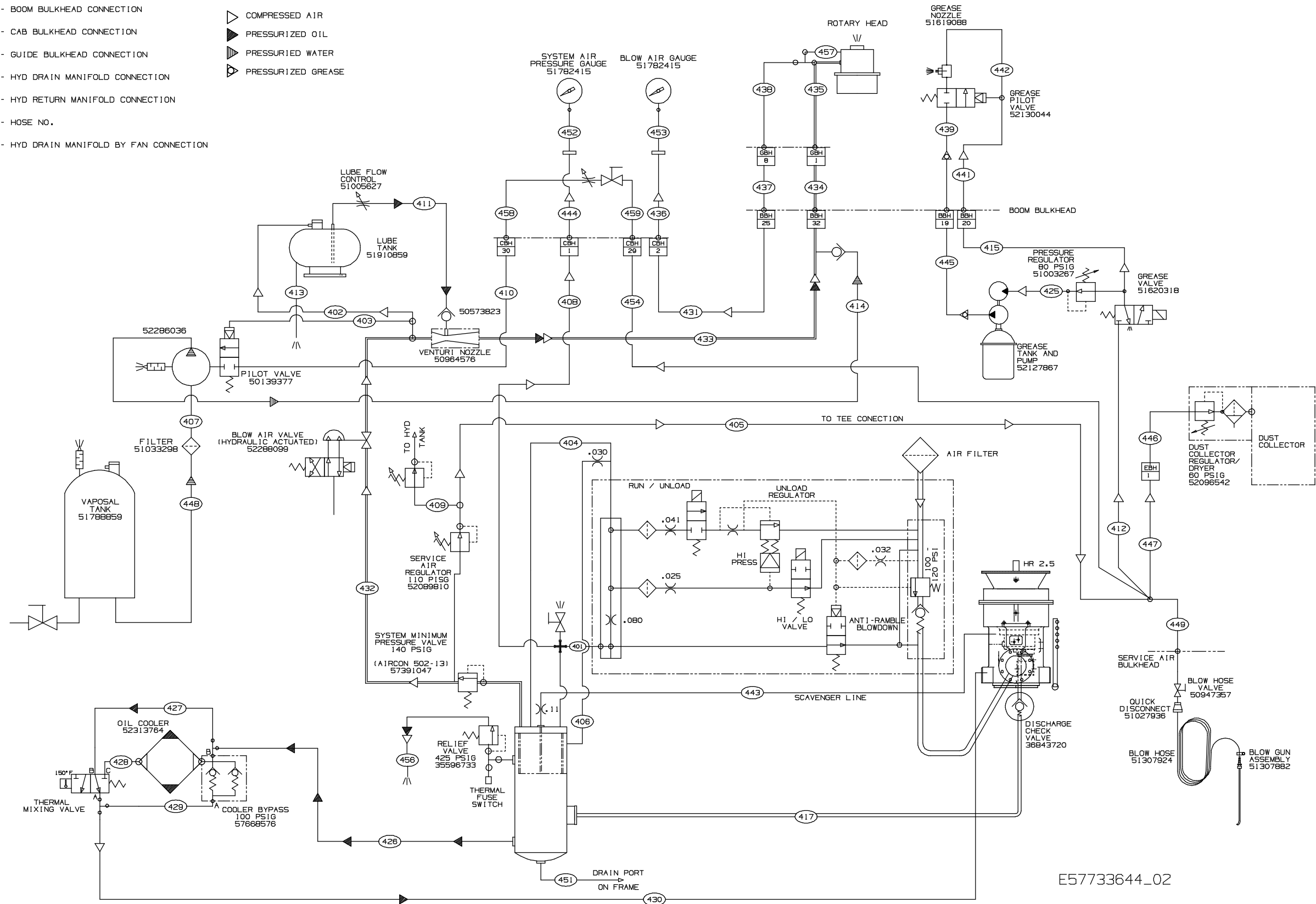
<i>REF.</i>	<i>PART NO.</i>	<i>QTY.</i>	<i>PART NAME</i>	<i>SERIAL</i>
<i>NO.</i>	<i>PART NO.</i>	<i>QTY.</i>	<i>REMARKS</i>	<i>NO.</i>
199	56964208	1	ASSEMBLY, HOSE	
200	57691594	1	ASSEMBLY, HOSE	
201	57687782	1	ASSEMBLY, HOSE	
202	57687642	1	ASSEMBLY, HOSE	
203	57687782	1	ASSEMBLY, HOSE	
204	57687642	1	ASSEMBLY, HOSE	
205	57687832	1	ASSEMBLY, HOSE	
206	57687832	1	ASSEMBLY, HOSE	
207	51059772	1	ASSEMBLY, HOSE	
208	51059772	1	ASSEMBLY, HOSE	
209	57687642	1	ASSEMBLY, HOSE	
210	57687642	1	ASSEMBLY, HOSE	
211	57687642	1	ASSEMBLY, HOSE	
212	57687642	1	ASSEMBLY, HOSE	
213	57687642	1	ASSEMBLY, HOSE	
214	57687642	1	ASSEMBLY, HOSE	
215	57733578	1	ASSEMBLY, HOSE	
216	51916047	1	ASSEMBLY, HOSE	
217	51916047	1	ASSEMBLY, HOSE	
218	51030799	1	ASSEMBLY, HOSE	
219	52226453	1	ASSEMBLY, HOSE	
220	56964208	1	ASSEMBLY, HOSE	
221	56964208	1	ASSEMBLY, HOSE	
222	56954043	1	ASSEMBLY, HOSE	
223	56954043	1	ASSEMBLY, HOSE	
224	52118882	1	ASSEMBLY, HOSE	
225	51916062	1	ASSEMBLY, HOSE	
226	51916062	1	ASSEMBLY, HOSE	
227	51041085	1	ASSEMBLY, HOSE	
228	51041085	1	ASSEMBLY, HOSE	
229	57687725	1	ASSEMBLY, HOSE	
230	57687725	1	ASSEMBLY, HOSE	
231	57687733	1	ASSEMBLY, HOSE	
232	57687667	1	ASSEMBLY, HOSE	
233	51300390	1	ASSEMBLY, HOSE	
234	51300564	1	ASSEMBLY, HOSE	
235	57687857	1	ASSEMBLY, HOSE	
236	57687857	1	ASSEMBLY, HOSE	
237	57687824	1	ASSEMBLY, HOSE	
238	57687824	1	ASSEMBLY, HOSE	

57733636**HYDRAULIC SCHEMATIC, ARCTIC**

REF. NO.	PART NO.	QTY.	PART NAME REMARKS	SERIAL NO.
239	57687824	1	ASSEMBLY, HOSE	
240	51030815	1	ASSEMBLY, HOSE	
241	51060143	1	ASSEMBLY, HOSE	
242	51060143	1	ASSEMBLY, HOSE	
243	51916054	1	ASSEMBLY, HOSE	
244	51916054	1	ASSEMBLY, HOSE	
245	56966187	1	ASSEMBLY, HOSE	
246	56956923	1	ASSEMBLY, HOSE	
247	57690570	1	ASSEMBLY, HOSE	
248	57690588	1	ASSEMBLY, HOSE	
249	57690596	1	ASSEMBLY, HOSE	
250	57007486	1	ASSEMBLY, HOSE	
251	56992084	1	ASSEMBLY, HOSE	
252	56971955	1	ASSEMBLY, HOSE	
253	58147125	1	ASSEMBLY, HOSE	
254	56949399	1	ASSEMBLY, HOSE	
255	56954050	1	ASSEMBLY, HOSE	
256	52325255	1	ASSEMBLY, HOSE	
257	52325255	1	ASSEMBLY, HOSE	
258	56968365	1	ASSEMBLY, HOSE	
259	52319605	1	ASSEMBLY, HOSE	
260	57729071	1	ASSEMBLY, HOSE	
261	57704777	1	ASSEMBLY, HOSE	
262	51910636	1	ASSEMBLY, HOSE	
263	51910636	1	ASSEMBLY, HOSE	
264	57673980	1	ASSEMBLY, HOSE	
265	57739732	1	ASSEMBLY, HOSE	
266	57739732	1	ASSEMBLY, HOSE	
267	57733552	1	ASSEMBLY, HOSE	
268	57733552	1	ASSEMBLY, HOSE	
269	56964208	1	ASSEMBLY, HOSE	
331	50978543	1	ASSEMBLY, HOSE	
339	51867158	1	ASSEMBLY, HOSE	
340	52225950	1	ASSEMBLY, HOSE	
341	52197647	1	ASSEMBLY, HOSE	

KEY

- BOOM BULKHEAD CONNECTION
- CAB BULKHEAD CONNECTION
- GUIDE BULKHEAD CONNECTION
- HYD DRAIN MANIFOLD CONNECTION
- HYD RETURN MANIFOLD CONNECTION
- HOSE NO.
- HYD DRAIN MANIFOLD BY FAN CONNECTION
- COMPRESSED AIR
- PRESSURIZED OIL
- PRESSURIZED WATER
- PRESSURIZED GREASE



E57733644_02

THIS PAGE IS INTENTIONALLY BLANK

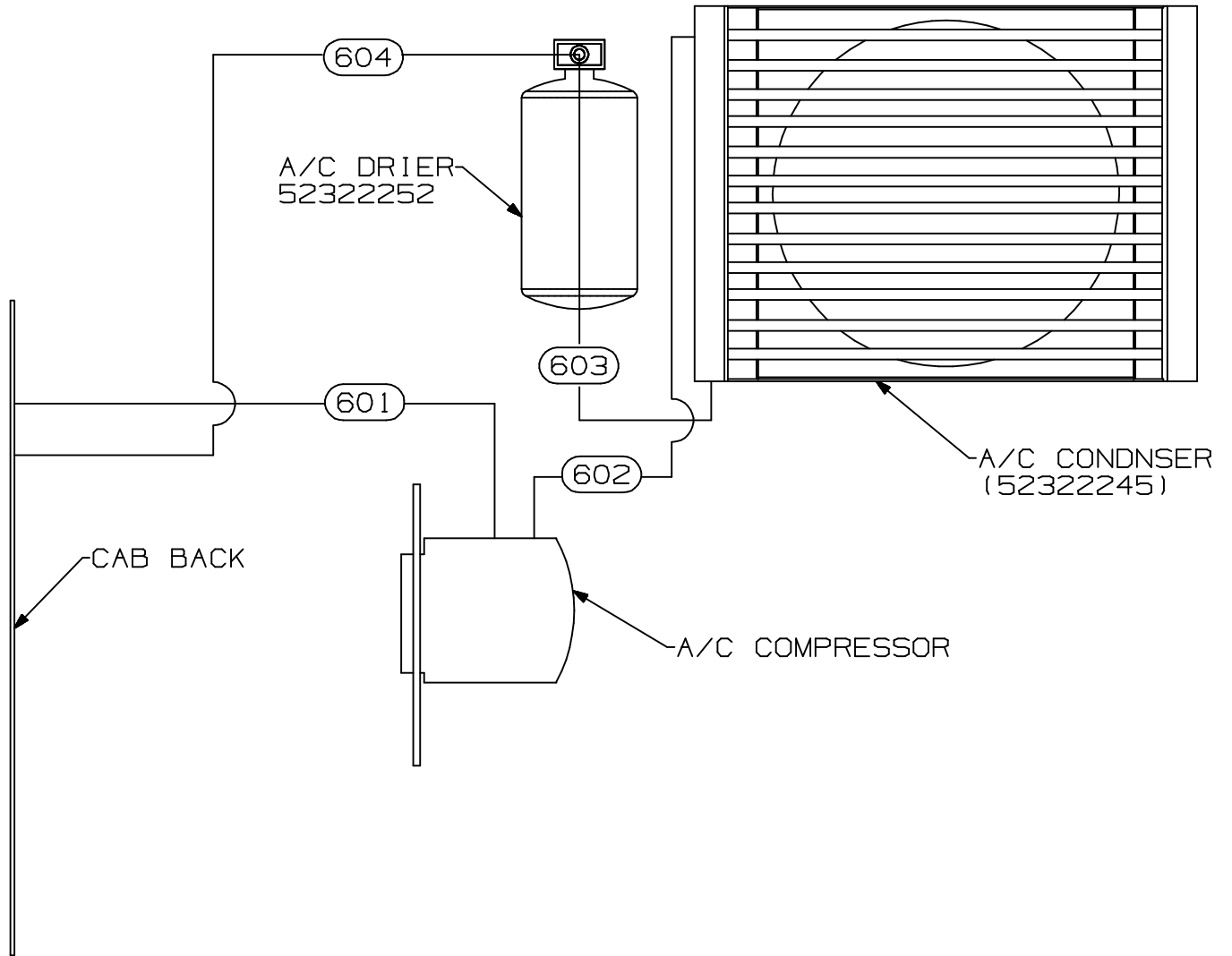
57733644

AIR/OIL SYSTEM, ARCTIC

<i>REF.</i>	<i>PART NO.</i>	<i>QTY.</i>	<i>PART NAME</i>	<i>SERIAL</i>
<i>NO.</i>			<i>REMARKS</i>	<i>NO.</i>
401	57705014	1	ASSEMBLY, HOSE	
402	56948763	1	ASSEMBLY, HOSE	
403	56958374	1	ASSEMBLY, HOSE	
404	57705022	1	ASSEMBLY, HOSE	
405	57705030	1	ASSEMBLY, HOSE	
406	57694861	1	ASSEMBLY, HOSE	
407	56954167	1	ASSEMBLY, HOSE	
408	57694879	1	ASSEMBLY, HOSE	
409	56951239	1	ASSEMBLY, HOSE	
410	57694887	1	ASSEMBLY, HOSE	
411	56948755	1	ASSEMBLY, HOSE	
412	57694929	1	ASSEMBLY, HOSE	
413	56992068	1	ASSEMBLY, HOSE	
414	57694937	1	ASSEMBLY, HOSE	
415	57733594	1	ASSEMBLY, HOSE	
417	57137986	1	ASSEMBLY, HOSE	
425	57005647	1	ASSEMBLY, HOSE	
426	57720377	1	ASSEMBLY, HOSE	
427	57714750	1	ASSEMBLY, HOSE	
429	57714768	1	ASSEMBLY, HOSE	
430	57720385	1	ASSEMBLY, HOSE	
431	57733602	1	ASSEMBLY, HOSE	
432	95313961	1	ASSEMBLY, HOSE	
433	95313961	1	ASSEMBLY, HOSE	
434	95940813	1	ASSEMBLY, HOSE	
435	95371449	1	ASSEMBLY, HOSE	
436	52325255	1	ASSEMBLY, HOSE	
437	51916443	1	ASSEMBLY, HOSE	
438	51867919	1	ASSEMBLY, HOSE	
439	57733586	1	ASSEMBLY, HOSE	
441	57733610	1	ASSEMBLY, HOSE	
442	51916005	1	ASSEMBLY, HOSE	
443	57694895	1	ASSEMBLY, HOSE	
444	52325255	1	HOSE, PRESSURE TEST	
445	57733628	1	ASSEMBLY, HOSE	
446	56957798	1	ASSEMBLY, HOSE	
447	58051210	1	ASSEMBLY, HOSE	
448	56970635	1	ASSEMBLY, HOSE	
449	57694853	1	ASSEMBLY, HOSE	

57709131**AIR/OIL/WATER SCHEMATIC**

<i>REF.</i>				
<i>NO.</i>	<i>PART NO.</i>	<i>QTY.</i>	<i>PART NAME</i>	<i>SERIAL</i>
			<i>REMARKS</i>	<i>NO.</i>
451	52318011	0	ASSEMBLY, HOSE	
452	52325255	1	HOSE, PRESSURE TEST	
453	52325255	1	HOSE, PRESSURE TEST	
454	57704082	1	ASSEMBLY, HOSE	
456	57711137	1	ASSEMBLY, HOSE	
457	51232197	1	ASSEMBLY, HOSE	
458	57044521	1	ASSEMBLY, HOSE	
459	57044521	1	ASSEMBLY, HOSE	



57692147

HOSES, HEATER, A/C

REF.

<i>NO.</i>	<i>PART NO.</i>	<i>QTY.</i>	<i>PART NAME</i> <i>REMARKS</i>	<i>SERIAL</i> <i>NO.</i>
------------	-----------------	-------------	------------------------------------	-----------------------------

601	52320462	1	HOSE	
602	52320470	1	HOSE	
603	52320488	1	HOSE	
604	52320496	1	HOSE	



Atlas Copco Drilling Solutions, Inc.

A Company Within the Atlas Copco Group

P.O. Box 462288, 2100 North First Street
Garland, TX 75040-2288
www.atlascopco.com/drillingsolutions