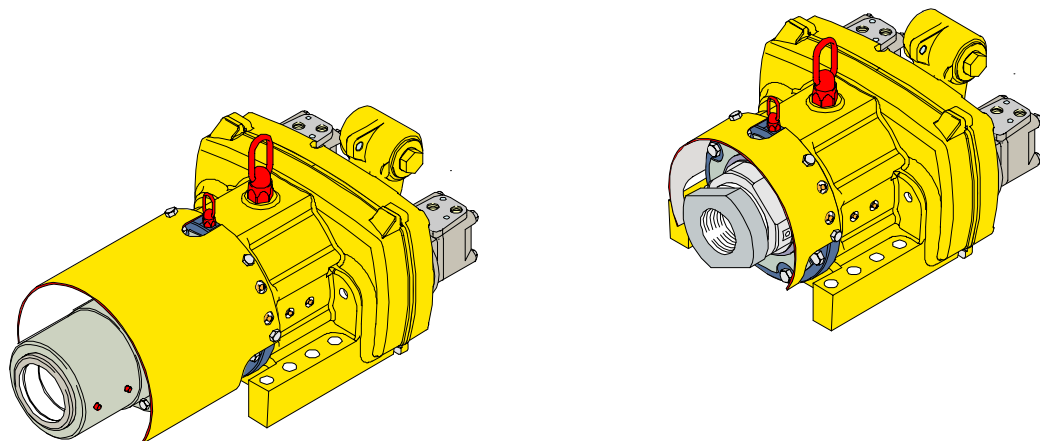


Atlas Copco

Spare Parts Catalogue

Rotation unit
DHR 6H



Atlas Copco Rock Drill AB
Örebro, Sweden

©Atlas Copco Rock Drills AB, 2008, All rights reserved

No. 9853 6660 20

Atlas Copco

Use Atlas Copco genuine parts only.
Any damage or malfunction caused by the
use of unauthorized parts is not covered by
warranty or product liability.

This publication refers only to the mentioned
product.

When ordering spare parts, please state part
number (not the ref no) and the quantity.

Använd alltid Atlas Copco originaldelar.
Skador och driftstörningar orsakade av ej
godkända reservdelar täcks ej av garanti
och produktsäkerhetsåtaganden.

Denna publikation gäller endast för
nämnda produkt.

Vid beställning av reservdelar, var god ange
detaljnummer (ej ref nr) samt antal.

© Copyright 2008, Atlas Copco Rock Drills AB, Sweden

Any unauthorized use or copying of the contents or any part thereof is prohibited.
This applies in particular to trademarks, model denominations, part numbers and drawings.

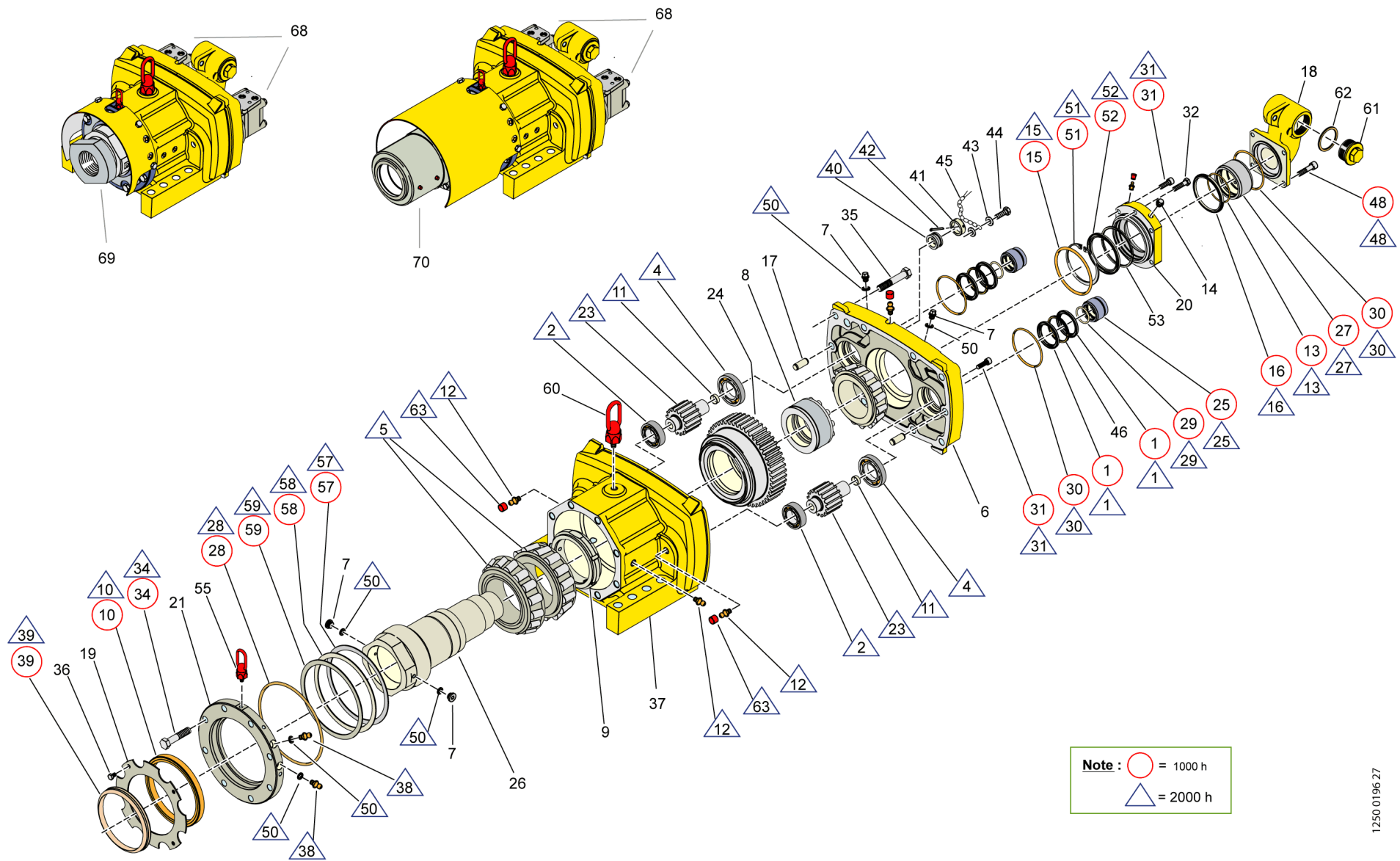
Obehörigt utnyttjande eller kopiering av innehållet eller del därav är förbjudet.
Detta gäller speciellt varumärken, modellbeteckningar, reservdelsnummer och ritningar.

Table of Content / Innehållsförteckning

1. BASIC SET / GRUNDSATS	5
2. CROSS REFERENCE LIST	29

BASIC SET / GRUNDSATS
LIST OF CONTENTS

Part no Detaljnr	Description	Benämning	See page Se sida	Remarks Anmärkning
4350 2662 00	BASIC SET	GRUNDSATS	7	
3115 3507 81	– HYDRAULIC MOTOR	– HYDRAULMOTOR	11	MOTORSIZE 160
3115 3507 82	– HYDRAULIC MOTOR	– HYDRAULMOTOR	13	MOTORSIZE 125
3115 3507 83	– HYDRAULIC MOTOR	– HYDRAULMOTOR	15	MOTORSIZE 250
3115 3507 84	– HYDRAULIC MOTOR	– HYDRAULMOTOR	17	MOTORSIZE 315
4350 2662 10	– ADAPTER	– ADAPTER	19	FIXED ADAPTER 2 3/8'
4350 2662 11	– ADAPTER	– ADAPTER	21	FIXED ADAPTER 3 1/2'
4350 2662 20	– FLOATING ADAPT.	– FLYTSUB	23	FLOATING ADAPTER 2 3/8'
4350 2662 21	– FLOATING ADAPT.	– FLYTSUB	25	FLOATING ADAPTER 3 1/2'
4350 2617 28	– TOOLS SETS	– VERKTYGSSATSER	27	



BASIC SET / GRUNDSATS

4350 2662 00

(Sheet 1 of 3)

Ref no	Part no Detaljnr	Qty Antal	Description	Benämning	See page Se sida	Remarks Anmärkning
	4350 2584 30	1	SPARE PARTS SET	RESERVDELSSATS		BASIC PART/1000H
	4350 2584 40	1	SPARE PARTS SET	RESERVDELSSATS		BASIC PART/2000H
1	0666 6000 63	4	RADIAL LIP SEAL	RADIALTÄTNING		
2	0508 1100 20	2	ROLLER BEARING	RULLAGER		
3	0508 1101 03	1	ROLLER BEARING	RULLAGER		
4	0508 1308 00	2	ROLLER BEARING	RULLAGER		
5	0509 0124 00	2	ROLLER BEARING	RULLAGER		
6	4350 2650 28	1	END PIECE	GAVEL		
7	0686 4201 03	4	PLUG	PROPP		
8	4350 2651 02	1	CLAMPING SLEEVE	SPÄNNHYLSA		
9	4350 2650 89	1	LOCK NUT	LÄSMUTTER		
10	4350 2640 23	1	SEAL	TÄTNING		
11	3161 1173 00	2	SPACER	DISTANS		
12	4350 2650 53	2	PR GREASE NIPPL	TRYCK FETTNIPPL		
13	0663 2113 44	1	O-RING	O-RING		
14	0803 5012 03	1	FILTER PLUG	FILTERPROPP		
15	0663 2100 75	1	O-RING	O-RING		
16	4350 2650 46	1	SEAL KIT	TÄTNINGSSATS		
17	0102 0626 00	2	PIN	PINNE		CP 16M6 X 40 - 11 1922 04
18	4350 2620 10	1	AIR CONNECTION	LUFTANSLUTNING		
19	4350 2650 17	1	COVER	LOCK		
20	4350 2651 18	1	SEAL HOLDER	TÄTNINGSHÅLLARE		
21	4350 2650 09	1	COVER	LOCK		
23	4350 2651 05	2	GEAR WHEEL	KUGGHJUL		
24	4350 2650 43	1	GEAR WHEEL	KUGGHJUL		
25	4350 2650 47	2	SEALING BUSH	TÄTNINGSHYLSA		
26	4350 2650 93	1	SPINDLE	SPINDEL		
27	4350 2650 45	1	SEALING BUSH	TÄTNINGSHYLSA		
28	0663 9277 00	1	O-RING	O-RING		
29	0663 2133 00	2	O-RING	O-RING		
30	0663 6144 00	3	O-RING	O-RING		
31	0211 1960 81	8	SCREW	SKRUV		MC6S M 10 X 30 - 12.9

BASIC SET / GRUNDSATS
4350 2662 00

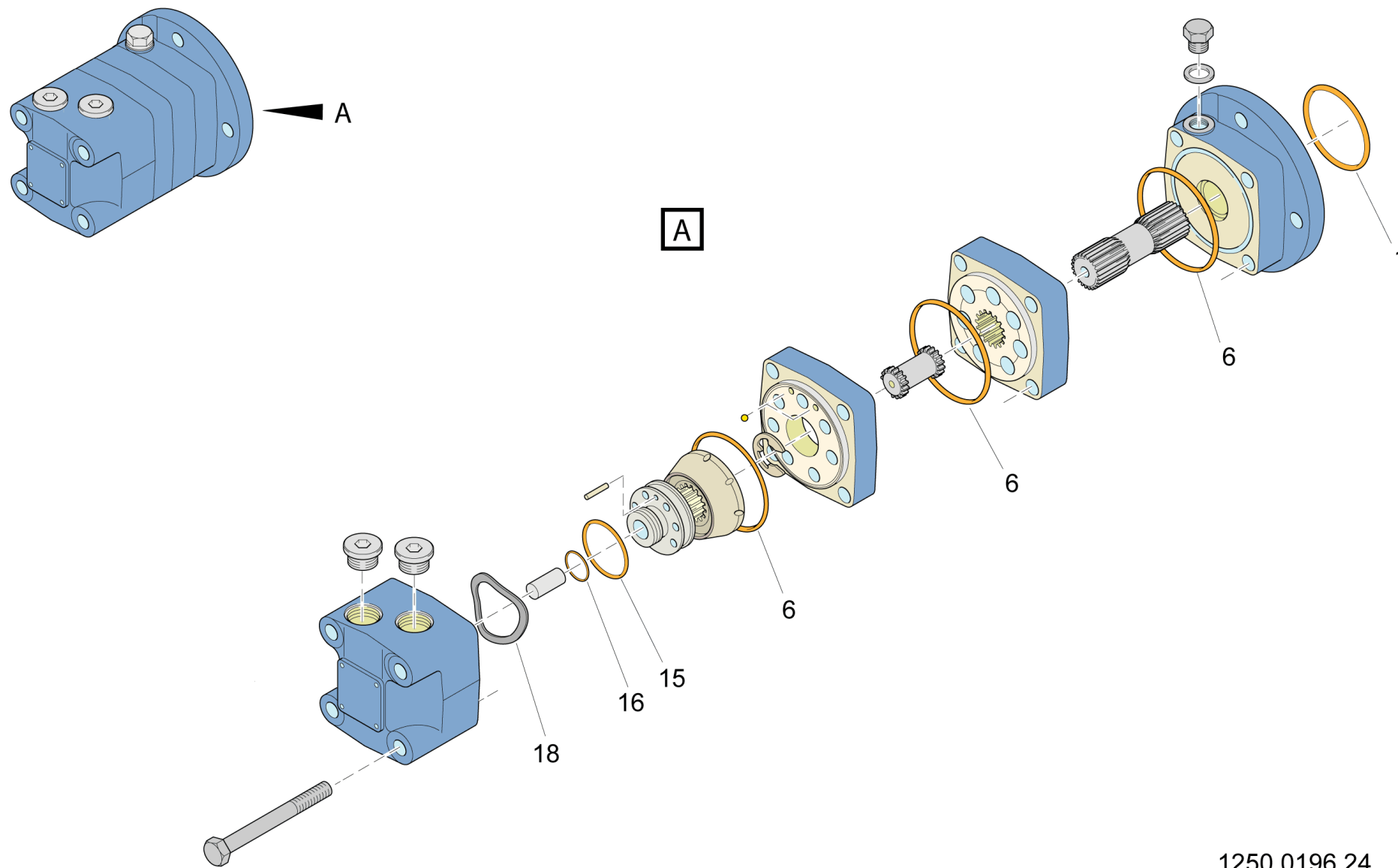
(Sheet 2 of 3)

Ref no	Part no Detaljnr	Qty Antal	Description	Benämning	See page Se sida	Remarks Anmärkning
32	0147 1365 03	2	SCREW, HEX HEAD	SKRUV, SEXKANT		M 10 X 40 - 8.8 FZB
34	0147 1484 03	8	SCREW, HEX HEAD	SKRUV, SEXKANT		M 16 X 75 - 8.8 FZB
38	0544 2162 00	5	GREASE NIPPLE	SMÖRJNIPPEL		
40	3161 0632 00	1	VALVE	VENTIL		
42	0111 1375 00	1	SPLIT PIN	SAXPINNE		5 X 32 SP 1325 - 00
50	0661 1014 00	2	SEAL WASHER	TÄTNINGSBRICKA		
63	0686 9252 27	5	PROTECTION CAP	SKYDDSHUV		12 X 12 PELD / RED
	4350 2617 24	1	LABEL	DEKAL		
35	0147 1487 03	8	SCREW, HEX HEAD	SKRUV, SEXKANT		M 16 X 90 - 8.8 FZB
36	0147 1320 03	4	SCREW, HEX HEAD	SKRUV, SEXKANT		M 8 X 12 - 8.8 FZB
37	4350 2650 73	1	GEAR HOUSING	VÄXELHUS		
38	0544 2162 00	5	GREASE NIPPLE	SMÖRJNIPPEL		
39	0666 8000 10	1	AXIAL SEAL	AXIALTÄTNING		
40	3161 0632 00	1	VALVE	VENTIL		
41	3161 0633 00	1	COVER	LOCK		
42	0111 1375 00	1	SPLIT PIN	SAXPINNE		5 X 32 SP 1325 - 00
43	0301 2335 00	2	PLAIN WASHER	RUNDBRICKA		8,4 / 16 X 1,6 HB200 FZB 8,4 / 16 X 1,6 -HB200 FZB
44	0147 1326 03	1	SCREW, HEX HEAD	SKRUV, SEXKANT		M 8 X 30 - 8.8 FZB
45	3161 0752 00	1	CHAIN	KEDJA		
46	4350 2650 51	2	SPACER	DISTANS		
48	0211 1963 01	4	SCREW	SKRUV		MC6S M 10 X 50 - 12.9
50	0661 1014 00	6	SEAL WASHER	TÄTNINGSBRICKA		
51	0335 2173 00	1	CIRCLIP	SPÄRRING		
52	0666 7190 01	2	RADIAL LIP SEAL	RADIALTÄTNING		
53	4350 2650 83	1	SPACER	DISTANS		
55	4350 2651 03	1	LIFTING EYE	LYFTÖGLA		
57	3128 3062 32	1	SHIM	MELLANLÄGG		4 X 0,15
58	3128 3062 33	1	SHIM	MELLANLÄGG		5 X 0,2
59	4350 2580 23	1	SHIM	MELLANLÄGG		
60	4350 2651 09	1	LIFTING EYE	LYFTÖGLA		
61	4350 2582 13	1	PLUG	PLUGG		

BASIC SET / GRUNDSATS**4350 2662 00**

(Sheet 3 of 3)

Ref no	Part no Detaljnr	Qty Antal	Description	Benämning	See page Se sida	Remarks Anmärkning
62	0661 1070 00	1	SEAL WASHER	TÄTNINGSBRICKA		
63	0686 9252 27	5	PROTECTION CAP	SKYDDSHUV		12 X 12 PELD / RED
65	0686 6448 04	1	PLUG	PROPP		
66	3161 0831 00	1	PLATE	SKYLT		
67	0244 4143 00	4	SCREW, DRIVE	SKRUV, DRIV		KDS 2,5 X 5 SMS 1549 FZB
68	3115 3507 81	1	HYDRAULIC MOTOR	HYDRAULMOTOR	Page 11	MOTORSIZE 160
68	3115 3507 82	1	HYDRAULIC MOTOR	HYDRAULMOTOR	Page 13	MOTORSIZE 125
68	3115 3507 83	1	HYDRAULIC MOTOR	HYDRAULMOTOR	Page 15	MOTORSIZE 250
68	3115 3507 84	1	HYDRAULIC MOTOR	HYDRAULMOTOR	Page 17	MOTORSIZE 315
69	4350 2662 10	1	ADAPTER	ADAPTER	Page 19	FIXED ADAPTER 2 3/8'
69	4350 2662 11	1	ADAPTER	ADAPTER	Page 21	FIXED ADAPTER 3 1/2'
70	4350 2662 20	1	FLOATING ADAPT.	FLYTSUB	Page 23	FLOATING ADAPTER 2 3/8'
70	4350 2662 21	1	FLOATING ADAPT.	FLYTSUB	Page 25	FLOATING ADAPTER 3 1/2'
	4350 2617 28	1	TOOLS SETS	VERKTYGSSATSER	Page 27	

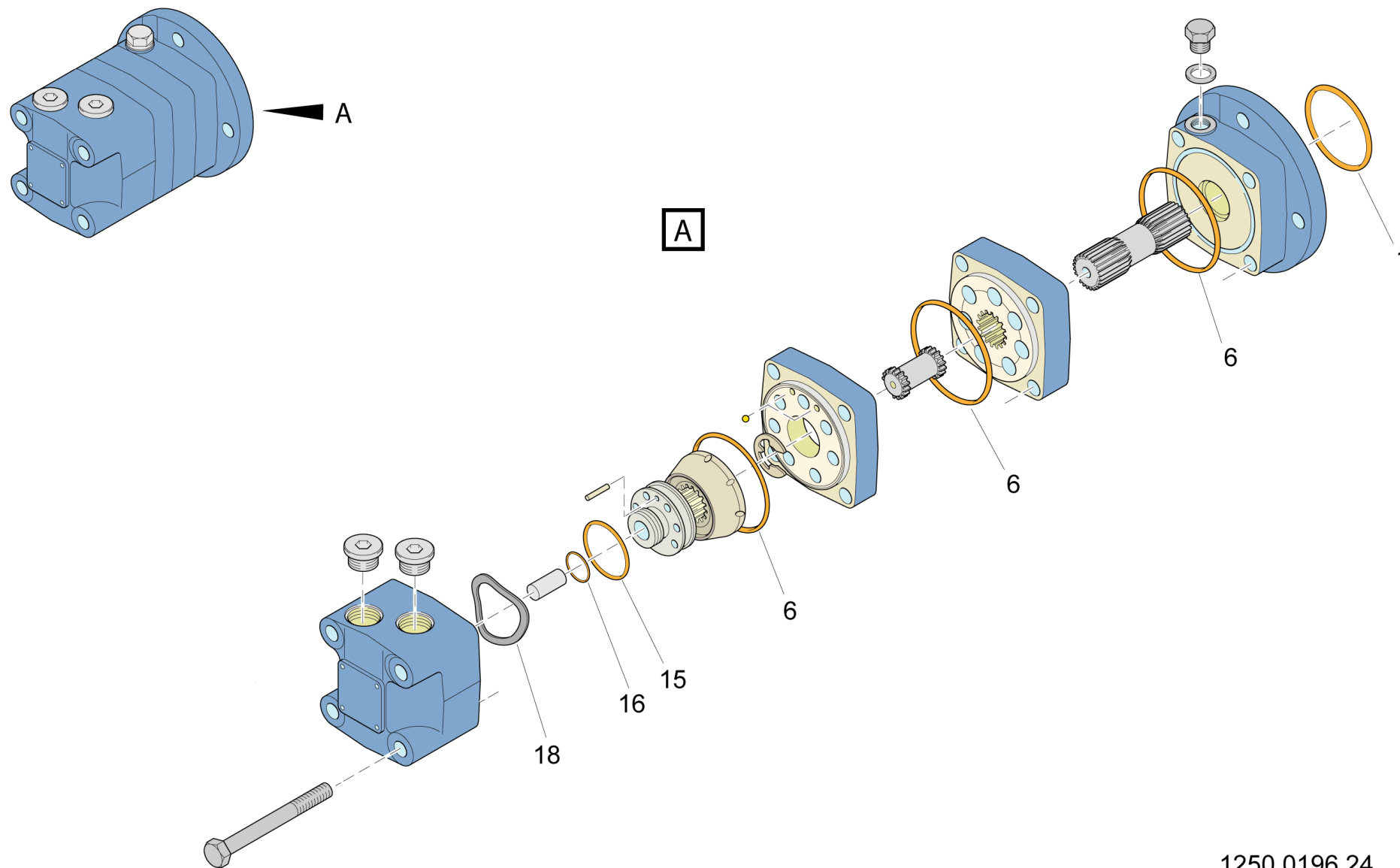


1250 0196 24

HYDRAULIC MOTOR / HYDRAULMOTOR**3115 3507 81**

MOTOR SIZE 160

Ref no	Part no Detaljnr	Qty Antal	Description	Benämning	See page Se sida	Remarks Anmärkning
	3115 3507 90	1	SEAL KIT	TÄTNINGSSATS		INCL POS 1,6,15,16,18

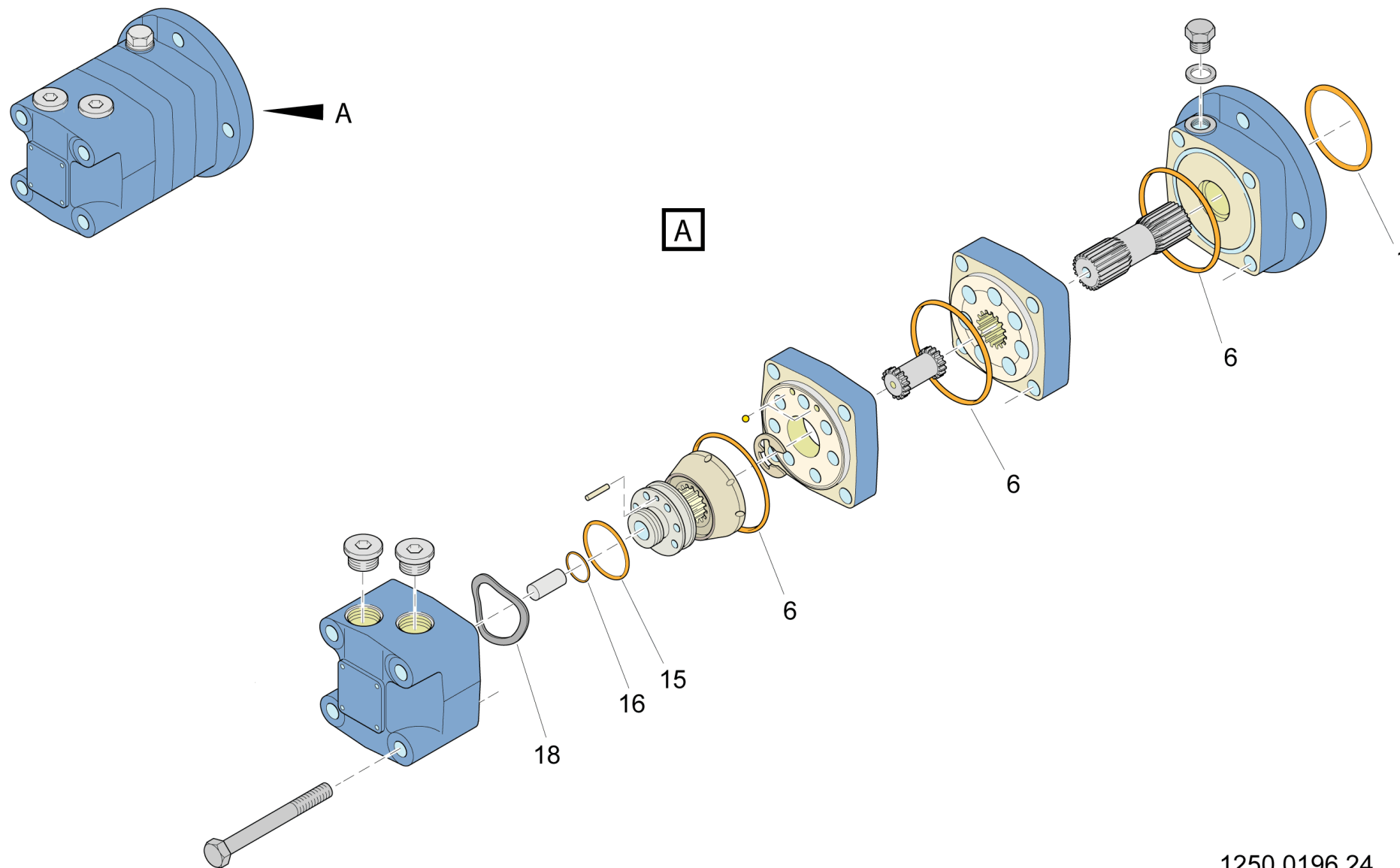


1250 0196 24

HYDRAULIC MOTOR / HYDRAULMOTOR**3115 3507 82**

MOTOR SIZE 125

Ref no	Part no Detaljnr	Qty Antal	Description	Benämning	See page Se sida	Remarks Anmärkning
	3115 3507 90	1	SEAL KIT	TÄTNINGSSATS		INCL POS 1,6,15,16,18

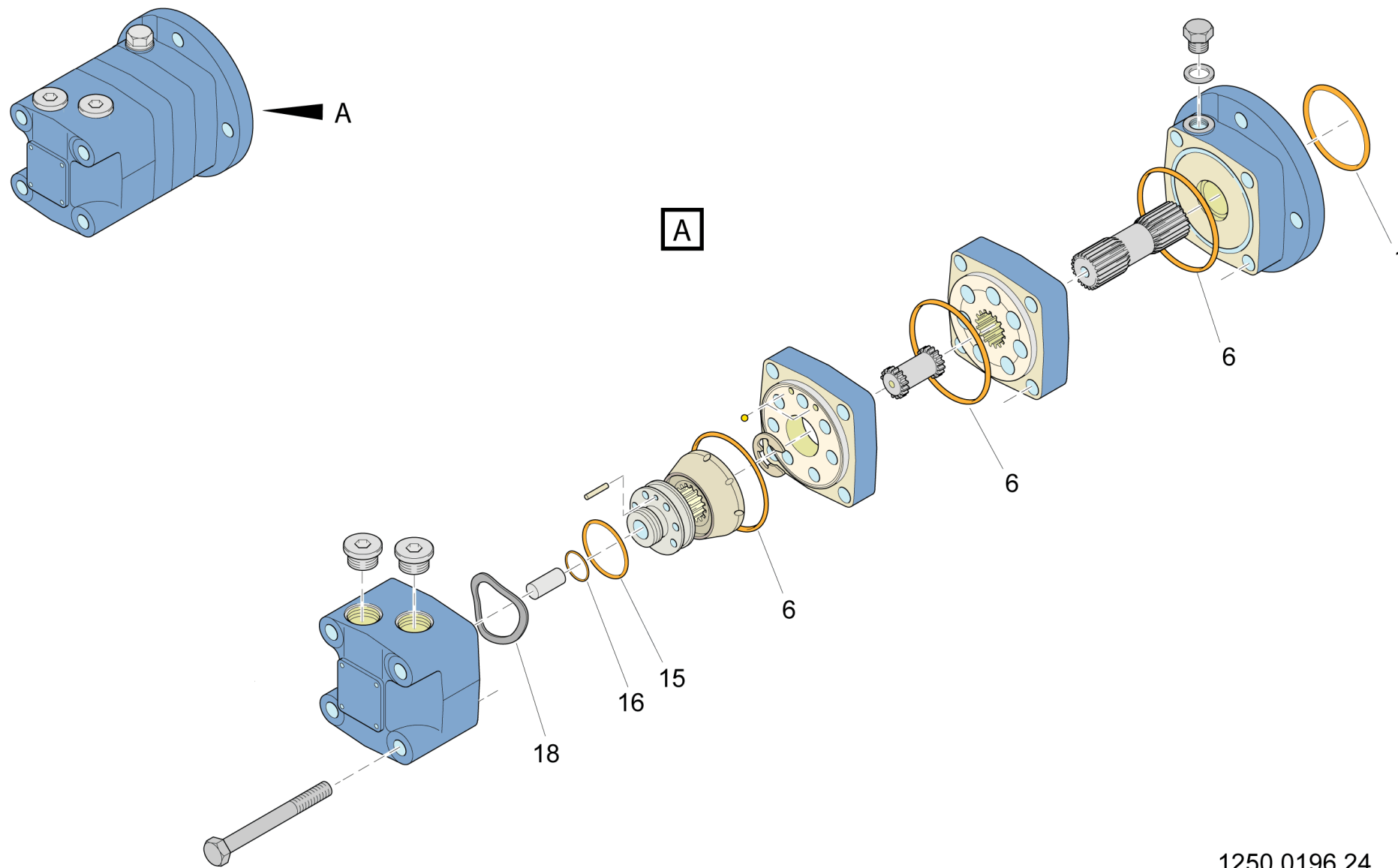


1250 0196 24

HYDRAULIC MOTOR / HYDRAULMOTOR**3115 3507 83**

MOTORSIZE 250

Ref no	Part no Detaljnr	Qty Antal	Description	Benämning	See page Se sida	Remarks Anmärkning
	3115 3507 90	1	SEAL KIT	TÄTNINGSSATS		INCL POS 1,6,15,16,18

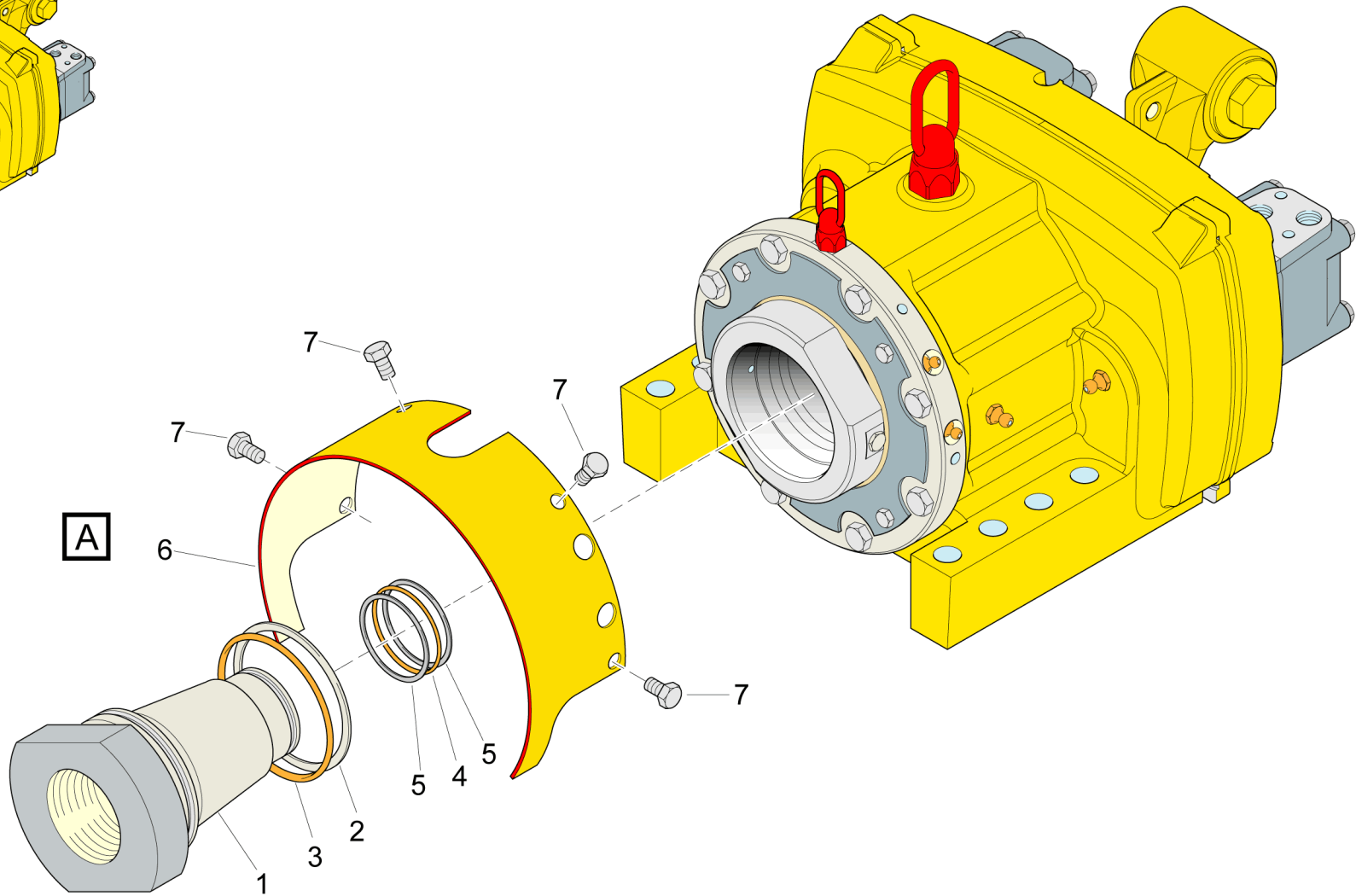
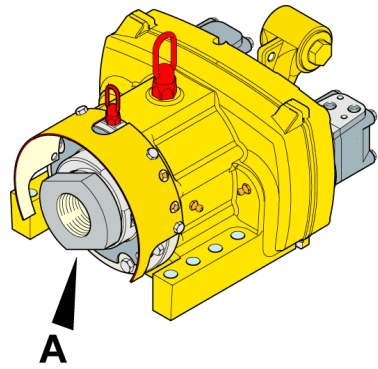


1250 0196 24

HYDRAULIC MOTOR / HYDRAULMOTOR**3115 3507 84**

MOTOR SIZE 315

Ref no	Part no Detaljnr	Qty Antal	Description	Benämning	See page Se sida	Remarks Anmärkning
	3115 3507 90	1	SEAL KIT	TÄTNINGSSATS		INCL POS 1,6,15,16,18



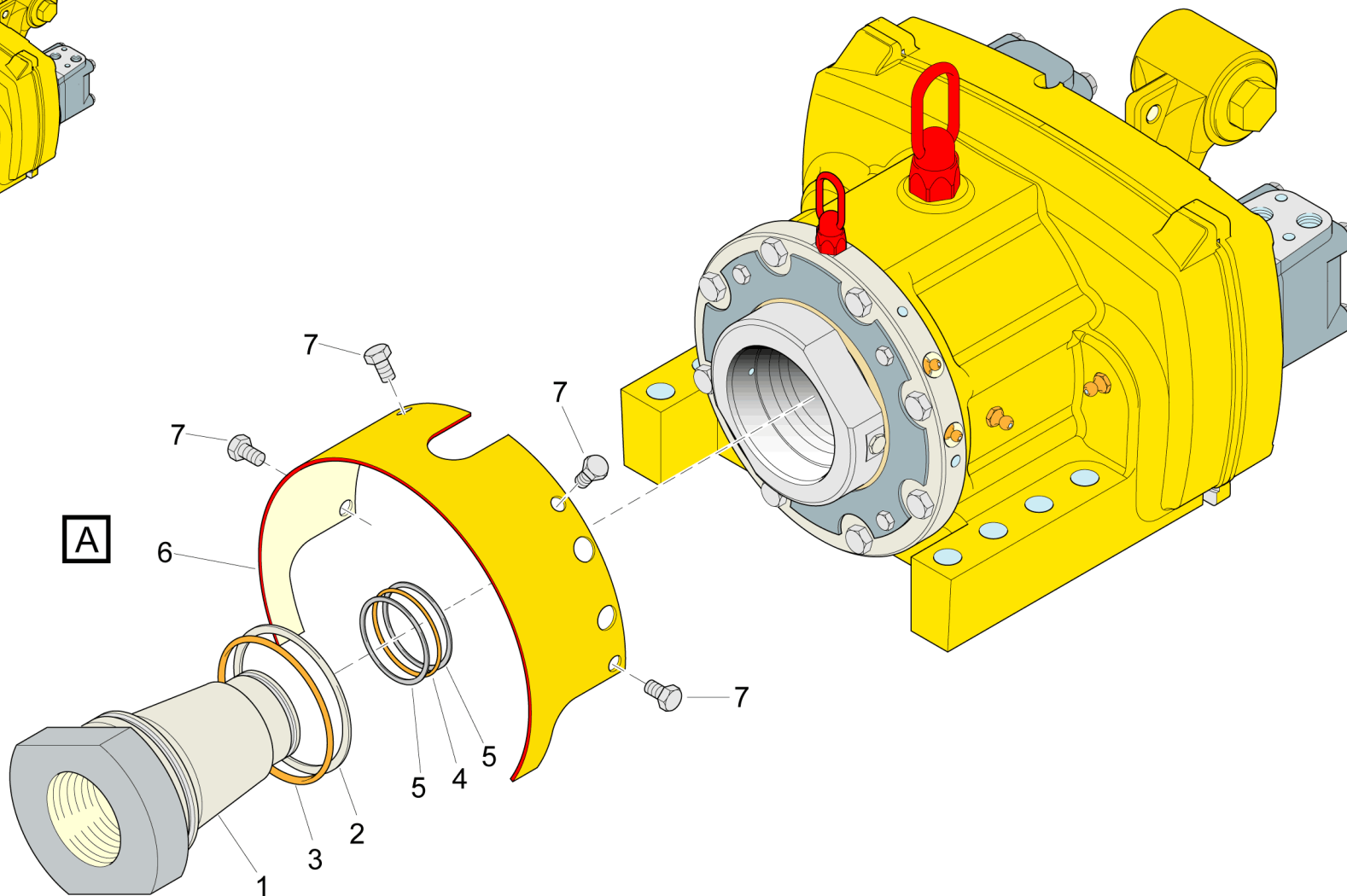
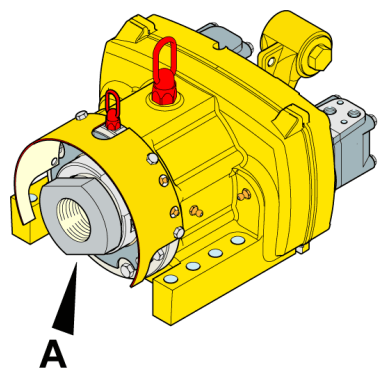
1250 0176 41

ADAPTER / ADAPTER

4350 2662 10

FIXED ADAPTER 2 3/8"

Ref no	Part no Detaljnr	Qty Antal	Description	Benämning	See page Se sida	Remarks Anmärkning
1	4350 2650 40	1	ADAPTER	ADAPTER		
2	0663 2113 45	1	O-RING	O-RING		
3	4350 2650 11	2	BACK-UP RING	STÖDRING		
4	0663 2113 46	1	O-RING	O-RING		
5	4350 2650 10	2	BACK-UP RING	STÖDRING		
6	4350 2651 26	1	GUARD	SKYDD		
7	0147 1358 03	4	SCREW, HEX HEAD	SKRUV, SEXKANT		M 10 X 14 - 8.8 FZB



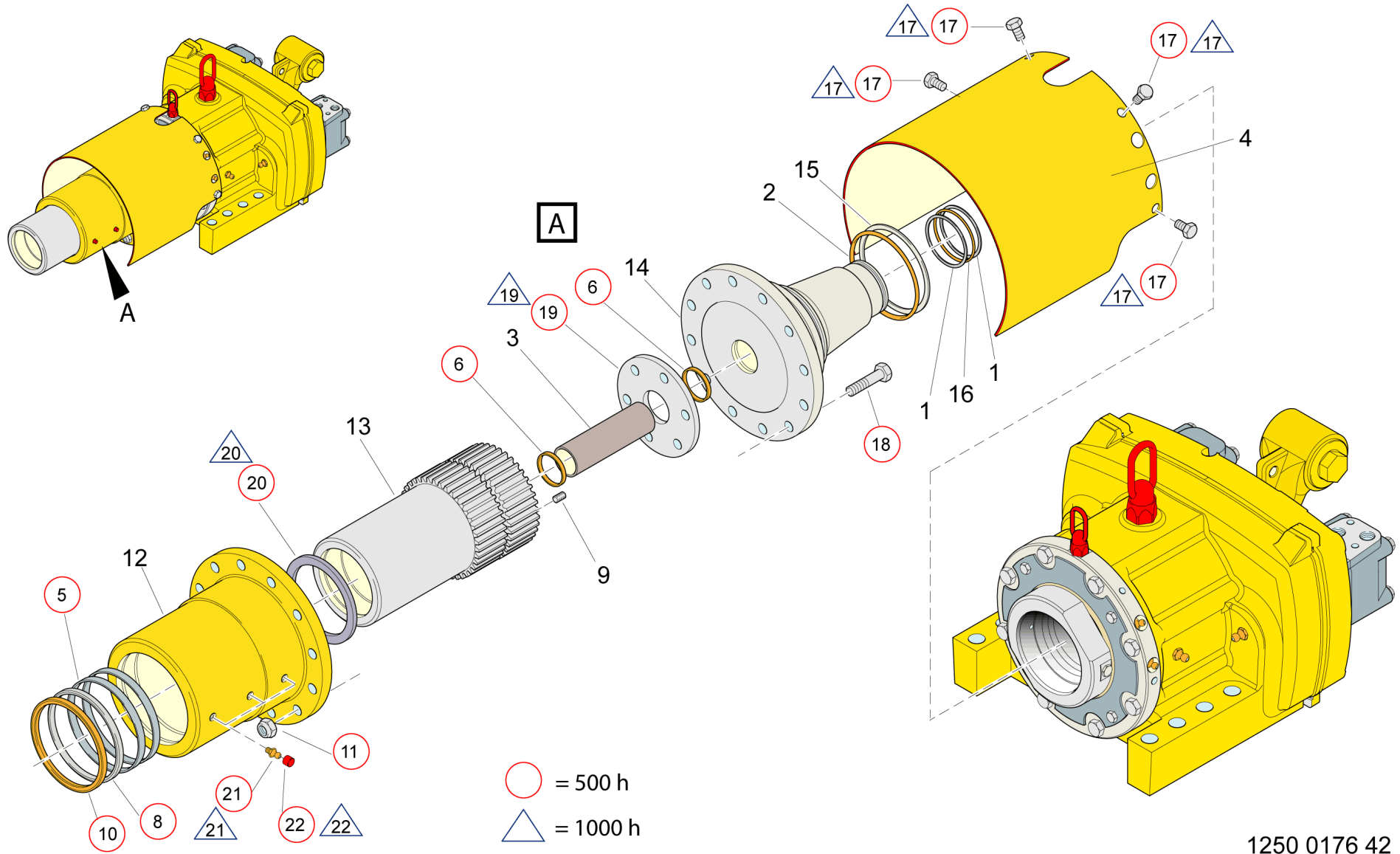
1250 0176 41

ADAPTER / ADAPTER

4350 2662 11

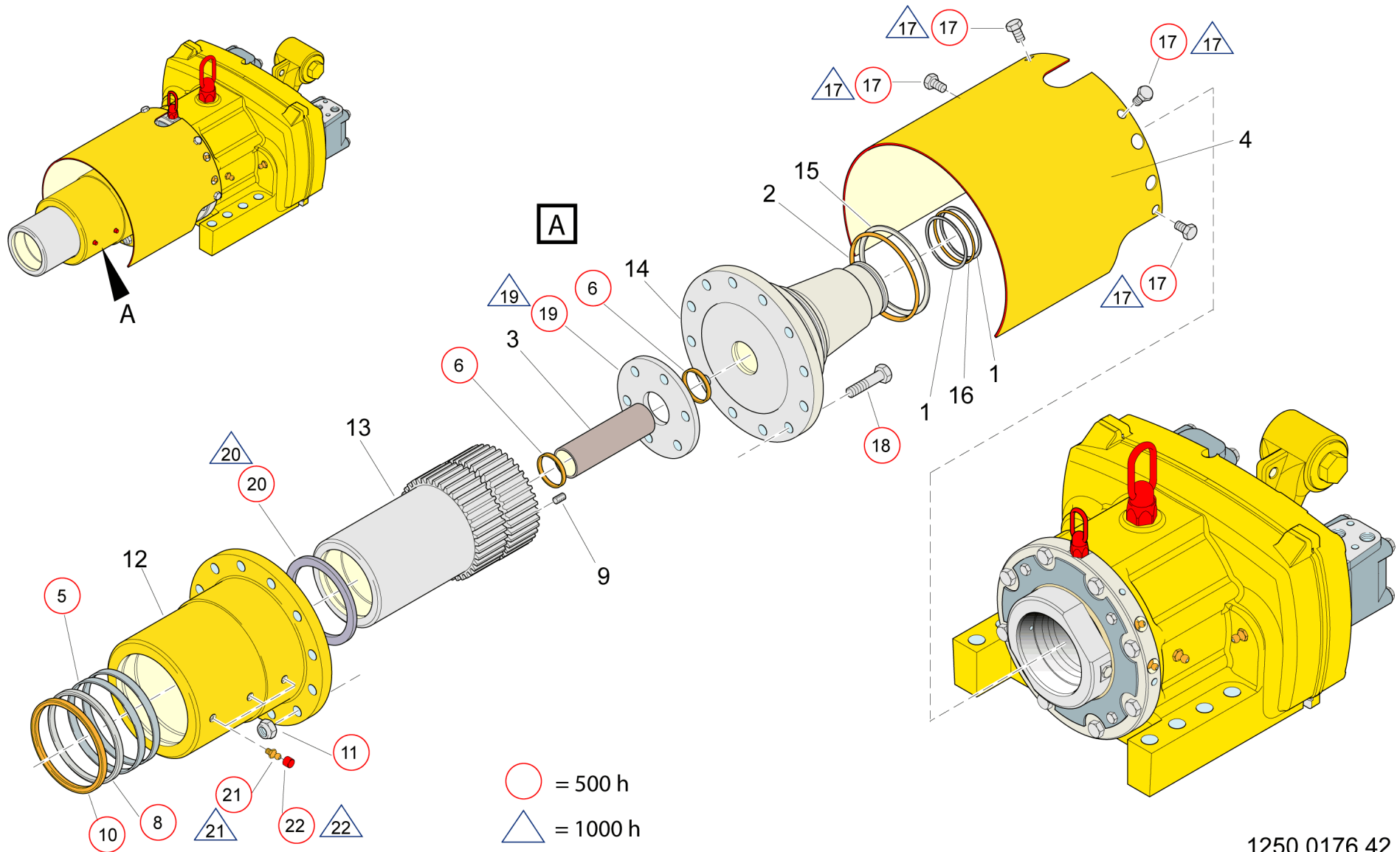
FIXED ADAPTER 3 1/2'

Ref no	Part no Detaljnr	Qty Antal	Description	Benämning	See page Se sida	Remarks Anmärkning
1	4350 2650 05	1	ADAPTER	ADAPTER		
2	0663 2113 45	1	O-RING	O-RING		
3	4350 2650 11	2	BACK-UP RING	STÖDRING		
4	0663 2113 46	1	O-RING	O-RING		
5	4350 2650 10	2	BACK-UP RING	STÖDRING		
6	4350 2651 26	1	GUARD	SKYDD		
7	0147 1358 03	4	SCREW, HEX HEAD	SKRUV, SEXKANT		M 10 X 14 - 8.8 FZB



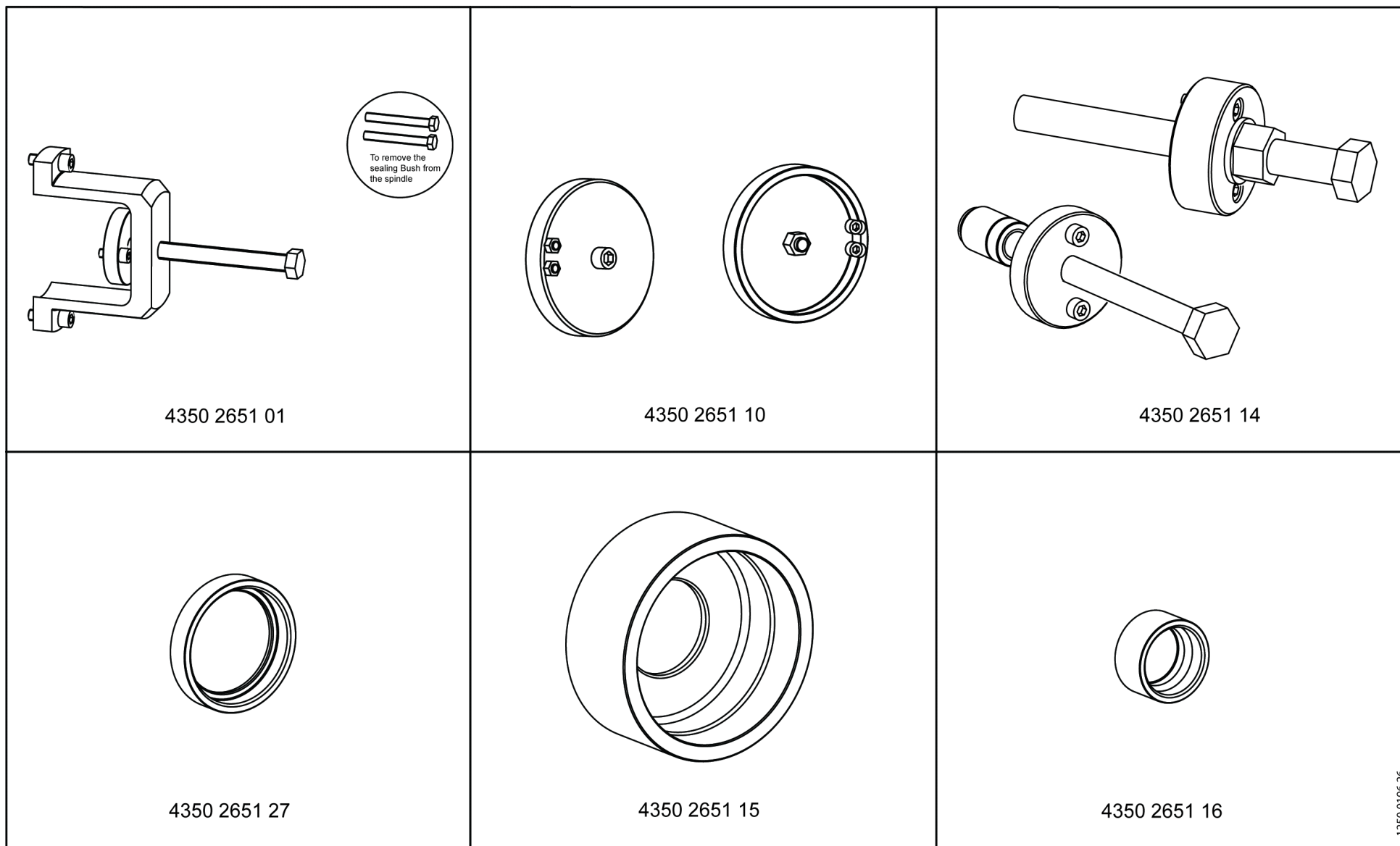
1250 0176 42

Ref no	Part no Detaljnr	Qty Antal	Description	Benämning	See page Se sida	Remarks Anmärkning
	4350 2584 50	1	SPARE PARTS SET	RESERVDELSSATS		500H
	4350 2584 60	1	SPARE PARTS SET	RESERVDELSSATS		1000H
1	4350 2650 10	2	BACK-UP RING	STÖDRING		
2	4350 2650 11	1	BACK-UP RING	STÖDRING		
3	3161 1096 00	1	CONNECTING PIPE	ANSLUTNINGSRÖR		
4	4350 2650 34	1	GUARD	SKYDD		
5	4350 2650 13	2	GUIDE STRIP	STYRBAND		
6	0665 7001 11	2	SEAL	TÄTNING		
8	4350 2650 24	1	U-PACKING	U-TÄTNING		
9	0196 1357 00	1	SET SCREW	STOPPSKRUV		M 10 X 12 SK6SS DIN 916
10	0665 9235 01	1	WIPER	AVSTRYKARE		
11	0291 1128 25	12	LOCK NUT	LÅSMUTTER		M 16 - 8 FZB / ISO 7040
12	4350 2650 06	1	ADAPTOR HOUSE	ADAPTER HUS		
13	4350 2650 41	1	ADAPTER	ADAPTER		
14	4350 2650 07	1	INTERMED. SHAFT	MELLANAXEL		
15	0663 2113 45	1	O-RING	O-RING		
16	0663 2113 46	1	O-RING	O-RING		
17	0147 1358 03	4	SCREW, HEX HEAD	SKRUV, SEXKANT		M 10 X 14 - 8.8 FZB
18	0147 1483 03	12	SCREW, HEX HEAD	SKRUV, SEXKANT		M 16 X 70 - 8.8 FZB
19	4350 2650 15	1	BUFFER	BUFFERT		
20	4350 2650 14	1	BUFFER	BUFFERT		
21	0544 2162 00	3	GREASE NIPPLE	SMÖRJNIPPEL		
22	0686 9252 27	3	PROTECTION CAP	SKYDDSHUV		12 X 12 PELD / RED



1250 0176 42

Ref no	Part no Detaljnr	Qty Antal	Description	Benämning	See page Se sida	Remarks Anmärkning
	4350 2584 50	1	SPARE PARTS SET	RESERVDELSSATS		500H
	4350 2584 60	1	SPARE PARTS SET	RESERVDELSSATS		1000H
1	4350 2650 10	2	BACK-UP RING	STÖDRING		
2	4350 2650 11	1	BACK-UP RING	STÖDRING		
3	3161 1096 00	1	CONNECTING PIPE	ANSLUTNINGSRÖR		
4	4350 2650 34	1	GUARD	SKYDD		
5	4350 2650 13	2	GUIDE STRIP	STYRBAND		
6	0665 7001 11	2	SEAL	TÄTNING		
8	4350 2650 24	1	U-PACKING	U-TÄTNING		
9	0196 1357 00	1	SET SCREW	STOPPSKRUV		M 10 X 12 SK6SS DIN 916
10	0665 9235 01	1	WIPER	AVSTRYKARE		
11	0291 1128 25	12	LOCK NUT	LÅSMUTTER		M 16 - 8 FZB / ISO 7040
12	4350 2650 06	1	ADAPTOR HOUSE	ADAPTER HUS		
13	4350 2650 08	1	ADAPTER	ADAPTER		
14	4350 2650 07	1	INTERMED. SHAFT	MELLANAXEL		
15	0663 2113 45	1	O-RING	O-RING		
16	0663 2113 46	1	O-RING	O-RING		
17	0147 1358 03	4	SCREW, HEX HEAD	SKRUV, SEXKANT		M 10 X 14 - 8.8 FZB
18	0147 1483 03	12	SCREW, HEX HEAD	SKRUV, SEXKANT		M 16 X 70 - 8.8 FZB
19	4350 2650 15	1	BUFFER	BUFFERT		
20	4350 2650 14	1	BUFFER	BUFFERT		
21	0544 2162 00	3	GREASE NIPPLE	SMÖRJNIPPEL		
22	0686 9252 27	3	PROTECTION CAP	SKYDDSHUV		12 X 12 PELD / RED



1250 0196 26

TOOLS SETS / VERKTYGSSATSER

4350 2617 28

Ref no	Part no Detaljnr	Qty Antal	Description	Benämning	See page Se sida	Remarks Anmärkning
	4350 2651 01	1	TOOLS SET	VERKTYGSSATS		ASSEMBLY/DISASSEMBLY SLEEV ON SPINDLE
	4350 2651 10	1	TOOLS	VERKTYG		TURNING THE SPINDLE
	4350 2651 14	1	TOOLS SET	VERKTYGSSATS		ASSEMBLY/DISASSEMBLY SLEEV ON GEAR WHEEL
	4350 2651 15	1	MANDREL	DORN		ASSEMBLY RADIAL SEALS
	4350 2651 16	1	MANDREL	DORN		ASSEMBLY RADIAL SEALS
	4350 2651 27	1	MANDREL	DORN		ASSEMBLY RADIAL SEALS

CROSS REFERENCE LIST

Part no Detaljnr	Description	Ref no	See page Se sida
0102 0626 00	PIN	17	7
0111 1375 00	SPLIT PIN	42	8
0111 1375 00	SPLIT PIN	42	8
0147 1320 03	SCREW, HEX HEAD	36	8
0147 1326 03	SCREW, HEX HEAD	44	8
0147 1358 03	SCREW, HEX HEAD	17	23
0147 1358 03	SCREW, HEX HEAD	7	19
0147 1358 03	SCREW, HEX HEAD	7	21
0147 1358 03	SCREW, HEX HEAD	17	25
0147 1365 03	SCREW, HEX HEAD	32	8
0147 1483 03	SCREW, HEX HEAD	18	25
0147 1483 03	SCREW, HEX HEAD	18	23
0147 1484 03	SCREW, HEX HEAD	34	8
0147 1487 03	SCREW, HEX HEAD	35	8
0196 1357 00	SET SCREW	9	23
0196 1357 00	SET SCREW	9	25
0211 1960 81	SCREW	31	7
0211 1963 01	SCREW	48	8
0244 4143 00	SCREW, DRIVE	67	9
0291 1128 25	LOCK NUT	11	23
0291 1128 25	LOCK NUT	11	25
0301 2335 00	PLAIN WASHER	43	8
0335 2173 00	CIRCLIP	51	8
0508 1100 20	ROLLER BEARING	2	7
0508 1101 03	ROLLER BEARING	3	7
0508 1308 00	ROLLER BEARING	4	7
0509 0124 00	ROLLER BEARING	5	7
0544 2162 00	GREASE NIPPLE	21	23
0544 2162 00	GREASE NIPPLE	38	8

Part no Detaljnr	Description	Ref no	See page Se sida
0544 2162 00	GREASE NIPPLE	38	8
0544 2162 00	GREASE NIPPLE	21	25
0661 1014 00	SEAL WASHER	50	8
0661 1014 00	SEAL WASHER	50	8
0661 1070 00	SEAL WASHER	62	9
0663 2100 75	O-RING	15	7
0663 2113 44	O-RING	13	7
0663 2113 45	O-RING	15	25
0663 2113 45	O-RING	2	21
0663 2113 45	O-RING	2	19
0663 2113 45	O-RING	15	23
0663 2113 46	O-RING	4	19
0663 2113 46	O-RING	16	23
0663 2113 46	O-RING	4	21
0663 2113 46	O-RING	16	25
0663 2133 00	O-RING	29	7
0663 6144 00	O-RING	30	7
0663 9277 00	O-RING	28	7
0665 7001 11	SEAL	6	23
0665 7001 11	SEAL	6	25
0665 9235 01	WIPER	10	25
0665 9235 01	WIPER	10	23
0666 6000 63	RADIAL LIP SEAL	1	7
0666 7190 01	RADIAL LIP SEAL	52	8
0666 8000 10	AXIAL SEAL	39	8
0686 4201 03	PLUG	7	7
0686 6448 04	PLUG	65	9
0686 9252 27	PROTECTION CAP	22	25
0686 9252 27	PROTECTION CAP	22	23

Part no Detaljnr	Description	Ref no	See page Se sida
0686 9252 27	PROTECTION CAP	63	8
0686 9252 27	PROTECTION CAP	63	9
0803 5012 03	FILTER PLUG	14	7
3115 3507 81	HYDRAULIC MOTOR	68	9
3115 3507 82	HYDRAULIC MOTOR	68	9
3115 3507 83	HYDRAULIC MOTOR	68	9
3115 3507 84	HYDRAULIC MOTOR	68	9
3115 3507 90	SEAL KIT		13
3115 3507 90	SEAL KIT		11
3115 3507 90	SEAL KIT		17
3115 3507 90	SEAL KIT		15
3128 3062 32	SHIM	57	8
3128 3062 33	SHIM	58	8
3161 0632 00	VALVE	40	8
3161 0632 00	VALVE	40	8
3161 0633 00	COVER	41	8
3161 0752 00	CHAIN	45	8
3161 0831 00	PLATE	66	9
3161 1096 00	CONNECTING PIPE	3	23
3161 1096 00	CONNECTING PIPE	3	25
3161 1173 00	SPACER	11	7
4350 2580 23	SHIM	59	8
4350 2582 13	PLUG	61	8
4350 2584 30	SPARE PARTS SET		7
4350 2584 40	SPARE PARTS SET		7
4350 2584 50	SPARE PARTS SET		23
4350 2584 50	SPARE PARTS SET		25
4350 2584 60	SPARE PARTS SET		25
4350 2584 60	SPARE PARTS SET		23
4350 2617 24	LABEL		8

Part no Detaljnr	Description	Ref no	See page Se sida
4350 2617 28	TOOLS SETS		9
4350 2620 10	AIR CONNECTION	18	7
4350 2640 23	SEAL	10	7
4350 2650 05	ADAPTER	1	21
4350 2650 06	ADAPTOR HOUSE	12	25
4350 2650 06	ADAPTOR HOUSE	12	23
4350 2650 07	INTERMED. SHAFT	14	25
4350 2650 07	INTERMED. SHAFT	14	23
4350 2650 08	ADAPTER	13	25
4350 2650 09	COVER	21	7
4350 2650 10	BACK-UP RING	1	23
4350 2650 10	BACK-UP RING	1	25
4350 2650 10	BACK-UP RING	5	21
4350 2650 10	BACK-UP RING	5	19
4350 2650 11	BACK-UP RING	2	25
4350 2650 11	BACK-UP RING	3	19
4350 2650 11	BACK-UP RING	2	23
4350 2650 11	BACK-UP RING	3	21
4350 2650 13	GUIDE STRIP	5	25
4350 2650 13	GUIDE STRIP	5	23
4350 2650 14	BUFFER	20	25
4350 2650 14	BUFFER	20	23
4350 2650 15	BUFFER	19	25
4350 2650 15	BUFFER	19	23
4350 2650 17	COVER	19	7
4350 2650 24	U-PACKING	8	25
4350 2650 24	U-PACKING	8	23
4350 2650 28	END PIECE	6	7
4350 2650 34	GUARD	4	23
4350 2650 34	GUARD	4	25

Part no Detaljnr	Description	Ref no	See page Se sida
4350 2650 40	ADAPTER	1	19
4350 2650 41	ADAPTER	13	23
4350 2650 43	GEAR WHEEL	24	7
4350 2650 45	SEALING BUSH	27	7
4350 2650 46	SEAL KIT	16	7
4350 2650 47	SEALING BUSH	25	7
4350 2650 51	SPACER	46	8
4350 2650 53	PR GREASE NIPPL	12	7
4350 2650 73	GEAR HOUSING	37	8
4350 2650 83	SPACER	53	8
4350 2650 89	LOCK NUT	9	7
4350 2650 93	SPINDLE	26	7
4350 2651 01	TOOLS SET		27
4350 2651 02	CLAMPING SLEEVE	8	7
4350 2651 03	LIFTING EYE	55	8
4350 2651 05	GEAR WHEEL	23	7
4350 2651 09	LIFTING EYE	60	8
4350 2651 10	TOOLS		27
4350 2651 14	TOOLS SET		27
4350 2651 15	MANDREL		27
4350 2651 16	MANDREL		27
4350 2651 18	SEAL HOLDER	20	7
4350 2651 26	GUARD	6	19
4350 2651 26	GUARD	6	21
4350 2651 27	MANDREL		27
4350 2662 10	ADAPTER	69	9
4350 2662 11	ADAPTER	69	9
4350 2662 20	FLOATING ADAPT.	70	9
4350 2662 21	FLOATING ADAPT.	70	9