

[CLICK HERE FOR  
STANDARD  
TABLE OF CONTENTS](#)

[CLICK HERE FOR  
OPTIONAL  
TABLE OF CONTENTS](#)

**TEREX** 

# Parts Book

[CLICK HERE TO RETURN  
TO MAIN LIBRARY INDEX](#)

**Part Number  
15268849  
20 January 98**

**PBS No. 348/3**

**PUBLISHED BY:  
TECHNICAL PUBLICATIONS DEPARTMENT**

**TEREX EQUIPMENT LIMITED  
MOTHERWELL, SCOTLAND**



## **3305B Off-Highway Truck**

**(Cummins NTA-855C Powered)**

**Serial No. T3481067 through T3481157**

(THIS PAGE INTENTIONALLY LEFT BLANK)



## WARRANTY ON PARTS AND ATTACHMENTS

Terex Equipment Limited warrants that for a period of six months after sale of new Terex replacement parts or attachments by an authorised Terex dealer it will repair, or at its option, replace any defective or malfunctioning part or attachment. This warranty covers only malfunctions resulting from defects in material or workmanship.

This warranty does not cover malfunctions resulting from negligence, alteration, accident or overloading; use for a purpose for which the part or attachment is not designed or approved by Terex; loss of time, inconvenience, loss of use of the vehicle or other consequential damages; or labour for removal or reinstallation of defective or malfunctioning parts or attachments.

Repairs or replacements qualifying under this warranty will be performed by any authorised Terex dealer within a reasonable time following delivery of the malfunctioning part or attachment to the dealer's place of business.

Defective or malfunctioning parts or attachments must be delivered to an authorised Terex dealer's place of business during regular business hours for warranty repairs or replacements. The dealer must be furnished with the purchaser's copy of the sales slip or repair order to validate date of purchase.

\* \* \* \* \*

### SOLE WARRANTY

This is the only express warranty applicable to new Terex parts and attachments sold by Terex dealers and Terex neither assumes nor authorises anyone to assume for it any other obligation or liability in connection with such parts or attachments.

(THIS PAGE INTENTIONALLY LEFT BLANK)

## INSTRUCTIONS FOR USE OF TEREX PARTS BOOK

This Parts Book is divided into Major Sections which cover components corresponding to specific areas of the machine.

Printed on the right-hand edge of each Parts Page is an Index Code which includes three numbers - the first of these relates to a Major Section, the second indicates a Sub-section within a Major Section and the last is a Page Code Number within a Sub-section. Certain Major Sections may not apply to the particular model covered in this Parts Book and, consequently, will be omitted.

An illustrated Index page shows all the Major Component Section numbers included in the book. For example -

**SECTION 1 - CHASSIS**

**SECTION 9 - FRONT AXLE**

**SECTION 26 - BODY SYSTEM etc.**

Major Component Sections are listed in 'Table Of Contents' pages together with Sub-section headings and Page Code Numbers. For example to locate the serviceable items of a Steering Cylinder -

1. The Table of Contents shows the steering components to be in Major Section 12.
2. The steering cylinder is listed in Major Section 12, sub-section 5
3. Select the Parts Page Code that applies to the unit Serial number for which parts are needed and locate the Page with the complete reference number.

**EXAMPLE - 12-5-142.**

**SERIAL NUMBERS** - Each Parts Book covers a particular range of unit Serial Numbers. To determine the specific Parts Form applicable to your machine, check the serial number effectivity column in the Table of Contents.

**It is important that unit Serial Numbers are quoted on all orders for Parts.**

**PARTS LISTS** - Parts Forms usually consist of detailed parts information listed on one page together with a parts illustration, where applicable, on the opposite page. The parts list is printed in the order of the reference numbers shown on the parts illustration. The first column lists the reference numbers; the second, the parts numbers; the third, the parts descriptions and the last the quantity required. Parts which are part of an assembly have their descriptions indented beneath the assembly description.

**ILLUSTRATIONS** - These show typical assemblies and individual piece parts. They are intended for general reference only and may not always show exact details of parts. Parts are identified on each illustration with an item number. Note the item number of the part required and locate it in the parts list. The part number opposite the item number is the part to order.

---

**INDENTATIONS** - Parts which are indented under another part are Sub-groups of a Major Assembly or Sub-assembly. Parts which are not indented are major assemblies or individual component parts which do not belong to a major assembly.

EXAMPLE - 1 9052564 Pump Assy.  
2 9058512 . Shaft  
3 9024169 . Ring  
4 9058132 . Control Assy.  
5 9058135 . . Spring  
6 9072162 Gasket

- If you order Item 1, you will receive Items 1 - 5.
- If you order Item 4, you will receive Items 4 and 5.
- If you order Item 6, you will receive only Item 6.

**NOTES** - Whenever there is an alphabetical symbol to the left of the item number, refer to the corresponding note at the bottom of the form for information regarding ordering or application of the particular part number(s) noted.

**ABBREVIATIONS** - The abbreviations in this book have the following meanings -

Amps .....	Amperes	Hsg .....	Housing	N.I .....	Not Illustrated
As R .....	As Required	I.D .....	Inside Diameter	N.L.A .....	No Longer Available
Assy .....	Assembly	L.H .....	Left Hand	N.S.S .....	Not Sold Separately
Brkt .....	Bracket	L.W .....	Lockwasher	O.D .....	Outside Diameter
Cad-Pltd .....	Cadium Plated	Lg .....	Long	Pr .....	Pair
Comm .....	Commencement of production	Lkg .....	Linkage	P.T.O .....	Power-Take-Off
E.S.N .....	Elastic Stop Nut	Mtg .....	Mounting	R.H .....	Right Hand
Ftgs .....	Fittings	N.C .....	Note Code	Std .....	Standard

---



# Off-Highway Truck

## SECTIONS



**CHASSIS**

**1**



**ENGINE**

**2**



**TRANSMISSION**

**4**



**DRIVELINES**

**7**



**REAR AXLE GROUP**

**8**



**FRONT AXLE GROUP**

**9**



**AIR SYSTEM**

**11**



**STEERING SYSTEM**

**12**



**ELECTRICAL SYSTEM**

**13**



**FUEL SYSTEM**

**15**



**COOLING SYSTEM**

**16**



**CAB OR CANOPY**

**17**



**BODY OR BOWL**

**18**



**BODY/BOWL SYSTEM**

**26**



**BRAKING SYSTEM**

**27**



**MISCELLANEOUS**

**59**



TABLE OF CONTENTS FOR MODEL 3305B CUM

PARTS BOOK NO 3481A FROM SERIAL NO T3481067 20/01/98

SECT - PAGE - CODE	DESCRIPTION	SERIAL NO FROM	SERIAL NO TO
SECTION 001 CHASSIS			
001 - 01 - 491	CHASSIS	T3481067	T3481157
001 - 02 - 429	HOOD AND MOUNTING	T3481067	T3481157
001 - 03 - 269 R01	FENDERS AND MOUNTING	T3481067	T3481157
SECTION 002 ENGINE			
002 - 01 - 006	ENGINE ORDERING INSTRUCTIONS	T3481067	T3481157
002 - 02 - 462 R02	ENGINE AND MOUNTING	T3481067	T3481092
002 - 02 - 510	ENGINE AND MOUNTING	T3481093	T3481139
002 - 02 - 519	ENGINE AND MOUNTING	T3481140	T3481157
002 - 03 - 193	ENGINE AIR CLEANER	T3481067	T3481086
002 - 03 - 196	ENGINE AIR CLEANER	T3481087	T3481157
002 - 04 - 351 R01	ENGINE AIR CLEANER MTG PIPES & HOSES	T3481067	T3481086
002 - 04 - 379	ENGINE AIR CLEANER MTG PIPES & HOSES	T3481087	T3481157
002 - 05 - 179	ENGINE EXHAUST AND MOUNTING	T3481087	T3481157
002 - 06 - 291 R01	ENGINE LUBRICATION LINES	T3481067	T3481157
002 - 12 - 087 R02	ENGINE FLYWHEEL COVER GROUP PTO	T3481067	T3481092
002 - 12 - 104	ENGINE FLYWHEEL COVER GROUP PTO	T3481093	T3481157
SECTION 004 TRANSMISSION			
004 - 01 - 234 R02	TRANSMISSION MOUNTING	T3481067	T3481157
004 - 02 - 191	TRANSMISSION BREAKDOWN	T3481067	T3481157
004 - 12 - 181 R02	TRANSMISSION SHIFT CONTROL	T3481067	T3481157
004 - 16 - 039 R01	TRANSMISSION FILTER	T3481067	T3481157
004 - 21 - 283 R03	TRANSMISSION OIL LINES	T3481067	T3481157
004 - 28 - 033	TRANSMISSION TORQUE BRAKE LINKAGE	T3481067	T3481157
004 - 40 - 014 R02	TRANS. FRONT COVER AND CONVERTER GROUP	T3481067	T3481157
004 - 41 - 012 R02	TRANSMISSION CONVERTER HOUSING GROUP	T3481067	T3481157
004 - 42 - 006 R01	TRANSMISSION OIL PUMP	T3481067	T3481157
004 - 44 - 006 R01	TRANSMISSION LOCK-UP VALVE	T3481067	T3481157
004 - 45 - 004 R02	TRANSMISSION RETARDER GROUP	T3481067	T3481157
004 - 46 - 004	TRANSMISSION RETARDER CONTROL VALVE	T3481067	T3481157





## TABLE OF CONTENTS FOR MODEL

3305B CUM

PARTS BOOK NO 3481A

FROM SERIAL NO T3481067

20/01/98

SECT	PAGE	CODE	DESCRIPTION	SERIAL NO FROM	SERIAL NO TO
SECTION 004 TRANSMISSION					
004	- 48	- 013 R03	TRANSMISSION MAIN HOUSING GROUP	T3481067	T3481157
004	- 49	- 055 R01	TRANSMISSION CONTROL VALVE	T3481067	T3481157
004	- 50	- 005 R02	TRANS. HIGH RANGE GEARING AND CLUTCHES	T3481067	T3481157
004	- 51	- 004 R03	TRANS.INTERMEDIATE RANGE GRG.& CLUTCHES	T3481067	T3481157
004	- 52	- 013 R02	TRANS. LOW RANGE GEARING AND CLUTCHES	T3481067	T3481157
004	- 53	- 019 R04	TRANS.REVERSE RANGE GEARING AND CLUTCHES	T3481067	T3481157
004	- 54	- 004 R03	TRANS.FORWARD RANGE GEARING AND CLUTCHES	T3481067	T3481157
004	- 65	- 010 R03	TRANSMISSION REAR COVER GROUP	T3481067	T3481157
SECTION 007 DRIVELINES					
007	- 01	- 308 R01	FRONT DRIVELINE	T3481067	T3481092
007	- 01	- 326	FRONT DRIVELINE	T3481093	T3481157
007	- 02	- 336 R01	REAR DRIVELINE	T3481067	T3481157
SECTION 008 REAR AXLE GROUP					
008	- 01	- 342 R04	REAR AXLE DIFFERENTIAL	T3481067	T3481157
008	- 02	- 321 R04	REAR AXLE GROUP	T3481067	T3481157
008	- 02A	- 066 R01	REAR AXLE PLANETARY GEARING	T3481067	T3481157
008	- 03	- 433 R02	REAR WHEEL, RIM AND TYRE	T3481067	T3481157
008	- 04	- 248 R02	REAR WHEEL BRAKE PARTS	T3481067	T3481157
008	- 06	- 066 R02	REAR WHEEL SLACK ADJUSTER	T3481067	T3481157
008	- 13	- 024 R02	REAR AXLE RIDE CYLINDER	T3481067	T3481157
008	- 18	- 009	REAR WHEEL ROCK EJECTOR	T3481067	T3481157
SECTION 009 FRONT AXLE GROUP					
009	- 03	- 220 R01	FRONT WHEEL, RIM AND TYRE	T3481067	T3481157
009	- 04	- 114 R02	FRONT AXLE BRAKE PARTS	T3481067	T3481157
009	- 05	- 054 R01	FRONT AXLE SLACK ADJUSTER	T3481067	T3481157
009	- 05	- 055 R01	FRONT AXLE SLACK ADJUSTER	T3481067	T3481157
009	- 13	- 026 R04	FRONT RIDE CYLINDER	T3481067	T3481157
SECTION 011 AIR SYSTEM					



## TABLE OF CONTENTS FOR MODEL

3305B CUM

PARTS BOOK NO 3481A

FROM SERIAL NO T3481067

20/01/98

SECT - PAGE - CODE	DESCRIPTION	SERIAL NO FROM	SERIAL NO TO
SECTION 011 AIR SYSTEM			
011 - 01 - 669 R03	AIR LINES	T3481067	T3481157
011 - 09 - 159 R01	AIR HORN LINES	T3481067	T3481157
011 - 10 - 020	AIR HORN	T3481067	T3481157
011 - 27 - 016	AIR GOVERNOR	T3481067	T3481157
SECTION 012 STEERING SYSTEM			
012 - 01A - 051 R01	STEERING VALVE	T3481067	T3481157
012 - 01A - 054 R02	STEERING VALVE	JULY 95	
012 - 01D - 030 R02	STEERING COLUMN LOWER	T3481067	T3481157
012 - 01E - 018	STEERING COLUMN INTERMEDIATE	T3481067	T3481157
012 - 02 - 145	STEERING COLUMN MOUNTING	T3481067	T3481157
012 - 04 - 417 R06	STEERING LINES	T3481067	T3481132
012 - 04 - 455	STEERING LINES	T3481133	T3481157
012 - 05 - 153 R02	STEERING CYLINDER	T3481067	T3481157
012 - 07 - 149 R01	STEERING PUMP	T3481067	T3481157
012 - 13 - 040 R05	STEERING LINKAGE	T3481067	T3481157
012 - 15 - 016 R01	STEERING SYSTEM ACCUMULATOR	T3481067	T3481157
012 - 16 - 053 R01	STEERING SYSTEM RELIEF VALVE	T3481067	T3481157
SECTION 013 ELECTRICAL SYSTEM			
013 - 00 - 001	ELECTRICAL TERMINALS AND CONNECTORS	T3481067	T3481157
013 - 00 - 002	ELECTRICAL TERMINALS AND CONNECTORS	T3481067	T3481157
013 - 01 - 606 R10	ELECTRICAL CABLES	T3481067	T3481157
013 - 01A - 082	ELECTRICAL CABLES AND HARNESS-CAB	T3481087	T3481157
013 - 01B - 082	ELECT.CABLES AND HARNESS-FRAME & ENGINE	T3481087	T3481157
013 - 03A - 022 R01	ELECTRICAL LIGHTING SYSTEM	T3481067	T3481086
013 - 03A - 032	ELECTRICAL LIGHTING SYSTEM	T3481087	T3481157
013 - 09 - 040	STOP AND TAIL LIGHT	T3481067	T3481157
SECTION 015 FUEL SYSTEM			
015 - 01 - 265 R02	FUEL TANK AND MOUNTING	T3481067	T3481157

TABLE OF CONTENTS FOR MODEL 3305B CUM

PARTS BOOK NO 3481A FROM SERIAL NO T3481067

20/01/98

SECT	PAGE	CODE	DESCRIPTION	SERIAL NO FROM	SERIAL NO TO
SECTION 015 FUEL SYSTEM					
015	- 02	- 378	FUEL LINES	T3481067	T3481157
015	- 04	- 342 R01	ACCELERATOR LINKAGE	T3481067	T3481157
015	- 08	- 013	COLD START KIT	T3481067	T3481157
SECTION 016 COOLING SYSTEM					
016	- 01	- 434 R06	RADIATOR MOUNTING AND HOSES	T3481067	T3481157
016	- 02	- 257 R02	RADIATOR ASSEMBLY	T3481067	T3481157
SECTION 017 CAB OR CANOPY					
017	- 01	- 270 R09	CAB ASSEMBLY	T3481067	T3481071
017	- 01	- 286 R01	CAB ASSEMBLY	T3481072	T3481086
017	- 01	- 289 R01	CAB ASSEMBLY	T3481087	T3481157
017	- 01A	- 001	CAB GLASS REFERENCE	T3481067	T3481157
017	- 02	- 115 R06	CAB DOOR	T3481067	T3481086
017	- 02	- 121 R02	CAB DOOR	T3481087	T3481157
017	- 02A	- 001 R01	CAB DOOR-RIGHT HAND	T3481067	T3481086
017	- 02A	- 002 R03	CAB DOOR-RIGHT HAND	T3481087	T3481157
017	- 04	- 165 R03	WIPER AND MOUNTING	T3481067	T3481157
017	- 05	- 050 R03	DASH AND MOUNTING	T3481067	T3481157
017	- 06	- 460 R04	SWITCHES AND INSTRUMENTS	T3481067	T3481157
017	- 07	- 116	SEAT - DRIVER	T3481067	T3481071
017	- 07	- 127	SEAT - DRIVER	T3481072	T3481157
017	- 09	- 137 R01	SEAT - PASSENGER	T3481067	T3481157
017	- 09A	- 003 R01	BATTERY MOUNTING	T3481067	T3481157
017	- 10	- 059 R03	HEATER	T3481067	T3481125
017	- 10	- 073	HEATER	T3481126	T3481157
017	- 11	- 251 R05	HEATER LINES AND WIRING	T3481067	T3481157
017	- 17	- 030	REAR VIEW MIRROR	T3481067	T3481157
017	- 17	- 031 R01	REAR VIEW MIRROR	T3481067	T3481071
017	- 17	- 035	REAR VIEW MIRROR	T3481072	T3481157
017	- 21	- 010 R02	WINDSCREEN WASHER	T3481067	T3481157



TABLE OF CONTENTS FOR MODEL 3305B CUM

PARTS BOOK NO 3481A FROM SERIAL NO T3481067

20/01/98

SECT - PAGE - CODE	DESCRIPTION	SERIAL NO FROM	SERIAL NO TO
SECTION 017 CAB OR CANOPY			
017 - 23 - 021	SEAT BELT	T3481067	T3481071
017 - 23 - 022	SEAT BELT	T3481067	T3481157
017 - 26 - 006	CAB INTERIOR LIGHT	T3481067	T3481157
SECTION 018 BODY OR BOWL			
018 - 01 - 321 R04	BODY OR BOWL	T3481067	T3481086
018 - 01 - 345	BODY OR BOWL	T3481087	T3481120
018 - 01 - 357 R01	BODY OR BOWL	T3481121	T3481157
SECTION 026 BODY/BOWL SYSTEM			
026 - 01 - 002 R02	LINES AND FITTINGS-HYDRAULIC	T3481067	T3481157
026 - 02 - 001	HYDRAULIC TANK	T3481067	T3481157
026 - 03 - 001	BODY/BOWL CYLINDER	T3481067	T3481076
026 - 03 - 008	BODY/BOWL CYLINDER	T3481077	T3481157
026 - 05 - 001	PUMP	T3481067	T3481157
026 - 06 - 002	CONTROL VALVE	T3481067	T3481157
026 - 07 - 002 R02	CONTROL VALVE LINKAGE	T3481067	T3481157
026 - 09 - 001	KICK-OVER VALVE	T3481067	T3481157
026 - 12 - 001	HYDRAULIC TANK-AIR FILTER	T3481067	T3481157
SECTION 027 BRAKING SYSTEM			
027 - 00 - 002 R02	BRAKE LINES & FITTINGS-AIR	T3481067	T3481157
027 - 02 - 001	TREADLE VALVE	T3481067	T3481157
027 - 03 - 002	FRONT BRAKE CHAMBER	T3481067	T3481157
027 - 03 - 003	FRONT BRAKE CHAMBER	T3481067	T3481157
027 - 03A - 002	BRAKE CHAMBER/PRESSURE CONVERTER	T3481067	T3481157
027 - 05 - 001 R01	RELAY VALVE	T3481067	T3481157
027 - 08 - 001	SYNCRO VALVE	T3481067	T3481157
027 - 08 - 002 R01	SYNCRO VALVE	T3481067	T3481157
027 - 15 - 002	AIR TANK AND MOUNTING	T3481067	T3481157
027 - 16 - 001	QUICK RELEASE / LIMITING VALVE	T3481067	T3481157



TABLE OF CONTENTS FOR MODEL 3305B CUM

PARTS BOOK NO 3481A FROM SERIAL NO T3481067

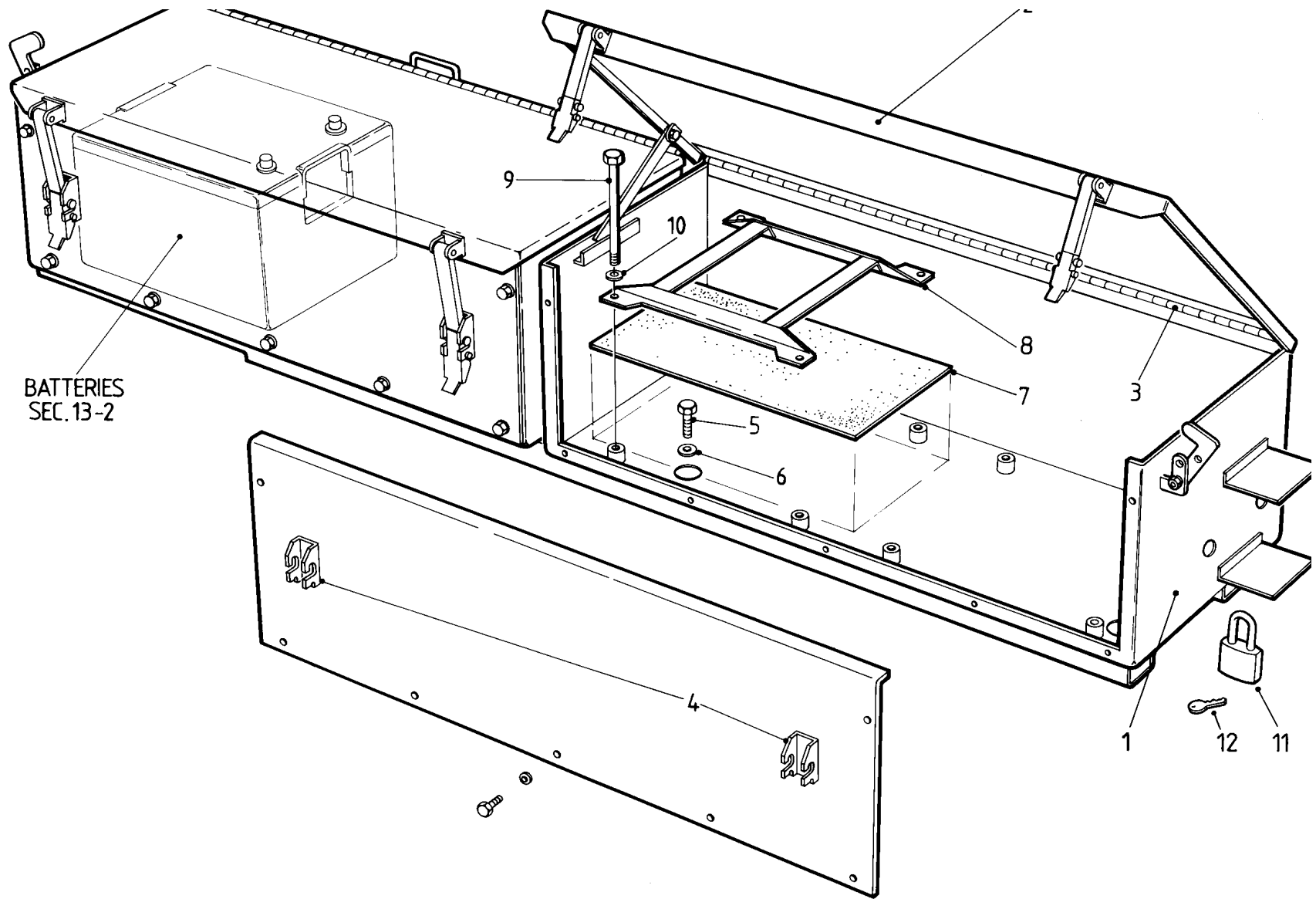
20/01/98

SECT - PAGE - CODE	DESCRIPTION	SERIAL NO FROM	SERIAL NO TO
SECTION 027	BRAKING SYSTEM		
027 - 17 - 001	CONTROL VALVE	T3481067	T3481157
027 - 17 - 002	CONTROL VALVE	T3481067	T3481157
027 - 19 - 001	VALVES-MISCELANEOUS	T3481067	T3481157
SECTION 059	MISCELLANEOUS		
059 - 09 - 064 R10	DECALS-ENGLISH	T3481067	T3481086
059 - 09 - 141	DECALS-ENGLISH	T3481087	T3481157
059 - 11 - 001	MULTI CLAMPS AND HARDWARE	T3481067	T3481157
059 - 13 - 001	TEREX PROMOTIONAL ITEMS	T3481067	T3481157



(THIS PAGE INTENTIONALLY LEFT BLANK)

(THIS PAGE INTENTIONALLY LEFT BLANK)



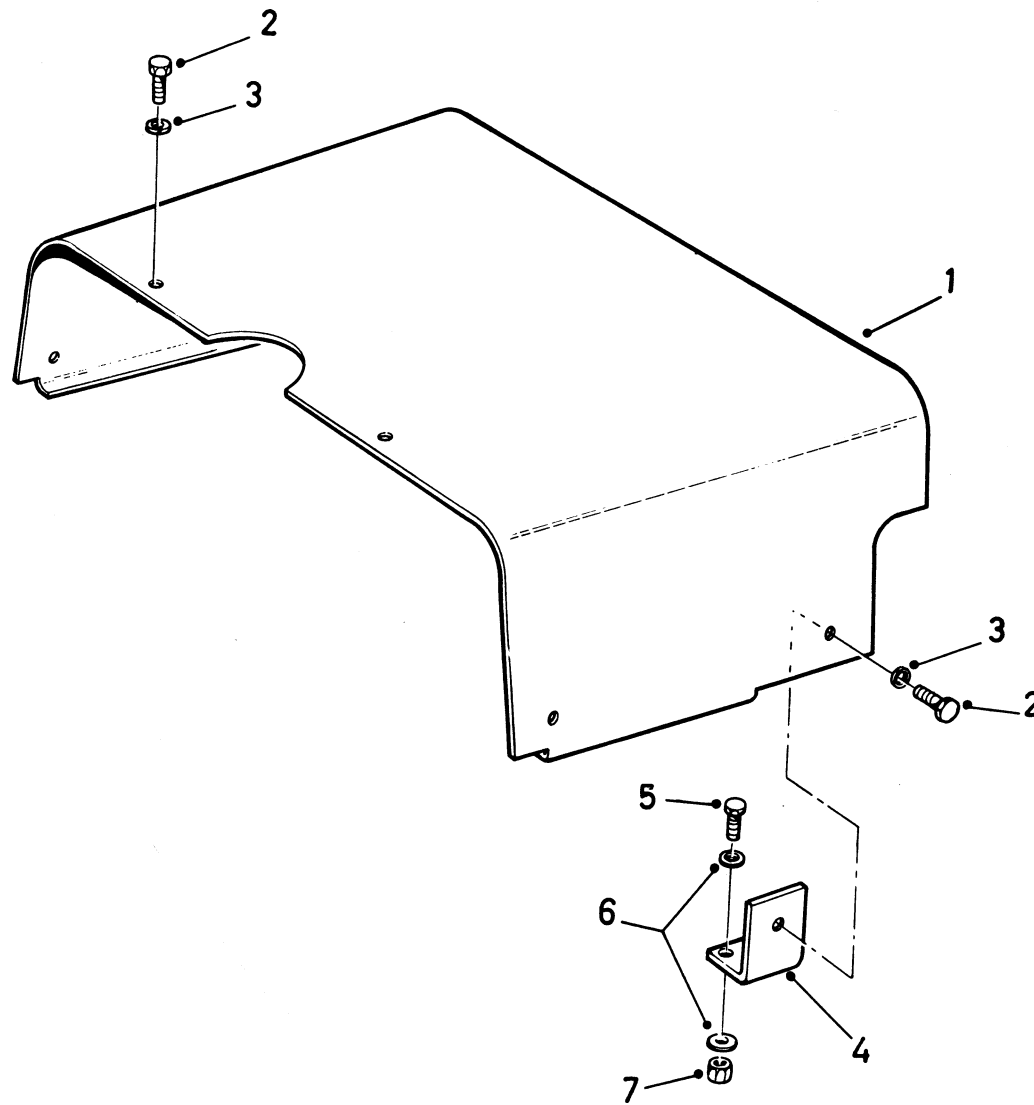


## CHASSIS

1-01 -491

N.C.	REF.	QTY	PART NO.	PART NAME	N.C.	REF.	QTY	PART NO.	PART NAME
	001	001	15229237	FRAME ASSEMBLY COMPL	010	002		00103329	LOCKWASHER
	002	002	09015394	.BUSHING	011	002		00179883	BOLT
	003	001	15228464	GUARD-ENGINE PAN	012	001		15001040	GUARD TRANS
	004	010	00271612	BOLT	013	008		09355771	NUT
	005	006	00106268	WASHER	014	008		00271620	BOLT
	006	006	00103332	LOCKWASHER	015	001		15227782	PLATE
	007	010	00220081	NUT	016	016		09176228	WASHER-HARDENED
	008	002	09069246	PIN	017	008		15247567	DISC-SPRING
	009	002	09217321	WASHER					

1-01 -491

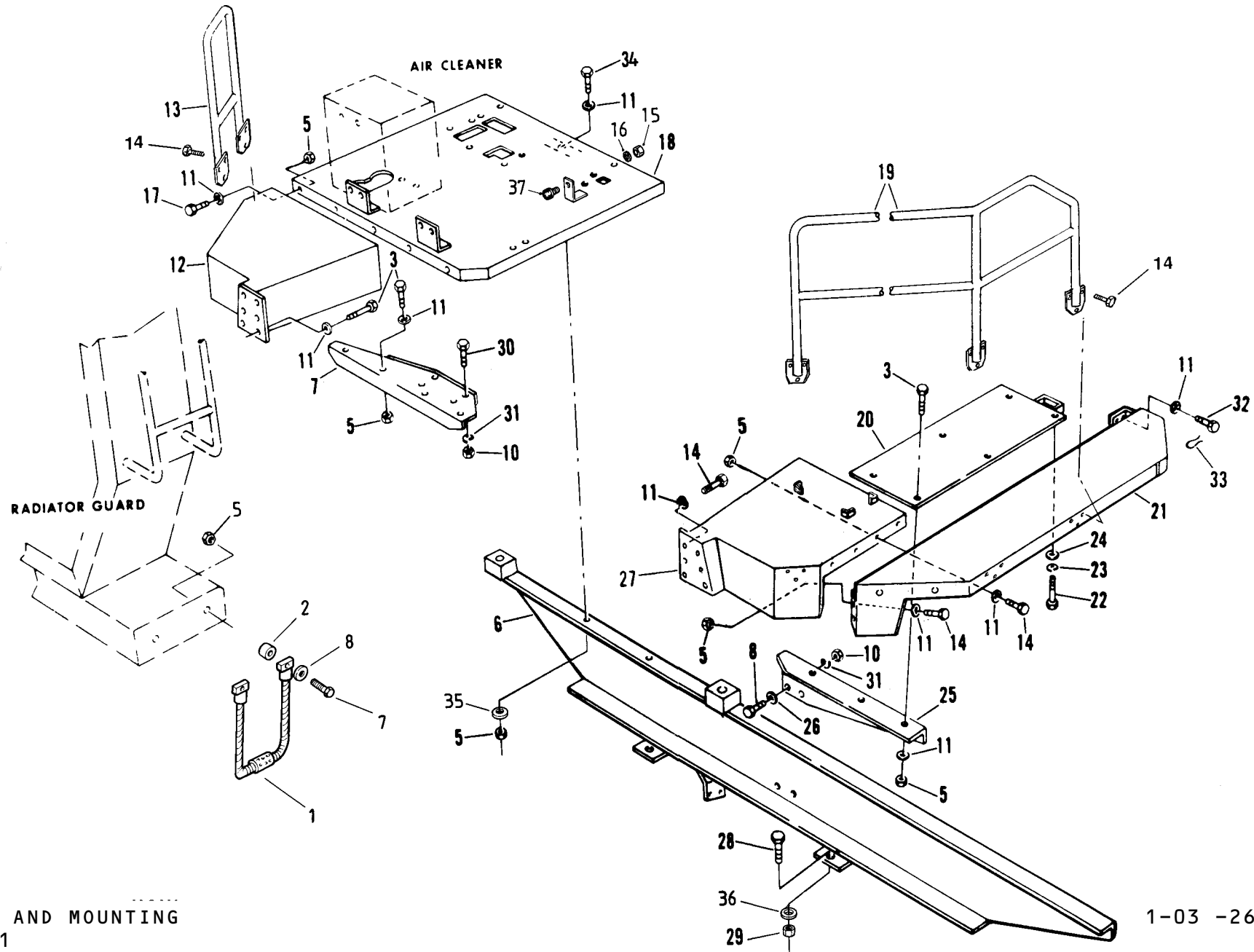


## HOOD AND MOUNTING

1-02 -429

N.C.	REF.	QTY	PART NO.	PART NAME	N.C.	REF.	QTY	PART NO.	PART NAME
	001	001	15228188	HOOD ASSEMBLY		004	002	09015331	BRACKET
	001	001	15231677	HOOD-INSULATED		005	004	00179885	BOLT
	002	008	00179883	BOLT		006	004	00102637	NUT
	003	016	09267949	WASHER-HARDENED					

1-02 -429



## FENDERS AND MOUNTING

1-03 -269 R01

N.C.	REF.	QTY	PART NO.	PART NAME	N.C.	REF.	QTY	PART NO.	PART NAME
	001	002	15240018	STEP ASSY	019	001	15249154	HANDRAIL-LH	
	002	004	15240020	SPACER	020	001	09070366	PLATE	
	003	018	00179885	BOLT	021	001	15249151	PLATFORM ASSEMBLY LH	
	004	004	00179893	BOLT	022	006	00179839	BOLT	
	005	026	00274209	LOCKNUT	023	006	00108580	LOCKWASHER	
	006	001	09384418	CHANNEL	024	006	00106263	WASHER	
	007	001	09015543	BRACKET	025	001	09015540	PLATE	
	008	004	00271564	BOLT	026	004	00106267	WASHER	
	009	004	09270000	WASHER-HARDENED	027	001	15249141	FENDER-LH	
	010	008	09354243	LOCKNUT	028	004	00271703	BOLT	
	011	055	09267949	WASHER-HARDENED	029	004	00273852	LOCKNUT	
	012	001	15249143	FENDER-RH	030	004	00271565	BOLT	
	013	001	15249155	HANDRAIL-RH	031	016	09267751	WASHER	
	014	031	00179887	BOLT	032	003	09262364	BOLT	
	015	001	00103026	NUT	033	ASR	09113457	LOCKWIRE	
	016	001	00108580	LOCKWASHER	034	006	00179889	BOLT	
	017	003	00179889	BOLT	035	003	09351158	WASHER-TAPERED	
	018	001	09384583	PLATFORM ASSEMBLY RH	036	002	09384793	WASHER-TAPERED	
A	018	001	15253926	PLATFORM ASSEMBLY RH	037	001	09370168	STOP-DOOR	

A NOTE: 3305B CUMMINS FROM SERIAL NO. T3481087 AND ABOVE.

(THIS PAGE INTENTIONALLY LEFT BLANK)

## **CUMMINS ENGINE**

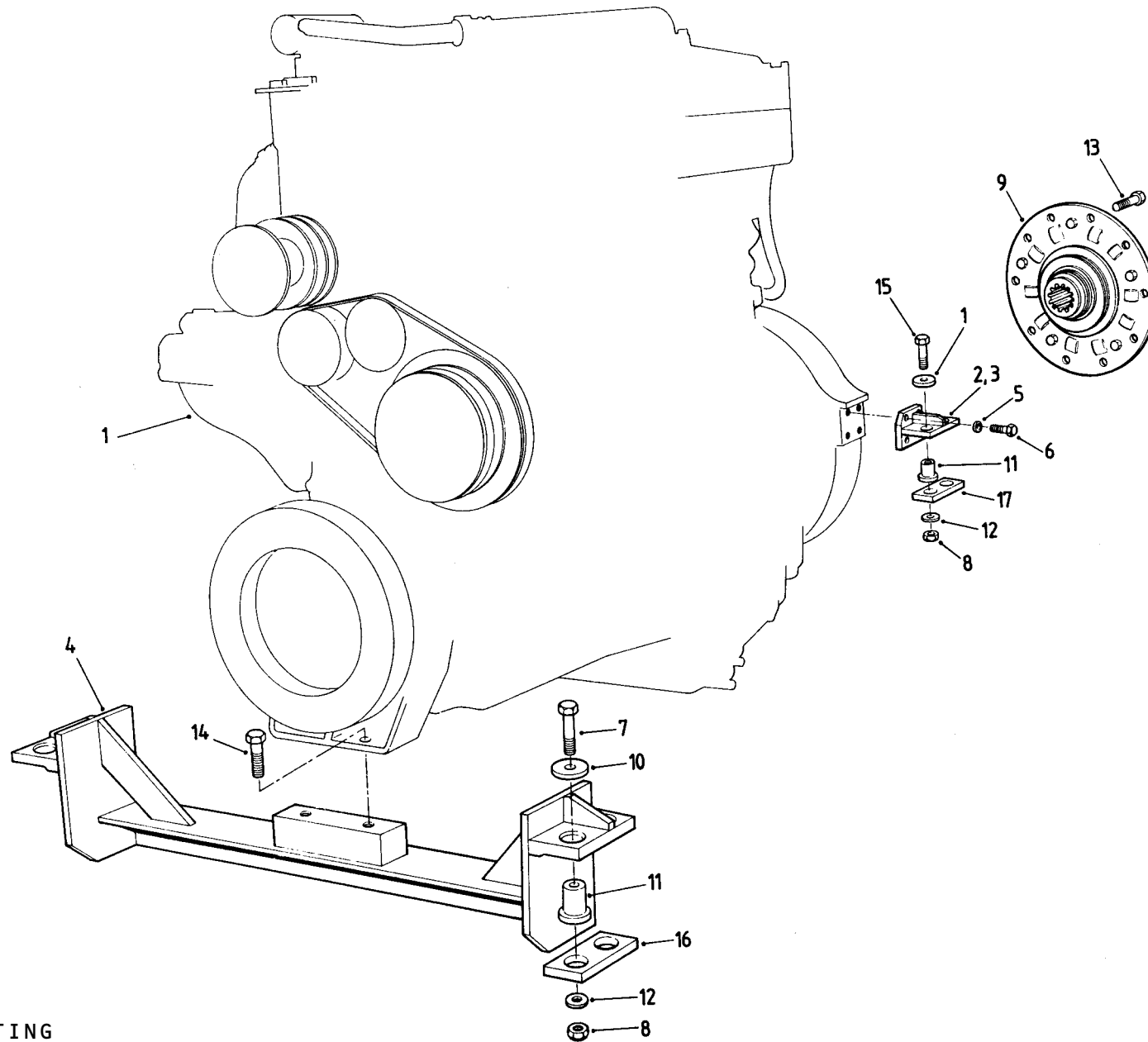
THIS UNIT IS EQUIPPED WITH A CUMMINS DIESEL ENGINE.

TEREX DOES NOT SELL ENGINES OR ENGINE PARTS. THESE SHOULD BE OBTAINED FROM THE NEAREST ENGINE MANUFACTURER'S SALES AND SERVICE OUTLET.

ILLUSTRATIONS AND PART NUMBERS OF ENGINE PARTS ARE OMITTED FROM THIS TEREX PARTS BOOK.

A SEPARATE CUMMINS ENGINE PARTS BOOK IS SUPPLIED WITH NEW UNITS FOR ENGINE PARTS COVERAGE.

ANY ADDITIONAL REQUESTS FOR THIS CUMMINS ENGINE PARTS BOOK OR ANY QUESTIONS ON ENGINE PARTS AND WARRANTY SHOULD BE DIRECTED TO THE ENGINE MANUFACTURER'S SALES AND SERVICE OUTLET.



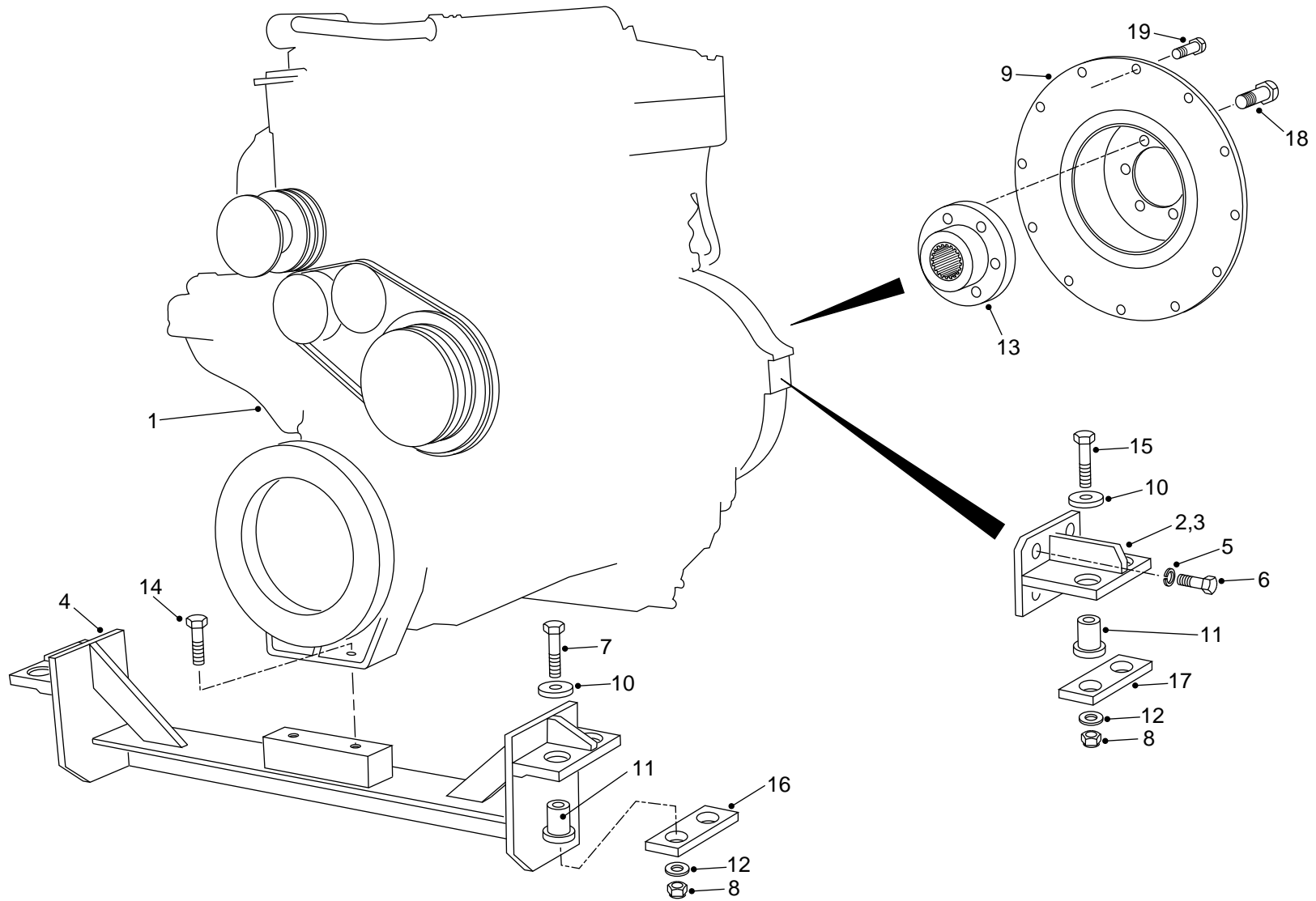


## ENGINE AND MOUNTING

2-02 -462 R02

N.C.	REF.	QTY	PART NO.	PART NAME	N.C.	REF.	QTY	PART NO.	PART NAME
	001	001	15228006	ENGINE	012	008		09270004	WASHER
	002	001	15228087	BRACKET ASSY-REAR LH	013	010		09409028	BOLT
	003	001	15228088	BRACKET ASSY-REAR RH	014	002		00271611	BOLT
	004	001	15228043	MOUNTING-FRONT	015	004		00272729	BOLT
	005	008	00103331	LOCKWASHER	016	002		15228055	PLATE
	006	008	00271558	BOLT	017	002		15228042	PLATE
	007	004	00271572	BOLT	NI	002		15266846	FILTER-FUEL
	008	008	09354243	LOCKNUT	NI	001		15267513	FILTER-LUBE OIL
	009	001	15021228	DAMPER	NI	001		15267514	FILTER-LUBE BYPASS
	010	008	09171409	SPACER	NI	001		15266845	FILTER-WF 15DCA4
	011	008	09250522	SHOCK MOUNT					

2-02 -462 R02



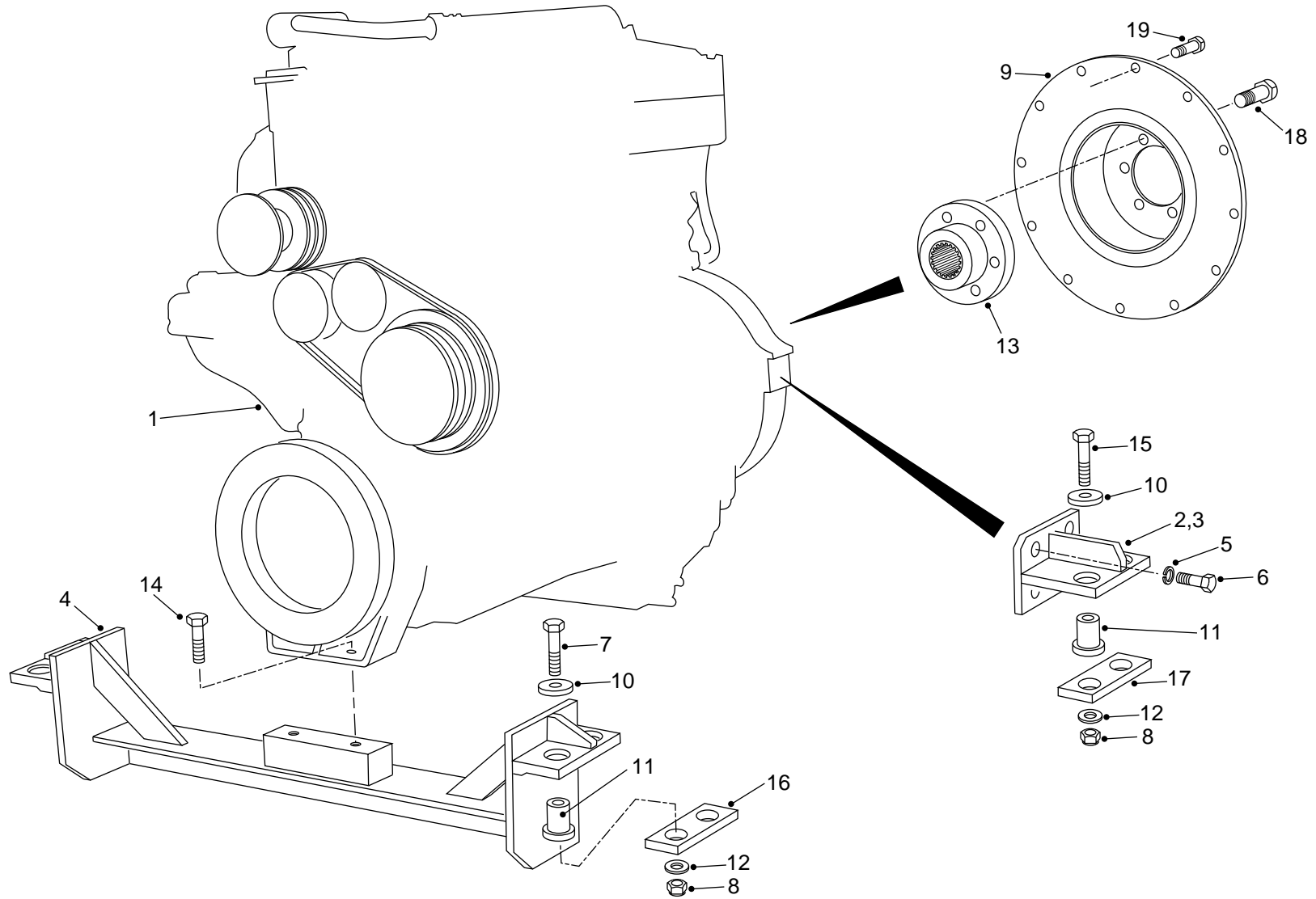
## ENGINE AND MOUNTING

2-02 -510

N.C.	REF.	QTY	PART NO.	PART NAME	N.C.	REF.	QTY	PART NO.	PART NAME
	001	001	15253910	ENGINE	013	001	15253858	FLANGE COUPLING	
	002	001	15228087	BRACKET ASSY-REAR LH	014	002	00271611	BOLT	
	003	001	15228088	BRACKET ASSY-REAR RH	015	004	00272729	BOLT	
	004	001	15228043	MOUNTING-FRONT	016	002	15228055	PLATE	
	005	008	00103331	LOCKWASHER	017	002	15228042	PLATE	
	006	008	00271558	BOLT	018	006	09409090	BOLT	
	007	004	00271572	BOLT	019	012	09409027	BOLT	
	008	008	09354243	LOCKNUT	NI	001	15267514	FILTER-LUBE BYPASS	
	009	001	15253832	DAMPER-ENGINE	NI	001	15266845	FILTER-WF 15DCA4	
	010	008	09171409	SPACER	NI	002	15266846	FILTER-FUEL	
	011	008	09250522	SHOCK MOUNT	NI	001	15267513	FILTER-LUBE OIL	
	012	008	09270004	WASHER					

2-02 -510

P8782

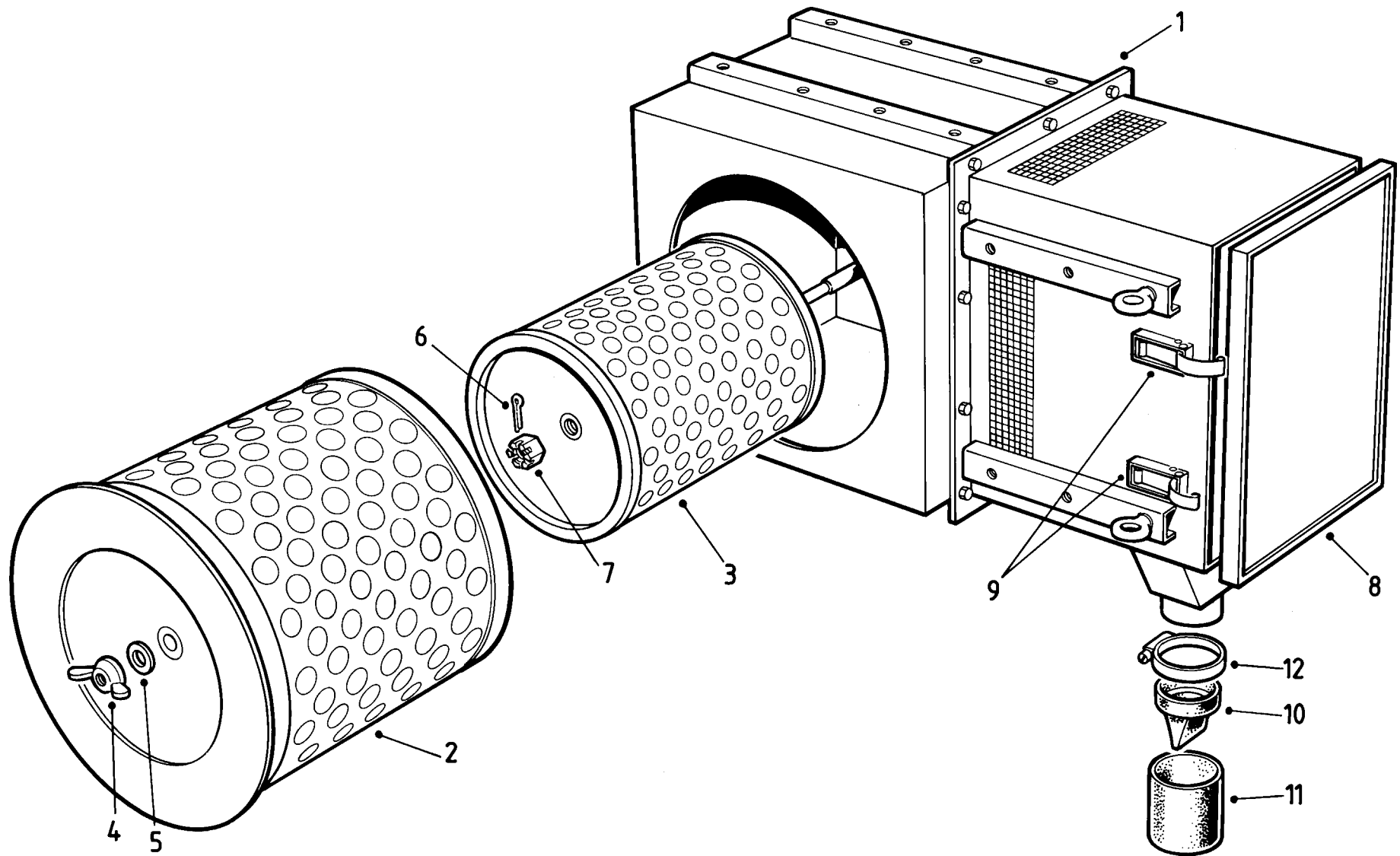


## ENGINE AND MOUNTING

2-02 -519

N.C.	REF.	QTY	PART NO.	PART NAME	N.C.	REF.	QTY	PART NO.	PART NAME
A	001	001	15256422	ENGINE ASSY	013	001	15253858	FLANGE COUPLING	
	002	001	15228087	BRACKET ASSY-REAR LH	014	002	00271611	BOLT	
	003	001	15228088	BRACKET ASSY-REAR RH	015	004	00272729	BOLT	
	004	001	15228043	MOUNTING-FRONT	016	002	15228055	PLATE	
	005	008	00103331	LOCKWASHER	017	002	15228042	PLATE	
	006	008	00271558	BOLT	018	006	09409090	BOLT	
	007	004	00271572	BOLT	019	012	09409027	BOLT	
	008	008	09354243	LOCKNUT	NI	001	15267514	FILTER-LUBE BYPASS	
	009	001	15253832	DAMPER	NI	001	15266845	FILTER WF-15DCA4	
	010	008	09171409	SPACER	NI	002	15266846	FILTER-FUEL	
	011	008	09250522	SHOCK MOUNT	NI	001	15267513	FILTER-LUBE OIL	
	012	008	09270004	WASHER					

A NOTE: NEW ENGINE SPEC INCLUDES 15CFM COMPRESSOR

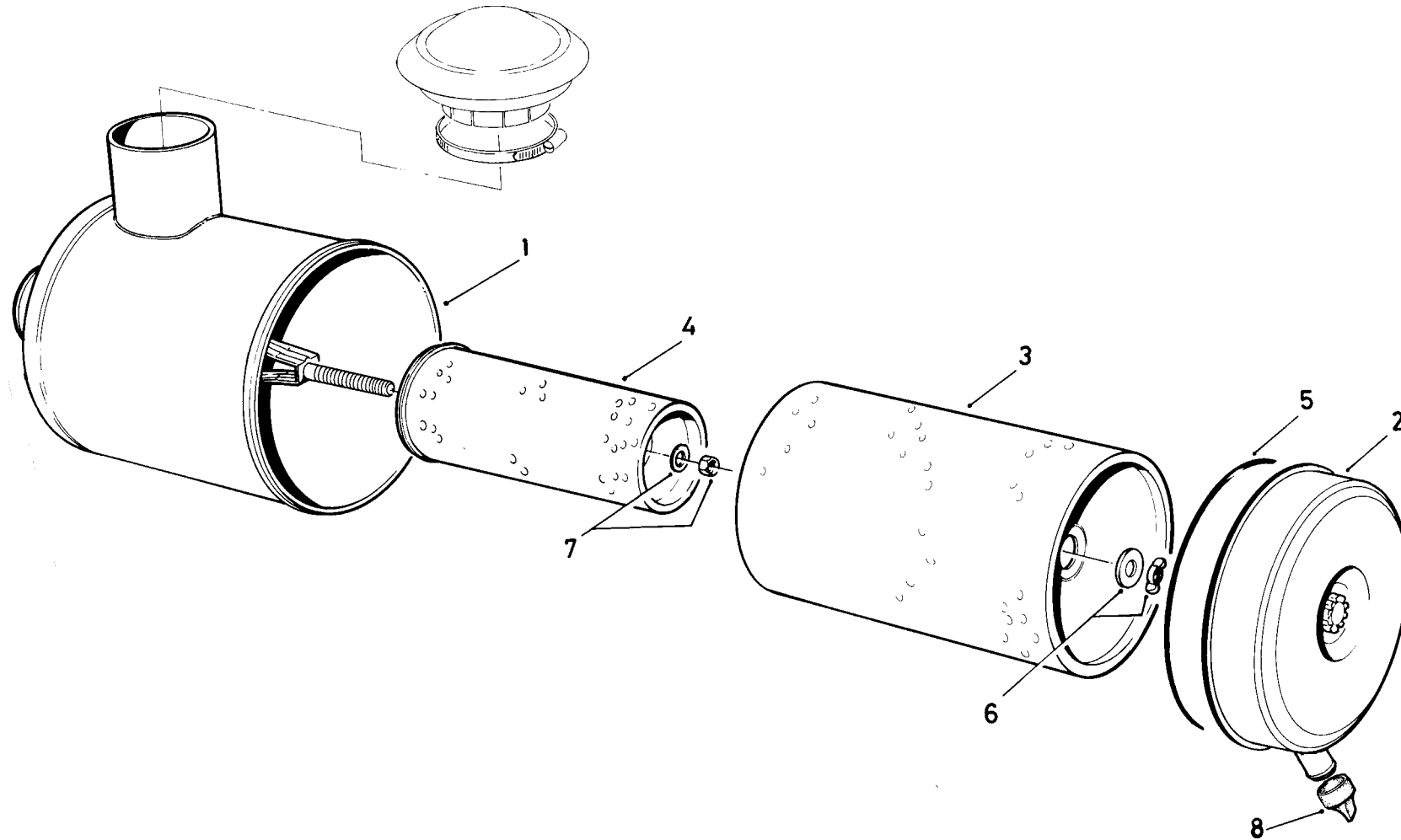


## ENGINE AIR CLEANER

2-03 -193

N.C.	REF.	QTY	PART NO.	PART NAME	N.C.	REF.	QTY	PART NO.	PART NAME
	001	001	15249954	AIR CLEANER-OUTER	007	001	09035483	.NUT-SAFETY SIGNAL	
	002	001	09059570	.ELEMENT-PRIMARY	008	001	15268365	.DOOR	
	003	001	09039992	.ELEMENT-SAFETY	009	004	15268366	.LATCH ASM	
	004	001	09049115	.WINGNUT	010	001	09032514	.VALVE-VACUATOR	
	005	001	09035481	.GASKET	011	001	02475171	.TUBE	
	006	001	00103387	.PIN-COTTER	012	001	09139814	.HOSE CLAMP	

2-03 -193



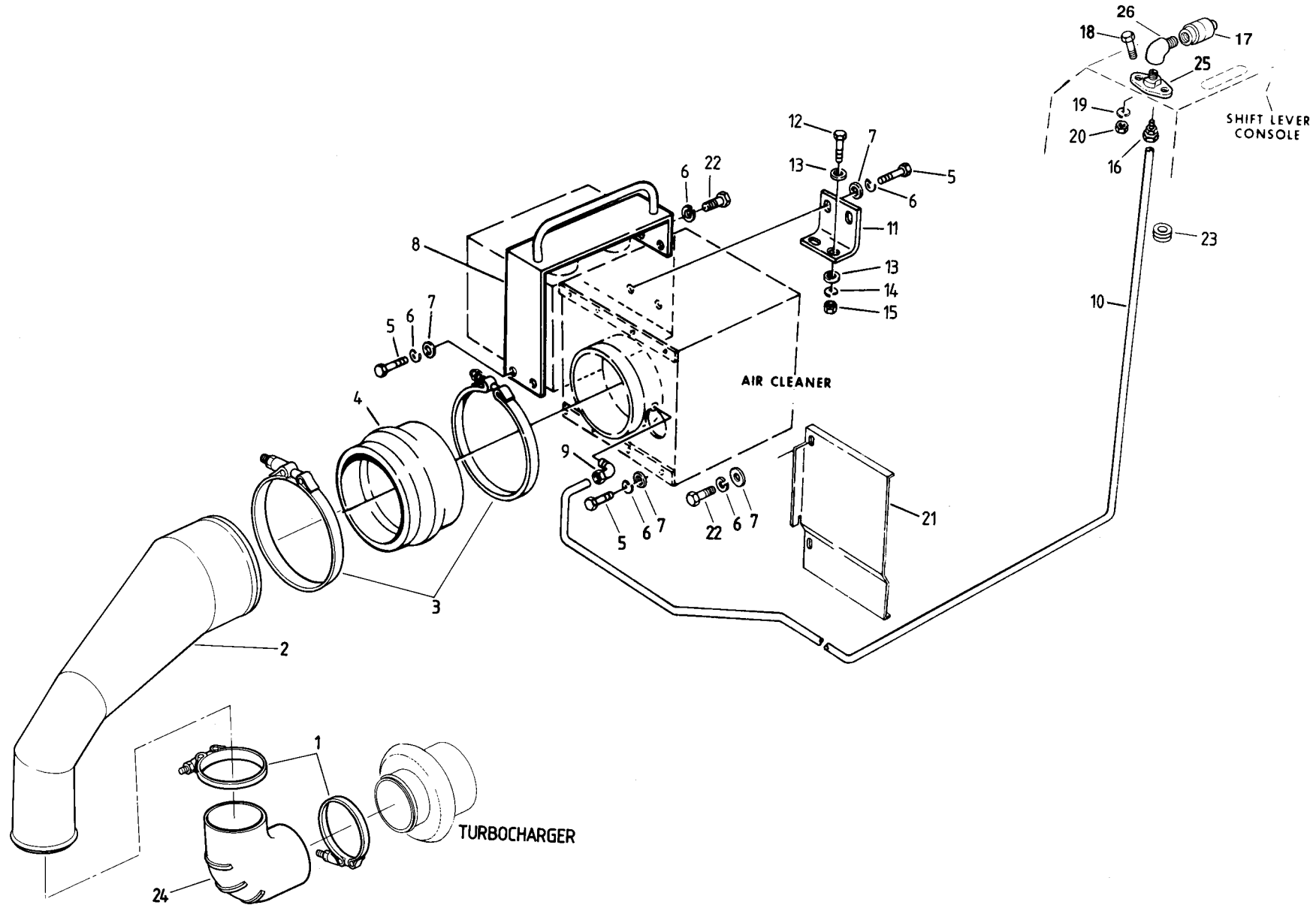


## ENGINE AIR CLEANER

2-03 -196

N.C.	REF.	QTY	PART NO.	PART NAME	N.C.	REF.	QTY	PART NO.	PART NAME
	001	002	15253928	AIR CLEANER ASSY		005	001	09396323	.O RING
	002	001	09396322	.COVER		006	001	09396298	.NUT & GASKET
	003	001	09394161	.ELEMENT		007	001	09396299	.NUT & GASKET
	004	001	09377816	.ELEMENT ASSY		008	001	09396324	.VALVE-DUST

2-03 -196

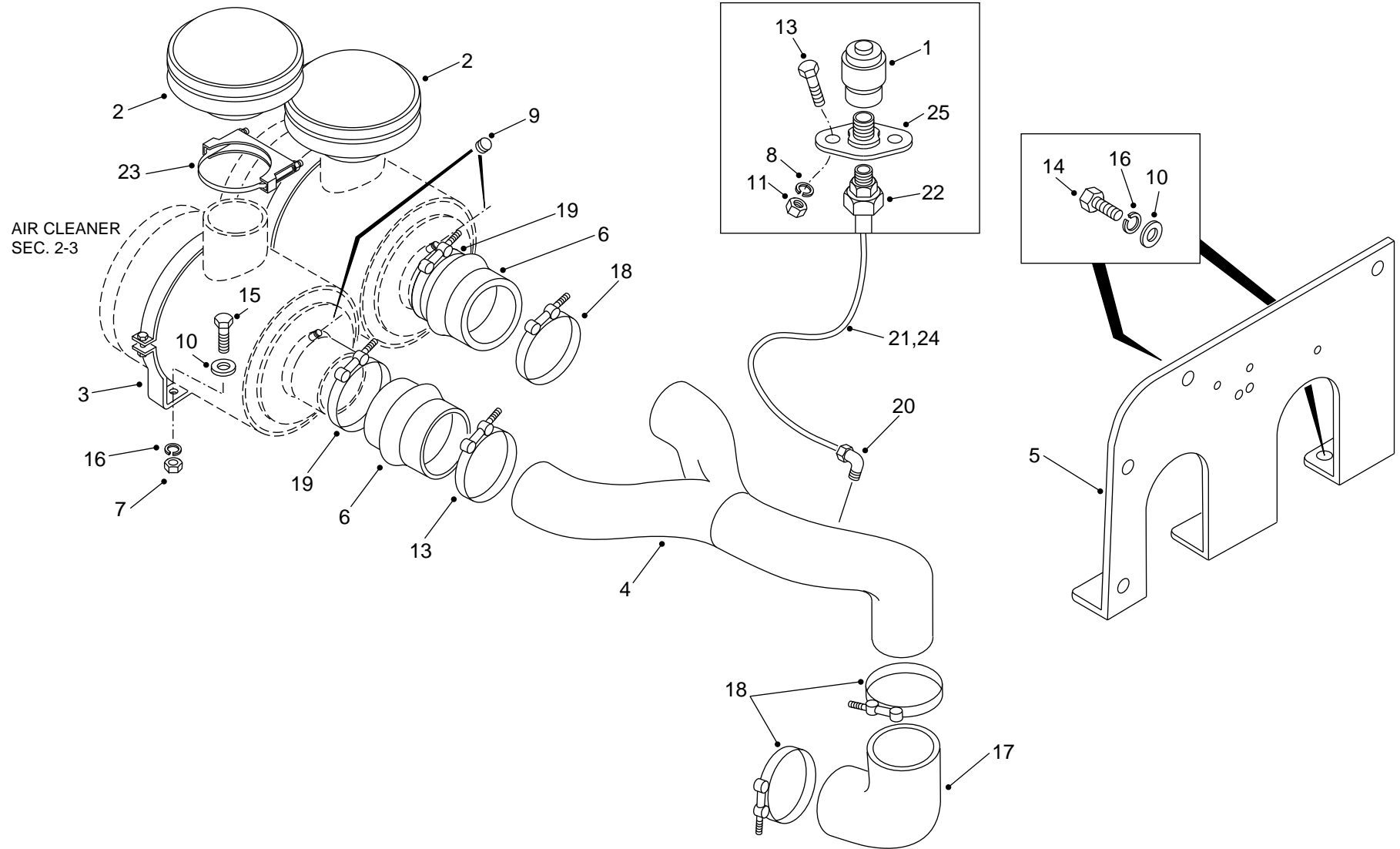


## ENGINE AIR CLEANER MTG. PIPES &amp; HOSES

2-04 -351 R01

N.C.	REF.	QTY	PART NO.	PART NAME	N.C.	REF.	QTY	PART NO.	PART NAME
	001	002	09204030	CLAMP		014	002	00103329	LOCKWASHER
	002	001	15228072	TUBE		015	002	00102637	NUT
	003	002	09016648	CLAMP-T		016	001	09357078	CONNECTOR
	004	001	09016628	HOSE		017	001	15231531	GAUGE-AIR RESTRICT
	005	006	00271558	BOLT		018	002	00179795	BOLT
	006	011	00103331	LOCKWASHER		019	002	00103319	LOCKWASHER
	007	007	00106267	WASHER		020	002	00109084	NUT
	008	001	09065377	HANDLE		021	001	15229795	BAFFLE
	009	001	09231889	ELBOW		022	002	00271556	BOLT
	010	ASR	09233142	TUBE-NYLON		023	001	00117958	GROMMET
	011	001	09015105	BRACKET		024	001	09197104	ELBOW
	012	002	00179887	BOLT		025	001	15230589	FLANGE
	013	002	00106265	WASHER		026	001	00105422	ELBOW

2-04 -351 R01

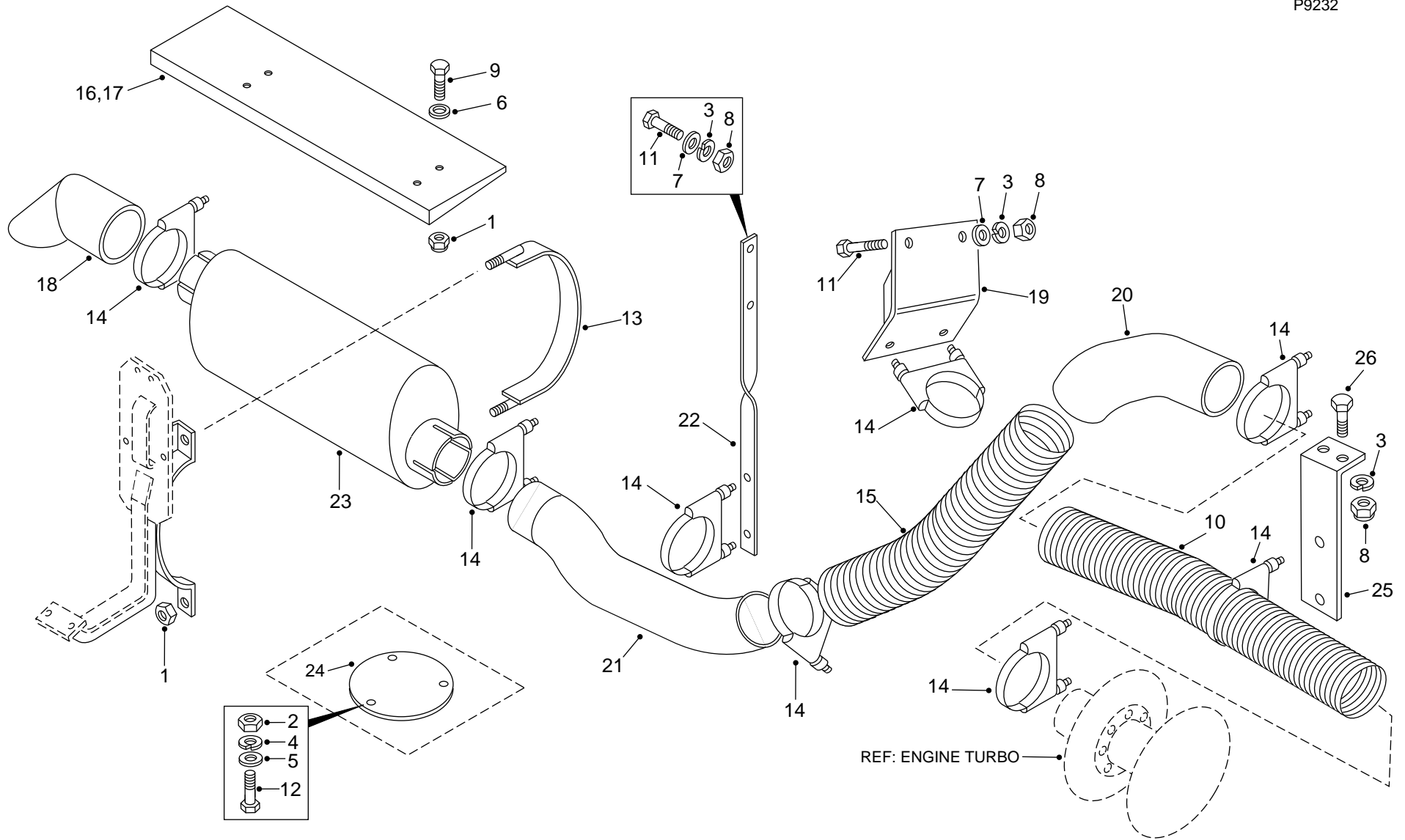


## ENGINE AIR CLEANER MTG. PIPES &amp; HOSES

2-04 -379

N.C.	REF.	QTY	PART NO.	PART NAME	N.C.	REF.	QTY	PART NO.	PART NAME
001	002		15231531	GAUGE-AIR RESTRICT	014	006		00179839	BOLT
002	002		15253929	CAP ASSY	015	004		00179841	BOLT
003	002		15253927	BAND-MOUNTING	016	010		00108580	LOCKWASHER
004	001		15253964	TUBE ASSY	017	001		09197104	ELBOW
005	001		15253970	PLATE	018	004		09204030	CLAMP
006	002		15253938	HOSE-HUMP	019	002		09229246	CLAMP
007	004		00102635	NUT	020	001		09231888	ELBOW ASSY
008	002		00103319	LOCKWASHER	021	ASR		09233142	TUBE-NYLON
009	002		00105410	CAP	022	001		09357078	CONNECTOR
010	014		00106263	WASHER	023	002		09065853	CLAMP
011	002		00109084	NUT	024	002		09379264	TIE-CABLE
012	001		00117958	GROMMET	025	001		15230589	FLANGE
013	002		00179795	BOLT					

2-04 -379

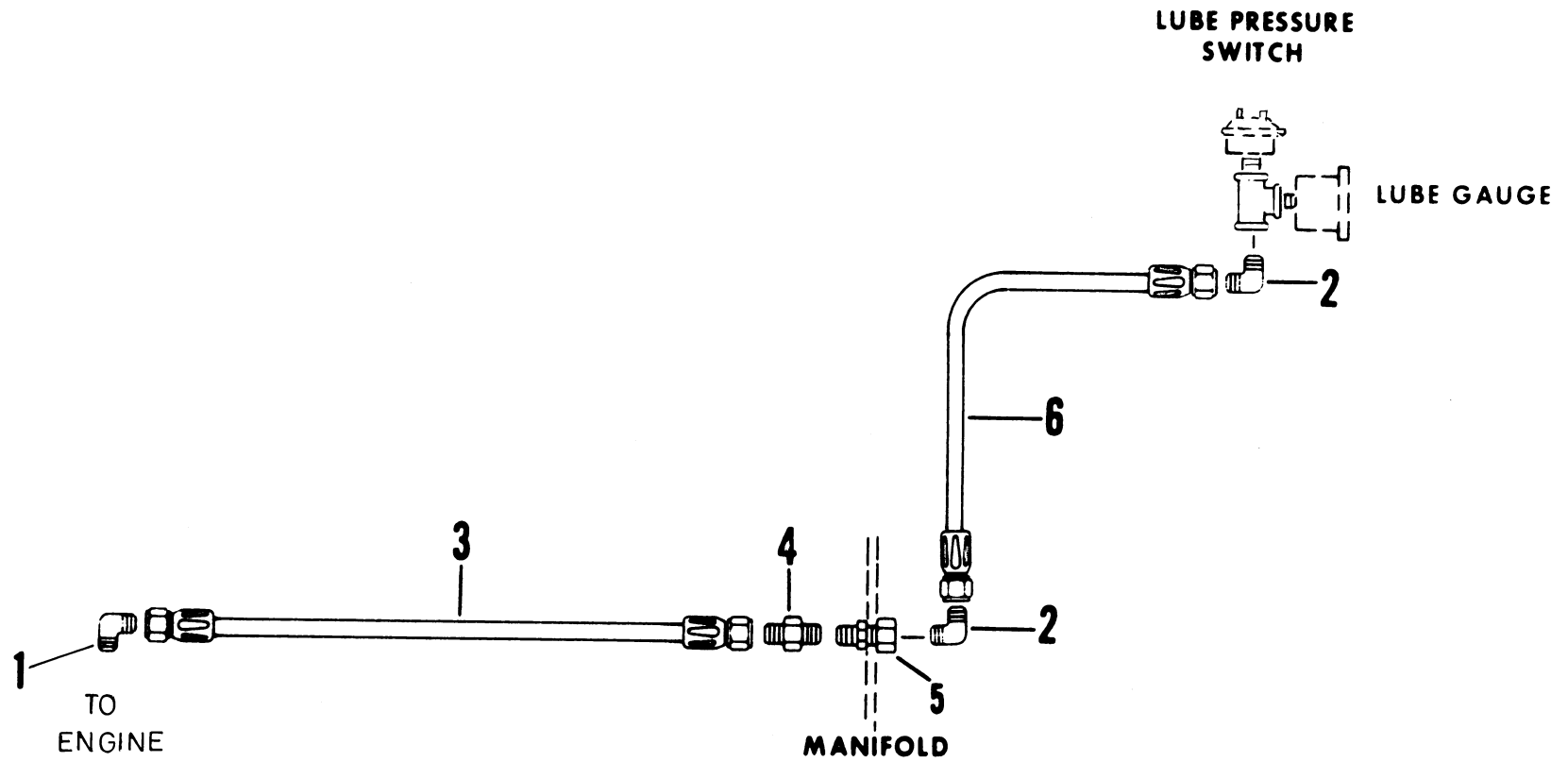


## ENGINE EXHAUST AND MOUNTING

2-05 -179

N.C.	REF.	QTY	PART NO.	PART NAME	N.C.	REF.	QTY	PART NO.	PART NAME
	001	008	00102635	NUT	014	001		09062886	TUBE-FLEX
	002	003	00102639	NUT	015	001		09064250	HEAT SHIELD
	003	006	00103329	LOCKWASHER	016	ASR		09368561	BEADING
	004	003	00103331	LOCKWASHER	017	001		09384342	TUBE-TAIL PIPE
	005	003	00103345	WASHER	018	001		09384430	HANGER
	006	008	00106263	WASHER	019	001		09384845	TUBE
	007	006	00106265	WASHER	020	001		15253944	TUBE ASSY-EXHAUST
	008	006	00120378	NUT	021	001		15253973	BRACKET-TWISTED
	009	004	00179839	BOLT	022	001		09013928	MUFFLER
	010	004	00179887	BOLT	023	001		15253993	COVER-PLATE
	011	003	00271560	BOLT	024	001		15228335	TUBE-FLEX
	012	002	09007140	STRAP ASSY	025	001		15228334	BRACKET
	013	008	09017439	CLAMP	026	002		00179883	BOLT

2-05 -179





## ENGINE LUBRICATION LINES

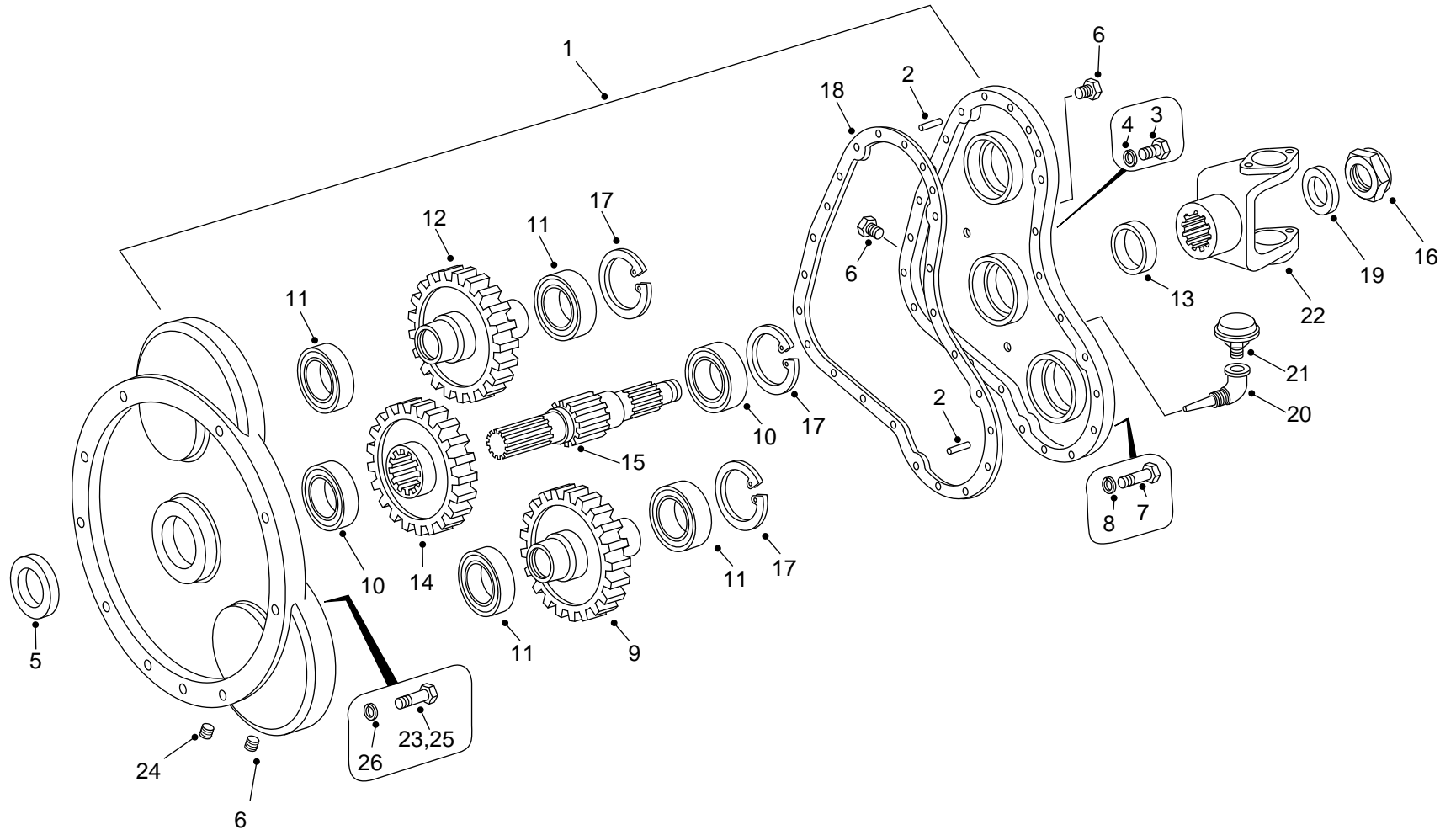
2-06 -291 R01

N.C.	REF.	QTY	PART NO.	PART NAME
001	001		00118753	ELBOW
002	003		00116453	ELBOW
003	001		09004384	HOSE ASSY

N.C.	REF.	QTY	PART NO.	PART NAME
004	001		00116436	CONNECTOR
005	001		02369508	STUD-CLAMPING
006	001		09125606	HOSE ASSY

2-06 -291 R01

P8979

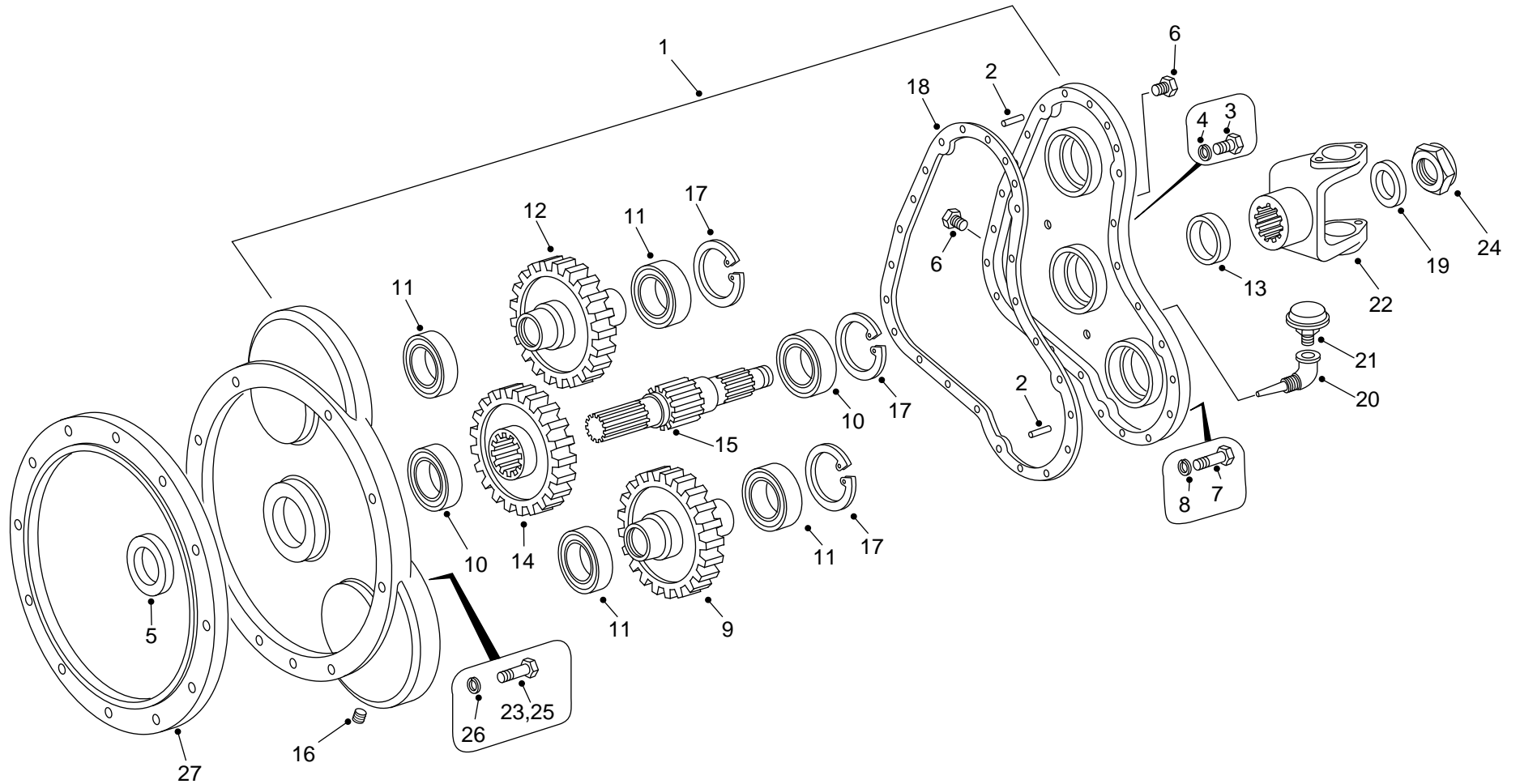


## ENGINE FLYWHEEL COVER GROUP PTO

2-12 - 87 R02

N.C.	REF.	QTY	PART NO.	PART NAME	N.C.	REF.	QTY	PART NO.	PART NAME
001A	001		15229408	POWER TAKE OFF	014	001		09195847	. GEAR-DRIVE
001	001		15229409	. HOUSING ASSY	015	001		15245600	. SHAFT-DRIVE PTO
002	002		00784079	.. PIN	016	001		09269703	. NUT LOCK
003	002		00179826	.. BOLT	017	003		09414895	. RING-SNAP
004	002		00103320	.. LOCKWASHER	018	001		09195842	. GASKET
005	001		09004541	. SEAL	019	001		15249496	. WASHER-HARDENED
006	002		00444637	. PLUG (0.75IN)	020	001		09232989	. BREATHER
007	017		00179826	. BOLT	021	001		06769936	. CAP-BREATHER
008	017		00103320	. LOCKWASHER	022	001		09193182	. YOKE
009	001		15229404	. GEAR-DRIVEN	023	004		00433142	BOLT
010	002		00954528	. BEARING	024	001		00273469	PLUG
011	004		00907696	. BEARING	025	006		00179860	BOLT
012	001		09274893	. GEAR-DRIVEN	026	010		00103328	LOCKWASHER
013	001		09004540	. SEAL					

2-12 - 87 R02

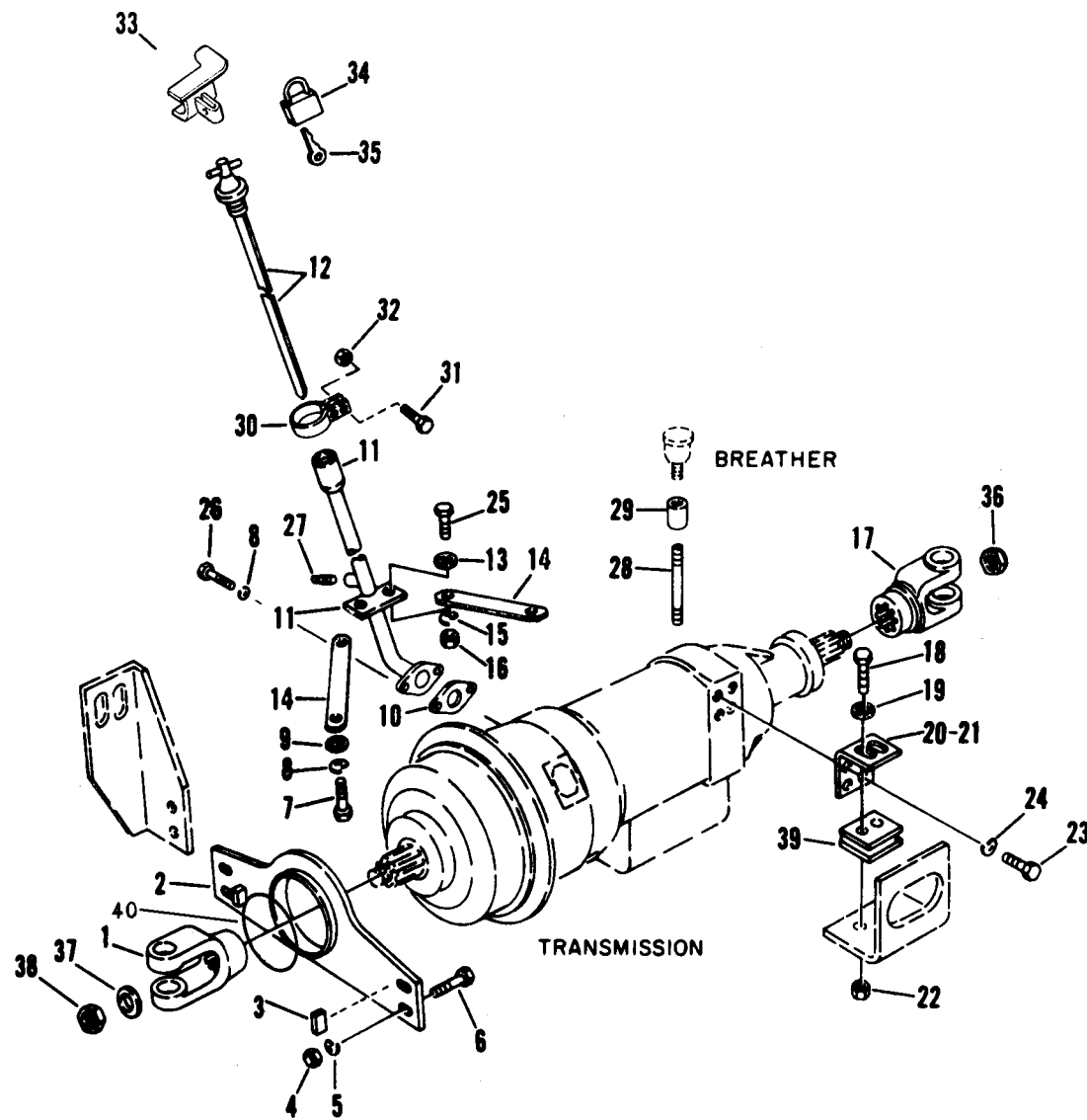


## ENGINE FLYWHEEL COVER GROUP PTO

2-12 -104

N.C.	REF.	QTY	PART NO.	PART NAME	N.C.	REF.	QTY	PART NO.	PART NAME
	001A	001	15253873	PTO ASSEMBLY	014	001		09195847	. GEAR-DRIVE
	001	001	15229409	.HOUSING ASSY	015	001		15252439	. SHAFT-DRIVE PTO
	002	002	00784079	..PIN	016	001		00273469	. PLUG
	003	002	00179826	..BOLT	017	003		09414895	. RING-SNAP
	004	002	00103320	..LOCKWASHER	018	001		09195842	. GASKET
	005	001	09004541	.SEAL	019	001		15249496	WASHER-HARDENED
	006	002	00444637	.PLUG (0.75IN)	020	001		09232989	BREATHER
	007	017	00179826	.BOLT	021	001		06769936	CAP-BREATHER
	008	017	00103320	.LOCKWASHER	022	001		09193182	YOKE
	009	001	15229404	.GEAR-DRIVEN	023	004		15253855	BOLT
	010	002	00954528	.BEARING	024	001		09269703	NUT LOCK
	011	004	00907696	.BEARING	025	006		00179868	BOLT
	012	001	09274893	.GEAR-DRIVEN	026	010		00103328	LOCKWASHER
	013	001	09004540	.SEAL	027	001		15253840	SPACER - P.T.O.

2-12 -104

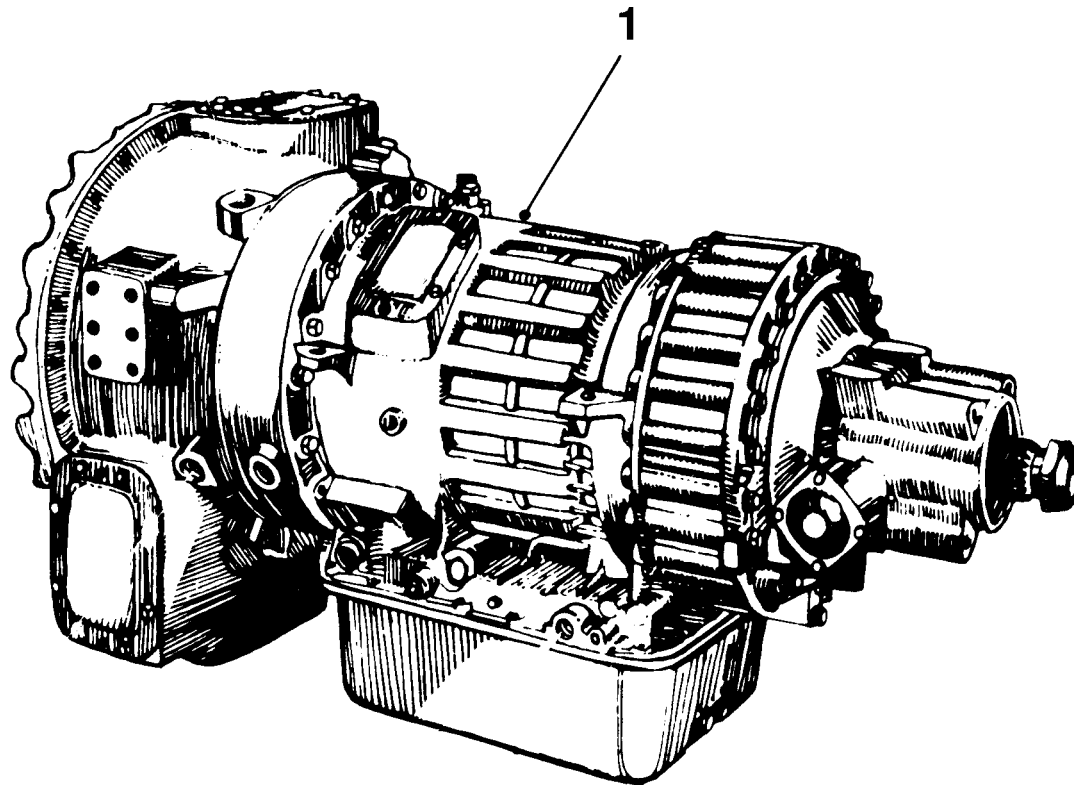


## TRANSMISSION MOUNTING

4-01 -234 R02

N.C.	REF.	QTY	PART NO.	PART NAME	N.C.	REF.	QTY	PART NO.	PART NAME
	001	001	09072457	YOKE		021	001	09061224	BRACKET
	002	001	15017155	TRUNNION		022	004	09355771	NUT
	003	002	09013699	BLOCK		023	008	00271612	BOLT
	004	004	09354243	LOCKNUT		024	008	00103332	LOCKWASHER
	005	004	09191596	WASHER		025	002	00179838	BOLT
	006	004	00271563	BOLT		026	002	00179818	BOLT
	007	002	00179817	BOLT		027	001	00444613	PLUG
	008	004	00103320	LOCKWASHER		028	001	00219326	NIPPLE
	009	002	09232417	WASHER		029	001	00187396	COUPLING
	010	001	09210107	GASKET		030	001	09015715	CLAMP
	011	001	09272246	TUBE		031	001	00179793	BOLT
	012	001	09272248	DIPSTICK-OIL		032	001	09354236	LOCKNUT
	013	004	00106263	WASHER		033	001	15004686	LATCH ASSY
	014	002	09253598	BAR		034	001	09268885	LOCK
	015	002	00108580	LOCKWASHER		035	001	09268892	KEY
	016	002	00102635	NUT	A	036	001	06771144	NUT
	017	001	23011919	YOKE	A	037	001	06771612	RETAINER
	018	004	00271621	BOLT	A	038	001	09416389	NUT
	019	004	09250715	WASHER-HARDENED		039	002	15229327	PLATE
	020	001	09061223	BRACKET		040	001	09066008	RING

A NOTE: SUPPLIED WITH TRANSMISSION ASSEMBLY.





TRANSMISSION BREAKDOWN

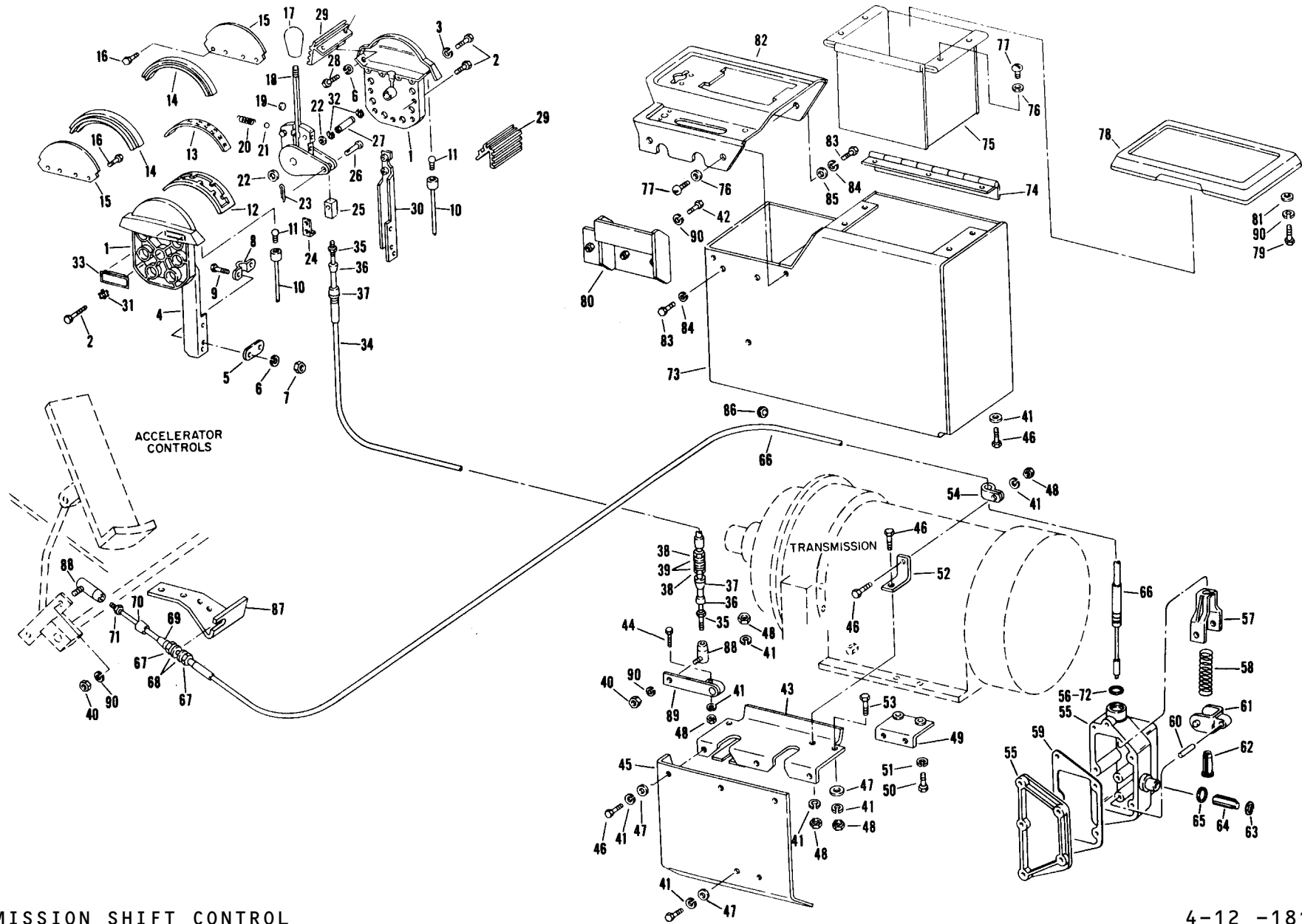
4-02 -191

N.C.	REF.	QTY	PART NO.	PART NAME	N.C.	REF.	QTY	PART NO.	PART NAME
A	001	001	23041643	TRANSMISSION-CLBT754	B	NI	001	23012606	KIT-SEAL & GASKET

A NOTE: REFER TO MAIN INDEX FOR SECTIONS SHOWING TRANSMISSION BREAKDOWN.

B NOTE: 23012606 SEAL AND GASKET KIT-TRANSMISSION OVERHAUL.

4-02 -191



## TRANSMISSION SHIFT CONTROL

4-12 -181 R02

N.C.	REF.	QTY	PART NO.	PART NAME		N.C.	REF.	QTY	PART NO.	PART NAME
	001A	001	09250690	TOWER ASSY SHIFT		032	002	09436697	. SNAP RING	
	001	002	09052502	. HOUSING		033	002	09052504	. CAP	
	002	006	NSS	. BOLT		034	001	09250757	CABLE ASSY	
	003	004	00103319	. LOCKWASHER		035	002	00120613	. NUT	
	004	001	09039753	. HANGER		036	002	09033539	. SEAL-ROD	
	005	001	00669721	. SHIM		037	002	09033540	. SEAL-SLEEVE	
	006	006	N.L.A.	. LOCKWASHER		038	002	00124824	. NUT	
	007	002	00120361	. NUT		039	002	00103345	. WASHER	
	008	001	09223105	. CLAMP		040	002	00103024	NUT	
	009	002	00132259	. SCREW		041	016	00108580	LOCKWASHER	
	010	002	00653177	. PIGTAIL ASSY		042	002	00179797	BOLT	
	011	001	09416398	. . LAMP		043	001	09256940	BRACKET	
	012	001	09049102	. PLATE-GATE		044	001	00179845	BOLT	
	013	002	09049103	. STRIP-POSITION		045	001	09252055	PLATE	
	014	002	09039754	. PIPE-LIGHT		046	013	00179839	BOLT	
	015	002	09039773	. SEAL-LIGHT		047	007	00106263	WASHER	
	016	004	09418938	. SCREW		048	005	00102635	NUT	
	017	001	09039742	. KNOB		049	001	09252057	PLATE	
	018	001	09049101	. LEVER-CONTROL		050	002	00179818	BOLT	
	019	001	09039759	. SLUG		051	002	00103320	LOCKWASHER	
	020	001	09039750	. SPRING		052	001	09011711	BRACKET	
	021	001	00453593	. BALL		053	003	00179843	BOLT	
	022	002	09039751	. SPACER		054	001	09131857	CLIP	
	023	001	00119117	. PIN-COTTER		055	001	09274509	VALVE ASSY-MOD	
	024	001	09039757	. SWITCH-TERMINAL UNIT	A	056	001	NSS	.NSS PART OF KIT	
	025	001	09039758	. CABLE-TERMINAL	A	057	001	NSS	.NSS PART OF KIT	
	026	001	09039772	. PIN-CLEVIS	A	058	001	NSS	.NSS PART OF KIT	
	027	001	09052509	. SHAFT	A	059	001	NSS	.NSS PART OF KIT	
	028	004	00443874	. SCREW	A	060	001	NSS	.NSS PART OF KIT	
	029	002	09039747	. SPACER	A	061	001	NSS	.NSS PART OF KIT	
	030	001	09039752	. HANGER	A	062	001	NSS	.NSS PART OF KIT	
	031	002	00174916	. WASHER	A	063	001	NSS	.NSS PART OF KIT	

4-12 -181 R02

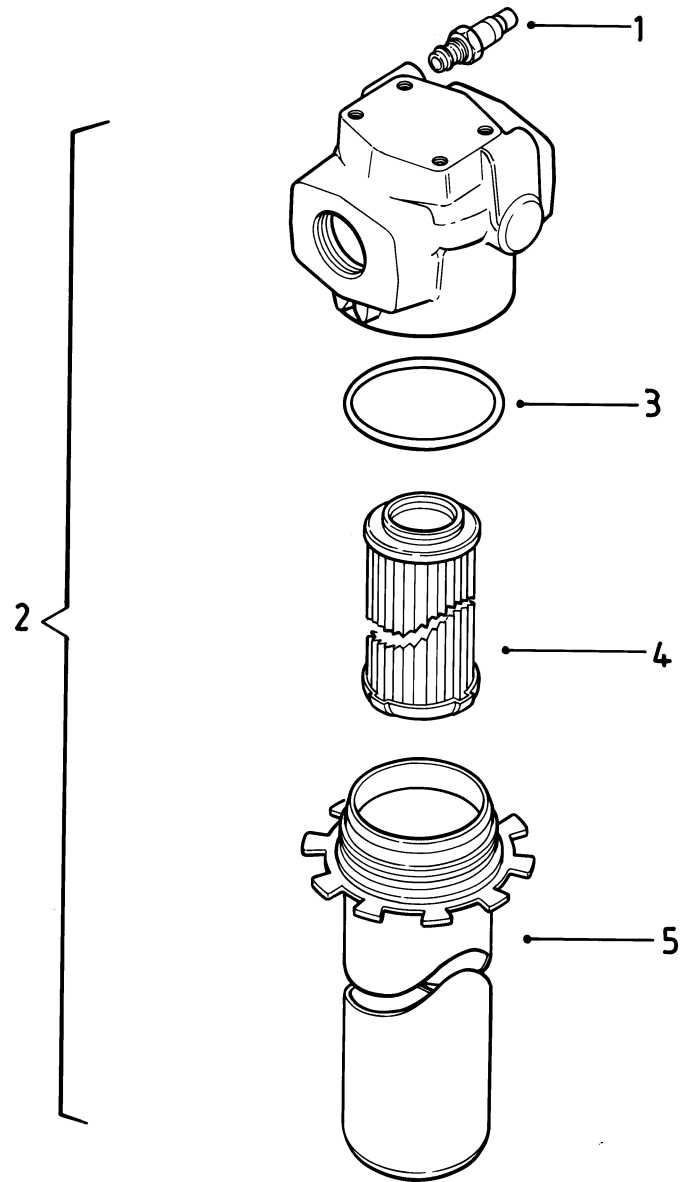
## TRANSMISSION SHIFT CONTROL

4-12 -181 R02

N.C.	REF.	QTY	PART NO.	PART NAME	N.C.	REF.	QTY	PART NO.	PART NAME
A	064	001	NSS	.NSS PART OF KIT	078	001	15234303	COVER-GLOVEBOX	
A	065	001	NSS	.NSS PART OF KIT	079	003	00179795	BOLT	
	066	001	09049109	.CABLE ASSY	080	001	09250710	SUPPORT	
	067	002	00124824	..NUT	081	003	00103329	LOCKWASHER	
	068	002	00103345	..WASHER	082	001	09250689	COVER	
	069	001	09033540	..SEAL-SLEEVE	083	006	00180807	BOLT	
	070	001	09033539	..SEAL-ROD	084	006	00103455	LOCKWASHER	
	071	001	00120613	..NUT	085	003	00103661	WASHER	
	072	001	09028009	..O RING	086	001	09016326	GROMMET	
	073	001	09015135	CONSOLE ASSY	087	001	NSS	PLATE	
	074	001	09015140	.HINGE	088	002	00191474	JOINT-BALL	
	075	001	09015155	GLOVEBOX-SHIFT TOWER	089	001	09256938	LEVER	
	076	008	00131701	WASHER-DOMED	090	007	00103319	LOCKWASHER	
	077	008	00115360	SCREW					

A NOTE: PARTS IN 02004547 REPAIR KIT.

(THIS PAGE INTENTIONALLY LEFT BLANK)

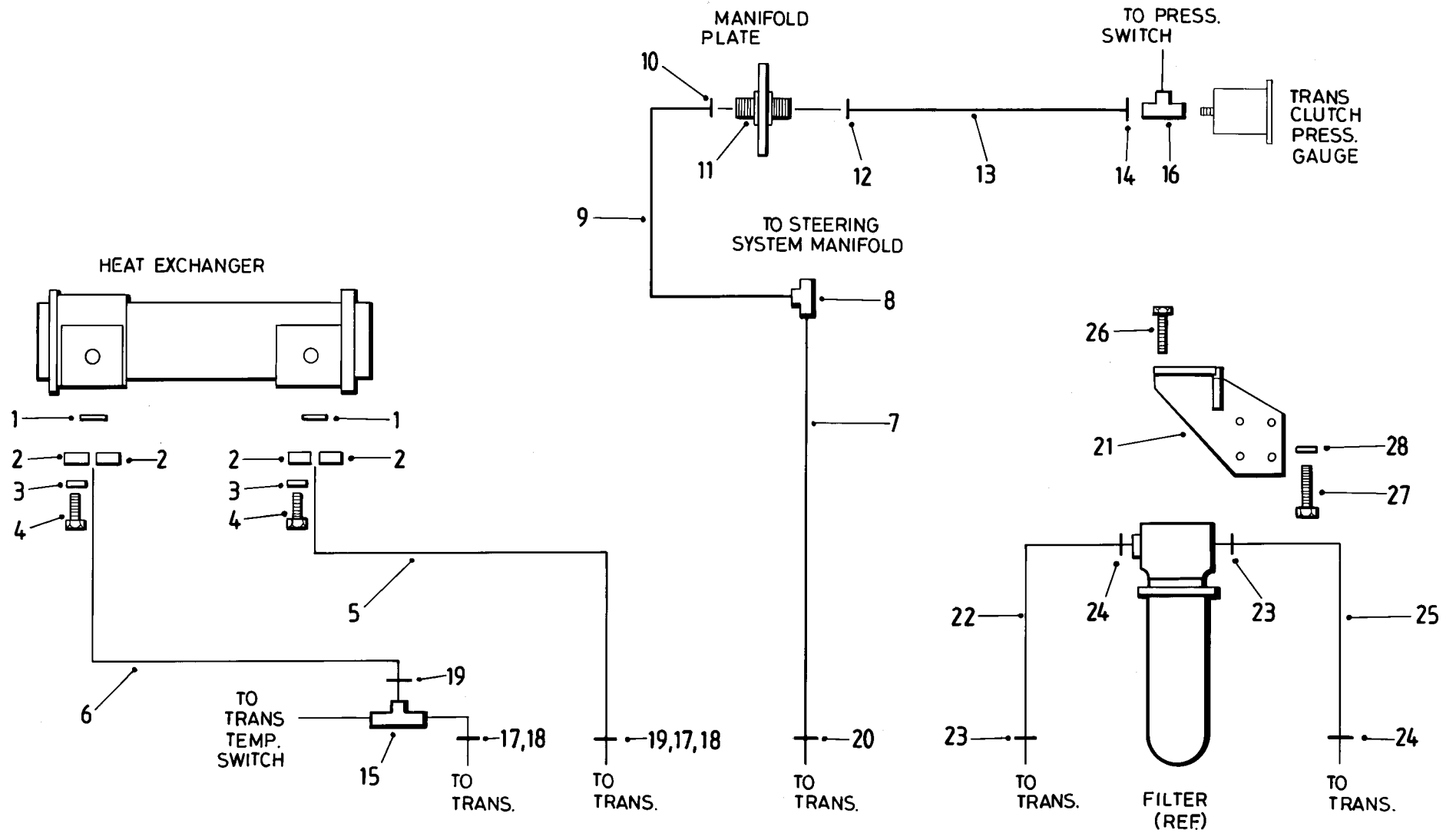


## TRANSMISSION FILTER

4-16 - 39 R01

N.C.	REF.	QTY	PART NO.	PART NAME	N.C.	REF.	QTY	PART NO.	PART NAME
	001	001	23018846	SWITCH		004	001	15270495	.ELEMENT
	002	001	23040986	FILTER ASSY-OIL		005	001	01300653	.BOWL-OIL FILTER
	003	001	01196599	.SEAL OIL FILTER					

4-16 - 39 R01



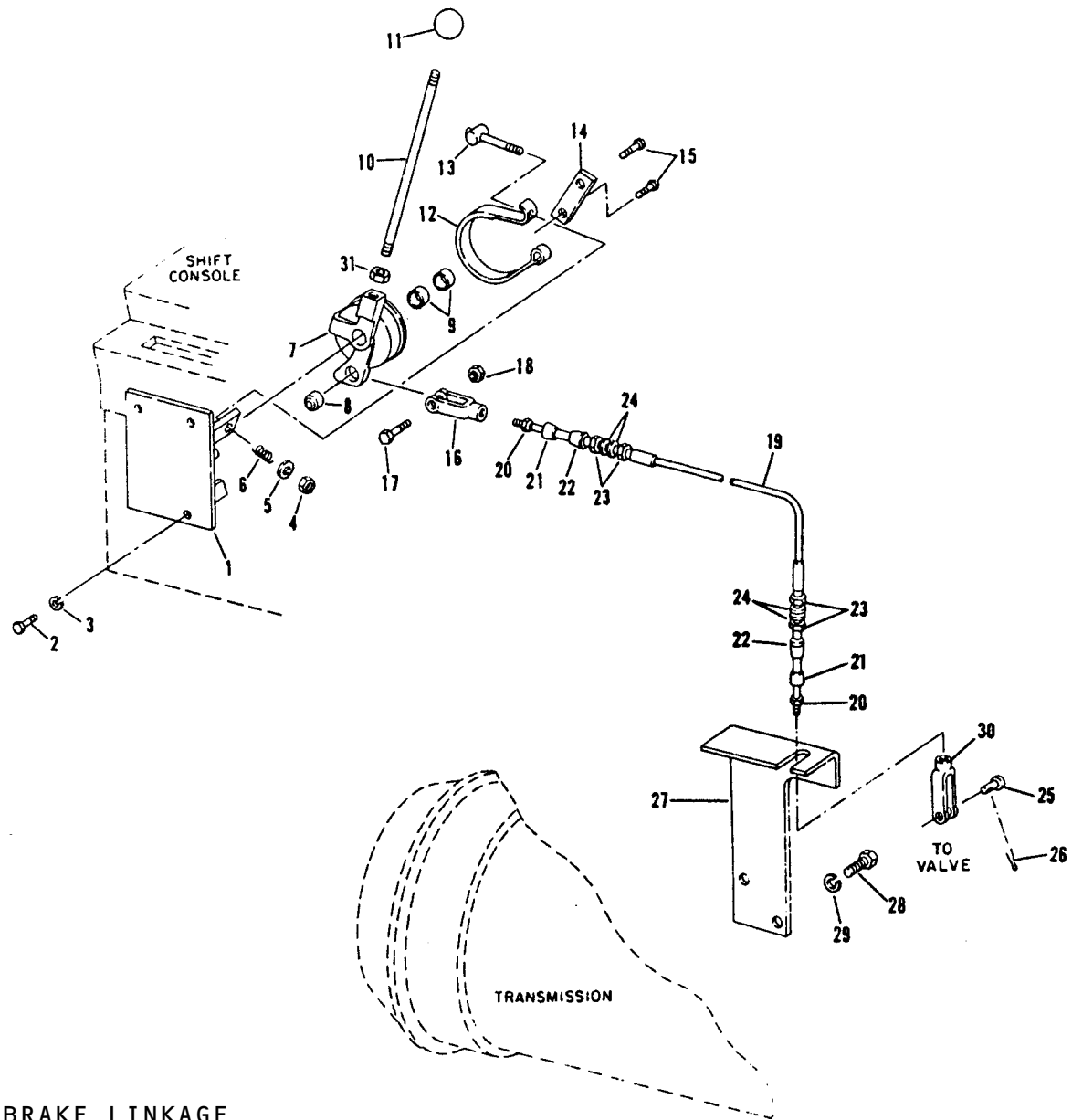


## TRANSMISSION OIL LINES

4-21 -283 R03

N.C.	REF.	QTY	PART NO.	PART NAME	N.C.	REF.	QTY	PART NO.	PART NAME
	001	002	09264303	O RING	015	001		09256512	TEE
	002	004	09409985	FLANGE-SPLIT	016	004		00103331	LOCKWASHER
	003	008	00103329	LOCKWASHER	017	002		15003583	ELBOW
	004	008	00179885	BOLT	018	001		09216612	.O RING
	005	001	15231650	HOSE ASSY	019	002		09410286	ELBOW
	006	001	09067402	HOSE ASSY	020	001		00118753	ELBOW
	007	001	09015533	HOSE ASSY	021	001		15234235	BRACKET
	008	001	09402979	TEE	022	001		15019242	HOSE ASSY
	009	001	15229683	HOSE ASSY	023	002		09183228	CONNECTOR
	010	001	09012209	ELBOW	024	002		15003563	ELBOW
	011	001	02369508	STUD-CLAMPING	025	001		09067390	HOSE ASSY
	012	001	00116453	ELBOW	026	004		00179883	BOLT
	013	001	09125606	HOSE ASSY	027	004		00271563	BOLT
	014	001	00127887	ELBOW					

4-21 -283 R03

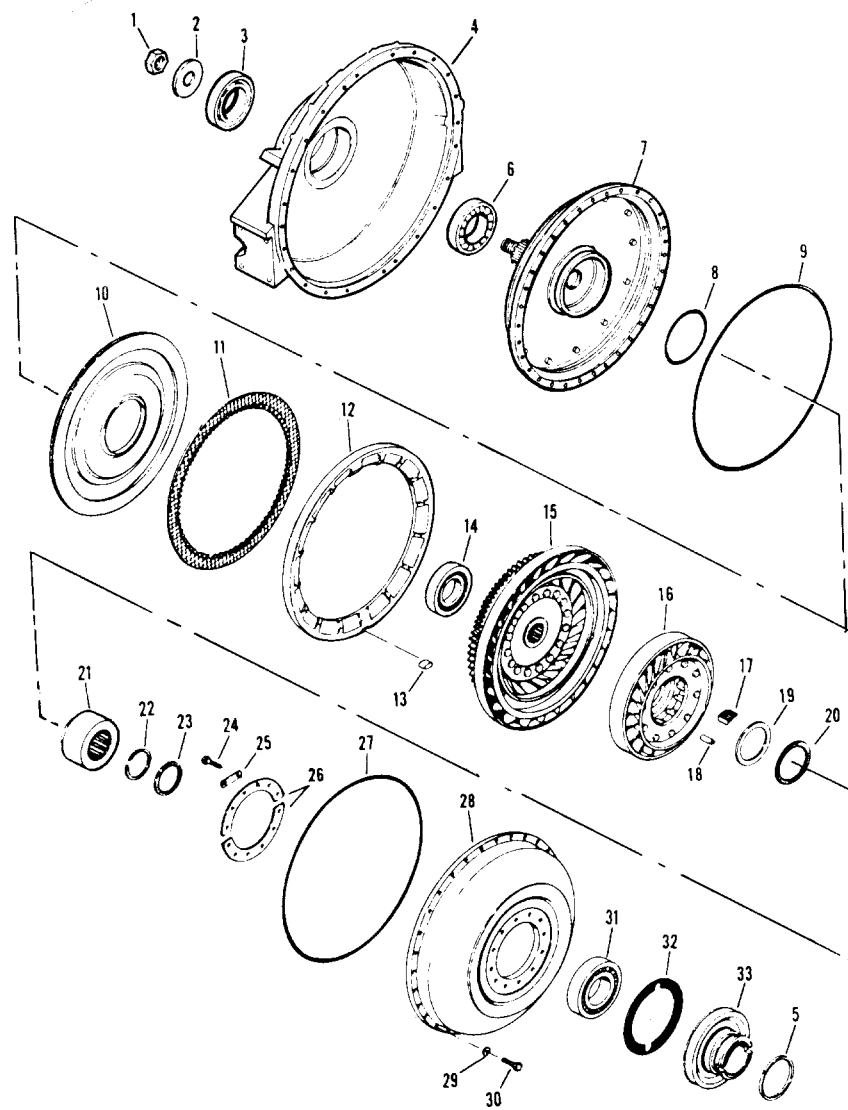


## TRANSMISSION TORQUE BRAKE LINKAGE

4-28 - 33

N.C.	REF.	QTY	PART NO.	PART NAME	N.C.	REF.	QTY	PART NO.	PART NAME
	001	001	09015158	BRACKET	017	001	00179843	BOLT	
	002	003	00180807	BOLT	018	001	00274208	LOCKNUT	
	003	003	00103455	LOCKWASHER	019	001	09250756	CABLE	
	004	001	09414094	LOCKNUT	020	002	00120613	.NUT	
	005	001	00103340	WASHER	021	002	09033539	.SEAL-ROD	
	006	001	09015320	SPRING	022	002	09033540	.SEAL-SLEEVE	
	007	001	09008570	DRUM-RETARDER	023	004	00124824	.NUT	
	008	001	09008588	.BEARING	024	004	00103345	.WASHER	
	009	002	09008590	.BEARING	025	001	00138086	PIN	
	010	001	09015415	ROD	026	001	00103385	PIN-COTTER	
	011	001	09238188	BALL	027	001	09271579	BRACKET	
	012	001	09008572	BRAKE	028	002	00271556	BOLT	
	013	001	09015322	ROD	029	002	00103331	LOCKWASHER	
	014	001	09007687	RETAINER	030	001	09016338	CLEVIS	
	015	002	00220453	BOLT	031	001	00214442	NUT	
	016	001	09184755	CLEVIS					

4-28 - 33

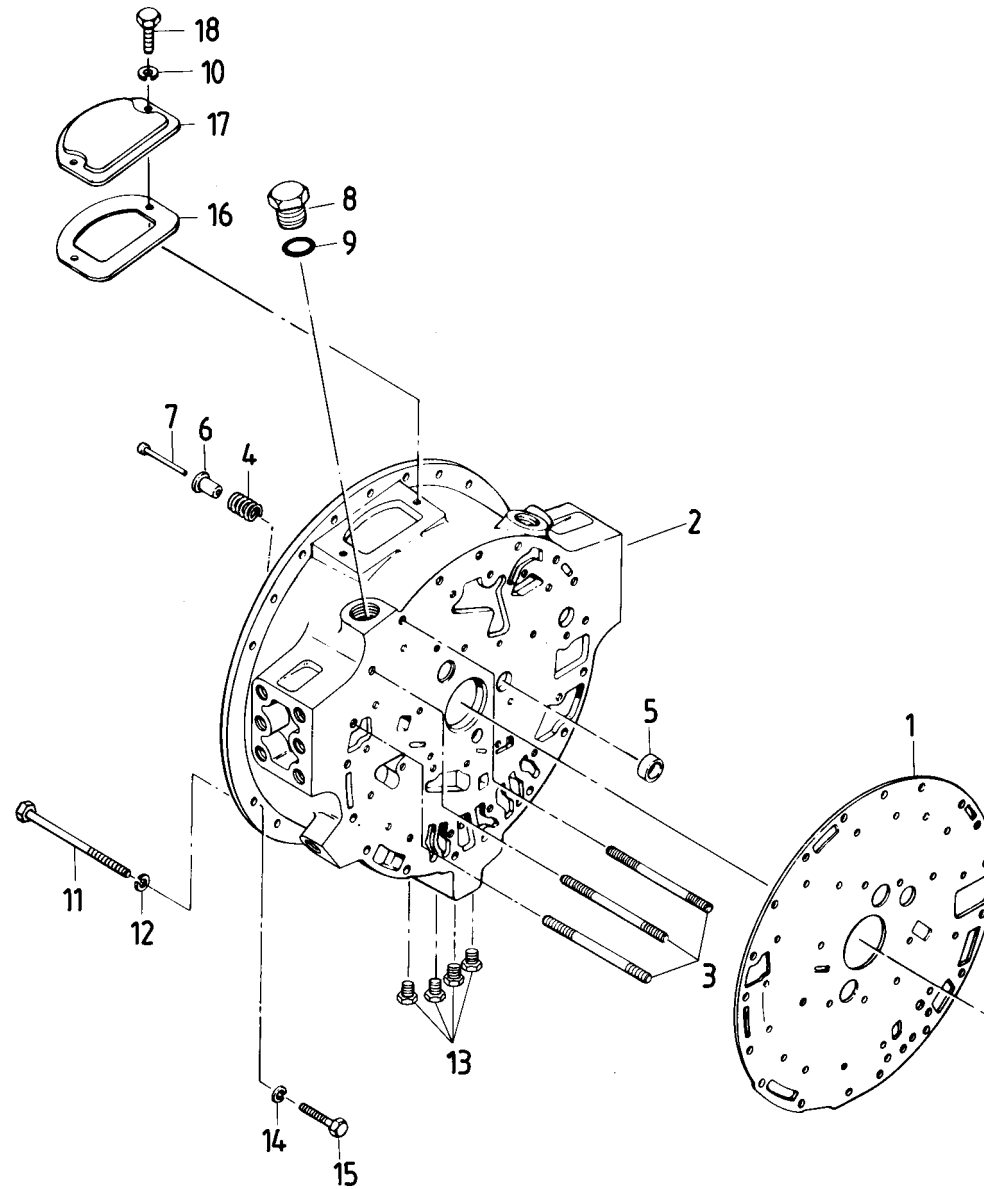


TRANS. FRONT COVER AND CONVERTER GROUP

4-40 - 14 R02

N.C.	REF.	QTY	PART NO.	PART NAME	N.C.	REF.	QTY	PART NO.	PART NAME
001	001		09416389	NUT	018	010		06837976	ROLLER
002	001		06771612	RETAINER	019	001		09417722	RACE
003	001		06772040	KIT-SEAL	020	001		00457118	BEARING
004	001		06839128	COVER	021	001		06772293	RACE
005	001		23014631	KIT-SEAL	022	001		06758779	RING-SNAP
006	001		23049028	BEARING	023	001		06771851	SPACER
007	001		23016982	HOUSING	024	012		00181370	BOLT
008	001		06770492	SEAL	025	006		06880899	STRIP
009	001		06758740	SEAL	026	002		06771070	RETAINER
010	001		23018444	PISTON	027	001		06880389	SEAL
011	001		23048511	PLATE	028	001		23010620	PUMP
012	001		23016957	PLATE	029	030		06769636	WASHER
013	002		06772552	KEY	030	030		09409037	BOLT
014	001		00954528	BEARING	031	001		09438064	BEARING
015	001		06883524	TURBINE	032	001		23045519	SEAL
016	001		23011393	STATOR	033	001		23045371	HUB
017	010		23018535	SPRING					

4-40 - 14 R02

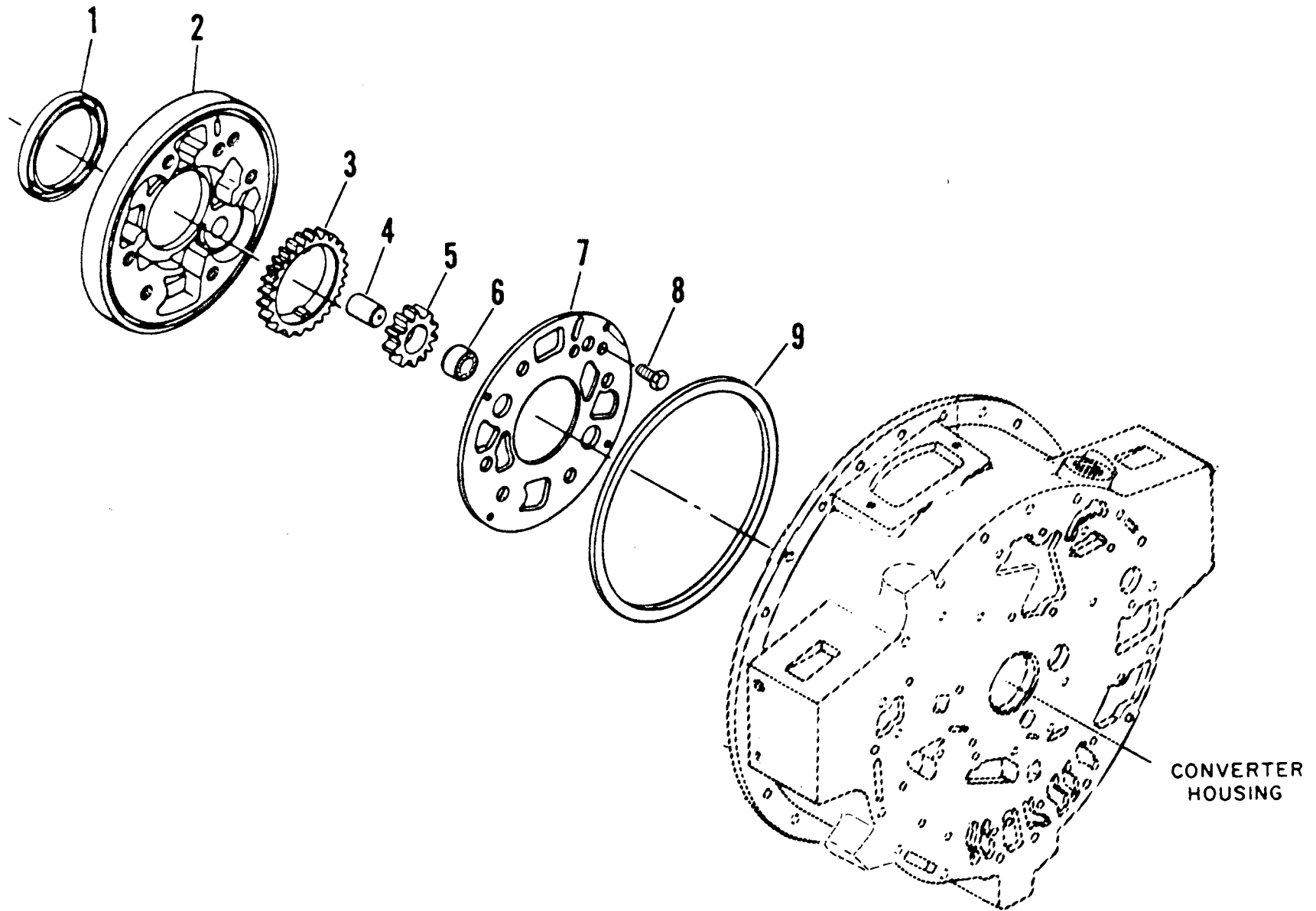


## TRANSMISSION CONVERTER HOUSING GROUP

4-41 - 12 R02

N.C.	REF.	QTY	PART NO.	PART NAME	N.C.	REF.	QTY	PART NO.	PART NAME
001	001		06882326	GASKET	010	002		00103321	LOCKWASHER
002	001		06881152	HOUSING ASSY	011	007		00187238	BOLT
003	002		23047356	.STUD	012	007		00103323	WASHER
004	001		06837882	.SPRING	013	004		23012036	PLUG
005	001		06838842	.PLUG	014	022		00103322	LOCKWASHER
006	001		06837881	.VALVE-LUBE	015	022		00179862	BOLT
007	001		06838442	.PIN	016	001		06750186	GASKET
008	001		09424753	PLUG	017	001		06703138	COVER
009	001		23016014	SEAL	018	002		00179837	BOLT

4-41 - 12 R02



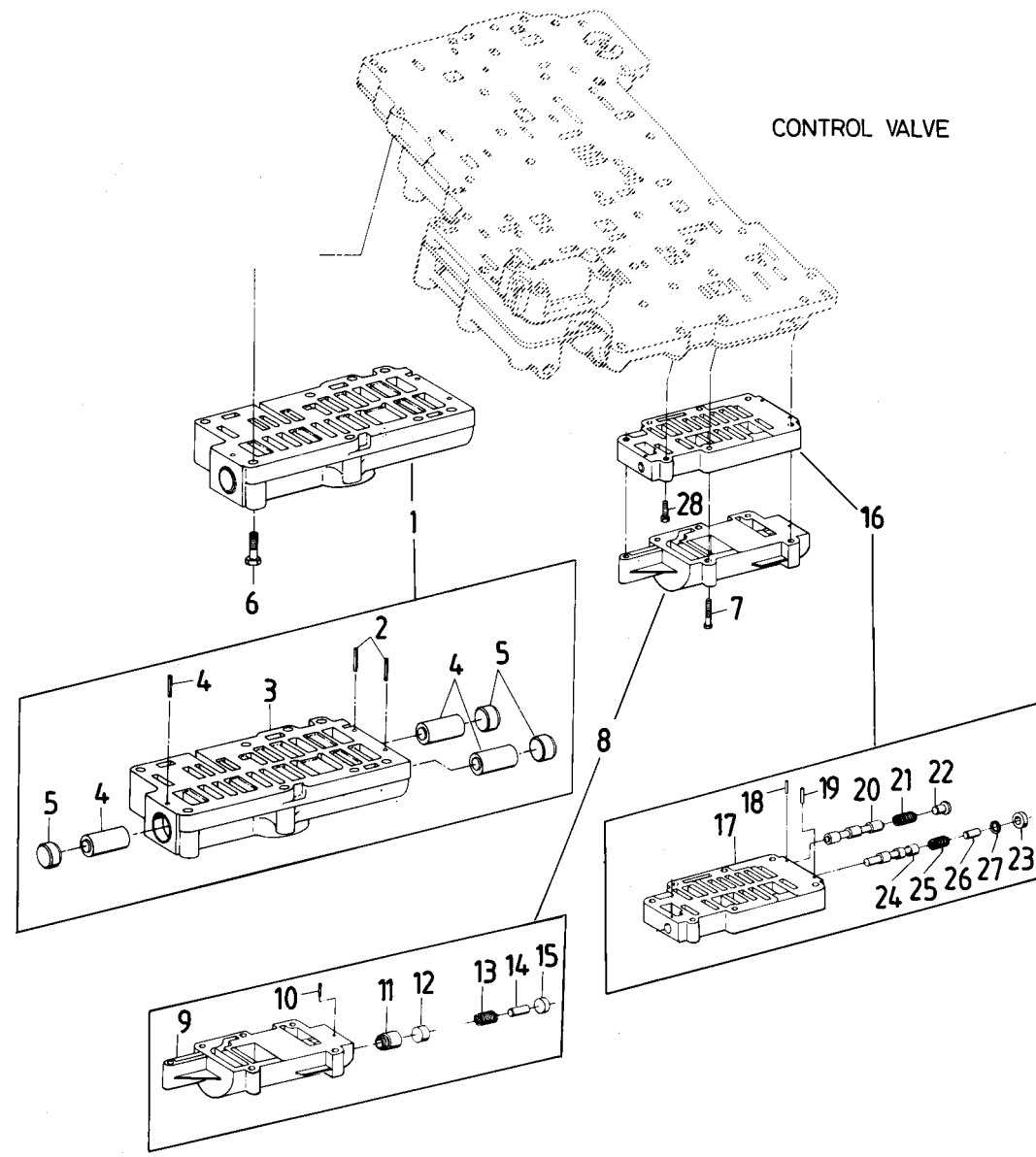


## TRANSMISSION OIL PUMP

4-42 - 6 R01

N.C.	REF.	QTY	PART NO.	PART NAME	N.C.	REF.	QTY	PART NO.	PART NAME
	001A	001	06838843	PUMP ASSY		005	002	NSS	. GEAR ASSY-PUMP DRIVE
	001	001	23016947	. SEAL		006	001	NSS	. . BEARING
	002	001	NSS	. BODY		007	001	NSS	. COVER-PUMP
	003	001	NSS	. GEAR-PUMP DRIVE		008	001	NSS	. SCREW
	004	002	NSS	. SHAFT		009	001	NSS	SEAL

4-42 - 6 R01

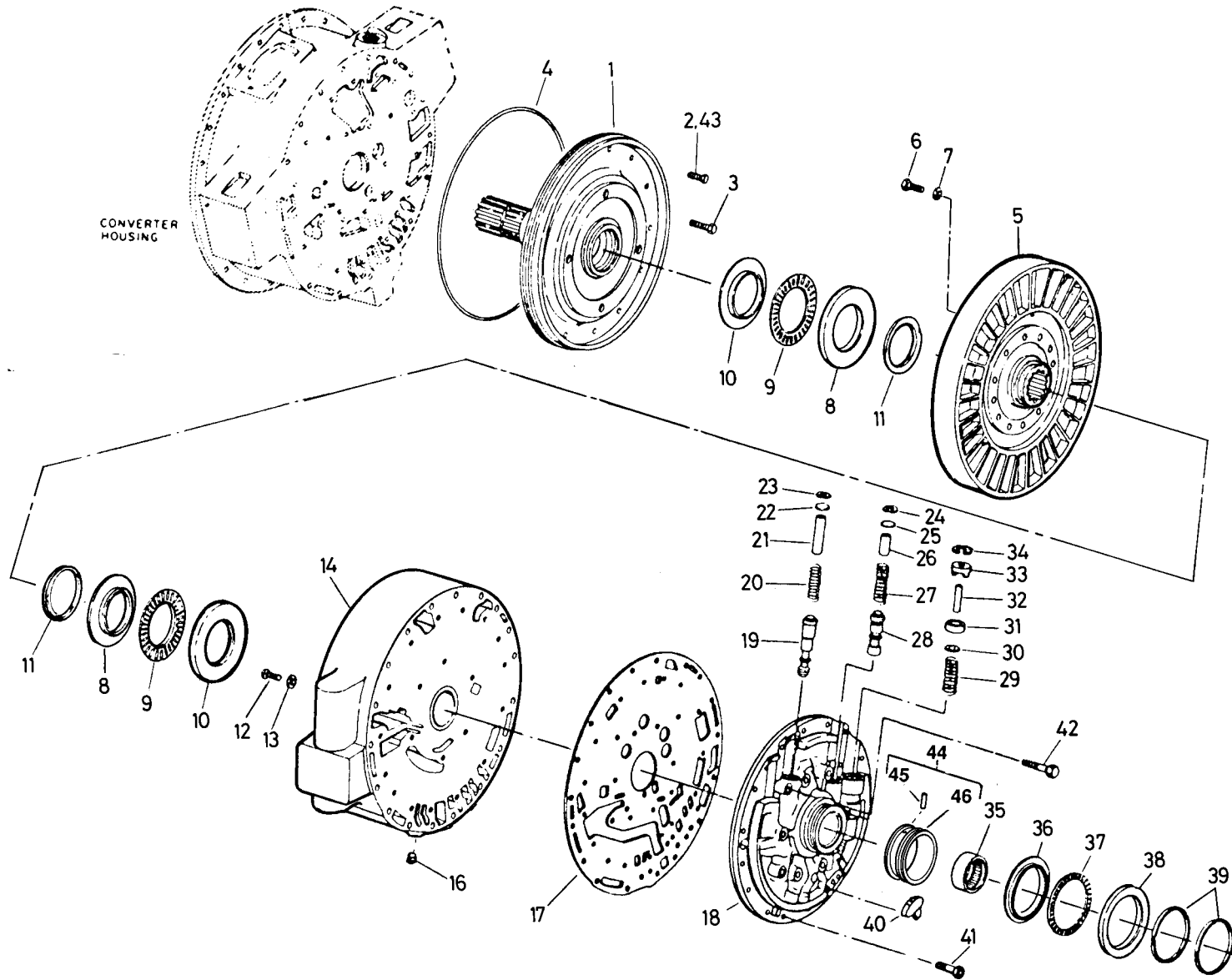


## TRANSMISSION LOCK-UP VALVE

4-44 - 6 R01

N.C.	REF.	QTY	PART NO.	PART NAME	N.C.	REF.	QTY	PART NO.	PART NAME
001	001		06881719	VALVE-LOCKUP CUTOFF	015	001		06838750	. PLUG
002	003		09423346	. PIN	016	001		06839125	BODY-LOWER SHIFT
003	001		06881720	. BODY	017	001		06838333	. BODY
004	003		06834407	. VALVE	018	001		09420965	. PIN
005	003		06834509	. PLUG	019	001		06700213	. PIN
006	008		00454818	BOLT	020	001		06885188	. VALVE
007	006		09424899	BOLT	021	001		NSS	. SPRING
008	001		06881717	FIRST TRIMMER-BODY	022	001		06881138	. STOP
009	001		06881718	. BODY	023	001		06833891	. RING
010	001		09423346	. PIN	024	001		06880464	. VALVE
011	001		23016686	. VALVE	025	001		06839747	. SPRING
012	001		06835921	. PLUG	026	001		06880158	. STOP
013	001		06833940	. SPRING	027	001		06833949	. WASHER
014	001		23013432	. STOP	028	001		00454817	BOLT

4-44 - 6 R01

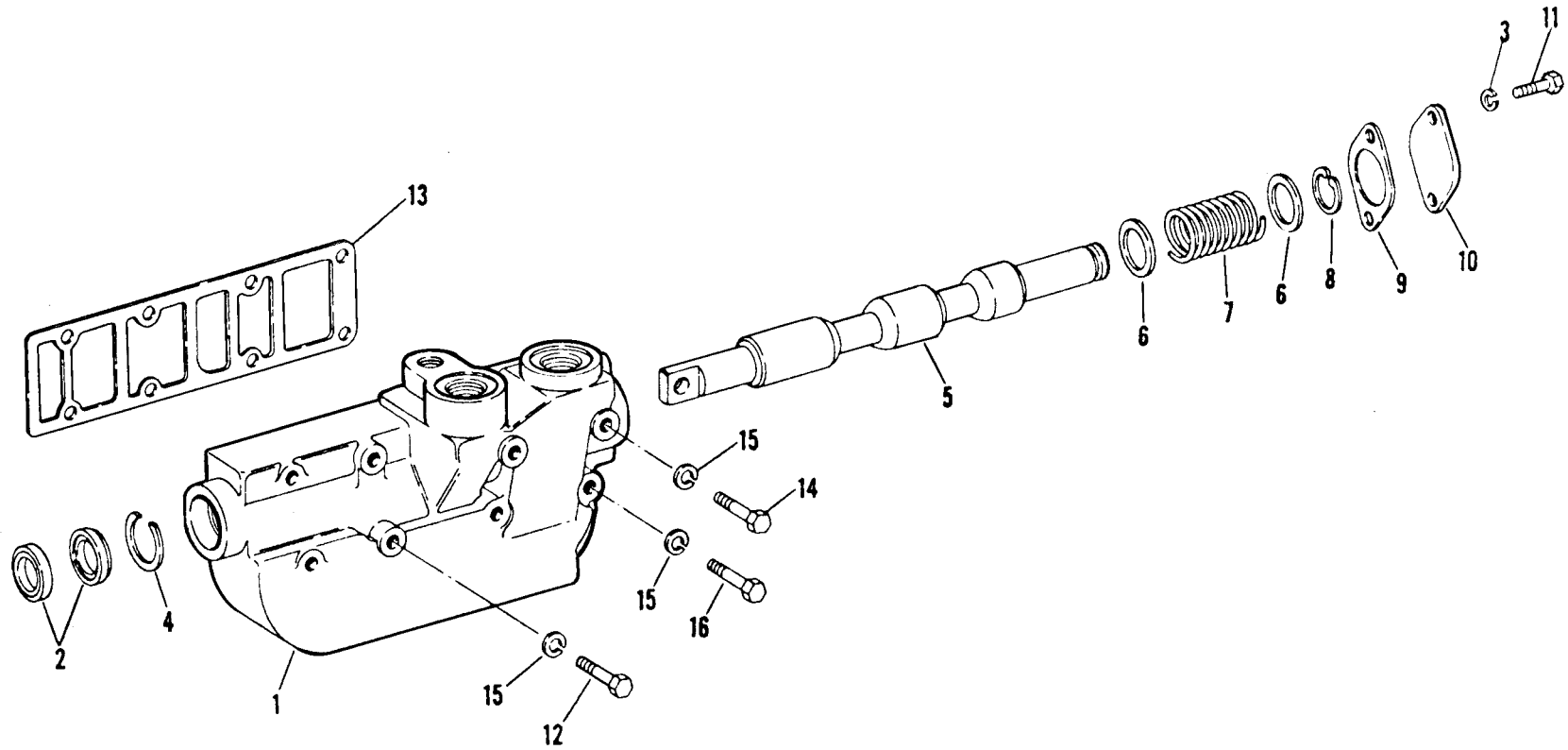


## TRANSMISSION RETARDER GROUP

4-45 - 4 R02

N.C.	REF.	QTY	PART NO.	PART NAME	N.C.	REF.	QTY	PART NO.	PART NAME
	001	001	23048395	PLATE-RETARDER	025	001	06834946	.WASHER	
	002	018	06836587	BOLT	026	001	06834456	.STOP	
	003	006	09409226	BOLT	027	001	06839268	.SPRING	
	004	001	06837663	SEAL	028	001	06839010	.VALVE	
	005	001	06837657	ROTOR ASSY	029	001	06769252	.SPRING	
	006	012	09411707	.BOLT	030	001	06834568	.VALVE	
	007	012	09422848	.WASHER	031	001	06834666	.SEAT	
	008	002	09431996	RACE-BEARING	032A	001	06834463	.SUPPORT ASSY	
	009	002	09426916	BEARING	032	001	NSS	..GUIDE	
	010	002	09431997	RACE-BEARING	033	001	NSS	..SUPPORT	
	011	002	23019652	SEAL	034	001	09420905	.RING-SNAP	
	012	002	NSS	SCREW	035	001	09441863	.BEARING	
	013	002	06837102	WASHER	036	001	09431998	RACE	
	014	001	06882325	HOUSING-RETARDER	037	001	09424098	BEARING	
	016	004	23012036	PLUG	038	001	09431999	RACE	
	017	001	23046658	GASKET	039	002	23014441	SEAL	
	018A	001	06880286	SUPPORT-VALVE RETARD	040	001	06839525	PIVOT	
	018	001	06883949	.SUPPORT & SLEEVE	041	016	09409030	BOLT	
	019	001	06834453	.VALVE	042	009	09409517	BOLT	
	020	001	06839209	.SPRING	043	001	09409231	BOLT	
	021	001	06834936	.STOP	044	001	23011446	KIT	
	022	001	06834938	.WASHER	045	001	00274889	.PIN	
	023	001	00274613	.RING-SNAP	046	001	NSS	.SLEEVE	
	024	001	09414876	.RING-SNAP					

4-45 - 4 R02

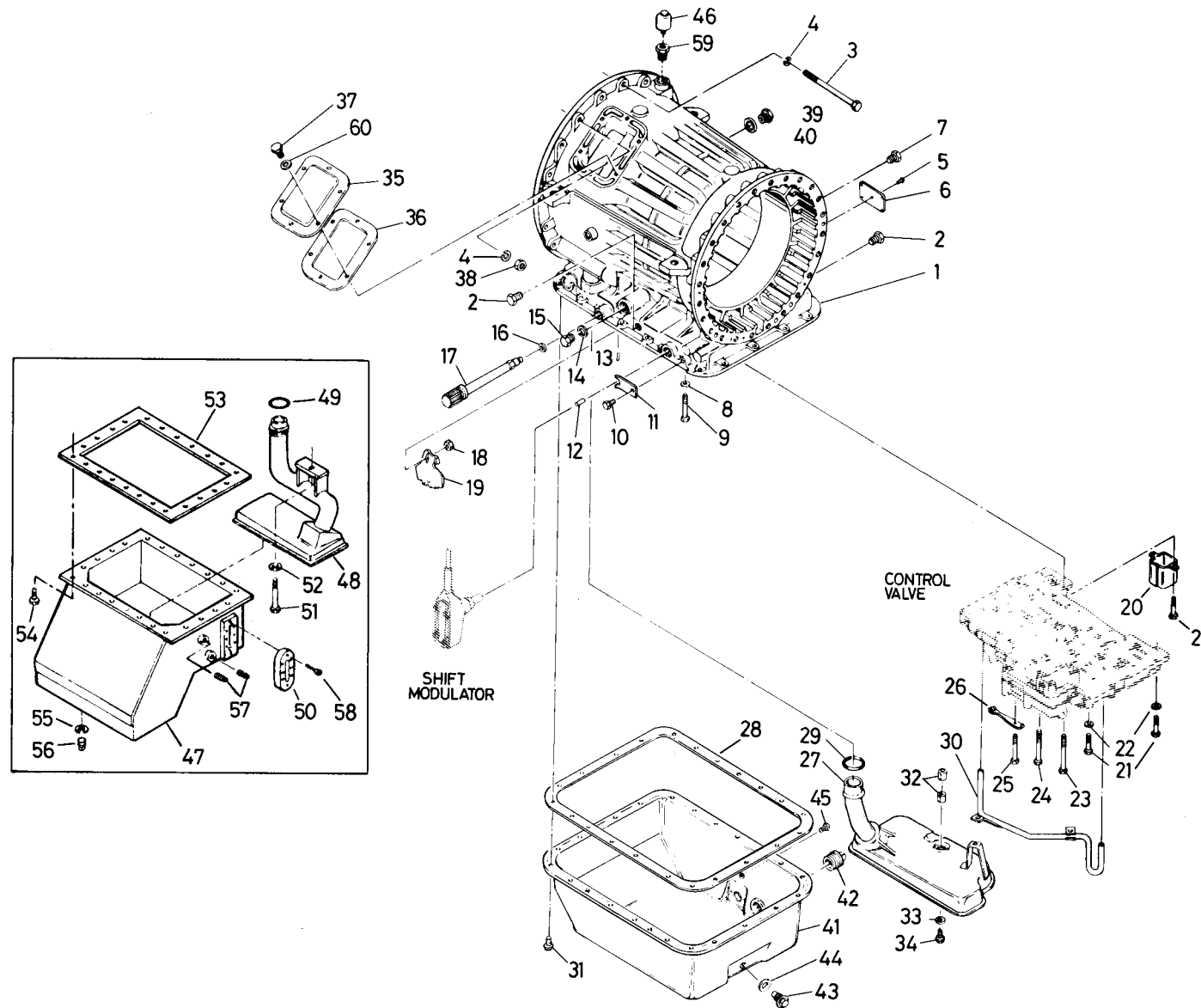


## TRANSMISSION RETARDER CONTROL VALVE

4-46 - 4

N.C.	REF.	QTY	PART NO.	PART NAME	N.C.	REF.	QTY	PART NO.	PART NAME
001A	001		06839372	BODY ASM	009	001		06838527	. GASKET
001	001		06839365	. BODY	010	001		06838526	. COVER
002	001		06833409	. KIT-SEAL	011	002		00179838	. BOLT
003	002		00103321	. LOCKWASHER	012	002		00450517	BOLT
004	001		06838539	. SNAPRING	013	001		06838524	GASKET
005	001		06838525	. VALVE	014	002		00186278	BOLT
006	002		06838528	. WASHER	015	008		00103321	LOCKWASHER
007	001		06838531	. SPRING	016	004		00186284	BOLT
008	001		06751633	. SNAPRING	NI	001		00444631	PLUG (0.50')

4-46 - 4





## TRANSMISSION MAIN HOUSING GROUP

4-48 - 13 R03

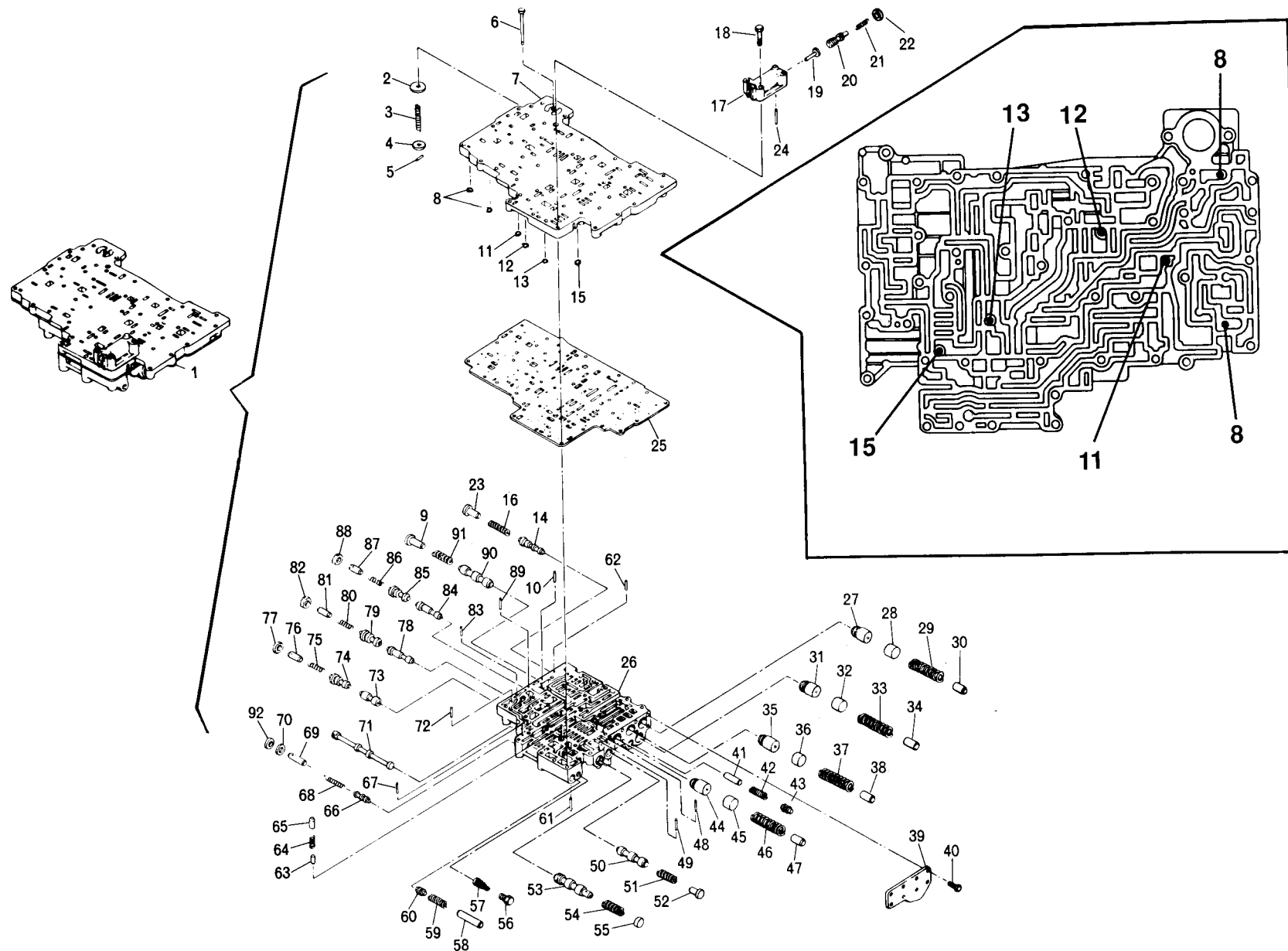
N.C.	REF.	QTY	PART NO.	PART NAME	N.C.	REF.	QTY	PART NO.	PART NAME
	001	001	23046559	HOUSING-MAIN		031	023	03829139	SCREW
	002	002	23012036	. PLUG		032	002	23013623	SPACER
	003	008	00187238	BOLT		033	001	09420759	WASHER
	004	011	00103323	WASHER		034	001	09431456	BOLT
	005	001	23045804	SCREW		035	001	06774322	COVER
	006	001	23049131	PLATE-NAME		036	001	23016683	GASKET
	007	002	23012036	PLUG		037	006	00179837	BOLT
	008	001	23013841	WASHER		038	003	00103028	NUT
	009	001	23045343	BOLT		039	001	09424753	PLUG
	010	001	00179816	BOLT		040	001	23016014	SEAL
	011	001	08627650	RETAINER-MODULATOR		041	001	06885148	KIT-PAN
	012	001	06834918	SPACER-VALVE		042	001	23017473	. PLUG-OIL PAN
	013	001	06831774	PIN		043	001	23011420	. PLUG
	014	001	06839761	WASHER		044	001	03921989	. GASKET
	015	001	23046813	PLUG		045	001	23012036	PLUG
	016	001	23010610	SEAL		046	001	07964576	BREATHER
	017	001	06839103	SHAFT-MAIN SELECTOR	A	047	001	15016143	PAN OIL
	018	001	00117212	NUT	A	048	001	15016270	FILTER
	019	001	06838278	LEVER-INSIDE DETENT	A	049	001	23013114	. SEAL
	020	001	06839289	BAFFLE-OIL	A	050	001	15016626	GAUGE
	021	004	00454815	BOLT	A	051	001	NSS	BOLT
	022	002	00103339	WASHER	A	052	001	09237349	WASHER
	023	003	00273340	BOLT	A	053	001	23013339	GASKET
	024	015	00454818	BOLT	A	054	023	00179818	BOLT
	025	001	00445968	BOLT	A	055	001	03921989	GASKET
	026	001	23046078	ROLLER & SPRING ASSY	A	056	001	03921988	PLUG
	027	001	23012407	KIT-OIL FILTER	A	057	002	00444576	PLUG
	028	001	23016681	. GASKET	A	058	008	00189132	SCREW
	029	001	23013114	. SEAL		059	001	00444335	REDUCER
	030	001	NOT USED	TUBE		060	006	06834908	WASHER

4-48 - 13 R03

NOTES SECTION

A NOTE: USED WITH DEEP TRANSMISSION OIL PAN.

(THIS PAGE INTENTIONALLY LEFT BLANK)



## TRANSMISSION CONTROL VALVE

4-49 - 55 R01

N.C.	REF.	QTY	PART NO.	PART NAME	N.C.	REF.	QTY	PART NO.	PART NAME
001	001		23018874	VALVE ASSY	033	001		06833940	. SPRING
002	001		23017184	. VALVE-LUBE	034	001		23013432	. STOP
003	001		23018455	. SPRING	035	001		23016686	. VALVE
004	001		06836955	. WASHER	036	001		06835921	. PLUG
005	001		00141114	. PIN	037	001		06833940	. SPRING
006	001		06836953	. PIN	038	001		23013432	. STOP
007	001		23018645	. PLATE-OIL TRANSFER	039	001		06838985	. COVER
008	002		23045388	. BALL	039	001		06838985	. COVER
009	001		06839829	. STOP	041	001		09436084	. STOP
010	001		06703169	. NEEDLE	042	001		06838989	. SPRING
011	001		23045386	. BALL	043	001		06838986	. VALVE
012	001		23045388	. BALL	044	001		23014097	. VALVE-TRIMMER
013	001		23045388	. BALL	045	001		06835921	. PLUG
014	001		23017751	. VALVE	046	001		06833940	. SPRING
015	001		23045388	. BALL	047	001		23013432	. STOP
016	001		23018423	. SPRING	048	001		06703169	. NEEDLE
017	001		23015348	. BODY-MODULATOR VALVE	049	001		06703169	. NEEDLE
018	003		00445968	. BOLT	050	001		06833888	. VALVE-RELAY
019	001		06839085	. VALVE	051	001		06832462	. SPRING
020	001		23013764	. VALVE	052	001		06839829	. STOP
021	001		23012948	. SPRING	053	001		06835928	. VALVE-RELAY
022	001		23014098	. RING	054	001		06834528	. SPRING
023	001		23017752	. VALVE-STOP	055	001		06835930	. SPACER
024	001		09428493	. PIN	056	001		23012036	. PLUG
025	001		23045252	. PLATE-SEPARATOR	057	001		23045247	. SCREEN
026	001		23017826	. BODY	058	001		06838987	. STOP
027	001		23016686	. VALVE	059	001		06880401	. SPRING
028	001		06835921	. PLUG	060	001		06838986	. VALVE
029	001		23013754	. SPRING	061	001		00455289	. PIN
030	001		23013432	. STOP	062	001		09428493	. PIN
031	001		23016686	. VALVE	063	001		06838429	. STOP
032	001		06835921	. PLUG	064	001		06835729	. SPRING

TRANSMISSION CONTROL VALVE  
PAGE 002

4-49 - 55 R01

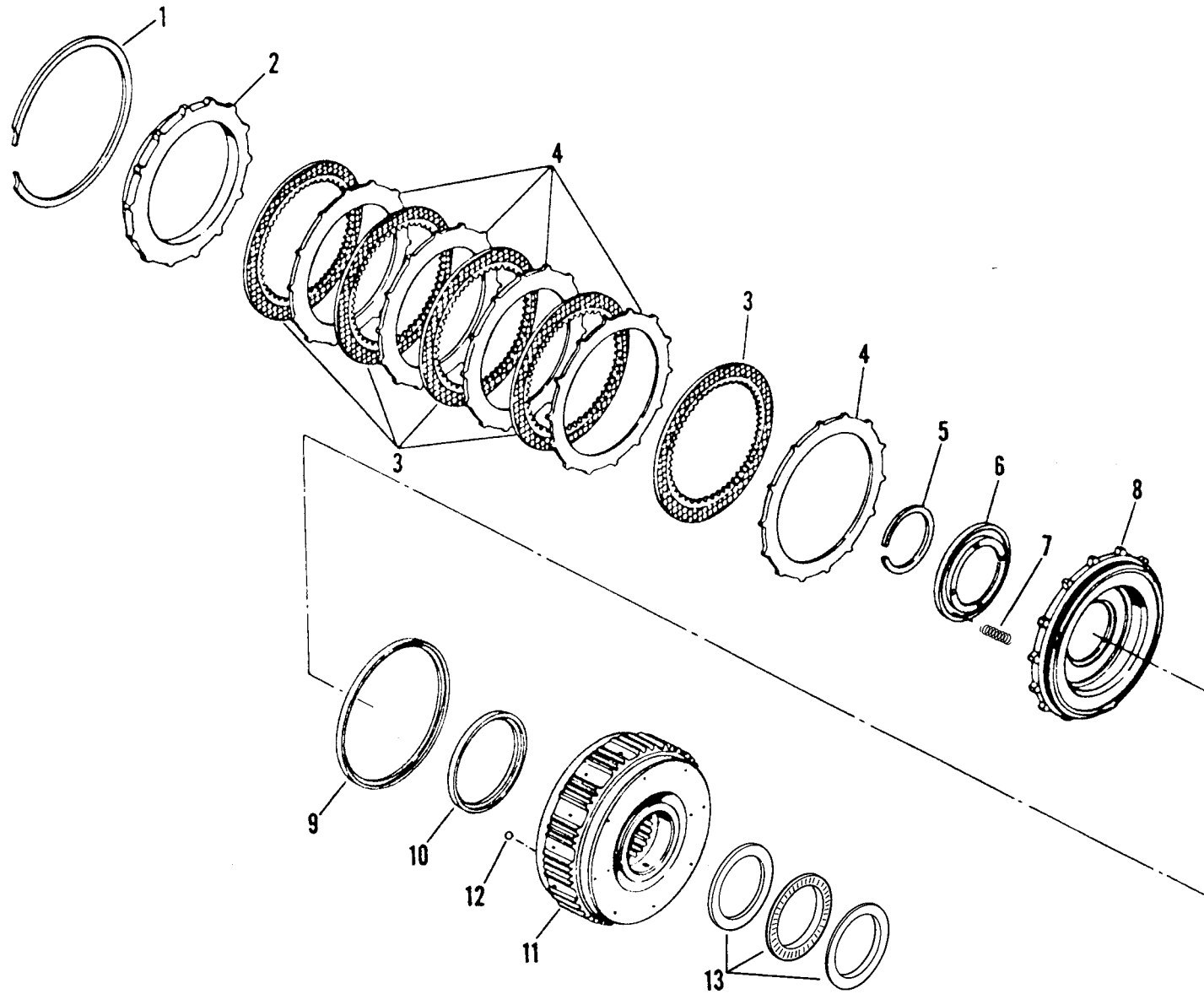
## TRANSMISSION CONTROL VALVE

4-49 - 55 R01

N.C.	REF.	QTY	PART NO.	PART NAME	N.C.	REF.	QTY	PART NO.	PART NAME
065	001		06835929	.VALVE-PRIORITY	079	001		06836370	.VALVE-MODULATOR
066	001		06831737	.VALVE-HOLD REGULATOR	080	001		23017049	.SPRING
067	001		09426920	.PIN	081	001		06833896	.STOP
068	001		06837953	.SPRING	082	001		06833891	.RING
069	001		06884905	.PIN	083	001		09428493	.PIN
070	001		06833949	.WASHER	084	001		06880987	.VALVE-SHIFT
071	001		06881013	.VALVE-MANUAL	085	001		06837621	.VALVE-MODULATOR
072	001		09428493	.PIN	086	001		23013269	.SPRING
073	001		06836853	.VALVE-SHIFT	087	001		06833896	.STOP
074	001		06836368	.VALVE-MODULATOR	088	001		06833891	.RING
075	001		23017049	.SPRING	089	001		09428493	.PIN
076	001		06833896	.STOP	090	001		06833888	.VALVE-RELAY
077	001		06833891	.RING	091	001		06832462	.SPRING
078	001		06837618	.VALVE-SHIFT	092	001		06833891	.RING

4-49 - 55 R01

(THIS PAGE INTENTIONALLY LEFT BLANK)





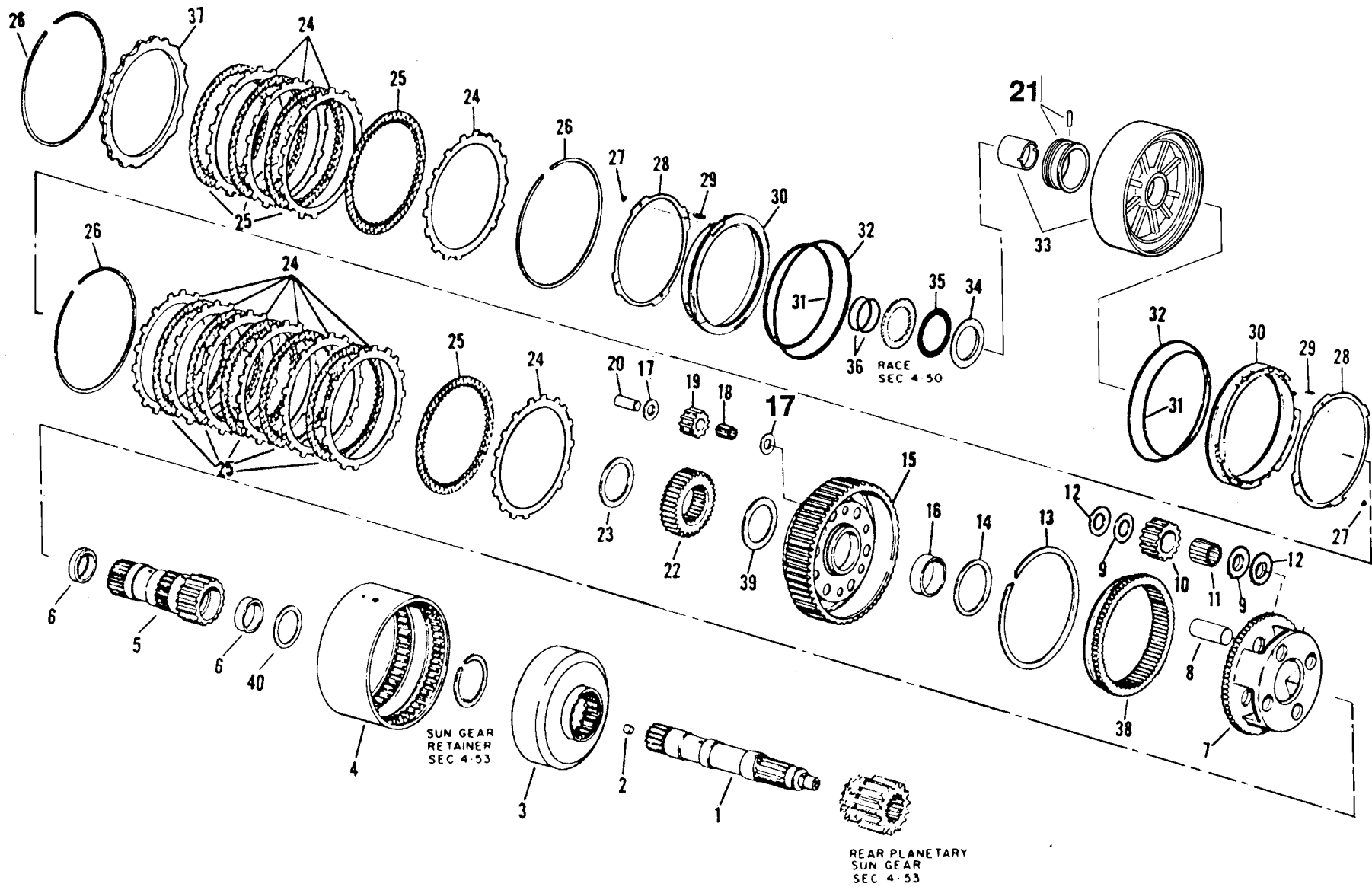
TRANS. HIGH RANGE GEARING AND CLUTCHES

4-50 - 5 R02

N.C.	REF.	QTY	PART NO.	PART NAME	N.C.	REF.	QTY	PART NO.	PART NAME
A	001A	001	23046557	CLUTCH ASSY	008	ASR		23016569	.PISTON-LETTER Z
	001	001	06834594	.RING-SNAP	008	ASR		23016568	.PISTON-LETTER Y
	002	001	23011235	.PLATE	008	ASR		23016567	.PISTON-LETTER X
	003	005	23042199	.PLATE	009	001		06836799	.SEAL
	004	005	06834679	.PLATE-CLUTCH	010	001		06833980	.SEAL
	005	001	06831704	.RING-SNAP	011	001		23046556	.HOUSING ASSY
	006	001	06883192	.RETAINER-SPRING	012	001		08622757	..BALL
	007	020	06836138	.SPRING-RELEASE	013	001		06839821	KIT-BEARING ASSY

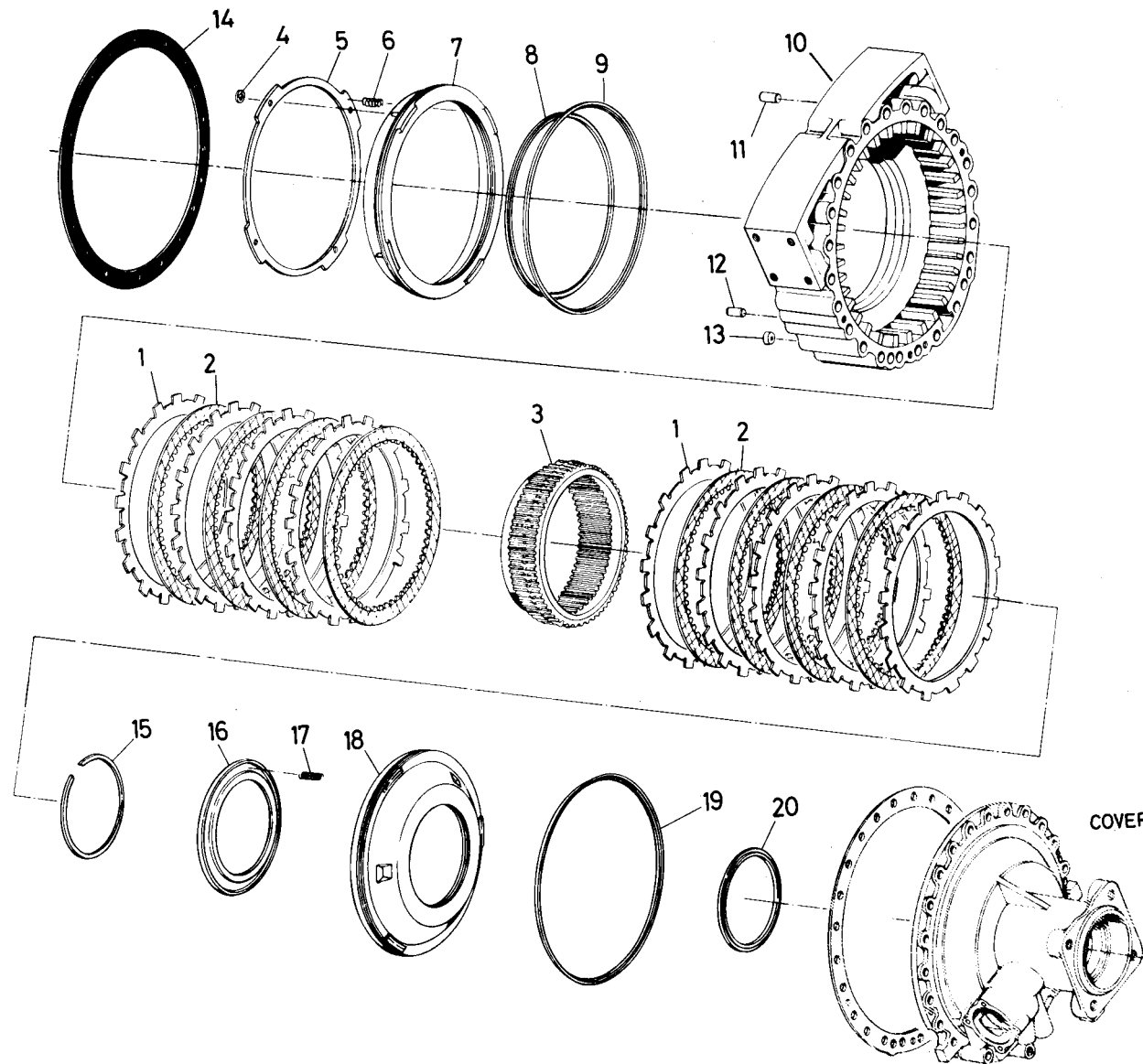
A NOTE: NOT AVAILABLE AS AN ASSEMBLY, ONLY INDIVIDUAL PARTS.

4-50 - 5 R02



N.C.	REF.	QTY	PART NO.	PART NAME	N.C.	REF.	QTY	PART NO.	PART NAME
	001	001	23046099	SHAFT ASSY-MAIN	A	021	001	23011446	KIT
	002	001	06883707	.PLUG-BLACK		022	001	06835183	GEAR
	003	001	06883703	GEAR		023	001	06881352	WASHER
	004	001	06834333	DRUM		024	ASR	06834488	PLATE
	005	001	29506042	SHAFT		024	ASR	06834720	PLATE
	006	002	06835323	.BUSHING		025	ASR	23041786	PLATE
	007A	001	06835073	CARRIER ASSY		026	ASR	06882794	RING-SNAP WHITE
	007	001	06835074	.CARRIER		027A	001	06836465	SUPPORT ASSY
	008	004	06835182	.PIN		027	004	03909063	.NUT-PUSH ON
	009	008	06837630	.WASHER TH		028	001	06836419	.RETAINER-RING SPRING
	010	001	06838417	.PINION SET		029	020	06831656	.SPRING
	011	008	09422966	.BEARING		030	001	06836418	.PISTON
	012	008	06839511	.WASHER-BRONZE		031	001	23011453	.SEAL-INTERNAL
	013	001	06834575	RING-SNAP		032	002	23011454	.SEAL-EXTERNAL
	014	001	06835321	WASHER		033	001	06880079	.SUPPORT-HOUSING
	015A	001	23047364	CARRIER ASSY		034	001	09431998	.RACE
	015	001	06835580	.FLANGE & CARRIER		035	001	09424098	.BEARING
	016	001	06835322	..BUSHING		036	002	23014441	.SEAL
	017	012	23047365	.PIN-THRUST WASHER		037	001	23011235	PLATE
	018	006	09429635	.BEARING		038	001	06834327	GEAR
	019	001	06838418	.PINION SET		039	001	06881638	WASHER
	020	012	06831679	.PIN		040	001	06883492	WASHER

A NOTE: KIT CONSISTS OF ONE 00274889 PIN AND ONE 23011621 SLEEVE.

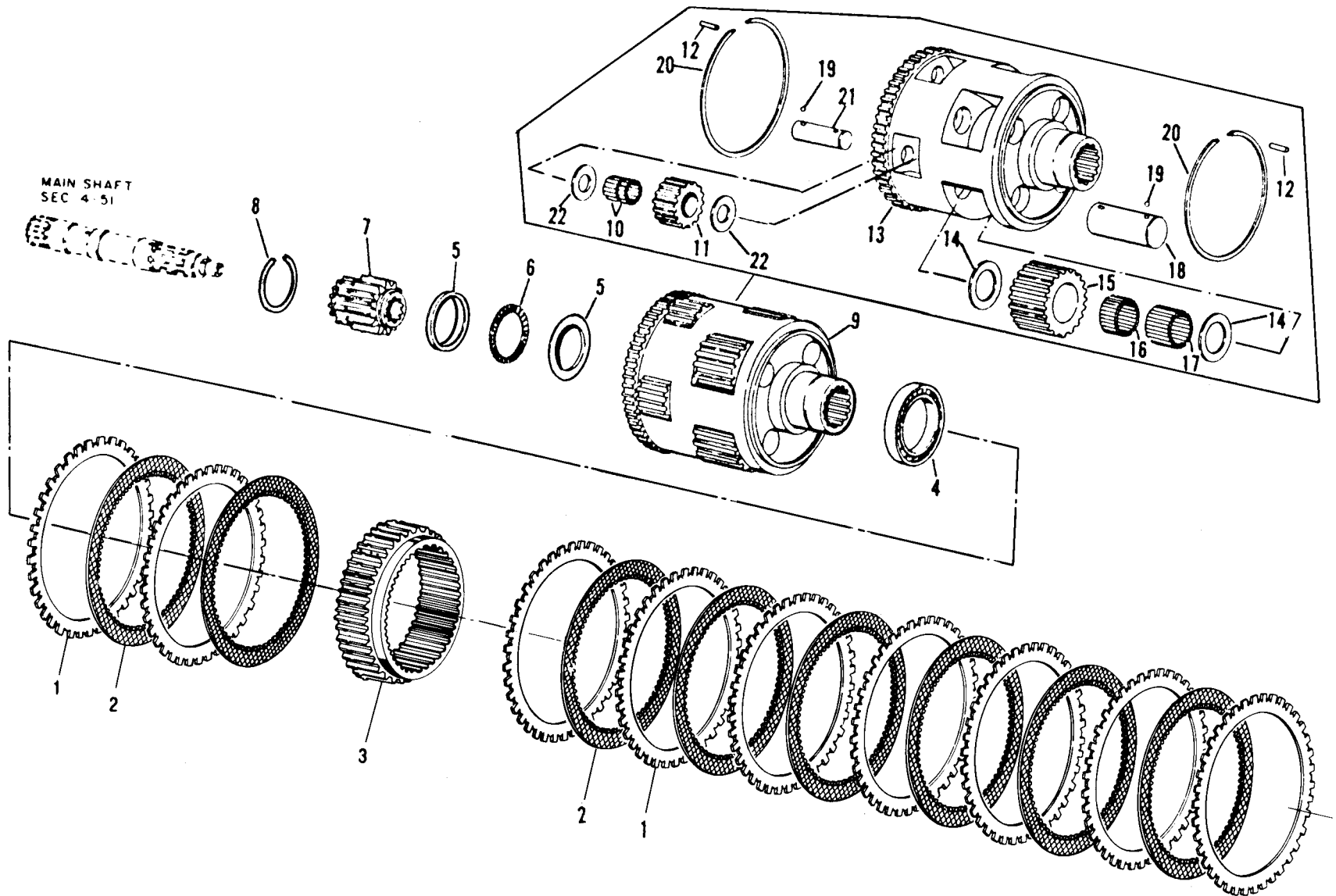


TRANS. LOW RANGE GEARING AND CLUTCHES

4-52 - 13 R02

N.C.	REF.	QTY	PART NO.	PART NAME	N.C.	REF.	QTY	PART NO.	PART NAME
001	ASR		23047771	PLATE	010	001		06881979	.HOUSING ASSY
001	ASR		23047772	PLATE	011	001		00141260	..PIN
002	008		23041786	PLATE	012	001		00141240	..PIN
003	001		06838558	GEAR-REVERSE	013	001		06883708	..PLUG
004A	001		06881978	HOUSING-ADAPTOR	014	001		06839213	GASKET
004	004		03909063	.NUT-PUSH ON	015	001		06835369	SEAL
005	001		06836661	.RING-RETAINER	016	001		06880432	RETAINER
006	028		06831656	.SPRING	017	030		06880418	SPRING
007	001		06836659	.PISTON	018	001		06835439	PISTON
008	001		23011455	.SEAL	019	001		06836800	SEAL
009	001		23011453	.SEAL-INTERNAL	020	001		06836796	SEAL

4-52 - 13 R02

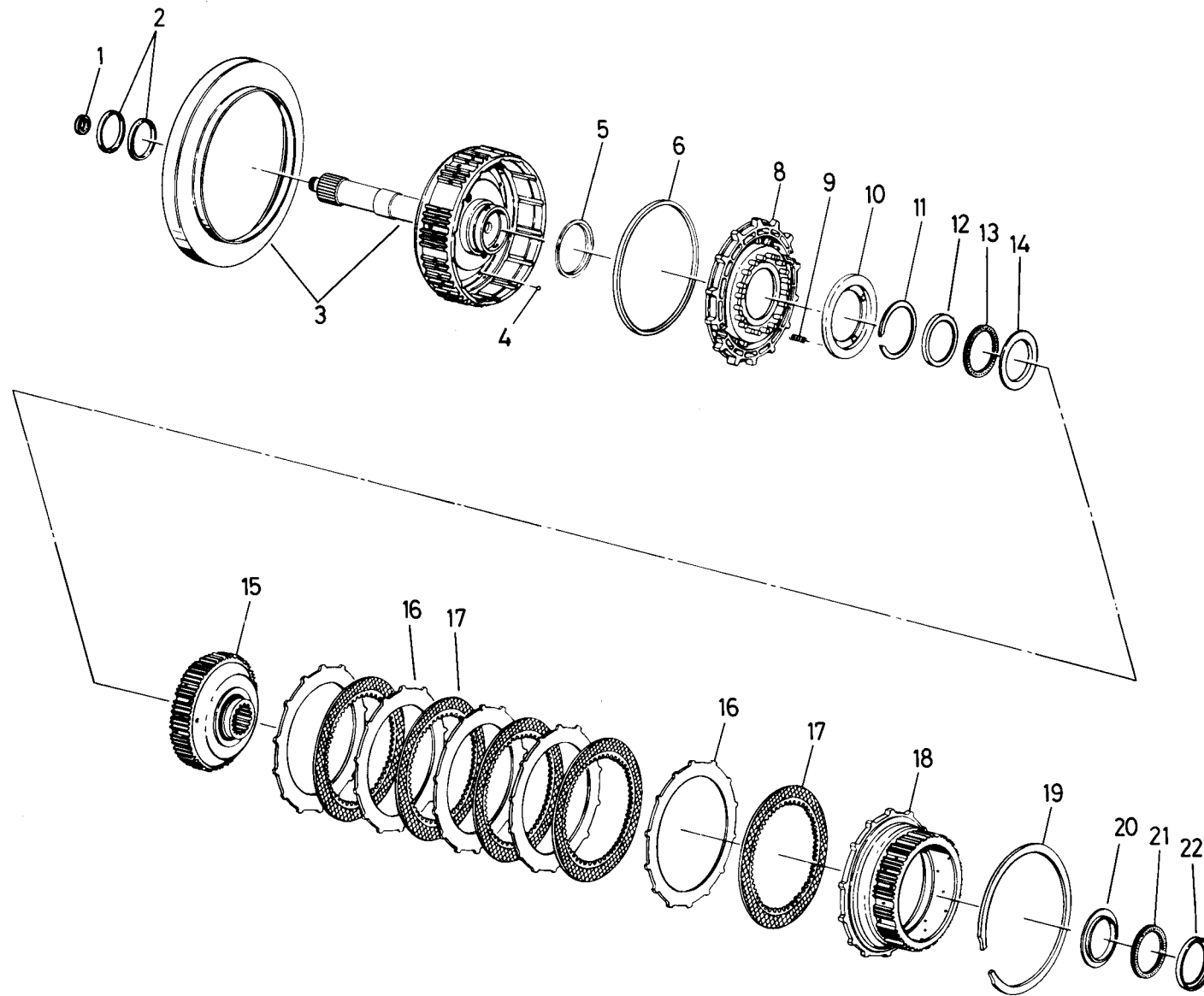


TRANS.REVERSE RANGE GEARING AND CLUTCHES

4-53 - 19 R04

N.C.	REF.	QTY	PART NO.	PART NAME	N.C.	REF.	QTY	PART NO.	PART NAME
001	ASR		23047771	PLATE	012	002		00456299	.PIN
001	ASR		23047772	PLATE	013	001		06884719	.CARRIER
002	008		23041786	PLATE	014	008		23015740	.WASHER
003	001		06838558	GEAR-REVERSE	015	001		06839181	.PINION SET
004	001		00903017	BEARING	016	004		09433392	.BEARING
005	001		06839818	BEARING ASSY	017	004		09433483	.BEARING
006	001		00457118	.BEARING	018	004		06880059	.SPINDLE
007	001		06838545	GEAR SUN	019	008		00104916	.BALL
008	001		06777231	RING-SNAP	020	002		06838695	.RING-SNAP
009	001		23016027	CARRIER ASSY	021	004		06838551	.SPINDLE
010	004		23014218	.BEARING	022	008		23015739	.WASHER
011	001		23016097	.PINION					

4-53 - 19 R04





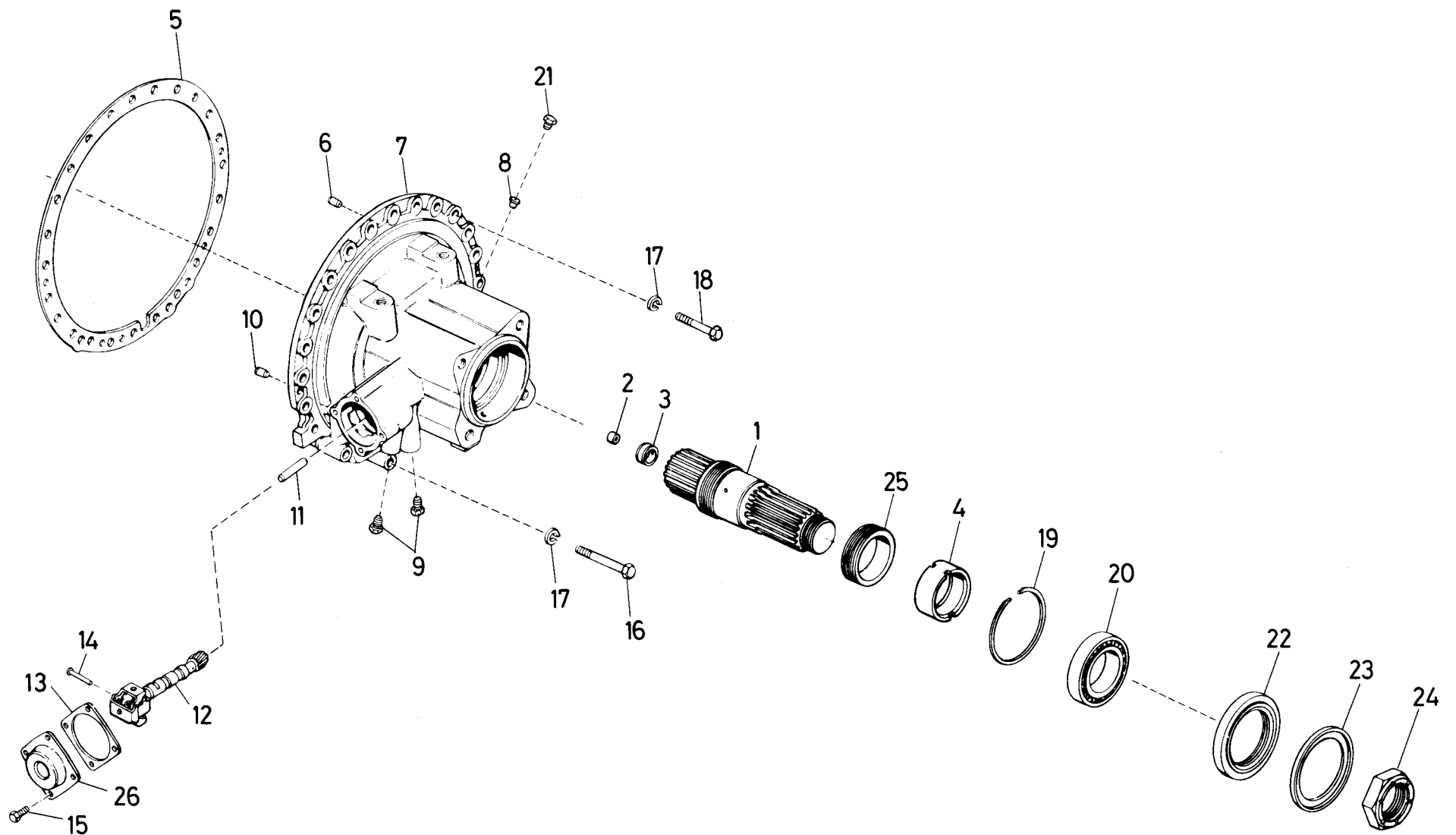
TRANS.FORWARD RANGE GEARING AND CLUTCHES

4-54 - 4 R03

N.C.	REF.	QTY	PART NO.	PART NAME	N.C.	REF.	QTY	PART NO.	PART NAME
	001	001	23019653	SEAL	011	001	06831704	.RING-SNAP	
A	002A	001	23013641	CLUTCH ASSY-FORWARD	012	001	09431997	.RACE-BEARING	
	002	002	23019652	.SEAL	013	001	09426916	.BEARING	
	003	001	23017215	.CLUTCH-INPUT	014	001	09431996	.RACE-BEARING	
	004	004	08622757	..BALL	015	001	06839021	.HUB	
	005	001	06833980	.SEAL	016	005	06834679	.PLATE-CLUTCH	
	006	001	06836799	.SEAL	017	005	23042199	.PLATE	
	008	ASR	23016569	.PISTON-LETTER Z	018	001	06835605	.CLUTCH-HUB DRIVING	
	008	ASR	23016568	.PISTON-LETTER Y	019	001	06834594	.RING-SNAP	
	008	ASR	23016567	.PISTON-LETTER X	020	001	09431996	RACE-BEARING	
	009	020	06836138	.SPRING-RELEASE	021	001	09426916	BEARING	
	010	001	06883192	.RETAINER-SPRING	022	001	09431997	RACE-BEARING	

A NOTE: NOT AVAILABLE AS AN ASSEMBLY, ONLY AS INDIVIDUAL PARTS.

4-54 - 4 R03

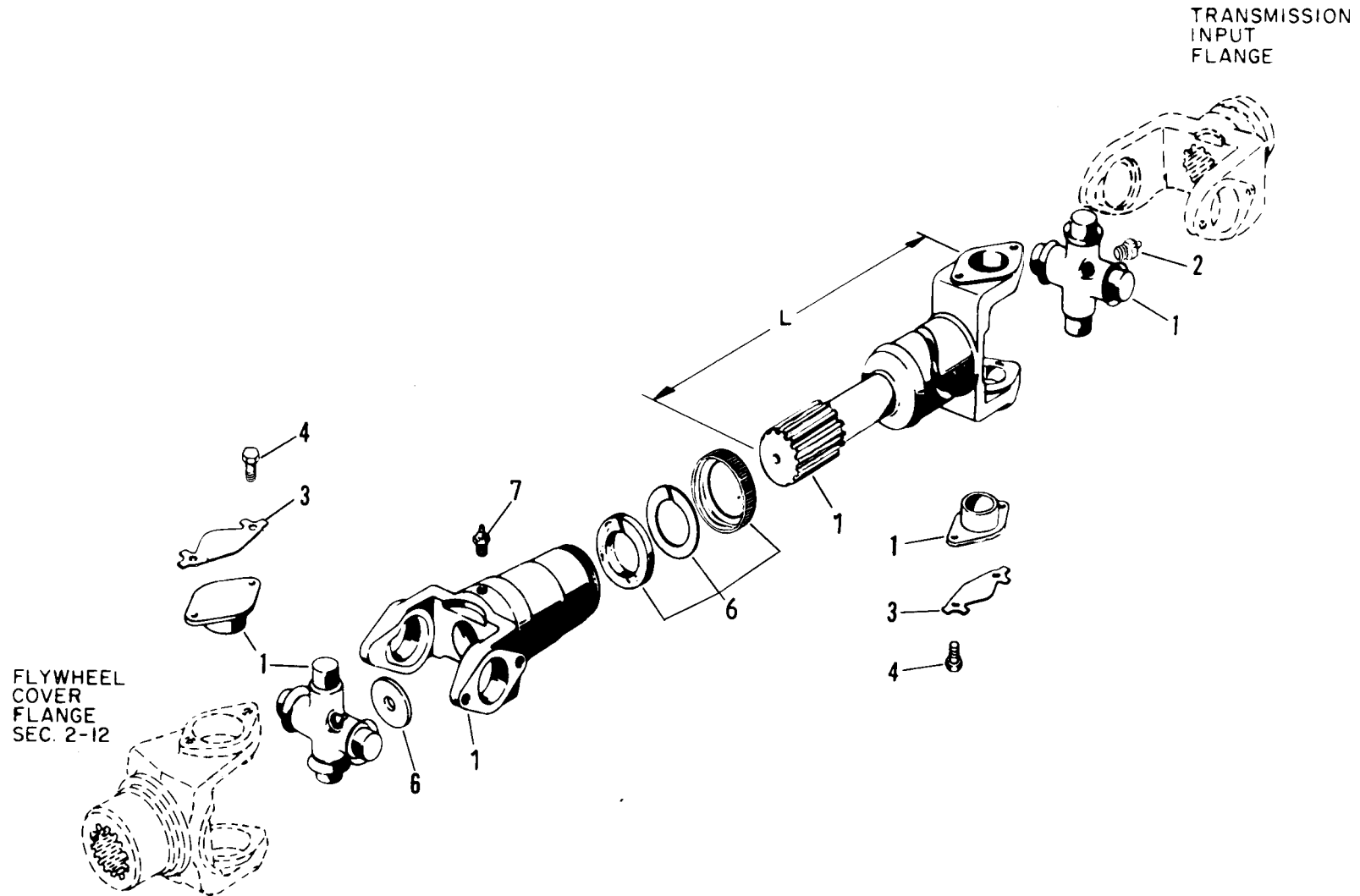


## TRANSMISSION REAR COVER GROUP

4-65 - 10 R03

N.C.	REF.	QTY	PART NO.	PART NAME	N.C.	REF.	QTY	PART NO.	PART NAME
	001	001	23013367	SHAFT ASSY-OUTPUT	013	001		NSS	. GASKET
	002	001	08623484	. PLUG	014	002		NSS	. PIN-GOVERNOR
	003	001	00148414	. BEARING	015	004		00179816	BOLT
	004	001	23010144	SPACER	016	003		29505795	BOLT
	005	001	06839213	GASKET	017	024		00103329	LOCKWASHER
	006A	001	23016887	COVER ASSY	018	021		00191268	BOLT
	006	001	00141240	. PIN	019	001		06750924	RING-SNAP
	007	001	23016854	. COVER	020	001		23048007	BEARING
	008	001	06834570	. BUSHING	021	001		06839091	PLUG
	009	002	23012036	. PLUG	022	001		06773311	SEAL
	010	001	00141260	. PIN	023	001		23016017	SHIELD-DUST
	011	001	23016140	. PIN	024	001		06772182	NUT
	012	001	06885571	GOVERNOR	025	001		06835455	GEAR-SPEEDO DRIVE
	013A	001	06880353	KIT-GOVERNOR	026	001		23046696	COVER

4-65 - 10 R03

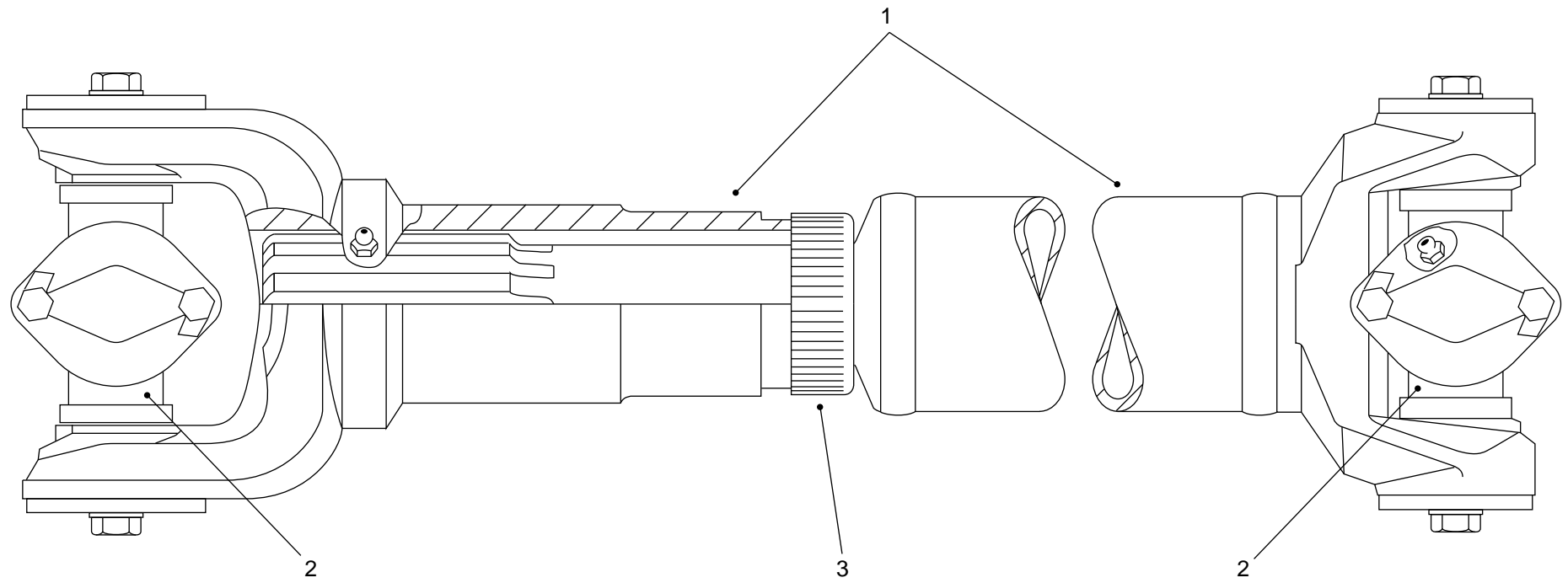


## FRONT DRIVELINE

7-01 -308 R01

N.C.	REF.	QTY	PART NO.	PART NAME	N.C.	REF.	QTY	PART NO.	PART NAME
001A	001		09013987	DRIVELINE ASSY	004	008		00695456	..BOLT
001	002		09053746	.CROSS ASSY	005	001		00684605	..PLUG
002	001		00271287	..FITTING	006	001		09058289	.CAP-DUST
003	004		02366106	..STRAP	007	001		09411010	.FITTING-GREASE

7-01 -308 R01

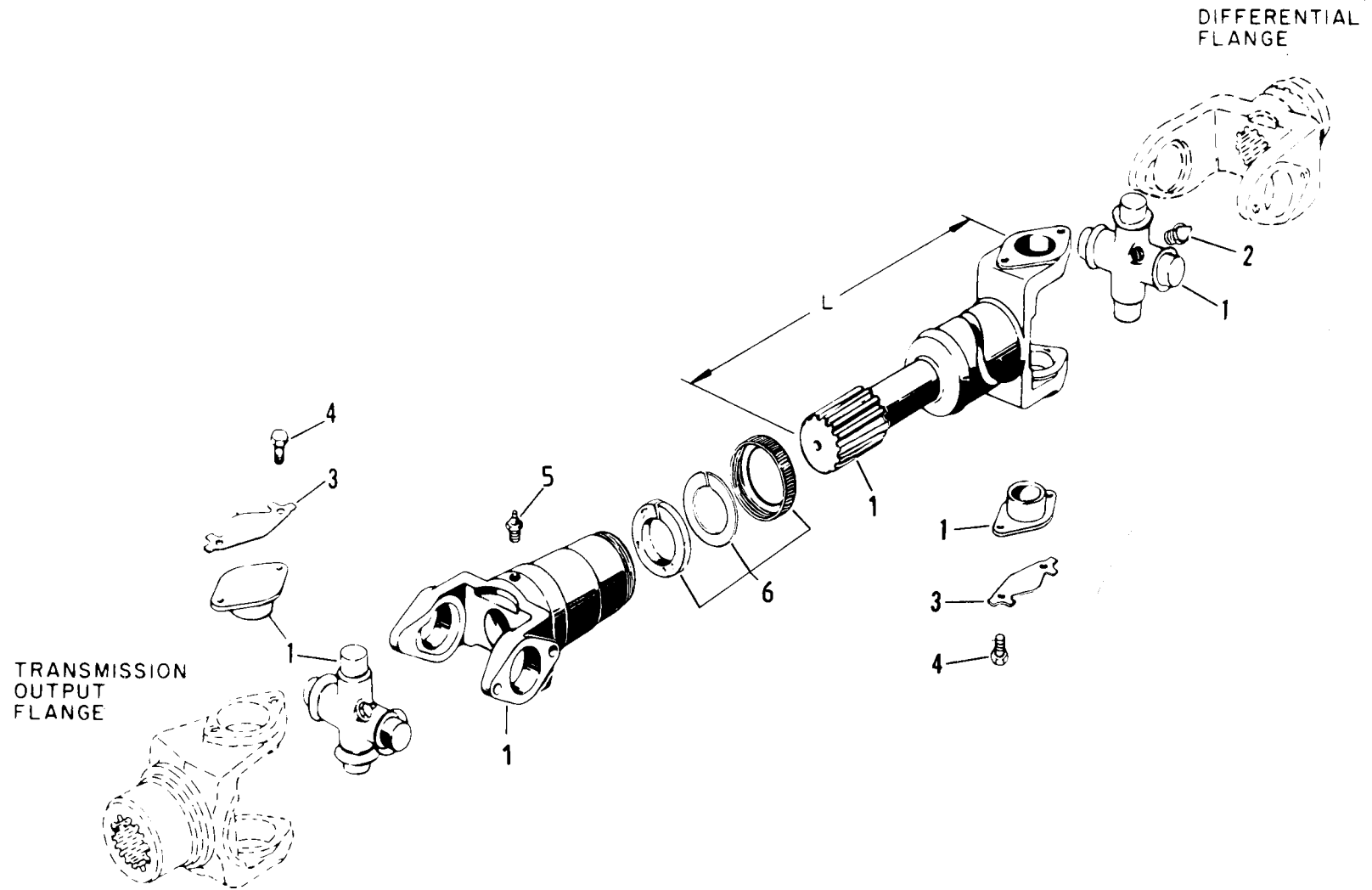


FRONT DRIVELINE

7-01 -326

N.C.	REF.	QTY	PART NO.	PART NAME	N.C.	REF.	QTY	PART NO.	PART NAME
	001	001	15253863	DRIVELINE-FRONT		003	001	09058289	.CAP-DUST
	002	002	15271070	.KIT-UNIVERSAL JOINT					

7-01 -326



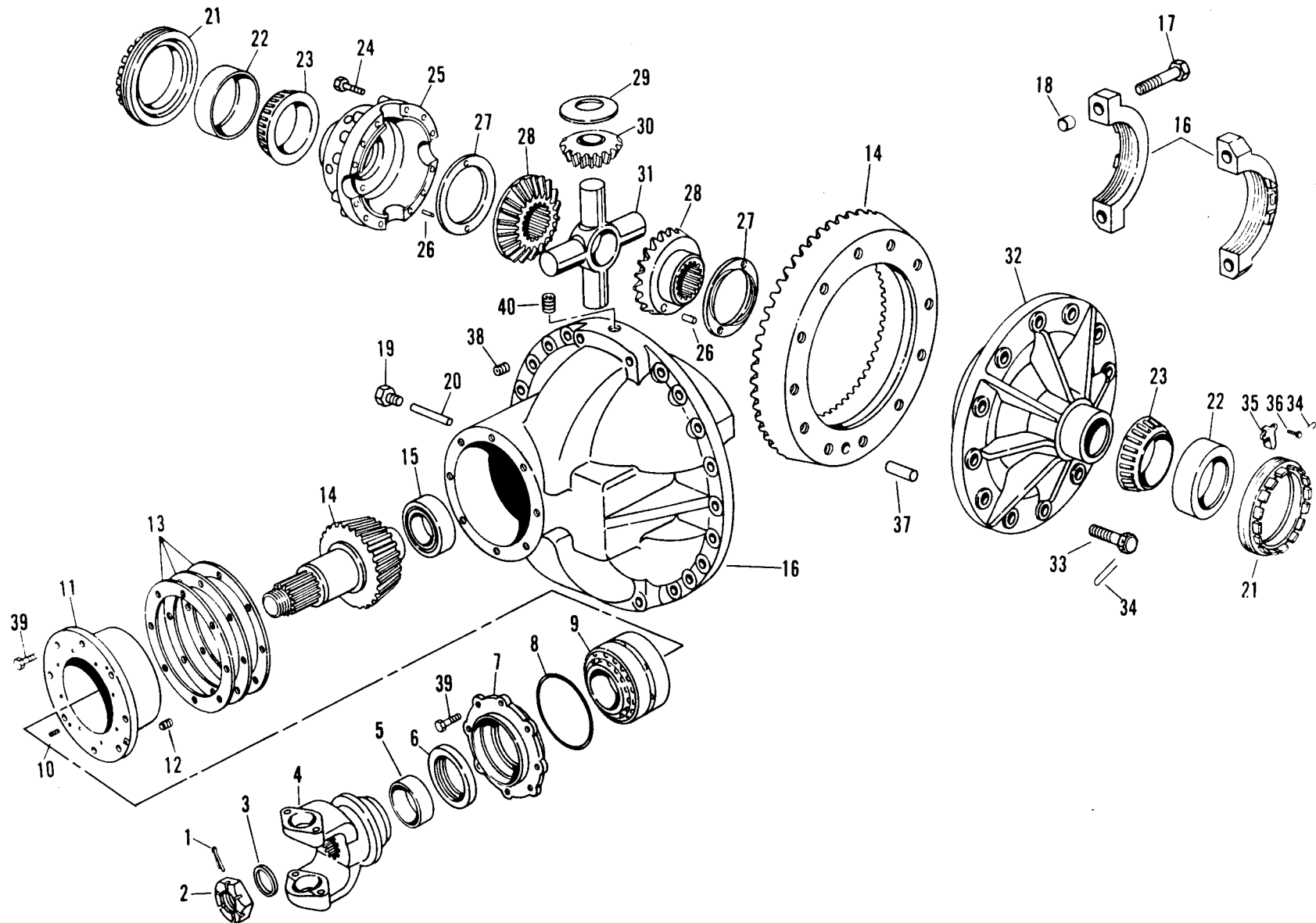


REAR DRIVELINE

7-02 -336 R01

N.C.	REF.	QTY	PART NO.	PART NAME	N.C.	REF.	QTY	PART NO.	PART NAME
	001A	001	09273082	DRIVELINE ASSY	004	008		00695456	..BOLT
	001	002	15233277	.CROSS ASSY	005	001		09411010	.FITTING-GREASE
	002	001	00271287	..FITTING	006	001		09398386	.SEAL
	003	004	02366106	..STRAP					

7-02 -336 R01

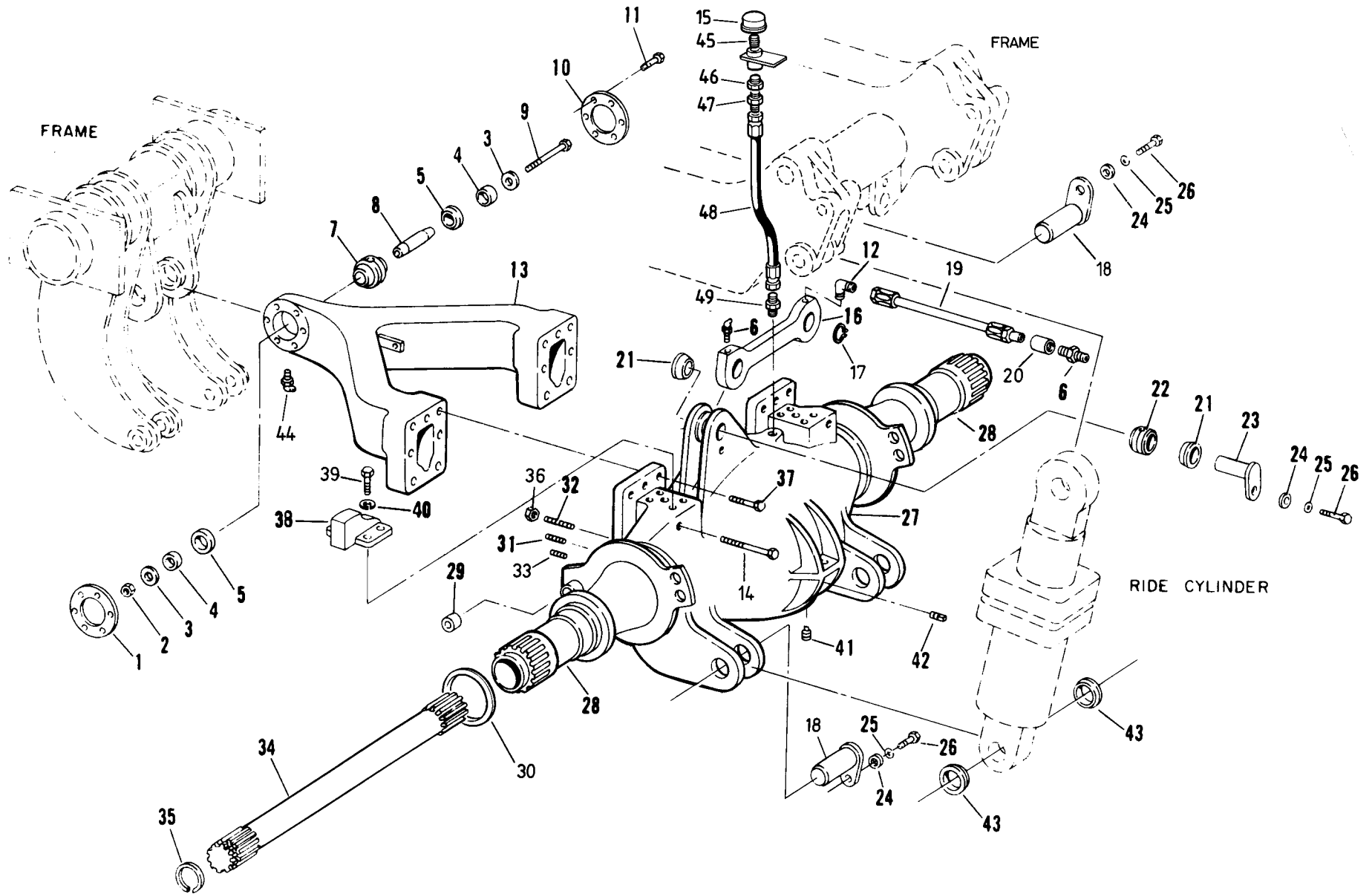


REAR AXLE DIFFERENTIAL

8-01 -342 R04

N.C.	REF.	QTY	PART NO.	PART NAME	N.C.	REF.	QTY	PART NO.	PART NAME
	001	001	00103393	PIN-COTTER	020	001	09006266	.PIN	
	002	001	09192613	NUT	021	002	09003786	.NUT-ADJUSTER	
	003	001	09003683	GASKET	022	002	09412692	.CUP	
	004	001	09265937	YOKE ASSY	023	002	09424974	.CONE	
	005	001	09232899	.SLEEVE	024	008	NOT USED	.BOLT	
	001A	001	09250409	DIFFERENTIAL-2.50:1	025	001	NSS	.CASE-DIFF	
	006	001	15244338	.SEAL	026	004	09219084	.PIN-DOWEL	
	007	001	09003785	.SEAL-RETAINER	027	002	09008341	.WASHER-THRUST	
	008	001	09125739	.O RING	028	002	09008357	.GEAR	
	009	001	09424975	.BEARING	029	004	09008365	.WASHER-THRUST	
	010	002	00102615	.SCREW	030	004	09008364	.PINION ASSY	
	011	001	09003864	.CAGE-BEARING	031	001	09008382	.SPIDER	
	012	002	00102614	.SCREW	032	001	NSS	.CASE-DIFF	
	013	ASR	09003779	.SHIM	033	012	00215254	.BOLT	
	013	ASR	09003780	.SHIM	034	ASR	09113457	.LOCKWIRE	
	013	ASR	09003858	.SHIM	035	002	09214341	.LOCK	
	014	001	09250389	.GEAR SET	036	004	09170517	.BOLT	
	015	001	07451617	.BEARING	037	001	09003686	.PIN-DOWEL	
	016	001	09265261	.DIFF HOUSING ASSY	038	004	09114897	.SCREW	
	017	004	09216692	..BOLT	039	016	00179887	.BOLT	
	018	004	09192618	..DOWEL-BUSHING	040	002	00139230	SCREW	
	019	001	00444944	.PLUG	NI	ASR	15234244	SEAL-CORD	

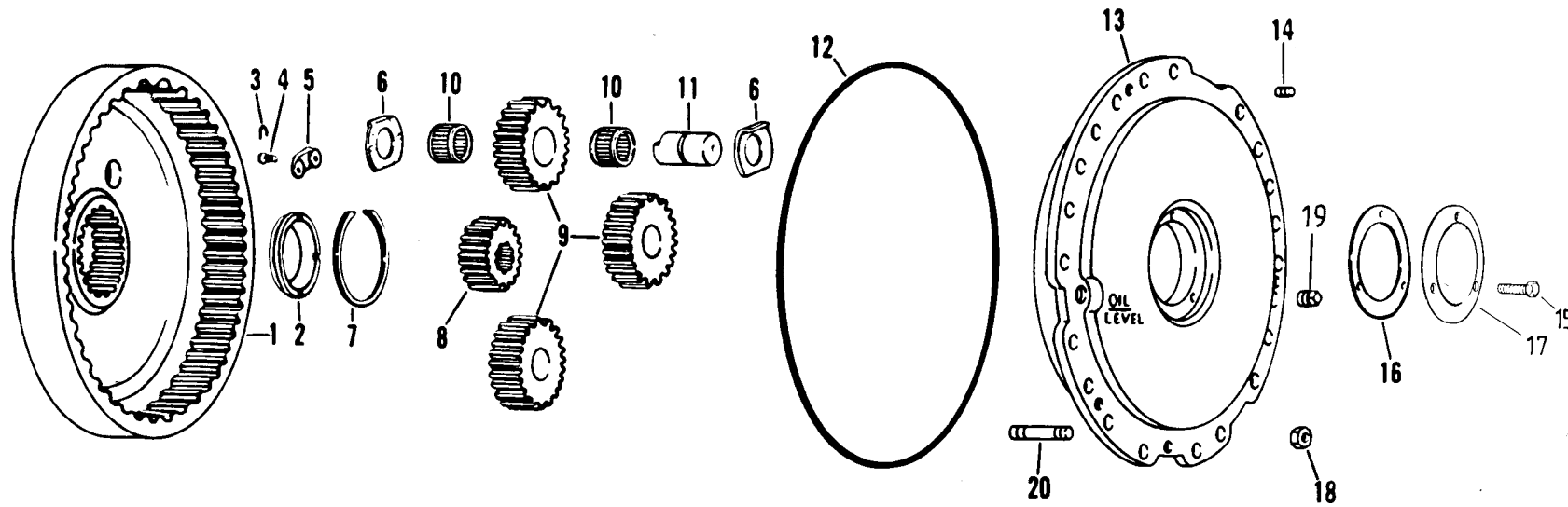
8-01 -342 R04



REAR AXLE GROUP

8-02 -321 R04

N.C.	REF.	QTY	PART NO.	PART NAME	N.C.	REF.	QTY	PART NO.	PART NAME
	001	001	09014145	RETAINER	027	001	15014780	BANJO & SPINDLE ASSE	
	002	001	09354243	LOCKNUT	028	002	09274756	. SPINDLE	
	003	002	09003687	WASHER	029	002	09018946	..BUSHING	
	004	002	09003682	CUP-SPLIT	030	002	09273826	..SPACER	
	005	002	09019464	SPACER	031	010	15257444	.STUD .62-11 UNC X 3.	
	006	001	09411017	FITTING-GREASE	032	004	15257443	.STUD .62-11 UNC X 4.	
	007	001	09016684	BEARING	033	008	15257445	.STUD .62-11 UNC X 2.	
	008	001	09014762	PIN	034	002	09264677	SHAFT-HEAT TREATED	
	009	001	09014763	BOLT	035	002	09203340	RING	
	010	001	09014146	RETAINER	036	002	00454754	NUT	
	011	006	00223444	BOLT	037	012	09224606	BOLT	
	012	001	00118753	ELBOW	038	002	09018829	STOP-OSCILLATION	
	013	001	09018562	A FRAME ASSEMBLY	039	008	00271613	BOLT	
	014	002	09253051	BOLT	040	008	00120350	LOCKWASHER	
	015	001	15246949	BREATHER	041	001	09117927	PLUG-MAGNETIC	
	016	001	09062448	ROD-STABILIZER	042	001	00219303	PLUG	
	017	004	09413385	RING-SNAP	043	008	09015036	SPACER	
	018	004	09015038	PIN ASSEMBLY	044	001	09411010	FITTING-GREASE	
	019	001	09129626	HOSE ASSY	045	001	09136639	NIPPLE	
	020	001	00187394	COUPLING	047	001	00144033	BUSHING	
	021	004	09015217	SPACER	047	001	00116436	CONNECTOR	
	022	002	09015216	BEARING	048	001	15249600	HOSE ASSY	
	023	002	09015218	PIN	049	001	09122167	CONNECTOR	
	024	006	09217321	WASHER	NI	ASR	09371048	RETAINING COMPOUND	
	025	006	00103329	LOCKWASHER	NI	ASR	15257449	LOCTITE CLEANER - 70	
	026	006	00179883	BOLT					



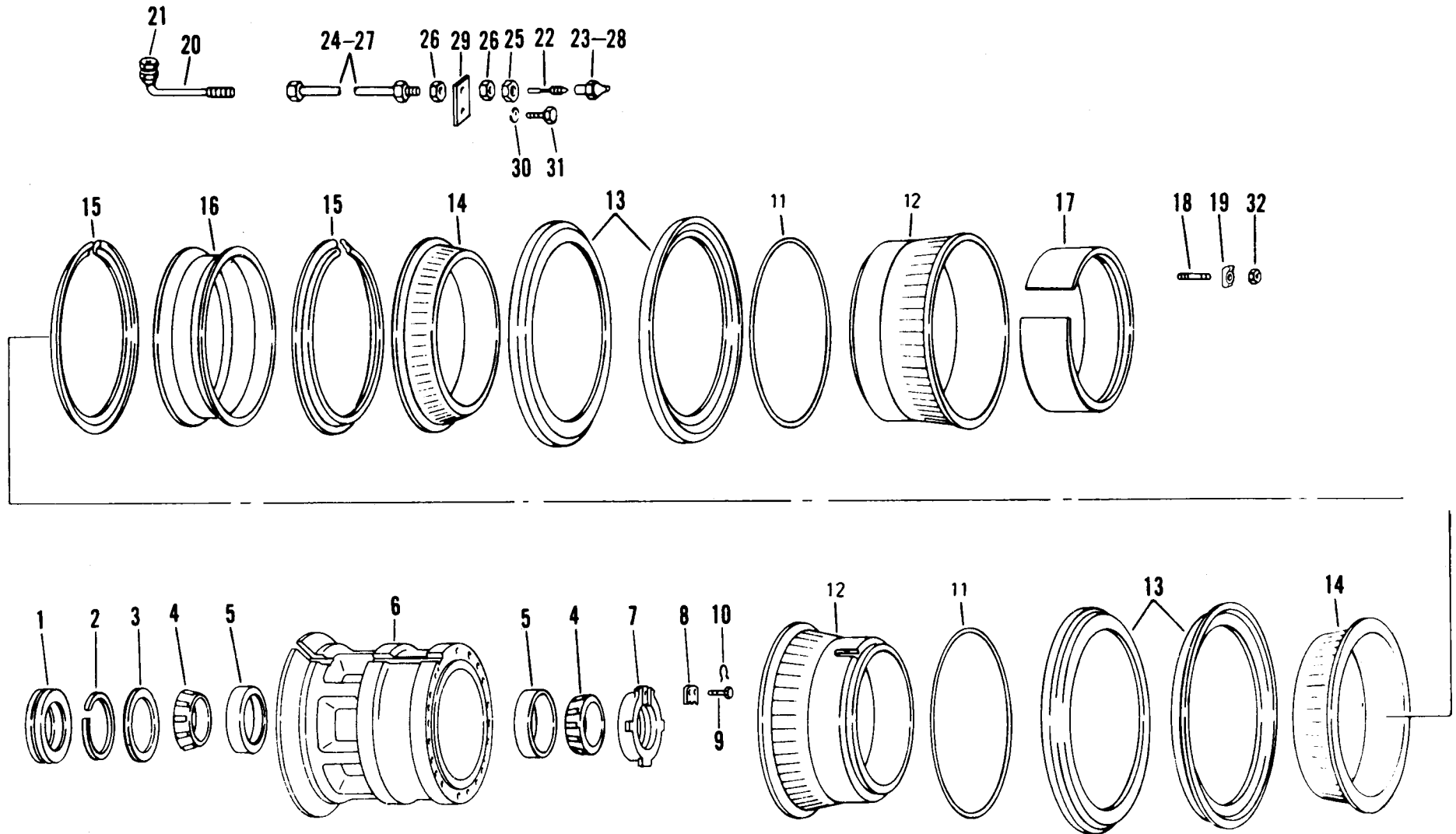
REAR AXLE PLANETARY GEARING

8-02A- 66 R01

N.C.	REF.	QTY	PART NO.	PART NAME	N.C.	REF.	QTY	PART NO.	PART NAME
	001	001	09006548	GEAR-INTERNAL	011	003		09001461	PIN
	002	001	15229009	RING	012	ASR		09125576	O RING-BULK
A	003	ASR	09113457	LOCKWIRE	013	001		09253340	CARRIER
	004	006	00273870	BOLT DRILL HEAD 0.38	014	003		00139230	SCREW
	005	003	09186279	RETAINER	015	003		00220101	BOLT
	006	006	09179960	WASHER-THRUST	016	001		09174020	GASKET
	007	001	09169302	RING-SNAP	017	001		09199882	COVER
	008	001	09203350	GEAR-SUN	018	006		09056740	NUT
	009	003	09207911	GEAR-PINION	019	001		09008525	PLUG-MAGNETIC
	010	006	09418724	BEARING	020	006		09013007	STUD

A NOTE: USE 18 GAUGE ANNEALED WIRE OR EQUIVALENT

8-02A- 66 R01





REAR WHEEL, RIM AND TYRE

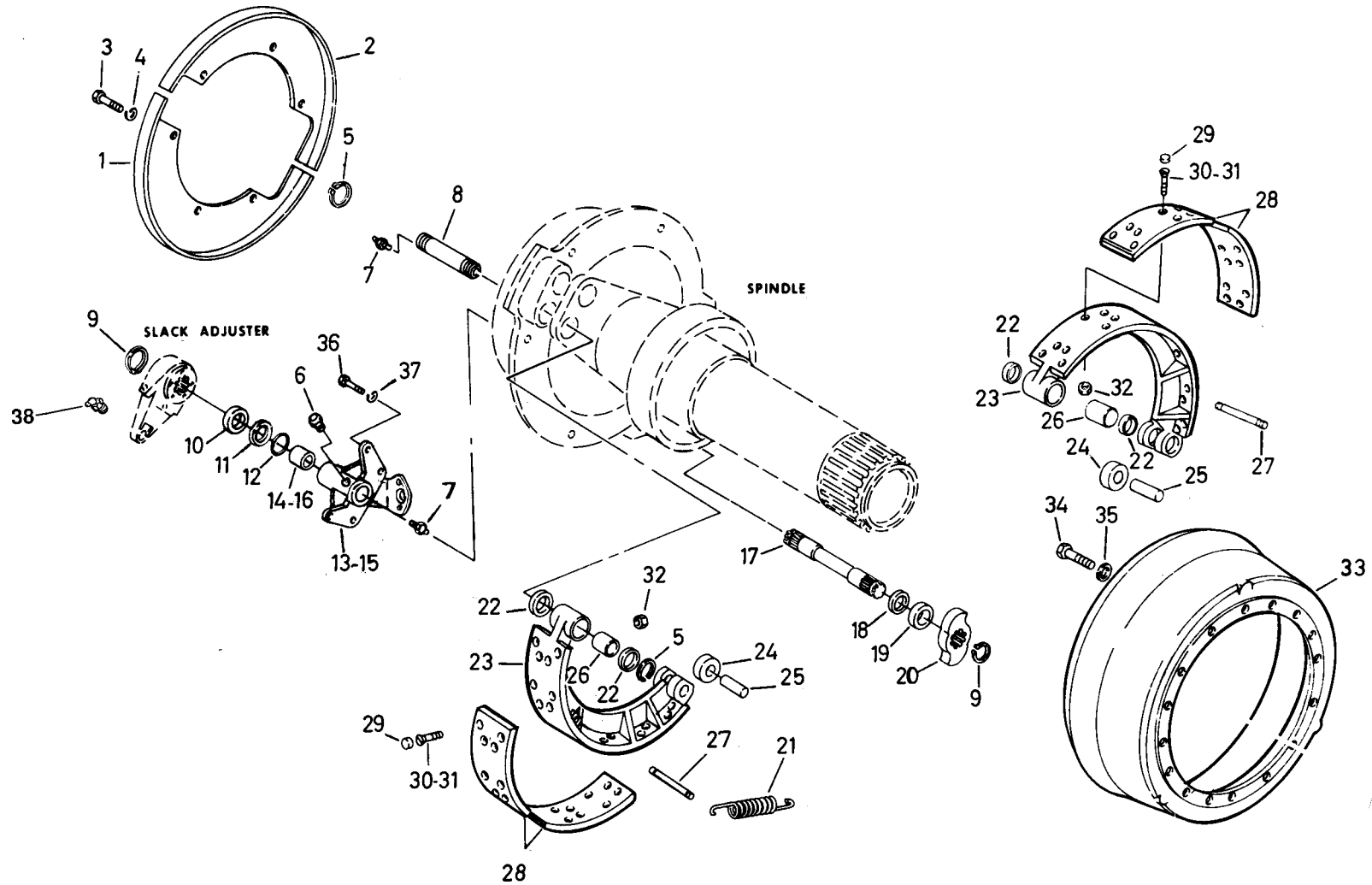
8-03 -433 R02

N.C.	REF.	QTY	PART NO.	PART NAME	N.C.	REF.	QTY	PART NO.	PART NAME
A	001	001	09017095	SEAL ASSY	C	015	001	09227575	LOCKRING
	002	001	09250686	RING	C	015	001	15229544	LOCKRING
	003	001	09017094	WASHER	C	015	001	15228532	LOCKRING
	004	002	09432367	CONE		016	001	09123307	SPACER-BAND
	005	002	09432368	CUP		017	001	09015045	WEDGE-BAND
	006	001	09263531	WHEEL		018	012	09253468	STUD
	007	001	09208424	NUT		019	012	15023746	CLAMP
	008	001	09379407	KEY		020	002	09384204	STEM-VALVE
	009	002	09417832	BOLT		021	001	09209216	.SPUD
B	010	ASR	09113457	LOCKWIRE		022	001	09142286	.CORE
	011	002	09178785	O RING		023	001	09136261	.CAP
C	012	001	09015172	BASE-RIM		024	001	09015041	EXTENSION ASSY
C	012	001	15229542	BASE-RIM		025	001	09139357	.LOCKNUT
C	012	001	15228566	BASE-RIM		026	001	00112705	.NUT
C	013	002	09130352	FLANGE		027	001	09116579	EXTENSION-VALVE
C	013	002	15229543	FLANGE		028	001	09136261	.CAP
C	013	002	15228521	FLANGE		029	002	09015043	BAR
C	014	001	09015052	BAND-BEAD SEAT		030	001	00103329	LOCKWASHER
C	014	001	15229545	BAND-BEAD SEAT		031	001	00179881	BOLT
C	014	001	15228567	BAND-BEAD SEAT		032	012	09433576	NUT

A NOTE: 09050026 WASHER KIT FOR SEAL

B NOTE: USE 18 GAUGE SOFT ANNEALED WIRE OR EQUIVALENT

C NOTE: RIM PARTS FROM DIFFERENT MANUFACTURERS MUST NOT BE INTERMIXED



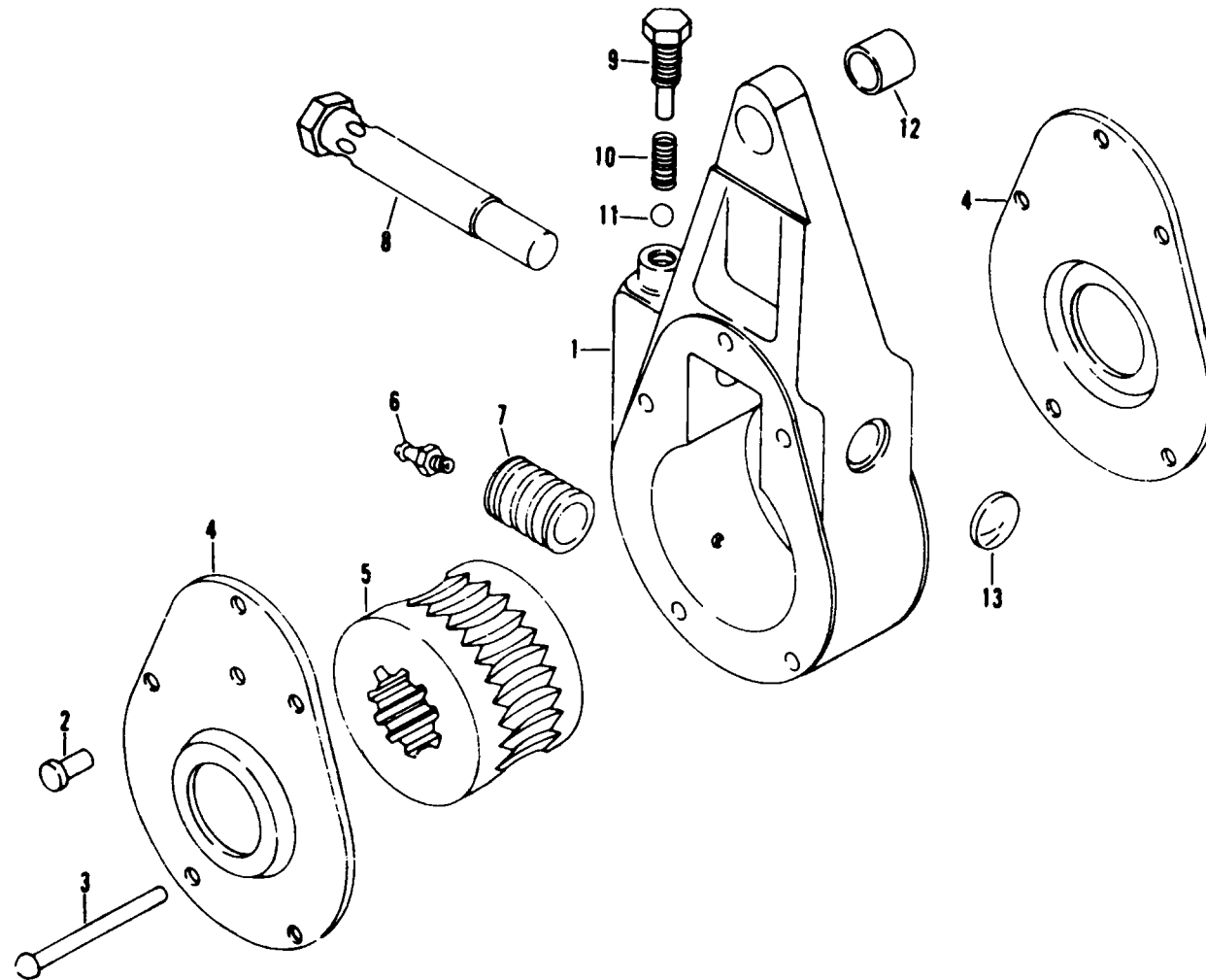
REAR WHEEL BRAKE PARTS

8-04 -248 R02

N.C.	REF.	QTY	PART NO.	PART NAME	N.C.	REF.	QTY	PART NO.	PART NAME
	001	001	09019216	GUARD		020	001	09062516	CAM
	002	001	09019217	GUARD		021	004	09014738	SPRING
	003	006	00179879	BOLT		022	004	09013132	SEAL
	004	006	09270000	WASHER-HARDENED		023	002	09079094	SHOE ASSY
	005	004	09413403	RING-SNAP		024	001	09018900	.CAM-ROLLER
	006	001	00431715	VALVE		025	001	09014735	.PIN
	007	003	09411010	FITTING-GREASE		026	001	09014730	.BEARING
	008	002	09014737	PIN-ANCHOR		027	001	09014736	.PIN
	009	002	00274770	RING-SNAP	A	028	002	NSS	.LINING
	010	001	09014733	WASHER		029	024	09128555	.PLUG
	011	001	09014732	RING		030	012	00114676	.SCREW
	012	001	09138923	O RING		031	012	00114677	.SCREW
	013	001	09384808	SUPPORT BRAKE CHAMBE		032	024	09422277	.NUT
	014	001	09018946	BUSHING		033	001	09014790	DRUM
	015	001	09384809	SUPPORT BRAKE CHAMBE		034	016	00223457	BOLT
	016	001	09018946	BUSHING		035	016	09011226	WASHER
	017	001	09018858	SHAFT-CAM		036	004	00223435	BOLT
	018	001	09012956	SEAL		037	004	00103331	LOCKWASHER
	019	001	09012957	WASHER	B	038	001	09411019	NIPPLE-GREASE

A NOTE: 09076567 LINING KIT FOR ONE WHEEL

B NOTE: REPLACES FITTING SUPPLIED WITH SLACK ADJUSTER.

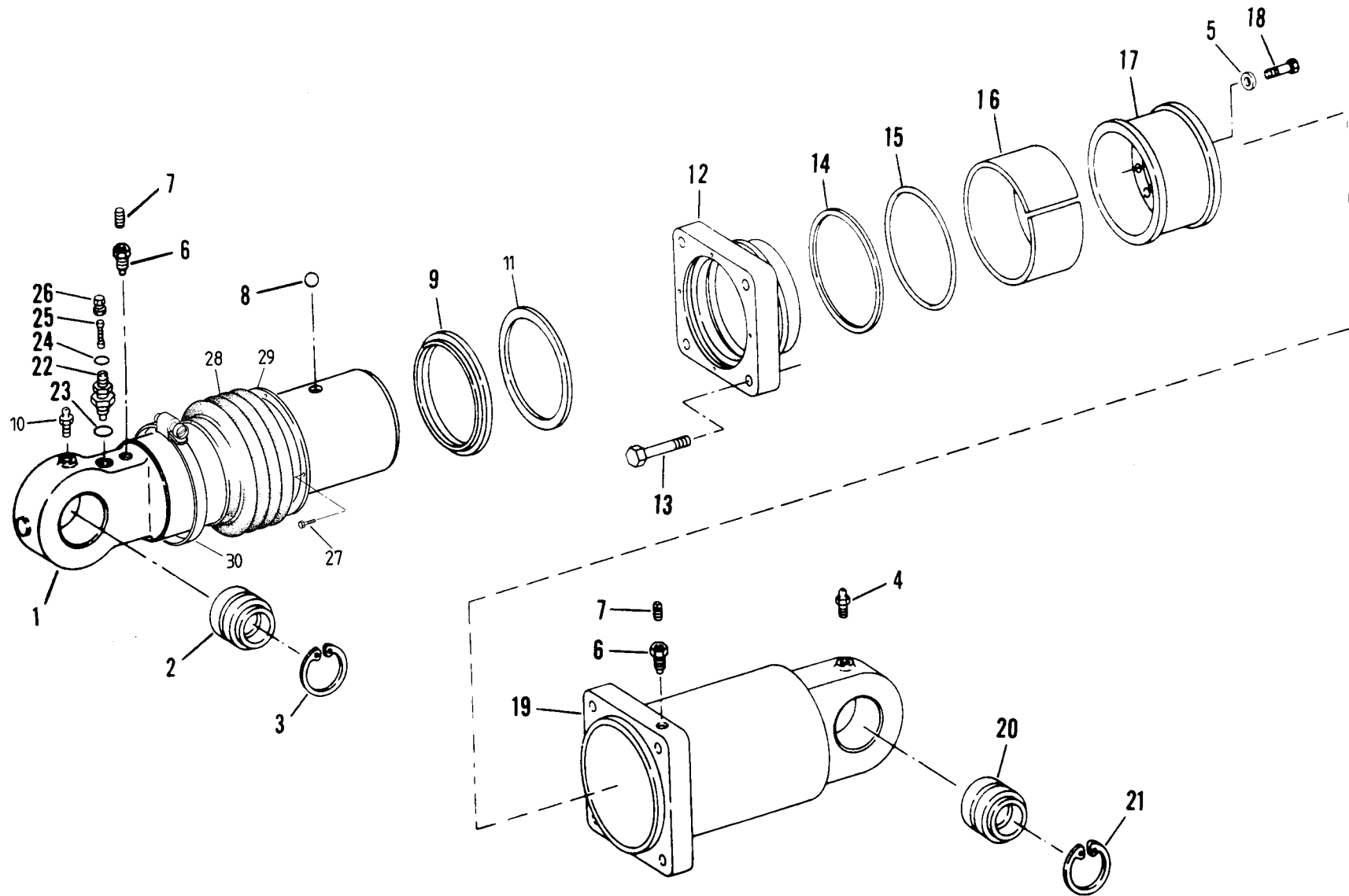


REAR WHEEL SLACK ADJUSTER

8-06 - 66 R02

N.C.	REF.	QTY	PART NO.	PART NAME	N.C.	REF.	QTY	PART NO.	PART NAME
	001	002	09261914	ADJUSTER ASSY	008	001		09033031	. SHAFT
	002	002	02457112	. BUTTON	009	001		09033033	. LOCKSCREW
	003	005	00113489	. RIVET	010	001		09033032	. SPRING
	004	002	09033030	. COVER	011	001		00114861	. BALL
	005	001	09033029	. GEAR	012	001		09051291	. BUSHING
	006	001	09411010	. FITTING-GREASE	013	001		00103893	. PLUG
	007	001	09024901	. WORM					

8-06 - 66 R02



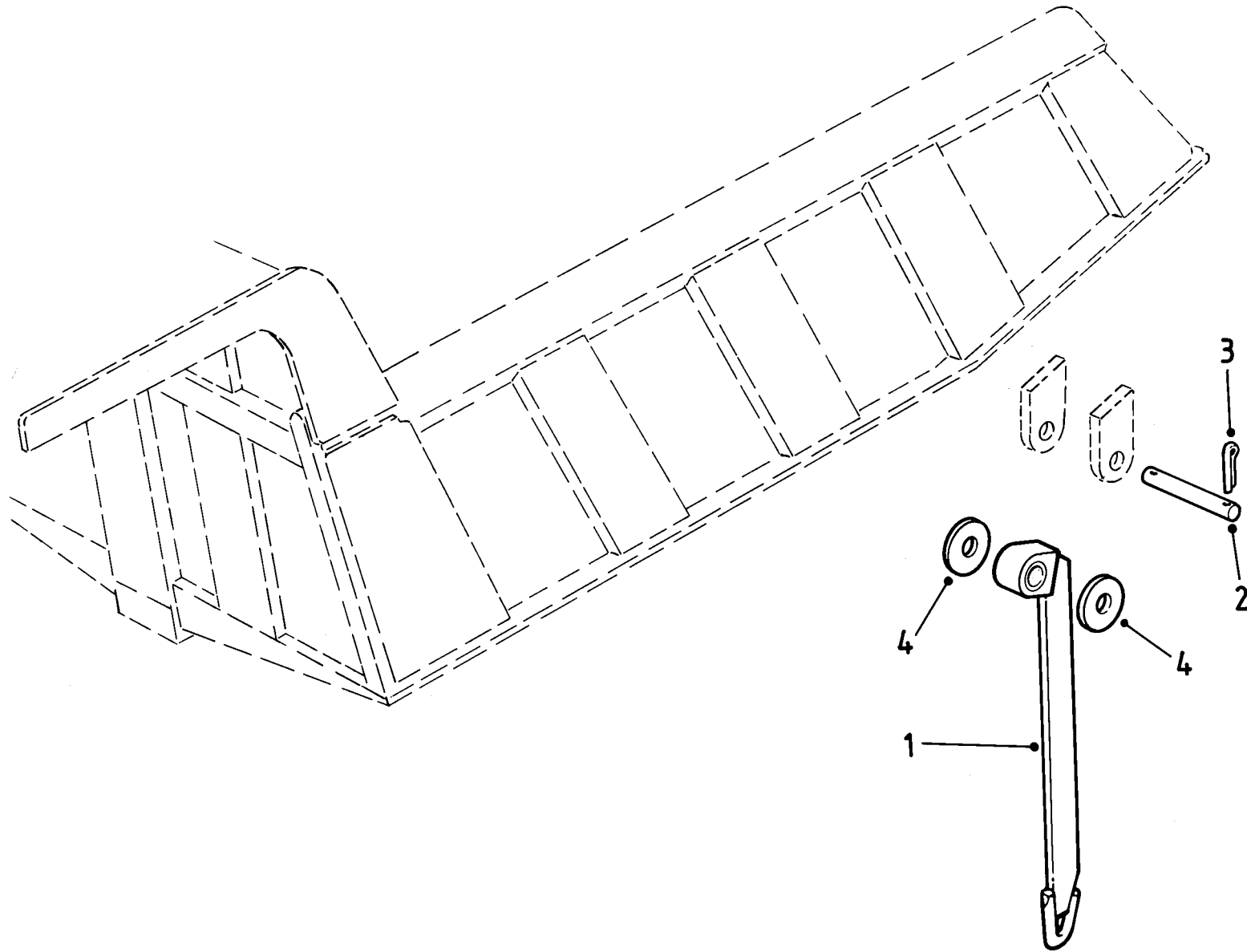
REAR AXLE RIDE CYLINDER

8-13 - 24 R02

N.C.	REF.	QTY	PART NO.	PART NAME	N.C.	REF.	QTY	PART NO.	PART NAME
	001A	001	09079544	REAR RIDE CYLINDER	A	016	001	09014093	.RING-WEAR
	001	001	09079543	.ROD ASSY PISTON		017	001	09079450	.PISTON
A	002	001	09167506	..BEARING		018	010	09068667	.BOLT
A	003	002	09425517	..RING-SNAP		019	001	09013015	.TUBE ASSEMBLY
A	004	001	09411010	.FITTING-GREASE		020	001	09167506	..BEARING
	005	010	09068666	.WASHER-HARDENED		021	002	09425517	..RING-SNAP
A	006	002	09013688	.VALVE-CHECK	A	022	001	06525035	.VALVE ASSY-RECHARGE
	007	003	00444613	.PLUG		023	001	09030336	..RING-LARGE
	008	001	00169162	.BALL		024	001	09190141	..RING-SMALL
A	010	001	09411019	.NIPPLE-GREASE		025	001	09034883	..CORE
A	009	001	09256606	.WIPER		026	001	09035137	..CAP
A	011	001	15233756	.SEAL		027	004	00179837	BOLT
	012	001	09013017	.RETAINER		028	001	09384148	BOOT ASSY
	013	004	00223464	.BOLT		029	001	09384150	.PLATE
A	014	001	09036867	.RING-BACKUP		030	001	09139820	.CLAMP
A	015	001	09169669	.O RING					

A NOTE: PARTS IN 09396505 KIT

8-13 - 24 R02





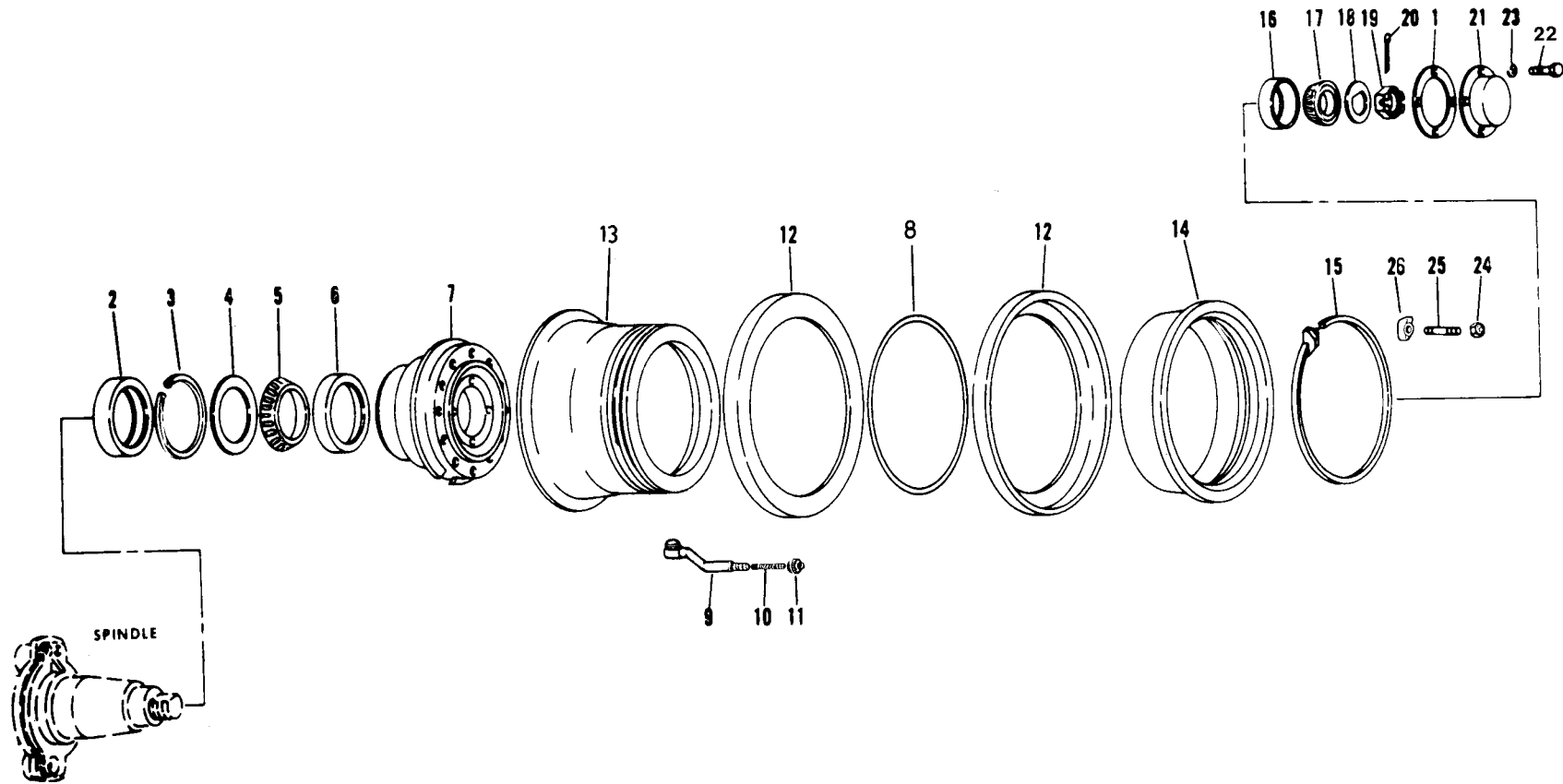
REAR WHEEL ROCK EJECTOR

8-18 - 9

N.C.	REF.	QTY	PART NO.	PART NAME
	001	001	15011203	EJECTOR-ROCK
	002	001	15000422	ROD

N.C.	REF.	QTY	PART NO.	PART NAME
	003	002	00436484	PIN-COTTER
	004	005	15228120	SPACER

8-18 - 9



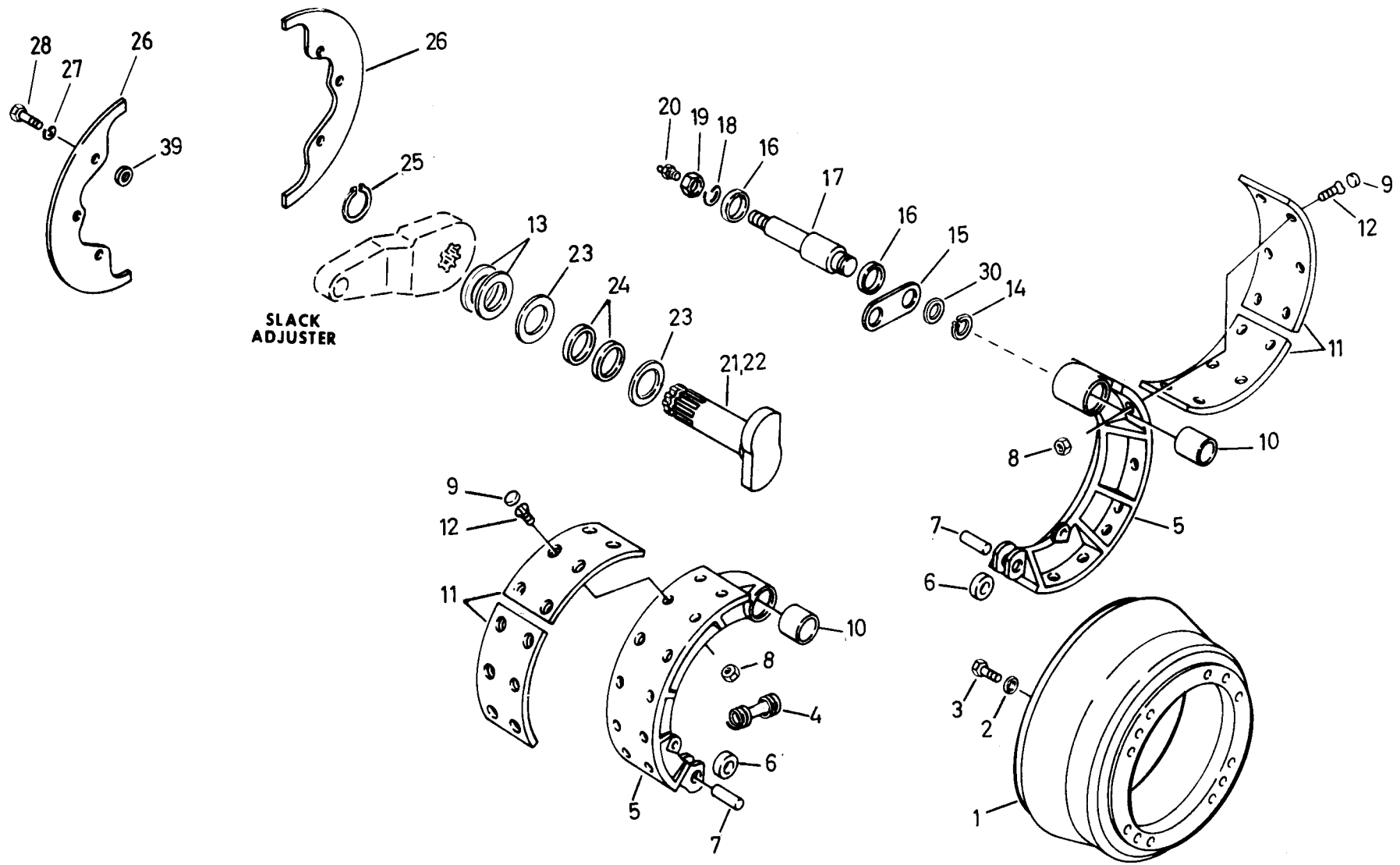
## FRONT WHEEL, RIM AND TYRE

9-03 -220 R01

N.C.	REF.	QTY	PART NO.	PART NAME	N.C.	REF.	QTY	PART NO.	PART NAME
	001	001	09252445	GASKET	016	000	09433271	CUP-OUTER BEARING	
	002	001	09016987	SEAL	017	000	09433270	CONE-OUTER BEARING	
	004	001	09016986	WASHER	018	000	09016968	WASHER	
	005	001	00456473	CONE	019	000	09016970	NUT	
	006	001	07450645	CUP	020	000	00179097	PIN-COTTER	
	007	001	09253451	WHEEL	021	000	09015357	COVER	
	008	001	09178785	O RING	022	004	00179881	BOLT	
	009	001	09384210	STEM-VALVE	023	004	00103329	LOCKWASHER	
	010	001	09209216	.SPUD	024	012	09433576	NUT	
	011	001	09116292	.CAP	025	012	09253468	STUD	
A	012	002	15229543	FLANGE	026	012	15023746	CLAMP	
A	013	001	15229542	BASE-RIM	NI	001	07551686	ADAPTER	
A	014	001	15229545	BAND-BEAD SEAT	NI	001	09368123	CAP-VALVE	
A	015	001	15229544	LOCKRING	NI	002	18.00X25	TYRE TUBELESS	

A NOTE: RIM PARTS FROM DIFFERENT MANUFACTURERS MUST NOT BE INTERMIXED

9-03 -220 R01

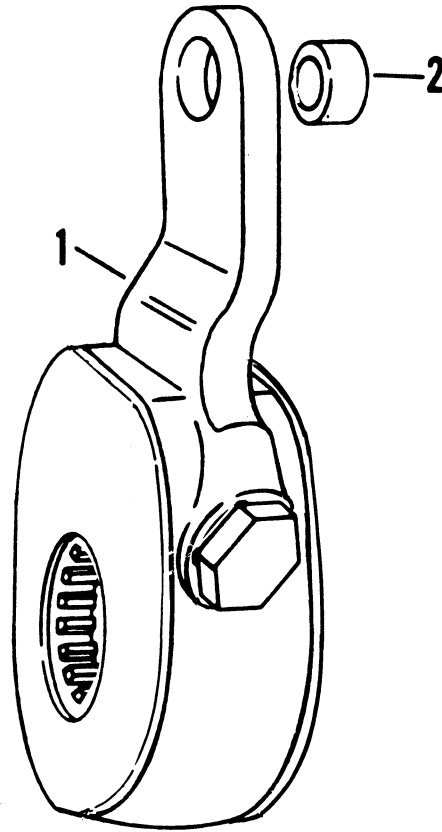


## FRONT AXLE BRAKE PARTS

9-04 -114 R02

N.C.	REF.	QTY	PART NO.	PART NAME	N.C.	REF.	QTY	PART NO.	PART NAME
	001	001	09010012	DRUM-BRAKE	016	004		09013131	SEAL
	002	012	09011226	WASHER	017	002		09013134	PIN-ANCHOR
	003	012	00223457	BOLT	018	002		00120350	LOCKWASHER
	004	001	09194715	SPRING-RETURN	019	002		00216353	NUT
	005	002	09079082	SHOE & LINING	020	002		09411019	NIPPLE-GREASE
	006	001	09199285	.ROLLER	021	001		09259130	SHAFT
	007	001	09105654	.PIN	022	001		09259131	SHAFT
	008	012	09422277	.NUT	023	002		09010228	WASHER
	009	012	09128555	.PLUG	024	002		09013132	SEAL
	010	001	09013127	.BUSHING	025	001		09413403	RING-SNAP
A	011	002	NSS	.LINING	026	002		09013133	GUARD
	012	012	00114676	.SCREW	027	006		09270000	WASHER-HARDENED
	013	002	09240614	WASHER	028	006		00179883	BOLT
	014	002	09413400	RING-SNAP	029	006		15013577	WASHER
	015	001	09106092	LINK	030	002		09079083	BRAKE INSTALLATION

A NOTE: ONE 09076568 LINING KIT FOR ONE WHEEL

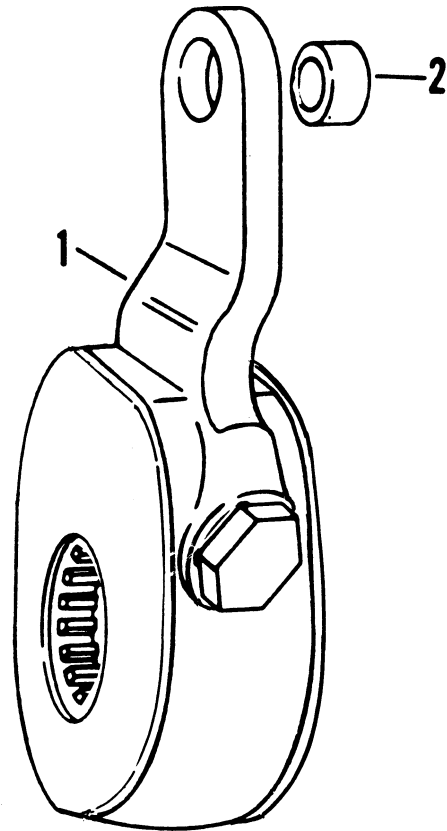


FRONT AXLE SLACK ADJUSTER

9-05 - 54 R01

N.C.	REF.	QTY	PART NO.	PART NAME	N.C.	REF.	QTY	PART NO.	PART NAME
	001	001	09261913	ADJUSTER-RH H/DUTY		002	001	02237467	.BUSHING

9-05 - 54 R01



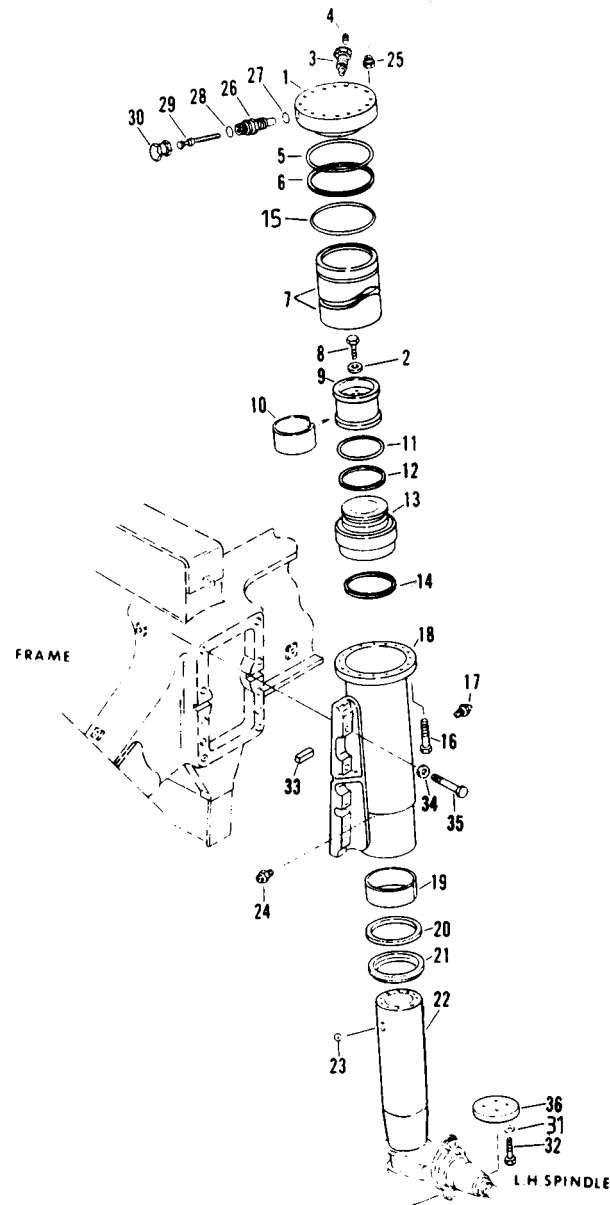


FRONT AXLE SLACK ADJUSTER

9-05 - 55 R01

N.C.	REF.	QTY	PART NO.	PART NAME	N.C.	REF.	QTY	PART NO.	PART NAME
	001	001	09261912	ADJUSTER-LH H/DUTY		002	001	02237467	.BUSHING

9-05 - 55 R01

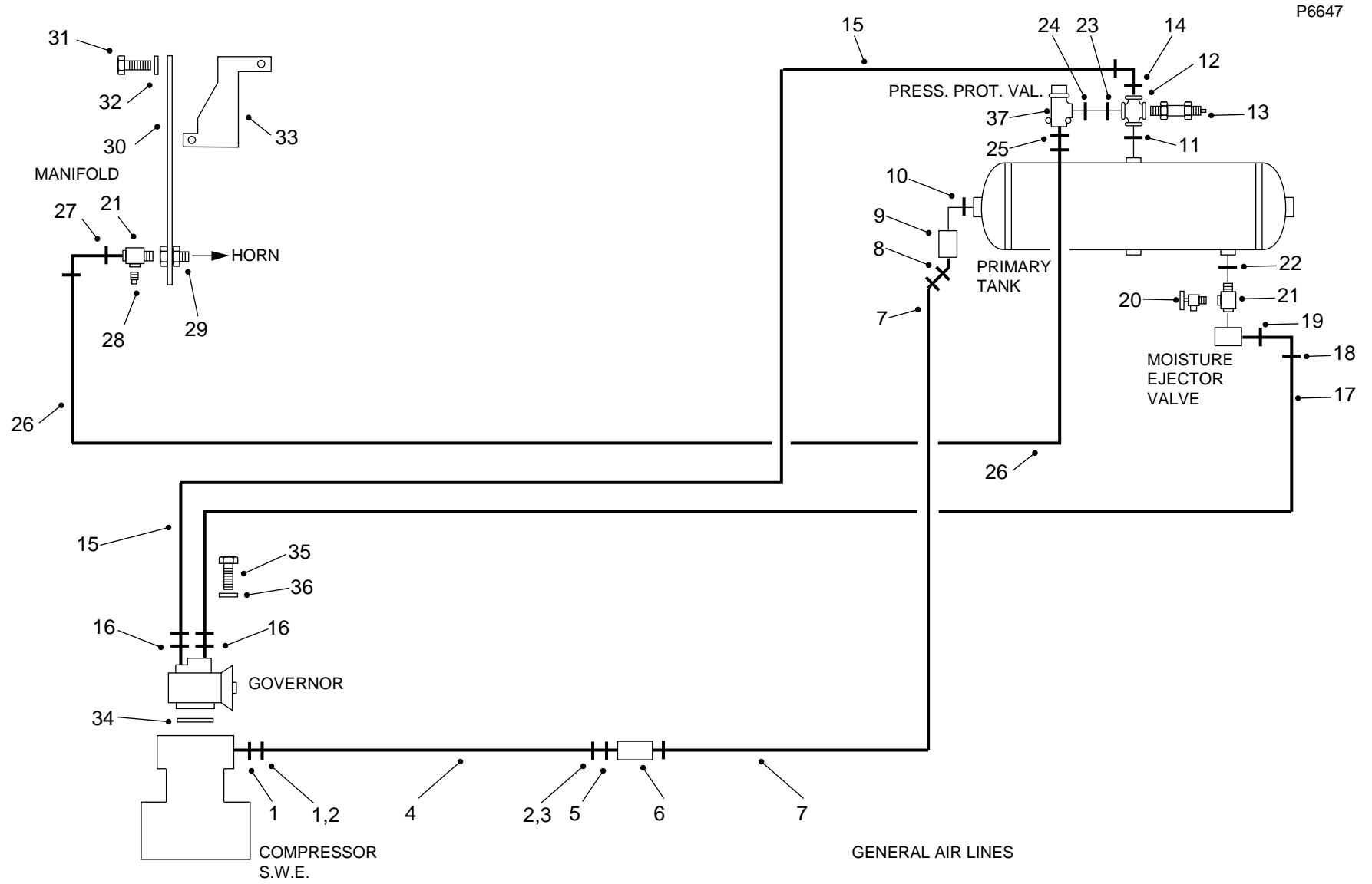


## FRONT RIDE CYLINDER

9-13 - 26 R04

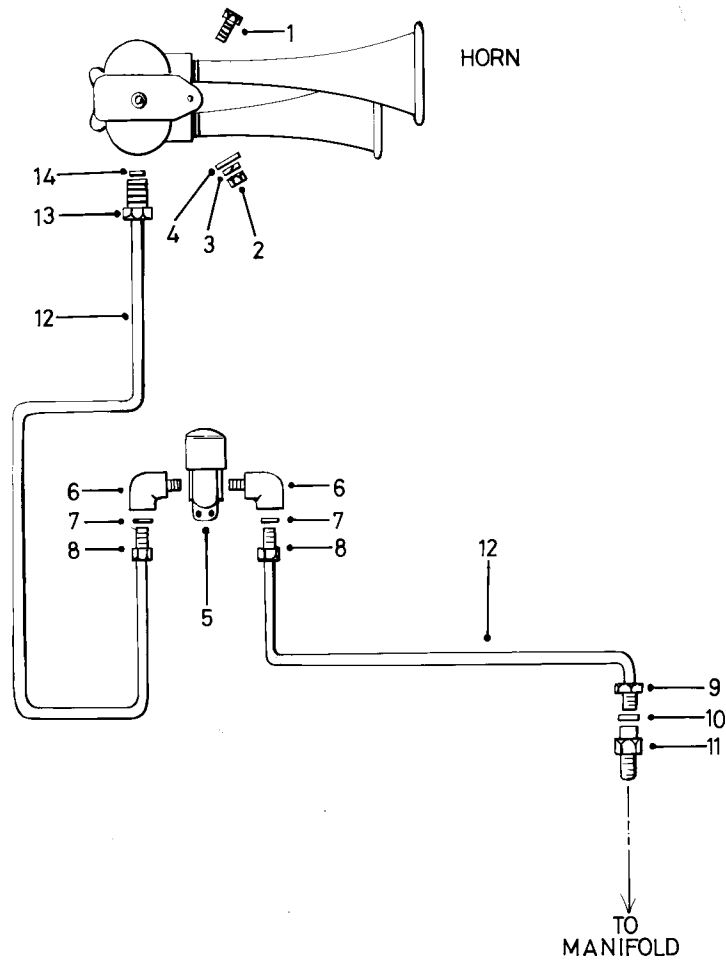
N.C.	REF.	QTY	PART NO.	PART NAME	N.C.	REF.	QTY	PART NO.	PART NAME
	001A	001	09079534	FRONT RIDE CYLINDER	A	019	001	15256361	.RING WEAR
	001	001	09384086	.CAP-END	A	020	001	09014235	.SEAL
	002	010	09068666	.WASHER-HARDENED	A	021	001	09256606	.WIPER
A	003	001	09013688	.VALVE-CHECK		022	001	09079533	.ROD PISTON
	004	001	00444613	.PLUG		023	001	00169162	.BALL
A	005	001	09154249	.O RING	A	024	001	00106671	.FITTING-RELIEF
A	006	001	09015056	.RING-BACKUP		025	016	00274209	.LOCKNUT
	007	001	09068668	.TUBE	A	026	001	06525035	.VALVE ASSY-RECHARGE
	008	010	09068667	.BOLT		027	001	09030336	..RING-LARGE
	009	001	09079450	.PISTON		028	001	09190141	..RING-SMALL
A	010	001	09014093	.RING-WEAR		029	001	09034883	..CORE
A	011	001	09169669	.O RING		030	001	09035137	..CAP
A	012	001	09036867	.RING-BACKUP		031	004	00103332	LOCKWASHER
	013	001	09079449	.RETAINER SEAL		032	004	00271613	BOLT
A	014	001	15233756	.SEAL		033	001	09014439	KEY-SHEAR
A	015	001	09120034	.O RING		034	010	09019631	WASHER-HARDENED
	016	016	00186659	.BOLT		035	010	09430339	BOLT
A	017	001	09411010	.FITTING-GREASE		036	001	09014267	DISC (1.00 IN)
	018	001	09253033	.TUBE ASSEMBLY					

A NOTE: PARTS IN 09396506 KIT



P6647

N.C.	REF.	QTY	PART NO.	PART NAME	N.C.	REF.	QTY	PART NO.	PART NAME
	001	001	09357564	CONNECTOR	020	001	09160723	COCK-DRAIN	
	002	002	09357565	NUT	021	002	00454145	TEE	
	003	002	09357566	SLEEVE	022	001	00119932	BUSHING-REDUCER	
	004	001	15230139	TUBE	023	001	00444029	REDUCER	
	005	001	15230572	CONNECTOR ASSY	024	001	00105405	NIPPLE	
	006	001	00187398	COUPLING	025	001	00116436	CONNECTOR	
	007	001	09383775	HOSE ASSY	026	001	09002341	HOSE ASSY	
	008	001	09402828	ELBOW	027	001	00116453	ELBOW	
	009	001	02356564	VALVE-CHECK	028	001	00444619	PLUG	
	010	001	09252513	ELBOW	029	001	02369508	STUD-CLAMPING	
	011	001	00121207	NIPPLE	030	001	09375524	PLATE-MANIFOLD	
	012	001	09251514	CROSS-PIPE	031	005	00179881	BOLT	
	013	001	02255197	VALVE-SAFETY	032	005	00103329	LOCKWASHER	
	014	001	08040335	ELBOW	033	001	09377164	PLATE	
	015	001	15228241	HOSE ASSY	034	001	02338304	GASKET	
	016	002	00118748	CONNECTOR	035	002	00179829	BOLT	
	017	001	15228242	HOSE ASSY	036	002	00103320	LOCKWASHER	
	018	001	00118753	ELBOW	037	001	09249220	VALVE-PRESS PROTECTN	
	019	001	00444029	REDUCER					

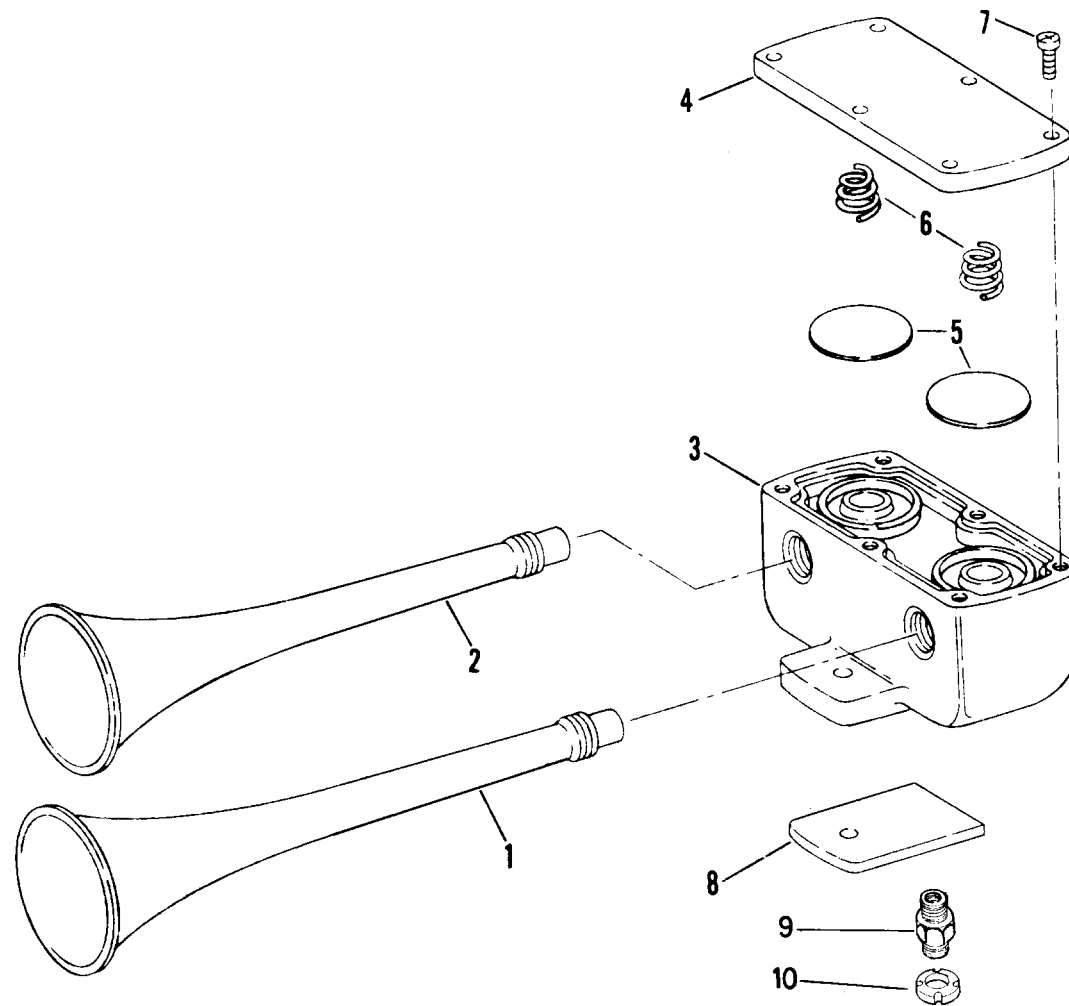


## AIR HORN LINES

11-09 -159 R01

N.C.	REF.	QTY	PART NO.	PART NAME	N.C.	REF.	QTY	PART NO.	PART NAME
	001	001	00179820	BOLT	008	001		09357064	.NUT
	002	001	00102634	NUT	009	001		09357068	ELBOW
	003	002	00103320	LOCKWASHER	010	001		09357064	.NUT
	004	001	00103340	WASHER	011	001		09357065	.SLEEVE
	005	001	09359299	VALVE-AIR SOLENOID	012	ASR		09233142	TUBE-NYLON
	006	002	09357066	ELBOW	013	001		09371553	COUPLING
	007	001	09357065	.SLEEVE	014	001		09371552	.FERRULE

11-09 -159 R01



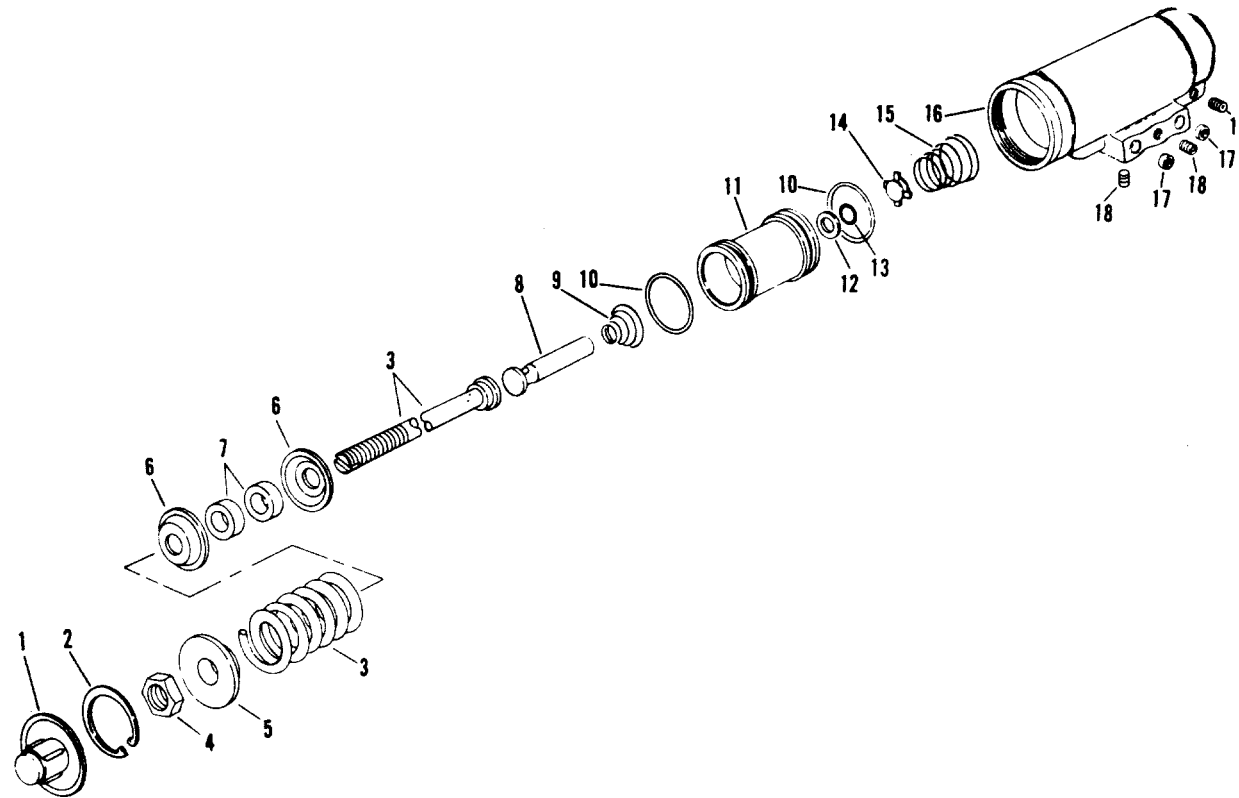


## AIR HORN

11-10 - 20

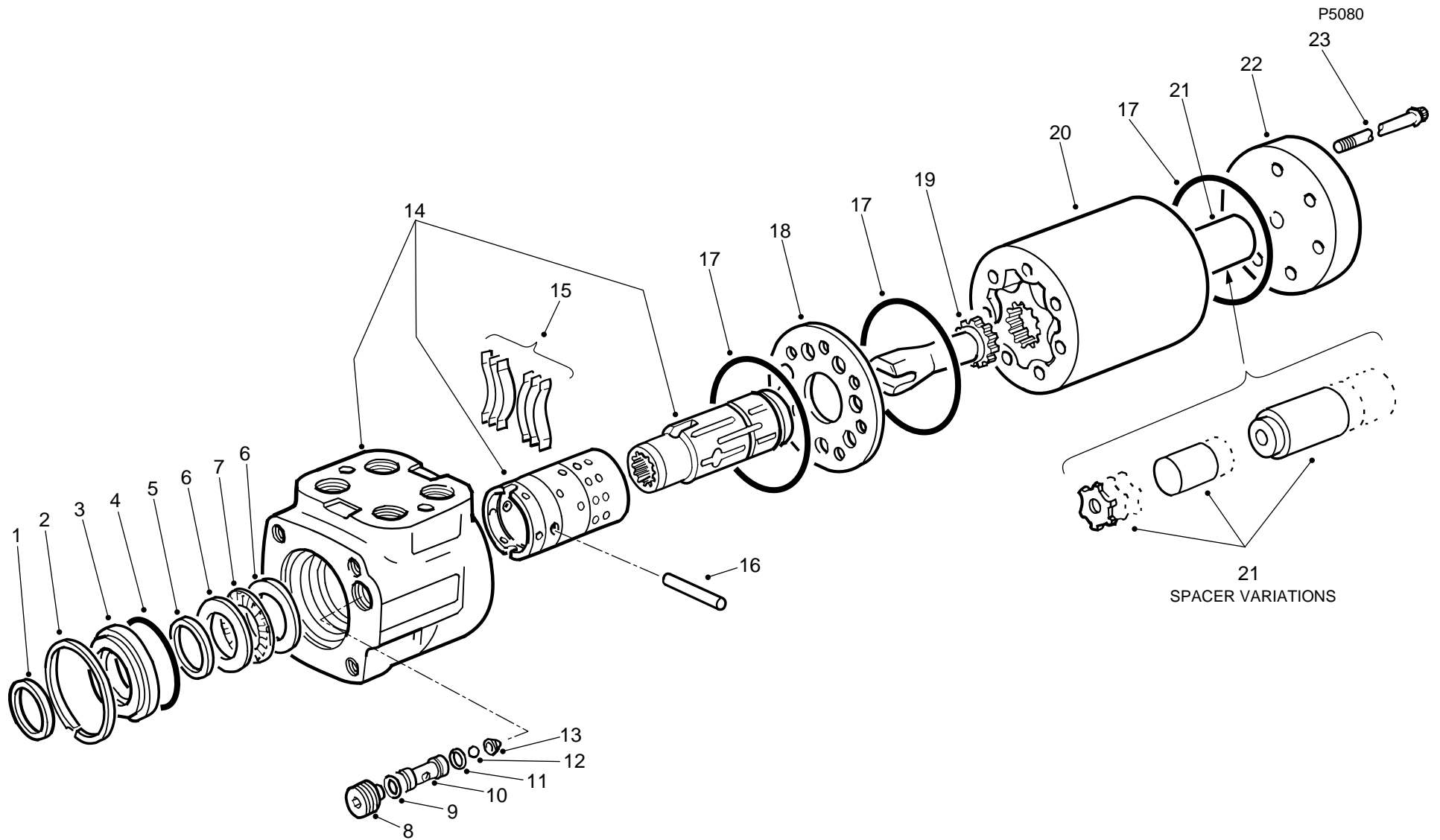
N.C.	REF.	QTY	PART NO.	PART NAME	N.C.	REF.	QTY	PART NO.	PART NAME
	001A	001	09060488	HORN ASSY	006	002		NOT USED	..SPRING
	001	001	09028934	.PROJECTOR-LONG	007	006		09419979	..SCREW
	002	001	09028935	.PROJECTOR-SHORT	008	001		09054278	.PAD
	003	001	09054148	.BODY ASSY	009	001		09193469	MOUNTING-STEM
	004	001	09057904	..COVER	010	001		02362436	WASHER-TENSION
	005	002	09057905	..DIAPHRAGM					

11-10 - 20



N.C.	REF.	QTY	PART NO.	PART NAME	N.C.	REF.	QTY	PART NO.	PART NAME
	001A	001	09208529	GOVERNOR	A	010	002	NSS	.NSS PART OF KIT
A	001	001	NSS	.NSS PART OF KIT		011	001	09030279	.PISTON
	002	001	N.L.A.	.RING-RETAINER		012	001	02435442	..WASHER
	003	001	09030280	.SCREW & SPRING	A	013	001	NSS	..NSS PART OF KIT
	004	001	00124818	..NUT HEX JAM 0.25-20	A	014	001	NSS	.NSS PART OF KIT
	005	001	03820601	..SEAT	A	015	001	NSS	.NSS PART OF KIT
	006	002	03820598	..SEAT		016	001	NSS	.BODY
	007	001	NSS ASSY	..GUIDE	A	017	002	NSS	..NSS PART OF KIT
	008	001	N.L.A.	.STEM		018	004	02264945	.PLUG
	009	001	NSS KIT	.SPRING					

A NOTE: PARTS IN 08865458 REPAIR KIT.



## STEERING VALVE

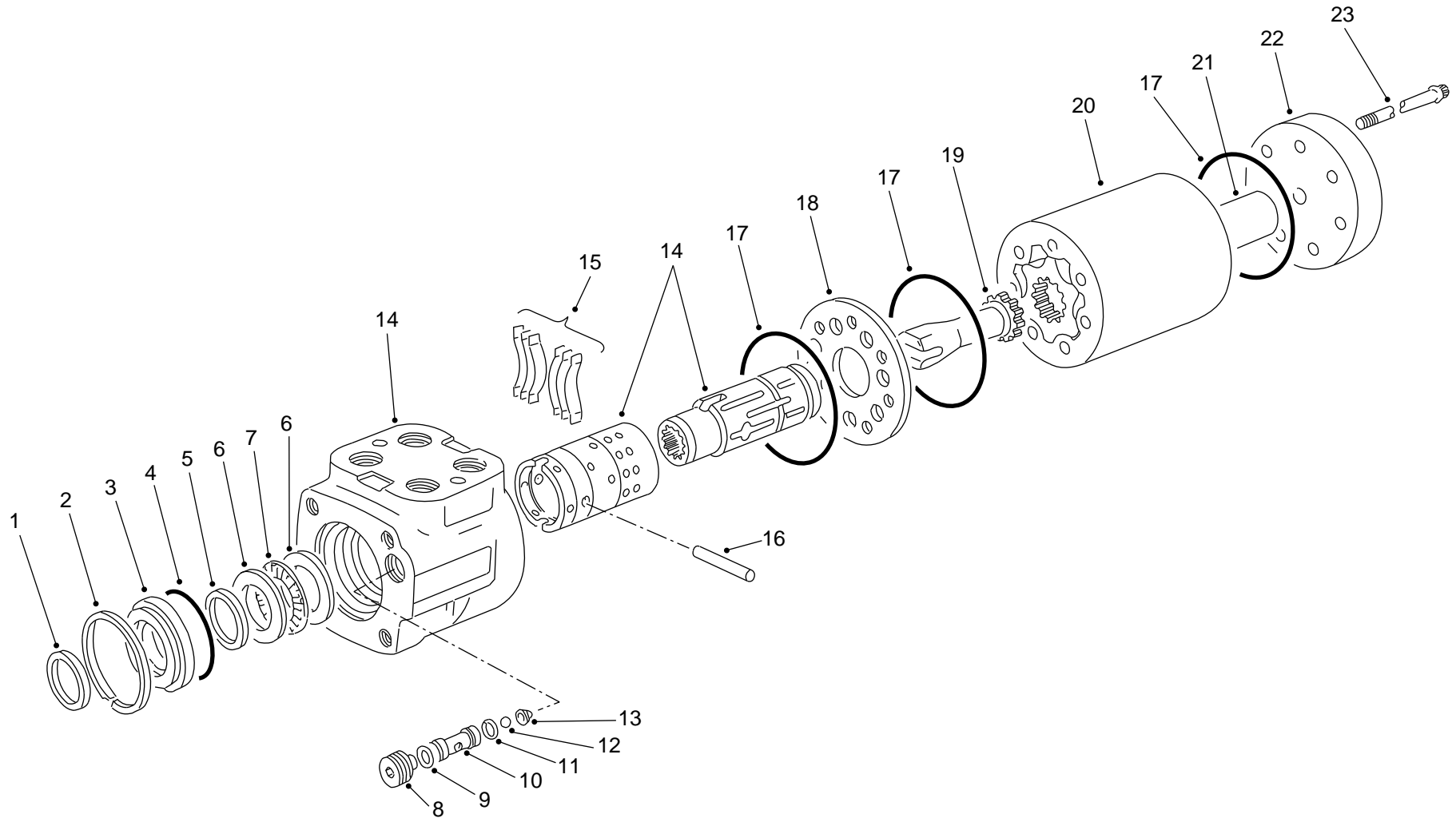
12-01A- 51 R01

N.C.	REF.	QTY	PART NO.	PART NAME	N.C.	REF.	QTY	PART NO.	PART NAME
	001A	001	15011925	ORBITROL VALVE STEER	012	001	00104919	.BALL-CHECK	
	001	001	15267628	.SEAL	013	001	09055599	.RETAINER-BALL CHECK	
	002	001	09055618	.RING-SNAP	014	001	09055633	.HSG, SLEEVE & SPOOL	
	003	001	09055616	.GLAND-BUSHING SEAL	015	006	15267631	..KIT-CENTERING SPRING	
A	004	001	NSS	.SEAL	016	001	09036296	..PIN-CENTERING	
A	005	001	NSS	.SEAL-QUAD RING	A 017	003	NSS	.SEAL	
	006	002	09055615	.BEARING	018	001	09055597	.PLATE-SPACER	
	007	001	00457151	.BEARING	019	001	09036302	.DRIVE	
	008	001	09055613	.SCREW-SET	020	001	09056100	.GEROTOR	
A	009	001	NSS	.O RING	021	001	15267632	.SPACER	
	010	001	09055606	.SEAT-BALL CHECK	022	001	09055593	.CAP-END	
A	011	001	NSS	.SEAL	023	007	09428516	.SCREW-CAP	

A NOTE: PARTS IN 09059469 SEAL KIT

12-01A- 51 R01

P8737



## STEERING VALVE

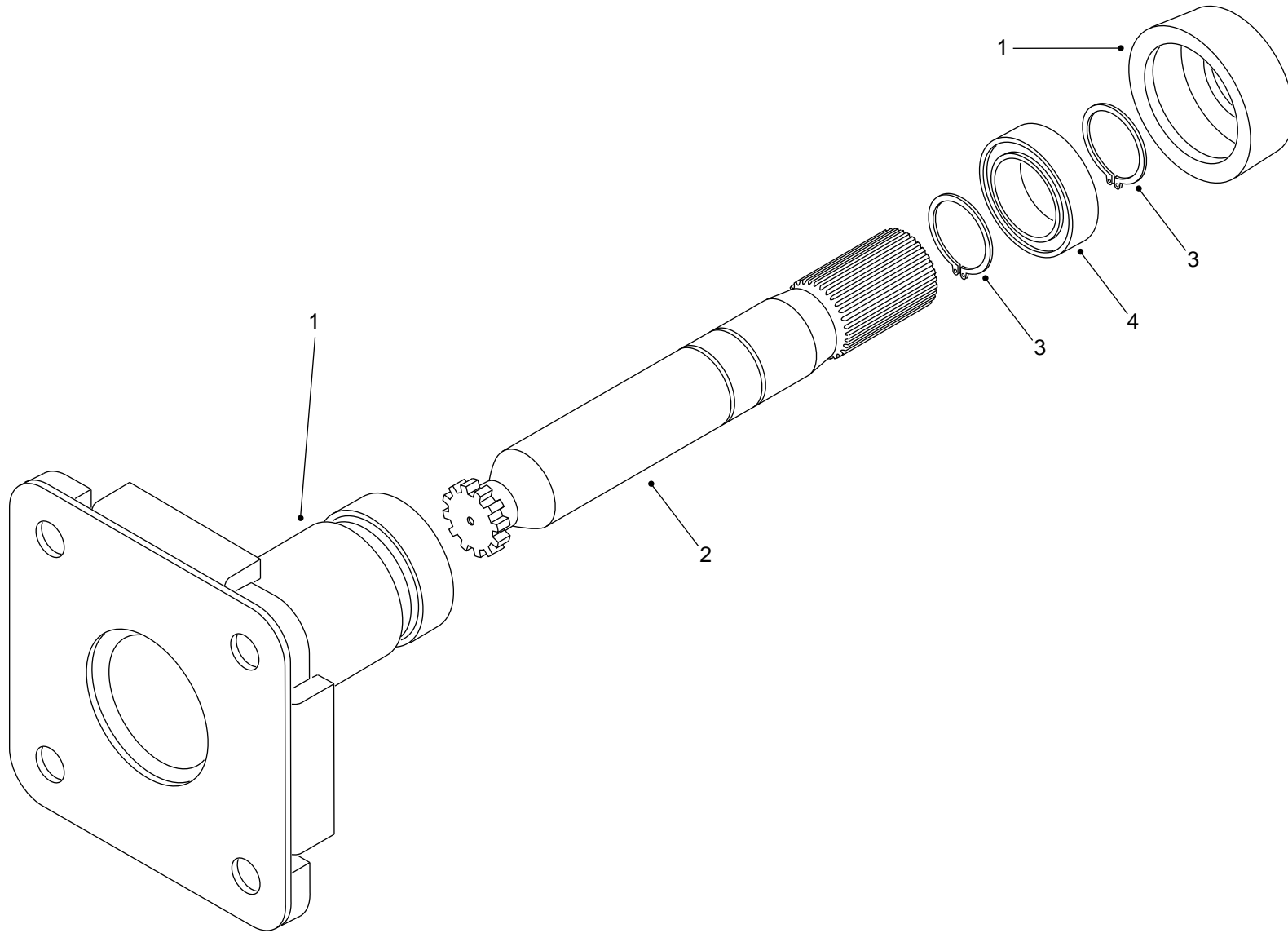
12-01A- 54 R02

N.C.	REF.	QTY	PART NO.	PART NAME	N.C.	REF.	QTY	PART NO.	PART NAME
	001A	001	15252436	STEERING VALVE ASSY		012	001	00104919	.BALL-CHECK
B	001	001	NSS	.SEAL		013	001	09055599	.RETAINER-BALL CHECK
	002	001	09055618	.RING-SNAP		014	001	NSS	.HSG, SLEEVE & SPOOL
	003	001	09055616	.GLAND-BUSHING SEAL		015	001	15267631	.KIT-CENTERING SPRING
B	004	001	NSS	.SEAL		016	001	09036296	.PIN-CENTERING
B	005	001	NSS	.SEAL-QUAD RING	B	017	003	NSS	.SEAL
	006	002	09055615	.BEARING		018	001	15269820	.PLATE-SPACER
	007	001	00457151	.BEARING		019	001	09031165	.DRIVE
	008	001	09055613	.SCREW-SET	A	020	001	NSS	.GEROTOR
B	009	001	NSS	.O RING	A	021	001	NSS	.SPACER
	010	001	09055606	.SEAT-BALL CHECK	A	022	001	NSS	.CAP-END
B	011	001	NSS	.SEAL	A	023	007	NSS	.CAPSCREW

A NOTE: PARTS IN 15269827 GEROTOR, CAPSCREW AND SPACER KIT

B NOTE: PARTS IN 15269825 SEAL KIT

P8691





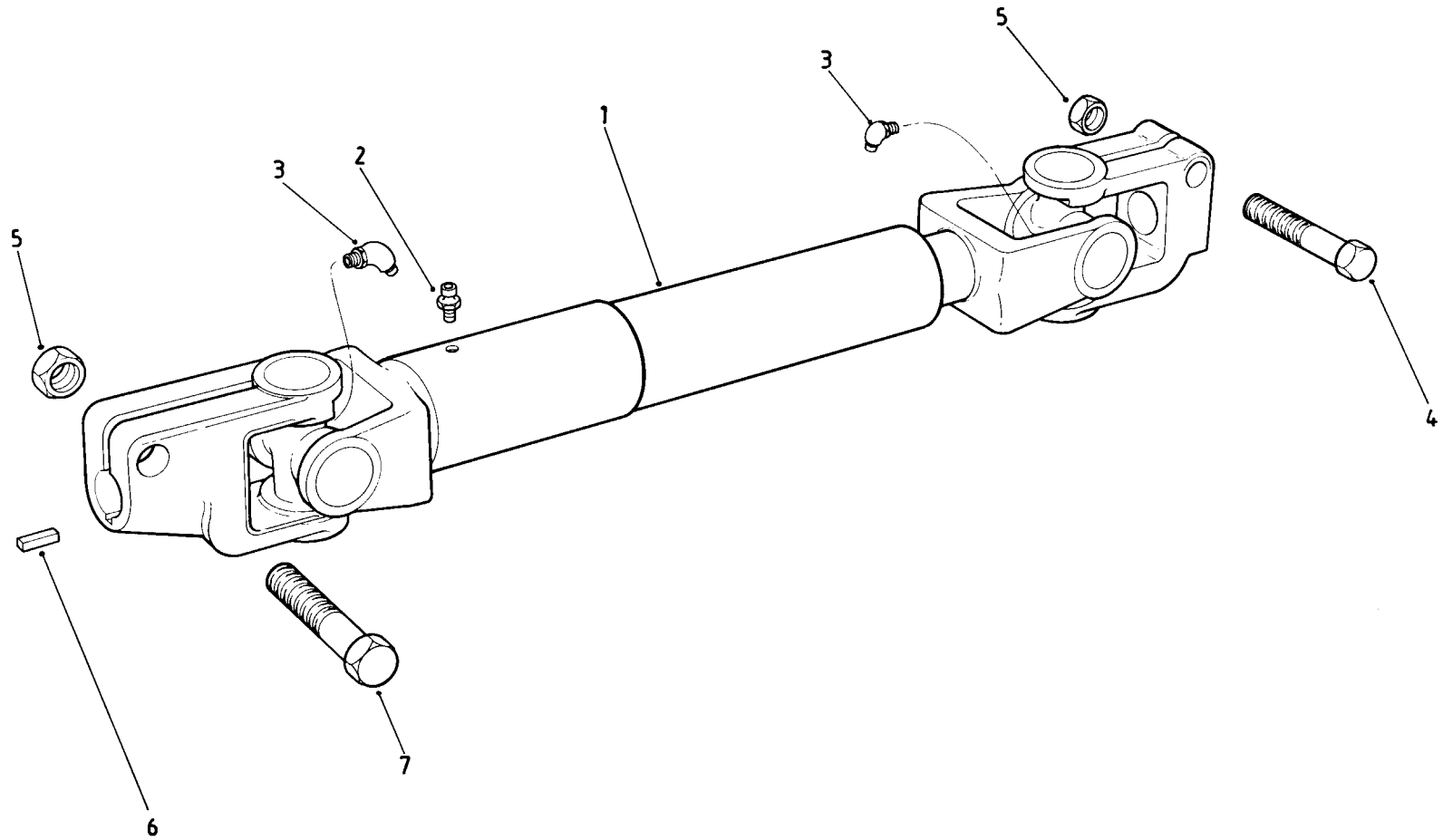
STEERING COLUMN LOWER

12-01D- 30 R02

N.C.	REF.	QTY	PART NO.	PART NAME
001A	001		09211139	COLUMN
001	001		NSS	.TUBE
002	001		NSS	.SHAFT

N.C.	REF.	QTY	PART NO.	PART NAME
003	002		02311512	.RING-SNAP
004	001		09418814	.BEARING

12-01D- 30 R02

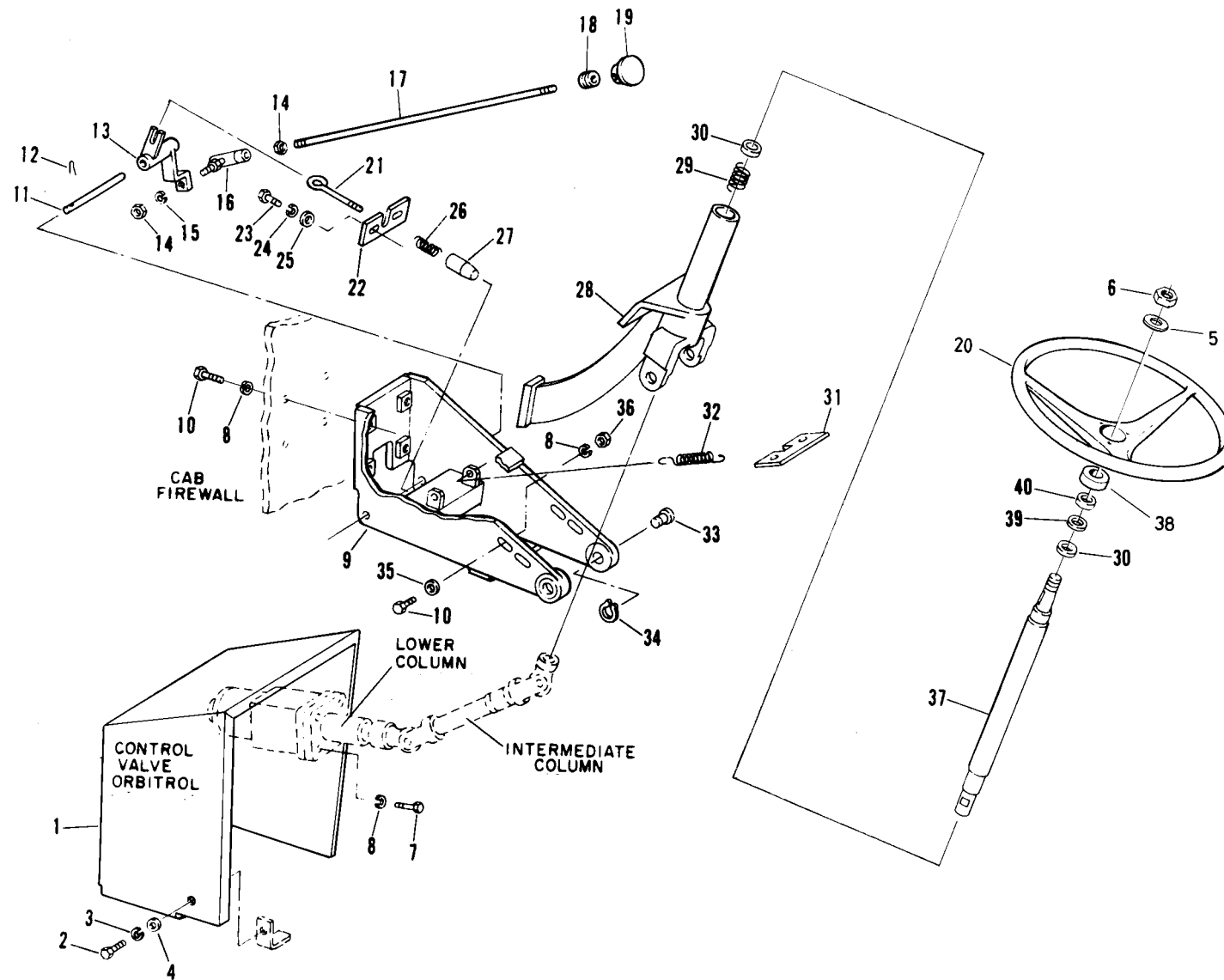


## STEERING COLUMN INTERMEDIATE

12-01E- 18

N.C.	REF.	QTY	PART NO.	PART NAME	N.C.	REF.	QTY	PART NO.	PART NAME
	001	001	15227163	COLUMN-STEERING		005	002	00274208	LOCKNUT
	002	001	15265272	.NIPPLE-GREASE		006	001	09014324	KEY SQUARE (4.75MM X
	003	002	15265273	.NIPPLE-GREASE		007	001	00179847	BOLT
	004	001	00179845	BOLT					

12-01E- 18



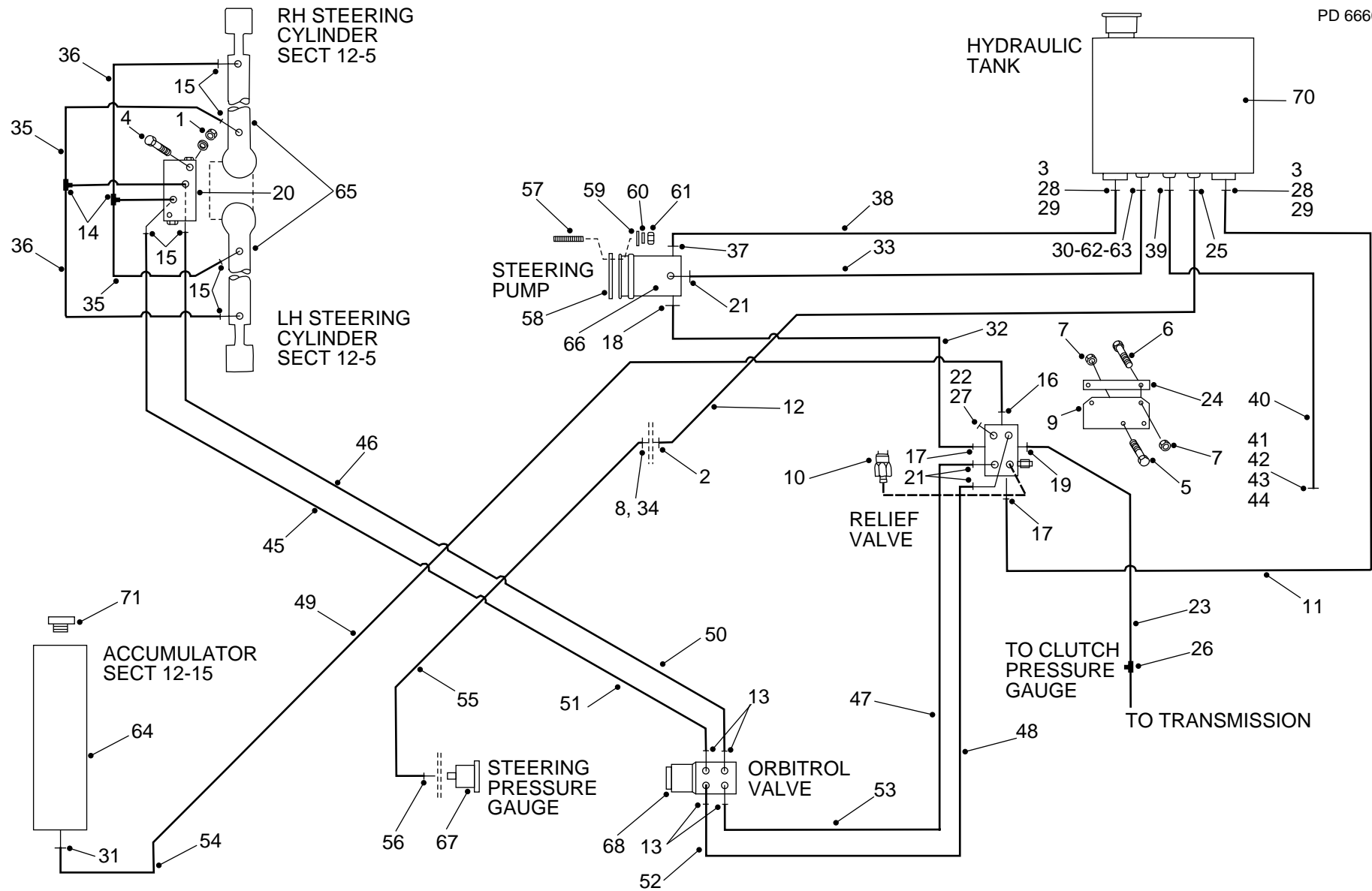
## STEERING COLUMN MOUNTING

12-02 -145

N.C.	REF.	QTY	PART NO.	PART NAME	N.C.	REF.	QTY	PART NO.	PART NAME
	001	001	15230512	COVER-ORBITROL VALVE	021	001	15226746	EYE ROD	
	002	003	00179881	BOLT	022	001	09014879	PLATE	
	003	003	00103329	LOCKWASHER	023	002	00179793	BOLT	
	004	003	00106265	WASHER	024	002	00103319	LOCKWASHER	
	005	001	00265079	WASHER	025	002	00103339	WASHER	
	006	001	00114496	NUT-JAM	026	001	09014873	SPRING	
	007	004	00179843	BOLT	027	001	09384638	PIN	
	008	012	00108580	LOCKWASHER	028	001	09016353	PIVOT-COLUMN	
	009	001	09014861	BRACKET	029	001	09202352	SPRING	
	010	008	00179841	BOLT	030	002	00908078	BEARING	
	011	001	09014878	SHAFT	031	001	15232314	PLATE.	
	012	002	00103374	PIN-COTTER	032	002	09014872	SPRING	
	013	001	09384725	LEVER ASSY	033	002	09014874	PIN	
	014	002	00103088	NUT	034	002	00274414	SNAP RING	
	015	001	00106497	LOCKWASHER	035	004	00106263	WASHER	
	016	001	00109413	BALL JOINT-TYPE C	036	004	00102635	NUT	
	017	001	15229216	ROD	037	001	09272213	SHAFT	
	018	001	00117958	GROMMET	038	001	09271241	SPACER	
	019	001	15229217	KNOB	039	001	09015269	WASHER	
	020A	001	15227365	WHEEL-STEERING	040	001	09015270	WASHER	
	020	001	15265315	.COVER-STEERING WHEEL					

12-02 -145

PD 6666



## STEERING LINES

12-04 -417 R06

N.C.	REF.	QTY	PART NO.	PART NAME	N.C.	REF.	QTY	PART NO.	PART NAME
	001	002	00102635	NUT	033	001	15228213	HOSE ASSY	
	002	001	00116453	ELBOW	034	001	00187395	COUPLING	
	003	008	00179841	BOLT	035	002	15004090	HOSE ASSY	
	004	002	00179848	BOLT	036	002	15004091	HOSE ASSY	
	005	002	00186284	BOLT	037	001	15011957	ELBOW	
	006	002	00186289	BOLT	038	001	15228211	HOSE ASSY	
	007	004	00274208	LOCKNUT	039	001	09402869	ELBOW	
	008	001	00105405	NIPPLE	040	001	15260152	HOSE ASSY	
	009	001	15232208	PAD	041	001	09259241	PLATE	
	010	001	15230575	SWITCH-PRESSURE	042	001	00120062	BUSHING	
	011	001	09069455	HOSE ASSY	043	001	15230961	VALVE-BALL SHUT OFF	
	012	001	09124411	HOSE ASSY	043	001	09136638	NIPPLE	
	013	004	09183225	CONNECTOR	044	001	00444631	PLUG (0.50')	
	014	002	09183248	TEE ASSY	045	001	15260094	HOSE ASSY	
	015	006	09183500	ELBOW ASSY	046	001	15260095	HOSE ASSY	
	016	001	09183501	ELBOW ASSY	047	001	15260096	HOSE ASSY	
	017	002	09183502	ELBOW ASSY	048	001	15260097	HOSE ASSY	
	018	001	09185585	CONNECTOR	049	001	15260098	HOSE ASSY	
	019	001	09207644	CONNECTOR	050	001	15229809	TUBE ASSY	
	020	001	09229477	VALVE-DOUBLE RELIEF	051	001	15229810	TUBE ASSY	
	021	003	09231811	CONNECTOR ASSY	052	001	15229811	TUBE ASSY	
	022	001	09235892	ELBOW	053	001	15229812	TUBE ASSY	
	023	001	09129556	HOSE ASSY	054	001	15229825	TUBE ASSY	
	024	001	15232207	PAD	055	001	09125606	HOSE ASSY	
	025	001	09402823	ELBOW	056	001	00125620	CONNECTOR	
	026	001	09402979	TEE	057	002	09182545	STUD	
	027	001	09403369	CAP	058	001	09206866	GASKET	
	028	004	09409982	FLANGE-SPLIT	059	002	00106265	WASHER	
	029	002	09410968	O RING	060	002	00103329	LOCKWASHER	
	030	001	09423452	ELBOW	061	006	00103028	NUT	
	031	001	09183226	CONNECTOR ASSY	062	001	09136638	NIPPLE	
	032	001	15228212	HOSE ASSY	063	001	00187397	COUPLING	

12-04 -417 R06

STEERING LINES

12-04 -417 R06

N.C.	REF.	QTY	PART NO.	PART NAME	N.C.	REF.	QTY	PART NO.	PART NAME
	064	001	15251035	COVER PLUG-ACCUM					

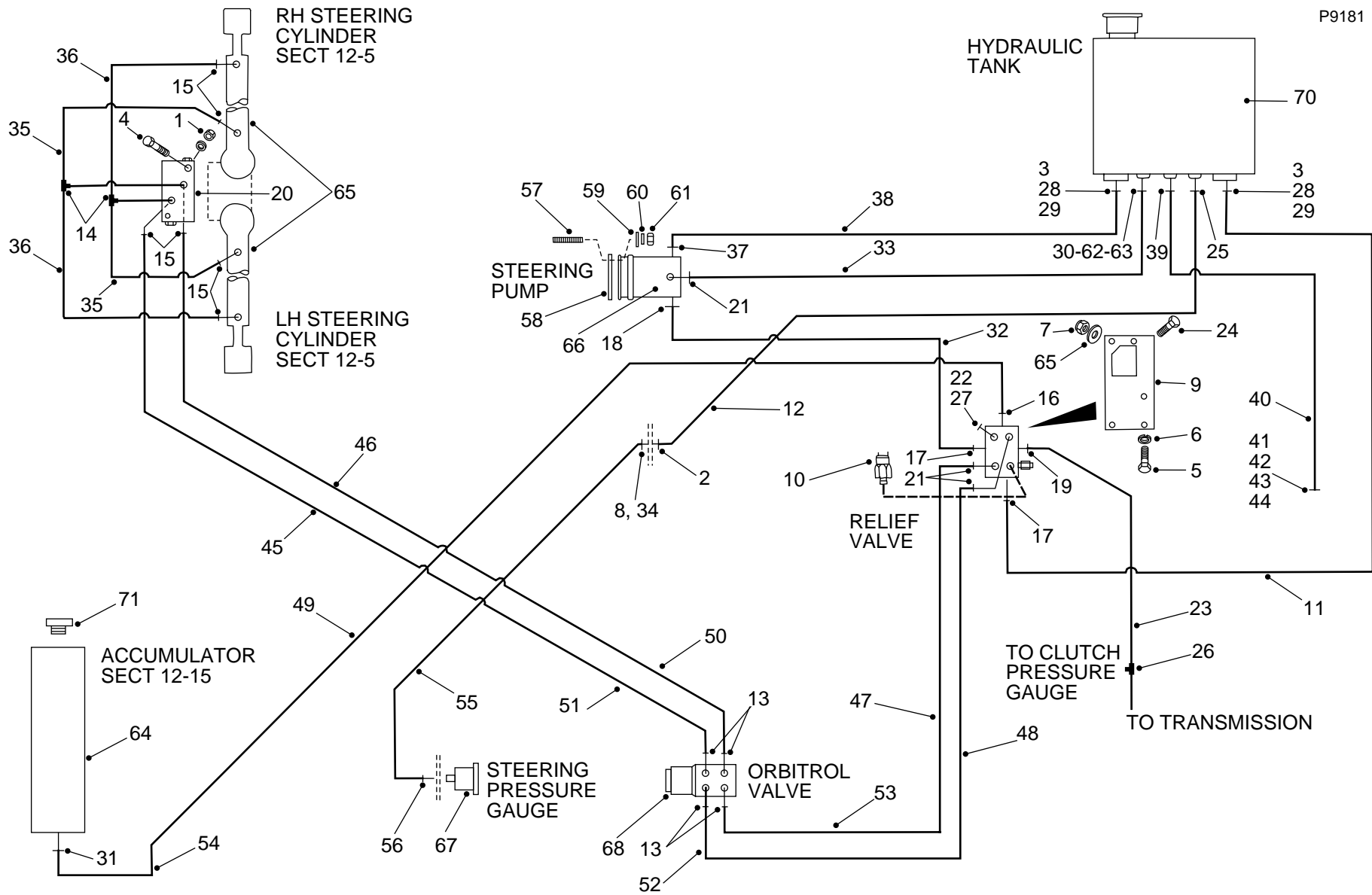
STEERING LINES  
PAGE 003 (LAST)

12-04 -417 R06



(THIS PAGE INTENTIONALLY LEFT BLANK)

P9181



## STEERING LINES

12-04 -455

N.C.	REF.	QTY	PART NO.	PART NAME	N.C.	REF.	QTY	PART NO.	PART NAME
	001	002	00102635	NUT	033	001	15228213	HOSE ASSY	
	002	001	00116453	ELBOW	034	001	00187395	COUPLING	
	003	008	00179841	BOLT	035	002	15004090	HOSE ASSY	
	004	002	00179848	BOLT	036	002	15004091	HOSE ASSY	
	005	003	00179838	BOLT	037	001	15011957	ELBOW	
	006	003	00108580	LOCKWASHER	038	001	15228211	HOSE ASSY	
	007	002	00274208	LOCKNUT	039	001	09402869	ELBOW	
	008	001	00105405	NIPPLE	040	001	15260152	HOSE ASSY	
	009	001	15256294	PLATE	041	001	09259241	PLATE	
	010	001	15230575	SWITCH-PRESSURE	042	001	00120062	BUSHING	
	011	001	09069455	HOSE ASSY	043	001	15230961	VALVE-BALL SHUT OFF	
	012	001	09124411	HOSE ASSY	043	001	09136638	NIPPLE	
	013	004	09183225	CONNECTOR	044	001	00444631	PLUG (0.50')	
	014	002	09183248	TEE ASSY	045	001	15260094	HOSE ASSY	
	015	006	09183500	ELBOW ASSY	046	001	15260095	HOSE ASSY	
	016	001	09183501	ELBOW ASSY	047	001	15260096	HOSE ASSY	
	017	002	09183502	ELBOW ASSY	048	001	15260097	HOSE ASSY	
	018	001	09185585	CONNECTOR	049	001	15260098	HOSE ASSY	
	019	001	09207644	CONNECTOR	050	001	15229809	TUBE ASSY	
	020	001	09229477	VALVE-DOUBLE RELIEF	051	001	15229810	TUBE ASSY	
	021	003	09231811	CONNECTOR ASSY	052	001	15229811	TUBE ASSY	
	022	001	09235892	ELBOW	053	001	15229812	TUBE ASSY	
	023	001	09129556	HOSE ASSY	054	001	15229825	TUBE ASSY	
	024	002	00186285	BOLT	055	001	09125606	HOSE ASSY	
	025	001	09402823	ELBOW	056	001	00125620	CONNECTOR	
	026	001	09402979	TEE	057	002	09182545	STUD	
	027	001	09403369	CAP	058	001	09206866	GASKET	
	028	004	09409982	FLANGE-SPLIT	059	002	00106265	WASHER	
	029	002	09410968	O RING	060	002	00103329	LOCKWASHER	
	030	001	09423452	ELBOW	061	006	00103028	NUT	
	031	001	09183226	CONNECTOR ASSY	062	001	09136638	NIPPLE	
	032	001	15228212	HOSE ASSY	063	001	00187397	COUPLING	

12-04 -455

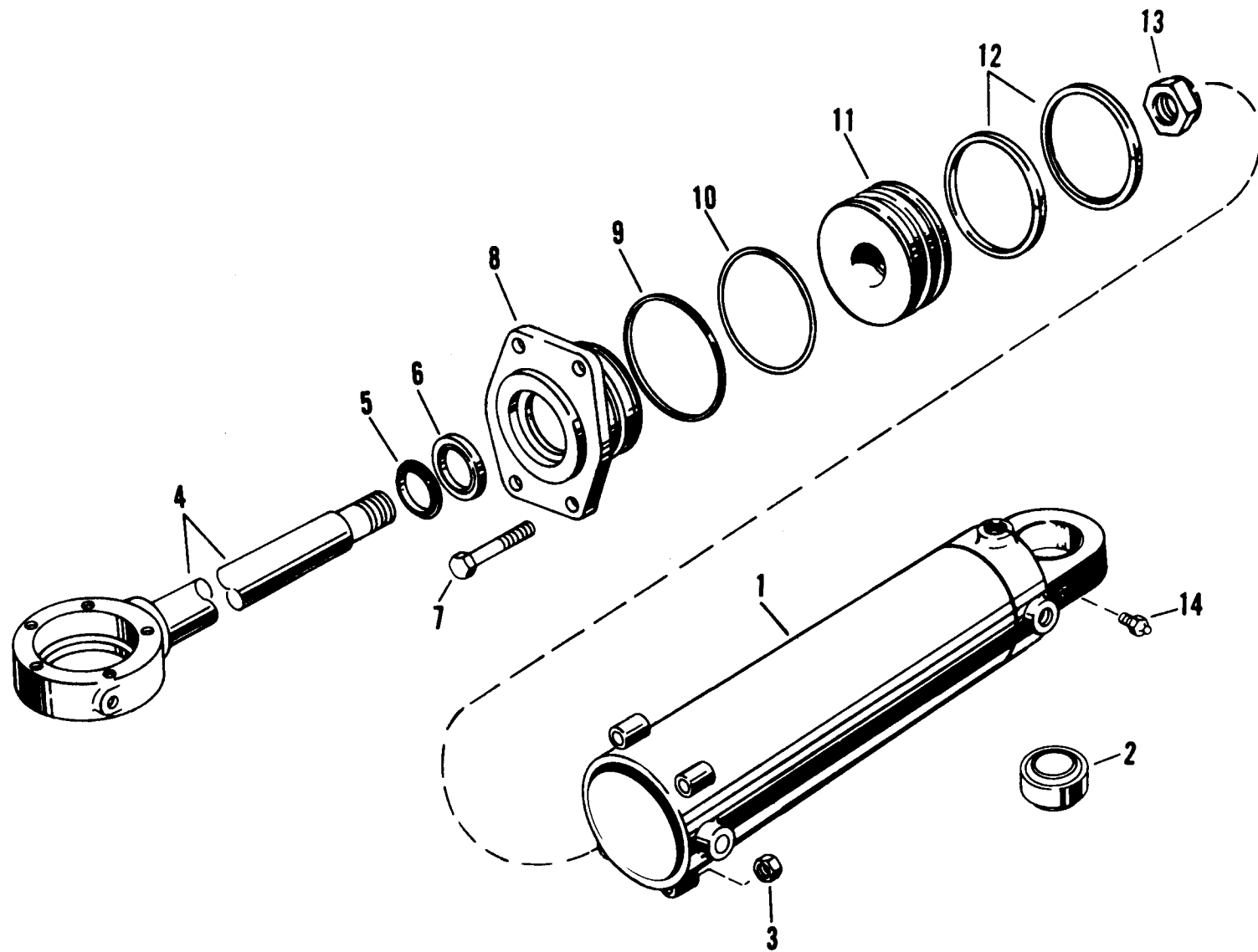
STEERING LINES

12-04 -455

N.C.	REF.	QTY	PART NO.	PART NAME	N.C.	REF.	QTY	PART NO.	PART NAME
	064	001	15251035	COVER PLUG-ACCUM		065	002	00106263	WASHER

12-04 -455

(THIS PAGE INTENTIONALLY LEFT BLANK)



## STEERING CYLINDER

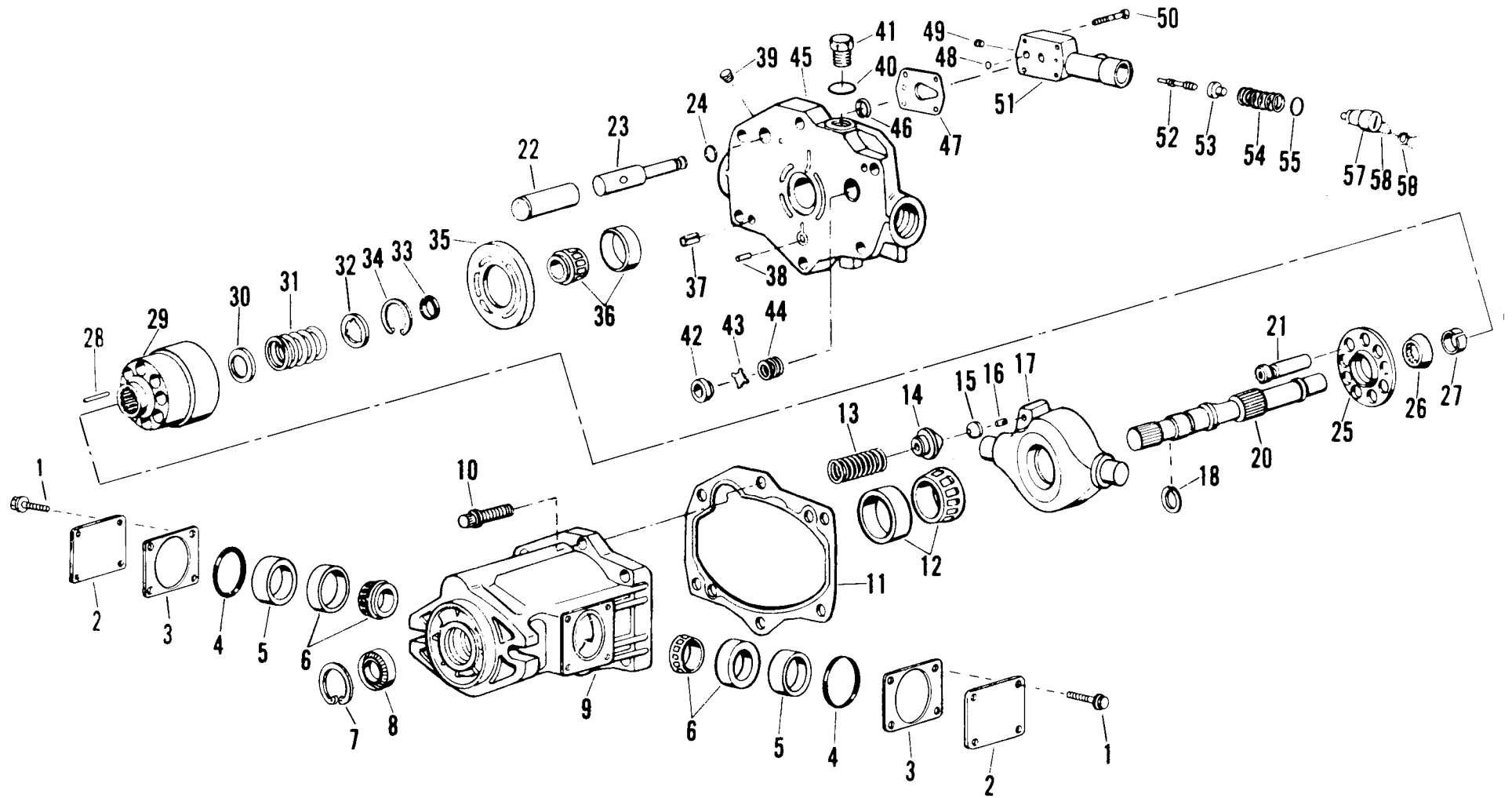
12-05 -153 R02

N.C.	REF.	QTY	PART NO.	PART NAME	N.C.	REF.	QTY	PART NO.	PART NAME
	001A	001	09253602	CYLINDER ASSY	B	008	001	09016644	.CAP-END
	001	001	09253604	.TUBE ASSY	A	009	001	09256055	.RING, BACK UP
A	002	001	09253494	..BUSHING	A	010	001	09256054	.O-RING
A	003	004	00274209	.LOCKNUT		011	001	09016646	.PISTON
	004	001	09253603	.ROD	A	012	002	09255998	.RING-PISTON
A B	005	001	09256600	.SEAL, WIPER	A	013	001	09419485	.NUT
A	006	001	09251309	.SEAL	A	014	001	09411010	FITTING-GREASE
	007	004	00186659	.BOLT					

A NOTE: PARTS IN 09394715 SEAL KIT.

B NOTE: FOR EXTREME APPLICATIONS USE 15249378 WIPER AND 15249489 END CAP.

12-05 -153 R02





## STEERING PUMP

12-07 -149 R01

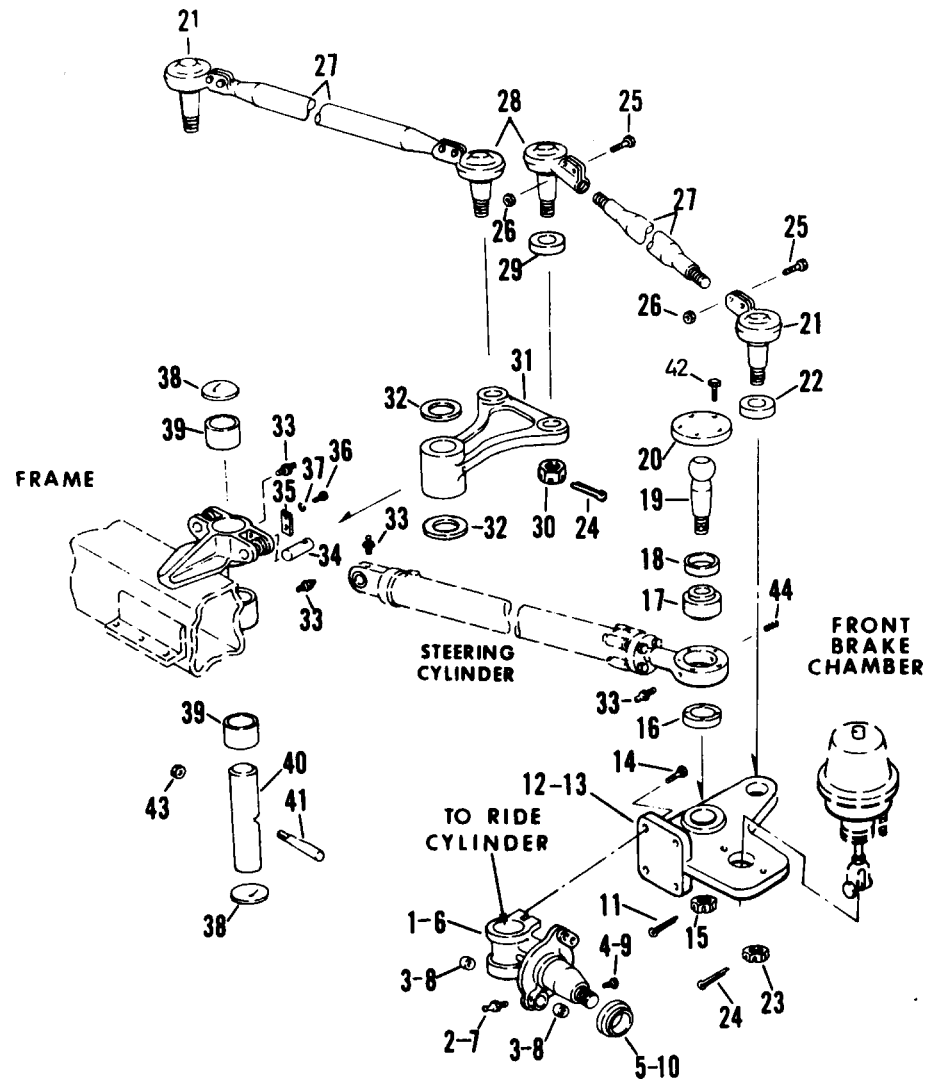
N.C.	REF.	QTY	PART NO.	PART NAME	N.C.	REF.	QTY	PART NO.	PART NAME
	001A	001	15229403	PUMP ASSY	C	030	001	NSS KIT	.WASHER
	001	008	09058044	.SCREW	C	031	001	NSS KIT	.SPRING
	002	002	09058045	.COVER		032	001	NSS KIT	.WASHER
A	003	001	09058106	.KIT-SHIM		033	001	09058105	.BEARING
B	004	002	09028466	.O RING	C	034	001	NSS KIT	.RING-RETAINER
	005	002	09058046	.SPACER		035	001	09398181	.PLATE-WAFER
	006	002	NSS KIT	.BEARING		036	001	09058094	.BEARING
	007	001	02340310	.RING-RETAINER		037	002	09058095	.PIN-ROLLER
B	008	001	09058048	.SEAL		038	001	09058096	.PIN-DOWEL
	009	001	NSS	.HOUSING		039	001	00444854	.PLUG
	010	006	09058069	.SCREW	B	040	001	09399071	.O RING
B	011	001	NSS	.GASKET		041	001	09058097	.PLUG
	012	001	09058075	.BEARING		042	001	09058098	.SEAT
	013	001	09058072	.SPRING		043	001	09058099	.VALVE
	014	001	09058073	.SEAT		044	001	09058100	.SPRING
	015	001	09058074	.SEAT		045	001	09399072	.BLOCK
	016	001	09417456	.PIN-ROLL		046A	001	09053287	.KIT-COMPENSATOR
	017	001	09058076	.YOKE		046	001	09050169	..RETAINER
	018	001	09058077	.RETAINER	B	047	001	09050239	..GASKET
	019	001	NOT USED	.KEY	B	048	001	NSS KIT	..O RING
	020	001	09399069	.SHAFT		049	001	00272974	..PLUG
C	021	009	NSS KIT	.SHOE-PISTON		050	004	09399074	..SCREW
C	022	001	NSS KIT	.PISTON		051	001	09050202	..BODY COMPENSATOR
	023	001	NSS KIT	.ROD		052	001	09050219	..SPOOL
B	024	001	NSS KIT	.O RING		053	001	09050191	..SEAT
C	025	001	NSS KIT	.PLATE		054	001	09050194	..SPRING
C	026	001	NSS KIT	.WASHER	B	055	001	NSS KIT	..O RING
C	027	001	NSS KIT	.RETAINER	B	056	001	09044413	..SEAL
C	028	003	NSS KIT	.PIN		057	001	09050218	..PLUG
C	029	001	NSS KIT	.BLOCK		058	001	09113457	..LOCKWIRE

12-07 -149 R01

NOTES SECTION

- A NOTE: ONE SHIM KIT FOR BOTH YOKE BEARINGS
- B NOTE: PARTS IN 09058104 SEAL KIT
- C NOTE: PARTS IN 09058110 ROTATING GROUP

(THIS PAGE INTENTIONALLY LEFT BLANK)

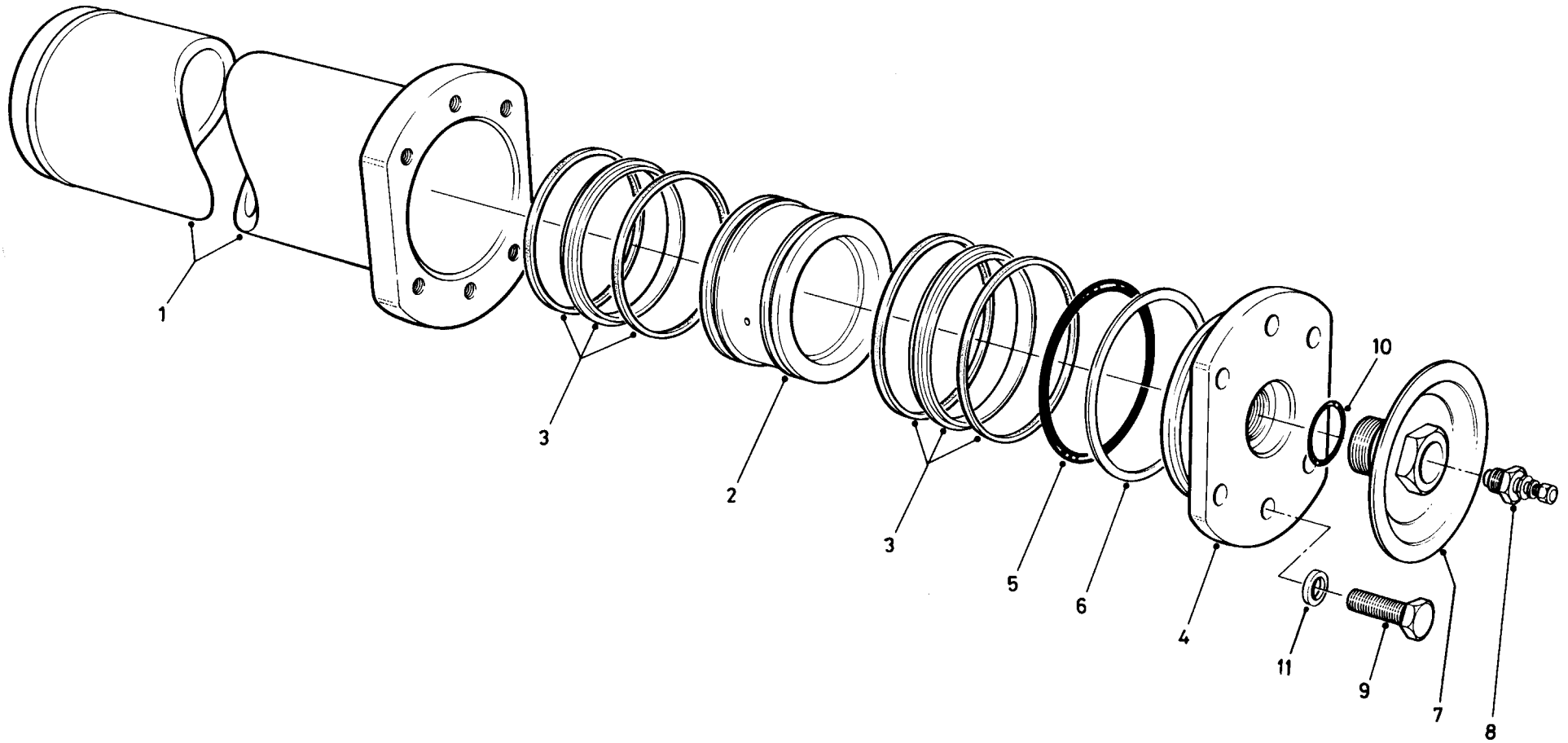


## STEERING LINKAGE

12-13 - 40 R05

N.C.	REF.	QTY	PART NO.	PART NAME	N.C.	REF.	QTY	PART NO.	PART NAME
001	001		09252462	SPINDLE ASSY-RH	023	001		00272328	.NUT
002	001		09411010	.FITTING-GREASE	024	004		00103415	PIN-COTTER
003	002		09102047	.BUSHING	025	008		00271591	BOLT
004	001		00431715	.VALVE	026	008		00454754	NUT
005	001		09016984	.SPACER	027	002		09253457	ROD TIE
006	001		09252463	SPINDLE ASSY-LH	028	002		09245202	SOCKET
007	001		09411010	.FITTING-GREASE	029	001		09368325	.SEAL
008	002		09102047	.BUSHING	030	001		00272328	.NUT
009	001		00431715	.VALVE	031	001		09261799	BELLCRANK
010	001		09016984	.SPACER	032	002		15230267	WASHER TH
011	002		00103426	PIN-COTTER	033	006		09411010	FITTING-GREASE
012	001		09259132	ARM-STEERING LH	034	002		09384856	PIN
013	001		09259133	ARM-STEERING RH	035	002		09253492	PAD
014	008		00223486	BOLT	036	004		00179839	BOLT
015	002		00427667	NUT	037	004		00108580	LOCKWASHER
016	002		09253567	SEAL	038	002		00131296	PLUG EXP
017	002		09253566	BUSHING	039	002		15230266	BUSHING
018	002		09018310	RING-RETAINER	040	001		09384854	PIN.
019	002		09258621	PIN	041	001		09014471	PIN LOCK
020	002		09018309	PLATE	042	010		00179841	BOLT
021	002		09245201	BALL STOP	043	001		09355772	NUT
022	001		09368325	.SEAL	044	002		00444571	PLUG

12-13 - 40 R05



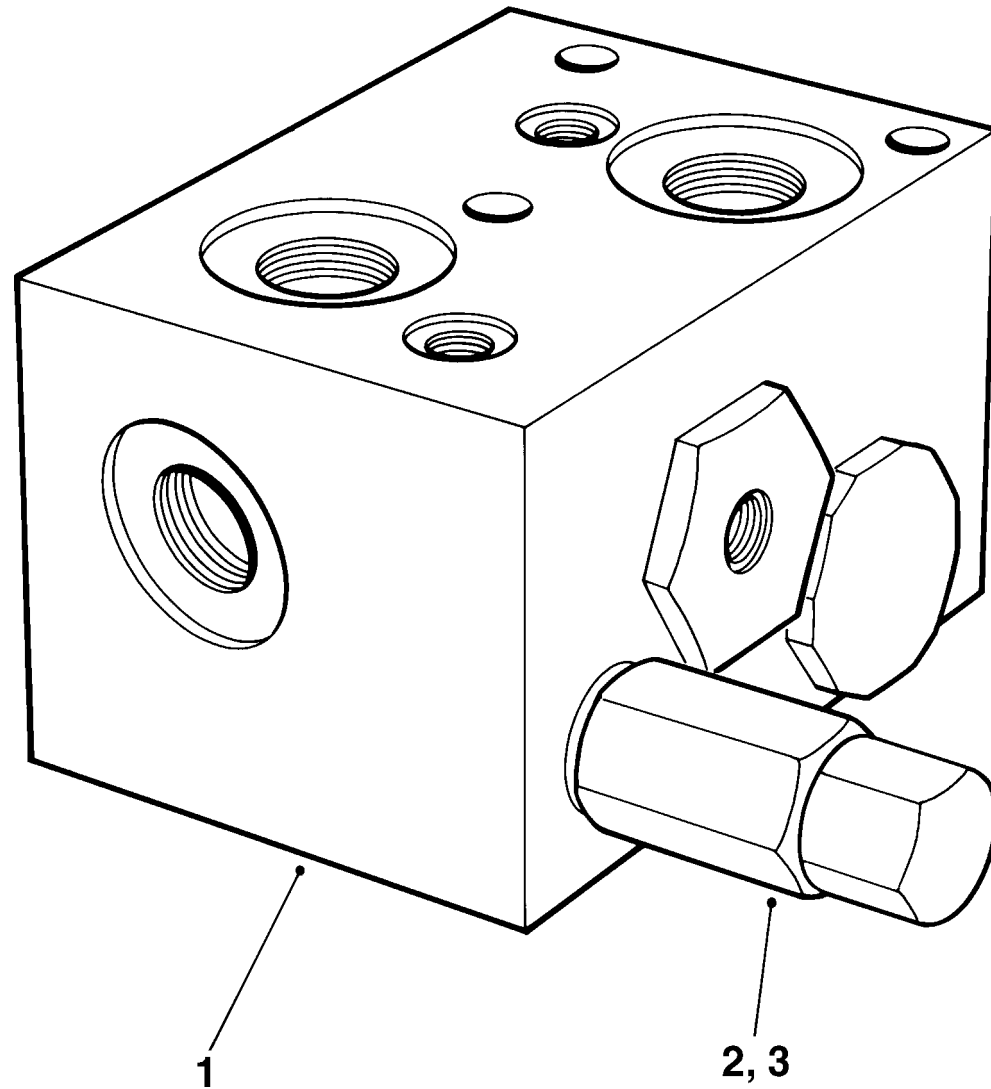
## STEERING SYSTEM ACCUMULATOR

12-15 - 16 R01

N.C.	REF.	QTY	PART NO.	PART NAME
001A	001		15007341	ACCUMULATOR
001	001		15002601	.TUBE ASSY
002	001		15021812	.PISTON
003	002		15021811	.SEAL
004	001		15007338	.CAP-END
005	001		09190980	.O RING

N.C.	REF.	QTY	PART NO.	PART NAME
006	001		09220661	.RING-BACKUP
007	001		15002608	.SHIELD
008	001		06525035	.VALVE ASSY-RECHARGE
009	006		00223471	.BOLT
010	001		00274253	.O RING
011	006		15007339	.WASHER-HARDENED

12-15 - 16 R01





STEERING SYSTEM RELIEF VALVE


12-16 - 53 R01

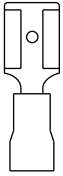
N.C.	REF.	QTY	PART NO.	PART NAME	N.C.	REF.	QTY	PART NO.	PART NAME
A	001	001	15247593	VALVE-ACCUMULATOR	003	001		09038865	.0 RING
	002	001	15265078	.CARTRIDGE					

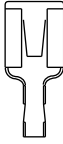
A NOTE: 15265696 SEAL KIT - VALVE


12-16 - 53 R01

P9336

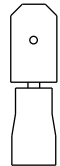
 <p>1</p>	SPADE, FEMALE FULLY INSULATED		
	NOMINAL SIZE	CABLE SIZE	PART NO.
	4.8	14/0.30	15246057
	6.4	14/0.30	09380600
	6.4	28/0.30	09077383


 <p>2</p>	SPADE, FEMALE INSULATED		
	NOMINAL SIZE	CABLE SIZE	PART NO.
	2.8	14/0.30	09366396
	4.7	14/0.30	09366404
	4.7	28/0.30	09366405
	6.4	14/0.30	09366397
	6.4	28/0.30	09366319
	6.4	44/0.30	09366412
	9.5	44/0.30	09366320
	6.4*	14/0.30	15246235
	6.4*	28/0.30	15229343


 <p>3</p>	SPADE, FEMALE UNINSULATED		
	NOMINAL SIZE	CABLE SIZE	PART NO.
	6.4	14/0.30	09384673
	6.4	28/0.30	09384676
	6.4	44/0.30	15245444
	9.5	65/0.30	09384675
	6.2	14/0.30	15248118
	6.2	28/0.30	15248119
	6.2	44/0.30	15248120
	2.6	14/0.30	15248373
	7.2	14 & 28/0.30	15248390
	7.2	44 & 65/0.30	15248441
	3.7	14/0.30	15248442
	3.7 SEALED	14/0.30	15248448
	2.6	35/0.30	15250885
	12.7	65/0.30	09384674
	4.7	14/0.30	15236608
	2.8	14/0.30	15257399
	2.6	14/0.30	15258009
	2.8	14/0.30	15258010
	2.8	14/0.30	15258011
	1.6	14/0.30	15258013


 <p>4</p>	SPADE, MALE UNINSULATED		
	NOMINAL SIZE	CABLE SIZE	PART NO.
	1.5	14/0.30	15257492
	2.8	14/0.30	15258015
	6.3	14/0.30	09384672
	6.3	28/0.30	09384671
	9.5	65/0.30	09384670


P9336

 <p>5</p>	SPADE, MALE INSULATED		
	NOMINAL SIZE	CABLE SIZE	PART NO.
	6.4	14/0.30	15244386
	6.4	28/0.30	09380599


 <p>6</p>	RING INSULATED		
	NOMINAL SIZE	CABLE SIZE	PART NO.
	4	14/0.30	09366390
	5	14/0.30	09366391
	6	14/0.30	09366392
	8	14/0.30	09366393
	10	14/0.30	09366394
	12	14/0.30	09366395


 <p>9</p>	SOCKET UNINSULATED		
	TYPE	CABLE SIZE	PART NO.
	RISTS	14/0.30	15229700
	RISTS	28/0.30	15229701
	RISTS	44/0.30	15229702
	AMPL IVERSAL	28/0.30	09371773
	CANNON	14,& 28/0.30	15234481
	CANNON	14/0.30	15248102
	CANNON	28/0.30	15248104
	CANNON	14,& 28/0.30	15248107
	CANNON	44/0.30	15248110
	HARNESSFLEX	14,& 28/0.30	15248140
	AMPL IVERSAL	14/0.30	15248361
	AMPL IVERSAL	28/0.30	15248363
	PACKARD	14/0.30	15248406
	BURNDY	28/0.30	15249400
	HARNESSFLEX	14,& 28/0.30	15252034
	HARNESSFLEX	44,& 65/0.30	15252035
	AMPHENOL	14/0.30	15247170
	PACKARD	19/0.41	15255019
AMPL IVERSAL	14/0.30	15256533	
KOSTAL	14/0.30	15258008	


 <p>7</p>	RING INSULATED		
	NOMINAL SIZE	CABLE SIZE	PART NO.
	4	28/0.30	09366398
	5	28/0.30	09366399
	6	28/0.30	09366400
	8	28/0.30	09366401
	10	28/0.30	09366402
	12	28/0.30	09366403

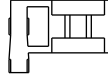
 <p>8</p>	RING INSULATED		
	NOMINAL SIZE	CABLE SIZE	PART NO.
	4	44/0.30	09366406
	5	44/0.30	09366407
	6	44/0.30	09366408
	8	44/0.30	09366409
	10	44/0.30	09366410
	12	44/0.30	09366411


P9336

10	PIN UNINSULATED		
	TYPE	CABLE SIZE	PART NO.
	RISTS	14/0.30	15229697
	RISTS	28/0.30	15229698
	RISTS	44/0.30	15229699
	AMPL IVERSAL	28/0.30	09371771
	CANNON	14 & 28/0.30	15234480
	CANNON	14/0.30	15248099
	CANNON	28/0.30	15248103
	CANNON	14 & 28/0.30	15248106
	CANNON	44/0.30	15248108
	AMPL IVERSAL	14/0.30	15248360
	AMPL IVERSAL	28/0.30	15248362
	PACKARD	14/0.30	15248413
	DEUTSCH	14 & 28/0.30	15250803
	HARNESSFLEX	14, & 28/0.30	15252036
	HARNESSFLEX	44, & 65/0.30	15252037
	PACKARD	19/0.41	15256007
	AMPL IVERSAL	14/0.3	15256612

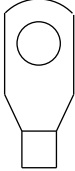
11	BULLET INSULATED		
	NOMINAL SIZE	CABLE SIZE	PART NO.
	4	14/0.30	09378086
	4	28/0.30	09378087
	7	65/0.30	09378088

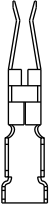
13	WIRE PIN INSULATED		
	TYPE	CABLE SIZE	PART NO.
	HOLLOW	14/0.30	09078630
	SOLID	14/0.30	09380432
	HOLLOW	28/0.30	09078631
	SOLID	28/0.30	09380433
	SOLID	44/0.30	09366293

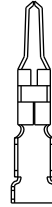
12	SPADE, FEMALE, 90° UNINSULATED		
	NOMINAL SIZE	CABLE SIZE	PART NO.
	6.4	14/0.30	15229342
	6.4	28/0.30	15246529

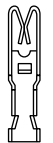
14	FORK INSULATED		
	SIZE	CABLE SIZE	PART NO.
	4	14/0.30	09077965
	4	28/0.30	15256528
	4	44/0.30	15256529
	5	14/0.30	09067944
	5	28/0.30	09067945

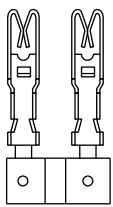
P9336

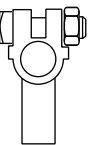
 <p><b>15</b></p>	BATTERY CABLE RINGS UNINSULATED			
	SIZE	TYPE	CABLE SIZE	PART NO.
	6	CRIMP	37/0.71	09384213
	8	CRIMP	37/0.71	15231078
	10	CRIMP	37/0.71	09384214
	12	CRIMP	37/0.71	15231151
	6	CRIMP	120/0.30	15252081
	8	CRIMP	120/0.30	15254430
	10	CRIMP	120/0.30	15254432
	12	CRIMP	120/0.30	15252082
	10	SOLDER	61/1.13	09378351
	10	CRIMP	61/1.13	09078916
	12	CRIMP	61/1.13	09078920

 <p><b>16</b></p>	SPADE, FEMALE (POWER) UNINSULATED		
	NOMINAL SIZE	CABLE SIZE	PART NO.
	6.0	120/0.30	15254388

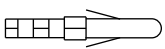




 <p><b>17</b></p>	SPADE, MALE (POWER) UNINSULATED		
	NOMINAL SIZE	CABLE SIZE	PART NO.
	6.0	120/0.30	15254389


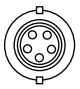
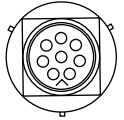
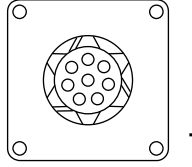
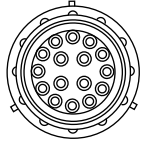
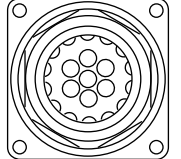
 <p><b>18</b></p>	FUSE, TERMINAL UNINSULATED		
	NOMINAL SIZE	CABLE SIZE	PART NO.
	4.0	19/0.41	15256530
	4.0	84/0.3	15256531






 <p><b>19</b></p>	FUSE LINK, TERMINAL UNINSULATED		
	NOMINAL SIZE	CABLE SIZE	PART NO.
	4.0	19/0.41	15256532

 <p><b>20</b></p>	BATTERY CABLE CLAMPS UNINSULATED			
	POLARITY	TYPE	CABLE SIZE	PART NO.
	+Ve	CRIMP	61/1.13	09078917
	-Ve	CRIMP	61/1.13	09078919

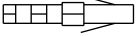
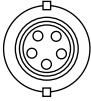
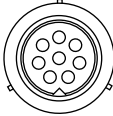

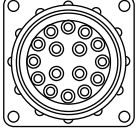
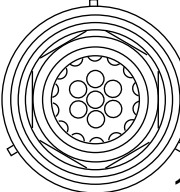


P9337


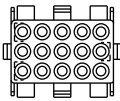
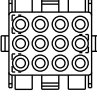
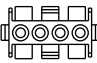

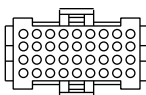
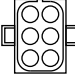
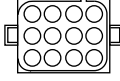
TERMINAL; PIN, RISTS SUITABLE CONNECTORS;- 		
OUTLINE	TYPE	PART NO
 <b>1</b>	RISTS 'E' SERIES	15229691
 <b>2</b>	RISTS 'E' SERIES	15229692
 <b>3</b>	RISTS 'E' SERIES	15229693
 <b>4</b>	RISTS 'E' SERIES	15231071


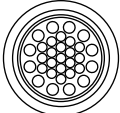
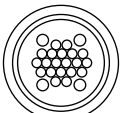
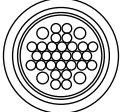
TERMINAL; PIN, HARNESSFLEX SUITABLE CONNECTORS;- 		
OUTLINE	TYPE	PART NO
 <b>5</b>	5-WAY	15252800
 <b>6</b>	BAYONENT 8-WAY	15252728
 <b>7</b>	BAYONENT 8-WAY	15252046
 <b>8</b>	BAYONENT 16-WAY	15255083
 <b>9</b>	BAYONENT 21-WAY	15252047

TERMINAL; SOCKET, RISTS SUITABLE CONNECTORS;- 		
OUTLINE	TYPE	PART NO
 <b>10</b>	RISTS 'E' SERIES	15229694
 <b>11</b>	RISTS 'E' SERIES	15229695
 <b>12</b>	RISTS 'E' SERIES	15229696
 <b>13</b>	RISTS 'E' SERIES	15231072

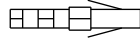
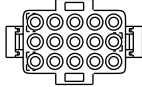
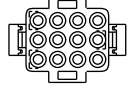


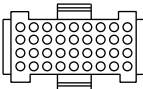
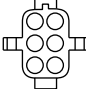
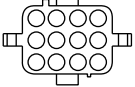
P9337


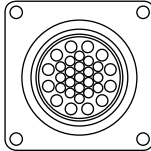
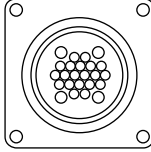
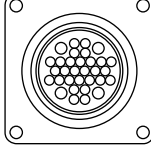




TERMINAL; SOCKET, HARNESS FLEX SUITABLE CONNECTORS;- 		
OUTLINE	TYPE	PART NO
 <b>14</b>	5-WAY	15252801
 <b>15</b>	BAYONENT 8-WAY	15252729
 <b>16</b>	BAYONENT 8-WAY	15252044
 <b>17</b>	BAYONENT 16-WAY	15255081
 <b>18</b>	BAYONENT 21-WAY	15252045
 <b>19</b>	90° SWIVEL (M27)	15234423
 <b>20</b>	90° SWIVEL (M24)	15244784

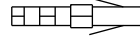
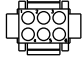
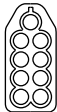
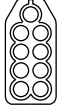
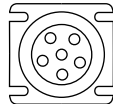
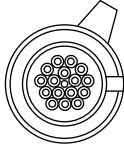
TERMINAL; PIN, AMPLIVERSAL SUITABLE CONNECTORS;- 		
OUTLINE	TYPE	PART NO
 <b>21</b>	MATE-N-LOCK	15248364
 <b>22</b>	MATE-N-LOCK	15251638
 <b>23</b>	MATE-N-LOCK	15256836
 <b>24</b>	MATE-N-LOCK	15256587
 <b>25</b>	MR II	15256611
 <b>26</b>	MATE-N-LOCK	09377007
 <b>27</b>	MATE-N-LOCK	09371774

TERMINAL; PIN, RISTS & CANNON SUITABLE CONNECTORS;- 		
OUTLINE	TYPE	PART NO
 <b>28</b>	CANNON (12-19)	15248074
 <b>29</b>	CANNON (4-20)	15248077
 <b>30</b>	CANNON (4-28)	15257951

P9337

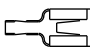







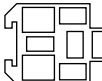
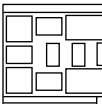



TERMINAL; SOCKET, AMPLIVERSAL SUITABLE CONNECTORS;- 		
OUTLINE	TYPE	PART NO
 <b>31</b>	MATE-N-LOCK	15248365
 <b>32</b>	MATE-N-LOCK	15251593
 <b>33</b>	MATE-N-LOCK	15253354
 <b>34</b>	MATE-N-LOCK	15256588
 <b>35</b>	MR II	15256576
 <b>36</b>	MATE-N-LOCK	09377008
 <b>37</b>	MATE-N-LOCK	09371775

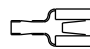
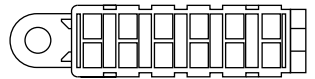
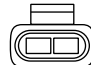



TERMINAL; SOCKET, CANNON SUITABLE CONNECTORS;- 		
OUTLINE	TYPE	PART NO
 <b>38</b>	CANNON (12-19)	15248038
 <b>39</b>	CANNON (4-20)	15248076
 <b>40</b>	CANNON (4-28)	15257950
 <b>41</b>	CANNON (3)	15244400
 <b>42</b>	CANNON (6)	15244399
TERMINAL; SOCKET, Z.F. GEARS SUITABLE CONNECTORS;-		
OUTLINE	TYPE	PART NO
 <b>43</b>	90° SWIVEL (M30)	15253829
TERMINAL; SOCKET, AMPHENOL SUITABLE CONNECTORS;-		
 <b>44</b>	AMPHENOL (2)	15247169



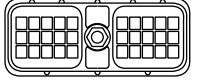


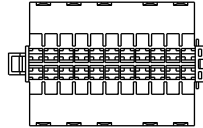

TERMINAL; SOCKET, FRAMATOME SUITABLE CONNECTORS;- 		
OUTLINE	TYPE	PART NO
 <b>45</b>	FRAMATOME (6)	15249408
TERMINAL; SOCKET, LUCAS SUITABLE CONNECTORS;-		
OUTLINE	TYPE	PART NO
 <b>46</b>	LUCAS (BLACK)	15226941
 <b>47</b>	LUCAS (WHITE)	15226519
TERMINAL; PIN, DEUTSCH SUITABLE CONNECTORS;-		
OUTLINE	TYPE	PART NO
 <b>48</b>	DEUTSCH	15250802
TERMINAL; PIN, KOSTAL SUITABLE CONNECTORS;-		
OUTLINE	TYPE	PART NO
 <b>49</b>	KOSTAL	15257952




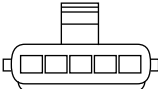
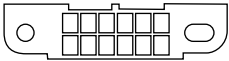
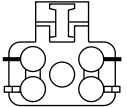


P9337

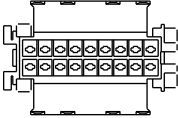
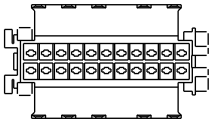
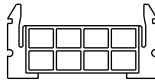




TERMINAL; FEMALE SPADE, 6.4mm SUITABLE CONNECTORS;- 		
OUTLINE	TYPE	PART NO
 50	AMPL IVERSAL	15226251
 51	AMPL IVERSAL	15236937
 52	AMPL IVERSAL	15226970
 53	BRITAX	15236939
 54	BRITAX	15236938
 55	RISTS	09384682
 56	WIPER CONN	15245388
 57	RELAY BASE	15231993
 58	RELAY BASE	15231520
 59	HELLA	15250284
 60	V.D.O.	15256616
 61	MERIT	15256597

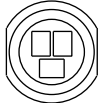
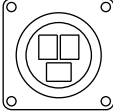
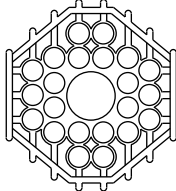

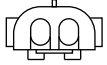

TERMINAL; FEMALE SPADE, 6.2mm SUITABLE CONNECTORS;- 		
OUTLINE	TYPE	PART NO
 62	FUSE BOX	15248123
TERMINAL; FEMALE SPADE, 7.2mm SUITABLE CONNECTORS;-		
OUTLINE	TYPE	PART NO
 63	PACKARD	15248414
TERMINAL; FEMALE SPADE, 9.5mm SUITABLE CONNECTORS;-		
OUTLINE	TYPE	PART NO
 64	RISTS	09364681
 65	MERIT	15256598
TERMINAL; FEMALE SPADE, 1.6mm SUITABLE CONNECTORS;-		
OUTLINE	TYPE	PART NO
 66	AMPL IVERSAL	15257954

TERMINAL; FEMALE SPADE, 2.6mm SUITABLE CONNECTORS;- 		
OUTLINE	TYPE	PART NO
 67	PACKARD	15248395
 68	PACKARD	15248402
 69	PACKARD	15257955
TERMINAL; FEMALE SPADE, 2.8mm SUITABLE CONNECTORS;-		
OUTLINE	TYPE	PART NO
 70	A.S.L.	15257403
 71	AMPL IVERSAL	15257956
 72	AMPL IVERSAL	15257967

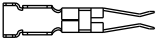
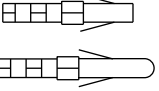


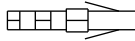
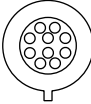
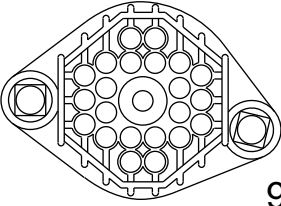

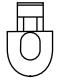

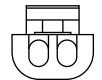

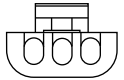
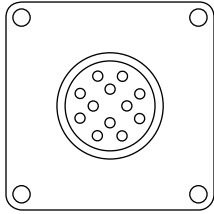
P9337

TERMINAL; FEMALE SPADE, 3.7mm SUITABLE CONNECTORS;-		
OUTLINE	TYPE	PART NO
 <b>73</b>	PACKARD	15248439
 <b>74</b>	PACKARD	15248446
 <b>75</b>	PACKARD	15248445
 <b>76</b>	PACKARD	15250882
TERMINAL; FEMALE SPADE, 4.7mm SUITABLE CONNECTORS;-		
OUTLINE	TYPE	PART NO
 <b>77</b>	RISTS	15236579
TERMINAL; MALE SPADE, 1.5mm SUITABLE CONNECTORS;-		
OUTLINE	TYPE	PART NO
 <b>78</b>	PACKARD	15257490

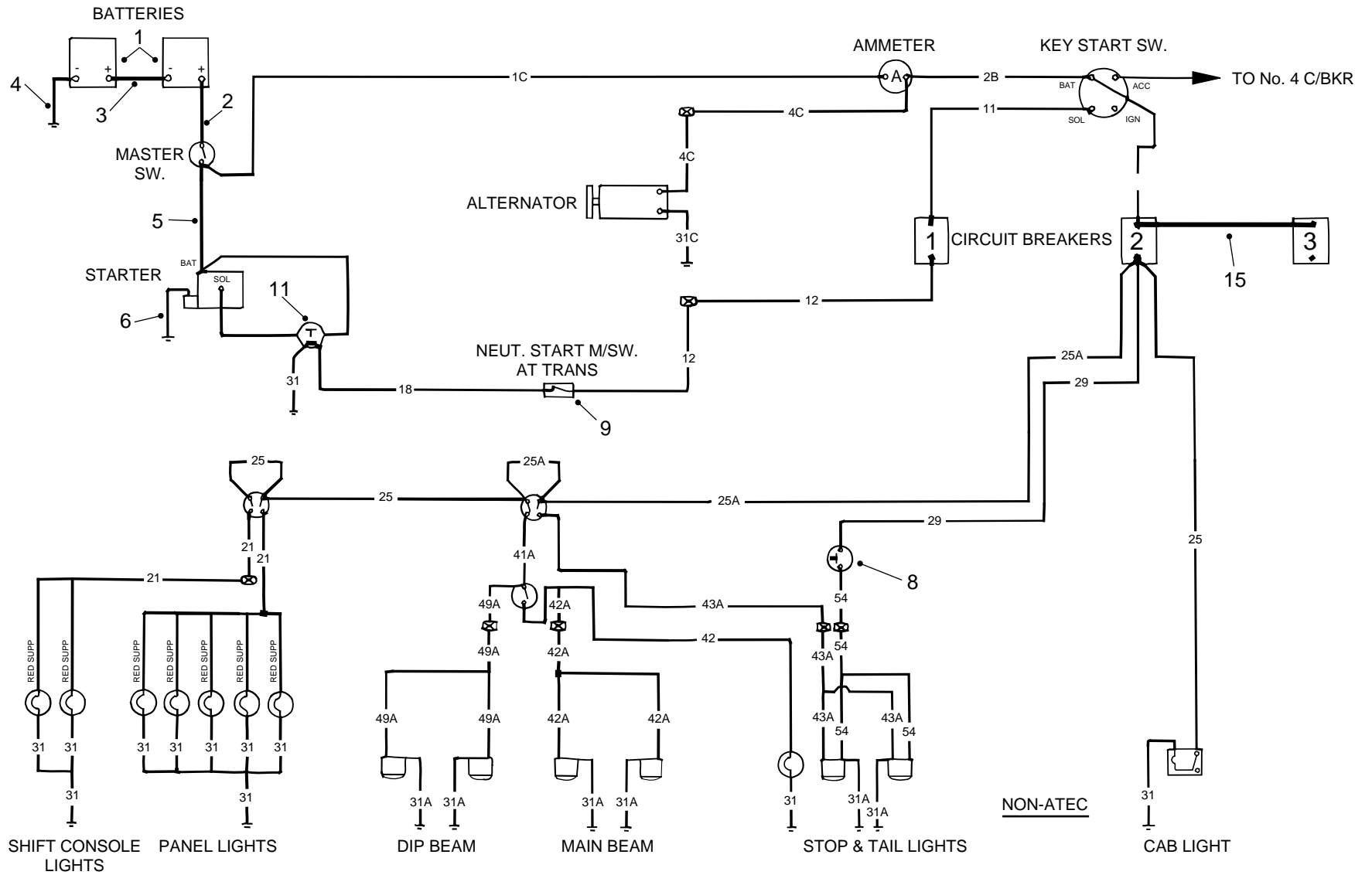
TERMINAL; MALE SPADE, 2.8mm SUITABLE CONNECTORS;-		
OUTLINE	TYPE	PART NO
 <b>80</b>	AMPLIVERSAL	15257962
 <b>81</b>	AMPLIVERSAL	15257963
TERMINAL; MALE SPADE, 6.4mm SUITABLE CONNECTORS;-		
OUTLINE	TYPE	PART NO
 <b>82</b>	AMPLIVERSAL	15236936
 <b>83</b>	AMPLIVERSAL	15231994
 <b>84</b>	AMPLIVERSAL	09376050
 <b>85</b>	BULKHEAD	09384685
TERMINAL; MALE SPADE, 9.5mm SUITABLE CONNECTORS;-		
OUTLINE	TYPE	PART NO
 <b>86</b>	BULKHEAD	15230605

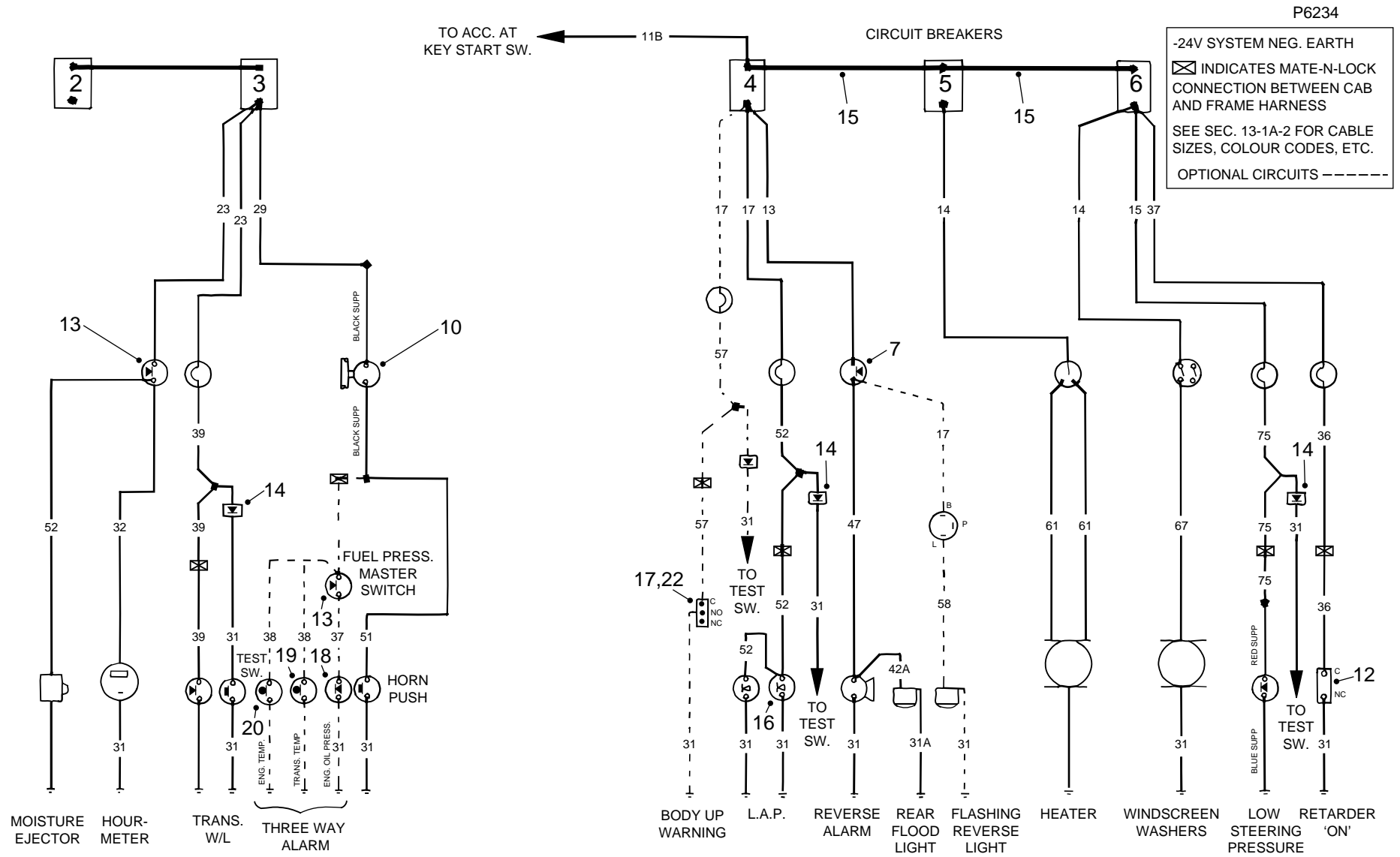
TERMINAL; MALE SPADE, 6.0mm SUITABLE CONNECTORS;-		
OUTLINE	TYPE	PART NO
 <b>87</b>	AMPLIVERSAL	15254387
 <b>88</b>	AMPLIVERSAL	15254385
TERMINAL; PIN, PACKARD SUITABLE CONNECTORS;-		
OUTLINE	TYPE	PART NO
 <b>89</b>	PACKARD	15248426
 <b>90</b>	PACKARD	15250805
 <b>91</b>	PACKARD	15250869
 <b>92</b>	PACKARD	15255037

P9337

TERMINAL; FEMALE SPADE, 6.0mm SUITABLE CONNECTORS;- 			TERMINAL; PIN/SOCKET, CANNON SUITABLE CONNECTORS;- 		
OUTLINE	TYPE	PART NO	OUTLINE	TYPE	PART NO
 <b>93</b>	AMPLIVERSAL	15254386	 <b>98</b>	CANNON (10)	15234478
TERMINAL; SOCKET, PACKARD SUITABLE CONNECTORS;- 			 <b>99</b>	CANNON (10)	15234479
OUTLINE	TYPE	PART NO	TERMINALS SUPPLIED OR NOT REQ'D SUITABLE CONNECTORS;-		
 <b>94</b>	PACKARD	15248438	 <b>100</b>	DIN 43650	15232617
 <b>95</b>	PACKARD	15253703	 <b>101</b>		09241277
 <b>96</b>	PACKARD	15250847	 <b>102</b>	SUCO	09241277
 <b>97</b>	PACKARD	15248424	 <b>103</b>	A. B. CONTROLS	09380580

P6234





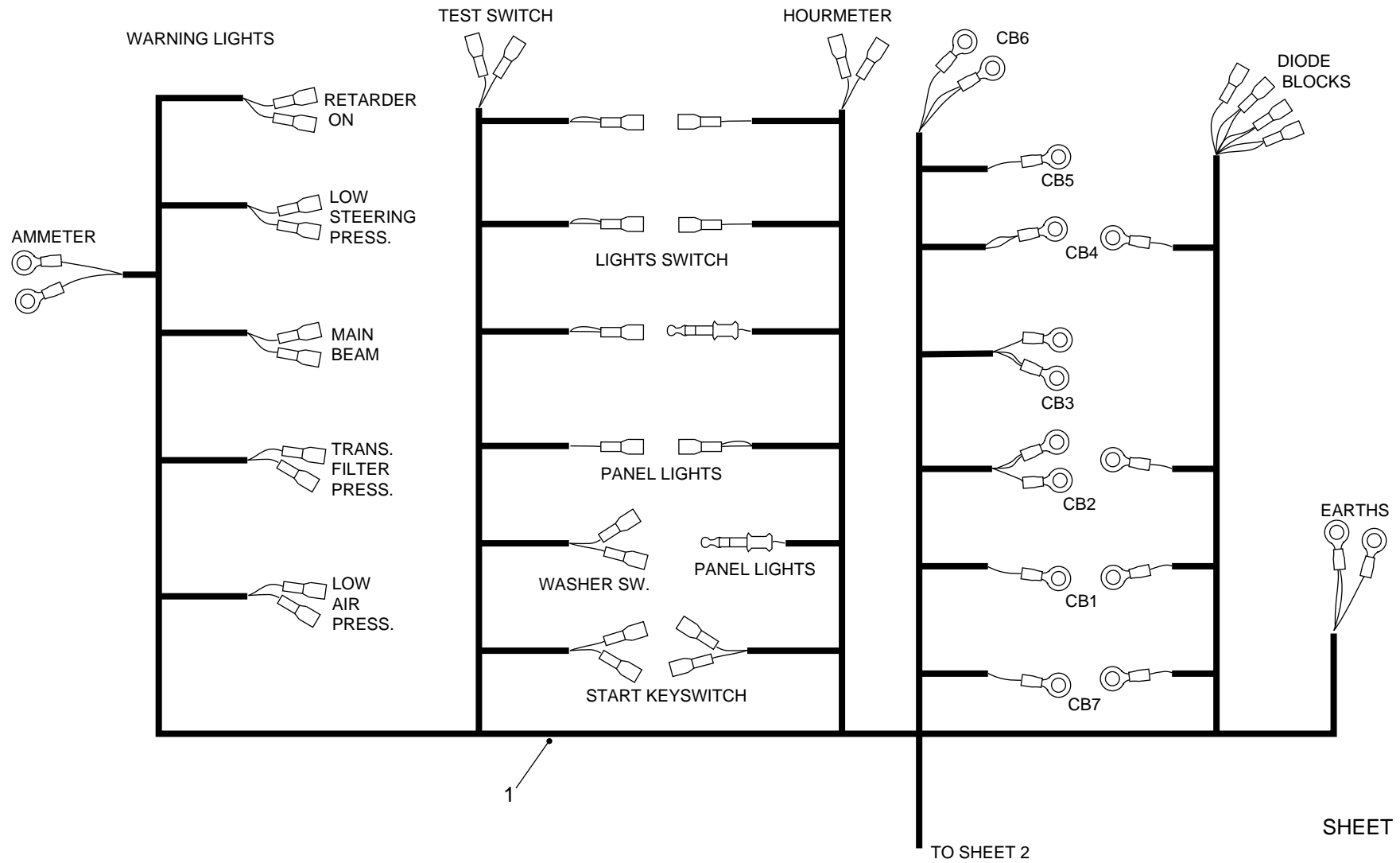
## ELECTRICAL CABLES

13-01 -606 R10

N.C.	REF.	QTY	PART NO.	PART NAME	N.C.	REF.	QTY	PART NO.	PART NAME
	001	002	15226158	BATTERY	A	019	001	15254316	SWT-TRANS OIL TEMP
	002	001	09384435	CABLE	A	020	001	15234821	SWITCH-WATER TEMP
	003	001	09350197	CABLE-INTER BATTERY		NI	001	15249668	HARNESS-DASH
	004	001	09377042	CABLE		NI	001	09384406	HARNESS-HEADLAMP
	005	001	09377238	CABLE		NI	001	15233791	HARNESS-FRAME
	006	001	09077724	CABLE		NI	001	15245147	HARNESS-TAIL LIGHTS
	007	001	00693772	SWITCH-PRESSURE		NI	001	15251227	HARNESS-H/LAMP RELAY
	008	001	02460404	SWITCH-PRESSURE		NI	001	09384438	HARNESS-TACHOGRAPH
	009	001	23011922	SWITCH-NEUTRAL START		NI	002	09380547	HARNESS-HEADLAMP
	010	001	15001878	ALARM-REVERSE	A	NI	001	15235840	HARNESS-REV ALARM
	011	001	15013316	SOLENOID-24V START		NI	001	15234981	HARNESS-CEN PANEL LT
	012	001	09369239	MICROSWITCH		NI	001	15234982	HARNESS-CEN PANEL LT
	013	002	09121241	SWITCH-PRESSURE		NI	001	15234984	HARNESS-PANEL LIGHTS
	014	001	09079062	DIODE BLOCK		NI	001	15234985	HARNESS-PANEL LIGHTS
	015	003	09137512	JUMPER BAR	A	NI	001	15247323	HARNESS-BODYUP W/L
	016	001	09380266	SWITCH-LOW AIR PRESS	A	NI	001	15231984	HARNESS-AIR COND
A	017	001	09077763	GLAND	A	NI	001	15231208	HARNESS-3 WAY ALARM
A	018	001	09361712	SWITCH-ENG OIL PRESS		NI	001	15245409	HARNESS-WIPER MOTOR

A NOTE: OPTIONAL EQUIPMENT

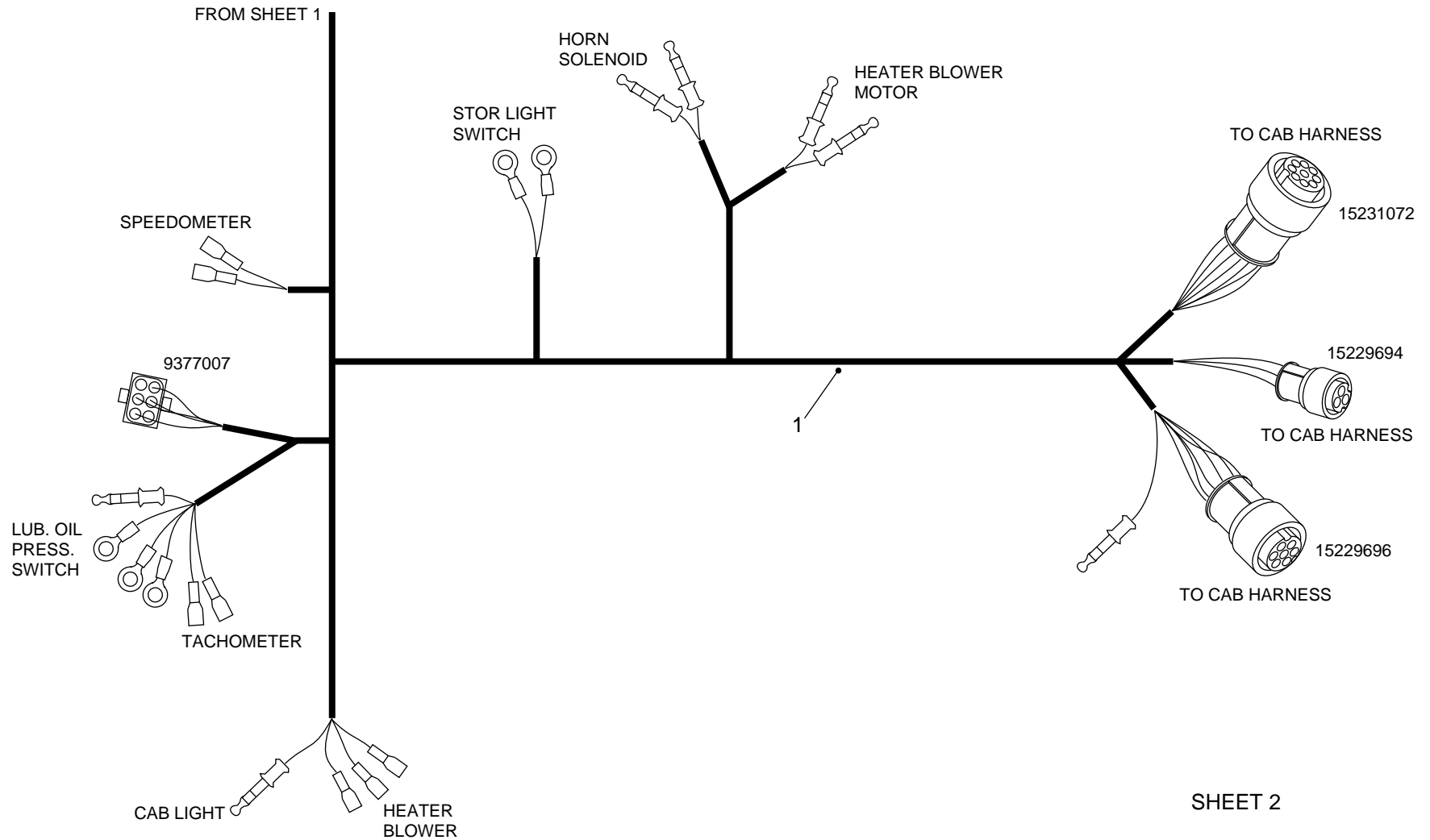
(THIS PAGE INTENTIONALLY LEFT BLANK)



SHEET 1

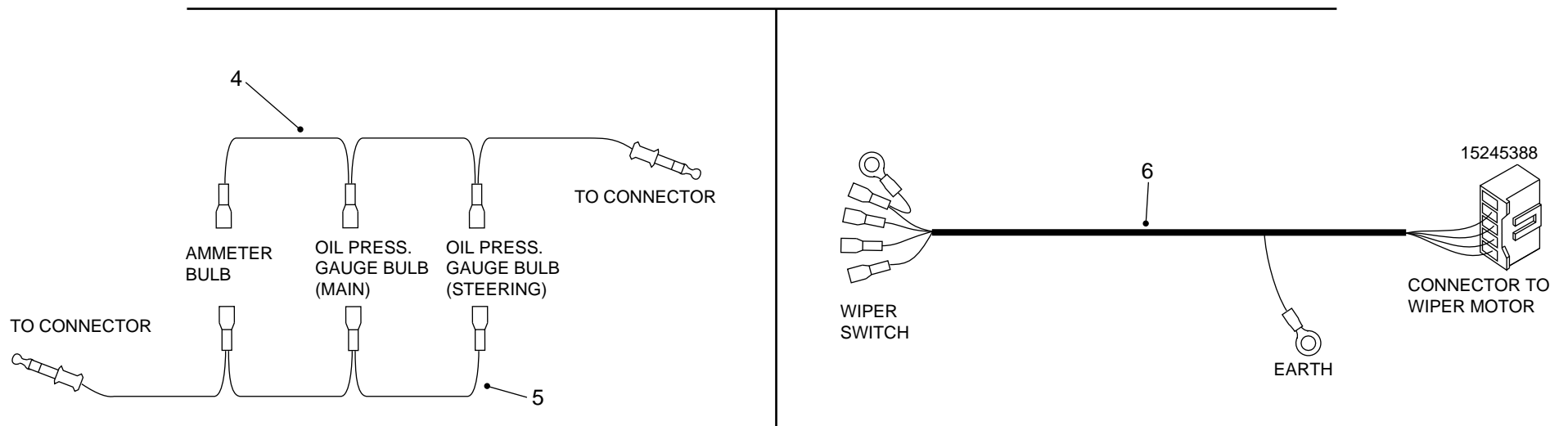
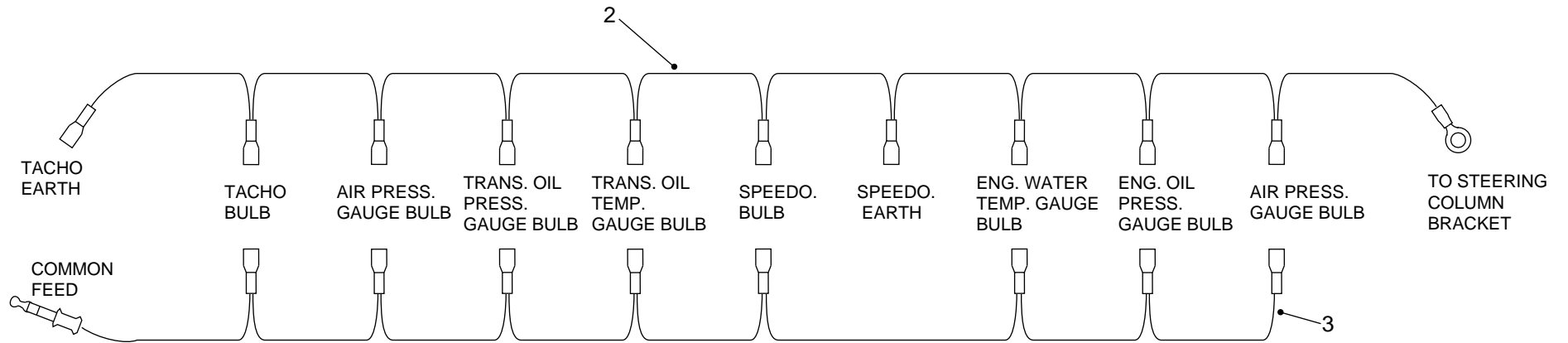
TO SHEET 2





SHEET 2

P9138

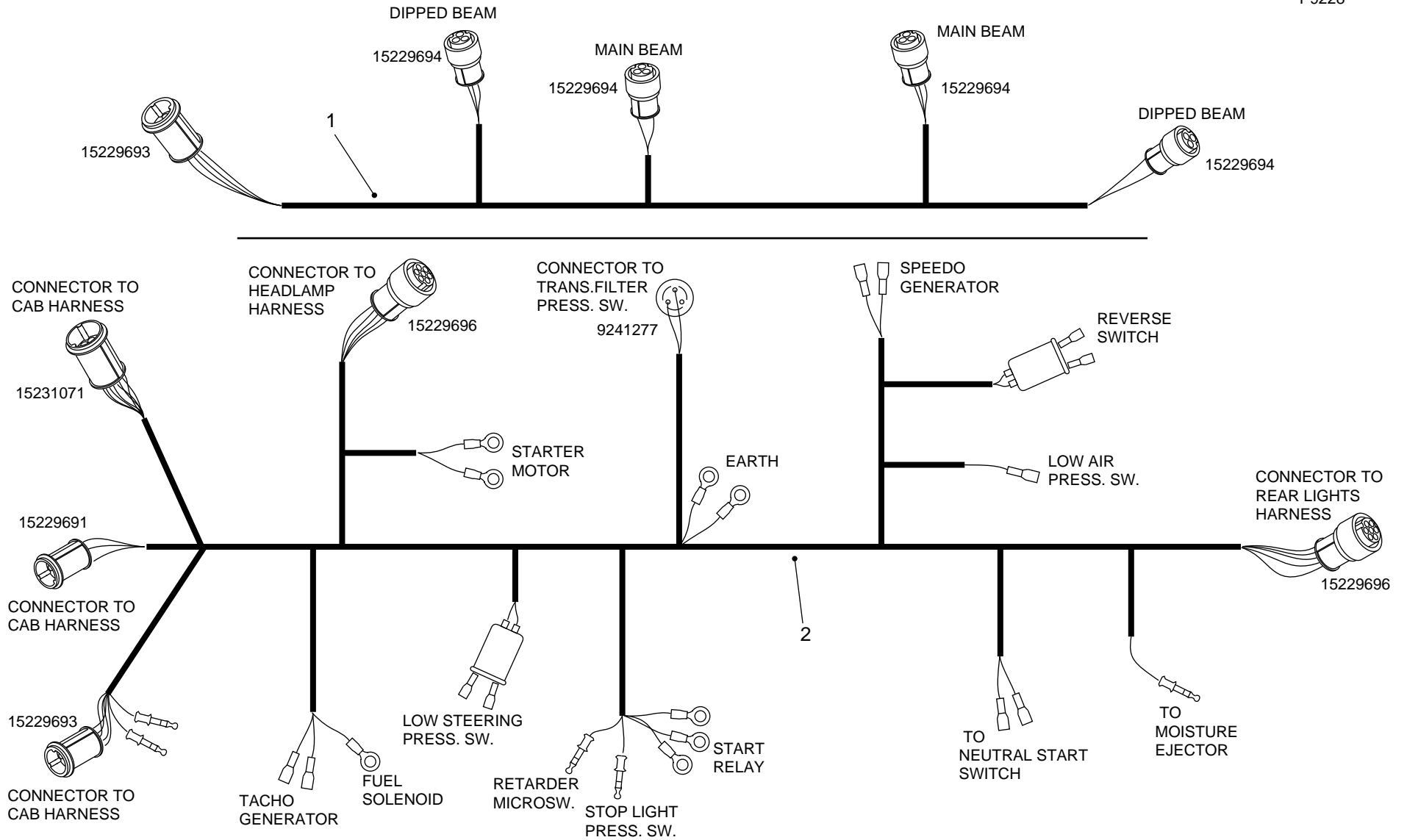


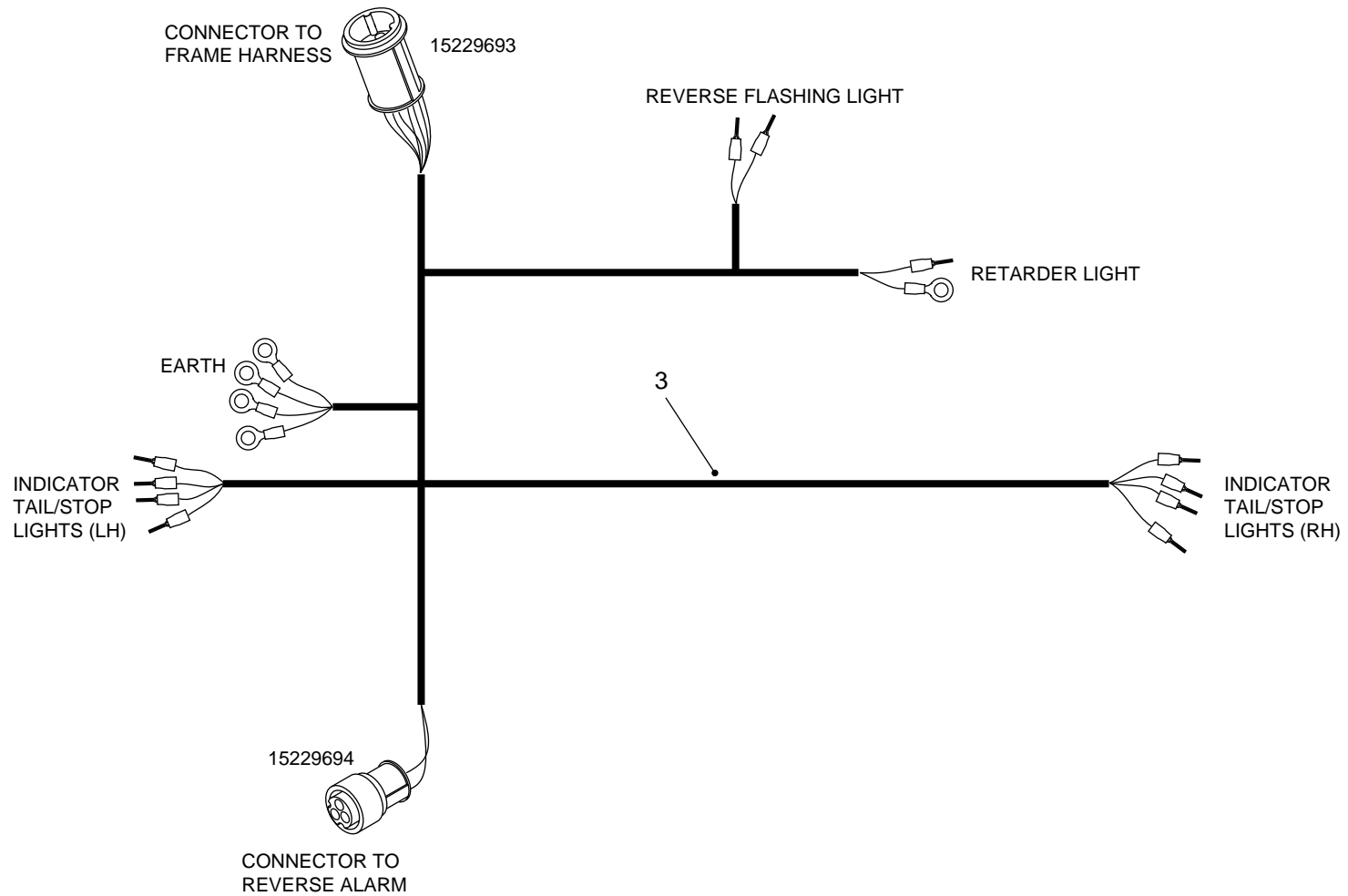
## ELECTRICAL CABLES AND HARNESS-CAB

13-01A- 82

N.C.	REF.	QTY	PART NO.	PART NAME	N.C.	REF.	QTY	PART NO.	PART NAME
	001	001	15255366	HARNESS-DASH		004	001	15234984	HARNESS-PANEL LIGHTS
	002	001	15234981	HARNESS-CEN PANEL LT		005	001	15234985	HARNESS-PANEL LIGHTS
	003	001	15234982	HARNESS-CEN PANEL LT		006	001	15245409	HARNESS-WIPER MOTOR

13-01A- 82





ELECT.CABLES AND HARNESS-FRAME & ENGINE

13-01B- 82

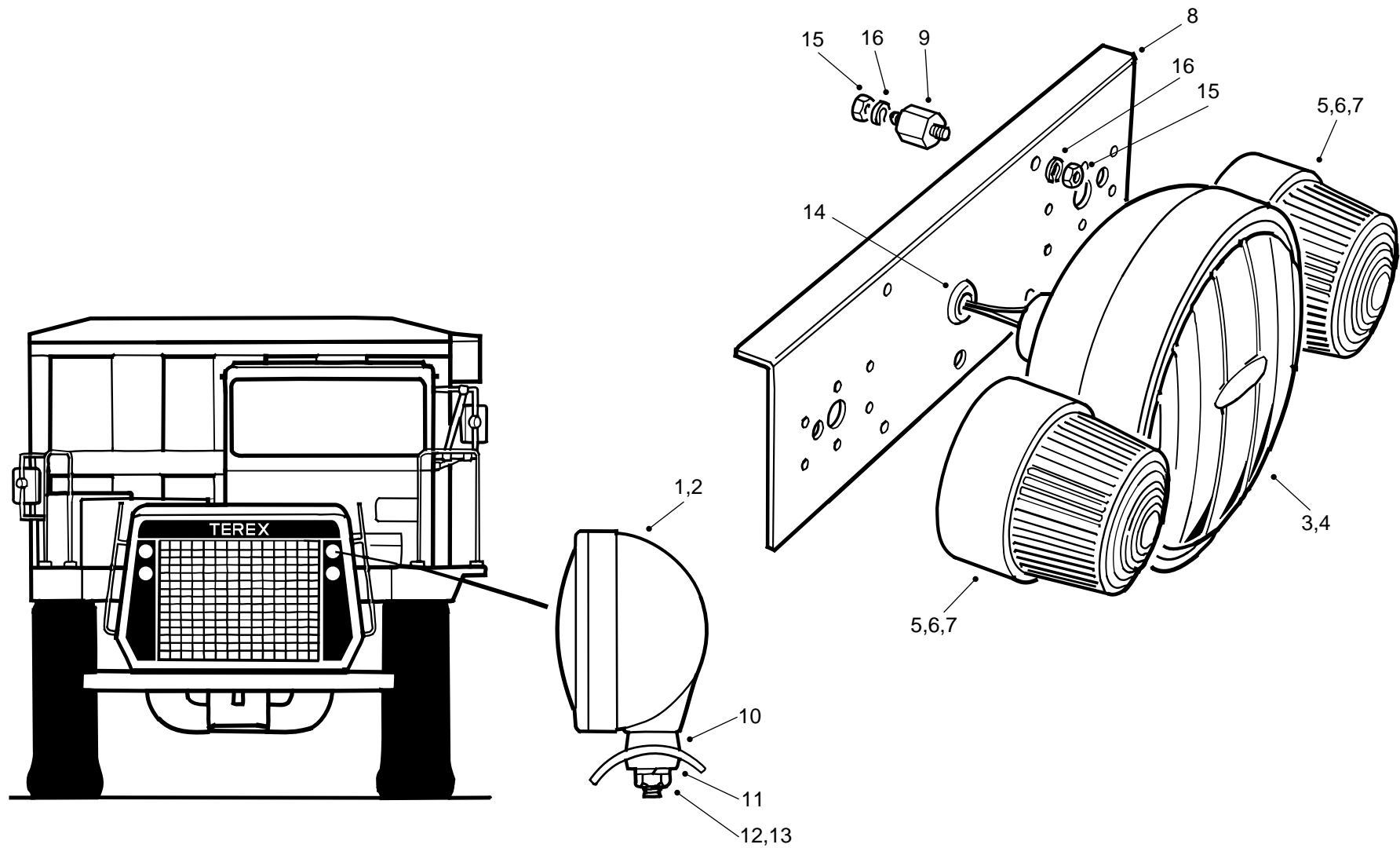
N.C.	REF.	QTY	PART NO.	PART NAME
	001	001	15251428	HARNESS-HEADLAMPS
	002	001	15255365	HARNESS-FRAME

N.C.	REF.	QTY	PART NO.	PART NAME
	003	001	15245147	HARNESS-TAIL LIGHTS

13-01B- 82

(THIS PAGE INTENTIONALLY LEFT BLANK)

P8096





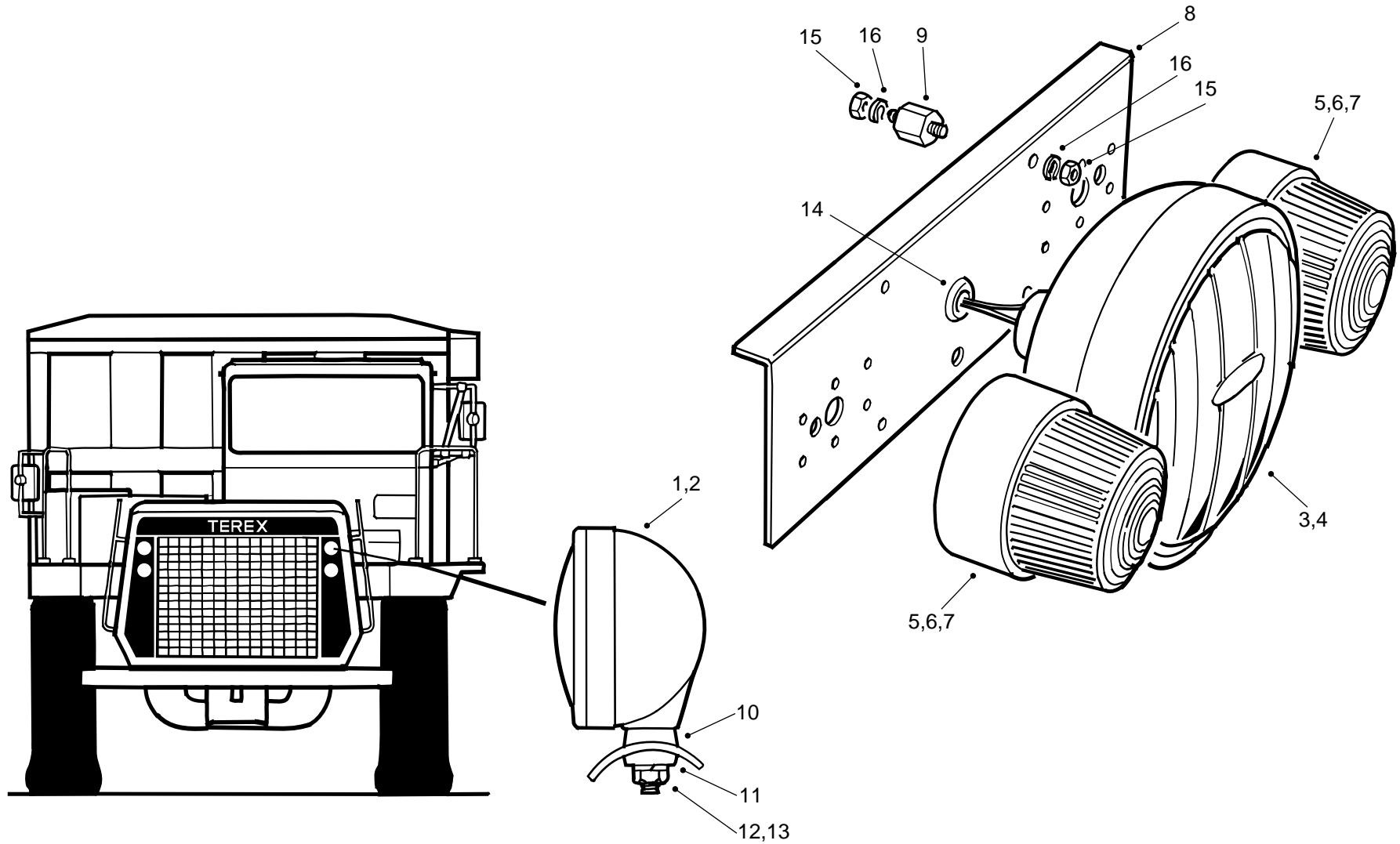
## ELECTRICAL LIGHTING SYSTEM

13-03A- 22 R01

N.C.	REF.	QTY	PART NO.	PART NAME	N.C.	REF.	QTY	PART NO.	PART NAME
001	004		15232900	HEADLAMP ASSY	009	004		09004006	SHOCK MOUNT
002	001		15226884	BULB	010	004		09359925	SPACER
003	001		09076850	FLOODLIGHT	011	004		09359926	SPACER
004	001		09374208	.BULB	012	004		00115553	LOCKWASHER
005	002		15233220	LIGHT-STOP/TAIL	013	004		00103030	NUT
006	001		09351428	.BULB	014	001		09037733	GROMMET
007	001		09350257	.BULB	015	008		00102634	NUT
008	001		09382192	PLATE	016	008		00103320	LOCKWASHER

13-03A- 22 R01

P8096

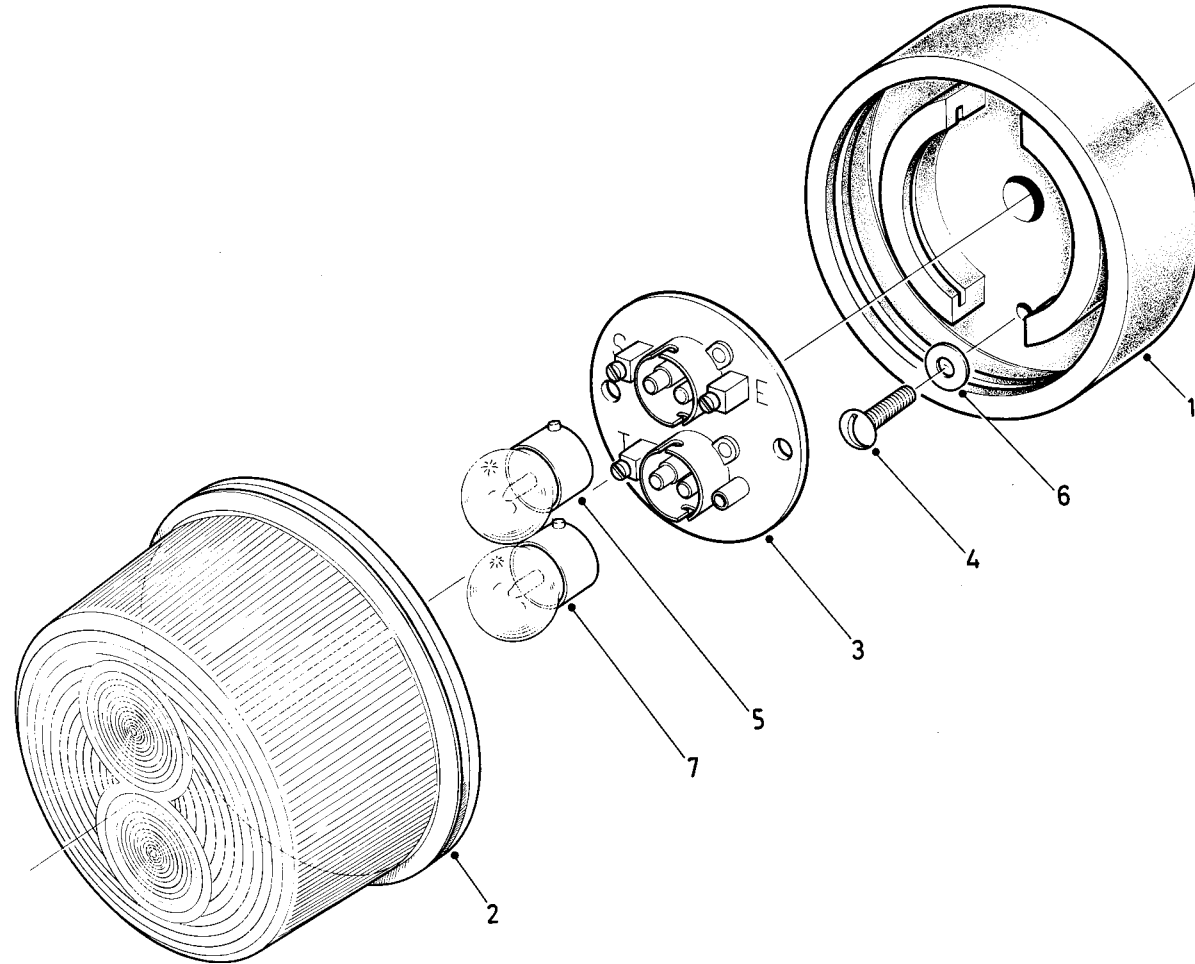


## ELECTRICAL LIGHTING SYSTEM

13-03A- 32

N.C.	REF.	QTY	PART NO.	PART NAME	N.C.	REF.	QTY	PART NO.	PART NAME
	001	004	15251425	HEADLAMP ASSEMBLY		009	004	09004006	SHOCK MOUNT
	002	008	15233404	BULB		010	004	09359925	SPACER
	003	001	09076850	FLOODLIGHT		011	004	09359926	SPACER
	004	001	09374208	.BULB		012	004	00115553	LOCKWASHER
	005	002	15233220	LIGHT-STOP/TAIL		013	004	00103030	NUT
	006	001	09351428	.BULB		014	001	09037733	GROMMET
	007	001	09350257	.BULB		015	008	00102634	NUT
	008	001	09382192	PLATE		016	008	00103320	LOCKWASHER

13-03A- 32

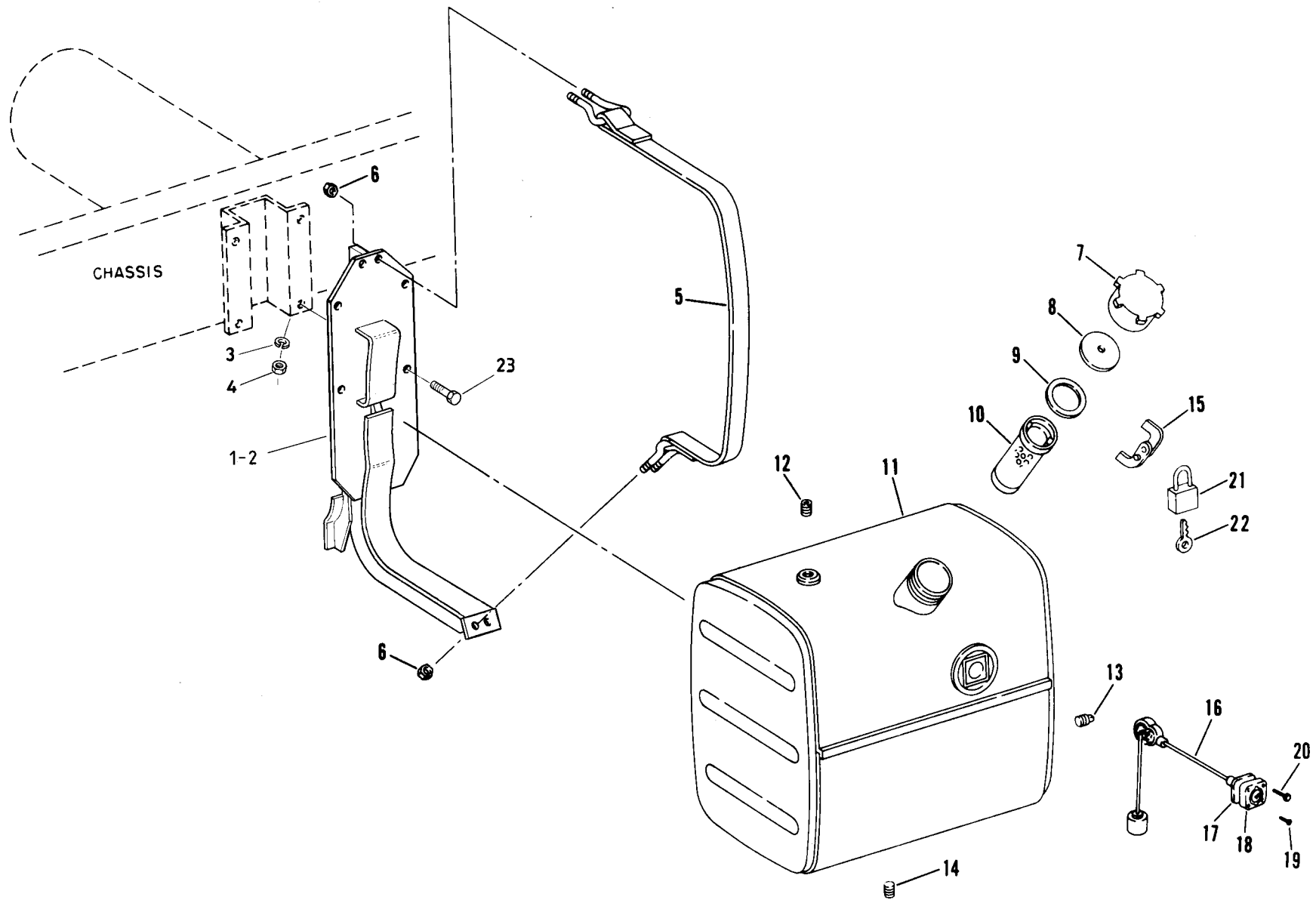


## STOP AND TAIL LIGHT

13-09 - 40

N.C.	REF.	QTY	PART NO.	PART NAME	N.C.	REF.	QTY	PART NO.	PART NAME
	001A	001	09375364	LIGHT-STOP/TAIL		004	002	NSS	. SCREW
	001	001	NSS	. HOUSING		005	001	09350257	BULB
	002	001	NSS	. LENS		006	002	00103339	WASHER
	003	001	NSS	. LAMPHOLDER		007	001	09351428	BULB

13-09 - 40

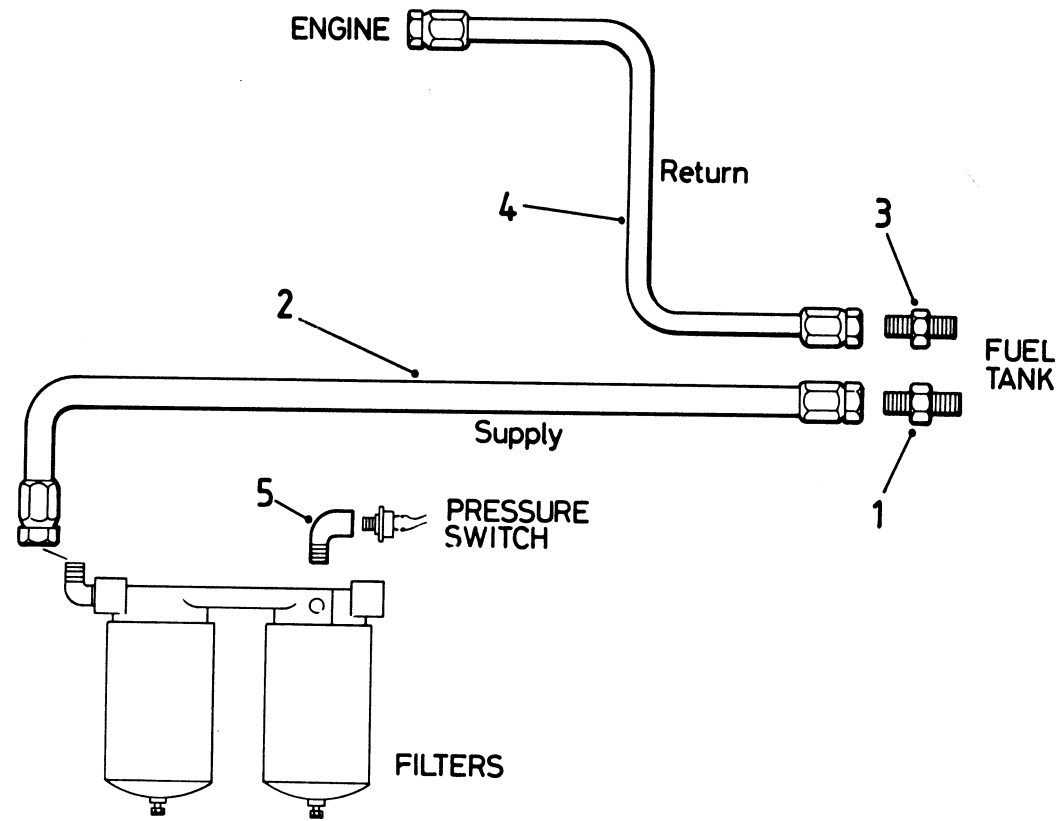


## FUEL TANK AND MOUNTING

15-01 -265 R02

N.C.	REF.	QTY	PART NO.	PART NAME	N.C.	REF.	QTY	PART NO.	PART NAME
	001	002	15230025	BRACKET ASSY-REAR	013	001	00219309	. PLUG	
	002	001	15230026	BRACKET ASSY-FRONT	014	001	00273469	. PLUG	
	003	008	00103332	LOCKWASHER	015	001	09071724	. LATCH	
	004	008	00274141	NUT	016	001	09049326	. GAUGE ASSY	
	005	002	15229045	STRAP	017	001	09027836	.. GASKET	
	006	008	00274209	LOCKNUT	018	001	09049192	.. DIAL	
	007	001	09251163	CAP ASSY	019	002	09049191	.. SCREW	
	008	001	09251092	. GASKET	020	004	00225593	.. SCREW	
	009	001	09183385	. GASKET	021	001	09268885	LOCK	
	010	001	09160607	STRAINER	022	001	09268892	KEY	
	011	001	15231384	TANK FUEL ASSY	023	008	00223450	BOLT	
	012	001	00113188	. PLUG					

15-01 -265 R02



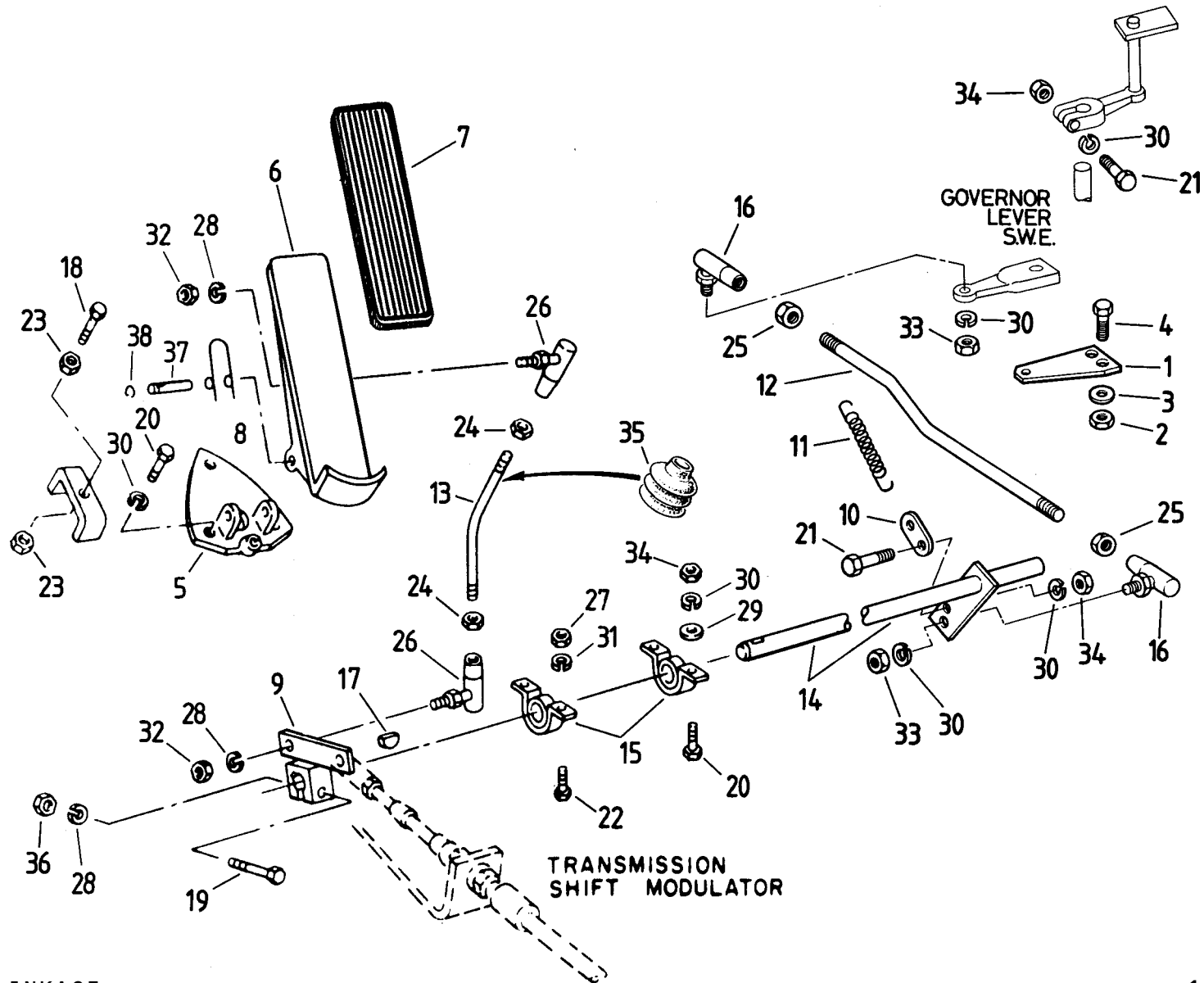


FUEL LINES

15-02 -378

N.C.	REF.	QTY	PART NO.	PART NAME	N.C.	REF.	QTY	PART NO.	PART NAME
	001	001	00116487	CONNECTOR		004	001	15260128	HOSE ASSY
	002	001	15260127	HOSE ASSY		005	001	00105423	ELBOW
	003	001	09121245	CONNECTOR					

15-02 -378

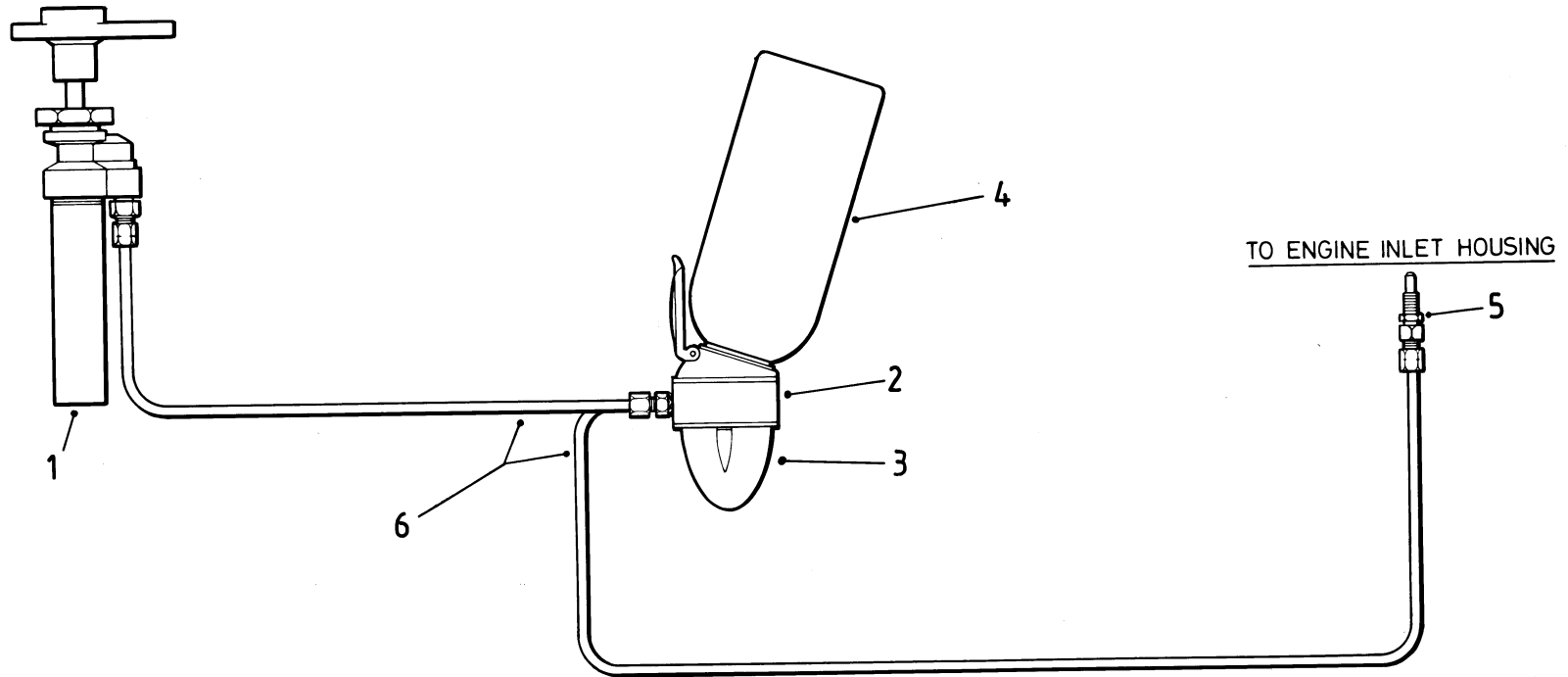


## ACCELERATOR LINKAGE

15-04 -342 R01

N.C.	REF.	QTY	PART NO.	PART NAME	N.C.	REF.	QTY	PART NO.	PART NAME
	001	001	15021303	BRACKET	020	002		00179820	BOLT
	002	002	09419461	LOCKNUT	021	003		00179818	BOLT
	003	004	09060202	WASHER-HARDENED	022	002		00179796	SCREW
	004	002	00186622	BOLT	023	002		00114505	LOCKNUT
	005	001	09264198	PLATE	024	002		00114494	LOCKNUT
	006	001	09250487	PLATE	025	002		00114493	LOCKNUT
	007	001	15249256	COVER-PEDAL	026	002		00109417	JOINT-BALL
	008	001	09037054	SPRING	027	002		00109084	NUT
	009	001	09251993	LEVER	028	003		00108580	LOCKWASHER
	010	002	09184533	CLIP	029	004		00103340	WASHER
	011	001	09361683	SPRING	030	008		00103320	LOCKWASHER
	012	001	15227343	ROD	031	002		00103319	LOCKWASHER
	013	001	09015315	ROD	032	002		00103026	NUT
	014	001	15228230	SHAFT	033	002		00103025	NUT
	015	002	00457145	BEARING	034	004		00102634	NUT
	016	002	00442720	JOINT-BALL	035	001		09078896	BOOT
	017	001	00218217	KEY	036	001		00102635	NUT
	018	001	00179895	BOLT	037	001		09269518	PIN
	019	001	00179847	BOLT	038	002		09411643	RING-RETAINER

15-04 -342 R01



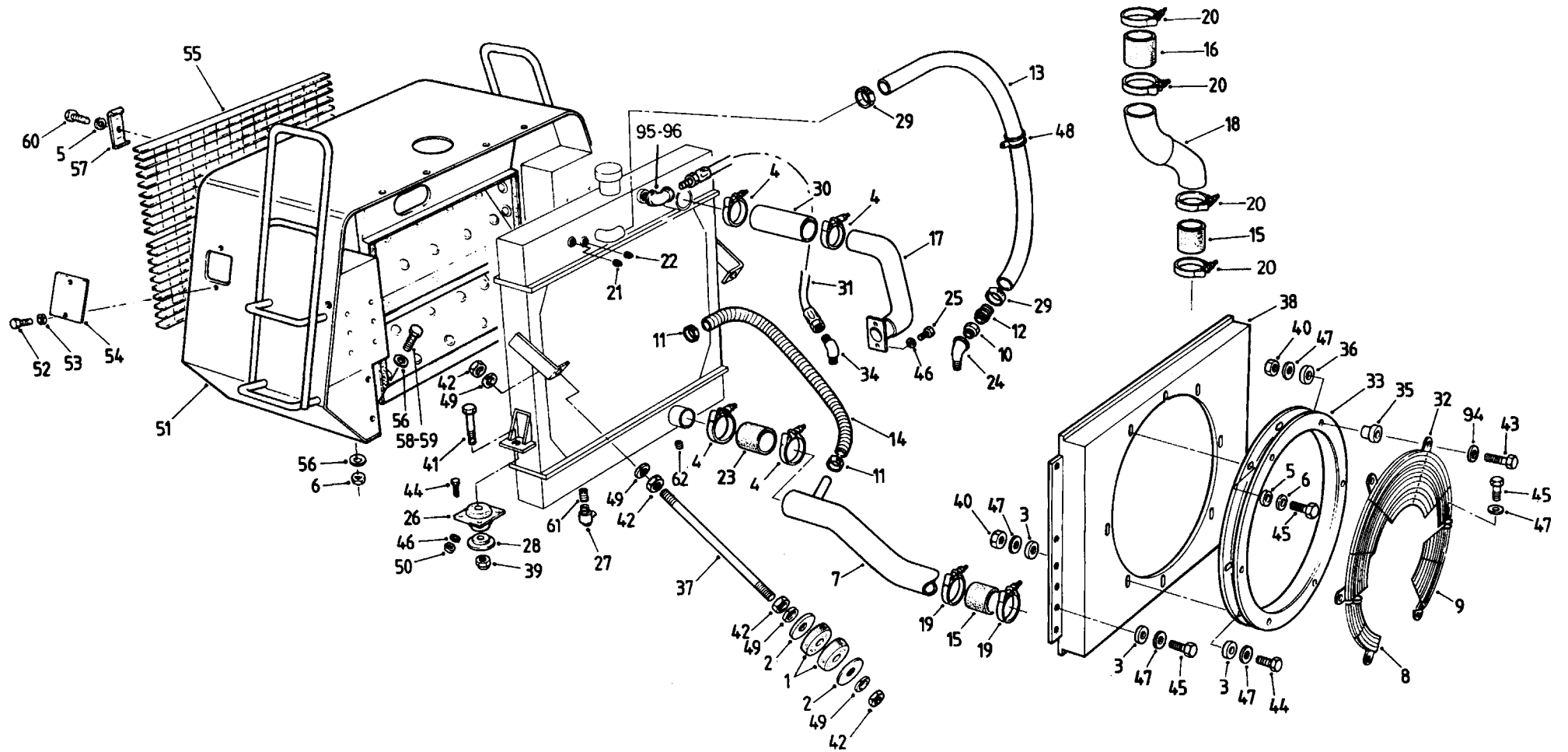
## COLD START KIT

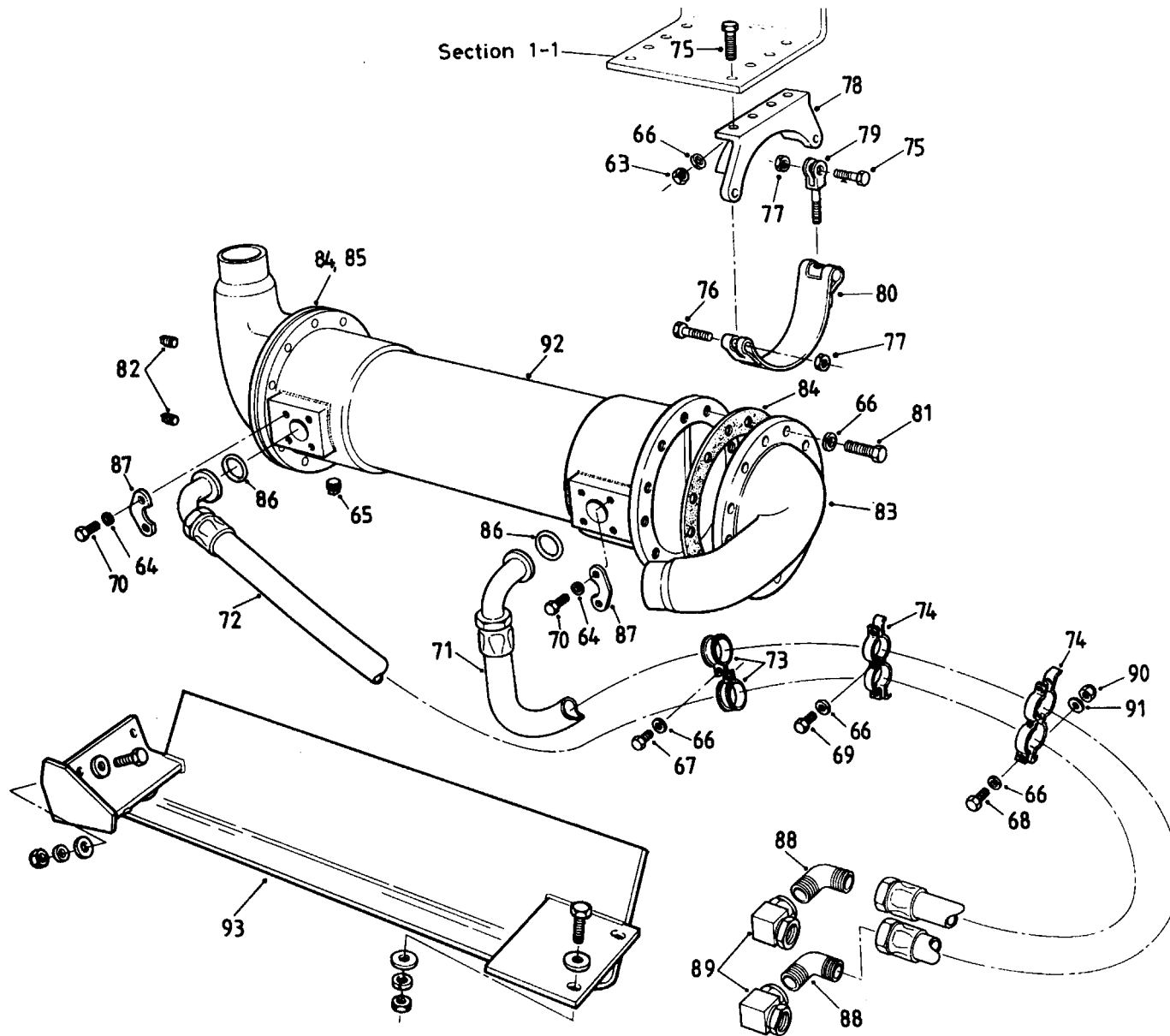
15-08 - 13

N.C.	REF.	QTY	PART NO.	PART NAME	N.C.	REF.	QTY	PART NO.	PART NAME
A	001A	001	09368821	KIT-STARTER	004	001	09392137	.CAN-FUEL	
	001	001	09392094	.PUMP	005	001	09392143	.NOZZLE-INJECTION	
	002	001	09392135	.BOWL-RESERVOIR	006	ASR	09390965	.TUBE	
	003	001	NSS	..BOWL	NI	001	09379654	BRACKET-MOUNTING	

A NOTE: 09392112 SERVICE KIT

15-08 - 13





## RADIATOR MOUNTING AND HOSES

16-01 -434 R06

N.C.	REF.	QTY	PART NO.	PART NAME	N.C.	REF.	QTY	PART NO.	PART NAME
	001	004	09186377	MOUNT-FLEXIBLE	033	001	15228060	RING	
	002	004	09187694	WASHER	034	001	09269719	ELBOW	
	003	024	09199170	WASHER-RUBBER	035	006	09015821	STEM-FLEX 0 PAD	
	004	004	09210713	CLAMP T-BAR BAND 2.9	036	006	09015820	RING-FLEX 0 PAD	
	005	005	00103329	LOCKWASHER	037	002	09014683	ROD	
	006	004	00102637	NUT	038	001	15228057	SHROUD	
	007	001	15228085	TUBE ASSEMBLY	039	002	09355771	NUT	
	008	001	15228462	SCREEN	040	010	00274208	LOCKNUT	
	009	001	15228249	SCREEN	041	002	00271621	BOLT	
	010	001	00128003	BUSHING	042	008	00220081	NUT	
	011	002	02278702	CLAMP	043	006	00179845	BOLT	
	012	001	15247130	CONNECTOR	044	016	00179841	BOLT	
	013	ASR	09158575	HOSE-BULK	045	012	00179839	BOLT	
	014	ASR	09141843	HOSE	046	008	00108580	LOCKWASHER	
	015	ASR	15226920	HOSE-BULK	047	032	00106263	WASHER	
	016	ASR	09003506	HOSE	048	001	09131877	CLIP	
	017	001	15228438	TUBE ASSY	049	008	00103332	LOCKWASHER	
	018	001	15228341	CONNECTOR	050	008	00102635	NUT	
	019	002	09223732	CLAMP	051	001	15228197	GUARD-RADIATOR	
	020	004	09210713	CLAMP T-BAR BAND 2.9	052	004	00179795	BOLT	
	021	002	00444619	PLUG	053	004	00103319	LOCKWASHER	
	022	001	00444625	PLUG (0.38IN)	054	002	09079908	PLATE-COVER	
	023	ASR	15226920	HOSE-BULK	055	001	15231668	GRILLE	
	024	001	00144116	ELBOW	056	012	09267949	WASHER-HARDENED	
	025	002	00179837	BOLT	057	001	15230817	CLIP-GRILLE	
	026	002	09182221	MOUNT-FLEXIBLE	058	005	00179889	BOLT	
	027	001	15230961	VALVE-BALL SHUT OFF	059	004	00179883	BOLT	
	028	002	09139927	WASHER	060	004	00179881	BOLT	
	029	002	09139803	CLAMP	061	001	09136638	NIPPLE	
	030	ASR	09134207	HOSE	062	001	00112715	PLUG	
	031	001	09120890	HOSE ASSY	063	008	00102635	NUT	
	032	001	15228061	SCREEN	064	008	00103329	LOCKWASHER	

16-01 -434 R06

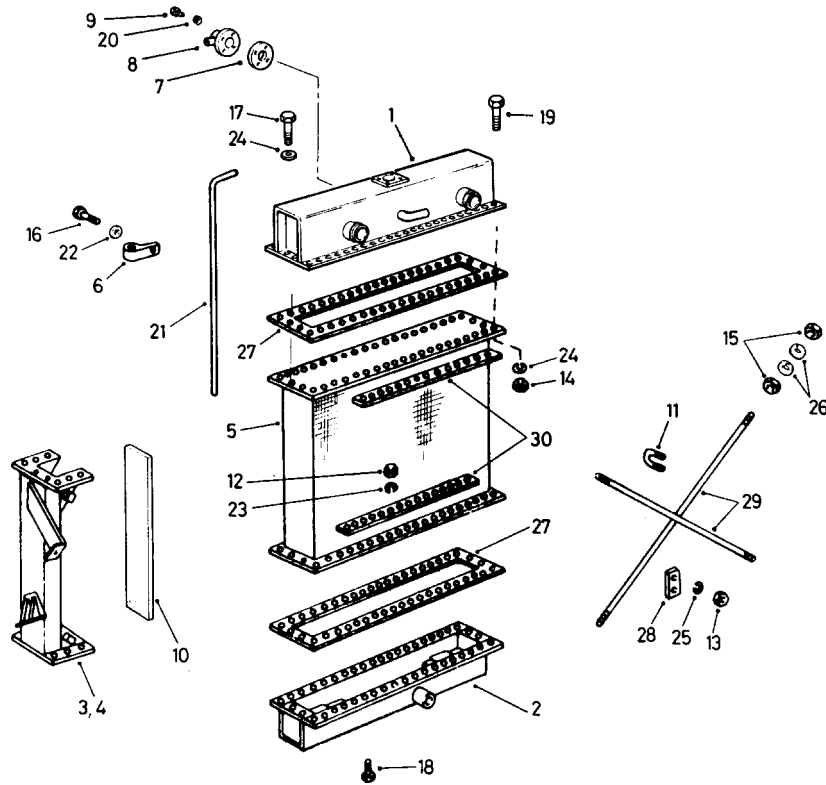
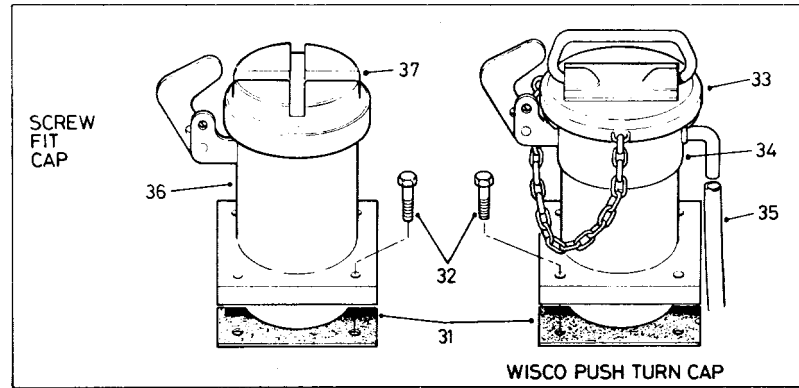


## RADIATOR MOUNTING AND HOSES

16-01 -434 R06

N.C.	REF.	QTY	PART NO.	PART NAME	N.C.	REF.	QTY	PART NO.	PART NAME
065	001		00444619	PLUG	081	022		00179841	BOLT
066	037		00108580	LOCKWASHER	082	002		00444631	PLUG (0.50')
067	001		00179837	BOLT	083	001		09015971	FLANGE
068	004		00179839	BOLT	084	002		09208131	GASKET
069	004		00179843	BOLT	085	001		09253887	FLANGE
070	008		00179885	BOLT	086	002		09264303	O RING
071	001		15231650	HOSE ASSY	087	004		09409985	FLANGE-SPLIT
072	001		09067402	HOSE ASSY	088	002		09410286	ELBOW
073	002		09131877	CLIP	089	002		15003583	ELBOW
074	002		09186555	CLAMP ASSY	090	004		00274208	LOCKNUT
075	002		00179843	BOLT	091	004		00106263	WASHER
076	002		00179850	BOLT	092	001		15231546	HEAT EXCHANGER-TRANS
077	006		00274208	LOCKNUT	093	001		09017543	GUARD
078	002		15231535	SADDLE	094	006		09238836	WASHER
079	002		09208129	YOKE	095	001		00105404	NIPPLE
080	002		15231537	CLAMP	096	001		00105421	ELBOW

16-01 -434 R06

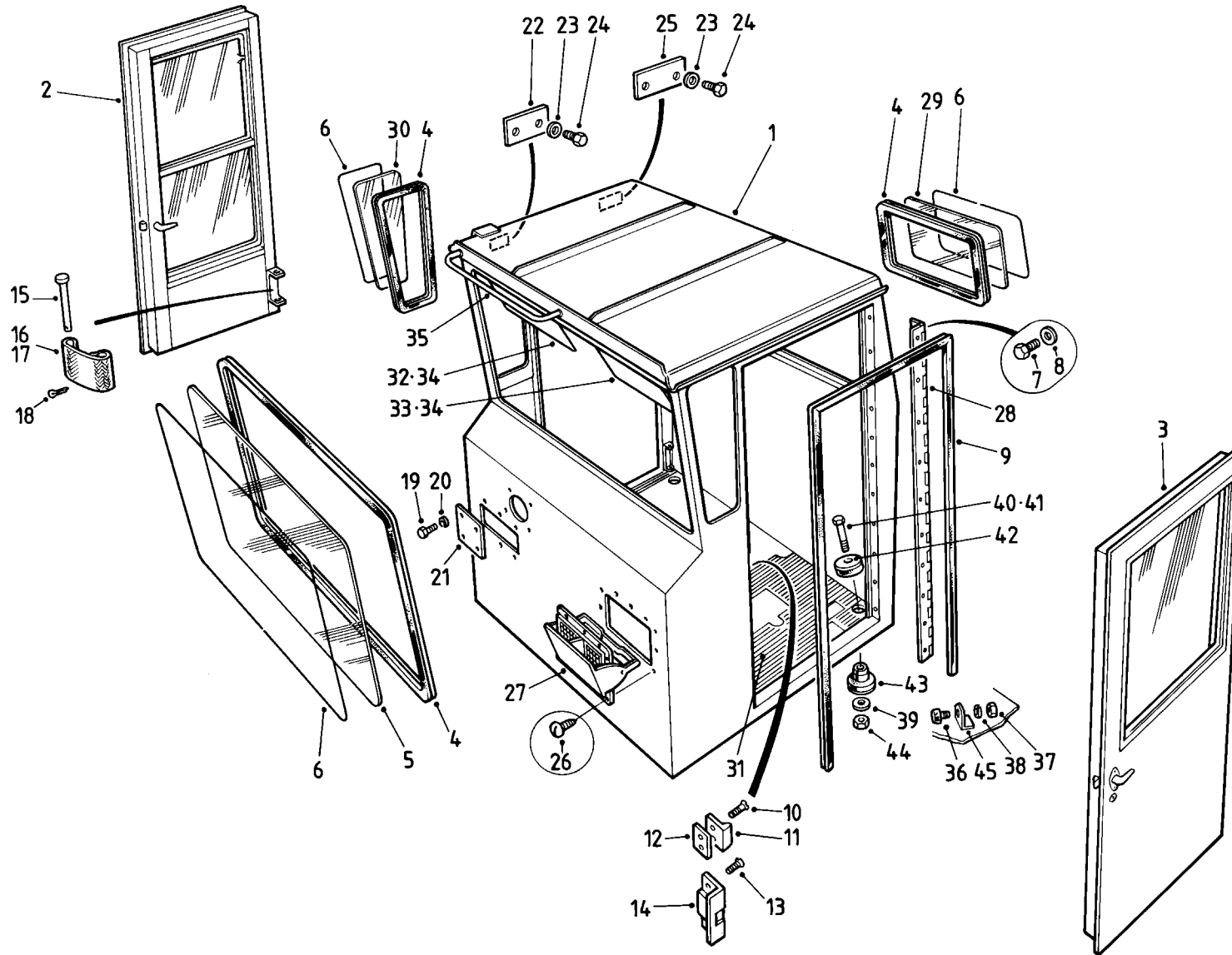


## RADIATOR ASSEMBLY

16-02 -257 R02

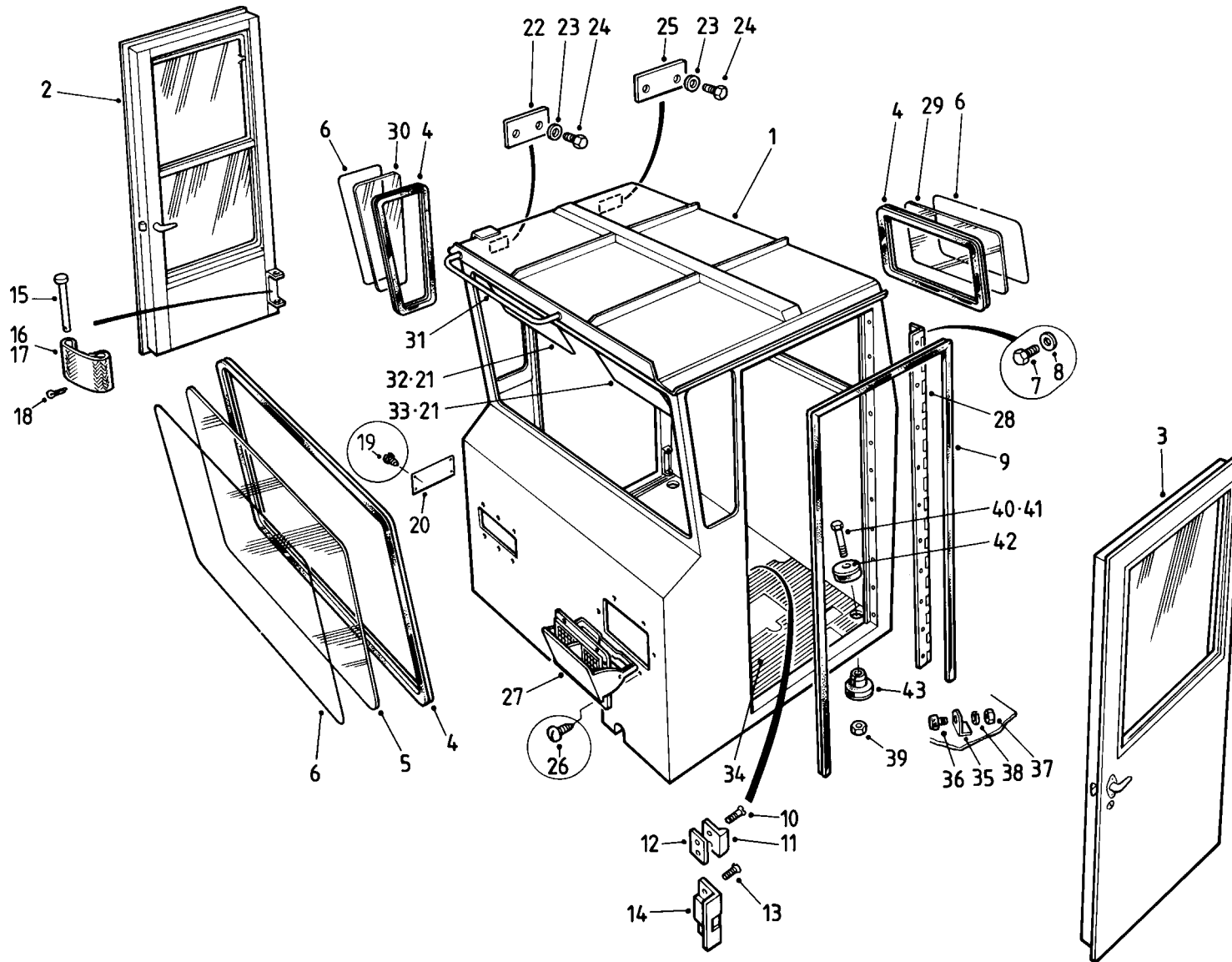
N.C.	REF.	QTY	PART NO.	PART NAME	N.C.	REF.	QTY	PART NO.	PART NAME
	001A	001	15230739	RADIATOR		020	006	00106497	. LOCKWASHER
	001	001	15265263	. TANK-TOP		021	001	09399092	. PIPE
	002	001	09399089	. TANK		022	002	00114604	. LOCKWASHER
	003	001	09399090	. SIDE		023	052	00114606	. LOCKWASHER
	004	001	09399091	. SIDE-STANDARD		024	048	00114608	. LOCKWASHER
	005	001	09039727	. CORE		025	002	00103329	. LOCKWASHER
	006	002	09389381	. CLAMP		026	008	00103331	. LOCKWASHER
	007	001	07550982	. GASKET		027	002	09389378	. GASKET
	008	001	01571669	. VALVE-RELIEF		028	001	09025956	. BRACKET
	009	006	00132908	. SCREW		029	002	09025950	. ROD-CROSS
	010	002	09399078	. PAD		030	004	09399093	. STRIP
	011	001	09025949	. BOLT		031	001	09024628	GASKET
	012	052	00102635	. NUT		032	004	00179838	BOLT
	013	002	00274209	. LOCKNUT		033	001	09066282	CAP
	014	040	00102637	. NUT		034	001	15230876	FILLER NECK-WISCO
	015	008	00274212	. NUT HEX NYLON WASHER		035	ASR	09030744	TUBING
	016	002	00181311	. BOLT	A	036	001	15230852	FILLER NECK
	017	008	00179881	. BOLT	A	037	001	15228225	CAP-FILLER
	018	052	00179841	. BOLT		NI	001	15228227	. GASKET
	019	040	00179885	. BOLT					

A NOTE: ALTERNATIVE FILLER



N.C.	REF.	QTY	PART NO.	PART NAME	N.C.	REF.	QTY	PART NO.	PART NAME
	001	001	15247028	CAB ASSY		024	004	00113956	. SCREW
	002	001	15238716	.DOOR ASSY-RH		025	001	09251370	. COVER
	003	001	15238715	.DOOR ASSY-LH		026	006	00144709	. SCREW
	004	ASR	00755474	.SEAL WINDOW		027	001	15001705	. VENTILATOR
A	005	001	09007946	.GLASS FRONT		028	002	09006116	.HINGE
	006	ASR	00033197	.STRIP-FILLER	A	029	001	09007945	.GLASS REAR
	007	042	00179816	.BOLT	A	030	002	09013642	.GLASS SIDE
	008	042	00138538	.WASHER		031	001	15247238	.MAT-FLOOR
	009	ASR	09049790	.SEAL DOOR		032	001	15226904	.SUN VISOR RH.
	010	004	00113993	.SCREW		033	001	15226905	.SUN VISOR-L.H.
	011	002	09007942	.STRIKER		034	002	15226895	.RETAINER SUN VISOR
	012	002	09211932	.PLATE		035	001	15245784	.TUBE-GRABRAIL
	013	008	00110532	.SCREW		036	001	09370168	STOP-DOOR
	014	002	15238372	.DOVETAIL-FEMALE		037	001	00103026	NUT
	015	004	09262290	.PIN-HEADED		038	001	00108580	LOCKWASHER
	016	001	09251810	.CHECK-DOOR		039	002	00271621	BOLT
	017	001	09251809	.CHECK-DOOR		040	002	00271621	BOLT
	018	004	00103374	.PIN-COTTER		041	001	00271623	BOLT
	019	004	00179837	.BOLT		042	003	09190520	WASHER
	020	004	00108580	.LOCKWASHER		043	003	09190519	CAB MOUNTING
	021	001	09254183	.COVER		044	003	09355771	NUT
	022	001	09007733	.COVER		045	001	09077750	BRACKET
	023	004	00103319	.LOCKWASHER					

A NOTE: FOR GLASS SIZES AND SPECIFICATIONS SEE SECTION 17-01A-1



N.C.	REF.	QTY	PART NO.	PART NAME	N.C.	REF.	QTY	PART NO.	PART NAME
	001	001	15250588	CAB ASSY		023	004	00103319	. LOCKWASHER
	002	001	15238396	.DOOR ASSY-RIGHT		024	004	00113956	. SCREW
	003	001	15238395	.DOOR ASSY-LEFT		025	001	09251370	. COVER
	004	ASR	00755474	.SEAL WINDOW		026	006	00144709	. SCREW
A	005	001	09007946	.GLASS FRONT		027	001	15001705	. VENTILATOR
	006	ASR	00033197	.STRIP-FILLER		028	002	09006116	.HINGE
	007	042	00179816	.BOLT	A	029	001	09007945	.GLASS REAR
	008	042	00138538	.WASHER	A	030	002	09013642	.GLASS SIDE
	009	ASR	09049790	.SEAL DOOR		031	001	15245784	.TUBE-GRABRAIL
	010	004	09008071	.SCREW		032	001	15226904	.SUN VISOR RH.
	011	002	09007942	.STRIKER		033	001	15226905	.SUN VISOR-L.H.
	012	002	09211932	.PLATE		034	001	15250635	MAT-FLOOR
	013	008	00110532	.SCREW		035	001	09077750	BRACKET
	014	002	15238372	.DOVETAIL-FEMALE		036	001	09370168	STOP-DOOR
	015	004	09262290	.PIN-HEADED		037	001	00103026	NUT
	016	001	09251810	.CHECK-DOOR		038	001	00108580	LOCKWASHER
	017	001	09251809	.CHECK-DOOR		039	003	09419493	LOCKNUT
	018	004	00103374	.PIN-COTTER		040	002	00223464	BOLT
	019	004	00145378	.SCREW		041	001	00454414	BOLT
	020	001	15250090	.DECAL-ROPS/FOPS		042	003	09190520	WASHER
	021	002	15226895	.RETAINER SUN VISOR		043	003	09190519	CAB MOUNTING
	022	001	09007733	.COVER					

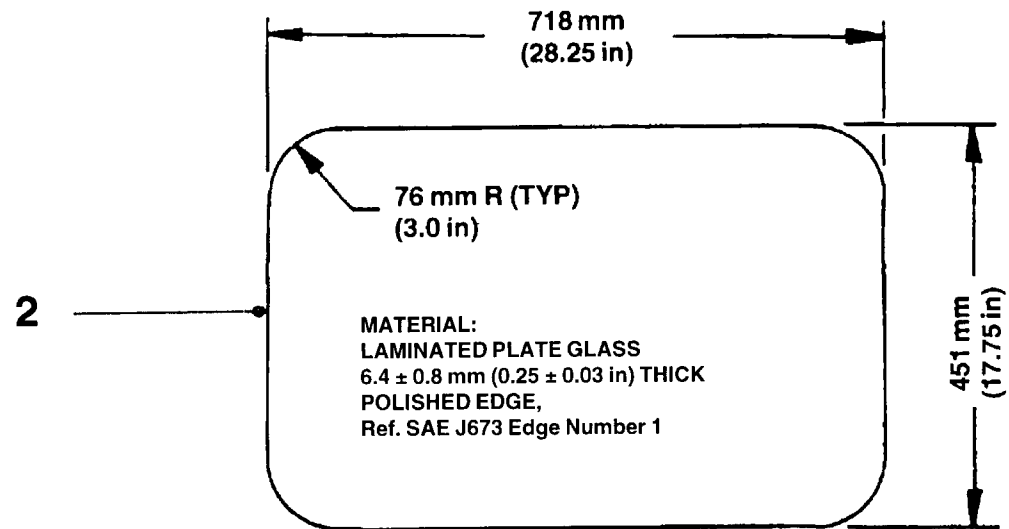
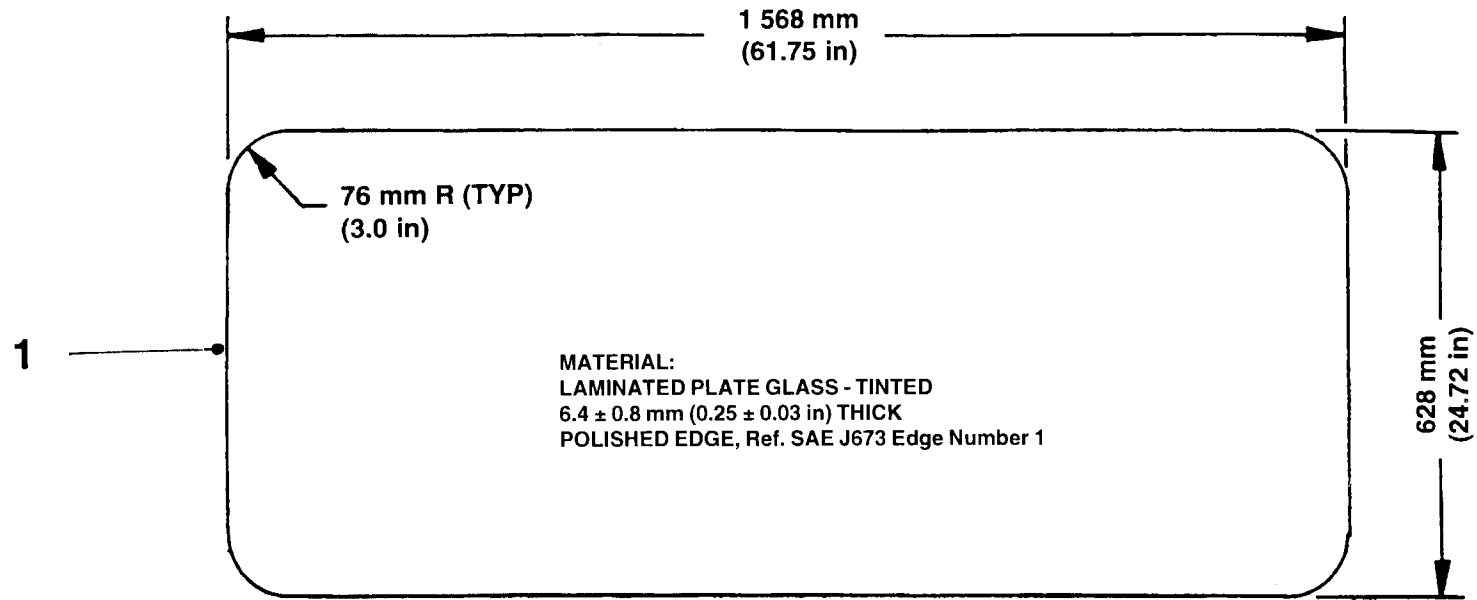
A NOTE: FOR GLASS SIZES AND SPECIFICATIONS SEE SECTION 17-01A-1

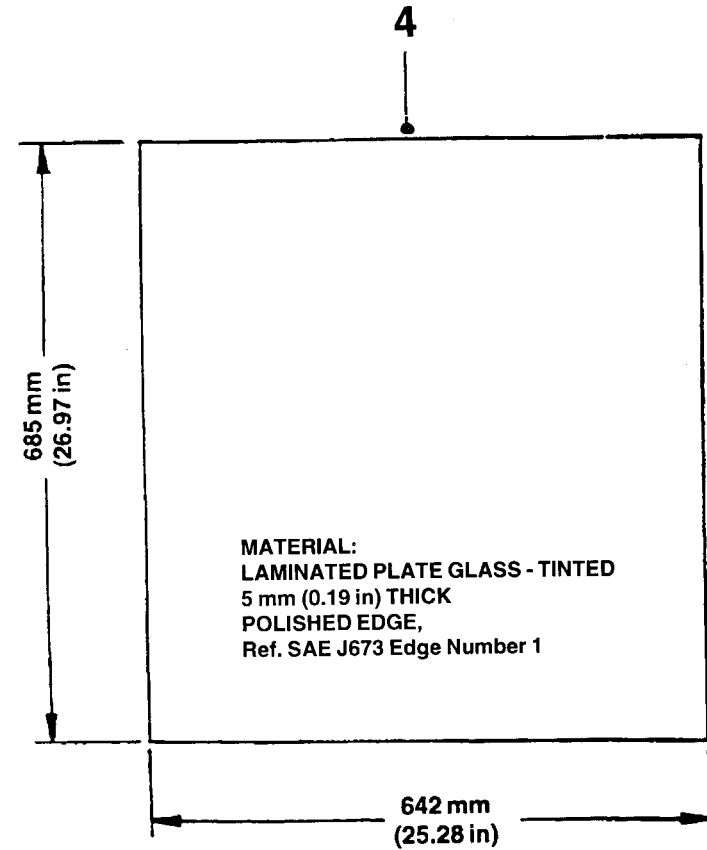
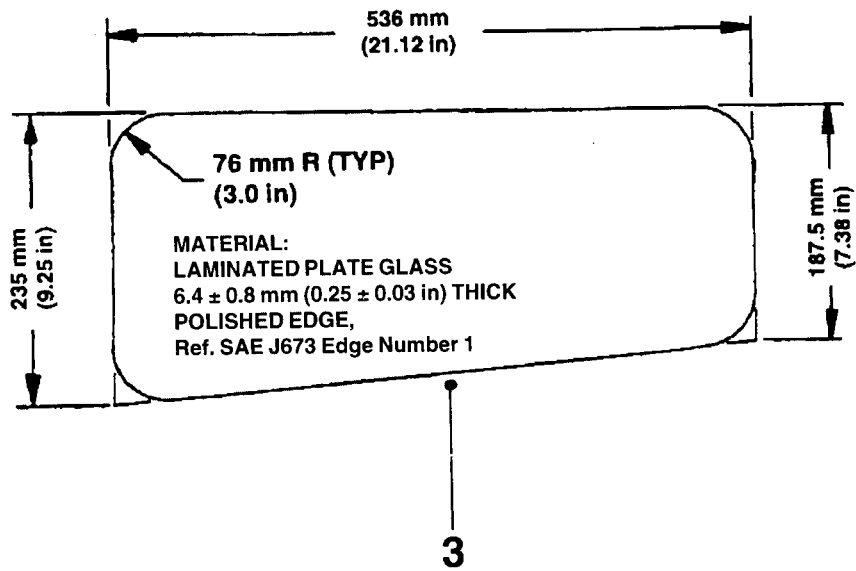


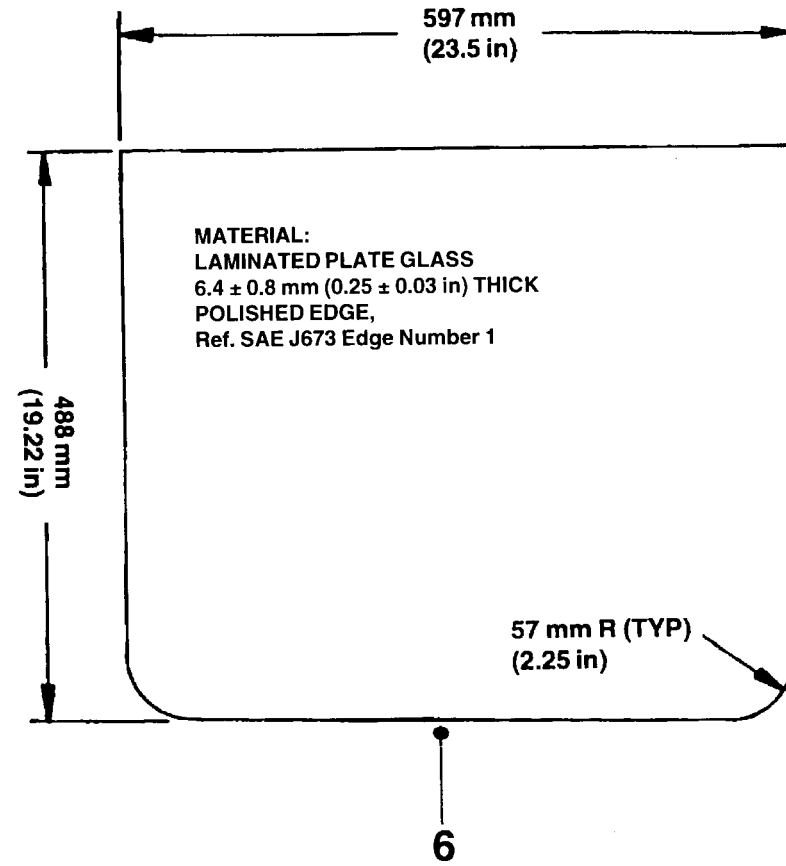
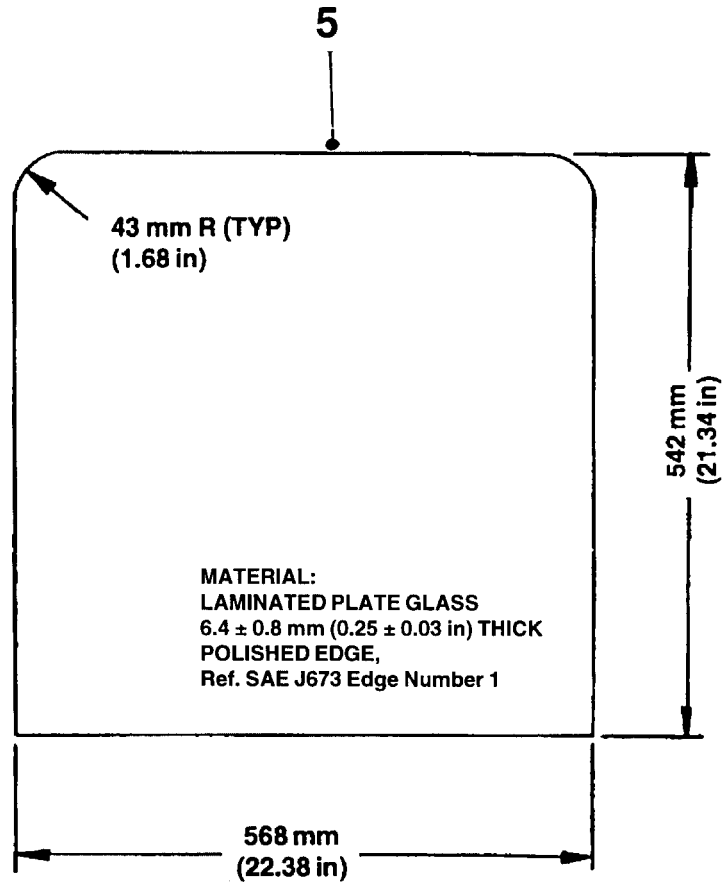


N.C.	REF.	QTY	PART NO.	PART NAME	N.C.	REF.	QTY	PART NO.	PART NAME
	001	001	15252614	CAB COMPLETE ASSEMBL	A	016	001	09007945	.GLASS REAR
	002	001	15252961	.DOOR ASSEMBLY-RIGHT	A	017	002	09013642	.GLASS SIDE
	003	001	15251515	.DOOR ASSEMBLY-LEFT		018	001	15245784	.TUBE-GRABRAIL
	004	ASR	00755474	.SEAL WINDOW		019	004	00145378	.SCREW
A	005	001	09007946	.GLASS FRONT		020	001	15250090	.DECAL-ROPS/FOPS
	006	ASR	00033197	.STRIP-FILLER		021	002	15226895	.RETAINER SUN VISOR
	007	042	00179816	.BOLT		022	001	09007733	.COVER
	008	042	00138538	.WASHER		023	004	00103319	.LOCKWASHER
	009	ASR	09049790	.SEAL DOOR		024	001	00454414	BOLT
	010	002	15229892	.LOCKING BOLT		025	001	09419493	LOCKNUT
	011	004	00113956	.SCREW		026	001	15250635	MAT-FLOOR
	012	001	09251370	.COVER		027	002	00223464	BOLT
	013	001	15226904	.SUN VISOR RH.		028	003	09190520	WASHER
	014	001	15226905	.SUN VISOR-L.H.		029	003	09190519	CAB MOUNTING
	015	002	09006116	.HINGE	NI	001		15252423	PLATE-MANIFOLD

A NOTE: FOR GLASS SIZES AND SPECIFICATIONS SEE SECTION 17-01A-1





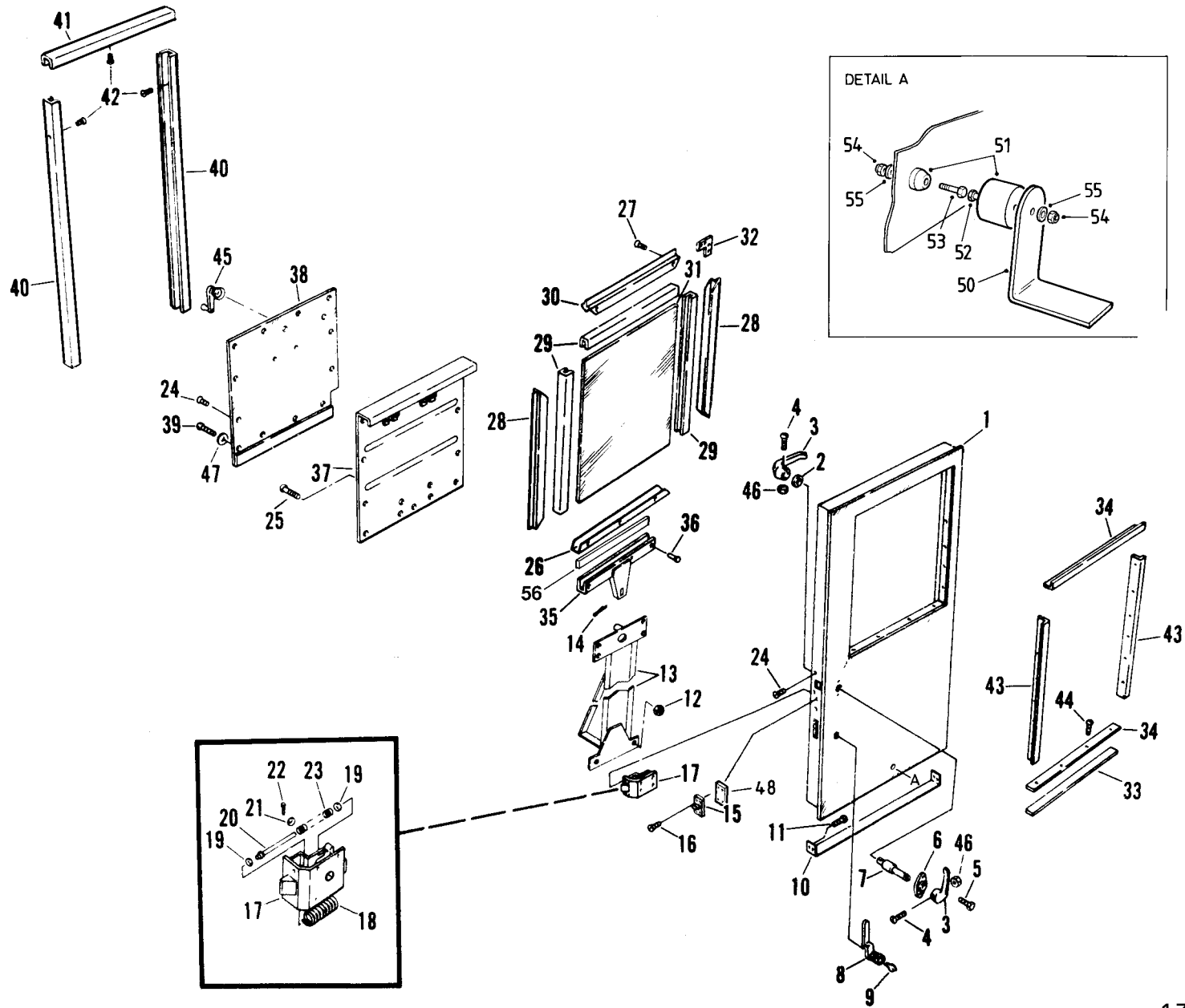


CAB GLASS REFERENCE

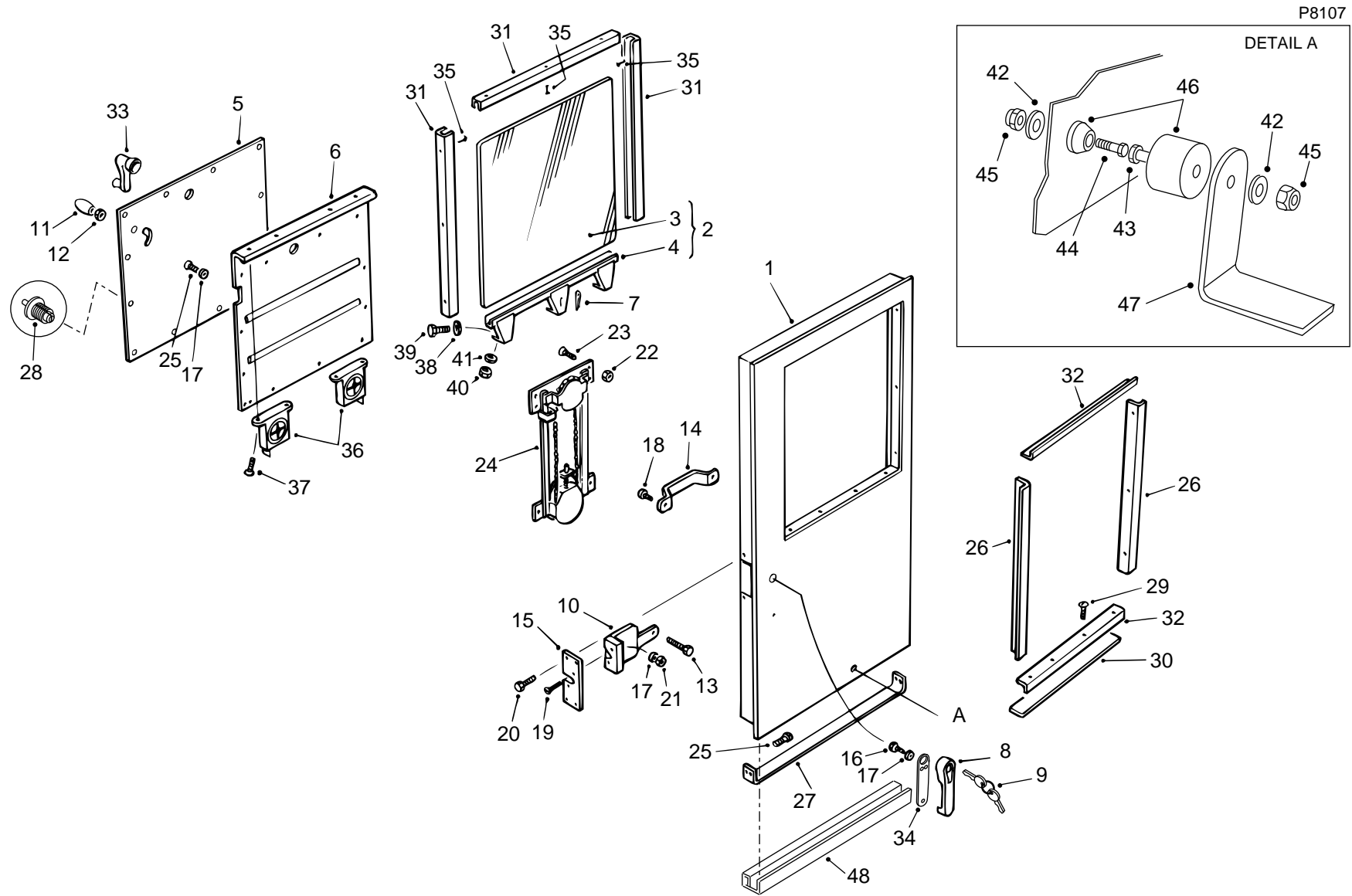
17-01A- 1

N.C.	REF.	QTY	PART NO.	PART NAME	N.C.	REF.	QTY	PART NO.	PART NAME
A	001	001	09007946	GLASS FRONT	A	004	001	15251518	GLASS-DOOR LH
A	002	001	09007945	GLASS REAR	A	005	001	09049325	GLASS-DOOR RH UPPER
A	003	001	09013642	GLASS SIDE	A	006	001	09049310	GLASS-DOOR RH LOWER

A NOTE: TEREX DO NOT SUPPLY PLAIN GLASS, DETAILS LISTED ARE SHOWN TO ENABLE LOCAL SUPPLY



N.C.	REF.	QTY	PART NO.	PART NAME	N.C.	REF.	QTY	PART NO.	PART NAME
001	001		15238715	DOOR ASSY-LH	028	002		09049307	..FRAME
002	001		09013321	.WASHER	029	ASR		09053050	..CHANNEL
003	002		15231279	.HANDLE	030	001		09049305	..FRAME-TOP
004	002		00443802	.SCREW	031	001		NSS	..GLASS-TINTED
005	002		09013325	.BOLT	032	004		09052171	..BAR-TIE
006	001		09013326	.ESCUTCHEON	033	001		N.L.A.	.STRIP FELT
007	001		09013653	.SHAFT-LATCH	034	002		09211997	.TRIM WINDOW LEDGE
008	001		09013649	.LOCK ASSY	035	001		09262883	.BRACKET
009	002		09026724	..KEY	036	007		02477054	.RIVET
010	001		09008924	.COVER	037	001		09262898	.PANEL
011	004		00171715	.SCREW	038	001		09077907	.PANEL
012	004		00190254	.NUT	039	012		00121285	.SCREW
013	001		15010148	.REGULATOR WINDOW	040	ASR		09211995	.CHANNEL-FELT
014	001		00103380	.PINCOTTER	041	ASR		09211995	.CHANNEL-FELT
015	001		15238373	.DOVETAIL-MALE	042	009		00144979	.SCREW
016	004		00110533	.SCREW	043	002		15249708	.TRIM-WINDOW
017	001		09211981	.LATCH ASSY	044	014		N.L.A.	.SCREW
018	001		09212083	..SPRING	045	001		09052168	.HANDLE
019	002		00103338	..WASHER	046	002		09411893	.NUT
020	001		09212084	..ROD	047	012		00131701	.WASHER-DOMED
021	002		00103340	..WASHER	048	001		15238381	.SPACER
022	002		N.L.A.	..PIN-COTTER	050	001		15246075	PLATE-BENT
023	001		09212086	..SPRING	051	001		15230374	RETAINER
024	014		09013324	.SCREW	052	001		06350625	BOLT
025	004		00110532	.SCREW	053	001		06350630	BOLT
026A	001		09262884	.WINDOW ASSY	054	002		06470601	LOCKNUT
026	001		09052386	..FRAME	055	002		07150620	WASHER
027	016		09049301	..SCREW	056	001		15249490	STRIP-RUBBER

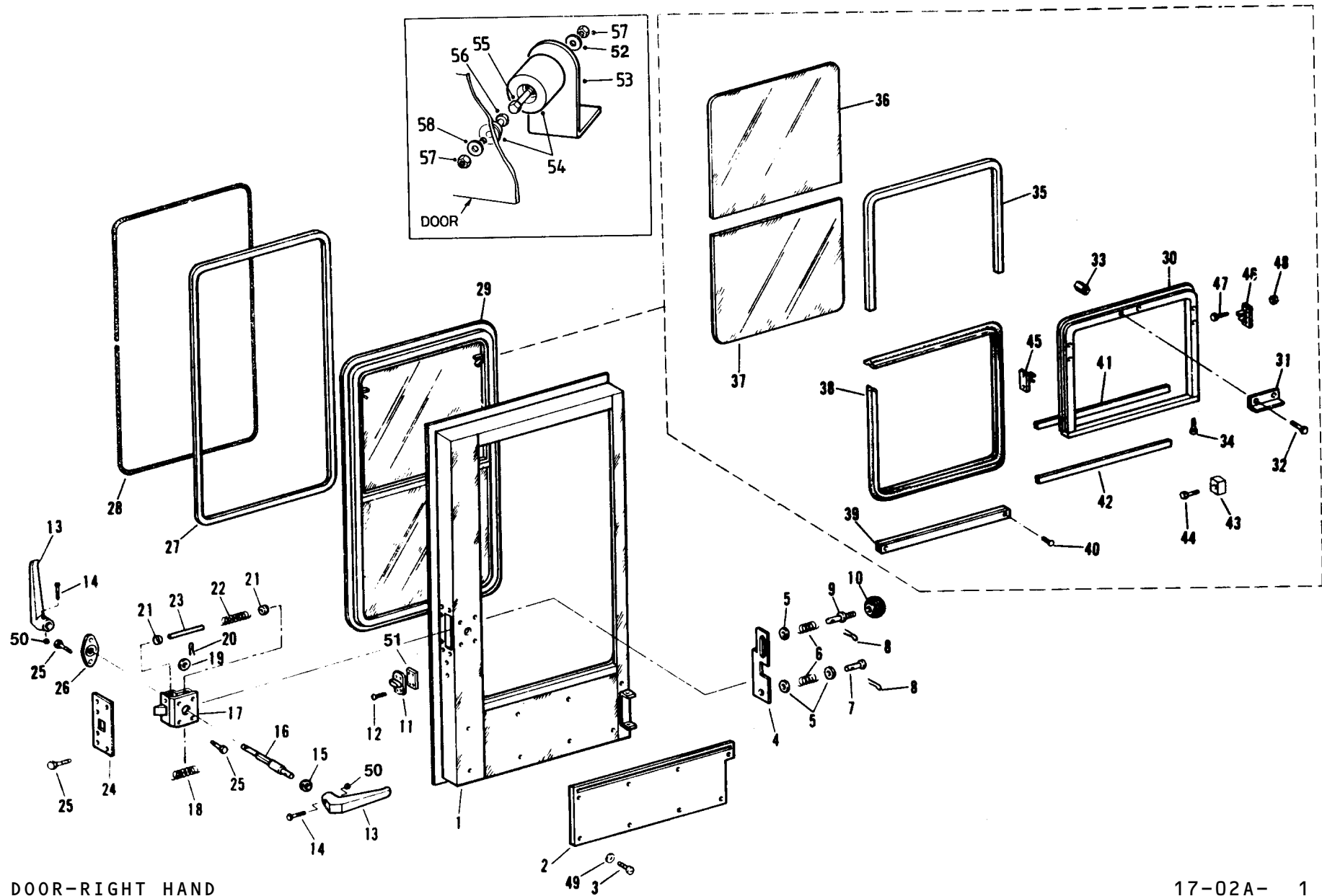




N.C.	REF.	QTY	PART NO.	PART NAME	N.C.	REF.	QTY	PART NO.	PART NAME
	001A	001	15251515	DOOR ASSEMBLY-LEFT		025	004	00171715	.SCREW
	001	001	15251516	.DOOR-LEFT		026	002	15251524	.TRIM-WINDOW
	002	001	15251517	.WINDOW ASSEMBLY		027	001	09008924	.COVER
A	003	001	15251518	..GLASS-DOOR LH	B	028	012	15270497	.CLIP-RETAINER
	004	001	15251519	..CHANNEL		029	014	N.L.A.	.SCREW
	005	001	15252855	.TRIM-DOOR		030	001	N.L.A.	.STRIP FELT
	006	001	15251523	.PANEL INNER		031	ASR	15252880	.CHANNEL-RIGID BULK
	007	001	00103380	.PINCOTTER		032	002	09211997	.TRIM WINDOW LEDGE
	008	001	15252897	.HANDLE DOOR		033	001	09052168	.HANDLE
	010	001	15252993	.LOCK ASSY-DOOR LH		034	001	15253823	.SPACER
	011	001	15252877	..HANDLE		035	009	02477054	.RIVET
	012	001	15252865	..NUT		036	001	15251510	.SPRING-TAPE BALANCE
	013	001	06350850	..SCREW		037	002	00110531	.SCREW-FLAT HEAD
	014	001	15229896	.HANDLE PULL		038	002	00103339	.WASHER
	015	001	15252825	.FIXING PLATE		039	002	00179791	.BOLT
	016	003	06350612	.SCREW		040	002	00109084	.NUT
	017	005	07160630	.LOCKWASHER		041	002	00103319	.LOCKWASHER
	018	002	06480620	.SCREW		042	003	07150620	WASHER
	019	002	06460625	.SCREW		043	001	06350625	BOLT
	020	004	N.L.A.	.SCREW-FLAT CSK HEAD		044	001	06350630	BOLT
	021	002	06430601	.NUT		045	002	06470601	LOCKNUT
	022	004	00190254	.NUT		046	001	15230374	RETAINER
	023	004	00110532	.SCREW		047	001	15246075	PLATE-BENT
	024	001	15010148	.REGULATOR WINDOW		048	ASR	15229900	SEAL-DOOR

A NOTE: FOR GLASS SIZES AND SPECIFICATION SEE SECTION 17-01A-1.

B NOTE: EARLIER CAB DOORS WERE FITTED WITH 12 OFF EACH 00121285 SCREWS  
AND 00131701 DOMED WASHERS.



## CAB DOOR-RIGHT HAND

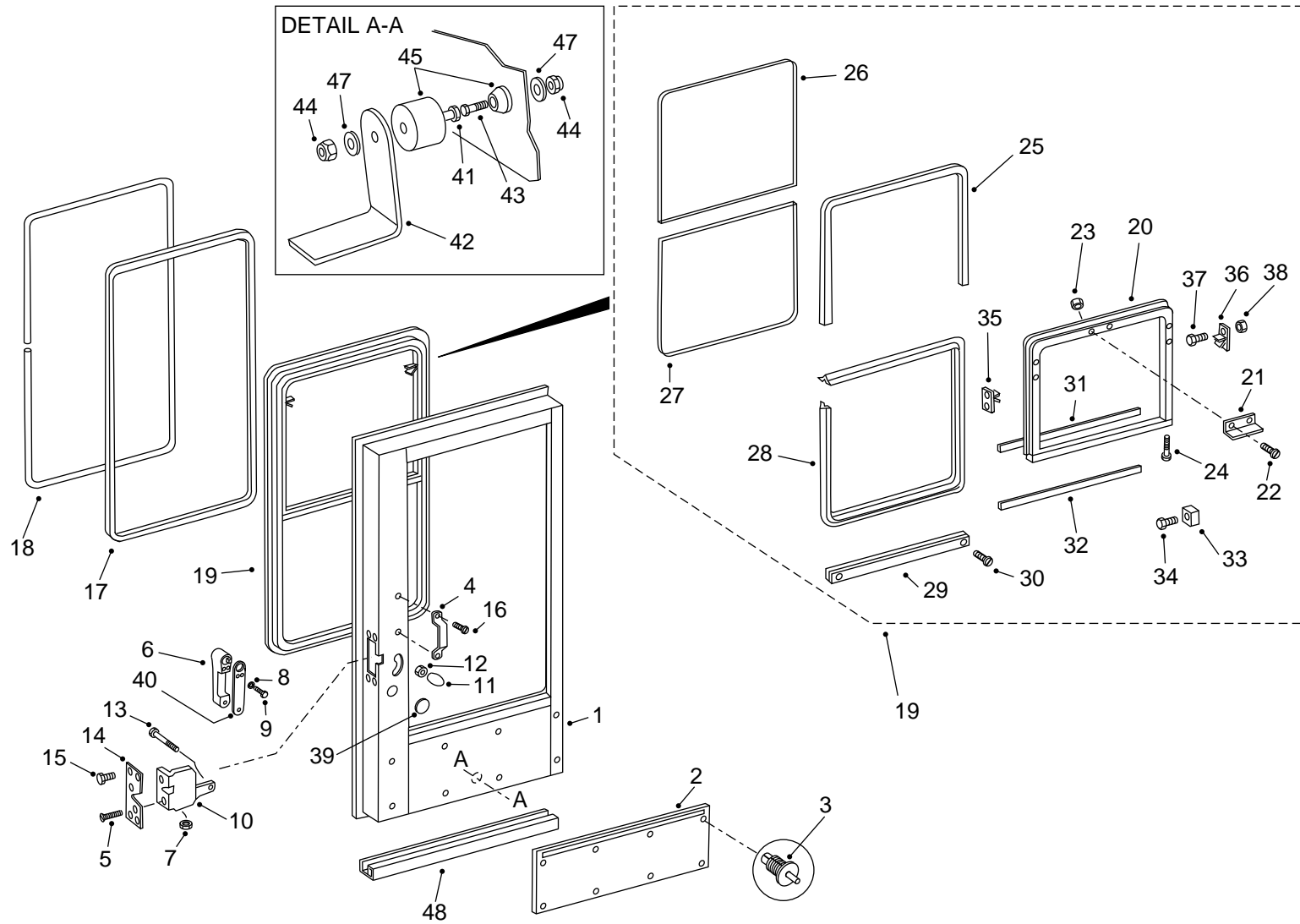
17-02A- 1 R01

N.C.	REF.	QTY	PART NO.	PART NAME	N.C.	REF.	QTY	PART NO.	PART NAME
	001	001	15238716	DOOR ASSY-RH		030	001	09049304	..FRAME ASSY-SLIDE
	002	001	09274343	.TRIM		031	001	09049299	...GRIP
	003	008	00115360	.SCREW		032	002	00436665	...SCREW
	004	001	09013357	.LOCKPLATE		033	002	09035423	...NUT
	005	003	00103340	.WASHER		034	002	00441208	...SCREW
	006	002	09013332	.SPRING		035	ASR	09053050	...CHANNEL
	007	001	09132324	.PIN	A	036	001	09049325	...GLASS-DOOR RH UPPER
	008	002	00103374	.PIN-COTTER	A	037	001	09049310	...GLASS-DOOR RH LOWER
	009	001	09272018	.ROD		038	ASR	09049294	..VINYL
	010	001	09203387	.BALL		039	001	09049296	..POST-CENTRE
	011	001	15238373	.DOVETAIL-MALE		040	002	00441208	..SCREW
	012	004	00110533	.SCREW		041	ASR	09035424	..WEATHERSEAL
	013	002	15231279	.HANDLE		042	ASR	09049297	..WEATHERSEAL
	014	002	00443802	.SCREW		043	002	09049298	..STOP-SLIDE
	015	001	09013334	.WASHER		044	002	09426067	..SCREW
	016	001	09013653	.SHAFT-LATCH		045	001	09049302	..LOCK
	017	001	09211981	.LATCH ASSY		046	001	09049303	..LOCK
	018	001	09212083	..SPRING		047	004	00436665	..SCREW
	019	002	00103340	..WASHER		048	004	09035423	..NUT
	020	002	NSS	..PIN-COTTER		049	008	00131701	.WASHER-DOMED
	021	002	00103338	..WASHER		050	002	09411893	.NUT
	022	001	09212086	..SPRING		051	001	15238381	.SPACER
	023	001	09212084	..ROD		052	002	07150620	WASHER
	024	001	09013335	.PLATE-LATCH		053	001	15246075	PLATE-BENT
	025	012	00180014	.BOLT		054	001	15230374	RETAINER
	026	001	09013326	.ESCUTCHEON		055	001	06350625	BOLT
	027	ASR	00756758	.SEAL WINDOW BULK		056	001	06350630	BOLT
	028	ASR	00033197	.STRIP-FILLER		057	002	06470601	LOCKNUT
	029	001	09015365	.WINDOW AS					

NOTES SECTION

A NOTE: FOR GLASS SIZES AND SPECIFICATION SEE SECTION 17-01A-1

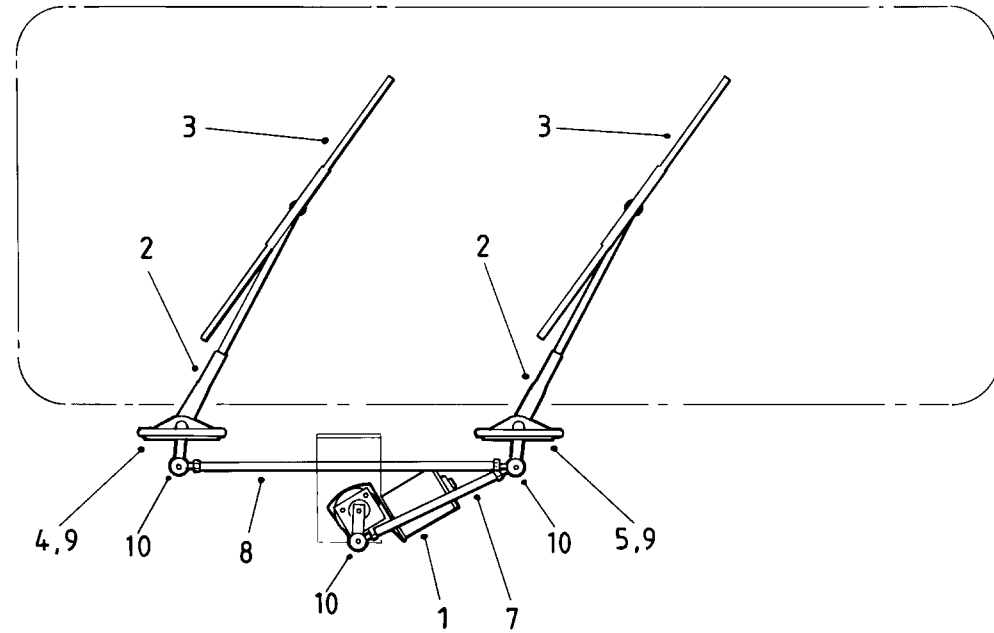
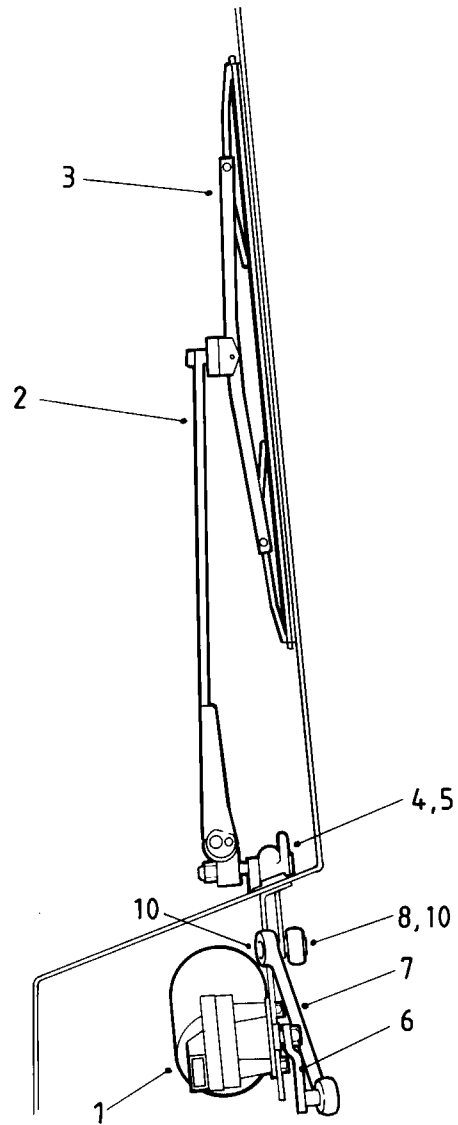
(THIS PAGE INTENTIONALLY LEFT BLANK)



N.C.	REF.	QTY	PART NO.	PART NAME	N.C.	REF.	QTY	PART NO.	PART NAME
	001A	001	15252961	DOOR ASSEMBLY-RIGHT		024	002	00441208	...SCREW
	001	001	15252962	.DOOR-RIGHT		025	ASR	09053050	...CHANNEL
	002	001	15233949	.TRIM-DOOR RHS	A	026	001	09049325	...GLASS-DOOR RH UPPER
B	003	008	15270497	.CLIP-RETAINER	A	027	001	09049310	...GLASS-DOOR RH LOWER
	004	001	15229896	.HANDLE PULL		028	ASR	09053049	..STRIP
	005	002	06460625	.SCREW		029	001	09049296	..POST-CENTRE
	006	001	15252897	.HANDLE DOOR		030	002	00441208	..SCREW
	007	002	06430601	.NUT		031	ASR	09035424	..WEATHERSEAL
	008	003	06350612	.SCREW		032	ASR	09049297	..WEATHERSEAL
	009	005	07160630	.LOCKWASHER		033	002	09049298	..STOP-SLIDE
	010	001	15252994	.LOCK ASSY-DOOR RH		034	002	09426067	..SCREW
	011	001	15252877	..HANDLE		035	001	09053052	..LOCK
	012	001	15252865	..NUT		036	001	09053053	..LOCK
	013	001	06350850	..SCREW		037	004	00436665	..SCREW
	014	001	15252825	.FIXING PLATE		038	004	09035423	..NUT
	015	004	N.L.A.	.SCREW-FLAT CSK HEAD		039	001	09373543	.BUTTON PLUG
	016	002	06480620	.SCREW		040	001	15253823	.SPACER
	017	ASR	00756758	.SEAL WINDOW BULK		041	001	06350625	BOLT
	018	ASR	00033197	.STRIP-FILLER		042	001	15246075	PLATE-BENT
	019	001	09015365	.WINDOW AS		043	001	06350630	BOLT
	020	001	09049304	..FRAME ASSY-SLIDE		044	002	06470601	LOCKNUT
	021	001	09049299	...GRIP		045	001	15230374	RETAINER
	022	002	00436665	...SCREW		047	003	07150620	WASHER
	023	002	09035423	...NUT		048	ASR	15229900	SEAL-DOOR

A NOTE: FOR GLASS SIZES AND SPECIFICATION SEE SECTION 17-01A-1.

B NOTE: EARLIER CAB DOORS WERE FITTED WITH 8 OFF EACH 00121285 SCREWS AND 00131701 DOMED WASHERS.



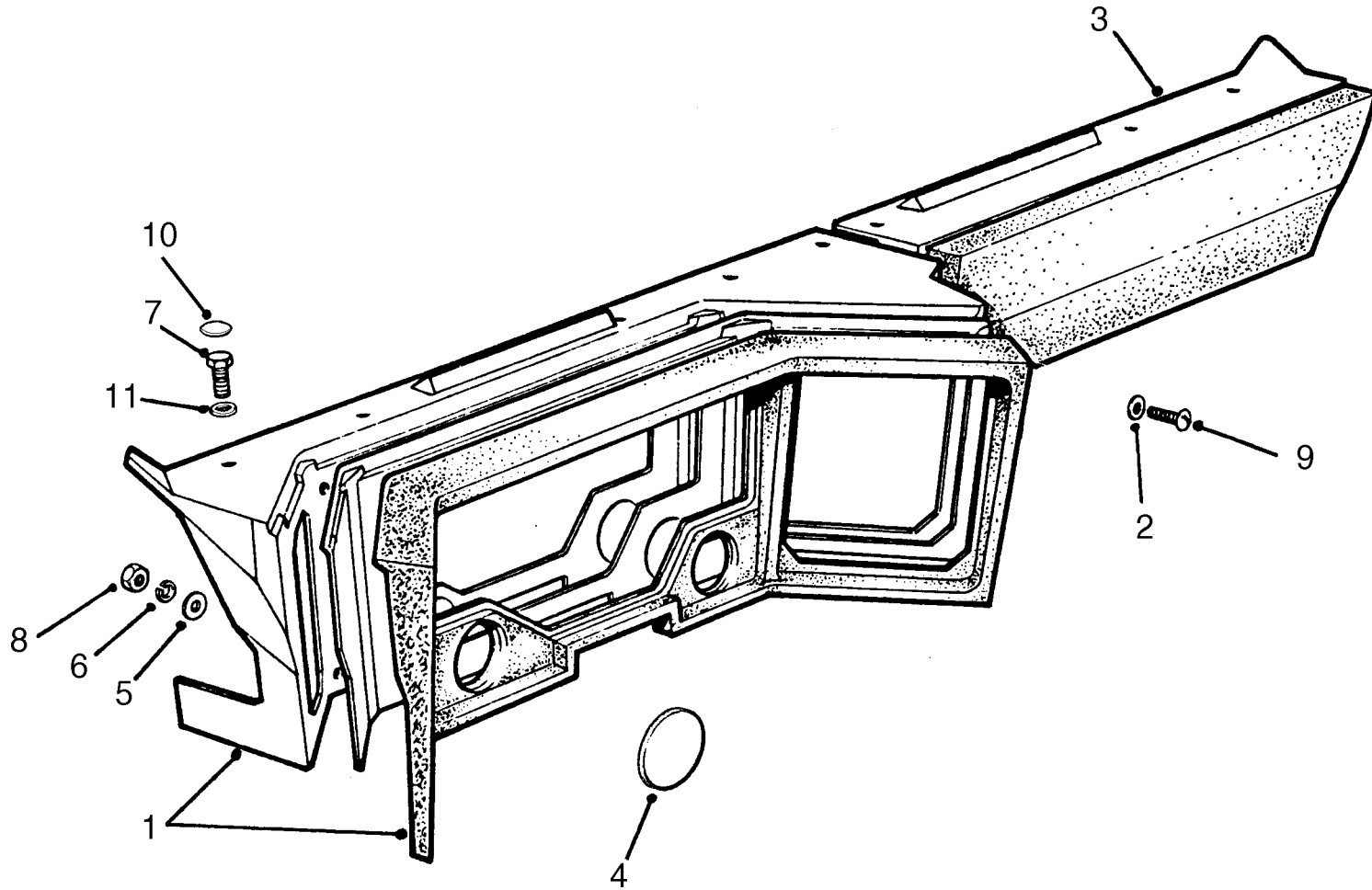


## WIPER AND MOUNTING

17-04 -165 R03

N.C.	REF.	QTY	PART NO.	PART NAME	N.C.	REF.	QTY	PART NO.	PART NAME
	001	001	15244734	MOTOR-WIPER	006	001		15245624	LINK
	002	002	15244727	ARM ASSEMBLY-WIPER	007	001		15244746	LINK ASSEMBLY-SHORT
	003	002	15245453	BLADE-WIPER	008	001		15244748	LINK ASSEMBLY-LONG
	004	001	15244728	PIVOT BOX-SINGLE	009	ASR		09985041	SILICONE SEALANT- H
	005	001	15244731	PIVOT BOX-DOUBLE	010	004		15267326	CIRCLIP

17-04 -165 R03



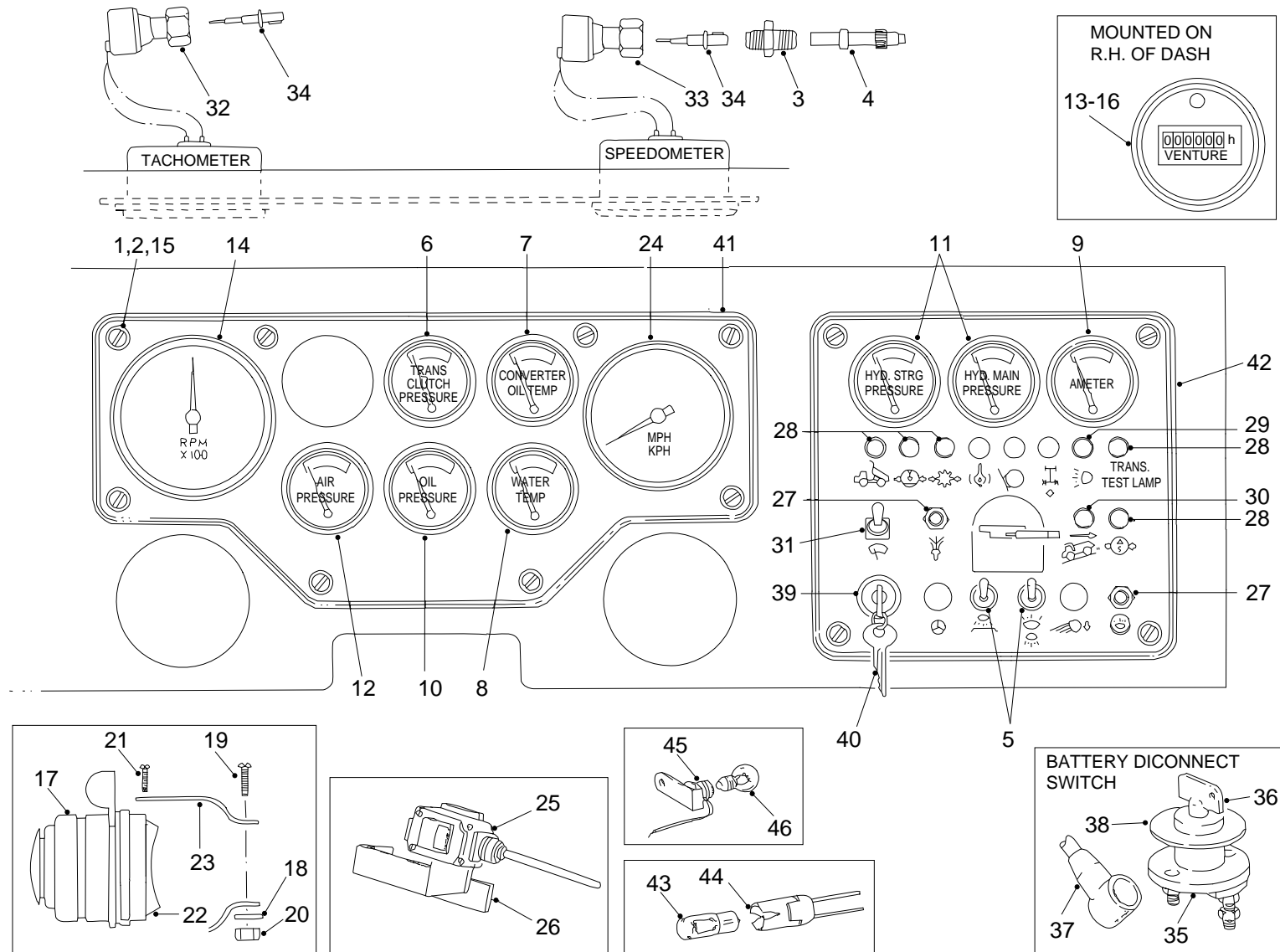
## DASH AND MOUNTING

17-05 - 50 R03

N.C.	REF.	QTY	PART NO.	PART NAME	N.C.	REF.	QTY	PART NO.	PART NAME
	001	001	15252430	INSTRUMENT PANEL		007	015	06490620	SCREW
	002	002	00131701	WASHER-DOMED		008	010	00109084	NUT
	003	001	15249251	EXTENSION HOUSING		009	002	00115362	SCREW
	004	002	15236081	DISC		010	015	15250509	CAP
	005	011	00103339	WASHER		011	015	15234727	WASHER
	006	011	00103319	LOCKWASHER					

17-05 - 50 R03

P6231

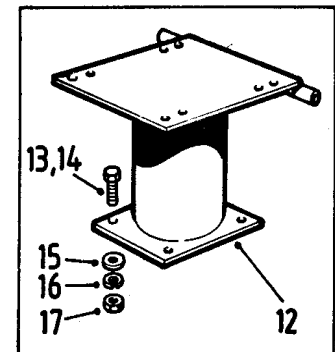
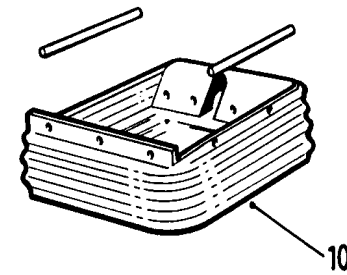
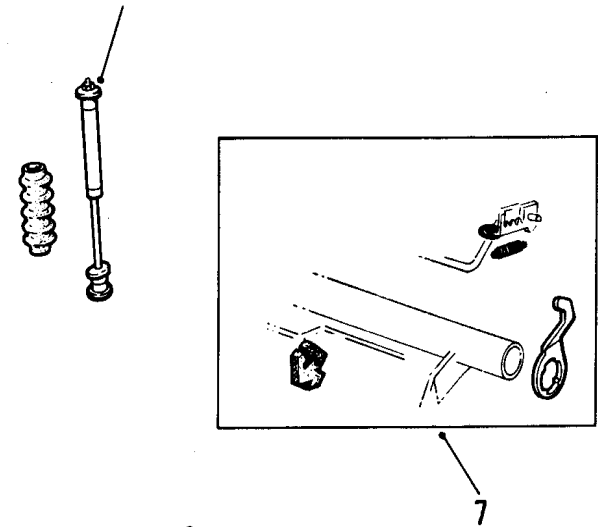
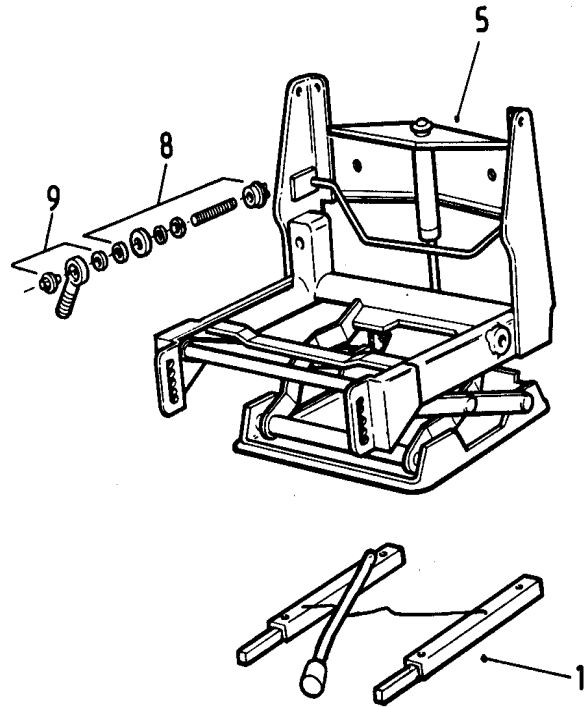
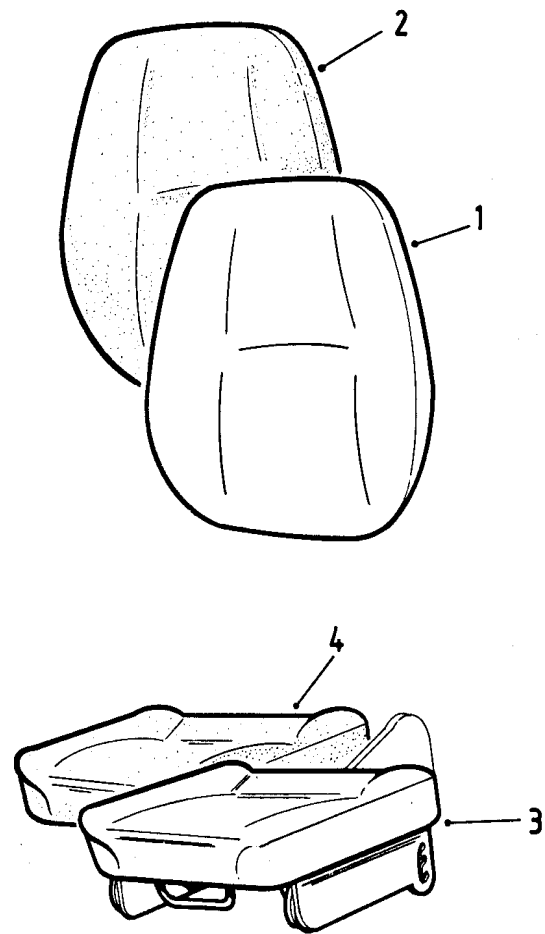


## SWITCHES AND INSTRUMENTS

17-06 -460 R04

N.C.	REF.	QTY	PART NO.	PART NAME	N.C.	REF.	QTY	PART NO.	PART NAME
	001	012	15247200	STUD-QUARTER TURN		024	001	09381492	SPEEDOMETER
	002	012	15247201	RECEPTICLE	A	025	001	09376798	MICROSWITCH-BODY UP
	003	001	02337439	SLEEVE-NUT	A	026	001	15247783	BRACKET-BODY
	004	001	06839881	GEAR-SPEEDO		027	001	09371138	SWITCH
	005	002	09372993	SWITCH-TOGGLE		028	004	09370172	LIGHT RED-WARNING
	006	001	15234344	GAUGE TRANS OIL PRES		029	001	09370176	LIGHT BLUE-WARNING
	007	001	15234332	GAUGE TRANS OIL TEMP		030	001	09370173	LIGHT YELLOW-INDICAT
	008	001	15234379	GAUGE-ENG WATER TEMP		031	001	15235926	SWITCH-WIPERS
	009	001	15249746	GAUGE-AMMETER		032	001	09381541	GENERATOR-TACHO
	010	001	15257661	GAUGE ENG. OIL PRESS		033	001	09381547	GENERATOR-SPEEDO
	011	002	15234337	GAUGE-OIL FLTR PRESS		034	002	09381550	KEY DRIVE-TACHO
	012	001	15234338	GAUGE AIR PRESSURE		035	001	15013428	SWITCH-MASTER
	013	001	15235407	HOURMETER-24V		036	001	09394668	.KEY
	014	001	09381491	TACHOMETER		037	001	09351393	COVER-TERMINAL
	015	012	15247202	RETAINER		038	001	15004446	PLATE-ON/OFF
	016	001	09410970	O RING		039	001	15247606	SWITCH-KEY
	017	001	09379852	SWITCH-HORN PUSH/DIP		040	002	15267640	.KEY
	018	002	00103338	WASHER		041	001	15249282	PANEL-DASH CENTRE
	019	002	00110500	SCREW		042	001	15249633	PANEL-DASH RH
	020	002	00110633	NUT		043	006	15233404	BULB
	021	002	09350507	SCREW		044	006	15232002	BULB HOLDER
	022	001	09379853	BASE		045	001	N.L.A.	BULBHOLDER DASH
	023	002	15227040	CLAMP		046	001	09351015	BULB

A NOTE: OPTIONAL EQUIPMENT

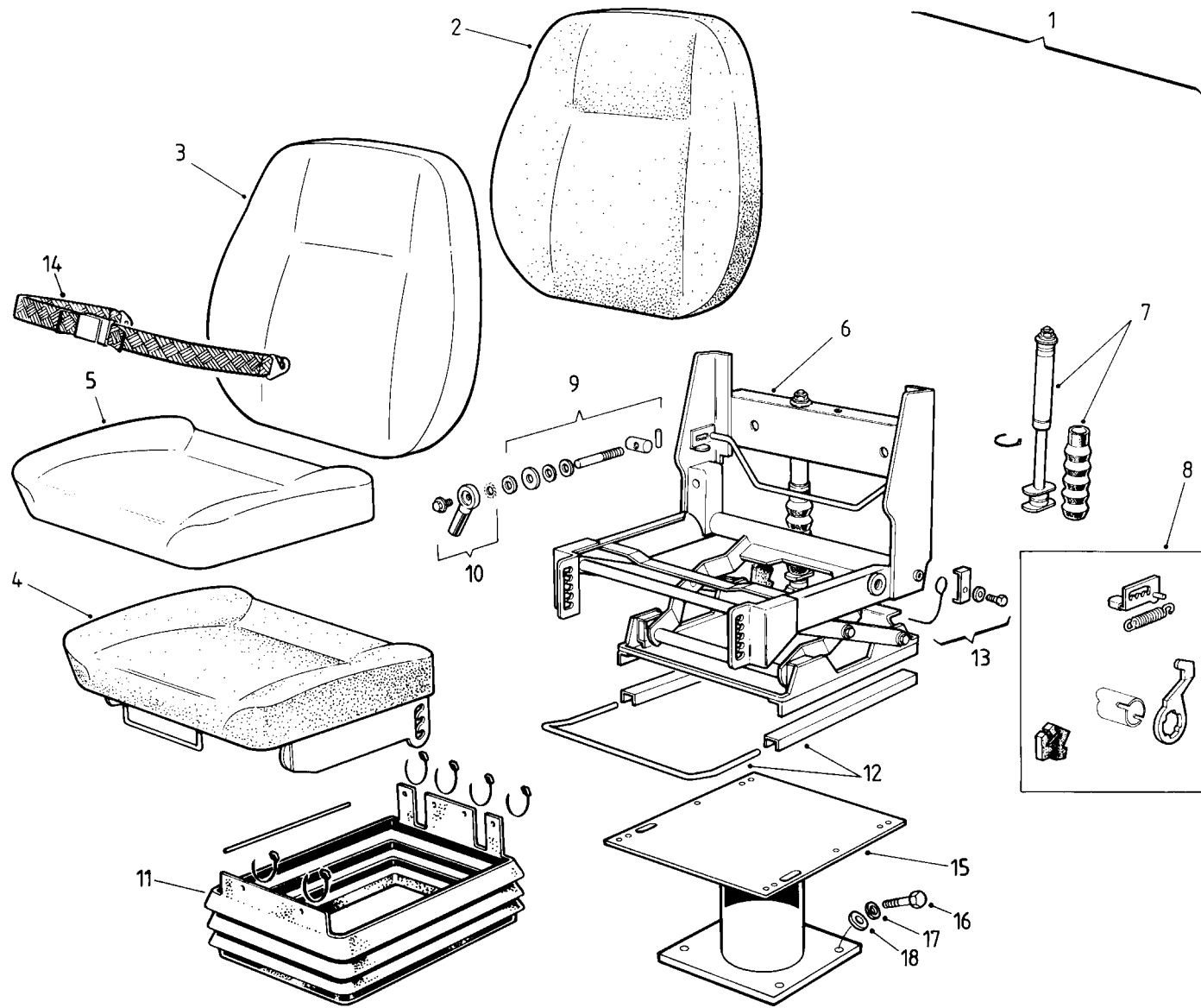


## SEAT - DRIVER

17-07 -116

N.C.	REF.	QTY	PART NO.	PART NAME	N.C.	REF.	QTY	PART NO.	PART NAME
001A	001		15225889	SEAT ASSY	009	001		15265658	.KIT-HANDLE ASSY
001	001		09398494	.BACKREST	010	001		15265664	.KIT-SUSP COVER ASSY
002	001		09397308	..COVER	011	001		15265669	.KIT-FORE/AFT ADJUST
003	001		09397301	.SEAT ASSY	012	001		09380694	PEDESTAL
004	001		09397302	..COVER-SEAT	013	002		00179818	BOLT
005	001		15265667	.KIT-SUSPENSION ASSY	014	002		00179818	BOLT
006	001		15265668	.KIT-DAMPER ASSY	015	004		00103340	WASHER
007	001		15265656	.KIT-ADJUSTER	016	004		00103320	LOCKWASHER
008	001		15265657	.KIT-STUD ASSY	017	004		00102634	NUT

17-07 -116





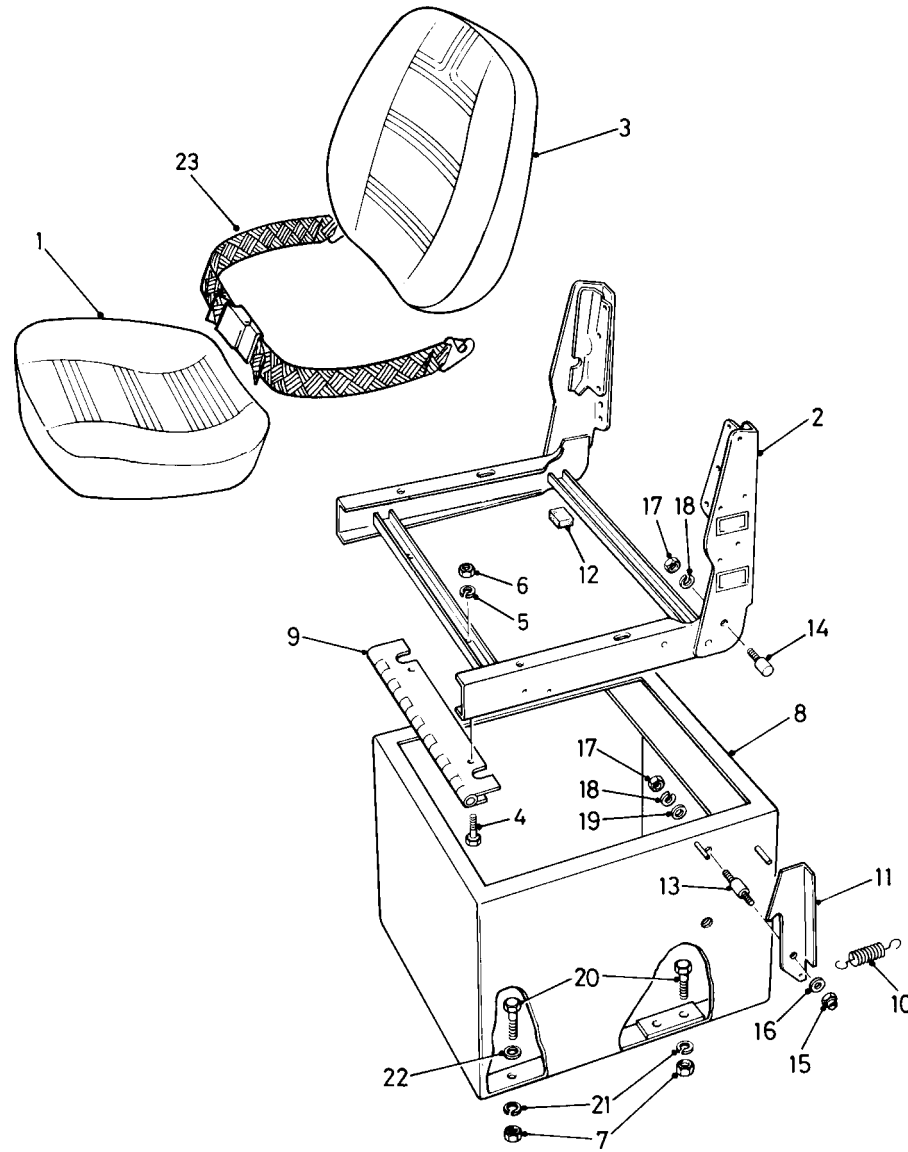
## SEAT - DRIVER

17-07 -127

N.C.	REF.	QTY	PART NO.	PART NAME	N.C.	REF.	QTY	PART NO.	PART NAME
A	001	001	15250639	SEAT ASSY-DRIVER	010	001	15268959	.KIT-HANDLE ASSY	
	002	001	15268951	.KIT-BACK CUSHION	011	001	15268960	.KIT-SUSPENSION COVER	
	003	001	15268952	..BACK COVER-BROWN	012	001	15268961	.KIT-FORE/AFT ADJUST	
	004	001	15268953	.KIT-SEAT CUSHION	013	001	15268962	.KIT-TETHER	
	005	001	15268954	..SEAT COVER-BROWN	014	001	15004312	BELT-LAP	
	006	001	15268955	.KIT-SUSPENSION	015	001	15250622	SEAT PEDESTAL ASSY	
	007	001	15268956	.KIT DAMPE	016	004	00179883	BOLT	
	008	001	15268957	.KIT-ADJUSTER	017	004	00103329	LOCKWASHER	
	009	001	15268958	.KIT-STUD ASSY	018	004	00106263	WASHER	

A NOTE: ALL KITS HAVE HAVE REQUIRED FIXINGS

17-07 -127

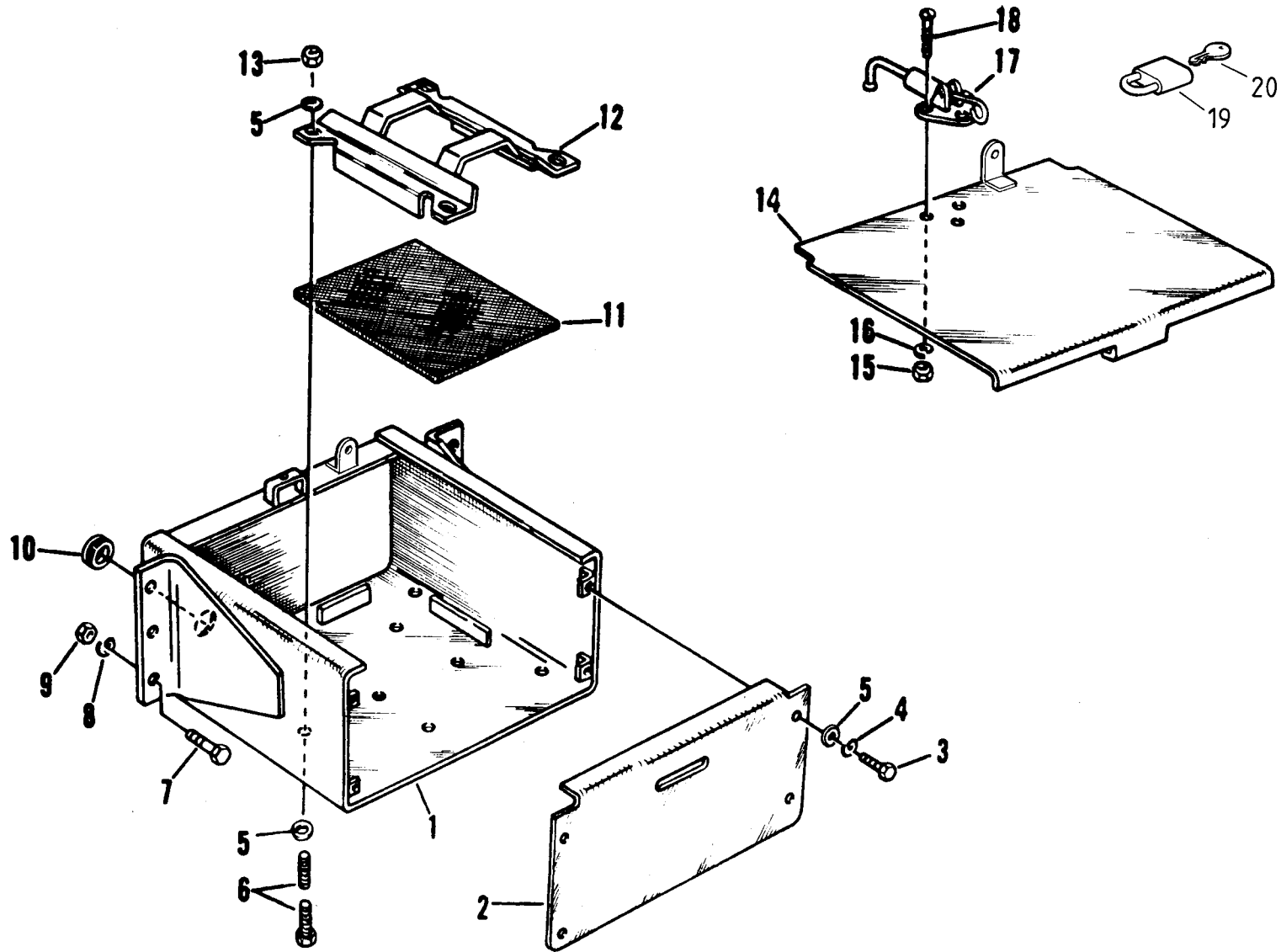


## SEAT - PASSENGER

17-09 -137 R01

N.C.	REF.	QTY	PART NO.	PART NAME	N.C.	REF.	QTY	PART NO.	PART NAME
	001A	001	15235884	SEAT ASSY	012	002		09077822	PAD
	001	001	15265798	.CUSHION SEAT-BROWN	013	001		09014420	PIN-PIVOT
	002	001	09395446	.FRAME	014	001		09014423	PIN-LATCH
	003	001	15265799	.CUSHION BACK-BROWN	015	001		00274209	LOCKNUT
	004	002	00179816	BOLT	016	001		09068666	WASHER-HARDENED
	005	002	00103320	LOCKWASHER	017	002		00120378	NUT
	006	002	00102634	NUT	018	002		00103329	LOCKWASHER
	007	006	00102635	NUT	019	001		09217321	WASHER
	008	001	15233730	SEAT BASE	020	006		00179839	BOLT
	009	001	09014399	.HINGE	021	006		00108580	LOCKWASHER
	010	001	09014422	SPRING	022	002		09027607	WASHER
	011	001	09014421	LATCH-SEAT	023	001		15004312	BELT-LAP

17-09 -137 R01

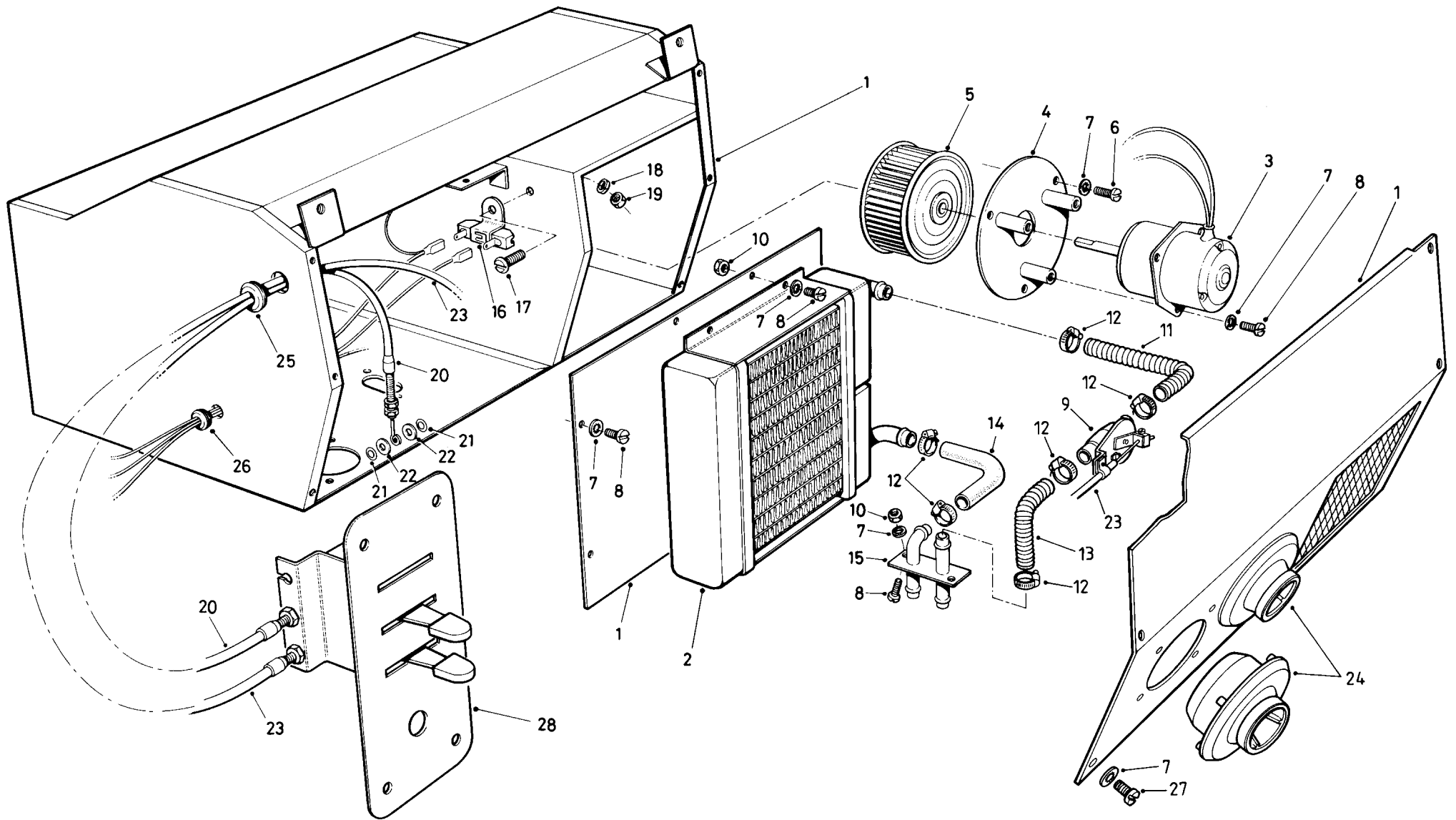


## BATTERY MOUNTING

17-09A- 3 R01

N.C.	REF.	QTY	PART NO.	PART NAME	N.C.	REF.	QTY	PART NO.	PART NAME
001	001		09014947	BOX ASSY - BATTERY	011	002		09140612	PAD
002	001		09014945	COVER	012	002		09383885	CLAMP
003	004		00179839	BOLT	013	006		00102635	NUT
004	004		00108580	LOCKWASHER	014	001		15251424	COVER ASSY - BATTERY
005	016		00106263	WASHER	015	003		00110633	NUT
006	006		09371628	BOLT	016	003		00106497	LOCKWASHER
007	006		00271611	BOLT	017	001		09123418	FASTENER
008	006		00103332	LOCKWASHER	018	003		00110501	SCREW
009	006		00220081	NUT	019	001		09268885	LOCK
010	001		09353069	GROMMET	020	001		09268892	KEY

17-09A- 3 R01



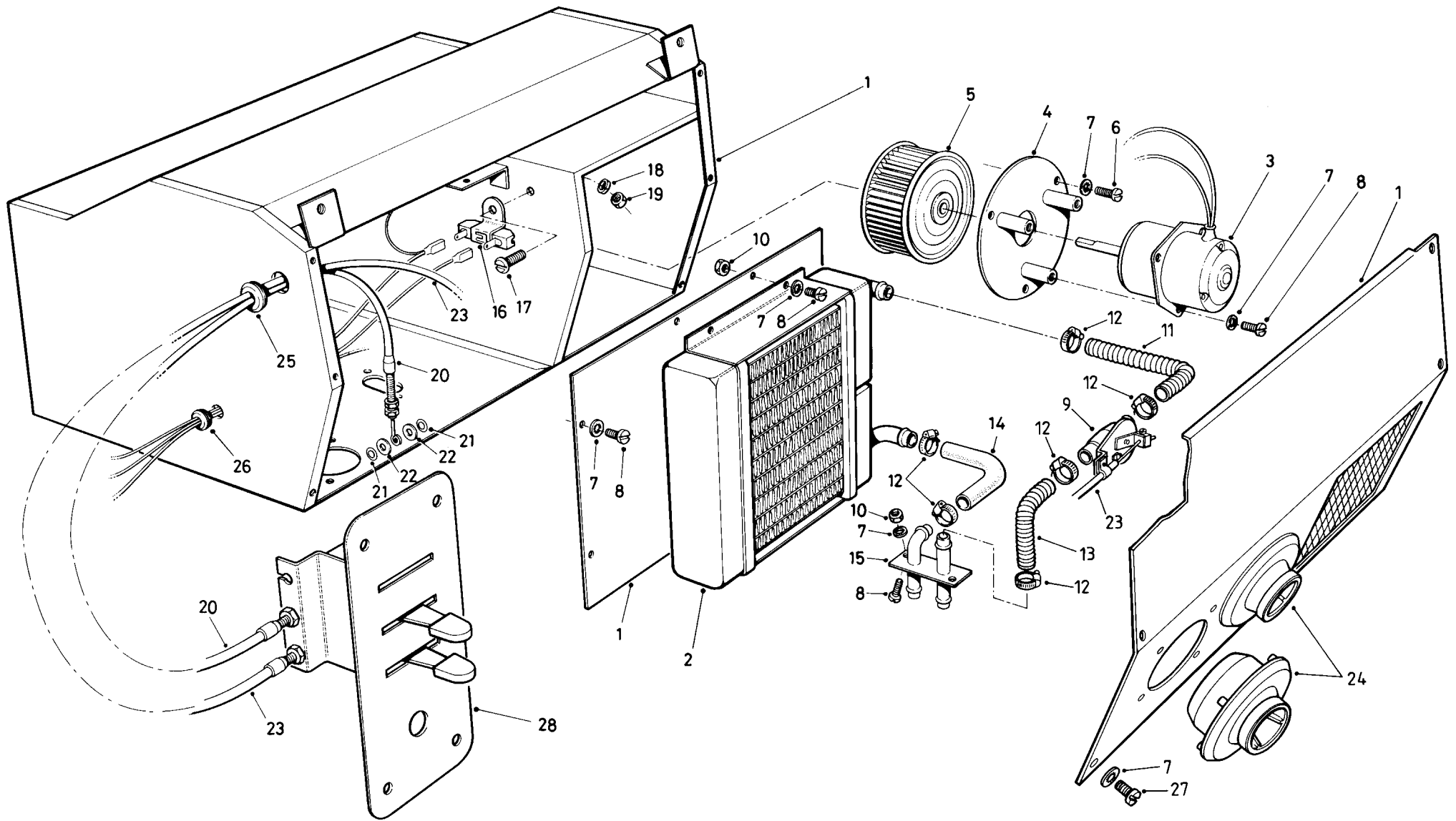
## HEATER

17-10 - 59 R03

N.C.	REF.	QTY	PART NO.	PART NAME	N.C.	REF.	QTY	PART NO.	PART NAME
	001A	001	15232270	HEATER ASSY	015	001		09396143	. ADAPTOR
	001	001	09396132	. CASING	016	001		09396144	. RESISTOR
	002	001	15232269	. RADIATOR	017	001		09396156	. SCREW
	003	001	09396135	. MOTOR	018	001		09396157	. LOCKWASHER
	004	001	09396136	. PLATE	019	001		09396158	. NUT
	005	001	09396137	. RUNNER	020	001		09396145	. CABLE-CONTROL
	006	003	09396153	. SCREW	021	002		09396146	. RETAINER
	007	024	N.L.A.	. WASHER	022	002		09396147	. WASHER
	008	015	09396153	. SCREW	023	001		09396148	. CABLE-CONTROL
A	009	001	09396138	. VALVE-WATER	024	001		09396149	. VENT
	010	008	00103088	. NUT	025	001		09396150	. GROMMET
A	011	001	09396139	. ELBOW	026	001		09396151	. GROMMET
	012	002	02301722	. CLIP	027	006		N.L.A.	. SCREW
A	013	001	09396141	. ELBOW	028	001		09076572	. CONTROL
	014	001	09396142	. ELBOW					

A NOTE: DUE TO A DESIGN CHANGE, IT IS ADVISABLE WHEN REPLACING 09396138 WATER VALVE TO ALSO ORDER ONE EACH 09396139 AND 09396141 ELBOW.

17-10 - 59 R03



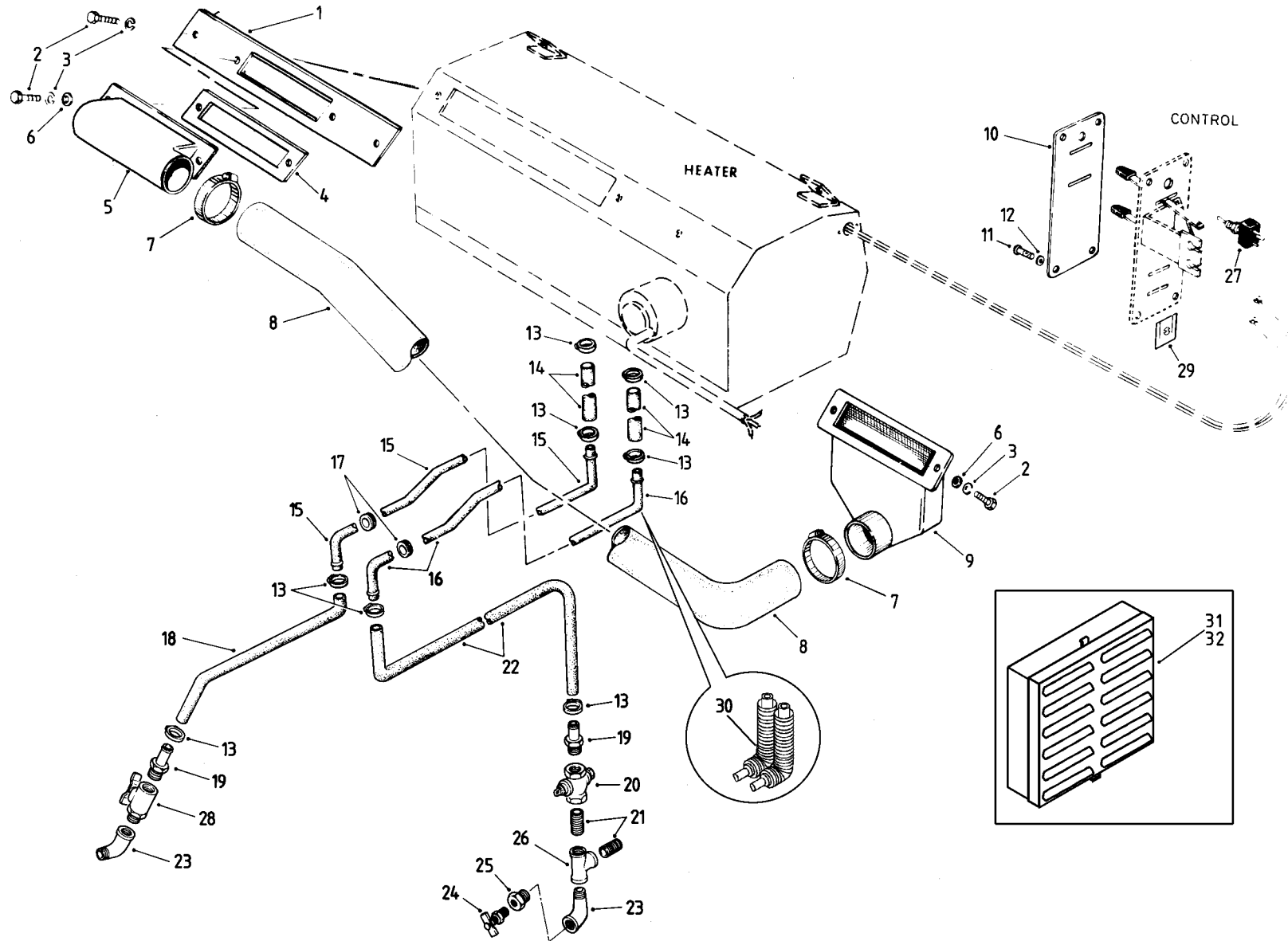


## HEATER

17-10 - 73

N.C.	REF.	QTY	PART NO.	PART NAME	N.C.	REF.	QTY	PART NO.	PART NAME
	001A	001	15255943	HEATER ASSEMBLY	015	001	09396143	. ADAPTOR	
	001	001	09396132	. CASING	016	001	09396144	. RESISTOR	
	002	001	15232269	. RADIATOR	017	001	09396156	. SCREW	
	003	001	09396135	. MOTOR	018	001	09396157	. LOCKWASHER	
	004	001	09396136	. PLATE	019	001	09396158	. NUT	
	005	001	09396137	. RUNNER	020	001	09396145	. CABLE-CONTROL	
	006	003	09396153	. SCREW	021	002	09396146	. RETAINER	
	007	024	N.L.A.	. WASHER	022	002	09396147	. WASHER	
	008	015	09396153	. SCREW	023	001	09396148	. CABLE-CONTROL	
A	009	001	09396138	. VALVE-WATER	024	001	09396149	. VENT	
	010	008	00103088	. NUT	025	001	09396150	. GROMMET	
A	011	001	09396139	. ELBOW	026	001	09396151	. GROMMET	
	012	002	02301722	. CLIP	027	006	N.L.A.	. SCREW	
A	013	001	09396141	. ELBOW	028	001	09076572	. CONTROL	
	014	001	09396142	. ELBOW					

A NOTE: DUE TO A DESIGN CHANGE, IT IS ADVISABLE WHEN REPLACING 09396138 WATER VALVE TO ALSO ORDER ONE EACH 09396139 AND 09396141 ELBOW.



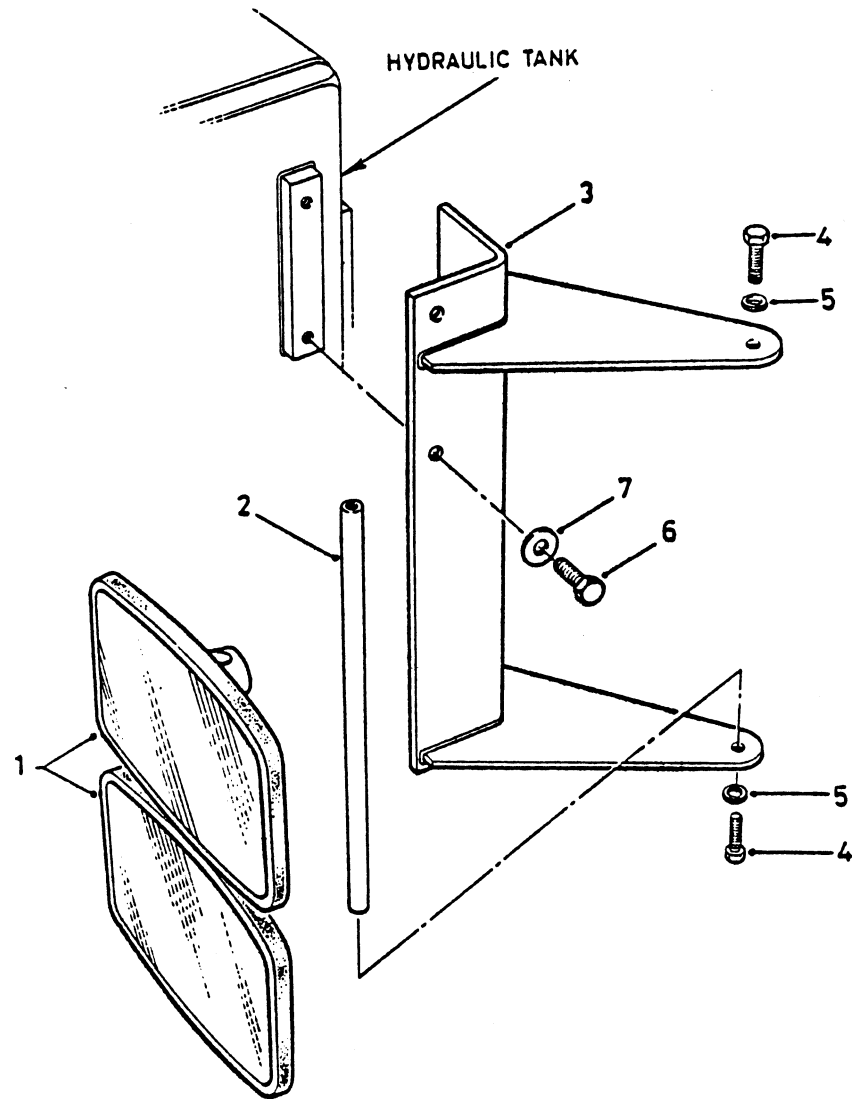
HEATER LINES AND WIRING

17-11 -251 R05

N.C.	REF.	QTY	PART NO.	PART NAME	N.C.	REF.	QTY	PART NO.	PART NAME
	001	001	09008406	PLATE		017	002	00117966	GROMMET
	002	006	00179793	BOLT		018	ASR	07551826	HOSE-BULK
	003	006	00103319	LOCKWASHER		019	002	09014950	CONNECTOR
	004	001	09008410	GASKET		020	001	15230961	VALVE-BALL SHUT OFF
	005	001	09373032	DUCT-AIR		021	002	09136638	NIPPLE
	006	006	00103329	LOCKWASHER		022	ASR	07551826	HOSE-BULK
	007	002	05188036	CLAMP		023	002	00137894	ELBOW
	008	ASR	09382203	DUCTING-BULK		024	001	00118536	COCK-DRAIN
	009	001	09373024	DUCT-DEMIST		025	001	00142269	BUSHING-REDUCER
	010	001	15235886	PANEL-HEAT/AIR COND		026	001	00138105	TEE
	011	006	15247200	STUD-QUARTER TURN		027	001	09379960	SWITCH-TOGGLE
	012	006	15247201	RECEPTICLE		028	001	09073084	COCK-DRAIN
	013	012	09379664	CLAMP		029	006	15247202	RETAINER
	014	ASR	07551826	HOSE-BULK		030	ASR	15254325	DUCTING-BULK
	015	001	09274675	TUBE	A	031	001	15253826	AIR FILTER ASSY-CAB
	016	001	09274688	TUBE		032	001	15270724	.FILTER ELEMENT-FOAM

A NOTE: FROM UNITS SERIAL NOS. T3481126 AND T5111028.

17-11 -251 R05



RH

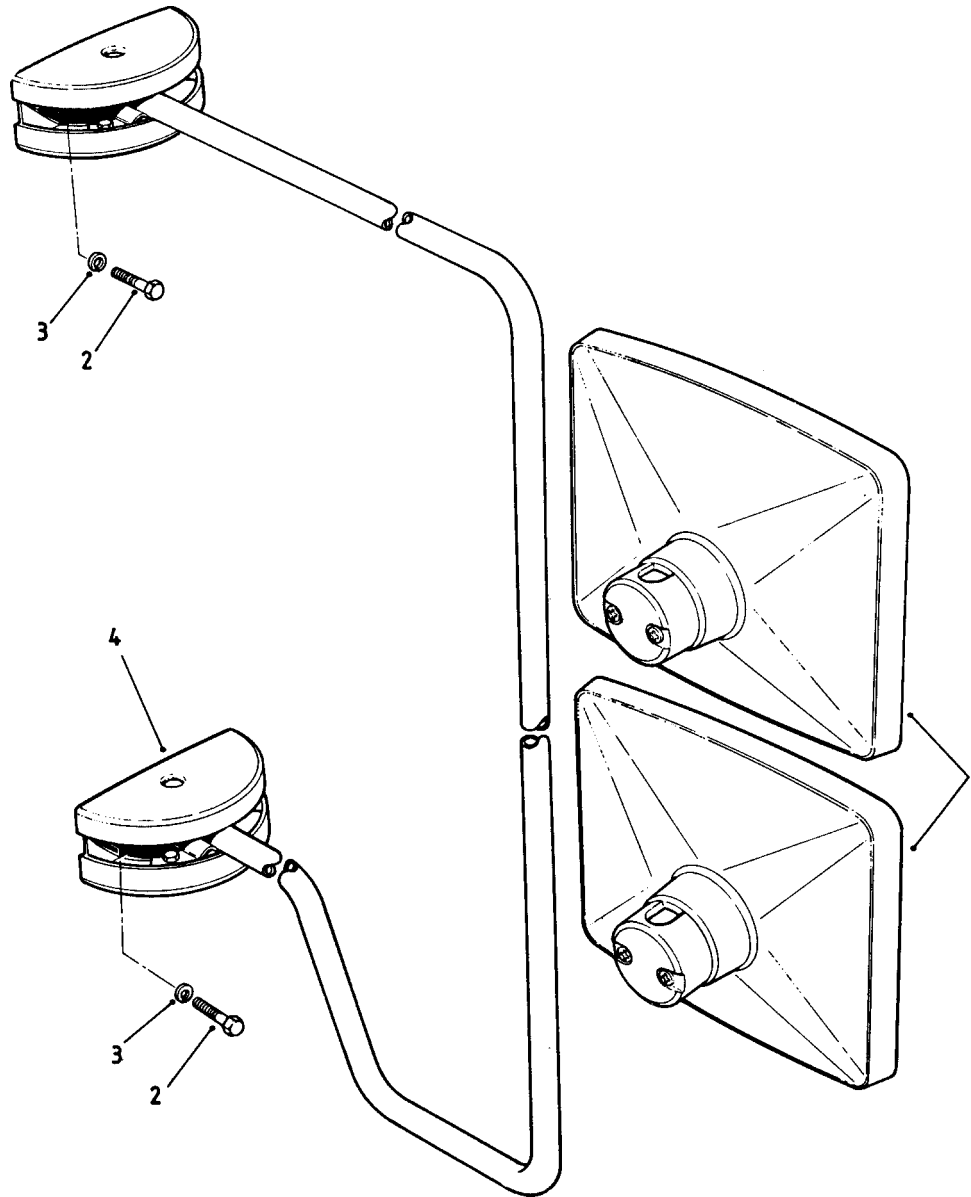
REAR VIEW MIRROR

17-17 - 30

N.C.	REF.	QTY	PART NO.	PART NAME
001	002		09077400	MIRROR
002	001		09384405	BAR
003	001		09384404	BRACKET-MIRROR
004	002		00179816	BOLT

N.C.	REF.	QTY	PART NO.	PART NAME
005	002		00103320	LOCKWASHER
006	004		00179880	BOLT
007	004		09267949	WASHER-HARDENED

17-17 - 30



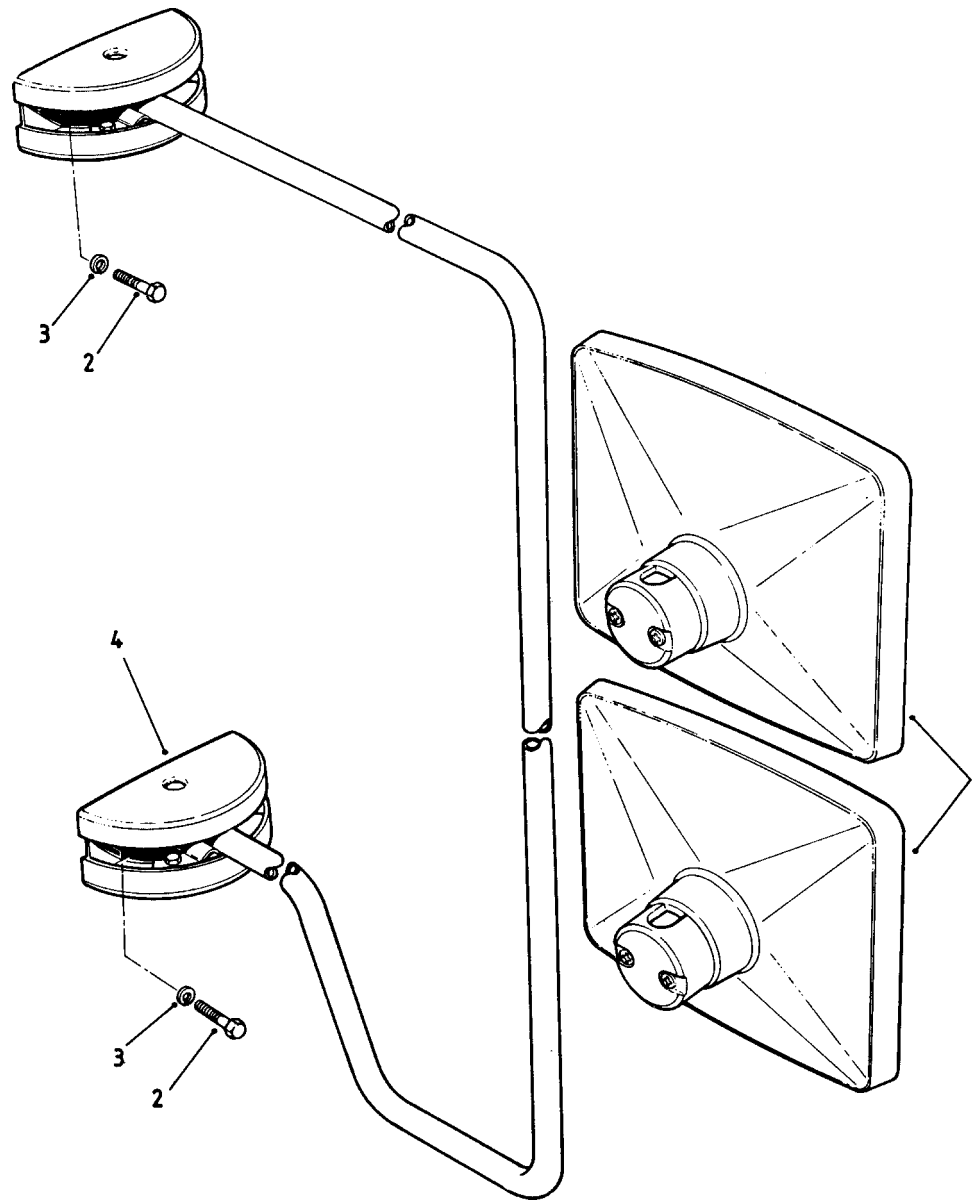
REAR VIEW MIRROR

17-17 - 31 R01

N.C.	REF.	QTY	PART NO.	PART NAME
	001	002	09077400	MIRROR
	002	004	00179791	BOLT

N.C.	REF.	QTY	PART NO.	PART NAME
	003	004	00103319	LOCKWASHER
	004	001	15233755	ARM

17-17 - 31 R01





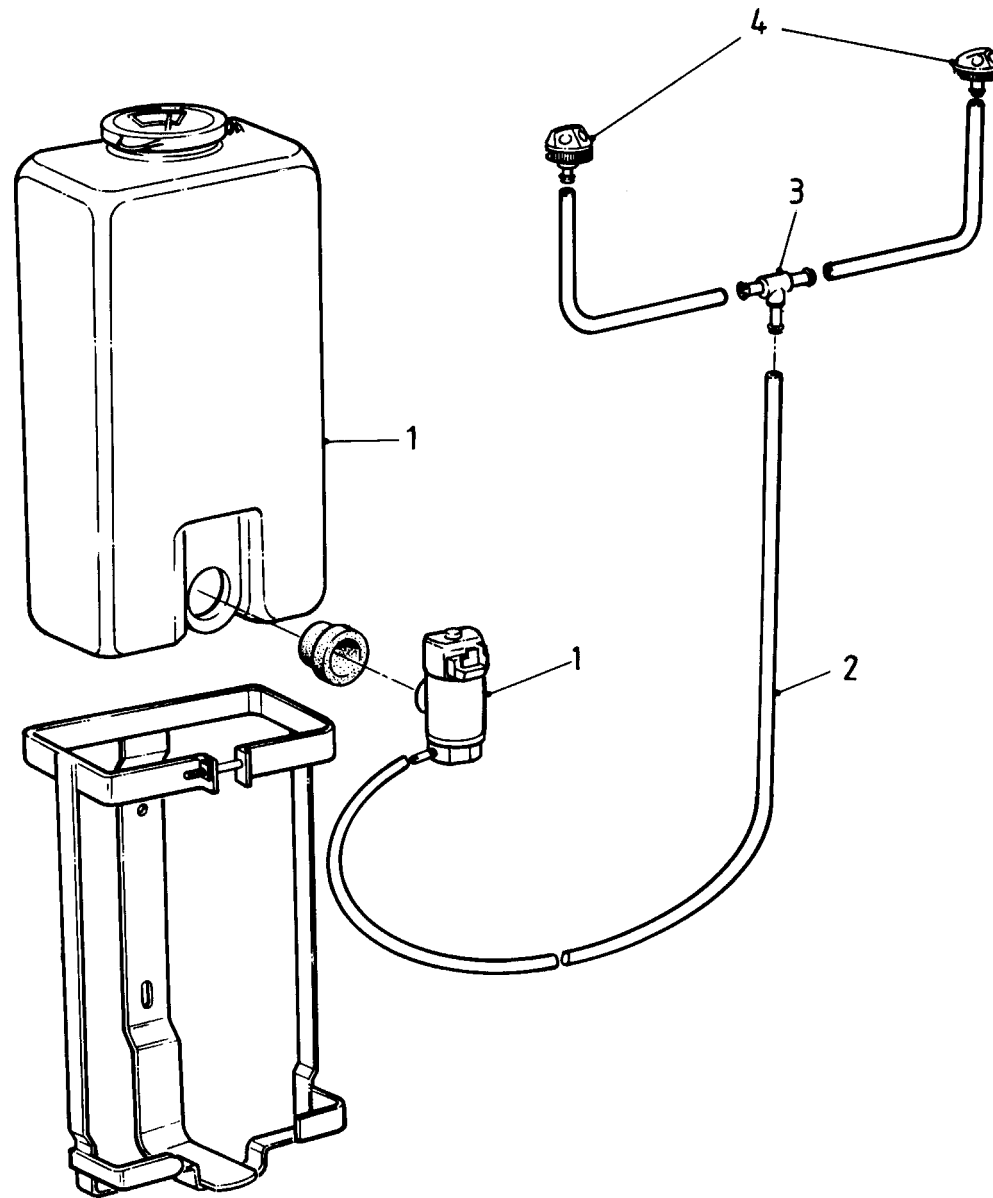
REAR VIEW MIRROR

17-17 - 35

N.C.	REF.	QTY	PART NO.	PART NAME
	001	002	09077400	MIRROR
	002	004	00186923	SCREW

N.C.	REF.	QTY	PART NO.	PART NAME
	003	004	00103319	LOCKWASHER
	004	001	15228111	ARM

17-17 - 35



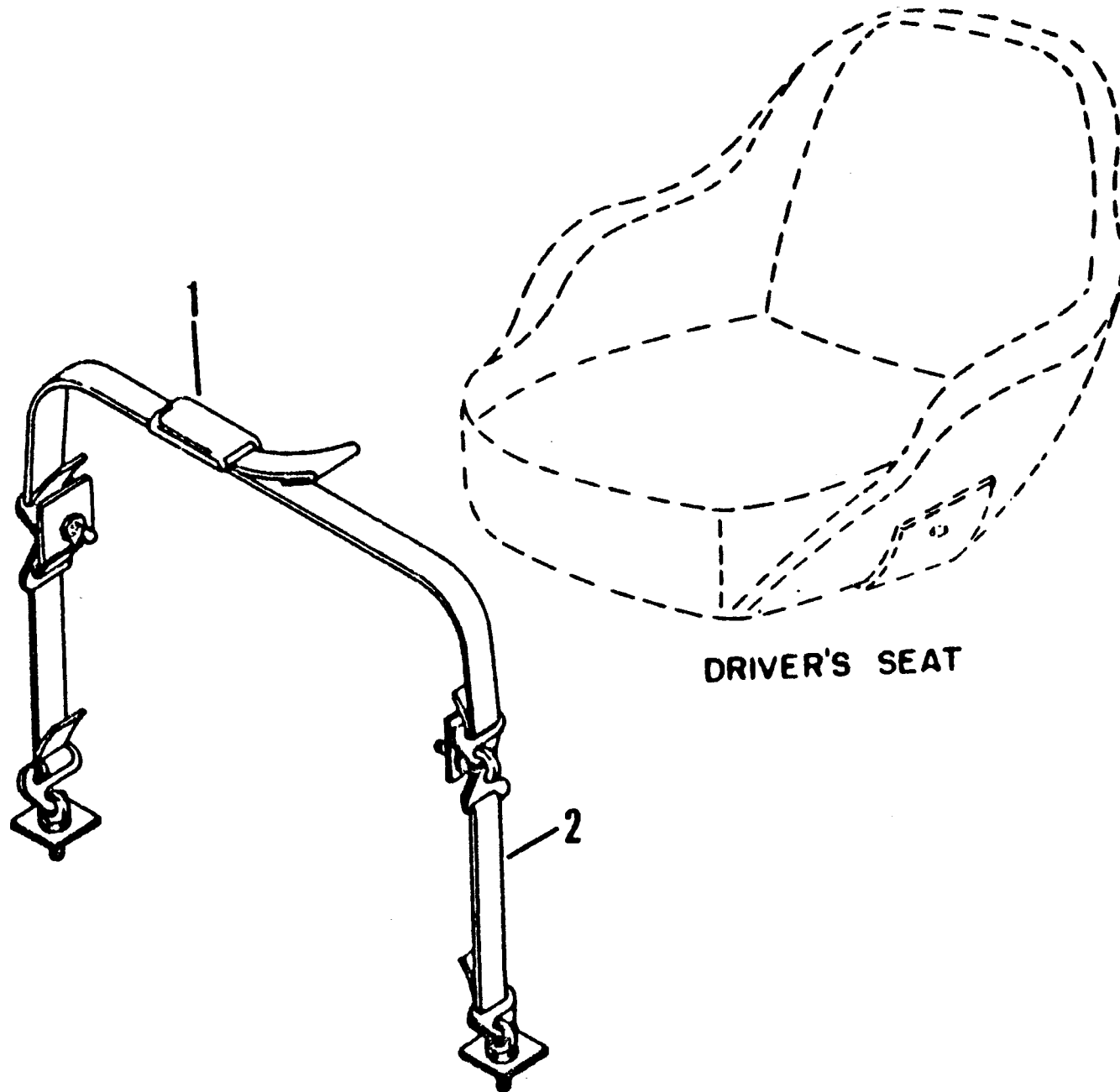
WINDSCREEN WASHER

17-21 - 10 R02

N.C.	REF.	QTY	PART NO.	PART NAME
001	001		09077946	KIT WASHR
002	ASR		09380620	.TUBING
003	001		09394590	.TEE

N.C.	REF.	QTY	PART NO.	PART NAME
004	002		09394589	.NOZZLE
005	001		15230455	VALVE-NON RETURN

17-21 - 10 R02

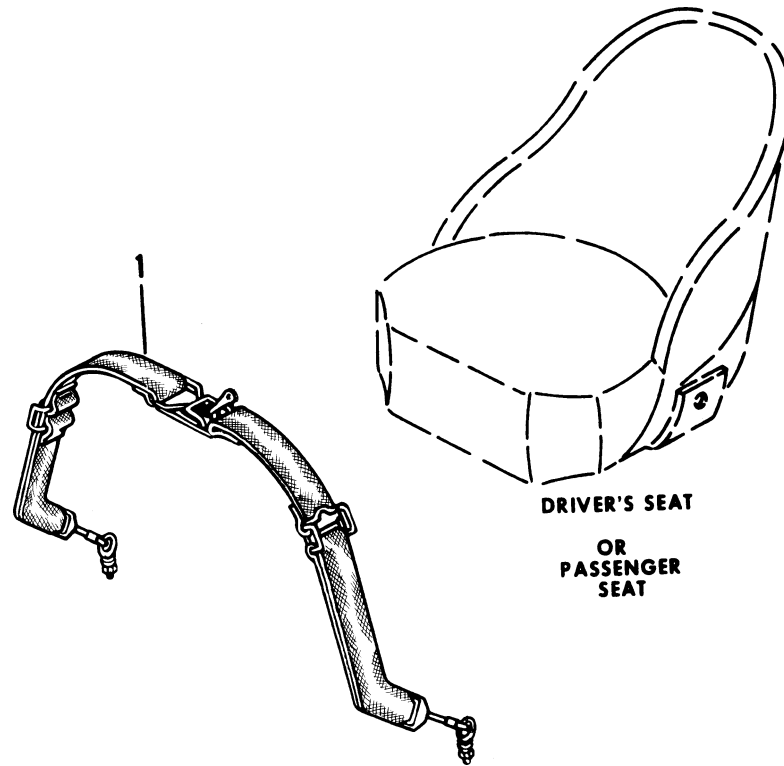


SEAT BELT

17-23 - 21

N.C.	REF.	QTY	PART NO.	PART NAME
001	001		15004312	BELT-LAP

N.C.	REF.	QTY	PART NO.	PART NAME
002	001		15014886	BELT-FLOOR

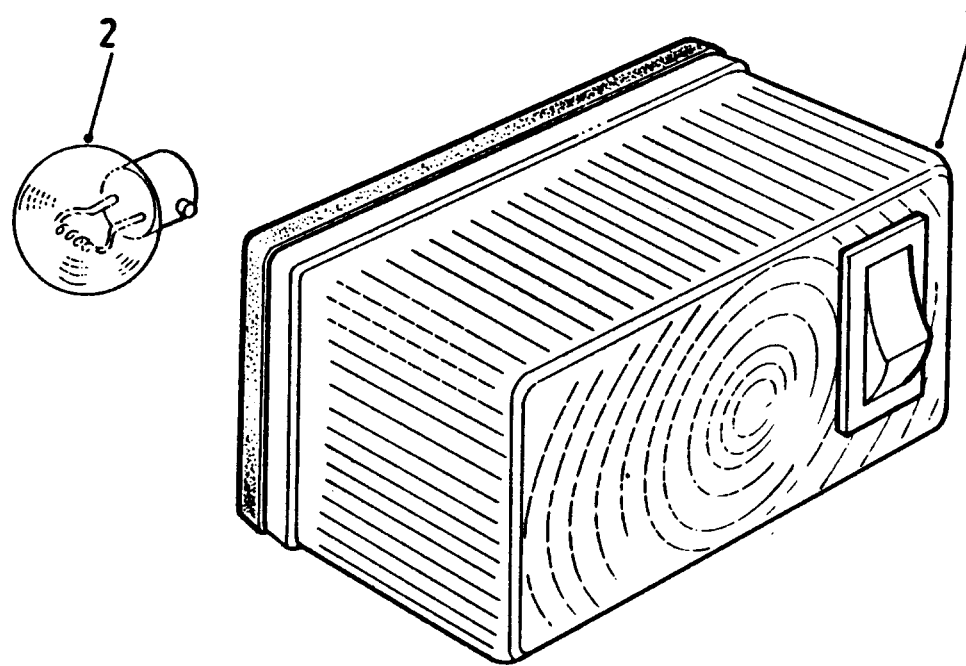


SEAT BELT

17-23 - 22

N.C.	REF.	QTY	PART NO.	PART NAME
001	001		09250576	KIT-BELT

N.C.	REF.	QTY	PART NO.	PART NAME
------	------	-----	----------	-----------





CAB INTERIOR LIGHT

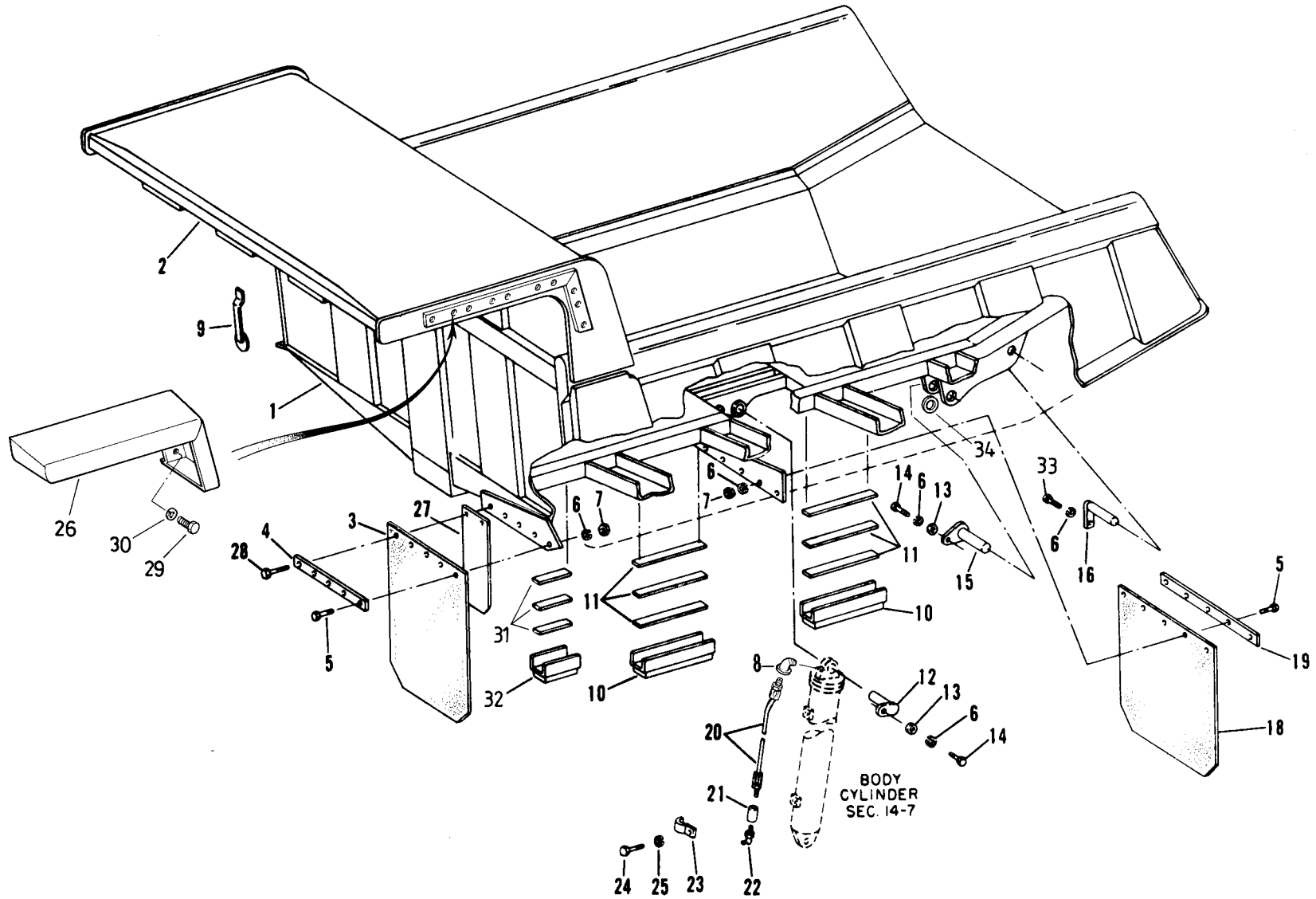
17-26 - 6

N.C.	REF.	QTY	PART NO.	PART NAME
001	001		09079626	LIGHT

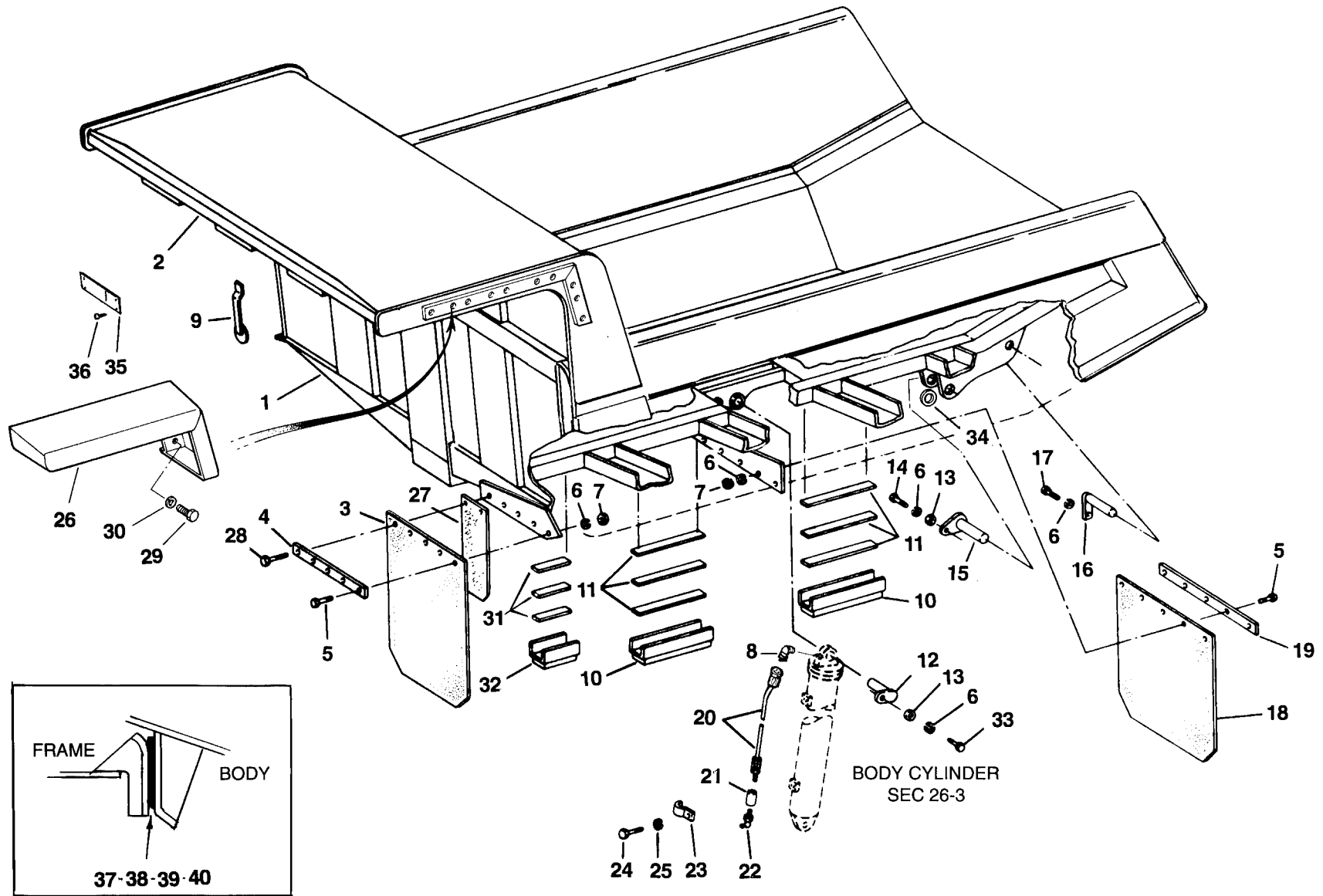
N.C.	REF.	QTY	PART NO.	PART NAME
002	001		09079372	BULB

CAB INTERIOR LIGHT  
PAGE 002 (LAST)

17-26 - 6

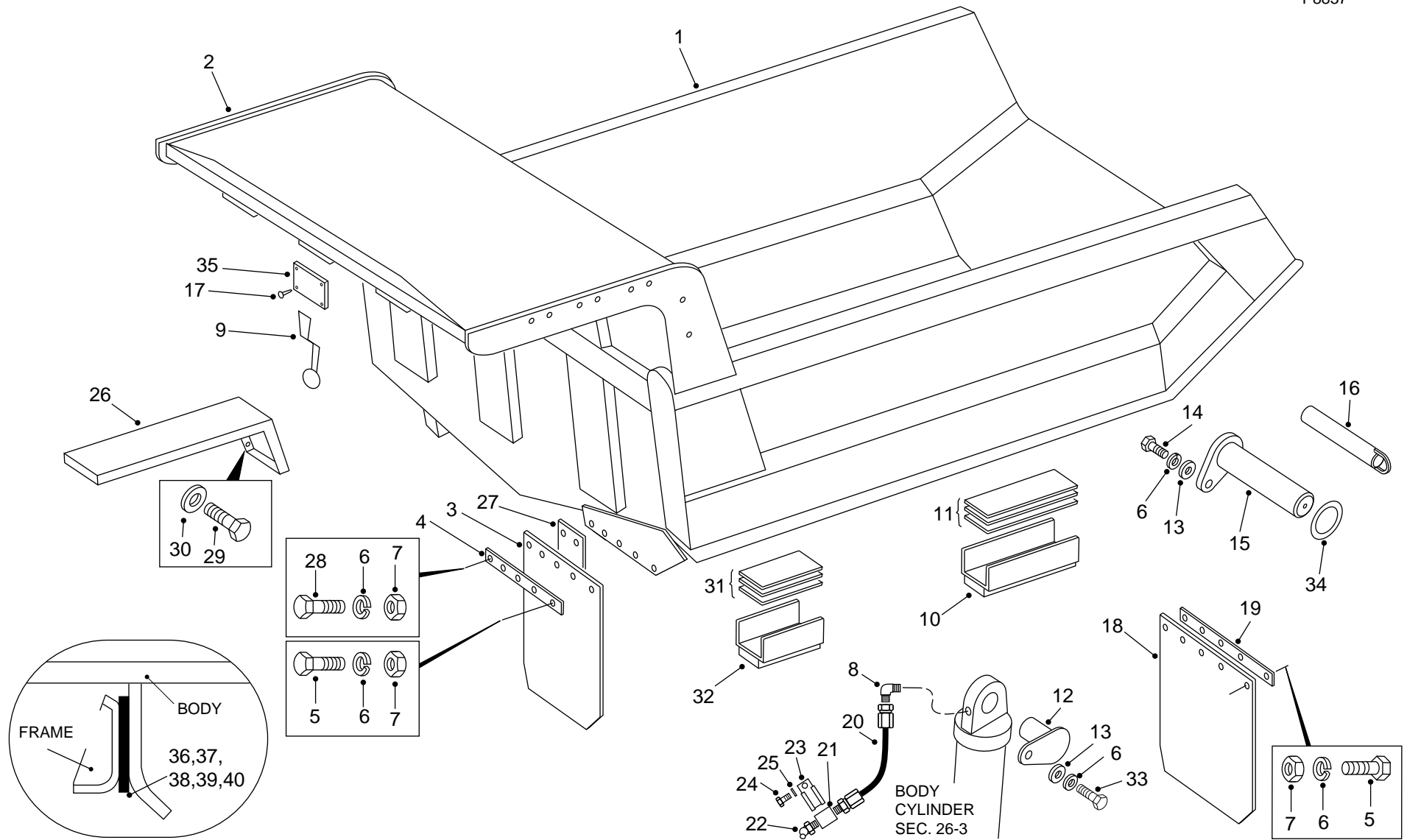


N.C.	REF.	QTY	PART NO.	PART NAME	N.C.	REF.	QTY	PART NO.	PART NAME
	001	001	15227231	BODY ASSEMBLY	018	002	09016351	MUDGUARD	
	002	001	15230340	.CAB GUARD ASSEMBLY	019	002	09013704	BAR	
	003	002	09016290	MUDGUARD	020	002	09121126	HOSE ASSY	
	004	002	09016350	BAR	021	002	00187394	COUPLING	
	005	018	00179885	BOLT	022	002	09411019	NIPPLE-GREASE	
	006	026	00103329	LOCKWASHER	023	004	09131857	CLIP	
	007	020	00102637	NUT	024	004	00179835	BOLT	
	008	002	09402823	ELBOW	025	004	00108580	LOCKWASHER	
	009	001	09015905	INDICATOR-BODY DOWN	026	001	09061852	GUARD ASSY-LH	
	010	004	15001743	BODY PAD ASSY	027	001	09258436	PLATE	
	011	ASR	09230812	PLATE	028	002	00179887	BOLT	
	012	002	09069246	PIN	029	009	00271554	BOLT	
	013	002	09176228	WASHER-HARDENED	030	009	09191596	WASHER	
	014	002	00271607	BOLT	031	ASR	09231284	PLATE	
	015	002	15249710	PIN-BODY HINGE	032	002	15018246	BODY PAD ASSY	
	016	002	09017822	PIN ASSEMBLY	033	002	00179883	BOLT	
	017	002	00179880	BOLT	034	ASR	15251001	SHIM	

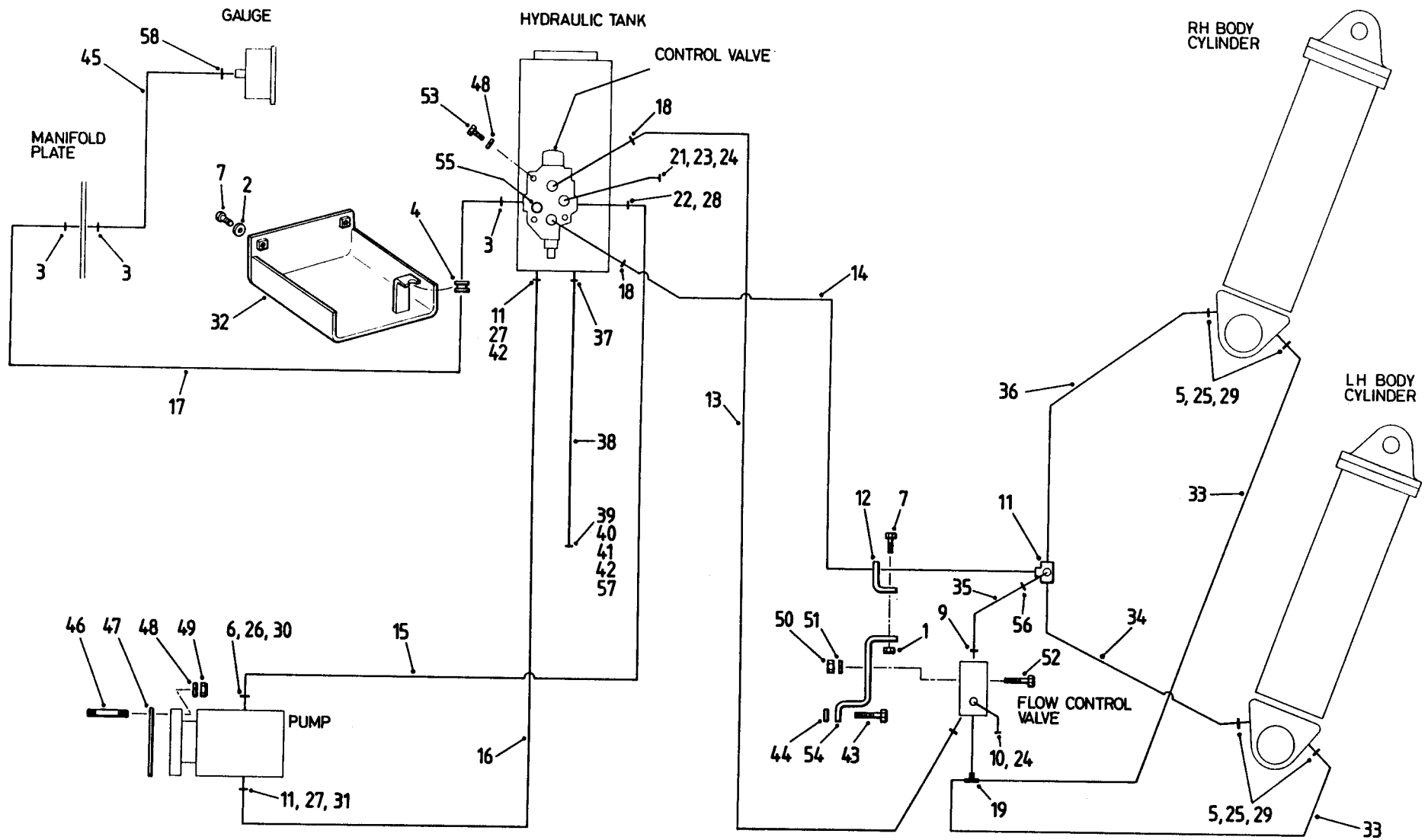


N.C.	REF.	QTY	PART NO.	PART NAME	N.C.	REF.	QTY	PART NO.	PART NAME
001	001		15252979	BODY ASSEMBLY	021	002		00187394	COUPLING
002	001		15230340	.CAB GUARD ASSEMBLY	022	002		09411019	NIPPLE-GREASE
003	002		09016290	MUDGUARD	023	002		09131857	CLIP
004	002		09016350	BAR	024	004		00179835	BOLT
005	018		00179885	BOLT	025	004		00108580	LOCKWASHER
006	026		00103329	LOCKWASHER	026	001		09061852	GUARD ASSY-LH
007	020		00120378	NUT	027	001		09258436	PLATE
008	002		09402823	ELBOW	028	002		00179887	BOLT
009	001		09015905	INDICATOR-BODY DOWN	029	009		00271558	BOLT
010	004		15001743	BODY PAD ASSY	030	009		09191596	WASHER
011	ASR		09230812	PLATE	031	ASR		09231284	PLATE
012	002		09015218	PIN	032	002		15018246	BODY PAD ASSY
013	002		09176228	WASHER-HARDENED	033	004		00179883	BOLT
014	002		00271607	BOLT	034	ASR		15251001	SHIM
015	002		15249710	PIN-BODY HINGE	035	001		15250090	DECAL-ROPS/FOPS
016	002		09017822	PIN ASSEMBLY	036	004		00145378	SCREW
017	002		00179880	BOLT	037	ASR		15237342	SHIM (6.00 MM)
018	002		09016351	MUDGUARD	038	ASR		15237343	SHIM (8.00 MM)
019	002		09013704	BAR	039	ASR		15237344	SHIM (10.00 MM)
020	002		09122232	HOSE ASSY	040	ASR		15237345	SHIM (12.50 MM)

P8837



N.C.	REF.	QTY	PART NO.	PART NAME	N.C.	REF.	QTY	PART NO.	PART NAME
	001	001	15252979	BODY ASSEMBLY	021	002	00187394	COUPLING	
	002	001	15230340	.CAB GUARD ASSEMBLY	022	002	09411019	NIPPLE-GREASE	
	003	002	09016290	MUDGUARD	023	002	09131857	CLIP	
	004	002	09016350	BAR	024	004	00179835	BOLT	
	005	018	00179885	BOLT	025	004	00108580	LOCKWASHER	
	006	024	00103329	LOCKWASHER	026	001	09061852	GUARD ASSY-LH	
	007	020	00120378	NUT	027	001	09258436	PLATE	
	008	002	09402823	ELBOW	028	002	00179887	BOLT	
	009	001	09015905	INDICATOR-BODY DOWN	029	009	00271558	BOLT	
	010	004	15001743	BODY PAD ASSY	030	009	09191596	WASHER	
	011	ASR	09230812	PLATE	031	ASR	09231284	PLATE	
	012	002	09015218	PIN	032	002	15018246	BODY PAD ASSY	
	013	002	09176228	WASHER-HARDENED	033	004	00179883	BOLT	
	014	002	00271607	BOLT	034	ASR	15251001	SHIM	
	015	002	15249710	PIN-BODY HINGE	035	001	15250090	DECAL-ROPS/FOPS	
	016	002	15255213	PIN ASSEMBLY	036	ASR	15237345	SHIM (12.50 MM)	
	017	004	00145378	SCREW	037	ASR	15237342	SHIM (6.00 MM)	
	018	002	09016351	MUDGUARD	038	ASR	15237343	SHIM (8.00 MM)	
	019	002	09013704	BAR	039	ASR	15237344	SHIM (10.00 MM)	
	020	002	09122232	HOSE ASSY	040	ASR	15258252	SHIM (3.00 MM)	



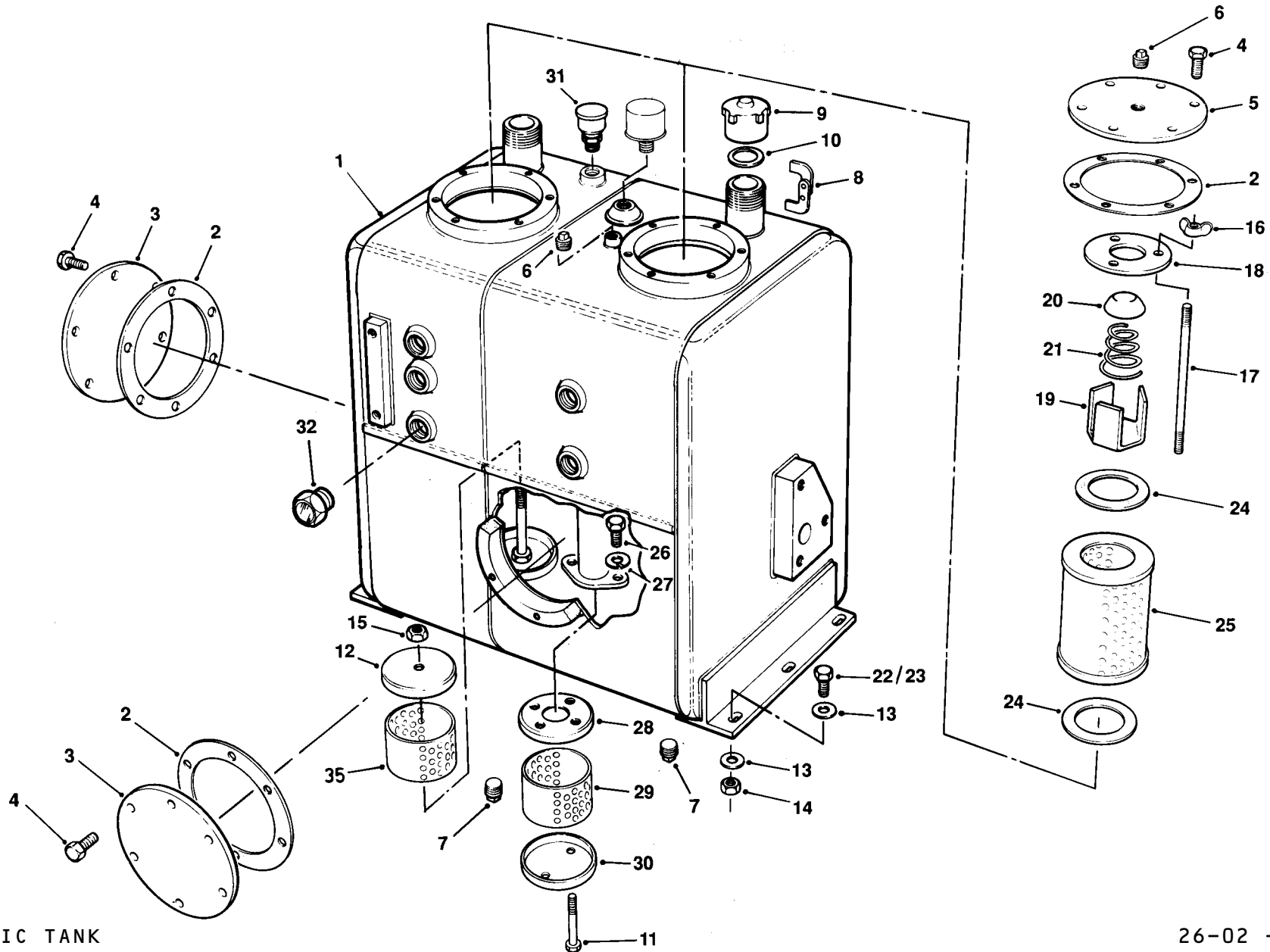


LINES AND FITTINGS-HYDRAULIC

26-01 - 2 R02

N.C.	REF.	QTY	PART NO.	PART NAME	N.C.	REF.	QTY	PART NO.	PART NAME
	001	002	00120378	NUT		030	001	09410969	O RING
	002	002	00106265	WASHER		031	002	09410971	O RING
	003	003	00116453	ELBOW		032	001	15001077	GUARD
	004	001	00118833	GROMMET		033	002	15260091	HOSE ASSY
	005	016	00179841	BOLT		034	001	15004089	HOSE ASSY
	006	004	00179860	BOLT		035	001	15004134	HOSE ASSY
	007	004	00179883	BOLT		036	001	15004303	HOSE ASSY
	008	008	00179885	BOLT		037	001	09402869	ELBOW
	009	001	09016048	CONNECTOR ASSY		038	001	15260152	HOSE ASSY
	010	001	09037136	CONNECTOR		039	001	09259241	PLATE
	011	001	09067616	TEE-BULKHEAD		040	001	00120062	BUSHING
	012	001	09067617	PLATE		041	001	15230961	VALVE-BALL SHUT OFF
	013	001	15257940	HOSE ASSY		042	001	00444631	PLUG (0.50')
	014	001	15257941	HOSE ASSY		043	001	09214061	BOLT
	015	001	15260157	HOSE ASSY		044	001	09270000	WASHER-HARDENED
	016	001	15230558	HOSE ASSY		045	001	09129560	HOSE ASSY
	017	001	09188529	HOSE ASSY		046	004	09179585	STUD
	018	002	09183228	CONNECTOR		047	001	09156021	GASKET
	019	001	09183250	TEE		048	007	00103329	LOCKWASHER
	020	001	09188854	CONNECTOR		049	004	00103028	NUT
	021	001	09206093	PLUG		050	002	00102635	NUT
	022	001	09211140	CONNECTOR		051	002	00108580	LOCKWASHER
	023	001	09402706	CONNECTOR		052	002	00179850	BOLT
	024	002	09403369	CAP		053	003	00179891	BOLT
	025	008	09409981	FLANGE-SPLIT		054	001	09014436	BRACKET
	026	002	09409983	FLANGE-SPLIT		055	001	09120133	O RING
	027	004	09409985	FLANGE-SPLIT		056	001	09012209	ELBOW
	028	001	09410286	ELBOW		057	001	09136638	NIPPLE
	029	004	09410967	O RING		058	001	00125620	CONNECTOR

26-01 - 2 R02

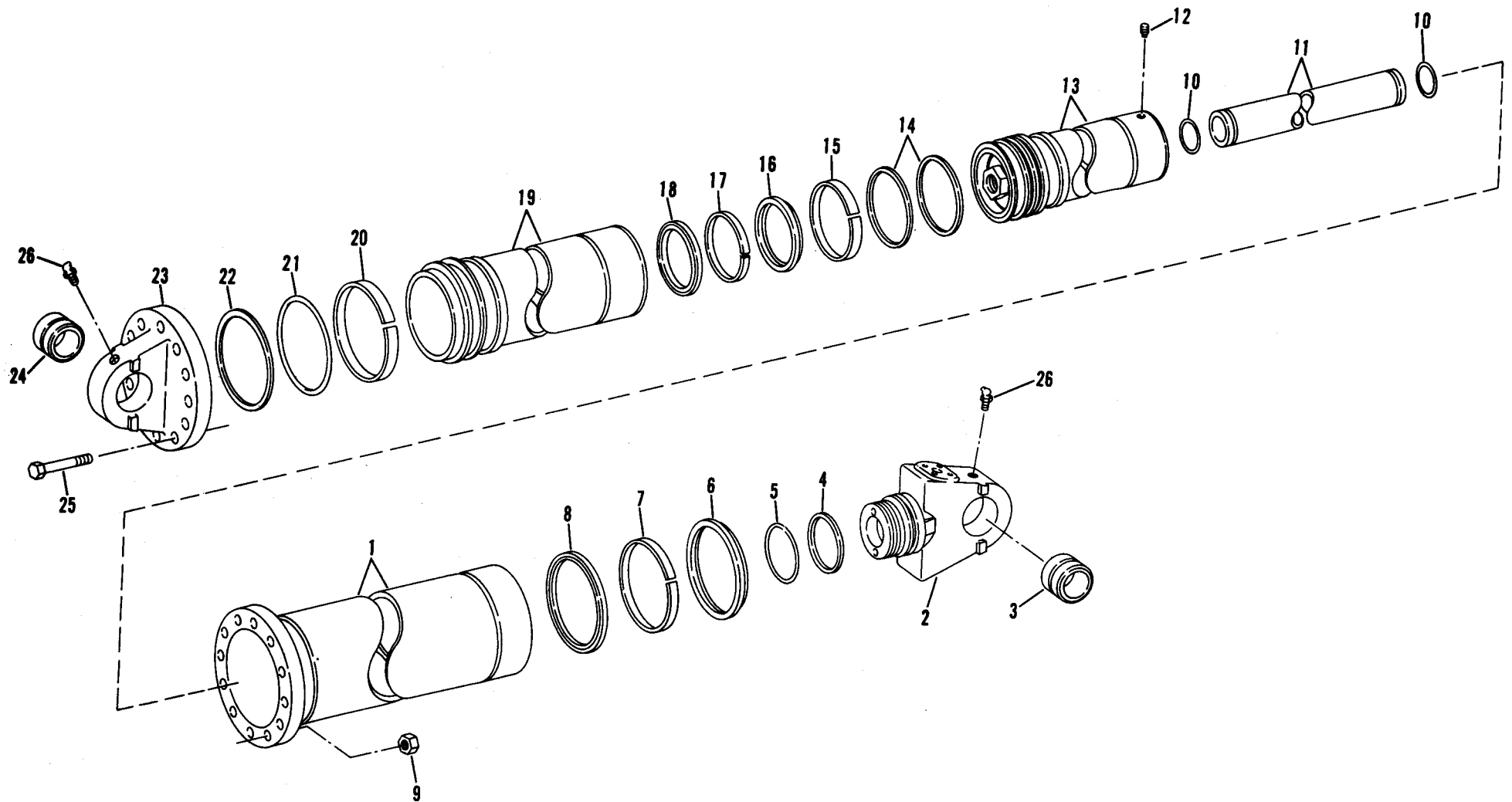


HYDRAULIC TANK

26-02 - 1

N.C.	REF.	QTY	PART NO.	PART NAME	N.C.	REF.	QTY	PART NO.	PART NAME
	001	001	15228827	TANK ASSY WELDMENT		018A	002	09368472	VALVE ASSY-RELIEF
	002	004	15011686	.GASKET		018	001	09368473	.FLANGE
	003	002	09069296	.COVER		019	001	09368474	.RETAINER
	004	024	00179838	.BOLT		020	001	09194725	.PLUNGER
	005	002	09067559	.PLATE-COVER		021	001	09194726	.SPRING
	006	003	00444619	.PLUG		022	003	00179885	BOLT
	007	002	00219303	.PLUG		023	003	00179887	BOLT
	008	002	09071724	.LATCH	A	024	004	09188288	GASKET
	009	002	09246992	CAP ASSY	A	025	002	09003531	ELEMENT
	010	001	09247259	.GASKET		026	002	00179839	BOLT
	011	002	00272543	BOLT		027	002	00108580	LOCKWASHER
	012	001	09185476	CAP-END		028	001	15229786	CAP
	013	012	09267660	WASHER		029	002	09260645	SCREEN FILTER SUCTIO
	014	006	00274209	LOCKNUT		030	001	09260647	CAP
	015	001	00102637	NUT		031	001	15244547	BREATHER
	016	006	02389616	NUT-WING		032	005	15230178	NUT-WINDOW
	017	006	09188290	ROD					

A NOTE: PARTS IN 09038953 ELEMENT KIT.

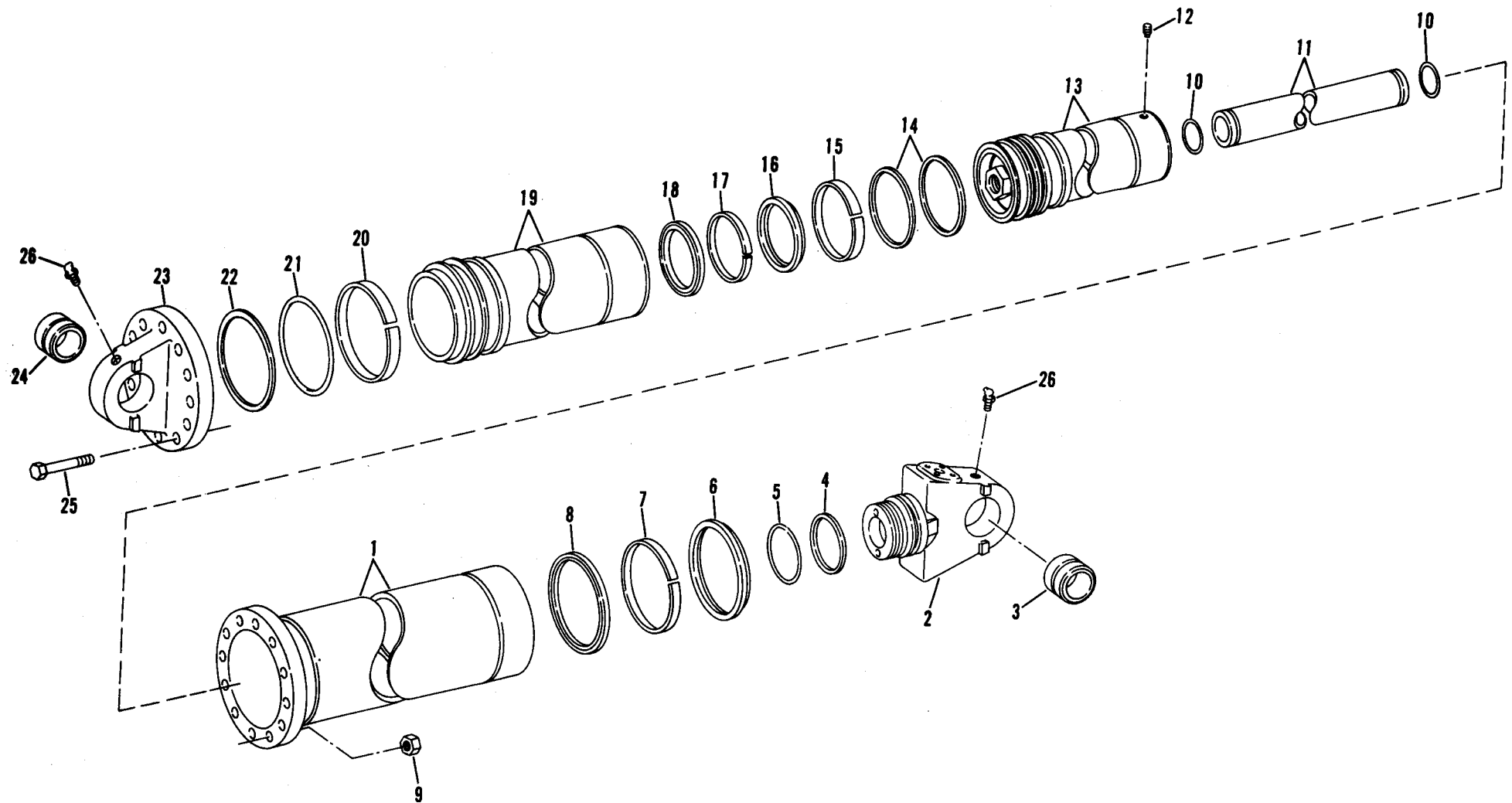


BODY/BOWL CYLINDER

26-03 - 1

N.C.	REF.	QTY	PART NO.	PART NAME	N.C.	REF.	QTY	PART NO.	PART NAME
	001A	001	15232133	CYLINDER-HOIST	A	014	002	09014301	.RING-PISTON
	001	001	09019955	.TUBE ASSY	A	015	001	09014132	.RING-WEAR
	002	001	15232135	.END ASSY	A	016	001	09256603	.WIPER
A	003	001	09014200	..BUSHING	A	017	001	09014130	.RING-WEAR
A	004	001	09014362	.RING-BACKUP	A	018	001	09272943	.SEAL
A	005	001	09014593	.O RING		019	001	09019958	.TUBE
A	006	001	09256605	.WIPER	A	020	001	09014131	.RING-WEAR
A	007	001	09014129	.RING-WEAR	A	021	001	09132790	.O RING
A	008	001	09270712	.SEAL	A	022	001	09014363	.RING-BACKUP
	009	012	09354243	.LOCKNUT		023	001	09015489	.BASE ASSY
	010	002	15232053	.SEAL-T		024	001	09014200	..BUSHING
	011	001	15232134	.TUBE		025	012	00271568	.BOLT
	012	001	09431967	.SCREW		026	002	09411010	FITTING-GREASE
	013	001	15232128	.TUBE ASSY					

A NOTE: PARTS IN 09394720 REPAIR KIT.



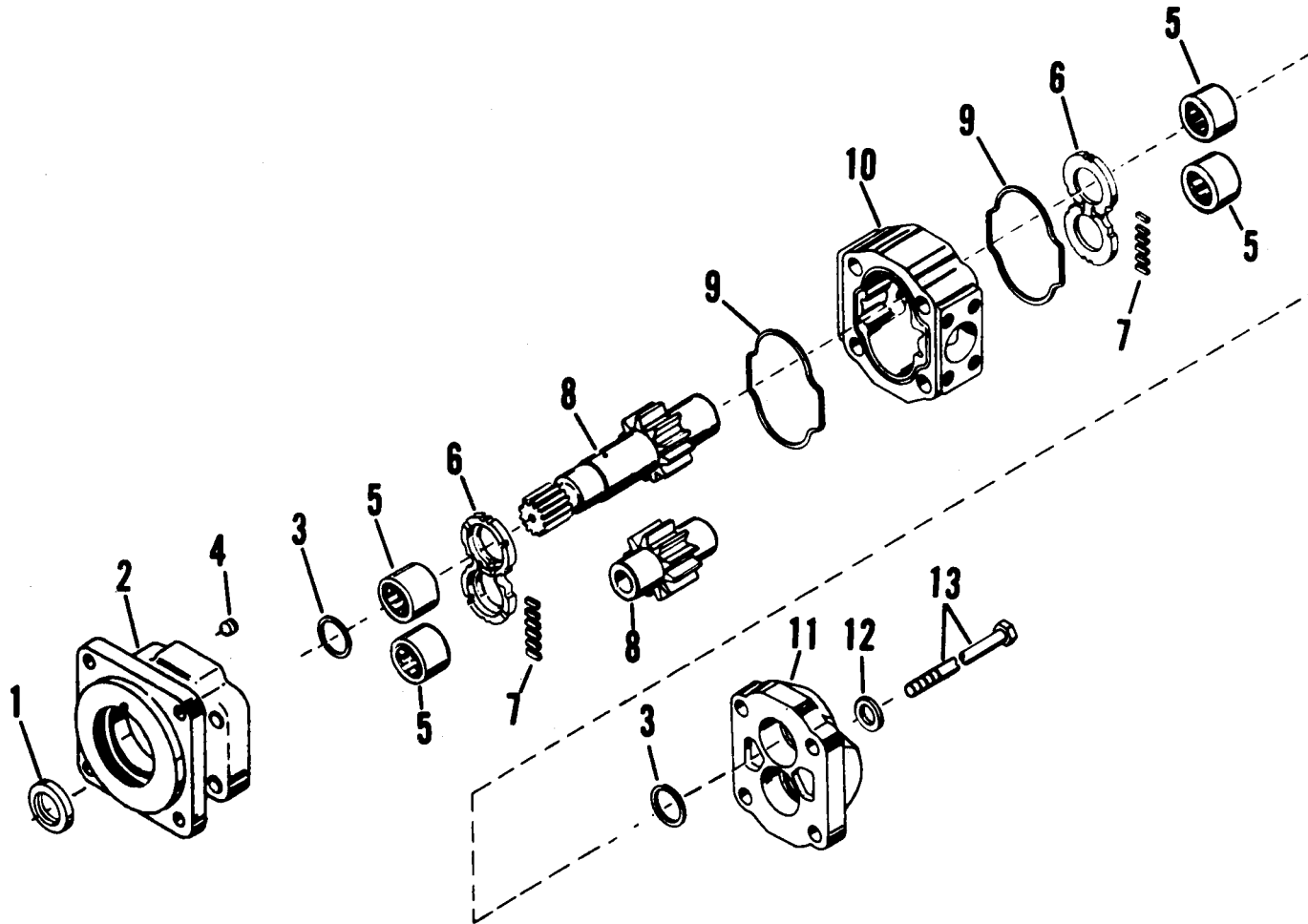
BODY/BOWL CYLINDER

26-03 - 8

N.C.	REF.	QTY	PART NO.	PART NAME	N.C.	REF.	QTY	PART NO.	PART NAME
	001A	001	15248543	CYLINDER ASSY-HOIST	A	014	002	09014301	.RING-PISTON
	001	001	09019955	.TUBE ASSY	A	015	001	09014132	.RING-WEAR
	002	001	15232135	.END ASSY	A	016	001	09256603	.WIPER
A	003	001	09014200	..BUSHING	A	017	001	09014130	.RING-WEAR
A	004	001	09014362	.RING-BACKUP	A	018	001	09272943	.SEAL
A	005	001	09014593	.O RING		019	001	15248536	.TUBE ASSY
A	006	001	09256605	.WIPER	A	020	001	09014131	.RING-WEAR
A	007	001	09014129	.RING-WEAR	A	021	001	09132790	.O RING
A	008	001	09270712	.SEAL	A	022	001	09014363	.RING-BACKUP
	009	012	00274821	.NUT HEX NYLON WASHER		023	001	09015489	.BASE ASSY
	010	002	15232053	.SEAL-T		024	001	09014200	..BUSHING
	011	001	15232134	.TUBE		025	012	00271568	.BOLT
	012	001	09431967	.SCREW		026	002	09411010	FITTING-GREASE
	013	001	15248528	.TUBE ASSY					

A NOTE: PARTS IN 09394720 REPAIR KIT.

26-03 - 8



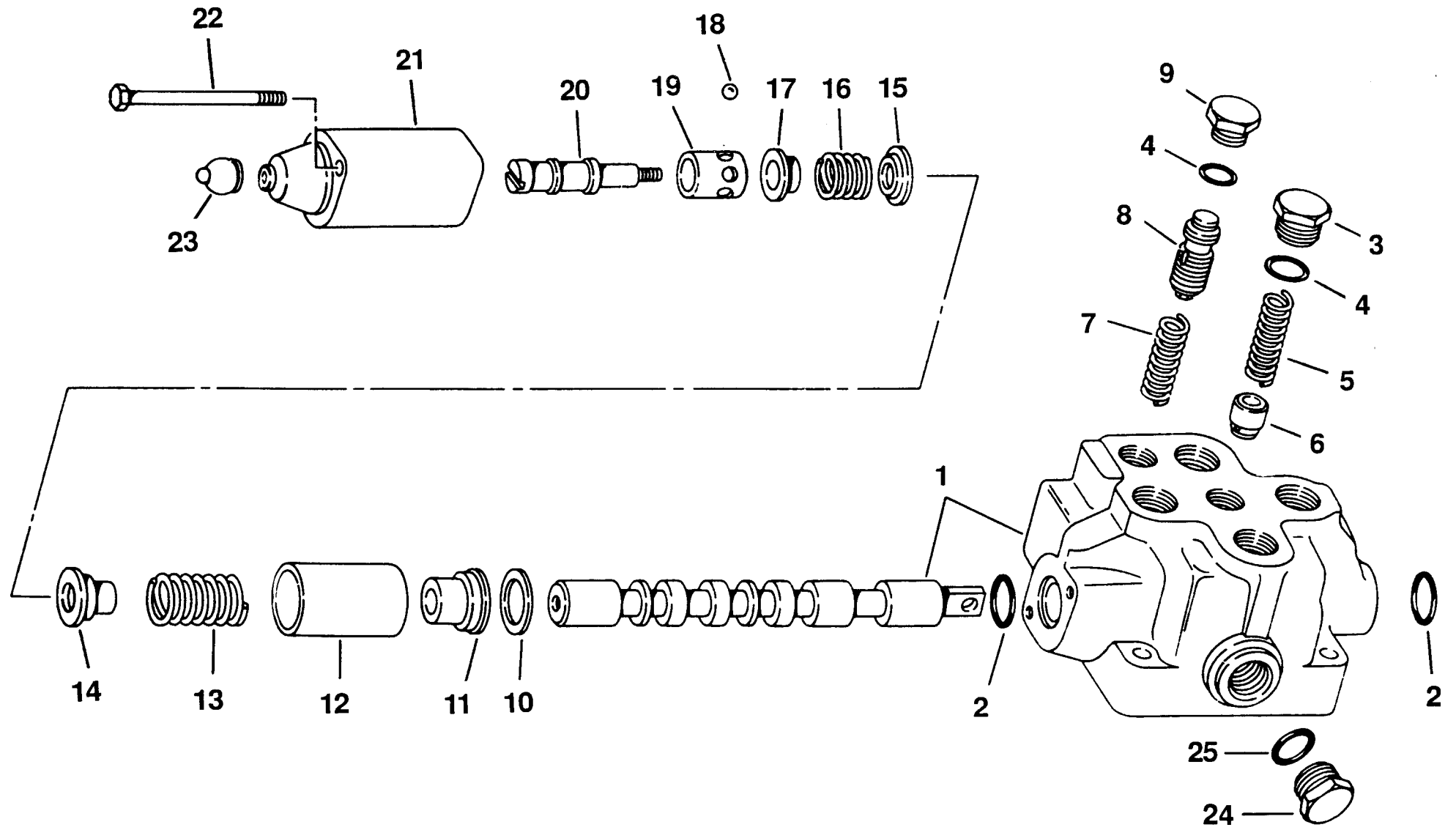


## PUMP

26-05 - 1

N.C.	REF.	QTY	PART NO.	PART NAME	N.C.	REF.	QTY	PART NO.	PART NAME
	001A	001	09253503	PUMP		007	ASR	09034914	. SEAL-STRIP
	001	001	09034907	. SEAL		008	001	09039963	. GEAR SET
	002	001	09034911	. COVER		009	002	09034913	. GASKET-SEAL
	003	002	09036241	. SEAL		010	001	09039964	. HOUSING
	004	001	09038111	. SCREW-SET		011	001	09034909	. COVER
	005	004	09034503	. BEARING		012	004	09034501	. WASHER
	006	002	09039962	. PLATE-THRUST		013	004	00272552	. BOLT

26-05 - 1



## CONTROL VALVE

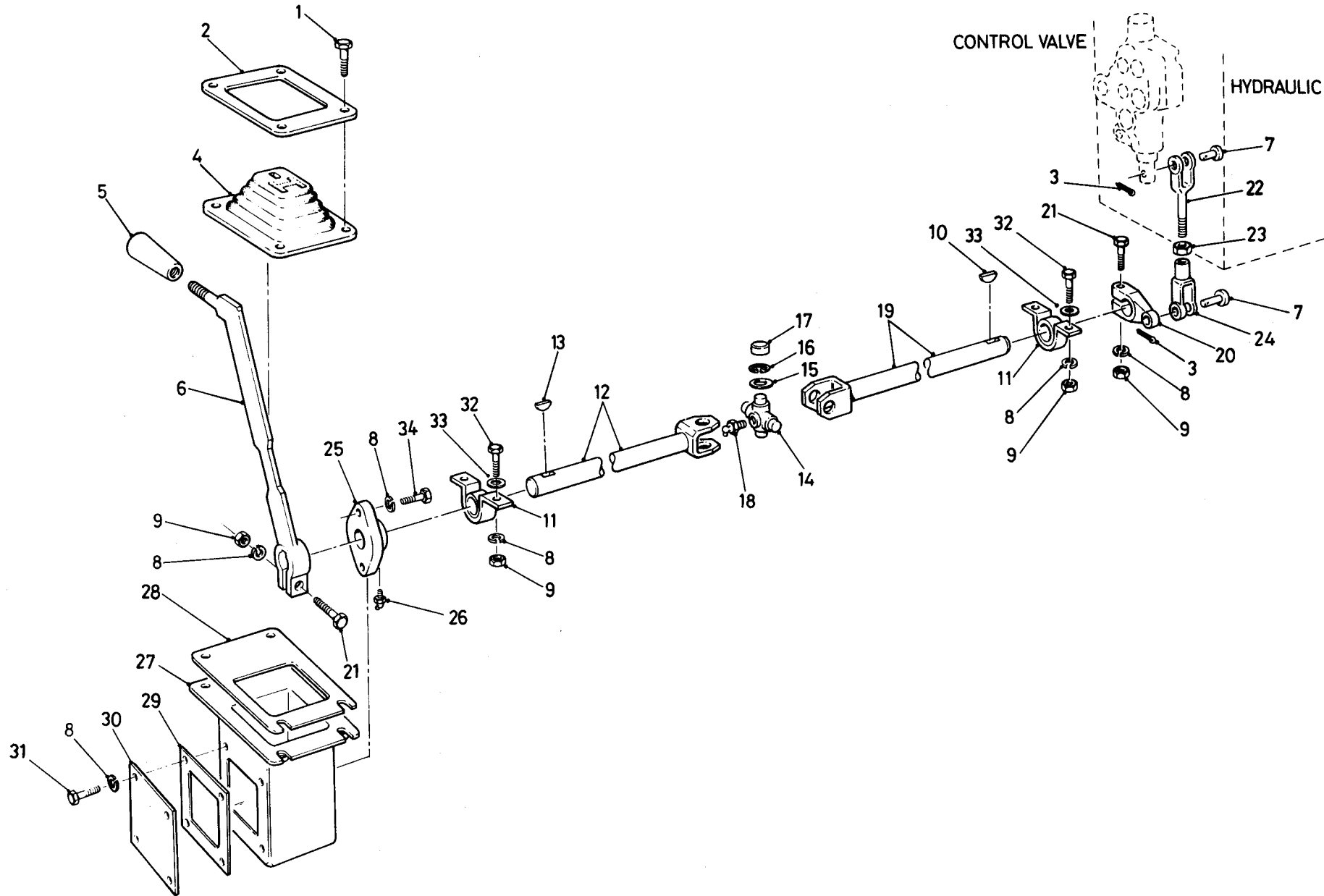
26-06 - 2

N.C.	REF.	QTY	PART NO.	PART NAME	N.C.	REF.	QTY	PART NO.	PART NAME
001	001		09264847	VALVE ASSY	014	001		09050833	.RETAINER
002	002		09410967	.O RING	015	001		09050829	.WASHER
003	001		09049327	.PLUG	016	001		09054051	.SPRING
004	002		00274250	.O RING	017	001		09050832	.RETAINER
005	001		09050824	.SPRING	018	006		00104918	.BALL
006	001		09050827	.POPPET	019	001		09050831	.GUIDE-BALL
007	001		09050823	.SPRING	020	001		09050837	.EXTENSION-SPOOL
008	001		09050826	.VALVE-RELIEF	021	001		09050830	.CAP
009	001		09050825	.PLUG	022	002		09434101	.BOLT
010	001		09050828	.RETAINER	023	001		09052450	.COVER-DUST
011	001		09050835	.RETAINER	024	001		09410364	.PLUG
012	001		09050836	.SPACER	025	001		00274252	.O RING
013	001		09052424	.SPRING					

26-06 - 2

CONTROL VALVE LINKAGE

26-07 - 2 R02



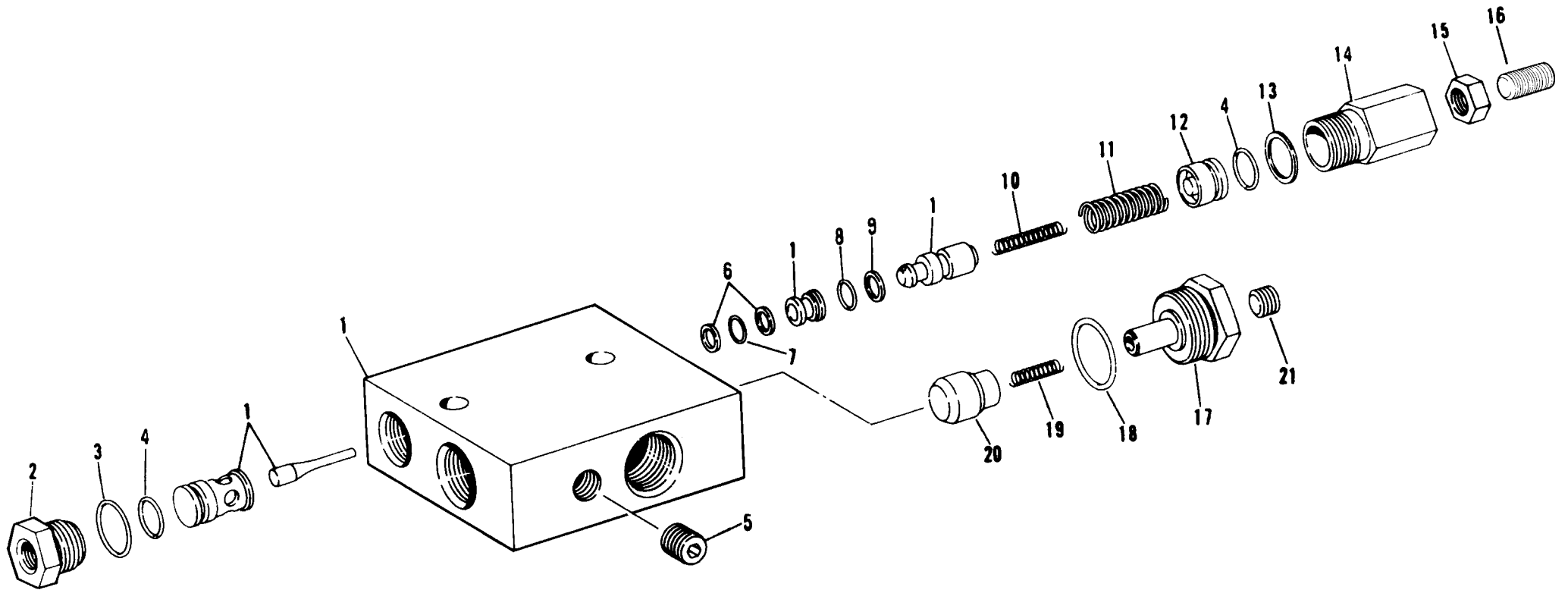
26-07 - 2 R02

## CONTROL VALVE LINKAGE

26-07 - 2 R02

N.C.	REF.	QTY	PART NO.	PART NAME	N.C.	REF.	QTY	PART NO.	PART NAME
001	004		00179843	BOLT	018	001		09411032	FITTING
002	001		09015030	PLATE	019	001		09069330	SHAFT
003	002		00103385	PIN-COTTER	020	001		09015186	LEVER
004	001		09009790	BOOT	021	002		00179847	BOLT
005	001		09153611	HANDLE	022	001		09062222	CLEVIS
006	001		09015010	LEVER ASSEMBLY	023	001		00114496	NUT-JAM
007	002		00103498	PIN	024	001		09169494	CLEVIS
008	012		00108580	LOCKWASHER	025	001		09068510	BEARING
009	004		00102635	NUT	026	001		09411032	FITTING
010	001		00117985	GROMMET	027	001		09068704	BOX ASSY - BEARING
011	002		09073063	BEARING	028	001		09068710	GASKET
012	001		09015017	SHAFT	029	001		09068712	GASKET
013	001		00113782	KEY	030	001		09068711	COVER
014	001		15010162	SPIDER & BEARING ASS	031	004		00179837	BOLT
015	004		01415752	.WASHER	032	004		00179843	BOLT
016	004		09020043	.RING-SWAP	033	004		09060202	WASHER-HARDENED
017	004		N.L.A.	.BEARING	034	002		00179841	BOLT

26-07 - 2 R02

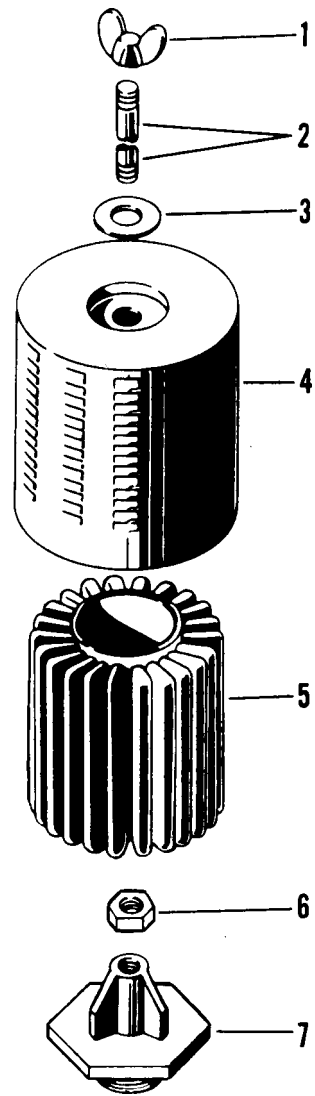


## KICK-OVER VALVE

26-09 - 1

N.C.	REF.	QTY	PART NO.	PART NAME	N.C.	REF.	QTY	PART NO.	PART NAME
001	001		15014890	VALVE KICK OVER	012	001		09039645	. SPRING-END
002	001		09058414	. PLUG	013	001		09025789	. O RING
003	001		09034127	. O RING	014	001		09039643	. PLUG
004	002		09031299	. O RING	015	001		00114496	. NUT-JAM
005	001		00444698	. PLUG	016	001		00222710	. SCREW
006	002		09034132	. RING-BACKUP	017	001		09260096	. GUIDE
007	001		09034130	. O RING	018	001		09036136	. O RING
008	001		09034129	. O RING	019	001		09038876	. SPRING
009	001		09053849	. RING-BACKUP	020	001		09058415	. POPPET
010	001		09039644	. SPRING	021	001		00444692	. PLUG
011	001		09034135	. SPRING					

26-09 - 1

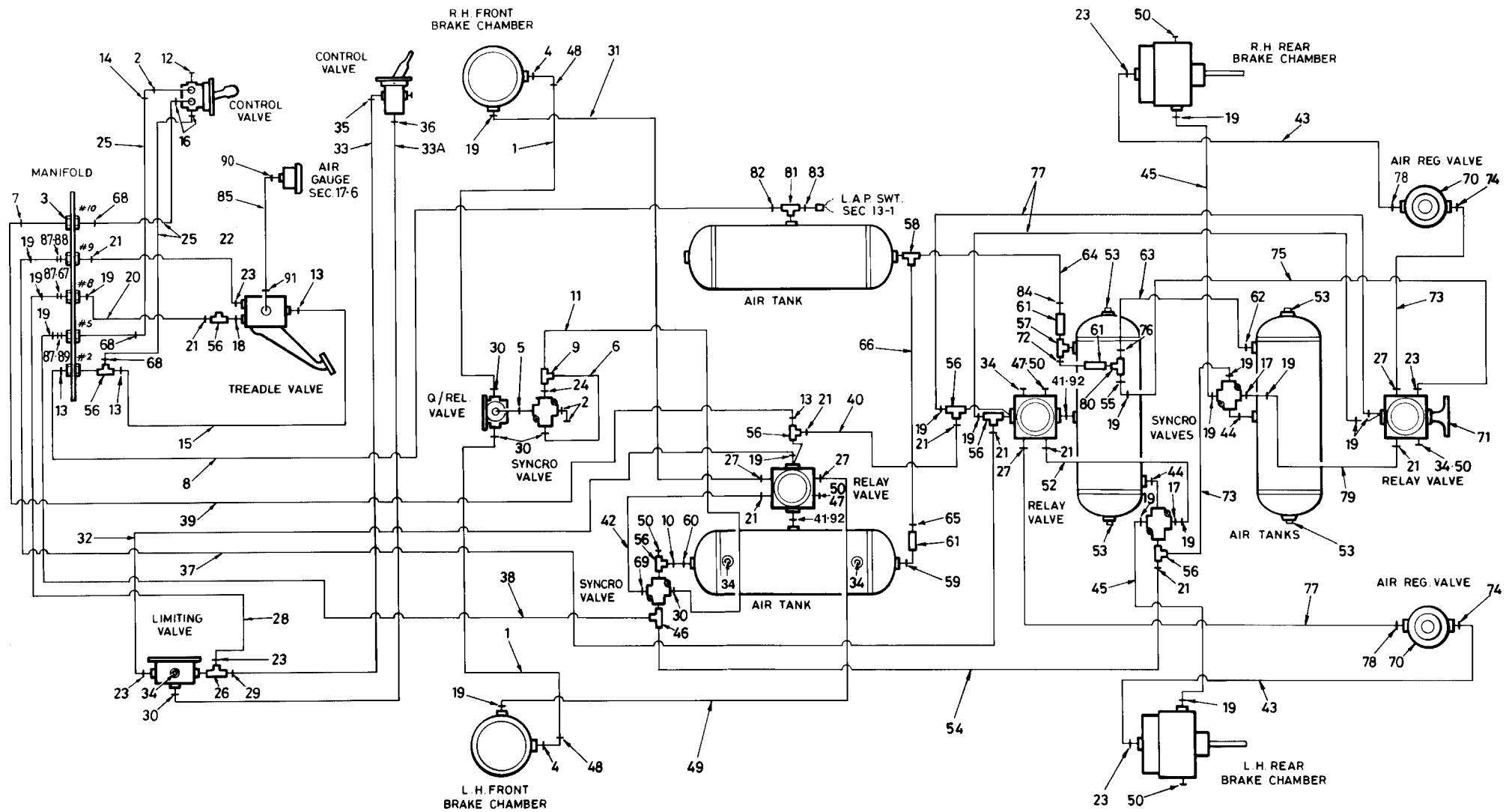




HYDRAULIC TANK-AIR FILTER

26-12 - 1

N.C.	REF.	QTY	PART NO.	PART NAME	N.C.	REF.	QTY	PART NO.	PART NAME
001A	001		09193382	FILTER-AIR	004	001		09029496	.HOUSING
001	001		00103128	.NUT WING 0.25-20 UNC	005	001		09029495	.ELEMENT
002	001		09030935	.STUD	006	001		00102634	.NUT
003	001		09029553	.WASHER	007	001		09029494	.BASE



## BRAKE LINES &amp; FITTINGS-AIR

27-00 - 2 R02

N.C.	REF.	QTY	PART NO.	PART NAME	N.C.	REF.	QTY	PART NO.	PART NAME
	001	002	15245001	HOSE ASSY	033	001	09120666	HOSE ASSY	
	002	003	00454108	ELBOW	33A	001	09356594	HOSE ASSY	
	003	005	02369508	STUD-CLAMPING	034	005	00444625	PLUG (0.38IN)	
	004	002	00443979	NIPPLE	035	001	00118753	ELBOW	
	005	001	00443991	NIPPLE	036	001	00118748	CONNECTOR	
	006	001	09119660	HOSE ASSY	037	001	09129474	HOSE ASSY	
	007	001	09121245	CONNECTOR	038	001	15227810	HOSE ASSY	
	008	001	09148711	HOSE ASSY	039	001	15248289	HOSE ASSY	
	009	001	00116561	TEE	040	001	09121889	HOSE ASSY	
	010	001	00105405	NIPPLE	041	002	09433984	NIPPLE	
	011	001	09120744	HOSE ASSY	042	001	09007918	HOSE ASSY	
	012	001	00444613	PLUG	043	002	15245011	HOSE ASSY	
	013	004	08040341	ELBOW	044	002	09257005	ELBOW	
	014	001	00118749	CONNECTOR	045	002	15245007	HOSE ASSY	
	015	001	09121737	HOSE ASSY	046	001	00140675	TEE	
	016	002	00118754	ELBOW	047	002	00143980	PLUG	
	017	003	00444012	ADAPTOR	048	002	08040347	ELBOW	
	018	001	00444029	REDUCER	049	001	09258663	HOSE ASSY	
	019	019	00118755	ELBOW	050	004	00444619	PLUG	
	020	001	09123678	HOSE ASSY	051	001	00118757	ELBOW	
	021	009	00118750	CONNECTOR	052	001	09120883	HOSE ASSY	
	022	001	09016620	HOSE ASSY	053	004	00273469	PLUG	
	023	006	05125884	ELBOW	054	001	09120765	HOSE ASSY	
	024	001	00444025	BUSHING	055	001	00144217	BUSHING	
	025	003	09120820	HOSE ASSY	056	008	00454145	TEE	
	026	001	00454146	TEE	057	001	09250235	TEE	
	027	004	08040313	CONNECTOR	058	001	09403101	TEE	
	028	001	09128853	HOSE ASSY	059	001	09252513	ELBOW	
	029	001	09122167	CONNECTOR	060	001	00179764	BUSHING	
	030	003	00116453	ELBOW	061	003	02356564	VALVE-CHECK	
	031	001	09258662	HOSE ASSY	062	001	09248550	ELBOW	
	032	001	09362884	HOSE ASSY	063	001	09120881	HOSE ASSY	

27-00 - 2 R02

## BRAKE LINES &amp; FITTINGS-AIR

27-00 - 2 R02

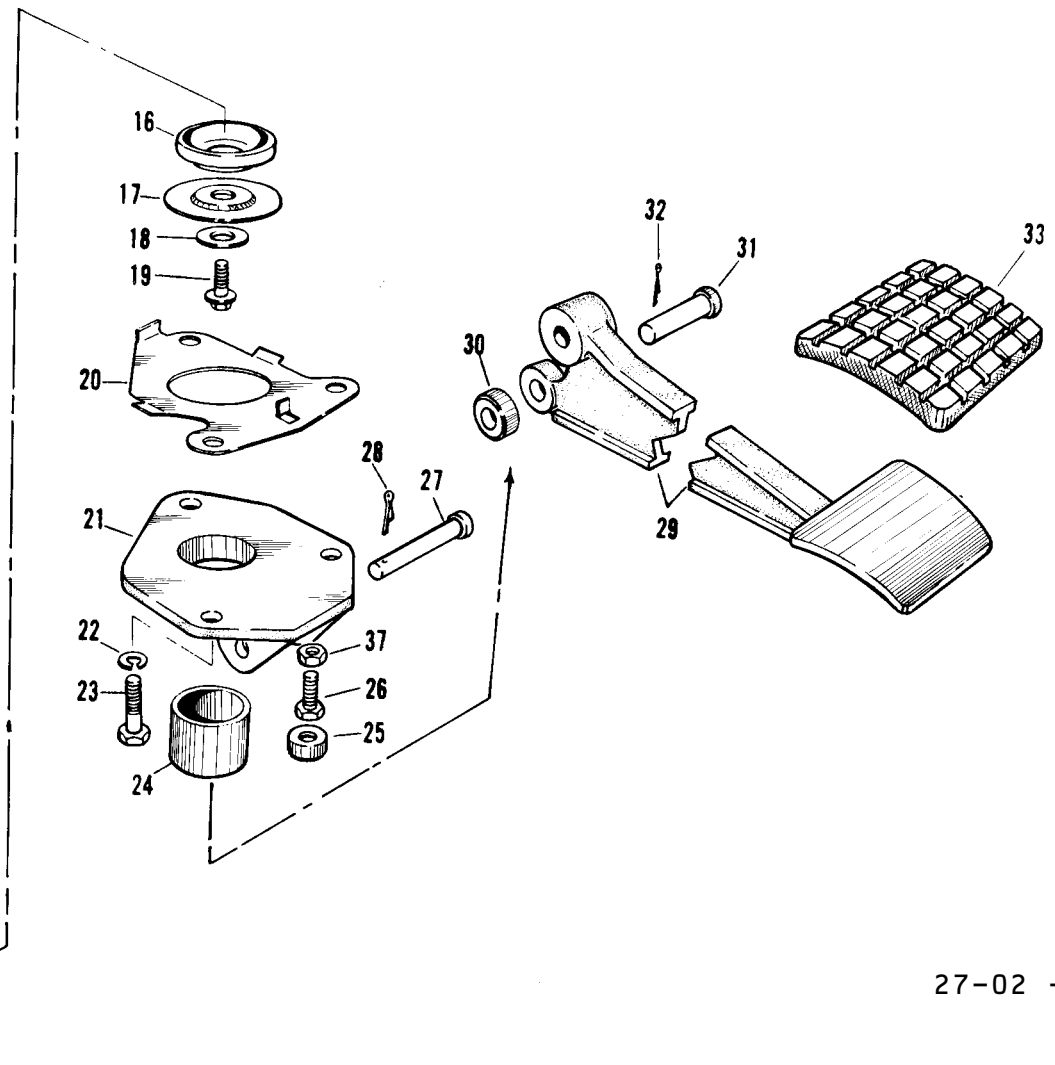
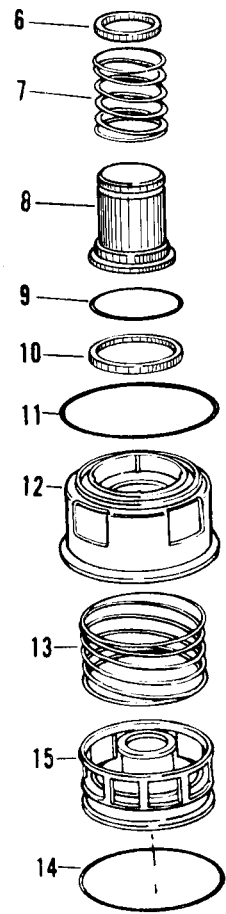
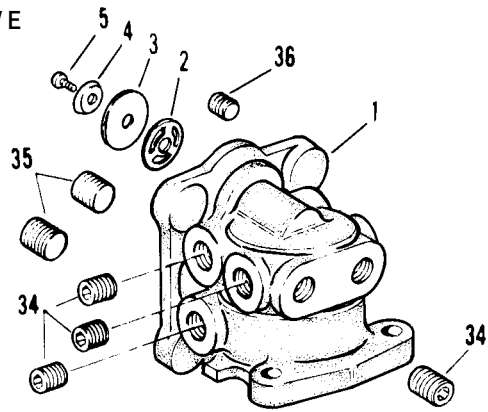
N.C.	REF.	QTY	PART NO.	PART NAME	N.C.	REF.	QTY	PART NO.	PART NAME
	064	001	09253495	HOSE ASSY	080	001	00454136	TEE	
	065	001	09402711	CONNECTOR	081	001	00454134	TEE	
	066	001	09188752	HOSE ASSY	082	001	00118752	CONNECTOR	
	067	001	00119920	NIPPLE	083	001	00444029	REDUCER	
	068	003	00142664	ELBOW	084	001	09402828	ELBOW	
	069	001	09231083	ELBOW	085	ASR	09233142	TUBE-NYLON	
A	070	002	15227016	VALVE-AIR REGULATOR	086	001	00187394	COUPLING	
	071	001	09033723	ADAPTOR	087	004	00187395	COUPLING	
	072	001	00454106	ELBOW	088	001	00105405	NIPPLE	
	073	002	15229373	HOSE ASSY	089	002	00105407	NIPPLE	
	074	002	08040339	ELBOW	090	001	09384875	ELBOW-ADAPTOR	
	075	001	09268487	HOSE ASSY	091	001	09384876	ELBOW-ADAPTOR	
	076	001	09120879	CONNECTOR	092	002	00141621	ELBOW	
	077	003	09120753	HOSE ASSY	NI	003	09078797	VALVE-BALL	
	078	002	09120862	CONNECTOR	NI	003	00121207	NIPPLE	
	079	001	09120864	HOSE ASSY					

A NOTE: 15267606 REPAIR KIT AVAILABLE

27-00 - 2 R02

(THIS PAGE INTENTIONALLY LEFT BLANK)

TREADLE VALVE



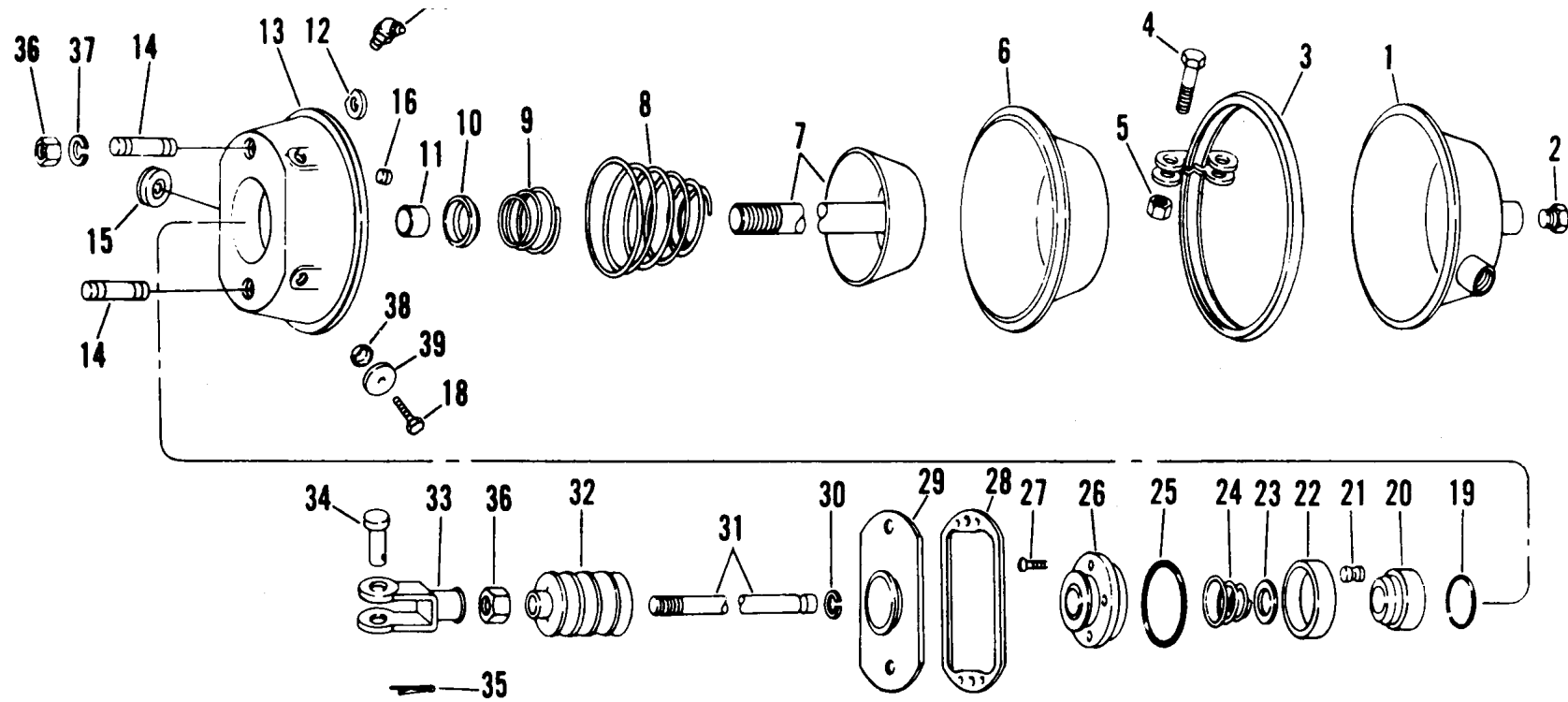
## TREADLE VALVE

27-02 - 1

N.C.	REF.	QTY	PART NO.	PART NAME	N.C.	REF.	QTY	PART NO.	PART NAME
A	001A	001	09015336	VALVE-TREADLE	019	001	09420597	...	BOLT
B	001B	001	09053174	.VALVE ASSY	020	001	02497503	..	RETAINER
	001	001	NSS ASSY	..BODY ASSY	021	001	02497116	.PLATE-MOUNTING	
	002	001	00654161	...RETAINER-DIAPHRAGM	022	003	00112723	.LOCKWASHER	
	003	001	00654162	..DIAPHRAGM	023	003	00180078	.BOLT HEX 0.31-18 UNC	
	004	001	00654163	..WASHER	024	001	09039686	.PLUNGER	
	005	001	09038507	..SCREW	025	001	02497120	.BUTTON ASSY	
	006	001	02405320	..O RING	026	001	00180078	..BOLT HEX 0.31-18 UNC	
	007	001	02497150	..SPRING	027	001	02497115	.PIN	
	008	001	02408933	..VALVE	028	001	00103374	.PIN-COTTER	
	009	001	02497505	..O RING	029	001	09039689	.PEDAL ASSY	
	010	001	02425411	..RETAINER	030	002	02497123	..ROLLER	
	011	001	02497506	..O RING	031	001	00103496	..PIN	
	012	001	02497501	..SEAT	032	001	00103374	..PIN-COTTER	
	013	001	02497502	..SPRING	033	001	02497118	..COVER	
	014	001	09392541	..O RING	034	005	00444619	.PLUG	
	015	001	02497149	..PISTON ASSY	035	002	09035152	.PLUG	
	016	001	09029574	...SPRING	036	001	02318214	.PLUG	
	017	001	NSS ASSY	...SEAT	037	001	02497121	.NUT	
	018	001	09029577	...WASHER					

A NOTE: TREADLE VALVE ASSEMBLY CONTAINS ITEMS 001B THROUGH 037

B NOTE: VALVE ASSEMBLY CONTAINS ITEMS 001 THROUGH 020



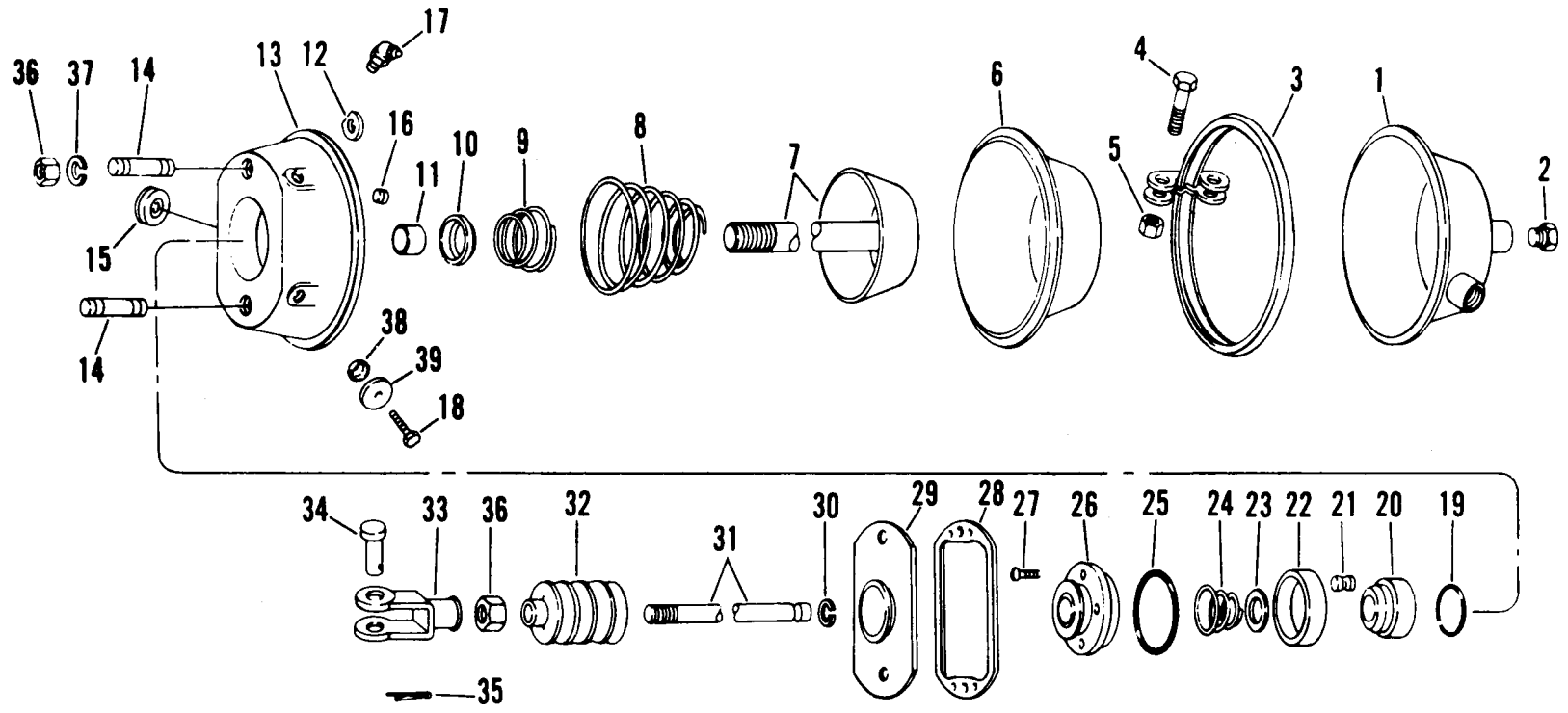


## FRONT BRAKE CHAMBER

27-03 - 2

N.C.	REF.	QTY	PART NO.	PART NAME	N.C.	REF.	QTY	PART NO.	PART NAME
	001A	001	09259128	CHAMBER ASSY-LH	020	001	03858070	.PISTON	
	001	001	09034332	.PLATE	021	008	03858072	.ROLLER	
	002	001	00444619	.PLUG	022	001	03858071	.COLLAR	
	003	001	02355081	.RING ASSY	023	001	03858074	.WASHER	
	004	002	02355084	..BOLT	024	001	03858073	.SPRING	
	005	002	02355085	..NUT	025	001	02466114	.O RING	
	006	001	09036145	.DIAPHRAGM	026	001	00668304	.CAP	
	007	001	02465113	.SHAFT	027	004	00155113	.SCREW	
	008	001	02465132	.SPRING-RETURN	028	001	00668312	.GASKET	
	009	001	00668309	.SPRING-RETAINING	029	001	09034997	.GUARD	
	010	001	00668308	.WIPER-ROD	030	001	03858065	.RING-RETAINER	
	011	001	03858067	.BEARING	031	001	09034991	.ROD	
	012	001	02465131	.WASHER-FELT	032	001	02465130	.BOOT	
	013	001	NSS	.PLATE ASSY	033	001	02119024	.CLEVIS ASSY	
	014	002	09023608	..STUD	034	001	00233263	..PIN	
	015	001	00654161	..RETAINER-DIAPHRAGM	035	001	00103385	..PIN-COTTER	
	016	001	02260821	..PLUG	036	003	00114498	.LOCKNUT	
	017	001	09411010	..FITTING-GREASE	037	002	00103325	.WASHER SPRING LOCK	
	018	001	09038507	.SCREW	038	001	00654163	.WASHER	
	019	001	03858069	.O RING	039	001	00668310	.DIAPHRAGM	

27-03 - 2

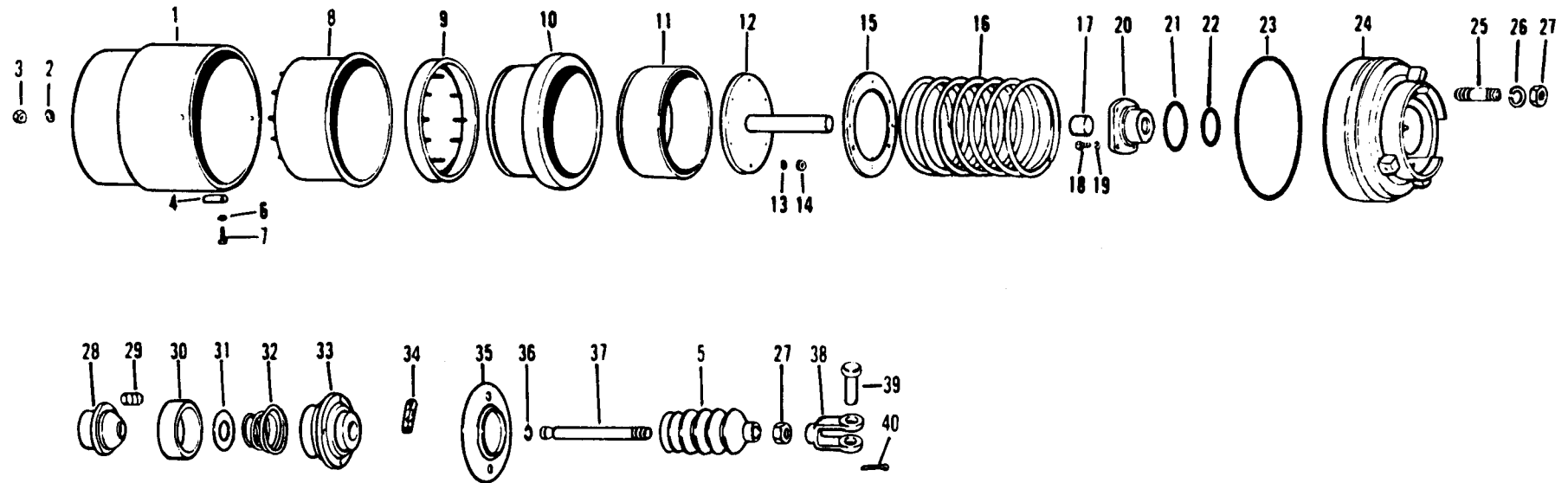


## FRONT BRAKE CHAMBER

27-03 - 3

N.C.	REF.	QTY	PART NO.	PART NAME	N.C.	REF.	QTY	PART NO.	PART NAME
	001A	001	09259129	CHAMBER ASSY-RH	020	001		03858070	.PISTON
	001	001	09034332	.PLATE	021	008		03858072	.ROLLER
	002	001	00444619	.PLUG	022	001		03858071	.COLLAR
	003	001	02355081	.RING ASSY	023	001		03858074	.WASHER
	004	002	02355084	..BOLT	024	001		03858073	.SPRING
	005	002	02355085	..NUT	025	001		02466114	.O RING
	006	001	09036145	.DIAPHRAGM	026	001		00668304	.CAP
	007	001	02465113	.SHAFT	027	004		00155113	.SCREW
	008	001	02465132	.SPRING-RETURN	028	001		00668312	.GASKET
	009	001	00668309	.SPRING-RETAINING	029	001		09034997	.GUARD
	010	001	00668308	.WIPER-ROD	030	001		03858065	.RING-RETAINER
	011	001	03858067	.BEARING	031	001		09034991	.ROD
	012	001	02465131	.WASHER-FELT	032	001		02465130	.BOOT
	013	001	NSS ASSY	.PLATE ASSY	033	001		02119024	.CLEVIS ASSY
	014	002	09023608	..STUD	034	001		00233263	..PIN
	015	001	00654161	..RETAINER-DIAPHRAGM	035	001		00103385	..PIN-COTTER
	016	001	02260821	..PLUG	036	003		00114498	.LOCKNUT
	017	001	09411010	..FITTING-GREASE	037	002		00103325	.WASHER SPRING LOCK
	018	001	09038507	.SCREW	038	001		00654163	.WASHER
	019	001	03858069	.O RING	039	001		00668310	.DIAPHRAGM

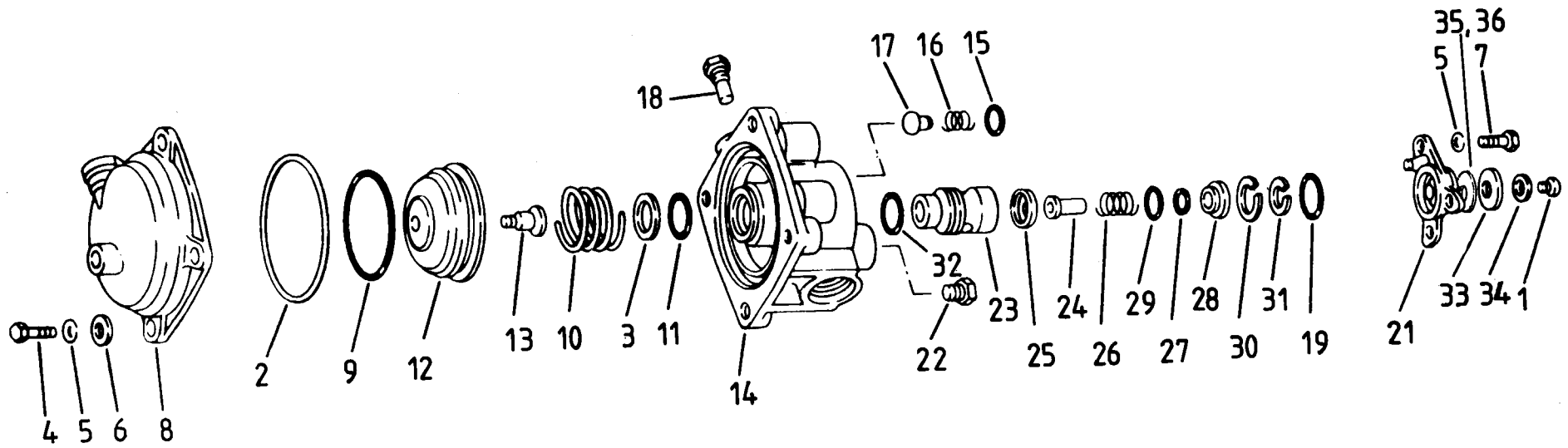
27-03 - 3



## BRAKE CHAMBER/PRESSURE CONVERTER

27-03A- 2

N.C.	REF.	QTY	PART NO.	PART NAME	N.C.	REF.	QTY	PART NO.	PART NAME
	001A	002	09200096	CHAMBER ASSY-BRAKE	021	001		02466114	.O RING
	001	001	09023595	.BODY	022	001		02466117	.O RING
	002	008	00103320	.LOCKWASHER	023	001		09033874	.O RING
	003	008	00120368	.NUT	024	001		09033733	.HOUSING
	004	002	09033730	.TAG	025	002		09033735	.STUD
	005	001	09033736	.BOOT	026	002		00103326	.WASHER SPRING LOCK
	006	008	09034481	.SEAL-WASHER	027	003		00426099	.NUT
	007	008	09428735	.BOLT	028	001		02466118	.PISTON
	008	001	09023596	.CLAMP	029	008		02466120	.ROLLER
	009	001	09034550	.CLAMP	030	001		02466119	.COLLAR
	010	001	09023280	.DIAPHRAGM	031	001		02466121	.WASHER
	011	001	09023598	.GUIDE	032	001		02466122	.SPRING
	012	001	09033739	.SHAFT	033	001		02466106	.CAP
	013	008	00103319	.LOCKWASHER	034	001		02466116	.FELT
	014	008	00120367	.NUT	035	001		09033737	.GUARD
	015	001	09033731	.SEAT	036	001		09033734	.RING-RETAINER
	016	001	09033732	.SPRING-RETURN	037	001		09033738	.ROD
	017	001	02466115	.BEARING	038A	001		09037277	.CLEVIS ASSY
	018	008	00155113	.SCREW	038	001		09038236	..CLEVIS
	019	008	00121801	.LOCKWASHER	039	001		09023603	..PIN
	020	001	02466113	.COVER	040	001		00103398	..PIN-COTTER



## RELAY VALVE

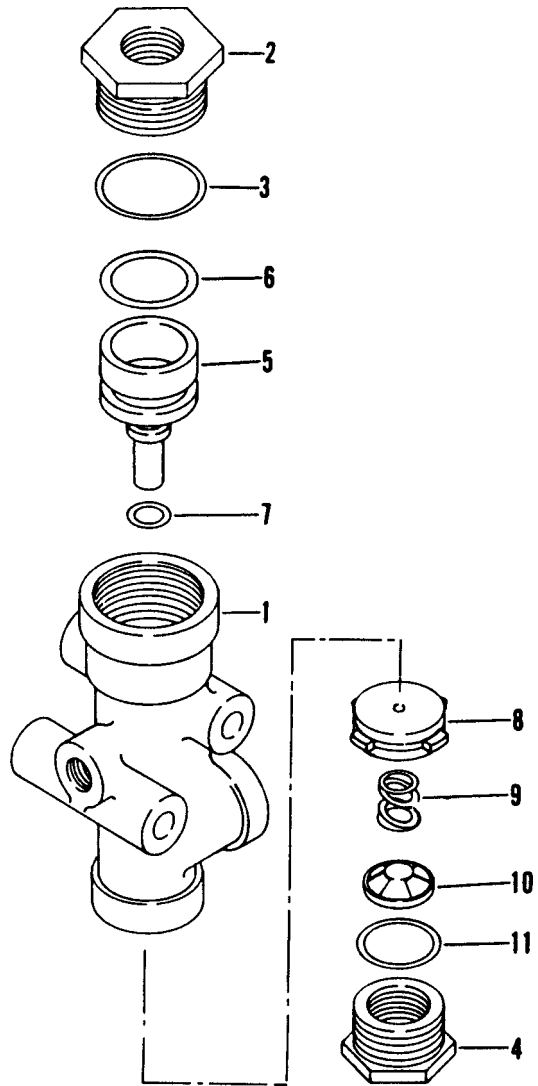
27-05 - 1 R01

N.C.	REF.	QTY	PART NO.	PART NAME	N.C.	REF.	QTY	PART NO.	PART NAME
	001A	001	09018245	VALVE-RELAY	AB	019	001	NSS	.O RING
	001	001	09038507	.SCREW		020	001	NOT USED	.SPRING
A	002	001	NSS	.SEAL		021	001	09039330	.COVER
	003	001	09039326	.WASHER		022	001	00444625	.PLUG (0.38IN)
	004	004	00180081	.BOLT		023	001	09039337	.PISTON & VALVE
	005	007	00112723	.LOCKWASHER	AB	024	001	NSS	..VALVE
	006	001	02260838	.WASHER	AB	025	001	NSS	..RETAINER
	007	003	00180078	.BOLT HEX 0.31-18 UNC	AB	026	001	NSS	..SPRING
	008	001	02494717	.COVER	AB	027	001	NSS	..O RING
A	009	001	NSS	.O RING		028	001	09039333	..GUIDE
	010	001	NOT USED	.SPRING	AB	029	001	NSS	..O RING
A	011	001	NSS	.O RING		030	001	09425556	..RING-RETAINER
	012	001	09039338	.PISTON	AB	031	001	NSS	..RING-RETAINER
A	013	001	NSS	..SEAT		030	001	09425556	..RING-RETAINER
	014	001	NSS	.BODY	A	033	001	NSS	.DIAPHRAGM
A	015	001	NSS	.O RING		034	001	02405341	.WASHER
A	016	001	NSS	.SPRING		035	ASR	02214330	.WASHER
A	017	001	NSS	.VALVE		036	ASR	02214331	.WASHER
A	018	001	NSS	.FILTER					

A NOTE: PARTS IN 09038370 FIELD KIT.

B NOTE: PARTS IN 09038371 VALVE KIT.

27-05 - 1 R01



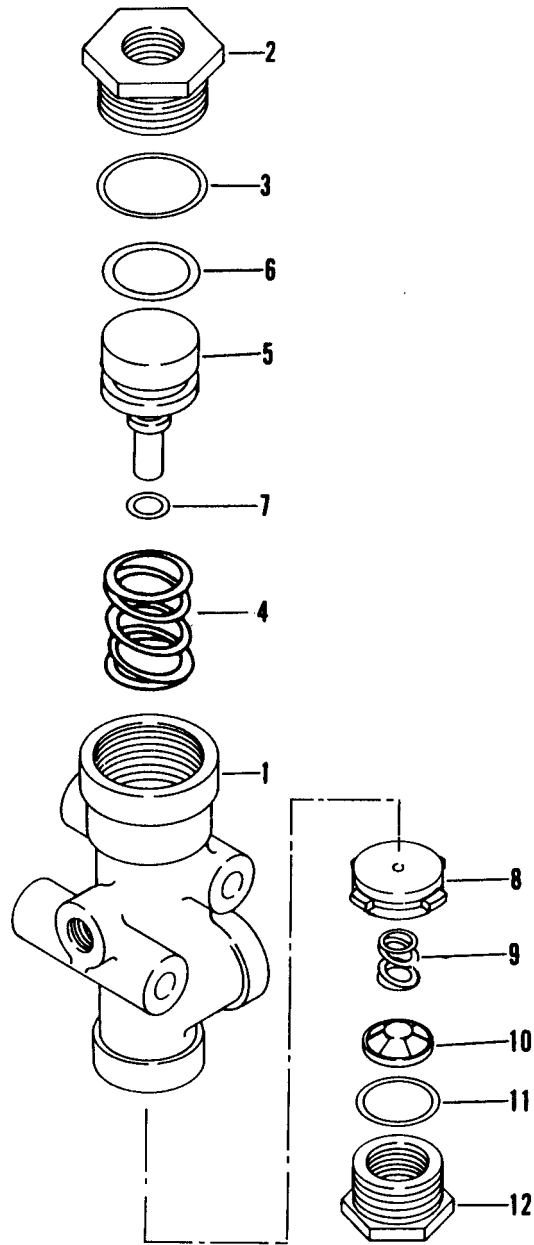


SYNCRO VALVE

27-08 - 1

N.C.	REF.	QTY	PART NO.	PART NAME	N.C.	REF.	QTY	PART NO.	PART NAME
001	001		09006527	VALVE ASSY-CONTROL	007	001		02419968	.O RING
002	001		NSS	.NUT	008	001		09052444	.VALVE
003	001		09023324	.O RING	009	001		03867859	.SPRING
004	001		00648507	.CAP	010	001		03867860	.STOP
005	001		09038965	.PISTON	011	001		02247610	.O RING
006	001		03867855	.O RING					

27-08 - 1

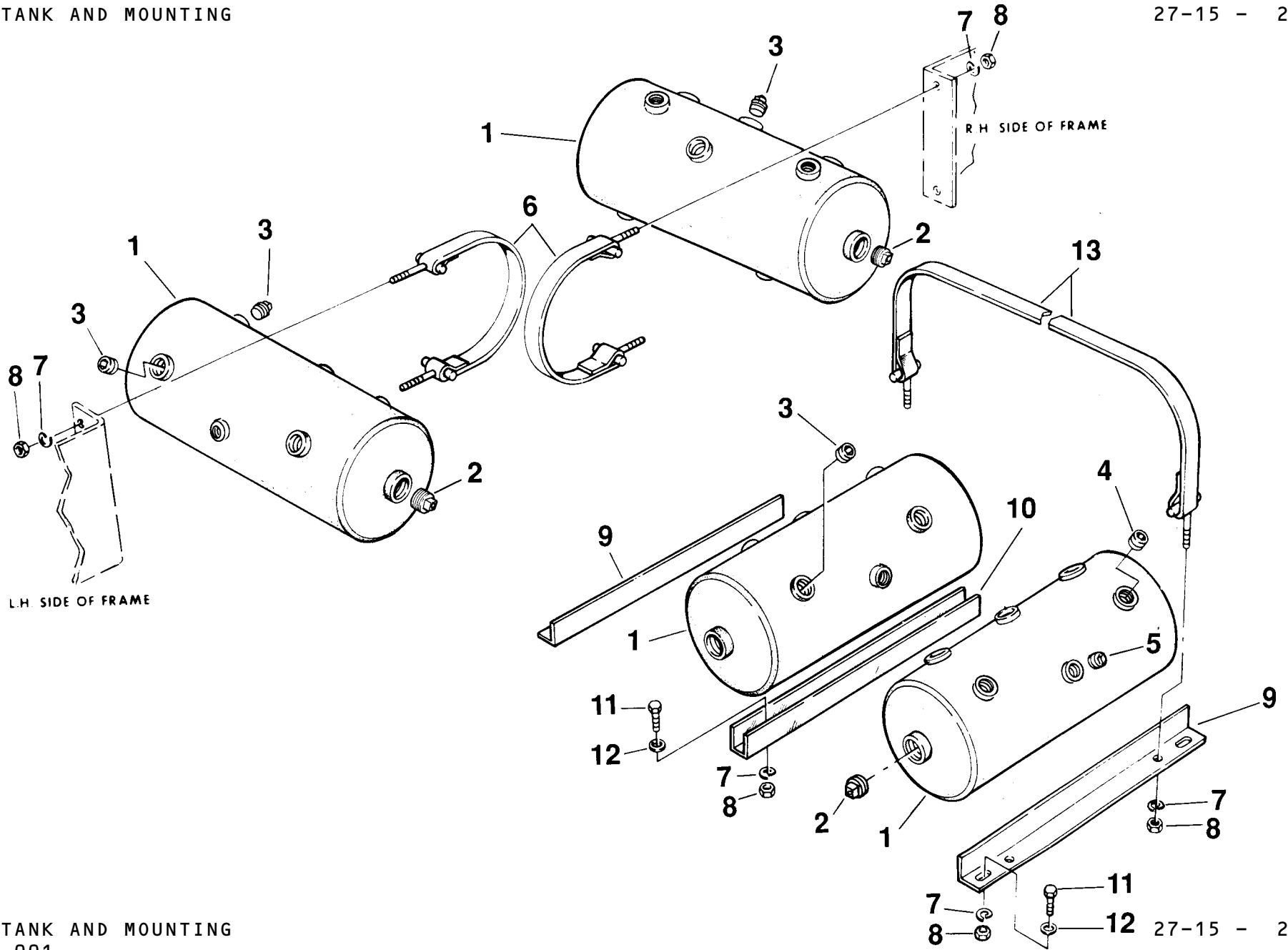


SYNCRO VALVE

27-08 - 2 R01

N.C.	REF.	QTY	PART NO.	PART NAME	N.C.	REF.	QTY	PART NO.	PART NAME
001	001		09060281	VALVE ASSY-SYNCRO	008	001		09052444	.VALVE
002	001		NSS	.NUT	009	001		03867859	.SPRING
003	001		09023324	.O RING	010	001		03867860	.STOP
004	001		15269150	.BOLT & NUT	011	001		02247610	.O RING
005	001		15269149	.PISTON	012	001		00648507	.CAP
006	001		03867855	.O RING	NI	ASR		09053933	.SHIM
007	001		02419968	.O RING					

27-08 - 2 R01

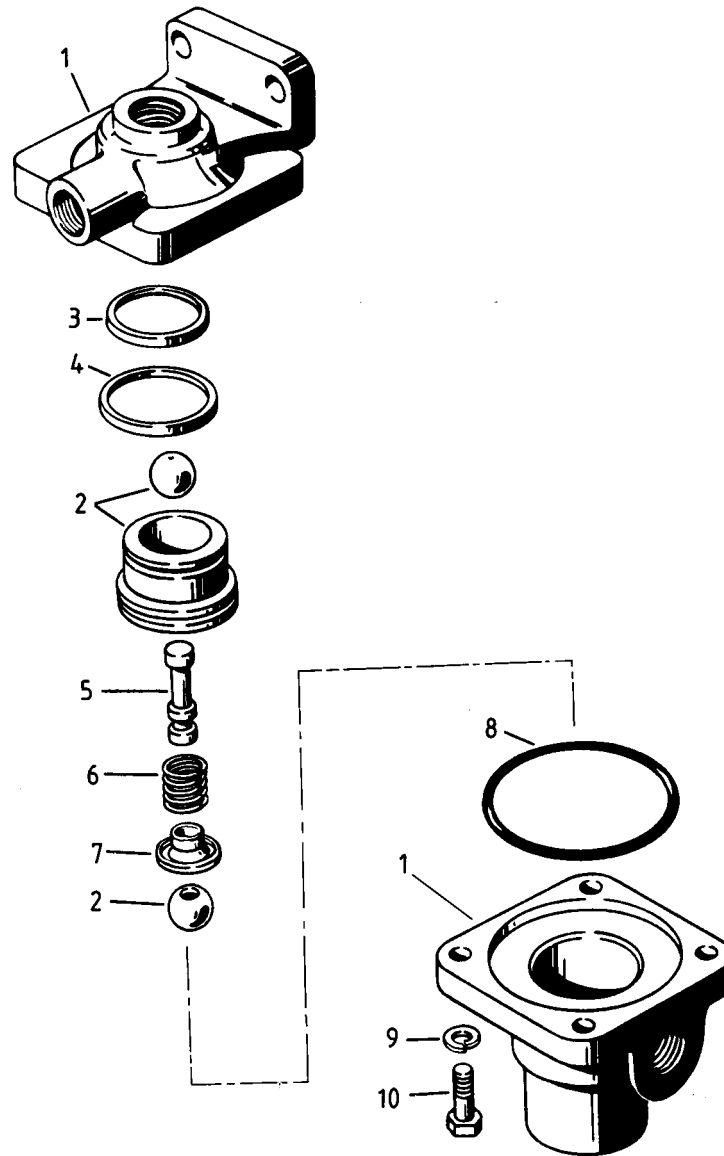


## AIR TANK AND MOUNTING

27-15 - 2

N.C.	REF.	QTY	PART NO.	PART NAME	N.C.	REF.	QTY	PART NO.	PART NAME
	001	004	15248292	TANK-AIR		008	018	00102635	NUT
	002	008	09387954	PLUG (1.25IN)		009	002	09250238	ANGLE
	003	011	00444637	PLUG (0.75IN)		010	001	09384732	CHANNEL
	004	004	00444631	PLUG (0.50')		011	006	00179841	BOLT
	005	011	00444625	PLUG (0.38IN)		012	006	00106263	WASHER
	006	004	09015824	STRAP		013	004	09017395	STRAP
	007	018	00108580	LOCKWASHER					

27-15 - 2



## QUICK RELEASE / LIMITING VALVE

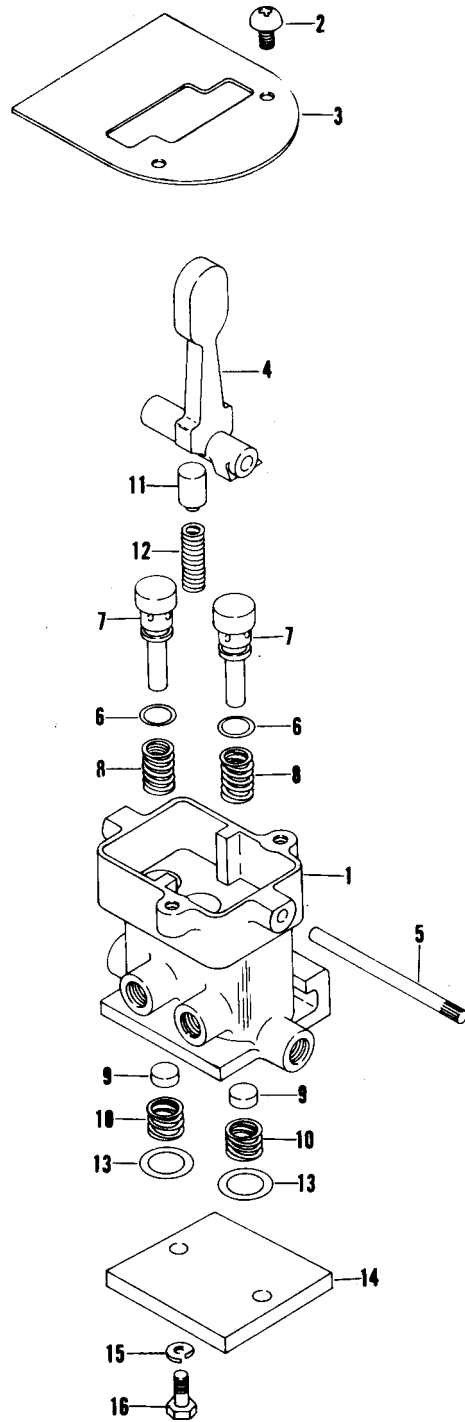
27-16 - 1

N.C.	REF.	QTY	PART NO.	PART NAME	N.C.	REF.	QTY	PART NO.	PART NAME
001	001		02396430	VALVE ASSY-LIMITING	006	001		02400291	..SPRING
002	001		02400285	.VALVE ASSY	007	001		02400290	..GUIDE
003	001		02400293	..GROMMET	008	001		02423379	.SEAL
004	001		02400292	..O RING	009	004		00112723	.LOCKWASHER
005	001		02400289	..STEM	010	004		00180078	.BOLT HEX 0.31-18 UNC

27-16 - 1

CONTROL VALVE

27-17 - 1



27-17 - 1

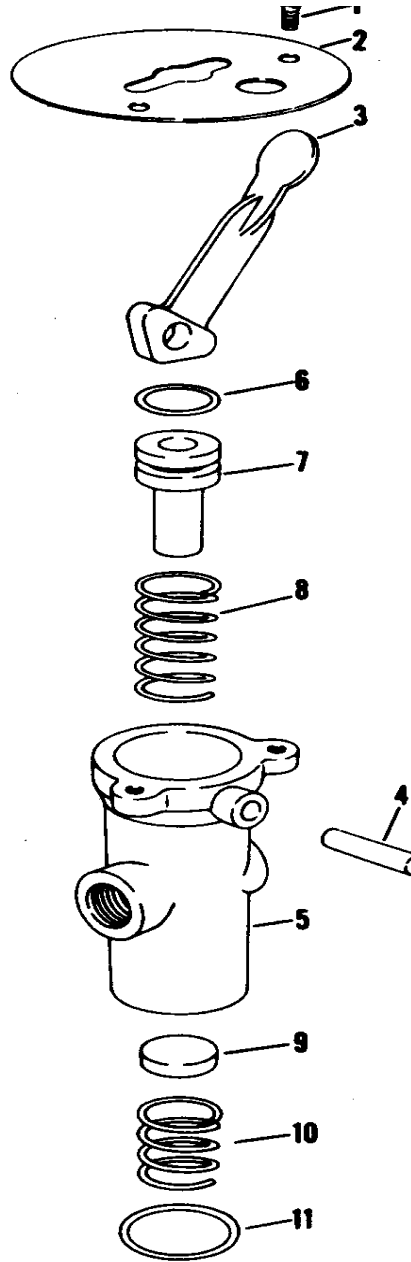


## CONTROL VALVE

27-17 - 1

N.C.	REF.	QTY	PART NO.	PART NAME	N.C.	REF.	QTY	PART NO.	PART NAME
001	001		09012095	VALVE-P/BRAKE	009	002		09052444	. VALVE
002	002		00157684	. SCREW	010	002		02313145	. SPRING
003	001		09038962	. DIAL	011	001		00665877	. POSITIONER
004	001		09023836	. LEVER	012	001		00665878	. SPRING
005	001		02446386	. PIN	013	002		09032818	. O RING
006	002		02247608	. O RING	014	001		08877738	. PLATE
007	002		09038961	. PLUNGER	015	002		00121637	. LOCKWASHER
008	002		02306372	. SPRING	016	002		00179795	. BOLT

27-17 - 1

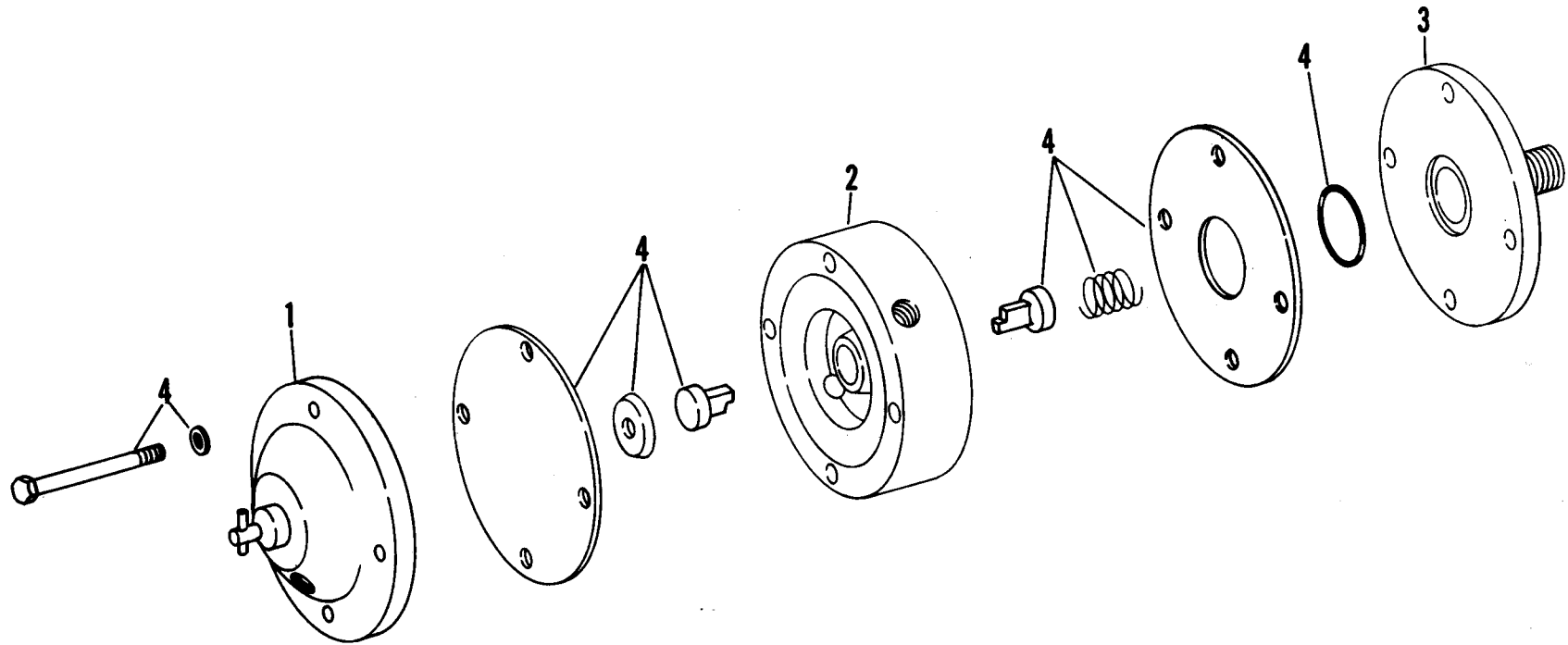


## CONTROL VALVE

27-17 - 2

N.C.	REF.	QTY	PART NO.	PART NAME	N.C.	REF.	QTY	PART NO.	PART NAME
001A	001		02402041	VALVE-DRY/SLIP	007	001		02405332	. PLUNGER
001	002		00157684	. SCREW	008	001		02306372	. SPRING
002	001		02306373	. DIAL	009	001		09052444	. VALVE
003	001		09051345	. LEVER	010	001		02313145	. SPRING
004	001		09035308	. PIN	011	001		02339429	. SEAL
005	001		NSS ASSY	. BODY	012	001		02306377	. NUT-CAP
006	001		02247608	. O RING					

27-17 - 2

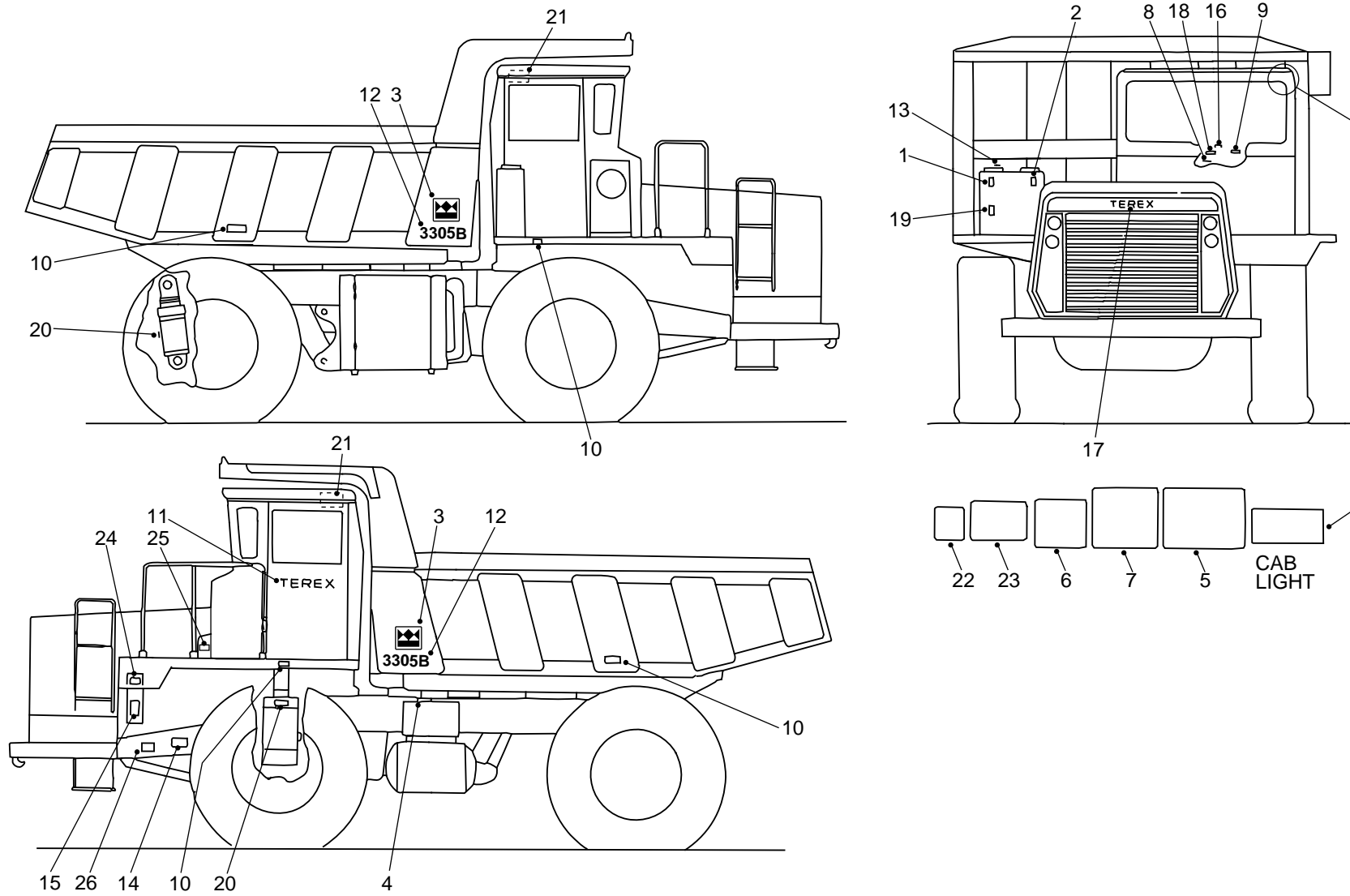


VALVES-MISCELANEOUS

27-19 - 1

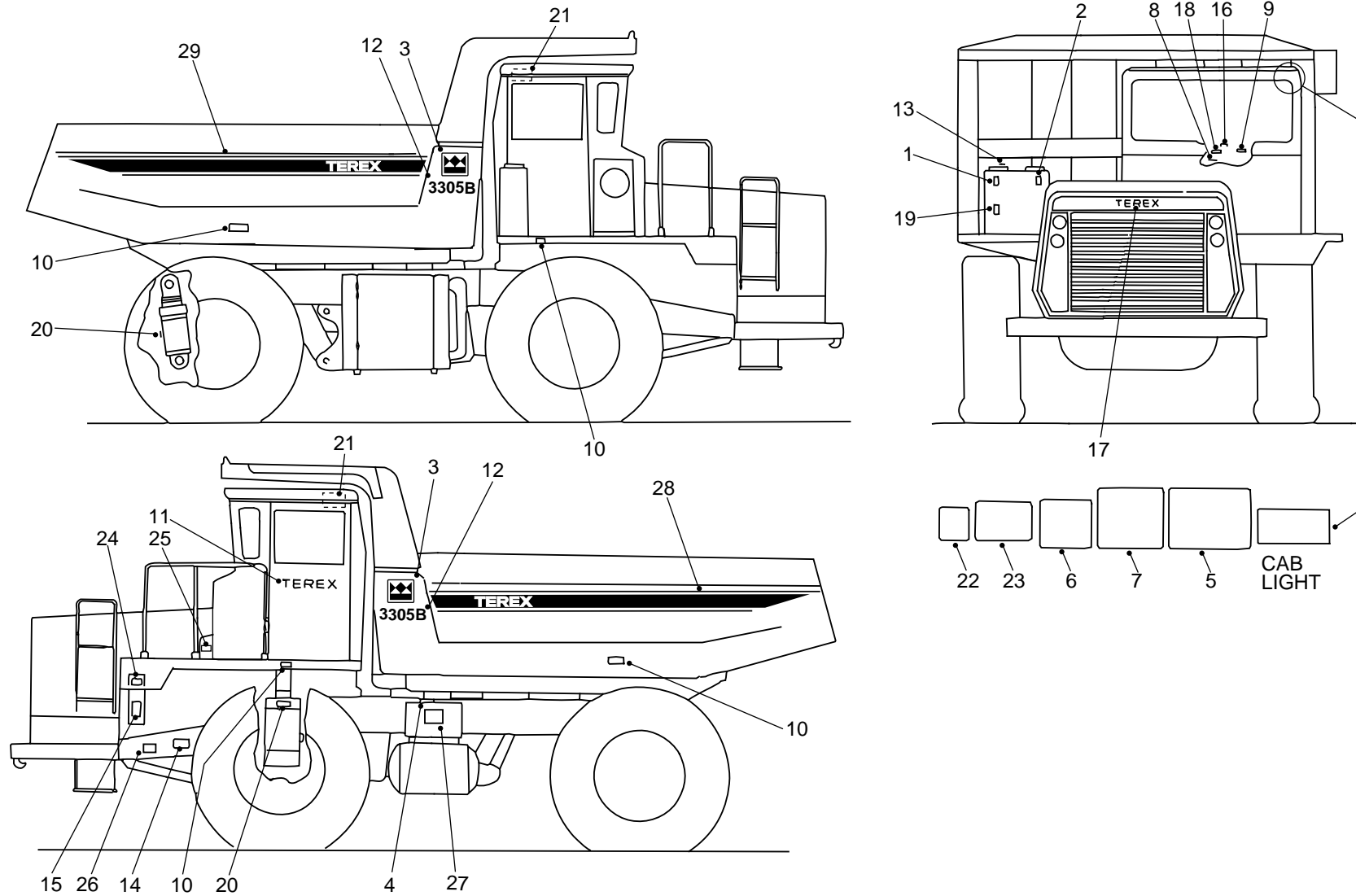
N.C.	REF.	QTY	PART NO.	PART NAME	N.C.	REF.	QTY	PART NO.	PART NAME
001A	001		15230565	VALVE-MOISTURE EJECT	003	001		NSS	.COVER
001	001		NSS	.BODY	004	001		09059613	.KIT-REBUILD
002	001		NSS	.BODY					

P6391



N.C.	REF.	QTY	PART NO.	PART NAME	N.C.	REF.	QTY	PART NO.	PART NAME
	001	001	15008226	PLATE-HYD OIL		015	001	09019310	PLATE-INSTRUCT ACCUM
	002	001	09270769	DECAL-HYDRAULIC OIL		016	001	15001068	DECAL
	003	001	15236302	DECAL-TEREX CROWN		017	001	15230336	DECAL-TEREX
	004	001	09361787	DECAL-BATTERY EARTH	A	017	001	15232205	DECAL-TEREX TAN
	005	001	09015879	DECAL-INSTRUCTION		018	001	15231913	DECAL-OVERALL HEIGHT
	006	001	09002909	DECAL-ENGINE IDLE		019	001	15008225	PLATE-SIGHT GAUGE
	007	001	09270768	DECAL-HYD CONTROL		020	004	15247853	DECAL-RIDE STRUT
	008	001	09270762	DECAL-RETARDER		021	002	09267498	PLATE-TOXIC CAB FOAM
	009	001	09014882	DECAL-COLUMN TILT		022	001	09256745	DECAL-HYD FILTER
	010	004	09376901	PLATE-TYRE WARNING		023	001	09273630	DECAL-CAUTION
	011	001	15009302	DECAL-TEREX		024	001	09267505	DECAL-CAUTION
	012	002	15236304	DECAL-3305B		025	001	09267497	DECAL-WELD WARNING
	013	001	09372633	DECAL-PRESS SYSTEM		026	001	15245247	DECAL-CE M/C SAFETY
	014	001	15249138	DECAL-SERIAL PLATE					

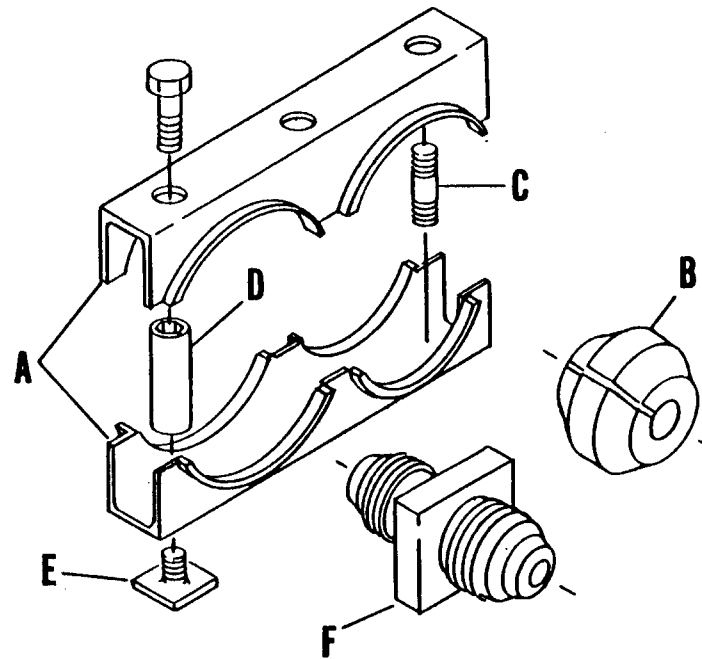
A NOTE: OPTIONAL EQUIPMENT





N.C.	REF.	QTY	PART NO.	PART NAME	N.C.	REF.	QTY	PART NO.	PART NAME
	001	001	15008226	PLATE-HYD OIL		016	001	15001068	DECAL
	002	001	09270769	DECAL-HYDRAULIC OIL		017	001	15230336	DECAL-TEREX
	003	001	15236302	DECAL-TEREX CROWN	A	017	001	15232205	DECAL-TEREX TAN
	004	001	09361787	DECAL-BATTERY EARTH		018	001	15231913	DECAL-OVERALL HEIGHT
	005	001	09015879	DECAL-INSTRUCTION		019	001	15008225	PLATE-SIGHT GAUGE
	006	001	09002909	DECAL-ENGINE IDLE		020	004	15247853	DECAL-RIDE STRUT
	007	001	09270768	DECAL-HYD CONTROL		021	002	09267498	PLATE-TOXIC CAB FOAM
	008	001	09270762	DECAL-RETARDER		022	001	09256745	DECAL-HYD FILTER
	009	001	09014882	DECAL-COLUMN TILT		023	001	09273630	DECAL-CAUTION
	010	004	09376901	PLATE-TYRE WARNING		024	001	09267505	DECAL-CAUTION
	011	001	15009302	DECAL-TEREX		025	001	09267497	DECAL-WELD WARNING
	012	002	15236304	DECAL-3305B		026	001	15245247	DECAL-CE M/C SAFETY
	013	001	09372633	DECAL-PRESS SYSTEM		027	001	09261794	DECAL-LUBE CHART
	014	001	15249138	DECAL-SERIAL PLATE		028	001	15254033	DECAL-STRIPE LH
	015	001	09019310	PLATE-INSTRUCT ACCUM		029	001	15254034	DECAL-STRIPE RH

A NOTE: OPTIONAL EQUIPMENT



- A. CLAMPS
- B. SPLIT BUSHINGS
- C. THREAD ADAPTERS
- D. STACKING NUTS  
W/SOCKET HEADS
- E. WELD ADAPTERS
- F. JUNCTION ADAPTERS

A. CLAMPS

A.1-SERIES #10 CLAMPS--.84 IN (21 MM) DIA. OPENING	
PART NUMBER	NO. OF OPENINGS
15003258	1
15003251	2
15003252	3
15003253	4
15003254	5
15003255	6
15003256	7
15003257	8
15004760	29

A.2-SERIES #16 CLAMPS-1.18 IN. (30 MM) DIA. OPENING	
PART NUMBER	NO. OPENINGS
15001403	1
15001404	2
15001405	3
15001406	4
15001407	5
15001408	6
15001409	7
15001410	8
15001411	9
15004761	21

## A.3 SERIES #32 CLAMPS-2.12 IN (54 MM) DIA. OPENING

PART NUMBER	NO. OPENINGS
15001429	1
15001430	2
15001431	3
15001432	4
15001433	5
15004773	13

## B. SPLIT BUSHINGS

## B.1 SPLIT BUSHINGS FOR #10 CLAMPS

PART NO.	I.D.(INCHES)
15003259	.38
15003260	.52
15003261	.66
15004735	.75

## B.2 SPLIT BUSHINGS FOR #16 CLAMPS

PART NO.	I.D.(INCHES)
15001412	.23
15001413	.36
15001425	.41
15001414	.48
15001419	.52
15014974	.56
15001415	.61
15001420	.66
15001416	.73
15001423	.81
15001417	.86
15001421	.88
15001424	.92
15001418	.98
15001422	1.03

## A.4 SERIES #46 CLAMPS-2.50 IN (63 MM) DIA OPENING

PART NUMBER	NO. OPENINGS
15004712	1
15004713	2
15004714	3
15004715	4
15004716	11

## B.3 SPLIT BUSHINGS FOR #32 CLAMPS

PART NUMBER	I.D. (INCHES)
15004795	1.00
15014975	1.12
15001434	1.20
15014976	1.41
15001435	1.45
15014977	1.47
15001436	1.80
15014978	1.80
15014979	1.90
15015249	2.00

## B.4 SPLIT BUSHINGS FOR #46 CLAMPS.

PART NUMBER	I.D. (INCHES)
15004739	1.45
15004740	1.70
15004741	1.78
15004742	2.04
15004743	2.17
15004744	2.83
15015250	2.00
15015251	2.50
15015252	2.68

## C. THREAD ADAPTERS

PART NUMBER	SIZE (INCHES)
15001401	5/16-18 X 1.25
15001427	3/8-16 X 1.50
15014687	3/8-16 X 1.88

## D. STACKING NUTS W/SOCKET HEADS

PART NUMBER	THREADS	USE WITH
15003250	5/16-18	#10 CLAMPS
15001402	5/16-18	#16 CLAMPS
15001428	3/8-16	#32 CLAMPS
15004748	1/2-13	#46 CLAMPS

## E. WELD ADAPTERS

PART NUMBER	THREADS	USE WITH
15001400	5/16-18	#10 OR #16 CLAMPS
15001426	3/8-16	#32 CLAMPS
15004759	1/2-13	#46 CLAMPS

## F. JUNCTION ADAPTERS

## F.1 37° FLARE FOR #10 CLAMPS

PART NUMBER	THREAD SIZE (INCHES)
15003262	7/16-20
15003263	9/16-18
15003264	3/4-16
15003265	7/8-14

## F.2 45° FLARE FOR #10 CLAMPS

PART NUMBER	THREAD SIZE (INCHES)
15014722	7/16-20
15014717	5/8-18
15014747	3/4-16
15014746	7/8-14

## F.3 37° FLARE FOR #16 CLAMPS

PART NUMBER	THREAD SIZE (INCHES)
15013938	7/16-20
15014098	9/16-18
15014438	3/4-16
15014755	7/8-14
15014980	1 1/16-12
15004789	1 5/16-12

## F.4 45° FLARE FOR #16 CLAMPS

PART NUMBER	THREAD SIZE (INCHES)
15014561	7/16-20
15014719	5/8-18
15014562	3/4-16
15014716	7/8-14
15014563	1 1/16-12

TEREX PROMOTIONAL ITEMS

59-13 - 1

N.C.	REF.	QTY	PART NO.	PART NAME
NI	ASR		15270726	CAP-OPERATORS
NI	ASR		15270727	JACKET-OPERATORS
NI	ASR		15270728	POLO SHIRT
NI	ASR		15270729	LIGHTER-ZIPPO
NI	ASR		15270730	MOUSE MAT-COMPUTER
NI	ASR		15270731	PENKNIFE
NI	ASR		15270732	PEN-SPRING
NI	ASR		15270733	KEYRING-LEATHER
NI	ASR		15270734	PEN-ROSEWOOD
NI	ASR		15270735	NOTEPAD-A5 SIZE

N.C.	REF.	QTY	PART NO.	PART NAME
NI	ASR		15270331	TIE
NI	ASR		15270332	SCALE MODEL 2566C
NI	ASR		15270333	SCALE MODEL 3340
NI	ASR		15270736	OVERALLS GREY-OPERS
NI	ASR		15270519	MUG
NI	ASR		15270737	AUTOMUG
NI	ASR		15270740	FOLDER-GREY
NI	ASR		15270741	BANNER-PVC (2MX1M)
NI	ASR		15270742	FLAG (2MX1M)

(THIS PAGE INTENTIONALLY LEFT BLANK)



# Off-Highway Truck

## OPTIONAL SECTIONS



**CHASSIS**

**1**



**MISCELLANEOUS**

**59**



**ENGINE**

**2**



**TRANSMISSION**

**4**



**REAR AXLE GROUP**

**8**



**ELECTRICAL SYSTEM**

**13**



**FUEL SYSTEM**

**15**



**CAB OR CANOPY**

**17**



**BODY OR BOWL**

**18**



**BRAKING SYSTEM**

**27**



## TABLE OF CONTENTS FOR MODEL

3305B CUM OPTS

PARTS BOOK NO 3482A

FROM SERIAL NO T3481067

20/01/98

SECT - PAGE - CODE	DESCRIPTION	SERIAL NO FROM	SERIAL NO TO
SECTION 001 CHASSIS			
001 - 01B - 006	CHASSIS SOUND INSULATION	T3481067	T3481157
001 - 02A - 003	HOOD AND HOODSIDES - SOUND INSULATED	T3481067	T3481157
001 - 03A - 006	GUARD/GRILLE/STEPS	T3481067	T3481157
SECTION 002 ENGINE			
002 - 02 - 488 R01	ENGINE AND MOUNTING	T3481067	T3481157
002 - 05 - 153 R01	ENGINE EXHAUST AND MOUNTING	T3481067	T3481157
002 - 05B - 001	CATALYTIC CONVERTER-EXHAUST GAS PURIFIER	T3481067	T3481157
SECTION 004 TRANSMISSION			
004 - 01 - 243	TRANSMISSION MOUNTING	T3481067	T3481157
004 - 02 - 187	TRANSMISSION BREAKDOWN	T3481067	T3481157
004 - 12 - 231 R02	TRANSMISSION SHIFT CONTROL	T3481067	T3481157
SECTION 008 REAR AXLE GROUP			
008 - 01 - 343 R03	REAR AXLE DIFFERENTIAL	T3481067	T3481157
008 - 01 - 344 R02	REAR AXLE DIFFERENTIAL	T3481067	T3481157
008 - 01 - 345 R02	REAR AXLE DIFFERENTIAL	T3481067	T3481157
008 - 01 - 369	REAR AXLE DIFFERENTIAL	T3481067	T3481157
008 - 11 - 038	REAR AXLE NOSPIN ELEMENT	T3481067	T3481157
SECTION 013 ELECTRICAL SYSTEM			
013 - 01 - 594	ELECTRICAL CABLES	T3481067	T3481157
013 - 03A - 011 R01	ELECTRICAL LIGHTING SYSTEM	T3481067	T3481157
SECTION 015 FUEL SYSTEM			
015 - 05 - 038	FUEL - PRE HEATER	T3481067	T3481157
SECTION 017 CAB OR CANOPY			
017 - 07 - 124	SEAT - DRIVER	T3481067	T3481157
017 - 07 - 126	SEAT - DRIVER	JUNE 94	





## TABLE OF CONTENTS FOR MODEL

3305B CUM OPTS

PARTS BOOK NO 3482A

FROM SERIAL NO T3481067

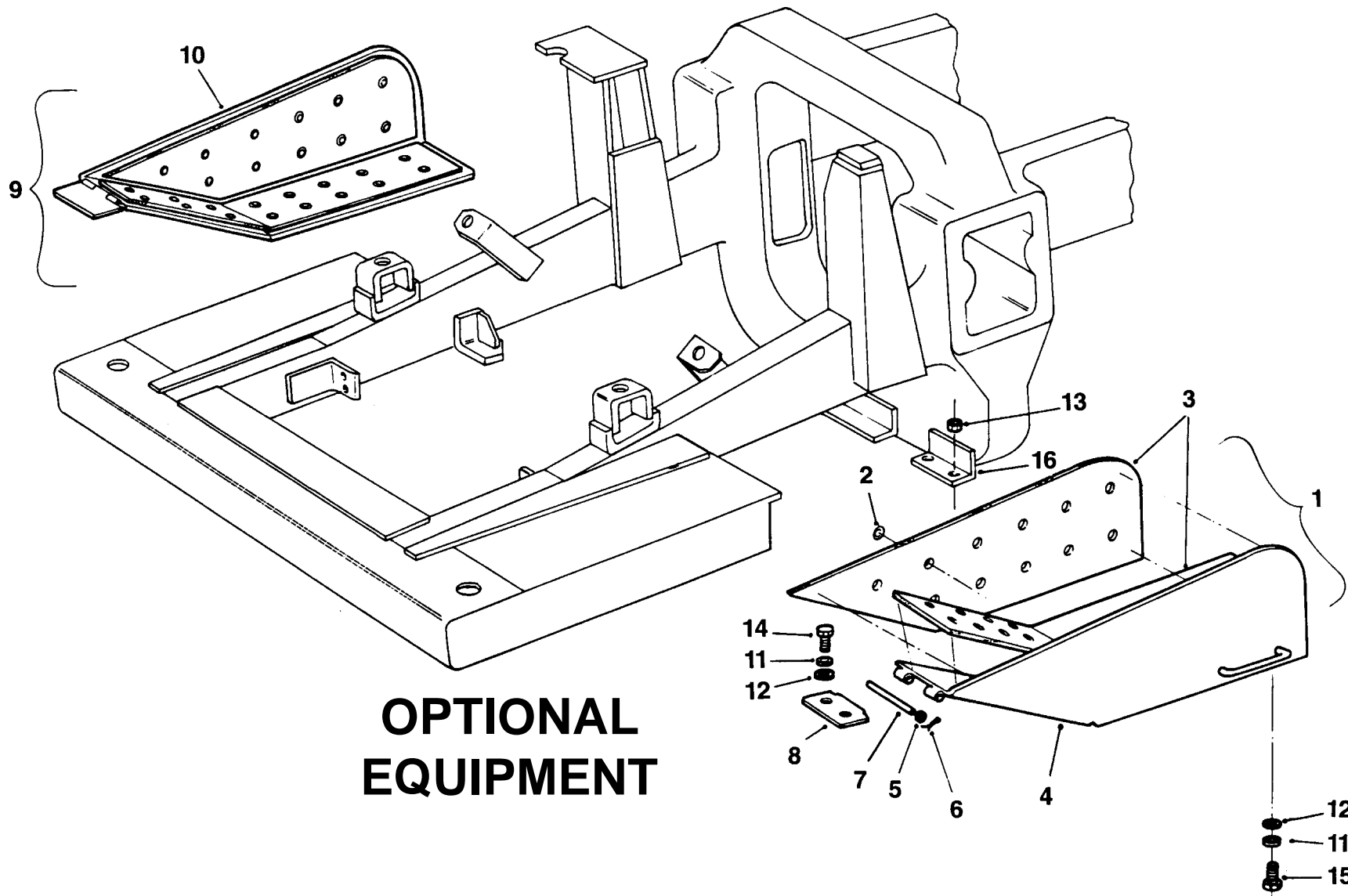
20/01/98

SECT	PAGE	CODE	DESCRIPTION	SERIAL NO FROM	SERIAL NO TO
SECTION 017			CAB OR CANOPY		
017	- 07	- 128	R02 SEAT - DRIVER	MAY 1995	
017	- 08	- 074	TACHOGRAPH	T3481126	T3481157
017	- 10A	- 016	R01 AIR CONDITIONER/HEATER	T3481067	T3481157
017	- 10A	- 026	AIR CONDITIONER/HEATER	DEC 96	
017	- 11A	- 031	AIR CONDITIONER LINES	T3481067	T3481157
017	- 24A	- 001	FIRE EXTINGUISHER	FEB 94	
017	- 24A	- 002	FIRE EXTINGUISHER	MAY 95	
017	- 34	- 002	RADIO/CASSETTE AND SPEAKERS	T3481067	T3481157
017	- 34	- 004	R01 RADIO/CASSETTE AND SPEAKERS	FEB 95	
017	- 34	- 006	RADIO/CASSETTE AND SPEAKERS	JULY 96	
SECTION 018			BODY OR BOWL		
018	- 03A	- 011	BODY TAILGATE	T3481087	T3481157
018	- 06	- 139	R01 TOP EXTENSIONS AND/OR SPILLGUARD	T3481067	T3481157
018	- 06	- 153	TOP EXTENSIONS AND/OR SPILLGUARD	T3481067	T3481157
018	- 06	- 179	TOP EXTENSIONS AND/OR SPILLGUARD	T3481087	T3481157
018	- 06	- 180	TOP EXTENSIONS AND/OR SPILLGUARD	T3481087	T3481157
018	- 06	- 181	TOP EXTENSIONS AND/OR SPILLGUARD	T3481087	T3481157
018	- 06	- 182	TOP EXTENSIONS AND/OR SPILLGUARD	T3481087	T3481157
018	- 06A	- 002	WEAR PROTECTION PLATES AND ROCK OPTIONS	T3481067	T3481157
018	- 06A	- 021	WEAR PROTECTION PLATES AND ROCK OPTIONS	T3481087	T3481157
018	- 06A	- 022	WEAR PROTECTION PLATES AND ROCK OPTIONS	T3481087	T3481157
018	- 06A	- 023	WEAR PROTECTION PLATES AND ROCK OPTIONS	T3481087	T3481157
018	- 08	- 109	R01 EXHAUST-HEATED BODY	T3481067	T3481157
SECTION 027			BRAKING SYSTEM		
027	- 18	- 001	R01 AIR DRIER	T3481067	T3481157
027	- 20	- 001	AIR DRIER LINES	T3481067	T3481157
SECTION 059			MISCELLANEOUS		
059	- 01	- 007	MISCELLANEOUS		



(THIS PAGE INTENTIONALLY LEFT BLANK)

(THIS PAGE INTENTIONALLY LEFT BLANK)



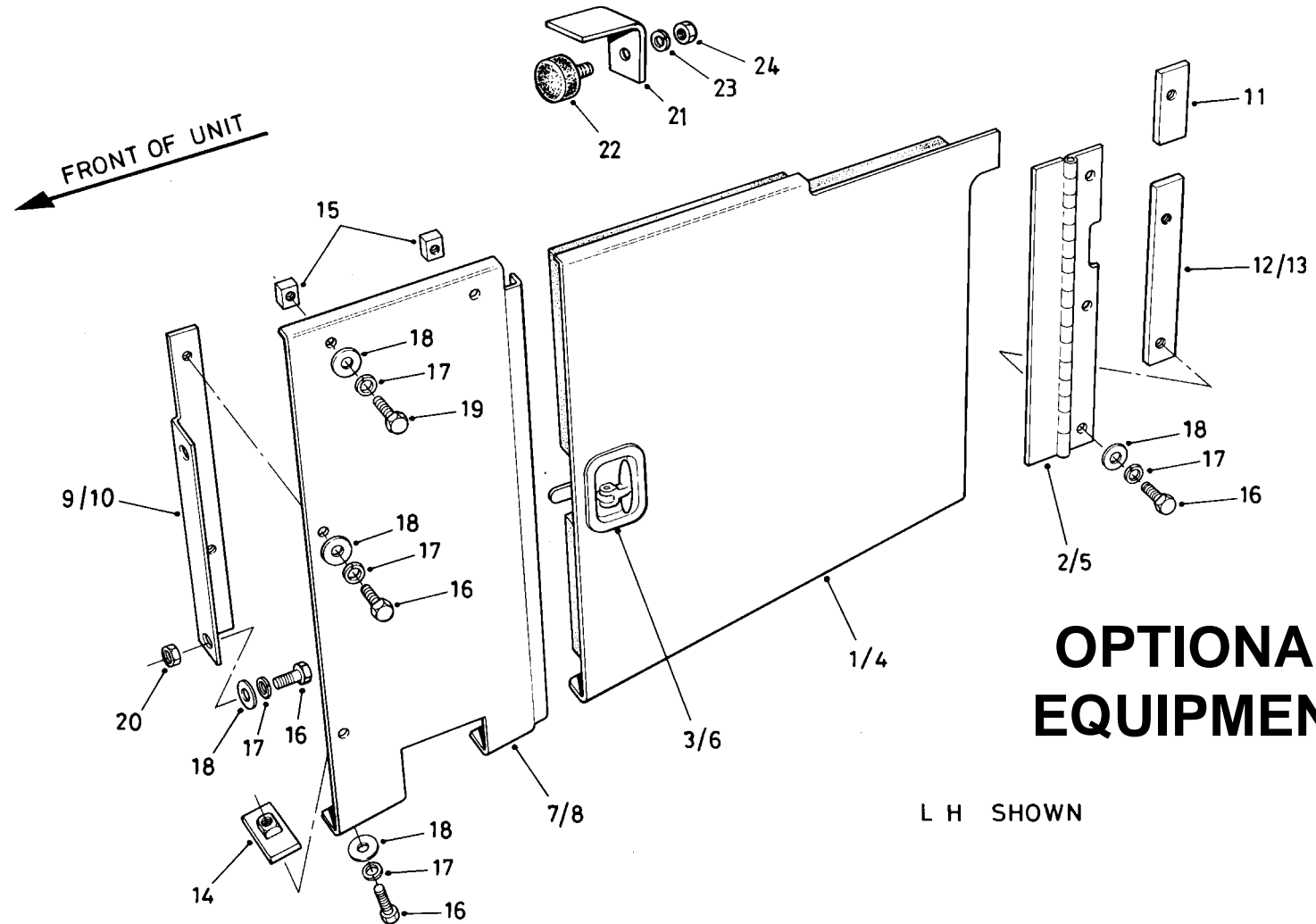
**OPTIONAL  
EQUIPMENT**

## CHASSIS SOUND INSULATION

1-01B- 6

N.C.	REF.	QTY	PART NO.	PART NAME	N.C.	REF.	QTY	PART NO.	PART NAME
	001	001	09384127	UNDERTRAY ASSY-LH	009	001		09384128	UNDERTRAY ASSY-RH
	002	027	09379400	.CAP-RETAINING	010	001		09384126	.UNDERTRAY
	003	001	09384124	.GLASS-FIBRE	011	008		00103332	LOCKWASHER
	004	001	09384125	.UNDERTRAY	012	008		00106268	WASHER
	005	002	00103346	..WASHER PLATE	013	004		00220081	NUT
	006	002	00103397	..PIN-COTTER	014	004		00271611	BOLT
	007	001	09384111	..PIN	015	004		00271612	BOLT
	008	001	09384113	..HINGE	016	002		09384130	ANGLE

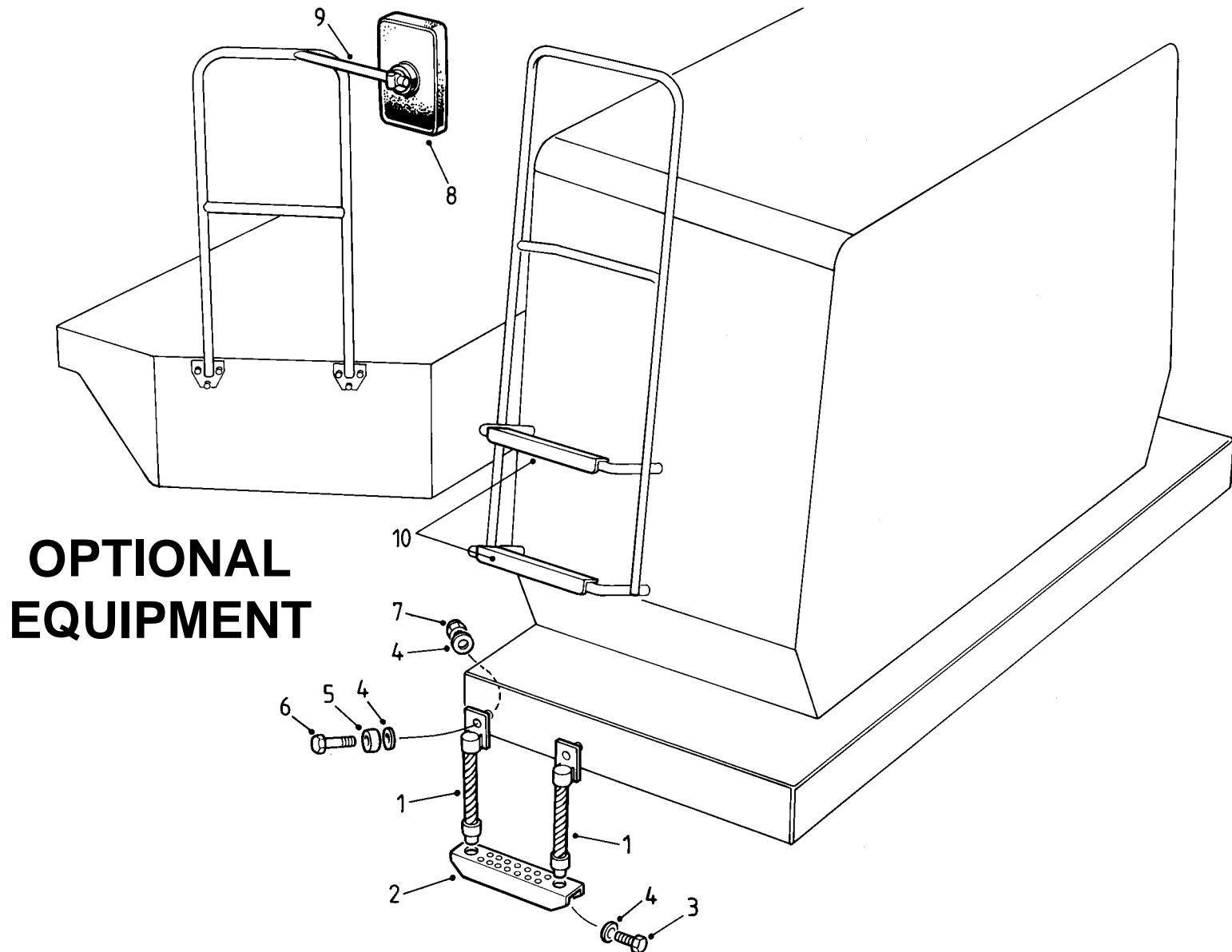
1-01B- 6



## HOOD AND HOODSIDES - SOUND INSULATED

1-02A- 3

N.C.	REF.	QTY	PART NO.	PART NAME	N.C.	REF.	QTY	PART NO.	PART NAME
001	001		09383929	PANEL-INSULATED	013	001		09259291	HINGE-BAR
002	001		09259280	.HINGE	014	002		15225263	PLATE
003	001		15256469	.FASTENER-PAWL LH	015	002		09259286	PAD-TAPPED
004	001		09383931	PANEL-INSULATED	016	015		00179883	BOLT
005	001		09259292	.HINGE	017	017		00103329	LOCKWASHER
006	001		15256470	.FASTENER-PAWL RH	018	017		00106265	WASHER
007	001		09383930	PANEL-INSUL	019	002		00179880	BOLT
008	001		09383935	PLATE	020	004		00102637	NUT
009	001		09383933	PLATE	021	001		15226352	BRACKET-STOP
010	001		09383934	PLATE	022	001		09370168	STOP-DOOR
011	001		09259279	HINGE-BAR	023	001		00108580	LOCKWASHER
012	001		09259281	HINGE-BAR	024	001		00103026	NUT



**OPTIONAL  
EQUIPMENT**



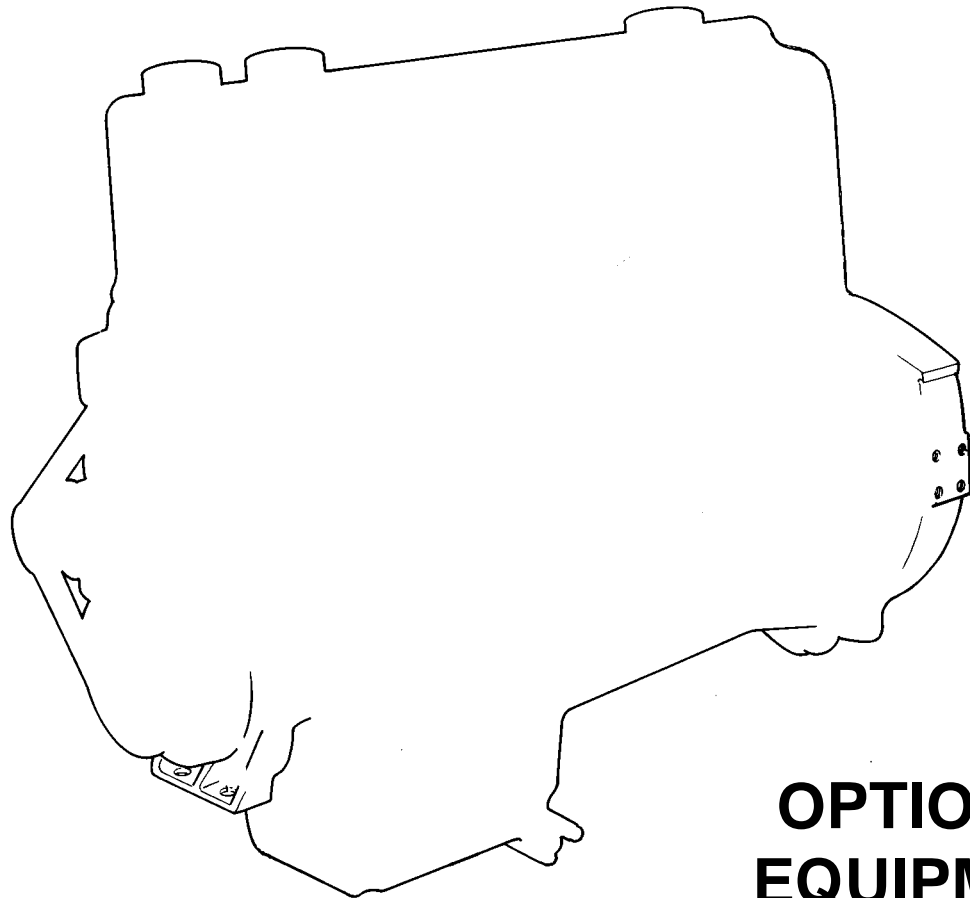
GUARD/GRILLE/STEPS

1-03A- 6

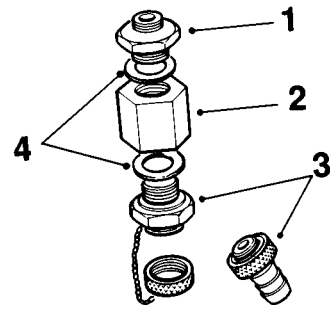
N.C.	REF.	QTY	PART NO.	PART NAME
001	004		09061146	CABLE
002	002		09273175	RUNG
003	004		09247010	BOLT
004	004		09270000	WASHER-HARDENED
005	004		09264783	SPACER

N.C.	REF.	QTY	PART NO.	PART NAME
006	004		00179889	BOLT
007	004		00274209	LOCKNUT
008	001		15246087	MIRROR-WIDE ANGLE
009	001		15251435	BAR
010	004		15247564	RUNG

1-03A- 6



# OPTIONAL EQUIPMENT



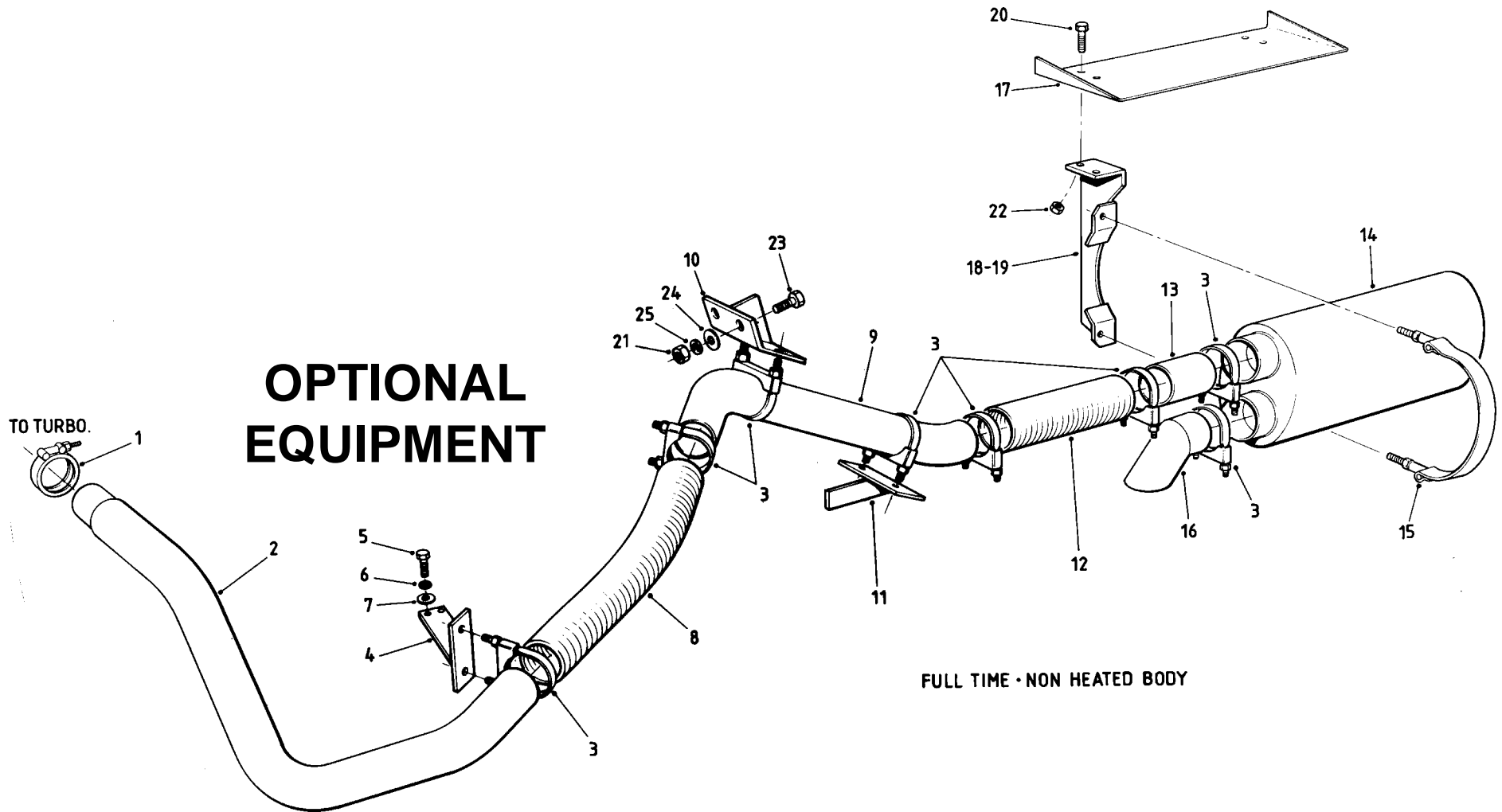
## ENGINE AND MOUNTING

2-02 -488 R01

N.C.	REF.	QTY	PART NO.	PART NAME	N.C.	REF.	QTY	PART NO.	PART NAME
A	001	001	15245775	ADAPTOR	A	003	001	15245765	DRAINPLUG-ANTI SPILL
A	002	001	15245772	HOUSING-ADAPTOR	A	004	002	15226196	WASHER

A NOTE: OPTIONS FOR TUV REGULATIONS.

2-02 -488 R01

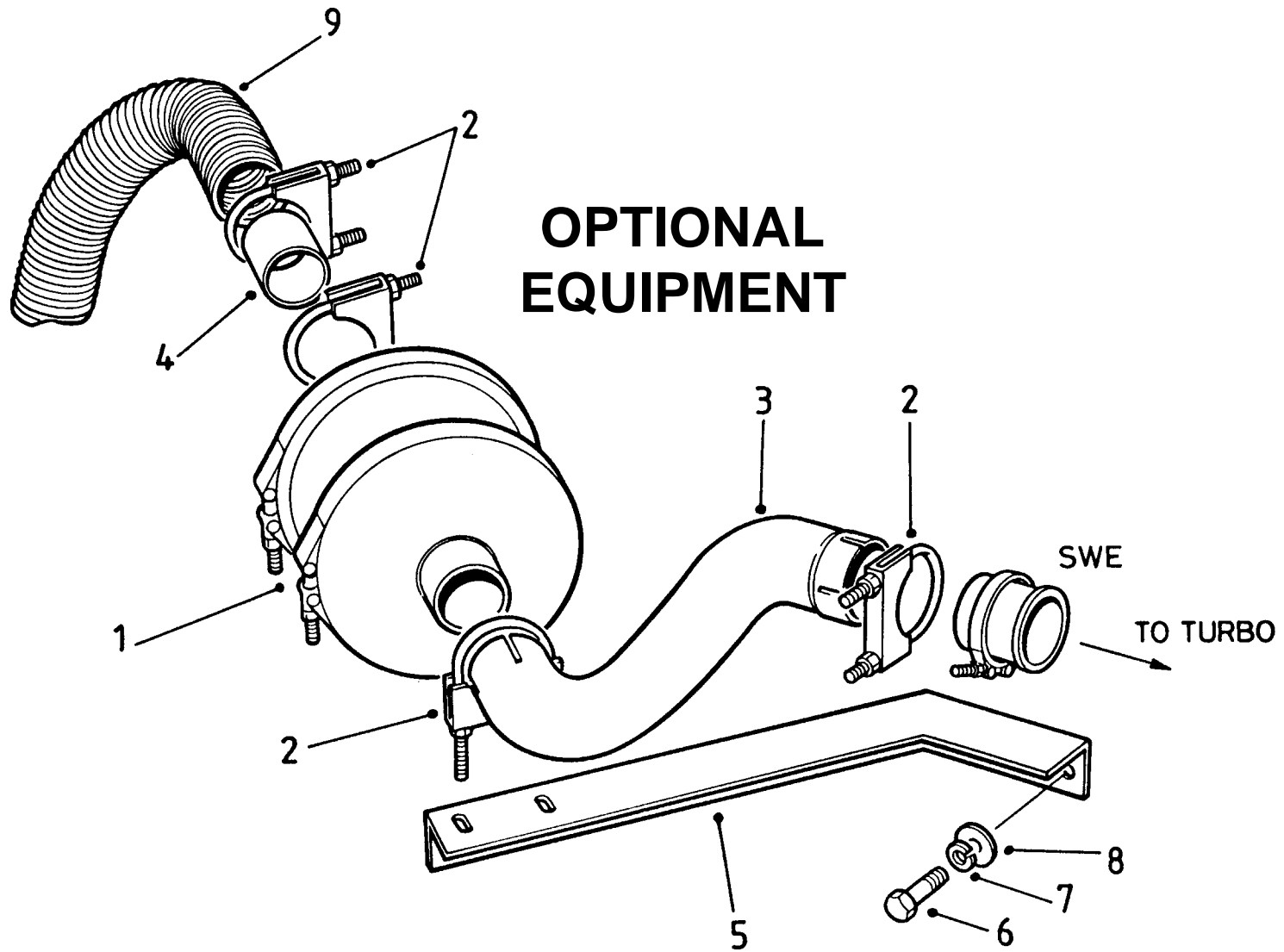


## ENGINE EXHAUST AND MOUNTING

2-05 -153 R01

N.C.	REF.	QTY	PART NO.	PART NAME	N.C.	REF.	QTY	PART NO.	PART NAME
	001	001	05132650	CLAMP	014	001		15227129	MUFFLER
	002	001	09079876	TUBE	015	002		09007140	STRAP ASSEMBLY
	003	008	09017439	CLAMP	016	001		09384342	TUBE ASSY
	004	001	09384433	SUPPORT	017	001		15227127	SHIELD-HEAT
	005	002	00179860	BOLT	018	001		09384424	BRACKET
	006	002	00103328	LOCKWASHER	019	001		09384425	BRACKET
	007	002	00106264	WASHER	020	004		00179839	BOLT
	008	001	09062886	FLEX TUBE	021	002		00102637	NUT
	009	001	15227128	TUBE	022	008		00102635	NUT
	010	001	09384430	HANGER ASSY(S)	023	008		00179887	BOLT
	011	001	15227181	PLATE	024	006		00106265	WASHER
	012	001	15227130	TUBE-FLEX	025	002		00103329	LOCKWASHER
	013	001	15227126	TUBE-ADAPTOR					

2-05 -153 R01

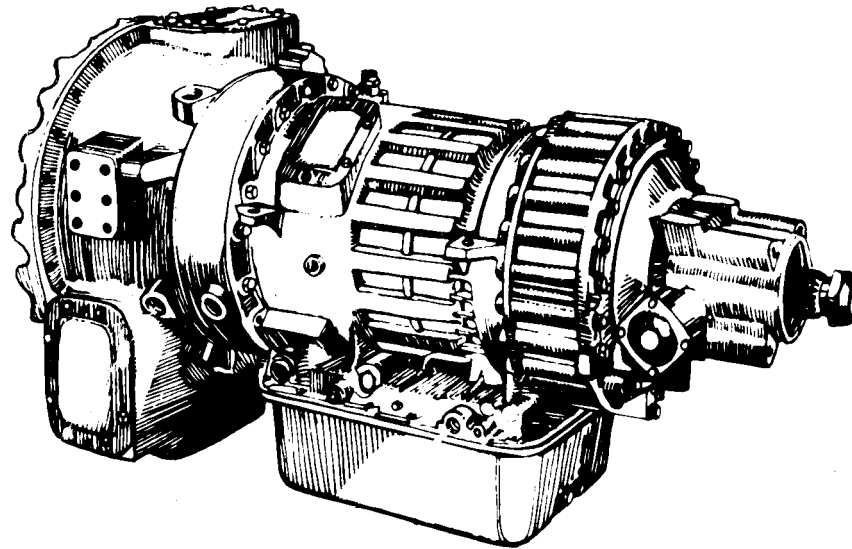


CATALYTIC CONVERTER-EXHAUST GAS PURIFIER

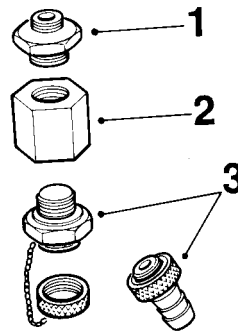
2-05B- 1

N.C.	REF.	QTY	PART NO.	PART NAME	N.C.	REF.	QTY	PART NO.	PART NAME
001	001		15247399	PURIFIER-EXHAUST GAS	006	002		00179883	BOLT
002	004		09017439	CLAMP	007	002		00103329	LOCKWASHER
003	001		15247469	TUBE-CAT/CONVERTOR	008	002		00106263	WASHER
004	001		15247489	TUBE-INSERT	009	001		15247500	TUBE-FLEX EXHAUST
005	001		15247479	BRACKET-CAT/CONVERT					

2-05B- 1



# OPTIONAL EQUIPMENT





TRANSMISSION MOUNTING

4-01 -243

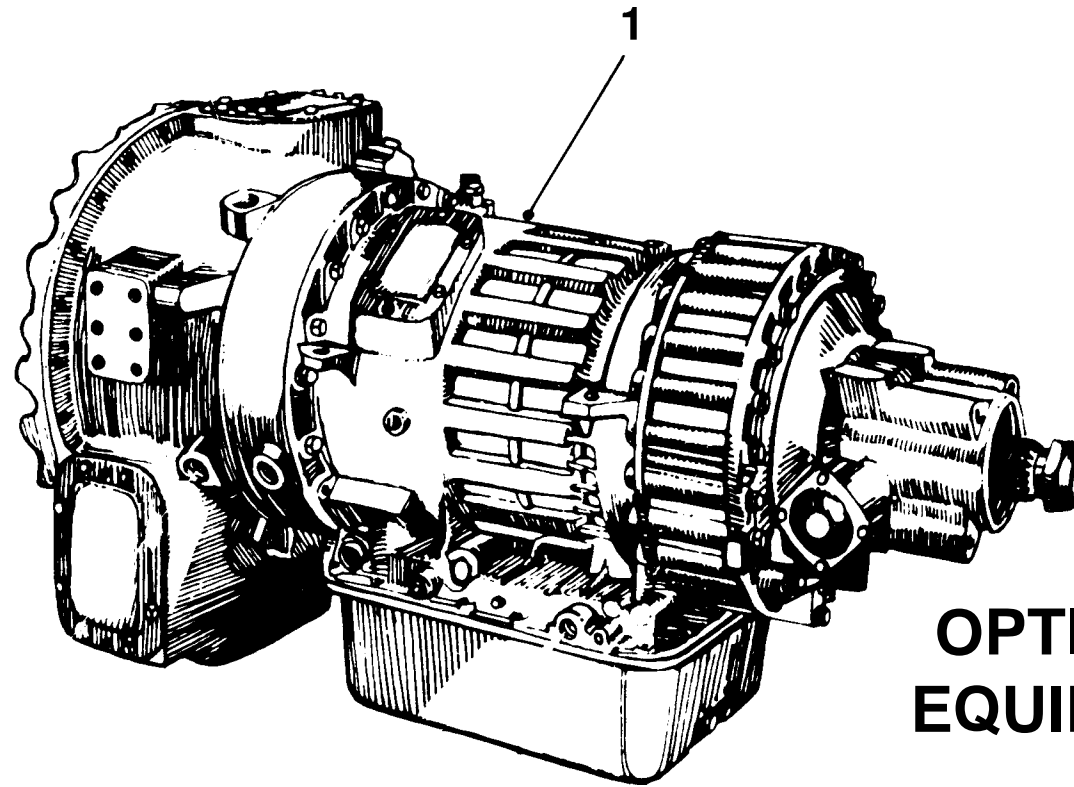
N.C.	REF.	QTY	PART NO.	PART NAME
------	------	-----	----------	-----------

N.C.	REF.	QTY	PART NO.	PART NAME
------	------	-----	----------	-----------

A	001	001	15245783	ADAPTOR
A	002	001	15245772	HOUSING-ADAPTOR

A	003	001	15245765	DRAINPLUG-ANTI SPILL
---	-----	-----	----------	----------------------

A NOTE: OPTIONS FOR TUV REGULATIONS.



**OPTIONAL  
EQUIPMENT**

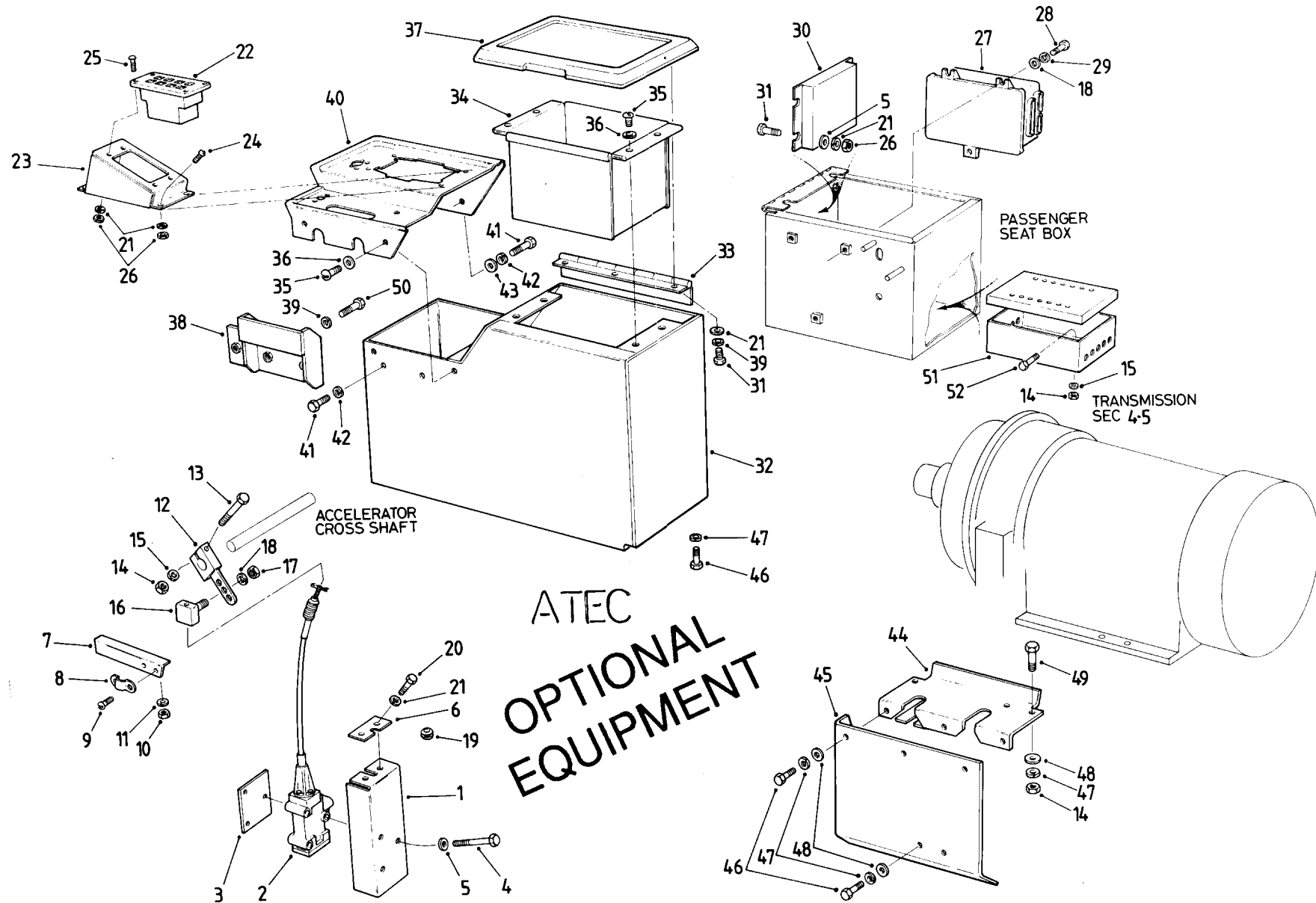
TRANSMISSION BREAKDOWN

4-02 -187

N.C.	REF.	QTY	PART NO.	PART NAME	N.C.	REF.	QTY	PART NO.	PART NAME
A	001	001	23014872	TRANSMISSION-CLBT755					

A NOTE: OPTIONAL ATEC TRANS REFER TO ALLISON BOOK SA 1993 FOR PARTS BREAKDOWN

4-02 -187

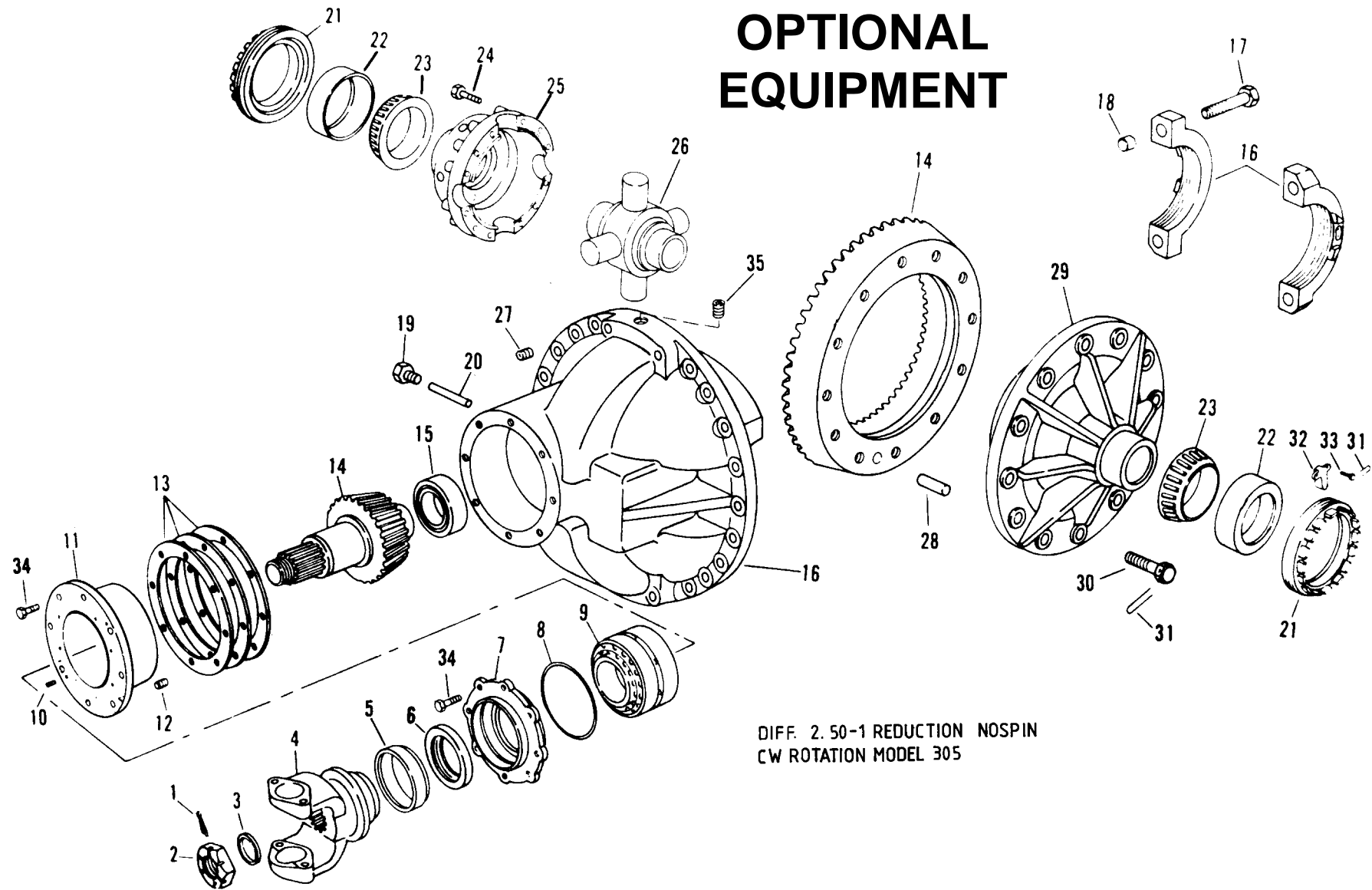


## TRANSMISSION SHIFT CONTROL

4-12 -231 R02

N.C.	REF.	QTY	PART NO.	PART NAME	N.C.	REF.	QTY	PART NO.	PART NAME
001	001		15231528	COVER	027	001		23041474	ECU-PLUS 11
002	001		23018818	SENSOR-THROTTLE	028	003		00179820	BOLT
003	001		15231526	SENSOR MTG PAD (ATEC	029	003		00103320	LOCKWASHER
004	003		00179805	BOLT	030	001		15231532	BOX-BATT EQUALIZER
005	007		00103339	WASHER	031	007		00179795	BOLT
006	001		15231529	RETAINER	032	001		15247330	CONSOLE-BROWN
007	001		15231530	ANCHOR-ANGLE CABLE	033	001		09015140	HINGE
008	001		15231522	CLAMP-SADDLE	034	001		09015155	GLOVEBOX-SHIFT TOWER
009	002		00110501	SCREW	035	008		00131701	WASHER-DOMED
010	002		00110633	NUT	036	008		00115360	SCREW
011	002		00106497	LOCKWASHER	037	001		15234303	COVER-GLOVEBOX
012	001		15231525	LEVER-THROTTLE SENSR	038	001		09250710	SUPPORT
013	001		00179845	BOLT	039	003		00103329	LOCKWASHER
014	005		00102635	NUT	040	001		15247331	CONSOLE COVER
015	003		00108580	LOCKWASHER	041	006		00180807	BOLT
016	001		15231437	SCREW-SWIVEL	042	006		00103455	LOCKWASHER
017	001		09414094	LOCKNUT	043	003		00103661	WASHER
018	005		00103340	WASHER	044	001		09256940	BRACKET
019	001		00117958	GROMMET	045	001		09252055	PLATE
020	002		00179791	BOLT	046	010		00179839	BOLT
021	017		00103319	LOCKWASHER	047	013		00108580	LOCKWASHER
022	001		23048155	SHIFT SELECT-BUTTON	048	007		00106263	WASHER
023	001		15231427	BRACKET	049	003		00179843	BOLT
024	004		00113956	SCREW	050	002		00179797	BOLT
025	004		00113959	SCREW	051	001		15231518	BOX-JUNCTION
026	012		00109084	NUT	052	002		00179838	BOLT

# OPTIONAL EQUIPMENT



DIFF. 2.50-1 REDUCTION NOSPIN  
CW ROTATION MODEL 305

REAR AXLE DIFFERENTIAL

8-01 -343 R03

N.C.	REF.	QTY	PART NO.	PART NAME	N.C.	REF.	QTY	PART NO.	PART NAME
	001	001	00103393	PIN-COTTER	018	004	09192618		..DOWEL-BUSHING
	002	001	09192613	NUT	019	001	00444944		.PLUG
	003	001	09003683	GASKET	020	001	09006266		.PIN
	004	001	09265937	YOKE ASSY	021	002	09003786		.NUT-ADJUSTER
	005	001	09232899	.SLEEVE	022	002	09412692		.CUP
	006A	001	09271950	DIFF-NOSPIN 2.50:1	023	002	09424974		.CONE
	006	001	15244338	.SEAL	024	012	00454993		.BOLT
	007	001	09003785	.SEAL-RETAINER	A	025	001	09373644	.CASE-DIFF
	008	001	09125739	.O RING	026	001	09271878		.NOSPIN
	009	001	09424975	.BEARING	027	004	09114897		.SCREW
	010	002	00102615	.SCREW	028	001	09003686		.PIN-DOWEL
	011	001	09003864	.CAGE-BEARING	A	029	001	09373644	.CASE-DIFF
	012	002	00102614	.SCREW	030	012	00215254		.BOLT
	013	ASR	09003779	.SHIM	031	ASR	09113457		.LOCKWIRE
	013	ASR	09003780	.SHIM	032	002	09214341		.LOCK
	013	ASR	09003858	.SHIM	033	004	09170517		.BOLT
	014	001	09250389	.GEAR SET	034	016	00179887		.BOLT
	015	001	07451617	.BEARING	035	002	00139230		SCREW
	016	001	09265261	.DIFF HOUSING ASSY	NI	ASR	15234244		SEAL-CORD
	017	004	09216692	..BOLT					

A NOTE: PARTS OF DIFF CASE ASSY 09373644 ONLY AVAILABLE AS ASSEMBLY

8-01 -343 R03





REAR AXLE DIFFERENTIAL

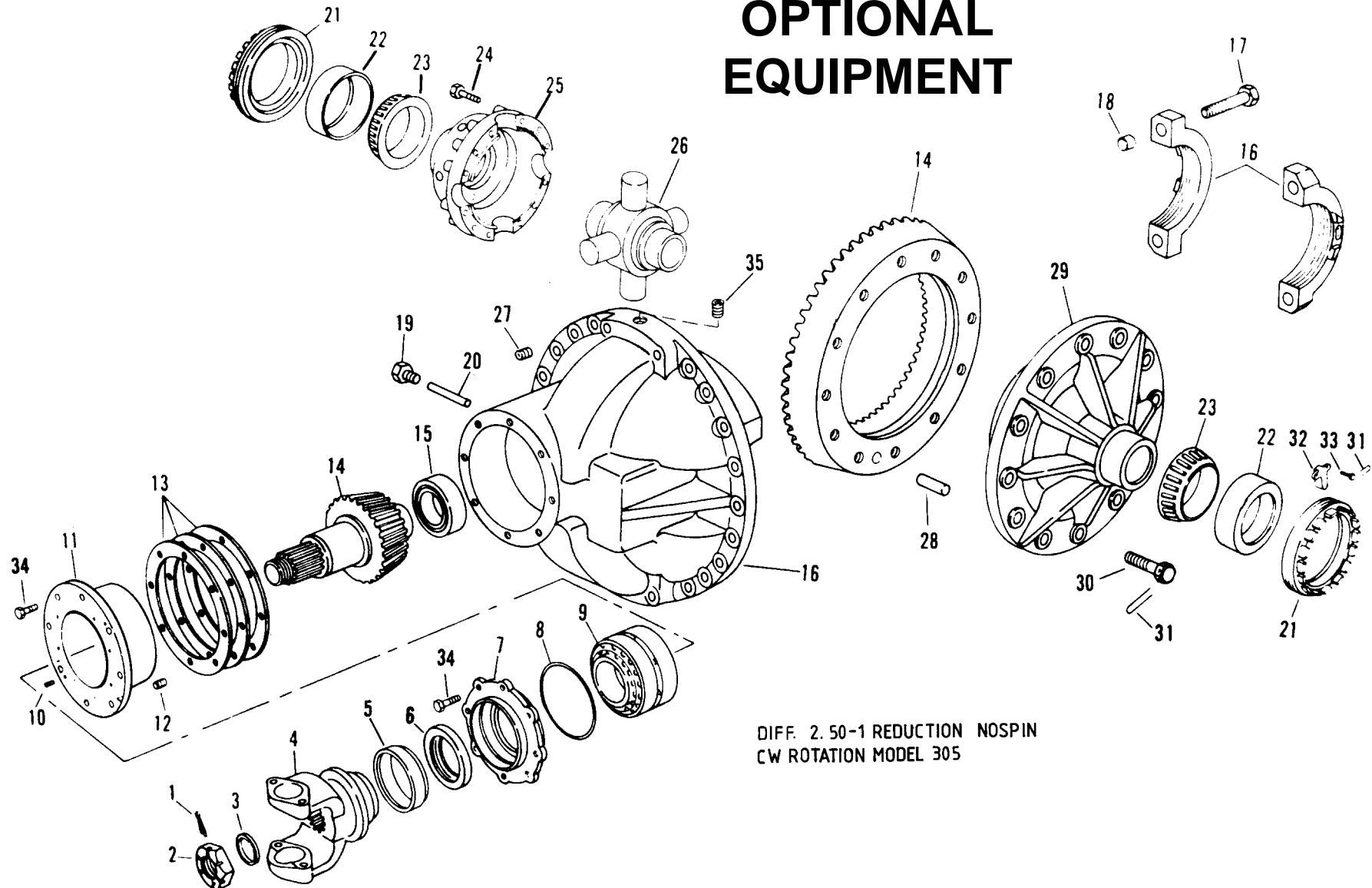
8-01 -344 R02

N.C.	REF.	QTY	PART NO.	PART NAME	N.C.	REF.	QTY	PART NO.	PART NAME
	001	001	00103393	PIN-COTTER	018	004	09192618		..DOWEL-BUSHING
	002	001	09192613	NUT	019	001	00444944		.PLUG
	003	001	09003683	GASKET	020	001	09006266		.PIN
	004	001	09265937	YOKE ASSY	021	002	09003786		.NUT-ADJUSTER
	005	001	09232899	.SLEEVE	022	002	09412692		.CUP
	006A	001	09273824	DIFF NOSPIN 3.13:1	023	002	09424974		.CONE
	006	001	15244338	.SEAL	024	012	00454993		.BOLT
	007	001	09003785	.SEAL-RETAINER	A	025	001	09373644	.CASE-DIFF
	008	001	09125739	.O RING	026	001	09271878		.NOSPIN
	009	001	09424975	.BEARING	027	004	09114897		.SCREW
	010	002	00102615	.SCREW	028	001	09003686		.PIN-DOWEL
	011	001	09003864	.CAGE-BEARING	A	029	001	09373644	.CASE-DIFF
	012	002	00102614	.SCREW	030	012	00215235		.BOLT
	013	ASR	09003779	.SHIM	031	ASR	09113457		.LOCKWIRE
	013	ASR	09003780	.SHIM	032	002	09214341		.LOCK
	013	ASR	09003858	.SHIM	033	004	09170517		.BOLT
	014	001	09232716	.GEAR SET	034	016	00179887		.BOLT
	015	001	07451617	.BEARING	035	002	00139230		SCREW
	016	001	09265261	.DIFF HOUSING ASSY	NI	ASR	15234244		SEAL-CORD
	017	004	09216692	..BOLT					

A NOTE: PARTS OF DIFF CASE ASSY 09373644 ONLY AVAILABLE AS ASSY

8-01 -344 R02

# OPTIONAL EQUIPMENT



DIFF. 2. 50-1 REDUCTION NOSPIN  
CW ROTATION MODEL 305

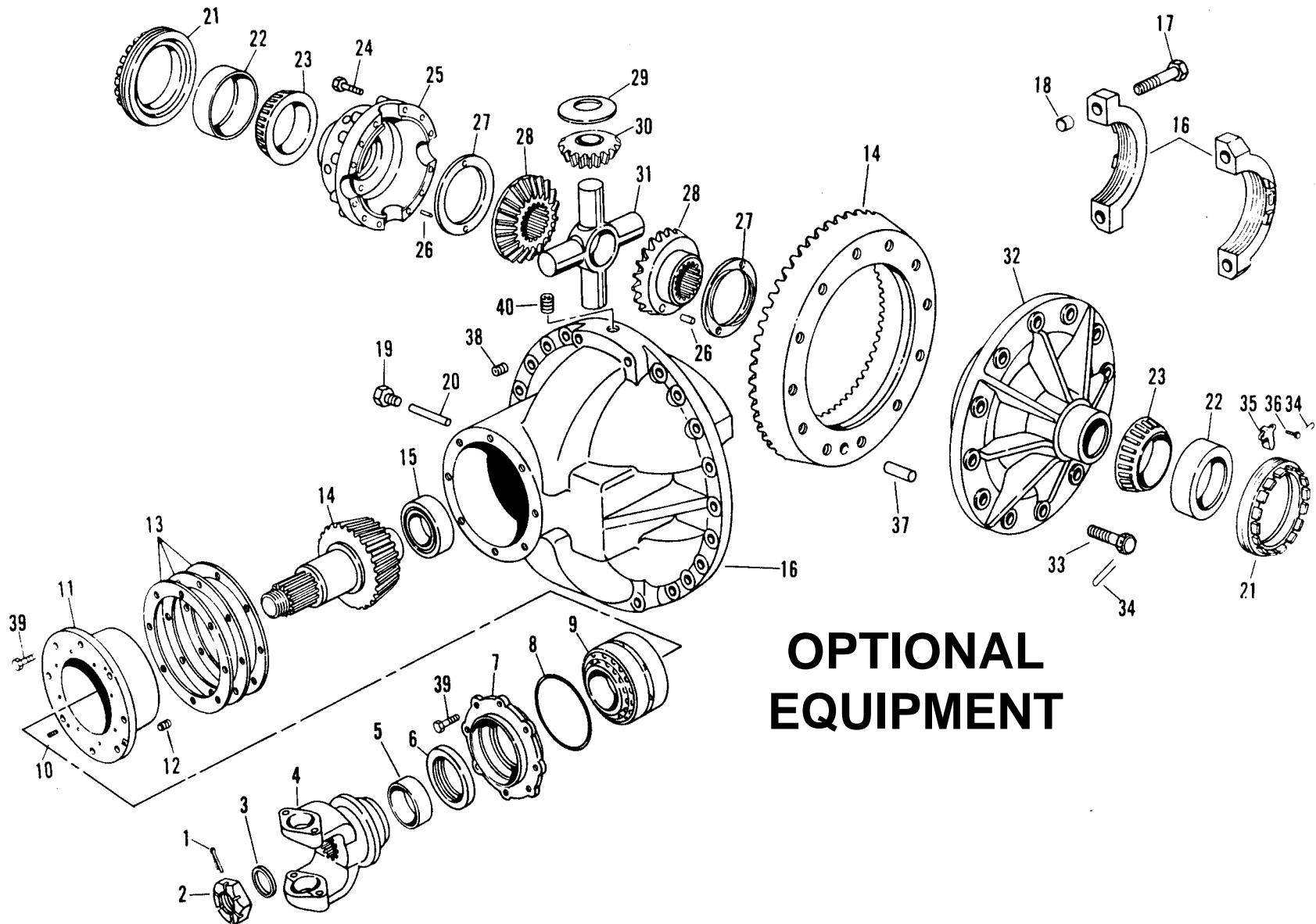
REAR AXLE DIFFERENTIAL

8-01 -345 R02

N.C.	REF.	QTY	PART NO.	PART NAME	N.C.	REF.	QTY	PART NO.	PART NAME
	001	001	00103393	PIN-COTTER		020	001	09006266	.PIN
	002	001	09192613	NUT		021	002	09003786	.NUT-ADJUSTER
	003	001	09003683	GASKET		022	002	09412692	.CUP
	004	001	09265937	YOKE ASSY		023	002	09424974	.CONE
	005	001	09232899	.SLEEVE		024	012	00454993	.BOLT
	006A	001	09273798	DIFFERENTIAL 3.13:1	A	025	001	09373644	.CASE-DIFF
	006	001	15244338	.SEAL		026	004	09219084	.PIN-DOWEL
	007	001	09003785	.SEAL-RETAINER		027	002	09008341	.WASHER-THRUST
	008	001	09125739	.O RING		028	002	09008357	.GEAR
	009	001	09424975	.BEARING		029	004	09008365	.WASHER-THRUST
	010	002	00102615	.SCREW	B	030	004	09008364	.PINION ASSY
	011	001	09003864	.CAGE-BEARING		031	001	09008382	.SPIDER
	012	002	00102614	.SCREW	A	032	001	09373644	.CASE-DIFF
	013	ASR	09003779	.SHIM		033	012	00215235	.BOLT
	013	ASR	09003780	.SHIM		034	ASR	09113457	.LOCKWIRE
	013	ASR	09003858	.SHIM		035	002	09214341	.LOCK
	014	001	09232716	.GEAR SET		036	004	09170517	.BOLT
	015	001	07451617	.BEARING		037	001	09003686	.PIN-DOWEL
	016	001	09265261	.DIFF HOUSING ASSY		038	004	09114897	.SCREW
	017	004	09216692	..BOLT		039	016	00186646	.BOLT
	018	004	09192618	..DOWEL-BUSHING		040	002	00139230	SCREW
	019	001	00444944	.PLUG		NI	ASR	15234244	SEAL-CORD

A NOTE: PARTS OF DIFF CASE ASSY 09373644 AVAILABLE ONLY AS ASSY

B NOTE: PINION BUSHING IS NOT SERVICEABLE.



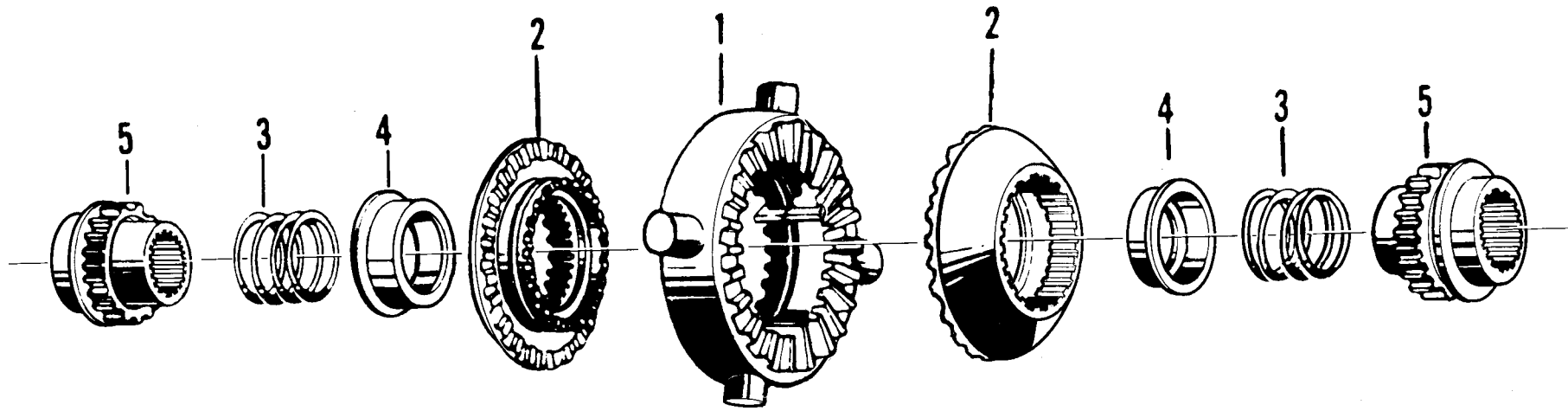
# OPTIONAL EQUIPMENT

REAR AXLE DIFFERENTIAL

8-01 -369

N.C.	REF.	QTY	PART NO.	PART NAME	N.C.	REF.	QTY	PART NO.	PART NAME
	001	001	00103393	PIN-COTTER	020	001	09006266	.PIN	
	002	001	09192613	NUT	021	002	09003786	.NUT-ADJUSTER	
	003	001	09003683	GASKET	022	002	09412692	.CUP	
	004	001	09265937	YOKE ASSY	023	002	09424974	.CONE	
	005	001	09232899	.SLEEVE	024	008	NOT USED	.BOLT	
	006A	001	09273798	DIFFERENTIAL 3.13:1	025	001	NSS	.CASE-DIFF	
	006	001	15244338	.SEAL	026	004	09219084	.PIN-DOWEL	
	007	001	09003785	.SEAL-RETAINER	027	002	09008341	.WASHER-THRUST	
	008	001	09125739	.O RING	028	002	09008357	.GEAR	
	009	001	09424975	.BEARING	029	004	09008365	.WASHER-THRUST	
	010	002	00102615	.SCREW	030	004	09008364	.PINION ASSY	
	011	001	09003864	.CAGE-BEARING	031	001	09008382	.SPIDER	
	012	002	00102614	.SCREW	032	001	NSS	.CASE-DIFF	
	013	ASR	09003779	.SHIM	033	012	00215235	.BOLT	
	013	ASR	09003780	.SHIM	034	ASR	09113457	.LOCKWIRE	
	013	ASR	09003858	.SHIM	035	002	09214341	.LOCK	
	014	001	09232716	.GEAR SET	036	004	09170517	.BOLT	
	015	001	07451617	.BEARING	037	001	09003686	.PIN-DOWEL	
	016	001	09265261	.DIFF HOUSING ASSY	038	004	09114897	.SCREW	
	017	004	09216692	..BOLT	039	016	00179887	.BOLT	
	018	004	09192618	..DOWEL-BUSHING	040	002	00139230	SCREW	
	019	001	00444944	.PLUG	NI	ASR	15234244	SEAL-CORD	

8-01 -369



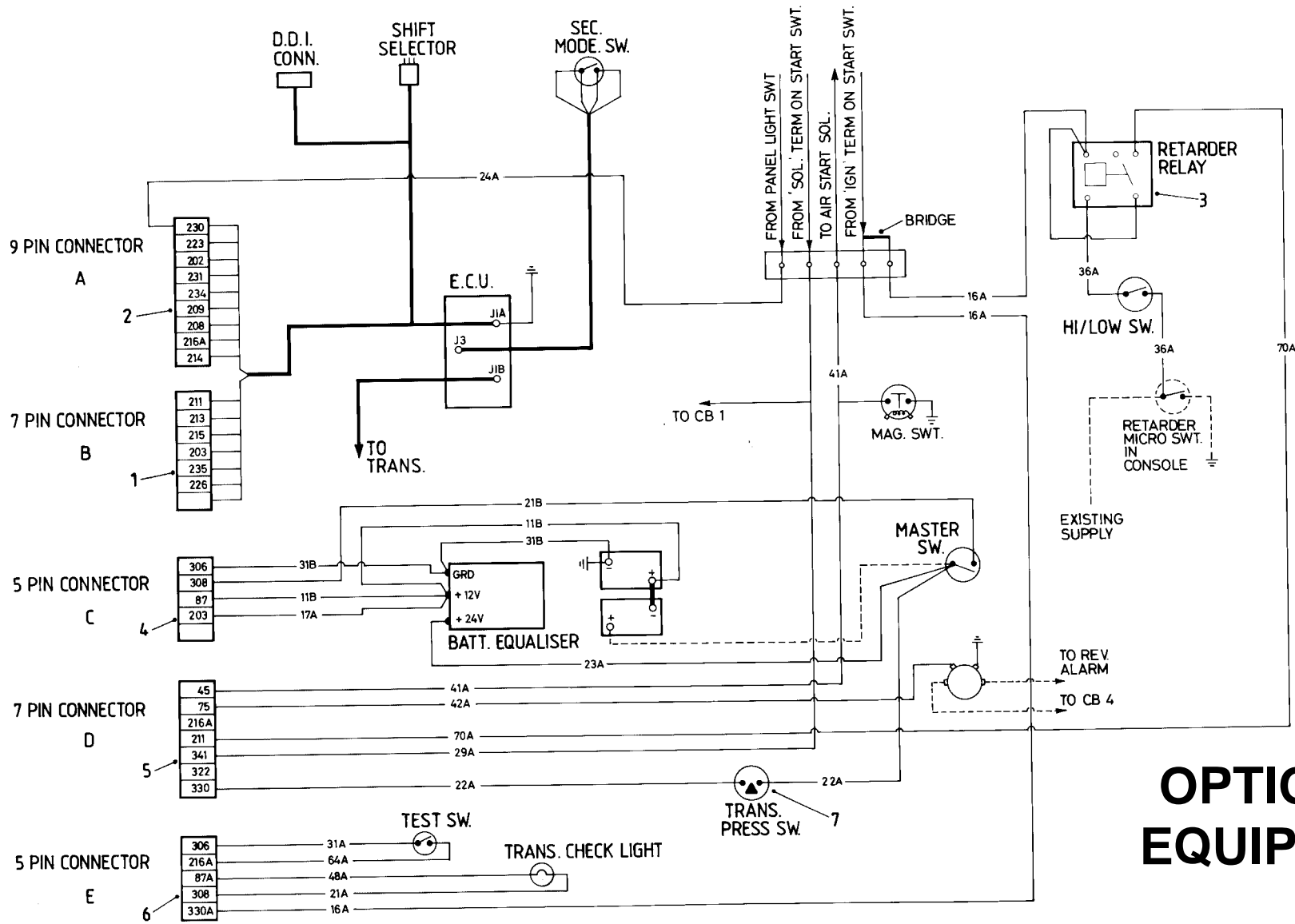
## OPTIONAL EQUIPMENT

REAR AXLE NOSPIN ELEMENT

8-11 - 38

N.C.	REF.	QTY	PART NO.	PART NAME	N.C.	REF.	QTY	PART NO.	PART NAME
	001	001	09271878	NOSPIN		004	002	09034329	. SPRING
	002	001	09023519	. SPIDER & CAM		005	002	09023515	. RETAINER
	003	002	09052878	. CLUTCH & RING		006	002	NSS	. GEAR

8-11 - 38

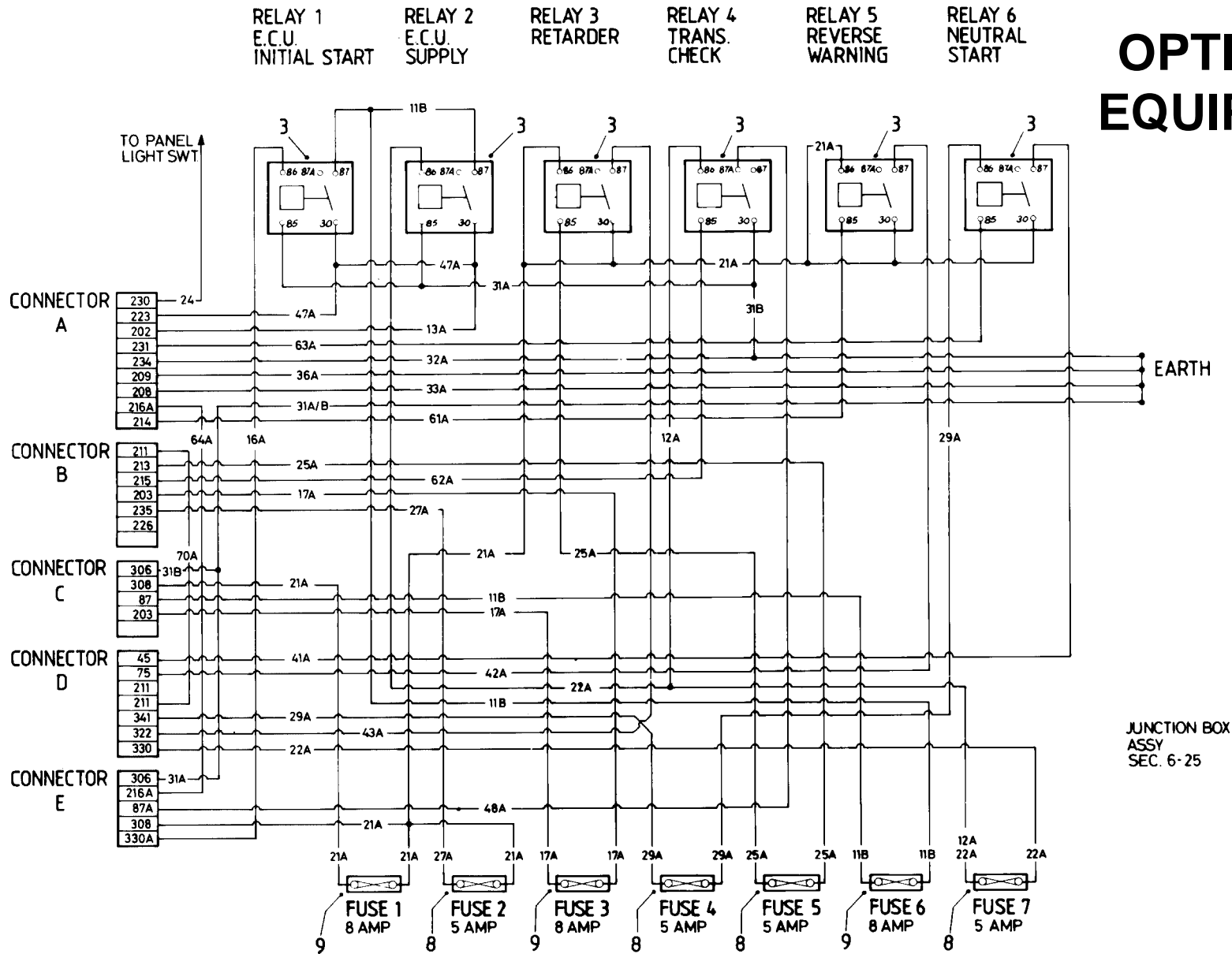


# OPTIONAL EQUIPMENT

ATEC TRANS.



# OPTIONAL EQUIPMENT



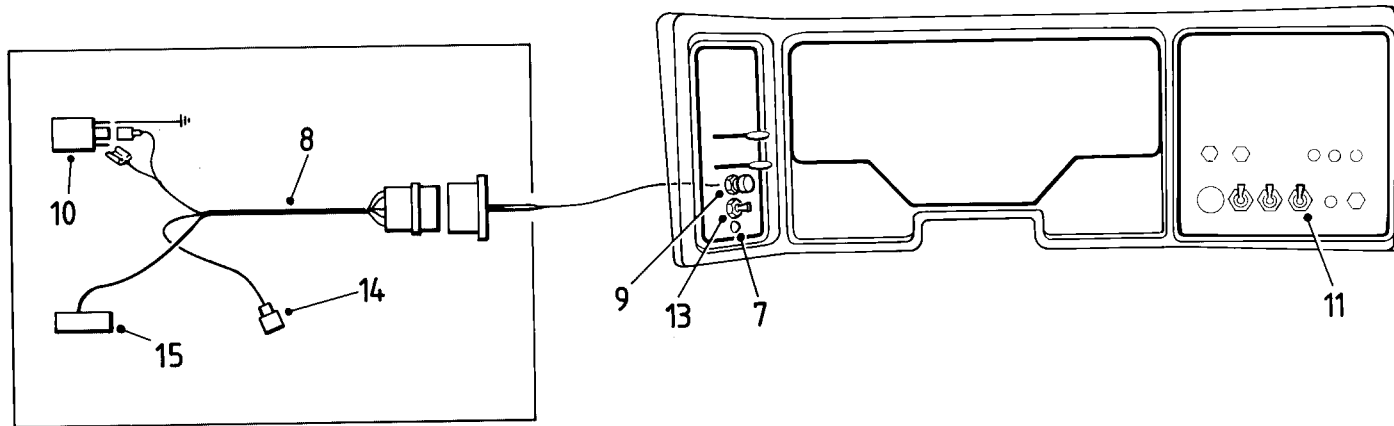
## ELECTRICAL CABLES

13-01 -594

N.C.	REF.	QTY	PART NO.	PART NAME	N.C.	REF.	QTY	PART NO.	PART NAME
	001	001	15229693	CONNECTOR-7 PIN	NI	001		23047115	HARNESS-CHASSIS
	002	001	15231071	CONNECTOR-9 PIN	NI	001		23047155	H/NESS-CAB P/BUTTON
	003	001	15231519	RELAY	NI	001		23045958	HARNESS-SEC MODE
	NI	001	15231520	CONNECTOR-RELAY	NI	001		15231551	H/NESS-BAT/EQUALIZER
	004	001	15229692	CONNECTOR-5 PIN	NI	001		15231552	HARNESS
	005	001	15229696	CONNECTOR-7 SOCKET	NI	001		15231553	H/NESS-PRESS SW/DASH
	006	001	15229695	CONNECTOR-5 SOCKET	NI	001		15231554	H/NESS-S/BOX/CONSOLE
	007	001	00693772	SWITCH-PRESSURE	NI	001		15231555	H/NESS-S/BOX/CONSOLE
	008	004	15231527	FUSE-5 AMP	NI	001		15231556	H/NESS-RETARD HI/LO
	009	003	15231521	FUSE	NI	001		15231560	H/NESS-INTERFACE BOX
	NI	002	09373143	FUSEBLOCK					

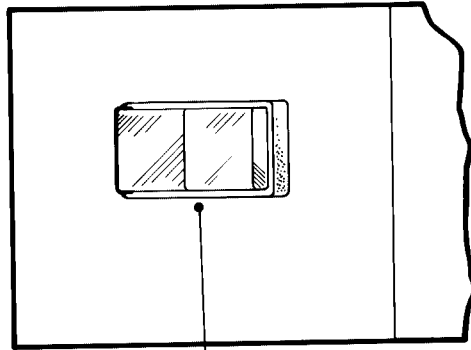
13-01 -594

(THIS PAGE INTENTIONALLY LEFT BLANK)



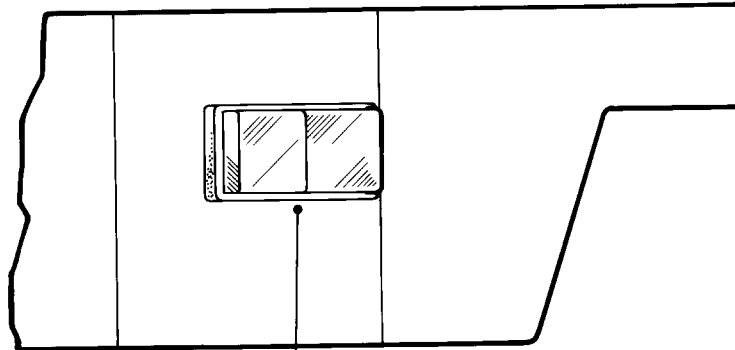
OPTIONAL  
EQUIPMENT

RH FENDER

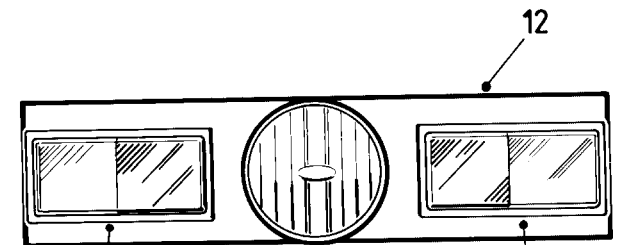


3·4·5

LH FENDER



3·4·5



2·5·6

1

2·5·6

## ELECTRICAL LIGHTING SYSTEM

13-03A- 11 R01

N.C.	REF.	QTY	PART NO.	PART NAME	N.C.	REF.	QTY	PART NO.	PART NAME
	001	001	09076850	FLOODLIGHT	009	001		15244873	. SWITCH-HAZARD WARN
	002	002	09375669	LAMP-STOP/INDICATOR	010	001		15244724	FLASHER UNIT
	003	002	09381145	LAMP-SIDE INDICATOR	011	001		09377575	SWITCH-HEAD/TAIL
	004	002	09350257	BULB	012	001		09382192	PLATE
	005	004	09351428	BULB	013	001		09370199	SWITCH-TOGGLE
	006	002	09375672	BULB	014	001		15229694	CONNECTOR, 3 SOCKET
	007	001	09370174	LIGHT GREEN-WARNING	015	001		09079062	DIODE BLOCK
	008	001	15244865	HARNES- HAZARD					

13-03A- 11 R01

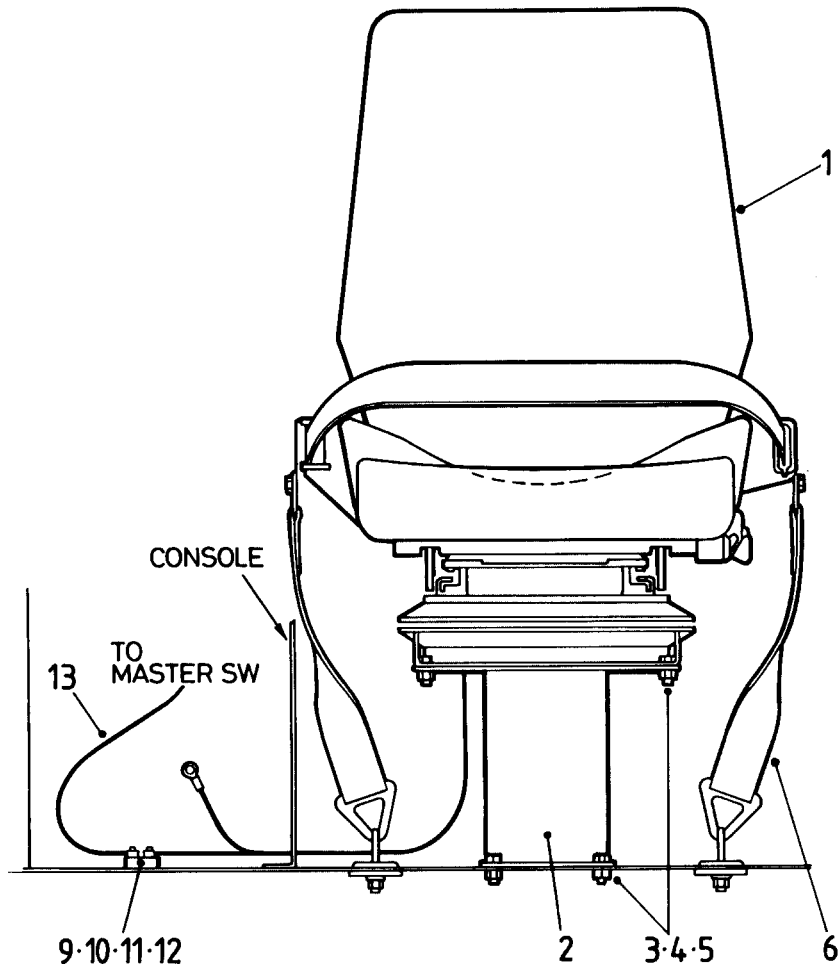


## FUEL - PRE HEATER

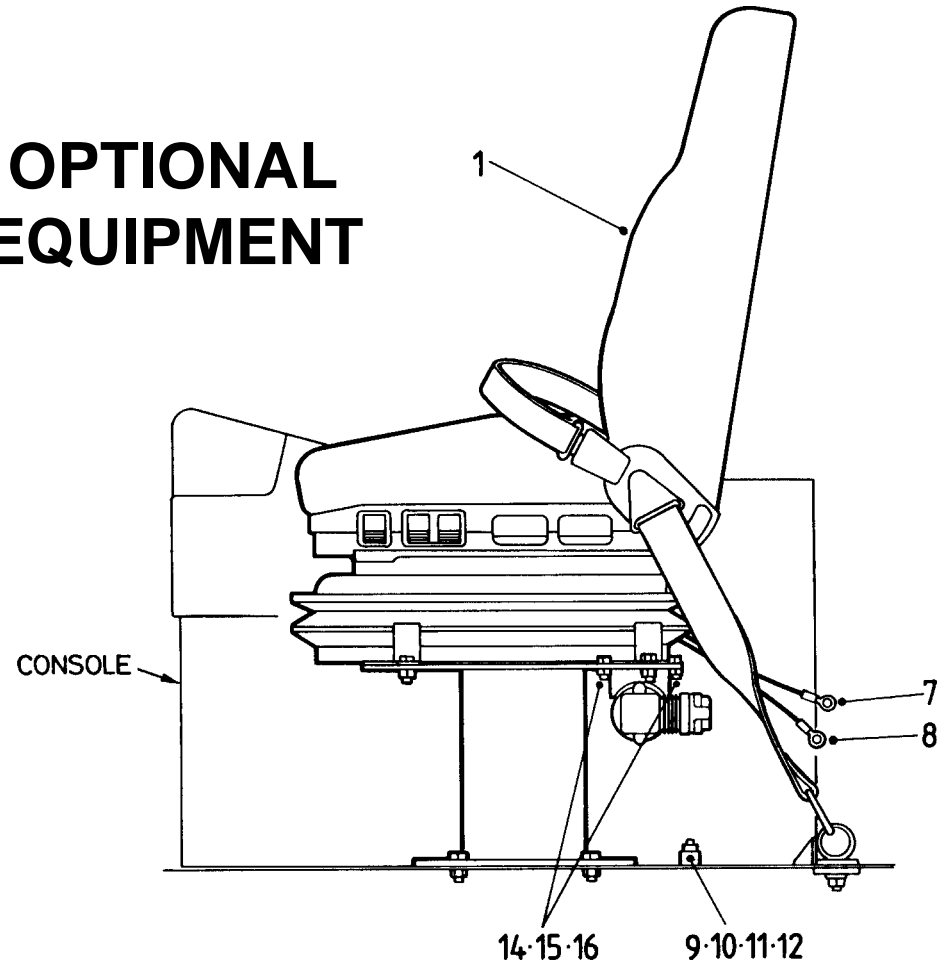
15-05 - 38

N.C.	REF.	QTY	PART NO.	PART NAME	N.C.	REF.	QTY	PART NO.	PART NAME
	001	001	15255652	THERMOLINE-DIESEL	009	001	09402788	CONNECTOR	
	002	001	09373794	SWITCH-ON/OFF	010	001	09402710	CONNECTOR	
	003	001	15238287	RELAY-24V	011	002	00110500	SCREW	
	004	001	15255642	HARNESS, FUEL HEATER	012	002	00110633	NUT	
	005	001	15255643	HARNESS-FUEL HEATER	013	002	00106497	LOCKWASHER	
	006	001	09370173	LIGHT YELLOW-INDICAT	014	002	15256028	DECAL-FUEL HEATER	
	007	001	15256017	HOSE ASSY	NI	ASR	09379264	TIE-CABLE	
	008	001	09261965	ELBOW					

15-05 - 38



# OPTIONAL EQUIPMENT



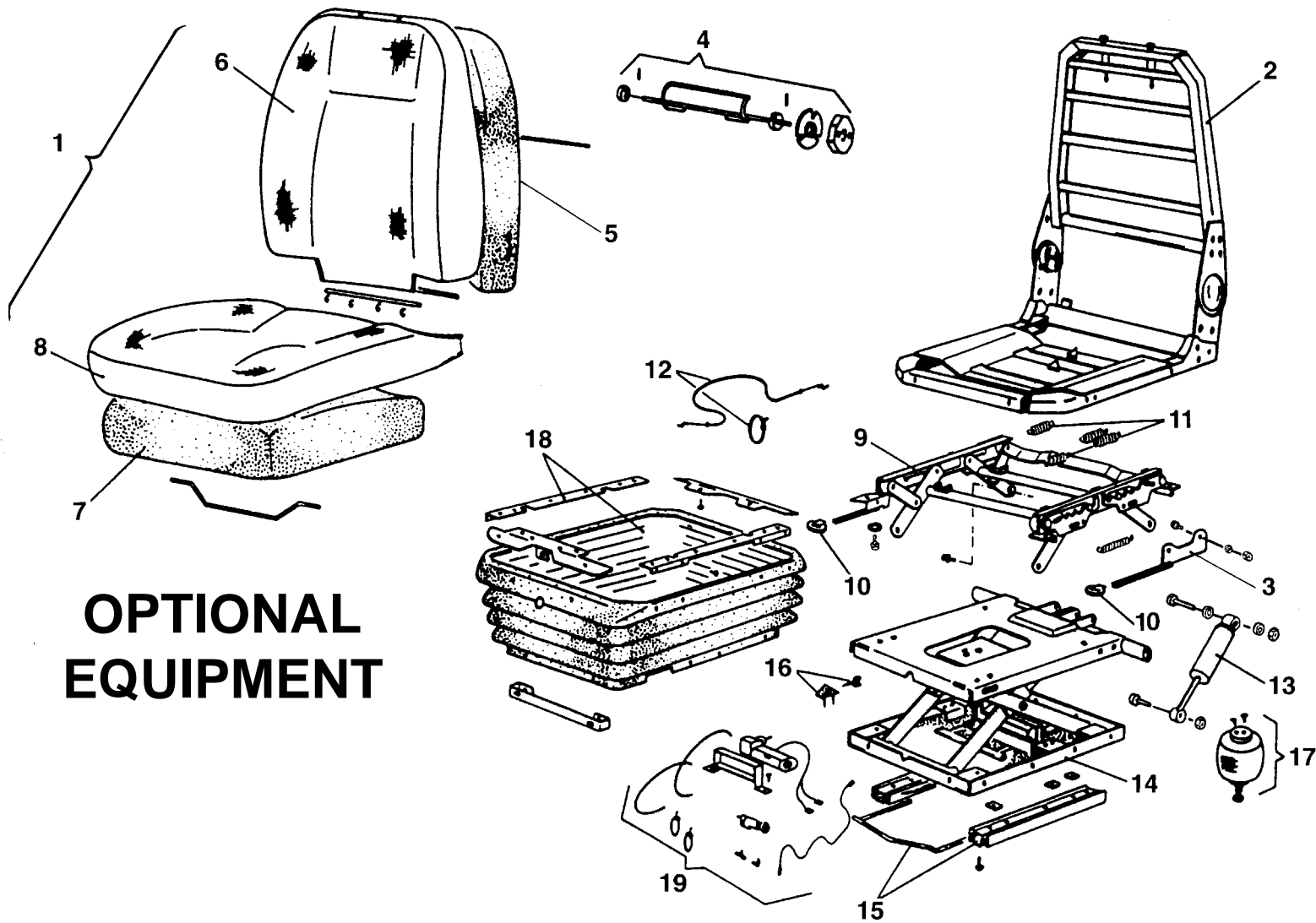


## SEAT - DRIVER

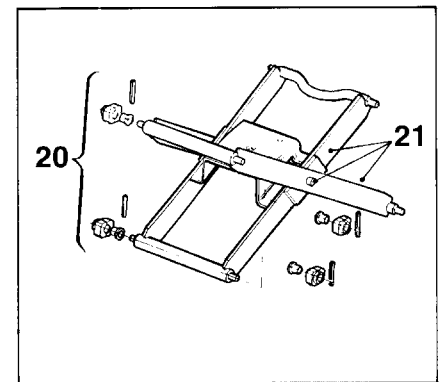
17-07 -124

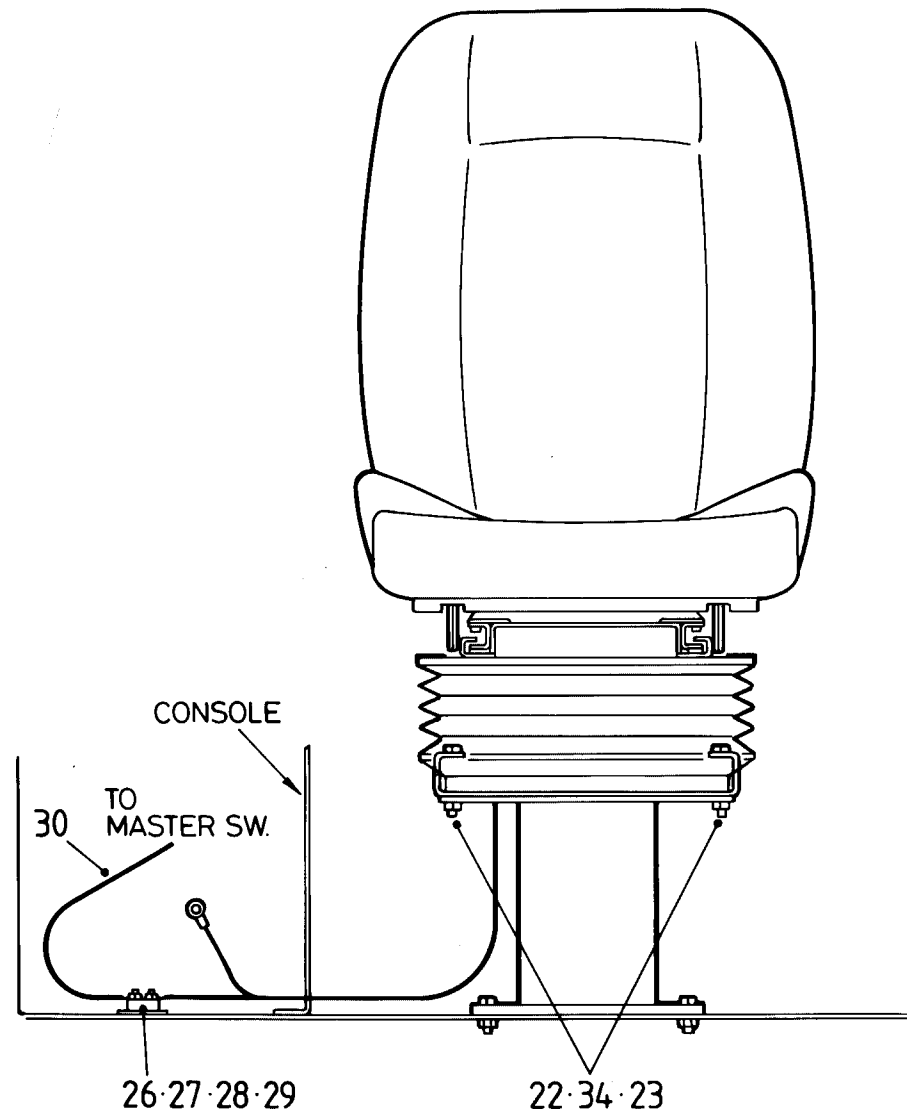
N.C.	REF.	QTY	PART NO.	PART NAME	N.C.	REF.	QTY	PART NO.	PART NAME
	001	001	15248227	SEAT-AIR	009	001		09130261	BREAKER-CIRCUIT
	002	001	15232760	PEDESTAL	010	002		00110500	SCREW
	003	008	00179818	BOLT	011	002		00110633	NUT
	004	012	00103340	WASHER	012	004		00106497	LOCKWASHER
	005	008	00102634	NUT	013	001		15248246	CABLE
	006	001	15014886	BELT-FLOOR	014	002		06350620	SCREW
	007	001	09366392	TERMINAL	015	002		06430601	NUT
	008	001	09366391	TERMINAL	016	004		07150615	LOCKWASHER

17-07 -124

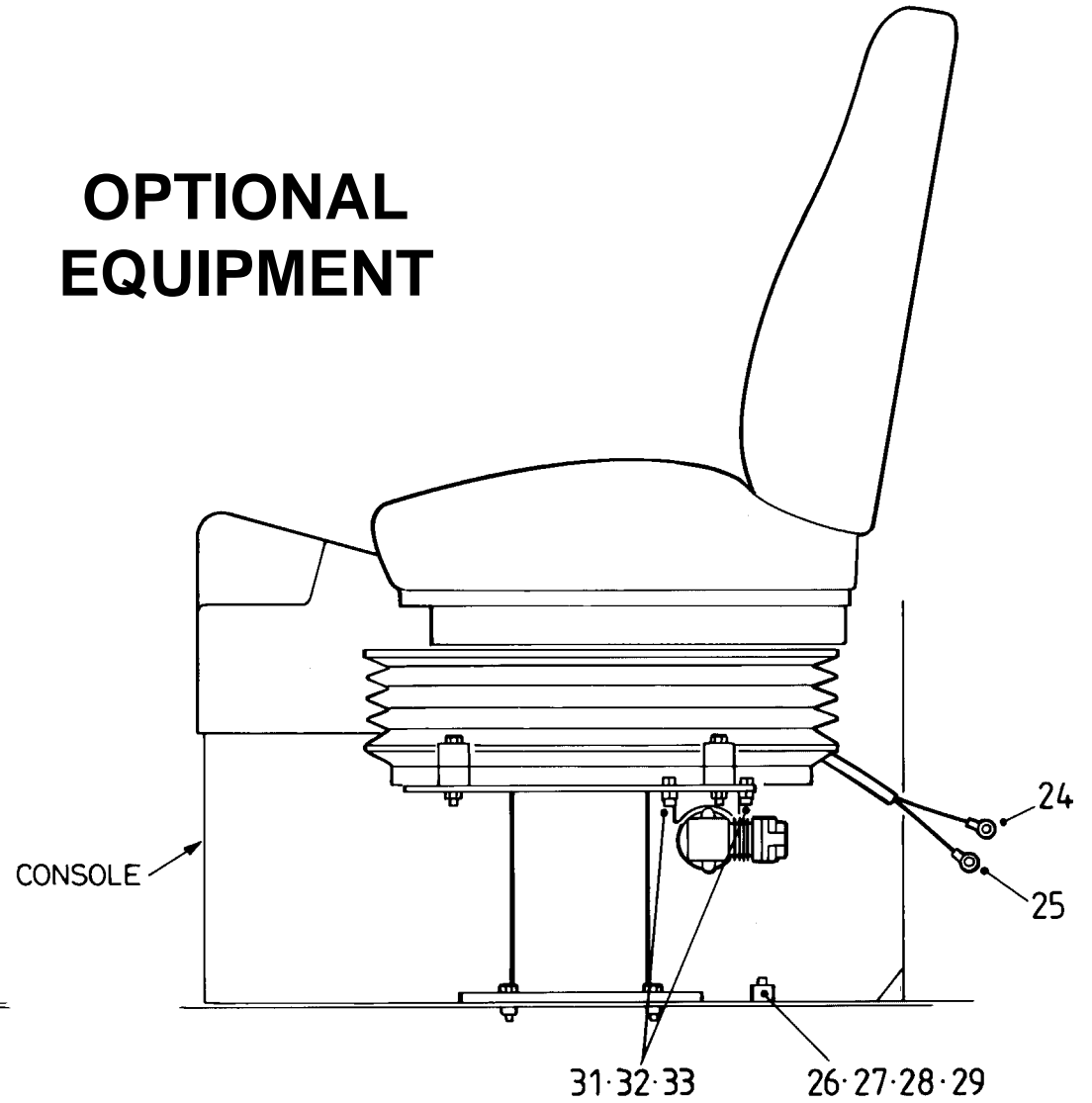


# OPTIONAL EQUIPMENT





# OPTIONAL EQUIPMENT



## SEAT - DRIVER

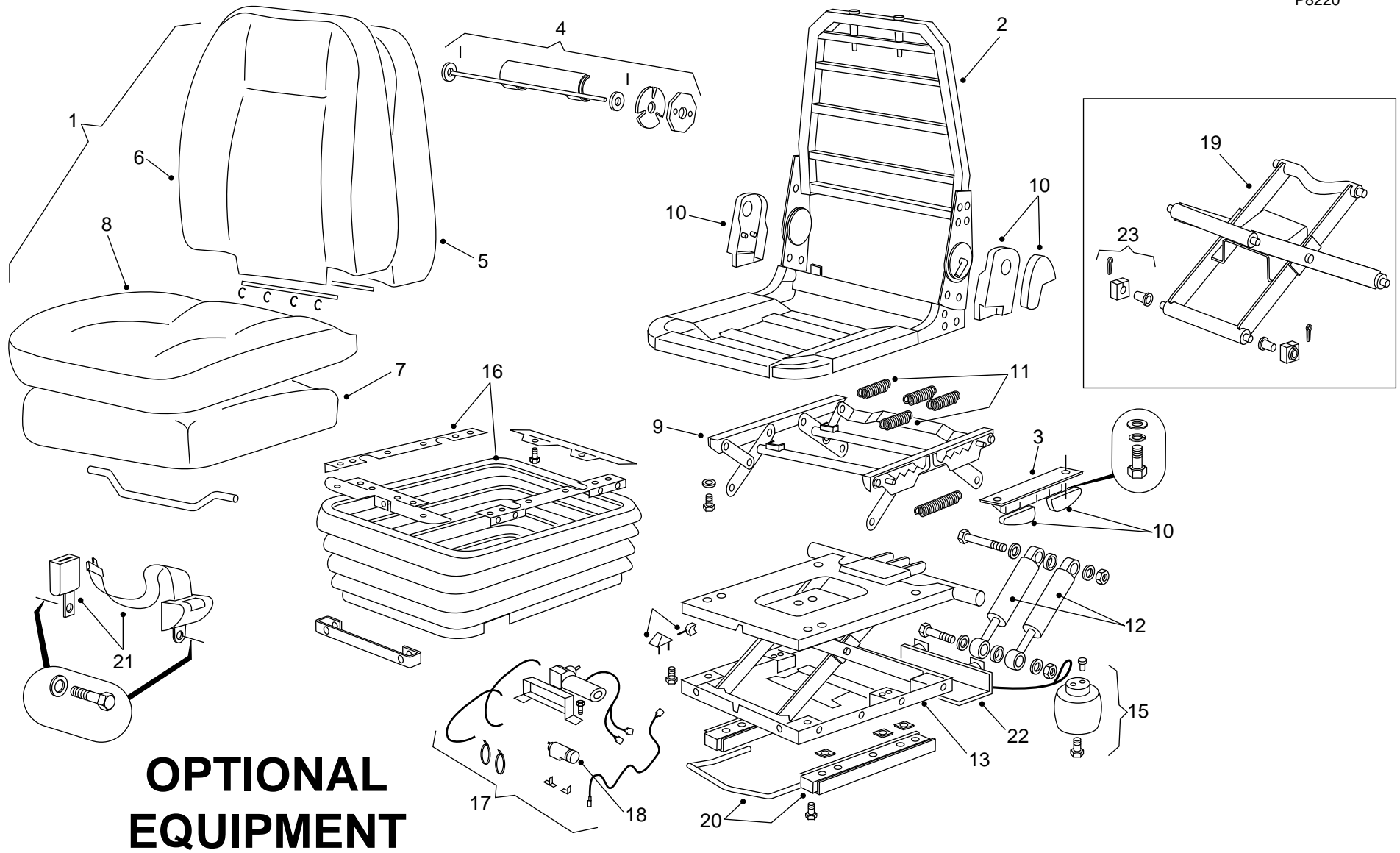
17-07 -126

N.C.	REF.	QTY	PART NO.	PART NAME	N.C.	REF.	QTY	PART NO.	PART NAME
001A	001		15251216	SEAT ASSY-AIR	018	001		15269027	.KIT-SUSP COVER
001	001		15269010	.KIT-UPPER ASSY BROWN	019	001		15269028	.KIT-24V COMP/VALVE
002	001		15269011	.KIT-FRAME ASSY	020	001		15269029	.KIT-BEARING
003	001		15269012	.KIT-LATCH HGHT RISER	021	001		15269030	.KIT-LEVER/CTR PIVOT
004	001		15269013	.KIT-LUMBAR SUPPORT	022	004		00103340	WASHER
005	001		15269014	.KIT-BACK FOAM	023	004		00102634	NUT
006	001		15269015	.KIT-BACKCOVER BROWN	024	001		09366392	TERMINAL
007	001		15269016	.KIT-SEAT FOAM	025	001		09366391	TERMINAL
008	001		15269017	.KIT-SEATCOVER BROWN	026	001		09130261	BREAKER-CIRCUIT
009	001		15269018	.KIT-HEIGHT RISER ASS	027	002		00110500	SCREW
010	001		15269019	.KIT-HANDLES	028	002		00110633	NUT
011	001		15269020	.KIT-HT RISER SPRING	029	004		00106497	LOCKWASHER
012	001		15269021	.KIT-RECLINER CABLE	030	001		15248246	CABLE
013	001		15269022	.KIT-DAMPER	031	002		06350620	SCREW
014	001		15269023	.KIT-SUSP (24V COMP)	032	002		06430601	NUT
015	001		15269024	.KIT-FORE/AFT ADJUST	033	004		07150615	LOCKWASHER
016	001		15269025	.KIT-UPSTOP/BUMPSTOP	034	004		00179828	BOLT
017	001		15269026	.KIT-AIR SPRING					

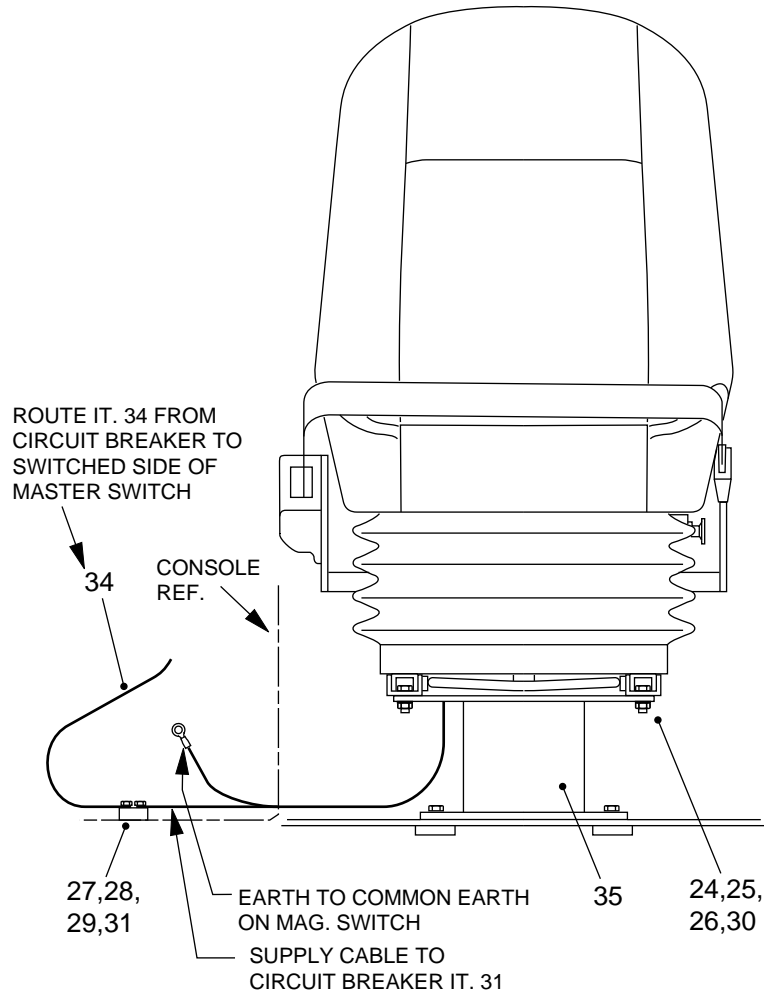
17-07 -126

(THIS PAGE INTENTIONALLY LEFT BLANK)

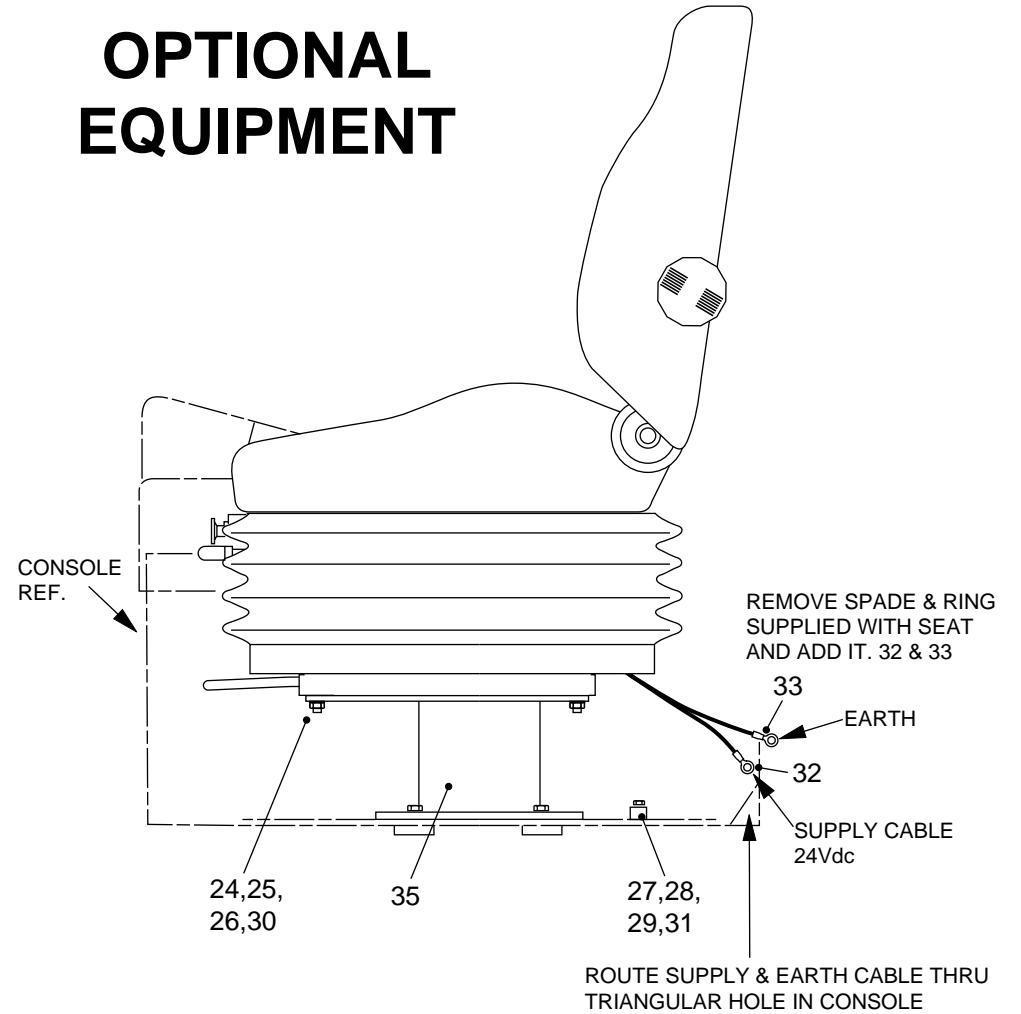
P8220



# OPTIONAL EQUIPMENT



## OPTIONAL EQUIPMENT



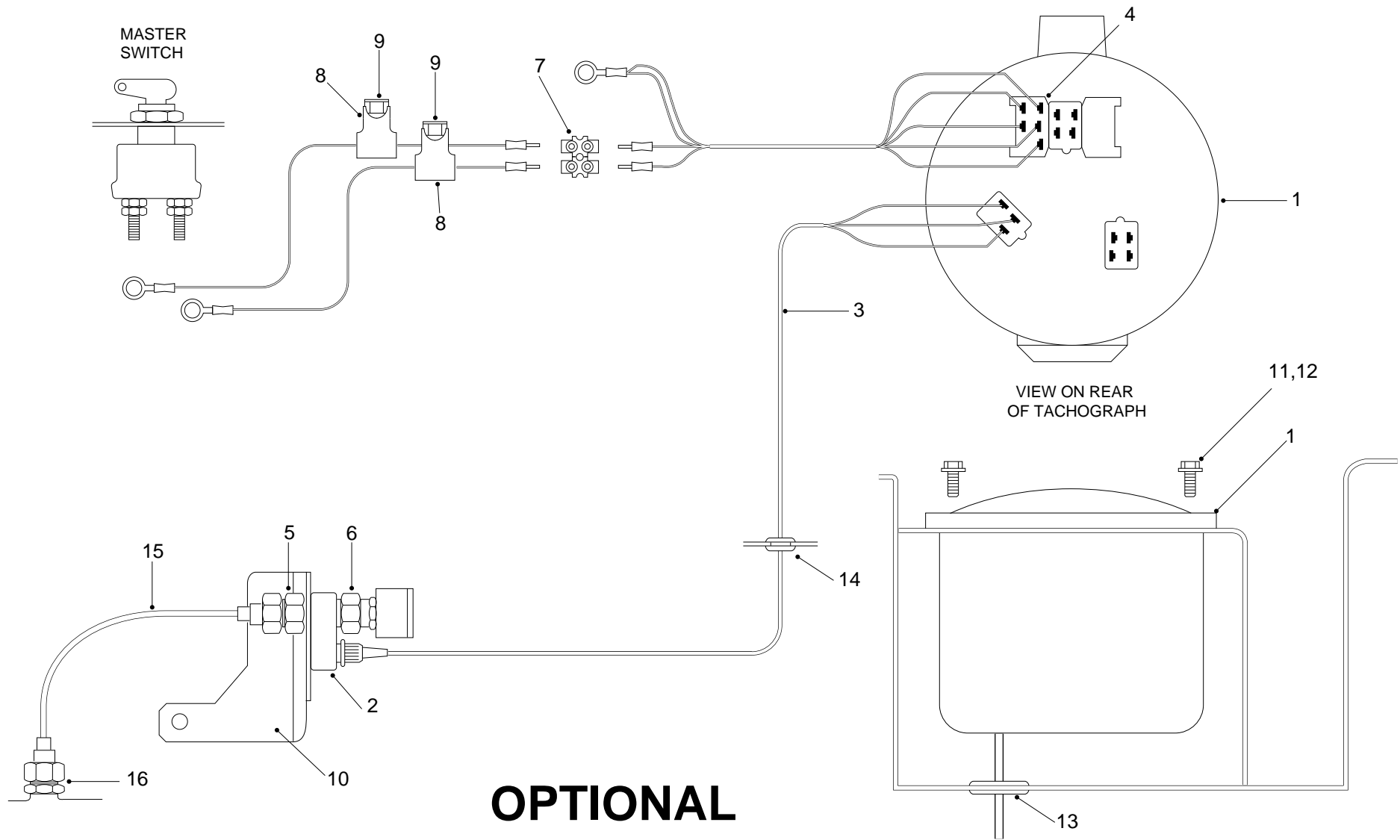
N.C.	REF.	QTY	PART NO.	PART NAME	N.C.	REF.	QTY	PART NO.	PART NAME
A	001A	001	15252864	SEAT ASSY AIR-BROWN		018	001	15271236	..SWITCH-PUSH/PULL
	001	001	15269010	.KIT-UPPER ASSY BROWN	B	019	001	15269030	.KIT-LEVER/CTR PIVOT
	002	001	15269879	.KIT-FRAME ASSY		020	001	15269884	.KIT-ADJUSTER FORE/AF
	003	001	15269012	.KIT-LATCH HGHT RISER		021	001	15269885	.KIT-SEAT BELT
	004	001	15269013	.KIT-LUMBAR SUPPORT		022	001	15269886	.KIT-TETHER
	005	001	15269014	.KIT-BACK FOAM		023	001	15269029	.KIT-BEARING
	006	001	15269015	.KIT-BACKCOVER BROWN		024	004	00102634	NUT
	007	001	15269016	.KIT-SEAT FOAM		025	004	00103320	LOCKWASHER
	008	001	15269017	.KIT-SEATCOVER BROWN		026	004	00103340	WASHER
	009	001	15269880	.KIT-HEIGHT RISER ASS		027	004	00106497	LOCKWASHER
	010	001	15269019	.KIT-HANDLES		028	002	00110500	SCREW
	011	001	15269020	.KIT-HT RISER SPRING		029	002	00110633	NUT
	012	001	15269881	.KIT-DAMPER (DOUBLE)		030	004	00179818	BOLT
	013	001	15269882	.KIT-SUSPENSION ASSY		031	001	09130261	BREAKER-CIRCUIT
	014	001	15269025	.KIT-UPSTOP/BUMPSTOP		032	001	09366394	TERMINAL
	015	001	15269026	.KIT-AIR SPRING		033	001	09366392	TERMINAL
	016	001	15269883	.KIT-SUSPENSION COVER		034	001	15248246	CABLE
	017	001	15269028	.KIT-24V COMP/VALVE		035	001	15253561	PEDESTAL-SEAT

A NOTE: ALL KITS HAVE REQUIRED FIXINGS INCLUDED

B NOTE: TO SERVICE CENTRE PIVOT BEARING ON SEATS WITH WELDED PIVOT PINS



(THIS PAGE INTENTIONALLY LEFT BLANK)



# OPTIONAL EQUIPMENT

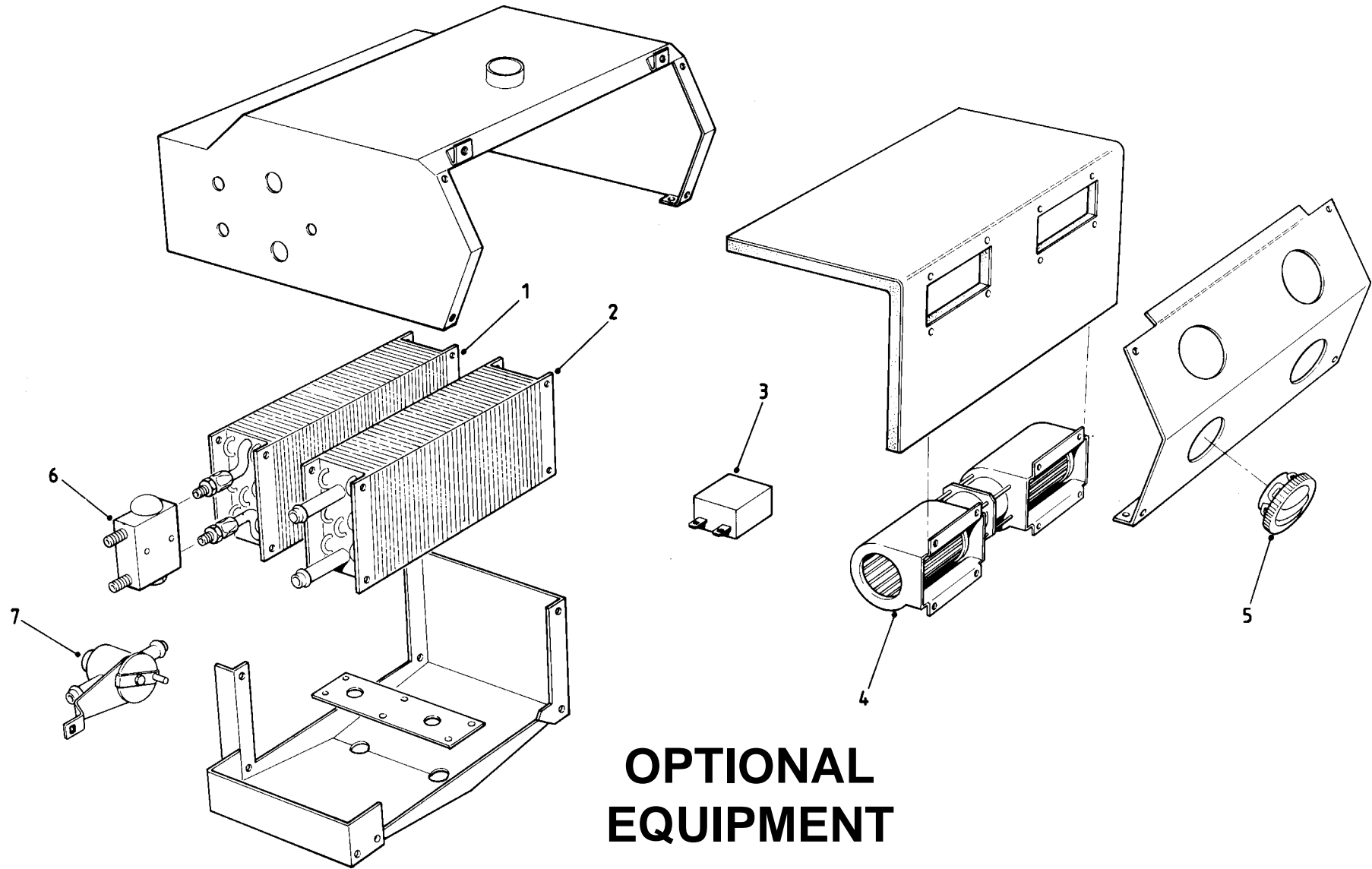
## TACHOGRAPH

17-08 - 74

N.C.	REF.	QTY	PART NO.	PART NAME	N.C.	REF.	QTY	PART NO.	PART NAME
	001	001	15254665	TACHOGRAPH		010	001	15256459	BRACKET
	002	001	15254666	SENDER		011	004	00179816	BOLT
	003	001	15254667	CABLE		012	004	00103340	WASHER
	004	001	15254668	HARNESS		013	002	00187954	GROMMET
	005	001	09079743	NUT		014	001	00117958	GROMMET
	006	001	09079675	KIT-GENERATOR DRIVE		015	001	15256460	CABLE
	007	001	09357443	TERMINAL STRIP		016	001	09372830	KEY-DRIVE
	008	002	15253936	HOLDER-IN-LINE FUSE	A	NI	002	00108686	ELBOW
	009	002	15247614	FUSE-5AMP					

A NOTE: FITTED TO COPPER PIPE AT COMPRESSOR

17-08 - 74



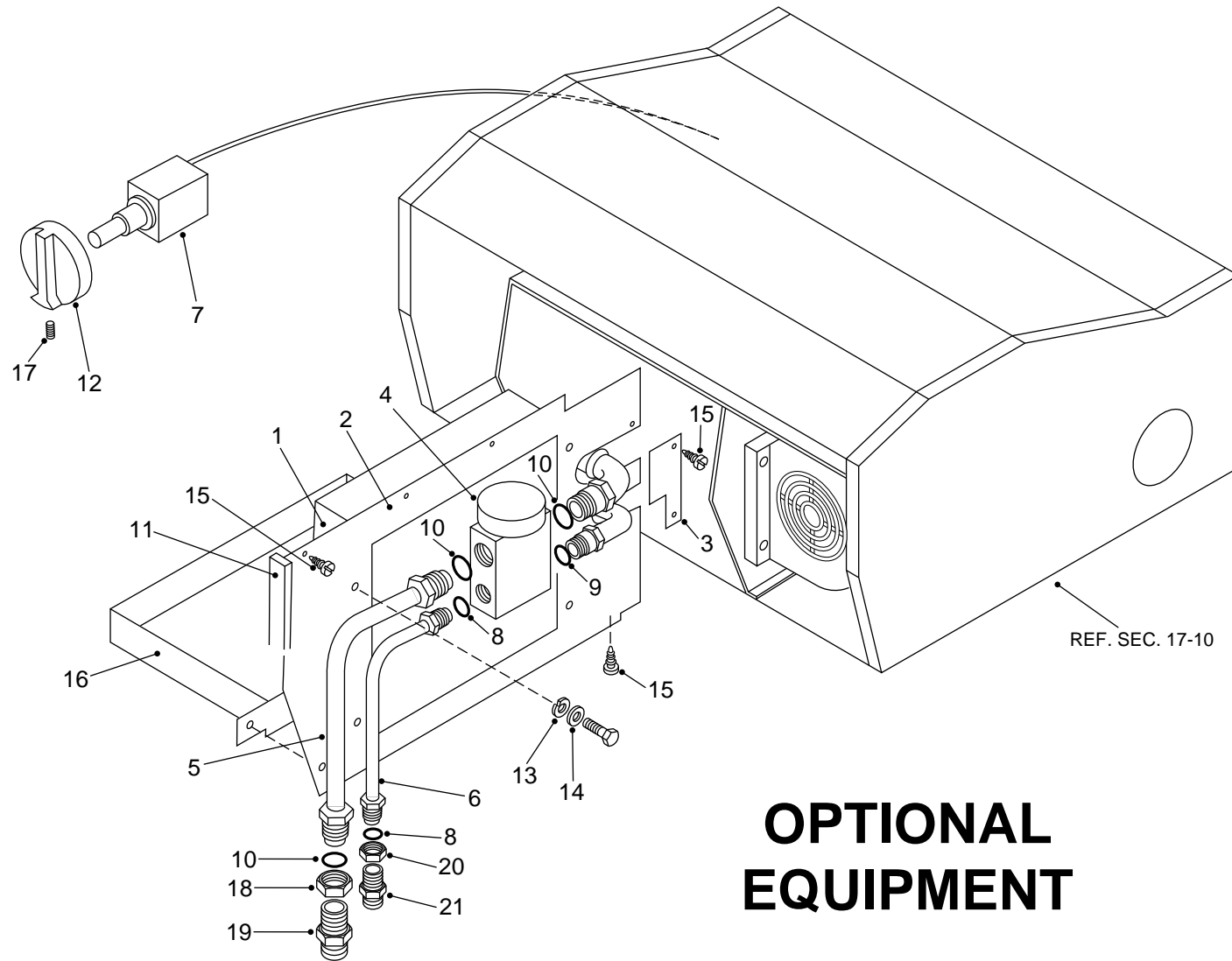
# OPTIONAL EQUIPMENT

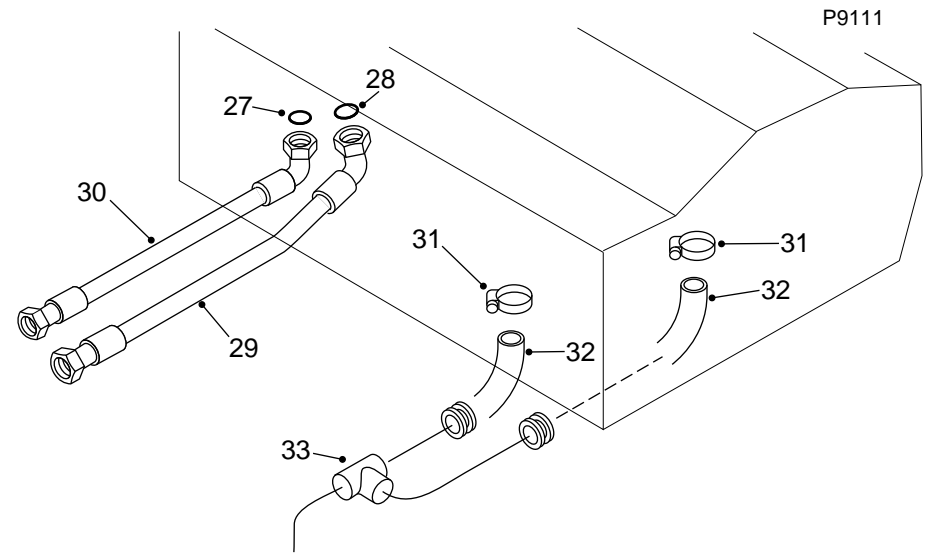
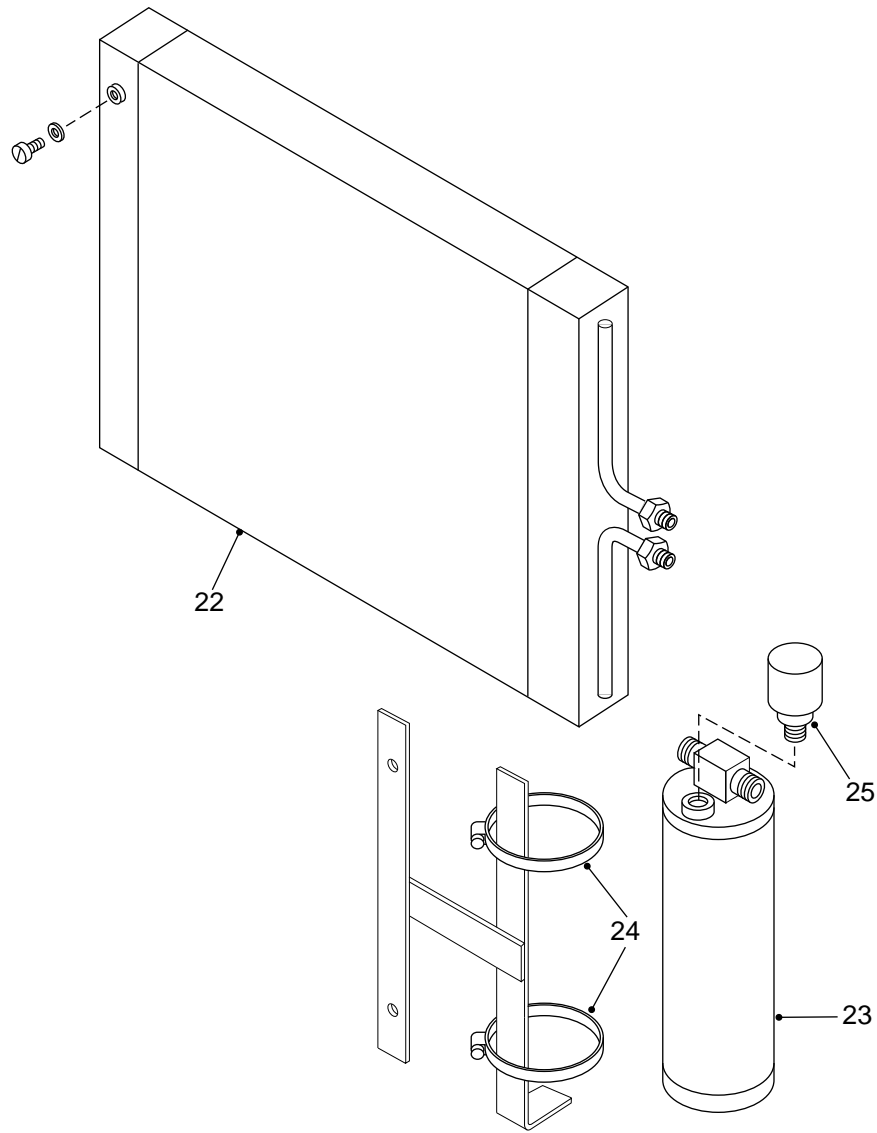
## AIR CONDITIONER/HEATER

17-10A- 16 R01

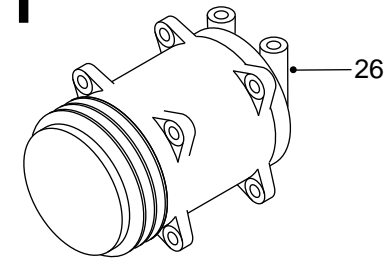
N.C.	REF.	QTY	PART NO.	PART NAME	N.C.	REF.	QTY	PART NO.	PART NAME
001A	001		15246378	AIR CONDITIONING KIT	005	001		09398393	..MOTOR ASSY-BLOWER
001	001		15268117	.EVAPORATOR/HEATER	006	002		NSS	...FAN-BLOWER
002	001		09398334	..COIL-EVAPORATOR	007	004		09398394	..LOUVRE
003	001		09398333	..COIL-HEATER	008	001		09398324	..VALVE-BLOCK
004	001		09398392	..CONTROL-COLD	009	001		09398395	..TAP-HEATER

17-10A- 16 R01





# OPTIONAL EQUIPMENT



## AIR CONDITIONER/HEATER

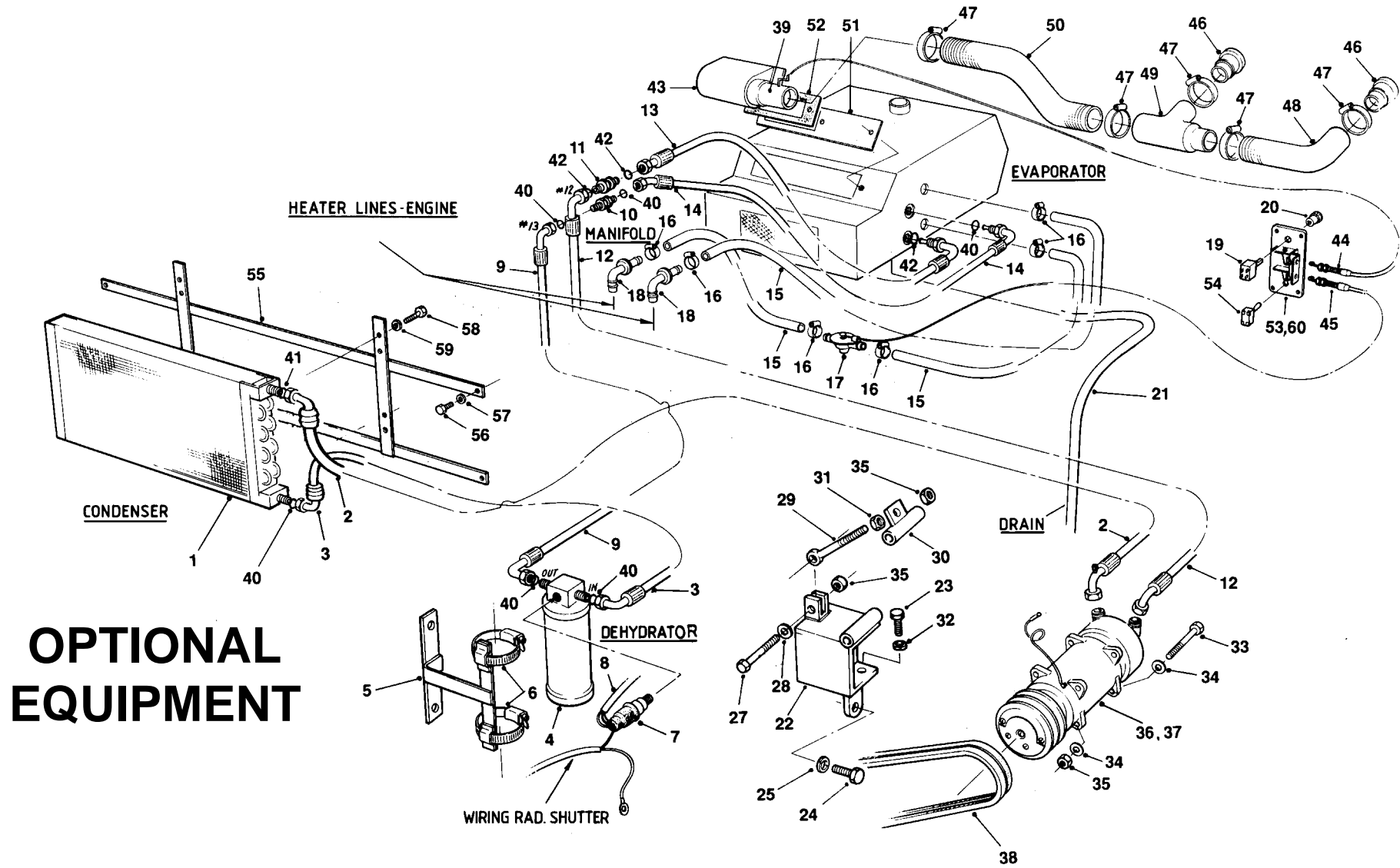
17-10A- 26

N.C.	REF.	QTY	PART NO.	PART NAME	N.C.	REF.	QTY	PART NO.	PART NAME
	001A	001	15258044	AIR COND KIT-COMMON		017	001	15271333	.GRUBSCREW
	001	001	15270345	.EVAPORATOR		018	001	15271339	.NUT
	002	001	15271336	.PLATE-MOUNTING		019	001	15271340	.COUPLING
	003	001	15271345	.COVER		020	001	15271342	.NUT
	004	001	15270348	.VALVE-EXPANSION		021	001	15271341	.COUPLING
	005	001	15271337	.PIPE ASSY		022	001	15270360	.CONDENSER
	006	001	15271343	.PIPE ASSY		023	001	15270361	.RECEIVER
	007	001	15270357	.THERMOSTAT 42'		024	002	15270374	.CLIP
	008	002	15271338	.O RING		025	001	15270363	.SWITCH-TRINERY
	009	001	15271344	.O RING		026	001	15270358	.COMPRESSOR 134A
	010	003	15271334	.O RING		027	001	15271338	.O RING
	011	001	15270370	.FOAM-NEOPRENE		028	001	15271334	.O RING
	012	001	15271332	.KNOB		029	001	15270355	.HOSE ASSY
	013	004	07150510	.WASHER		030	001	15270354	.HOSE ASSY
	014	004	07160630	.LOCKWASHER		031	002	15271346	.CLIP
	015	006	15270380	.SCREW		032	002	15271347	.TUBE-DRAIN
	016	001	15271335	.TRAY		033	001	15271348	.TEE-DRAIN

17-10A- 26



(THIS PAGE INTENTIONALLY LEFT BLANK)



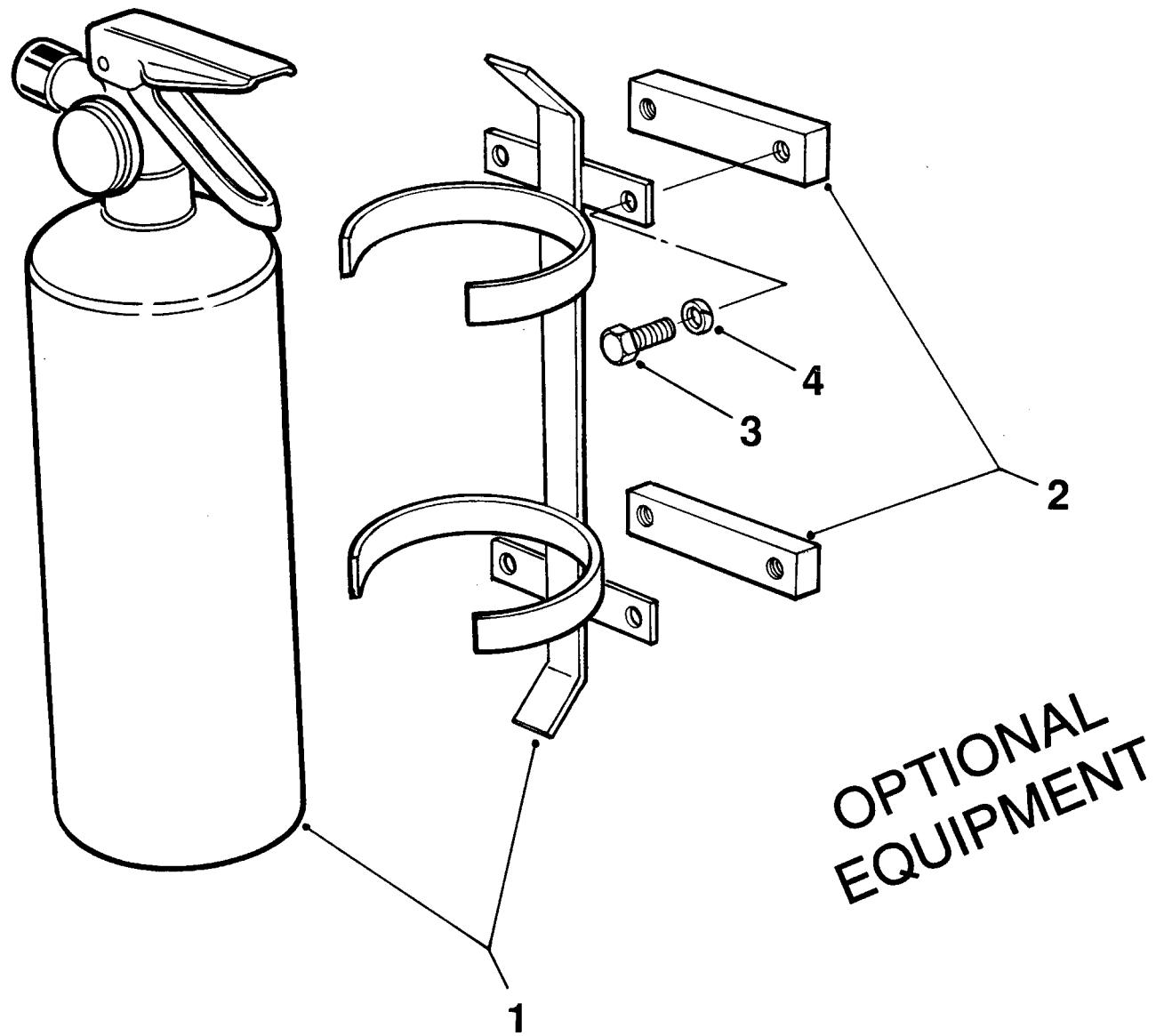
# OPTIONAL EQUIPMENT

## AIR CONDITIONER LINES

17-11A- 31

N.C.	REF.	QTY	PART NO.	PART NAME	N.C.	REF.	QTY	PART NO.	PART NAME
001A	001		15246378	AIR CONDITIONING KIT	031	001		06431001	.NUT
001	001		15267620	.CONDENSER	032	001		00103331	.LOCKWASHER
002	001		15268115	.HOSE ASSY	033	002		15244776	.BOLT
003	001		15268114	.HOSE ASSY	034	002		07151020	.WASHER
004	001		09398401	.RECEIVER DRIER	035	004		06471001	.LOCKNUT
005	001		09398402	.BRACKET	036	001		15267520	.COMPRESSOR & CLUTCH
006	002		09139813	.CLAMP	037	001		15267521	.CLUTCH
007	001		09398404	.SWITCH-BINARY	038	002		09399117	.BELT
008	001		09398405	.HARNES	039	001		09399118	.VALVE-FLAP
009	001		15268113	.HOSE ASSY	040	006		09399119	.O RING
010	001		09399104	.FITTING-FIREWALL	041	001		09399120	.O RING
011	001		09399105	.FITTING-FIREWALL	042	003		09399121	.O RING
012	001		15268112	.HOSE ASSY	043	001		09373032	DUCT-AIR
013	001		09399107	.HOSE ASSY	044	001		09396145	CABLE-CONTROL
014	001		09399108	.HOSE ASSY	045	001		09396148	CABLE-CONTROL
015	ASR		09399109	.HOSE	046	002		09016059	OUTLET-AIR
016	006		09139801	.CLAMP	047	005		02260846	CLAMP
017	001		09398395	.TAP-HEATER	048	ASR		09016055	DUCTING-BULK
018	002		09399111	.ELBOW	049	001		09016060	DUCT-AIR
019	001		09398397	.SWITCH-3 POSITION	050	ASR		09382203	DUCTING-BULK
020	001		09398398	.SWITCH-BLOWER	051	001		09008406	PLATE
021	001		09399112	.HOSE	052	001		09008410	GASKET
022	001		15268116	.BRACKET-COMP	053	001		09076572	CONTROL
023	002		15268119	.BOLT	054	001		09372993	SWITCH-TOGGLE
024	001		15268118	.BOLT	055	001		15230508	BRACKET-CONDENSER
025	001		00103329	.LOCKWASHER	056	004		00179816	BOLT
026	003		NOT USED	.NUT	057	004		00103320	LOCKWASHER
027	001		06441040	.BOLT	058	008		00179791	BOLT
028	002		00106263	.WASHER	059	008		00103319	LOCKWASHER
029	001		09399115	.BOLT-EYE	060	001		15235886	PANEL-HEAT/AIR COND
030	001		09399116	.BRACKET					

17-11A- 31



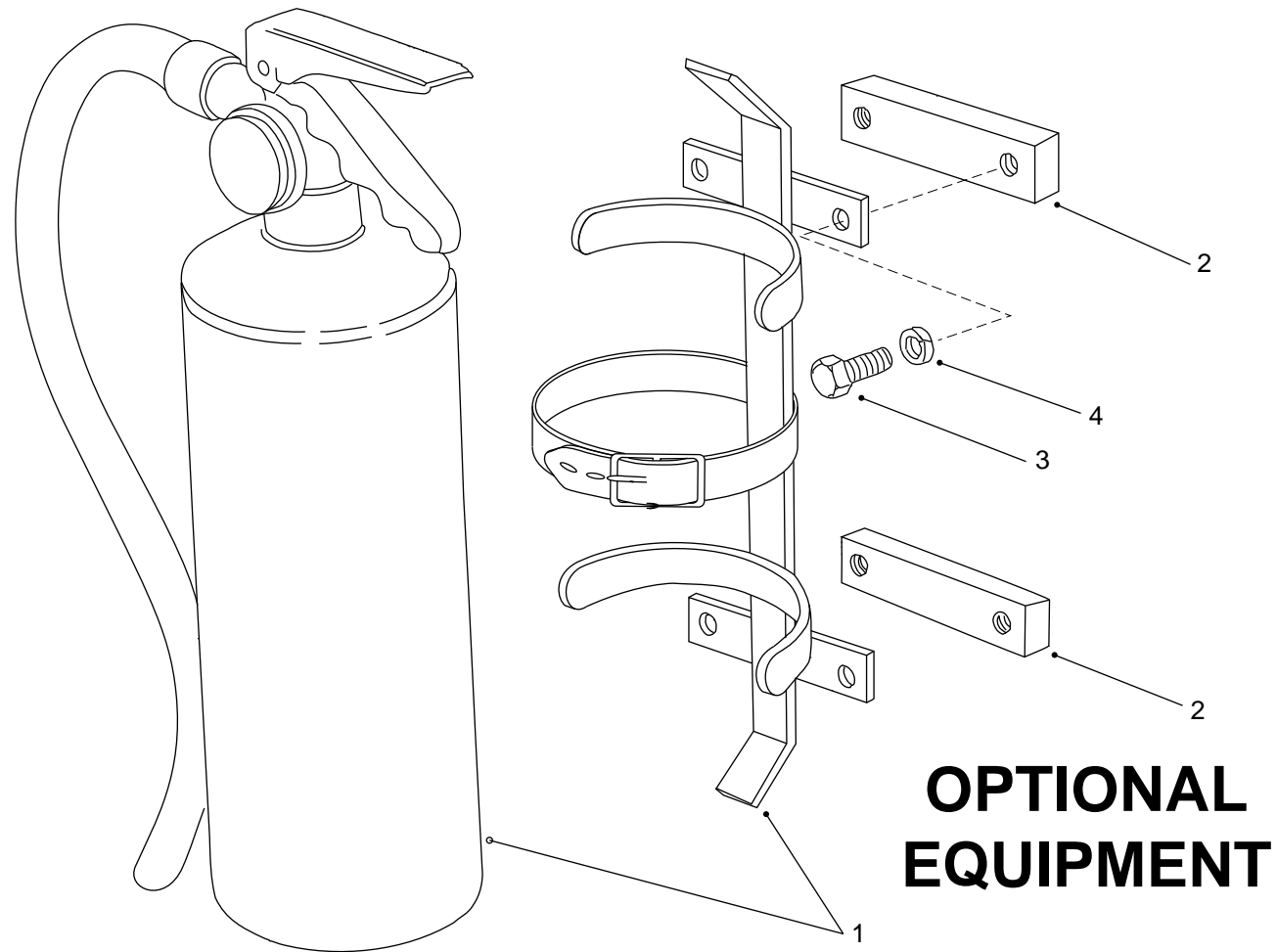
FIRE EXTINGUISHER

17-24A- 1

N.C.	REF.	QTY	PART NO.	PART NAME
001	002		15251111	FIRE EXTINGUISHER
002	004		09384979	PAD-TAPPED

N.C.	REF.	QTY	PART NO.	PART NAME
003	008		00179793	BOLT
004	008		00103319	LOCKWASHER

17-24A- 1



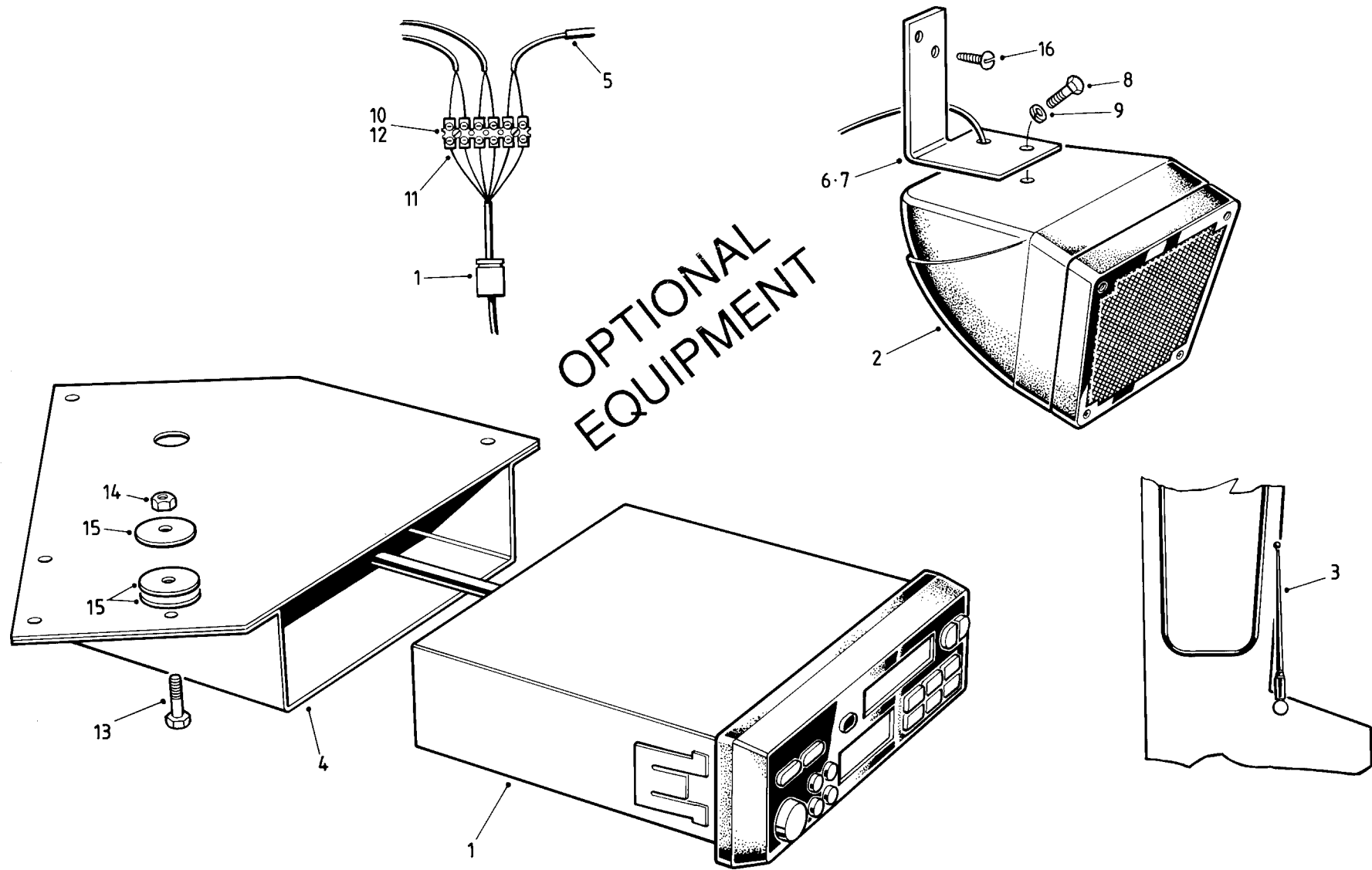
FIRE EXTINGUISHER

17-24A- 2

N.C.	REF.	QTY	PART NO.	PART NAME	N.C.	REF.	QTY	PART NO.	PART NAME
A	001	002	15253397	FIRE EXTINGUISHER	003	008		00179793	BOLT
	002	004	09384979	PAD-TAPPED	004	008		00103319	LOCKWASHER

A NOTE: 15253397 REPLACES FIRE EXTINGUISHER 15251111

17-24A- 2



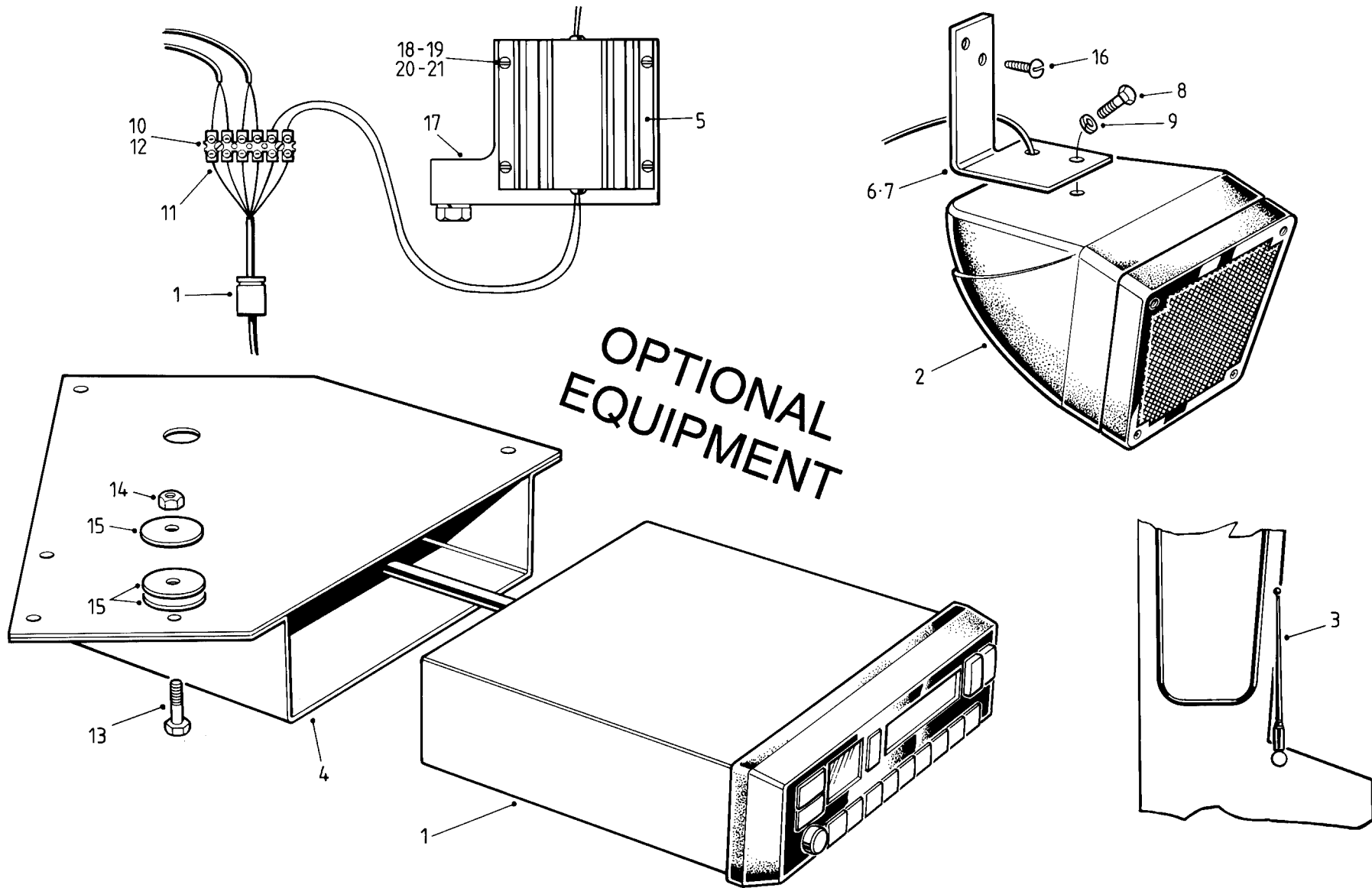


## RADIO/CASSETTE AND SPEAKERS

17-34 - 2

N.C.	REF.	QTY	PART NO.	PART NAME	N.C.	REF.	QTY	PART NO.	PART NAME
001	001		15250113	RADIO-CASSETTE	009	002		00106498	LOCKWASHER
002	001		15249013	SPEAKER KIT-TWIN	010	001		09357443	TERMINAL STRIP
003	001		15229893	AERIAL	011	012		09078630	PIN-TERMINAL
004	001		15250117	RADIO SOCKET, - DIN	012	002		00171655	SCREW
005	001		15250119	HARNESS-RADIO/CASSET	013	002		00179797	BOLT
006	001		15249896	BRACKET-SPEAKER	014	002		00274856	LOCKNUT
007	001		15249897	BRACKET-SPEAKER	015	012		09053397	WASHER
008	002		06350512	BOLT	016	004		00144727	SCREW

17-34 - 2



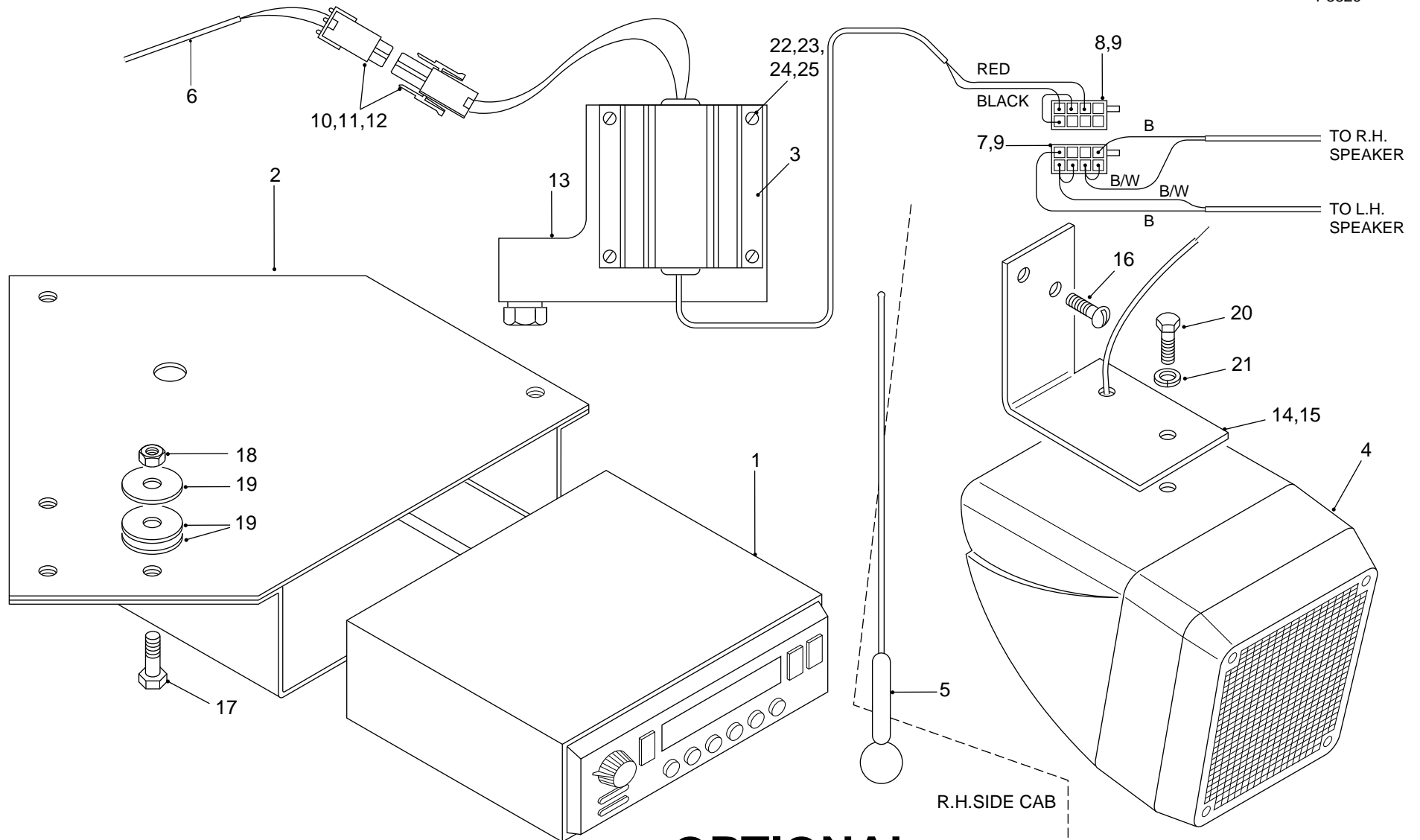
RADIO/CASSETTE AND SPEAKERS

17-34 - 4 R01

N.C.	REF.	QTY	PART NO.	PART NAME	N.C.	REF.	QTY	PART NO.	PART NAME
	001	001	15253599	RADIO/CASSETTE-12V	013	002	00179797	BOLT	
	002	001	15249013	SPEAKER KIT-TWIN	014	002	09354236	LOCKNUT	
	003	001	15229893	AERIAL	015	012	09053397	WASHER	
	004	001	15250117	RADIO SOCKET, - DIN	016	004	00144727	SCREW	
	005	001	15253600	VOLTAGE-CONVERTOR	017	001	15253610	BRACKET-CONVERTOR	
	006	001	15249896	BRACKET-SPEAKER	018	004	00100752	SCREW	
	007	001	15249897	BRACKET-SPEAKER	019	004	00103092	NUT	
	008	002	06350512	BOLT	020	004	00103338	WASHER	
	009	002	00106498	LOCKWASHER	021	004	00106496	LOCKWASHER	
	010	001	09357443	TERMINAL STRIP	A	NI	001	15254825	HARNES-BATT/RADIO
	011	012	09078630	PIN-TERMINAL	A	NI	001	15247614	. FUSE-5AMP
	012	002	00171655	SCREW					

A NOTE: TO ALLOW PRE-SET CODES TO BE RETAINED WHEN MASTER SWITCH IS SWITCHED OFF.

17-34 - 4 R01



# OPTIONAL EQUIPMENT

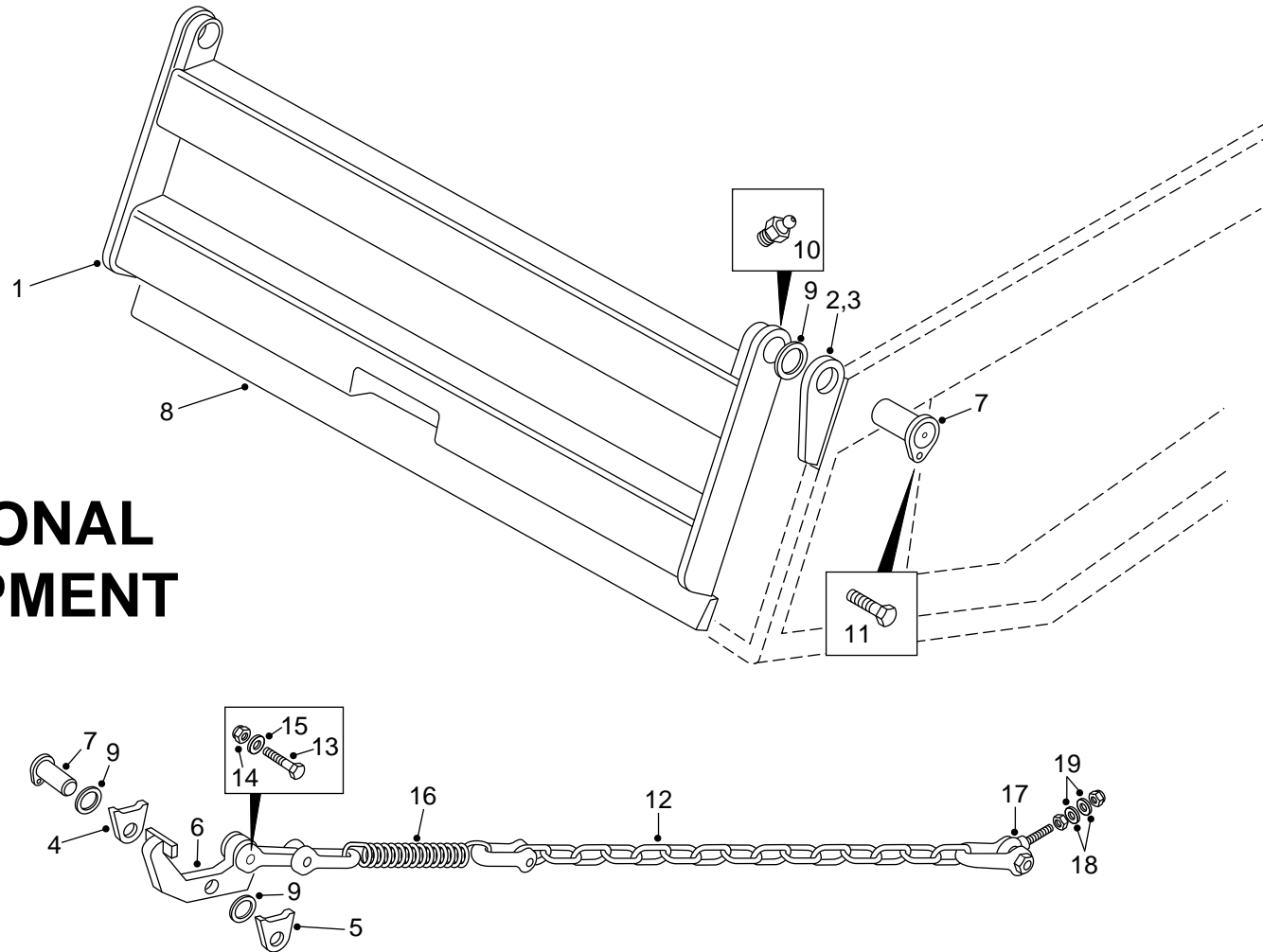
## RADIO/CASSETTE AND SPEAKERS

17-34 - 6

N.C.	REF.	QTY	PART NO.	PART NAME	N.C.	REF.	QTY	PART NO.	PART NAME
	001	001	15257196	RADIO/CASSETTE-12V	014	001		15255764	BRACKET-SPEAKER LH
	002	001	15257215	SOCKET BOX-RADIO	015	001		15255765	BRACKET-SPEAKER RH
	003	001	15253600	VOLTAGE-CONVERTOR	016	004		00144727	SCREW
	004	001	15249013	SPEAKER KIT-TWIN	017	002		00179797	BOLT
	005	001	15229893	AERIAL	018	002		00274856	LOCKNUT
	006	001	15254825	HARNESS-BATT/RADIO	019	012		09053397	WASHER
	007	001	15257248	CONNECTOR	020	002		06350512	BOLT
	008	001	15257249	CONNECTOR	021	002		00103319	LOCKWASHER
	009	009	15257252	TERMINAL	022	004		00100752	SCREW
	010	001	15250869	CONNECTOR-2 PIN	023	004		00103092	NUT
	011	002	15248413	PIN-14/0.30	024	004		00103338	WASHER
	012	002	15248396	SEAL-CABLE	025	004		00106496	LOCKWASHER
	013	001	15253610	BRACKET-CONVERTOR					

17-34 - 6

# OPTIONAL EQUIPMENT

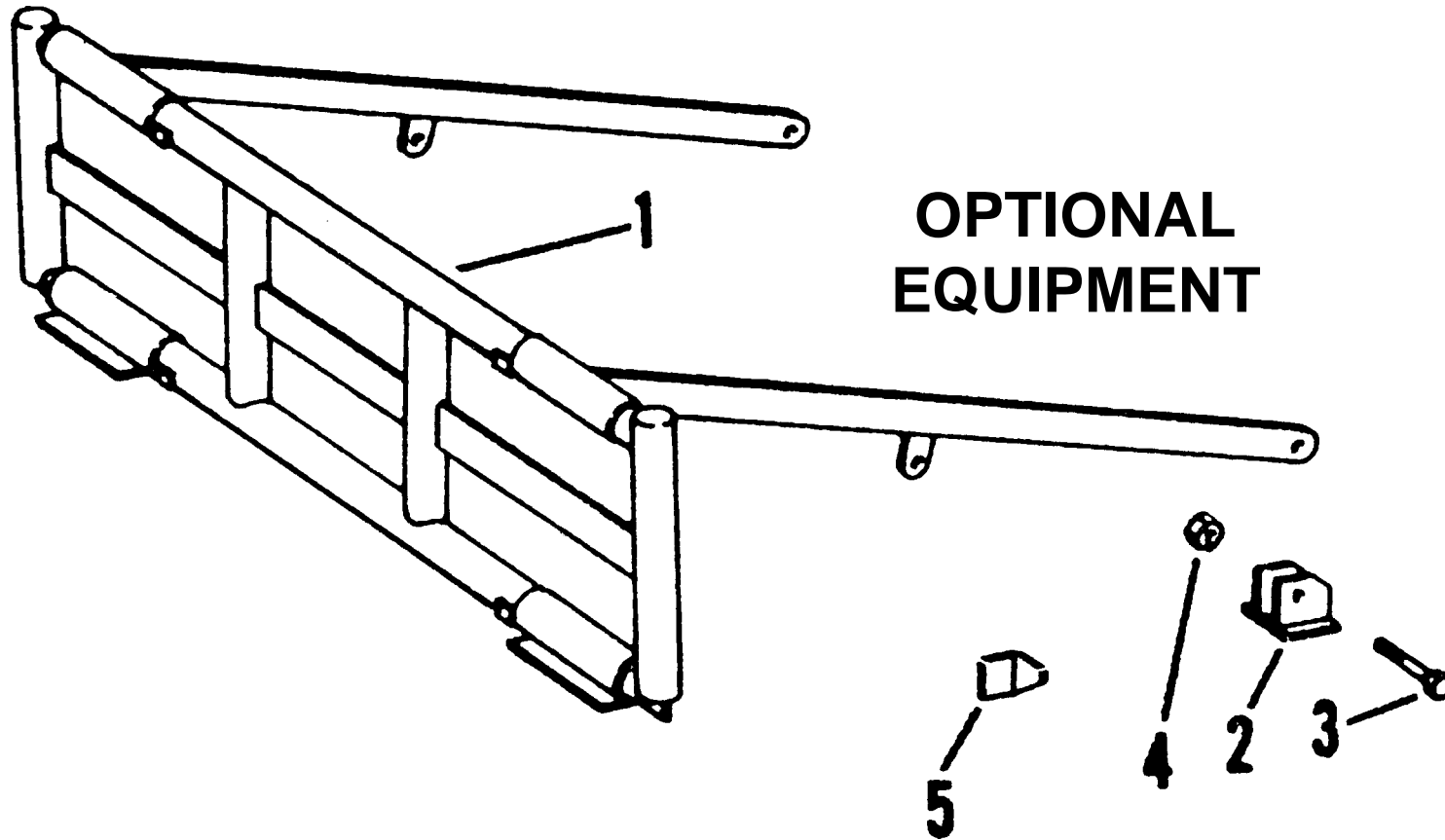


BODY TAILGATE

18-03A- 11

N.C.	REF.	QTY	PART NO.	PART NAME	N.C.	REF.	QTY	PART NO.	PART NAME
001	001		15253416	TAILGATE ASSEMBLY	011	006		00179843	BOLT
002	001		15249976	PLATE	012	001		15250002	CHAIN ASSY
003	001		15249977	PIN-TAILGATE HINGE	013	001		15244691	BOLT
004	001		15249982	PLATE-HINGE	014	001		09414095	LOCKNUT
005	001		15249983	PLATE-HINGE	015	002		00136295	WASHER
006	001		15253439	TAILGATE CLAMP	016	001		15250221	SPRING
007	003		15249978	PIN ASSY	017	001		15250201	EYE BOLT
008	001		15253443	PLATE	018	002		00220082	NUT
009	006		15249999	WASHER	019	002		09270005	WASHER-HARDENED
010	003		09411010	FITTING-GREASE					

18-03A- 11





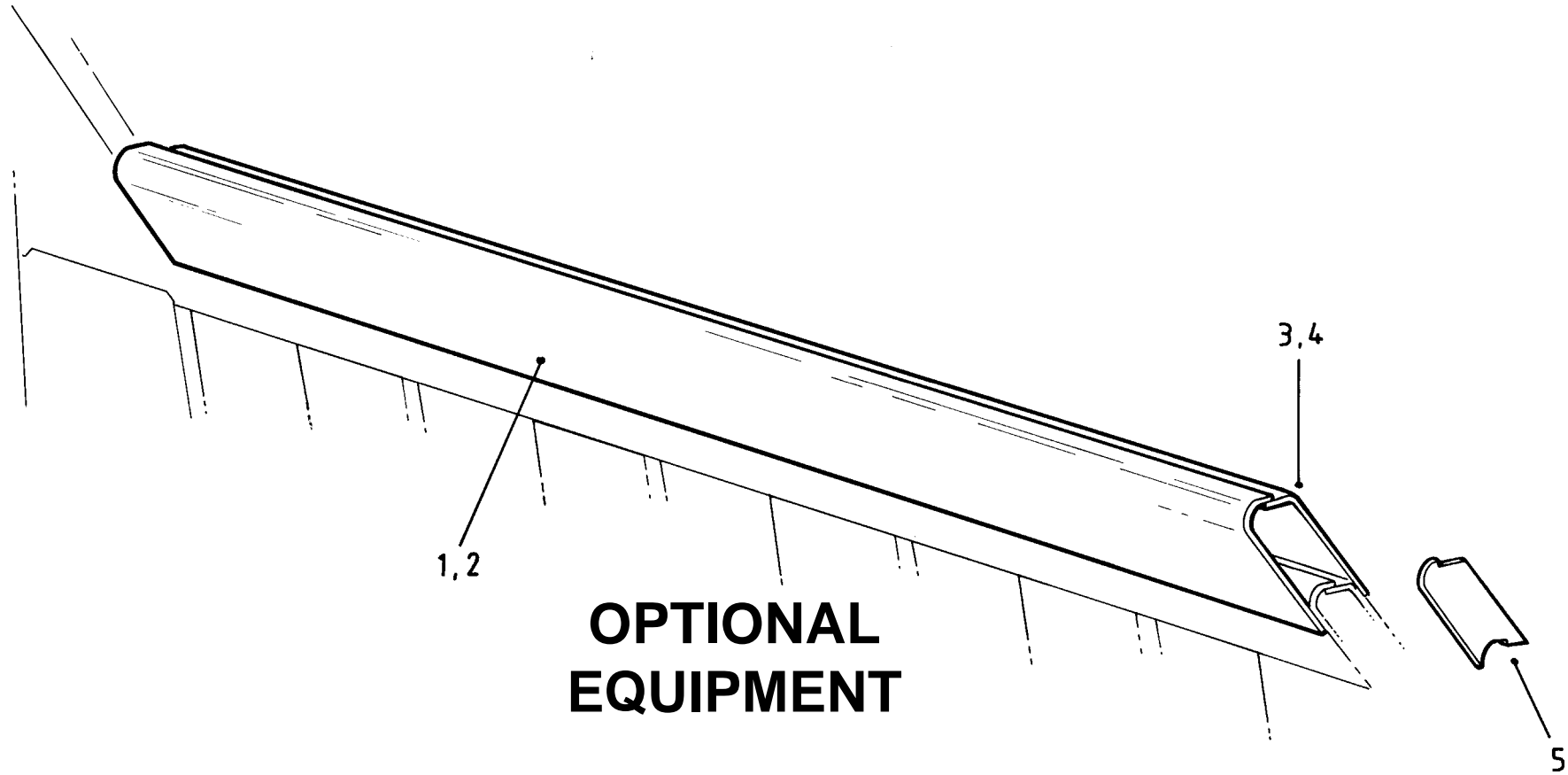
TOP EXTENSIONS AND/OR SPILLGUARD

18-06 -139 R01

N.C.	REF.	QTY	PART NO.	PART NAME
001	001		15226976	GUARD
002	002		15250072	BRACKET ASSY
003	002		00271705	BOLT

N.C.	REF.	QTY	PART NO.	PART NAME
004	002		00273852	LOCKNUT
005	002		09263597	ANGLE

18-06 -139 R01



**OPTIONAL  
EQUIPMENT**

## TOP EXTENSIONS AND/OR SPILLGUARD

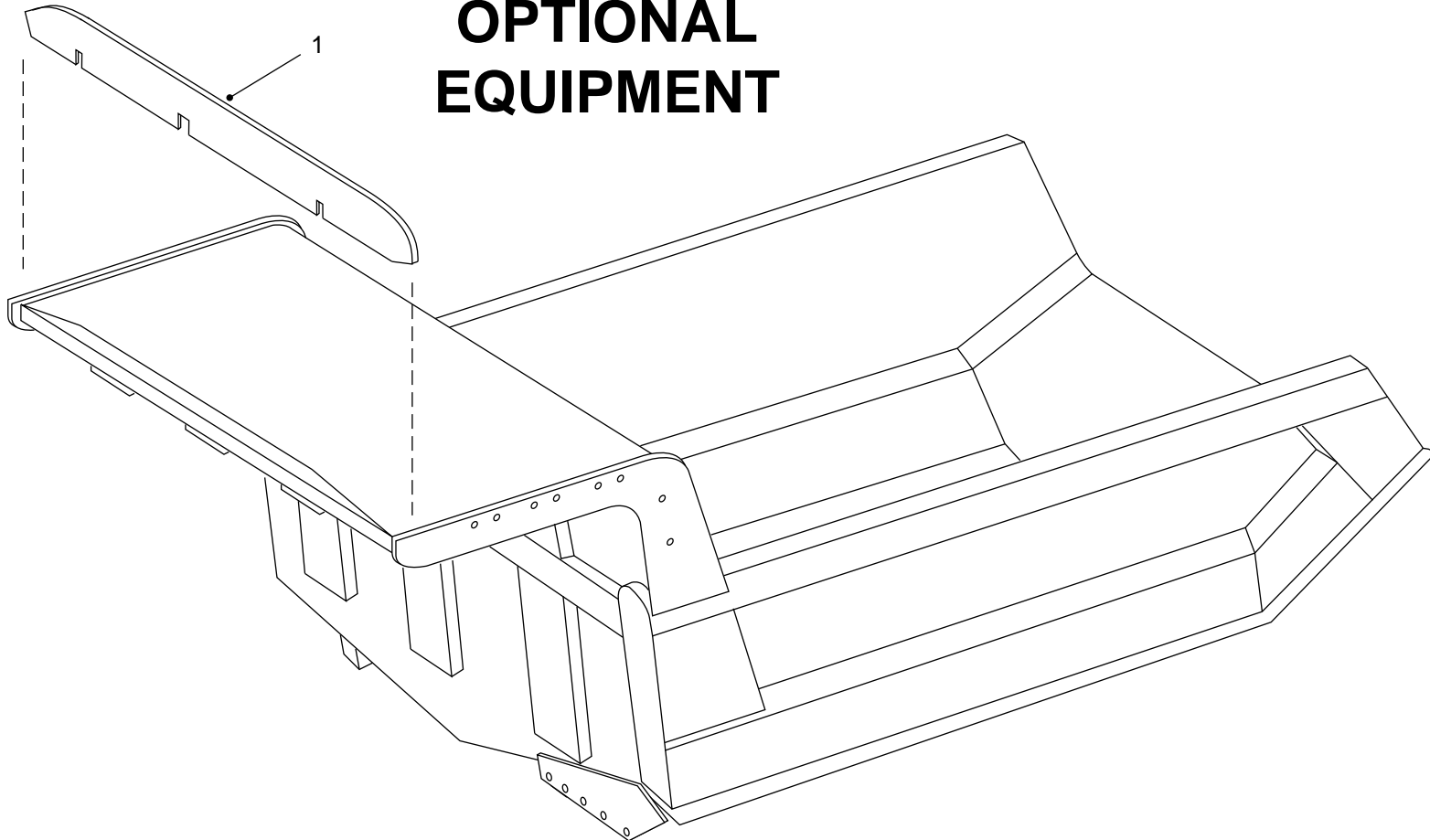
18-06 -153

N.C.	REF.	QTY	PART NO.	PART NAME	N.C.	REF.	QTY	PART NO.	PART NAME
	001	001	15249593	PLATE-LH SIDE OUTER		004	001	15249596	PLATE-RH SIDE INNER
	002	001	15249594	PLATE-RH SIDE OUTER		005	002	15249601	PLATE-COVER
	003	001	15249595	PLATE-LH SIDE INNER	A	NI	001	15249580	EXTENSION-200MM TAIL

A NOTE: REQUIRES TEREX ENGINEERING APPROVAL BEFORE FITTING

18-06 -153

# OPTIONAL EQUIPMENT



TOP EXTENSIONS AND/OR SPILLGUARD

18-06 -179

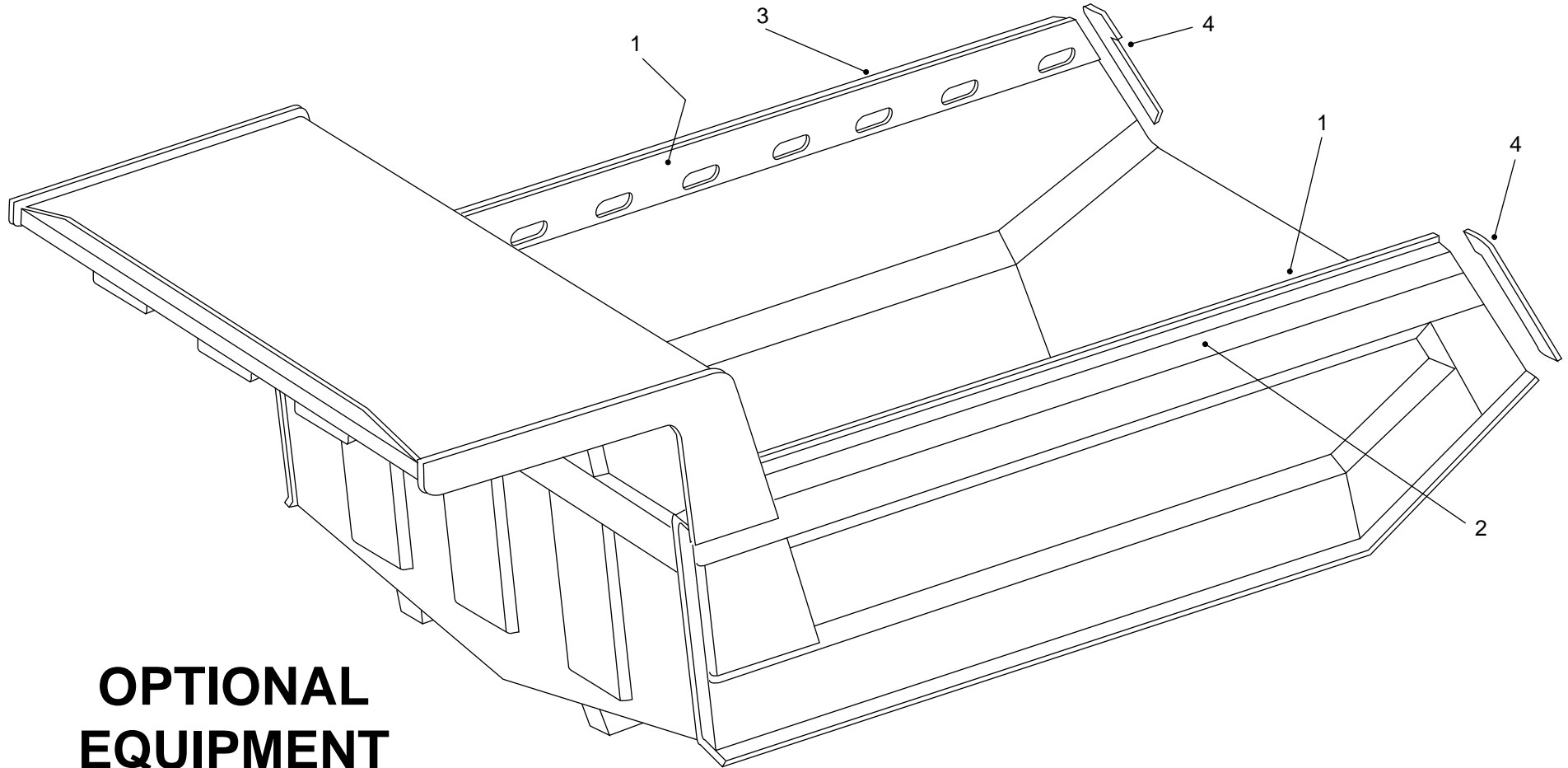
N.C. REF. QTY PART NO. PART NAME

N.C. REF. QTY PART NO. PART NAME

001 001 15252559 PLATE-SPILLGUARD EXT

TOP EXTENSIONS AND/OR SPILLGUARD  
PAGE 002 (LAST)

18-06 -179



# OPTIONAL EQUIPMENT

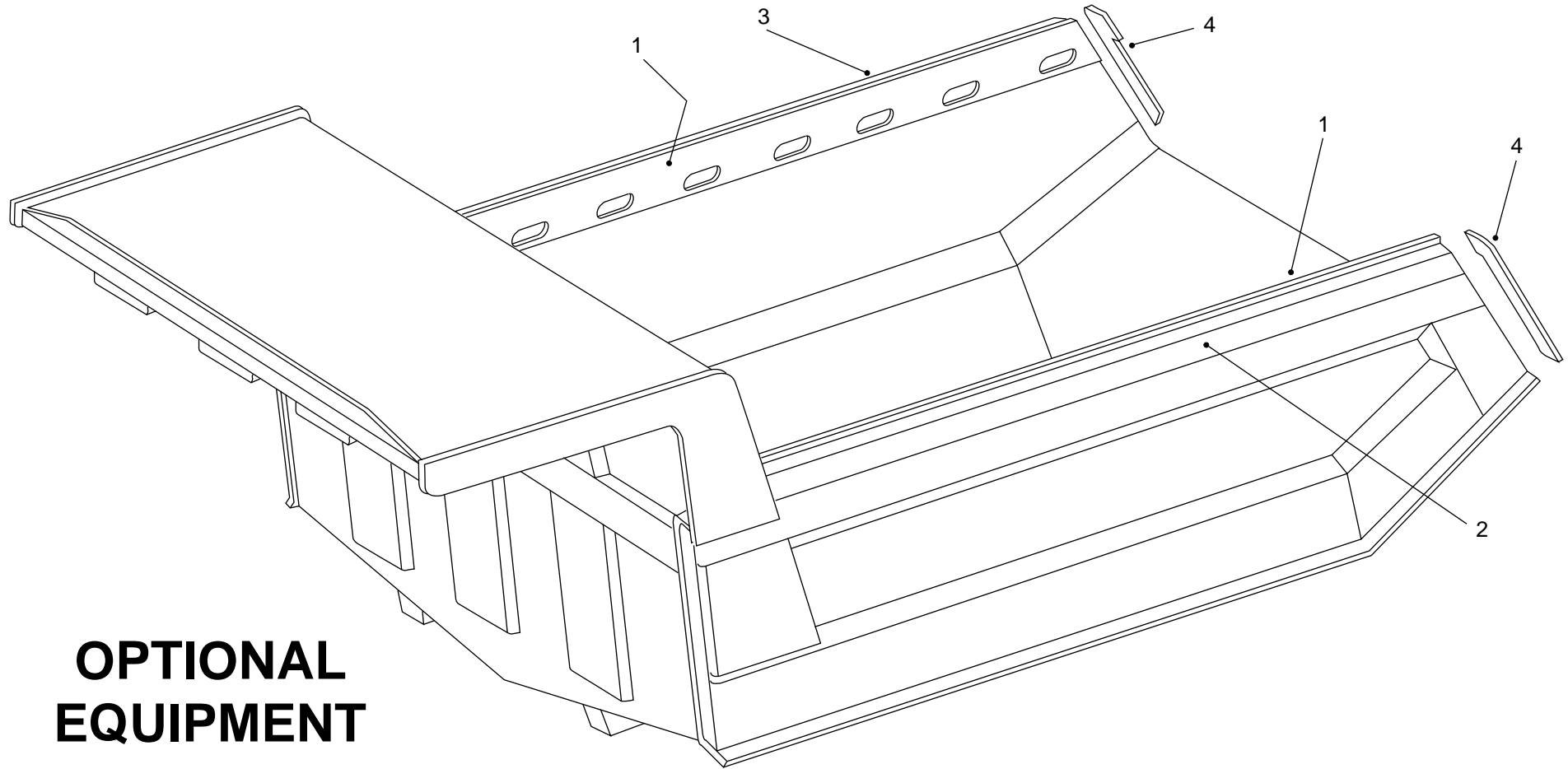
## TOP EXTENSIONS AND/OR SPILLGUARD

18-06 -180

N.C.	REF.	QTY	PART NO.	PART NAME	N.C.	REF.	QTY	PART NO.	PART NAME
A	001	002	15254230	PLATE-EXTENSION	A	003	001	15254232	PLATE-BENT RH
A	002	001	15254231	PLATE-BENT LH	A	004	002	15254233	PLATE-REAR COVER

A NOTE: PARTS FOR 150MM SIDE EXTENSIONS -NEW STYLE SLAB SIDED BODY

18-06 -180



**OPTIONAL  
EQUIPMENT**



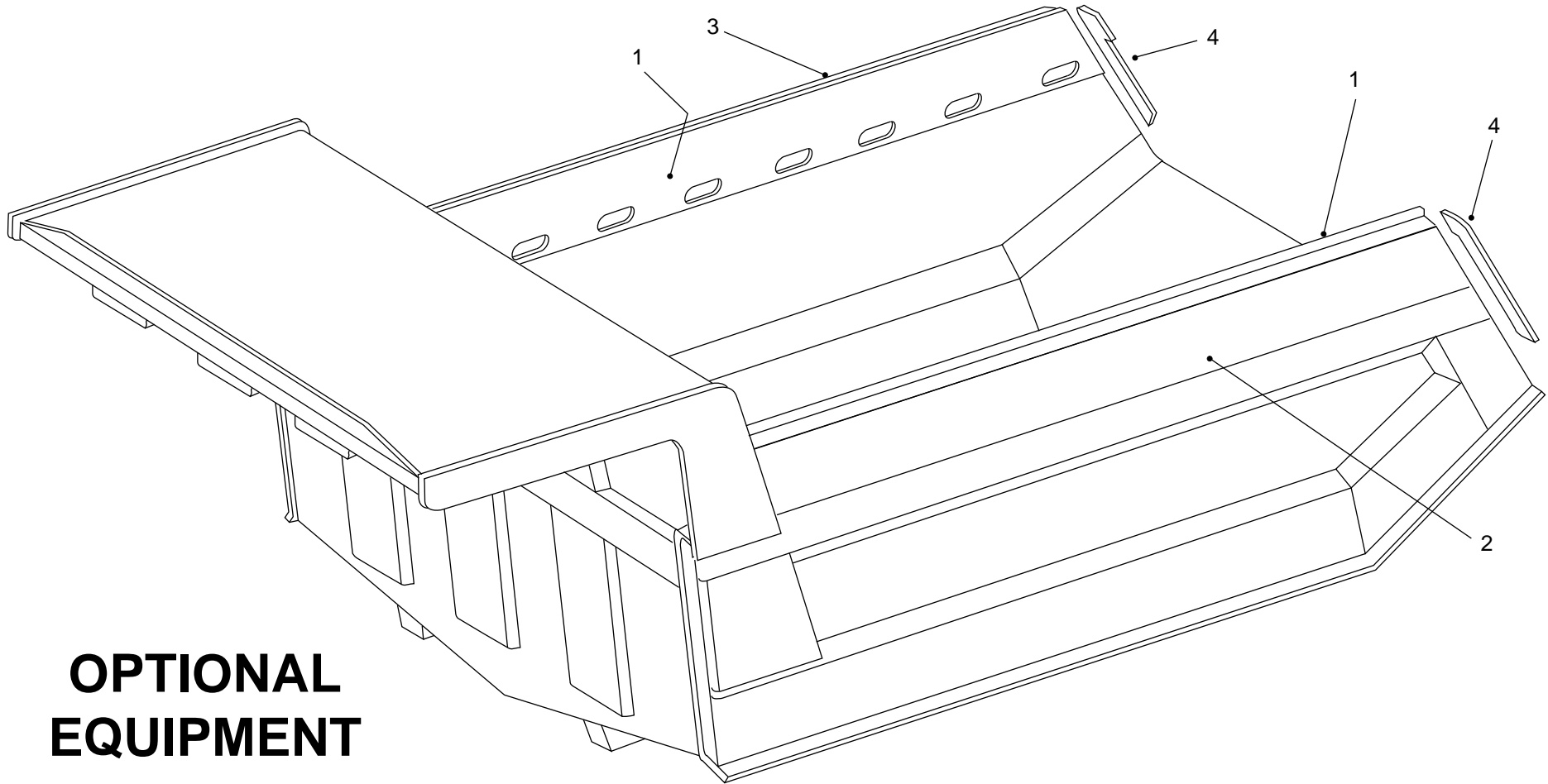
## TOP EXTENSIONS AND/OR SPILLGUARD

18-06 -181

N.C.	REF.	QTY	PART NO.	PART NAME	N.C.	REF.	QTY	PART NO.	PART NAME
A	001	002	15254419	PLATE-EXTENSION	A	003	001	15254421	PLATE-BENT RHS
A	002	001	15254420	PLATE-BENT LHS	A	004	002	15254422	COVER PLATE-REAR

A NOTE: PARTS FOR 200MM SIDE EXTENSIONS -NEW STYLE SLAB SIDED BODY

18-06 -181



# OPTIONAL EQUIPMENT

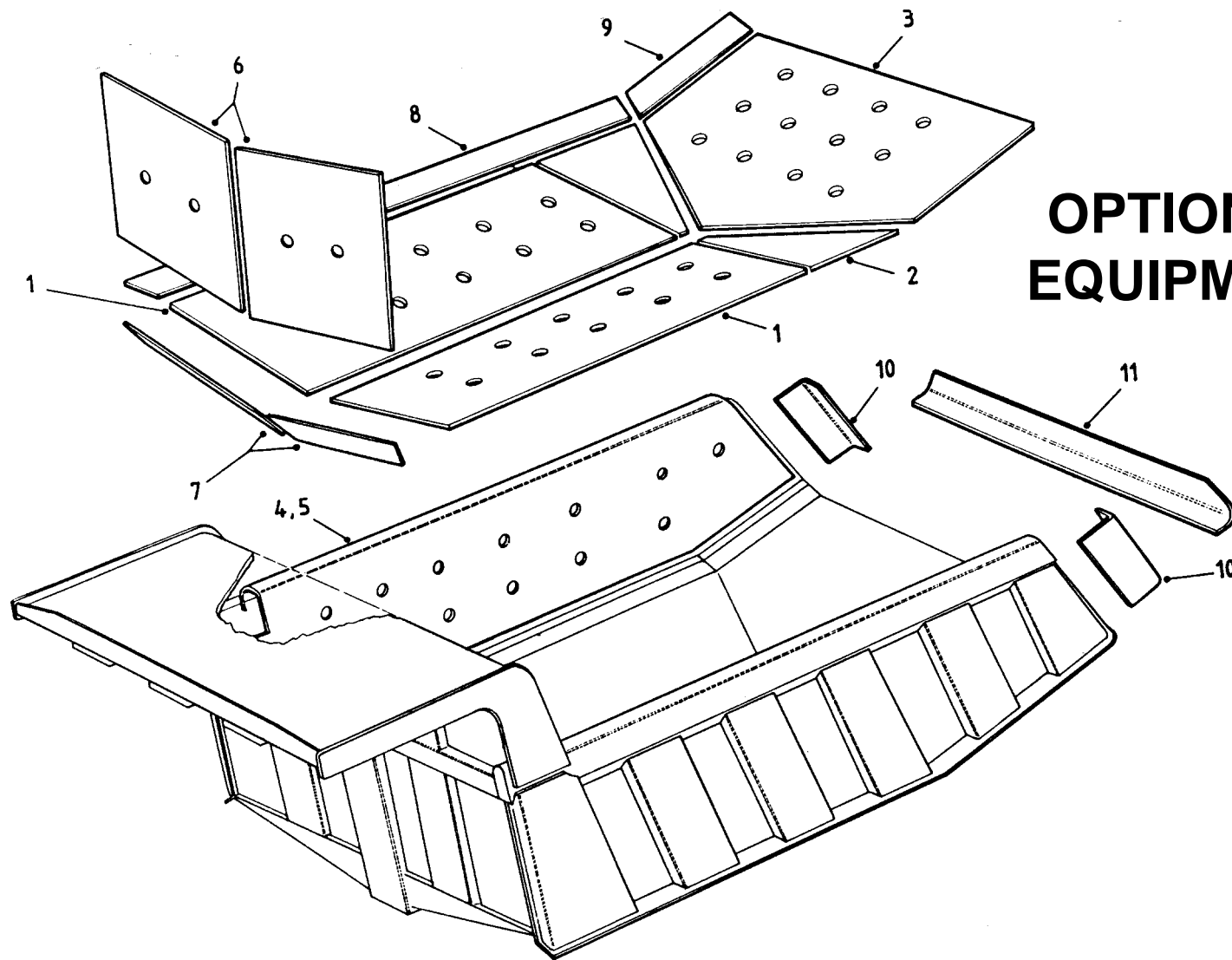
## TOP EXTENSIONS AND/OR SPILLGUARD

18-06 -182

N.C.	REF.	QTY	PART NO.	PART NAME	N.C.	REF.	QTY	PART NO.	PART NAME
A	001	002	15256075	PLATE-EXTENSION	A	003	001	15256077	PLATE-BENT RH
A	002	001	15256076	PLATE-BENT LH	A	004	002	15256078	PLATE-COVER REAR

A NOTE: PARTS FOR 13' SIDE EXTENSIONS-NEW STYLE SLAB SIDED BODY

18-06 -182



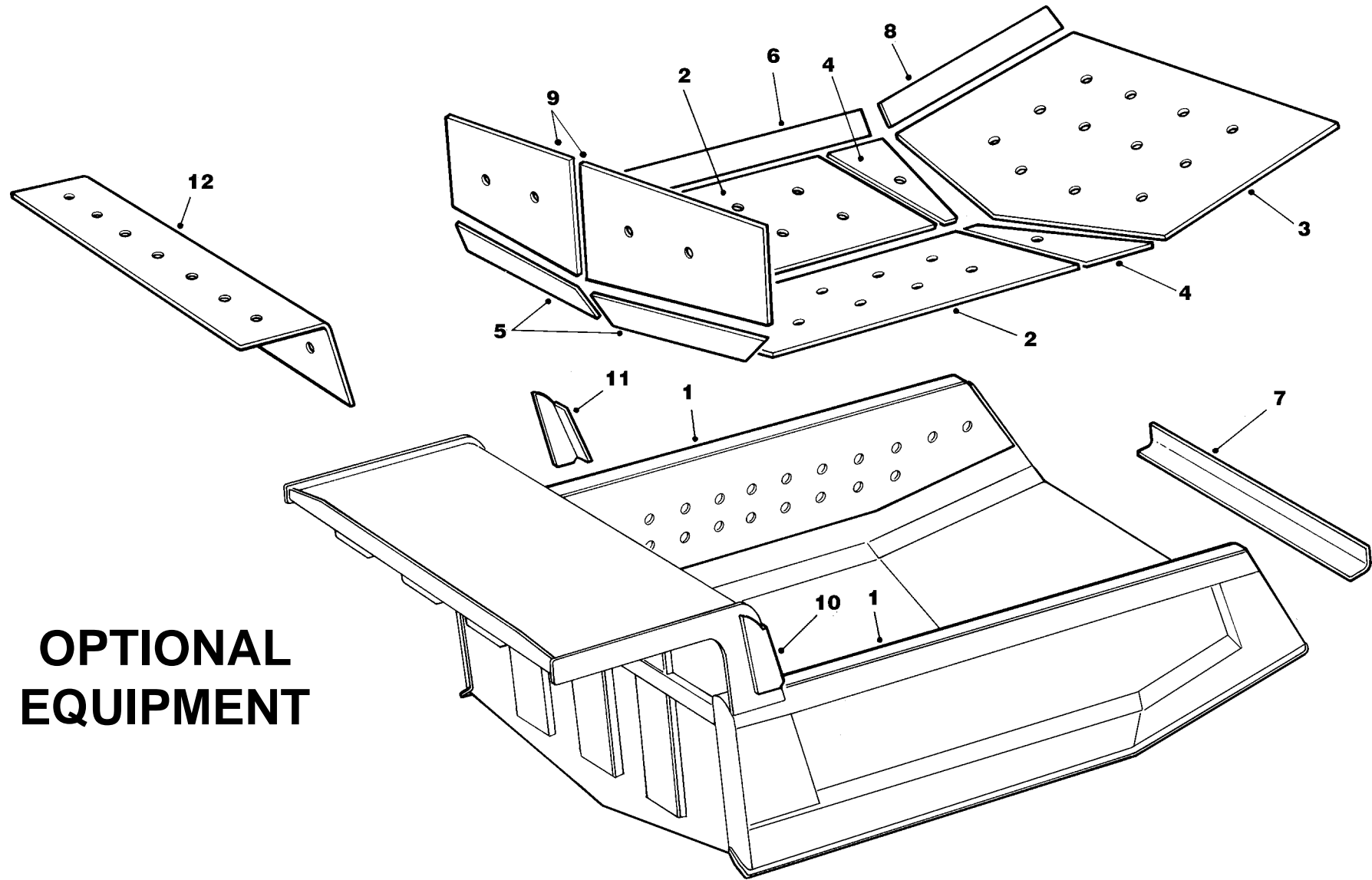
# OPTIONAL EQUIPMENT

## WEAR PROTECTION PLATES AND ROCK OPTIONS

18-06A- 2

N.C.	REF.	QTY	PART NO.	PART NAME	N.C.	REF.	QTY	PART NO.	PART NAME
001	002		15230406	PLATE	008	002		15230411	PLATE
002	002		15230407	PLATE	009	002		15230412	PLATE
003	001		15230408	PLATE	010	002		15230413	PLATE
004	001		09384558	PLATE-SIDE LH	011	001		09384559	PLATE
005	001		09384589	PLATE-SIDE RH	012	001		15230323	PLATE
006	002		15230409	PLATE	013	001		15230324	PLATE BENT (LH)
007	002		15230410	PLATE	014	001		15230325	PLATE BENT (RH)

18-06A- 2



# OPTIONAL EQUIPMENT

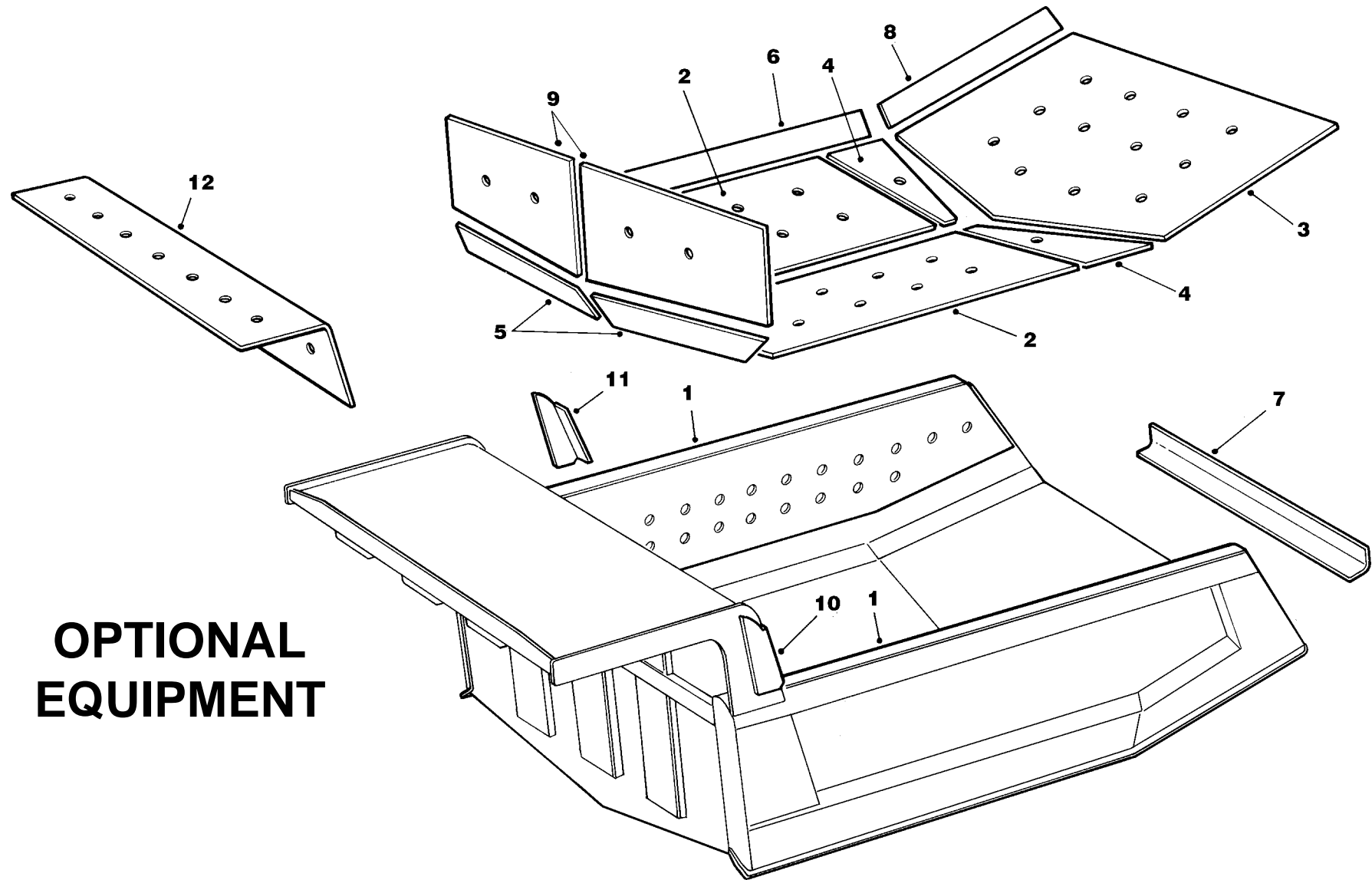
## WEAR PROTECTION PLATES AND ROCK OPTIONS

18-06A- 21

N.C.	REF.	QTY	PART NO.	PART NAME	N.C.	REF.	QTY	PART NO.	PART NAME
A	001	002	15256202	PLATE-WEAR SIDE	A	007	001	09384559	PLATE-WEAR
A	002	002	15230406	PLATE-WEAR	A	008	002	15256245	PLATE-WEAR
A	003	001	15230408	PLATE-WEAR	A	009	002	15256204	PLATE-WEAR
A	004	002	15230407	PLATE-WEAR	A	010	001	15230324	PLATE-BENT LH
A	005	002	15256238	PLATE-WEAR	A	011	001	15230325	PLATE-BENT RH
A	006	002	15256240	PLATE-WEAR	A	012	001	15230323	PLATE-WEAR

A NOTE: BODY FULL ROCK OPTION

18-06A- 21



# OPTIONAL EQUIPMENT



## WEAR PROTECTION PLATES AND ROCK OPTIONS

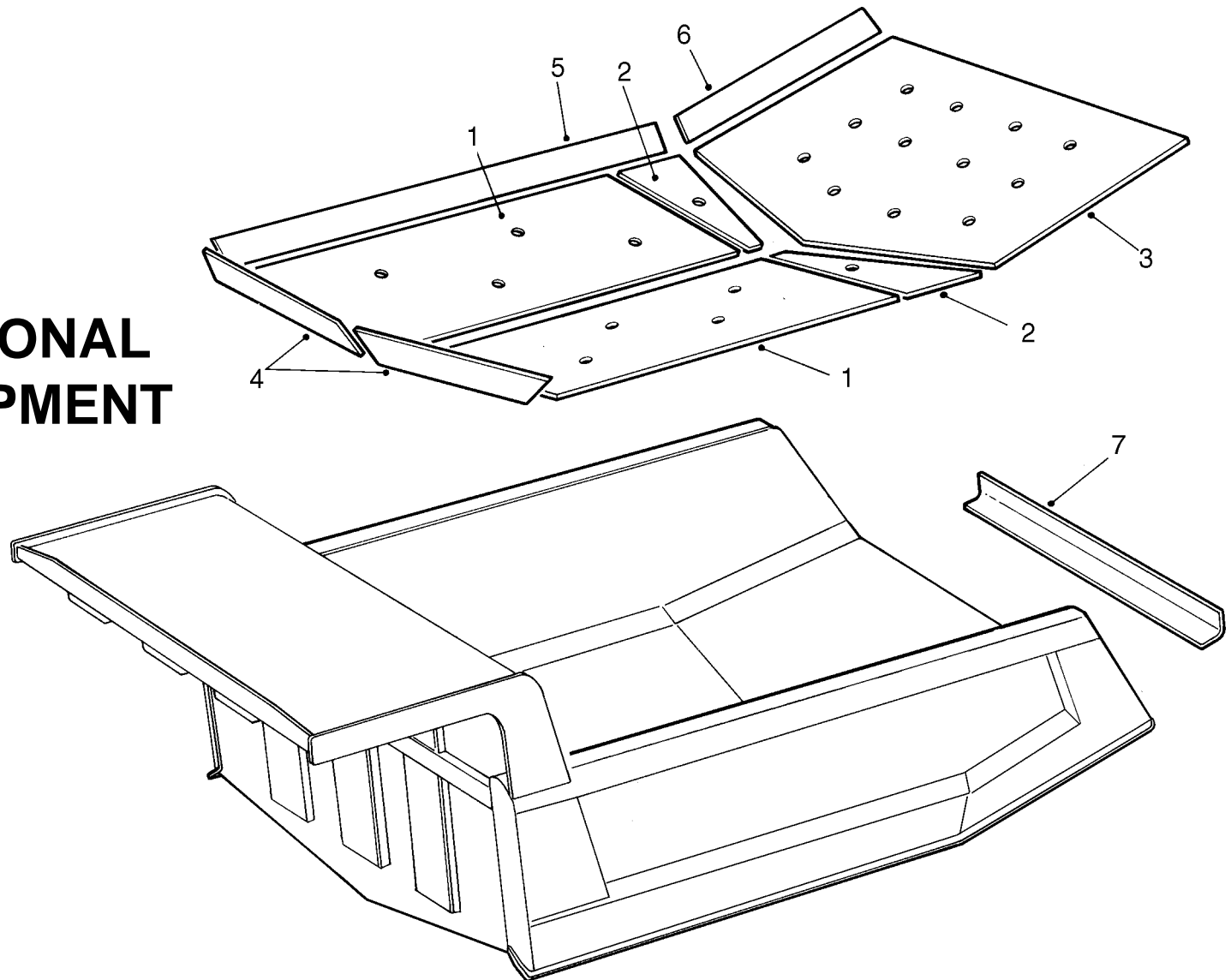
18-06A- 22

N.C.	REF.	QTY	PART NO.	PART NAME	N.C.	REF.	QTY	PART NO.	PART NAME
A	001	002	15256299	PLATE-WEAR SIDE	A	007	001	09384559	PLATE-WEAR
A	002	002	15245639	PLATE-WEAR	A	008	002	15256245	PLATE-WEAR
A	003	001	15245642	PLATE-WEAR	A	009	002	15256301	PLATE-WEAR (FRONT)
A	004	002	15255640	PLATE-WEAR	A	010	001	15230324	PLATE-BENT LH
A	005	002	15256238	PLATE-WEAR	A	011	001	15230325	PLATE-BENT RH
A	006	002	15256240	PLATE-WEAR	A	012	001	15245638	PLATE-BENT

A NOTE: BODY FULL ROCK OPTION

18-06A- 22

# OPTIONAL EQUIPMENT



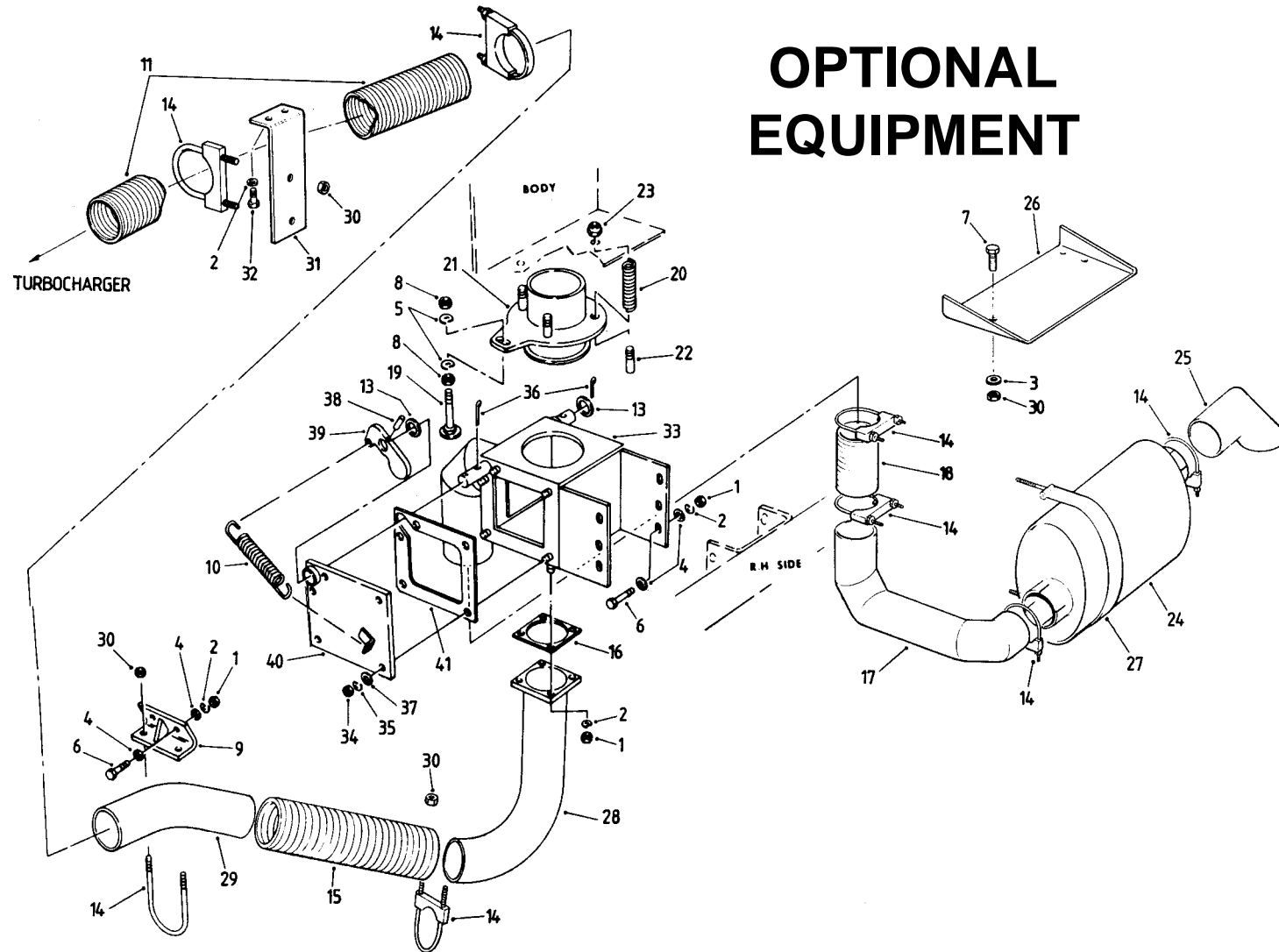
## WEAR PROTECTION PLATES AND ROCK OPTIONS

18-06A- 23

N.C.	REF.	QTY	PART NO.	PART NAME	N.C.	REF.	QTY	PART NO.	PART NAME
A	001	002	15230406	PLATE-WEAR	A	005	002	15256240	PLATE-WEAR
A	002	002	15230407	PLATE-WEAR	A	006	002	15256245	PLATE-WEAR
A	003	001	15230408	PLATE-WEAR	A	007	001	09384559	PLATE-WEAR
A	004	002	15256238	PLATE-WEAR					

A NOTE: WEAR PLATES-FLOOR NEW SLAB SIDED BODY

18-06A- 23



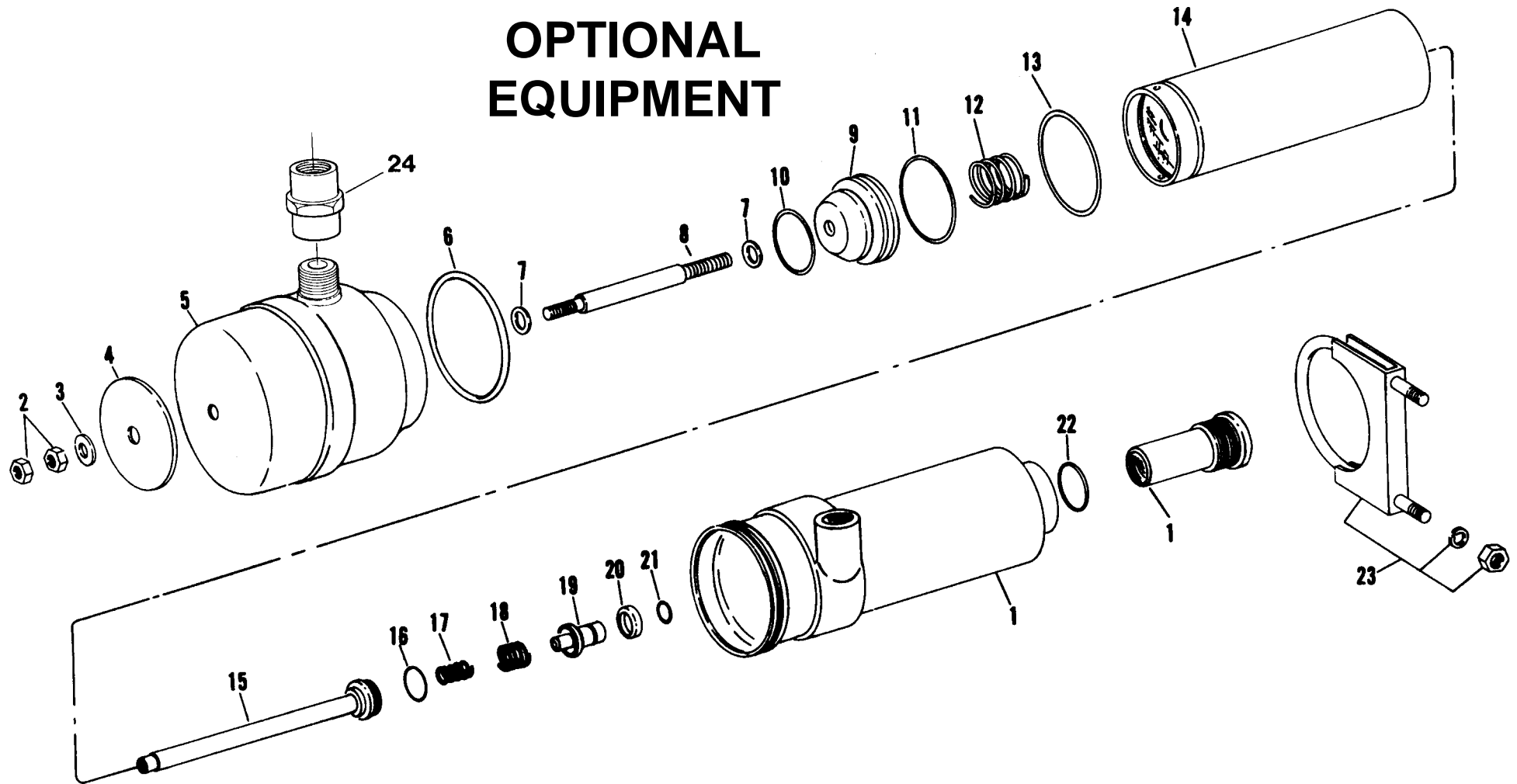
## EXHAUST-HEATED BODY

18-08 -109 R01

N.C.	REF.	QTY	PART NO.	PART NAME	N.C.	REF.	QTY	PART NO.	PART NAME
	001	014	00102637	NUT		022	003	09262165	STUD
	002	014	00103329	LOCKWASHER		023	003	09416502	LOCKNUT
	003	008	00106263	WASHER		024	001	09013928	MUFFLER
	004	016	00106265	WASHER		025	001	09384342	TUBE-TAIL PIPE
	005	002	00106268	WASHER		026	001	09064250	HEAT SHIELD
	006	008	00179887	BOLT		027	002	09007140	STRAP ASSY
	007	004	00179839	BOLT		028	001	09384844	TUBE
	008	002	00218443	LOCKNUT		029	001	09384845	TUBE
	009	001	09384430	HANGER		030	010	00102635	NUT
	010	001	09015909	SPRING		031	001	15228334	BRACKET
	011	001	15228335	TUBE-FLEX		032	002	00179881	BOLT
	013	002	09153504	SPACER		033	001	09079873	BOX-DIVERter
	014	008	09017439	CLAMP		034	005	00102637	.NUT
	015	001	09062886	TUBE-FLEX		035	005	00103329	.LOCKWASHER
	016	001	09209760	GASKET		036	002	00103397	.PIN-COTter
	017	001	09079875	TUBE		037	005	00106265	.WASHER
	018	001	09066686	TUBE-FLEX		038	001	NSS	.PIN-ROLL
	019	001	09384625	STUD		039	001	09015910	.LEVER
	020	003	09262164	SPRING		040	001	09015918	.PLATE
	021	001	09262168	COUPLING		041	001	09015980	.GASKET

18-08 -109 R01

# OPTIONAL EQUIPMENT



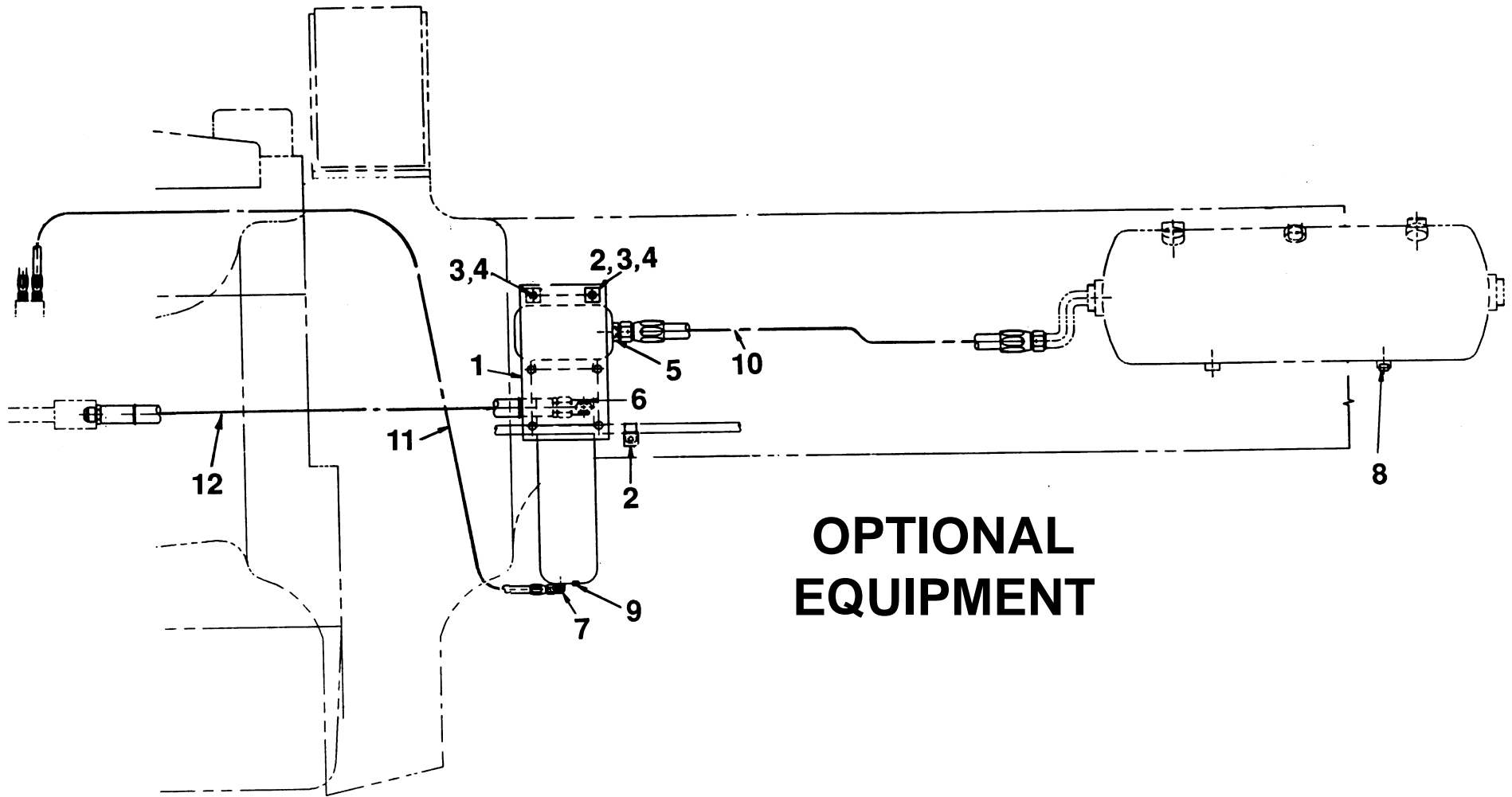
N.C.	REF.	QTY	PART NO.	PART NAME	N.C.	REF.	QTY	PART NO.	PART NAME
	001A	001	15022042	DRIER ASSY-AIR	B	013	001	NSS KIT	..O RING
	001	001	15018669	.DRIER-AIR	B	014	001	NSS KIT	..CARTRIDGE
	002	002	00114497	..NUT HEX 0.56-18 UNF		015	001	09059176	..SHAFT
D	003	001	09059172	..WASHER	A	016	001	NSS KIT	..O RING
D	004	001	09059173	..WASHER	A	017	001	NSS KIT	..SPRING
D	005	001	09059168	..CAP	A	018	001	NSS KIT	..SPRING
ABC	006	001	NSS KIT	..O RING	A	019	001	NSS KIT	..VALVE
ABC	007	002	NSS KIT	..SEAL-WASHER	A	020	001	NSS KIT	..CUP U
	008	001	09059167	..SHAFT	A	021	001	09137479	..O RING
	009	001	09059170	..PLATE		022	001	N.L.A.	..O RING
BC	010	001	09181563	..O RING		023	001	15245049	..CLAMP ASSY
BC	011	001	09141877	..O RING		024	001	15020221	.COUPLING
	012	001	09059171	..SPRING					

A NOTE: PARTS IN 09059178 VALVE REPAIR KIT.

B NOTE: PARTS IN 15018805 CARTRIDGE REPLACEMENT KIT.

C NOTE: PARTS IN 09059416 DESSICANT REPLACEMENT KIT PLUS 09051570 SCREEN.

D NOTE: PARTS IN 15050614 CAP KIT.



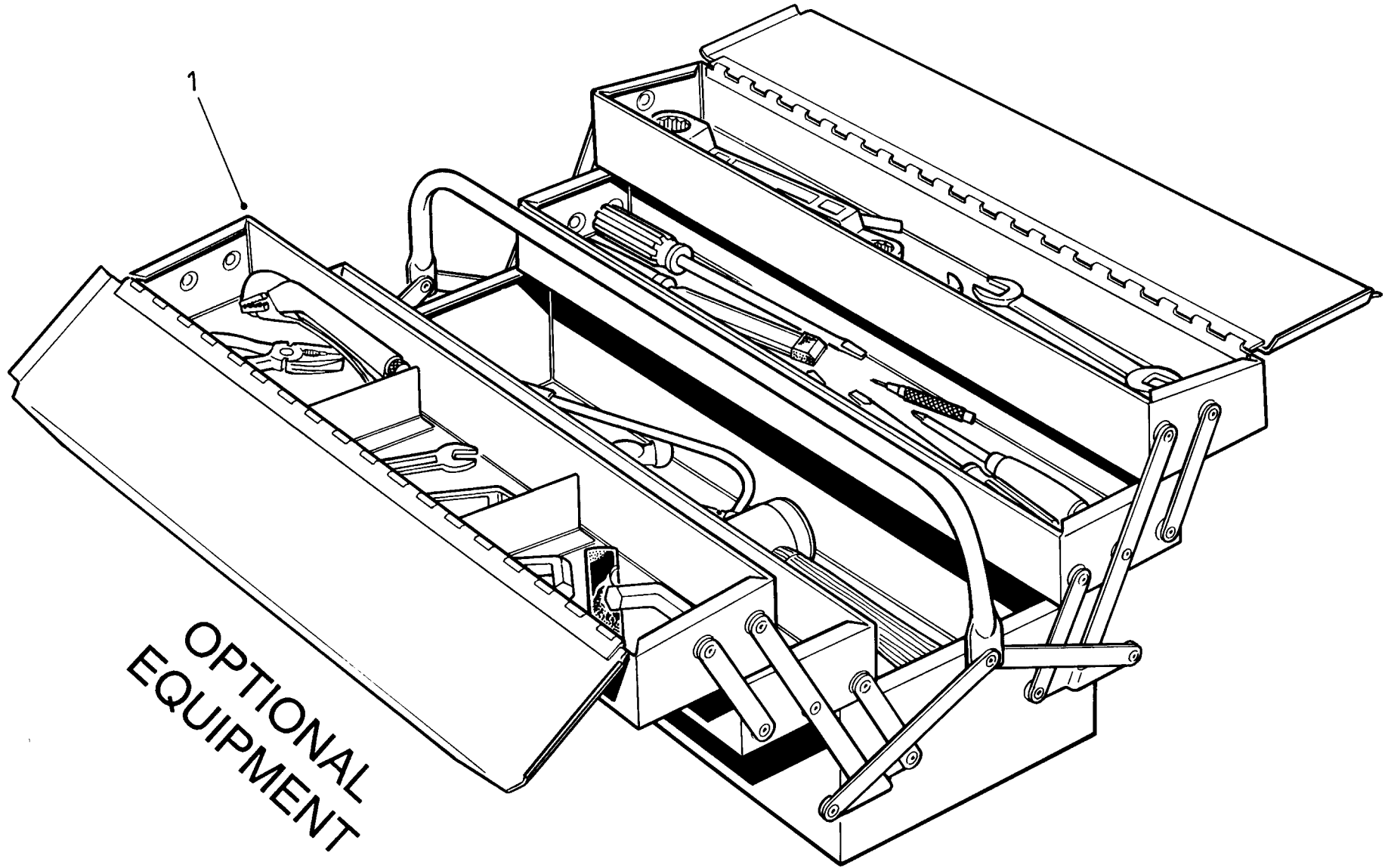


## AIR DRIER LINES

27-20 - 1

N.C.	REF.	QTY	PART NO.	PART NAME	N.C.	REF.	QTY	PART NO.	PART NAME
001	001		15228176	PLATE	007	001		00118753	ELBOW
002	002		09014798	NUT SQUARE WELD	008	001		00444698	PLUG
003	002		00179839	BOLT	009	001		00444688	PLUG
004	002		00108580	LOCKWASHER	010	001		09188761	HOSE ASSY
005	001		09402711	CONNECTOR	011	001		09356962	HOSE ASSY
006	001		09402867	ELBOW	012	001		09003521	HOSE ASSY

27-20 - 1



MISCELLANEOUS

59-01 - 7

N.C.	REF.	QTY	PART NO.	PART NAME
001	001		15250127	KIT-HAND TOOLS

N.C.	REF.	QTY	PART NO.	PART NAME
------	------	-----	----------	-----------

(THIS PAGE INTENTIONALLY LEFT BLANK)