

Parts Manual



See "General Information"
for New Parts Manual
Features.

988H Wheel Loader

A7A1-Up (Machine)
RHX1-Up (Engine)
TXH1-Up (Engine)
DRT1-Up (Transmission)
6AT1-Up (Torque Converter)
T5J1-Up (Torque Converter)

Powered By C18 Engine

This Parts Manual is also available in pdf Format on Compact Disc

Product and Dealer Information

Note: For product identification plate locations, see the section "Product Identification Information" in the Operation and Maintenance Manual.

Delivery Date: _____

Product Information

Model: _____

Product Identification Number: _____

Engine Serial Number: _____

Transmission Serial Number: _____

Generator Serial Number: _____

Attachment Serial Numbers: _____

Attachment Information: _____

Customer Equipment Number: _____

Dealer Equipment Number: _____

Dealer Information

Name: _____ Branch: _____

Address: _____

Dealer Contact

Phone Number

Hours

Sales: _____

Parts: _____

Service: _____

MEMORANDA

TABLE OF CONTENTS

Name	Page	Name	Page
GENERAL INFORMATION	A5	PLUG GP-CYLINDER BLOCK	60
REPAIR ALTERNATIVES	A8	PLUG GP-CYLINDER HEAD	62
SUPPLEMENTAL COOLANT ADDITIVES	A9	PULLEY GP-CRANKSHAFT	63
MAINTENANCE PARTS	A10	ROCKER ARM GP	64
INDEX	A13	SEAL GP-CRANKSHAFT	67
MACHINE ARRANGEMENT	1	SUPPORT GP-ENGINE	69
CHASSIS AR	1	LUBRICATION SYSTEM	71
COMMON AR	1	EXTENSION GP-FUMES DISPOSAL	71
CONVERSION AR-MACHINE	2	FASTENER GP-OIL PUMP MOUNTING	72
DISTRIBUTION AR	2	FILLER GP-ENGINE OIL	73
ENGINE ARRANGEMENT	3	FILTER GP-ENGINE OIL	74
ENGINE AR-COMPLETE	3	FUMES DISPOSAL GP	76
ENGINE AR-CORE	4	GAUGE GP-OIL LEVEL (DIPSTICK)	77
INSTALLATION AR-ENGINE	6	LINES GP-ENGINE OIL	78
BASIC ENGINE	7	LINES GP-TURBOCHARGER OIL	81
ADAPTER GP-PUMP DRIVE	7	PUMP GP-ENGINE OIL	82
BASE GP-VALVE COVER & INJ HARN	8	COOLING SYSTEM	83
BELT TENSIONER GP	9	COOLING AR	83
CAMSHAFT GP	10	COOLING AR-HIGH AMBIENT TEMP	83
COVER GP-CYLINDER BLOCK	11	FAN & BAFFLE GP	84
COVER GP-FRONT HOUSING	13	FAN GP-SUCTION	85
COVER GP-SOUND SUPPRESSION	15	FASTENER GP-WATER PUMP	88
COVER GP-VALVE MECHANISM	16	LINES GP-WATER	89
CRANKSHAFT GP	19	PUMP GP-WATER	96
CYLINDER BLOCK AS	20	RADIATOR GP	98
CYLINDER BLOCK GP	22	TANK GP-COOLANT	102
CYLINDER HEAD AS	24	VALVE GP-RADIATOR DRAIN	103
CYLINDER HEAD GP	26	AIR INLET AND EXHAUST SYSTEM	104
DAMPER GP	30	AFTERCOOLER GP-AIR	104
DRAIN GP-ENGINE OIL	31	AIR CLEANER GP	106
DRIVE GP-ACCESSORY	32	COVER GP-TURBOCHARGER	110
DRIVE GP-PUMP	33	DUST EJECTOR GP	111
FASTENER GP-FRONT HOUSING	34	EXTENSION GP-EXHAUST	112
FASTENER GP-VALVE MECHANISM	36	LINES GP-AIR	114
FLYWHEEL GP	37	MANIFOLD GP-EXHAUST	116
GEAR GP-CAMSHAFT	38	MOUNTING GP-MUFFLER	117
GEAR GP-FRONT	39	MUFFLER GP	118
HOUSING GP-FLYWHEEL	42	PRECLEANER GP	119
HOUSING GP-FRONT	44	SHIELD GP-MANIFOLD	120
LIFTING GP-ENGINE	47	TURBOCHARGER GP	121
MECHANISM GP-FUEL PUMP & VALVE	49	FUEL SYSTEM	123
MOUNTING GP-ALTERNATOR & COMPR	50	FILTER GP-FUEL	123
PAN GP-OIL	51	FILTER GP-WATER SEP & FUEL	125
PANEL GP-SOUND SUPPRESSION	54	LINES GP-FUEL	126
PISTON & ROD GP	57	LINES GP-FUEL HEATER	132
PLATE AS-FRONT HOUSING	59	MANIFOLD GP-FUEL	133
		PLUG GP-FUEL FILTER BASE	134
		PUMP & MTG GP-FUEL TRANSFER	135
		PUMP GP-FUEL INJECTION	136
		PUMP GP-FUEL PRM & WATER SEP	137
		TANK & MTG GP-FUEL	138

TABLE OF CONTENTS

Name	Page	Name	Page
TANK GP-FUEL	139	WIRING GP-REAR	255
VALVE GP-CHECK	141	WIRING GP-SENSOR	257
		WIRING GP-SHUTOFF	259
ELECTRICAL AND STARTING SYSTEM	143		
ALARM GP	143	POWER TRAIN	260
ALTERNATOR GP-CHARGING	144	AXLE AR-FIXED	260
BATTERY & WIRING GP	147	AXLE AR-OSCILLATING	260
CONNECTION GP-ELECTRICAL	150	AXLE GP-FIXED	261
CONTROL & MTG GP-ENGINE ELEK	151	AXLE GP-OSCILLATING	262
CONTROL GP-LIFT & TILT POS	152	CASE & PARTS GP-PLANETARY	264
CONTROL GP-UNPROGRAMMED	154	CONTROL GP-TRANSMISSION HYD	265
ELECTRICAL AR	156	COOLER & FAN GP-AXLE OIL	267
ELECTRONICS GP-IMPLEMENT	156	COOLER AR-AXLE OIL	272
ELECTRONICS GP-MONITOR	156	COOLER GP-AXLE OIL	273
ELECTRONICS GP-POWER TRAIN	156	COVER GP-TRANSMISSION	275
FASTENER GP-ELECTRONICS	157	DIFFERENTIAL & BEVEL GEAR GP	277
LAMP GP-DOME	158	DIFFERENTIAL GP	279
LAMP GP-FLOOD	159	FASTENER GP-AXLE MOUNTING	280
LAMP GP-INDICATOR	161	FILTER GP-OIL	281
LAMP GP-SIGNAL	162	GAUGE GP-SIGHT	284
LIGHTING AR-FLOOD & SIGNAL	165	GEAR GP-INPUT TRANSFER	285
LIGHTING AR-STOP & FLOOD	165	GEAR GP-OUTPUT TRANSFER	288
LIGHTING GP-FLOOD	166	LINES GP-AXLE OIL COOLER	292
LIGHTING GP-FLOOD & SIGNAL	172	LINES GP-AXLE OIL COOLER FAN	298
LIGHTING GP-STOP & TAIL	176	LINES GP-AXLE VENT	302
MOUNTING GP-SENSOR	177	LINES GP-POWER TRAIN OIL	304
PLATE AS-BRUSH	178	MOUNTING GP-RIM	309
SENSOR & MTG GP-LIFT POSITION	179	MOUNTING GP-TORQUE	
SENSOR & MTG GP-TILT POSITION	180	CONVERTER	309
SENSOR GP-ENGINE	181	PLANETARY GP-TRANSMISSION	310
SENSOR GP-POSITION	183	POWER TRAIN AR	320
SENSOR GP-PRESSURE	186	PUMP GP-GEAR	321
SENSOR GP-SPEED	190	PUMP GP-TRANSMISSION	323
SENSOR GP-TEMPERATURE	193	RIM AR	326
STARTING AID GP-ETHER	197	RIM GP-DEMOUNTABLE	326
STARTING MOTOR GP-ELECTRIC	199	SHAFT GP-DRIVE	330
SWITCH GP-DISCONNECT	203	SHAFT GP-INPUT DRIVE	332
SWITCH GP-MAGNETIC	204	SLIP JOINT GP	333
SWITCH GP-PRESSURE	206	SUPPORT GP-TRANSMISSION	334
SWITCH GP-ROCKER	207	TIRE & RIM AR	336
SWITCH GP-SIGNAL	208	TORQUE CONVERTER & HOUSING	
SWITCH GP-TOGGLE	209	GP	337
SWITCH GP-WIPER	210	TORQUE CONVERTER AR	343
VALVE GP-ETHER STARTING	211	TORQUE CONVERTER AR-LOCKUP	343
WARNING GP-BACKUP	213	TORQUE CONVERTER GP	344
WIRING GP-BUMPER	214	TRANSMISSION AR	352
WIRING GP-CAB	217	UNIVERSAL JOINT GP	353
WIRING GP-ELECTROHYDRAULIC	227	VALVE GP-CHECK	356
WIRING GP-ELECTRONIC CONTROL	229	VALVE GP-MODULATING	357
WIRING GP-ELECTRONICS BAY	231	VALVE GP-RELIEF	360
WIRING GP-ENGINE	239	VALVE GP-SOLENOID	361
WIRING GP-FRONT	243	VALVE GP-TRANSMISSION	
WIRING GP-MACHINE	247	CONTROL	363
WIRING GP-POWER TRAIN	253	WHEEL & FINAL DRIVE GP	364

TABLE OF CONTENTS

Name	Page	Name	Page
FRAME AND BODY	367	VALVE GP-PILOT	468
BUMPER AR-REAR	367	VALVE GP-PILOT CARTRIDGE	469
BUMPER GP-REAR	368	VALVE GP-PUMP CONTROL	471
COVER GP-ACCESS	369	VALVE GP-RELIEF	472
COVER GP-BUMPER	370	VALVE GP-SELECTOR & PRESS CONT	474
COVER GP-ELECTRONICS BAY	371	VALVE GP-SHUTTLE	475
DEFLECTOR GP-HOOD	372	VALVE GP-STEERING	476
DOOR GP-ACCESS	373	VALVE GP-STEERING NEUTRALIZER	482
DRAWBAR GP	376	HYDRAULIC SYSTEM	483
FENDER GP-FRONT	377	ACTUATOR GP-PILOT CONTROL	483
FIREWALL GP	379	COOLER GP-HYDRAULIC OIL	487
FRAME AS-LOADER	381	CYLINDER GP-LIFT	489
FRAME AS-REAR	383	CYLINDER GP-TILT	491
GUARD GP-CRANKCASE	386	FILTER & LINES GP-CASE DRAIN	493
GUARD GP-FRONT	387	FILTER GP-OIL	496
GUARD GP-HYDRAULIC TANK	388	HYDRAULIC AR	498
GUARD GP-POWER TRAIN	389	LINES GP-HYDRAULIC	499
GUARD GP-RADIATOR	390	LINES GP-HYDRAULIC FAN	504
HITCH GP-ARTICULATING	392	LINES GP-LIFT CYLINDER	511
HOOD & GUARD GP	394	LINES GP-PILOT	513
LADDER GP	397	LINES GP-TILT CYLINDER	515
LINES GP-GREASE	400	MANIFOLD GP-CONTROL	519
LINK GP-STEERING FRAME LOCK	406	MANIFOLD GP-HYDRAULIC	520
MOUNTING GP-BUMPER	407	MOTOR & MTG GP-HYDRAULIC FAN	521
PANEL GP-SIDE	409	MOTOR GP-PISTON	522
SHIELD GP-ENGINE COMPARTMENT	411	PUMP & MTG GP-HYDRAULIC FAN	523
STEP GP	413	PUMP & MTG GP-IMPLEMENT	525
SUPPORT GP-FILTER	415	PUMP GP-PISTON	526
SUPPRESSION AR-SOUND	416	ROTATING GP-MOTOR	534
SUPPRESSION GP-SOUND	417	ROTATING GP-PUMP	535
BRAKING SYSTEM	421	TANK & MTG GP-HYDRAULIC	536
ACCUMULATOR GP-BRAKE	421	TANK GP-HYDRAULIC	537
BRAKE GP-PARKING	423	VALVE & MTG GP-MAIN CONTROL	540
BRAKE GP-SERVICE	425	VALVE GP-CHECK	545
CONTROL GP-FOOT BRAKE	426	VALVE GP-CONTROL	546
CONTROL GP-PARKING BRAKE	428	VALVE GP-DEMAND FAN	553
CONTROL GP-SERVICE BRAKE	429	VALVE GP-MANUAL	554
LINES GP-SERVICE BRAKE	436	VALVE GP-PRESSURE REDUCING	555
PUMP GP-GEAR	438	VALVE GP-PUMP CONTROL	556
VALVE & MTG GP-BRAKE CONTROL	439	VALVE GP-RELIEF	558
VALVE GP-BRAKE CONTROL	443	VALVE GP-SOLENOID	564
STEERING SYSTEM	444	IMPLEMENTS	568
CYLINDER & MTG GP-STEERING	444	ARM & BEARING AS-LIFT	568
CYLINDER GP-STEERING	445	CONTROL GP-BUCKET	569
LINES GP-SECONDARY STEERING	446	LIFT AR	570
LINES GP-STEERING	450	LINKAGE GP-BUCKET	571
LINES GP-STEERING NEUTRALIZER	454	PIN & SEAL GP-LINKAGE	572
PLUG GP-CONTROL VALVE	457	OPERATOR STATION	575
PUMP GP-GEAR	458	ADJUSTER GP-SEAT	575
PUMP GP-PISTON	460	AIR COMPRESSOR GP-SEAT	576
ROTATING GP-PUMP	462	AIR CONDITIONER AR	577
STEERING AR	463		
VALVE GP-CHECK	464		

TABLE OF CONTENTS

Name	Page	Name	Page
AIR CONDITIONER GP	579	SERVICE EQUIPMENT AND SUPPLIES	680
ARM GP-WINDOW WIPER	582	CAP GP-PROTECTION	680
CAB AR	584	FILM GP	681
COMPRESSOR GP-REFRIGERANT	585	LINES GP-DIAGNOSTIC	682
CONDENSER GP-REFRIGERANT	587	PLATE & FILM GP	688
CONTROL GP-ELECTROHYDRAULIC	588	PROTECTION GP-VANDALISM	692
CONTROL GP-HANDLE	590		
CONTROL GP-MONITOR	591	PART NUMBER INDEX	B1
CONTROL GP-STEERING	592		
CONTROL GP-STIC	594		
CONTROL GP-STIC LOCKOUT	597		
COVER GP-DASH	599		
DOOR GP-CAB	600		
DOOR GP-STORAGE	604		
DUCT & FILTER GP-CAB AIR	605		
DUCT GP-CAB AIR	607		
FLOOR MAT GP	609		
HORN GP-ELECTRIC	610		
INSTALLATION GP-CONTROLS	611		
INSTALLATION GP-RADIO	612		
LINER GP-CAB	614		
LINES GP-AIR CONDITIONER	617		
LINES GP-CAB HEATER	622		
MIRROR GP-REAR VIEW	625		
MODULE GP-QUAD GAUGE	626		
MOTOR GP-WINDOW WIPER	627		
MOUNTING GP-CAB	629		
OPERATOR AR	630		
PAN GP-BACKREST	631		
PANEL GP-INSTRUMENT	633		
PEDAL GP-BRAKE	636		
PEDAL GP-GOVERNOR	639		
PLATFORM GP	641		
PLATFORM GP-CAB	642		
PLATFORM GP-OPERATOR	643		
RECLINER GP-SEAT	647		
ROOF GP-CAB	648		
ROPS GP-ENCLOSED	649		
SEALING GP-GLASS	652		
SEAT BELT GP	653		
SEAT GP	654		
SEAT GP-SUSPENSION	658		
SUPPORT GP-HYDRAULIC CONTROL	659		
SUPPORT GP-SEAT	662		
SUPPORT GP-STEERING CONTROL	663		
SUPPRESSION GP-CAB SOUND	666		
SUSPENSION GP-SEAT	667		
WASHER GP-WINDOW	669		
WIPER GP-WINDOW	670		
WORK TOOLS	674		
BUCKET AS-ROCK	674		
EDGE GP-SEGMENT	678		
PROTECTOR GP-SIDE BAR	679		

GENERAL INFORMATION

1. MACHINE IDENTIFICATION

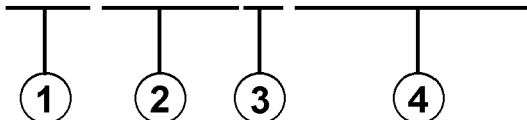
Caterpillar machines are identified by Product Identification Numbers (PIN). Some components included in a machine may be identified by Serial Numbers (S/N). Typical components that will be serialized include engines, transmissions, bulldozers, and rippers. The machine and engine are further identified by arrangement numbers and in some cases modification numbers. These numbers are shown on the product identification plate(s) and on the master plate in the operator's compartment.

Caterpillar dealers need all of these numbers to determine accurate parts identification.

New Feature

Effective First Quarter 2001 the Caterpillar Product Identification Number (PIN) changed from 8 to 17 characters. In an effort to provide uniform equipment identification, Caterpillar and other construction equipment manufacturers are moving to comply with the latest version of the product identification numbering standard. Non-road machine PINs are defined by ISO 10261. The new PIN format will apply to all Caterpillar machines and generator sets. The PIN plates and frame marking will display the 17 character PIN. The new format will look like the following:

CAT 0789BG 6SL12345



The diagram shows the PIN format *CAT 0789BG 6SL12345* with a horizontal line underneath. Below the line, four vertical lines connect to numbered circles: 1 under 'CAT', 2 under '0789BG', 3 under '6SL', and 4 under '12345'.

Where:

1. Caterpillar's World Manufacturing Code (characters 1-3)
2. Machine Descriptor (characters 4-8)
3. Check Character (character 9)
4. Machine Indicator Section (MIS) or Product Sequence Number (characters 10-17). These were previously referred to as the Serial Number.

Machines and generator sets produced before First Quarter 2001 will maintain their 8 character PIN format.

Components such as engines, transmissions, axles, etc. and work tools will continue to use an 8 character Serial Number (S/N).

2. ORDERING PARTS

WARNING

When replacement parts are required for this product Caterpillar recommends using Caterpillar replacement parts or parts with equivalent specifications including, but not limited to, physical dimensions, type, strength and material.

Failure to heed this warning can lead to premature failures, product damage, personal injury or death.

Quality Caterpillar replacement parts are available from Caterpillar dealers throughout the world. Their parts inventories are up to date and include all parts normally required to protect your investment in Caterpillar machines. Dealers may offer repair kits or remanufactured parts to allow selection of the most effective repair alternative for a particular situation. When ordering parts, your order should specify the quantity, part number, part name, and the serial number/product identification number of the machine for which the parts are needed.

3. PARTS MANUAL ORGANIZATION

Product information in this manual is presented as "information elements" that represent all of the components for the specific model. Engine Arrangement and Seat Group are examples of information elements. The information elements are organized alphabetically by part name and secondarily by part number within each major section of the manual.

4. TABLE OF CONTENTS

A table of contents (TOC) is found at the beginning of the manual. The TOC lists each section of the manual with a complete list of all information elements organized as they appear in the manual. Page numbers are provided for quick reference to detailed parts identification illustrations and serviceable consist lists.

5. MAINTENANCE PARTS INDEX

The Maintenance Parts Index, located near the beginning of the manual, references most frequently used maintenance part numbers, providing description, quantity, usage and page number. This information is organized alphabetically by part description.

GENERAL INFORMATION

6. INDEX

The index located near the front of the manual is an alphabetical listing of all information elements included in the manual. Page numbers are provided for quick reference to detailed parts identification illustrations and serviceable consist lists.

7. PART NUMBER INDEX

A numerical index listing all part numbers and the corresponding page number(s) appears at the back of the manual.

8. CAPTIONS

Captions located at the beginning of each information element identify the part number and part name along with additional descriptive information. PIN and S/N information found in each caption should be used to select correct information for a specific machine. Field replacement options, identification of optional attachment components, and where used ("part of") information is also provided.

The first line of a caption is shown in larger type font to indicate the beginning of an information element. Captions for additional pages that may be required to illustrate an information element will be shown in standard type font and will include the term (*contd.*) .

9. NON-SERVICED PARTS

In some instances it is necessary to display non-serviced parts that are a link to a lower level serviceable consist lists. These non-serviced part numbers are shown in *italic* type indicating that they are not available.

10. PARTS LIST REFERENCE NUMBERS

Numbers shown in the Ref No column correspond to numbers used in the associated graphic(s). An alphabetic suffix may be added to a reference number to identify lower level consist items. Numbers shown in the Graphic Ref column refer to the graphic number identifier displayed in the lower left corner of each illustration. The Graphic Ref number may be used in combination with the item Ref No to determine the correct part number. There may be intentional omission of a Ref No in a consist list as information is updated to reflect the latest serviceable part numbers.

11. INDENTED PART NAMES

When a part name is indented in a parts list, it is part of (included in) the group or assembly under which it is indented.

12. ILLUSTRATION REFERENCE LETTERS

When necessary, illustrations contain reference letters (A, B, C etc.) that are intended to track lines and harnesses from one point to another. They are also used to show where to reconnect illustrations that have been separated.

13. ABBREVIATIONS AND SYMBOLS

O.D. – Outside Diameter
I.D. – Inside Diameter
A – Not Part Of This Group
B – Use As Required
C – Change From Previous Type
D – Order By The Meter
E – Order By The Centimeter
F – Not Shown
G – Order By The Inch
I – Refer To Hydraulic Information System
M – Metric Part
R – Remfg Part May Be Available
Y – Separate Illustration
Z – Not Serviced Separately

 **New Feature**

14. DESCRIPTION OF TYPE CHANGES

Type - A type is defined as any configuration change that requires an additional Information Element for an Arrangement, Group, or Assembly. If serial number breaks for types are not available, a type # (Type 1, Type 2, etc.) will be displayed in the caption. These "type" changes are identified with a "C" note (change from previous type) in the Parts List. Only the "types" that apply to this Parts Manual will be included. Additional types may exist causing "C" notes to appear on an Information Element when no other types are shown.

15.<END>

This symbol indicates the end of an information element.

NOTE:

Continuing improvement and advancement of product design may cause changes to your machine which may not be included in this publication. Whenever a question arises regarding your Caterpillar product or this publication, please consult your Caterpillar dealer for the latest available information.

REPAIR ALTERNATIVES

REMANUFACTURED COMPONENTS

As an option when making repairs consider Caterpillar Remanufactured Components. Components that are available through the Caterpillar Remanufactured Program are identified three ways in the parts book:

- with the letter R in the note field of the parts list
- with an R* at the beginning of the first line of the caption
- with an *R at the end of the first line of the caption

Typical components included in the Remanufacturing Program include:

ALTERNATORS
CONNECTING RODS
CRANKSHAFTS - UNDERSIZE
CRANKSHAFTS - UPGRADE TO NEW
CYLINDER HEADS
ELECTRONIC CONTROL MODULES (ECM)
ELECTRONIC SENSORS
FUEL INJECTORS
FUEL NOZZLES
FUEL PUMPS
GOVERNORS
OIL PUMPS
PISTONS
SHORT BLOCKS
STARTERS
TURBOCHARGERS - COMPLETE
TURBOCHARGER CARTRIDGES
WATER PUMPS

Caterpillar Remanufactured engines for many engine arrangements are also available.

SUPPLEMENTAL COOLANT ADDITIVES

CUSTOMER BENEFITS:

Protects against cavitation, foam, erosion, corrosion, and scale buildup in cooling systems.

- Provides measured coolant conditioner.

DESCRIPTION:

Additives deplete from the coolant with normal operation. For this reason, Supplemental Coolant Additives (SCA) must be added to all heavy duty coolants at regular intervals. In addition, when not using a fully formulated, pre-charged antifreeze, like Caterpillar's DEAC, an initial charge of SCA must be added to the cooling system. The amount of SCA added to the system is dependent on the capacity of the system.

The SCA for initial fill is provided as a liquid. SCA's for maintenance intervals are available in liquid form and as a spin-on element. (No Spin-on available for 3600 Family of Engines)

NOTE:

The amount of SCA added at initial fill is not the same as the amount added at maintenance intervals.

The coolant additive elements can be used with any ethylene or propylene glycol type antifreeze which meets ASTM D4985 or ASTM D5345 Specifications.

NOTE:

For use with standard heavy duty coolant only, not for use with Extended Life Coolant.

PARTS NEEDED:

Cooling System Capacity		Liquid SCA at Initial Fill	Liquid SCA at Maintenance*	Spin-on SCA Maintenance Element*
Liters	Gallons			
22-30	(6-8)	3P-2044 (1)	6V-3542 (1)	111-2370 (1)
30-38	(8-10)	3P-2044 (1) 6V-3542 (1)	111-2372 (1)	111-2369 (1)
38-49	(10-13)	3P-2044 (1) 8T-1589 (1)	111-2372 (1)	111-2369 (1)
49-64	(13-17)	3P-2044 (2)	8T-1589 (1)	9N-3368 (1)
64-83	(17-22)	3P-2044 (2) 8T-1589 (1)	111-2372 (1) 6V-3542 (1)	111-2371 (1)
83-114	(22-30)	3P-2044 (3) 8T-1589 (1)	3P-2044 (1)	9N-3718 (1)
114-163	(30-43)	3P-2044 (5)	3P-2044 (1) 6V-3542 (1)	111-2371 (2)
163-242	(43-64)	3P-2044 (8)	3P-2044 (2)	9N-3718 (2)

* Normal maintenance period is 250 hrs. See your Operation and Maintenance Manual for complete coolant maintenance instructions.

() Indicates quantity required.

MAINTENANCE PARTS

DESCRIPTION	PART NUMBER	QTY	WHERE USED	PAGE
AIR INLET AND EXHAUST SYSTEM				
CAP AS-OIL FILLER	2W-6225	1	AIR CLEANER GP	106
FILTER ELEMENT AS-AIR (PRIMARY)	106-3969	1	AIR CLEANER GP	109
FILTER ELEMENT AS-AIR (SECONDARY)	106-3973	1	AIR CLEANER GP	109
BASIC ENGINE				
BELT-SERPENTINE	190-6560	1	BELT TENSIONER GP	9
PLUG-DRAIN (ENGINE OIL PAN)	109-5839	1	PAN GP-OIL	51
SEAL-INTEGRAL	155-9524	1	HOUSING GP-FRONT	45
	234-8937	1	HOUSING GP-FLYWHEEL	42
SEAL-VALVE COVER	242-9537	1	COVER GP-VALVE MECHANISM	16
		1	COVER GP-VALVE MECHANISM	18
COOLING SYSTEM				
CAP-PRESSURE (7-PSI) (RADIATOR)	6L-8617	1	LINES GP-WATER	89
GASKET-REGULATOR (HOUSING) (WATER TEMPERATURE)	139-3550	1	LINES GP-WATER	93
PLUG-DRAIN	6N-9590	1	VALVE GP-RADIATOR DRAIN	103
REGULATOR-TEMPERATURE (92-DEG C) (WATER)	248-5513	2	LINES GP-WATER	93
SEAL-LIP TYPE (WATER TEMPERATURE REGULATOR)	3S-9643	2	LINES GP-WATER	93

MAINTENANCE PARTS

DESCRIPTION	PART NUMBER	QTY	WHERE USED	PAGE
ELECTRICAL AND STARTING SYSTEM				
BATTERY GP (12-VOLT, MAINTENANCE FREE, WET)	115-2422	4	BATTERY & WIRING GP	147
CAP AS-FILLER (BATTERY)	123-1373	6	BATTERY & WIRING GP	147
CIRCUIT BREAKER AS (10-AMPERE) (KEY SWITCH)	6T-3642	1	WIRING GP-ELECTRONICS BAY	233
CIRCUIT BREAKER AS (105-AMPERE) (MAIN)	171-2212	1	WIRING GP-ELECTRONICS BAY	231
CIRCUIT BREAKER AS (15-AMPERE) (ENGINE ECM)	6T-3643	1	WIRING GP-ELECTRONICS BAY	233
CIRCUIT BREAKER AS (15-AMPERE) (RUNNING LIGHTS)	3T-2662	1	WIRING GP-ELECTRONICS BAY	233
CIRCUIT BREAKER AS (20-AMPERE) (ROOF MOUNTED AIR CONDITIONER)	6T-3644	1	WIRING GP-ELECTRONICS BAY	233
CIRCUIT BREAKER AS (40-AMPERE) (START RELAY)	171-2205	1	WIRING GP-ELECTRONICS BAY	231
FILTER (ETHER START)	358-4889	1	VALVE GP-ETHER STARTING	211
FLASHER AS (24-VOLT)	108-0358	1	SWITCH GP-SIGNAL	208
FUSE (10-AMPERE)	113-8490	27	WIRING GP-ELECTRONICS BAY	231
FUSE (15-AMPERE)	113-8491	10	WIRING GP-ELECTRONICS BAY	231
FUSE (20-AMPERE)	113-8492	3	WIRING GP-ELECTRONICS BAY	231
KEY (BATTERY DISCONNECT)	8H-5306	1	SWITCH GP-DISCONNECT	203
LAMP (24-VOLT)	110-2079	6	WIRING GP-CAB	217
LAMP (24-VOLT) (CAB)	7N-9943	1	LAMP GP-DOME	158
LAMP (24-VOLT, 21-WATT)	9X-4493	2	LIGHTING GP-FLOOD & SIGNAL	172
LAMP GP-SIGNAL (TURN, LH)	5C-9029	1	LIGHTING GP-FLOOD & SIGNAL	172
LAMP GP-SIGNAL (TURN, RH)	5C-8964	1	LIGHTING GP-FLOOD & SIGNAL	172
LAMP-HALOGEN (24-VOLT, 70-WATT)	351-9918	1	LAMP GP-FLOOD	159
		1	LAMP GP-FLOOD	160
LAMP-LED (24-VOLT, GREEN)	163-1879	1	SWITCH GP-SIGNAL	208
LAMP-LED (24-VOLT, RED)	163-1876	1	WIRING GP-CAB	217
LAMP-LED (24-VOLT, RED) (RED)	163-1876	1	LAMP GP-INDICATOR	161
LAMP-LED (24-VOLT, YELLOW)	163-1878	1	SWITCH GP-ROCKER	207
		3	WIRING GP-CAB	217
FUEL SYSTEM				
CAP AS-FILLER (FUEL TANK)	7X-7700	1	TANK GP-FUEL	139
FILTER AS-WATER SEP & FUEL (PRIMARY)	326-1643	1	FILTER GP-WATER SEP & FUEL	125
FILTER-FUEL (ADVANCED EFFICIENCY)	1R-0762	1	FILTER GP-FUEL	123
STRAINER-FUEL	9P-7121	1	TANK GP-FUEL	139
HYDRAULIC SYSTEM				
CAP AS	6V-9830	1	VALVE & MTG GP-MAIN CONTROL	542
CAP-FILLER (HYDRAULIC TANK)	7H-1447	1	TANK GP-HYDRAULIC	537
FILTER-OIL (ADVANCED EFFICIENCY)	1G-8878	1	FILTER GP-OIL	496
FILTER-OIL (ULTRA HIGH EFFICIENCY)	102-2828	1	FILTER GP-OIL	497
KEY (SQUARE)	006-0136	1	PUMP GP-PISTON	530
PLUG-DRAIN	9J-7031	1	TANK GP-HYDRAULIC	537
SCREEN AS	9T-9227	2	TANK GP-HYDRAULIC	537
SCREEN GP	7J-2656	3	TANK GP-HYDRAULIC	537
SCREEN-DIFFUSER	178-0182	1	TANK GP-HYDRAULIC	537
STRAINER	9J-3047	1	TANK GP-HYDRAULIC	537

MAINTENANCE PARTS

DESCRIPTION	PART NUMBER	QTY	WHERE USED	PAGE
LUBRICATION SYSTEM				
CAP-OIL FILLER (ENGINE)	9L - 8439	1	FILLER GP-ENGINE OIL	73
FILTER-ENGINE OIL (ADVANCED EFFICIENCY)	1R - 1808	1	FILTER GP-ENGINE OIL	74
OPERATOR STATION				
BLADE AS-WIPER (700-MM)	6V - 7419	2	WIPER GP-WINDOW	670
CAP	3W - 6398	1	WASHER GP-WINDOW	669
DRYER-REFRIGERANT (IN-LINE)	257 - 3226	1	LINES GP-AIR CONDITIONER	617
FILTER ELEMENT-CAB AIR (STANDARD EFFICIENCY)	107 - 0266	1	DUCT & FILTER GP-CAB AIR	605
	112 - 7448	1	DUCT & FILTER GP-CAB AIR	605
GASKET	107 - 4396	1	LINES GP-AIR CONDITIONER	620
KEY-HANDLE	3V - 7476	1	DUCT & FILTER GP-CAB AIR	605
KEY-SQUARE	4E - 8560	2	CONTROL GP-STIC LOCKOUT	597
SCREEN-FILTER (WINDOW WASHER)	8T - 5913	2	WASHER GP-WINDOW	669
SEAT BELT GP (RETRACTABLE)	222 - 0345	1	SEAT GP	656
POWER TRAIN				
BREATHER (POWER TRAIN OIL)	4H - 6112	1	LINES GP-POWER TRAIN OIL	304
BREATHER AS (AXLE VENT)	194 - 7264	2	LINES GP-AXLE VENT	302
FILTER ELEMENT AS-OIL (POWER TRAIN)	337 - 5270	1	FILTER GP-OIL	283
FILTER ELEMENT AS-OIL (TRANSMISSION)	337 - 5270	1	FILTER GP-OIL	282
FILTER-OIL (AXLE OIL COOLER)	222 - 6713	1	FILTER GP-OIL	281
PLUG-DRAIN	9J - 7031	1	GEAR GP-OUTPUT TRANSFER	288
PLUG-MAGNETIC	5P - 4484	1	AXLE GP-FIXED	261
		1	AXLE GP-OSCILLATING	262
PLUG-MAGNETIC (FINAL DRIVE, OIL FILL)	8M - 3837	1	WHEEL & FINAL DRIVE GP	364
SCREEN AS	9P - 0217	1	TORQUE CONVERTER & HOUSING GP	338
		1	TORQUE CONVERTER & HOUSING GP	341
SCREEN GP-MAGNETIC	4S - 8603	1	GEAR GP-OUTPUT TRANSFER	289
SCREEN-SUCTION	4S - 8598	1	GEAR GP-OUTPUT TRANSFER	289
SERVICE EQUIPMENT AND SUPPLIES				
CAP AS-OIL FILLER (POWER TRAIN)	7W - 1484	1	PROTECTION GP-VANDALISM	692
STEERING SYSTEM				
SCREEN AS	307 - 6457	1	VALVE GP-STEERING	476
		1	VALVE GP-STEERING	479

INDEX

Name	Page	Name	Page
A		C	
ACCUMULATOR GP-BRAKE-CHARGED	421	CAB AR	584
ACCUMULATOR GP-BRAKE-UNCHARGED	422	CAMSHAFT GP	10
ACCUMULATOR-REFRIGERANT	617	CAP	669
ACTUATOR GP-PILOT CONTROL- PROPORTIONAL SOLENOID	483 485	CAP AS	542
ADAPTER GP-PUMP DRIVE	7	CAP AS-FILLER (BATTERY)	147
ADJUSTER GP-SEAT	575	CAP AS-FILLER (FUEL TANK)	139
AFTERCOOLER GP-AIR	104	CAP AS-OIL FILLER	106
AIR CLEANER GP	106	CAP AS-OIL FILLER (POWER TRAIN)	692
	108	CAP GP-PROTECTION	680
	109	CAP-FILLER (HYDRAULIC TANK)	537
AIR COMPRESSOR GP-SEAT	576	CAP-OIL FILLER (ENGINE)	73
AIR CONDITIONER AR	577	CAP-PRESSURE (7-PSI) (RADIATOR)	89
AIR CONDITIONER GP	579	CARTRIDGE GP-TURBOCHARGER	122
	630	CASE & PARTS GP-PLANETARY	264
ALARM GP	143	CHASSIS AR	1
ALARM GP (24-VOLT)	217	CIRCUIT BREAKER AS (10-AMPERE) (KEY SWITCH)	233 233
ALARM GP-TRAVEL (BACKUP)	213	CIRCUIT BREAKER AS (105-AMPERE) (MAIN)	231 231
ALTERNATOR GP-CHARGING	144	CIRCUIT BREAKER AS (15-AMPERE) (ENGINE ECM)	233 233
	146	CIRCUIT BREAKER AS (15-AMPERE) (RUNNING LIGHTS)	233 233
ARM & BEARING AS-LIFT	568	CIRCUIT BREAKER AS (20-AMPERE) (ROOF MOUNTED AIR CONDITIONER)	233 233
ARM GP-WINDOW WIPER	582	CIRCUIT BREAKER AS (40-AMPERE) (START RELAY)	231 231
ARM GP-WINDOW WIPER (FRONT)	670	COMMON AR	1
ARM GP-WINDOW WIPER (REAR)	670	COMPRESSOR GP-REFRIGERANT	585
ARM GP-WINDOW WIPER-FRONT	583		586
ATOMIZER GP-ETHER	197	CONDENSER GP-REFRIGERANT	587
AXLE AR-FIXED-FRONT	260	CONNECTION GP-ELECTRICAL	150
AXLE AR-OSCILLATING-REAR	260	CONTROL & MTG GP-ENGINE ELEK	151
AXLE GP-FIXED-FRONT	261	CONTROL GP-BUCKET	569
AXLE GP-OSCILLATING-REAR	262	CONTROL GP-ELECTROHYDRAULIC- 2-FUNCTION	588 426
B		CONTROL GP-FOOT BRAKE	427
BASE GP-VALVE COVER & INJ HARN	8	CONTROL GP-HANDLE-BUCKET	590
BATTERY & WIRING GP	147	CONTROL GP-LIFT & TILT POS	152
BATTERY GP		CONTROL GP-MONITOR- BACKLIGHT DIMMER	591 591
(12-VOLT, MAINTENANCE FREE, WET)	147	CONTROL GP-PARKING BRAKE	428
BELT TENSIONER GP	9	CONTROL GP-SERVICE BRAKE	429
BELT-SERPENTINE	9		431
BLADE AS-WIPER (700-MM)	670	CONTROL GP-STEERING-STIC	592
BLOCK AS-JUNCTION (BATTERY)	214	CONTROL GP-STIC	594
BOTTLE GP-FLUID SAMPLING	688		595
BRAKE GP-PARKING	423	CONTROL GP-STIC LOCKOUT	597
BRAKE GP-SERVICE	425	CONTROL GP-TRANSMISSION HYD	265
BREATHER (POWER TRAIN OIL)	304	CONTROL GP-UNPRGMED MONITOR (CATERPILLAR MONITORING SYSTEM)	218 218
BREATHER AS (AXLE VENT)	302	CONTROL GP-UNPROGRAMMED	155
BUCKET AS-ROCK	674		
	676		
BUMPER AR-REAR	367		
BUMPER GP-REAR	368		

INDEX

Name	Page	Name	Page
CONTROL GP-UNPROGRAMMED (ENGINE) . . .	151	DOOR GP-ACCESS	373
CONTROL GP-UNPROGRAMMED- POWER TRAIN	154	DOOR GP-ACCESS-HOOD TOP	375
CONVERSION AR-MACHINE	2	DOOR GP-CAB-LH	600
COOLANT HEATER LINES	622	DOOR GP-CAB-RH	602
	624	DOOR GP-STORAGE	604
COOLER & FAN GP-AXLE OIL	267	DRAIN GP-ENGINE OIL	31
COOLER AR-AXLE OIL	272	DRAWBAR GP	376
COOLER GP-AXLE OIL	273	DRIVE GP-ACCESSORY	32
COOLER GP-HYDRAULIC OIL	487	DRIVE GP-PUMP	33
COOLING AR- STANDARD AMBIENT TEMPERATURE	83	DRYER-REFRIGERANT (IN-LINE)	617
COOLING AR-HIGH AMBIENT TEMP	83	DUCT & FILTER GP-CAB AIR	605
CORE AS-AFTERCOOLER	104	DUCT GP-CAB AIR	607
CORE AS-AXLE OIL COOLER	267	DUST EJECTOR GP	111
CORE AS-ENGINE OIL COOLER	93		
CORE AS-HYDRAULIC OIL COOLER	487	E	
CORE AS-RADIATOR	98	EDGE GP-SEGMENT	678
	100	ELECTRICAL AR	156
CORE AS-TRANSMISSION COOLER	93	ELECTRONICS GP-IMPLEMENT	156
COVER GP-ACCESS	369	ELECTRONICS GP-MONITOR	156
COVER GP-BUMPER	370	ELECTRONICS GP-POWER TRAIN	156
COVER GP-CYLINDER BLOCK	11	ENGINE AR-COMPLETE	3
	12	ENGINE AR-CORE	4
COVER GP-DASH	599		5
COVER GP-ELECTRONICS BAY-REAR	371	EXTENSION GP-BACKREST (CLOTH)	656
COVER GP-FRONT HOUSING	13	EXTENSION GP-EXHAUST	112
	14		113
COVER GP-SOUND SUPPRESSION- FRONT HOUSING	15	EXTENSION GP-FUMES DISPOSAL	71
COVER GP-TRANSMISSION-SHIPING	275		
COVER GP-TURBOCHARGER	110	F	
COVER GP-VALVE MECHANISM	16	FAN & BAFFLE GP	84
	17	FAN GP-SUCTION	86
	18	FAN GP-SUCTION-AXLE OIL COOLER	85
CRANKSHAFT GP	19	FASTENER GP-AXLE MOUNTING	280
CYLINDER & MTG GP-STEERING	444	FASTENER GP-CYLINDER HEAD	28
CYLINDER BLOCK AS	20	FASTENER GP-ELECTRONICS	157
	21	FASTENER GP-FRONT HOUSING	34
CYLINDER BLOCK GP	22		35
CYLINDER GP-LIFT-LH	490	FASTENER GP-OIL PUMP MOUNTING- ENGINE	72
CYLINDER GP-LIFT-RH	489	FASTENER GP-VALVE MECHANISM	36
CYLINDER GP-STEERING	445	FASTENER GP-WATER PUMP	88
CYLINDER GP-TILT	491	FENDER GP-FRONT	377
CYLINDER HEAD AS	24		378
CYLINDER HEAD GP	26	FILLER GP-ENGINE OIL	73
	28	FILM	231
D		FILM (EXTERIOR SOUND)	416
DAMPER GP	30	FILM GP	681
DEFLECTOR GP-HOOD-AIR EJECTOR	372	FILM-CONTROL (DUMP, TILT BACK)	588
DIFFERENTIAL & BEVEL GEAR GP	277	FILM-CONTROL (LIFT, FLOAT, LOWER)	588
DIFFERENTIAL GP	279	FILM-CONTROL (THROTTLE LOCK RESUME)	588
DISTRIBUTION AR	2	FILM-CONTROL (THROTTLE LOCK SET)	588

INDEX

Name	Page	Name	Page
FILM-IDENTIFICATION (CATERPILLAR, REAR CAB)	648		
FILM-IDENTIFICATION (FRONT UPPER PANEL, RH)	633		
FILM-IDENTIFICATION (GROUP NO., SEQUENCE NO.)	579		
FILM-IDENTIFICATION (HORN)	588		
FILM-IDENTIFICATION (UPPER PANEL, LH)	633		
FILM-INSTRUCTION (ENGINE START)	599		
FILM-INSTRUCTION (MAINTENANCE)	588		
FILM-INSTRUCTION (SEAT ADJUSTMENT)	667		
FILM-PANEL (REAR)	633		
FILM-STRIP (ROUND RED REFLECTIVE)	688		
FILM-SWITCH PANEL (REAR, RH)	633		
FILM-WARNING (HIGH PRESSURE, READ OMM)	421		
FILM-WARNING (PARKING BRAKE, INTERNATIONAL)	689		
FILM-WARNING (PRODUCT LINK 300, INTL)	689		
FILTER & LINES GP-CASE DRAIN	493		
FILTER (ETHER START)	211		
FILTER AS-WATER SEP & FUEL (PRIMARY)	125		
FILTER ELEMENT AS-AIR (PRIMARY)	109		
FILTER ELEMENT AS-AIR (SECONDARY)	109		
FILTER ELEMENT AS-OIL (POWER TRAIN)	283		
FILTER ELEMENT AS-OIL (TRANSMISSION)	282		
FILTER ELEMENT-CAB AIR (STANDARD EFFICIENCY)	605		
FILTER GP-ENGINE OIL	74		
FILTER GP-FUEL	123		
FILTER GP-OIL	281		
	283		
	496		
	497		
FILTER GP-OIL-TRANSMISSION	282		
FILTER GP-WATER SEP & FUEL	125		
FILTER-ENGINE OIL (ADVANCED EFFICIENCY)	74		
FILTER-FUEL (ADVANCED EFFICIENCY)	123		
FILTER-OIL (ADVANCED EFFICIENCY)	496		
FILTER-OIL (AXLE OIL COOLER)	281		
FILTER-OIL (ULTRA HIGH EFFICIENCY)	497		
FINAL DRIVE & WHEEL	364		
FIREWALL GP	379		
FLASHER AS (24-VOLT)	208		
FLOOR MAT	609		
FLOOR MAT GP	609		
FLYWHEEL GP	37		
FRAME AS-LOADER	381		
FRAME AS-REAR	383		
FUMES DISPOSAL GP	76		
FUSE (10-AMPERE)	231		
FUSE (15-AMPERE)	231		
FUSE (20-AMPERE)	231		
		G	
		GASKET	620
		GASKET-REGULATOR (HOUSING) (WATER TEMPERATURE)	93
		GAUGE AS-LIQUID LEVEL	537
		GAUGE AS-OIL LEVEL (DIPSTICK) (ENGINE)	77
		GAUGE GP-OIL LEVEL (DIPSTICK)-ENGINE	77
		GAUGE GP-SIGHT	284
		GAUGE-LIQUID LEVEL	284
		GAUGE-SIGHT	102
		GEAR GP-CAMSHAFT	38
		GEAR GP-FRONT	39
		GEAR GP-INPUT TRANSFER	285
		GEAR GP-OUTPUT TRANSFER	288
		GUARD GP-CRANKCASE	386
		GUARD GP-FRONT	387
		GUARD GP-HYDRAULIC TANK	388
		GUARD GP-POWER TRAIN	389
		GUARD GP-RADIATOR	390
		H	
		HARNESS AS-BRAKE (STOP LIGHT) (LEFT FOOT BRAKE BASE)	637
		HARNESS AS-BUMPER	214
		HARNESS AS-CAB	221
		HARNESS AS-CAB (MAIN)	218
		HARNESS AS-CHASSIS	248
		HARNESS AS-CHASSIS (POW TR FILTER, WINDOW WASHER)	247
		HARNESS AS-CONTROL (ELECTRONICS BAY)	231
		HARNESS AS-DASH	220
		HARNESS AS-ENGINE	229
			240
		HARNESS AS-ENGINE (UNIT INJECTOR)	8
		HARNESS AS-FRONT	243
		HARNESS AS-HEATER & AIR COND	579
		HARNESS AS-LIGHTING	166
			168
			172
		HARNESS AS-LIGHTING (CAB FLOODLIGHTS)	218
		HARNESS AS-LIGHTING (FRONT FLOOD, HORN)	166
		HARNESS AS-REAR	255
		HARNESS AS-SENSOR	123
			192
		HARNESS AS-SENSOR (AXLE OIL TEMPERATURE)	243
		HARNESS AS-SENSOR (HYDRAULIC OIL FILTER BYPASS)	247
		HARNESS AS-SENSOR (LIFT, TILT POSITION)	257

INDEX

Name	Page	Name	Page
HARNES AS-SENSOR (REAR AXLE OIL TEMPERATURE)	248	LIFT AR-4.25-M, HIGH LIFT, 2-VALVE	570
HARNES AS-STARTING AID (ETHER)	197	LIFTING GP-ENGINE	47
HARNES AS-STEERING (STIC CONTROL)	592		48
HARNES AS-TRANSMISSION (CONTROL)	265	LIGHTER GP (12-VOLT)	217
HARNES AS-TRANSMISSION (TORQUE CONVERTER)	253	LIGHTING AR-FLOOD & SIGNAL	165
HARNES AS-VALVE	227	LIGHTING AR-STOP & FLOOD	165
HARNES AS-VALVE (SEAT AIR COMPRESSOR)	667	LIGHTING GP-FLOOD	166
HITCH GP-ARTICULATING	392	LIGHTING GP-FLOOD & SIGNAL	172
HOOD & GUARD GP	394	LIGHTING GP-FLOOD-CAB FRONT	170
HORN GP-ELECTRIC	610	LIGHTING GP-FLOOD-CAB FRONT, REAR	171
HOUSING GP-FLYWHEEL	42	LIGHTING GP-FLOOD-HOOD	168
HOUSING GP-FRONT	44	LIGHTING GP-STOP & TAIL	176
	45	LINER GP-CAB	614
HYDRAULIC AR	498	LINES GP-AIR	115
		LINES GP-AIR CONDITIONER	617
			620
		LINES GP-AIR-TURBOCHARGER OUTLET	114
		LINES GP-AXLE OIL COOLER	292
			295
		LINES GP-AXLE OIL COOLER FAN	298
		LINES GP-AXLE VENT	302
		LINES GP-CAB HEATER	624
		LINES GP-CAB HEATER-COOLANT	622
		LINES GP-DIAGNOSTIC	682
			685
		LINES GP-ENGINE OIL-FILTER	78
		LINES GP-ENGINE OIL-OIL PAN	80
		LINES GP-FUEL	126
			130
		LINES GP-FUEL HEATER	132
		LINES GP-GREASE	404
			405
		LINES GP-GREASE- AXLE TRUNNIONS, LIFT CYLINDER	402
		LINES GP-GREASE-TILT LINK PINS	400
		LINES GP-HYDRAULIC	499
		LINES GP-HYDRAULIC FAN	504
		LINES GP-LIFT CYLINDER	511
		LINES GP-PILOT	513
		LINES GP-POWER TRAIN OIL	304
		LINES GP-SECONDARY STEERING	446
		LINES GP-SERVICE BRAKE-FRONT AXLE	437
		LINES GP-SERVICE BRAKE-REAR AXLE	436
		LINES GP-STEERING	450
		LINES GP-STEERING NEUTRALIZER	454
		LINES GP-TILT CYLINDER	515
			517
		LINES GP-TURBOCHARGER OIL	81
		LINES GP-WATER	93
		LINES GP-WATER-RADIATOR	89
		LINES GP-WATER-TURBOCHARGER	91
		LINK GP-STEERING FRAME LOCK	406
		LINKAGE GP-BUCKET	571
		LITERATURE GP	1
I			
INDICATOR AS (AIR FILTER SERVICE)	115		
INSTALLATION AR-ENGINE	6		
INSTALLATION GP-CONTROLS- PARKING BRAKE	611		
INSTALLATION GP-RADIO	612		
K			
KEY (BATTERY DISCONNECT)	203		
KEY (SQUARE)	530		
KEY-HANDLE	605		
KEY-SQUARE	597		
L			
LADDER GP-LH	397		
LAMP (24-VOLT)	217		
LAMP (24-VOLT) (CAB)	158		
LAMP (24-VOLT, 21-WATT)	172		
LAMP GP-DOME	158		
LAMP GP-FLOOD	159		
	160		
LAMP GP-INDICATOR	161		
LAMP GP-SIGNAL	162		
LAMP GP-SIGNAL (TURN, LH)	172		
LAMP GP-SIGNAL (TURN, RH)	172		
LAMP GP-SIGNAL-STOP, TAIL	164		
LAMP GP-SIGNAL-TURN	163		
LAMP-HALOGEN (24-VOLT, 70-WATT)	159		
	160		
LAMP-LED (24-VOLT, GREEN)	208		
LAMP-LED (24-VOLT, RED)	217		
LAMP-LED (24-VOLT, RED) (RED)	161		
LAMP-LED (24-VOLT, YELLOW)	207		
	217		

INDEX

Name	Page	Name	Page
M			
MANIFOLD GP-CONTROL-PARKING BRAKE . . .	519	PLATE & FILM GP	688
MANIFOLD GP-EXHAUST	116		689
MANIFOLD GP-FUEL	133		690
MANIFOLD GP-HYDRAULIC	520	PLATE AS-BRUSH	178
MECHANISM GP-FUEL PUMP & VALVE	49	PLATE AS-FRONT HOUSING	59
MIRROR GP-REAR VIEW	625	PLATE-IDENTIFICATION (CAT C18 ACERT)	690
MODULE GP-QUAD GAUGE	626	PLATE-IDENTIFICATION (CIRCUIT BREAKER)	231
MODULE GP-SPEEDOMETER & TACH	217	PLATE-SERIAL NUMBER	338
MOTOR & MTG GP-HYDRAULIC FAN	521		341
MOTOR GP-GEAR (AXLE OIL COOLER FAN)	267	PLATFORM GP	641
MOTOR GP-PISTON	522	PLATFORM GP-CAB	642
MOTOR GP-WINDOW WIPER	627	PLATFORM GP-OPERATOR	643
	628		646
MOTOR GP-WINDOW WIPER (FRONT)	670	PLUG GP	476
MOUNTING GP-ALTERNATOR & COMPR	50	PLUG GP-CONTROL VALVE- PRESSURE, FLOW COMPENSATOR	457
MOUNTING GP-BUMPER	407	PLUG GP-CYLINDER BLOCK	60
MOUNTING GP-CAB	629		61
MOUNTING GP-MUFFLER	117	PLUG GP-CYLINDER HEAD	62
MOUNTING GP-RIM	309	PLUG GP-FUEL FILTER BASE-AIR PURGE	134
MOUNTING GP-SENSOR	177	PLUG-DRAIN	103
MOUNTING GP-TORQUE CONVERTER	309		288
MUFFLER GP	118		537
O			
OPERATOR AR	630	PLUG-DRAIN (ENGINE OIL PAN)	51
ORIFICE AS-AIR CONDITIONER	617	PLUG-MAGNETIC	261
P			
PADLOCK GP	138		262
	394	PLUG-MAGNETIC (FINAL DRIVE, OIL FILL)	364
	680	POTENTIOMETER AS (TEMPERATURE CONTROL)	218
	692	POWER TRAIN AR	320
PAN GP-BACKREST-CLOTH	632	PRECLEANER GP	119
PAN GP-BACKREST-LUMBAR	631	PROTECTION GP-VANDALISM	692
PAN GP-OIL-ENGINE	51	PROTECTOR GP-SIDE BAR	679
	53	PULLEY GP-CRANKSHAFT	63
PANEL GP-INSTRUMENT-LOWER	635	PUMP & MTG GP-FUEL TRANSFER-REAR	135
PANEL GP-INSTRUMENT-UPPER	633	PUMP & MTG GP-HYDRAULIC FAN	524
PANEL GP-SIDE	410	PUMP & MTG GP-HYDRAULIC FAN- HIGH AMBIENT TEMPERATURE	523
PANEL GP-SIDE-HOOD SIDE, FRONT, RH	409	PUMP & MTG GP-IMPLEMENT	525
PANEL GP-SOUND SUPPRESSION	54	PUMP GP-ENGINE OIL	82
	55	PUMP GP-FUEL INJECTION	136
PANEL GP-SOUND SUPPRESSION- ENGINE FRONT HOUSING	56	PUMP GP-FUEL PRIMING	137
PEDAL GP-BRAKE	637	PUMP GP-FUEL PRM & WATER SEP	137
PEDAL GP-BRAKE-PEDAL, RH	636	PUMP GP-FUEL TRANSFER	135
PEDAL GP-GOVERNOR	639	PUMP GP-GEAR	321
	640		322
PIN & SEAL GP-LINKAGE	572		438
PISTON & ROD GP	57		458
PLANETARY GP-TRANSMISSION	310	PUMP GP-PISTON	460
			526
			528
			530
		PUMP GP-TRANSMISSION	323
			325

INDEX

Name	Page	Name	Page
PUMP GP-WATER	96	SEAL-LIP TYPE	
	97	(WATER TEMPERATURE REGULATOR)	93
		SEAL-VALVE COVER	16
			18
		SEALING GP-GLASS	584
			652
		SEAT BELT GP (RETRACTABLE)	656
		SEAT BELT GP-RETRACTABLE	653
		SEAT GP-CLOTH	654
			656
		SEAT GP-SUSPENSION	658
		SEGMENT-EDGE	678
		SENDER AS-FUEL LEVEL	139
		SENSOR & MTG GP-LIFT POSITION	179
		SENSOR & MTG GP-TILT POSITION	180
		SENSOR AS-TEMPERATURE	194
			195
		SENSOR GP-ENGINE	4
			181
		SENSOR GP-POSITION	183
			184
			185
		SENSOR GP-POSITION (ROTARY)	
		(TC IMPELLER CLUTCH)	637
		SENSOR GP-POSITION (ROTARY)	
		(THROTTLE)	639
		SENSOR GP-PRESSURE	186
			187
			188
			189
			249
		SENSOR GP-PRESSURE	
		(ATMOSPHERIC AIR)	181
		SENSOR GP-PRESSURE (ENGINE OIL)	123
			181
		SENSOR GP-PRESSURE	
		(IMPELLER CLUTCH)	253
		SENSOR GP-PRESSURE	
		(INTAKE MANIFOLD AIR)	181
		SENSOR GP-SPEED	190
			191
			192
		SENSOR GP-SPEED	
		(MAGNETIC, HIGH OUTPUT)	
		(TRANSMISSION OUTPUT 1)	289
		SENSOR GP-SPEED	
		(MAGNETIC, HIGH OUTPUT)	
		(TRANSMISSION OUTPUT 2)	289
		SENSOR GP-SPEED (SECONDARY, TIMING)	181
		SENSOR GP-SPEED (TIMING, CAMSHAFT)	192
		SENSOR GP-SPEED	
		(TIMING, CRANKSHAFT)	181
		SENSOR GP-SPEED	
		(TORQUE CONVERTER OUTPUT)	253
		SENSOR GP-TEMPERATURE	194

R

S

INDEX

Name	Page	Name	Page
	195	SWITCH AS-PRESSURE	
	196	(BRAKE ACCUMULATOR CHARGE)	247
SENSOR GP-TEMPERATURE (COOLANT)	181	SWITCH AS-PRESSURE (FILTER BYPASS)	497
SENSOR GP-TEMPERATURE (FUEL)	123	SWITCH AS-PRESSURE	
SENSOR GP-TEMPERATURE		(PARKING BRAKE OIL)	439
(INTAKE AIR MANIFOLD)	181	SWITCH AS-PRESSURE	
SENSOR GP-TEMPERATURE		(PRIMARY STEERING OIL)	446
(TRANSMISSION OIL)	265	SWITCH AS-PRESSURE	
SENSOR GP-TEMPERATURE-		(TRANSMISSION OIL FILTER BYPASS)	282
PULSE WIDTH MODULTAED	193	SWITCH AS-PUSH BUTTON (HORN)	217
SENSOR-PRESSURE	188	SWITCH AS-PUSH BUTTON	
SHAFT GP-DRIVE	330	(THROTTLE LOCK RESUME)	218
SHAFT GP-INPUT DRIVE	332	SWITCH AS-PUSH BUTTON	
SHIELD GP-ENGINE COMPARTMENT	411	(THROTTLE LOCK SET)	218
	412	SWITCH AS-ROCKER (24-VOLT)	208
SHIELD GP-MANIFOLD-		SWITCH AS-ROCKER (24-VOLT)	
EXHAUST MANIFOLD	120	(STAIRWAY ACCESS LIGHTS)	222
SLIP JOINT GP	333	SWITCH AS-ROCKER	
SOFTWARE GP-MONITOR	156	(AIR CONDITIONER, HEATER)	221
SOFTWARE GP-POWER TRAIN	156	SWITCH AS-ROCKER	
SOLENOID AS-STARTING MOTOR (24-VOLT)	200	(ECONOMY CONTROL)	222
SPIDER & BEARING GP	333	SWITCH AS-ROCKER	
	353	(FAN BLOWER SPEED)	221
	354	SWITCH AS-ROCKER	
STARTING AID GP-ETHER	197	(HYDRAULIC LOCKOUT)	222
STARTING MOTOR GP-ELECTRIC	199	SWITCH AS-ROCKER (KICKOUT SET)	222
	200	SWITCH AS-ROCKER (MODE SELECT)	221
STEERING AR	463	SWITCH AS-ROCKER	
STEP GP	413	(THROTTLE LOCK ENABLE)	222
	414	SWITCH AS-ROCKER	
STOP GP-STEERING	454	(TORQUE CONVERTER LOCKUP)	207
STRAINER	537	SWITCH AS-ROCKER	
STRAINER-FUEL	139	(TRANSMISSION DIRECTION)	595
SUPPORT GP-ENGINE	69	SWITCH AS-ROTARY (24-VOLT, 4-POSITION)	217
SUPPORT GP-ENGINE-FRONT	70	SWITCH AS-ROTARY (24-VOLT, 5-POSITION)	217
SUPPORT GP-FILTER	415	SWITCH AS-START (KEY)	217
SUPPORT GP-HYDRAULIC CONTROL	659	SWITCH GP-DISCONNECT (BATTERY)	214
SUPPORT GP-SEAT	662	SWITCH GP-DISCONNECT-BATTERY	203
SUPPORT GP-STEERING CONTROL	663	SWITCH GP-MAGNETIC	204
SUPPORT GP-TRANSMISSION	334		205
SUPPRESSION AR-SOUND	416	SWITCH GP-PRESSURE	206
SUPPRESSION GP-CAB SOUND	666	SWITCH GP-ROCKER-	
SUPPRESSION GP-SOUND-		TORQUE CONVERTER LOCKUP	207
BOTTOM GUARDS	419	SWITCH GP-SIGNAL	208
SUPPRESSION GP-SOUND-HOOD	417	SWITCH GP-TOGGLE	209
SUSPENSION GP-SEAT-AIR	667	SWITCH GP-TOGGLE	
SWITCH AS (TRANSMISSION DOWNSHIFT)	595	(GROUND LEVEL ENGINE SHUTDOWN)	259
SWITCH AS (TRANSMISSION UPSHIFT)	595	SWITCH GP-TOGGLE	
SWITCH AS-ADJUSTABLE		(STAIRWAY ACCESS LIGHTS)	259
(STOP LIGHT LIMIT)	637	SWITCH GP-TRANSMISSION	595
SWITCH AS-LIMIT (NORMALLY CLOSED)		SWITCH GP-WIPER	210
(STOP LIGHT)	637		
SWITCH AS-LIMIT (RIGHT FT BRAKE BASE)	636		
SWITCH AS-PRESSURE			
(AIR CONDITIONER)	240		
		T	
		TANK & MTG GP-FUEL	138

INDEX

Name	Page	Name	Page
TANK & MTG GP-HYDRAULIC	536		
TANK GP-COOLANT	102	VALVE GP-PILOT CARTRIDGE	359
TANK GP-FUEL	139		469
TANK GP-HYDRAULIC	537		470
TIRE & RIM AR	336	VALVE GP-PILOT-STIC STEERING	468
TORQUE CONVERTER & HOUSING GP	340	VALVE GP-PRESSURE REDUCING	555
TORQUE CONVERTER & HOUSING GP- FREEWHEEL STATOR, LOCKUP	337	VALVE GP-PRESSURE REDUCING (STEERING PILOT OIL REGULATOR)	476
TORQUE CONVERTER AR	343		480
TORQUE CONVERTER AR-LOCKUP	343	VALVE GP-PUMP CONTROL- PRESSURE COMPENSATOR	471
TORQUE CONVERTER GP	344	VALVE GP-PUMP CONTROL- PRESSURE, FLOW COMPENSATOR	556
	347	VALVE GP-RADIATOR DRAIN	103
TRANSMISSION AR	352	VALVE GP-RELIEF	360
TURBOCHARGER GP	121		472
	122		473
			520
			558
			560
U			562
UNIVERSAL JOINT GP	353		563
	354		
UNIVERSAL JOINT GP-INPUT DRIVE SHAFT ...	355	VALVE GP-RELIEF (LINE RELIEF, TILT CYL ROD END)	546
		VALVE GP-RELIEF (MAIN)	473
			563
		VALVE GP-RELIEF (STEERING CYLINDER CROSSOVER)	476
			479
		VALVE GP-RELIEF (STEERING, IMPLEMENT PILOT)	499
		VALVE GP-RELIEF-LINE, LIFT	559
			561
		VALVE GP-SELECTOR & PRESS CONT	474
VALVE & MTG GP-BRAKE CONTROL	441	VALVE GP-SHUTOFF (COOLANT)	622
VALVE & MTG GP-BRAKE CONTROL- PARKING	439	VALVE GP-SHUTTLE	475
VALVE & MTG GP-MAIN CONTROL	540	VALVE GP-SOLENOID	361
VALVE AS-PRESSURE RELIEF (REFRIGERANT COMPRESSOR)	585		362
VALVE GP-ACCUMULATOR CHARGING	431		564
VALVE GP-BRAKE CONTROL (SERVICE)	441		565
VALVE GP-BRAKE CONTROL-PARKING	443		566
VALVE GP-CHECK	356		566
	464	VALVE GP-SOLENOID (24-VOLT)	540
	465	VALVE GP-SOLENOID (24-VOLT) (AXLE OIL COOLER)	298
	466	VALVE GP-SOLENOID (24-VOLT) (HYDRAULIC LOCKOUT)	565
	467	VALVE GP-SOLENOID (BRAKE COOLING)	519
	545	VALVE GP-SOLENOID-DEMAND FAN	567
VALVE GP-CHECK (AIR PURGE)	431	VALVE GP-STEERING	476
VALVE GP-CHECK (HYDRAULIC OIL COOLER BYPASS)	504		479
VALVE GP-CHECK (STEERING PILOT)	454	VALVE GP-STEERING NEUTRALIZER- STIC STEERING	482
VALVE GP-CHECK-FUEL	141	VALVE GP-TRANSMISSION CONTROL	363
	142	VALVE-RELIEF (TORQUE CONVERTER INLET)	363
VALVE GP-CONTROL	546		
	551		
VALVE GP-CONTROL (TILT REGENERATION)	515		
VALVE GP-DEMAND FAN	553		
VALVE GP-ETHER STARTING	211		
	212		
VALVE GP-MANUAL	554		
VALVE GP-MODULATING	357		
	358		

INDEX

Name	Page	Name	Page
W			
WARNING GP-BACKUP	213		
WASHER GP-WINDOW	669		
WATER SEP & FUEL PRM PUMP GP	137		
WHEEL & FINAL DRIVE GP	364		
WIPER GP-WINDOW	670		
WIRING GP-BUMPER	214		
WIRING GP-CAB	217		
WIRING GP-ELECTROHYDRAULIC	227		
WIRING GP-ELECTRONIC CONTROL	229		
WIRING GP-ELECTRONICS BAY	231		
WIRING GP-ENGINE	240		
WIRING GP-ENGINE- ALTERNATOR, STARTING MOTOR	239		
WIRING GP-FRONT	243		
WIRING GP-MACHINE	247		
WIRING GP-POWER TRAIN	253		
WIRING GP-REAR	255		
WIRING GP-SENSOR-LIFT, TILT POSITION	257		
WIRING GP-SHUTOFF-GROUND LEVEL	259		

MEMORANDA

MACHINE ARRANGEMENT

284-2735 CHASSIS AR

S/N: A7A1-UP

PART OF 284-2327 COMMON AR

SMCS-7000

i04455551

NOTE	PART NUMBER	QTY	PART NAME						SEE PAGE
			1	2	3	4	5	6 (PRODUCT LEVEL)	
Y	224-9455	1	AFTERCOOLER GP-AIR						104
Y	114-5172	1	CONDENSER GP-REFRIGERANT						587
Y	164-0058	1	COOLER GP-HYDRAULIC OIL						487
Y	328-3080	1	COVER GP-ACCESS						369
Y	160-5760	1	FAN & BAFFLE GP						84
Y	114-5126	1	FIREWALL GP						379
Y	257-2537	1	FRAME AS-LOADER						381
Y	225-7922	1	FRAME AS-REAR						383
Y	198-9229	1	GUARD GP-FRONT						387
Y	158-8785	1	GUARD GP-HYDRAULIC TANK						388
Y	114-5137	1	GUARD GP-POWER TRAIN						389
Y	225-6334	1	GUARD GP-RADIATOR						390
Y	255-8243	1	HITCH GP-ARTICULATING						392
Y	225-5235	1	HOOD & GUARD GP						394
Y	114-5133	1	LADDER GP						397
Y	114-5142	1	LINES GP-AIR CONDITIONER						617
Y	225-8334	1	LINES GP-FUEL						126
Y	259-2401	1	LINES GP-GREASE (AXLE TRUNNIONS, LIFT CYLINDER)						402
Y	225-6319	1	LINES GP-WATER (RADIATOR)						89
Y	114-5121	1	LINK GP-STEERING FRAME LOCK						406
Y	327-3740	1	MOUNTING GP-BUMPER						407
Y	346-3822	1	OPERATOR AR						630
Y	230-4182	1	PANEL GP-SIDE						410
Y	154-7531	1	PIN & SEAL GP-LINKAGE						572
Y	233-8479	1	PLATE & FILM GP						688
Y	114-5124	1	PLATFORM GP-OPERATOR						643
Y	247-0848	1	STARTING AID GP-ETHER						197
Y	114-5138	1	SUPPORT GP-TRANSMISSION						334
Y	228-1787	1	TANK & MTG GP-FUEL						138
Y	114-5127	1	WASHER GP-WINDOW						669
	6V-1970	1	LITERATURE GP						
	5P-7958	1	SLEEVE-CABLE SPLICE						
	5P-8500	2	KEY						

Y-SEPARATE ILLUSTRATION

<END>

284-2327 COMMON AR

S/N: A7A1-UP

SMCS-7000

i04455535

NOTE	PART NUMBER	QTY	PART NAME						SEE PAGE
			1	2	3	4	5	6 (PRODUCT LEVEL)	
Y	284-2735	1	CHASSIS AR						1
Y	337-0870	1	ELECTRICAL AR						156
Y	345-3930	1	HYDRAULIC AR						498
Y	226-9643	1	INSTALLATION AR-ENGINE						6
Y	225-5455	1	POWER TRAIN AR						320

Y-SEPARATE ILLUSTRATION

<END>

MACHINE ARRANGEMENT

352-8266 CONVERSION AR-MACHINE

S/N: A7A1-UP
AN ATTACHMENT

SMCS-7000

i04477730

NOTE	PART NUMBER	QTY	PART NAME						SEE PAGE
			1	2	3	4	5	6 (PRODUCT LEVEL)	
Y	236-0964	1	PLATE & FILM GP						689
Y	309-0972	1	WIRING GP-ELECTRONICS BAY						231

Y-SEPARATE ILLUSTRATION

<END>

379-3389 DISTRIBUTION AR

S/N: A7A1-UP
AN ATTACHMENT

SMCS-7000

i04501932

NOTE	PART NUMBER	QTY	PART NAME						SEE PAGE
			1	2	3	4	5	6 (PRODUCT LEVEL)	
Y	20-8723	1	AIR CLEANER GP						106
Y	259-8449	1	COOLER AR-AXLE OIL						272
Y	226-1956	1	COOLING AR-HIGH AMBIENT TEMP						83
Y	281-6452	1	ENGINE AR-COMPLETE						3
Y	114-5125	1	FENDER GP-FRONT						377
Y	298-6964	1	LIFT AR (4.25-M, HIGH LIFT, 2-VALVE)						570
Y	285-6399	1	LIGHTING AR-STOP & FLOOD						165
Y	226-0307	1	LINES GP-FUEL HEATER (WITH CAB HEATER LINES)						132
Y	259-2420	1	LINES GP-GREASE						405
Y	132-6144	1	LINES GP-SECONDARY STEERING						446
Y	236-0964	1	PLATE & FILM GP						689
Y	225-8338	1	SUPPRESSION AR-SOUND						416
Y	231-7842	1	TORQUE CONVERTER AR-LOCKUP						343

Y-SEPARATE ILLUSTRATION

<END>

379-3390 DISTRIBUTION AR

S/N: A7A1-UP
AN ATTACHMENT

SMCS-7000

i04501933

NOTE	PART NUMBER	QTY	PART NAME						SEE PAGE
			1	2	3	4	5	6 (PRODUCT LEVEL)	
Y	225-6725	1	COOLING AR (STANDARD AMBIENT TEMPERATURE)						83
Y	281-6452	1	ENGINE AR-COMPLETE						3
Y	114-5125	1	FENDER GP-FRONT						377
Y	298-6964	1	LIFT AR (4.25-M, HIGH LIFT, 2-VALVE)						570
Y	285-6400	1	LIGHTING AR-FLOOD & SIGNAL						165
Y	226-0307	1	LINES GP-FUEL HEATER (WITH CAB HEATER LINES)						132
Y	259-2420	1	LINES GP-GREASE						405
Y	236-0964	1	PLATE & FILM GP						689
Y	151-2384	1	STEERING AR						463
Y	225-8337	1	SUPPRESSION AR-SOUND						416
Y	231-7844	1	TORQUE CONVERTER AR						343

Y-SEPARATE ILLUSTRATION

<END>

ENGINE ARRANGEMENT

281-6452 ENGINE AR-COMPLETE

S/N: TXH1-UP; RHX1-UP

390/414 BRAKE KW (523/555 BHP) AT 1800 RPM. WITHOUT BRAKE

PART OF 379-3389, 379-3390 DISTRIBUTION AR

AN ATTACHMENT

SMCS-1000

i04395711

NOTE	PART NUMBER	QTY	PART NAME						SEE PAGE
			1	2	3	4	5	6 (PRODUCT LEVEL)	
Y	126-7631	1	CONNECTION GP-ELECTRICAL (CYLINDER BLOCK GROUND)						150
Y	243-1560	1	CONTROL & MTG GP-ENGINE ELEK						151
Y	107-6736	1	COVER GP-CYLINDER BLOCK (TURBOCHARGER DRAIN COVER)						11
Y	140-9746	1	COVER GP-CYLINDER BLOCK (CENTRAL STRUCTURE)						12
Y	120-9847	1	COVER GP-FRONT HOUSING (OIL FILLER)						13
Y	159-6159	1	COVER GP-FRONT HOUSING (CAM, IDLER GEAR)						14
Y	230-0104	1	COVER GP-SOUND SUPPRESSION						15
Y	237-1964	1	COVER GP-TURBOCHARGER						110
Y	187-1328	1	COVER GP-VALVE MECHANISM						17
Y	227-3705	1	DAMPER GP						30
Y	206-4227	1	DRIVE GP-ACCESSORY						32
Y	6I-3638	1	DRIVE GP-PUMP						33
Y	356-2209	1	ENGINE AR-CORE						5
Y	4P-6846	1	FASTENER GP-FRONT HOUSING (SUPPORT)						34
Y	108-9382	1	FASTENER GP-FRONT HOUSING (FAN DRIVE)						35
Y	4N-2481	1	FASTENER GP-OIL PUMP MOUNTING						72
Y	109-1657	1	FASTENER GP-VALVE MECHANISM						36
Y	109-2373	1	FASTENER GP-WATER PUMP						88
Y	233-8677	1	FILLER GP-ENGINE OIL						73
Y	263-5374	1	FILTER GP-ENGINE OIL						74
Y	356-1878	1	FILTER GP-FUEL						123
Y	4P-6817	1	FLYWHEEL GP						37
Y	159-9362	1	FUMES DISPOSAL GP						76
Y	220-2917	1	GAUGE GP-OIL LEVEL (DIPSTICK) (ENGINE)						77
Y	134-2809	1	HOUSING GP-FLYWHEEL						42
Y	341-8964	1	HOUSING GP-FRONT						45
Y	111-2088	1	LIFTING GP-ENGINE (REAR)						47
Y	111-2355	1	LIFTING GP-ENGINE (FRONT)						48
Y	126-0081	1	LINES GP-AIR (TURBOCHARGER OUTLET)						114
Y	219-4443	1	LINES GP-ENGINE OIL (FILTER)						78
Y	291-6821	1	LINES GP-ENGINE OIL						80
Y	314-5164	1	LINES GP-FUEL						130
Y	235-1054	1	LINES GP-TURBOCHARGER OIL						81
Y	281-7060	1	LINES GP-WATER (INCLUDES XMSN & ENG OIL CLRS)						93
Y	220-6372	1	MANIFOLD GP-EXHAUST						116
Y	188-1754	1	MOUNTING GP-ALTERNATOR & COMPR						50
Y	230-9962	1	MOUNTING GP-MUFFLER						117
Y	299-7327	1	MOUNTING GP-SENSOR						177
Y	175-3860	1	PAN GP-OIL						51
Y	174-3874	1	PANEL GP-SOUND SUPPRESSION (ENGINE, LH)						54
Y	227-9980	1	PANEL GP-SOUND SUPPRESSION (FRONT HOUSING)						56
Y	235-8397	1	PLUG GP-CYLINDER BLOCK						60
Y	230-5378	1	PLUG GP-CYLINDER HEAD						62
Y	150-4279	1	PUMP & MTG GP-FUEL TRANSFER						135
Y	185-6278	1	SUPPORT GP-ENGINE						70
Y	304-5270	1	SUPPORT GP-FILTER						415
Y	246-6624	1	TURBOCHARGER GP						121
Y	356-1798	1	WIRING GP-ELECTRONIC CONTROL						229

PLEASE USE THE GASKET KIT LINK IN SIS OR
CONTACT YOUR LOCAL DEALER FOR THE LATEST
GASKET KIT INFORMATION

Y-SEPARATE ILLUSTRATION

ENGINE ARRANGEMENT

356-2208 ENGINE AR-CORE

S/N: TXH1-UP; RHX1-UP

PART OF 356-2209 ENGINE AR-CORE
AN ATTACHMENT

SMCS-1000

i04396095

NOTE	PART NUMBER	QTY	PART NAME						SEE PAGE
			1	2	3	4	5	6 (PRODUCT LEVEL)	
Y	278-5662	1	BASE GP-VALVE COVER & INJ HARN						8
Y	234-7935	1	CAMSHAFT GP						10
Y	223-9732	1	CRANKSHAFT GP						19
Y	261-0191	1	CYLINDER BLOCK GP						22
Y	274-1953	1	CYLINDER HEAD GP						28
Y	207-0449	1	GEAR GP-FRONT						39
Y	190-0009	1	MECHANISM GP-FUEL PUMP & VALVE						49
Y	220-1441	6	PISTON & ROD GP						57
YR	161-4113	1	PUMP GP-ENGINE OIL						82
Y	235-1402	6	PUMP GP-FUEL INJECTION						136
Y	174-5986	1	PUMP GP-WATER						96
Y	354-0041	1	SENSOR GP-ENGINE						181

R-REMG PART MAY BE AVAILABLE
Y-SEPARATE ILLUSTRATION

ENGINE ARRANGEMENT

356-2209 ENGINE AR-CORE

S/N: TXH1-UP; RHX1-UP

PART OF 281-6452 ENGINE AR-COMplete
AN ATTACHMENT

SMCS-1000

i04396091

NOTE	PART NUMBER	QTY	PART NAME						SEE PAGE
			1	2	3	4	5	6 (PRODUCT LEVEL)	
Y	356-2208	1	ENGINE AR-CORE						4
Y	353-8741	1	PLATE & FILM GP						690
	226-4737	1	ELECTRONICS GP-ENGINE RATINGS						
Y-SEPARATE ILLUSTRATION									

ENGINE ARRANGEMENT

226-9643 INSTALLATION AR-ENGINE

S/N: A7A1-UP

PART OF 284-2327 COMMON AR

SMCS-1000

i04455538

NOTE	PART NUMBER	QTY	PART NAME						SEE PAGE
			1	2	3	4	5	6 (PRODUCT LEVEL)	
Y	231-7084	1	AIR CLEANER GP						108
Y	262-5046	1	ALTERNATOR GP-CHARGING						146
Y	190-6563	1	BELT TENSIONER GP						9
Y	262-4948	1	COMPRESSOR GP-REFRIGERANT						586
Y	164-5789	1	DRAIN GP-ENGINE OIL						31
Y	232-0364	1	DUST EJECTOR GP						111
Y	232-0362	1	EXTENSION GP-FUMES DISPOSAL						71
Y	232-0347	1	LINES GP-AIR						115
Y	233-7183	1	LINES GP-WATER (TURBOCHARGER)						91
Y	231-7090	1	MUFFLER GP						118
Y	269-3947	1	PLUG GP-FUEL FILTER BASE (AIR PURGE)						134
Y	170-1757	1	PULLEY GP-CRANKSHAFT						63
Y	240-2653	1	SHIELD GP-MANIFOLD (EXHAUST MANIFOLD)						120
Y	265-9091	1	STARTING MOTOR GP-ELECTRIC						199
Y	132-6236	1	SUPPORT GP-ENGINE						69

Y-SEPARATE ILLUSTRATION

BASIC ENGINE

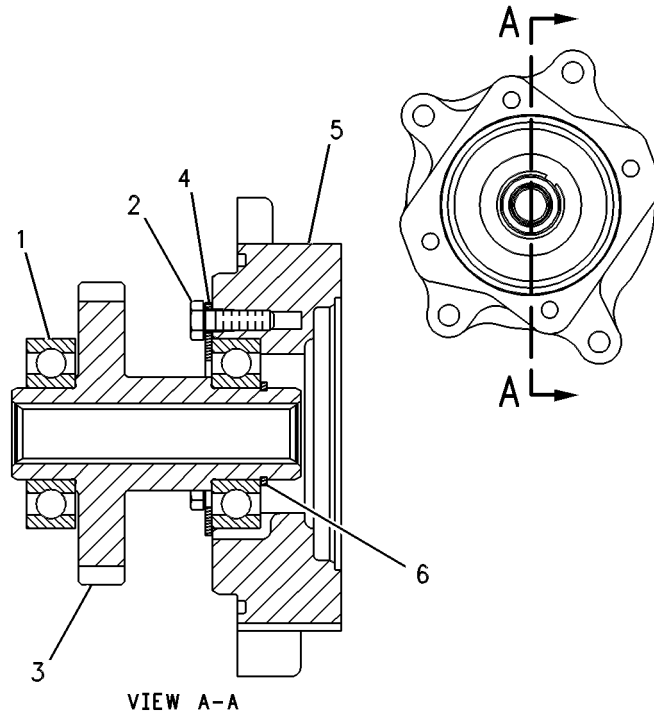
133-9907 ADAPTER GP-PUMP DRIVE

S/N: TXH1-UP; RHX1-UP
PART OF 6I-3638 DRIVE GP-PUMP
AN ATTACHMENT

SMCS-3108

i04395854

NOTE	REF NO	GRAPHIC REF	PART NUMBER	QTY	PART NAME						SEE PAGE
					1	2	3	4	5	6 (PRODUCT LEVEL)	
	1	1	1B-3867	2	BALL BEARING						
	2	1	4F-7957	3	BOLT (1/4-20X0.875-IN)						
	3	1	6I-4575	1	GEAR (34-TEETH)						
	4	1	9X-2038	3	WASHER (7X19X2-MM THK)						
	5	1	133-9906	1	ADAPTER						
	6	1	1H-8647	1	RING-SNAP						



GRAPHIC #1

<END>

g00263602

BASIC ENGINE

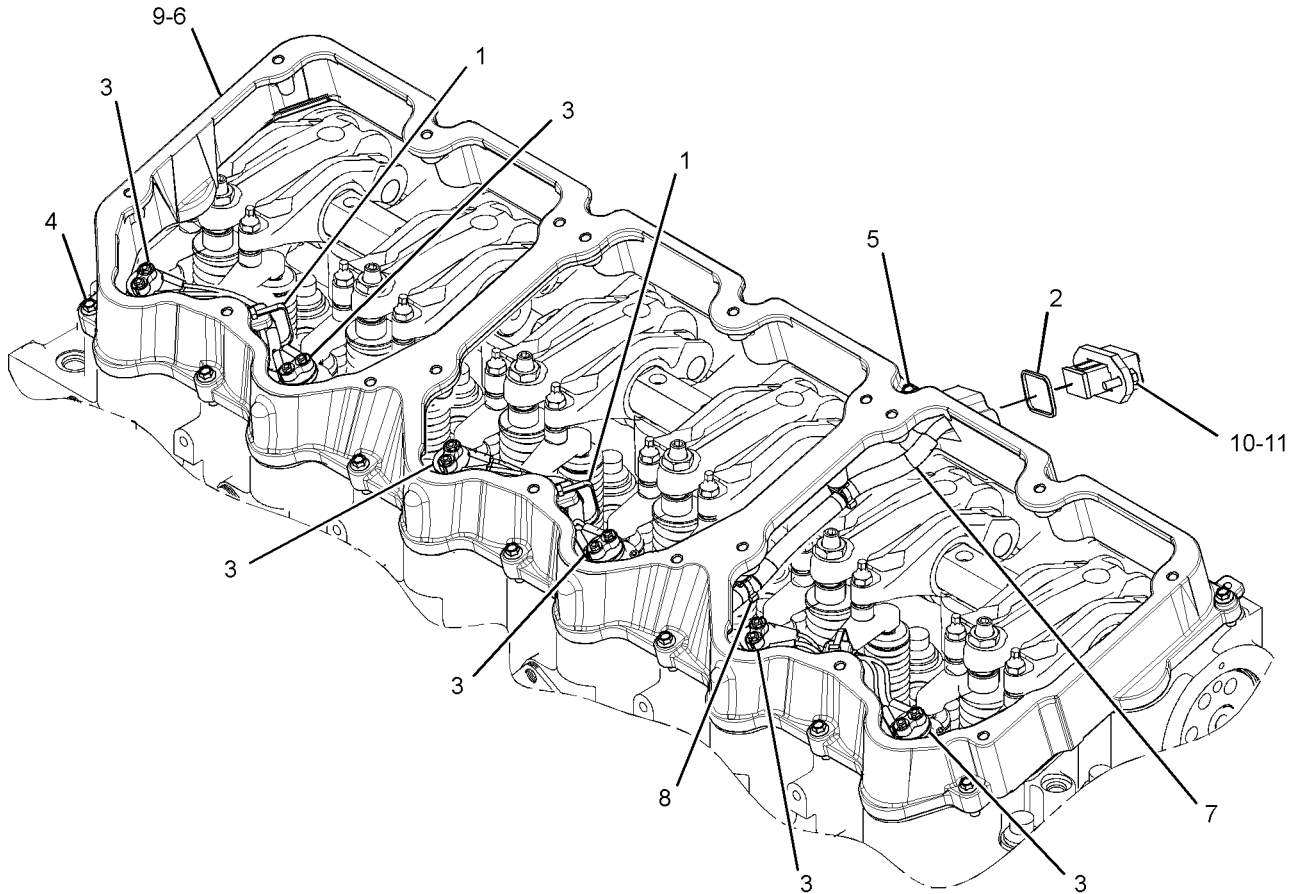
278-5662 BASE GP-VALVE COVER & INJ HARN

S/N: TXH1-UP; RHX1-UP
PART OF 356-2208 ENGINE AR-CORE
AN ATTACHMENT

SMCS-1120, 1408

i04396120

NOTE	REF NO	GRAPHIC REF	PART NUMBER	QTY	PART NAME						SEE PAGE
					1	2	3	4	5	6 (PRODUCT LEVEL)	
	1	1	123-3202	3	STRAP-CABLE						
	2	1	6V-0128	1	SEAL-CONNECTOR						
	3	1	7E-6508	6	CAP AS						
	4	1	9L-8925	14	BOLT (5/16-18X1.25-IN)						
	5	1	122-1472	1	BOLT (5/16-18X2.36-IN)						
	6	1	289-8215	1	BASE-VALVE MECHANISM COVER						
	7	1	343-9866	1	HARNES AS-ENGINE (UNIT INJECTOR)						
		1	103-8134	1	KIT-RECEPTACLE (12-PIN)						
		1	102-8801	1	KIT-RECEPTACLE (12-PIN)						
					(EACH KIT INCLUDES RECEPTACLE AS & WEDGE)						
		1	7E-6513	6	CONNECTOR AS						
		1	8T-8737	3	PLUG-SEAL						
		1	180-9339	9	PIN-CONNECTOR (14-GA TO 18-GA)						
	8	1	326-4512	6	MOUNTING-CABLE TIE						
	9	1	272-0390	1	SEAL						
	10	1	4F-7957	2	BOLT (1/4-20X0.875-IN)						
	11	1	5P-0537	2	WASHER-HARD (7.2X14.5X2-MM THK)						



GRAPHIC #1

<END>

g02060774

BASIC ENGINE

190-6563 BELT TENSIONER GP

S/N: A7A1-UP

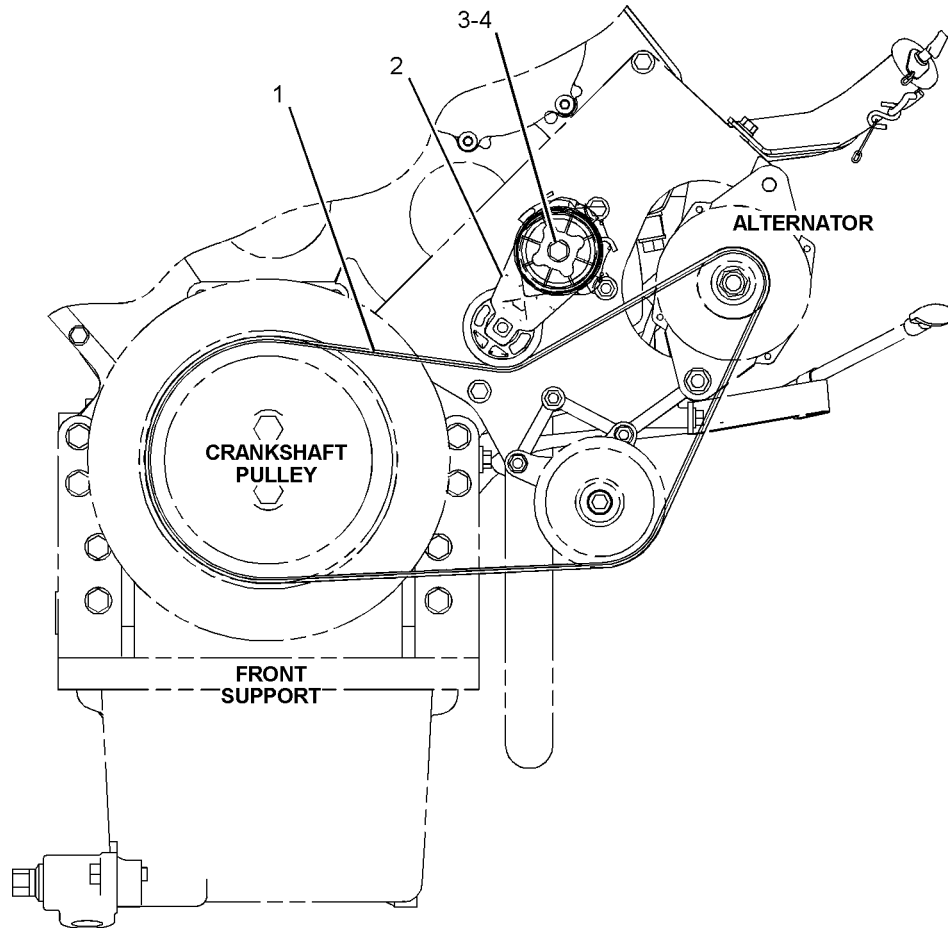
PART OF 226-9643 INSTALLATION AR-ENGINE
FOR USE WITH A 62 MILLIMETER DIAMETER PULLEY

SMCS-1357, 1358, 1397

i04455914

NOTE	REF NO	GRAPHIC REF	PART NUMBER	QTY	PART NAME						SEE PAGE
					1	2	3	4	5	6 (PRODUCT LEVEL)	
	1	1	190-6560	1	BELT-SERPENTINE						
	2	1	217-8938	1	BELT TENSIONER						
	3	1	8T-4121	1	WASHER-HARD (11X21X2.5-MM THK)						
M	4	1	8T-4178	1	BOLT (M10X1.5X90-MM)						

M-METRIC PART



FRONT VIEW
<END>

GRAPHIC #1

g01082851

BASIC ENGINE

234-7935 CAMSHAFT GP

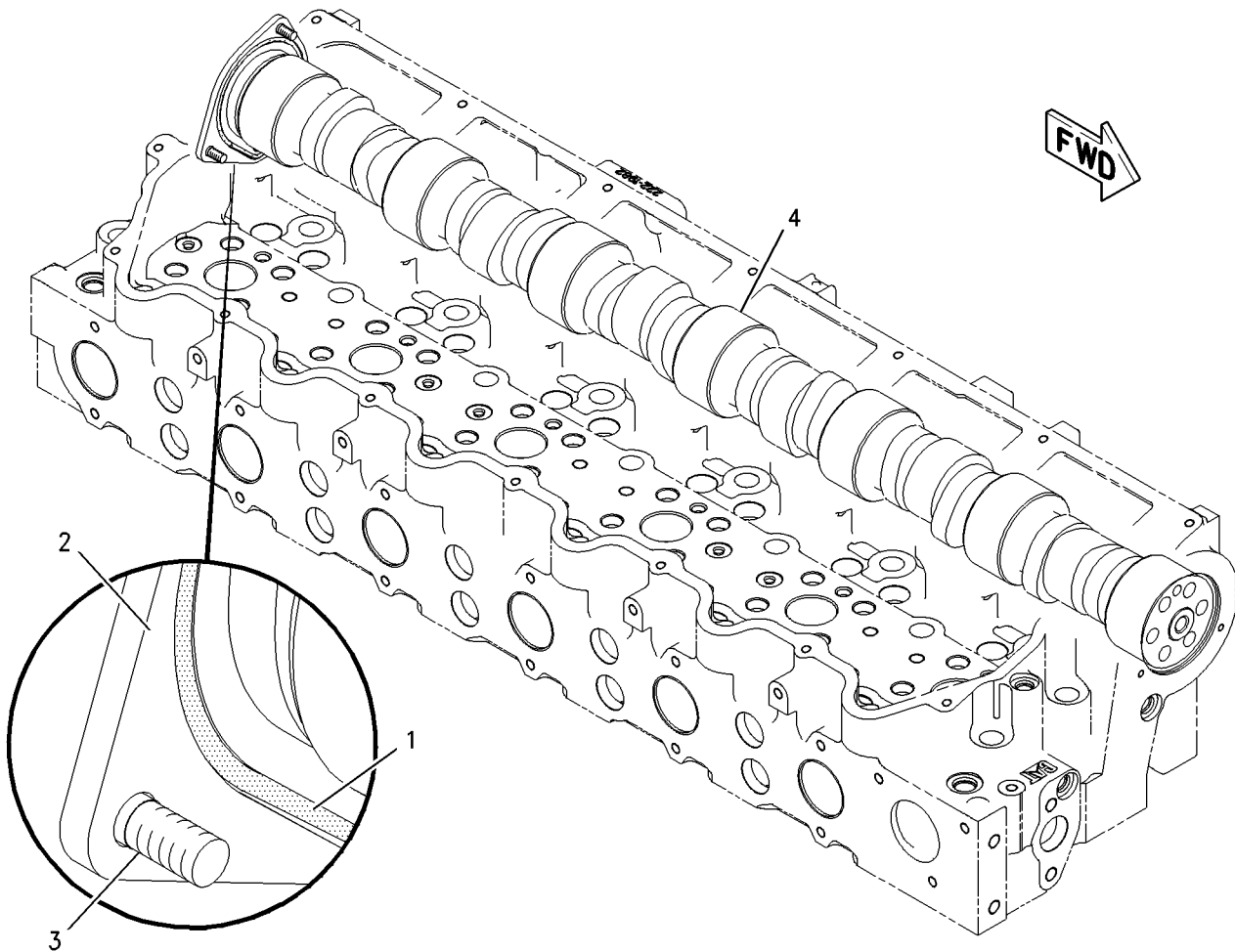
S/N: TXH1-UP; RHX1-UP
PART OF 356-2208 ENGINE AR-CORE
AN ATTACHMENT

SMCS-1210, 1211, 1212

i04396122

NOTE	REF NO	GRAPHIC REF	PART NUMBER	QTY	PART NAME						SEE PAGE
					1	2	3	4	5	6 (PRODUCT LEVEL)	
	1	1	6V-1197	1	SEAL-O-RING						
	2	1	102-9089	1	COVER						
	3	1	119-0036	3	SCREW-FLAT HEAD (5/16-18X0.875-IN)						
R	4	1	332-7298	1	CAMSHAFT						

R-REMFG PART MAY BE AVAILABLE



GRAPHIC #1

<END>

g01002422

BASIC ENGINE

107-6736 COVER GP-CYLINDER BLOCK

S/N: TXH1-UP; RHX1-UP

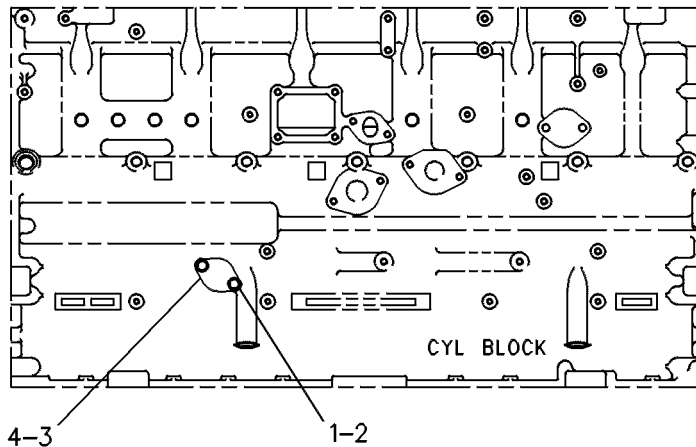
PART OF 281-6452 ENGINE AR-COMplete

FOR USE WITH MID MOUNTED TURBO AND/OR RH OIL FILL
AN ATTACHMENT

SMCS-1201

i04395797

NOTE	REF NO	GRAPHIC REF	PART NUMBER	QTY	PART NAME						SEE PAGE
					1	2	3	4	5	6 (PRODUCT LEVEL)	
	1	1	0S-1594	2	BOLT (3/8-16X1-IN)						
	2	1	5M-2894	2	WASHER-HARD (10.2X18.5X2.5-MM THK)						
	3	1	4W-9890	1	COVER						
	4	1	4N-0699	1	GASKET						



LEFT SIDE VIEW

GRAPHIC #1

<END>

g00244599

BASIC ENGINE

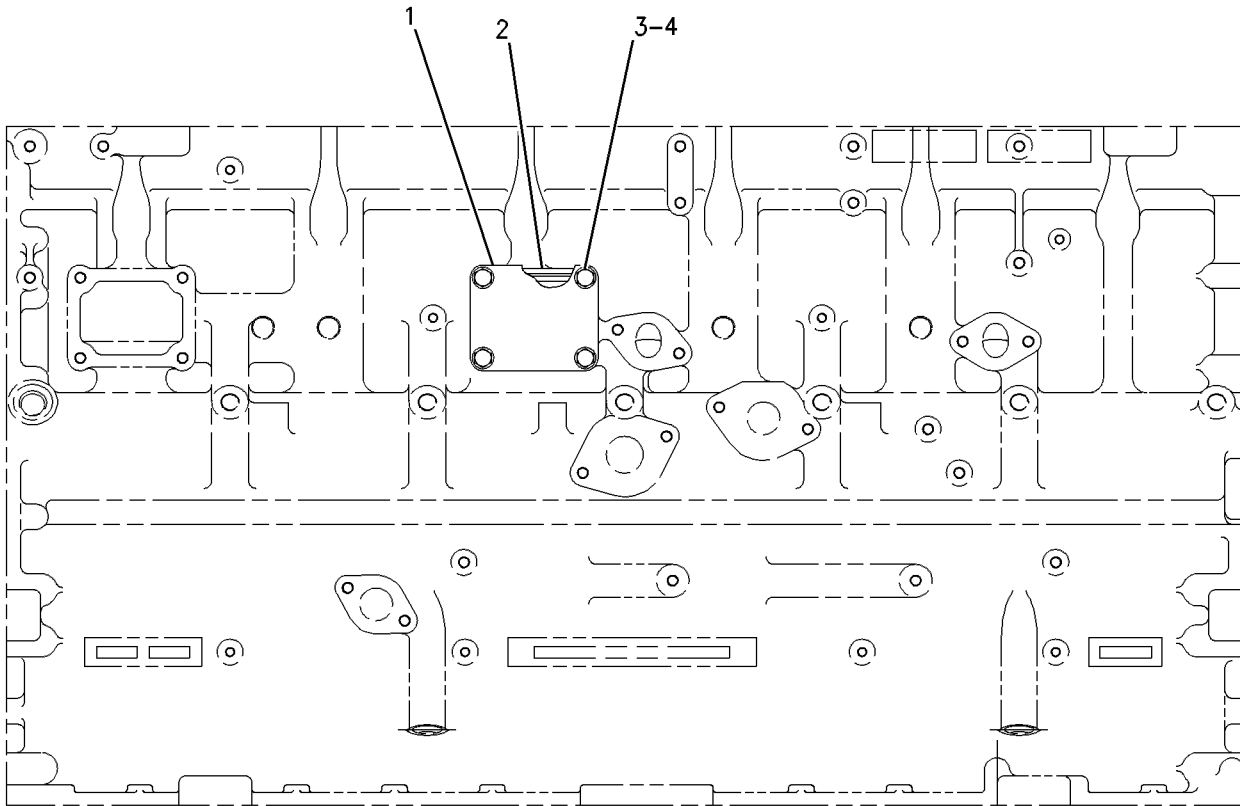
140-9746 COVER GP-CYLINDER BLOCK

S/N: TXH1-UP; RHX1-UP
NO. 4 CYLINDER WATER OPENING
PART OF 281-6452 ENGINE AR-COMPLETE
AN ATTACHMENT

SMCS-1201

i04395801

NOTE	REF NO	GRAPHIC REF	PART NUMBER	QTY	PART NAME						SEE PAGE
					1	2	3	4	5	6 (PRODUCT LEVEL)	
	1	1	145-3849	1	COVER						
	2	1	126-4935	1	SEAL - INTEGRAL						
	3	1	0S-1594	4	BOLT (3/8-16X1-IN)						
	4	1	5M-2894	4	WASHER-HARD (10.2X18.5X2.5-MM THK)						



GRAPHIC #1

<END>

g00506684

BASIC ENGINE

120-9847 COVER GP-FRONT HOUSING

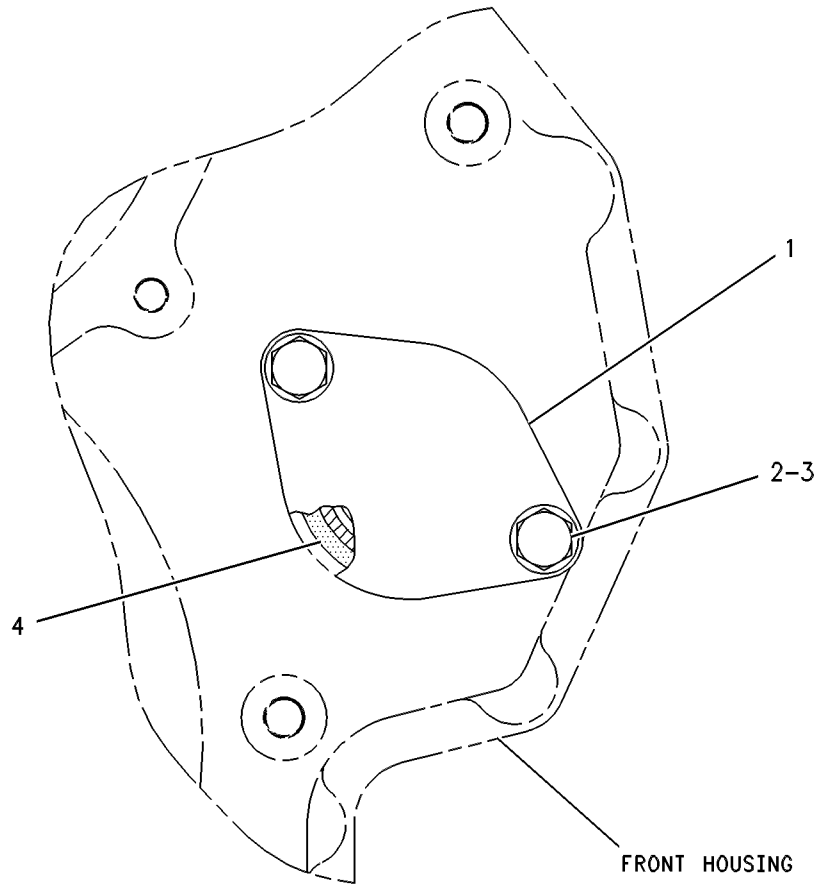
S/N: TXH1-UP; RHX1-UP

PROVIDES COVER FOR OIL FILLER OPENING ON FRONT HOUSING
PART OF 281-6452 ENGINE AR-COMplete
AN ATTACHMENT

SMCS-1151, 1166

i04395804

NOTE	REF NO	GRAPHIC REF	PART NUMBER	QTY	PART NAME						SEE PAGE
					1	2	3	4	5	6 (PRODUCT LEVEL)	
	1	1	7C-1445	1	COVER						
	2	1	2B-2695	2	BOLT (5/16-18X0.875-IN)						
	3	1	9M-1974	2	WASHER-HARD (8.8X16X2-MM THK)						
	4	1	061-9455	1	SEAL-O-RING						



GRAPHIC #1

<END>

g00252251

BASIC ENGINE

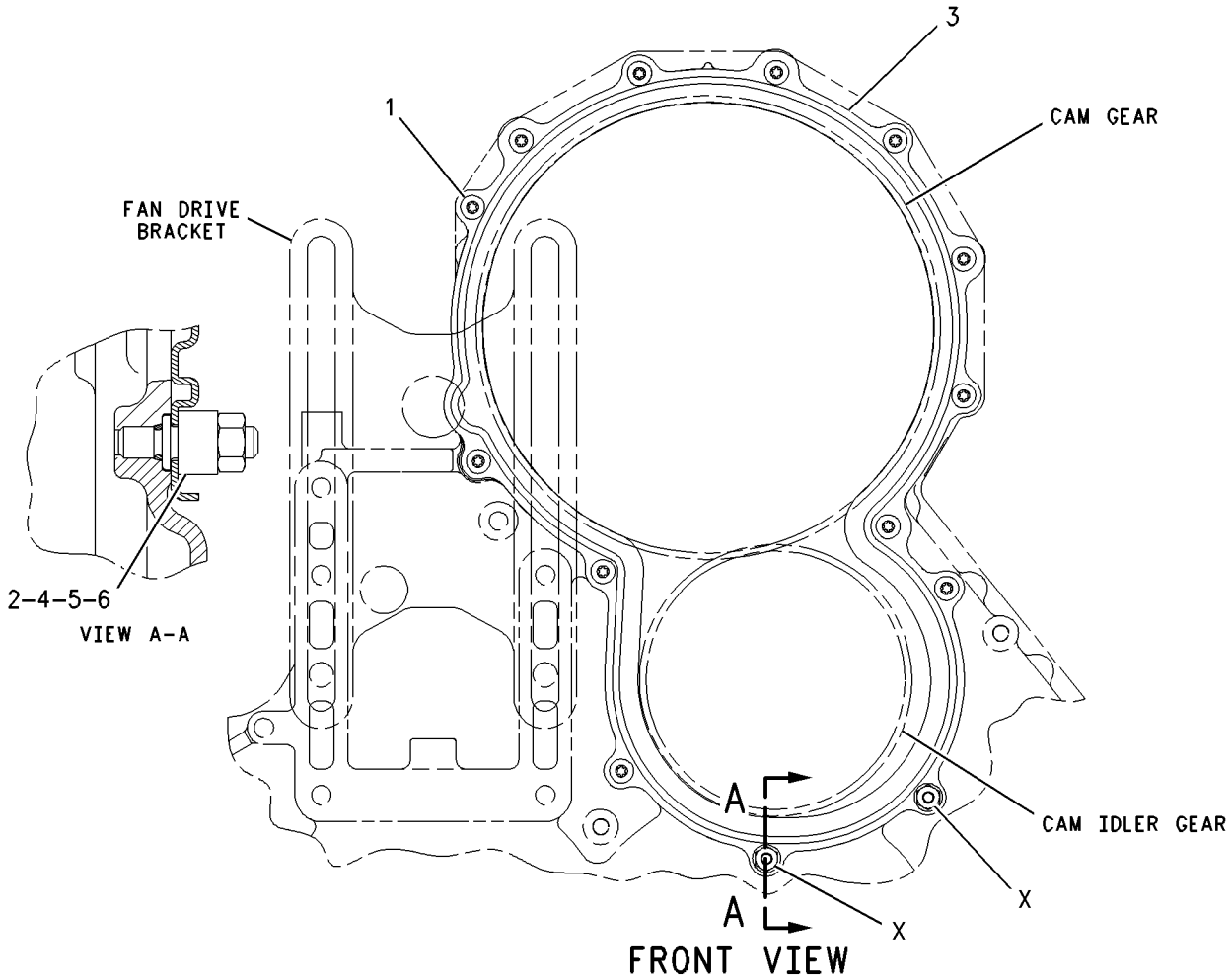
159-6159 COVER GP-FRONT HOUSING

S/N: TXH1-UP; RHX1-UP
 CAM AND IDLER GEAR ACCESS
 PART OF 281-6452 ENGINE AR-COMplete
 AN ATTACHMENT

SMCS-1151, 1166

i04395805

NOTE	REF NO	GRAPHIC REF	PART NUMBER	QTY	PART NAME						SEE PAGE
					1	2	3	4	5	6 (PRODUCT LEVEL)	
	1	1	297-1813	12	SCREW-HEAD (5/16-18X1-IN)						
	2	1	175-1367	2	SPACER (8.8X16X10-MM THK) (MARKED X)						
	3	1	209-3569	1	COVER GP-FRONT HOUSING						
		1	160-7271	1	SEAL						
	4	1	031-4155	2	LOCKNUT (5/16-18-THD) (MARKED X)						
	5	1	175-1366	2	STUD (MARKED X)						
	6	1	238-5078	2	SEAL-O-RING (MARKED X)						



GRAPHIC #1

<END>

g00631258

BASIC ENGINE

230-0104 COVER GP-SOUND SUPPRESSION-FRONT HOUSING

S/N: TXH1-UP; RHX1-UP

FOR THE WATER PUMP AREA

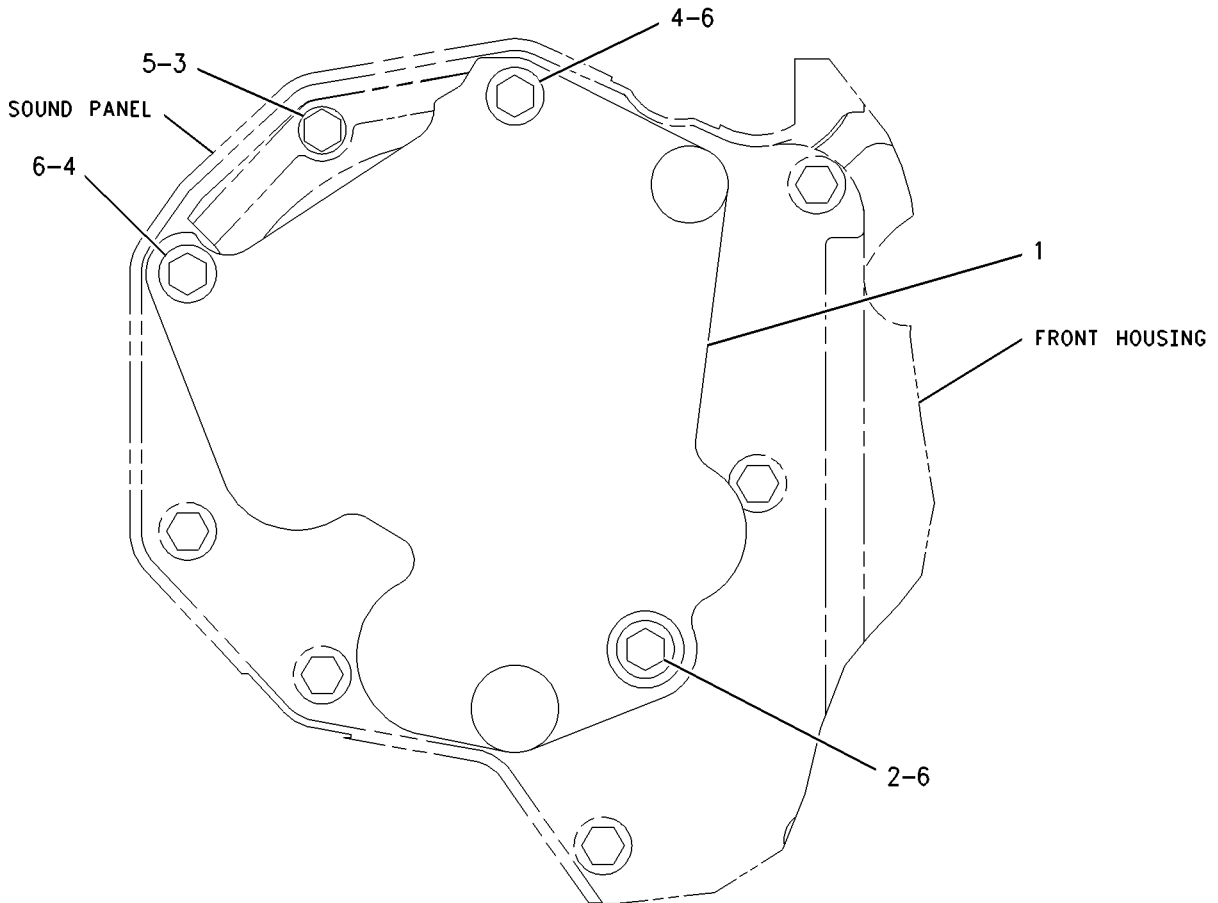
PART OF 281-6452 ENGINE AR-COMplete

FOR USE WITH FULL FRONT SOUND SUPPRESSION PANEL GROUP. CANNOT BE USED WITH
ALTERNATOR MOUNTING GROUP AND ACCESSORY DRIVE GROUP
AN ATTACHMENT

SMCS-1801

i04395808

NOTE	REF NO	GRAPHIC REF	PART NUMBER	QTY	PART NAME						SEE PAGE
					1	2	3	4	5	6 (PRODUCT LEVEL)	
	1	1	100-3098	1	COVER AS-PANEL						
	2	1	0S-1588	1	BOLT (3/8-16X1.25-IN)						
	3	1	0T-0055	1	BOLT (3/8-16X4.25-IN)						
	4	1	1A-5183	2	BOLT (3/8-16X4.75-IN)						
	5	1	5M-2894	1	WASHER-HARD (10.2X18.5X2.5-MM THK)						
	6	1	9X-6458	3	WASHER-HARD (10.2X22.5X3-MM THK)						



FRONT VIEW

GRAPHIC #1

<END>

g00987886

BASIC ENGINE

150-3135 COVER GP-VALVE MECHANISM

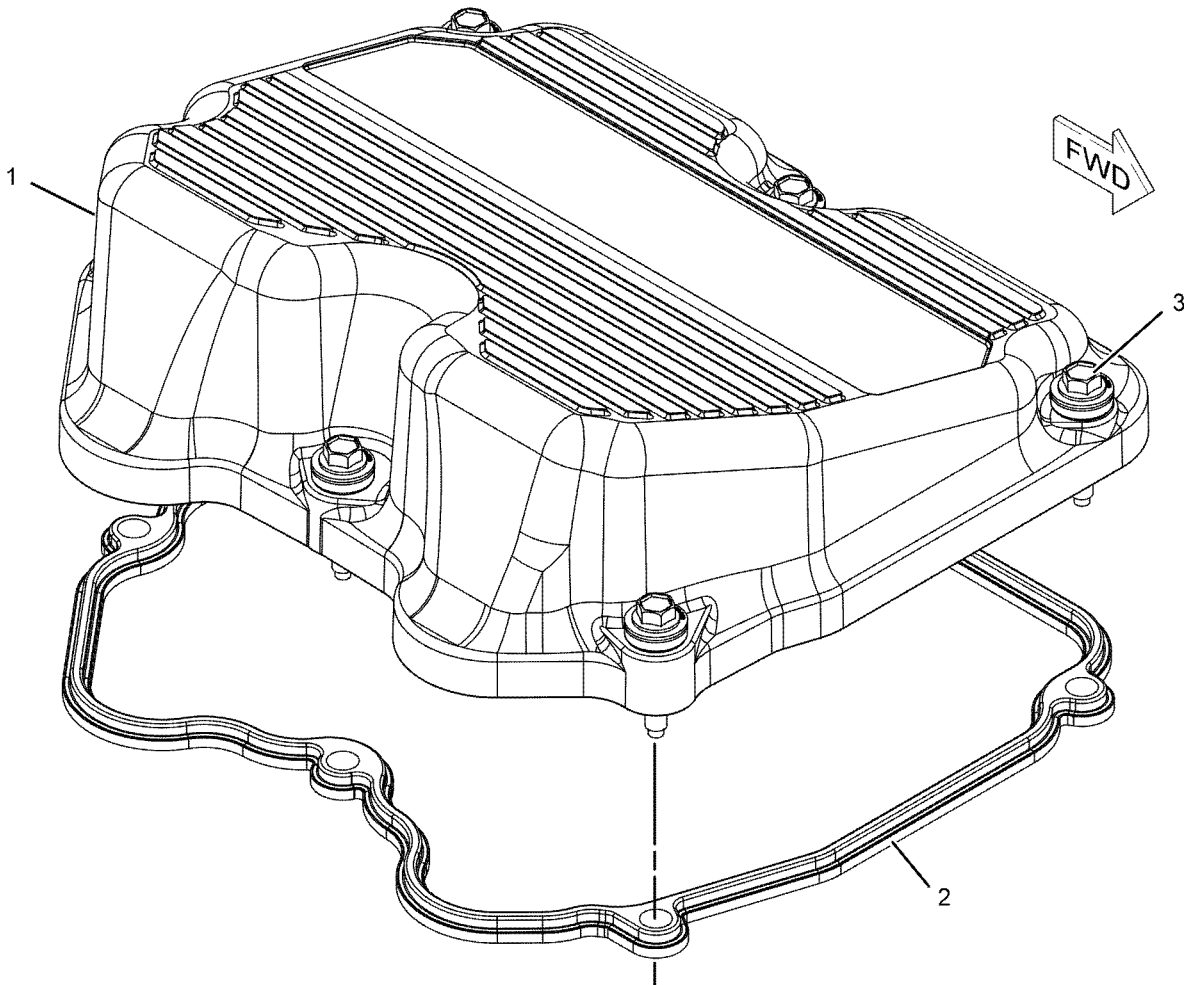
S/N: TXH1-UP; RHX1-UP

PART OF 187-1328 COVER GP-VALVE MECHANISM
AN ATTACHMENT

SMCS-1107

i04395837

NOTE	REF NO	GRAPHIC REF	PART NUMBER	QTY	PART NAME						SEE PAGE
					1	2	3	4	5	6 (PRODUCT LEVEL)	
	1	1	150-2557	1	COVER-VALVE MECH						
	2	1	242-9537	1	SEAL-VALVE COVER						
	3	1	243-1159	6	FASTENER AS						
					(EACH INCLUDES)						
		1	149-7378	1	GROMMET						



GRAPHIC #1

<END>

g01055147

BASIC ENGINE

187-1328 COVER GP-VALVE MECHANISM

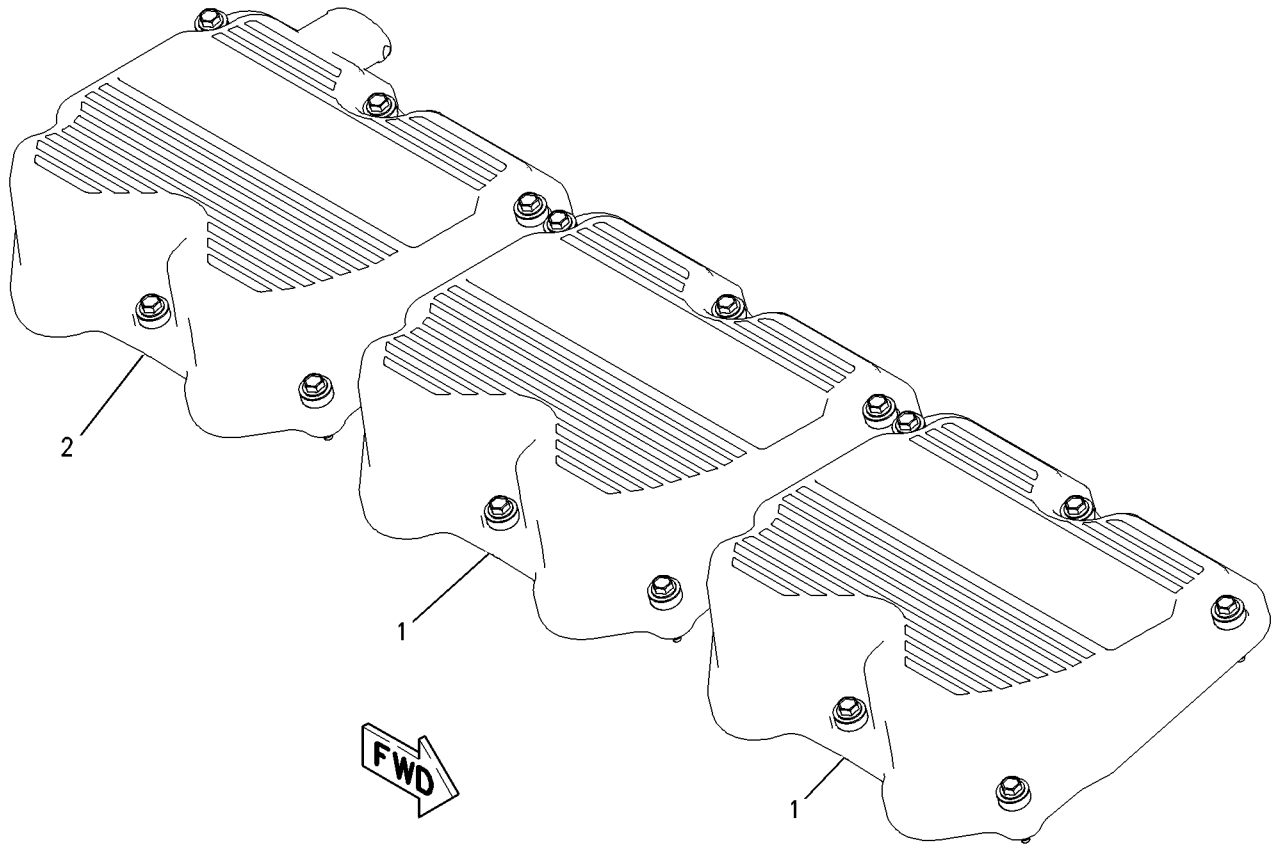
S/N: TXH1-UP; RHX1-UP
 REAR MOUNTED BREATHER, NO OIL FILL
 PART OF 281-6452 ENGINE AR-COMplete
 AN ATTACHMENT

SMCS-1107

i04395834

NOTE	REF NO	GRAPHIC REF	PART NUMBER	QTY	PART NAME						SEE PAGE
					1	2	3	4	5	6 (PRODUCT LEVEL)	
Y	1	1	150-3135	2	COVER GP-VALVE MECHANISM						16
Y	2	1	341-6804	1	COVER GP-VALVE MECHANISM						18

Y-SEPARATE ILLUSTRATION



GRAPHIC #1

<END>

g00740203

BASIC ENGINE

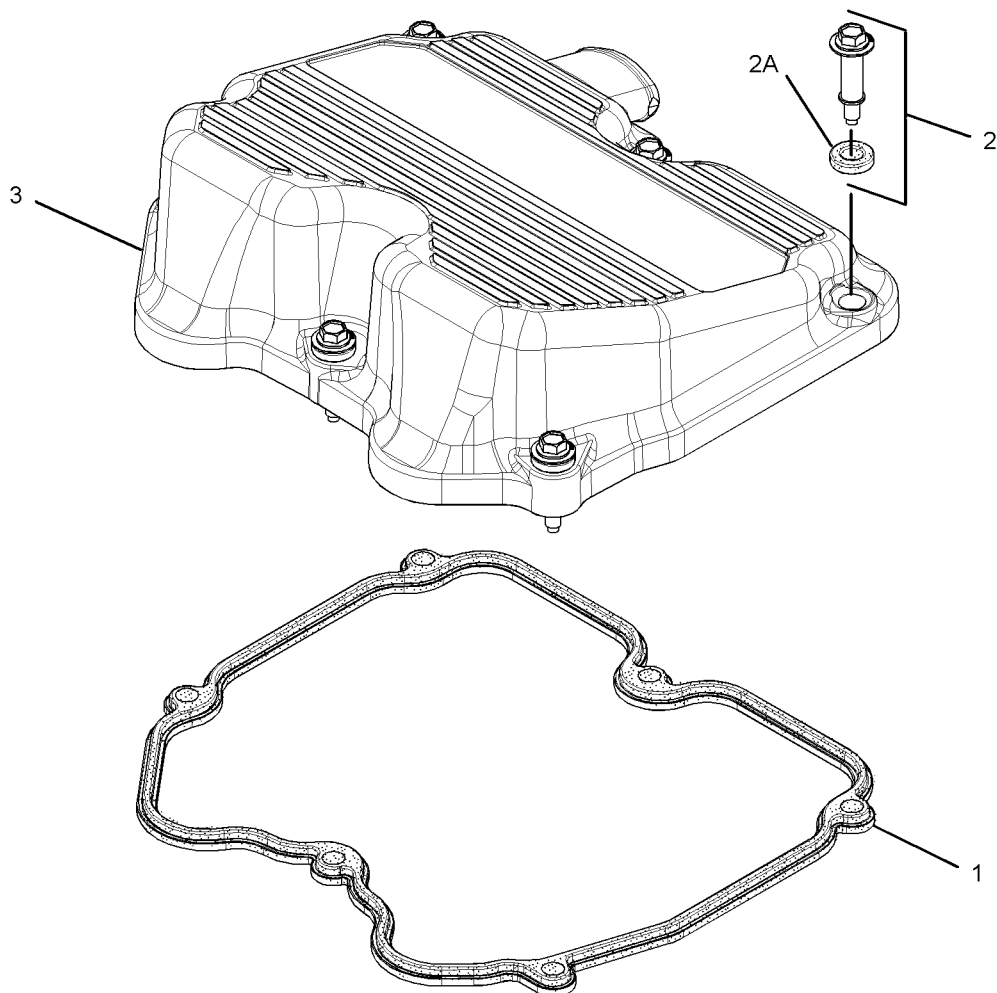
341-6804 COVER GP-VALVE MECHANISM

S/N: TXH1-UP; RHX1-UP
PART OF 187-1328 COVER GP-VALVE MECHANISM
AN ATTACHMENT

SMCS-1107

i04395840

NOTE	REF NO	GRAPHIC REF	PART NUMBER	QTY	PART NAME						SEE PAGE
					1	2	3	4	5	6 (PRODUCT LEVEL)	
	1	1	242-9537	1	SEAL-VALVE COVER						
	2	1	243-1159	6	FASTENER AS						
					(EACH INCLUDES)						
	2A	1	149-7378	1	GROMMET						
	3	1	239-4106	1	COVER AS-VALVE						



GRAPHIC #1

<END>

g01860954

BASIC ENGINE

223-9732 CRANKSHAFT GP

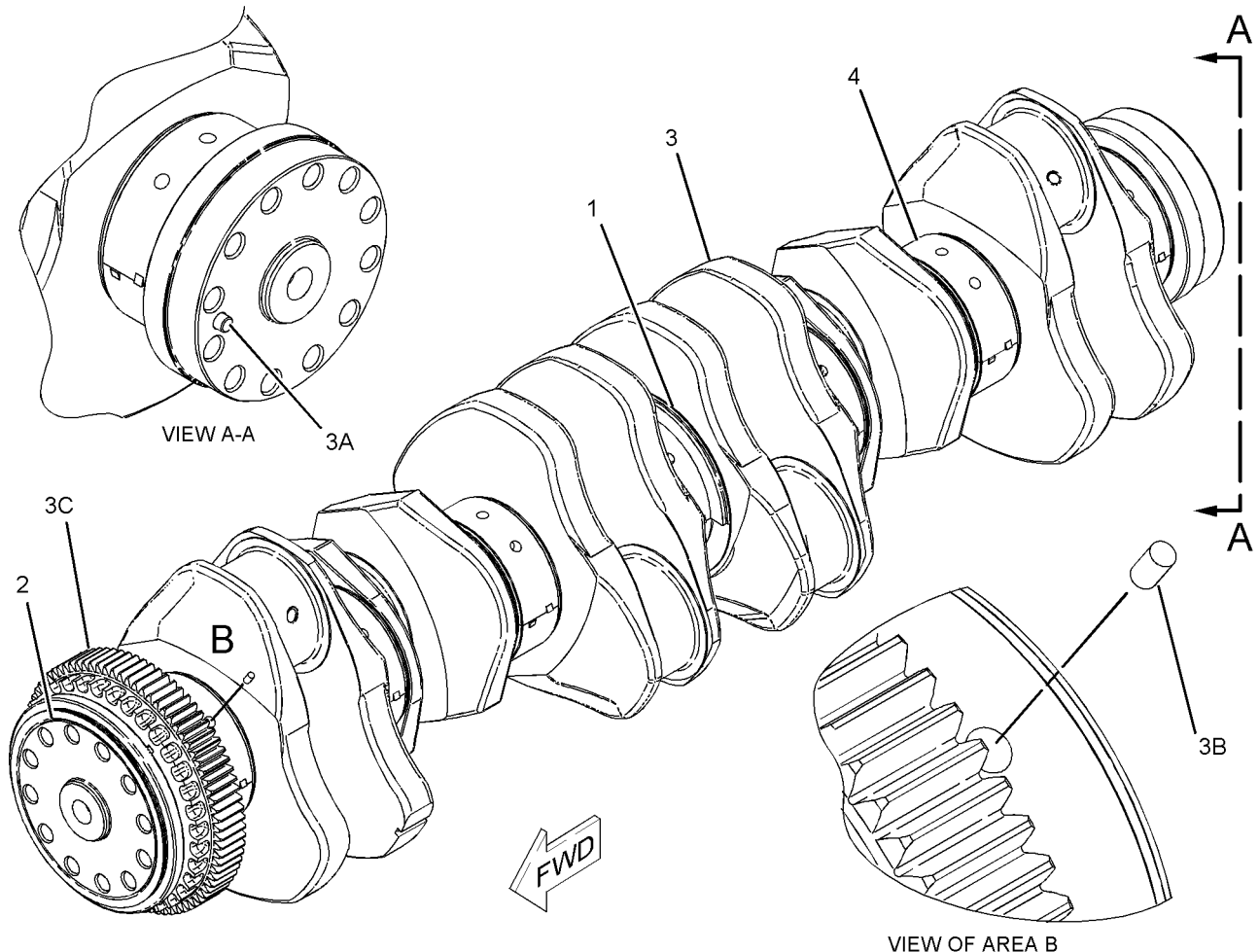
S/N: TXH1-UP; RHX1-UP
PART OF 356-2208 ENGINE AR-CORE
AN ATTACHMENT

SMCS-1202

i04396123

NOTE	REF NO	GRAPHIC REF	PART NUMBER	QTY	PART NAME						SEE PAGE
					1	2	3	4	5	6 (PRODUCT LEVEL)	
J	1	1	253-1752	2	PLATE-THRUST						
Y	2	1	319-7401	1	SEAL GP-CRANKSHAFT (FRONT) (FRONT)						68
R	3	1	189-4918	1	CRANKSHAFT AS						
	3A	1	4N-0684	1	DOWEL						
	3B	1	7S-5005	1	DOWEL						
	3C	1	187-8981	1	GEAR-CRANKSHAFT (80-TEETH)						
J	4	1	317-8766	7	BEARING-MAIN (STANDARD)						
AB		1	4W-5698		BEARING-MAIN (0.63-MM US)						
AB		1	4W-5699		BEARING-MAIN (1.27-MM US)						
AB		1	4W-5700		BEARING-MAIN (0.63-MM OS)						
AB		1	4W-5701		BEARING-MAIN (0.63-MM OS, 0.63-MM US)						
					AVAILABLE REPAIR KIT(S):						
AJ			243-6718		KIT-CRANKSHAFT BEARING (STANDARD)						
					(INCLUDES A COMPLETE SET OF MAIN BEARINGS AND THRUST PLATES)						

A-NOT PART OF THIS GROUP
B-USE AS REQUIRED
J-KIT MARKED J INCLUDES PARTS MARKED J
R-REMG PART MAY BE AVAILABLE
Y-SEPARATE ILLUSTRATION



GRAPHIC #1

<END>

VIEW OF AREA B

g01070662

BASIC ENGINE

267-4631 CYLINDER BLOCK AS*R

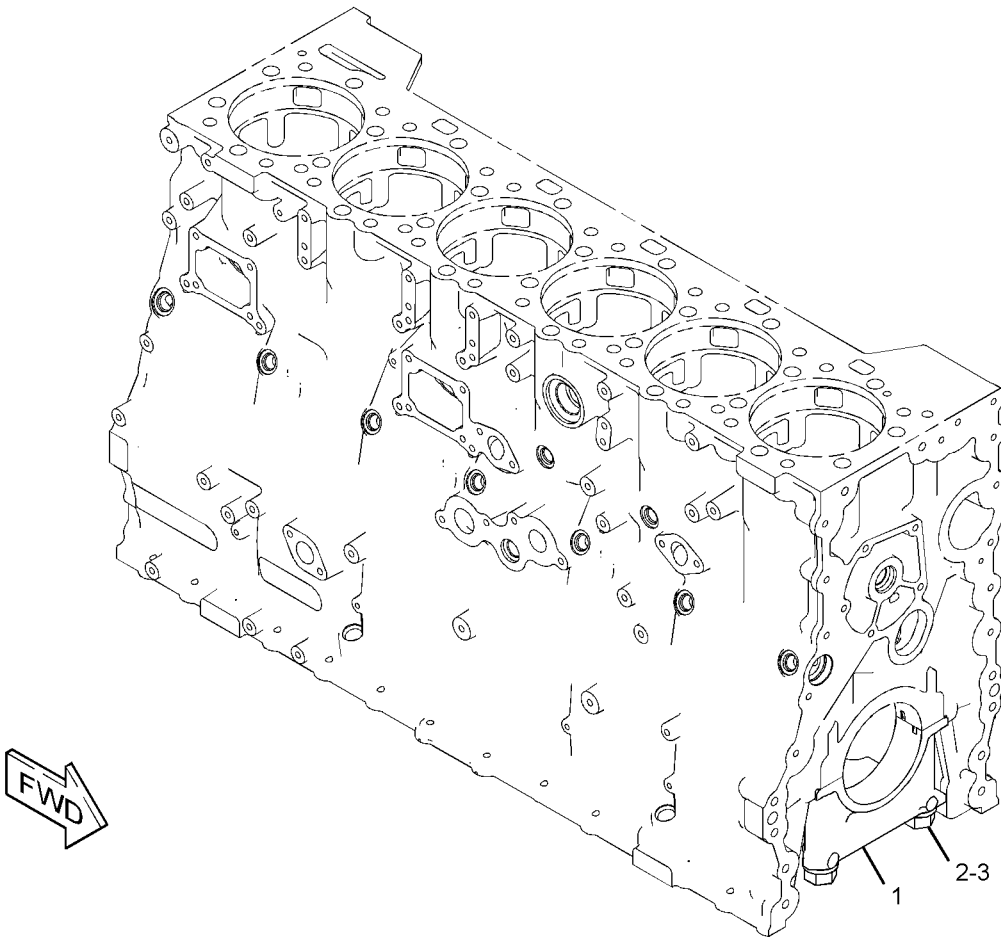
S/N: TXH1-UP; RHX1-UP

PART OF 323-8451 CYLINDER BLOCK AS
AN ATTACHMENT

SMCS-1201

i04396146

NOTE	REF NO	GRAPHIC REF	PART NUMBER	QTY	PART NAME						SEE PAGE
					1	2	3	4	5	6 (PRODUCT LEVEL)	
	1	1	167-8081	7	CAP-CRANKSHAFT BEARING						
	2	1	3P-1323	14	BOLT-BEARING CAP (7/8-14X7.75-IN)						
	3	1	9H-1031	14	WASHER-HARD (24X41.5X6-MM THK)						



GRAPHIC #1

<END>

g01177294

BASIC ENGINE

323-8451 CYLINDER BLOCK AS

S/N: TXH1-UP; RHX1-UP

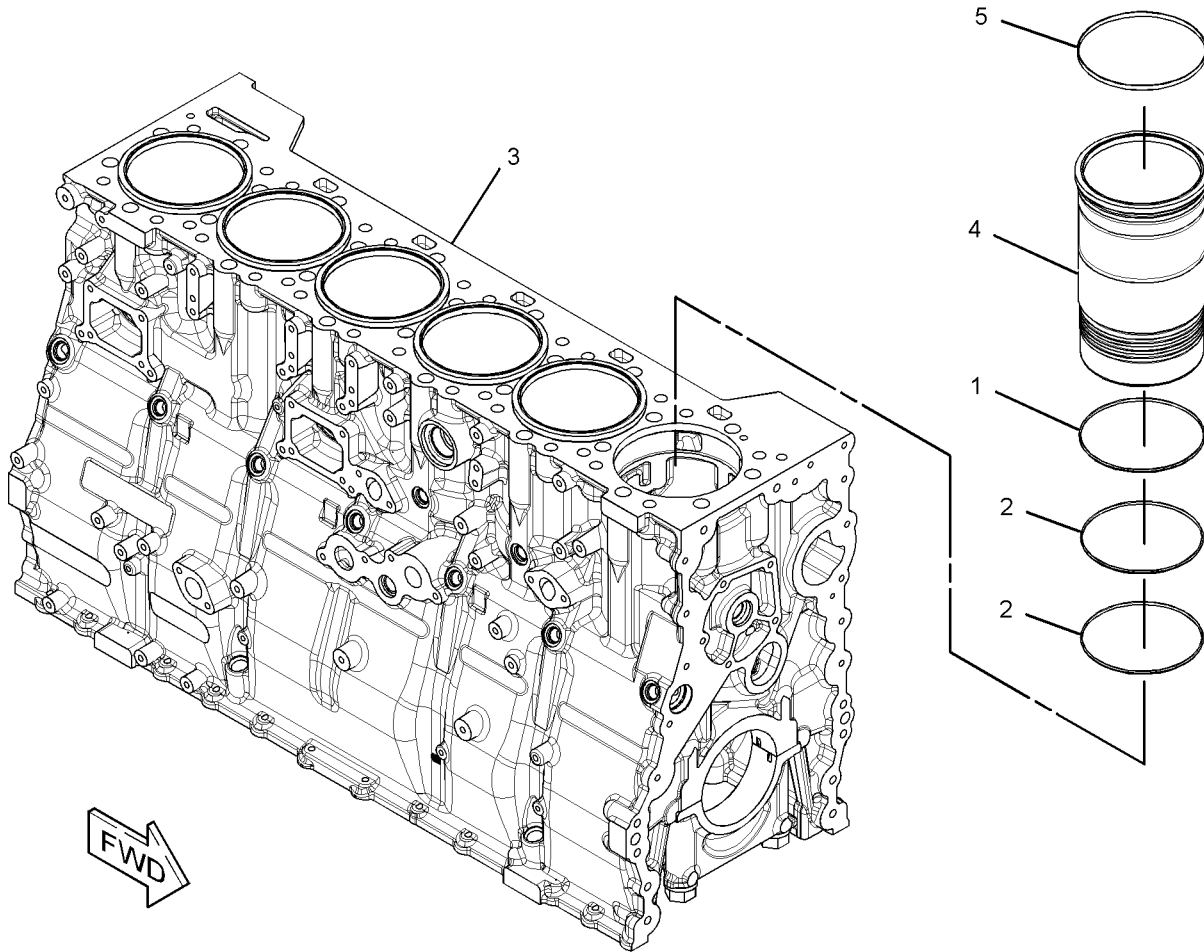
PART OF 261-0191 CYLINDER BLOCK GP
AN ATTACHMENT

SMCS-1201

i04396144

NOTE	REF NO	GRAPHIC REF	PART NUMBER	QTY	PART NAME						SEE PAGE
					1	2	3	4	5	6 (PRODUCT LEVEL)	
	1	1	155-0809	6	SEAL-LINER						
	2	1	155-2793	12	SEAL-LINER						
YR	3	1	267-4631	1	CYLINDER BLOCK AS						20
	4	1	322-1126	6	LINER-CYLINDER BLOCK						
	5	1	9L-5854	6	BAND-FILLER (130.2-MM ID)						

R-REMG PART MAY BE AVAILABLE
Y-SEPARATE ILLUSTRATION



GRAPHIC #1

<END>

g01620021

BASIC ENGINE

261-0191 CYLINDER BLOCK GP

S/N: TXH1-UP; RHX1-UP
PART OF 356-2208 ENGINE AR-CORE
AN ATTACHMENT

SMCS-1201

i04396124

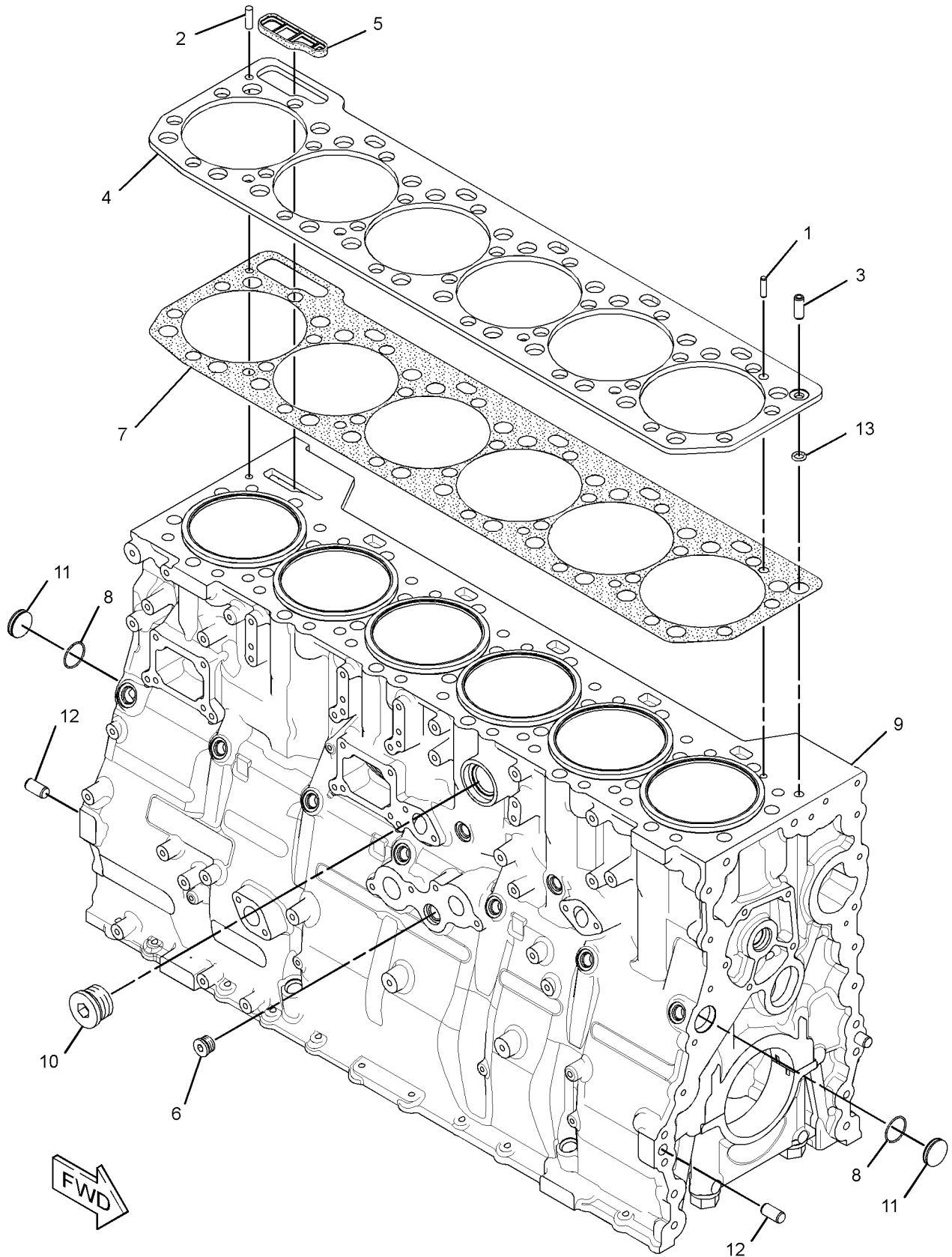
NOTE	REF NO	GRAPHIC REF	PART NUMBER	QTY	PART NAME						SEE PAGE
					1	2	3	4	5	6 (PRODUCT LEVEL)	
	1	1	1S-9540	1	DOWEL						
	2	1	4N-1650	1	DOWEL						
	3	1	6I-1055	1	DOWEL						
	4	1	6I-4421	1	PLATE-SPACER						
	5	1	142-2329	1	SEAL						
	6	1	<i>309-5131</i>	1	PLUG AS						
		1	238-5081	1	SEAL-O-RING						
		1	9S-8006	1	PLUG-O-RING						
	7	1	227-1204	1	GASKET						
	8	1	250-0466	2	SEAL-O-RING						
Y	9	1	<i>323-8451</i>	1	CYLINDER BLOCK AS						21
Y	10	1	<i>305-9196</i>	1	PLUG GP-CYLINDER BLOCK						61
	11	1	100-7399	2	PLUG						
	12	1	4N-0683	4	DOWEL						
	13	1	5P-0840	1	SEAL-O-RING						
ABFN			101-0523		INSERT-LINER SEAT (5.21-MM THK) (STANDARD)						
ABFN			101-0524		INSERT-LINER SEAT (5.16-MM THK) (0.5-MM US)						
ABFN			101-0525		INSERT-LINER SEAT (5.26-MM THK) (0.5-MM OS)						
ABFN			9Y-3368		INSERT-LINER SEAT (0.822-MM THK) (STANDARD)						
ABFN			6I-4361		INSERT-LINER SEAT (0.772-MM THK) (0.05-MM US)						
ABFN			6I-4362		INSERT-LINER SEAT (0.872-MM THK) (0.05-MM OS)						
ABFN			2W-3815		INSERT-LINER SEAT (1.605-MM THK) (STANDARD)						
ABFN			6I-4363		INSERT-LINER SEAT (1.555-MM THK) (0.05-MM US)						
ABFN			6I-4364		INSERT-LINER SEAT (1.655-MM THK) (0.05-MM OS)						
ABFN			5N-0093		INSERT-LINER SEAT (2.71-MM THK) (STANDARD)						
ABFN			6I-4365		INSERT-LINER SEAT (2.66-MM THK) (0.05-MM US)						
ABFN			6I-4366		INSERT-LINER SEAT (2.76-MM THK) (0.05-MM OS)						

A-NOT PART OF THIS GROUP
B-USE AS REQUIRED
F-NOT SHOWN
N-FOR SALVAGE OF DAMAGED LIFTER BORES IN CYLINDER BLOCK
Y-SEPARATE ILLUSTRATION

BASIC ENGINE

261-0191 CYLINDER BLOCK GP (contd.)

i04396124



GRAPHIC #1

<END>

g01347328

BASIC ENGINE

281-1640 CYLINDER HEAD AS

S/N: TXH1-UP; RHX1-UP

CONTAINS PRECISION PRE-MACHINED VALVE SEAT INSERTS
PART OF 263-5055 CYLINDER HEAD GP
AN ATTACHMENT

SMCS-1100, 1101

i04396160

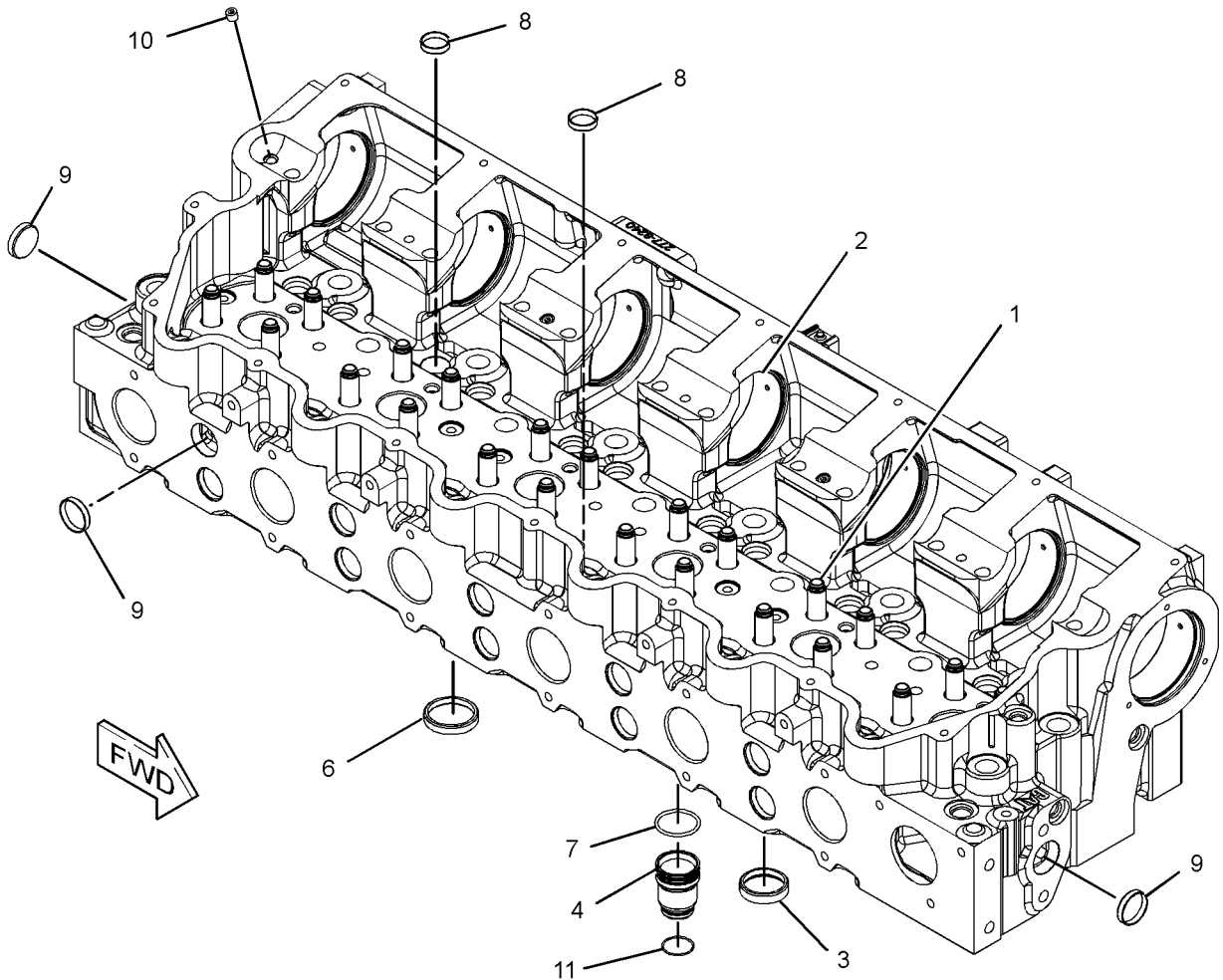
NOTE	REF NO	GRAPHIC REF	PART NUMBER	QTY	PART NAME						SEE PAGE
					1	2	3	4	5	6 (PRODUCT LEVEL)	
	1	1	122-7375	24	GUIDE-VALVE (STANDARD)						
AB		1	122-0447		GUIDE-VALVE (0.51-MM OS)						
AB		1	122-8612		GUIDE-VALVE (0.13-MM OS)						
	2	1	216-5582	7	BUSHING (STANDARD)						
AB		1	217-0751		BUSHING (0.25-MM OS)						
AB		1	217-0752		BUSHING (0.762-MM OS)						
AB		1	261-3429		BUSHING (1.778-MM OS)						
AB		1	261-3430		BUSHING (1.27-MM OS)						
	3	1	226-5561	12	INSERT-VALVE SEAT (EXHAUST) (STANDARD)						
AB		1	288-4883		INSERT-VALVE SEAT (0.51-MM OS, EXHAUST)						
AB		1	288-4884		INSERT-VALVE SEAT (0.76-MM OS, EXHAUST)						
	4	1	263-4920	6	SLEEVE-INJECTOR (INLET)						
	6	1	280-3979	12	INSERT-VALVE SEAT (INLET) (STANDARD)						
AB		1	288-4881		INSERT-VALVE SEAT (INLET) (0.51-MM OS)						
AB		1	288-4882		INSERT-VALVE SEAT (0.76-MM OS, INLET)						
	7	1	166-2904	12	SEAL-O-RING						
	8	1	3B-0623	17	PLUG-CUP						
	9	1	3B-0645	20	PLUG-CUP						
	10	1	8T-6757	3	PLUG-PIPE						
	11	1	9X-7430	6	SEAL-O-RING						

A-NOT PART OF THIS GROUP
B-USE AS REQUIRED

BASIC ENGINE

281-1640 CYLINDER HEAD AS (contd.)

i04396160



GRAPHIC #1

<END>

g01207161

BASIC ENGINE

263-5055 CYLINDER HEAD GP*R

S/N: TXH1-UP; RHX1-UP
 PART OF 274-1953 CYLINDER HEAD GP
 AN ATTACHMENT

SMCS-1100

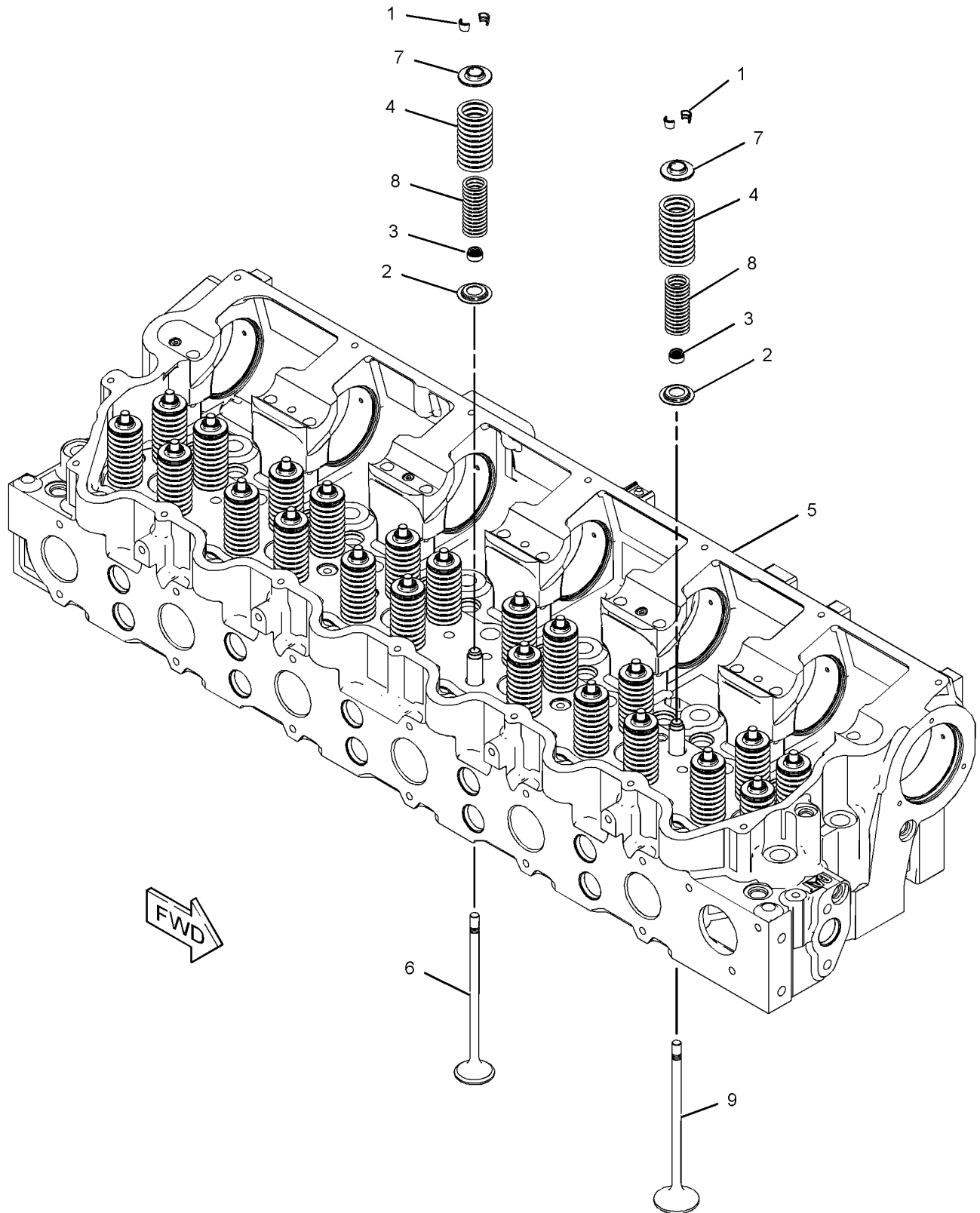
i04396143

NOTE	REF NO	GRAPHIC REF	PART NUMBER	QTY	PART NAME						SEE PAGE
					1	2	3	4	5	6 (PRODUCT LEVEL)	
	1	1	2A-4429	48	LOCK-RETAINER						
	2	1	6I-0928	24	WASHER-SPECIAL						
	3	1	163-2478	24	SEAL-VALVE STEM						
	4	1	247-9908	24	SPRING-VALVE (OUTER)						
Y	5	1	281-1640	1	CYLINDER HEAD AS						24
	6	1	153-7024	12	VALVE-EXHAUST						
	7	1	186-2001	24	ROTOCOIL AS						
	8	1	211-3122	24	SPRING-VALVE (INNER)						
	9	1	236-5605	12	VALVE-INLET						
Y-SEPARATE ILLUSTRATION											

BASIC ENGINE

263-5055 CYLINDER HEAD GP (contd.)

i04396143



GRAPHIC #1

<END>

g01207023

BASIC ENGINE

274-1953 CYLINDER HEAD GP

S/N: TXH1-UP; RHX1-UP
PART OF 356-2208 ENGINE AR-CORE
AN ATTACHMENT

SMCS-1100

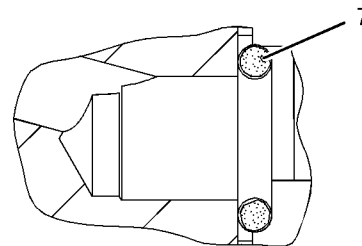
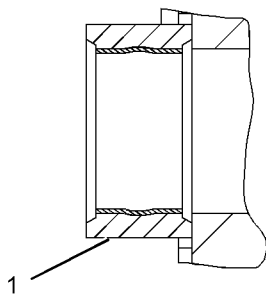
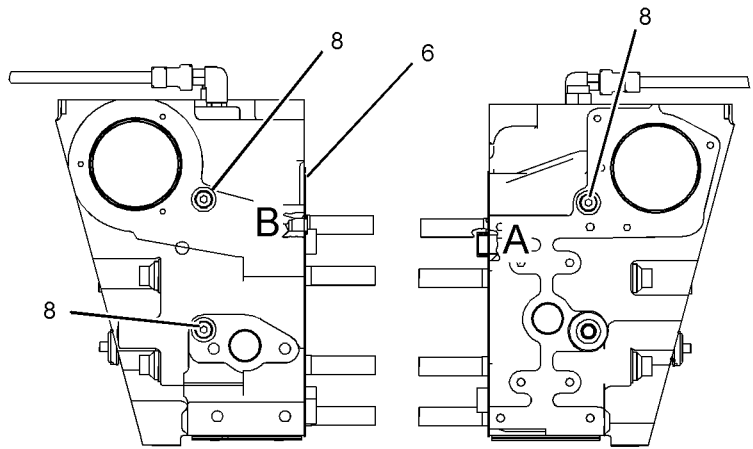
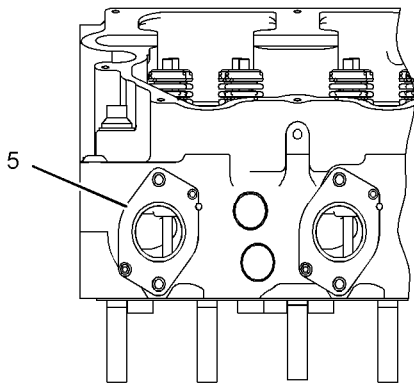
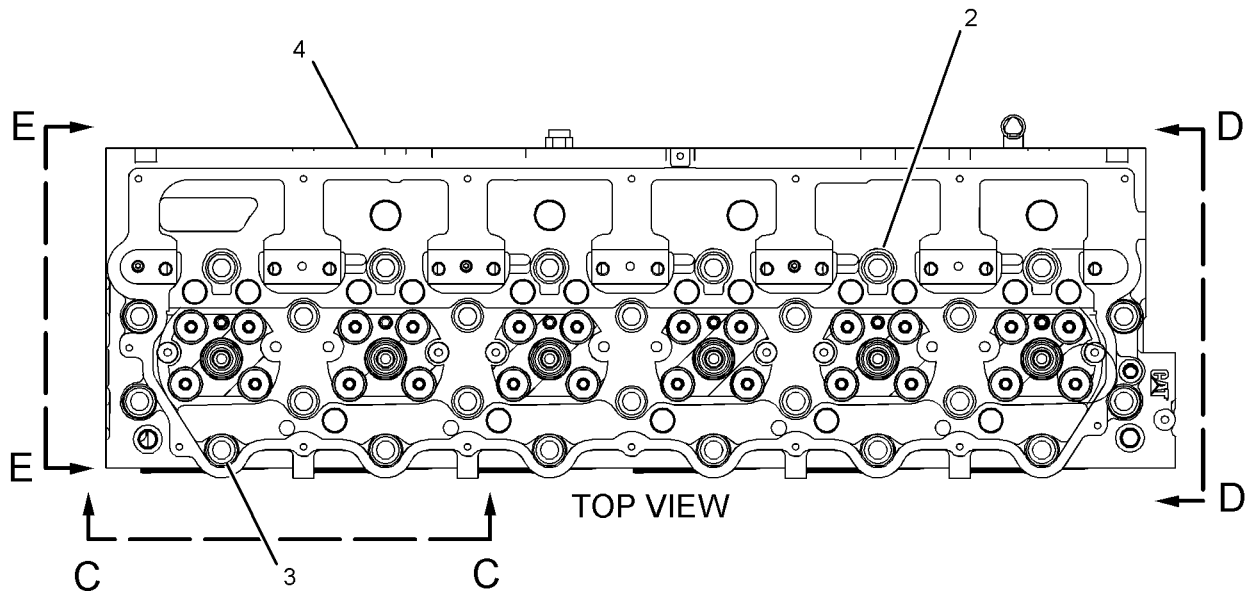
i04396126

NOTE	REF NO	GRAPHIC REF	PART NUMBER	QTY	PART NAME						SEE PAGE
					1	2	3	4	5	6 (PRODUCT LEVEL)	
	1	1	3E-6772	24	SEAL						
	2	1	<i>6I-4025</i>	16	FASTENER GP-CYLINDER HEAD (EACH INCLUDES)						
		1	5H-1504	1	WASHER-HARD (20X33.5X5-MM THK)						
		1	124-1855	1	BOLT-12 POINT HEAD (3/4-16X7.638-IN)						
	3	1	<i>106-5673</i>	10	FASTENER GP-CYLINDER HEAD (EACH INCLUDES)						
		1	5H-1504	1	WASHER-HARD (20X33.5X5-MM THK)						
		1	124-1854	1	BOLT-12 POINT HEAD (3/4-16X8.5-IN)						
YR	4	1	<i>263-5055</i>	1	CYLINDER HEAD GP						26
	5	1	281-8261	6	SLEEVE AS-EXHAUST						
	6	1	224-5122	1	GASKET (CYLINDER HEAD)						
	7	1	5P-0840	1	SEAL-O-RING						
	8	1	<i>183-3407</i>	3	PLUG AS (EACH INCLUDES)						
		1	214-7568	1	SEAL-O-RING						
		1	9S-8004	1	PLUG-O-RING						
R-REMG PART MAY BE AVAILABLE Y-SEPARATE ILLUSTRATION											

BASIC ENGINE

274-1953 CYLINDER HEAD GP (contd.)

i04396126



GRAPHIC #1

<END>

g01648636

BASIC ENGINE

227-3705 DAMPER GP

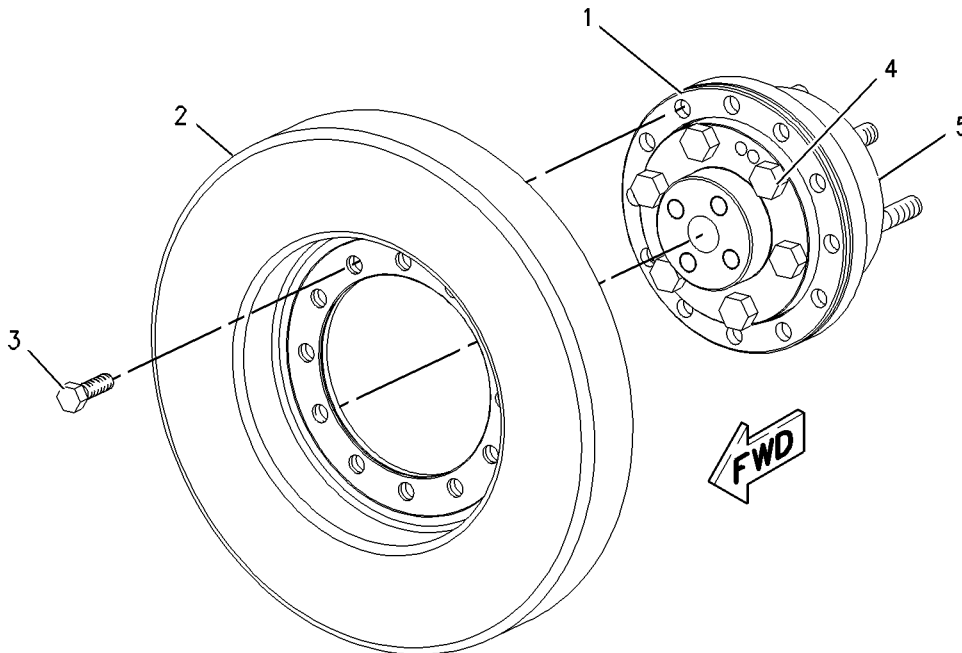
S/N: TXH1-UP; RHX1-UP
PART OF 281-6452 ENGINE AR-COMplete
AN ATTACHMENT

SMCS-1205

i04395847

NOTE	REF NO	GRAPHIC REF	PART NUMBER	QTY	PART NAME						SEE PAGE
					1	2	3	4	5	6 (PRODUCT LEVEL)	
	1	1	6N-7654	1	SPACER (6.312X8.18X0.312-IN THK)						
R	2	1	167-8130	1	DAMPER AS						
	3	1	0S-1585	12	BOLT (1/2-13X1.5-IN)						
	4	1	1A-3203	6	BOLT (5/8-18X4.75-IN)						
	5	1	227-3704	1	ADAPTER-DAMPER						

R-REMFG PART MAY BE AVAILABLE



GRAPHIC #1

<END>

g01003023

BASIC ENGINE

164-5789 DRAIN GP-ENGINE OIL

S/N: A7A1-UP

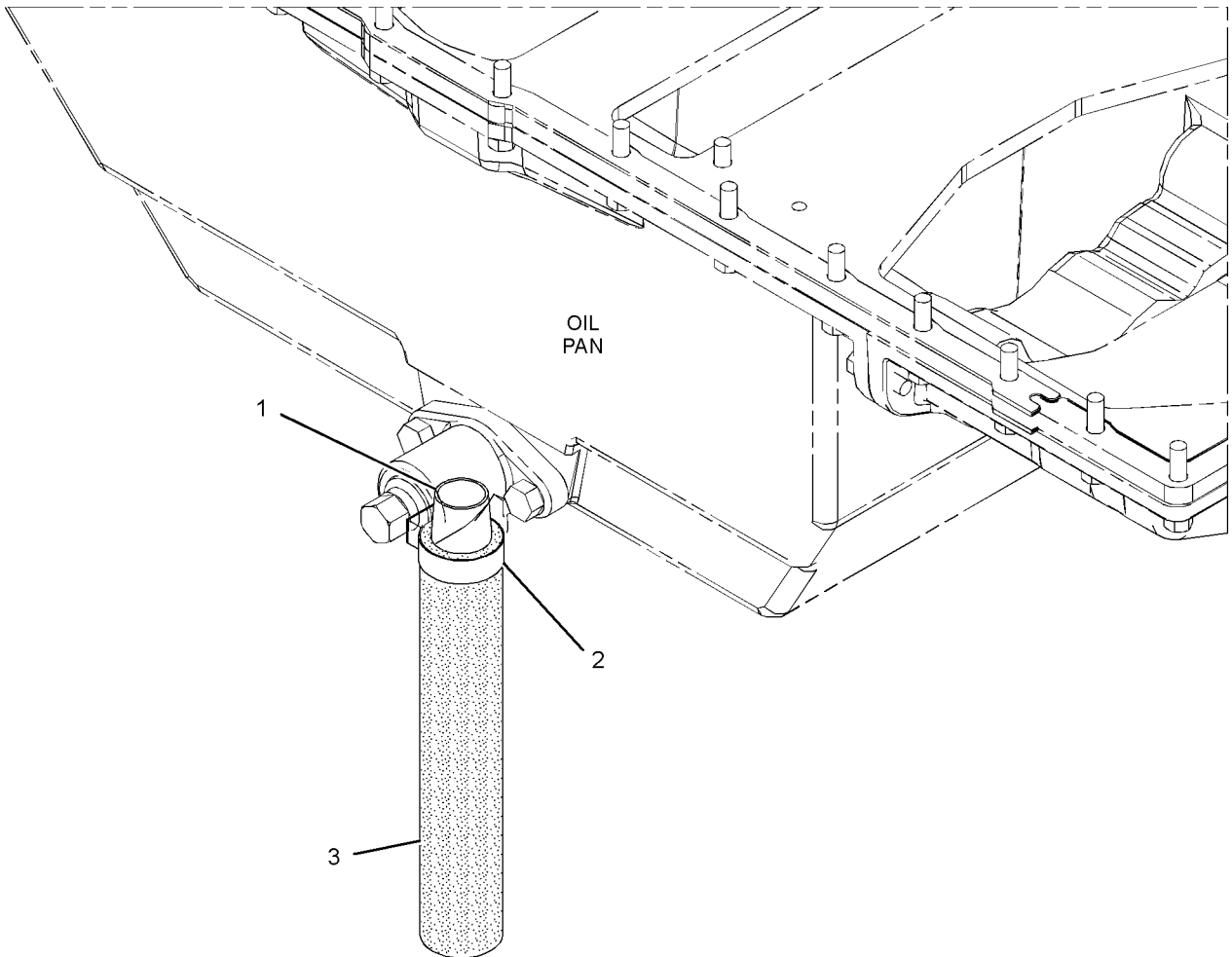
PART OF 226-9643 INSTALLATION AR-ENGINE

SMCS-1302

i04455930

NOTE	REF NO	GRAPHIC REF	PART NUMBER	QTY	PART NAME						SEE PAGE
					1	2	3	4	5	6 (PRODUCT LEVEL)	
	1	1	6B-0689	1	PIPE						
	2	1	9M-2904	1	CLAMP-HOSE						
E	3	1	5P-1254		HOSE (13-CM)						

E-ORDER BY THE CENTIMETER



GRAPHIC #1

<END>

g02594187

BASIC ENGINE

206-4227 DRIVE GP-ACCESSORY

S/N: TXH1-UP; RHX1-UP

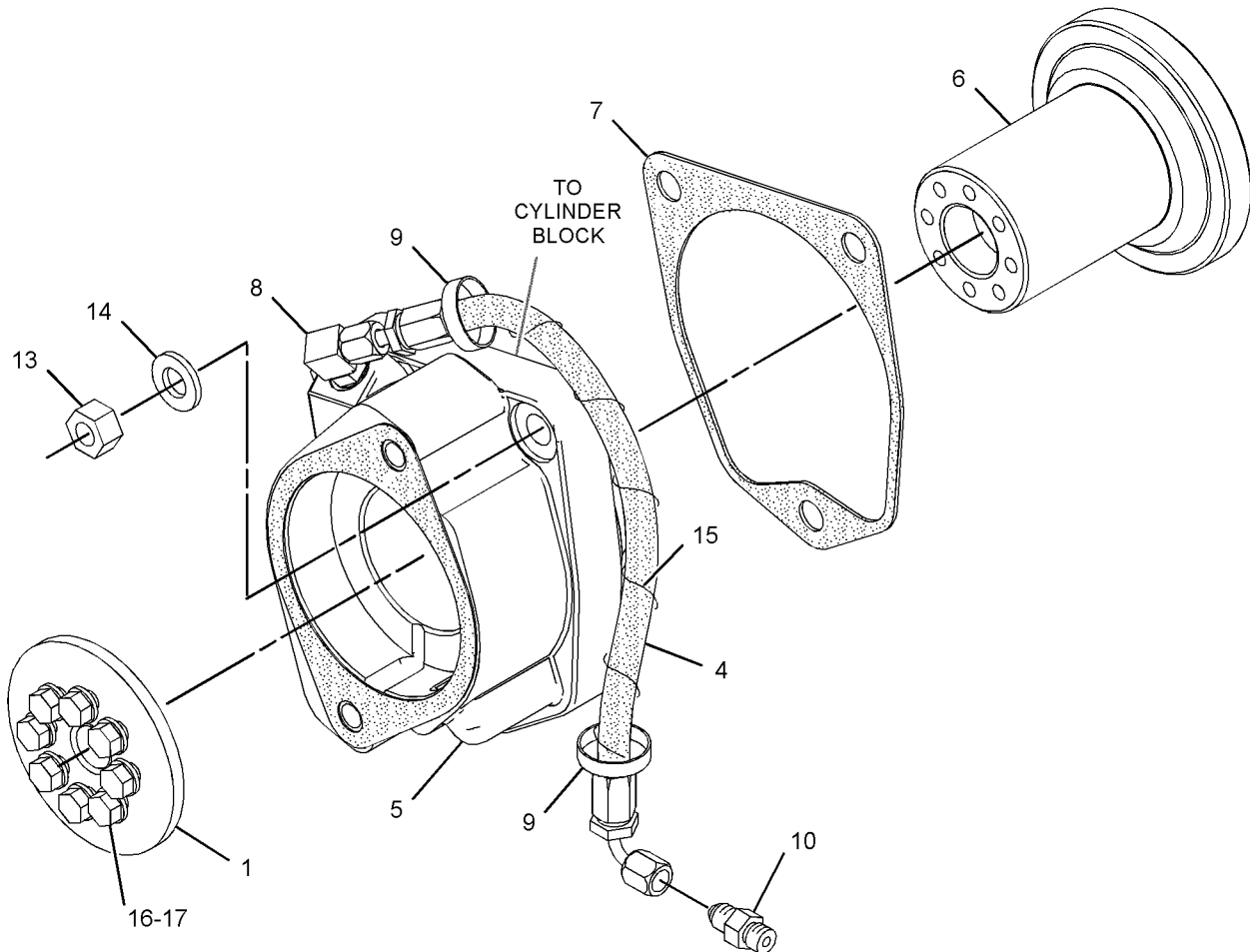
PART OF 281-6452 ENGINE AR-COMPLETE
AN ATTACHMENT

SMCS-1207

i04395848

NOTE	REF NO	GRAPHIC REF	PART NUMBER	QTY	PART NAME						SEE PAGE
					1	2	3	4	5	6 (PRODUCT LEVEL)	
	1	1	1N-3974	1	COUPLING						
I	4	1	101-6596	1	HOSE AS						
	5	1	143-8971	1	BEARING-DRIVE						
	6	1	331-0052	1	GEAR (40-TEETH) (40-TEETH)						
	7	1	144-6142	1	SEAL-INTEGRAL						
	8	1	343-8115	1	ELBOW AS						
		1	030-7946	1	ELBOW						
		1	214-7566	1	SEAL-O-RING						
	9	1	3S-2093	2	STRAP-CABLE						
	10	1	343-8121	1	CONNECTOR AS						
		1	3J-7352	1	CONNECTOR						
		1	214-7566	1	SEAL-O-RING						
	13	1	6V-8188	3	NUT (1/2-13-THD)						
	14	1	8T-4223	3	WASHER-HARD (13.5X25.5X3-MM THK)						
E	15	1	8C-5063		CONDUIT-FLEXIBLE (15.49-MM ID, SPLIT) (30-CM)						
	16	1	9M-1974	8	WASHER-HARD (8.8X16X2-MM THK)						
	17	1	2B-2695	8	BOLT (5/16-18X0.875-IN)						

E-ORDER BY THE CENTIMETER
I-REFER TO HYDRAULIC INFORMATION SYSTEM



GRAPHIC #1

<END>

g02049394

BASIC ENGINE

6I-3638 DRIVE GP-PUMP

S/N: TXH1-UP; RHX1-UP

LEFT HAND REARWARD FACING SAE 2 BOLT FLANGE WITH SPLINE DRIVE

PART OF 281-6452 ENGINE AR-COMplete

FOR USE WITH THE 2.5 BASE MODULE LARGE CAM GEAR TRAIN, CUSTOMER SUPPLIED SAE

"A" PUMP WITH 11 TOOTH 16/32 DEPTH SPLINE

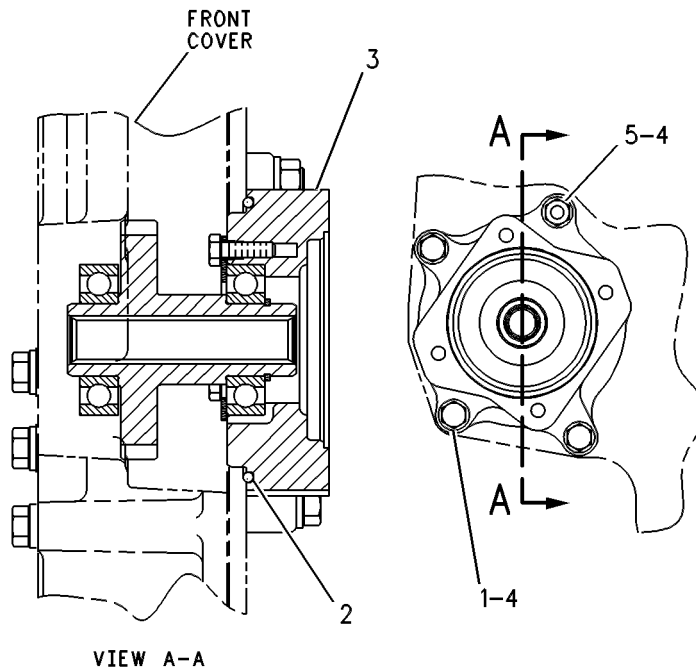
AN ATTACHMENT

SMCS-1207

i04395851

NOTE	REF NO	GRAPHIC REF	PART NUMBER	QTY	PART NAME						SEE PAGE
					1	2	3	4	5	6 (PRODUCT LEVEL)	
	1	1	0S-1590	3	BOLT (3/8-16X2-IN)						
	2	1	8T-9527	1	SEAL-O-RING						
Y	3	1	133-9907	1	ADAPTER GP-PUMP DRIVE						7
	4	1	5M-2894	4	WASHER-HARD (10.2X18.5X2.5-MM THK)						
	5	1	9S-8752	1	NUT-FULL (3/8-16-THD)						

Y-SEPARATE ILLUSTRATION



GRAPHIC #1

<END>

g00263601

BASIC ENGINE

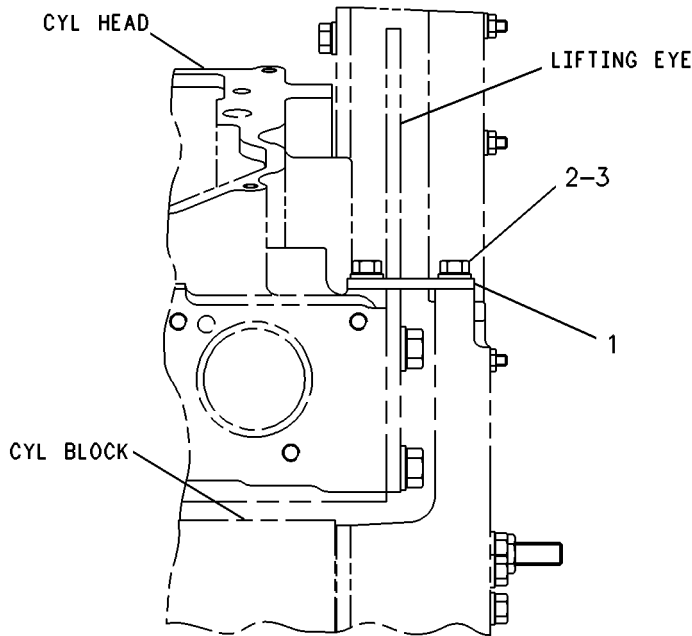
4P-6846 FASTENER GP-FRONT HOUSING

S/N: TXH1-UP; RHX1-UP
PART OF 281-6452 ENGINE AR-COMplete
AN ATTACHMENT

SMCS-1151, 1162

i04395861

NOTE	REF NO	GRAPHIC REF	PART NUMBER	QTY	PART NAME						SEE PAGE
					1	2	3	4	5	6 (PRODUCT LEVEL)	
	1	1	7N-0452	1	PLATE						
	2	1	0S-1594	2	BOLT (3/8-16X1-IN)						
	3	1	5M-2894	2	WASHER-HARD (10.2X18.5X2.5-MM THK)						



RIGHT SIDE VIEW

GRAPHIC #1

<END>

g00231021

BASIC ENGINE

108-9382 FASTENER GP-FRONT HOUSING

S/N: TXH1-UP; RHX1-UP

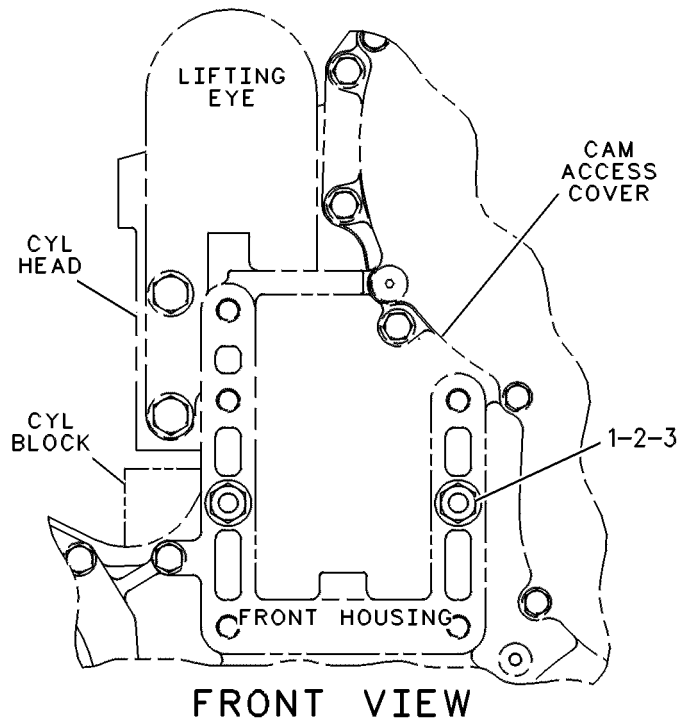
PART OF 281-6452 ENGINE AR-COMplete

FOR USE WITH FRONT HOUSING WHEN FAN DRIVE IS NOT INSTALLED
AN ATTACHMENT

SMCS-1151, 1162

i04395864

NOTE	REF NO	GRAPHIC REF	PART NUMBER	QTY	PART NAME						SEE PAGE
					1	2	3	4	5	6 (PRODUCT LEVEL)	
	1	1	1F-7958	2	NUT-FULL (1/2-13-THD)						
	2	1	5P-8245	2	WASHER-HARD (13.5X25.5X3-MM THK)						
	3	1	149-5268	2	STUD-TAPERLOCK						



GRAPHIC #1

<END>

g00237936

BASIC ENGINE

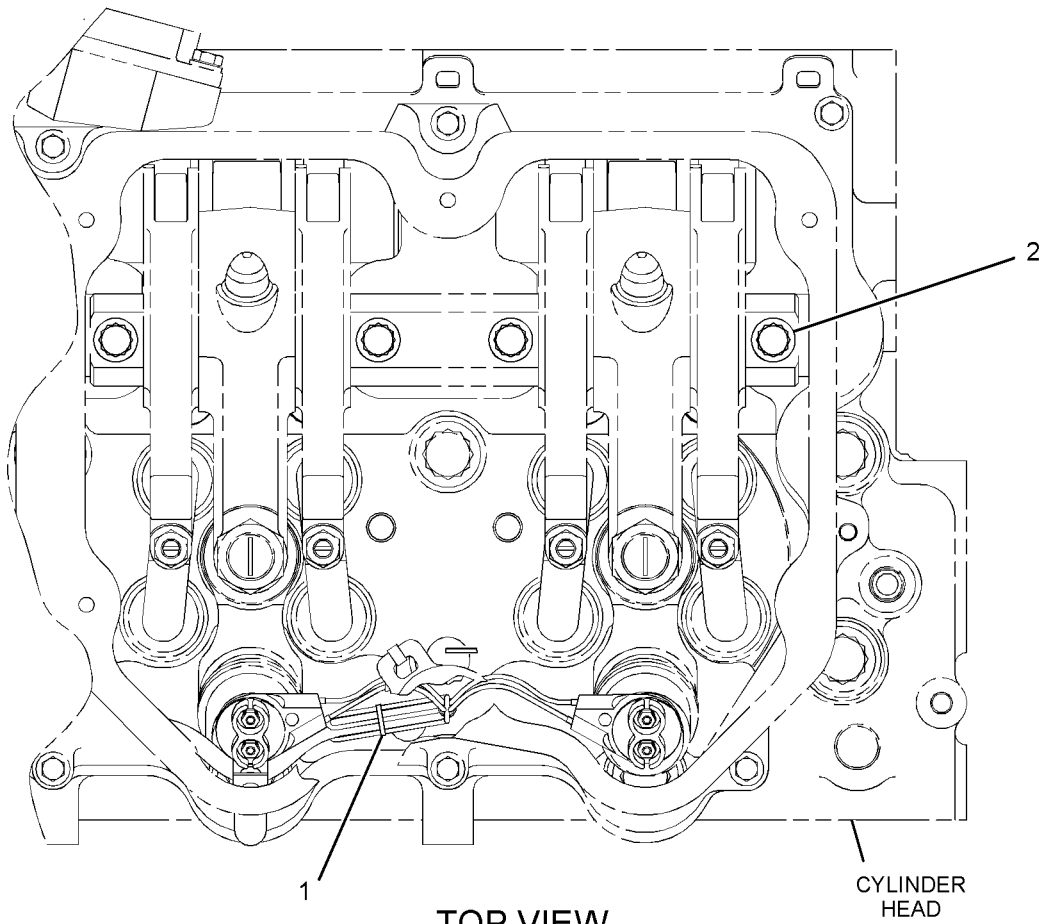
109-1657 FASTENER GP-VALVE MECHANISM

S/N: TXH1-UP; RHX1-UP
PART OF 281-6452 ENGINE AR-COMplete
AN ATTACHMENT

SMCS-1102

i04395957

NOTE	REF NO	GRAPHIC REF	PART NUMBER	QTY	PART NAME						SEE PAGE
					1	2	3	4	5	6 (PRODUCT LEVEL)	
	1	1	8L-8413	6	STRAP-CABLE						
	2	1	356-5212	12	BOLT-12 POINT HEAD (1/2-13X3.5 IN)						



TOP VIEW

GRAPHIC #1

<END>

g02257193

BASIC ENGINE

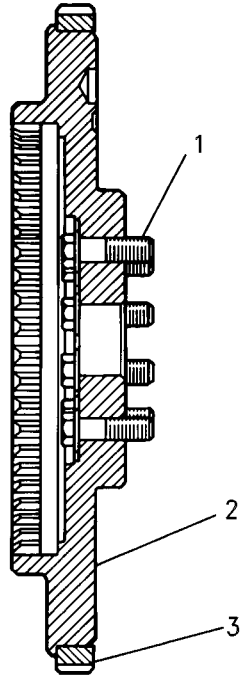
4P-6817 FLYWHEEL GP

S/N: TXH1-UP; RHX1-UP
PART OF 281-6452 ENGINE AR-COMplete
AN ATTACHMENT

SMCS-1156

i04395995

NOTE	REF NO	GRAPHIC REF	PART NUMBER	QTY	PART NAME						SEE PAGE
					1	2	3	4	5	6 (PRODUCT LEVEL)	
	1	1	0S-1577	12	BOLT (5/8-18X2.25-IN)						
		1	4D-3704	12	WASHER-HARD (17X30X5-MM THK)						
	2	1	4P-6818	1	FLYWHEEL AS						
	3	1	4N-2514	1	GEAR (113-TEETH)						



GRAPHIC #1

<END>

g00594779

BASIC ENGINE

204-9316 GEAR GP-CAMSHAFT

S/N: TXH1-UP; RHX1-UP

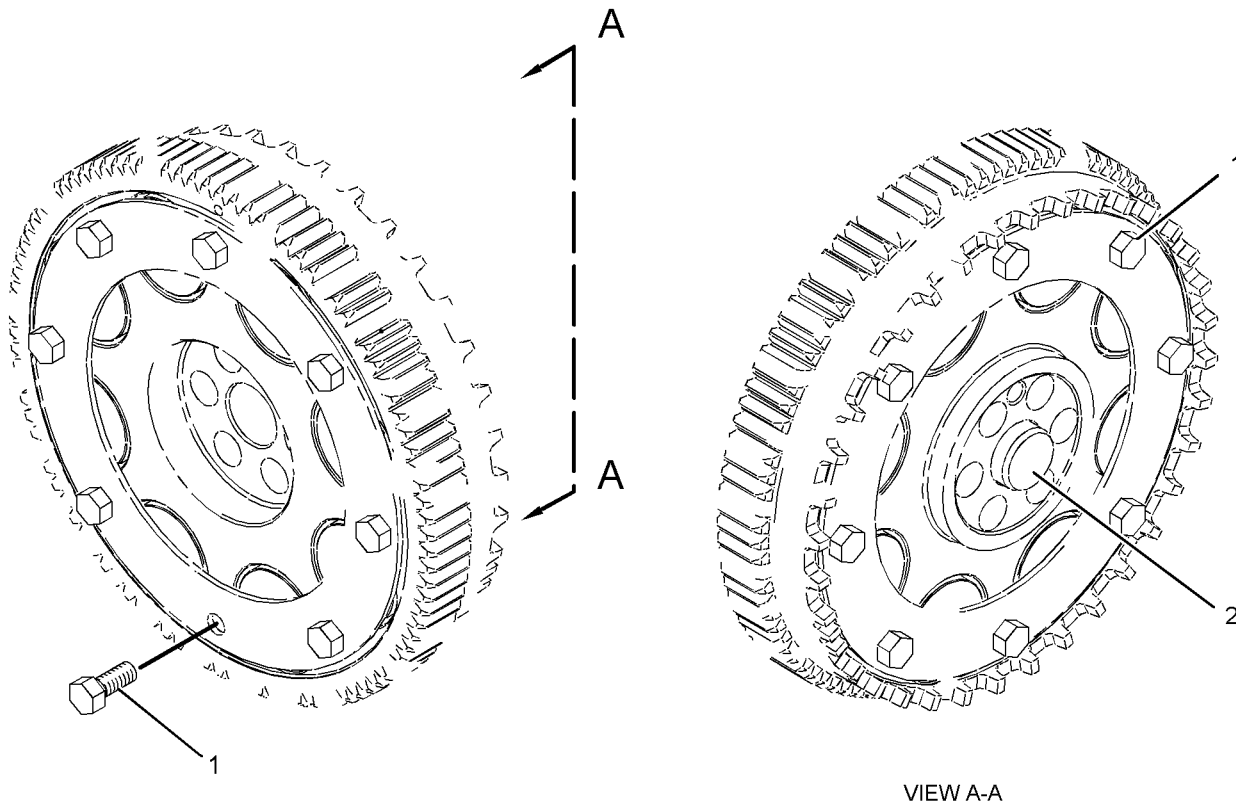
96-TEETH

PART OF 207-0449 GEAR GP-FRONT
AN ATTACHMENT

SMCS-1212

i04396150

NOTE	REF NO	GRAPHIC REF	PART NUMBER	QTY	PART NAME						SEE PAGE
					1	2	3	4	5	6 (PRODUCT LEVEL)	
	1	1	9X-8872	16	BOLT-LOCKING (3/8-16X0.875-IN)						
	2	1	103-0126	1	DOWEL						



GRAPHIC #1

<END>

g01381153

BASIC ENGINE

207-0449 GEAR GP-FRONT

S/N: TXH1-UP; RHX1-UP

SHOT-PEENED CLUSTER IDLER AND AN 8 BOLT CAM GEAR RETAINER

PART OF 356-2208 ENGINE AR-CORE

AN ATTACHMENT

SMCS-1151, 1162, 1206

i04396128

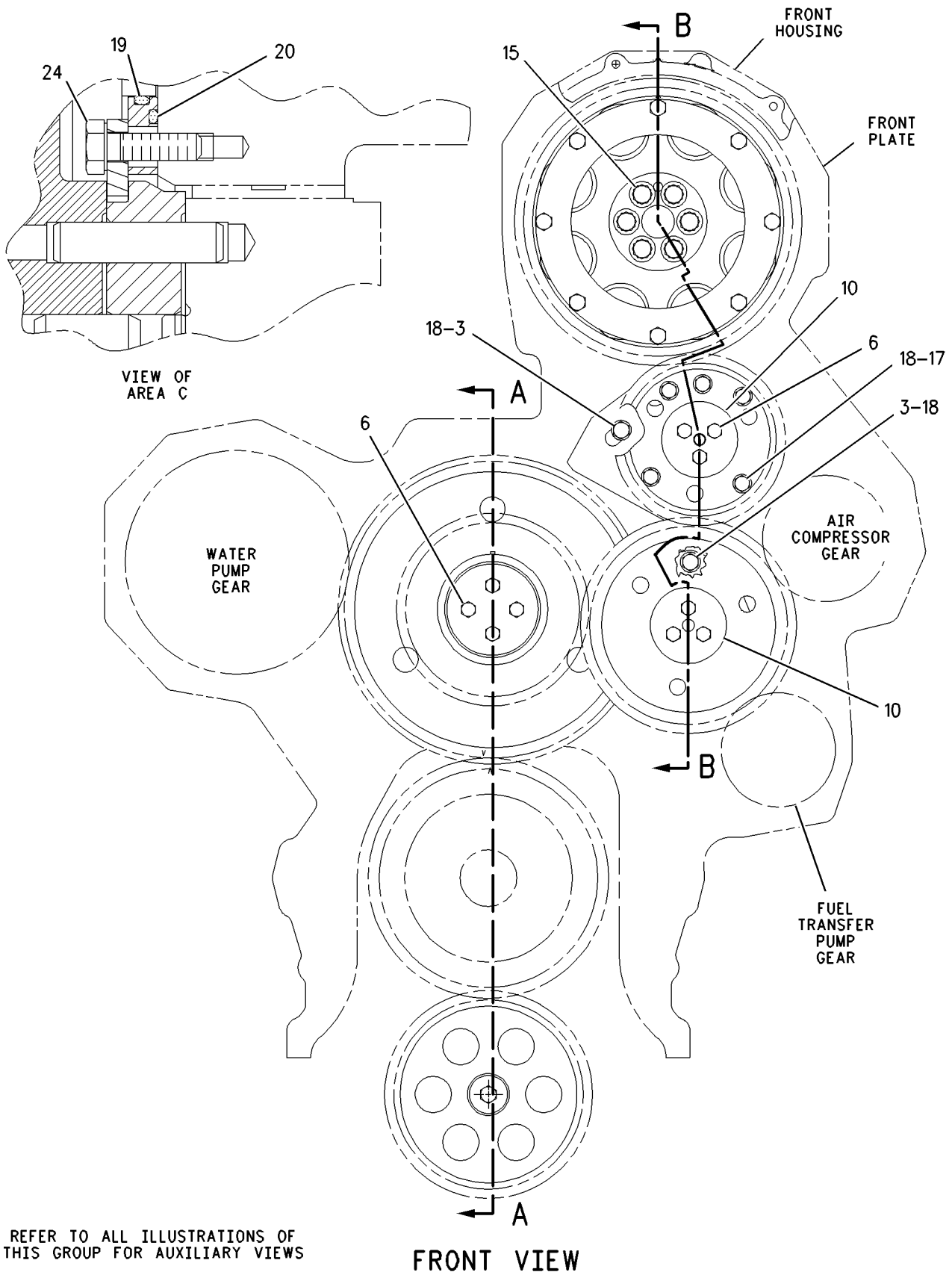
NOTE	REF NO	GRAPHIC REF	PART NUMBER	QTY	PART NAME						SEE PAGE
					1	2	3	4	5	6 (PRODUCT LEVEL)	
	1	2	0S-1571	1	BOLT (3/8-16X1.75-IN)						
	2	2	2J-3118	5	BOLT-LOCKING (3/8-16X1.25-IN)						
	3	1	5P-4142	2	BOLT-LOCKING (3/8-16X1.5-IN)						
	4	2	1B-8705	1	KEY-WOODRUFF						
	5	2	1P-7346	1	WASHER-HARD (10.2X35X6-MM THK)						
	6	1	126-1756	10	BOLT-LOCKING (5/16-18X0.875-IN)						
	7	2	112-9217	1	PLATE-THRUST						
	8	2	130-4701	1	GEAR AS (56-TEETH)						
		2	130-4698	1	BUSHING						
	9	2	151-5966	1	SHAFT AS-STUB						
		2	6I-3623	1	DOWEL						
	10	1	6I-3624	2	PLATE-THRUST						
	11	2	6I-3625	1	GEAR AS (71-TEETH)						
		2	101-8468	1	BUSHING						
Y	12	2	204-9316	1	GEAR GP-CAMSHAFT (96-TEETH)						38
	13	2	197-4971	1	SHAFT-STUB						
	14	2	158-3416	1	SHAFT-STUB						
	15	1	031-3185	6	BOLT-12 POINT HEAD (5/8-11X3-IN)						
	16	2	149-9110	1	GEAR-OIL PUMP DRIVE (69-TEETH)						
	17	1,2	9S-8752	10	NUT-FULL (3/8-16-THD)						
	18	1,2	9X-6458	12	WASHER-HARD (10.2X22.5X3-MM THK)						
	19	1	117-8801	1	SEAL-O-RING						
	20	1	5E-8771	1	SEAL-O-RING						
	21	2	159-1533	1	PLATE-SEALING						
	22	2	159-8524	1	ADAPTER AS						
		2	6V-3677	1	DOWEL						
	23	2	102-5861	1	PLATE-THRUST						
	24	1	107-0583	3	BOLT-LOCKING (1/4-20X0.87-IN)						
	25	2	187-8979	1	GEAR AS (105, 63-TEETH)						
		2	1B-8705	1	KEY-WOODRUFF						
		2	6I-4582	1	GEAR (63-TEETH)						
		2	131-7123	1	BUSHING						

Y-SEPARATE ILLUSTRATION

BASIC ENGINE

207-0449 GEAR GP - FRONT (contd.)

i04396128



REFER TO ALL ILLUSTRATIONS OF THIS GROUP FOR AUXILIARY VIEWS

FRONT VIEW

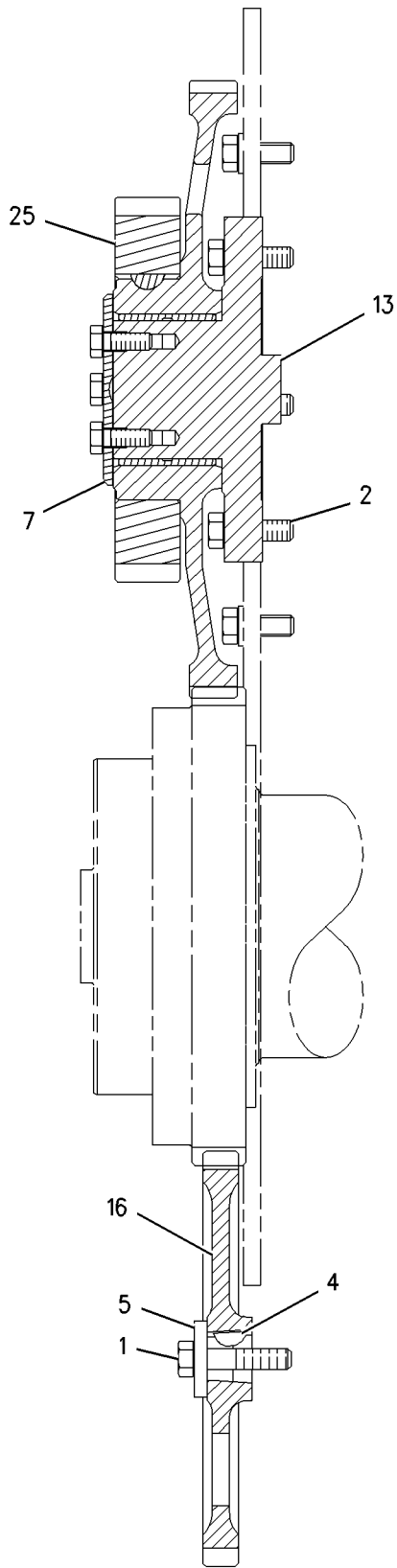
GRAPHIC #1

g00809001

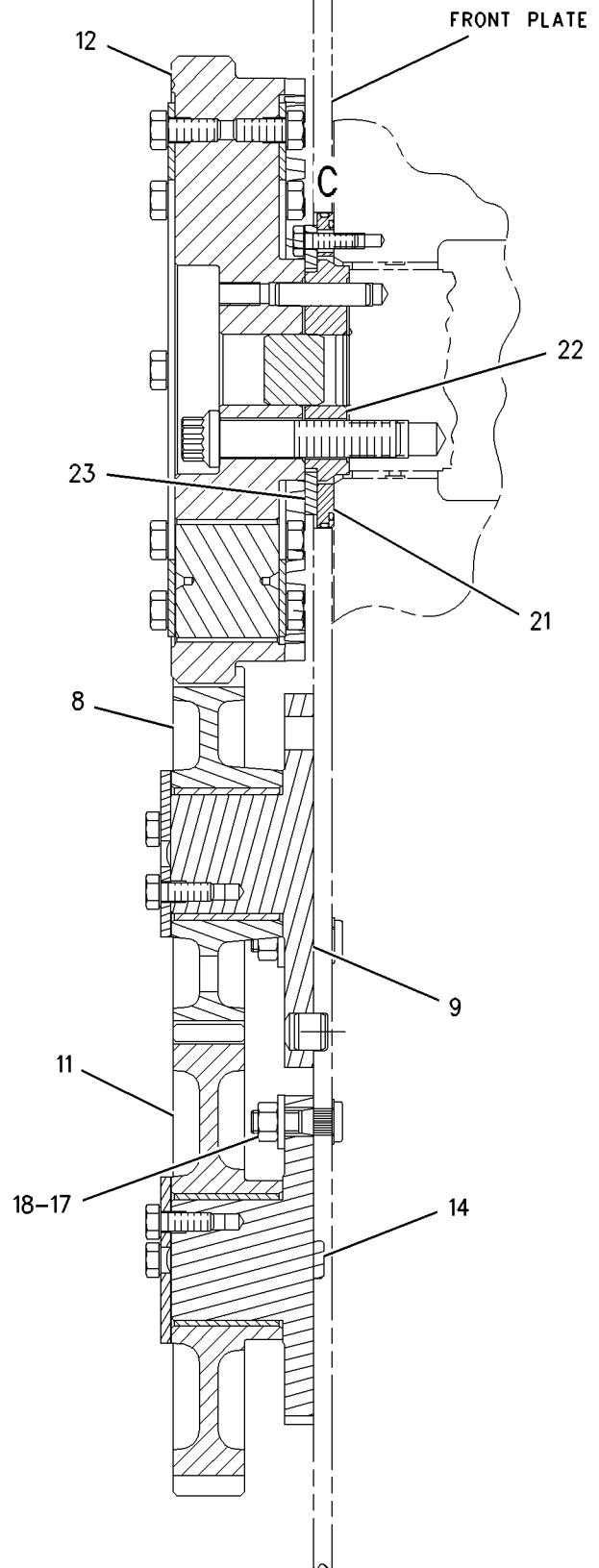
BASIC ENGINE

207-0449 GEAR GP-FRONT (contd.)

i04396128



SECTION A-A



SECTION B-B

GRAPHIC #2

<END>

g00809003

BASIC ENGINE

134-2809 HOUSING GP-FLYWHEEL

S/N: TXH1-UP; RHX1-UP
PART OF 281-6452 ENGINE AR-COMPLETE
AN ATTACHMENT

SMCS-1157

i04395999

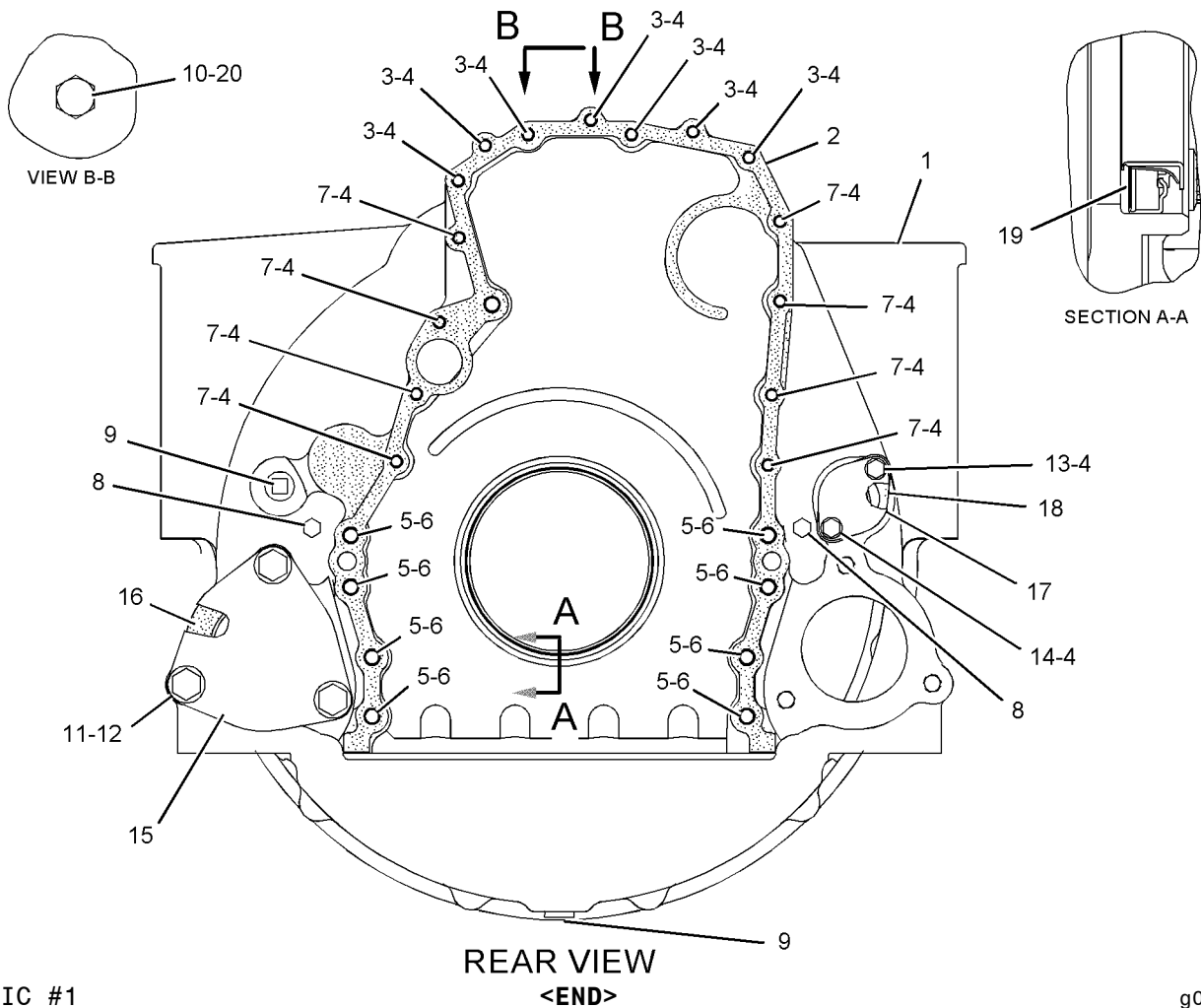
NOTE	REF NO	GRAPHIC REF	PART NUMBER	QTY	PART NAME						SEE PAGE
					1	2	3	4	5	6 (PRODUCT LEVEL)	
	1	1	131-8107	1	HOUSING AS-FLYWHEEL						
		1	1W-3136	1	BAFFLE						
	2	1	155-5619	1	GASKET						
	3	1	165-3929	8	BOLT (3/8-16X1.5-IN)						
	4	1	5M-2894	17	WASHER-HARD (10.2X18.5X2.5-MM THK)						
	5	1	7K-6058	9	BOLT-12 POINT HEAD (1/2-13X2.5-IN)						
	6	1	5P-8245	9	WASHER-HARD (13.5X25.5X3-MM THK)						
	7	1	165-3933	7	BOLT (3/8-16X2.25-IN)						
	8	1	8T-6765	2	PLUG-PIPE						
	9	1	7X-7731	2	PLUG-PIPE						
	10	1	5F-0304	1	PLUG						
	11	1	4B-4043	3	BOLT (5/8-11X1.375-IN)						
	12	1	5P-8247	3	WASHER-HARD (17X32X3.5-MM THK)						
	13	1	0S-1619	1	BOLT (3/8-16X3-IN)						
	14	1	0S-1594	1	BOLT (3/8-16X1-IN)						
	15	1	3H-0761	1	COVER-OPENING						
	16	1	9Y-6089	1	GASKET						
	17	1	2P-2772	1	COVER						
	18	1	234-8937	1	SEAL-INTEGRAL						
Y	19	1	319-0785	1	SEAL GP-CRANKSHAFT (REAR FLYWHEEL HOUSING)						67
	20	1	2A-1162	1	GASKET						

Y-SEPARATE ILLUSTRATION

BASIC ENGINE

134-2809 HOUSING GP-FLYWHEEL (contd.)

i04395999



GRAPHIC #1

g01099251

BASIC ENGINE

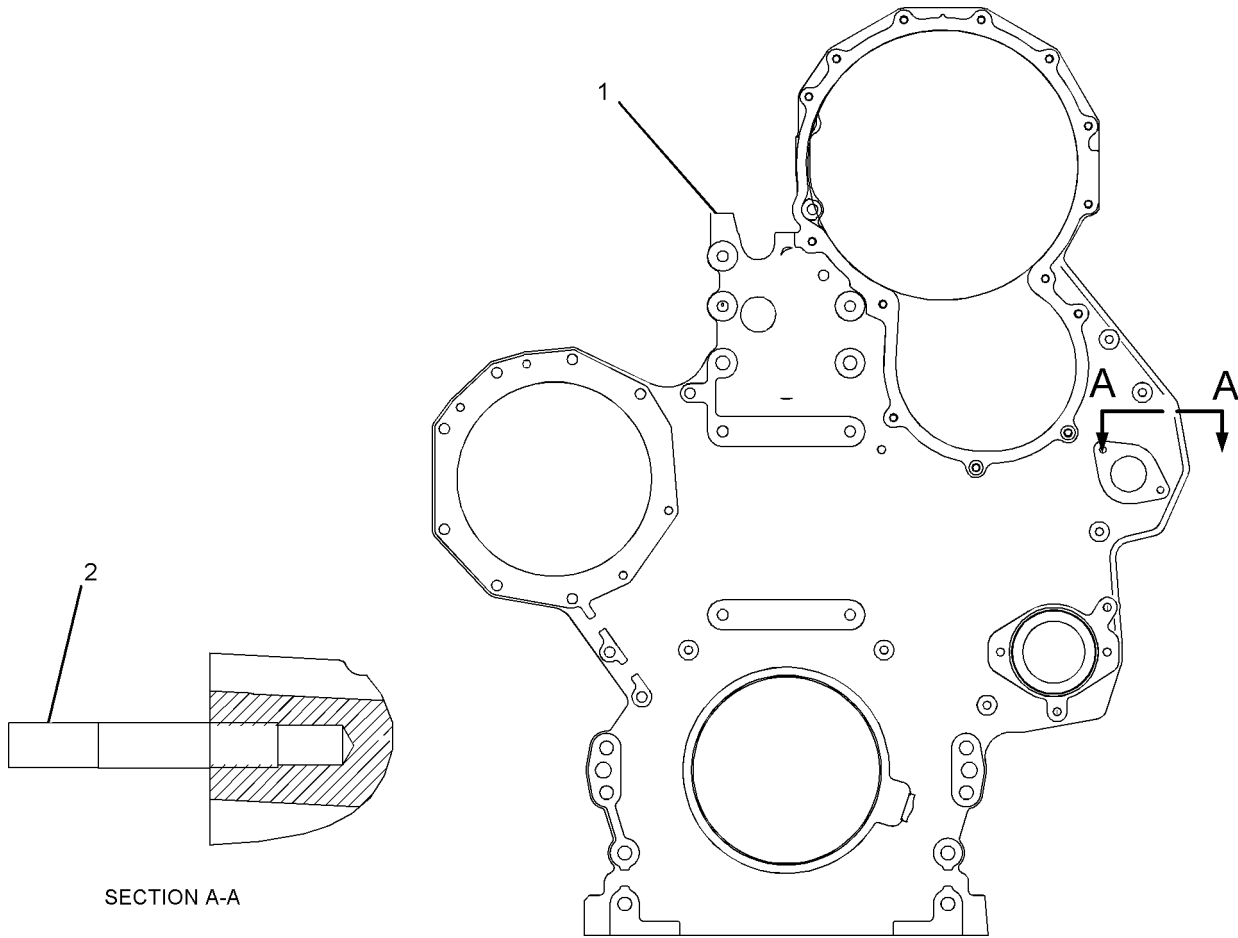
241-0478 HOUSING GP-FRONT

S/N: TXH1-UP; RHX1-UP
PART OF 341-8964 HOUSING GP-FRONT
AN ATTACHMENT

SMCS-1151, 1162, 1206

i04396023

NOTE	REF NO	GRAPHIC REF	PART NUMBER	QTY	PART NAME						SEE PAGE
					1	2	3	4	5	6 (PRODUCT LEVEL)	
	1	1	187-5420	1	HOUSING-FRONT						
	2	1	3E-8044	1	STUD (1/2-13X2.95-IN)						



GRAPHIC #1

<END>

g01071877

BASIC ENGINE

341-8964 HOUSING GP-FRONT

S/N: TXH1-UP; RHX1-UP

PART OF 281-6452 ENGINE AR-COMPLETE
AN ATTACHMENT

SMCS-1151, 1162, 1206

i04396012

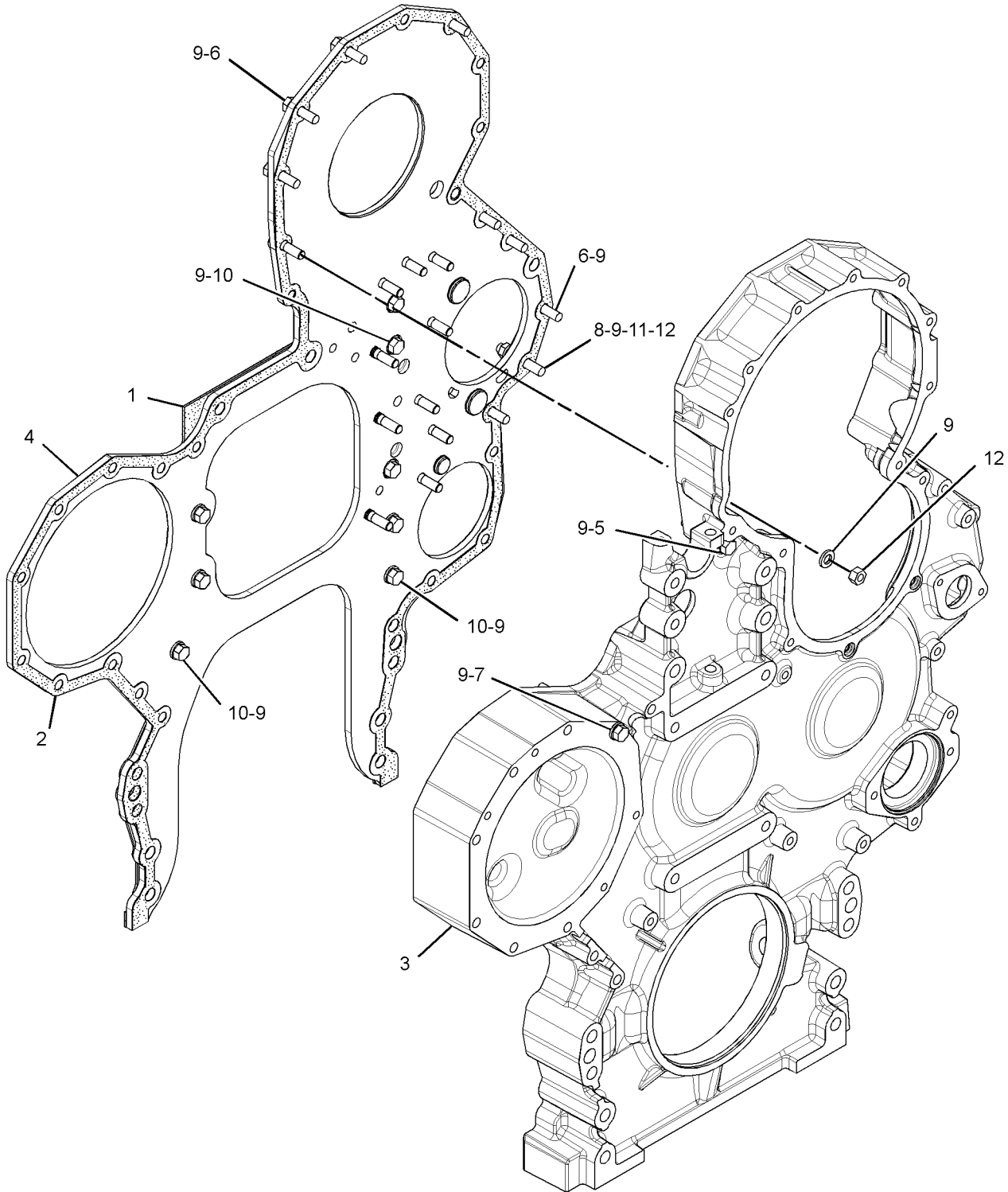
NOTE	REF NO	GRAPHIC REF	PART NUMBER	QTY	PART NAME						SEE PAGE
					1	2	3	4	5	6 (PRODUCT LEVEL)	
	1	1	155-9524	1	SEAL - INTEGRAL						
	2	1	166-9144	1	GASKET						
Y	3	1	241-0478	1	HOUSING GP-FRONT						44
Y	4	1	353-9979	1	PLATE AS-FRONT HOUSING						59
	5	1	0L-2070	1	BOLT (3/8-16X2.25-IN)						
	6	1	0S-1588	8	BOLT (3/8-16X1.25-IN)						
	7	1	0T-0055	1	BOLT (3/8-16X4.25-IN)						
	8	1	129-3172	1	STUD-MOUNTING (3/8-16X1.564-IN)						
	9	1	5M-2894	20	WASHER-HARD (10.2X18.5X2.5-MM THK)						
	10	1	5P-4255	8	BOLT-LOCKING (3/8-16X1-IN)						
	11	1	6V-5839	2	WASHER (11X21X2.5-MM THK)						
	12	1	9S-8752	2	NUT-FULL (3/8-16-THD)						

Y-SEPARATE ILLUSTRATION

BASIC ENGINE

341-8964 HOUSING GP-FRONT (contd.)

i04396012



GRAPHIC #1

<END>

g02154847

BASIC ENGINE

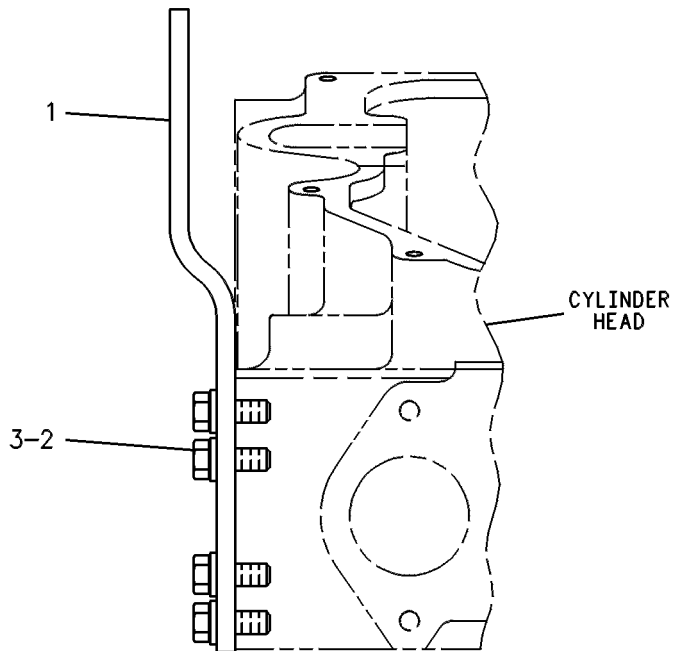
111-2088 LIFTING GP-ENGINE

S/N: TXH1-UP; RHX1-UP
 REAR, LOW PROFILE LIFTING EYE
 PART OF 281-6452 ENGINE AR-COMplete
 AN ATTACHMENT

SMCS-1122

i04396013

NOTE	REF NO	GRAPHIC REF	PART NUMBER	QTY	PART NAME						SEE PAGE
					1	2	3	4	5	6 (PRODUCT LEVEL)	
	1	1	109-9985	1	EYE-LIFTING						
	2	1	0S-1594	8	BOLT (3/8-16X1-IN)						
	3	1	5M-2894	8	WASHER-HARD (10.2X18.5X2.5-MM THK)						



GRAPHIC #1

<END>

g00238183

BASIC ENGINE

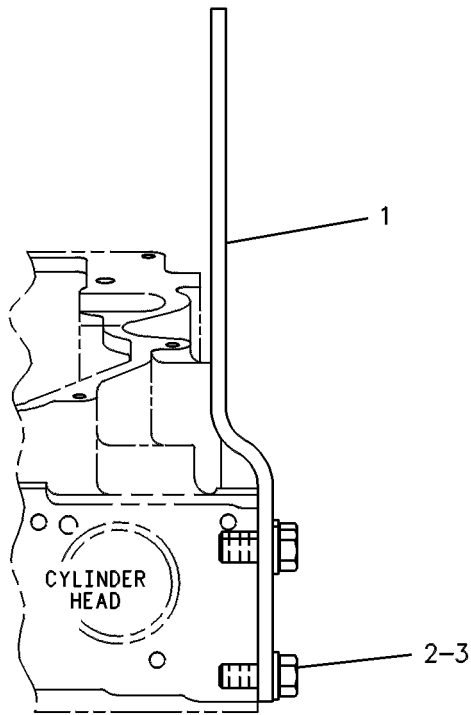
111-2355 LIFTING GP-ENGINE

S/N: TXH1-UP; RHX1-UP
 FRONT- OFFSET LIFTING EYE
 PART OF 281-6452 ENGINE AR-COMplete
 CANNOT BE USED WITH ALTERNATOR MOUNTING
 AN ATTACHMENT

SMCS-1122

i04396014

NOTE	REF NO	GRAPHIC REF	PART NUMBER	QTY	PART NAME						SEE PAGE
					1	2	3	4	5	6 (PRODUCT LEVEL)	
	1	1	110-4344	1	EYE-LIFTING						
	2	1	0S-1595	4	BOLT (1/2-13X1.25-IN)						
	3	1	5P-8245	4	WASHER-HARD (13.5X25.5X3-MM THK)						



GRAPHIC #1

<END>

g00238181

BASIC ENGINE

190-0009 MECHANISM GP-FUEL PUMP & VALVE

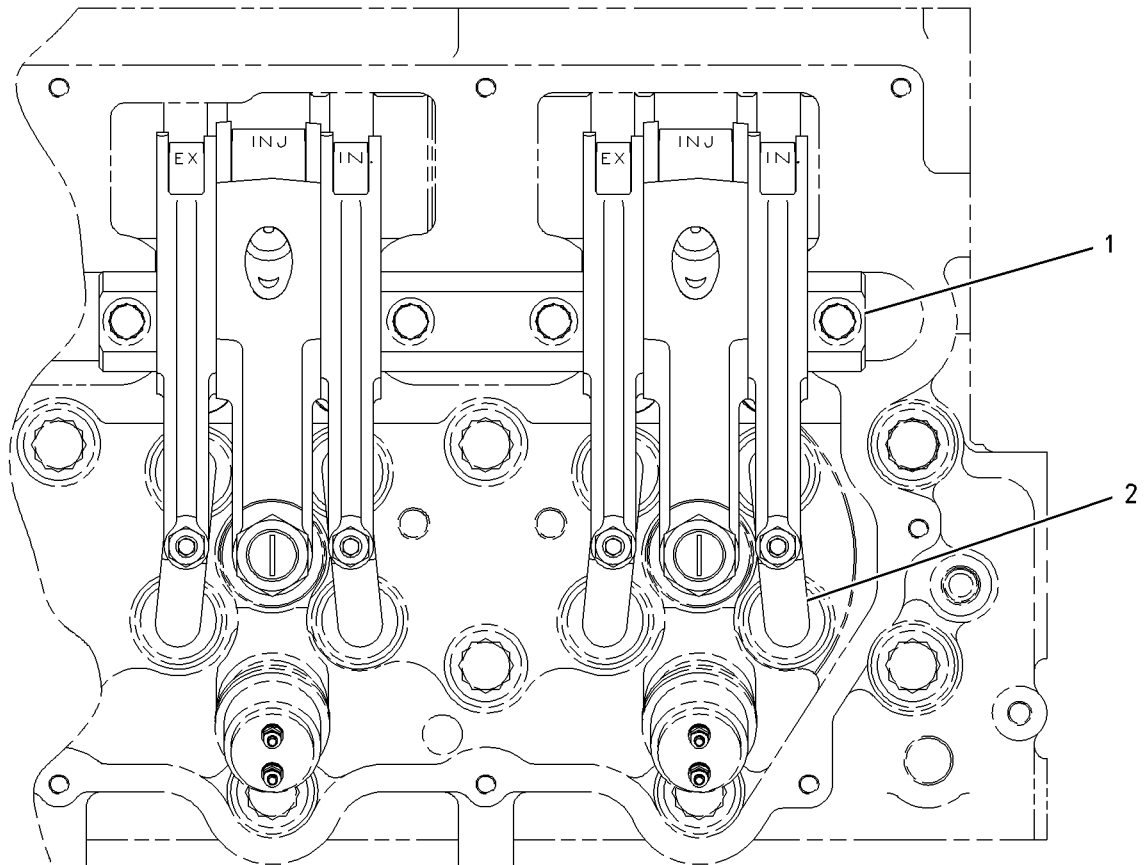
S/N: TXH1-UP; RHX1-UP
PART OF 356-2208 ENGINE AR-CORE
AN ATTACHMENT

SMCS-1102, 1123

i04396129

NOTE	REF NO	GRAPHIC REF	PART NUMBER	QTY	PART NAME						SEE PAGE
					1	2	3	4	5	6 (PRODUCT LEVEL)	
Y	1	1	328-4236	3	ROCKER ARM GP						65
	2	1	348-7743	12	BRIDGE-VALVE						

Y-SEPARATE ILLUSTRATION



TOP VIEW

GRAPHIC #1

<END>

g00814910

BASIC ENGINE

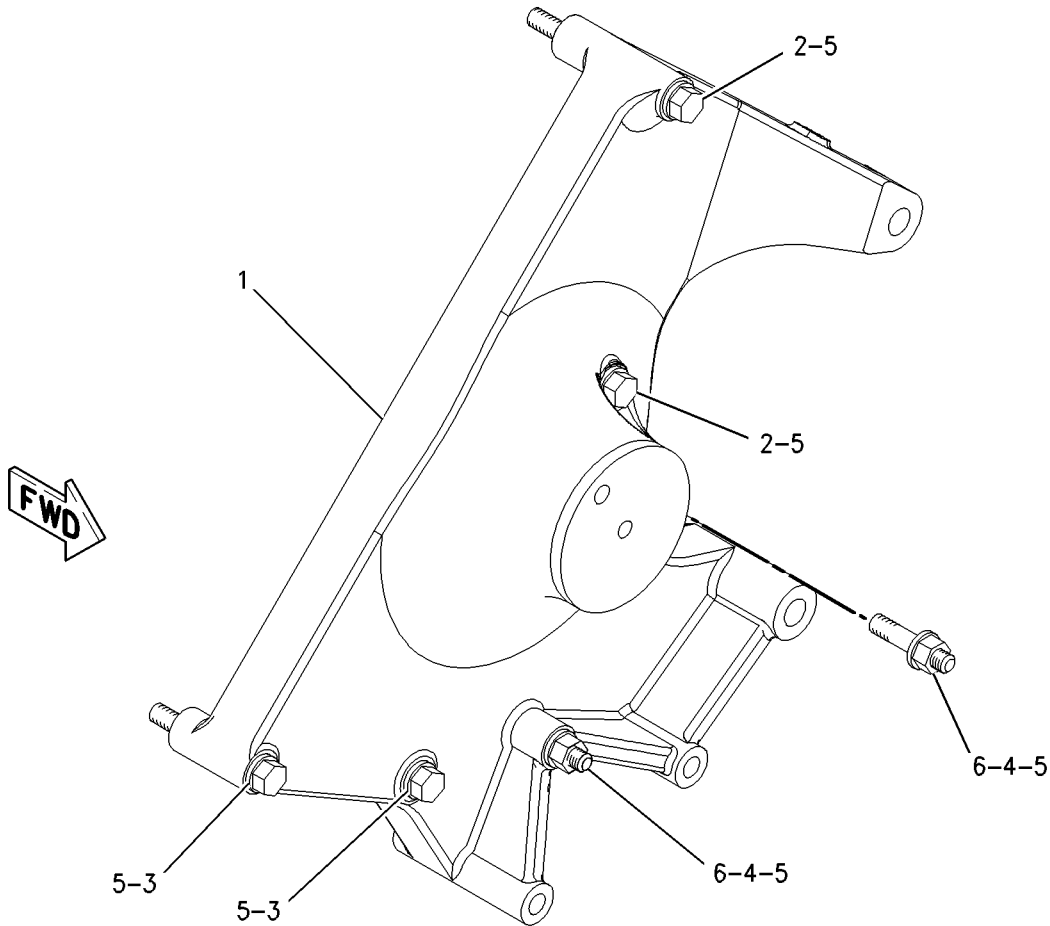
188-1754 MOUNTING GP-ALTERNATOR & COMPR

S/N: TXH1-UP; RHX1-UP
PART OF 281-6452 ENGINE AR-COMPLETE
AN ATTACHMENT

SMCS-1405, 1802

i04396050

NOTE	REF NO	GRAPHIC REF	PART NUMBER	QTY	PART NAME						SEE PAGE
					1	2	3	4	5	6 (PRODUCT LEVEL)	
	1	1	188-1755	1	SUPPORT						
	2	1	0S-1608	2	BOLT (3/8-16X3.75-IN)						
	3	1	0T-0573	2	BOLT (3/8-16X2.75-IN)						
	4	1	2P-1974	2	STUD-TAPERLOCK (3/8-16X4.2-IN)						
	5	1	5M-2894	6	WASHER-HARD (10.2X18.5X2.5-MM THK)						
	6	1	9S-8752	2	NUT-FULL (3/8-16-THD)						



GRAPHIC #1

<END>

g00759989

BASIC ENGINE

175-3860 PAN GP-OIL-ENGINE

S/N: TXH1-UP; RHX1-UP

PART OF 281-6452 ENGINE AR-COMPLETE
AN ATTACHMENT

SMCS-1302

i04396055

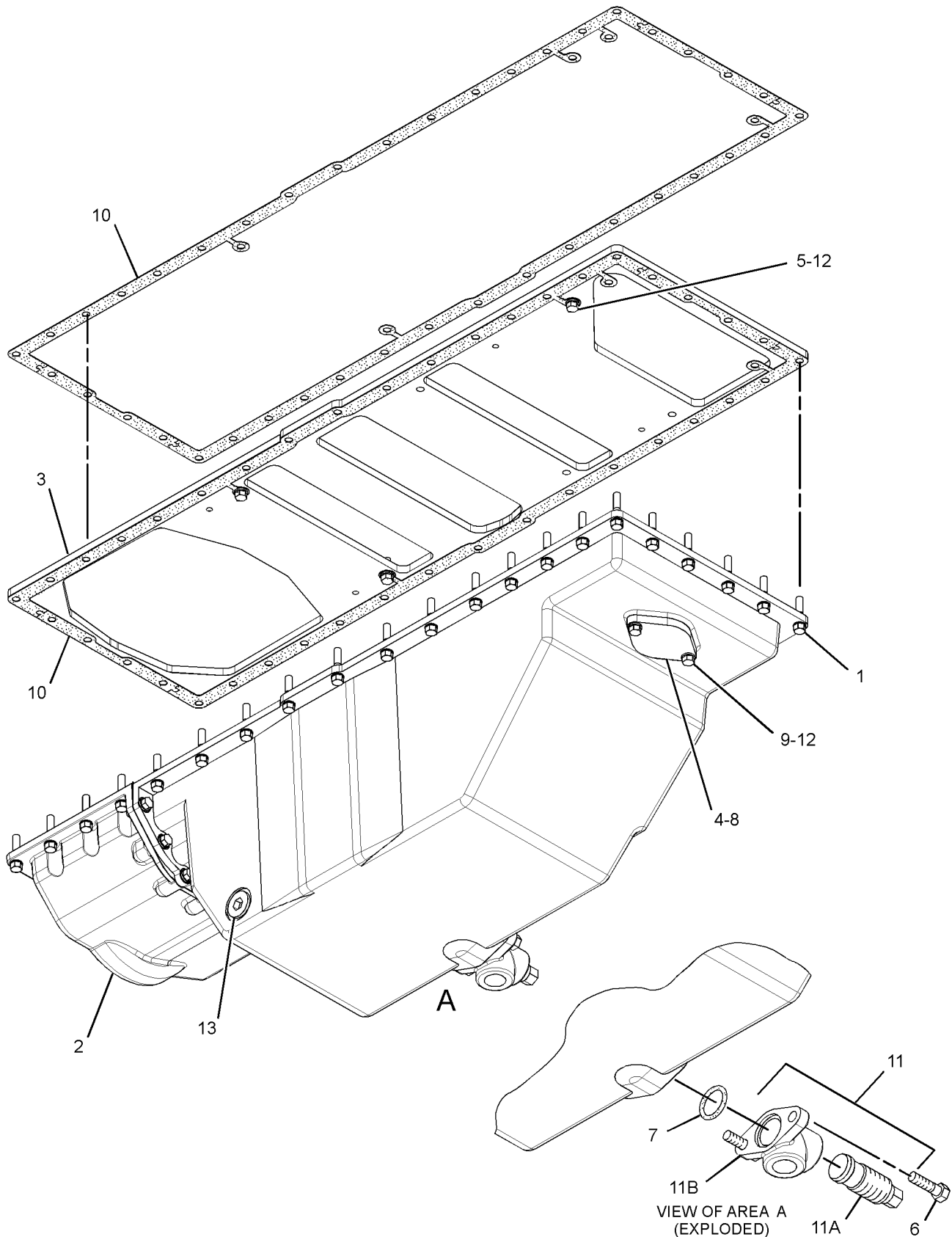
NOTE	REF NO	GRAPHIC REF	PART NUMBER	QTY	PART NAME						SEE PAGE
					1	2	3	4	5	6 (PRODUCT LEVEL)	
	1	1	2P-3205	40	BOLT-WASHER HEAD (3/8-16X1.75-IN)						
Y	2	1	335-1893	1	PAN GP-OIL (ENGINE)						53
	3	1	9N-3167	1	PLATE						
	4	1	175-3868	1	COVER						
	5	1	1A-2029	3	BOLT (3/8-16X1.125-IN)						
	6	1	0S-1587	2	BOLT (1/2-13X1.75-IN)						
	7	1	6V-3830	1	SEAL-O-RING						
	8	1	109-0076	1	SEAL-O-RING						
	9	1	3B-1915	2	BOLT (3/8-16X1.375-IN)						
	10	1	353-5065	2	GASKET-OIL PAN (ENGINE)						
	11	1	4P-0519	1	ADAPTER AS-DRAIN						
	11A	1	109-5839	1	PLUG-DRAIN (ENGINE OIL PAN)						
	11B	1	109-5840	1	ADAPTER-PLUG						
	12	1	5M-2894	5	WASHER-HARD (10.2X18.5X2.5-MM THK)						
	13	1	319-6234	1	PLUG AS						
		1	238-5084	1	SEAL-O-RING						
		1	9S-9334	1	PLUG-O-RING						

Y-SEPARATE ILLUSTRATION

BASIC ENGINE

175-3860 PAN GP-OIL (contd.)

i04396055



GRAPHIC #1

<END>

g02024974

BASIC ENGINE

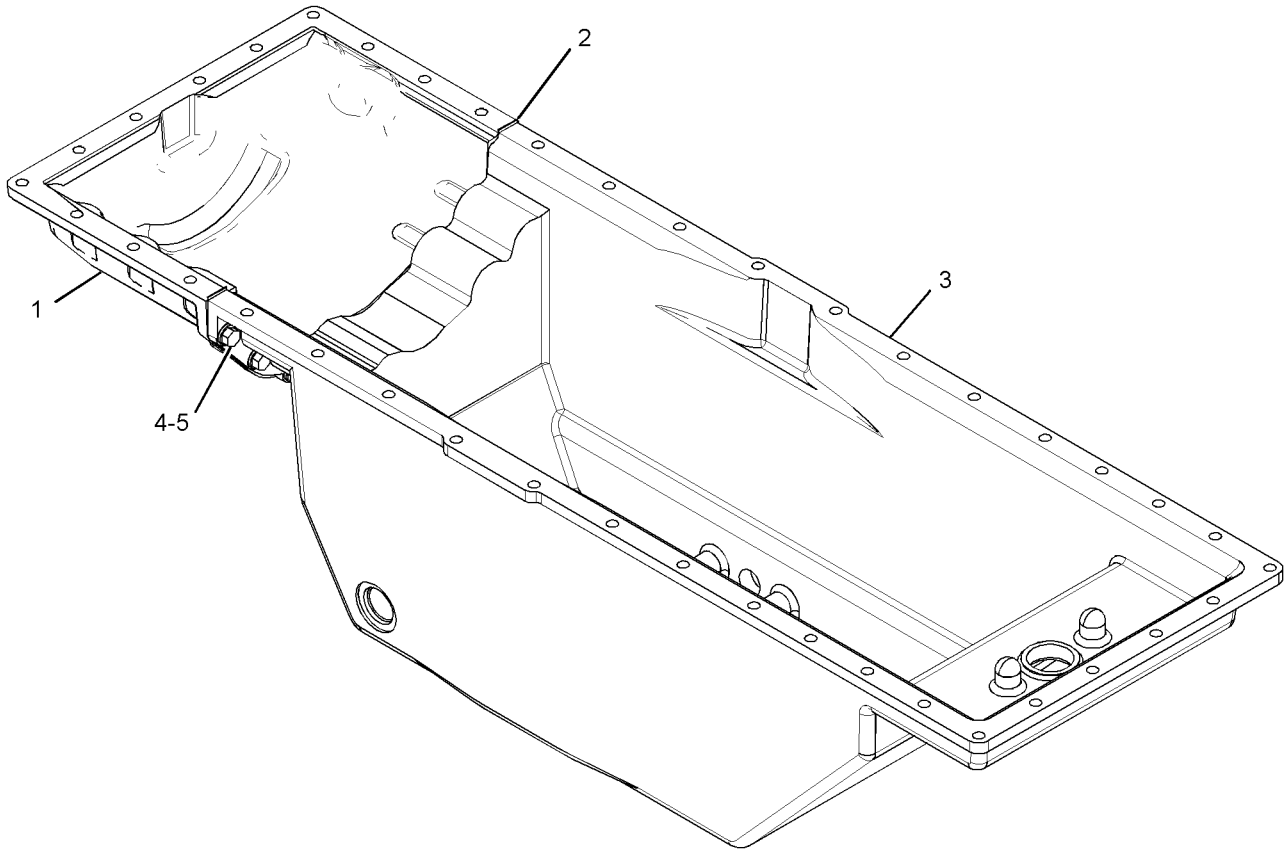
335-1893 PAN GP-OIL-ENGINE

S/N: TXH1-UP; RHX1-UP
PART OF 175-3860 PAN GP-OIL
AN ATTACHMENT

SMCS-1302

i04396077

NOTE	REF NO	GRAPHIC REF	PART NUMBER	QTY	PART NAME						SEE PAGE
					1	2	3	4	5	6 (PRODUCT LEVEL)	
	1	1	7E-4341	1	PAN-OIL						
	2	1	7E-4342	1	GASKET						
	3	1	179-3211	1	PAN-OIL (ENGINE)						
	4	1	0S-1588	8	BOLT (3/8-16X1.25-IN)						
	5	1	5M-2894	8	WASHER-HARD (10.2X18.5X2.5-MM THK)						



GRAPHIC #1

<END>

g01817722

BASIC ENGINE

174-3874 PANEL GP-SOUND SUPPRESSION

S/N: TXH1-UP; RHX1-UP

LEFT HAND MOUNTED SOUND PANEL

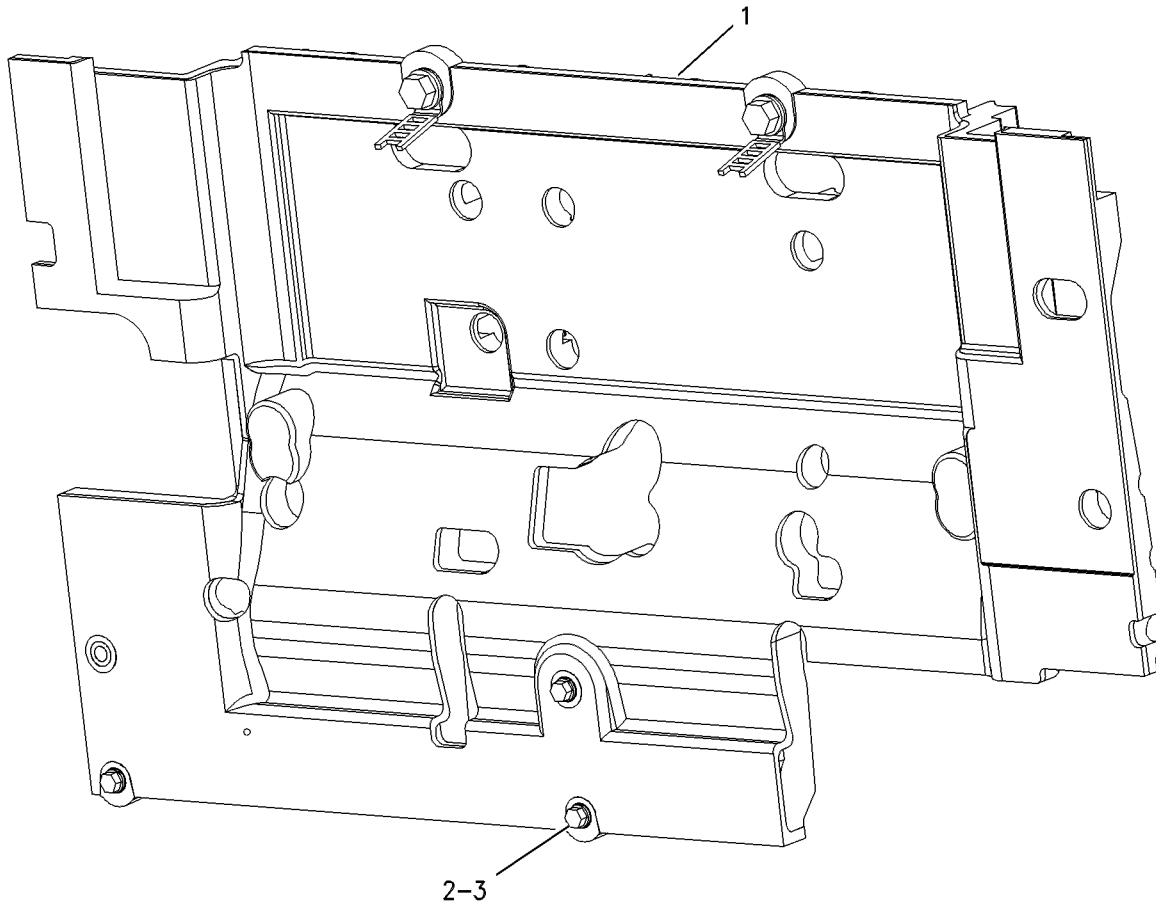
PART OF 281-6452 ENGINE AR-COMplete

FOR USE WITH BRAKESAVER OR NON-BRAKESAVER ENGINES, ALL APPLICATIONS
AN ATTACHMENT

SMCS-1801

i04396056

NOTE	REF NO	GRAPHIC REF	PART NUMBER	QTY	PART NAME						SEE PAGE
					1	2	3	4	5	6	
	1	1	173-1957	1	PANEL AS						
	2	1	0S-1588	3	BOLT (3/8-16X1.25-IN)						
	3	1	9X-6458	3	WASHER-HARD (10.2X22.5X3-MM THK)						



GRAPHIC #1

<END>

g00618571

BASIC ENGINE

185-1933 PANEL GP-SOUND SUPPRESSION

S/N: A7A1-UP

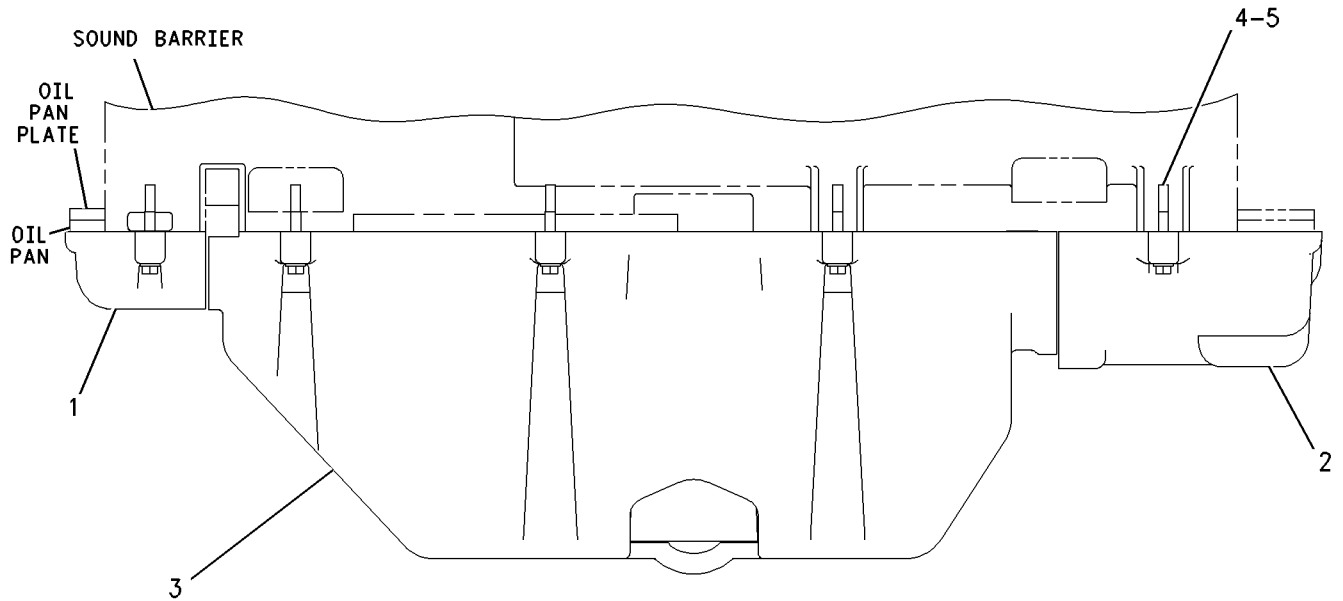
ENGINE OIL PAN

PART OF 225-8338 SUPPRESSION AR-SOUND
AN ATTACHMENT

SMCS-1801

i04479953

NOTE	REF NO	GRAPHIC REF	PART NUMBER	QTY	PART NAME						SEE PAGE
					1	2	3	4	5	6 (PRODUCT LEVEL)	
	1	1	162-8617	1	PANEL AS						
	2	1	162-8619	1	PANEL AS						
(EACH PANEL AS INCLUDES)											
		1	9N-6108	2	SPRING						
	3	1	185-2192	1	PANEL AS						
		1	9N-6108	6	SPRING						
	4	1	OS-1619	10	BOLT (3/8-16X3-IN)						
	5	1	5M-2894	10	WASHER-HARD (10.2X18.5X2.5-MM THK)						



RIGHT SIDE OF ENGINE

GRAPHIC #1

<END>

g00688166

BASIC ENGINE

227-9980 PANEL GP-SOUND SUPPRESSION- ENGINE FRONT HOUSING

S/N: TXH1-UP; RHX1-UP

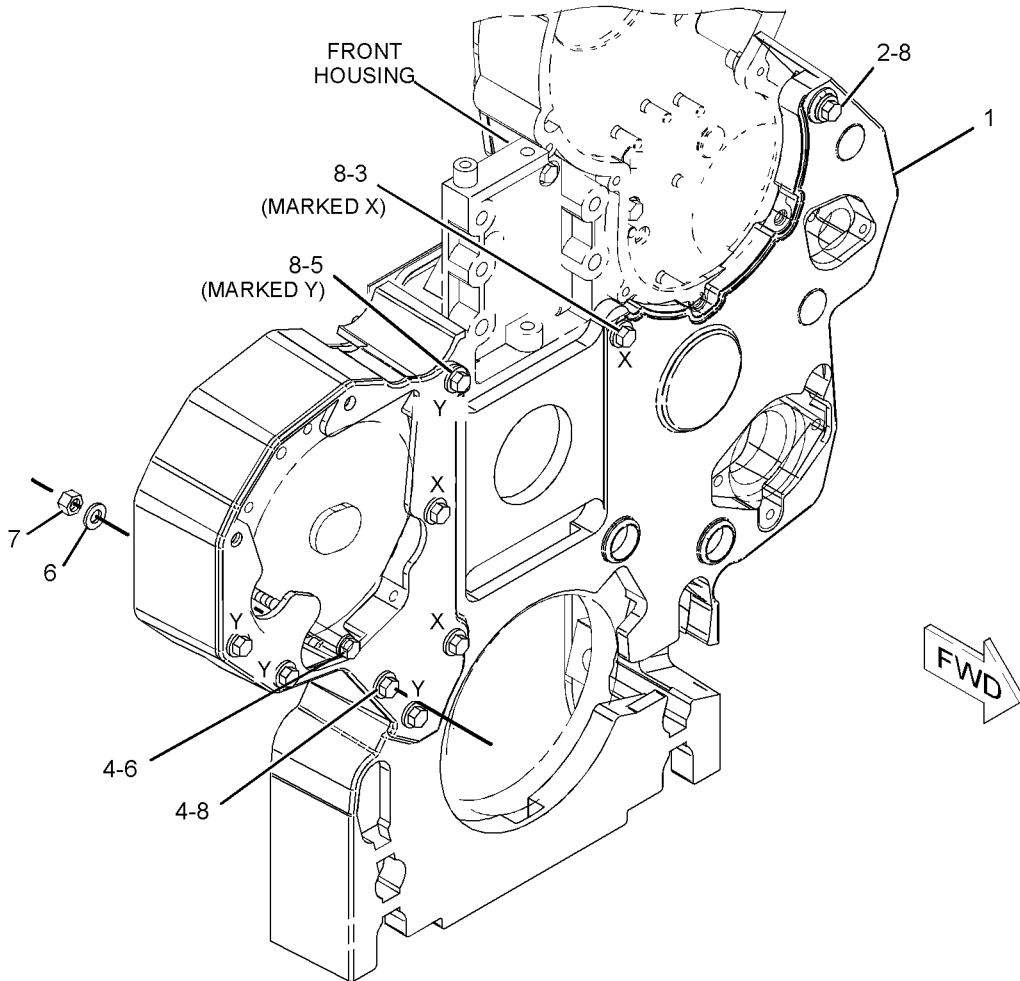
PART OF 281-6452 ENGINE AR-COMPLETE

CANNOT BE USED WITH ALTERNATOR MOUNTING GROUPS AND ACCESSORY DRIVE GROUPS
AN ATTACHMENT

SMCS-1801

i04396057

NOTE	REF NO	GRAPHIC REF	PART NUMBER	QTY	PART NAME						SEE PAGE
					1	2	3	4	5	6 (PRODUCT LEVEL)	
	1	1	324-6804	1	COVER AS (SOUND SUPPRESSION)						
	2	1	0S-1588	1	BOLT (3/8-16X1.25-IN)						
	3	1	0S-1594	3	BOLT (3/8-16X1-IN) (MARKED X)						
	4	1	0T-0055	2	BOLT (3/8-16X4.25-IN)						
	5	1	1A-5964	4	BOLT (3/8-16X4.5-IN) (MARKED Y)						
	6	1	5M-2894	2	WASHER-HARD (10.2X18.5X2.5-MM THK)						
	7	1	9S-8752	1	NUT-FULL (3/8-16-THD)						
	8	1	9X-6458	9	WASHER-HARD (10.2X22.5X3-MM THK)						



GRAPHIC #1

<END>

g01436233

BASIC ENGINE

220-1441 PISTON & ROD GP

S/N: TXH1-UP; RHX1-UP

18:1 COMPRESSION RATIO

PART OF 356-2208 ENGINE AR-CORE

AN ATTACHMENT

SMCS-1225

i04396131

NOTE	REF NO	GRAPHIC REF	PART NUMBER	QTY	PART NAME						SEE PAGE
					1	2	3	4	5	6 (PRODUCT LEVEL)	
	1	1	151-5925	1	BOLT (7/16-14-THD)						
	2	1	180-7350	1	PIN-PISTON						
	3	1	238-2707	1	RING-PISTON (INTERMEDIATE)						
	4	1	246-5659	1	RING-PISTON (OIL CONTROL)						
	5	1	274-8359	1	TUBE AS						
R	6	1	329-4511	1	BODY AS-PISTON						
	7	1	223-9159	1	RING-PISTON-TOP						
R	8	1	224-3245	1	ROD AS						
	8A	1	219-4458	2	PIN-DOWEL						
	8B	1	213-3217	4	BOLT (M11X1.25X84-MM)						
	8C	1	229-6259	1	BEARING						
	9	1	224-3246	1	BEARING-CONNECTING ROD (STANDARD)						
AB		1	232-3235		BEARING-CONNECTING ROD (0.64-MM US)						
AB		1	232-3236		BEARING-CONNECTING ROD (1.27-MM US)						
	10	1	230-2569	2	RETAINER-PIN						

A-NOT PART OF THIS GROUP

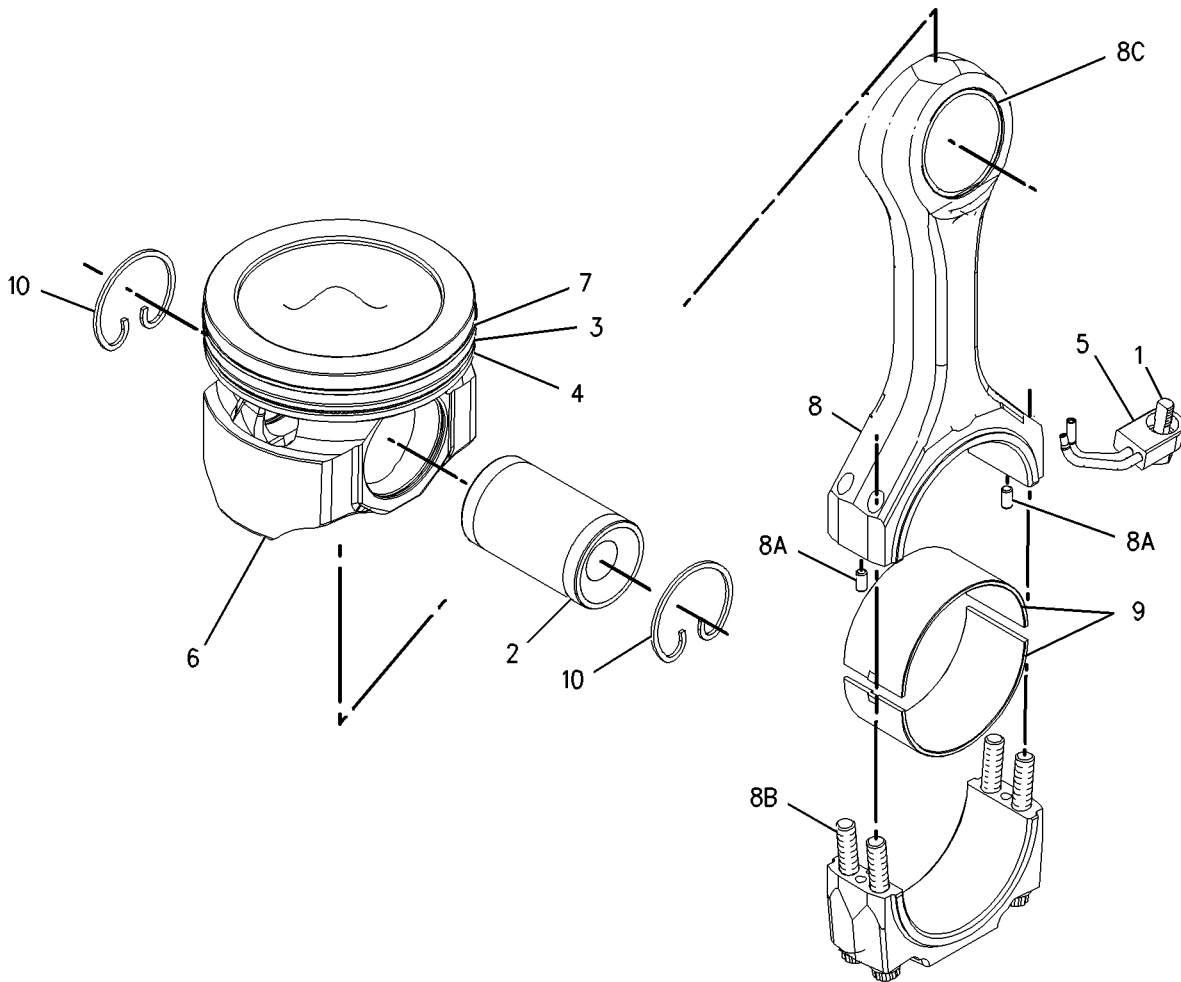
B-USE AS REQUIRED

R-REMG PART MAY BE AVAILABLE

BASIC ENGINE

220-1441 PISTON & ROD GP (contd.)

i04396131



GRAPHIC #1

<END>

g01002106

BASIC ENGINE

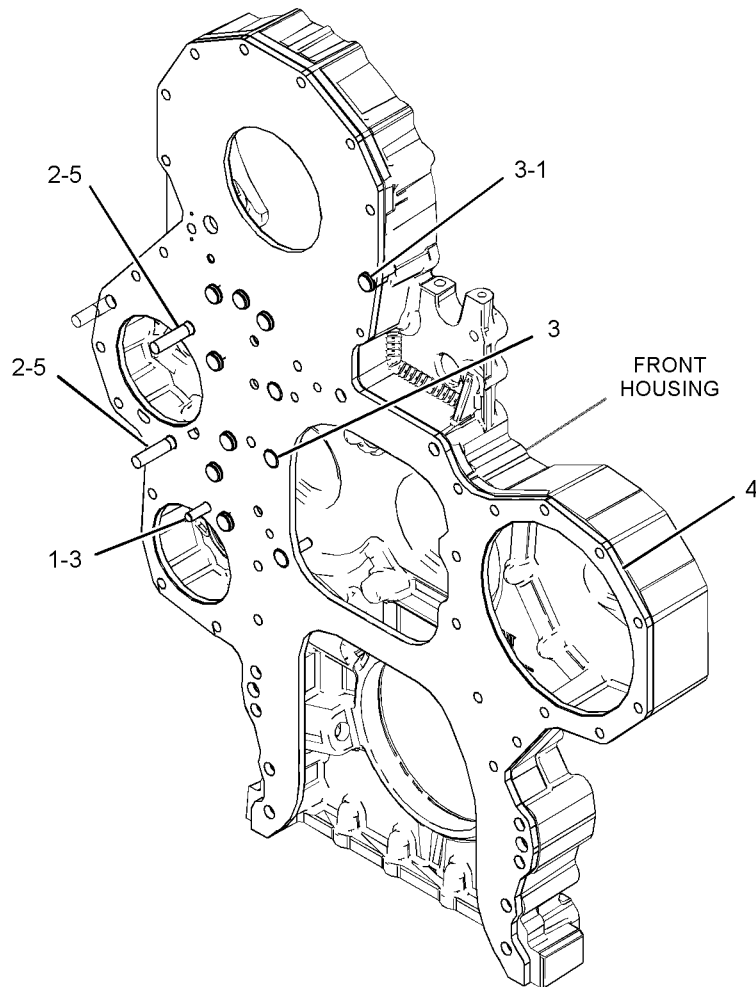
353-9979 PLATE AS-FRONT HOUSING

S/N: TXH1-UP; RHX1-UP
PART OF 341-8964 HOUSING GP-FRONT
AN ATTACHMENT

SMCS-1151, 1162

i04396028

NOTE	REF NO	GRAPHIC REF	PART NUMBER	QTY	PART NAME						SEE PAGE
					1	2	3	4	5	6 (PRODUCT LEVEL)	
	1	1	126-1757	9	WASHER (10.85X19.3X1.27-MM THK)						
	2	1	129-5427	2	WASHER-SPECIAL (SEALING)						
	3	1	129-5428	12	STUD (BRAKE)						
	4	1	158-8881	1	PLATE						
	5	1	334-6832	2	STUD-SPECIAL (BRAKE)						



GRAPHIC #1

<END>

g02089016

BASIC ENGINE

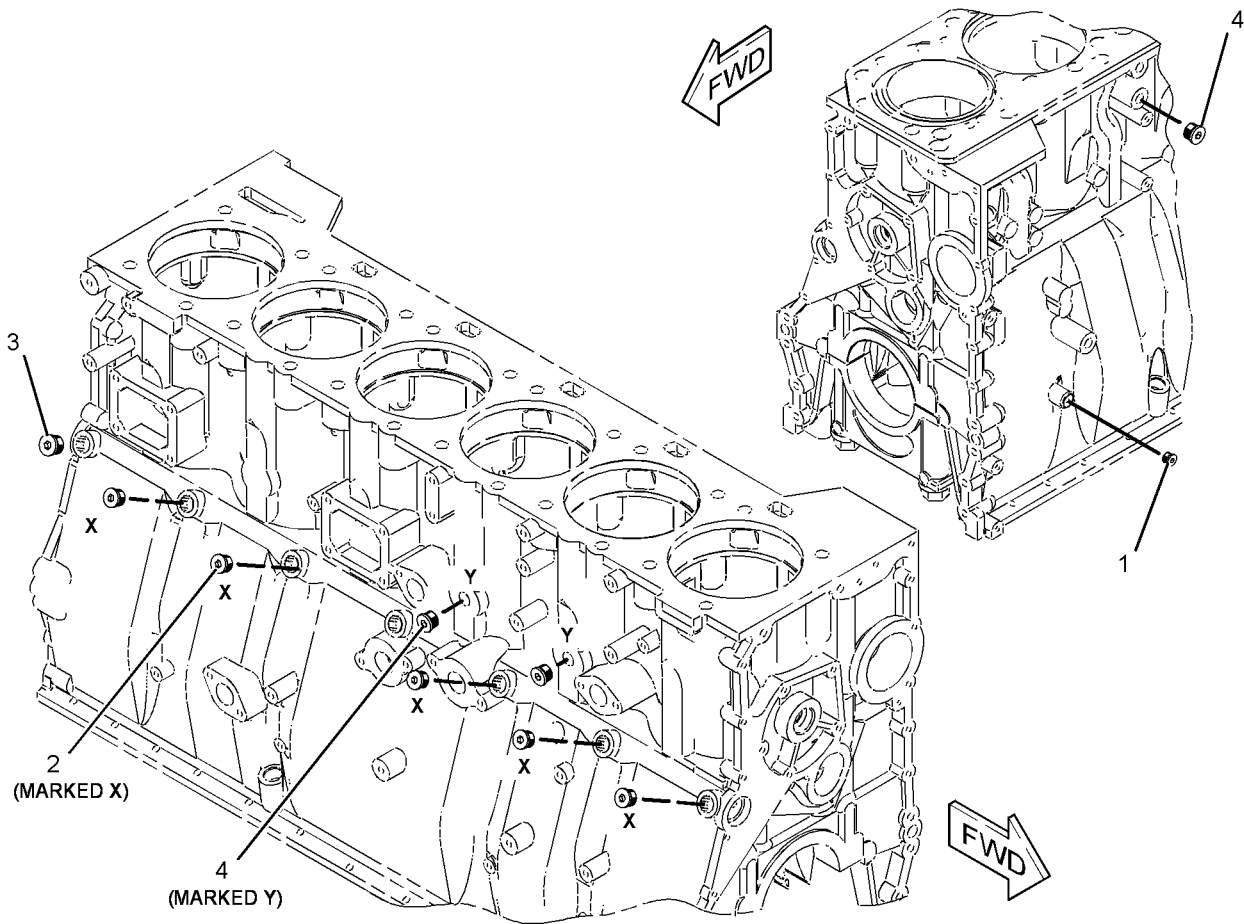
235-8397 PLUG GP-CYLINDER BLOCK

S/N: TXH1-UP; RHX1-UP
 PART OF 281-6452 ENGINE AR-COMPLETE
 AN ATTACHMENT

SMCS-1201

i04396059

NOTE	REF NO	GRAPHIC REF	PART NUMBER	QTY	PART NAME						SEE PAGE
					1	2	3	4	5	6 (PRODUCT LEVEL)	
	1	1	307-2671	1	PLUG AS						
		1	9S-8002	1	PLUG-O-RING						
		1	214-7566	1	SEAL-O-RING						
	2	1	307-2673	5	PLUG AS						
					(EACH INCLUDES)						
		1	9S-8005	1	PLUG-O-RING						
		1	238-5080	1	SEAL-O-RING						
	3	1	309-5131	1	PLUG AS						
		1	9S-8006	1	PLUG-O-RING						
		1	238-5081	1	SEAL-O-RING						
	4	1	353-5126	3	PLUG AS						
					(EACH INCLUDES)						
		1	6V-6609	1	SEAL-O-RING						
		1	9S-8005	1	PLUG-O-RING						



GRAPHIC #1

<END>

g02284913

BASIC ENGINE

305-9196 PLUG GP-CYLINDER BLOCK

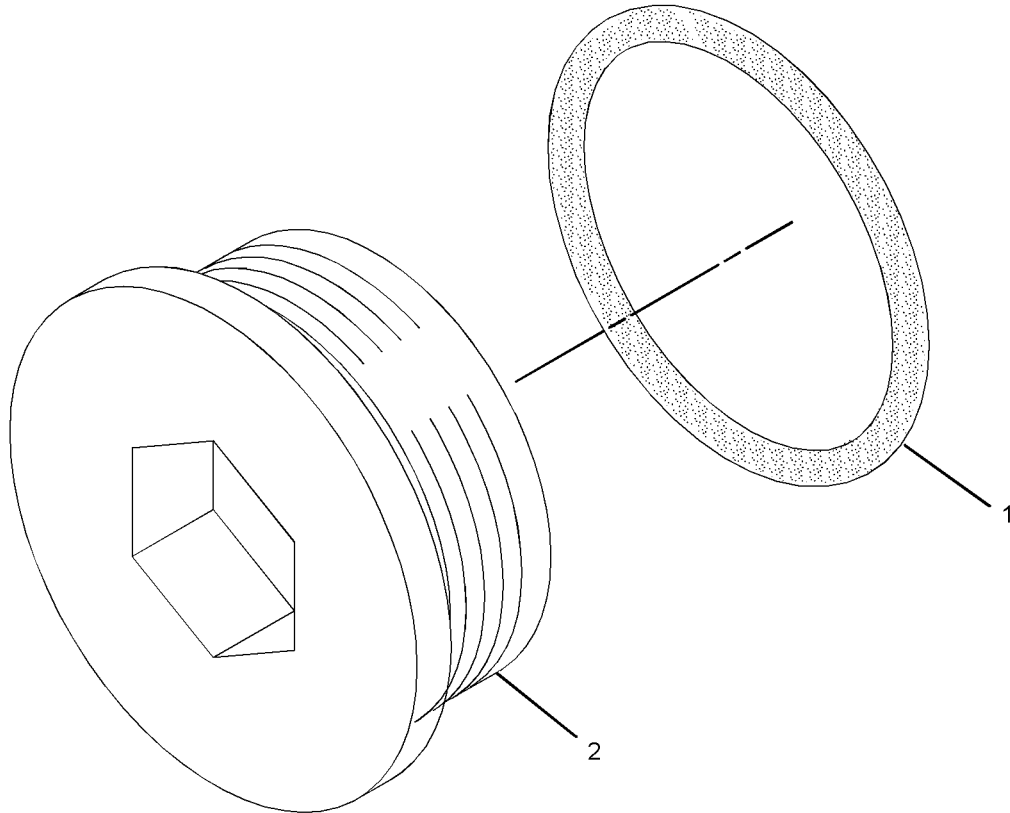
S/N: TXH1-UP; RHX1-UP

PART OF 261-0191 CYLINDER BLOCK GP
AN ATTACHMENT

SMCS-1201

i04396145

NOTE	REF NO	GRAPHIC REF	PART NUMBER	QTY	PART NAME						SEE PAGE
					1	2	3	4	5	6 (PRODUCT LEVEL)	
	1	1	6V-5065	1	SEAL-O-RING						
	2	1	9S-8010	1	PLUG						



GRAPHIC #1

<END>

g01347363

BASIC ENGINE

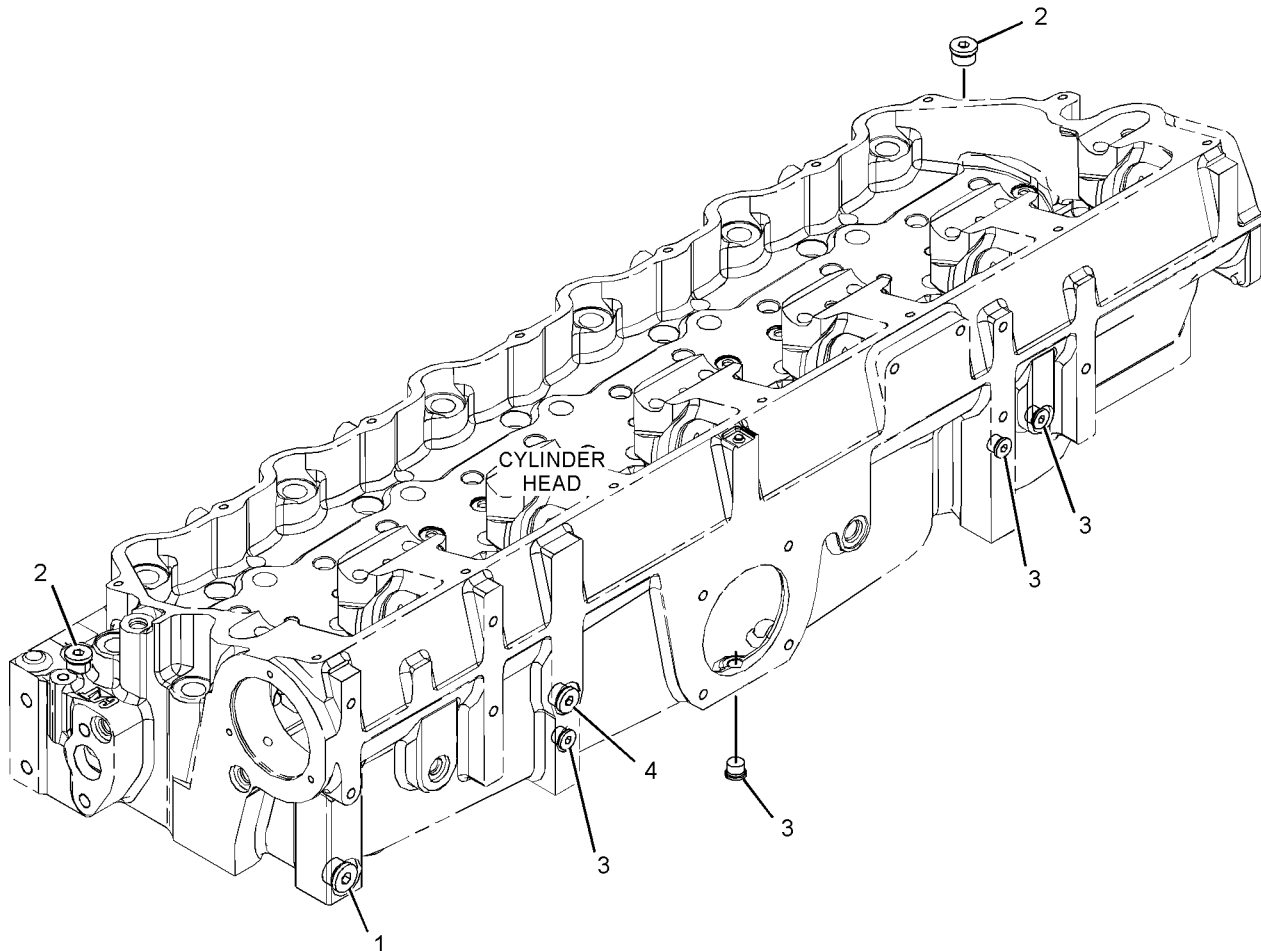
230-5378 PLUG GP-CYLINDER HEAD

S/N: TXH1-UP; RHX1-UP
PART OF 281-6452 ENGINE AR-COMPLETE
AN ATTACHMENT

SMCS-1100

i04396061

NOTE	REF NO	GRAPHIC REF	PART NUMBER	QTY	PART NAME						SEE PAGE
					1	2	3	4	5	6 (PRODUCT LEVEL)	
	1	1	353-5125	1	PLUG AS						
		1	6V-3251	1	SEAL-O-RING						
		1	9S-8006	1	PLUG-O-RING						
	2	1	353-5126	2	PLUG AS						
					(EACH INCLUDES)						
		1	6V-6609	1	SEAL-O-RING						
		1	9S-8005	1	PLUG-O-RING						
	3	1	183-3407	4	PLUG AS						
					(EACH INCLUDES)						
		1	9S-8004	1	PLUG-O-RING						
		1	214-7568	1	SEAL-O-RING						
	4	1	307-2673	1	PLUG AS						
		1	9S-8005	1	PLUG-O-RING						
		1	238-5080	1	SEAL-O-RING						



GRAPHIC #1

<END>

g02057569

BASIC ENGINE

170-1757 PULLEY GP-CRANKSHAFT

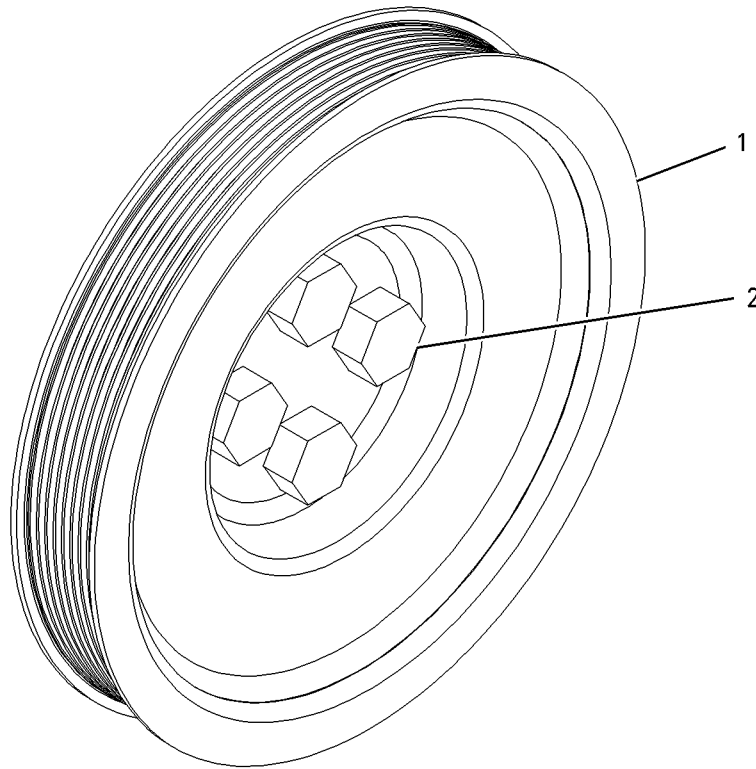
S/N: A7A1-UP

PART OF 226-9643 INSTALLATION AR-ENGINE

SMCS-1205

i04456166

NOTE	REF NO	GRAPHIC REF	PART NUMBER	QTY	PART NAME						SEE PAGE
					1	2	3	4	5	6 (PRODUCT LEVEL)	
	1	1	172-4848	1	PULLEY (8 GROOVE)						
	2	1	7X-0345	4	BOLT (5/8-11X1.75-IN)						



GRAPHIC #1

<END>

g00684206

BASIC ENGINE

320-2796 ROCKER ARM GP*R

S/N: TXH1-UP; RHX1-UP

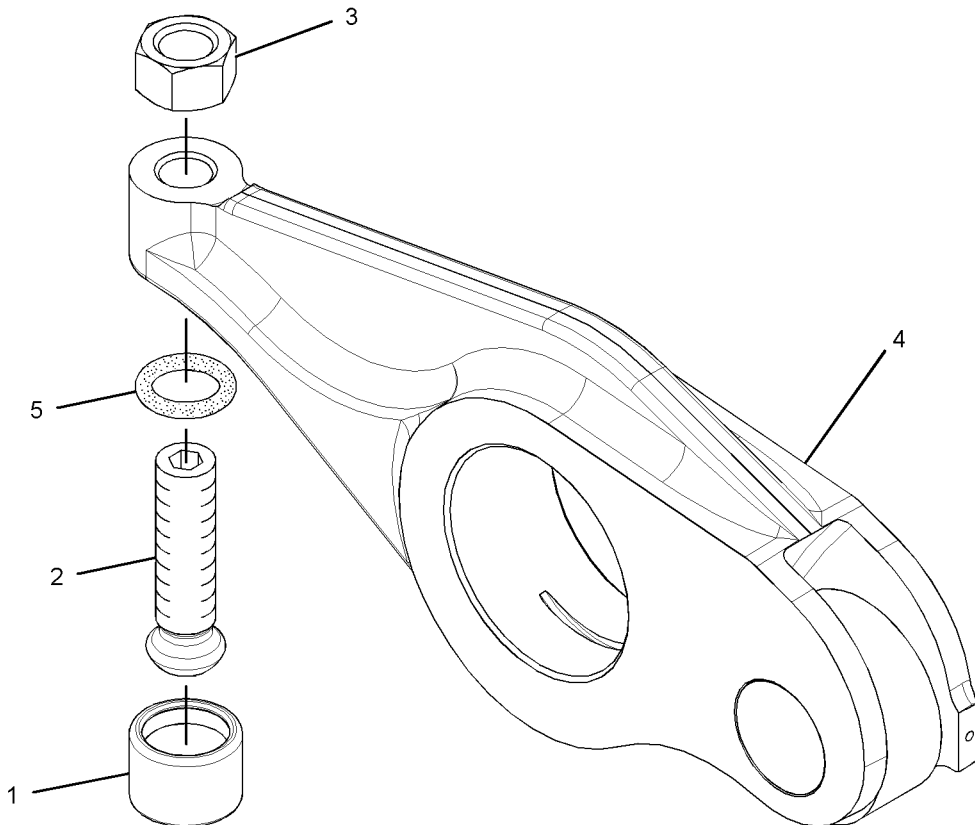
PART OF 328-4236 ROCKER ARM GP
AN ATTACHMENT

SMCS-1123

i04396531

NOTE	REF NO	GRAPHIC REF	PART NUMBER	QTY	PART NAME						SEE PAGE
					1	2	3	4	5	6 (PRODUCT LEVEL)	
	1	1	258-8721	1	BUTTON						
	2	1	274-4491	1	SCREW-ARM ADJUSTMENT (3/8-24X1.20-IN)						
	3	1	276-5317	1	NUT (3/8-24-THD)						
R	4	1	320-2797	1	ROCKER ARM AS						
	5	1	8L-2777	1	SEAL-O-RING						

R-REMFG PART MAY BE AVAILABLE



GRAPHIC #1

<END>

g01526902

BASIC ENGINE

328-4236 ROCKER ARM GP-NON-BRAKE

S/N: TXH1-UP; RHX1-UP

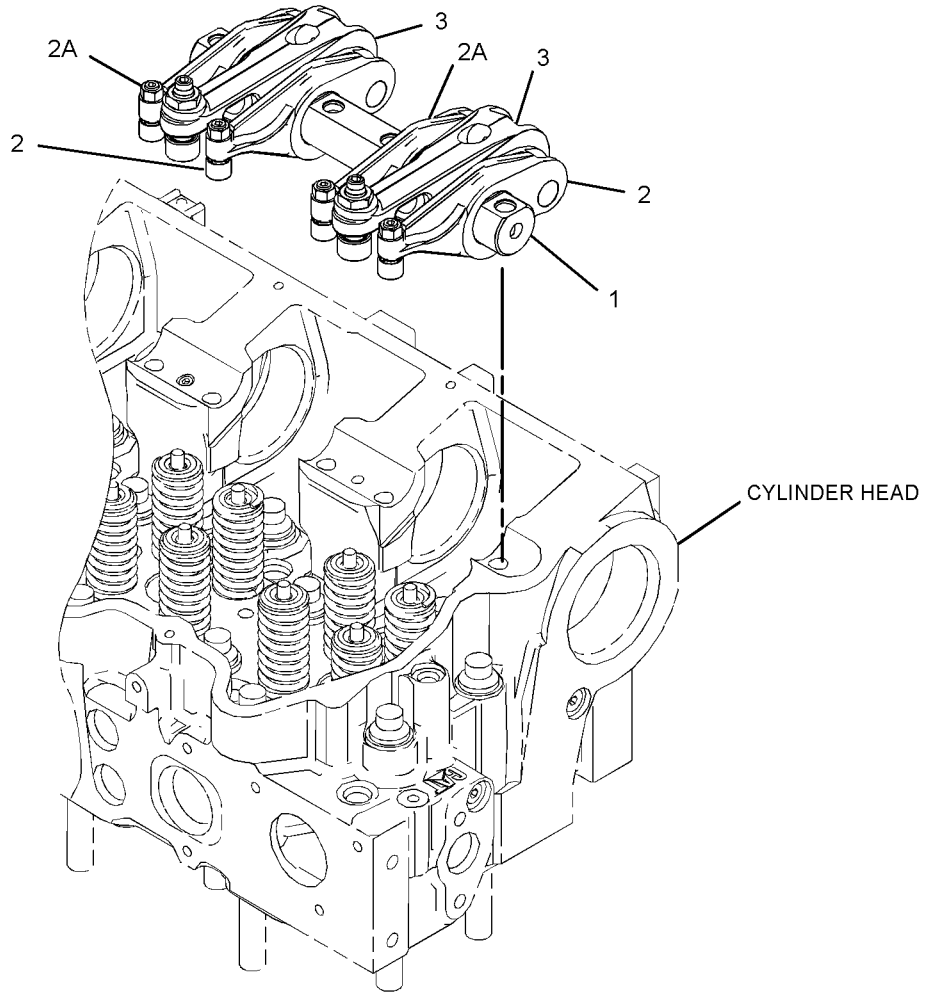
PART OF 190-0009 MECHANISM GP-FUEL PUMP & VALVE
AN ATTACHMENT

SMCS-1123

i04396153

NOTE	REF NO	GRAPHIC REF	PART NUMBER	QTY	PART NAME						SEE PAGE
					1	2	3	4	5	6 (PRODUCT LEVEL)	
	1	1	307-8322	1	SHAFT AS-ROCKER ARM						
		1	4B-9782	2	BALL						
YR	2	1	320-2796	2	ROCKER ARM GP (INTAKE)						64
YR	2A	1	320-2796	2	ROCKER ARM GP (EXHAUST)						64
YR	3	1	328-4238	2	ROCKER ARM GP (UNIT INJECTOR)						66

R-REMFG PART MAY BE AVAILABLE
Y-SEPARATE ILLUSTRATION



GRAPHIC #1

<END>

g02086418

BASIC ENGINE

328-4238 ROCKER ARM GP*R

S/N: TXH1-UP; RHX1-UP

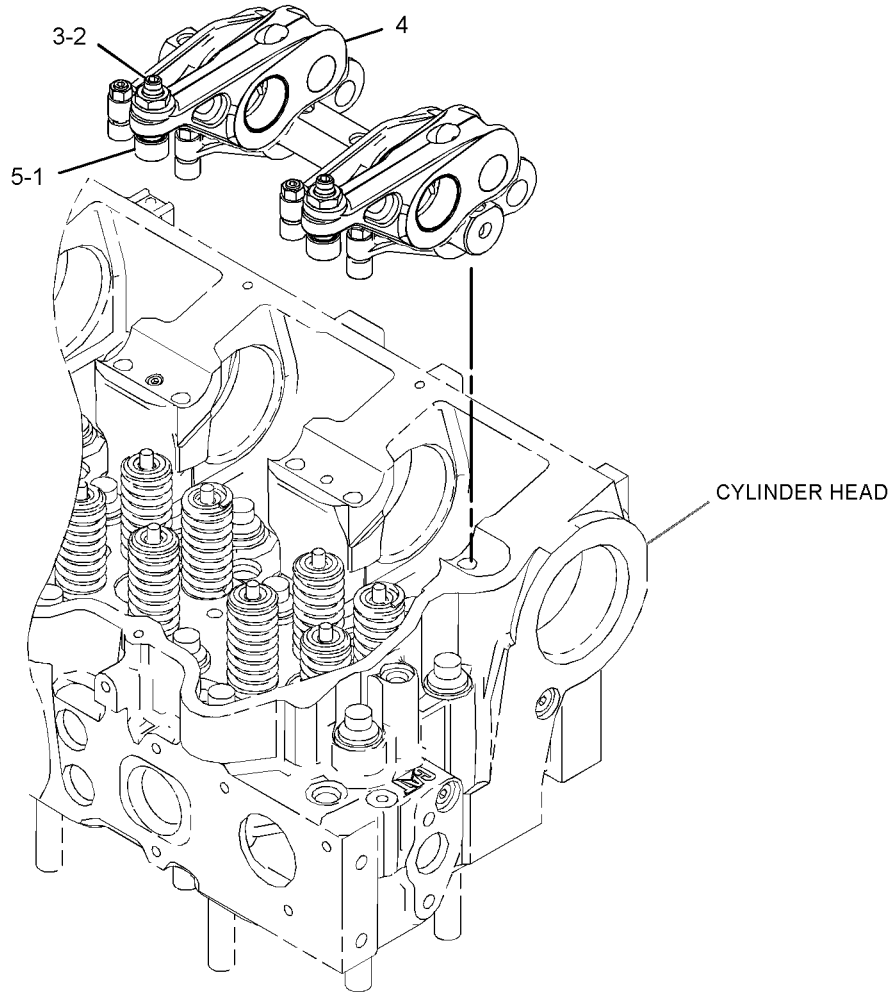
PART OF 328-4236 ROCKER ARM GP
AN ATTACHMENT

SMCS-1123

i04396532

NOTE	REF NO	GRAPHIC REF	PART NUMBER	QTY	PART NAME						SEE PAGE
					1	2	3	4	5	6 (PRODUCT LEVEL)	
	1	1	192-4151	1	BUTTON						
	2	1	196-5069	1	SCREW-ARM ADJUSTMENT (9/16-18X2-IN)						
	3	1	196-5070	1	NUT-JAM (9/16-18-THD)						
R	4	1	278-1365	1	ROCKER ARM AS						
	5	1	061-8639	1	SEAL-O-RING						

R-REMFG PART MAY BE AVAILABLE



GRAPHIC #1

<END>

g01707153

BASIC ENGINE

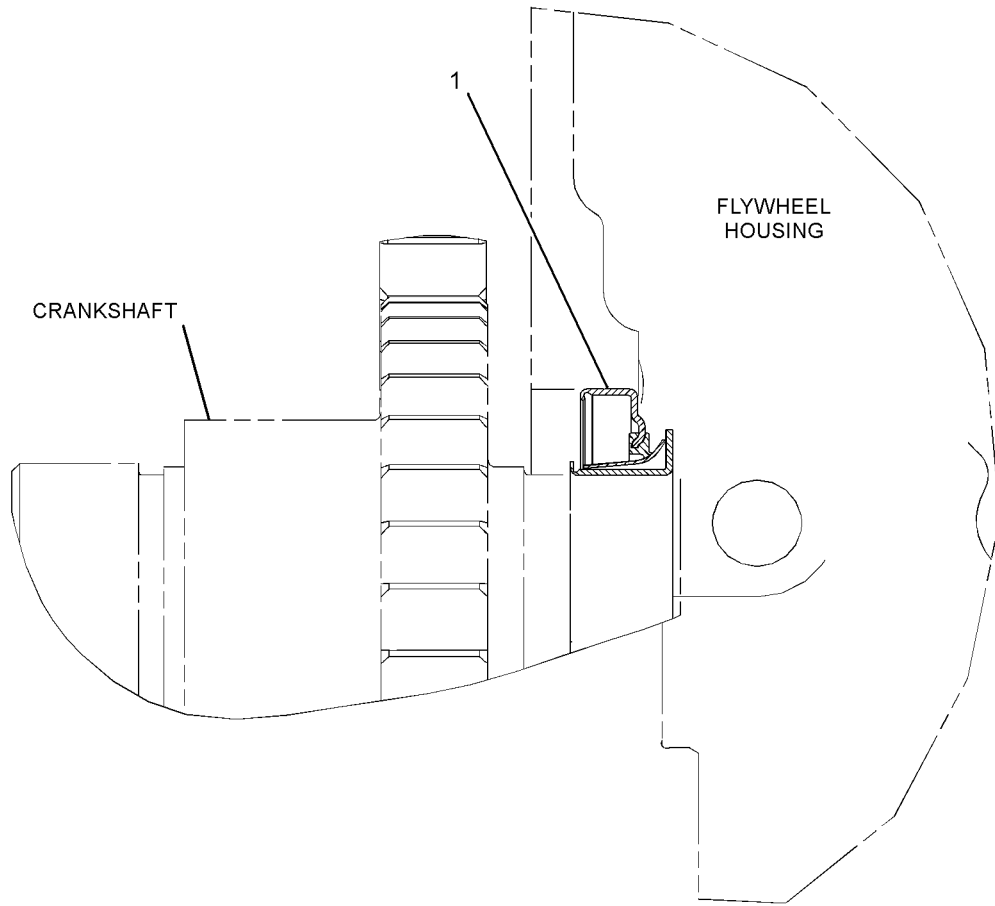
319-0785 SEAL GP-CRANKSHAFT

S/N: TXH1-UP; RHX1-UP
PART OF 134-2809 HOUSING GP-FLYWHEEL
AN ATTACHMENT

SMCS-1160, 1161

i03634400

NOTE	REF NO	GRAPHIC REF	PART NUMBER	QTY	PART NAME						SEE PAGE
					1	2	3	4	5	6 (PRODUCT LEVEL)	
	1	1	142-5868	1	SEAL-CRANKSHAFT (REAR)						



RIGHT SIDE VIEW OF ENGINE

GRAPHIC #1

<END>

g01496733

BASIC ENGINE

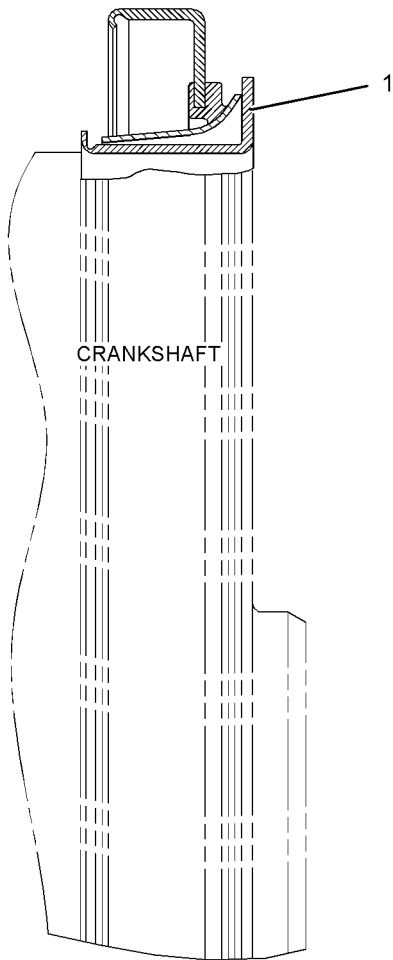
319-7401 SEAL GP-CRANKSHAFT

S/N: TXH1-UP; RHX1-UP
PART OF 223-9732 CRANKSHAFT GP
AN ATTACHMENT

SMCS-1160, 1161

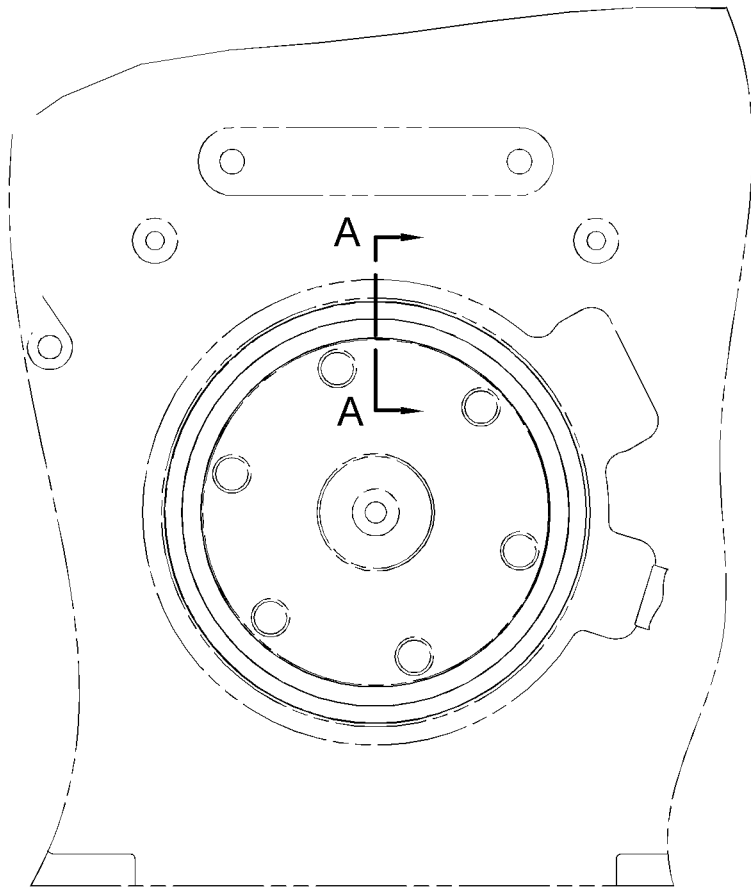
i03634414

NOTE	REF NO	GRAPHIC REF	PART NUMBER	QTY	PART NAME						SEE PAGE
					1	2	3	4	5	6 (PRODUCT LEVEL)	
	1	1	142-5867	1	SEAL-CRANKSHAFT (FRONT)						



SECTION A-A

GRAPHIC #1



FRONT VIEW OF ENGINE

<END>

g01516169

BASIC ENGINE

132-6236 SUPPORT GP-ENGINE

S/N: A7A1-UP

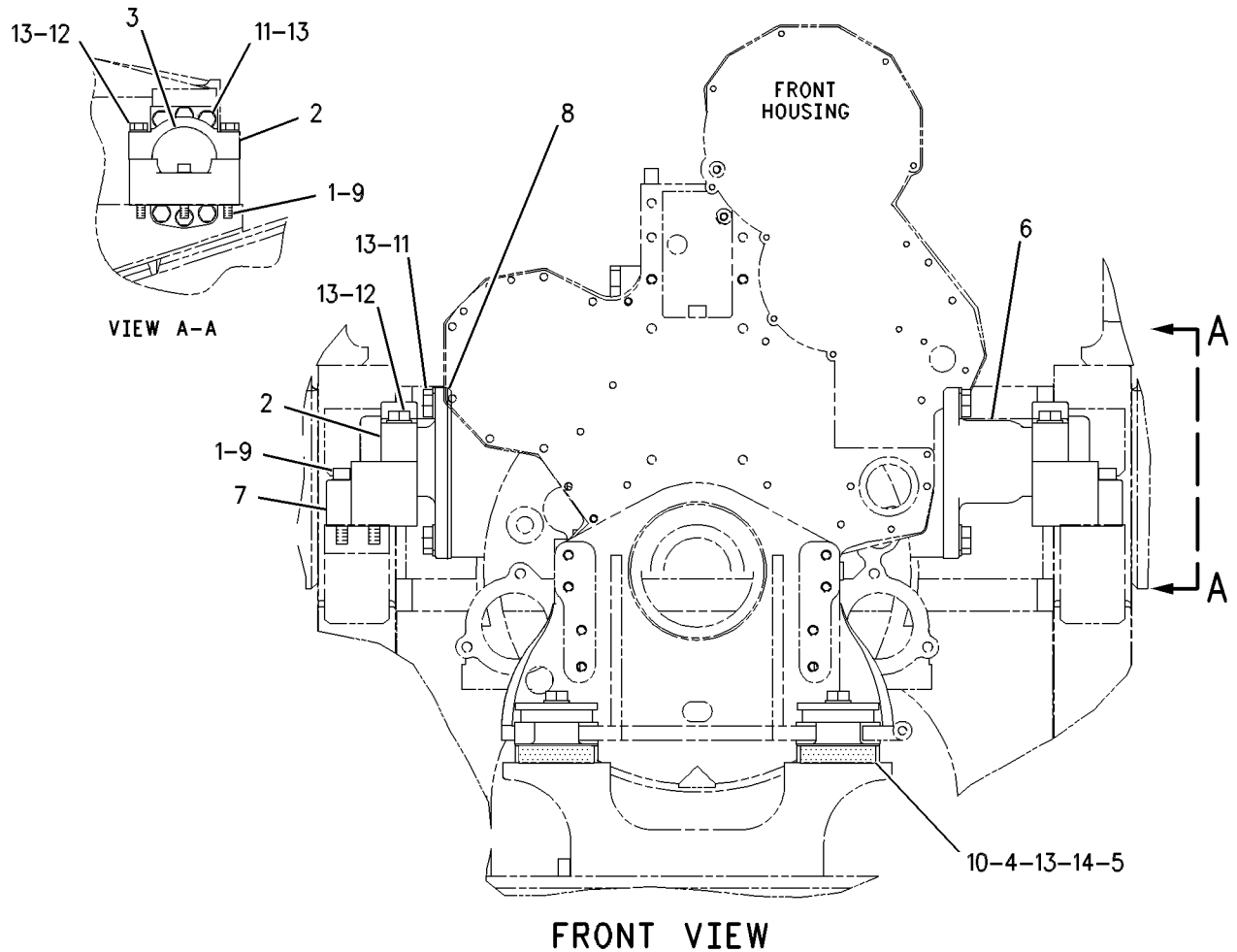
PART OF 226-9643 INSTALLATION AR-ENGINE

SMCS-1152, 1153, 1154

i04456175

NOTE	REF NO	GRAPHIC REF	PART NUMBER	QTY	PART NAME						SEE PAGE
					1	2	3	4	5	6 (PRODUCT LEVEL)	
	1	1	4J-2677	6	WASHER (16.7X27X5-MM THK)						
	2	1	4P-7882	2	CAP						
	3	1	6Y-2090	2	MOUNT AS						
	4	1	9W-6582	2	SLEEVE						
	5	1	9W-9930	2	MOUNT AS						
	6	1	136-6381	1	SUPPORT-ENGINE						
	7	1	136-6382	2	SUPPORT-ENGINE						
	8	1	137-2196	1	SUPPORT-ENGINE						
M	9	1	3E-8008	6	BOLT-SOCKET HEAD (M16X2X90-MM)						
M	10	1	8T-6381	2	BOLT (M20X2.5X120-MM)						
M	11	1	7X-2563	12	BOLT (M20X2.5X60-MM)						
M	12	1	7X-2564	4	BOLT (M20X2.5X90-MM)						
	13	1	8T-4123	18	WASHER (22X35X3.5-MM THK)						
	14	1	9W-6584	2	WASHER (20.5X114X10-MM THK)						

M-METRIC PART



GRAPHIC #1

<END>

g00505953

BASIC ENGINE

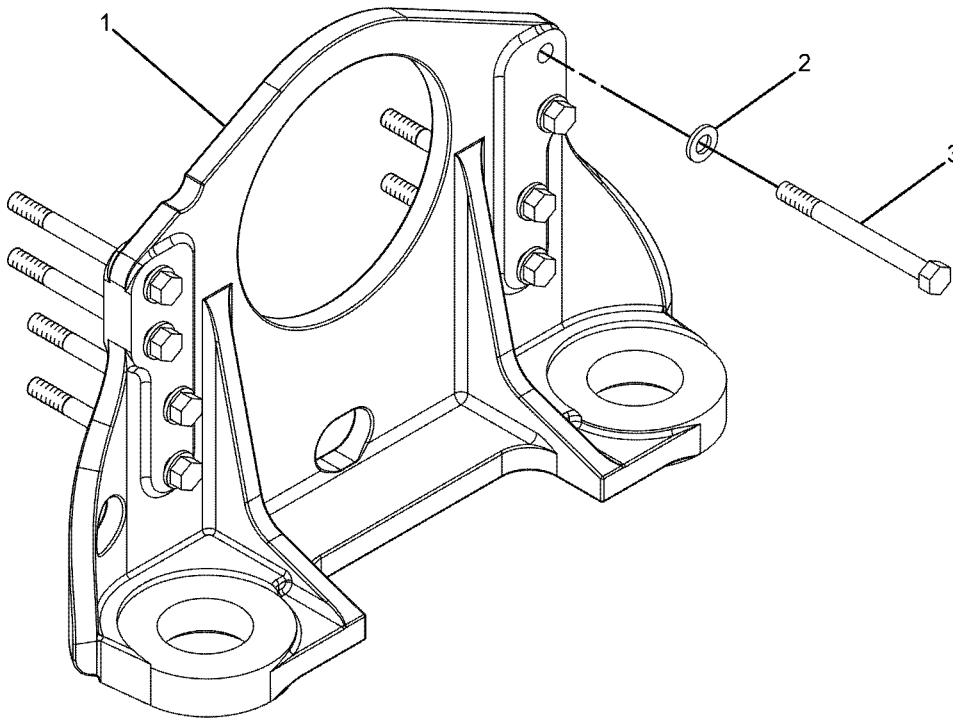
185-6278 SUPPORT GP-ENGINE-FRONT

S/N: TXH1-UP; RHX1-UP
PART OF 281-6452 ENGINE AR-COMplete
AN ATTACHMENT

SMCS-1152, 1153, 1154

i04396065

NOTE	REF NO	GRAPHIC REF	PART NUMBER	QTY	PART NAME						SEE PAGE
					1	2	3	4	5	6 (PRODUCT LEVEL)	
	1	1	227-3872	1	SUPPORT-ENGINE						
	2	1	5P-8245	8	WASHER-HARD (13.5X25.5X3-MM THK)						
	3	1	9X-8878	8	BOLT (1/2-13X5.25-IN)						



GRAPHIC #1

<END>

g01054554

LUBRICATION SYSTEM

232-0362 EXTENSION GP-FUMES DISPOSAL

S/N: A7A1-UP

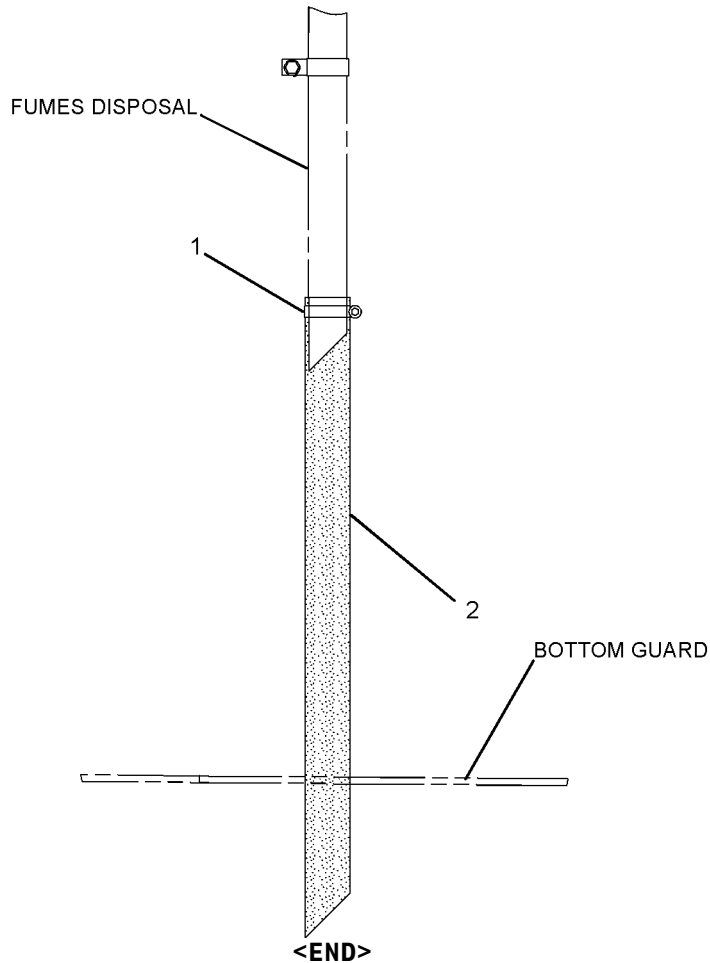
PART OF 226-9643 INSTALLATION AR-ENGINE

SMCS-1317

i04455944

NOTE	REF NO	GRAPHIC REF	PART NUMBER	QTY	PART NAME						SEE PAGE
					1	2	3	4	5	6 (PRODUCT LEVEL)	
	1	1	9M-0164	1	CLAMP-HOSE						
E	2	1	5P-0763		HOSE (77CM)						

E-ORDER BY THE CENTIMETER



GRAPHIC #1

g01058203

LUBRICATION SYSTEM

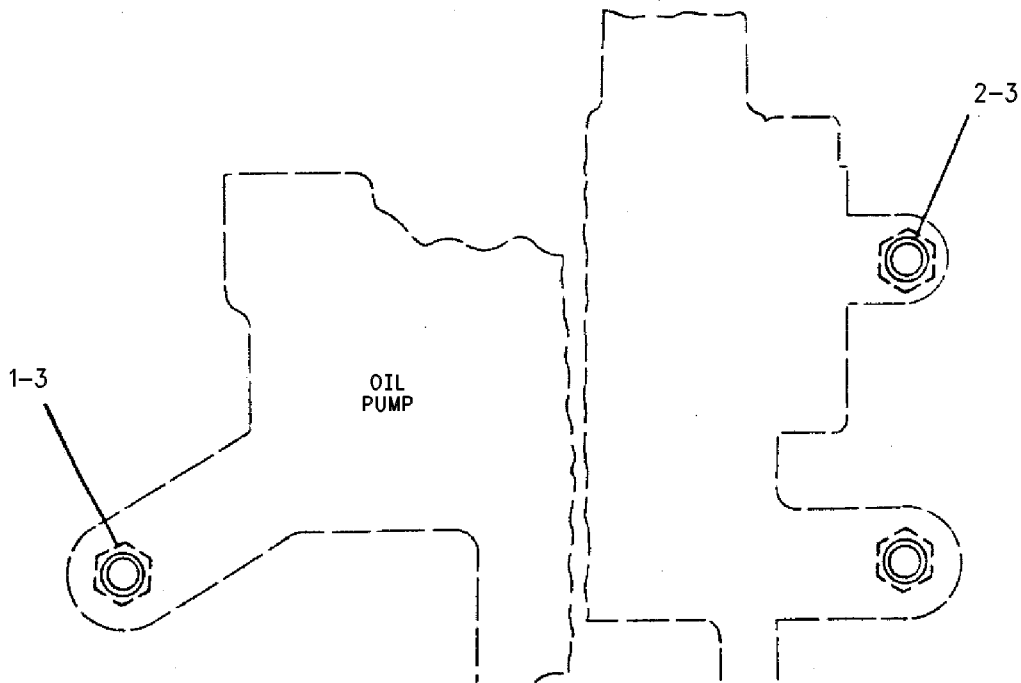
4N-2481 FASTENER GP-OIL PUMP MOUNTING-ENGINE

S/N: TXH1-UP; RHX1-UP
PART OF 281-6452 ENGINE AR-COMplete
AN ATTACHMENT

SMCS-1304

i04395941

NOTE	REF NO	GRAPHIC REF	PART NUMBER	QTY	PART NAME						SEE PAGE
					1	2	3	4	5	6 (PRODUCT LEVEL)	
	1	1	OL-1143	2	BOLT (3/8-16X2.5-IN)						
	2	1	OS-1590	1	BOLT (3/8-16X2-IN)						
	3	1	5M-2894	3	WASHER-HARD (10.2X18.5X2.5-MM THK)						



GRAPHIC #1

<END>

g00604525

LUBRICATION SYSTEM

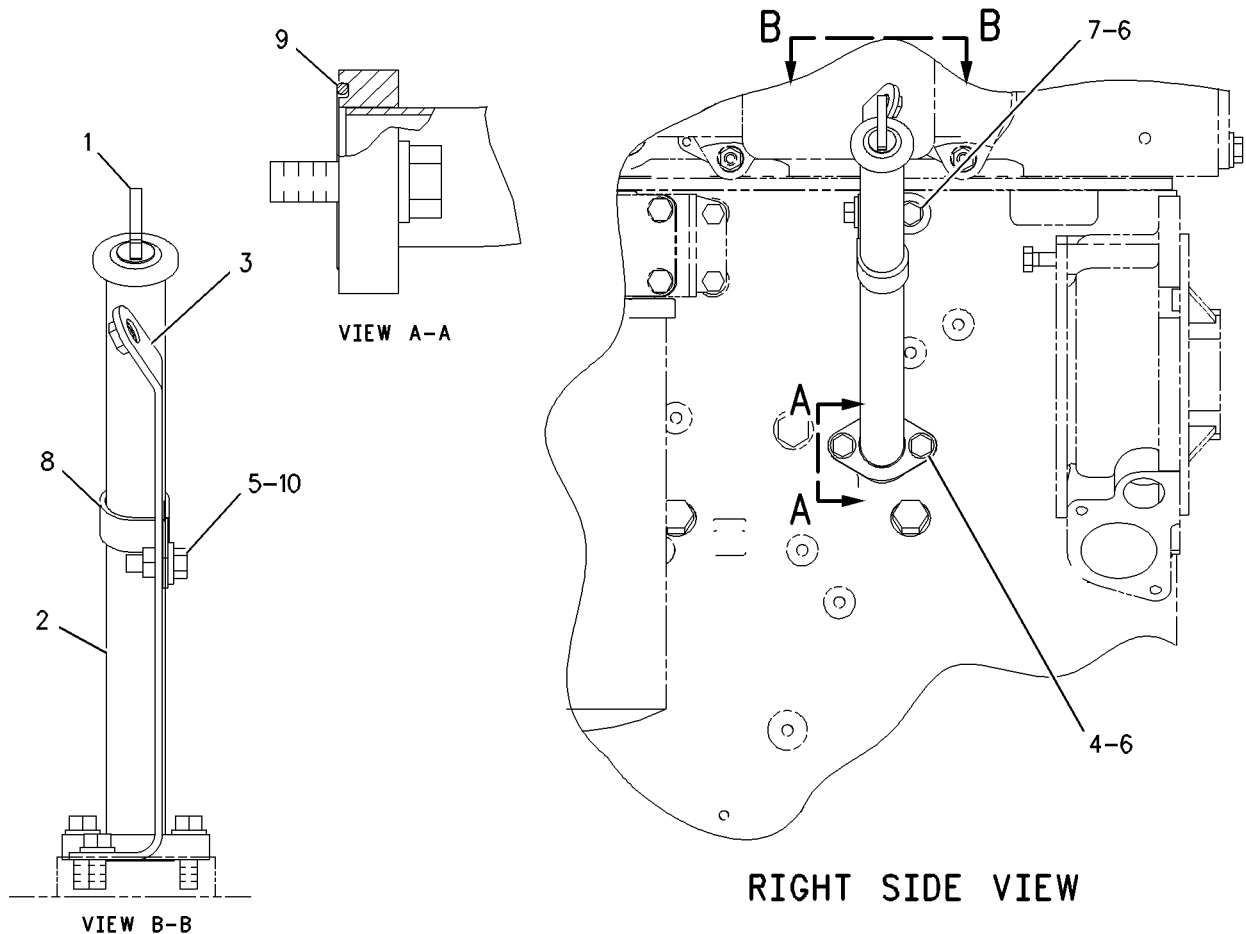
233-8677 FILLER GP-ENGINE OIL

S/N: TXH1-UP; RHX1-UP
PART OF 281-6452 ENGINE AR-COMplete
AN ATTACHMENT

SMCS-1316

i04395988

NOTE	REF NO	GRAPHIC REF	PART NUMBER	QTY	PART NAME						SEE PAGE
					1	2	3	4	5	6 (PRODUCT LEVEL)	
	1	1	9L-8439	1	CAP-OIL FILLER (ENGINE)						
	2	1	197-1488	1	TUBE AS-OIL FILLER						
	3	1	233-8676	1	BRACKET AS						
		1	1F-0750	2	NUT-WELD (3/8-16-THD)						
	4	1	0S-1588	2	BOLT (3/8-16X1.25-IN)						
	5	1	0S-1594	1	BOLT (3/8-16X1-IN)						
	6	1	5M-2894	3	WASHER-HARD (10.2X18.5X2.5-MM THK)						
	7	1	0S-0509	1	BOLT (3/8-16X0.75-IN)						
	8	1	7C-4355	1	CLIP						
	9	1	210-9246	1	SEAL-O-RING						
	10	1	9X-6458	1	WASHER-HARD (10.2X22.5X3-MM THK)						



GRAPHIC #1

<END>

g01002722

LUBRICATION SYSTEM

263-5374 FILTER GP-ENGINE OIL

S/N: TXH1-UP; RHX1-UP
PART OF 281-6452 ENGINE AR-COMPLETE
AN ATTACHMENT

SMCS-1306, 1308

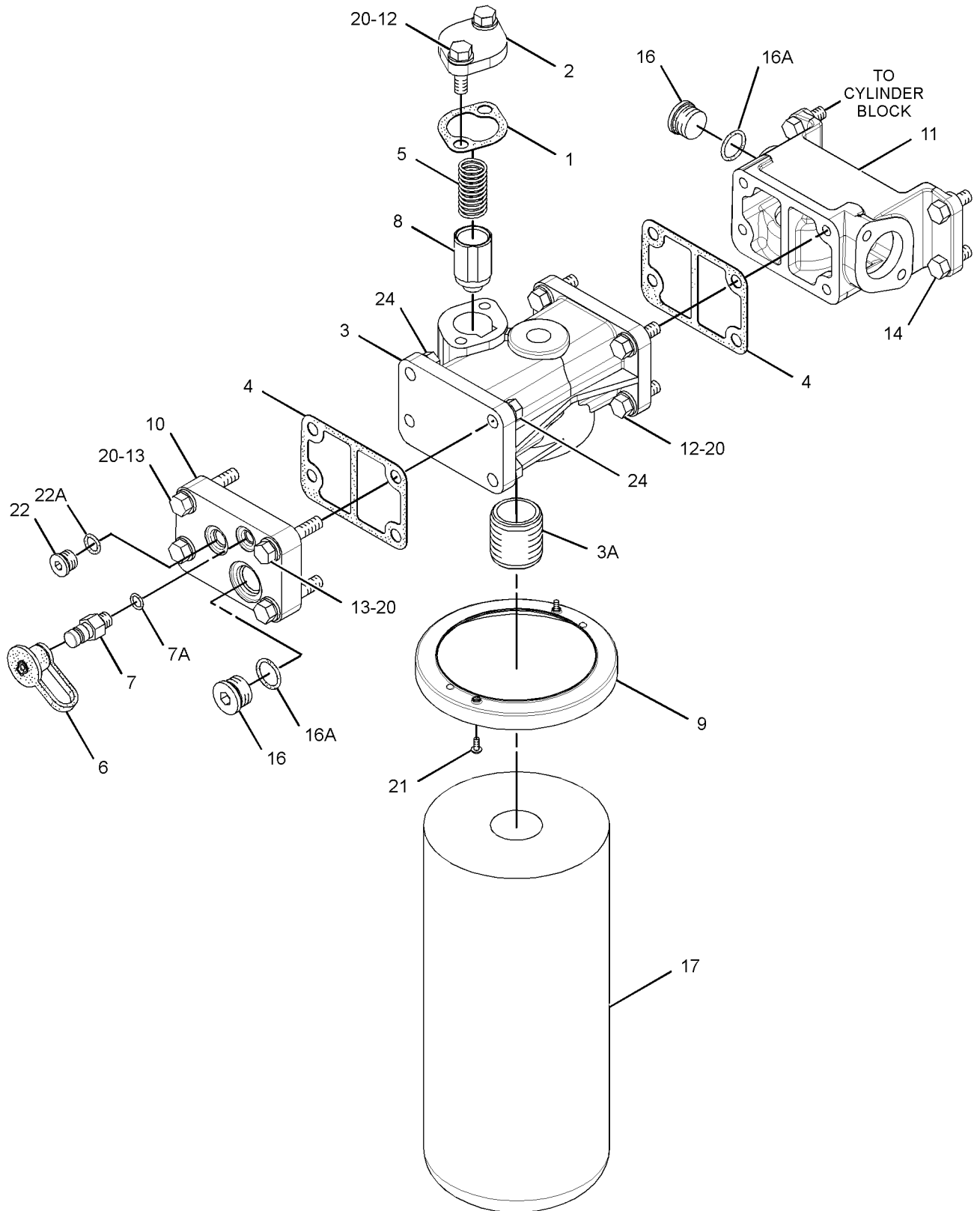
i04395990

NOTE	REF NO	GRAPHIC REF	PART NUMBER	QTY	PART NAME						SEE PAGE
					1	2	3	4	5	6 (PRODUCT LEVEL)	
	1	1	2P-3760	1	GASKET						
	2	1	2P-3761	1	COVER						
	3	1	2P-4301	1	BASE AS						
	3A	1	2P-4304	1	STUD-HOLLOW						
	4	1	2P-4305	2	GASKET						
	5	1	4N-8150	1	SPRING						
	6	1	8C-3445	1	CAP-DUST						
	7	1	321-8649	1	VALVE AS-FLUID SAMPLING						
		1	8C-3446	1	VALVE-FLUID SAMPLING						
	7A	1	214-7566	1	SEAL-O-RING						
	8	1	9M-0853	1	PLUNGER-VALVE						
	9	1	191-0965	1	SHIELD-OIL FILTER						
	10	1	249-7734	1	COVER						
	11	1	259-8357	1	ADAPTER-OIL FILTER						
	12	1	0S-1588	6	BOLT (3/8-16X1.25-IN)						
	13	1	0S-1590	4	BOLT (3/8-16X2-IN)						
	14	1	0S-1594	4	BOLT (3/8-16X1-IN)						
	16	1	<i>309-5131</i>	2	PLUG AS						
					(EACH INCLUDES)						
	16A	1	238-5081	1	SEAL-O-RING						
		1	9S-8006	1	PLUG-O-RING						
	17	1	1R-1808	1	FILTER-ENGINE OIL (ADVANCED EFFICIENCY)						
	20	1	5M-2894	14	WASHER-HARD (10.2X18.5X2.5-MM THK)						
	21	1	7F-9090	2	SCREW-DRIVE (NO 8X3/8-IN)						
	22	1	<i>183-3407</i>	1	PLUG AS						
		1	9S-8004	1	PLUG-O-RING						
	22A	1	214-7568	1	SEAL-O-RING						
	24	1	9S-8752	4	NUT-FULL (3/8-16-THD)						

LUBRICATION SYSTEM

263-5374 FILTER GP-ENGINE OIL (contd.)

i04395990



GRAPHIC #1

<END>

g02222934

LUBRICATION SYSTEM

159-9362 FUMES DISPOSAL GP

S/N: TXH1-UP; RHX1-UP

REAR VALVE COVER MOUNTED FUMES DISPOSAL

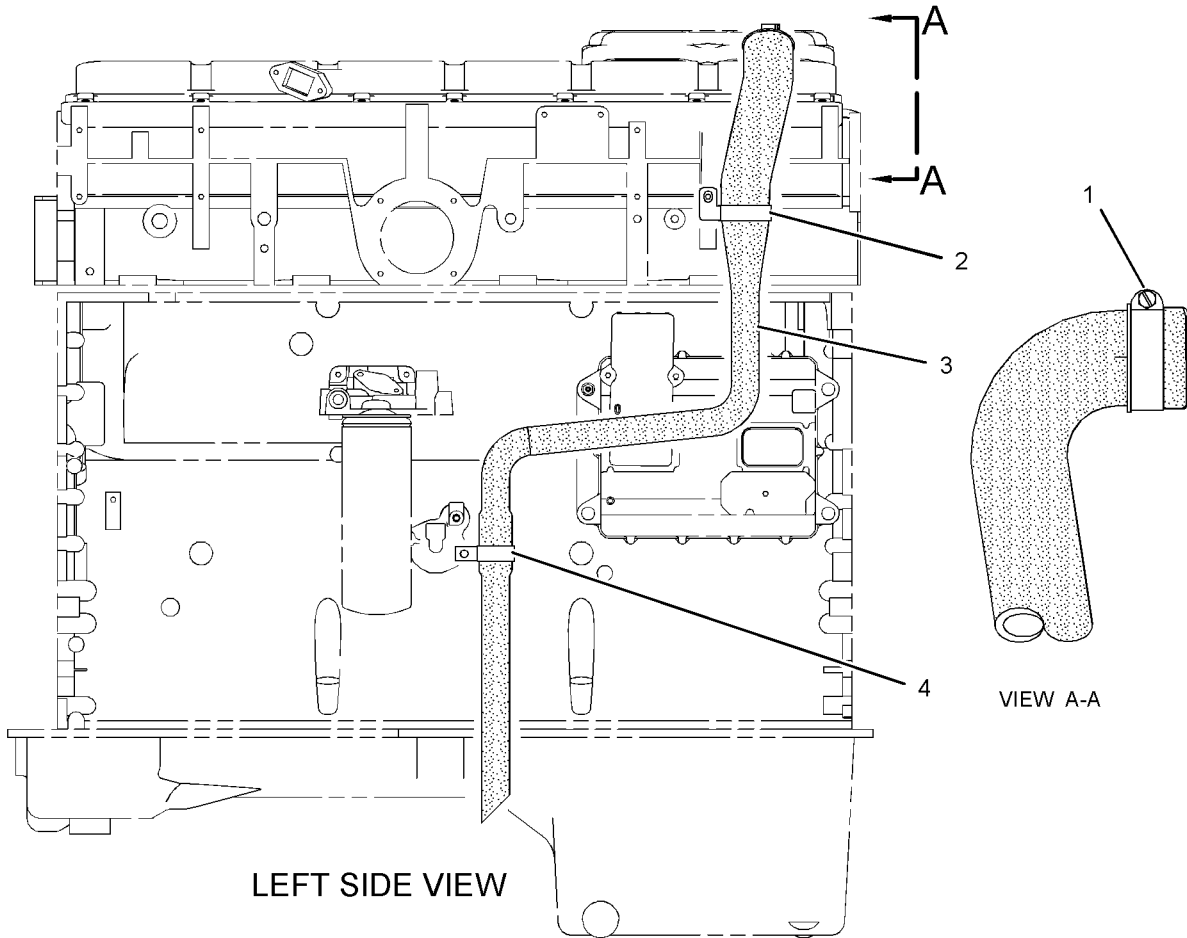
PART OF 281-6452 ENGINE AR-COMPLETE

AN ATTACHMENT

SMCS-1317

i04395996

NOTE	REF NO	GRAPHIC REF	PART NUMBER	QTY	PART NAME						SEE PAGE
					1	2	3	4	5	6 (PRODUCT LEVEL)	
	1	1	9M-0164	1	CLAMP-HOSE						
	2	1	161-6622	1	CLIP						
	3	1	207-8128	1	HOSE AS (FUMES DISPOSAL)						
	4	1	5P-2369	1	CLIP						



GRAPHIC #1

<END>

g01436024

LUBRICATION SYSTEM

220-2917 GAUGE GP-OIL LEVEL (DIPSTICK)-ENGINE

S/N: TXH1-UP; RHX1-UP

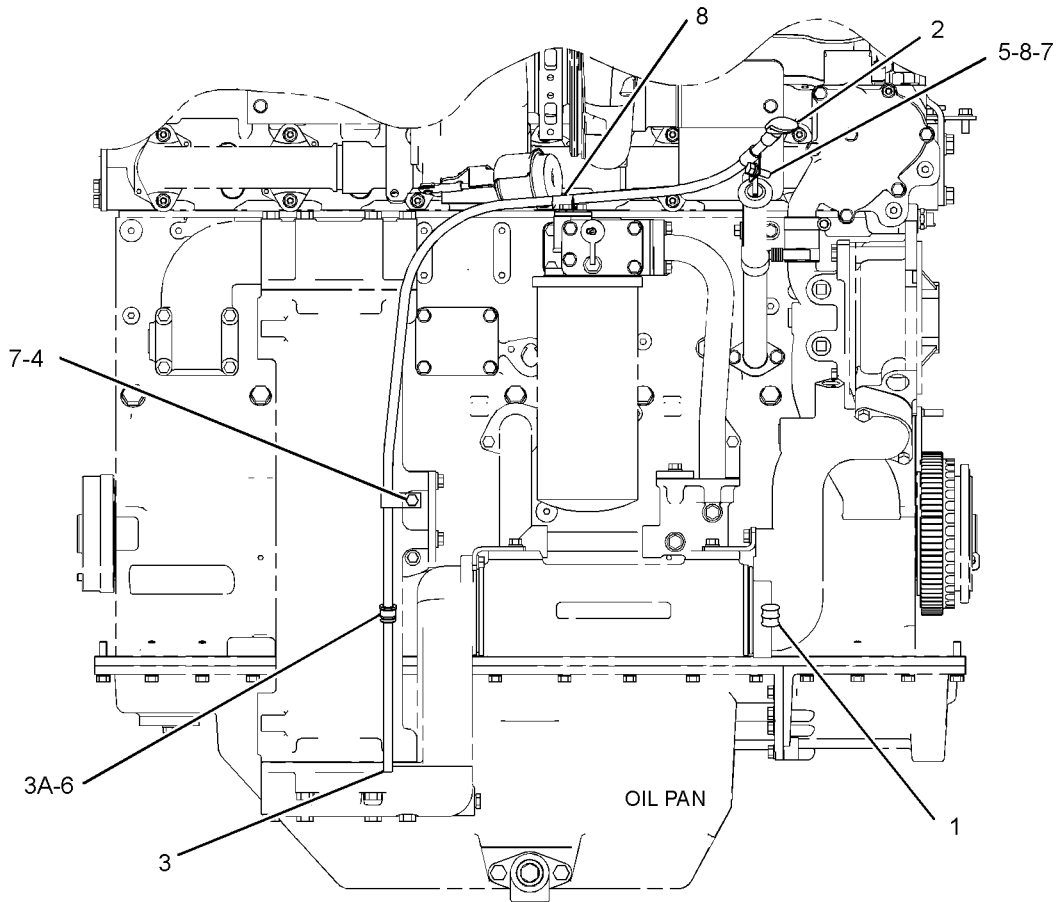
PART OF 281-6452 ENGINE AR-COMplete
AN ATTACHMENT

SMCS-1326

i04395998

NOTE	REF NO	GRAPHIC REF	PART NUMBER	QTY	PART NAME						SEE PAGE
					1	2	3	4	5	6 (PRODUCT LEVEL)	
J	1	1	165-6170	3	PLUG						
	2	1	180-5567	1	GAUGE AS-OIL LEVEL (DIPSTICK) (ENGINE)						
	3	1	233-8675	1	TUBE AS						
	3A	1	4N-1294	1	ADAPTER						
	4	1	0S-1588	1	BOLT (3/8-16X1.25-IN)						
	5	1	0S-1594	1	BOLT (3/8-16X1-IN)						
	6	1	118-5068	1	SEAL-O-RING						
	7	1	5M-2894	2	WASHER-HARD (10.2X18.5X2.5-MM THK)						
	8	1	349-1209	2	CLIP						

J-USE TO PLUG OPTIONAL DIPSTICK LOCATIONS



RIGHT SIDE VIEW OF ENGINE

<END>

GRAPHIC #1

g01791935

LUBRICATION SYSTEM

219-4443 LINES GP-ENGINE OIL-FILTER

S/N: TXH1-UP; RHX1-UP

PART OF 281-6452 ENGINE AR-COMPLETE
AN ATTACHMENT

SMCS-1307

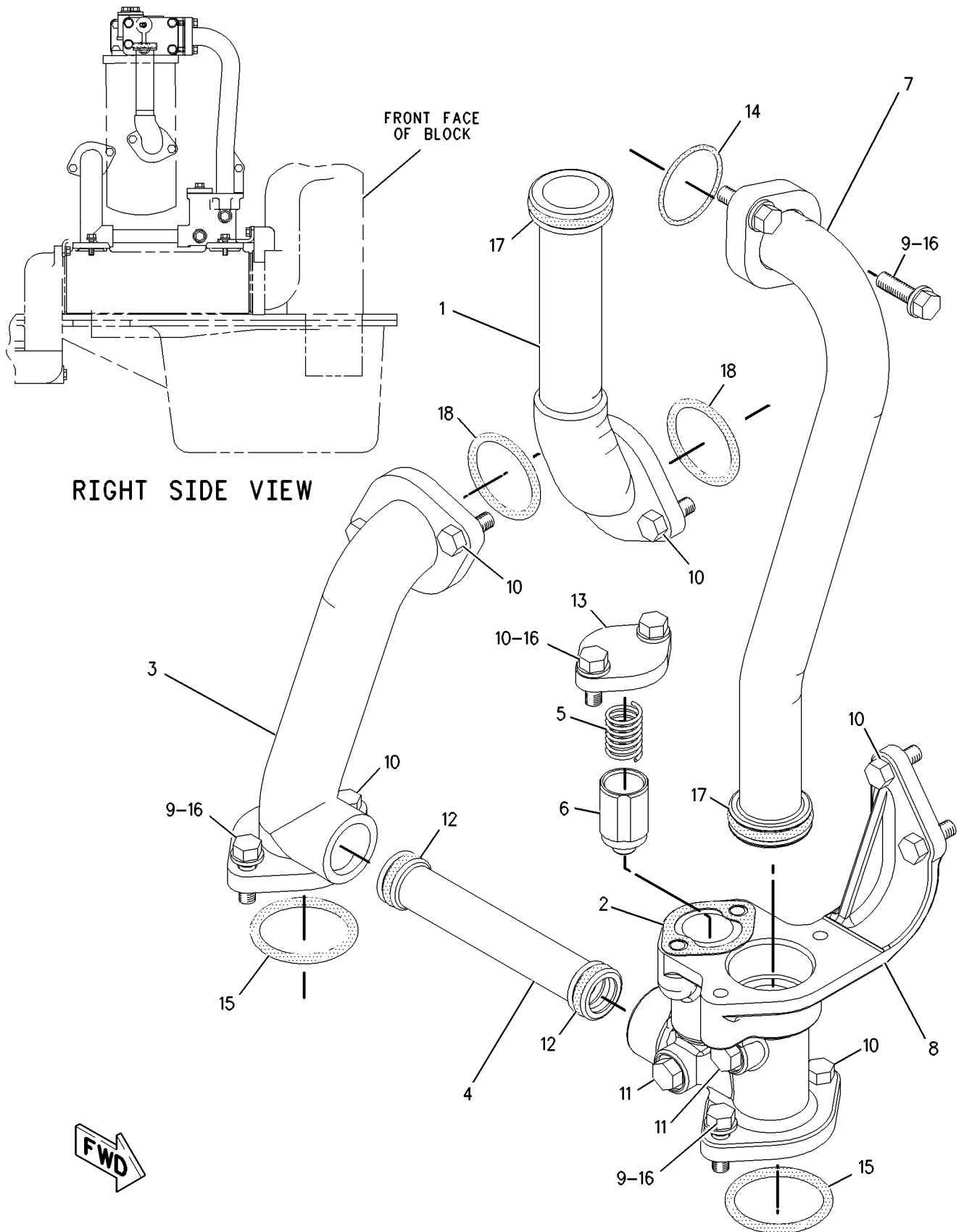
i04396016

NOTE	REF NO	GRAPHIC REF	PART NUMBER	QTY	PART NAME						SEE PAGE
					1	2	3	4	5	6 (PRODUCT LEVEL)	
	1	1	1W-6137	1	TUBE AS						
	2	1	2P-3760	1	GASKET						
	3	1	4N-0826	1	ELBOW						
	4	1	4N-1216	1	TUBE-COOLER BYPASS (ENGINE OIL)						
	5	1	4N-8150	1	SPRING						
	6	1	9M-0853	1	PLUNGER-VALVE						
	7	1	203-0147	1	TUBE AS						
	8	1	223-5814	1	BODY-COOLER BYPASS (ENGINE OIL)						
	9	1	0S-1588	4	BOLT (3/8-16X1.25-IN)						
	10	1	0S-1594	10	BOLT (3/8-16X1-IN)						
	11		321-8642	2	PLUG AS						
					(EACH INCLUDES)						
		1	9S-8003	1	PLUG						
			214-7567	1	SEAL-O-RING						
	12	1	2N-3350	2	SEAL-O-RING						
	13	1	2P-3761	1	COVER						
	14	1	3E-6790	1	SEAL-O-RING						
	15	1	113-5304	2	SEAL-O-RING						
	16	1	5M-2894	6	WASHER-HARD (10.2X18.5X2.5-MM THK)						
	17	1	5P-8068	2	SEAL-O-RING						
	18	1	8C-5230	2	SEAL-O-RING						

LUBRICATION SYSTEM

219-4443 LINES GP-ENGINE OIL (contd.)

i04396016



GRAPHIC #1

<END>

g01002356

LUBRICATION SYSTEM

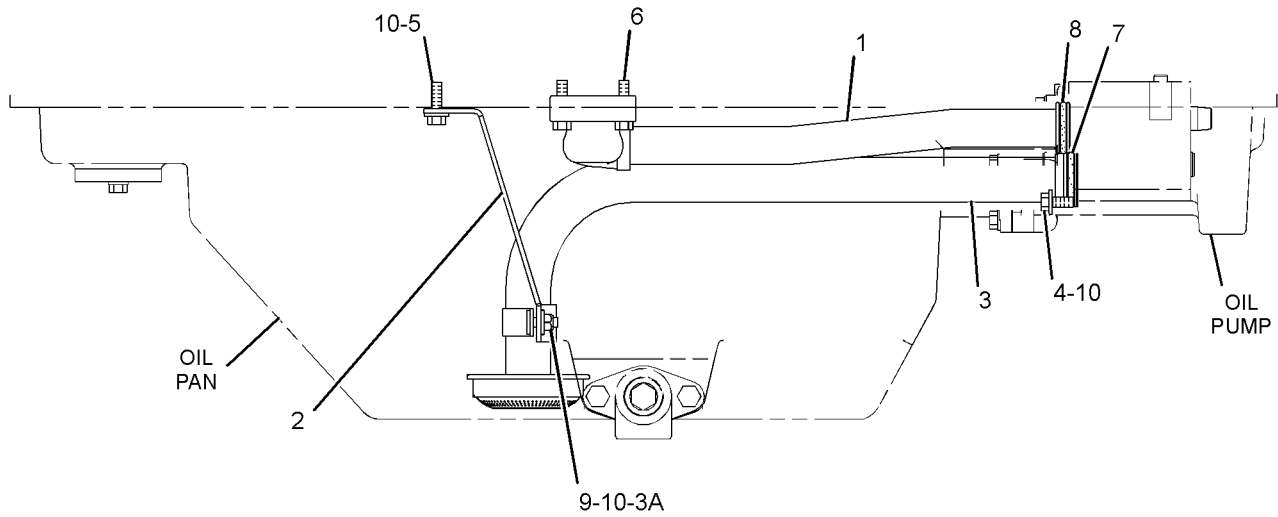
291-6821 LINES GP-ENGINE OIL-OIL PAN

S/N: TXH1-UP; RHX1-UP
 PART OF 281-6452 ENGINE AR-COMplete
 FOR USE WITH 175-3860-PAGE 51
 AN ATTACHMENT

SMCS-1307

i04396018

NOTE	REF NO	GRAPHIC REF	PART NUMBER	QTY	PART NAME						SEE PAGE
					1	2	3	4	5	6 (PRODUCT LEVEL)	
	1	1	4P-7373	1	TUBE AS						
	2	1	292-9782	1	BRACKET						
	3	1	292-9783	1	TUBE AS						
	3A	1	5L-8957	2	STUD-WELD (3/8-16X1-IN)						
	4	1	0L-1351	1	BOLT (3/8-16X0.875-IN)						
	5	1	0S-1588	2	BOLT (3/8-16X1.25-IN)						
	6	1	0S-1591	2	BOLT (3/8-16X1.5-IN)						
	7	1	109-0072	1	SEAL-O-RING						
	8	1	109-0078	1	SEAL-O-RING						
	9	1	2K-4973	2	LOCKNUT (3/8-16-THD)						
	10	1	9X-6458	5	WASHER-HARD (10.2X22.5X3-MM THK)						



RIGHT SIDE VIEW OF ENGINE

GRAPHIC #1

<END>

g01647620

LUBRICATION SYSTEM

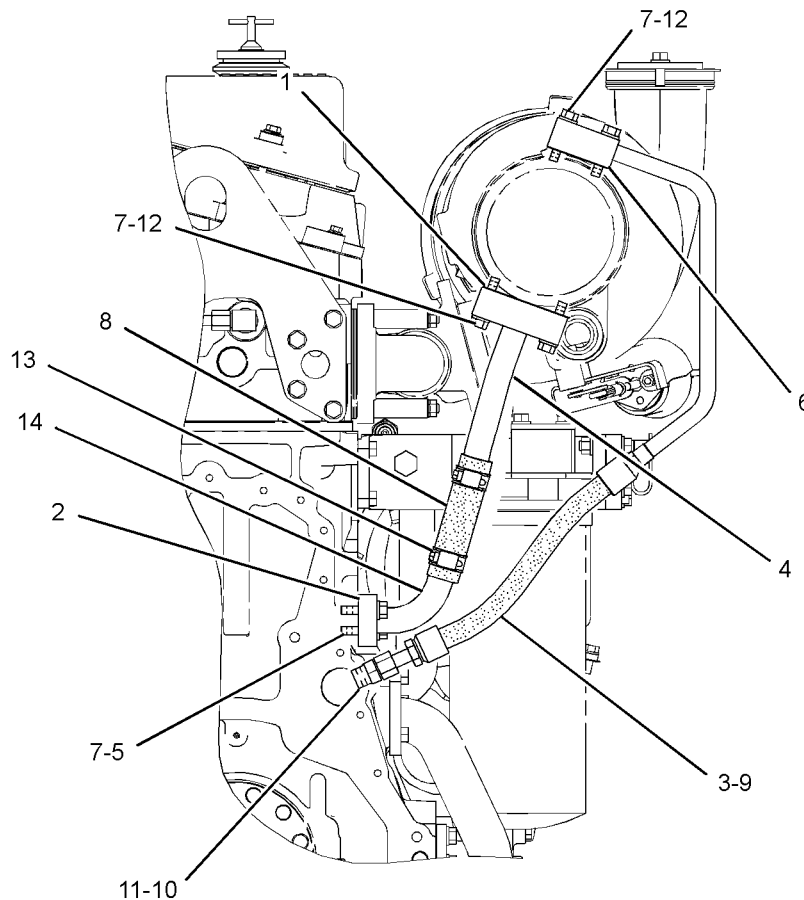
235-1054 LINES GP-TURBOCHARGER OIL

S/N: TXH1-UP; RHX1-UP
 PART OF 281-6452 ENGINE AR-COMPLETE
 FOR USE WITH RH TURBO CONFIGURATION
 AN ATTACHMENT

SMCS-1052, 1307

i04396047

NOTE	REF NO	GRAPHIC REF	PART NUMBER	QTY	PART NAME						SEE PAGE
					1	2	3	4	5	6 (PRODUCT LEVEL)	
	1	1	7N-7559	1	GASKET						
	2	1	210-9246	1	SEAL-O-RING						
	3	1	242-3375	1	HOSE AS						
	4	1	254-7000	1	TUBE AS-DRAIN						
	5	1	0S-1591	2	BOLT (3/8-16X1.5-IN)						
	6	1	4P-4460	1	GASKET						
	7	1	5M-2894	6	WASHER-HARD (10.2X18.5X2.5-MM THK)						
	8	1	246-6036	1	HOSE						
	9	1	228-7089	1	SEAL-O-RING						
	10	1	6V-8634	1	CONNECTOR						
	11	1	238-5080	1	SEAL-O-RING						
	12	1	0S-1571	4	BOLT (3/8-16X1.75-IN)						
	13	1	284-3502	2	CLAMP-BAND						
	14	1	254-6999	1	TUBE AS-DRAIN						



REAR VIEW

<END>

GRAPHIC #1

g02055293

LUBRICATION SYSTEM

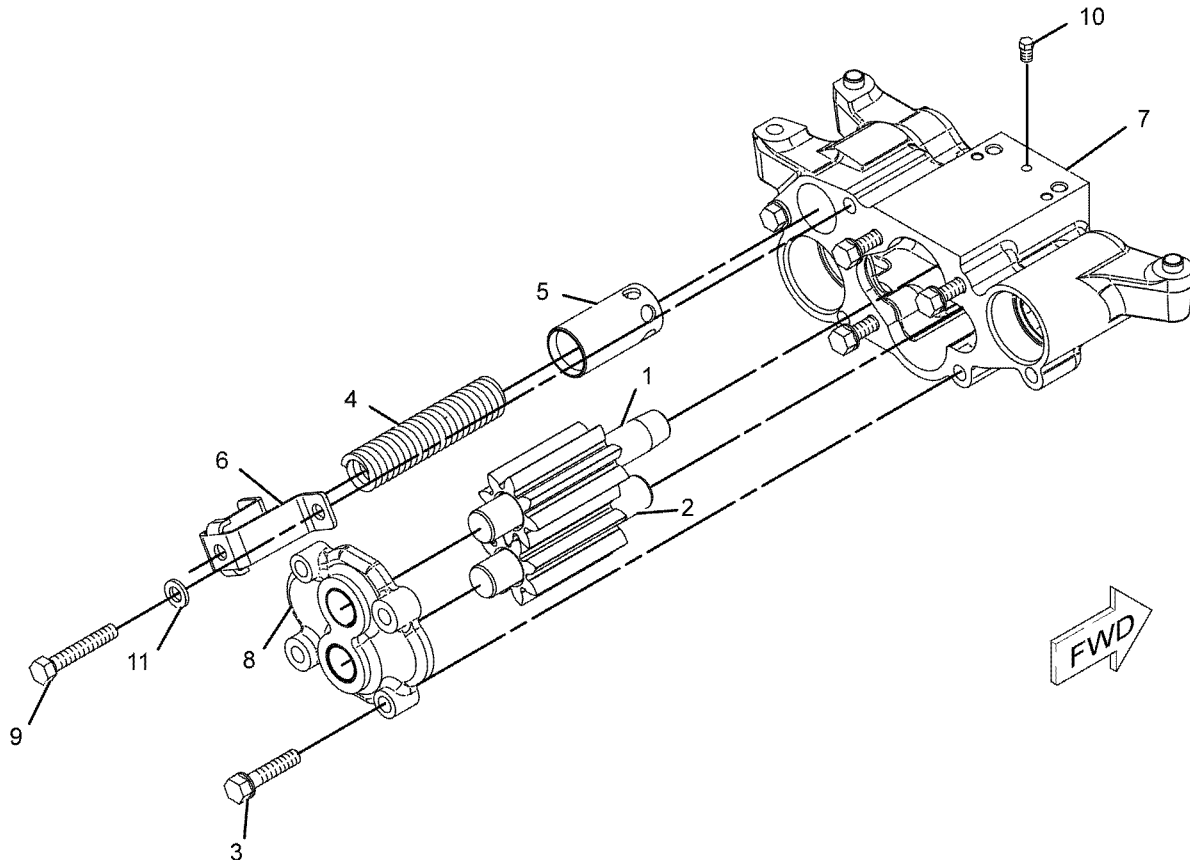
161-4113 PUMP GP-ENGINE OIL*R

S/N: TXH1-UP; RHX1-UP
PART OF 356-2208 ENGINE AR-CORE
AN ATTACHMENT

SMCS-1304, 1315

i04396132

NOTE	REF NO	GRAPHIC REF	PART NUMBER	QTY	PART NAME						SEE PAGE
					1	2	3	4	5	6 (PRODUCT LEVEL)	
	1	1	1W-7238	1	SHAFT AS-PUMP DRIVE (8-TEETH)						
	2	1	1W-7239	1	SHAFT AS-IDLER (8-TEETH)						
	3	1	2P-3205	4	BOLT-WASHER HEAD (3/8-16X1.75-IN)						
	4	1	2S-2760	1	SPRING						
	5	1	6N-1931	1	PLUNGER						
	6	1	9Y-1792	1	RETAINER						
	7	1	235-1587	1	BODY AS						
		1	7N-2156	2	BUSHING						
		1	8M-8489	2	DOWEL						
8		1	127-6356	1	COVER AS-PUMP						
		1	8S-6511	2	BUSHING						
9		1	1M-0644	2	BOLT (3/8-16X2.25-IN)						
10		1	2S-7905	1	PLUG-PIPE						
11		1	5M-2894	2	WASHER-HARD (10.2X18.5X2.5-MM THK)						



GRAPHIC #1

<END>

g01066948

COOLING SYSTEM

225-6725 COOLING AR-STANDARD AMBIENT TEMPERATURE

S/N: A7A1-UP

PART OF 379-3390 DISTRIBUTION AR
CANNOT BE USED WITH 226-1956-PAGE 83
AN ATTACHMENT

SMCS-1350, 1353, 1355, 1374, 1375, 1378,
1386, 1387, 5057

i04477986

NOTE	PART NUMBER	QTY	PART NAME						SEE PAGE
			1	2	3	4	5	6 (PRODUCT LEVEL)	
Y	268-1961	1	EXTENSION GP-EXHAUST						113
Y	228-0376	1	PUMP & MTG GP-HYDRAULIC FAN (STD, MID RANGE AMBIENT TEMP)						524
Y	224-9456	1	RADIATOR GP						98
Y-SEPARATE ILLUSTRATION									

<END>

226-1956 COOLING AR-HIGH AMBIENT TEMP

S/N: A7A1-UP

PART OF 379-3389 DISTRIBUTION AR
CANNOT BE USED WITH 225-6725-PAGE 83
AN ATTACHMENT

SMCS-1350, 1353, 1386, 1387, 5057

i04477972

NOTE	PART NUMBER	QTY	PART NAME						SEE PAGE
			1	2	3	4	5	6 (PRODUCT LEVEL)	
Y	242-5177	1	DEFLECTOR GP-HOOD (AIR EJECTOR)						372
Y	268-1960	1	EXTENSION GP-EXHAUST						112
Y	226-1957	1	PUMP & MTG GP-HYDRAULIC FAN (HIGH AMBIENT TEMPERATURE)						523
Y	225-6333	1	RADIATOR GP (MID RANGE, HIGH AMBIENT TEMP)						100
Y-SEPARATE ILLUSTRATION									

<END>

COOLING SYSTEM

160-5760 FAN & BAFFLE GP

S/N: A7A1-UP

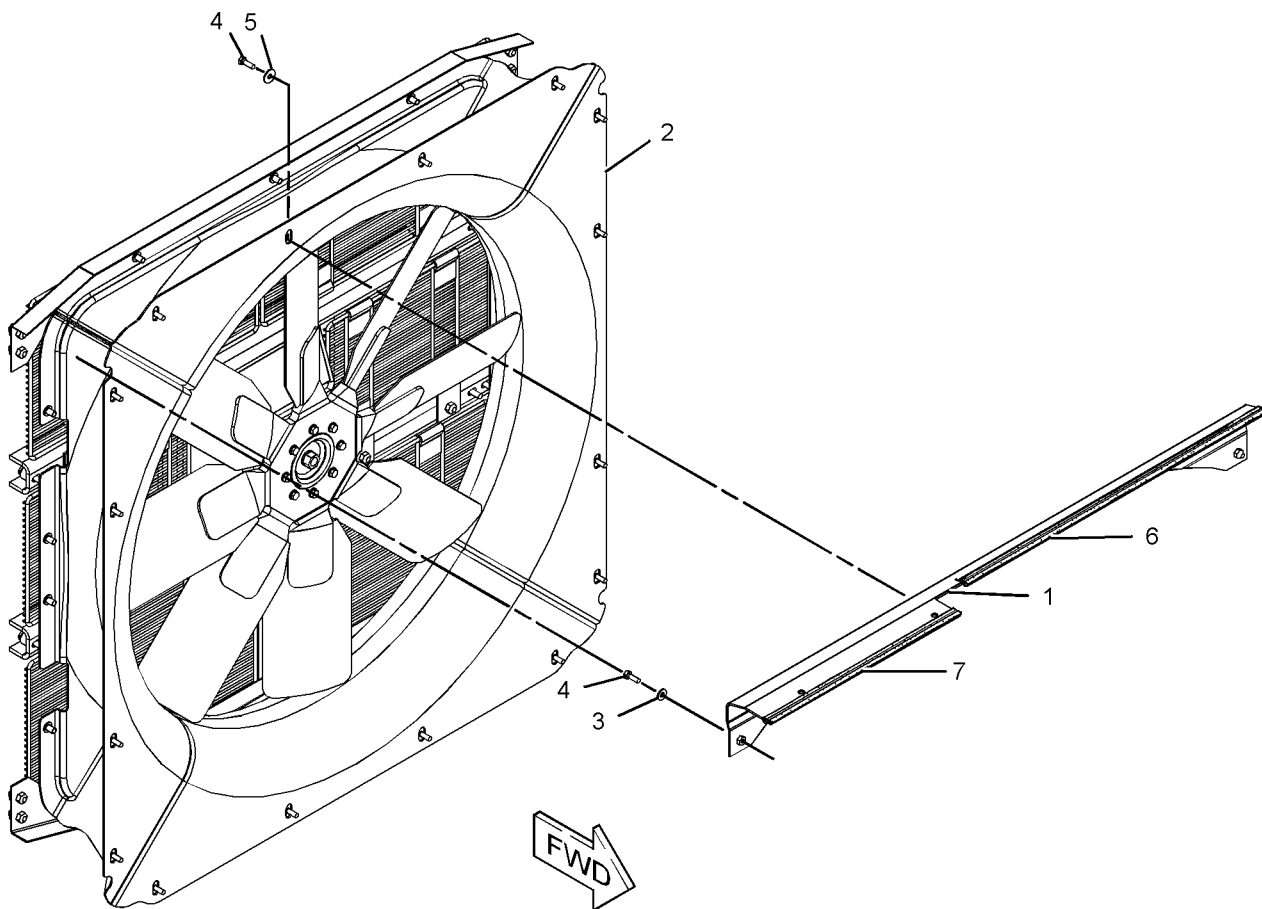
PART OF 284-2735 CHASSIS AR

SMCS-1356, 1806

i04456232

NOTE	REF NO	GRAPHIC REF	PART NUMBER	QTY	PART NAME	1 2 3 4 5 6 (PRODUCT LEVEL)						SEE PAGE
	1	1	154-4475	1	BAFFLE AS							
M		1	8T-3490	8	NUT-WELD (M10X1.5-THD)							
Y	2	1	271-5160	1	FAN GP-SUCTION							86
	3	1	7X-7729	2	WASHER (11X25X3-MM THK)							
M	4	1	8T-4195	6	BOLT (M10X1.5X30-MM)							
	5	1	8T-4222	4	WASHER-PLATED (11X32X2.5-MM THK)							
D	6	1	5P-7211		SEAL (0.896-M)							
D	7	1	5P-7211		SEAL (0.568-M)							

D-ORDER BY THE METER
M-METRIC PART
Y-SEPARATE ILLUSTRATION



GRAPHIC #1

<END>

g01199691

COOLING SYSTEM

138-2239 FAN GP-SUCTION-AXLE OIL COOLER

S/N: A7A1-UP

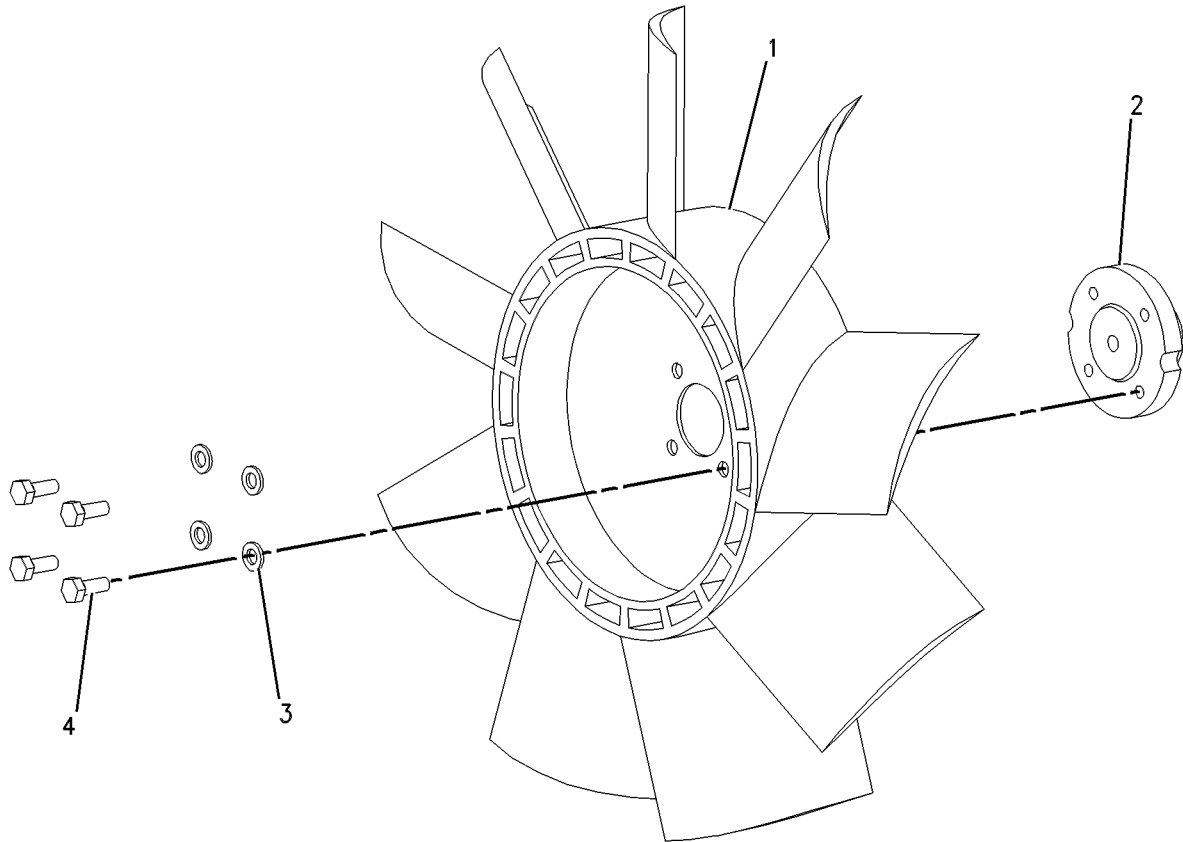
PART OF 257-7815 COOLER & FAN GP-AXLE OIL
AN ATTACHMENT

SMCS-1356

i04483010

NOTE	REF NO	GRAPHIC REF	PART NUMBER	QTY	PART NAME						SEE PAGE
					1	2	3	4	5	6 (PRODUCT LEVEL)	
	1	1	138-2240	1	FAN AS (9-BLADE)						
	2	1	142-8870	1	ADAPTER						
	3	1	8T-4224	4	WASHER-HARD (8.8X16X2-MM THK)						
M	4	1	8T-4189	4	BOLT (M8X1.25X20-MM)						

M-METRIC PART



GRAPHIC #1

<END>

g00523770

COOLING SYSTEM

271-5160 FAN GP-SUCTION

S/N: A7A1-UP

PART OF 160-5760 FAN & BAFFLE GP

SMCS-1356

i04459135

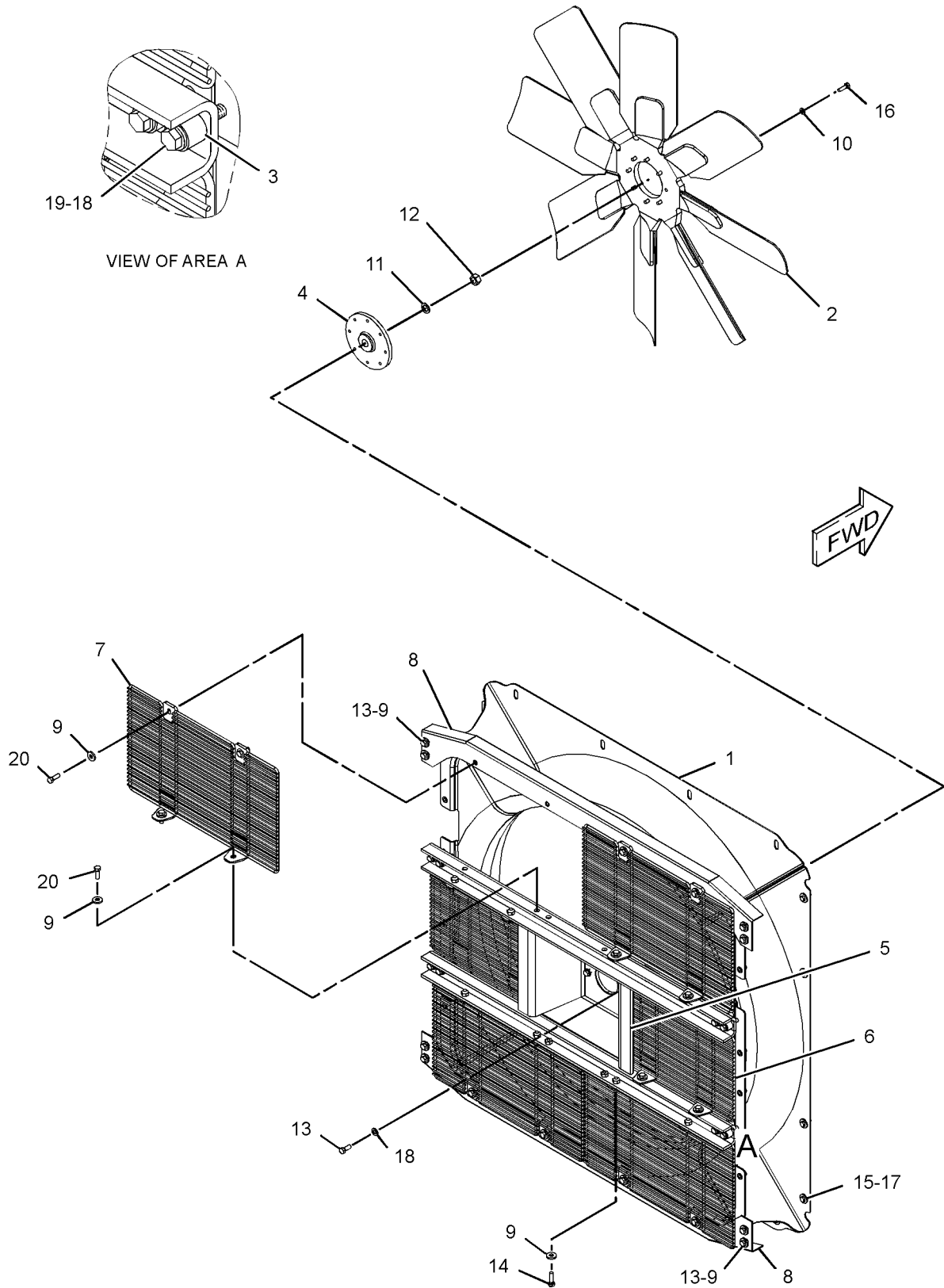
NOTE	REF NO	GRAPHIC REF	PART NUMBER	QTY	PART NAME						SEE PAGE
					1	2	3	4	5	6 (PRODUCT LEVEL)	
	1	1	131-7812	1	SHROUD AS-FAN						
	2	1	142-0811	1	SPIDER AS-FAN (8-BLADE)						
	3	1	146-5067	8	SPACER (13X30X22.2-MM THK)						
	4	1	167-1335	1	ADAPTER-FAN						
	5	1	271-5562	1	SUPPORT AS						
M		1	8T-3597	16	NUT-WELD (M12X1.75-THD)						
	6	1	271-5563	2	GUARD AS-FAN (EACH INCLUDES)						
M		1	8T-3597	2	NUT-WELD (M12X1.75-THD)						
	7	1	271-5564	4	GUARD AS-FAN						
	8	1	271-5565	2	SUPPORT AS (EACH INCLUDES)						
M		1	8T-3597	8	NUT-WELD (M12X1.75-THD)						
	9	1	7X-0550	32	WASHER-HARD (13.5X32X5-MM THK)						
	10	1	198-4777	8	WASHER-HARD (11X25X10-MM THK)						
	11	1	8T-4123	1	WASHER (22X35X3.5-MM THK)						
M	12	1	8T-4131	1	NUT (M20X2.5-THD)						
M	13	1	8T-4139	10	BOLT (M12X1.75X30-MM)						
M	14	1	8T-4183	2	BOLT (M12X1.75X40-MM)						
M	15	1	8T-4195	12	BOLT (M10X1.5X30-MM)						
M	16	1	8T-4186	8	BOLT (M10X1.5X40-MM)						
	17	1	8T-4222	12	WASHER-PLATED (11X32X2.5-MM THK)						
	18	1	8T-4223	10	WASHER-HARD (13.5X25.5X3-MM THK)						
M	19	1	8T-4910	8	BOLT (M12X1.75X60-MM)						
M	20	1	8T-4956	22	BOLT (M12X1.75X35-MM)						

M-METRIC PART

COOLING SYSTEM

271-5160 FAN GP-SUCTION (contd.)

i04459135



GRAPHIC #1

<END>

g01184003

COOLING SYSTEM

109-2373 FASTENER GP-WATER PUMP

S/N: TXH1-UP; RHX1-UP

FOR USE WHEN ALTERNATOR MOUNTING BRACKET IS NOT INSTALLED

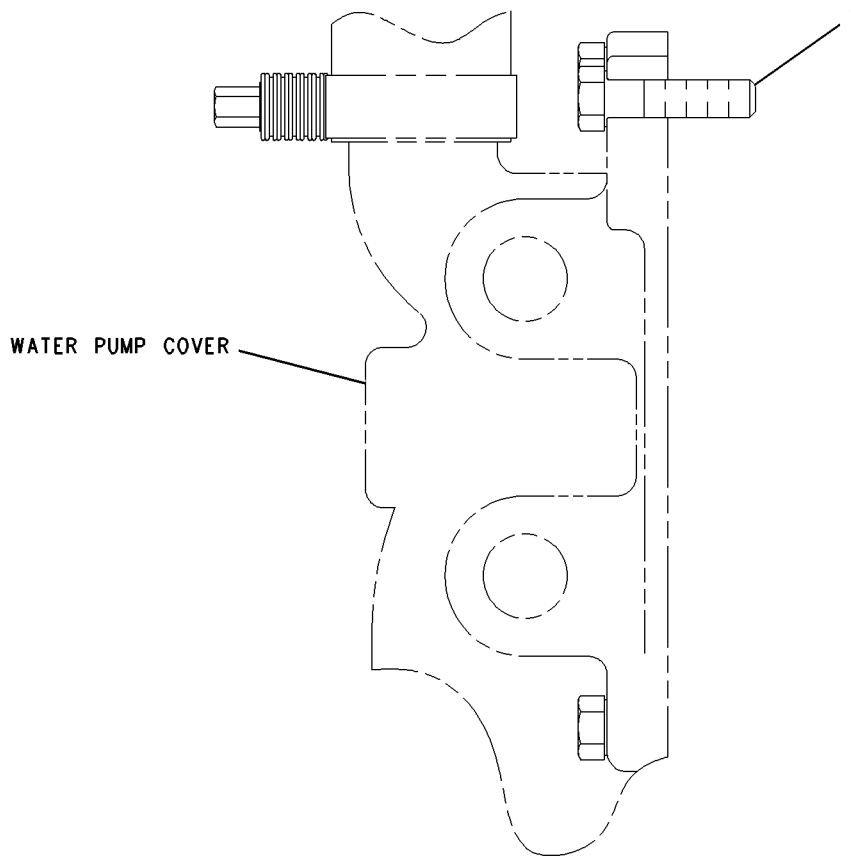
PART OF 281-6452 ENGINE AR-COMplete

CANNOT BE USED WITH RH FRONT OIL GUIDE
AN ATTACHMENT

SMCS-1361

i04395964

NOTE	REF NO	GRAPHIC REF	PART NUMBER	QTY	PART NAME						SEE PAGE
					1	2	3	4	5	6 (PRODUCT LEVEL)	
	1	1	0S-1591	1	BOLT (3/8-16X1.5-IN)						



RIGHT SIDE VIEW

GRAPHIC #1

<END>

g00832155

COOLING SYSTEM

225-6319 LINES GP-WATER-RADIATOR

S/N: A7A1-UP

PART OF 284-2735 CHASSIS AR

SMCS-1380

i04456254

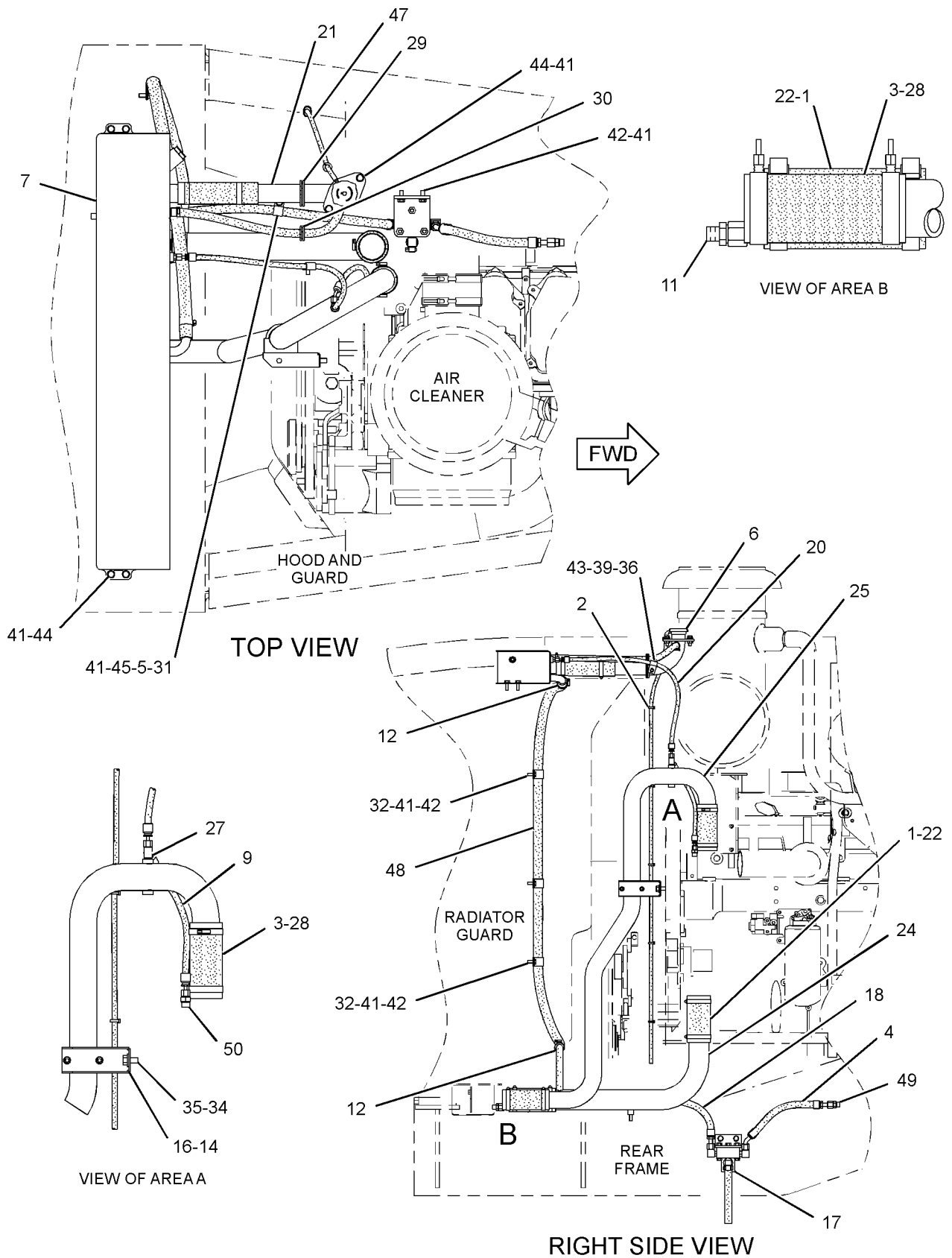
NOTE	REF NO	GRAPHIC REF	PART NUMBER	QTY	PART NAME						SEE PAGE	
					1	2	3	4	5	6 (PRODUCT LEVEL)		
BE	1	1	351-6538	2	HOSE							
	2	1	3S-2093	5	STRAP-CABLE							
	3	1	351-6537	2	HOSE							
I	4	1	352-3790	1	HOSE AS							
	5	1	6B-6205	1	SPACER (0.438X0.875X1.281-IN THK)							
	6	1	6L-8617	1	CAP-PRESSURE (7-PSI) (RADIATOR)							
Y	7	1	357-2716	1	TANK GP-COOLANT						102	
I	9	1	352-3793	1	HOSE AS							
	11	1	369-6847	1	CONNECTOR AS							
			8C-6871	1	CONNECTOR							
			180-8424	1	SEAL-O-RING							
	12	1	284-3502	2	CLAMP-BAND							
			061-7208	1	CLAMP-TUBE							
	16	1	135-6928	1	ANGLE AS							
			8T-3490	1	NUT-WELD (M10X1.5-THD)							
	Y	17	1	148-7919	1	VALVE GP-RADIATOR DRAIN						103
	I	18	1	352-3791	1	HOSE AS						
		20	1	352-3792	1	HOSE AS						
		21	1	180-9267	1	TUBE AS						
22		1	343-1820	4	CLAMP-BAND							
			225-6320	1	TUBE AS							
25		1	234-5132	1	TUBE AS							
			369-6846	1	TEE AS							
			6V-8780	1	TEE-FACE SEAL							
28		1	6V-9027	1	SEAL-O-RING							
			121-4345	2	SEAL-O-RING							
			347-4165	4	CLAMP-BAND							
29		1	2S-1647	1	GROMMET							
30		1	3E-6753	1	GROMMET							
31		1	3S-8665	1	CLIP							
32		1	4D-7388	3	CLIP							
34	1	5P-1076	1	WASHER-HARD (13.5X30X4-MM THK)								
35	1	5P-2228	1	BOLT (1/2-13X1-IN)								
36	1	6D-3479	1	CLIP								
39	1	7X-7729	1	WASHER (11X25X3-MM THK)								
41	1	8T-4121	12	WASHER-HARD (11X21X2.5-MM THK)								
M	42	1	8T-4136	5	BOLT (M10X1.5X25-MM)							
M	43	1	8T-4137	1	BOLT (M10X1.5X20-MM)							
M	44	1	8T-4195	6	BOLT (M10X1.5X30-MM)							
M	45	1	8T-6466	1	BOLT (M10X1.5X60-MM)							
E	47	1	7Y-1976		HOSE-WATER (180-CM)							
E	48	1	349-6239		HOSE (223-CM)							
			365-0581	1	CONNECTOR AS							
			6V-6609	1	SEAL-O-RING							
	1	1	6V-8639	1	CONNECTOR							
			180-8424	1	SEAL-O-RING							
	50	1	369-6848	1	CONNECTOR AS							
			6V-6609	1	SEAL-O-RING							
			112-9783	1	ADAPTER							
1	1	121-4345	1	SEAL-O-RING								

B-USE AS REQUIRED
 E-ORDER BY THE CENTIMETER
 I-REFER TO HYDRAULIC INFORMATION SYSTEM
 M-METRIC PART
 Y-SEPARATE ILLUSTRATION

COOLING SYSTEM

225-6319 LINES GP-WATER (contd.)

i04456254



GRAPHIC #1

<END>

g02566116

COOLING SYSTEM

233-7183 LINES GP-WATER-TURBOCHARGER

S/N: A7A1-UP

PART OF 226-9643 INSTALLATION AR-ENGINE

SMCS-1380

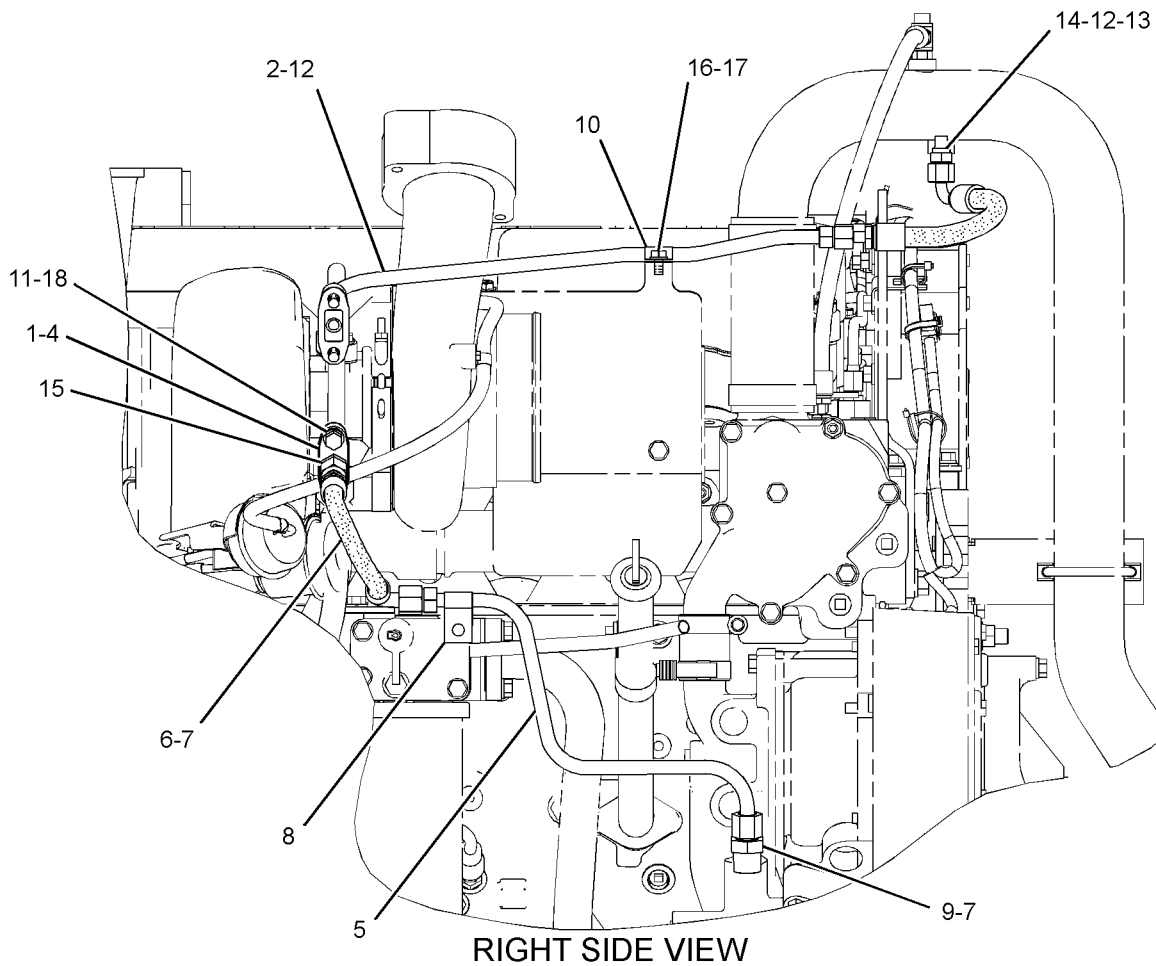
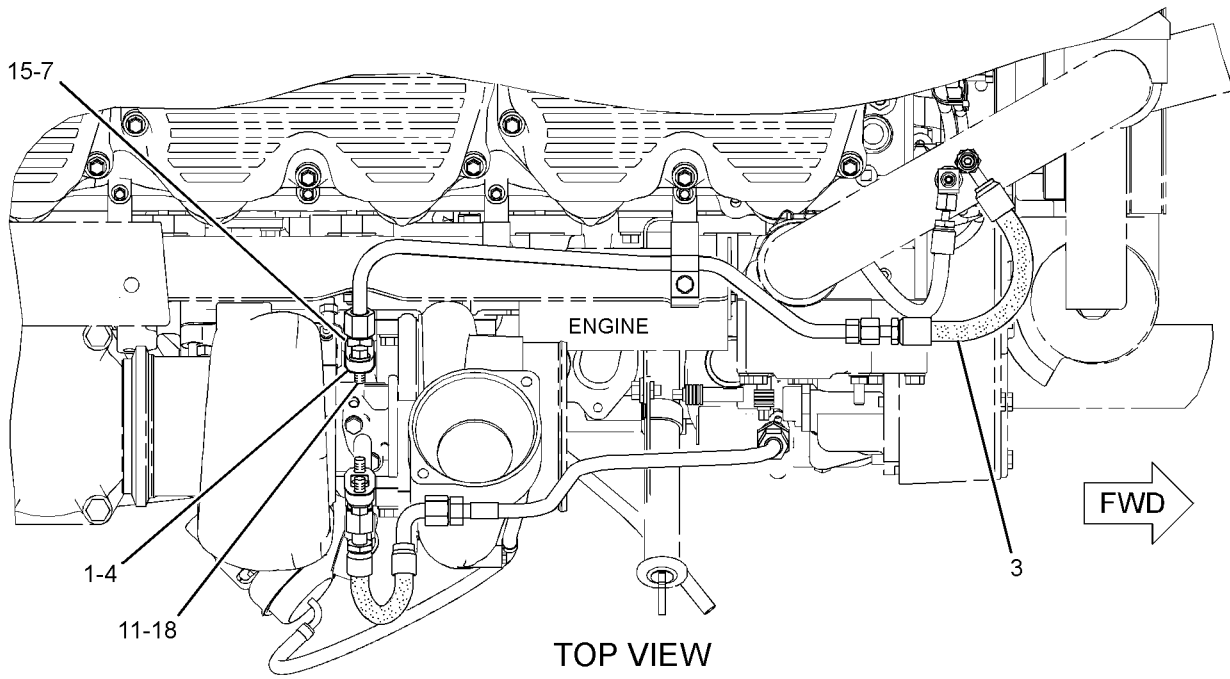
i04456134

NOTE	REF NO	GRAPHIC REF	PART NUMBER	QTY	PART NAME						SEE PAGE
					1	2	3	4	5	6 (PRODUCT LEVEL)	
	1	1	178-2500	2	FLANGE						
	2	1	233-7185	1	TUBE AS						
I	3	1	233-7186	1	HOSE AS						
	4	1	241-3283	2	GASKET						
	5	1	279-1280	1	TUBE AS						
	6	1	279-1282	1	HOSE AS						
	7	1	180-8424	4	SEAL-O-RING						
	8	1	1B-3057	1	CLIP						
	9	1	211-5237	1	CONNECTOR						
	10	1	4B-0418	1	CLIP						
	11	1	4L-6454	4	BOLT (3/8-16X1-IN)						
	12	1	6D-7128	2	SEAL-O-RING						
	13	1	6V-9027	1	SEAL-O-RING						
	14	1	6V-9872	1	CONNECTOR						
	15	1	8C-6871	2	CONNECTOR						
M	16	1	8T-4200	1	BOLT (M8X1.25X16-MM)						
	17	1	8T-4224	1	WASHER-HARD (8.8X16X2-MM THK)						
	18	1	8T-4896	4	WASHER-HARD (10.2X18.5X2.5-MM THK)						
I-REFER TO HYDRAULIC INFORMATION SYSTEM											
M-METRIC PART											

COOLING SYSTEM

233-7183 LINES GP-WATER (contd.)

i04456134



GRAPHIC #1

<END>

g01352116

COOLING SYSTEM

281-7060 LINES GP-WATER

S/N: TXH1-UP; RHX1-UP

INCLUDES XMSN & ENG OIL CLRS

PART OF 281-6452 ENGINE AR-COMPLETE

AN ATTACHMENT

SMCS-1380

i04396048

NOTE	REF NO	GRAPHIC REF	PART NUMBER	QTY	PART NAME						SEE PAGE
					1	2	3	4	5	6 (PRODUCT LEVEL)	
	1	1	2S-0795	2	GASKET						
	2	1	3S-9643	2	SEAL-LIP TYPE (WATER TEMPERATURE REGULATOR)						
	3	1	4N-1156	1	GASKET-REGULATOR COVER						
	4	1	4N-1199	2	CLIP						
	5	1	4N-3841	1	GASKET						
	6	1	8T-4983	2	CLAMP-HOSE						
	7	1	9Y-4104	1	HOSE						
	8	1	125-0434	1	SEAL-INTEGRAL						
	9	1	126-4935	1	SEAL-INTEGRAL						
R	10	1	133-0125	1	CORE AS-ENGINE OIL COOLER						
	11	1	137-7331	1	HOUSING-REGULATOR						
	12	1	139-3550	1	GASKET-REGULATOR (HOUSING) (WATER TEMPERATURE)						
	13	1	143-9393	1	STUD (3/8-16-THD)						
R	14	1	145-9283	1	CORE AS-TRANSMISSION COOLER						
	15	1	217-9060	1	VALVE AS-FLUID SAMPLING (COOLANT)						
		1	3J-7354	1	SEAL-O-RING						
		1	154-9023	1	VALVE-SAMPLING (SCREEN) (COOLANT)						
	16	1	157-0670	1	CAP-DUST						
	17	1	161-3565	1	COVER-WATER PUMP						
	18	1	187-6237	1	ADAPTER						
	19	1	274-9991	1	BONNET-OUTLET						
	20	1	226-4222	1	BONNET						
	21	1	235-8159	1	BRACKET AS						
	22	1	239-6304	1	MANIFOLD-HOUSING						
	23	1	248-5513	2	REGULATOR-TEMPERATURE (92-DEG C) (WATER)						
	24	1	281-7062	1	BONNET						
	25	1	282-9904	1	COVER						
	26	1	0L-1351	2	BOLT (3/8-16X0.875-IN)						
	27	1	0L-2070	2	BOLT (3/8-16X2.25-IN)						
	28	1	0S-1591	3	BOLT (3/8-16X1.5-IN)						
	29	1	9X-6458	4	WASHER-HARD (10.2X22.5X3-MM THK)						
	30	1	0T-0065	3	BOLT (3/8-16X3.5-IN)						
	31	1	109-0077	3	SEAL-O-RING						
	32	1	307-2671	1	PLUG AS						
		1	9S-8002	1	PLUG-O-RING						
		1	214-7566	1	SEAL-O-RING						
	33	1	1A-2029	4	BOLT (3/8-16X1.125-IN)						
	34	1	1B-2790	1	BOLT (5/16-18X1.375-IN)						
	35	1	1B-7182	2	BOLT (5/16-18X1.25-IN)						
	36	1	1D-4566	4	BOLT (1/2-13X3.5-IN)						
	37	1	3E-4352	1	WASHER-HARD (8.8X20.5X2.5-MM THK)						
	38	1	353-5126	4	PLUG AS						
					(EACH INCLUDES)						
		1	6V-6609	1	SEAL-O-RING						
		1	9S-8005	1	PLUG-O-RING						
	39	1	337-8778	1	ADAPTER AS						
		1	3P-1932	1	ADAPTER						
		1	6V-6609	1	SEAL-O-RING						
	40	1	4F-0411	3	BOLT (3/8-16X6.5-IN)						
	41	1	5B-2638	4	BOLT (3/8-16X5.25-IN)						
	42	1	5M-2894	9	WASHER-HARD (10.2X18.5X2.5-MM THK)						
	43	1	353-5140	2	PLUG AS						
					(EACH INCLUDES)						

COOLING SYSTEM

281-7060 LINES GP-WATER (contd.)

i04396048

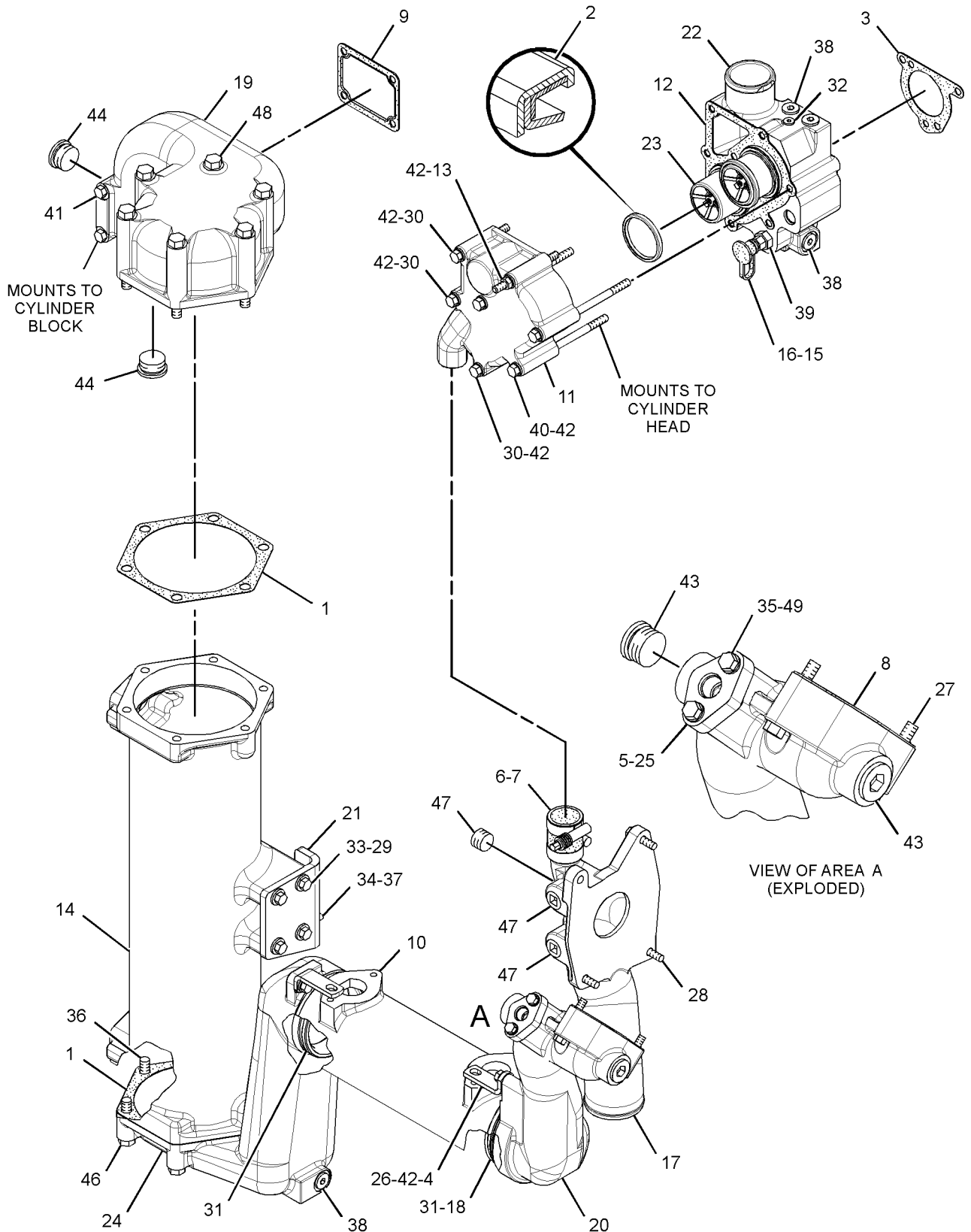
NOTE	REF NO	GRAPHIC REF	PART NUMBER	QTY	PART NAME						SEE PAGE
					1	2	3	4	5	6 (PRODUCT LEVEL)	
		1	6V-5063	1	SEAL-O-RING						
		1	9S-8008	1	PLUG-O-RING						
	44	1	<i>353-5144</i>	2	PLUG AS						
					(EACH INCLUDES)						
		1	6V-5064	1	SEAL-O-RING						
		1	9S-9334	1	PLUG-O-RING						
	46	1	9X-8873	2	BOLT (1/2-13X2.25-IN)						
	47	1	7X-7731	3	PLUG-PIPE						
	48	1	8S-9089	6	BOLT (1/2-13X4.5-IN)						
	49	1	9M-1974	2	WASHER-HARD (8.8X16X2-MM THK)						

R-REMFG PART MAY BE AVAILABLE

COOLING SYSTEM

281-7060 LINES GP-WATER (contd.)

i04396048



GRAPHIC #1

<END>

g02380736

COOLING SYSTEM

174-5986 PUMP GP-WATER

S/N: TXH1-UP; RHX1-UP

HEAVY DUTY PUMP

PART OF 356-2208 ENGINE AR-CORE

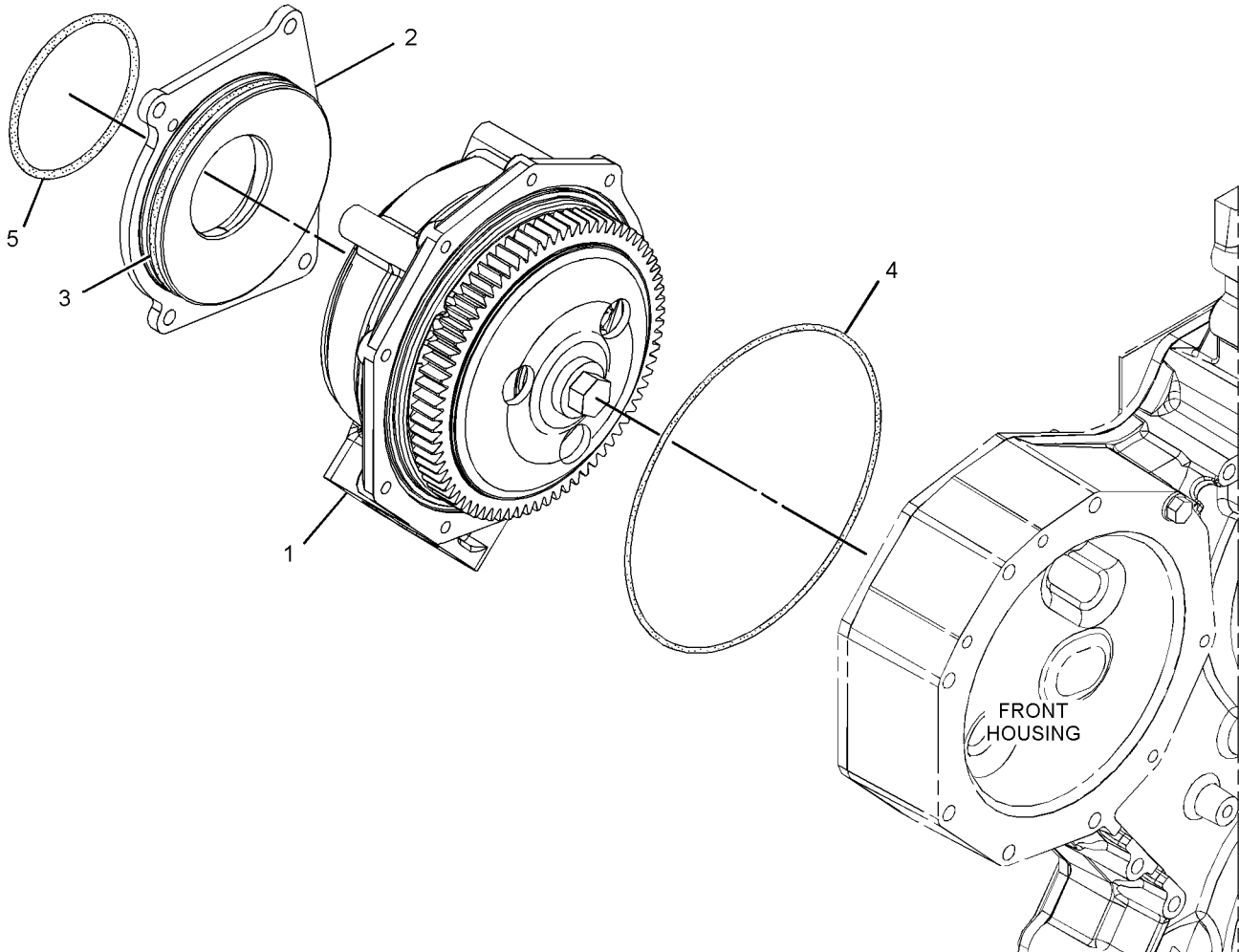
AN ATTACHMENT

SMCS-1361

i04396135

NOTE	REF NO	GRAPHIC REF	PART NUMBER	QTY	PART NAME						SEE PAGE
					1	2	3	4	5	6 (PRODUCT LEVEL)	
Y	1	1	352-0211	1	PUMP GP-WATER						97
	2	1	4P-2383	1	ADAPTER						
	3	1	9M-3786	1	SEAL-O-RING						
	4	1	122-3772	1	SEAL-O-RING						
	5	1	109-0077	1	SEAL-O-RING						

Y-SEPARATE ILLUSTRATION



GRAPHIC #1

<END>

g02531297

COOLING SYSTEM

352-0211 PUMP GP-WATER

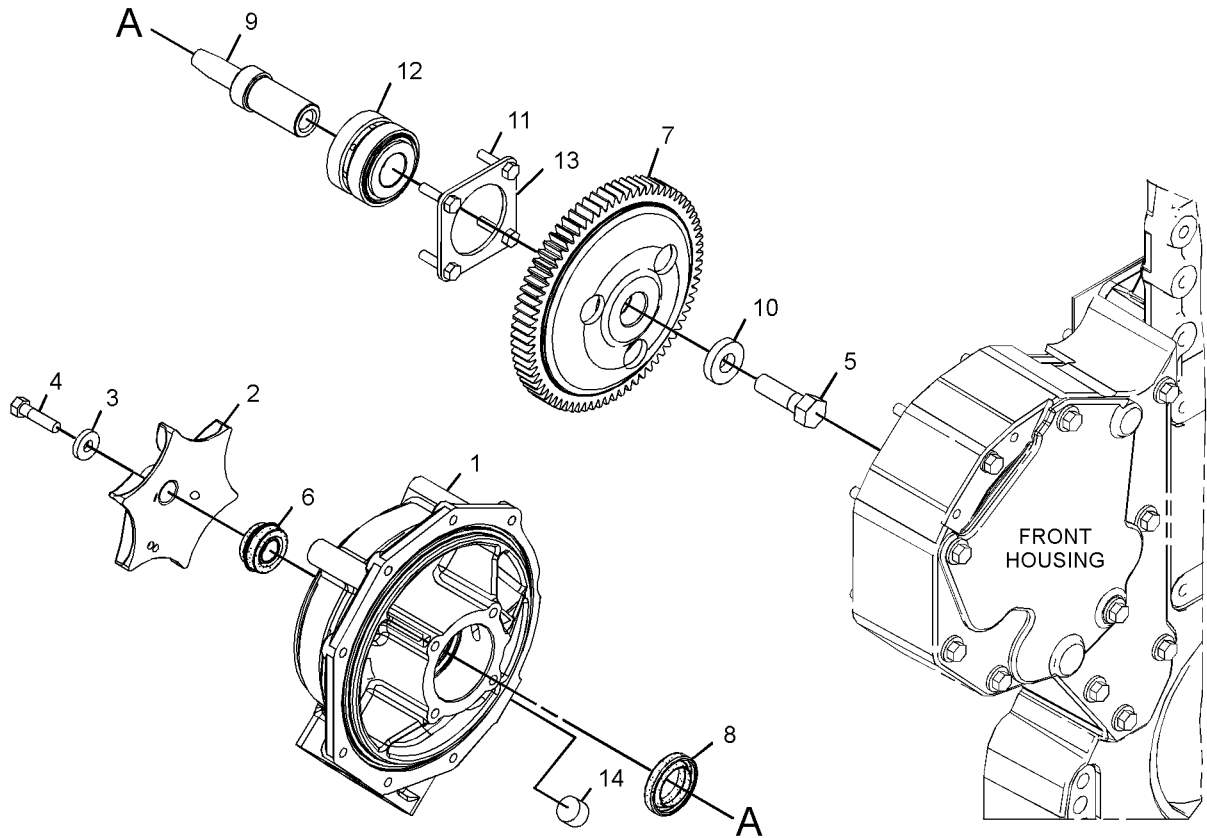
S/N: TXH1-UP; RHX1-UP

PART OF 174-5986 PUMP GP-WATER
AN ATTACHMENT

SMCS-1361

i04396155

NOTE	REF NO	GRAPHIC REF	PART NUMBER	QTY	PART NAME						SEE PAGE
					1	2	3	4	5	6 (PRODUCT LEVEL)	
	1	1	161-5718	1	HOUSING-WATER PUMP						
	2	1	129-9907	1	IMPELLER-PUMP						
	3	1	9M-6527	1	WASHER-HARD (10.2X25.5X5-MM THK)						
	4	1	0S-1591	1	BOLT (3/8-16X1.5-IN)						
	5	1	1A-1135	1	BOLT (5/8-11X2-IN)						
	6	1	349-2654	1	SEAL-WATER PUMP (WATER PUMP)						
	7	1	153-9023	1	GEAR (74-TEETH)						
	8	1	153-1256	1	SEAL-LIP TYPE						
	9	1	135-4928	1	SHAFT-WATER PUMP						
	10	1	5S-0581	1	WASHER-HARD (17X38X8-MM THK)						
	11	1	1B-7182	4	BOLT (5/16-18X1.25-IN)						
	12	1	108-7930	1	BEARING AS-ROLLER						
	13	1	136-1107	1	RETAINER						
	14	1	136-3742	1	PLUG-FELT						



GRAPHIC #1

<END>

g02532137

COOLING SYSTEM

224-9456 RADIATOR GP

S/N: A7A1-UP

PART OF 225-6725 COOLING AR
AN ATTACHMENT

SMCS-1353

i04480089

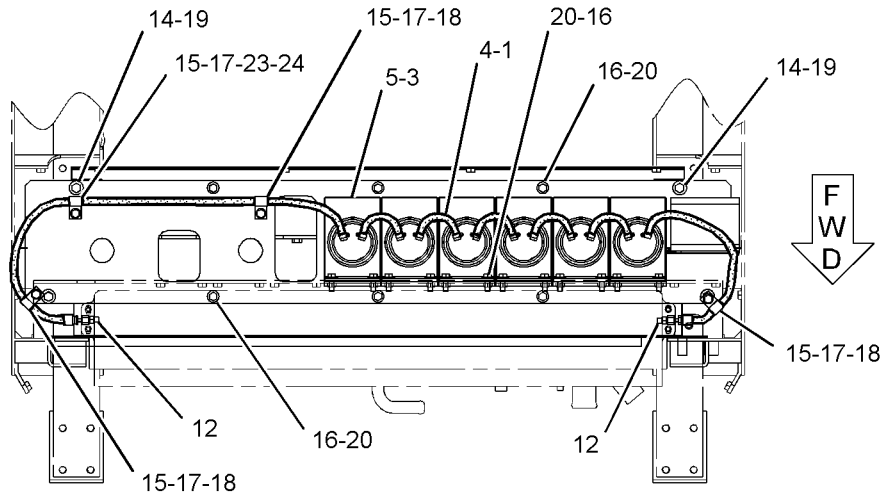
NOTE	REF NO	GRAPHIC REF	PART NUMBER	QTY	PART NAME						SEE PAGE
					1	2	3	4	5	6 (PRODUCT LEVEL)	
	1	1	1P-4278	12	CLAMP-HOSE						
	2	1	6I-2431	6	SEAL						
	3	1	6I-2435	6	SPACER (RUBBER)						
	4	1	106-4572	5	HOSE						
	5	1	112-9486	6	RETAINER						
	6	1	135-6929	1	ANGLE AS						
M		1	8T-3490	7	NUT-WELD (M10X1.5-THD)						
	7	1	152-0961	1	ANGLE AS						
		1	4E-0019	1	BOSS (M10X1.5-THD)						
M		1	8T-3490	3	NUT-WELD (M10X1.5-THD)						
	8	1	352-5477	1	HOSE AS						
	9	1	225-6330	1	TANK AS-RADIATOR BOTTOM						
M		1	8T-3490	4	NUT-WELD (M10X1.5-THD)						
	10	1	225-6331	1	BAFFLE AS						
M		1	8T-3490	5	NUT-WELD (M10X1.5-THD)						
	11	1	352-5457	1	HOSE AS						
	12	1	148-8316	2	CONNECTOR AS						
					(EACH INCLUDES)						
		1	3J-7354	1	SEAL-O-RING						
		1	4J-5477	1	SEAL-O-RING						
		1	6V-8647	1	CONNECTOR						
	13	1	223-5118	6	CORE AS-RADIATOR						
	14	1	5P-1076	4	WASHER-HARD (13.5X30X4-MM THK)						
	15	1	6D-3479	4	CLIP						
	16	1	7X-7729	23	WASHER (11X25X3-MM THK)						
	17	1	8T-4121	4	WASHER-HARD (11X21X2.5-MM THK)						
M	18	1	8T-4137	8	BOLT (M10X1.5X20-MM)						
M	19	1	8T-4139	4	BOLT (M12X1.75X30-MM)						
M	20	1	8T-4195	18	BOLT (M10X1.5X30-MM)						
D	21	1	5P-5755		SEAL (1.3-M)						
D	22	1	5P-7211		SEAL (1.7-M)						
M	23	1	8T-4136	1	BOLT (M10X1.5X25-MM)						
	24	1	132-7551	1	SPACER (11X19X6-MM THK)						

D-ORDER BY THE METER
M-METRIC PART

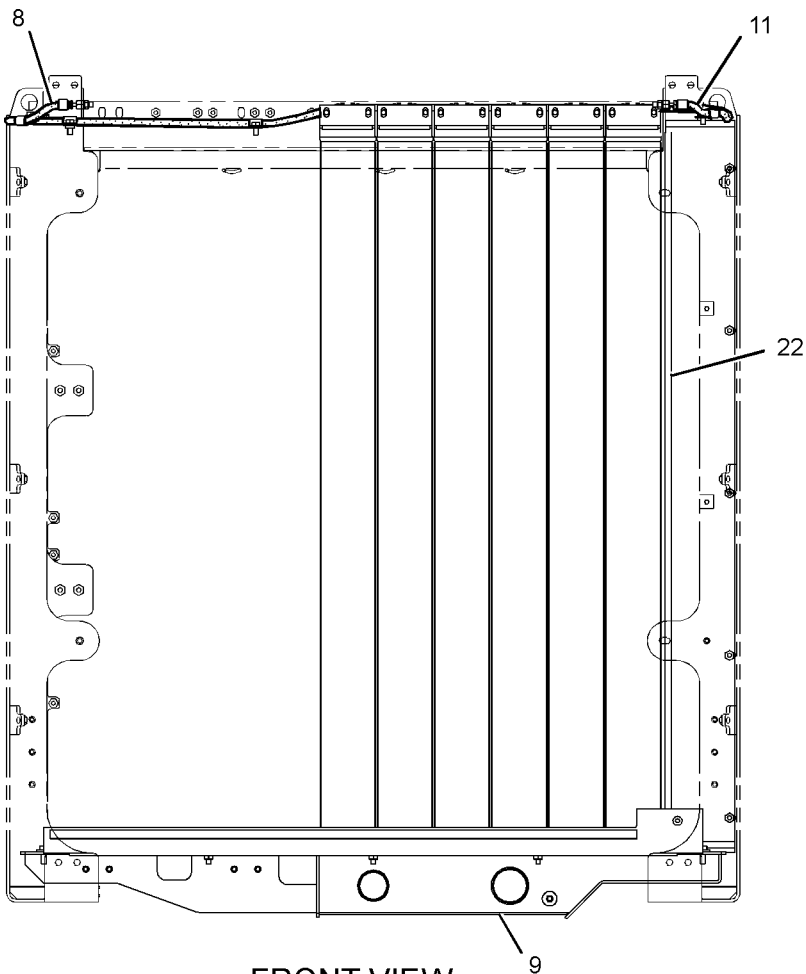
COOLING SYSTEM

224-9456 RADIATOR GP (contd.)

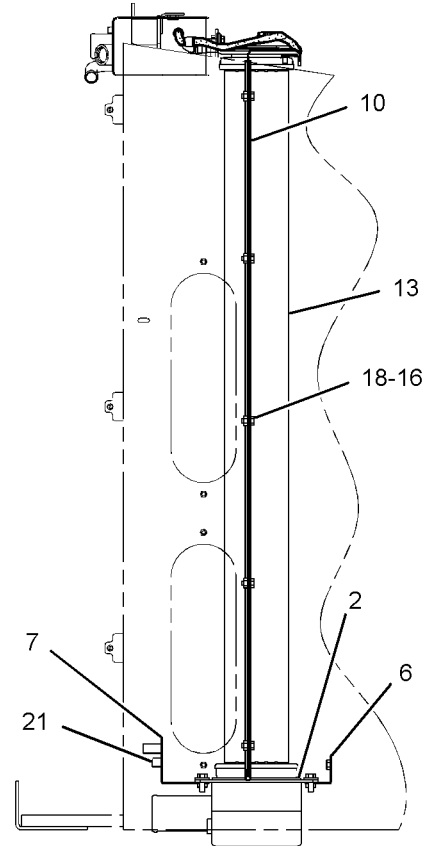
i04480089



TOP VIEW



FRONT VIEW



LEFT SIDE VIEW

GRAPHIC #1

<END>

g02052397

COOLING SYSTEM

225-6333 RADIATOR GP-MID RANGE, HIGH AMBIENT TEMPERATURE

S/N: A7A1-UP

PART OF 226-1956 COOLING AR-HIGH AMBIENT TEMP
AN ATTACHMENT

SMCS-1353

i04480094

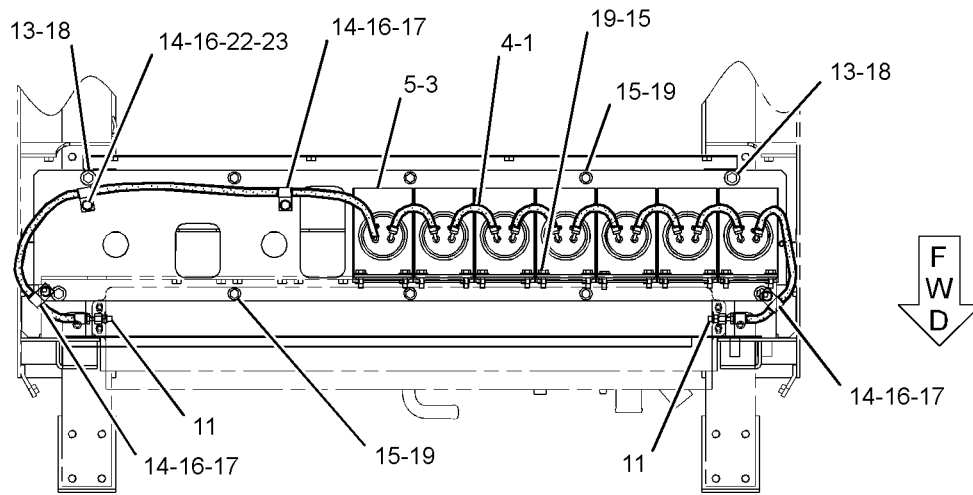
NOTE	REF NO	GRAPHIC REF	PART NUMBER	QTY	PART NAME						SEE PAGE
					1	2	3	4	5	6 (PRODUCT LEVEL)	
	1	1	1P-4278	14	CLAMP-HOSE						
	2	1	6I-2431	7	SEAL						
	3	1	6I-2435	7	SPACER (RUBBER)						
	4	1	106-4572	6	HOSE						
	5	1	112-9486	7	RETAINER						
	6	1	135-6929	1	ANGLE AS						
M		1	8T-3490	7	NUT-WELD (M10X1.5-THD)						
	7	1	152-0961	1	ANGLE AS						
M		1	8T-3490	3	NUT-WELD (M10X1.5-THD)						
	8	1	152-3426	1	TANK AS-RADIATOR BOTTOM						
	9	1	352-5477	1	HOSE AS						
	10	1	352-7837	1	HOSE AS						
	11	1	148-8316	2	CONNECTOR AS						
					(EACH INCLUDES)						
		1	3J-7354	1	SEAL-O-RING						
		1	4J-5477	1	SEAL-O-RING						
		1	6V-8647	1	CONNECTOR						
	12	1	223-5118	7	CORE AS-RADIATOR						
	13	1	5P-1076	4	WASHER-HARD (13.5X30X4-MM THK)						
	14	1	6D-3479	4	CLIP						
	15	1	7X-7729	20	WASHER (11X25X3-MM THK)						
	16	1	8T-4121	4	WASHER-HARD (11X21X2.5-MM THK)						
M	17	1	8T-4137	3	BOLT (M10X1.5X20-MM)						
M	18	1	8T-4139	4	BOLT (M12X1.75X30-MM)						
M	19	1	8T-4195	20	BOLT (M10X1.5X30-MM)						
BD	20	1	5P-5755		SEAL						
BD	21	1	5P-7211		SEAL						
	22	1	132-7551	1	SPACER (11X19X6-MM THK)						
M	23	1	8T-4136	1	BOLT (M10X1.5X25-MM)						

B-USE AS REQUIRED
D-ORDER BY THE METER
M-METRIC PART

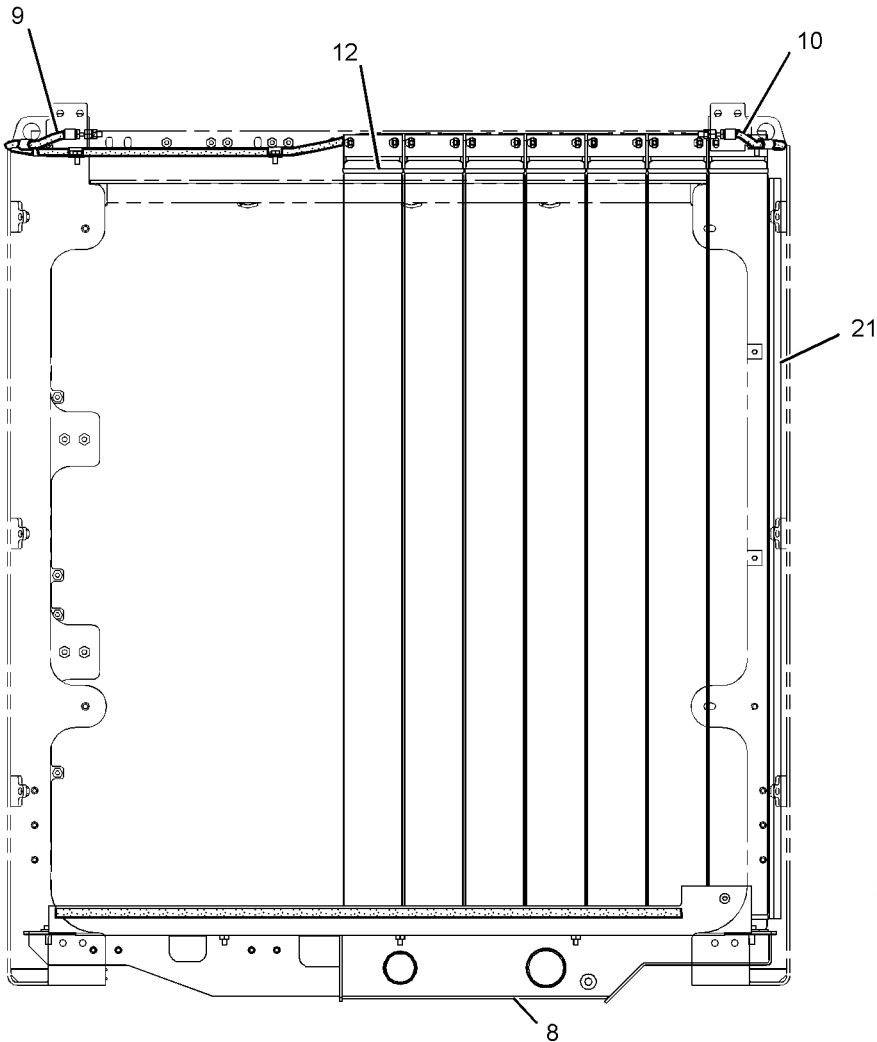
COOLING SYSTEM

225-6333 RADIATOR GP (contd.)

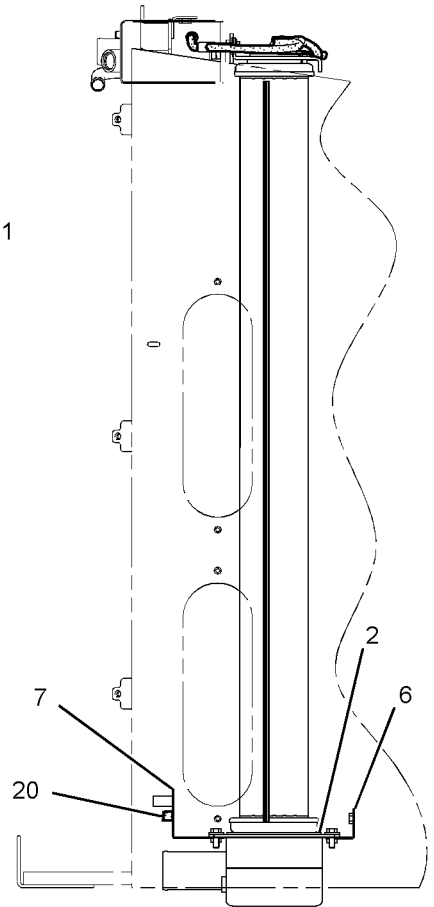
i04480094



TOP VIEW



FRONT VIEW



LEFT SIDE VIEW

GRAPHIC #1

<END>

g02048174

COOLING SYSTEM

357-2716 TANK GP-COOLANT

S/N: A7A1-UP

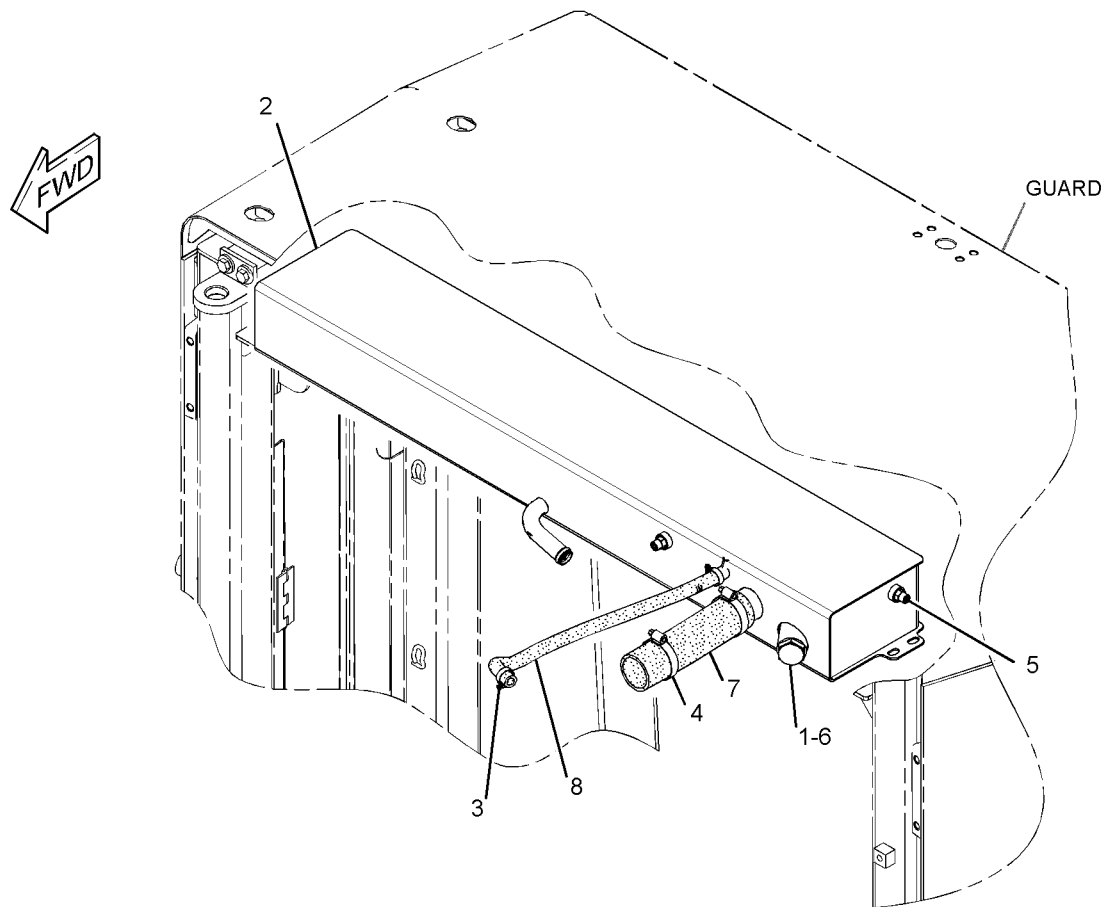
PART OF 225-6319 LINES GP-WATER

SMCS-1377

i04459148

NOTE	REF NO	GRAPHIC REF	PART NUMBER	QTY	PART NAME						SEE PAGE
					1	2	3	4	5	6 (PRODUCT LEVEL)	
	1	1	9Y-9236	1	GAUGE-SIGHT						
	2	1	161-9903	1	TANK AS-RADIATOR TOP						
	3	1	262-0494	2	CLAMP						
	4	1	314-7599	2	CLAMP-BAND						
	5	1	351-0277	3	CONNECTOR AS						
					(EACH INCLUDES)						
		1	6V-8647	1	CONNECTOR						
		1	6V-9027	1	SEAL-O-RING						
		1	121-4345	1	SEAL-O-RING						
	6	1	6V-5064	1	SEAL-O-RING						
E	7	1	349-6242		HOSE (23-CM)						
E	8	1	9X-2133		HOSE (55-CM)						

E-ORDER BY THE CENTIMETER



GRAPHIC #1

<END>

g02699217

COOLING SYSTEM

148-7919 VALVE GP-RADIATOR DRAIN

S/N: A7A1-UP

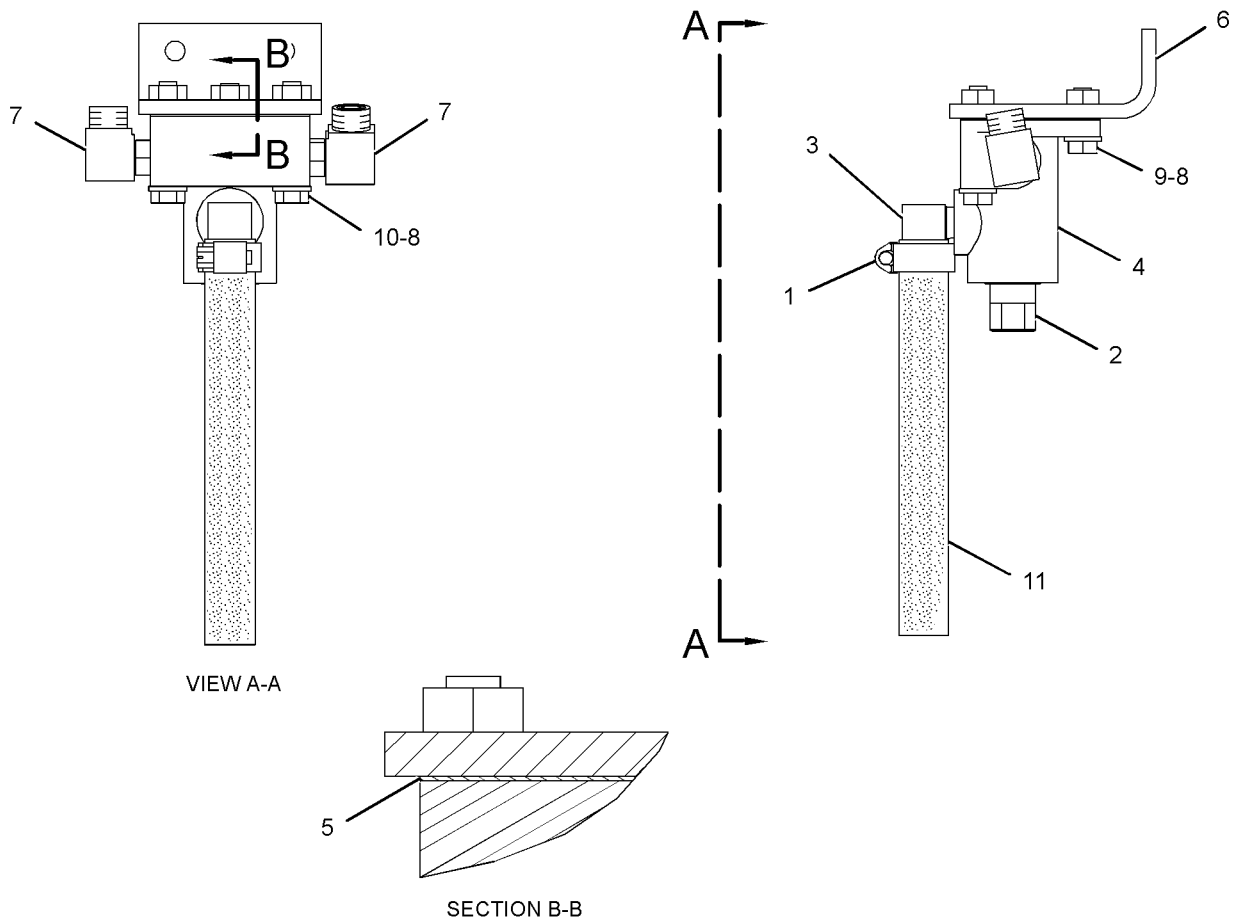
PART OF 225-6319 LINES GP-WATER

SMCS-1353

i04475389

NOTE	REF NO	GRAPHIC REF	PART NUMBER	QTY	PART NAME						SEE PAGE
					1	2	3	4	5	6 (PRODUCT LEVEL)	
	1	1	2S-3440	1	CLAMP-HOSE						
	2	1	6N-9590	1	PLUG-DRAIN						
	3	1	6V-0675	1	ELBOW						
	4	1	7E-9171	1	ADAPTER-PLUG						
	5	1	8M-7066	1	GASKET						
	6	1	117-3335	1	BRACKET AS						
	7	1	366-4669	2	ELBOW AS						
					(EACH INCLUDES)						
		1	6V-3250	1	SEAL-O-RING						
		1	180-8424	1	SEAL-O-RING						
		1	8T-6876	1	ELBOW						
	8	1	8T-4121	3	WASHER-HARD (11X21X2.5-MM THK)						
M	9	1	8T-4195	1	BOLT (M10X1.5X30-MM)						
M	10	1	8T-6466	2	BOLT (M10X1.5X60-MM)						
G	11	1	122-6872		HOSE-HYDRAULIC (9.1-IN)						

G-ORDER BY THE INCH
M-METRIC PART



GRAPHIC #1

<END>

g02646611

AIR INLET AND EXHAUST SYSTEM

224-9455 AFTERCOOLER GP-AIR

S/N: A7A1-UP

PART OF 284-2735 CHASSIS AR

SMCS-1063

i04456212

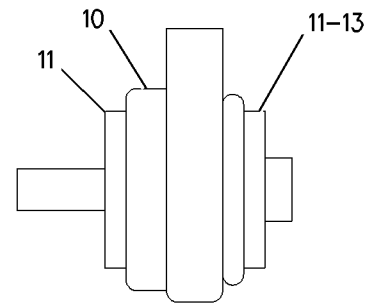
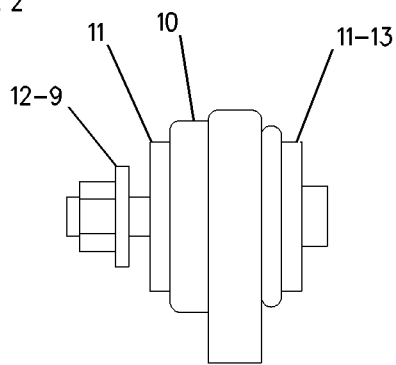
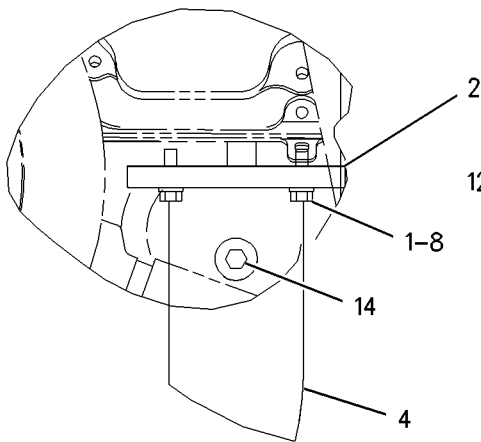
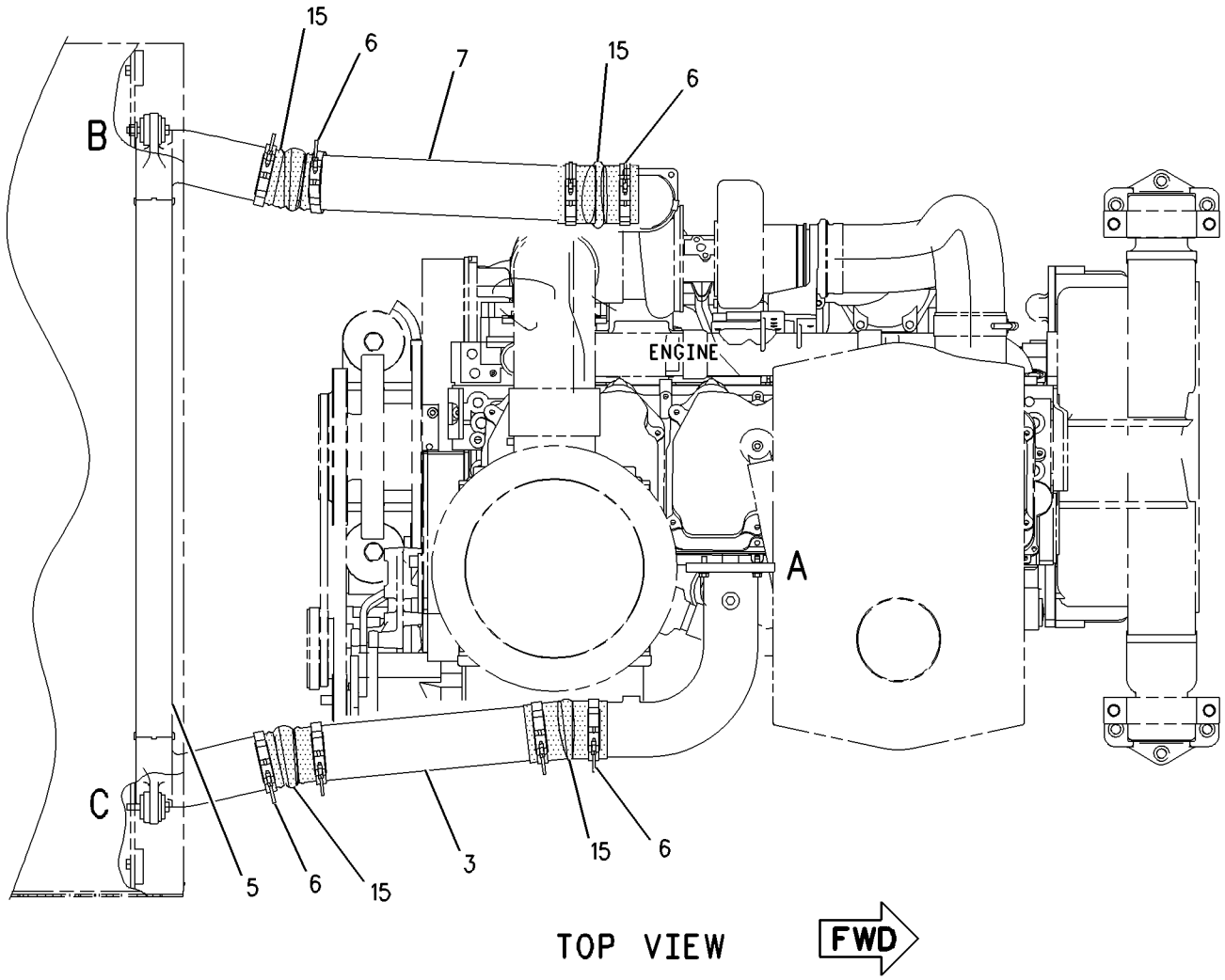
NOTE	REF NO	GRAPHIC REF	PART NUMBER	QTY	PART NAME						SEE PAGE
					1	2	3	4	5	6 (PRODUCT LEVEL)	
	1	1	0S-1588	4	BOLT (3/8-16X1.25-IN)						
	2	1	101-3125	1	GASKET (AIR INLET MANIFOLD)						
	3	1	167-9196	1	TUBE						
	4	1	185-6334	1	ELBOW						
	5	1	200-1137	1	CORE AS-AFTERCOOLER						
	6	1	208-7448	8	CLAMP						
	7	1	224-9454	1	TUBE						
	8	1	5M-2894	4	WASHER-HARD (10.2X18.5X2.5-MM THK)						
	9	1	5P-1076	2	WASHER-HARD (13.5X30X4-MM THK)						
	10	1	7T-8331	4	MOUNT AS						
	11	1	7X-0590	8	WASHER-HARD (13.5X44.5X6-MM THK)						
M	12	1	8T-4244	2	NUT (M12X1.75-THD)						
M	13	1	8T-4648	4	BOLT (M12X1.75X70-MM)						
	14	1	8T-6765	1	PLUG-PIPE						
	15	1	7E-8630	4	HOSE-AIR INLET						

M-METRIC PART

AIR INLET AND EXHAUST SYSTEM

224-9455 AFTERCOOLER GP-AIR (contd.)

i04456212



GRAPHIC #1

<END>

g01004840

AIR INLET AND EXHAUST SYSTEM

2Q-8723 AIR CLEANER GP

S/N: A7A1-UP

PART OF 379-3389 DISTRIBUTION AR
AN ATTACHMENT

SMCS-1051, 1054

i04478003

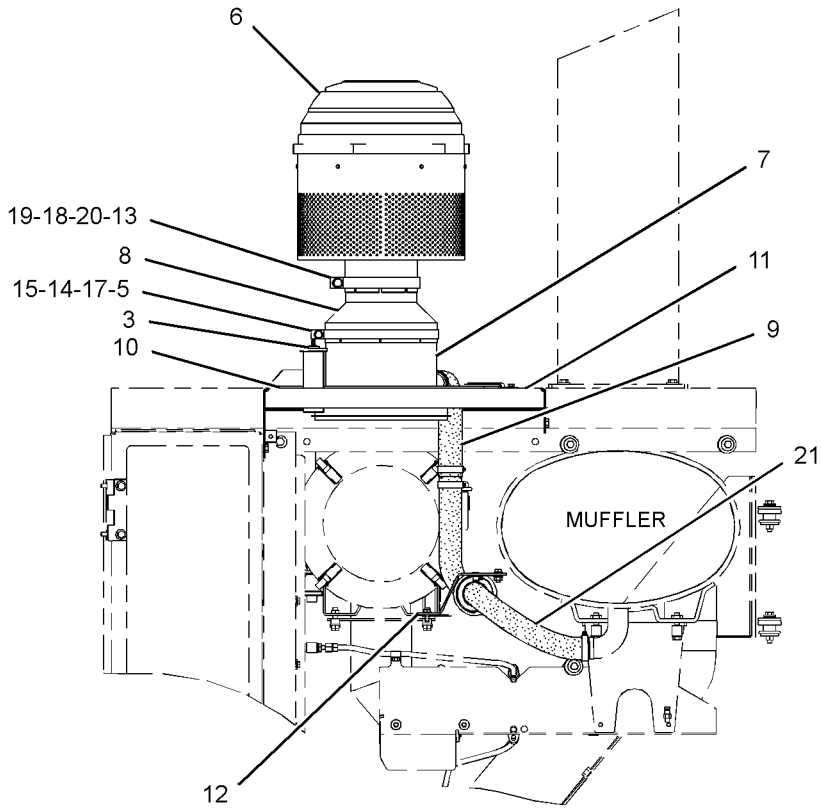
NOTE	REF NO	GRAPHIC REF	PART NUMBER	QTY	PART NAME						SEE PAGE
					1	2	3	4	5	6 (PRODUCT LEVEL)	
	1	1	1S-1668	1	TUBE-BYPASS						
	2	1	1W-8620	1	VALVE AS-CHECK						
	3	1	2W-6225	1	CAP AS-OIL FILLER						
	4	1	5P-0597	6	CLAMP-HOSE						
	5	1	7E-3767	1	BAND						
Y	6	1	208-5836	1	PRECLEANER GP						119
	7	1	243-5926	1	TOWER						
	8	1	243-5927	1	CONE						
	9	1	118-0271	1	HOSE						
	10	1	267-3838	1	BAFFLE						
	11	1	267-3861	1	PANEL AS						
M		1	8T-3490	11	NUT-WELD (M10X1.5-THD)						
M		1	8T-3612	2	NUT-WELD (M8X1.25-THD)						
		1	138-6108	5	SPACER (8.7X20X45-MM THK)						
		1	226-4911	1	TUBE						
	12	1	328-2931	1	BRACKET						
	13	1	8S-1353	1	CLAMP						
	14	1	8T-4121	6	WASHER-HARD (11X21X2.5-MM THK)						
M	15	1	8T-4133	2	NUT (M10X1.5-THD)						
M	16	1	8T-4136	3	BOLT (M10X1.5X25-MM)						
M	17	1	8T-4182	1	BOLT (M10X1.5X45-MM)						
	18	1	8T-4223	2	WASHER-HARD (13.5X25.5X3-MM THK)						
DM	19	1	8T-4244	1	NUT (M12X1.75-THD)						
M	20	1	8T-4648	1	BOLT (M12X1.75X70-MM)						
E	21	1	5P-1471		HOSE (43-CM)						
E	21A	1	5P-1471		HOSE (47-CM)						

D-ORDER BY THE METER
E-ORDER BY THE CENTIMETER
M-METRIC PART
Y-SEPARATE ILLUSTRATION

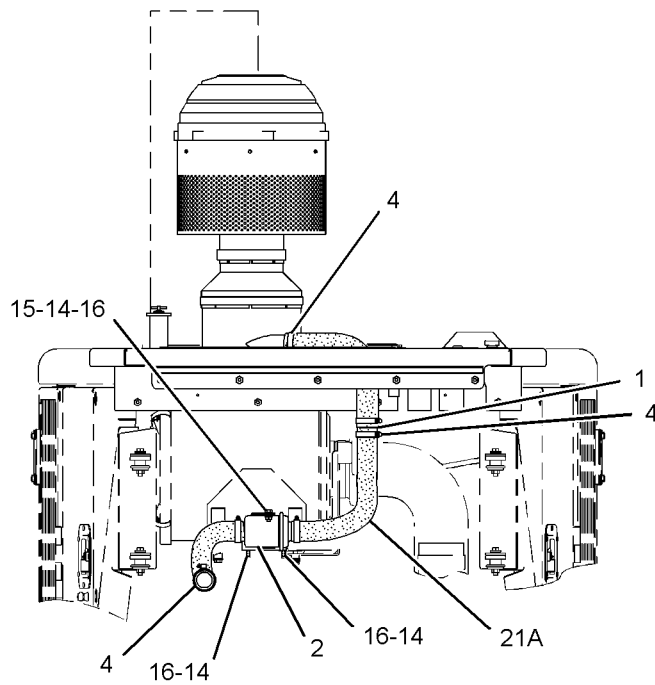
AIR INLET AND EXHAUST SYSTEM

2Q-8723 AIR CLEANER GP (contd.)

i04478003



RIGHT SIDE VIEW



REAR VIEW

GRAPHIC #1

<END>

g01646434

AIR INLET AND EXHAUST SYSTEM

231-7084 AIR CLEANER GP

S/N: A7A1-UP

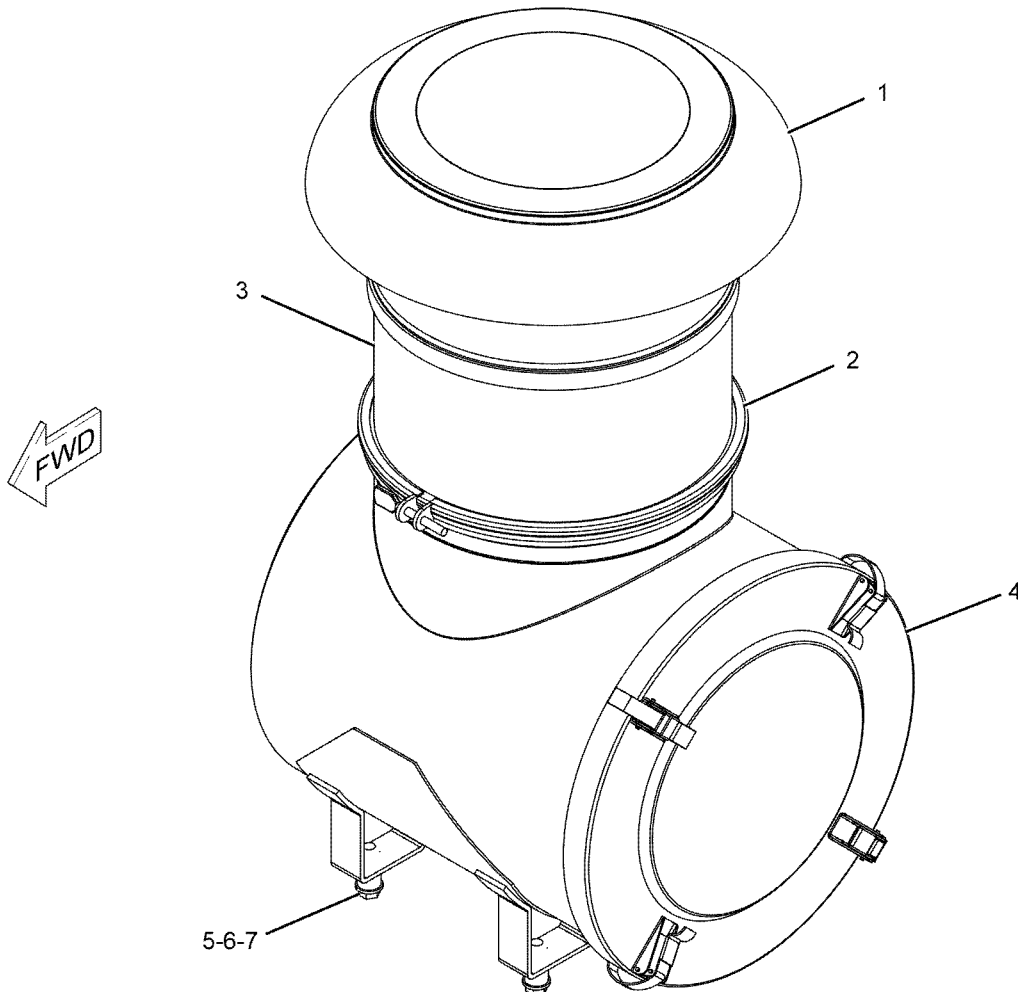
PART OF 226-9643 INSTALLATION AR-ENGINE

SMCS-1051, 1054

i04455896

NOTE	REF NO	GRAPHIC REF	PART NUMBER	QTY	PART NAME						SEE PAGE
					1	2	3	4	5	6 (PRODUCT LEVEL)	
	1	1	8S-6823	1	HOOD AS						
	2	1	8S-6824	1	CLAMP AS						
	3	1	100-4995	1	BODY AS-PRECLEANER						
Y	4	1	248-8889	1	AIR CLEANER GP						109
	5	1	8T-4223	4	WASHER-HARD (13.5X25.5X3-MM THK)						
M	6	1	8T-4184	4	BOLT (M12X1.75X45-MM)						
	7	1	225-9199	4	SPACER (13.5X22X14-MM THK)						

M-METRIC PART
Y-SEPARATE ILLUSTRATION



GRAPHIC #1

g01118775

AIR INLET AND EXHAUST SYSTEM

248-8889 AIR CLEANER GP

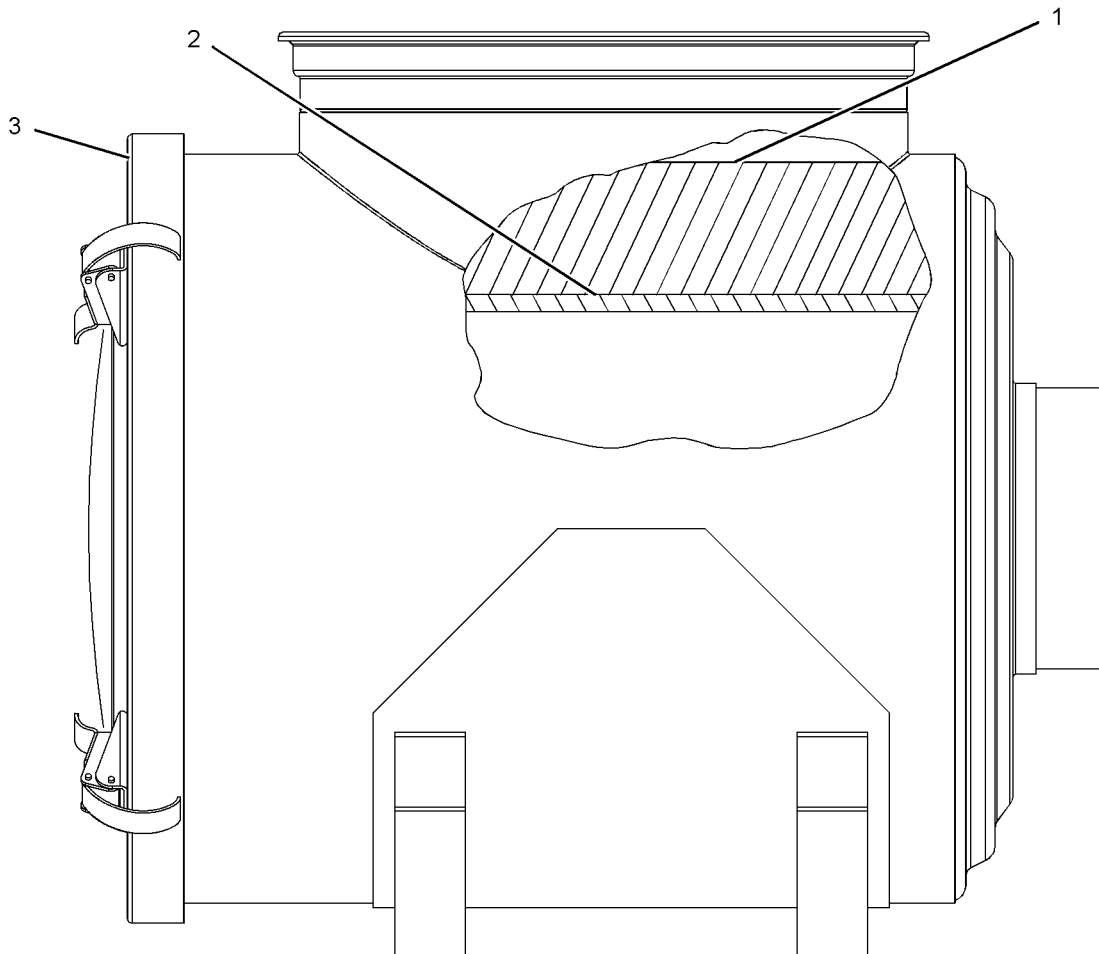
S/N: A7A1-UP

PART OF 231-7084 AIR CLEANER GP

SMCS-1051, 1054

i04526506

NOTE	REF NO	GRAPHIC REF	PART NUMBER	QTY	PART NAME						SEE PAGE
					1	2	3	4	5	6 (PRODUCT LEVEL)	
	1	1	106-3969	1	FILTER ELEMENT AS-AIR (PRIMARY)						
	2	1	106-3973	1	FILTER ELEMENT AS-AIR (SECONDARY)						
	3	1	249-0945	1	COVER AS (INCLUDES CLAMPS)						
		1	165-5030	1	SEAL-AIR CLEANER CUP						
AVAILABLE REPLACEMENT PART(S):											
J			8N-4617	4	KIT-AIR CLEANER CLAMP (EACH INCLUDES CLIP AS & RIVET)						
J-NOT FOR USE WITH SOME APPLICATIONS											



GRAPHIC #1

<END>

g02707776

AIR INLET AND EXHAUST SYSTEM

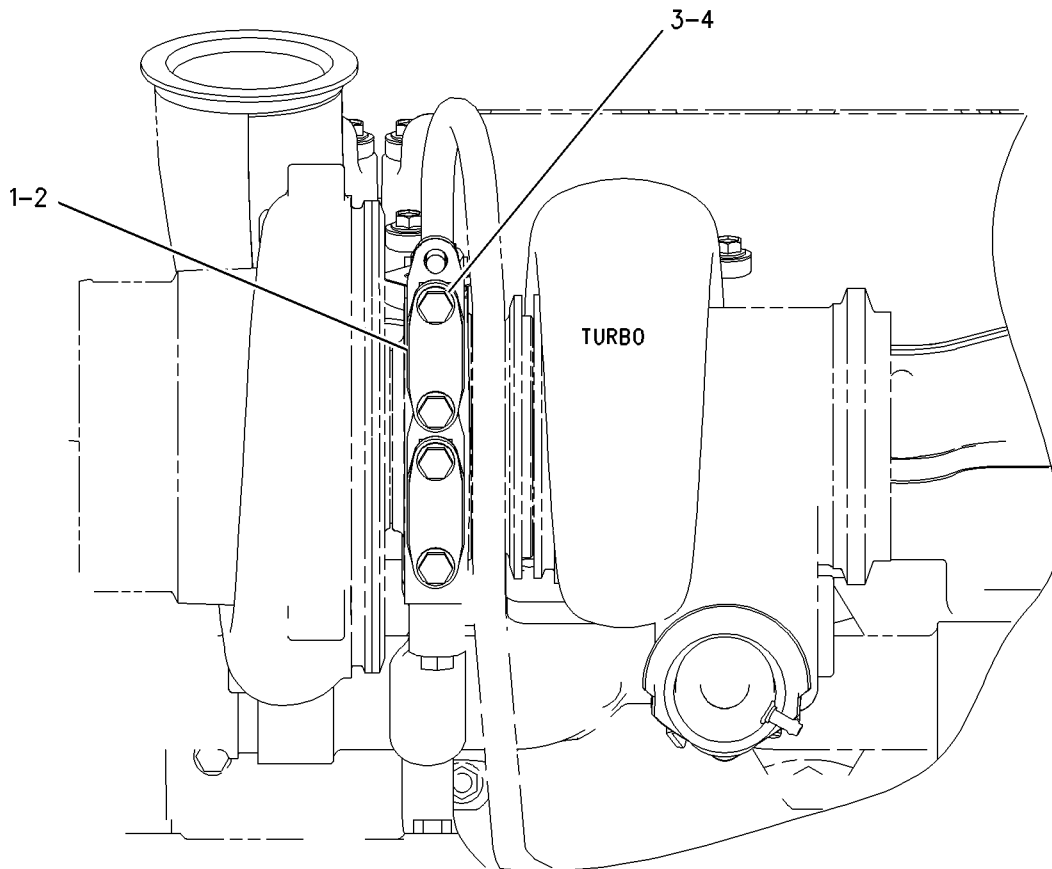
237-1964 COVER GP-TURBOCHARGER

S/N: TXH1-UP; RHX1-UP
PART OF 281-6452 ENGINE AR-COMplete
AN ATTACHMENT

SMCS-1052, 1073

i04395811

NOTE	REF NO	GRAPHIC REF	PART NUMBER	QTY	PART NAME						SEE PAGE
					1	2	3	4	5	6 (PRODUCT LEVEL)	
	1	1	241-3283	2	GASKET						
	2	1	7N-7878	2	PLATE-COVER						
	3	1	0S-1594	4	BOLT (3/8-16X1-IN)						
	4	1	5M-2894	4	WASHER-HARD (10.2X18.5X2.5-MM THK)						



RIGHT SIDE VIEW

GRAPHIC #1

<END>

g01002636

AIR INLET AND EXHAUST SYSTEM

232-0364 DUST EJECTOR GP

S/N: A7A1-UP

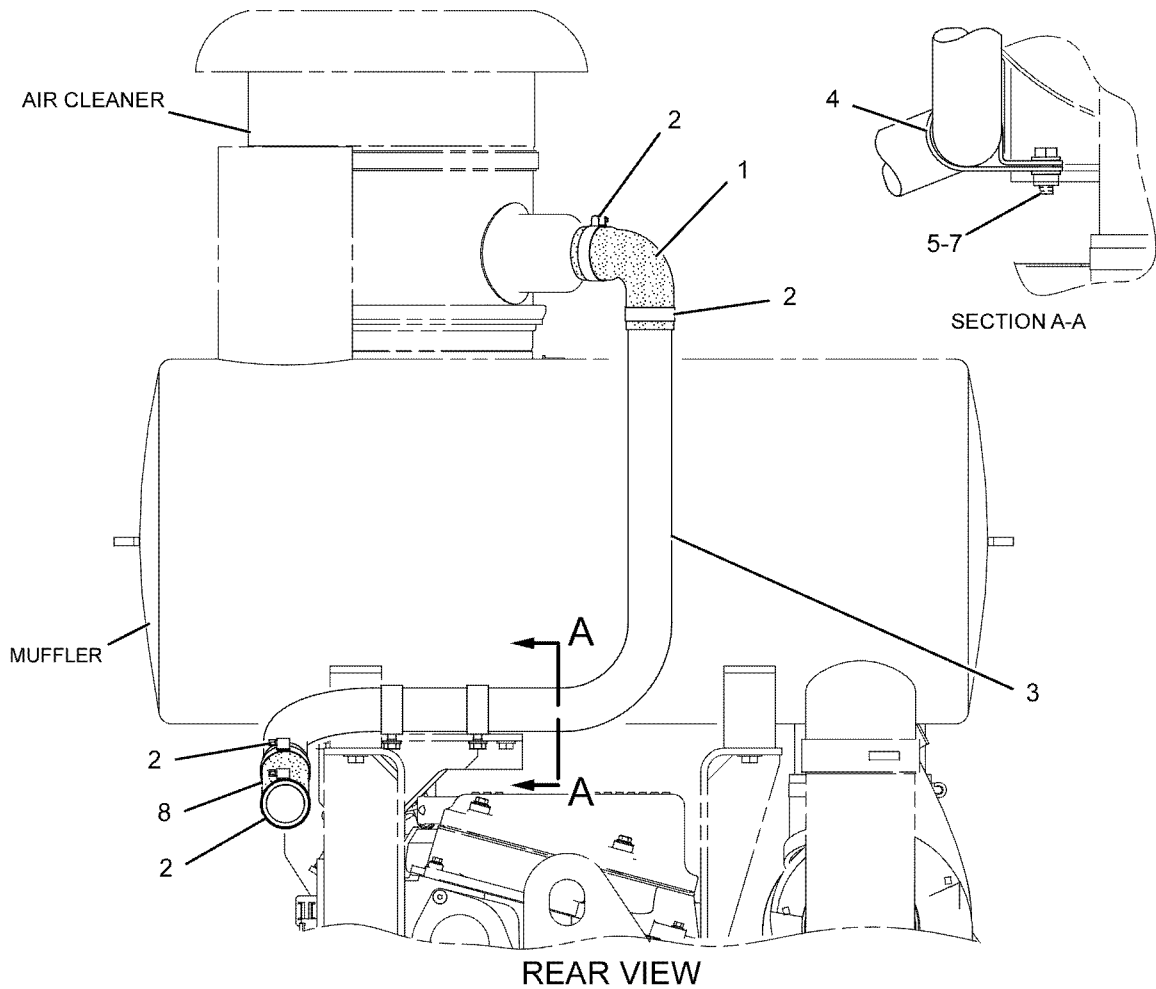
PART OF 226-9643 INSTALLATION AR-ENGINE

SMCS-1068

i04455939

NOTE	REF NO	GRAPHIC REF	PART NUMBER	QTY	PART NAME						SEE PAGE
					1	2	3	4	5	6 (PRODUCT LEVEL)	
	1	1	067-9425	1	HOSE (DUST EJECTOR)						
	2	1	5P-0597	4	CLAMP-HOSE						
	3	1	232-0350	1	TUBE						
	4	1	8L-8137	2	CLIP						
	5	1	8T-4121	2	WASHER-HARD (11X21X2.5-MM THK)						
M	7	1	8T-4195	2	BOLT (M10X1.5X30-MM)						
	8	1	273-2999	1	HOSE						

M-METRIC PART



GRAPHIC #1

<END>

g01119271

AIR INLET AND EXHAUST SYSTEM

268-1960 EXTENSION GP-EXHAUST

S/N: A7A1-UP

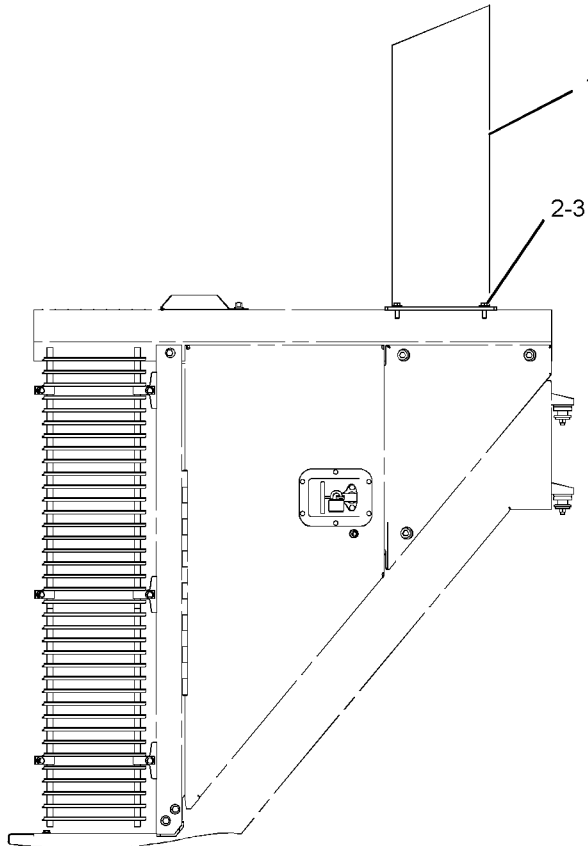
PART OF 226-1956 COOLING AR-HIGH AMBIENT TEMP
AN ATTACHMENT

SMCS-1061

i04480092

NOTE	REF NO	GRAPHIC REF	PART NUMBER	QTY	PART NAME						SEE PAGE
					1	2	3	4	5	6 (PRODUCT LEVEL)	
	1	1	226-6571	1	PIPE AS-EXHAUST						
	2	1	5P-1076	4	WASHER-HARD (13.5X30X4-MM THK)						
M	3	1	8T-4183	4	BOLT (M12X1.75X40-MM)						

M-METRIC PART



RIGHT SIDE VIEW

GRAPHIC #1

<END>

g01163642

AIR INLET AND EXHAUST SYSTEM

268-1961 EXTENSION GP-EXHAUST

S/N: A7A1-UP

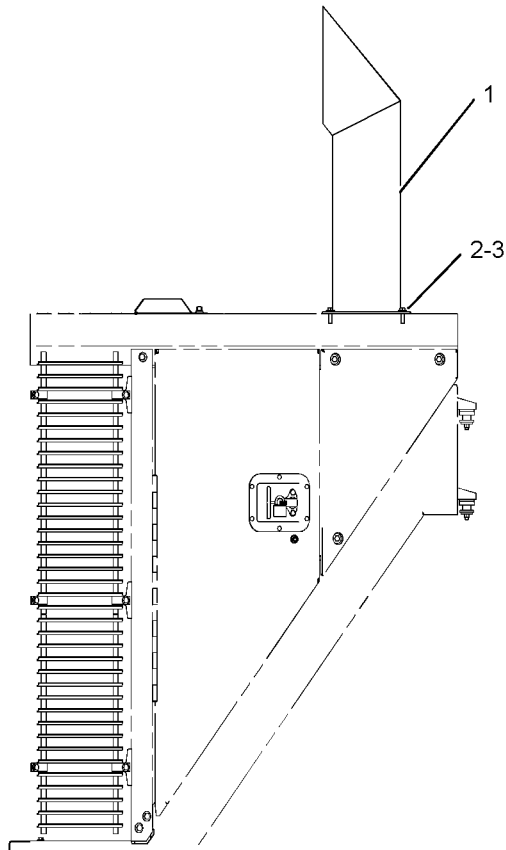
PART OF 225-6725 COOLING AIR
AN ATTACHMENT

SMCS-1061

i04480009

NOTE	REF NO	GRAPHIC REF	PART NUMBER	QTY	PART NAME						SEE PAGE
					1	2	3	4	5	6 (PRODUCT LEVEL)	
	1	1	143-3669	1	STACK AS-EXHAUST						
	2	1	5P-1076	4	WASHER-HARD (13.5X30X4-MM THK)						
M	3	1	8T-4183	4	BOLT (M12X1.75X40-MM)						

M-METRIC PART



RIGHT SIDE VIEW

GRAPHIC #1

<END>

g01160338

AIR INLET AND EXHAUST SYSTEM

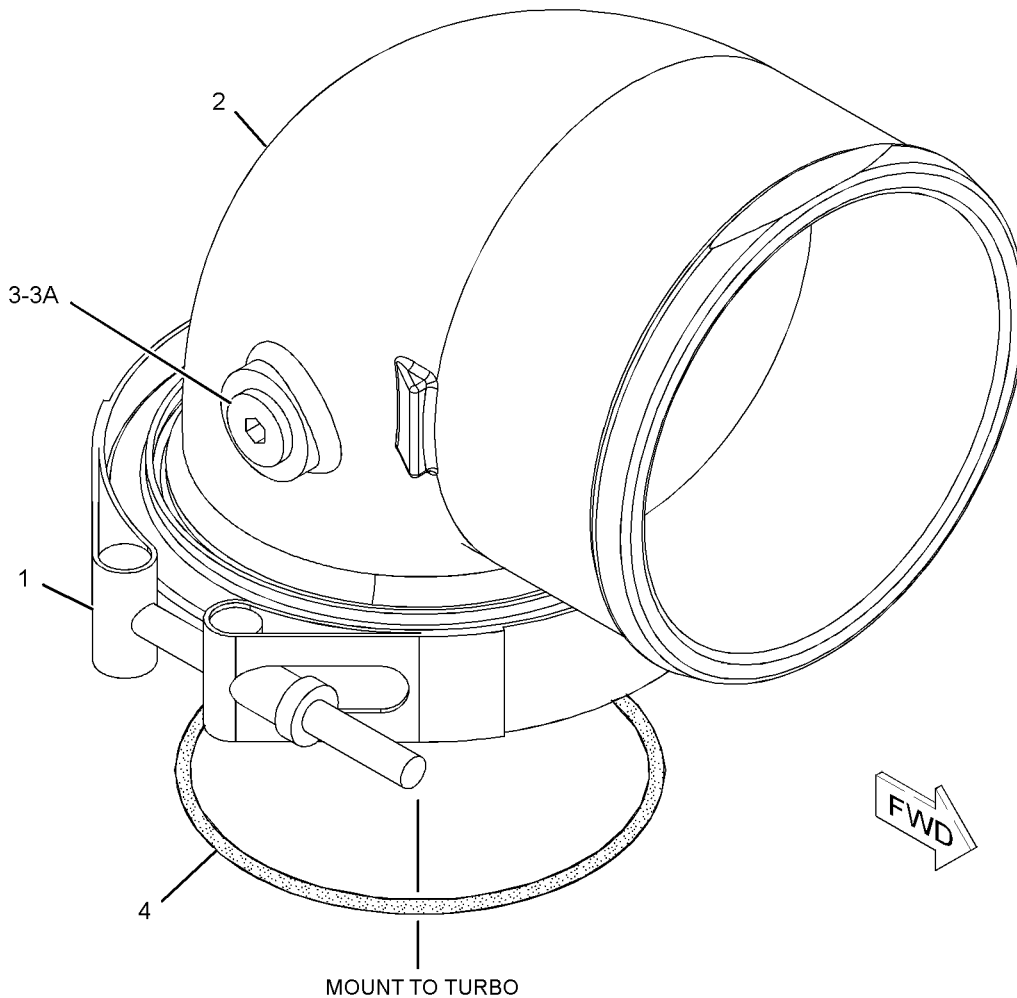
126-0081 LINES GP-AIR-TURBOCHARGER OUTLET

S/N: TXH1-UP; RHX1-UP
 90 DEGREE OUTLET ELBOW
 PART OF 281-6452 ENGINE AR-COMplete
 AN ATTACHMENT

SMCS-1071

i04396015

NOTE	REF NO	GRAPHIC REF	PART NUMBER	QTY	PART NAME						SEE PAGE
					1	2	3	4	5	6 (PRODUCT LEVEL)	
	1	1	127-0929	1	CLAMP-V BAND						
	2	1	217-8946	1	ELBOW						
	3	1	307-2671	1	PLUG AS						
	3A	1	214-7566	1	SEAL-O-RING						
		1	9S-8002	1	PLUG-O-RING						
	4	1	8C-3089	1	SEAL-O-RING						



GRAPHIC #1

<END>

g01154678

AIR INLET AND EXHAUST SYSTEM

232-0347 LINES GP-AIR

S/N: A7A1-UP

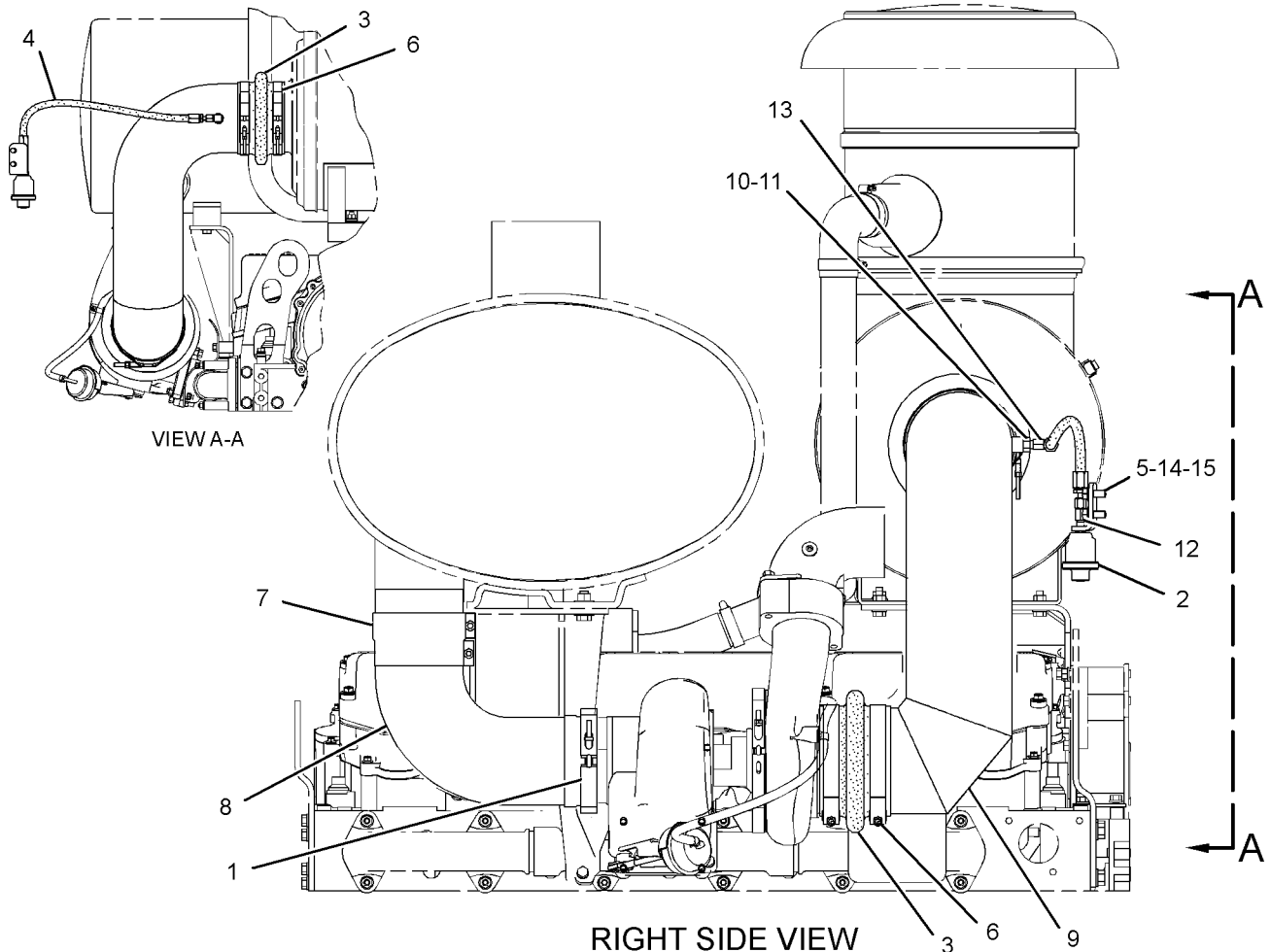
PART OF 226-9643 INSTALLATION AR-ENGINE

SMCS-1071

i04455951

NOTE	REF NO	GRAPHIC REF	PART NUMBER	QTY	PART NAME						SEE PAGE
					1	2	3	4	5	6 (PRODUCT LEVEL)	
	1	1	4W-9160	1	CLAMP-V BAND						
	2	1	7W-7417	1	INDICATOR AS (AIR FILTER SERVICE)						
	3	1	9X-4008	2	HOSE						
I	4	1	223-0147	1	HOSE AS						
	5	1	166-7057	1	BRACKET AS						
		1	3B-7733	1	FITTING						
	6	1	219-0313	4	CLAMP						
	7	1	241-9265	1	CLAMP-MUFFLER						
	8	1	246-4395	1	TUBE AS						
	9	1	272-0455	1	TUBE AS						
	10	1	2P-1314	1	CONNECTOR						
	11	1	3J-1907	1	SEAL-O-RING						
	12	1	5D-9231	1	CONNECTOR						
	13	1	7K-9197	1	ELBOW						
	14	1	8T-4121	2	WASHER-HARD (11X21X2.5-MM THK)						
M	15	1	8T-4136	2	BOLT (M10X1.5X25-MM)						

I-REFER TO HYDRAULIC INFORMATION SYSTEM
M-METRIC PART



GRAPHIC #1

<END>

g01347186

AIR INLET AND EXHAUST SYSTEM

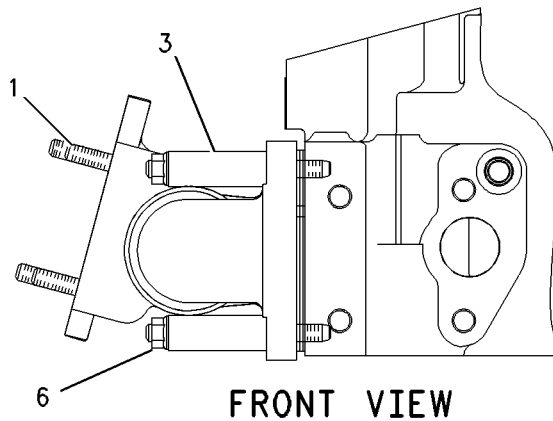
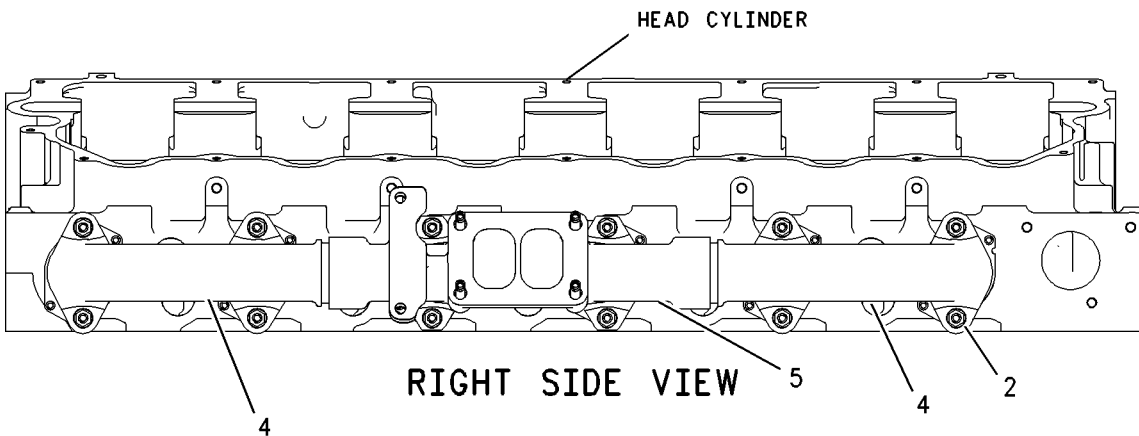
220-6372 MANIFOLD GP-EXHAUST

S/N: TXH1-UP; RHX1-UP
PART OF 281-6452 ENGINE AR-COMplete
AN ATTACHMENT

SMCS - 1059

i04455010

NOTE	REF NO	GRAPHIC REF	PART NUMBER	QTY	PART NAME						SEE PAGE
					1	2	3	4	5	6 (PRODUCT LEVEL)	
	1	1	357-0351	4	STUD-TAPERLOCK (M10X1.5X60-MM) (HIGH TEMPERATURE)						
	2	1	106-1792	12	STUD-TAPERLOCK (3/8-16X4-IN) (HIGH TEMPERATURE)						
	3	1	108-3612	12	SPACER (11.13X19.05X53-MM THK)						
	4	1	133-3359	2	MANIFOLD-EXHAUST (END)						
	5	1	336-7595	1	MANIFOLD-EXHAUST (CENTER) (CENTER)						
	6	1	2N-2766	12	LOCKNUT (3/8-16-THD)						



GRAPHIC #1

<END>

g01002978

AIR INLET AND EXHAUST SYSTEM

230-9962 MOUNTING GP-MUFFLER

S/N: TXH1-UP; RHX1-UP

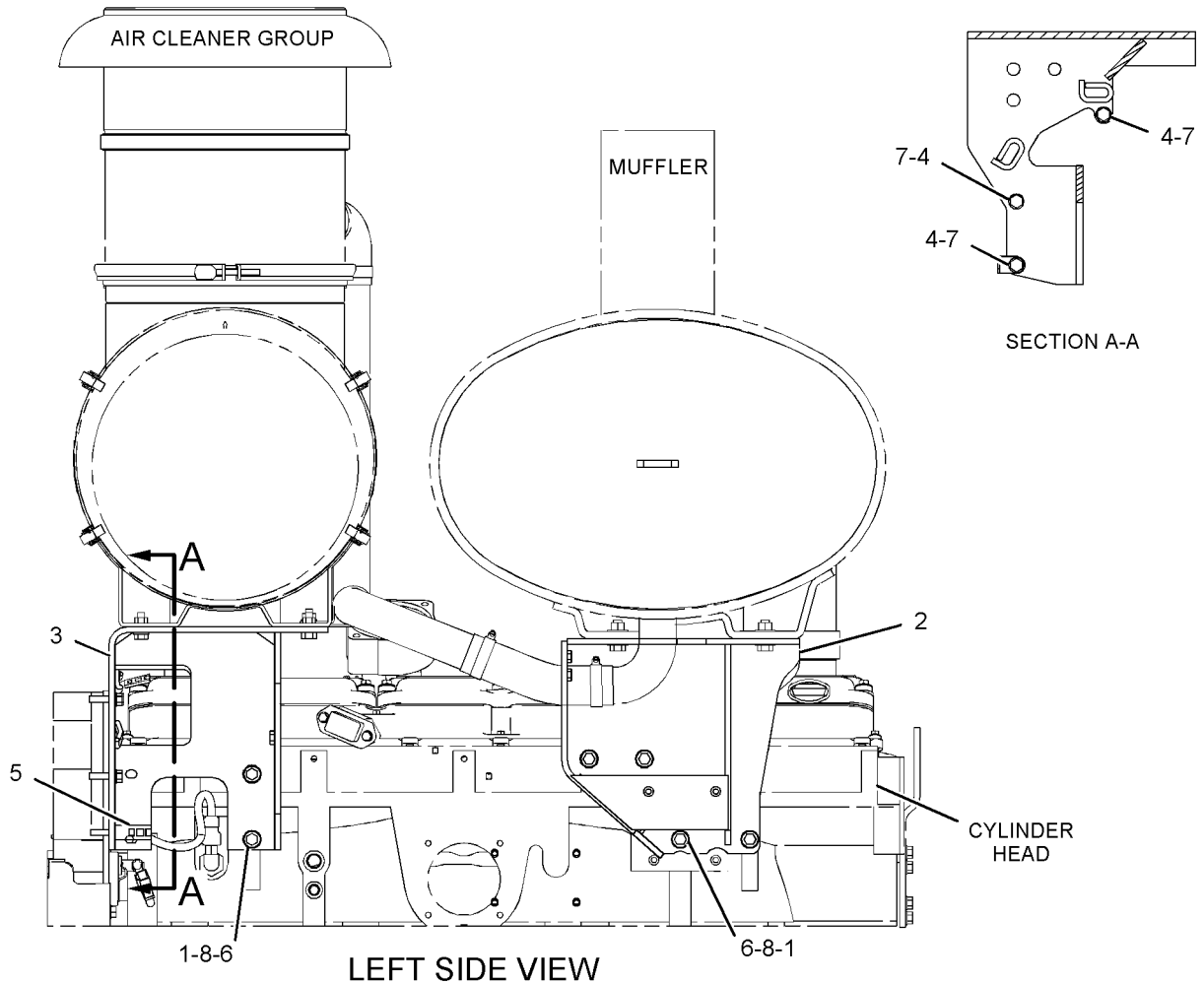
PART OF 281-6452 ENGINE AR-COMPLETE
AN ATTACHMENT

SMCS-1062

i04396053

NOTE	REF NO	GRAPHIC REF	PART NUMBER	QTY	PART NAME						SEE PAGE
					1	2	3	4	5	6 (PRODUCT LEVEL)	
	1	1	101-3120	6	SPACER (10.5X25X20-MM THK)						
	2	1	230-9961	1	SUPPORT AS						
		1	1F-0750	6	NUT-WELD (3/8-16-THD)						
		1	4K-9097	3	NUT-WELD (5/16-18-THD)						
	3	1	232-0366	1	SUPPORT AS						
M		1	8T-3490	2	NUT-WELD (M10X1.5-THD)						
		1	1F-0750	1	NUT-WELD (3/8-16-THD)						
		1	7T-1099	2	LINK						
	4	1	0S-1591	3	BOLT (3/8-16X1.5-IN)						
	5	1	132-5789	1	CLIP						
	6	1	1C-2251	6	BOLT (3/8-16X1.87-IN)						
	7	1	5M-2894	3	WASHER-HARD (10.2X18.5X2.5-MM THK)						
	8	1	8M-9024	6	WASHER-HARD (10.2X22.5X5-MM THK)						

M-METRIC PART



GRAPHIC #1

<END>

g01126538

AIR INLET AND EXHAUST SYSTEM

231-7090 MUFFLER GP

S/N: A7A1-UP

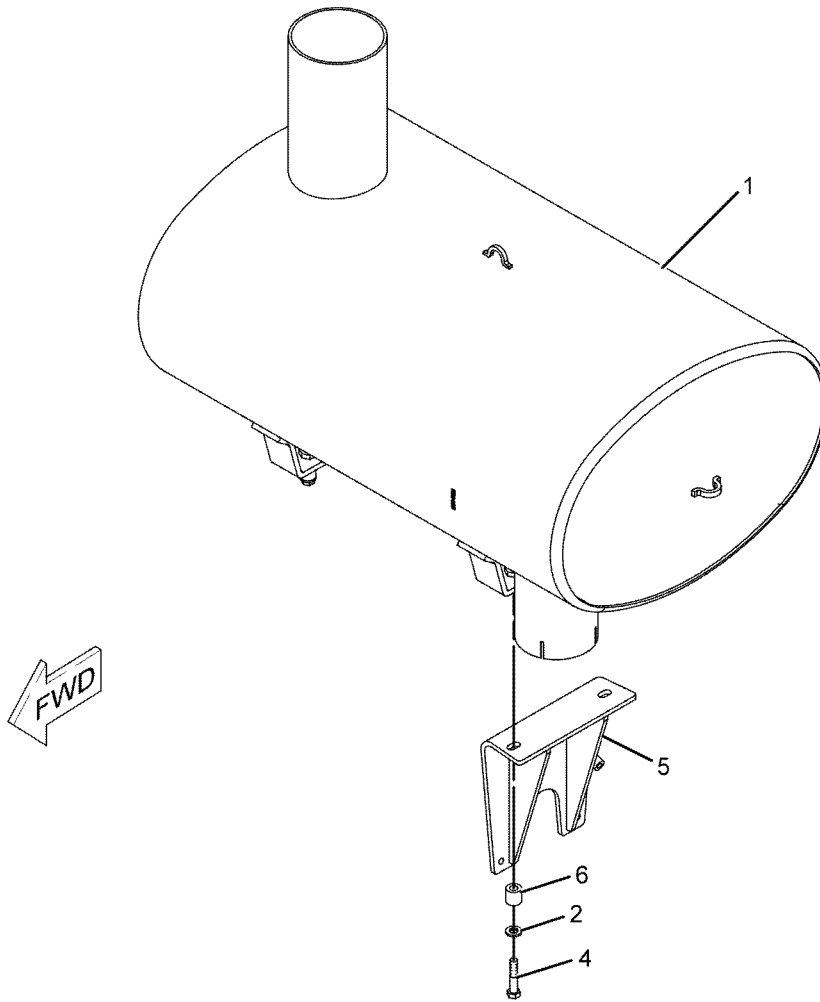
PART OF 226-9643 INSTALLATION AR-ENGINE

SMCS-1062

i04456148

NOTE	REF NO	GRAPHIC REF	PART NUMBER	QTY	PART NAME						SEE PAGE
					1	2	3	4	5	6 (PRODUCT LEVEL)	
	1	1	224-2687	1	MUFFLER AS						
	2	1	8T-4223	4	WASHER-HARD (13.5X25.5X3-MM THK)						
M	4	1	8T-4910	4	BOLT (M12X1.75X60-MM)						
	5	1	232-0348	1	SUPPORT AS						
		1	4D-6293	1	BOSS (3/8-16X1.31-IN)						
	6	1	122-4026	4	SPACER (13X25X25-MM THK)						

M-METRIC PART



GRAPHIC #1

<END>

g01118800

AIR INLET AND EXHAUST SYSTEM

208-5836 PRECLEANER GP

S/N: A7A1-UP

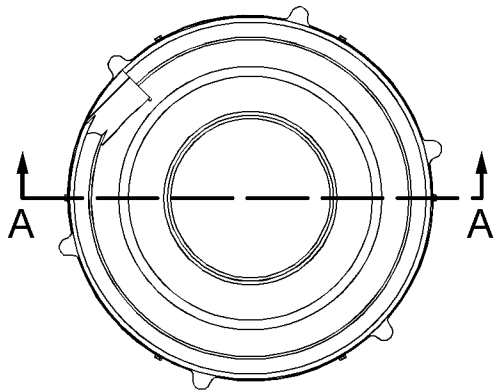
PART OF 2Q-8723 AIR CLEANER GP
AN ATTACHMENT

SMCS-1055

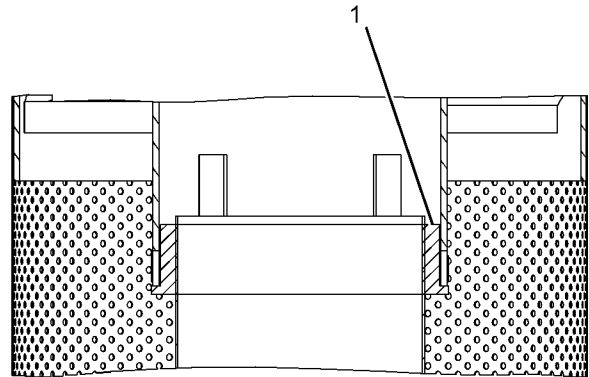
i04481850

NOTE	REF NO	GRAPHIC REF	PART NUMBER	QTY	PART NAME						SEE PAGE
					1	2	3	4	5	6 (PRODUCT LEVEL)	
	1	1	107-7495	1	DAMPER						
	2	1	130-3281	1	PRECLEANER AS (AIR TURBINE)						
		1	174-4895	2	CLAMP						
M	3	1	7X-3332	6	SCREW-HEX FLANGE (M4X0.7X8-MM)						
	4	1	208-5838	1	PIPE-EXTENSION						
	5	1	208-5837	1	PRESCREEN						

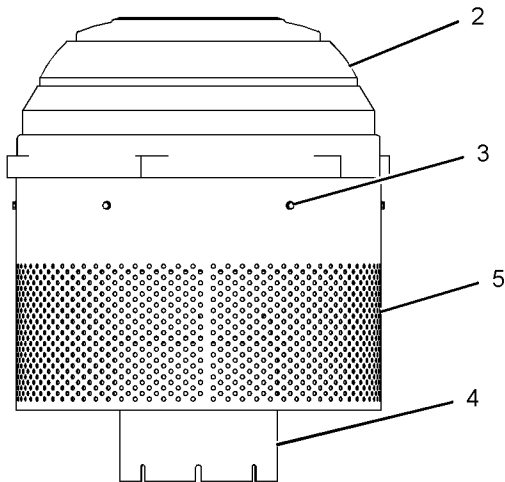
M-METRIC PART



TOP VIEW



SECTION A-A



RIGHT SIDE VIEW

GRAPHIC #1

<END>

g01136683

AIR INLET AND EXHAUST SYSTEM

240-2653 SHIELD GP-MANIFOLD-EXHAUST MANIFOLD

S/N: A7A1-UP

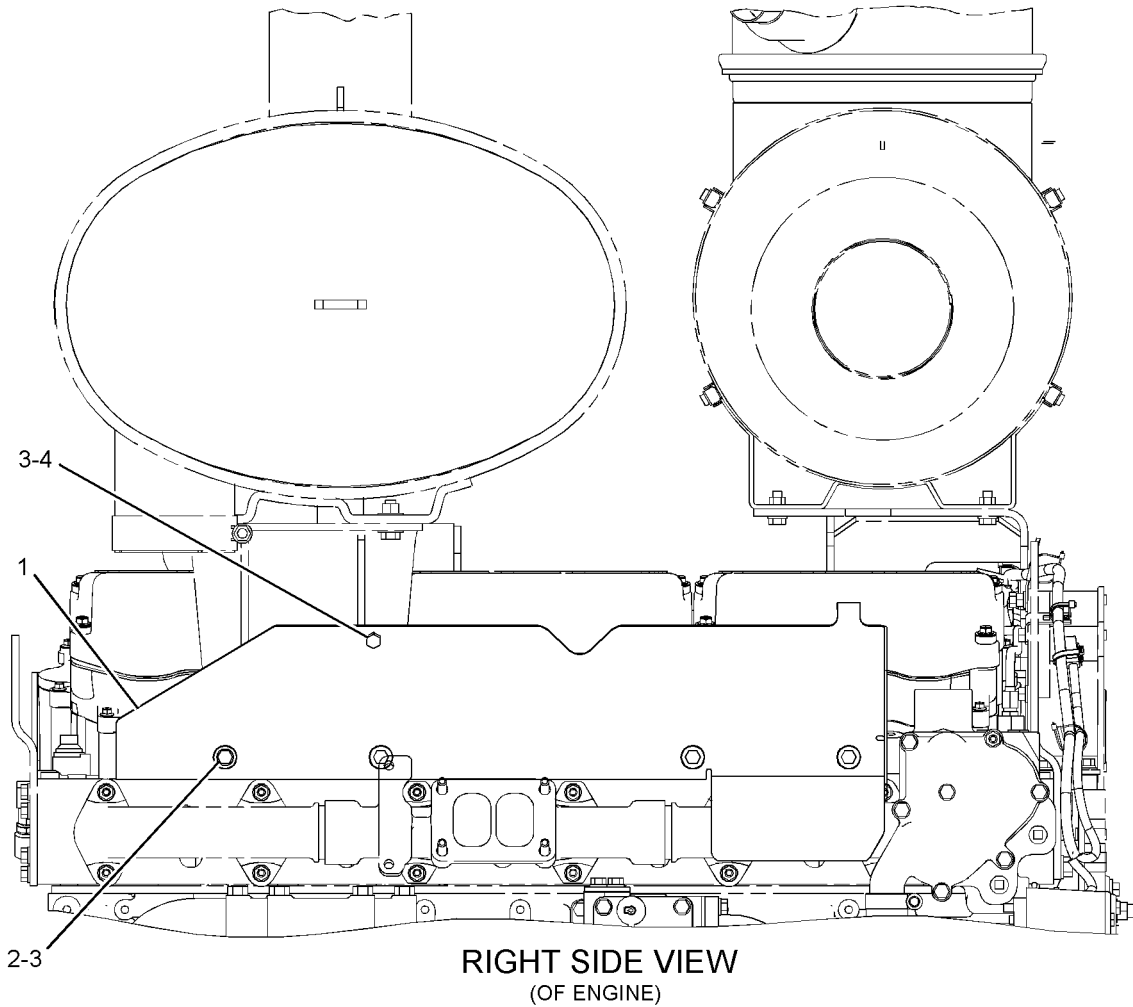
PART OF 226-9643 INSTALLATION AR-ENGINE

SMCS-1067

i04456169

NOTE	REF NO	GRAPHIC REF	PART NUMBER	QTY	PART NAME						SEE PAGE
					1	2	3	4	5	6 (PRODUCT LEVEL)	
	1	1	239-8129	1	SHIELD AS						
M		1	8T-3612	1	NUT-WELD (M8X1.25-THD)						
	2	1	5P-3961	4	BOLT (3/8-16X2.5-IN)						
	3	1	8T-4896	5	WASHER-HARD (10.2X18.5X2.5-MM THK)						
	4	1	9B-7237	1	BOLT (3/8-16X1.25-IN)						

M-METRIC PART



GRAPHIC #1

<END>

g01122962

AIR INLET AND EXHAUST SYSTEM

246-6624 TURBOCHARGER GP

S/N: TXH1-UP; RHX1-UP

REAR EXHAUST

PART OF 281-6452 ENGINE AR-COMplete

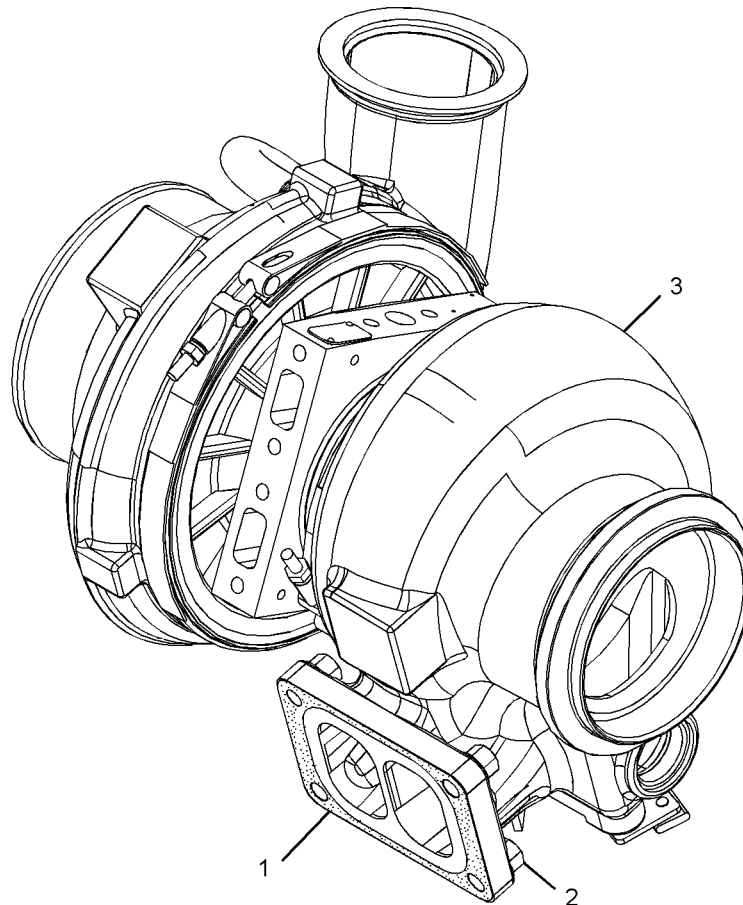
AN ATTACHMENT

SMCS-1052, 1053

i04411495

NOTE	REF NO	GRAPHIC REF	PART NUMBER	QTY	PART NAME						SEE PAGE
					1	2	3	4	5	6 (PRODUCT LEVEL)	
	1	1	357-1752	1	GASKET (TURBOCHARGER)						
	2	1	375-2467	4	LOCKNUT-FLANGE (M10X1.5-THD)						
CYR	3	1	296-7632	1	TURBOCHARGER GP						122

C-CHANGE FROM PREVIOUS TYPE
 R-REMG PART MAY BE AVAILABLE
 Y-SEPARATE ILLUSTRATION



GRAPHIC #1

<END>

g02629316

AIR INLET AND EXHAUST SYSTEM

296-7632 TURBOCHARGER GP*R

S/N: TXH1-UP; RHX1-UP

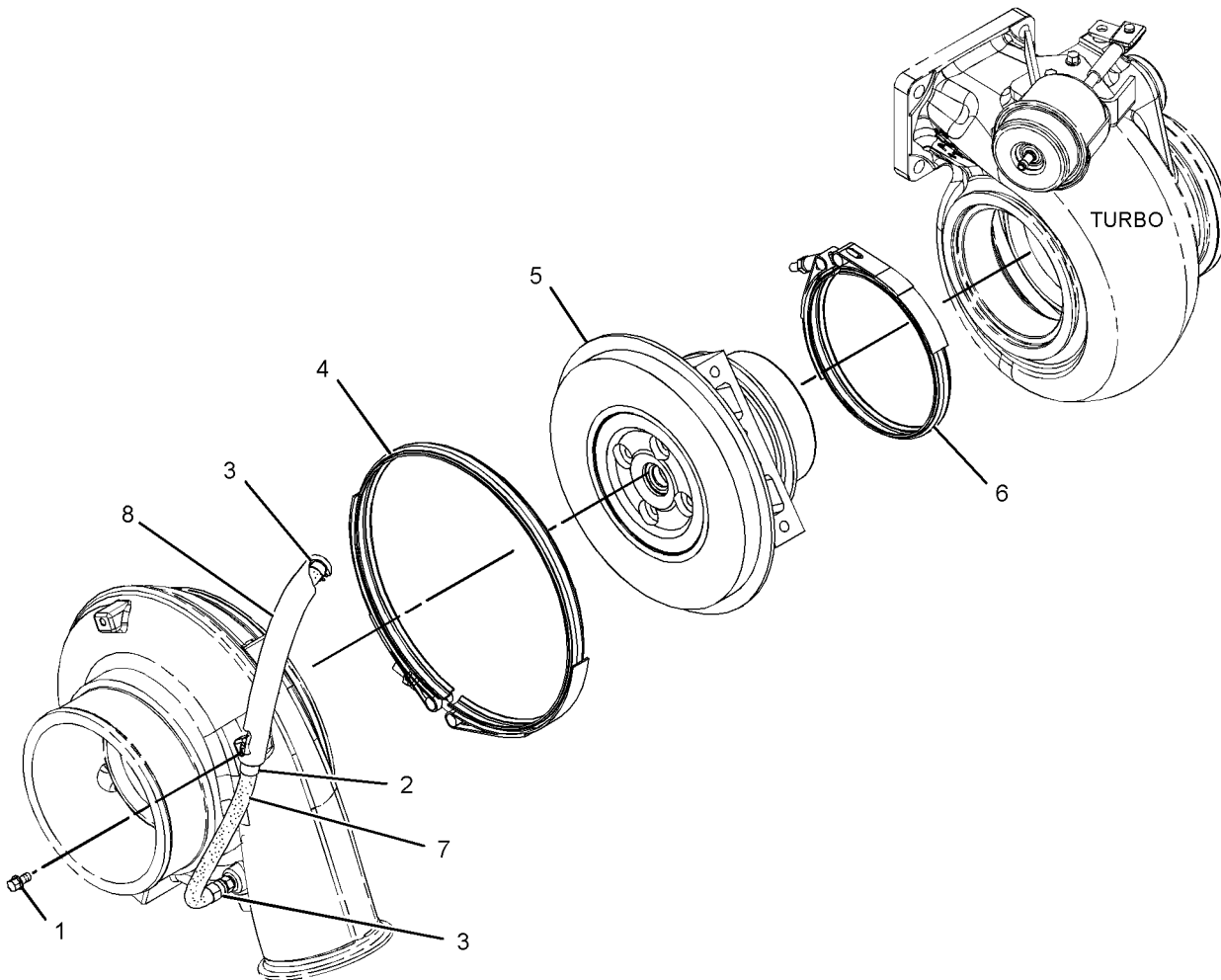
PART OF 246-6624 TURBOCHARGER GP
AN ATTACHMENT

SMCS-1052, 1053

i04396085

NOTE	REF NO	GRAPHIC REF	PART NUMBER	QTY	PART NAME						SEE PAGE
					1	2	3	4	5	6 (PRODUCT LEVEL)	
	1	1	115-7087	1	BOLT (M6X0.04X10.4-MM)						
	2	1	161-6958	1	CLIP-HOSE						
	3	1	161-6963	2	CLAMP						
	4	1	268-2960	1	CLAMP AS (COMPRESSOR)						
	5	1	302-1410	1	CARTRIDGE GP-TURBOCHARGER						
	6	1	9N-2038	1	CLAMP AS-TURBINE						
E	7	1	242-3360		HOSE (39-CM)						
E	8	1	258-4524		SLEEVE (41-CM)						

E-ORDER BY THE CENTIMETER



GRAPHIC #1

<END>

g01445483

FUEL SYSTEM

356-1878 FILTER GP-FUEL

S/N: TXH1-UP; RHX1-UP

PART OF 281-6452 ENGINE AR-COMplete

FOR USE WITH 356-1798-PAGE 229

AN ATTACHMENT

SMCS-1261

i04395993

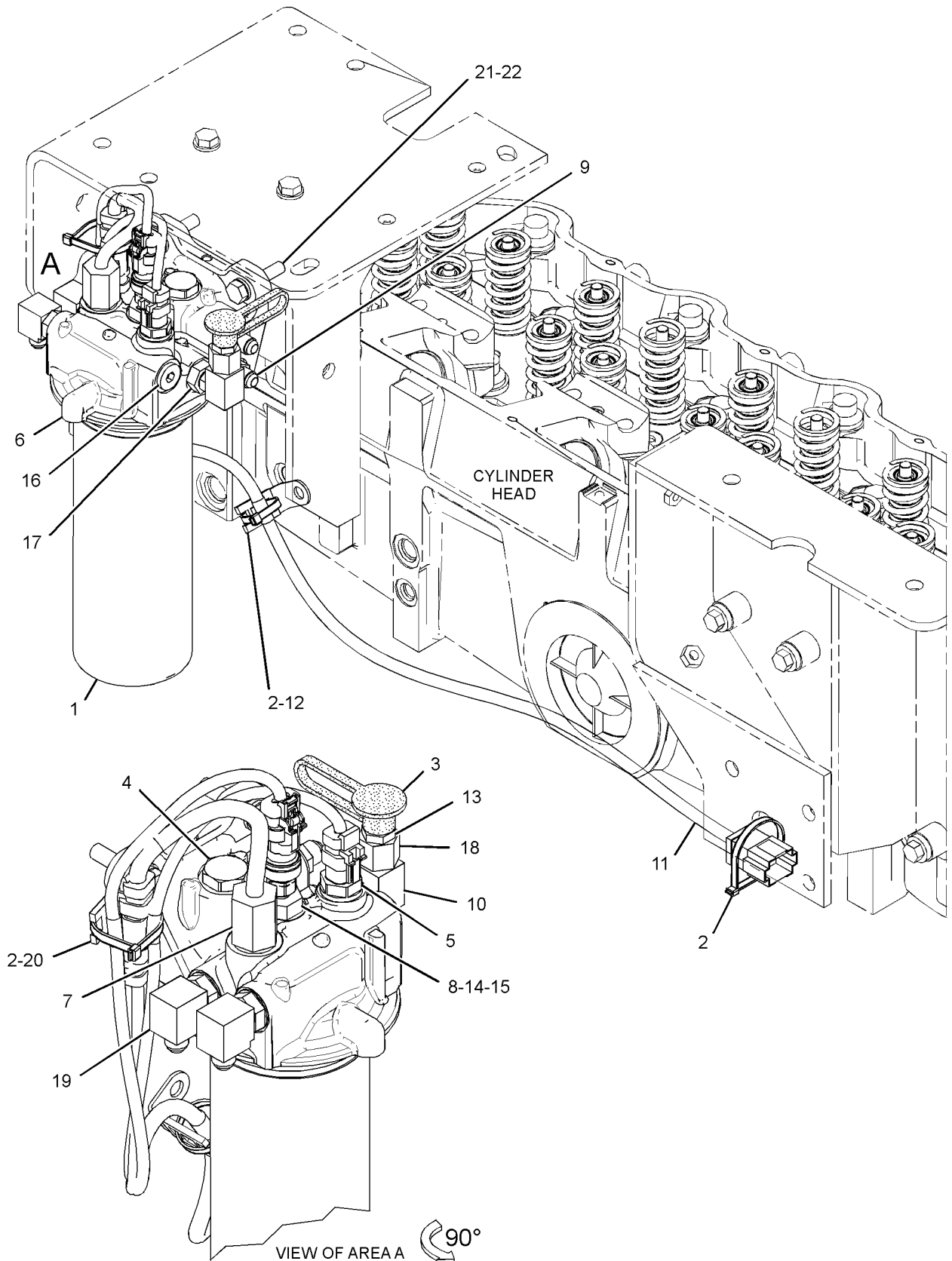
NOTE	REF NO	GRAPHIC REF	PART NUMBER	QTY	PART NAME						SEE PAGE
					1	2	3	4	5	6 (PRODUCT LEVEL)	
	1	1	1R-0762	1	FILTER-FUEL (ADVANCED EFFICIENCY)						
	2	1	3S-2093	3	STRAP-CABLE						
	3	1	6V-0852	1	CAP-DUST						
Y	4	1	233-6742	1	VALVE GP-CHECK						141
Y	5	1	234-5013	1	SENSOR GP-TEMPERATURE (FUEL)						195
	6	1	237-9310	1	BASE AS						
		1	9S-4167	1	STUD-HOLLOW (1-14X1.47-IN)						
Y	7	1	275-1253	1	SWITCH GP-PRESSURE (DIFFERENTIAL)						206
Y	8	1	276-9067	1	SENSOR GP-PRESSURE (ENGINE OIL)						189
	9	1	313-9614	2	ADAPTER AS						
					(EACH INCLUDES)						
		1	2R-6806	1	CONNECTOR-O-RING						
		1	214-7568	1	SEAL-O-RING						
10		1	347-4430	1	ELBOW AS						
		1	151-5145	1	ELBOW						
		1	214-7566	1	SEAL-O-RING						
11		1	356-1889	1	HARNES AS-SENSOR						
		1	102-8806	1	KIT-RECEPTACLE (8-PIN)						
					(INCLUDES RECEPTACLE AS & WEDGE)						
		1	8T-8737	1	PLUG-SEAL						
		1	9X-3402	5	SOCKET-CONNECTOR (16-GA TO 18-GA)						
					-OR-						
		1	126-1768	5	SOCKET-CONNECTOR (14-GA TO 16-GA)						
		1	9X-3401	9	PIN-CONNECTOR (16-GA TO 18-GA)						
					-OR-						
		1	126-1767	9	PIN-CONNECTOR (14-GA TO 16-GA)						
		1	230-4011	1	PLUG AS-CONNECTOR (2-PIN)						
		1	264-7029	1	SEAL-CONNECTOR						
		1	230-4012	1	RECEPTACLE AS-CONNECTOR (2-PIN)						
		1	237-0227	1	PLUG AS-CONNECTOR (3-PIN)						
		1	264-7030	1	SEAL-CONNECTOR						
12		1	132-5789	1	CLIP						
13		1	164-5567	1	COUPLER AS-QUICK DISCONNECT (MALE)						
		1	6V-3965	1	FITTING (QUICK DISCONNECT)						
		1	214-7568	1	SEAL-O-RING						
14		1	235-3595	1	ADAPTER						
15		1	238-5080	1	SEAL-O-RING						
16		1	307-2673	1	PLUG AS						
		1	9S-8005	1	PLUG-O-RING						
		1	238-5080	1	SEAL-O-RING						
17		1	321-8654	1	ADAPTER AS						
		1	3P-1932	1	ADAPTER						
		1	238-5080	1	SEAL-O-RING						
18		1	329-5518	1	ADAPTER AS						
		1	8T-2353	1	ADAPTER						
		1	214-7566	1	SEAL-O-RING						
19		1	353-5102	2	FITTING AS-ELBOW						
					(EACH INCLUDES)						
		1	005-4362	1	ELBOW						
		1	238-5080	1	SEAL-O-RING						
	20	1	4P-7581	1	CLIP						
M	21	1	6V-5843	2	BOLT (M10X1.5X45-MM)						
	22	1	8T-4896	2	WASHER-HARD (10.2X18.5X2.5-MM THK)						

FUEL SYSTEM

356-1878 FILTER GP-FUEL (contd.)

i04395993

M-METRIC PART
Y-SEPARATE ILLUSTRATION



GRAPHIC #1

<END>

g02217119

FUEL SYSTEM

212-9580 FILTER GP-WATER SEP & FUEL

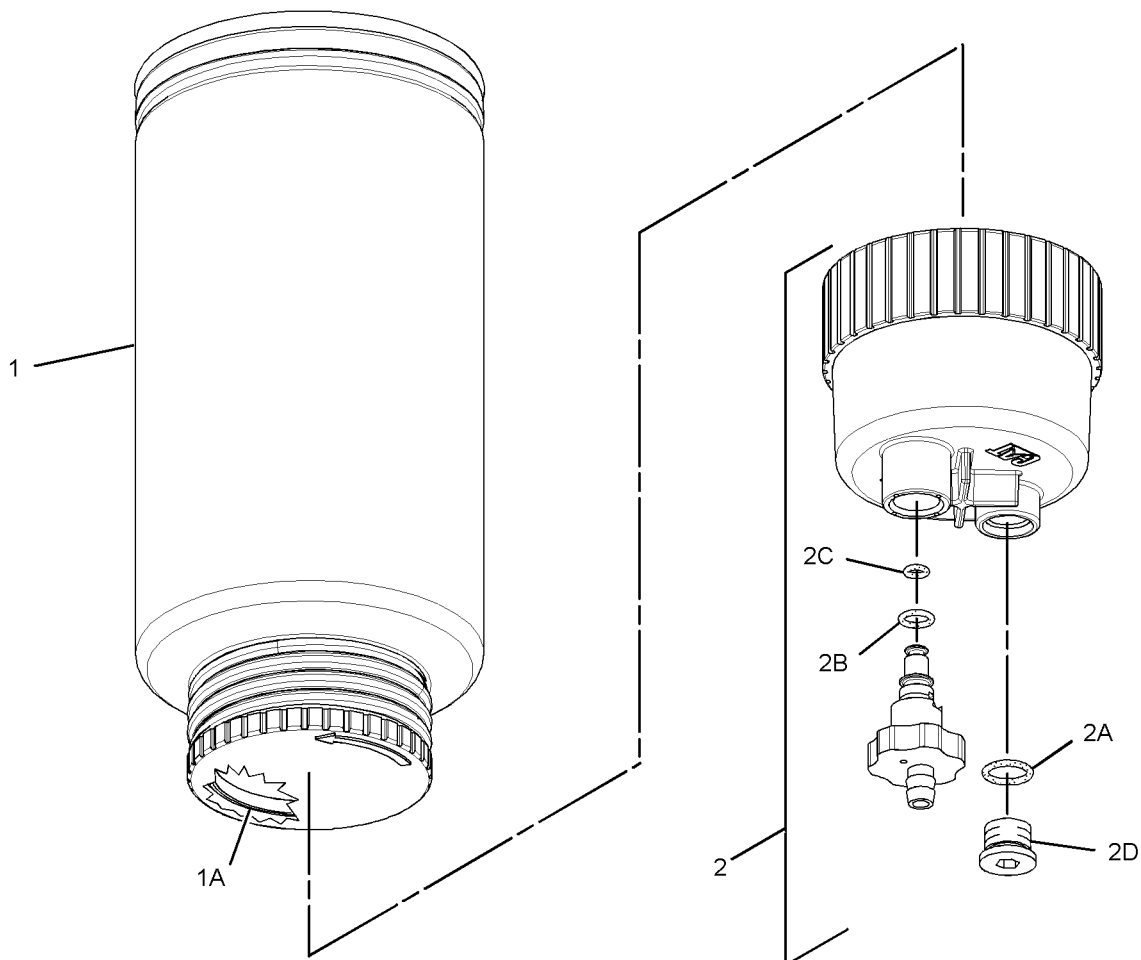
S/N: A7A1-UP

PART OF 213-4740 PUMP GP-FUEL PRM & WATER SEP

SMCS-1260, 1261, 1263

i04502019

NOTE	REF NO	GRAPHIC REF	PART NUMBER	QTY	PART NAME						SEE PAGE
					1	2	3	4	5	6 (PRODUCT LEVEL)	
	1	1	326-1643	1	FILTER AS-WATER SEP & FUEL (PRIMARY)						
	1A	1	220-8678	1	SEAL-RING (FUEL FILTER)						
	2	1	343-5527	1	BOWL AS						
	2A	1	3J-1907	1	SEAL-O-RING						
	2B	1	5F-9144	1	SEAL-O-RING						
	2C	1	8F-7219	1	SEAL-O-RING						
	2D	1	9S-8004	1	PLUG-O-RING						



GRAPHIC #1

<END>

g01944750

FUEL SYSTEM

225-8334 LINES GP-FUEL

S/N: A7A1-UP

PART OF 284-2735 CHASSIS AR

SMCS-1274

i04458993

NOTE	REF NO	GRAPHIC REF	PART NUMBER	QTY	PART NAME						SEE PAGE
					1	2	3	4	5	6 (PRODUCT LEVEL)	
	1	1	1P-4278	2	CLAMP-HOSE						
	2	2	3E-6909	2	CLIP						
	3	2	5G-7817	1	BOSS (11X25X18-MM THK)						
	4	2	7K-1181	1	STRAP-CABLE						
	5	1	8T-0081	1	VALVE-BALL						
	6	1	8T-9655	8	MOUNT-ISOLATION						
Y	7	1	165-5970	1	SWITCH GP-TOGGLE (FUEL PRIMING PUMP)						209
	8	2	175-3183	2	ANGLE AS						
					(EACH INCLUDES)						
M		2	8T-3490	1	NUT-WELD (M10X1.5-THD)						
	9	2	175-7739	1	CLAMP						
	10	2	185-4021	1	TUBE AS						
	11	2	185-4022	1	TUBE AS						
	12	1	191-1782	1	SPACER (8.5X12.7X38.2-MM THK)						
Y	13	1	213-4740	1	PUMP GP-FUEL PRM & WATER SEP						137
	14	1	217-4590	1	BRACKET AS						
	15	1	226-9431	1	BRACKET AS						
M		1	8T-3612	3	NUT-WELD (M8X1.25-THD)						
	16	1	232-1374	1	BRACKET						
	17	1	232-1376	2	SPACER (8.5X12.7X139.1-MM THK)						
I	18	2	271-7303	1	HOSE AS						
	19	1	305-3684	1	PLATE-IDENTIFICATION (FUEL PRIMING PUMP ON, OFF)						
I	20	2	315-6110	1	HOSE AS						
	21	1	039-8557	1	WASHER (13X26X6-MM THK)						
	22	2	091-0081	1	SPACER (10.5X20X10-MM THK)						
	23	1	130-5300	1	CLIP						
	24	1	148-8342	1	CONNECTOR AS						
		1	3K-0360	1	SEAL-O-RING						
		1	6V-8632	1	CONNECTOR						
		1	7J-9108	1	SEAL-O-RING						
	25	2	148-8346	1	ELBOW AS						
		2	3K-0360	1	SEAL-O-RING						
		2	6V-8398	1	SEAL-O-RING						
		2	8T-1686	1	ELBOW						
	26	1,2	148-8390	2	ELBOW AS						
					(EACH INCLUDES)						
		1,2	2M-9780	1	SEAL-O-RING						
		1,2	6V-8626	1	ELBOW						
		1,2	7J-9108	1	SEAL-O-RING						
	27	1	148-8410	1	PLUG AS						
		1	2M-9780	1	SEAL-O-RING						
		1	9S-4190	1	PLUG-O-RING						
	28	1	237-2227	2	BOLT (M8X1.25X165-MM)						
	29	1	260-9236	1	VALVE AS-BALL						
		1	260-9234	1	VALVE-SHUTOFF						
		1	214-7568	1	SEAL-O-RING						
	30	1	3K-0360	2	SEAL-O-RING						
	31	2	4D-9517	1	CLIP						
	32	1	5P-1404	1	ADAPTER						
	33	1,2	5P-7462	7	CLIP (SLOT)						
	34	1,2	5P-7463	7	CLIP (TAB)						
	35	1	5S-7383	1	BOLT (3/8-16X1.75-IN)						
	36	1	6V-0484	1	ELBOW						
	37	1,2	6V-0683	7	GROMMET						
	38	1	6V-4589	2	SEAL-O-RING						

FUEL SYSTEM

225-8334 LINES GP-FUEL (contd.)

i04458993

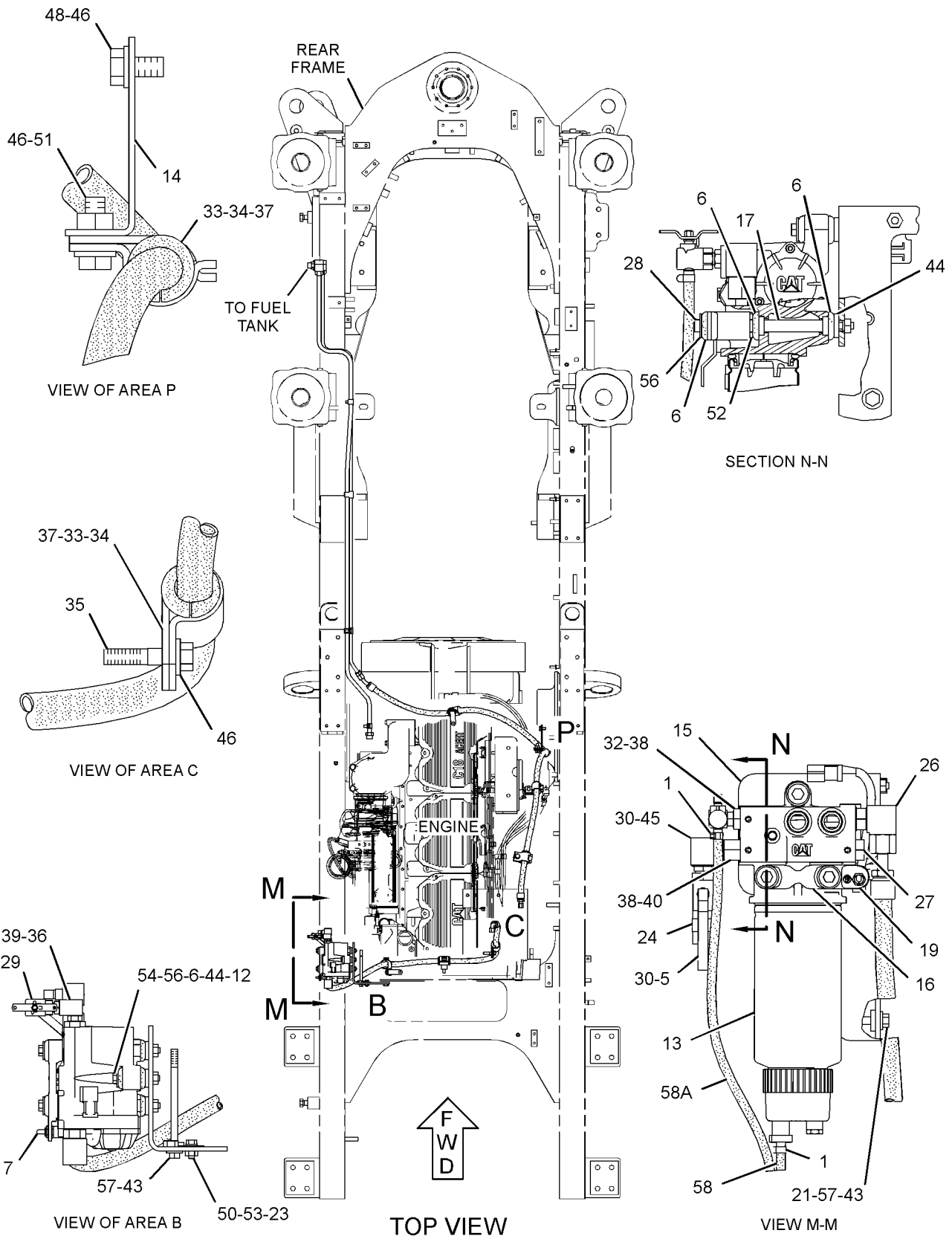
NOTE	REF NO	GRAPHIC REF	PART NUMBER	QTY	PART NAME						SEE PAGE
					1	2	3	4	5	6 (PRODUCT LEVEL)	
	39	1	214-7568	1	SEAL-O-RING						
	40	1	6V-7420	1	ADAPTER						
	41	2	6V-8398	1	SEAL-O-RING						
	42	2	7J-9108	1	SEAL-O-RING						
	43	1	7X-0297	2	BOLT (3/8-16X5.75-IN)						
	44	1	7X-0613	3	WASHER-HARD (8.8X25.5X5-MM THK)						
	45	1	8T-0119	1	ELBOW						
	46	1,2	8T-4121	13	WASHER-HARD (11X21X2.5-MM THK)						
M	47	2	8T-4133	1	NUT (M10X1.5-THD)						
M	48	1,2	8T-4137	5	BOLT (M10X1.5X20-MM)						
M	49	2	8T-4182	2	BOLT (M10X1.5X45-MM)						
M	50	1	8T-4189	1	BOLT (M8X1.25X20-MM)						
M	51	1,2	8T-4195	4	BOLT (M10X1.5X30-MM)						
	52	1	8T-4223	2	WASHER-HARD (13.5X25.5X3-MM THK)						
	53	1	8T-4224	1	WASHER-HARD (8.8X16X2-MM THK)						
M	54	1	8T-6869	1	BOLT (M8X1.25X60-MM)						
	55	2	9M-8406	4	CLIP						
	56	1	9N-0869	3	WASHER-HARD (8.8X25.5X2-MM THK)						
	57	1	9X-6458	2	WASHER-HARD (10.2X22.5X3-MM THK)						
E	58	1	8C-6959		HOSE (60-CM)						
E	58A	1	8C-6959		HOSE (103-CM)						

E-ORDER BY THE CENTIMETER
 I-REFER TO HYDRAULIC INFORMATION SYSTEM
 M-METRIC PART
 Y-SEPARATE ILLUSTRATION

FUEL SYSTEM

225-8334 LINES GP-FUEL (contd.)

i04458993



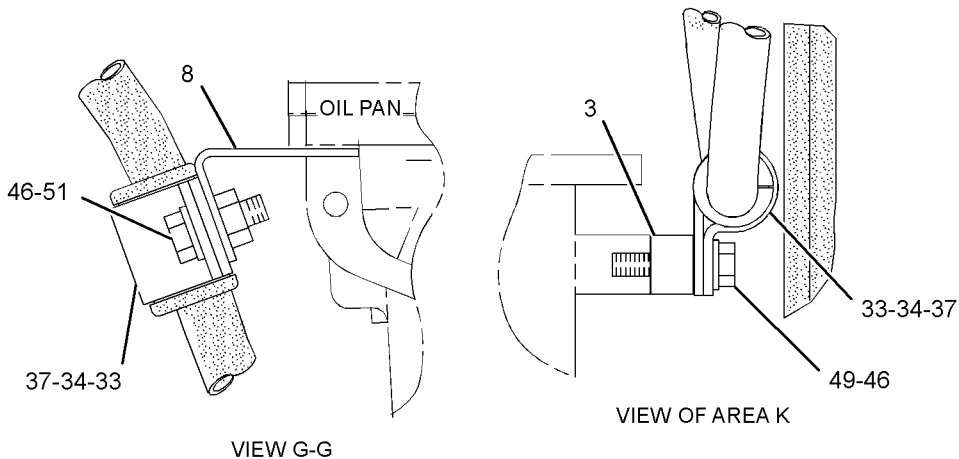
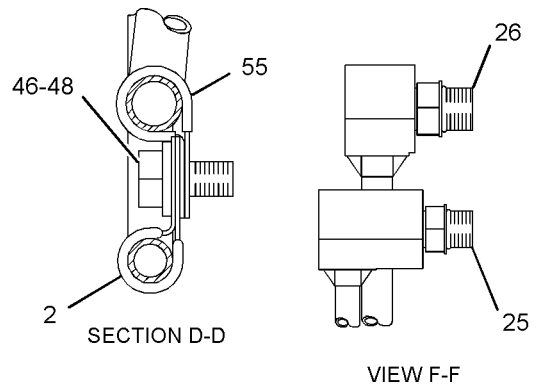
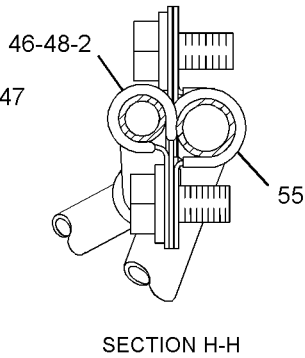
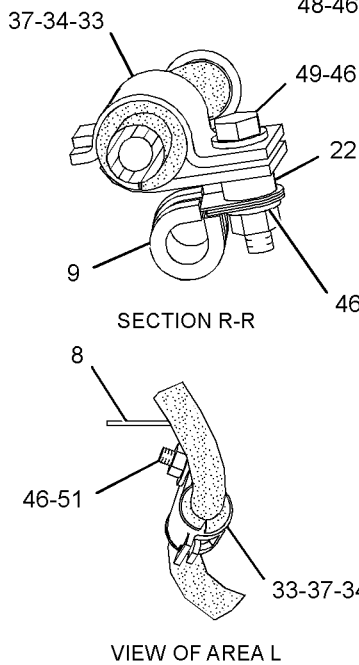
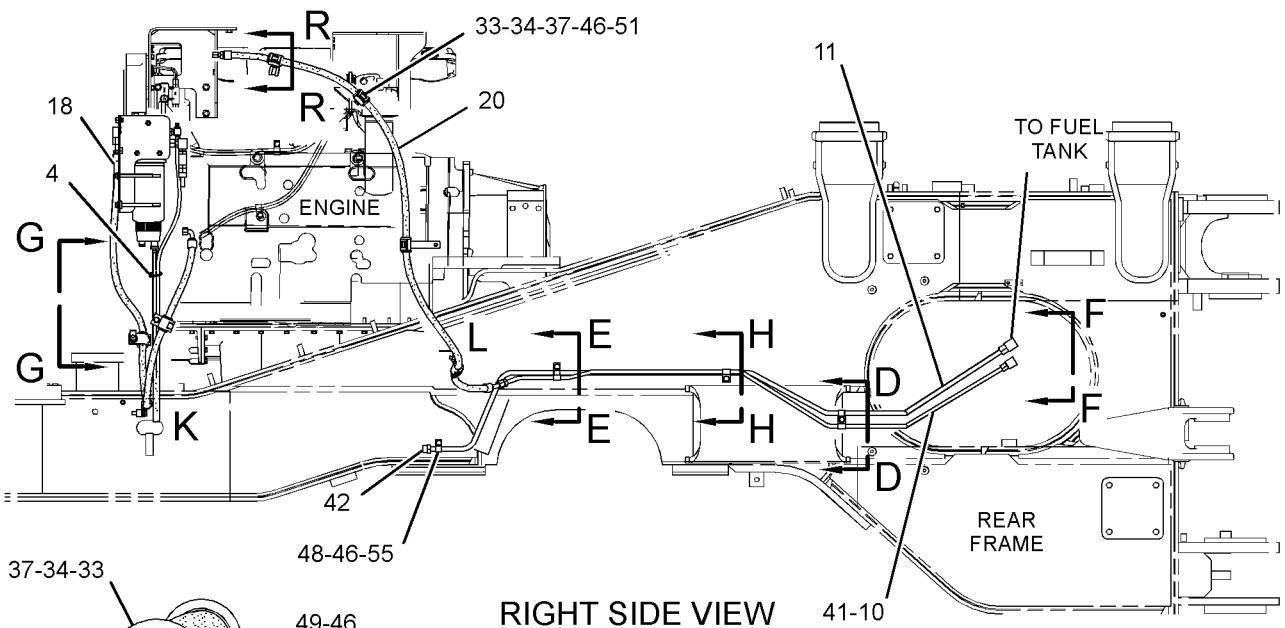
GRAPHIC #1

g01731361

FUEL SYSTEM

225-8334 LINES GP-FUEL (contd.)

i04458993



GRAPHIC #2

<END>

g01731362

FUEL SYSTEM

314-5164 LINES GP-FUEL

S/N: TXH1-UP; RHX1-UP

PART OF 281-6452 ENGINE AR-COMplete
AN ATTACHMENT

SMCS-1274

i04396019

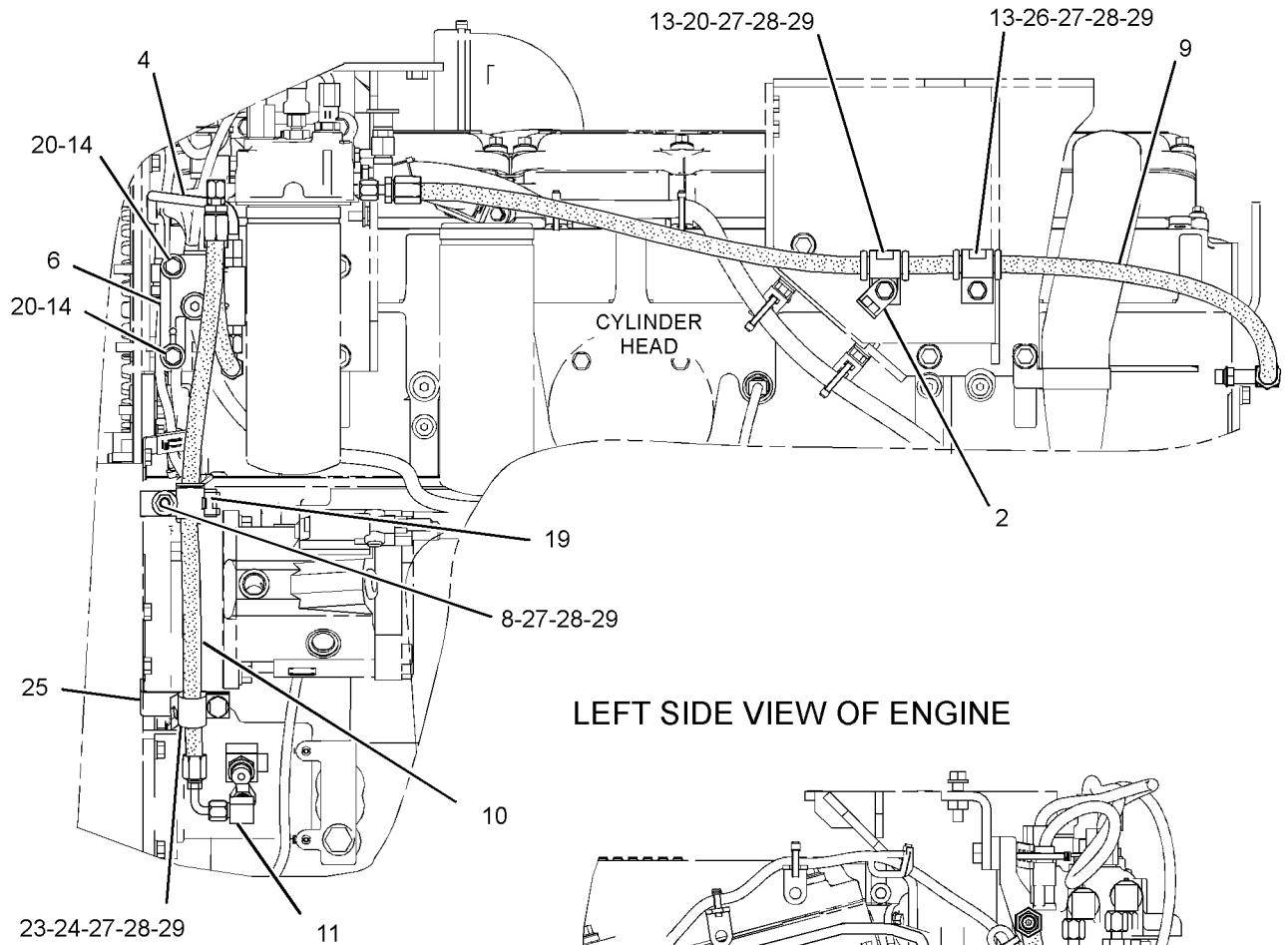
NOTE	REF NO	GRAPHIC REF	PART NUMBER	QTY	PART NAME						SEE PAGE
					1	2	3	4	5	6 (PRODUCT LEVEL)	
	1	1	091-9035	1	SPACER (11X25X20-MM THK)						
	2	1	124-3019	1	BRACKET AS						
M		1	8T-3490	1	NUT-WELD (M10X1.5-THD)						
	3	1	147-3150	1	ANGLE AS						
M		1	8T-3490	1	NUT-WELD (M10X1.5-THD)						
	4	1	168-8974	1	TUBE AS (FUEL SUPPLY)						
Y	6	1	193-7404	1	MANIFOLD GP-FUEL						133
I	7	1	283-1721	1	HOSE AS						
	8	1	287-3049	1	STUD (M10X1.5X50-MM)						
I	9	1	322-1945	1	HOSE AS						
I	10	1	328-2929	1	HOSE AS						
	11	1	191-7805	1	ELBOW AS						
		1	030-7947	1	ELBOW						
		1	214-7568	1	SEAL-O-RING						
	13	1	0S-1571	2	BOLT (3/8-16X1.75-IN)						
	14	1	0S-1619	2	BOLT (3/8-16X3-IN)						
	15	1	329-5511	1	ELBOW AS						
		1	228-7089	1	SEAL-O-RING						
		1	238-5080	1	SEAL-O-RING						
		1	6V-8723	1	ELBOW						
	16	1	353-5108	1	ELBOW AS						
		1	2P-7214	1	ELBOW						
		1	214-7568	1	SEAL-O-RING						
	17	1	313-9614	1	ADAPTER AS						
		1	2R-6806	1	CONNECTOR-O-RING						
		1	214-7568	1	SEAL-O-RING						
	19	1	4P-7581	1	CLIP						
	20	1	5M-2894	3	WASHER-HARD (10.2X18.5X2.5-MM THK)						
	21	1	335-3974	1	FITTING AS						
		1	7W-7381	1	FITTING-OUTLET						
		1	214-7568	1	SEAL-O-RING						
M	22	1	8T-4133	1	NUT (M10X1.5-THD)						
	23	1	3E-4353	1	WASHER-HARD (11X25X3-MM THK)						
M	24	1	6V-4248	1	BOLT (M10X1.5X25-MM)						
	25	1	326-4234	1	BRACKET AS						
	26	1	9X-6458	1	WASHER-HARD (10.2X22.5X3-MM THK)						
	27	1	7V-6571	4	GROMMET						
	28	1	8T-1889	4	CLIP (SLOT)						
	29	1	8T-1890	4	CLIP (TAB)						

I-REFER TO HYDRAULIC INFORMATION SYSTEM
M-METRIC PART
Y-SEPARATE ILLUSTRATION

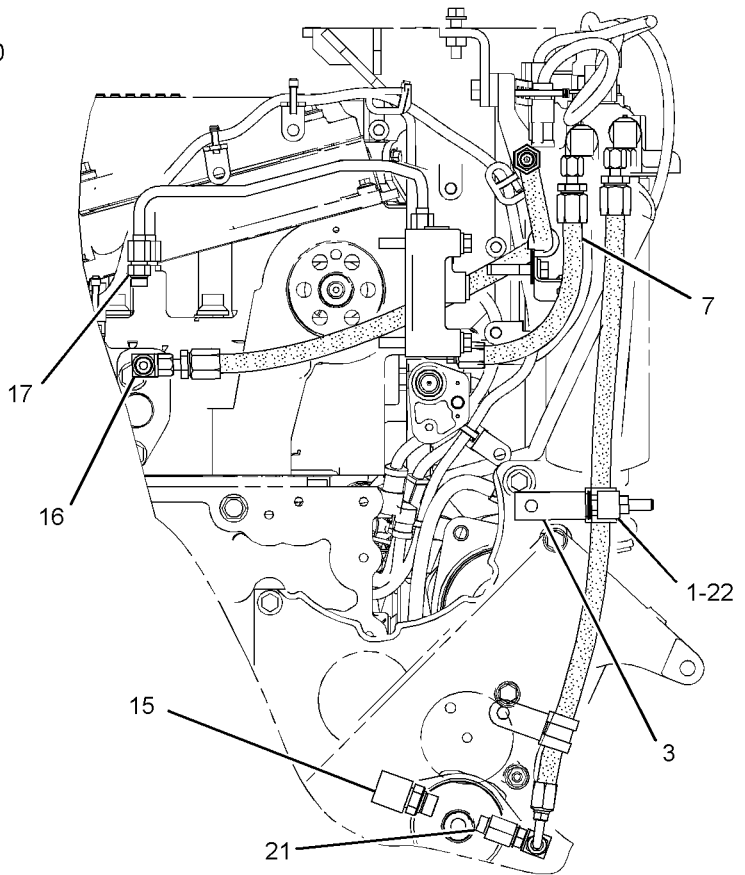
FUEL SYSTEM

314-5164 LINES GP-FUEL (contd.)

i04396019



LEFT SIDE VIEW OF ENGINE



FRONT VIEW OF ENGINE

GRAPHIC #1

<END>

g02552456

FUEL SYSTEM

226-0307 LINES GP-FUEL HEATER

S/N: A7A1-UP

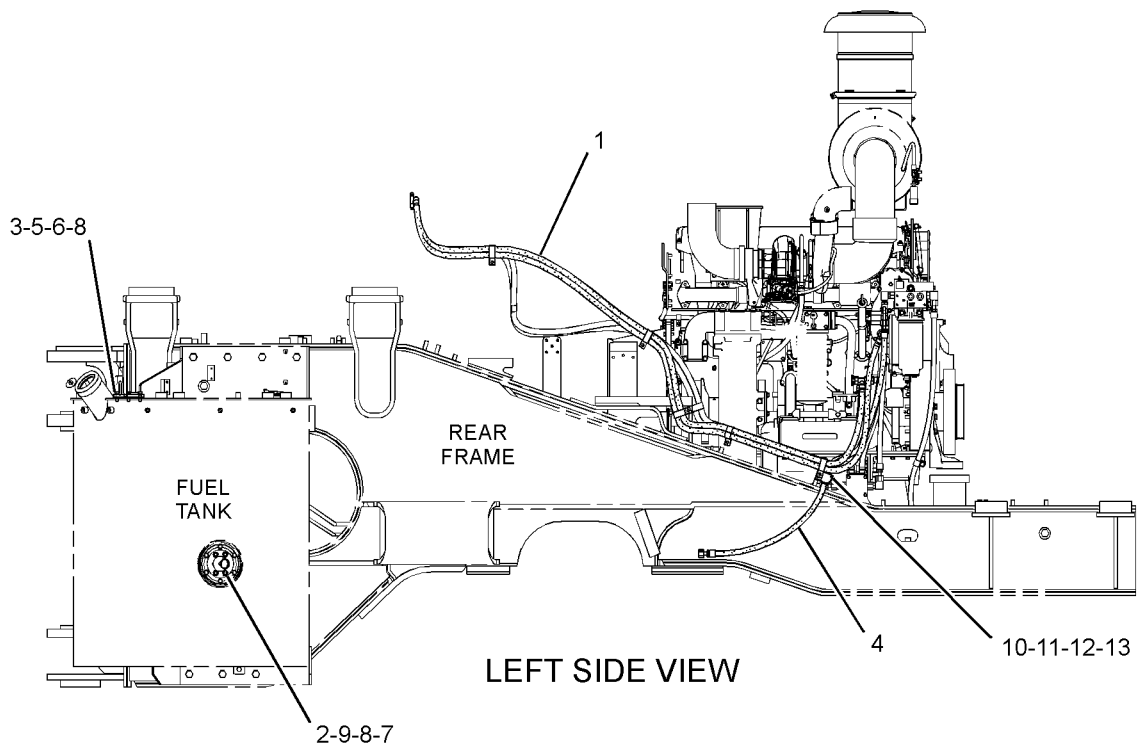
PART OF 379-3389, 379-3390 DISTRIBUTION AR
AN ATTACHMENT

SMCS-1296

i04477974

NOTE	REF NO	GRAPHIC REF	PART NUMBER	QTY	PART NAME						SEE PAGE
					1	2	3	4	5	6 (PRODUCT LEVEL)	
Y	1	1	114-5141	1	LINES GP-CAB HEATER						622
	2	1	164-3417	1	COVER						
	3	1	187-1679	1	COVER						
I	4	1	226-0306	1	HOSE AS						
M	5	1	101-7404	6	BOLT-SOCKET HEAD (M10X1.5X30-MM)						
	6	1	1H-8128	1	SEAL-O-RING						
	7	1	5H-6734	1	SEAL-O-RING						
	8	1	8T-4121	13	WASHER-HARD (11X21X2.5-MM THK)						
M	9	1	8T-4195	7	BOLT (M10X1.5X30-MM)						
	10	1	5P-7462	1	CLIP (SLOT)						
	11	1	5P-7463	1	CLIP (TAB)						
	12	1	6V-0683	1	GROMMET						
	13	1	217-4590	1	BRACKET AS						
M		1	8T-3490	1	NUT-WELD (M10X1.5-THD)						

I-REFER TO HYDRAULIC INFORMATION SYSTEM
M-METRIC PART
Y-SEPARATE ILLUSTRATION



GRAPHIC #1

<END>

g01163307

FUEL SYSTEM

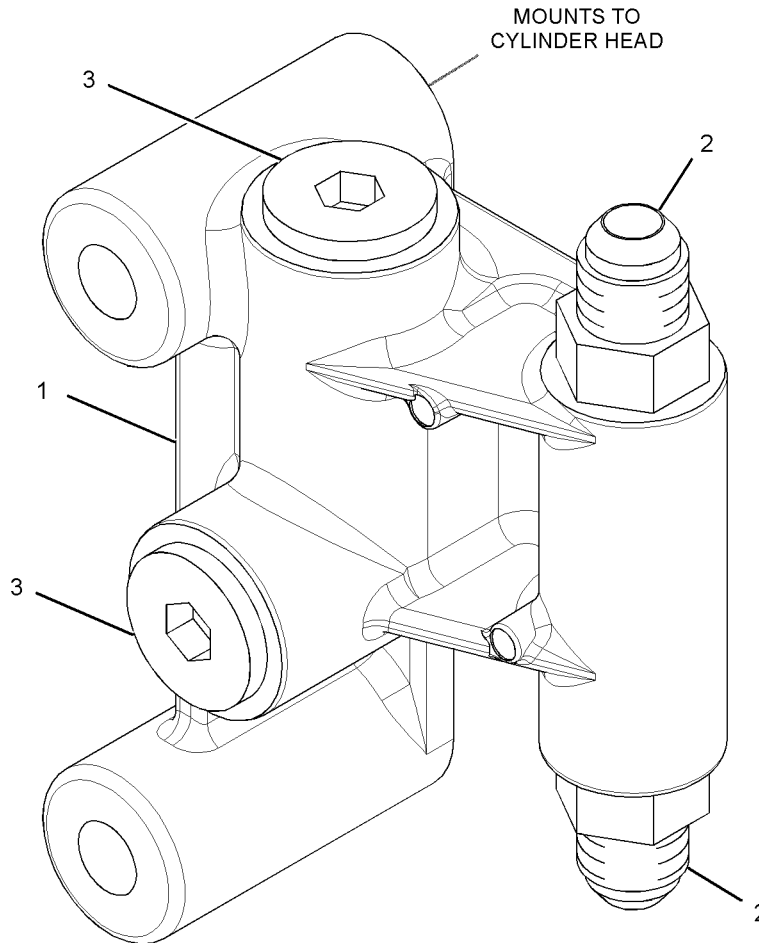
193-7404 MANIFOLD GP-FUEL

S/N: TXH1-UP; RHX1-UP
PART OF 314-5164 LINES GP-FUEL
AN ATTACHMENT

SMCS-1274

i04396034

NOTE	REF NO	GRAPHIC REF	PART NUMBER	QTY	PART NAME						SEE PAGE
					1	2	3	4	5	6 (PRODUCT LEVEL)	
	1	1	168-0300	1	MANIFOLD						
	2	1	313-9614	2	ADAPTER AS						
					(EACH INCLUDES)						
		1	2R-6806	1	CONNECTOR-O-RING						
		1	214-7568	1	SEAL-O-RING						
	3	1	353-5126	2	PLUG AS						
					(EACH INCLUDES)						
		1	6V-6609	1	SEAL-O-RING						
		1	9S-8005	1	PLUG-O-RING						



GRAPHIC #1

<END>

g02184395

FUEL SYSTEM

269-3947 PLUG GP-FUEL FILTER BASE-AIR PURGE

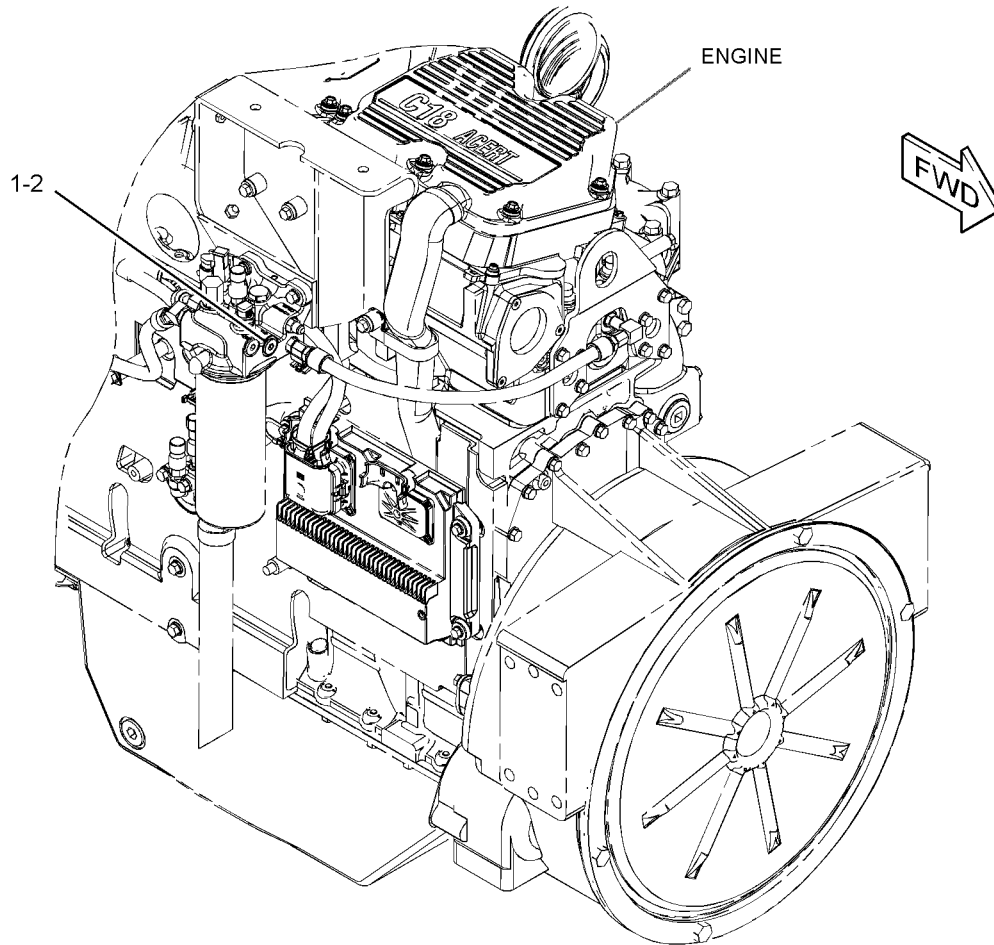
S/N: A7A1-UP

PART OF 226-9643 INSTALLATION AR-ENGINE

SMCS-1262

i04456157

NOTE	REF NO	GRAPHIC REF	PART NUMBER	QTY	PART NAME						SEE PAGE
					1	2	3	4	5	6 (PRODUCT LEVEL)	
	1	1	3K-0360	1	SEAL-O-RING						
	2	1	9S-8005	1	PLUG-O-RING						



GRAPHIC #1

<END>

g01179437

FUEL SYSTEM

150-4279 PUMP & MTG GP-FUEL TRANSFER-REAR

S/N: TXH1-UP; RHX1-UP

ALLOWS USE OF FRONT MOUNTED PUMP EXCEPT WHEN LH MOUNTING GP-ALTERNATOR IS PROVIDED

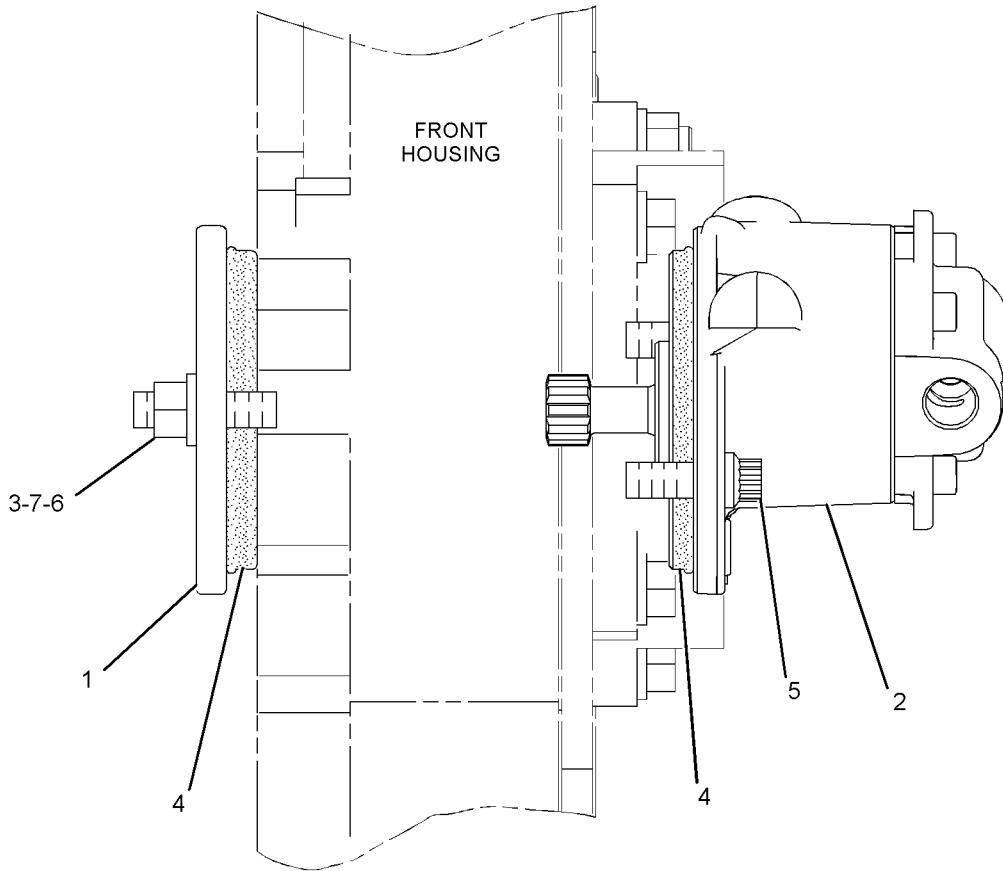
PART OF 281-6452 ENGINE AR-COMPLETE
AN ATTACHMENT

SMCS-1256

i04396063

NOTE	REF NO	GRAPHIC REF	PART NUMBER	QTY	PART NAME						SEE PAGE
					1	2	3	4	5	6 (PRODUCT LEVEL)	
	1	1	133-9116	1	COVER						
CJR	2	1	316-6864	1	PUMP GP-FUEL TRANSFER						
	3	1	0S-0699	2	STUD						
	4	1	107-5769	2	SEAL-O-RING						
	5	1	1T-0765	2	BOLT (3/8-16X1-IN)						
	6	1	5M-2894	2	WASHER-HARD (10.2X18.5X2.5-MM THK)						
	7	1	9S-8752	2	NUT-FULL (3/8-16-THD)						
AVAILABLE REPAIR KIT(S):											
	AJ			1	KIT-SPRING						

A-NOT PART OF THIS GROUP
C-CHANGE FROM PREVIOUS TYPE
J-KIT MARKED J SERVICES PART MARKED J
R-REMFG PART MAY BE AVAILABLE



LEFT SIDE VIEW OF ENGINE

<END>

GRAPHIC #1

g01364794

FUEL SYSTEM

235-1402 PUMP GP-FUEL INJECTION

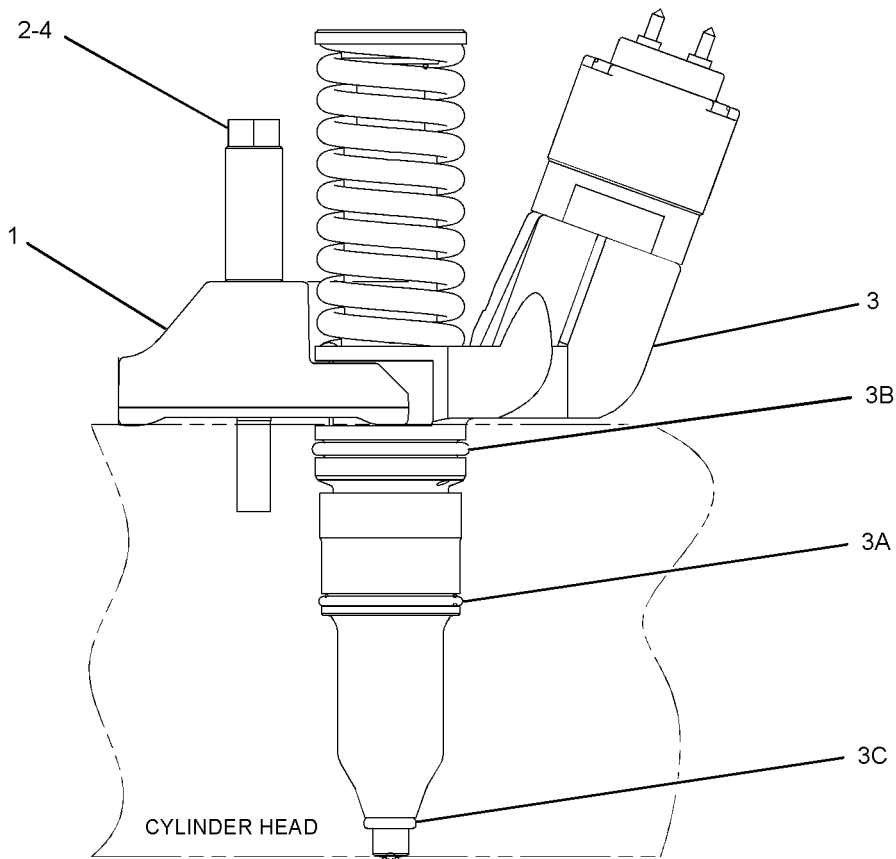
S/N: TXH1-UP; RHX1-UP
 PART OF 356-2208 ENGINE AR-CORE
 AN ATTACHMENT

SMCS-1251, 1290

i04396134

NOTE	REF NO	GRAPHIC REF	PART NUMBER	QTY	PART NAME						SEE PAGE
					1	2	3	4	5	6 (PRODUCT LEVEL)	
	1	1	6I-0213	1	CLAMP						
	2	1	100-5072	1	SPACER (9.8X15.85X37.6-MM THK)						
R	3	1	253-0616	1	INJECTOR GP-FUEL						
	3A	1	230-3728	1	SEAL-O-RING						
	3B	1	230-3775	1	SEAL-O-RING						
	3C	1	9X-7317	1	SEAL-O-RING						
	4	1	8S-9191	1	BOLT (3/8-16X4-IN)						

R-REMFG PART MAY BE AVAILABLE



GRAPHIC #1

<END>

g01111489

FUEL SYSTEM

213-4740 PUMP GP-FUEL PRM & WATER SEP

S/N: A7A1-UP

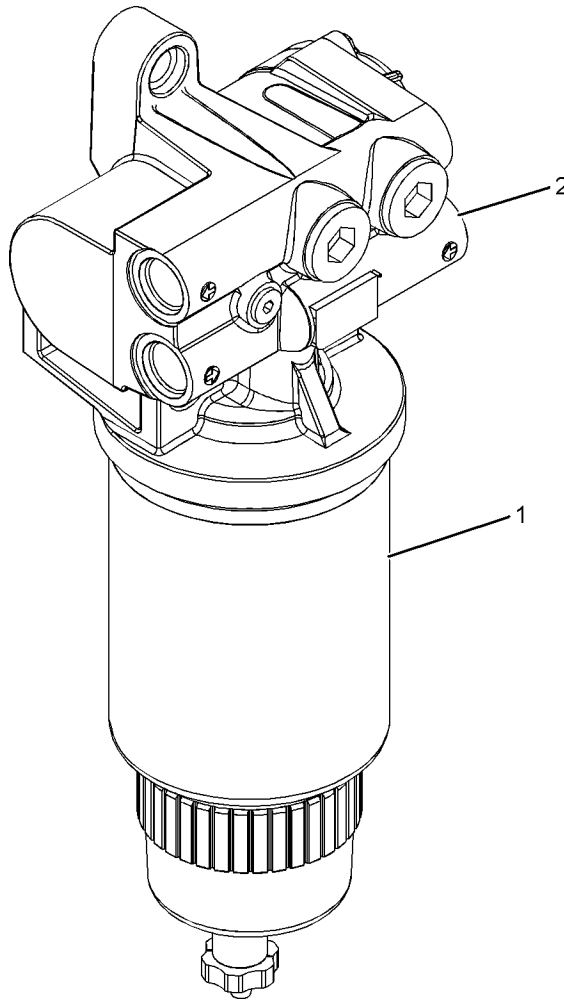
PART OF 225-8334 LINES GP-FUEL

SMCS-1258, 1261, 1263

i04502017

NOTE	REF NO	GRAPHIC REF	PART NUMBER	QTY	PART NAME						SEE PAGE
					1	2	3	4	5	6 (PRODUCT LEVEL)	
Y	1	1	212-9580	1	FILTER GP-WATER SEP & FUEL (PRIMARY)						125
	2	1	247-6050	1	PUMP GP-FUEL PRIMING						

Y-SEPARATE ILLUSTRATION



GRAPHIC #1

<END>

g01089480

FUEL SYSTEM

228-1787 TANK & MTG GP-FUEL

S/N: A7A1-UP

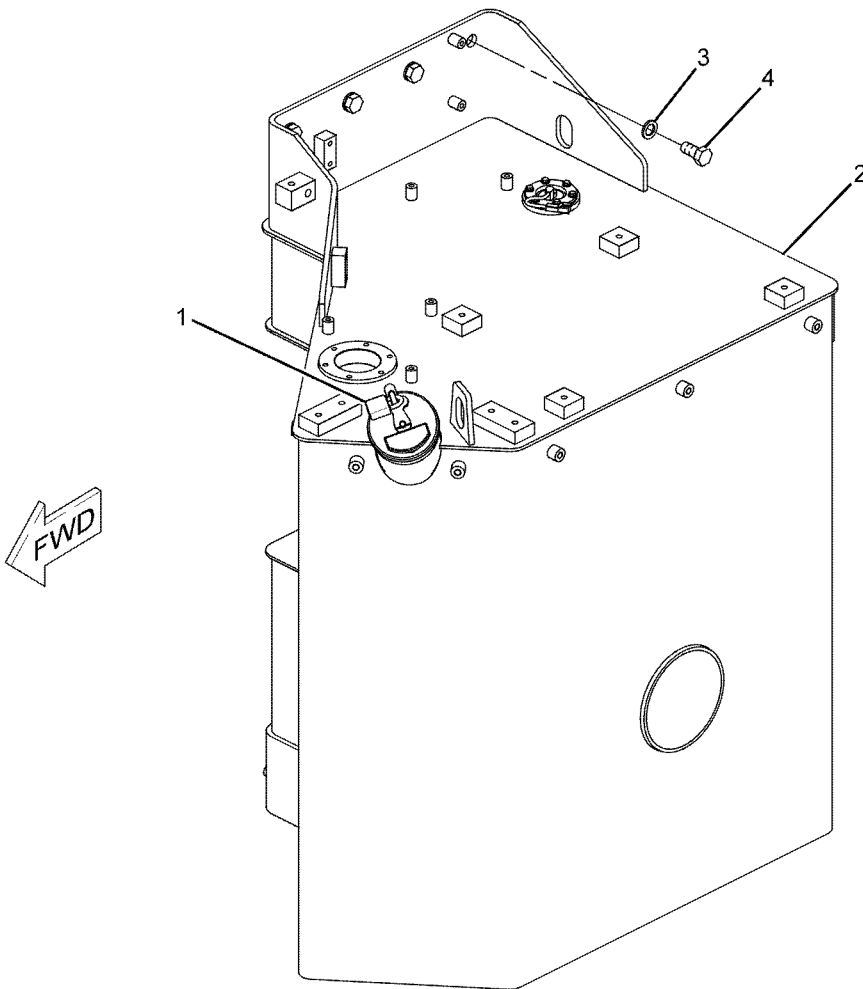
PART OF 284-2735 CHASSIS AR

SMCS-1273

i04456375

NOTE	REF NO	GRAPHIC REF	PART NUMBER	QTY	PART NAME						SEE PAGE
					1	2	3	4	5	6 (PRODUCT LEVEL)	
	1	1	246-2641	1	PADLOCK GP (INCLUDES KEY)						
Y	2	1	231-9006	1	TANK GP-FUEL						139
	3	1	8T-4123	7	WASHER (22X35X3.5-MM THK)						
M	4	1	8T-5460	7	BOLT (M20X2.5X40-MM)						

M-METRIC PART
Y-SEPARATE ILLUSTRATION



GRAPHIC #1

<END>

g01020930

FUEL SYSTEM

231-9006 TANK GP-FUEL

S/N: A7A1-UP

731 LITERS

PART OF 228-1787 TANK & MTG GP-FUEL

SMCS-1273

i04459157

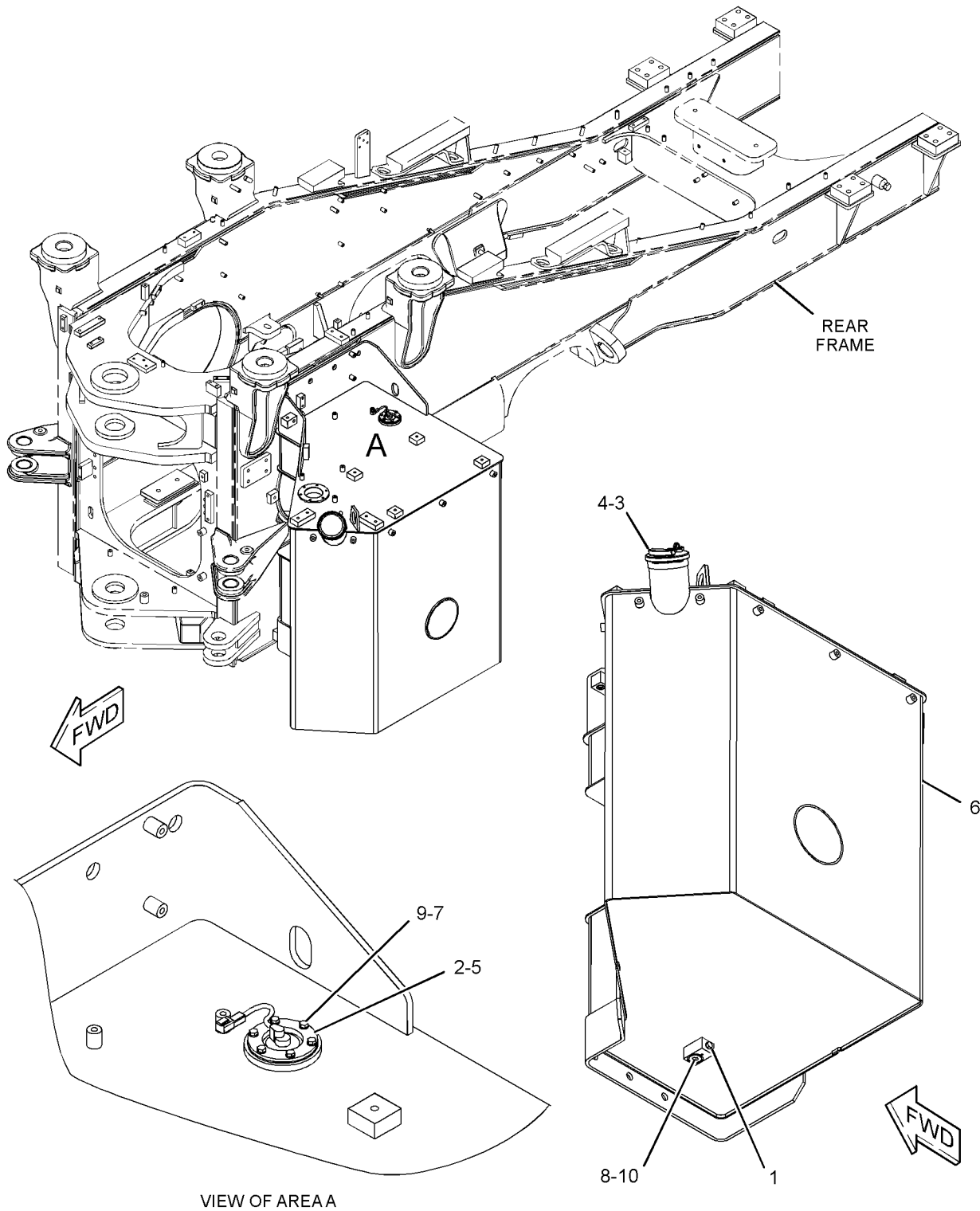
NOTE	REF NO	GRAPHIC REF	PART NUMBER	QTY	PART NAME						SEE PAGE
					1	2	3	4	5	6 (PRODUCT LEVEL)	
	1	1	1H-8306	1	SCREW-PURGE (1/2-20X1.625-IN)						
	2	1	6C-3060	1	GASKET						
	3	1	7X-7700	1	CAP AS-FILLER (FUEL TANK)						
		1	9X-2205	1	KIT-CAP FILTER (FUEL TANK)						
					(INCLUDES FILTER AS, SCREW, VALVE AND GASKETS)						
		1	9X-8600	1	SEAL-O-RING						
	4	1	9P-7121	1	STRAINER-FUEL						
	5	1	324-3641	1	SENDER AS-FUEL LEVEL						
		1	6C-3060	1	GASKET						
		1	317-9186	1	KIT-REPAIR (FUEL LEVEL GAUGE)						
					(INCLUDES SENSOR AS., SCREW, RECEPTACLE KIT, & PIN CONNECTOR)						
	6	1	221-8690	1	TANK AS-FUEL						
M	7	1	5C-9553	6	BOLT (M6X1X16-MM)						
	8	1	7M-8485	1	SEAL-O-RING						
	9	1	9X-8256	6	WASHER (6.6X12X2-MM THK)						
	10	1	9S-9334	1	PLUG-O-RING						

M-METRIC PART

FUEL SYSTEM

231-9006 TANK GP-FUEL (contd.)

i04459157



GRAPHIC #1

<END>

g01231692

FUEL SYSTEM

233-6742 VALVE GP-CHECK-FUEL

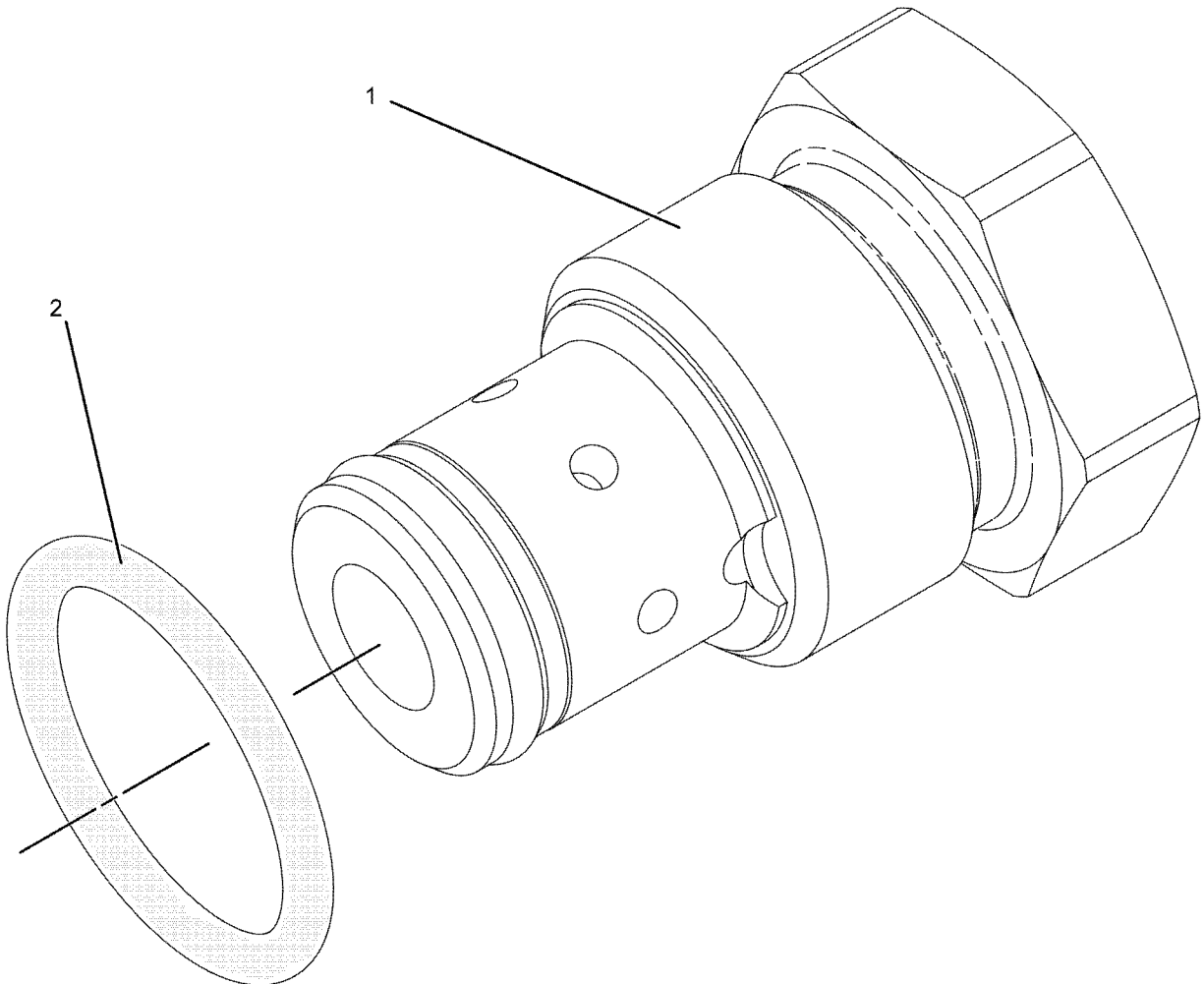
S/N: TXH1-UP; RHX1-UP
PART OF 356-1878 FILTER GP-FUEL
AN ATTACHMENT

SMCS-1251, 1274

i04396002

NOTE	REF NO	GRAPHIC REF	PART NUMBER	QTY	PART NAME						SEE PAGE
					1	2	3	4	5	6 (PRODUCT LEVEL)	
Y	1	1	281-2725	1	VALVE GP-CHECK (FUEL)						142
	2	1	238-5081	1	SEAL-O-RING						

Y-SEPARATE ILLUSTRATION



GRAPHIC #1

<END>

g01031823

FUEL SYSTEM

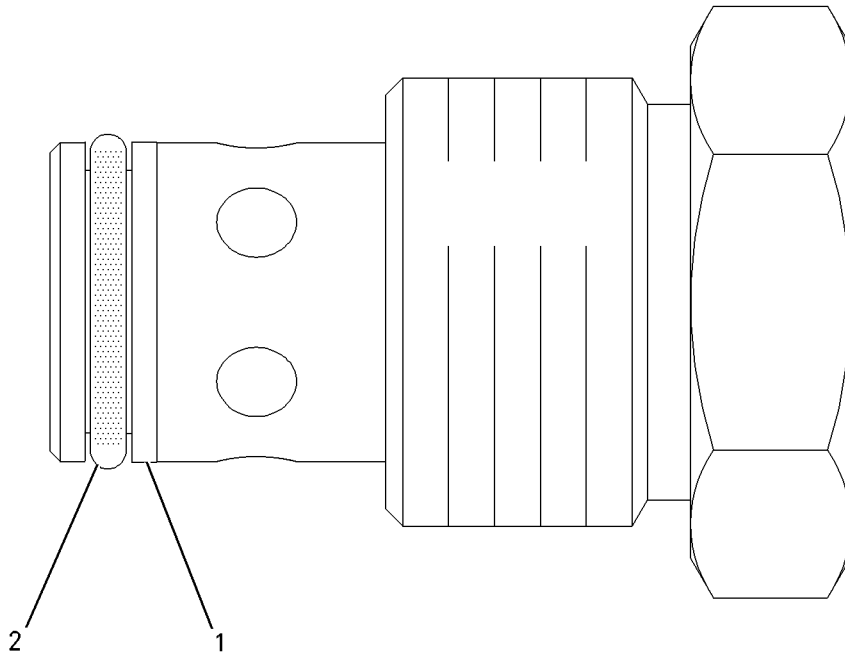
281-2725 VALVE GP-CHECK-FUEL

S/N: TXH1-UP; RHX1-UP
PART OF 233-6742 VALVE GP-CHECK
AN ATTACHMENT

SMCS-1251, 1274

i04396008

NOTE	REF NO	GRAPHIC REF	PART NUMBER	QTY	PART NAME						SEE PAGE
					1	2	3	4	5	6 (PRODUCT LEVEL)	
	1	1	6V-6923	1	RING-BACKUP						
	2	1	033-6033	1	SEAL-O-RING						



GRAPHIC #1

<END>

g00864141

ELECTRICAL AND STARTING SYSTEM

3E-6328 ALARM GP

S/N: A7A1-UP

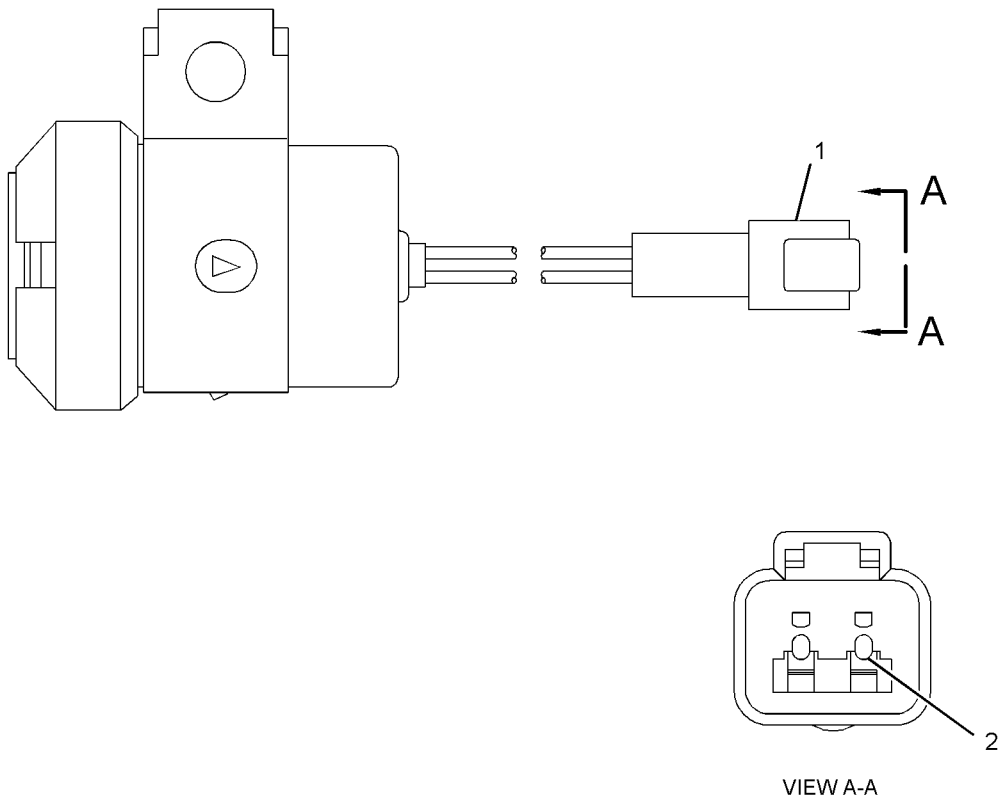
24-VOLT

PART OF 345-4460 WIRING GP-CAB

SMCS-7400, 7402, 7407

i02685488

NOTE	REF NO	GRAPHIC REF	PART NUMBER	QTY	PART NAME						SEE PAGE
					1	2	3	4	5	6 (PRODUCT LEVEL)	
	1	1	102-8802	1	KIT-RECEPTACLE (2-PIN)						
					(INCLUDES RECEPTACLE AS & WEDGE)						
	2	1	186-3735	2	PIN-CONNECTOR (16-GA TO 18-GA)						



GRAPHIC #1

<END>

g01342739

ELECTRICAL AND STARTING SYSTEM

197-8820 ALTERNATOR GP-CHARGING*R

S/N: A7A1-UP

24-VOLT, 95-AMPERE

PART OF 262-5046 ALTERNATOR GP-CHARGING

SMCS-1405

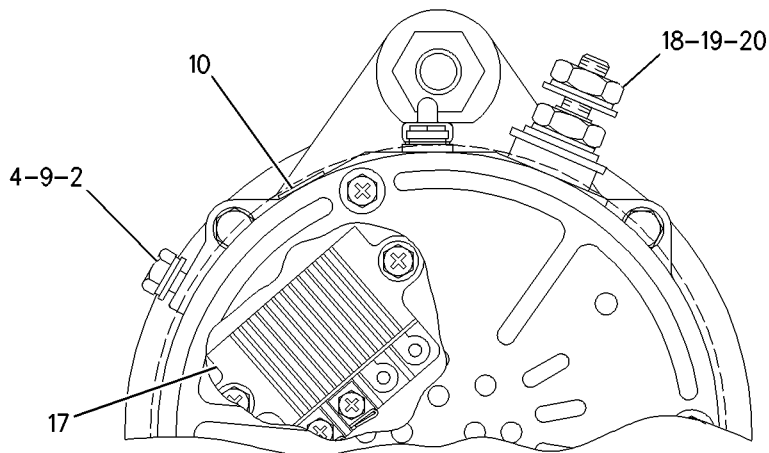
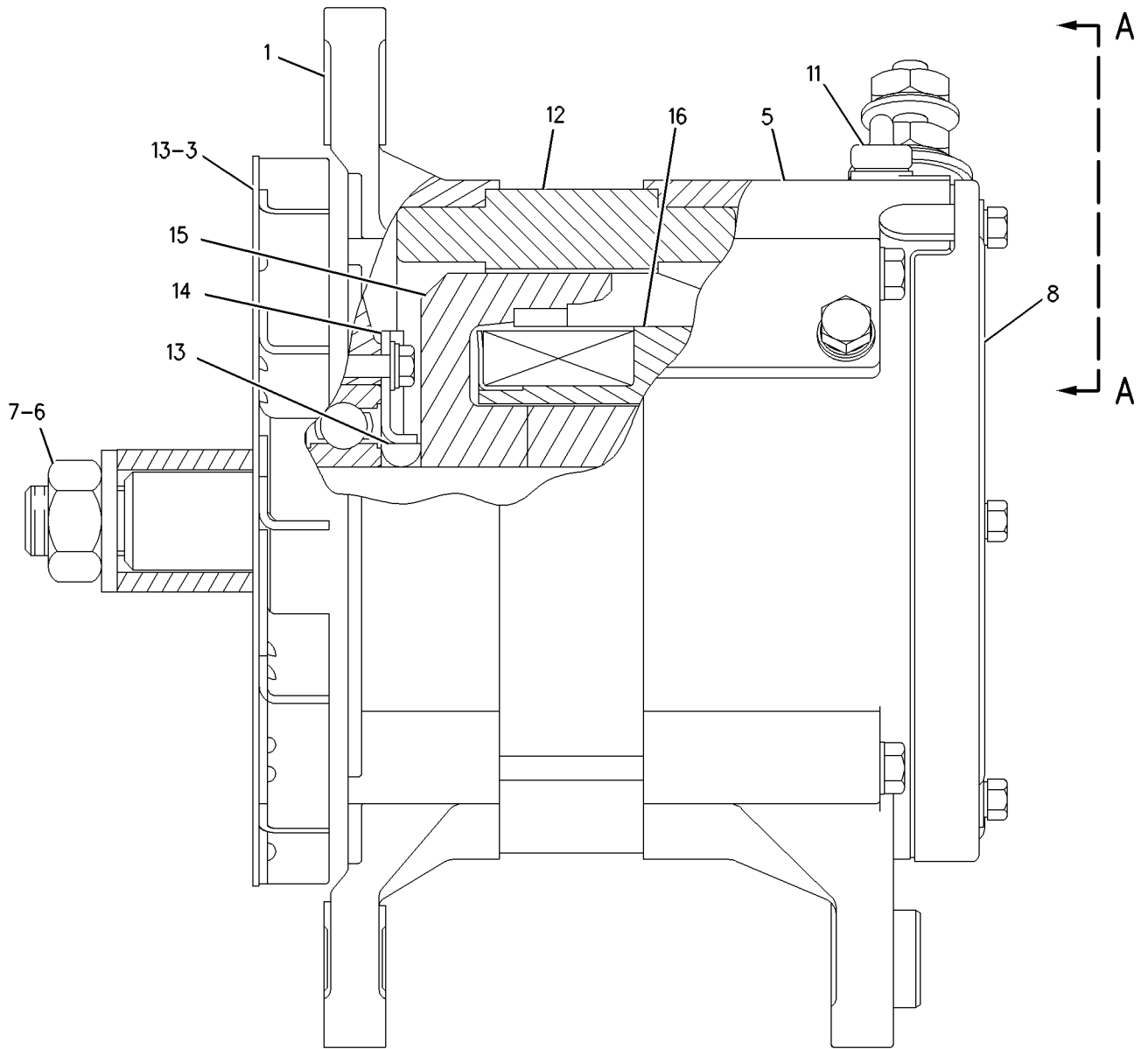
i04456595

NOTE	REF NO	GRAPHIC REF	PART NUMBER	QTY	PART NAME						SEE PAGE
					1	2	3	4	5	6 (PRODUCT LEVEL)	
	1	1	185-2653	1	FRAME						
	2	1	5S-7349	1	BOLT (1/4-20X0.5-IN)						
	3	1	185-2639	1	FAN AS						
	4	1	1H-3244	1	LOCKWASHER						
	5	1	185-2645	1	FRAME						
	6	1	2K-4821	1	LOCKNUT (5/8-18-THD)						
	7	1	5P-8247	1	WASHER-HARD (17X32X3.5-MM THK)						
	8	1	185-2651	1	COVER						
	9	1	8T-4205	1	WASHER-HARD (7.2X14.5X2-MM THK)						
	10	1	185-2647	1	GROMMET						
	11	1	9L-6770	1	CAP-DUST						
	12	1	205-0626	1	STATOR AS-ALTERNATOR						
	13	1	185-2638	2	COLLAR						
	14	1	185-2654	1	PLATE						
	15	1	185-2650	1	ROTOR AS (ALTERNATOR)						
	16	1	185-2644	1	COIL AS						
	17	1	185-2648	1	REGULATOR AS-VOLTAGE (24-VOLT) (ALTERNATOR)						
	18	1	6V-8189	1	NUT (5/16-18-THD)						
	19	1	8T-4224	1	WASHER-HARD (8.8X16X2-MM THK)						
	20	1	3F-9556	1	LOCKWASHER						
					AVAILABLE REPAIR KIT(S):						
			185-2655	1	KIT-BEARING (INCLUDES BEARINGS)						
			199-8436	1	KIT-TERMINAL (ALTERNATOR AIR) (INCLUDES HOLDER AS, PLATE, INSULATOR, PIN, BOLTS, GROMMET & NUT)						
			199-7891	1	KIT-TERMINAL (ALTERNATOR AIR) (INCLUDES INSULATORS, WASHERS & NUTS)						
			185-2658	1	KIT-HARDWARE (ALTERNATOR AIR) (INCLUDES BOLTS)						

ELECTRICAL AND STARTING SYSTEM

197-8820 ALTERNATOR GP-CHARGING (contd.)

i04456595



VIEW A-A

<END>

GRAPHIC #1

g00873198

ELECTRICAL AND STARTING SYSTEM

262-5046 ALTERNATOR GP-CHARGING

S/N: A7A1-UP

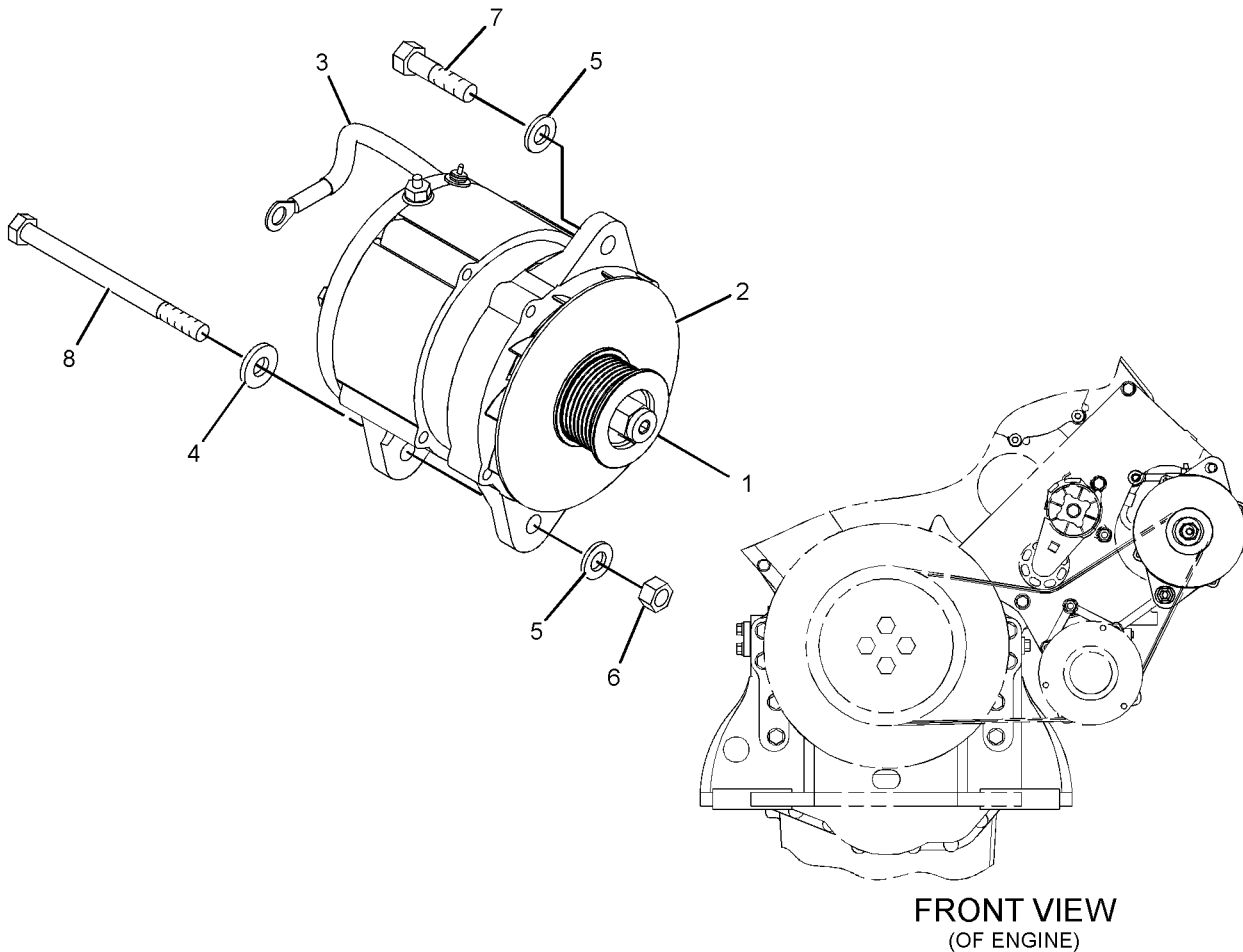
PART OF 226-9643 INSTALLATION AR-ENGINE

SMCS-1405

i04455913

NOTE	REF NO	GRAPHIC REF	PART NUMBER	QTY	PART NAME						SEE PAGE
					1	2	3	4	5	6 (PRODUCT LEVEL)	
	1	1	190-3635	1	PULLEY						
YR	2	1	197-8820	1	ALTERNATOR GP-CHARGING (24-VOLT, 95-AMPERE)						144
	3	1	299-5845	1	WIRE AS						
	4	1	5P-1076	1	WASHER-HARD (13.5X30X4-MM THK)						
	5	1	8T-4223	2	WASHER-HARD (13.5X25.5X3-MM THK)						
M	6	1	8T-4244	1	NUT (M12X1.75-THD)						
	7	1	8T-4835	1	BOLT (1/2-13X2-IN)						
M	8	1	8T-7930	1	BOLT (M12X1.75X160-MM)						

M-METRIC PART
R-REMG PART MAY BE AVAILABLE
Y-SEPARATE ILLUSTRATION



GRAPHIC #1

<END>

g02276173

ELECTRICAL AND STARTING SYSTEM

333-2427 BATTERY & WIRING GP

S/N: A7A1-UP

PART OF 337-0870 ELECTRICAL AR

SMCS-1401, 1402, 1408

i04456389

NOTE	REF NO	GRAPHIC REF	PART NUMBER	QTY	PART NAME						SEE PAGE
					1	2	3	4	5	6 (PRODUCT LEVEL)	
	1	1	2G-8767	2	WASHER (10.5X60X3-MM THK)						
	2	1	3S-2093	13	STRAP-CABLE						
	3	1	6G-2263	1	SPACER (10.5X19X28.5-MM THK)						
	4	1	9U-1469	1	CLAMP						
	5	1	115-2422	4	BATTERY GP (12-VOLT, MAINTENANCE FREE, WET)						
		1	123-1373	6	CAP AS-FILLER (BATTERY)						
	6	1	118-1277	2	CABLE AS-BATTERY						
					(EACH INCLUDES)						
E		1	159-8049	20	CABLE (00-GA, RED) (20-CM)						
		1	9G-0003	1	COVER AS-TERMINAL (BLACK)						
		1	8L-8413	1	STRAP-CABLE						
		1	9G-0004	1	COVER AS-TERMINAL (RED)						
		1	8L-8413	1	STRAP-CABLE						
		1	9W-3416	1	TERMINAL AS-BATTERY (POSITIVE)						
		1	1M-6119	1	BOLT (5/16-18X1.375-IN)						
		1	1M-6120	1	NUT (5/16-18-THD)						
		1	9W-3723	1	TERMINAL AS-BATTERY (NEGATIVE) (NEGATIVE)						
		1	1M-6119	1	BOLT (5/16-18X1.375-IN)						
		1	1M-6120	1	NUT (5/16-18-THD)						
	7	1	118-2080	2	HOLD-DOWN AS						
	8	1	256-9817	1	CABLE AS						
E		1	159-8053		CABLE-ELECTRICAL (00-GA, RED) (212-CM)						
		1	294-2318	2	COVER-TERMINAL (RED)						
		1	3L-7634	2	TERMINAL-RING (0000-GA, 1/2-IN SCREW)						
	9	1	260-0254	1	CABLE AS						
E		1	159-8049		CABLE (00-GA, RED) (29-CM)						
		1	8N-1725	1	COVER AS-TERMINAL (RED)						
		1	8L-8413	1	STRAP-CABLE						
		1	1S-7251	1	TERMINAL-CABLE (00-GA, 1/2-IN SCREW)						
		1	9W-3460	1	TERMINAL AS-BATTERY (POSITIVE)						
		1	1M-6119	1	BOLT (5/16-18X1.375-IN)						
		1	1M-6120	1	NUT (5/16-18-THD)						
	10	1	260-0255	1	CABLE AS						
E		1	159-8049		CABLE (00-GA, RED) (29-CM)						
		1	8N-0869	1	COVER-TERMINAL (RED)						
		1	8N-1725	1	COVER AS-TERMINAL (RED)						
		1	8L-8413	1	STRAP-CABLE						
		1	1S-7251	1	TERMINAL-CABLE (00-GA, 1/2-IN SCREW)						
		1	9W-3460	1	TERMINAL AS-BATTERY (POSITIVE)						
		1	1M-6119	1	BOLT (5/16-18X1.375-IN)						
		1	1M-6120	1	NUT (5/16-18-THD)						
	11	1	261-3855	1	CABLE AS						
E		1	159-8054		CABLE-ELECTRICAL (00-GA, BLACK) (88-CM)						
		1	7T-4925	1	COVER-TERMINAL (BLACK)						
		1	294-2319	1	COVER-TERMINAL (BLACK)						
		1	7T-9988	1	COVER AS-TERMINAL (BLACK)						
		1	8L-8413	1	STRAP-CABLE						
		1	031-9295	1	TERMINAL-RING (0000-GA, 3/8-IN SCREW)						
		1	9X-6762	1	TERMINAL AS-BATTERY (NEGATIVE)						
		1	1M-6119	1	BOLT (5/16-18X1.375-IN)						
		1	1M-6120	1	NUT (5/16-18-THD)						
		1	187-8911	1	TERMINAL AS-BATTERY (NEGATIVE)						
		1	1M-6119	1	BOLT (5/16-18X1.375-IN)						
		1	1M-6120	1	NUT (5/16-18-THD)						
	12	1	301-8685	1	STRAP AS						
	13	1	301-9554	1	BRACKET AS						

ELECTRICAL AND STARTING SYSTEM

333-2427 BATTERY & WIRING GP (contd.)

i04456389

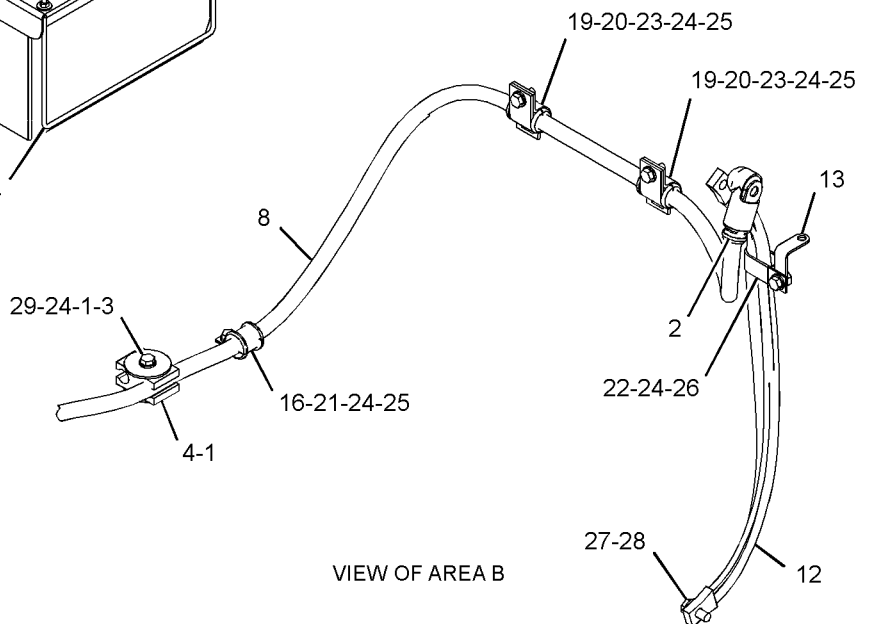
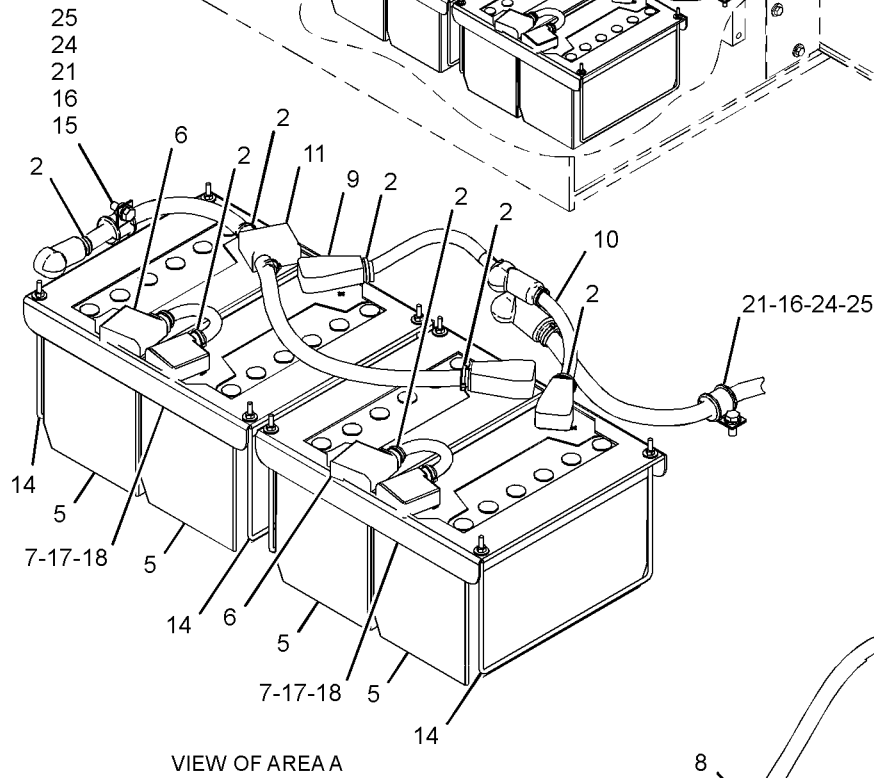
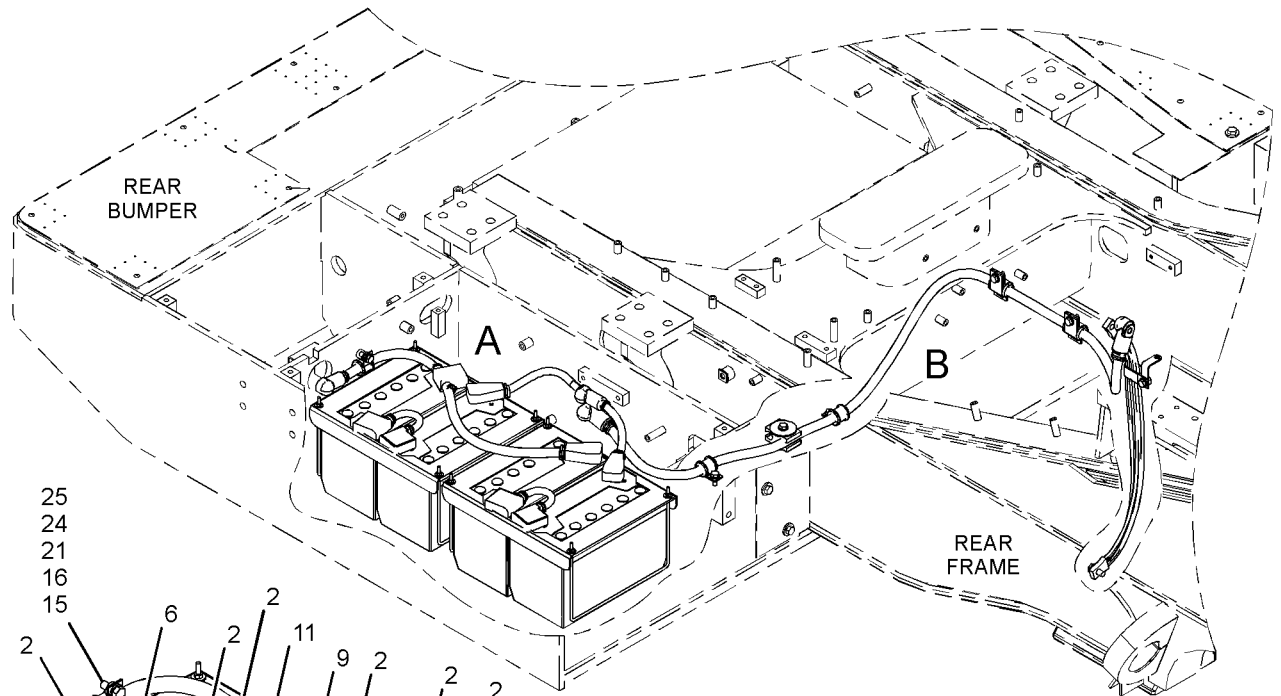
NOTE	REF NO	GRAPHIC REF	PART NUMBER	QTY	PART NAME						SEE PAGE
					1	2	3	4	5	6 (PRODUCT LEVEL)	
M		1	8T-3490	1	NUT-WELD (M10X1.5-THD)						
	14	1	118-2079	4	ROD						
	15	1	132-7551	1	SPACER (11X19X6-MM THK)						
	16	1	4S-1962	3	CLIP						
M	17	1	5C-2890	8	NUT (M6X1-THD)						
	18	1	5P-4115	8	WASHER-HARD (7.2X19X2-MM THK)						
	19	1	5P-7462	2	CLIP (SLOT)						
	20	1	5P-7463	2	CLIP (TAB)						
	21	1	5P-8939	3	GROMMET						
	22	1	6D-1641	1	CLIP						
	23	1	6V-0683	2	GROMMET						
	24	1	8T-4121	7	WASHER-HARD (11X21X2.5-MM THK)						
M	25	1	8T-4136	5	BOLT (M10X1.5X25-MM)						
M	26	1	8T-4137	1	BOLT (M10X1.5X20-MM)						
M	27	1	8T-4139	1	BOLT (M12X1.75X30-MM)						
	28	1	8T-4223	1	WASHER-HARD (13.5X25.5X3-MM THK)						
M	29	1	8T-6466	1	BOLT (M10X1.5X60-MM)						

E-ORDER BY THE CENTIMETER
M-METRIC PART

ELECTRICAL AND STARTING SYSTEM

333-2427 BATTERY & WIRING GP (contd.)

i04456389



GRAPHIC #1

<END>

g02034095

ELECTRICAL AND STARTING SYSTEM

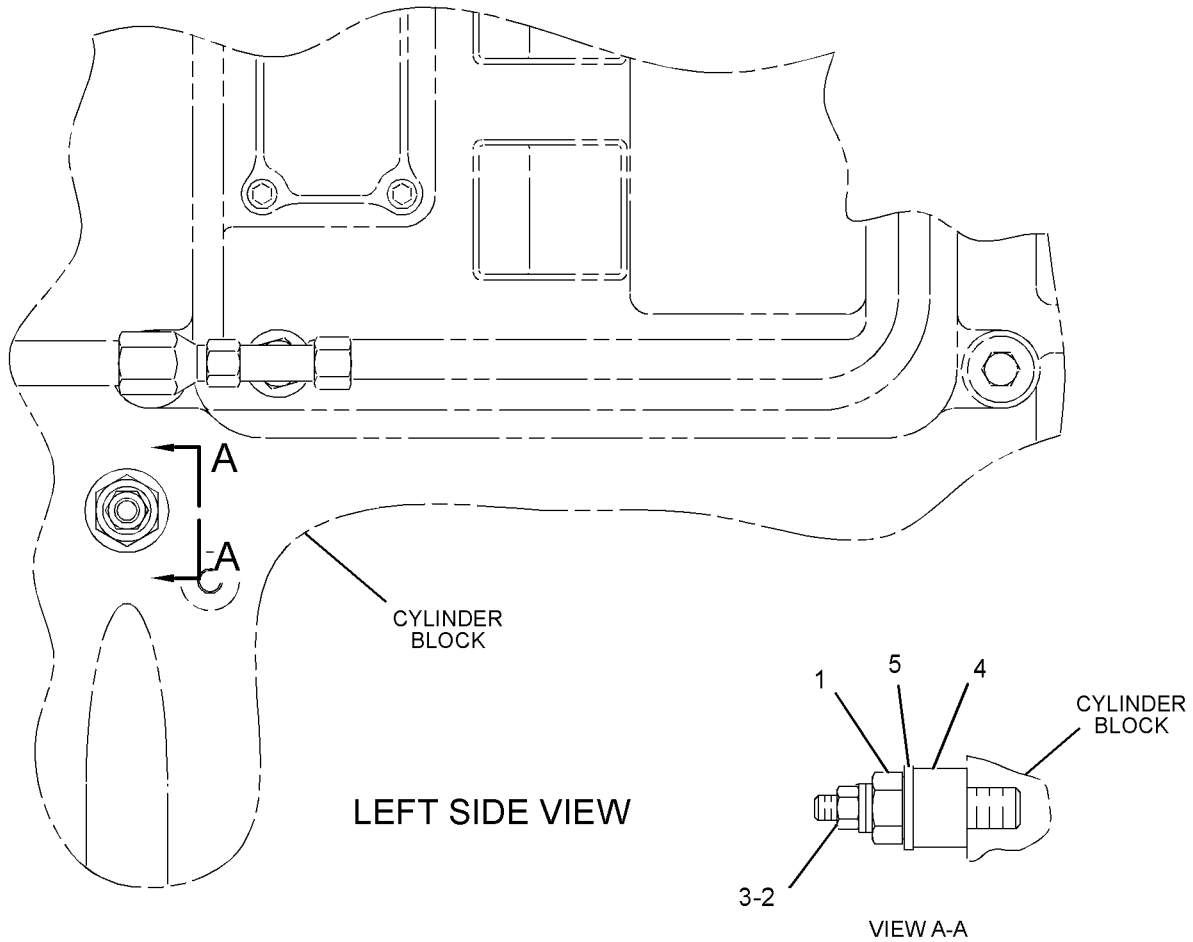
126-7631 CONNECTION GP-ELECTRICAL

S/N: TXH1-UP; RHX1-UP
 CYLINDER BLOCK GROUND
 PART OF 281-6452 ENGINE AR-COMplete
 FOR USE WITH BLOCK SOUND PANEL
 AN ATTACHMENT

SMCS-1408

i04395818

NOTE	REF NO	GRAPHIC REF	PART NUMBER	QTY	PART NAME						SEE PAGE
					1	2	3	4	5	6 (PRODUCT LEVEL)	
	1	1	126-8449	1	STUD (3/8-16, 5/8-18X3.1-IN)						
	2	1	8T-4896	2	WASHER-HARD (10.2X18.5X2.5-MM THK)						
	3	1	6V-8801	1	NUT (3/8-16-THD)						
	4	1	9M-7783	1	SPACER (0.65X1.188X0.81-IN THK)						
	5	1	5P-8247	1	WASHER-HARD (17X32X3.5-MM THK)						



GRAPHIC #1

<END>

g01380369

ELECTRICAL AND STARTING SYSTEM

243-1560 CONTROL & MTG GP-ENGINE ELEK

S/N: TXH1-UP; RHX1-UP

AIR COOLED

PART OF 281-6452 ENGINE AR-COMplete

AN ATTACHMENT

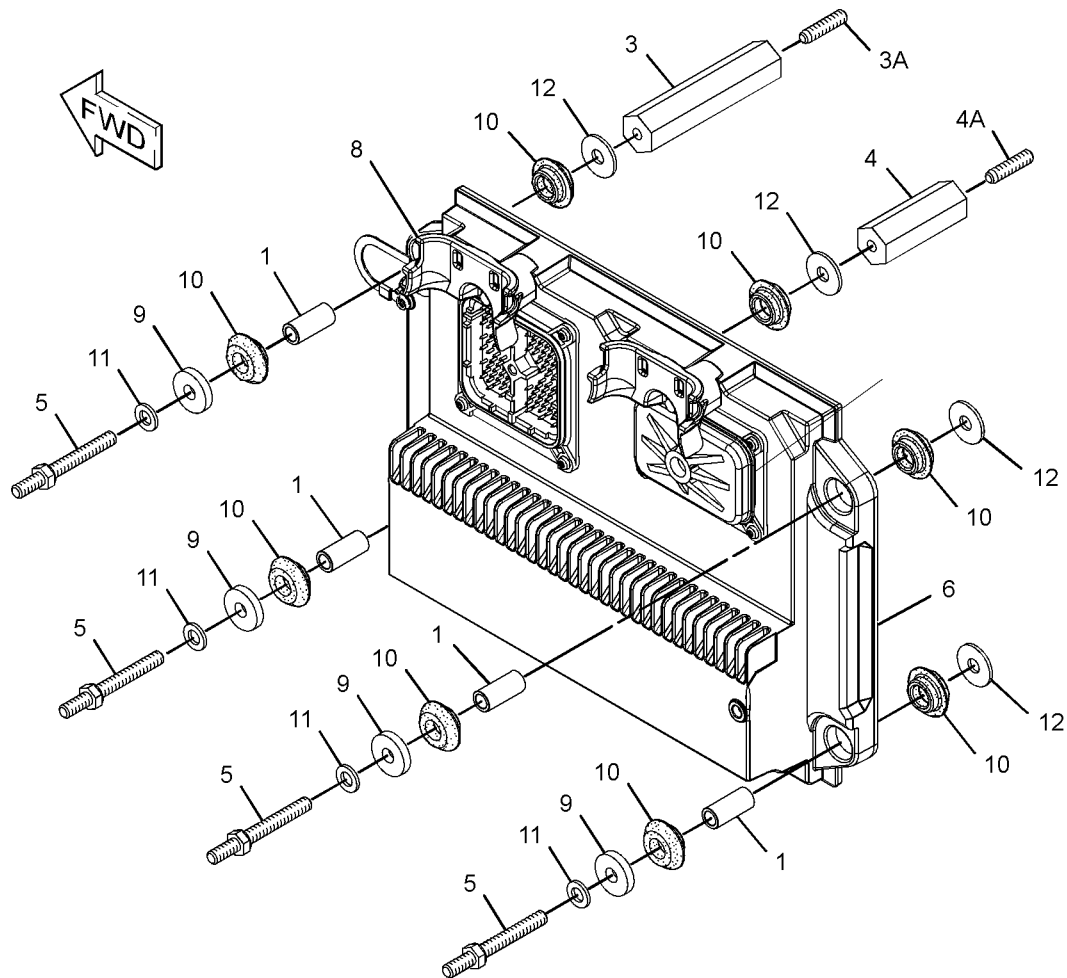
SMCS-1901, 7620

i04395820

NOTE	REF NO	GRAPHIC REF	PART NUMBER	QTY	PART NAME						SEE PAGE
					1	2	3	4	5	6 (PRODUCT LEVEL)	
	1	1	6I-1418	4	SPACER (8.2X12.7X28.7-MM THK)						
	3	1	155-0696	1	SUPPORT AS						
	3A	1	5L-3708	1	STUD-TAPERLOCK (5/16-18X1.28-IN)						
	4	1	155-0698	1	SUPPORT AS						
	4A	1	5L-3708	1	STUD-TAPERLOCK (5/16-18X1.28-IN)						
	5	1	161-7419	4	STUD						
R	6	1	262-2878	1	CONTROL GP-UNPROGRAMMED (ENGINE)						
	8	1	233-0891	2	BRACKET AS						
					(EACH INCLUDES)						
M		1	232-1693	1	BOLT-FLANGE HEAD (M6X1X35-MM)						
	9	1	6V-3964	4	WASHER-HARD (8.8X25.5X5-MM THK)						
	10	1	8T-9655	8	MOUNT-ISOLATION						
	11	1	9M-1974	4	WASHER-HARD (8.8X16X2-MM THK)						
	12	1	9N-0869	4	WASHER-HARD (8.8X25.5X2-MM THK)						

M-METRIC PART

R-REMFG PART MAY BE AVAILABLE



GRAPHIC #1

<END>

g01300423

ELECTRICAL AND STARTING SYSTEM

114-5192 CONTROL GP-LIFT & TILT POS

S/N: A7A1-UP
PART OF 298-6964 LIFT AR
AN ATTACHMENT

SMCS-5109, 5112, 5736

i04480329

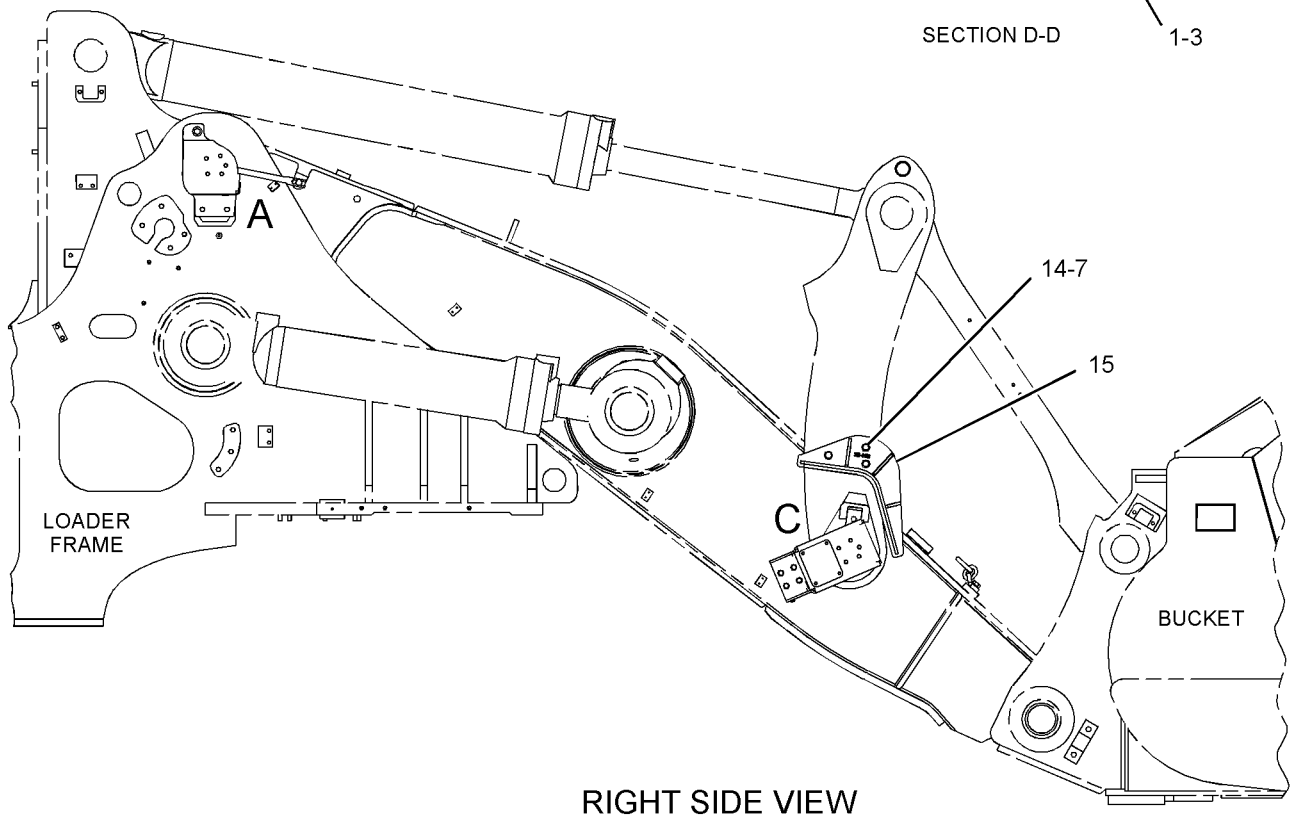
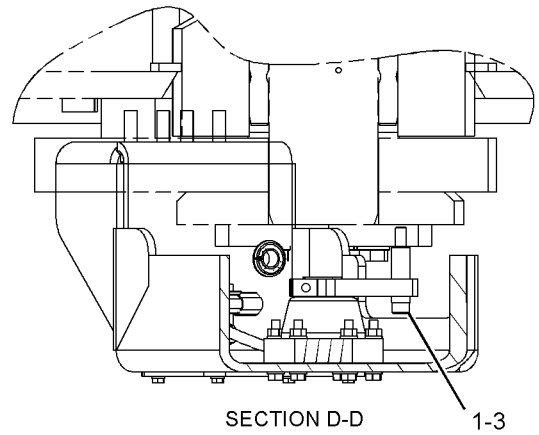
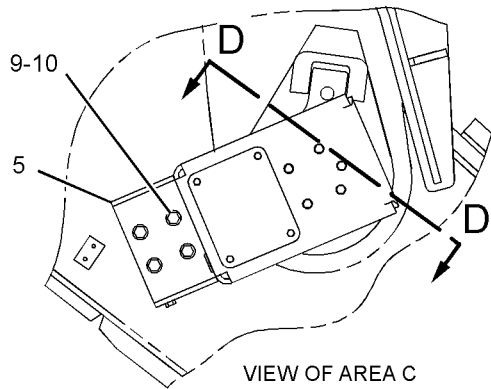
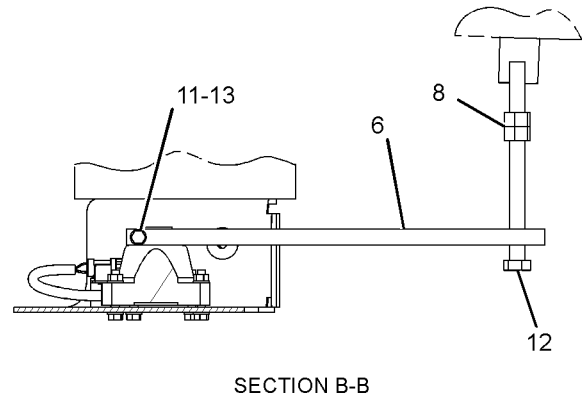
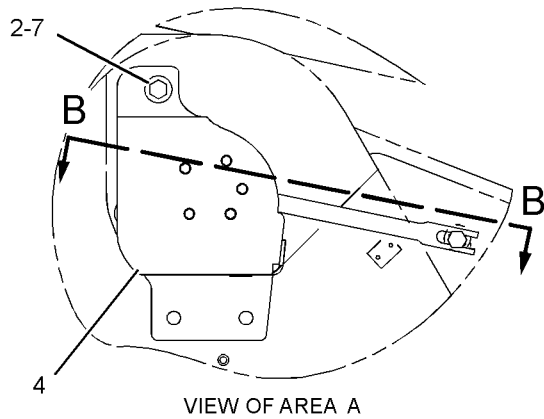
NOTE	REF NO	GRAPHIC REF	PART NUMBER	QTY	PART NAME						SEE PAGE
					1	2	3	4	5	6 (PRODUCT LEVEL)	
M	1	1	105-3483	1	BOLT-SOCKET HEAD (M10X1.5X70-MM)						
	2	1	120-5737	1	WASHER (17.5X40X4-MM THK)						
	3	1	168-6514	1	SPACER (10.74X17.14X50.8-MM THK)						
Y	4	1	<i>169-3301</i>	1	SENSOR & MTG GP-LIFT POSITION						179
Y	5	1	<i>169-3302</i>	1	SENSOR & MTG GP-TILT POSITION						180
	6	1	174-8849	1	PLATE AS						
M	7	1	7X-2553	4	BOLT (M16X2X40-MM)						
M	8	1	8T-4132	2	NUT (M16X2-THD)						
M	9	1	8T-4183	4	BOLT (M12X1.75X40-MM)						
	10	1	8T-4223	4	WASHER-HARD (13.5X25.5X3-MM THK)						
	11	1	8T-4224	1	WASHER-HARD (8.8X16X2-MM THK)						
M	12	1	8T-6383	1	BOLT (M16X2X200-MM)						
M	13	1	8T-7547	1	BOLT (M8X1.25X30-MM)						
	14	1	7X-0515	3	WASHER-HARD (17X35X5-MM THK)						
	15	1	219-4418	1	GUARD AS-SENSOR (TILT POSITION)						

M-METRIC PART
Y-SEPARATE ILLUSTRATION

ELECTRICAL AND STARTING SYSTEM

114-5192 CONTROL GP-LIFT & TILT POS (contd.)

i04480329



GRAPHIC #1

<END>

g01246960

ELECTRICAL AND STARTING SYSTEM

172-9389 CONTROL GP-UNPROGRAMMED-POWER TRAIN*R

S/N: A7A1-UP

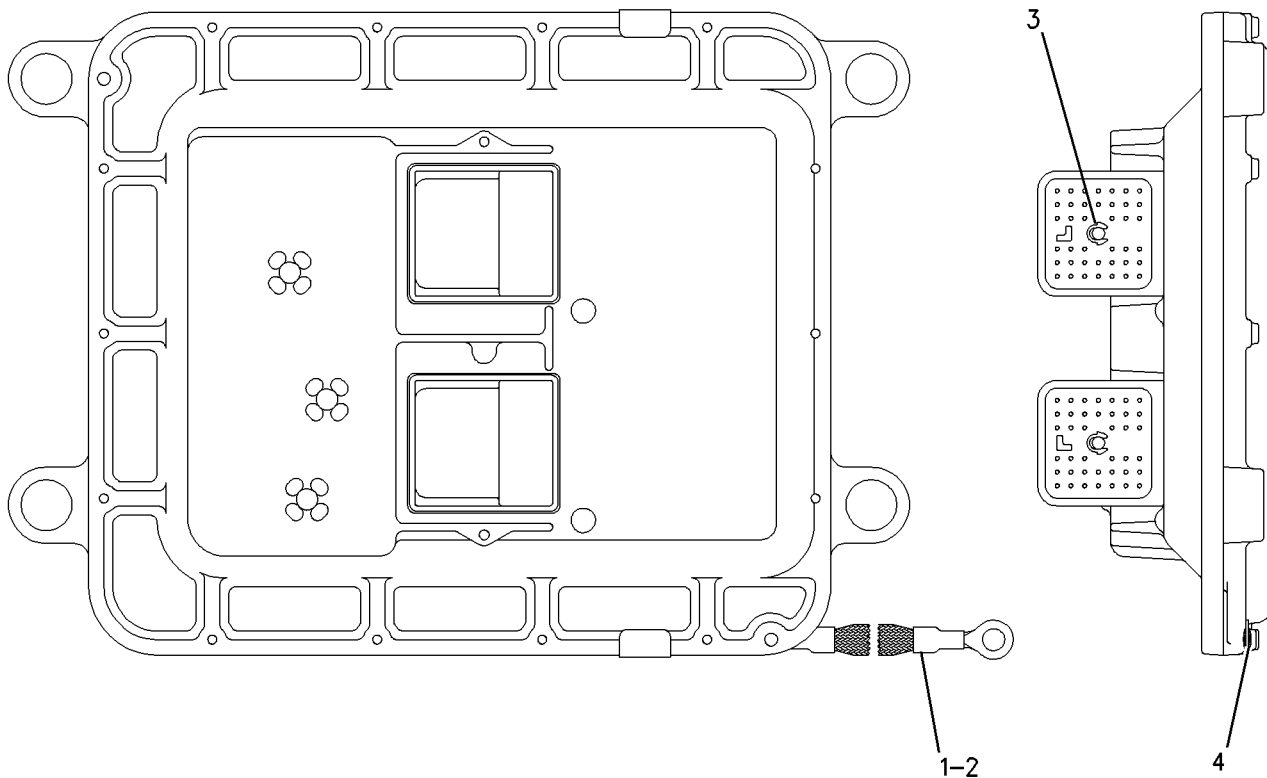
PART OF 309-0972 WIRING GP-ELECTRONICS BAY
AN ATTACHMENT

SMCS-7610

i04487689

NOTE	REF NO	GRAPHIC REF	PART NUMBER	QTY	PART NAME						SEE PAGE
					1	2	3	4	5	6 (PRODUCT LEVEL)	
	1	1	7X-6315	1	STRAP AS-GROUND						
		1	2L-8078	1	TERMINAL-RING (14-GA TO 16-GA, 5/16-IN SCREW)						
		1	2L-8075	1	TERMINAL-RING (14-GA TO 16-GA, NO. 8 SCREW)						
	2	1	101-0852	1	SCREW-PAN HEAD (8-32X0.375-IN)						
M	3	1	6V-6703	2	KIT-RETAINING BOLT (UNPROGRAMMED CONTROL) (EACH INCLUDES BOLT, RING, AND SEALS)						
	4	1	134-4126	1	WASHER (4.52X8.28X0.76-MM THK)						

M-METRIC PART



GRAPHIC #1

<END>

g00951290

ELECTRICAL AND STARTING SYSTEM

322-3621 CONTROL GP-UNPROGRAMMED

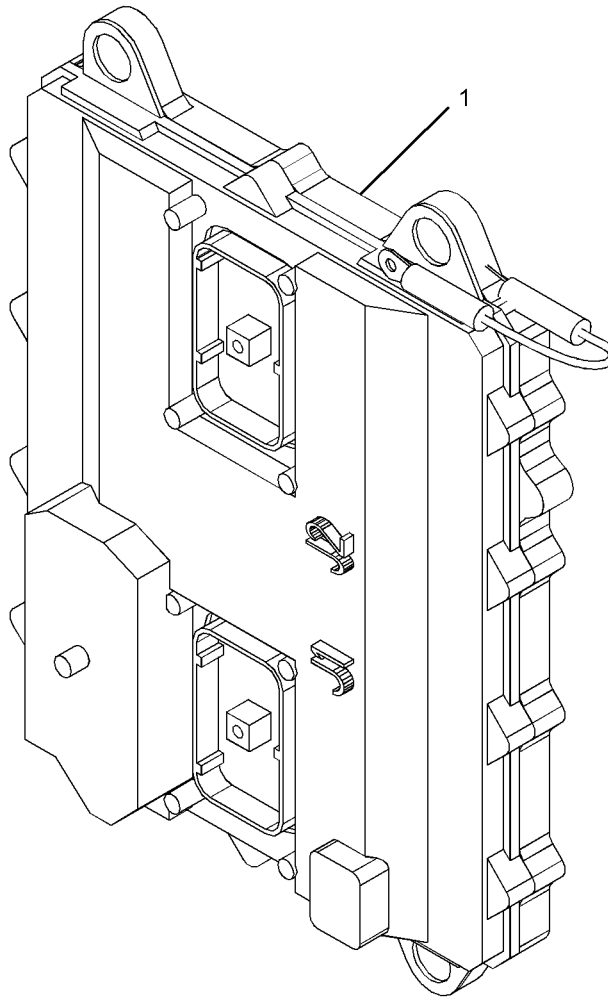
S/N: A7A1-UP

PART OF 309-0972 WIRING GP-ELECTRONICS BAY
AN ATTACHMENT

SMCS-7610

i04487675

NOTE	REF NO	GRAPHIC REF	PART NUMBER	QTY	PART NAME						SEE PAGE
					1	2	3	4	5	6 (PRODUCT LEVEL)	
R	1	1	304-5687	1	CONTROL GP-UNPROGRAMMED						
R-REMFG PART MAY BE AVAILABLE											



GRAPHIC #1

<END>

g01445595

ELECTRICAL AND STARTING SYSTEM

337-0870 ELECTRICAL AR

S/N: A7A1-UP

PART OF 284-2327 COMMON AR

SMCS-1408, 1429, 7402, 7406

i04455549

NOTE	PART NUMBER	QTY	PART NAME						SEE PAGE
			1	2	3	4	5	6 (PRODUCT LEVEL)	
Y	333-2427	1	BATTERY & WIRING GP						147
Y	345-0527	1	ELECTRONICS GP-IMPLEMENT						156
Y	345-0530	1	ELECTRONICS GP-MONITOR (CATERPILLAR MONITORING SYSTEM)						156
Y	345-0529	1	ELECTRONICS GP-POWER TRAIN						156
Y	225-6841	1	FASTENER GP-ELECTRONICS						157
Y	231-3882	1	WARNING GP-BACKUP						213
Y	309-2726	1	WIRING GP-ELECTROHYDRAULIC						227
Y	284-2990	1	WIRING GP-ENGINE (ALTERNATOR, STARTING MOTOR)						239
Y	339-8271	1	WIRING GP-ENGINE						240
Y	345-0520	1	WIRING GP-FRONT						243
Y	345-0510	1	WIRING GP-MACHINE						247
Y	284-3003	1	WIRING GP-POWER TRAIN						253
Y	286-7232	1	WIRING GP-REAR						255

Y-SEPARATE ILLUSTRATION

<END>

345-0527 ELECTRONICS GP-IMPLEMENT

S/N: A7A1-UP

PART OF 337-0870 ELECTRICAL AR

SMCS-5701, 7610, 7620

i04437453

NOTE	PART NUMBER	QTY	PART NAME						SEE PAGE
			1	2	3	4	5	6 (PRODUCT LEVEL)	
	361-7770	1	SOFTWARE GP-IMPLEMENT						

<END>

345-0530 ELECTRONICS GP-MONITOR

S/N: A7A1-UP

PART OF 337-0870 ELECTRICAL AR

SMCS-7490, 7494, 7601, 7603, 7610, 7620

i04437469

NOTE	PART NUMBER	QTY	PART NAME						SEE PAGE
			1	2	3	4	5	6 (PRODUCT LEVEL)	
	347-0404	1	SOFTWARE GP-MONITOR						

<END>

345-0529 ELECTRONICS GP-POWER TRAIN

S/N: A7A1-UP

PART OF 337-0870 ELECTRICAL AR

SMCS-4800, 4808, 7610, 7620

i04437530

NOTE	PART NUMBER	QTY	PART NAME						SEE PAGE
			1	2	3	4	5	6 (PRODUCT LEVEL)	
	359-9007	1	SOFTWARE GP-POWER TRAIN						

<END>

ELECTRICAL AND STARTING SYSTEM

225-6841 FASTENER GP-ELECTRONICS

S/N: A7A1-UP

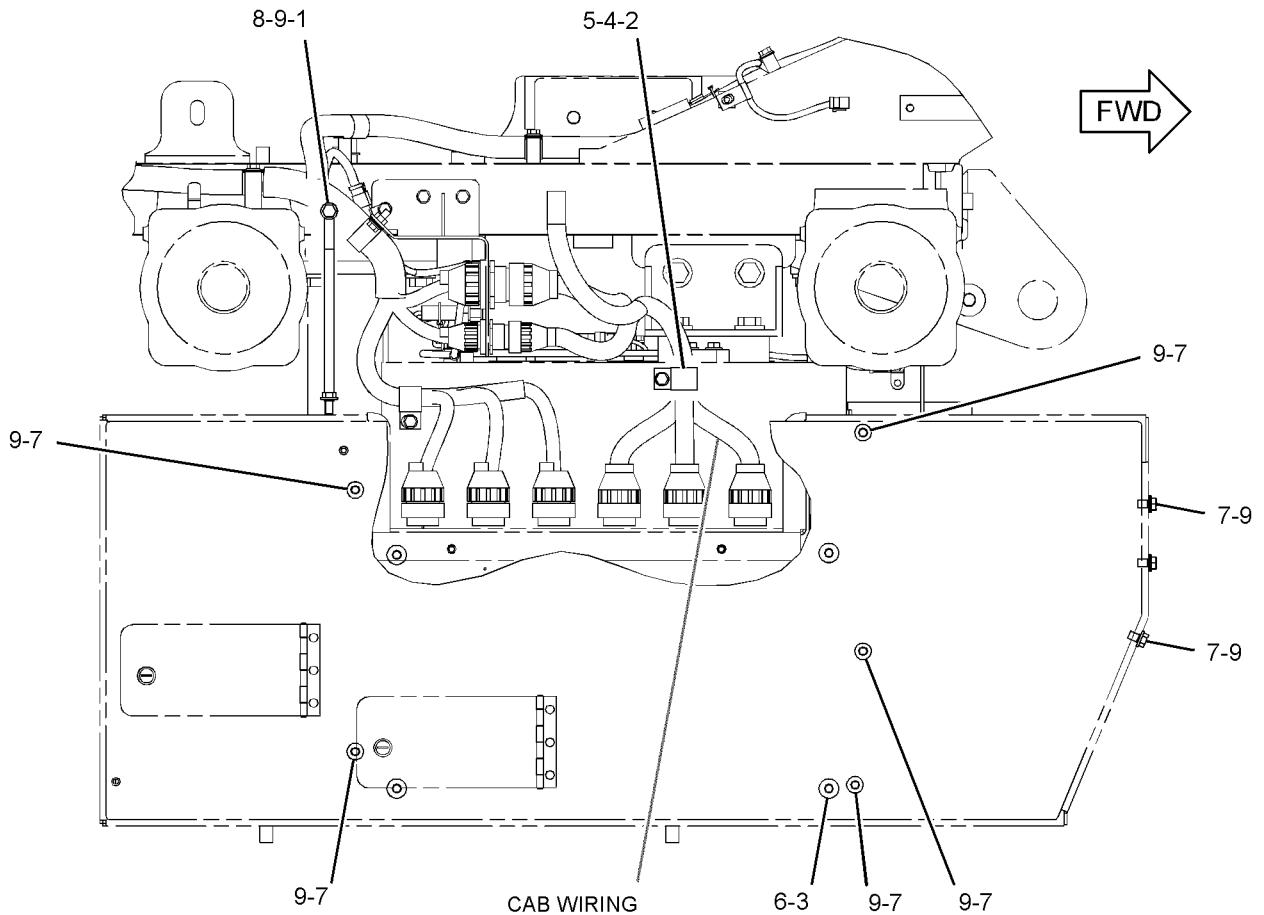
PART OF 337-0870 ELECTRICAL AR

SMCS-7553

i04456390

NOTE	REF NO	GRAPHIC REF	PART NUMBER	QTY	PART NAME						SEE PAGE
					1	2	3	4	5	6 (PRODUCT LEVEL)	
	1	1	6Y-6584	1	STRAP AS-GROUND						
	2	1	4D-7388	1	CLIP						
	3	1	5P-1076	4	WASHER-HARD (13.5X30X4-MM THK)						
	4	1	8T-4121	1	WASHER-HARD (11X21X2.5-MM THK)						
M	5	1	8T-4137	1	BOLT (M10X1.5X20-MM)						
M	6	1	8T-4139	4	BOLT (M12X1.75X30-MM)						
M	7	1	8T-4179	9	BOLT (M12X1.75X20-MM)						
M	8	1	8T-4192	2	BOLT (M12X1.75X25-MM)						
	9	1	8T-4223	11	WASHER-HARD (13.5X25.5X3-MM THK)						

M-METRIC PART



TOP VIEW

<END>

GRAPHIC #1

g02048413

ELECTRICAL AND STARTING SYSTEM

3E-6389 LAMP GP-DOME

S/N: A7A1-UP

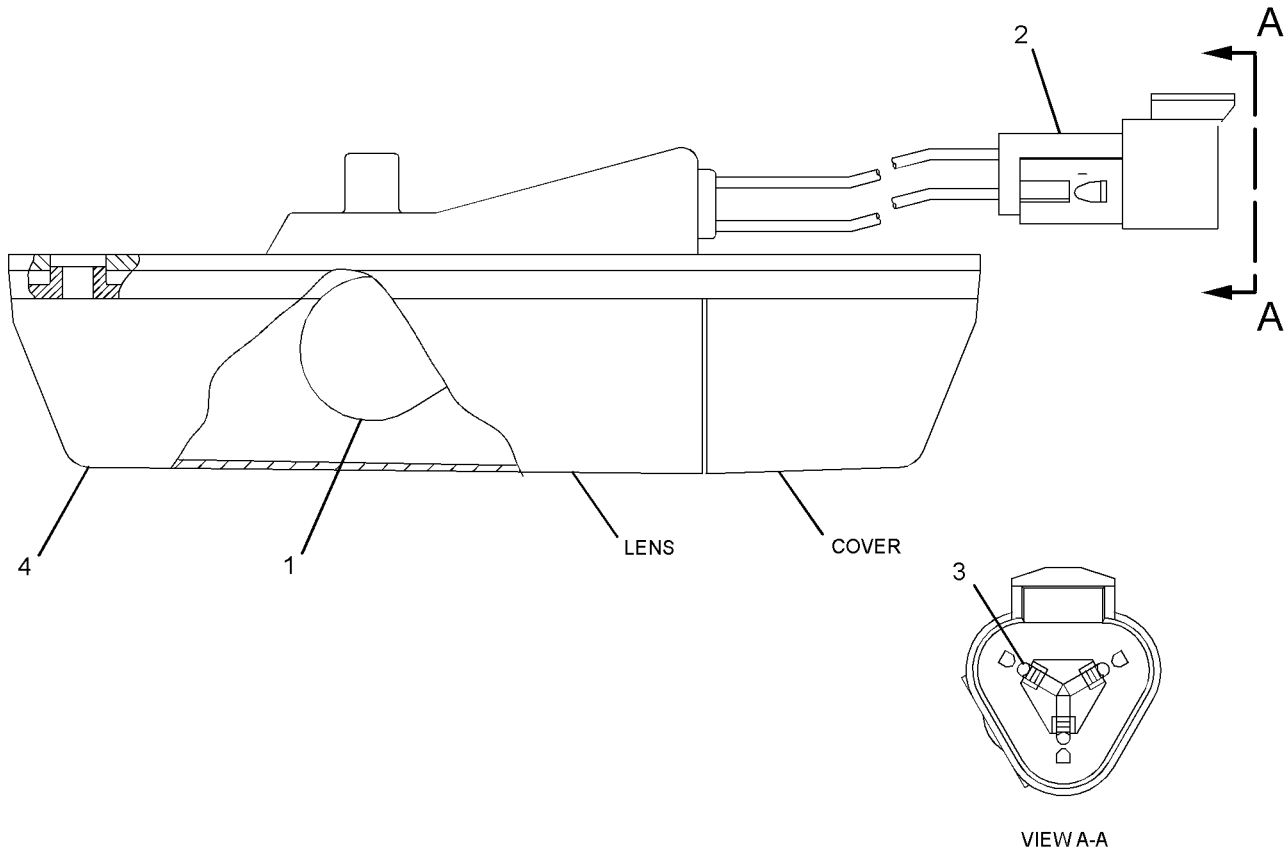
24-VOLT . WITH SWITCH

PART OF 345-4460 WIRING GP-CAB

SMCS-1433

i04472154

NOTE	REF NO	GRAPHIC REF	PART NUMBER	QTY	PART NAME						SEE PAGE
					1	2	3	4	5	6 (PRODUCT LEVEL)	
	1	1	7N-9943	1	LAMP (24-VOLT) (CAB)						
	2	1	102-8803	1	KIT-RECEPTACLE (3-PIN) (INCLUDES RECEPTACLE AS & WEDGE)						
	3	1	8T-8729	3	PIN-CONNECTOR (16-GA TO 18-GA)						
	4	1	7T-0020	1	LENS-DOME LAMP						



GRAPHIC #1

<END>

g01270113

ELECTRICAL AND STARTING SYSTEM

219-6487 LAMP GP-FLOOD

S/N: A7A1-UP

24-VOLT, 70-WATT

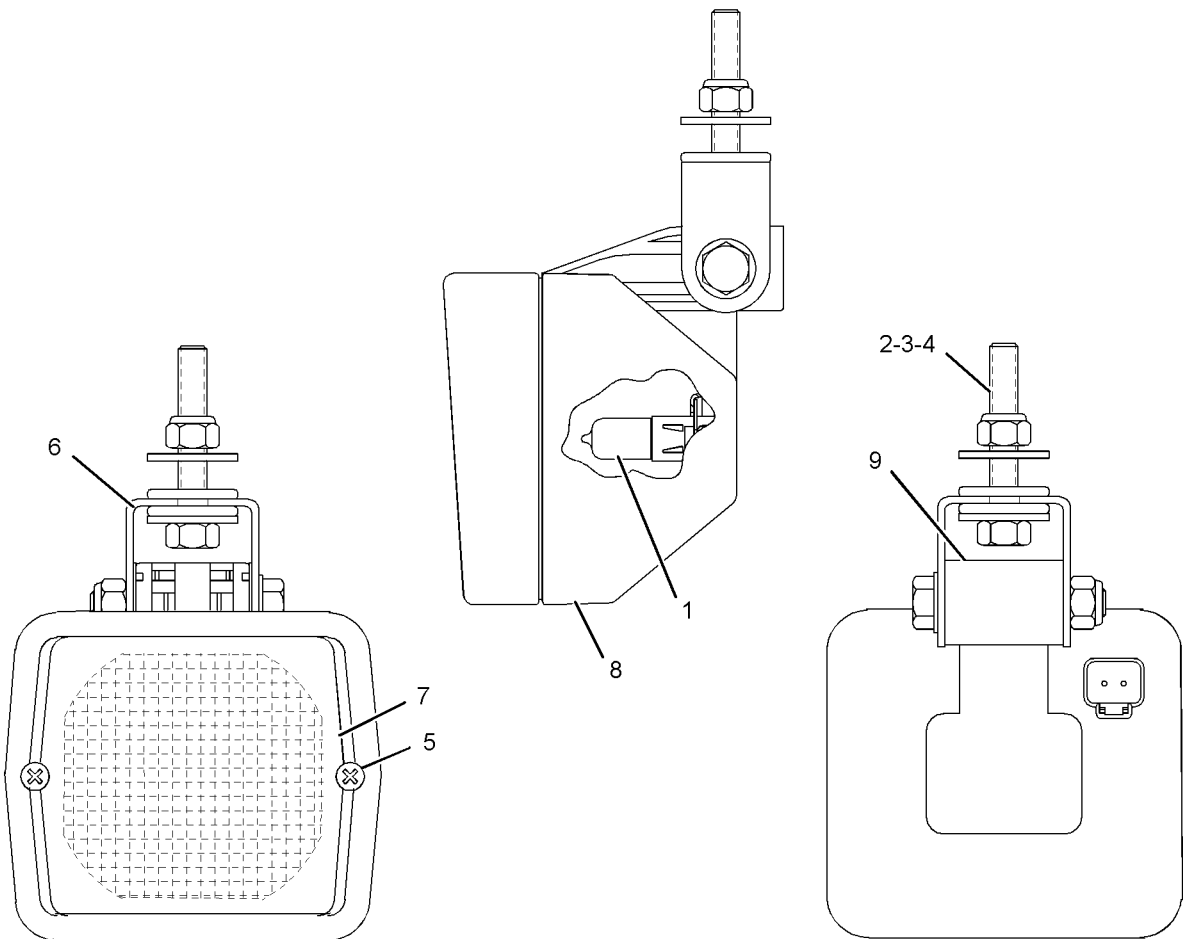
PART OF 346-3838, 346-3840 LIGHTING GP-FLOOD
AN ATTACHMENT

SMCS-1434

i04440793

NOTE	REF NO	GRAPHIC REF	PART NUMBER	QTY	PART NAME						SEE PAGE
					1	2	3	4	5	6 (PRODUCT LEVEL)	
	1	1	351-9918	1	LAMP-HALOGEN (24-VOLT, 70-WATT)						
M	2	1	8T-6912	1	BOLT (M8X1.25X50-MM)						
M	3	1	6V-9189	1	LOCKNUT (M8X1.25-THD)						
	4	1	8T-4224	2	WASHER-HARD (8.8X16X2-MM THK)						
	5	1	9X-4244	2	SCREW-SPECIAL (M4X1.79X25-MM)						
	6	1	175-4291	1	BRACKET AS						
	7	1	202-6614	1	LENS AS (FLOODLIGHT)						
	8	1	175-4292	1	BODY AS						
	9	1	164-7556	1	BRACKET (LAMP RETAINING)						

M-METRIC PART



GRAPHIC #1

<END>

g02167882

ELECTRICAL AND STARTING SYSTEM

272-6641 LAMP GP-FLOOD

S/N: A7A1-UP

24-VOLT

PART OF 345-0519, 345-0522 LIGHTING GP-FLOOD, 345-0523 LIGHTING GP-FLOOD
& SIGNAL

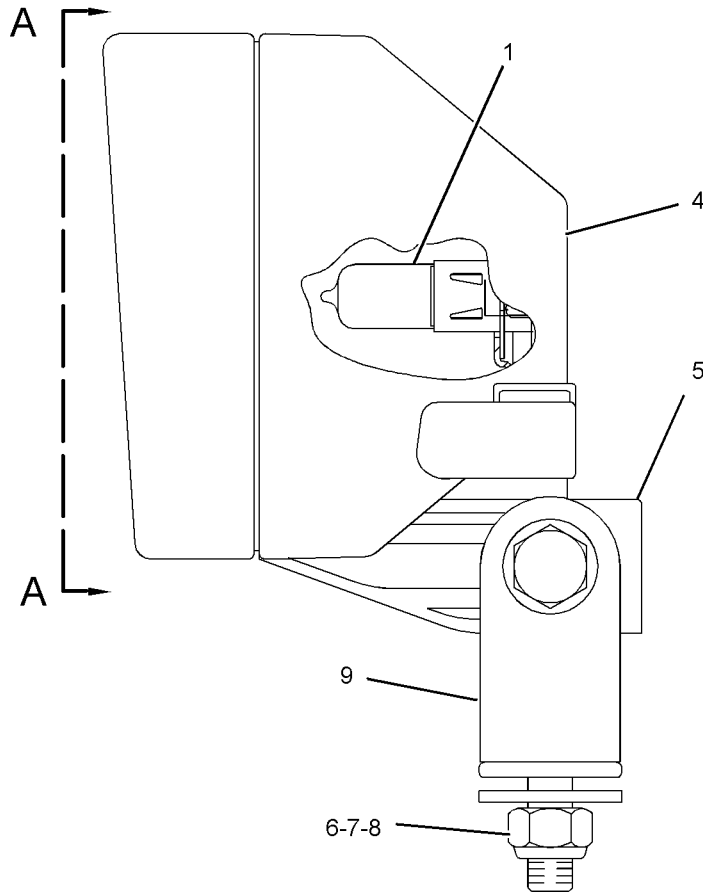
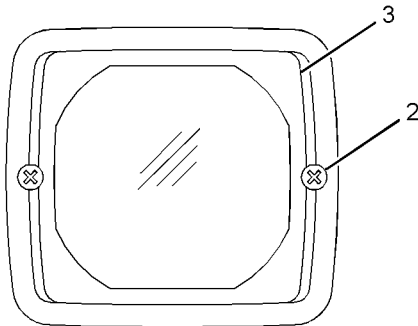
AN ATTACHMENT

SMCS-1434

i04489950

NOTE	REF NO	GRAPHIC REF	PART NUMBER	QTY	PART NAME						SEE PAGE
					1	2	3	4	5	6 (PRODUCT LEVEL)	
	1	1	351-9918	1	LAMP-HALOGEN (24-VOLT, 70-WATT)						
	2	1	9X-4244	2	SCREW-SPECIAL (M4X1.79X25-MM)						
	3	1	202-6614	1	LENS AS						
	4	1	175-4292	1	BODY AS						
	5	1	164-7556	1	BRACKET (LAMP RETAINING)						
M	6	1	8T-7547	1	BOLT (M8X1.25X30-MM)						
M	7	1	5C-7261	1	NUT (M8X1.25-THD)						
	8	1	8T-4224	2	WASHER-HARD (8.8X16X2-MM THK)						
	9	1	175-4291	1	BRACKET AS						

M-METRIC PART



GRAPHIC #1

<END>

g01305640

ELECTRICAL AND STARTING SYSTEM

327-8026 LAMP GP-INDICATOR

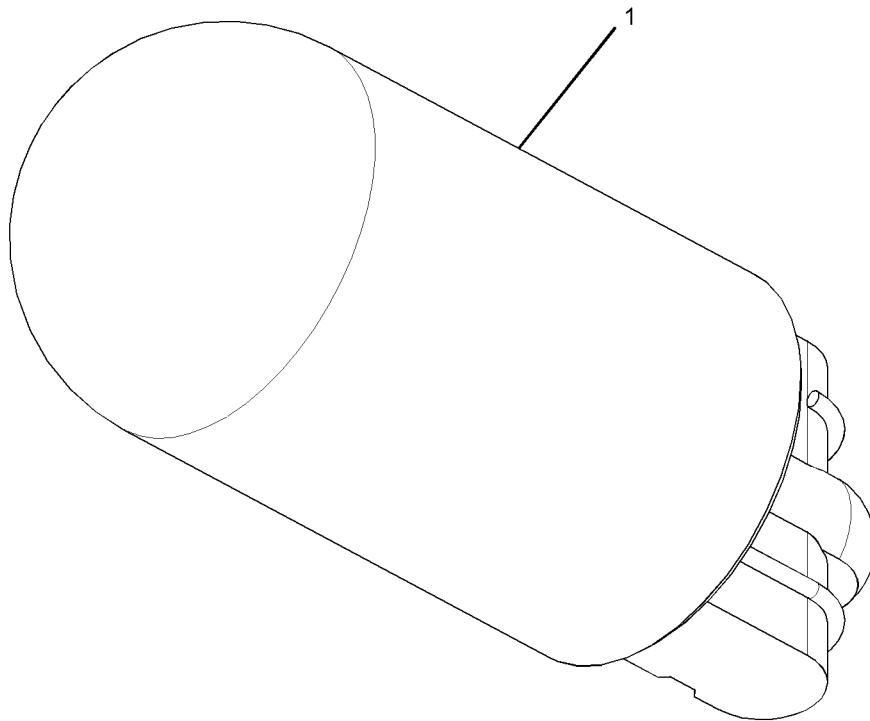
S/N: A7A1-UP

PART OF 132-6144 LINES GP-SECONDARY STEERING
AN ATTACHMENT

SMCS-7431

i04482651

NOTE	REF NO	GRAPHIC REF	PART NUMBER	QTY	PART NAME						SEE PAGE
					1	2	3	4	5	6 (PRODUCT LEVEL)	
	1	1	163-1876	1	LAMP-LED (24-VOLT, RED) (RED)						



GRAPHIC #1

<END>

g01619276

ELECTRICAL AND STARTING SYSTEM

135-0426 LAMP GP-SIGNAL

S/N: A7A1-UP

12/24-VOLT

PART OF 345-0523 LIGHTING GP-FLOOD & SIGNAL

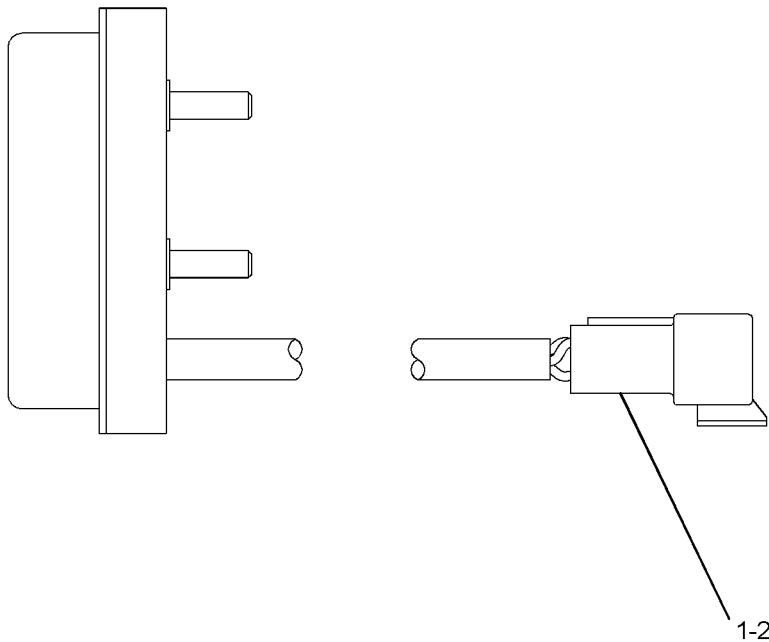
FIELD REPLACEMENT ORDER 334-8049-PAGE 164

AN ATTACHMENT

SMCS-1430

i02683577

NOTE	REF NO	GRAPHIC REF	PART NUMBER	QTY	PART NAME						SEE PAGE
					1	2	3	4	5	6 (PRODUCT LEVEL)	
	1	1	102-8803	1	KIT-RECEPTACLE (3-PIN)						
					(INCLUDES RECEPTACLE AS & WEDGE)						
	2	1	186-3735	3	PIN-CONNECTOR (16-GA TO 18-GA)						



GRAPHIC #1

<END>

g01213248

ELECTRICAL AND STARTING SYSTEM

334-5410 LAMP GP-SIGNAL-TURN

S/N: A7A1-UP

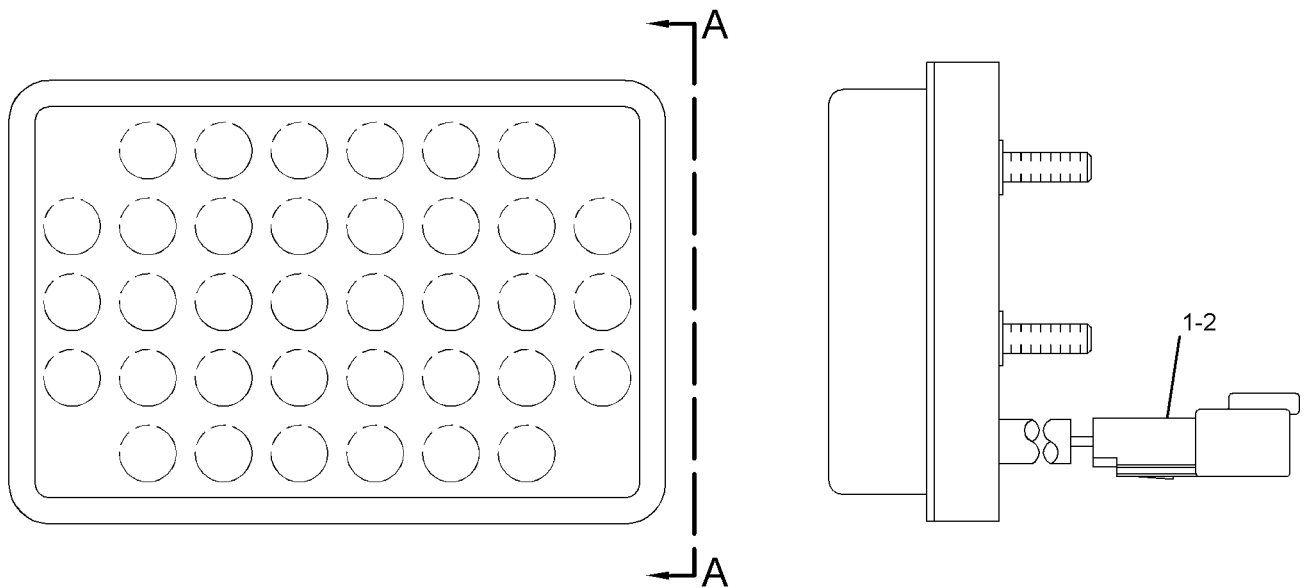
12-VOLT, 24-VOLT

PART OF 345-0523 LIGHTING GP-FLOOD & SIGNAL
AN ATTACHMENT

SMCS-1430

i04437452

NOTE	REF NO	GRAPHIC REF	PART NUMBER	QTY	PART NAME						SEE PAGE
					1	2	3	4	5	6 (PRODUCT LEVEL)	
	1	1	102-8802	1	KIT-RECEPTACLE (2-PIN)						
					(INCLUDES RECEPTACLE AS & WEDGE)						
	2	1	8T-8729	2	PIN-CONNECTOR (16-GA TO 18-GA)						



GRAPHIC #1

<END>

g01756193

ELECTRICAL AND STARTING SYSTEM

334-8049 LAMP GP-SIGNAL-STOP, TAIL

S/N: A7A1-UP

24-VOLT

PART OF 296-6055 LIGHTING GP-STOP & TAIL

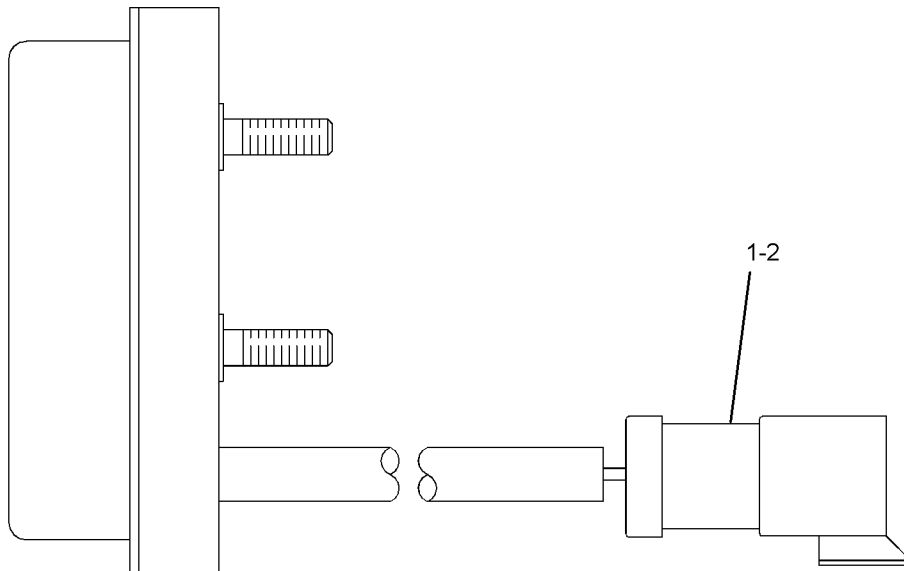
FIELD REPLACEMENT FOR 135-0426-PAGE 162

AN ATTACHMENT

SMCS-1430

i03732960

NOTE	REF NO	GRAPHIC REF	PART NUMBER	QTY	PART NAME						SEE PAGE
					1	2	3	4	5	6 (PRODUCT LEVEL)	
	1	1	102-8803	1	KIT-RECEPTACLE (3-PIN)						
					(INCLUDES RECEPTACLE AS & WEDGE)						
	2	1	186-3735	3	PIN-CONNECTOR (16-GA TO 18-GA)						



GRAPHIC #1

<END>

g02016214

ELECTRICAL AND STARTING SYSTEM

285-6400 LIGHTING AR-FLOOD & SIGNAL

S/N: A7A1-UP

PART OF 379-3390 DISTRIBUTION AR
AN ATTACHMENT

SMCS-1430, 1434

i04477963

NOTE	PART NUMBER	QTY	PART NAME						SEE PAGE
			1	2	3	4	5	6 (PRODUCT LEVEL)	
Y	173-8466	1	HORN GP-ELECTRIC						610
Y	345-0522	1	LIGHTING GP-FLOOD (HOOD) (HOOD)						168
Y	346-3838	1	LIGHTING GP-FLOOD (CAB FRONT)						170
Y	346-3840	1	LIGHTING GP-FLOOD (CAB FRONT, REAR) (CAB FRONT, REAR)						171
Y	345-0523	1	LIGHTING GP-FLOOD & SIGNAL						172
Y	350-9960	1	SWITCH GP-SIGNAL						208

Y-SEPARATE ILLUSTRATION

<END>

285-6399 LIGHTING AR-STOP & FLOOD

S/N: A7A1-UP

PART OF 379-3389 DISTRIBUTION AR
AN ATTACHMENT

SMCS-1432, 1434

i04477964

NOTE	PART NUMBER	QTY	PART NAME						SEE PAGE
			1	2	3	4	5	6 (PRODUCT LEVEL)	
Y	173-8466	1	HORN GP-ELECTRIC						610
Y	345-0522	1	LIGHTING GP-FLOOD (HOOD) (HOOD)						168
Y	345-0519	1	LIGHTING GP-FLOOD (FRONT FENDERS)						166
Y	346-3838	1	LIGHTING GP-FLOOD (CAB FRONT)						170
Y	346-3840	1	LIGHTING GP-FLOOD (CAB FRONT, REAR) (CAB FRONT, REAR)						171
Y	296-6055	1	LIGHTING GP-STOP & TAIL (2-LAMP, REAR)						176

Y-SEPARATE ILLUSTRATION

<END>

ELECTRICAL AND STARTING SYSTEM

345-0519 LIGHTING GP-FLOOD

S/N: A7A1-UP

PART OF 285-6399 LIGHTING AR-STOP & FLOOD
AN ATTACHMENT

SMCS-1434

i04480149

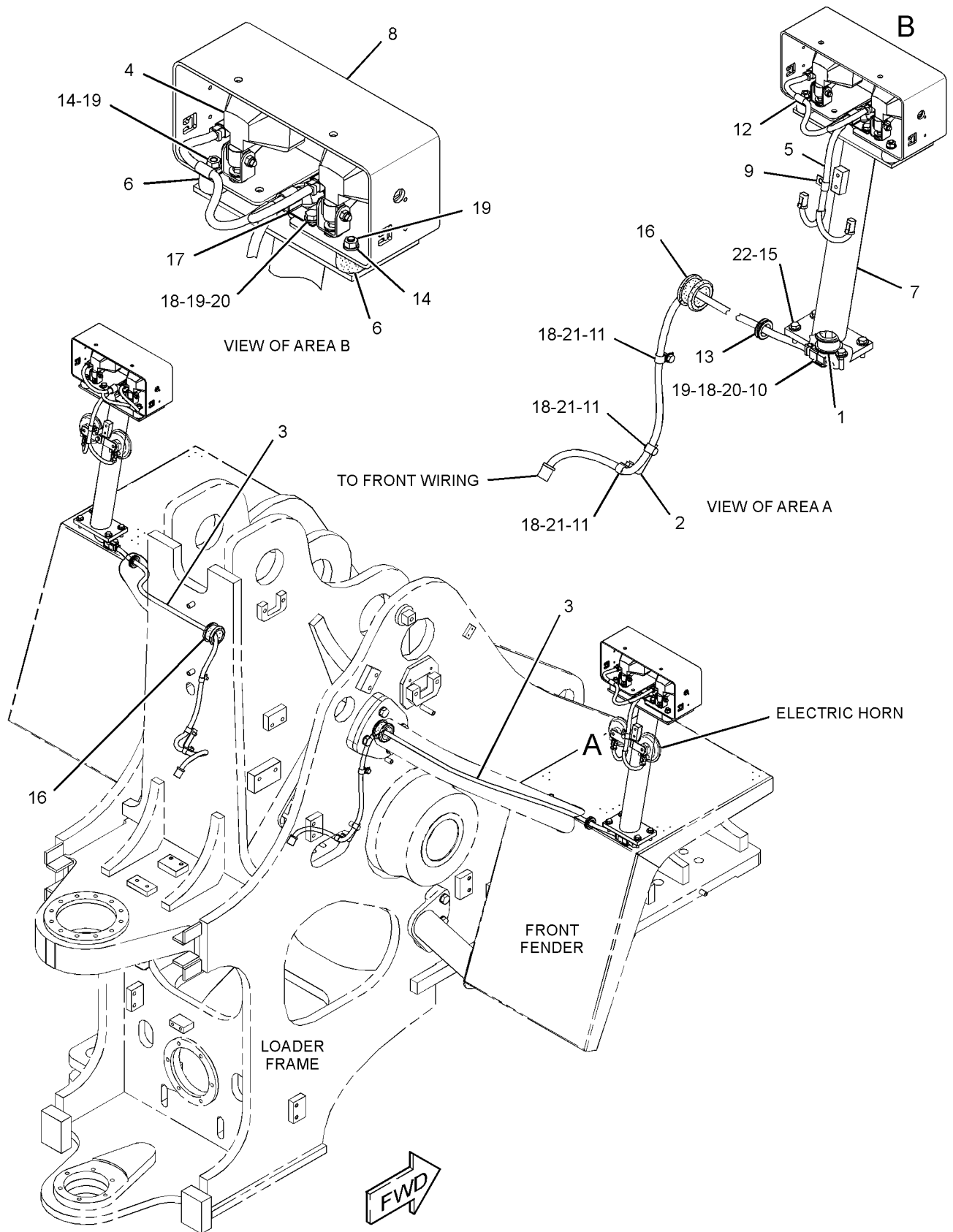
NOTE	REF NO	GRAPHIC REF	PART NUMBER	QTY	PART NAME						SEE PAGE
					1	2	3	4	5	6 (PRODUCT LEVEL)	
	1	1	137-5109	2	GROMMET-SPLIT						
	2	1	144-4613	2	ANGLE AS						
					(EACH INCLUDES)						
M		1	8T-3490	1	NUT-WELD (M10X1.5-THD)						
	3	1	260-0447	2	HARNESS AS-LIGHTING						
					(EACH INCLUDES)						
		1	155-2274	2	KIT-CONNECTING PLUG (6-PIN)						
					(EACH INCLUDES PLUG AS, WEDGE, & INTERFACE SEAL)						
		1	8T-8737	12	PLUG-SEAL						
E		1	114-8843		SLEEVE-PLASTIC (40-CM)						
Y	4	1	272-6641	4	LAMP GP-FLOOD (24-VOLT)						160
	5	1	309-2740	2	HARNESS AS-LIGHTING (FRONT FLOOD, HORN)						
					(EACH INCLUDES)						
		1	155-2270	4	KIT-CONNECTING PLUG (2-PIN)						
					(EACH INCLUDES PLUG AS, WEDGE, & INTERFACE SEAL)						
		1	102-8805	1	KIT-RECEPTACLE (6-PIN)						
					(INCLUDES RECEPTACLE AS & WEDGE)						
		1	9X-3401	2	PIN-CONNECTOR (16-GA TO 18-GA)						
		1	126-1767	2	PIN-CONNECTOR (14-GA TO 16-GA)						
		1	8T-8737	2	PLUG-SEAL						
E		1	114-8843		SLEEVE-PLASTIC (100-CM)						
		1	9X-3402	3	SOCKET-CONNECTOR (16-GA TO 18-GA)						
		1	126-1768	5	SOCKET-CONNECTOR (14-GA TO 16-GA)						
E		1	119-3662		TUBE-HEAT SHRINK (10.85-MM DIA) (13-CM)						
E		1	125-7875		TUBE-HEAT SHRINK (7.44-MM DIA) (5-CM)						
	6	1	330-5646	8	MOUNT						
	7	1	331-9011	2	BRACKET AS						
	8	1	337-5191	2	BRACKET						
	9	1	033-8248	2	CLIP						
	10	1	130-5300	2	CLIP						
	11	1	4K-8864	6	CLIP						
	12	1	5P-9297	2	CLIP						
	13	1	6P-6641	2	GROMMET						
	14	1	6V-5839	16	WASHER (11X21X2.5-MM THK)						
	15	1	7X-7729	8	WASHER (11X25X3-MM THK)						
	16	1	8J-3415	2	GROMMET						
	17	1	8S-0948	2	CLIP						
	18	1	8T-4121	14	WASHER-HARD (11X21X2.5-MM THK)						
M	19	1	8T-4133	20	NUT (M10X1.5-THD)						
M	20	1	8T-4136	4	BOLT (M10X1.5X25-MM)						
M	21	1	8T-4137	6	BOLT (M10X1.5X20-MM)						
M	22	1	8T-4186	8	BOLT (M10X1.5X40-MM)						

E-ORDER BY THE CENTIMETER
M-METRIC PART
Y-SEPARATE ILLUSTRATION

ELECTRICAL AND STARTING SYSTEM

345-0519 LIGHTING GP-FLOOD (contd.)

i04480149



GRAPHIC #1

<END>

g02060062

ELECTRICAL AND STARTING SYSTEM

345-0522 LIGHTING GP-FLOOD-HOOD

S/N: A7A1-UP

PART OF 285-6400 LIGHTING AR-FLOOD & SIGNAL, 285-6399 LIGHTING AR-STOP & FLOOD

AN ATTACHMENT

SMCS-1434

i04480130

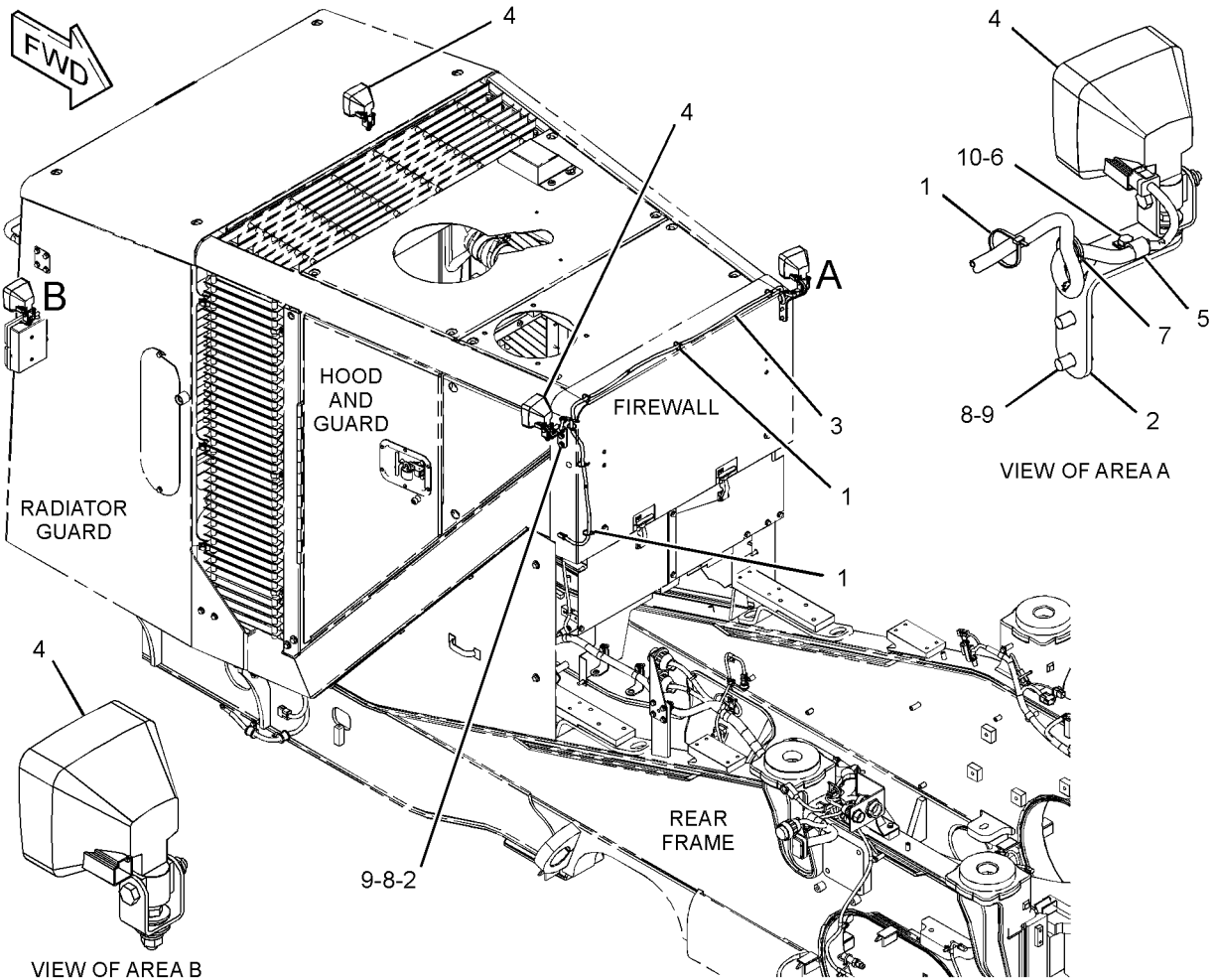
NOTE	REF NO	GRAPHIC REF	PART NUMBER	QTY	PART NAME						SEE PAGE
					1	2	3	4	5	6 (PRODUCT LEVEL)	
	1	1	3S-2093	6	STRAP-CABLE						
	2	1	8R-7102	2	BRACKET AS						
					(EACH INCLUDES)						
M		1	6V-9632	1	NUT-WELD (M6X1-THD)						
	3	1	141-8713	1	HARNESS AS-LIGHTING						
		1	8T-8730	6	SOCKET-CONNECTOR (16-GA TO 18-GA)						
E		1	114-8843		SLEEVE-PLASTIC (20-CM)						
E		1	114-8845		SLEEVE-PLASTIC (40-CM)						
E		1	125-7875		TUBE-HEAT SHRINK (7.44-MM DIA) (10-CM)						
		1	155-2270	3	KIT-CONNECTING PLUG (2-PIN)						
					(EACH INCLUDES PLUG AS, WEDGE, & INTERFACE SEAL)						
Y	4	1	272-6641	4	LAMP GP-FLOOD (24-VOLT)						160
	5	1	2V-3216	2	CLIP						
M	6	1	5C-9553	2	BOLT (M6X1X16-MM)						
	7	1	5P-8439	2	GROMMET						
	8	1	8T-4121	4	WASHER-HARD (11X21X2.5-MM THK)						
M	9	1	8T-4137	4	BOLT (M10X1.5X20-MM)						
	10	1	9X-8256	2	WASHER (6.6X12X2-MM THK)						

E-ORDER BY THE CENTIMETER
M-METRIC PART
Y-SEPARATE ILLUSTRATION

ELECTRICAL AND STARTING SYSTEM

345-0522 LIGHTING GP-FLOOD (contd.)

i04480130



GRAPHIC #1

<END>

g02059958

ELECTRICAL AND STARTING SYSTEM

346-3838 LIGHTING GP-FLOOD-CAB FRONT

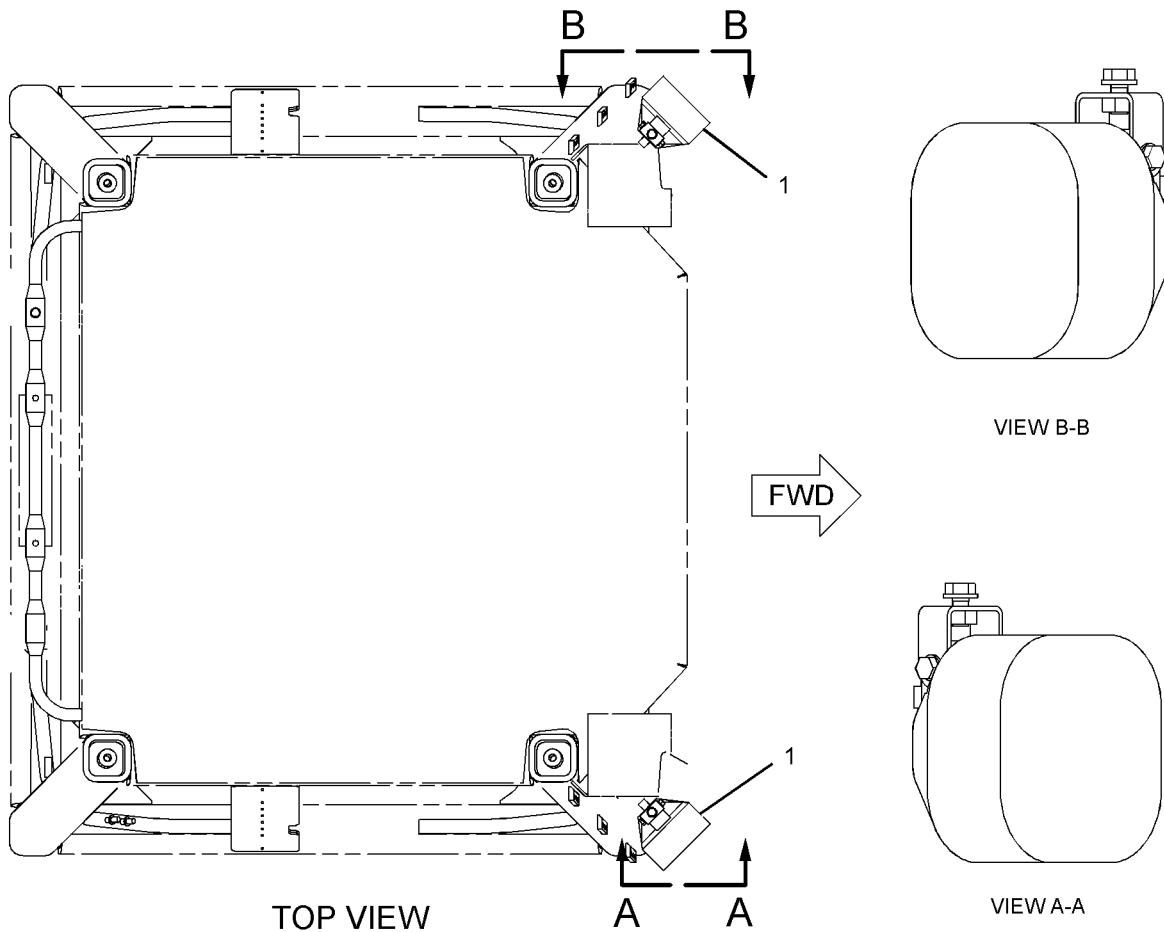
S/N: A7A1-UP

PART OF 285-6400 LIGHTING AR-FLOOD & SIGNAL, 285-6399 LIGHTING AR-STOP &
FLOOD
AN ATTACHMENT

SMCS-1434

i04480132

NOTE	REF NO	GRAPHIC REF	PART NUMBER	QTY	PART NAME						SEE PAGE
					1	2	3	4	5	6 (PRODUCT LEVEL)	
Y	1	1	219-6487	2	LAMP GP-FLOOD (24-VOLT, 65-WATT) (CAB FRONT)						159
Y-SEPARATE ILLUSTRATION											



GRAPHIC #1

<END>

g02053975

ELECTRICAL AND STARTING SYSTEM

346-3840 LIGHTING GP-FLOOD-CAB FRONT, REAR

S/N: A7A1-UP

PART OF 285-6400 LIGHTING AR-FLOOD & SIGNAL, 285-6399 LIGHTING AR-STOP & FLOOD

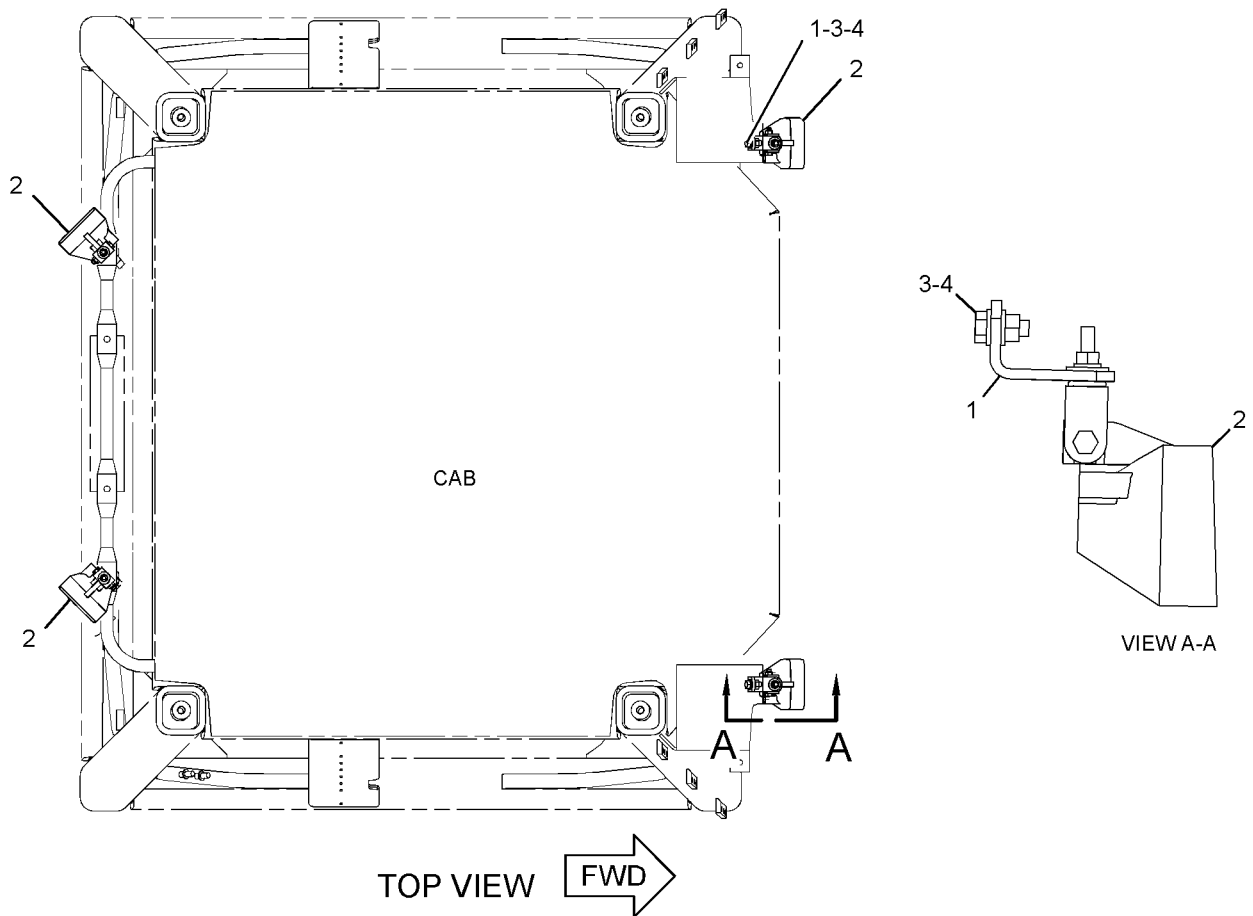
AN ATTACHMENT

SMCS-1434

i04437573

NOTE	REF NO	GRAPHIC REF	PART NUMBER	QTY	PART NAME						SEE PAGE
					1	2	3	4	5	6 (PRODUCT LEVEL)	
	1	1	201-8318	2	BRACKET AS						
Y	2	1	219-6487	4	LAMP GP-FLOOD (24-VOLT, 65-WATT)						159
	3	1	8T-4121	2	WASHER-HARD (11X21X2.5-MM THK)						
M	4	1	8T-4136	2	BOLT (M10X1.5X25-MM)						

M-METRIC PART
Y-SEPARATE ILLUSTRATION



GRAPHIC #1

<END>

g02274153

ELECTRICAL AND STARTING SYSTEM

345-0523 LIGHTING GP-FLOOD & SIGNAL

S/N: A7A1-UP

PART OF 285-6400 LIGHTING AR-FLOOD & SIGNAL
AN ATTACHMENT

SMCS-1430, 1434

i04480291

NOTE	REF NO	GRAPHIC REF	PART NUMBER	QTY	PART NAME						SEE PAGE
					1	2	3	4	5	6 (PRODUCT LEVEL)	
	1	1	4E-7498	1	COVER (RH)						
	2	1	4E-7499	1	COVER (LH)						
	3	2	5C-8964	1	LAMP GP-SIGNAL (TURN, RH)						
	4	2	5C-9029	1	LAMP GP-SIGNAL (TURN, LH)						
	5	1	9U-0561	1	BRACKET (RH)						
	6	1	116-0118	4	CLIP						
	7	2	9X-4493	2	LAMP (24-VOLT, 21-WATT)						
	8	2	9X-6772	2	STRAP-CABLE						
Y	9	1	135-0426	2	LAMP GP-SIGNAL (24-VOLT, STOP, TAIL)						162
	10	2	137-5109	2	GROMMET-SPLIT						
	11	2	144-4613	2	ANGLE AS						
					(EACH INCLUDES)						
M		2	8T-3490	1	NUT-WELD (M10X1.5-THD)						
	12	1	230-8152	4	SPACER						
M	13	2	104-3601	2	SCREW-MACHINE (M5X0.8X25-MM)						
	14	2	260-0447	2	HARNESS AS-LIGHTING						
		2	8T-8737	12	PLUG-SEAL						
E		2	114-8843		SLEEVE-PLASTIC (40-CM)						
		2	155-2274	2	KIT-CONNECTING PLUG (6-PIN)						
					(EACH INCLUDES PLUG AS, WEDGE, & INTERFACE SEAL)						
Y	15	2	272-6641	4	LAMP GP-FLOOD (24-VOLT)						160
	16	2	309-2741	1	HARNESS AS-LIGHTING						
		2	102-8805	1	KIT-RECEPTACLE (6-PIN)						
					(INCLUDES RECEPTACLE AS & WEDGE)						
		2	8T-8737	1	PLUG-SEAL						
		2	9X-3401	3	PIN-CONNECTOR (16-GA TO 18-GA)						
		2	9X-3402	3	SOCKET-CONNECTOR (16-GA TO 18-GA)						
E		2	114-8843		SLEEVE-PLASTIC (100-CM)						
E		2	119-3662		TUBE-HEAT SHRINK (10.85-MM DIA) (13-CM)						
E		2	125-7875		TUBE-HEAT SHRINK (7.44-MM DIA) (5-CM)						
		2	126-1767	2	PIN-CONNECTOR (14-GA TO 16-GA)						
		2	126-1768	5	SOCKET-CONNECTOR (14-GA TO 16-GA)						
		2	5P-4571	2	TERMINAL-BLADE (14-GA TO 16-GA)						
D		2	6V-2689		TUBE-HEAT SHRINK (6.35-MM DIA) (0.1-M EACH)						
		2	155-2270	4	KIT-CONNECTING PLUG (2-PIN)						
					(EACH INCLUDES PLUG AS, WEDGE, & INTERFACE SEAL)						
	17	2	309-2748	1	HARNESS AS-LIGHTING						
		2	102-8805	1	KIT-RECEPTACLE (6-PIN)						
					(INCLUDES RECEPTACLE AS & WEDGE)						
		2	8T-8737	1	PLUG-SEAL						
		2	9X-3401	3	PIN-CONNECTOR (16-GA TO 18-GA)						
		2	9X-3402	3	SOCKET-CONNECTOR (16-GA TO 18-GA)						
E		2	114-8843		SLEEVE-PLASTIC (100-CM)						
E		2	119-3662		TUBE-HEAT SHRINK (10.85-MM DIA) (13-CM)						
E		2	125-7875		TUBE-HEAT SHRINK (7.44-MM DIA) (5-CM)						
		2	126-1767	2	PIN-CONNECTOR (14-GA TO 16-GA)						
		2	126-1768	5	SOCKET-CONNECTOR (14-GA TO 16-GA)						
		2	5P-4571	2	TERMINAL-BLADE (14-GA TO 16-GA)						
D		2	6V-2689		TUBE-HEAT SHRINK (6.35-MM DIA) (0.1-M EACH)						
		2	155-2270	4	KIT-CONNECTING PLUG (2-PIN)						
					(EACH INCLUDES PLUG AS, WEDGE, & INTERFACE SEAL)						
	18	2	330-5646	8	MOUNT						

ELECTRICAL AND STARTING SYSTEM

345-0523 LIGHTING GP-FLOOD & SIGNAL (contd.)

i04480291

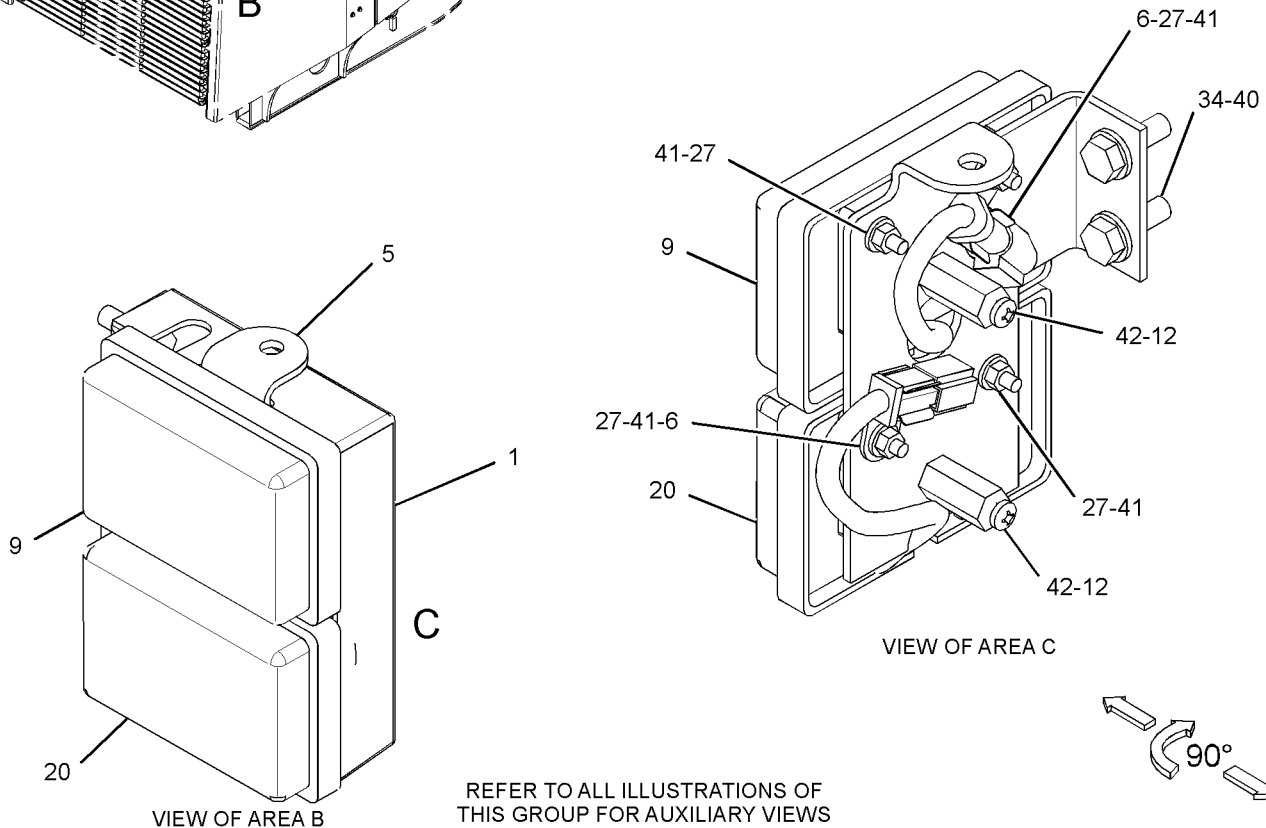
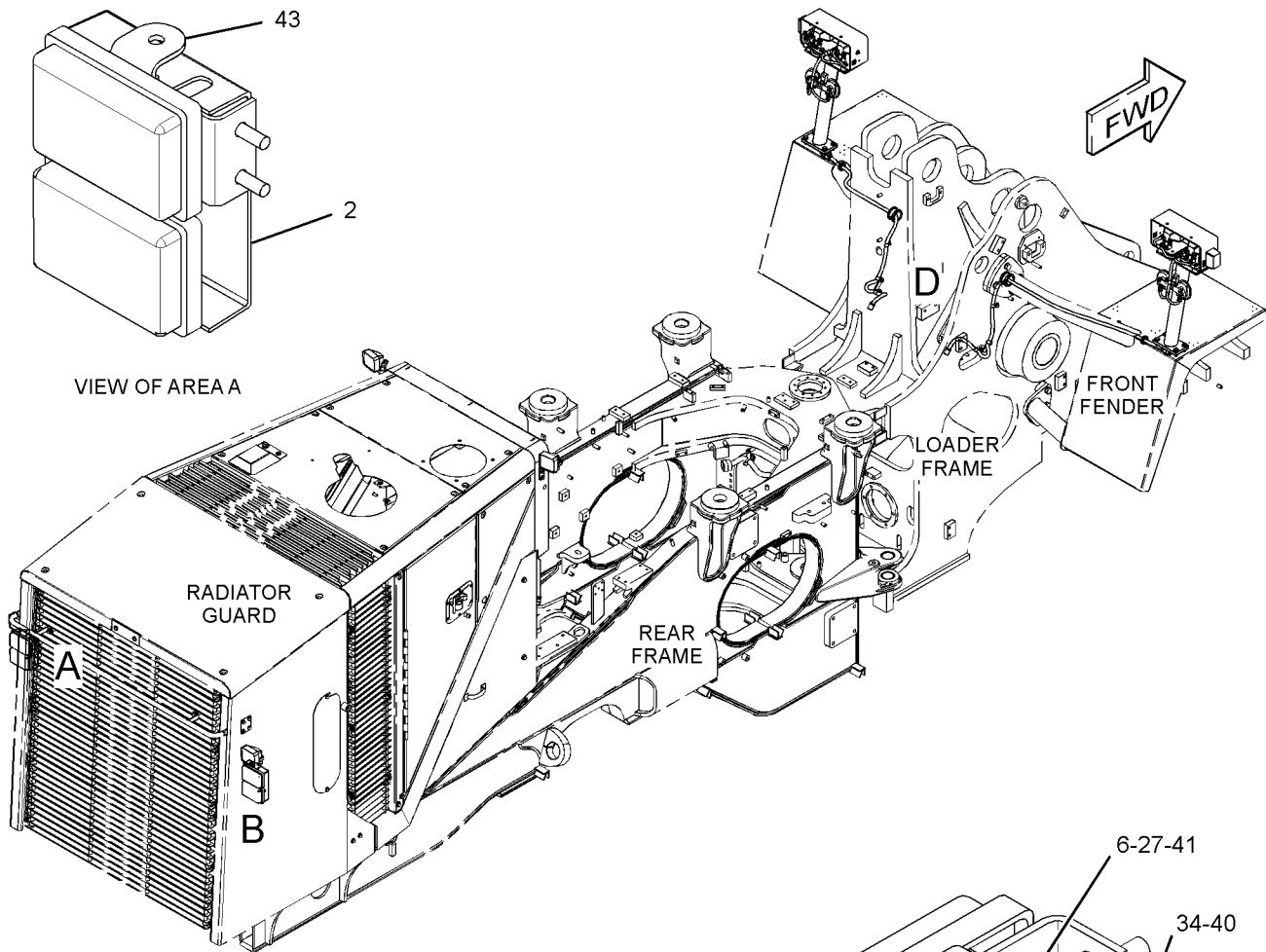
NOTE	REF NO	GRAPHIC REF	PART NUMBER	QTY	PART NAME						SEE PAGE
					1	2	3	4	5	6 (PRODUCT LEVEL)	
	19	2	331-9011	2	BRACKET AS						
Y	20	1	334-5410	2	LAMP GP-SIGNAL (12-VOLT, 24-VOLT, TURN)						163
	21	2	337-5191	2	BRACKET						
	22	2	033-8248	2	CLIP						
	23	2	130-5300	2	CLIP						
	24	2	2V-3216	2	CLIP						
	25	2	4K-8864	6	CLIP						
M	26	2	5C-2874	4	NUT (M5X0.8-THD)						
M	27	1	5C-2890	8	NUT (M6X1-THD)						
	28	2	5P-9297	4	CLIP						
	29	2	6K-8178	2	CLIP						
	30	2	6P-6641	2	GROMMET						
	31	2	7X-0620	8	WASHER-HARD (5.5X13X1.6-MM THK)						
	32	2	7X-7729	8	WASHER (11X25X3-MM THK)						
	33	2	8J-3415	2	GROMMET						
	34	1,2	8T-4121	34	WASHER-HARD (11X21X2.5-MM THK)						
M	35	2	8T-4127	2	SCREW-MACHINE (M5X0.8X20-MM)						
M	36	2	8T-4133	20	NUT (M10X1.5-THD)						
M	37	2	8T-4136	4	BOLT (M10X1.5X25-MM)						
M	38	2	8T-4137	6	BOLT (M10X1.5X20-MM)						
M	39	2	8T-4186	8	BOLT (M10X1.5X40-MM)						
M	40	1	8T-4195	4	BOLT (M10X1.5X30-MM)						
	41	1	8T-4205	8	WASHER-HARD (7.2X14.5X2-MM THK)						
M	42	1	8T-6411	4	SCREW-MACHINE (M6X1X12-MM)						
	43	1	9U-0560	1	BRACKET (LH)						

D-ORDER BY THE METER
 E-ORDER BY THE CENTIMETER
 M-METRIC PART
 Y-SEPARATE ILLUSTRATION

ELECTRICAL AND STARTING SYSTEM

345-0523 LIGHTING GP-FLOOD & SIGNAL (contd.)

i04480291



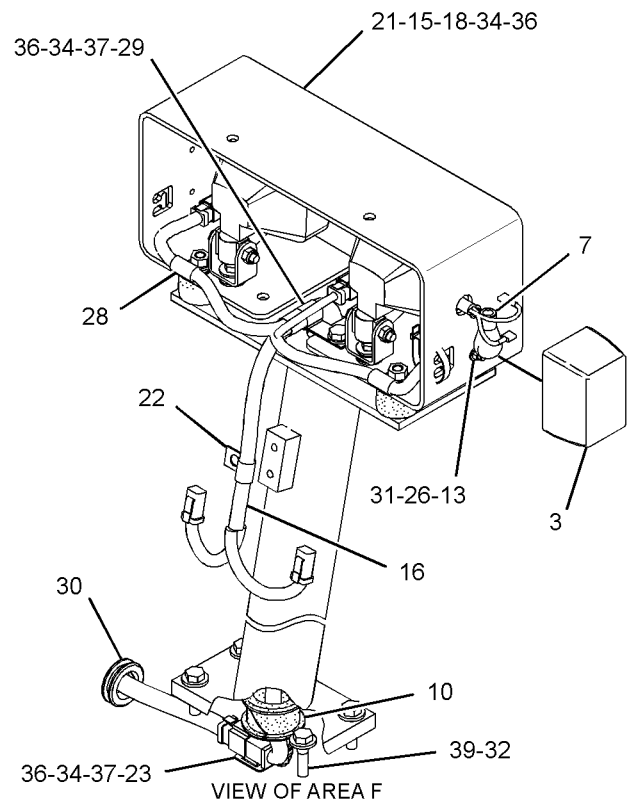
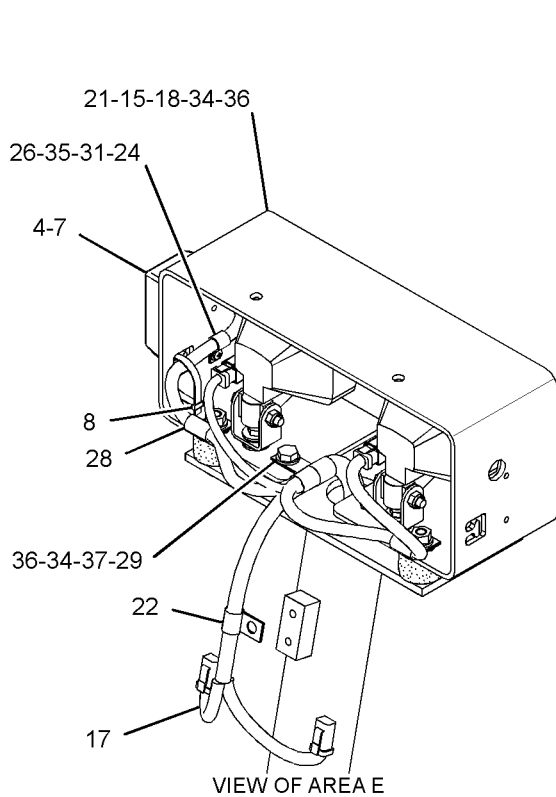
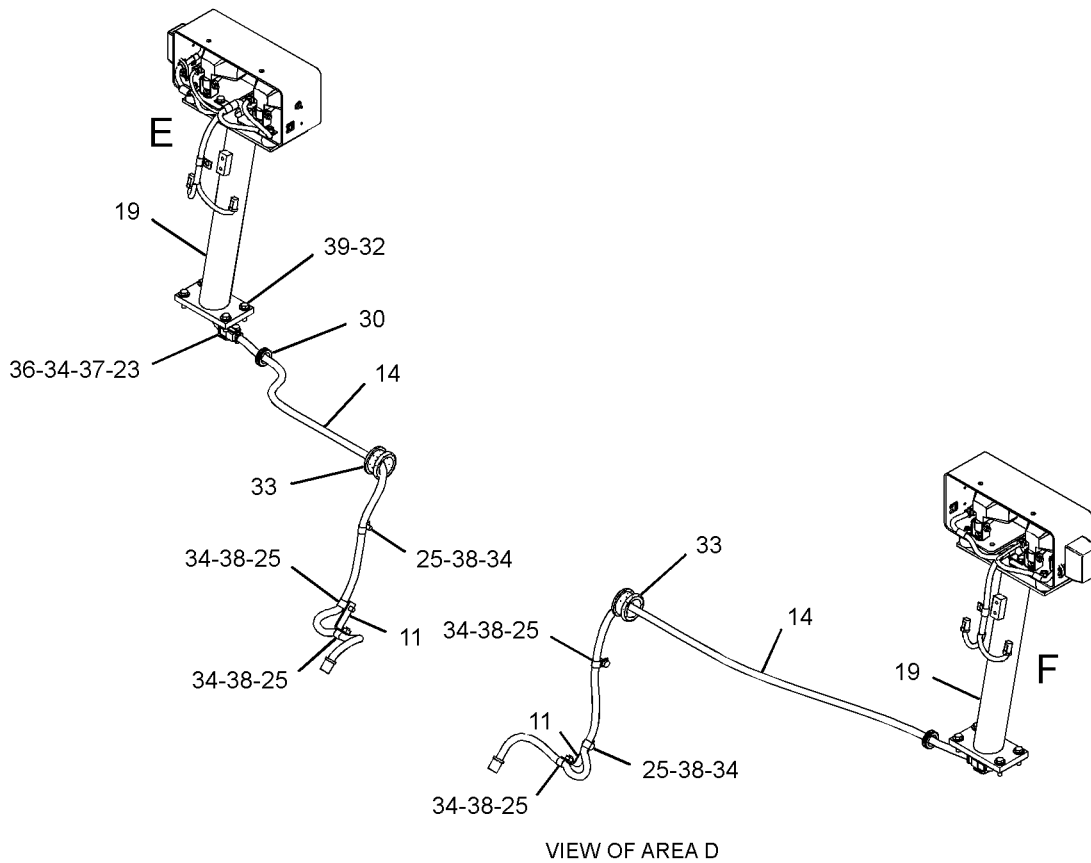
GRAPHIC #1

g02274053

ELECTRICAL AND STARTING SYSTEM

345-0523 LIGHTING GP-FLOOD & SIGNAL (contd.)

i04480291



GRAPHIC #2

<END>

g02274056

ELECTRICAL AND STARTING SYSTEM

296-6055 LIGHTING GP-STOP & TAIL

S/N: A7A1-UP

PART OF 285-6399 LIGHTING AR-STOP & FLOOD
AN ATTACHMENT

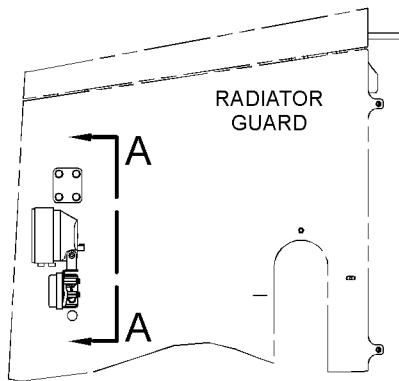
SMCS-1432

i04480150

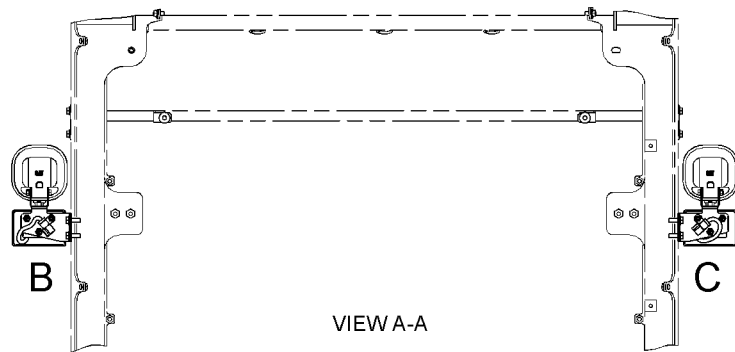
NOTE	REF NO	GRAPHIC REF	PART NUMBER	QTY	PART NAME						SEE PAGE
					1	2	3	4	5	6 (PRODUCT LEVEL)	
	1	1	4E-8975	1	BRACKET						
	2	1	4E-8976	1	BRACKET						
	3	1	4E-9924	1	COVER (RH)						
	4	1	4E-9925	1	COVER (LH)						
Y	5	1	334-8049	2	LAMP GP-SIGNAL (12-VOLT, 24-VOLT, STOP, TAIL)						164
	6	1	230-8152	4	SPACER						
	7	1	116-0118	2	CLIP						
M	8	1	5C-2890	2	NUT (M6X1-THD)						
	9	1	8T-4121	4	WASHER-HARD (11X21X2.5-MM THK)						
M	10	1	8T-4195	4	BOLT (M10X1.5X30-MM)						
	11	1	8T-4205	2	WASHER-HARD (7.2X14.5X2-MM THK)						
M	12	1	8T-6411	4	SCREW-MACHINE (M6X1X12-MM)						

M-METRIC PART

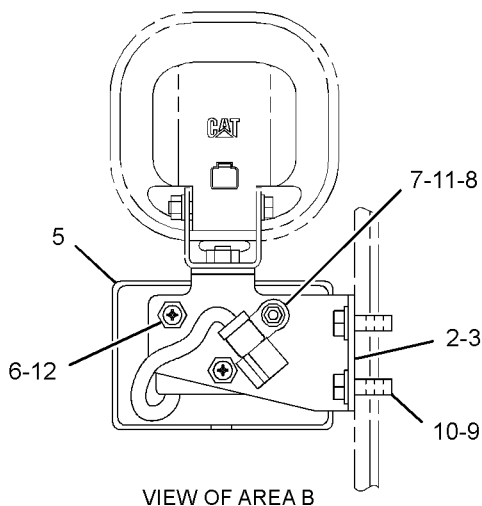
Y-SEPARATE ILLUSTRATION



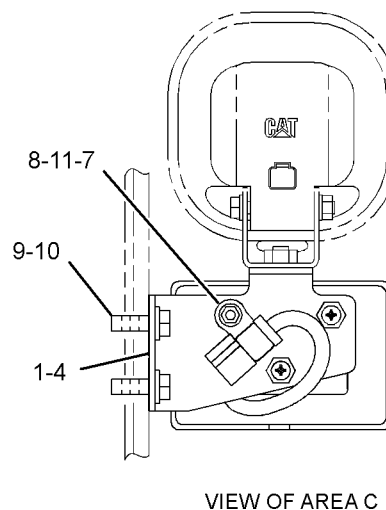
RIGHT SIDE VIEW



VIEW A-A



VIEW OF AREA B



VIEW OF AREA C

GRAPHIC #1

<END>

g01353250

ELECTRICAL AND STARTING SYSTEM

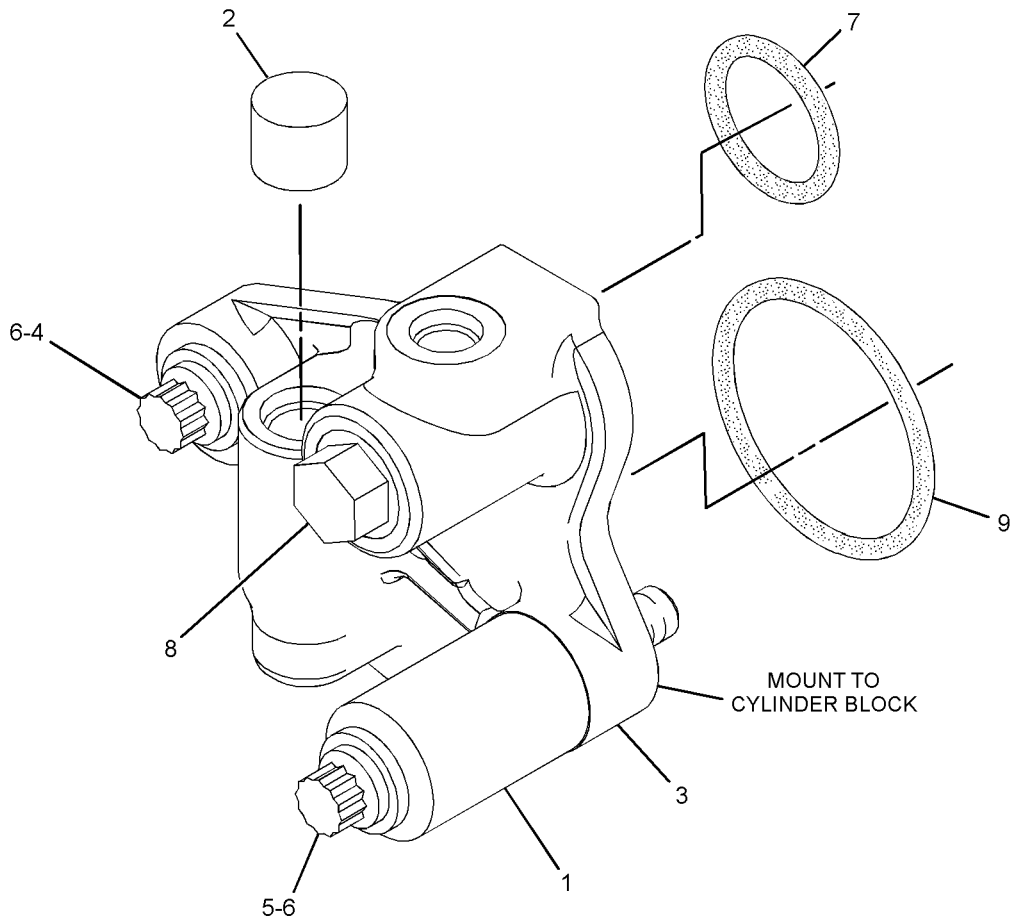
299-7327 MOUNTING GP-SENSOR

S/N: TXH1-UP; RHX1-UP
PART OF 281-6452 ENGINE AR-COMplete
AN ATTACHMENT

SMCS-5736, 5953

i04396074

NOTE	REF NO	GRAPHIC REF	PART NUMBER	QTY	PART NAME						SEE PAGE
					1	2	3	4	5	6 (PRODUCT LEVEL)	
	1	1	068-8579	1	SPACER (11X25.4X36.6-MM THK)						
	2	1	125-5835	1	PLUG-FELT						
	3	1	254-4957	1	ADAPTER						
	4	1	1T-0720	1	BOLT-12 POINT HEAD (3/8-16X1.25-IN)						
	5	1	2S-3567	1	BOLT-12 POINT HEAD (3/8-16X2.75-IN)						
	6	1	5M-2894	2	WASHER-HARD (10.2X18.5X2.5-MM THK)						
	7	1	6V-3683	1	SEAL-O-RING						
	8	1	307-2671	1	PLUG AS						
					(EACH INCLUDES)						
		1	9S-8002	1	PLUG-O-RING						
		1	214-7566	1	SEAL-O-RING						
9		1	8J-4351	1	SEAL-O-RING						



GRAPHIC #1

<END>

g02183538

ELECTRICAL AND STARTING SYSTEM

3T-9525 PLATE AS-BRUSH

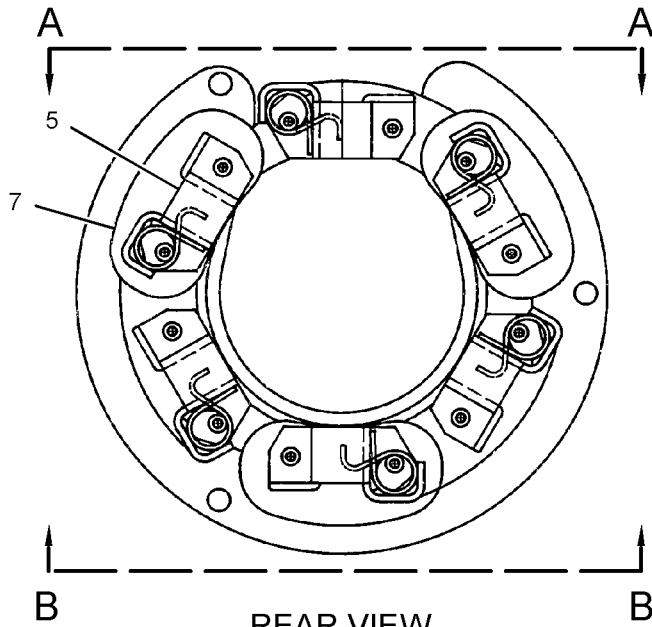
S/N: A7A1-UP

PART OF 338-3454 STARTING MOTOR GP-ELECTRIC

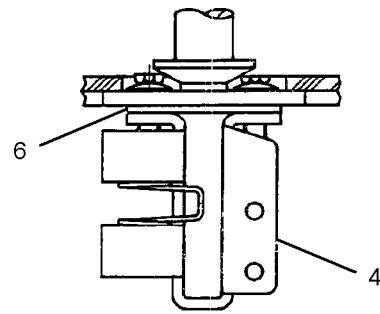
SMCS-4463

i04167551

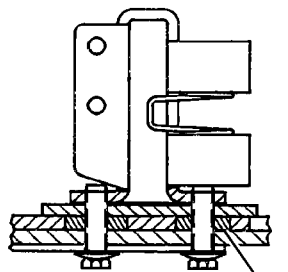
NOTE	REF NO	GRAPHIC REF	PART NUMBER	QTY	PART NAME						SEE PAGE
					1	2	3	4	5	6 (PRODUCT LEVEL)	
	1	1	6T-0372	1	PLATE						
	2	1	6T-0371	1	INSULATOR						
	3	1	9F-5599	12	LOCKWASHER						
	4	1	6T-0363	6	HOLDER AS-BRUSH						
					(EACH INCLUDES)						
		1	3T-9494	1	SPRING						
	5	1	3T-4709	3	PLATE						
	6	1	3T-4710	3	PLATE						
	7	1	2L-6679	3	PLATE-INSULATOR						
	8	1	7F-3525	6	WASHER-BUSHING (0.207X0.39X0.09-IN THK)						
	9	1	5P-6298	12	SCREW-MACHINE (10-32X0.5-IN)						



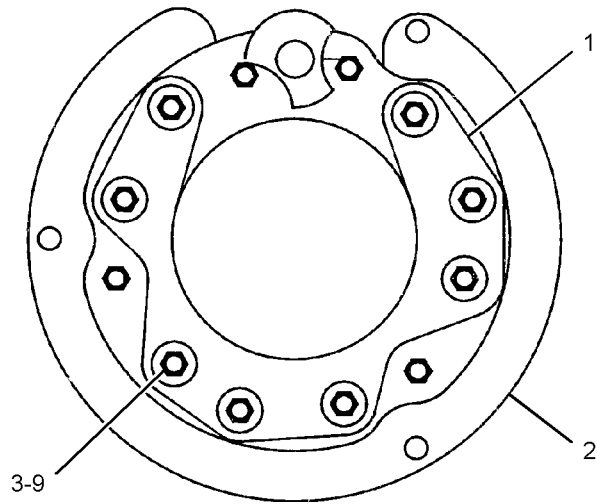
REAR VIEW



VIEW A-A



VIEW B-B



FRONT VIEW

GRAPHIC #1

<END>

g02294074

ELECTRICAL AND STARTING SYSTEM

169-3301 SENSOR & MTG GP-LIFT POSITION

S/N: A7A1-UP

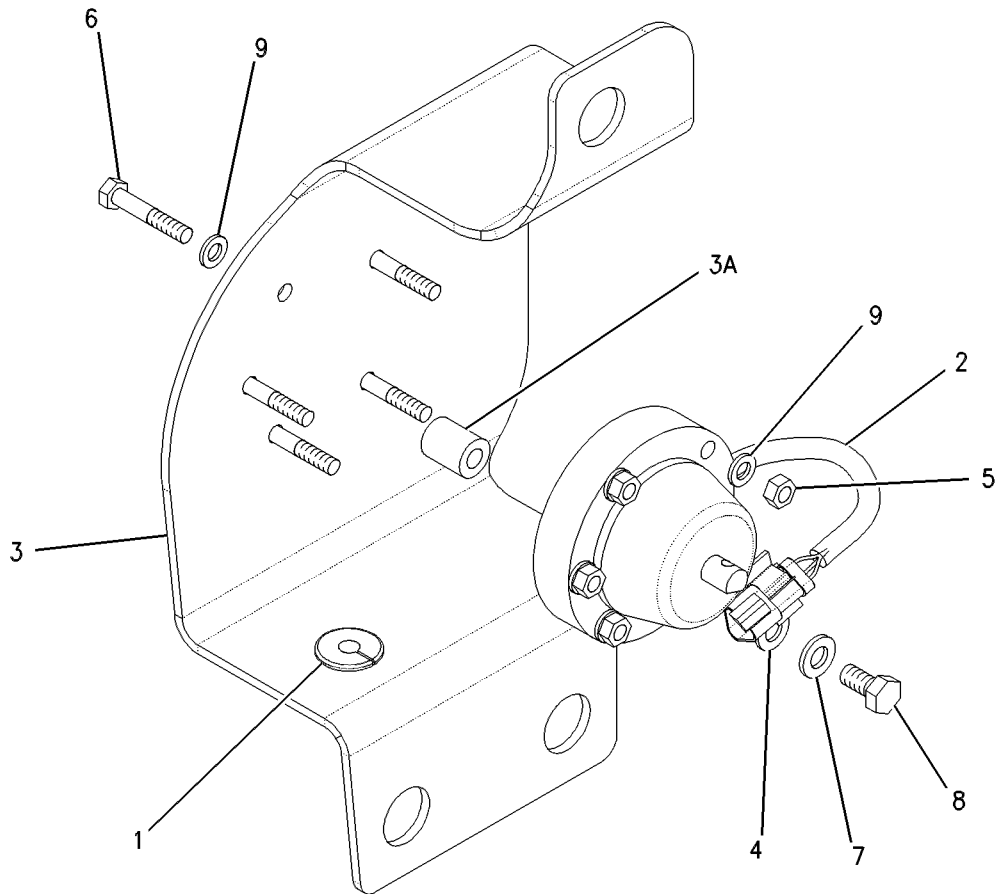
PART OF 114-5192 CONTROL GP-LIFT & TILT POS
AN ATTACHMENT

SMCS-5736

i04437570

NOTE	REF NO	GRAPHIC REF	PART NUMBER	QTY	PART NAME						SEE PAGE
					1	2	3	4	5	6 (PRODUCT LEVEL)	
	1	1	116-5710	1	GROMMET						
Y	2	1	266-2337	1	SENSOR GP-POSITION (ROTARY) (ROTARY)						185
	3	1	169-3311	1	BRACKET AS						
M	3A	1	9R-2613	1	BOSS-WELD (M10X1.5X25-MM)						
	4	1	115-3069	1	CLIP AS-CONNECTOR (3-PIN)						
M	5	1	5C-7261	5	NUT (M8X1.25-THD)						
M	6	1	7X-0818	5	BOLT (M8X1.25X45-MM)						
	7	1	8T-4121	1	WASHER-HARD (11X21X2.5-MM THK)						
M	8	1	8T-4137	1	BOLT (M10X1.5X20-MM)						
	9	1	8T-4224	10	WASHER-HARD (8.8X16X2-MM THK)						

M-METRIC PART
Y-SEPARATE ILLUSTRATION



GRAPHIC #1

<END>

g00624710

ELECTRICAL AND STARTING SYSTEM

169-3302 SENSOR & MTG GP-TILT POSITION

S/N: A7A1-UP

PART OF 114-5192 CONTROL GP-LIFT & TILT POS
AN ATTACHMENT

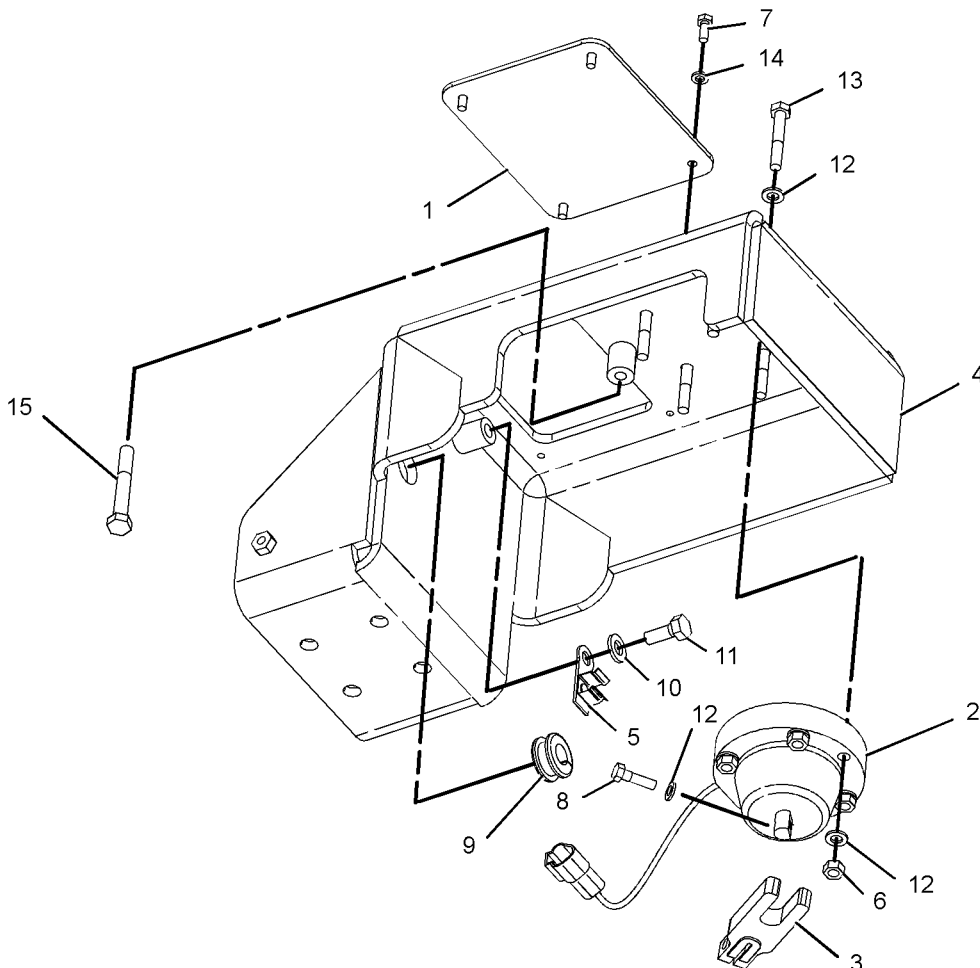
SMCS-5736

i04482130

NOTE	REF NO	GRAPHIC REF	PART NUMBER	QTY	PART NAME						SEE PAGE
					1	2	3	4	5	6 (PRODUCT LEVEL)	
	1	1	157-6210	1	PLATE						
Y	2	1	266-2337	1	SENSOR GP-POSITION (ROTARY)						185
	3	1	199-5670	1	PLATE AS						
	4	1	178-6265	1	BRACKET AS						
	5	1	115-3069	1	CLIP AS-CONNECTOR (3-PIN)						
M	6	1	5C-7261	5	NUT (M8X1.25-THD)						
M	7	1	5C-9553	4	BOLT (M6X1X16-MM)						
M	8	1	8T-7547	1	BOLT (M8X1.25X30-MM)						
	9	1	7X-4780	1	GROMMET						
	10	1	8T-4121	1	WASHER-HARD (11X21X2.5-MM THK)						
M	11	1	8T-4136	1	BOLT (M10X1.5X25-MM)						
	12	1	8T-4224	11	WASHER-HARD (8.8X16X2-MM THK)						
M	13	1	8T-6912	5	BOLT (M8X1.25X50-MM)						
	14	1	9X-8256	4	WASHER (6.6X12X2-MM THK)						
M	15	1	8T-5005	2	BOLT (M10X1.5X70-MM)						

M-METRIC PART

Y-SEPARATE ILLUSTRATION



GRAPHIC #1

<END>

g02052013

ELECTRICAL AND STARTING SYSTEM

354-0041 SENSOR GP-ENGINE

S/N: TXH1-UP; RHX1-UP

PART OF 356-2208 ENGINE AR-CORE
AN ATTACHMENT

SMCS-1718, 1906, 1907, 1912, 1917, 1923, 1924,
1928, 1929, 7400

i04396136

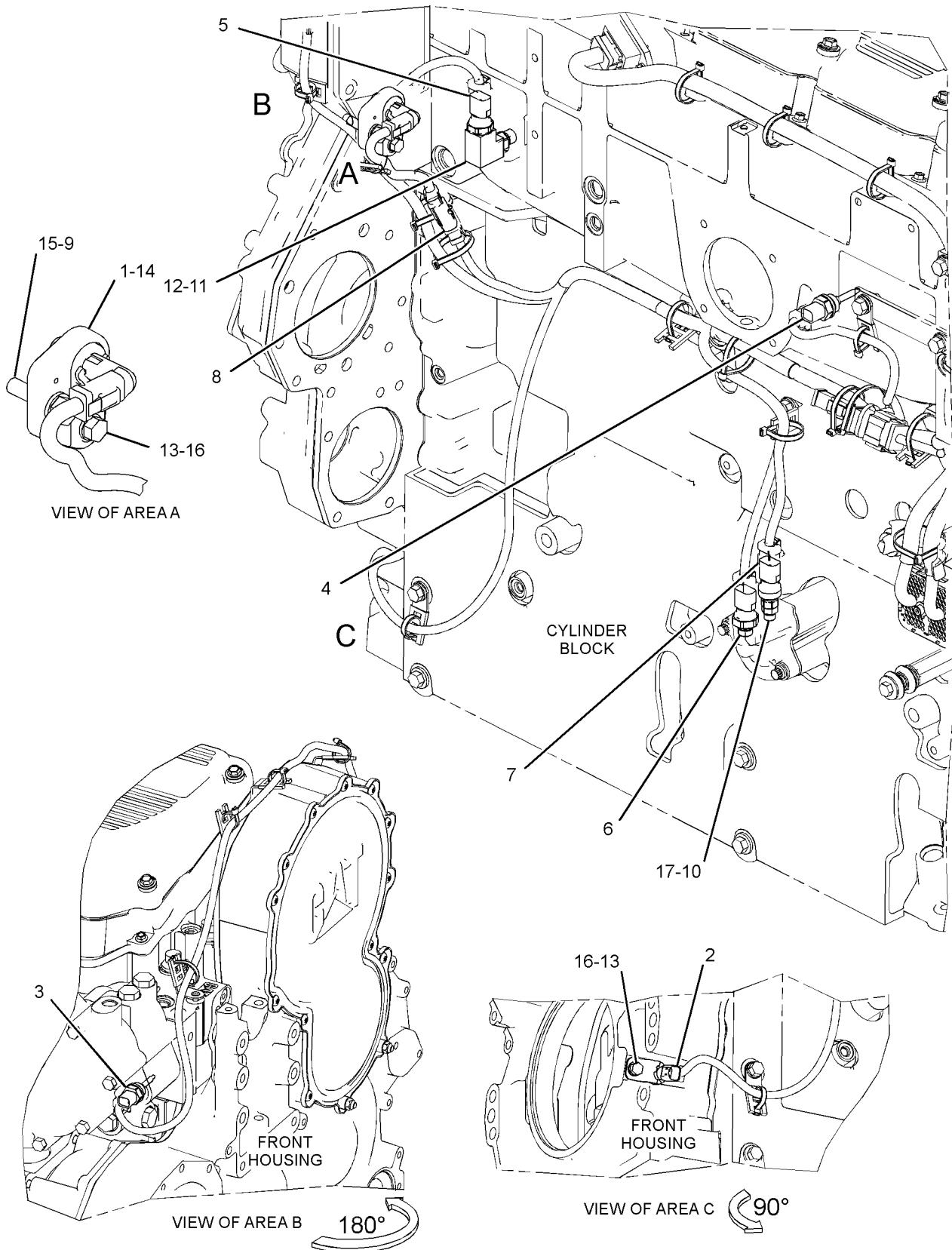
NOTE	REF NO	GRAPHIC REF	PART NUMBER	QTY	PART NAME						SEE PAGE
					1	2	3	4	5	6 (PRODUCT LEVEL)	
	1	1	132-9770	1	SPACER AS						
		1	1W-6448	2	DOWEL						
Y	2	1	214-2484	1	SENSOR GP-SPEED (TIMING, CRANKSHAFT)						191
Y	3	1	234-5012	1	SENSOR GP-TEMPERATURE (COOLANT)						194
Y	4	1	234-5013	1	SENSOR GP-TEMPERATURE (INTAKE AIR MANIFOLD)						195
Y	5	1	249-0096	1	SENSOR GP-PRESSURE (INTAKE MANIFOLD AIR)						187
Y	6	1	276-8548	1	SENSOR GP-PRESSURE (ATMOSPHERIC AIR)						188
Y	7	1	276-9067	1	SENSOR GP-PRESSURE (ENGINE OIL)						189
Y	8	1	300-9804	1	SENSOR GP-SPEED (SECONDARY, TIMING)						192
	9	1	0S-1591	1	BOLT (3/8-16X1.5-IN)						
	10	1	214-7566	1	SEAL-O-RING						
	11	1	214-7568	1	SEAL-O-RING						
	12	1	241-6217	1	ELBOW						
	13	1	2H-3755	2	BOLT (5/16-18X0.43-IN)						
	14	1	3P-1155	1	SEAL-O-RING						
	15	1	5M-2894	1	WASHER-HARD (10.2X18.5X2.5-MM THK)						
	16	1	9M-1974	2	WASHER-HARD (8.8X16X2-MM THK)						
	17	1	9X-0262	1	ADAPTER						

Y-SEPARATE ILLUSTRATION

ELECTRICAL AND STARTING SYSTEM

354-0041 SENSOR GP-ENGINE (contd.)

i04396136



GRAPHIC #1

<END>

g02129225

ELECTRICAL AND STARTING SYSTEM

204-7949 SENSOR GP-POSITION

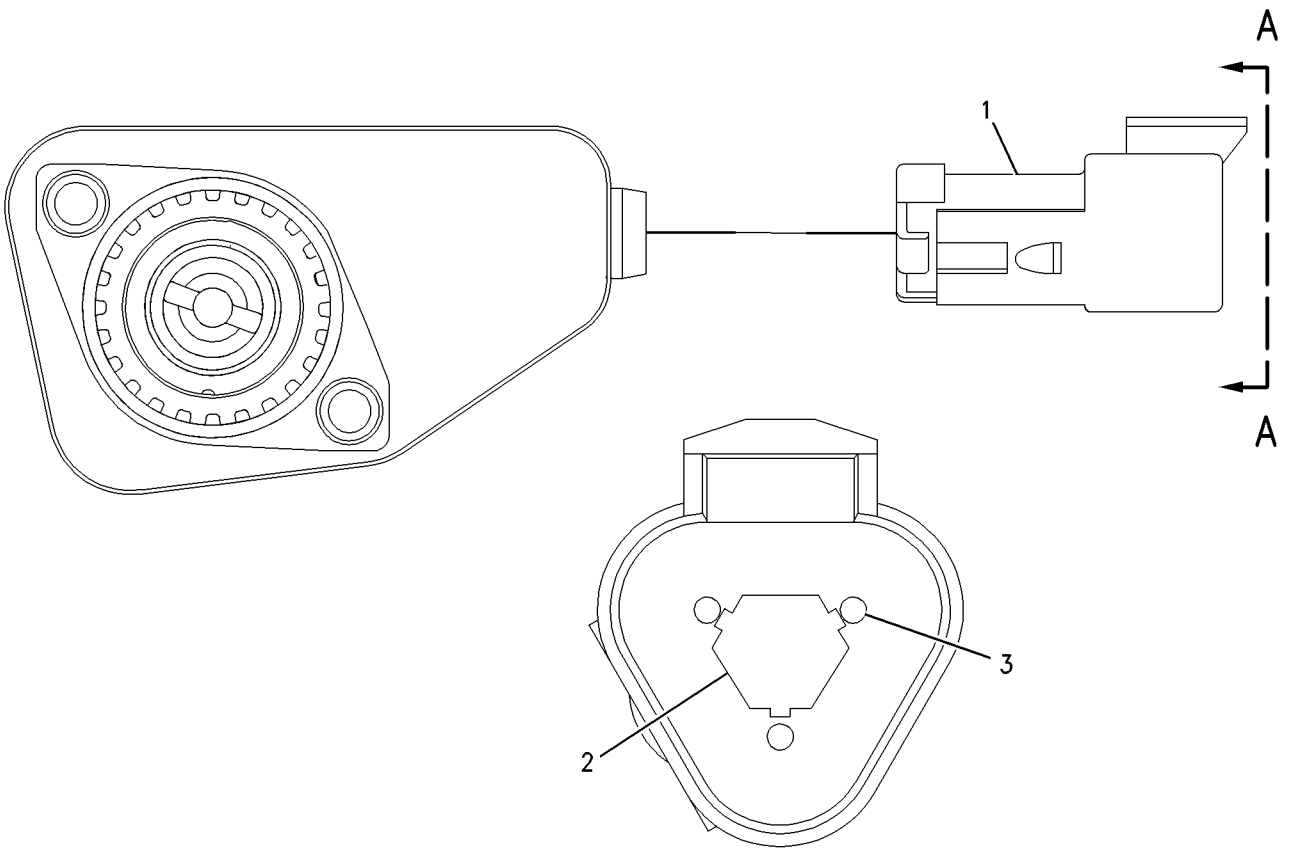
S/N: A7A1-UP

PART OF 130-8176 PEDAL GP-GOVERNOR

SMCS-4269, 5702, 5736, 5737, 7494

i02710462

NOTE	REF NO	GRAPHIC REF	PART NUMBER	QTY	PART NAME						SEE PAGE
					1	2	3	4	5	6 (PRODUCT LEVEL)	
	1	1	102-8803	1	KIT-RECEPTACLE (3-PIN)						
(INCLUDES RECEPTACLE AS & WEDGE)											
	2	1	3E-3371	1	WEDGE-RECEPTACLE LOCK (3-PIN)						
	3	1	186-3735	3	PIN-CONNECTOR (16-GA TO 18-GA)						



VIEW A-A

GRAPHIC #1

<END>

g00925280

ELECTRICAL AND STARTING SYSTEM

214-4863 SENSOR GP-POSITION

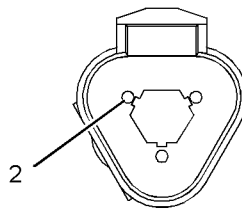
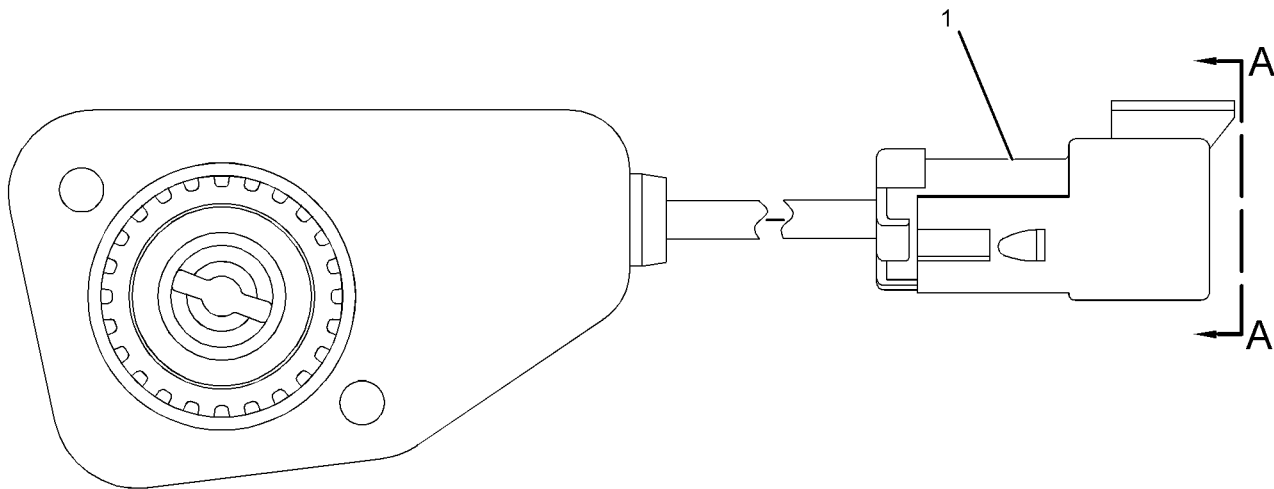
S/N: A7A180-UP

PART OF 180-4001 PEDAL GP-BRAKE

SMCS-4269, 5702, 5736, 5737, 7494

i04502024

NOTE	REF NO	GRAPHIC REF	PART NUMBER	QTY	PART NAME						SEE PAGE
					1	2	3	4	5	6 (PRODUCT LEVEL)	
	1	1	102-8803	1	KIT-RECEPTACLE (3-PIN)						
					(INCLUDES RECEPTACLE AS & WEDGE)						
	2	1	186-3735	1	PIN-CONNECTOR (16-GA TO 18-GA)						



VIEW A-A

GRAPHIC #1

<END>

g01820857

ELECTRICAL AND STARTING SYSTEM

266-2337 SENSOR GP-POSITION

S/N: A7A1-UP

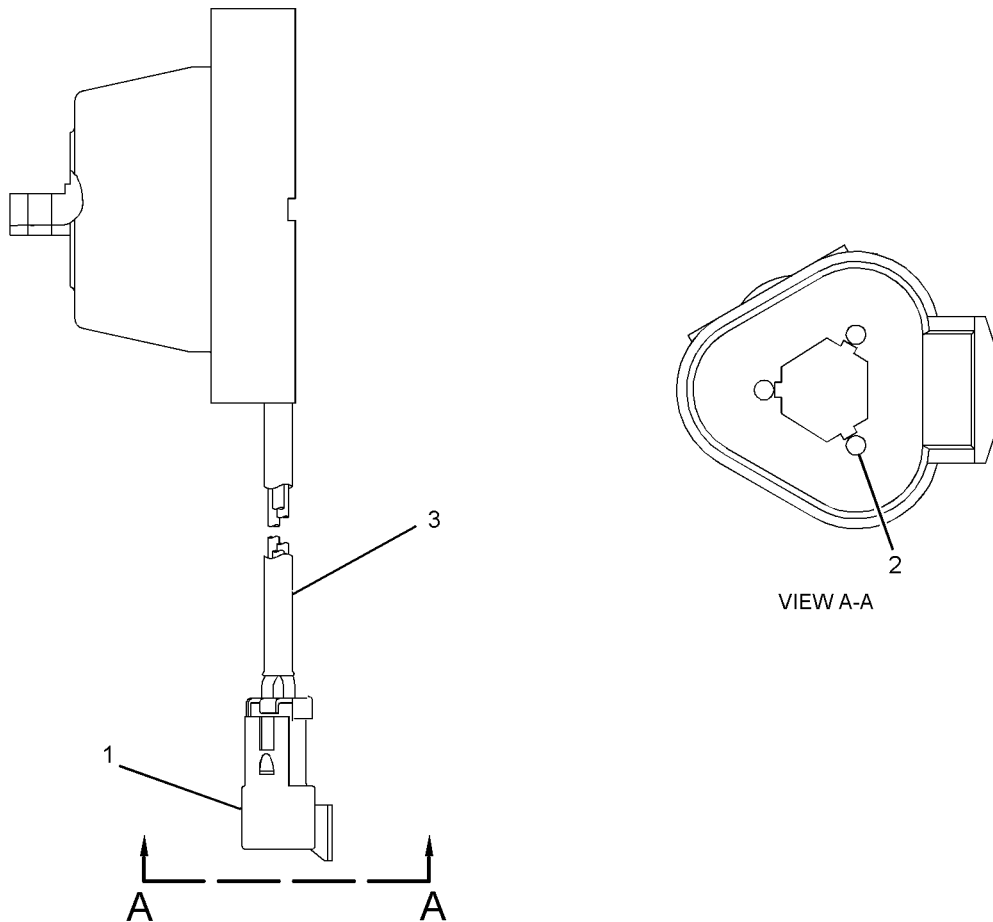
PART OF 169-3301 SENSOR & MTG GP-LIFT POSITION, 169-3302 SENSOR & MTG
GP-TILT POSITION
AN ATTACHMENT

SMCS-4269, 5702, 5736, 5737, 7494

i04460904

NOTE	REF NO	GRAPHIC REF	PART NUMBER	QTY	PART NAME						SEE PAGE
					1	2	3	4	5	6 (PRODUCT LEVEL)	
	1	1	102-8803	1	KIT-RECEPTACLE (3-PIN)						
					(INCLUDES RECEPTACLE AS & WEDGE)						
	2	1	9X-3401	3	PIN-CONNECTOR (16-GA TO 18-GA)						
					-OR-						
		1	126-1767	3	PIN-CONNECTOR (14-GA TO 16-GA)						
E	3	1	9X-1813		SLEEVE (17-CM)						

E-ORDER BY THE CENTIMETER



GRAPHIC #1

<END>

g01954240

ELECTRICAL AND STARTING SYSTEM

100-4311 SENSOR GP-PRESSURE

S/N: A7A1-UP

5 KHZ. PULSE WIDTH MODULATION

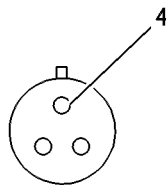
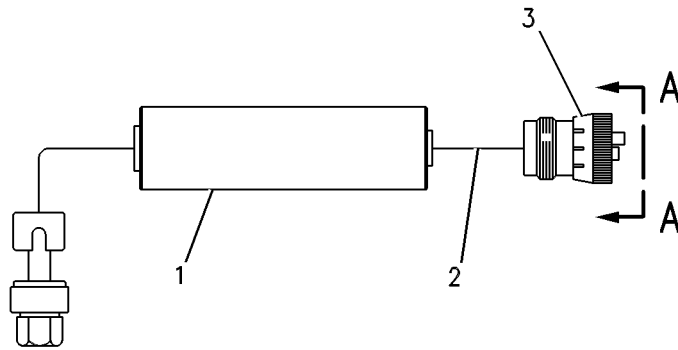
PART OF 284-3003 WIRING GP-POWER TRAIN

SMCS-1408, 1925, 7494

i04459251

NOTE	REF NO	GRAPHIC REF	PART NUMBER	QTY	PART NAME						SEE PAGE
					1	2	3	4	5	6 (PRODUCT LEVEL)	
Z	1	1		1	CONTROL AS-ELECTRONIC						
E	2	1	9X-1813		SLEEVE (19-CM)						
	3	1	8T-8731	1	PLUG-CONNECTOR (3-PIN)						
	4	1	8T-8730	3	SOCKET-CONNECTOR (16-GA TO 18-GA)						

E-ORDER BY THE CENTIMETER
Z-NOT SERVICED SEPARATELY



VIEW A-A

GRAPHIC #1

<END>

g00268727

ELECTRICAL AND STARTING SYSTEM

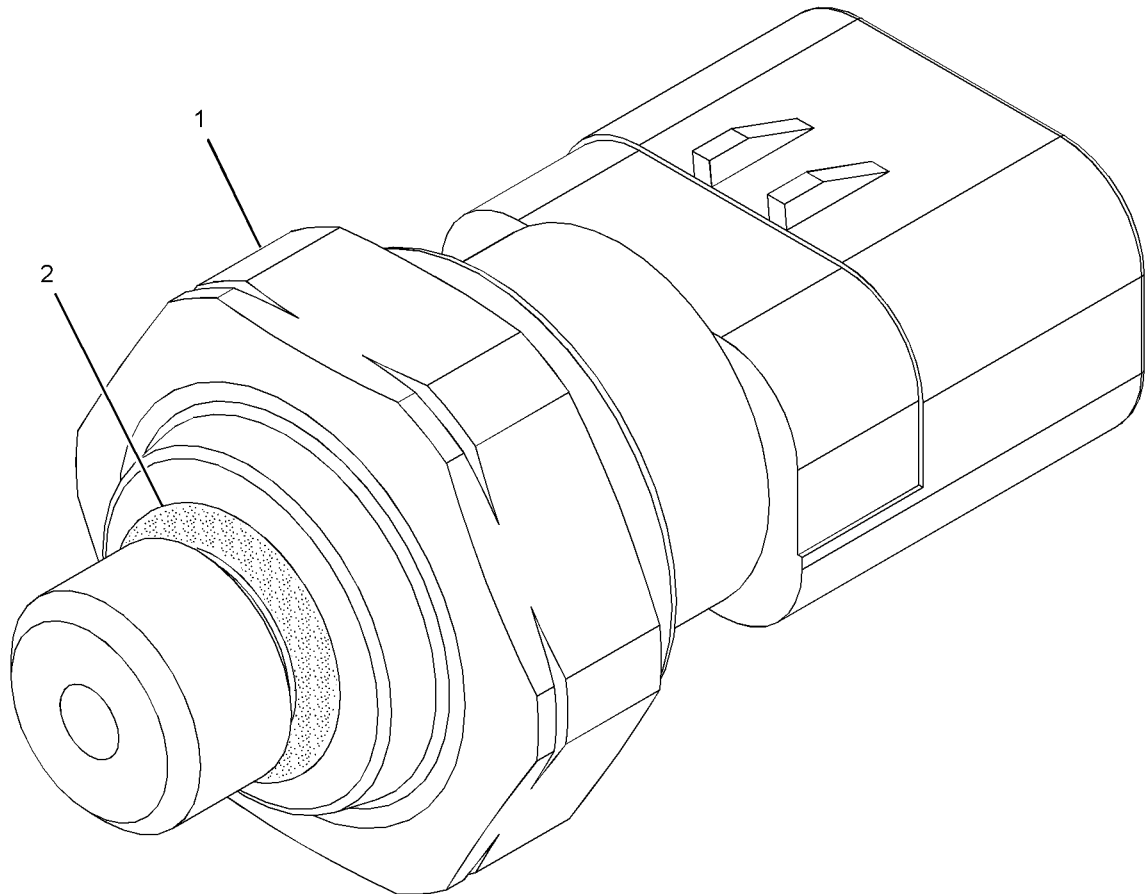
249-0096 SENSOR GP-PRESSURE

S/N: TXH1-UP; RHX1-UP
PART OF 354-0041 SENSOR GP-ENGINE
AN ATTACHMENT

SMCS-1408, 1925, 7494

i04396170

NOTE	REF NO	GRAPHIC REF	PART NUMBER	QTY	PART NAME						SEE PAGE
					1	2	3	4	5	6 (PRODUCT LEVEL)	
	1	1	274-6718	1	SENSOR GP-PRESSURE						
	2	1	214-7566	1	SEAL-O-RING						



GRAPHIC #1

<END>

g01224445

ELECTRICAL AND STARTING SYSTEM

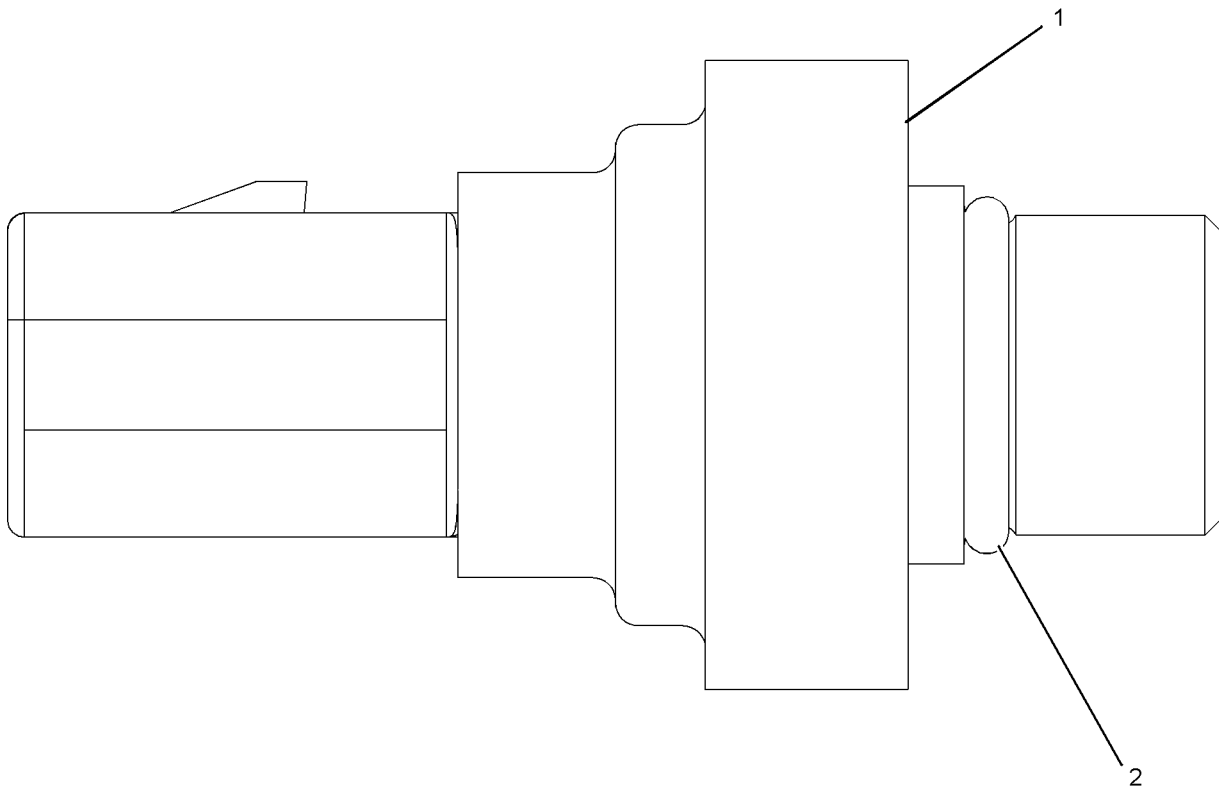
276-8548 SENSOR GP-PRESSURE

S/N: TXH1-UP; RHX1-UP
AMPSEAL CONNECTOR
PART OF 354-0041 SENSOR GP-ENGINE
AN ATTACHMENT

SMCS-1408, 1925, 7494

i04396174

NOTE	REF NO	GRAPHIC REF	PART NUMBER	QTY	PART NAME						SEE PAGE
					1	2	3	4	5	6 (PRODUCT LEVEL)	
	1	1	274-6717	1	SENSOR - PRESSURE						
	2	1	214-7568	1	SEAL - O-RING						



GRAPHIC #1

<END>

g01064278

ELECTRICAL AND STARTING SYSTEM

276-9067 SENSOR GP-PRESSURE

S/N: TXH1-UP; RHX1-UP

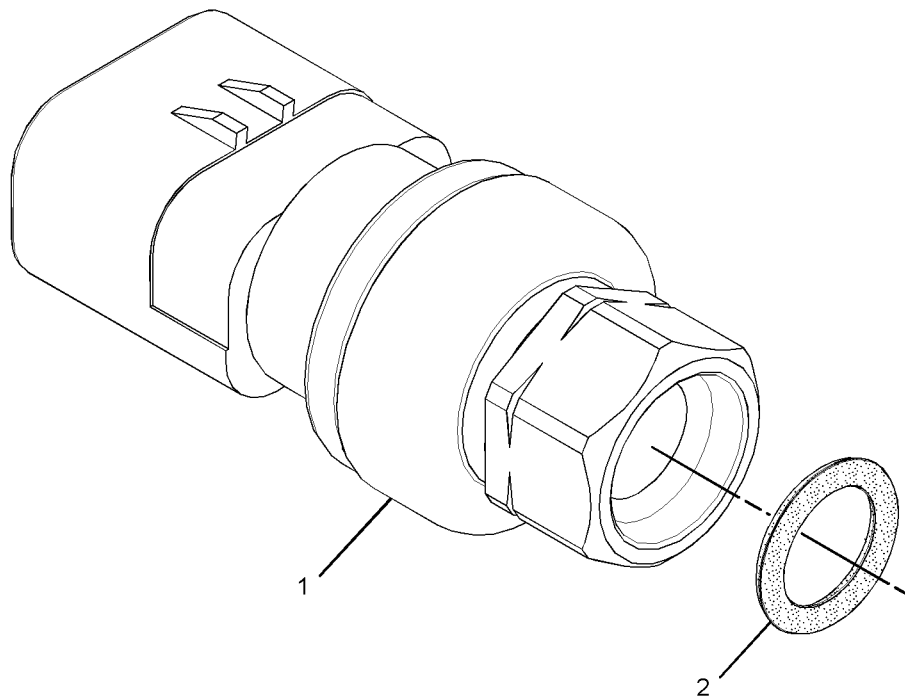
AMPSEAL CONNECTOR

PART OF 356-1878 FILTER GP-FUEL, 354-0041 SENSOR GP-ENGINE
AN ATTACHMENT

SMCS-1408, 1925, 7494

i04396006

NOTE	REF NO	GRAPHIC REF	PART NUMBER	QTY	PART NAME						SEE PAGE
					1	2	3	4	5	6 (PRODUCT LEVEL)	
	1	1	274-6719	1	SENSOR GP-PRESSURE						
		1	3J-7354	1	SEAL-O-RING						
		1	237-0227	1	PLUG AS-CONNECTOR (3-PIN)						
	2	1	214-7566	1	SEAL-O-RING						



GRAPHIC #1

<END>

g01994176

ELECTRICAL AND STARTING SYSTEM

193-2550 SENSOR GP-SPEED

S/N: DRT1-UP

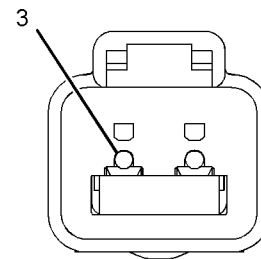
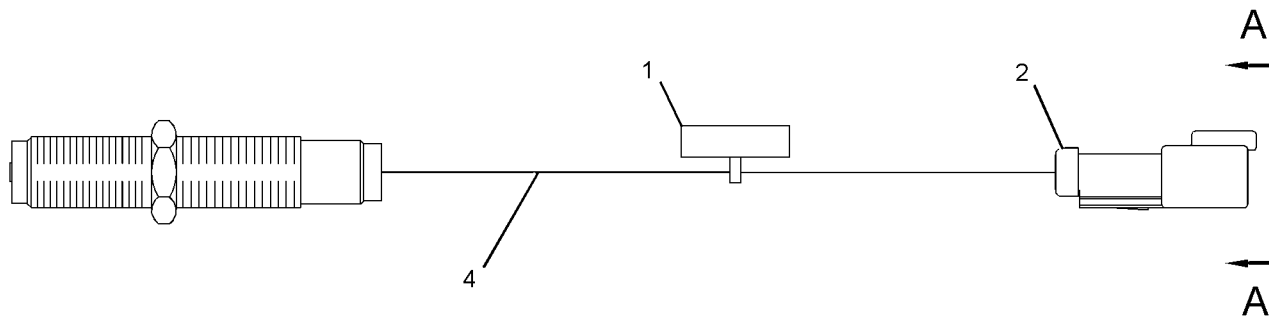
PART OF 133-8116 GEAR GP-OUTPUT TRANSFER

SMCS-1907, 1912, 3175, 4803, 7493

i04460622

NOTE	REF NO	GRAPHIC REF	PART NUMBER	QTY	PART NAME						SEE PAGE
					1	2	3	4	5	6 (PRODUCT LEVEL)	
	1	1	171-5349	1	STRAP-MARKER						
	2	1	102-8802	1	KIT-RECEPTACLE (2-PIN) (INCLUDES RECEPTACLE AS & WEDGE)						
	3	1	9X-3401	2	PIN-CONNECTOR (16-GA TO 18-GA)						
E	4	1	9X-1813		SLEEVE (14-CM)						

E-ORDER BY THE CENTIMETER



VIEW A-A

GRAPHIC #1

<END>

g01490456

ELECTRICAL AND STARTING SYSTEM

214-2484 SENSOR GP-SPEED

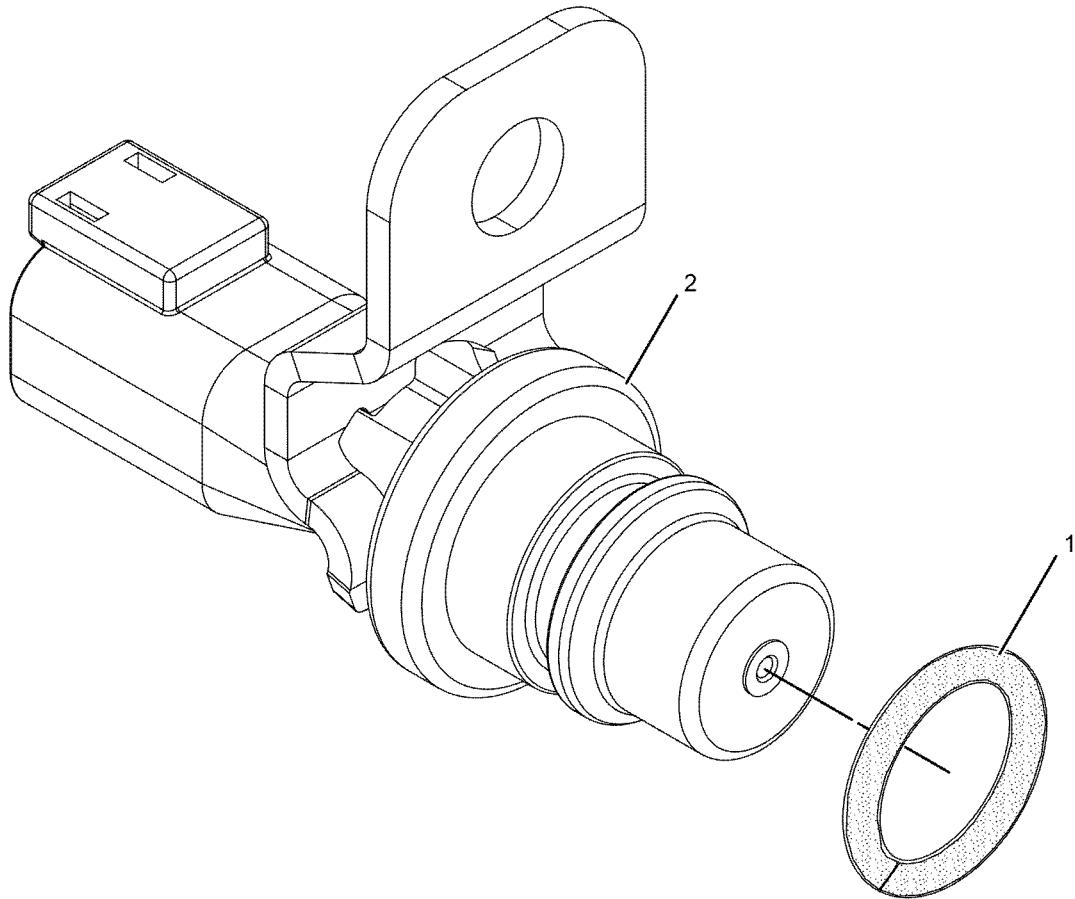
S/N: TXH1-UP; RHX1-UP

PART OF 354-0041 SENSOR GP-ENGINE
AN ATTACHMENT

SMCS-1907, 1912, 3175, 4803, 7493

i04396168

NOTE	REF NO	GRAPHIC REF	PART NUMBER	QTY	PART NAME						SEE PAGE
					1	2	3	4	5	6 (PRODUCT LEVEL)	
	1	1	228-4947	1	SEAL-O-RING						
	2	1	191-8303	1	SENSOR GP-SPEED						
		1	137-6645	1	PAD-CONNECTOR (CONNECTOR)						



GRAPHIC #1

<END>

g01021497

ELECTRICAL AND STARTING SYSTEM

300-9804 SENSOR GP-SPEED

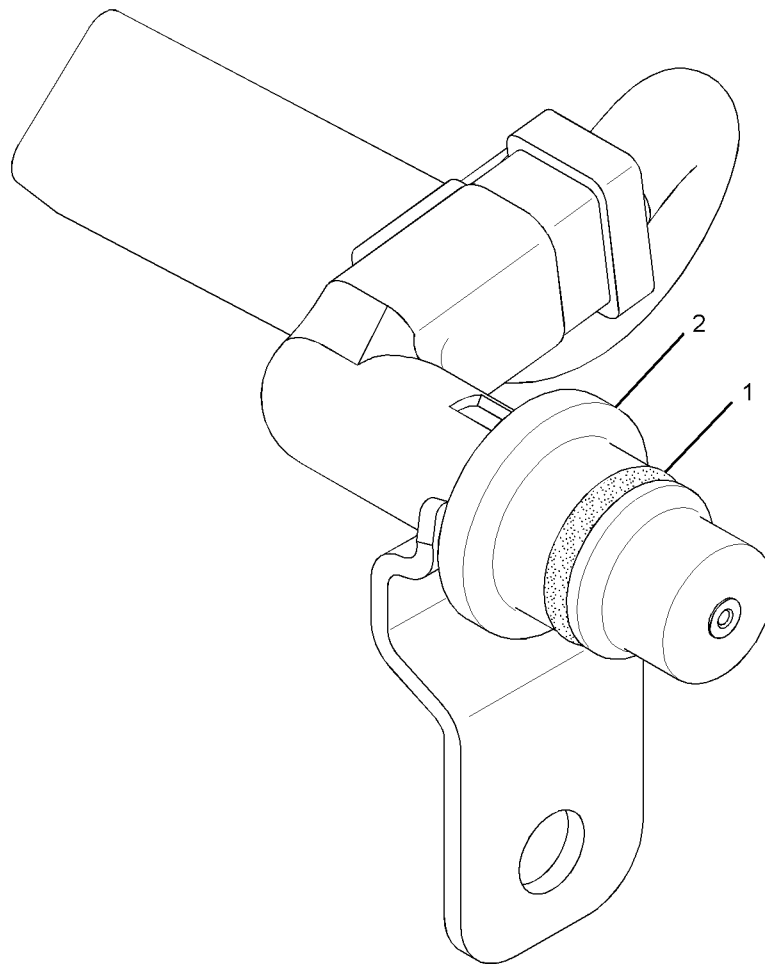
S/N: TXH1-UP; RHX1-UP
PART OF 354-0041 SENSOR GP-ENGINE
AN ATTACHMENT

SMCS-1907, 1912, 3175, 4803, 7493

i04396172

NOTE	REF NO	GRAPHIC REF	PART NUMBER	QTY	PART NAME						SEE PAGE
					1	2	3	4	5	6 (PRODUCT LEVEL)	
	1	1	228-4947	1	SEAL-O-RING						
	2	1	279-9830	1	SENSOR GP-SPEED (TIMING, CAMSHAFT)						
		1	280-8707	1	HARNESS AS-SENSOR						
		1	9X-3401	2	PIN-CONNECTOR (16-GA TO 18-GA)						
					-OR-						
		1	126-1767	2	PIN-CONNECTOR (14-GA TO 16-GA)						
		1	155-2270	1	KIT-CONNECTING PLUG (2-PIN)						
					(INCLUDES PLUG AS, WEDGE & INTERFACE SEAL)						
		1	230-4012	1	RECEPTACLE AS-CONNECTOR (2-PIN)						
E		1	9X-1813		SLEEVE (16-CM)						
		1	180-9340	2	SOCKET-CONNECTOR (14-GA TO 18-GA)						

E-ORDER BY THE CENTIMETER



GRAPHIC #1

<END>

g01369583

ELECTRICAL AND STARTING SYSTEM

118-7226 SENSOR GP-TEMPERATURE-PULSE WIDTH MODULTAED

S/N: DRT1-UP

8-VOLT

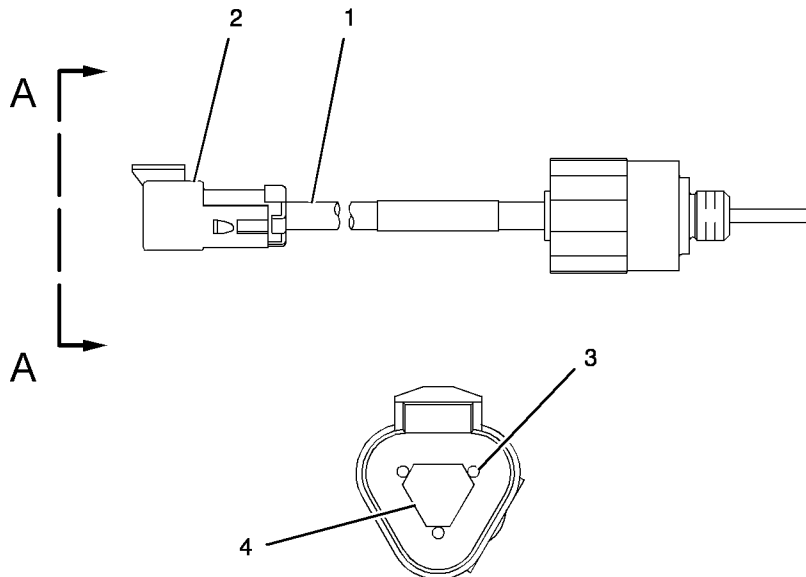
PART OF 230-6318 CONTROL GP-TRANSMISSION HYD

SMCS-1408, 1906, 1919, 1921, 1922, 1928, 1929,
301T, 3194, 429T, 509T

i02682856

NOTE	REF NO	GRAPHIC REF	PART NUMBER	QTY	PART NAME						SEE PAGE
					1	2	3	4	5	6 (PRODUCT LEVEL)	
E	1	1	9X-1813		SLEEVE (33-CM)						
	2	1	102-8803	1	KIT-RECEPTACLE (3-PIN) (INCLUDES RECEPTACLE AS & WEDGE)						
	3	1	186-3735	3	PIN-CONNECTOR (16-GA TO 18-GA)						
	4	1	3E-3371	1	WEDGE-RECEPTACLE LOCK (3-PIN)						

E-ORDER BY THE CENTIMETER



VIEW A-A
<END>

GRAPHIC #1

g01023677

ELECTRICAL AND STARTING SYSTEM

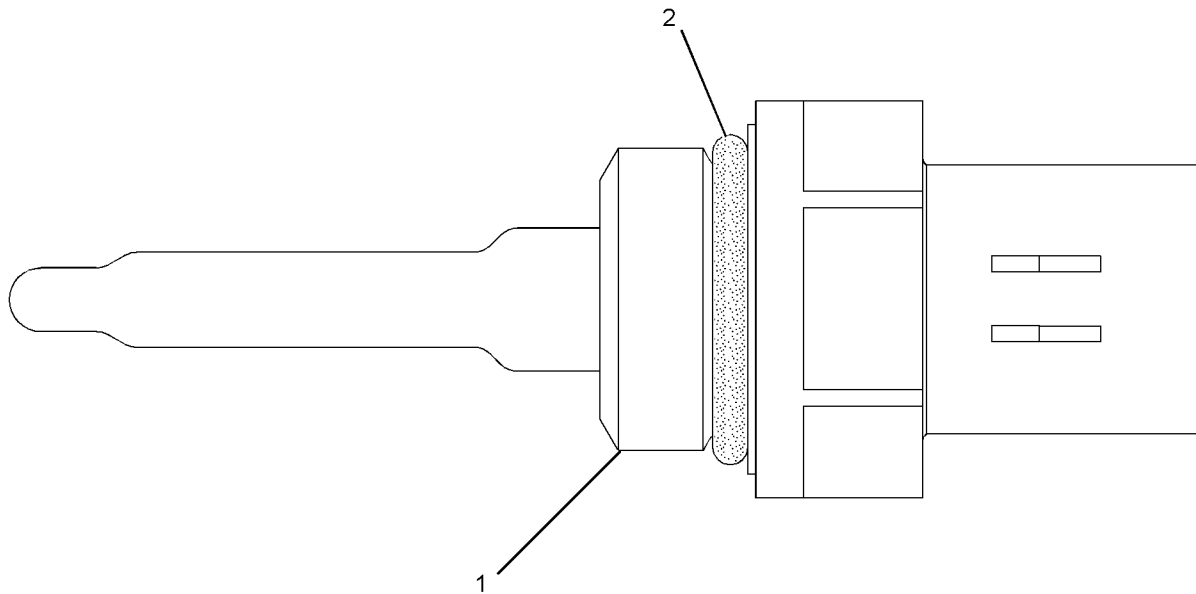
234-5012 SENSOR GP-TEMPERATURE

S/N: TXH1-UP; RHX1-UP
 PART OF 354-0041 SENSOR GP-ENGINE
 AN ATTACHMENT

SMCS-1408, 1906, 1919, 1921, 1922, 1928, 1929,
 301T, 3194, 429T, 509T

i04396169

NOTE	REF NO	GRAPHIC REF	PART NUMBER	QTY	PART NAME						SEE PAGE
					1	2	3	4	5	6 (PRODUCT LEVEL)	
	1	1	256-6453	1	SENSOR AS-TEMPERATURE						
	2	1	6V-6609	1	SEAL-O-RING						



GRAPHIC #1

<END>

g01164284

ELECTRICAL AND STARTING SYSTEM

234-5013 SENSOR GP-TEMPERATURE

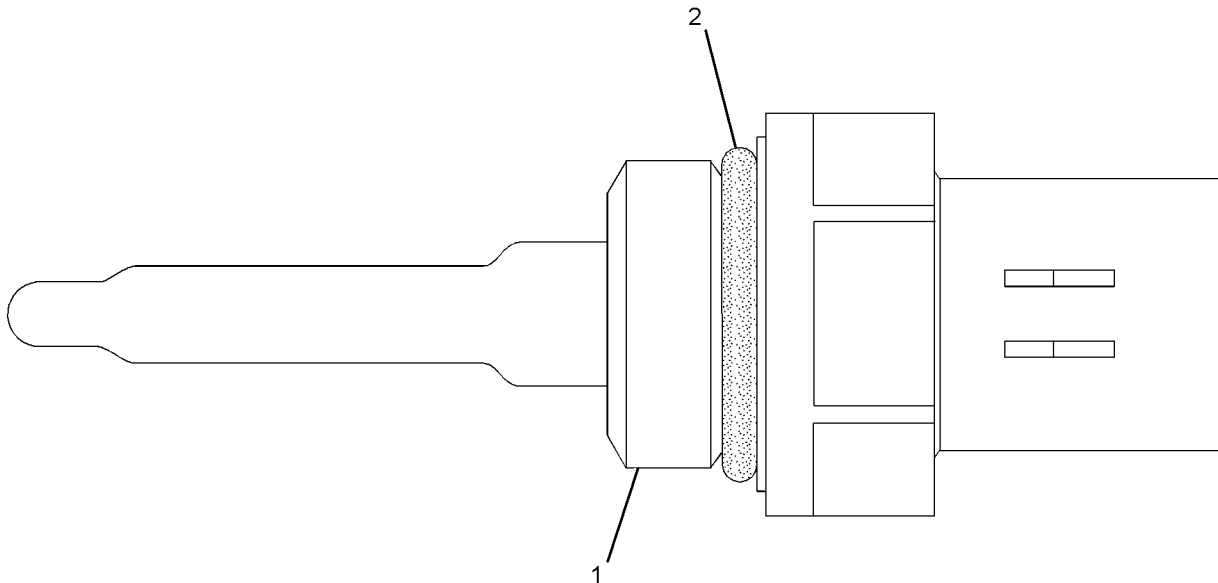
S/N: TXH1-UP; RHX1-UP

PART OF 356-1878 FILTER GP-FUEL, 354-0041 SENSOR GP-ENGINE
AN ATTACHMENT

SMCS-1408, 1906, 1919, 1921, 1922, 1928, 1929,
301T, 3194, 429T, 509T

i04461690

NOTE	REF NO	GRAPHIC REF	PART NUMBER	QTY	PART NAME						SEE PAGE
					1	2	3	4	5	6 (PRODUCT LEVEL)	
	1	1	256-6453	1	SENSOR AS-TEMPERATURE						
	2	1	238-5080	1	SEAL-O-RING						



GRAPHIC #1

<END>

g01164268

ELECTRICAL AND STARTING SYSTEM

288-8390 SENSOR GP-TEMPERATURE

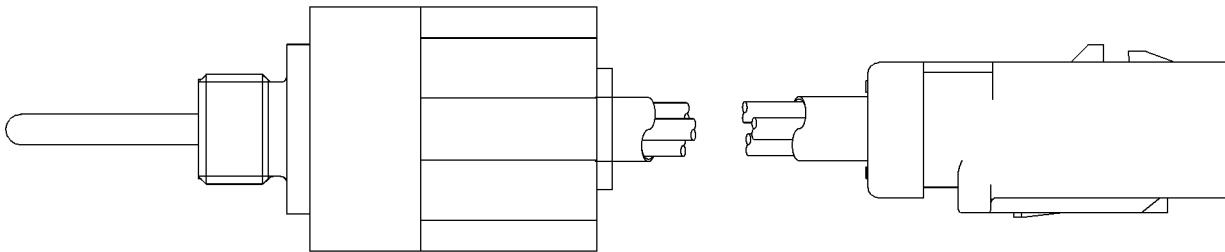
S/N: A7A1-UP

PART OF 345-0520 WIRING GP-FRONT, 345-0510 WIRING GP-MACHINE, 284-3003
WIRING GP-POWER TRAIN

SMCS-1408, 1906, 1919, 1921, 1922, 1928, 1929,
301T, 3194, 429T, 509T

i04502090

NOTE	REF NO	GRAPHIC REF	PART NUMBER	QTY	PART NAME						SEE PAGE
					1	2	3	4	5	6 (PRODUCT LEVEL)	
(NO SERVICED PARTS)											



GRAPHIC #1

<END>

g02233333

ELECTRICAL AND STARTING SYSTEM

247-0848 STARTING AID GP-ETHER

S/N: A7A1-UP

PART OF 284-2735 CHASSIS AR

SMCS-1456

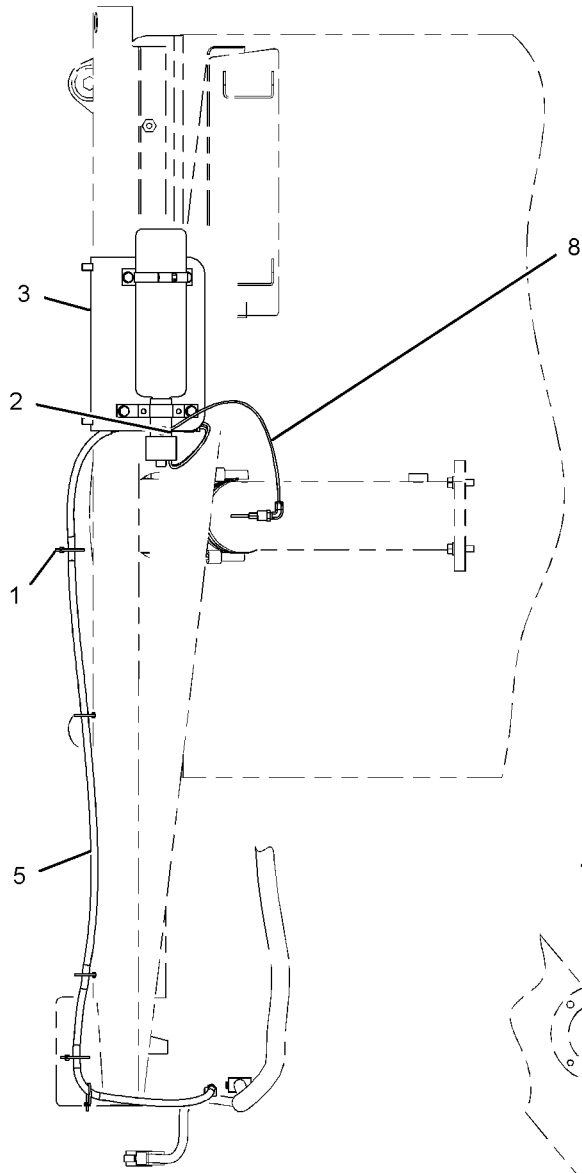
i04456371

NOTE	REF NO	GRAPHIC REF	PART NUMBER	QTY	PART NAME						SEE PAGE
					1	2	3	4	5	6 (PRODUCT LEVEL)	
	1	1	3S-2093	5	STRAP-CABLE						
	2	1	230-1434	1	FITTING AS						
Y	3	1	247-0849	1	VALVE GP-ETHER STARTING						212
	4	1	247-5556	1	ATOMIZER GP-ETHER						
		1	236-4545	1	NUT-SLEEVE (5/16-24-THD)						
	5	1	260-0859	1	HARNES AS-STARTING AID (ETHER)						
		1	8T-8730	4	SOCKET-CONNECTOR (16-GA TO 18-GA)						
E		1	114-8843		SLEEVE-PLASTIC (40-CM)						
		1	155-2270	2	KIT-CONNECTING PLUG (2-PIN)						
					(EACH INCLUDES PLUG AS AND WEDGE)						
	6	1	8T-4121	2	WASHER-HARD (11X21X2.5-MM THK)						
M	7	1	8T-4137	2	BOLT (M10X1.5X20-MM)						
J	8	1	174-9169		TUBE (5-DM)						
			7N-0296	1	CYLINDER AS-ETHER						
A-NOT PART OF THIS GROUP E-ORDER BY THE CENTIMETER J-ORDER BY THE DECIMETERS M-METRIC PART Y-SEPARATE ILLUSTRATION											

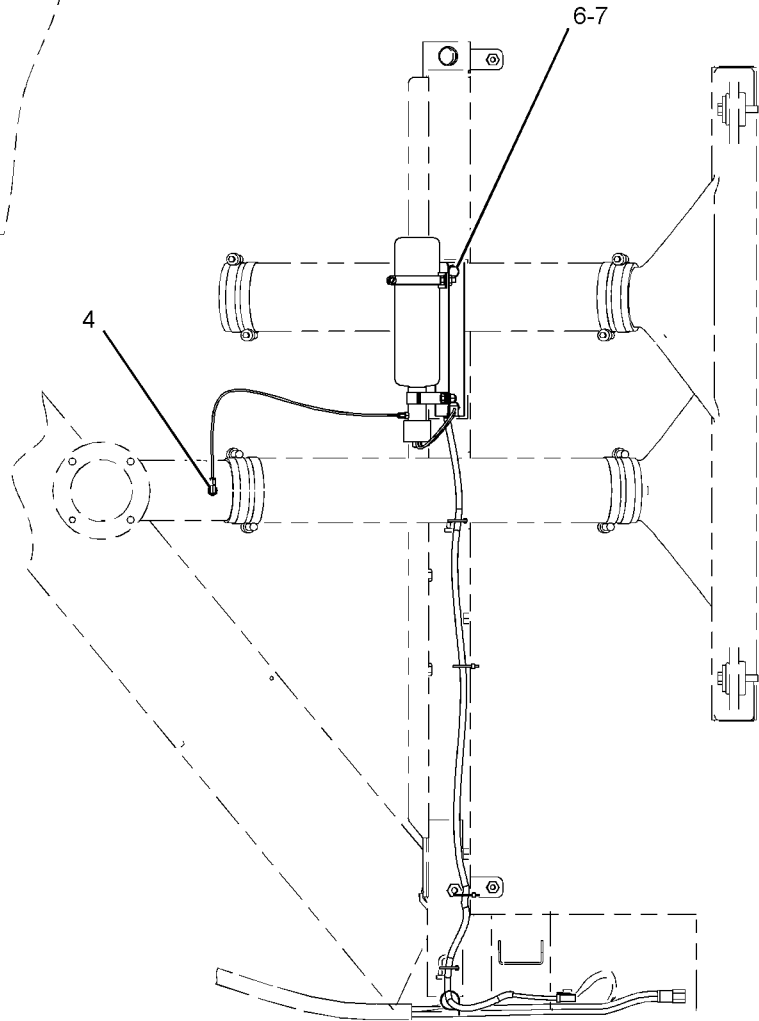
ELECTRICAL AND STARTING SYSTEM

247-0848 STARTING AID GP-ETHER (contd.)

i04456371



FRONT VIEW



LEFT SIDE VIEW

GRAPHIC #1

<END>

g02055154

ELECTRICAL AND STARTING SYSTEM

265-9091 STARTING MOTOR GP-ELECTRIC

S/N: A7A1-UP

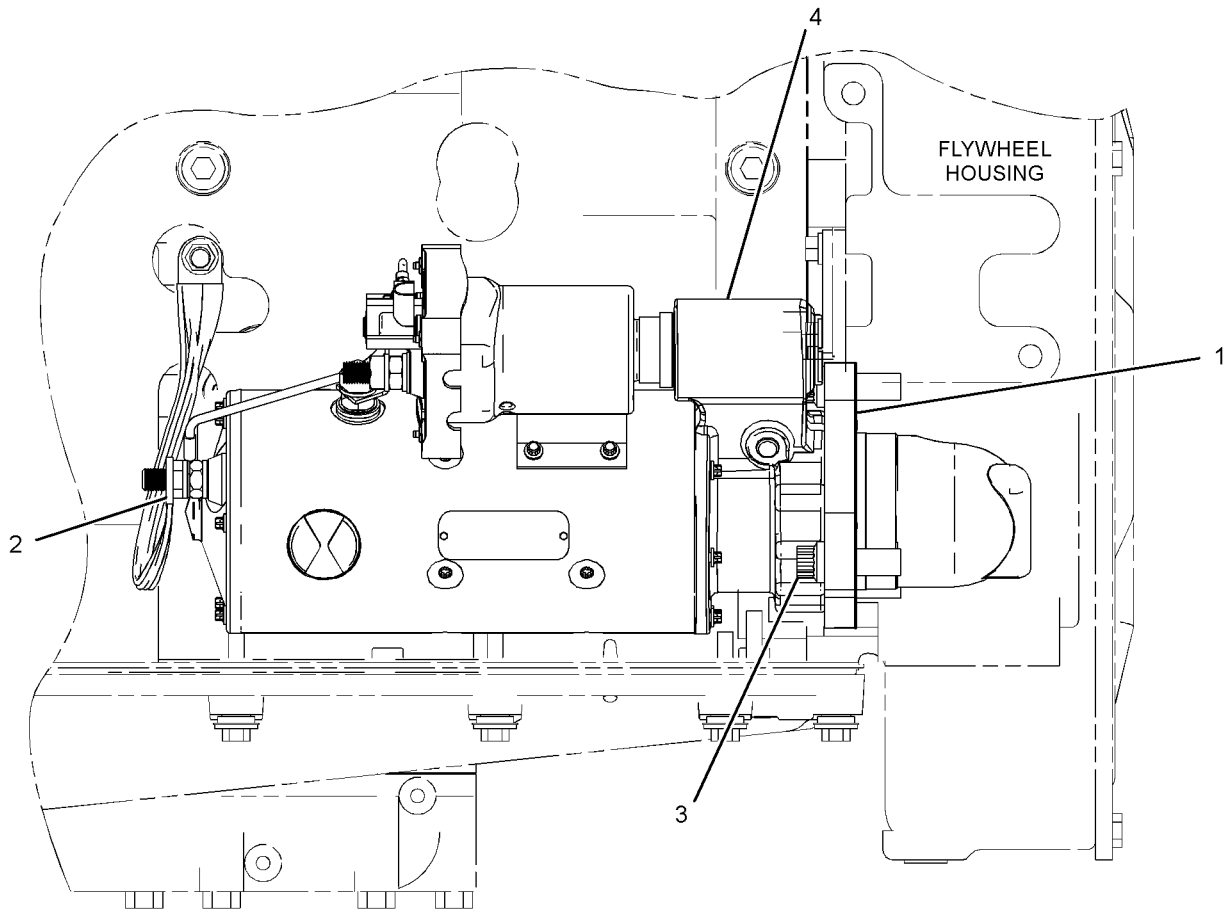
PART OF 226-9643 INSTALLATION AR-ENGINE

SMCS-1453

i04456171

NOTE	REF NO	GRAPHIC REF	PART NUMBER	QTY	PART NAME						SEE PAGE
					1	2	3	4	5	6 (PRODUCT LEVEL)	
	1	1	4N-1059	1	GASKET						
	2	1	306-8156	1	STRAP AS-GROUND						
	3	1	8S-2332	3	BOLT-12 POINT HEAD (5/8-11X1.75-IN)						
YR	4	1	338-3454	1	STARTING MOTOR GP-ELECTRIC (24-VOLT)						200

R-REMFG PART MAY BE AVAILABLE
Y-SEPARATE ILLUSTRATION



LEFT SIDE VIEW OF ENGINE

<END>

GRAPHIC #1

g02052561

ELECTRICAL AND STARTING SYSTEM

338-3454 STARTING MOTOR GP-ELECTRIC*R

S/N: A7A1-UP

24-VOLT

PART OF 265-9091 STARTING MOTOR GP-ELECTRIC

SMCS-1453

i04167529

NOTE	REF NO	GRAPHIC REF	PART NUMBER	QTY	PART NAME						SEE PAGE
					1	2	3	4	5	6 (PRODUCT LEVEL)	
	1	1	7M-0326	1	CONNECTOR						
	2	1	9H-3757	2	WASHER (0.516X1X0.094-IN THK)						
	3	1	1S-7446	3	SCREW-MACHINE (8-32X0.437-IN)						
	4	1	8C-9660	3	WASHER (4.6X7.9X0.8-MM THK)						
	5	1	9S-2544	9	SCREW-HEX HEAD (8-32X11.13-MM)						
	6	1	7M-0327	1	WASHER-THRUST (17.4X25.4X1.6-MM THK)						
	7	1	3T-3418	1	FRAME AS-END						
		1	3T-3423	1	CUP						
		1	3T-3424	1	PLUG-FELT						
		1	9G-4101	1	BUSHING-END						
Y	8	1	3T-9525	1	PLATE AS-BRUSH						178
	9	1	1T-0808	2	WASHER (0.516X0.812X0.09-IN THK)						
	10	1	3T-3422	1	WIRE AS						
	11	1	2J-8163	2	SEAL-O-RING						
	12	1	7X-3373	1	BOLT (5/16-18X0.88-IN)						
	13	1	3T-3434	6	PLUG						
	14	1	5J-5314	5	BOLT (5/16-18X1.5-IN)						
	15	1	3L-3380	1	BUSHING-TERMINAL						
	16	1	8C-3089	1	SEAL-O-RING						
	17	1	4M-1853	1	LEVER AS-SHIFT						
	18	1	5M-3034	1	LOCKNUT (5/16-24-THD)						
	19	1	7L-2894	4	GASKET						
	20	1	4M-1831	4	PLUG-LEVER HOUSING						
	21	1	4M-1854	1	SHAFT-LEVER						
	22	1	1H-1023	1	SEAL-O-RING						
	23	1	2D-6392	1	SEAL-O-RING						
	24	1	7T-3974	1	HOUSING AS-DRIVE						
	25	1	6N-3826	1	DRIVE AS-MOTOR						
	26	1	2H-3429	1	RING-RETAINING						
	27	1	6V-1322	4	BOLT (1/4-20X0.375-IN)						
	28	1	8T-4205	4	WASHER-HARD (7.2X14.5X2-MM THK)						
	29	1	6N-3279	1	INSULATOR						
	30	1	0S-1597	13	BOLT (1/4-28X1-IN)						
	31	1	1M-9971	1	SPACER (0.835X1.72X0.188-IN THK)						
	32	1	1H-2629	3	STRIP-INSULATION						
	33	1	7M-0324	1	COIL AS-FIELD						
	34	1	3R-8797	12	SCREW & WASHER AS (3/8-24X0.72-IN)						
	35	1	7F-3488	6	SHOE-POLE						
	36	1	7M-8651	1	ARMATURE AS						
	37	1	7M-0325	1	INSULATOR						
	38	1	3T-9524	6	BRUSH AS						
	39	1	3N-3763	1	KIT-TERMINAL (STARTING MOTOR) (INCLUDES BUSHINGS & WASHERS)						
	40	1	338-3453	1	SOLENOID AS-STARTING MOTOR (24-VOLT)						
		1	3R-8801	1	CLAMP						
	41	1	3R-8801	1	CLAMP						
	42	1	8F-1434	2	LOCKWASHER						
	43	1	6V-8188	6	NUT (1/2-13-THD)						
	44	1	7X-0562	6	WASHER-HARD (13.5X19X0.8-MM THK)						
	45	1	4B-2049	6	NUT (10-32-THD)						
	46	1	8T-0328	10	WASHER-HARD (5.5X10X1-MM THK)						
	47	1	3T-9494	6	SPRING						
	48	1	3E-7771	1	HOUSING AS (STARTING MOTOR)						
	49	1	9G-4101	1	BUSHING-END						
	50	1	3T-3424	3	PLUG-FELT						

ELECTRICAL AND STARTING SYSTEM

338-3454 STARTING MOTOR GP-ELECTRIC (contd.)

i04167529

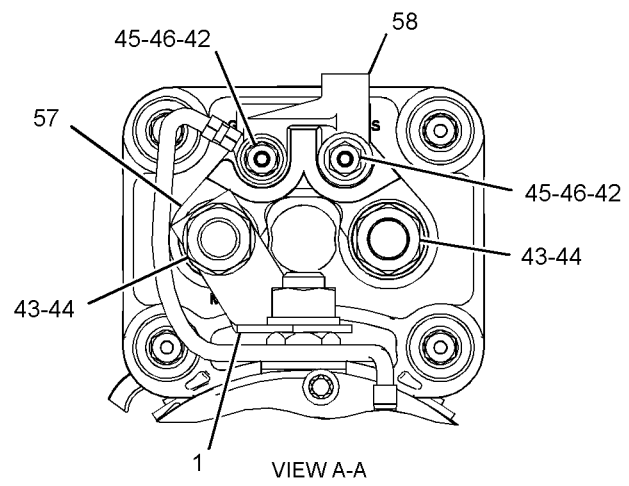
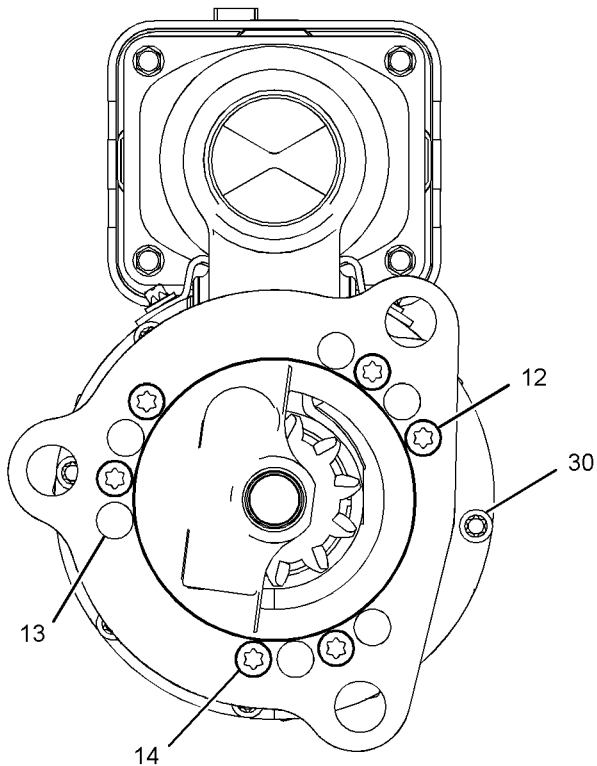
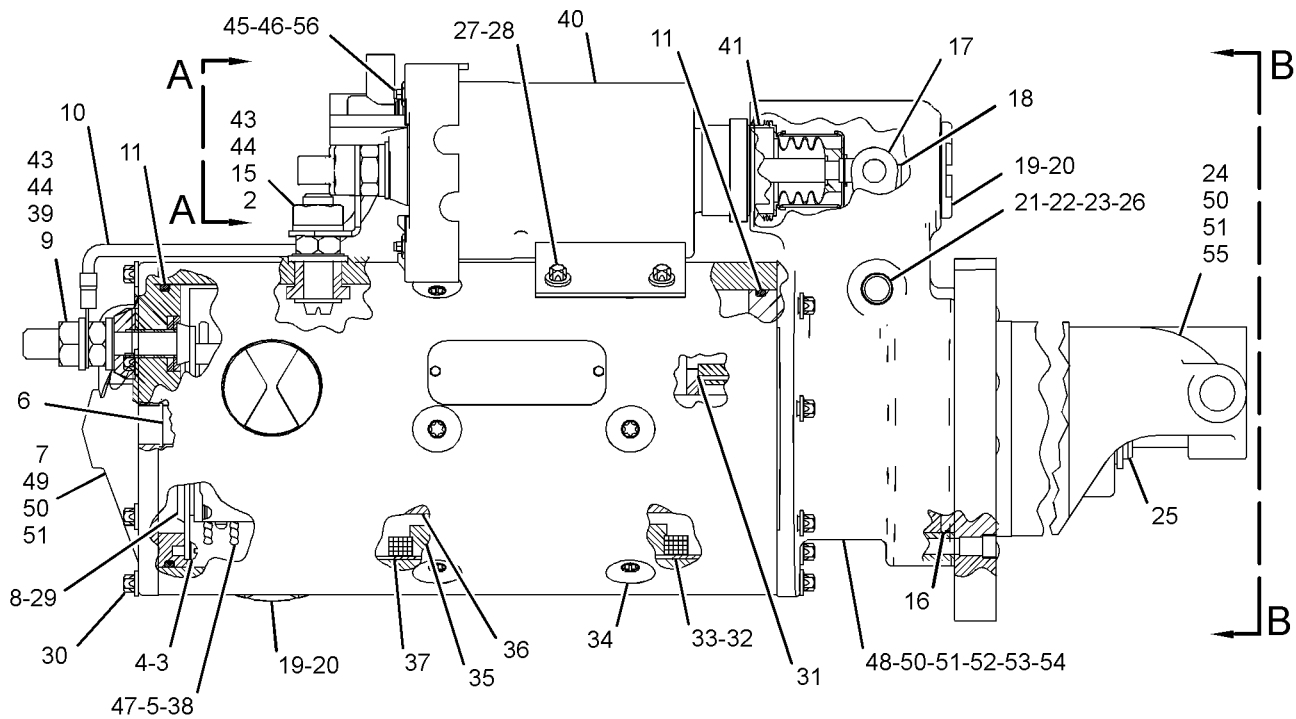
NOTE	REF NO	GRAPHIC REF	PART NUMBER	QTY	PART NAME						SEE PAGE
					1	2	3	4	5	6 (PRODUCT LEVEL)	
	51	1	3T-3423	3	CUP						
	52	1	1M-9968	1	BUSHING						
	53	1	2F-6678	1	SEAL-LIP TYPE						
	54	1	4L-2729	1	WASHER (0.844X1.9X0.188-IN THK)						
	55	1	4M-1896	1	BUSHING-TERMINAL						
	56	1	045-4065	4	SCREW-MACHINE (10-32X0.75-IN)						
	57	1	125-6537	1	INSULATOR						
	58	1	125-6535	1	COVER-STARTING MOTOR						

Y-SEPARATE ILLUSTRATION

ELECTRICAL AND STARTING SYSTEM

338-3454 STARTING MOTOR GP-ELECTRIC (contd.)

i04167529



GRAPHIC #1

<END>

g02318393

ELECTRICAL AND STARTING SYSTEM

7N-0719 SWITCH GP-DISCONNECT-BATTERY

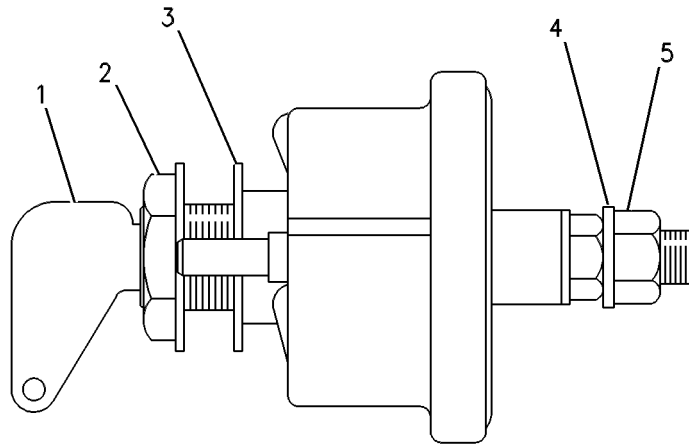
S/N: A7A1-UP

PART OF 340-1119 WIRING GP-BUMPER
AN ATTACHMENT

SMCS-1411

i04490276

NOTE	REF NO	GRAPHIC REF	PART NUMBER	QTY	PART NAME						SEE PAGE
					1	2	3	4	5	6 (PRODUCT LEVEL)	
	1	1	8H-5306	1	KEY (BATTERY DISCONNECT)						
	2	1	8H-5303	1	NUT (3/4-16-THD)						
	3	1	2H-3922	2	LOCKWASHER						
	4	1	9F-5644	2	LOCKWASHER						
	5	1	6F-7045	2	NUT-FULL (3/8-24-THD)						



GRAPHIC #1

<END>

g00117885

ELECTRICAL AND STARTING SYSTEM

125-1302 SWITCH GP-MAGNETIC

S/N: A7A1-UP

24-VOLT

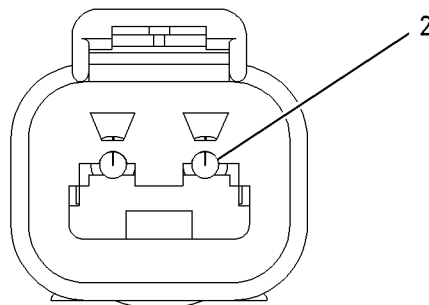
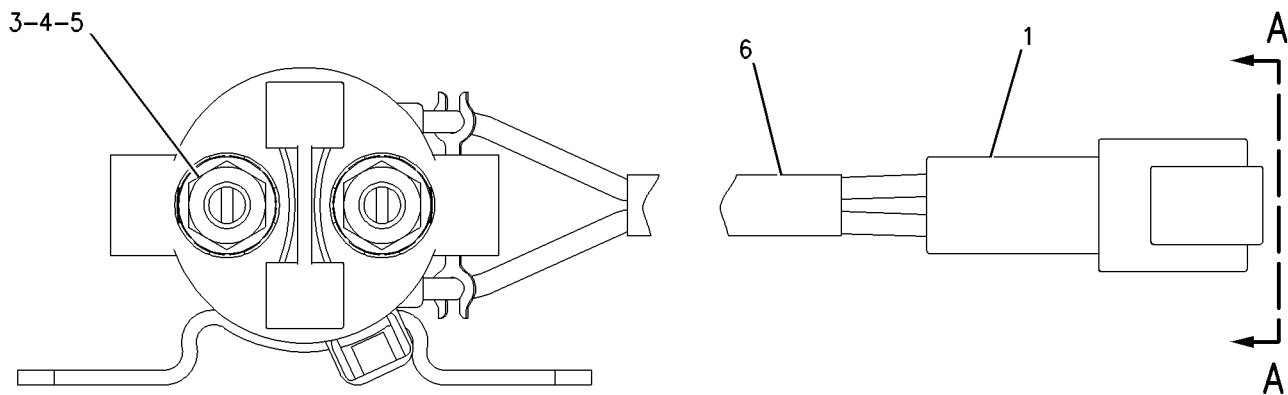
PART OF 309-0972 WIRING GP-ELECTRONICS BAY
AN ATTACHMENT

SMCS-7499

i04487671

NOTE	REF NO	GRAPHIC REF	PART NUMBER	QTY	PART NAME						SEE PAGE
					1	2	3	4	5	6 (PRODUCT LEVEL)	
	1	1	102-8802	1	KIT-RECEPTACLE (2-PIN)						
					(INCLUDES RECEPTACLE AS & WEDGE)						
	2	1	186-3735	2	PIN-CONNECTOR (16-GA TO 18-GA)						
	3	1	1H-3338	2	LOCKWASHER (EXTERNAL TOOTH)						
	4	1	012-0380	2	LOCKWASHER						
M	5	1	5C-2890	2	NUT (M6X1-THD)						
E	6	1	9X-1813		SLEEVE (16-CM)						

E-ORDER BY THE CENTIMETER
M-METRIC PART



VIEW A-A

GRAPHIC #1

<END>

g00988001

ELECTRICAL AND STARTING SYSTEM

241-8368 SWITCH GP-MAGNETIC

S/N: A7A1-UP

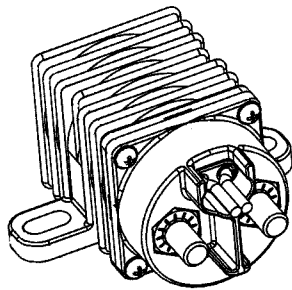
24-VOLT

PART OF 309-0972 WIRING GP-ELECTRONICS BAY
AN ATTACHMENT

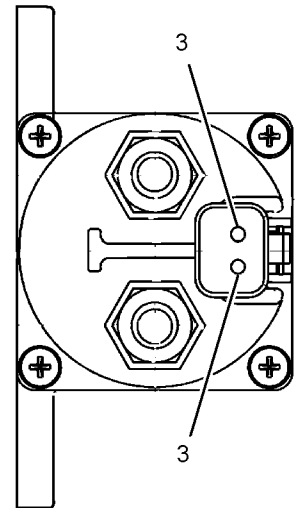
SMCS-7499

i02703638

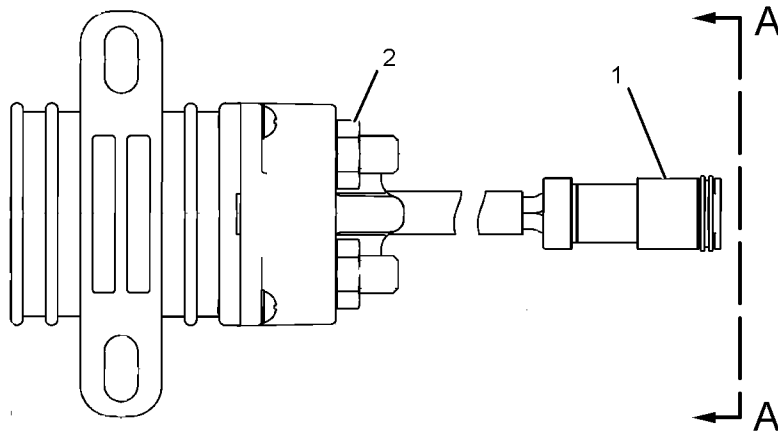
NOTE	REF NO	GRAPHIC REF	PART NUMBER	QTY	PART NAME						SEE PAGE
					1	2	3	4	5	6 (PRODUCT LEVEL)	
	1	1	155-2270	1	KIT-CONNECTING PLUG (2-PIN)						
					(INCLUDES PLUG AS, WEDGE, & INTERFACE SEAL)						
	2	1	4F-2294	2	NUT-JAM (5/16-24-THD)						
	3	1	186-3736	2	SOCKET-CONNECTOR (16-GA TO 18-GA)						



ISOMETRIC VIEW



VIEW A-A



GRAPHIC #1

<END>

g01077362

ELECTRICAL AND STARTING SYSTEM

275-1253 SWITCH GP-PRESSURE

S/N: TXH1-UP; RHX1-UP

AMPSEAL CONNECTOR

PART OF 356-1878 FILTER GP-FUEL

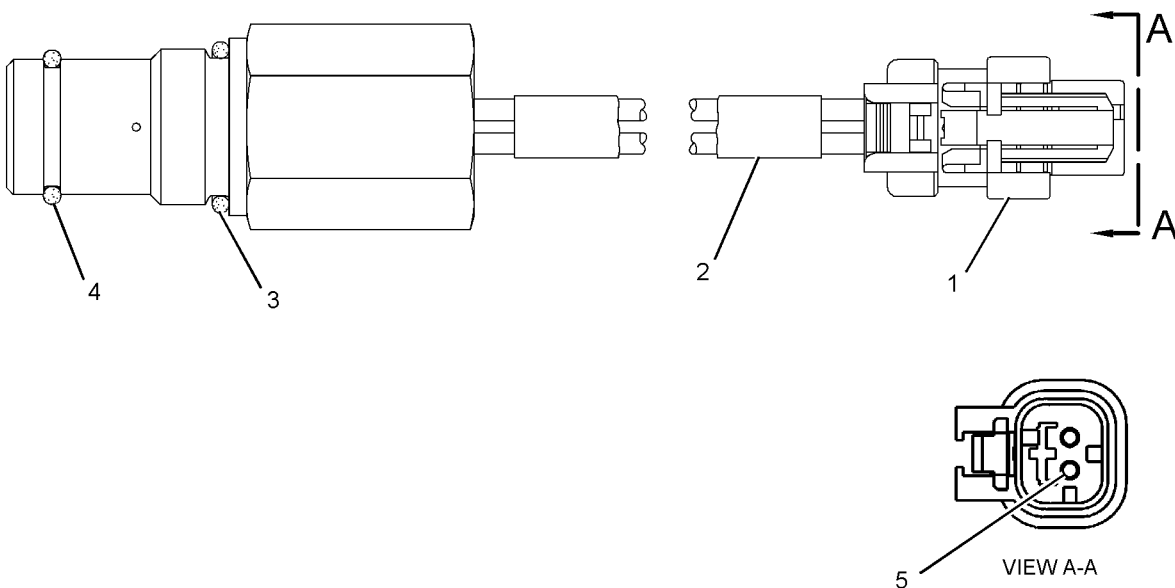
AN ATTACHMENT

SMCS-1435

i04396004

NOTE	REF NO	GRAPHIC REF	PART NUMBER	QTY	PART NAME						SEE PAGE
					1	2	3	4	5	6 (PRODUCT LEVEL)	
	1	1	230-4011	1	PLUG AS-CONNECTOR (2-PIN)						
			264-7029	1	SEAL-CONNECTOR						
E	2	1	9X-1813		SLEEVE (14-CM)						
	3	1	6V-4589	1	SEAL-O-RING						
	4	1	9X-7737	1	SEAL-O-RING						
	5	1	144-1636	2	PIN-CONNECTOR (14-GA TO 18-GA)						

E-ORDER BY THE CENTIMETER



GRAPHIC #1

<END>

g01238534

ELECTRICAL AND STARTING SYSTEM

346-3830 SWITCH GP-ROCKER-TORQUE CONVERTER LOCKUP

S/N: A7A1-UP

PART OF 231-7842 TORQUE CONVERTER AR-LOCKUP
AN ATTACHMENT

SMCS-7332

i04480097

NOTE	PART NUMBER	QTY	PART NAME						SEE PAGE
			1	2	3	4	5	6 (PRODUCT LEVEL)	
	163-1878	1	LAMP-LED (24-VOLT, YELLOW)						
	251-2029	1	SWITCH AS-ROCKER (TORQUE CONVERTER LOCKUP)						
<END>									

ELECTRICAL AND STARTING SYSTEM

350-9960 SWITCH GP-SIGNAL

S/N: A7A1-UP

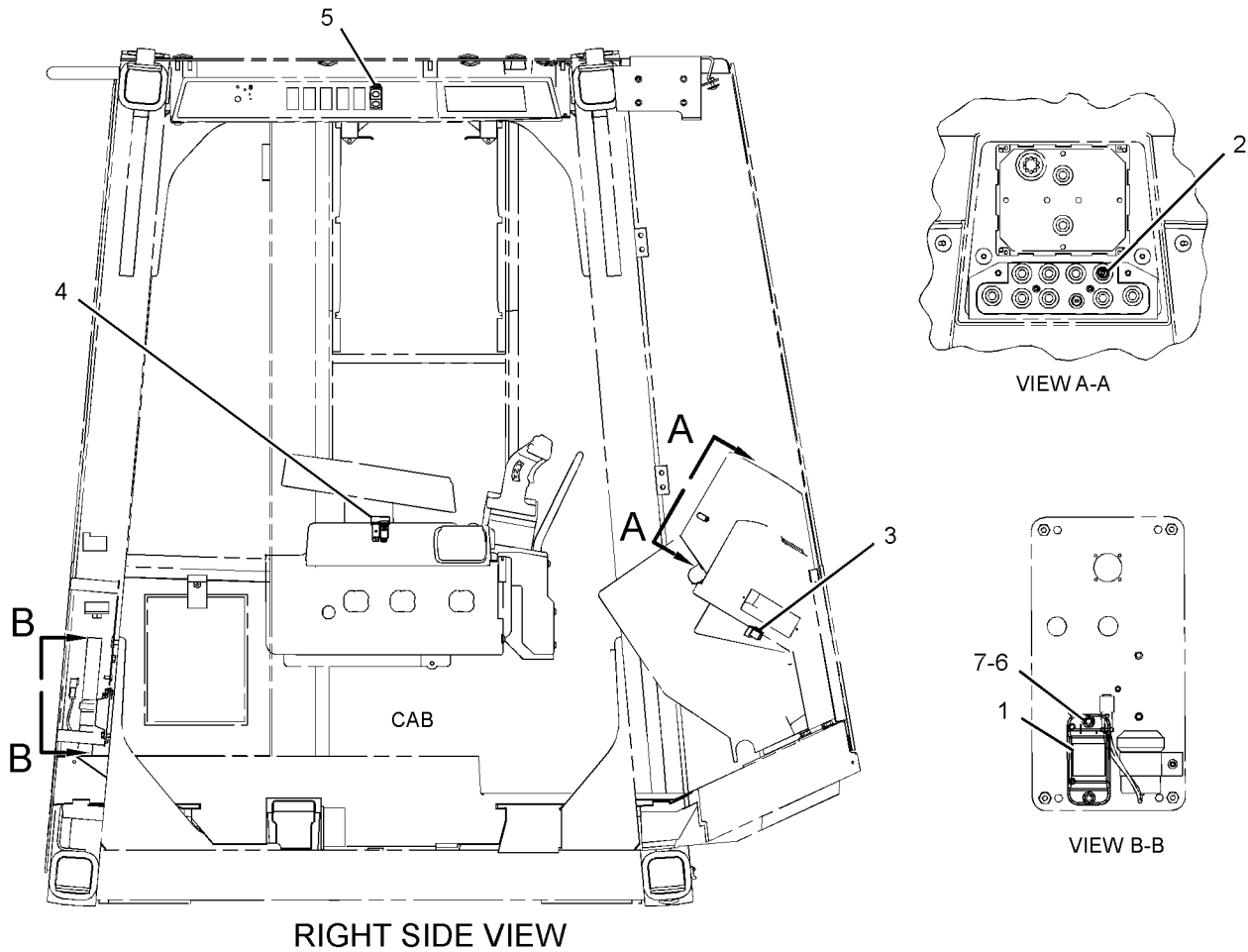
PART OF 285-6400 LIGHTING AR-FLOOD & SIGNAL
AN ATTACHMENT

SMCS-7332

i04437574

NOTE	REF NO	GRAPHIC REF	PART NUMBER	QTY	PART NAME						SEE PAGE
					1	2	3	4	5	6 (PRODUCT LEVEL)	
	1	1	108-0358	1	FLASHER AS (24-VOLT)						
	2	1	163-1879	1	LAMP-LED (24-VOLT, GREEN)						
	3	1	172-9200	1	SUPPRESSOR-ARC						
	4	1	249-5482	1	SWITCH AS-ROCKER (24-VOLT)						
	5	1	256-7823	1	SWITCH AS-ROCKER (24-VOLT)						
	6	1	8T-4205	2	WASHER-HARD (7.2X14.5X2-MM THK)						
M	7	1	8T-4970	2	BOLT (M6X1X14-MM)						

M-METRIC PART



GRAPHIC #1

<END>

g02061195

ELECTRICAL AND STARTING SYSTEM

165-5970 SWITCH GP-TOGGLE

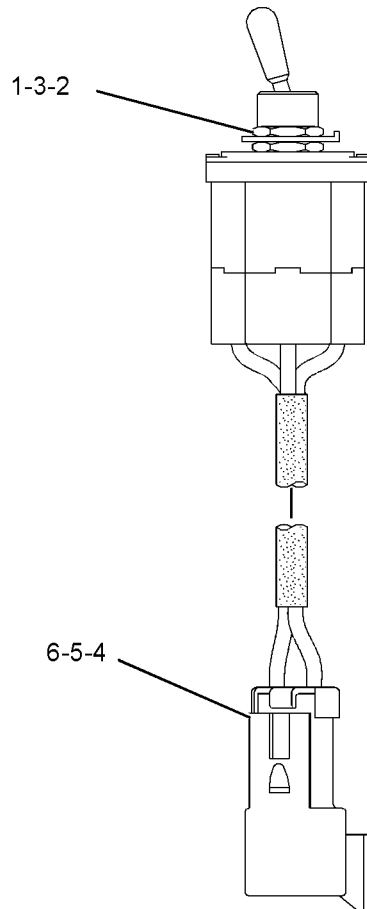
S/N: A7A1-UP

PART OF 225-8334 LINES GP-FUEL

SMCS-7332

i04459153

NOTE	REF NO	GRAPHIC REF	PART NUMBER	QTY	PART NAME						SEE PAGE
					1	2	3	4	5	6 (PRODUCT LEVEL)	
	1	1	6T-3631	2	NUT-HEX (15/32-32-THD)						
	2	1	6T-3632	1	LOCKWASHER						
	3	1	6T-3633	1	RING-LOCKING						
	4	1	102-8803	1	KIT-RECEPTACLE (3-PIN)						
					(INCLUDES RECEPTACLE AS & WEDGE)						
	5	1	3E-3371	1	WEDGE-RECEPTACLE LOCK (3-PIN)						
	6	1	8T-8729	3	PIN-CONNECTOR (16-GA TO 18-GA)						



GRAPHIC #1

<END>

g02539336

ELECTRICAL AND STARTING SYSTEM

275-7741 SWITCH GP-WIPER

S/N: A7A1-UP

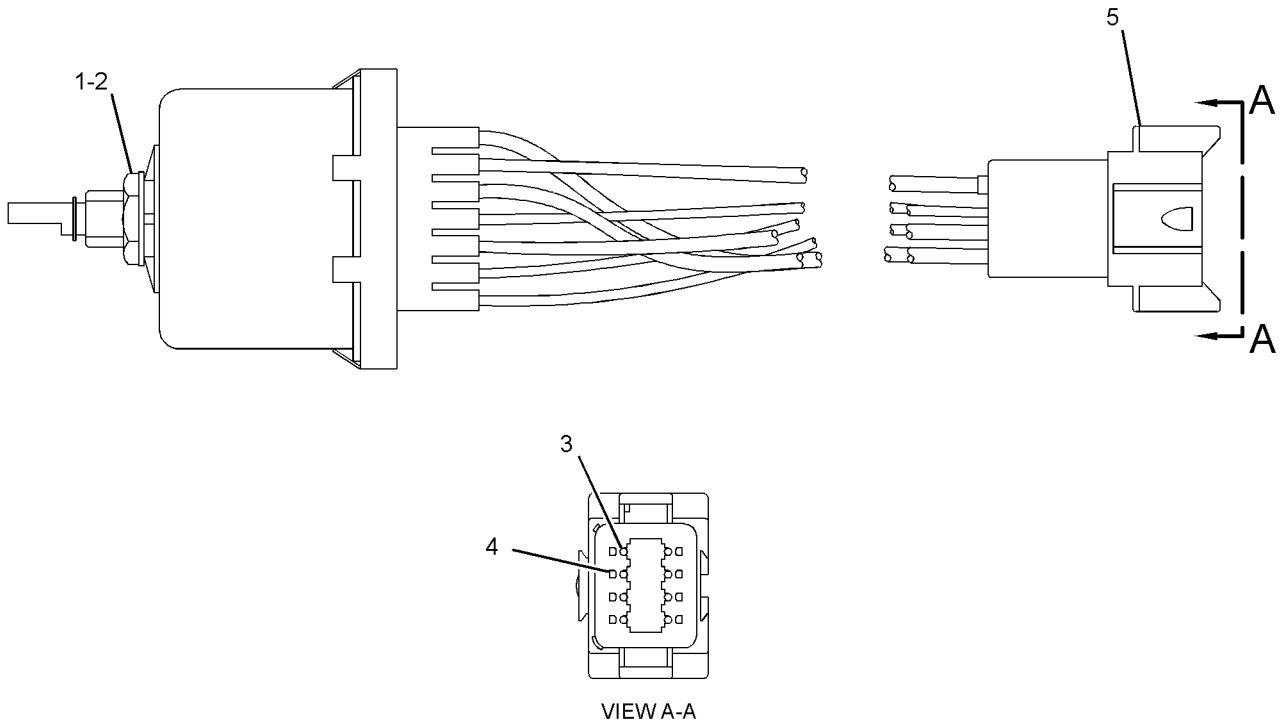
24-VOLT

PART OF 345-4460 WIRING GP-CAB

SMCS-7332

i04472189

NOTE	REF NO	GRAPHIC REF	PART NUMBER	QTY	PART NAME						SEE PAGE
					1	2	3	4	5	6 (PRODUCT LEVEL)	
	1	1	6V-8369	1	NUT (7/16-28-THD)						
	2	1	2H-3920	1	LOCKWASHER						
	3	1	8T-8737	2	PLUG-SEAL						
	4	1	8T-8729	6	PIN-CONNECTOR (16-GA TO 18-GA)						
	5	1	102-8806	1	KIT-RECEPTACLE (8-PIN)						
(INCLUDES RECEPTACLE AS & WEDGE)											



GRAPHIC #1

<END>

g01445891

ELECTRICAL AND STARTING SYSTEM

239-1134 VALVE GP-ETHER STARTING

S/N: A7A1-UP

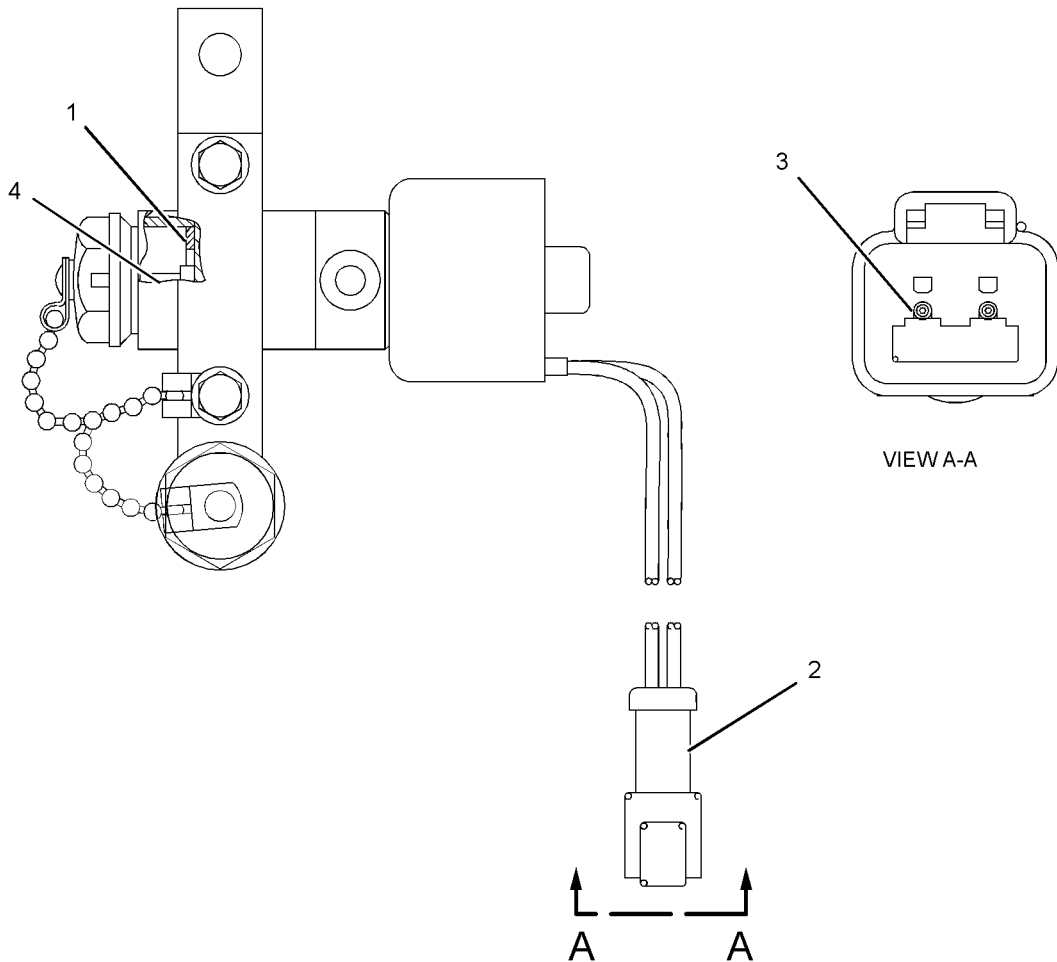
24-VOLT

PART OF 247-0849 VALVE GP-ETHER STARTING

SMCS-1456

i04461068

NOTE	REF NO	GRAPHIC REF	PART NUMBER	QTY	PART NAME						SEE PAGE
					1	2	3	4	5	6 (PRODUCT LEVEL)	
	1	1	7N-9801	1	GASKET						
	2	1	102-8802	1	KIT-RECEPTACLE (2-PIN) (INCLUDES RECEPTACLE AS & WEDGE)						
	3	1	8T-8729	2	PIN-CONNECTOR (16-GA TO 18-GA)						
	4	1	358-4889	1	FILTER (ETHER START)						



GRAPHIC #1

<END>

g02138138

ELECTRICAL AND STARTING SYSTEM

247-0849 VALVE GP-ETHER STARTING

S/N: A7A1-UP

PART OF 247-0848 STARTING AID GP-ETHER

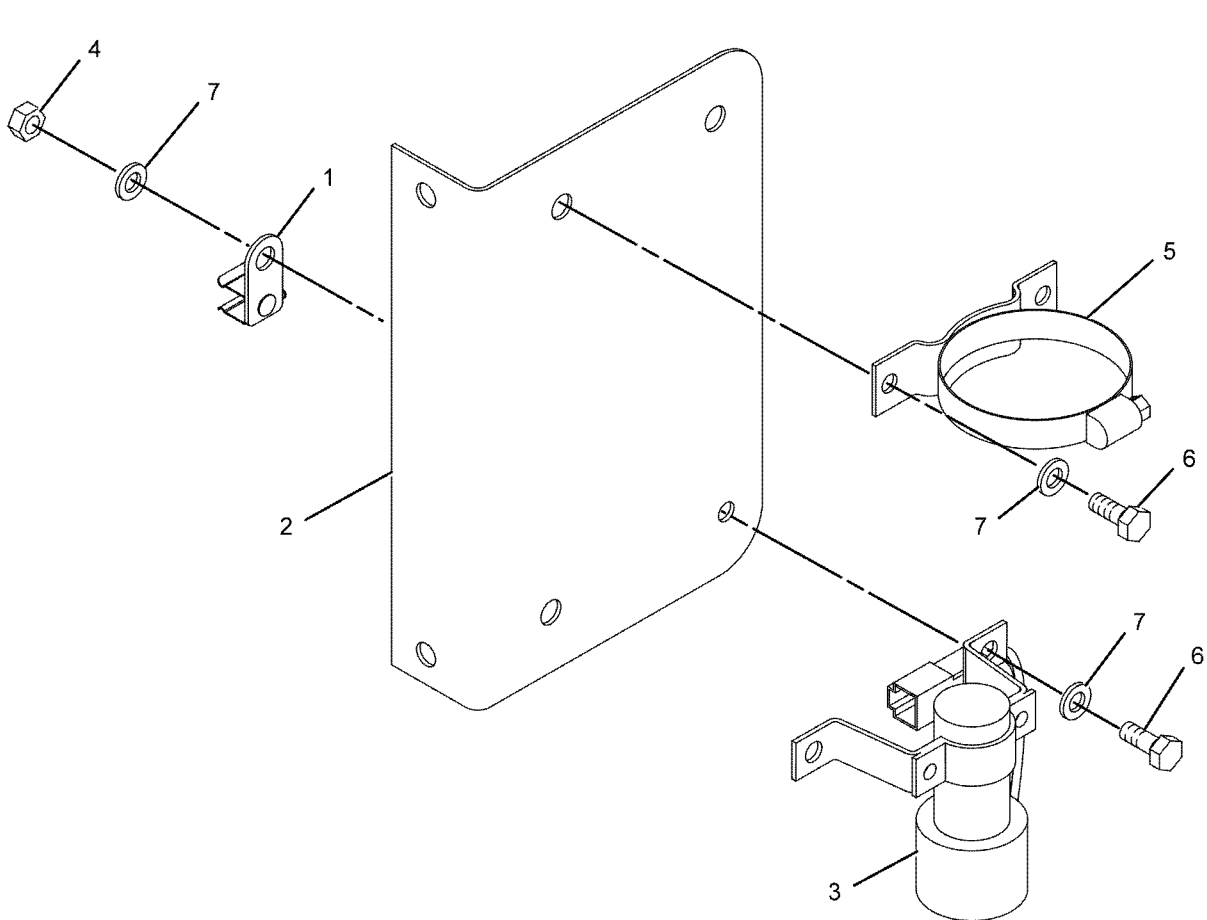
SMCS-1456

i04459190

NOTE	REF NO	GRAPHIC REF	PART NUMBER	QTY	PART NAME	SEE PAGE
					1 2 3 4 5 6 (PRODUCT LEVEL)	
	1	1	9U-2277	1	CLIP AS	
	2	1	145-2379	1	BRACKET AS	
M		1	8T-3612	3	NUT-WELD (M8X1.25-THD)	
Y	3	1	239-1134	1	VALVE GP-ETHER STARTING (24-VOLT)	211
M	4	1	5C-7261	1	NUT (M8X1.25-THD)	
	5	1	7N-2059	1	CLAMP AS	
M	6	1	8T-4189	4	BOLT (M8X1.25X20-MM)	
	7	1	8T-4224	5	WASHER-HARD (8.8X16X2-MM THK)	

M-METRIC PART

Y-SEPARATE ILLUSTRATION



GRAPHIC #1

<END>

g01118758

ELECTRICAL AND STARTING SYSTEM

231-3882 WARNING GP-BACKUP

S/N: A7A1-UP

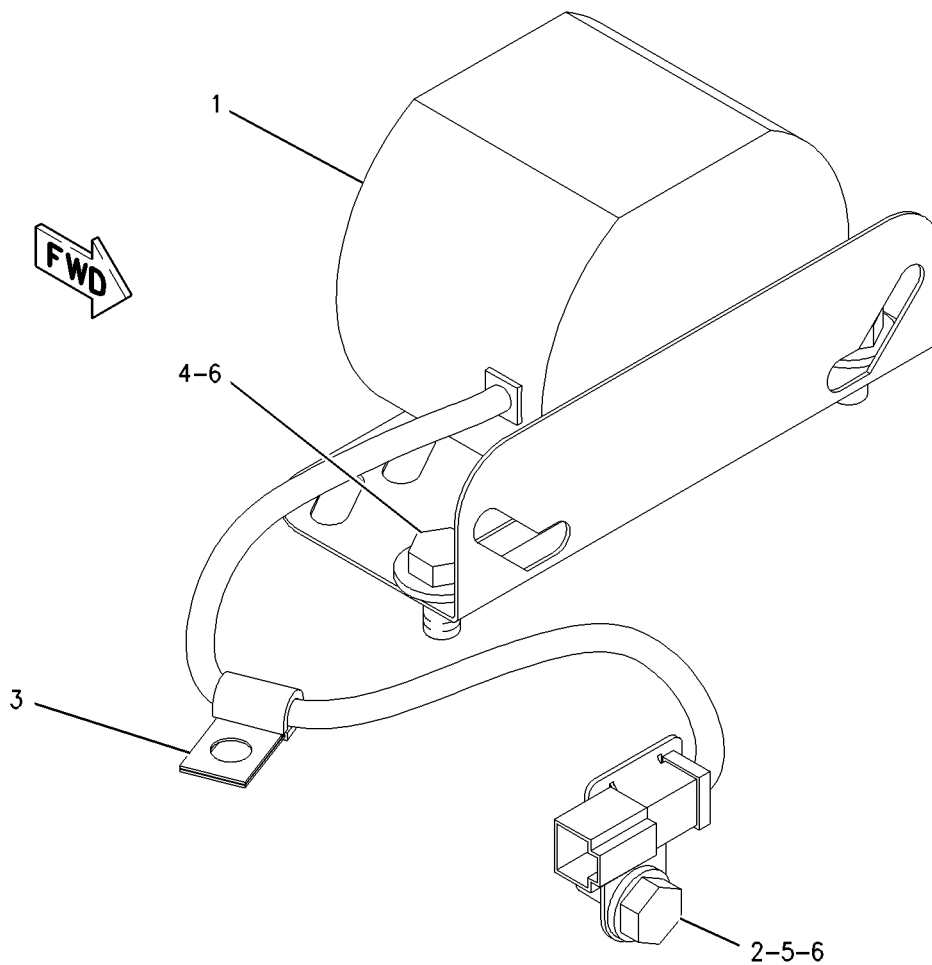
PART OF 337-0870 ELECTRICAL AR

SMCS-7406

i04456391

NOTE	REF NO	GRAPHIC REF	PART NUMBER	QTY	PART NAME						SEE PAGE
					1	2	3	4	5	6 (PRODUCT LEVEL)	
	1	1	213-9100	1	ALARM GP-TRAVEL (BACKUP)						
		1	102-8802	1	KIT-RECEPTACLE (2-PIN) (INCLUDES RECEPTACLE AS AND WEDGE)						
		1	186-3735	2	PIN-CONNECTOR (16-GA TO 18-GA)						
	2	1	130-5300	1	CLIP						
	3	1	5P-9085	1	CLIP						
	4	1	7X-0772	2	WASHER-HARD (10.2X25.5X2.5-MM THK)						
	5	1	8T-4121	1	WASHER-HARD (11X21X2.5-MM THK)						
M	6	1	8T-4137	3	BOLT (M10X1.5X20-MM)						

M-METRIC PART



GRAPHIC #1

<END>

g01004802

ELECTRICAL AND STARTING SYSTEM

340-1119 WIRING GP-BUMPER

S/N: A7A1-UP

PART OF 329-7443 BUMPER AR-REAR
AN ATTACHMENT

SMCS-1408

i04489934

NOTE	REF NO	GRAPHIC REF	PART NUMBER	QTY	PART NAME						SEE PAGE
					1	2	3	4	5	6 (PRODUCT LEVEL)	
	1	1	3E-8320	1	PLATE-INSTRUCTION (BATTERY)						
Y	2	1	7N-0719	1	SWITCH GP-DISCONNECT (BATTERY)						203
	3	1	8C-6358	1	BLOCK AS-JUNCTION (BATTERY)						
		1	1D-5117	3	NUT-JAM (1/2-13-THD)						
		1	8T-3519	3	BOLT-BRONZE (1/2-13X2-IN)						
	4	1	9X-6772	2	STRAP-CABLE						
	5	1	121-7848	2	PLATE						
	6	1	124-3019	1	BRACKET AS						
M		1	8T-3490	1	NUT-WELD (M10X1.5-THD)						
	7	1	139-2212	1	BRACKET						
	8	1	139-3884	1	PLATE AS						
	9	1	260-0256	1	RECEPTACLE AS						
E		1	159-8049		CABLE (00-GA, RED) (58-CM)						
E		1	159-8050		CABLE (00-GA, BLACK) (120-CM)						
		1	8N-0869	1	COVER-TERMINAL (RED)						
		1	1S-7251	2	TERMINAL-CABLE (00-GA, 1/2-IN SCREW)						
	10	1	261-3650	1	CABLE AS						
E		1	159-8054		CABLE-ELECTRICAL (00-GA, BLACK) (151-CM)						
		1	294-2319	1	COVER-TERMINAL (BLACK)						
		1	3L-7634	1	TERMINAL-RING (0000-GA, 1/2-IN SCREW)						
		1	031-9295	1	TERMINAL-RING (0000-GA, 3/8-IN SCREW)						
	11	1	340-1120	1	HARNESS AS-BUMPER						
		1	274-3774	2	CAP-CONNECTOR						
		1	274-3779	1	CAP-SEAL						
		1	155-2255	1	KIT-CONNECTING PLUG (12-PIN)						
		1	155-2260	1	KIT-CONNECTING PLUG (3-PIN)						
		1	155-2270	2	KIT-CONNECTING PLUG (2-PIN)						
		1	155-2271	1	KIT-CONNECTING PLUG (4-PIN)						
					(EACH PLUG KIT INCLUDES PLUG AS, WEDGE & INTERFACE SEAL)						
		1	8T-8737	4	PLUG-SEAL						
E		1	114-8843		SLEEVE-PLASTIC (100-CM)						
		1	9X-3402	19	SOCKET-CONNECTOR (16-GA TO 18-GA)						
		1	9X-6772	3	STRAP-CABLE						
E		1	125-7874		TUBE-HEAT SHRINK (5.72-MM DIA) (5-CM)						
		1	155-2258	1	WEDGE-PLUG LOCK (12-PIN)						
	12	1	033-8248	9	CLIP						
	13	1	130-5300	3	CLIP						
	14	1	1R-6072	1	GROMMET						
	15	1	1S-0994	5	CLIP						
	16	1	2V-1771	5	GROMMET						
	17	1	4S-1962	3	CLIP						
	18	1	5G-6505	3	WASHER (25X38X14-MM THK)						
	19	1	5P-8939	3	GROMMET						
	20	1	6V-8188	3	NUT (1/2-13-THD)						
	21	1	7F-0560	3	WASHER (0.516X0.938X0.101-IN THK)						
	22	1	7X-7729	2	WASHER (11X25X3-MM THK)						
	23	1	8T-4121	24	WASHER-HARD (11X21X2.5-MM THK)						
M	24	1	8T-4136	5	BOLT (M10X1.5X25-MM)						
M	25	1	8T-4137	20	BOLT (M10X1.5X20-MM)						
M	26	1	8T-4139	6	BOLT (M12X1.75X30-MM)						
M	27	1	8T-4186	1	BOLT (M10X1.5X40-MM)						
M	28	1	8T-4192	1	BOLT (M12X1.75X25-MM)						
	29	1	8T-4223	7	WASHER-HARD (13.5X25.5X3-MM THK)						
	30	1	8T-4224	4	WASHER-HARD (8.8X16X2-MM THK)						

ELECTRICAL AND STARTING SYSTEM

340-1119 WIRING GP-BUMPER (contd.)

i04489934

NOTE	REF NO	GRAPHIC REF	PART NUMBER	QTY	PART NAME	SEE PAGE
					1 2 3 4 5 6 (PRODUCT LEVEL)	
M	31	1	8T-4908	4	BOLT (M8X1.25X25-MM)	

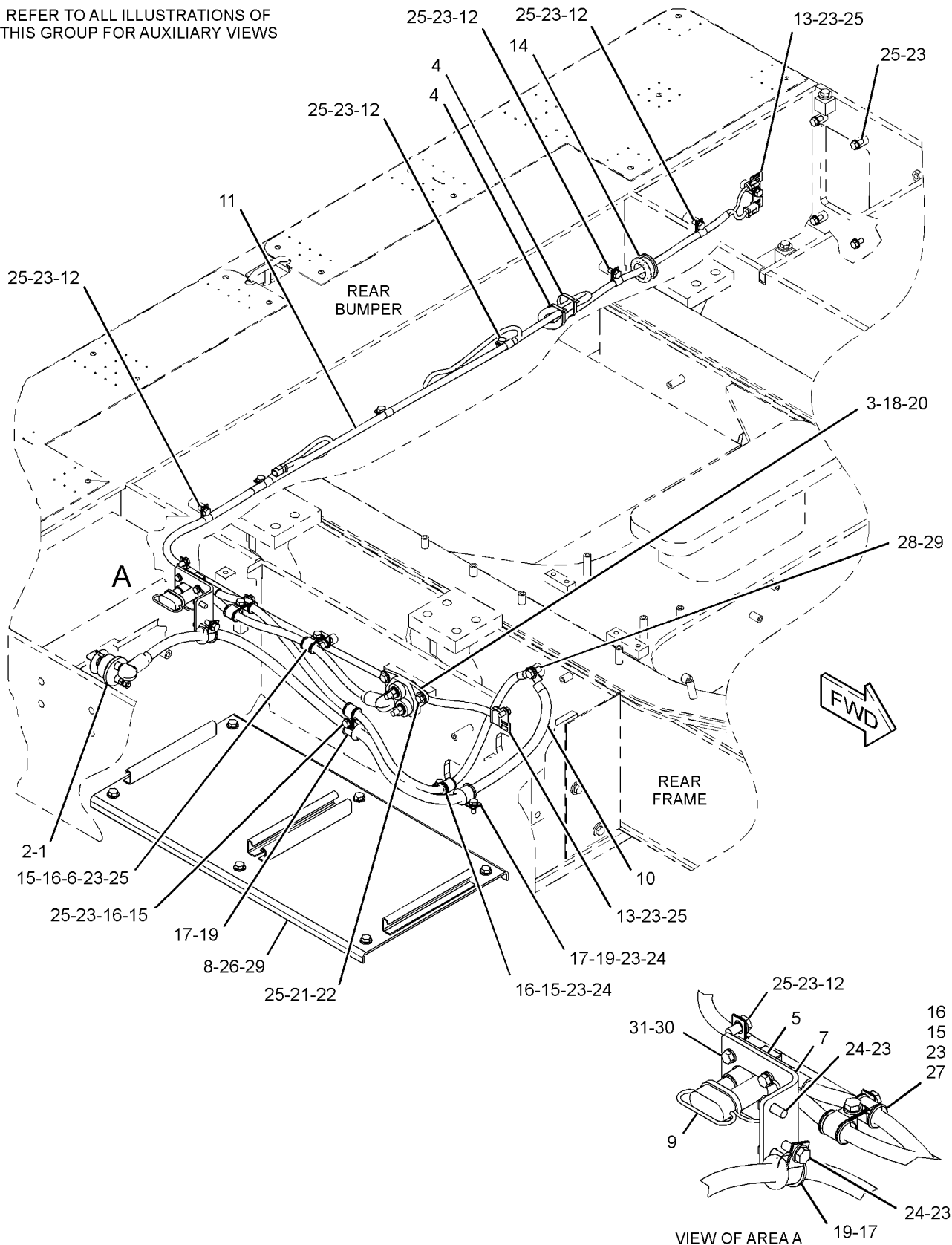
E-ORDER BY THE CENTIMETER
M-METRIC PART
Y-SEPARATE ILLUSTRATION

ELECTRICAL AND STARTING SYSTEM

340-1119 WIRING GP-BUMPER (contd.)

i04489934

REFER TO ALL ILLUSTRATIONS OF THIS GROUP FOR AUXILIARY VIEWS



GRAPHIC #1

<END>

g02040355

ELECTRICAL AND STARTING SYSTEM

345-4460 WIRING GP-CAB

S/N: A7A1-UP

PART OF 346-3826 CAB AR

SMCS-1408, 7301

i04468603

NOTE	REF NO	GRAPHIC REF	PART NUMBER	QTY	PART NAME						SEE PAGE
					1	2	3	4	5	6 (PRODUCT LEVEL)	
	1	4	2H-3920	2	LOCKWASHER						
Y	2	2	3E-6328	1	ALARM GP (24-VOLT)						143
Y	3	4	3E-6389	2	LAMP GP-DOME (24-VOLT)						158
	4	4	4V-4164	12	BUSHING-TERMINAL						
			8C-6354	1	CAP-RECEPTACLE						
	5	4	6V-8369	2	NUT (7/16-28-THD)						
	6	1,2,4	7K-1181	55	STRAP-CABLE						
	7	1	8X-5803	1	STRAP AS-GROUND						
	8	1,4	9F-8125	12	LOCKWASHER (EXTERNAL TOOTH)						
	9	4	098-8968	12	WASHER (5X16X1.2-MM THK)						
Y	10	2	103-5526	1	CONTROL GP-MONITOR (BACKLIGHT DIMMER)						591
	11	4	108-3320	1	SWITCH AS-ROTARY (24-VOLT, 5-POSITION)						
		4	102-8806	1	KIT-RECEPTACLE (8-PIN)						
					(INCLUDES RECEPTACLE AS & WEDGE)						
		4	9W-0852	8	PIN-CONNECTOR (14-GA TO 16-GA)						
		4	3E-3389	1	WEDGE-RECEPTACLE LOCK (8-PIN)						
	12	3,4	110-2079	6	LAMP (24-VOLT)						
	13	3	110-4218	1	MODULE AS-LIGHT						
	14	4	110-6109	6	KNOB-CONTROL (CONTROL PANEL SWITCHES)						
	15	3	110-7887	1	SWITCH AS-START (KEY)						
		3	102-8804	1	KIT-RECEPTACLE (4-PIN)						
					(INCLUDES RECEPTACLE AS & WEDGE)						
		3	7T-6799	1	NUT-MOUNTING (1-32-THD)						
		3	186-3735	4	PIN-CONNECTOR (16-GA TO 18-GA)						
	16	4	112-5421	1	STRIP						
	17	2	113-0002	2	STRIP AS						
	18	2	117-2311	1	SOCKET-AUXILIARY POWER (12-VOLT)						
	19	3	122-4429	1	PLATE						
	20	3	122-9854	1	GASKET						
	21	2	123-4627	1	GASKET						
	22	4	123-6383	2	SWITCH AS-ROTARY (24-VOLT, 4-POSITION)						
					(EACH INCLUDES)						
		4	102-8805	1	KIT-RECEPTACLE (6-PIN)						
					(INCLUDES RECEPTACLE AS & WEDGE)						
		4	9W-0852	5	PIN-CONNECTOR (14-GA TO 16-GA)						
		4	8T-8737	1	PLUG-SEAL						
		4	3E-3383	1	WEDGE-RECEPTACLE LOCK (6-PIN)						
	23	1,2	143-5122	2	RESISTOR AS						
					(EACH INCLUDES)						
		1,2	102-8802	1	KIT-RECEPTACLE (2-PIN)						
					(INCLUDES RECEPTACLE AS & WEDGE)						
		1,2	8T-8729	2	PIN-CONNECTOR (16-GA TO 18-GA)						
	24	3	163-1876	1	LAMP-LED (24-VOLT, RED)						
	25	3	163-1878	3	LAMP-LED (24-VOLT, YELLOW)						
			179-9392	1	LANYARD						
Y	26	3	166-6928	1	MODULE GP-QUAD GAUGE						626
	27	2	170-1821	1	SWITCH AS-PUSH BUTTON (HORN)						
		2	6F-0253	1	LOCKWASHER						
		2	172-3511	1	NUT (5/8-24-THD)						
		2	8T-8729	2	PIN-CONNECTOR (16-GA TO 18-GA)						
	28	3	178-8583	1	MODULE GP-SPEEDOMETER & TACH						
		3	102-8805	1	KIT-RECEPTACLE (6-PIN)						
					(INCLUDES RECEPTACLE AS & WEDGE)						
		3	8T-8729	6	PIN-CONNECTOR (16-GA TO 18-GA)						
	29	2	180-9900	1	CAP AS						
	30	2	198-6570	1	LIGHTER GP (12-VOLT)						

ELECTRICAL AND STARTING SYSTEM

345-4460 WIRING GP-CAB (contd.)

i04468603

NOTE	REF NO	GRAPHIC REF	PART NUMBER	QTY	PART NAME						SEE PAGE
					1	2	3	4	5	6 (PRODUCT LEVEL)	
		2	198-6571	1	ELEMENT AS-HEATER						
	31	2	204-8000	1	MOUNTING-CABLE TIE						
	32	4	209-0381	1	CONVERTER-POWER (24-VOLT TO 12-VOLT)						
	33	2	228-9514	1	PANEL AS						
		2	5T-9020	6	LUG						
M		2	6V-9632	4	NUT-WELD (M6X1-THD)						
M		2	8T-8874	3	NUT-WELD (M5X0.8-THD)						
	34	2, 3, 4	236-4631	20	BEZEL						
R	35	3	252-4501	1	CONTROL GP-UNPRGMED MONITOR (CATERPILLAR MONITORING SYSTEM)						
	36	2	263-1493	1	SWITCH AS-PUSH BUTTON (THROTTLE LOCK RESUME)						
		2	155-2260	1	KIT-CONNECTING PLUG (3-PIN) (INCLUDES PLUG AS, WEDGE & INTERFACE SEAL)						
		2	6F-0253	1	LOCKWASHER						
		2	172-3511	1	NUT (5/8-24-THD)						
		2	9X-3402	3	SOCKET-CONNECTOR (16-GA TO 18-GA) -OR-						
		2	126-1768	3	SOCKET-CONNECTOR (14-GA TO 16-GA)						
	37	2	265-8171	1	SWITCH AS-PUSH BUTTON (THROTTLE LOCK SET)						
		2	102-8803	1	KIT-RECEPTACLE (3-PIN) (INCLUDES RECEPTACLE AS & WEDGE)						
		2	6F-0253	1	LOCKWASHER						
		2	172-3511	1	NUT (5/8-24-THD)						
		2	8T-8729	3	PIN-CONNECTOR (16-GA TO 18-GA)						
		2	3E-3371	1	WEDGE-RECEPTACLE LOCK (3-PIN)						
	38	4	291-2165	1	POTENTIOMETER AS (TEMPERATURE CONTROL)						
		4	102-8803	1	KIT-RECEPTACLE (3-PIN) (INCLUDES RECEPTACLE AS & WEDGE)						
		4	186-3735	1	PIN-CONNECTOR (16-GA TO 18-GA)						
		4	236-8722	1	WASHER (10.5X22.2X1.6-MM THK)						
	39	1	304-8652	1	HARNESS AS-LIGHTING (CAB FLOODLIGHTS)						
		1	155-2270	11	KIT-CONNECTING PLUG (2-PIN) (EACH INCLUDES PLUG AS, WEDGE & INTERFACE SEAL)						
		1	102-8802	7	KIT-RECEPTACLE (2-PIN) (EACH INCLUDES RECEPTACLE AS & WEDGE)						
		1	8T-8737	14	PLUG-SEAL						
		1	8T-8730	1	SOCKET-CONNECTOR (16-GA TO 18-GA)						
		1	9W-0844	21	SOCKET-CONNECTOR (14-GA TO 16-GA)						
		1	7K-1181	1	STRAP-CABLE						
		1	128-4165	3	TERMINAL AS-RING (EACH INCLUDES)						
		1	2L-8066	1	TERMINAL-RING (10-GA TO 12-GA, NO. 10 SCREW)						
D		1	5P-6006		TUBE-HEAT SHRINK (9.52-MM DIA) (0.1-M)						
		1	131-1495	4	TERMINAL AS-RING (EACH INCLUDES)						
		1	2L-8066	1	TERMINAL-RING (10-GA TO 12-GA, NO. 10 SCREW)						
E		1	125-7875		TUBE-HEAT SHRINK (7.44-MM DIA) (4-CM)						
		1	131-1503	1	TERMINAL AS-RING						
		1	2L-8076	1	TERMINAL-RING (14-GA TO 16-GA, NO. 10 SCREW)						
E		1	125-7874		TUBE-HEAT SHRINK (5.72-MM DIA) (3-CM)						
E		1	119-3662		TUBE-HEAT SHRINK (10.85-MM DIA) (46-CM)						
	40	2	305-5522	2	PLATE						
Y	41	2	307-4671	2	CONTROL GP-HANDLE						590
	42	1	345-4455	1	HARNESS AS-CAB (MAIN)						
		1	8N-1521	1	BELL AS-END						

ELECTRICAL AND STARTING SYSTEM

345-4460 WIRING GP-CAB (contd.)

i04468603

NOTE	REF NO	GRAPHIC REF	PART NUMBER	QTY	PART NAME						SEE PAGE
					1	2	3	4	5	6 (PRODUCT LEVEL)	
		1	8N-1535	1	BELL AS-END						
		1	274-3775	1	CAP-CONNECTOR						
		1	274-3777	3	CAP-CONNECTOR						
		1	274-3776	2	CAP-SEAL						
		1	274-3778	1	CAP-SEAL						
		1	274-3779	3	CAP-SEAL						
		1	123-7615	1	CONNECTOR						
		1	155-2255	1	KIT-CONNECTING PLUG (12-PIN)						
		1	155-2265	1	KIT-CONNECTING PLUG (8-PIN)						
		1	155-2260	6	KIT-CONNECTING PLUG (3-PIN)						
		1	155-2270	2	KIT-CONNECTING PLUG (2-PIN)						
		1	155-2271	4	KIT-CONNECTING PLUG (4-PIN)						
		1	155-2274	6	KIT-CONNECTING PLUG (6-PIN)						
		1	245-7434	11	KIT-CONNECTING PLUG (10-PIN)						
					(EACH PLUG KIT INCLUDES PLUG AS, WEDGE & INTERFACE SEAL)						
		1	197-7565	1	KIT-RECEPTACLE (4-PIN)						
		1	102-8802	1	KIT-RECEPTACLE (2-PIN)						
		1	102-8803	1	KIT-RECEPTACLE (3-PIN)						
		1	102-8804	1	KIT-RECEPTACLE (4-PIN)						
					(EACH RECEPTACLE KIT INCLUDES RECEPTACLE AS & WEDGE)						
		1	9X-3401	47	PIN-CONNECTOR (16-GA TO 18-GA)						
		1	9X-6856	13	PIN-CONNECTOR (16-GA TO 18-GA)						
		1	126-1767	5	PIN-CONNECTOR (14-GA TO 16-GA)						
		1	7G-7917	20	PLUG-SEAL						
		1	8T-8737	99	PLUG-SEAL						
		1	160-7689	1	PLUG AS-CONNECTOR (70-PIN)						
		1	159-9322	1	SEAL-O-RING						
		1	160-7690	1	PLUG AS-CONNECTOR (70-PIN)						
		1	159-9322	1	SEAL-O-RING						
		1	3T-0203	1	PLUG AS-CONNECTOR (20-PIN)						
		1	8N-1514	1	PLUG AS-CONNECTOR (37-PIN)						
		1	9X-0141	1	PLUG AS-CONNECTOR (40-PIN)						
		1	3E-4367	1	RING-RETAINING						
M		1	3E-8557	1	BOLT (M5X0.8X39.37-MM)						
		1	9X-3490	2	SEAL-CONNECTOR (40-PIN)						
		1	9X-7146	1	PLUG AS-CONNECTOR (24-PIN)						
		1	3E-4367	1	RING-RETAINING						
M		1	3E-8558	1	BOLT (M5X0.8X39.37-MM)						
		1	9X-3265	2	SEAL-CONNECTOR (24-PIN)						
		1	9W-1951	1	RECEPTACLE-CONNECTOR (9-PIN)						
		1	113-0580	1	RECEPTACLE AS-CONNECTOR (40-PIN)						
		1	106-4155	1	KIT-RETAINING BOLT						
					(INCLUDES BOLT, RING & SEALS)						
		1	185-1861	72	SEAL-WIRE						
		1	9X-3402	227	SOCKET-CONNECTOR (16-GA TO 18-GA)						
		1	9X-6857	24	SOCKET-CONNECTOR (16-GA TO 18-GA)						
		1	126-1768	42	SOCKET-CONNECTOR (14-GA TO 16-GA)						
		1	113-5183	2	SOCKET-LAMP						
		1	7K-1181	1	STRAP-CABLE						
		1	9X-6772	2	STRAP-CABLE						
		1	235-4123	44	TERMINAL (18-GA TO 20-GA)						
		1	6V-0491	2	TERMINAL-BLADE (14-GA TO 18-GA)						
		1	113-5184	4	TERMINAL-RECEPTACLE (16-GA TO 18-GA)						
		1	130-6788	1	TERMINAL AS-BLADE						
		1	5P-4571	1	TERMINAL-BLADE (14-GA TO 16-GA)						
					-OR-						
		1	5P-5618	1	TERMINAL-BLADE (10-GA TO 12-GA)						
E		1	6V-9023		TUBE-HEAT SHRINK (12.7-MM DIA) (4-CM)						

ELECTRICAL AND STARTING SYSTEM

345-4460 WIRING GP-CAB (contd.)

i04468603

NOTE	REF NO	GRAPHIC REF	PART NUMBER	QTY	PART NAME						SEE PAGE
					1	2	3	4	5	6 (PRODUCT LEVEL)	
		1	130-6790	2	TERMINAL AS-BLADE (EACH INCLUDES)						
		1	097-7234	1	TERMINAL-BLADE (18-GA TO 22-GA)						
D		1	6V-2689		TUBE-HEAT SHRINK (6.35-MM DIA) (0.1-M)						
		1	131-1503	2	TERMINAL AS-RING (EACH INCLUDES)						
		1	2L-8076	1	TERMINAL-RING (14-GA TO 16-GA, NO. 10 SCREW)						
E		1	125-7874		TUBE-HEAT SHRINK (5.72-MM DIA) (3-CM)						
		1	131-1507	4	TERMINAL AS-RING (EACH INCLUDES)						
		1	2L-8081	1	TERMINAL-RING (14-GA TO 16-GA, 1/2-IN SCREW)						
E		1	125-7874		TUBE-HEAT SHRINK (5.72-MM DIA) (3-CM)						
		1	130-6789	3	TERMINAL AS-BLADE						
		1	5P-4571	1	TERMINAL-BLADE (14-GA TO 16-GA) -OR-						
		1	7N-7221	1	TERMINAL-BLADE (18-GA TO 22-GA)						
D		1	6V-2689		TUBE-HEAT SHRINK (6.35-MM DIA) (0.1-M)						
		1	131-1492	1	TERMINAL AS-RING (6-GA TO 8-GA)						
		1	2L-8054	1	TERMINAL-RING (6-GA, 1/2-IN SCREW) -OR-						
		1	2L-8061	1	TERMINAL-RING (8-GA, 1/2-IN SCREW)						
E		1	119-3662		TUBE-HEAT SHRINK (10.85-MM DIA) (4-CM)						
		1	131-1495	4	TERMINAL AS-RING (EACH INCLUDES)						
		1	2L-8066	1	TERMINAL-RING (10-GA TO 12-GA, NO. 10 SCREW)						
E		1	125-7875		TUBE-HEAT SHRINK (7.44-MM DIA) (4-CM)						
		1	131-1500	3	TERMINAL AS-RING						
		1	2L-8071	1	TERMINAL-RING (10-GA TO 12-GA, 1/2-IN SCREW)						
E		1	125-7875		TUBE-HEAT SHRINK (7.44-MM DIA) (4-CM)						
D		1	5P-6006		TUBE-HEAT SHRINK (9.52-MM DIA) (0.1-M)						
E		1	125-7874		TUBE-HEAT SHRINK (5.72-MM DIA) (170-CM)						
E		1	125-7875		TUBE-HEAT SHRINK (7.44-MM DIA) (60-CM)						
		1	155-2258	4	WEDGE-PLUG LOCK (12-PIN)						
		1	155-2259	4	WEDGE-PLUG LOCK (8-PIN)						
		1	3E-3371	1	WEDGE-RECEPTACLE LOCK (3-PIN)						
		1	3E-3377	2	WEDGE-RECEPTACLE LOCK (4-PIN)						
43		1	345-4456	1	HARNESS AS-DASH						
		1	274-3774	1	CAP-CONNECTOR						
		1	274-3776	1	CAP-SEAL						
		1	274-3779	1	CAP-SEAL						
		1	155-2255	1	KIT-CONNECTING PLUG (12-PIN)						
		1	155-2260	1	KIT-CONNECTING PLUG (3-PIN)						
		1	155-2270	2	KIT-CONNECTING PLUG (2-PIN)						
		1	155-2271	2	KIT-CONNECTING PLUG (4-PIN)						
		1	155-2274	3	KIT-CONNECTING PLUG (6-PIN)						
		1	245-7434	1	KIT-CONNECTING PLUG (10-PIN) (EACH PLUG KIT INCLUDES PLUG AS, WEDGE & INTERFACE SEAL)						
		1	102-8803	1	KIT-RECEPTACLE (3-PIN)						
		1	102-8806	1	KIT-RECEPTACLE (8-PIN) (EACH RECEPTACLE KIT INCLUDES RECEPTACLE AS & WEDGE)						
		1	9X-3401	65	PIN-CONNECTOR (16-GA TO 18-GA)						
		1	126-1767	1	PIN-CONNECTOR (14-GA TO 16-GA)						
		1	8T-8737	24	PLUG-SEAL						
		1	8T-9834	1	PLUG AS-CONNECTOR (40-PIN)						

ELECTRICAL AND STARTING SYSTEM

345-4460 WIRING GP-CAB (contd.)

i04468603

NOTE	REF NO	GRAPHIC REF	PART NUMBER	QTY	PART NAME						SEE PAGE
					1	2	3	4	5	6 (PRODUCT LEVEL)	
		1	3E-4367	1	RING-RETAINING						
M		1	3E-8557	1	BOLT (M5X0.8X39.37-MM)						
		1	9X-3132	2	SEAL-CONNECTOR (40-PIN)						
		1	9X-1343	1	RECEPTACLE AS-CONNECTOR (40-PIN)						
		1	9X-7145	1	RECEPTACLE AS-CONNECTOR (24-PIN)						
		1	185-1861	13	SEAL-WIRE						
		1	9X-3402	70	SOCKET-CONNECTOR (16-GA TO 18-GA)						
		1	107-1984	10	SOCKET-LAMP						
		1	113-5183	4	SOCKET-LAMP						
		1	235-4123	13	TERMINAL (18-GA TO 20-GA)						
		1	113-5184	28	TERMINAL-RECEPTACLE (16-GA TO 18-GA)						
		1	131-1500	1	TERMINAL AS-RING						
		1	2L-8071	1	TERMINAL-RING (10-GA TO 12-GA, 1/2-IN SCREW)						
E		1	125-7875		TUBE-HEAT SHRINK (7.44-MM DIA) (4-CM)						
		1	131-1507	1	TERMINAL AS-RING						
		1	2L-8081	1	TERMINAL-RING (14-GA TO 16-GA, 1/2-IN SCREW)						
E		1	125-7874		TUBE-HEAT SHRINK (5.72-MM DIA) (3-CM)						
E		1	125-7874		TUBE-HEAT SHRINK (5.72-MM DIA) (70-CM)						
E		1	125-7875		TUBE-HEAT SHRINK (7.44-MM DIA) (15-CM)						
		1	3E-3389	1	WEDGE-RECEPTACLE LOCK (8-PIN)						
		1	155-2258	1	WEDGE-PLUG LOCK (12-PIN)						
	44	1	345-4457	1	HARNESS AS-CAB						
		1	274-3776	1	CAP-SEAL						
		1	123-7615	1	CONNECTOR						
		1	155-2260	2	KIT-CONNECTING PLUG (3-PIN)						
		1	155-2270	2	KIT-CONNECTING PLUG (2-PIN)						
		1	155-2271	3	KIT-CONNECTING PLUG (4-PIN)						
		1	245-7434	4	KIT-CONNECTING PLUG (10-PIN)						
					(EACH PLUG KIT INCLUDES PLUG AS, WEDGE & INTERFACE SEAL)						
		1	102-8803	2	KIT-RECEPTACLE (3-PIN) (EACH INCLUDES RECEPTACLE AS & WEDGE)						
		1	9X-3401	4	PIN-CONNECTOR (16-GA TO 18-GA)						
		1	8T-8737	22	PLUG-SEAL						
		1	110-6845	1	PLUG AS-CONNECTOR (40-PIN)						
		1	110-6844	1	SEAL						
E		1	307-2338		SLEEVE (153-CM)						
		1	185-1861	26	SEAL-WIRE						
		1	9X-3402	40	SOCKET-CONNECTOR (16-GA TO 18-GA)						
		1	126-1768	2	SOCKET-CONNECTOR (14-GA TO 16-GA)						
B		1	1P-0810	1	TAPE-ELECTRICAL						
		1	235-4123	26	TERMINAL (18-GA TO 20-GA)						
		1	6V-0491	2	TERMINAL-BLADE (14-GA TO 18-GA)						
E		1	125-7874		TUBE-HEAT SHRINK (5.72-MM DIA) (35-CM)						
E		1	125-7875		TUBE-HEAT SHRINK (7.44-MM DIA) (10-CM)						
		1	3E-3371	2	WEDGE-RECEPTACLE LOCK (3-PIN)						
	45	3	350-9959	1	PLATE						
	46	2	096-5962	4	WASHER-HARD (3.4X7X0.8-MM THK)						
	47	4	104-2091	2	SCREW-FLAT HEAD (6-20X0.5-IN)						
	48	2	132-5789	3	CLIP						
	49	2	156-6175	2	CLIP						
	50	2	193-3973	1	STRAP-CABLE						
	51	2	198-4775	2	WASHER-HARD (6.6X15X6-MM THK)						
	52	2, 3, 4	228-6089	13	PLUG (ROCKER SWITCH)						
	53	3	236-4608	1	SWITCH AS-ROCKER (MODE SELECT)						
	54	4	236-4610	1	SWITCH AS-ROCKER (AIR CONDITIONER, HEATER)						
	55	4	236-4611	1	SWITCH AS-ROCKER (FAN BLOWER SPEED)						

ELECTRICAL AND STARTING SYSTEM

345-4460 WIRING GP-CAB (contd.)

i04468603

NOTE	REF NO	GRAPHIC REF	PART NUMBER	QTY	PART NAME						SEE PAGE
					1	2	3	4	5	6 (PRODUCT LEVEL)	
	56	4	243-0774	1	SWITCH AS-ROCKER (24-VOLT) (STAIRWAY ACCESS LIGHTS)						
Y	57	4	275-7741	2	SWITCH GP-WIPER (24-VOLT)						210
	58	2	284-3623	1	SWITCH AS-ROCKER (HYDRAULIC LOCKOUT)						
	59	2	2A-2677	1	SPACER (10.7X17.14X19.05-MM THK)						
	60	2	343-6501	1	SWITCH AS-ROCKER (ECONOMY CONTROL)						
	61	4	349-2530	1	SWITCH AS-ROCKER (KICKOUT SET)						
	62	3	349-2533	1	SWITCH AS-ROCKER (THROTTLE LOCK ENABLE)						
	63	2	3K-5178	1	GROMMET						
	64	4	4B-2049	12	NUT (10-32-THD)						
	65	1,2	4P-7581	4	CLIP						
	66	1	4P-8134	1	CLIP						
M	67	2	5C-2890	1	NUT (M6X1-THD)						
M	68	2	5C-7261	4	NUT (M8X1.25-THD)						
M	69	2	5C-8312	4	NUT (M4X0.7-THD)						
M	70	2	5C-9553	2	BOLT (M6X1X16-MM)						
	71	2	5P-4116	3	WASHER-HARD (8.8X20.5X2-MM THK)						
	72	2	5S-4245	4	SCREW-MACHINE (4-40X0.5-IN)						
	73	2	6B-4540	4	NUT (4-40-THD)						
	74	4	6D-6146	6	SCREW-MACHINE (10-32X1.25-IN)						
	75	3,4	6V-2687	12	SCREW-PAN HEAD (10-24X1-IN)						
			5P-7958	1	SLEEVE-CABLE SPLICE						
M	76	3	7X-3319	2	SCREW-HEX SOCKET (M4X0.7X6-MM)						
	77	2	8R-3695	1	GROMMET						
M	78	2	8T-0337	4	SCREW-MACHINE (M4X0.7X12-MM)						
	79	1,2	8T-4121	7	WASHER-HARD (11X21X2.5-MM THK)						
M	80	1,2	8T-4133	3	NUT (M10X1.5-THD)						
M	81	1,2	8T-4137	3	BOLT (M10X1.5X20-MM)						
M	82	2,3	8T-4138	12	BOLT (M6X1X20-MM)						
M	83	2	8T-4182	1	BOLT (M10X1.5X45-MM)						
	84	2,3	8T-4205	13	WASHER-HARD (7.2X14.5X2-MM THK)						
	85	1,2,4	8T-4223	4	WASHER-HARD (13.5X25.5X3-MM THK)						
	86	2	8T-4224	1	WASHER-HARD (8.8X16X2-MM THK)						
M	87	1,2,4	8T-4244	4	NUT (M12X1.75-THD)						
	88	4	9G-2673	2	GROMMET						
	89	4	9M-5870	6	GROMMET						
	90	2	9P-0719	1	GROMMET						
M	91	3,4	9X-1046	20	SCREW (M4X0.7X18-MM)						
M	92	2	9X-2480	2	BOLT (M6X1X45-MM)						
	93	2	9X-6165	2	WASHER (6.5X22X2.5-MM THK)						

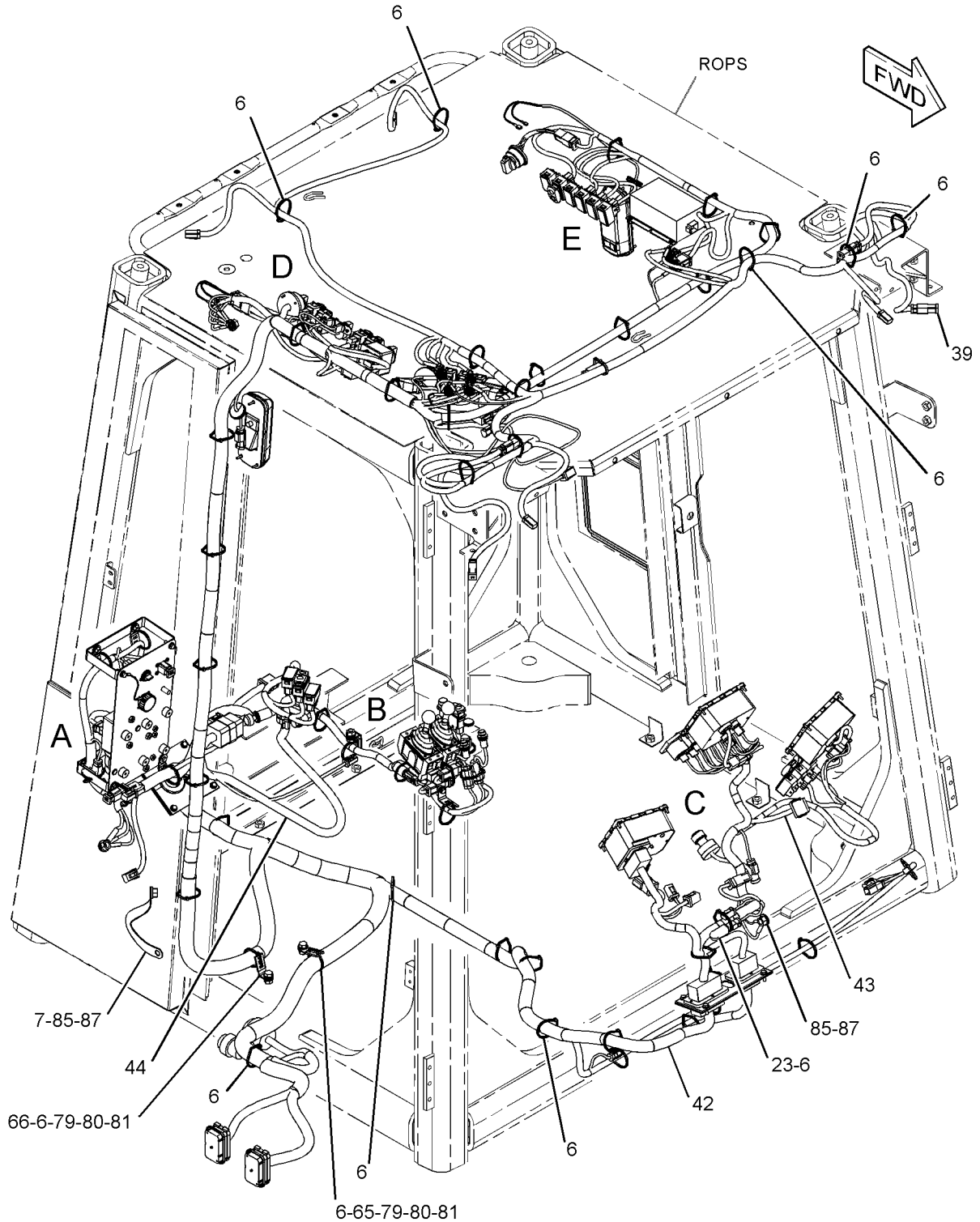
B-USE AS REQUIRED
D-ORDER BY THE METER
E-ORDER BY THE CENTIMETER
M-METRIC PART
R-REMG PART MAY BE AVAILABLE
Y-SEPARATE ILLUSTRATION

ELECTRICAL AND STARTING SYSTEM

345-4460 WIRING GP-CAB (contd.)

i04468603

REFER TO ALL ILLUSTRATIONS OF THIS GROUP FOR AUXILIARY VIEWS



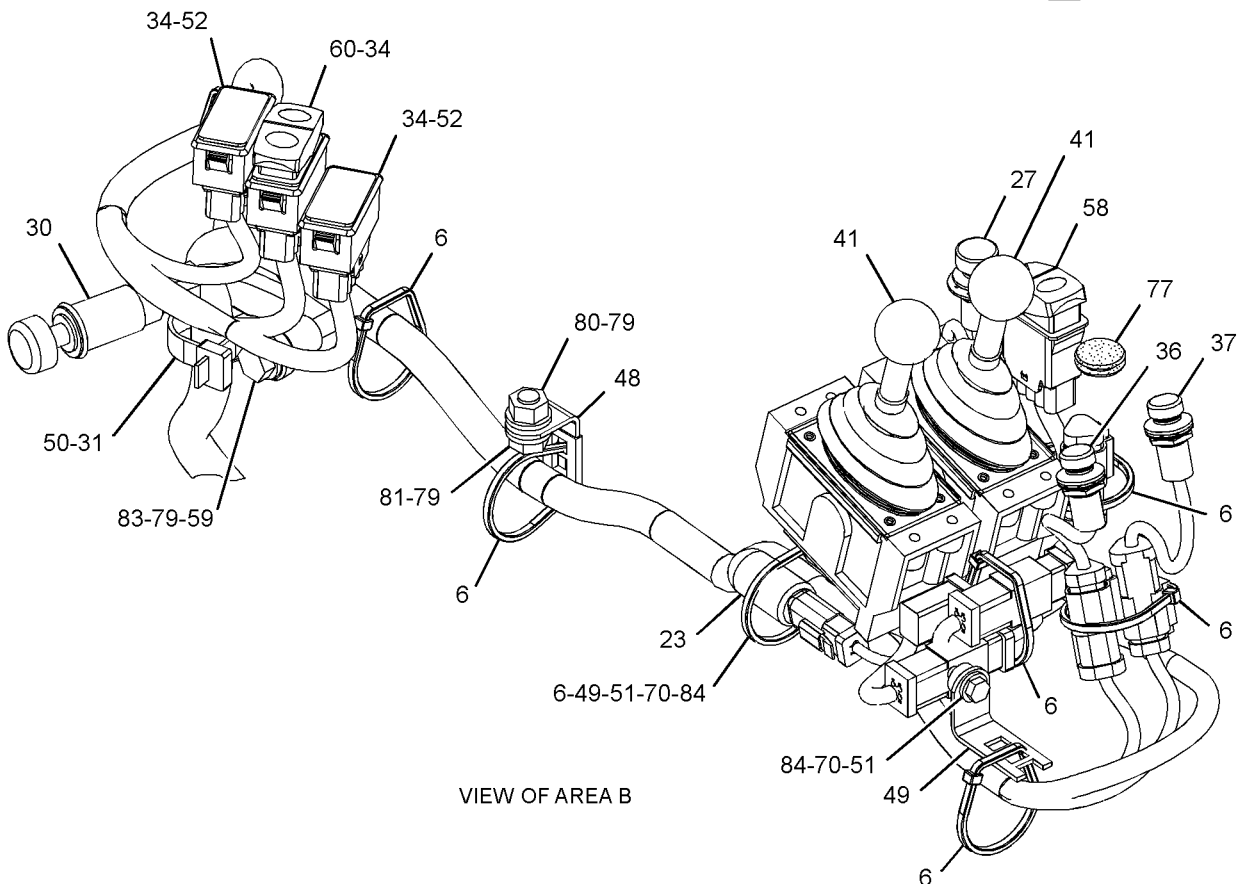
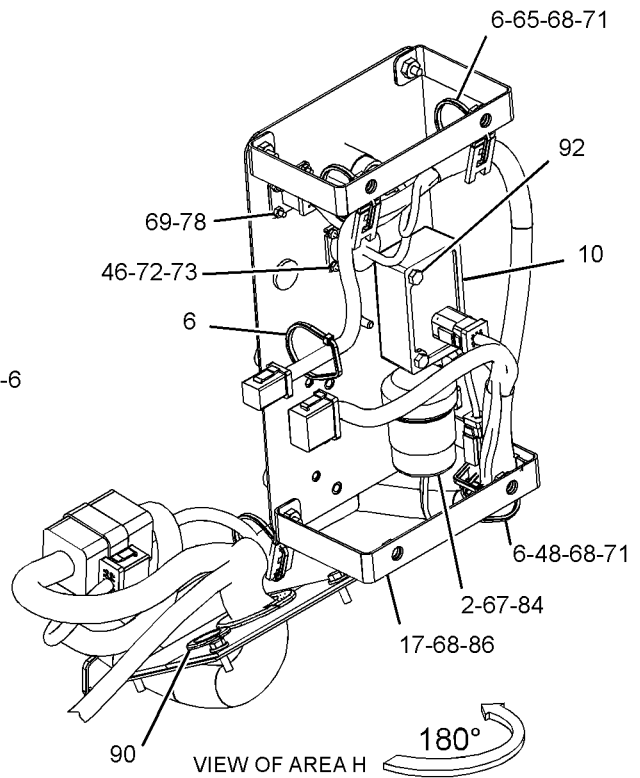
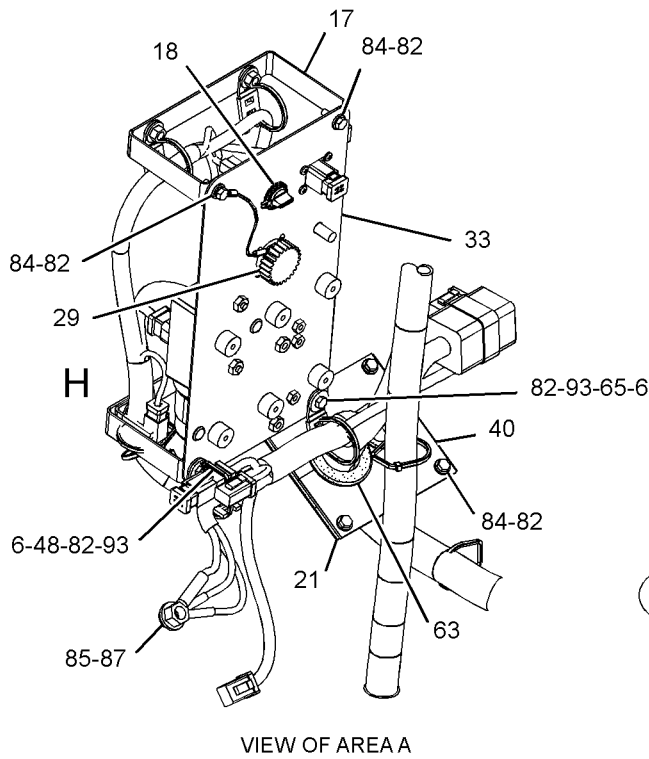
GRAPHIC #1

g02707643

ELECTRICAL AND STARTING SYSTEM

345-4460 WIRING GP-CAB (contd.)

i04468603



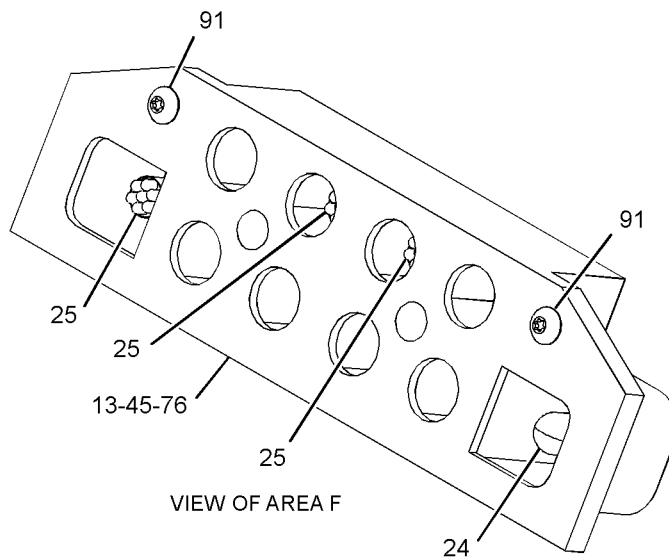
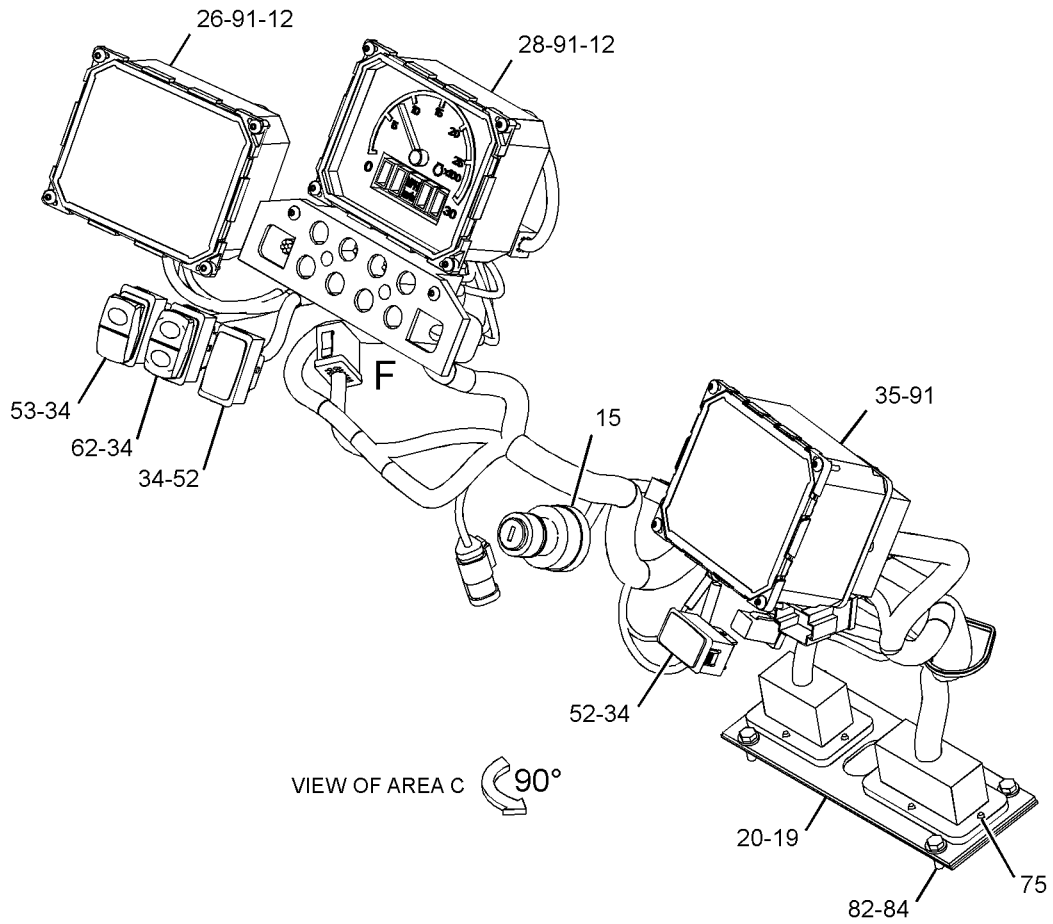
GRAPHIC #2

g02707644

ELECTRICAL AND STARTING SYSTEM

345-4460 WIRING GP-CAB (contd.)

i04468603



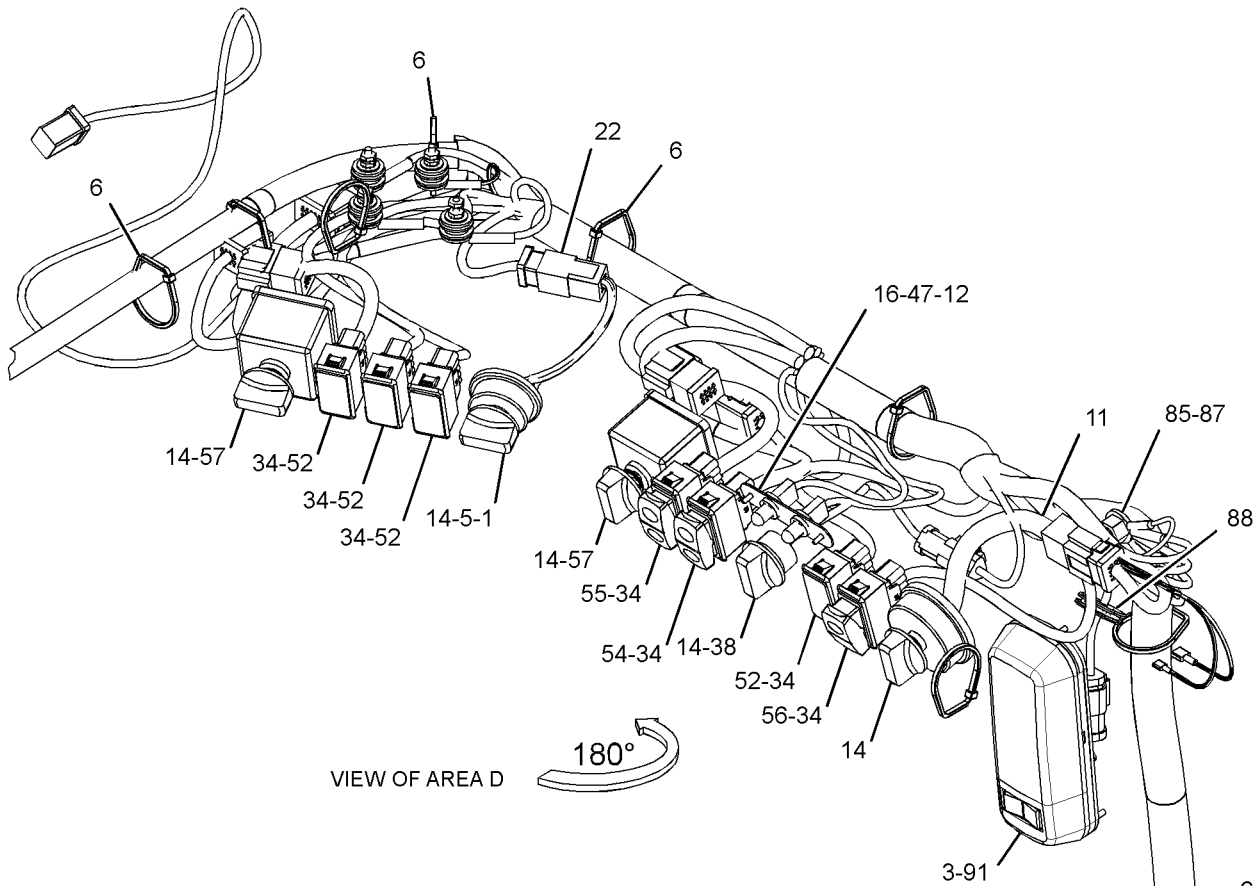
GRAPHIC #3

g02707645

ELECTRICAL AND STARTING SYSTEM

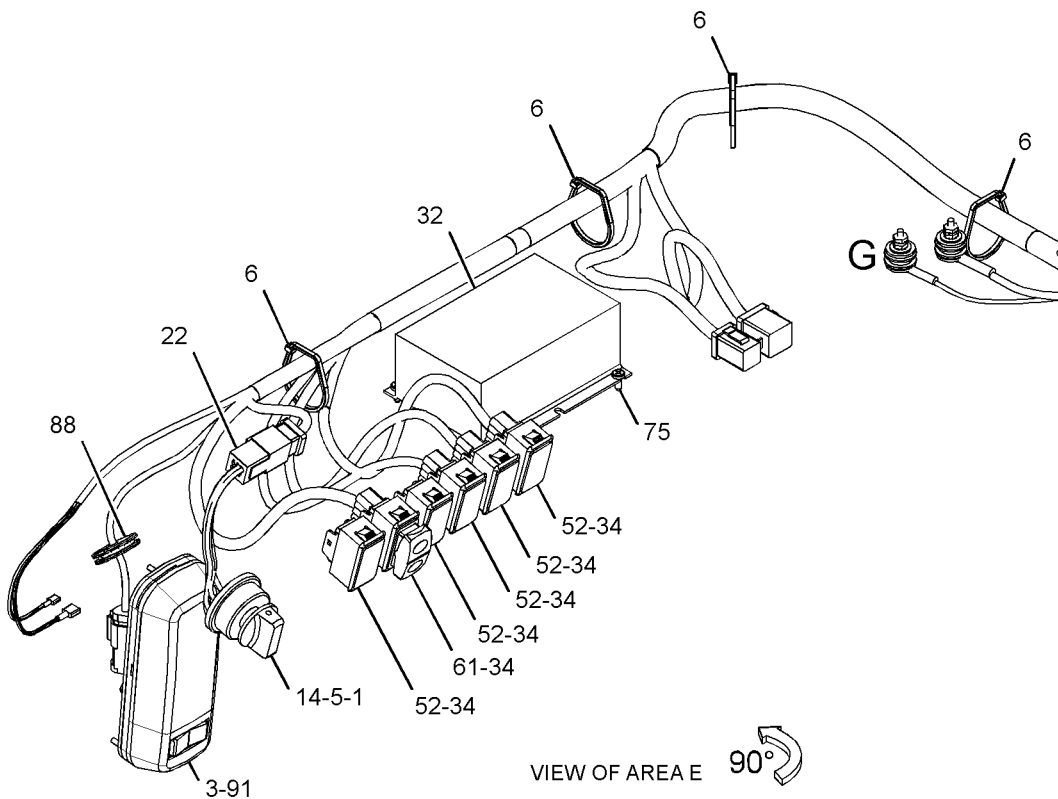
345-4460 WIRING GP-CAB (contd.)

i04468603



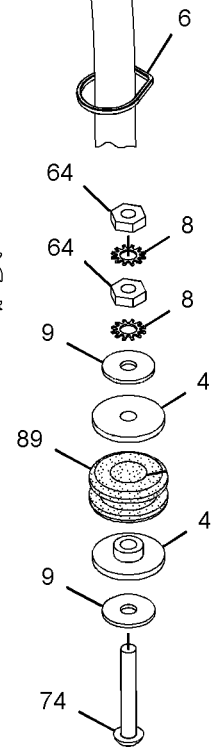
VIEW OF AREA D

180°



VIEW OF AREA E

90°



VIEW OF AREA G
(EXPLODED)

GRAPHIC #4

<END>

g02707646

ELECTRICAL AND STARTING SYSTEM

309-2726 WIRING GP-ELECTROHYDRAULIC

S/N: A7A1-UP

PART OF 337-0870 ELECTRICAL AR

SMCS-5734

i04456392

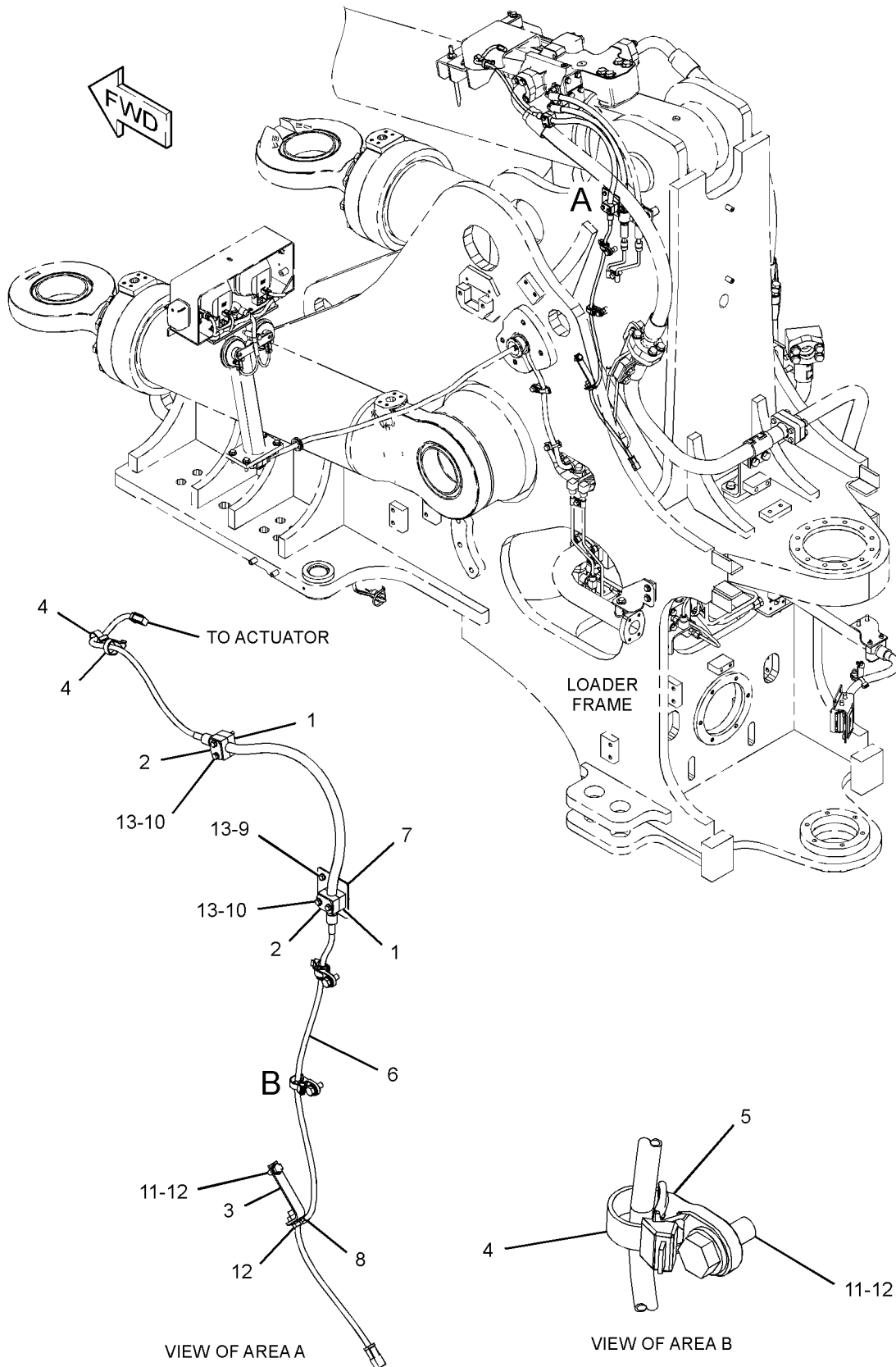
NOTE	REF NO	GRAPHIC REF	PART NUMBER	QTY	PART NAME						SEE PAGE
					1	2	3	4	5	6 (PRODUCT LEVEL)	
	1	1	4V-1939	4	CLAMP						
	2	1	107-4749	2	PLATE						
	3	1	174-4613	1	ANGLE AS						
	4	1	204-2281	4	STRAP-CABLE						
	5	1	204-8000	2	MOUNTING-CABLE TIE						
	6	1	309-2727	1	HARNESS AS-VALVE						
G		1	9X-2383		HOSE (27.2-IN)						
		1	155-2270	1	KIT-CONNECTING PLUG (2-PIN) (INCLUDES PLUG AS, WEDGE & INTERFACE SEAL)						
		1	102-8802	1	KIT-RECEPTACLE (2-PIN) (INCLUDES RECEPTACLE AS & WEDGE)						
		1	9X-3401	2	PIN-CONNECTOR (16-GA TO 18-GA)						
E		1	114-8843		SLEEVE-PLASTIC (40-CM)						
		1	9X-3402	2	SOCKET-CONNECTOR (16-GA TO 18-GA)						
D		1	6V-2722		TUBE-HEAT SHRINK (25.4-MM DIA) (0.1-M)						
	7	1	327-1154	1	PLATE AS						
	8	1	5P-9085	1	CLIP						
M	9	1	6V-8837	2	BOLT (M6X1X16-MM)						
M	10	1	7X-2534	4	BOLT (M6X1X50-MM)						
	11	1	8T-4121	4	WASHER-HARD (11X21X2.5-MM THK)						
M	12	1	8T-4136	4	BOLT (M10X1.5X25-MM)						
	13	1	9X-8256	6	WASHER (6.6X12X2-MM THK)						

D-ORDER BY THE METER
 E-ORDER BY THE CENTIMETER
 G-ORDER BY THE INCH
 M-METRIC PART

ELECTRICAL AND STARTING SYSTEM

309-2726 WIRING GP-ELECTROHYDRAULIC (contd.)

i04456392



GRAPHIC #1

<END>

g02033598

ELECTRICAL AND STARTING SYSTEM

356-1798 WIRING GP-ELECTRONIC CONTROL

S/N: TXH1-UP; RHX1-UP
PART OF 281-6452 ENGINE AR-COMplete
FOR USE WITH 354-0041-PAGE 181
AN ATTACHMENT

SMCS-1408

i04395855

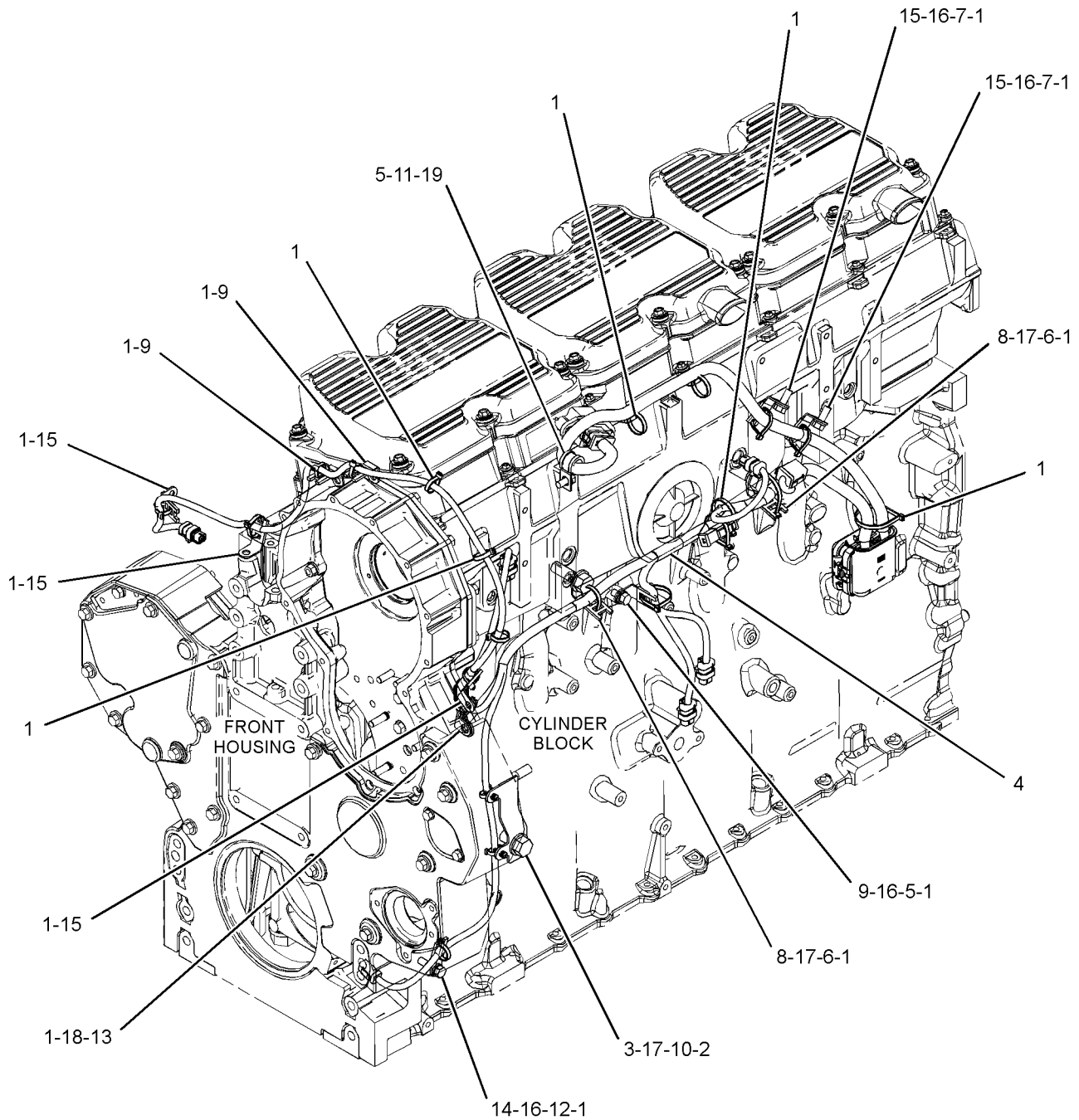
NOTE	REF NO	GRAPHIC REF	PART NUMBER	QTY	PART NAME						SEE PAGE
					1	2	3	4	5	6 (PRODUCT LEVEL)	
	1	1	3S-2093	19	STRAP-CABLE						
	2	1	206-1345	2	STRAP-CABLE						
	3	1	288-1023	1	BRACKET-SUPPORT						
	4	1	354-0049	1	HARNESS AS-ENGINE						
		1	3S-2093	1	STRAP-CABLE						
		1	8T-8737	93	PLUG-SEAL						
E		1	125-7875		TUBE-HEAT SHRINK (7.44-MM DIA) (15-CM)						
		1	9X-3402	68	SOCKET-CONNECTOR (16-GA TO 18-GA)						
					-OR-						
		1	126-1768	68	SOCKET-CONNECTOR (14-GA TO 16-GA)						
		1	211-6807	1	COVER (CONNECTOR)						
		1	230-4011	3	PLUG AS-CONNECTOR (2-PIN)						
					(EACH INCLUDES)						
		1	264-7029	1	SEAL-CONNECTOR						
		1	230-4013	1	PLUG AS-CONNECTOR (3-PIN)						
		1	264-7030	1	SEAL-CONNECTOR						
		1	237-0227	2	PLUG AS-CONNECTOR (3-PIN)						
					(EACH INCLUDES)						
		1	264-7030	1	SEAL-CONNECTOR						
		1	264-5732	1	PLUG AS-CONNECTOR (120-PIN)						
		1	288-7324	1	SEAL-CONNECTOR						
E		1	289-5150		SLEEVE (9-CM)						
		1	102-8802	1	KIT-RECEPTACLE (2-PIN)						
					(INCLUDES RECEPTACLE AS & WEDGE)						
		1	155-2255	1	KIT-CONNECTING PLUG (12-PIN)						
		1	155-2270	2	KIT-CONNECTING PLUG (2-PIN)						
		1	155-2265	1	KIT-CONNECTING PLUG (8-PIN)						
					(EACH PLUG KIT INCLUDES PLUG AS, WEDGE, & INTERFACE SEAL)						
	5	1	0S-0509	2	BOLT (3/8-16X0.75-IN)						
	6	1	0S-1576	2	BOLT (5/8-18X2-IN)						
	7	1	0S-1594	2	BOLT (3/8-16X1-IN)						
	8	1	104-6202	2	CLIP						
	9	1	132-5789	3	CLIP						
	10	1	1A-4273	1	BOLT (5/8-18X1.25-IN)						
	12	1	3B-1915	1	BOLT (3/8-16X1.375-IN)						
	13	1	4P-7429	1	CLIP						
	14	1	4P-7581	1	CLIP						
	15	1	4P-8134	5	CLIP						
	16	1	5M-2894	4	WASHER-HARD (10.2X18.5X2.5-MM THK)						
	17	1	5P-8247	3	WASHER-HARD (17X32X3.5-MM THK)						
			332-0012	1	CLIP						
	18	1	8T-4223	1	WASHER-HARD (13.5X25.5X3-MM THK)						
	19	1	8T-4896	1	WASHER-HARD (10.2X18.5X2.5-MM THK)						

E-ORDER BY THE CENTIMETER

ELECTRICAL AND STARTING SYSTEM

356-1798 WIRING GP-ELECTRONIC CONTROL (contd.)

i04395855



GRAPHIC #1

<END>

g02215314

ELECTRICAL AND STARTING SYSTEM

309-0972 WIRING GP-ELECTRONICS BAY

S/N: A7A1-UP

PART OF 352-8266 CONVERSION AR-MACHINE
AN ATTACHMENT

SMCS-1408, 7610, 7620

i04480511

NOTE	REF NO	GRAPHIC REF	PART NUMBER	QTY	PART NAME 1 2 3 4 5 6 (PRODUCT LEVEL)	SEE PAGE
	1	1	3D-2435	1	GASKET	
	2	2	3E-5239	1	RELAY AS (24-VOLT) (REAR HID FLOODLIGHTS)	
	2A	2	3E-5239	1	RELAY AS (24-VOLT) (HORN)	
	2B	2	3E-5239	1	RELAY AS (24-VOLT) (BACKLIGHT)	
	2C	2	3E-5239	1	RELAY AS (24-VOLT)	
	2D	2	3E-5239	1	RELAY AS (24-VOLT) (FRONT MACHINE FLOODLIGHTS)	
	2E	2	3E-5239	1	RELAY AS (24-VOLT) (CAB HID FLOODLIGHTS)	
	2F	2	3E-5239	1	RELAY AS (24-VOLT) (FRONT MACHINE FLOODLIGHTS)	
	3	2,3	6I-1418	13	SPACER (8.2X12.7X28.7-MM THK)	
	4	3	7V-9275	1	STRAP	
	5	2	8T-3518	2	NUT-FULL (1/2-13-THD)	
	6	2,3	8T-9655	16	MOUNT-ISOLATION	
B	7	2,3,4	9X-6772	25	STRAP-CABLE	
	8	4	113-8490	27	FUSE (10-AMPERE)	
	9	4	113-8491	10	FUSE (15-AMPERE)	
	10	4	113-8492	3	FUSE (20-AMPERE)	
	11	3	115-9346	1	PLATE-IDENTIFICATION (CIRCUIT BREAKER)	
	12	4	116-7471	1	PULLER-MINIFUSE	
Y	13	4	125-1302	1	SWITCH GP-MAGNETIC (24-VOLT) (START RELAY)	204
	14	2	133-3489	1	PLATE AS	
		2	9D-4439	4	STUD-WELD (3/8-16X1-IN)	
	15	4	141-8698	1	WIRE AS	
	16	4	142-0358	1	TUBE	
	17	3	171-2205	1	CIRCUIT BREAKER AS (40-AMPERE) (START RELAY)	
		3	6V-8187	2	NUT (1/4-28-THD)	
		3	8T-4205	2	WASHER-HARD (7.2X14.5X2-MM THK)	
		3	253-2111	2	LOCKWASHER	
	18	3	171-2212	1	CIRCUIT BREAKER AS (105-AMPERE) (MAIN)	
		3	6V-8187	2	NUT (1/4-28-THD)	
		3	8T-4205	2	WASHER-HARD (7.2X14.5X2-MM THK)	
		3	253-2111	2	LOCKWASHER	
	19	2	187-8674	1	BLOCK AS-JUNCTION	
	20	2	187-8675	1	GASKET	
	21	3	192-7439	1	PLATE-CIRCUIT BREAKER	
	22	1	234-5925	3	GASKET	
Y	23	4	241-8368	1	SWITCH GP-MAGNETIC (24-VOLT) (MAIN RELAY)	205
	24	3	258-4142	1	BAR-BUS	
	25	3	260-3198	1	PLATE	
	26	3	260-8638	1	PLATE-IDENTIFICATION (BREAKER PANEL)	
	27	1	261-9418	1	COVER AS-ELECTRONICS BAY (CENTER)	
Y	28	1	261-9434	1	COVER GP-ELECTRONICS BAY (REAR)	371
	29	1	278-7109	2	COVER	
	30	4	285-3570	1	CABLE AS	
	31	4	288-1683	1	SHEET	
	32	1	321-6256	1	FILM	
	33	2	295-1299	1	CABLE AS	
E		2	8C-3056		CABLE (2-GA, RED) (56-CM)	
		2	9X-9120	1	BOOT (RED)	
E		2	125-7876		TUBE-HEAT SHRINK (17.78-MM DIA) (4-CM)	
		2	267-8338	1	TERMINAL-RING	
	34	3	295-1300	1	WIRE AS	
	35	4	299-9618	1	WIRE AS	
	36	2	309-2710	1	HARNESS AS-CONTROL (ELECTRONICS BAY)	

ELECTRICAL AND STARTING SYSTEM

309-0972 WIRING GP-ELECTRONICS BAY (contd.)

i04480511

NOTE	REF NO	GRAPHIC REF	PART NUMBER	QTY	PART NAME						SEE PAGE
					1	2	3	4	5	6 (PRODUCT LEVEL)	
		2	102-8802	1	KIT-RECEPTACLE (2-PIN)						
		2	102-8801	1	KIT-RECEPTACLE (12-PIN)						
					(EACH RECEPTACLE KIT INCLUDES RECEPTACLE AS & WEDGE)						
		2	3E-5519	3	PLUG AS-CONNECTOR (5-PIN)						
		2	110-6846	1	PLUG AS-CONNECTOR (40-PIN)						
		2	110-6844	1	SEAL (INTERFACE)						
		2	7G-7917	6	PLUG-SEAL						
		2	7G-7918	1	PLUG-SEAL						
		2	7G-7920	2	PLUG-SEAL						
		2	7R-2750	26	SEAL-CONNECTOR						
		2	7R-2751	14	PLUG-CONNECTOR						
		2	8N-1517	1	RECEPTACLE AS-CONNECTOR (25-PIN)						
		2	8N-1522	1	NUT (2-1/4-16-THD)						
		2	8N-1540	3	PIN-CONNECTOR (12-GA TO 14-GA)						
		2	8N-1542	2	PIN-CONNECTOR (10-GA)						
		2	8N-1544	1	PIN-CONNECTOR (8-GA)						
		2	8T-8737	180	PLUG-SEAL						
		2	9X-1054	4	PLUG AS-CONNECTOR (4-PIN)						
		2	9X-1056	27	TERMINAL-RECEPTACLE (14-GA TO 16-GA)						
		2	9X-3401	143	PIN-CONNECTOR (16-GA TO 18-GA)						
		2	9X-3402	156	SOCKET-CONNECTOR (16-GA TO 18-GA)						
		2	9X-6856	10	PIN-CONNECTOR (16-GA TO 18-GA)						
		2	100-5041	1	TERMINAL-RECEPTACLE (18-GA TO 20-GA)						
		2	110-6848	1	PLUG AS-CONNECTOR (40-PIN)						
		2	110-6844	1	SEAL (INTERFACE)						
		2	115-3082	2	JUNCTION BLOCK						
		2	115-3083	1	BRACKET-BLOCK CONNECTOR						
E		2	119-3662		TUBE-HEAT SHRINK (10.85-MM DIA) (46-CM)						
E		2	125-7874		TUBE-HEAT SHRINK (5.72-MM DIA) (10-CM)						
E		2	125-7875		TUBE-HEAT SHRINK (7.44-MM DIA) (25-CM)						
		2	126-1767	14	PIN-CONNECTOR (14-GA TO 16-GA)						
		2	126-1768	7	SOCKET-CONNECTOR (14-GA TO 16-GA)						
E		2	119-3662		TUBE-HEAT SHRINK (10.85-MM DIA) (4-CM)						
		2	2L-8050	1	TERMINAL-RING (6-GA, 1/4-IN SCREW)						
					-OR-						
		2	2L-8058	1	TERMINAL-RING (8-GA, 1/4-IN SCREW)						
E		2	125-7875		TUBE-HEAT SHRINK (7.44-MM DIA) (4-CM)						
		2	2L-8065	1	TERMINAL-RING (10-GA TO 12-GA, NO. 8 SCREW)						
E		2	125-7875		TUBE-HEAT SHRINK (7.44-MM DIA) (4-CM)						
		2	2L-8067	1	TERMINAL-RING (10-GA TO 12-GA, 1/4-IN SCREW)						
E		2	125-7875		TUBE-HEAT SHRINK (7.44-MM DIA) (4-CM)						
		2	2L-8071	1	TERMINAL-RING (10-GA TO 12-GA, 1/2-IN SCREW)						
E		2	125-7874		TUBE-HEAT SHRINK (5.72-MM DIA) (3-CM)						
		2	2L-8075	1	TERMINAL-RING (14-GA TO 16-GA, NO. 8 SCREW)						
E		2	125-7874		TUBE-HEAT SHRINK (5.72-MM DIA) (3-CM)						
		2	2L-8081	1	TERMINAL-RING (14-GA TO 16-GA, 1/2-IN SCREW)						
		2	147-1445	1	PLUG AS-CONNECTOR (70-PIN)						
		2	159-9322	1	SEAL-O-RING						
		2	147-1446	1	PLUG AS-CONNECTOR (70-PIN)						
		2	159-9322	1	SEAL-O-RING						
		2	155-2255	1	KIT-CONNECTING PLUG (12-PIN)						
		2	155-2270	1	KIT-CONNECTING PLUG (2-PIN)						
					(EACH PLUG KIT INCLUDES PLUG AS, WEDGE, & INTERFACE SEAL)						
		2	202-0314	26	TERMINAL AS (EACH INCLUDES)						

ELECTRICAL AND STARTING SYSTEM

309-0972 WIRING GP-ELECTRONICS BAY (contd.)

i04480511

NOTE	REF NO	GRAPHIC REF	PART NUMBER	QTY	PART NAME						SEE PAGE
					1	2	3	4	5	6 (PRODUCT LEVEL)	
		2	128-4123	1	SEAL						
		2	214-4208	2	RECEPTACLE AS-CONNECTOR (70-PIN)						
		2	224-2735	1	RECEPTACLE AS-CONNECTOR (70-PIN)						
		2	292-9779	2	BLOCK AS-FUSE						
					(EACH INCLUDES)						
		2	306-0350	1	COVER						
		2	306-0351	1	SEAL-COVER						
Y	37	2	322-3621	1	CONTROL GP-UNPROGRAMMED (IMPLEMENT)						155
	38	1	335-1304	1	COVER AS-ELECTRONICS BAY (FRONT)						
	39	1	336-4317	1	ENCLOSURE AS-ELECTRONICS BAY						
	40	2	033-8248	2	CLIP						
	41	2,4	107-3727	12	SCREW-PAN HEAD						
	42	3	130-5300	1	CLIP						
YR	43	2	172-9389	1	CONTROL GP-UNPROGRAMMED (POWER TRAIN)						154
	44	3	1H-3244	3	LOCKWASHER						
	45	3	3D-9799	8	SCREW-MACHINE (8-32X0.875-IN)						
	46	3	3T-2662	1	CIRCUIT BREAKER AS (15-AMPERE) (RUNNING LIGHTS)						
		3	6V-8376	2	SCREW-MACHINE (8-32X0.25-IN)						
		3	9B-7233	2	LOCKWASHER						
	47	3	4B-1240	4	SCREW-MACHINE (10-32X1-IN)						
	48	2,3,4	4B-4863	12	WASHER (4.7X11X1.2-MM THK)						
	49	2,3,4	4P-7581	3	CLIP						
	50	2,3	4P-8134	7	CLIP						
M	51	3	5C-2890	3	NUT (M6X1-THD)						
	52	3	6T-3642	1	CIRCUIT BREAKER AS (10-AMPERE) (KEY SWITCH)						
		3	6V-8376	2	SCREW-MACHINE (8-32X0.25-IN)						
		3	9B-7233	2	LOCKWASHER						
	53	3	6T-3643	1	CIRCUIT BREAKER AS (15-AMPERE) (ENGINE ECM)						
		3	6V-8376	2	SCREW-MACHINE (8-32X0.25-IN)						
		3	9B-7233	2	LOCKWASHER						
	54	3	6T-3644	1	CIRCUIT BREAKER AS (20-AMPERE) (ROOF MOUNTED AIR CONDITIONER)						
		3	6V-8376	2	SCREW-MACHINE (8-32X0.25-IN)						
		3	9B-7233	2	LOCKWASHER						
	55	2	6V-8801	2	NUT (3/8-16-THD)						
	56	2	7F-0560	2	WASHER (0.516X0.938X0.101-IN THK)						
	57	2	7X-0589	2	WASHER-HARD (12X28.5X5-MM THK)						
M	58	2,3	7X-0818	3	BOLT (M8X1.25X45-MM)						
	59	2	8T-0328	4	WASHER-HARD (5.5X10X1-MM THK)						
M	60	2,3	8T-3647	5	BOLT (M8X1.25X80-MM)						
	61	1,2,3,4	8T-4121	39	WASHER-HARD (11X21X2.5-MM THK)						
M	62	1	8T-4133	2	NUT (M10X1.5-THD)						
M	63	1	8T-4136	24	BOLT (M10X1.5X25-MM)						
M	64	2,3,4	8T-4137	10	BOLT (M10X1.5X20-MM)						
M	65	1	8T-4138	12	BOLT (M6X1X20-MM)						
M	66	1	8T-4139	2	BOLT (M12X1.75X30-MM)						
M	67	2	8T-4192	3	BOLT (M12X1.75X25-MM)						
M	68	1	8T-4196	3	BOLT (M10X1.5X35-MM)						
	69	3	8T-4205	3	WASHER-HARD (7.2X14.5X2-MM THK)						
	70	1,2	8T-4223	5	WASHER-HARD (13.5X25.5X3-MM THK)						
	71	2,3	8T-4224	3	WASHER-HARD (8.8X16X2-MM THK)						
	72	2	8T-4896	2	WASHER-HARD (10.2X18.5X2.5-MM THK)						
M	73	2	8T-5432	4	BOLT (M5X0.8X16-MM)						
	74	2,3	9N-0869	8	WASHER-HARD (8.8X25.5X2-MM THK)						
M	75	2,4	9X-2042	11	SCREW-TRUSS HEAD (M6X1X12-MM)						
M	76	4	9X-2044	2	SCREW-TRUSS HEAD (M6X1X16-MM)						
	77	1	9X-8256	12	WASHER (6.6X12X2-MM THK)						
E	78	2	177-4122		SEAL (214-CM)						

ELECTRICAL AND STARTING SYSTEM

309-0972 WIRING GP-ELECTRONICS BAY (contd.)

i04480511

NOTE	REF NO	GRAPHIC REF	PART NUMBER	QTY	PART NAME	SEE PAGE
					1 2 3 4 5 6 (PRODUCT LEVEL)	
E	78A	2	177-4122		SEAL (231-CM)	
E	79	4	103-2543		SEAL (3-CM)	

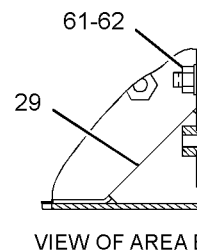
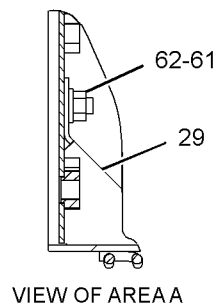
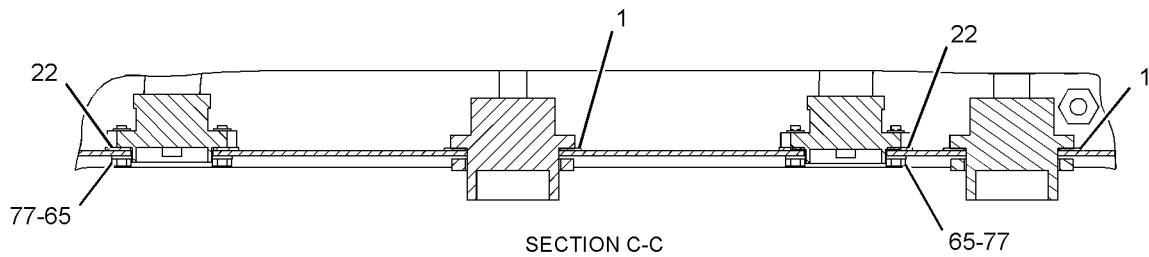
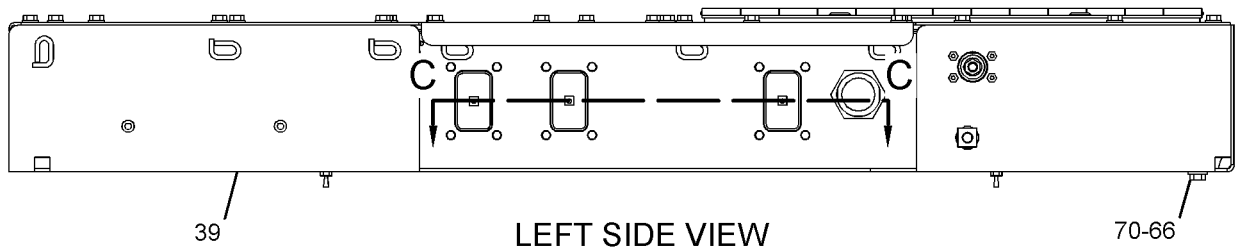
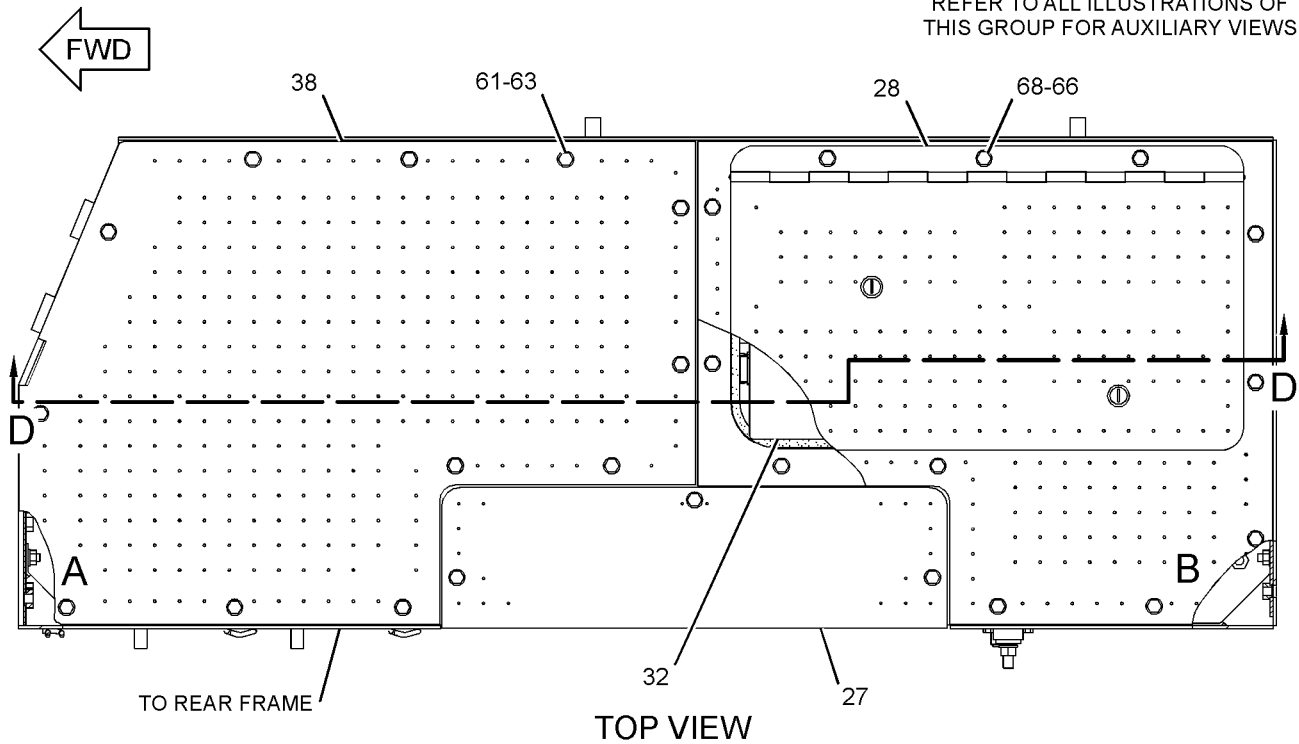
B-USE AS REQUIRED
E-ORDER BY THE CENTIMETER
M-METRIC PART
R-REMG PART MAY BE AVAILABLE
Y-SEPARATE ILLUSTRATION

ELECTRICAL AND STARTING SYSTEM

309-0972 WIRING GP-ELECTRONICS BAY (contd.)

i04480511

REFER TO ALL ILLUSTRATIONS OF THIS GROUP FOR AUXILIARY VIEWS



GRAPHIC #1

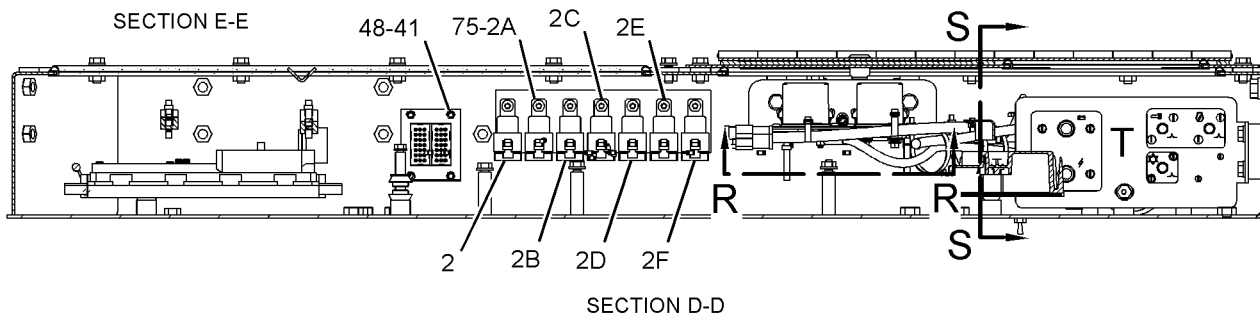
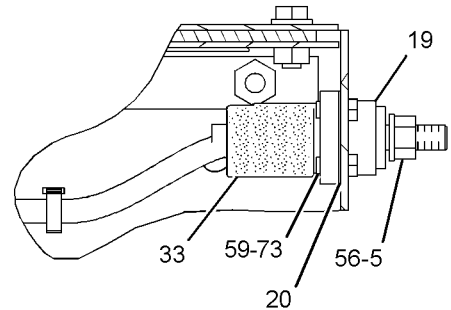
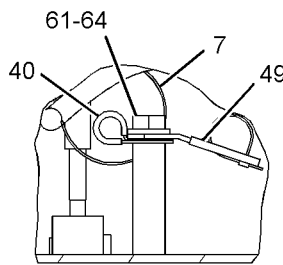
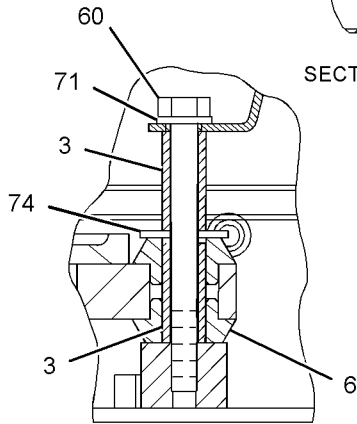
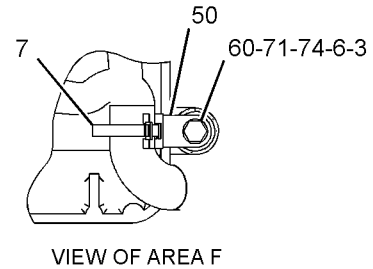
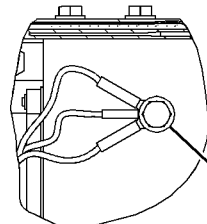
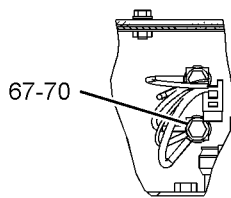
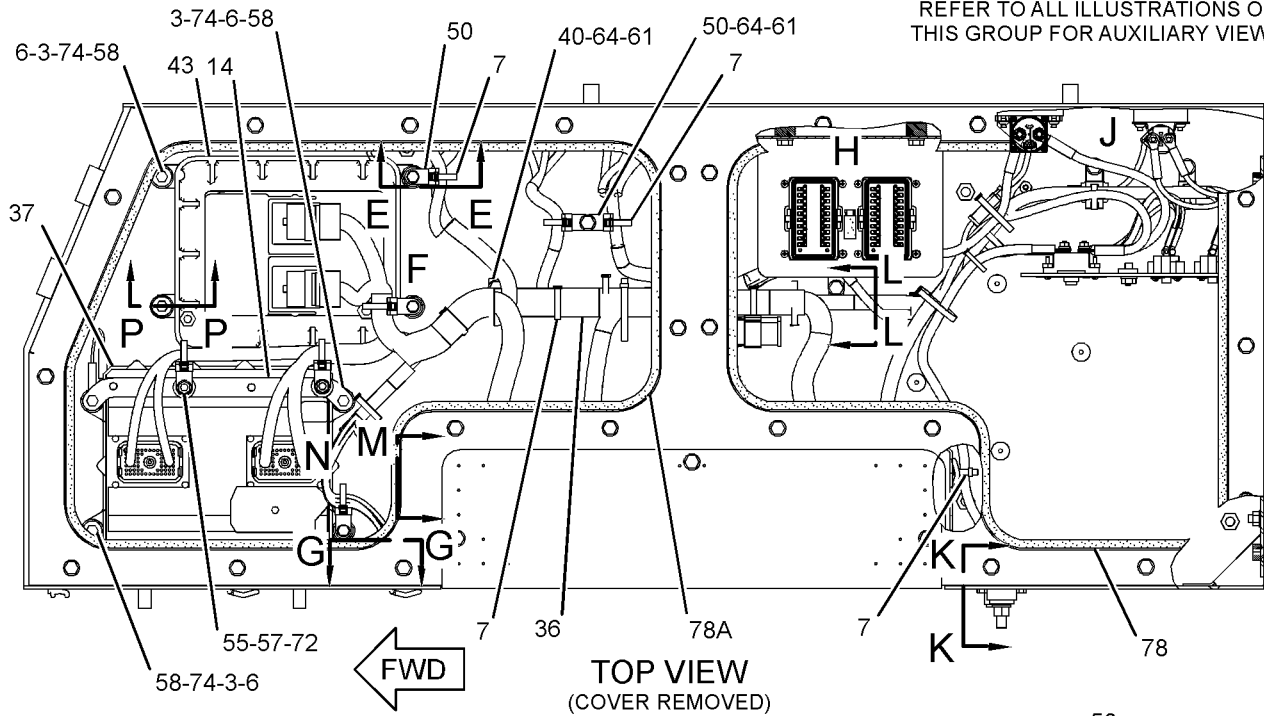
g02066415

ELECTRICAL AND STARTING SYSTEM

309-0972 WIRING GP-ELECTRONICS BAY (contd.)

i04480511

REFER TO ALL ILLUSTRATIONS OF THIS GROUP FOR AUXILIARY VIEWS



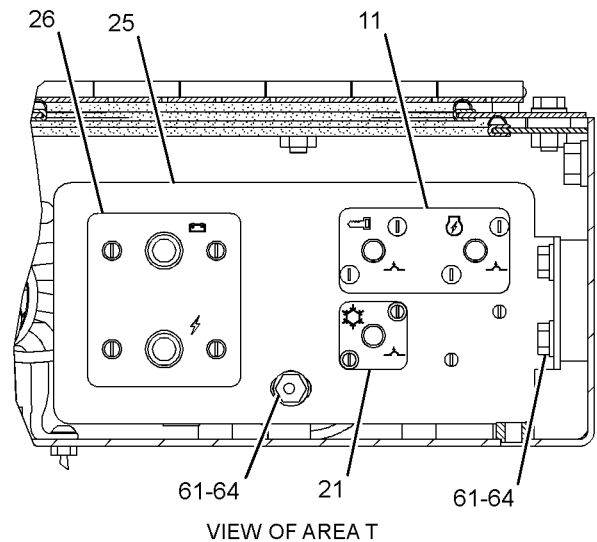
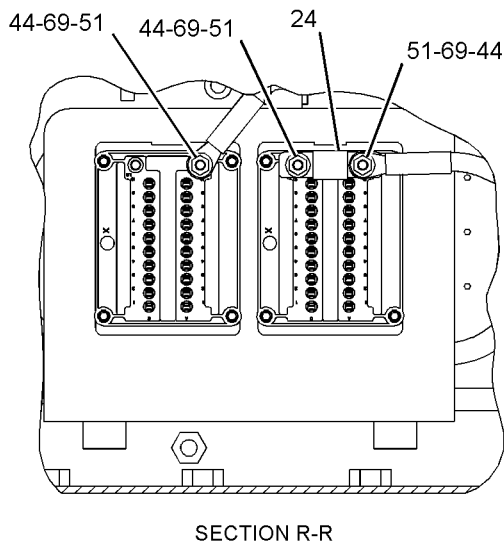
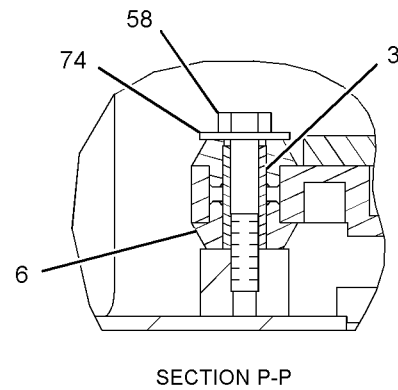
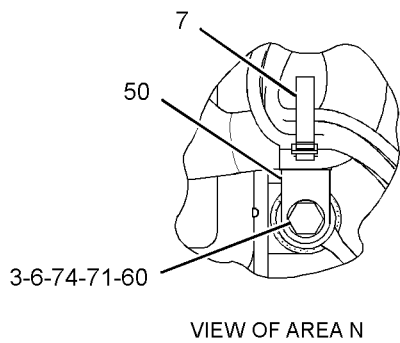
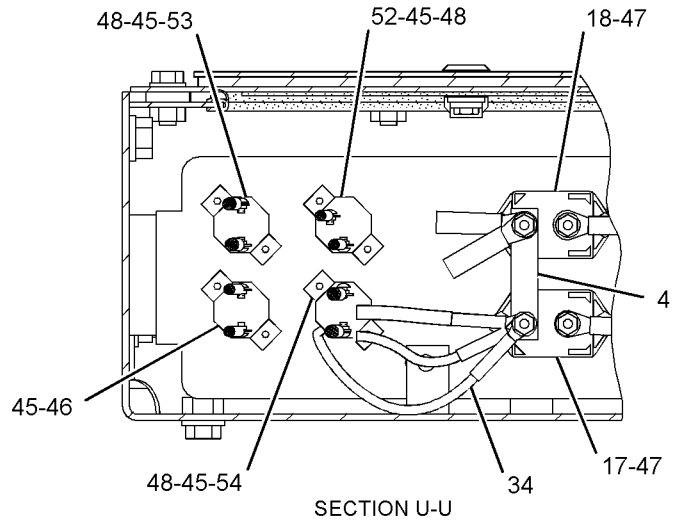
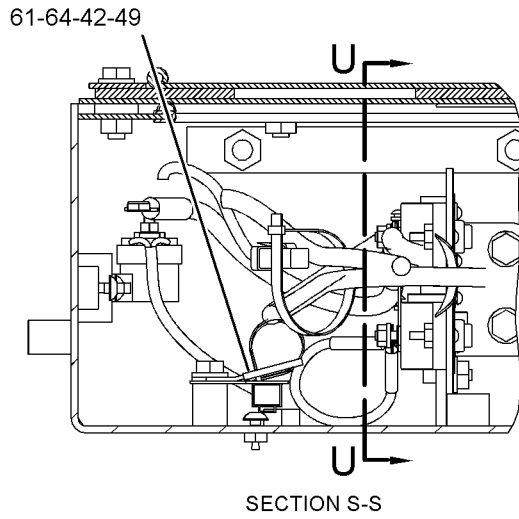
GRAPHIC #2

g02066417

ELECTRICAL AND STARTING SYSTEM

309-0972 WIRING GP-ELECTRONICS BAY (contd.)

i04480511



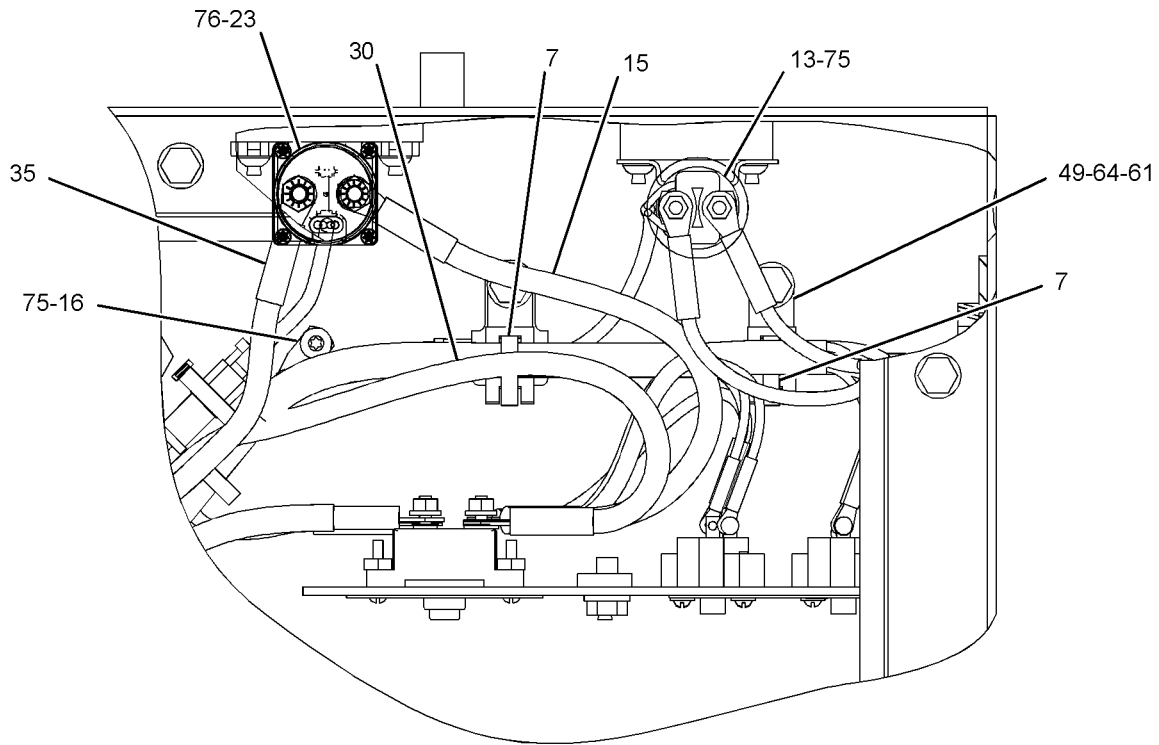
GRAPHIC #3

g02066418

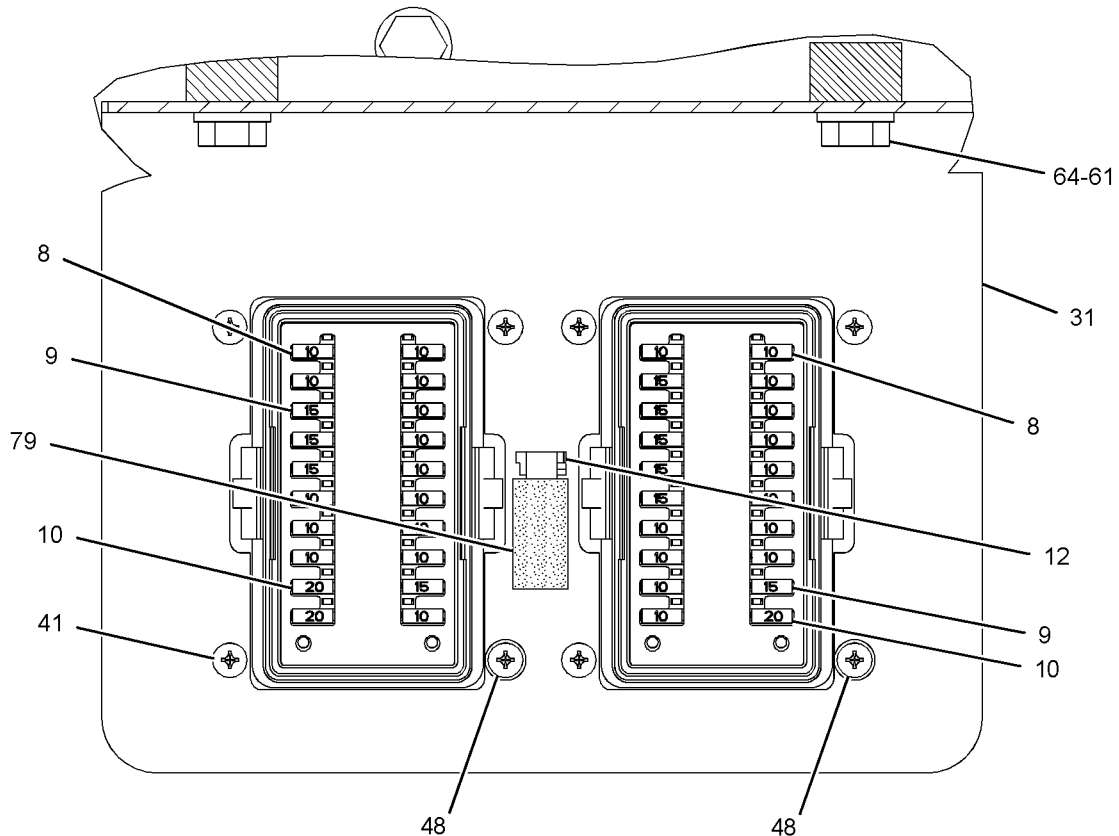
ELECTRICAL AND STARTING SYSTEM

309-0972 WIRING GP-ELECTRONICS BAY (contd.)

i04480511



VIEW OF AREA J



VIEW OF AREA H

<END>

GRAPHIC #4

g02066419

ELECTRICAL AND STARTING SYSTEM

284-2990 WIRING GP-ENGINE-ALTERNATOR, STARTING MOTOR

S/N: A7A1-UP

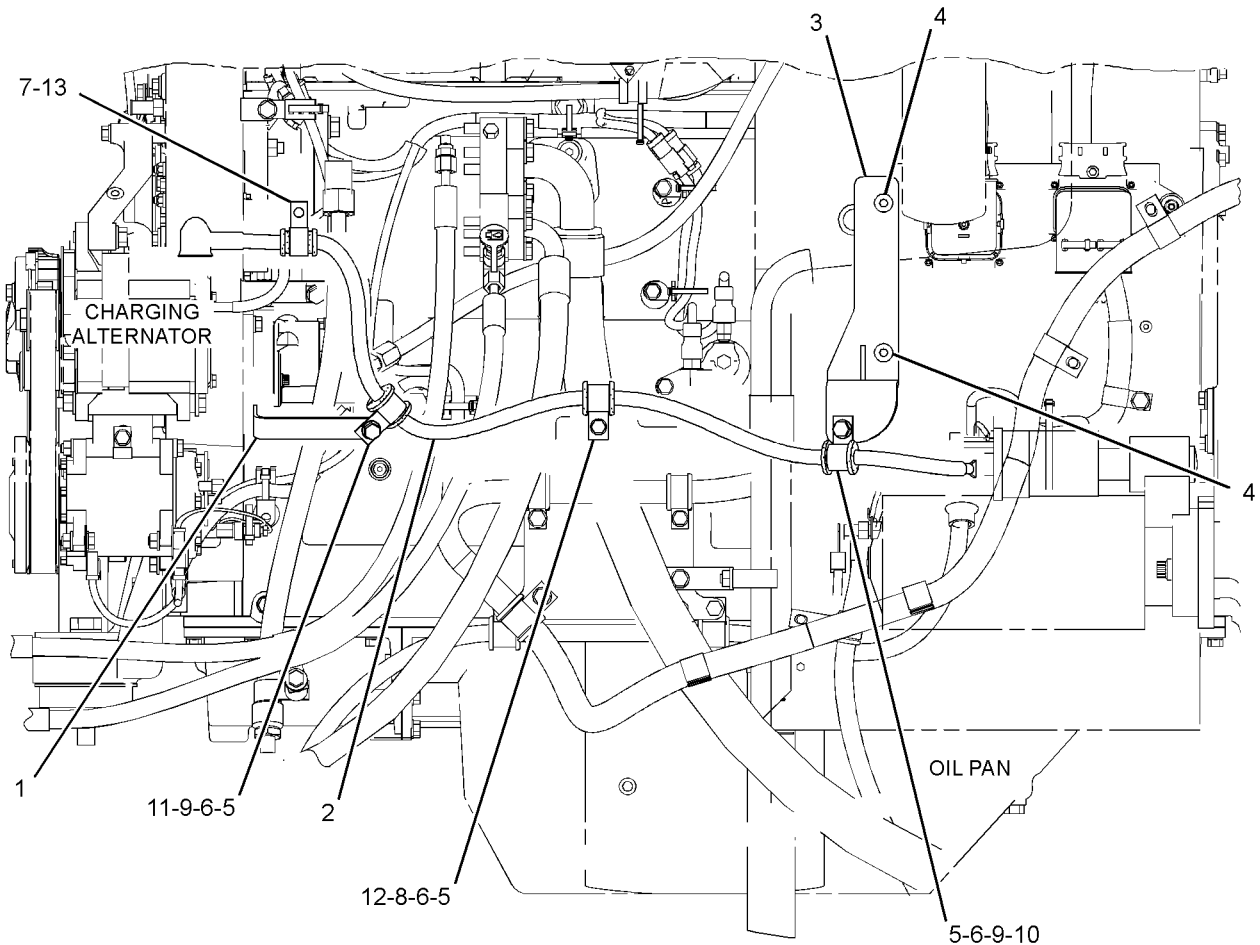
PART OF 337-0870 ELECTRICAL AR

SMCS-1403, 1408

i04456393

NOTE	REF NO	GRAPHIC REF	PART NUMBER	QTY	PART NAME						SEE PAGE
					1	2	3	4	5	6 (PRODUCT LEVEL)	
	1	1	173-1583	1	BRACKET AS						
	2	1	317-1109	1	CABLE AS						
		1	6T-5598	1	TERMINAL-RING (1-GA TO 2-GA, 5/16-IN SCREW)						
E		1	8C-3056		CABLE (2-GA, RED) (117-CM)						
		1	8T-8827	1	BOOT (RED)						
E		1	114-8843		SLEEVE-PLASTIC (15-CM)						
E		1	125-7876		TUBE-HEAT SHRINK (17.78-MM DIA) (4-CM)						
	3	1	318-6048	1	BRACKET AS						
	4	1	5P-4116	2	WASHER-HARD (8.8X20.5X2-MM THK)						
	5	1	6D-4636	3	CLIP						
	6	1	6V-0826	3	GROMMET						
	7	1	7V-6571	1	GROMMET						
	8	1	7X-3186	1	BOLT (3/8-16X2.125-IN)						
	9	1	8T-4121	2	WASHER-HARD (11X21X2.5-MM THK)						
M	10	1	8T-4136	1	BOLT (M10X1.5X25-MM)						
M	11	1	8T-4137	1	BOLT (M10X1.5X20-MM)						
	12	1	8T-4896	1	WASHER-HARD (10.2X18.5X2.5-MM THK)						
	13	1	9X-8250	1	CLIP						

E-ORDER BY THE CENTIMETER
M-METRIC PART



RIGHT SIDE VIEW

<END>

GRAPHIC #1

g01606513

ELECTRICAL AND STARTING SYSTEM

339-8271 WIRING GP-ENGINE

S/N: A7A1-UP

PART OF 337-0870 ELECTRICAL AR

SMCS-1403, 1408

i04456394

NOTE	REF NO	GRAPHIC REF	PART NUMBER	QTY	PART NAME						SEE PAGE
					1	2	3	4	5	6 (PRODUCT LEVEL)	
	1	2	2B-0941	1	SPACER (10.5X19X19-MM THK)						
	2	2	9X-6772	18	STRAP-CABLE						
	3	2	114-5333	1	SWITCH AS-PRESSURE (AIR CONDITIONER)						
		2	102-8802	1	KIT-RECEPTACLE (2-PIN) (INCLUDES RECEPTACLE AS & WEDGE)						
		2	8T-8729	2	PIN-CONNECTOR (16-GA TO 18-GA)						
E		2	9X-1386		SLEEVE (25-CM)						
	4	2	116-4491	1	BRACKET AS						
M		2	8T-3490	1	NUT-WELD (M10X1.5-THD)						
	5	2	198-7651	1	BRACKET AS						
M		2	8T-3490	1	NUT-WELD (M10X1.5-THD)						
	6	2	285-3602	1	BRACKET AS						
		2	7W-8106	2	SPACER (11.13X19.05X15-MM THK)						
M		2	7X-0750	1	BOSS-WELD (M10X1.5X55-MM)						
M		2	8T-3490	4	NUT-WELD (M10X1.5-THD)						
	7	2	319-7006	1	BRACKET AS						
	8	1	339-8272	1	HARNESS AS-ENGINE						
		1	8N-1521	2	BELL AS-END						
		1	126-1774	1	COVER-CONNECTOR						
		1	155-2260	1	KIT-CONNECTING PLUG (3-PIN)						
		1	155-2270	4	KIT-CONNECTING PLUG (2-PIN) (EACH PLUG KIT INCLUDES PLUG AS, WEDGE, & INTERFACE SEAL)						
		1	7G-7917	12	PLUG-SEAL						
		1	7G-7918	2	PLUG-SEAL						
		1	7G-7920	2	PLUG-SEAL						
		1	8T-8737	40	PLUG-SEAL						
		1	8N-1516	1	PLUG AS-CONNECTOR						
		1	8N-1518	1	PLUG AS-CONNECTOR (25-PIN)						
		1	160-7689	1	PLUG AS-CONNECTOR (70-PIN)						
		1	159-9322	1	SEAL-O-RING						
E		1	114-8843		SLEEVE-PLASTIC (130-CM)						
E		1	114-8845		SLEEVE-PLASTIC (80-CM)						
		1	8N-1541	2	SOCKET-CONNECTOR (12-GA TO 14-GA)						
		1	8N-1543	2	SOCKET-CONNECTOR (10-GA)						
		1	8N-1545	1	SOCKET-CONNECTOR (8-GA)						
		1	9X-3402	29	SOCKET-CONNECTOR (16-GA TO 18-GA)						
		1	9X-6857	28	SOCKET-CONNECTOR (16-GA TO 18-GA)						
		1	126-1768	12	SOCKET-CONNECTOR (14-GA TO 16-GA)						
		1	9X-6772	5	STRAP-CABLE						
		1	189-3158	1	SUPPRESSOR-ARC						
		1	9X-4997	1	TERMINAL AS						
		1	9X-4998	1	SOCKET (14-GA TO 16-GA)						
		1	110-8769	1	WIRE AS						
		1	128-4162	1	TERMINAL AS (6-GA TO 8-GA)						
		1	2L-8049	1	TERMINAL-RING (6-GA, NO. 10 SCREW) -OR-						
		1	2L-8057	1	TERMINAL-RING (8-GA, NO. 10 SCREW)						
E		1	6V-9023		TUBE-HEAT SHRINK (12.7-MM DIA) (4-CM)						
E		1	119-3662		TUBE-HEAT SHRINK (10.85-MM DIA) (26-CM)						
	9	2	122-0450	2	GROMMET						
	10	2	130-5300	2	CLIP						
	11	2	133-6934	1	SPACER (11X20X25-MM THK)						
	12	2	149-7738	2	CLIP						
	13	2	2H-9524	2	GROMMET						
	14	2	2T-3019	1	CLIP						

ELECTRICAL AND STARTING SYSTEM

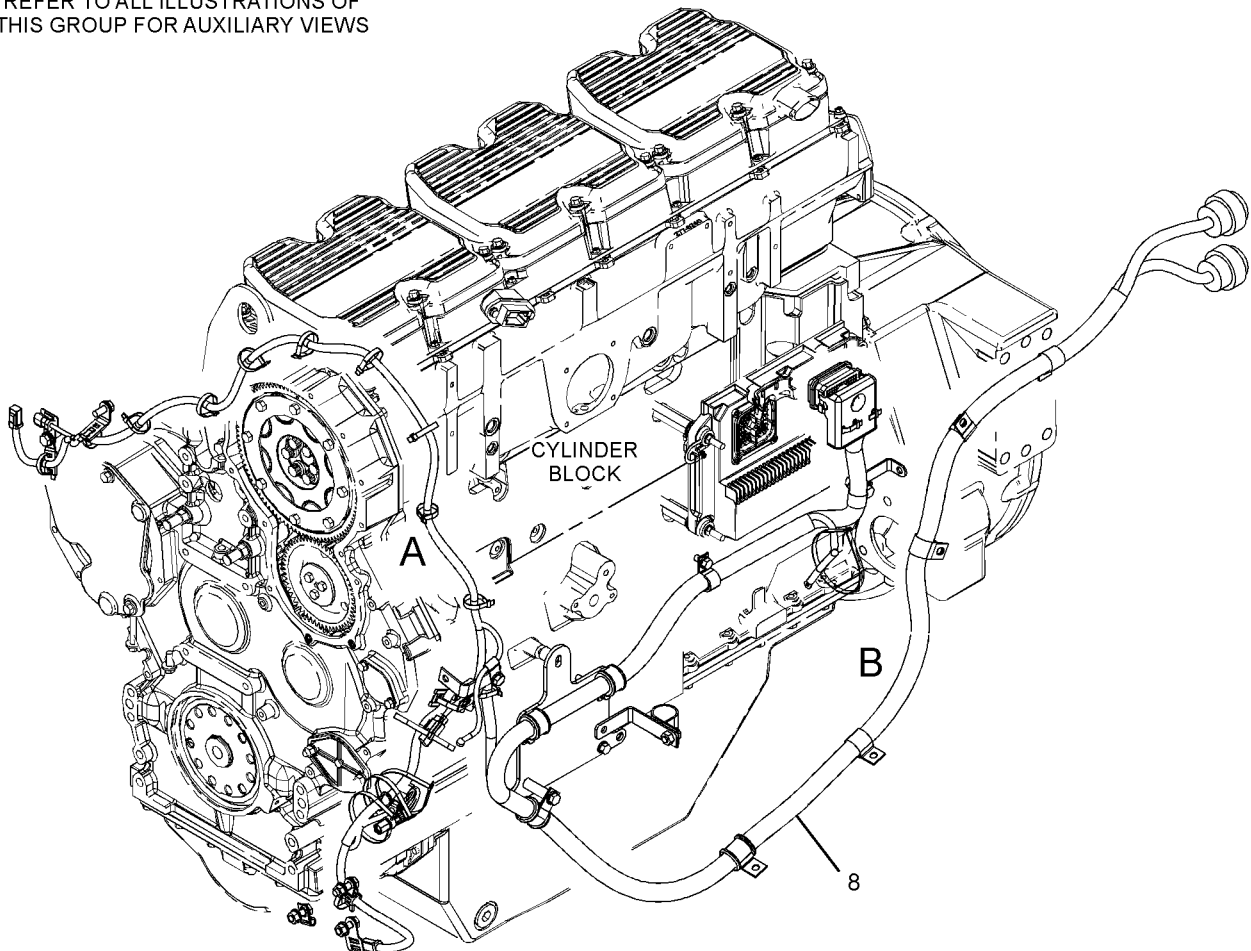
339-8271 WIRING GP-ENGINE (contd.)

i04456394

NOTE	REF NO	GRAPHIC REF	PART NUMBER	QTY	PART NAME						SEE PAGE
					1	2	3	4	5	6 (PRODUCT LEVEL)	
	15	2	4D-7388	1	CLIP						
	16	2	4D-8123	1	CLIP						
	17	2	4P-7581	2	CLIP						
	18	2	4P-7582	2	CLIP						
	19	2	4P-8134	1	CLIP						
	20	2	4S-1962	4	CLIP						
	21	2	4S-4455	2	CLIP						
	22	2	5M-3062	1	BOLT (3/8-16X0.75-IN)						
	23	2	5P-9085	1	CLIP						
	24	2	6D-4244	2	CLIP						
	25	2	8T-4121	13	WASHER-HARD (11X21X2.5-MM THK)						
M	26	2	8T-4133	3	NUT (M10X1.5-THD)						
M	27	2	8T-4136	3	BOLT (M10X1.5X25-MM)						
M	28	2	8T-4137	3	BOLT (M10X1.5X20-MM)						
M	29	2	8T-4186	1	BOLT (M10X1.5X40-MM)						
M	30	2	8T-4195	2	BOLT (M10X1.5X30-MM)						
M	31	2	8T-4196	1	BOLT (M10X1.5X35-MM)						
	32	2	8T-4896	3	WASHER-HARD (10.2X18.5X2.5-MM THK)						
	33	2	8T-9377	2	BOLT (3/8-16X2.25-IN)						
	34	2	9X-7378	1	SEAL-O-RING						
	35	2	3K-1787	2	GROMMET						

E-ORDER BY THE CENTIMETER
M-METRIC PART

REFER TO ALL ILLUSTRATIONS OF
THIS GROUP FOR AUXILIARY VIEWS



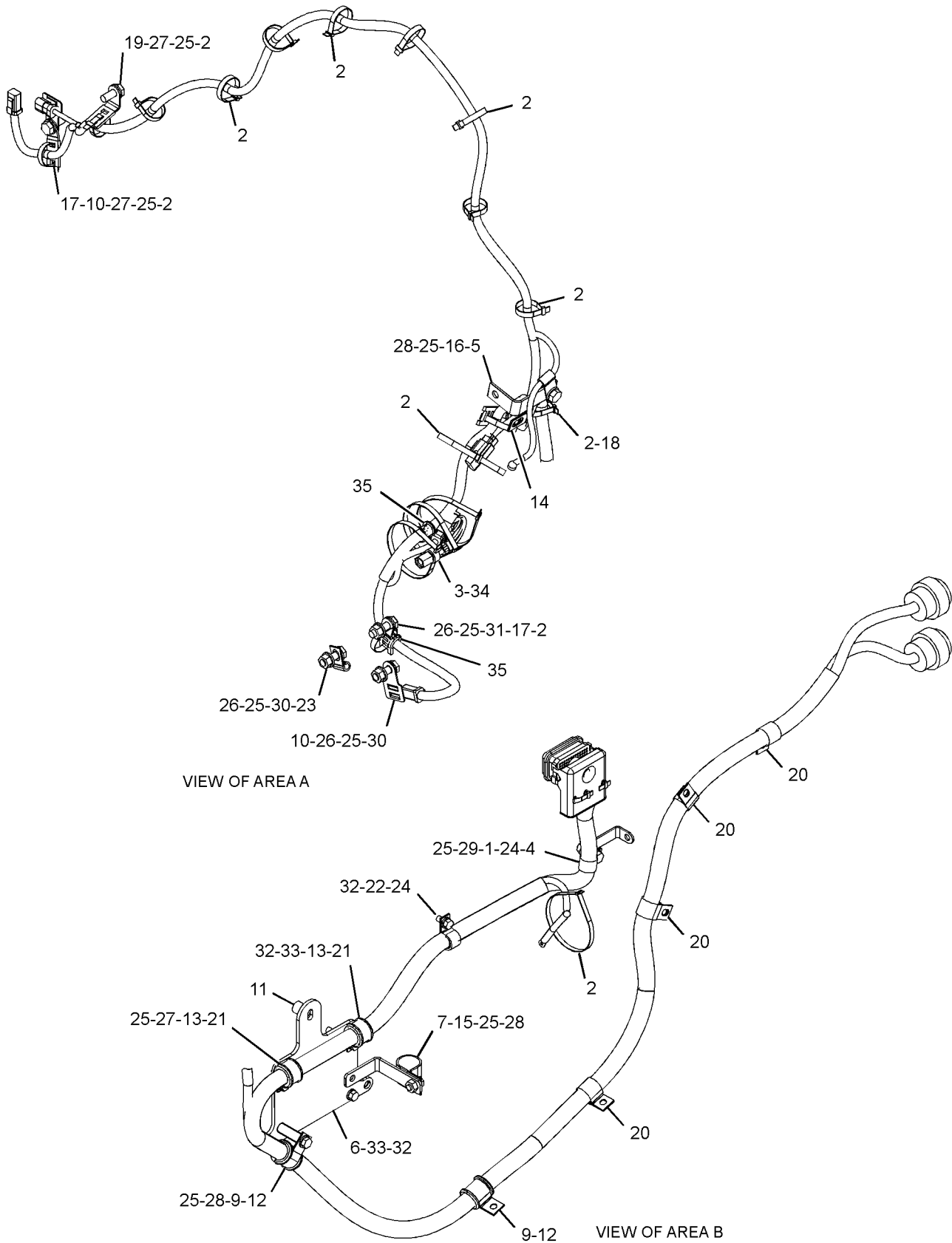
GRAPHIC #1

g02075234

ELECTRICAL AND STARTING SYSTEM

339-8271 WIRING GP-ENGINE (contd.)

i04456394



GRAPHIC #2

<END>

g02075235

ELECTRICAL AND STARTING SYSTEM

345-0520 WIRING GP-FRONT

S/N: A7A1-UP

PART OF 337-0870 ELECTRICAL AR

SMCS-5734

i04456395

NOTE	REF NO	GRAPHIC REF	PART NUMBER	QTY	PART NAME						SEE PAGE
					1	2	3	4	5	6 (PRODUCT LEVEL)	
	1	1,2	5V-6152	4	CLAMP						
	2	1,2	5V-6153	2	PLATE-COVER						
	3	1	7W-8106	1	SPACER (11.13X19.05X15-MM THK)						
	4	1,2	9X-6772	2	STRAP-CABLE						
	5	2	091-0081	1	SPACER (10.5X20X10-MM THK)						
	6	1	116-0118	1	CLIP						
	7	1	121-1343	1	PLATE AS						
M		1	8T-3490	1	NUT-WELD (M10X1.5-THD)						
	8	2	125-8534	1	PLATE AS						
	9	1	144-4613	1	ANGLE AS						
M		1	8T-3490	1	NUT-WELD (M10X1.5-THD)						
	10	2	160-4989	1	BRACKET AS						
M		2	8T-3490	1	NUT-WELD (M10X1.5-THD)						
	11	1	192-5017	1	BRACKET AS						
	12	1	200-6345	1	MOUNT (DUAL SWIVEL)						
	13	1,2	204-2281	29	STRAP-CABLE						
	14	1,2	204-8000	25	MOUNTING-CABLE TIE						
Y	15	1	288-8390	1	SENSOR GP-TEMPERATURE (FRONT AXLE OIL)						196
	16	1	309-2714	1	HARNESS AS-SENSOR (AXLE OIL TEMPERATURE)						
		1	102-8804	1	KIT-RECEPTACLE (4-PIN)						
					(INCLUDES RECEPTACLE AS & WEDGE)						
		1	8T-8737	2	PLUG-SEAL						
		1	9X-3401	3	PIN-CONNECTOR (16-GA TO 18-GA)						
		1	230-5008	1	PLUG AS-CONNECTOR (4-PIN)						
		1	264-7031	1	SEAL-CONNECTOR						
E		1	114-8843		SLEEVE-PLASTIC (40-CM)						
		1	9X-3402	3	SOCKET-CONNECTOR (16-GA TO 18-GA)						
	17	1	317-8012	1	BRACKET AS						
M		1	6V-9632	2	NUT-WELD (M6X1-THD)						
	18	2	317-8014	1	BRACKET AS						
M		2	6V-9632	2	NUT-WELD (M6X1-THD)						
	19	1	345-0521	1	HARNESS AS-FRONT						
		1	274-3774	2	CAP-CONNECTOR						
E		1	5P-1506		HOSE (58-CM)						
		1	155-2260	1	KIT-CONNECTING PLUG (3-PIN)						
		1	155-2270	11	KIT-CONNECTING PLUG (2-PIN)						
		1	155-2271	2	KIT-CONNECTING PLUG (4-PIN)						
		1	155-2274	1	KIT-CONNECTING PLUG (6-PIN)						
					(EACH PLUG KIT INCLUDES PLUG AS, WEDGE & INTERFACE SEAL)						
		1	102-8802	1	KIT-RECEPTACLE (2-PIN)						
		1	102-8803	2	KIT-RECEPTACLE (3-PIN)						
		1	102-8804	1	KIT-RECEPTACLE (4-PIN)						
		1	102-8805	2	KIT-RECEPTACLE (6-PIN)						
					(EACH RECEPTACLE KIT INCLUDES RECEPTACLE AS & WEDGE)						
		1	9X-3401	47	PIN-CONNECTOR (16-GA TO 18-GA)						
		1	126-1767	10	PIN-CONNECTOR (14-GA TO 16-GA)						
		1	8T-8737	19	PLUG-SEAL						
		1	113-0580	1	RECEPTACLE AS-CONNECTOR (40-PIN)						
		1	106-4155	1	KIT-RETAINING BOLT						
E		1	114-8843		SLEEVE-PLASTIC (340-CM)						
E		1	114-8845		SLEEVE-PLASTIC (40-CM)						
		1	9X-3402	30	SOCKET-CONNECTOR (16-GA TO 18-GA)						
		1	9X-6772	6	STRAP-CABLE						
E		1	119-3662		TUBE-HEAT SHRINK (10.85-MM DIA) (13-CM)						

ELECTRICAL AND STARTING SYSTEM

345-0520 WIRING GP-FRONT (contd.)

i04456395

NOTE	REF NO	GRAPHIC REF	PART NUMBER	QTY	PART NAME						SEE PAGE
					1	2	3	4	5	6 (PRODUCT LEVEL)	
E		1	125-7874		TUBE-HEAT SHRINK (5.72-MM DIA) (5-CM)						
E		1	125-7875		TUBE-HEAT SHRINK (7.44-MM DIA) (25-CM)						
		1	3E-3371	2	WEDGE-RECEPTACLE LOCK (3-PIN)						
		1	3E-3377	1	WEDGE-RECEPTACLE LOCK (4-PIN)						
		1	3E-3383	2	WEDGE-RECEPTACLE LOCK (6-PIN)						
	20	1,2	130-5300	10	CLIP						
	21	1	214-7568	1	SEAL-O-RING						
	22	1	7X-7729	1	WASHER (11X25X3-MM THK)						
	23	1,2	8T-4121	37	WASHER-HARD (11X21X2.5-MM THK)						
M	24	1,2	8T-4136	20	BOLT (M10X1.5X25-MM)						
M	25	1,2	8T-4137	10	BOLT (M10X1.5X20-MM)						
M	26	2	8T-4179	1	BOLT (M12X1.75X20-MM)						
M	27	1	8T-4186	1	BOLT (M10X1.5X40-MM)						
M	28	1,2	8T-4195	6	BOLT (M10X1.5X30-MM)						
M	29	1,2	8T-6974	4	BOLT (M6X1X80-MM)						
	30	1,2	9X-8256	4	WASHER (6.6X12X2-MM THK)						

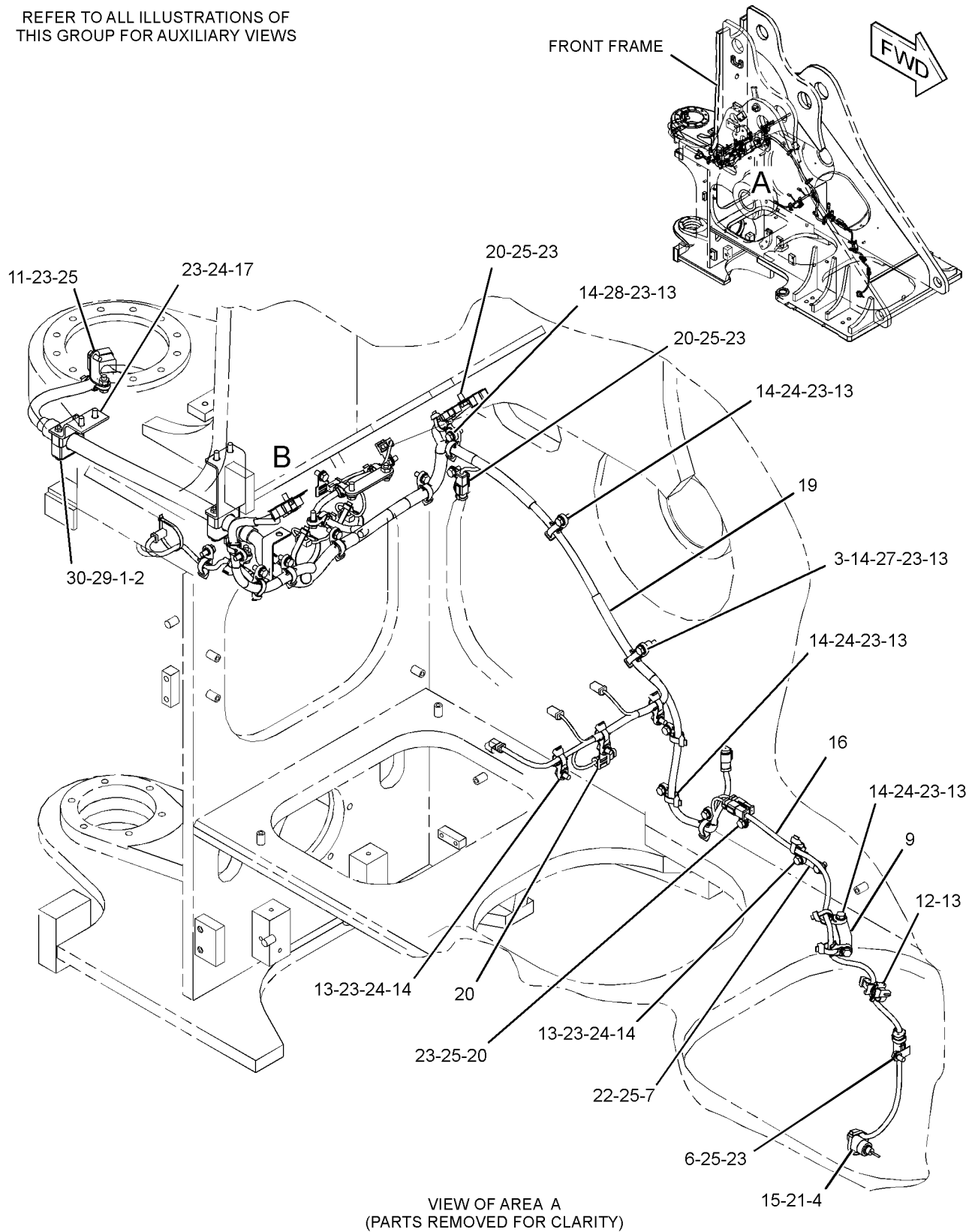
E-ORDER BY THE CENTIMETER
M-METRIC PART
Y-SEPARATE ILLUSTRATION

ELECTRICAL AND STARTING SYSTEM

345-0520 WIRING GP-FRONT (contd.)

i04456395

REFER TO ALL ILLUSTRATIONS OF THIS GROUP FOR AUXILIARY VIEWS



VIEW OF AREA A
(PARTS REMOVED FOR CLARITY)

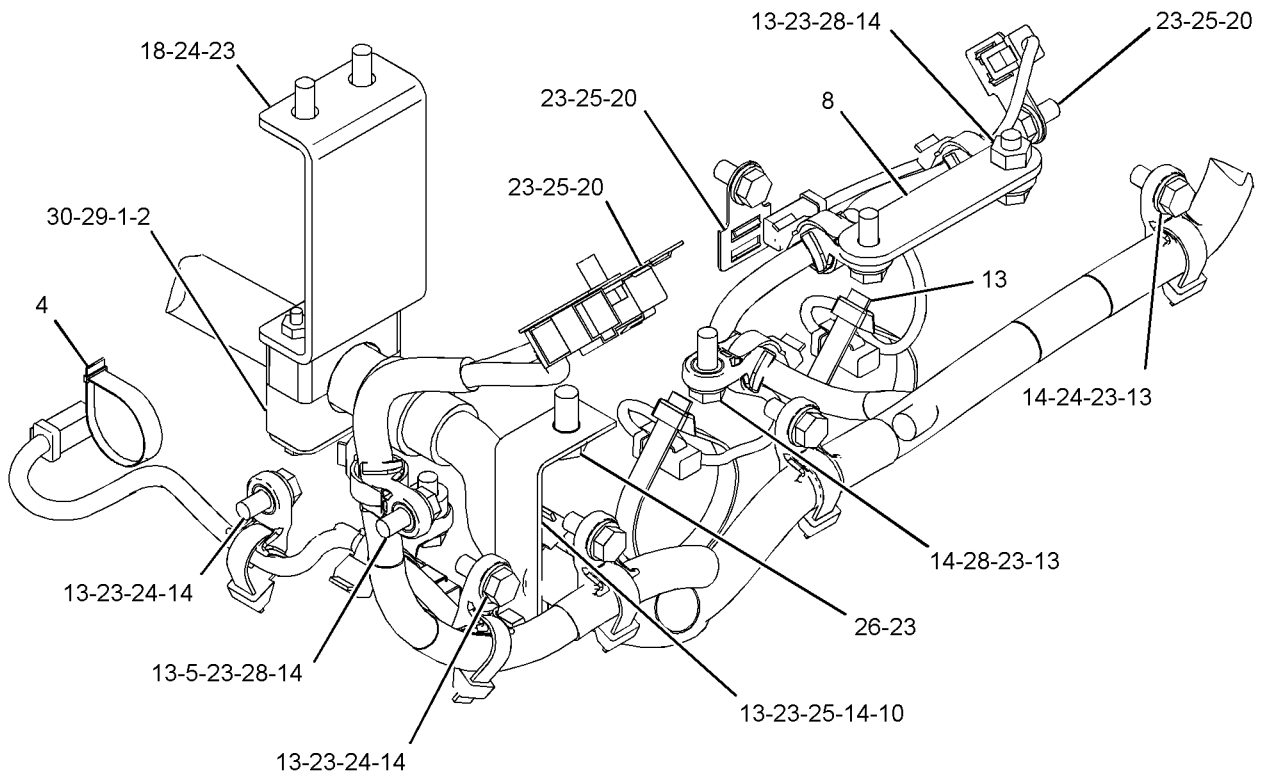
GRAPHIC #1

g02034474

ELECTRICAL AND STARTING SYSTEM

345-0520 WIRING GP - FRONT (contd.)

i04456395



VIEW OF AREA B

GRAPHIC #2

<END>

g02034475

ELECTRICAL AND STARTING SYSTEM

345-0510 WIRING GP-MACHINE

S/N: A7A1-UP

PART OF 337-0870 ELECTRICAL AR

SMCS-1408

i04456396

NOTE	REF NO	GRAPHIC REF	PART NUMBER	QTY	PART NAME						SEE PAGE
					1	2	3	4	5	6 (PRODUCT LEVEL)	
	1	2	4V-1939	4	CLAMP						
	2	2	107-4749	2	PLATE						
	3	1	7K-1181	1	STRAP-CABLE						
	4	1,2	9X-6772	4	STRAP-CABLE						
	5	2	116-0118	2	CLIP						
	6	2	116-4491	1	BRACKET AS						
M		2	8T-3490	1	NUT-WELD (M10X1.5-THD)						
	7	1	119-7839	1	BRACKET						
	8	2	124-3019	1	BRACKET AS						
M		2	8T-3490	1	NUT-WELD (M10X1.5-THD)						
	9	1	144-4613	1	ANGLE AS						
M		1	8T-3490	1	NUT-WELD (M10X1.5-THD)						
	10	2	146-6734	1	PLATE AS						
M		2	8T-3490	2	NUT-WELD (M10X1.5-THD)						
	11	1	153-7095	2	BRACKET AS						
					(EACH INCLUDES)						
M		1	8T-3490	1	NUT-WELD (M10X1.5-THD)						
	12	2	175-3244	1	SWITCH AS-PRESSURE (BRAKE ACCUMULATOR CHARGE)						
		2	102-8803	1	KIT-RECEPTACLE (3-PIN)						
					(INCLUDES RECEPTACLE AS & WEDGE)						
		2	8T-8729	3	PIN-CONNECTOR (16-GA TO 18-GA)						
D		2	8T-5677		SLEEVE (0.6-M)						
D		2	5P-6008		TUBE-HEAT SHRINK (6.35-MM DIA) (0.2-M)						
		2	3E-3371	1	WEDGE-RECEPTACLE LOCK (3-PIN)						
	13	2	192-7455	1	HARNES AS-CHASSIS (POW TR FILTER, WINDOW WASHER)						
		2	155-2265	1	KIT-CONNECTING PLUG (8-PIN)						
		2	155-2260	1	KIT-CONNECTING PLUG (3-PIN)						
		2	155-2270	2	KIT-CONNECTING PLUG (2-PIN)						
					(EACH PLUG KIT INCLUDES PLUG AS, WEDGE & INTERFACE SEAL)						
		2	8T-8737	2	PLUG-SEAL						
E		2	114-8843		SLEEVE-PLASTIC (60-CM)						
E		2	114-8844		SLEEVE-PLASTIC (20-CM)						
		2	8T-8730	13	SOCKET-CONNECTOR (16-GA TO 18-GA)						
		2	9X-6772	1	STRAP-CABLE						
E		2	125-7874		TUBE-HEAT SHRINK (5.72-MM DIA) (5-CM)						
E		2	125-7875		TUBE-HEAT SHRINK (7.44-MM DIA) (5-CM)						
		2	9X-0196	2	TERMINAL AS						
		2	155-2259	1	WEDGE-PLUG LOCK (8-PIN)						
	14	2	229-3177	1	PLATE AS						
		2	6V-6716	2	RIVET-TRUSS HEAD						
		2	109-1645	1	CLIP						
	15	1	273-5632	1	BRACKET AS						
	16	2	286-7273	2	BRACKET AS						
	17	2	286-7276	1	HARNES AS-SENSOR (HYDRAULIC OIL FILTER BYPASS)						
		2	155-2260	1	KIT-CONNECTING PLUG (3-PIN)						
		2	155-2270	1	KIT-CONNECTING PLUG (2-PIN)						
					(EACH PLUG KIT INCLUDES PLUG AS, WEDGE & INTERFACE SEAL)						
		2	102-8805	1	KIT-RECEPTACLE (6-PIN)						
					(INCLUDES RECEPTACLE AS & WEDGE)						
		2	8T-8729	1	PIN-CONNECTOR (16-GA TO 18-GA)						
		2	9X-3401	4	PIN-CONNECTOR (16-GA TO 18-GA)						
		2	8T-8737	3	PLUG-SEAL						
		2	230-5008	1	PLUG AS-CONNECTOR (4-PIN)						

ELECTRICAL AND STARTING SYSTEM

345-0510 WIRING GP-MACHINE (contd.)

i04456396

NOTE	REF NO	GRAPHIC REF	PART NUMBER	QTY	PART NAME						SEE PAGE
					1	2	3	4	5	6 (PRODUCT LEVEL)	
		2	264-7031	1	SEAL-CONNECTOR						
E		2	114-8843		SLEEVE-PLASTIC (80-CM)						
		2	8T-8730	2	SOCKET-CONNECTOR (16-GA TO 18-GA)						
		2	9X-3402	5	SOCKET-CONNECTOR (16-GA TO 18-GA)						
E		2	125-7874		TUBE-HEAT SHRINK (5.72-MM DIA) (5-CM)						
		2	3E-3383	1	WEDGE-RECEPTACLE LOCK (6-PIN)						
Y	18	2	288-8390	1	SENSOR GP-TEMPERATURE (HYDRAULIC OIL)						196
Y	18A	2	288-8390	1	SENSOR GP-TEMPERATURE (REAR AXLE OIL)						196
	19	2	292-3869	1	HARNESS AS-SENSOR (REAR AXLE OIL TEMPERATURE)						
G		2	9X-2383		HOSE (16.5-IN)						
		2	102-8804	1	KIT-RECEPTACLE (4-PIN)						
					(INCLUDES RECEPTACLE AS & WEDGE)						
		2	8T-8729	3	PIN-CONNECTOR (16-GA TO 18-GA)						
		2	8T-8737	2	PLUG-SEAL						
		2	230-5008	1	PLUG AS-CONNECTOR (4-PIN)						
		2	264-7031	1	SEAL-CONNECTOR						
E		2	114-8843		SLEEVE-PLASTIC (40-CM)						
		2	8T-8730	3	SOCKET-CONNECTOR (16-GA TO 18-GA)						
D		2	6V-2722		TUBE-HEAT SHRINK (25.4-MM DIA) (10-M)						
		2	3E-3377	1	WEDGE-RECEPTACLE LOCK (4-PIN)						
	20	2	345-0509	1	HARNESS AS-CHASSIS						
		2	8N-1521	4	BELL AS-END						
		2	8N-1535	1	BELL AS-END						
		2	274-3781	1	CAP-SEAL						
		2	115-3519	3	PIN-CONNECTOR (12-GA TO 14-GA)						
		2	155-2255	1	KIT-CONNECTING PLUG (12-PIN)						
		2	155-2270	2	KIT-CONNECTING PLUG (2-PIN)						
		2	155-2271	1	KIT-CONNECTING PLUG (4-PIN)						
		2	155-2274	1	KIT-CONNECTING PLUG (6-PIN)						
		2	155-2260	2	KIT-CONNECTING PLUG (3-PIN)						
		2	177-9656	1	KIT-CONNECTING PLUG (4-PIN)						
					(EACH PLUG KIT INCLUDES PLUG AS, WEDGE & INTERFACE SEAL)						
		2	102-8802	3	KIT-RECEPTACLE (2-PIN)						
		2	102-8803	1	KIT-RECEPTACLE (3-PIN)						
		2	102-8804	12	KIT-RECEPTACLE (4-PIN)						
		2	102-8805	1	KIT-RECEPTACLE (6-PIN)						
		2	102-8806	1	KIT-RECEPTACLE (8-PIN)						
		2	102-8801	5	KIT-RECEPTACLE (12-PIN)						
		2	177-9653	1	KIT-RECEPTACLE (4-PIN)						
					(EACH RECEPTACLE KIT INCLUDES RECEPTACLE AS & WEDGE)						
		2	8N-1540	3	PIN-CONNECTOR (12-GA TO 14-GA)						
		2	8N-1542	2	PIN-CONNECTOR (10-GA)						
		2	8N-1544	1	PIN-CONNECTOR (8-GA)						
		2	9X-3401	58	PIN-CONNECTOR (16-GA TO 18-GA)						
		2	9X-6856	52	PIN-CONNECTOR (16-GA TO 18-GA)						
		2	126-1767	1	PIN-CONNECTOR (14-GA TO 16-GA)						
		2	7G-7917	38	PLUG-SEAL						
		2	7G-7918	3	PLUG-SEAL						
		2	7G-7920	4	PLUG-SEAL						
		2	8T-8737	50	PLUG-SEAL						
		2	8N-1518	1	PLUG AS-CONNECTOR (25-PIN)						
		2	160-7689	1	PLUG AS-CONNECTOR (70-PIN)						
		2	159-9322	1	SEAL-O-RING						
		2	237-0227	1	PLUG AS-CONNECTOR (3-PIN)						
		2	264-7030	1	SEAL-CONNECTOR						
		2	110-6845	1	PLUG AS-CONNECTOR (40-PIN)						
		2	110-6844	1	SEAL						
		2	3T-0204	1	RECEPTACLE AS-CONNECTOR (20-PIN)						

ELECTRICAL AND STARTING SYSTEM

345-0510 WIRING GP-MACHINE (contd.)

i04456396

NOTE	REF NO	GRAPHIC REF	PART NUMBER	QTY	PART NAME						SEE PAGE
					1	2	3	4	5	6 (PRODUCT LEVEL)	
		2	8N-1536	1	NUT (1-5/8-18-THD)						
		2	8N-1513	1	RECEPTACLE AS-CONNECTOR (37-PIN)						
		2	8N-1522	1	NUT (2-1/4-16-THD)						
		2	8N-1515	1	RECEPTACLE AS-CONNECTOR (24-PIN)						
		2	8N-1522	1	NUT (2-1/4-16-THD)						
		2	8N-1517	1	RECEPTACLE AS-CONNECTOR (25-PIN)						
		2	8N-1522	1	NUT (2-1/4-16-THD)						
E		2	114-8843		SLEEVE-PLASTIC (380-CM)						
E		2	114-8844		SLEEVE-PLASTIC (20-CM)						
E		2	114-8845		SLEEVE-PLASTIC (120-CM)						
		2	8N-1541	3	SOCKET-CONNECTOR (12-GA TO 14-GA)						
		2	8N-1543	2	SOCKET-CONNECTOR (10-GA)						
		2	8N-1545	1	SOCKET-CONNECTOR (8-GA)						
		2	9X-3402	129	SOCKET-CONNECTOR (16-GA TO 18-GA)						
		2	9X-6857	22	SOCKET-CONNECTOR (16-GA TO 18-GA)						
		2	126-1768	3	SOCKET-CONNECTOR (14-GA TO 16-GA)						
		2	9X-6772	10	STRAP-CABLE						
		2	7T-9346	2	TERMINAL AS-BATTERY (EACH INCLUDES)						
		2	3L-6513	1	TERMINAL-RING (1-GA TO 2-GA, 1/2-IN SCREW)						
E		2	6V-9023		TUBE-HEAT SHRINK (12.7-MM DIA) (3-CM)						
		2	128-4188	1	TERMINAL AS-RING (14-GA TO 16-GA)						
		2	2L-8081	1	TERMINAL-RING (14-GA TO 16-GA, 1/2-IN SCREW)						
D		2	6V-2689		TUBE-HEAT SHRINK (6.35-MM DIA) (0.1-M)						
		2	131-1492	1	TERMINAL AS-RING (6-GA TO 8-GA)						
		2	2L-8054	1	TERMINAL-RING (6-GA, 1/2-IN SCREW) -OR-						
		2	2L-8061	1	TERMINAL-RING (8-GA, 1/2-IN SCREW)						
E		2	119-3662		TUBE-HEAT SHRINK (10.85-MM DIA) (4-CM)						
		2	131-1500	2	TERMINAL AS-RING (EACH INCLUDES)						
		2	2L-8071	1	TERMINAL-RING (10-GA TO 12-GA, 1/2-IN SCREW)						
E		2	125-7875		TUBE-HEAT SHRINK (7.44-MM DIA) (4-CM)						
E		2	119-3662		TUBE-HEAT SHRINK (10.85-MM DIA) (13-CM)						
E		2	125-7874		TUBE-HEAT SHRINK (5.72-MM DIA) (30-CM)						
E		2	125-7875		TUBE-HEAT SHRINK (7.44-MM DIA) (40-CM)						
		2	155-2258	1	WEDGE-PLUG LOCK (12-PIN)						
		2	3E-3371	1	WEDGE-RECEPTACLE LOCK (3-PIN)						
		2	3E-3377	1	WEDGE-RECEPTACLE LOCK (4-PIN)						
		2	3E-3383	1	WEDGE-RECEPTACLE LOCK (6-PIN)						
		2	3E-3389	1	WEDGE-RECEPTACLE LOCK (8-PIN)						
	21	2	349-1178	1	SENSOR GP-PRESSURE						
	22	2	033-8248	1	CLIP						
	23	2	091-0081	1	SPACER (10.5X20X10-MM THK)						
	24	2	115-3072	2	CLIP AS-CONNECTOR (8-PIN)						
	25	1,2	130-5300	11	CLIP						
	26	2	148-8313	1	ADAPTER AS						
		2	3K-0360	1	SEAL-O-RING						
		2	5P-6944	1	ADAPTER						
	27	1	1S-0994	1	CLIP						
	28	2	3J-1907	4	SEAL-O-RING						
	29	2	4D-7388	2	CLIP						
	30	2	4D-7794	6	CLIP						
	31	1,2	4K-8864	2	CLIP						
	32	2	4S-4455	3	CLIP						
	33	2	5P-7854	4	CLIP						
	34	2	5P-9085	12	CLIP						

ELECTRICAL AND STARTING SYSTEM

345-0510 WIRING GP-MACHINE (contd.)

i04456396

NOTE	REF NO	GRAPHIC REF	PART NUMBER	QTY	PART NAME						SEE PAGE
					1	2	3	4	5	6 (PRODUCT LEVEL)	
	35	1	6B-6205	2	SPACER (0.438X0.875X1.281-IN THK)						
	36	2	6D-3479	1	CLIP						
	37	1,2	6D-4244	10	CLIP						
	38	1	6D-4636	2	CLIP						
	39	1	6V-0826	2	GROMMET						
	40	1,2	6V-2383	2	CLIP						
	41	2	6V-3265	1	CLIP						
	42	2	7D-1553	1	CLIP						
M	43	2	7X-2534	4	BOLT (M6X1X50-MM)						
	44	2	8M-2770	4	CLIP						
	45	2	8M-2773	1	CLIP						
	46	1,2	8T-4121	68	WASHER-HARD (11X21X2.5-MM THK)						
M	47	1,2	8T-4136	9	BOLT (M10X1.5X25-MM)						
M	48	1,2	8T-4137	47	BOLT (M10X1.5X20-MM)						
M	49	1	8T-4139	1	BOLT (M12X1.75X30-MM)						
M	50	1,2	8T-4195	10	BOLT (M10X1.5X30-MM)						
	51	1	8T-4223	1	WASHER-HARD (13.5X25.5X3-MM THK)						
M	52	1	8T-6466	2	BOLT (M10X1.5X60-MM)						
	53	2	9X-8250	3	CLIP						
	54	2	9X-8256	4	WASHER (6.6X12X2-MM THK)						

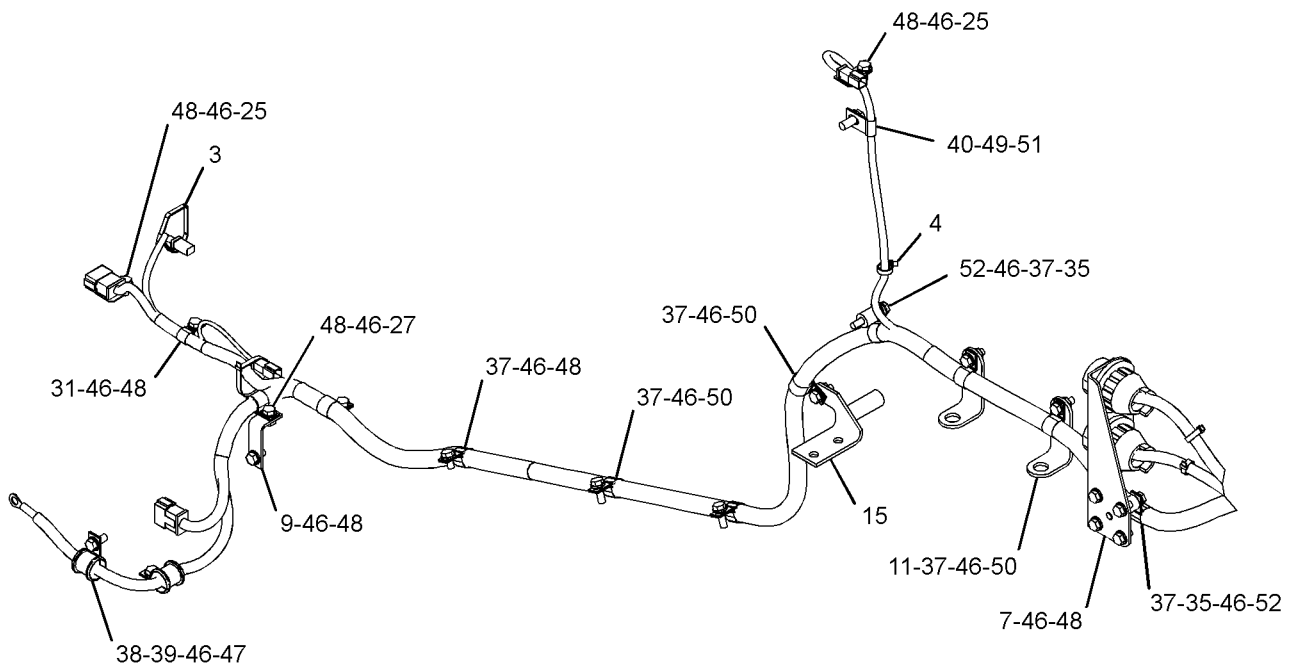
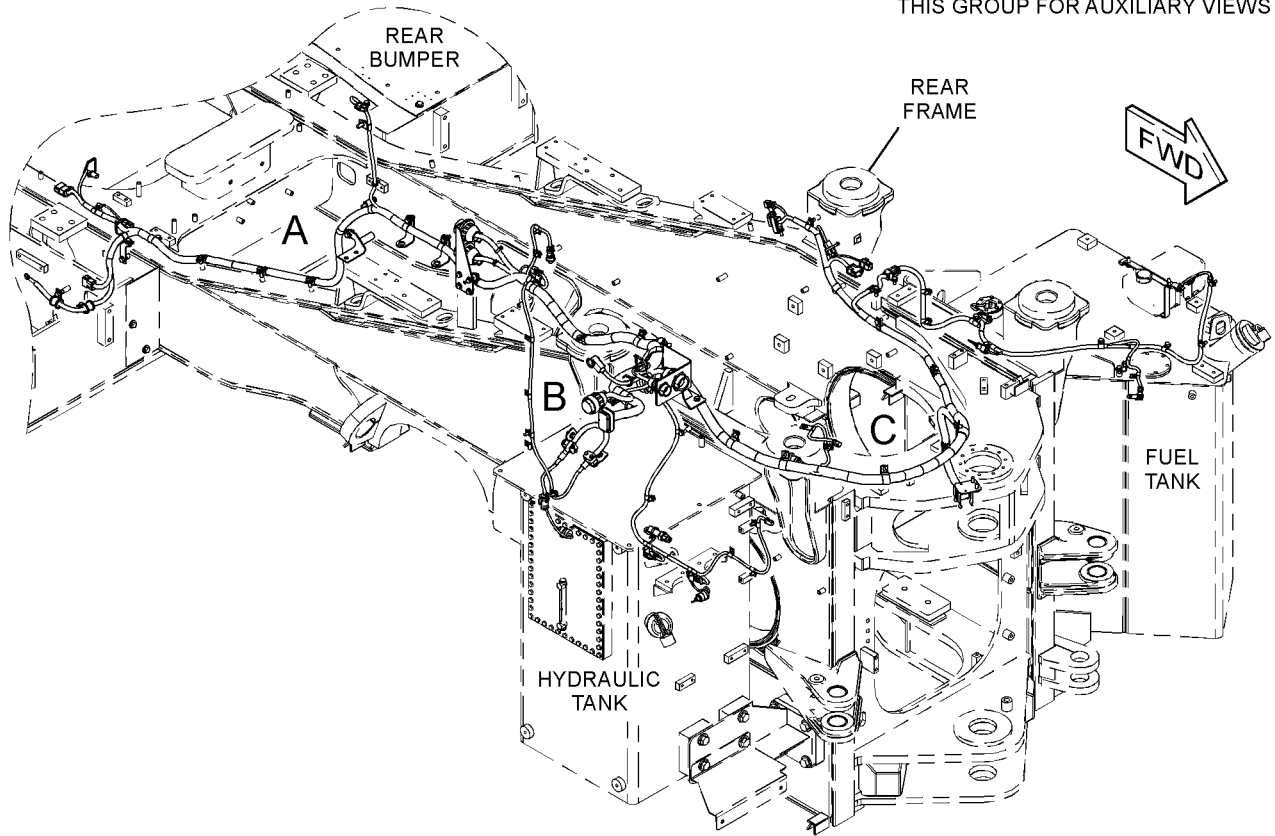
D-ORDER BY THE METER
 E-ORDER BY THE CENTIMETER
 G-ORDER BY THE INCH
 M-METRIC PART
 Y-SEPARATE ILLUSTRATION

ELECTRICAL AND STARTING SYSTEM

345-0510 WIRING GP-MACHINE (contd.)

i04456396

REFER TO ALL ILLUSTRATIONS OF THIS GROUP FOR AUXILIARY VIEWS



VIEW OF AREA A

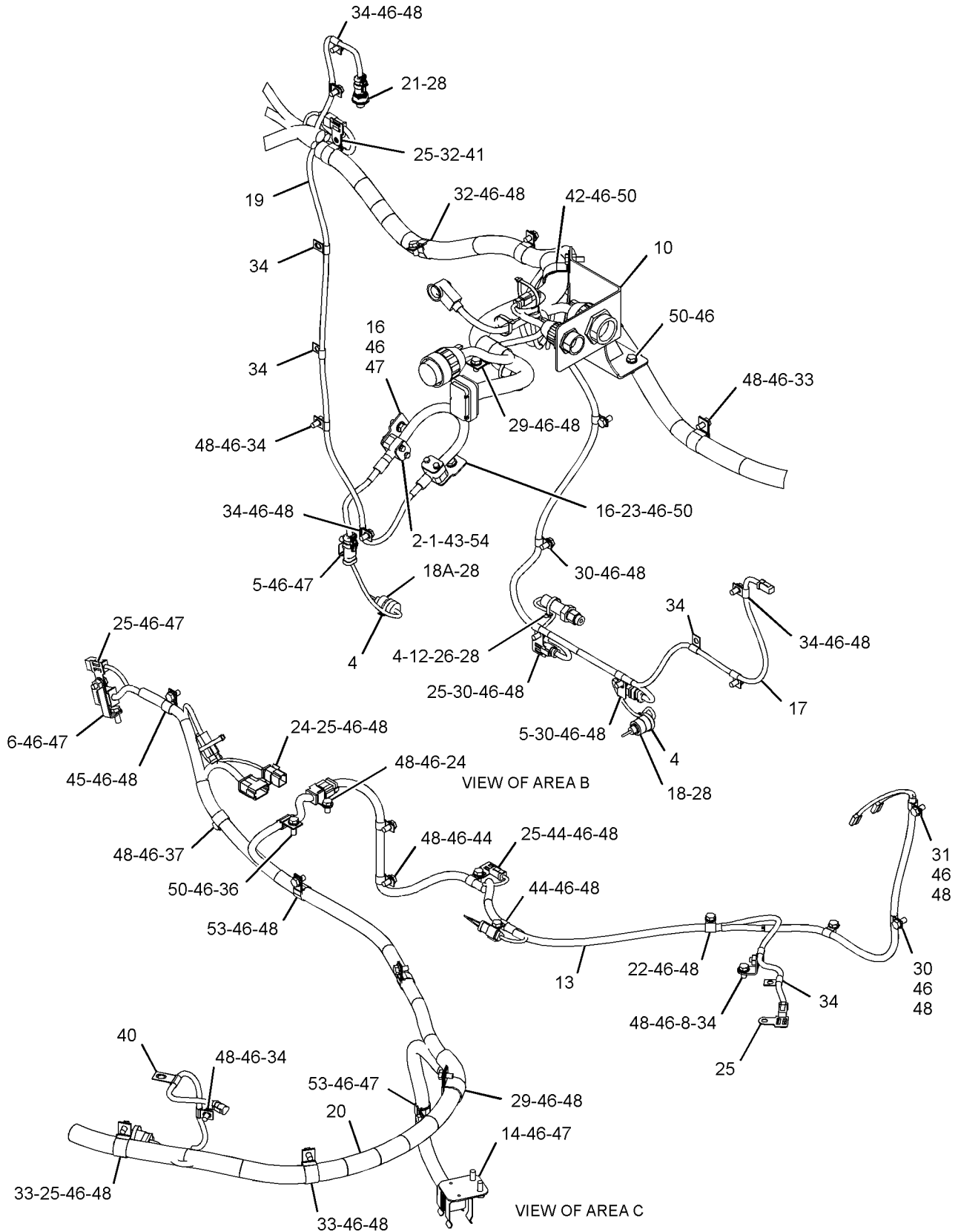
GRAPHIC #1

g02044073

ELECTRICAL AND STARTING SYSTEM

345-0510 WIRING GP-MACHINE (contd.)

i04456396



GRAPHIC #2

<END>

g02044074

ELECTRICAL AND STARTING SYSTEM

284-3003 WIRING GP-POWER TRAIN

S/N: A7A1-UP

PART OF 337-0870 ELECTRICAL AR

SMCS-1408, 1634

i04456400

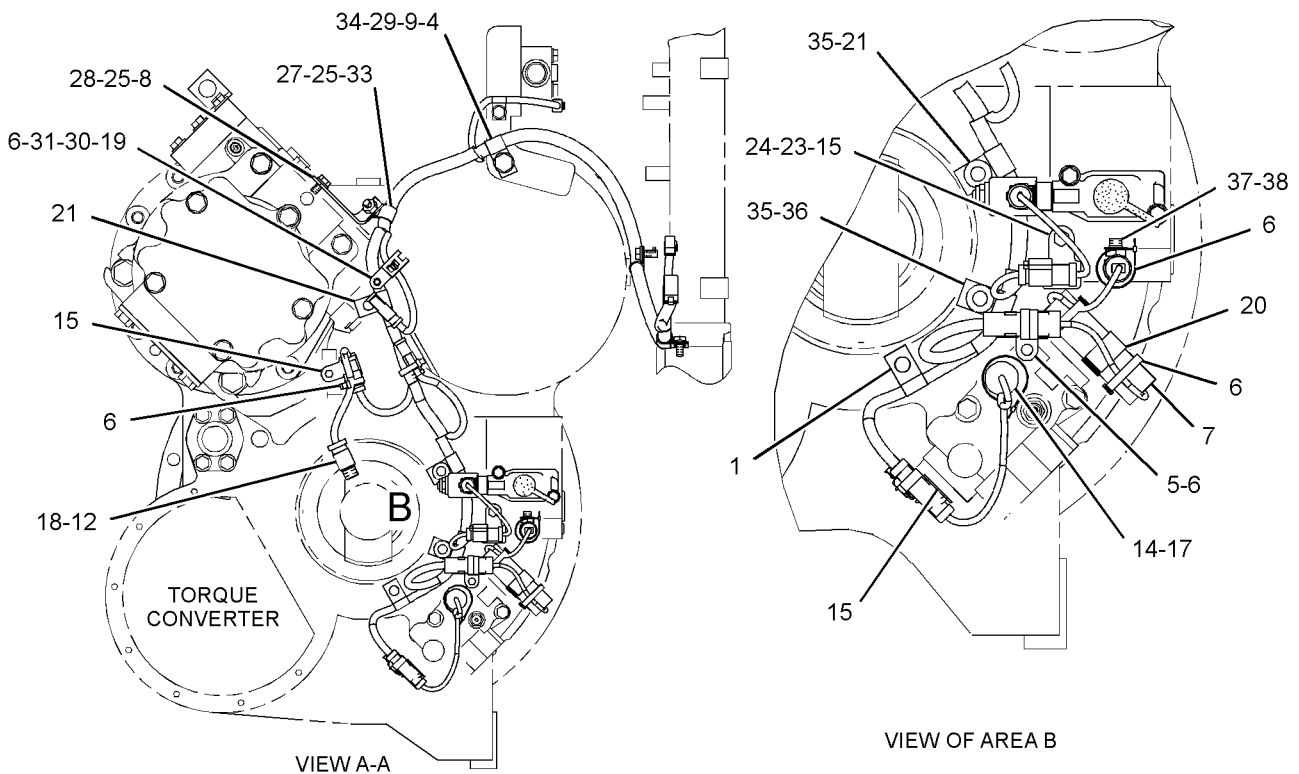
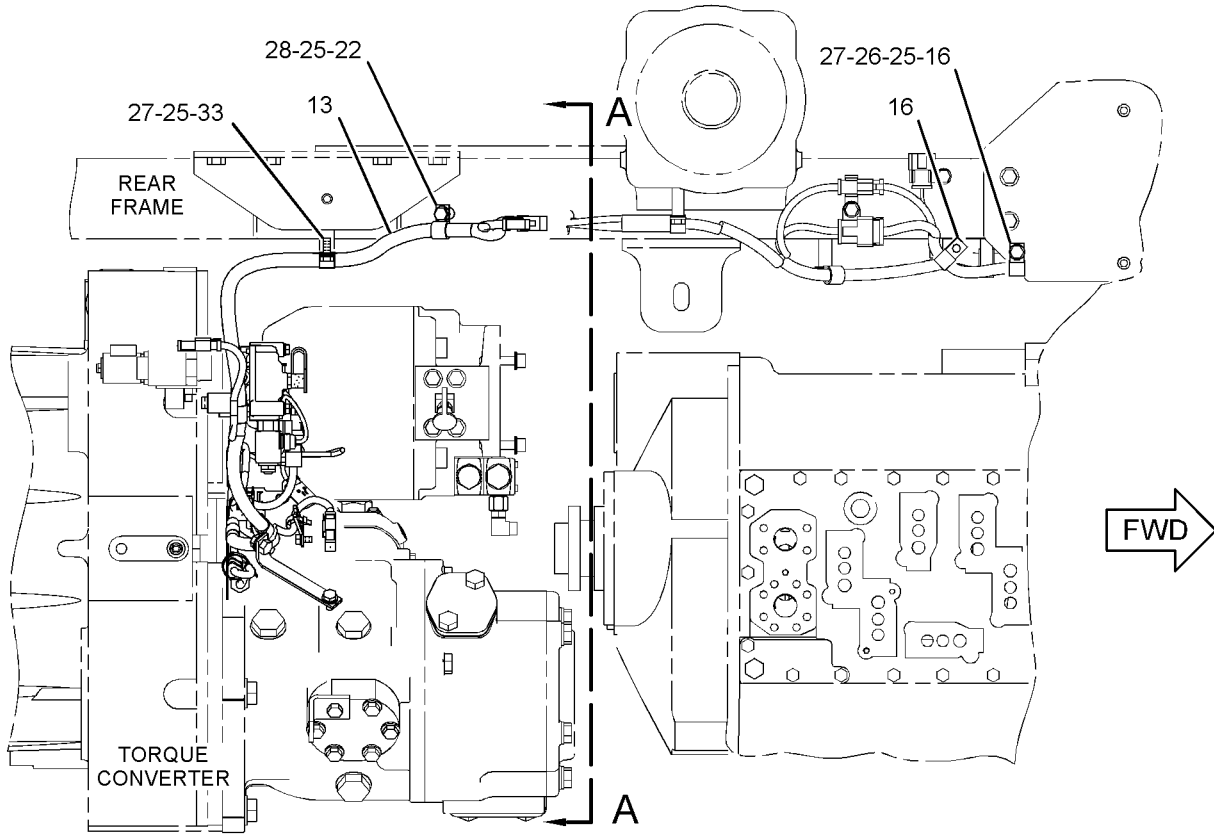
NOTE	REF NO	GRAPHIC REF	PART NUMBER	QTY	PART NAME						SEE PAGE
					1	2	3	4	5	6 (PRODUCT LEVEL)	
	1	1	2T-3019	1	CLIP						
	4	1	8C-7528	1	CLIP						
	5	1	9X-3495	1	CLIP AS						
	6	1	9X-6772	6	STRAP-CABLE						
Y	7	1	100-4311	1	SENSOR GP-PRESSURE (IMPELLER CLUTCH)						186
	8	1	118-6878	1	BRACKET AS						
M		1	8T-3490	1	NUT-WELD (M10X1.5-THD)						
	9	1	149-8379	1	SPACER (18.85X26.67X32-MM THK)						
	12	1	266-8577	1	SENSOR GP-SPEED (TORQUE CONVERTER OUTPUT)						
		1	102-8803	1	KIT-RECEPTACLE (3-PIN) (INCLUDES RECEPTACLE AS & WEDGE)						
		1	180-9339	3	PIN-CONNECTOR (14-GA TO 18-GA)						
13		1	285-3606	1	HARNESS AS-TRANSMISSION (TORQUE CONVERTER)						
		1	155-2255	1	KIT-CONNECTING PLUG (12-PIN)						
		1	155-2270	3	KIT-CONNECTING PLUG (2-PIN)						
		1	155-2271	1	KIT-CONNECTING PLUG (4-PIN)						
		1	155-2260	2	KIT-CONNECTING PLUG (3-PIN) (EACH PLUG KIT INCLUDES PLUG AS, WEDGE & INTERFACE SEAL)						
		1	102-8802	3	KIT-RECEPTACLE (2-PIN) (EACH INCLUDES RECEPTACLE AS & WEDGE)						
		1	9X-3401	3	PIN-CONNECTOR (16-GA TO 18-GA)						
		1	8T-8737	8	PLUG-SEAL						
		1	230-5008	1	PLUG AS-CONNECTOR (4-PIN)						
		1	264-7031	1	SEAL-CONNECTOR						
		1	8T-8732	1	RECEPTACLE-CONNECTOR (3-PIN)						
E		1	114-8843		SLEEVE-PLASTIC (160-CM)						
		1	8T-8730	14	SOCKET-CONNECTOR (16-GA TO 18-GA)						
		1	9X-3402	16	SOCKET-CONNECTOR (16-GA TO 18-GA)						
		1	9X-6772	2	STRAP-CABLE						
E		1	125-7874		TUBE-HEAT SHRINK (5.72-MM DIA) (5-CM)						
		1	155-2258	1	WEDGE-PLUG LOCK (12-PIN)						
Y	14	1	288-8390	1	SENSOR GP-TEMPERATURE (TORQUE CONVERTER OIL)						196
	15	1	130-5300	3	CLIP						
	16	1	174-5907	2	CLIP						
	17	1	3J-1907	1	SEAL-O-RING						
	18	1	3K-0360	1	SEAL-O-RING						
	19	1	4P-7581	1	CLIP						
	20	1	4S-4455	1	CLIP						
	21	1	5K-3294	2	CLIP						
	22	1	8M-2773	1	CLIP						
	23	1	8M-6146	1	TUBE						
M	24	1	8T-3647	1	BOLT (M8X1.25X80-MM)						
	25	1	8T-4121	6	WASHER-HARD (11X21X2.5-MM THK)						
M	26	1	8T-4133	1	NUT (M10X1.5-THD)						
M	27	1	8T-4136	3	BOLT (M10X1.5X25-MM)						
M	28	1	8T-4137	2	BOLT (M10X1.5X20-MM)						
M	29	1	8T-4193	1	BOLT (M16X2X50-MM)						
M	30	1	8T-4200	1	BOLT (M8X1.25X16-MM)						
	31	1	8T-4224	1	WASHER-HARD (8.8X16X2-MM THK)						
	33	1	9M-8406	2	CLIP						
	34	1	9X-8257	1	WASHER (17.5X30X3.5-MM THK)						
	35	1	5P-8245	2	WASHER-HARD (13.5X25.5X3-MM THK)						
	36	1	8C-7510	1	CLIP						
	37	1	117-0067	1	ELBOW						
	38	1	3J-7354	2	SEAL-O-RING						

ELECTRICAL AND STARTING SYSTEM

284-3003 WIRING GP-POWER TRAIN (contd.)

i04456400

E-ORDER BY THE CENTIMETER
M-METRIC PART
Y-SEPARATE ILLUSTRATION



GRAPHIC #1

<END>

g02053375

ELECTRICAL AND STARTING SYSTEM

286-7232 WIRING GP-REAR

S/N: A7A1-UP

PART OF 337-0870 ELECTRICAL AR

SMCS-1408

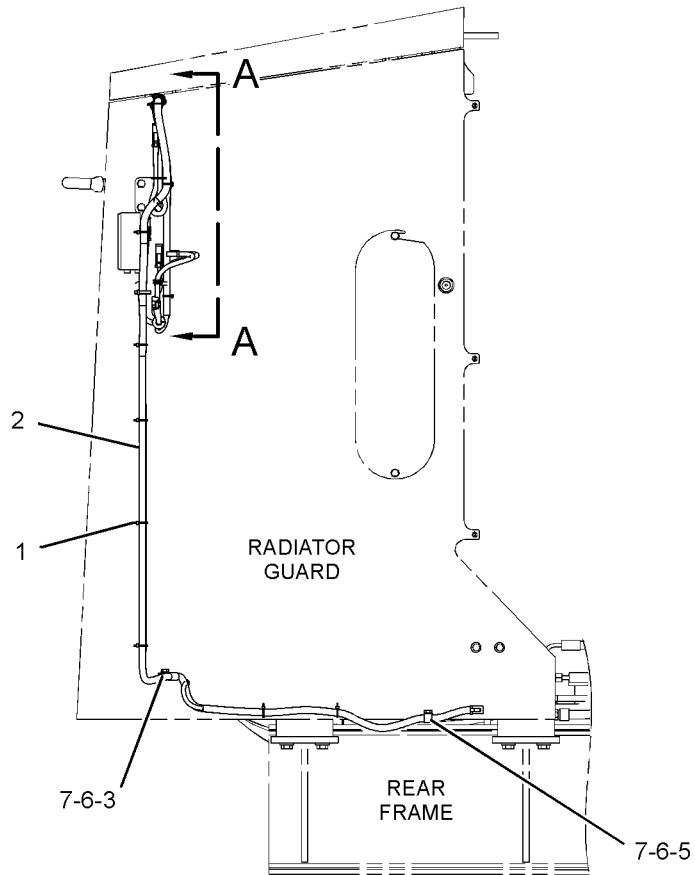
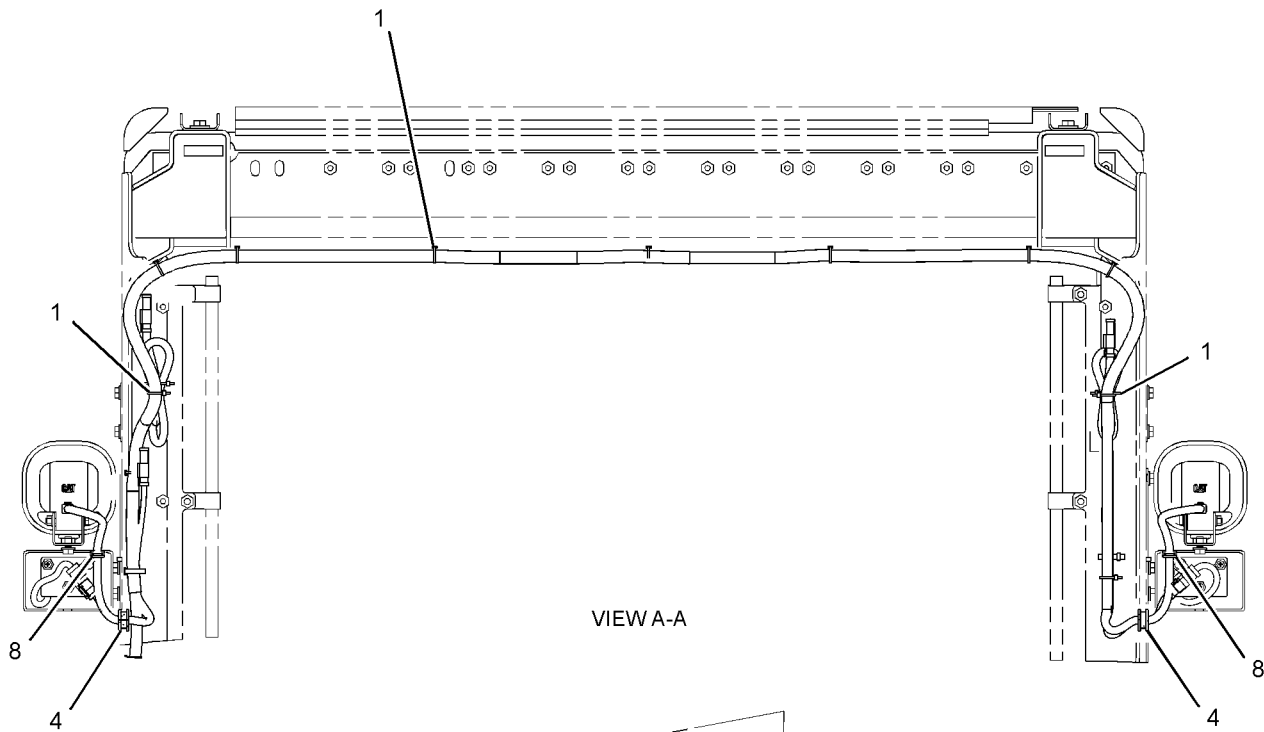
i04456401

NOTE	REF NO	GRAPHIC REF	PART NUMBER	QTY	PART NAME						SEE PAGE
					1	2	3	4	5	6 (PRODUCT LEVEL)	
	1	1	9X-6772	17	STRAP-CABLE						
	2	1	287-8397	1	HARNESS AS-REAR						
		1	102-8802	4	KIT-RECEPTACLE (2-PIN)						
					(EACH KIT INCLUDES RECEPTACLE AS AND WEDGE)						
		1	9X-6772	4	STRAP-CABLE						
		1	155-2255	1	KIT-CONNECTING PLUG (12-PIN)						
		1	155-2270	7	KIT-CONNECTING PLUG (2-PIN)						
		1	155-2260	2	KIT-CONNECTING PLUG (3-PIN)						
					(EACH KIT-CONNECTING INCLUDES PLUG AS AND WEDGE)						
	3	1	124-0174	1	CLIP						
	4	1	7X-4780	2	GROMMET						
	5	1	8M-2773	1	CLIP						
	6	1	8T-4121	2	WASHER-HARD (11X21X2.5-MM THK)						
M	7	1	8T-4137	2	BOLT (M10X1.5X20-MM)						
	8	1	9X-7344	2	GROMMET						
M-METRIC PART											

ELECTRICAL AND STARTING SYSTEM

286-7232 WIRING GP-REAR (contd.)

i04456401



GRAPHIC #1

<END>

g01354301

ELECTRICAL AND STARTING SYSTEM

261-8025 WIRING GP-SENSOR-LIFT, TILT POSITION

S/N: A7A1-UP

PART OF 298-6964 LIFT AR
AN ATTACHMENT

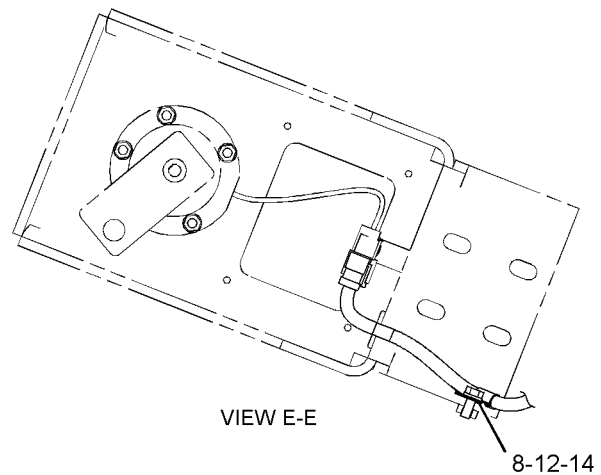
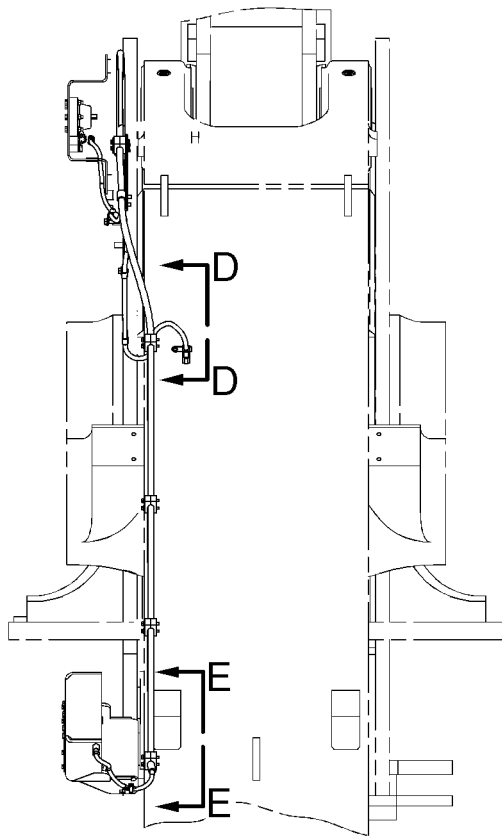
SMCS-1408

i04480351

NOTE	REF NO	GRAPHIC REF	PART NUMBER	QTY	PART NAME						SEE PAGE
					1	2	3	4	5	6 (PRODUCT LEVEL)	
	1	2	4V-1939	12	CLAMP						
	2	2	107-4749	1	PLATE						
	3	2	243-5499	1	PLATE AS						
	4	2	261-8024	1	HARNESS AS-SENSOR (LIFT, TILT POSITION)						
	5	2	115-3071	1	CLIP AS-CONNECTOR (6-PIN)						
	6	2	4D-7735	1	CLIP						
	7	2	4D-7794	4	CLIP						
	8	1	5P-9085	1	CLIP						
M	9	2	7X-2534	2	BOLT (M6X1X50-MM)						
	10	2	8T-4121	4	WASHER-HARD (11X21X2.5-MM THK)						
M	11	2	8T-4137	3	BOLT (M10X1.5X20-MM)						
M	12	1	8T-4189	1	BOLT (M8X1.25X20-MM)						
M	13	2	8T-4136	1	BOLT (M10X1.5X25-MM)						
	14	1	8T-4224	1	WASHER-HARD (8.8X16X2-MM THK)						
M	15	2	9X-2480	10	BOLT (M6X1X45-MM)						
	16	2	9X-8256	12	WASHER (6.6X12X2-MM THK)						

M-METRIC PART

REFER TO ALL ILLUSTRATIONS OF
THIS GROUP FOR AUXILIARY VIEWS



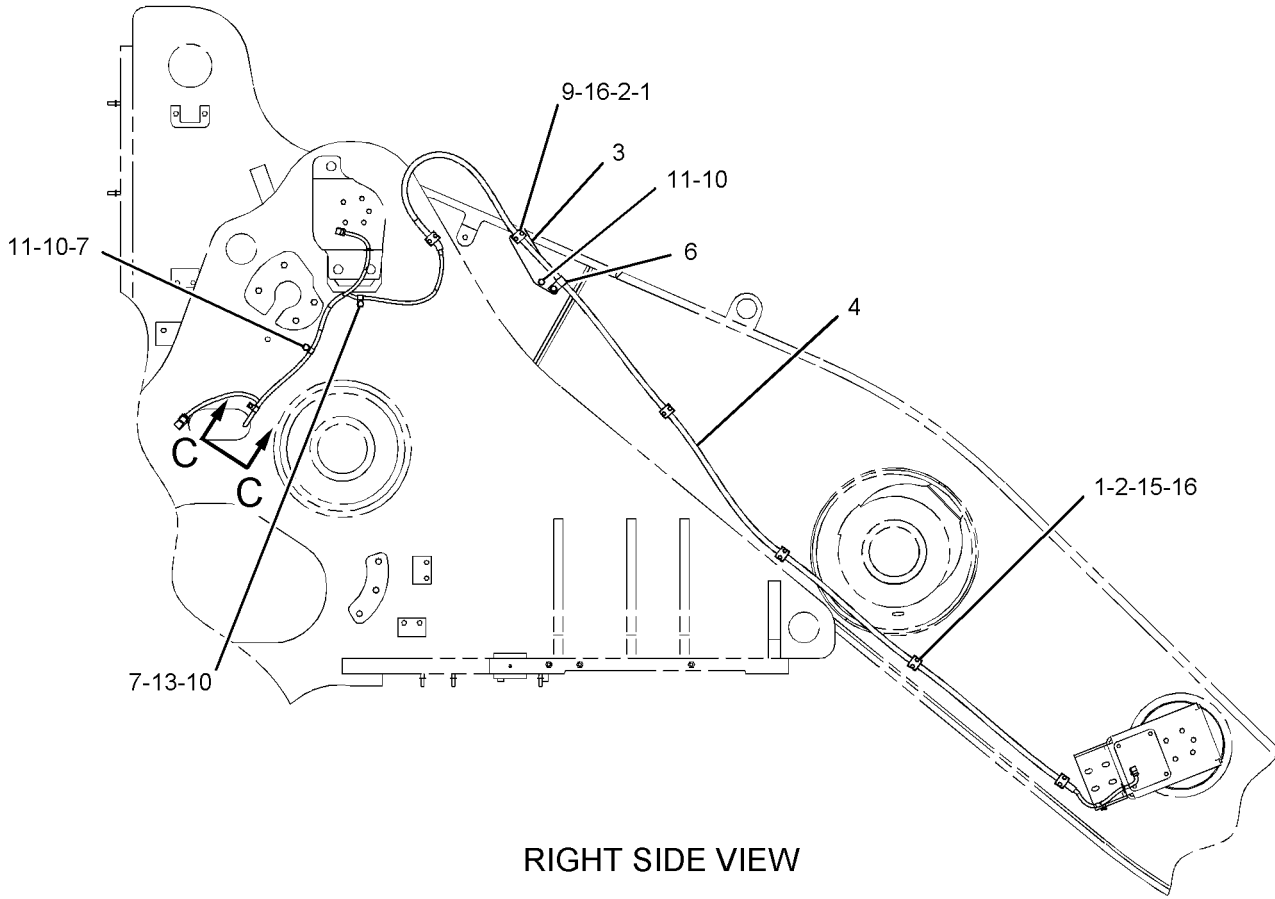
GRAPHIC #1

g01128170

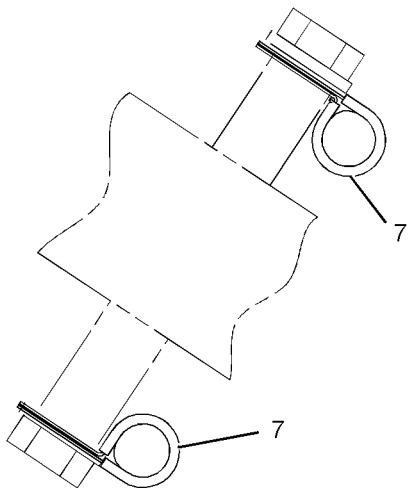
ELECTRICAL AND STARTING SYSTEM

261-8025 WIRING GP-SENSOR (contd.)

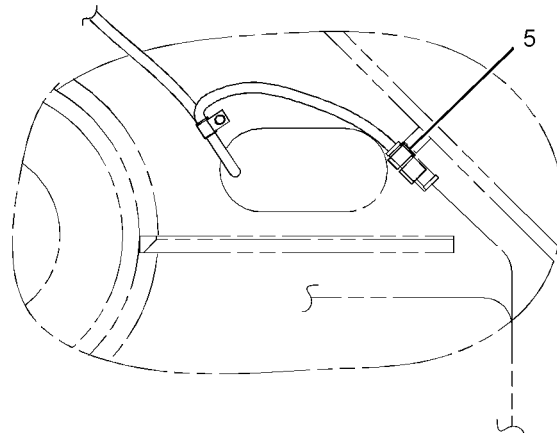
i04480351



RIGHT SIDE VIEW



VIEW C-C



VIEW D-D

GRAPHIC #2

<END>

g01128020

ELECTRICAL AND STARTING SYSTEM

163-3997 WIRING GP-SHUTOFF-GROUND LEVEL

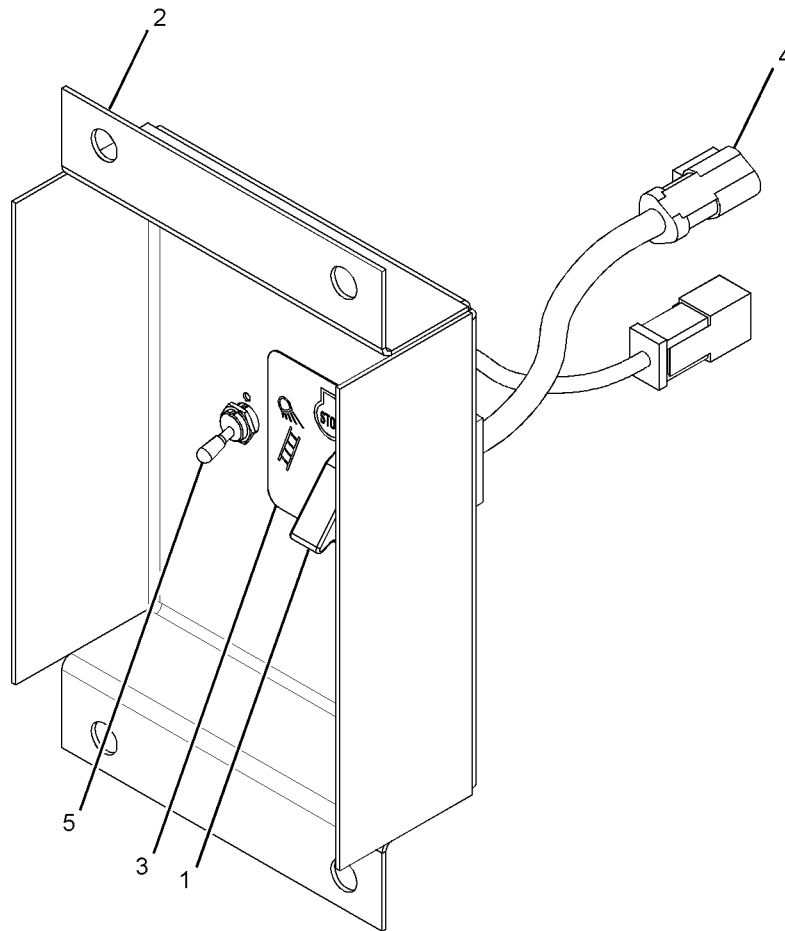
S/N: A7A1-UP

PART OF 329-7443 BUMPER AR-REAR
AN ATTACHMENT

SMCS-1408

i04489929

NOTE	REF NO	GRAPHIC REF	PART NUMBER	QTY	PART NAME						SEE PAGE
					1	2	3	4	5	6 (PRODUCT LEVEL)	
	1	1	3E-5169	1	GUARD-SWITCH						
	2	1	119-7837	1	PLATE						
	3	1	124-7649	1	PLATE-INSTRUCTION (STAIRWAY LIGHT, SHUTDOWN)						
	4	1	353-4515	1	SWITCH GP-TOGGLE (GROUND LEVEL ENGINE SHUTDOWN)						
		1	102-8803	1	KIT-RECEPTACLE (3-PIN) (INCLUDES RECEPTACLE AS & WEDGE)						
		1	8T-8729	3	PIN-CONNECTOR (16-GA TO 18-GA)						
	5	1	301-2979	1	SWITCH GP-TOGGLE (STAIRWAY ACCESS LIGHTS)						
		1	102-8804	1	KIT-RECEPTACLE (4-PIN) (INCLUDES RECEPTACLE AS & WEDGE)						
		1	8T-8729	3	PIN-CONNECTOR (16-GA TO 18-GA)						



GRAPHIC #1

<END>

g02046717

POWER TRAIN

137-8833 AXLE AR-FIXED-FRONT

S/N: A7A1-UP

PART OF 225-5455 POWER TRAIN AR

SMCS-3013, 3278

i04455682

NOTE	PART NUMBER	QTY	PART NAME						SEE PAGE
			1	2	3	4	5	6 (PRODUCT LEVEL)	
Y	137-8862	1	AXLE GP-FIXED (FRONT)						261
Y	161-9275	2	BRAKE GP-SERVICE						425
Y	137-8851	1	DIFFERENTIAL & BEVEL GEAR GP						277
Y	125-1358	1	LINES GP-SERVICE BRAKE (AXLE, FRONT)						437
YR	192-0822	2	WHEEL & FINAL DRIVE GP						364
R-REMFG PART MAY BE AVAILABLE Y-SEPARATE ILLUSTRATION									

<END>

137-8832 AXLE AR-OSCILLATING-REAR

S/N: A7A1-UP

PART OF 225-5455 POWER TRAIN AR

SMCS-3013, 3278

i04444071

NOTE	PART NUMBER	QTY	PART NAME						SEE PAGE
			1	2	3	4	5	6 (PRODUCT LEVEL)	
Y	137-8834	1	AXLE GP-OSCILLATING (REAR)						262
Y	161-9275	2	BRAKE GP-SERVICE						425
Y	137-8851	1	DIFFERENTIAL & BEVEL GEAR GP						277
Y	125-1355	1	LINES GP-SERVICE BRAKE (REAR AXLE)						436
YR	192-0822	2	WHEEL & FINAL DRIVE GP						364
R-REMFG PART MAY BE AVAILABLE Y-SEPARATE ILLUSTRATION									

<END>

POWER TRAIN

137-8862 AXLE GP-FIXED-FRONT

S/N: A7A1-UP

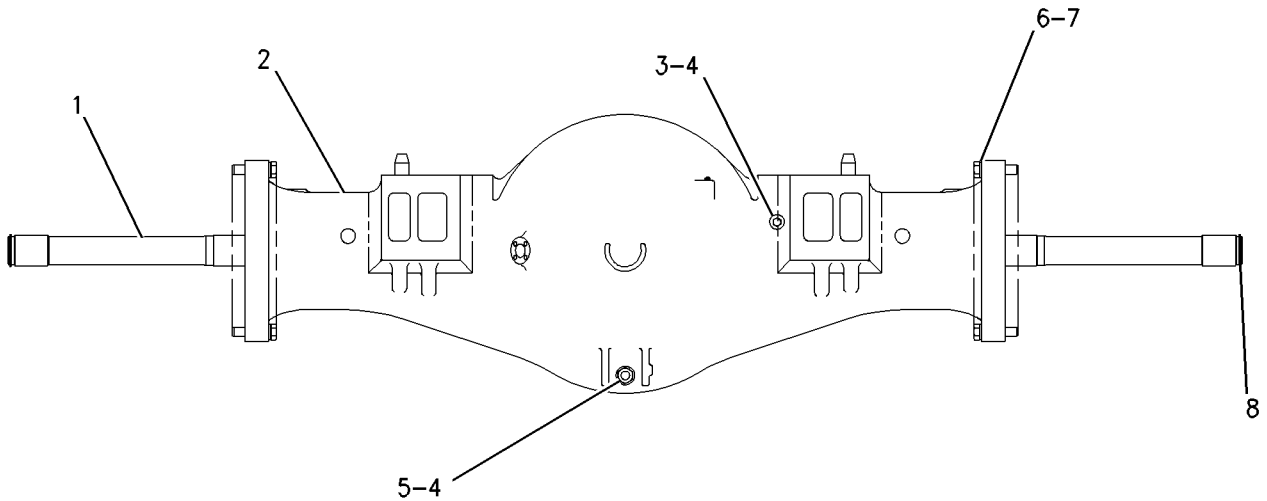
PART OF 137-8833 AXLE AR-FIXED

SMCS-3278

i04456504

NOTE	REF NO	GRAPHIC REF	PART NUMBER	QTY	PART NAME						SEE PAGE
					1	2	3	4	5	6 (PRODUCT LEVEL)	
	1	1	137-8836	2	SHAFT-AXLE						
	2	1	200-0820	1	HOUSING AS						
		1	6M-1622	2	DOWEL						
	3	1	9S-4205	1	PLUG						
	4	1	7M-8485	2	SEAL-O-RING						
	5	1	5P-4484	1	PLUG-MAGNETIC						
M	6	1	173-9684	50	BOLT (M24X3X100-MM)						
	7	1	5P-6604	50	WASHER-HARD (25.4X40X5-MM THK)						
	8	1	1T-0479	2	RING-RETAINING						

M-METRIC PART



GRAPHIC #1

<END>

g00817896

POWER TRAIN

137-8834 AXLE GP-OSCILLATING-REAR

S/N: A7A1-UP

PART OF 137-8832 AXLE AR-OSCILLATING

SMCS-3278

i04456496

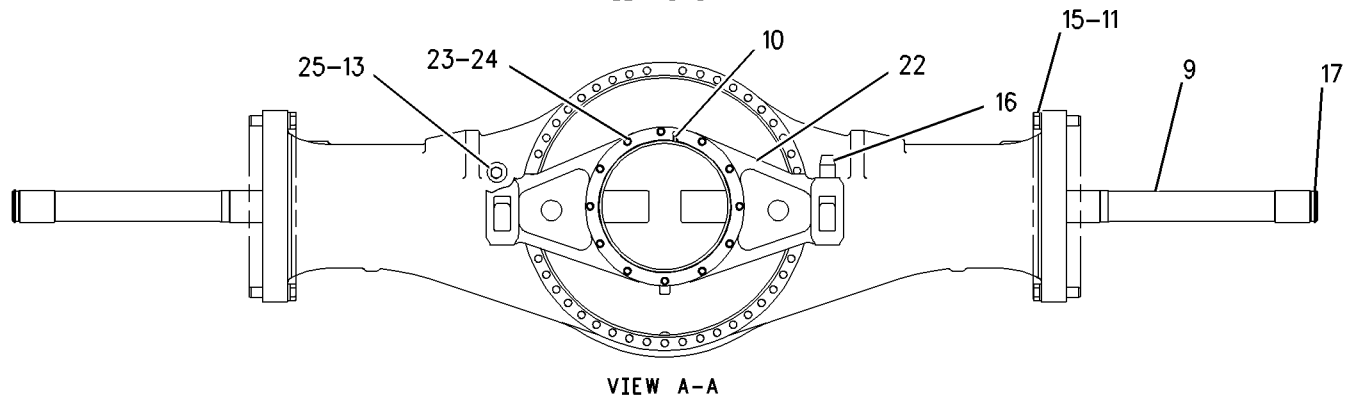
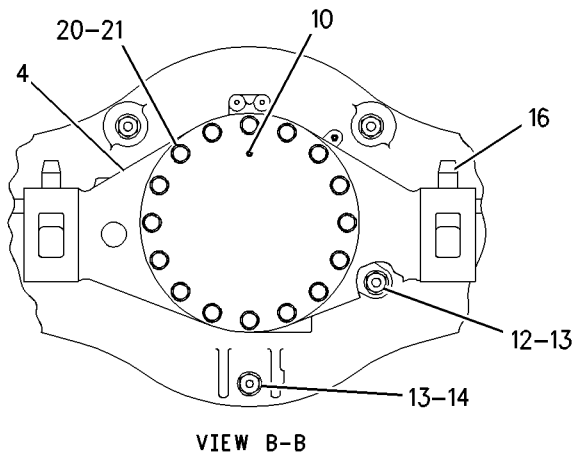
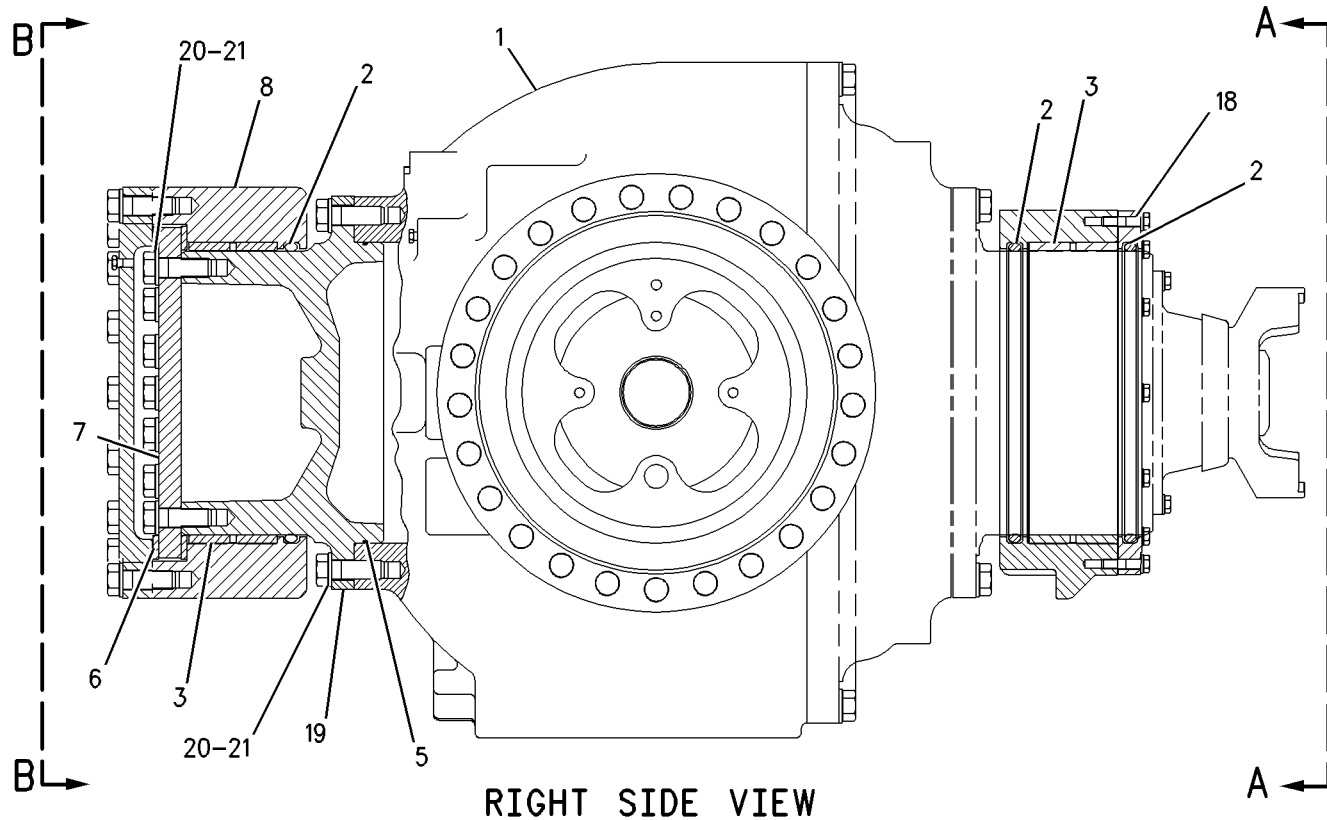
NOTE	REF NO	GRAPHIC REF	PART NUMBER	QTY	PART NAME	SEE PAGE
					1 2 3 4 5 6 (PRODUCT LEVEL)	
	1	1	222-1549	1	HOUSING-AXLE	
	2	1	9M-6097	3	SEAL-O-RING	
	3	1	220-6043	2	BUSHING	
	4	1	331-6210	1	SUPPORT-TRUNNION	
	5	1	2D-6533	1	SEAL-O-RING	
	6	1	5S-0085	2	BEARING-THRUST	
	7	1	164-4175	1	PLATE-THRUST	
	8	1	164-4156	1	COVER	
	9	1	137-8836	2	SHAFT-AXLE	
	10	1	1K-6853	2	FITTING-GREASE	
	11	1	5P-6604	50	WASHER-HARD (25.4X40X5-MM THK)	
	12	1	9S-4181	1	PLUG-O-RING	
	13	1	7M-8485	3	SEAL-O-RING	
	14	1	5P-4484	1	PLUG-MAGNETIC	
M	15	1	173-9684	50	BOLT (M24X3X100-MM)	
	16	1	6M-1622	4	DOWEL	
	17	1	1T-0479	2	RING-RETAINING	
	18	1	119-4258	1	RETAINER-BEARING	
	19	1	209-6694	1	TRUNNION	
M	20	1	160-8510	54	BOLT-SELF-LOCKING (M20X2.5X60-MM)	
	21	1	8T-3282	54	WASHER-HARD (22X35X3.5-MM THK)	
	22	1	331-6206	1	SUPPORT-TRUNNION	
M	23	1	8T-0441	12	BOLT (M10X1.5X45-MM)	
	24	1	8T-4121	12	WASHER-HARD (11X21X2.5-MM THK)	
	25	1	9S-4205	1	PLUG	

M-METRIC PART

POWER TRAIN

137-8834 AXLE GP-OSCILLATING (contd.)

i04456496



GRAPHIC #1

<END>

g00946562

POWER TRAIN

230-6317 CASE & PARTS GP-PLANETARY

S/N: DRT1-UP

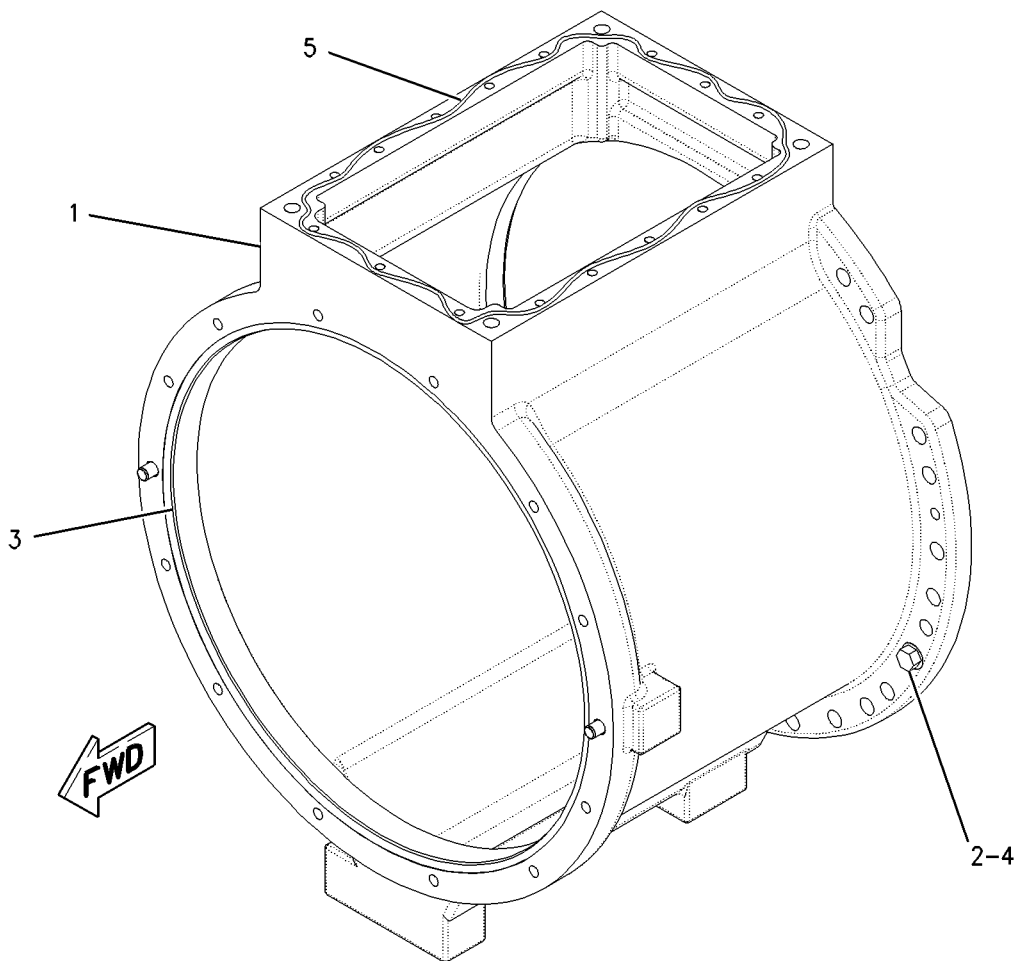
PART OF 230-6315 TRANSMISSION AR

SMCS-3064

i04456531

NOTE	REF NO	GRAPHIC REF	PART NUMBER	QTY	PART NAME						SEE PAGE
					1	2	3	4	5	6 (PRODUCT LEVEL)	
	1	1	231-5295	1	CASE AS-TRANSMISSION						
		1	1A-2223	2	DOWEL						
	2	1	0S-1587	2	BOLT (1/2-13X1.75-IN)						
	3	1	5P-2587	1	SEAL-O-RING						
	4	1	5P-8245	2	WASHER-HARD (13.5X25.5X3-MM THK)						
B	5	1	1U-8846		SEALANT-GASKET						

B-USE AS REQUIRED



GRAPHIC #1

<END>

g01003868

POWER TRAIN

230-6318 CONTROL GP-TRANSMISSION HYD

S/N: DRT1-UP

PART OF 230-6315 TRANSMISSION AR

SMCS-3073, 3167

i04456533

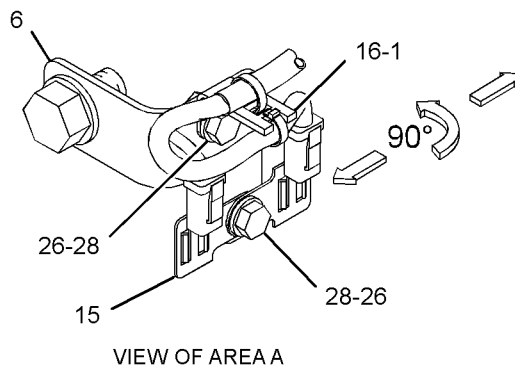
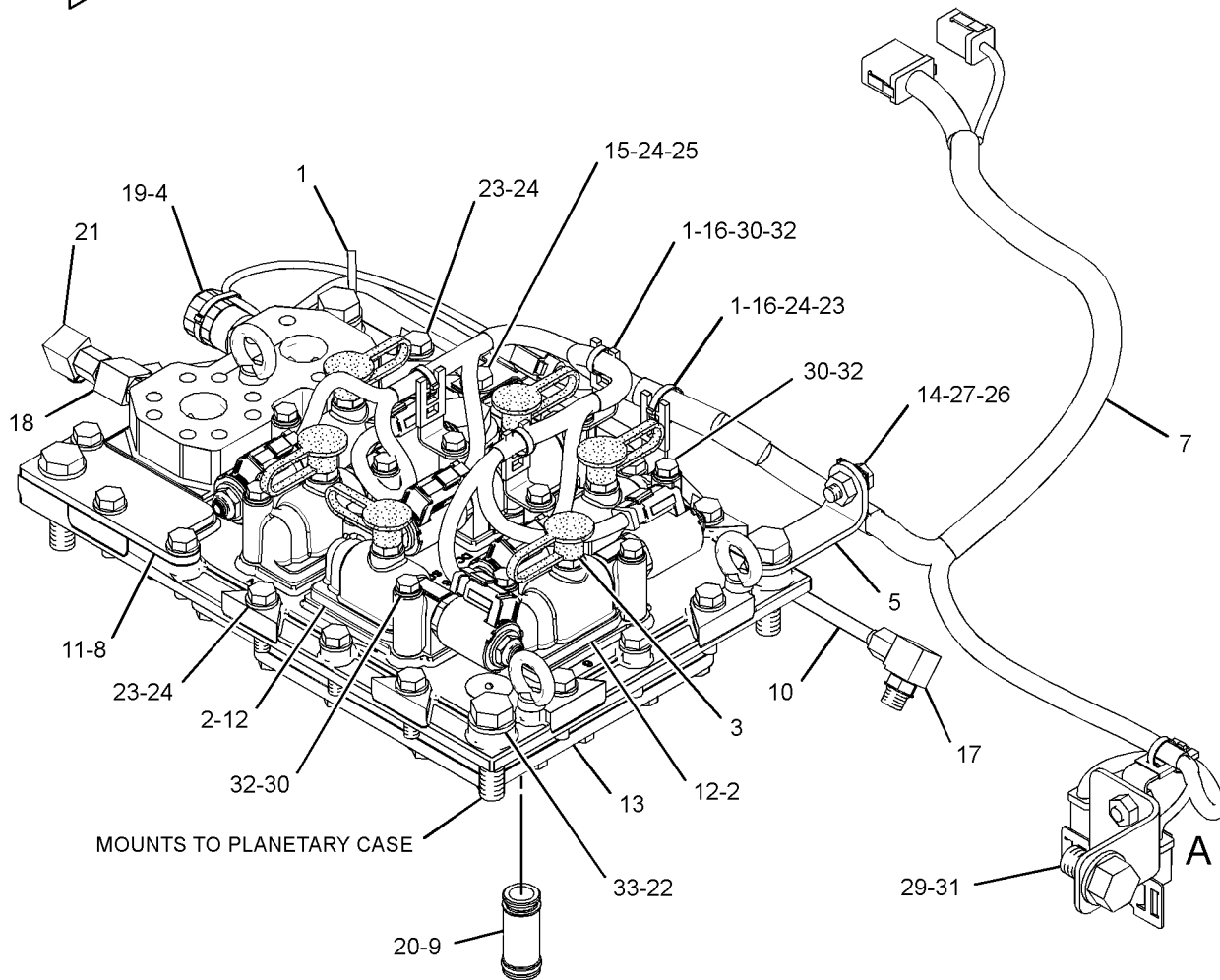
NOTE	REF NO	GRAPHIC REF	PART NUMBER	QTY	PART NAME						SEE PAGE
					1	2	3	4	5	6 (PRODUCT LEVEL)	
	1	1	3S-2093	8	STRAP-CABLE						
	2	1	6D-7889	6	SEAL-O-RING						
	3	1	6V-0852	6	CAP-DUST						
Y	4	1	118-7226	1	SENSOR GP-TEMPERATURE (TRANSMISSION OIL)						193
	5	1	125-2706	1	PLATE AS						
	6	1	145-9959	1	BRACKET AS						
	7	1	231-3529	1	HARNES AS-TRANSMISSION (CONTROL)						
			155-2260	1	KIT-CONNECTING PLUG (3-PIN)						
			155-2255	1	KIT-CONNECTING PLUG (12-PIN)						
			155-2270	8	KIT-CONNECTING PLUG (2-PIN)						
			155-2274	1	KIT-CONNECTING PLUG (6-PIN)						
					(EACH PLUG KIT INCLUDES PLUG AS, WEDGE & INTERFACE SEAL)						
	8	1	231-4779	1	COVER						
	9	1	231-4780	6	SLEEVE						
	10	1	231-8900	1	TUBE AS						
	11	1	232-1293	1	GASKET						
Y	12	1	244-3114	6	VALVE GP-MODULATING (24-VOLT) (TRANSMISSION CLUTCH)						358
Y	13	1	295-1145	1	VALVE GP-TRANSMISSION CONTROL						363
	14	1	124-0174	1	CLIP						
	15	1	130-5300	3	CLIP						
	16	1	132-5789	5	CLIP						
	17	1	164-6877	1	ELBOW AS						
			3J-1907	1	SEAL-O-RING						
			030-7947	1	ELBOW						
	18	1	165-4930	1	TEE AS						
			3J-1907	1	SEAL-O-RING						
			6M-6853	1	TEE-O-RING						
	19	1	3J-1907	1	SEAL-O-RING						
	20	1	5P-6718	12	SEAL-O-RING						
	21	1	6K-9194	1	ELBOW-FLARED						
M	22	1	6V-3303	4	BOLT (M16X2X60-MM)						
	23	1	6V-5839	15	WASHER (11X21X2.5-MM THK)						
M	24	1	6V-5842	16	BOLT (M10X1.5X40-MM)						
	25	1	7B-1597	1	CLIP						
	26	1	8T-4121	3	WASHER-HARD (11X21X2.5-MM THK)						
M	27	1	8T-4136	1	BOLT (M10X1.5X25-MM)						
M	28	1	8T-4137	2	BOLT (M10X1.5X20-MM)						
	29	1	8T-4994	1	WASHER-HARD (20X36.5X3.5-MM THK)						
M	30	1	8T-6869	12	BOLT (M8X1.25X60-MM)						
	31	1	8T-9397	1	BOLT (3/4-10X1.25-IN)						
	32	1	9M-1974	12	WASHER-HARD (8.8X16X2-MM THK)						
	33	1	9X-8268	4	WASHER (17.5X30X3.5-MM THK)						

M-METRIC PART
Y-SEPARATE ILLUSTRATION

POWER TRAIN

230-6318 CONTROL GP-TRANSMISSION HYD (contd.)

i04456533



GRAPHIC #1

<END>

g01502342

POWER TRAIN

257-7815 COOLER & FAN GP-AXLE OIL

S/N: A7A1-UP

PART OF 257-7805 COOLER GP-AXLE OIL
AN ATTACHMENT

SMCS-1356, 1365

i04482969

NOTE	REF NO	GRAPHIC REF	PART NUMBER	QTY	PART NAME						SEE PAGE
					1	2	3	4	5	6 (PRODUCT LEVEL)	
	1	3	6S-6251	4	MOUNT						
	2	1	9T-5134	1	VALVE-CHECK (AXLE OIL COOLER FILTER BYPASS)						
	3	2	138-2237	1	SHROUD AS						
	4	1	138-2238	1	GUARD AS						
Y	5	2	138-2239	1	FAN GP-SUCTION (AXLE OIL COOLER)						85
	6	1	173-6706	1	BAR						
	7	3	173-6753	1	CORE AS-AXLE OIL COOLER						
Y	8	2	176-6448	1	VALVE GP-CHECK (AXLE OIL COOLER FILTER BYPASS)						356
	9	2	178-1602	1	MOTOR GP-GEAR (AXLE OIL COOLER FAN)						
	10	2	194-1497	1	TEE AS						
		2	3D-2824	1	SEAL-O-RING						
		2	6V-9746	1	SEAL-O-RING						
		2	8T-8900	1	TEE-O-RING PORT						
	11	3	202-3702	2	ELBOW AS						
					(EACH INCLUDES)						
		3	3D-2824	1	SEAL-O-RING						
		3	6V-9007	1	ELBOW						
		3	6V-9746	1	SEAL-O-RING						
	12	3	216-4884	2	BRACKET AS						
	13	3	216-4889	1	SUPPORT AS						
Y	14	1	230-3633	2	FILTER GP-OIL (AXLE OIL COOLER)						281
	15	3	246-4547	1	TUBE AS						
	16	1	246-4548	1	TUBE AS						
	17	1	246-4552	1	BRACKET						
	18	1	246-4553	2	PLATE						
	19	3	257-7809	1	TUBE AS						
	20	1	291-4392	1	TUBE AS						
	21	2	291-4397	1	TUBE AS						
	22	2	301-0104	1	TUBE AS						
	23	1	301-0105	1	TUBE AS						
I	24	1	8E-9733	1	HOSE AS						
	25	2	148-8326	1	CONNECTOR AS						
		2	3J-7354	1	SEAL-O-RING						
		2	6V-8397	1	SEAL-O-RING						
		2	6V-9872	1	CONNECTOR						
	26	1	148-8335	1	CONNECTOR AS						
		1	5K-9090	1	SEAL-O-RING						
		1	6V-8635	1	CONNECTOR						
		1	7M-8485	1	SEAL-O-RING						
	27	1	148-8339	1	CONNECTOR AS						
		1	6V-8716	1	CONNECTOR						
		1	6V-9746	1	SEAL-O-RING						
		1	7M-8485	1	SEAL-O-RING						
	28	3	148-8352	1	ELBOW AS						
		3	5K-9090	1	SEAL-O-RING						
		3	6V-9854	1	ELBOW						
	29	1	148-8360	1	ELBOW AS						
		1	6V-9182	1	ELBOW						
		1	6V-9746	1	SEAL-O-RING						
		1	7M-8485	1	SEAL-O-RING						
	30	3	148-8362	2	ELBOW AS						
					(EACH INCLUDES)						
		3	3D-2824	1	SEAL-O-RING						
		3	5K-9090	1	SEAL-O-RING						

POWER TRAIN

257-7815 COOLER & FAN GP-AXLE OIL (contd.)

i04482969

NOTE	REF NO	GRAPHIC REF	PART NUMBER	QTY	PART NAME						SEE PAGE
					1	2	3	4	5	6 (PRODUCT LEVEL)	
		3	8T-6684	1	ELBOW						
	31	1	148-8376	3	ELBOW AS						
					(EACH INCLUDES)						
		1	6V-8983	1	ELBOW						
		1	6V-9746	2	SEAL-O-RING						
	32	2	148-8417	1	REDUCER AS						
		2	6V-8397	1	SEAL-O-RING						
		2	6V-8941	1	REDUCER						
	33	2	148-8442	2	TEE AS						
					(EACH INCLUDES)						
		2	6V-9746	2	SEAL-O-RING						
		2	7M-8485	1	SEAL-O-RING						
		2	8T-1685	1	TEE						
	34	1	150-4049	1	ELBOW AS						
		1	6V-9746	1	SEAL-O-RING						
		1	7M-8485	1	SEAL-O-RING						
		1	8T-4149	1	ELBOW						
	35	1	155-7328	1	ELBOW AS						
		1	5P-7701	1	SEAL-O-RING						
		1	6V-9008	1	ELBOW						
		1	8C-3093	1	SEAL-O-RING						
	36	1	2H-3926	3	LOCKWASHER						
	37	1	2P-1293	3	LOCKNUT (1-3/16-12-THD)						
	38	3	5P-1076	4	WASHER-HARD (13.5X30X4-MM THK)						
	39	1	5P-4116	8	WASHER-HARD (8.8X20.5X2-MM THK)						
	40	3	7X-0618	4	WASHER-HARD (13.5X40X5-MM THK)						
	41	1,3	7X-7729	8	WASHER (11X25X3-MM THK)						
	42	1,2	8T-4121	10	WASHER-HARD (11X21X2.5-MM THK)						
M	43	1,3	8T-4136	16	BOLT (M10X1.5X25-MM)						
M	44	1,3	8T-4139	8	BOLT (M12X1.75X30-MM)						
M	45	1	8T-4183	2	BOLT (M12X1.75X40-MM)						
M	46	1	8T-4189	8	BOLT (M8X1.25X20-MM)						
M	47	3	8T-4194	4	BOLT (M12X1.75X50-MM)						
M	48	2	101-7404	2	BOLT-SOCKET HEAD (M10X1.5X30-MM)						
	49	1	8T-4223	6	WASHER-HARD (13.5X25.5X3-MM THK)						
	50	2	8T-4224	1	WASHER-HARD (8.8X16X2-MM THK)						
M	51	2	8T-7547	1	BOLT (M8X1.25X30-MM)						
	52	2	9X-6580	1	NUT (1-3/16-12-THD)						
D	53	3	5P-5755		SEAL (0.5-M)						
D	53A	3	5P-5755		SEAL (0.6-M)						
D	54	3	5P-5639		SEAL (0.7-M)						
D	54A	3	5P-5639		SEAL (0.6-M EACH)						

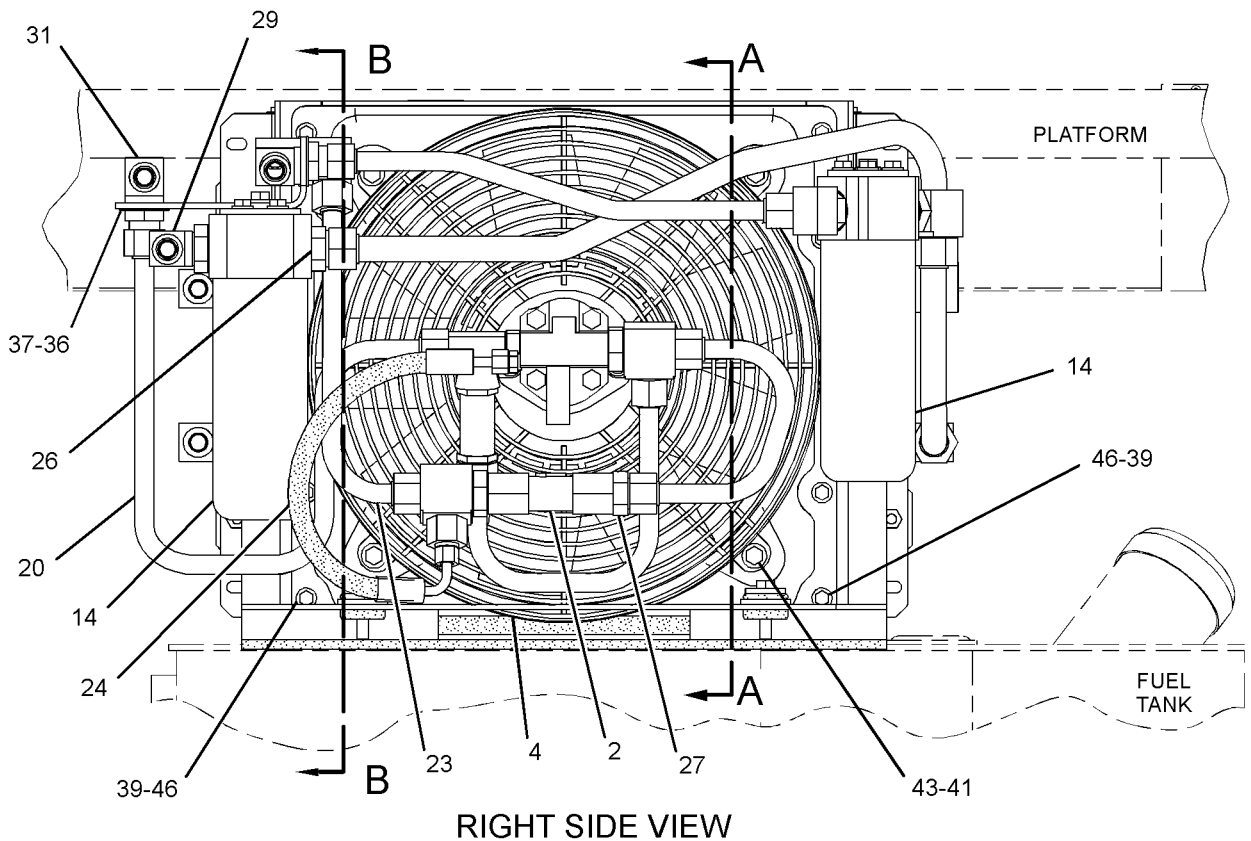
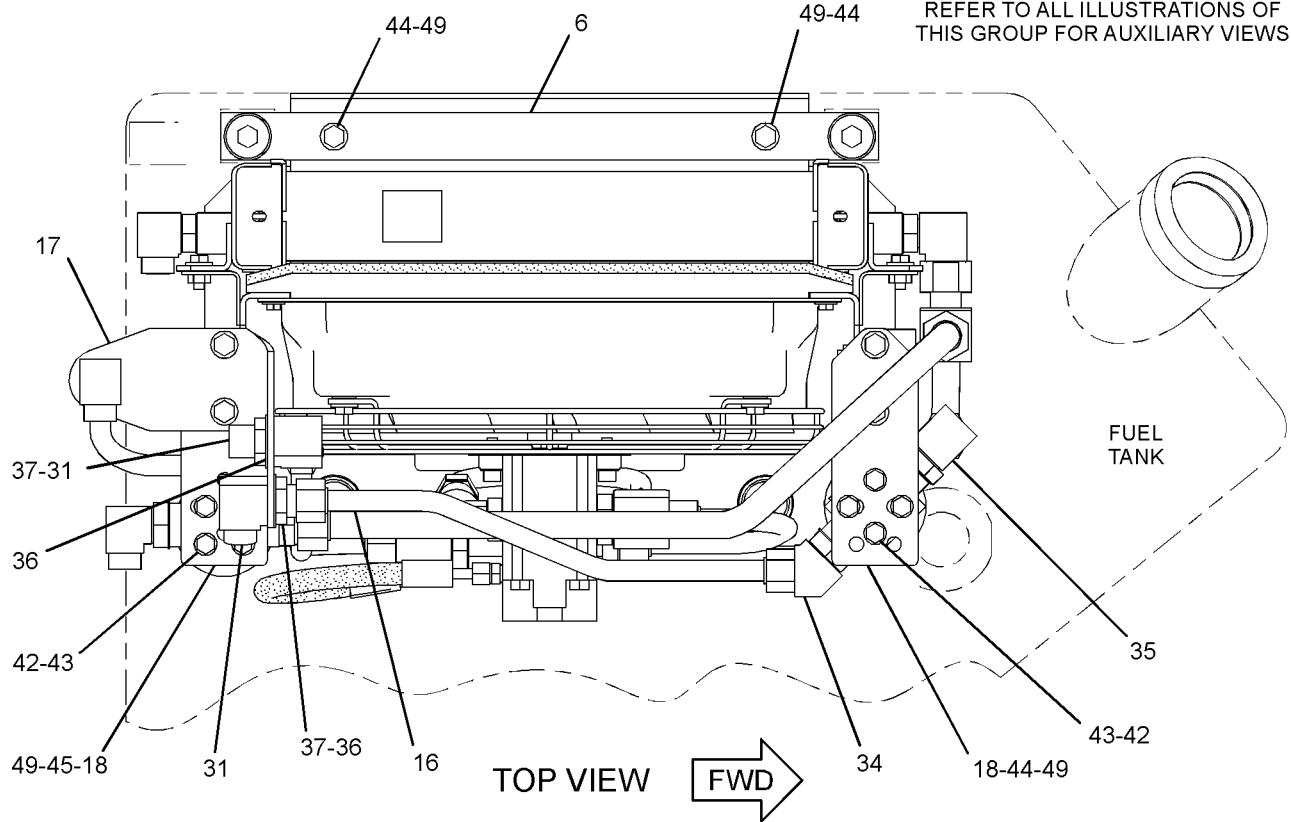
D-ORDER BY THE METER
 I-REFER TO HYDRAULIC INFORMATION SYSTEM
 M-METRIC PART
 Y-SEPARATE ILLUSTRATION

POWER TRAIN

257-7815 COOLER & FAN GP-AXLE OIL (contd.)

i04482969

REFER TO ALL ILLUSTRATIONS OF THIS GROUP FOR AUXILIARY VIEWS



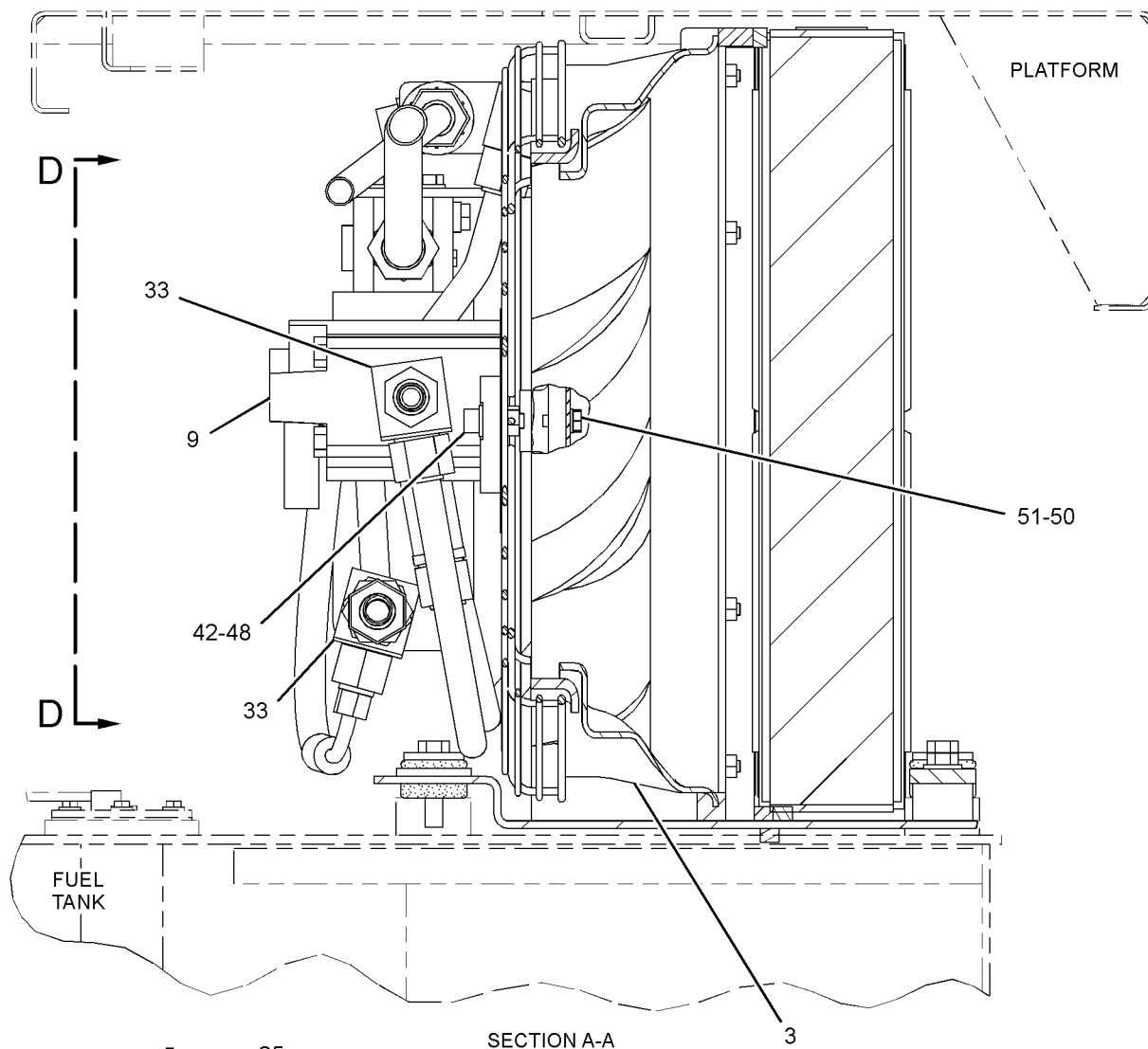
GRAPHIC #1

g02474756

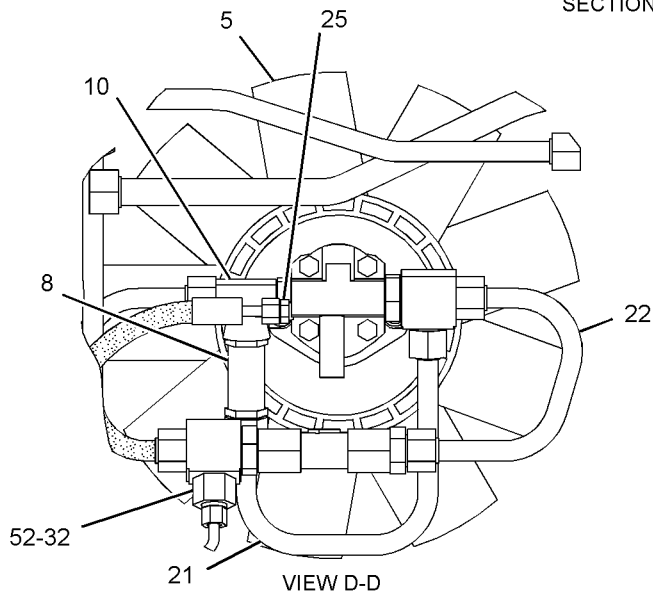
POWER TRAIN

257-7815 COOLER & FAN GP-AXLE OIL (contd.)

i04482969



SECTION A-A



VIEW D-D

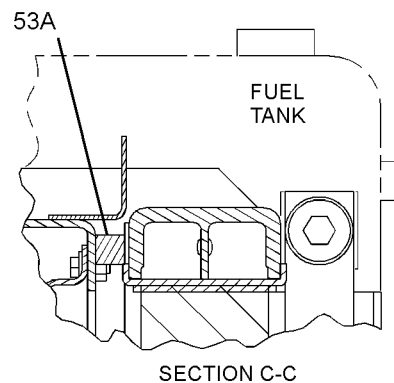
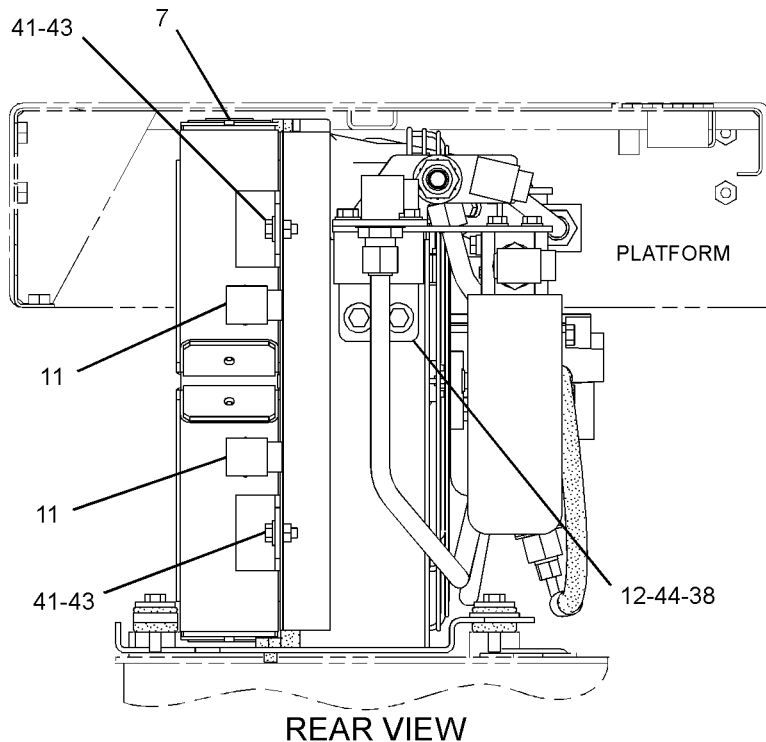
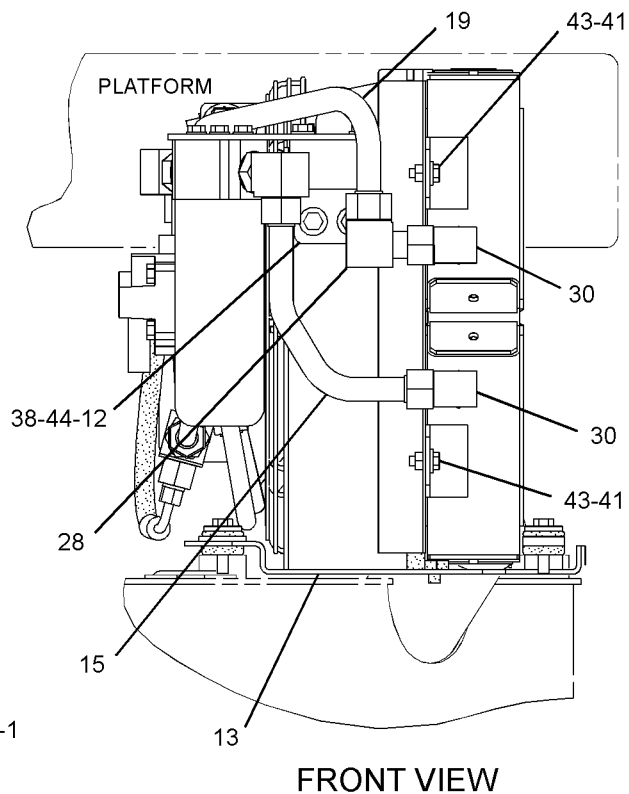
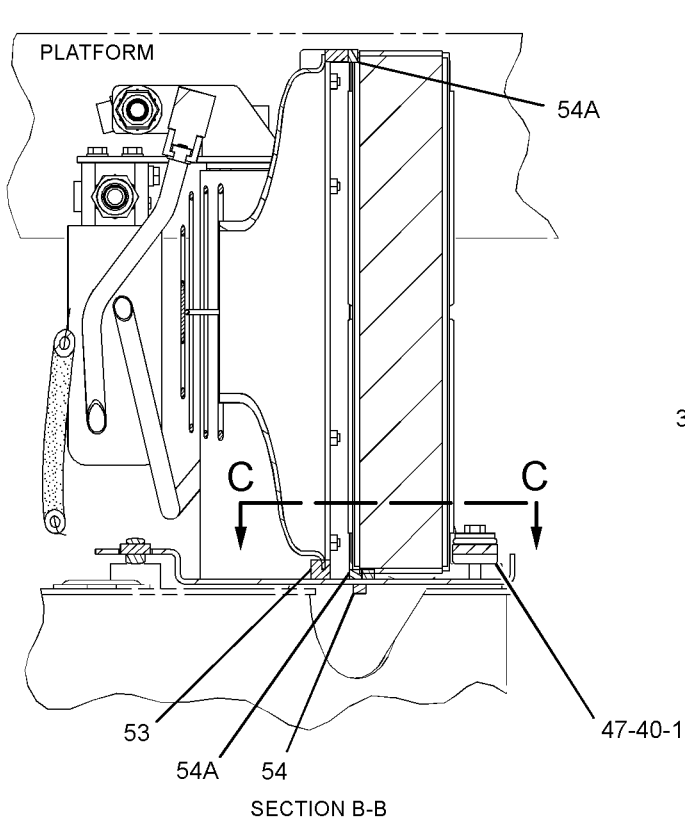
GRAPHIC #2

g02474758

POWER TRAIN

257-7815 COOLER & FAN GP-AXLE OIL (contd.)

i04482969



GRAPHIC #3

<END>

g02474759

POWER TRAIN

259-8449 COOLER AR-AXLE OIL

S/N: A7A1-UP

PART OF 379-3389 DISTRIBUTION AR
AN ATTACHMENT

SMCS-1365

i04477966

NOTE	PART NUMBER	QTY	PART NAME						SEE PAGE
			1	2	3	4	5	6 (PRODUCT LEVEL)	
Y	257-7805	1	COOLER GP-AXLE OIL						273
Y	315-8930	1	LINES GP-AXLE OIL COOLER (FRONT)						292
Y	345-3960	1	LINES GP-AXLE OIL COOLER (REAR)						295
Y	246-4555	1	LINES GP-AXLE OIL COOLER FAN						298

Y-SEPARATE ILLUSTRATION

<END>

POWER TRAIN

257-7805 COOLER GP-AXLE OIL

S/N: A7A1-UP

PART OF 259-8449 COOLER AR-AXLE OIL
AN ATTACHMENT

SMCS-1365

i04480102

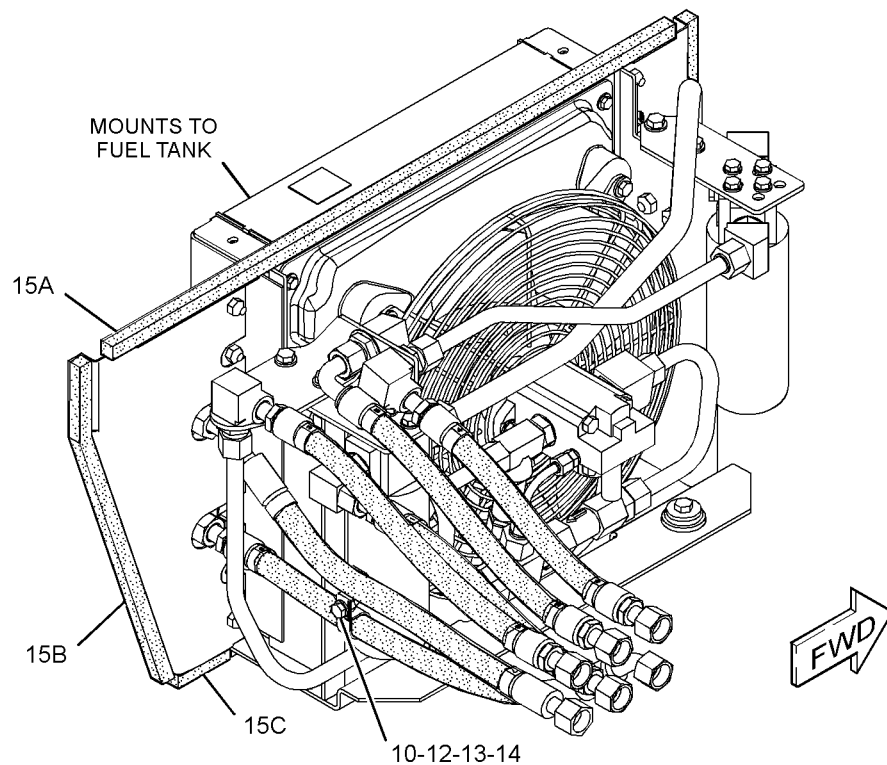
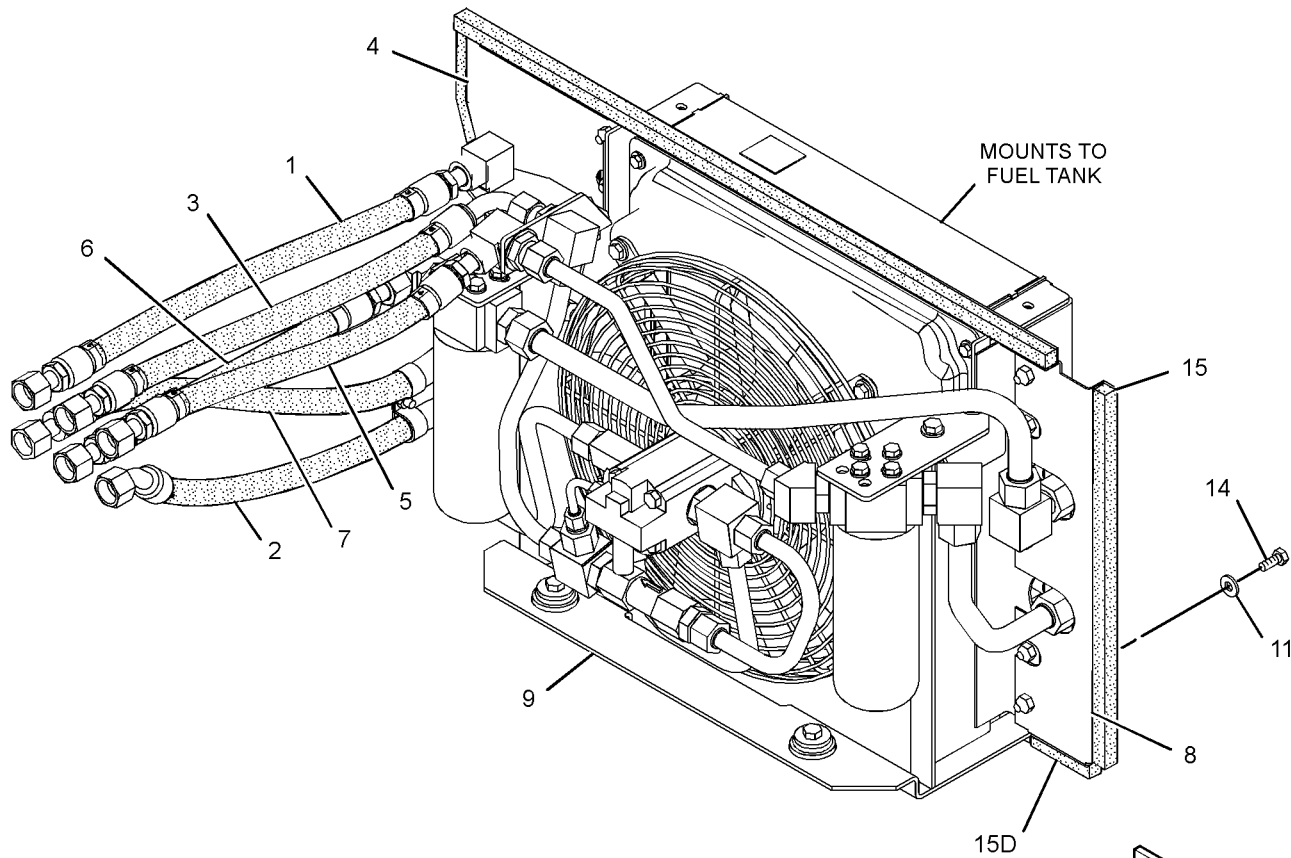
NOTE	REF NO	GRAPHIC REF	PART NUMBER	QTY	PART NAME						SEE PAGE
					1	2	3	4	5	6 (PRODUCT LEVEL)	
I	1	1	8R-2014	1	HOSE AS						
I	2	1	136-2623	1	HOSE AS						
I	3	1	152-1626	1	HOSE AS						
	4	1	154-6333	1	BAFFLE AS						
I	5	1	165-6984	1	HOSE AS						
I	6	1	191-6084	1	HOSE AS						
I	7	1	246-4561	1	HOSE AS						
	8	1	253-4768	1	BAFFLE AS						
M		1	8T-3490	3	NUT-WELD (M10X1.5-THD)						
Y	9	1	257-7815	1	COOLER & FAN GP-AXLE OIL						267
	10	1	6V-1889	2	CLIP						
	11	1	7X-7729	6	WASHER (11X25X3-MM THK)						
	12	1	8T-4121	1	WASHER-HARD (11X21X2.5-MM THK)						
M	13	1	8T-4133	1	NUT (M10X1.5-THD)						
M	14	1	8T-4136	7	BOLT (M10X1.5X25-MM)						
D	15	1	5P-5755		SEAL (0.5-M)						
D	15A	1	5P-5755		SEAL (1.0-M)						
D	15B	1	5P-5755		SEAL (0.6-M)						
D	15C	1	5P-5755		SEAL (0.1-M)						
D	15D	1	5P-5755		SEAL (0.1-M)						

D-ORDER BY THE METER
I-REFER TO HYDRAULIC INFORMATION SYSTEM
M-METRIC PART
Y-SEPARATE ILLUSTRATION

POWER TRAIN

257-7805 COOLER GP-AXLE OIL (contd.)

i04480102



GRAPHIC #1

<END>

g01364578

POWER TRAIN

232-0209 COVER GP-TRANSMISSION-SHIPPING

S/N: DRT1-UP

PART OF 230-6315 TRANSMISSION AR

SMCS-3030

i04456534

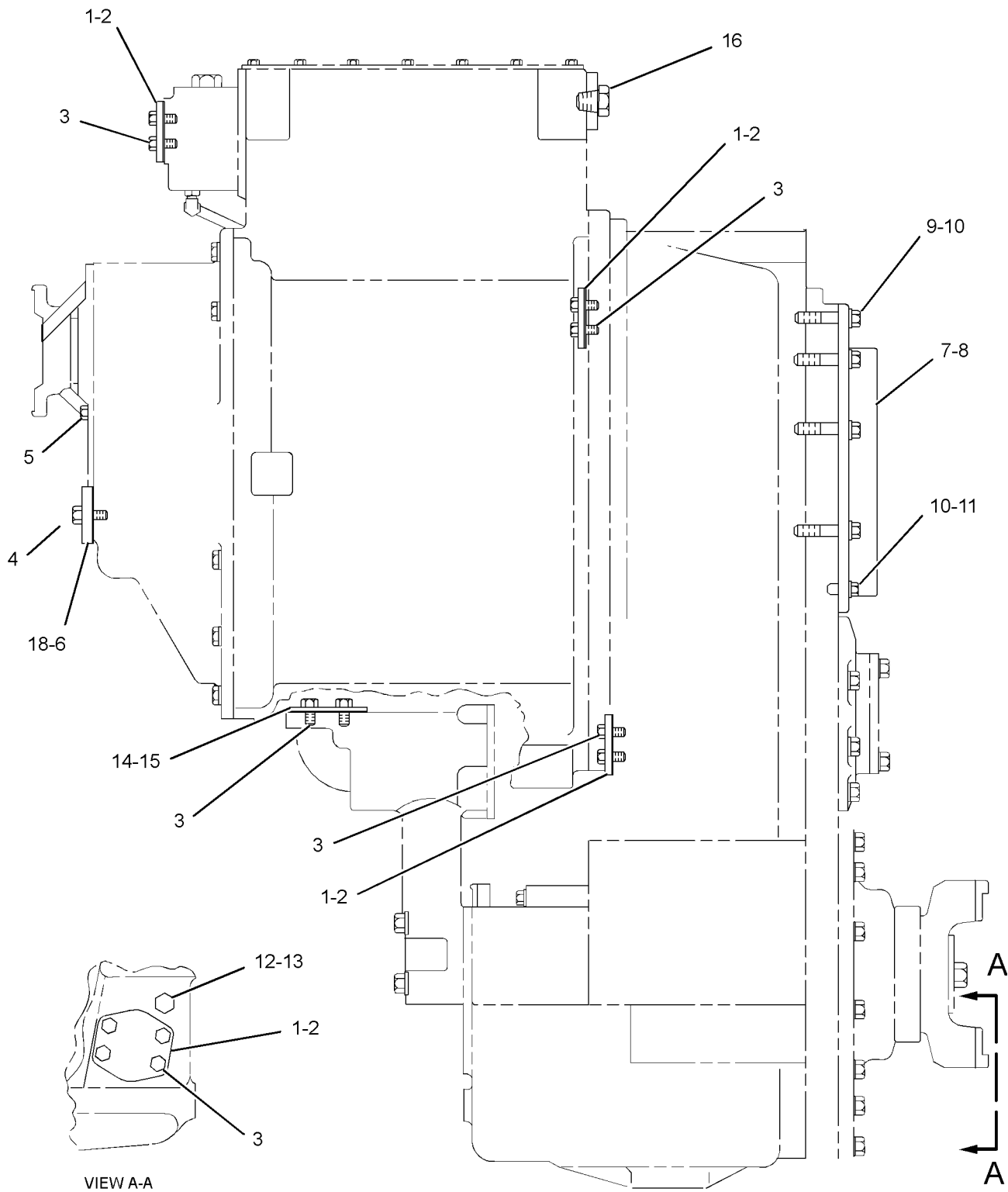
NOTE	REF NO	GRAPHIC REF	PART NUMBER	QTY	PART NAME						SEE PAGE
					1	2	3	4	5	6 (PRODUCT LEVEL)	
	1	1	8X-6166	5	COVER						
	2	1	8E-7366	5	GASKET						
M	3	1	6A-5591	24	BOLT (M12X1.75X25-MM)						
M	4	1	6V-3668	2	BOLT (M12X1.75X30-MM)						
	5	1	0T-0102	2	BOLT (3/8-16X0.625-IN)						
	6	1	3H-0110	1	COVER						
	7	1	6Y-6848	1	COVER						
	8	1	8H-8257	1	SEAL-O-RING						
	9	1	1A-5822	7	BOLT (1/2-13X2.75-IN)						
	10	1	5P-8245	9	WASHER-HARD (13.5X25.5X3-MM THK)						
	11	1	6H-1717	2	BOLT (1/2-13X1.125-IN)						
	12	1	3J-1907	1	SEAL-O-RING						
	13	1	9S-4191	1	PLUG-O-RING						
	14	1	7J-0402	1	COVER						
	15	1	8E-7367	1	GASKET						
	16	1	5M-6213	1	PLUG-PIPE						
	18	1	3J-3712	1	GASKET						

M-METRIC PART

POWER TRAIN

232-0209 COVER GP-TRANSMISSION (contd.)

i04456534



GRAPHIC #1

<END>

g01177849

POWER TRAIN

137-8851 DIFFERENTIAL & BEVEL GEAR GP

S/N: A7A1-UP

PART OF 137-8833 AXLE AR-FIXED, 137-8832 AXLE AR-OSCILLATING

SMCS-3254, 3256, 3258

i04456499

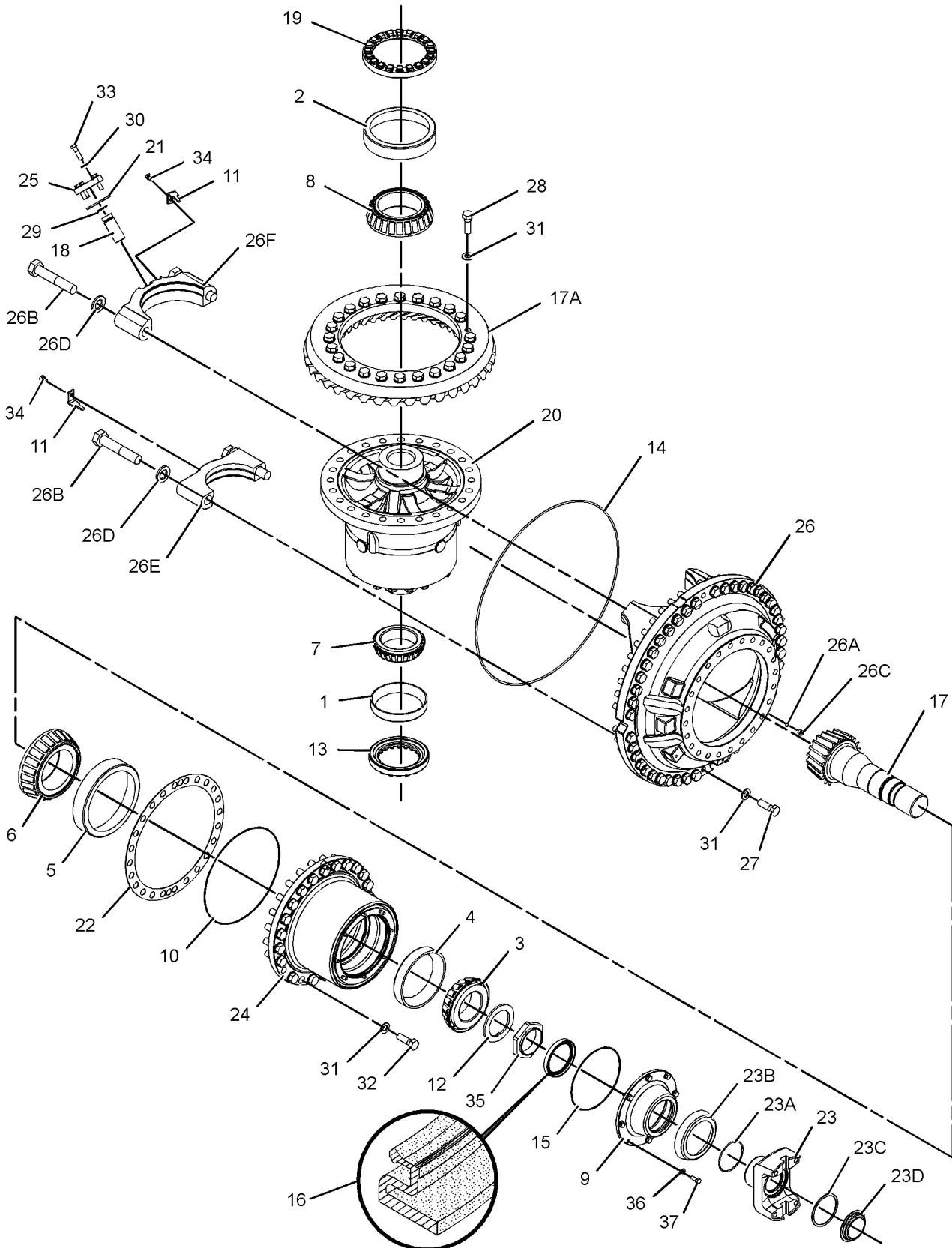
NOTE	REF NO	GRAPHIC REF	PART NUMBER	QTY	PART NAME						SEE PAGE
					1	2	3	4	5	6 (PRODUCT LEVEL)	
	1	1	4B-9374	1	CUP-BEARING						
	2	1	5M-6592	1	CUP-BEARING (TAPERED ROLLER)						
	3	1	6M-1637	1	CONE-BEARING						
	4	1	6M-1638	1	CUP-BEARING						
	5	1	126-8182	1	CUP-BEARING						
	6	1	165-2135	1	CONE-SPECIAL TAPERED						
	7	1	4B-9373	1	CONE-BEARING						
	8	1	6B-4852	1	CONE-BEARING (TAPERED ROLLER)						
	9	1	4E-1966	1	RETAINER						
	10	1	5J-1086	1	SEAL-O-RING						
	11	1	5K-3661	2	LOCK-BEARING						
	12	1	8R-0053	1	WASHER (91.4X129.8X6.4-MM THK)						
	13	1	8R-2857	1	RING-ADJUSTMENT						
	14	1	8T-3013	1	SEAL-O-RING						
	15	1	9M-5024	1	SEAL-O-RING						
	16	1	133-4292	1	SEAL-LIP TYPE						
	17	1	136-8035	1	SHAFT-BEVEL PINION						
	17A	1	136-8036	1	GEAR-BEVEL (45-TEETH)						
	18	1	137-8856	1	PIN						
	19	1	137-8857	1	RING-ADJUSTING						
Y	20	1	137-8858	1	DIFFERENTIAL GP						279
B	21	1	154-7997	1	SHIM PACK (INCLUDES 16-SHIMS)						
B	22	1	164-9326	1	SHIM PACK (INCLUDES 14-SHIMS)						
	23	1	173-5850	1	YOKE AS						
	23A	1	1H-6227	1	SEAL-O-RING						
	23B	1	4E-3601	1	GUARD						
	23C	1	121-1257	1	RING-RETAINING						
	23D	1	144-4524	1	CUP-DUST						
	24	1	209-6696	1	HOUSING-PINION						
	25	1	154-7998	1	COVER						
	26	1	164-9324	1	CARRIER AS						
	26A	1	3J-1907	1	SEAL-O-RING						
M	26B	1	8C-3236	4	BOLT (M30X3.5X160-MM)						
	26C	1	9S-8004	1	PLUG-O-RING						
	26D	1	9X-8399	4	WASHER (33X56X6-MM THK)						
M	27	1	178-2991	45	BOLT-SELF-LOCKING (M20X2.5X70-MM)						
M	28	1	160-8510	24	BOLT-SELF-LOCKING (M20X2.5X60-MM)						
	29	1	2H-3932	1	SEAL-O-RING						
	30	1	5P-8245	4	WASHER-HARD (13.5X25.5X3-MM THK)						
	31	1	5P-8248	93	WASHER-HARD (20X36.5X3.5-MM THK)						
M	32	1	6V-3532	24	BOLT (M20X2.5X60-MM)						
M	33	1	6V-5684	4	BOLT (M12X1.75X45-MM)						
M	34	1	6V-8455	2	BOLT (M10X1.5X16-MM)						
	35	1	8R-0052	1	NUT-STAKE (M90X2-THD)						
	36	1	8T-4121	8	WASHER-HARD (11X21X2.5-MM THK)						
M	37	1	8T-4136	8	BOLT (M10X1.5X25-MM)						

B- USE AS REQUIRED
M- METRIC PART
Y- SEPARATE ILLUSTRATION

POWER TRAIN

137-8851 DIFFERENTIAL & BEVEL GEAR GP (contd.)

i04456499



GRAPHIC #1

<END>

g01296167

POWER TRAIN

137-8858 DIFFERENTIAL GP

S/N: A7A1-UP

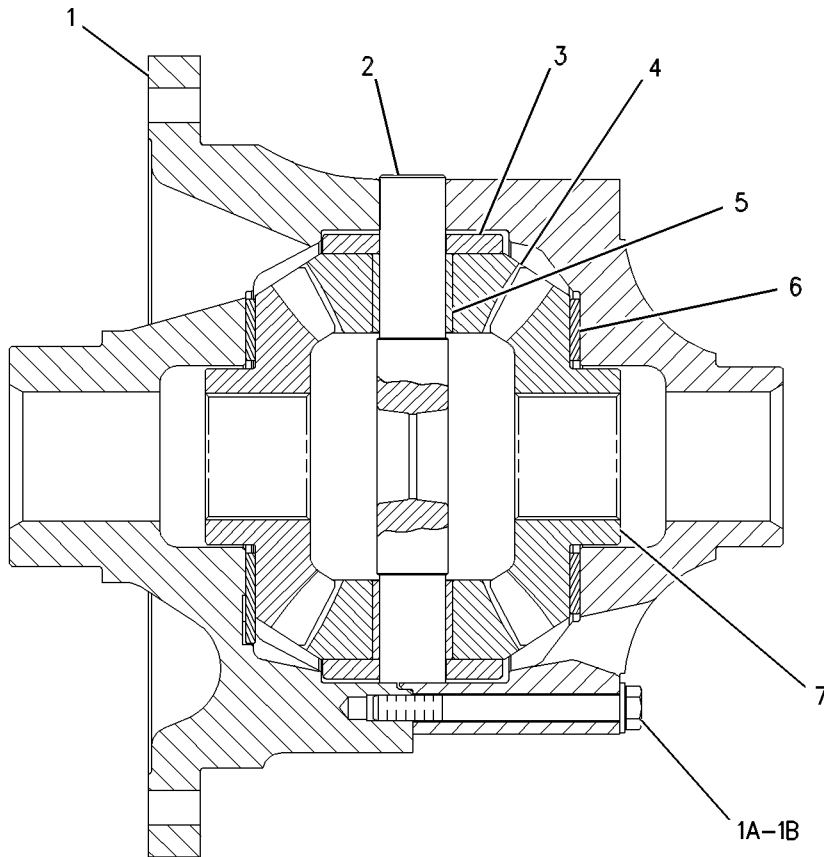
PART OF 137-8851 DIFFERENTIAL & BEVEL GEAR GP

SMCS-3258

i04460854

NOTE	REF NO	GRAPHIC REF	PART NUMBER	QTY	PART NAME						SEE PAGE
					1	2	3	4	5	6 (PRODUCT LEVEL)	
R	1	1	137-8859	1	CASE AS-DIFFERENTIAL						
	1A	1	5P-8247	16	WASHER-HARD (17X32X3.5-MM THK)						
M	1B	1	8T-0650	16	BOLT (M16X2X160-MM)						
	2	1	140-6554	1	SPIDER						
	3	1	154-4383	4	SPACER-THRUST						
	4	1	139-9391	4	PINION-DIFFERENTIAL BEVEL (13-TEETH)						
	5	1	140-6555	4	BUSHING						
	6	1	140-6553	2	WASHER-THRUST						
	7	1	139-9392	2	GEAR-DIFFERENTIAL BEVEL (20-TEETH)						

M-METRIC PART
R-REMFG PART MAY BE AVAILABLE



GRAPHIC #1

<END>

g00514123

POWER TRAIN

137-8865 FASTENER GP-AXLE MOUNTING

S/N: A7A1-UP

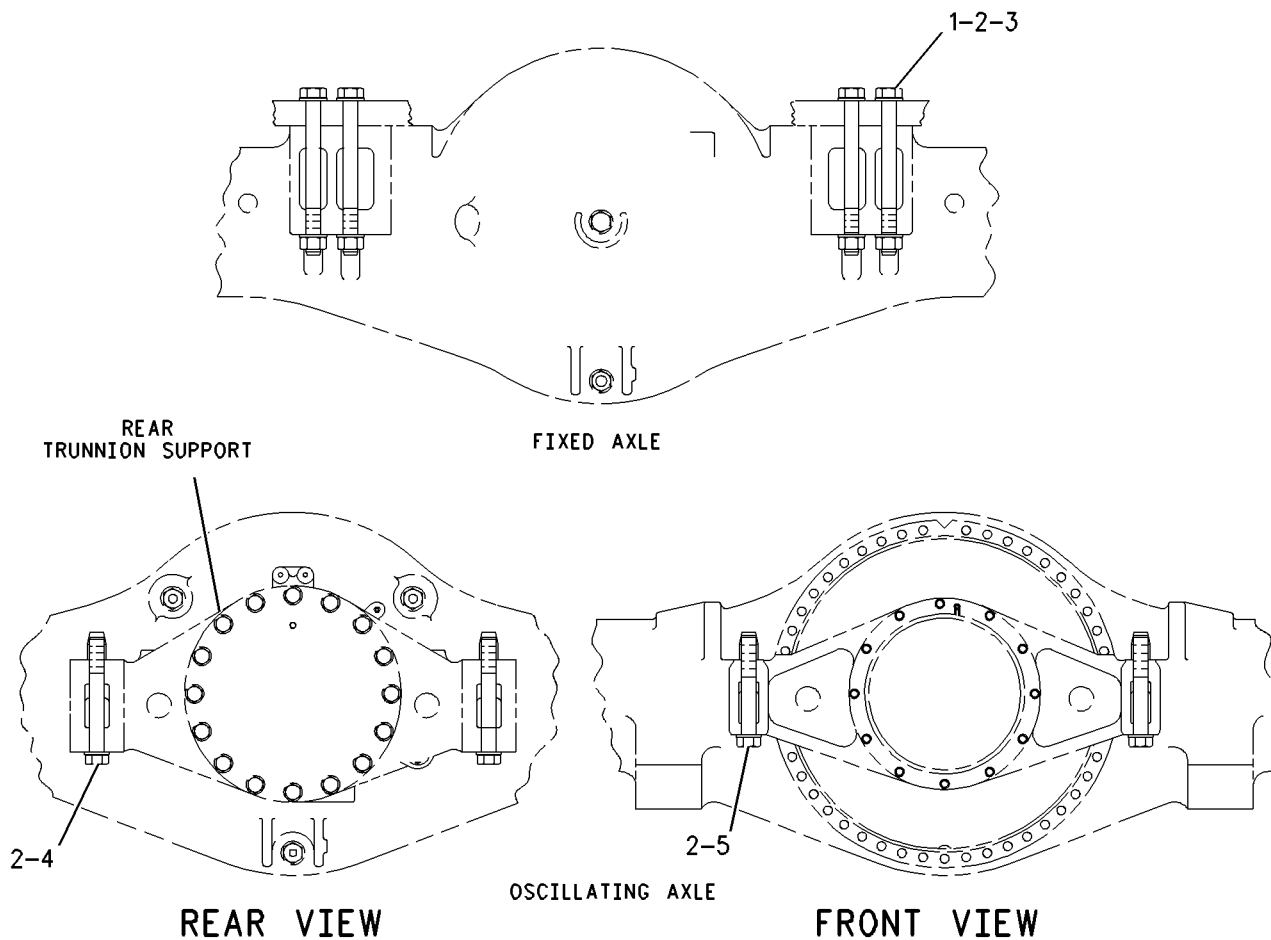
PART OF 225-5455 POWER TRAIN AR

SMCS-3260, 3278

i04455699

NOTE	REF NO	GRAPHIC REF	PART NUMBER	QTY	PART NAME						SEE PAGE
					1	2	3	4	5	6 (PRODUCT LEVEL)	
M	1	1	139-5943	12	BOLT (M30X3.5X320-MM) (FRONT AXLE MTG)						
	2	1	9X-8399	36	WASHER (33X56X6-MM THK)						
M	3	1	8T-1583	12	NUT (M30X3.5-THD) (FRONT AXLE MTG)						
	4	1	334-6836	8	BOLT (M30X3.5X240-MM) (REAR TRUNNION SUPPORT MTG)						
M	5	1	178-2992	4	BOLT (M30X3.5X220-MM) (FRONT TRUNNION SUPPORT MTG)						

M-METRIC PART



GRAPHIC #1

<END>

g00889603

POWER TRAIN

230-3633 FILTER GP-OIL

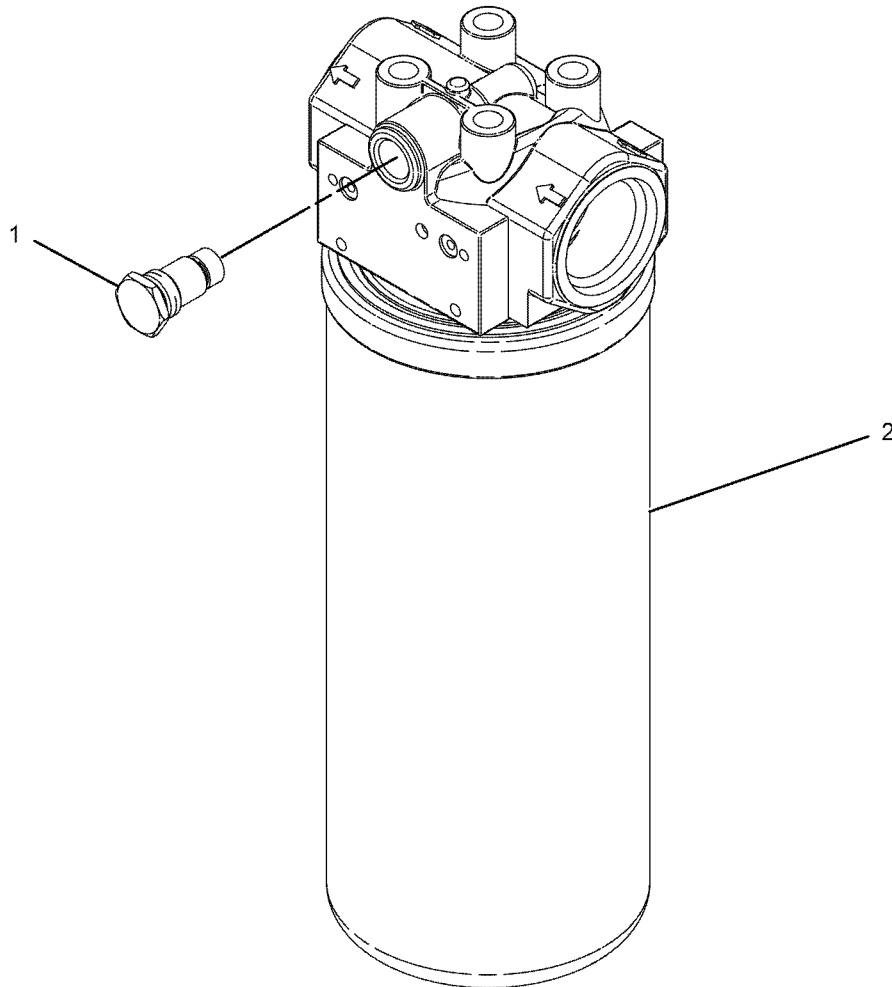
S/N: A7A1-UP

PART OF 257-7815 COOLER & FAN GP-AXLE OIL, 225-6716 LINES GP-HYDRAULIC FAN
ALSO AN ATTACHMENT

SMCS-3004, 3067, 5068, 5091, 5092

i04460245

NOTE	REF NO	GRAPHIC REF	PART NUMBER	QTY	PART NAME						SEE PAGE
					1	2	3	4	5	6 (PRODUCT LEVEL)	
	1	1	164-6709	1	PLUG AS						
		1	3J-1907	1	SEAL-O-RING						
		1	5F-9144	1	SEAL-O-RING						
	2	1	222-6713	1	FILTER-OIL (AXLE OIL COOLER)						



GRAPHIC #1

<END>

g01048823

POWER TRAIN

346-5571 FILTER GP-OIL-TRANSMISSION

S/N: A7A1-UP

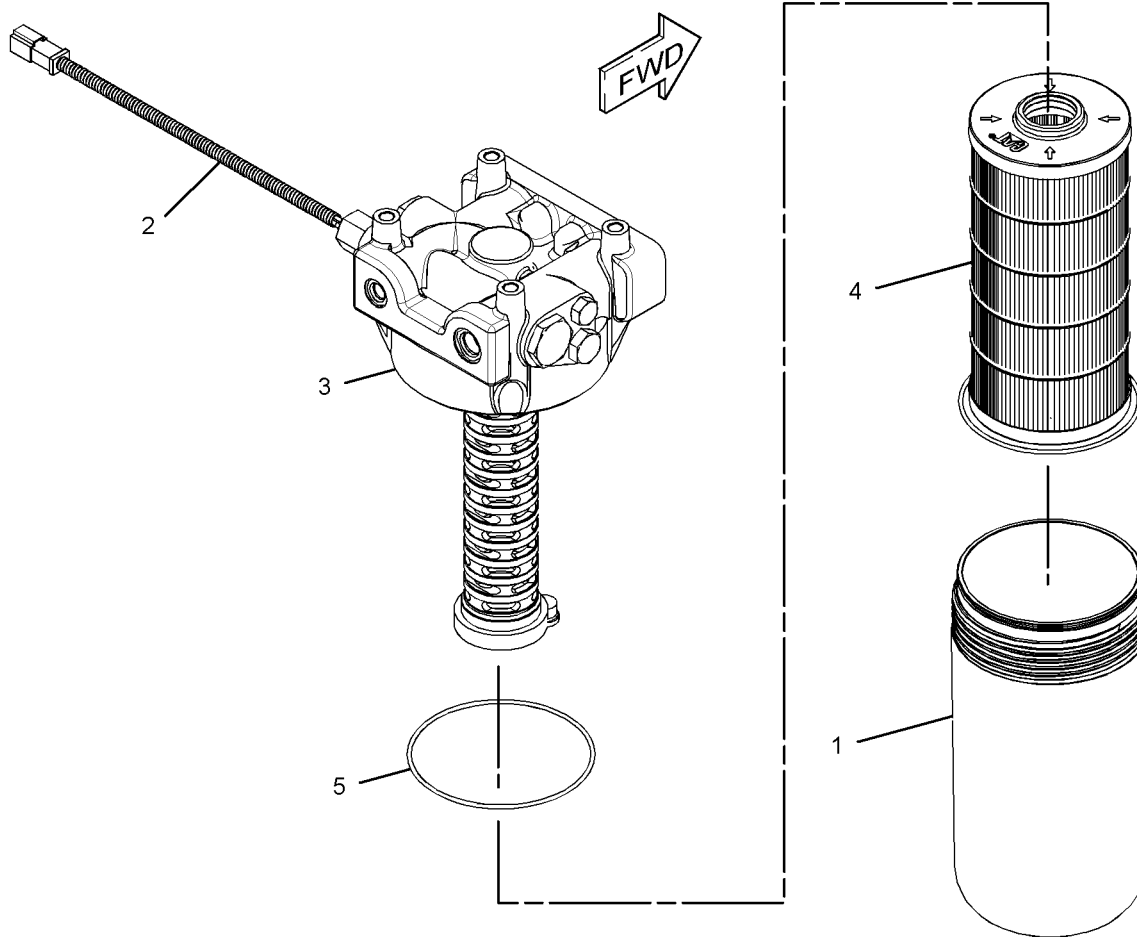
PART OF 345-3936 LINES GP-POWER TRAIN OIL

SMCS-3004, 3067

i04460603

NOTE	REF NO	GRAPHIC REF	PART NUMBER	QTY	PART NAME						SEE PAGE
					1	2	3	4	5	6 (PRODUCT LEVEL)	
Y	1	1	353-4688	1	FILTER GP-OIL (TRANSMISSION)						283
	2	1	341-6644	1	SWITCH AS-PRESSURE (TRANSMISSION OIL FILTER BYPASS)						
		1	033-6033	1	SEAL-O-RING						
		1	206-9295	1	SEAL-O-RING						
	3	1	346-5572	1	BASE AS-OIL FILTER						
		1	5P-7701	2	SEAL-O-RING						
		1	8L-2786	2	SEAL-O-RING						
		1	9S-4181	2	PLUG-O-RING						
		1	9S-4185	2	PLUG-O-RING						
		1	214-7568	1	SEAL-O-RING						
	4	1	337-5270	1	FILTER ELEMENT AS-OIL (TRANSMISSION)						
		1	095-1678	1	SEAL-O-RING						
	5	1	095-1678	1	SEAL-O-RING						

Y-SEPARATE ILLUSTRATION



GRAPHIC #1

<END>

g02034513

POWER TRAIN

353-4688 FILTER GP-OIL

S/N: A7A1-UP

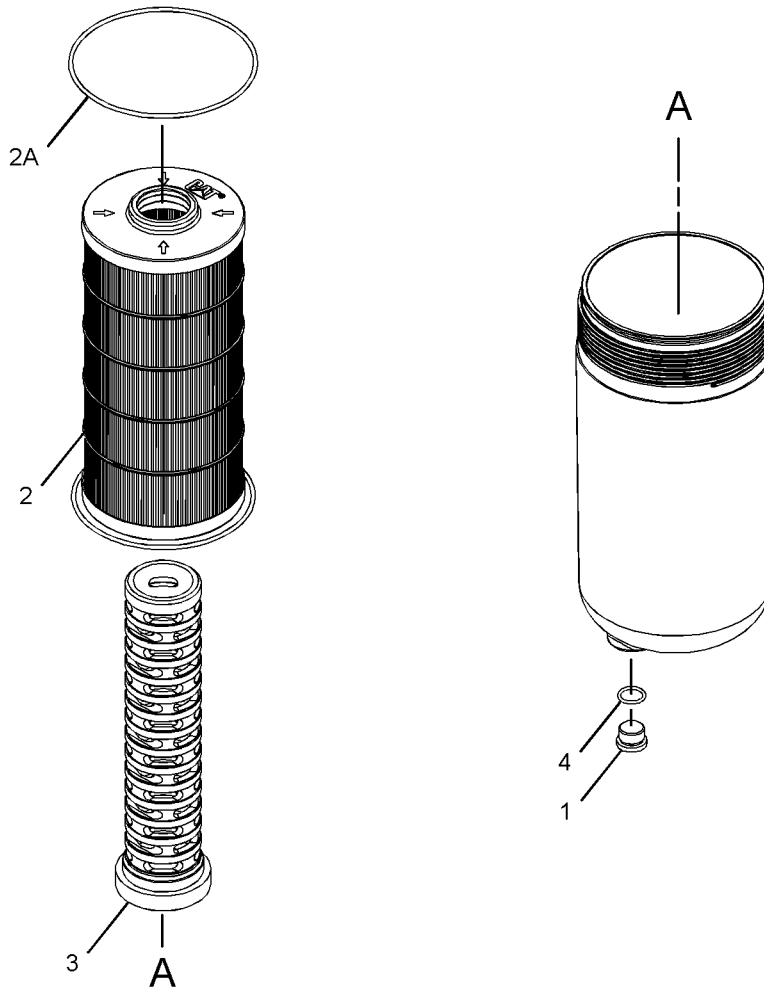
PART OF 346-5571 FILTER GP-OIL

SMCS-3004, 3067

i04472409

NOTE	REF NO	GRAPHIC REF	PART NUMBER	QTY	PART NAME						SEE PAGE
					1	2	3	4	5	6 (PRODUCT LEVEL)	
	1	1	9S-8005	1	PLUG-O-RING						
	2	1	337-5270	1	FILTER ELEMENT AS-OIL (POWER TRAIN)						
	2A	1	095-1678	1	SEAL-O-RING						
	3	1	347-7407	1	TUBE-CENTER						
	4	1	8L-2786	1	SEAL-O-RING						

PARTS SHOWN IN GRAPHIC(S) WITHOUT A REFERENCE NUMBER ARE NOT SERVICED SEPARATELY



GRAPHIC #1

<END>

g02308153

POWER TRAIN

139-9189 GAUGE GP-SIGHT

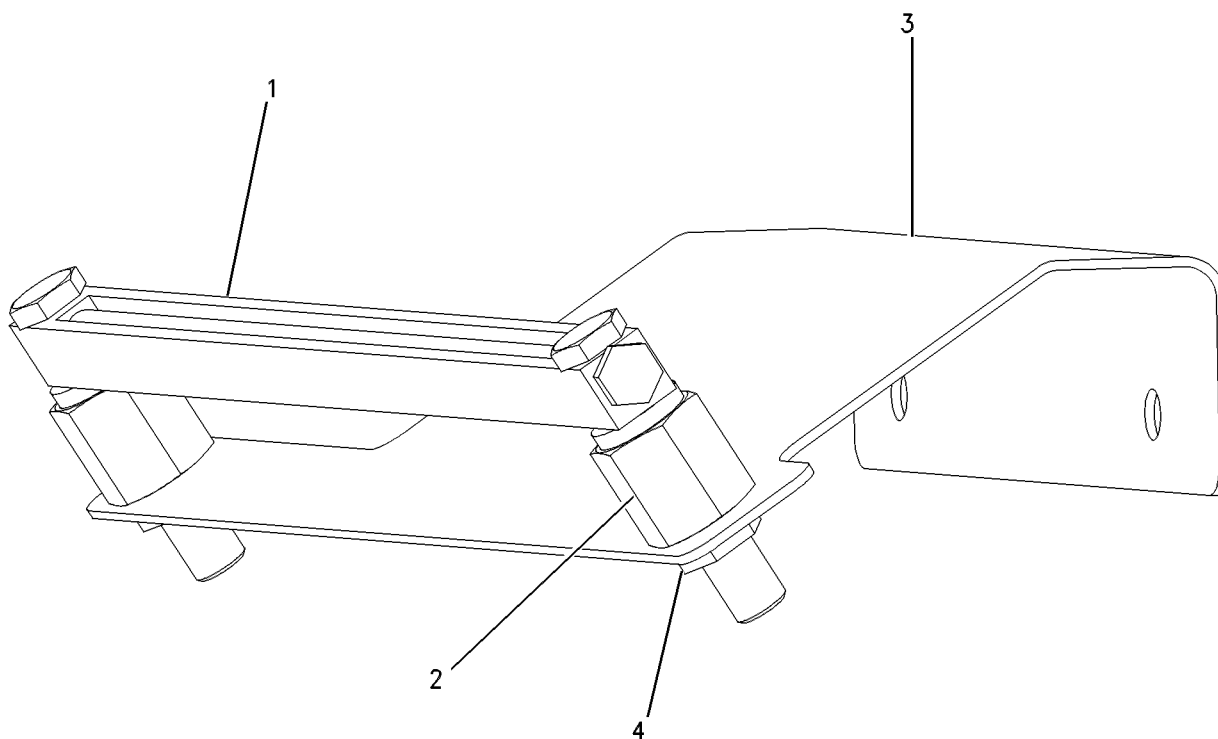
S/N: A7A1-UP

PART OF 345-3936 LINES GP-POWER TRAIN OIL

SMCS-7479

i04437534

NOTE	REF NO	GRAPHIC REF	PART NUMBER	QTY	PART NAME						SEE PAGE
					1	2	3	4	5	6 (PRODUCT LEVEL)	
	1	1	124-0665	1	GAUGE-LIQUID LEVEL						
		1	8F-3469	2	SEAL-O-RING						
		1	121-7958	2	BOLT-MOUNTING (1/2-20X1.75-IN)						
	2	1	124-0689	2	ADAPTER						
	3	1	158-6153	1	PLATE						
	4	1	6V-9168	2	NUT (11/16-16-THD)						



GRAPHIC #1

<END>

g00490743

POWER TRAIN

232-1104 GEAR GP-INPUT TRANSFER

S/N: DRT1-UP

PART OF 230-6315 TRANSMISSION AR

SMCS-3159

i04456535

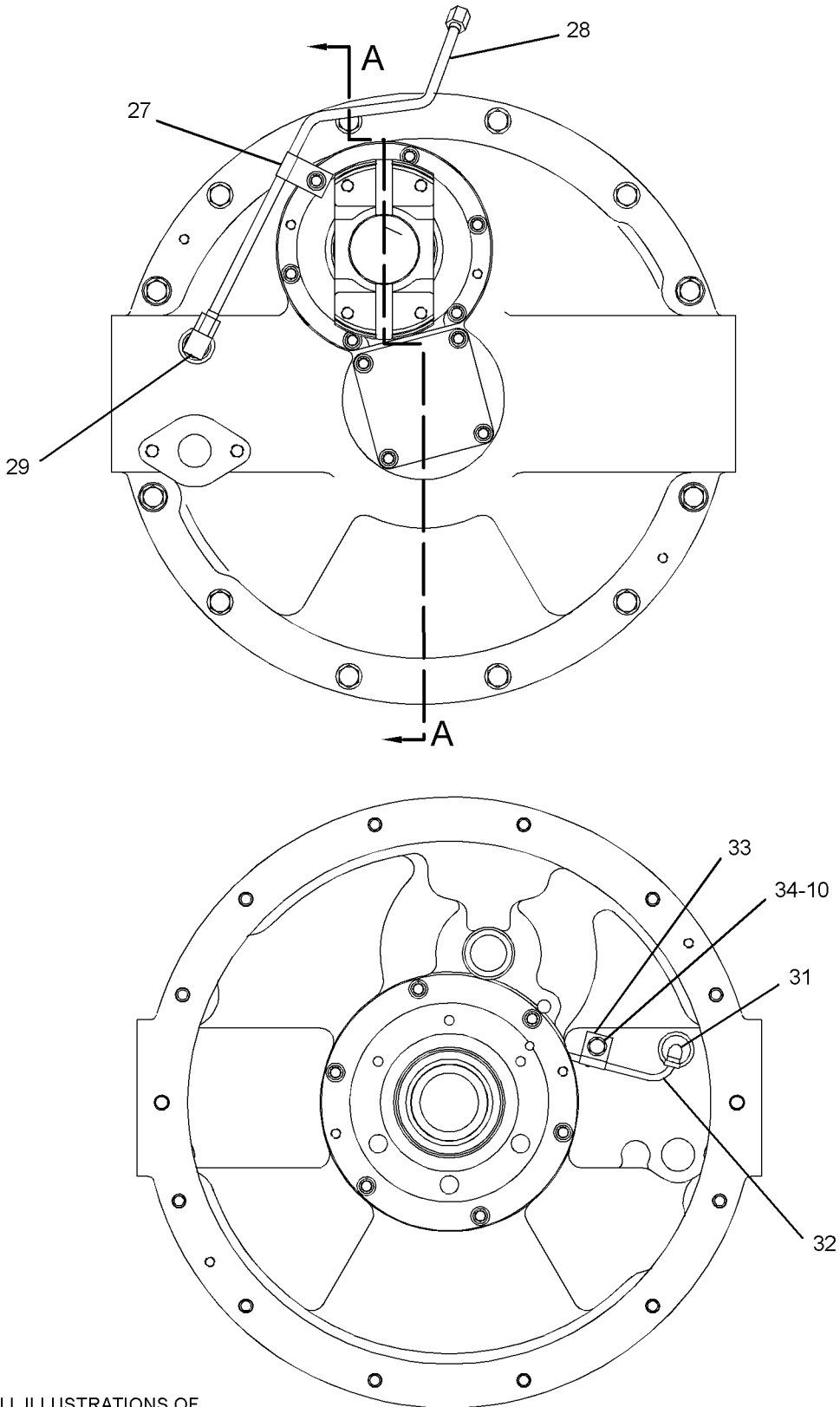
NOTE	REF NO	GRAPHIC REF	PART NUMBER	QTY	PART NAME						SEE PAGE
					1	2	3	4	5	6 (PRODUCT LEVEL)	
	1	2	147-8561	1	CASE-TRANSFER						
	2	2	0S-1585	12	BOLT (1/2-13X1.5-IN)						
	3	2	5P-8245	12	WASHER-HARD (13.5X25.5X3-MM THK)						
	4	2	173-1830	1	GEAR (32-TEETH)						
	5	2	3L-9409	1	CUP-BEARING						
	6	2	3L-9410	1	CONE-BEARING						
B	7	2	147-8563	1	SHIM PACK (INCLUDES 9-SHIMS)						
	8	2	147-8562	1	CAGE-BEARING						
	9	2	9L-7494	6	BOLT-12 POINT HEAD (3/8-16X1.25-IN)						
	10	1,2	5M-2894	17	WASHER-HARD (10.2X18.5X2.5-MM THK)						
	11	2	9X-7743	1	SEAL-LIP TYPE						
	12	2	148-8889	1	YOKE AS						
		2	8H-2768	1	PLUG-CUP						
	13	2	2K-4472	1	SEAL-O-RING						
	14	2	2N-0822	1	PLATE						
	15	2	3P-6061	1	GASKET						
	16	2	030-8539	4	BOLT-12 POINT HEAD (3/8-16X1.125-IN)						
	17	2	9S-7949	1	CUP-BEARING						
	18	2	9S-7950	1	CONE-BEARING						
	19	2	173-1827	1	GEAR (29-TEETH)						
B	20	2	3P-9658	1	SHIM PACK (INCLUDES 17-SHIMS)						
	21	2	6V-1270	6	BOLT-12 POINT HEAD (3/8-16X1.125-IN)						
	22	2	187-0678	1	CAGE-BEARING						
	23	2	7D-8636	1	CONE-BEARING						
	24	2	7D-8637	1	CUP-BEARING						
	25	2	1B-3953	1	CONE-BEARING						
	26	2	1B-3955	1	CUP-BEARING						
	27	1	7B-1597	1	CLIP						
	28	1	231-9458	1	TUBE AS						
	29	1	164-6877	1	ELBOW AS						
		1	030-7947	1	ELBOW						
		1	3J-1907	1	SEAL-O-RING						
	31	1	5K-9243	1	ELBOW-FLARED						
	32	1	179-6998	1	TUBE AS						
	33	1	2B-2404	1	CLIP						
	34	1	0T-0102	1	BOLT (3/8-16X0.625-IN)						

B-USE AS REQUIRED

POWER TRAIN

232-1104 GEAR GP-INPUT TRANSFER (contd.)

i04456535



REFER TO ALL ILLUSTRATIONS OF THIS GROUP FOR AUXILIARY VIEWS

VIEW B-B

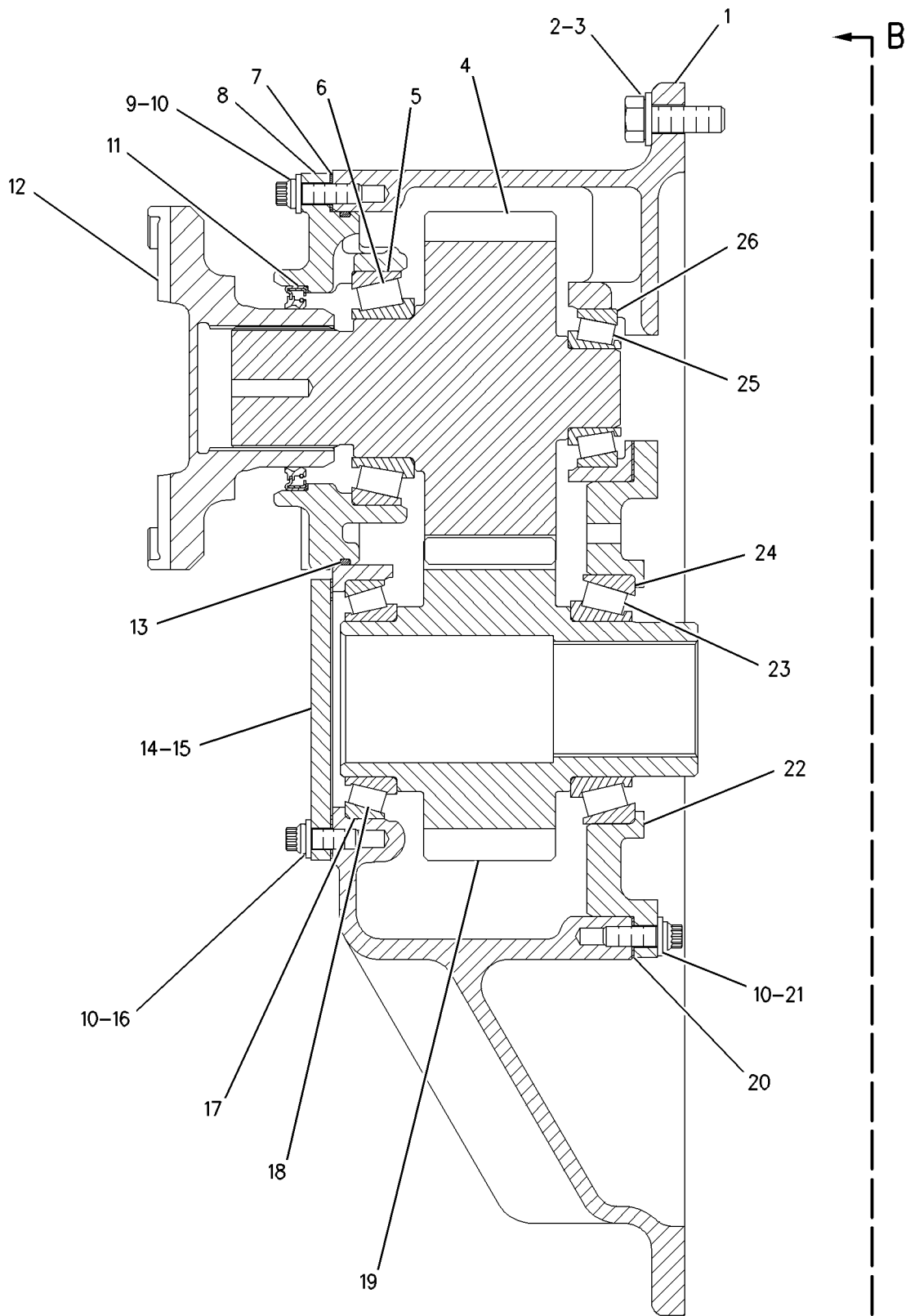
GRAPHIC #1

g01189026

POWER TRAIN

232-1104 GEAR GP-INPUT TRANSFER (contd.)

i04456535



REFER TO ALL ILLUSTRATIONS OF THIS GROUP FOR AUXILIARY VIEWS

SECTION A-A
GRAPHIC 2

GRAPHIC #2

<END>

g00701028

POWER TRAIN

133-8116 GEAR GP-OUTPUT TRANSFER

S/N: DRT1-UP

PART OF 230-6315 TRANSMISSION AR

SMCS-3075, 3159

i04456536

NOTE	REF NO	GRAPHIC REF	PART NUMBER	QTY	PART NAME						SEE PAGE
					1	2	3	4	5	6 (PRODUCT LEVEL)	
	1	2	134-9817	1	CASE AS-TRANSFER						
		2	0S-1594	1	BOLT (3/8-16X1-IN)						
		2	4D-6473	2	DOWEL						
		2	5M-2894	1	WASHER-HARD (10.2X18.5X2.5-MM THK)						
		2	173-2469	1	COVER-TRANSFER						
		2	8M-8659	2	DOWEL						
B	2	2	6Y-6328	1	SHIM PACK (INCLUDES 13-SHIMS)						
	3	1,2	0S-1587	11	BOLT (1/2-13X1.75-IN)						
	4	1,2	5P-8245	39	WASHER-HARD (13.5X25.5X3-MM THK)						
	5	2	123-5298	1	CAGE-BEARING						
B	6	2	6Y-6329	1	SHIM PACK (INCLUDES 13-SHIMS)						
	7	2	123-2997	1	CAGE AS-BEARING						
		2	3D-0490	4	STUD-TAPERLOCK (1/2-13X1.97-IN)						
	8	2	3F-5792	1	SEAL-O-RING						
	9	2	1P-9269	1	COVER						
	10	2	1F-7958	4	NUT-FULL (1/2-13-THD)						
	11	2	1A-1460	7	BOLT (1/2-13X2-IN)						
	12	2	173-0715	1	YOKE AS						
	13	2	237-9848	1	CAGE-BEARING						
	14	2	178-4641	2	CUP-BEARING						
	15	2	178-4640	2	CONE-BEARING						
	16	2	5J-1086	1	SEAL-O-RING						
	17	2	1P-4078	1	SPACER (90.47X107.95X10.08-MM THK)						
	18	2	6P-4947	1	RETAINER						
	19	2	2A-4639	6	BOLT (3/8-16X1.625-IN)						
	20	2	5M-2894	14	WASHER-HARD (10.2X18.5X2.5-MM THK)						
	21	2	6Y-6441	1	SHAFT-TRANSFER						
	22	2	9J-7031	1	PLUG-DRAIN						
	23	2	8T-3298	1	SEAL-RECTANGULAR						
	24	2	2H-6490	1	BEARING-INNER						
	25	2	2H-6489	1	RACE-BEARING OUTER						
	26	2	2K-4472	1	SEAL-O-RING						
	27	2	237-9849	1	CAGE-BEARING						
	28	2	173-0714	1	YOKE						
	29	2	266-9266	2	RETAINER						
	30	2	0L-1328	2	BOLT (3/4-16X4-IN)						
	31	2	2H-3933	2	SEAL-O-RING						
	32	2	034-3557	8	BOLT-LOCKING (3/8-16X1.125-IN)						
	33	2	3T-6175	1	GEAR (35-TEETH)						
	34	2	123-2877	1	GEAR-TRANSFER (35-TEETH)						
	35	2	124-0503	2	CONE-SPECIAL TAPERED						
	36	2	124-0504	2	CUP-TAPERED						
	37	2	7L-2181	1	SEAL-O-RING						
	38	2	123-2876	1	GEAR-TRANSFER (30-TEETH) (30 TEETH)						
	39	2	1A-8651	2	BOLT (5/8-11X4.5-IN)						
	40	2	5P-8247	20	WASHER-HARD (17X32X3.5-MM THK)						
	41	2	5P-2587	1	SEAL-O-RING						
	42	2	124-0501	2	CONE						
	43	2	124-0502	2	CUP-TAPERED						
	44	2	133-4292	2	SEAL-LIP TYPE						
	45	1	9X-8873	8	BOLT (1/2-13X2.25-IN)						
	46	1	170-7309	3	SPACER (13.5X25.5X11-MM THK)						
	47	1	9X-8874	8	BOLT (1/2-13X3-IN)						
B	48	1	6V-6640		SEALANT						
	49	2	1B-4367	18	BOLT (5/8-11X3-IN)						
M	50	1	6V-4248	4	BOLT (M10X1.5X25-MM)						

POWER TRAIN

133-8116 GEAR GP-OUTPUT TRANSFER (contd.)

i04456536

NOTE	REF NO	GRAPHIC REF	PART NUMBER	QTY	PART NAME						SEE PAGE
					1	2	3	4	5	6 (PRODUCT LEVEL)	
M	51	2	8T-0722	2	BOLT-LOCKING (M10X1.5X30-MM)						
	52	1	6P-4903	1	PLATE AS						
		1	7B-3028	2	SCREW-DRIVE (NO 4X 3/16-IN)						
		1	7S-2962	1	WASHER-SPRING (52.3X82.5X9.1-MM THK)						
	53	1,2	6V-5839	6	WASHER (11X21X2.5-MM THK)						
	54	1	5F-0149	1	SEAL-O-RING						
	55	1	4S-8603	1	SCREEN GP-MAGNETIC						
	56	1	4S-8598	1	SCREEN-SUCTION						
	57	1	160-1638	1	HOUSING-SCREEN						
	58	1	9X-8875	4	BOLT (1/2-13X3.5-IN)						
	59	1	2H-2665	1	SEAL-O-RING						
Y	60	1	193-2550	1	SENSOR GP-SPEED (MAGNETIC, HIGH OUTPUT) (TRANSMISSION OUTPUT 1)						190
Y	60A	1	193-2550	1	SENSOR GP-SPEED (MAGNETIC, HIGH OUTPUT) (TRANSMISSION OUTPUT 2)						190
M	61	1	6V-6317	2	BOLT (M10X1.5X20-MM)						
	62	1	9X-8268	2	WASHER (17.5X30X3.5-MM THK)						
	63	1	1V-6341	2	SEAL						
	64	1	1S-6595	1	GASKET-OIL SUPPLY						
	65	1	5M-3154	1	COVER						
	66	2	5M-2057	1	SEAL-O-RING						
	67	2	7B-3039	1	SPRING						
	68	2	1U-2827	1	GUIDE-VALVE						
	69	2	8J-8783	1	VALVE						
	70	2	8J-8782	1	BODY-DRAIN VALVE						

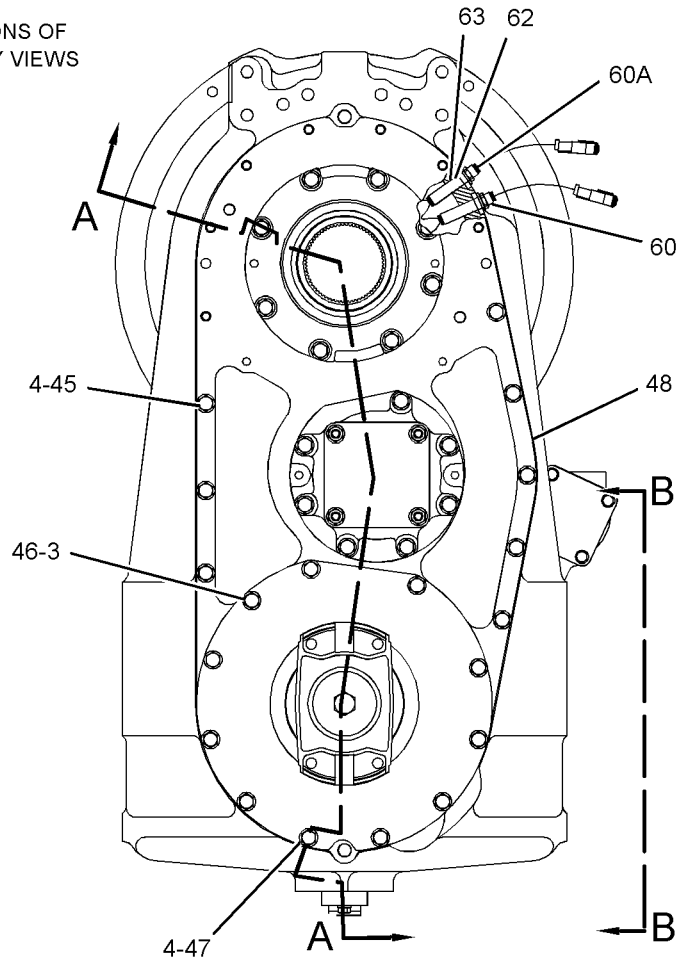
B-USE AS REQUIRED
M-METRIC PART
Y-SEPARATE ILLUSTRATION

POWER TRAIN

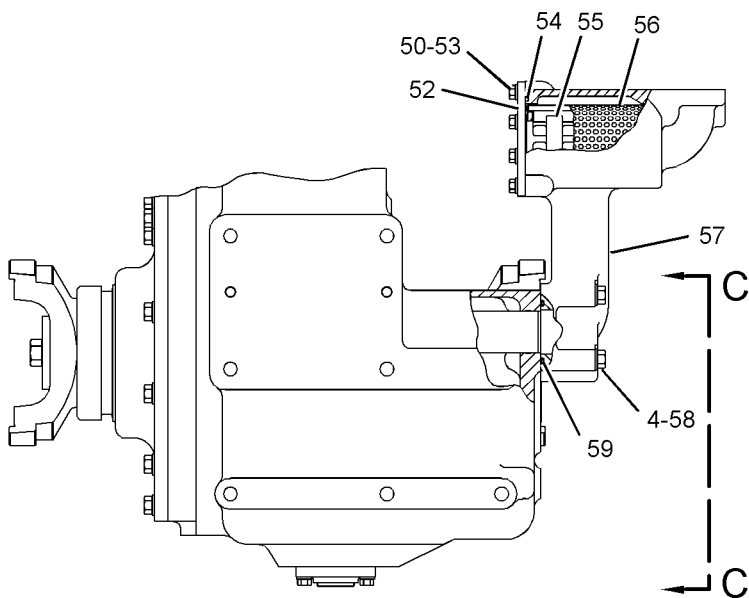
133-8116 GEAR GP-OUTPUT TRANSFER (contd.)

i04456536

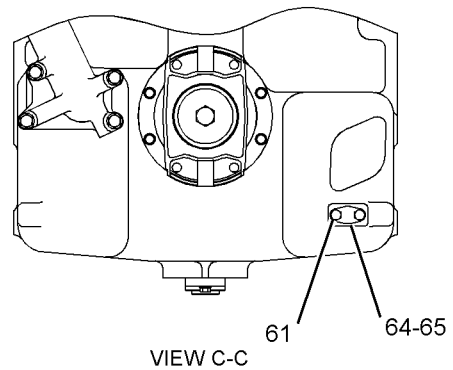
REFER TO ALL ILLUSTRATIONS OF THIS GROUP FOR AUXILIARY VIEWS



FRONT VIEW



VIEW B-B



VIEW C-C

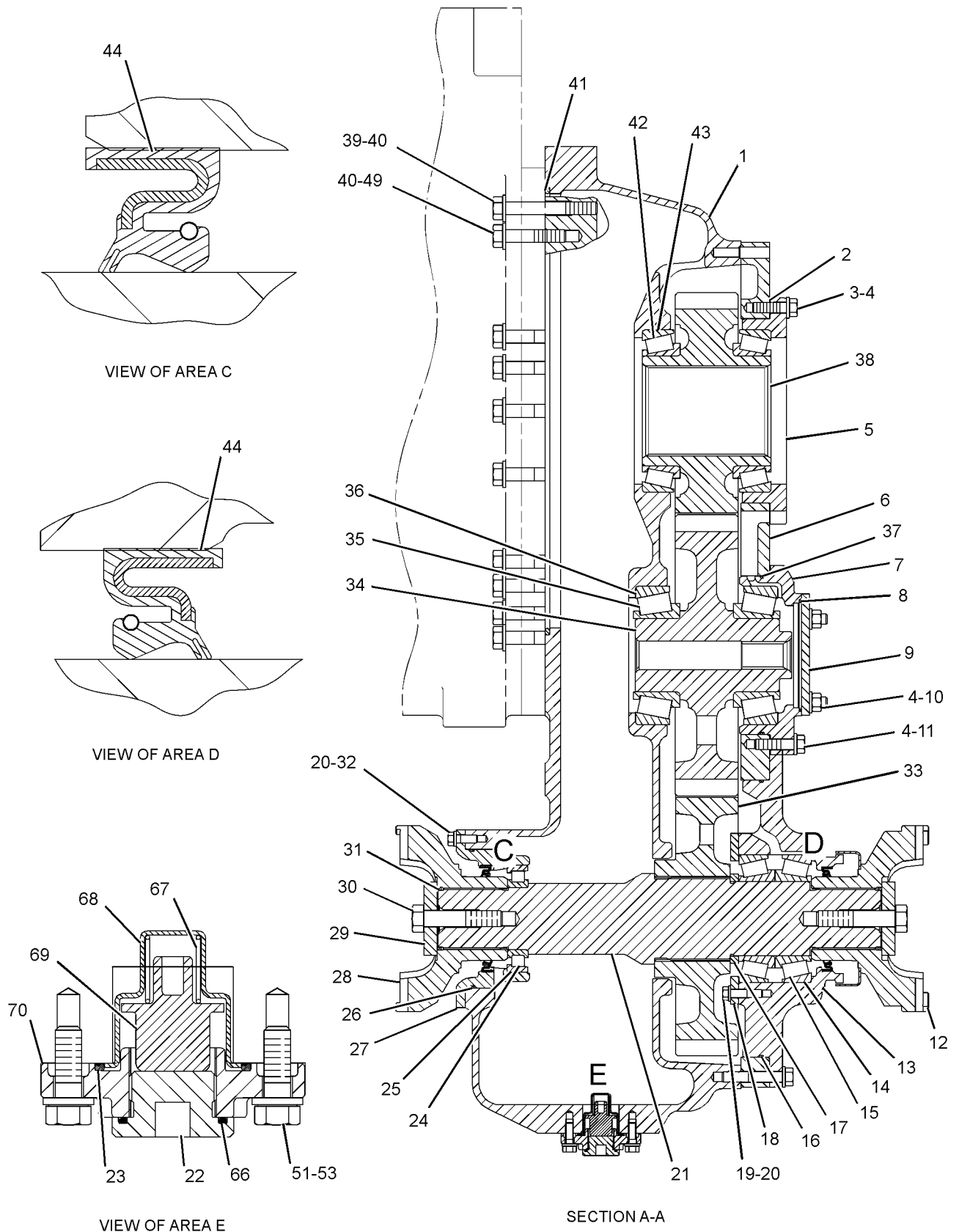
GRAPHIC #1

g01298850

POWER TRAIN

133-8116 GEAR GP-OUTPUT TRANSFER (contd.)

i04456536



GRAPHIC #2

<END>

g01298851

POWER TRAIN

315-8930 LINES GP-AXLE OIL COOLER

S/N: A7A1-UP

PART OF 259-8449 COOLER AR-AXLE OIL
AN ATTACHMENT

SMCS-1365, 3016

i04480109

NOTE	REF NO	GRAPHIC REF	PART NUMBER	QTY	PART NAME						SEE PAGE
					1	2	3	4	5	6 (PRODUCT LEVEL)	
	1	1	4K-6066	1	CLIP						
	2	1	141-7072	1	BLOCK						
	3	1	159-8614	1	PLATE AS						
	4	1	159-8615	1	PLATE AS						
	5	1	220-8796	1	BRACKET AS						
	6	1	221-1879	1	TUBE AS						
	7	1	221-1881	1	TUBE AS						
	8	1	246-2812	1	TUBE AS						
	9	1	315-8836	1	PLATE						
	10	1	315-9174	1	TUBE AS						
	11	1	315-9176	1	TUBE AS						
I	12	1	315-9211	1	HOSE AS						
	13	1	315-9315	1	TUBE AS						
I	14	1	315-9324	1	HOSE AS						
	15	1	148-8327	1	CONNECTOR AS						
		1	3D-2824	1	SEAL-O-RING						
		1	6V-8637	1	CONNECTOR						
		1	6V-9746	1	SEAL-O-RING						
	16	1	148-8333	1	CONNECTOR AS						
		1	6V-8400	1	SEAL-O-RING						
		1	7M-8485	1	SEAL-O-RING						
		1	8T-7927	1	CONNECTOR						
	17	1	148-8347	1	ELBOW AS						
		1	3D-2824	1	SEAL-O-RING						
		1	6V-9007	1	ELBOW						
		1	6V-9746	1	SEAL-O-RING						
	18	1	148-8359	2	ELBOW AS						
					(EACH INCLUDES)						
		1	3K-0360	1	SEAL-O-RING						
		1	6V-9746	1	SEAL-O-RING						
		1	6V-9877	1	ELBOW						
	19	1	148-8387	1	ELBOW AS						
		1	6V-8400	1	SEAL-O-RING						
		1	6V-9855	1	ELBOW						
	20	1	153-6237	2	ELBOW AS						
					(EACH INCLUDES)						
		1	3D-2824	1	SEAL-O-RING						
		1	6V-9004	1	ELBOW						
		1	6V-9746	1	SEAL-O-RING						
	21	1	173-1437	4	FLANGE-HALF						
	22	1	313-9198	1	CLIP						
	23	1	3E-9411	2	WASHER-HARD (17.5X38X6-MM THK)						
	24	1	4J-0520	1	SEAL-O-RING						
	25	1	4J-0522	2	SEAL-O-RING						
	26	1	4J-5267	1	SEAL-O-RING						
	27	1	5P-7462	2	CLIP (SLOT)						
	28	1	5P-7463	2	CLIP (TAB)						
	29	1	5P-7468	2	CLIP (SLOT)						
	30	1	5P-7469	2	CLIP (TAB)						
	31	1	6V-0683	2	GROMMET						
	32	1	6V-1874	2	GROMMET						
	33	1	6V-8400	1	SEAL-O-RING						
	34	1	6V-9746	1	SEAL-O-RING						
	35	1	7X-3392	4	WASHER-HARD (13.5X22.5X3-MM THK)						
	36	1	8C-3205	2	FLANGE-HALF						

POWER TRAIN

315-8930 LINES GP-AXLE OIL COOLER (contd.)

i04480109

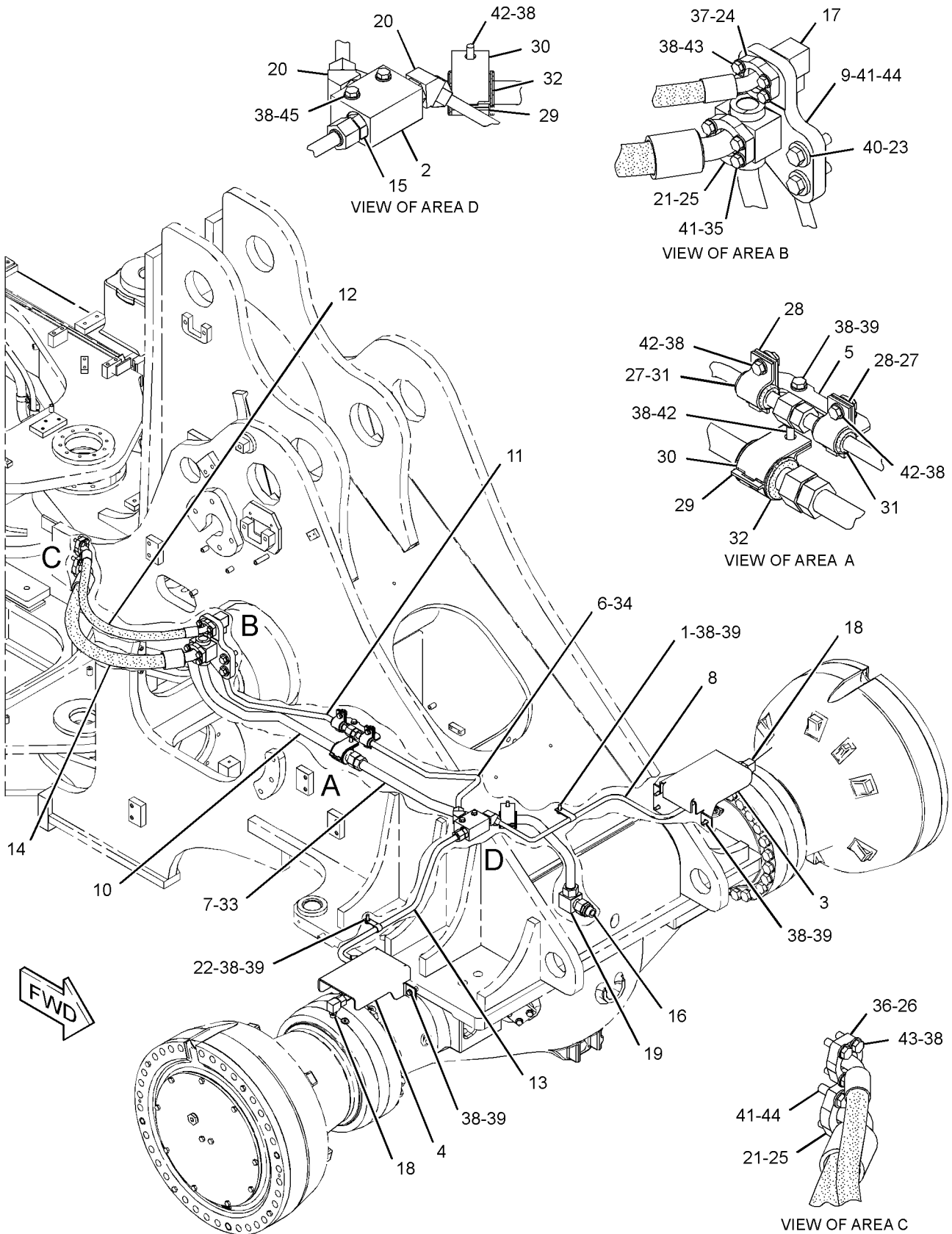
NOTE	REF NO	GRAPHIC REF	PART NUMBER	QTY	PART NAME						SEE PAGE
					1	2	3	4	5	6 (PRODUCT LEVEL)	
	37	1	8C-3206	2	FLANGE - HALF						
	38	1	8T-4121	24	WASHER - HARD (11X21X2.5-MM THK)						
M	39	1	8T-4136	10	BOLT (M10X1.5X25-MM)						
M	40	1	8T-4140	2	BOLT (M16X2X60-MM)						
M	41	1	8T-4183	10	BOLT (M12X1.75X40-MM)						
M	42	1	8T-4195	4	BOLT (M10X1.5X30-MM)						
M	43	1	8T-4196	8	BOLT (M10X1.5X35-MM)						
	44	1	8T-4223	6	WASHER - HARD (13.5X25.5X3-MM THK)						
M	45	1	8T-5005	2	BOLT (M10X1.5X70-MM)						

I-REFER TO HYDRAULIC INFORMATION SYSTEM
M-METRIC PART

POWER TRAIN

315-8930 LINES GP-AXLE OIL COOLER (contd.)

i04480109



GRAPHIC #1

<END>

g02060939

POWER TRAIN

345-3960 LINES GP-AXLE OIL COOLER

S/N: A7A1-UP

PART OF 259-8449 COOLER AR-AXLE OIL
AN ATTACHMENT

SMCS-1365, 3016

i04480110

NOTE	REF NO	GRAPHIC REF	PART NUMBER	QTY	PART NAME						SEE PAGE
					1	2	3	4	5	6 (PRODUCT LEVEL)	
	1	1	3V-9538	2	TAG-IDENTIFICATION (NUMBER SEVEN)						
	2	1	4J-6304	2	TAG-IDENTIFICATION (NUMBER FOUR)						
	3	1	4J-6306	1	TAG-IDENTIFICATION (NUMBER SIX)						
	4	1	068-0592	2	TAG-IDENTIFICATION (NUMBER ONE)						
	5	1	138-4050	1	BRACKET AS						
	6	1	141-7072	1	BLOCK						
	7	1	185-0004	1	CONNECTOR AS						
		1	2S-4078	1	SEAL-O-RING						
		1	6V-8400	1	SEAL-O-RING						
		1	9X-6015	1	CONNECTOR						
	8	1	193-3973	1	STRAP-CABLE						
	9	1	197-3295	2	FLANGE-HALF						
	10	1	200-6345	1	MOUNT (DUAL SWIVEL)						
I	11	1	203-9368	1	HOSE AS						
	12	1	203-9369	1	TUBE AS						
	13	1	204-2281	1	STRAP-CABLE						
I	14	1	234-3551	1	HOSE AS						
	15	1	246-2818	1	TUBE AS						
I	16	1	246-4546	1	HOSE AS						
	17	1	246-4559	1	BRACKET						
	18	1	250-1423	1	ELBOW AS						
		1	6V-8400	2	SEAL-O-RING						
		1	6V-8985	1	ELBOW						
I	19	1	273-3239	1	HOSE AS						
Y	20	1	292-9912	1	PUMP GP-GEAR (AXLE OIL COOLER)						322
I	21	1	292-9966	1	HOSE AS						
	22	1	292-9967	1	TUBE AS						
	23	1	292-9968	1	BRACKET						
	24	1	315-8837	1	PLATE AS						
M		1	8T-3597	2	NUT-WELD (M12X1.75-THD)						
	25	1	315-9319	1	TUBE AS						
	26	1	345-3953	1	TUBE AS						
	27	1	345-3954	1	TUBE AS						
	28	1	092-7385	1	CLIP						
	29	1	148-8327	2	CONNECTOR AS						
					(EACH INCLUDES)						
		1	3D-2824	1	SEAL-O-RING						
		1	6V-8637	1	CONNECTOR						
		1	6V-9746	1	SEAL-O-RING						
	30	1	148-8334	1	CONNECTOR AS						
		1	2S-4078	1	SEAL-O-RING						
		1	6V-8400	1	SEAL-O-RING						
		1	8T-3611	1	CONNECTOR						
	31	1	148-8339	1	CONNECTOR AS						
		1	6V-8716	1	CONNECTOR						
		1	6V-9746	1	SEAL-O-RING						
		1	7M-8485	1	SEAL-O-RING						
	32	1	148-8359	2	ELBOW AS						
					(EACH INCLUDES)						
		1	3K-0360	1	SEAL-O-RING						
		1	6V-9746	1	SEAL-O-RING						
		1	6V-9877	1	ELBOW						
	33	1	148-8360	1	ELBOW AS						
		1	6V-9182	1	ELBOW						
		1	6V-9746	1	SEAL-O-RING						

POWER TRAIN

345-3960 LINES GP-AXLE OIL COOLER (contd.)

i04480110

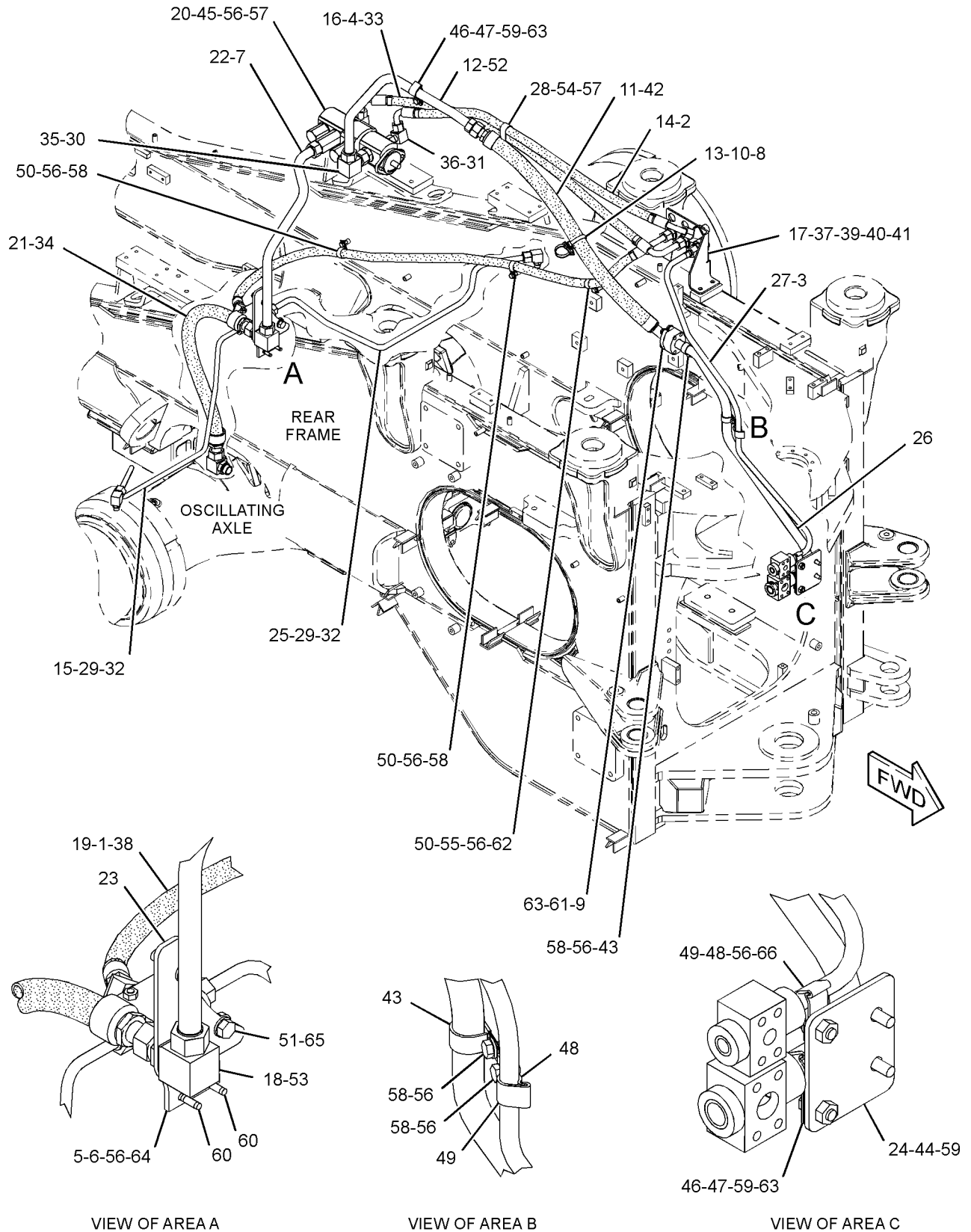
NOTE	REF NO	GRAPHIC REF	PART NUMBER	QTY	PART NAME						SEE PAGE
					1	2	3	4	5	6 (PRODUCT LEVEL)	
		1	7M-8485	1	SEAL-O-RING						
34		1	148-8373	1	ELBOW AS						
		1	6V-8400	1	SEAL-O-RING						
		1	7M-8485	1	SEAL-O-RING						
		1	8C-3364	1	ELBOW						
35		1	148-8387	1	ELBOW AS						
		1	6V-8400	1	SEAL-O-RING						
		1	6V-9855	1	ELBOW						
36		1	148-8392	1	ELBOW AS						
		1	6V-9746	1	SEAL-O-RING						
		1	6V-9853	1	ELBOW						
37		1	148-8455	3	UNION AS						
					(EACH INCLUDES)						
		1	6V-8997	1	UNION						
		1	6V-9746	2	SEAL-O-RING						
38		1	153-6237	1	ELBOW AS						
		1	3D-2824	1	SEAL-O-RING						
		1	6V-9004	1	ELBOW						
		1	6V-9746	1	SEAL-O-RING						
39		1	165-4933	1	ELBOW AS						
		1	6V-8990	1	ELBOW						
		1	6V-9746	2	SEAL-O-RING						
40		1	2H-3926	8	LOCKWASHER						
41		1	2P-1293	4	LOCKNUT (1-3/16-12-THD)						
42		1	4J-0522	1	SEAL-O-RING						
43		1	4S-4455	2	CLIP						
44		1	5P-1076	2	WASHER-HARD (13.5X30X4-MM THK)						
45		1	6D-1004	1	GASKET						
46		1	6K-4934	2	CLIP (SLOT)						
47		1	6K-4935	2	CLIP (TAB)						
48		1	6K-5290	2	CLIP (TAB)						
49		1	6K-5291	2	CLIP (SLOT)						
50		1	6V-1889	3	CLIP						
M	51	1	6V-3303	2	BOLT (M16X2X60-MM)						
	52	1	6V-8400	1	SEAL-O-RING						
	53	1	6V-9173	1	NUT-BULKHEAD (1-11/16-12-THD)						
	54	1	7X-7729	1	WASHER (11X25X3-MM THK)						
	55	1	8B-0544	1	SPACER (1-IN THK)						
	56	1	8T-4121	11	WASHER-HARD (11X21X2.5-MM THK)						
M	57	1	8T-4136	3	BOLT (M10X1.5X25-MM)						
M	58	1	8T-4137	5	BOLT (M10X1.5X20-MM)						
M	59	1	8T-4139	4	BOLT (M12X1.75X30-MM)						
M	60	1	8T-4182	2	BOLT (M10X1.5X45-MM)						
M	61	1	8T-4183	4	BOLT (M12X1.75X40-MM)						
M	62	1	8T-4186	1	BOLT (M10X1.5X40-MM)						
	63	1	8T-4223	6	WASHER-HARD (13.5X25.5X3-MM THK)						
M	64	1	8T-5005	2	BOLT (M10X1.5X70-MM)						
	65	1	9X-8268	2	WASHER (17.5X30X3.5-MM THK)						
M	66	1	8T-4195	1	BOLT (M10X1.5X30-MM)						

I-REFER TO HYDRAULIC INFORMATION SYSTEM
M-METRIC PART
Y-SEPARATE ILLUSTRATION

POWER TRAIN

345-3960 LINES GP-AXLE OIL COOLER (contd.)

i04480110



GRAPHIC #1

<END>

g02500241

POWER TRAIN

246-4555 LINES GP-AXLE OIL COOLER FAN

S/N: A7A1-UP

PART OF 259-8449 COOLER AR-AXLE OIL
AN ATTACHMENT

SMCS-1365, 3016

i04480111

NOTE	REF NO	GRAPHIC REF	PART NUMBER	QTY	PART NAME						SEE PAGE
					1	2	3	4	5	6 (PRODUCT LEVEL)	
	1	1	197-3295	2	FLANGE-HALF						
	2	2	7C-6921	1	SPACER (11X20X22.8-MM THK)						
	3	2	7R-0042	1	ADAPTER						
	4	2	7Y-1863	1	SPACER (20.5X38X34-MM THK)						
	5	2	8C-6162	1	MANIFOLD						
	6	2	8X-4886	1	ELBOW						
I	7	1	9C-2399	1	HOSE AS						
	8	2	9U-2277	1	CLIP AS						
	9	2	9X-6772	1	STRAP-CABLE						
Y	10	2	149-2610	1	VALVE GP-SOLENOID (24-VOLT) (AXLE OIL COOLER)						361
	11	2	203-9364	1	BRACKET AS						
I	12	1	223-2112	1	HOSE AS						
I	13	1	257-7808	1	HOSE AS						
I	14	1	257-7814	1	HOSE AS						
Y	15	2	258-5060	1	PUMP GP-GEAR (PILOT, BRAKE, AXLE OIL CLR FAN)						321
I	16	1	272-5475	1	HOSE AS						
I	17	2	290-4824	1	HOSE AS						
	18	2	293-5328	1	BRACKET AS						
	19	1	148-8327	1	CONNECTOR AS						
		1	3D-2824	1	SEAL-O-RING						
		1	6V-8637	1	CONNECTOR						
		1	6V-9746	1	SEAL-O-RING						
	20	1	148-8449	1	TEE AS-SWIVEL						
		1	6V-9746	2	SEAL-O-RING						
		1	6V-9839	1	TEE-SWIVEL						
	21	2	148-8451	1	TEE AS						
		2	6V-8791	1	TEE-FACE SEAL						
		2	6V-9746	3	SEAL-O-RING						
	22	1,2	148-8455	2	UNION AS						
					(EACH INCLUDES)						
		1,2	6V-8997	1	UNION						
		1,2	6V-9746	2	SEAL-O-RING						
	23	1	165-4933	1	ELBOW AS						
		1	6V-8990	1	ELBOW						
		1	6V-9746	2	SEAL-O-RING						
	24	2	1H-6227	1	SEAL-O-RING						
	25	1	1P-4577	2	FLANGE-HALF						
	26	2	1P-4578	2	FLANGE-HALF						
	27	2	281-5972	1	CONNECTOR AS						
		2	6V-8637	1	CONNECTOR						
		2	238-5082	1	SEAL-O-RING						
		2	228-7092	1	SEAL-O-RING						
	28	1	2H-3926	4	LOCKWASHER						
	29	1,2	2P-1293	3	LOCKNUT (1-3/16-12-THD)						
	30	2	3D-2824	1	SEAL-O-RING						
	31	1	4J-0520	1	SEAL-O-RING						
	32	1,2	4J-0522	3	SEAL-O-RING						
	34	2	5P-2369	1	CLIP						
	35	2	5P-9085	1	CLIP						
	36	1	6V-1572	1	CLIP (SLOT)						
	37	1	6V-1573	1	CLIP (TAB)						
	38	1	6V-1574	1	GROMMET						
	39	1,2	7X-3392	6	WASHER-HARD (13.5X22.5X3-MM THK)						
	40	1,2	8T-4121	9	WASHER-HARD (11X21X2.5-MM THK)						
M	41	2	8T-4136	1	BOLT (M10X1.5X25-MM)						

POWER TRAIN

246-4555 LINES GP-AXLE OIL COOLER FAN (contd.)

i04480111

NOTE	REF NO	GRAPHIC REF	PART NUMBER	QTY	PART NAME						SEE PAGE
					1	2	3	4	5	6 (PRODUCT LEVEL)	
M	42	1	8T-4139	2	BOLT (M12X1.75X30-MM)						
M	43	2	8T-4140	1	BOLT (M16X2X60-MM)						
M	44	2	8T-4176	2	BOLT (M12X1.75X90-MM)						
M	45	2	8T-4186	1	BOLT (M10X1.5X40-MM)						
M	46	1	8T-4195	1	BOLT (M10X1.5X30-MM)						
M	47	1	8T-4196	4	BOLT (M10X1.5X35-MM)						
	48	1,2	8T-4223	10	WASHER-HARD (13.5X25.5X3-MM THK)						
M	49	2	8T-4910	2	BOLT (M12X1.75X60-MM)						
M	50	1,2	8T-4956	8	BOLT (M12X1.75X35-MM)						
M	51	2	8T-5005	2	BOLT (M10X1.5X70-MM)						
M	52	2	8T-6868	2	BOLT (M12X1.75X80-MM)						
	53	2	9X-8257	1	WASHER (17.5X30X3.5-MM THK)						

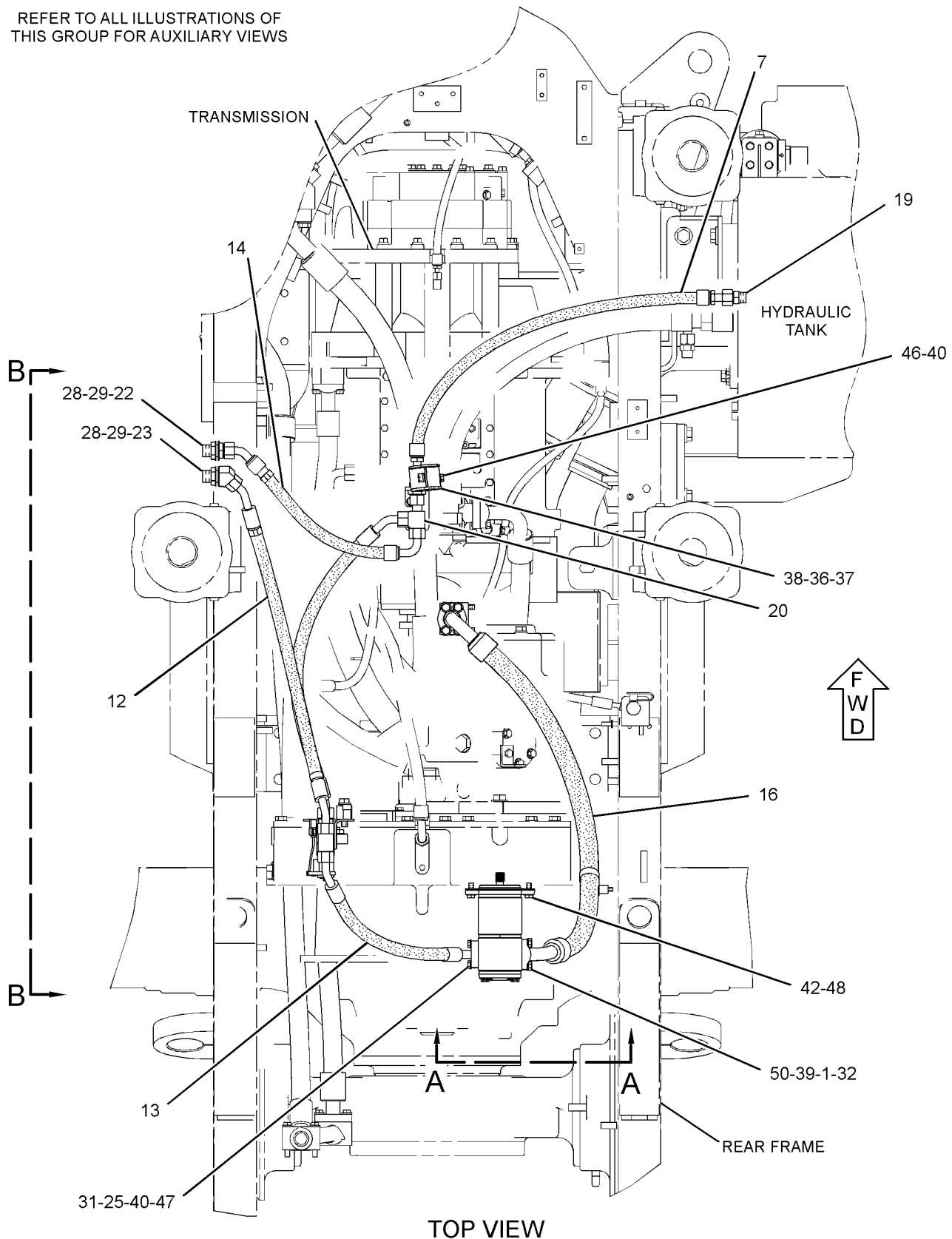
I-REFER TO HYDRAULIC INFORMATION SYSTEM
M-METRIC PART
Y-SEPARATE ILLUSTRATION

POWER TRAIN

246-4555 LINES GP-AXLE OIL COOLER FAN (contd.)

i04480111

REFER TO ALL ILLUSTRATIONS OF THIS GROUP FOR AUXILIARY VIEWS



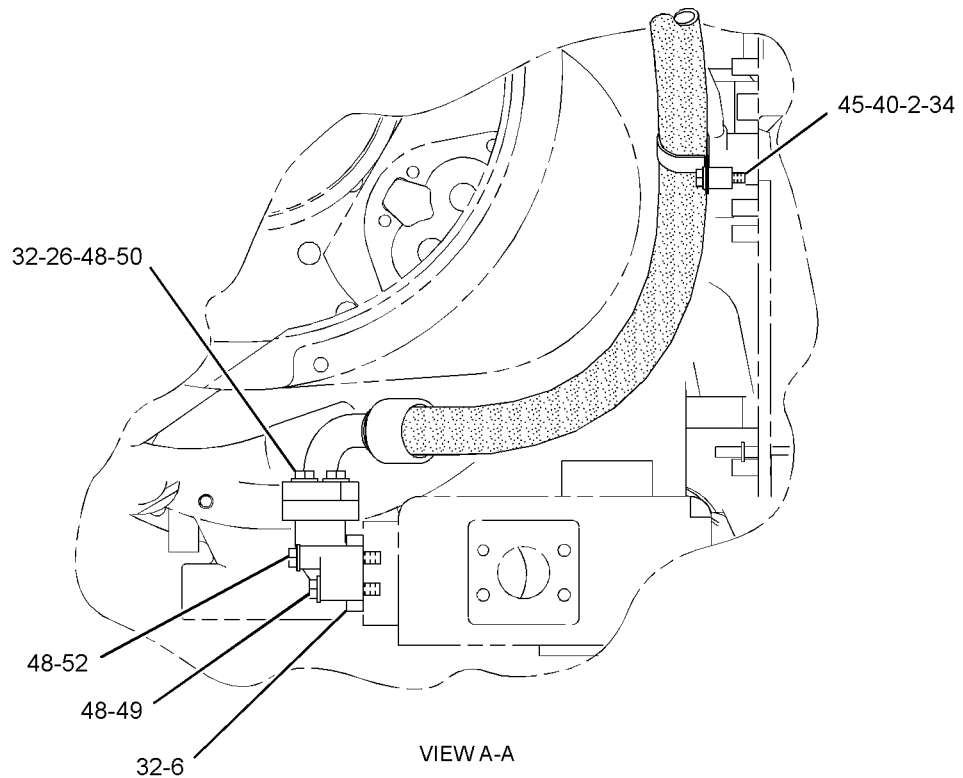
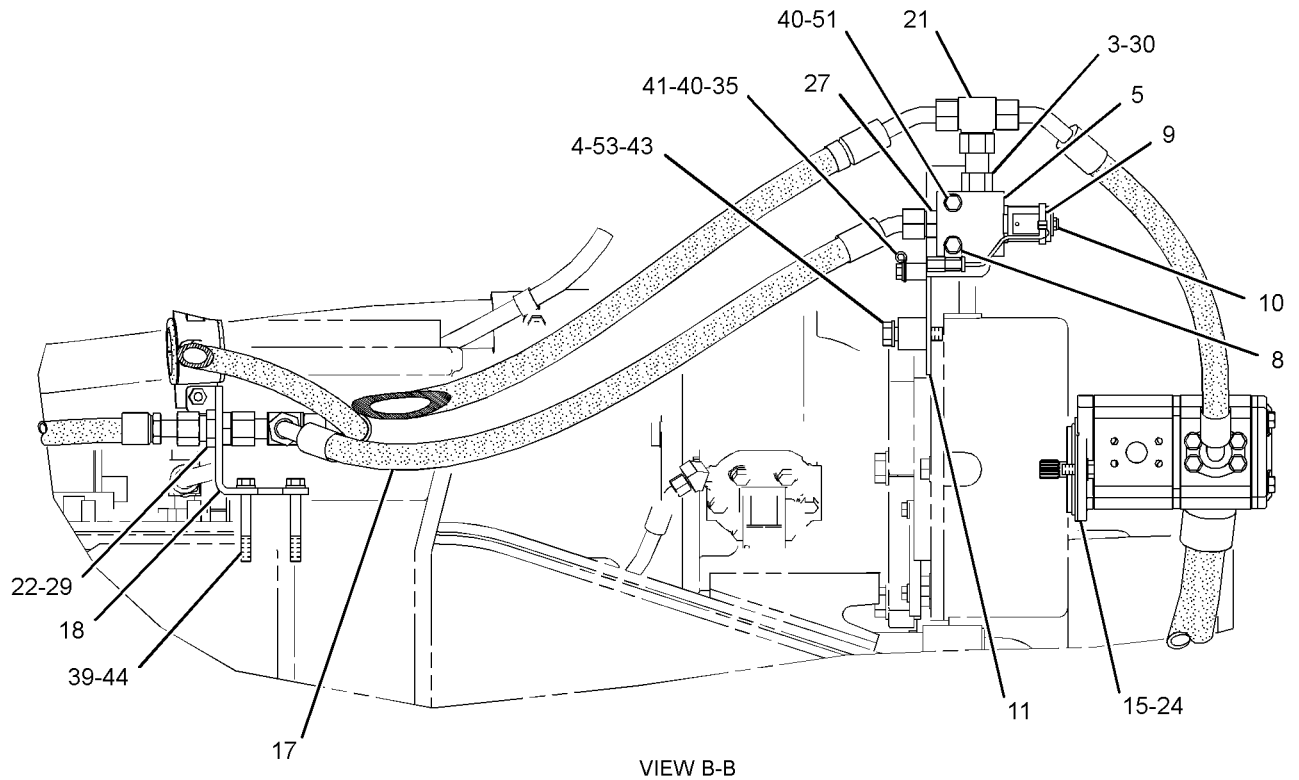
GRAPHIC #1

g01451753

POWER TRAIN

246-4555 LINES GP-AXLE OIL COOLER FAN (contd.)

i04480111



GRAPHIC #2

<END>

g01451754

POWER TRAIN

223-4254 LINES GP-AXLE VENT

S/N: A7A1-UP

PART OF 225-5455 POWER TRAIN AR

SMCS-3260, 5118

i04455710

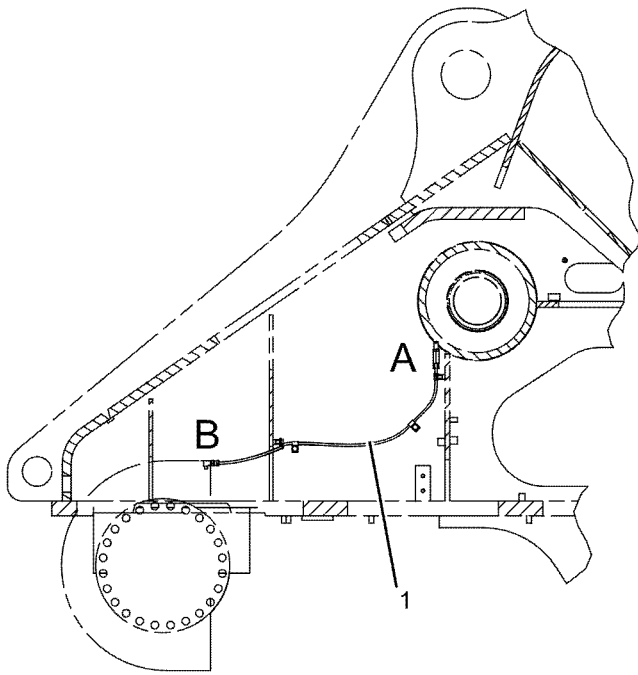
NOTE	REF NO	GRAPHIC REF	PART NUMBER	QTY	PART NAME						SEE PAGE
					1	2	3	4	5	6 (PRODUCT LEVEL)	
	1	1	2T-1051	1	HOSE AS						
	2	1	8T-0336	2	FITTING-PRESSURE RELIEF						
	3	1	194-7264	2	BREATHER AS (AXLE VENT)						
	4	1	220-2779	1	TUBE AS						
	5	1	236-5420	1	BRACKET AS						
	6	1	097-4896	1	SPACER (12X20X23-MM THK)						
	7	1	171-6731	1	CONNECTOR AS						
		1	6V-8398	1	SEAL-O-RING						
		1	8C-6871	1	CONNECTOR						
	8	1	208-1629	1	ELBOW AS						
		1	2T-2396	1	ELBOW						
		1	6V-8398	1	SEAL-O-RING						
	9	1	3B-6487	2	COUPLING (PIPE)						
	10	1	3B-6552	1	ELBOW-PIPE						
	11	1	3B-7262	1	NIPPLE-PIPE						
	12	1	3B-7720	1	COUPLING						
	13	1	5P-9085	4	CLIP						
	14	1	7B-1480	1	ELBOW-REDUCING						
	15	1	8M-2770	1	CLIP						
	16	1	8T-4121	5	WASHER-HARD (11X21X2.5-MM THK)						
M	17	1	8T-4137	4	BOLT (M10X1.5X20-MM)						
M	18	1	8T-4185	1	BOLT (M10X1.5X50-MM)						

M-METRIC PART

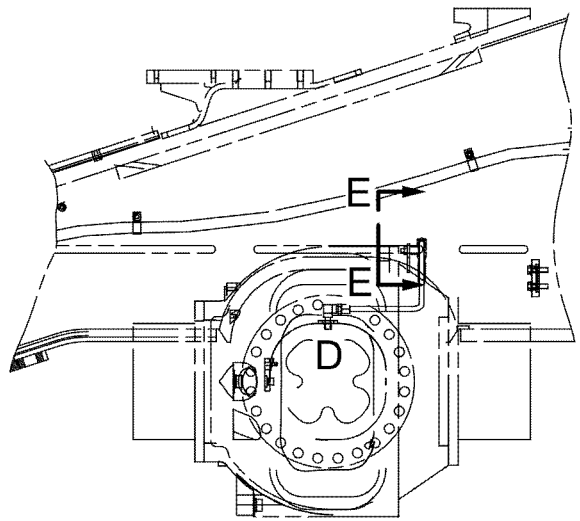
POWER TRAIN

223-4254 LINES GP-AXLE VENT (contd.)

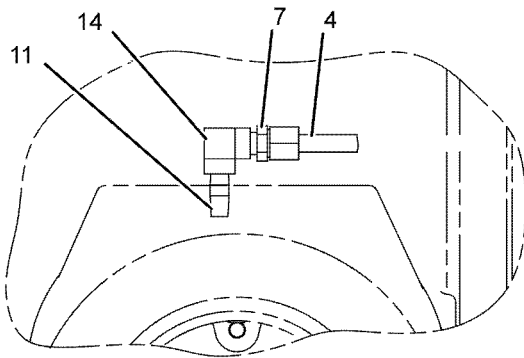
i04455710



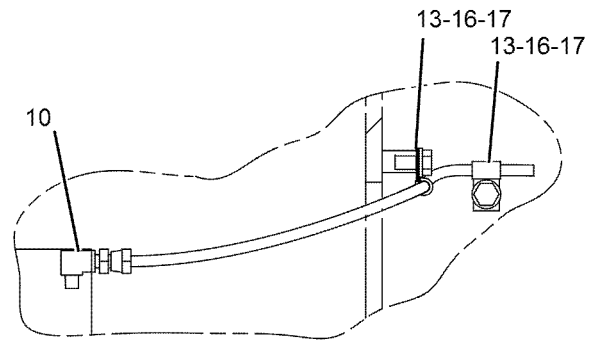
LEFT SIDE VIEW



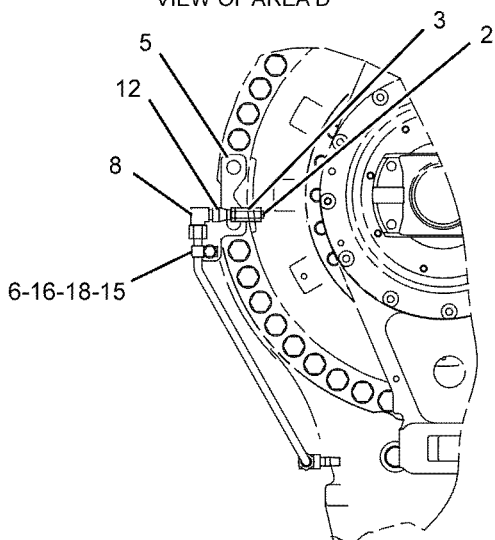
RIGHT SIDE VIEW



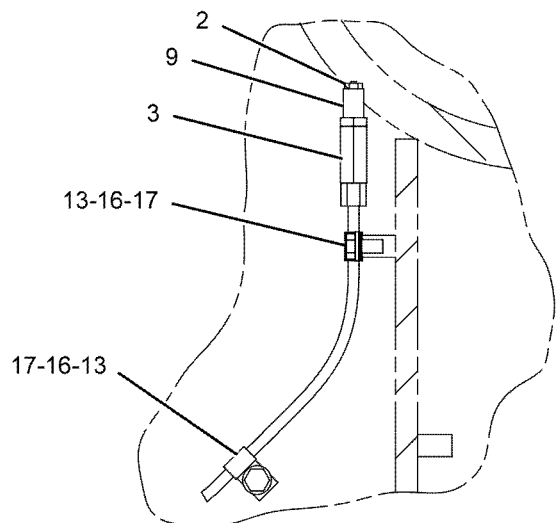
VIEW OF AREA D



VIEW OF AREA B



VIEW E-E



VIEW OF AREA A

GRAPHIC #1

<END>

g01035861

POWER TRAIN

345-3936 LINES GP-POWER TRAIN OIL

S/N: A7A1-UP

PART OF 345-3930 HYDRAULIC AR

SMCS-3016

i04456429

NOTE	REF NO	GRAPHIC REF	PART NUMBER	QTY	PART NAME						SEE PAGE
					1	2	3	4	5	6 (PRODUCT LEVEL)	
Y	1	1	1N-4296	1	PROTECTION GP-VANDALISM						692
	2	1	4H-6112	1	BREATHER (POWER TRAIN OIL)						
	4	1	5P-0597	2	CLAMP-HOSE						
	5	1,2	6V-0852	2	CAP-DUST						
	6	1	7S-1801	1	ANCHOR-CHAIN						
	7	2	8C-3446	1	VALVE-FLUID SAMPLING						
	8	2	8C-3447	1	CAP-DUST						
	9	1,2	8X-4886	4	ELBOW						
	10	2	9D-7924	4	MOUNTING						
	11	1	101-9083	1	BRACKET AS						
Y	12	2	104-5013	1	VALVE GP-RELIEF (TORQUE CONVERTER OUTLET)						360
	13	1	107-8265	1	TEE AS-SWIVEL						
		1	6V-9746	1	SEAL-O-RING						
		1	9X-2289	1	TEE-SWIVEL						
	14	1	118-9901	1	SPACER (12X20X10-MM THK)						
I	15	2	135-7052	1	HOSE AS						
	16	1	136-9699	1	BRACKET AS						
M		1	8T-3490	1	NUT-WELD (M10X1.5-THD)						
Y	17	1	139-9189	1	GAUGE GP-SIGHT (POWER TRAIN OIL)						284
I	18	1	140-5856	1	HOSE AS						
	19	2	157-6138	1	TUBE AS						
	20	2	165-0373	2	BRACKET						
	21	2	169-5862	1	ELBOW AS						
		2	3J-1907	1	SEAL-O-RING						
		2	8C-6712	1	ELBOW						
	22	1	176-5504	1	BRACKET AS						
I	23	1	194-2905	1	HOSE AS						
I	24	1	194-2906	1	HOSE AS						
I	25	1	194-2909	1	HOSE AS						
I	26	1	194-2910	1	HOSE AS						
Y	27	1	195-5979	1	PUMP GP-TRANSMISSION						325
	28	1,2	197-3295	12	FLANGE-HALF						
	29	1	205-9184	1	TUBE AS						
	30	1	210-5692	1	BLOCK						
I	31	1	225-6712	1	HOSE AS						
I	32	2	225-6713	1	HOSE AS						
I	33	2	225-6714	1	HOSE AS						
	34	2	229-8122	1	TEE						
	35	2	243-1277	8	WASHER-HARD						
	36	1	260-9143	1	ELBOW AS						
		1	6V-9746	1	SEAL-O-RING						
		1	109-5825	1	ELBOW						
I	37	2	273-3224	1	HOSE AS						
I	38	1	314-5581	1	HOSE AS						
	39	1	314-5582	1	TUBE						
	40	2	316-4382	1	BRACKET AS						
M		2	8T-3597	1	NUT-WELD (M12X1.75-THD)						
	41	2	345-3964	1	BRACKET AS						
Y	42	2	346-5571	1	FILTER GP-OIL (TRANSMISSION)						282
I	43	1	347-4755	1	HOSE AS						
I	44	1	351-5778	1	HOSE AS						
	45	1	148-8327	1	CONNECTOR AS						
		1	3D-2824	1	SEAL-O-RING						
		1	6V-8637	1	CONNECTOR						
		1	6V-9746	1	SEAL-O-RING						

POWER TRAIN

345-3936 LINES GP-POWER TRAIN OIL (contd.)

i04456429

NOTE	REF NO	GRAPHIC REF	PART NUMBER	QTY	PART NAME	1 2 3 4 5 6 (PRODUCT LEVEL)						SEE PAGE
	46	1	148-8336	2	CONNECTOR AS							
					(EACH INCLUDES)							
		1	3J-1907	1	SEAL-O-RING							
		1	6V-8397	1	SEAL-O-RING							
		1	6V-8636	1	CONNECTOR							
	47	1	148-8344	1	CONNECTOR AS							
		1	3D-2824	1	SEAL-O-RING							
		1	6V-9162	1	CONNECTOR							
		1	6V-9746	1	SEAL-O-RING							
	48	1	148-8363	1	ELBOW AS							
		1	3K-0360	1	SEAL-O-RING							
		1	6V-8397	1	SEAL-O-RING							
		1	6V-9876	1	ELBOW							
	49	1	148-8392	1	ELBOW AS							
		1	6V-9746	1	SEAL-O-RING							
		1	6V-9853	1	ELBOW							
	50	2	150-3065	1	ADAPTER AS							
		2	3J-1907	1	SEAL-O-RING							
		2	6V-0484	1	ELBOW							
	51	1,2	164-5567	2	COUPLER AS-QUICK DISCONNECT (MALE)							
					(EACH INCLUDES)							
		1,2	6V-3965	1	FITTING (QUICK DISCONNECT)							
		1,2	214-7568	1	SEAL-O-RING							
	52	1	199-6290	1	ELBOW AS							
		1	2T-2305	1	ELBOW							
		1	6V-8397	1	SEAL-O-RING							
	53	1,2	1P-3705	2	SEAL-RECTANGULAR							
	54	1,2	1P-4579	10	FLANGE-HALF							
	55	1	1P-4582	2	FLANGE-HALF							
	56	1	1P-4584	2	FLANGE-HALF							
	57	2	3J-7354	1	SEAL-O-RING							
	58	2	3K-0360	1	SEAL-O-RING							
	59	1	4D-7388	1	CLIP							
	60	1,2	4J-0522	12	SEAL-O-RING							
	61	1,2	4J-0524	7	SEAL-O-RING							
	62	1	4J-0527	1	SEAL-O-RING							
	63	2	5P-6944	1	ADAPTER							
	64	1	5P-7464	1	CLIP (SLOT)							
	65	1	5P-7465	1	CLIP (TAB)							
	66	1	5P-7468	1	CLIP (SLOT)							
	67	1	5P-7469	1	CLIP (TAB)							
	68	1,2	5P-7470	8	CLIP (SLOT)							
	69	1,2	5P-7471	8	CLIP (TAB)							
	70	1,2	5P-8182	8	GROMMET							
	71	1	5P-8444	1	GROMMET							
	72	1	6J-2680	1	SEAL-O-RING							
	73	1	6V-1889	1	CLIP							
	74	1	6V-8397	2	SEAL-O-RING							
	75	2	7K-1401	1	CLIP							
	76	2	7K-1402	1	BRACKET							
	77	1	7X-0325	1	BOLT (1/2-13X2.5-IN)							
M	78	2	7X-2549	4	BOLT (M12X1.75X100-MM)							
M	79	2	7X-2552	4	BOLT (M16X2X30-MM)							
	80	1,2	7X-3392	34	WASHER-HARD (13.5X22.5X3-MM THK)							
	81	1	8M-2773	2	CLIP							
	82	2	8M-4443	1	SEAL-O-RING							
	83	2	8M-4986	1	SEAL-O-RING							
	84	2	8M-5127	1	SEAL-O-RING							
	85	2	8M-8157	1	SEAL-O-RING							

POWER TRAIN

345-3936 LINES GP-POWER TRAIN OIL (contd.)

i04456429

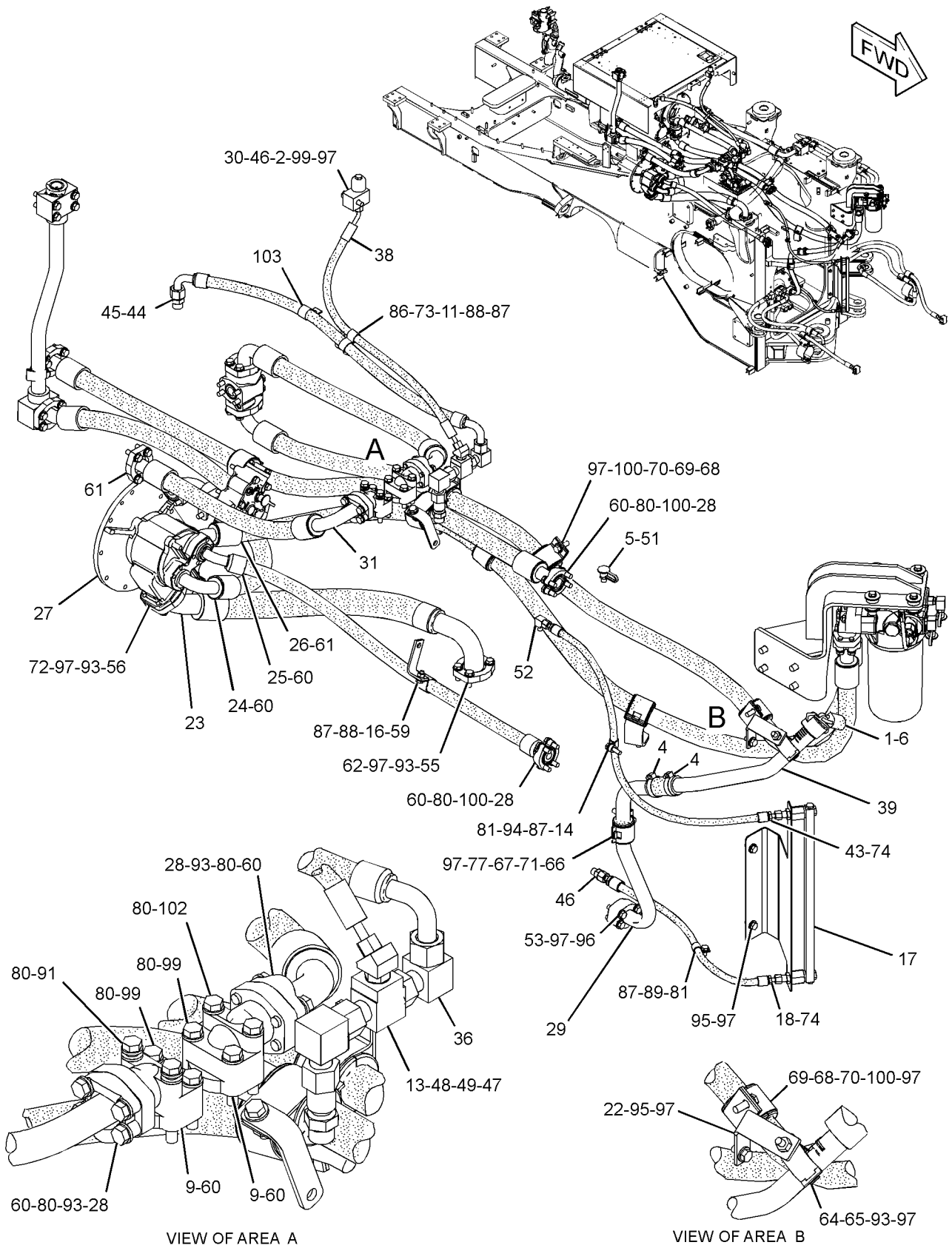
NOTE	REF NO	GRAPHIC REF	PART NUMBER	QTY	PART NAME						SEE PAGE
					1	2	3	4	5	6 (PRODUCT LEVEL)	
	86	1	8S-0948	1	CLIP						
	87	1,2	8T-4121	16	WASHER-HARD (11X21X2.5-MM THK)						
M	88	1	8T-4136	2	BOLT (M10X1.5X25-MM)						
M	89	1	8T-4137	1	BOLT (M10X1.5X20-MM)						
M	90	2	8T-4172	4	BOLT (M10X1.5X80-MM)						
M	91	1	8T-4176	2	BOLT (M12X1.75X90-MM)						
M	92	2	8T-4178	3	BOLT (M10X1.5X90-MM)						
M	93	1,2	8T-4183	47	BOLT (M12X1.75X40-MM)						
M	94	1	8T-4186	1	BOLT (M10X1.5X40-MM)						
M	95	1,2	8T-4192	4	BOLT (M12X1.75X25-MM)						
M	96	1	8T-4194	4	BOLT (M12X1.75X50-MM)						
	97	1,2	8T-4223	58	WASHER-HARD (13.5X25.5X3-MM THK)						
M	98	2	8T-4244	2	NUT (M12X1.75-THD)						
M	99	1	8T-4910	5	BOLT (M12X1.75X60-MM)						
M	100	1,2	8T-4956	15	BOLT (M12X1.75X35-MM)						
M	101	2	8T-6466	8	BOLT (M10X1.5X60-MM)						
M	102	1,2	8T-6868	6	BOLT (M12X1.75X80-MM)						
	103	1	8T-7529	1	CLIP						
	104	2	9X-8257	4	WASHER (17.5X30X3.5-MM THK)						

I-REFER TO HYDRAULIC INFORMATION SYSTEM
M-METRIC PART
Y-SEPARATE ILLUSTRATION

POWER TRAIN

345-3936 LINES GP-POWER TRAIN OIL (contd.)

i04456429



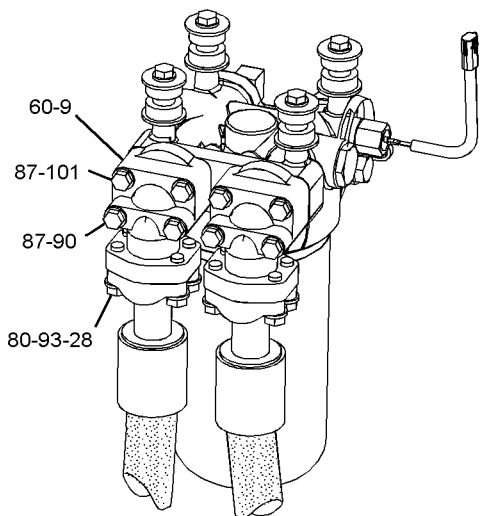
GRAPHIC #1

g02144436

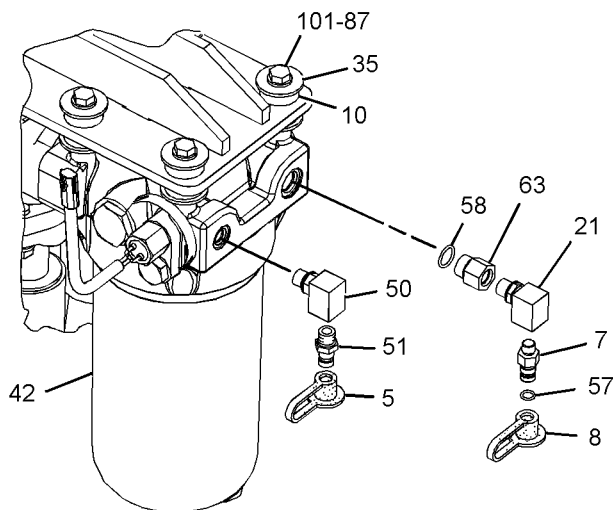
POWER TRAIN

345-3936 LINES GP-POWER TRAIN OIL (contd.)

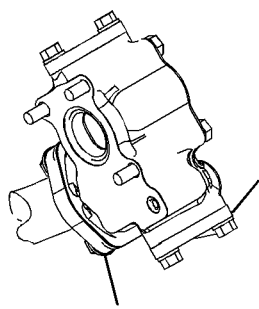
i04456429



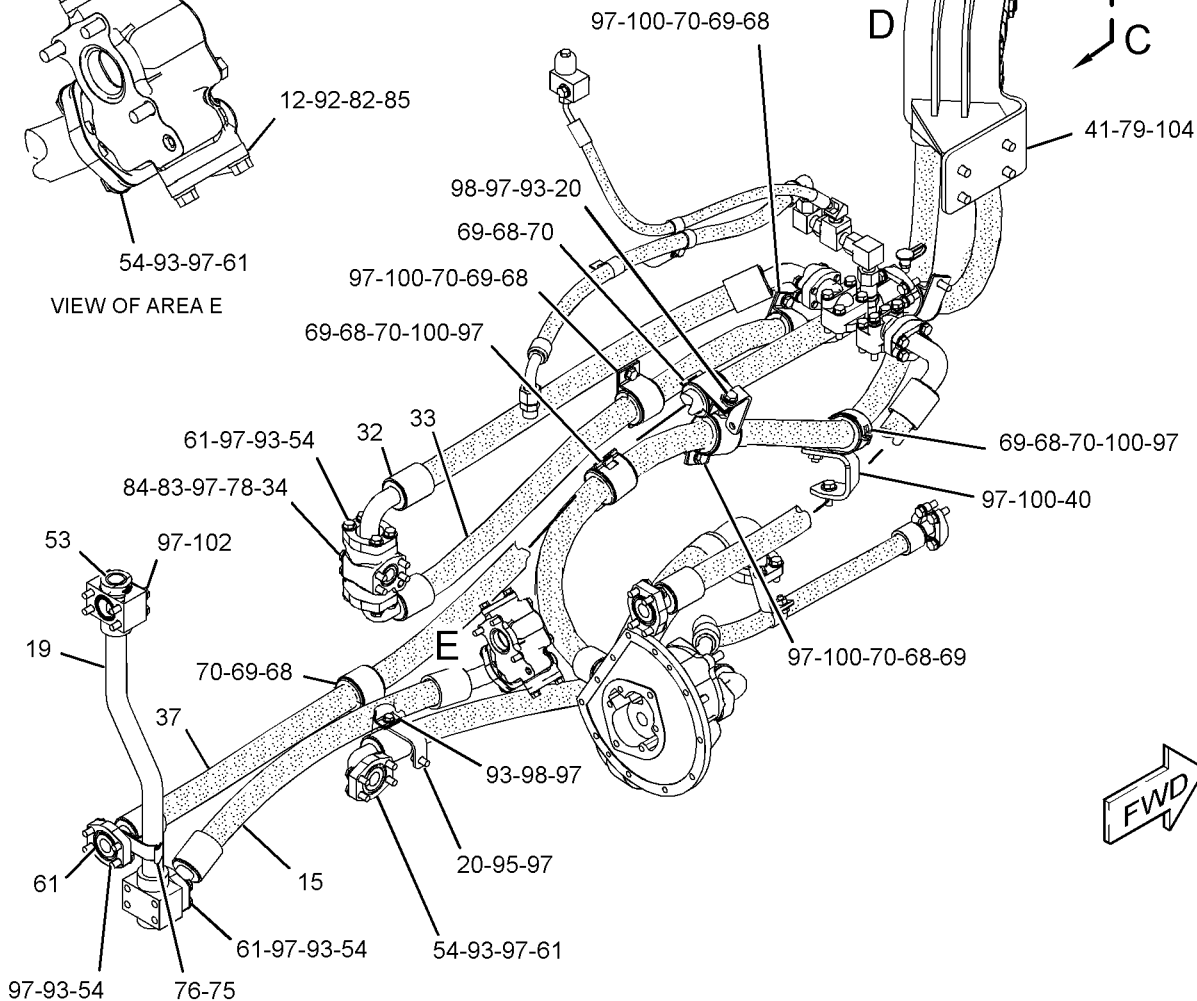
VIEW OF AREA D
(BRACKET REMOVED FOR CLARITY)



VIEW C-C
(EXPLODED)



VIEW OF AREA E



GRAPHIC #2

<END>

g02144437

POWER TRAIN

144-7263 MOUNTING GP-RIM

S/N: A7A1-UP

PART OF 141-9811 RIM AR

FOR USE WITH 40-MM THK CIRCLE FLANGE, 357-6258-PAGE 329. CANNOT BE USED WITH
262-1557-PAGE 326
AN ATTACHMENT

SMCS-4202, 4209

i04482690

NOTE	PART NUMBER	QTY	PART NAME						SEE PAGE
			1	2	3	4	5	6 (PRODUCT LEVEL)	
M	6V-8132	32	BOLT (M24X3X120-MM)						
	6V-8237	32	WASHER (26X44X4-MM THK)						

M-METRIC PART

<END>

261-3857 MOUNTING GP-RIM

S/N: A7A1-UP

PART OF 141-9811 RIM AR

FOR USE WITH 50-MM THK CIRCLE FLANGE, 262-1557-PAGE 326. CANNOT BE USED WITH
357-6258-PAGE 329
AN ATTACHMENT

SMCS-4202, 4209

i04482689

NOTE	PART NUMBER	QTY	PART NAME						SEE PAGE
			1	2	3	4	5	6 (PRODUCT LEVEL)	
M	8T-0669	128	BOLT (M24X3X130-MM)						
	6V-8237	128	WASHER (26X44X4-MM THK)						

M-METRIC PART

<END>

114-5147 MOUNTING GP-TORQUE CONVERTER

S/N: A7A1-UP

PART OF 225-5455 POWER TRAIN AR

SMCS-3101

i04455717

NOTE	PART NUMBER	QTY	PART NAME						SEE PAGE
			1	2	3	4	5	6 (PRODUCT LEVEL)	
M	8T-0375	11	BOLT (M16X2X45-MM)						
	9X-8257	11	WASHER (17.5X30X3.5-MM THK)						

M-METRIC PART

<END>

POWER TRAIN

230-6316 PLANETARY GP-TRANSMISSION

S/N: DRT1-UP

PART OF 230-6315 TRANSMISSION AR

SMCS-3160

i04456537

NOTE	REF NO	GRAPHIC REF	PART NUMBER	QTY	PART NAME	1 2 3 4 5 6 (PRODUCT LEVEL)						SEE PAGE
						1	2	3	4	5	6	
	1	5	9W-1572	1	SHAFT-TRANSMISSION INPUT							
	2	7	7G-2928	1	PLATE-RETAINER							
	3	7	0L-2315	1	BOLT (1/2-20X3.5-IN)							
	4	6	3P-4051	1	SPACER-SPECIAL							
	5	6	6Y-1616	1	CARRIER AS							
	5A	6	4S-8537	1	DOWEL							
	6	4,7	8T-1141	2	RING-RETAINING							
	7	2,4,7	6Y-3484	3	BALL BEARING							
	8	2,4,7	6V-0836	3	RING-RETAINING							
	9	6	6F-0156	1	RING-METAL SEAL							
	10	7	187-0844	1	HOUSING AS-CLUTCH (REVERSE)							
	10A	7	9S-1343	1	PLUG-CUP							
	11	5,6	3P-3321	2	SEAL-METAL RING							
	12	5,6	108-2736	2	RING-LOCK							
	13	6	7G-4818	1	RING-SEAL							
	14	6	164-3302	1	PISTON-CLUTCH							
	15	1,3,4,5,6	3P-2793	5	SEAL-RING							
	16	6	6T-3720	1	GEAR-RING (80-TEETH)							
	17	5	9F-3788	1	RING-METAL SEAL							
	18	5	106-7798	2	BALL BEARING							
	19	5	8S-9104	2	RING-RETAINING							
	20	6	8P-4617	1	SEAL-METAL RING							
	21	6	164-4891	1	PLATE AS							
	21A	6	2D-6642	2	BALL							
	21B	6	7M-8479	2	DOWEL							
	22	5	7G-5746	1	HOUSING-CLUTCH (FORWARD LOW)							
	23	5	3P-3059	1	GEAR-SUN (42-TEETH)							
	24	5	164-3303	1	PISTON-CLUTCH							
	25	5	7G-4817	1	RING-SEAL							
	26	4	3P-3098	1	GEAR-RING (90-TEETH)							
	27	5	8F-8544	2	BOLT (3/8-16X6.25-IN)							
	28	5	5M-6187	1	RING-METAL SEAL							
	29	4	108-2735	1	RING-LOCK							
	30	4	9M-4355	20	DAMPER-BOLT							
	31	4	231-1270	1	HOUSING AS-CLUTCH (FORWARD HIGH)							
	31A	4	7M-8480	4	DOWEL							
	32	1,3,4	3P-2685	3	PISTON-CLUTCH							
	33	1,3,4	3P-2794	3	SEAL-RING							
	34	4	9M-1503	1	RING-METAL SEAL							
	35	2	7G-6772	1	CARRIER AS							
	35A	2	2D-6642	2	BALL							
	36	3	3P-2791	1	HOUSING-CLUTCH (SECOND & THIRD SPEED)							
	37	4	6P-5751	1	GEAR-RING (90-TEETH)							
	38	3	9W-2977	1	HUB AS							
	38A	3	4S-8537	1	DOWEL							
	39	3	133-2904	1	RING-RETAINING (89.5-MM ID)							
	40	3	3P-3304	1	PLATE-RETAINER							
	41	3	9M-2095	1	RING-RETAINING							
	42	3	3P-3635	3	SPRING-DISC							
	43	2	160-0595	1	MANIFOLD AS							
	43A	2	3D-2824	2	SEAL-O-RING							
	43B	2	3F-3442	1	DOWEL							
	43C	2	6T-6052	1	PLUG-ORIFICE							
	43D	2	7M-8480	4	DOWEL							
	43E	2	9S-8008	2	PLUG-O-RING							

POWER TRAIN

230-6316 PLANETARY GP-TRANSMISSION (contd.)

i04456537

NOTE	REF NO	GRAPHIC REF	PART NUMBER	QTY	PART NAME						SEE PAGE
					1	2	3	4	5	6 (PRODUCT LEVEL)	
	44	2	0T-0065	20	BOLT (3/8-16X3.5-IN)						
	45	2	5M-2894	20	WASHER-HARD (10.2X18.5X2.5-MM THK)						
	46	2	6Y-5793	2	RING-SEAL						
	47	2	0S-1617	10	BOLT (5/16-18X0.75-IN)						
	48	2	136-4839	5	LOCK						
	49	2	136-4840	1	SLINGER						
	50	2	136-4841	1	GASKET						
	51	1	6J-6721	18	BOLT (1/2-13X19.25-IN)						
	52	1,3	5P-8245	20	WASHER-HARD (13.5X25.5X3-MM THK)						
	53	1	3P-2761	1	HOUSING-CLUTCH (FIRST SPEED)						
	54	1	7G-0283	1	GEAR-RING (80-TEETH)						
	55	1	136-4838	1	CARRIER-PLANETARY						
	56	1	3P-3060	1	GEAR-SUN (50-TEETH)						
	57	1	1N-5410	1	RING-RETAINING						
	58	2	3P-3735	1	HOUSING AS-CARRIER						
	58A	2	4S-8537	1	DOWEL						
	58B	2	6B-6863	1	PIN-SPRING						
	58C	2	6P-7705	1	CARRIER-RING						
	59	3	5J-5794	2	BOLT (1/2-13X3.5-IN)						
	60	3	8S-6212	2	BOLT (1/2-13X13-IN)						
	61	4	164-5079	1	SHAFT AS-OUTPUT						
	61A	4	3P-3103	1	CARRIER-RING						
	61B	4	5P-0403	1	BEARING-ROLLER						
	62	1	3P-4050	1	SPACER (2.9X3.3X0.125-IN THK)						
	63	1	3P-3743	1	RING-RETAINING						
	64	1	1P-0014	1	RING-LOCK						
	65	1	3P-3242	5	SHAFT-PLANETARY						
	66	1	5M-2054	10	BEARING						
	67	1,2	8E-8304	18	DISC-THRUST						
	68	1	7G-2486	5	GEAR-PLANETARY (20-TEETH)						
	69	1,2,6	3S-2708	12	PIN-SPRING						
	70	1	1S-9989	6	DOWEL-REACTION						
	71	1,3,4	9H-5537	36	SPRING						
	72	2	1P-9261	1	SEAL-RING						
	73	2	3P-2768	1	PISTON-CLUTCH						
	74	2	3P-2792	1	SEAL-RING						
	75	2	7F-2122	2	SEAL-O-RING						
	76	2	2D-8363	1	SEAL-O-RING						
R	77	3	3P-7489	4	PLATE-CLUTCH						
	78	2,3	234-6707	5	DISC-FRICTION						
	79	2	6P-7379	1	HOUSING AS						
	79A	2	8B-1312	3	DOWEL						
	80	3	9W-8298	6	DOWEL						
	81	1,2,3,4	233-9748	8	DISC-FRICTION						
R	82	2,3,4,6	3P-7447	11	PLATE-CLUTCH						
	83	2	7G-2476	4	GEAR-PLANETARY (20-TEETH)						
	84	2	5M-6126	4	BEARING AS-ROLLER						
	85	2	6P-6739	4	SHAFT-PLANETARY						
	86	4	9P-5531	1	GEAR-SUN (50-TEETH)						
	87	4	6S-1753	1	RING-RETAINING						
	88	4	9W-1579	1	SPACER (65.3X75.9X3.2-MM THK)						
	89	5	112-7309	4	SHAFT-PLANETARY						
	90	5	112-4511	4	PIN-SPRING						
	91	5	282-5042	16	DISC-THRUST						
	92	5	5M-7925	8	BEARING AS-ROLLER						
	93	5	7G-3457	8	GEAR (25-TEETH)						
	94	5	3T-7138	1	GEAR-RING (80-TEETH)						
	95	5	112-7308	1	CARRIER-PLANETARY						

POWER TRAIN

230-6316 PLANETARY GP-TRANSMISSION (contd.)

i04456537

NOTE	REF NO	GRAPHIC REF	PART NUMBER	QTY	PART NAME						SEE PAGE
					1	2	3	4	5	6 (PRODUCT LEVEL)	
	96	5,6	9W-9856	8	DISC AS-FRICTION						
	97	5	7H-7658	12	SPRING						
	98	5	9W-8297	6	DOWEL						
	99	5	3P-3418	1	GEAR-RING (88-TEETH)						
	100	6	9W-3898	3	GEAR (28-TEETH)						
	101	6	1P-3958	3	ROLLER AS-SPECIAL						
	102	6	8E-8316	6	DISC-THRUST						
	103	6	3P-3246	3	SHAFT-PLANETARY						
	104	5	8M-4390	2	SEAL-O-RING						
	105	5	3P-2983	1	GEAR-SUN (32-TEETH)						
	106	2	9S-4191	1	PLUG-O-RING						
	107	2	3J-1907	1	SEAL-O-RING						

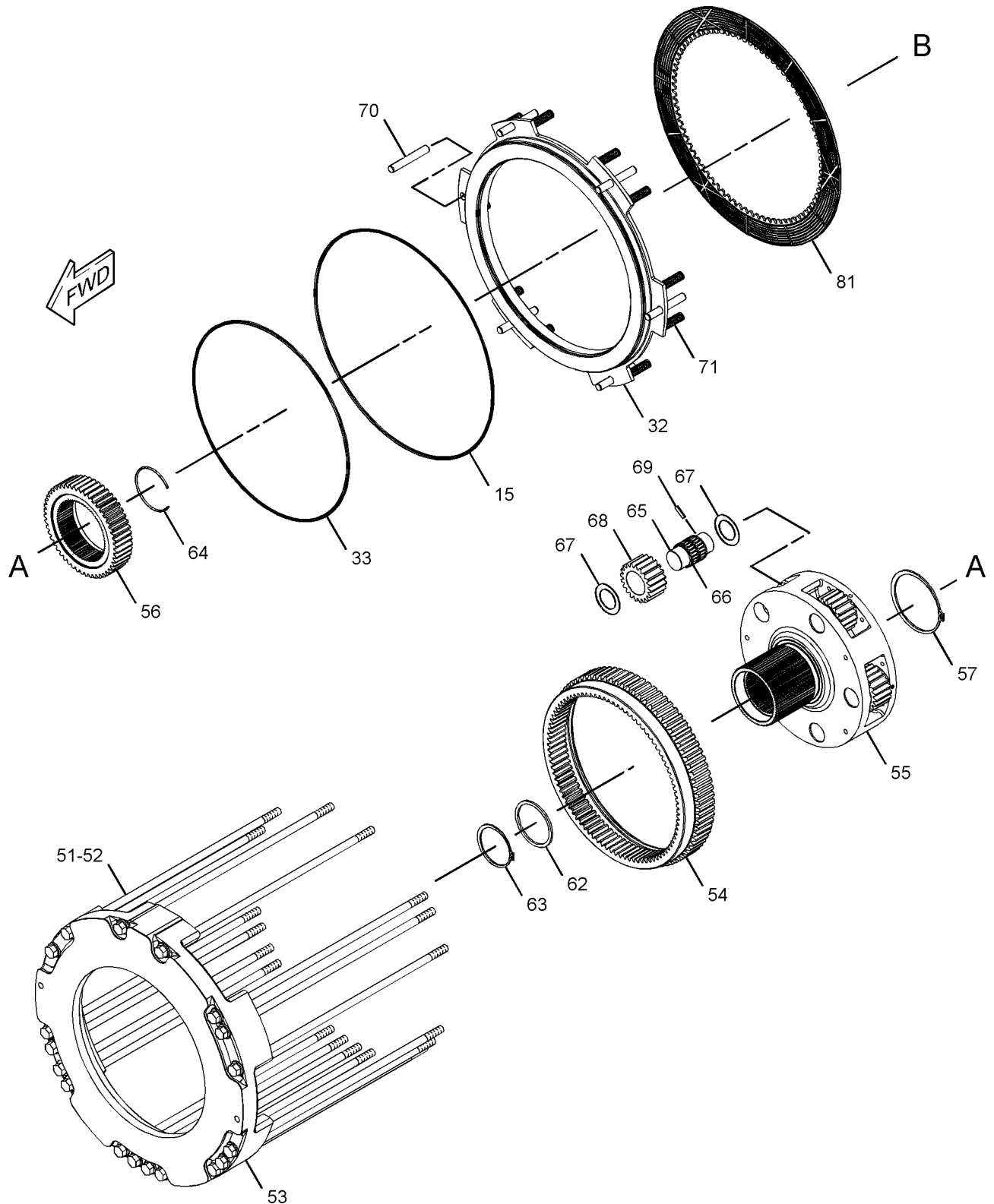
R-REMFG PART MAY BE AVAILABLE

POWER TRAIN

230-6316 PLANETARY GP-TRANSMISSION (contd.)

i04456537

REFER TO ALL ILLUSTRATIONS OF THIS GROUP FOR AUXILIARY VIEWS



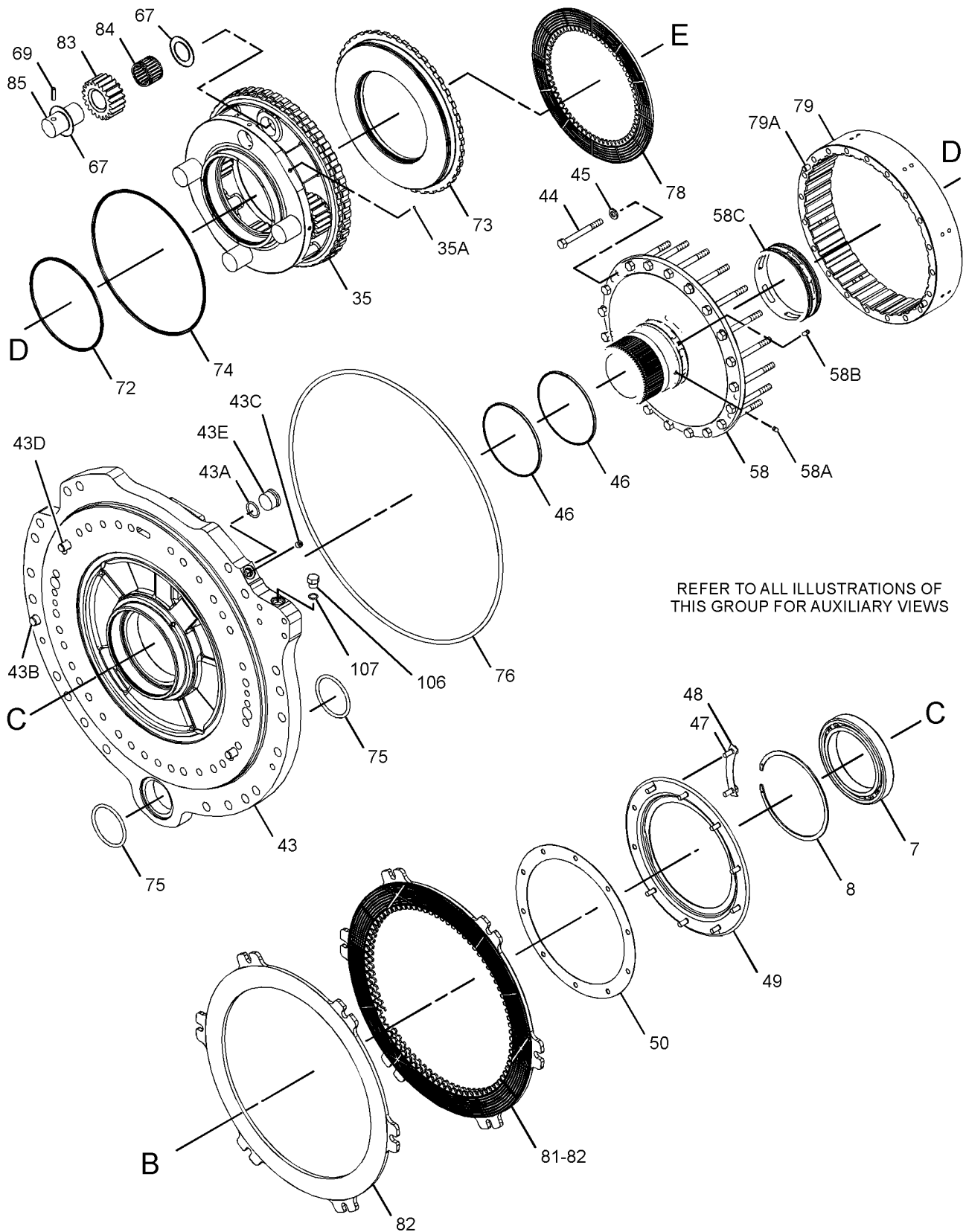
GRAPHIC #1

g01831375

POWER TRAIN

230-6316 PLANETARY GP-TRANSMISSION (contd.)

i04456537



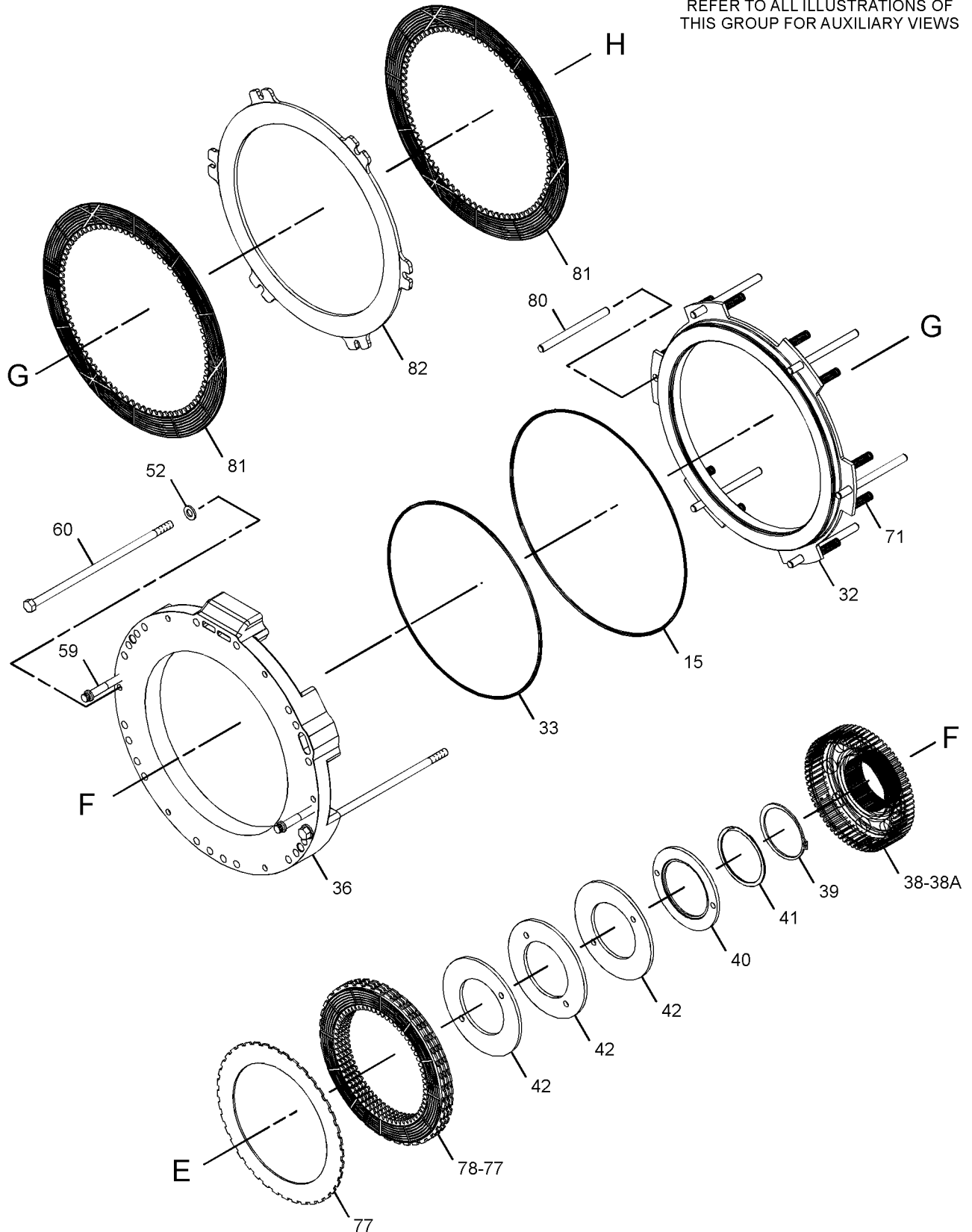
REFER TO ALL ILLUSTRATIONS OF THIS GROUP FOR AUXILIARY VIEWS

POWER TRAIN

230-6316 PLANETARY GP-TRANSMISSION (contd.)

i04456537

REFER TO ALL ILLUSTRATIONS OF THIS GROUP FOR AUXILIARY VIEWS



GRAPHIC #3

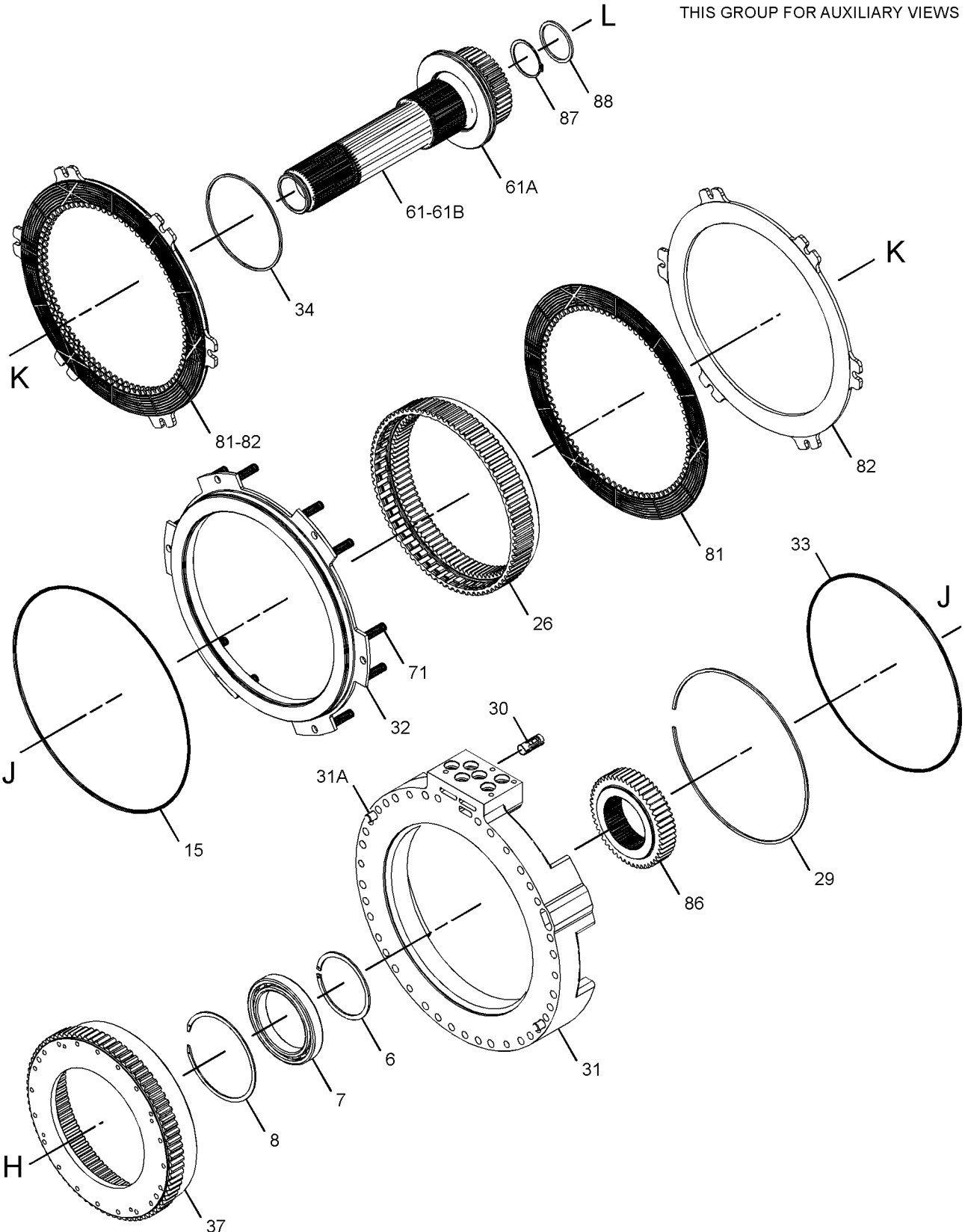
g01836893

POWER TRAIN

230-6316 PLANETARY GP-TRANSMISSION (contd.)

i04456537

REFER TO ALL ILLUSTRATIONS OF THIS GROUP FOR AUXILIARY VIEWS



GRAPHIC #4

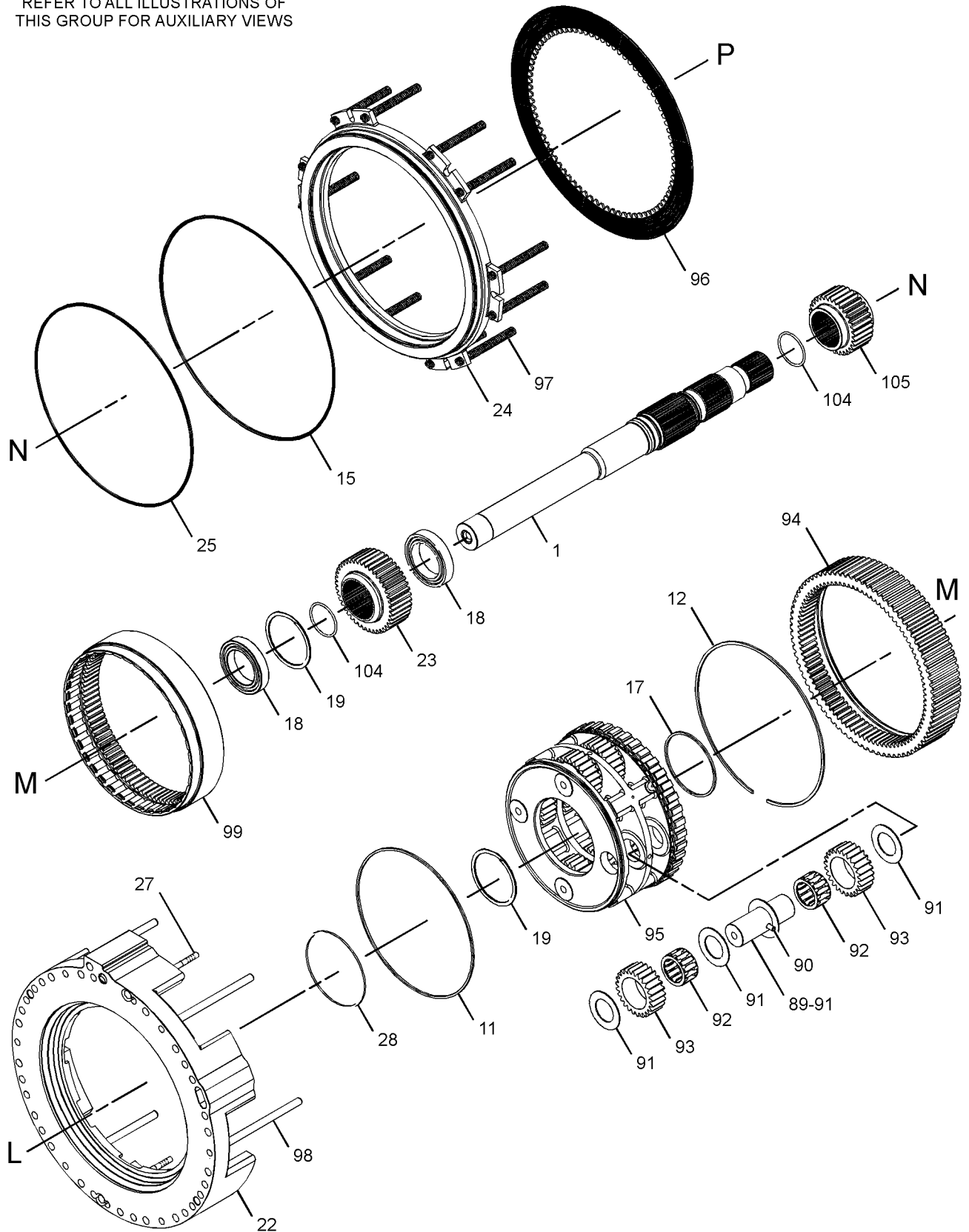
g01836894

POWER TRAIN

230-6316 PLANETARY GP-TRANSMISSION (contd.)

i04456537

REFER TO ALL ILLUSTRATIONS OF THIS GROUP FOR AUXILIARY VIEWS



GRAPHIC #5

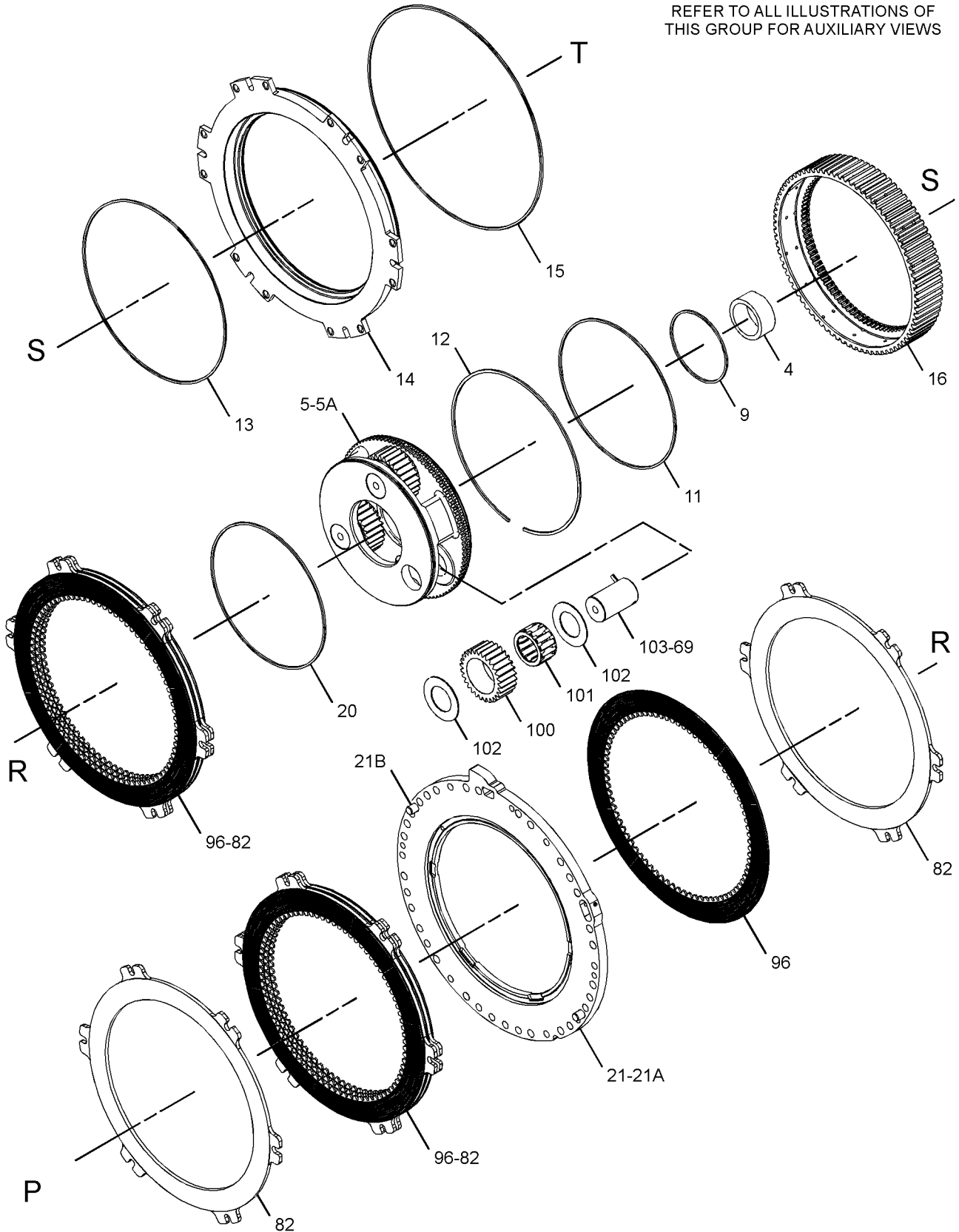
g01836895

POWER TRAIN

230-6316 PLANETARY GP-TRANSMISSION (contd.)

i04456537

REFER TO ALL ILLUSTRATIONS OF THIS GROUP FOR AUXILIARY VIEWS



GRAPHIC #6

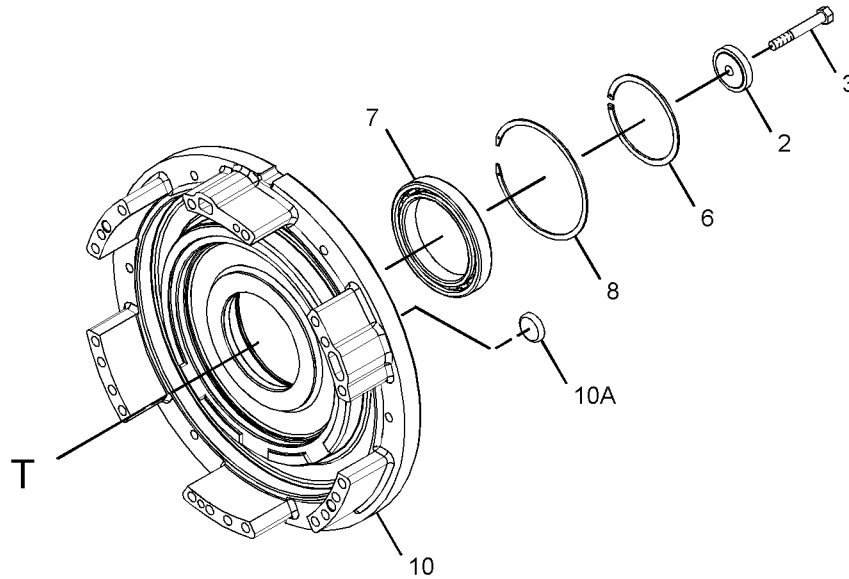
g01836896

POWER TRAIN

230-6316 PLANETARY GP-TRANSMISSION (contd.)

i04456537

REFER TO ALL ILLUSTRATIONS OF THIS GROUP FOR AUXILIARY VIEWS



GRAPHIC #7

<END>

g01836897

POWER TRAIN

225-5455 POWER TRAIN AR

S/N: A7A1-UP

PART OF 284-2327 COMMON AR

SMCS-3000, 4000

i04455537

NOTE	PART NUMBER	QTY	PART NAME						SEE PAGE
			1	2	3	4	5	6 (PRODUCT LEVEL)	
Y	137-8833	1	AXLE AR-FIXED (FRONT)						260
Y	137-8832	1	AXLE AR-OSCILLATING (REAR)						260
Y	174-1552	1	BRAKE GP-PARKING						423
Y	137-8865	1	FASTENER GP-AXLE MOUNTING						280
Y	223-4254	1	LINES GP-AXLE VENT						302
Y	114-5147	1	MOUNTING GP-TORQUE CONVERTER						309
Y	136-1722	1	SHAFT GP-DRIVE						330
Y	136-1754	1	SHAFT GP-INPUT DRIVE						332
YR	230-6315	1	TRANSMISSION AR						352

R-REMG PART MAY BE AVAILABLE
Y-SEPARATE ILLUSTRATION

<END>

POWER TRAIN

258-5060 PUMP GP-GEAR

S/N: A7A1-UP

PART OF 246-4555 LINES GP-AXLE OIL COOLER FAN
AN ATTACHMENT

SMCS-3066, 5073

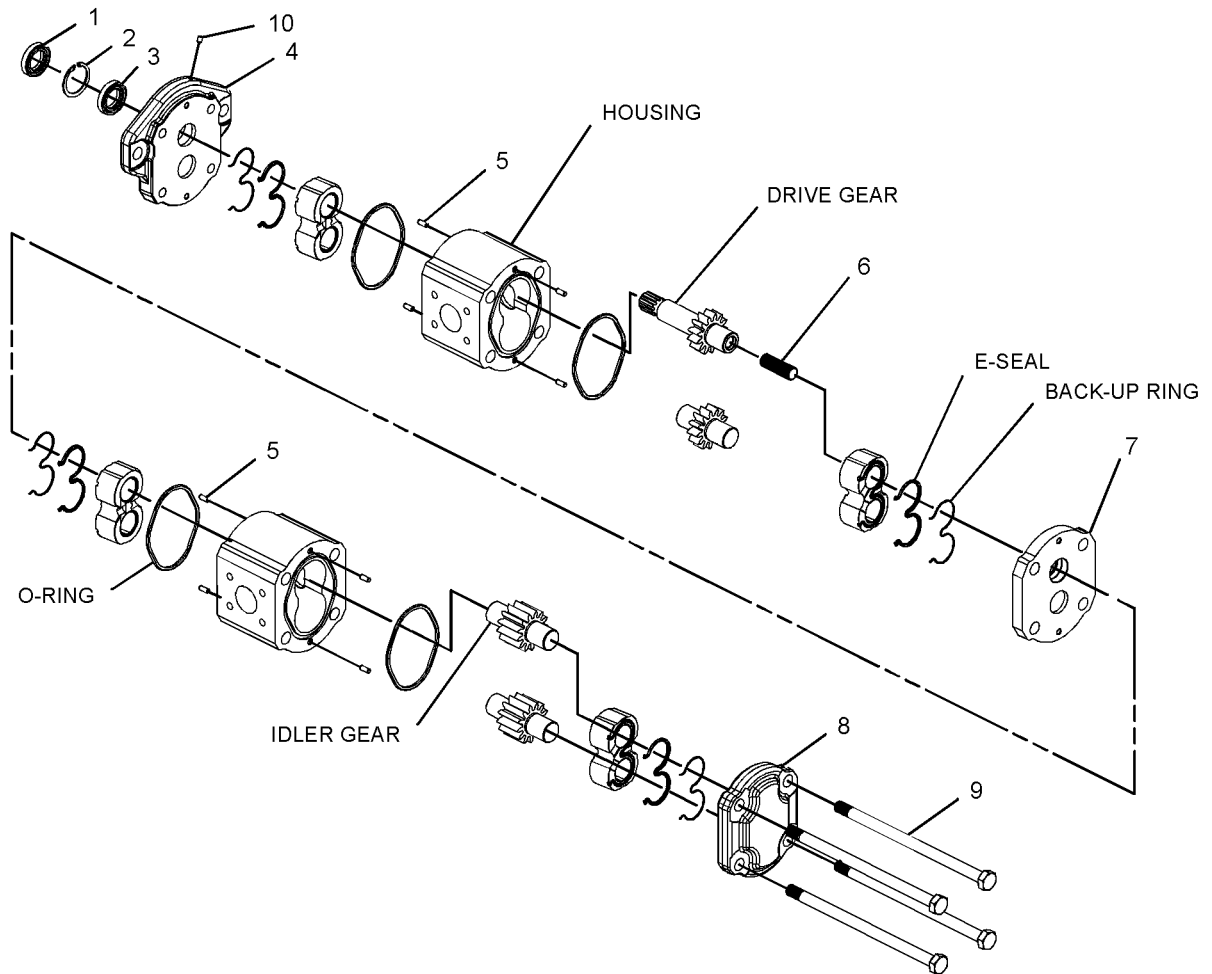
i04482950

NOTE	REF NO	GRAPHIC REF	PART NUMBER	QTY	PART NAME						SEE PAGE
					1	2	3	4	5	6	
J	1	1	254-5665	1	SEAL AS						
J	2	1	1L-3768	1	RING-RETAINING						
J	3	1	208-8094	1	SEAL						
	4	1	260-8902	1	FLANGE						
	5	1	099-3095	8	DOWEL						
	6	1	260-8903	1	COUPLING						
	7	1	260-8904	1	PLATE						
	8	1	135-3490	1	COVER						
M	9	1	9X-2145	4	BOLT (M12X1.75-THD)						
	10	1	219-8899	1	PLUG-SCREEN						

AVAILABLE REPAIR KIT(S):

J	260-8905	1	KIT-SEAL (INCLUDES SEALS AND RINGS)
---	-----------------	---	--

J-KIT MARKED J INCLUDES PARTS MARKED J
M-METRIC PART



GRAPHIC #1

<END>

g01118675

POWER TRAIN

292-9912 PUMP GP-GEAR

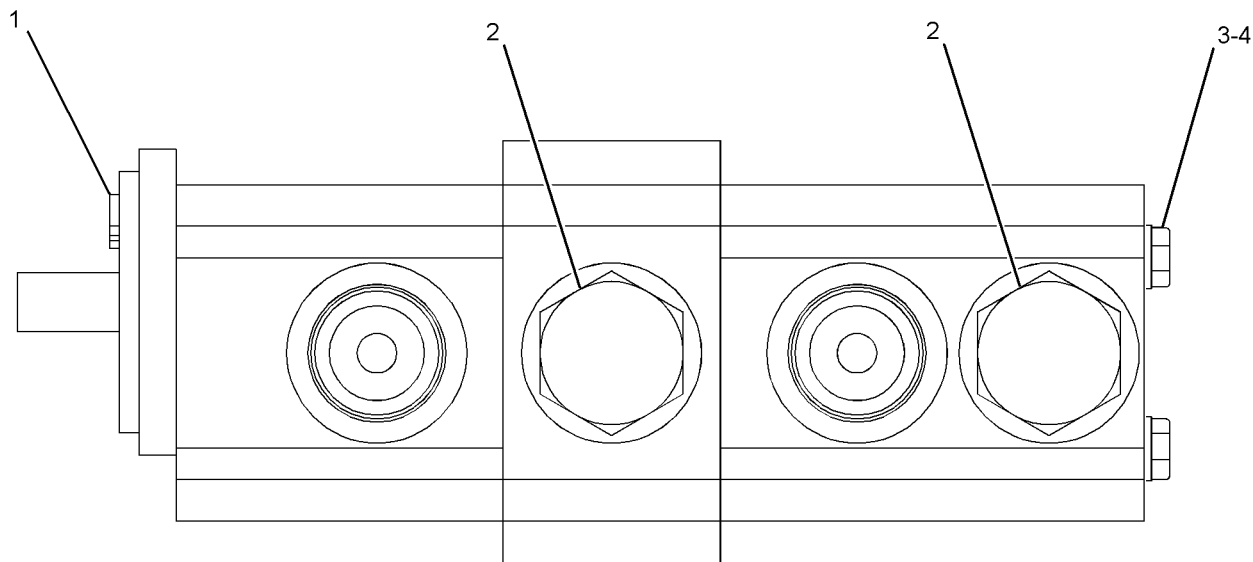
S/N: A7A1-UP

PART OF 345-3960 LINES GP-AXLE OIL COOLER
AN ATTACHMENT

SMCS-3066, 5073

i04490294

NOTE	REF NO	GRAPHIC REF	PART NUMBER	QTY	PART NAME						SEE PAGE
					1	2	3	4	5	6 (PRODUCT LEVEL)	
	1	1	204-0157	1	KIT-SEAL (KIT INCLUDES DOWELS, SEALS, RINGS, AND O-RINGS)						
	2	1	292-9911	2	KIT-RELIEF VALVE						
	3	1	286-3219	4	BOLT (M10X1.5X300-MM)						
	4	1	9X-2327	4	WASHER (11X18.5X2.5-MM THK)						



GRAPHIC #1

<END>

g01321371

POWER TRAIN

193-0980 PUMP GP-TRANSMISSION*R

S/N: A7A1-UP

PART OF 195-5979 PUMP GP-TRANSMISSION

SMCS-3066

i04461025

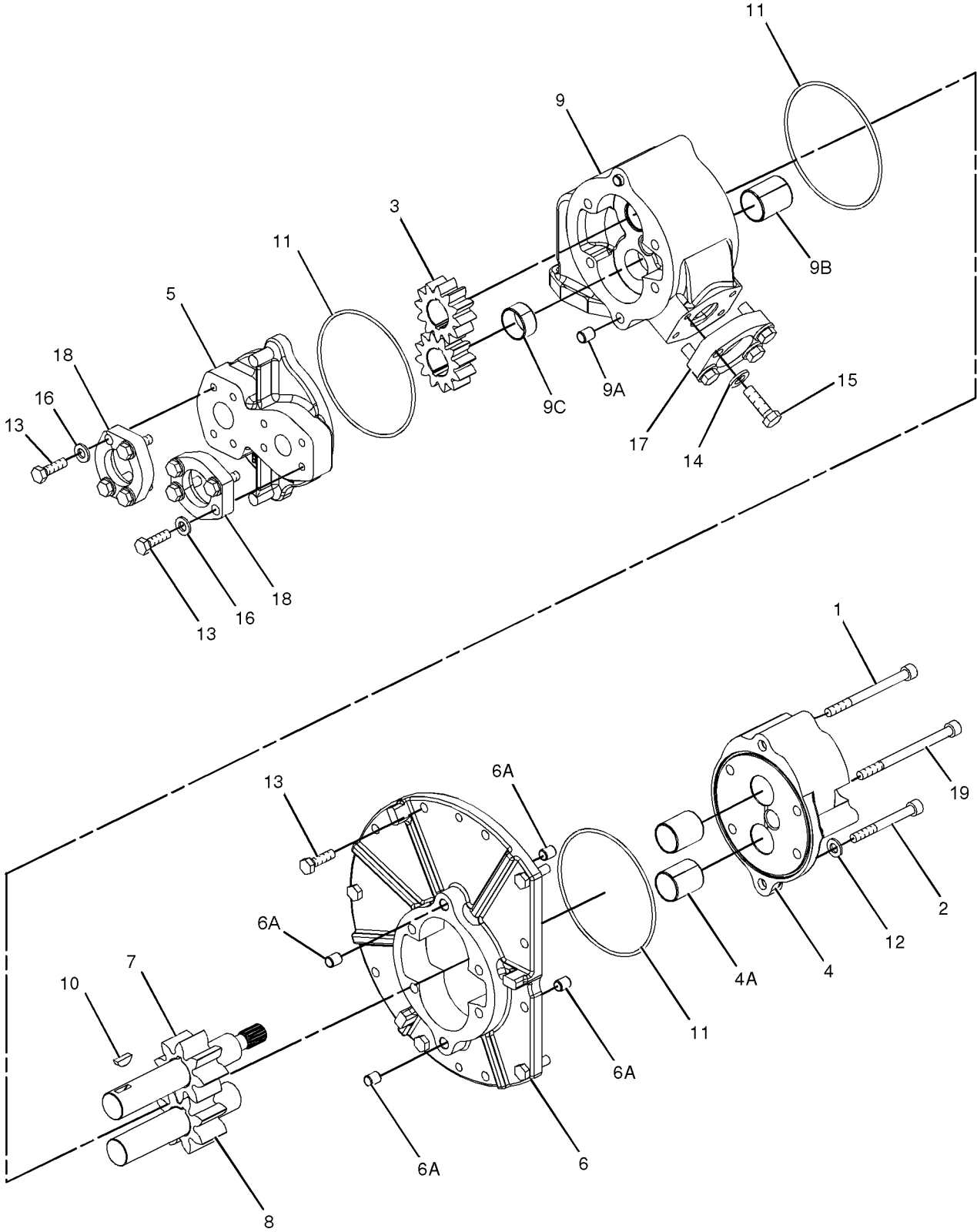
NOTE	REF NO	GRAPHIC REF	PART NUMBER	QTY	PART NAME						SEE PAGE
					1	2	3	4	5	6 (PRODUCT LEVEL)	
M	1	1	096-1331	1	BOLT-SOCKET HEAD (M10X1.5X120-MM)						
M	2	1	9X-2158	1	BOLT-SOCKET HEAD (M10X1.5X90-MM)						
	3	1	3P-0747	2	GEAR-OIL PUMP (12-TEETH)						
	4	1	134-5623	1	COVER AS						
	4A	1	1M-3909	2	BUSHING						
	5	1	193-9179	1	MANIFOLD-OIL PUMP						
	6	1	194-6626	1	BODY AS-OIL PUMP						
	6A	1	8M-8489	4	DOWEL						
	7	1	195-5981	1	GEAR AS (8-TEETH)						
		1	1B-8736	1	KEY-WOODRUFF						
	8	1	195-5985	1	GEAR AS (8-TEETH)						
		1	1B-8736	1	KEY-WOODRUFF						
	9	1	195-5988	1	BODY AS						
	9A	1	8M-8489	2	DOWEL						
	9B	1	1M-3909	2	BUSHING						
	9C	1	9M-4370	2	BEARING						
	10	1	1B-8736	1	KEY-WOODRUFF						
	11	1	161-8068	3	SEAL-O-RING						
	12	1	6V-5839	1	WASHER (11X21X2.5-MM THK)						
M	13	1	8T-4196	13	BOLT (M10X1.5X35-MM)						
	14	1	8T-4223	4	WASHER-HARD (13.5X25.5X3-MM THK)						
M	15	1	8T-4183	4	BOLT (M12X1.75X40-MM)						
	16	1	8T-4121	8	WASHER-HARD (11X21X2.5-MM THK)						
	17	1	1P-4579	2	FLANGE-HALF						
	18	1	1P-4578	4	FLANGE-HALF						
M	19	1	183-8004	4	BOLT-SOCKET HEAD (M10X1.5X180-MM)						

M-METRIC PART

POWER TRAIN

193-0980 PUMP GP-TRANSMISSION (contd.)

i04461025



GRAPHIC #1

<END>

g01056795

POWER TRAIN

195-5979 PUMP GP-TRANSMISSION

S/N: A7A1-UP

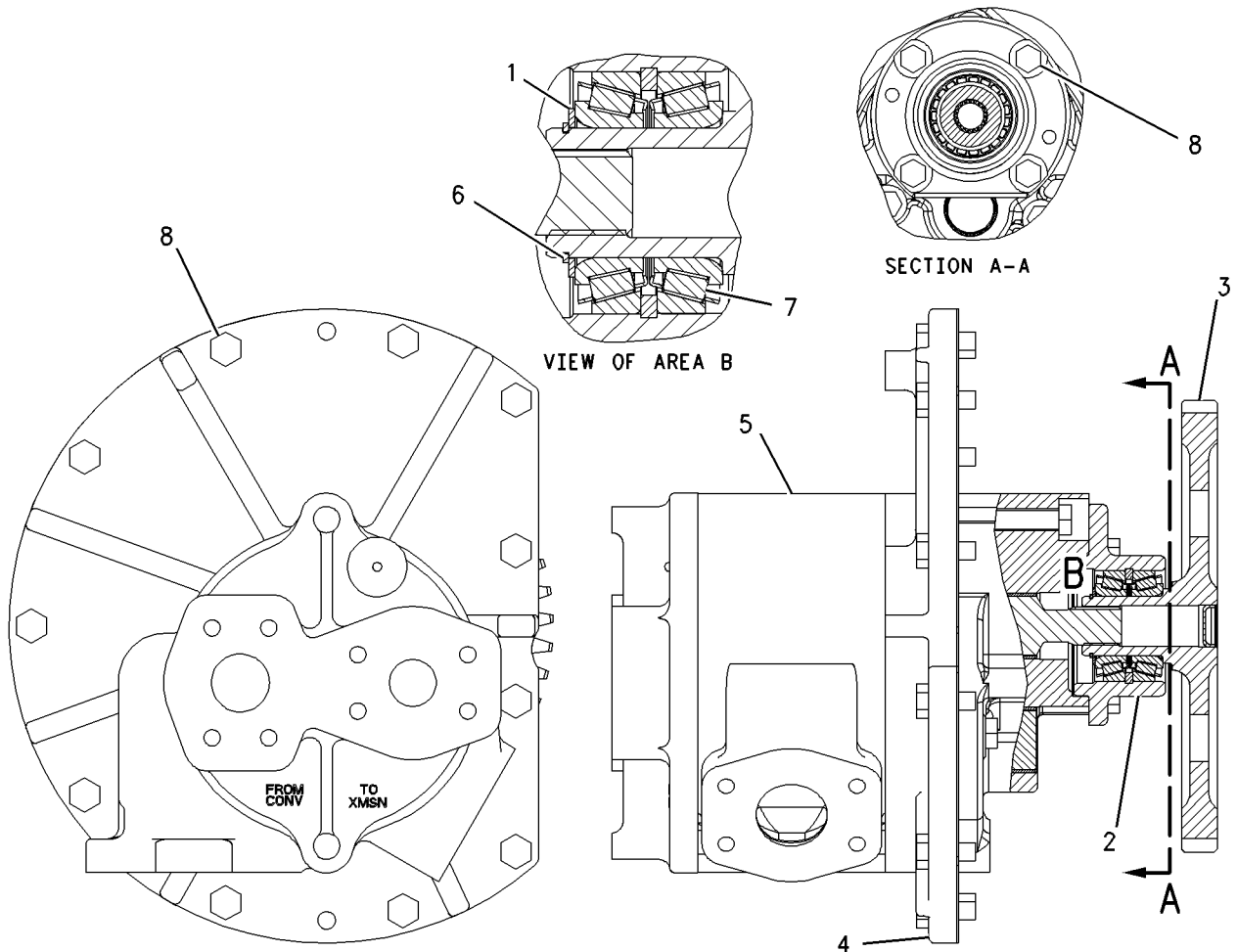
PART OF 345-3936 LINES GP-POWER TRAIN OIL

SMCS-3066

i04460602

NOTE	REF NO	GRAPHIC REF	PART NUMBER	QTY	PART NAME						SEE PAGE
					1	2	3	4	5	6 (PRODUCT LEVEL)	
	1	1	8P-8701	1	WASHER-THRUST						
	2	1	134-5628	1	CAGE-BEARING						
	3	1	135-1844	1	GEAR AS						
		1	4N-0952	1	PLUG-CUP						
	4	1	135-1845	1	GASKET						
YR	5	1	193-0980	1	PUMP GP-TRANSMISSION						323
	6	1	2M-4287	1	RING-SNAP						
	7	1	5P-7068	1	BEARING AS-ROLLER						
M	8	1	6V-4248	15	BOLT (M10X1.5X25-MM)						

M-METRIC PART
R-REMG PART MAY BE AVAILABLE
Y-SEPARATE ILLUSTRATION



GRAPHIC #1

<END>

g00765823

POWER TRAIN

141-9811 RIM AR

S/N: A7A1-UP

28.00X33

PART OF 262-5490, 341-0687 TIRE & RIM AR
FOR USE WITH 35/65-33 TIRES
AN ATTACHMENT

SMCS-4209

i04480112

NOTE	PART NUMBER	QTY	PART NAME						SEE PAGE
			1	2	3	4	5	6 (PRODUCT LEVEL)	
Y	261-3857	1	MOUNTING GP-RIM						309
			-OR-						
Y	144-7263	4	MOUNTING GP-RIM						309
Y	262-1557	4	RIM GP-DEMOUNTABLE						326
			-OR-						
Y	357-6258	4	RIM GP-DEMOUNTABLE						329
Y-SEPARATE ILLUSTRATION									

<END>

262-1557 RIM GP-DEMOUNTABLE

S/N: A7A1-UP

50-MM THK CIRCLE FLANGE

PART OF 141-9811 RIM AR

FOR USE WITH 261-3857-PAGE 309. CANNOT BE USED WITH 144-7263-PAGE 309
AN ATTACHMENT

SMCS-4209

i04482692

NOTE	PART NUMBER	QTY	PART NAME						SEE PAGE
			1	2	3	4	5	6 (PRODUCT LEVEL)	
Y	273-1639	1	RIM GP-DEMOUNTABLE						327
	144-0290	1	VALVE AS						
	1J-4246	1	SEAL-O-RING						
Y-SEPARATE ILLUSTRATION									

<END>

POWER TRAIN

273-1639 RIM GP-DEMOUNTABLE

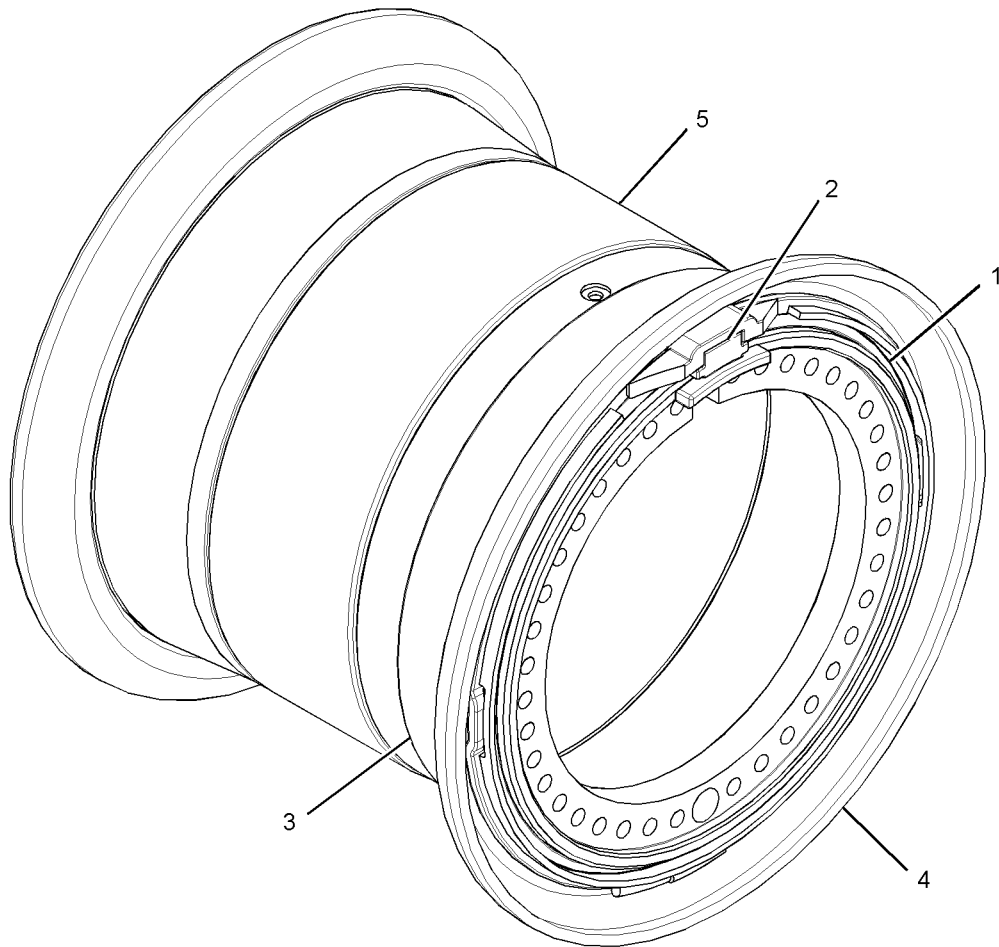
S/N: A7A1-UP

PART OF 262-1557 RIM GP-DEMOUNTABLE
AN ATTACHMENT

SMCS-4209

i04483130

NOTE	REF NO	GRAPHIC REF	PART NUMBER	QTY	PART NAME						SEE PAGE
					1	2	3	4	5	6 (PRODUCT LEVEL)	
	1	1	8X-4086	1	RING-LOCK						
	2	1	133-5209	1	DRIVER						
	3	1	144-5385	1	BAND-BEAD SEAT						
	4	1	259-0576	2	FLANGE						
	5	1	273-1640	1	RIM AS (28X33)						



GRAPHIC #1

<END>

g01619929

POWER TRAIN

355-9717 RIM GP-DEMOUNTABLE

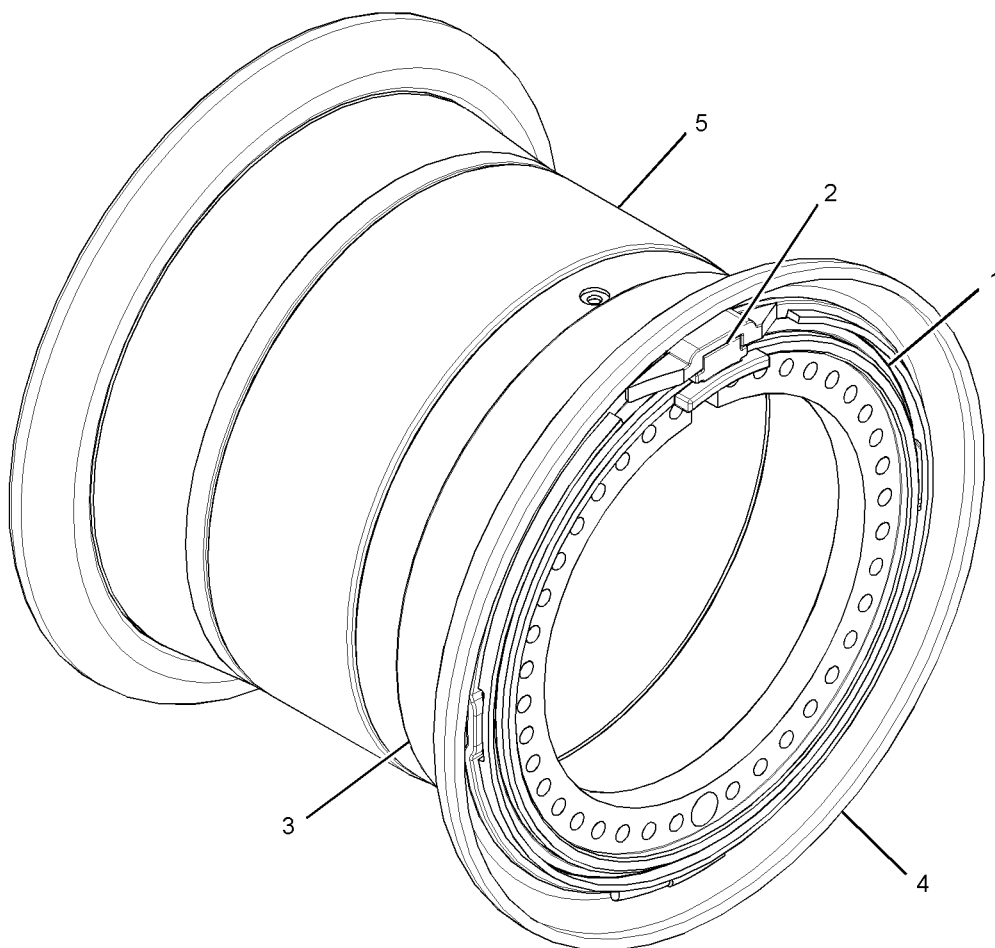
S/N: A7A1-UP

PART OF 357-6258 RIM GP-DEMOUNTABLE
AN ATTACHMENT

SMCS-4209

i04490404

NOTE	REF NO	GRAPHIC REF	PART NUMBER	QTY	PART NAME						SEE PAGE
					1	2	3	4	5	6 (PRODUCT LEVEL)	
	1	1	8X-4086	1	RING-LOCK						
	2	1	133-5209	1	DRIVER						
	3	1	144-5385	1	BAND-BEAD SEAT						
	4	1	259-0576	2	FLANGE						
	5	1	355-9715	1	RIM AS (28X33)						



GRAPHIC #1

<END>

g01619929

POWER TRAIN

357-6258 RIM GP-DEMOUNTABLE

S/N: A7A1-UP

40-MM THK CIRCLE FLANGE

PART OF 141-9811 RIM AR

FOR USE WITH 144-7263-PAGE 309. CANNOT BE USED WITH 261-3857-PAGE 309
AN ATTACHMENT

SMCS-4209

i04482716

NOTE	PART NUMBER	QTY	PART NAME						SEE PAGE
			1	2	3	4	5	6 (PRODUCT LEVEL)	
Y	355-9717	1	RIM GP-DEMOUNTABLE						328
	144-0290	1	VALVE AS						
	1J-4246	1	SEAL-O-RING						
Y-SEPARATE ILLUSTRATION									
<END>									

POWER TRAIN

136-1722 SHAFT GP-DRIVE

S/N: A7A1-UP

PART OF 225-5455 POWER TRAIN AR

SMCS-3253

i04455731

NOTE	REF NO	GRAPHIC REF	PART NUMBER	QTY	PART NAME						SEE PAGE
					1	2	3	4	5	6 (PRODUCT LEVEL)	
	1	1	2D-8540	2	SEAL-LIP TYPE						
	2	1	3B-8489	1	FITTING-GREASE						
	3	1	3K-9608	1	GUARD						
	4	1	5K-3968	1	RETAINER-BEARING						
YR	5	1	136-1747	1	UNIVERSAL JOINT GP						353
YR	6	1	136-1749	1	UNIVERSAL JOINT GP						354
	7	1	176-7289	1	YOKE AS						
	7A	1	9U-3928	1	GUARD						
	8	1	136-1753	1	CAGE-BEARING						
YR	9	1	338-2051	1	SLIP JOINT GP						333
	10	1	159-3945	1	BEARING						
	11	1	1H-8278	1	SEAL-O-RING						
	12	1	2H-3933	1	SEAL-O-RING						
	13	1	5P-8245	12	WASHER-HARD (13.5X25.5X3-MM THK)						
M	14	1	6V-1820	2	BOLT (M10X1.5X30-MM)						
	15	1	6V-5839	2	WASHER (11X21X2.5-MM THK)						
M	16	1	6V-8149	6	NUT (M12X1.75-THD)						
M	17	1	112-3927	1	BOLT (M20X2.5X90-MM)						
M	18	1	8T-0106	6	BOLT (M12X1.75X100-MM)						
M	19	1	8T-0281	20	BOLT (M16X2X80-MM)						
	20	1	8V-5386	1	RETAINER						

M-METRIC PART

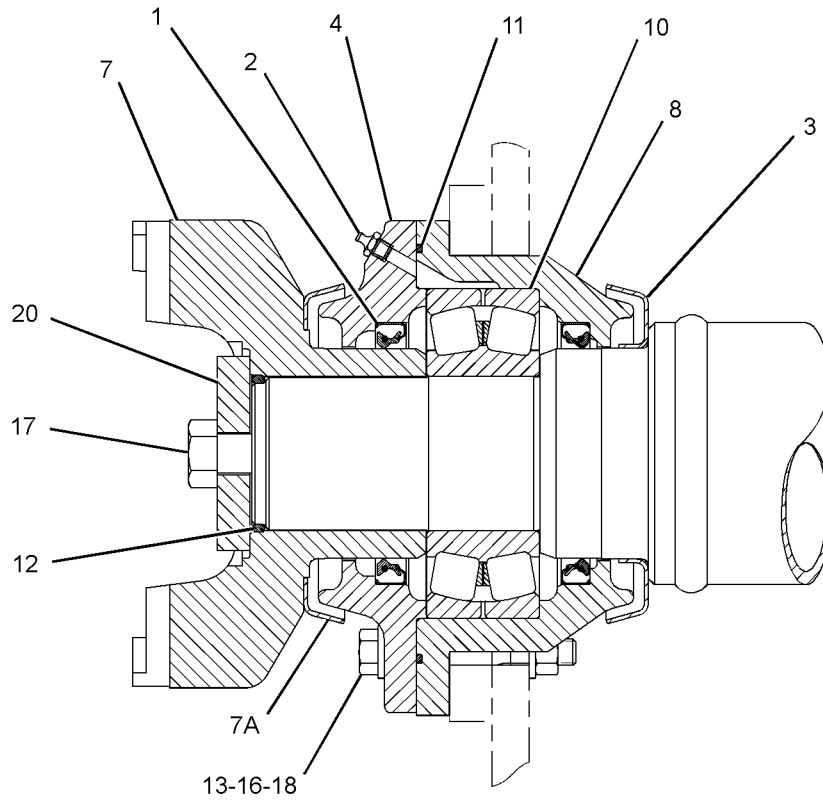
R-REMG PART MAY BE AVAILABLE

Y-SEPARATE ILLUSTRATION

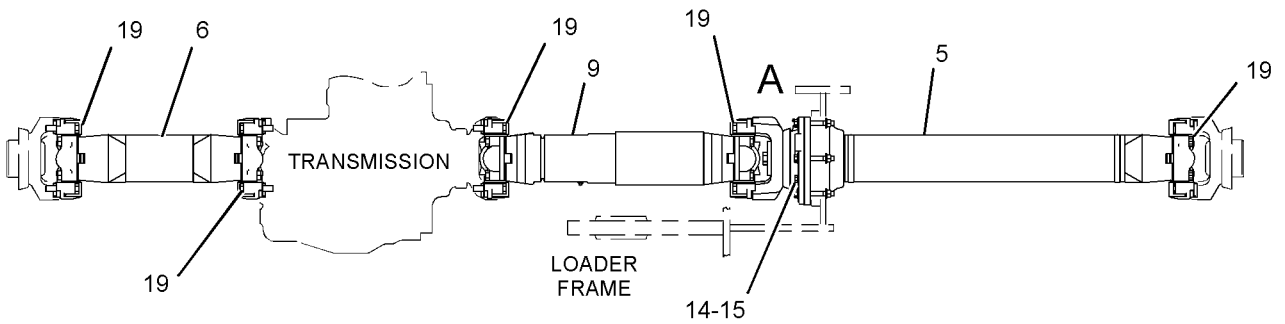
POWER TRAIN

136-1722 SHAFT GP-DRIVE (contd.)

i04455731



SECTION VIEW OF AREA A



RIGHT SIDE VIEW

GRAPHIC #1

<END>

g02054874

POWER TRAIN

136-1754 SHAFT GP-INPUT DRIVE

S/N: A7A1-UP

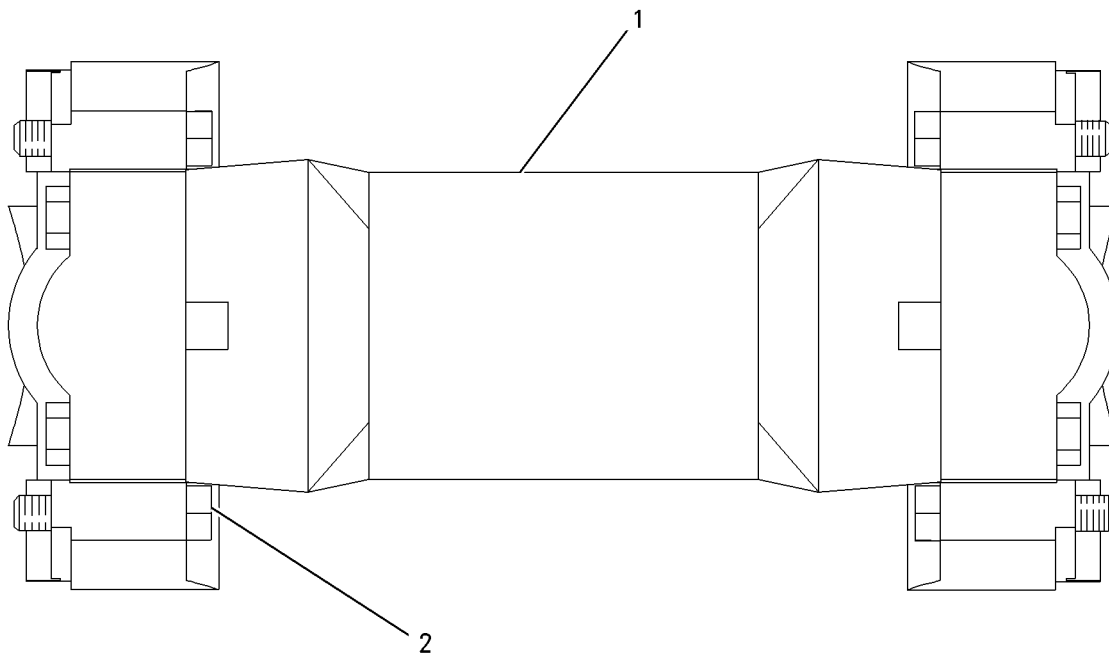
PART OF 225-5455 POWER TRAIN AR

SMCS-3253

i04455752

NOTE	REF NO	GRAPHIC REF	PART NUMBER	QTY	PART NAME						SEE PAGE
					1	2	3	4	5	6 (PRODUCT LEVEL)	
Y	1	1	136-1755	1	UNIVERSAL JOINT GP (INPUT DRIVE SHAFT)						355
M	2	1	6V-3823	8	BOLT (M12X1.75X60-MM)						

M-METRIC PART
Y-SEPARATE ILLUSTRATION



GRAPHIC #1

<END>

g00841994

POWER TRAIN

338-2051 SLIP JOINT GP*R

S/N: A7A1-UP

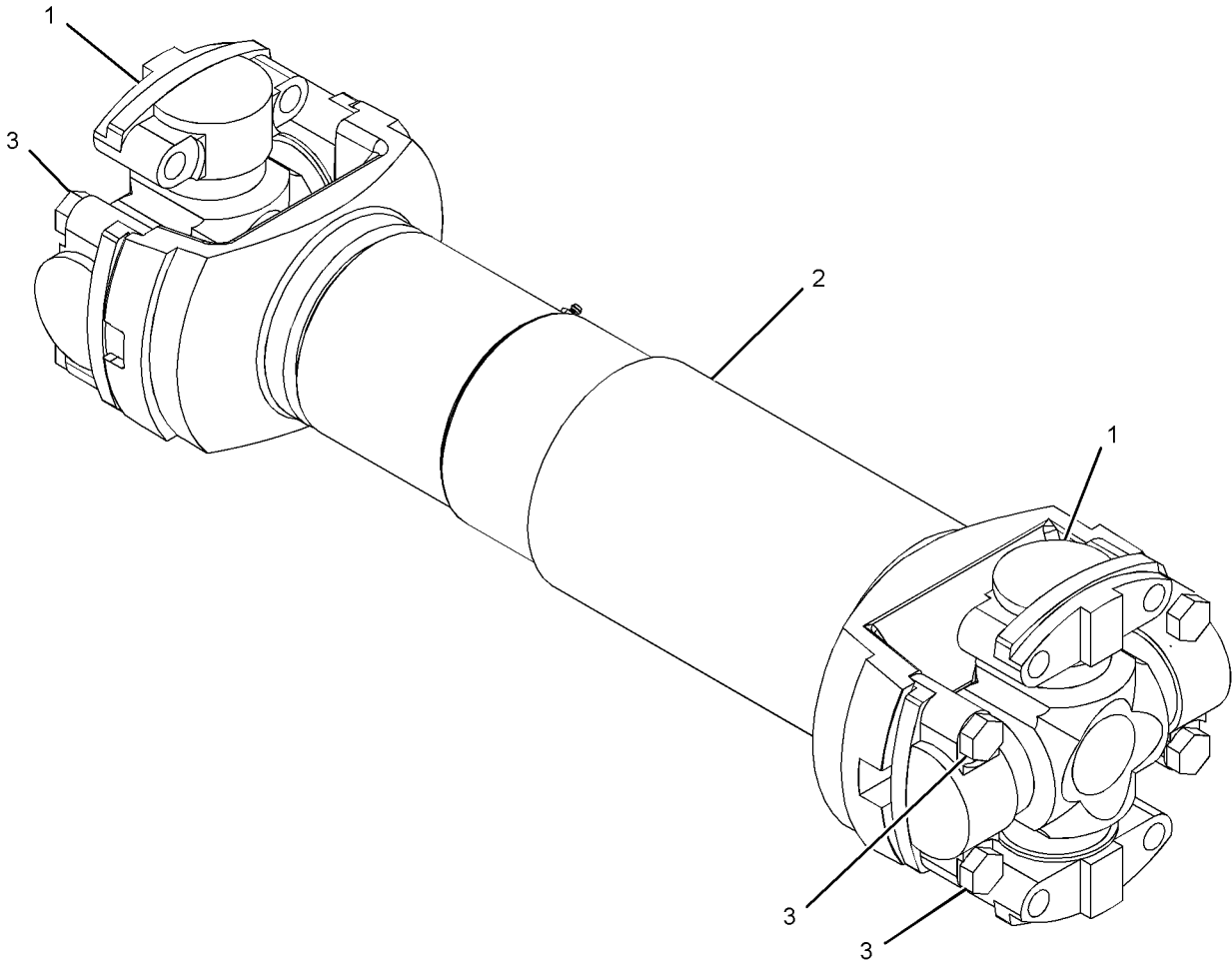
PART OF 136-1722 SHAFT GP-DRIVE

SMCS-3251

i04456472

NOTE	REF NO	GRAPHIC REF	PART NUMBER	QTY	PART NAME						SEE PAGE
					1	2	3	4	5	6 (PRODUCT LEVEL)	
	1	1	106-0933	2	SPIDER & BEARING GP						
	2	1	338-2116	1	SHAFT AS-SLIP						
		1	3B-8489	2	FITTING-GREASE						
		1	8C-8771	1	FITTING-PRESSURE RELIEF						
M	3	1	8T-0281	8	BOLT (M16X2X80-MM)						

M-METRIC PART



GRAPHIC #1

<END>

g01954829

POWER TRAIN

114-5138 SUPPORT GP-TRANSMISSION

S/N: A7A1-UP

PART OF 284-2735 CHASSIS AR

SMCS-3082

i04456374

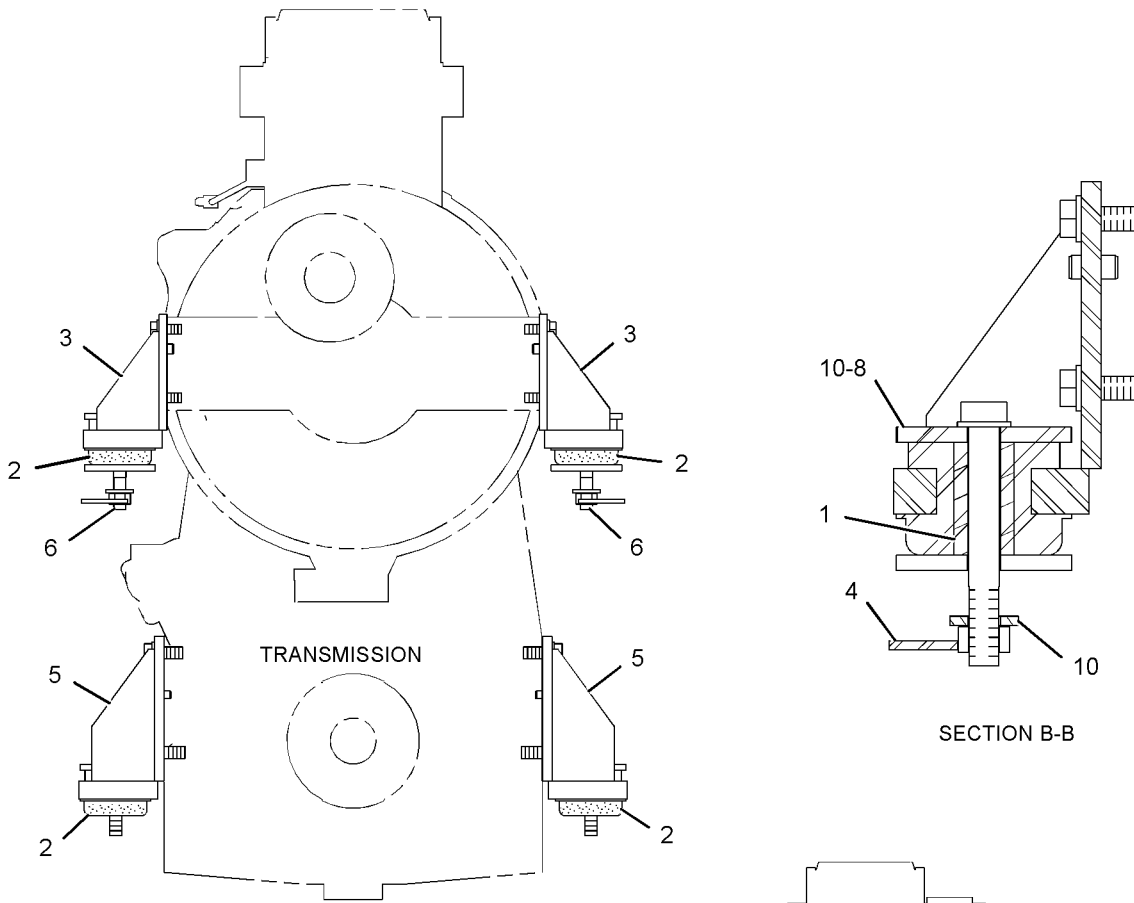
NOTE	REF NO	GRAPHIC REF	PART NUMBER	QTY	PART NAME						SEE PAGE
					1	2	3	4	5	6 (PRODUCT LEVEL)	
	1	1	9W-6582	6	SLEEVE						
	2	1	9W-9930	6	MOUNT AS						
	3	1	132-2927	2	SUPPORT AS-UPPER (EACH INCLUDES)						
		1	4D-8148	2	DOWEL						
	4	1	173-6640	2	SUPPORT AS						
	5	1	304-8704	2	SUPPORT AS-LOWER (EACH INCLUDES)						
		1	1A-2223	2	DOWEL						
M	6	1	7X-2488	2	BOLT (M20X2.5X160-MM)						
M	7	1	7X-2553	8	BOLT (M16X2X40-MM)						
	8	1	7X-2622	8	WASHER (22X115X10-MM THK)						
	9	1	8T-4123	4	WASHER (22X35X3.5-MM THK)						
	10	1	8T-5439	8	WASHER-HARD (21.5X45X6-MM THK)						
M	11	1	8T-6381	4	BOLT (M20X2.5X120-MM)						
M	12	1	8T-6430	8	BOLT (M20X2.5X50-MM)						
	13	1	9X-8257	8	WASHER (17.5X30X3.5-MM THK)						

M-METRIC PART

POWER TRAIN

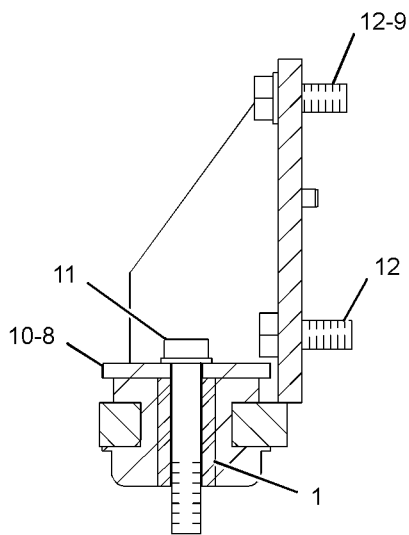
114-5138 SUPPORT GP-TRANSMISSION (contd.)

i04456374

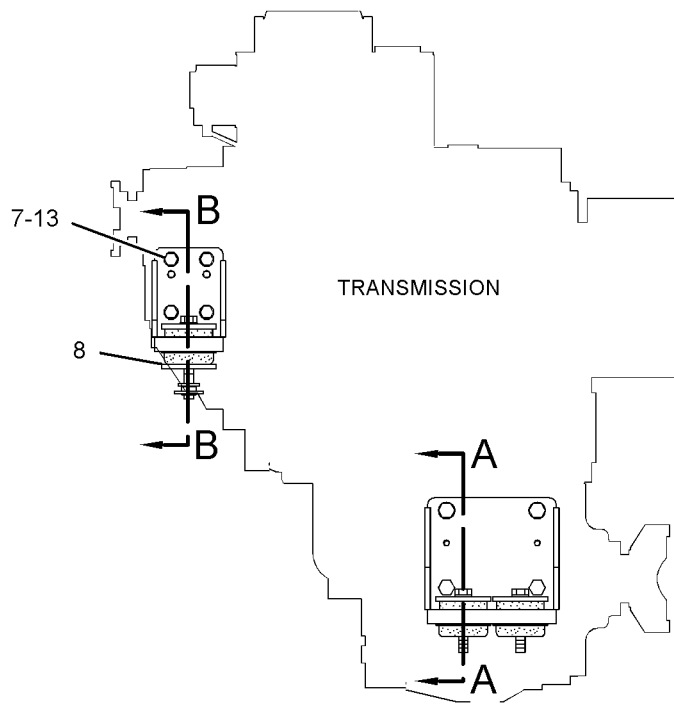


REAR VIEW

SECTION B-B



SECTION A-A



RIGHT SIDE VIEW

GRAPHIC #1

<END>

g01867317

POWER TRAIN

262-5490 TIRE & RIM AR

S/N: A7A1-UP
AN ATTACHMENT

SMCS-4202

i04477965

NOTE	PART NUMBER	QTY	PART NAME						SEE PAGE
			1	2	3	4	5	6 (PRODUCT LEVEL)	
Y	141-9811	1	RIM AR						326
	262-5491	4	TIRE (35/65-R33)						
Y-SEPARATE ILLUSTRATION									
<END>									

341-0687 TIRE & RIM AR

S/N: A7A1-UP
65-R33 * L-4
AN ATTACHMENT

SMCS-4202

i04475511

NOTE	PART NUMBER	QTY	PART NAME						SEE PAGE
			1	2	3	4	5	6 (PRODUCT LEVEL)	
Y	141-9811	1	RIM AR						326
	339-8790	4	TIRE (65-R33)						
Y-SEPARATE ILLUSTRATION									
<END>									

POWER TRAIN

126-5483 TORQUE CONVERTER & HOUSING GP- FREEWHEEL STATOR, LOCKUP*R

S/N: A7A1-UP

PART OF 231-7842 TORQUE CONVERTER AR-LOCKUP
AN ATTACHMENT

SMCS-3101, 3105

i04480098

NOTE	REF NO	GRAPHIC REF	PART NUMBER	QTY	PART NAME						SEE PAGE
					1	2	3	4	5	6 (PRODUCT LEVEL)	
	1	2	4H-6141	1	CONNECTOR						
	2	2	5K-9065	1	RING-RETAINING						
	3	2	6D-7889	2	SEAL-O-RING						
	4	1,2	6V-0852	3	CAP-DUST						
	6	2	8J-6815	2	PLUG-ORIFICE						
	7	2	8T-8737	5	PLUG-SEAL						
	8	2	9X-6772	1	STRAP-CABLE						
	9	1	130-7093	1	COVER						
	10	2	131-7418	1	GEAR-IDLER						
	11	2	132-4455	1	ADAPTER						
	12	2	133-7221	1	ADAPTER-PUMP						
	13	2	187-8039	1	TUBE AS						
	14	1	205-6051	2	SEAL-O-RING						
Y	15	2	216-5342	1	VALVE GP-MODULATING (24-VOLT)						357
Y	16	2	311-6364	1	VALVE GP-MODULATING						359
	17	1	244-3712	3	PLUG AS						
					(EACH INCLUDES)						
		1	9S-4191	1	PLUG-O-RING						
		1	214-7568	1	SEAL-O-RING						
Y	18	1	322-5504	1	TORQUE CONVERTER GP (FREEWHEEL STATOR, LOCKUP)						347
	19	1	323-4071	1	MANIFOLD						
	20	1	347-1738	1	HOUSING AS-TORQUE CONVERTER						
		1	1F-1006	2	DOWEL						
	21	2	130-5300	1	CLIP						
	22	2	131-7419	2	GEAR-PUMP DRIVE						
B	23	2	132-4458	2	SHIM PACK (INCLUDES 10-SHIMS)						
	24	2	132-4460	1	ADAPTER-SPLINED						
	25	1	133-6347	1	SHAFT-IDLER						
	26	2	133-6588	1	ADAPTER-PUMP						
	27	2	155-2260	1	KIT-CONNECTING PLUG (3-PIN)						
	28	2	155-2270	1	KIT-CONNECTING PLUG (2-PIN)						
					(EACH PLUG KIT INLCUDES PLUG AS, WEDGE, & INTERFACE SEAL)						
	29	1	164-5567	1	COUPLER AS-QUICK DISCONNECT (MALE)						
		1	6V-3965	1	FITTING (QUICK DISCONNECT)						
		1	214-7568	1	SEAL-O-RING						
	30	2	1D-4327	2	SEAL-LIP TYPE						
	31	1	1T-1639	1	RING						
	32	1	2S-5658	1	WASHER-HARD (17X29X3-MM THK)						
	33	1	309-5133	2	PLUG AS						
					(EACH INCLUDES)						
		1	9S-4181	1	PLUG-O-RING						
		1	238-5084	1	SEAL-O-RING						
	34	2	3S-1349	2	WASHER-HARD (31X52.5X6-MM THK)						
	35	1	4H-6730	1	SEAL-O-RING						
	36	1	5D-5957	1	SEAL-O-RING						
	37	2	5P-2503	4	CUP						
	38	2	5P-2504	4	CONE-BEARING						
	39	2	5P-4116	2	WASHER-HARD (8.8X20.5X2-MM THK)						
	40	2	6V-7423	1	BEARING AS-ROLLER						
	41	2	6V-3935	2	RING-RETAINING						
M	42	1	6V-7675	1	BOLT (M16X2X140-MM)						
	43	2	7D-1979	4	SEAL-O-RING						

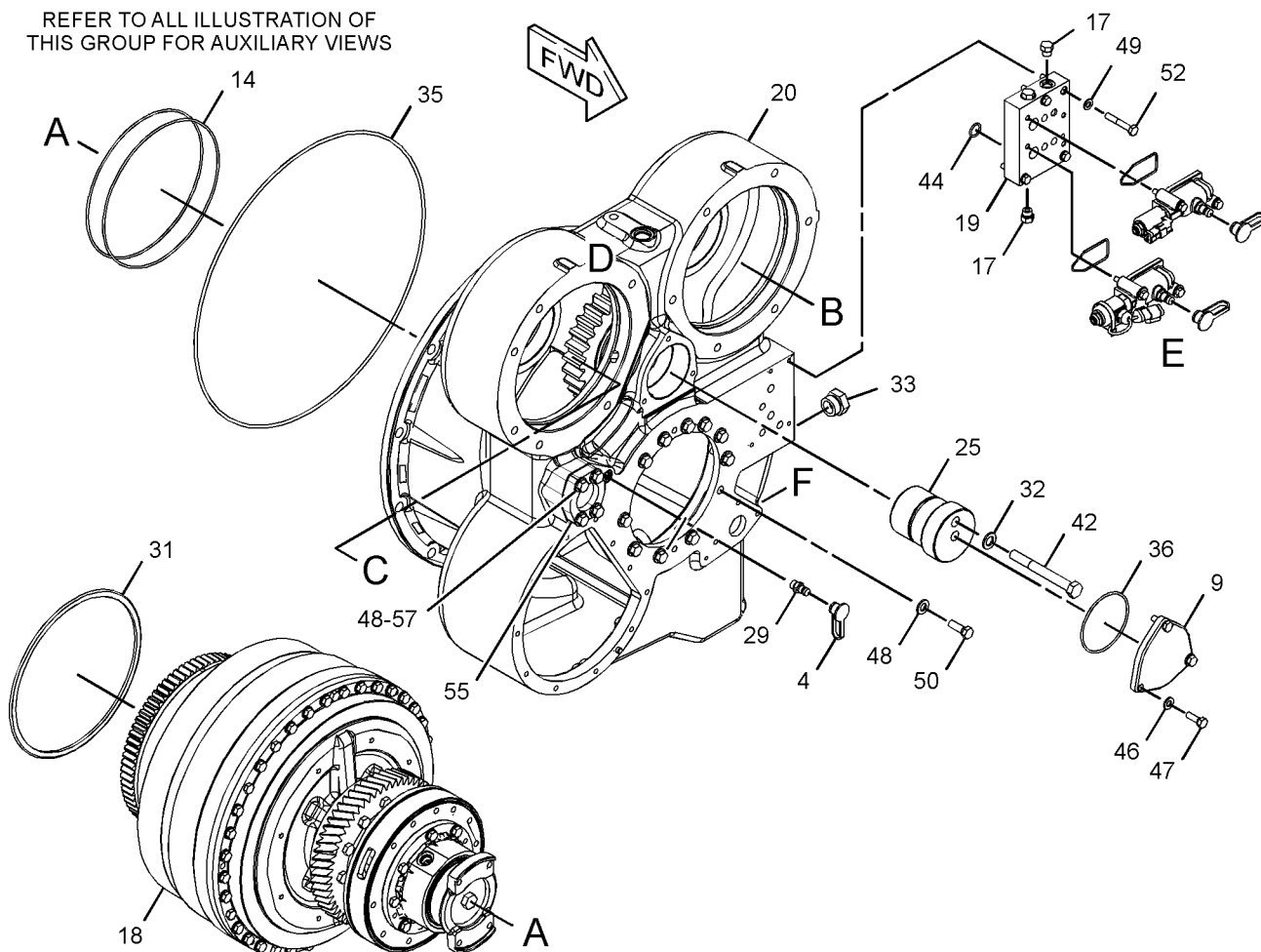
POWER TRAIN

126-5483 TORQUE CONVERTER & HOUSING GP (contd.)

i04480098

NOTE	REF NO	GRAPHIC REF	PART NUMBER	QTY	PART NAME						SEE PAGE
					1	2	3	4	5	6 (PRODUCT LEVEL)	
	44	1	7L-9061	5	SEAL-O-RING						
	45	2	8H-3981	2	RING-RETAINING						
	46	1	8T-4121	3	WASHER-HARD (11X21X2.5-MM THK)						
M	47	1	8T-4195	3	BOLT (M10X1.5X30-MM)						
	48	1	8T-4223	19	WASHER-HARD (13.5X25.5X3-MM THK)						
	49	1,2	8T-4224	6	WASHER-HARD (8.8X16X2-MM THK)						
M	50	1	8T-4956	11	BOLT (M12X1.75X35-MM)						
M	51	2	8T-6869	4	BOLT (M8X1.25X60-MM)						
M	52	1	8T-6912	4	BOLT (M8X1.25X50-MM)						
M	53	2	8T-7338	13	BOLT (M16X2X45-MM)						
	54	2	9X-8257	13	WASHER (17.5X30X3.5-MM THK)						
	55	1,2	1P-4579	4	FLANGE-HALF						
	56	2	8M-4443	1	SEAL-O-RING						
M	57	1	8T-4183	4	BOLT (M12X1.75X40-MM)						
M	58	2	8T-4184	4	BOLT (M12X1.75X45-MM)						
	59	2	9P-0200	1	SPACER						
	60	2	9P-0217	1	SCREEN AS						
F			7X-7816	1	PLATE-SERIAL NUMBER						

B-USE AS REQUIRED
 F-NOT SHOWN
 M-METRIC PART
 Y-SEPARATE ILLUSTRATION



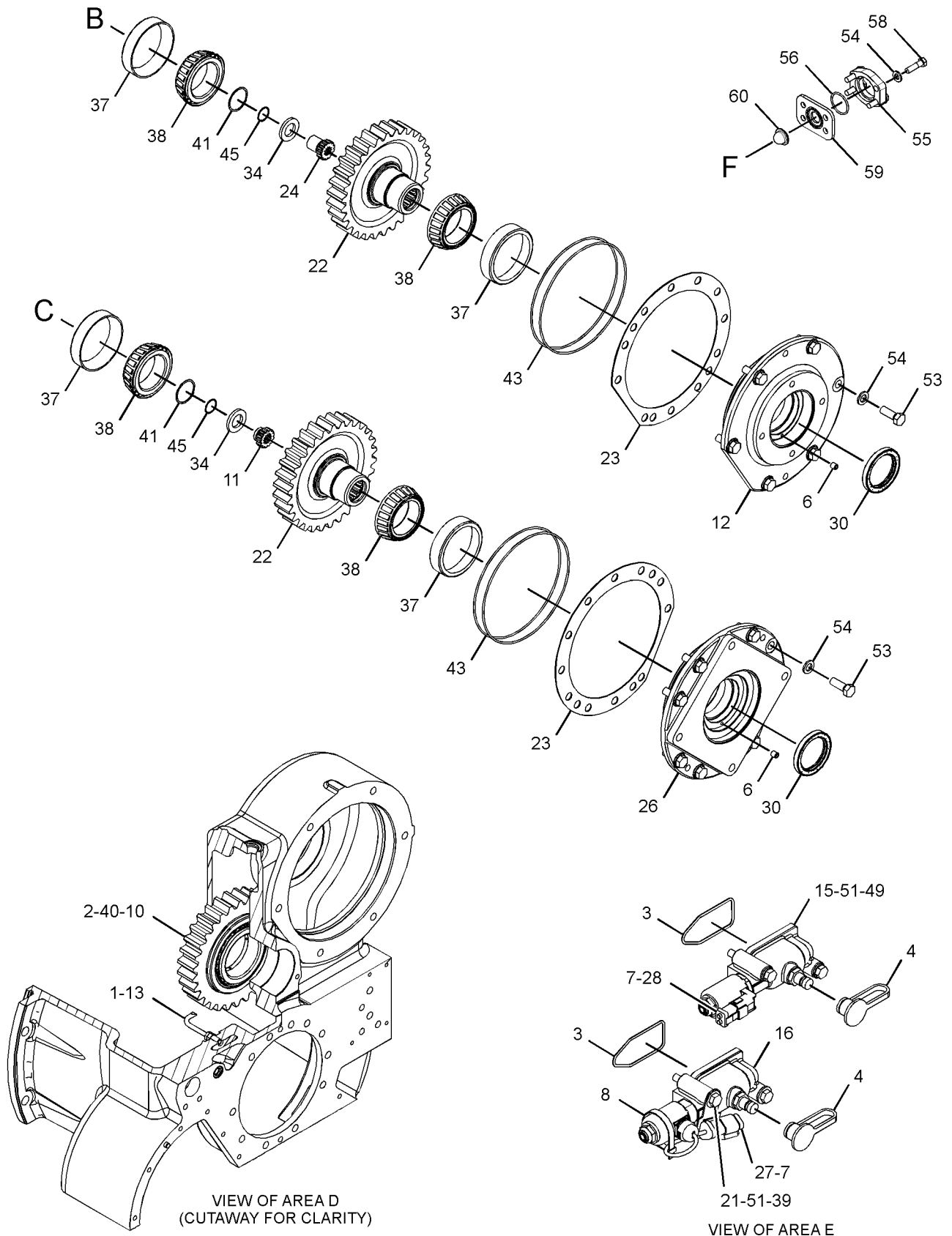
GRAPHIC #1

g02187213

POWER TRAIN

126-5483 TORQUE CONVERTER & HOUSING GP (contd.)

i04480098



GRAPHIC #2

<END>

g02187234

POWER TRAIN

128-5303 TORQUE CONVERTER & HOUSING GP*R

S/N: A7A1-UP

PART OF 231-7844 TORQUE CONVERTER AR
AN ATTACHMENT

SMCS-3101, 3105

i04480101

NOTE	REF NO	GRAPHIC REF	PART NUMBER	QTY	PART NAME						SEE PAGE
					1	2	3	4	5	6 (PRODUCT LEVEL)	
	1	2	4H-6141	1	CONNECTOR						
	2	2	5K-9065	1	RING-RETAINING						
	3	1,2	6D-7889	2	SEAL-O-RING						
	4	1,2	6V-0852	2	CAP-DUST						
	6	2	8J-6815	2	PLUG-ORIFICE						
	7	2	8T-8737	3	PLUG-SEAL						
	8	2	9X-6772	1	STRAP-CABLE						
	9	1	126-3883	1	COVER						
YR	10	1	128-5302	1	TORQUE CONVERTER GP						344
	11	1	130-7093	1	COVER						
	12	2	131-7418	1	GEAR-IDLER						
	13	2	132-4455	1	ADAPTER						
	14	2	133-7221	1	ADAPTER-PUMP						
	15	2	187-8039	1	TUBE AS						
	16	1	205-6051	2	SEAL-O-RING						
Y	17	2	311-6364	1	VALVE GP-MODULATING						359
	18	1	244-3712	3	PLUG AS						
					(EACH INCLUDES)						
		1	9S-4191	1	PLUG-O-RING						
		1	214-7568	1	SEAL-O-RING						
	19	1	323-4071	1	MANIFOLD						
	20	1	347-1738	1	HOUSING AS-TORQUE CONVERTER						
		1	1F-1006	2	DOWEL						
	21	2	130-5300	1	CLIP						
	22	2	131-7419	2	GEAR-PUMP DRIVE						
B	23	2	132-4458	2	SHIM PACK (INCLUDES 10-SHIMS)						
	24	2	132-4460	1	ADAPTER-SPLINED						
	25	1	133-6347	1	SHAFT-IDLER						
	26	2	133-6588	1	ADAPTER-PUMP						
	27	2	155-2260	1	KIT-CONNECTING PLUG (3-PIN)						
					(INCLUDES PLUG AS, WEDGE, & INTERFACE SEAL)						
	28	1	164-5567	1	COUPLER AS-QUICK DISCONNECT (MALE)						
		1	6V-3965	1	FITTING (QUICK DISCONNECT)						
		1	214-7568	1	SEAL-O-RING						
	29	2	1D-4327	2	SEAL-LIP TYPE						
	30	1	1T-1639	1	RING						
	31	1	2S-5658	1	WASHER-HARD (17X29X3-MM THK)						
	32	1,2	309-5133	2	PLUG AS						
					(EACH INCLUDES)						
		1,2	9S-4181	1	PLUG-O-RING						
		1,2	238-5084	1	SEAL-O-RING						
	33	2	3S-1349	2	WASHER-HARD (31X52.5X6-MM THK)						
	34	1	4H-6730	1	SEAL-O-RING						
	35	1	5D-5957	1	SEAL-O-RING						
	36	2	5P-2503	4	CUP						
	37	2	5P-2504	4	CONE-BEARING						
	38	2	5P-4116	2	WASHER-HARD (8.8X20.5X2-MM THK)						
	39	2	6V-7423	1	BEARING AS-ROLLER						
	40	2	6V-3935	2	RING-RETAINING						
M	41	1	6V-7675	1	BOLT (M16X2X140-MM)						
	42	2	7D-1979	4	SEAL-O-RING						
	43	1	7L-9061	5	SEAL-O-RING						
	44	2	8H-3981	2	RING-RETAINING						
	45	1	8T-4121	3	WASHER-HARD (11X21X2.5-MM THK)						
M	46	1	8T-4195	3	BOLT (M10X1.5X30-MM)						

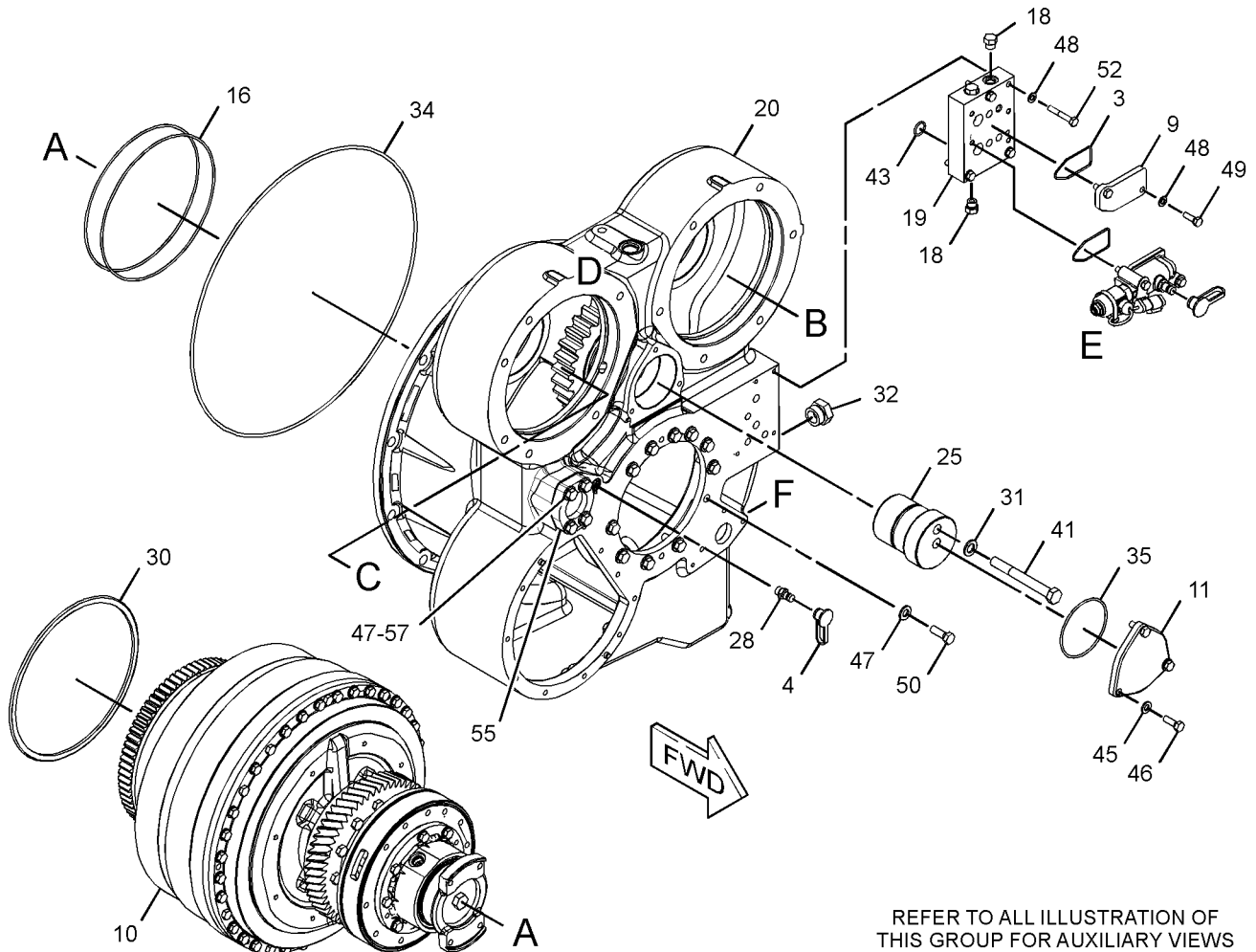
POWER TRAIN

128-5303 TORQUE CONVERTER & HOUSING GP (contd.)

i04480101

NOTE	REF NO	GRAPHIC REF	PART NUMBER	QTY	PART NAME						SEE PAGE
					1	2	3	4	5	6 (PRODUCT LEVEL)	
	47	1,2	8T-4223	19	WASHER-HARD (13.5X25.5X3-MM THK)						
	48	1	8T-4224	6	WASHER-HARD (8.8X16X2-MM THK)						
M	49	1	8T-4908	2	BOLT (M8X1.25X25-MM)						
M	50	1	8T-4956	11	BOLT (M12X1.75X35-MM)						
M	51	2	8T-6869	2	BOLT (M8X1.25X60-MM)						
M	52	1	8T-6912	4	BOLT (M8X1.25X50-MM)						
M	53	2	8T-7338	13	BOLT (M16X2X45-MM)						
	54	2	9X-8257	13	WASHER (17.5X30X3.5-MM THK)						
	55	1,2	1P-4579	4	FLANGE-HALF						
	56	2	8M-4443	1	SEAL-O-RING						
M	57	1	8T-4183	4	BOLT (M12X1.75X40-MM)						
M	58	2	8T-4184	4	BOLT (M12X1.75X45-MM)						
	59	2	9P-0200	1	SPACER						
	60	2	9P-0217	1	SCREEN AS						
F			7X-7816	1	PLATE-SERIAL NUMBER						

B-USE AS REQUIRED
 F-NOT SHOWN
 M-METRIC PART
 R-REMG PART MAY BE AVAILABLE
 Y-SEPARATE ILLUSTRATION



REFER TO ALL ILLUSTRATION OF
THIS GROUP FOR AUXILIARY VIEWS

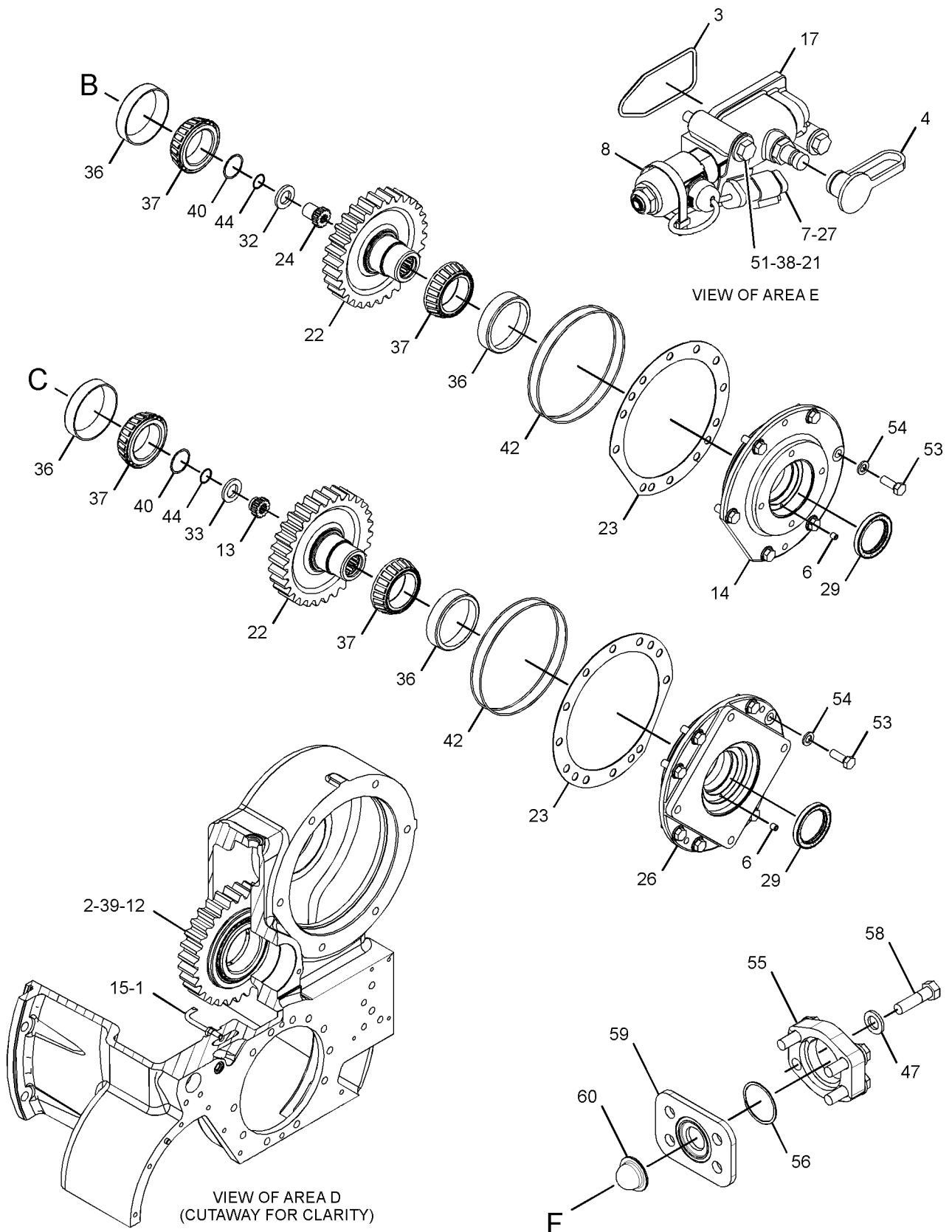
GRAPHIC #1

g02188134

POWER TRAIN

128-5303 TORQUE CONVERTER & HOUSING GP (contd.)

i04480101



GRAPHIC #2

<END>

g02188136

POWER TRAIN

231-7844 TORQUE CONVERTER AR

S/N: A7A1-UP

PART OF 379-3390 DISTRIBUTION AR

CANNOT BE USED WITH 231-7842 CONVERTER AR-LOCKUP CLUTCH
AN ATTACHMENT

SMCS-3101

i04477969

NOTE	PART NUMBER	QTY	PART NAME						SEE PAGE
			1	2	3	4	5	6 (PRODUCT LEVEL)	
Y	311-7601	1	LINES GP-DIAGNOSTIC (REMOTE PRESSURE TAPS, XMSN, TC)						685
YR	128-5303	1	TORQUE CONVERTER & HOUSING GP						340

R-REMFG PART MAY BE AVAILABLE
Y-SEPARATE ILLUSTRATION

<END>

231-7842 TORQUE CONVERTER AR-LOCKUP

S/N: A7A1-UP

PART OF 379-3389 DISTRIBUTION AR

CANNOT BE USED WITH 231-7844-PAGE 343
AN ATTACHMENT

SMCS-3101

i04477971

NOTE	PART NUMBER	QTY	PART NAME						SEE PAGE
			1	2	3	4	5	6 (PRODUCT LEVEL)	
Y	311-7600	1	LINES GP-DIAGNOSTIC (REMOTE PRESSURE TAPS)						682
Y	346-3830	1	SWITCH GP-ROCKER (TORQUE CONVERTER LOCKUP)						207
YR	126-5483	1	TORQUE CONVERTER & HOUSING GP (FREEWHEEL STATOR, LOCKUP)						337

R-REMFG PART MAY BE AVAILABLE
Y-SEPARATE ILLUSTRATION

<END>

POWER TRAIN

128-5302 TORQUE CONVERTER GP*R

S/N: 6AT1-UP

PART OF 128-5303 TORQUE CONVERTER & HOUSING GP
AN ATTACHMENT

SMCS-3101

i04482209

NOTE	REF NO	GRAPHIC REF	PART NUMBER	QTY	PART NAME						SEE PAGE
					1	2	3	4	5	6 (PRODUCT LEVEL)	
	1	1	129-1598	1	CARRIER-SEAL						
	2	1	3T-6246	3	RING-SEAL						
	3	1	132-4452	1	GASKET						
	4	1	129-0822	1	RETAINER-BEARING						
M	5	1	8T-4195	8	BOLT (M10X1.5X30-MM)						
	6	1	8T-4121	8	WASHER-HARD (11X21X2.5-MM THK)						
	7	1	9X-4605	1	SEAL-LIP TYPE						
	8	1	155-2077	1	YOKE						
	9	1	8M-4989	1	SEAL-O-RING						
	10	1	9S-4372	1	RETAINER						
M	11	1	7X-2555	1	BOLT (M16X2X80-MM)						
	12	1	7F-6013	1	BALL BEARING						
	13	1	8J-6815	1	PLUG-ORIFICE						
	14	1	128-8795	1	CARRIER-STATOR						
	15	1	133-7134	1	RACE-BEARING						
	16	1	133-7133	1	RACE-ROLLER						
	17	1	131-7417	1	GEAR-DRIVE (57-TEETH)						
	18	1	6H-6043	1	RING-RETAINING						
M	19	1	8T-1158	8	BOLT-SOCKET HEAD (M8X1.25X20-MM)						
	20	1	3S-1284	1	RING-SEAL						
	21	1	336-9318	2	DISC-FRICTION						
	22	1	1T-1897	1	PLATE-CLUTCH						
	23	1	128-8704	1	PLATE-REACTION						
M	24	1	6V-5684	12	BOLT (M12X1.75X45-MM)						
	25	1	5P-8245	36	WASHER-HARD (13.5X25.5X3-MM THK)						
	26	1	6Y-0806	1	HUB-IMPELLER						
	27	1	2P-4470	1	CONVERTER						
M	30	1	6V-3668	24	BOLT (M12X1.75X30-MM)						
	31	1	9S-4368	2	RING-RETAINING						
	32	1	1T-0806	4	RETAINER-BEARING						
	33	1	1T-0786	4	BEARING-THRUST						
	34	1	1T-0807	6	RACE-THRUST BEARING						
	35	1	128-7115	1	HUB						
	36	1	128-7116	1	SHAFT-OUTPUT						
	37	1	235-2418	1	HOUSING AS						
		1	1T-0766	1	BUSHING						
	38	1	1T-0795	3	RING-RETAINING						
	39	1	1T-0787	2	PLATE						
	40	1	133-6589	1	ADAPTER-STATOR						
	41	1	6Y-0803	1	STATOR-CONVERTER						
	42	1	9P-6476	1	IMPELLER-CONVERTER						
	43	1	1T-1401	1	RING-SEAL						
	44	1	132-4450	1	HOUSING AS-CLUTCH						
		1	0L-2061	2	DOWEL						
M	45	1	6V-5843	36	BOLT (M10X1.5X45-MM)						
	46	1	6V-5839	36	WASHER (11X21X2.5-MM THK)						
	47	1	132-4451	1	PISTON-CLUTCH						
	48	1	7G-0141	1	RING-SEAL						
	49	1	132-4463	1	SLEEVE						
	50	1	133-5587	1	ADAPTER AS						
		1	8E-2882	1	BUSHING						
		1	9M-4007	2	DOWEL						
M	51	1	6V-3823	12	BOLT (M12X1.75X60-MM)						
M	52	1	6V-4248	2	BOLT (M10X1.5X25-MM)						
	53	1	2R-0239	1	SEAL-O-RING						

POWER TRAIN

128-5302 TORQUE CONVERTER GP (contd.)

i04482209

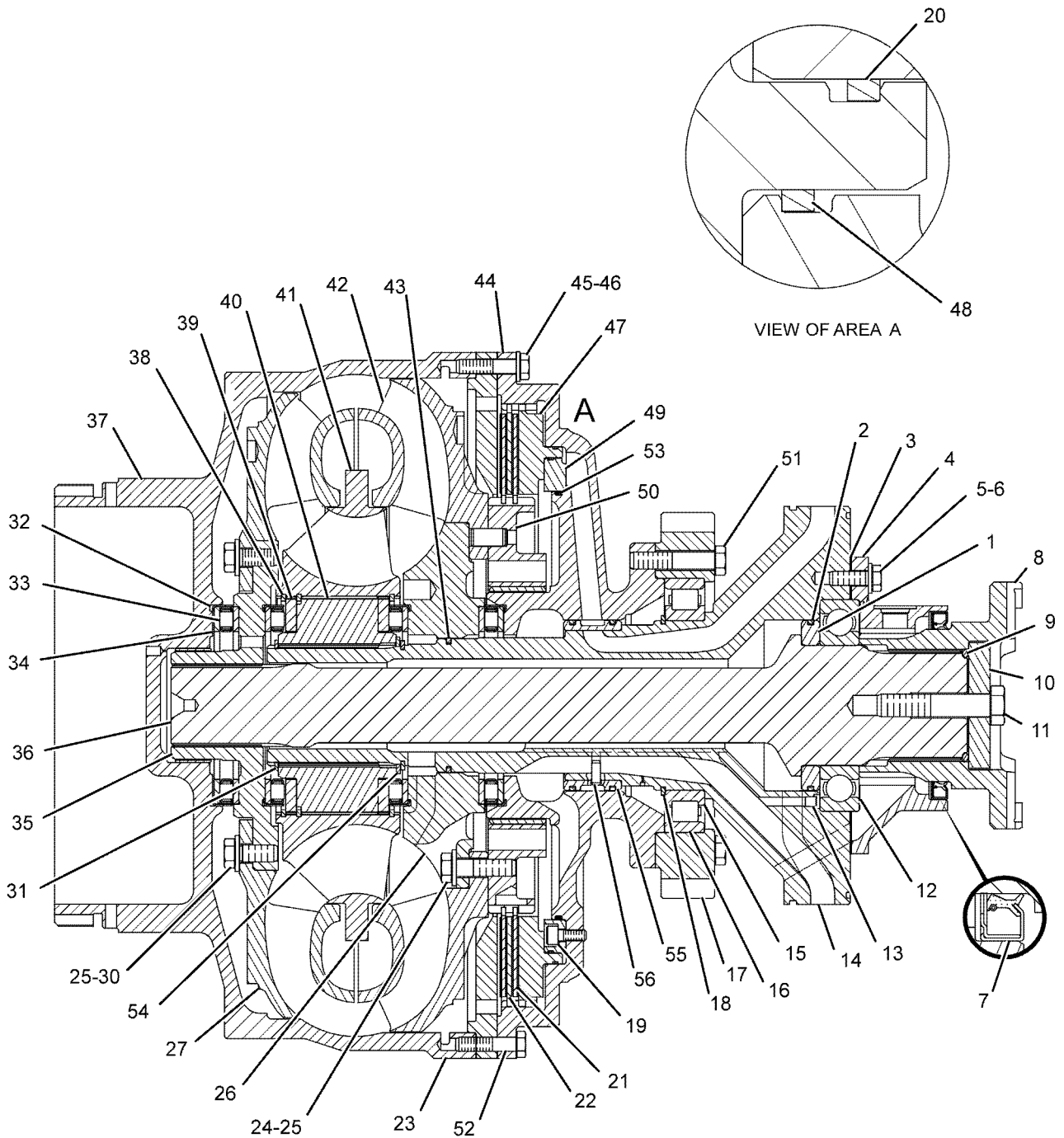
NOTE	REF NO	GRAPHIC REF	PART NUMBER	QTY	PART NAME	SEE PAGE
					1 2 3 4 5 6 (PRODUCT LEVEL)	
	54	1	172-0084	1	SPACER	
	55	1	108-4441	1	CARRIER-RING	
	56	1	2H-2255	1	DOWEL	

M-METRIC PART

POWER TRAIN

128-5302 TORQUE CONVERTER GP (contd.)

i04482209



GRAPHIC #1

<END>

g01128839

POWER TRAIN

322-5504 TORQUE CONVERTER GP

S/N: A7A1-UP

PART OF 126-5483 TORQUE CONVERTER & HOUSING GP
AN ATTACHMENT

SMCS-3101

i04482171

NOTE	REF NO	GRAPHIC REF	PART NUMBER	QTY	PART NAME						SEE PAGE
					1	2	3	4	5	6 (PRODUCT LEVEL)	
	1	1,2	1T-0787	2	PLATE						
	2	1,2	1T-0795	3	RING-RETAINING						
	3	1,2	1T-0806	4	RETAINER-BEARING						
	4	1,2	1T-0807	6	RACE-THRUST BEARING						
	5	1	336-9313	2	DISC-FRICTION						
	6	1	1T-0896	1	RING-RETAINING						
	7	1	1T-1315	2	PLATE-CLUTCH						
	8	2	1T-1401	1	RING-SEAL						
	9	1	1T-1426	1	PISTON-LOCKUP CLUTCH						
	10	2	1T-1897	1	PLATE-CLUTCH						
	11	1	2G-8741	1	RING-METAL SEAL						
	12	1	2P-4470	1	CONVERTER						
	13	2	2R-0239	1	SEAL-O-RING						
	14	2	3S-1284	1	RING-SEAL						
	15	2,3	3T-6246	4	RING-SEAL						
	16	1	6P-9553	1	PLATE-CLUTCH BACKING						
	17	1	6Y-0798	1	COVER						
	18	1	6Y-0799	1	HOUSING AS-CLUTCH						
		1	1T-0766	1	BUSHING						
	19	1	6Y-0802	1	ADAPTER-CLUTCH						
	20	2	6Y-0803	1	STATOR-CONVERTER						
	21	2	6Y-0806	1	HUB-IMPELLER						
	22	1	6Y-1354	1	HUB						
	23	3	6Y-1414	1	CARRIER-RING						
	24	1,2	7G-0141	2	RING-SEAL						
	25	2	336-9318	2	DISC-FRICTION						
	26	3	8J-6815	1	PLUG-ORIFICE						
	27	1	8S-3371	1	RING-SEAL						
	28	2	9P-6476	1	IMPELLER-CONVERTER						
	29	3	9S-4372	1	RETAINER						
	30	2	108-4441	1	CARRIER-RING						
	31	2	128-8704	1	PLATE-REACTION						
	32	3	128-8795	1	CARRIER-STATOR						
	33	3	129-0822	1	RETAINER-BEARING						
	34	3	131-7417	1	GEAR-DRIVE (57-TEETH)						
	35	2	132-4450	1	HOUSING AS-CLUTCH						
		2	0L-2061	2	DOWEL						
	36	2	132-4451	1	PISTON-CLUTCH						
	37	3	132-4452	1	GASKET						
	38	2	132-4463	1	SLEEVE						
	39	2	133-5587	1	ADAPTER AS						
		2	8E-2882	1	BUSHING						
		2	9M-4007	2	DOWEL						
	40	1	133-6589	1	ADAPTER-STATOR						
	41	3	155-2077	1	YOKE						
	42	3	322-5505	1	SHAFT-OUTPUT						
	43	2	133-7133	1	RACE-ROLLER						
	44	2	133-7134	1	RACE-BEARING						
	45	2	172-0084	1	SPACER						
	46	1,2	1T-0786	4	BEARING-THRUST						
	47	3	2H-2255	1	DOWEL						
	48	2	5P-8245	12	WASHER-HARD (13.5X25.5X3-MM THK)						
	49	2	6H-6043	1	RING-RETAINING						
M	50	1	6V-1820	6	BOLT (M10X1.5X30-MM)						
M	51	3	6V-3823	12	BOLT (M12X1.75X60-MM)						

POWER TRAIN

322-5504 TORQUE CONVERTER GP (contd.)

i04482171

NOTE	REF NO	GRAPHIC REF	PART NUMBER	QTY	PART NAME						SEE PAGE
					1	2	3	4	5	6 (PRODUCT LEVEL)	
M	52	2	6V-4248	2	BOLT (M10X1.5X25-MM)						
M	53	2	6V-5684	12	BOLT (M12X1.75X45-MM)						
	54	1,2	6V-5839	42	WASHER (11X21X2.5-MM THK)						
M	55	2	6V-5843	36	BOLT (M10X1.5X45-MM)						
	56	3	7F-6013	1	BALL BEARING						
M	57	3	7X-2555	1	BOLT (M16X2X80-MM)						
	58	1	8L-2786	2	SEAL-O-RING						
	59	3	8M-4989	1	SEAL-O-RING						
M	60	1	8T-0273	24	BOLT-SOCKET HEAD (M12X1.75X40-MM)						
M	61	2	8T-1158	8	BOLT-SOCKET HEAD (M8X1.25X20-MM)						
	62	3	8T-4121	8	WASHER-HARD (11X21X2.5-MM THK)						
M	63	3	8T-4195	8	BOLT (M10X1.5X30-MM)						
	64	1	9S-4185	2	PLUG-O-RING						
	65	1,2	9S-4368	2	RING-RETAINING						
	66	3	9X-4605	1	SEAL-LIP TYPE						

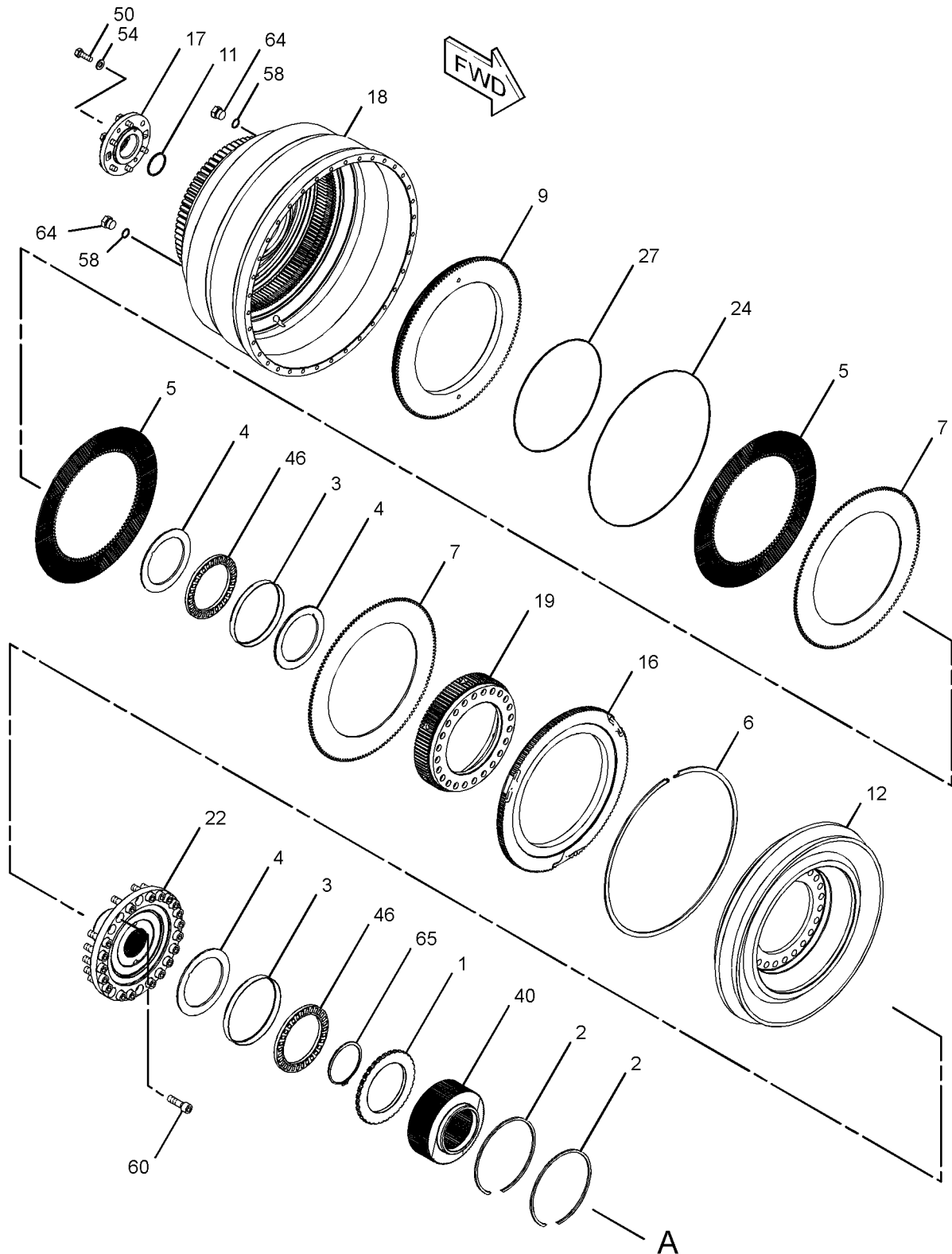
M-METRIC PART

POWER TRAIN

322-5504 TORQUE CONVERTER GP (contd.)

i04482171

REFER TO ALL ILLUSTRATIONS OF THIS GROUP FOR AUXILIARY VIEWS



GRAPHIC #1

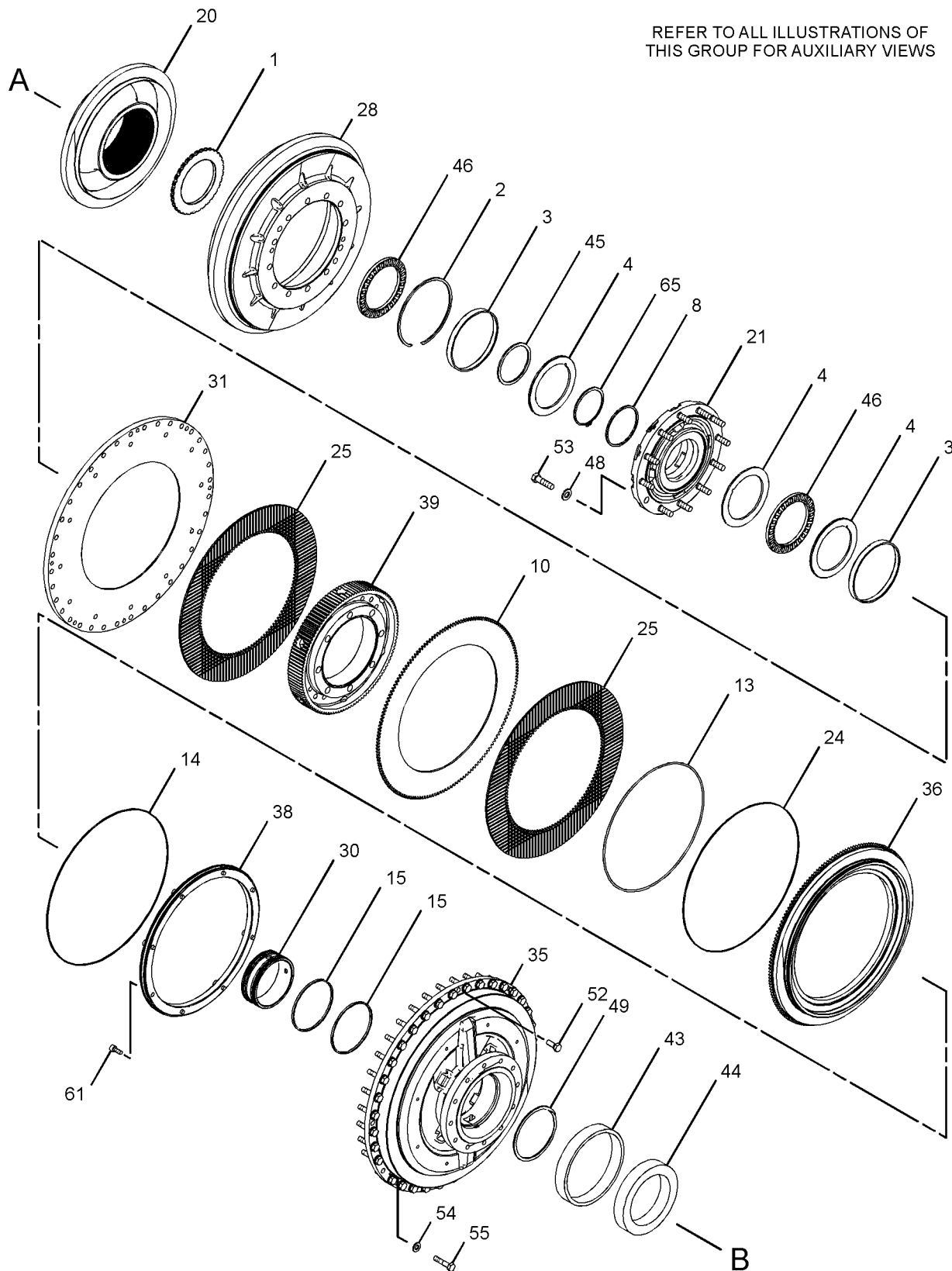
g01566423

POWER TRAIN

322-5504 TORQUE CONVERTER GP (contd.)

i04482171

REFER TO ALL ILLUSTRATIONS OF THIS GROUP FOR AUXILIARY VIEWS



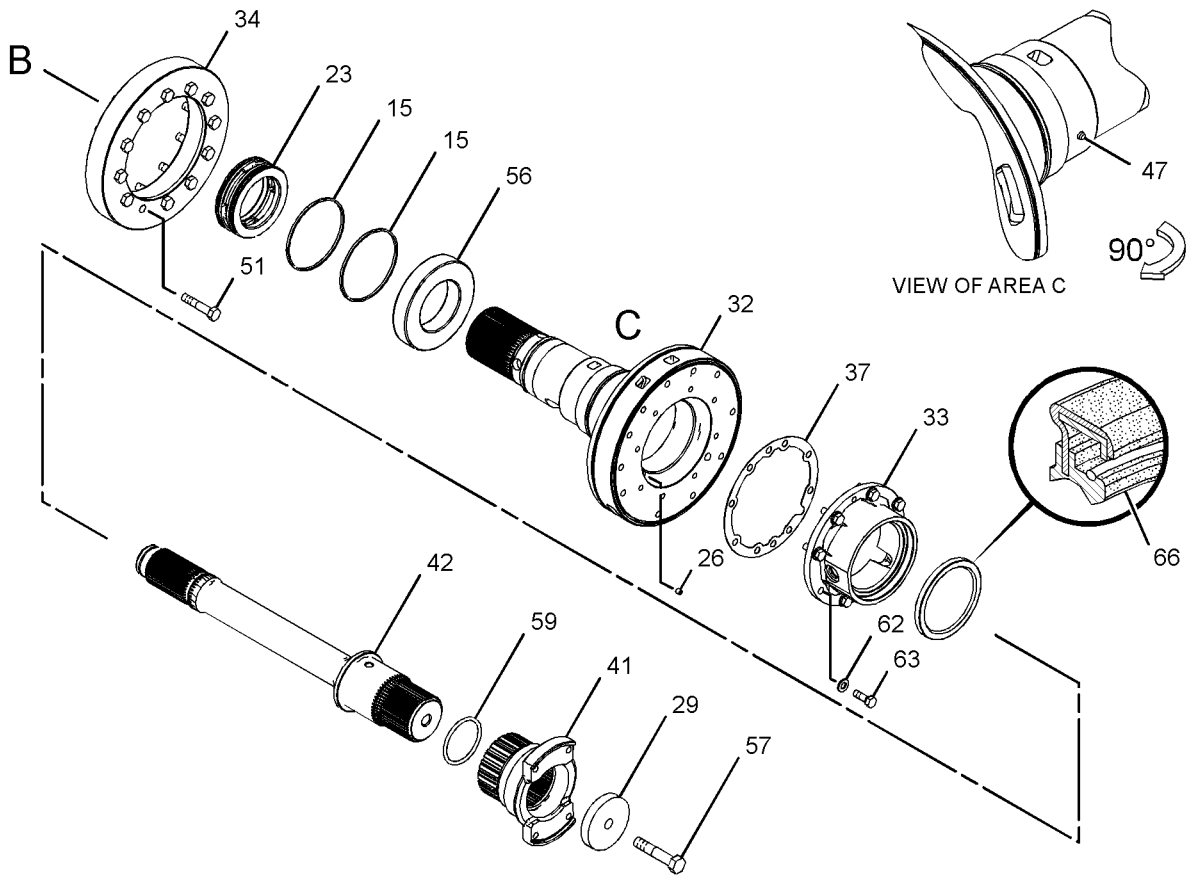
GRAPHIC #2

g01566422

POWER TRAIN

322-5504 TORQUE CONVERTER GP (contd.)

i04482171



GRAPHIC #3

<END>

g01566424

POWER TRAIN

230-6315 TRANSMISSION AR*R

S/N: DRT1-UP

PART OF 225-5455 POWER TRAIN AR

SMCS-3030

i04455762

NOTE	PART NUMBER	QTY	PART NAME						SEE PAGE
			1	2	3	4	5	6 (PRODUCT LEVEL)	
Y	230-6317	1	CASE & PARTS GP-PLANETARY						264
Y	230-6318	1	CONTROL GP-TRANSMISSION HYD						265
Y	232-0209	1	COVER GP-TRANSMISSION						275
Y	232-1104	1	GEAR GP-INPUT TRANSFER						285
Y	133-8116	1	GEAR GP-OUTPUT TRANSFER						288
Y	230-6316	1	PLANETARY GP-TRANSMISSION						310

Y-SEPARATE ILLUSTRATION

<END>

POWER TRAIN

136-1747 UNIVERSAL JOINT GP*R

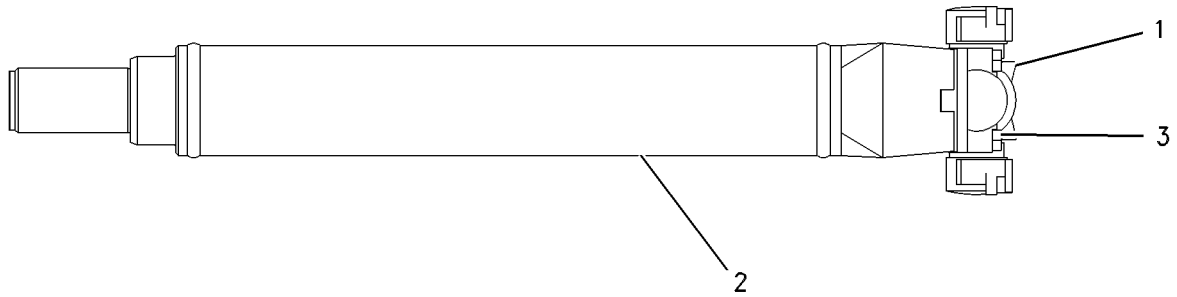
S/N: A7A1-UP

PART OF 136-1722 SHAFT GP-DRIVE

SMCS-3251, 3253

i04456469

NOTE	REF NO	GRAPHIC REF	PART NUMBER	QTY	PART NAME						SEE PAGE
					1	2	3	4	5	6 (PRODUCT LEVEL)	
	1	1	106-0933	1	SPIDER & BEARING GP						
	2	1	136-1748	1	SHAFT						
M	3	1	8T-0281	4	BOLT (M16X2X80-MM)						
M-METRIC PART											



GRAPHIC #1

<END>

g00511742

POWER TRAIN

136-1749 UNIVERSAL JOINT GP*R

S/N: A7A1-UP

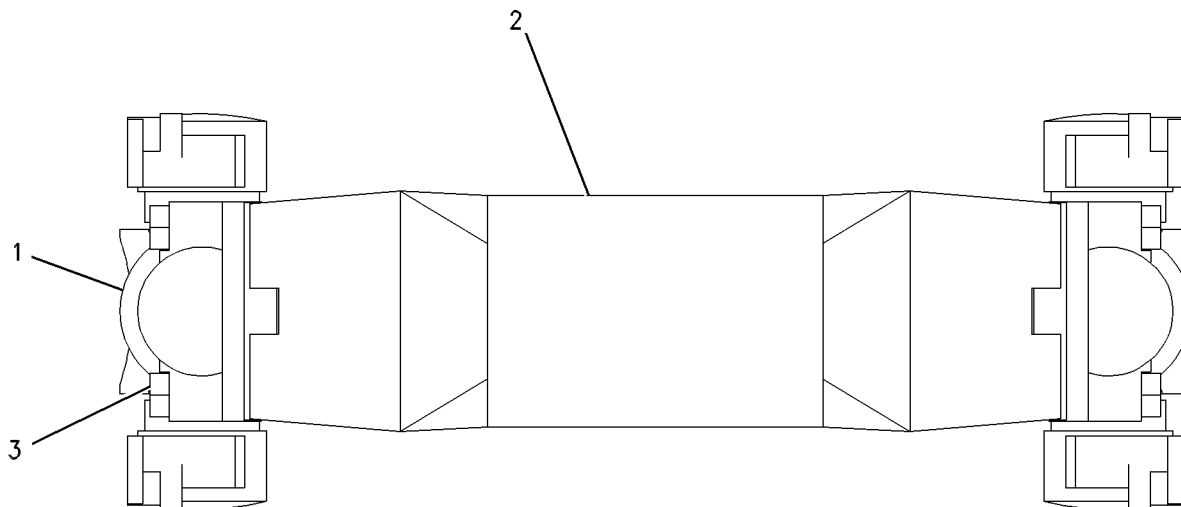
PART OF 136-1722 SHAFT GP-DRIVE

SMCS-3251, 3253

i04456470

NOTE	REF NO	GRAPHIC REF	PART NUMBER	QTY	PART NAME						SEE PAGE
					1	2	3	4	5	6 (PRODUCT LEVEL)	
	1	1	106-0933	2	SPIDER & BEARING GP						
	2	1	136-1750	1	SHAFT AS						
M	3	1	8T-0281	8	BOLT (M16X2X80-MM)						

M-METRIC PART



GRAPHIC #1

<END>

g00509536

POWER TRAIN

136-1755 UNIVERSAL JOINT GP-INPUT DRIVE SHAFT

S/N: A7A1-UP

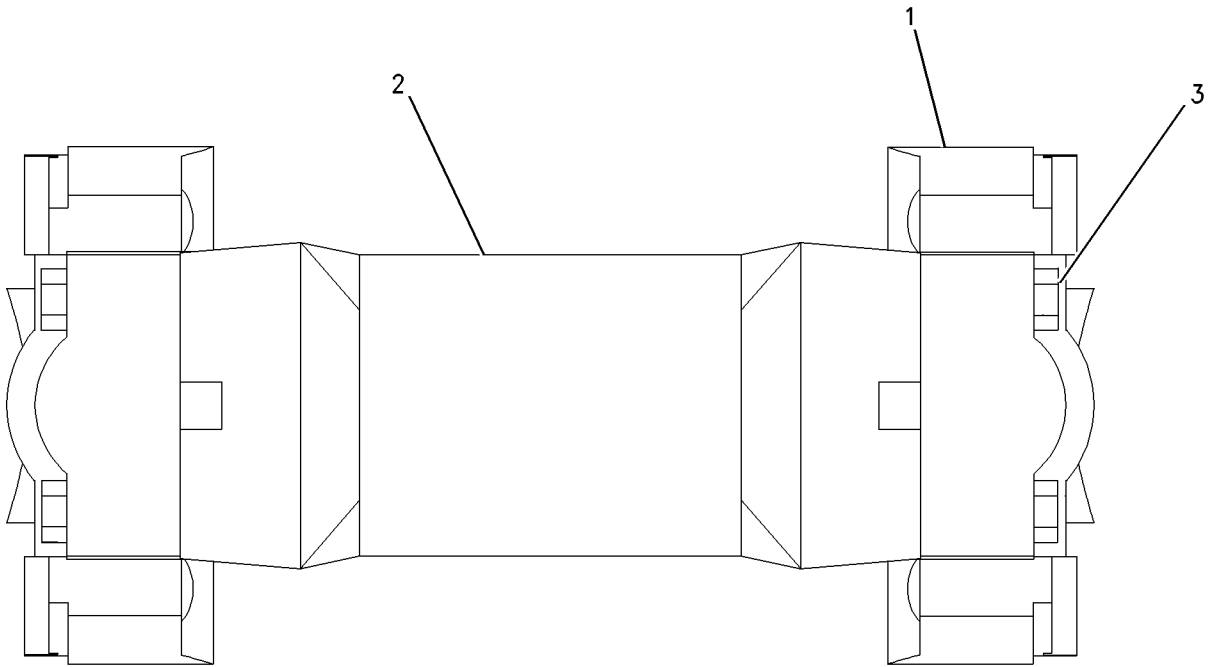
PART OF 136-1754 SHAFT GP-INPUT DRIVE

SMCS-3251, 3253

i04456481

NOTE	REF NO	GRAPHIC REF	PART NUMBER	QTY	PART NAME						SEE PAGE
					1	2	3	4	5	6 (PRODUCT LEVEL)	
	1	1	2T-3013	2	SPIDER & BEARING GP						
	2	1	136-1756	1	SHAFT						
M	3	1	6V-3823	8	BOLT (M12X1.75X60-MM)						

M-METRIC PART



GRAPHIC #1

<END>

g00838821

POWER TRAIN

176-6448 VALVE GP-CHECK

S/N: A7A1-UP

PART OF 257-7815 COOLER & FAN GP-AXLE OIL
AN ATTACHMENT

SMCS-5067

i04483011

NOTE	PART NUMBER	QTY	PART NAME						SEE PAGE
			1	2	3	4	5	6 (PRODUCT LEVEL)	
	3D-2824	1	SEAL-O-RING						
	6V-9746	1	SEAL-O-RING						
	9T-3752	1	VALVE-CHECK (STEERING)						
<END>									

POWER TRAIN

216-5342 VALVE GP-MODULATING

S/N: A7A1-UP

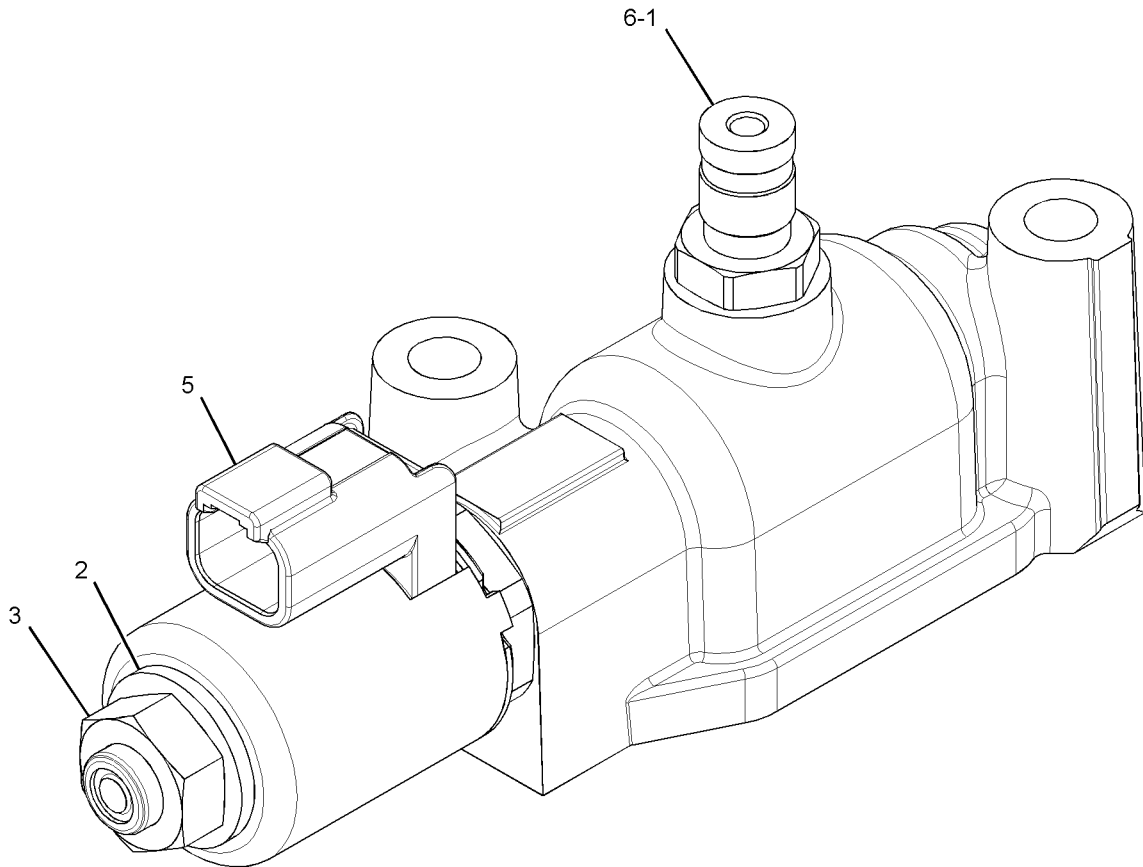
24-VOLT

PART OF 126-5483 TORQUE CONVERTER & HOUSING GP
AN ATTACHMENT

SMCS-3139

i04482169

NOTE	REF NO	GRAPHIC REF	PART NUMBER	QTY	PART NAME						SEE PAGE
					1	2	3	4	5	6 (PRODUCT LEVEL)	
	1	1	6V-3965	1	FITTING (QUICK DISCONNECT)						
	2	1	164-2108	1	WASHER (13.03X25.4X2.38-MM THK)						
	3	1	218-2373	1	NUT (1/2-28-THD)						
	5	1	323-9531	1	COIL AS (24-VOLT)						
	6	1	214-7568	1	SEAL-O-RING						



GRAPHIC #1

<END>

g01819715

POWER TRAIN

244-3114 VALVE GP-MODULATING

S/N: DRT1-UP

24-VOLT

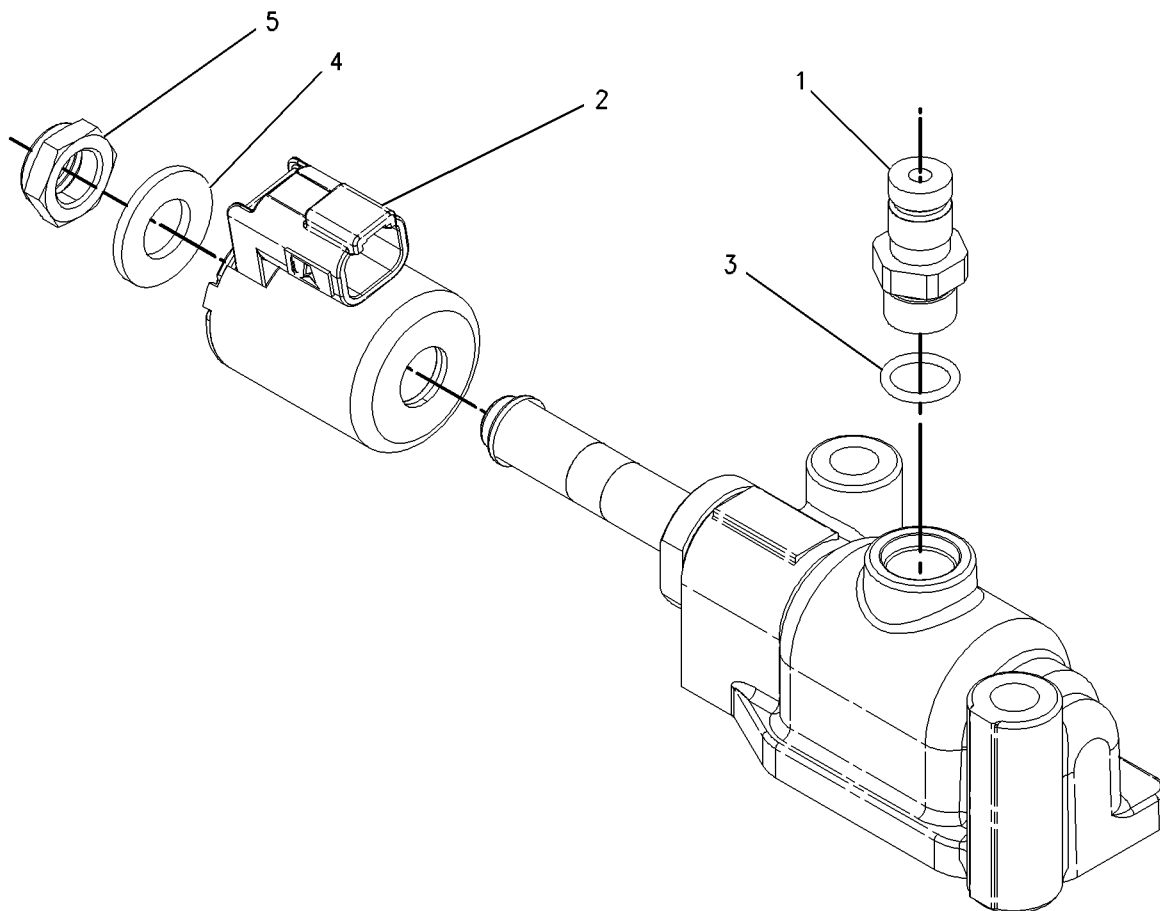
PART OF 230-6318 CONTROL GP-TRANSMISSION HYD

SMCS-3139

i04461058

NOTE	REF NO	GRAPHIC REF	PART NUMBER	QTY	PART NAME						SEE PAGE
					1	2	3	4	5	6 (PRODUCT LEVEL)	
	1	1	6V-3965	1	FITTING (QUICK DISCONNECT)						
	2	1	323-9531	1	COIL AS (24-VOLT)						
	3	1	214-7568	1	SEAL-O-RING						
	4	1	164-2108	1	WASHER (13.03X25.4X2.38-MM THK)						
	5	1	218-2373	1	NUT (1/2-28-THD)						

PARTS SHOWN IN GRAPHIC(S) WITHOUT A REFERENCE NUMBER ARE NOT SERVICED SEPARATELY



GRAPHIC #1

<END>

g00919065

POWER TRAIN

311-6364 VALVE GP-MODULATING

S/N: A7A1-UP

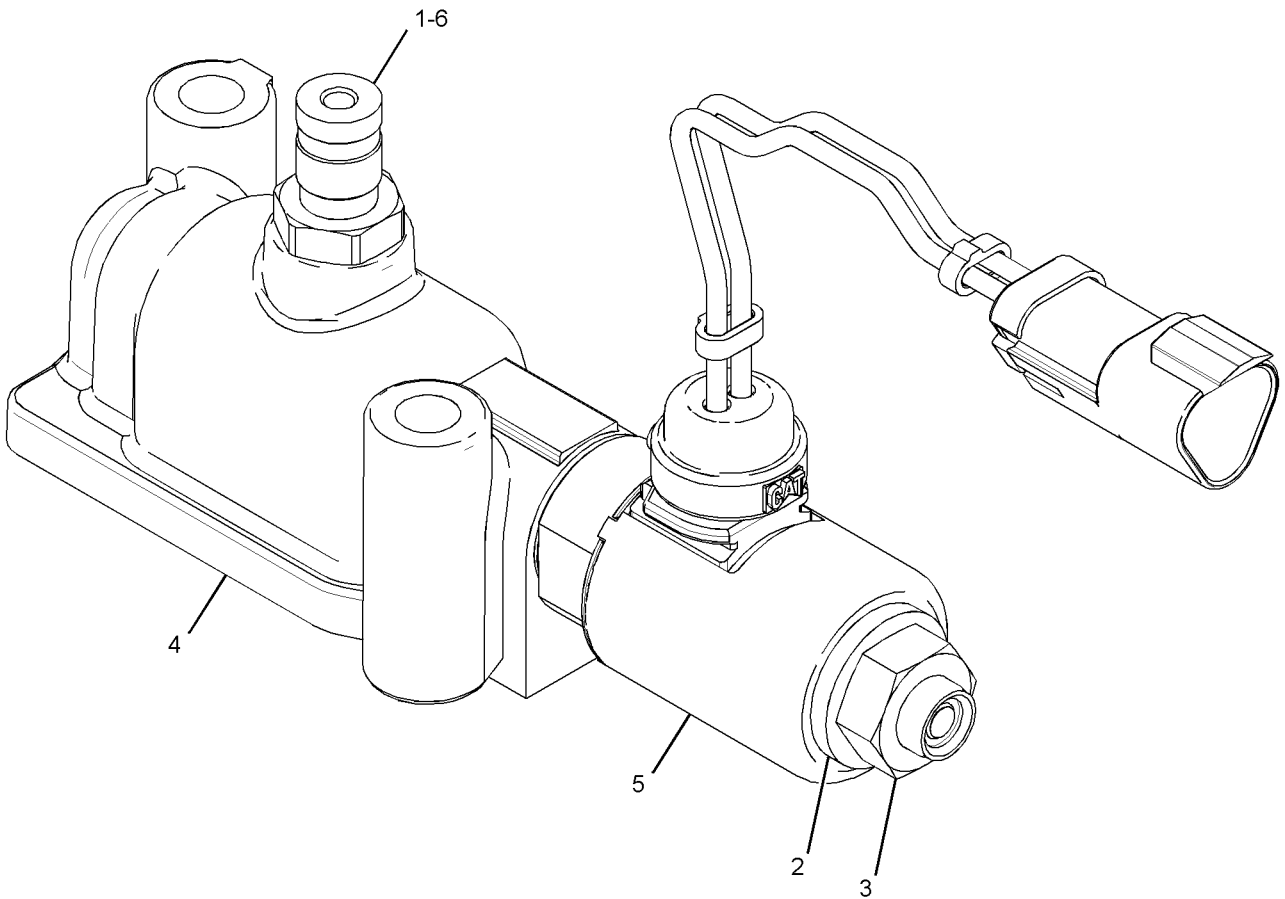
24-VOLT

PART OF 126-5483, 128-5303 TORQUE CONVERTER & HOUSING GP
AN ATTACHMENT

SMCS-3139

i04482170

NOTE	REF NO	GRAPHIC REF	PART NUMBER	QTY	PART NAME						SEE PAGE
					1	2	3	4	5	6 (PRODUCT LEVEL)	
	1	1	6V-3965	1	FITTING (QUICK DISCONNECT)						
	2	1	187-2710	1	WASHER						
	3	1	218-2373	1	NUT (1/2-28-THD)						
	4	1	311-6363	1	VALVE AS						
		1	6B-6863	1	PIN-SPRING						
		1	118-3731	1	SPRING						
	5	1	322-5036	1	COIL AS						
	6	1	214-7568	1	SEAL-O-RING						



GRAPHIC #1

<END>

g02541138

POWER TRAIN

104-5013 VALVE GP-RELIEF

S/N: A7A1-UP

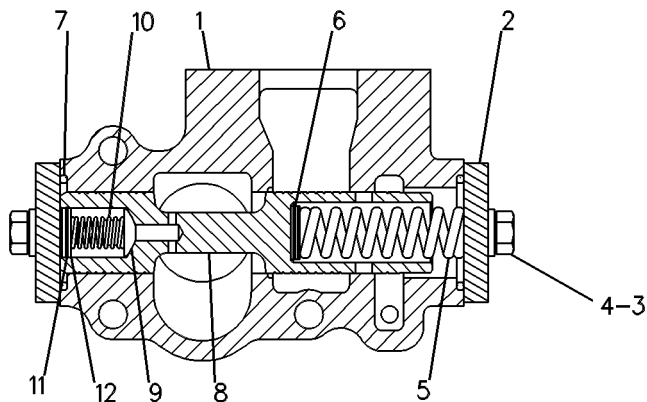
PART OF 345-3936 LINES GP-POWER TRAIN OIL

SMCS-3133, 3182, 3210, 3213

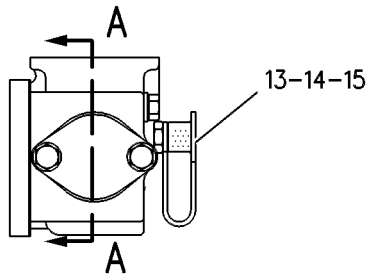
i04460601

NOTE	REF NO	GRAPHIC REF	PART NUMBER	QTY	PART NAME						SEE PAGE
					1	2	3	4	5	6 (PRODUCT LEVEL)	
	1	1	104-5014	1	BODY-RELIEF VALVE						
	2	1	4M-8239	2	COVER						
	3	1	0S-1594	4	BOLT (3/8-16X1-IN)						
	4	1	5M-2894	4	WASHER-HARD (10.2X18.5X2.5-MM THK)						
	5	1	8M-8627	1	SPRING						
B	6	1	5M-9622	2	SHIM (1.6-MM THK)						
B		1	5M-9623	3	SHIM (0.9-MM THK)						
B		1	5M-9624	1	SHIM (0.25-MM THK)						
	7	1	8M-4986	2	SEAL-O-RING						
	8	1	2P-4538	1	SPOOL AS-RELIEF						
	9	1	9M-4313	1	POPPET						
	10	1	5M-9548	1	SPRING						
	11	1	1L-3162	1	RING-RETAINING						
	12	1	8M-2537	1	RETAINER						
	13	1	6V-0852	1	CAP-DUST						
	14	1	3J-1907	1	SEAL-O-RING						
	15	1	6V-3965	1	FITTING (QUICK DISCONNECT)						

B-USE AS REQUIRED



SECTION A-A



GRAPHIC #1

<END>

g00122362

POWER TRAIN

149-2610 VALVE GP-SOLENOID

S/N: A7A1-UP

24-VOLT

PART OF 246-4555 LINES GP-AXLE OIL COOLER FAN, 151-7455 VALVE GP-SOLENOID

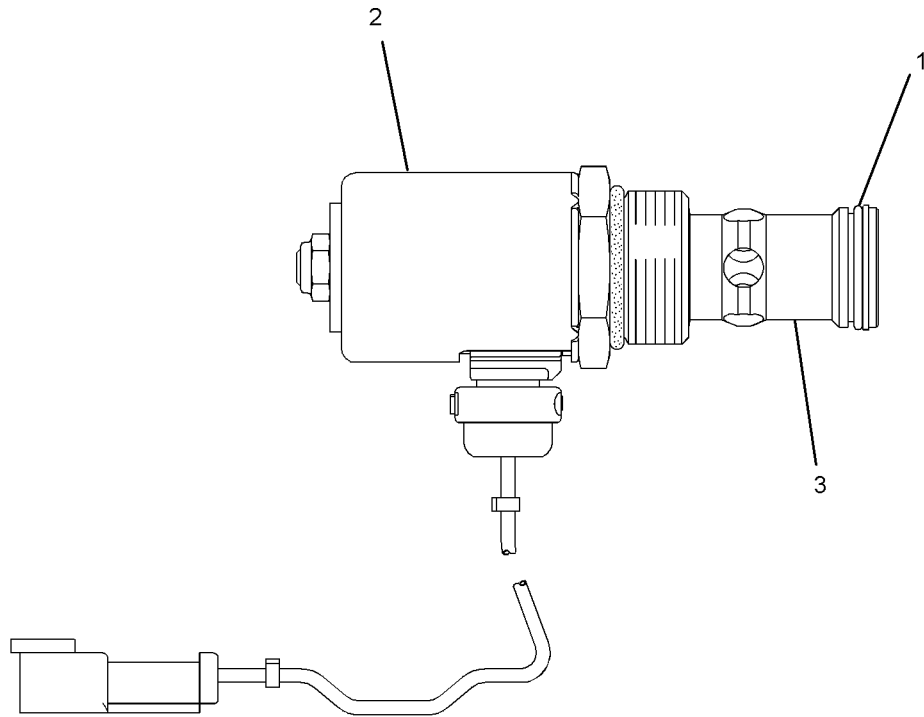
FIELD REPLACEMENT ORDER 279-6528—PAGE 362

AN ATTACHMENT

SMCS-3174, 4804, 4805, 5132, 5479

i04482949

NOTE	REF NO	GRAPHIC REF	PART NUMBER	QTY	PART NAME						SEE PAGE
					1	2	3	4	5	6 (PRODUCT LEVEL)	
	1	1	3G-8175	1	KIT-SEAL (INCLUDES O-RINGS & BACK-UP RING)						
	2	1	218-9894	1	COIL AS (24-VOLT)						
		1	1S-9593	2	STRAP-CABLE						
		1	8T-8729	2	PIN-CONNECTOR (16-GA TO 18-GA)						
		1	102-8802	1	KIT-RECEPTACLE (2-PIN) (INCLUDES RECEPTACLE AS & WEDGE)						
	3	1	355-1470	1	CARTRIDGE AS						



GRAPHIC #1

<END>

g02126881

POWER TRAIN

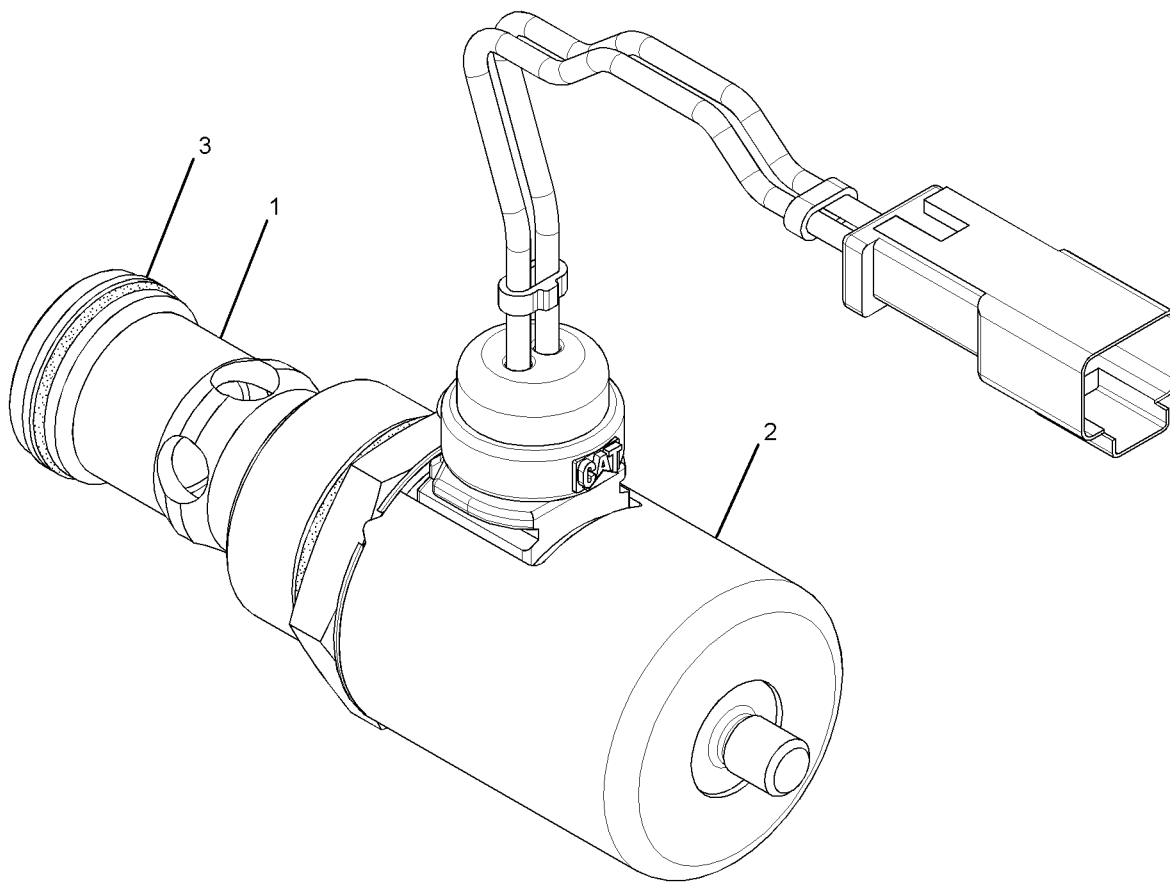
279-6528 VALVE GP-SOLENOID

S/N: A7A1-UP

SMCS-3174, 4804, 4805, 5132, 5479

i04523457

NOTE	REF NO	GRAPHIC REF	PART NUMBER	QTY	PART NAME						SEE PAGE
					1	2	3	4	5	6 (PRODUCT LEVEL)	
	1	1	355-1470	1	CARTRIDGE AS						
	2	1	218-9894	1	COIL AS (24-VOLT)						
	3	1	3G-8175	1	KIT-SEAL						
(INCLUDES SEAL-O-RINGS & BACK UP RING)											



GRAPHIC #1

<END>

g02146135

POWER TRAIN

295-1145 VALVE GP-TRANSMISSION CONTROL

S/N: DRT1-UP

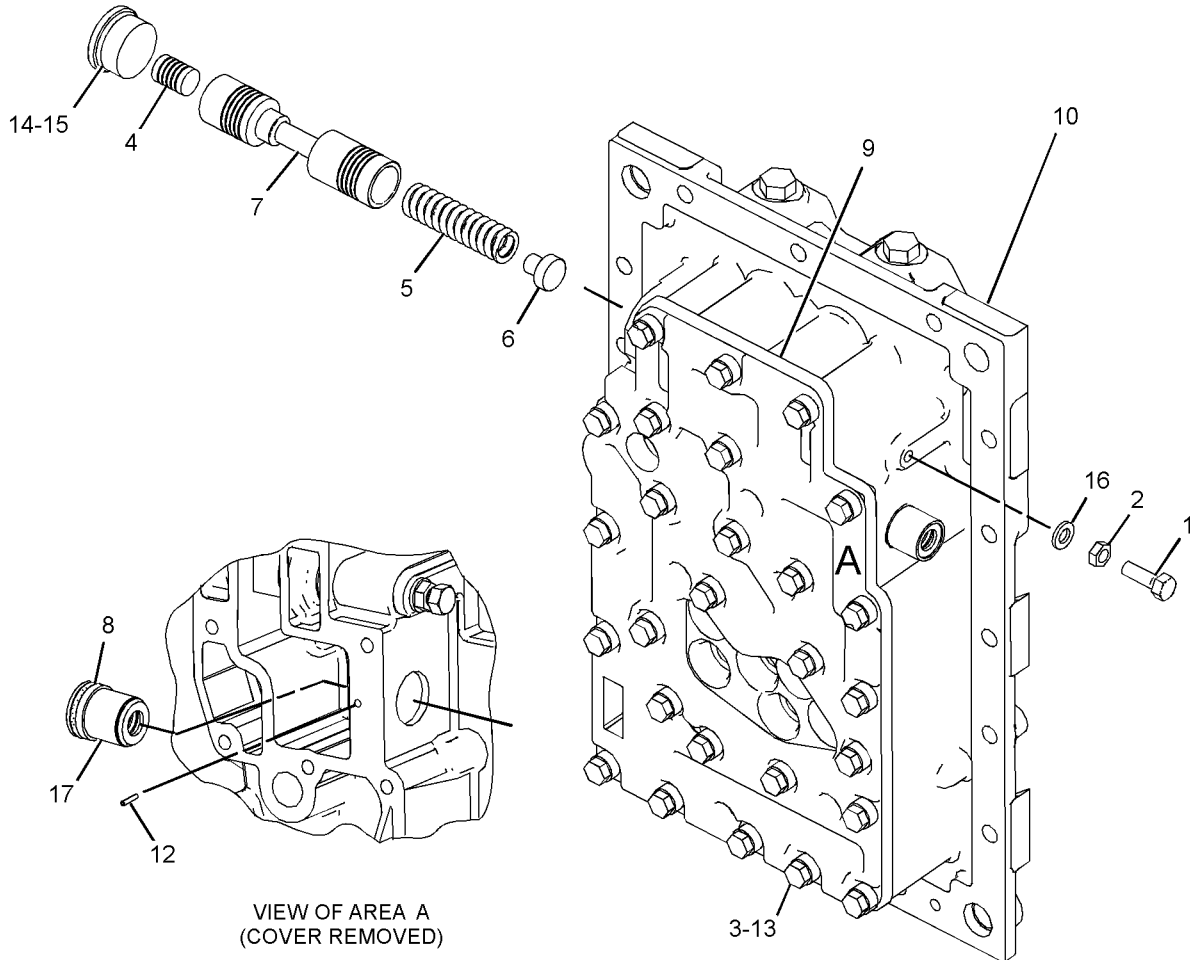
PART OF 230-6318 CONTROL GP-TRANSMISSION HYD

SMCS-3073, 3167

i04461059

NOTE	REF NO	GRAPHIC REF	PART NUMBER	QTY	PART NAME						SEE PAGE
					1	2	3	4	5	6 (PRODUCT LEVEL)	
	1	1	4M-5905	1	SCREW-ADJUSTMENT (5/16-18X1-IN)						
	2	1	5B-3180	1	NUT (5/16-18-THD)						
	3	1	8E-9571	27	WASHER-HARD (8.8X16X7-MM THK)						
	4	1	9W-5568	1	SLUG						
	5	1	106-9212	1	SPRING						
	6	1	109-3969	1	STOP						
	7	1	133-6567	1	SPOOL AS-RELIEF						
		1	3D-8317	1	RING-RETAINING						
		1	4B-9880	1	BALL						
		1	4M-2381	1	SPRING						
		1	8M-1013	1	RETAINER						
	8	1	148-1928	1	VALVE-RELIEF (TORQUE CONVERTER INLET)						
	9	1	349-3904	1	PLATE						
	10	1	295-1146	1	MANIFOLD						
	12	1	3F-4479	1	PIN-SPRING						
M	13	1	6V-2317	27	BOLT (M8X1.25X30-MM)						
	14	1	6Y-4638	1	PLUG-HEX SOCKET (1-5/16-12-THD)						
	15	1	7M-8485	1	SEAL-O-RING						
	16	1	9M-1974	1	WASHER-HARD (8.8X16X2-MM THK)						
	17	1	9X-4609	1	SEAL-O-RING						

M-METRIC PART



GRAPHIC #1

<END>

g02042193

POWER TRAIN

192-0822 WHEEL & FINAL DRIVE GP*R

S/N: A7A1-UP

PART OF 137-8833 AXLE AR-FIXED, 137-8832 AXLE AR-OSCILLATING

SMCS-4051

i04456502

NOTE	REF NO	GRAPHIC REF	PART NUMBER	QTY	PART NAME						SEE PAGE
					1	2	3	4	5	6 (PRODUCT LEVEL)	
	1	1	1S-3889	1	WASHER-PLUG						
	2	1	5D-6298	1	CUP-BEARING						
	3	2	5K-7696	1	PLUG						
	4	2	5T-7676	4	RETAINER						
	5	1	8M-3837	1	PLUG-MAGNETIC (FINAL DRIVE, OIL FILL)						
	6	1	9G-5321	1	SEAL GP-DUO-CONE						
	7	1	137-8843	1	GEAR-RING (81-TEETH)						
	8	2	137-8846	1	HUB AS						
		2	137-8837	1	BUSHING						
	9	1	137-8849	1	PLATE						
R	10	1	147-6457	1	SPINDLE						
	11	2	163-4572	1	PLATE-BEARING						
	12	1	185-3653	1	WASHER-THRUST						
	13	2	192-0815	1	GEAR-SUN (18-TEETH)						
	14	2	237-0974	3	GEAR-PLANETARY (30-TEETH)						
	15	1	200-0818	1	COVER						
	16	1	200-0819	1	CARRIER-PLANETARY						
	17	2	239-4258	3	BUSHING						
	18	2	239-4259	6	WASHER-THRUST						
	19	1	250-9983	1	WHEEL						
	20	2	223-5836	3	SHAFT						
	21	1	143-4512	1	CONE						
	22	1	148-1546	1	CONE						
B	23	2	175-2853	1	SHIM PACK (INCLUDES 14-SHIMS)						
	24	1	2R-0098	1	SEAL-O-RING						
	25	2	3J-1907	1	SEAL-O-RING						
	26	1	3K-0360	1	SEAL-O-RING						
	27	1	5F-1678	1	SEAL-O-RING						
	28	1	6D-0692	1	SEAL-O-RING						
	29	2	6T-5545	3	DOWEL						
	30	2	6V-1746	2	DOWEL						
M	31	1	6V-3668	11	BOLT (M12X1.75X30-MM)						
	32	1	6V-8281	1	CUP-BEARING						
M	33	2	8C-8992	8	BOLT-LOCKING (M12X1.75X30-MM)						
	34	2	8T-3282	10	WASHER-HARD (22X35X3.5-MM THK)						
M	35	1	8T-4194	4	BOLT (M12X1.75X50-MM)						
	36	1	9H-6832	1	SEAL-O-RING						
	37	1	9S-8005	1	PLUG-O-RING						
M	38	2	9X-2404	10	BOLT-SOCKET HEAD (M20X2.5X90-MM)						
B	39	1	1U-8846	1	SEALANT-GASKET						

B-USE AS REQUIRED

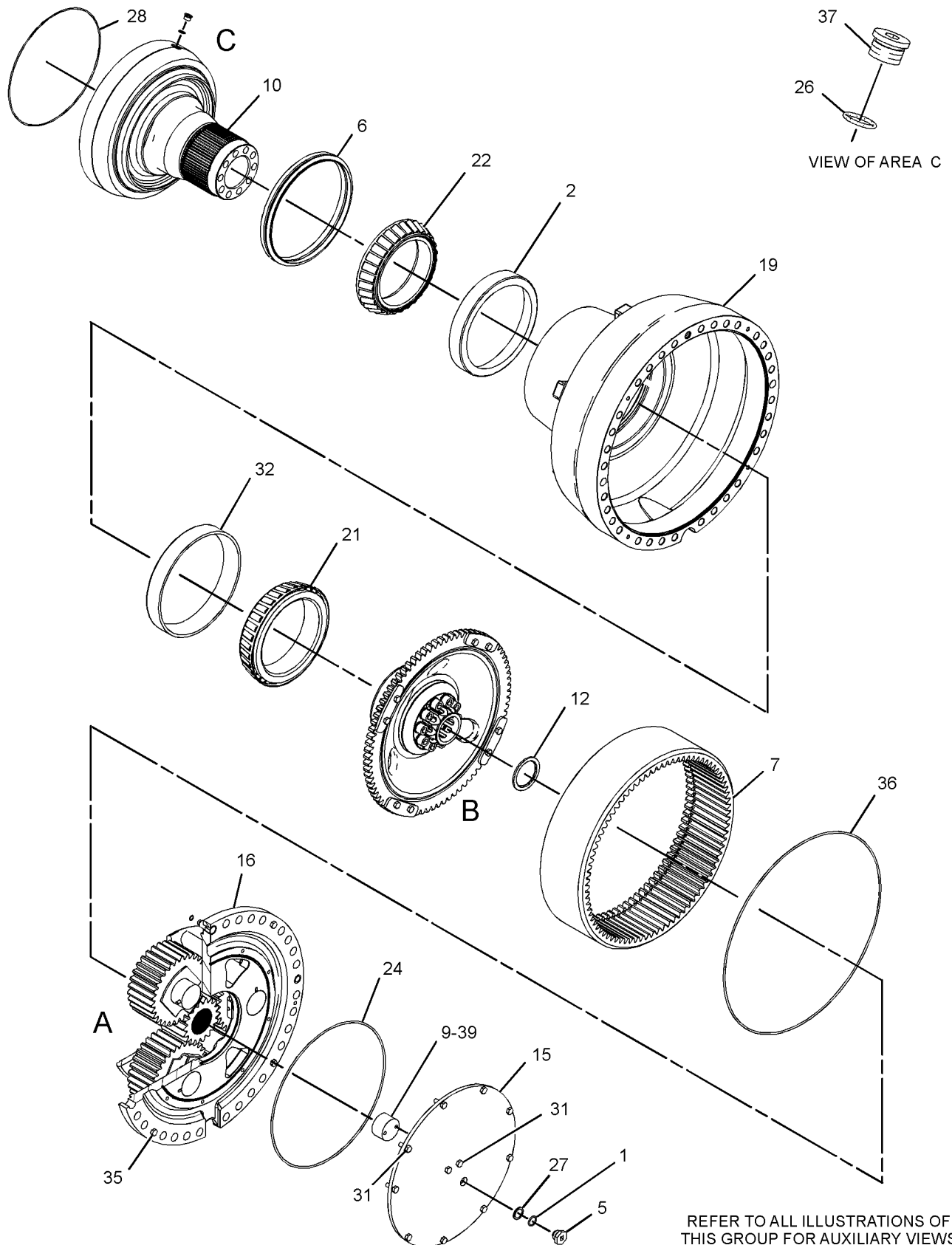
M-METRIC PART

R-REMGF PART MAY BE AVAILABLE

POWER TRAIN

192-0822 WHEEL & FINAL DRIVE GP (contd.)

i04456502



GRAPHIC #1

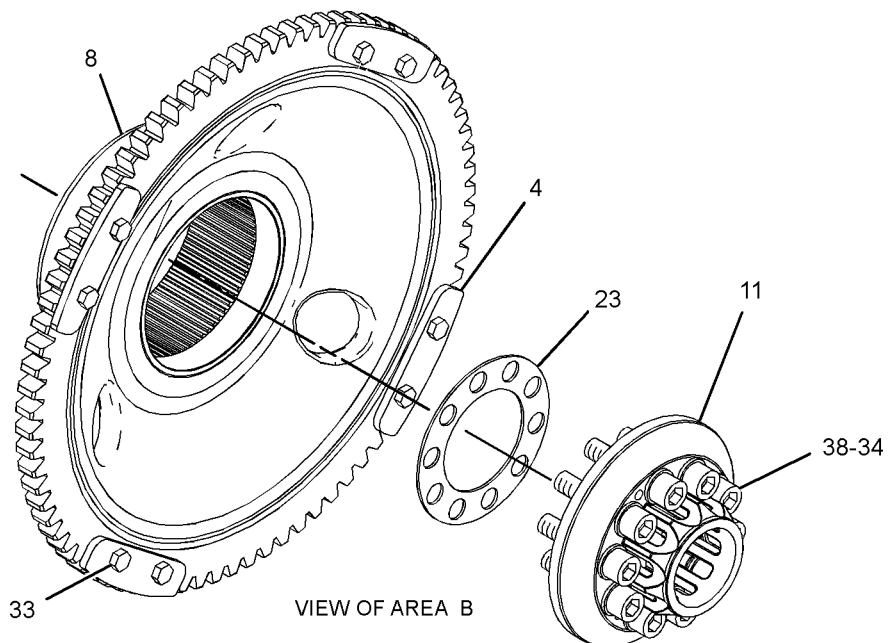
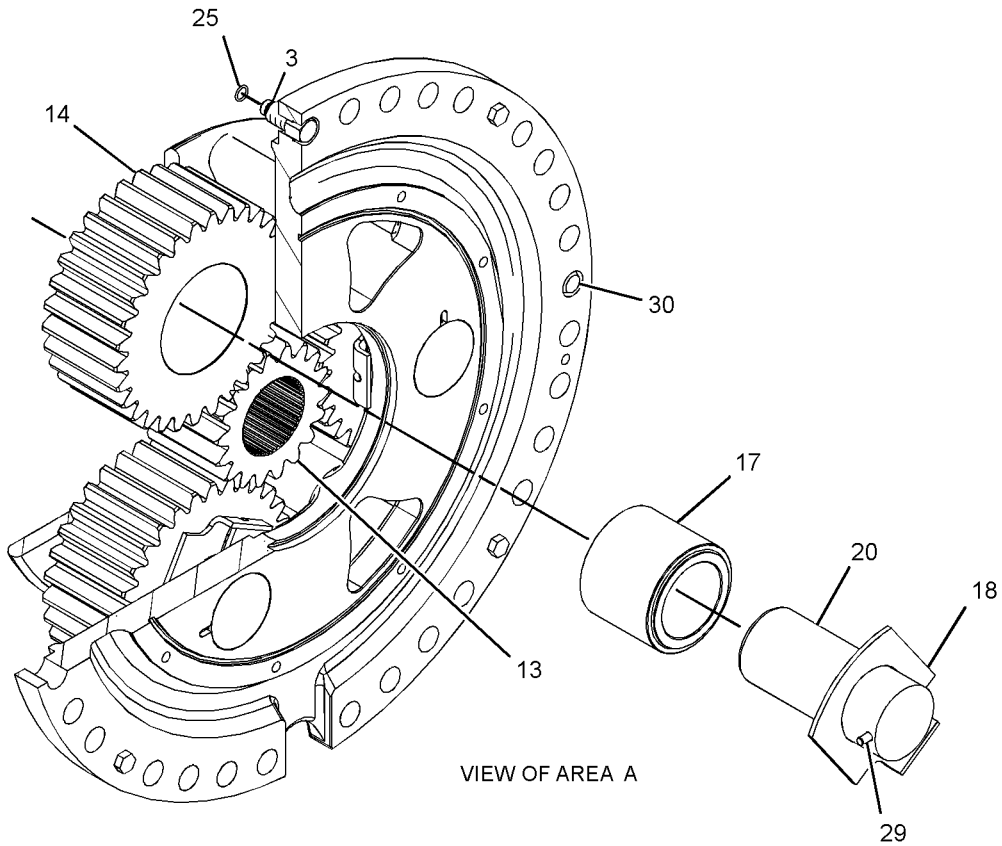
REFER TO ALL ILLUSTRATIONS OF THIS GROUP FOR AUXILIARY VIEWS

g01342366

POWER TRAIN

192-0822 WHEEL & FINAL DRIVE GP (contd.)

i04456502



GRAPHIC #2

<END>

g01342203

FRAME AND BODY

329-7443 BUMPER AR-REAR

S/N: A7A1-UP

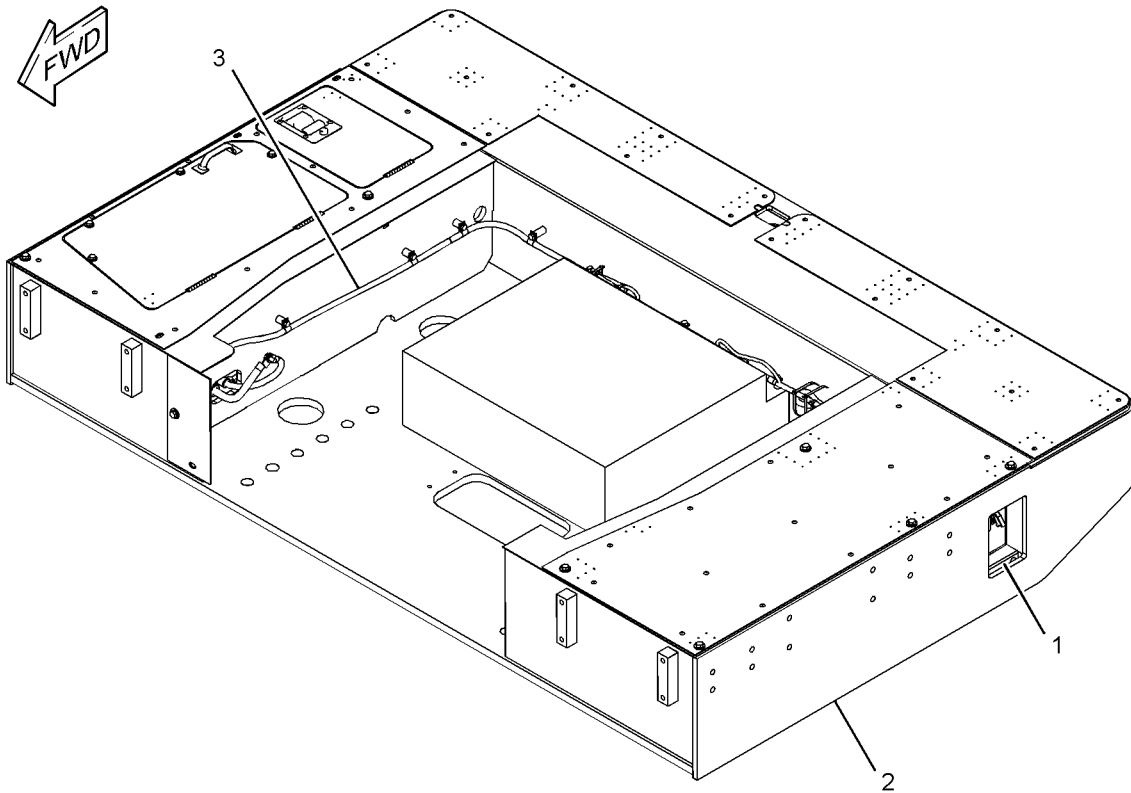
PART OF 298-6964 LIFT AR
AN ATTACHMENT

SMCS-7156

i04480312

NOTE	REF NO	GRAPHIC REF	PART NUMBER	QTY	PART NAME						SEE PAGE
					1	2	3	4	5	6 (PRODUCT LEVEL)	
Y	1	1	163-3997	1	WIRING GP-SHUTOFF (GROUND LEVEL)						259
Y	2	1	329-7415	1	BUMPER GP-REAR						368
Y	3	1	340-1119	1	WIRING GP-BUMPER						214

Y-SEPARATE ILLUSTRATION



GRAPHIC #1

<END>

g02285036

FRAME AND BODY

329-7415 BUMPER GP-REAR

S/N: A7A1-UP

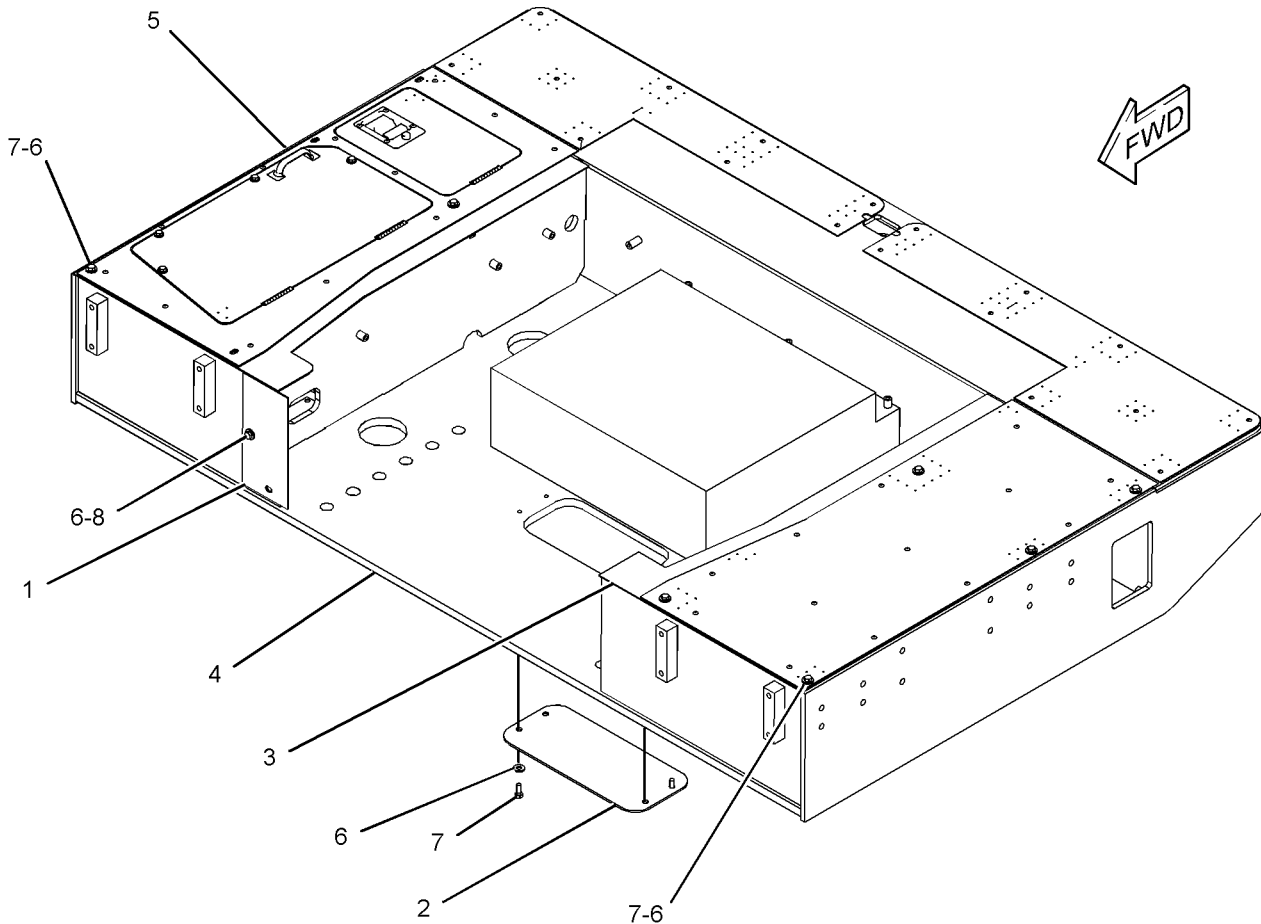
PART OF 329-7443 BUMPER AR-REAR
AN ATTACHMENT

SMCS-7156

i04489932

NOTE	REF NO	GRAPHIC REF	PART NUMBER	QTY	PART NAME						SEE PAGE
					1	2	3	4	5	6 (PRODUCT LEVEL)	
	1	1	140-3129	1	PLATE						
	2	1	160-4357	1	PLATE						
	3	1	192-8848	1	PLATE AS						
	4	1	328-3055	1	BUMPER AS						
M		1	9R-2613	3	BOSS-WELD (M10X1.5X25-MM)						
		1	173-5986	1	TREAD (RH)						
		1	173-5987	1	TREAD (LH)						
Y	5	1	333-2014	1	COVER GP-BUMPER (BATTERY COMPARTMENT ACCESS)						370
	6	1	5P-1076	10	WASHER-HARD (13.5X30X4-MM THK)						
M	7	1	8T-4139	9	BOLT (M12X1.75X30-MM)						
M	8	1	8T-4183	1	BOLT (M12X1.75X40-MM)						

M-METRIC PART
Y-SEPARATE ILLUSTRATION



GRAPHIC #1

<END>

g02580816

FRAME AND BODY

328-3080 COVER GP-ACCESS

S/N: A7A1-UP

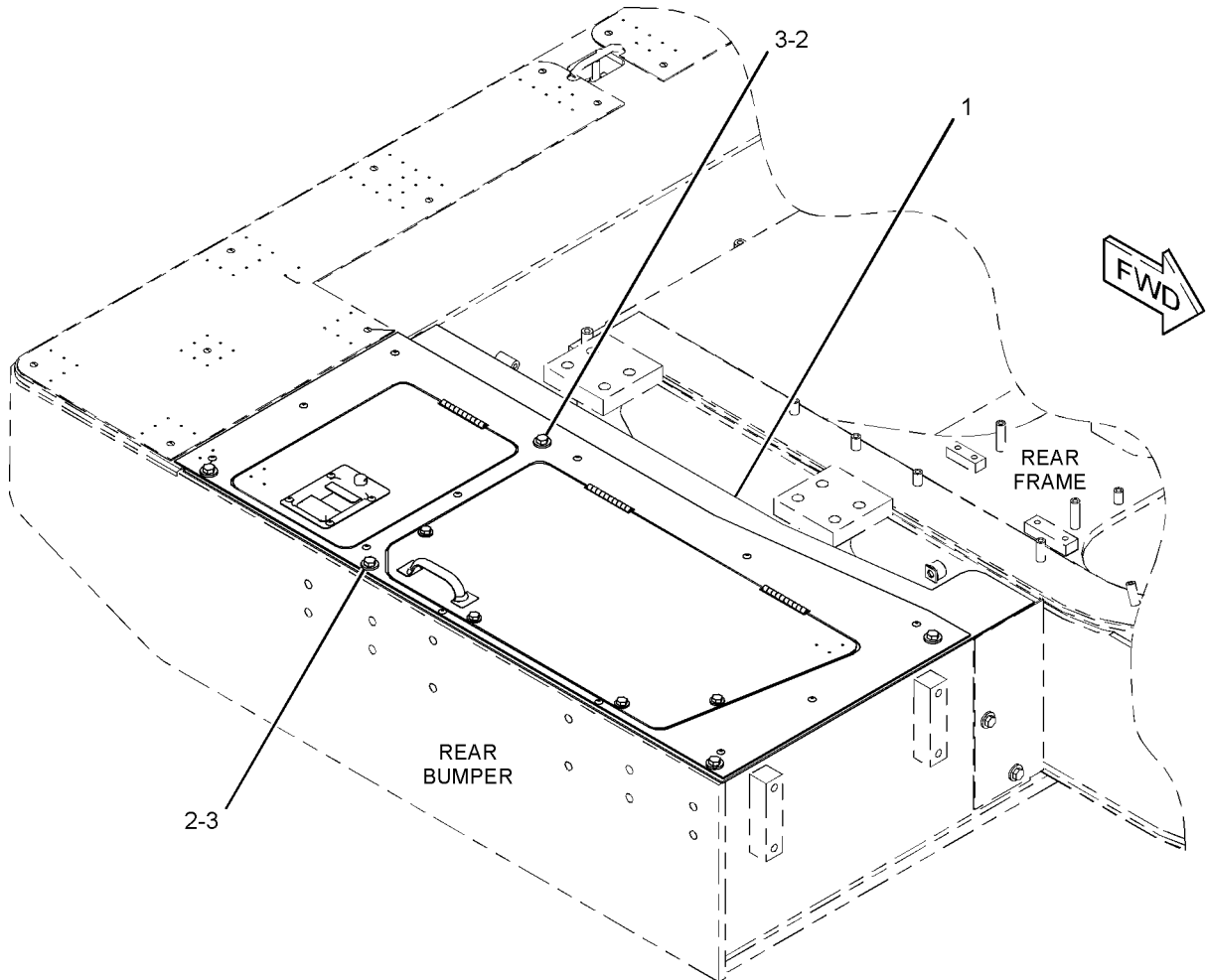
PART OF 284-2735 CHASSIS AR

SMCS-726A

i04456230

NOTE	REF NO	GRAPHIC REF	PART NUMBER	QTY	PART NAME	1 2 3 4 5 6 (PRODUCT LEVEL)						SEE PAGE
Y	1	1	333-2014	1	COVER GP-BUMPER (BATTERY COMPARTMENT ACCESS)							370
	2	1	5P-1076	5	WASHER-HARD (13.5X30X4-MM THK)							
M	3	1	8T-4139	5	BOLT (M12X1.75X30-MM)							

M-METRIC PART
Y-SEPARATE ILLUSTRATION



GRAPHIC #1

<END>

g02062873

FRAME AND BODY

333-2014 COVER GP-BUMPER

S/N: A7A1-UP

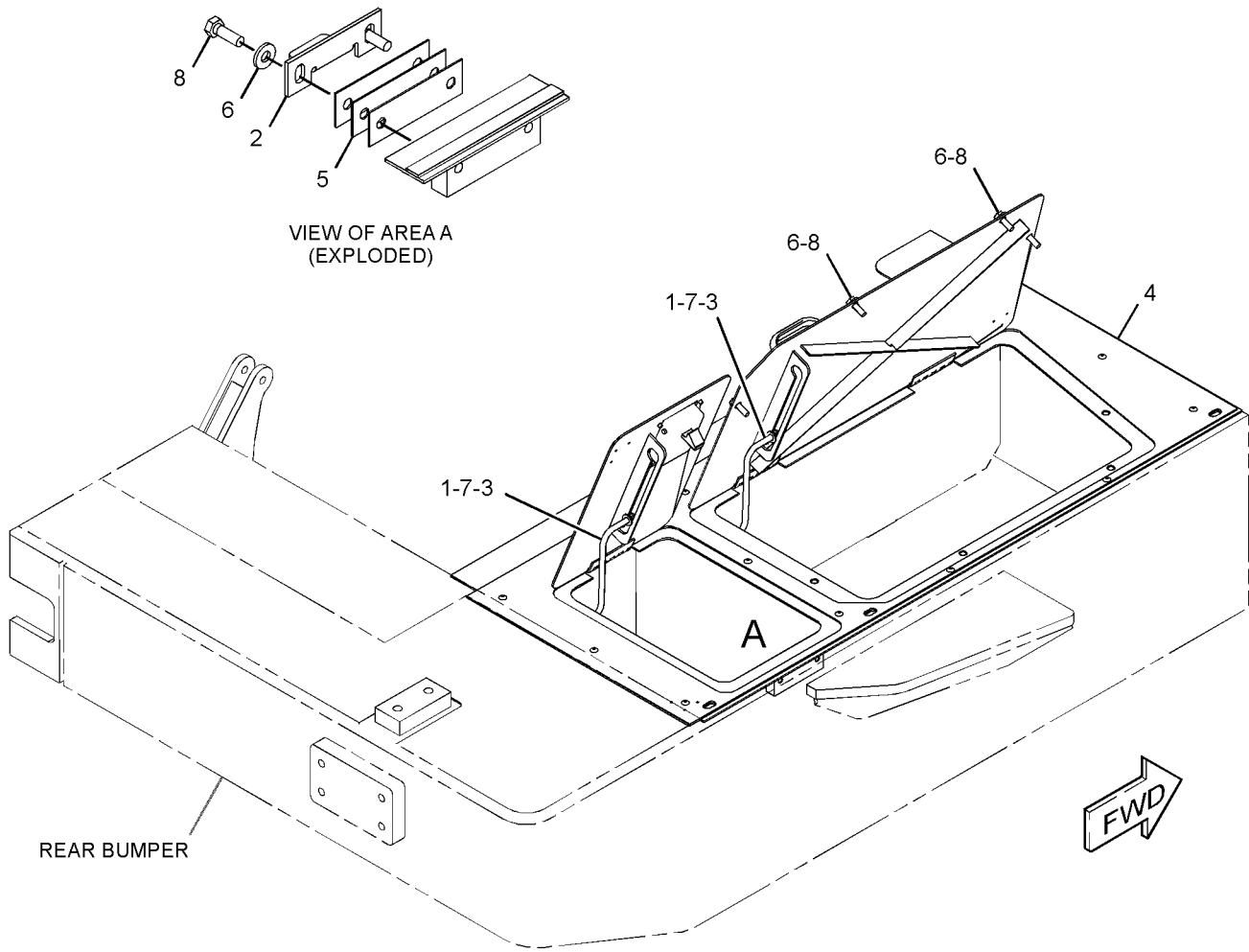
PART OF 329-7415 BUMPER GP-REAR, 328-3080 COVER GP-ACCESS
ALSO AN ATTACHMENT

SMCS-7156

i04461086

NOTE	REF NO	GRAPHIC REF	PART NUMBER	QTY	PART NAME						SEE PAGE
					1	2	3	4	5	6 (PRODUCT LEVEL)	
	1	1	3B-4610	2	PIN-COTTER						
	2	1	106-6220	1	BRACKET						
	3	1	149-8452	2	ROD AS						
					(EACH INCLUDES)						
		1	8T-4121	3	WASHER-HARD (11X21X2.5-MM THK)						
	4	1	328-3052	1	PLATE AS (BATTERY COMPARTMENT ACCESS)						
		1	9X-2299	1	LATCH AS						
		1	6V-2370	4	RIVET-POP						
B	5	1	106-6221	3	SHIM (1.6-MM THK)						
	6	1	7X-7729	6	WASHER (11X25X3-MM THK)						
	7	1	8T-4121	2	WASHER-HARD (11X21X2.5-MM THK)						
M	8	1	8T-4195	6	BOLT (M10X1.5X30-MM)						

B-USE AS REQUIRED
M-METRIC PART



GRAPHIC #1

<END>

g02066053

FRAME AND BODY

261-9434 COVER GP-ELECTRONICS BAY-REAR

S/N: A7A1-UP

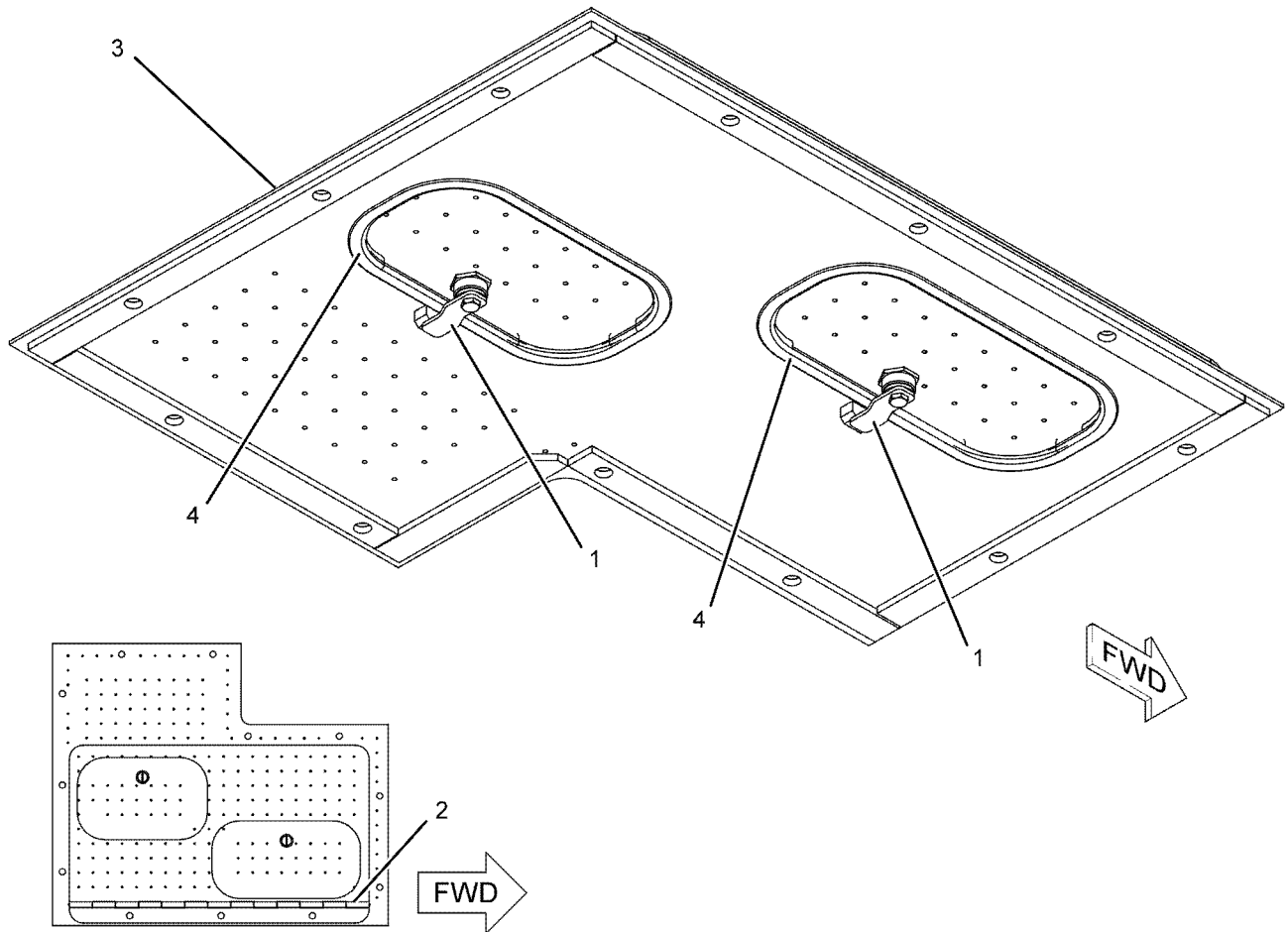
PART OF 309-0972 WIRING GP-ELECTRONICS BAY
AN ATTACHMENT

SMCS-5201, 7276

i04487673

NOTE	REF NO	GRAPHIC REF	PART NUMBER	QTY	PART NAME						SEE PAGE
					1	2	3	4	5	6 (PRODUCT LEVEL)	
	1	1	175-7419	2	LOCK						
	2	1	261-9424	1	DOOR AS						
	3	1	261-9433	1	COVER AS						
E	4	1	177-4122		SEAL (140-CM)						

E-ORDER BY THE CENTIMETER



TOP VIEW

GRAPHIC #1

<END>

g01121156

FRAME AND BODY

242-5177 DEFLECTOR GP-HOOD-AIR EJECTOR

S/N: A7A1-UP

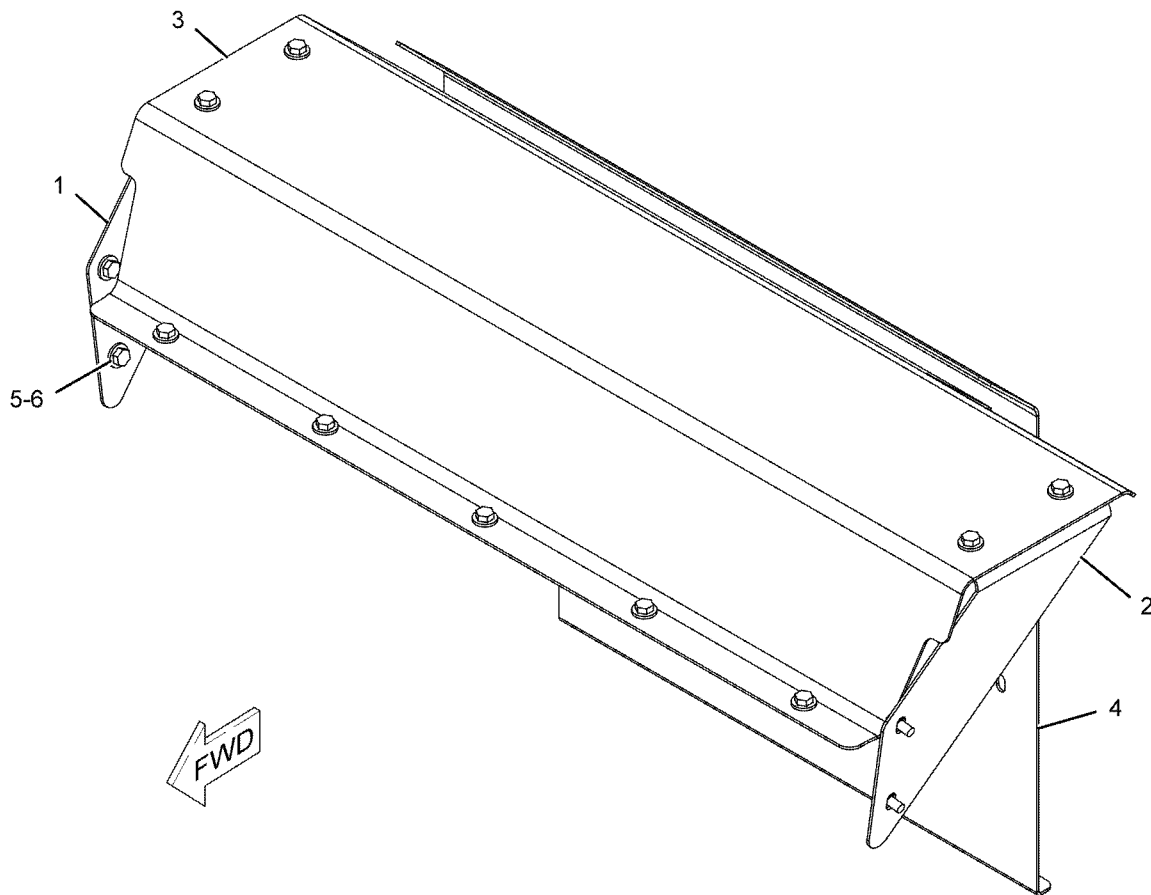
PART OF 226-1956 COOLING AR-HIGH AMBIENT TEMP
AN ATTACHMENT

SMCS-7251

i04480091

NOTE	REF NO	GRAPHIC REF	PART NUMBER	QTY	PART NAME						SEE PAGE
					1	2	3	4	5	6 (PRODUCT LEVEL)	
	1	1	239-7440	1	SHEET AS						
M		1	8T-3490	2	NUT-WELD (M10X1.5-THD)						
	2	1	239-7441	1	SHEET AS						
M		1	8T-3490	2	NUT-WELD (M10X1.5-THD)						
	3	1	242-5175	1	SHEET						
	4	1	242-5176	1	SHEET						
	5	1	7X-7729	13	WASHER (11X25X3-MM THK)						
M	6	1	8T-4137	13	BOLT (M10X1.5X20-MM)						

M-METRIC PART



GRAPHIC #1

<END>

g01121215

FRAME AND BODY

163-8033 DOOR GP-ACCESS

S/N: A7A1-UP

PART OF 225-5235 HOOD & GUARD GP

SMCS-7273

i04459142

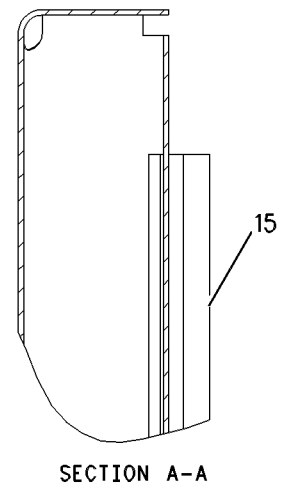
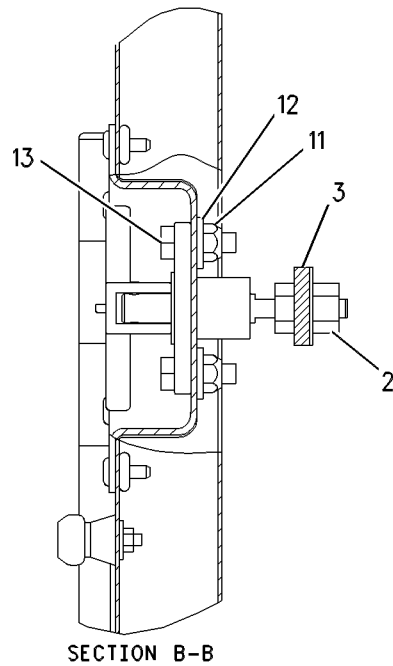
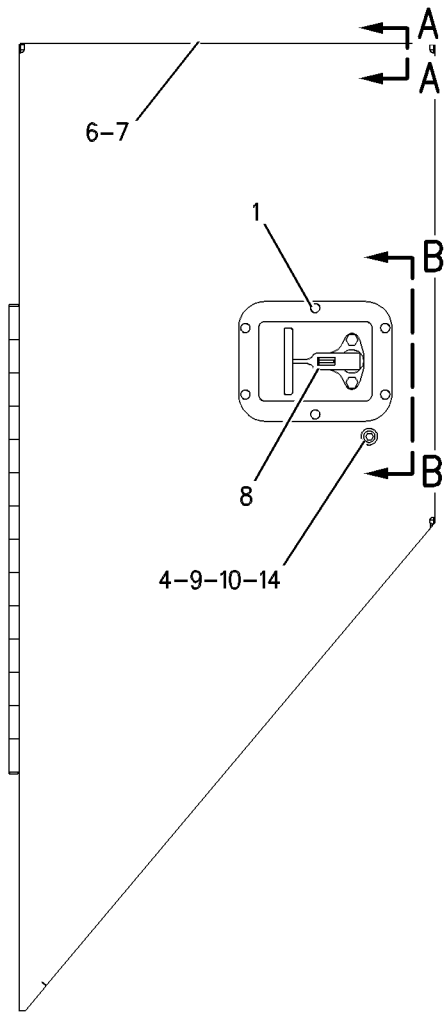
NOTE	REF NO	GRAPHIC REF	PART NUMBER	QTY	PART NAME						SEE PAGE
					1	2	3	4	5	6 (PRODUCT LEVEL)	
	1	1	6V-2370	12	RIVET-POP						
M	2	1	139-6366	4	NUT (M14X2-THD)						
	3	1	8T-1578	2	PAWL						
	4	1	9R-8538	2	PLUNGER (LATCH)						
	6	1	142-7008	1	DOOR AS						
	7	1	142-7009	1	DOOR AS						
	8	1	160-6328	2	LATCH AS						
					(EACH INCLUDES)						
		1	7X-0766	1	SPRING-LATCH						
		1	8Y-3999	1	BRACKET-MOUNTING						
		1	8Y-3998	1	HANDLE-LATCH						
		1	8Y-3966	1	WASHER (14.7X35X1.57-MM THK)						
		1	8Y-8306	1	SHAFT-LATCH						
		1	6H-3956	1	PIN						
M	9	1	5C-2890	2	NUT (M6X1-THD)						
	10	1	5P-4115	2	WASHER-HARD (7.2X19X2-MM THK)						
M	11	1	6V-7744	4	LOCKNUT (M10X1.5-THD)						
	12	1	7X-7729	4	WASHER (11X25X3-MM THK)						
M	13	1	8T-4195	4	BOLT (M10X1.5X30-MM)						
M	14	1	8T-4971	2	BOLT (M6X1X30-MM)						
D	15	1	5P-7483		SEAL (1.3M)						

D-ORDER BY THE METER
M-METRIC PART

FRAME AND BODY

163-8033 DOOR GP-ACCESS (contd.)

i04459142



GRAPHIC #1

<END>

g00554599

FRAME AND BODY

180-9272 DOOR GP-ACCESS-HOOD TOP

S/N: A7A1-UP

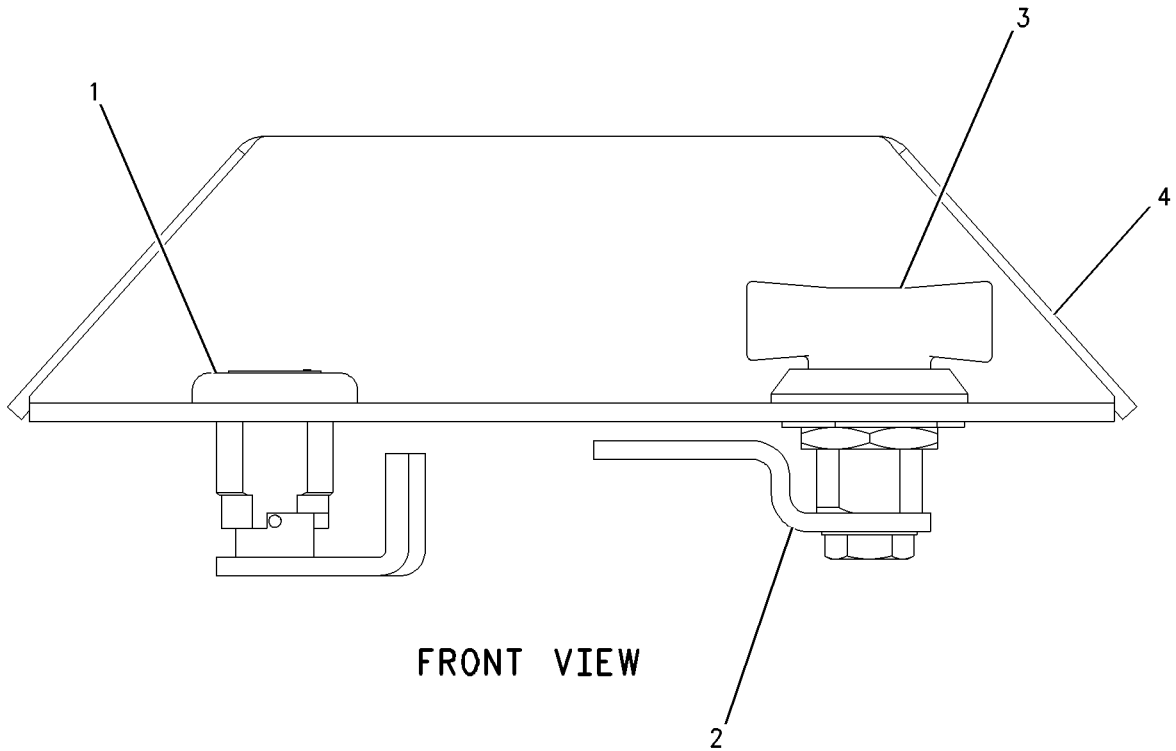
PART OF 225-5235 HOOD & GUARD GP

SMCS-7273

i04459141

NOTE	REF NO	GRAPHIC REF	PART NUMBER	QTY	PART NAME						SEE PAGE
					1	2	3	4	5	6 (PRODUCT LEVEL)	
J	1	1	126-7168	1	LOCK AS						
		1	7F-9223	1	LOCKWASHER						
		1	8T-5004	2	SCREW-MACHINE (1/4-28X0.375-IN)						
	2	1	125-8176	1	CAM-LATCH						
	3	1	174-6381	1	LATCH AS						
	4	1	180-9270	1	COVER AS						
		1	9V-3659	1	HINGE						

J-REQUIRES 5P8500 KEY



GRAPHIC #1

<END>

g00900170

FRAME AND BODY

136-5049 DRAWBAR GP

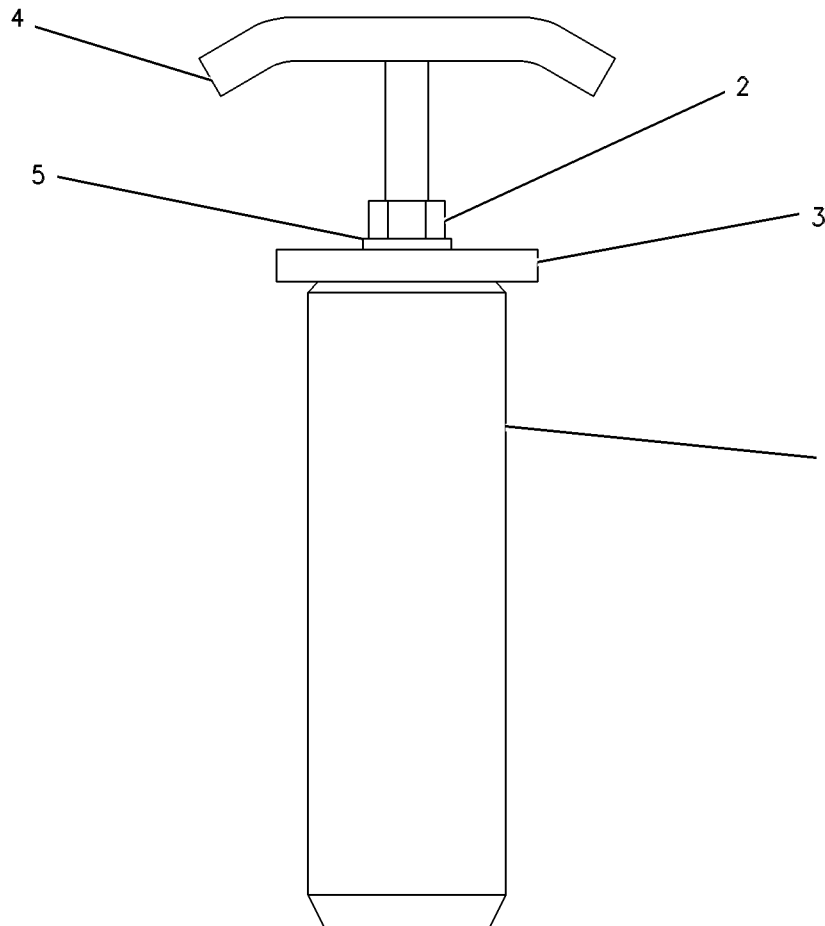
S/N: A7A1-UP

PART OF 327-3740 MOUNTING GP-BUMPER

SMCS-7105, 7119

i04437532

NOTE	REF NO	GRAPHIC REF	PART NUMBER	QTY	PART NAME						SEE PAGE
					1	2	3	4	5	6 (PRODUCT LEVEL)	
	1	1	1V-0134	1	PIN						
	2	1	6V-8188	1	NUT (1/2-13-THD)						
	3	1	4V-1074	1	PLATE						
	4	1	140-3673	1	HANDLE AS						
	5	1	8T-4223	1	WASHER-HARD (13.5X25.5X3-MM THK)						



GRAPHIC #1

<END>

g00296184

FRAME AND BODY

114-5125 FENDER GP-FRONT

S/N: A7A1-UP

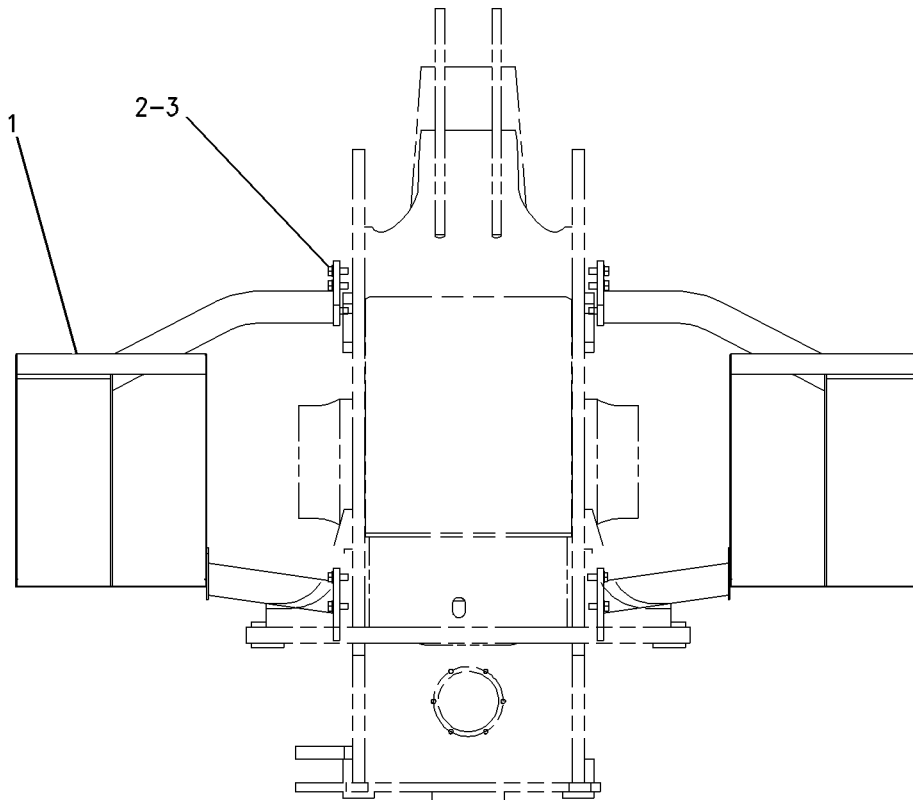
PART OF 379-3389, 379-3390 DISTRIBUTION AR
AN ATTACHMENT

SMCS-7252

i04477994

NOTE	REF NO	GRAPHIC REF	PART NUMBER	QTY	PART NAME						SEE PAGE
					1	2	3	4	5	6 (PRODUCT LEVEL)	
Y	1	1	224-4229	1	FENDER GP-FRONT						378
	2	1	8T-4123	12	WASHER (22X35X3.5-MM THK)						
M	3	1	8T-6430	12	BOLT (M20X2.5X50-MM)						

M-METRIC PART
Y-SEPARATE ILLUSTRATION



GRAPHIC #1

<END>

g00906015

FRAME AND BODY

224-4229 FENDER GP-FRONT

S/N: A7A1-UP

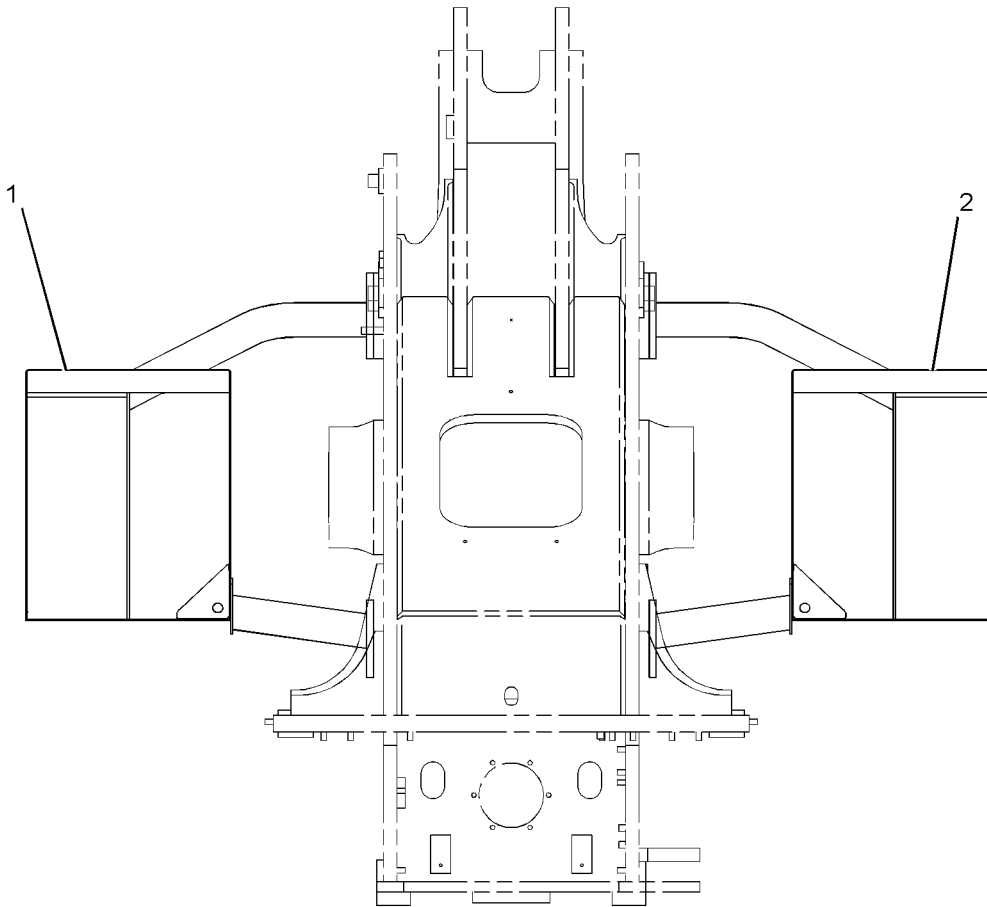
PART OF 114-5125 FENDER GP-FRONT
AN ATTACHMENT

SMCS-7252

i04481995

NOTE	REF NO	GRAPHIC REF	PART NUMBER	QTY	PART NAME						SEE PAGE
					1	2	3	4	5	6 (PRODUCT LEVEL)	
	1	1	215-2423	1	FENDER AS-FRONT (RH)						
M		1	8T-3490	4	NUT-WELD (M10X1.5-THD)						
		1	211-0248	1	PLATE						
	2	1	215-2424	1	FENDER AS-FRONT (LH)						
M		1	8T-3490	4	NUT-WELD (M10X1.5-THD)						
		1	211-0248	1	PLATE						

M-METRIC PART



FRONT VIEW

GRAPHIC #1

<END>

g01191973

FRAME AND BODY

114-5126 FIREWALL GP

S/N: A7A1-UP

PART OF 284-2735 CHASSIS AR

SMCS-7262

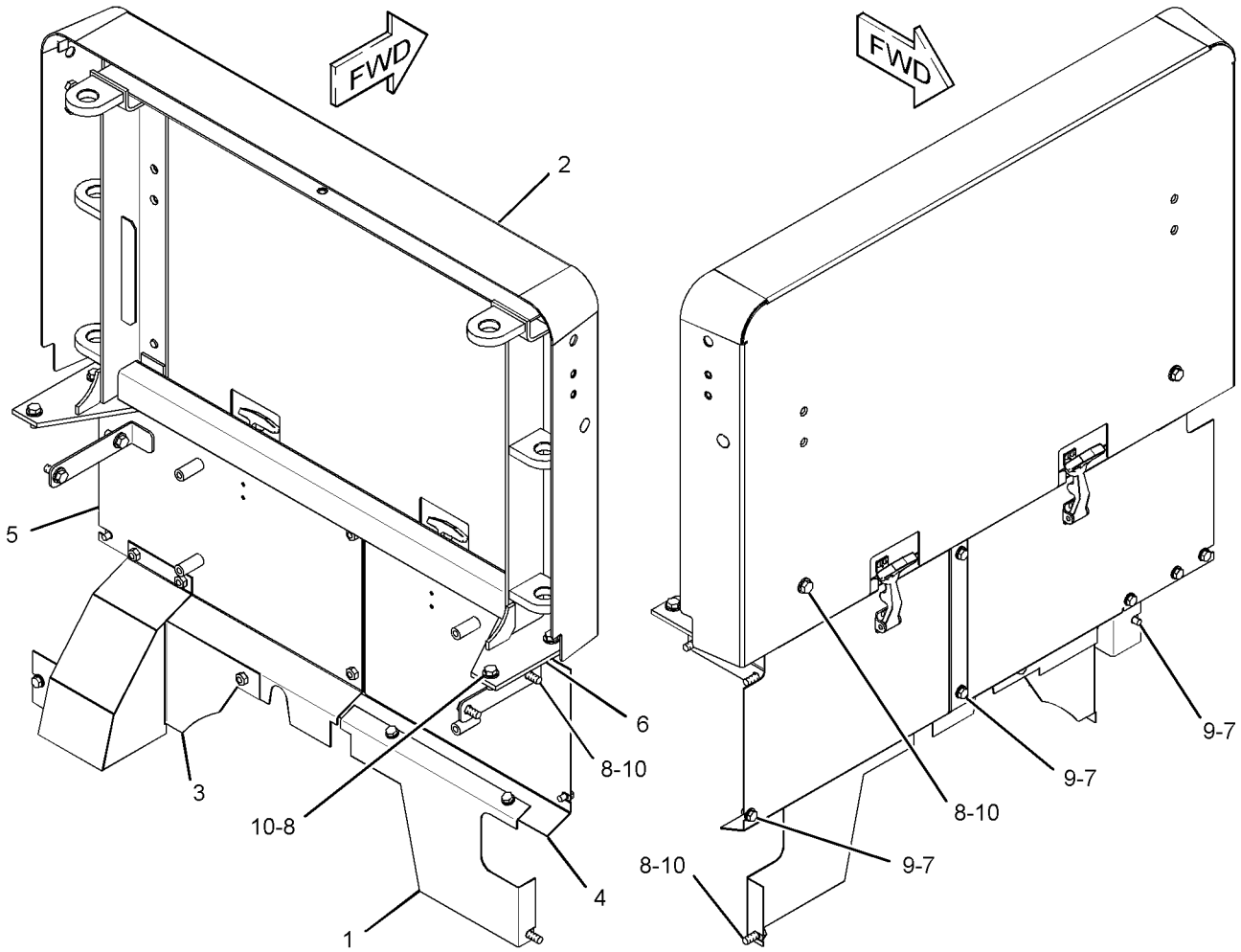
i04456233

NOTE	REF NO	GRAPHIC REF	PART NUMBER	QTY	PART NAME						SEE PAGE
					1	2	3	4	5	6 (PRODUCT LEVEL)	
	1	1	144-9531	1	SHEET						
	2	1	180-4533	1	PANEL AS						
		1	7T-1099	6	LINK						
M		1	8T-3490	4	NUT-WELD (M10X1.5-THD)						
	3	1	314-9582	1	SHEET AS						
	4	1	317-2286	1	PLATE AS (RH)						
		1	6V-2491	2	RIVET-POP						
		1	315-9970	1	LATCH						
	5	1	317-2288	1	PLATE AS (LH)						
		1	6V-2491	2	RIVET-POP						
		1	315-9970	1	LATCH						
	6	1	317-2547	1	SUPPORT GP-FRAME						
		1	6V-2491	4	RIVET-POP						
		1	315-9971	2	KEEPER						
		1	142-5017	1	SUPPORT AS						
M		1	8T-3597	4	NUT-WELD (M12X1.75-THD)						
M		1	9R-2613	1	BOSS-WELD (M10X1.5X25-MM)						
	7	1	8T-4121	10	WASHER-HARD (11X21X2.5-MM THK)						
M	8	1	8T-4139	11	BOLT (M12X1.75X30-MM)						
M	9	1	8T-4191	10	BOLT (M10X1.5X16-MM)						
	10	1	8T-4223	11	WASHER-HARD (13.5X25.5X3-MM THK)						
M-METRIC PART											

FRAME AND BODY

114-5126 FIREWALL GP (contd.)

i04456233



GRAPHIC #1

<END>

g01492834

FRAME AND BODY

257-2537 FRAME AS-LOADER

S/N: A7A1-UP

PART OF 284-2735 CHASSIS AR

SMCS-7054

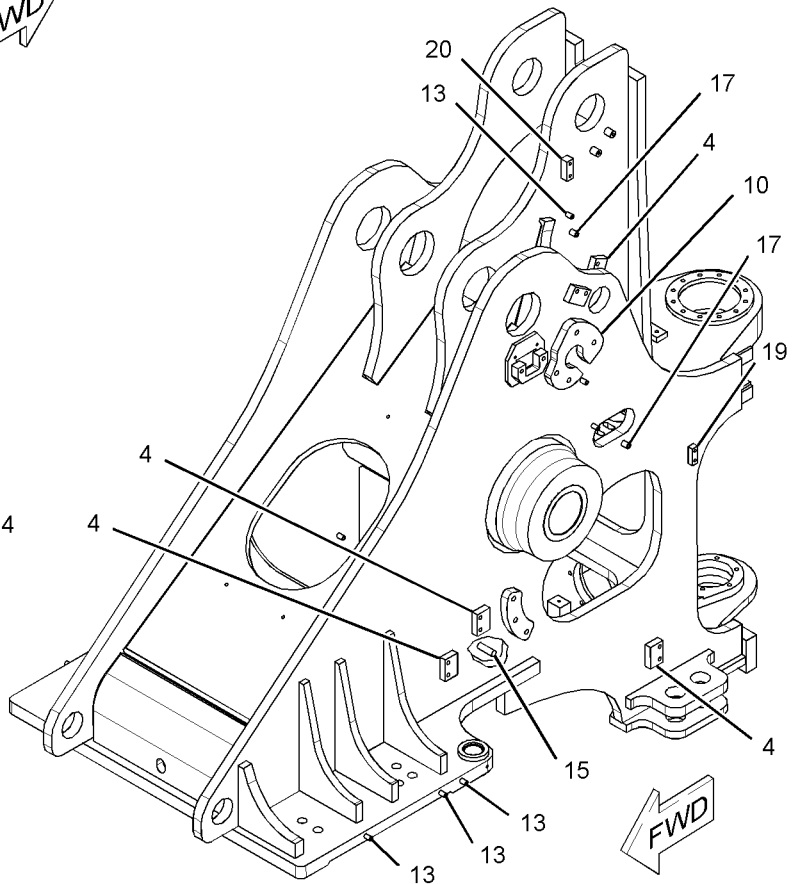
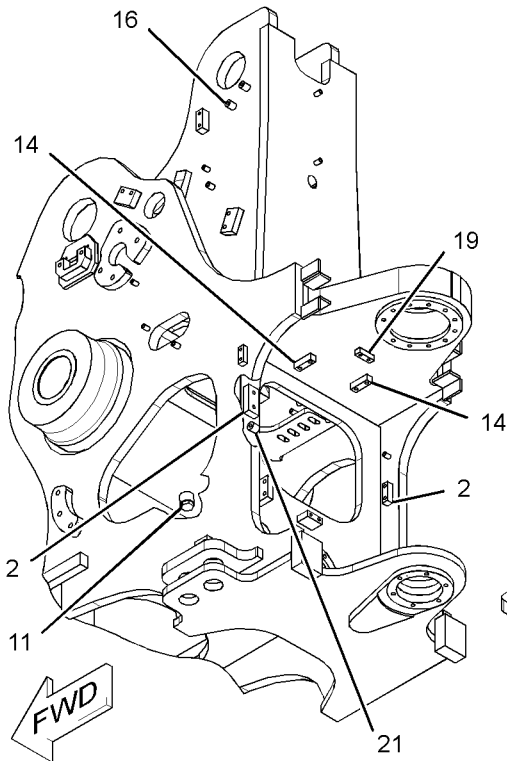
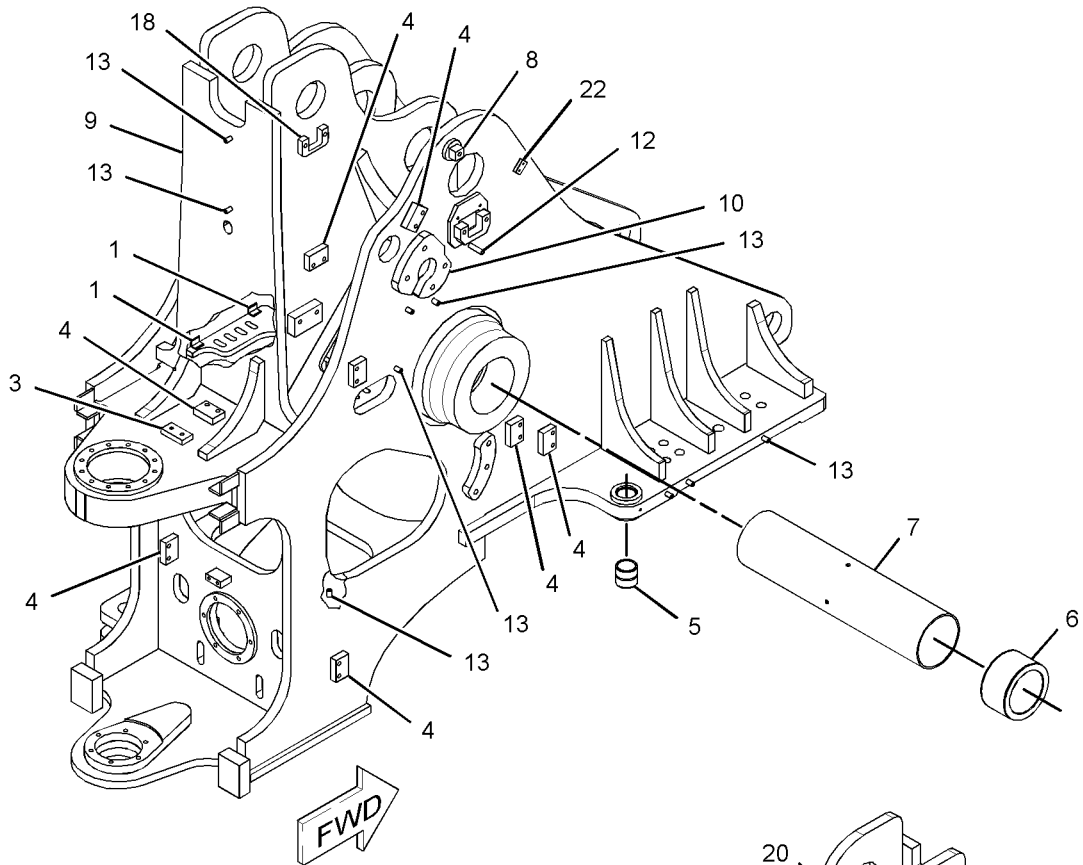
i04456234

NOTE	REF NO	GRAPHIC REF	PART NUMBER	QTY	PART NAME						SEE PAGE
					1	2	3	4	5	6 (PRODUCT LEVEL)	
	1	1	3K-8681	4	ANGLE						
	2	1	9C-7863	1	BLOCK						
	3	1	9U-0853	1	BAR						
	4	1	103-5350	13	PLATE						
	5	1	138-1873	2	BUSHING						
	6	1	339-0313	2	BEARING						
	7	1	152-3752	1	SPACER						
	8	1	156-1817	1	BLOCK						
	9	1	<i>198-4266</i>	1	PLATE AS						
M		1	9R-2613	4	BOSS-WELD (M10X1.5X25-MM)						
	10	1	211-0247	2	PLATE						
	11	1	<i>164-4180</i>	2	PLUG AS						
					(EACH INCLUDES)						
		1	7M-8485	1	SEAL-O-RING						
		1	9S-4181	1	PLUG-O-RING						
M	12	1	7X-0752	1	BOSS-WELD (M10X1.5X65-MM)						
M	13	1	8T-3851	62	BOSS-WELD (M10X1.5X17.5-MM)						
	14	1	7Y-2522	3	PLATE						
M	15	1	8T-4935	5	BOSS-WELD (M10X1.5X45-MM)						
M	16	1	7Y-8763	2	BOSS (M10X1.5X25-MM)						
M	17	1	9R-2613	3	BOSS-WELD (M10X1.5X25-MM)						
	18	1	4E-5591	1	RETAINER						
M	19	1	9C-6809	2	BOSS (M10X1.5-MM)						
	20	1	9C-7928	1	BLOCK						
	21	1	9R-4595	1	BOSS (M12X1.75X30-MM)						
	22	1	117-0986	1	BAR						
M-METRIC PART											

FRAME AND BODY

257-2537 FRAME AS-LOADER (contd.)

i04456234



GRAPHIC #1

<END>

g02201894

FRAME AND BODY

225-7922 FRAME AS-REAR

S/N: A7A1-UP

PART OF 284-2735 CHASSIS AR

SMCS-7051

i04456235

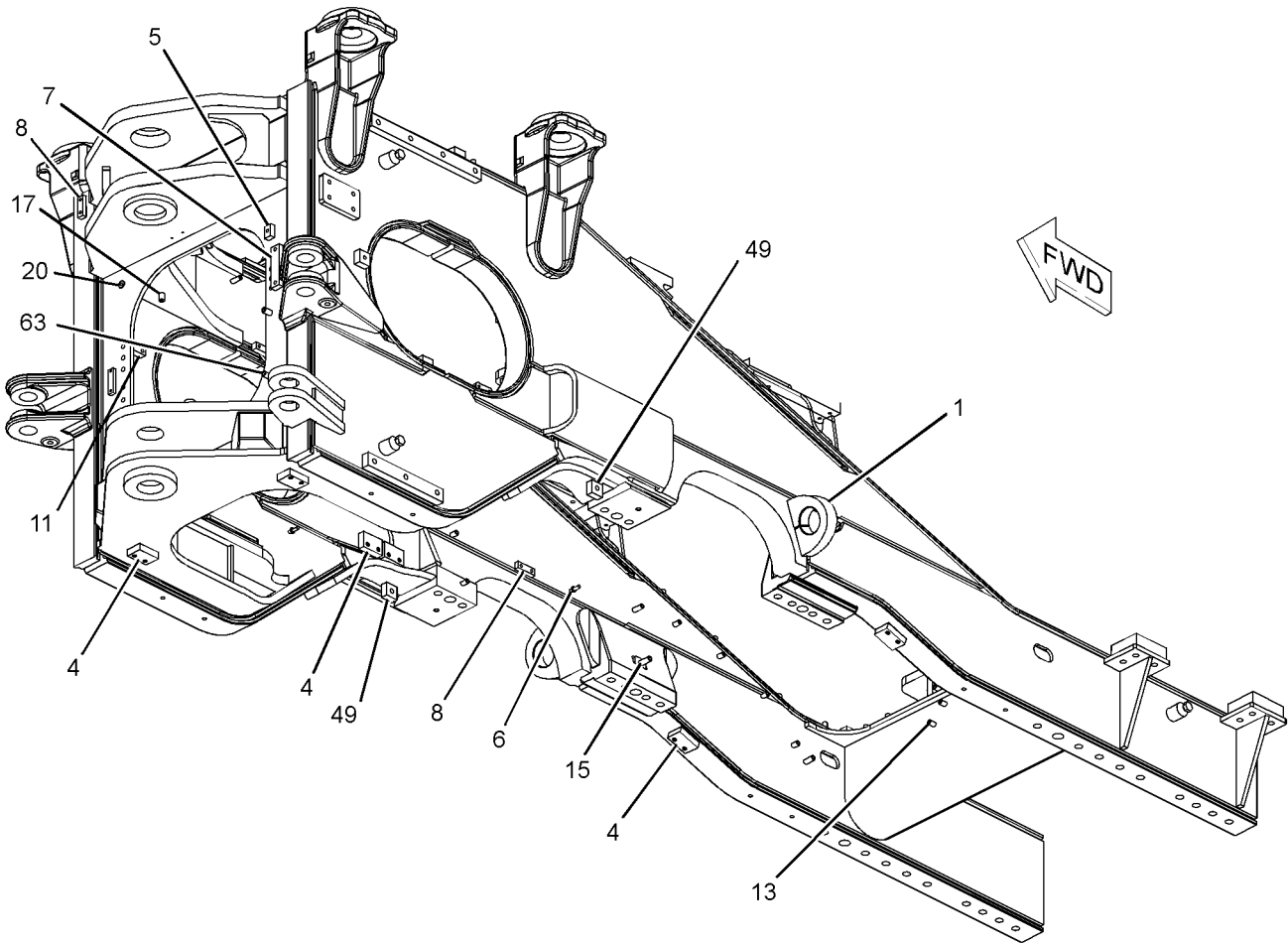
NOTE	REF NO	GRAPHIC REF	PART NUMBER	QTY	PART NAME						SEE PAGE
					1	2	3	4	5	6 (PRODUCT LEVEL)	
	1	1	7K-1972	2	EYE						
	2	2	9C-4935	1	PLATE						
	3	2	9C-7863	3	BLOCK						
	4	1	103-5350	6	PLATE						
	5	1	131-6593	1	BOSS (M12X1.75X20-MM)						
M	6	1	110-2023	3	STUD-WELD (M10X1.5X25-MM)						
	7	1,2	4I-3398	2	PLATE						
	8	1,2	4I-6289	4	PLATE						
	9	2	4I-7077	1	BOSS						
M	10	2	7X-0751	3	BOSS-WELD (M10X1.5-THD)						
	11	1	7Y-2522	1	PLATE						
M	12	2	8X-4711	4	BOSS AS (M12X1.75X20-MM)						
M	13	1,2	8T-3851	43	BOSS-WELD (M10X1.5X17.5-MM)						
M	14	2	8T-4935	20	BOSS-WELD (M10X1.5X45-MM)						
M	15	1	8T-6911	1	BOSS-WELD (M12X1.75X50-MM)						
M	16	2	9C-6809	3	BOSS (M10X1.5-MM)						
M	17	1,2	9R-2613	1	BOSS-WELD (M10X1.5X25-MM)						
	18	2	9T-6943	2	BLOCK						
	19	2	199-1293	2	BLOCK						
	20	1	203-6490	1	BOSS						
	21	2	3W-9117	4	BAR						
	22	2	9U-1793	6	BLOCK						
	23	2	121-1905	1	PLATE						
M	24	1	8T-0652	3	BOLT (M20X2.5X45-MM)						
	25	1	153-1460	1	BLOCK						
	26	1	304-4218	2	PLATE						
	32	2	183-2299	2	BAR						
	46	2	281-7608	2	BRACKET AS						
					(EACH INCLUDES)						
		2	138-1875	2	BUSHING						
	49	1	141-0008	2	PLATE						
	51	2	4E-0019	4	BOSS (M10X1.5-THD)						
	63	1,2	9R-4595	7	BOSS (M12X1.75X30-MM)						
F		1	304-8704	2	SUPPORT AS-LOWER						
					(EACH INCLUDES)						
		1	1A-2223	2	DOWEL						

F - NOT SHOWN
M - METRIC PART

FRAME AND BODY

225-7922 FRAME AS-REAR (contd.)

i04456235



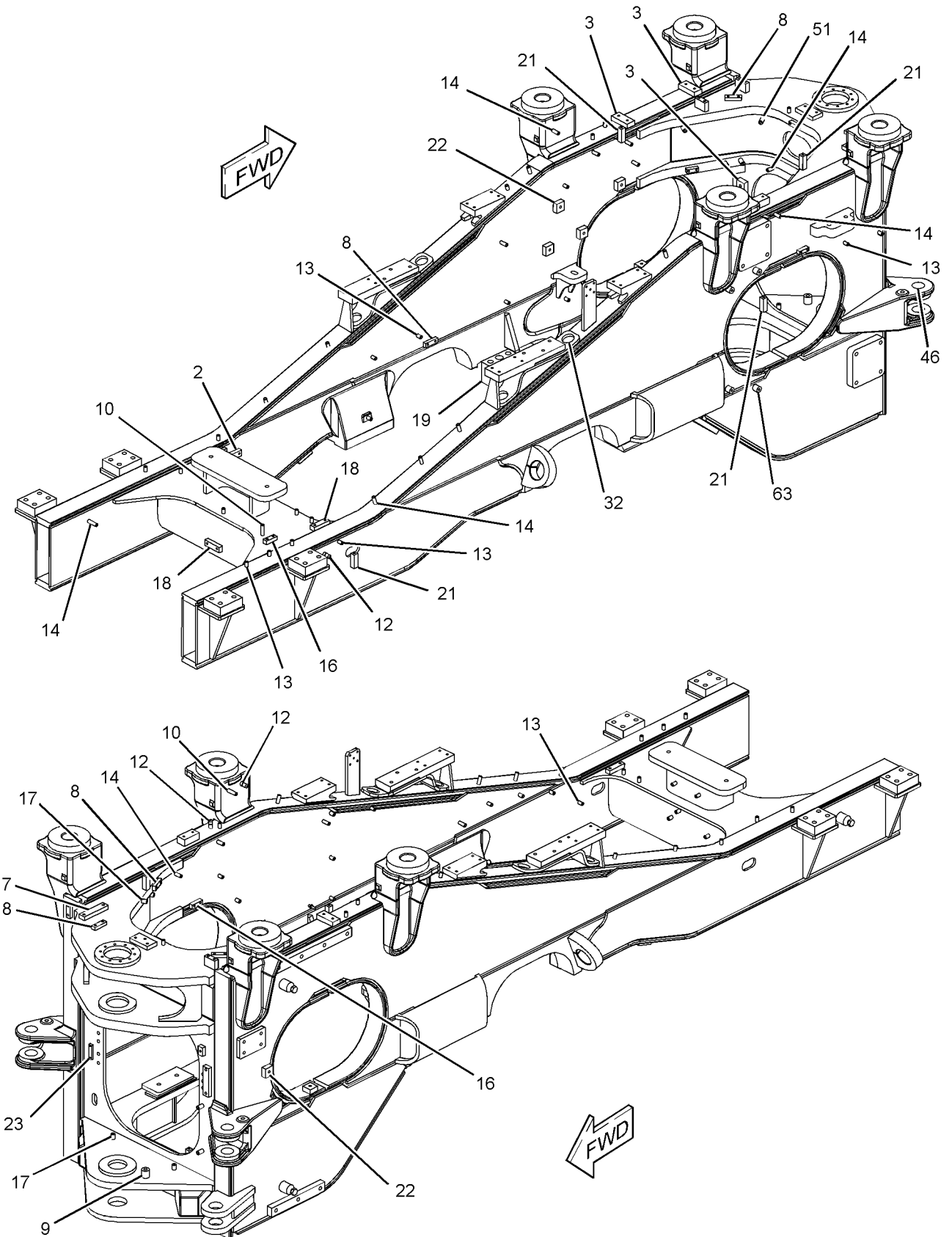
GRAPHIC #1

g01457592

FRAME AND BODY

225-7922 FRAME AS-REAR (contd.)

i04456235



GRAPHIC #2

<END>

g02106473

FRAME AND BODY

150-1541 GUARD GP-CRANKCASE

S/N: A7A1-UP

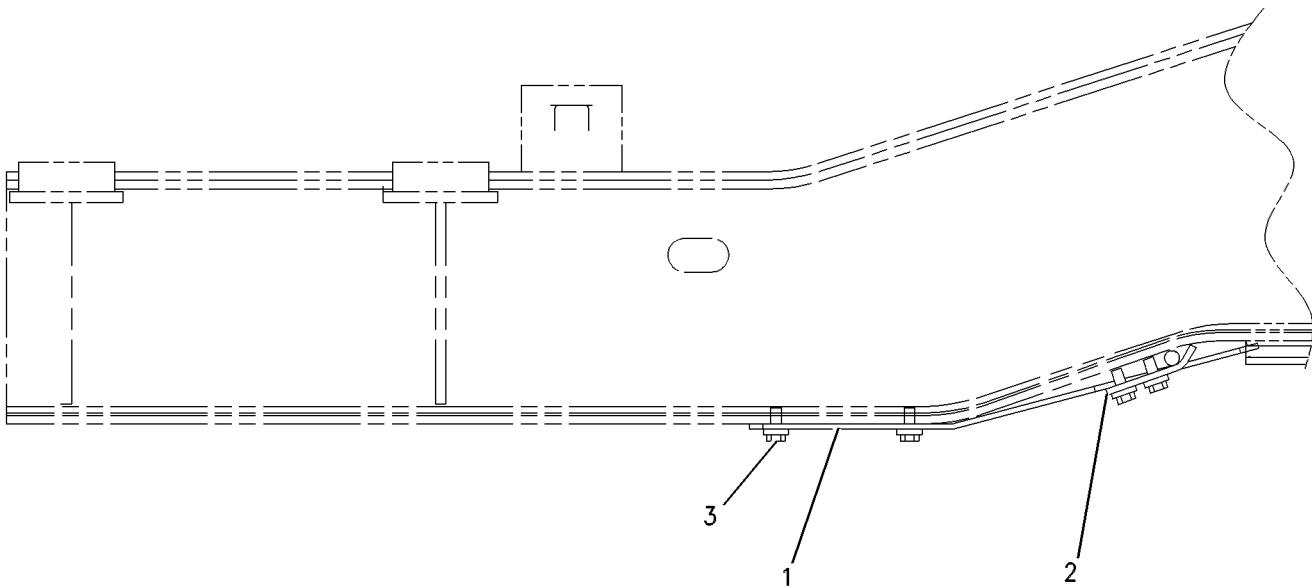
PART OF 225-8338 SUPPRESSION AR-SOUND
CANNOT BE USED WITH 225-8338-PAGE 416
AN ATTACHMENT

SMCS-7151

i04479952

NOTE	REF NO	GRAPHIC REF	PART NUMBER	QTY	PART NAME						SEE PAGE
					1	2	3	4	5	6 (PRODUCT LEVEL)	
	1	1	132-7487	1	GUARD AS						
	2	1	185-9956	2	PLATE						
M	3	1	100-3866	8	BOLT-Self-LOCKING (M16X2X40-MM)						

M-METRIC PART



RIGHT SIDE VIEW

GRAPHIC #1

<END>

g00510782

FRAME AND BODY

198-9229 GUARD GP-FRONT

S/N: A7A1-UP

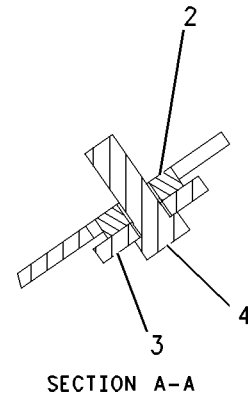
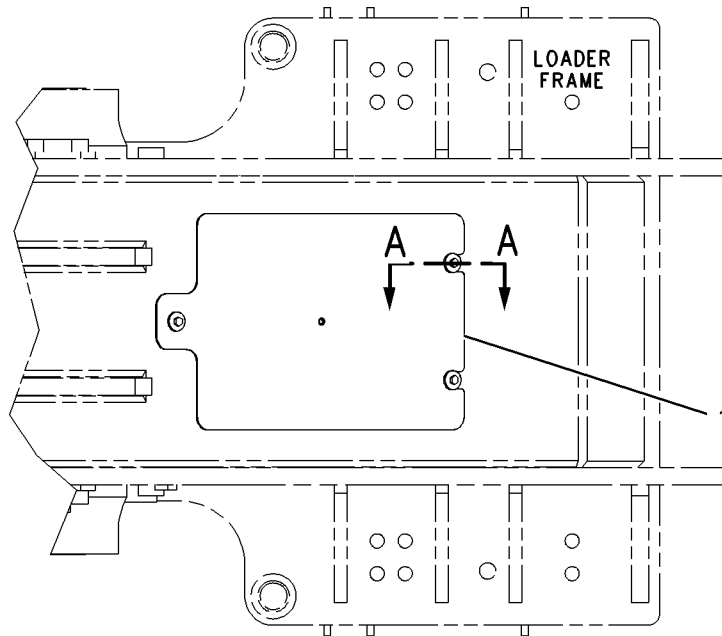
PART OF 284-2735 CHASSIS AR

SMCS-7167

i04456236

NOTE	REF NO	GRAPHIC REF	PART NUMBER	QTY	PART NAME						SEE PAGE
					1	2	3	4	5	6 (PRODUCT LEVEL)	
	1	1	198-9230	1	GUARD AS						
	2	1	118-0275	3	WASHER (13.5X32X8-MM THK)						
	3	1	2S-1654	3	WASHER (3.5X44.5X6-MM THK)						
M	4	1	8T-4956	3	BOLT (M12X1.75X35-MM)						

M-METRIC PART



GRAPHIC #1

<END>

g00754146

FRAME AND BODY

158-8785 GUARD GP-HYDRAULIC TANK

S/N: A7A1-UP

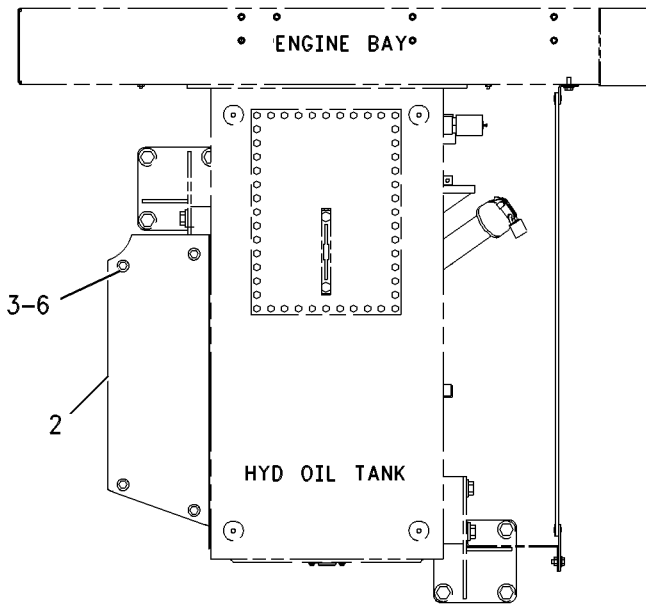
PART OF 284-2735 CHASSIS AR

SMCS-5056

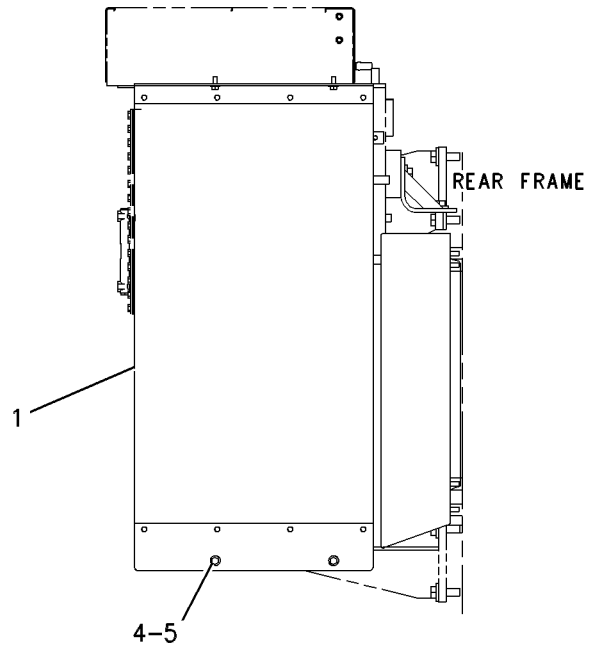
i04456237

NOTE	REF NO	GRAPHIC REF	PART NUMBER	QTY	PART NAME						SEE PAGE
					1	2	3	4	5	6 (PRODUCT LEVEL)	
	1	1	158-8032	1	GUARD AS						
		1	6V-1635	8	RIVET-POP						
	2	1	168-0287	1	GUARD						
	3	1	8T-4223	4	WASHER-HARD (13.5X25.5X3-MM THK)						
	4	1	7X-7729	4	WASHER (11X25X3-MM THK)						
M	5	1	8T-4136	4	BOLT (M10X1.5X25-MM)						
M	6	1	8T-4192	4	BOLT (M12X1.75X25-MM)						

M-METRIC PART



RIGHT SIDE VIEW



FRONT VIEW

GRAPHIC #1

<END>

g00528094

FRAME AND BODY

114-5137 GUARD GP-POWER TRAIN

S/N: A7A1-UP

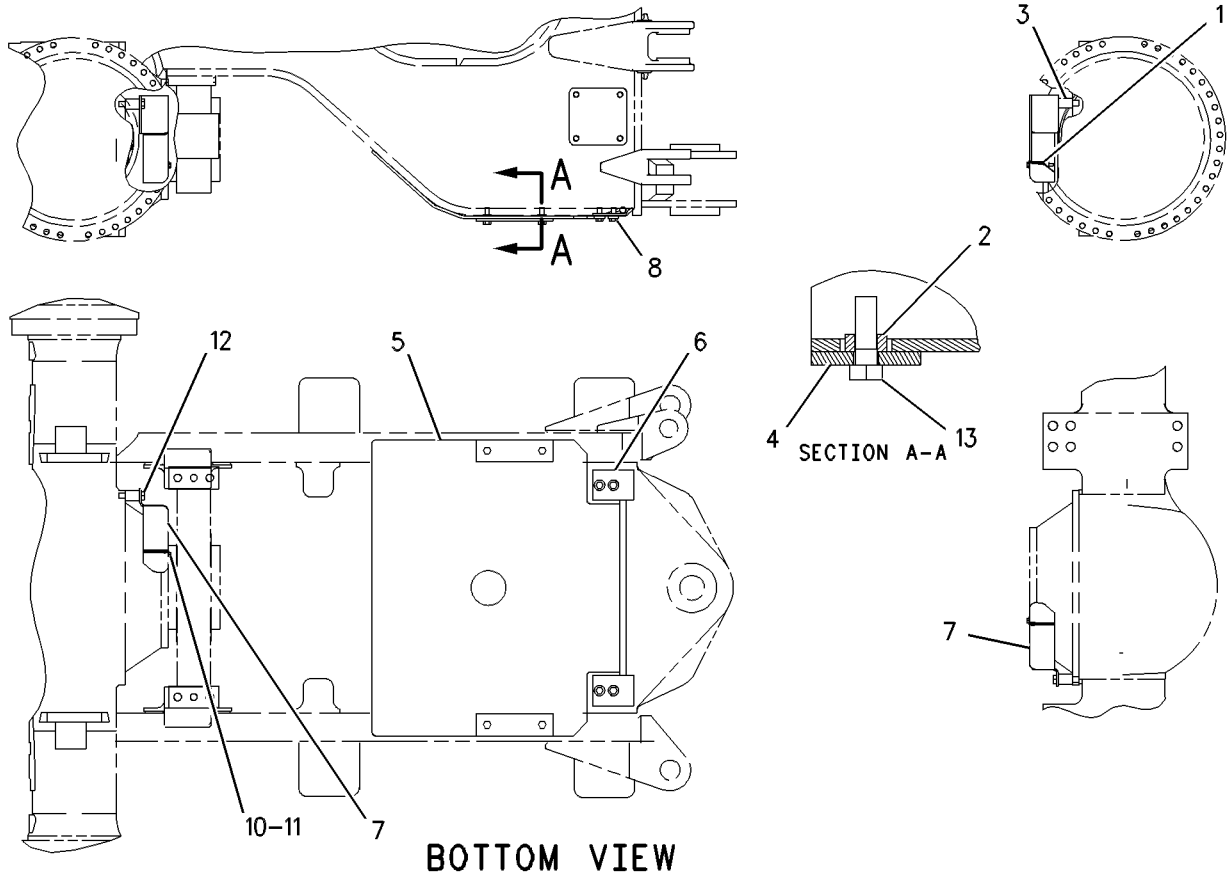
PART OF 284-2735 CHASSIS AR

SMCS-7153

i04456238

NOTE	REF NO	GRAPHIC REF	PART NUMBER	QTY	PART NAME						SEE PAGE
					1	2	3	4	5	6 (PRODUCT LEVEL)	
	1	1	7S-3998	2	SPACER (2.47-IN THK)						
	2	1	9D-6134	4	SPACER (16.66X30.18X12.7-MM THK)						
	3	1	9R-8185	2	SPACER (51-MM THK)						
	4	1	132-7486	2	PLATE						
	5	1	132-7488	1	GUARD AS						
	6	1	185-9956	2	PLATE						
	7	1	161-0114	2	GUARD						
M	8	1	100-3866	4	BOLT-SELF-LOCKING (M16X2X40-MM)						
	10	1	7X-7729	2	WASHER (11X25X3-MM THK)						
M	11	1	8T-4178	2	BOLT (M10X1.5X90-MM)						
M	12	1	8T-4187	2	BOLT (M20X2.5X80-MM)						
M	13	1	8T-4193	4	BOLT (M16X2X50-MM)						

M-METRIC PART



GRAPHIC #1

<END>

g00508943

FRAME AND BODY

225-6334 GUARD GP-RADIATOR

S/N: A7A1-UP

PART OF 284-2735 CHASSIS AR

SMCS-7155

i04456239

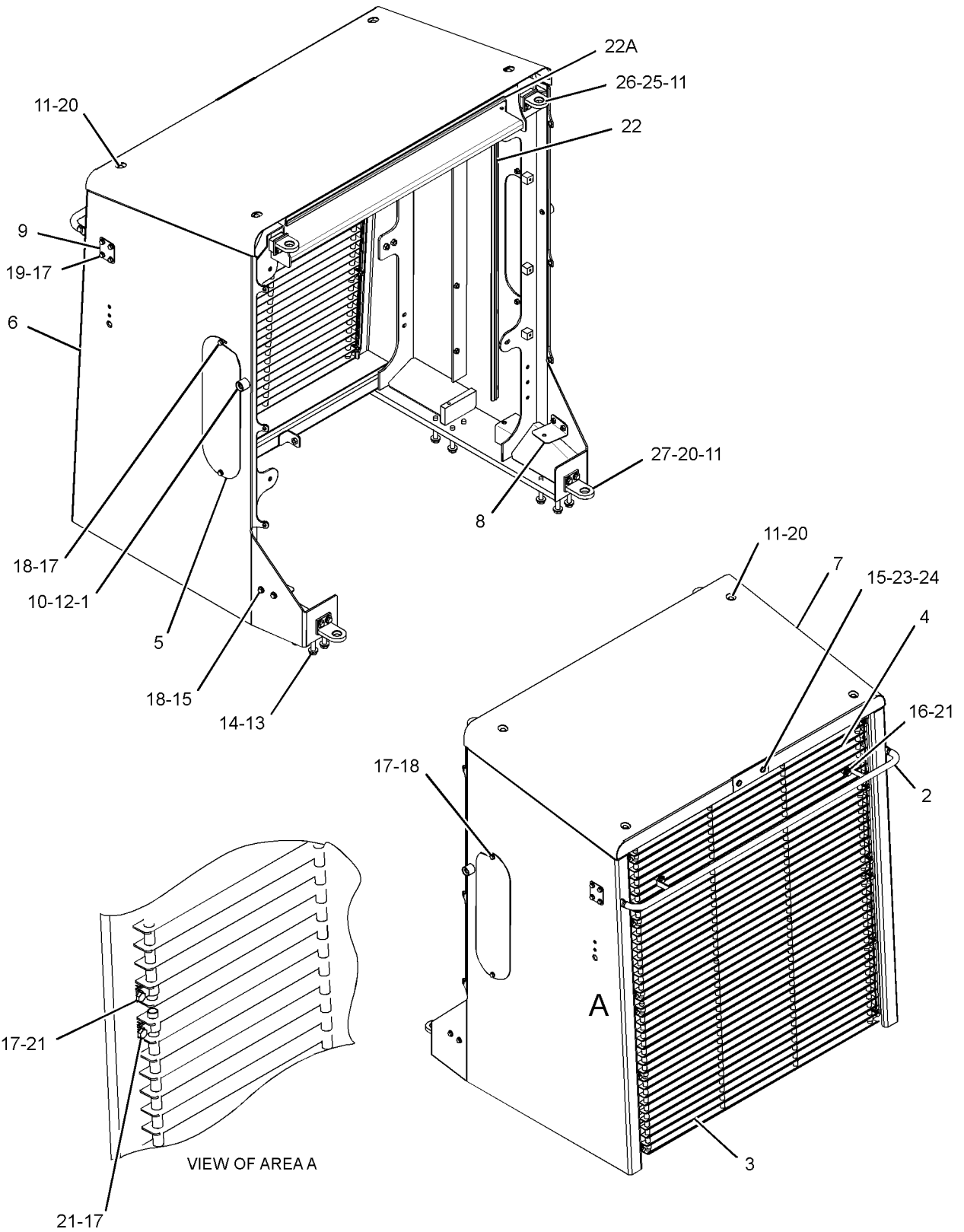
NOTE	REF NO	GRAPHIC REF	PART NUMBER	QTY	PART NAME						SEE PAGE
					1	2	3	4	5	6 (PRODUCT LEVEL)	
	1	1	8Y-5743	2	SOCKET-LATCH						
	2	1	150-8993	1	HANDLE AS						
	3	1	153-1804	1	GRILL AS-BOTTOM						
	4	1	153-3570	1	GRILL AS-TOP						
		1	4E-0019	2	BOSS (M10X1.5-THD)						
	5	1	193-8912	2	COVER						
	6	1	322-6478	1	GUARD AS						
		1	8X-7415	2	PLATE						
	7	1	256-3839	1	COVER AS						
	8	1	270-3561	2	BRACKET AS						
M		1	8T-3490	3	NUT-WELD (M10X1.5-THD)						
	9	1	297-0831	2	COVER						
M	10	1	5C-9553	2	BOLT (M6X1X16-MM)						
	11	1	5P-1076	12	WASHER-HARD (13.5X30X4-MM THK)						
	12	1	5P-4115	2	WASHER-HARD (7.2X19X2-MM THK)						
	13	1	198-4780	16	WASHER-HARD (17.5X32X8-MM THK)						
M	14	1	7X-2554	16	BOLT (M16X2X70-MM)						
	15	1	7X-7729	6	WASHER (11X25X3-MM THK)						
	16	1	8T-2561	4	WASHER-HARD (10.5X28.5X5-MM THK)						
	17	1	8T-4121	24	WASHER-HARD (11X21X2.5-MM THK)						
M	18	1	8T-4136	8	BOLT (M10X1.5X25-MM)						
M	19	1	8T-4137	8	BOLT (M10X1.5X20-MM)						
M	20	1	8T-4183	8	BOLT (M12X1.75X40-MM)						
M	21	1	8T-4195	14	BOLT (M10X1.5X30-MM)						
D	22	1	5P-7211		SEAL (1.5-M EACH)						
D	22A	1	5P-7211		SEAL (1.16-M)						
M	23	1	141-9203	2	SCREW-BUTTON HEAD (M10X1.5X30-MM)						
	24	1	315-2615	1	PLATE AS						
		1	136-1122	2	BUSHING						
M	25	1	8T-4139	4	BOLT (M12X1.75X30-MM)						
	26	1	319-0144	2	BRACKET AS						
	27	1	320-7454	2	BRACKET AS						

D-ORDER BY THE METER
M-METRIC PART

FRAME AND BODY

225-6334 GUARD GP-RADIATOR (contd.)

i04456239



GRAPHIC #1

<END>

g01924433

FRAME AND BODY

255-8243 HITCH GP-ARTICULATING

S/N: A7A1-UP

PART OF 284-2735 CHASSIS AR

SMCS-7057, 7100

i04456242

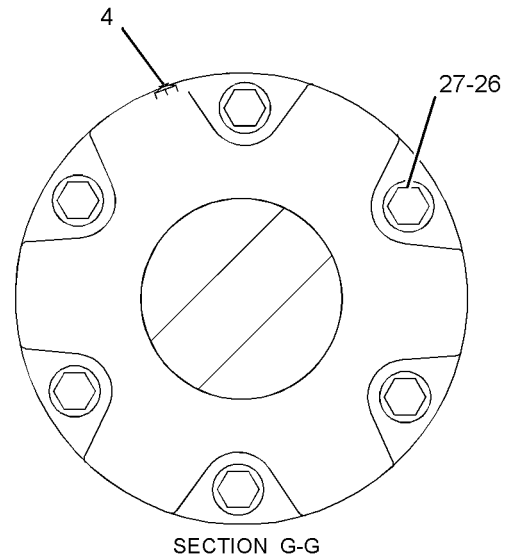
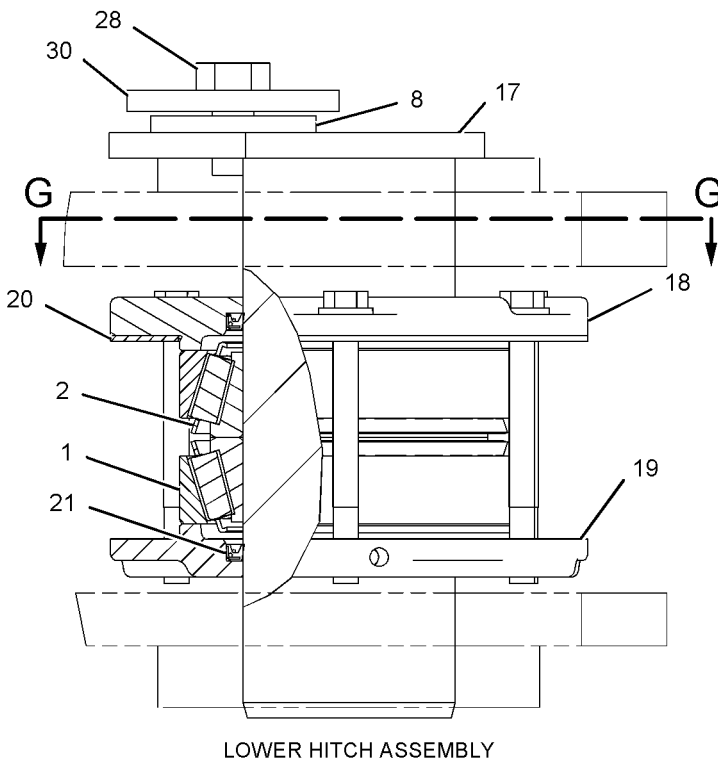
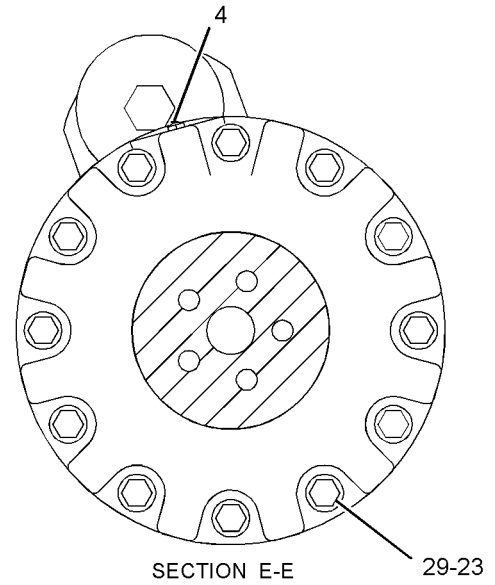
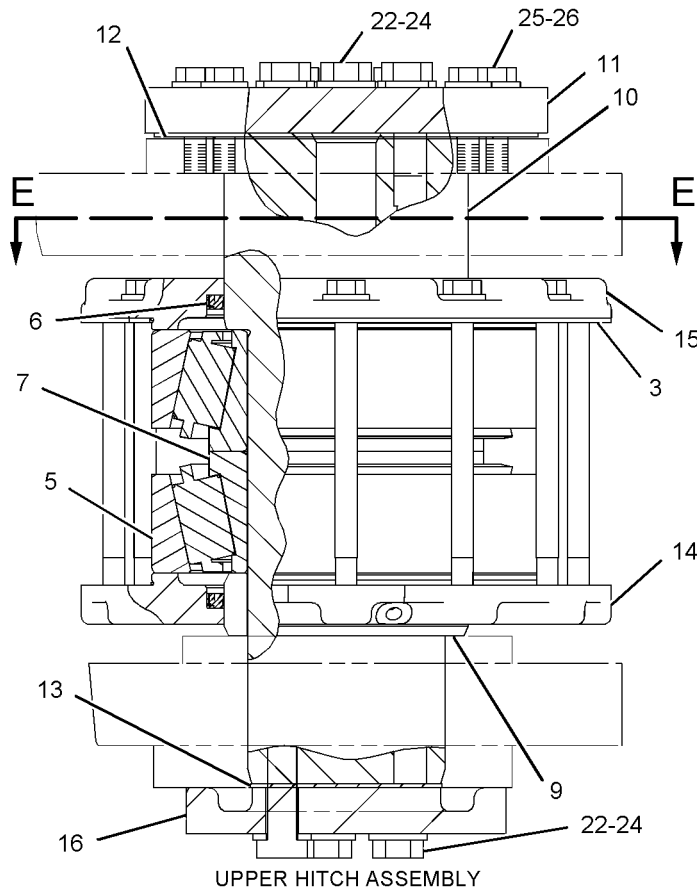
NOTE	REF NO	GRAPHIC REF	PART NUMBER	QTY	PART NAME						SEE PAGE
					1	2	3	4	5	6 (PRODUCT LEVEL)	
	1	1	2N-3253	2	CUP-BEARING						
	2	1	2N-3254	2	CONE-BEARING						
B	3	1	3K-6401	1	SHIM PACK (INCLUDES 19-SHIMS)						
	4	1	4B-4550	2	FITTING-PRESSURE RELIEF (1/8-27 PTF)						
	5	1	5P-2525	2	CUP-BEARING						
	6	1	5P-2673	2	SEAL-LIP TYPE						
	7	1	5P-9769	2	CONE-BEARING						
	8	1	7X-7740	1	WASHER (45X78X8-MM THK)						
	9	1	9K-0803	1	SPACER						
	10	1	141-2150	1	PIN						
	11	1	141-2151	1	PLATE						
B	12	1	141-2155	1	SHIM PACK (INCLUDES 26-SHIMS)						
B	13	1	141-2156	1	SHIM PACK (INCLUDES 26-SHIMS)						
	14	1	142-6988	1	CAP						
	15	1	142-6989	1	CAP						
	16	1	255-8232	1	PLATE						
	17	1	255-8239	1	PIN AS						
	18	1	255-8244	1	CAP						
	19	1	255-8245	1	CAP						
B	20	1	255-8246	1	SHIM PACK (INCLUDES 20-SHIMS)						
	21	1	9X-4597	2	SEAL-LIP TYPE						
M	22	1	137-3300	10	BOLT (M16X2X90-MM)						
	23	1	5P-8245	12	WASHER-HARD (13.5X25.5X3-MM THK)						
	24	1	5P-8247	10	WASHER-HARD (17X32X3.5-MM THK)						
M	25	1	8T-4194	10	BOLT (M12X1.75X50-MM)						
	26	1	8T-4223	16	WASHER-HARD (13.5X25.5X3-MM THK)						
M	27	1	8T-5001	6	BOLT (M12X1.75X130-MM)						
M	28	1	8T-5460	1	BOLT (M20X2.5X40-MM)						
M	29	1	8T-6991	12	BOLT (M12X1.75X180-MM)						
	30	1	8X-0674	1	WASHER (22X100X10-MM THK)						

B-USE AS REQUIRED
M-METRIC PART

FRAME AND BODY

255-8243 HITCH GP-ARTICULATING (contd.)

i04456242



GRAPHIC #1

<END>

g01118912

FRAME AND BODY

225-5235 HOOD & GUARD GP

S/N: A7A1-UP

PART OF 284-2735 CHASSIS AR

SMCS-7251

i04456244

NOTE	REF NO	GRAPHIC REF	PART NUMBER	QTY	PART NAME						SEE PAGE
					1	2	3	4	5	6 (PRODUCT LEVEL)	
	1	1	246-2641	2	PADLOCK GP						
					(EACH INCLUDES)						
		1	5P-8500	1	KEY						
	2	2	5V-3854	16	BUMPER						
	3	2	6S-6251	8	MOUNT						
	4	2	7G-8839	8	SPACER (13.5X57X6-MM THK)						
	5	2	7T-8331	10	MOUNT AS						
	6	1	134-2778	1	POST AS-RH						
	7	1	134-2779	1	POST AS-LH						
	8	1	274-1717	1	SUPPORT AS (RH)						
	9	1	274-1716	1	SUPPORT AS (LH)						
Y	10	1	143-9361	1	PANEL GP-SIDE (HOOD SIDE, FRONT, RH)						409
	11	1	274-1718	1	PANEL AS-FLOOR						
M		1	8T-3490	4	NUT-WELD (M10X1.5-THD)						
	12	1	301-7980	1	GRILL AS-TOP						
	13	1	301-7981	2	GRILL AS						
					(EACH INCLUDES)						
		1	8R-7858	4	CLAMP						
Y	14	1	163-8033	1	DOOR GP-ACCESS (HOOD SIDE, REAR, RH)						373
Y	15	1	180-9272	1	DOOR GP-ACCESS (HOOD TOP)						375
	16	1	225-5237	1	PANEL AS-HOOD (FRONT)						
	17	1	253-8745	1	PANEL AS						
M		1	8T-3612	2	NUT-WELD (M8X1.25-THD)						
M		1	8T-3490	11	NUT-WELD (M10X1.5-THD)						
		1	138-6108	5	SPACER (8.7X20X45-MM THK)						
	18	1	321-0929	1	RAIL AS (LH)						
M		1	9R-2613	2	BOSS-WELD (M10X1.5X25-MM)						
M		1	8T-3490	8	NUT-WELD (M10X1.5-THD)						
M		1	8T-3597	1	NUT-WELD (M12X1.75-THD)						
	19	1	321-0932	1	RAIL AS (RH)						
M		1	9R-2613	2	BOSS-WELD (M10X1.5X25-MM)						
M		1	8T-3490	8	NUT-WELD (M10X1.5-THD)						
M		1	8T-3597	1	NUT-WELD (M12X1.75-THD)						
	21	2	5P-1076	12	WASHER-HARD (13.5X30X4-MM THK)						
	22	1,2	6B-6205	8	SPACER (0.438X0.875X1.281-IN THK)						
	23	2	7X-0590	12	WASHER-HARD (13.5X44.5X6-MM THK)						
	24	1,2	7X-7729	38	WASHER (11X25X3-MM THK)						
M	25	2	8T-4139	4	BOLT (M12X1.75X30-MM)						
M	27	2	8T-4185	6	BOLT (M10X1.5X50-MM)						
M	28	1,2	8T-4195	30	BOLT (M10X1.5X30-MM)						
	29	2	8T-4222	6	WASHER-PLATED (11X32X2.5-MM THK)						
	30	2	8T-4223	2	WASHER-HARD (13.5X25.5X3-MM THK)						
M	31	2	8T-4244	10	NUT (M12X1.75-THD)						
M	32	2	8T-4648	6	BOLT (M12X1.75X70-MM)						
M	33	2	8T-4910	2	BOLT (M12X1.75X60-MM)						
M	34	1,2	8T-6466	8	BOLT (M10X1.5X60-MM)						
	35	1	8R-7858	4	CLAMP						
M	36	2	8T-6868	4	BOLT (M12X1.75X80-MM)						

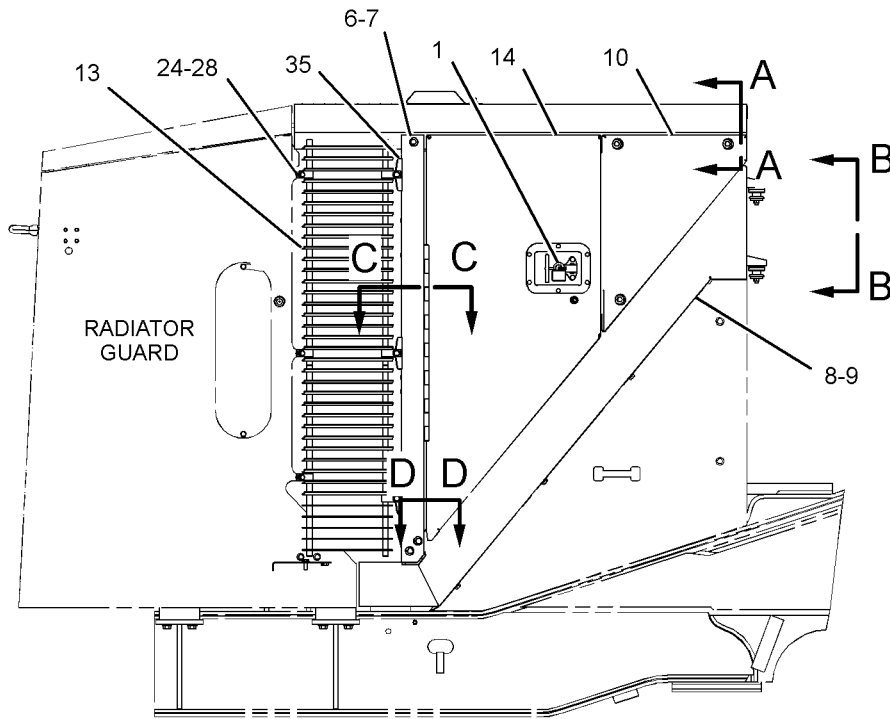
M-METRIC PART

Y-SEPARATE ILLUSTRATION

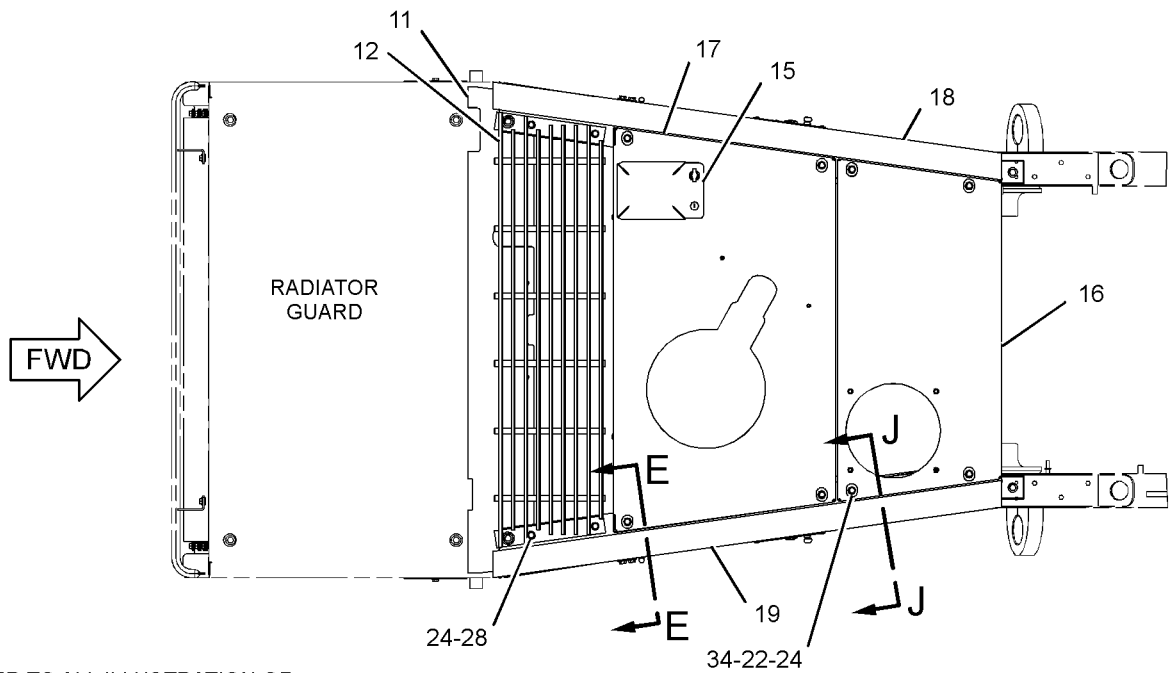
FRAME AND BODY

225-5235 HOOD & GUARD GP (contd.)

i04456244



RIGHT SIDE VIEW



TOP VIEW

REFER TO ALL ILLUSTRATION OF THIS GROUP FOR AUXILIARY VIEWS

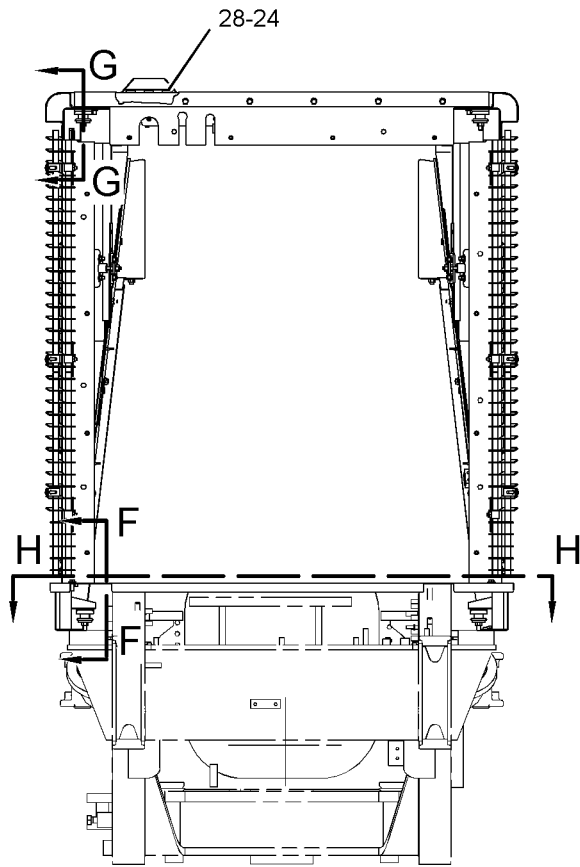
GRAPHIC #1

g01907676

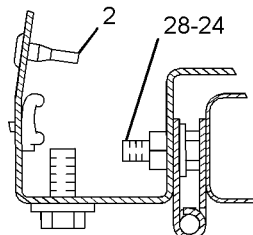
FRAME AND BODY

225-5235 HOOD & GUARD GP (contd.)

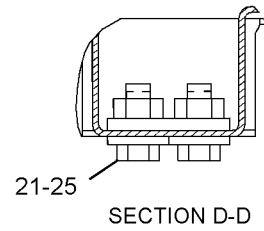
i04456244



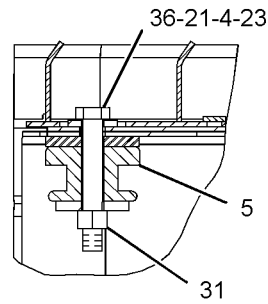
REAR VIEW



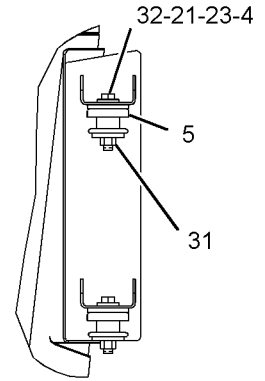
SECTION C-C



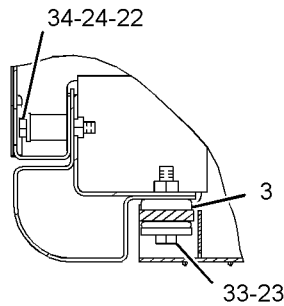
SECTION D-D



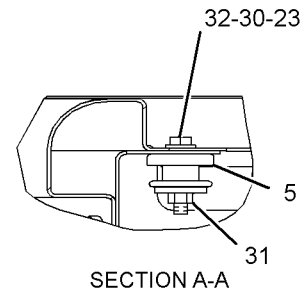
SECTION G-G



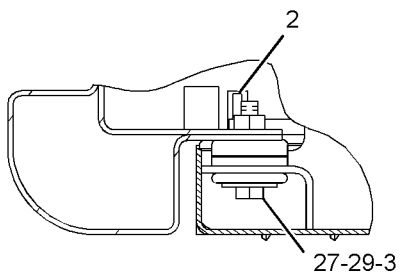
SECTION B-B



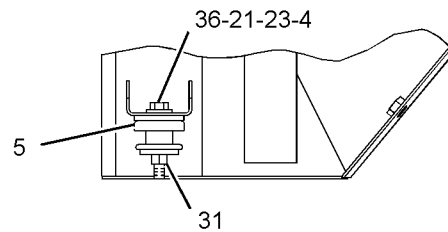
SECTION E-E



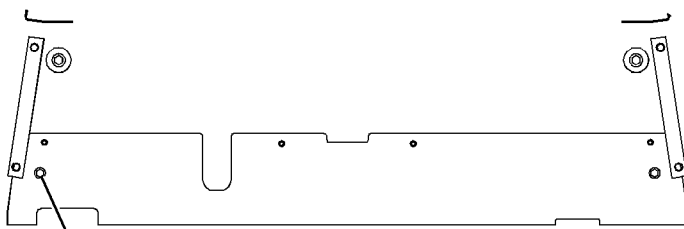
SECTION A-A



SECTION J-J



SECTION F-F



SECTION H-H

GRAPHIC #2

<END>

g01907677

FRAME AND BODY

114-5133 LADDER GP-LH

S/N: A7A1-UP

PART OF 284-2735 CHASSIS AR

SMCS-7254

i04456249

NOTE	REF NO	GRAPHIC REF	PART NUMBER	QTY	PART NAME						SEE PAGE
					1	2	3	4	5	6 (PRODUCT LEVEL)	
	1	1	4W-0518	1	ANGLE						
	2	2	6F-8499	1	SPRING						
	3	1,2	7T-8331	4	MOUNT AS						
	4	2	7X-2393	1	BUMPER-CONICAL						
	5	1	109-5008	1	BUMPER-CONICAL						
	6	2	127-0366	2	SPACER (11X32X24-MM THK)						
	7	1	134-4821	1	STAIR AS						
	8	1,2	136-9466	2	SHEET						
	9	1	136-9723	1	HANDRAIL AS						
	10	2	142-5801	1	STAIR AS						
	11	2	142-5802	1	HANDRAIL AS						
	12	2	146-8350	1	BRACKET AS						
	13	2	248-0102	2	U-BOLT						
	14	2	323-3750	1	BRACKET						
	15	2	323-3752	2	BRACKET						
	16	2	323-3753	2	BRACKET						
	17	2	325-7221	1	BRACKET						
	18	2	325-7222	1	ROD						
	19	1	333-9673	1	HANDRAIL AS						
	20	2	333-9674	1	HANDRAIL AS						
	21	1	333-9675	1	HANDRAIL AS						
	22	2	333-9676	1	HANDRAIL AS						
	23	1	333-9677	1	HANDRAIL AS						
	24	2	333-9678	1	HANDRAIL AS						
	25	2	333-9679	1	GATE AS						
	26	2	333-9683	1	PLATE-GUARD						
	27	1,2	333-9684	2	PLATE-GUARD						
	28	1	333-9685	1	PLATE-GUARD						
	29	2	333-9686	1	PLATE AS-GUARD						
M		2	8T-3490	1	NUT-WELD (M10X1.5-THD)						
	30	2	333-9687	1	PLATE-GUARD						
	31	2	333-9688	1	PLATE-GUARD						
	32	1	336-9440	1	PLATE-GUARD						
	33	2	336-9442	1	BRACKET						
	34	2	353-9215	1	LADDER AS						
Y	35	1,2	355-1284	2	STEP GP						413
Y	36	2	355-2488	1	STEP GP						414
	37	2	356-6693	2	PLATE						
	38	1,2	365-3632	4	HANDRAIL AS						
M	39	2	096-4883	2	LOCKNUT (M10X1.5-THD)						
	40	2	0T-0883	1	WASHER (0.531X1X0.065-IN THK)						
	41	2	161-3357	2	SPACER (12X20X10-MM THK)						
	42	2	3B-4615	1	PIN-COTTER						
M	43	1,2	5C-7261	7	NUT (M8X1.25-THD)						
	44	1,2	5P-1076	60	WASHER-HARD (13.5X30X4-MM THK)						
	45	1,2	5P-4116	3	WASHER-HARD (8.8X20.5X2-MM THK)						
	46	1	5P-7468	1	CLIP (SLOT)						
	47	1	5P-7469	1	CLIP (TAB)						
	48	1	6V-1874	1	GROMMET						
	49	1,2	7X-0515	8	WASHER-HARD (17X35X5-MM THK)						
	50	1,2	7X-0590	4	WASHER-HARD (13.5X44.5X6-MM THK)						
M	51	1,2	7X-2553	8	BOLT (M16X2X40-MM)						
	52	1,2	7X-3392	8	WASHER-HARD (13.5X22.5X3-MM THK)						
	53	1,2	7X-7729	6	WASHER (11X25X3-MM THK)						
M	54	2	8T-0389	4	LOCKNUT (M10X1.5-THD)						
	55	1,2	8T-4121	20	WASHER-HARD (11X21X2.5-MM THK)						

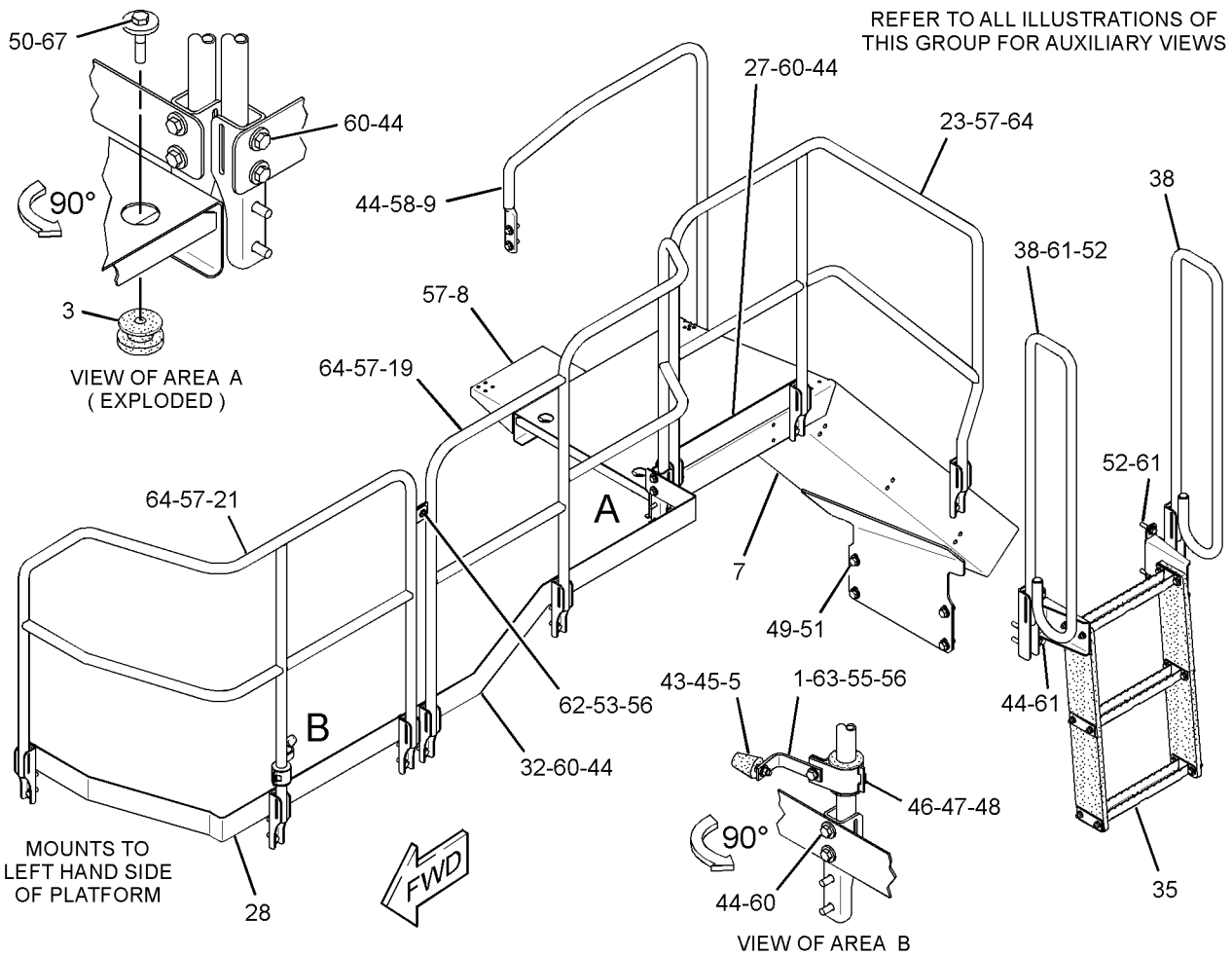
FRAME AND BODY

114-5133 LADDER GP (contd.)

i04456249

NOTE	REF NO	GRAPHIC REF	PART NUMBER	QTY	PART NAME						SEE PAGE
					1	2	3	4	5	6 (PRODUCT LEVEL)	
M	56	1	8T-4133	2	NUT (M10X1.5-THD)						
M	57	1,2	8T-4139	55	BOLT (M12X1.75X30-MM)						
M	58	1,2	8T-4183	8	BOLT (M12X1.75X40-MM)						
M	59	2	8T-4185	4	BOLT (M10X1.5X50-MM)						
M	60	1,2	8T-4192	36	BOLT (M12X1.75X25-MM)						
M	61	1,2	8T-4194	16	BOLT (M12X1.75X50-MM)						
M	62	1,2	8T-4195	11	BOLT (M10X1.5X30-MM)						
M	63	1	8T-4196	1	BOLT (M10X1.5X35-MM)						
	64	1,2	8T-4223	42	WASHER-HARD (13.5X25.5X3-MM THK)						
	65	2	8T-4224	4	WASHER-HARD (8.8X16X2-MM THK)						
M	66	2	8T-4244	2	NUT (M12X1.75-THD)						
M	67	1,2	8T-4910	4	BOLT (M12X1.75X60-MM)						
M	68	2	8T-6466	2	BOLT (M10X1.5X60-MM)						

M-METRIC PART
Y-SEPARATE ILLUSTRATION



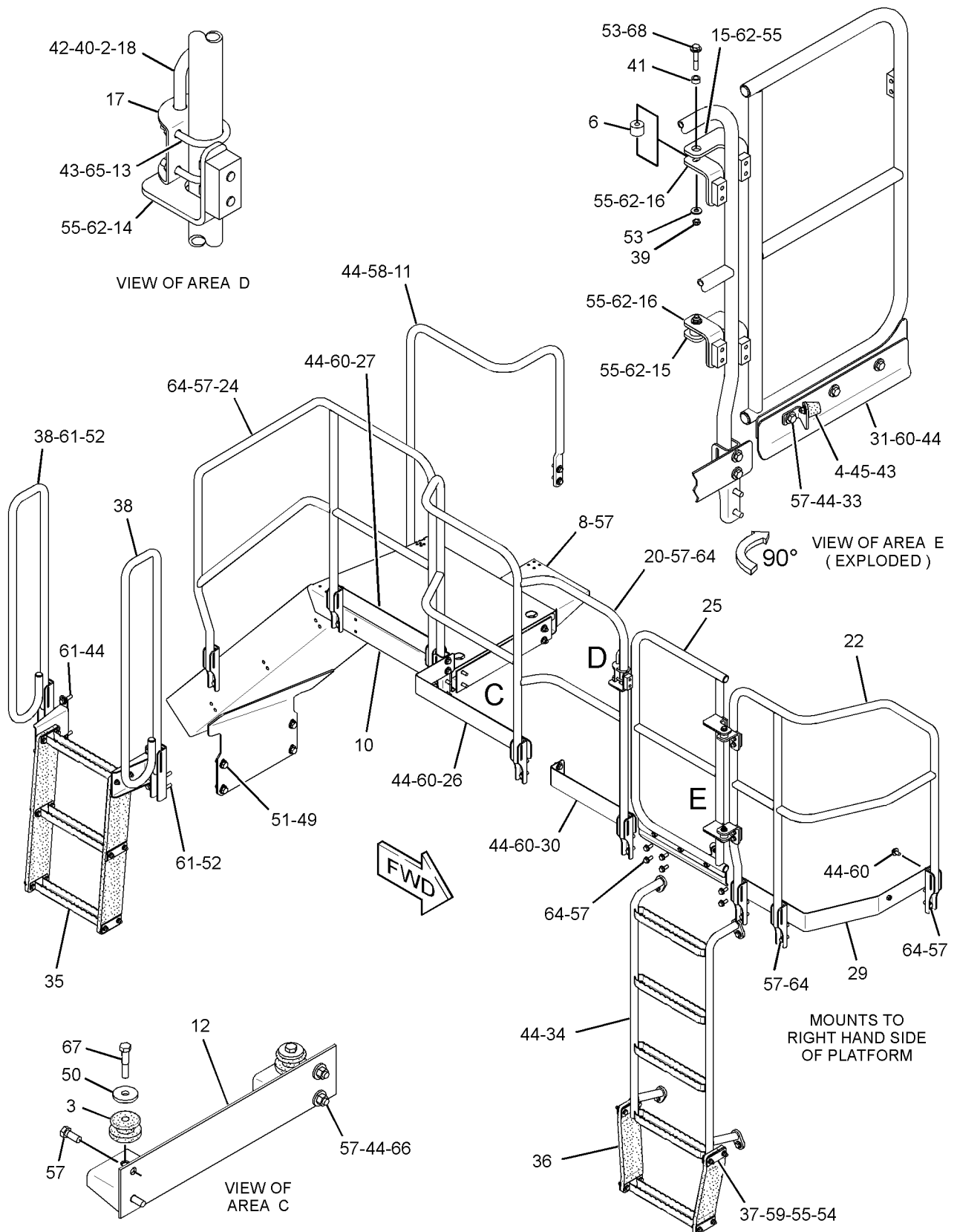
GRAPHIC #1

g02474697

FRAME AND BODY

114-5133 LADDER GP (contd.)

i04456249



GRAPHIC #2

<END>

g02474696

FRAME AND BODY

158-6185 LINES GP-GREASE-TILT LINK PINS

S/N: A7A1-UP

PART OF 259-2420 LINES GP-GREASE
AN ATTACHMENT

SMCS-7510

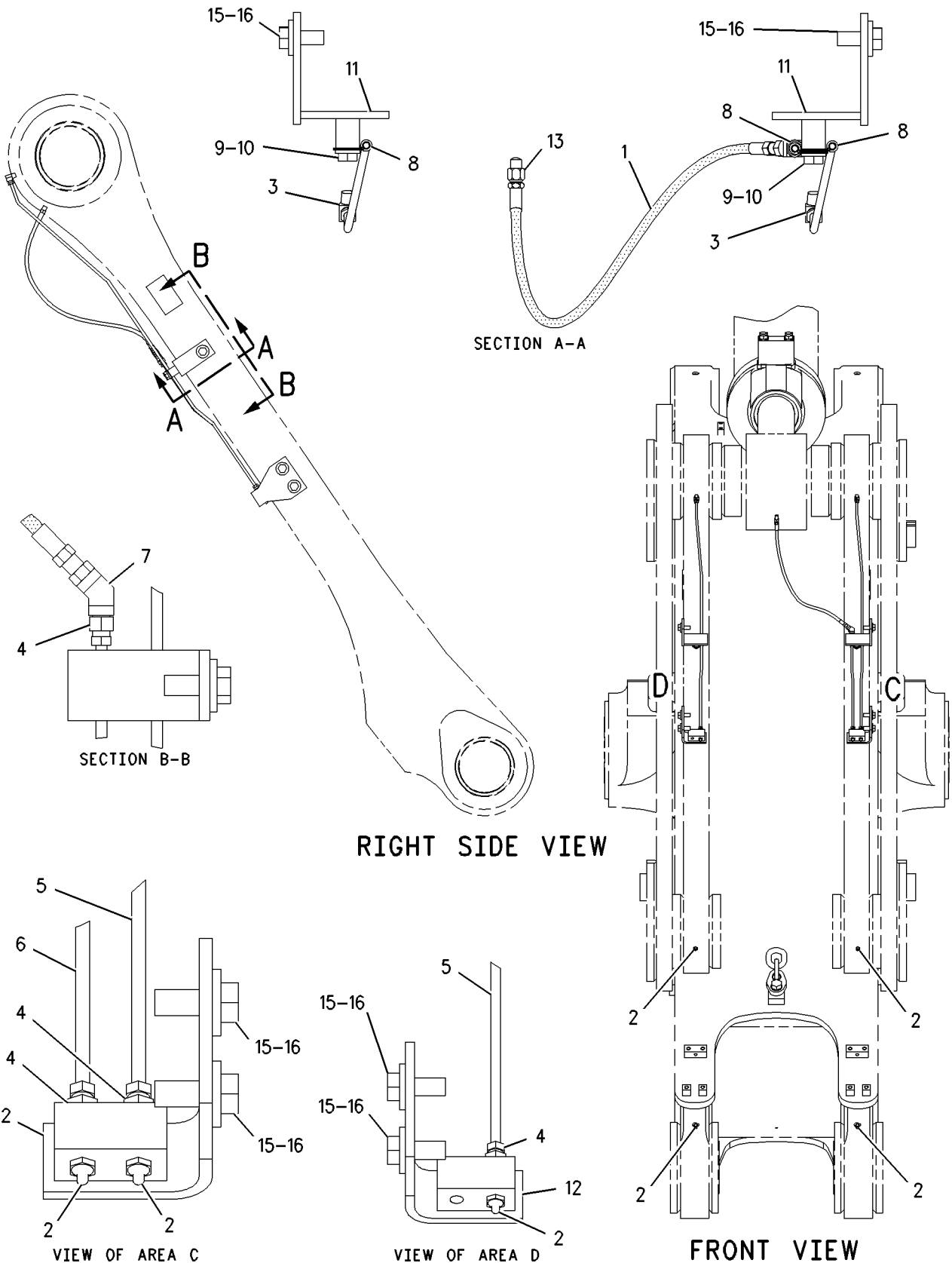
i04483049

NOTE	REF NO	GRAPHIC REF	PART NUMBER	QTY	PART NAME						SEE PAGE
					1	2	3	4	5	6 (PRODUCT LEVEL)	
	1	1	5V-5476	1	HOSE AS						
	2	1	3B-8489	7	FITTING-GREASE						
	3	1	5K-9243	2	ELBOW-FLARED						
	4	1	6L-3616	4	CONNECTOR						
	5	1	157-8954	2	TUBE AS						
	6	1	157-8955	1	TUBE AS						
	7	1	3B-6493	1	ELBOW						
	8	1	8M-2772	3	CLIP						
	9	1	8T-4121	2	WASHER-HARD (11X21X2.5-MM THK)						
M	10	1	8T-4137	2	BOLT (M10X1.5X20-MM)						
	11	1	197-7863	2	BRACKET AS						
	12	1	197-6660	2	BRACKET AS						
	13	1	4K-3026	1	EXTENSION						
M	15	1	8T-4139	6	BOLT (M12X1.75X30-MM)						
	16	1	5P-1076	6	WASHER-HARD (13.5X30X4-MM THK)						
M-METRIC PART											

FRAME AND BODY

158-6185 LINES GP-GREASE (contd.)

i04483049



GRAPHIC #1

<END>

g00776787

FRAME AND BODY

259-2401 LINES GP-GREASE-AXLE TRUNNIONS, LIFT CYLINDER

S/N: A7A1-UP

PART OF 284-2735 CHASSIS AR

SMCS-7510

i04456252

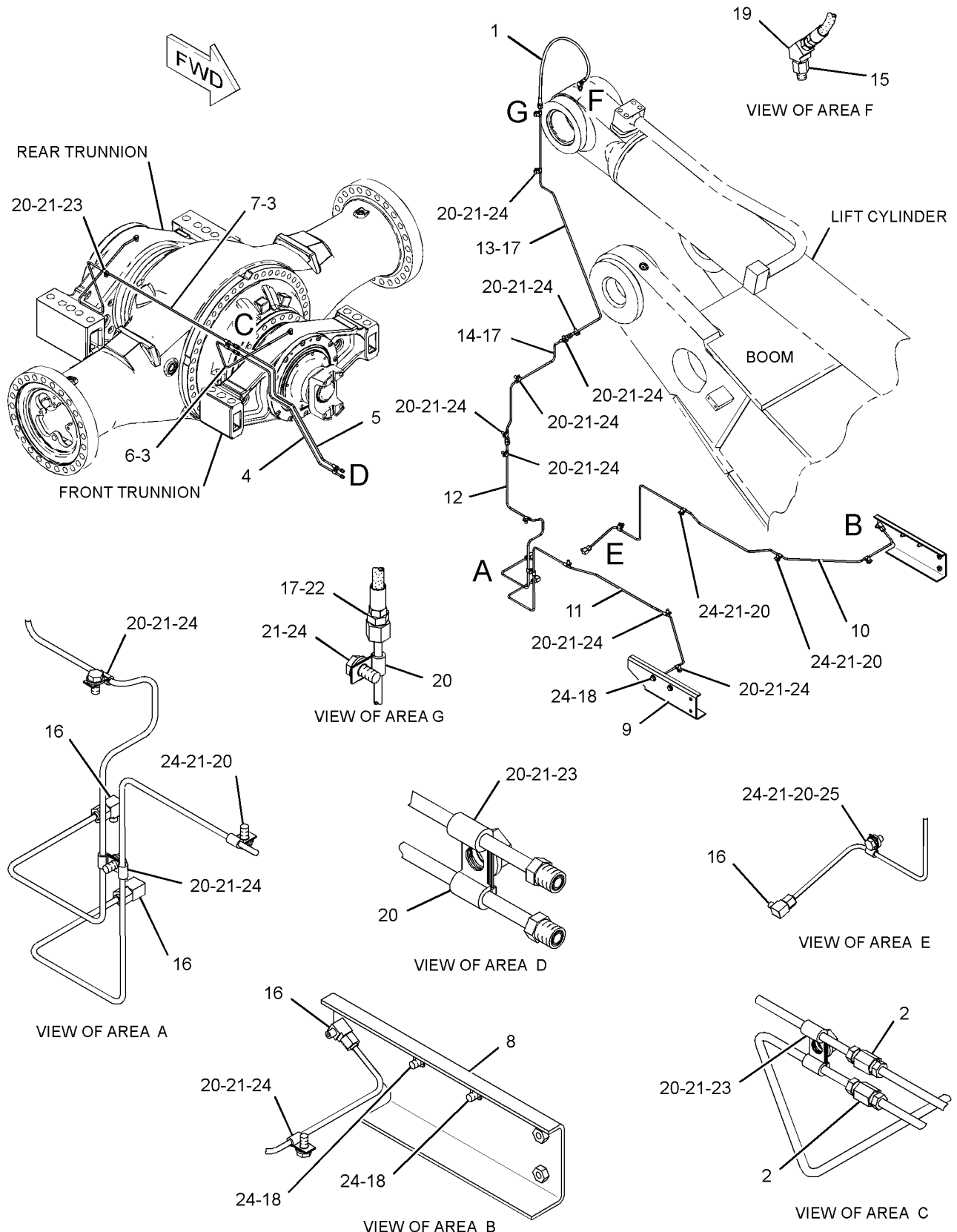
NOTE	REF NO	GRAPHIC REF	PART NUMBER	QTY	PART NAME						SEE PAGE
					1	2	3	4	5	6 (PRODUCT LEVEL)	
I	1	1	3V-7516	1	HOSE AS						
	2	1	5K-9242	2	UNION-FLARED						
	3	1	5K-9243	2	ELBOW-FLARED						
	4	1	142-6994	1	TUBE AS						
	5	1	142-6995	1	TUBE AS						
	6	1	142-6996	1	TUBE AS						
	7	1	145-4922	1	TUBE AS						
	8	1	159-8612	1	PLATE AS						
	9	1	159-8613	1	PLATE AS						
	10	1	220-3444	1	TUBE AS						
	11	1	220-3445	1	TUBE AS						
	12	1	220-3446	1	TUBE AS						
	13	1	222-2029	1	TUBE AS						
	14	1	222-2030	1	TUBE AS						
	15	1	002-0639	1	ADAPTER-PIPE						
	16	1	148-8389	5	ELBOW AS						
					(EACH INCLUDES)						
		1	4J-5477	1	SEAL-O-RING						
		1	7X-0492	1	ELBOW						
	17	1	4J-5477	3	SEAL-O-RING						
	18	1	7X-7729	4	WASHER (11X25X3-MM THK)						
	19	1	8L-5008	1	ELBOW-PIPE						
	20	1	8M-2772	22	CLIP						
	21	1	8T-4121	19	WASHER-HARD (11X21X2.5-MM THK)						
	22	1	8T-4128	1	ADAPTER						
M	23	1	8T-4133	3	NUT (M10X1.5-THD)						
M	24	1	8T-4137	20	BOLT (M10X1.5X20-MM)						
	25	1	8T-7934	1	WASHER-HARD (11X21X5-MM THK)						

I-REFER TO HYDRAULIC INFORMATION SYSTEM
M-METRIC PART

FRAME AND BODY

259-2401 LINES GP-GREASE (contd.)

i04456252



GRAPHIC #1

<END>

g01455224

FRAME AND BODY

259-2402 LINES GP-GREASE

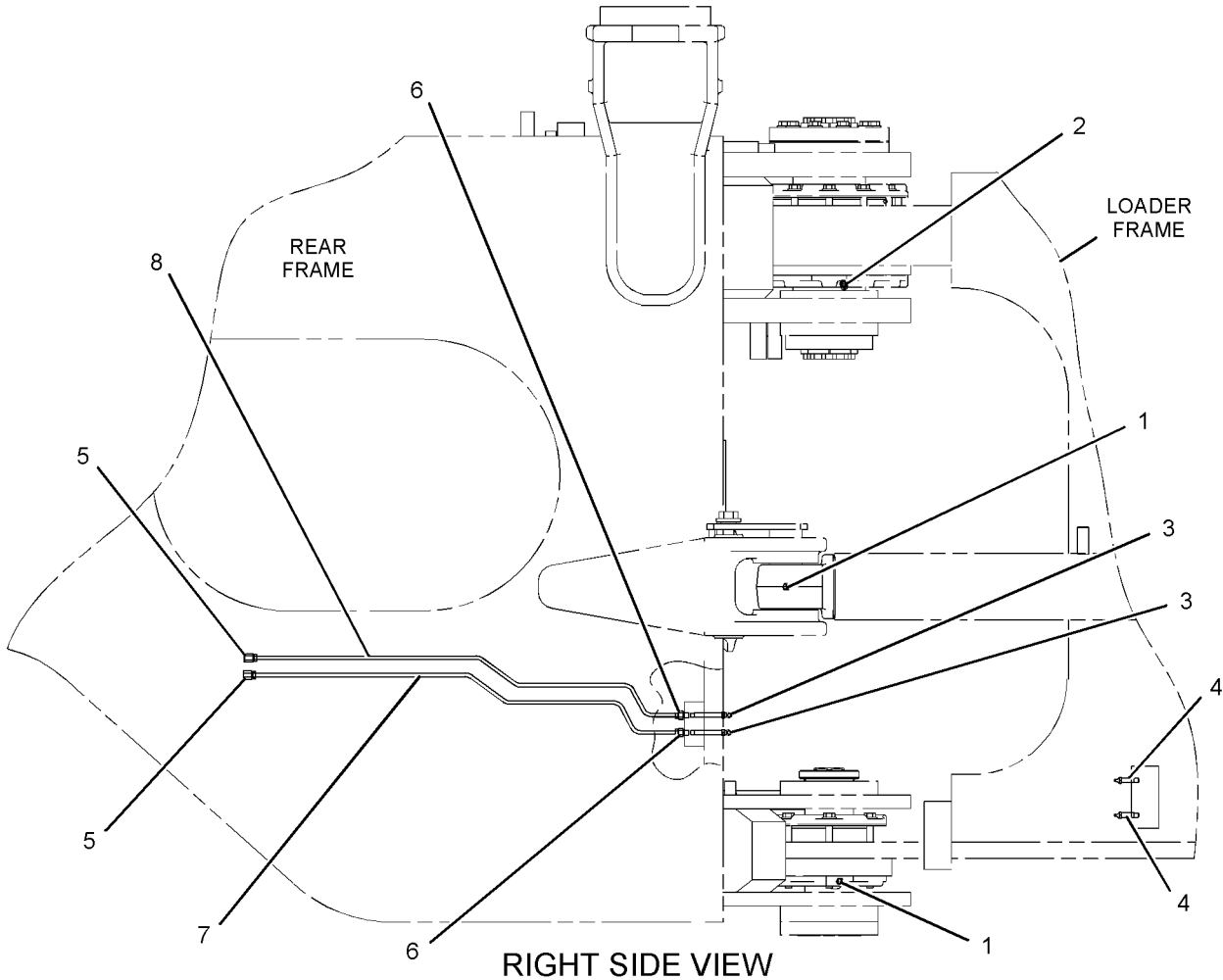
S/N: A7A1-UP

PART OF 259-2420 LINES GP-GREASE
AN ATTACHMENT

SMCS-7510

i04501792

NOTE	REF NO	GRAPHIC REF	PART NUMBER	QTY	PART NAME						SEE PAGE
					1	2	3	4	5	6 (PRODUCT LEVEL)	
	1	1	3B-8489	3	FITTING-GREASE						
	2	1	3B-8686	1	FITTING-GREASE						
	3	1	4B-8440	2	FITTING-GREASE						
	4	1	5B-0651	3	FITTING-STRAIGHT						
	5	1	5K-9242	2	UNION-FLARED						
	6	1	6L-3616	2	CONNECTOR						
	7	1	259-2403	1	TUBE AS						
	8	1	259-2404	1	TUBE AS						



RIGHT SIDE VIEW

<END>

GRAPHIC #1

g01125283

FRAME AND BODY

259-2420 LINES GP-GREASE

S/N: A7A1-UP

PART OF 379-3389, 379-3390 DISTRIBUTION AR
AN ATTACHMENT

SMCS-7510

i04477967

NOTE	PART NUMBER	QTY	PART NAME						SEE PAGE
			1	2	3	4	5	6 (PRODUCT LEVEL)	
Y	158-6185	1	LINES GP-GREASE (TILT LINK PINS)						400
Y	259-2402	1	LINES GP-GREASE (ARTICULATION HITCH BEARING)						404
Y-SEPARATE ILLUSTRATION									

<END>

FRAME AND BODY

114-5121 LINK GP-STEERING FRAME LOCK

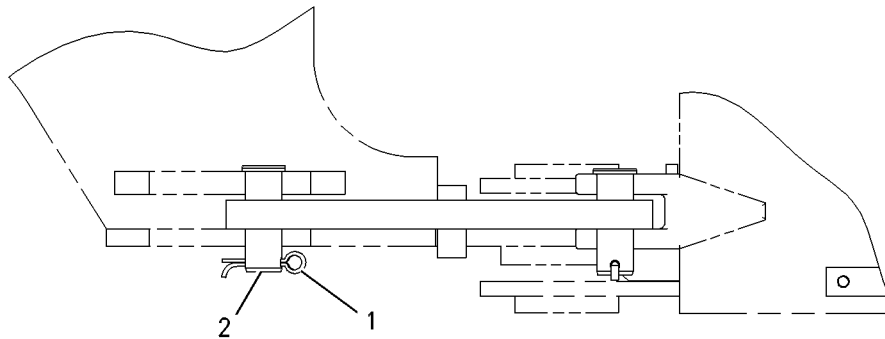
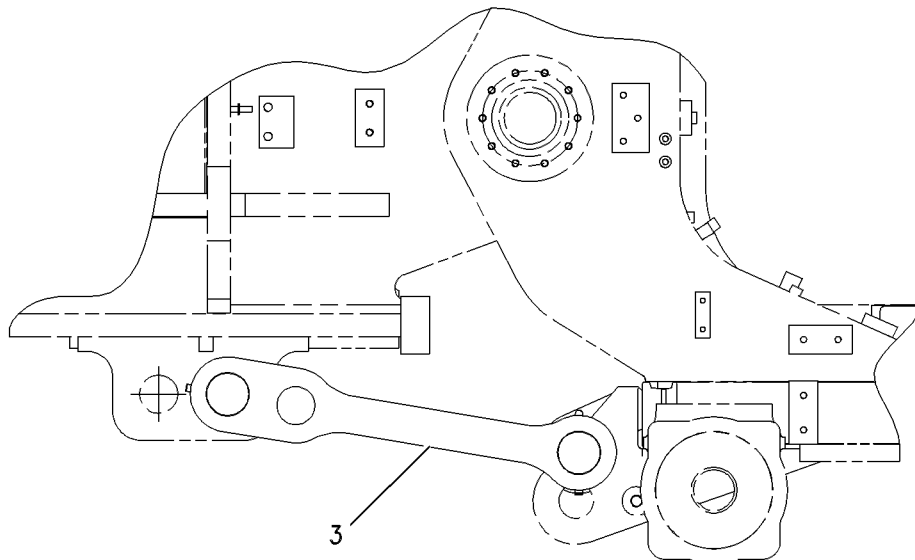
S/N: A7A1-UP

PART OF 284-2735 CHASSIS AR

SMCS-7506

i04456269

NOTE	REF NO	GRAPHIC REF	PART NUMBER	QTY	PART NAME						SEE PAGE
					1	2	3	4	5	6 (PRODUCT LEVEL)	
	1	1	1J-2919	2	PIN-COTTER						
	2	1	4E-6015	2	PIN						
	3	1	141-2158	1	LINK						



GRAPHIC #1

<END>

g00542678

FRAME AND BODY

327-3740 MOUNTING GP-BUMPER

S/N: A7A1-UP

PART OF 284-2735 CHASSIS AR

SMCS-7156

i04459104

NOTE	REF NO	GRAPHIC REF	PART NUMBER	QTY	PART NAME						SEE PAGE
					1	2	3	4	5	6 (PRODUCT LEVEL)	
	1	1	6M-1622	2	DOWEL						
Y	2	1	136-5049	1	DRAWBAR GP						376
	3	1	5P-1076	6	WASHER-HARD (13.5X30X4-MM THK)						
M	4	1	8C-8723	18	BOLT (M30X3.5X80-MM)						
M	5	1	8T-4139	5	BOLT (M12X1.75X30-MM)						
M	6	1	8T-4183	1	BOLT (M12X1.75X40-MM)						
	7	1	9X-8258	18	WASHER (33X56X6-MM THK)						

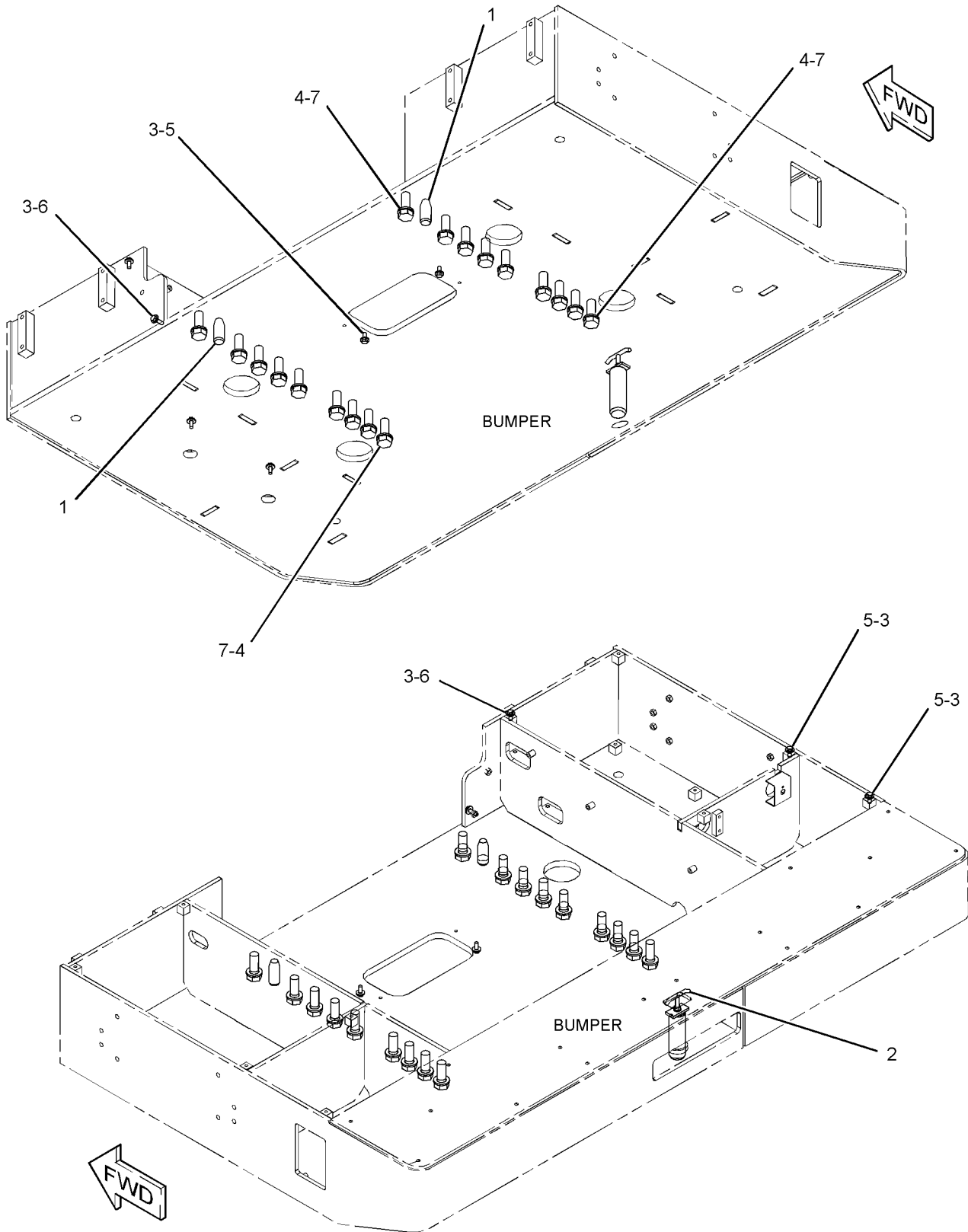
M-METRIC PART

Y-SEPARATE ILLUSTRATION

FRAME AND BODY

327-3740 MOUNTING GP-BUMPER (contd.)

i04459104



GRAPHIC #1

<END>

g02632996

FRAME AND BODY

143-9361 PANEL GP-SIDE-HOOD SIDE, FRONT, RH

S/N: A7A1-UP

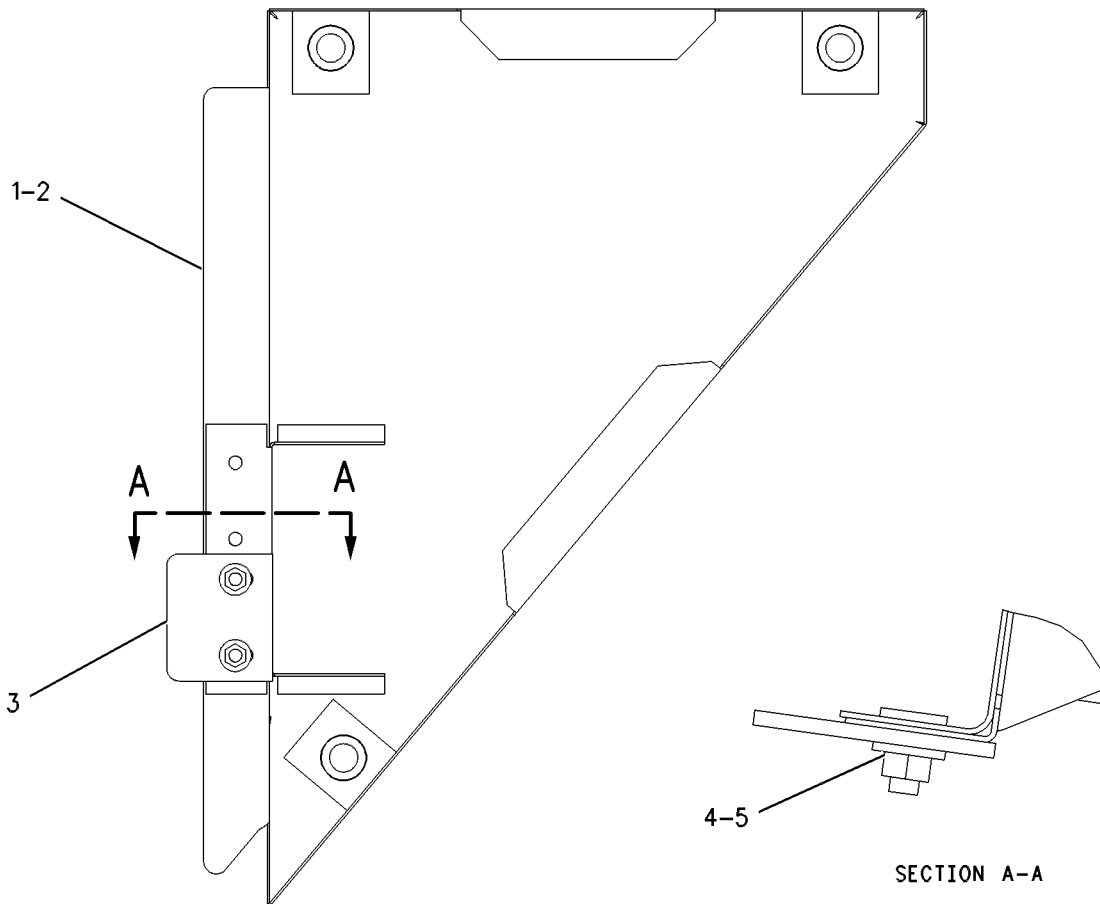
PART OF 225-5235 HOOD & GUARD GP

SMCS-7267

i04459138

NOTE	REF NO	GRAPHIC REF	PART NUMBER	QTY	PART NAME						SEE PAGE
					1	2	3	4	5	6 (PRODUCT LEVEL)	
	1	1	142-7010	1	PANEL AS (RH)						
M		1	8T-5413	2	STUD-WELD (M10X1.5X25-MM OAL)						
	2	1	142-7011	1	PANEL AS (LH)						
M		1	8T-5413	2	STUD-WELD (M10X1.5X25-MM OAL)						
	3	1	164-0327	2	PLATE						
	4	1	7X-7729	4	WASHER (11X25X3-MM THK)						
M	5	1	8T-4133	4	NUT (M10X1.5-THD)						

M-METRIC PART



GRAPHIC #1

<END>

g00506980

FRAME AND BODY

230-4182 PANEL GP-SIDE

S/N: A7A1-UP

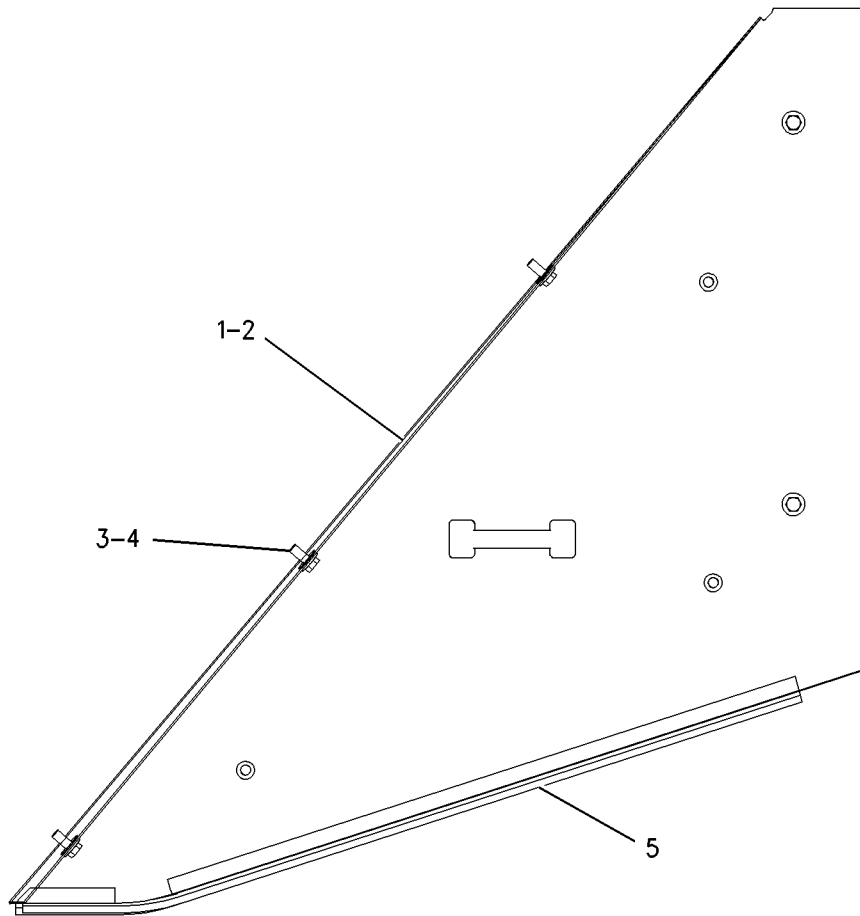
PART OF 284-2735 CHASSIS AR

SMCS-7267

i04456301

NOTE	REF NO	GRAPHIC REF	PART NUMBER	QTY	PART NAME						SEE PAGE
					1	2	3	4	5	6 (PRODUCT LEVEL)	
	1	1	230-4183	1	PANEL AS (RH)						
		1	1V-8732	1	HANDLE						
		1	138-6108	3	SPACER (8.7X20X45-MM THK)						
	2	1	230-4186	1	PANEL AS (LH)						
		1	1V-8732	1	HANDLE						
		1	138-6108	3	SPACER (8.7X20X45-MM THK)						
	3	1	5P-1076	10	WASHER-HARD (13.5X30X4-MM THK)						
M	4	1	8T-4139	10	BOLT (M12X1.75X30-MM)						
D	5	1	5P-7483		SEAL (2.2M)						

D-ORDER BY THE METER
M-METRIC PART



GRAPHIC #1

<END>

g00998005

FRAME AND BODY

164-4865 SHIELD GP-ENGINE COMPARTMENT

S/N: A7A1-UP

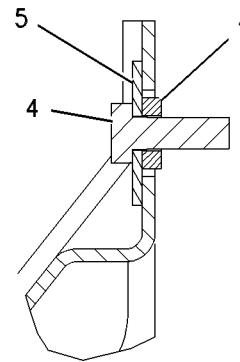
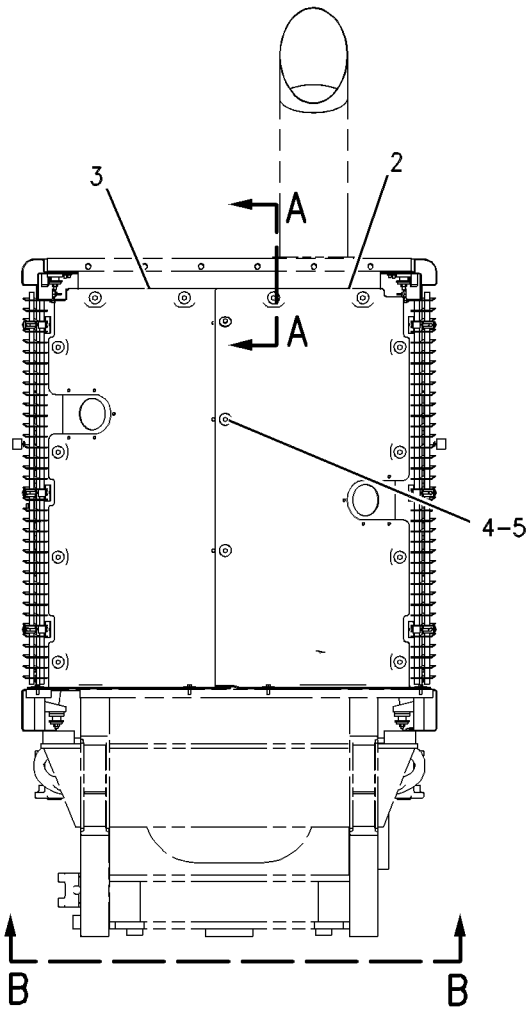
PART OF 225-8337 SUPPRESSION AR-SOUND
AN ATTACHMENT

SMCS-7154, 7263

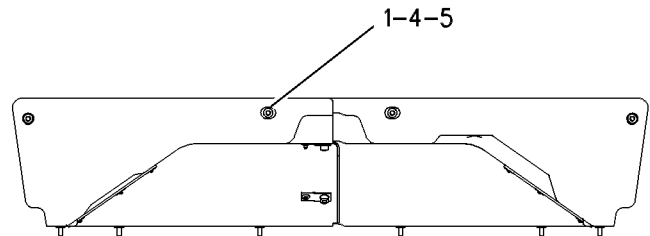
i04480090

NOTE	REF NO	GRAPHIC REF	PART NUMBER	QTY	PART NAME						SEE PAGE
					1	2	3	4	5	6 (PRODUCT LEVEL)	
	1	1	4H-1225	15	WASHER (11X22X6-MM THK)						
	2	1	131-7810	1	SHIELD AS (RH)						
	3	1	131-7811	1	SHIELD AS (LH)						
M		1	9R-2613	1	BOSS-WELD (M10X1.5X25-MM)						
M	4	1	8T-4195	18	BOLT (M10X1.5X30-MM)						
	5	1	8T-4226	18	WASHER-PLATED (10.5X45X3-MM THK)						

M-METRIC PART



SECTION A-A



VIEW B-B

GRAPHIC #1

<END>

g00509542

FRAME AND BODY

164-4866 SHIELD GP-ENGINE COMPARTMENT

S/N: A7A1-UP

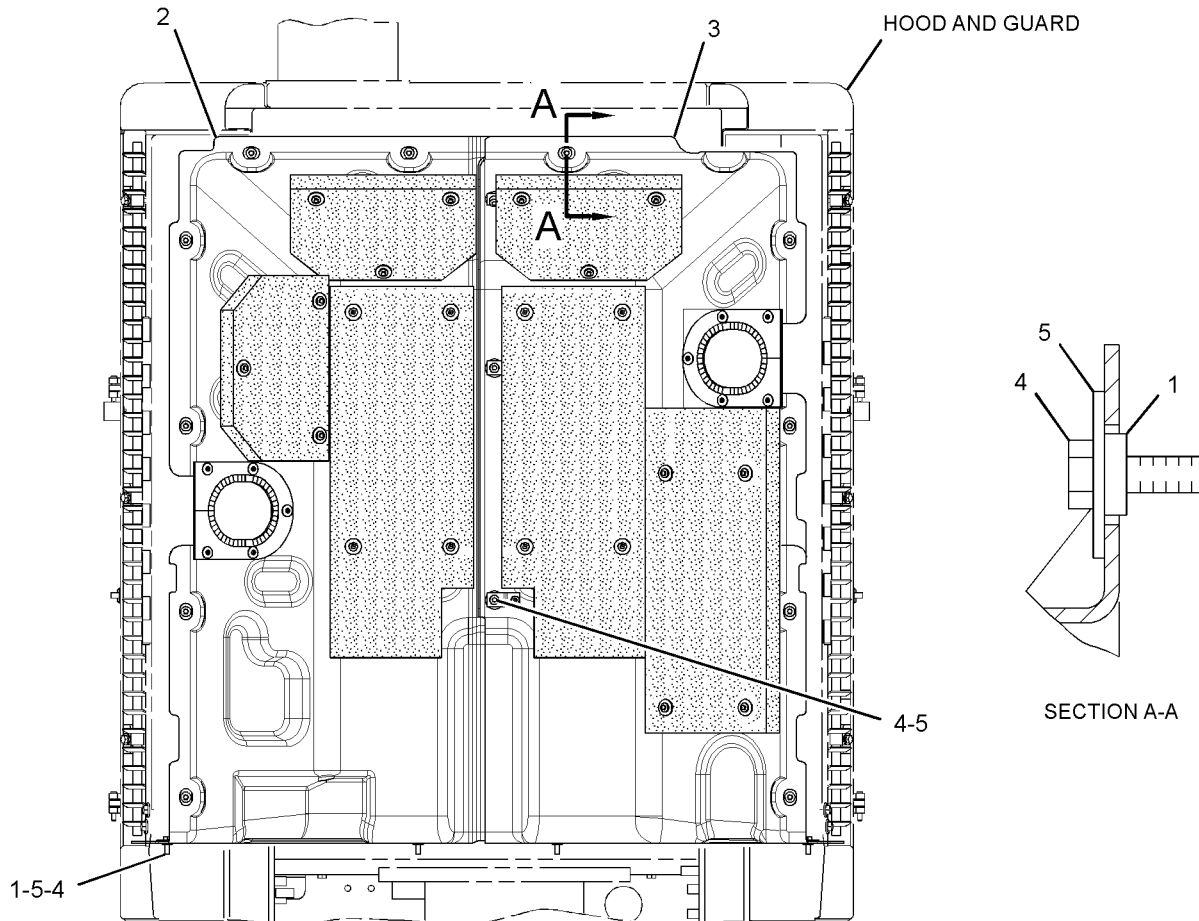
PART OF 225-8338 SUPPRESSION AR-SOUND
AN ATTACHMENT

SMCS-7154, 7263

i04479954

NOTE	REF NO	GRAPHIC REF	PART NUMBER	QTY	PART NAME						SEE PAGE
					1	2	3	4	5	6 (PRODUCT LEVEL)	
	1	1	4H-1225	15	WASHER (11X22X6-MM THK)						
	2	1	164-4817	1	SHIELD AS						
		1	7X-0603	10	WASHER-HARD (9.9X35X2.5-MM THK)						
		1	133-1643	20	SPACER (8.1X13X22.2-MM THK)						
		1	148-8240	10	CLIP						
		1	133-1645	10	WASHER (7.2X19.1X3.1-MM THK)						
		1	183-7228	1	INSULATION						
		1	164-4769	2	INSULATION						
	3	1	164-4831	1	SHIELD AS						
		1	7X-0603	11	WASHER-HARD (9.9X35X2.5-MM THK)						
M		1	9R-2613	1	BOSS-WELD (M10X1.5X25-MM)						
		1	133-1643	22	SPACER (8.1X13X22.2-MM THK)						
		1	148-8240	11	CLIP						
		1	133-1645	11	WASHER (7.2X19.1X3.1-MM THK)						
		1	164-4767	1	INSULATION						
		1	164-4769	1	INSULATION						
		1	183-7228	1	INSULATION						
M	4	1	8T-4195	18	BOLT (M10X1.5X30-MM)						
	5	1	8T-4226	18	WASHER-PLATED (10.5X45X3-MM THK)						

M-METRIC PART



FRONT VIEW

GRAPHIC #1

<END>

g01455260

FRAME AND BODY

355-1284 STEP GP

S/N: A7A1-UP

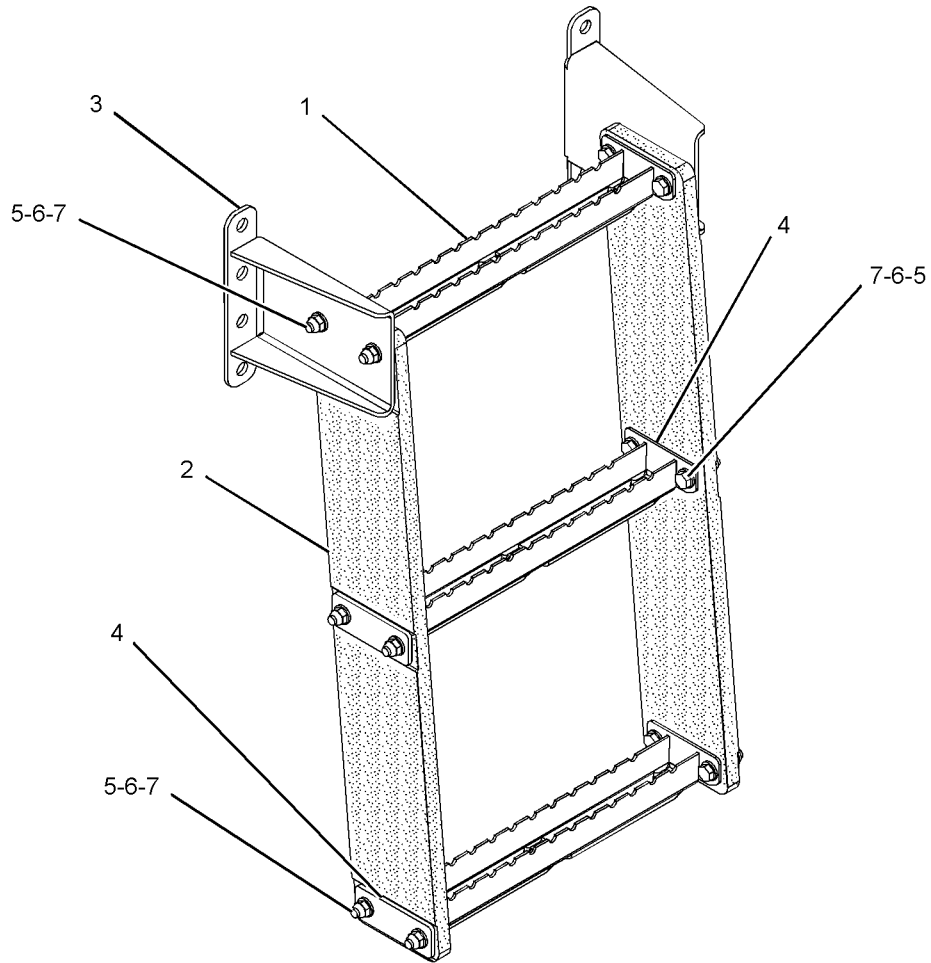
PART OF 114-5133 LADDER GP

SMCS-7254

i04459119

NOTE	REF NO	GRAPHIC REF	PART NUMBER	QTY	PART NAME						SEE PAGE
					1	2	3	4	5	6 (PRODUCT LEVEL)	
	1	1	350-9567	3	STEP						
	2	1	355-2490	2	SUPPORT-STEP (RUBBER)						
	3	1	355-9578	2	BRACKET						
	4	1	356-6693	4	PLATE						
M	5	1	8T-0389	12	LOCKNUT (M10X1.5-THD)						
	6	1	8T-4121	24	WASHER-HARD (11X21X2.5-MM THK)						
M	7	1	8T-4182	12	BOLT (M10X1.5X45-MM)						

M-METRIC PART



GRAPHIC #1

<END>

g02548136

FRAME AND BODY

355-2488 STEP GP

S/N: A7A1-UP

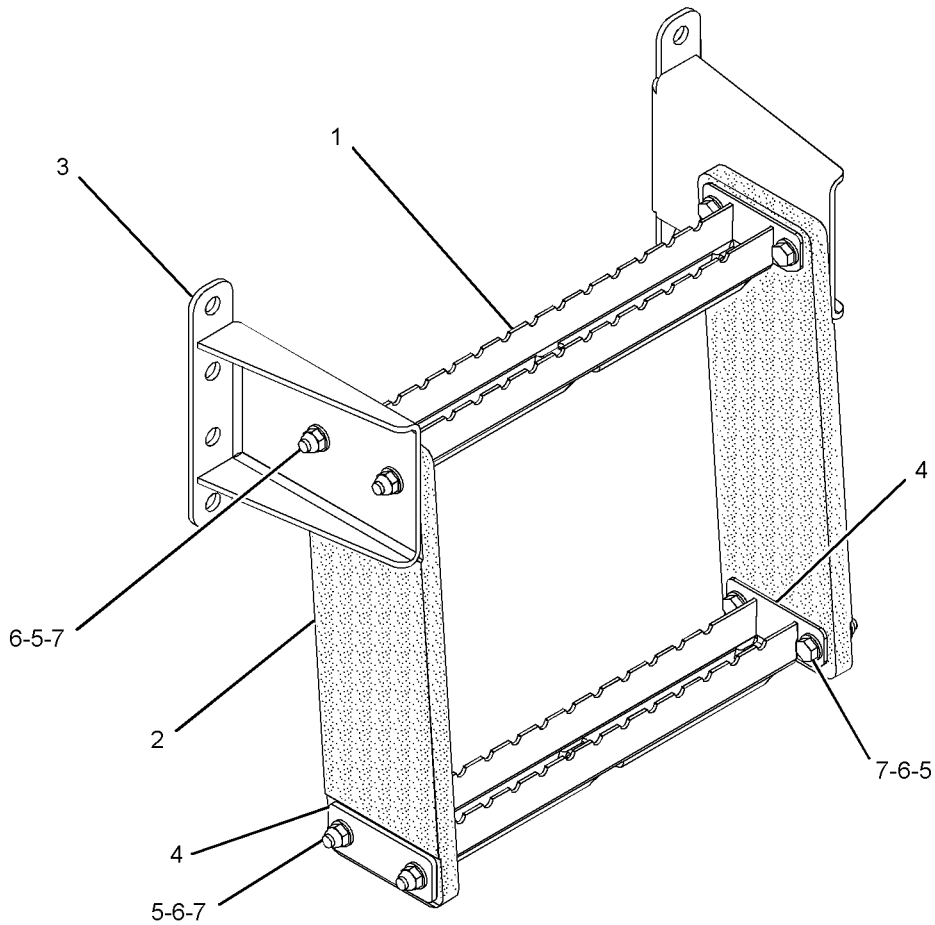
PART OF 114-5133 LADDER GP

SMCS-7254

i04459127

NOTE	REF NO	GRAPHIC REF	PART NUMBER	QTY	PART NAME						SEE PAGE
					1	2	3	4	5	6 (PRODUCT LEVEL)	
	1	1	350-9567	2	STEP						
	2	1	355-2502	2	SUPPORT-STEP (RUBBER)						
	3	1	355-9578	2	BRACKET						
	4	1	356-6693	2	PLATE						
CM	5	1	8T-0389	8	LOCKNUT (M10X1.5-THD)						
	6	1	8T-4121	16	WASHER-HARD (11X21X2.5-MM THK)						
CM	7	1	8T-4182	8	BOLT (M10X1.5X45-MM)						

C-CHANGE FROM PREVIOUS TYPE
M-METRIC PART



GRAPHIC #1

<END>

g02548009

FRAME AND BODY

304-5270 SUPPORT GP-FILTER

S/N: TXH1-UP; RHX1-UP

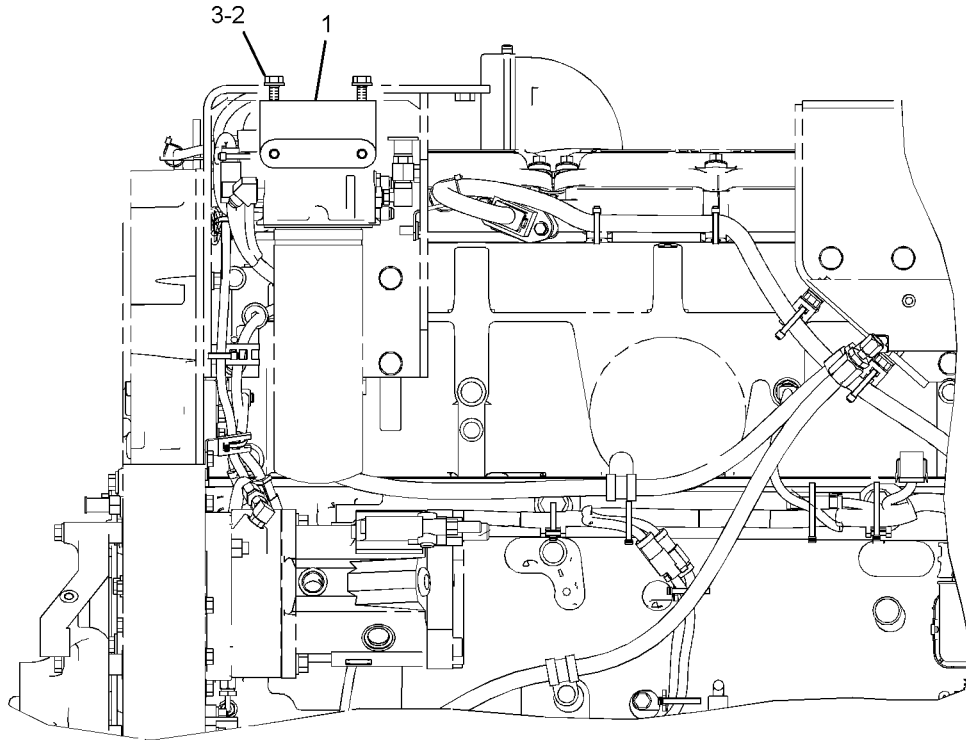
PART OF 281-6452 ENGINE AR-COMplete
AN ATTACHMENT

SMCS-1051, 1261, 3067, 5068

i04396066

NOTE	REF NO	GRAPHIC REF	PART NUMBER	QTY	PART NAME						SEE PAGE
					1	2	3	4	5	6 (PRODUCT LEVEL)	
	1	1	304-5267	1	BRACKET AS						
M		1	8T-3490	4	NUT-WELD (M10X1.5-THD)						
	2	1	6V-5839	2	WASHER (11X21X2.5-MM THK)						
M	3	1	8T-4186	2	BOLT (M10X1.5X40-MM)						

M-METRIC PART



RIGHT SIDE VIEW OF ENGINE

GRAPHIC #1

<END>

g01561893

FRAME AND BODY

225-8337 SUPPRESSION AR-SOUND

S/N: A7A1-UP

PART OF 379-3390 DISTRIBUTION AR
CANNOT BE USED WITH 225-8338-PAGE 416
AN ATTACHMENT

SMCS-7261

i04477984

NOTE	PART NUMBER	QTY	PART NAME						SEE PAGE
			1	2	3	4	5	6 (PRODUCT LEVEL)	
Y	164-4865	1	SHIELD GP-ENGINE COMPARTMENT						411
Y-SEPARATE ILLUSTRATION									

<END>

225-8338 SUPPRESSION AR-SOUND

S/N: A7A1-UP

PART OF 379-3389 DISTRIBUTION AR
CANNOT BE USED WITH 225-8337-PAGE 416, 150-1541-PAGE 386
AN ATTACHMENT

SMCS-7261

i04477977

NOTE	PART NUMBER	QTY	PART NAME						SEE PAGE
			1	2	3	4	5	6 (PRODUCT LEVEL)	
Y	150-1541	1	GUARD GP-CRANKCASE						386
Y	185-1933	1	PANEL GP-SOUND SUPPRESSION (ENGINE OIL PAN)						55
Y	164-4866	1	SHIELD GP-ENGINE COMPARTMENT						412
Y	226-9798	1	SUPPRESSION GP-SOUND (HOOD)						417
Y	231-2036	1	SUPPRESSION GP-SOUND (BOTTOM GUARDS)						419
	205-3239	1	FILM (EXTERIOR SOUND)						

Y-SEPARATE ILLUSTRATION

<END>

FRAME AND BODY

226-9798 SUPPRESSION GP-SOUND-HOOD

S/N: A7A1-UP

PART OF 225-8338 SUPPRESSION AR-SOUND
AN ATTACHMENT

SMCS-7076, 7261

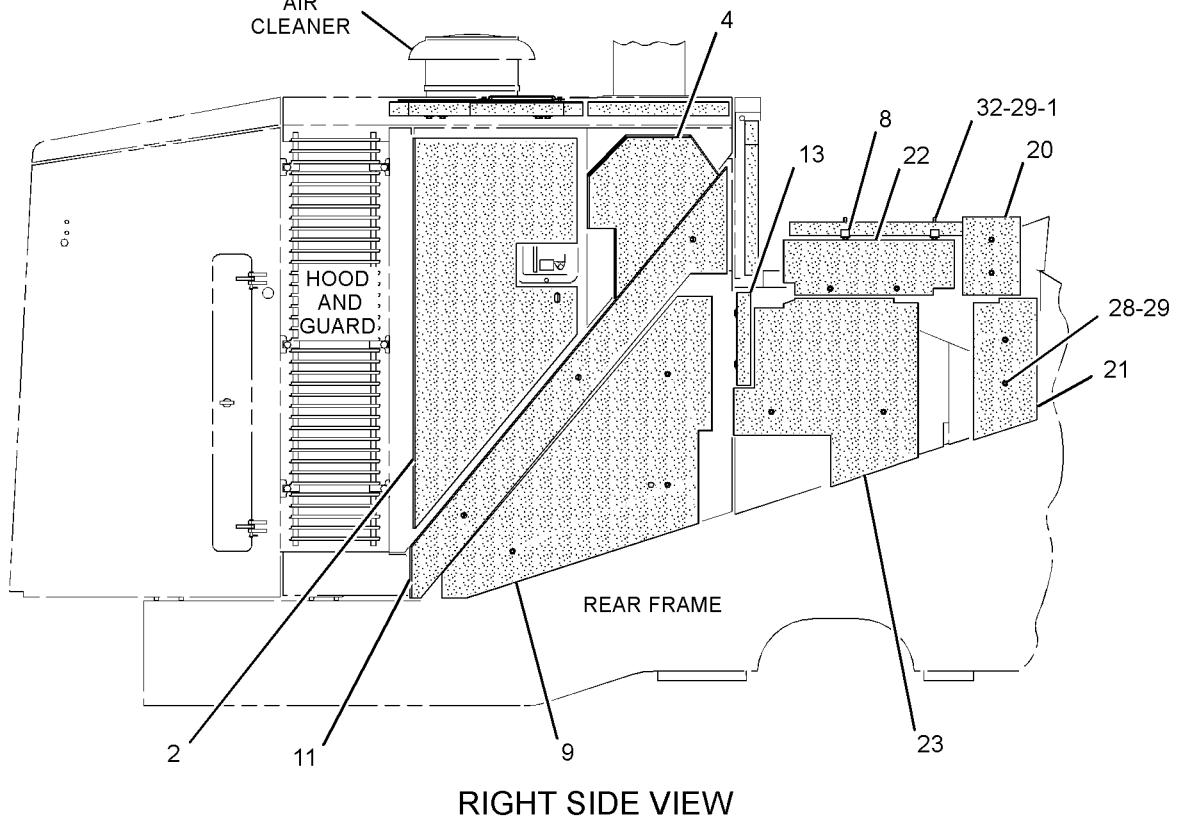
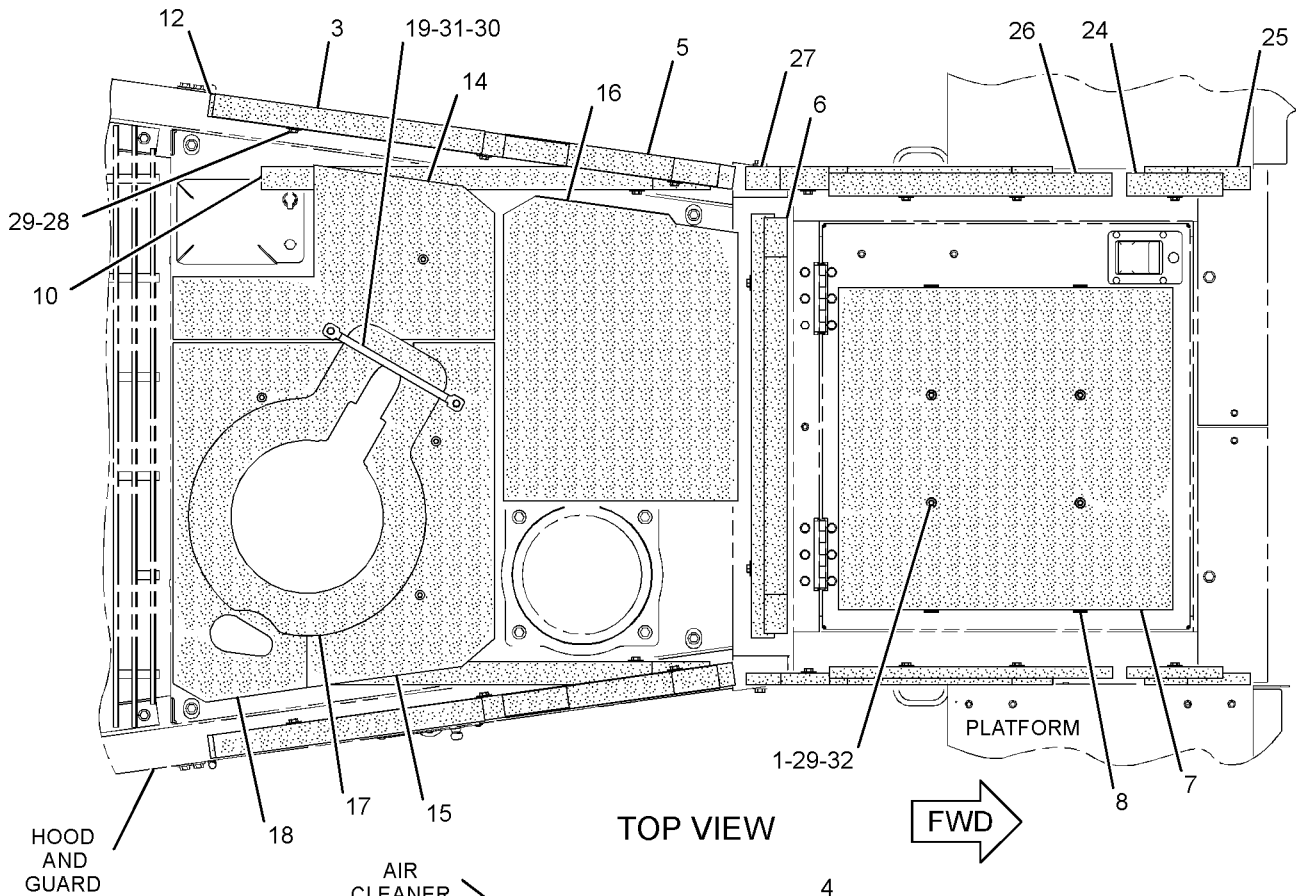
i04479955

NOTE	REF NO	GRAPHIC REF	PART NUMBER	QTY	PART NAME						SEE PAGE
					1	2	3	4	5	6 (PRODUCT LEVEL)	
	1	1	20-3691	4	SPACER (12.44X22X48.2-MM THK)						
	2	1	163-4797	1	INSULATION-RH						
	3	1	163-4798	1	INSULATION-LH						
	4	1	163-7902	1	INSULATION-RH						
	5	1	163-7903	1	INSULATION-LH						
	6	1	163-7908	1	INSULATION						
	7	1	183-7535	1	INSULATION						
	8	1	183-7540	2	BRACKET						
	9	1	183-9409	1	INSULATION						
	10	1	183-9411	1	INSULATION						
	11	1	183-9412	1	INSULATION						
	12	1	183-9413	1	INSULATION						
	13	1	183-9414	1	INSULATION						
	14	1	226-9799	1	INSULATION						
	15	1	226-9801	1	INSULATION						
	16	1	226-9802	1	INSULATION						
	17	1	227-0091	1	BAFFLE						
	18	1	233-6358	1	INSULATION						
	19	1	251-6192	1	STRIP						
	20	1	323-3533	1	INSULATION						
	21	1	323-3534	1	INSULATION						
	22	1	323-3535	1	INSULATION						
	23	1	323-3536	1	INSULATION						
	24	1	323-3537	1	INSULATION						
	25	1	323-3538	1	INSULATION						
	26	1	323-3539	1	INSULATION						
	27	1	323-3540	1	INSULATION						
M	28	1	8T-4137	36	BOLT (M10X1.5X20-MM)						
	29	1	8T-4222	40	WASHER-PLATED (11X32X2.5-MM THK)						
	30	1	8T-4224	2	WASHER-HARD (8.8X16X2-MM THK)						
M	31	1	8T-4908	2	BOLT (M8X1.25X25-MM)						
M	32	1	8T-5005	4	BOLT (M10X1.5X70-MM)						
M-METRIC PART											

FRAME AND BODY

226-9798 SUPPRESSION GP-SOUND (contd.)

i04479955



GRAPHIC #1

<END>

g01627689

FRAME AND BODY

231-2036 SUPPRESSION GP-SOUND-BOTTOM GUARDS

S/N: A7A1-UP

PART OF 225-8338 SUPPRESSION AR-SOUND
AN ATTACHMENT

SMCS-7076, 7261

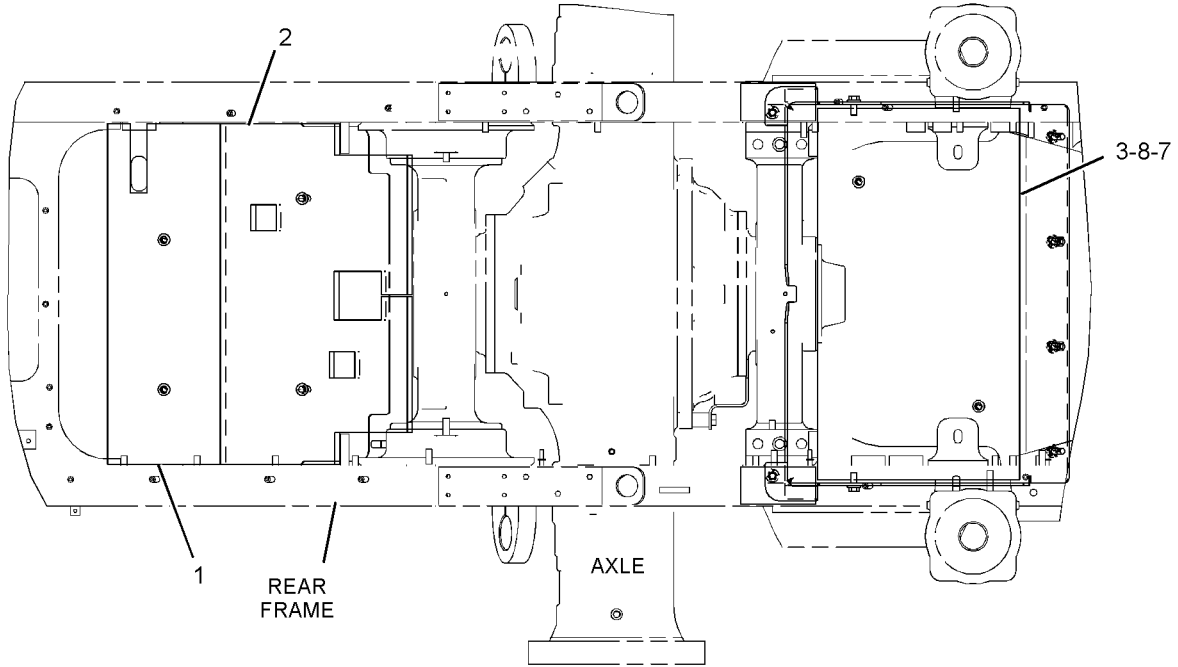
i04479956

NOTE	REF NO	GRAPHIC REF	PART NUMBER	QTY	PART NAME						SEE PAGE
					1	2	3	4	5	6 (PRODUCT LEVEL)	
	1	1	183-9415	1	INSULATION						
	2	1	183-9416	1	INSULATION						
	3	1	286-1755	1	INSULATION						
	4	1	286-2486	1	GUARD AS						
	5	1	7X-0515	8	WASHER-HARD (17X35X5-MM THK)						
M	6	1	7X-2553	8	BOLT (M16X2X40-MM)						
M	7	1	8T-4137	6	BOLT (M10X1.5X20-MM)						
	8	1	8T-4222	6	WASHER-PLATED (11X32X2.5-MM THK)						
M-METRIC PART											

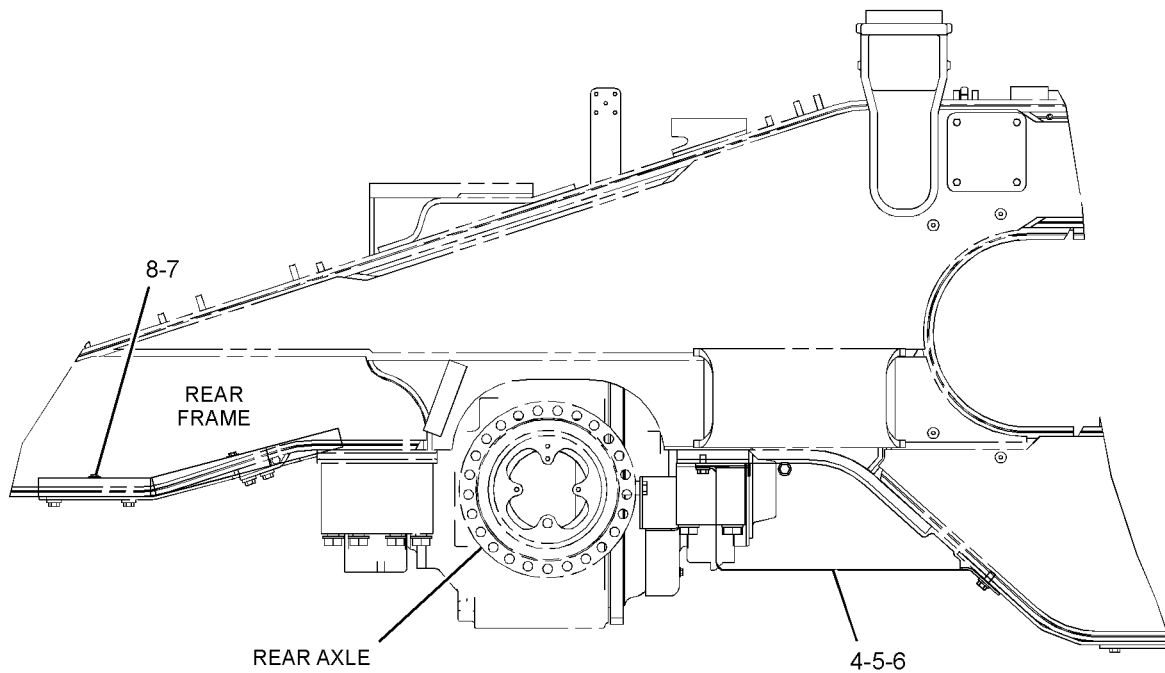
FRAME AND BODY

231-2036 SUPPRESSION GP-SOUND (contd.)

i04479956



TOP VIEW



RIGHT SIDE VIEW

GRAPHIC #1

<END>

g01230407

BRAKING SYSTEM

220-1432 ACCUMULATOR GP-BRAKE-CHARGED

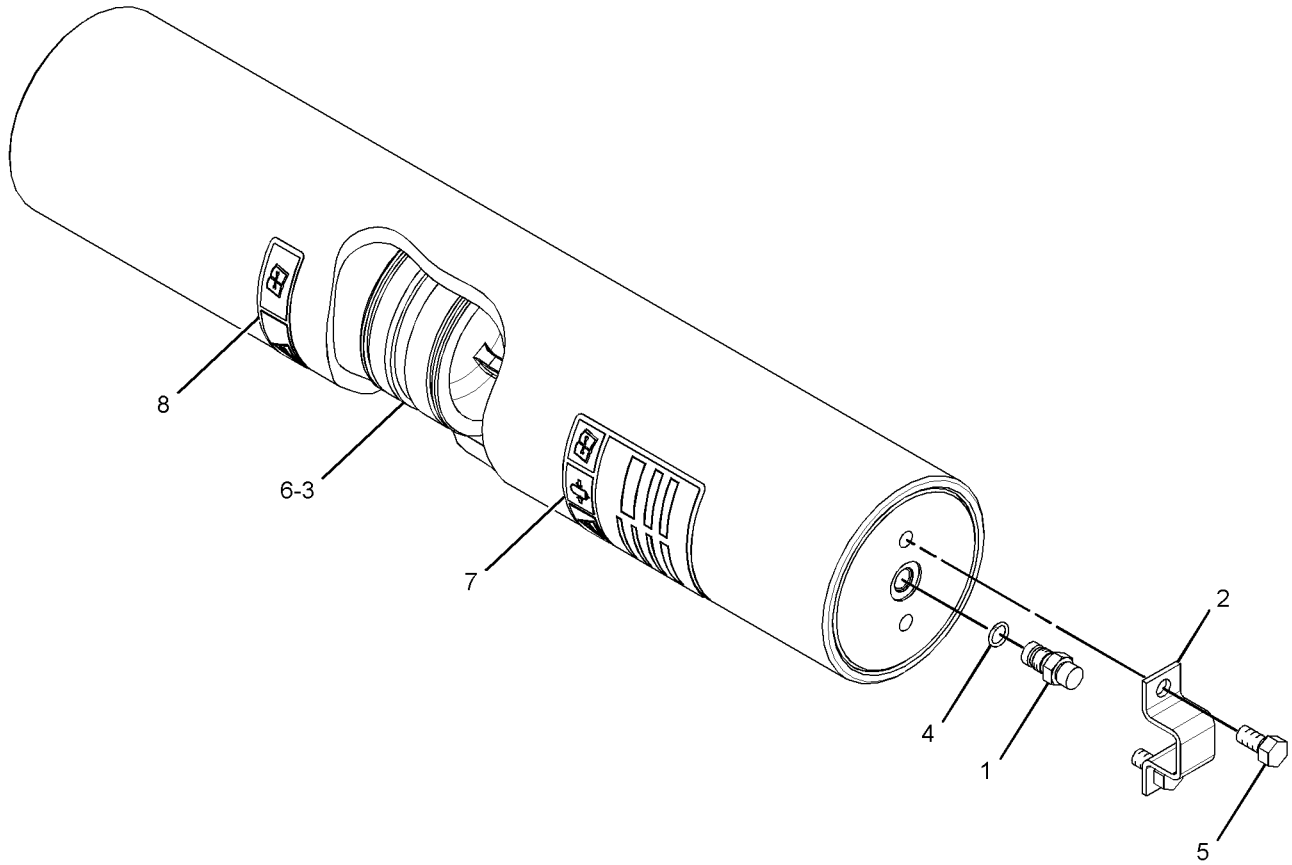
S/N: A7A1-UP

PART OF 345-3934 CONTROL GP-SERVICE BRAKE
FIELD REPLACEMENT ORDER 283-1137-PAGE 422

SMCS-4263

i04460591

NOTE	REF NO	GRAPHIC REF	PART NUMBER	QTY	PART NAME						SEE PAGE
					1	2	3	4	5	6 (PRODUCT LEVEL)	
	1	1	069-2535	1	VALVE-GAS						
	2	1	111-9110	1	PROTECTOR-GAS VALVE						
	3	1	135-7123	1	PISTON						
	4	1	1J-9671	1	SEAL-O-RING						
	5	1	5M-3062	2	BOLT (3/8-16X0.75-IN)						
	6	1	170-0493	1	KIT-SEAL (HYDRAULIC ACCUMULATOR) (INCLUDES RINGS, SEALS, & WASHERS)						
	7	1	241-0037	1	FILM-WARNING (HIGH PRESSURE, READ OMM)						
	8	1	224-0672	1	FILM-WARNING (HIGH PRESSURE, READ OMM, INTL)						



GRAPHIC #1

<END>

g01514194

BRAKING SYSTEM

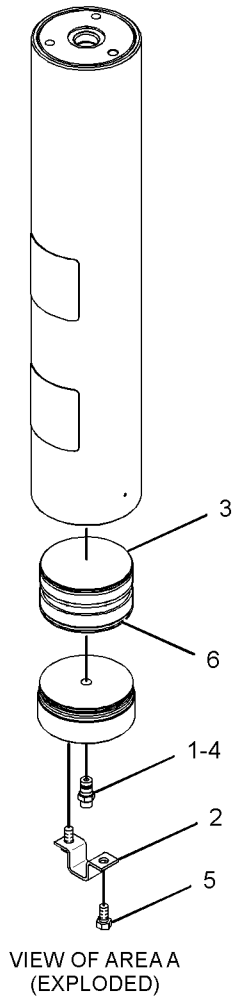
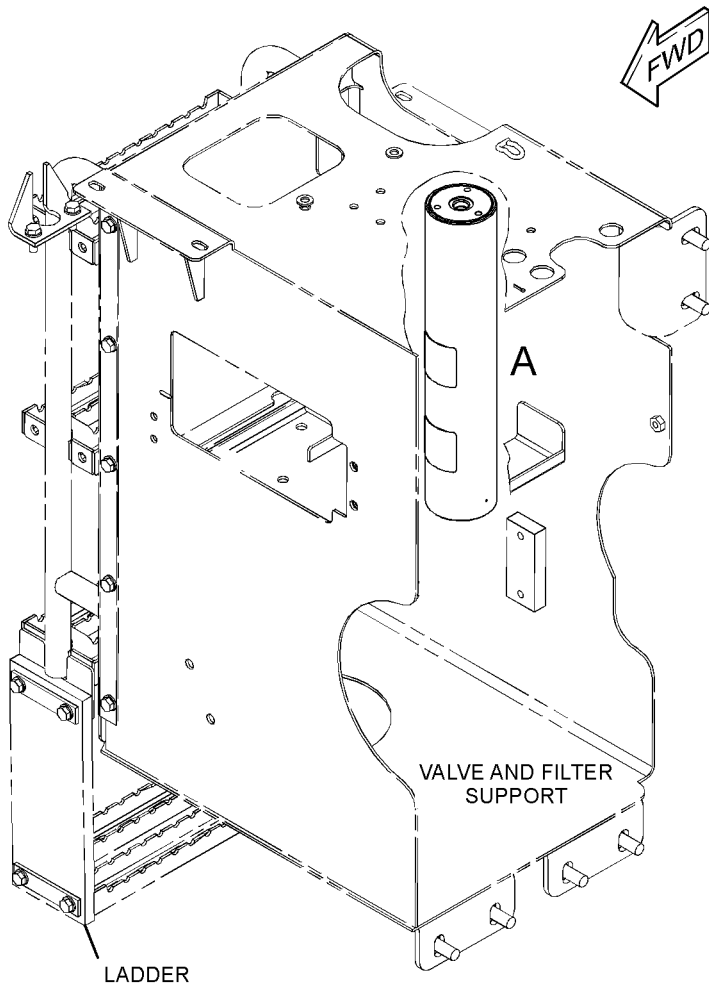
283-1137 ACCUMULATOR GP-BRAKE-UNCHARGED

S/N: A7A1-UP
FIELD INSTALLATION

SMCS-4263

i04523463

NOTE	REF NO	GRAPHIC REF	PART NUMBER	QTY	PART NAME						SEE PAGE
					1	2	3	4	5	6 (PRODUCT LEVEL)	
	1	1	069-2535	1	VALVE-GAS						
	2	1	111-9110	1	PROTECTOR-GAS VALVE						
	3	1	135-7123	1	PISTON						
	4	1	1J-9671	1	SEAL-O-RING						
	5	1	5M-3062	2	BOLT (3/8-16X0.75-IN)						
	6	1	170-0493	1	KIT-SEAL (HYDRAULIC ACCUMULATOR) (KIT INCLUDES SEALS, WASHERS, AND PISTON)						



GRAPHIC #1

<END>

g01331047

BRAKING SYSTEM

174-1552 BRAKE GP-PARKING

S/N: A7A1-UP

PART OF 225-5455 POWER TRAIN AR

SMCS-4267

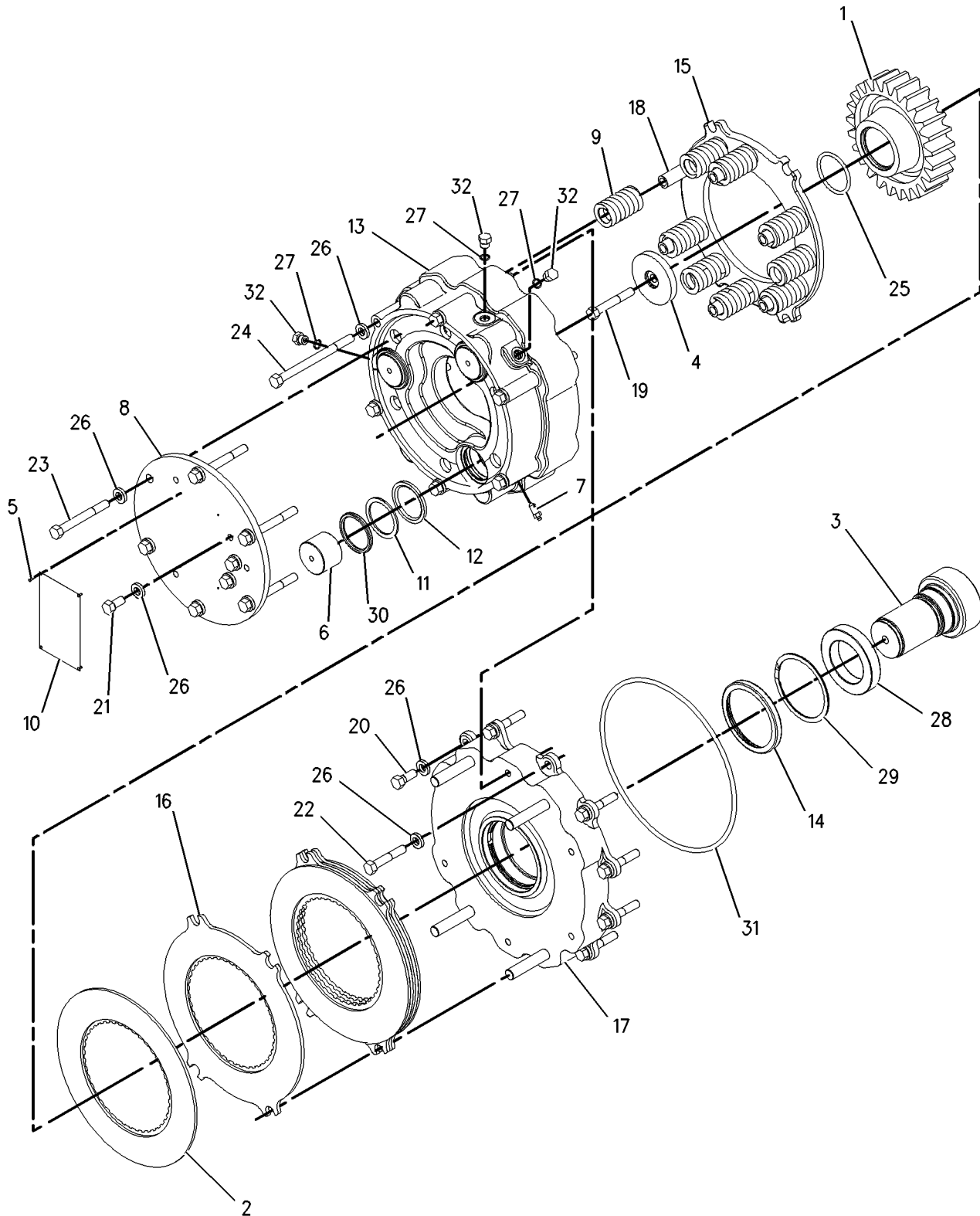
i04455692

NOTE	REF NO	GRAPHIC REF	PART NUMBER	QTY	PART NAME						SEE PAGE
					1	2	3	4	5	6 (PRODUCT LEVEL)	
	1	1	284-0001	1	HUB						
	2	1	236-8675	4	DISC-FRICTION						
	3	1	3P-3505	1	SHAFT-BRAKE						
	4	1	3S-1262	1	RETAINER						
	5	1	4B-4158	4	SCREW-DRIVE (NO 4X0.25-IN)						
	6	1	4E-8583	3	PISTON						
	7	1	7K-4942	1	SCREW-PURGE						
	8	1	7S-3996	1	PLATE-RETAINING						
	9	1	7S-3997	9	SPRING						
	10	1	7S-4002	1	PLATE-WARNING (BRAKE)						
	11	1	170-6712	3	RING-BACKUP						
	12	1	171-1391	3	SEAL						
	13	1	174-1550	1	HOUSING-BRAKE						
	14	1	177-1483	1	SEAL-LIP TYPE						
	15	1	184-3675	1	PLATE-PRESSURE						
	16	1	184-3677	3	PLATE-REACTION						
	17	1	184-4617	1	CAGE AS						
	18	1	188-0960	6	SPACER (13.88X21.34X63-MM THK)						
	19	1	0L-1558	1	BOLT (1/2-20X3.25-IN)						
	20	1	0S-1595	2	BOLT (1/2-13X1.25-IN)						
	21	1	0S-1621	3	BOLT (1/2-13X1-IN)						
	22	1	1A-5822	7	BOLT (1/2-13X2.75-IN)						
	23	1	1D-4569	6	BOLT (1/2-13X4.25-IN)						
	24	1	2A-1531	6	BOLT (1/2-13X6.5-IN)						
	25	1	2H-2665	1	SEAL-O-RING						
	26	1	2M-0849	24	WASHER-HARD (13.5X25.5X5-MM THK)						
	27	1	3J-1907	3	SEAL-O-RING						
	28	1	3K-2518	1	BALL BEARING						
	29	1	3K-2556	1	RING-RETAINING						
	30	1	7K-9204	3	SEAL-LIP TYPE						
	31	1	8H-8257	1	SEAL-O-RING						
	32	1	9S-4191	3	PLUG-O-RING						

BRAKING SYSTEM

174-1552 BRAKE GP-PARKING (contd.)

i04455692



GRAPHIC #1

<END>

g00725988

BRAKING SYSTEM

161-9275 BRAKE GP-SERVICE

S/N: A7A1-UP

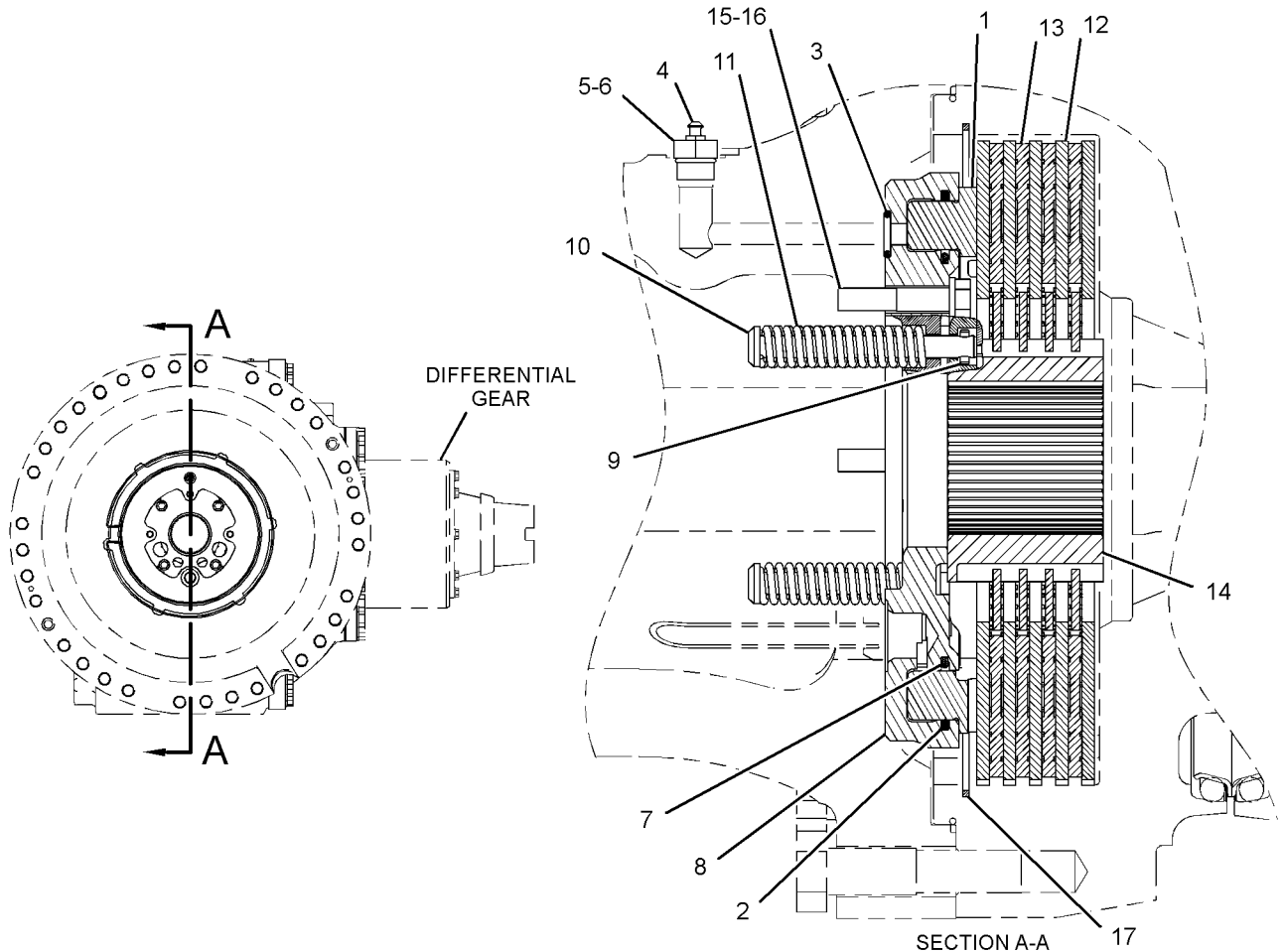
PART OF 137-8833 AXLE AR-FIXED, 137-8832 AXLE AR-OSCILLATING

SMCS-4251

i04456498

NOTE	REF NO	GRAPHIC REF	PART NUMBER	QTY	PART NAME						SEE PAGE
					1	2	3	4	5	6 (PRODUCT LEVEL)	
	1	1	107-9172	1	PISTON						
	2	1	151-6251	1	SEAL-D-RING						
	3	1	5P-8119	1	SEAL-O-RING						
	4	1	9F-2167	1	SCREW-PURGE (3/8-24X1.164-IN)						
	5	1	110-2446	1	ADAPTER						
	6	1	3K-0360	1	SEAL-O-RING						
	7	1	151-6250	1	SEAL-D-RING						
	8	1	134-0039	1	HOUSING						
	9	1	6M-9155	4	PIN						
	10	1	7V-8346	4	SPRING-GUIDE						
	11	1	8V-3609	4	SPRING-RETRACTOR						
	12	1	118-6606	5	PLATE-OUTER						
	13	1	201-0737	4	DISC-FRICTION (EXTENDED LIFE)						
	14	1	330-4035	1	HUB						
M	15	1	6V-8150	3	BOLT (M12X1.75X60-MM)						
	16	1	3H-7654	3	WASHER-HARD (13.5X22.5X3-MM THK)						
	17	1	9M-2076	1	RING-SNAP						

M-METRIC PART



GRAPHIC #1

<END>

g02059134

BRAKING SYSTEM

169-8258 CONTROL GP-FOOT BRAKE

S/N: A7A1-UP

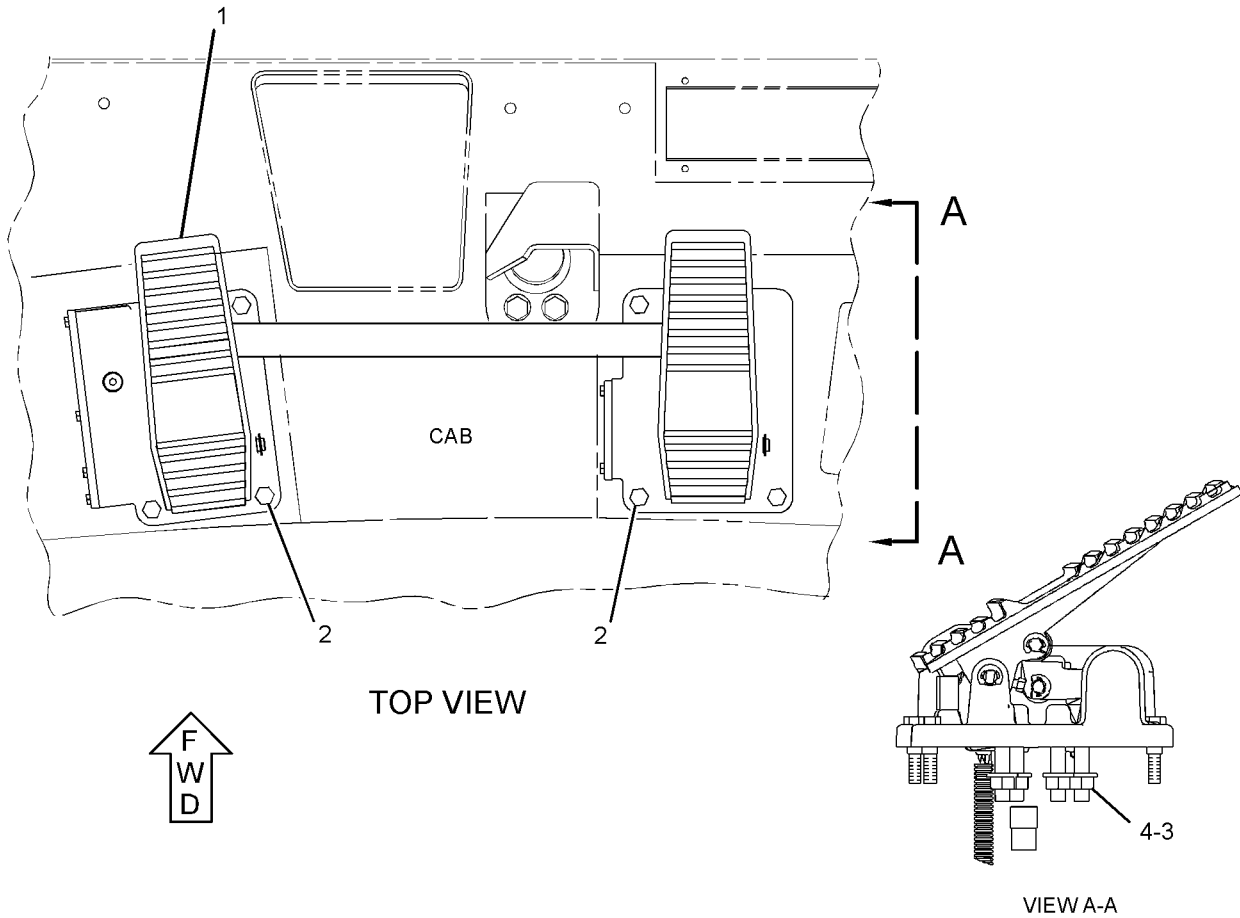
PART OF 346-3826 CAB AR

SMCS-4269

i04461122

NOTE	REF NO	GRAPHIC REF	PART NUMBER	QTY	PART NAME						SEE PAGE
					1	2	3	4	5	6 (PRODUCT LEVEL)	
Y	1	1	180-3999	1	CONTROL GP-FOOT BRAKE						427
M	2	1	099-3649	6	BOLT (M8X1.25X40-MM)						
	3	1	8T-4121	4	WASHER-HARD (11X21X2.5-MM THK)						
M	4	1	8T-4133	4	NUT (M10X1.5-THD)						

M-METRIC PART
Y-SEPARATE ILLUSTRATION



GRAPHIC #1

<END>

g01311768

BRAKING SYSTEM

180-3999 CONTROL GP-FOOT BRAKE

S/N: A7A1-UP

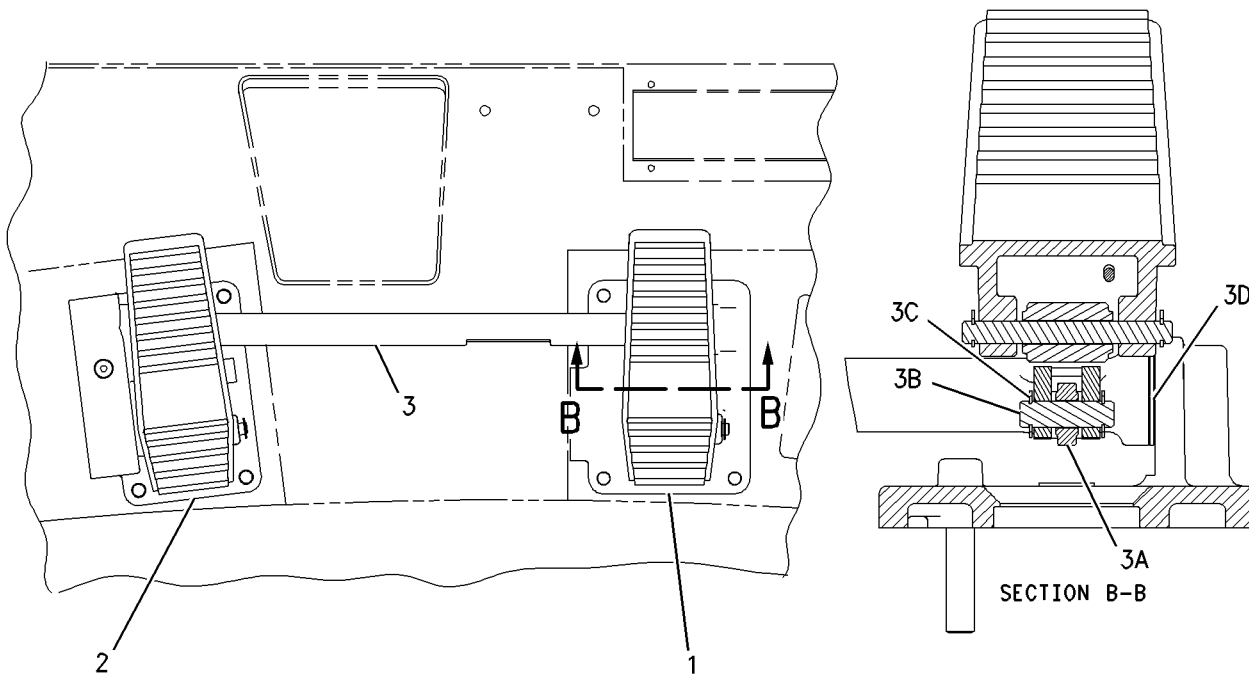
PART OF 169-8258 CONTROL GP-FOOT BRAKE

SMCS-4269

i04468770

NOTE	REF NO	GRAPHIC REF	PART NUMBER	QTY	PART NAME						SEE PAGE
					1	2	3	4	5	6 (PRODUCT LEVEL)	
Y	1	1	180-4000	1	PEDAL GP-BRAKE (PEDAL, RH)						636
Y	2	1	180-4001	1	PEDAL GP-BRAKE (PEDAL, LH)						637
	3	1	180-3994	1	SHAFT AS						
	3A	1	4E-9667	2	ROLLER						
	3B	1	4E-9668	4	PIN						
	3C	1	009-3101	4	RING-RETAINING						
	3D	1	114-9491	4	WASHER						

Y-SEPARATE ILLUSTRATION



GRAPHIC #1

<END>

g00765500

BRAKING SYSTEM

141-4644 CONTROL GP-PARKING BRAKE

S/N: A7A1-UP

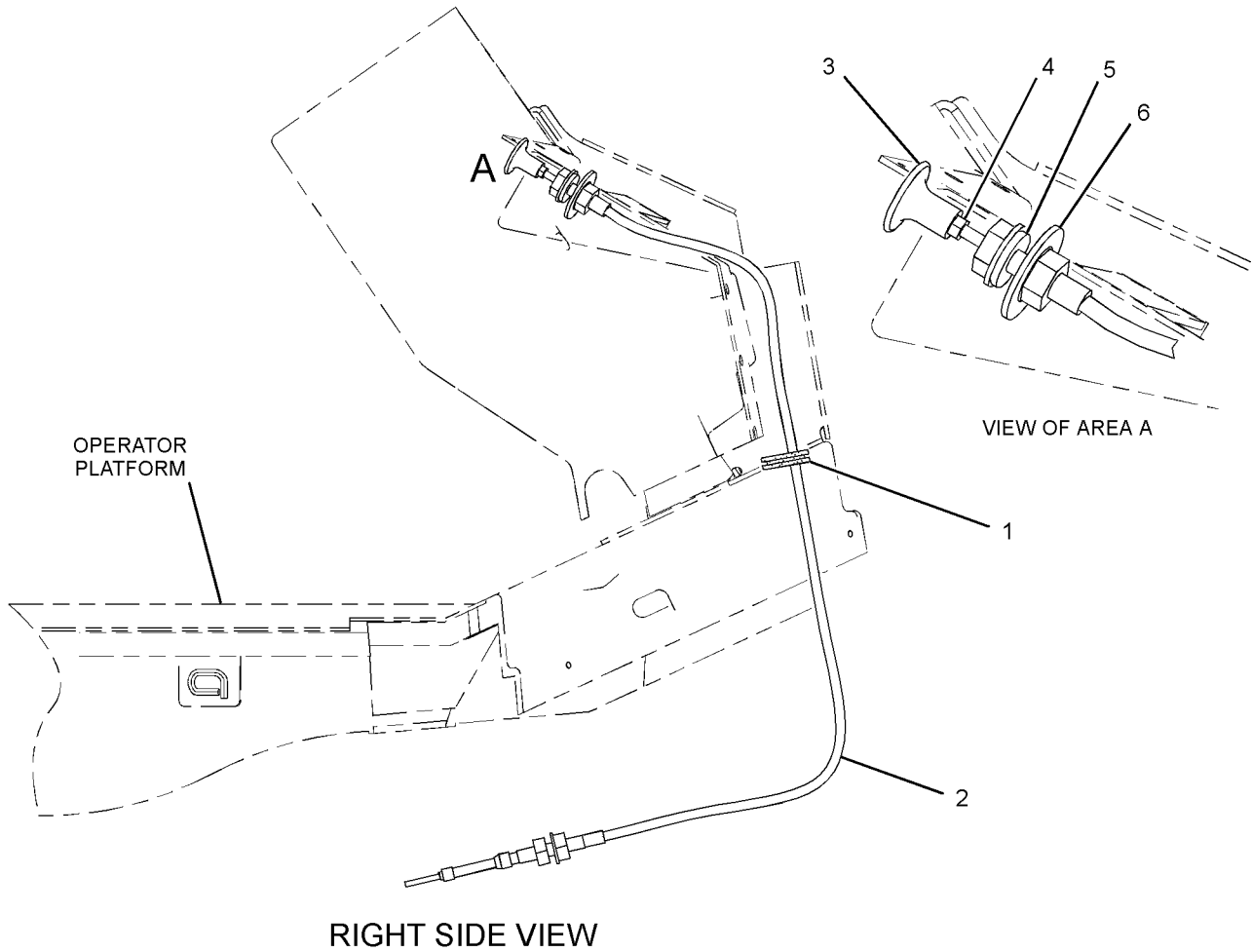
PART OF 346-3826 CAB AR

SMCS-4282, 4284

i04461124

NOTE	REF NO	GRAPHIC REF	PART NUMBER	QTY	PART NAME						SEE PAGE
					1	2	3	4	5	6 (PRODUCT LEVEL)	
	1	1	310-7198	1	GROMMET						
	2	1	153-6224	1	CABLE AS-PARKING BRAKE CONTROL						
		1	8T-4223	3	WASHER-HARD (13.5X25.5X3-MM THK)						
M		1	8T-4244	4	NUT (M12X1.75-THD)						
		1	9B-0453	2	LOCKWASHER						
	3	1	122-1671	1	KNOB						
M	4	1	5C-2890	1	NUT (M6X1-THD)						
	5	1	5P-1076	1	WASHER-HARD (13.5X30X4-MM THK)						
	6	1	8R-0126	1	WASHER (12.2X50X3-MM THK)						

M-METRIC PART



GRAPHIC #1

<END>

g02284796

BRAKING SYSTEM

315-8755 CONTROL GP-SERVICE BRAKE

S/N: A7A1-UP

PART OF 345-3930 HYDRAULIC AR

SMCS-4257, 4258, 4263, 4265, 4269, 4280

i04456403

NOTE	REF NO	GRAPHIC REF	PART NUMBER	QTY	PART NAME						SEE PAGE
					1	2	3	4	5	6 (PRODUCT LEVEL)	
	1	1	3E-6909	4	CLIP						
	2	1	136-0012	1	TUBE AS						
	3	1	136-0013	1	TUBE AS						
	4	1	160-2425	1	BRACKET AS						
M		1	8T-3490	3	NUT-WELD (M10X1.5-THD)						
	5	1	220-3448	1	TUBE AS						
I	6	1	315-9159	1	HOSE AS						
	7	1	315-9161	1	TUBE AS						
	8	1	315-9162	1	PLATE						
	9	1	<i>148-8375</i>	1	ELBOW AS						
		1	6V-8398	2	SEAL-O-RING						
		1	6V-8981	1	ELBOW						
	10	1	<i>148-8454</i>	1	TEE AS						
		1	6V-8398	3	SEAL-O-RING						
		1	6V-8789	1	TEE						
	11	1	6V-8398	1	SEAL-O-RING						
	12	1	6V-9169	1	NUT (13/16-16-THD)						
	13	1	8T-4121	3	WASHER-HARD (11X21X2.5-MM THK)						
M	14	1	8T-4136	1	BOLT (M10X1.5X25-MM)						
M	15	1	8T-4137	2	BOLT (M10X1.5X20-MM)						
M	16	1	8T-4183	2	BOLT (M12X1.75X40-MM)						
	17	1	8T-4223	2	WASHER-HARD (13.5X25.5X3-MM THK)						

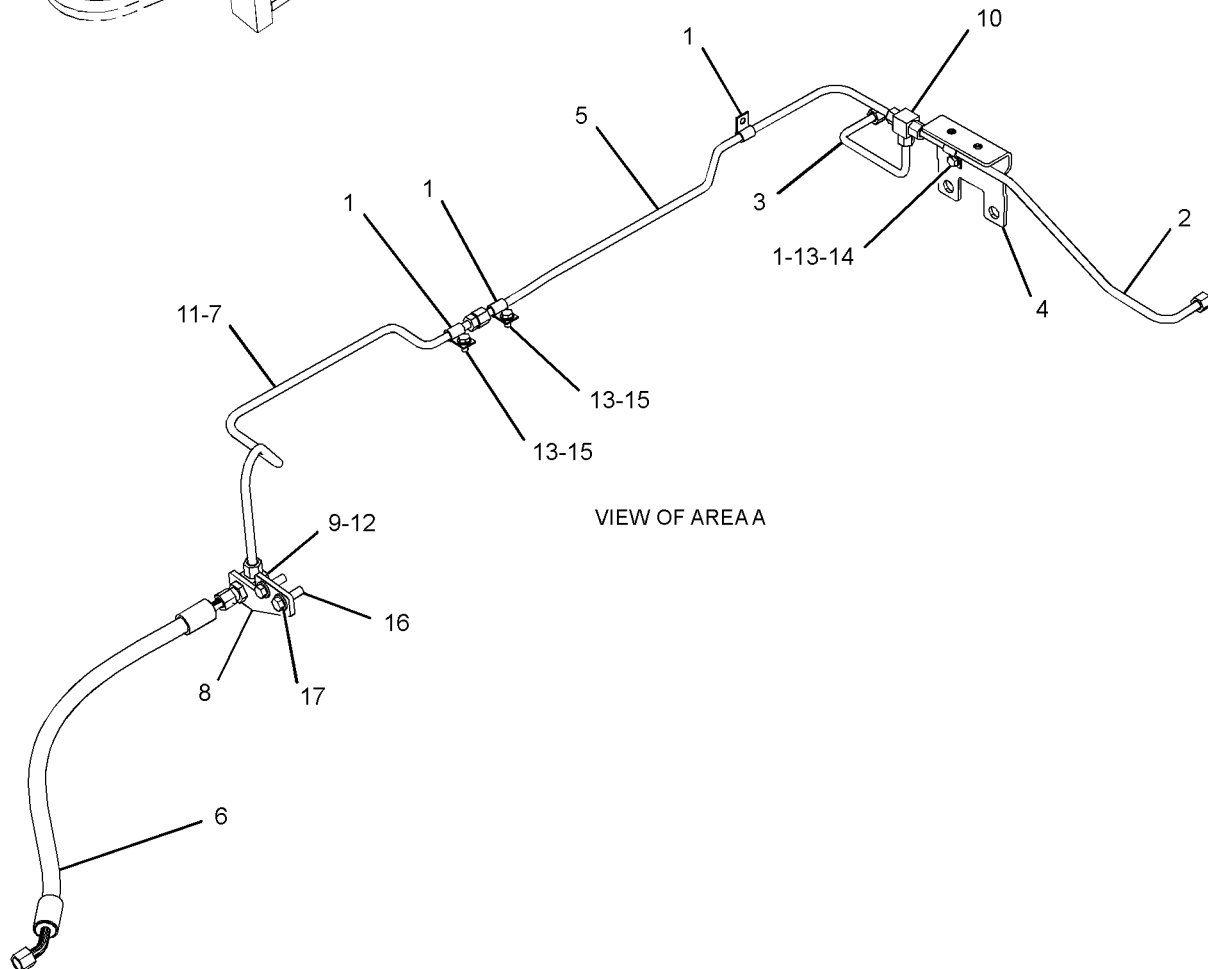
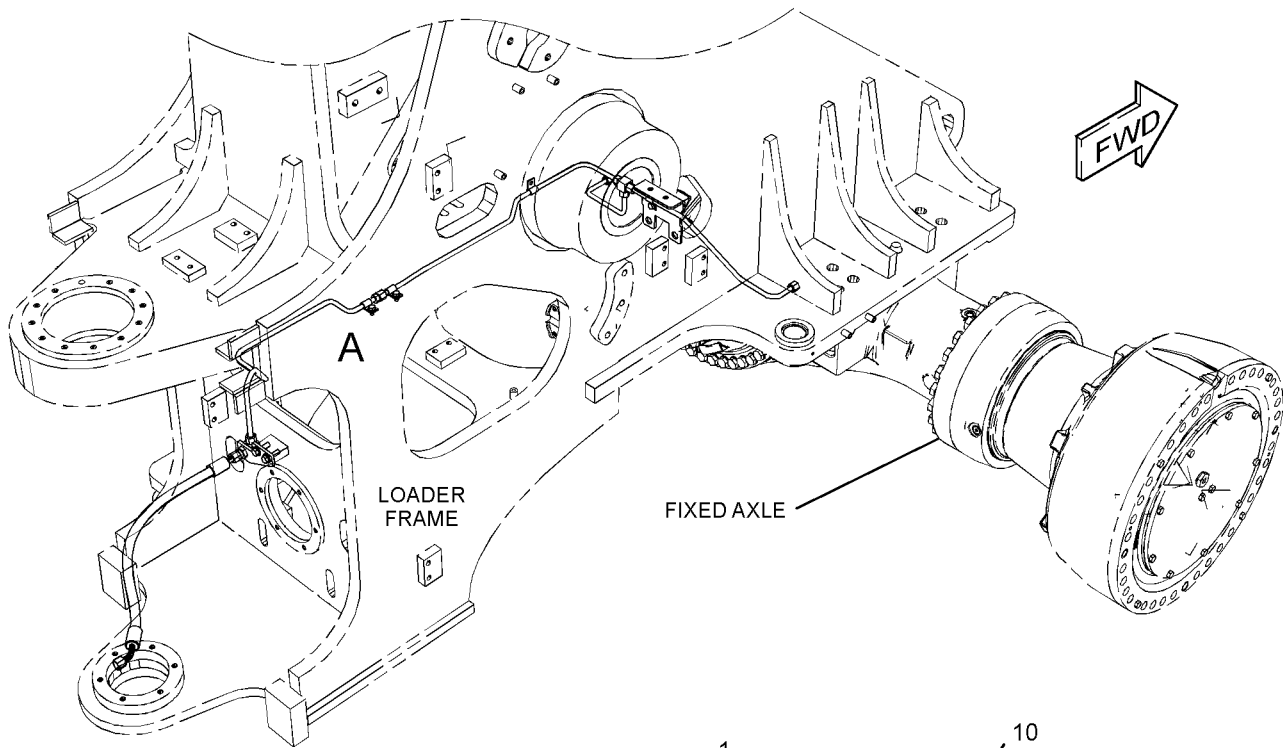
I-REFER TO HYDRAULIC INFORMATION SYSTEM

M-METRIC PART

BRAKING SYSTEM

315-8755 CONTROL GP-SERVICE BRAKE (contd.)

i04456403



GRAPHIC #1

<END>

g02033004

BRAKING SYSTEM

345-3934 CONTROL GP-SERVICE BRAKE

S/N: A7A1-UP

PART OF 345-3930 HYDRAULIC AR

SMCS-4257, 4258, 4263, 4265, 4269, 4280

i04456405

NOTE	REF NO	GRAPHIC REF	PART NUMBER	QTY	PART NAME						SEE PAGE
					1	2	3	4	5	6 (PRODUCT LEVEL)	
	1	1	3G-8607	1	VALVE GP-CHECK (AIR PURGE)						
	2	2	6H-7062	2	SPACER (13.5X25X19-MM THK)						
	3	1,2	6V-0852	3	CAP-DUST						
	4	1	7K-4942	1	SCREW-PURGE						
	5	1	9J-3866	1	ADAPTER						
	6	2	116-4798	1	ANGLE AS						
	7	2	116-9331	1	JUNCTION BLOCK						
	8	2	136-0007	1	TUBE AS						
	9	2	136-0008	1	TUBE AS						
	10	1	136-0019	1	TUBE AS						
	11	1	136-9698	1	BRACKET AS						
	12	2	138-4048	1	BRACKET AS						
I	13	1	138-9651	1	HOSE AS						
	14	1	140-0205	1	CLAMP AS						
	15	1	140-0206	2	PLATE						
	16	2	141-7909	1	TUBE AS						
	17	2	141-7913	1	TUBE AS						
Y	18	2	146-3725	1	VALVE & MTG GP-BRAKE CONTROL (PARKING)						439
	19	1	148-8430	1	TEE AS						
		1	6V-9746	1	SEAL-O-RING						
		1	7X-0873	1	TEE						
I	20	2	152-0270	1	HOSE AS						
I	21	1	153-7656	1	HOSE AS						
	22	2	153-7738	1	BRACKET						
I	23	2	153-8921	1	HOSE AS						
I	24	2	153-8922	1	HOSE AS						
	25	2	155-1838	1	BRACKET						
I	26	2	159-0250	1	HOSE AS						
	27	1,2	164-5567	3	COUPLER AS-QUICK DISCONNECT (MALE)						
					(EACH INCLUDES)						
		1,2	6V-3965	1	FITTING (QUICK DISCONNECT)						
		1,2	214-7568	1	SEAL-O-RING						
28	2		164-5586	2	TEE AS						
					(EACH INCLUDES)						
		2	6V-8398	1	SEAL-O-RING						
		2	7X-0871	1	TEE						
I	29	2	175-1370	2	HOSE AS						
I	30	2	175-1372	1	HOSE AS						
I	31	2	175-1373	1	HOSE AS						
I	32	2	175-1374	1	HOSE AS						
I	33	2	175-1375	1	HOSE AS						
I	34	2	175-1376	1	HOSE AS						
Y	35	1	177-8924	1	PUMP GP-GEAR						438
	36	2	187-0682	1	CONNECTOR AS						
		2	3J-7354	1	SEAL-O-RING						
		2	6V-8397	1	SEAL-O-RING						
		2	187-0681	1	CONNECTOR						
37	1		189-5719	1	ADAPTER AS						
		1	3K-0360	2	SEAL-O-RING						
		1	6V-0467	1	CONNECTOR						
	38	1	197-3295	4	FLANGE-HALF						
I	39	2	202-8038	1	HOSE AS						
I	40	2	203-5870	1	HOSE AS						
	41	2	210-8620	1	TUBE AS						
Y	42	1	220-1432	2	ACCUMULATOR GP-BRAKE (CHARGED)						421
J	44	2	235-0251	1	VALVE GP-ACCUMULATOR CHARGING						

BRAKING SYSTEM

345-3934 CONTROL GP-SERVICE BRAKE (contd.)

i04456405

NOTE	REF NO	GRAPHIC REF	PART NUMBER	QTY	PART NAME						SEE PAGE
					1	2	3	4	5	6 (PRODUCT LEVEL)	
I	45	1	250-5634	1	HOSE AS						
	46	1	272-7990	1	TUBE AS						
I	47	1	294-0321	1	HOSE AS						
	48	2	311-2425	1	TUBE AS						
I	49	2	345-3952	1	HOSE AS						
	50	1	146-2274	1	COLLAR						
	51	1	148-8307	1	ADAPTER AS						
		1	3J-1907	1	SEAL-O-RING						
		1	5P-8874	1	ADAPTER						
	52	1	148-8318	1	CONNECTOR AS						
		1	3K-0360	1	SEAL-O-RING						
		1	6V-8397	1	SEAL-O-RING						
		1	6V-8634	1	CONNECTOR						
	53	2	148-8327	1	CONNECTOR AS						
		2	3D-2824	1	SEAL-O-RING						
		2	6V-8637	1	CONNECTOR						
		2	6V-9746	1	SEAL-O-RING						
	54	2	148-8336	1	CONNECTOR AS						
		2	3J-1907	1	SEAL-O-RING						
		2	6V-8397	1	SEAL-O-RING						
		2	6V-8636	1	CONNECTOR						
	55	2	148-8340	6	CONNECTOR AS						
					(EACH INCLUDES)						
		2	3K-0360	1	SEAL-O-RING						
		2	6V-8398	1	SEAL-O-RING						
		2	6V-8639	1	CONNECTOR						
	56	2	148-8364	1	ELBOW AS						
		2	3K-0360	1	SEAL-O-RING						
		2	6V-8398	1	SEAL-O-RING						
		2	6V-8625	1	ELBOW						
	57	2	148-8367	1	ELBOW AS						
		2	6V-8397	1	SEAL-O-RING						
		2	6V-9850	1	ELBOW						
	58	1,2	148-8370	4	ELBOW AS						
					(EACH INCLUDES)						
		1,2	6V-8398	1	SEAL-O-RING						
		1,2	6V-9851	1	ELBOW						
	59	2	148-8375	2	ELBOW AS						
					(EACH INCLUDES)						
		2	6V-8398	2	SEAL-O-RING						
		2	6V-8981	1	ELBOW						
	60	2	148-8378	1	ELBOW AS						
		2	3J-1907	1	SEAL-O-RING						
		2	6V-8397	1	SEAL-O-RING						
		2	6V-8724	1	ELBOW						
	61	1	148-8392	1	ELBOW AS						
		1	6V-9746	1	SEAL-O-RING						
		1	6V-9853	1	ELBOW						
	62	2	148-8428	1	TEE AS						
		2	3K-0360	1	SEAL-O-RING						
		2	6V-8398	2	SEAL-O-RING						
		2	6V-8782	1	TEE						
	63	1,2	148-8444	3	TEE AS-SWIVEL						
					(EACH INCLUDES)						
		1,2	6V-8398	2	SEAL-O-RING						
		1,2	6V-9837	1	TEE-SWIVEL						
	64	1,2	148-8457	3	UNION AS (STRAIGHT)						
					(EACH INCLUDES)						
		1,2	6V-8398	2	SEAL-O-RING						

BRAKING SYSTEM

345-3934 CONTROL GP-SERVICE BRAKE (contd.)

i04456405

NOTE	REF NO	GRAPHIC REF	PART NUMBER	QTY	PART NAME						SEE PAGE
					1	2	3	4	5	6 (PRODUCT LEVEL)	
		1,2	6V-8995	1	UNION (STRAIGHT)						
	65	2	153-6241	2	ELBOW AS						
					(EACH INCLUDES)						
		2	6V-8398	1	SEAL-O-RING						
		2	8C-8989	1	ELBOW						
	66	1	171-6723	1	ELBOW AS						
		1	6V-9746	1	SEAL-O-RING						
		1	8T-8899	1	ELBOW						
	67	1	1H-6227	1	SEAL-O-RING						
	68	1,2	4H-1225	3	WASHER (11X22X6-MM THK)						
	69	1	4J-0520	2	SEAL-O-RING						
	70	1	4J-0522	2	SEAL-O-RING						
	71	1	5P-7470	1	CLIP (SLOT)						
	72	1	5P-7471	1	CLIP (TAB)						
	73	1	5P-8182	1	GROMMET						
	74	1	6D-4246	2	CLIP						
	75	1	6D-4636	3	CLIP						
	76	1	6V-1889	1	CLIP						
	77	2	6V-3265	1	CLIP						
	78	2	6V-8397	2	SEAL-O-RING						
	79	1,2	6V-8398	4	SEAL-O-RING						
	80	1,2	6V-9169	5	NUT (13/16-16-THD)						
	81	1	6V-9746	2	SEAL-O-RING						
	82	1	7X-3392	8	WASHER-HARD (13.5X22.5X3-MM THK)						
	83	1	7X-7729	2	WASHER (11X25X3-MM THK)						
	84	1	8C-3206	2	FLANGE-HALF						
	85	2	8M-2773	1	CLIP						
	86	1,2	8T-1885	6	CLIP (SLOT)						
	87	1,2	8T-1886	6	CLIP (TAB)						
	88	1,2	8T-4121	29	WASHER-HARD (11X21X2.5-MM THK)						
	89	1	8T-4123	1	WASHER (22X35X3.5-MM THK)						
M	90	1	8T-4133	1	NUT (M10X1.5-THD)						
M	91	1,2	8T-4136	9	BOLT (M10X1.5X25-MM)						
M	92	1,2	8T-4137	9	BOLT (M10X1.5X20-MM)						
M	93	1	8T-4139	2	BOLT (M12X1.75X30-MM)						
M	94	1,2	8T-4183	4	BOLT (M12X1.75X40-MM)						
M	95	1	8T-4186	2	BOLT (M10X1.5X40-MM)						
M	96	1	8T-4192	6	BOLT (M12X1.75X25-MM)						
M	97	2	8T-4195	1	BOLT (M10X1.5X30-MM)						
M	98	1	8T-4196	1	BOLT (M10X1.5X35-MM)						
	99	1,2	8T-4223	20	WASHER-HARD (13.5X25.5X3-MM THK)						
M	100	1	8T-4244	2	NUT (M12X1.75-THD)						
M	101	1,2	8T-4956	14	BOLT (M12X1.75X35-MM)						
M	102	1	8T-5005	4	BOLT (M10X1.5X70-MM)						
M	103	1,2	8T-6466	3	BOLT (M10X1.5X60-MM)						
					AVAILABLE REPAIR KIT(S):						
J			143-9148		KIT-REPAIR						
					(INCLUDES O-RINGS, POPPETS, PLUG & BACK-UP RING)						

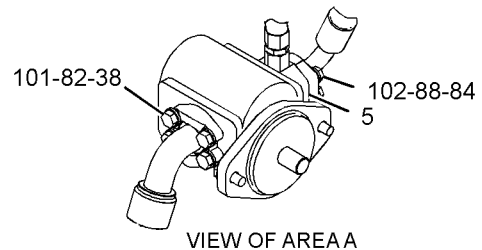
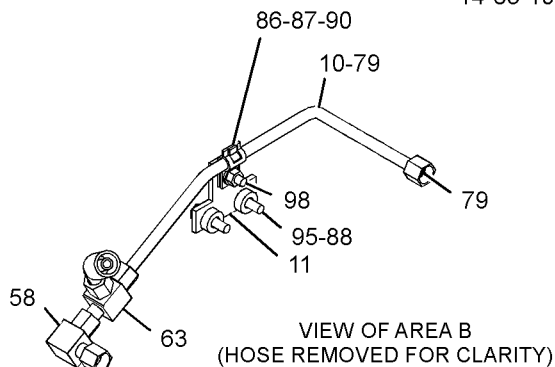
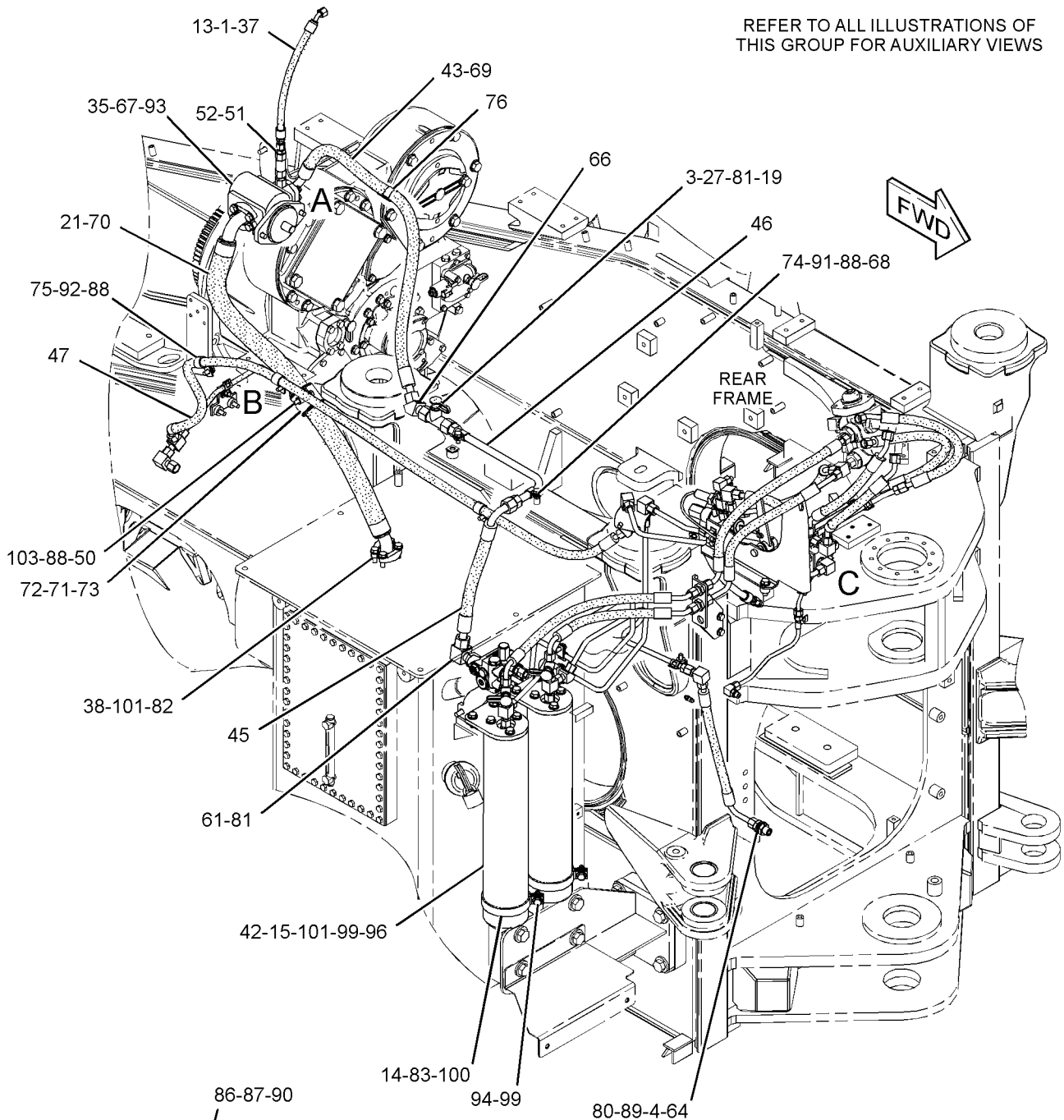
I-REFER TO HYDRAULIC INFORMATION SYSTEM
 J-KIT MARKED J IS AVAILABLE FOR PART MARKED J
 M-METRIC PART
 Y-SEPARATE ILLUSTRATION

BRAKING SYSTEM

345-3934 CONTROL GP-SERVICE BRAKE (contd.)

i04456405

REFER TO ALL ILLUSTRATIONS OF THIS GROUP FOR AUXILIARY VIEWS



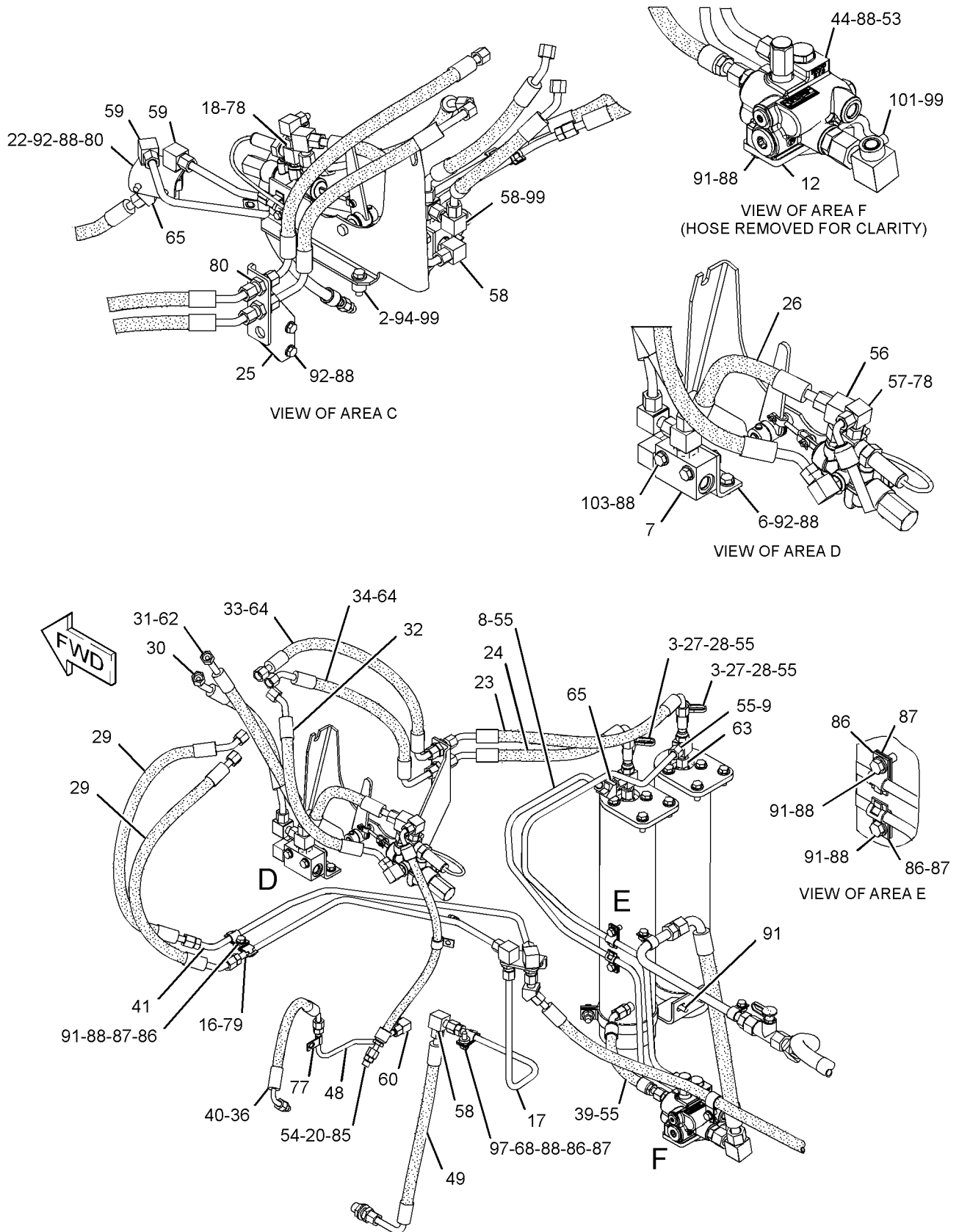
GRAPHIC #1

g02060913

BRAKING SYSTEM

345-3934 CONTROL GP-SERVICE BRAKE (contd.)

i04456405



GRAPHIC #2

<END>

g02060914

BRAKING SYSTEM

125-1355 LINES GP-SERVICE BRAKE-REAR AXLE

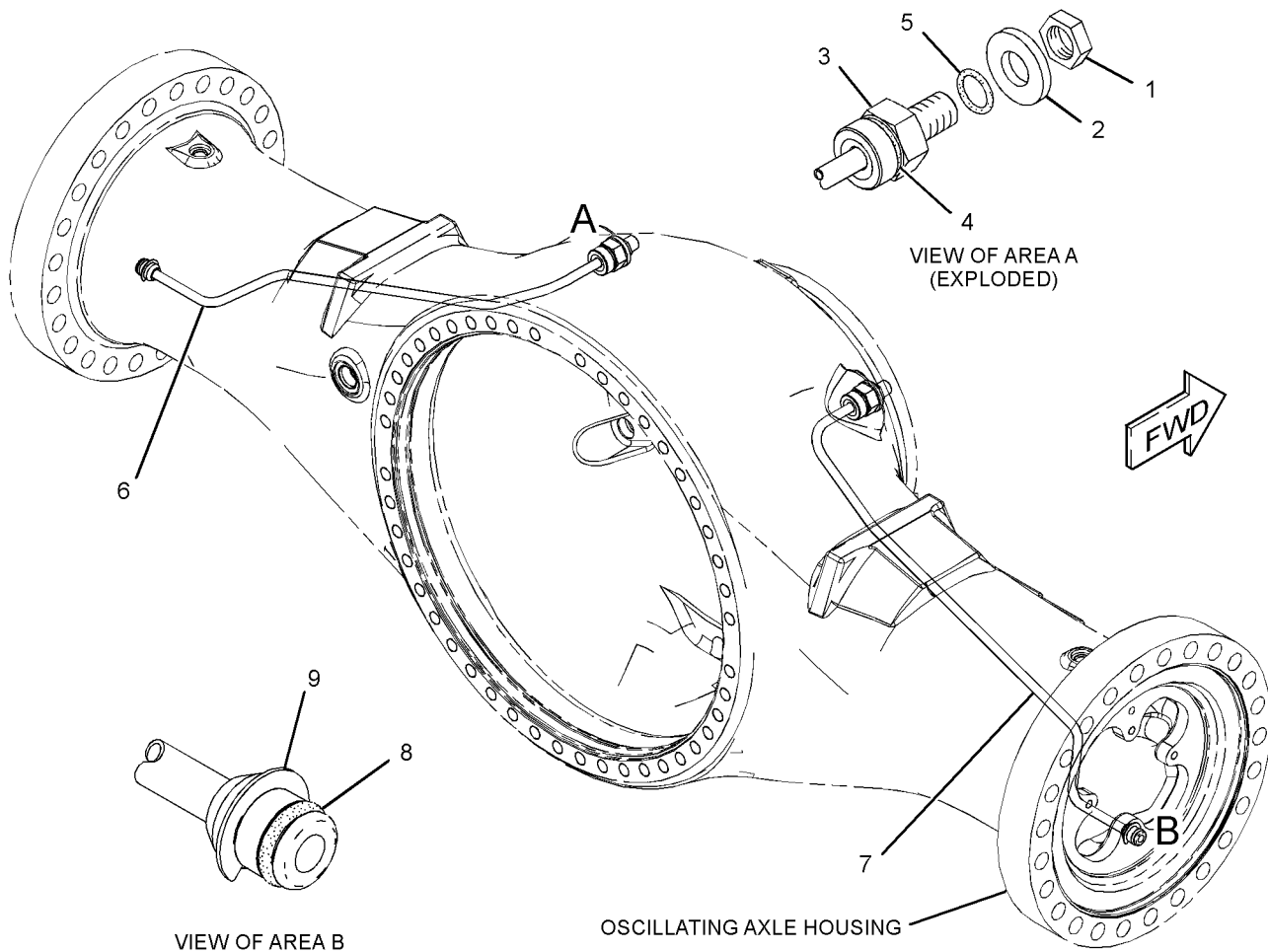
S/N: A7A1-UP

PART OF 137-8832 AXLE AR-OSCILLATING

SMCS-4257

i04456501

NOTE	REF NO	GRAPHIC REF	PART NUMBER	QTY	PART NAME						SEE PAGE
					1	2	3	4	5	6 (PRODUCT LEVEL)	
	1	1	6V-9169	2	NUT (13/16-16-THD)						
	2	1	8T-5439	2	WASHER-HARD (21.5X45X6-MM THK)						
	3	1	125-0966	2	PLUG						
	4	1	7M-8485	2	SEAL-O-RING						
	5	1	1H-8171	2	SEAL-O-RING						
	6	1	290-2299	1	TUBE AS						
	7	1	290-2298	1	TUBE AS						
	8	1	5P-8119	2	SEAL-O-RING						
	9	1	125-0965	2	RING-RETAINING						



GRAPHIC #1

<END>

g01513328

BRAKING SYSTEM

125-1358 LINES GP-SERVICE BRAKE-FRONT AXLE

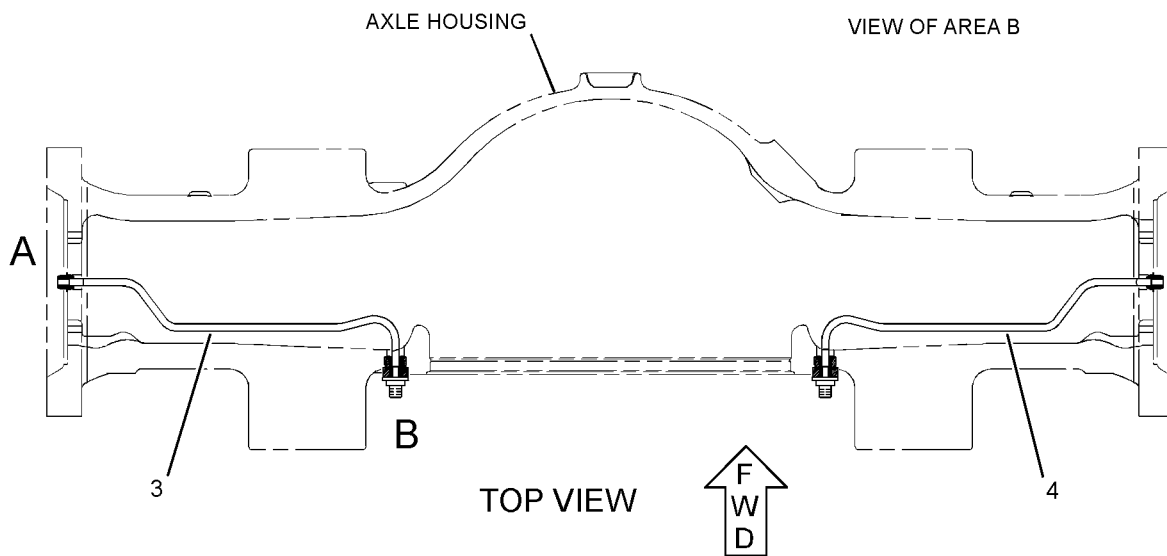
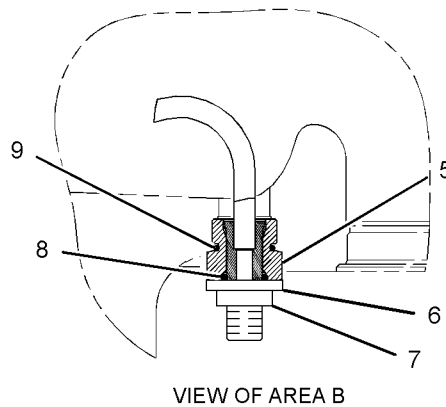
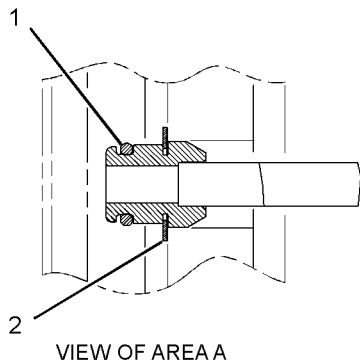
S/N: A7A1-UP

PART OF 137-8833 AXLE AR-FIXED

SMCS-4257

i04456506

NOTE	REF NO	GRAPHIC REF	PART NUMBER	QTY	PART NAME						SEE PAGE
					1	2	3	4	5	6 (PRODUCT LEVEL)	
	1	1	5P-8119	2	SEAL-O-RING						
	2	1	125-0965	2	RING-RETAINING						
	3	1	290-2302	1	TUBE AS						
	4	1	290-2301	1	TUBE AS						
	5	1	125-0966	2	PLUG						
	6	1	8T-5439	2	WASHER-HARD (21.5X45X6-MM THK)						
	7	1	6V-9169	2	NUT (13/16-16-THD)						
	8	1	1H-8171	2	SEAL-O-RING						
	9	1	7M-8485	2	SEAL-O-RING						



GRAPHIC #1

<END>

g01463327

BRAKING SYSTEM

177-8924 PUMP GP-GEAR

S/N: A7A1-UP

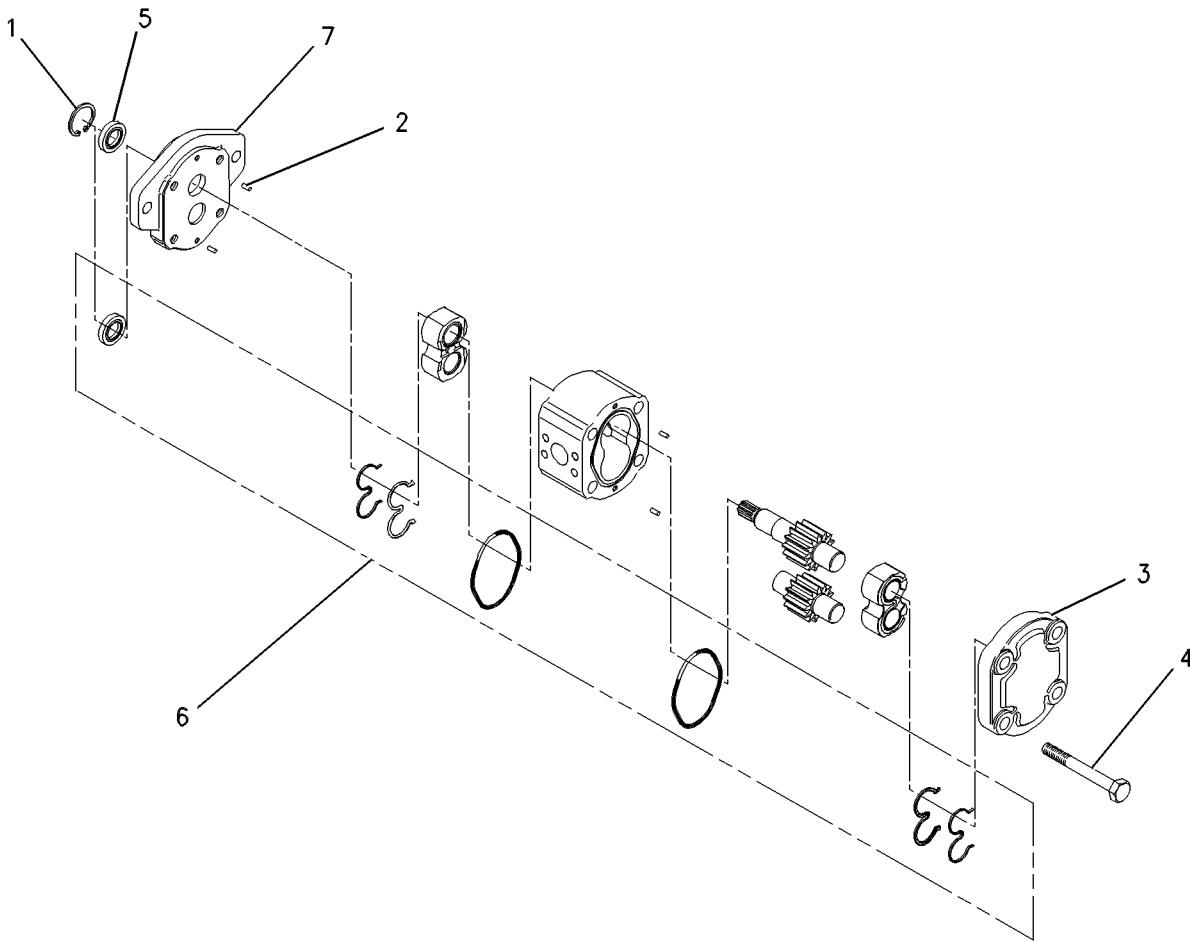
PART OF 345-3934 CONTROL GP-SERVICE BRAKE

SMCS-4268, 4306, 5073

i04460590

NOTE	REF NO	GRAPHIC REF	PART NUMBER	QTY	PART NAME						SEE PAGE
					1	2	3	4	5	6 (PRODUCT LEVEL)	
	1	1	109-1641	1	RING-SNAP						
	2	1	099-3095	2	DOWEL						
	3	1	135-3490	1	COVER						
M	4	1	8T-5001	4	BOLT (M12X1.75X130-MM)						
L	5	1	135-3573	1	SEAL-LIP TYPE						
L	6	1	135-3489	1	KIT-SEAL						
	7	1	136-3842	1	FLANGE						

L-KIT MARKED L INCLUDES PART MARKED L
M-METRIC PART



GRAPHIC #1

<END>

g00606857

BRAKING SYSTEM

146-3725 VALVE & MTG GP-BRAKE CONTROL-PARKING

S/N: A7A1-UP

PART OF 345-3934 CONTROL GP-SERVICE BRAKE

SMCS-4265, 4282

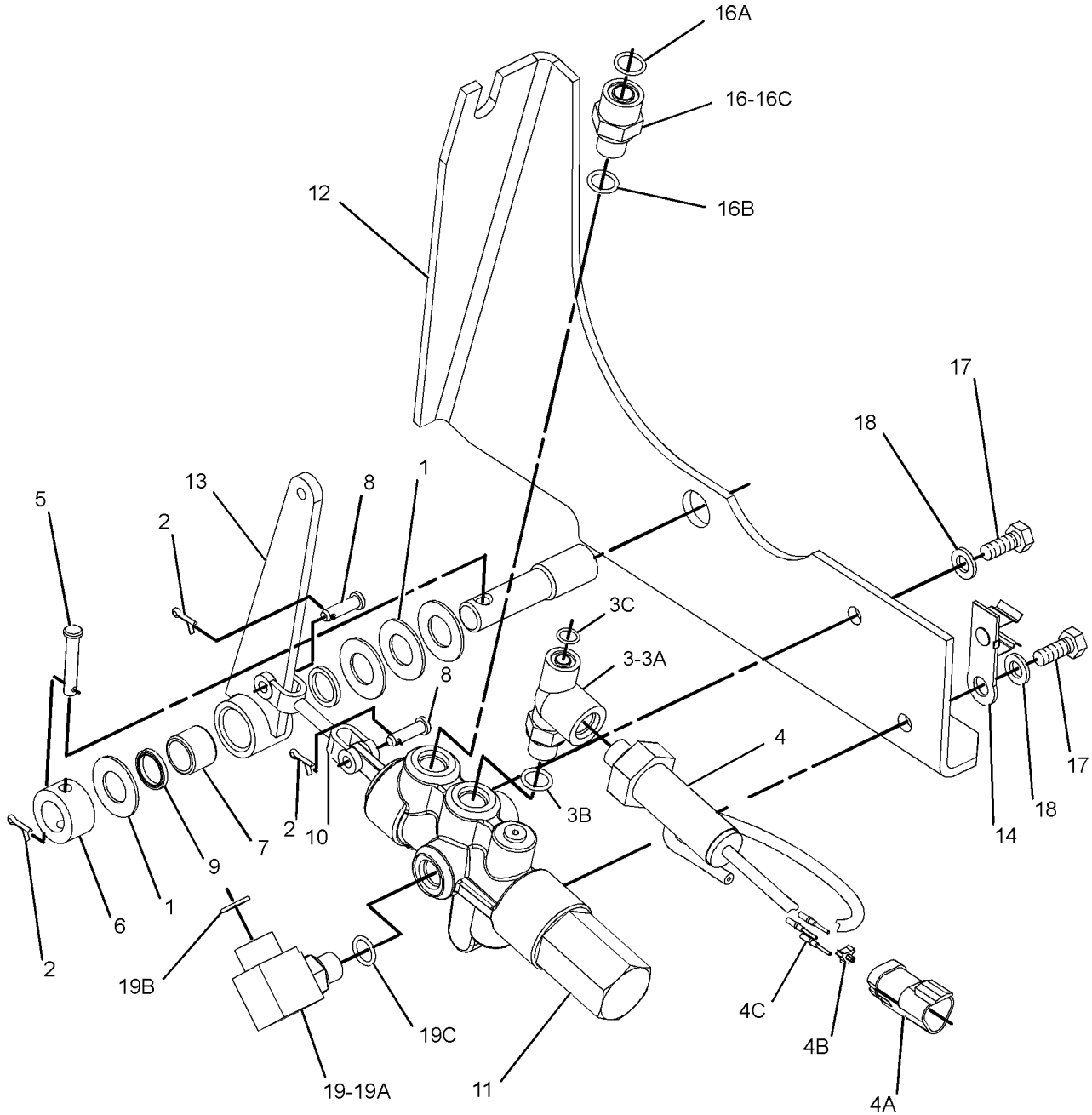
i04437556

NOTE	REF NO	GRAPHIC REF	PART NUMBER	QTY	PART NAME						SEE PAGE
					1	2	3	4	5	6 (PRODUCT LEVEL)	
	1	1	1A-4790	4	WASHER (16.7X31.8X1.6-MM THK)						
	2	1	3B-4607	3	PIN-COTTER						
	3	1	150-4027	1	TEE AS						
	3A	1	3E-2310	1	TEE						
	3B	1	3J-1907	1	SEAL-O-RING						
	3C	1	6V-8397	1	SEAL-O-RING						
	4	1	174-4312	1	SWITCH AS-PRESSURE (PARKING BRAKE OIL)						
	4A	1	102-8803	1	KIT-RECEPTACLE (3-PIN) (INCLUDES RECEPTACLE AS & WEDGE)						
	4B	1	3E-3371	1	WEDGE-RECEPTACLE LOCK (3-PIN)						
	4C	1	8T-8729	3	PIN-CONNECTOR (16-GA TO 18-GA)						
	5	1	4B-2913	1	PIN-CLEVIS						
	6	1	4V-1541	1	COLLAR						
	7	1	5P-6724	1	BEARING-ROLLER						
	8	1	7X-2618	2	PIN						
	9	1	8T-0741	2	SEAL-LIP TYPE						
	10	1	101-3846	1	ROD-CONTROL						
Y	11	1	106-1774	1	VALVE GP-BRAKE CONTROL (PARKING)						443
	12	1	146-9408	1	BRACKET AS						
	13	1	160-0222	1	LEVER AS						
	14	1	115-3069	1	CLIP AS-CONNECTOR (3-PIN)						
	16	1	150-4043	1	CONNECTOR AS						
	16A	1	3J-1907	1	SEAL-O-RING						
	16B	1	6V-8398	1	SEAL-O-RING						
	16C	1	6V-9873	1	CONNECTOR						
M	17	1	8T-4189	2	BOLT (M8X1.25X20-MM)						
	18	1	8T-4224	2	WASHER-HARD (8.8X16X2-MM THK)						
	19	1	148-8365	1	ELBOW AS						
	19A	1	8T-6876	1	ELBOW						
	19B	1	6V-8397	1	SEAL-O-RING						
	19C	1	3J-1907	1	SEAL-O-RING						
M-METRIC PART											
Y-SEPARATE ILLUSTRATION											

BRAKING SYSTEM

146-3725 VALVE & MTG GP-BRAKE CONTROL (contd.)

i04437556



GRAPHIC #1

<END>

g01178638

BRAKING SYSTEM

326-7291 VALVE & MTG GP-BRAKE CONTROL

S/N: A7A1-UP

PART OF 346-3826 CAB AR

SMCS-4265, 4282

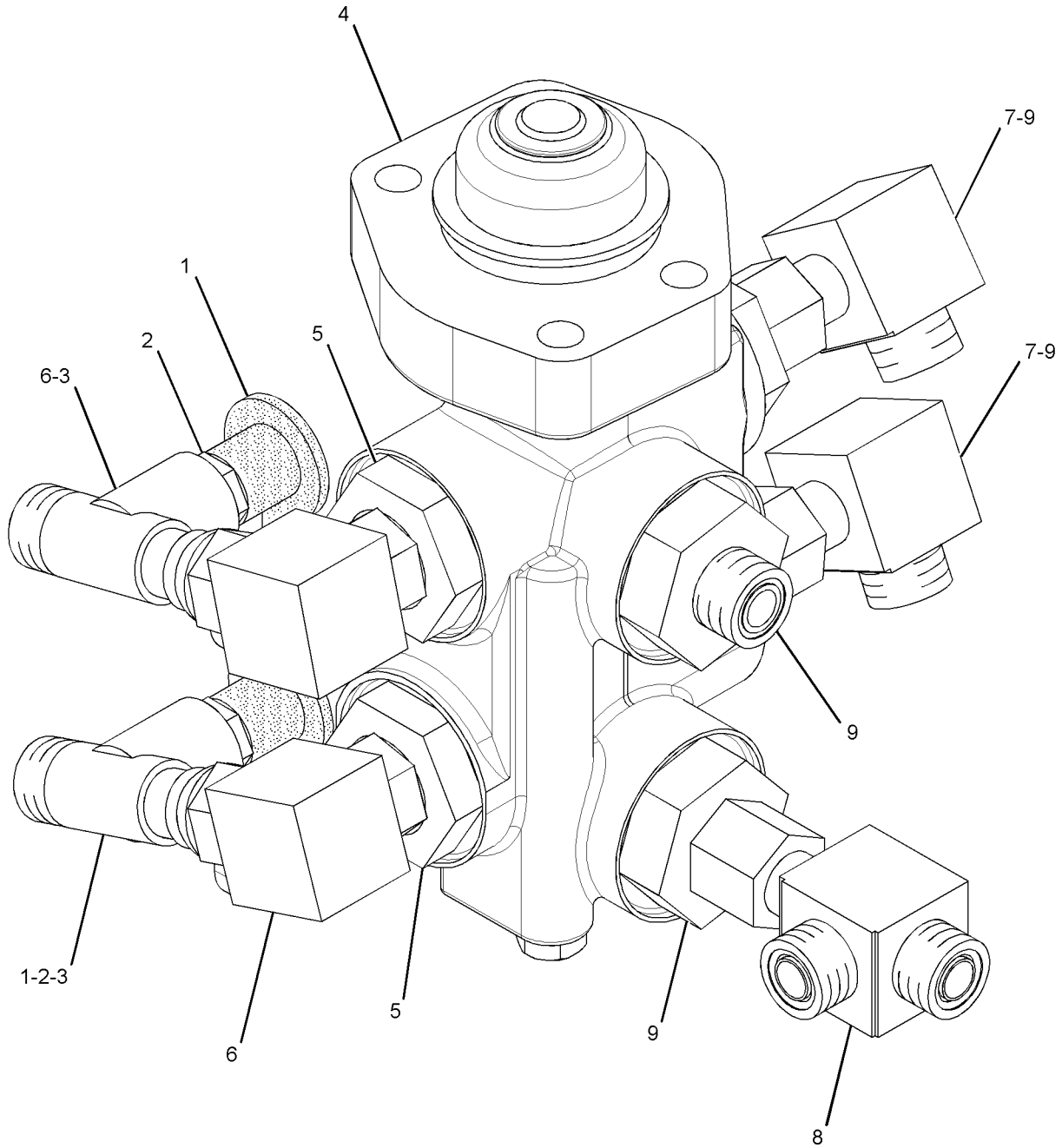
i04468600

NOTE	REF NO	GRAPHIC REF	PART NUMBER	QTY	PART NAME						SEE PAGE
					1	2	3	4	5	6 (PRODUCT LEVEL)	
	1	1	6V-0852	2	CAP-DUST						
	2	1	164-5567	2	COUPLER AS-QUICK DISCONNECT (MALE)						
					(EACH INCLUDES)						
		1	3J-1907	1	SEAL-O-RING						
		1	6V-3965	1	FITTING (QUICK DISCONNECT)						
	3	1	164-5586	2	TEE AS						
					(EACH INCLUDES)						
		1	6V-8398	1	SEAL-O-RING						
		1	7X-0871	1	TEE						
	4	1	200-0866	1	VALVE GP-BRAKE CONTROL (SERVICE)						
	5	1	148-8306	2	ADAPTER AS						
					(EACH INCLUDES)						
		1	5P-5777	1	ADAPTER-O-RING						
		1	7M-8485	1	SEAL-O-RING						
	6	1	148-8364	2	ELBOW AS						
					(EACH INCLUDES)						
		1	3K-0360	1	SEAL-O-RING						
		1	6V-8398	1	SEAL-O-RING						
		1	6V-8625	1	ELBOW						
	7	1	148-8370	2	ELBOW AS						
					(EACH INCLUDES)						
		1	6V-8398	1	SEAL-O-RING						
		1	6V-9851	1	ELBOW						
	8	1	148-8444	1	TEE AS-SWIVEL						
		1	6V-8398	2	SEAL-O-RING						
		1	6V-9837	1	TEE-SWIVEL						
	9	1	153-6252	4	CONNECTOR AS						
					(EACH INCLUDES)						
		1	6V-8398	1	SEAL-O-RING						
		1	7M-8485	1	SEAL-O-RING						
		1	9X-8408	1	CONNECTOR						

BRAKING SYSTEM

326-7291 VALVE & MTG GP-BRAKE CONTROL (contd.)

i04468600



GRAPHIC #1

<END>

g01617997

BRAKING SYSTEM

106-1774 VALVE GP-BRAKE CONTROL-PARKING

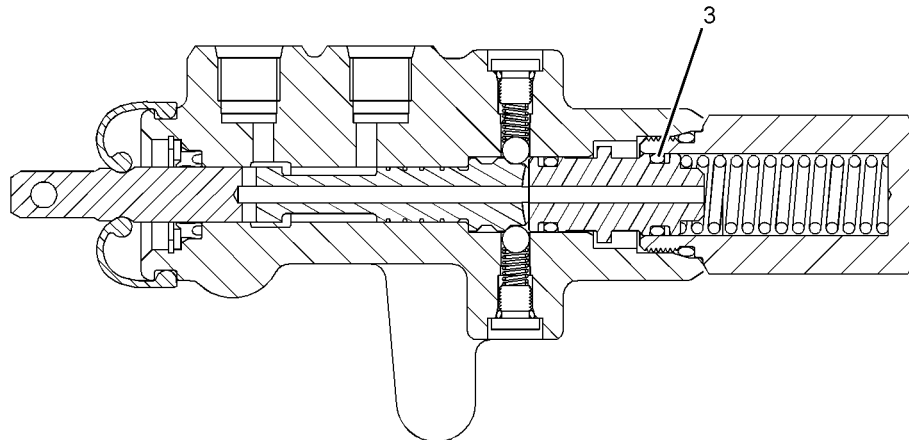
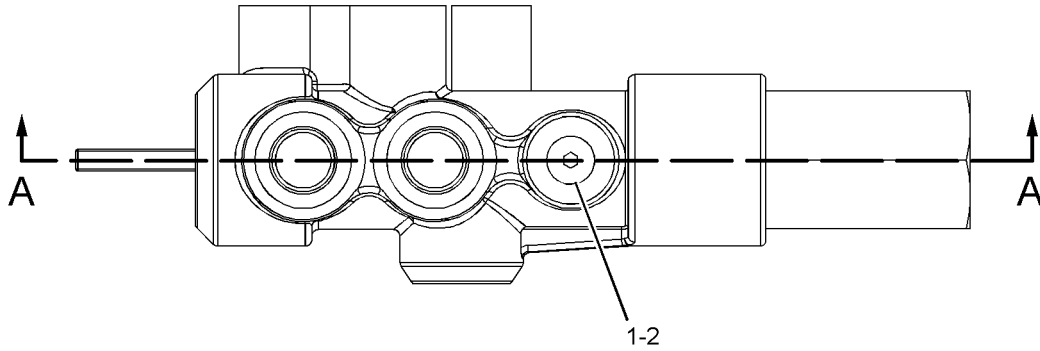
S/N: A7A1-UP

PART OF 146-3725 VALVE & MTG GP-BRAKE CONTROL

SMCS-4265, 4282

i04460878

NOTE	REF NO	GRAPHIC REF	PART NUMBER	QTY	PART NAME						SEE PAGE
					1	2	3	4	5	6 (PRODUCT LEVEL)	
	1	1	4J-7533	2	SEAL-O-RING						
	2	1	9S-8001	2	PLUG-O-RING						
	3	1	257-7676	1	KIT-REPAIR						
(INCLUDES BOOT, SEALS, RETAINING, DETENT BALLS AND SPRINGS)											



SECTION A-A

GRAPHIC #1

<END>

g01118794

STEERING SYSTEM

285-8674 CYLINDER & MTG GP-STEERING

S/N: A7A1-UP

PART OF 345-3930 HYDRAULIC AR

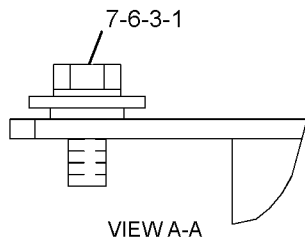
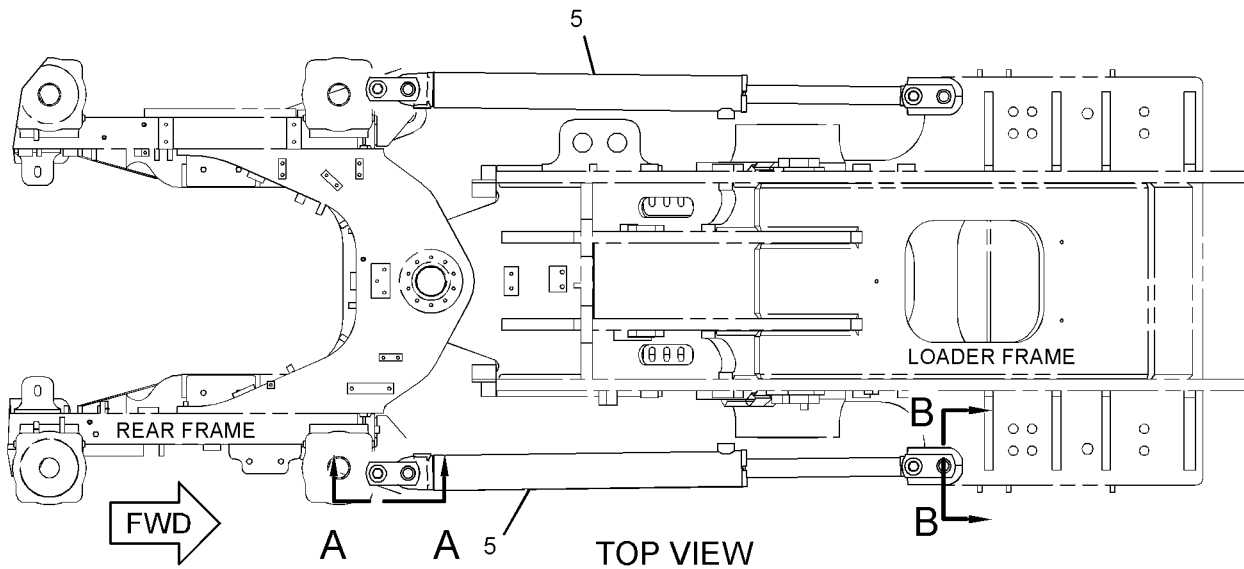
SMCS-4303

i04456406

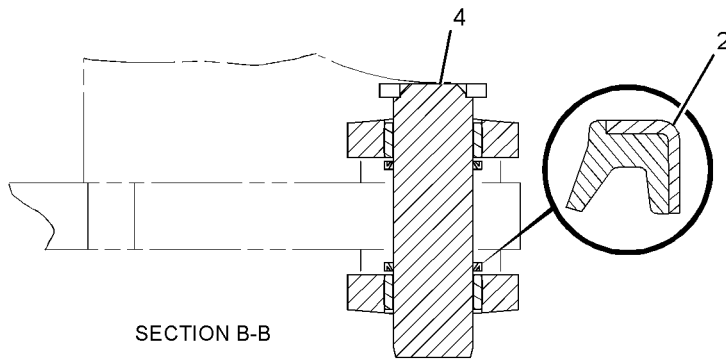
NOTE	REF NO	GRAPHIC REF	PART NUMBER	QTY	PART NAME	1 2 3 4 5 6 (PRODUCT LEVEL)						SEE PAGE
	1	1	4F-6568	4	SPACER (0.813X1.5X0.625-IN THK)							
	2	1	8T-7535	8	SEAL-LIP TYPE							
	3	1	093-0349	4	WASHER (22X60X6-MM THK)							
	4	1	138-1870	4	PIN AS							
Y	5	1	288-0568	2	CYLINDER GP-STEERING							445
	6	1	8T-4123	4	WASHER (22X35X3.5-MM THK)							
M	7	1	8T-6430	4	BOLT (M20X2.5X50-MM)							

M-METRIC PART

Y-SEPARATE ILLUSTRATION



GRAPHIC #1



g01355953

STEERING SYSTEM

288-0568 CYLINDER GP-STEERING

S/N: A7A1-UP

101.6-MM BORE X 928-MM STROKE

PART OF 285-8674 CYLINDER & MTG GP-STEERING

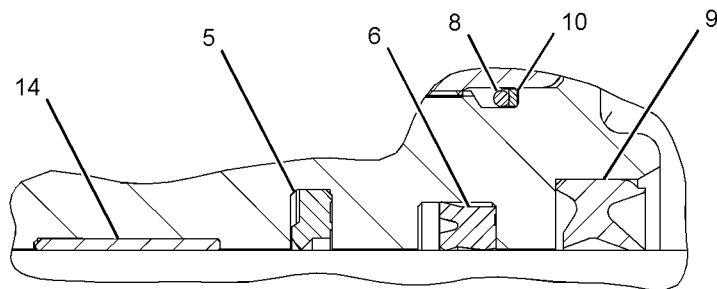
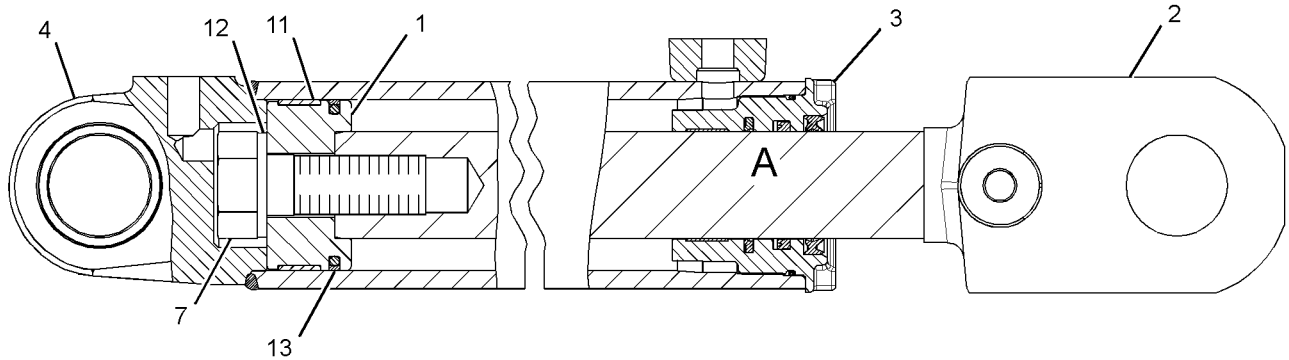
SMCS-4303

i04460247

NOTE	REF NO	GRAPHIC REF	PART NUMBER	QTY	PART NAME						SEE PAGE
					1	2	3	4	5	6 (PRODUCT LEVEL)	
	1	1	117-7865	1	PISTON						
R	2	1	172-6409	1	ROD AS						
	3	1	172-9981	1	HEAD						
	4	1	288-0569	1	CYLINDER AS						
		1	135-3161	2	BEARING						
	5	1	167-2201	1	SEAL AS-BUFFER						
	6	1	167-2312	1	SEAL-U-CUP						
M	7	1	173-9682	1	BOLT (M36X4X100-MM)						
	8	1	175-7900	1	SEAL-O-RING						
	9	1	225-3281	1	SEAL-WIPER						
	10	1	2K-6830	1	RING-BACKUP						
	11	1	6J-2797	1	RING-WEAR						
	12	1	7D-5238	1	WASHER (37.5X62X6-MM THK)						
	13	1	8C-9160	1	SEAL AS						
	14	1	8T-0785	1	RING-WEAR						

M-METRIC PART

R-REMFG PART MAY BE AVAILABLE



VIEW OF AREA A

GRAPHIC #1

<END>

g01449827

STEERING SYSTEM

132-6144 LINES GP-SECONDARY STEERING

S/N: A7A1-UP

PART OF 379-3389 DISTRIBUTION AR
CANNOT BE USED WITH 151-2384-PAGE 463
AN ATTACHMENT

SMCS-4304

i04477992

NOTE	REF NO	GRAPHIC REF	PART NUMBER	QTY	PART NAME						SEE PAGE
					1	2	3	4	5	6 (PRODUCT LEVEL)	
	1	1	153-6249	1	CONNECTOR AS						
		1	3J-1907	1	SEAL-O-RING						
		1	6V-8397	1	SEAL-O-RING						
		1	8T-8887	1	CONNECTOR						
	2	2	313-5104	1	SWITCH AS-PRESSURE (PRIMARY STEERING OIL)						
		2	102-8803	1	KIT-RECEPTACLE (3-PIN)						
					(INCLUDES RECEPTACLE AS & WEDGE)						
		2	8T-8729	3	PIN-CONNECTOR (16-GA TO 18-GA)						
E		2	9X-1813		SLEEVE (30-CM)						
	3	2	141-9666	1	MANIFOLD						
	4	2	154-6659	1	TUBE AS						
I	5	1	155-9457	1	HOSE AS						
I	6	1	213-7465	1	HOSE AS						
I	7	2	179-3274	1	HOSE AS						
	8	1	6D-4246	1	CLIP						
	9	1	115-3069	1	CLIP AS-CONNECTOR (3-PIN)						
Y	10	2	301-4602	1	VALVE GP-STEERING (WITH SECONDARY STEERING)						479
Y	11	2	150-7585	1	PUMP GP-GEAR (SECONDARY STEERING)						458
	12	1,2	1P-4577	4	FLANGE-HALF						
	13	2	1P-4579	2	FLANGE-HALF						
	14	1	213-7466	1	BRACKET AS						
	15	2	3K-0360	1	SEAL-O-RING						
	16	1	148-8367	1	ELBOW AS						
		1	6V-8397	1	SEAL-O-RING						
		1	6V-9850	1	ELBOW						
	17	1,2	4J-0520	2	SEAL-O-RING						
	18	2	4J-0521	1	SEAL-O-RING						
	19	1	4J-0524	2	SEAL-O-RING						
	20	2	5F-3106	1	SEAL-O-RING						
	21	1	5P-7468	1	CLIP (SLOT)						
	22	1	5P-7469	1	CLIP (TAB)						
	23	1	5P-8444	1	GROMMET						
	24	1	148-8354	1	ELBOW AS						
		1	6V-9002	1	ELBOW						
		1	3K-0360	1	SEAL-O-RING						
		1	6V-8398	1	SEAL-O-RING						
	25	2	148-8365	1	ELBOW AS						
		2	8T-6876	1	ELBOW						
		2	3J-1907	1	SEAL-O-RING						
		2	6V-8398	1	SEAL-O-RING						
Y	26	2	6E-5566	1	VALVE GP-SELECTOR & PRESS CONT (SECONDARY STEERING)						474
M	27	1	8T-4136	1	BOLT (M10X1.5X25-MM)						
	28	2	148-8307	1	ADAPTER AS						
		2	5P-8874	1	ADAPTER						
		2	3J-1907	1	SEAL-O-RING						
	29	1	148-8378	1	ELBOW AS						
		1	6V-8724	1	ELBOW						
		1	3J-1907	1	SEAL-O-RING						
		1	6V-8397	1	SEAL-O-RING						
	30	2	8T-4223	8	WASHER-HARD (13.5X25.5X3-MM THK)						
	31	1	121-1343	1	PLATE AS						
M		1	8T-3490	1	NUT-WELD (M10X1.5-THD)						
	32	2	9X-6772	1	STRAP-CABLE						

STEERING SYSTEM

132-6144 LINES GP-SECONDARY STEERING (contd.)

i04477992

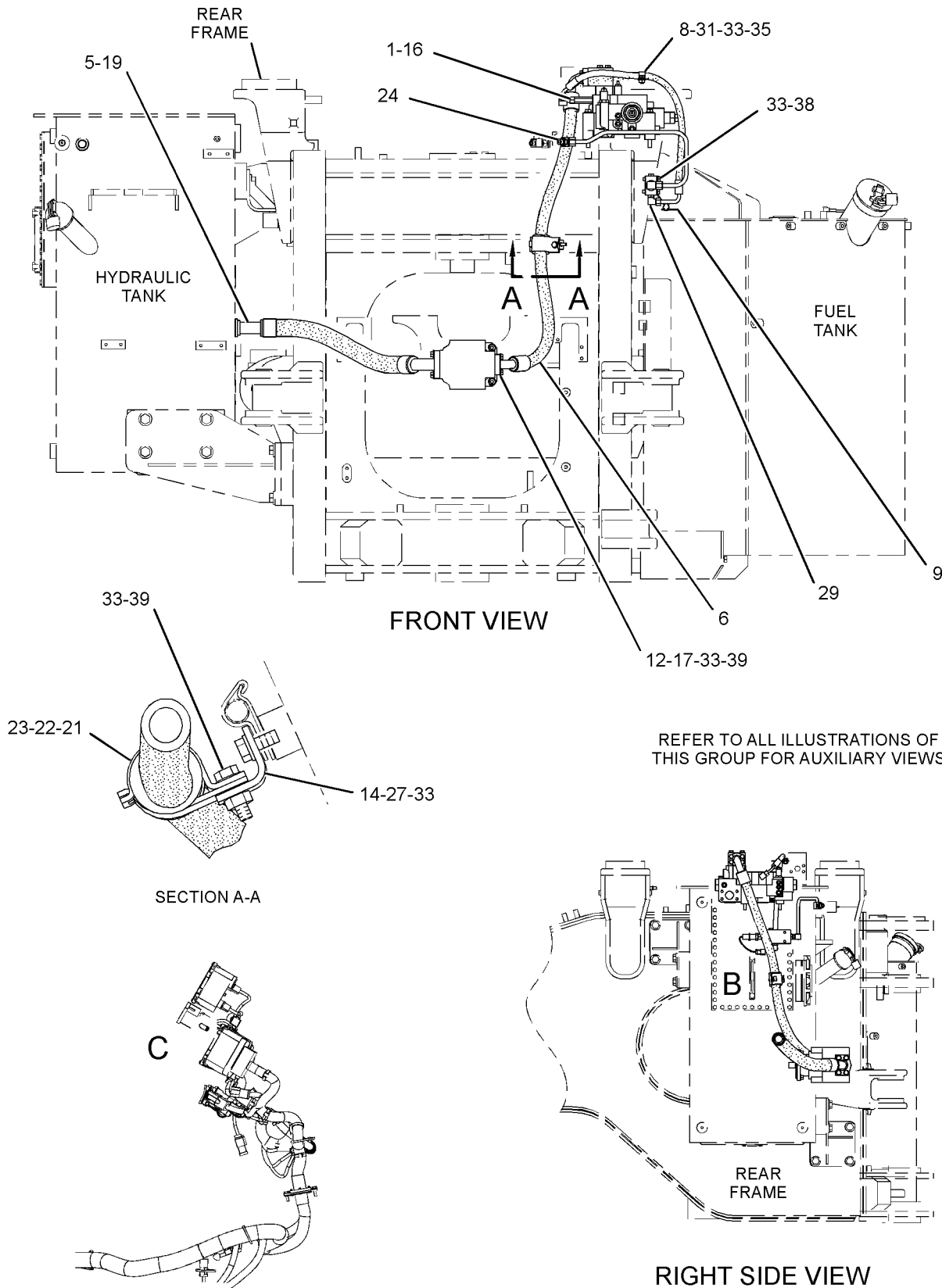
NOTE	REF NO	GRAPHIC REF	PART NUMBER	QTY	PART NAME						SEE PAGE
					1	2	3	4	5	6 (PRODUCT LEVEL)	
	33	1,2	8T-4121	17	WASHER-HARD (11X21X2.5-MM THK)						
	34	2	6V-8188	4	NUT (1/2-13-THD)						
M	35	1	8T-4137	1	BOLT (M10X1.5X20-MM)						
M	36	2	8T-4172	4	BOLT (M10X1.5X80-MM)						
M	37	2	8T-4184	4	BOLT (M12X1.75X45-MM)						
M	38	1	8T-4185	2	BOLT (M10X1.5X50-MM)						
M	39	1,2	8T-4196	9	BOLT (M10X1.5X35-MM)						
Y	40	2	327-8026	1	LAMP GP-INDICATOR						161

E-ORDER BY THE CENTIMETER
 I-REFER TO HYDRAULIC INFORMATION SYSTEM
 M-METRIC PART
 Y-SEPARATE ILLUSTRATION

STEERING SYSTEM

132-6144 LINES GP-SECONDARY STEERING (contd.)

i04477992



REFER TO ALL ILLUSTRATIONS OF THIS GROUP FOR AUXILIARY VIEWS

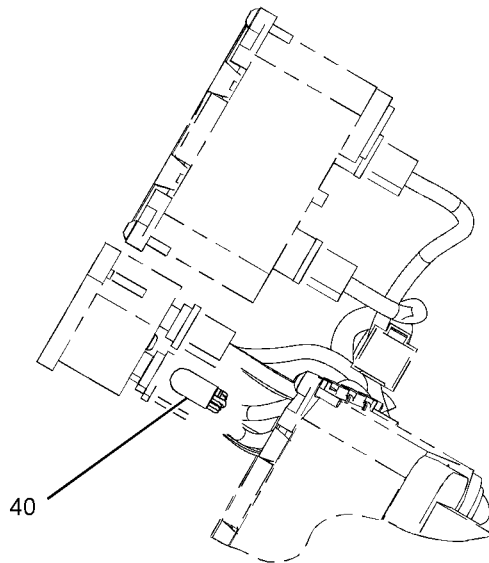
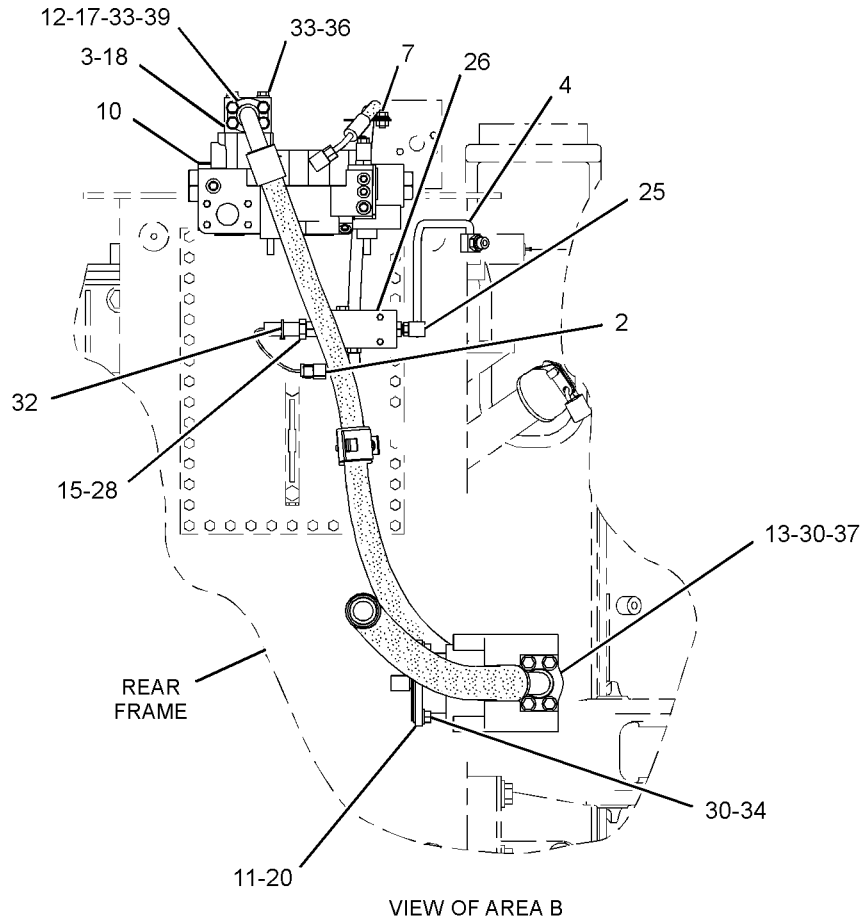
GRAPHIC #1

g02041835

STEERING SYSTEM

132-6144 LINES GP-SECONDARY STEERING (contd.)

i04477992



GRAPHIC #2

<END>

g02041836

STEERING SYSTEM

345-3943 LINES GP-STEERING

S/N: A7A1-UP

PART OF 345-3930 HYDRAULIC AR

SMCS-4304

i04456431

NOTE	REF NO	GRAPHIC REF	PART NUMBER	QTY	PART NAME						SEE PAGE
					1	2	3	4	5	6 (PRODUCT LEVEL)	
	1	1	2B-0941	1	SPACER (10.5X19X19-MM THK)						
	2	1	6V-0852	1	CAP-DUST						
	3	2	7Y-3729	1	FLANGE-SPECIAL						
	4	1	8F-0492	8	SPACER (0.531X1.125X0.625-IN THK)						
I	5	1	9U-3430	1	HOSE AS						
	6	1	108-7550	2	CLIP						
	7	1	109-5816	2	ELBOW						
	8	1	125-2706	1	PLATE AS						
M		1	8T-3490	1	NUT-WELD (M10X1.5-THD)						
I	9	1	141-9520	1	HOSE AS						
I	10	1	141-9521	1	HOSE AS						
	11	2	143-4158	2	CLIP						
	12	1	<i>148-8443</i>	1	TEE AS						
		1	3J-1907	1	SEAL-O-RING						
		1	6V-8397	1	SEAL-O-RING						
		1	7X-2459	1	TEE-O-RING						
	13	1	151-2680	1	PLATE AS						
M		1	8T-3597	3	NUT-WELD (M12X1.75-THD)						
YR	14	1	153-9624	1	PUMP GP-PISTON						460
	15	1	162-2127	1	TUBE AS						
	16	1	162-2128	1	TUBE AS						
I	17	1	162-8455	1	HOSE AS						
	18	1	163-5442	1	BRACKET AS						
	19	1	216-9195	2	MANIFOLD						
	20	1	252-1285	1	TUBE AS						
	21	1	257-7804	1	TUBE AS						
	22	1	294-1153	2	BRACKET AS						
					(EACH INCLUDES)						
M		1	8T-3597	2	NUT-WELD (M12X1.75-THD)						
I	23	1	294-1154	2	HOSE AS						
	24	1	304-7716	4	SUPPORT AS						
					(EACH INCLUDES)						
M		1	6V-8149	2	NUT (M12X1.75-THD)						
	25	2	315-9202	1	HOSE AS						
	26	1	315-9203	1	HOSE AS						
Y	27	2	326-3803	1	MANIFOLD GP-HYDRAULIC						520
M	28	1	085-8091	8	BOLT (M10X1.5X55-MM)						
M	29	1	096-9986	4	BOLT (M12X1.75X55-MM)						
	30	1	<i>148-8353</i>	1	ELBOW AS						
		1	3J-1907	1	SEAL-O-RING						
		1	6V-8397	1	SEAL-O-RING						
		1	6V-9001	1	ELBOW						
	31	1	<i>148-8407</i>	1	PLUG AS						
		1	3J-1907	1	SEAL-O-RING						
		1	9S-4191	1	PLUG-O-RING						
	32	2	<i>153-6236</i>	2	REDUCER AS						
					(EACH INCLUDES)						
		2	6V-8946	1	REDUCER						
		2	6V-9746	1	SEAL-O-RING						
	33	1	<i>164-5567</i>	2	COUPLER AS-QUICK DISCONNECT (MALE)						
					(EACH INCLUDES)						
		1	6V-3965	1	FITTING (QUICK DISCONNECT)						
		1	214-7568	1	SEAL-O-RING						
	34	2	1P-3702	2	SEAL-RECTANGULAR						
	35	2	1P-3703	2	SEAL-RECTANGULAR						
	36	1	1P-3704	6	SEAL-RECTANGULAR						

STEERING SYSTEM

345-3943 LINES GP-STEERING (contd.)

i04456431

NOTE	REF NO	GRAPHIC REF	PART NUMBER	QTY	PART NAME						SEE PAGE
					1	2	3	4	5	6 (PRODUCT LEVEL)	
	37	1	1P-4579	4	FLANGE - HALF						
	38	1	1P-4584	4	FLANGE - HALF						
	39	1	1P-5767	4	FLANGE - HALF						
	40	1	1S-0994	1	CLIP						
	41	1	4J-0524	2	SEAL - O-RING						
	42	1,2	4J-5267	6	SEAL - O-RING						
	43	1	5F-3106	1	SEAL - O-RING						
	44	2	5K-9090	2	SEAL - O-RING						
	45	1	5P-7466	4	CLIP (SLOT)						
	46	1	5P-7467	4	CLIP (TAB)						
	47	1	5P-7703	1	GROMMET						
	48	1	5P-8112	4	GROMMET						
	49	1	6J-2680	2	SEAL - O-RING						
	50	1	6V-1572	1	CLIP (SLOT)						
	51	1	6V-1573	1	CLIP (TAB)						
	52	1	6V-9746	3	SEAL - O-RING						
	53	2	7X-0584	8	WASHER - HARD (13.5X20.5X2-MM THK)						
M	54	1	7X-2549	8	BOLT (M12X1.75X100-MM)						
	55	1,2	8C-3205	6	FLANGE - HALF						
	56	1	8C-3451	1	CAP - DUST						
	57	1,2	8T-4121	29	WASHER - HARD (11X21X2.5-MM THK)						
M	58	1	8T-4136	1	BOLT (M10X1.5X25-MM)						
M	59	1	8T-4139	4	BOLT (M12X1.75X30-MM)						
M	60	1,2	8T-4183	12	BOLT (M12X1.75X40-MM)						
M	61	1	8T-4184	8	BOLT (M12X1.75X45-MM)						
M	62	1	8T-4194	14	BOLT (M12X1.75X50-MM)						
M	63	1,2	8T-4195	12	BOLT (M10X1.5X30-MM)						
M	64	1,2	8T-4196	8	BOLT (M10X1.5X35-MM)						
	65	1,2	8T-4223	68	WASHER - HARD (13.5X25.5X3-MM THK)						
M	66	1	8T-4648	8	BOLT (M12X1.75X70-MM)						
M	67	2	8T-4956	8	BOLT (M12X1.75X35-MM)						
M	68	1	8T-7338	2	BOLT (M16X2X45-MM)						
M	69	2	9X-6032	8	BOLT - SOCKET HEAD (M10X1.5X30-MM)						
	70	1	9X-8257	2	WASHER (17.5X30X3.5-MM THK)						
	71	1	165-4931	1	ELBOW AS						
		1	3J-1907	1	SEAL - O-RING						
		1	6V-8077	1	ELBOW						

I-REFER TO HYDRAULIC INFORMATION SYSTEM

M-METRIC PART

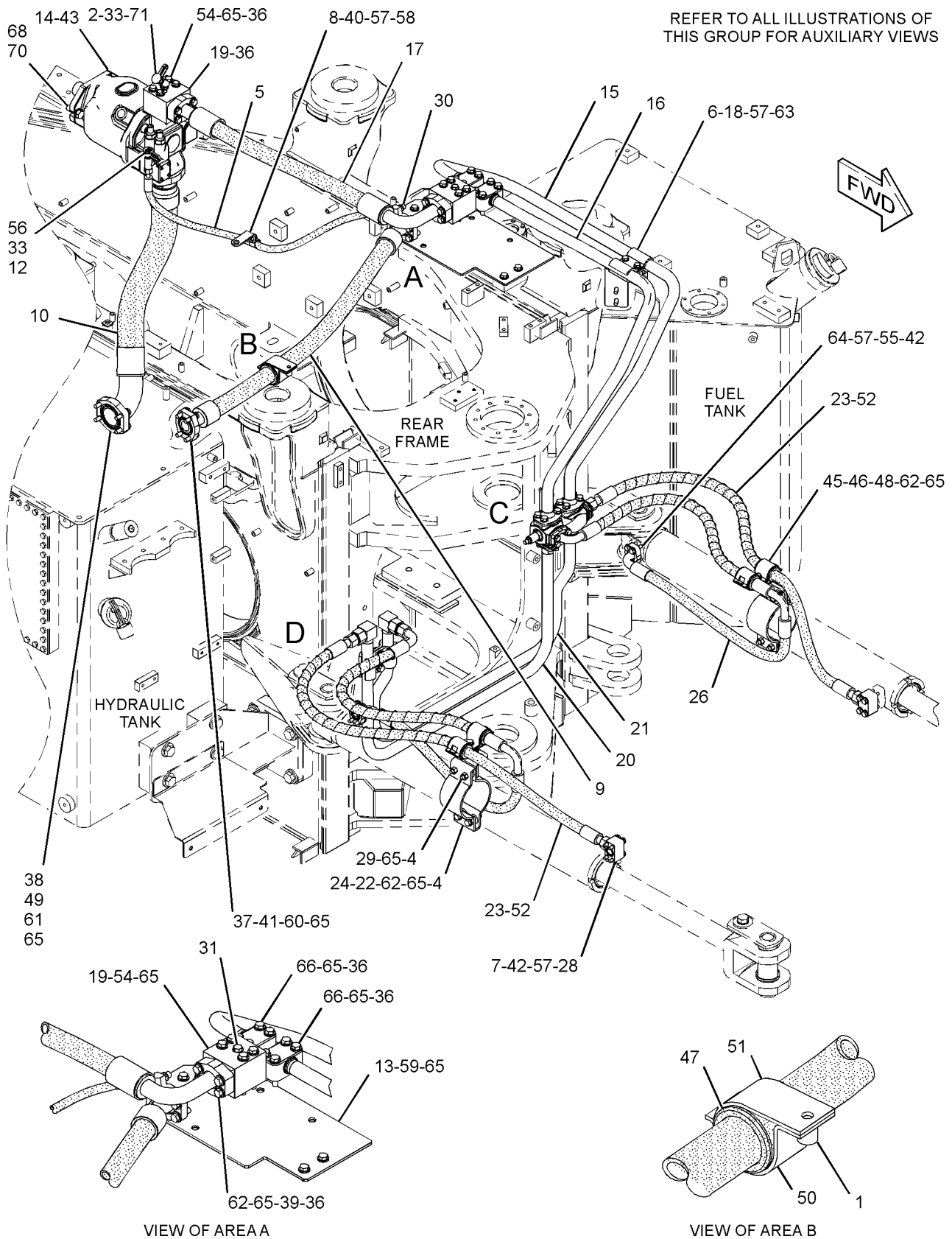
R-REMG PART MAY BE AVAILABLE

Y-SEPARATE ILLUSTRATION

STEERING SYSTEM

345-3943 LINES GP-STEERING (contd.)

i04456431



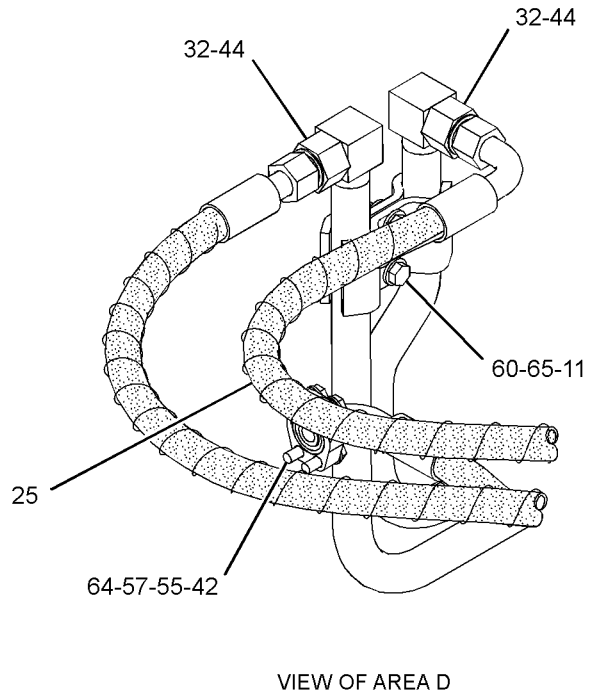
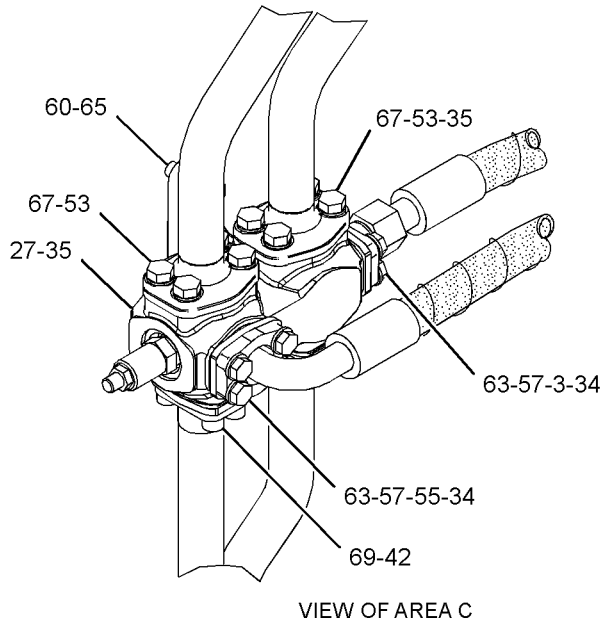
GRAPHIC #1

g02355896

STEERING SYSTEM

345 - 3943 LINES GP-STEERING (contd.)

i04456431



GRAPHIC #2

<END>

g02043455

STEERING SYSTEM

132-6142 LINES GP-STEERING NEUTRALIZER

S/N: A7A1-UP

PART OF 345-3930 HYDRAULIC AR

SMCS-4304, 4330

i04456433

NOTE	REF NO	GRAPHIC REF	PART NUMBER	QTY	PART NAME						SEE PAGE
					1	2	3	4	5	6 (PRODUCT LEVEL)	
Y	1	1	9T-3096	1	VALVE GP-CHECK (STEERING PILOT)						464
	2	1	104-7108	1	VALVE GP-CHECK (STEERING PILOT)						
	3	1	116-4798	1	ANGLE AS						
M		1	8T-3490	2	NUT-WELD (M10X1.5-THD)						
	4	1	116-9331	1	JUNCTION BLOCK						
Y	5	1	296-5662	2	VALVE GP-STEERING NEUTRALIZER						482
Y	6	1	149-4617	1	VALVE GP-CHECK (STEERING QUAD)						465
	7	1	154-0350	1	STOP GP-STEERING						
		1	154-0351	1	PLATE AS						
M		1	8T-3597	2	NUT-WELD (M12X1.75-THD)						
M		1	8T-4244	2	NUT (M12X1.75-THD)						
		1	8X-3467	2	STUD AS						
	8	1	154-0352	1	BRACKET AS						
M		1	8T-3490	4	NUT-WELD (M10X1.5-THD)						
I	9	1	154-7532	1	HOSE AS						
I	10	1	155-3677	1	HOSE AS						
I	11	1	155-3678	1	HOSE AS						
I	12	1	155-3679	1	HOSE AS						
	13	1	155-3680	1	TUBE AS						
I	14	1	155-3681	1	HOSE AS						
I	15	1	155-3683	1	HOSE AS						
	16	1	155-4320	1	ANGLE AS						
M		1	8T-3612	2	NUT-WELD (M8X1.25-THD)						
I	17	1	161-1382	1	HOSE AS						
I	18	1	161-1383	1	HOSE AS						
I	19	1	178-2999	1	HOSE AS						
I	20	1	178-3000	1	HOSE AS						
I	21	1	178-3001	1	HOSE AS						
I	22	1	178-3002	1	HOSE AS						
I	23	1	180-2624	1	HOSE AS						
I	24	1	180-2625	1	HOSE AS						
	25	1	148-8318	5	CONNECTOR AS						
					(EACH INCLUDES)						
		1	6V-8634	1	CONNECTOR						
		1	3K-0360	1	SEAL-O-RING						
		1	6V-8397	1	SEAL-O-RING						
	26	1	148-8336	3	CONNECTOR AS						
					(EACH INCLUDES)						
		1	6V-8636	1	CONNECTOR						
		1	3J-1907	1	SEAL-O-RING						
		1	6V-8397	1	SEAL-O-RING						
	27	1	148-8341	1	CONNECTOR AS						
		1	6V-8713	1	CONNECTOR						
		1	3D-2824	1	SEAL-O-RING						
		1	7J-9108	1	SEAL-O-RING						
	28	1	148-8342	1	CONNECTOR AS						
		1	6V-8632	1	CONNECTOR						
		1	3K-0360	1	SEAL-O-RING						
		1	7J-9108	1	SEAL-O-RING						
	29	1	148-8353	2	ELBOW AS						
					(EACH INCLUDES)						
		1	6V-9001	1	ELBOW						
		1	3J-1907	1	SEAL-O-RING						
		1	6V-8397	1	SEAL-O-RING						
	30	1	148-8367	1	ELBOW AS						
		1	6V-9850	1	ELBOW						

STEERING SYSTEM

132-6142 LINES GP-STEERING NEUTRALIZER (contd.)

i04456433

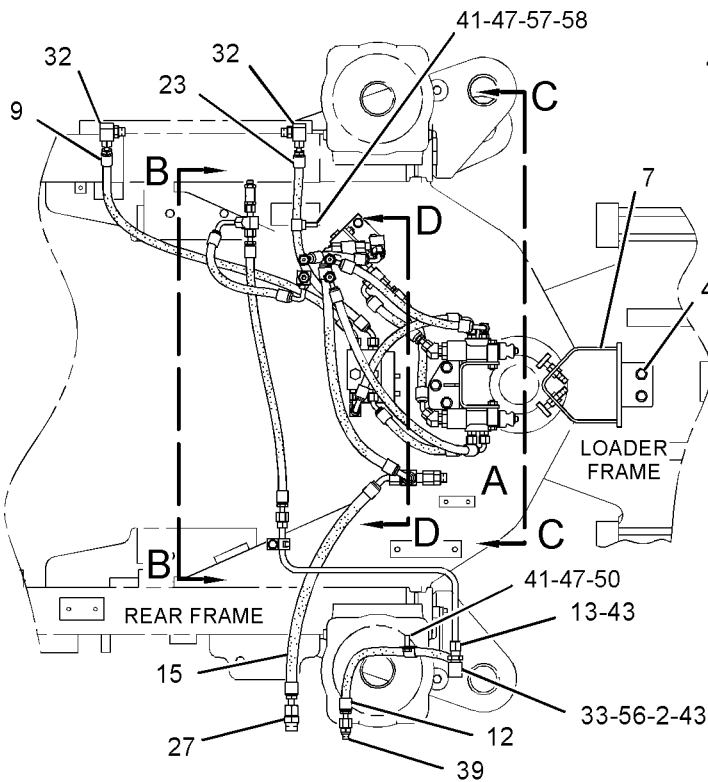
NOTE	REF NO	GRAPHIC REF	PART NUMBER	QTY	PART NAME						SEE PAGE
					1	2	3	4	5	6 (PRODUCT LEVEL)	
		1	6V-8397	1	SEAL-O-RING						
	31	1	148-8370	1	ELBOW AS						
		1	6V-8398	1	SEAL-O-RING						
		1	6V-9851	1	ELBOW						
	32	1	148-8374	2	ELBOW AS						
					(EACH INCLUDES)						
		1	6V-8723	1	ELBOW						
		1	3K-0360	1	SEAL-O-RING						
		1	6V-8397	1	SEAL-O-RING						
	33	1	148-8375	1	ELBOW AS						
		1	6V-8981	1	ELBOW						
		1	6V-8398	2	SEAL-O-RING						
	34	1	148-8378	1	ELBOW AS						
		1	6V-8724	1	ELBOW						
		1	3J-1907	1	SEAL-O-RING						
		1	6V-8397	1	SEAL-O-RING						
	35	1	148-8411	1	PLUG AS						
		1	9S-4185	1	PLUG-O-RING						
		1	3K-0360	1	SEAL-O-RING						
	36	1	148-8433	2	TEE AS						
					(EACH INCLUDES)						
		1	6V-9836	1	TEE-SWIVEL						
		1	6V-8397	2	SEAL-O-RING						
	37	1	148-8436	1	TEE AS						
		1	3K-0360	1	SEAL-O-RING						
		1	6V-8398	2	SEAL-O-RING						
		1	6V-8775	1	TEE-FACE SEAL						
	38	1	148-8446	1	TEE AS-SWIVEL						
		1	6V-9838	1	TEE-SWIVEL						
		1	7J-9108	2	SEAL-O-RING						
	39	1	150-4043	1	CONNECTOR AS						
		1	6V-9873	1	CONNECTOR						
		1	3J-1907	1	SEAL-O-RING						
		1	6V-8398	1	SEAL-O-RING						
	40	1	3J-1907	1	SEAL-O-RING						
C	41	1	6D-4246	2	CLIP						
	42	1	6V-8397	1	SEAL-O-RING						
	43	1	6V-8398	2	SEAL-O-RING						
	44	1	153-6241	1	ELBOW AS						
		1	6V-8398	1	SEAL-O-RING						
		1	8C-8989	1	ELBOW						
	45	1	8T-1885	1	CLIP (SLOT)						
	46	1	8T-1886	1	CLIP (TAB)						
	47	1	8T-4121	13	WASHER-HARD (11X21X2.5-MM THK)						
M	48	1	8T-4137	4	BOLT (M10X1.5X20-MM)						
M	49	1	8T-4192	5	BOLT (M12X1.75X25-MM)						
M	50	1	8T-4195	1	BOLT (M10X1.5X30-MM)						
	51	1	8T-4223	5	WASHER-HARD (13.5X25.5X3-MM THK)						
	52	1	8T-4224	2	WASHER-HARD (8.8X16X2-MM THK)						
M	53	1	8T-6466	6	BOLT (M10X1.5X60-MM)						
M	54	1	8T-6870	2	BOLT (M8X1.25X70-MM)						
M	55	1	8T-4185	1	BOLT (M10X1.5X50-MM)						
	56	1	6V-9169	1	NUT (13/16-16-THD)						
	57	1	118-9901	1	SPACER (12X20X10-MM THK)						
M	58	1	8T-4186	1	BOLT (M10X1.5X40-MM)						

C-CHANGE FROM PREVIOUS TYPE
 I-REFER TO HYDRAULIC INFORMATION SYSTEM
 M-METRIC PART
 Y-SEPARATE ILLUSTRATION

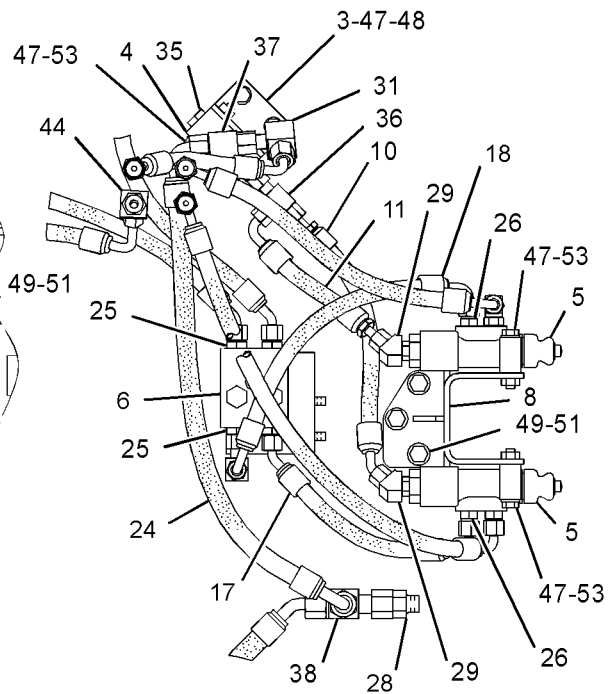
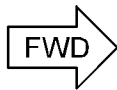
STEERING SYSTEM

132-6142 LINES GP-STEERING NEUTRALIZER (contd.)

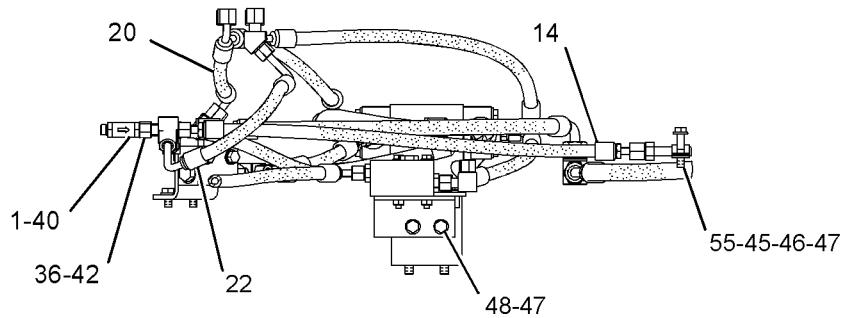
i04456433



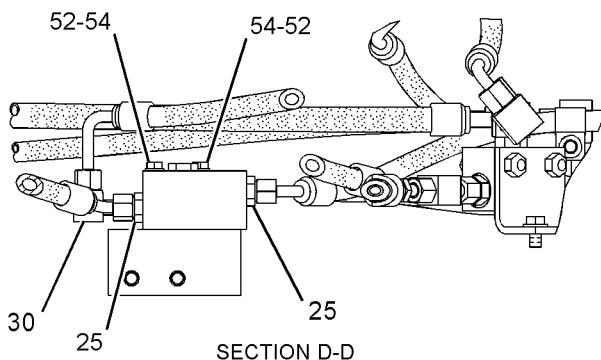
TOP VIEW



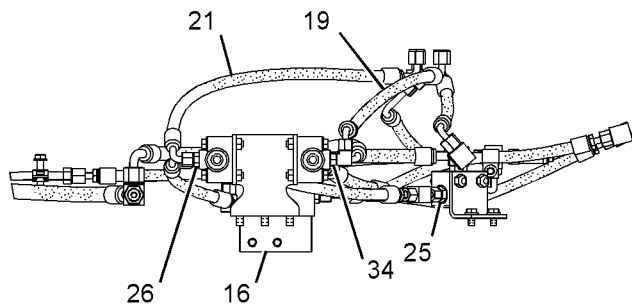
VIEW OF AREA A



SECTION B-B



SECTION D-D



VIEW C-C

GRAPHIC #1

<END>

g01455749

STEERING SYSTEM

194-3286 PLUG GP-CONTROL VALVE- PRESSURE, FLOW COMPENSATOR

S/N: A7A1-UP

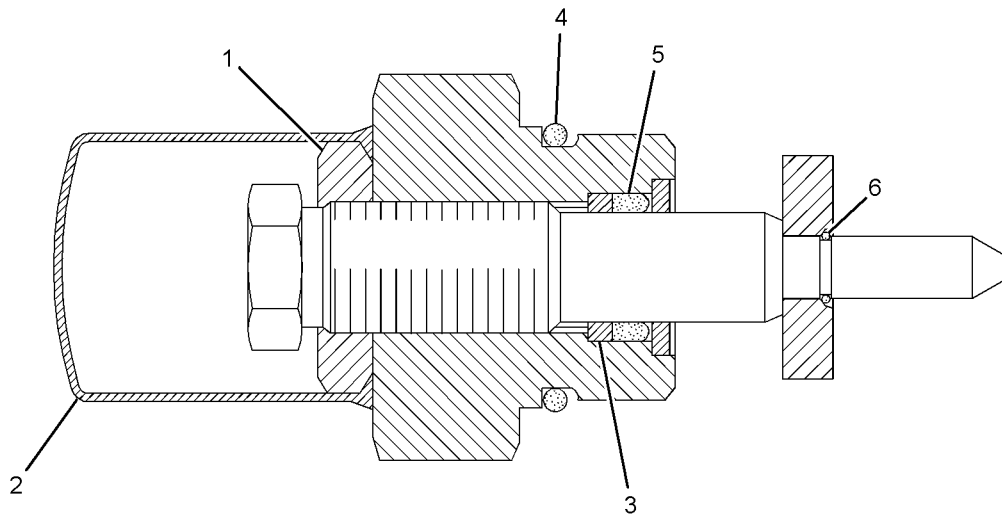
PART OF 176-7520 VALVE GP-PUMP CONTROL

SMCS-5086, 5117

i04460983

NOTE	REF NO	GRAPHIC REF	PART NUMBER	QTY	PART NAME						SEE PAGE
					1	2	3	4	5	6 (PRODUCT LEVEL)	
M	1	1	5C-2873	1	NUT (M12X1-THD)						
	2	1	195-3324	1	CAP						
	3	1	195-3325	1	RING						
	4	1	3E-6761	1	SEAL-O-RING						
	5	1	187-8567	1	SEAL-O-RING						
	6	1	194-6849	1	RETAINER						

M-METRIC PART



GRAPHIC #1

<END>

g01388986

STEERING SYSTEM

150-7585 PUMP GP-GEAR

S/N: A7A1-UP

PART OF 132-6144 LINES GP-SECONDARY STEERING
AN ATTACHMENT

SMCS-4268, 4306, 5073

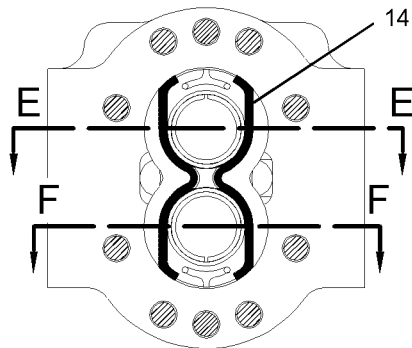
i04482289

NOTE	REF NO	GRAPHIC REF	PART NUMBER	QTY	PART NAME						SEE PAGE
					1	2	3	4	5	6 (PRODUCT LEVEL)	
	1	1	139-3213	2	SEAL						
	2	1	008-3214	1	RING-RETAINING (INTERNAL)						
	3	1	9T-1258	1	SHAFT-DRIVE						
	4	1	4T-9300	1	BUSHING-TERMINAL						
	5	1	4T-9301	1	BUSHING-TERMINAL						
	6	1	6J-2386	2	DOWEL						
	7	1	153-6480	1	FLANGE AS						
	8	1	107-2884	2	PLATE-ISOLATION						
	9	1	142-2133	1	SPACER						
	10	1	107-2889	2	SPACER (13X14.3X6.4-MM THK)						
	11	1	4T-8761	1	GEAR-IDLER (8-TEETH)						
	12	1	1B-2886	6	BOLT (1/2-13X3.75-IN)						
	13	1	142-2137	1	PLUG						
	14	1	077-3790	4	SEAL						
	15	1	4T-9298	2	BUSHING-TERMINAL						
	16	1	077-4643	2	PLATE-ISOLATION						
	17	1	6E-2943	1	PLUG						
	18	1	0S-1595	8	BOLT (1/2-13X1.25-IN)						
	19	1	9X-7722	1	SEAL-O-RING						
	20	1	077-4639	2	PLATE-ISOLATION						
	21	1	107-2891	2	PISTON						
	22	1	107-2893	2	SPRING						
	23	1	107-2887	2	PISTON						
	24	1	107-2888	2	SPRING						
	25	1	153-6479	1	BODY AS						
	26	1	107-2890	1	BODY-VALVE						
	27	1	9S-8005	1	PLUG-O-RING						
	28	1	033-6042	1	SEAL-O-RING						
	29	1	133-6578	1	SEAL-O-RING						
	30	1	6V-3551	1	SEAL-O-RING						
	31	1	8C-5197	2	SEAL-O-RING						
					AVAILABLE REPAIR KIT(S):						
			153-6481	1	KIT-SEAL						
					(INCLUDES SEALS, O-RINGS, BACK-UP RINGS, END SEPARATORS, RING, PLUG, SEALING STRIPS & CENTER SEPARATORS)						

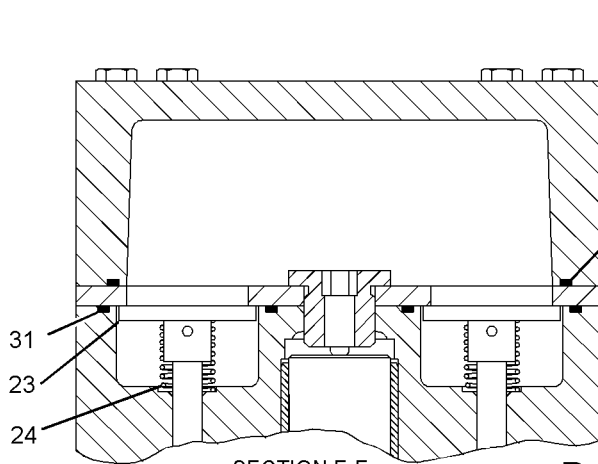
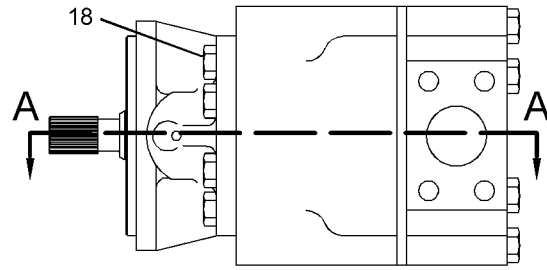
STEERING SYSTEM

150-7585 PUMP GP-GEAR (contd.)

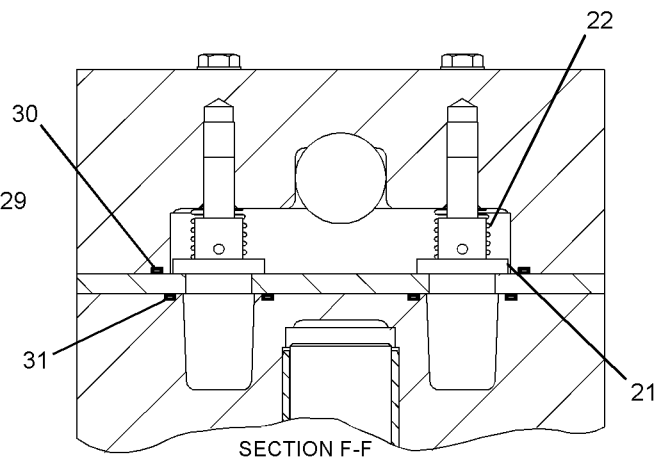
i04482289



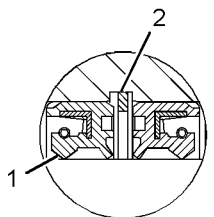
SECTION B-B



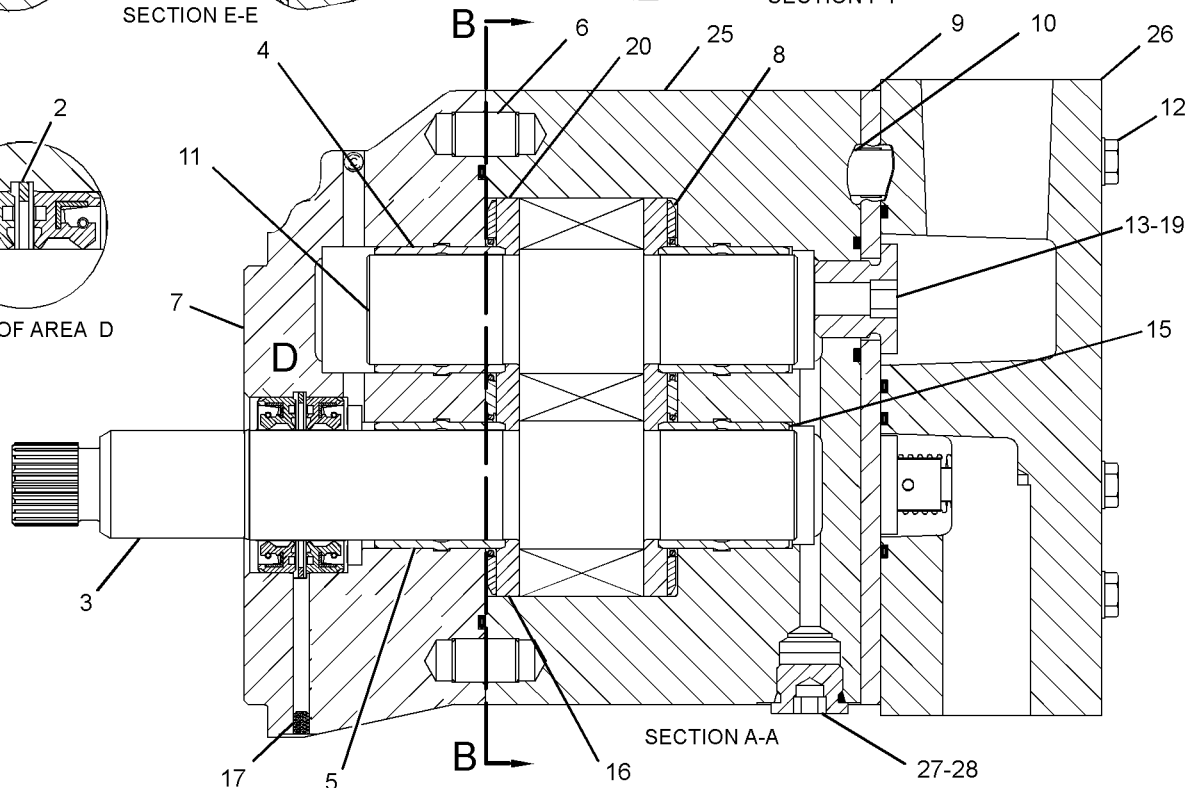
SECTION E-E



SECTION F-F



VIEW OF AREA D



SECTION A-A

GRAPHIC #1

<END>

g01468809

STEERING SYSTEM

153-9624 PUMP GP-PISTON*R

S/N: A7A1-UP

PART OF 345-3943 LINES GP-STEERING

SMCS-4268, 4306, 5070

i04460604

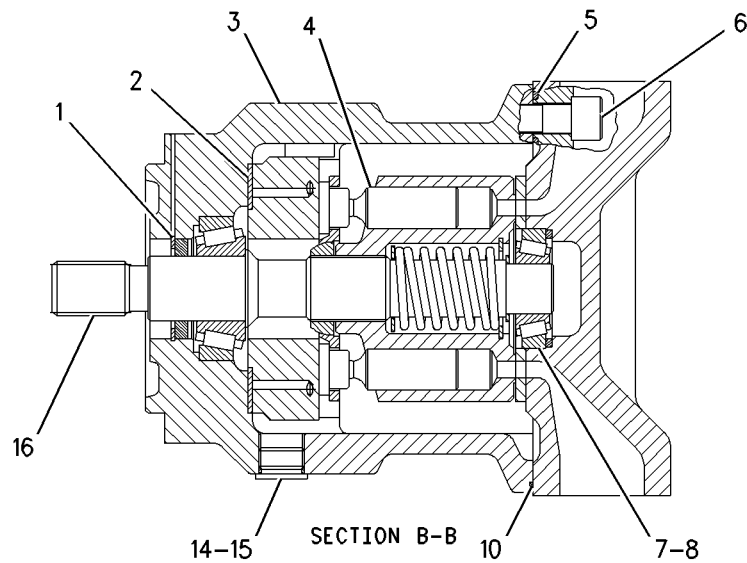
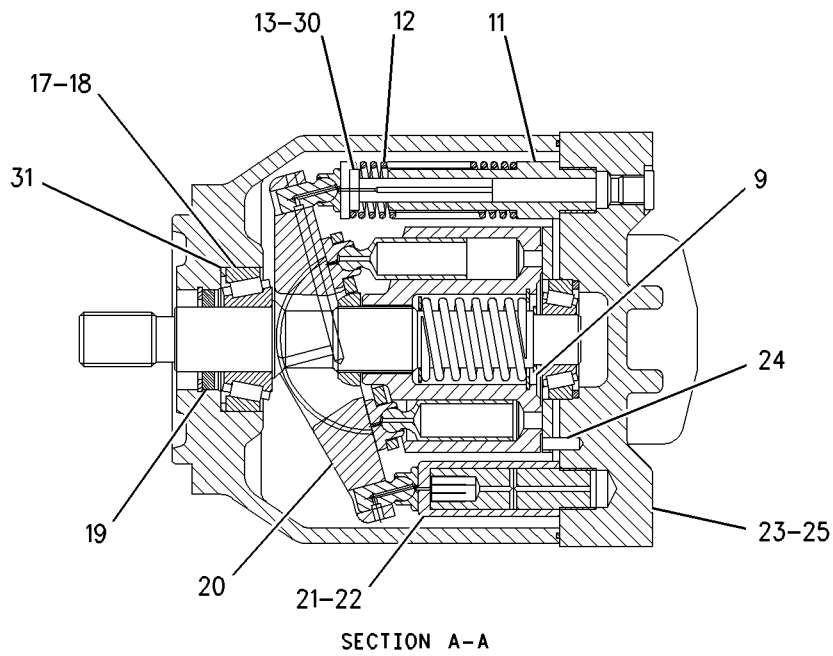
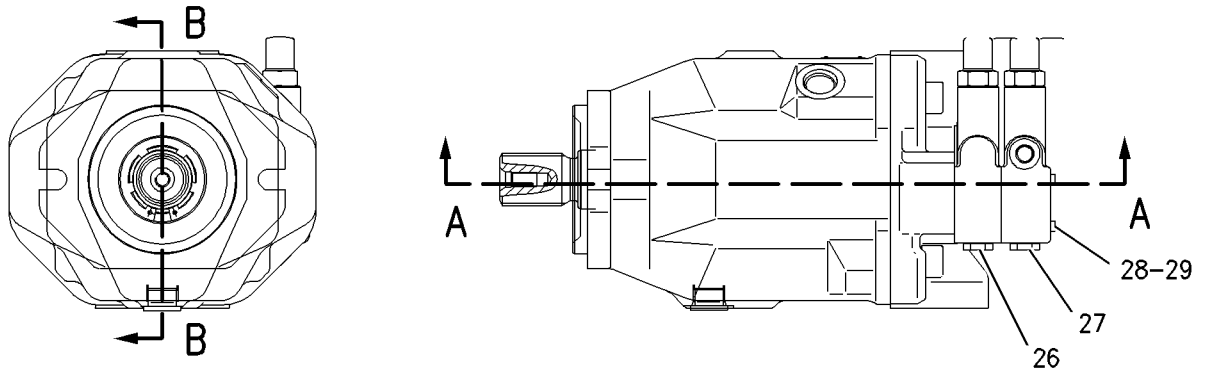
NOTE	REF NO	GRAPHIC REF	PART NUMBER	QTY	PART NAME						SEE PAGE
					1	2	3	4	5	6 (PRODUCT LEVEL)	
	1	1	095-0942	1	RING-RETAINING						
	2	1	176-7507	2	BEARING-CRADLE						
	3	1	176-7508	1	HOUSING-PUMP						
Y	4	1	176-7509	1	ROTATING GP-PUMP (STEERING)						462
	5	1	5P-9186	4	SEAL-O-RING						
M	6	1	7Y-0467	4	BOLT-SOCKET HEAD (M18X2.5X55-MM)						
	7	1	6Y-2736	1	CONE-BEARING						
	8	1	6Y-2737	1	CUP-BEARING						
	9	1	176-7510	1	SPACER-BEARING						
	10	1	107-3114	1	SEAL-O-RING						
	11	1	176-7511	1	GUIDE-PLUNGER						
	12	1	176-7512	1	SPRING						
	13	1	176-7513	1	PLUNGER						
	14	1	9S-8008	1	PLUG-O-RING						
	15	1	3D-2824	1	SEAL-O-RING						
	16	1	176-7514	1	SHAFT-PUMP						
	17	1	1B-3908	1	CONE-BEARING						
	18	1	1B-3909	1	CUP-BEARING						
	19	1	203-1095	1	SEAL						
	20	1	176-7516	1	SWASHPLATE AS						
	21	1	176-7517	1	PISTON-CONTROL						
	22	1	176-7518	1	GUIDE-PISTON						
	23	1	120-4394	1	PLUG-BREAK OFF						
	24	1	7X-2438	1	DOWEL						
	25	1	176-7519	1	HEAD-PUMP						
Y	26	1	176-7520	1	VALVE GP-PUMP CONTROL (PRESSURE COMPENSATOR) (STEERING)						471
J	27	1	176-7521	1	VALVE GP-PUMP CONTROL (PRESSURE, FLOW COMPENSATOR)						
M	28	1	127-4832	4	BOLT-SOCKET HEAD (M5X0.8X90-MM)						
	29	1	355-4073	10	SEAL-RECTANGULAR						
	30	1	176-7692	1	SLEEVE-STOP						
	31	1	176-7693	1	RING-BEARING						
					AVAILABLE REPAIR KIT(S):						
J			176-7696	1	KIT-VALVE REPAIR						

J-REPAIR KIT MARKED J SERVICES PART MARKED J
M-METRIC PART
Y-SEPARATE ILLUSTRATION

STEERING SYSTEM

153-9624 PUMP GP-PISTON (contd.)

i04460604



GRAPHIC #1

<END>

g00840838

STEERING SYSTEM

176-7509 ROTATING GP-PUMP

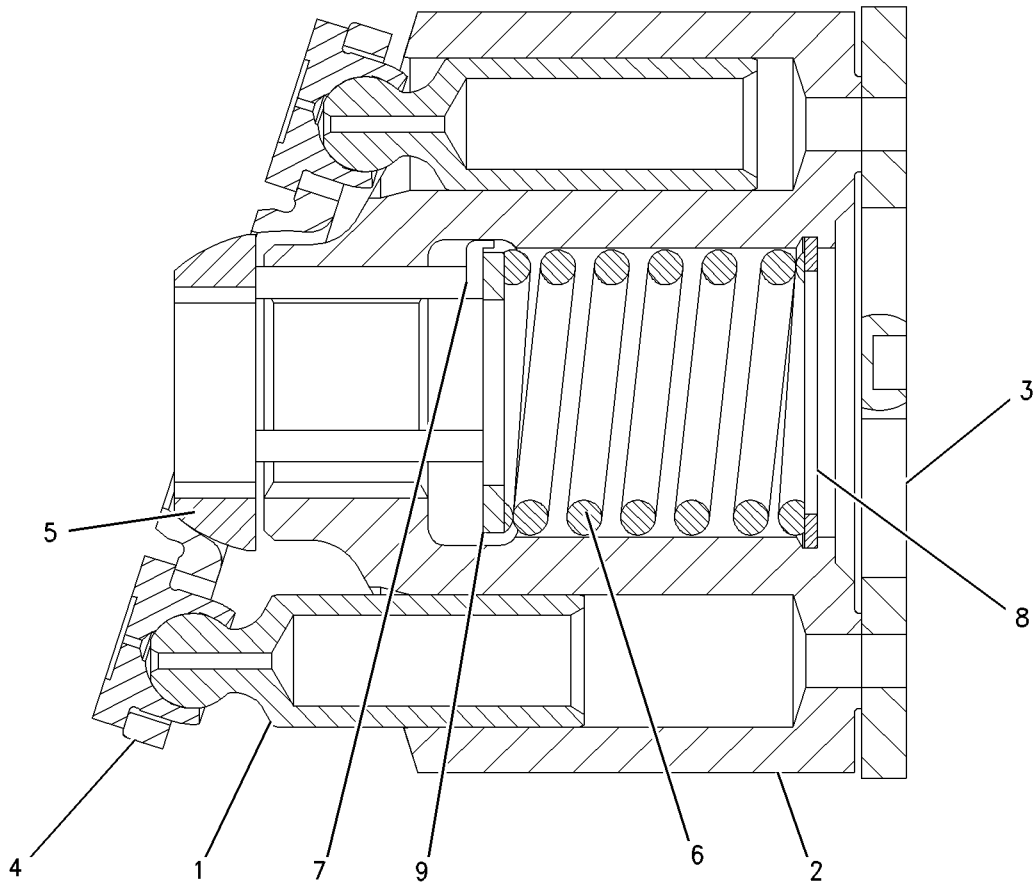
S/N: A7A1-UP

PART OF 153-9624 PUMP GP-PISTON

SMCS-5070

i04460895

NOTE	REF NO	GRAPHIC REF	PART NUMBER	QTY	PART NAME						SEE PAGE
					1	2	3	4	5	6 (PRODUCT LEVEL)	
	1	1	191-7587	9	PISTON AS						
	2	1	191-7589	1	BARREL						
	3	1	191-7585	1	PLATE-DISTRIBUTOR						
	4	1	191-7591	1	PLATE-RETAINING						
	5	1	290-0461	1	BEARING						
	6	1	191-7594	1	SPRING						
	7	1	191-7596	3	PIN						
	8	1	095-0939	1	RING-RETAINING						
	9	1	191-7597	1	SPACER (55X3-MM THK)						



GRAPHIC #1

<END>

g00745979

STEERING SYSTEM

151-2384 STEERING AR

S/N: A7A1-UP

PART OF 379-3390 DISTRIBUTION AR

CANNOT BE USED WITH 132-6144 LINES GP-SECONDARY STEERING
AN ATTACHMENT

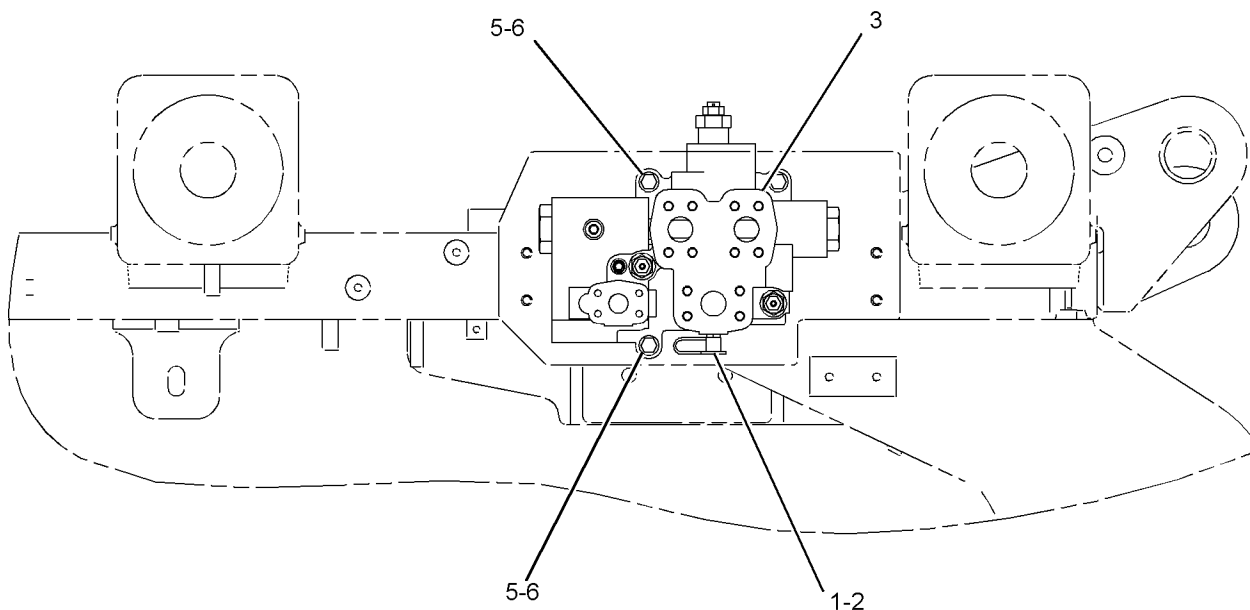
SMCS-4300

i04477989

NOTE	REF NO	GRAPHIC REF	PART NUMBER	QTY	PART NAME						SEE PAGE
					1	2	3	4	5	6 (PRODUCT LEVEL)	
	1	1	6V-0852	1	CAP-DUST						
	2	1	164-5567	1	COUPLER AS-QUICK DISCONNECT (MALE)						
		1	6V-3965	1	FITTING (QUICK DISCONNECT)						
		1	3J-1907	1	SEAL-O-RING						
Y	3	1	301-4599	1	VALVE GP-STEERING						476
	5	1	8T-4223	3	WASHER-HARD (13.5X25.5X3-MM THK)						
M	6	1	8T-5041	3	BOLT (M12X1.75X120-MM)						

M-METRIC PART

Y-SEPARATE ILLUSTRATION



GRAPHIC #1

<END>

g01072648

STEERING SYSTEM

9T-3096 VALVE GP-CHECK

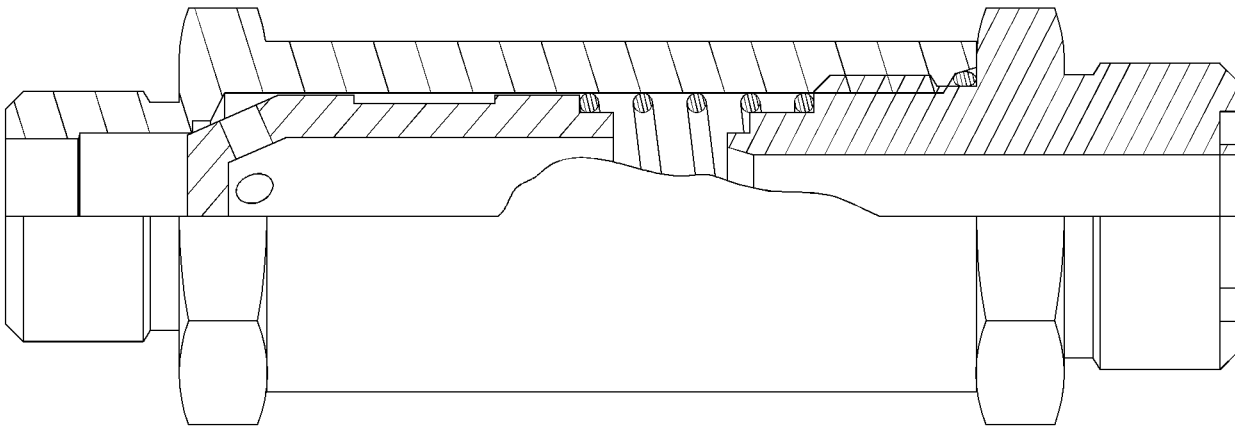
S/N: A7A1-UP

PART OF 132-6142 LINES GP-STEERING NEUTRALIZER

SMCS-4275, 5067

i04502210

NOTE	REF NO	GRAPHIC REF	PART NUMBER	QTY	PART NAME						SEE PAGE
					1	2	3	4	5	6 (PRODUCT LEVEL)	
(NO SERVICED PARTS)											



GRAPHIC #1

<END>

g01770194

STEERING SYSTEM

149-4617 VALVE GP-CHECK

S/N: A7A1-UP

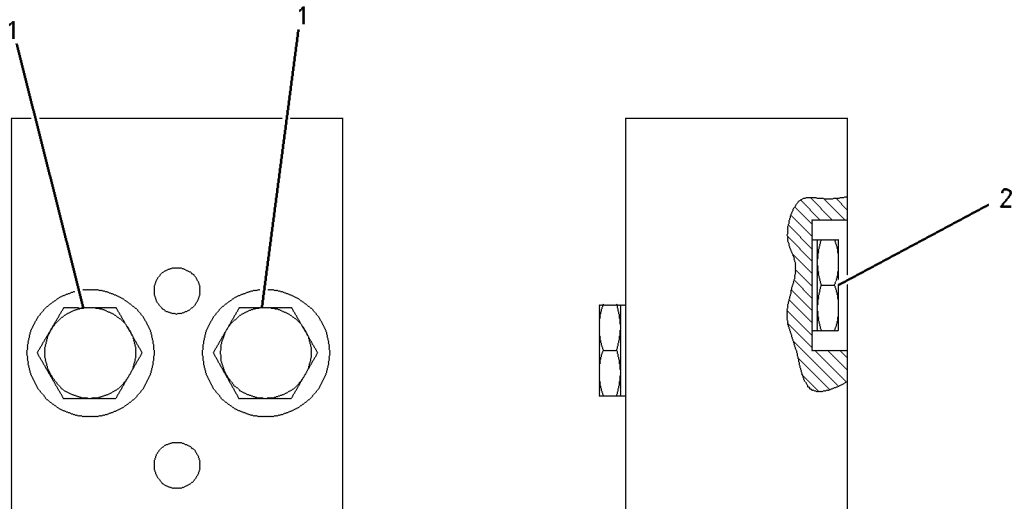
PART OF 132-6142 LINES GP-STEERING NEUTRALIZER

SMCS-4275, 5067

i04460238

NOTE	REF NO	GRAPHIC REF	PART NUMBER	QTY	PART NAME						SEE PAGE
					1	2	3	4	5	6 (PRODUCT LEVEL)	
Y	1	1	176-9369	2	VALVE GP-CHECK (STEERING)						466
Y	2	1	176-9370	2	VALVE GP-CHECK (STEERING)						467

Y-SEPARATE ILLUSTRATION



GRAPHIC #1

<END>

g00696391

STEERING SYSTEM

176-9369 VALVE GP-CHECK

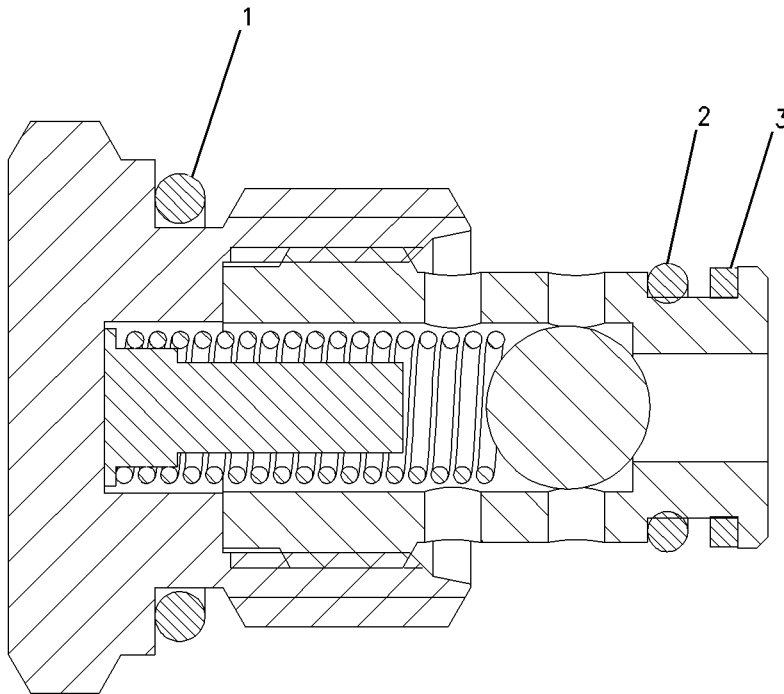
S/N: A7A1-UP

PART OF 149-4617 VALVE GP-CHECK

SMCS-4275, 5067

i04460891

NOTE	REF NO	GRAPHIC REF	PART NUMBER	QTY	PART NAME						SEE PAGE
					1	2	3	4	5	6 (PRODUCT LEVEL)	
	1	1	3K-0360	1	SEAL-O-RING						
	2	1	161-6154	1	SEAL-O-RING						
	3	1	6E-0381	1	RING-BACKUP						



GRAPHIC #1

<END>

g00707403

STEERING SYSTEM

176-9370 VALVE GP-CHECK

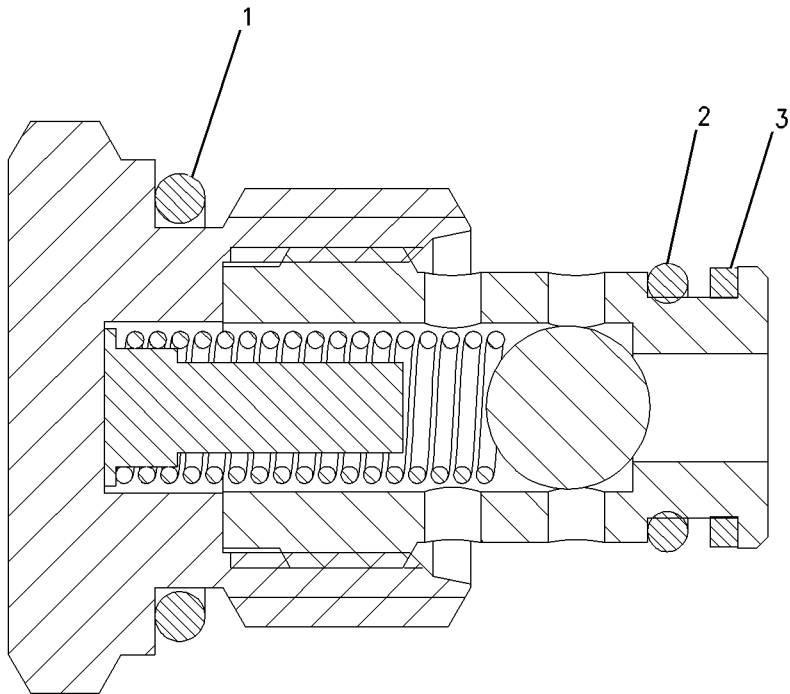
S/N: A7A1-UP

PART OF 149-4617 VALVE GP-CHECK

SMCS-4275, 5067

i04460886

NOTE	REF NO	GRAPHIC REF	PART NUMBER	QTY	PART NAME						SEE PAGE
					1	2	3	4	5	6 (PRODUCT LEVEL)	
	1	1	3K-0360	1	SEAL-O-RING						
	2	1	161-6154	1	SEAL-O-RING						
	3	1	6E-0381	1	RING-BACKUP						



GRAPHIC #1

<END>

g00707403

STEERING SYSTEM

249-5615 VALVE GP-PILOT-STIC STEERING

S/N: A7A1-UP

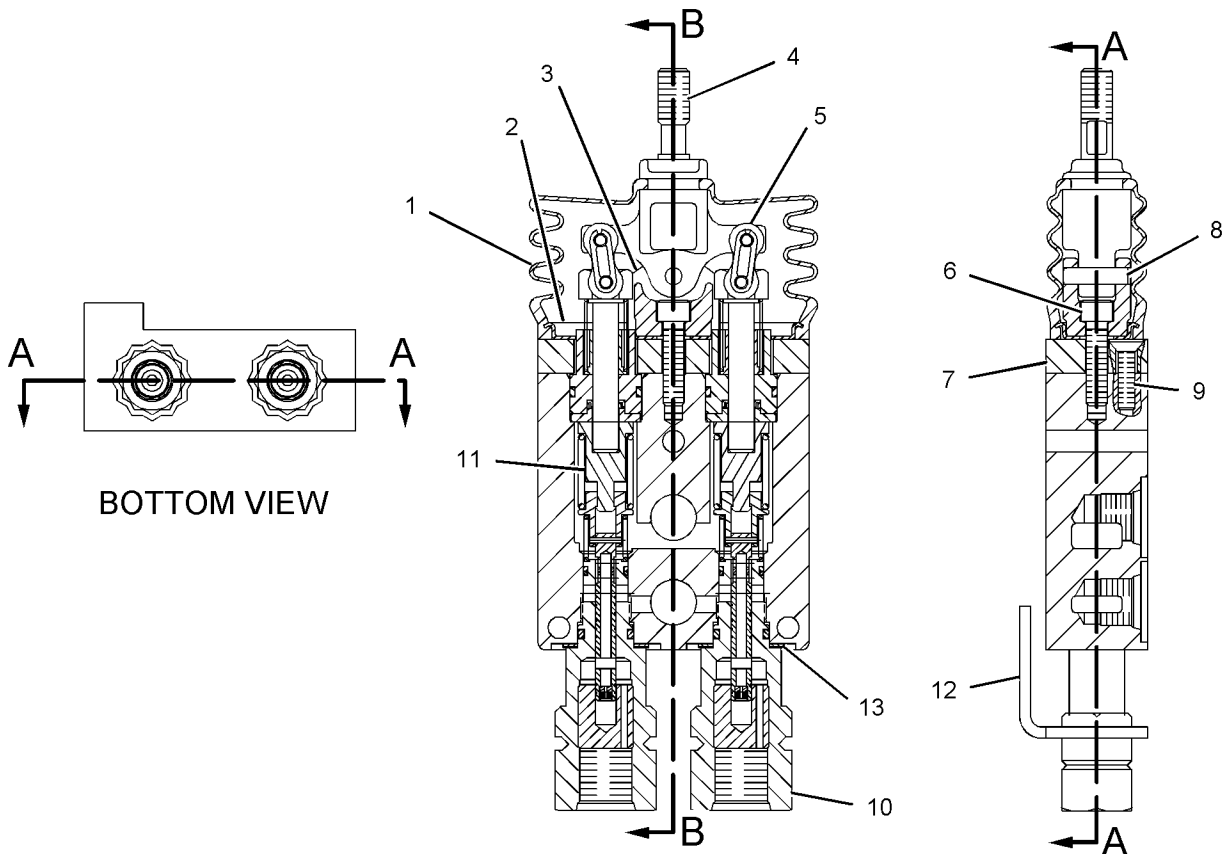
PART OF 141-4940 CONTROL GP-STEERING

SMCS-4342

i04468752

NOTE	REF NO	GRAPHIC REF	PART NUMBER	QTY	PART NAME						SEE PAGE
					1	2	3	4	5	6 (PRODUCT LEVEL)	
	1	1	104-4272	1	BOOT						
	2	1	104-4273	1	CLAMP						
	3	1	104-4256	1	BRACKET						
	4	1	104-4255	1	HANDLE						
	5	1	104-4270	2	LINK-CONNECTING						
	6	1	9F-6641	1	BOLT (5/16-18X1.25-IN)						
	7	1	104-4274	1	SPACER						
	8	1	104-4271	1	DOWEL						
	9	1	8M-6802	2	SCREW-HEX SOCKET (1/4-20X1-IN)						
Y	10	1	147-1238	2	VALVE GP-PILOT CARTRIDGE						470
Y	11	1	147-1237	2	VALVE GP-PILOT CARTRIDGE						469
	12	1	249-5616	1	BRACKET						
B	13	1	103-6319	2	SHIM (0.762-MM THK)						

B-USE AS REQUIRED
Y-SEPARATE ILLUSTRATION



SECTION A-A
<END>

SECTION B-B

GRAPHIC #1

g01093767

STEERING SYSTEM

147-1237 VALVE GP-PILOT CARTRIDGE

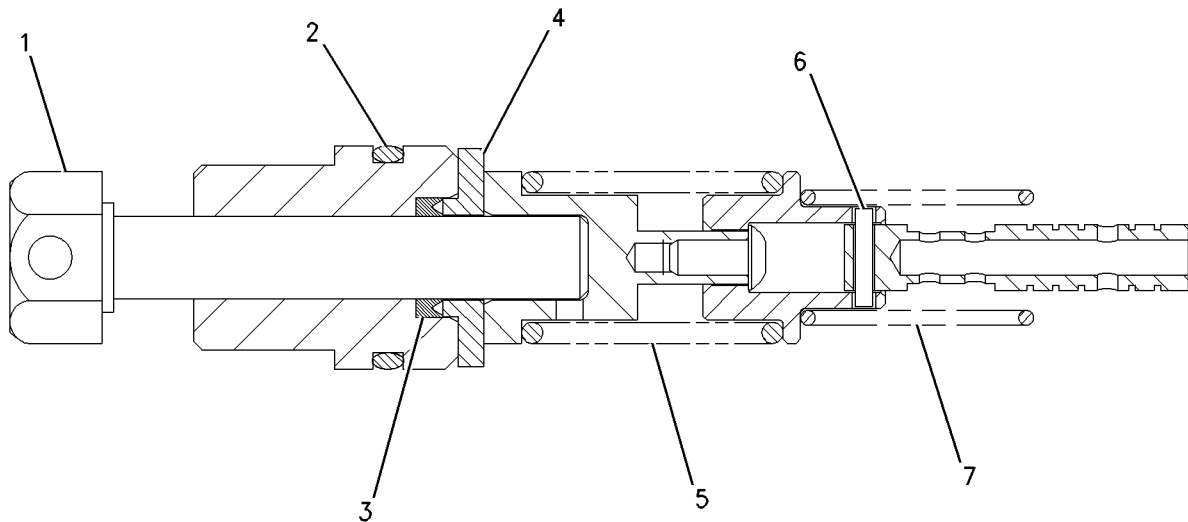
S/N: A7A1-UP

PART OF 249-5615 VALVE GP-PILOT

SMCS-4342

i04469021

NOTE	REF NO	GRAPHIC REF	PART NUMBER	QTY	PART NAME						SEE PAGE
					1	2	3	4	5	6 (PRODUCT LEVEL)	
	1	1	103-7410	1	PLUNGER						
	2	1	5P-8356	1	SEAL-O-RING						
J	3	1	147-3061	1	SEAL-SPOOL						
	4	1	6E-0763	1	RETAINER						
	5	1	103-7407	1	SPRING						
	6	1	6E-3769	1	PIN						
	7	1	6E-3767	1	SPRING						
AVAILABLE REPAIR KIT(S):											
J			1G-5928	1	KIT-PLUNGER SEAL						
(INCLUDES SEAL-O-RING)											
J-REPAIR KIT(S) MARKED J SERVICES PART(S) MARKED J											



GRAPHIC #1

<END>

g00751333

STEERING SYSTEM

147-1238 VALVE GP-PILOT CARTRIDGE

S/N: A7A1-UP

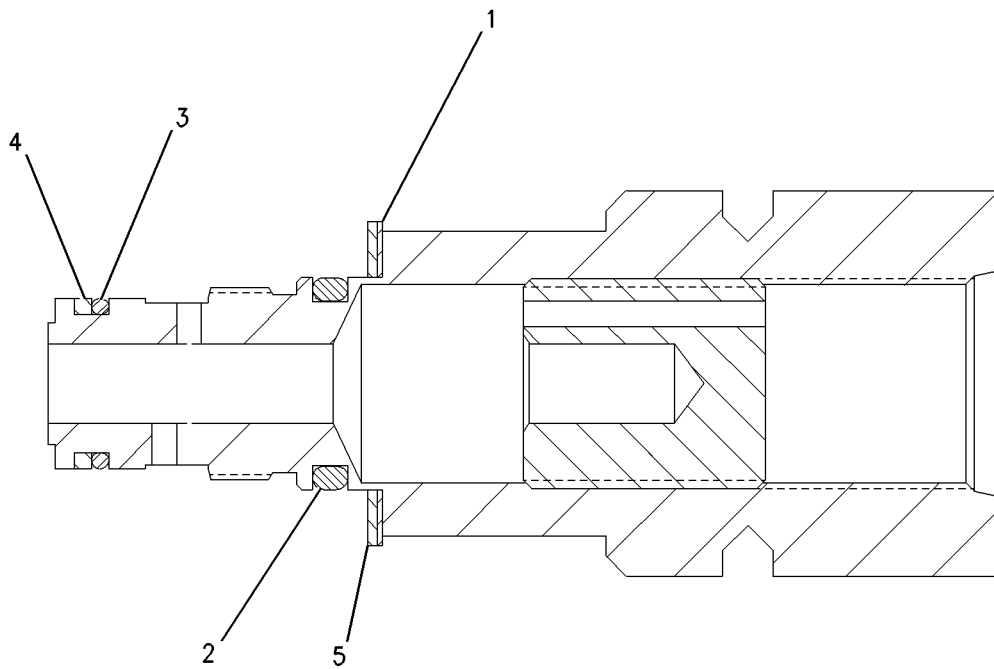
PART OF 249-5615 VALVE GP-PILOT

SMCS-4342

i04469175

NOTE	REF NO	GRAPHIC REF	PART NUMBER	QTY	PART NAME						SEE PAGE
					1	2	3	4	5	6 (PRODUCT LEVEL)	
B	1	1	103-6318	1	SHIM						
	2	1	095-1519	1	SEAL-O-RING						
	3	1	6V-5758	1	SEAL-O-RING						
	4	1	6E-0770	1	RING-BACKUP						
B	5	1	103-6319	1	SHIM (0.762-MM THK)						

B-USE AS REQUIRED



GRAPHIC #1

<END>

g00751167

STEERING SYSTEM

176-7520 VALVE GP-PUMP CONTROL-PRESSURE COMPENSATOR

S/N: A7A1-UP

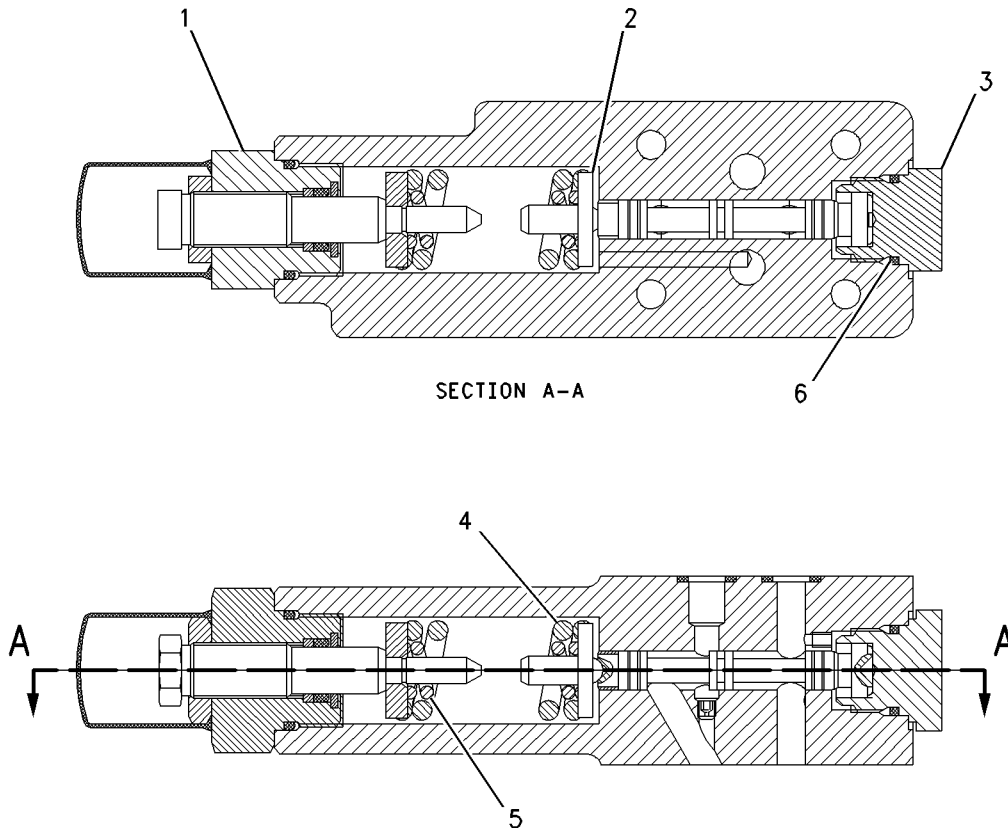
PART OF 153-9624 PUMP GP-PISTON

SMCS-5455

i04460896

NOTE	REF NO	GRAPHIC REF	PART NUMBER	QTY	PART NAME						SEE PAGE
					1	2	3	4	5	6 (PRODUCT LEVEL)	
JY	1	1	194-3286	1	PLUG GP-CONTROL VALVE (PRESSURE COMPENSATOR, STEERING)						457
	2	1	194-3285	1	RETAINER						
J	3	1	194-3287	1	PLUG						
	4	1	194-3288	1	SPRING						
	5	1	194-3289	1	SPRING						
J	6	1	6V-5142	1	SEAL-O-RING						
AVAILABLE REPAIR KIT(S):											
J			191-7607	1	KIT-VALVE REPAIR (PRESSURE COMPENSATOR VALVE) (INCLUDES PLUG ASSEMBLIES, SEAL-O-RINGS, RING-BACKUP, & PARTS MARKED J)						

J-KIT MARKED J SERVICES PARTS MARKED J
Y-SEPARATE ILLUSTRATION



GRAPHIC #1

<END>

g00751359

STEERING SYSTEM

6E-3986 VALVE GP-RELIEF

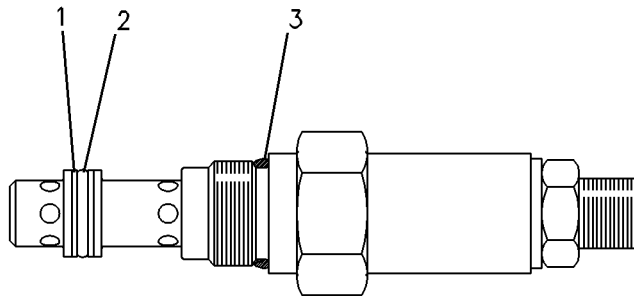
S/N: A7A1-UP

PART OF 301-4602 VALVE GP-STEERING
AN ATTACHMENT

SMCS-4322, 5069, 7428

i04487670

NOTE	REF NO	GRAPHIC REF	PART NUMBER	QTY	PART NAME						SEE PAGE
					1	2	3	4	5	6 (PRODUCT LEVEL)	
	1	1	7X-4776	2	RING-BACKUP						
	2	1	8C-3097	1	SEAL-O-RING						
	3	1	3K-0360	1	SEAL-O-RING						
					AVAILABLE REPAIR KIT(S):						
			6E-4753	1	KIT-SEAL						



GRAPHIC #1

<END>

g00119845

STEERING SYSTEM

6E-6188 VALVE GP-RELIEF

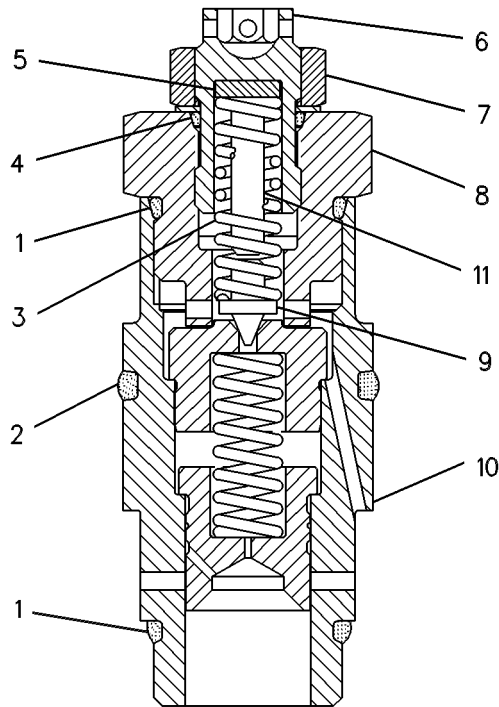
S/N: A7A1-UP

PART OF 301-4599, 301-4602 VALVE GP-STEERING
AN ATTACHMENT

SMCS-4322, 5069, 7428

i04487429

NOTE	REF NO	GRAPHIC REF	PART NUMBER	QTY	PART NAME						SEE PAGE
					1	2	3	4	5	6 (PRODUCT LEVEL)	
	1	1	7M-8485	2	SEAL-O-RING						
	2	1	4J-0522	1	SEAL-O-RING						
	3	1	4T-2770	1	SPRING						
	4	1	3K-0360	1	SEAL-O-RING						
	5	1	4Y-5812	1	PLATE						
	6	1	6E-5510	1	RETAINER AS						
	7	1	9X-6395	1	NUT (3/4-16-THD)						
	8	1	6E-1127	1	CAP						
	9	1	8J-0331	1	VALVE						
	10	1	6E-6138	1	VALVE GP-RELIEF (MAIN)						
		1	8H-3532	1	SPRING-VALVE						
	11	1	7J-2546	1	PISTON						



GRAPHIC #1

<END>

g00120937

STEERING SYSTEM

6E-5566 VALVE GP-SELECTOR & PRESS CONT

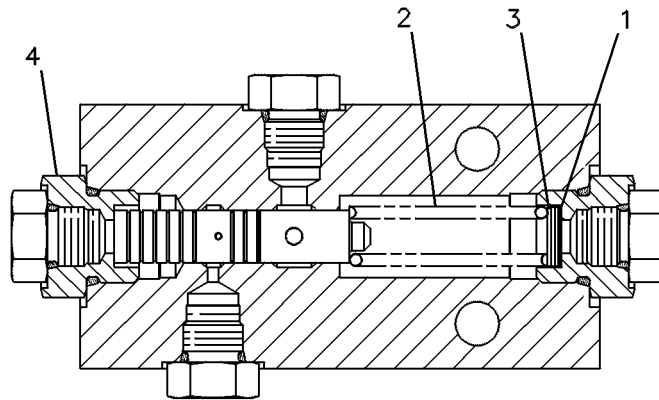
S/N: A7A1-UP

PART OF 132-6144 LINES GP-SECONDARY STEERING
AN ATTACHMENT

SMCS-4349

i04482669

NOTE	REF NO	GRAPHIC REF	PART NUMBER	QTY	PART NAME						SEE PAGE
					1	2	3	4	5	6 (PRODUCT LEVEL)	
	1	1	5S-7018	3	SPACER (7.54X14.15X0.25-MM THK)						
	2	1	7S-8553	1	SPRING						
	3	1	5S-7001	3	SPACER (7.54X14.15X0.9-MM THK)						
	4	1	108-3866	2	ADAPTER						
		1	2M-9780	2	SEAL-O-RING						



GRAPHIC #1

<END>

g00120846

STEERING SYSTEM

4T-1860 VALVE GP-SHUTTLE

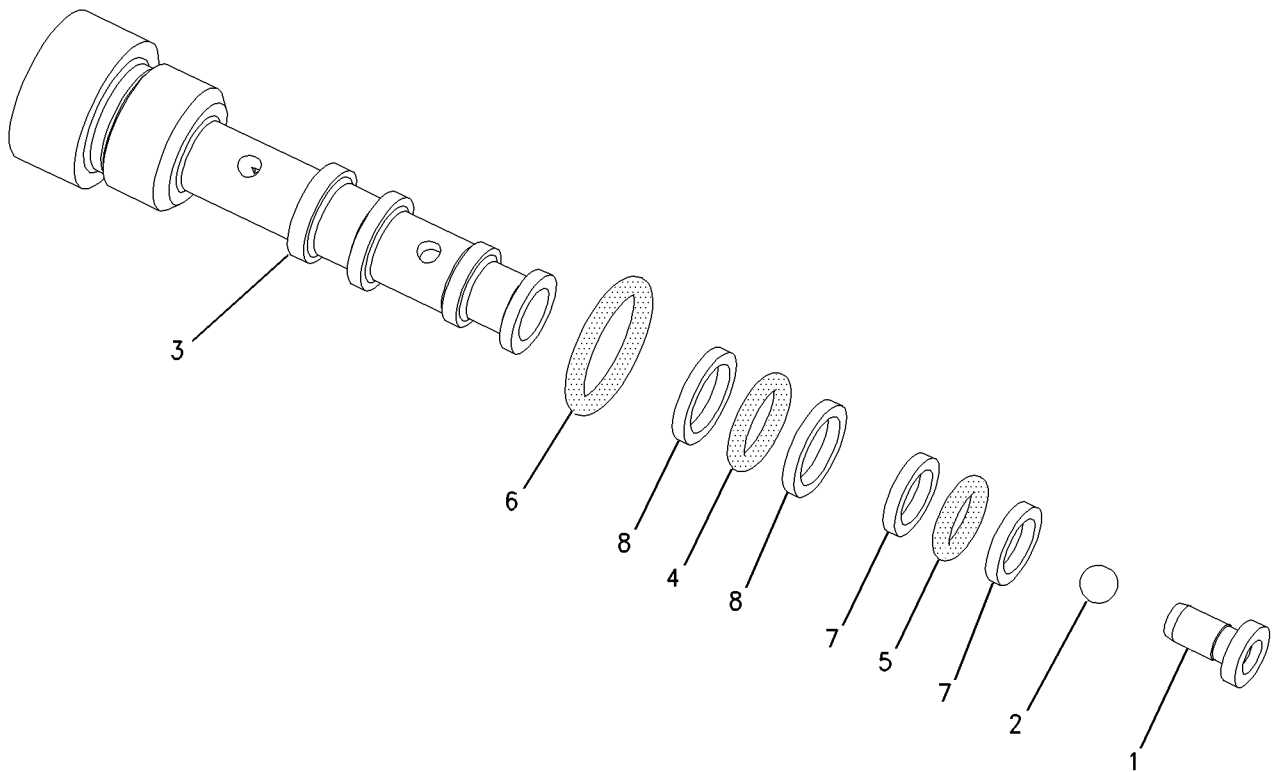
S/N: A7A1-UP

PART OF 222-4436 VALVE GP-CONTROL, 301-4599, 301-4602 VALVE GP-STEERING
AN ATTACHMENT

SMCS-4289, 5079

i04461033

NOTE	REF NO	GRAPHIC REF	PART NUMBER	QTY	PART NAME						SEE PAGE
					1	2	3	4	5	6 (PRODUCT LEVEL)	
	1	1	4T-0925	1	SEAT						
	2	1	1M-6718	1	BALL						
	3	1	4T-0928	1	VALVE						
	4	1	6V-5324	1	SEAL-O-RING						
	5	1	147-6603	1	SEAL-O-RING						
	6	1	3J-1907	1	SEAL-O-RING						
	7	1	147-6604	2	RING-BACKUP						
	8	1	147-6605	2	RING-BACKUP						



GRAPHIC #1

<END>

g00775006

STEERING SYSTEM

301-4599 VALVE GP-STEERING

S/N: A7A1-UP

PART OF 151-2384 STEERING AR
AN ATTACHMENT

SMCS-4307

i04479960

NOTE	REF NO	GRAPHIC REF	PART NUMBER	QTY	PART NAME						SEE PAGE
					1	2	3	4	5	6 (PRODUCT LEVEL)	
	1	2	1T-0936	2	PLUG-PIPE						
	2	2	2S-2596	2	SPRING						
Y	4	2	4T-1860	1	VALVE GP-SHUTTLE (LOAD SIGNAL, STEERING CYLINDER)						475
	5	1	6E-3775	1	RETAINER						
	6	2	6E-3779	2	PLUG AS (EACH INCLUDES)						
		2	7J-1089	1	PLUG						
		2	7M-5130	1	PIN-SPRING						
	7	1	6E-4499	1	SPRING						
	8	1	6E-4513	1	ADAPTER-O-RING						
	9	1	6E-4514	1	ADAPTER-O-RING						
Y	10	1	6E-6188	1	VALVE GP-RELIEF (PUMP BACKUP)						473
	11	1	7J-2927	1	WASHER (16.66X39.37X3.96-MM THK)						
	12	2	9T-7419	1	VALVE GP-RELIEF (STEERING CYLINDER CROSSOVER)						
		2	2M-9780	1	SEAL-O-RING						
		2	5P-2199	2	RING-BACKUP						
		2	6E-0410	1	SEAL-O-RING						
L	14	2	152-9152	1	PLUG GP						
	17	2	307-6457	1	SCREEN AS						
	18	2	307-6458	1	SPRING						
	19	2	148-8407	2	PLUG AS (EACH INCLUDES)						
		2	3J-1907	1	SEAL-O-RING						
		2	9S-4191	1	PLUG-O-RING						
	20	2	148-8409	3	PLUG AS (EACH INCLUDES)						
		2	3D-2824	1	SEAL-O-RING						
		2	9S-8008	1	PLUG-O-RING						
	21	1,2	155-3624	15	PLUG AS (EACH INCLUDES)						
		1,2	3J-7354	1	SEAL-O-RING						
		1,2	9S-4182	1	PLUG-O-RING						
	22	2	162-0177	1	PLUG AS						
		2	3J-1907	1	SEAL-O-RING						
		2	9S-8004	1	PLUG-O-RING						
	23	1	8T-4896	1	WASHER-HARD (10.2X18.5X2.5-MM THK)						
	24	2	183-7262	2	PLUG AS (EACH INCLUDES)						
		2	2S-4078	1	SEAL-O-RING						
		2	9S-8010	1	PLUG						
	25	2	1P-4579	2	FLANGE-HALF						
	26	1	292-4307	1	RETAINER						
	27	1	2S-4078	1	SEAL-O-RING						
	28	2	3J-1907	2	SEAL-O-RING						
	29	2	4B-9782	2	BALL						
B	30	1	4J-8224	5	SHIM (0.254-MM THK)						
B	31	1	5J-4776	1	SHIM (0.127-MM THK)						
J	32	2	6E-4286	1	VALVE GP-PRESSURE REDUCING (STEERING PILOT OIL REGULATOR)						
	33	1	6E-4500	1	SPRING						
	34	1	6K-6307	1	SEAL-O-RING						
M	35	1	8T-2223	1	BOLT-SOCKET HEAD (M10X1.5X45-MM)						
M	36	2	8T-4183	4	BOLT (M12X1.75X40-MM)						
	37	2	8T-4223	5	WASHER-HARD (13.5X25.5X3-MM THK)						

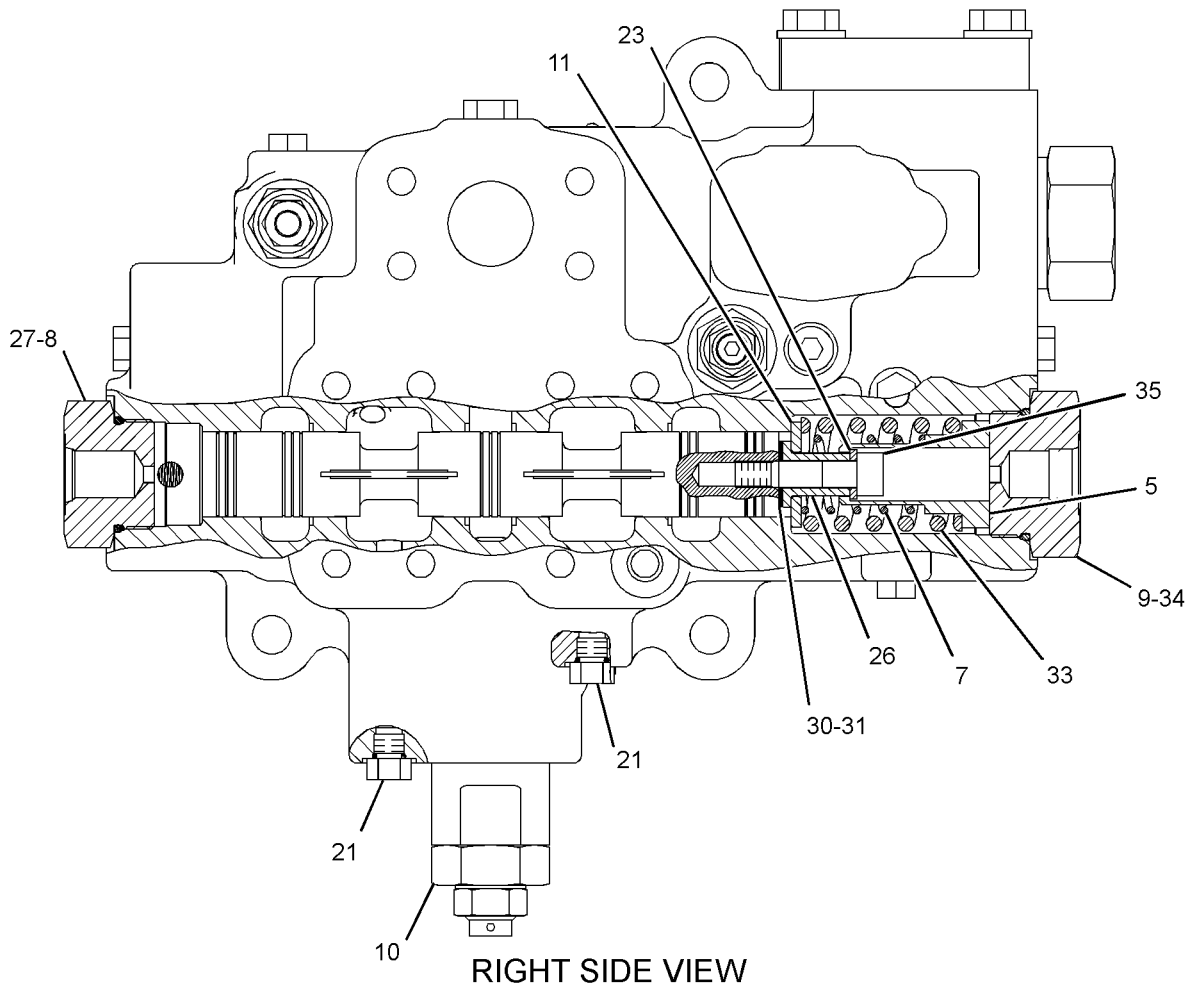
STEERING SYSTEM

301-4599 VALVE GP-STEERING (contd.)

i04479960

NOTE	REF NO	GRAPHIC REF	PART NUMBER	QTY	PART NAME						SEE PAGE
					1	2	3	4	5	6 (PRODUCT LEVEL)	
	38	2	9J-9821	2	SEAT						
AVAILABLE REPAIR KIT(S):											
J			6E-4287	1	KIT-SEAL (PRESSURE REDUCING VALVE) (INCLUDES SEALS & RINGS)						
L			2U-7354	1	KIT-SEAL (DIVERter VALVE) (INCLUDES SEAL-O-RINGS & BACKUP RINGS)						

B-USE AS REQUIRED
 J-KIT MARKED J SERVICES PART MARKED J
 L-KIT MARKED L SERVICES PART MARKED L
 M-METRIC PART
 Y-SEPARATE ILLUSTRATION



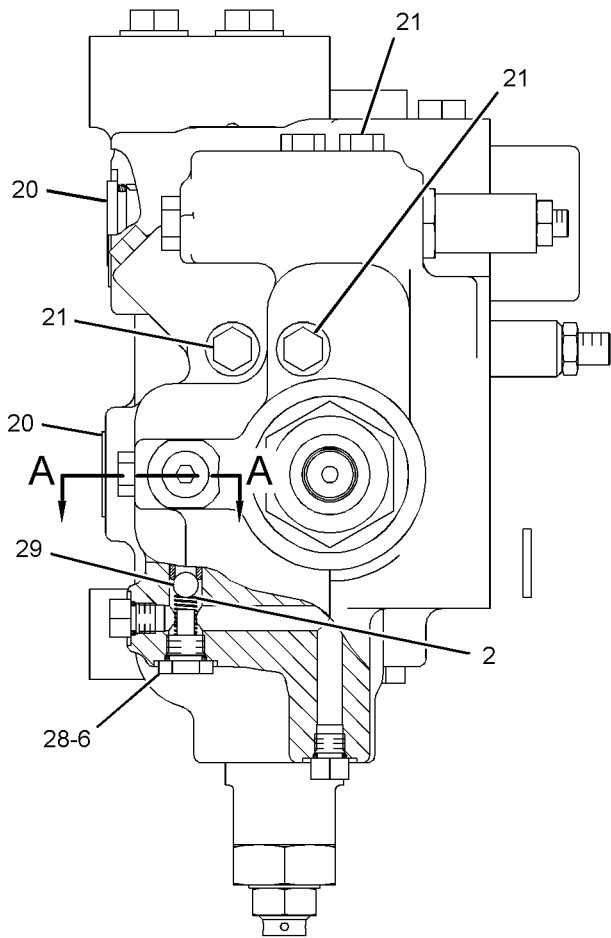
GRAPHIC #1

g01423184

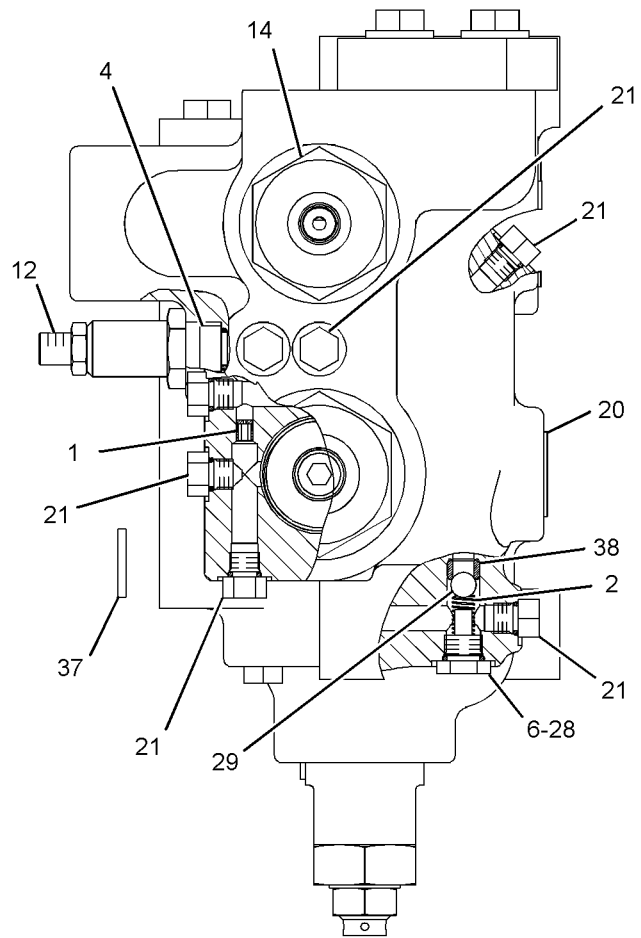
STEERING SYSTEM

301-4599 VALVE GP-STEERING (contd.)

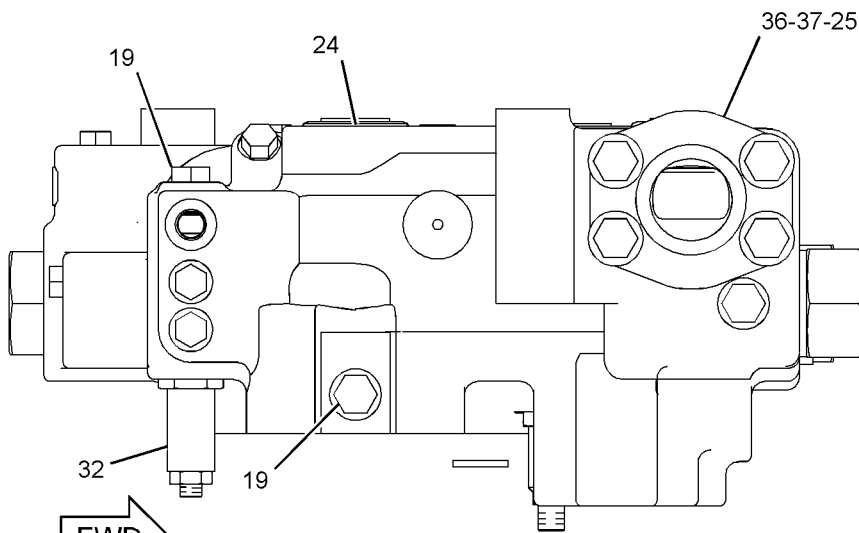
i04479960



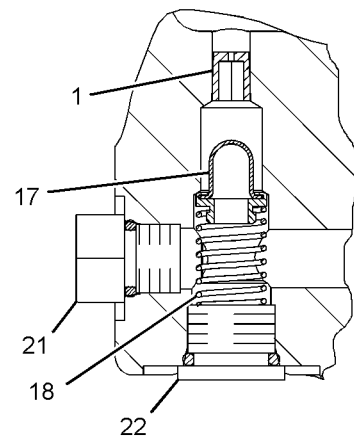
REAR VIEW



FRONT VIEW



TOP VIEW



SECTION A-A

GRAPHIC #2

<END>

g01426683

STEERING SYSTEM

301-4602 VALVE GP-STEERING

S/N: A7A1-UP

PART OF 132-6144 LINES GP-SECONDARY STEERING
AN ATTACHMENT

SMCS-4307

i04491038

NOTE	REF NO	GRAPHIC REF	PART NUMBER	QTY	PART NAME						SEE PAGE
					1	2	3	4	5	6 (PRODUCT LEVEL)	
	1	2	1T-0936	2	PLUG-PIPE						
	2	2	1U-0323	1	PLUG AS						
		2	1U-0322	1	BUSHING						
		2	3G-2683	1	PLUG						
	3	2	2S-2596	2	SPRING						
J	4	2	2U-7345	1	VALVE-DIVERTER (SECONDARY STEERING)						
	5	2	4B-4158	1	SCREW-DRIVE (NO 4X0.25-IN)						
Y	6	2	4T-1860	1	VALVE GP-SHUTTLE (LOAD SIGNAL, STEERING CYLINDER)						475
	7	1	6E-3775	1	RETAINER						
	8	2	6E-3779	2	PLUG AS						
					(EACH INCLUDES)						
		2	7J-1089	1	PLUG						
		2	7M-5130	1	PIN-SPRING						
	9	2	6E-3780	1	VALVE (PRIMARY STEERING PUMP CHECK)						
	10	1	6E-4499	1	SPRING						
	11	1	6E-4513	1	ADAPTER-O-RING						
	12	1	6E-4514	1	ADAPTER-O-RING						
Y	13	1	6E-6188	1	VALVE GP-RELIEF (PUMP BACKUP)						473
	14	1	7J-2927	1	WASHER (16.66X39.37X3.96-MM THK)						
	15	2	7J-7423	1	VALVE (SECONDARY STEERING PUMP CHECK)						
	16	2	7S-8491	1	SPRING						
	17	2	9T-7419	1	VALVE GP-RELIEF (STEERING CYLINDER CROSSOVER)						
	21	2	307-6457	1	SCREEN AS						
	22	2	307-6458	1	SPRING						
	23	2	148-8407	3	PLUG AS						
					(EACH INCLUDES)						
		2	3J-1907	1	SEAL-O-RING						
		2	9S-4191	1	PLUG-O-RING						
	24	2	148-8409	3	PLUG AS						
					(EACH INCLUDES)						
		2	3D-2824	1	SEAL-O-RING						
		2	9S-8008	1	PLUG-O-RING						
	25	1,2	155-3624	15	PLUG AS						
					(EACH INCLUDES)						
		1,2	3J-7354	1	SEAL-O-RING						
		1,2	9S-4182	1	PLUG-O-RING						
	26	1	8T-4896	1	WASHER-HARD (10.2X18.5X2.5-MM THK)						
	27	2	162-0177	1	PLUG AS						
		2	3J-1907	1	SEAL-O-RING						
		2	9S-8004	1	PLUG-O-RING						
	28	2	183-7262	1	PLUG AS						
		2	2S-4078	1	SEAL-O-RING						
		2	9S-8010	1	PLUG						
	29	1,2	292-4307	1	RETAINER						
	30	1	183-7263	1	PLUG AS						
		1	3J-7354	1	SEAL-O-RING						
		1	9S-8002	1	PLUG-O-RING						
	31	2	1P-4579	2	FLANGE-HALF						
	32	1,2	2S-4078	2	SEAL-O-RING						
	33	2	3J-1907	2	SEAL-O-RING						
	34	2	4B-9782	2	BALL						
B	35	1	4J-8224	5	SHIM (0.254-MM THK)						
	36	2	5J-3419	1	SPRING						
B	37	1	5J-4776	1	SHIM (0.127-MM THK)						

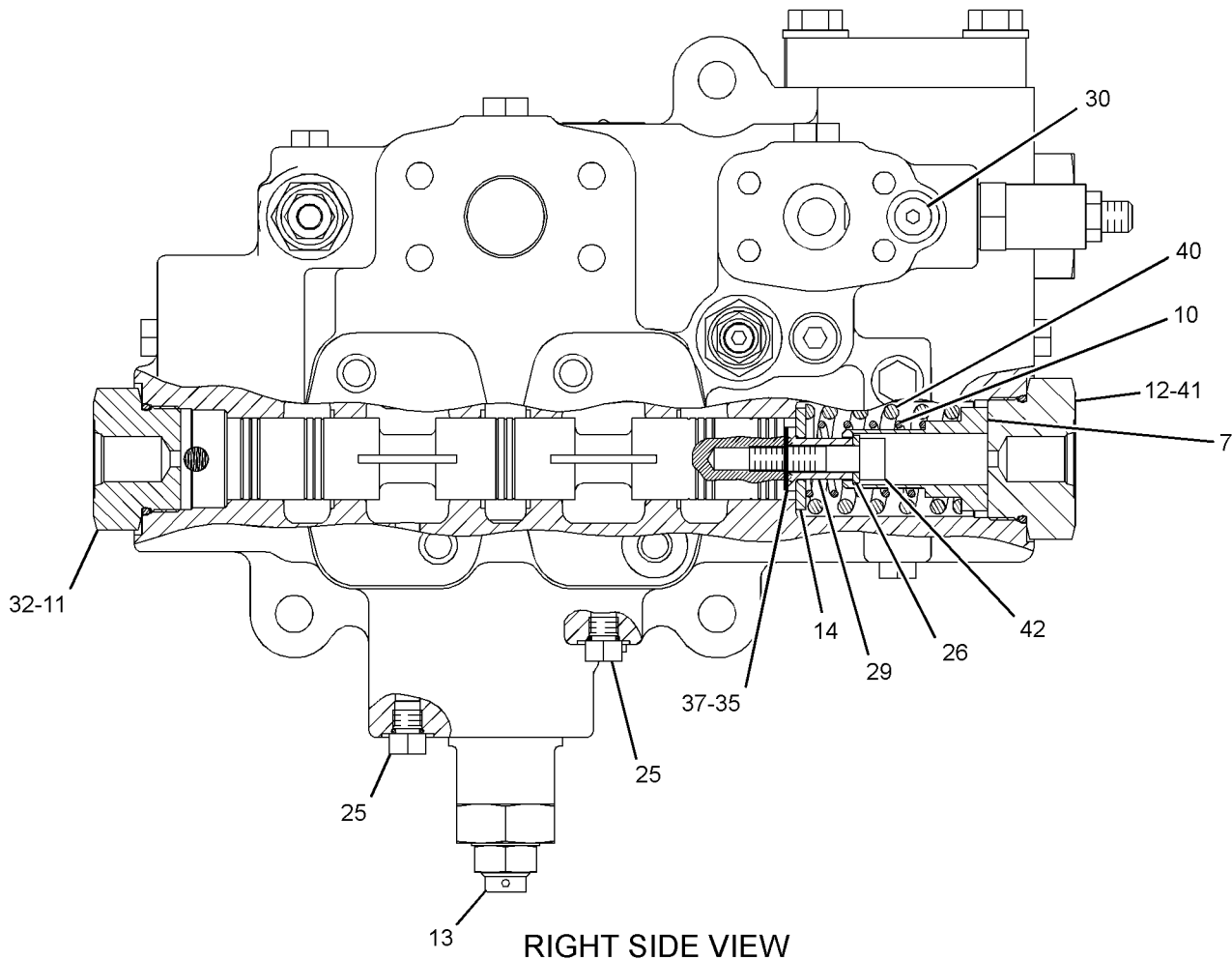
STEERING SYSTEM

301-4602 VALVE GP-STEERING (contd.)

i04491038

NOTE	REF NO	GRAPHIC REF	PART NUMBER	QTY	PART NAME						SEE PAGE
					1	2	3	4	5	6 (PRODUCT LEVEL)	
Y	38	2	6E-3986	1	VALVE GP-RELIEF (SECONDARY STEERING)						472
L	39	2	6E-4286	1	VALVE GP-PRESSURE REDUCING (STEERING PILOT OIL REGULATOR)						
	40	1	6E-4500	1	SPRING						
	41	1	6K-6307	1	SEAL-O-RING						
M	42	1	8T-2223	1	BOLT-SOCKET HEAD (M10X1.5X45-MM)						
M	43	2	8T-4183	4	BOLT (M12X1.75X40-MM)						
	44	2	8T-4223	5	WASHER-HARD (13.5X25.5X3-MM THK)						
	45	2	9J-9821	2	SEAT						
AVAILABLE REPAIR KIT(S):											
J			2U-7354	1	KIT-SEAL (DIVERTER VALVE) (INCLUDES SEAL-O-RINGS & BACKUP RINGS)						
L			6E-4287	1	KIT-SEAL (PRESSURE REDUCING VALVE) (INCLUDES SEALS & RINGS)						

B-USE AS REQUIRED
 J-KIT MARKED J SERVICES PART MARKED J
 L-KIT MARKED L SERVICES PART MARKED L
 M-METRIC PART
 Y-SEPARATE ILLUSTRATION



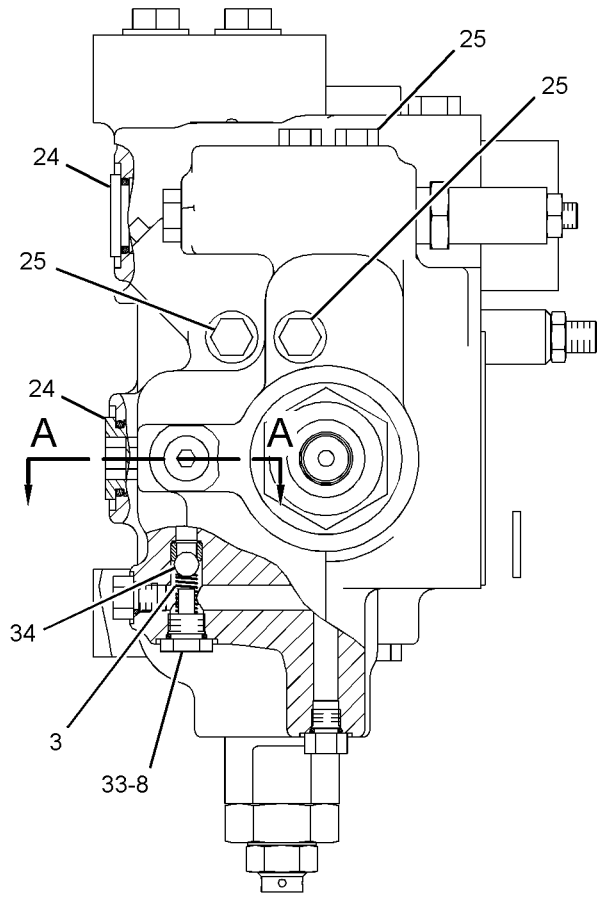
GRAPHIC #1

g01423147

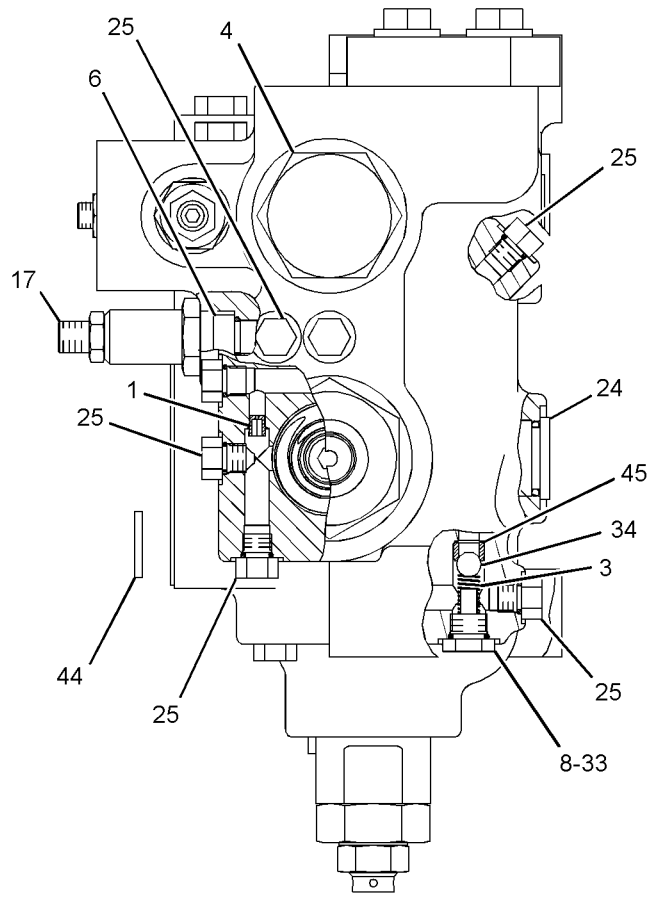
STEERING SYSTEM

301-4602 VALVE GP-STEERING (contd.)

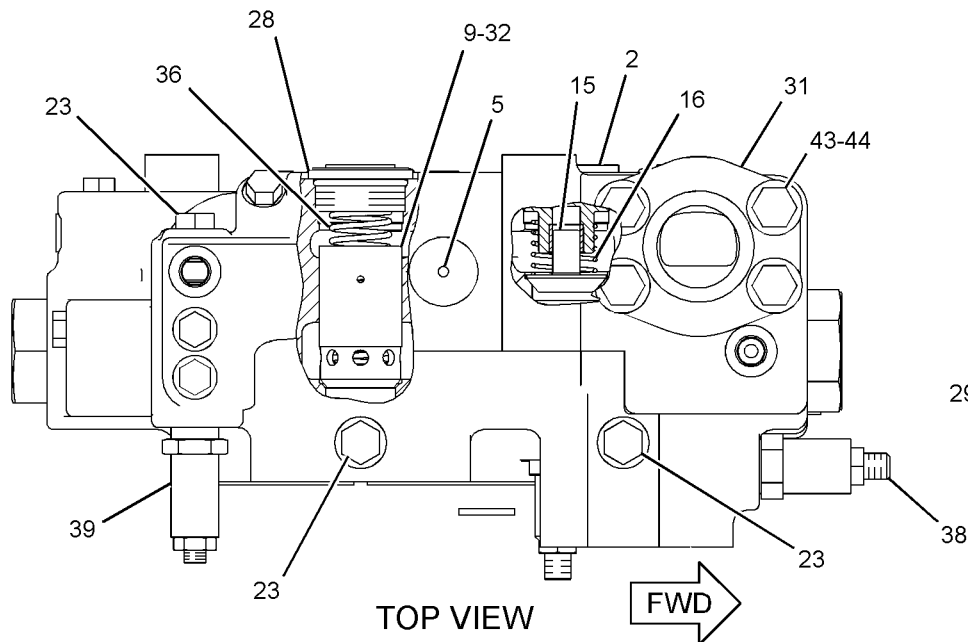
i04491038



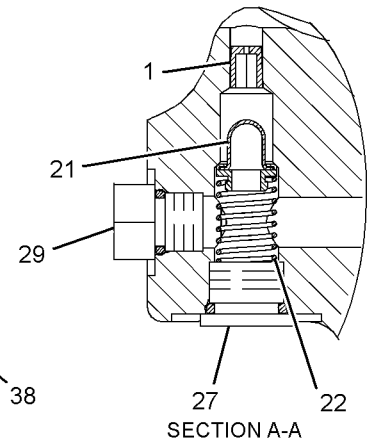
REAR VIEW



FRONT VIEW



TOP VIEW



SECTION A-A

GRAPHIC #2

<END>

g01423129

STEERING SYSTEM

296-5662 VALVE GP-STEERING NEUTRALIZER- STIC STEERING

S/N: A7A1-UP

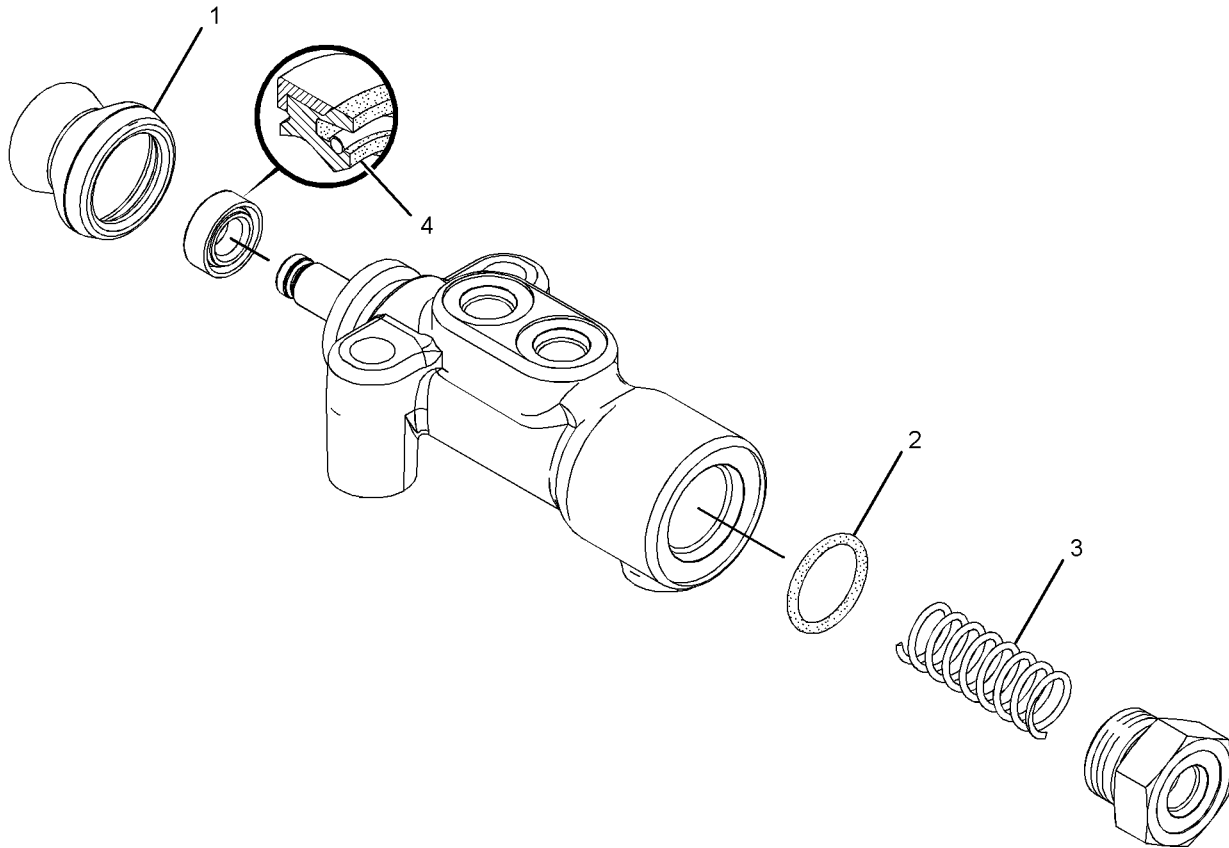
PART OF 132-6142 LINES GP-STEERING NEUTRALIZER

SMCS-4330

i04460236

NOTE	REF NO	GRAPHIC REF	PART NUMBER	QTY	PART NAME						SEE PAGE
					1	2	3	4	5	6 (PRODUCT LEVEL)	
	1	1	6J-4568	1	BOOT						
	2	1	3D-2824	1	SEAL-O-RING						
	3	1	293-5263	1	SPRING						
	4	1	315-5160	1	SEAL-LIP TYPE						

PARTS SHOWN IN GRAPHIC(S) WITHOUT A REFERENCE NUMBER ARE NOT SERVICED SEPARATELY



GRAPHIC #1

<END>

g01955696

HYDRAULIC SYSTEM

217-6719 ACTUATOR GP-PILOT CONTROL- PROPORTIONAL SOLENOID

S/N: A7A1-UP

PART OF 222-4436, 318-2925 VALVE GP-CONTROL
AN ATTACHMENT

SMCS-5078

i04461032

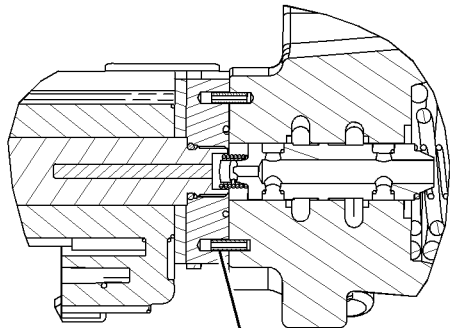
NOTE	REF NO	GRAPHIC REF	PART NUMBER	QTY	PART NAME						SEE PAGE
					1	2	3	4	5	6 (PRODUCT LEVEL)	
	1	1	118-5083	1	HOUSING						
	2	1	118-5085	1	RETAINER						
	3	1	118-5086	1	SPRING						
	4	1	118-5087	1	SPRING						
	5	1	326-5212	1	COIL AS (24-VOLT)						
	6	1	316-1438	1	CARTRIDGE AS						
	7	1	155-2251	1	PLATE						
	8	1	164-5567	1	COUPLER AS-QUICK DISCONNECT (MALE)						
		1	6V-3965	1	FITTING (QUICK DISCONNECT)						
		1	214-7568	1	SEAL-O-RING						
	9	1	162-0177	2	PLUG AS						
					(EACH INCLUDES)						
		1	3J-1907	1	SEAL-O-RING						
		1	9S-8004	1	PLUG-O-RING						
	10	1	030-4605	1	SEAL-O-RING						
	11	1	191-9247	1	WASHER (19.15X31.65X2.36-MM THK)						
	12	1	121-2051	1	SPRING						
	13	1	177-1405	1	SPRING						
	14	1	1P-3709	1	SEAL-RECTANGULAR						
	15	1	2D-6648	1	RING-RETAINING						
	16	1	3C-8388	2	PIN-ROLL						
	17	1	6K-0806	1	STRAP-CABLE						
	18	1	5H-6005	2	SEAL-O-RING						
M	19	1	8T-3998	4	BOLT (M4X0.7X12-MM)						
	20	1	6V-0852	1	CAP-DUST						
	21	1	198-2914	1	NUT (3/4-32-THD)						

M-METRIC PART

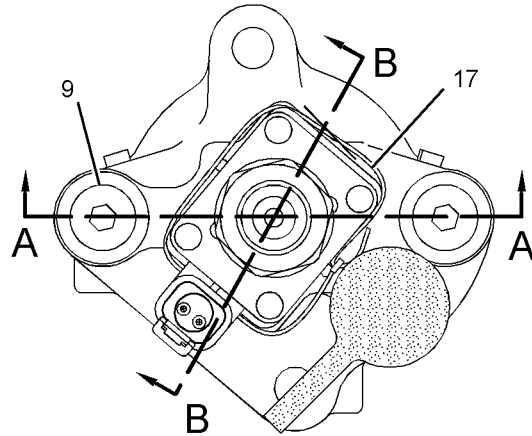
HYDRAULIC SYSTEM

217-6719 ACTUATOR GP-PILOT CONTROL (contd.)

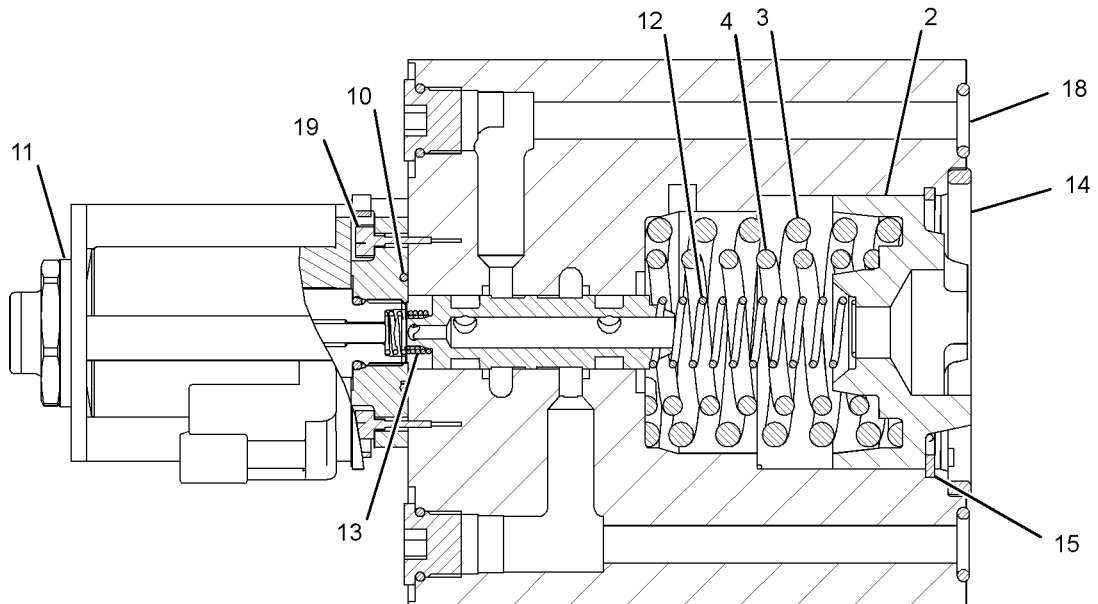
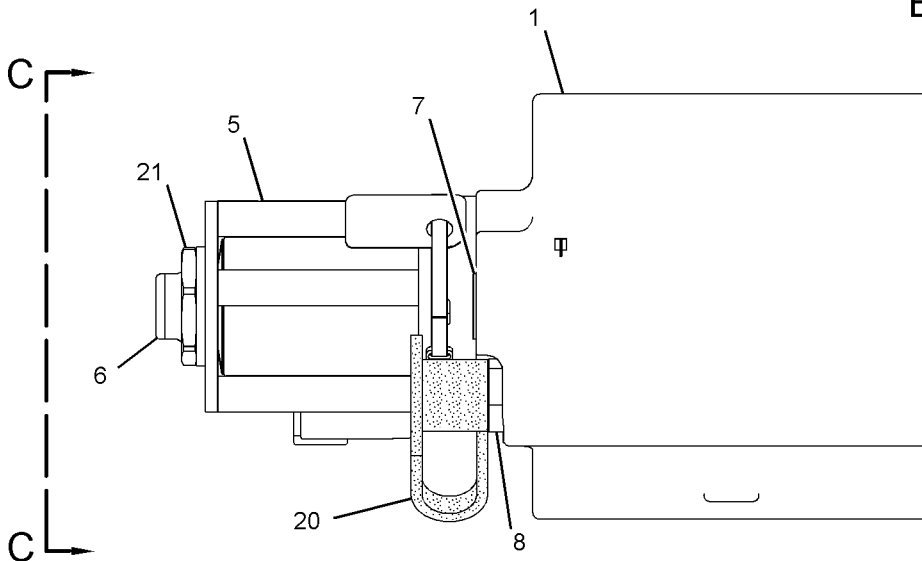
i04461032



SECTION B-B



VIEW C-C



SECTION A-A

GRAPHIC #1

<END>

g02059854

HYDRAULIC SYSTEM

217-6720 ACTUATOR GP-PILOT CONTROL- PROPORTIONAL SOLENOID

S/N: A7A1-UP

PART OF 222-4436 VALVE GP-CONTROL
AN ATTACHMENT

SMCS-5078

i03820169

NOTE	REF NO	GRAPHIC REF	PART NUMBER	QTY	PART NAME						SEE PAGE
					1	2	3	4	5	6 (PRODUCT LEVEL)	
	1	1	118-5083	1	HOUSING						
	2	1	118-5085	1	RETAINER						
	3	1	118-5086	1	SPRING						
	4	1	118-5087	1	SPRING						
	5	1	326-5212	1	COIL AS (24-VOLT)						
	6	1	316-1438	1	CARTRIDGE AS						
		1	214-7568	2	SEAL-O-RING						
	7	1	155-2251	1	PLATE						
	8	1	164-5567	1	COUPLER AS-QUICK DISCONNECT (MALE)						
		1	6V-3965	1	FITTING (QUICK DISCONNECT)						
		1	214-7568	1	SEAL-O-RING						
9	1	1	162-0177	2	PLUG AS						
					(EACH INCLUDES)						
		1	9S-8004	1	PLUG-O-RING						
		1	3J-1907	1	SEAL-O-RING						
10	1	1	030-4605	1	SEAL-O-RING						
11	1	1	191-9247	1	WASHER (19.15X31.65X2.36-MM THK)						
12	1	1	121-2051	1	SPRING						
13	1	1	177-1405	1	SPRING						
14	1	1	1P-3709	1	SEAL-RECTANGULAR						
15	1	1	2D-6648	1	RING-RETAINING						
16	1	1	3C-8388	2	PIN-ROLL						
18	1	1	5H-6005	2	SEAL-O-RING						
M	19	1	8T-3998	4	BOLT (M4X0.7X12-MM)						
	20	1	6V-0852	1	CAP-DUST						
	21	1	6K-0806	1	STRAP-CABLE						
	22	1	198-2914	1	NUT (3/4-32-THD)						
F			1H-5728	1	SEAL-O-RING						

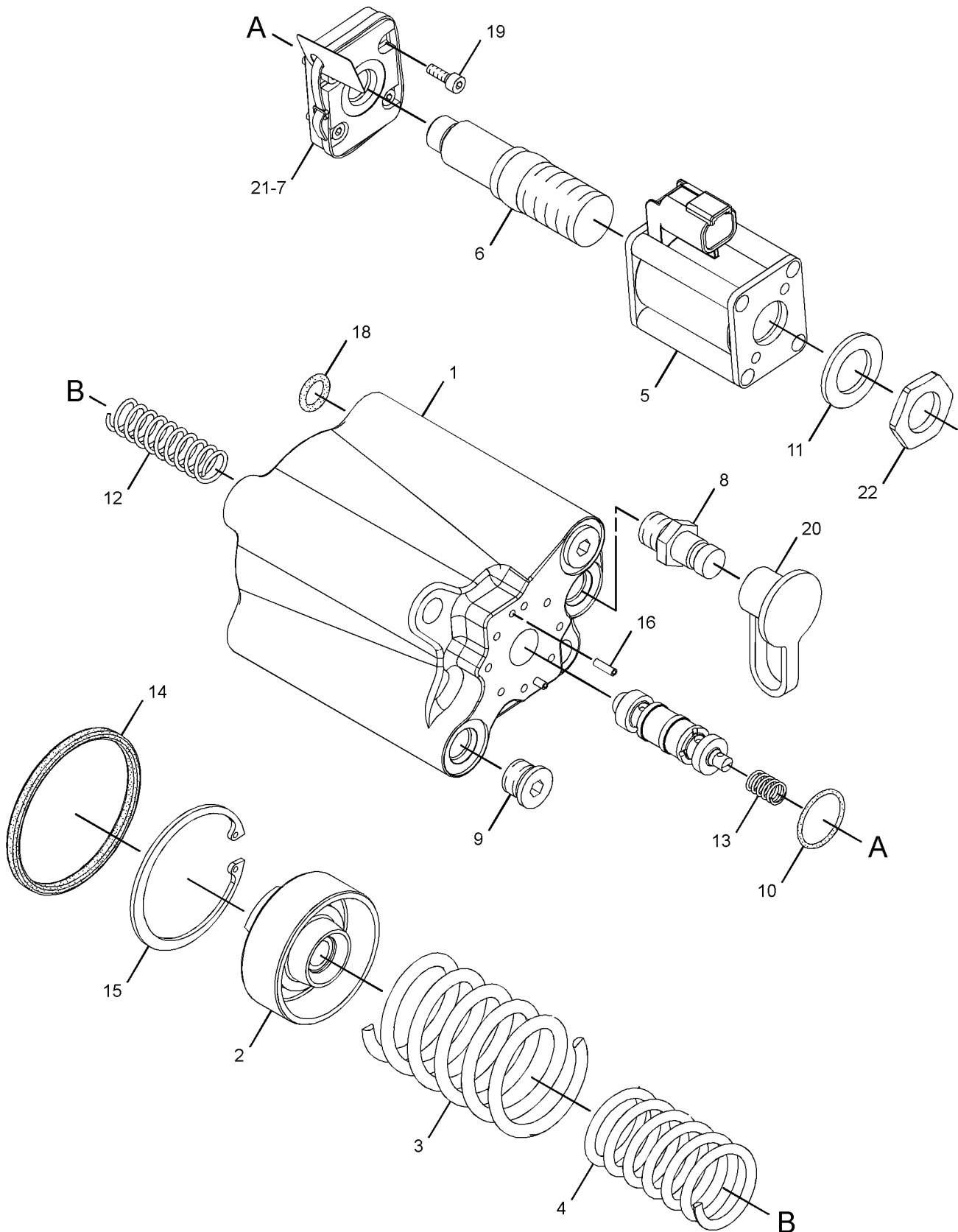
PARTS SHOWN IN GRAPHIC(S) WITHOUT A REFERENCE
NUMBER ARE NOT SERVICED SEPARATELY

F-NOT SHOWN
M-METRIC PART

HYDRAULIC SYSTEM

217-6720 ACTUATOR GP-PILOT CONTROL (contd.)

i03820169



GRAPHIC #1

<END>

g01875120

HYDRAULIC SYSTEM

164-0058 COOLER GP-HYDRAULIC OIL

S/N: A7A1-UP

PART OF 284-2735 CHASSIS AR

SMCS-1374

i04456229

NOTE	REF NO	GRAPHIC REF	PART NUMBER	QTY	PART NAME						SEE PAGE
					1	2	3	4	5	6 (PRODUCT LEVEL)	
	1	1	1M-6298	4	CLAMP-MOUNTING						
	2	1	1P-5411	2	SLEEVE						
	3	1	1P-5412	4	BUSHING-TERMINAL						
	4	1	3H-8726	2	MOUNT AS						
	5	1	4S-8875	2	SPACER (13.5X38X22.6-MM THK)						
	6	1	204-2640	1	CORE AS-HYDRAULIC OIL COOLER						
	7	1	7X-0590	2	WASHER-HARD (13.5X44.5X6-MM THK)						
M	8	1	7X-2549	2	BOLT (M12X1.75X100-MM)						
	9	1	8T-4121	8	WASHER-HARD (11X21X2.5-MM THK)						
M	10	1	8T-4172	6	BOLT (M10X1.5X80-MM)						
M	11	1	8T-4194	2	BOLT (M12X1.75X50-MM)						
	12	1	8T-4223	4	WASHER-HARD (13.5X25.5X3-MM THK)						
M	13	1	8T-4244	2	NUT (M12X1.75-THD)						
I	14	1	204-0341	1	HOSE AS						
	15	1	<i>148-8327</i>	1	CONNECTOR AS						
		1	3D-2824	1	SEAL-O-RING						
		1	6V-8637	1	CONNECTOR						
		1	6V-9746	1	SEAL-O-RING						
	16	1	<i>148-8347</i>	1	ELBOW AS						
		1	3D-2824	1	SEAL-O-RING						
		1	6V-9007	1	ELBOW						
		1	6V-9746	1	SEAL-O-RING						
	17	1	4S-4455	2	CLIP						
M	18	1	8T-4137	2	BOLT (M10X1.5X20-MM)						

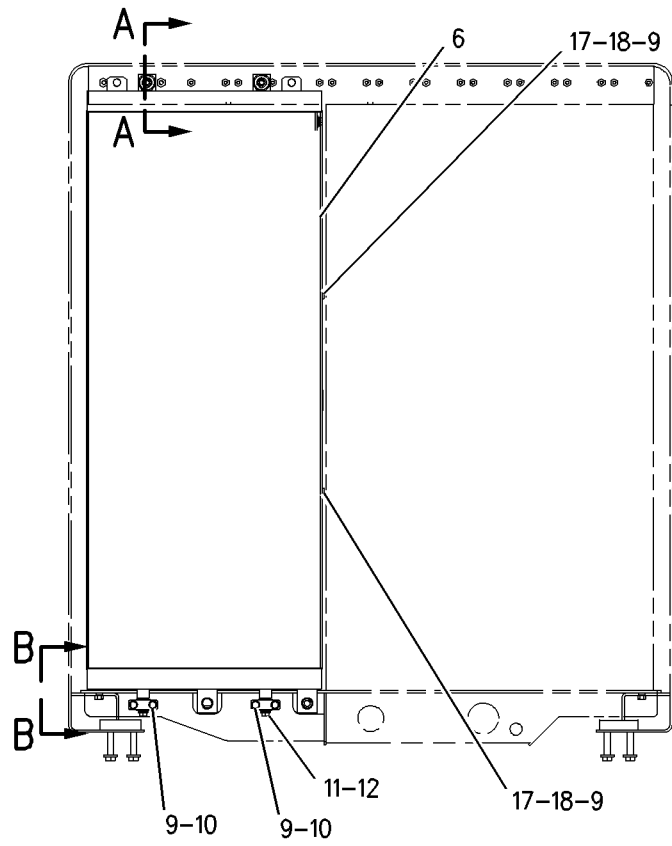
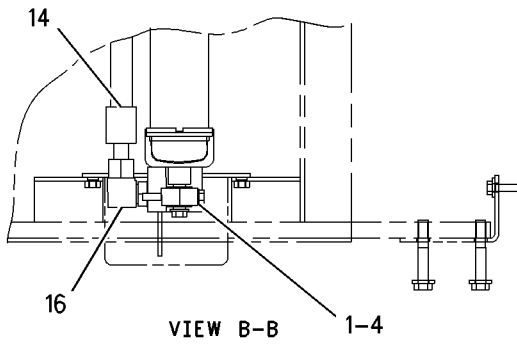
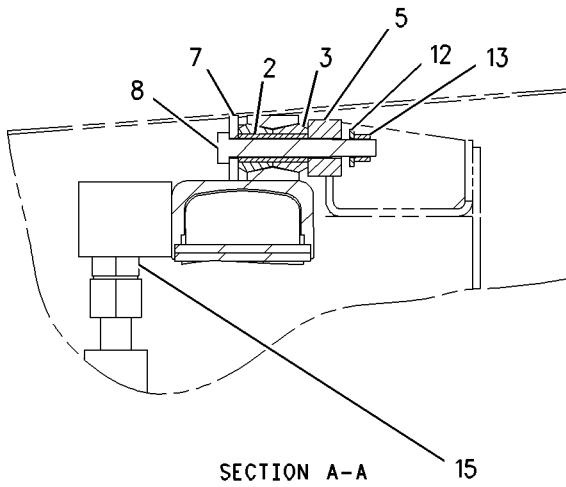
I-REFER TO HYDRAULIC INFORMATION SYSTEM

M-METRIC PART

HYDRAULIC SYSTEM

164-0058 COOLER GP-HYDRAULIC OIL (contd.)

i04456229



GRAPHIC #1

<END>

g00814585

HYDRAULIC SYSTEM

173-8612 CYLINDER GP-LIFT-RH

S/N: A7A1-UP

220MM BORE X 911MM STROKE

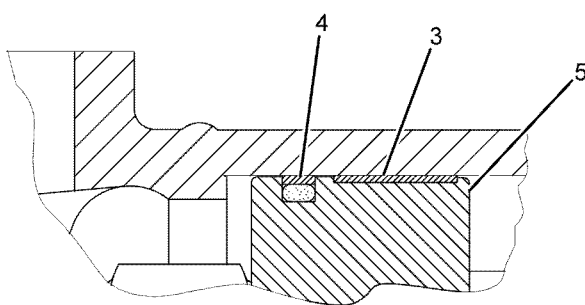
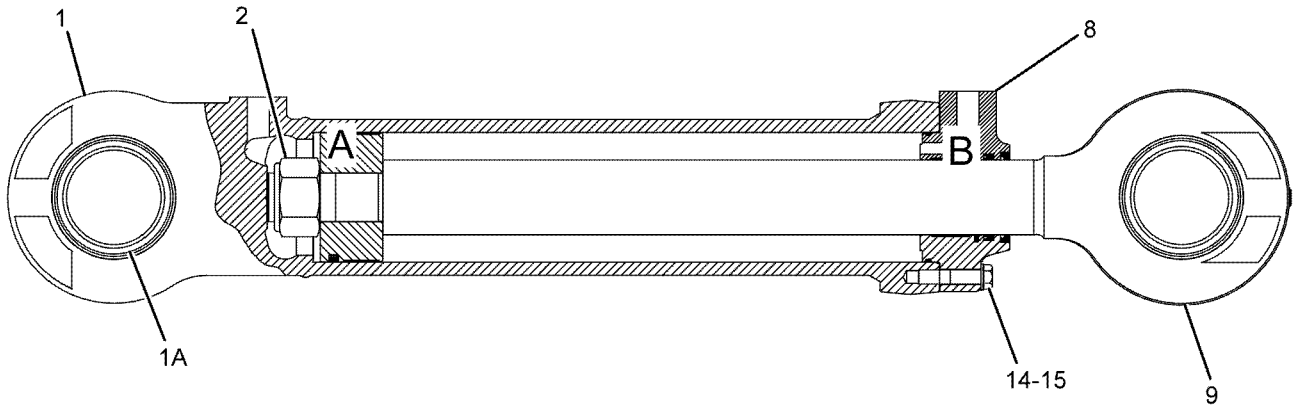
PART OF 345-3930 HYDRAULIC AR

SMCS-5102

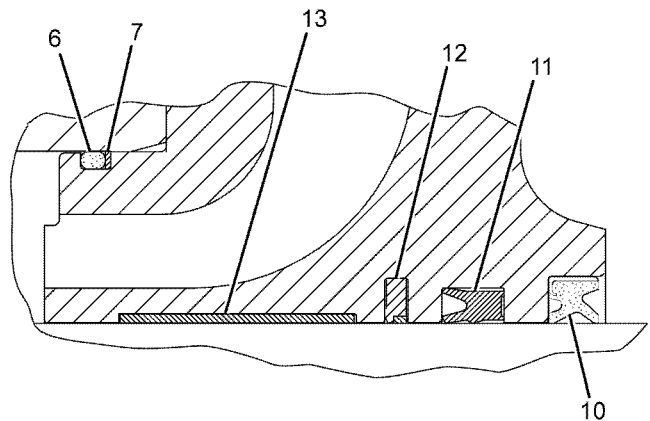
i04456408

NOTE	REF NO	GRAPHIC REF	PART NUMBER	QTY	PART NAME						SEE PAGE
					1	2	3	4	5	6 (PRODUCT LEVEL)	
R	1	1	173-8615	1	CYLINDER AS						
	1A	1	152-3750	1	BEARING						
	2	1	7J-9250	1	LOCKNUT (3-1/4X12-THD)						
	3	1	6E-0496	1	RING-WEAR						
	4	1	219-1438	1	SEAL AS						
	5	1	276-0478	1	PISTON						
	6	1	9M-5894	1	SEAL-O-RING						
	7	1	108-0122	1	RING-BACKUP						
	8	1	173-8614	1	HEAD						
R	9	1	135-7816	1	ROD AS						
		1	152-3750	1	BEARING						
	10	1	225-3290	1	SEAL-WIPER						
	11	1	167-2339	1	SEAL-U-CUP						
	12	1	167-2222	1	SEAL AS-BUFFER						
	13	1	8T-3331	1	RING-WEAR						
M	14	1	8T-0668	11	BOLT (M24X3X110-MM)						
	15	1	6V-8237	11	WASHER (26X44X4-MM THK)						

M-METRIC PART
R-REMFG PART MAY BE AVAILABLE



VIEW OF AREA A



VIEW OF AREA B

GRAPHIC #1

<END>

g01021002

HYDRAULIC SYSTEM

173-8613 CYLINDER GP-LIFT-LH

S/N: A7A1-UP

220MM BORE X 911MM STROKE

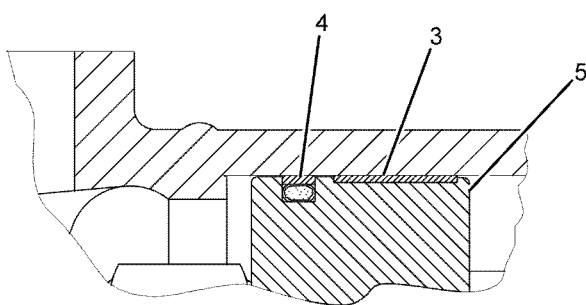
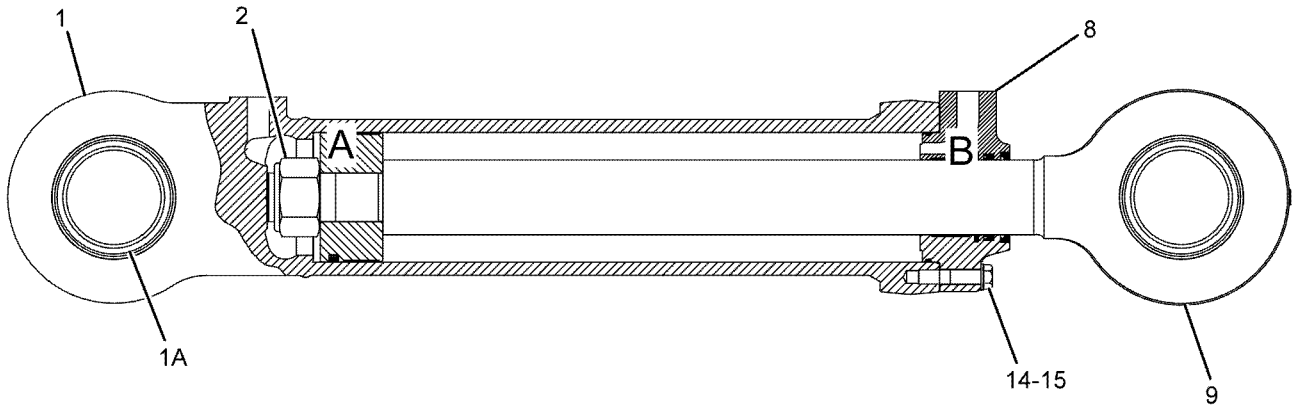
PART OF 345-3930 HYDRAULIC AR

SMCS-5102

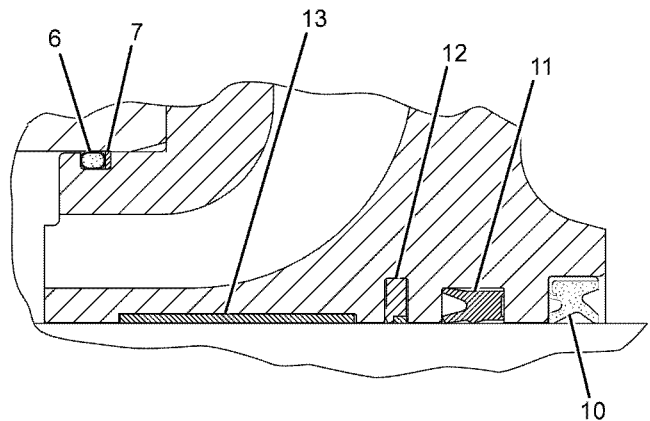
i04456411

NOTE	REF NO	GRAPHIC REF	PART NUMBER	QTY	PART NAME						SEE PAGE
					1	2	3	4	5	6 (PRODUCT LEVEL)	
R	1	1	173-8616	1	CYLINDER AS						
	1A	1	152-3750	1	BEARING						
	2	1	7J-9250	1	LOCKNUT (3-1/4X12-THD)						
	3	1	6E-0496	1	RING-WEAR						
	4	1	219-1438	1	SEAL AS						
	5	1	276-0478	1	PISTON						
	6	1	9M-5894	1	SEAL-O-RING						
	7	1	108-0122	1	RING-BACKUP						
	8	1	173-8614	1	HEAD						
R	9	1	135-7816	1	ROD AS						
		1	152-3750	1	BEARING						
	10	1	225-3290	1	SEAL-WIPER						
	11	1	167-2339	1	SEAL-U-CUP						
	12	1	167-2222	1	SEAL AS-BUFFER						
	13	1	8T-3331	1	RING-WEAR						
M	14	1	8T-0668	11	BOLT (M24X3X110-MM)						
	15	1	6V-8237	11	WASHER (26X44X4-MM THK)						

M-METRIC PART
R-REMFG PART MAY BE AVAILABLE



VIEW OF AREA A



VIEW OF AREA B

GRAPHIC #1

<END>

g01020962

HYDRAULIC SYSTEM

231-1955 CYLINDER GP-TILT

S/N: A7A1-UP

220-MM BORE X 1770-MM STROKE

PART OF 296-8268 LINES GP-TILT CYLINDER

AN ATTACHMENT

SMCS-5104

i04483149

NOTE	REF NO	GRAPHIC REF	PART NUMBER	QTY	PART NAME						SEE PAGE
					1	2	3	4	5	6 (PRODUCT LEVEL)	
	1	1	136-1082	1	PISTON						
R	2	1	152-1646	1	ROD AS						
	2A	1	152-3739	2	BUSHING						
R	3	1	231-1957	1	CYLINDER AS						
	3A	1	152-3739	2	BUSHING						
	4	1	231-1960	1	HEAD						
	5	1	108-0122	1	RING-BACKUP						
	6	1	167-2220	1	SEAL AS-BUFFER						
	7	1	167-2336	1	SEAL-U-CUP						
	8	1	192-1425	1	SEAL AS						
	9	1	225-3289	1	SEAL-WIPER						
	10	1	6E-0496	1	RING-WEAR						
	11	1	6V-8237	12	WASHER (26X44X4-MM THK)						
	12	1	7J-9250	1	LOCKNUT (3-1/4X12-THD)						
M	13	1	8T-0666	10	BOLT (M24X3X90-MM)						
M	14	1	8T-0669	2	BOLT (M24X3X130-MM)						
	15	1	9M-5894	1	SEAL-O-RING						
	16	1	9X-3579	1	RING-WEAR						

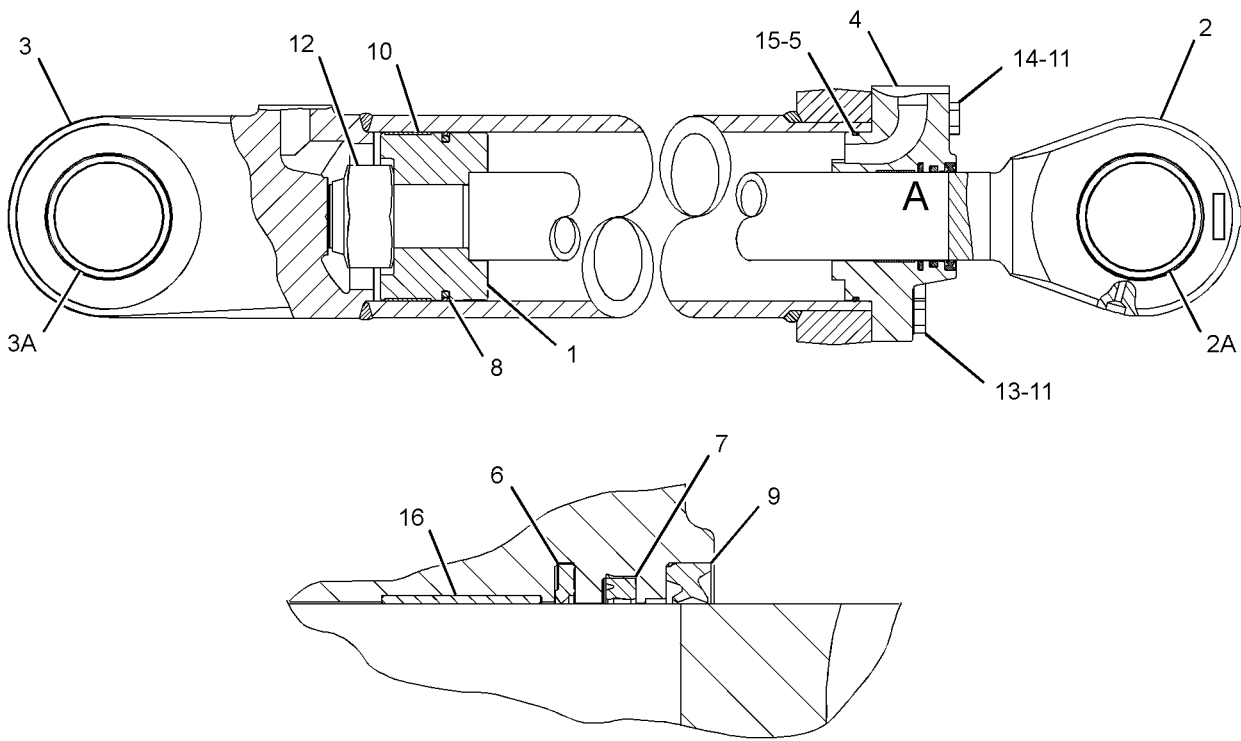
M-METRIC PART

R-REMFG PART MAY BE AVAILABLE

HYDRAULIC SYSTEM

231-1955 CYLINDER GP-TILT (contd.)

i04483149



VIEW OF AREA A

GRAPHIC #1

<END>

g01458303

HYDRAULIC SYSTEM

345-3935 FILTER & LINES GP-CASE DRAIN

S/N: A7A1-UP

PART OF 345-3930 HYDRAULIC AR

SMCS-5057, 5091

i04456412

NOTE	REF NO	GRAPHIC REF	PART NUMBER	QTY	PART NAME						SEE PAGE
					1	2	3	4	5	6 (PRODUCT LEVEL)	
	1	2	6V-0852	2	CAP-DUST						
	2	2	125-8534	1	PLATE AS						
	3	2	148-8430	2	TEE AS						
					(EACH INCLUDES)						
		2	6V-9746	1	SEAL-O-RING						
		2	7X-0873	1	TEE						
	4	2	148-8443	1	TEE AS						
		2	3J-1907	1	SEAL-O-RING						
		2	6V-8397	1	SEAL-O-RING						
		2	7X-2459	1	TEE-O-RING						
Y	5	2	166-4647	1	FILTER GP-OIL (STEERING PUMP CASE DRAIN)						496
Y	5A	2	166-4647	1	FILTER GP-OIL (HYDRAULIC FAN PUMP CASE DRAIN)						496
Y	5B	2	166-4647	1	FILTER GP-OIL (HYDRAULIC FAN MOTOR CASE DRAIN)						496
	6	2	179-2805	1	BRACKET						
	7	2	203-5535	1	BRACKET AS						
I	8	2	204-0135	1	HOSE AS						
I	9	2	226-1973	1	HOSE AS						
	10	2	226-1982	1	TUBE AS						
I	11	2	272-7981	1	HOSE AS						
I	12	2	315-8420	1	HOSE AS						
I	13	2	316-4312	1	HOSE AS						
	14	2	171-3673	1	TEE AS						
		2	3D-2824	1	SEAL-O-RING						
		2	5K-9090	1	SEAL-O-RING						
		2	6V-9746	1	SEAL-O-RING						
		2	108-7005	1	TEE-O-RING						
	15	2	148-8357	2	ELBOW AS						
					(EACH INCLUDES)						
		2	5K-9090	1	SEAL-O-RING						
		2	6V-9008	1	ELBOW						
		2	7M-8485	1	SEAL-O-RING						
	16	2	148-8360	4	ELBOW AS						
					(EACH INCLUDES)						
		2	6V-9182	1	ELBOW						
		2	6V-9746	1	SEAL-O-RING						
		2	7M-8485	1	SEAL-O-RING						
	17	2	148-8429	1	TEE AS						
		2	5K-9090	2	SEAL-O-RING						
		2	6V-9840	1	TEE-SWIVEL						
	18	2	164-5567	2	COUPLER AS-QUICK DISCONNECT (MALE)						
					(EACH INCLUDES)						
		2	6V-3965	1	FITTING (QUICK DISCONNECT)						
		2	214-7568	1	SEAL-O-RING						
	19	2	3P-2404	2	CLIP						
	20	2	5P-7468	1	CLIP (SLOT)						
	21	2	5P-7469	1	CLIP (TAB)						
	22	2	5P-8444	1	GROMMET						
	23	2	6V-1889	6	CLIP						
	24	2	7X-7729	6	WASHER (11X25X3-MM THK)						
	25	2	8T-4121	16	WASHER-HARD (11X21X2.5-MM THK)						
M	26	2	8T-4133	1	NUT (M10X1.5-THD)						
M	27	2	8T-4136	12	BOLT (M10X1.5X25-MM)						
M	28	2	8T-4137	1	BOLT (M10X1.5X20-MM)						
M	29	2	8T-4196	6	BOLT (M10X1.5X35-MM)						
	30	2	6V-9833	2	CAP AS						

HYDRAULIC SYSTEM

345-3935 FILTER & LINES GP-CASE DRAIN (contd.)

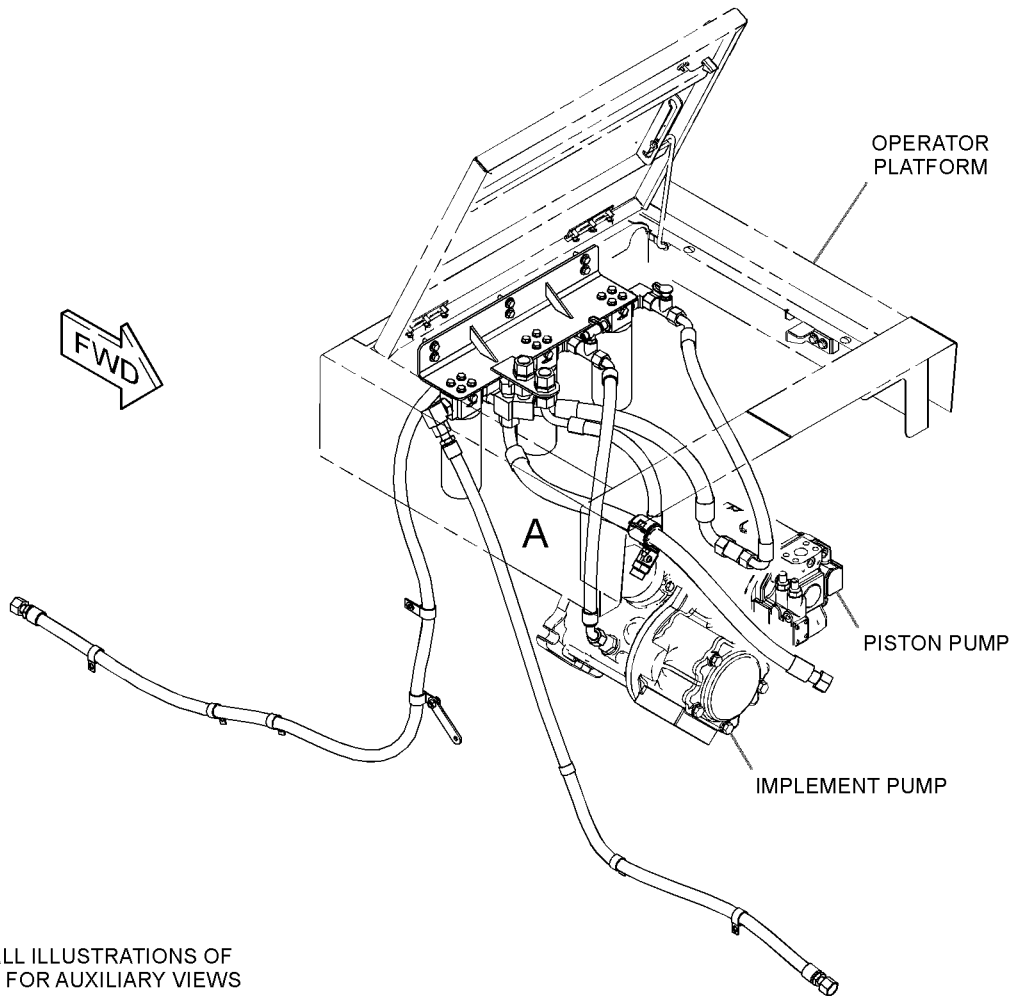
i04456412

NOTE	REF NO	GRAPHIC REF	PART NUMBER	QTY	PART NAME						SEE PAGE
					1	2	3	4	5	6 (PRODUCT LEVEL)	
	31	2	6V-9172	2	NUT (1-7/16-12-THD) (BULKHEAD)						
I	32	2	203-4811	1	HOSE AS						
I	33	2	157-6305	1	HOSE AS						
	34	2	155-2026	2	UNION AS						
					(EACH INCLUDES)						
		2	5K-9090	2	SEAL-O-RING						
		2	6V-8998	1	UNION						
	35	2	148-8352	1	ELBOW AS						
		2	5K-9090	1	SEAL-O-RING						
		2	6V-9854	1	ELBOW						
M	36	2	8T-4186	1	BOLT (M10X1.5X40-MM)						
	37	2	148-8339	1	CONNECTOR AS						
		2	6V-8716	1	CONNECTOR						
		2	6V-9746	1	SEAL-O-RING						
		2	7M-8485	1	SEAL-O-RING						

I-REFER TO HYDRAULIC INFORMATION SYSTEM

M-METRIC PART

Y-SEPARATE ILLUSTRATION



REFER TO ALL ILLUSTRATIONS OF THIS GROUP FOR AUXILIARY VIEWS

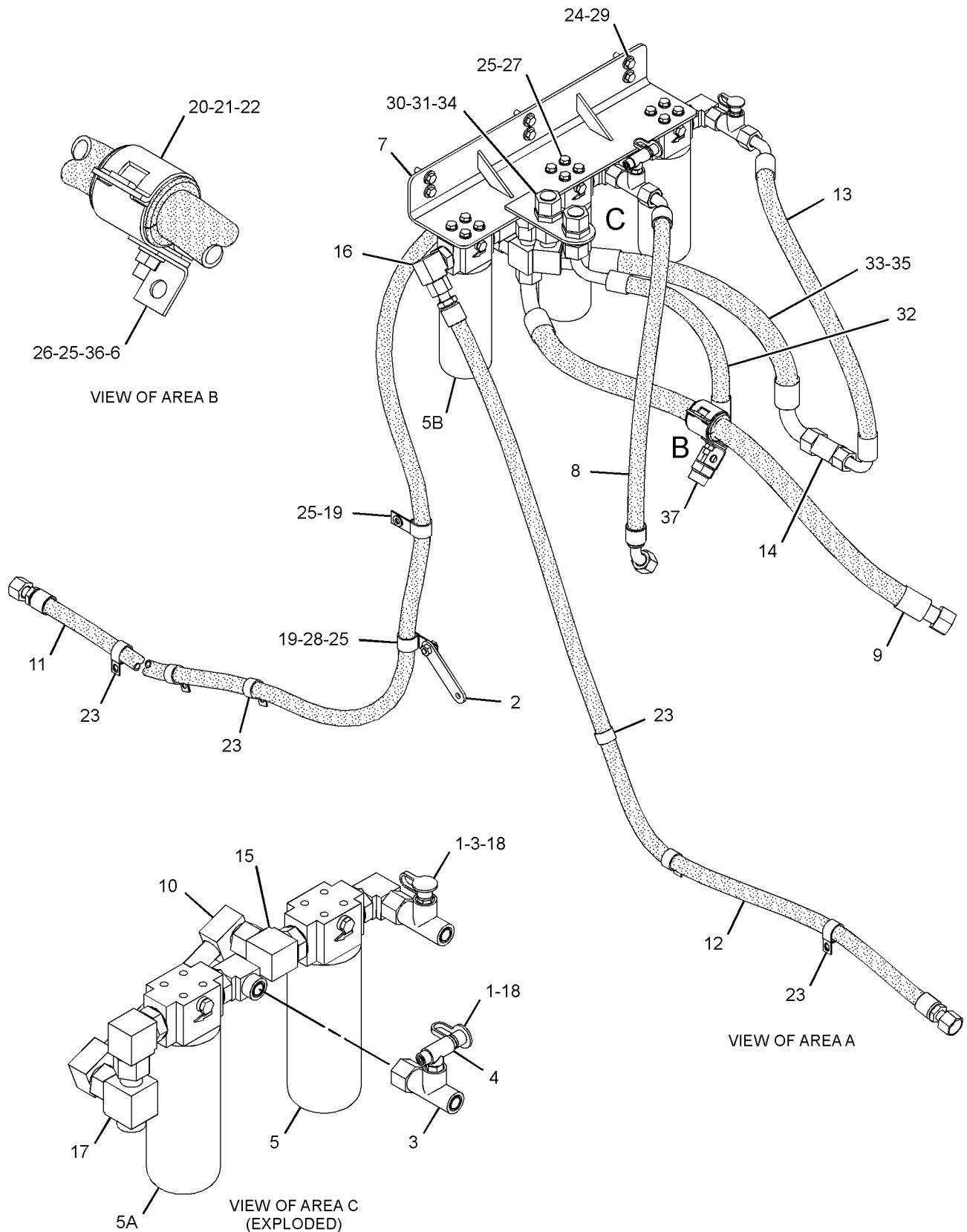
GRAPHIC #1

g02117313

HYDRAULIC SYSTEM

345-3935 FILTER & LINES GP-CASE DRAIN (contd.)

i04456412



GRAPHIC #2

<END>

g02117314

HYDRAULIC SYSTEM

166-4647 FILTER GP-OIL

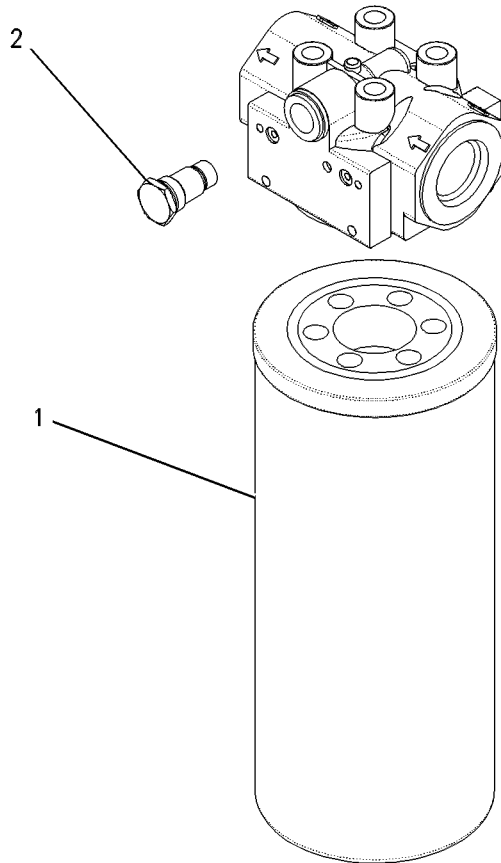
S/N: A7A1-UP

PART OF 345-3935 FILTER & LINES GP-CASE DRAIN

SMCS-5068, 5091, 5092

i04460595

NOTE	REF NO	GRAPHIC REF	PART NUMBER	QTY	PART NAME						SEE PAGE
					1	2	3	4	5	6 (PRODUCT LEVEL)	
	1	1	1G-8878	1	FILTER-OIL (ADVANCED EFFICIENCY)						
	2	1	164-6709	1	PLUG AS						
		1	3J-1907	1	SEAL-O-RING						
		1	5F-9144	1	SEAL-O-RING						



GRAPHIC #1

<END>

g00545272

HYDRAULIC SYSTEM

287-8402 FILTER GP-OIL

S/N: A7A1-UP

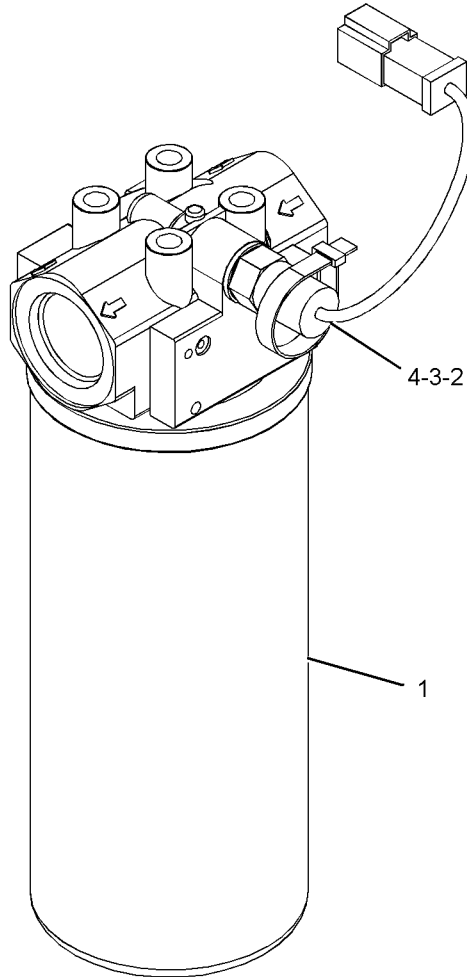
PART OF 345-3932 LINES GP-HYDRAULIC

SMCS-5068, 5091, 5092

i04460269

NOTE	REF NO	GRAPHIC REF	PART NUMBER	QTY	PART NAME						SEE PAGE
					1	2	3	4	5	6 (PRODUCT LEVEL)	
	1	1	102-2828	1	FILTER-OIL (ULTRA HIGH EFFICIENCY)						
	2	1	339-4361	1	SWITCH AS-PRESSURE (FILTER BYPASS)						
		1	102-8802	1	KIT-RECEPTACLE (2-PIN)						
					(INCLUDES RECEPTACLE AS & WEDGE)						
		1	186-3735	2	PIN-CONNECTOR (16-GA TO 18-GA)						
E		1	9X-1813		SLEEVE (14-CM)						
	3	1	3J-1907	1	SEAL-O-RING						
	4	1	5F-9144	1	SEAL-O-RING						

E-ORDER BY THE CENTIMETER



GRAPHIC #1

<END>

g01447809

HYDRAULIC SYSTEM

345-3930 HYDRAULIC AR

S/N: A7A1-UP

PART OF 284-2327 COMMON AR

SMCS-5051

i04455545

NOTE	PART NUMBER	QTY	PART NAME						SEE PAGE
			1	2	3	4	5	6 (PRODUCT LEVEL)	
Y	315-8755	1	CONTROL GP-SERVICE BRAKE (FRONT)						429
Y	345-3934	1	CONTROL GP-SERVICE BRAKE						431
Y	285-8674	1	CYLINDER & MTG GP-STEERING						444
Y	173-8612	1	CYLINDER GP-LIFT (RH)						489
Y	173-8613	1	CYLINDER GP-LIFT (LH)						490
Y	345-3935	1	FILTER & LINES GP-CASE DRAIN						493
Y	345-3932	1	LINES GP-HYDRAULIC						499
Y	225-6716	1	LINES GP-HYDRAULIC FAN						504
Y	345-3931	1	LINES GP-LIFT CYLINDER						511
Y	315-8805	1	LINES GP-PILOT						513
Y	345-3936	1	LINES GP-POWER TRAIN OIL						304
Y	345-3943	1	LINES GP-STEERING						450
Y	132-6142	1	LINES GP-STEERING NEUTRALIZER						454
Y	226-2040	1	MOTOR & MTG GP-HYDRAULIC FAN						521
Y	345-3933	1	PUMP & MTG GP-IMPLEMENT						525
Y	132-6143	1	TANK & MTG GP-HYDRAULIC						536

Y-SEPARATE ILLUSTRATION

<END>

HYDRAULIC SYSTEM

345-3932 LINES GP-HYDRAULIC

S/N: A7A1-UP

PART OF 345-3930 HYDRAULIC AR

SMCS-5057

i04456414

NOTE	REF NO	GRAPHIC REF	PART NUMBER	QTY	PART NAME						SEE PAGE
					1	2	3	4	5	6 (PRODUCT LEVEL)	
	1	1	6V-0852	2	CAP-DUST						
	2	2	8C-3451	1	CAP-DUST						
	3	1,2	8T-4986	12	CLAMP-HOSE						
	4	2	9T-1013	1	VALVE AS-CHECK						
		2	3K-0360	1	SEAL-O-RING						
		2	6V-8398	1	SEAL-O-RING						
I	5	2	126-0197	1	HOSE AS						
	6	1	127-4667	1	STRIP AS						
	7	2	141-7405	2	HOSE						
	8	1	152-3870	1	TANK AS						
	9	1	152-5713	1	TUBE AS						
	10	2	152-5714	1	TUBE AS						
	11	1	152-5715	1	TUBE AS						
	12	1	152-5716	1	HOSE						
	13	2	155-9461	1	TUBE AS						
	14	1	164-5567	2	COUPLER AS-QUICK DISCONNECT (MALE)						
					(EACH INCLUDES)						
		1	6V-3965	1	FITTING (QUICK DISCONNECT)						
		1	214-7568	1	SEAL-O-RING						
	15	2	164-5611	1	TEE AS						
		2	6V-9746	1	SEAL-O-RING						
		2	7M-8485	1	SEAL-O-RING						
		2	8T-3312	1	TEE						
	16	2	169-5862	1	ELBOW AS						
		2	3J-1907	1	SEAL-O-RING						
		2	8C-6712	1	ELBOW						
	17	1	177-4155	3	FLANGE						
	18	1	179-6791	1	MANIFOLD						
I	19	1	179-6792	1	HOSE AS						
	20	1	179-6794	1	PLATE AS						
	21	2	183-3626	1	BRACKET AS						
I	22	1	183-4491	1	HOSE AS						
	23	2	184-2420	1	ADAPTER AS						
		2	3E-7401	1	ADAPTER						
		2	6V-8397	1	SEAL-O-RING						
	24	2	188-1035	1	TEE AS						
		2	3D-2824	1	SEAL-O-RING						
		2	5K-9090	1	SEAL-O-RING						
		2	6V-9746	1	SEAL-O-RING						
		2	8T-7520	1	TEE						
	25	2	197-3295	2	FLANGE-HALF						
	26	2	203-3072	1	TUBE AS						
I	27	1	223-4263	1	HOSE AS						
I	29	1	230-9800	1	HOSE AS						
I	30	1	230-9802	1	HOSE AS						
	31	1	230-9804	1	BRACKET AS						
Y	32	1	186-6218	1	VALVE GP-RELIEF (STEERING, IMPLEMENT PILOT)						562
Y	33	2	287-8402	1	FILTER GP-OIL (STEERING, IMPLEMENT PILOT)						497
	34	2	345-3928	1	HOSE AS						
	35	2	345-3929	1	HOSE AS						
	36	1	345-3951	1	TUBE AS						
I	37	1	345-3956	1	HOSE AS						
I	38	1	345-3958	1	HOSE AS						
	39	1	345-3959	1	BRACKET AS						
M		1	8T-3597	2	NUT-WELD (M12X1.75-THD)						
	40	2	345-3969	1	BRACKET						

HYDRAULIC SYSTEM

345-3932 LINES GP-HYDRAULIC (contd.)

i04456414

NOTE	REF NO	GRAPHIC REF	PART NUMBER	QTY	PART NAME						SEE PAGE
					1	2	3	4	5	6 (PRODUCT LEVEL)	
I	41	1	345-3981	1	HOSE AS						
I	42	2	121-3286	1	HOSE AS						
	43	2	130-5300	1	CLIP						
	44	2	148-8327	1	CONNECTOR AS						
		2	3D-2824	1	SEAL-O-RING						
		2	6V-8637	1	CONNECTOR						
		2	6V-9746	1	SEAL-O-RING						
	45	2	148-8347	2	ELBOW AS						
					(EACH INCLUDES)						
		2	3D-2824	1	SEAL-O-RING						
		2	6V-9007	1	ELBOW						
		2	6V-9746	1	SEAL-O-RING						
	46	1	148-8353	1	ELBOW AS						
		1	3J-1907	1	SEAL-O-RING						
		1	6V-8397	1	SEAL-O-RING						
		1	6V-9001	1	ELBOW						
	47	2	148-8360	1	ELBOW AS						
		2	6V-9182	1	ELBOW						
		2	6V-9746	1	SEAL-O-RING						
		2	7M-8485	1	SEAL-O-RING						
	48	2	148-8364	1	ELBOW AS						
		2	3K-0360	1	SEAL-O-RING						
		2	6V-8398	1	SEAL-O-RING						
		2	6V-8625	1	ELBOW						
	49	1	148-8374	1	ELBOW AS						
		1	3K-0360	1	SEAL-O-RING						
		1	6V-8397	1	SEAL-O-RING						
		1	6V-8723	1	ELBOW						
	50	2	148-8408	1	PLUG AS						
		2	3D-2824	1	SEAL-O-RING						
		2	9S-4183	1	PLUG						
	51	2	148-8427	1	TEE AS						
		2	6V-8398	3	SEAL-O-RING						
		2	8T-6895	1	TEE-UNION						
	52	1	150-3065	1	ADAPTER AS						
		1	3J-1907	1	SEAL-O-RING						
		1	6V-0484	1	ELBOW						
	53	1	153-6242	1	CONNECTOR AS						
		1	6V-9746	1	SEAL-O-RING						
		1	7M-8485	1	SEAL-O-RING						
		1	8T-0197	1	CONNECTOR						
	54	1	155-6344	1	ELBOW AS						
		1	5K-9090	2	SEAL-O-RING						
		1	6V-8991	1	ELBOW						
	55	2	164-5574	1	TEE AS						
		2	3D-2824	1	SEAL-O-RING						
		2	6V-8784	1	TEE-FACE SEAL						
		2	6V-9746	2	SEAL-O-RING						
	56	2	164-5590	1	VALVE AS-FLUID SAMPLING						
		2	3J-7354	1	SEAL-O-RING						
		2	8C-3446	1	VALVE-FLUID SAMPLING						
	57	1	1P-3705	4	SEAL-RECTANGULAR						
	58	1,2	1P-4582	6	FLANGE-HALF						
	59	1	222-6869	1	CONNECTOR AS						
		1	3J-1907	1	SEAL-O-RING						
		1	6V-8397	1	SEAL-O-RING						
		1	9X-2614	1	CONNECTOR						
	60	1	2P-1293	1	LOCKNUT (1-3/16-12-THD)						
	61	2	2V-0600	2	CLAMP-HALF						

HYDRAULIC SYSTEM

345-3932 LINES GP-HYDRAULIC (contd.)

i04456414

NOTE	REF NO	GRAPHIC REF	PART NUMBER	QTY	PART NAME						SEE PAGE
					1	2	3	4	5	6 (PRODUCT LEVEL)	
	62	1	4J-0520	1	SEAL-O-RING						
	63	2	4J-0522	1	SEAL-O-RING						
	64	1,2	4J-0527	3	SEAL-O-RING						
	65	1	4J-5267	1	SEAL-O-RING						
	66	2	5H-4020	1	COVER						
	67	1,2	5P-1076	4	WASHER-HARD (13.5X30X4-MM THK)						
	68	1	5P-8077	6	FLANGE-HALF						
	69	1	6D-4246	1	CLIP						
	70	2	6V-1889	1	CLIP						
	71	2	6V-9168	1	NUT (11/16-16-THD)						
	72	2	6V-9169	1	NUT (13/16-16-THD)						
	73	1	6V-9172	1	NUT (1-7/16-12-THD)						
	74	1	6V-9746	1	SEAL-O-RING						
	75	1	7X-0531	1	WASHER-HARD (31X52.5X6-MM THK)						
M	76	1	7X-2552	4	BOLT (M16X2X30-MM)						
	77	2	7X-3392	4	WASHER-HARD (13.5X22.5X3-MM THK)						
	78	2	7X-7729	4	WASHER (11X25X3-MM THK)						
	79	1	8C-3205	2	FLANGE-HALF						
	80	1	8C-3206	2	FLANGE-HALF						
	81	2	8T-1885	1	CLIP (SLOT)						
	82	2	8T-1886	1	CLIP (TAB)						
	83	2	8T-1887	1	CLIP (SLOT)						
	84	2	8T-1888	1	CLIP (TAB)						
	85	1,2	8T-4121	15	WASHER-HARD (11X21X2.5-MM THK)						
	86	1	8T-4122	12	WASHER-HARD (17X32X3.5-MM THK)						
M	87	2	8T-4133	1	NUT (M10X1.5-THD)						
M	88	1,2	8T-4137	6	BOLT (M10X1.5X20-MM)						
M	89	2	8T-4139	2	BOLT (M12X1.75X30-MM)						
M	90	1	8T-4140	12	BOLT (M16X2X60-MM)						
M	91	1	8T-4183	8	BOLT (M12X1.75X40-MM)						
M	92	1,2	8T-4184	6	BOLT (M12X1.75X45-MM)						
M	93	1	8T-4193	12	BOLT (M16X2X50-MM)						
M	94	1,2	8T-4195	2	BOLT (M10X1.5X30-MM)						
M	95	1	8T-4196	8	BOLT (M10X1.5X35-MM)						
	96	1,2	8T-4223	23	WASHER-HARD (13.5X25.5X3-MM THK)						
M	97	1,2	8T-4956	15	BOLT (M12X1.75X35-MM)						
	98	2	8T-4994	1	WASHER-HARD (20X36.5X3.5-MM THK)						
M	99	1	8T-6466	2	BOLT (M10X1.5X60-MM)						
	100	1	9F-7283	3	SEAL-O-RING						
	101	1	9X-8257	17	WASHER (17.5X30X3.5-MM THK)						

I-REFER TO HYDRAULIC INFORMATION SYSTEM

M-METRIC PART

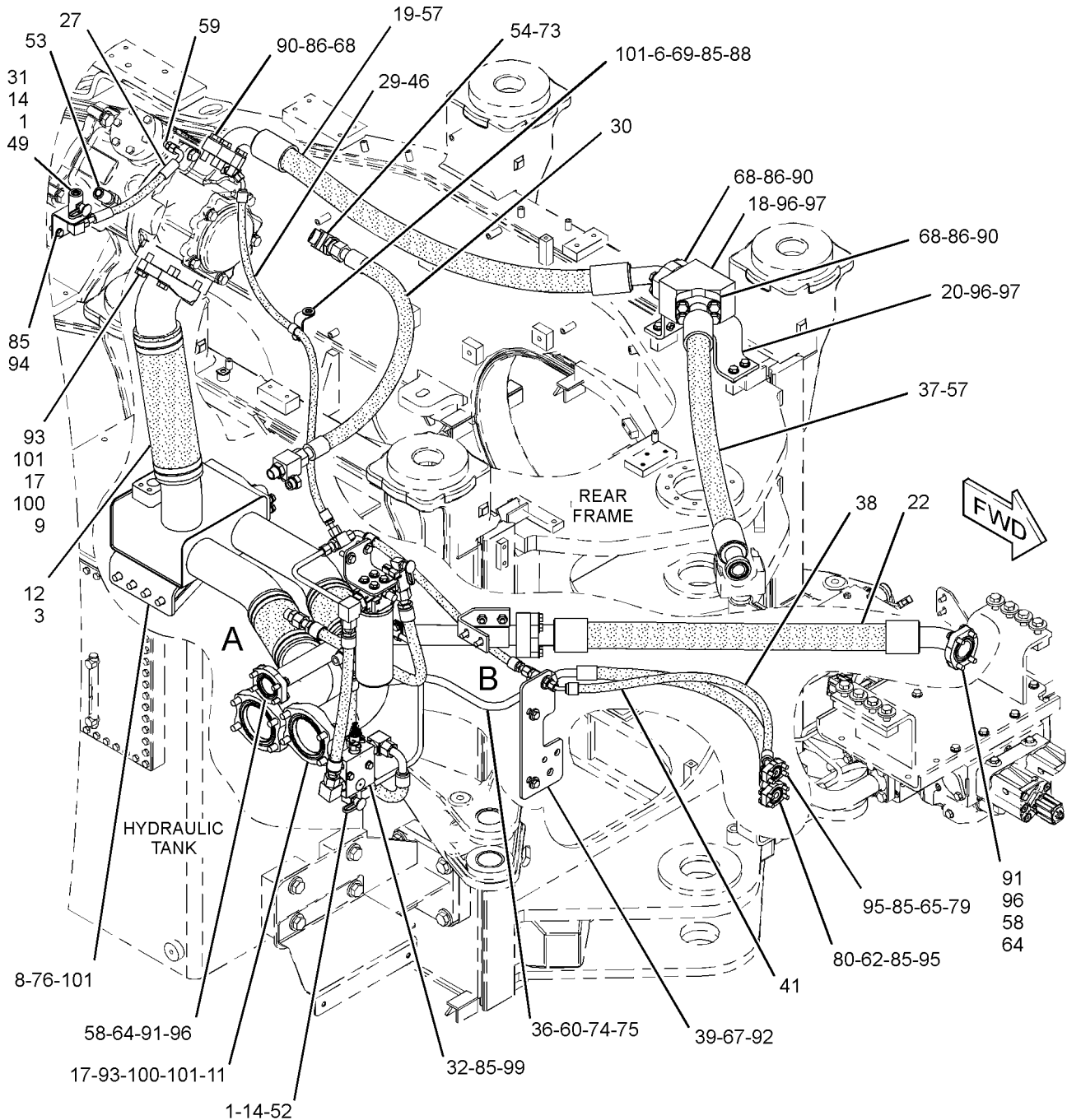
Y-SEPARATE ILLUSTRATION

HYDRAULIC SYSTEM

345-3932 LINES GP-HYDRAULIC (contd.)

i04456414

REFER TO ALL ILLUSTRATIONS OF THIS GROUP FOR AUXILIARY VIEWS



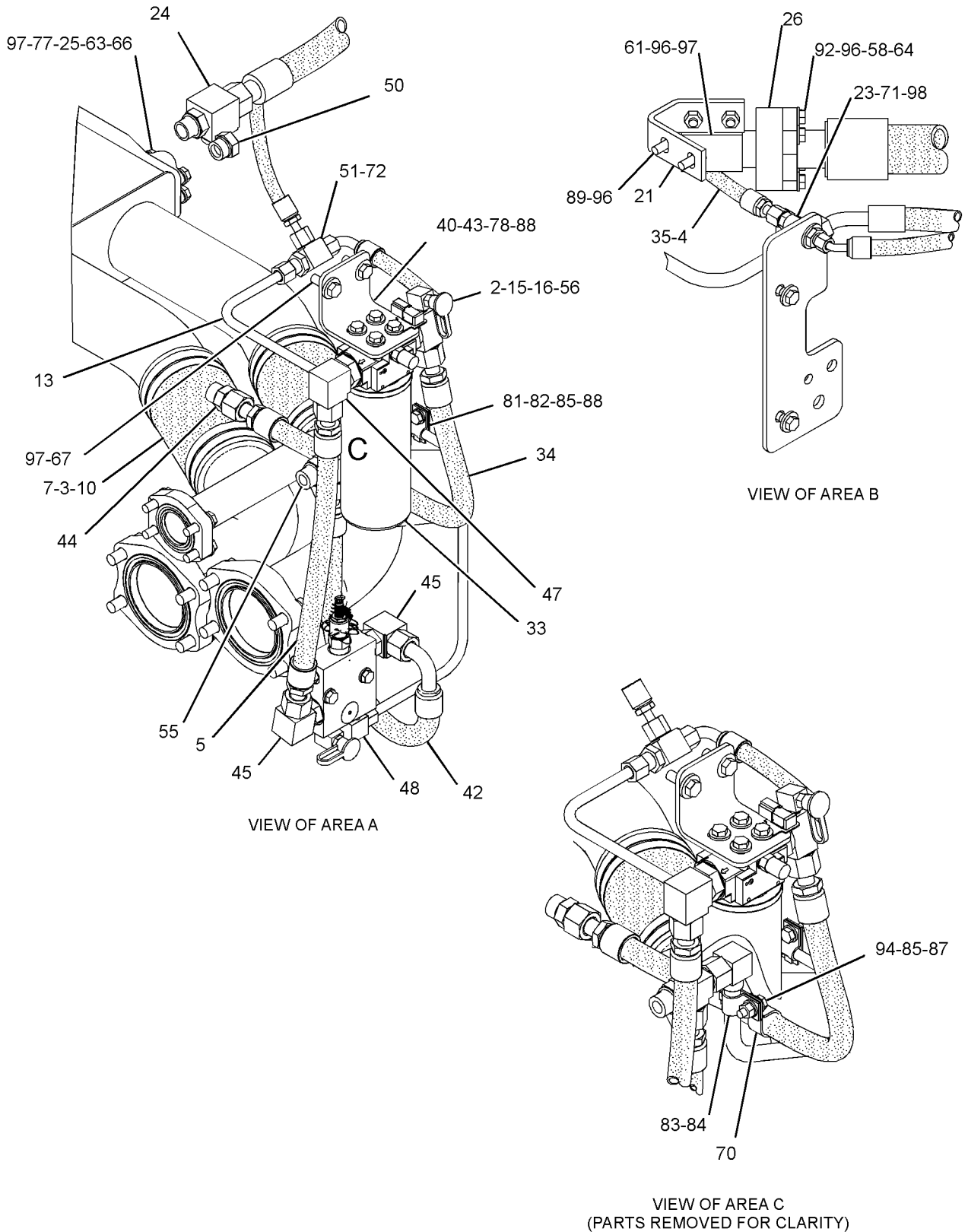
GRAPHIC #1

g02046114

HYDRAULIC SYSTEM

345-3932 LINES GP-HYDRAULIC (contd.)

i04456414



GRAPHIC #2

<END>

g02046115

HYDRAULIC SYSTEM

225-6716 LINES GP-HYDRAULIC FAN

S/N: A7A1-UP

PART OF 345-3930 HYDRAULIC AR

SMCS-1386, 1387, 5057

i04456415

NOTE	REF NO	GRAPHIC REF	PART NUMBER	QTY	PART NAME						SEE PAGE
					1	2	3	4	5	6 (PRODUCT LEVEL)	
	1	2,3	1F-1609	2	SPACER (13.5X25.4X39.7-MM THK)						
	2	4	6E-1454	1	VALVE GP-CHECK (HYDRAULIC OIL COOLER BYPASS)						
	3	4	8C-3451	1	CAP-DUST						
	4	2	8R-0752	1	ADAPTER						
	5	2	9J-3866	1	ADAPTER						
	6	3	9T-3752	1	VALVE-CHECK (FAN MOTOR ANTI-CAVITATION)						
	7	1	124-3019	2	BRACKET AS						
					(EACH INCLUDES)						
M		1	8T-3490	1	NUT-WELD (M10X1.5-THD)						
	8	3	145-3319	1	BRACKET AS						
M		3	8T-3597	1	NUT-WELD (M12X1.75-THD)						
I	9	2	152-7737	1	HOSE AS						
	10	4	154-8962	1	BRACKET						
I	11	2	155-7518	1	HOSE AS						
I	12	1	290-3265	1	HOSE AS						
I	13	1	155-7527	1	HOSE AS						
	14	4	156-7472	1	MANIFOLD						
I	15	2	161-6403	1	HOSE AS						
I	16	3	162-7365	1	HOSE AS						
	17	3	167-1795	1	ELBOW AS						
		3	3D-2824	1	SEAL-O-RING						
		3	8T-3491	1	ELBOW						
	18	3	172-5277	1	TEE AS						
		3	3D-2824	1	SEAL-O-RING						
		3	6V-9746	1	SEAL-O-RING						
		3	8T-8901	1	TEE-O-RING PORT						
Y	19	2	191-8735	1	VALVE GP-DEMAND FAN						553
	20	2	198-1854	1	PLATE						
	21	1	225-6717	1	PLATE AS						
M		1	9R-2613	2	BOSS-WELD (M10X1.5X25-MM)						
I	22	3	225-6719	1	HOSE AS						
I	23	3	225-6720	1	HOSE AS						
I	24	2	314-7938	1	HOSE AS						
I	25	2	225-6724	1	HOSE AS						
I	26	3	239-9233	1	HOSE AS						
	27	1	148-8312	1	ADAPTER AS						
		1	3D-2824	1	SEAL-O-RING						
		1	3T-4965	1	ADAPTER-O-RING						
	28	2	148-8326	1	CONNECTOR AS						
		2	3J-7354	1	SEAL-O-RING						
		2	6V-8397	1	SEAL-O-RING						
		2	6V-9872	1	CONNECTOR						
	29	1	148-8327	2	CONNECTOR AS						
					(EACH INCLUDES)						
		1	3D-2824	1	SEAL-O-RING						
		1	6V-8637	1	CONNECTOR						
		1	6V-9746	1	SEAL-O-RING						
	30	2	148-8336	1	CONNECTOR AS						
		2	3J-1907	1	SEAL-O-RING						
		2	6V-8397	1	SEAL-O-RING						
		2	6V-8636	1	CONNECTOR						
	31	1	148-8347	1	ELBOW AS						
		1	3D-2824	1	SEAL-O-RING						
		1	6V-9007	1	ELBOW						
		1	6V-9746	1	SEAL-O-RING						
	32	2	148-8353	1	ELBOW AS						

HYDRAULIC SYSTEM

225-6716 LINES GP-HYDRAULIC FAN (contd.)

i04456415

NOTE	REF NO	GRAPHIC REF	PART NUMBER	QTY	PART NAME						SEE PAGE
					1	2	3	4	5	6 (PRODUCT LEVEL)	
		2	3J-1907	1	SEAL-O-RING						
		2	6V-8397	1	SEAL-O-RING						
		2	6V-9001	1	ELBOW						
	33	4	148-8322	1	CONNECTOR AS						
		4	2M-9780	1	SEAL-O-RING						
		4	6V-8640	1	CONNECTOR						
		4	6V-9746	1	SEAL-O-RING						
	34	3	148-8372	1	ELBOW AS						
		3	2M-9780	1	SEAL-O-RING						
		3	6V-8398	1	SEAL-O-RING						
		3	6V-8721	1	ELBOW						
	35	2	148-8376	1	ELBOW AS						
		2	6V-8983	1	ELBOW						
		2	6V-9746	2	SEAL-O-RING						
	36	4	148-8418	1	REDUCER AS						
		4	6V-8398	1	SEAL-O-RING						
		4	6V-8942	1	REDUCER-O-RING						
	37	4	148-8449	1	TEE AS-SWIVEL						
		4	6V-9746	2	SEAL-O-RING						
		4	6V-9839	1	TEE-SWIVEL						
	38	4	150-4027	1	TEE AS						
		4	3E-2310	1	TEE						
		4	3J-1907	1	SEAL-O-RING						
		4	6V-8397	1	SEAL-O-RING						
	39	2	150-4037	1	TEE AS						
		2	6V-8398	2	SEAL-O-RING						
		2	6V-9844	1	TEE-SWIVEL						
	40	2	150-4043	1	CONNECTOR AS						
		2	3J-1907	1	SEAL-O-RING						
		2	6V-8398	1	SEAL-O-RING						
		2	6V-9873	1	CONNECTOR						
	41	4	153-6236	1	REDUCER AS						
		4	6V-8946	1	REDUCER						
		4	6V-9746	1	SEAL-O-RING						
	42	4	153-6237	1	ELBOW AS						
		4	3D-2824	1	SEAL-O-RING						
		4	6V-9004	1	ELBOW						
		4	6V-9746	1	SEAL-O-RING						
	43	2	155-3624	1	PLUG AS						
		2	3J-7354	1	SEAL-O-RING						
		2	9S-4182	1	PLUG-O-RING						
I	44	1	375-5954	1	HOSE AS						
I	45	1	155-7528	1	HOSE AS						
	46	4	164-5567	1	COUPLER AS-QUICK DISCONNECT (MALE)						
		4	214-7568	1	SEAL-O-RING						
		4	6V-3965	1	FITTING (QUICK DISCONNECT)						
	47	3	164-5574	1	TEE AS						
		3	3D-2824	1	SEAL-O-RING						
		3	6V-8784	1	TEE-FACE SEAL						
		3	6V-9746	2	SEAL-O-RING						
	48	4	164-6862	1	TEE AS						
		4	6V-9160	1	TEE-FACE SEAL						
		4	6V-9746	3	SEAL-O-RING						
	49	4	1P-4579	2	FLANGE-HALF						
	50	2	1P-4582	2	FLANGE-HALF						
	51	1, 3, 4	8M-2773	4	CLIP						
	52	2, 4	2P-1293	2	LOCKNUT (1-3/16-12-THD)						
	53	3	3D-2824	1	SEAL-O-RING						
	54	3, 4	3P-2404	2	CLIP						

HYDRAULIC SYSTEM

225-6716 LINES GP-HYDRAULIC FAN (contd.)

i04456415

NOTE	REF NO	GRAPHIC REF	PART NUMBER	QTY	PART NAME						SEE PAGE
					1	2	3	4	5	6 (PRODUCT LEVEL)	
	55	2, 4	4J-0520	3	SEAL-O-RING						
	56	4	4J-0524	2	SEAL-O-RING						
	57	2	4J-0527	1	SEAL-O-RING						
	58	2	5K-5338	1	CLIP						
	59	4	5K-9090	1	SEAL-O-RING						
	60	2	5P-7470	1	CLIP (SLOT)						
	61	2	5P-7471	1	CLIP (TAB)						
	62	2	5P-7703	2	GROMMET						
	63	1	5P-7854	2	CLIP						
	64	2	6D-4636	1	CLIP						
	65	1, 2	6V-1889	9	CLIP						
	66	3	6V-9746	1	SEAL-O-RING						
	67	4	7M-8485	1	SEAL-O-RING						
	68	2	7X-7729	3	WASHER (11X25X3-MM THK)						
	69	2, 4	8C-3206	4	FLANGE-HALF						
	70	1, 3, 4	8D-9947	3	CLIP						
	71	1, 2, 3, 4	8T-4121	41	WASHER-HARD (11X21X2.5-MM THK)						
M	72	2	8T-4133	2	NUT (M10X1.5-THD)						
M	73	1, 2, 4	8T-4136	16	BOLT (M10X1.5X25-MM)						
M	74	1, 2	8T-4137	9	BOLT (M10X1.5X20-MM)						
M	75	2, 3, 4	8T-4139	4	BOLT (M12X1.75X30-MM)						
M	76	4	8T-4178	2	BOLT (M10X1.5X90-MM)						
M	77	2	8T-4182	2	BOLT (M10X1.5X45-MM)						
M	78	2	8T-4184	4	BOLT (M12X1.75X45-MM)						
M	79	2	8T-4196	4	BOLT (M10X1.5X35-MM)						
	80	2, 3, 4	8T-4223	12	WASHER-HARD (13.5X25.5X3-MM THK)						
M	81	4	8T-4648	4	BOLT (M12X1.75X70-MM)						
M	82	2, 4	8T-5005	6	BOLT (M10X1.5X70-MM)						
	83	4	9X-6580	1	NUT (1-3/16-12-THD)						
	84	2	294-0058	1	PLATE						
M	85	2	8T-4195	3	BOLT (M10X1.5X30-MM)						
	86	2	3E-8026	1	CLIP (SLOT)						
	87	2	3E-8027	1	CLIP (TAB)						
	88	2	144-4613	1	ANGLE AS						
M	89	2	8T-4186	1	BOLT (M10X1.5X40-MM)						
	90	3	155-4791	1	BRACKET AS						
	91	2	142-3331	1	BRACKET AS						
		1	2W-7940	1	BRACKET						
M		1	8T-3490	1	NUT-WELD (M10X1.5-THD)						
	92	2	7W-8106	1	SPACER (11.13X19.05X15-MM THK)						
I	93	1	375-5953	1	HOSE AS						
Y	94	1	230-3633	1	FILTER GP-OIL (AXLE OIL COOLER)						281
	95	1	173-9724	1	BRACKET						
	96	1	148-8339	2	CONNECTOR AS						
					(EACH INCLUDES)						
		1	6C-8716	1	FENDER AS (LH)						
		1	6V-9746	1	SEAL-O-RING						
		1	7M-8485	1	SEAL-O-RING						
	97	1	4H-1225	1	WASHER (11X22X6-MM THK)						

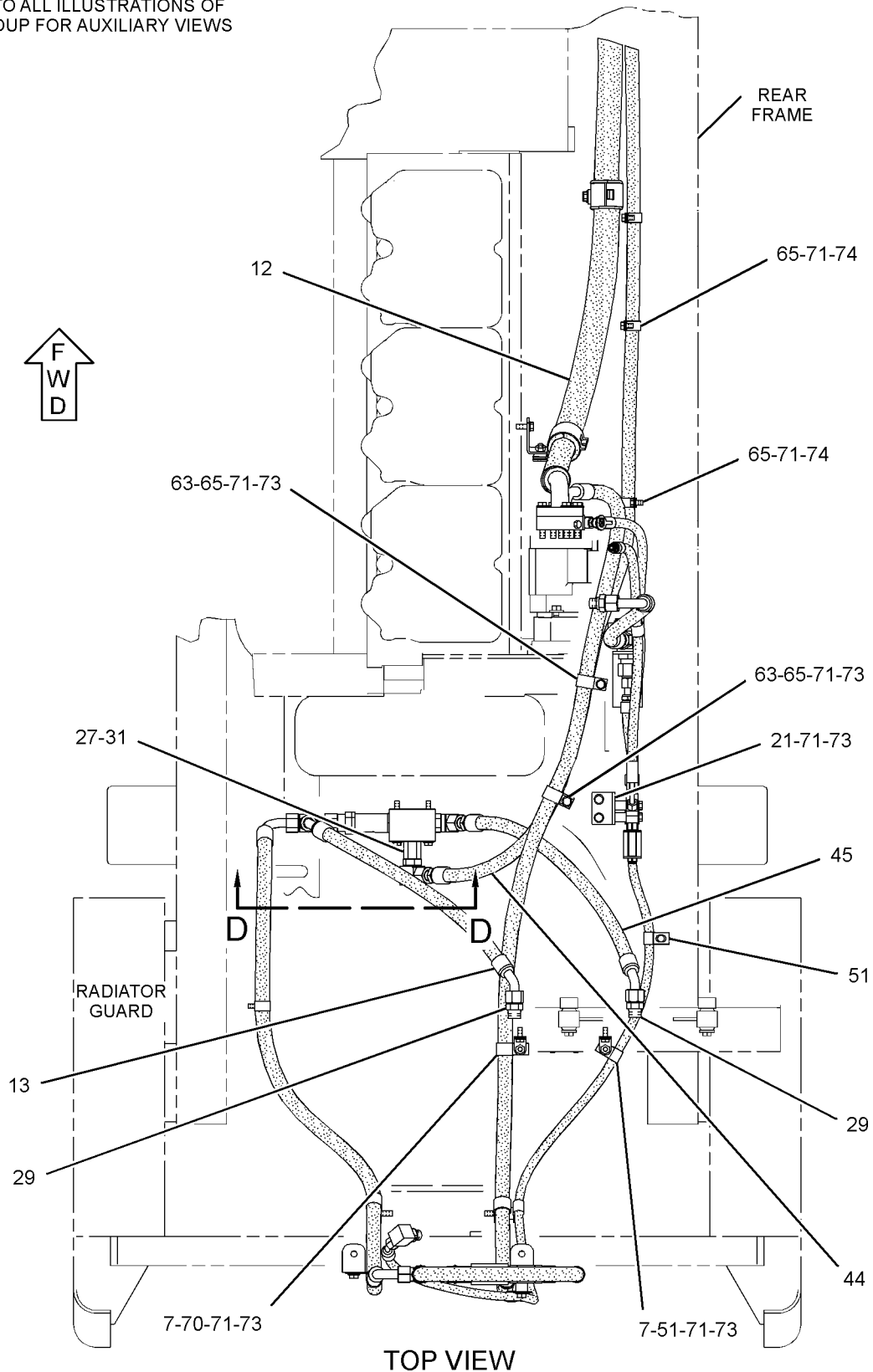
I-REFER TO HYDRAULIC INFORMATION SYSTEM
M-METRIC PART
Y-SEPARATE ILLUSTRATION

HYDRAULIC SYSTEM

225-6716 LINES GP-HYDRAULIC FAN (contd.)

i04456415

REFER TO ALL ILLUSTRATIONS OF THIS GROUP FOR AUXILIARY VIEWS



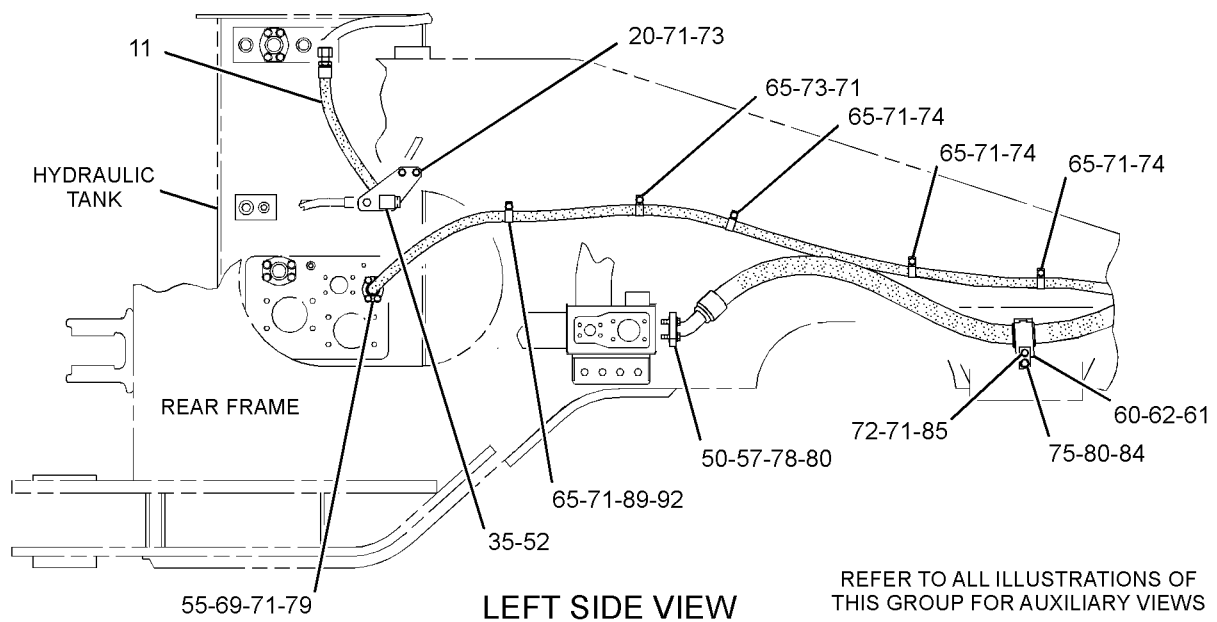
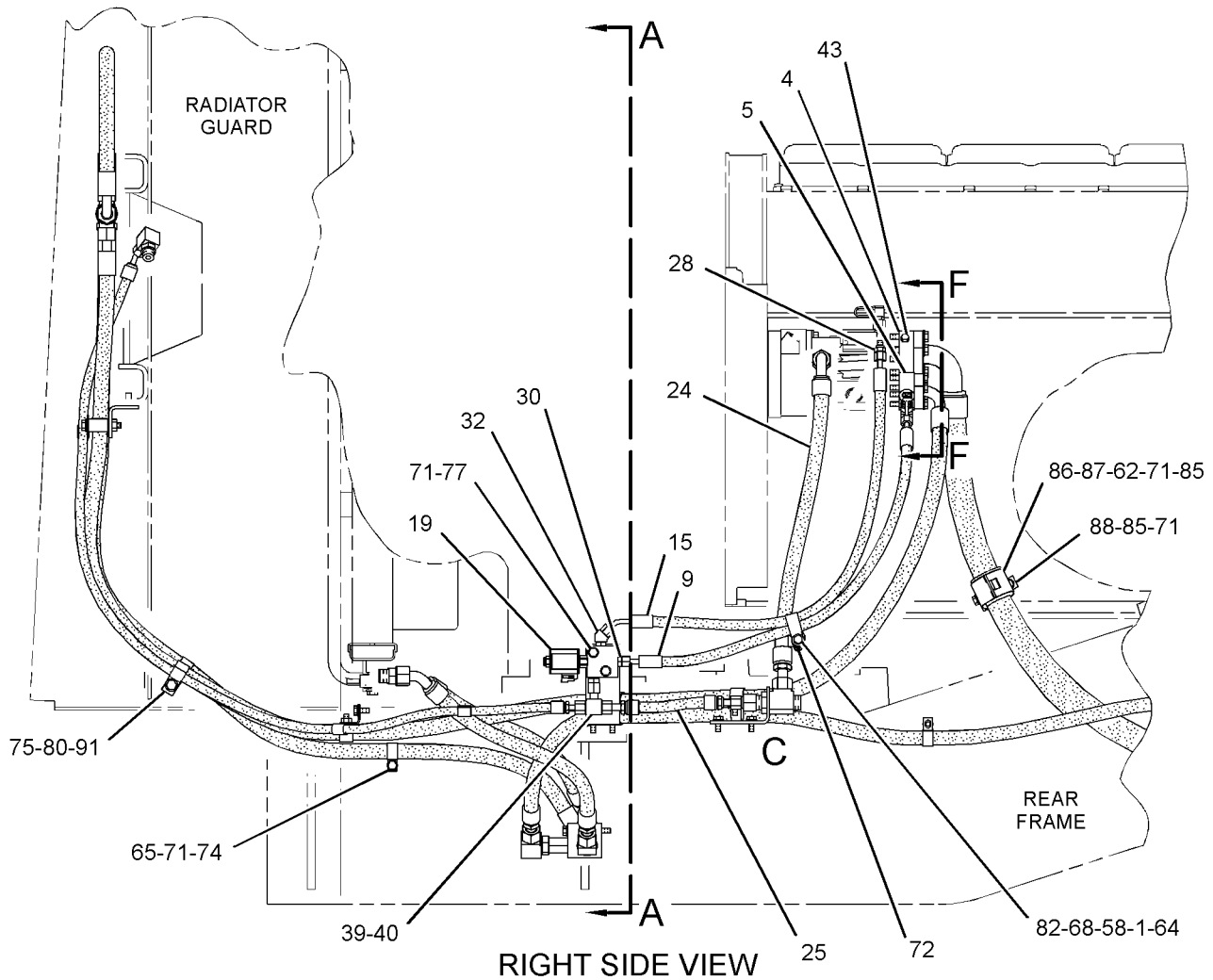
GRAPHIC #1

g02047774

HYDRAULIC SYSTEM

225-6716 LINES GP-HYDRAULIC FAN (contd.)

i04456415



REFER TO ALL ILLUSTRATIONS OF THIS GROUP FOR AUXILIARY VIEWS

GRAPHIC #2

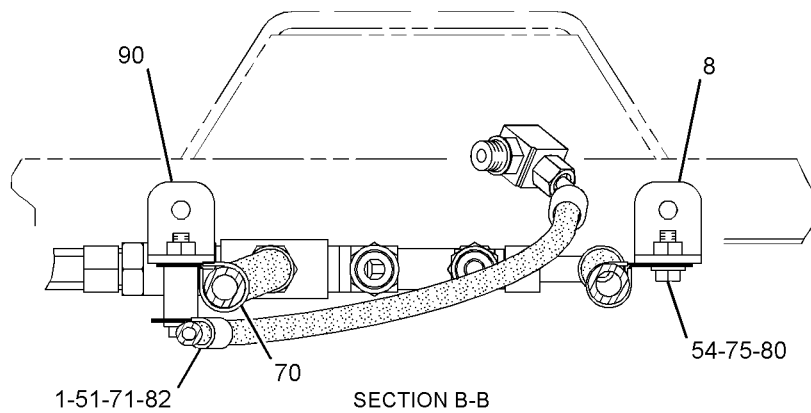
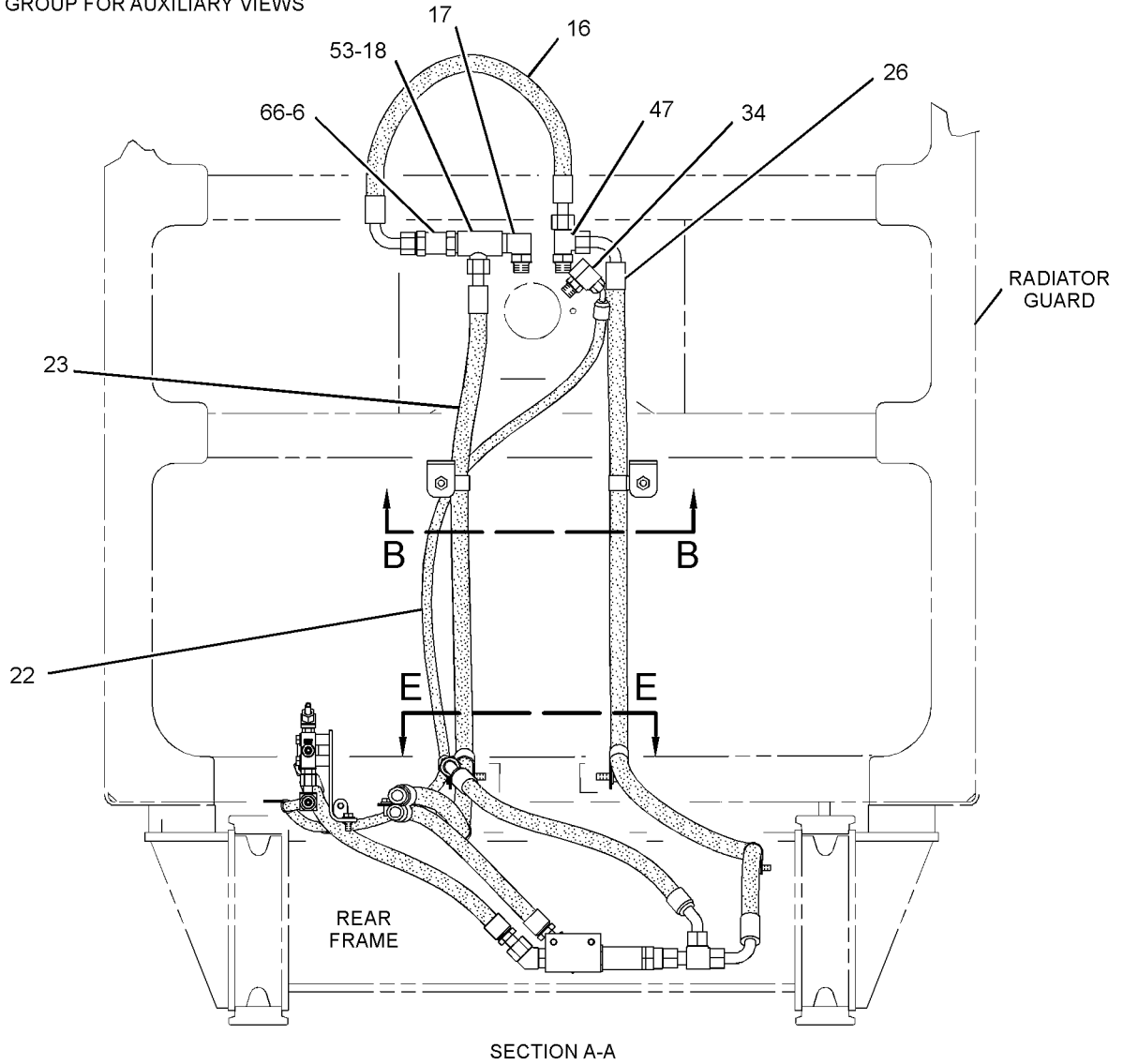
g02047798

HYDRAULIC SYSTEM

225-6716 LINES GP-HYDRAULIC FAN (contd.)

i04456415

REFER TO ALL ILLUSTRATIONS OF THIS GROUP FOR AUXILIARY VIEWS



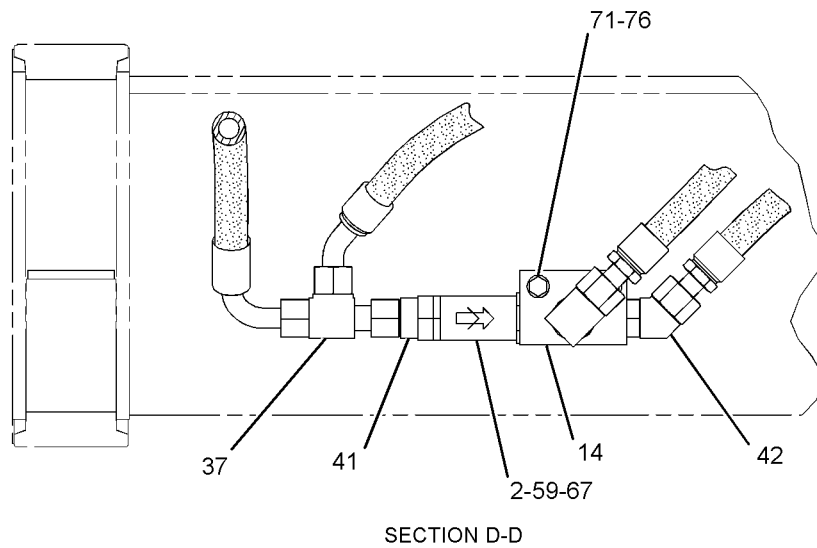
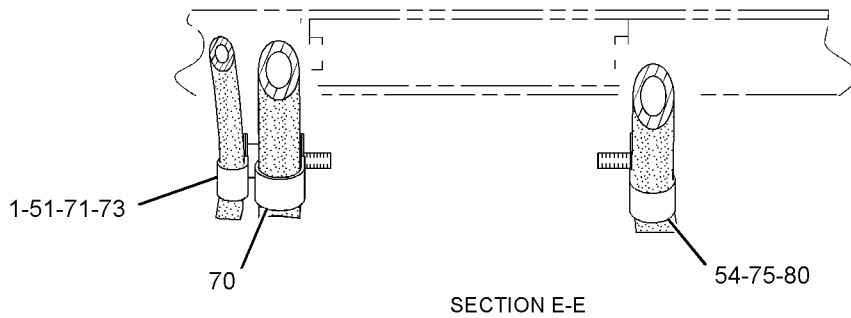
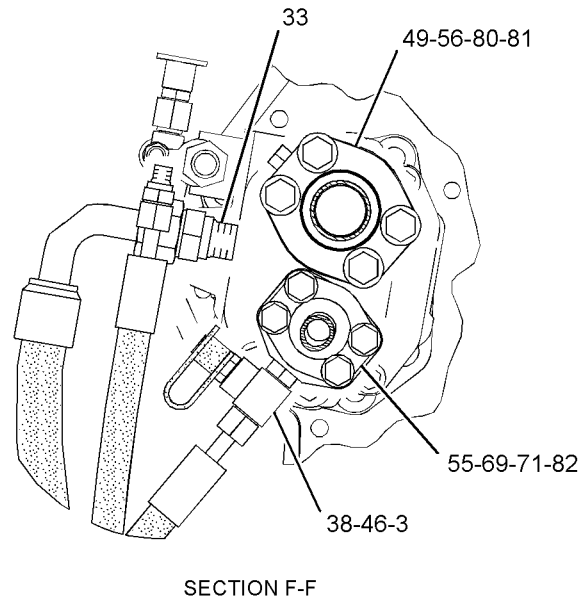
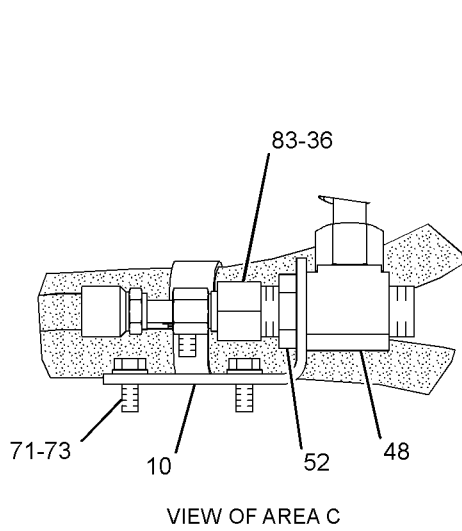
GRAPHIC #3

g02047813

HYDRAULIC SYSTEM

225-6716 LINES GP-HYDRAULIC FAN (contd.)

i04456415



GRAPHIC #4

<END>

g02047874

HYDRAULIC SYSTEM

345-3931 LINES GP-LIFT CYLINDER

S/N: A7A1-UP

PART OF 345-3930 HYDRAULIC AR

SMCS-5057, 5102

i04456416

NOTE	REF NO	GRAPHIC REF	PART NUMBER	QTY	PART NAME						SEE PAGE
					1	2	3	4	5	6 (PRODUCT LEVEL)	
	1	1	153-8477	2	TUBE AS						
	2	1	153-8478	1	TUBE AS						
	3	1	153-8480	1	TUBE AS						
	4	1	153-8481	1	TUBE AS						
	5	1	153-8482	2	MANIFOLD						
	6	1	153-8484	2	BRACKET AS						
					(EACH INCLUDES)						
		1	8X-4719	2	BAR						
	7	1	315-8809	1	BRACKET						
	8	1	315-8814	1	TUBE AS						
	9	1	315-8874	1	TUBE AS						
I	10	1	315-8999	2	HOSE AS						
I	11	1	315-9142	2	HOSE AS						
	12	1	315-9291	1	BRACKET						
	13	1	345-3967	1	TUBE AS						
	14	1	148-8407	2	PLUG AS						
					(EACH INCLUDES)						
		1	3J-1907	1	SEAL-O-RING						
		1	9S-4191	1	PLUG-O-RING						
	15	1	1P-3704	8	SEAL-RECTANGULAR						
	16	1	1P-3705	8	SEAL-RECTANGULAR						
	17	1	1P-3706	6	SEAL-RECTANGULAR						
	18	1	1P-5767	16	FLANGE-HALF						
	19	1	5P-0049	2	COVER						
	20	1	5P-8077	4	FLANGE-HALF						
	21	1	7Y-4038	12	CLAMP-HALF						
M	22	1	8T-4174	8	BOLT (M16X2X120-MM)						
M	23	1	8T-4183	8	BOLT (M12X1.75X40-MM)						
M	24	1	8T-4193	8	BOLT (M16X2X50-MM)						
M	25	1	8T-4194	24	BOLT (M12X1.75X50-MM)						
	26	1	8T-4223	60	WASHER-HARD (13.5X25.5X3-MM THK)						
M	27	1	8T-4648	16	BOLT (M12X1.75X70-MM)						
M	28	1	8T-4779	4	BOLT (M16X2X35-MM)						
M	29	1	8T-4910	8	BOLT (M12X1.75X60-MM)						
M	30	1	8T-4956	12	BOLT (M12X1.75X35-MM)						
	31	1	9X-8257	20	WASHER (17.5X30X3.5-MM THK)						

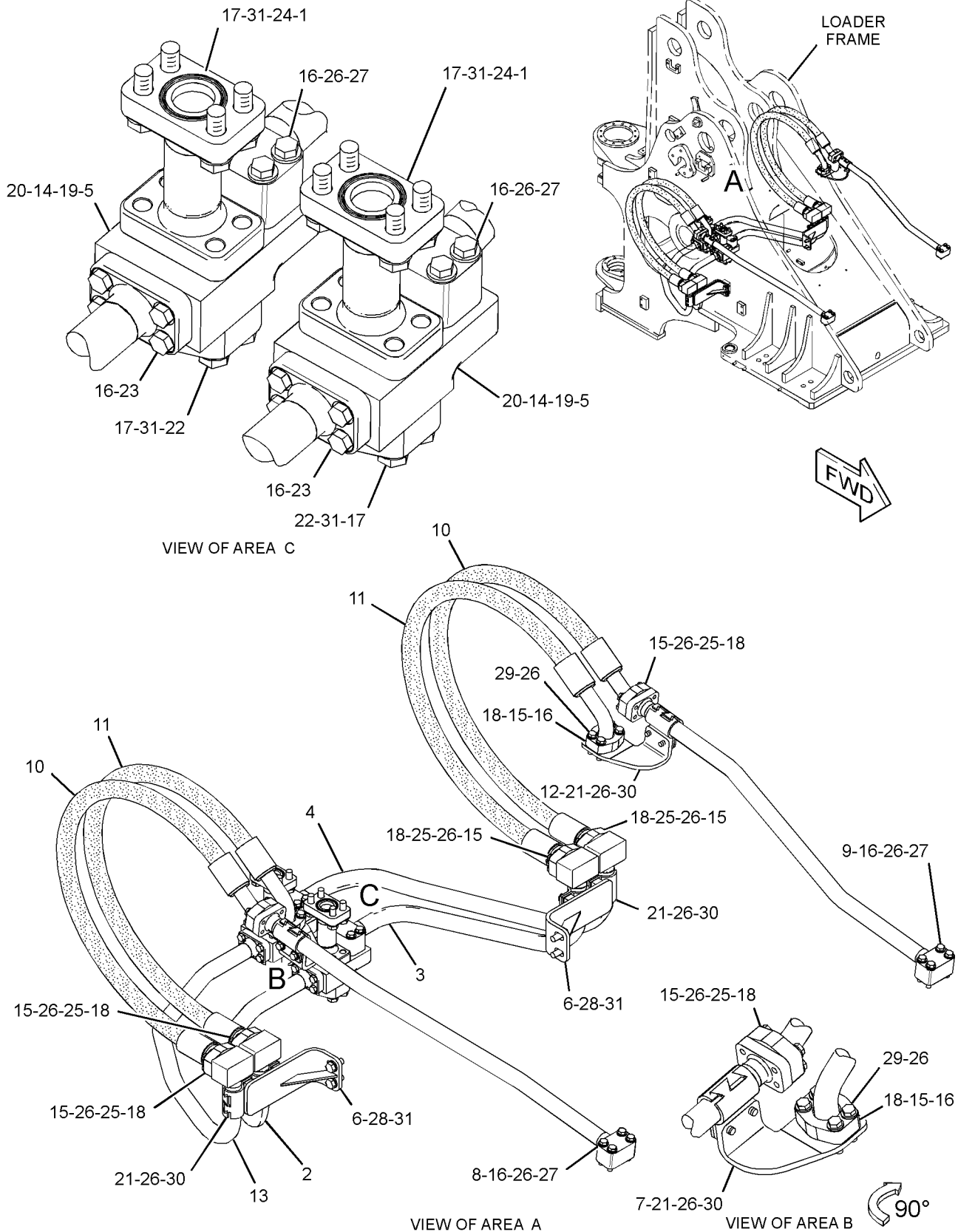
I-REFER TO HYDRAULIC INFORMATION SYSTEM

M-METRIC PART

HYDRAULIC SYSTEM

345-3931 LINES GP-LIFT CYLINDER (contd.)

i04456416



GRAPHIC #1

<END>

g02042603

HYDRAULIC SYSTEM

315-8805 LINES GP-PILOT

S/N: A7A1-UP

PART OF 345-3930 HYDRAULIC AR

SMCS-5057, 5059

i04456418

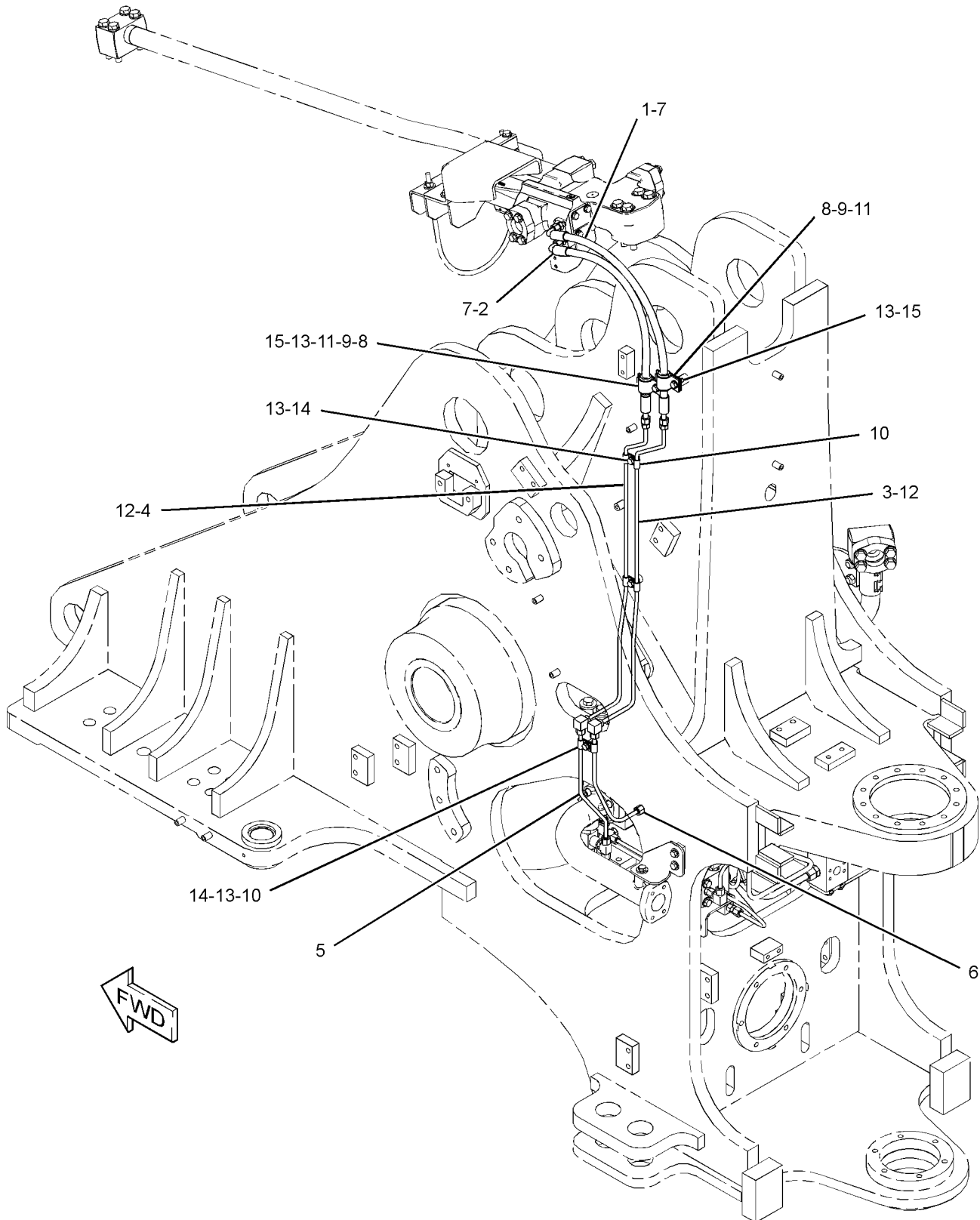
NOTE	REF NO	GRAPHIC REF	PART NUMBER	QTY	PART NAME						SEE PAGE
					1	2	3	4	5	6 (PRODUCT LEVEL)	
I	1	1	112-0845	1	HOSE AS						
I	2	1	176-7190	1	HOSE AS						
	3	1	297-6919	1	TUBE AS						
	4	1	297-6920	1	TUBE AS						
	5	1	297-6921	1	TUBE AS						
	6	1	343-2263	1	TUBE AS						
	7	1	148-8336	2	CONNECTOR AS						
					(EACH INCLUDES)						
		1	3J-1907	1	SEAL-O-RING						
		1	6V-8397	1	SEAL-O-RING						
		1	6V-8636	1	CONNECTOR						
	8	1	5P-7462	2	CLIP (SLOT)						
	9	1	5P-7463	2	CLIP (TAB)						
	10	1	5P-9297	6	CLIP						
	11	1	6V-0683	2	GROMMET						
	12	1	6V-8397	4	SEAL-O-RING						
	13	1	8T-4121	5	WASHER-HARD (11X21X2.5-MM THK)						
M	14	1	8T-4136	3	BOLT (M10X1.5X25-MM)						
M	15	1	8T-4195	2	BOLT (M10X1.5X30-MM)						

I-REFER TO HYDRAULIC INFORMATION SYSTEM
M-METRIC PART

HYDRAULIC SYSTEM

315-8805 LINES GP-PILOT (contd.)

i04456418



GRAPHIC #1

<END>

g02032956

HYDRAULIC SYSTEM

296-8268 LINES GP-TILT CYLINDER

S/N: A7A1-UP

PART OF 298-6964 LIFT AR
AN ATTACHMENT

SMCS-5057, 5104

i04480331

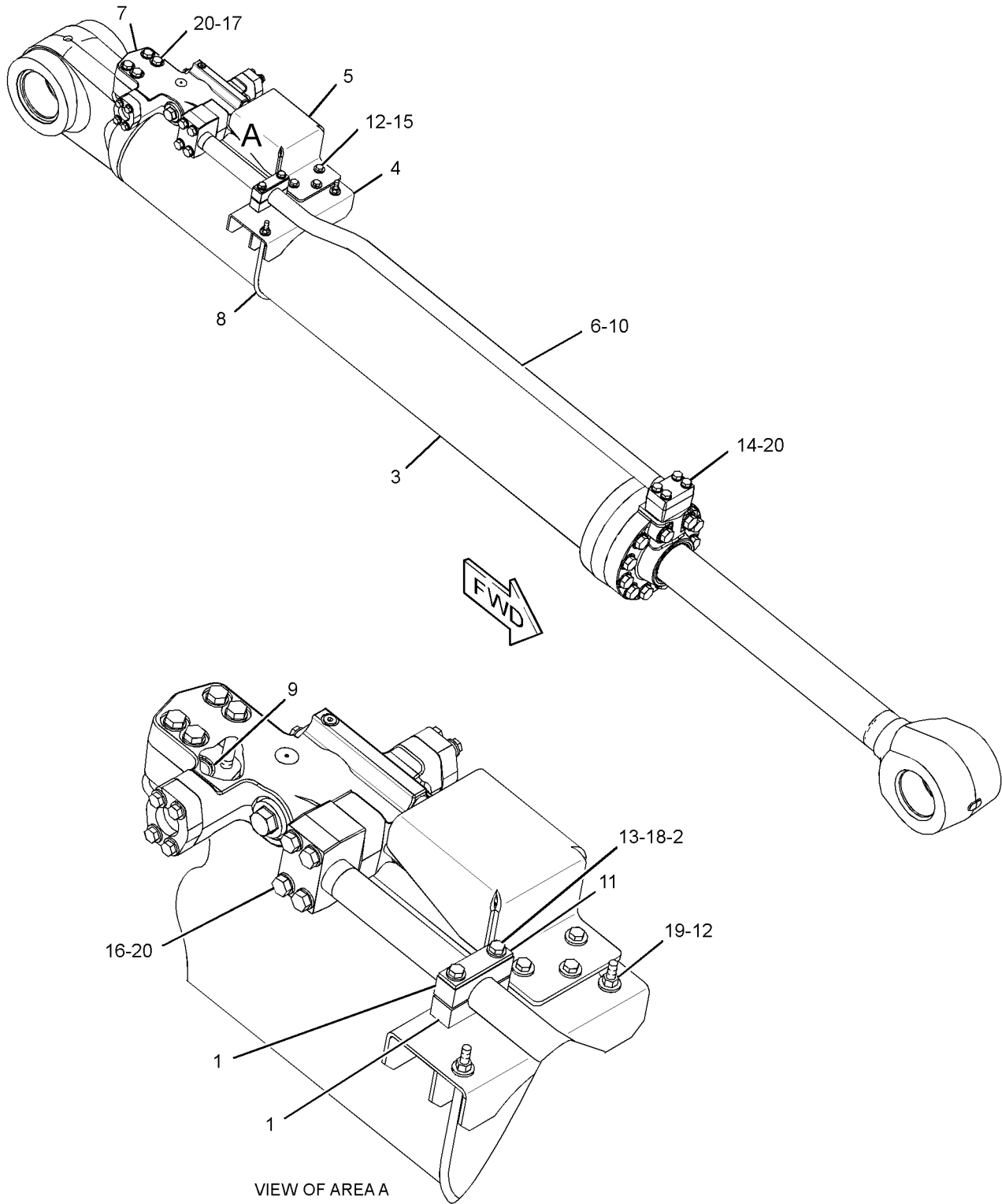
NOTE	REF NO	GRAPHIC REF	PART NUMBER	QTY	PART NAME						SEE PAGE
					1	2	3	4	5	6 (PRODUCT LEVEL)	
	1	1	6I-7433	2	CLAMP						
	2	1	8M-0627	2	SPACER (0.495X0.625X2.56-IN THK)						
Y	3	1	231-1955	1	CYLINDER GP-TILT (HIGH LIFT MACHINES)						491
	4	1	296-8263	1	BRACKET AS						
M		1	8T-3597	5	NUT-WELD (M12X1.75-THD)						
	5	1	296-8266	1	BRACKET AS						
	6	1	296-8270	1	TUBE AS						
Y	7	1	318-2925	1	VALVE GP-CONTROL (TILT REGENERATION)						551
	8	1	156-4403	1	U-BOLT						
	9	1	1P-3705	1	SEAL-RECTANGULAR						
	10	1	1P-3706	2	SEAL-RECTANGULAR						
	11	1	2B-0122	1	LOCK						
	12	1	5P-1076	5	WASHER-HARD (13.5X30X4-MM THK)						
M	13	1	7X-2549	2	BOLT (M12X1.75X100-MM)						
M	14	1	7X-2556	4	BOLT (M16X2X100-MM)						
M	15	1	8T-4139	3	BOLT (M12X1.75X30-MM)						
M	16	1	8T-4173	4	BOLT (M16X2X110-MM)						
M	17	1	8T-4174	4	BOLT (M16X2X120-MM)						
	18	1	8T-4223	2	WASHER-HARD (13.5X25.5X3-MM THK)						
M	19	1	8T-4244	2	NUT (M12X1.75-THD)						
	20	1	9X-8257	12	WASHER (17.5X30X3.5-MM THK)						

M-METRIC PART
Y-SEPARATE ILLUSTRATION

HYDRAULIC SYSTEM

296-8268 LINES GP-TILT CYLINDER (contd.)

i04480331



GRAPHIC #1

<END>

g01942915

HYDRAULIC SYSTEM

296-8271 LINES GP-TILT CYLINDER

S/N: A7A1-UP

PART OF 298-6964 LIFT AR
AN ATTACHMENT

SMCS-5057, 5104

i04480333

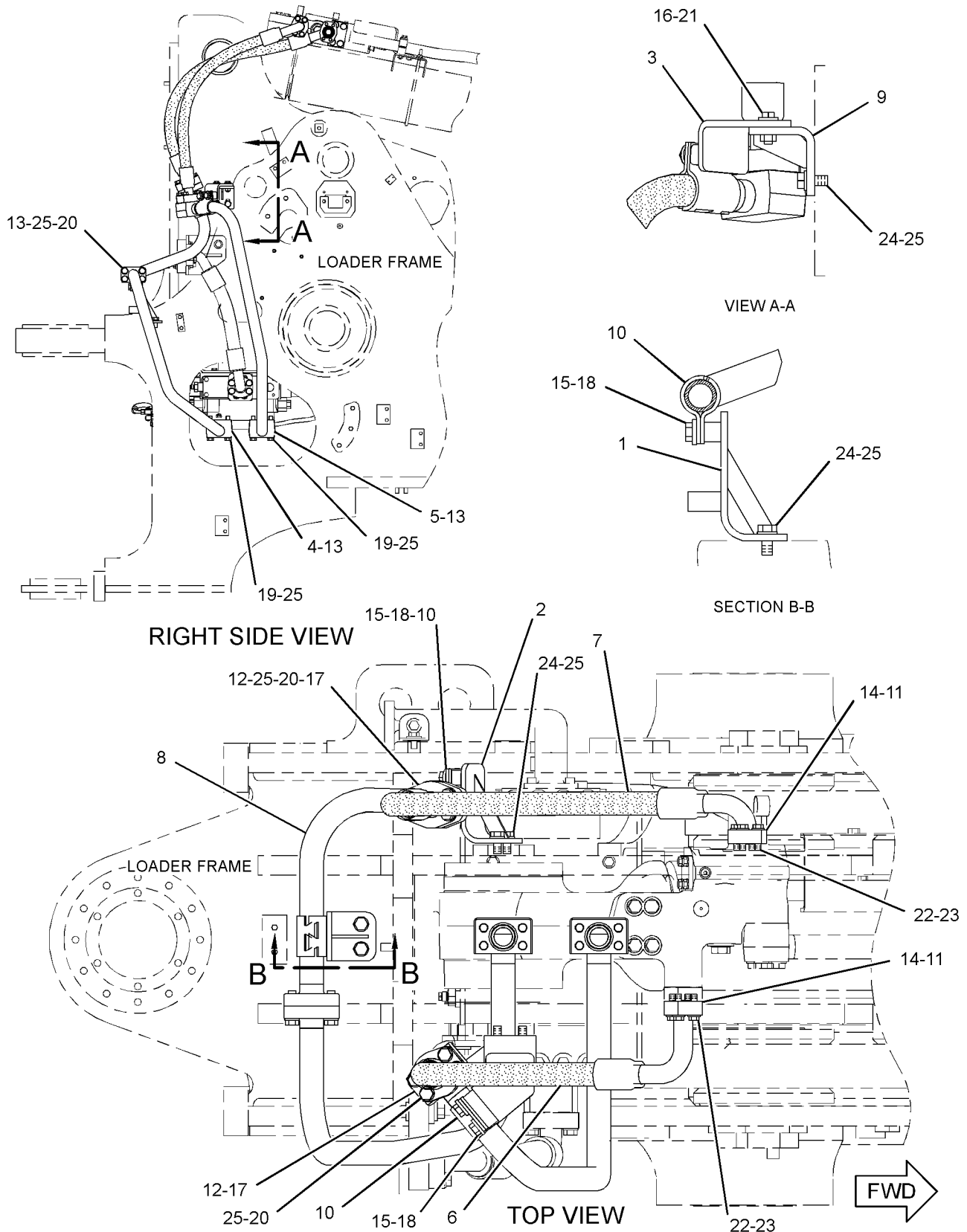
NOTE	REF NO	GRAPHIC REF	PART NUMBER	QTY	PART NAME						SEE PAGE	
					1	2	3	4	5	6 (PRODUCT LEVEL)		
	1	1	156-2842	1	BRACKET	AS						
	2	1	165-3825	1	BRACKET	AS						
	3	1	296-8276	1	BRACKET	AS						
	4	1	296-8281	1	TUBE	AS						
	5	1	296-8282	1	TUBE	AS						
I	6	1	315-9972	1	HOSE	AS						
I	7	1	315-9973	1	HOSE	AS						
	8	1	315-9974	1	TUBE	AS						
	9	1	316-5182	1	BRACKET	AS						
	10	1	103-1303	6	CLAMP	-HALF						
	11	1	1P-3704	2	SEAL	-RECTANGULAR						
	12	1	1P-3705	2	SEAL	-RECTANGULAR						
	13	1	1P-3706	3	SEAL	-RECTANGULAR						
	14	1	1P-5767	4	FLANGE	-HALF						
	15	1	3E-9411	6	WASHER	-HARD (17.5X38X6-MM THK)						
	16	1	5P-1076	2	WASHER	-HARD (13.5X30X4-MM THK)						
	17	1	5P-8077	4	FLANGE	-HALF						
M	18	1	7X-2553	6	BOLT	(M16X2X40-MM)						
M	19	1	7X-2556	8	BOLT	(M16X2X100-MM)						
M	20	1	8T-4140	12	BOLT	(M16X2X60-MM)						
M	21	1	8T-4183	2	BOLT	(M12X1.75X40-MM)						
M	22	1	8T-4184	8	BOLT	(M12X1.75X45-MM)						
	23	1	8T-4223	8	WASHER	-HARD (13.5X25.5X3-MM THK)						
M	24	1	8T-4779	6	BOLT	(M16X2X35-MM)						
	25	1	9X-8257	26	WASHER	(17.5X30X3.5-MM THK)						

I-REFER TO HYDRAULIC INFORMATION SYSTEM
M-METRIC PART

HYDRAULIC SYSTEM

296-8271 LINES GP-TILT CYLINDER (contd.)

i04480333



GRAPHIC #1

<END>

g01739355

HYDRAULIC SYSTEM

322-3793 MANIFOLD GP-CONTROL-PARKING BRAKE

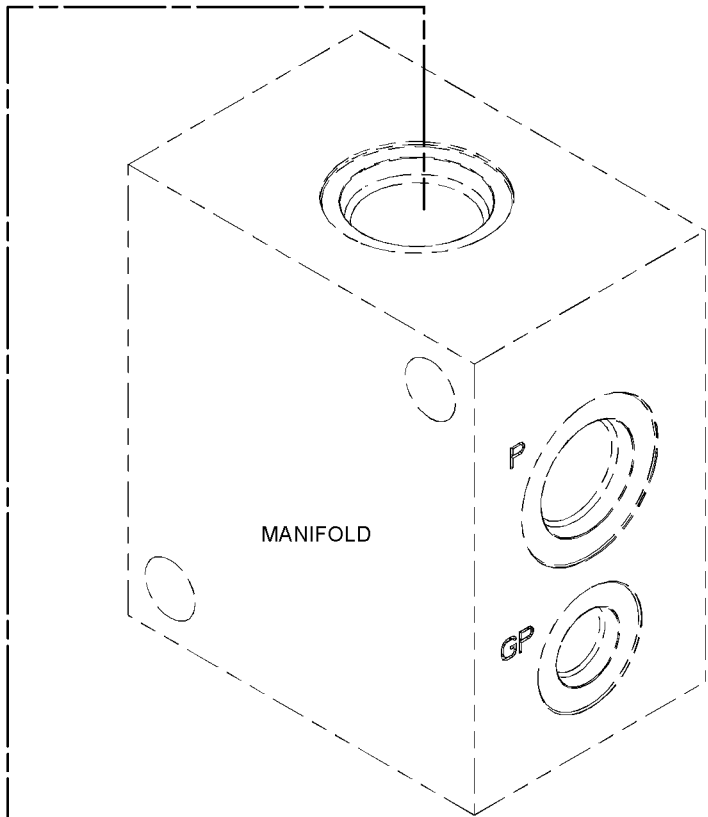
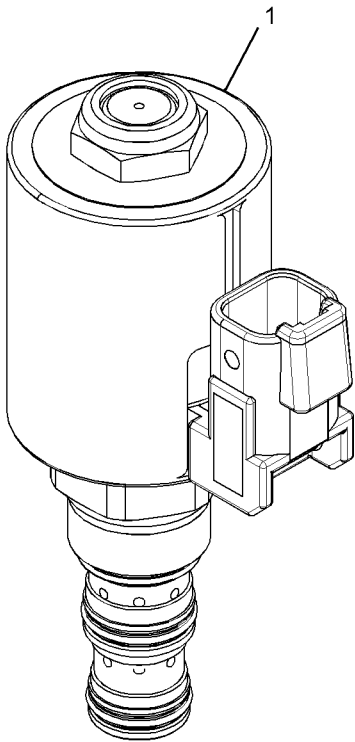
S/N: A7A1-UP

PART OF 315-8815 VALVE & MTG GP-MAIN CONTROL
AN ATTACHMENT

SMCS-4264, 5072, 5264, 5467, 5479

i04487972

NOTE	REF NO	GRAPHIC REF	PART NUMBER	QTY	PART NAME						SEE PAGE
					1	2	3	4	5	6 (PRODUCT LEVEL)	
	1	1	285-5629	1	VALVE GP-SOLENOID (BRAKE COOLING)						
		1	156-5970	1	NUT (1/2-20-THD)						
		1	252-0745	1	COIL AS						



GRAPHIC #1

<END>

g02034974

HYDRAULIC SYSTEM

326-3803 MANIFOLD GP-HYDRAULIC

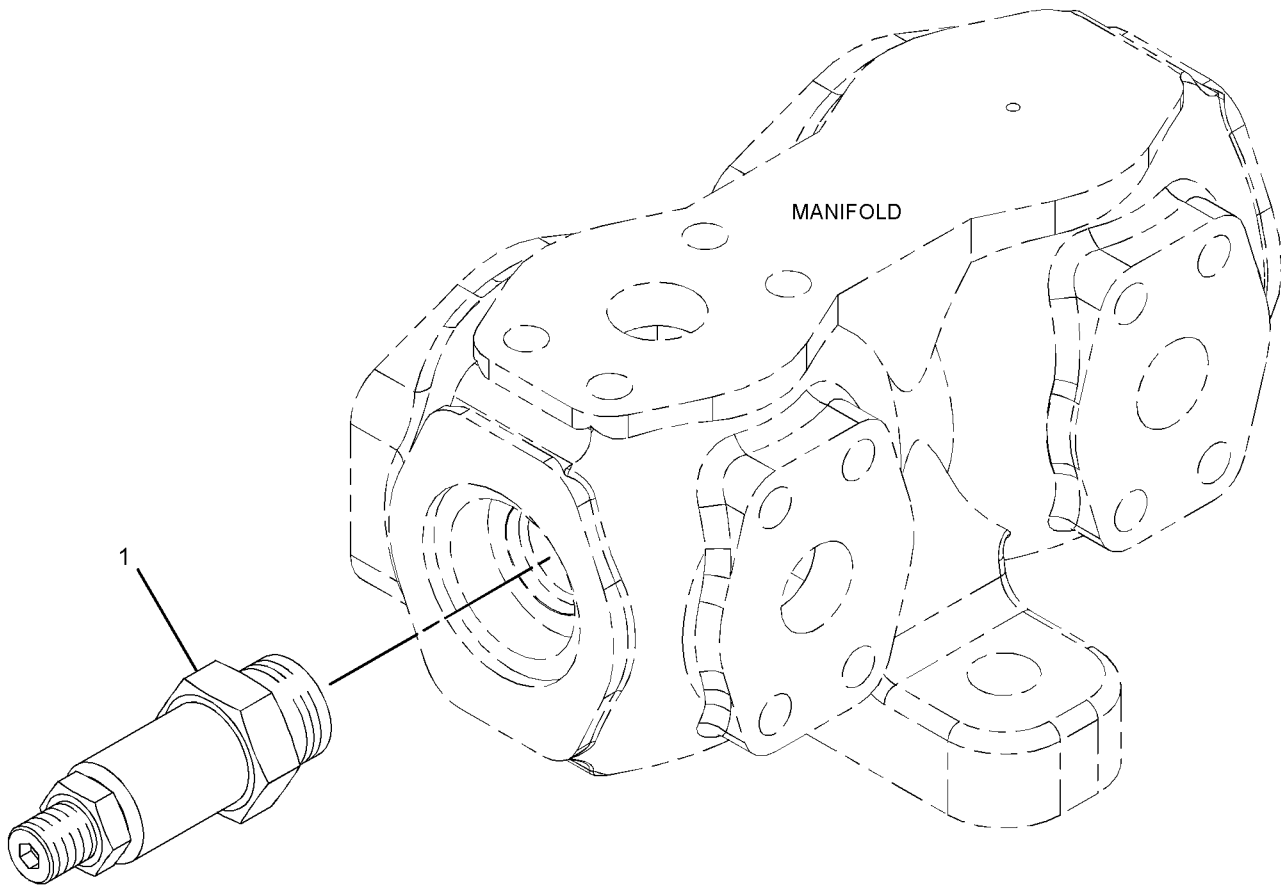
S/N: A7A1-UP

PART OF 345-3943 LINES GP-STEERING

SMCS-5264

i04460605

NOTE	REF NO	GRAPHIC REF	PART NUMBER	QTY	PART NAME						SEE PAGE
					1	2	3	4	5	6 (PRODUCT LEVEL)	
	1	1	9T-7419	1	VALVE GP-RELIEF						
		1	5P-2199	2	RING-BACKUP						
		1	2M-9780	1	SEAL-O-RING						
		1	6E-0410	1	SEAL-O-RING						



GRAPHIC #1

<END>

g02033177

HYDRAULIC SYSTEM

226-2040 MOTOR & MTG GP-HYDRAULIC FAN

S/N: A7A1-UP

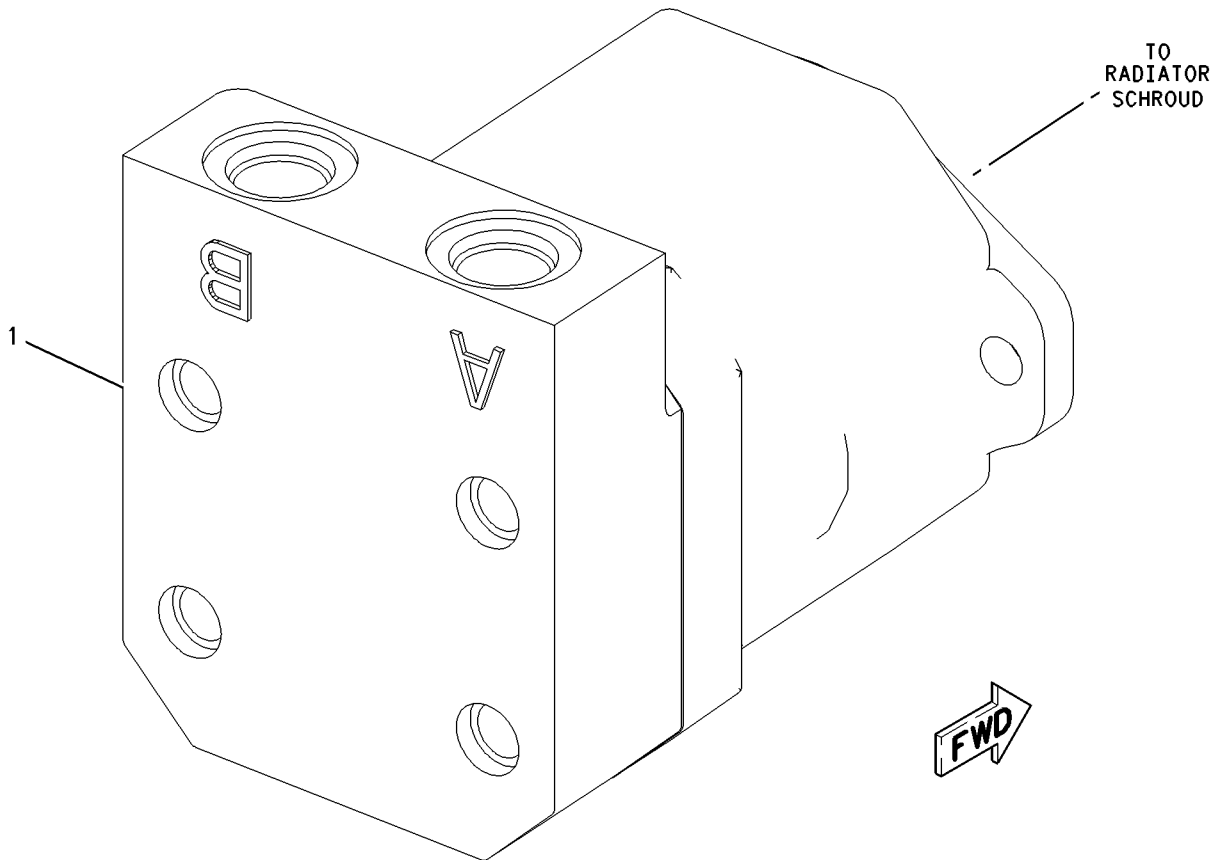
PART OF 345-3930 HYDRAULIC AR

SMCS-1386

i04456434

NOTE	REF NO	GRAPHIC REF	PART NUMBER	QTY	PART NAME						SEE PAGE
					1	2	3	4	5	6 (PRODUCT LEVEL)	
YR	1	1	213-5268	1	MOTOR GP-PISTON (HYDRAULIC FAN)						522

R-REMFG PART MAY BE AVAILABLE
Y-SEPARATE ILLUSTRATION



GRAPHIC #1

<END>

g01004650

HYDRAULIC SYSTEM

213-5268 MOTOR GP-PISTON*R

S/N: A7A1-UP

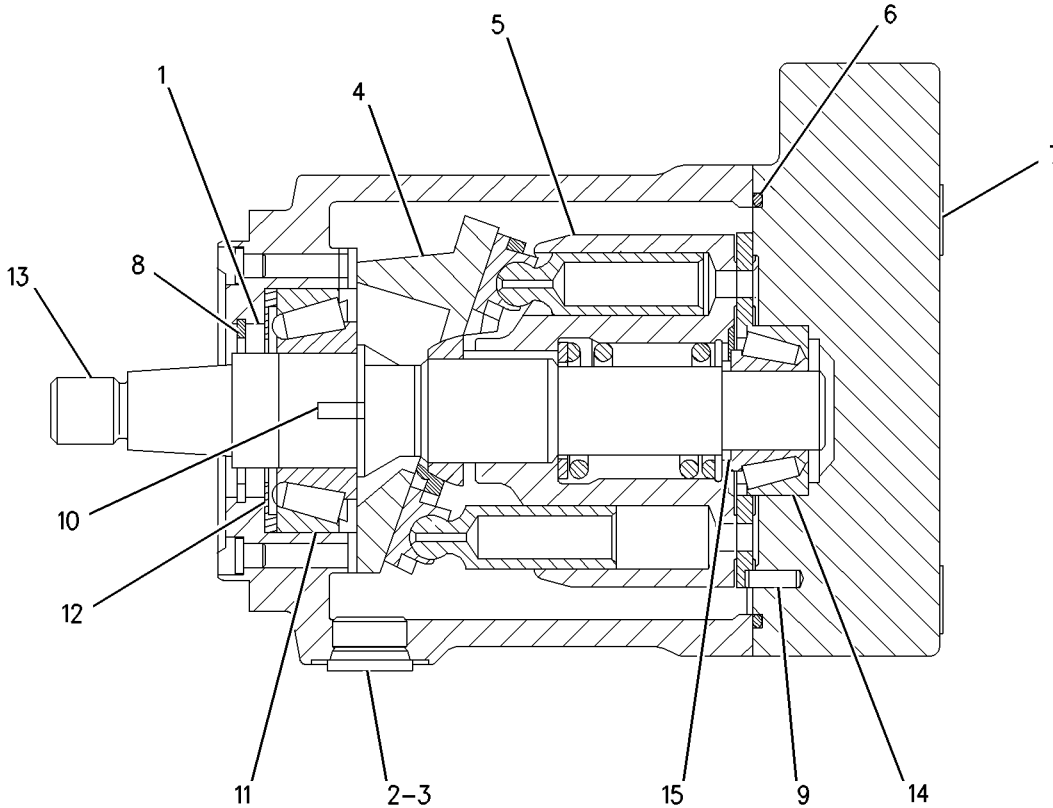
PART OF 226-2040 MOTOR & MTG GP-HYDRAULIC FAN

SMCS-1386, 5058

i04460246

NOTE	REF NO	GRAPHIC REF	PART NUMBER	QTY	PART NAME						SEE PAGE
					1	2	3	4	5	6 (PRODUCT LEVEL)	
	1	1	168-7319	1	SEAL - SHAFT						
	2	1	9S-8006	1	PLUG - O - RING						
	3	1	2M-9780	1	SEAL - O - RING						
	4	1	185-0278	1	SWASHPLATE						
Y	5	1	185-0275	1	ROTATING GP-MOTOR (HYDRAULIC FAN)						534
	6	1	192-7470	1	SEAL - O - RING						
M	7	1	095-0690	4	BOLT - SOCKET HEAD (M14X2X60-MM)						
	8	1	7Y-5267	1	RING - RETAINING						
	9	1	188-6280	1	DOWEL						
	10	1	101-2862	2	DOWEL						
	11	1	185-0295	1	BEARING						
	12	1	185-0280	1	PLATE						
	13	1	216-2515	1	SHAFT						
	14	1	185-0296	1	BEARING						
B	15	1	168-2203	1	SHIM - SHAFT						

B-USE AS REQUIRED
M-METRIC PART
Y-SEPARATE ILLUSTRATION



GRAPHIC #1

<END>

g00954879

HYDRAULIC SYSTEM

226-1957 PUMP & MTG GP-HYDRAULIC FAN- HIGH AMBIENT TEMPERATURE

S/N: A7A1-UP

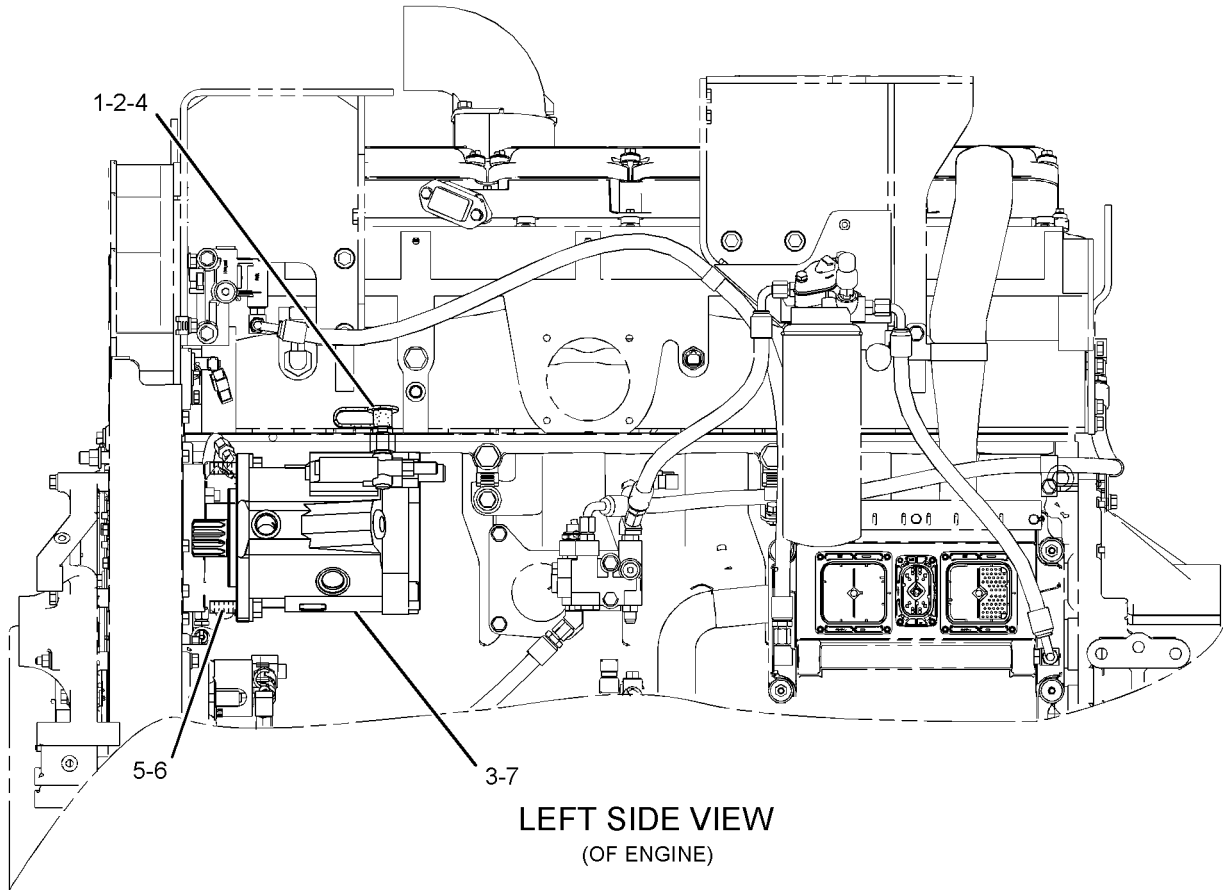
PART OF 226-1956 COOLING AR-HIGH AMBIENT TEMP
AN ATTACHMENT

SMCS-1387

i04480093

NOTE	REF NO	GRAPHIC REF	PART NUMBER	QTY	PART NAME						SEE PAGE
					1	2	3	4	5	6 (PRODUCT LEVEL)	
	1	1	6V-0852	1	CAP-DUST						
	2	1	164-5567	1	COUPLER AS-QUICK DISCONNECT (MALE)						
		1	3J-1907	1	SEAL-O-RING						
		1	6V-3965	1	FITTING (QUICK DISCONNECT)						
Y	3	1	228-3638	1	PUMP GP-PISTON (HYD FAN, HIGH AMBIENT TEMP)						528
	4	1	150-4047	1	ADAPTER AS						
		1	3J-7354	1	SEAL-O-RING						
		1	8T-2353	1	ADAPTER						
	5	1	5P-1076	2	WASHER-HARD (13.5X30X4-MM THK)						
	6	1	8T-8919	2	BOLT (1/2-13X1.75-IN)						
	7	1	223-2102	1	SEAL-INTEGRAL						

Y-SEPARATE ILLUSTRATION



LEFT SIDE VIEW
(OF ENGINE)

GRAPHIC #1

<END>

g01106372

HYDRAULIC SYSTEM

228-0376 PUMP & MTG GP-HYDRAULIC FAN

S/N: A7A1-UP

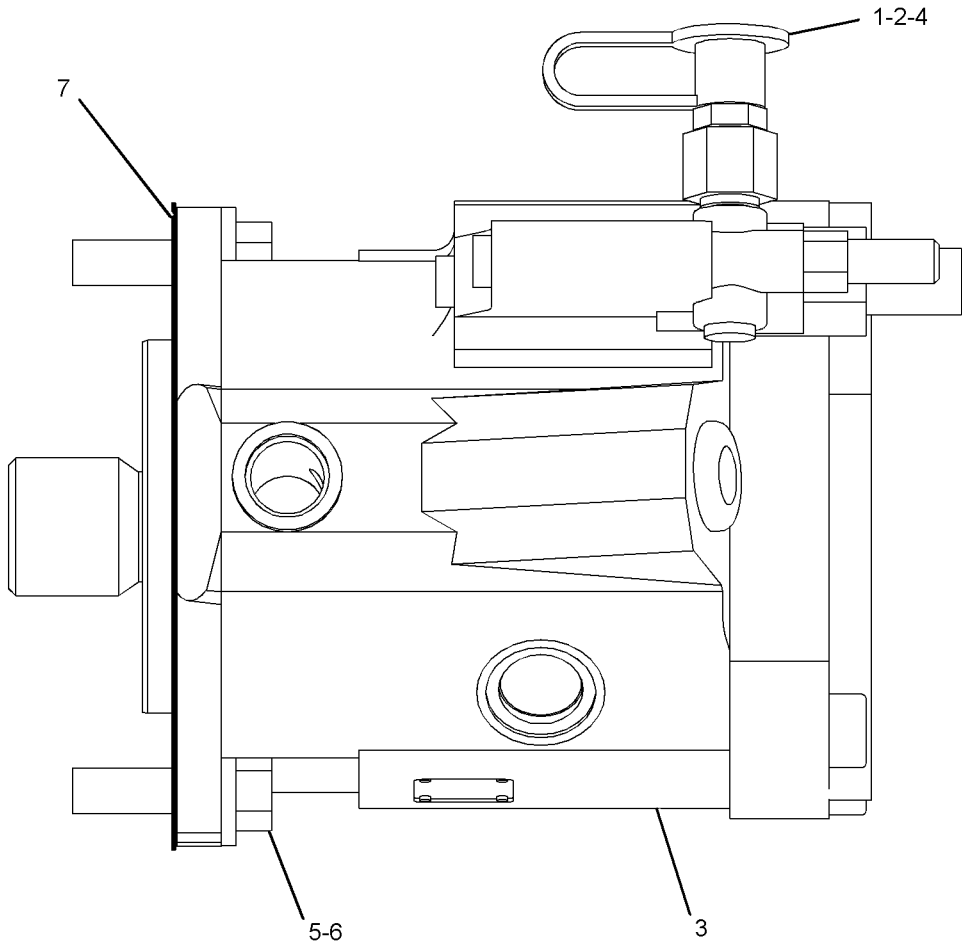
PART OF 225-6725 COOLING AR
AN ATTACHMENT

SMCS-1387

i04480069

NOTE	REF NO	GRAPHIC REF	PART NUMBER	QTY	PART NAME						SEE PAGE
					1	2	3	4	5	6 (PRODUCT LEVEL)	
	1	1	6V-0852	1	CAP-DUST						
	2	1	164-5567	1	COUPLER AS-QUICK DISCONNECT (MALE)						
		1	214-7568	1	SEAL-O-RING						
		1	6V-3965	1	FITTING (QUICK DISCONNECT)						
YR	3	1	228-3636	1	PUMP GP-PISTON (HYDRAULIC FAN)						526
	4	1	150-4047	1	ADAPTER AS						
		1	3J-7354	1	SEAL-O-RING						
		1	8T-2353	1	ADAPTER						
	5	1	5P-1076	2	WASHER-HARD (13.5X30X4-MM THK)						
	6	1	8T-8919	2	BOLT (1/2-13X1.75-IN)						
	7	1	223-2102	1	SEAL-INTEGRAL						

R-REMFG PART MAY BE AVAILABLE
Y-SEPARATE ILLUSTRATION



GRAPHIC #1

<END>

g02632556

HYDRAULIC SYSTEM

345-3933 PUMP & MTG GP-IMPLEMENT

S/N: A7A1-UP

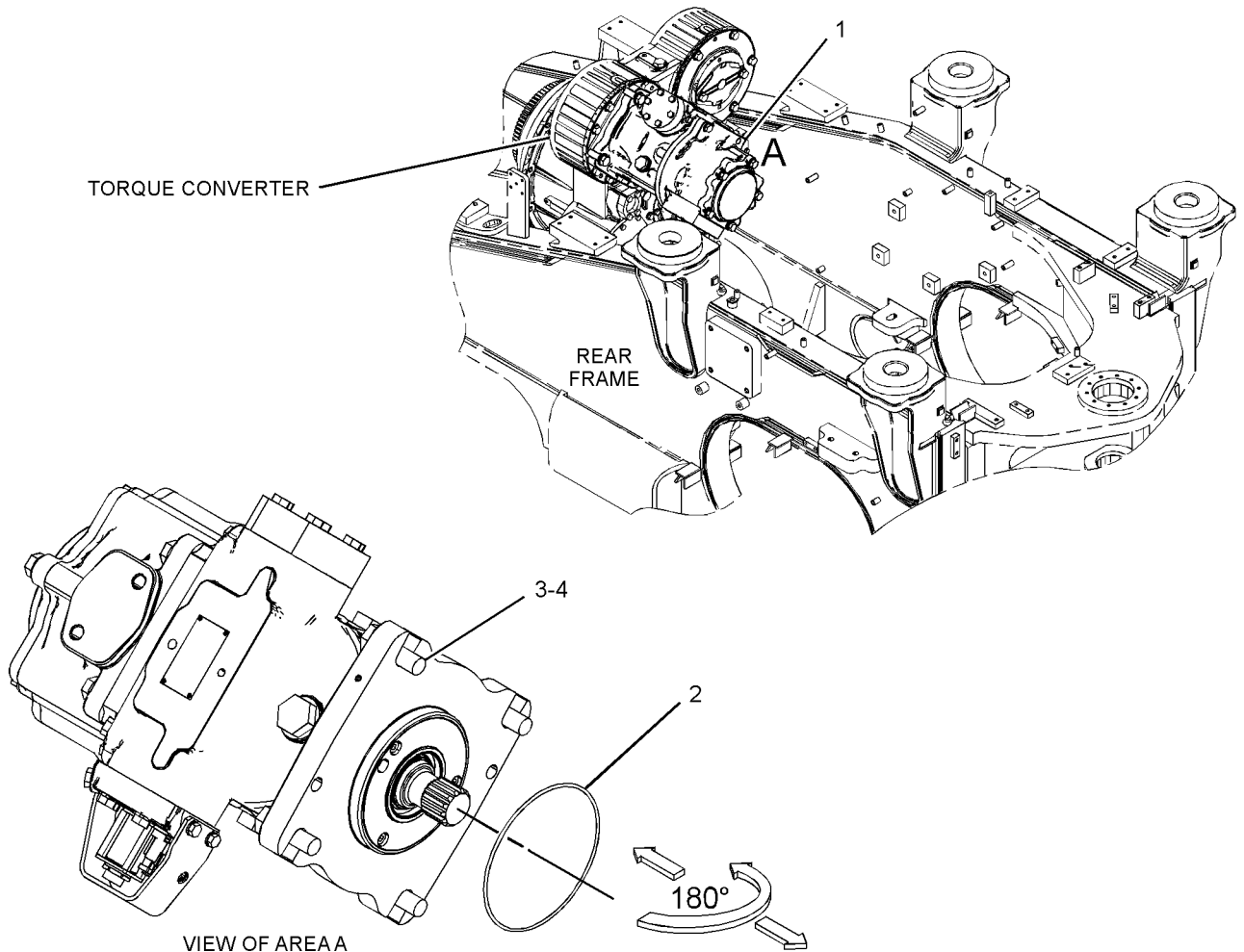
PART OF 345-3930 HYDRAULIC AR

SMCS-5084

i04456435

NOTE	REF NO	GRAPHIC REF	PART NUMBER	QTY	PART NAME						SEE PAGE
					1	2	3	4	5	6 (PRODUCT LEVEL)	
Y	1	1	346-6095	1	PUMP GP-PISTON						530
	2	1	6V-7681	1	SEAL-O-RING						
M	3	1	7X-2563	4	BOLT (M20X2.5X60-MM)						
	4	1	8T-1739	4	WASHER-HARD (21X40X3.5-MM THK)						

M-METRIC PART
Y-SEPARATE ILLUSTRATION



GRAPHIC #1

<END>

g02038773

HYDRAULIC SYSTEM

228-3636 PUMP GP-PISTON*R

S/N: A7A1-UP

PART OF 228-0376 PUMP & MTG GP-HYDRAULIC FAN
AN ATTACHMENT

SMCS-5070

i04482911

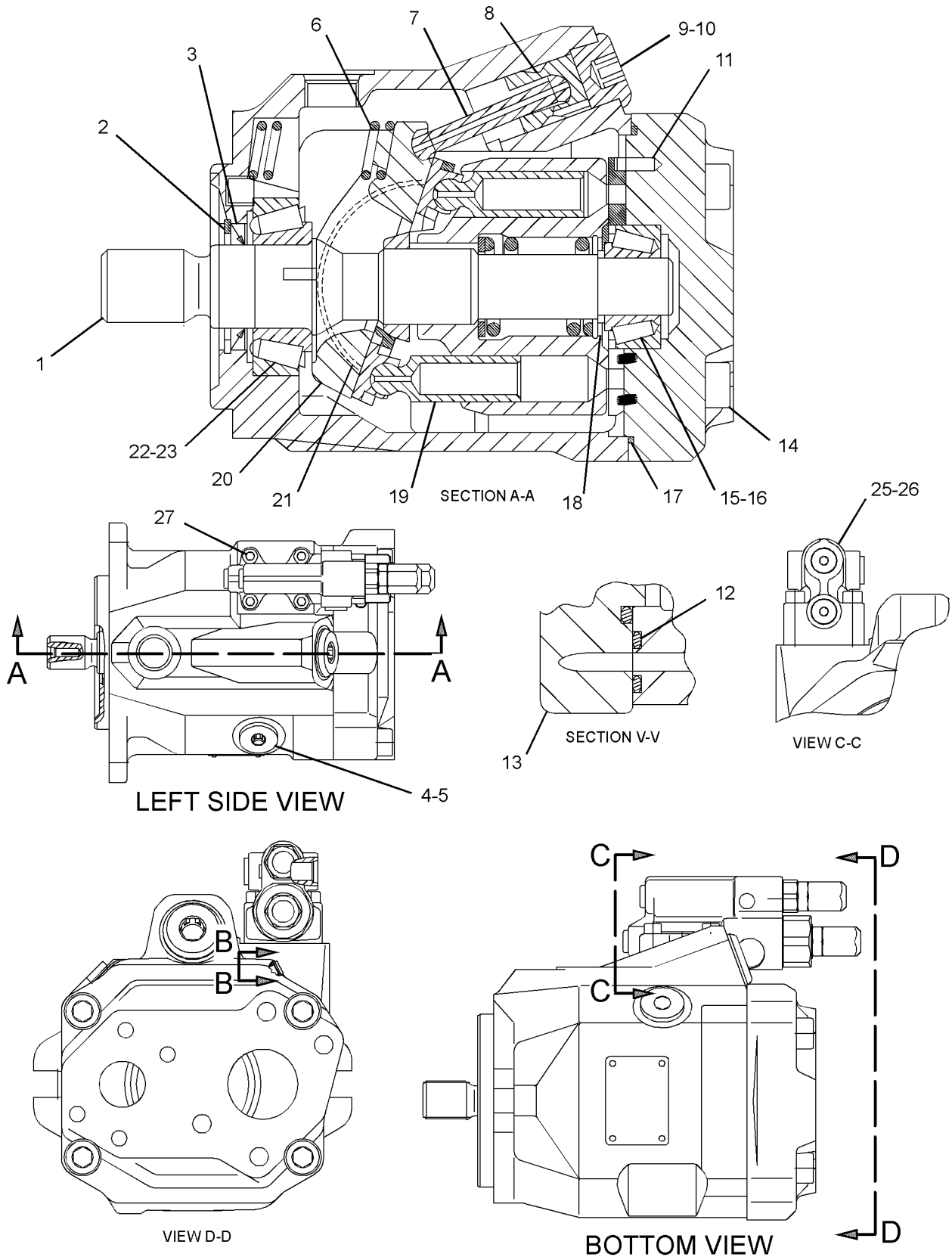
NOTE	REF NO	GRAPHIC REF	PART NUMBER	QTY	PART NAME						SEE PAGE
					1	2	3	4	5	6 (PRODUCT LEVEL)	
	1	1	233-0065	1	SHAFT-DRIVE						
	2	1	8C-3110	1	RING-RETAINING						
	3	1	166-0344	1	SEAL-SHAFT						
	4	1	9S-8006	1	PLUG-O-RING						
	5	1	2M-9780	1	SEAL-O-RING						
	6	1	127-9490	1	SPRING (BIAS)						
	7	1	168-2198	1	LINK-CONTROL						
	8	1	168-7861	1	PISTON-ACTUATOR						
	9	1	175-6799	1	PLUG-CONTROL						
	10	1	8T-7525	1	SEAL-O-RING						
	11	1	083-4419	1	PIN						
	12	1	168-3504	1	SEAL						
	13	1	120-4394	1	PLUG-BREAK OFF						
M	14	1	095-0670	4	BOLT (M12X1.75X45-MM)						
	15	1	105-3035	1	CONE-BEARING						
	16	1	203-8609	1	CUP-BEARING						
	17	1	127-9485	1	SEAL-O-RING						
B	18	1	127-9483	1	SHIM (PRELOAD)						
Y	19	1	168-7868	1	ROTATING GP-PUMP (HYDRAULIC FAN)						535
	20	1	175-6795	1	SWASHPLATE						
	21	1	237-4227	1	BEARING-CRADLE						
	22	1	203-9163	1	CONE-BEARING						
	23	1	6V-4636	1	CUP-BEARING						
Y	25	1	207-0695	1	VALVE GP-PUMP CONTROL (PRESSURE, FLOW COMPENSATOR) (HYDRAULIC FAN)						556
	26	1	9X-7680	3	SEAL-O-RING						
M	27	1	8T-8442	4	BOLT-SOCKET HEAD (M6X1X30-MM)						

B-USE AS REQUIRED
M-METRIC PART
Y-SEPARATE ILLUSTRATION

HYDRAULIC SYSTEM

228-3636 PUMP GP-PISTON (contd.)

i04482911



GRAPHIC #1

<END>

g02480556

HYDRAULIC SYSTEM

228-3638 PUMP GP-PISTON

S/N: A7A1-UP

PART OF 226-1957 PUMP & MTG GP-HYDRAULIC FAN
AN ATTACHMENT

SMCS-5070

i04482892

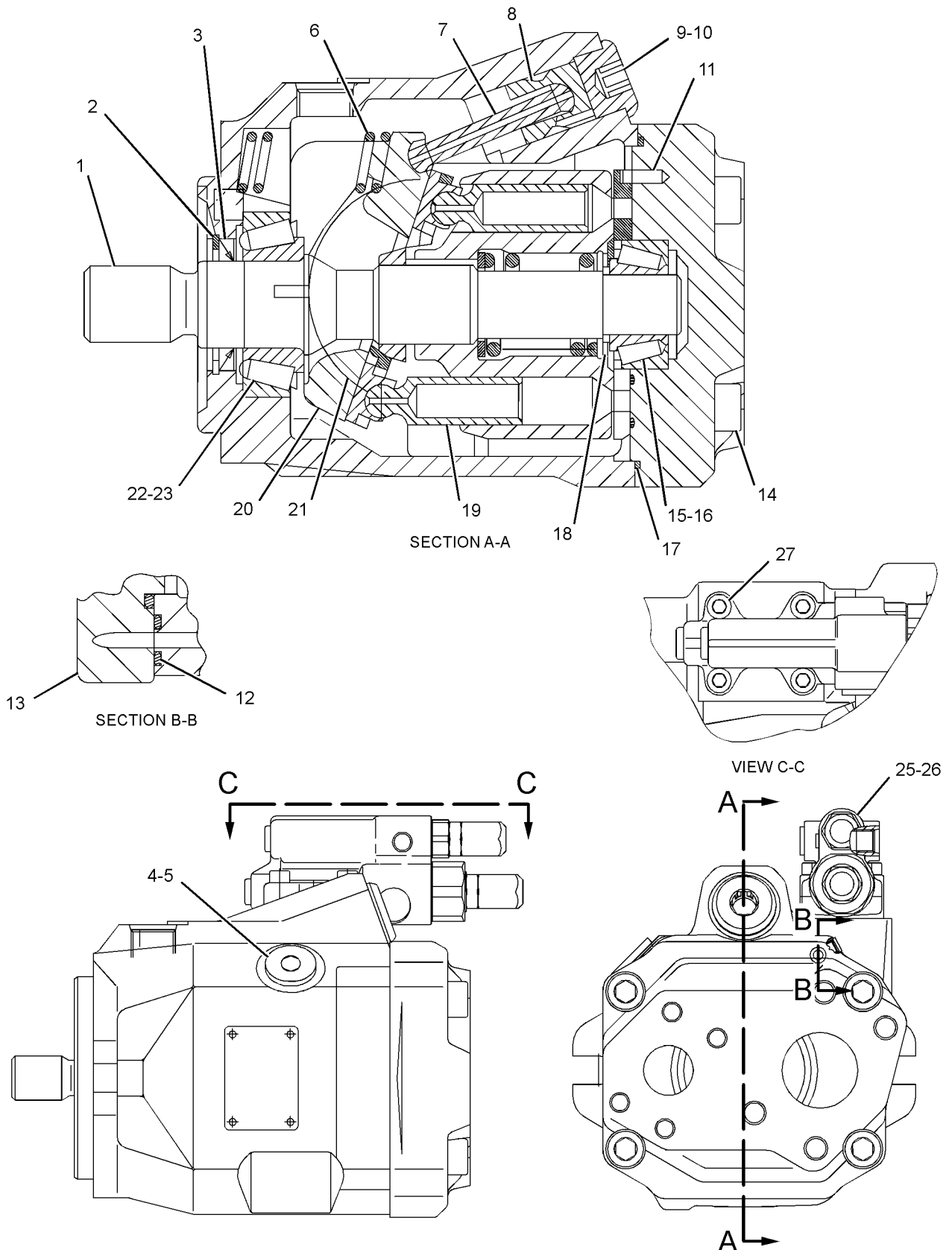
NOTE	REF NO	GRAPHIC REF	PART NUMBER	QTY	PART NAME						SEE PAGE
					1	2	3	4	5	6 (PRODUCT LEVEL)	
	1	1	233-0065	1	SHAFT-DRIVE						
	2	1	8C-3110	1	RING-RETAINING						
	3	1	166-0344	1	SEAL-SHAFT						
	4	1	9S-8006	1	PLUG-O-RING						
	5	1	2M-9780	1	SEAL-O-RING						
	6	1	127-9490	1	SPRING (BIAS)						
	7	1	168-2198	1	LINK-CONTROL						
	8	1	168-7861	1	PISTON-ACTUATOR						
	9	1	175-6799	1	PLUG-CONTROL						
	10	1	8T-7525	1	SEAL-O-RING						
	11	1	083-4419	1	PIN						
	12	1	168-3504	1	SEAL						
	13	1	120-4394	1	PLUG-BREAK OFF						
M	14	1	095-0670	4	BOLT (M12X1.75X45-MM)						
	15	1	105-3035	1	CONE-BEARING						
	16	1	203-8609	1	CUP-BEARING						
	17	1	127-9485	1	SEAL-O-RING						
B	18	1	127-9483	1	SHIM (PRELOAD)						
Y	19	1	168-7868	1	ROTATING GP-PUMP (HYDRAULIC FAN)						535
	20	1	175-6795	1	SWASHPLATE						
	21	1	237-4227	1	BEARING-CRADLE						
	22	1	203-9163	1	CONE-BEARING						
	23	1	6V-4636	1	CUP-BEARING						
Y	25	1	207-0695	1	VALVE GP-PUMP CONTROL (PRESSURE, FLOW COMPENSATOR)						556
	26	1	9X-7680	3	SEAL-O-RING						
M	27	1	8T-8442	4	BOLT-SOCKET HEAD (M6X1X30-MM)						

B-USE AS REQUIRED
M-METRIC PART
Y-SEPARATE ILLUSTRATION

HYDRAULIC SYSTEM

228-3638 PUMP GP-PISTON (contd.)

i04482892



GRAPHIC #1

<END>

g02480503

HYDRAULIC SYSTEM

346-6095 PUMP GP-PISTON

S/N: A7A1-UP

PART OF 345-3933 PUMP & MTG GP-IMPLEMENT

SMCS-5070

i04460589

NOTE	REF NO	GRAPHIC REF	PART NUMBER	QTY	PART NAME						SEE PAGE
					1	2	3	4	5	6 (PRODUCT LEVEL)	
	1	1	9X-8268	7	WASHER (17.5X30X3.5-MM THK)						
	2	2	7Y-4224	1	ORIFICE						
	4	1	006-0136	1	KEY (SQUARE)						
	5	1	110-2973	2	BEARING-SPECIAL ROLLER						
B	6	1	110-3978	1	SPRING-WAVE						
	7	1	118-5805	1	BEARING-SPECIAL RACE						
	8	1	137-5646	1	SPACER (70.4X87.5X7.6-MM THK)						
L	9	1	142-0149	1	SPACER (70.75X80X1.07-MM THK)						
	10	1	143-2006	1	COVER AS						
	11	1	143-7319	1	RACE-ROLLER BEARING						
	12	1	146-8990	1	IMPELLER						
	13	1	146-8991	1	SPACER (29X38X1.57-MM THK)						
	14	1	148-3548	1	BEARING-SPECIAL RACE						
	15	1	150-4355	9	PISTON AS						
	16	2	155-2251	1	PLATE						
	17	1	155-4326	1	COVER						
	18	2	158-3504	1	SPOOL-CONTROL						
	19	1	159-7320	1	PLATE-RETAINER						
	20	1	165-6062	2	LINK (TIMING)						
	21	1	175-7887	2	DOWEL						
	22	2	177-1405	1	SPRING						
	23	1	185-3889	1	SHAFT						
	24	1	187-9116	1	BARREL AS-PUMP						
	25	2	191-9247	1	WASHER (19.15X31.65X2.36-MM THK)						
	26	2	198-2914	1	NUT (3/4-32-THD)						
	27	1	214-2445	1	SPRING						
	28	1	214-6489	1	BALL (HOLD DOWN)						
	29	1	250-9328	1	COVER						
	30	1	251-7828	1	PLATE-PORT						
	31	1	252-4537	1	HEAD-PUMP						
	32	2	263-7732	1	HOUSING AS						
		2	124-1555	1	PLUG						
	33	2	264-0010	1	RETAINER						
	34	2	267-3741	1	ACTUATOR						
	35	1	267-3743	1	BODY AS-PUMP						
		1	124-1555	1	PLUG						
BN	36	2	270-7898	1	SPRING						
	37	2	308-2613	1	BRACKET AS						
	38	1	313-1284	1	RETAINER AS						
		1	6V-3382	2	SEAL-LIP TYPE						
		1	124-1555	1	PLUG						
	39	1	314-3243	1	SWASHPLATE						
	40	2	316-1438	1	CARTRIDGE AS						
		2	214-7568	2	SEAL-O-RING						
	41	2	322-2018	1	SLIDE-ACTUATOR						
	42	2	326-5212	1	COIL AS (24-VOLT)						
J	43	2	030-4605	1	SEAL-O-RING						
M	44	1	096-0008	6	BOLT-SOCKET HEAD (M16X2X140-MM)						
M	45	2	162-2165	4	BOLT-SOCKET HEAD (M4X0.7X16-MM)						
J	46	1	189-9763	1	SEAL-O-RING						
J	47	1	1P-3709	1	SEAL-RECTANGULAR						
	48	1	2A-3630	2	PIN						
J	49	1	2R-0239	1	SEAL-O-RING						
	50	2	3C-8388	2	PIN-ROLL						
	51	1	3D-4603	1	PLUG-PIPE						
J	52	1	3J-0634	1	SEAL-O-RING						

HYDRAULIC SYSTEM

346-6095 PUMP GP-PISTON (contd.)

i04460589

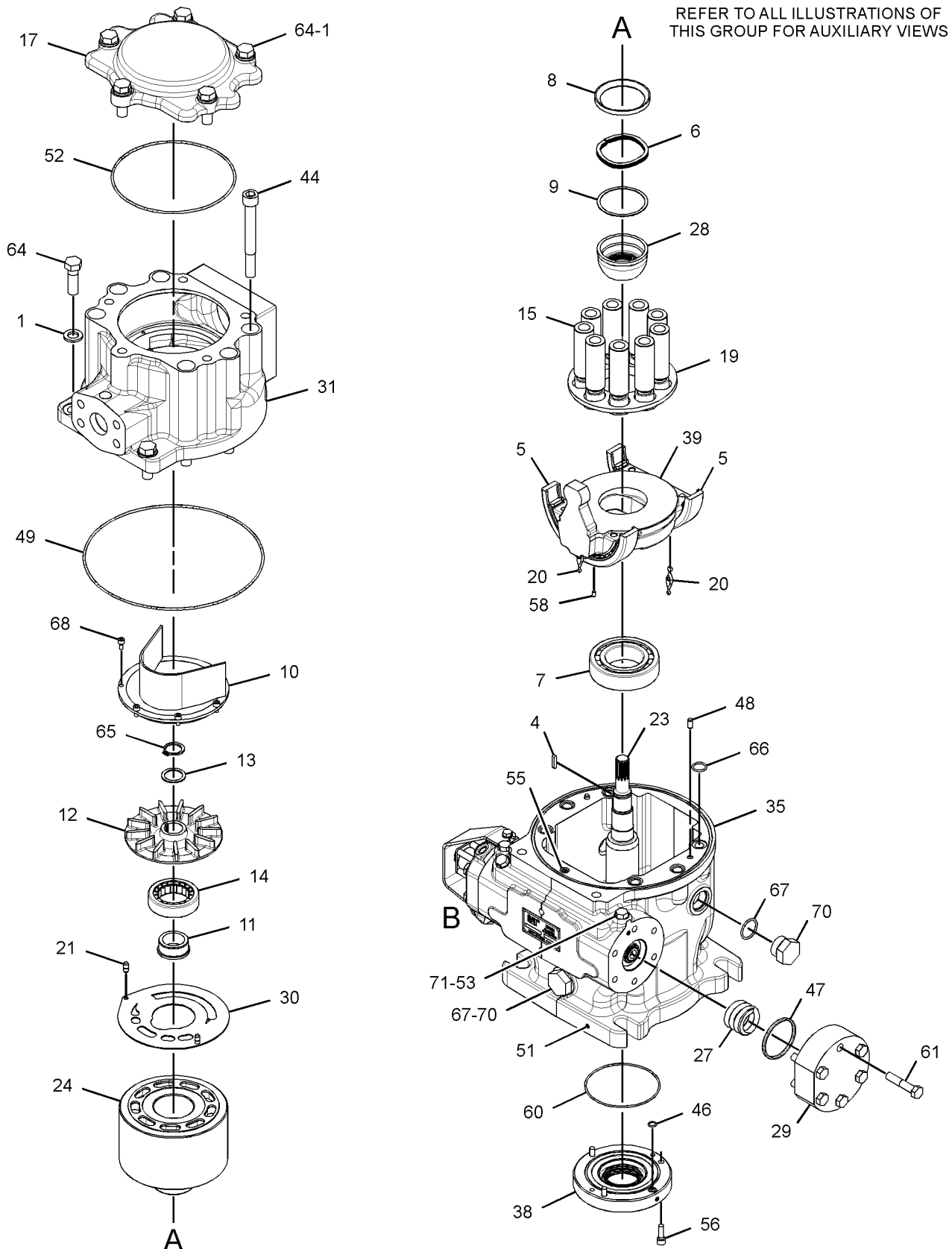
NOTE	REF NO	GRAPHIC REF	PART NUMBER	QTY	PART NAME						SEE PAGE
					1	2	3	4	5	6 (PRODUCT LEVEL)	
	53	1,2	3J-1907	3	SEAL-O-RING						
J	54	2	3J-7354	1	SEAL-O-RING						
J	55	1,2	4J-5309	3	SEAL-O-RING						
M	56	1	5A-3604	3	BOLT-SOCKET HEAD (M8X1.25X25-MM)						
	57	2	5P-8245	6	WASHER-HARD (13.5X25.5X3-MM THK)						
	58	1	6F-7061	2	DOWEL						
	59	2	6J-2680	1	SEAL-O-RING						
J	60	1	6S-3002	1	SEAL-O-RING						
M	61	1	6V-3823	6	BOLT (M12X1.75X60-MM)						
M	62	2	6V-5215	3	BOLT (M8X1.25X16-MM)						
M	63	2	6V-5684	6	BOLT (M12X1.75X45-MM)						
M	64	1	6V-5686	7	BOLT (M16X2X50-MM)						
	65	1	6V-8243	1	RING-RETAINING						
J	66	1	7F-8607	6	SEAL-O-RING						
J	67	1,2	7M-8485	4	SEAL-O-RING						
M	68	1	8T-0267	5	BOLT-SOCKET HEAD (M6X1X12-MM)						
	69	2	9M-1974	3	WASHER-HARD (8.8X16X2-MM THK)						
	70	1,2	9S-4181	4	PLUG-O-RING						
	71	1,2	9S-4191	3	PLUG-O-RING						
	72	2	9S-8002	1	PLUG-O-RING						
AVAILABLE REPAIR KIT(S):											
J			185-5352	1	KIT-SEAL (INCLUDES SEAL-O-RINGS, SEAL-RECTANGULAR & SEAL-LIP TYPES)						
L			185-5354	1	KIT-SPACER (INCLUDES SPACERS)						
N			338-1105	1	KIT-SPRING (INCLUDES SPRINGS)						

B-USE AS REQUIRED
 J-KIT MARKED J INCLUDES PARTS MARKED J
 L-KIT MARKED L INCLUDES PART MARKED L
 M-METRIC PART
 N-KIT MARKED N INCLUDES PART MARKED N

HYDRAULIC SYSTEM

346-6095 PUMP GP-PISTON (contd.)

i04460589



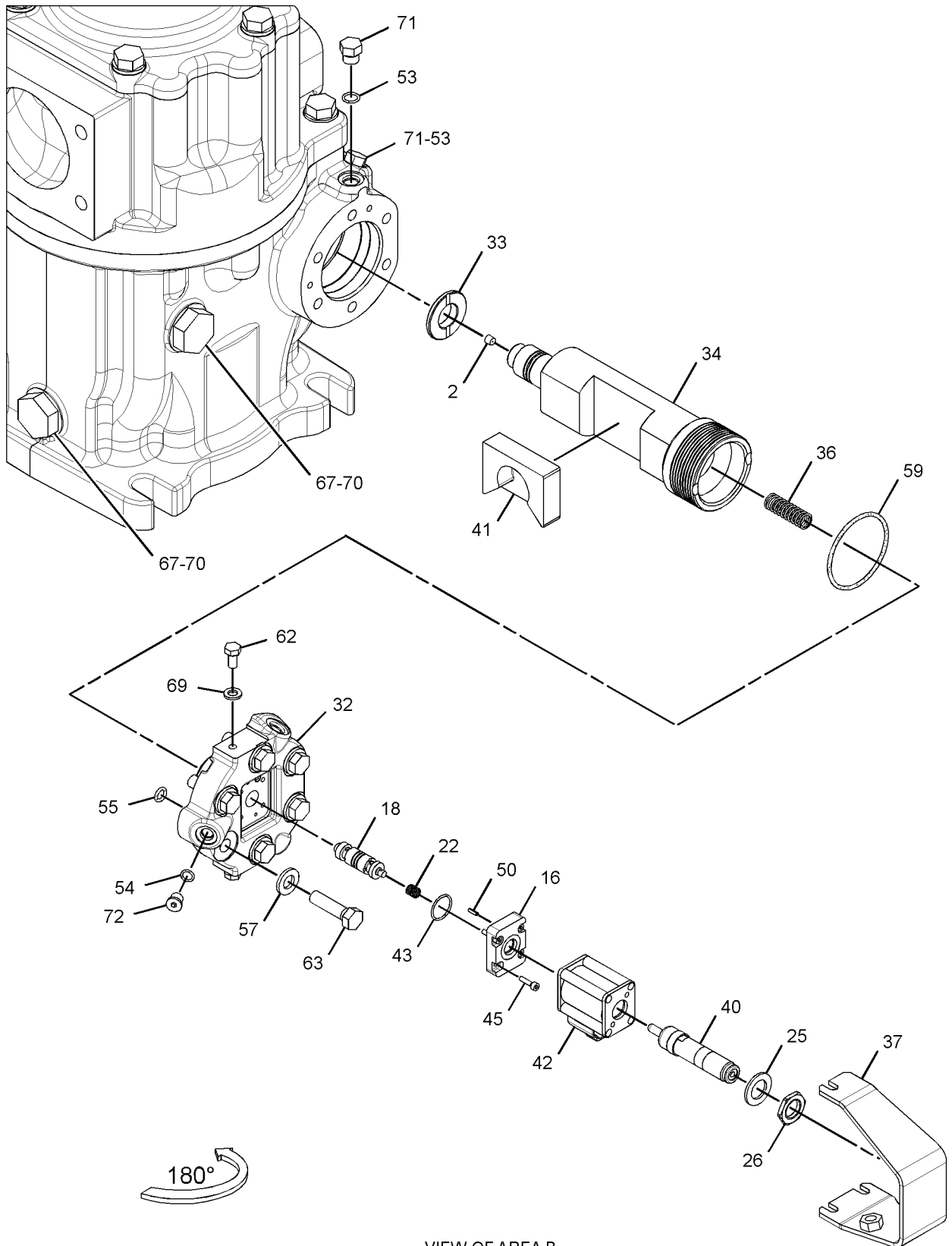
GRAPHIC #1

g02058693

HYDRAULIC SYSTEM

346-6095 PUMP GP-PISTON (contd.)

i04460589



VIEW OF AREA B
(EXPLODED)

<END>

GRAPHIC #2

g02059333

HYDRAULIC SYSTEM

185-0275 ROTATING GP-MOTOR

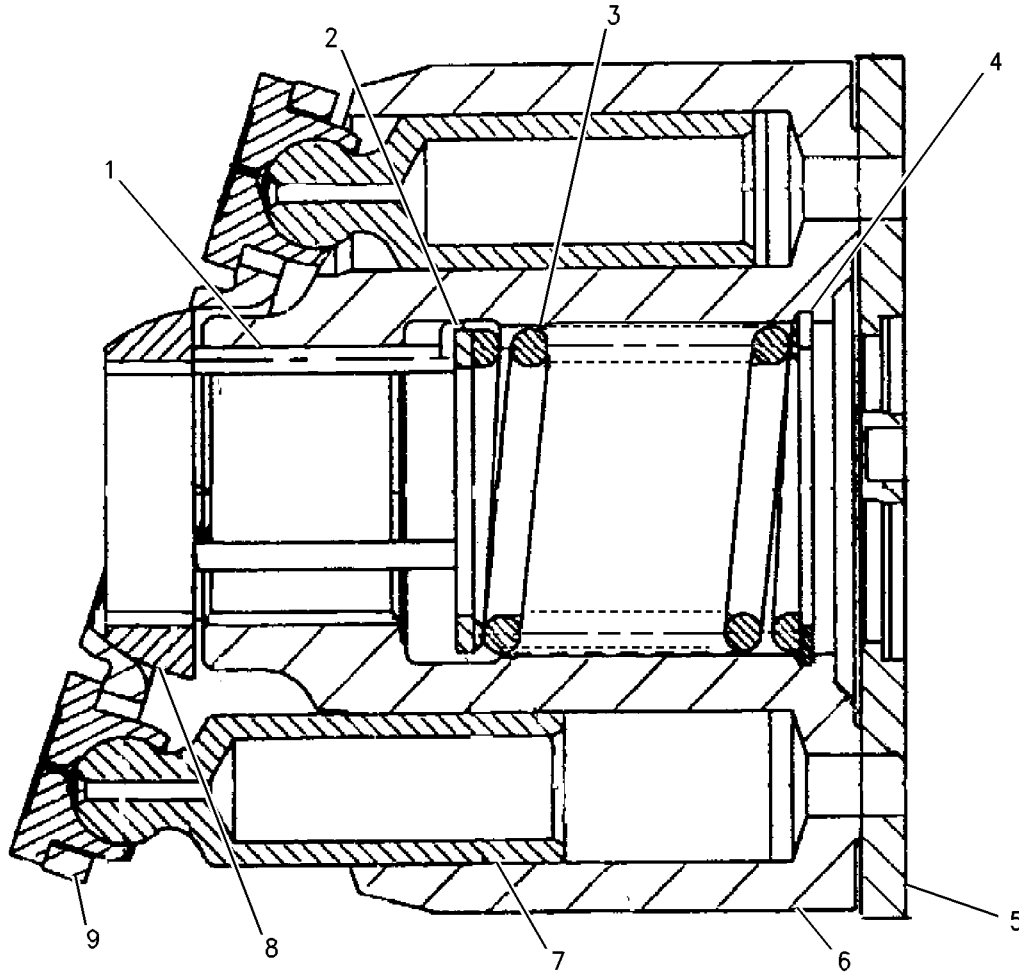
S/N: A7A1-UP

PART OF 213-5268 MOTOR GP-PISTON

SMCS-1386, 5058

i04461027

NOTE	REF NO	GRAPHIC REF	PART NUMBER	QTY	PART NAME						SEE PAGE
					1	2	3	4	5	6 (PRODUCT LEVEL)	
	1	1	168-3379	3	PIN						
	2	1	168-3382	1	WASHER (42-MM ODX2.7-MM THK)						
	3	1	185-0292	1	SPRING						
	4	1	6V-7723	1	RING-RETAINING						
	5	1	185-0287	1	PLATE-VALVE						
	6	1	185-0289	1	BARREL						
	7	1	168-3384	9	PISTON AS-PUMP						
	8	1	168-3378	1	BEARING-SPHERICAL						
	9	1	168-3385	1	PLATE-RETRACTION						



GRAPHIC #1

<END>

g00790134

HYDRAULIC SYSTEM

168-7868 ROTATING GP-PUMP

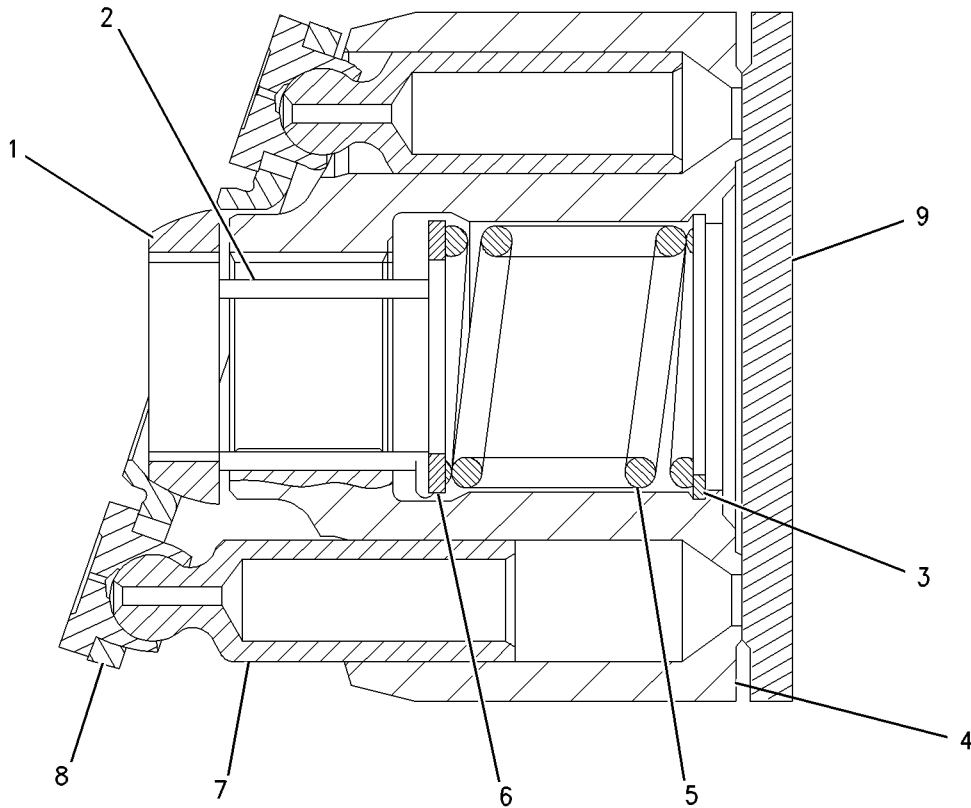
S/N: A7A1-UP

PART OF 228-3636, 228-3638 PUMP GP-PISTON
AN ATTACHMENT

SMCS-1387, 5070, 5084

i04482912

NOTE	REF NO	GRAPHIC REF	PART NUMBER	QTY	PART NAME						SEE PAGE
					1	2	3	4	5	6 (PRODUCT LEVEL)	
	1	1	138-8175	1	BEARING-SPHERICAL						
	2	1	168-7940	3	PIN						
	3	1	096-0015	1	RING-RETAINING						
	4	1	233-0455	1	BARREL						
	5	1	168-7941	1	SPRING						
	6	1	168-7942	1	WASHER (36.5-MM ODX2-MM THK)						
	7	1	168-7943	9	PISTON AS-PUMP						
	8	1	168-7944	1	PLATE-RETRACTION						
	9	1	138-8173	1	PLATE-VALVE						



GRAPHIC #1

<END>

g00760776

HYDRAULIC SYSTEM

132-6143 TANK & MTG GP-HYDRAULIC

S/N: A7A1-UP

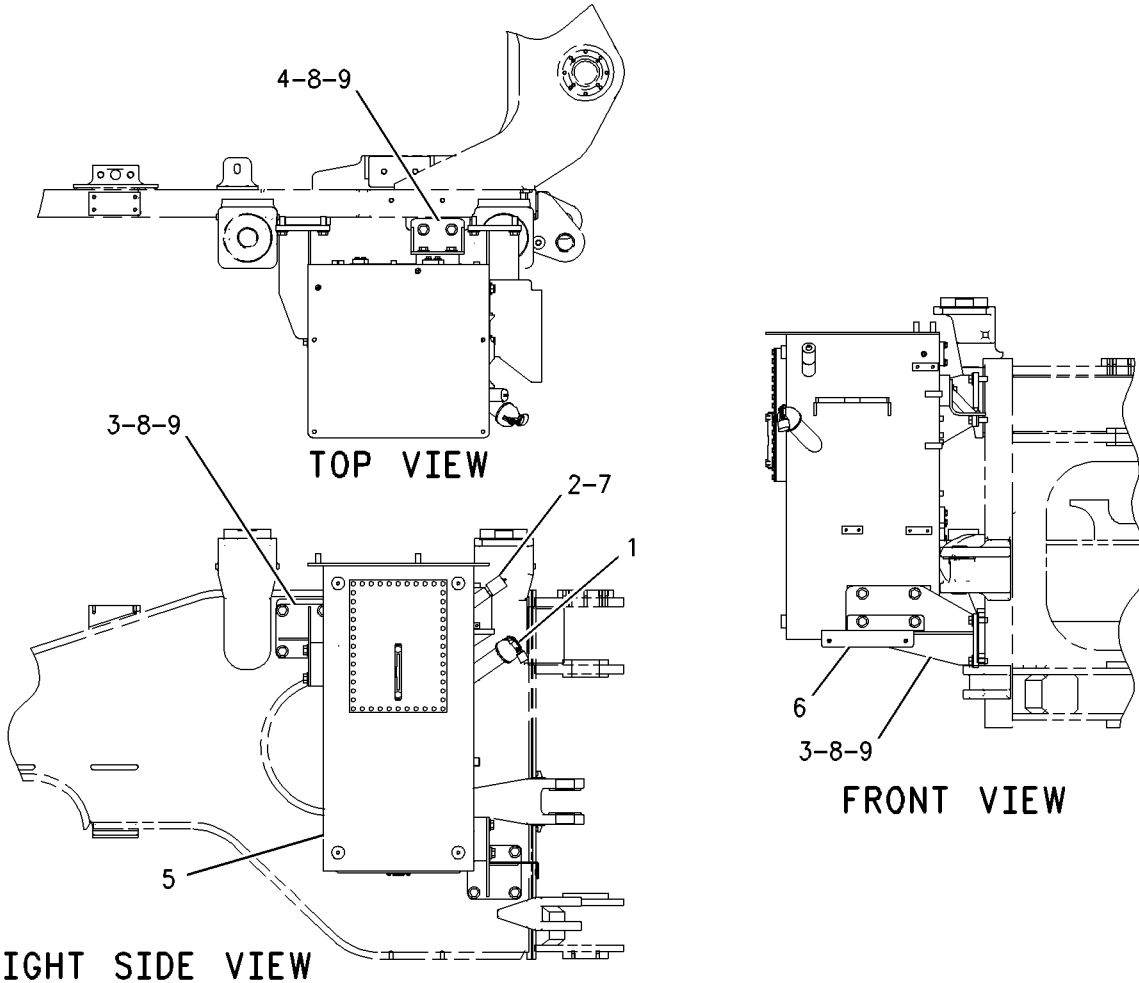
PART OF 345-3930 HYDRAULIC AR

SMCS-5056

i04456436

NOTE	REF NO	GRAPHIC REF	PART NUMBER	QTY	PART NAME						SEE PAGE
					1	2	3	4	5	6 (PRODUCT LEVEL)	
Y	1	1	9G-9288	1	CAP GP-PROTECTION						680
	2	1	9T-0818	1	VALVE-BREAKER RELIEF						
	3	1	138-7496	2	BRACKET AS						
	4	1	138-7497	1	BRACKET AS						
Y	5	1	153-3602	1	TANK GP-HYDRAULIC						537
	6	1	158-8033	1	BRACKET AS						
	7	1	3D-2824	1	SEAL-O-RING						
M	8	1	7X-2563	20	BOLT (M20X2.5X60-MM)						
	9	1	8T-5439	20	WASHER-HARD (21.5X45X6-MM THK)						

M-METRIC PART
Y-SEPARATE ILLUSTRATION



GRAPHIC #1

<END>

g00678987

HYDRAULIC SYSTEM

153-3602 TANK GP-HYDRAULIC

S/N: A7A1-UP

PART OF 132-6143 TANK & MTG GP-HYDRAULIC

SMCS-5056

i04460240

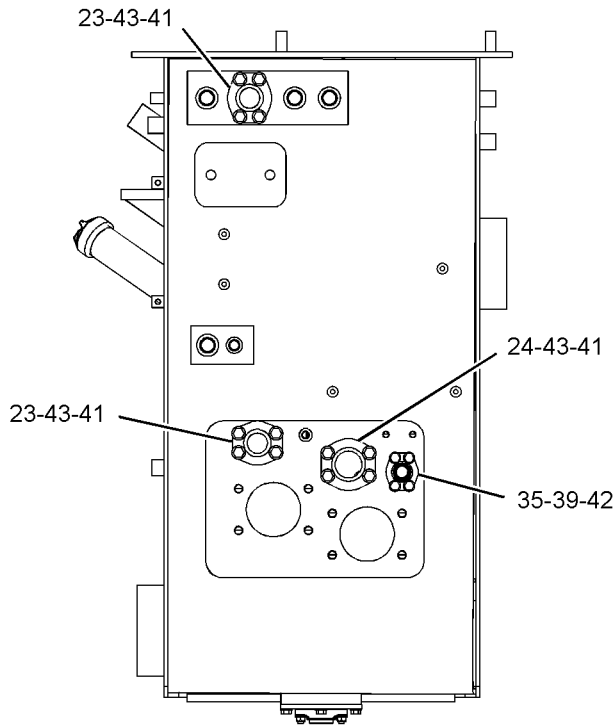
NOTE	REF NO	GRAPHIC REF	PART NUMBER	QTY	PART NAME						SEE PAGE
					1	2	3	4	5	6 (PRODUCT LEVEL)	
	1	2	1U-2827	1	GUIDE-VALVE						
	2	2	2D-4202	1	PLATE						
	3	1	6E-6550	1	GAUGE AS-LIQUID LEVEL						
		1	8F-3469	4	SEAL-O-RING						
		1	121-7958	2	BOLT-MOUNTING (1/2-20X1.75-IN)						
	4	2	7B-3039	1	SPRING						
	5	2	7H-1447	1	CAP-FILLER (HYDRAULIC TANK)						
	6	2	7J-2656	3	SCREEN GP						
	7	2	8J-8782	1	BODY-DRAIN VALVE						
	8	2	8J-8783	1	VALVE						
	9	2	8T-3298	1	SEAL-RECTANGULAR						
	10	2	9J-3047	1	STRAINER						
	11	2	9J-7031	1	PLUG-DRAIN						
	12	2	9T-9226	2	PLATE						
	13	2	9T-9227	2	SCREEN AS						
	14	2	138-3909	1	COVER AS						
	15	2	142-0203	1	TUBE AS						
	16	1	153-9063	1	TANK AS						
	17	2	153-9784	1	TUBE AS						
	18	2	154-0930	3	TUBE AS						
	19	1	177-0093	1	COVER AS						
		1	6B-6684	2	NUT-FULL (1/2-20-THD)						
	20	1	178-0182	1	SCREEN-DIFFUSER						
	21	1	304-9540	1	GASKET						
	22	2	1H-9696	4	SEAL-O-RING						
	23	1	1P-4579	4	FLANGE-HALF						
	24	1	1P-4582	2	FLANGE-HALF						
	25	2	1U-1570	1	TUBE						
	26	2	3G-0361	1	GASKET						
	27	1	3V-9862	2	SPACER						
	28	2	4J-0527	1	SEAL-O-RING						
	29	2	4M-0189	1	SEAL-O-RING						
	30	2	4T-8698	3	WASHER (12.2X62X3.5-MM THK)						
	31	2	5M-2057	1	SEAL-O-RING						
	32	2	5P-8245	4	WASHER-HARD (13.5X25.5X3-MM THK)						
	33	1	6V-5839	2	WASHER (11X21X2.5-MM THK)						
M	34	1,2	6V-7744	9	LOCKNUT (M10X1.5-THD)						
	35	1	8C-3206	2	FLANGE-HALF						
M	36	2	8T-0558	2	BOLT-SELF-LOCKING (M12X1.75X100-MM)						
M	37	2	8T-0722	8	BOLT-LOCKING (M10X1.5X30-MM)						
	38	2	8T-2275	1	BALL						
	39	1,2	8T-4121	57	WASHER-HARD (11X21X2.5-MM THK)						
M	40	1,2	8T-4137	51	BOLT (M10X1.5X20-MM)						
M	41	1	8T-4183	12	BOLT (M12X1.75X40-MM)						
M	42	1	8T-4196	4	BOLT (M10X1.5X35-MM)						
	43	1	8T-4223	12	WASHER-HARD (13.5X25.5X3-MM THK)						
	44	2	9H-6454	1	GASKET						

M-METRIC PART

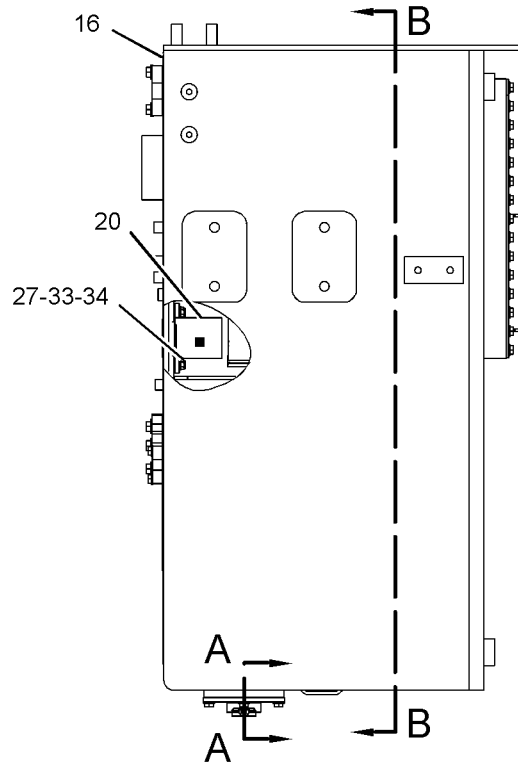
HYDRAULIC SYSTEM

153-3602 TANK GP-HYDRAULIC (contd.)

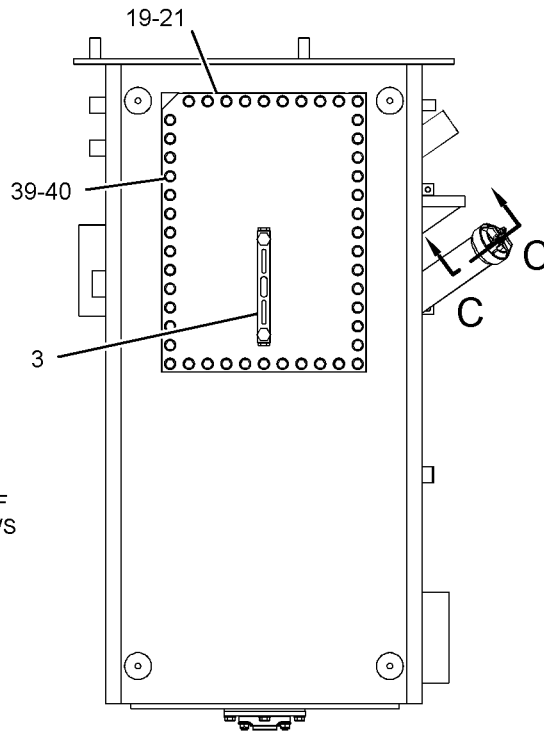
i04460240



LEFT SIDE VIEW



REAR VIEW



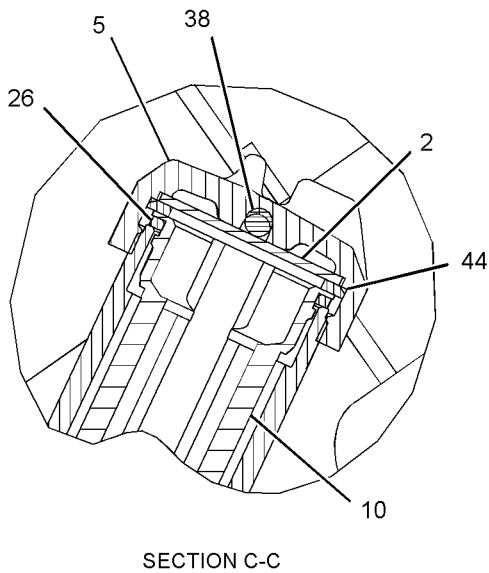
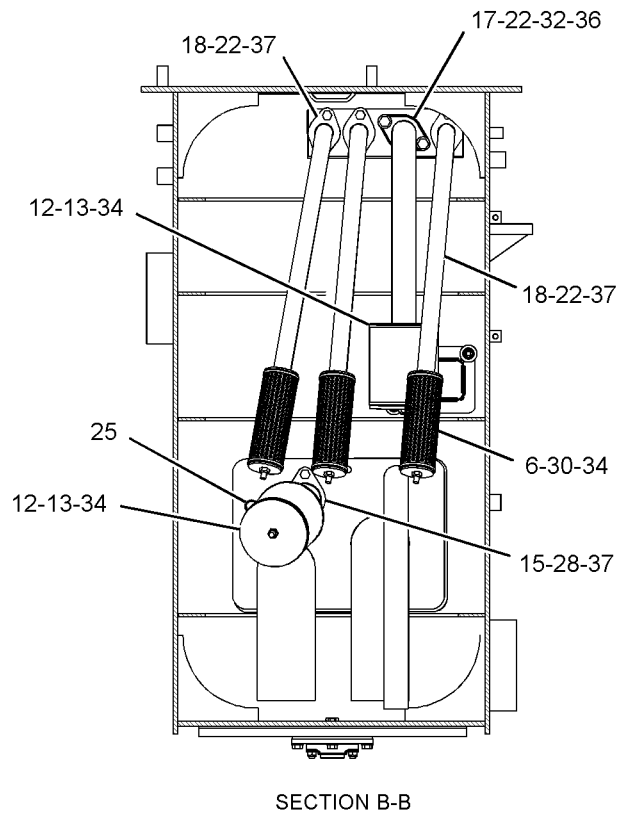
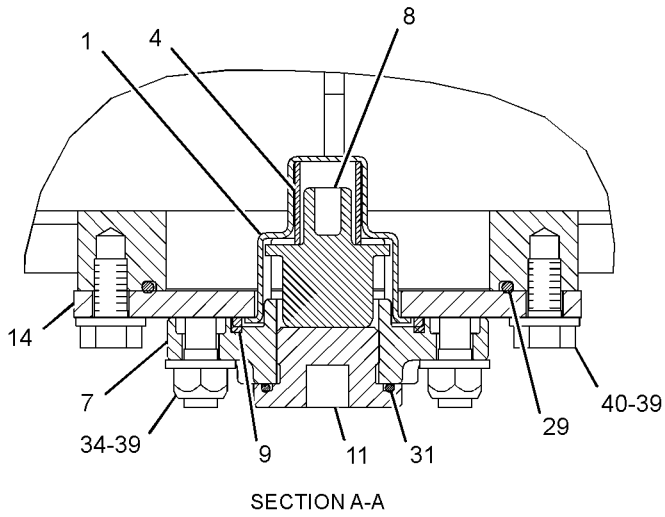
RIGHT SIDE VIEW

REFER TO ALL ILLUSTRATIONS OF THIS GROUP FOR AUXILIARY VIEWS

HYDRAULIC SYSTEM

153-3602 TANK GP-HYDRAULIC (contd.)

i04460240



GRAPHIC #2

<END>

g01362712

HYDRAULIC SYSTEM

315-8815 VALVE & MTG GP-MAIN CONTROL

S/N: A7A1-UP

PART OF 298-6964 LIFT AR
AN ATTACHMENT

SMCS-5051

i04480349

NOTE	REF NO	GRAPHIC REF	PART NUMBER	QTY	PART NAME						SEE PAGE
					1	2	3	4	5	6 (PRODUCT LEVEL)	
	1	2	3J-3679	1	PLUG AS						
		2	1J-9671	1	SEAL-O-RING						
		2	9S-8003	1	PLUG						
	2	2	6H-7062	1	SPACER (13.5X25X19-MM THK)						
	3	2	6V-0852	1	CAP-DUST						
	4	1	8T-1674	1	TEE						
	5	2	9X-6772	3	STRAP-CABLE						
Y	6	2	112-1817	1	VALVE GP-MANUAL						554
	7	2	124-3019	2	BRACKET AS						
					(EACH INCLUDES)						
M		2	8T-3490	1	NUT-WELD (M10X1.5-THD)						
Y	8	2	151-7455	1	VALVE GP-SOLENOID (24-VOLT)						565
	9	1	153-6293	1	ELBOW						
	10	2	154-5512	1	BRACKET AS						
Y	11	2	173-7455	1	VALVE GP-SOLENOID (LOAD SENSING)						566
	12	2	162-8264	1	TEE AS						
		2	6V-8398	1	SEAL-O-RING						
		2	081-5645	1	TEE						
Y	13	1	222-4436	1	VALVE GP-CONTROL						546
	14	2	315-8852	1	BRACKET						
	15	2	315-8854	1	PLATE AS						
M		2	7X-0752	1	BOSS-WELD (M10X1.5X65-MM)						
M		2	8T-3490	3	NUT-WELD (M10X1.5-THD)						
M		2	8T-3612	2	NUT-WELD (M8X1.25-THD)						
M		2	8T-4935	2	BOSS-WELD (M10X1.5X45-MM)						
	16	1	315-8857	1	TUBE AS						
	17	1	315-8858	1	TUBE AS						
	18	2	315-8859	1	MANIFOLD						
	19	2	315-8861	1	BRACKET						
	20	2	315-8862	1	TUBE AS						
	21	2	315-8863	1	TUBE AS						
	22	1	315-8864	1	TUBE AS						
	23	1	315-8866	1	TUBE AS						
	24	2	315-8867	1	TUBE AS						
	25	2	315-8868	1	TUBE AS						
	26	2	315-8869	1	TUBE AS						
	27	2	315-8871	1	TUBE AS						
	28	2	315-8872	1	TUBE AS						
	29	2	315-8873	1	TUBE AS						
	30	2	315-8994	1	BRACKET						
I	31	2	315-9326	1	HOSE AS						
	32	1	315-9426	1	TUBE AS						
	33	1	315-9485	1	BRACKET AS						
M		1	9X-6269	2	NUT-WELD (M16X2-THD)						
		1	315-9484	1	BRACKET						
Y	34	2	322-3793	1	MANIFOLD GP-CONTROL						519
	35	2	096-6166	4	WASHER-HARD (4.5X9X1-MM THK)						
	36	1	103-1303	2	CLAMP-HALF						
	37	2	148-8315	1	CONNECTOR AS						
		2	2M-9780	1	SEAL-O-RING						
		2	6V-8642	1	CONNECTOR						
		2	7J-9108	1	SEAL-O-RING						
	38	2	148-8336	6	CONNECTOR AS						
					(EACH INCLUDES)						
		2	3J-1907	1	SEAL-O-RING						

HYDRAULIC SYSTEM

315-8815 VALVE & MTG GP-MAIN CONTROL (contd.)

i04480349

NOTE	REF NO	GRAPHIC REF	PART NUMBER	QTY	PART NAME						SEE PAGE
					1	2	3	4	5	6 (PRODUCT LEVEL)	
		2	6V-8397	1	SEAL-O-RING						
		2	6V-8636	1	CONNECTOR						
	39	1	<i>148-8340</i>	2	CONNECTOR AS (EACH INCLUDES)						
		1	3K-0360	1	SEAL-O-RING						
		1	6V-8398	1	SEAL-O-RING						
		1	6V-8639	1	CONNECTOR						
	40	2	<i>148-8342</i>	1	CONNECTOR AS						
		2	3K-0360	1	SEAL-O-RING						
		2	6V-8632	1	CONNECTOR						
		2	7J-9108	1	SEAL-O-RING						
	41	2	<i>148-8347</i>	1	ELBOW AS						
		2	3D-2824	1	SEAL-O-RING						
		2	6V-9007	1	ELBOW						
		2	6V-9746	1	SEAL-O-RING						
	42	2	<i>148-8364</i>	3	ELBOW AS (EACH INCLUDES)						
		2	3K-0360	1	SEAL-O-RING						
		2	6V-8398	1	SEAL-O-RING						
		2	6V-8625	1	ELBOW						
	43	2	<i>148-8365</i>	2	ELBOW AS (EACH INCLUDES)						
		2	3J-1907	1	SEAL-O-RING						
		2	6V-8398	1	SEAL-O-RING						
		2	8T-6876	1	ELBOW						
	44	2	<i>148-8367</i>	1	ELBOW AS						
		2	6V-8397	1	SEAL-O-RING						
		2	6V-9850	1	ELBOW						
	45	2	<i>148-8378</i>	2	ELBOW AS (EACH INCLUDES)						
		2	3J-1907	1	SEAL-O-RING						
		2	6V-8397	1	SEAL-O-RING						
		2	6V-8724	1	ELBOW						
	46	2	<i>148-8433</i>	1	TEE AS						
		2	6V-8397	2	SEAL-O-RING						
		2	6V-9836	1	TEE-SWIVEL						
	47	1	<i>148-8439</i>	1	TEE AS						
		1	3J-1907	1	SEAL-O-RING						
		1	6V-8397	2	SEAL-O-RING						
		1	6V-8774	1	TEE						
	48	1	<i>148-8444</i>	1	TEE AS-SWIVEL						
		1	6V-8398	2	SEAL-O-RING						
		1	6V-9837	1	TEE-SWIVEL						
	49	2	<i>148-8452</i>	1	TEE AS						
		2	6V-8397	1	SEAL-O-RING						
		2	6V-8398	2	SEAL-O-RING						
		2	8T-2363	1	TEE-UNION						
	50	2	<i>150-3035</i>	1	ELBOW AS						
		2	6V-9746	1	SEAL-O-RING						
		2	8T-1718	1	ELBOW						
	51	2	<i>150-4037</i>	1	TEE AS						
		2	6V-8398	2	SEAL-O-RING						
		2	6V-9844	1	TEE-SWIVEL						
	52	2	<i>164-5567</i>	1	COUPLER AS-QUICK DISCONNECT (MALE)						
		2	6V-3965	1	FITTING (QUICK DISCONNECT)						
		2	214-7568	1	SEAL-O-RING						
	53	1	1P-3706	1	SEAL-RECTANGULAR						
	54	2	<i>296-5725</i>	1	TEE AS						
		2	3K-0360	1	SEAL-O-RING						

HYDRAULIC SYSTEM

315-8815 VALVE & MTG GP-MAIN CONTROL (contd.)

i04480349

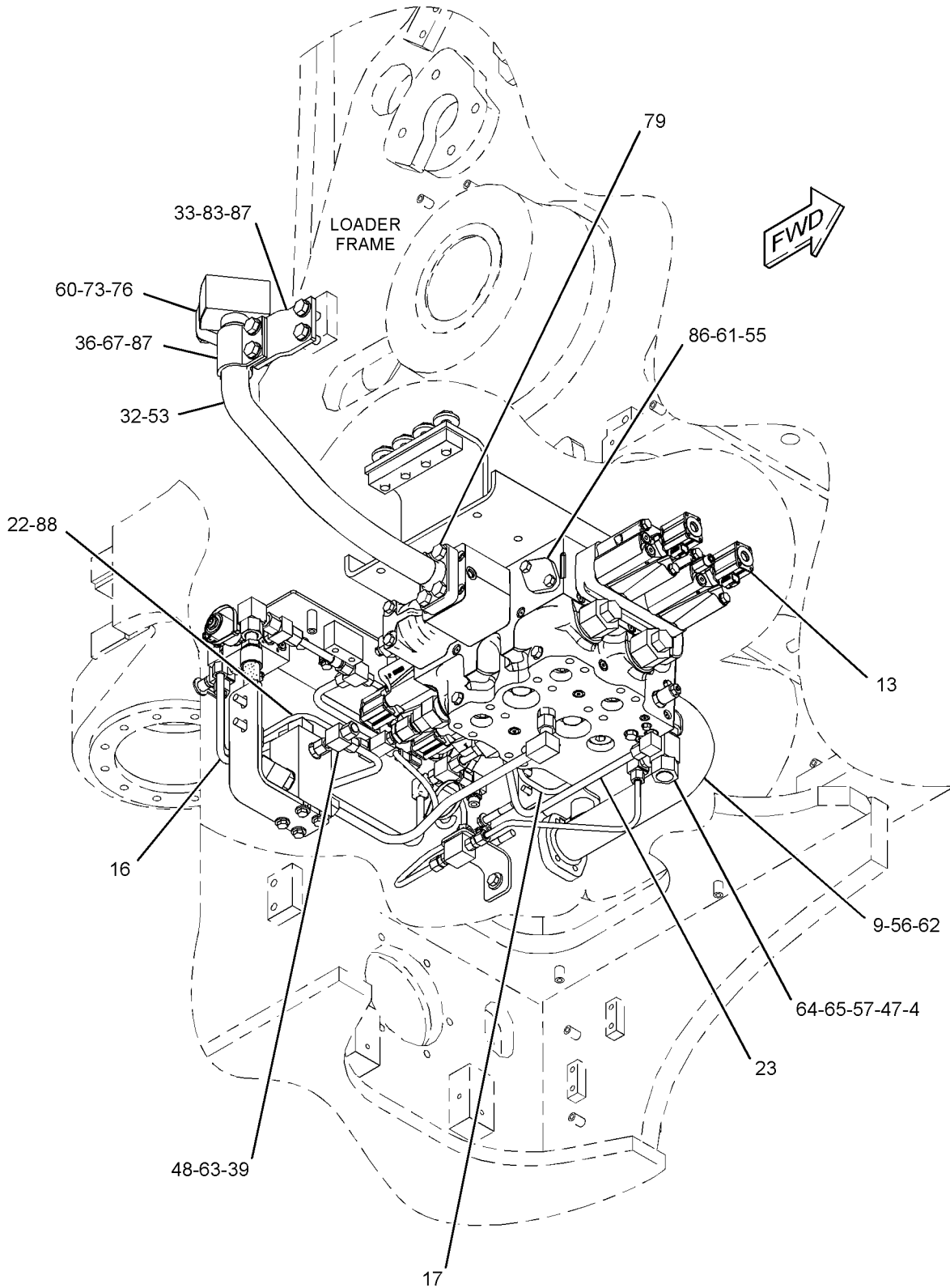
NOTE	REF NO	GRAPHIC REF	PART NUMBER	QTY	PART NAME						SEE PAGE
					1	2	3	4	5	6 (PRODUCT LEVEL)	
		2	7J-9108	2	SEAL-O-RING						
		2	109-5811	1	TEE-O-RING PORT						
	55	1	4J-0525	1	SEAL-O-RING						
	56	1	4J-0527	1	SEAL-O-RING						
	57	1	5K-9090	1	SEAL-O-RING						
	58	2	5P-1076	6	WASHER-HARD (13.5X30X4-MM THK)						
	59	2	5P-4116	2	WASHER-HARD (8.8X20.5X2-MM THK)						
	60	1	5P-8077	2	FLANGE-HALF						
M	61	1	6V-3668	2	BOLT (M12X1.75X30-MM)						
M	62	1	6V-8200	4	BOLT-SOCKET HEAD (M12X1.75X35-MM)						
	63	1	6V-9830	1	CAP AS						
	64	1	6V-9833	1	CAP AS						
	65	1	7M-8485	1	SEAL-O-RING						
	66	2	7X-0583	8	WASHER-HARD (17X45X6-MM THK)						
M	67	1	7X-2553	2	BOLT (M16X2X40-MM)						
M	68	2	7X-2554	8	BOLT (M16X2X70-MM)						
	69	2	7X-7729	6	WASHER (11X25X3-MM THK)						
	70	2	8M-2770	1	CLIP						
M	71	2	8T-0285	4	SCREW-MACHINE (M4X0.7X12-MM)						
	72	2	8T-4121	3	WASHER-HARD (11X21X2.5-MM THK)						
	73	1	8T-4122	4	WASHER-HARD (17X32X3.5-MM THK)						
M	74	2	8T-4136	2	BOLT (M10X1.5X25-MM)						
M	75	2	8T-4139	14	BOLT (M12X1.75X30-MM)						
M	76	1	8T-4140	4	BOLT (M16X2X60-MM)						
M	77	2	8T-4172	2	BOLT (M10X1.5X80-MM)						
M	78	2	8T-4186	1	BOLT (M10X1.5X40-MM)						
M	79	1	8T-4193	4	BOLT (M16X2X50-MM)						
M	80	2	8T-4195	4	BOLT (M10X1.5X30-MM)						
	81	2	8T-4223	12	WASHER-HARD (13.5X25.5X3-MM THK)						
M	82	2	8T-4648	2	BOLT (M12X1.75X70-MM)						
M	83	1	8T-4779	2	BOLT (M16X2X35-MM)						
M	84	2	8T-4956	2	BOLT (M12X1.75X35-MM)						
M	85	2	8T-6869	2	BOLT (M8X1.25X60-MM)						
	86	1	8W-2966	1	COVER						
	87	1	9X-8257	4	WASHER (17.5X30X3.5-MM THK)						
	88	1	<i>150-3036</i>	1	ELBOW AS						
		1	3J-1907	1	SEAL-O-RING						
		1	6V-8397	1	SEAL-O-RING						
		1	8T-1905	1	ELBOW						

I-REFER TO HYDRAULIC INFORMATION SYSTEM
M-METRIC PART
Y-SEPARATE ILLUSTRATION

HYDRAULIC SYSTEM

315-8815 VALVE & MTG GP-MAIN CONTROL (contd.)

i04480349



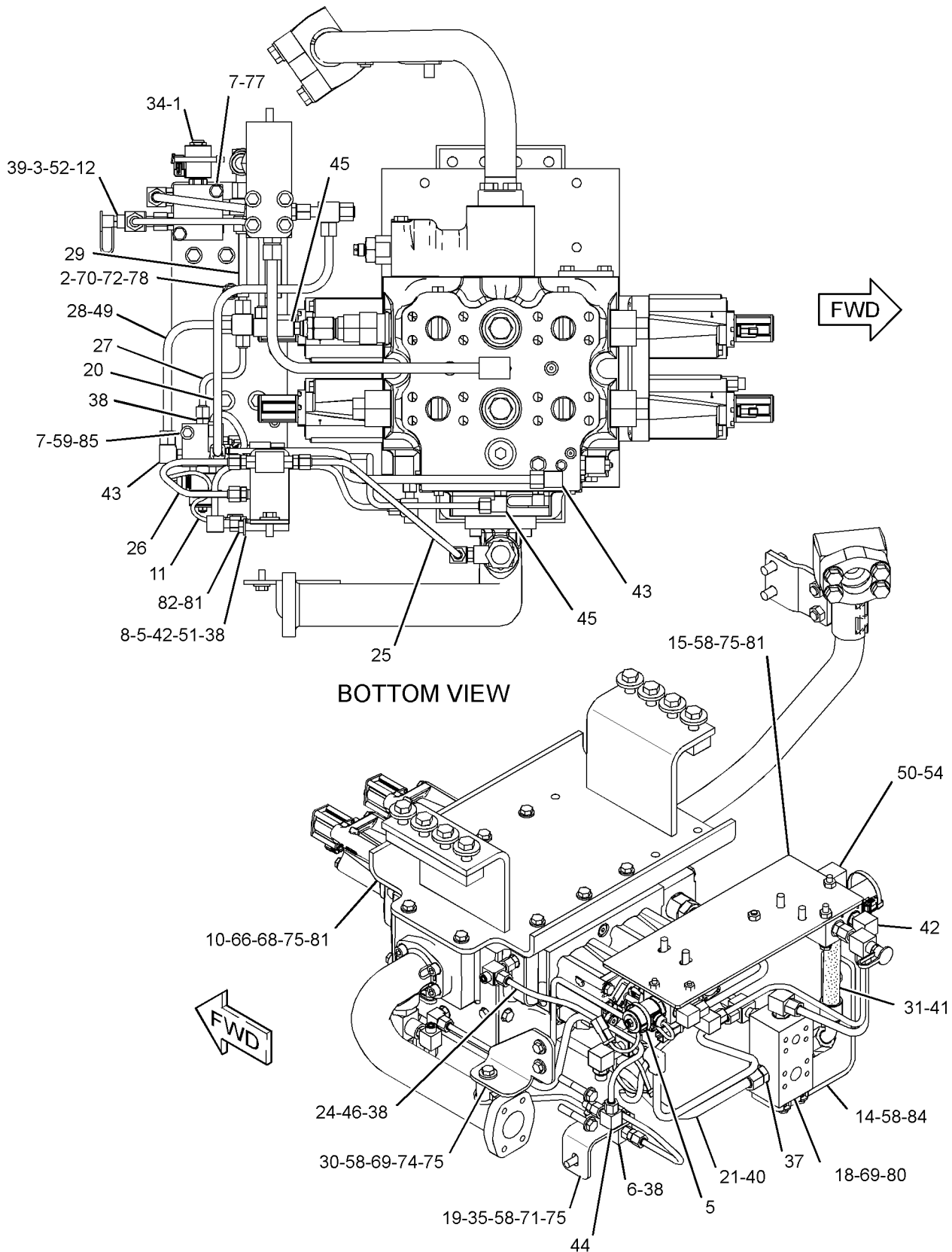
GRAPHIC #1

g02508597

HYDRAULIC SYSTEM

315-8815 VALVE & MTG GP-MAIN CONTROL (contd.)

i04480349



GRAPHIC #2

<END>

g02508598

HYDRAULIC SYSTEM

4T-5896 VALVE GP-CHECK

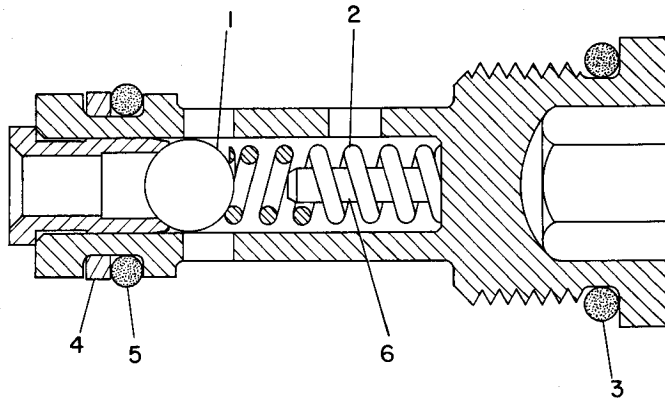
S/N: A7A1-UP

PART OF 222-4436 VALVE GP-CONTROL
AN ATTACHMENT

SMCS-5067

i04461034

NOTE	REF NO	GRAPHIC REF	PART NUMBER	QTY	PART NAME						SEE PAGE
					1	2	3	4	5	6 (PRODUCT LEVEL)	
	1	1	5H-1472	1	BALL						
	2	1	9G-0278	1	SPRING						
	3	1	3J-1907	1	SEAL-O-RING						
	4	1	4T-5071	1	RING-BACKUP						
	5	1	8C-3085	1	SEAL-O-RING						
	6	1	8L-6565	1	PIN-SPRING						



GRAPHIC #1

<END>

g00124639

HYDRAULIC SYSTEM

222-4436 VALVE GP-CONTROL

S/N: A7A1-UP

PART OF 315-8815 VALVE & MTG GP-MAIN CONTROL
AN ATTACHMENT

SMCS-5051

i04444153

NOTE	REF NO	GRAPHIC REF	PART NUMBER	QTY	PART NAME						SEE PAGE
					1	2	3	4	5	6 (PRODUCT LEVEL)	
Y	1	1	217-6719	2	ACTUATOR GP-PILOT CONTROL (PROPORTIONAL SOLENOID)						483
Y	2	1	217-6720	2	ACTUATOR GP-PILOT CONTROL						485
	3	3	4B-4158	5	SCREW-DRIVE (NO 4X0.25-IN)						
Y	4	2	4T-1860	1	VALVE GP-SHUTTLE						475
Y	5	1	4T-5896	1	VALVE GP-CHECK						545
	6	3	6E-1291	1	VALVE						
	7	3	6V-0852	1	CAP-DUST						
	8	3	7J-7852	1	SPRING						
	9	1,2	9L-9188	2	SPRING-VALVE						
	10	1,2	102-4156	2	VALVE						
	11	1,2	102-4158	2	PLUG AS						
					(EACH INCLUDES)						
		1,2	3G-5003	1	BUSHING						
		1,2	102-4157	1	PLUG						
	12	1	112-8244	1	HOUSING						
	13	1,2	113-8263	2	PISTON						
Y	14	1	117-0160	1	VALVE GP-RELIEF (LINE RELIEF, TILT CYL HEAD END)						558
Y	15	2	129-8293	1	VALVE GP-RELIEF (LINE RELIEF, LIFT CYL ROD END)						559
Y	16	2	370-0438	1	VALVE GP-PRESSURE REDUCING						555
	17	3	203-8482	1	MANIFOLD						
	22	1	334-0895	1	VALVE GP-RELIEF (LINE RELIEF, TILT CYL ROD END)						
		1	2S-4078	1	SEAL-O-RING						
Y	23	1	334-8332	1	VALVE GP-RELIEF						563
M	24	1	095-9804	4	BOLT-SOCKET HEAD (M12X1.75X110-MM)						
Y	25	2	144-0221	1	VALVE GP-RELIEF (LINE RELIEF, LIFT CYL HEAD END)						561
	26	3	148-8406	3	PLUG AS						
					(EACH INCLUDES)						
		3	7M-8485	1	SEAL-O-RING						
		3	9S-9334	1	PLUG-O-RING						
	27	1,2,3	148-8407	8	PLUG AS						
					(EACH INCLUDES)						
		1,2,3	3J-1907	1	SEAL-O-RING						
		1,2,3	9S-4191	1	PLUG-O-RING						
	28	2	155-3624	2	PLUG AS						
					(EACH INCLUDES)						
		2	3J-7354	1	SEAL-O-RING						
		2	9S-4182	1	PLUG-O-RING						
	29	3	162-0177	4	PLUG AS						
					(EACH INCLUDES)						
		3	3J-1907	1	SEAL-O-RING						
		3	9S-8004	1	PLUG-O-RING						
	30	3	164-5567	1	COUPLER AS-QUICK DISCONNECT (MALE)						
		3	6V-3965	1	FITTING (QUICK DISCONNECT)						
		3	214-7568	1	SEAL-O-RING						
	31	1,3	173-3993	2	PLUG AS						
					(EACH INCLUDES)						
		1,3	4J-7533	1	SEAL-O-RING						
		1,3	9S-8001	1	PLUG-O-RING						
	32	1,2,3	183-7263	6	PLUG AS						
					(EACH INCLUDES)						
		1,2,3	3J-7354	1	SEAL-O-RING						

HYDRAULIC SYSTEM

222-4436 VALVE GP-CONTROL (contd.)

i04444153

NOTE	REF NO	GRAPHIC REF	PART NUMBER	QTY	PART NAME						SEE PAGE
					1	2	3	4	5	6 (PRODUCT LEVEL)	
		1, 2, 3	9S-8002	1	PLUG-O-RING						
	33	1, 2	1H-5728	6	SEAL-O-RING						
	34	1	1P-3705	1	SEAL-RECTANGULAR						
	35	2, 3	207-8218	6	PLUG AS						
					(EACH INCLUDES)						
		2, 3	7J-0204	1	SEAL-O-RING						
		2, 3	9S-8007	1	PLUG						
	36	1, 3	222-4737	2	PLUG AS						
					(EACH INCLUDES)						
		1, 3	4J-7533	1	SEAL-O-RING						
		1, 3	9S-4180	1	PLUG						
	37	1	2J-6274	4	SEAL-O-RING						
	38	1, 2	2S-4078	2	SEAL-O-RING						
	39	1	4J-0523	1	SEAL-O-RING						
	40	1	4J-0525	1	SEAL-O-RING						
M	41	1	6V-3668	2	BOLT (M12X1.75X30-MM)						
M	42	1	7X-2546	4	BOLT (M10X1.5X180-MM)						
M	43	1	7X-2549	2	BOLT (M12X1.75X100-MM)						
	44	1	8L-6565	4	PIN-SPRING						
	45	1	8T-4121	12	WASHER-HARD (11X21X2.5-MM THK)						
M	46	1	8T-5436	4	BOLT (M10X1.5X130-MM)						
	47	1	8W-2966	1	COVER						
	48	1	9R-5008	8	SPACER (11X20X6-MM THK)						
					AVAILABLE REPAIR KIT(S):						
			155-2270	1	KIT-CONNECTING PLUG (2-PIN)						
					(INCLUDES PLUG AS & WEDGE)						

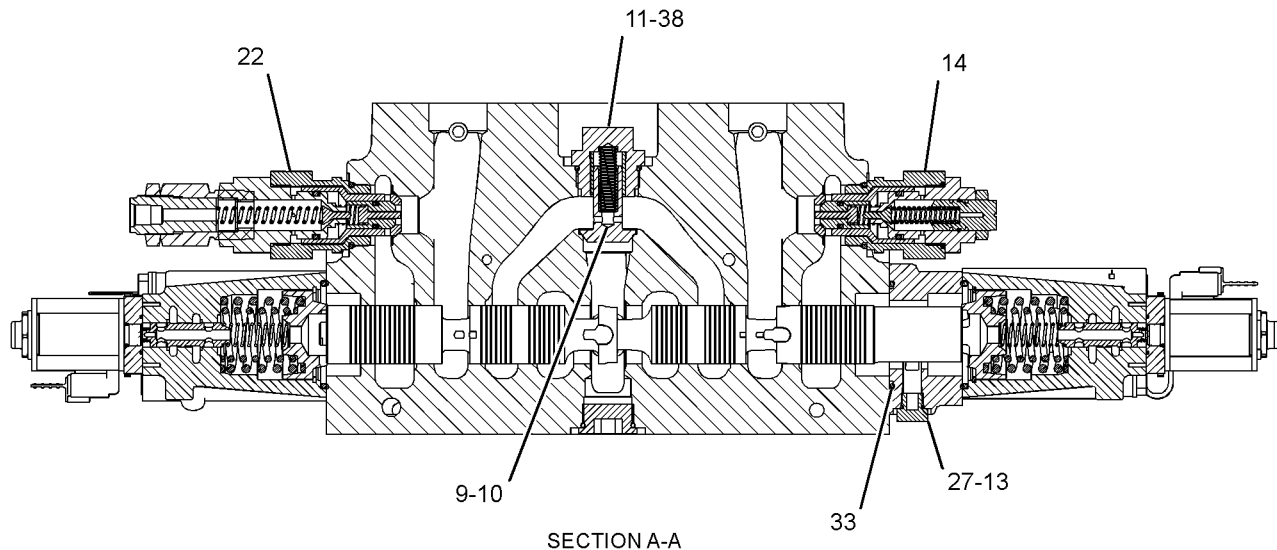
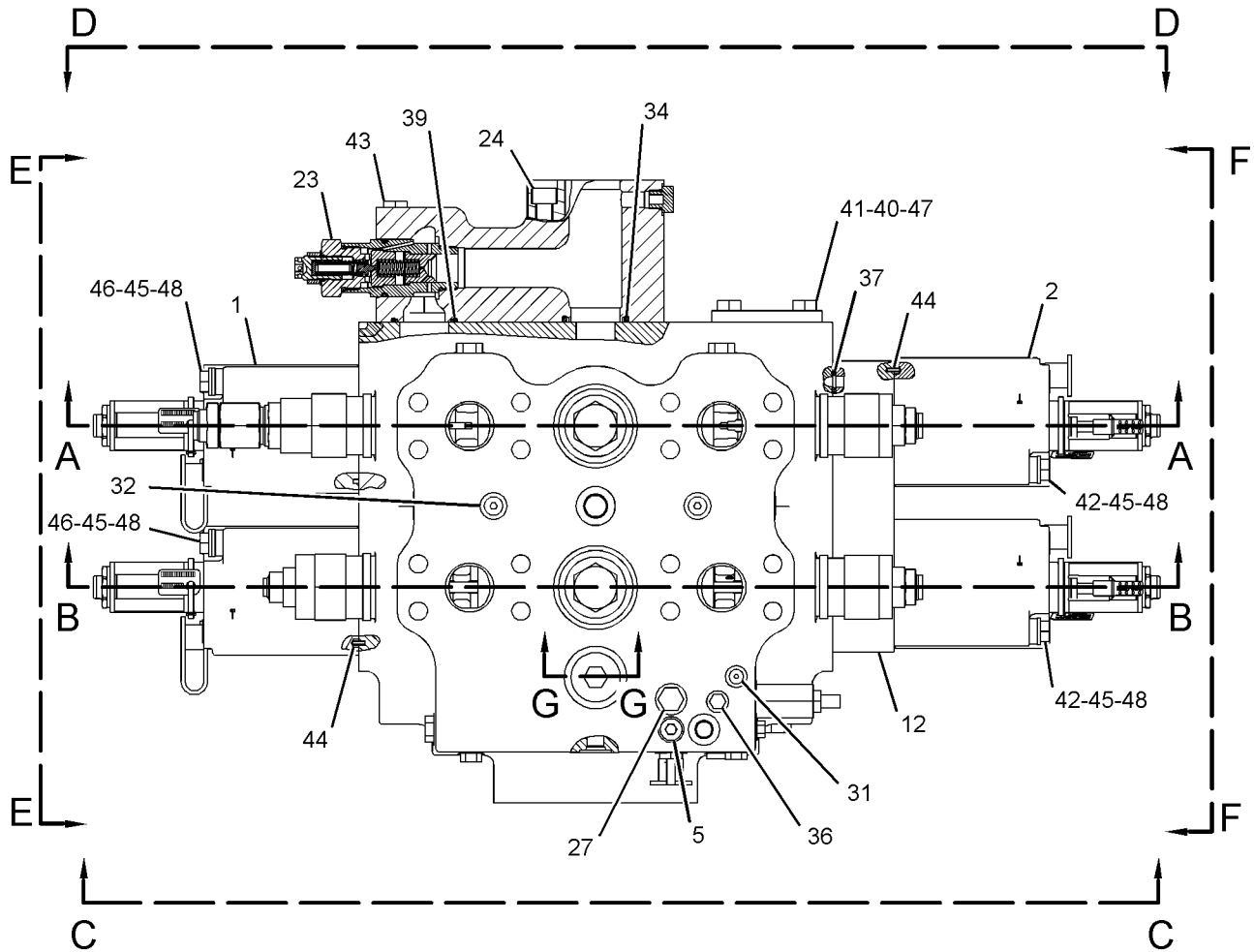
M-METRIC PART
Y-SEPARATE ILLUSTRATION

HYDRAULIC SYSTEM

222-4436 VALVE GP-CONTROL (contd.)

i04444153

REFER TO ALL ILLUSTRATIONS OF THIS GROUP FOR AUXILIARY VIEWS



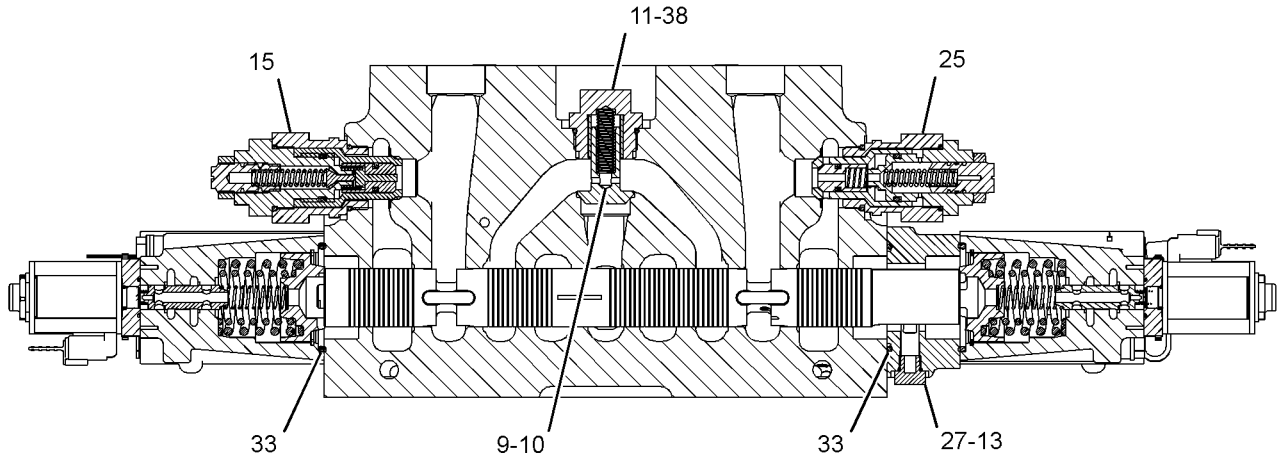
GRAPHIC #1

g02046516

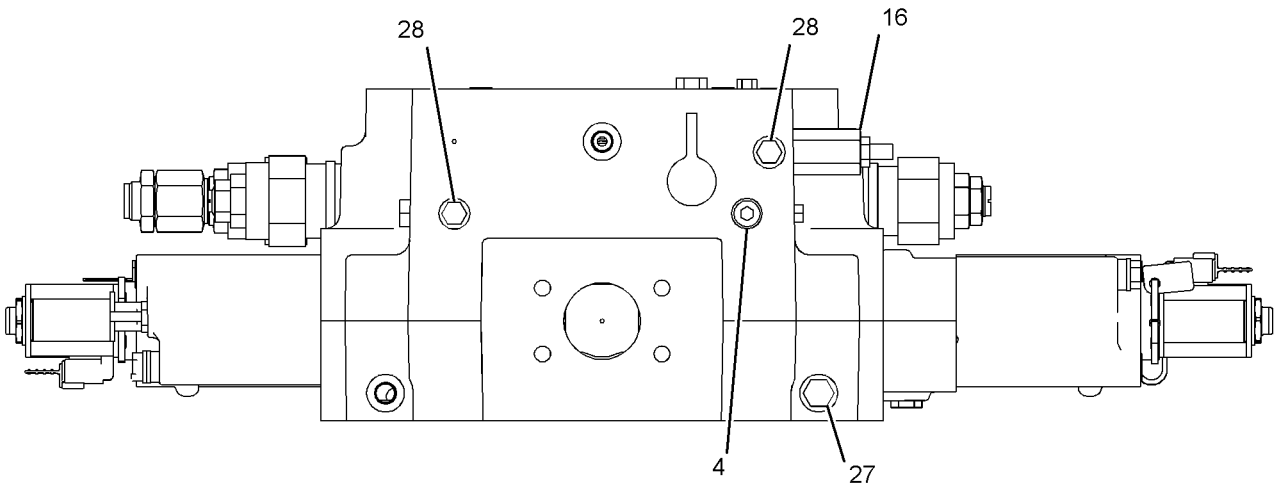
HYDRAULIC SYSTEM

222-4436 VALVE GP-CONTROL (contd.)

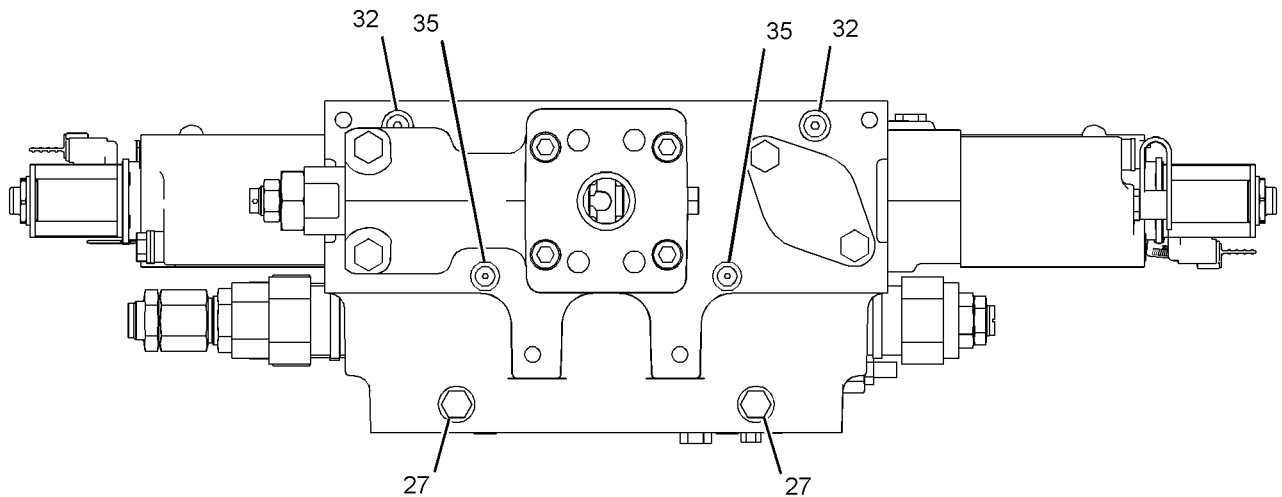
i04444153



SECTION B-B



VIEW C-C



VIEW D-D

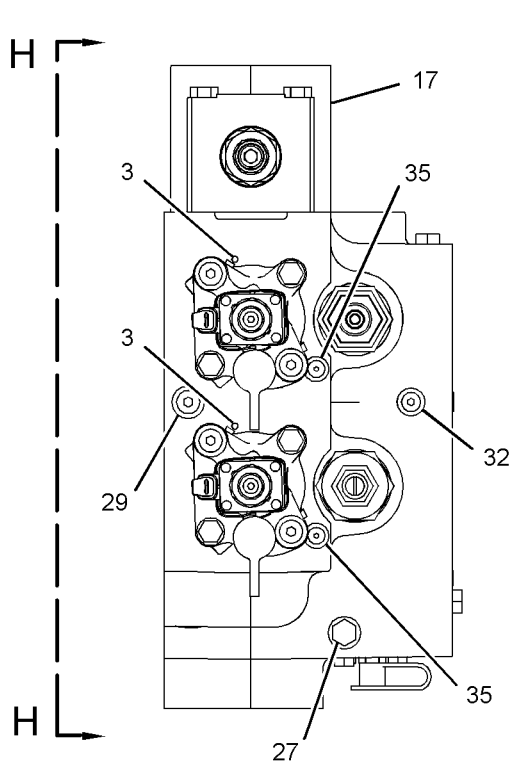
GRAPHIC #2

g02046517

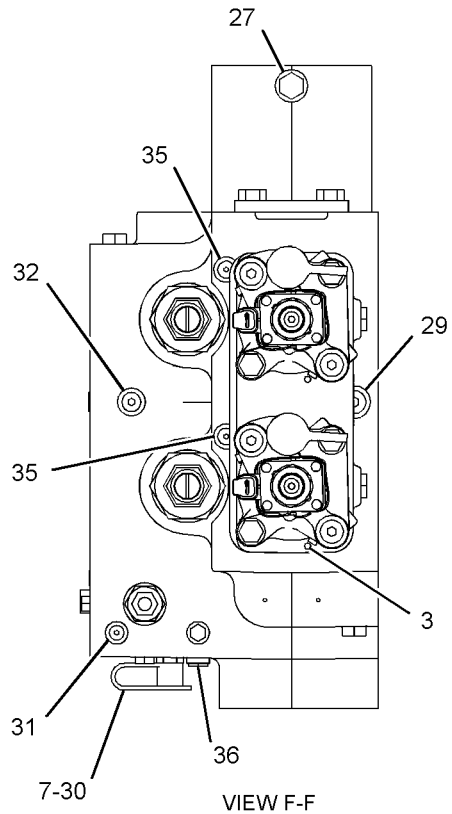
HYDRAULIC SYSTEM

222-4436 VALVE GP-CONTROL (contd.)

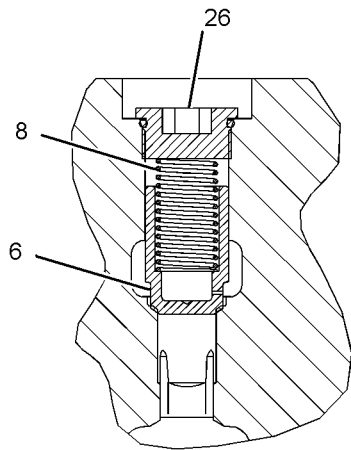
i04444153



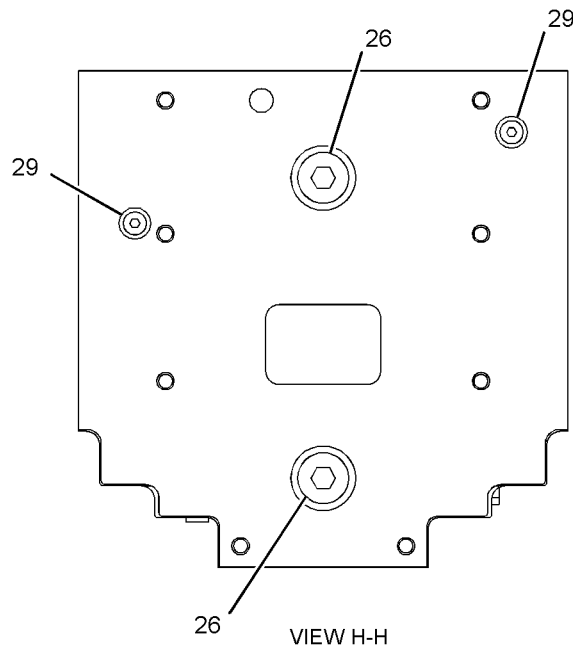
VIEW E-E



VIEW F-F



SECTION G-G



VIEW H-H

GRAPHIC #3

<END>

g02046518

HYDRAULIC SYSTEM

318-2925 VALVE GP-CONTROL

S/N: A7A1-UP

PART OF 296-8268 LINES GP-TILT CYLINDER
AN ATTACHMENT

SMCS-5051

i04501799

NOTE	REF NO	GRAPHIC REF	PART NUMBER	QTY	PART NAME						SEE PAGE
					1	2	3	4	5	6 (PRODUCT LEVEL)	
	1	1	9L-9188	1	SPRING-VALVE						
	2	1	153-9990	1	VALVE						
	3	1	204-1340	1	STEM						
Y	4	1	217-6719	1	ACTUATOR GP-PILOT CONTROL (PROPORTIONAL SOLENOID)						483
	5	1	275-5797	1	PLATE-COVER						
	8	1	327-2109	1	BRACKET AS						
	9	1	332-2178	1	PLUG AS						
		1	6K-6307	1	SEAL-O-RING						
		1	153-9989	1	PLUG						
	10	1	005-8593	1	SEAL-O-RING						
	11	1	162-0177	1	PLUG AS						
		1	3J-1907	1	SEAL-O-RING						
		1	9S-8004	1	PLUG-O-RING						
	12	1	1P-5767	4	FLANGE-HALF						
	13	1	3G-5003	1	BUSHING						
	14	1	4B-4158	1	SCREW-DRIVE (NO 4X0.25-IN)						
	15	1	5P-8077	2	FLANGE-HALF						
M	16	1	7X-2475	4	BOLT (M16X2X130-MM)						
M	17	1	7X-2543	2	BOLT (M10X1.5X120-MM)						
	18	1	8L-6565	1	PIN-SPRING						
	19	1	8T-4121	4	WASHER-HARD (11X21X2.5-MM THK)						
	20	1	8T-4122	8	WASHER-HARD (17X32X3.5-MM THK)						
M	21	1	8T-4140	4	BOLT (M16X2X60-MM)						
M	22	1	8T-4194	8	BOLT (M12X1.75X50-MM)						
M	23	1	8T-4195	4	BOLT (M10X1.5X30-MM)						
	24	1	8T-4223	8	WASHER-HARD (13.5X25.5X3-MM THK)						

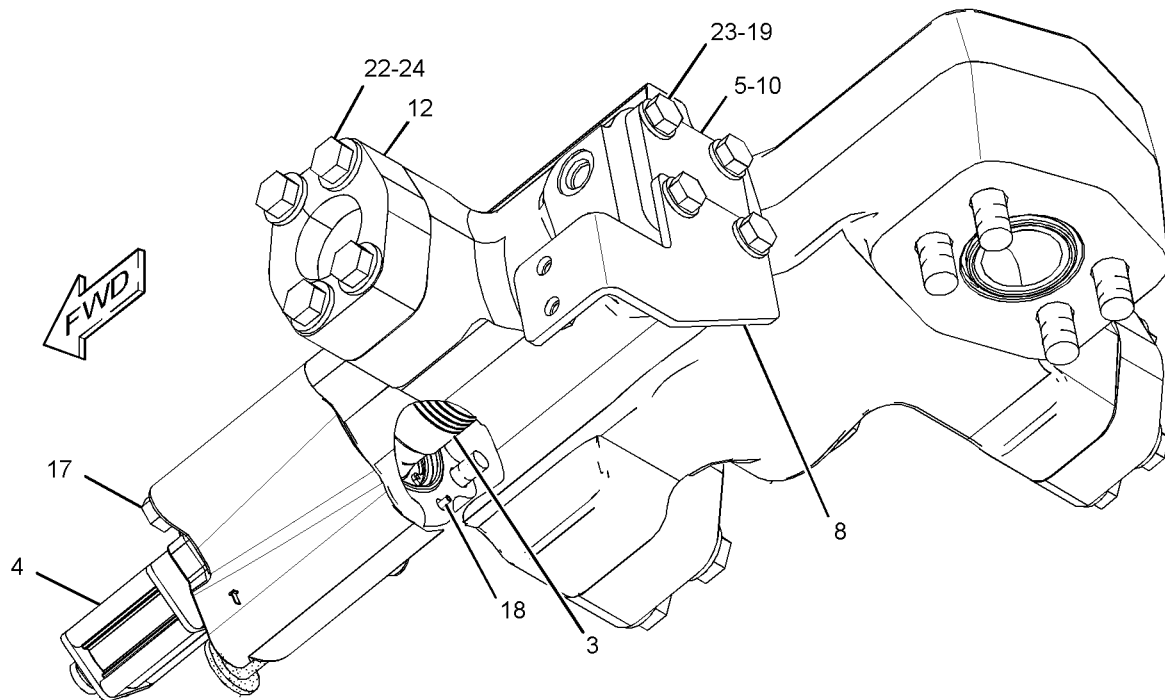
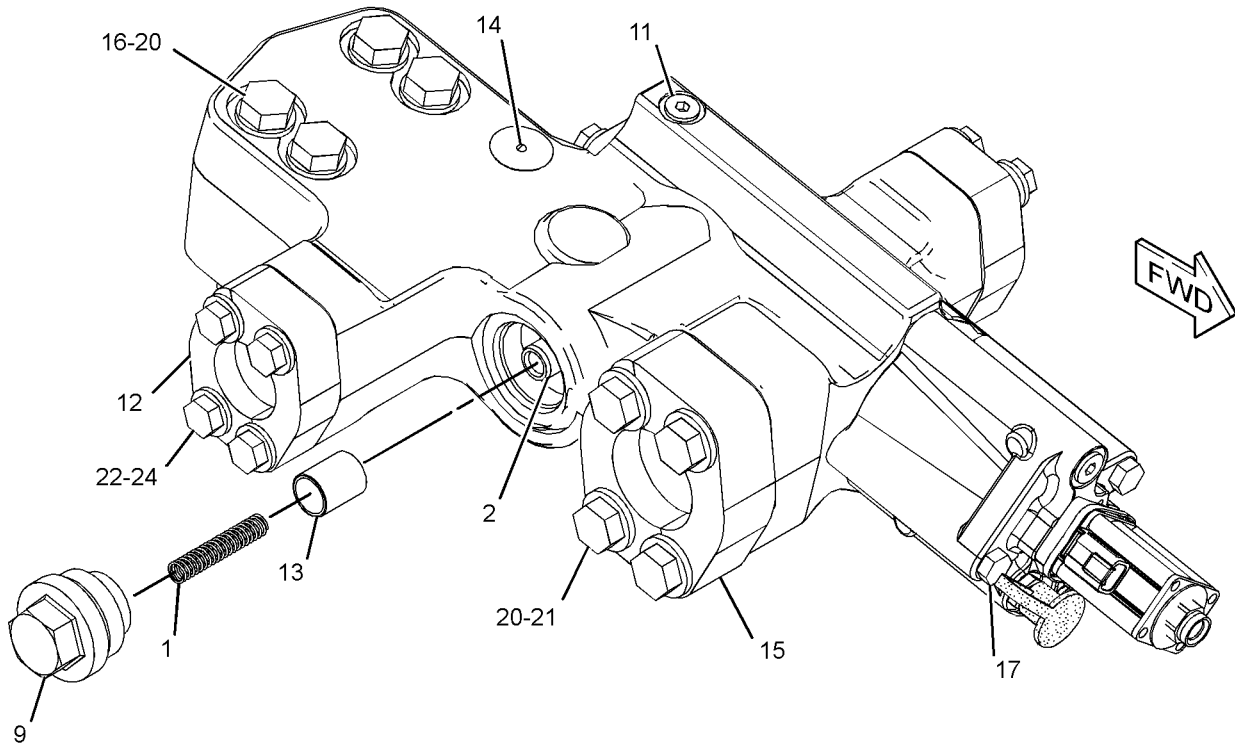
M-METRIC PART

Y-SEPARATE ILLUSTRATION

HYDRAULIC SYSTEM

318-2925 VALVE GP-CONTROL (contd.)

i04501799



GRAPHIC #1

<END>

g01942891

HYDRAULIC SYSTEM

191-8735 VALVE GP-DEMAND FAN

S/N: A7A1-UP

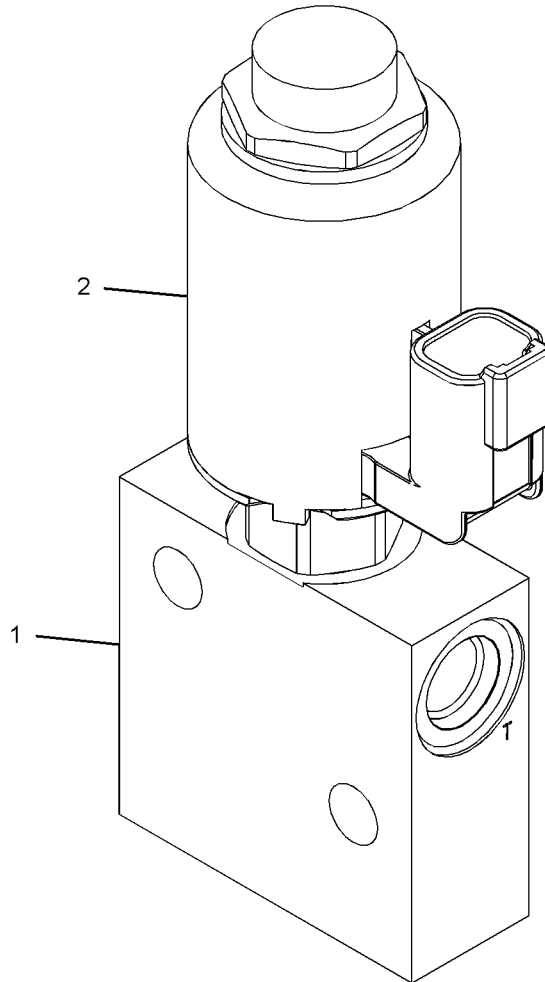
PART OF 225-6716 LINES GP-HYDRAULIC FAN

SMCS-5264, 5479

i04460244

NOTE	REF NO	GRAPHIC REF	PART NUMBER	QTY	PART NAME						SEE PAGE
					1	2	3	4	5	6 (PRODUCT LEVEL)	
	1	1	3E-3584	1	MANIFOLD						
Y	2	1	183-7595	1	VALVE GP-SOLENOID (24-VOLT) (DEMAND FAN)						567

Y-SEPARATE ILLUSTRATION



GRAPHIC #1

<END>

g02054493

HYDRAULIC SYSTEM

112-1817 VALVE GP-MANUAL

S/N: A7A1-UP

PART OF 315-8815 VALVE & MTG GP-MAIN CONTROL
AN ATTACHMENT

SMCS-5001, 5130, 5147

i04487930

NOTE	PART NUMBER	QTY	PART NAME						SEE PAGE
			1	2	3	4	5	6 (PRODUCT LEVEL)	
			(NO SERVICED PARTS)						
			AVAILABLE REPAIR KIT(S):						
	112-9861	1	KIT-SEAL (MANUAL VALVE)						
			(INCLUDES SEALS, CONNECTOR O-RINGS, THRUST RING & STEM O-RING)						
			<END>						

HYDRAULIC SYSTEM

370-0438 VALVE GP-PRESSURE REDUCING

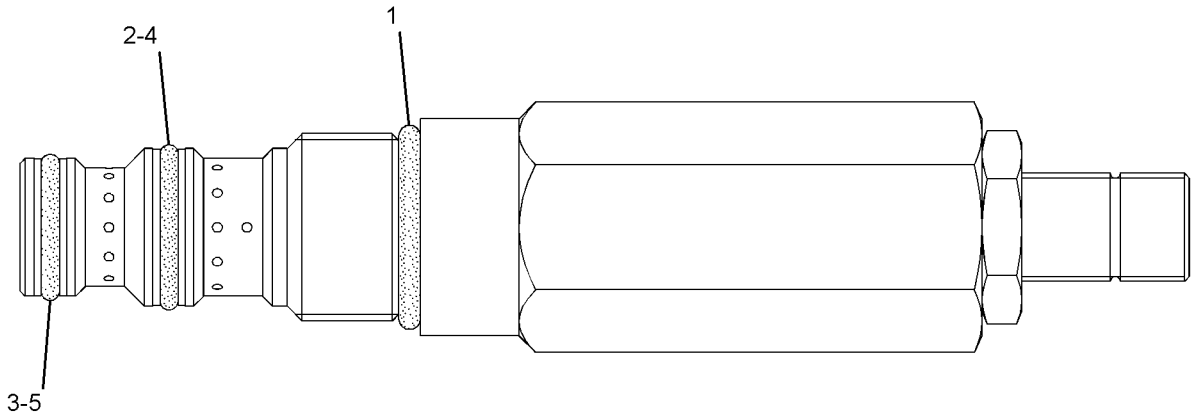
S/N: A7A1-UP

PART OF 222-4436 VALVE GP-CONTROL
AN ATTACHMENT

SMCS-5117

i04461037

NOTE	REF NO	GRAPHIC REF	PART NUMBER	QTY	PART NAME						SEE PAGE
					1	2	3	4	5	6 (PRODUCT LEVEL)	
	1	1	3K-0360	1	SEAL-O-RING						
	2	1	161-6149	1	SEAL-O-RING						
	3	1	095-1750	1	SEAL-O-RING						
	4	1	161-6161	2	RING-BACKUP						
	5	1	187-0541	2	RING-BACKUP						



GRAPHIC #1

<END>

g02385536

HYDRAULIC SYSTEM

207-0695 VALVE GP-PUMP CONTROL- PRESSURE, FLOW COMPENSATOR

S/N: A7A1-UP

PART OF 228-3636, 228-3638 PUMP GP-PISTON
AN ATTACHMENT

SMCS-5455

i04482913

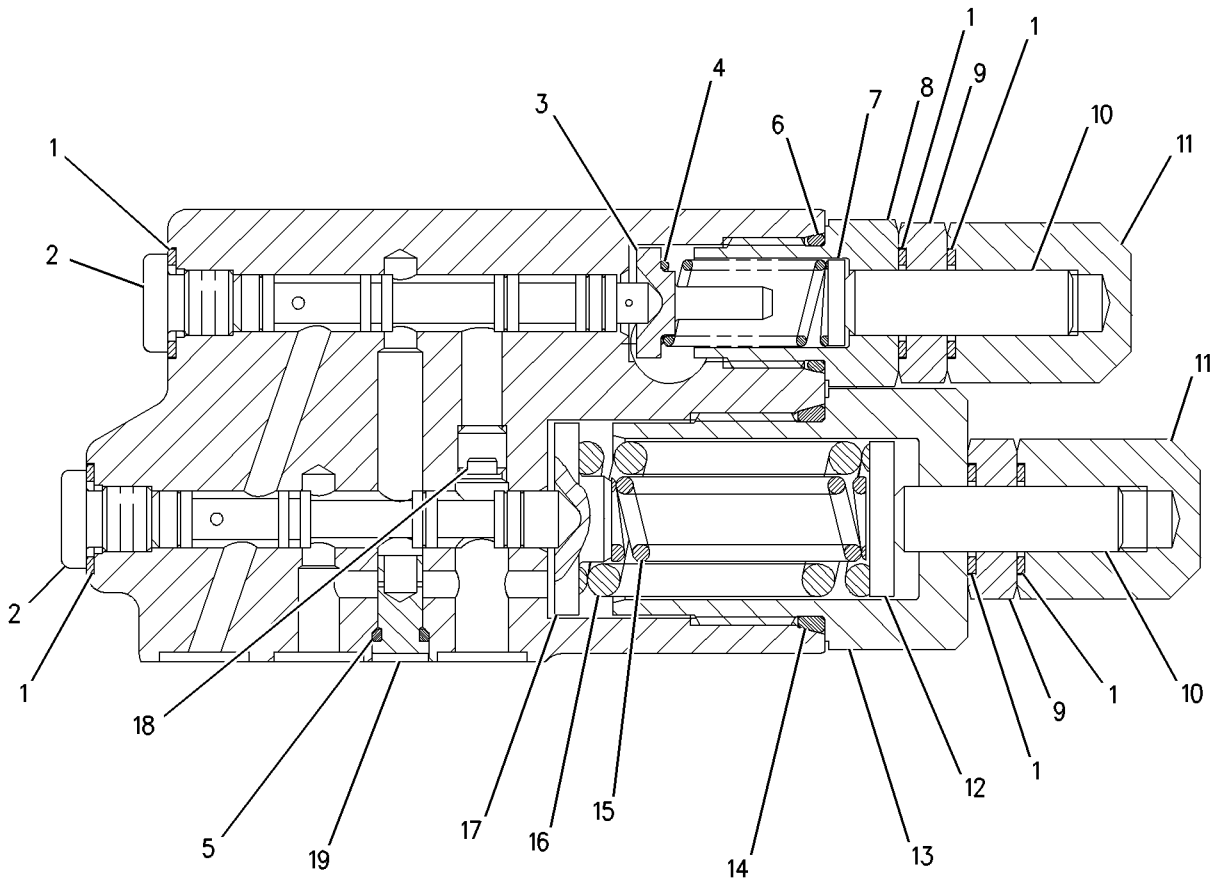
NOTE	REF NO	GRAPHIC REF	PART NUMBER	QTY	PART NAME						SEE PAGE
					1	2	3	4	5	6 (PRODUCT LEVEL)	
	1	1	6E-6528	6	SEAL						
	2	1	6E-6527	2	PLUG						
	3	1	193-3086	1	RETAINER						
	4	1	193-3087	1	SPRING						
	5	1	5P-9262	1	SEAL-O-RING						
	6	1	033-6043	1	SEAL-O-RING						
	7	1	6E-3272	1	SEAT						
	8	1	6E-6540	1	PLUG						
M	9	1	6E-6538	2	NUT-ADJUSTMENT (M8X1-THD)						
M	10	1	6E-6537	2	SCREW-ADJUSTMENT (M8X1X28-MM)						
M	11	1	6E-6539	2	NUT-CAP (M8X1-THD)						
	12	1	6E-3273	1	SEAT						
	13	1	6E-6536	1	PLUG						
	14	1	6V-8352	1	SEAL-O-RING						
	15	1	193-1036	1	SPRING						
	16	1	6E-3276	1	SPRING						
	17	1	6E-3269	1	RETAINER-SPRING						
	18	1	119-0959	1	PLUG-ORIFICE						
	19	1	105-2145	1	VALVE-ORIFICE						

M-METRIC PART

HYDRAULIC SYSTEM

207-0695 VALVE GP-PUMP CONTROL (contd.)

i04482913



GRAPHIC #1

<END>

g00817754

HYDRAULIC SYSTEM

117-0160 VALVE GP-RELIEF

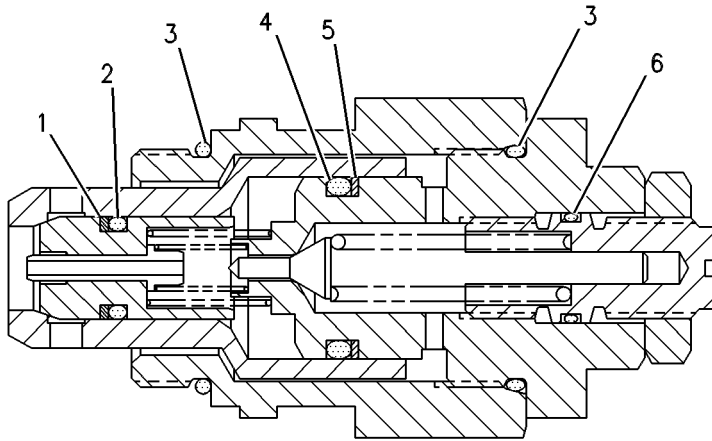
S/N: A7A1-UP

PART OF 222-4436 VALVE GP-CONTROL
AN ATTACHMENT

SMCS-5069, 5117

i04461035

NOTE	REF NO	GRAPHIC REF	PART NUMBER	QTY	PART NAME						SEE PAGE
					1	2	3	4	5	6 (PRODUCT LEVEL)	
	1	1	9T-9992	1	RING-BACKUP						
	2	1	032-9313	1	SEAL-O-RING						
	3	1	2S-4078	2	SEAL-O-RING						
	4	1	3P-1155	1	SEAL-O-RING						
	5	1	117-0775	1	RING-BACKUP						
	6	1	2P-2975	1	SEAL-O-RING						



GRAPHIC #1

<END>

g00263227

HYDRAULIC SYSTEM

129-8293 VALVE GP-RELIEF-LINE, LIFT

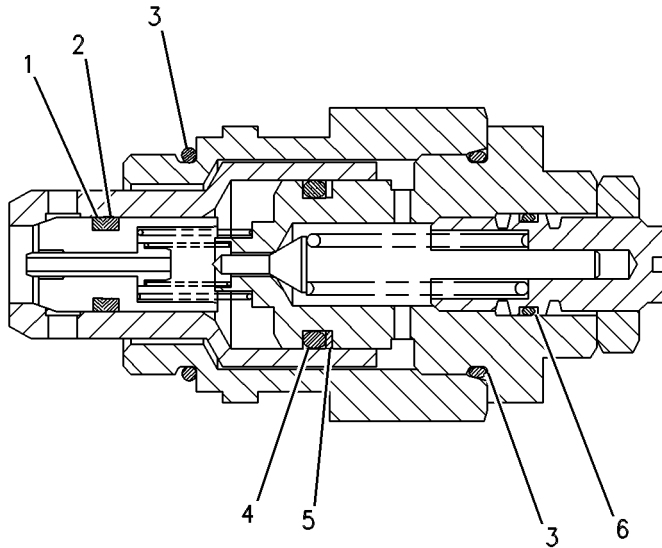
S/N: A7A1-UP

PART OF 222-4436 VALVE GP-CONTROL
AN ATTACHMENT

SMCS-5069, 5117

i04461036

NOTE	REF NO	GRAPHIC REF	PART NUMBER	QTY	PART NAME						SEE PAGE
					1	2	3	4	5	6 (PRODUCT LEVEL)	
	1	1	9T-9992	1	RING-BACKUP						
	2	1	8T-9522	1	SEAL-O-RING						
	3	1	2S-4078	2	SEAL-O-RING						
	4	1	3P-1155	1	SEAL-O-RING						
	5	1	117-0775	1	RING-BACKUP						
	6	1	2P-2975	1	SEAL-O-RING						



GRAPHIC #1

<END>

g00087348

HYDRAULIC SYSTEM

139-3544 VALVE GP-RELIEF

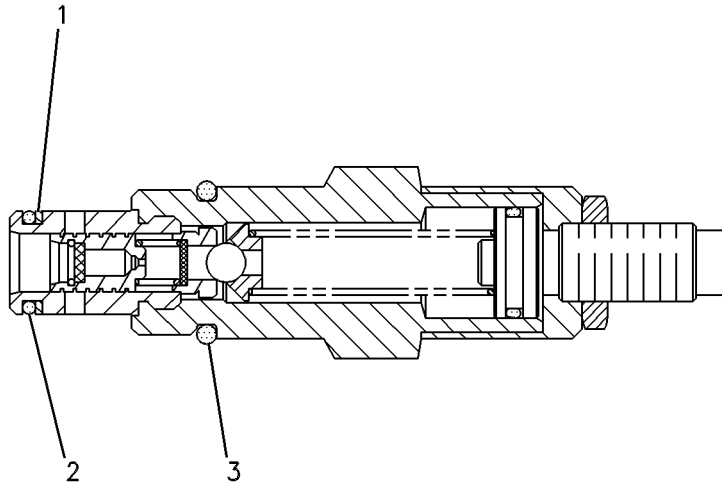
S/N: A7A1-UP

PART OF 186-6218 VALVE GP-RELIEF

SMCS-5069, 5117

i04460998

NOTE	REF NO	GRAPHIC REF	PART NUMBER	QTY	PART NAME						SEE PAGE
					1	2	3	4	5	6 (PRODUCT LEVEL)	
	1	1	6V-6923	1	RING-BACKUP						
	2	1	033-6033	1	SEAL-O-RING						
	3	1	2M-9780	1	SEAL-O-RING						



GRAPHIC #1

<END>

g00086700

HYDRAULIC SYSTEM

144-0221 VALVE GP-RELIEF-LINE, LIFT

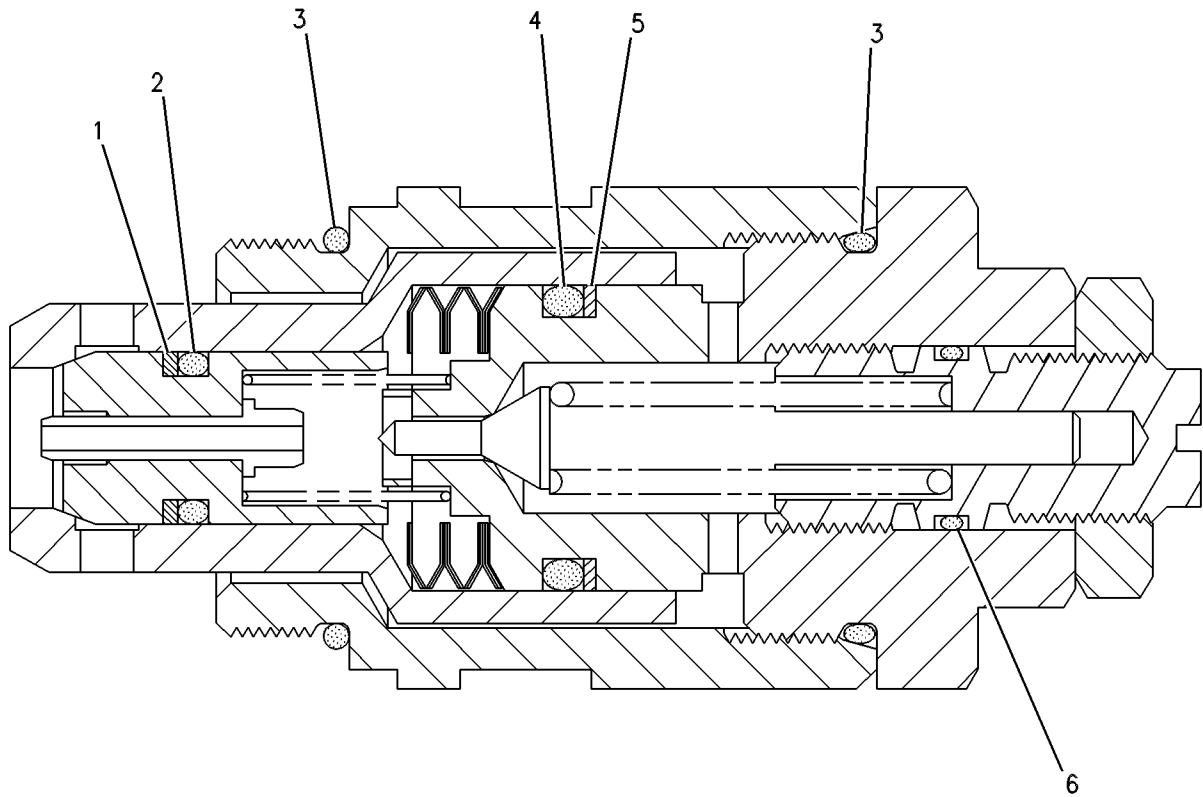
S/N: A7A1-UP

PART OF 222-4436 VALVE GP-CONTROL
AN ATTACHMENT

SMCS-5069, 5117

i04461040

NOTE	REF NO	GRAPHIC REF	PART NUMBER	QTY	PART NAME						SEE PAGE
					1	2	3	4	5	6 (PRODUCT LEVEL)	
	1	1	9T-9992	1	RING-BACKUP						
	2	1	8T-9522	1	SEAL-O-RING						
	3	1	2S-4078	2	SEAL-O-RING						
	4	1	3P-1155	1	SEAL-O-RING						
	5	1	117-0775	1	RING-BACKUP						
	6	1	2P-2975	1	SEAL-O-RING						



GRAPHIC #1

<END>

g00273440

HYDRAULIC SYSTEM

186-6218 VALVE GP-RELIEF

S/N: A7A1-UP

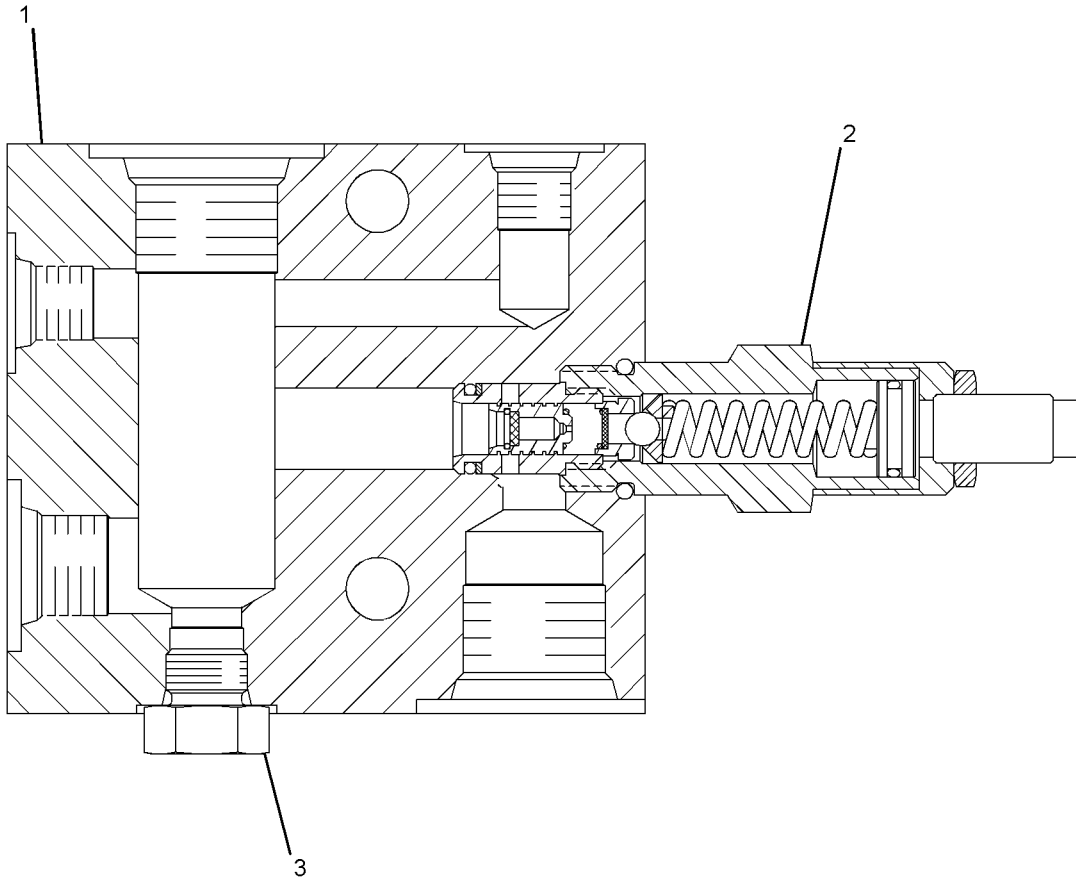
PART OF 345-3932 LINES GP-HYDRAULIC

SMCS-5069, 5117

i04460248

NOTE	REF NO	GRAPHIC REF	PART NUMBER	QTY	PART NAME						SEE PAGE
					1	2	3	4	5	6 (PRODUCT LEVEL)	
	1	1	138-3815	1	MANIFOLD						
Y	2	1	139-3544	1	VALVE GP-RELIEF (STEERING & IMPLEMENT PILOT)						560
	3	1	148-8407	1	PLUG AS						
		1	3J-1907	1	SEAL-O-RING						
		1	9S-4191	1	PLUG-O-RING						

Y-SEPARATE ILLUSTRATION



GRAPHIC #1

<END>

g02049533

HYDRAULIC SYSTEM

334-8332 VALVE GP-RELIEF

S/N: A7A1-UP

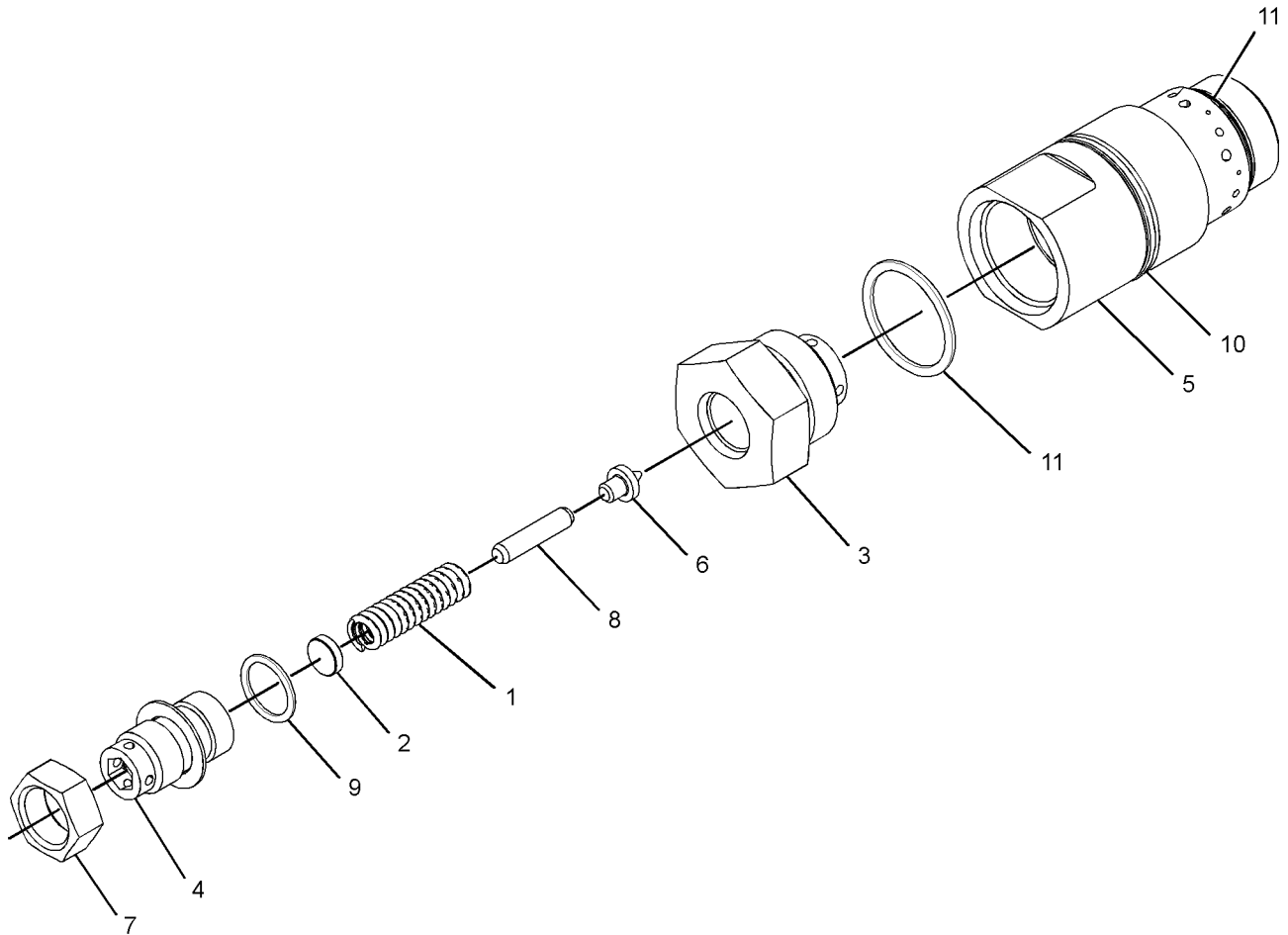
PART OF 222-4436 VALVE GP-CONTROL
AN ATTACHMENT

SMCS-5069, 5117

i04461046

NOTE	REF NO	GRAPHIC REF	PART NUMBER	QTY	PART NAME						SEE PAGE
					1	2	3	4	5	6 (PRODUCT LEVEL)	
	1	1	4T-2770	1	SPRING						
	2	1	4Y-5812	1	PLATE						
	3	1	6E-1127	1	CAP						
	4	1	6E-5510	1	RETAINER AS						
	5	1	6E-6138	1	VALVE GP-RELIEF (MAIN)						
		1	8H-3532	1	SPRING-VALVE						
	6	1	8J-0331	1	VALVE						
	7	1	9X-6395	1	NUT (3/4-16-THD)						
C	8	1	7B-5684	1	PIN						
	9	1	3K-0360	1	SEAL-O-RING						
	10	1	4J-0522	1	SEAL-O-RING						
	11	1	7M-8485	2	SEAL-O-RING						

C-CHANGE FROM PREVIOUS TYPE



GRAPHIC #1

<END>

g02035653

HYDRAULIC SYSTEM

147-1223 VALVE GP-SOLENOID

S/N: A7A1-UP

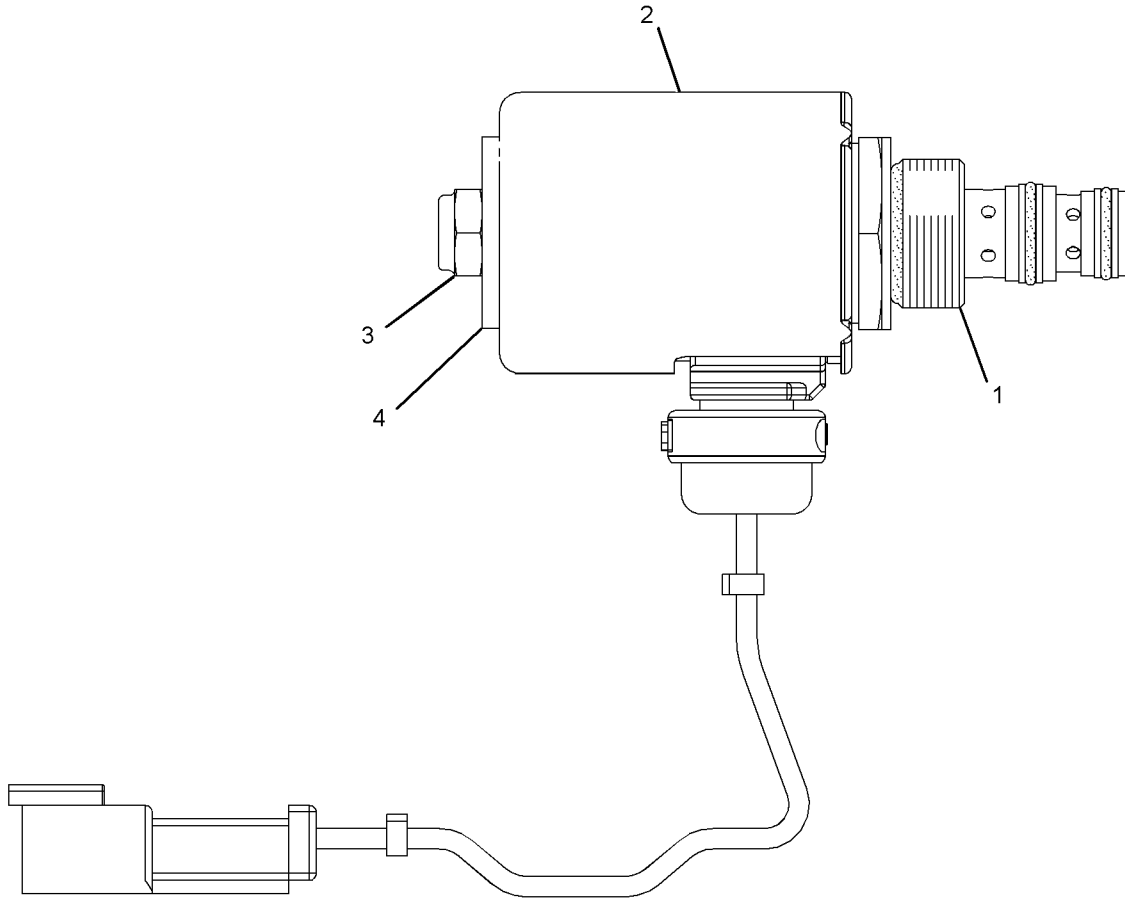
24 VOLT

PART OF 173-7455 VALVE GP-SOLENOID
AN ATTACHMENT

SMCS-5132, 5479

i04488035

NOTE	REF NO	GRAPHIC REF	PART NUMBER	QTY	PART NAME						SEE PAGE
					1	2	3	4	5	6 (PRODUCT LEVEL)	
	1	1	152-8332	1	CARTRIDGE AS-VALVE						
	2	1	218-9894	1	COIL AS (24-VOLT)						
		1	1S-9593	2	STRAP-CABLE						
		1	8T-8729	2	PIN-CONNECTOR (16-GA TO 18-GA)						
		1	102-8802	1	KIT-RECEPTACLE (2-PIN) (INCLUDES RECEPTACLE AS & WEDGE)						
	3	1	111-0343	1	LOCKNUT (5/16-18-THD)						
	4	1	8C-9987	1	WASHER (8.3X28X2.5-MM THK)						
					AVAILABLE REPAIR KIT(S):						
			7T-9766	1	KIT-SEAL (SOLENOID VALVE) (INCLUDES SEALS & RINGS)						



GRAPHIC #1

<END>

g01973317

HYDRAULIC SYSTEM

151-7455 VALVE GP-SOLENOID

S/N: A7A1-UP

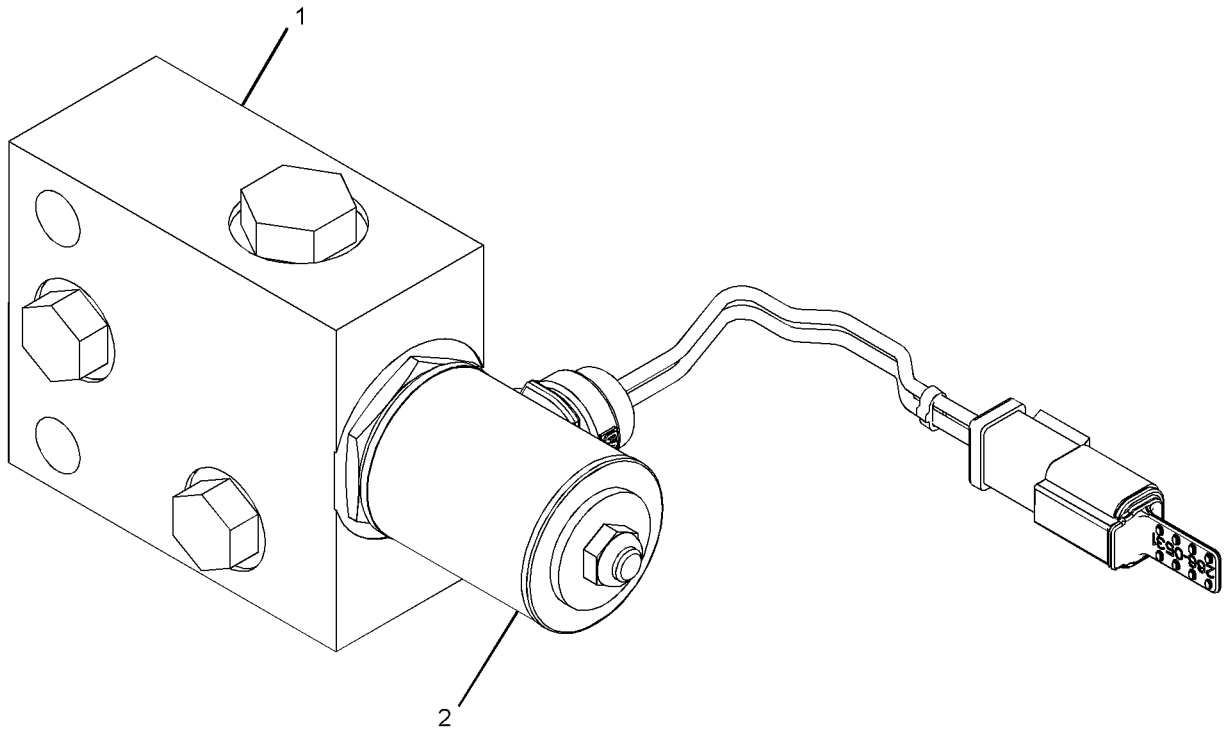
PART OF 315-8815 VALVE & MTG GP-MAIN CONTROL
AN ATTACHMENT

SMCS-5132, 5479

i04487950

NOTE	REF NO	GRAPHIC REF	PART NUMBER	QTY	PART NAME						SEE PAGE
					1	2	3	4	5	6 (PRODUCT LEVEL)	
	1	1	138-0549	1	BODY						
Y	2	1	149-2610	1	VALVE GP-SOLENOID (24-VOLT) (HYDRAULIC LOCKOUT)						361

Y-SEPARATE ILLUSTRATION



GRAPHIC #1

<END>

g02061464

HYDRAULIC SYSTEM

173-7455 VALVE GP-SOLENOID

S/N: A7A1-UP

PART OF 315-8815 VALVE & MTG GP-MAIN CONTROL
AN ATTACHMENT

SMCS-5132, 5479

i04487970

NOTE	PART NUMBER	QTY	PART NAME						SEE PAGE
			1	2	3	4	5	6 (PRODUCT LEVEL)	
Y	147-1223	1	VALVE GP-SOLENOID (24-VOLT)						564
	7T-9745	1	MANIFOLD-VALVE						
Y-SEPARATE ILLUSTRATION									

<END>

HYDRAULIC SYSTEM

183-7595 VALVE GP-SOLENOID-DEMAND FAN

S/N: A7A1-UP

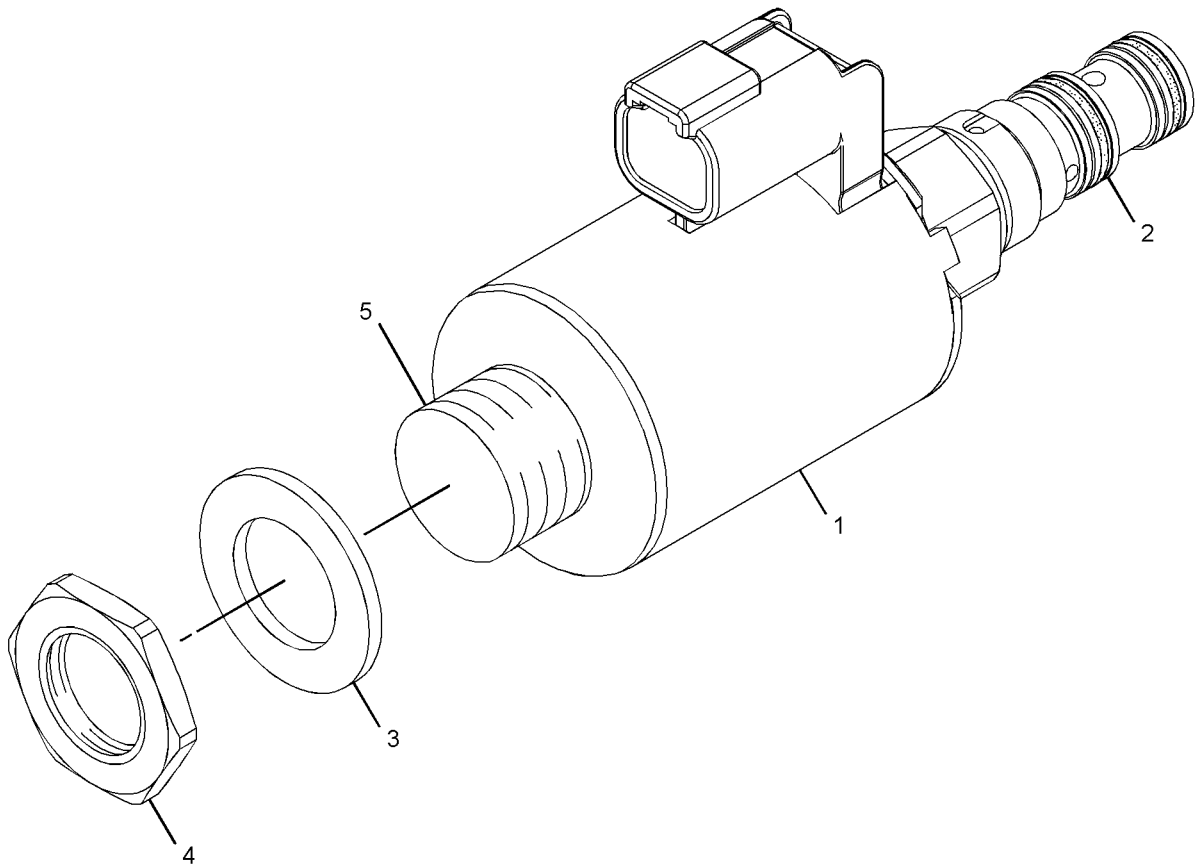
24-VOLT

PART OF 191-8735 VALVE GP-DEMAND FAN

SMCS-5132, 5479

i04461001

NOTE	REF NO	GRAPHIC REF	PART NUMBER	QTY	PART NAME						SEE PAGE
					1	2	3	4	5	6 (PRODUCT LEVEL)	
	1	1	312-8629	1	COIL AS (24-VOLT)						
	2	1	189-8624	1	ADAPTER AS						
		1	8L-2786	1	SEAL-O-RING						
		1	033-5879	1	SEAL-O-RING						
		1	033-6033	1	SEAL-O-RING						
		1	212-6027	1	RING						
		1	221-9963	1	RING						
3	1	1	191-9247	1	WASHER (19.15X31.65X2.36-MM THK)						
4	1	1	198-2914	1	NUT (3/4-32-THD)						
5	1	1	316-1438	1	CARTRIDGE AS						
		1	214-7568	2	SEAL-O-RING						



GRAPHIC #1

<END>

g01936941

IMPLEMENTS

231-8177 ARM & BEARING AS-LIFT

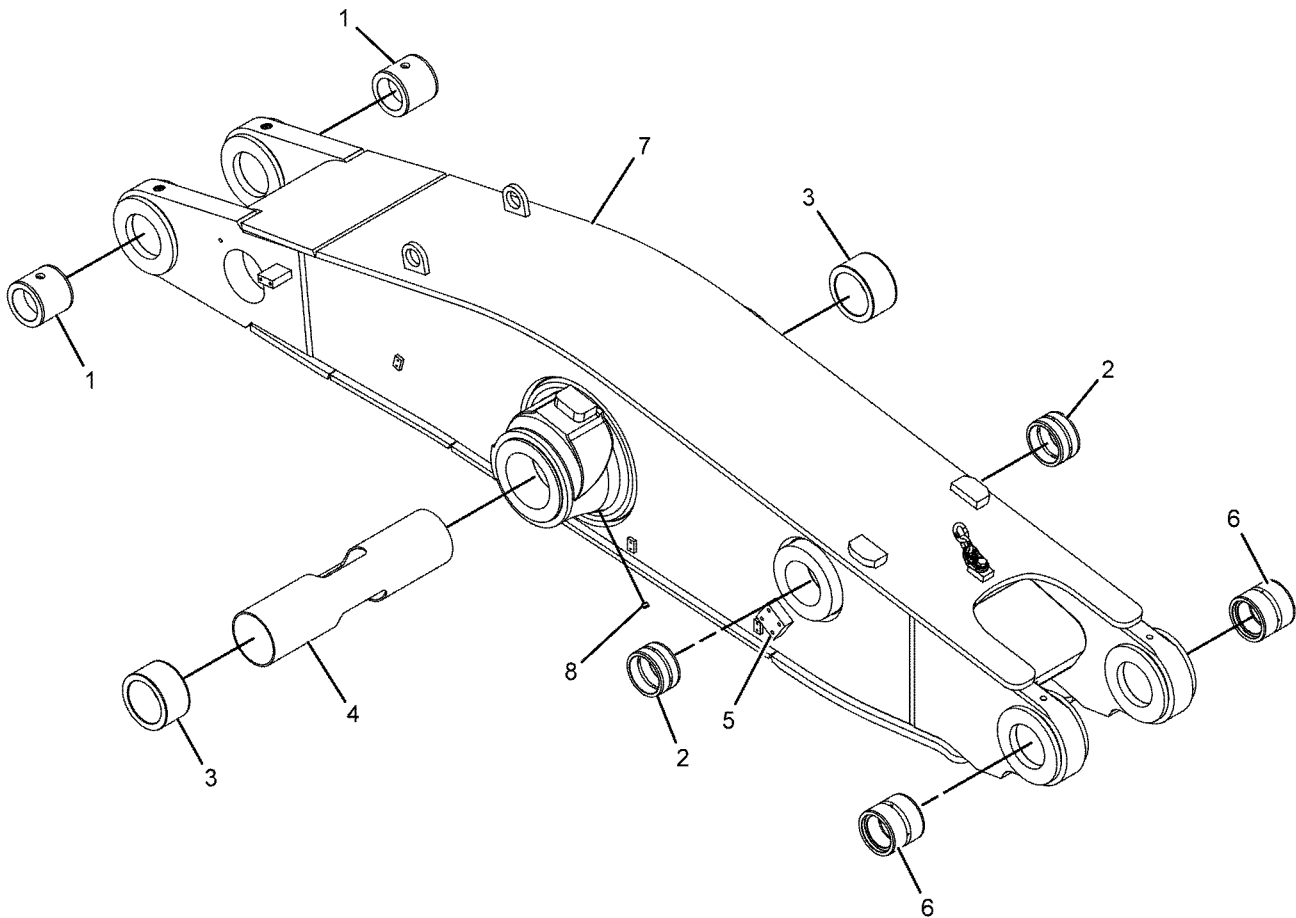
S/N: A7A1-UP

PART OF 298-6964 LIFT AR
AN ATTACHMENT

SMCS-6118, 6119, 7069

i04480311

NOTE	REF NO	GRAPHIC REF	PART NUMBER	QTY	PART NAME						SEE PAGE
					1	2	3	4	5	6 (PRODUCT LEVEL)	
	1	1	339-0314	2	BEARING						
	2	1	152-3743	2	BEARING						
	3	1	339-0313	2	BEARING						
	4	1	152-3752	1	SPACER						
	5	1	157-3612	1	BLOCK						
	6	1	171-5427	2	BEARING						
	7	1	231-8178	1	BOOM AS						
	8	1	148-8395	4	PLUG AS						
					(EACH INCLUDES)						
		1	3K-0360	1	SEAL-O-RING						
		1	9S-8005	1	PLUG-O-RING						



GRAPHIC #1

<END>

g01113230

IMPLEMENTS

114-5196 CONTROL GP-BUCKET

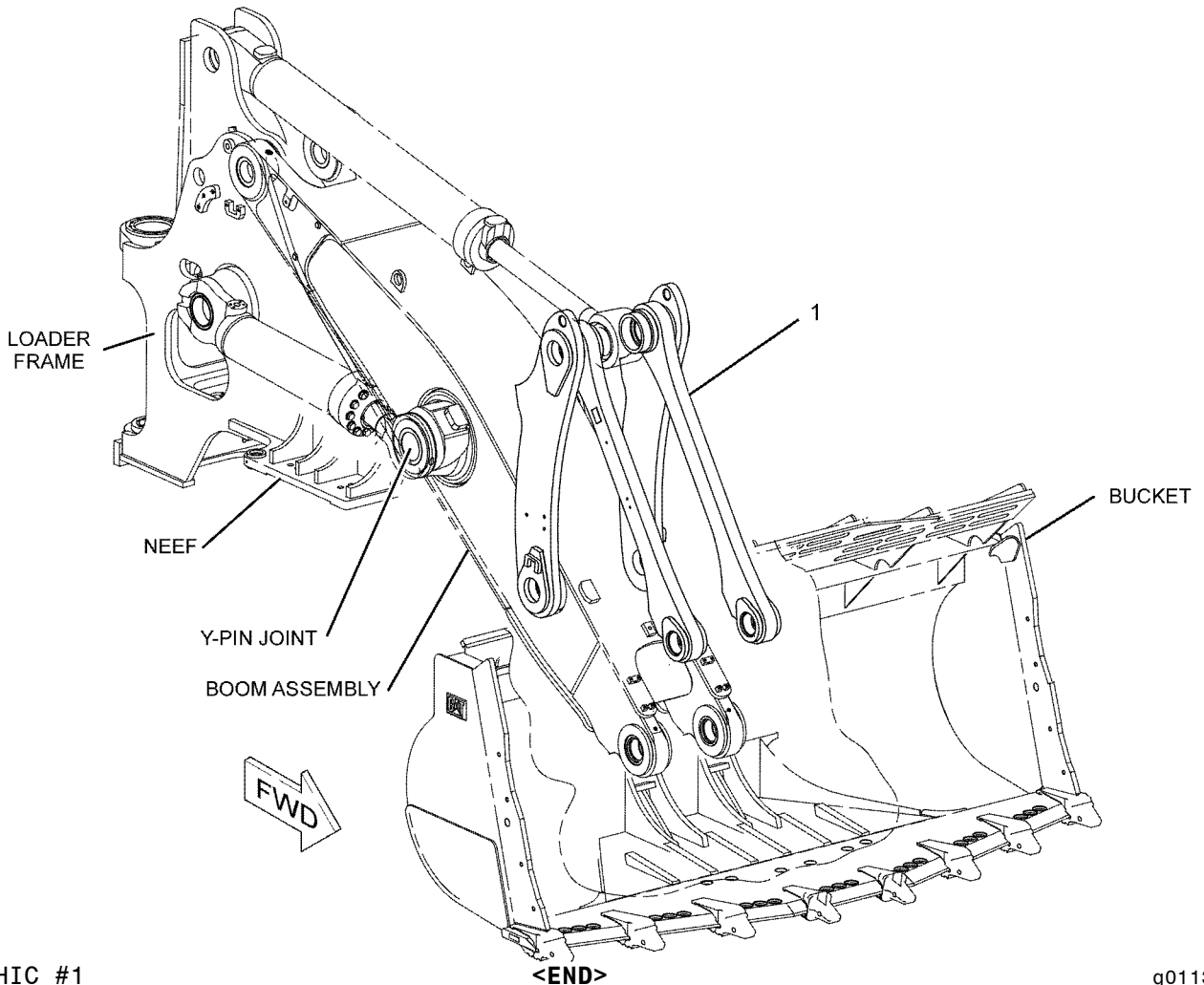
S/N: A7A1-UP

PART OF 298-6964 LIFT AR
AN ATTACHMENT

SMCS-6107

i04480313

NOTE	REF NO	GRAPHIC REF	PART NUMBER	QTY	PART NAME						SEE PAGE
					1	2	3	4	5	6 (PRODUCT LEVEL)	
Y	1	1	197-0679	2	LINKAGE GP-BUCKET						571
Y-SEPARATE ILLUSTRATION											



GRAPHIC #1

g01130820

IMPLEMENTS

298-6964 LIFT AR-4.25-M, HIGH LIFT, 2-VALVE

S/N: A7A1-UP

PART OF 379-3389, 379-3390 DISTRIBUTION AR
AN ATTACHMENT

SMCS-6000

i04477961

NOTE	PART NUMBER	QTY	PART NAME						SEE PAGE
			1	2	3	4	5	6 (PRODUCT LEVEL)	
Y	231-8177	1	ARM & BEARING AS-LIFT						568
Y	329-7443	1	BUMPER AR-REAR						367
Y	114-5196	1	CONTROL GP-BUCKET						569
Y	326-3191	1	CONTROL GP-ELECTROHYDRAULIC (2-FUNCTION)						588
Y	114-5192	1	CONTROL GP-LIFT & TILT POS						152
Y	296-8268	1	LINES GP-TILT CYLINDER						515
Y	296-8271	1	LINES GP-TILT CYLINDER						517
Y	315-8815	1	VALVE & MTG GP-MAIN CONTROL						540
Y	261-8025	1	WIRING GP-SENSOR (LIFT, TILT POSITION)						257
	117-1903	1	PLUG AS						
	155-2265	1	KIT-CONNECTING PLUG (8-PIN)						
			(INCLUDES PLUG AS, WEDGE & INTERFACE SEAL)						
	8T-8737	3	PLUG-SEAL						
	8T-8730	5	SOCKET-CONNECTOR (16-GA TO 18-GA)						
D	5P-5677		WIRE (18-GA, BLACK) (0.5-M)						

D-ORDER BY THE METER
Y-SEPARATE ILLUSTRATION

<END>

IMPLEMENTS

197-0679 LINKAGE GP-BUCKET

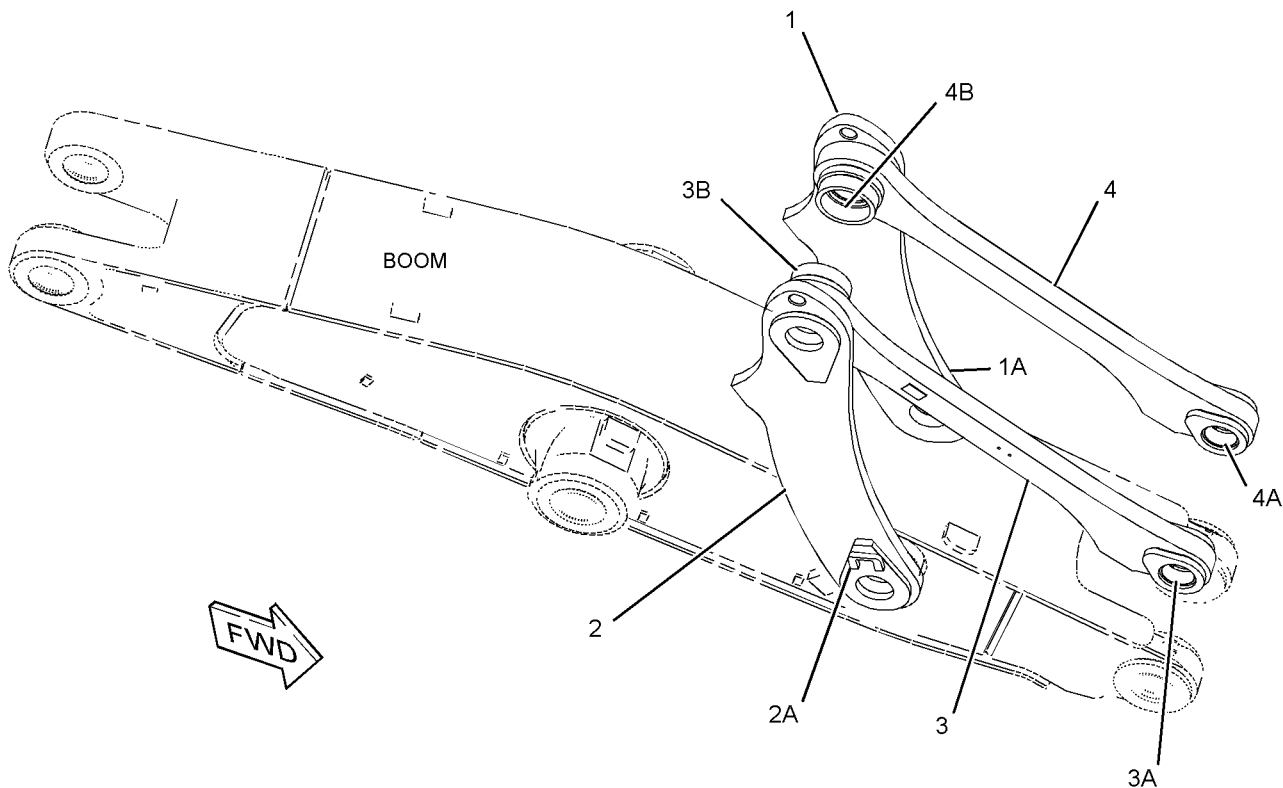
S/N: A7A1-UP

PART OF 114-5196 CONTROL GP-BUCKET
AN ATTACHMENT

SMCS-6107, 6117

i04482149

NOTE	REF NO	GRAPHIC REF	PART NUMBER	QTY	PART NAME						SEE PAGE
					1	2	3	4	5	6 (PRODUCT LEVEL)	
	1	1	153-9839	1	LINK AS (LH)						
	1A	1	9U-0585	1	RETAINER						
	2	1	153-9840	1	LINK AS (RH)						
	2A	1	9U-0585	1	RETAINER						
	3	1	153-9844	1	LINK & BEARING AS (RH)						
	3A	1	152-3735	1	BEARING						
	3B	1	152-3740	1	BEARING						
	4	1	154-6879	1	LINK & BEARING AS (LH)						
	4A	1	152-3735	1	BEARING						
	4B	1	152-3740	1	BEARING						



GRAPHIC #1

<END>

g01228484

IMPLEMENTS

154-7531 PIN & SEAL GP-LINKAGE

S/N: A7A1-UP

BUCKET CONTROL

PART OF 284-2735 CHASSIS AR

SMCS-6118

i04456311

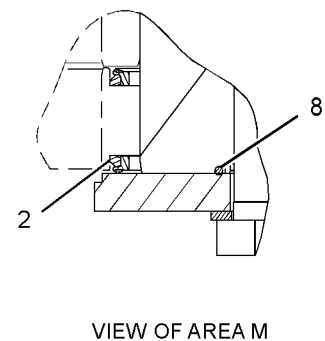
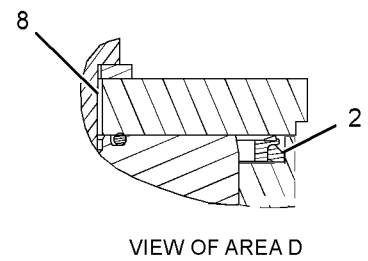
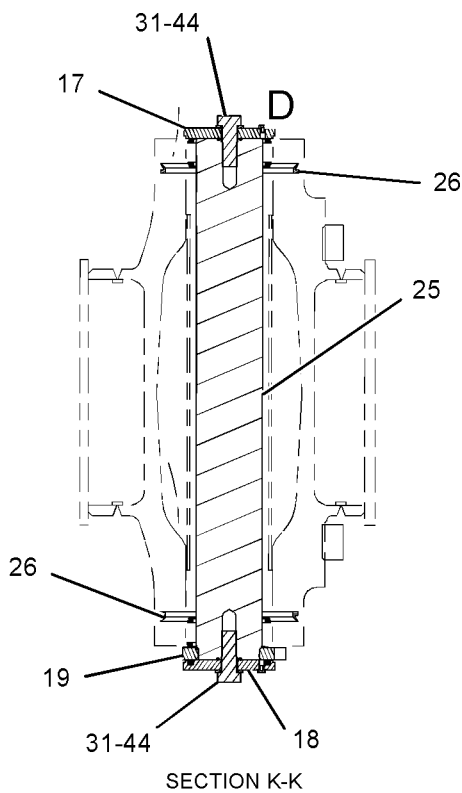
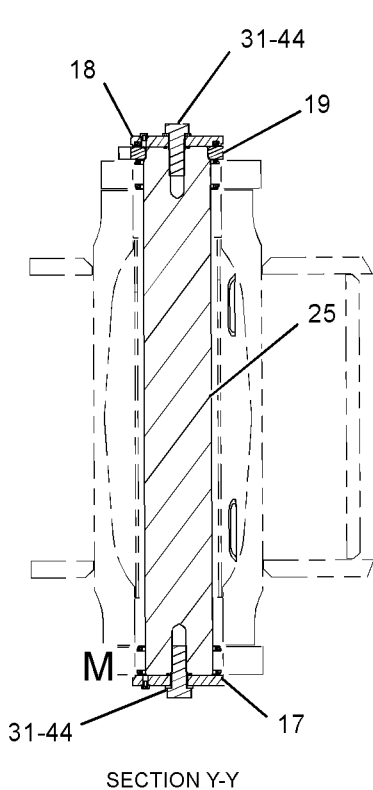
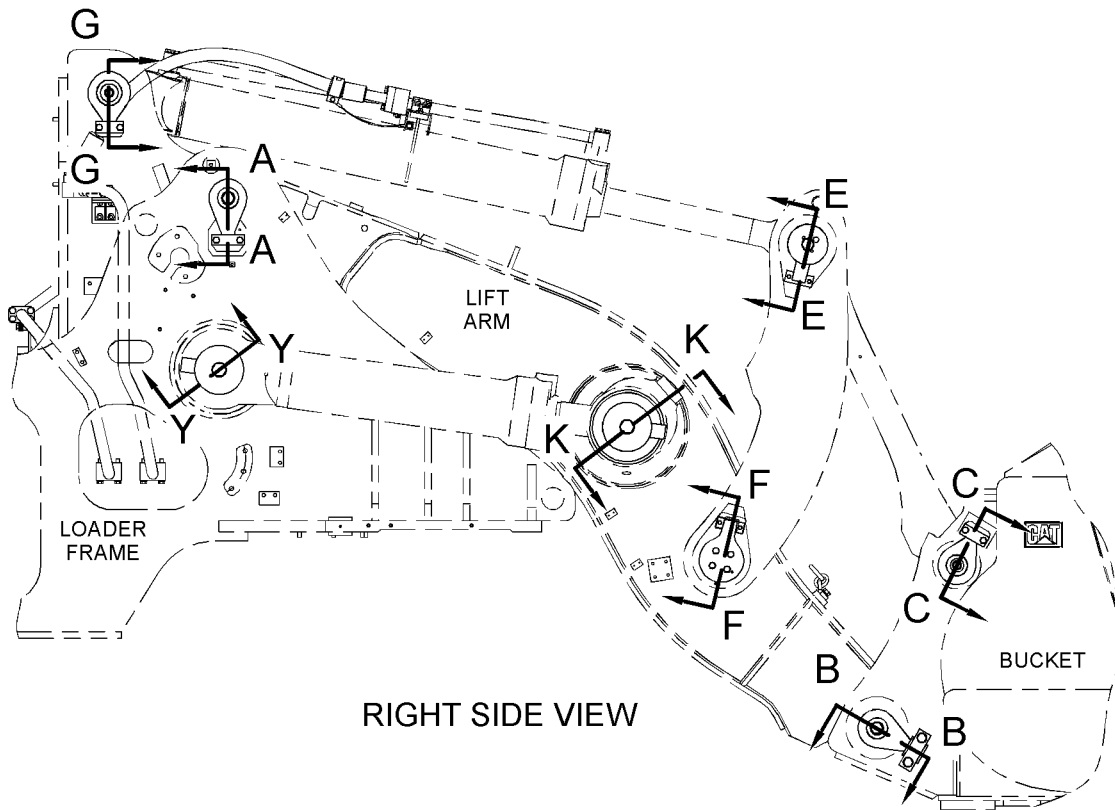
NOTE	REF NO	GRAPHIC REF	PART NUMBER	QTY	PART NAME						SEE PAGE
					1	2	3	4	5	6 (PRODUCT LEVEL)	
	1	2	1R-1052	4	SEAL AS						
	2	1	1R-1060	10	SEAL AS						
	3	2	2D-4867	1	FITTING-GREASE						
B	4	2	2H-3933	2	SEAL-O-RING						
	5	2	3B-8489	1	FITTING-GREASE						
B	6	2	4E-5609	5	PLATE						
B	7	2	4F-7507	4	SEAL-O-RING						
	8	1,2	5K-5959	5	SEAL-O-RING						
	9	2	9X-4599	8	SEAL-LIP TYPE						
	10	2	9X-4601	8	SEAL-LIP TYPE						
	11	2	343-6813	4	COLLAR						
	12	2	152-3730	2	PLATE						
	13	2	152-3732	4	PLATE-SEAL						
	14	2	152-3738	1	PIN (F PIN)						
	15	2	152-3741	1	PIN (E PIN)						
	16	2	152-3742	1	PLATE						
	17	1	152-3748	2	PLATE AS						
	18	1	152-3751	2	PLATE AS						
	19	1	152-3753	2	PLATE						
	20	2	167-6769	2	PLATE						
	21	2	167-6771	3	PLATE AS						
					(EACH INCLUDES)						
		2	8C-4403	2	DOWEL						
	22	2	168-4331	2	PIN AS (C PIN)						
	23	2	168-4332	1	PIN AS (G PIN)						
	24	2	168-8508	2	SEAL-LIP TYPE						
	25	1	171-6757	2	PIN (K & Y PINS)						
	26	1	187-0565	2	SEAL-V-RING						
	27	2	190-1701	4	COLLAR						
	28	2	194-1674	2	PLATE						
	29	2	196-7365	2	PIN AS (A PIN)						
	30	2	196-7369	2	PIN AS (B PIN)						
M	31	1	147-2001	4	BOLT (M36X4X100-MM)						
	32	2	177-1449	4	BOLT						
M	35	2	7X-2552	10	BOLT (M16X2X30-MM)						
M	36	2	7X-2553	4	BOLT (M16X2X40-MM)						
M	37	2	7X-2575	4	BOLT (M24X3X60-MM)						
M	38	2	7X-2583	3	BOLT (M30X3.5X120-MM)						
M	39	2	8C-8722	4	NUT (M30X3.5-THD)						
M	40	2	8T-4140	4	BOLT (M16X2X60-MM)						
	41	2	8T-4167	4	WASHER-HARD (26X44X4-MM THK)						
	42	2	9X-8257	18	WASHER (17.5X30X3.5-MM THK)						
	43	2	9X-8258	11	WASHER (33X56X6-MM THK)						
	44	1	9X-8259	4	WASHER (39X66X6-MM THK)						
B	46	2	279-6102	6	SHIM (1-MM THK)						
B	47	2	279-6103	6	SHIM (2-MM THK)						

B- USE AS REQUIRED
M- METRIC PART

IMPLEMENTS

154-7531 PIN & SEAL GP-LINKAGE (contd.)

i04456311



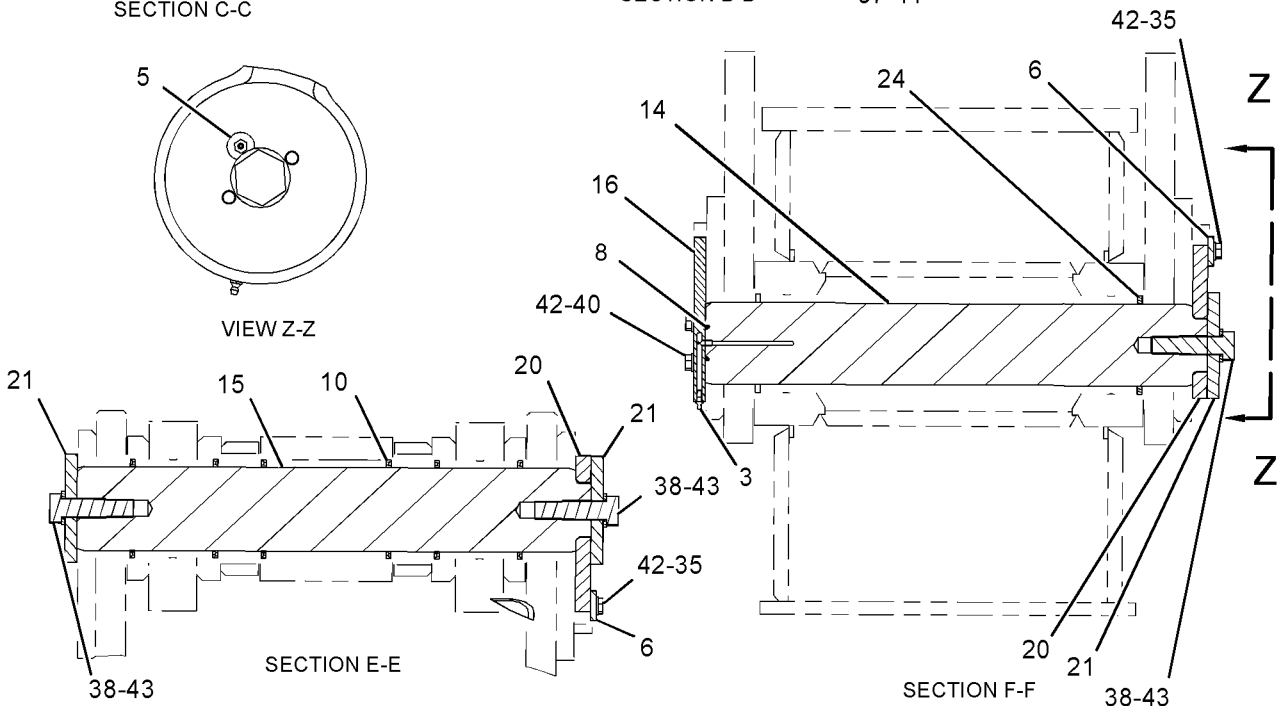
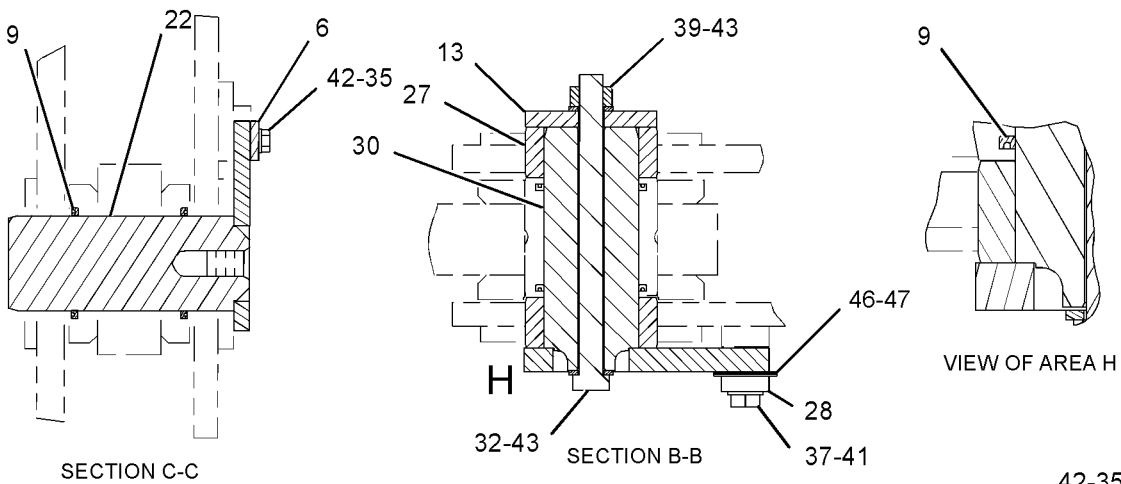
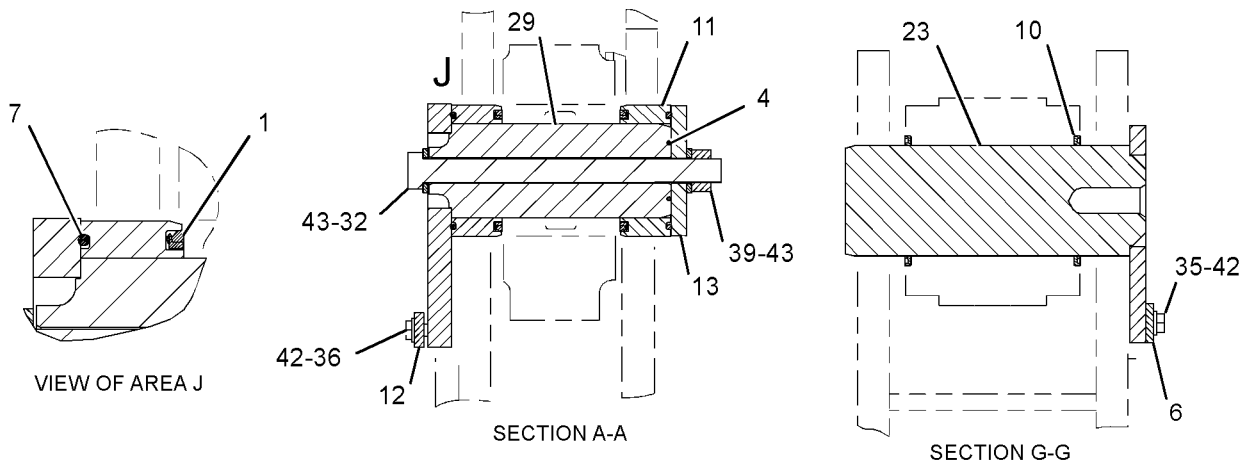
GRAPHIC #1

g02056596

IMPLEMENTS

154-7531 PIN & SEAL GP-LINKAGE (contd.)

i04456311



GRAPHIC #2

<END>

g02057176

OPERATOR STATION

173-1028 ADJUSTER GP-SEAT

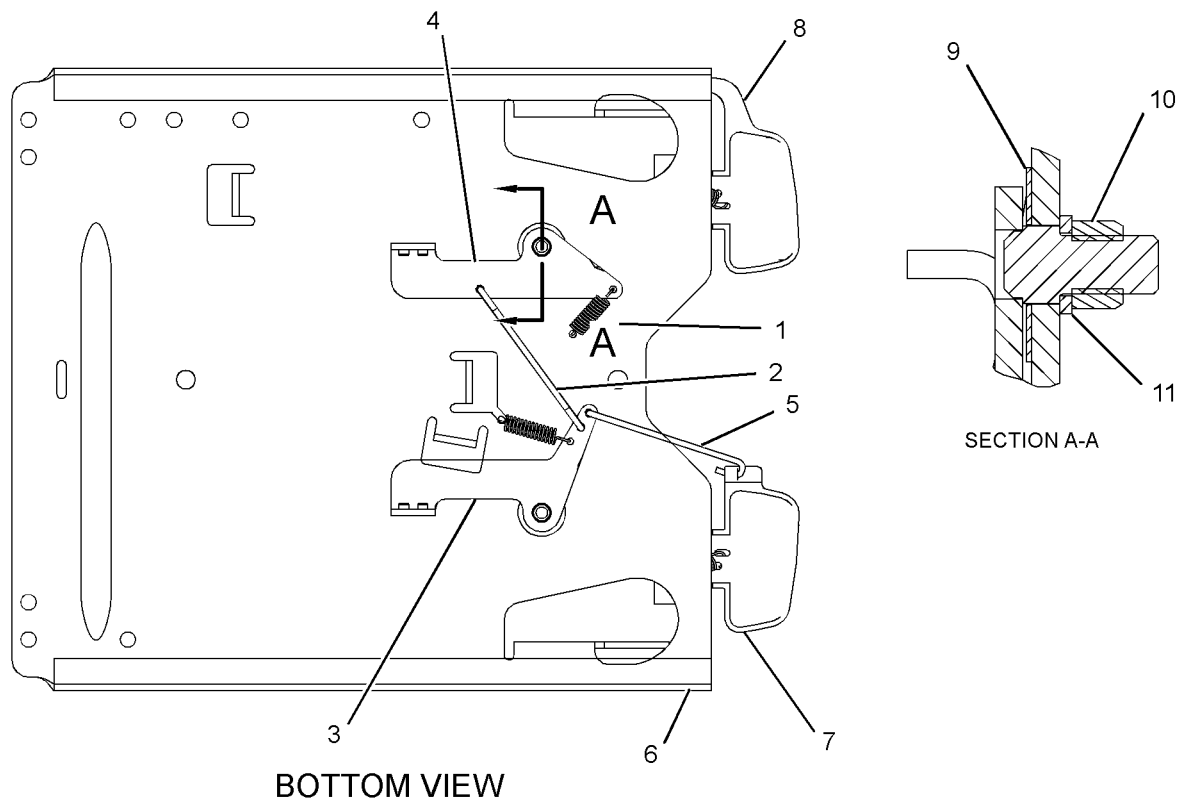
S/N: A7A1-UP

PART OF 178-0603 SEAT GP

SMCS-7321

i04468950

NOTE	REF NO	GRAPHIC REF	PART NUMBER	QTY	PART NAME						SEE PAGE
					1	2	3	4	5	6 (PRODUCT LEVEL)	
	1	1	4V-8256	4	SPRING						
	2	1	117-4492	1	ROD						
	3	1	136-1544	1	LATCH AS (LH)						
	4	1	156-5545	1	LATCH AS (RH)						
	5	1	164-4531	1	ROD						
	6	1	170-1112	1	PLATE AS						
	7	1	170-1114	1	HANDLE (SLIDE ADJUSTMENT)						
	8	1	170-1115	1	HANDLE (TILT ADJUSTMENT)						
	9	1	132-0338	2	WASHER-PLASTIC (13X31.7X0.8-MM THK)						
	10	1	2K-4973	2	LOCKNUT (3/8-16-THD)						
	11	1	7X-0608	2	WASHER-HARD (10.2X16X2-MM THK)						



GRAPHIC #1

<END>

g01191495

OPERATOR STATION

237-3970 AIR COMPRESSOR GP-SEAT

S/N: A7A1-UP

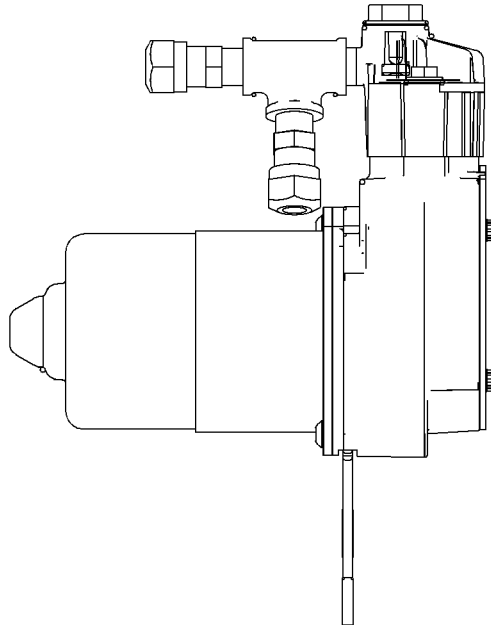
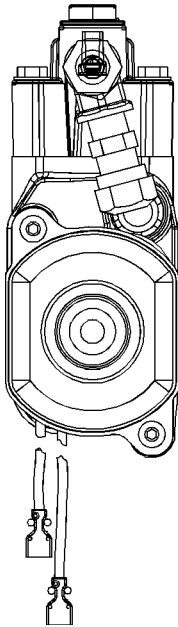
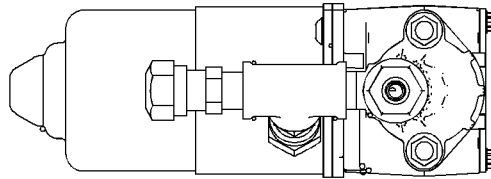
FOR OPTIONAL FIELD REPLACEMENT ORDER 211-5358 CONDUIT (100-CM), 5P-6010 TUBE
(1-M)

PART OF 191-2933 SUSPENSION GP-SEAT

SMCS-731S, 7324

i04468969

NOTE	REF NO	GRAPHIC REF	PART NUMBER	QTY	PART NAME	SEE PAGE
					1 2 3 4 5 6 (PRODUCT LEVEL) (NO SERVICED PARTS)	



GRAPHIC #1

<END>

g01040576

OPERATOR STATION

331-0314 AIR CONDITIONER AR

S/N: A7A1-UP

PART OF 346-3826 CAB AR

SMCS-7320

i04461111

NOTE	REF NO	GRAPHIC REF	PART NUMBER	QTY	PART NAME						SEE PAGE
					1	2	3	4	5	6 (PRODUCT LEVEL)	
	1	1	2G-0395	2	TUBE						
Y	2	1	115-0627	1	AIR CONDITIONER GP						579
Y	3	1	229-0066	1	LINES GP-CAB HEATER						624
Y	4	1	331-0315	1	LINES GP-AIR CONDITIONER						620
M	5	1	9X-2040	4	SCREW-TRUSS HEAD (M10X1.5X25-MM)						

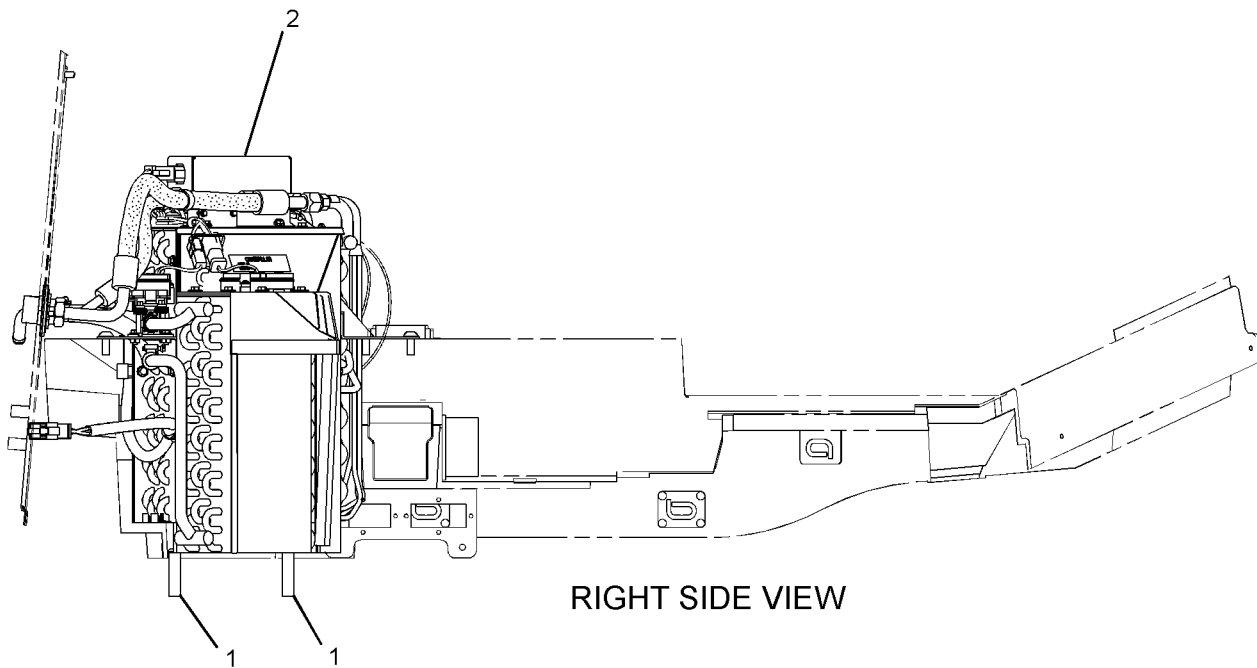
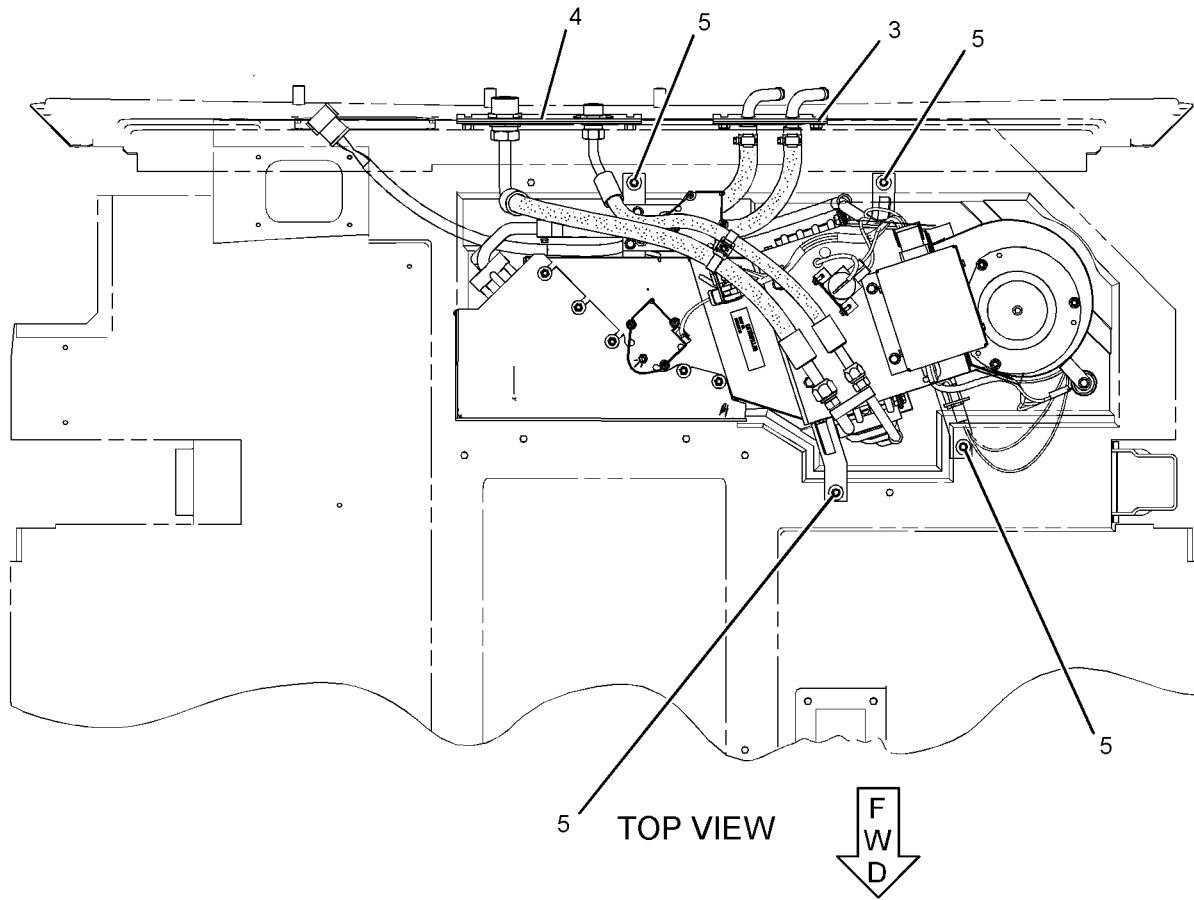
M-METRIC PART

Y-SEPARATE ILLUSTRATION

OPERATOR STATION

331-0314 AIR CONDITIONER AR (contd.)

i04461111



GRAPHIC #1

<END>

g01876423

OPERATOR STATION

115-0627 AIR CONDITIONER GP

S/N: A7A1-UP

PART OF 331-0314 AIR CONDITIONER AR

SMCS-7320

i04471991

NOTE	REF NO	GRAPHIC REF	PART NUMBER	QTY	PART NAME						SEE PAGE
					1	2	3	4	5	6 (PRODUCT LEVEL)	
	1	1	2V-3216	1	CLIP						
	2	1	3B-4501	2	LOCKWASHER (#8)						
	3	1	3E-0400	2	BLOWER AS						
	4	1	3E-5464	1	THERMOSTAT (HVAC) (REFRIGERANT)						
	5	1	3S-2093	4	STRAP-CABLE						
M	6	1	5C-9553	19	BOLT (M6X1X16-MM)						
	7	1	5P-4115	5	WASHER-HARD (7.2X19X2-MM THK)						
	8	1	6V-1668	2	WASHER (6.5X29.1X3-MM THK)						
	9	1	6V-7646	1	WASHER-HARD (7.2X25X2-MM THK)						
	10	1	8C-3756	1	FILM-IDENTIFICATION (GROUP NO., SEQUENCE NO.)						
	11	1	8C-4586	2	CLAMP						
	12	1	8P-5141	2	PLATE-ORIFICE						
M	13	1	8T-0337	3	SCREW-MACHINE (M4X0.7X12-MM)						
	14	1	8T-4205	30	WASHER-HARD (7.2X14.5X2-MM THK)						
	15	1	8T-6631	2	SCREW-MACHINE (8-32X0.5-IN)						
	16	1	9G-1950	1	RESISTOR						
	17	1	9M-8406	2	CLIP						
	18	1	9X-2185	4	SCREW (8-15X0.44-IN)						
	19	1	9X-2488	2	CLAMP-HOSE						
M	20	1	9X-8498	1	BOLT (M6X1X180-MM)						
	21	1	068-8993	1	GROMMET						
	22	1	113-8113	1	ROD						
	23	1	126-5606	1	COIL AS-EVAPORATOR						
	24	1	126-5607	1	COIL AS-HEATER						
	25	1	126-5608	1	HOUSING AS						
	26	1	126-5609	1	PLATE AS						
	27	1	126-5612	1	HARNES AS-HEATER & AIR COND						
		1	8T-8737	4	PLUG-SEAL						
		1	102-8801	1	KIT-RECEPTACLE (12-PIN) (INCLUDES RECEPTACLE AS & WEDGE)						
		1	155-2255	1	KIT-CONNECTING PLUG (12-PIN)						
		1	155-2270	2	KIT-CONNECTING PLUG (2-PIN) (TO BLOWER MOTOR & WATER VALVE MOTOR)						
		1	155-2274	1	KIT-CONNECTING PLUG (6-PIN) (EACH KIT INCLUDES PLUG AS & WEDGE)						
	28	1	126-6006	1	DOOR AS						
	29	1	126-6009	1	COVER						
	30	1	126-6010	1	CONTROL AS						
	31	1	127-6422	1	PLATE AS						
	32	1	127-6423	1	PLATE						
M	33	1	129-3178	12	LOCKNUT (M6X1-THD)						
	34	1	130-1888	1	GASKET						
	35	1	130-1890	6	GASKET						
	36	1	131-0820	1	GASKET						
	37	1	131-0821	1	GASKET						
	38	1	131-0822	1	GASKET						
	39	1	131-3093	1	BUSHING						
	40	1	211-9047	1	VALVE AS-WATER						
	41	1	220-1828	1	MOTOR-ACTUATOR						
	42	1	316-1927	1	MOTOR AS-BLOWER (24-VOLT, A/C, HEATER)						
		1	9W-0852	2	PIN-CONNECTOR (14-GA TO 16-GA)						
		1	102-8802	1	KIT-RECEPTACLE (2-PIN) (INCLUDES RECEPTACLE AS & WEDGE)						
M	43	1	6V-7728	1	BOLT (M6X1X45-MM)						
M	44	1	8T-4138	2	BOLT (M6X1X20-MM)						
D	45	1	6V-2496		SEAL (0.54-M)						

OPERATOR STATION

115-0627 AIR CONDITIONER GP (contd.)

i04471991

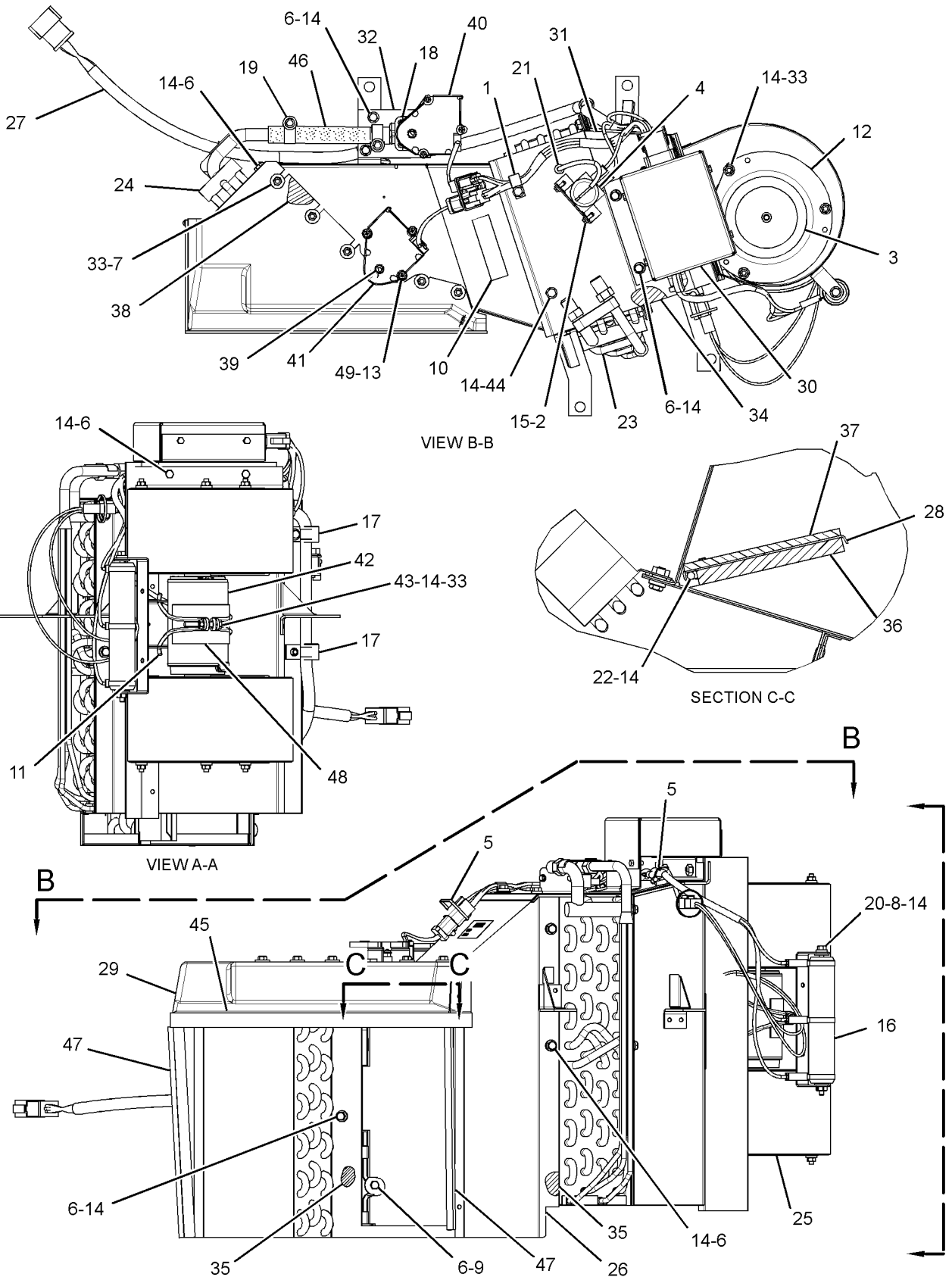
NOTE	REF NO	GRAPHIC REF	PART NUMBER	QTY	PART NAME						SEE PAGE
					1	2	3	4	5	6 (PRODUCT LEVEL)	
E	46	1	136-1953		HOSE (16-CM)						
E	47	1	126-8472		SEAL (38.1-CM EACH)						
D	48	1	5P-5908		SEAL (1.15-M)						
	49	1	4F-2320	3	WASHER (5.5X11X1.6-MM THK)						

D-ORDER BY THE METER
 E-ORDER BY THE CENTIMETER
 M-METRIC PART

OPERATOR STATION

115-0627 AIR CONDITIONER GP (contd.)

i04471991



GRAPHIC #1

<END>

g01862415

OPERATOR STATION

214-7634 ARM GP-WINDOW WIPER

S/N: A7A1-UP

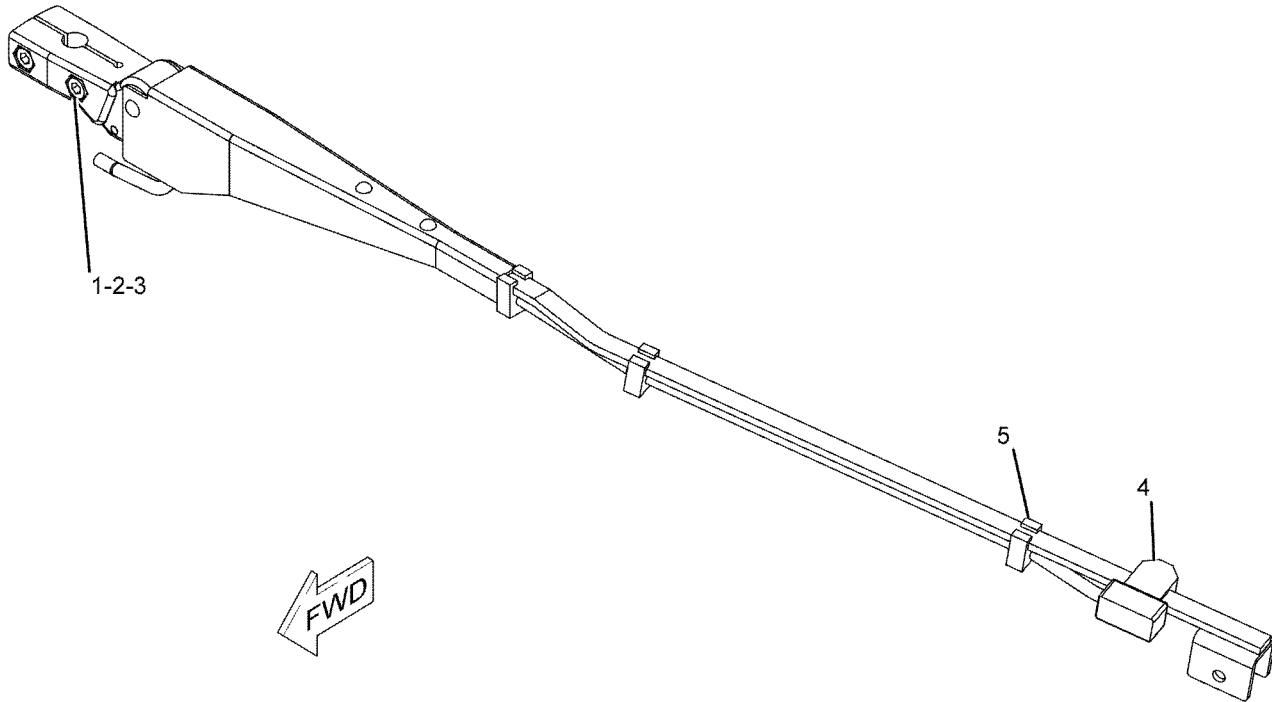
PART OF 109-8196 WIPER GP-WINDOW

SMCS-7305

i04468731

NOTE	REF NO	GRAPHIC REF	PART NUMBER	QTY	PART NAME						SEE PAGE
					1	2	3	4	5	6 (PRODUCT LEVEL)	
M	1	1	191-8921	2	BOLT-SOCKET HEAD (M6X1X25-MM)						
	2	1	227-7392	2	WASHER (6.3X10.3X0.4-MM THK)						
M	3	1	6V-8225	2	NUT (M6X1-THD)						
	4	1	136-3195	1	NOZZLE AS-WASHER						
	5	1	136-3188	3	CLIP						

M-METRIC PART



GRAPHIC #1

<END>

g01024688

OPERATOR STATION

214-7635 ARM GP-WINDOW WIPER-FRONT

S/N: A7A1-UP

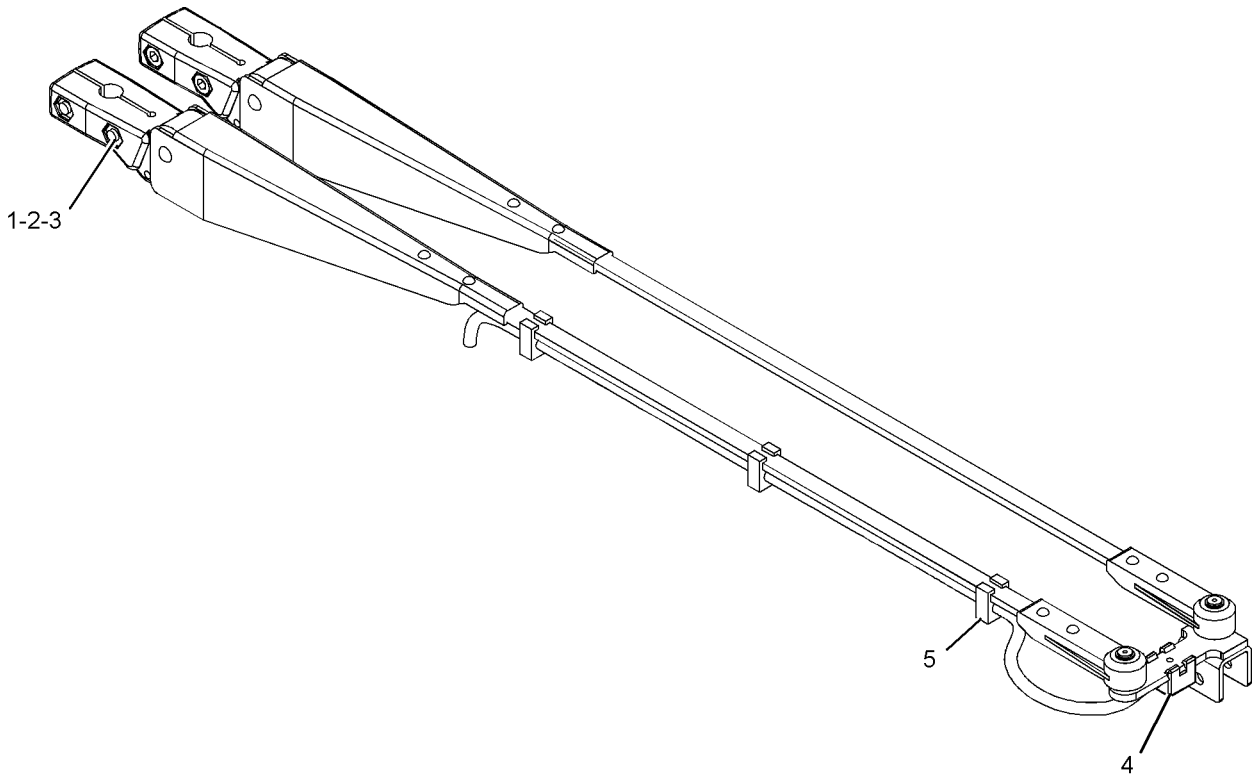
PART OF 109-8196 WIPER GP-WINDOW

SMCS-7305

i04468652

NOTE	REF NO	GRAPHIC REF	PART NUMBER	QTY	PART NAME						SEE PAGE
					1	2	3	4	5	6 (PRODUCT LEVEL)	
M	1	1	191-8921	4	BOLT-SOCKET HEAD (M6X1X25-MM)						
	2	1	227-7392	4	WASHER (6.3X10.3X0.4-MM THK)						
M	3	1	6V-8225	4	NUT (M6X1-THD)						
	4	1	136-3190	1	NOZZLE AS-WASHER						
	5	1	136-3188	3	CLIP						

M-METRIC PART



GRAPHIC #1

<END>

g01021918

OPERATOR STATION

346-3826 CAB AR

S/N: A7A1-UP

PART OF 346-3822 OPERATOR AR

SMCS-7301

i04459213

NOTE	PART NUMBER	QTY	PART NAME						SEE PAGE
			1	2	3	4	5	6 (PRODUCT LEVEL)	
Y	331-0314	1	AIR CONDITIONER AR						577
Y	169-8258	1	CONTROL GP-FOOT BRAKE						426
Y	141-4644	1	CONTROL GP-PARKING BRAKE						428
Y	141-4940	1	CONTROL GP-STEERING (STIC)						592
Y	4E-8413	1	CONTROL GP-STIC						594
Y	187-0738	1	CONTROL GP-STIC LOCKOUT						597
Y	164-4237	1	COVER GP-DASH						599
Y	165-6769	1	DUCT & FILTER GP-CAB AIR						605
Y	165-6560	1	DUCT GP-CAB AIR						607
Y	326-3071	1	FLOOR MAT GP						609
Y	228-9628	1	INSTALLATION GP-RADIO						612
Y	228-0920	1	LINER GP-CAB						614
Y	346-3850	1	MIRROR GP-REAR VIEW						625
Y	227-3192	1	PANEL GP-INSTRUMENT (UPPER)						633
Y	227-3198	1	PANEL GP-INSTRUMENT (LOWER)						635
Y	141-4645	1	PEDAL GP-GOVERNOR						640
Y	326-3073	1	ROOF GP-CAB						648
Y	292-6893	1	ROPS GP-ENCLOSED						649
Y	117-1410	1	SEALING GP-GLASS						652
Y	200-3174	1	SEAT GP-SUSPENSION (CLOTH, AIR)						658
Y	325-7180	1	SUPPORT GP-HYDRAULIC CONTROL						659
Y	326-3198	1	SUPPORT GP-SEAT						662
Y	171-3897	1	SUPPORT GP-STEERING CONTROL						663
Y	173-9375	1	SUPPRESSION GP-CAB SOUND						666
Y	326-7291	1	VALVE & MTG GP-BRAKE CONTROL						441
Y	109-8196	1	WIPER GP-WINDOW						670
Y	345-4460	1	WIRING GP-CAB						217

Y-SEPARATE ILLUSTRATION

<END>

OPERATOR STATION

218-0324 COMPRESSOR GP-REFRIGERANT

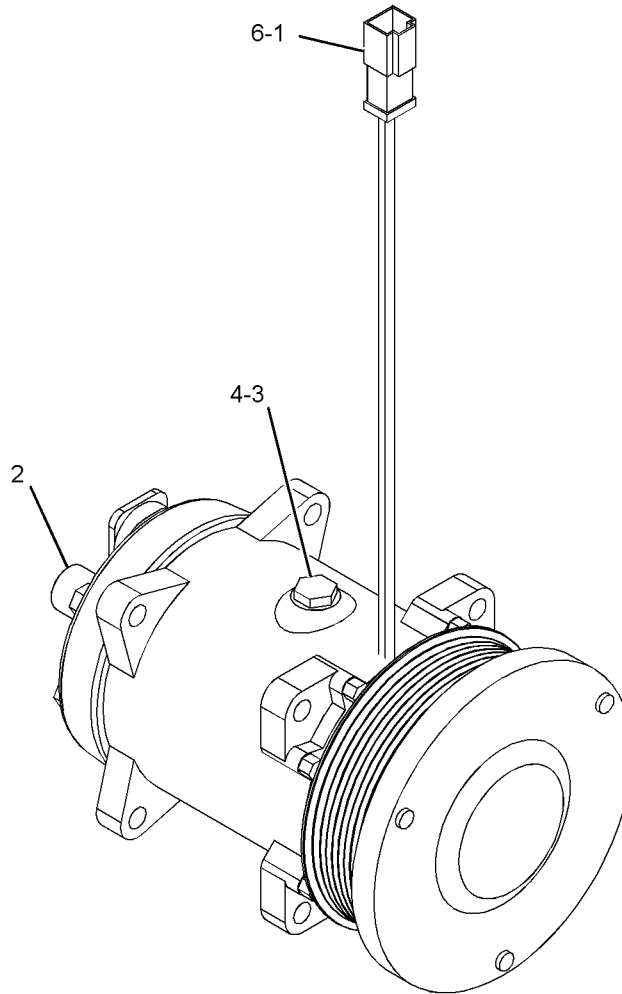
S/N: A7A1-UP

PART OF 262-4948 COMPRESSOR GP-REFRIGERANT

SMCS-1802

i04456592

NOTE	REF NO	GRAPHIC REF	PART NUMBER	QTY	PART NAME						SEE PAGE
					1	2	3	4	5	6 (PRODUCT LEVEL)	
	1	1	102-8802	1	KIT-RECEPTACLE (2-PIN)						
					(INCLUDES RECEPTACLE AS & WEDGE)						
	2	1	314-4018	1	VALVE AS-PRESSURE RELIEF (REFRIGERANT COMPRESSOR)						
		1	9X-7378	1	SEAL-O-RING						
	3	1	7T-4532	1	PLUG AS						
	4	1	9X-7385	2	SEAL-O-RING						
	6	1	180-9339	2	PIN-CONNECTOR (14-GA TO 18-GA)						



GRAPHIC #1

<END>

g01455552

OPERATOR STATION

262-4948 COMPRESSOR GP-REFRIGERANT

S/N: A7A1-UP

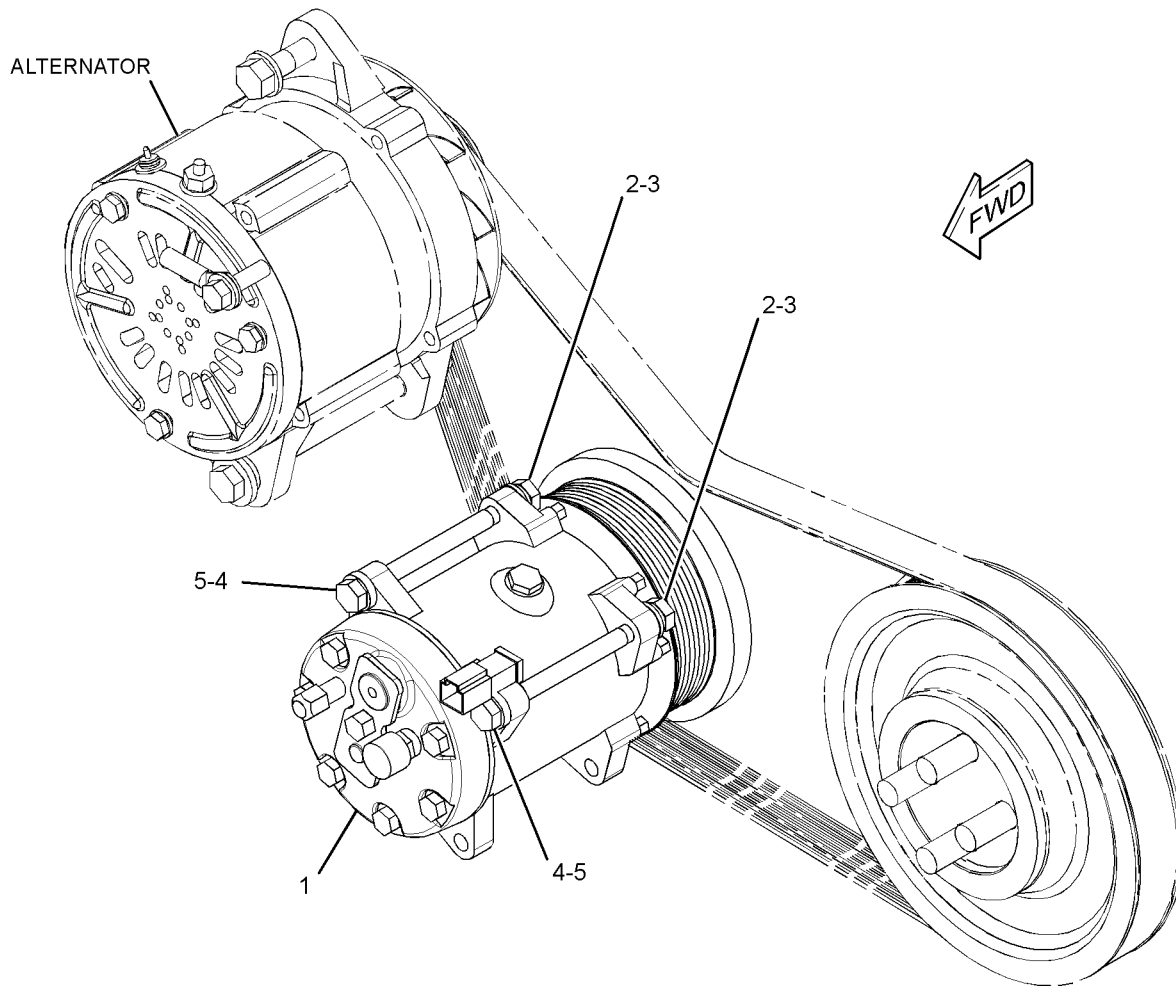
PART OF 226-9643 INSTALLATION AR-ENGINE

SMCS-1802

i04455919

NOTE	REF NO	GRAPHIC REF	PART NUMBER	QTY	PART NAME						SEE PAGE
					1	2	3	4	5	6 (PRODUCT LEVEL)	
Y	1	1	218-0324	1	COMPRESSOR GP-REFRIGERANT						585
M	2	1	8T-0389	2	LOCKNUT (M10X1.5-THD)						
	3	1	8T-4121	2	WASHER-HARD (11X21X2.5-MM THK)						
M	4	1	8T-5436	2	BOLT (M10X1.5X130-MM)						
	5	1	8T-7934	2	WASHER-HARD (11X21X5-MM THK)						

M-METRIC PART
Y-SEPARATE ILLUSTRATION



GRAPHIC #1

<END>

g01514239

OPERATOR STATION

114-5172 CONDENSER GP-REFRIGERANT

S/N: A7A1-UP

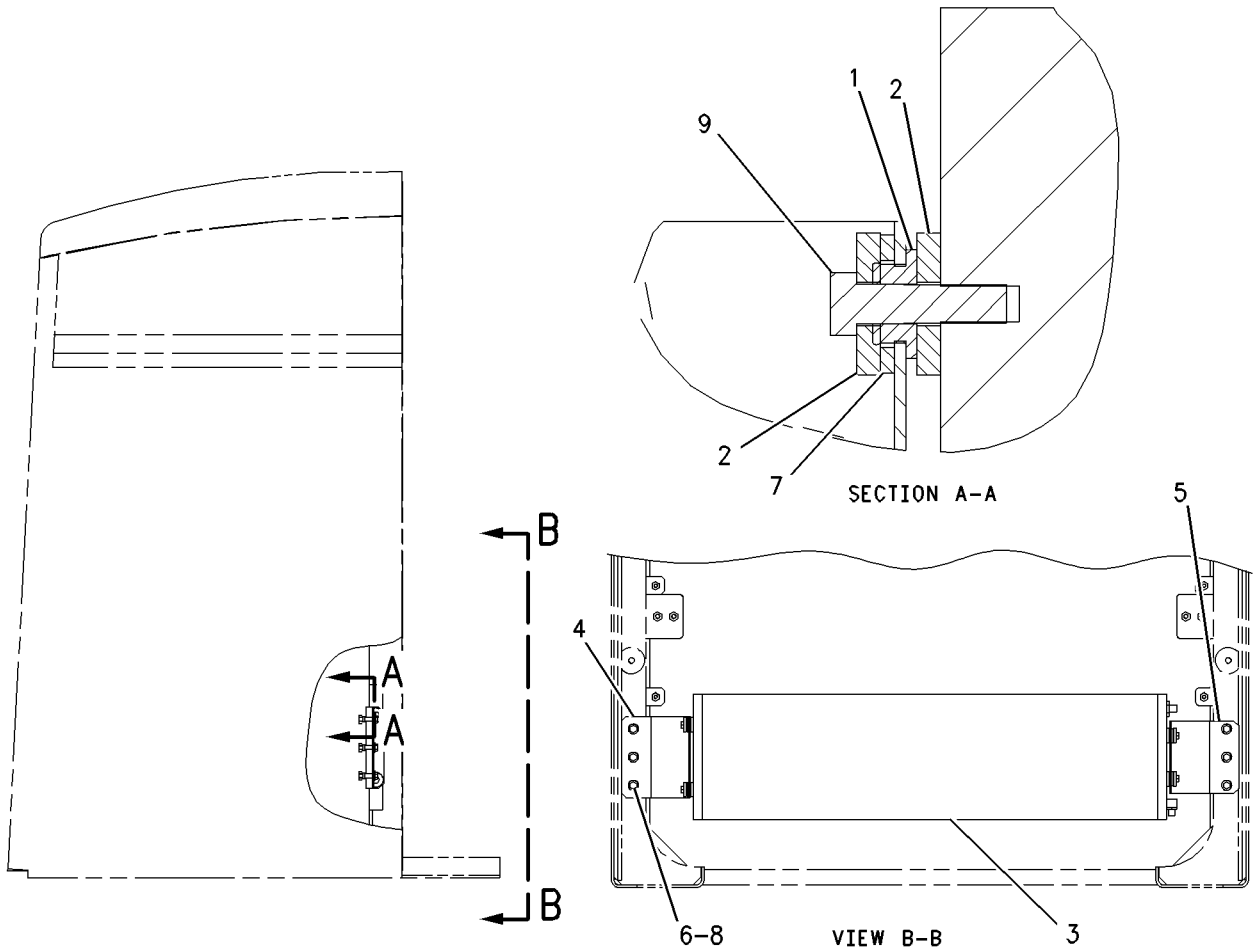
PART OF 284-2735 CHASSIS AR

SMCS-1805

i04456216

NOTE	REF NO	GRAPHIC REF	PART NUMBER	QTY	PART NAME						SEE PAGE
					1	2	3	4	5	6 (PRODUCT LEVEL)	
	1	1	6N-8744	4	MOUNT						
	2	1	7X-0632	8	WASHER-HARD (11X36X6-MM THK)						
	3	1	132-3968	1	CORE AS-CONDENSER						
	4	1	135-6925	1	ANGLE						
	5	1	135-6926	1	ANGLE						
	6	1	7X-7729	6	WASHER (11X25X3-MM THK)						
	7	1	8T-4123	4	WASHER (22X35X3.5-MM THK)						
M	8	1	8T-4136	6	BOLT (M10X1.5X25-MM)						
M	9	1	8T-4186	4	BOLT (M10X1.5X40-MM)						

M-METRIC PART



GRAPHIC #1

<END>

g00766337

OPERATOR STATION

326-3191 CONTROL GP-ELECTROHYDRAULIC-2-FUNCTION

S/N: A7A1-UP

PART OF 298-6964 LIFT AR
AN ATTACHMENT

SMCS-5702

i04480314

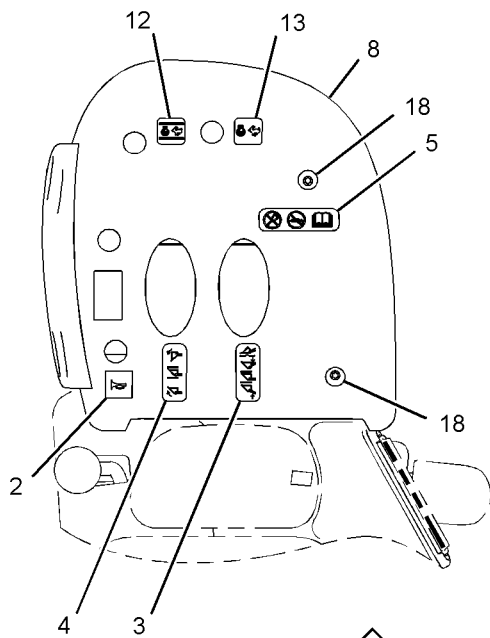
NOTE	REF NO	GRAPHIC REF	PART NUMBER	QTY	PART NAME						SEE PAGE
					1	2	3	4	5	6 (PRODUCT LEVEL)	
	1	1	4E-8722	4	NUT (RETAINER)						
	2	1	140-5945	1	FILM-IDENTIFICATION (HORN)						
	3	1	189-2077	1	FILM-CONTROL (LIFT, FLOAT, LOWER)						
	4	1	189-2078	1	FILM-CONTROL (DUMP, TILT BACK)						
	5	1	189-2079	1	FILM-INSTRUCTION (MAINTENANCE)						
	6	1	245-6447	1	CUSHION AS						
	7	1	247-4969	1	PLATE						
	8	1	262-5236	1	COVER						
	9	1	262-5239	1	HOUSING AS						
	10	1	262-5240	1	PLATE AS						
	12	1	272-9896	1	FILM-CONTROL (THROTTLE LOCK SET)						
	13	1	272-9897	1	FILM-CONTROL (THROTTLE LOCK RESUME)						
M	14	1	6R-7653	2	SCREW (M6X1X15-MM)						
	15	1	8T-4205	2	WASHER-HARD (7.2X14.5X2-MM THK)						
M	16	1	8T-4970	2	BOLT (M6X1X14-MM)						
	17	1	9X-2038	4	WASHER (7X19X2-MM THK)						
M	18	1	9X-2044	17	SCREW-TRUSS HEAD (M6X1X16-MM)						
M	19	1	9X-2045	4	SCREW-TRUSS HEAD (M6X1X20-MM)						
D	20	1	6V-3987		SEAL (0.07-M EACH)						

D-ORDER BY THE METER
M-METRIC PART

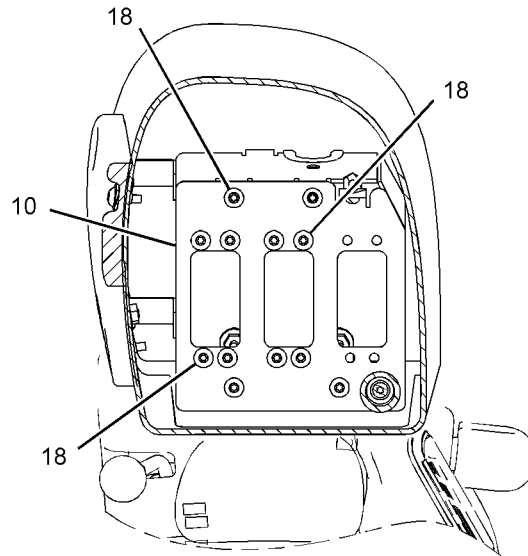
OPERATOR STATION

326-3191 CONTROL GP-ELECTROHYDRAULIC (contd.)

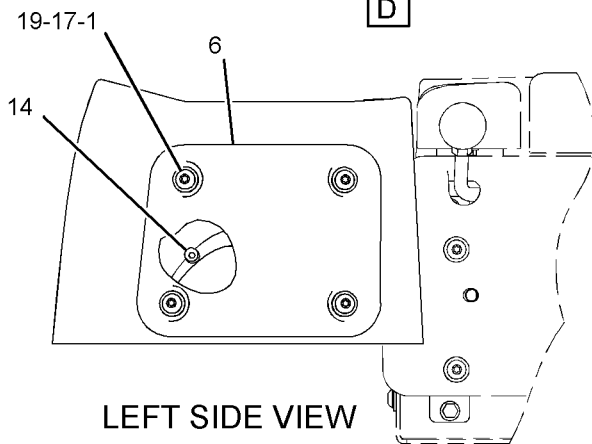
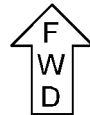
i04480314



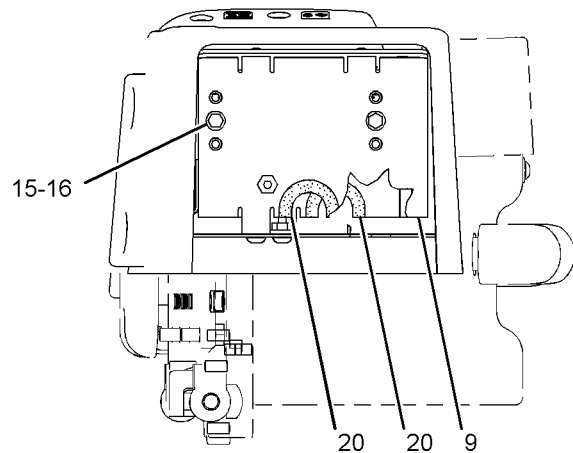
TOP VIEW



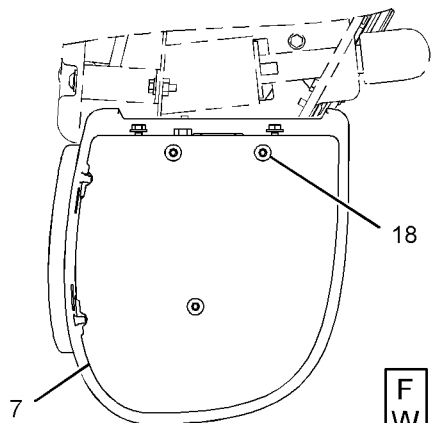
TOP VIEW
(COVER REMOVED FOR CLARITY)



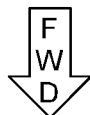
LEFT SIDE VIEW



REAR VIEW



BOTTOM VIEW



GRAPHIC #1

<END>

g02438748

OPERATOR STATION

307-4671 CONTROL GP-HANDLE-BUCKET

S/N: A7A1-UP

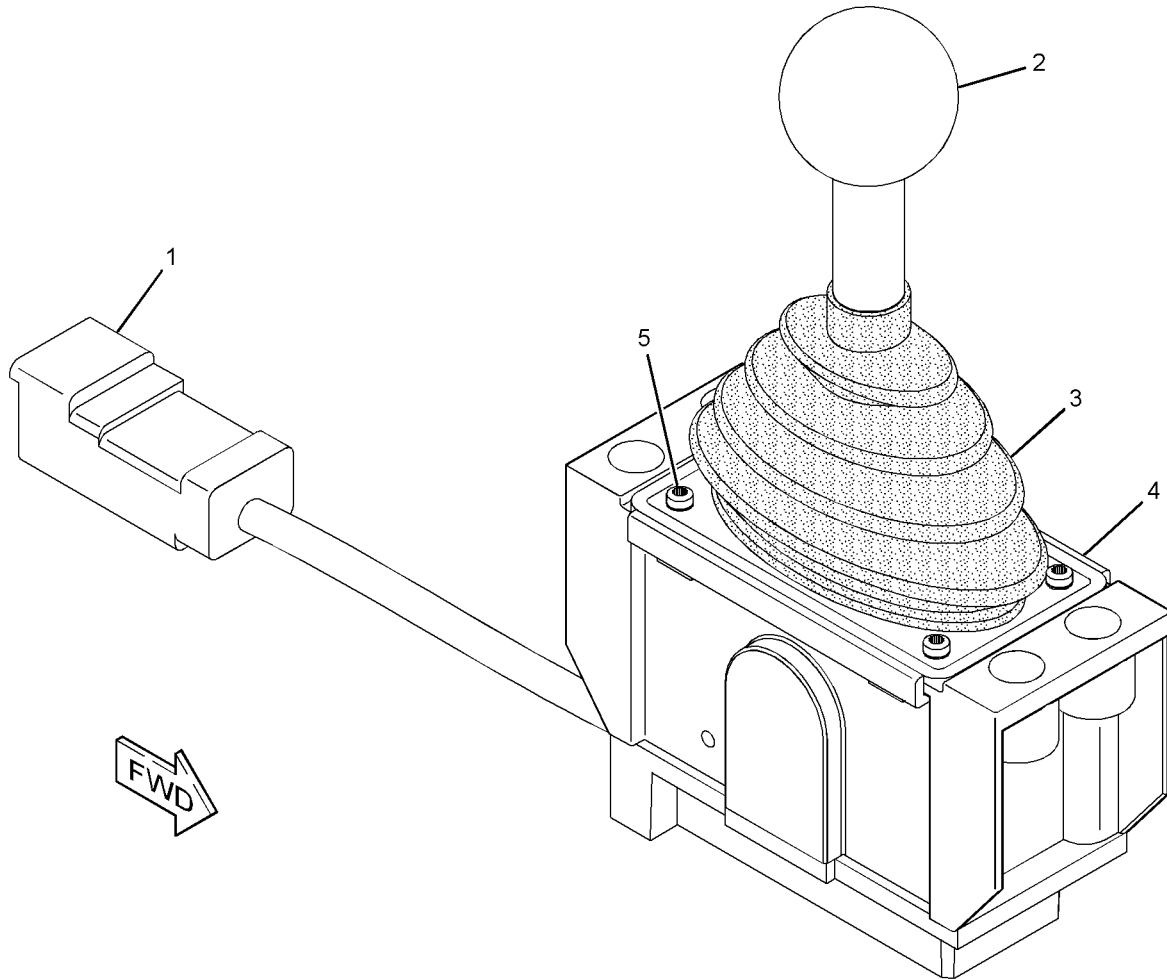
PART OF 345-4460 WIRING GP-CAB

SMCS-5063, 5705

i04472170

NOTE	REF NO	GRAPHIC REF	PART NUMBER	QTY	PART NAME						SEE PAGE
					1	2	3	4	5	6 (PRODUCT LEVEL)	
	1	1	151-9274	1	KIT-RECEPTACLE (4-PIN) (INCLUDES RECEPTACLE AS & WEDGE)						
	2	1	278-8974	1	KNOB						
	3	1	278-8965	1	BOOT						
	4	1	278-8967	1	RETAINER-BOOT						
M	5	1	278-8970	4	SCREW (M3X0.5X6-MM)						

M-METRIC PART



GRAPHIC #1

<END>

g01352836

OPERATOR STATION

103-5526 CONTROL GP-MONITOR-BACKLIGHT DIMMER

S/N: A7A1-UP

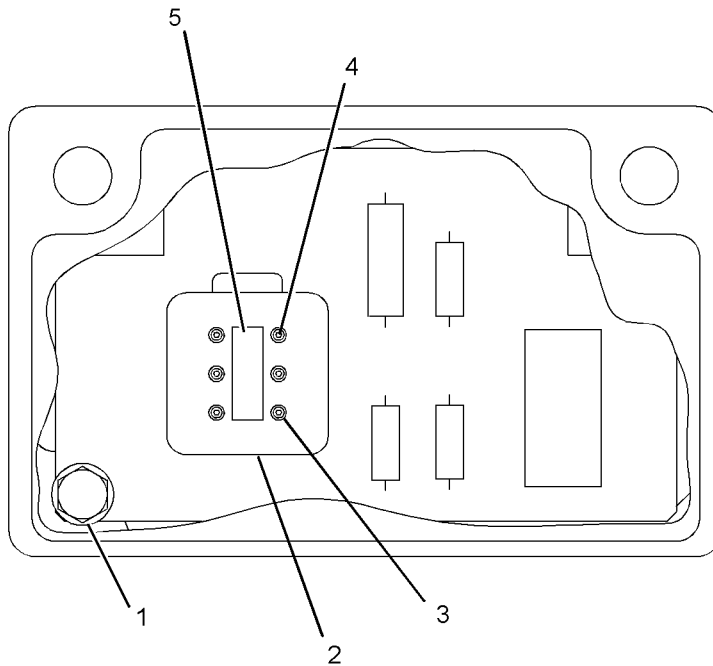
PART OF 345-4460 WIRING GP-CAB

SMCS-7490, 7494, 7601

i02690937

NOTE	REF NO	GRAPHIC REF	PART NUMBER	QTY	PART NAME						SEE PAGE
					1	2	3	4	5	6 (PRODUCT LEVEL)	
	1	1	5P-9132	2	SCREW-HEX FLANGE (6-32X0.187-IN)						
	2	1	102-8805	1	KIT-RECEPTACLE (6-PIN) (INCLUDES RECEPTACLE AS & WEDGE)						
D	3	1	6V-7381		WIRE-ELECTRICAL (0.1-M EACH)						
	4	1	186-3735	6	PIN-CONNECTOR (16-GA TO 18-GA)						
	5	1	3E-3383	1	WEDGE-RECEPTACLE LOCK (6-PIN)						

D-ORDER BY THE METER



GRAPHIC #1

<END>

g01354736

OPERATOR STATION

141-4940 CONTROL GP-STEERING-STIC

S/N: A7A1-UP

PART OF 346-3826 CAB AR

SMCS-4310, 4338, 4343

i04461126

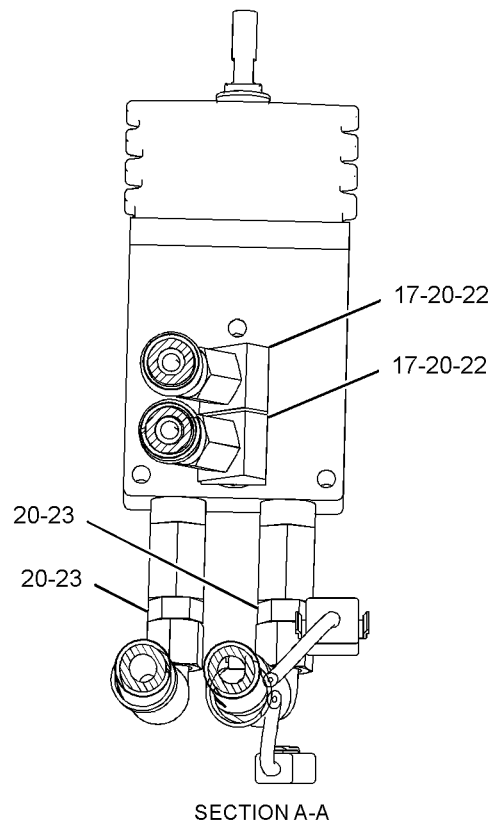
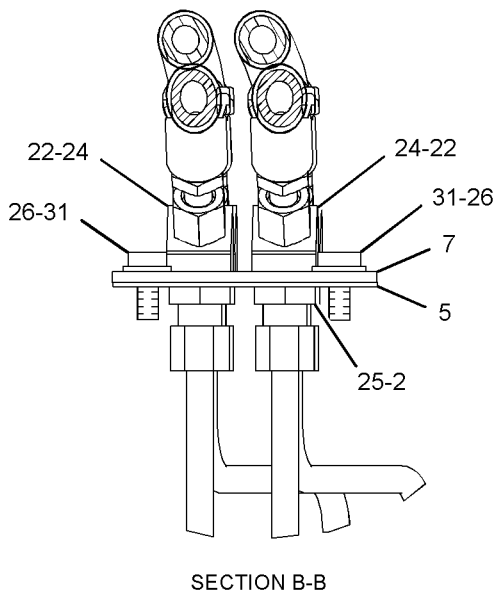
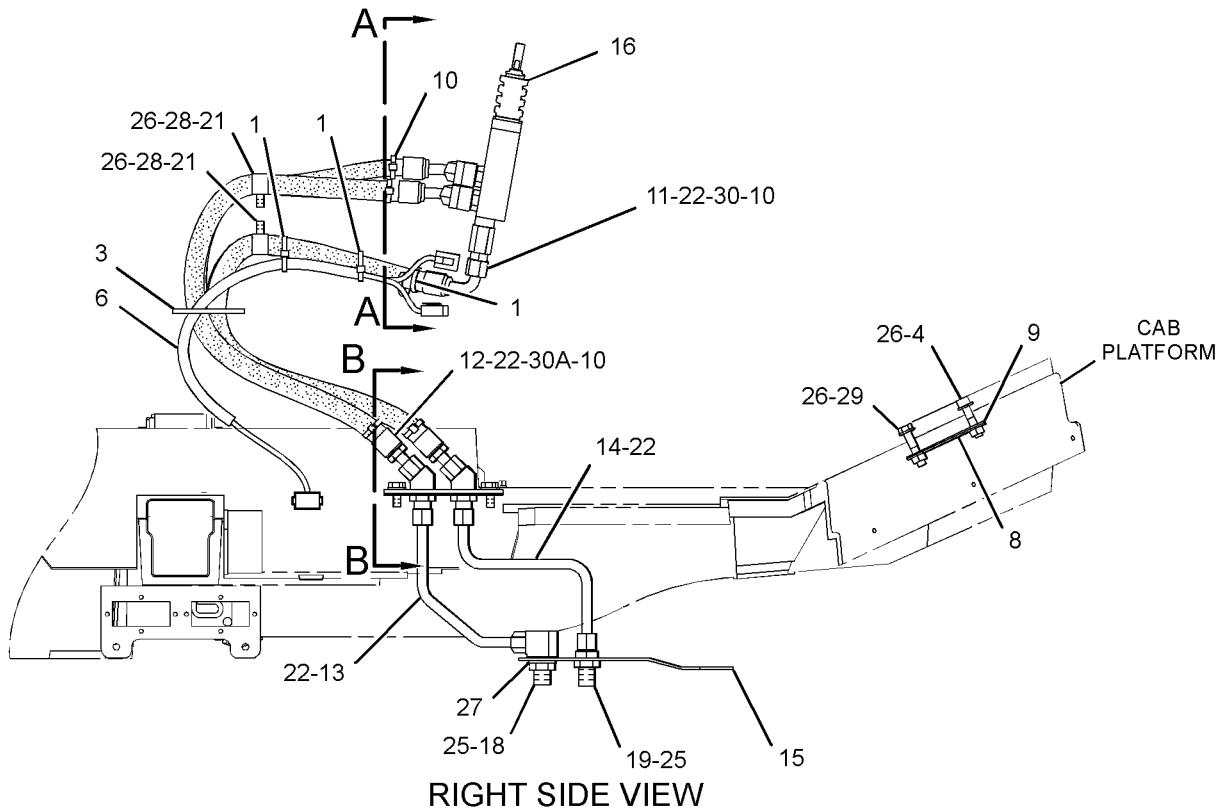
NOTE	REF NO	GRAPHIC REF	PART NUMBER	QTY	PART NAME						SEE PAGE
					1	2	3	4	5	6 (PRODUCT LEVEL)	
	1	1	3S-2093	3	STRAP-CABLE						
	2	1	5K-1094	4	LOCKWASHER						
	3	1	7K-1181	1	STRAP-CABLE						
M	4	1	105-3477	1	BOLT-SOCKET HEAD (M10X1.5X45-MM)						
	5	1	141-4936	1	PAD						
	6	1	151-2094	1	HARNES AS-STEERING (STIC CONTROL)						
		1	102-8801	1	KIT-RECEPTACLE (12-PIN) (INCLUDES RECEPTACLE AS & WEDGE)						
		1	155-2265	1	KIT-CONNECTING PLUG (8-PIN)						
		1	155-2271	1	KIT-CONNECTING PLUG (4-PIN) (EACH KIT-CONNECTING PLUG INCLUDES PLUG AS & WEDGE)						
		1	8T-8737	2	PLUG-SEAL						
	7	1	155-6563	1	PLATE						
	8	1	163-5646	1	PLATE AS						
M		1	8T-3490	3	NUT-WELD (M10X1.5-THD)						
	9	1	163-5647	1	GASKET						
	10	1	163-8811	8	CLAMP						
I	11	1	180-2595	2	HOSE AS						
I	12	1	180-2596	2	HOSE AS						
	13	1	180-9971	2	TUBE AS						
	14	1	180-9972	2	TUBE AS						
	15	1	187-1867	1	PLATE						
Y	16	1	249-5615	1	VALVE GP-PILOT (STIC STEERING)						468
	17	1	136-3607	2	ELBOW						
	18	1	148-8375	2	ELBOW AS (EACH INCLUDES)						
		1	6V-8981	1	ELBOW						
		1	6V-8398	2	SEAL-O-RING						
	19	1	148-8457	2	UNION AS (STRAIGHT) (EACH INCLUDES)						
		1	6V-8995	1	UNION (STRAIGHT)						
		1	6V-8398	2	SEAL-O-RING						
	20	1	3K-0360	4	SEAL-O-RING						
	21	1	6D-4247	2	CLIP						
	22	1	6V-8398	12	SEAL-O-RING						
	23	1	6V-8639	2	CONNECTOR						
	24	1	6V-8988	4	ELBOW						
	25	1	6V-9169	8	NUT (13/16-16-THD)						
	26	1	8T-4121	9	WASHER-HARD (11X21X2.5-MM THK)						
	27	1	8T-4123	2	WASHER (22X35X3.5-MM THK)						
M	28	1	8T-4136	2	BOLT (M10X1.5X25-MM)						
M	29	1	8T-4185	2	BOLT (M10X1.5X50-MM)						
G	30	1	160-2243		SLEEVE-ABRASION (6.7-INCH)						
G	30A	1	160-2243		SLEEVE-ABRASION (7.1-INCH)						
M	31	1	8T-4137	4	BOLT (M10X1.5X20-MM)						

G-ORDER BY THE INCH
 I-REFER TO HYDRAULIC INFORMATION SYSTEM
 M-METRIC PART
 Y-SEPARATE ILLUSTRATION

OPERATOR STATION

141-4940 CONTROL GP-STEERING (contd.)

i04461126



GRAPHIC #1

<END>

g01859014

OPERATOR STATION

4E-8413 CONTROL GP-STIC

S/N: A7A1-UP

PART OF 346-3826 CAB AR

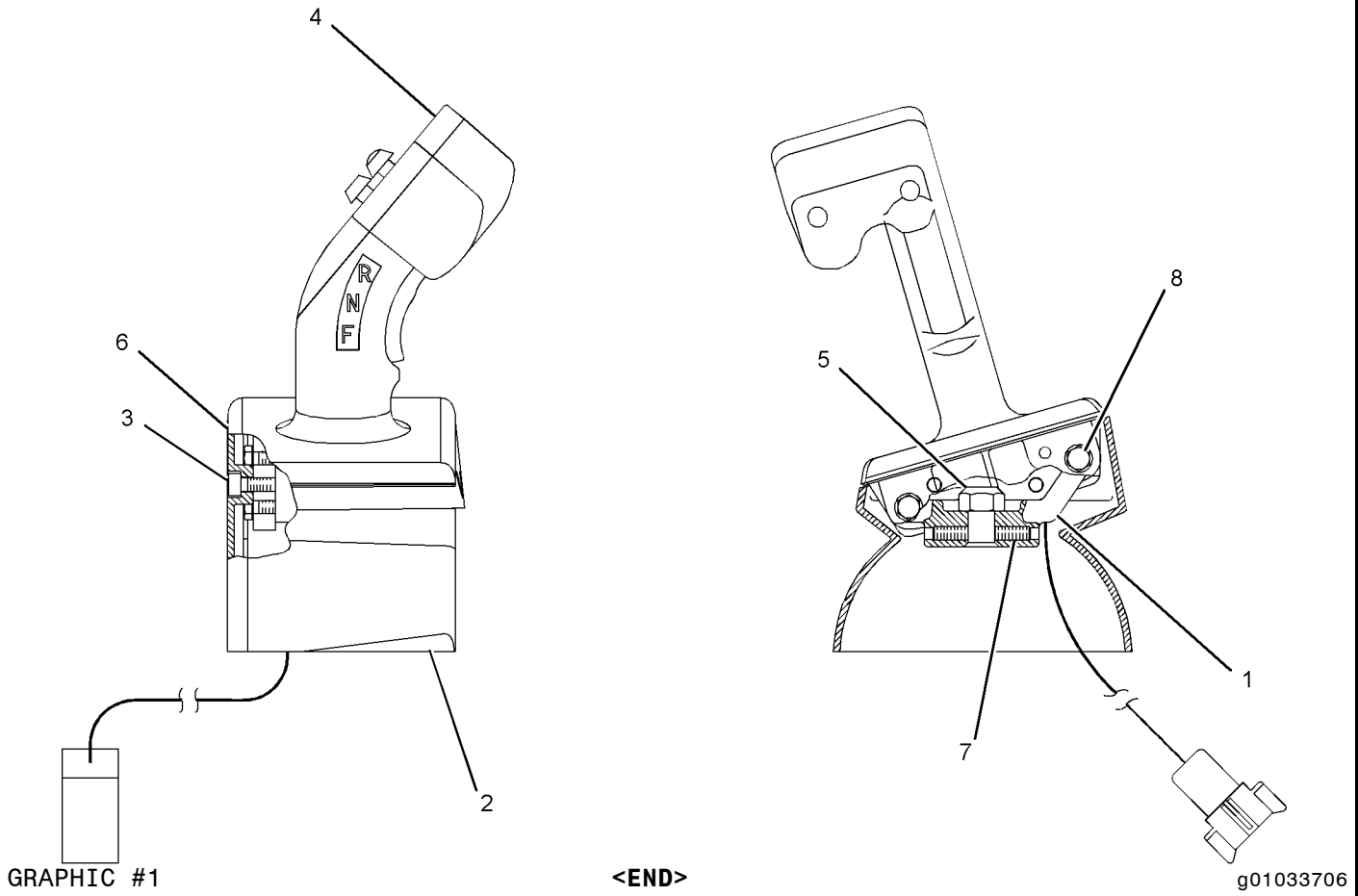
SMCS-3033

i04461134

NOTE	REF NO	GRAPHIC REF	PART NUMBER	QTY	PART NAME						SEE PAGE
					1	2	3	4	5	6 (PRODUCT LEVEL)	
	1	1	4E-7520	1	BASE						
	2	1	4E-7627	1	HOUSING						
	3	1	4E-7628	1	COVER						
Y	4	1	177-4113	1	CONTROL GP-STIC						595
M	5	1	6V-7687	1	LOCKNUT (M12X1.75-THD)						
M	6	1	8T-0269	4	BOLT-SOCKET HEAD (M6X1X20-MM)						
M	7	1	8T-0723	2	SETSCREW-SOCKET						
M	8	1	8T-4138	4	BOLT (M6X1X20-MM)						

M-METRIC PART

Y-SEPARATE ILLUSTRATION



OPERATOR STATION

177-4113 CONTROL GP-STIC

S/N: A7A1-UP

PART OF 4E-8413 CONTROL GP-STIC

SMCS-3033

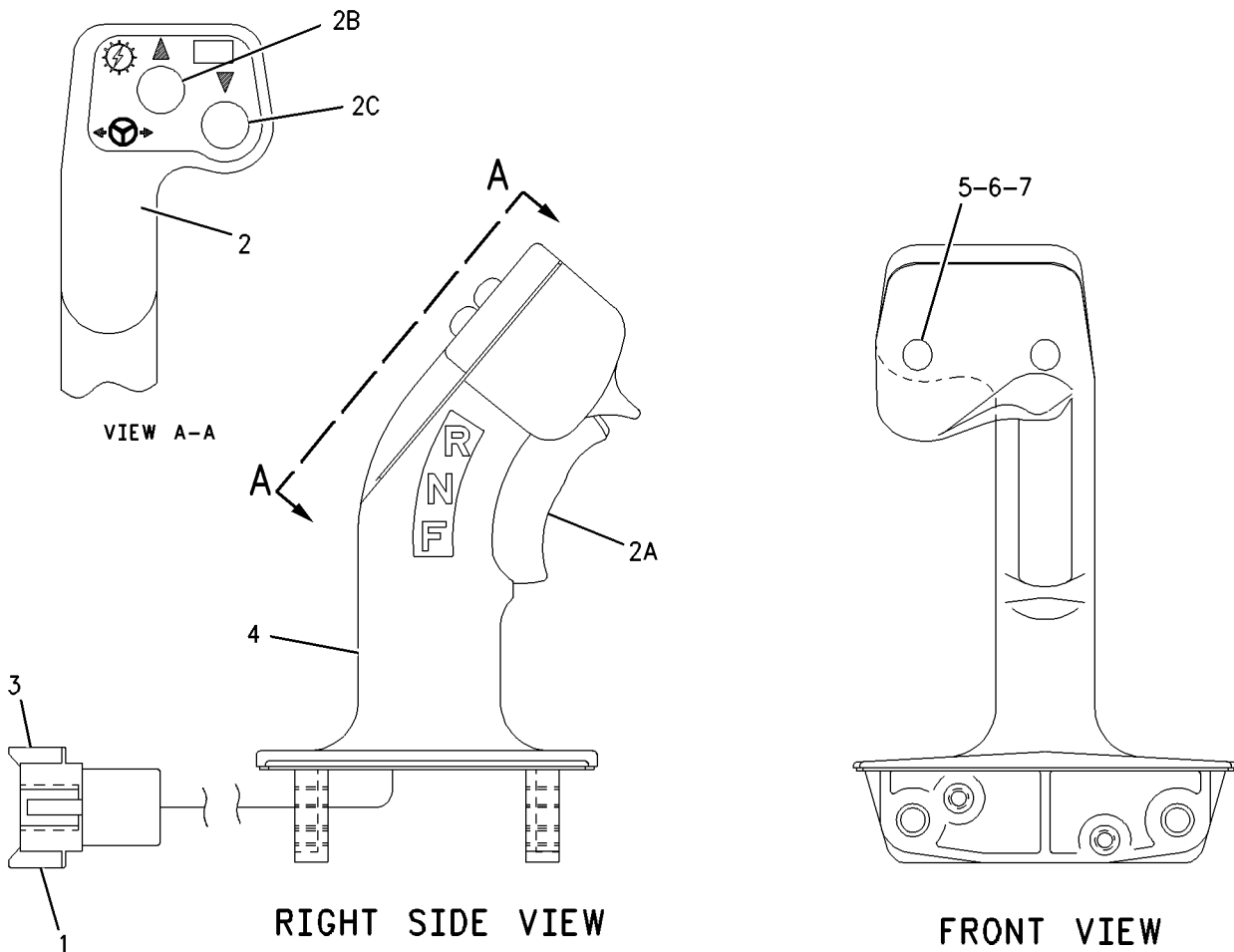
i04468633

NOTE	REF NO	GRAPHIC REF	PART NUMBER	QTY	PART NAME						SEE PAGE
					1	2	3	4	5	6 (PRODUCT LEVEL)	
	1	1	160-3518	1	KIT-RECEPTACLE (8-PIN)						
					(INCLUDES RECEPTACLE AS AND WEDGE)						
	2	1	177-4112	1	SWITCH GP-TRANSMISSION						
	2A	1	177-2374	1	SWITCH AS-ROCKER (TRANSMISSION DIRECTION)						
		1	5S-4246	2	LOCKWASHER						
		1	8T-8729	3	PIN-CONNECTOR (16-GA TO 18-GA)						
		1	9X-8917	2	SCREW-MACHINE (4-40X9.52-MM)						
		1	096-5962	2	WASHER-HARD (3.4X7X0.8-MM THK)						
		1	105-8029	1	ACTUATOR						
	2B	1	159-8664	1	SWITCH AS (TRANSMISSION UPSHIFT)						
	2C	1	159-8665	1	SWITCH AS (TRANSMISSION DOWNSHIFT)						
					(EACH SWITCH AS INCLUDES)						
		1	3K-0835	1	NUT (5/8-24-THD)						
		1	6F-0253	1	LOCKWASHER						
		1	8T-8729	2	PIN-CONNECTOR (16-GA TO 18-GA)						
	3	1	3E-3389	1	WEDGE-RECEPTACLE LOCK (8-PIN)						
	4	1	105-9073	1	GRIP						
M	5	1	7Y-3173	2	SCREW-BUTTON HEAD (M4X0.7X12-MM)						
	6	1	8C-7508	2	LOCKWASHER						
	7	1	8C-9660	2	WASHER (4.6X7.9X0.8-MM THK)						
M-METRIC PART											

OPERATOR STATION

177-4113 CONTROL GP-STIC (contd.)

i04468633



GRAPHIC #1

<END>

g00898020

OPERATOR STATION

187-0738 CONTROL GP-STIC LOCKOUT

S/N: A7A1-UP

PART OF 346-3826 CAB AR

SMCS-3034

i04461128

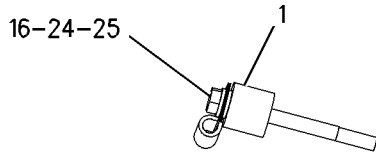
NOTE	REF NO	GRAPHIC REF	PART NUMBER	QTY	PART NAME						SEE PAGE
					1	2	3	4	5	6 (PRODUCT LEVEL)	
	1	1	2V-4387	1	SPACER (10.312X25.4X23.11-MM THK)						
	2	1	3S-2093	1	STRAP-CABLE						
	3	1	4E-8557	1	SHAFT AS						
	4	1	4E-8561	1	CAM						
	5	1	188-2048	1	KNOB						
	6	1	6L-8598	2	RING-RETAINING						
	7	1	8C-3442	1	SPRING-COIL						
	8	1	144-7766	1	LEVER AS-STIC STEER LOCKOUT						
	9	1	145-8951	1	PLATE AS						
	10	1	145-8952	1	PLATE AS						
M		1	3E-6908	2	STUD-WELD (M8X1.25X20-MM)						
	11	1	151-6427	2	BEARING						
	12	1	190-4764	1	GUARD AS						
M		1	6V-9632	1	NUT-WELD (M6X1-THD)						
	13	1	204-3611	1	PLATE AS						
M		1	6V-9632	4	NUT-WELD (M6X1-THD)						
	14	1	171-3759	1	SWITCH GP-LIMIT (STIC CONTROL LOCKOUT)						
		1	102-8804	1	KIT-RECEPTACLE (4-PIN) (INCLUDES RECEPTACLE AS & WEDGE)						
		1	9G-3695	1	PLUG-SEAL						
		1	9X-3401	3	PIN-CONNECTOR (16-GA TO 18-GA)						
BD		1	6V-1614		TUBE-HEAT SHRINK (9.52-MM DIA)						
BD		1	5P-5677		WIRE (18-GA, BLACK)						
BE		1	9X-1386		SLEEVE						
BE		1	125-7874		TUBE-HEAT SHRINK (5.72-MM DIA)						
		1	126-1767	1	PIN-CONNECTOR (14-GA TO 16-GA)						
	15	1	1P-7326	2	WASHER (4.32X9.52X1.52-MM THK)						
	16	1	4D-7794	1	CLIP						
	17	1	4E-8560	2	KEY-SQUARE						
M	18	1	5C-7261	2	NUT (M8X1.25-THD)						
M	19	1	5C-7423	4	SCREW (M6X1X16-MM)						
M	20	1	5C-9553	2	BOLT (M6X1X16-MM)						
M	21	1	6V-5220	2	BOLT (M8X1.25X65-MM)						
M	22	1	6V-9505	2	SCREW-MACHINE (M3X0.5X25-MM)						
M	23	1	8T-4133	3	NUT (M10X1.5-THD)						
M	24	1	8T-4177	1	BOLT (M8X1.25X90-MM)						
	25	1	8T-4224	6	WASHER-HARD (8.8X16X2-MM THK)						

B-USE AS REQUIRED
D-ORDER BY THE METER
E-ORDER BY THE CENTIMETER
M-METRIC PART

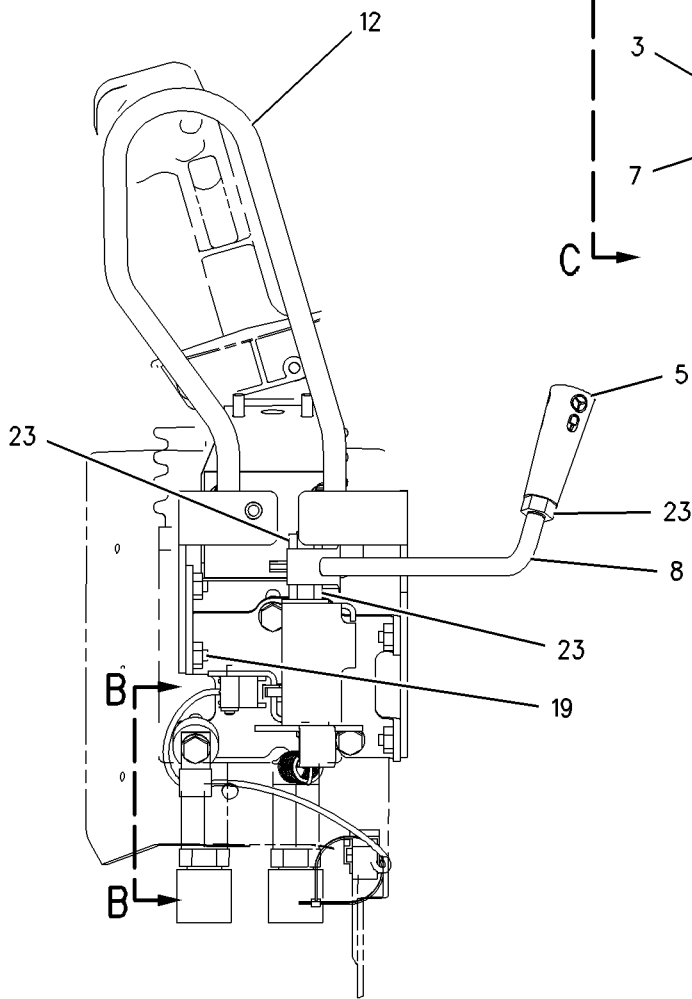
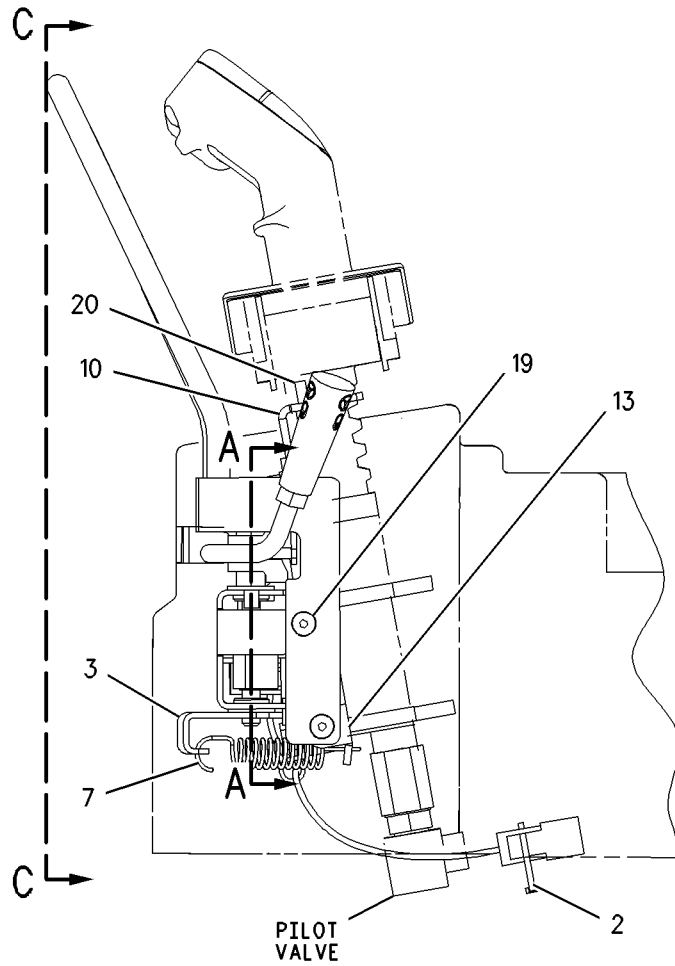
OPERATOR STATION

187-0738 CONTROL GP-STIC LOCKOUT (contd.)

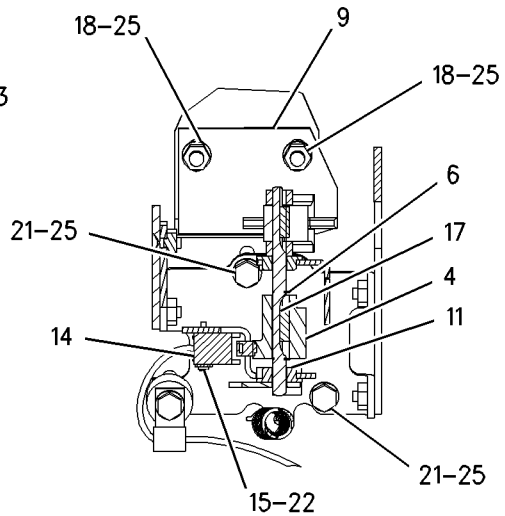
i04461128



VIEW B-B



VIEW C-C



SECTION A-A

OPERATOR STATION

164-4237 COVER GP-DASH

S/N: A7A1-UP

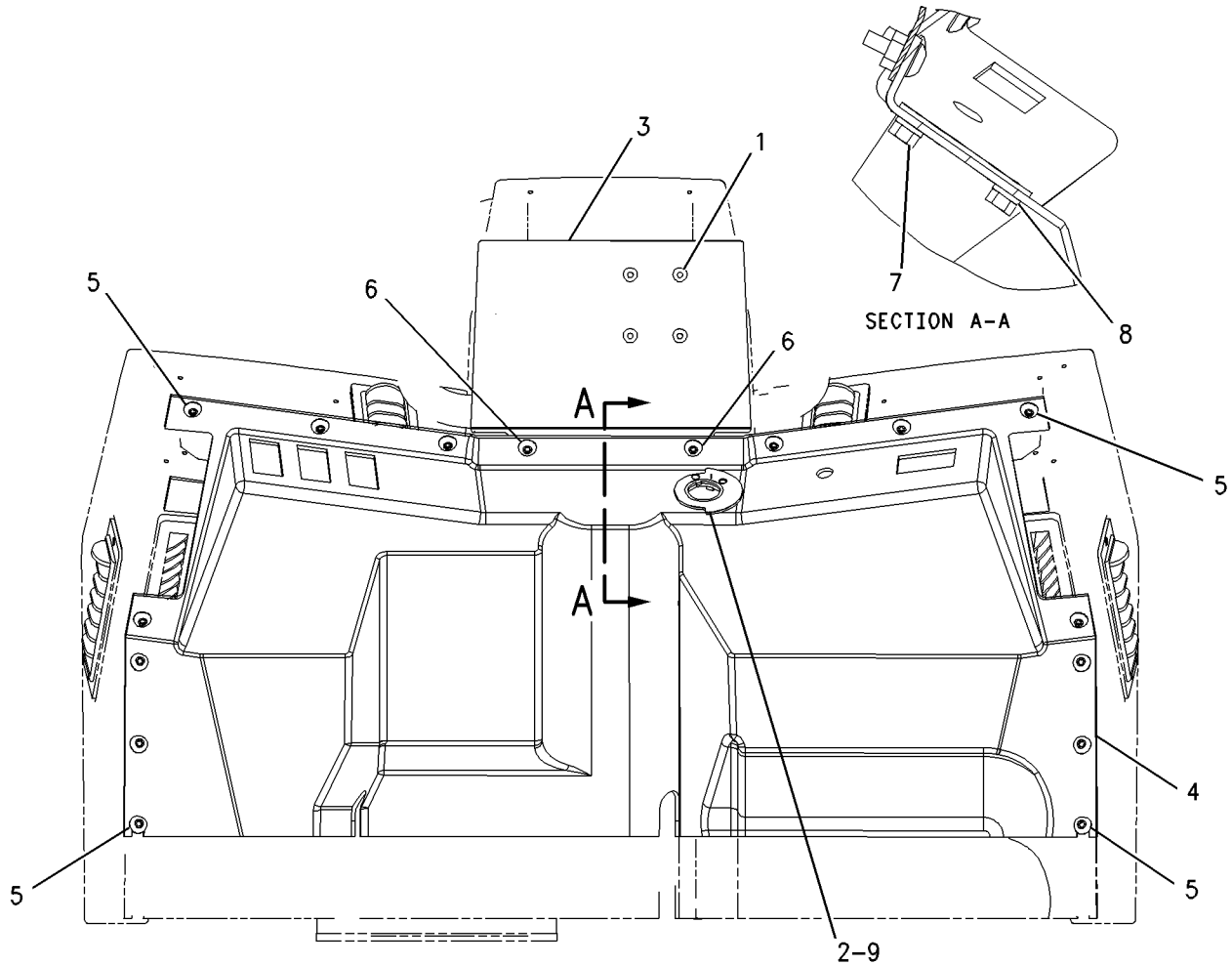
PART OF 346-3826 CAB AR

SMCS-7314

i04461135

NOTE	REF NO	GRAPHIC REF	PART NUMBER	QTY	PART NAME						SEE PAGE
					1	2	3	4	5	6 (PRODUCT LEVEL)	
	1	1	6V-2491	4	RIVET-POP						
	2	1	129-7184	1	FILM-INSTRUCTION (ENGINE START)						
	3	1	339-4477	1	PLATE AS						
M		1	6V-9632	2	NUT-WELD (M6X1-THD)						
	4	1	173-5791	1	COVER						
M	5	1	9X-2042	14	SCREW-TRUSS HEAD (M6X1X12-MM)						
M	6	1	9X-2045	2	SCREW-TRUSS HEAD (M6X1X20-MM)						
M	7	1	5C-2890	2	NUT (M6X1-THD)						
	8	1	9X-8256	2	WASHER (6.6X12X2-MM THK)						
	9	1	203-6481	1	PLATE AS						

M-METRIC PART



GRAPHIC #1

<END>

g00818172

OPERATOR STATION

179-3737 DOOR GP-CAB-LH

S/N: A7A1-UP

PART OF 292-6893 ROPS GP-ENCLOSED

SMCS-7308

i04471715

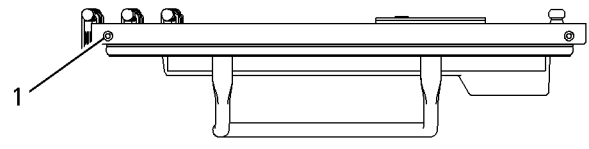
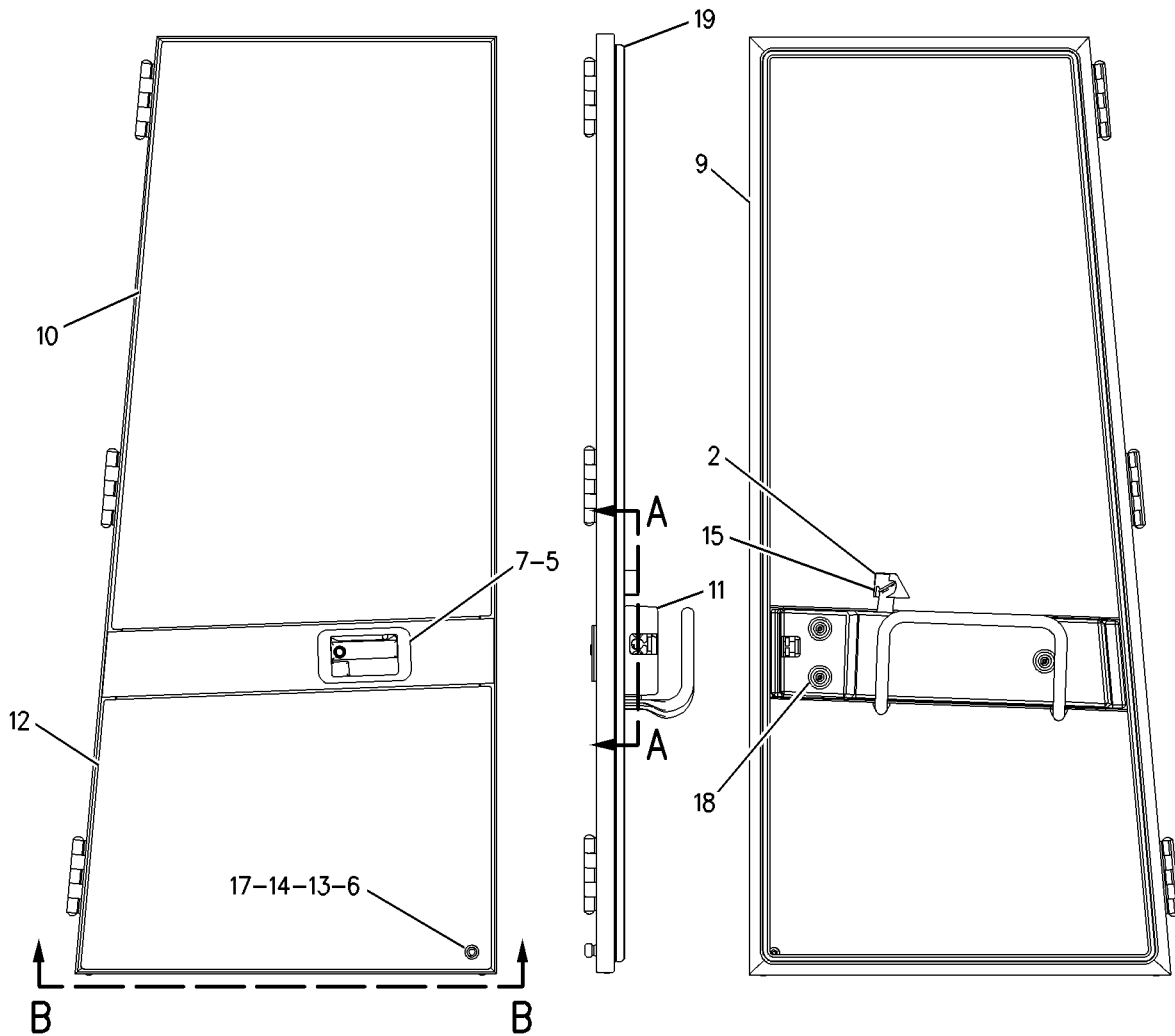
NOTE	REF NO	GRAPHIC REF	PART NUMBER	QTY	PART NAME						SEE PAGE
					1	2	3	4	5	6 (PRODUCT LEVEL)	
	1	1	5P-7803	2	PLUG-BUTTON						
	2	1	7X-2497	1	HANDLE-DOOR						
M	3	1	8T-4180	4	SCREW-MACHINE (M5X0.8X20-MM)						
	4	1	8T-4747	2	BRACKET						
	5	1	8Y-6386	1	SEAL-HANDLE						
	6	1	9R-8538	1	PLUNGER (LATCH)						
	7	1	111-1354	1	HANDLE AS						
		1	8Y-4501	1	SPRING-HANDLE						
	8	1	111-1356	1	LATCH AS-ROTARY						
	9	1	129-2553	1	DOOR AS						
		1	129-2584	1	HANDLE						
		1	130-6392	3	HINGE						
	10	1	129-2567	1	GLASS						
	11	1	129-2578	1	COVER						
	12	1	201-0364	1	SHEET						
M	13	1	5C-2890	1	NUT (M6X1-THD)						
	14	1	5P-4115	1	WASHER-HARD (7.2X19X2-MM THK)						
M	15	1	8C-3210	1	BOLT (M6X1X16-MM)						
M	16	1	8T-4181	4	BOLT (M6X1X20-MM)						
M	17	1	8T-4971	1	BOLT (M6X1X30-MM)						
M	18	1	9X-2044	3	SCREW-TRUSS HEAD (M6X1X16-MM)						
E	19	1	3E-3805		SEAL (450CM)						

E-ORDER BY THE CENTIMETER
M-METRIC PART

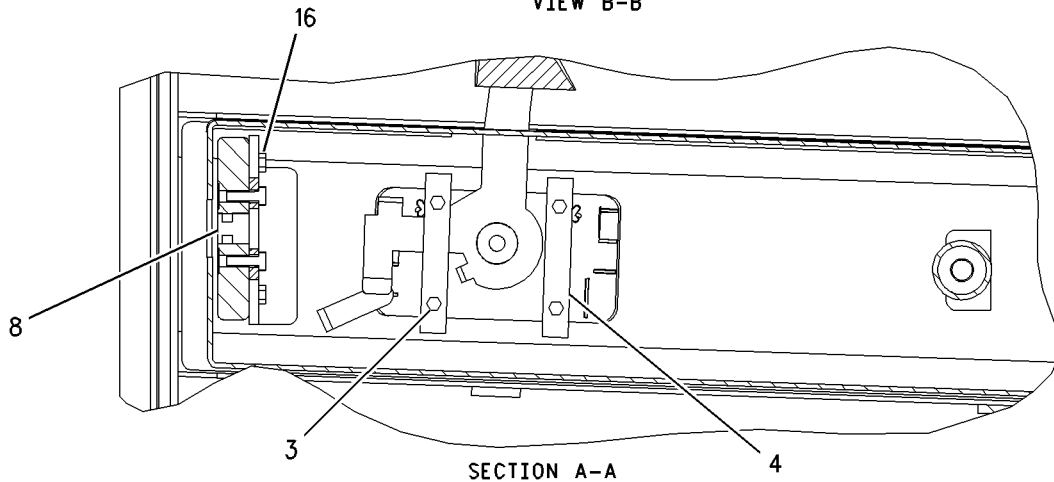
OPERATOR STATION

179-3737 D00R GP-CAB (contd.)

i04471715



VIEW B-B



SECTION A-A

GRAPHIC #1

<END>

g00775878

OPERATOR STATION

179-3738 DOOR GP-CAB-RH

S/N: A7A1-UP

PART OF 292-6893 ROPS GP-ENCLOSED

SMCS-7308

i04471718

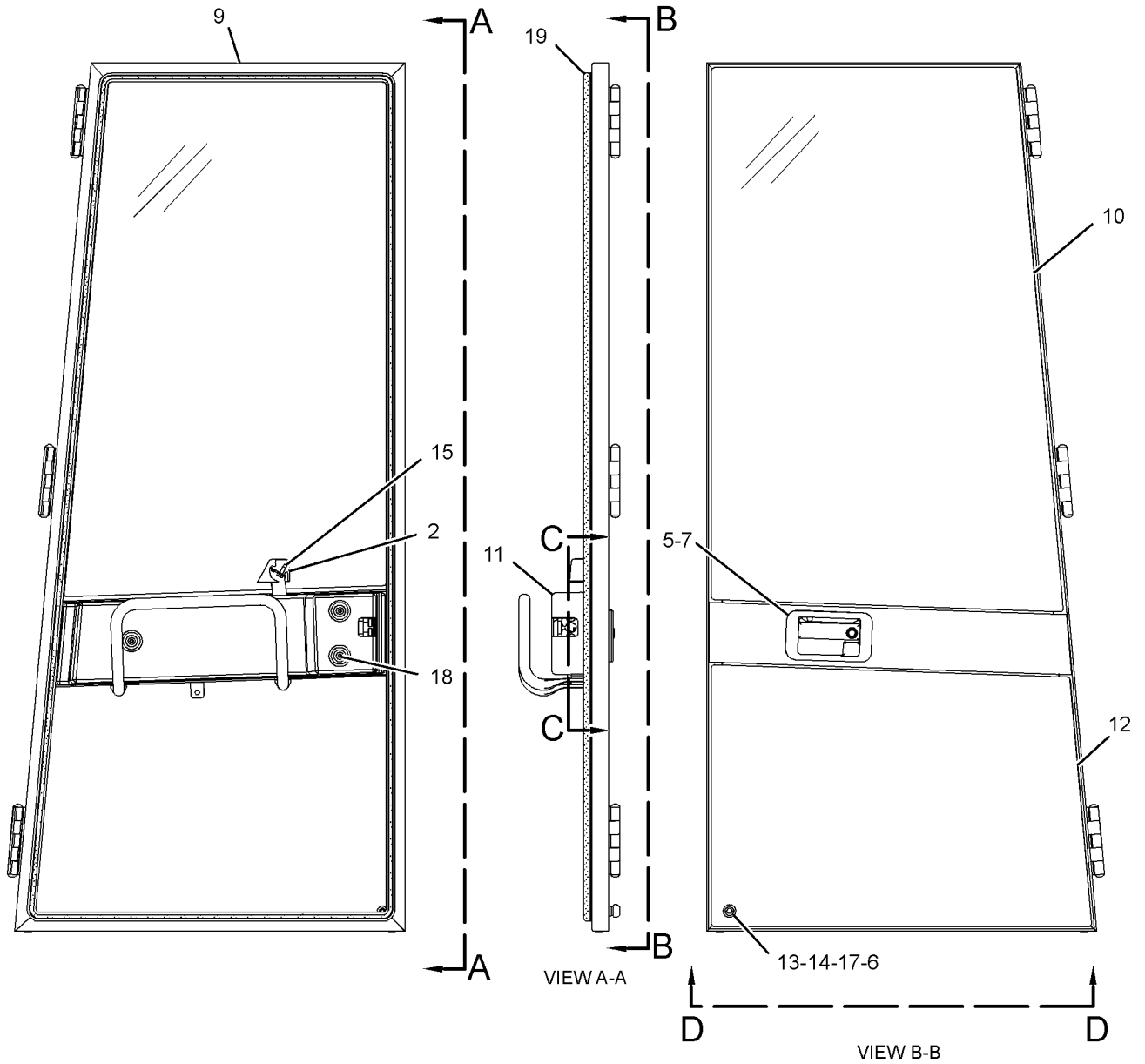
NOTE	REF NO	GRAPHIC REF	PART NUMBER	QTY	PART NAME						SEE PAGE
					1	2	3	4	5	6 (PRODUCT LEVEL)	
	1	1	5P-7803	2	PLUG-BUTTON						
	2	1	7X-2497	1	HANDLE-DOOR						
M	3	1	8T-4180	4	SCREW-MACHINE (M5X0.8X20-MM)						
	4	1	8T-4747	2	BRACKET						
	5	1	8Y-6386	1	SEAL-HANDLE						
	6	1	9R-8538	1	PLUNGER (LATCH)						
	7	1	111-1353	1	HANDLE AS						
		1	8Y-4501	1	SPRING-HANDLE						
	8	1	111-1355	1	LATCH AS-ROTARY						
	9	1	129-2552	1	DOOR AS						
		1	129-2584	1	HANDLE						
		1	130-6392	3	HINGE						
	10	1	129-2565	1	GLASS						
	11	1	129-2577	1	COVER						
	12	1	201-0364	1	SHEET						
M	13	1	5C-2890	1	NUT (M6X1-THD)						
	14	1	5P-4115	1	WASHER-HARD (7.2X19X2-MM THK)						
M	15	1	8C-3210	1	BOLT (M6X1X16-MM)						
M	16	1	8T-4181	4	BOLT (M6X1X20-MM)						
M	17	1	8T-4971	1	BOLT (M6X1X30-MM)						
M	18	1	9X-2044	3	SCREW-TRUSS HEAD (M6X1X16-MM)						
E	19	1	3E-3805		SEAL (450-CM)						

E-ORDER BY THE CENTIMETER
M-METRIC PART

OPERATOR STATION

179-3738 D00R GP-CAB (contd.)

i04471718



GRAPHIC #1

<END>

g01364843

OPERATOR STATION

178-4139 DOOR GP-STORAGE

S/N: A7A1-UP

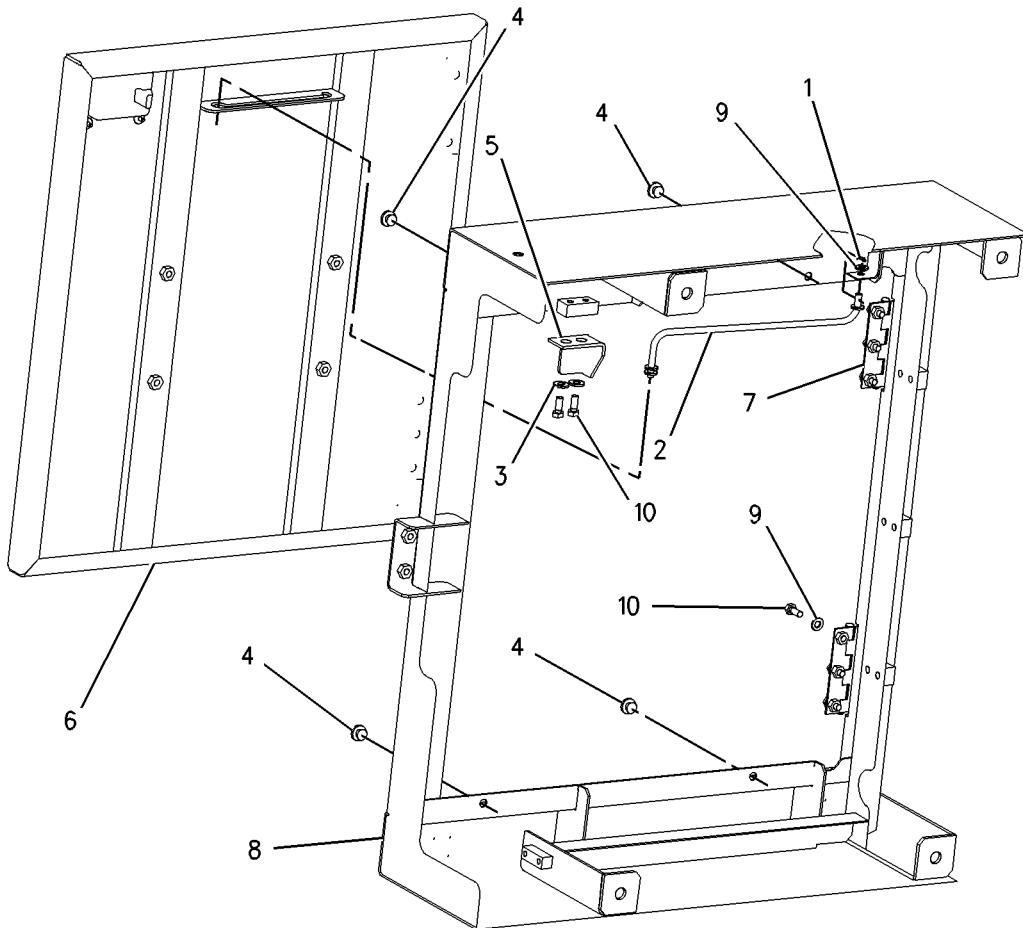
PART OF 114-5124 PLATFORM GP-OPERATOR

SMCS-7268, 7273

i04459113

NOTE	REF NO	GRAPHIC REF	PART NUMBER	QTY	PART NAME						SEE PAGE
					1	2	3	4	5	6 (PRODUCT LEVEL)	
	1	1	3B-4610	1	PIN-COTTER						
	2	1	4E-4450	1	ROD AS						
		1	8T-4121	3	WASHER-HARD (11X21X2.5-MM THK)						
	3	1	7X-7729	2	WASHER (11X25X3-MM THK)						
	4	1	2V-3726	4	BUMPER						
	5	1	9U-1169	1	BRACKET						
	6	1	113-6003	1	DOOR AS						
		1	6V-2370	4	RIVET-POP						
		1	9X-2299	1	LATCH AS						
M		1	8T-3490	2	NUT-WELD (M10X1.5-THD)						
	7	1	119-1151	2	HINGE AS						
					(EACH INCLUDES)						
M		1	8T-3490	6	NUT-WELD (M10X1.5-THD)						
	8	1	323-3545	1	FRAME AS						
	9	1	8T-4121	13	WASHER-HARD (11X21X2.5-MM THK)						
M	10	1	8T-4136	14	BOLT (M10X1.5X25-MM)						

M-METRIC PART



GRAPHIC #1

<END>

g00802480

OPERATOR STATION

165-6769 DUCT & FILTER GP-CAB AIR

S/N: A7A1-UP

PART OF 346-3826 CAB AR

SMCS-7337, 7342

i04461140

NOTE	REF NO	GRAPHIC REF	PART NUMBER	QTY	PART NAME						SEE PAGE
					1	2	3	4	5	6 (PRODUCT LEVEL)	
	1	1	3V-7476	1	KEY-HANDLE						
	2	1	8Y-6388	4	LOUVER AS-VENT						
	3	1	107-0266	1	FILTER ELEMENT-CAB AIR (STANDARD EFFICIENCY)						
	4	1	107-7308	1	DUCT AS-RH						
M		1	3E-4304	4	INSERT-THREADED (M6X1-THD)						
	5	1	112-7448	1	FILTER ELEMENT-CAB AIR (STANDARD EFFICIENCY)						
	6	1	114-3466	1	SEAL						
	7	1	128-3786	1	SEAL						
	8	1	128-3787	1	SEAL						
	9	1	155-8357	1	PLUG						
	10	1	155-9653	1	SEAL						
	11	1	161-1353	1	INSULATION						
	12	1	184-6673	1	DUCT AS (LH)						
M		1	3E-4304	4	INSERT-THREADED (M6X1-THD)						
	13	1	319-3583	1	COVER AS						
		1	7K-4201	2	NUT-SPEED						
	14	1	330-3495	1	PLATE						
	15	1	104-2091	8	SCREW-FLAT HEAD (6-20X0.5-IN)						
M	16	1	9X-2039	3	SCREW-TRUSS HEAD (M10X1.5X35-MM)						
M	17	1	9X-2040	2	SCREW-TRUSS HEAD (M10X1.5X25-MM)						
M	18	1	9X-2042	8	SCREW-TRUSS HEAD (M6X1X12-MM)						
D	20	1	6V-0723		SEAL (0.25-M EACH)						
E	21	1	227-0213		SEAL (18.5-CM)						
E	21A	1	227-0213		SEAL (223-CM)						
E	21B	1	227-0213		SEAL (8-CM)						
E	21C	1	227-0213		SEAL (28-CM)						
E	21D	1	227-0213		SEAL (6-CM)						
	22	1	2R-2376	4	WASHER (7X16X0.8-MM THK)						
	23	1	274-2392	2	SCREW-THUMB						

D-ORDER BY THE METER
 E-ORDER BY THE CENTIMETER
 M-METRIC PART

OPERATOR STATION

165-6560 DUCT GP-CAB AIR

S/N: A7A1-UP

PART OF 346-3826 CAB AR

SMCS-734D

i04461137

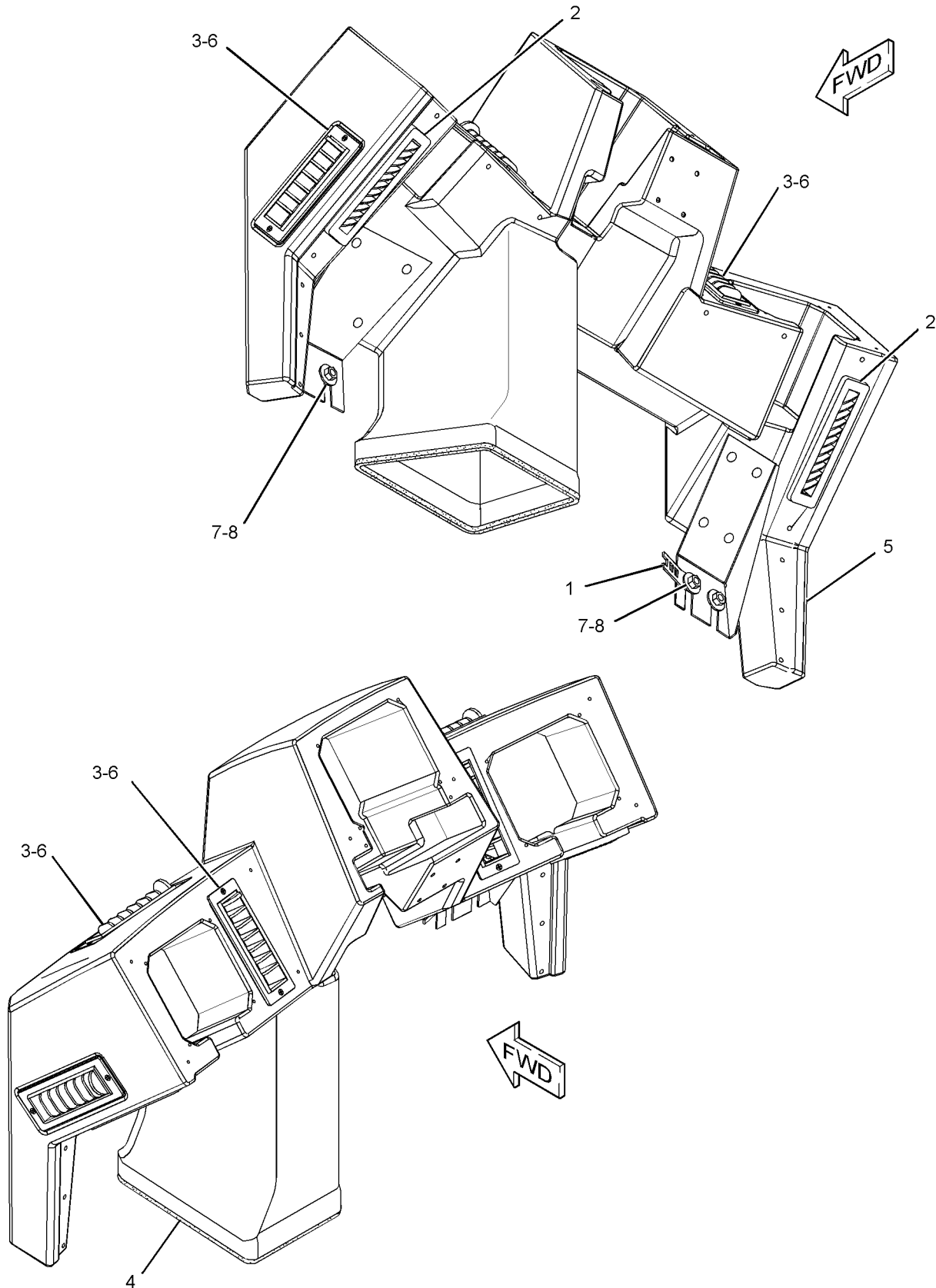
NOTE	REF NO	GRAPHIC REF	PART NUMBER	QTY	PART NAME						SEE PAGE
					1	2	3	4	5	6 (PRODUCT LEVEL)	
	1	1	4P-7581	1	CLIP						
	2	1	8Y-6352	2	LOUVER AS						
	3	1	8Y-6388	6	LOUVER AS-VENT						
E	4	1	227-0213		SEAL (68-CM)						
	5	1	165-6561	1	DUCT AS-AIR						
	6	1	104-2091	12	SCREW-FLAT HEAD (6-20X0.5-IN)						
M	7	1	5C-7261	4	NUT (M8X1.25-THD)						
	8	1	9N-0869	4	WASHER-HARD (8.8X25.5X2-MM THK)						

E-ORDER BY THE CENTIMETER
M-METRIC PART

OPERATOR STATION

165-6560 DUCT GP-CAB AIR (contd.)

i04461137



GRAPHIC #1

<END>

g01341585

OPERATOR STATION

326-3071 FLOOR MAT GP

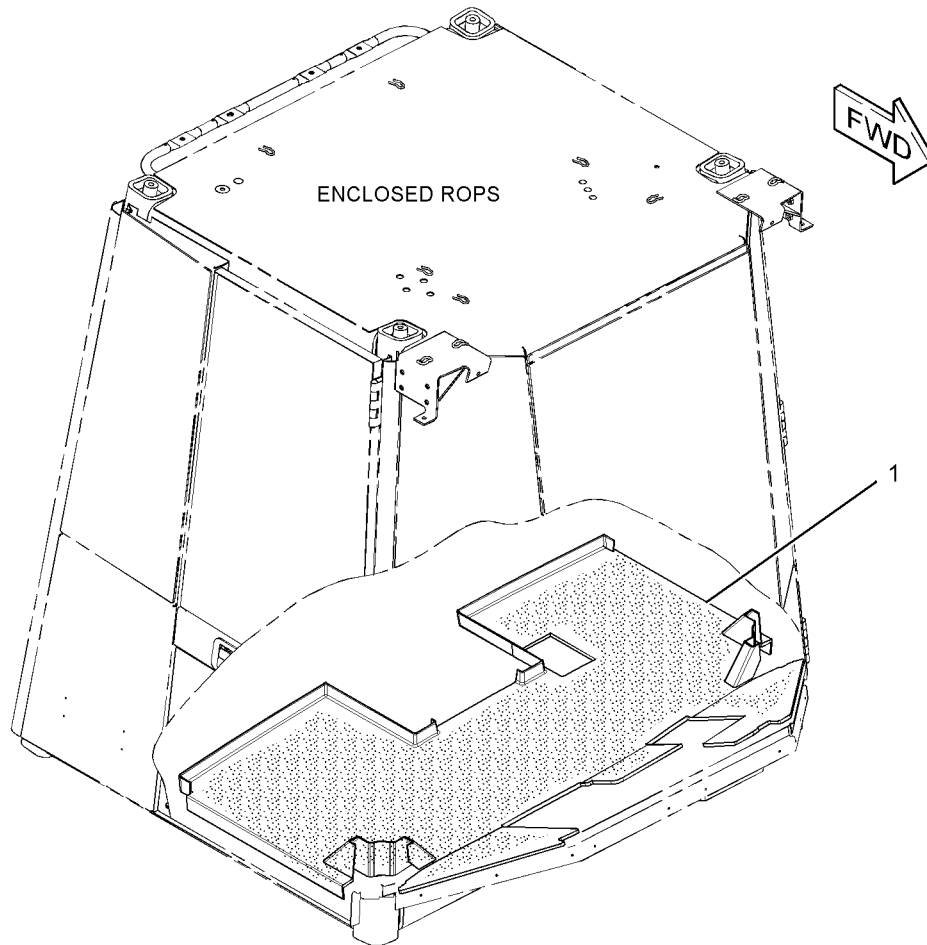
S/N: A7A1-UP

PART OF 346-3826 CAB AR

SMCS-726M

i04461138

NOTE	REF NO	GRAPHIC REF	PART NUMBER	QTY	PART NAME						SEE PAGE
					1	2	3	4	5	6 (PRODUCT LEVEL)	
	1	1	162-6505	1	FLOOR MAT						



GRAPHIC #1

<END>

g01609593

OPERATOR STATION

173-8466 HORN GP-ELECTRIC

S/N: A7A1-UP

PART OF 285-6400 LIGHTING AR-FLOOD & SIGNAL, 285-6399 LIGHTING AR-STOP & FLOOD

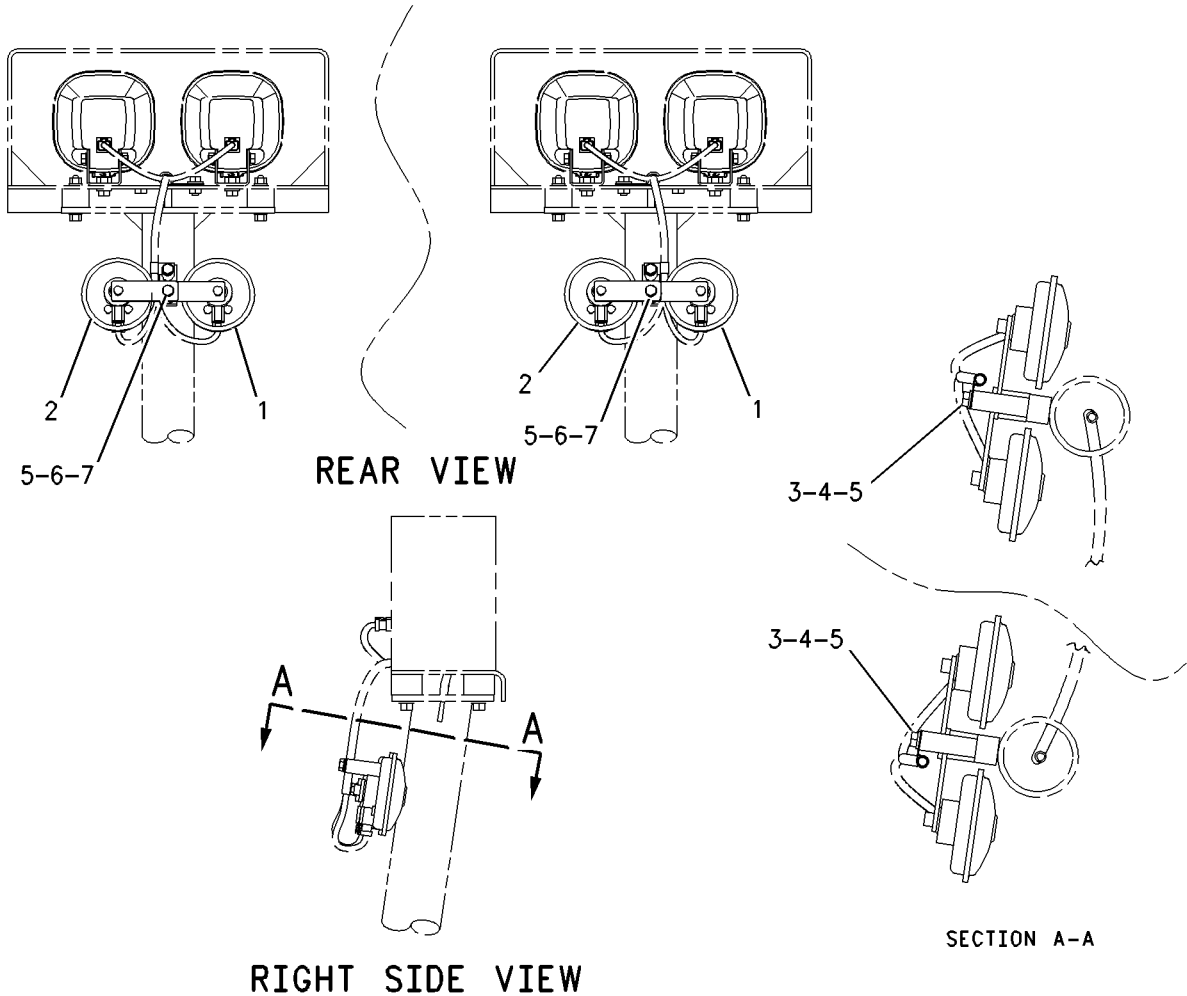
AN ATTACHMENT

SMCS-7402

i04480129

NOTE	REF NO	GRAPHIC REF	PART NUMBER	QTY	PART NAME						SEE PAGE
					1	2	3	4	5	6 (PRODUCT LEVEL)	
	1	1	163-1201	2	HORN AS (24-VOLT, LOW TONE)						
	2	1	174-7875	2	HORN AS (24-VOLT, HIGH TONE)						
	3	1	2M-6835	2	PIPE						
M	4	1	8T-6870	2	BOLT (M8X1.25X70-MM)						
	5	1	8T-4224	4	WASHER-HARD (8.8X16X2-MM THK)						
M	6	1	8T-6912	2	BOLT (M8X1.25X50-MM)						
	7	1	1B-4971	2	SPACER (0.406X1X1-IN THK)						

M-METRIC PART



GRAPHIC #1

<END>

g00794049

OPERATOR STATION

327-6917 INSTALLATION GP-CONTROLS-PARKING BRAKE

S/N: A7A1-UP

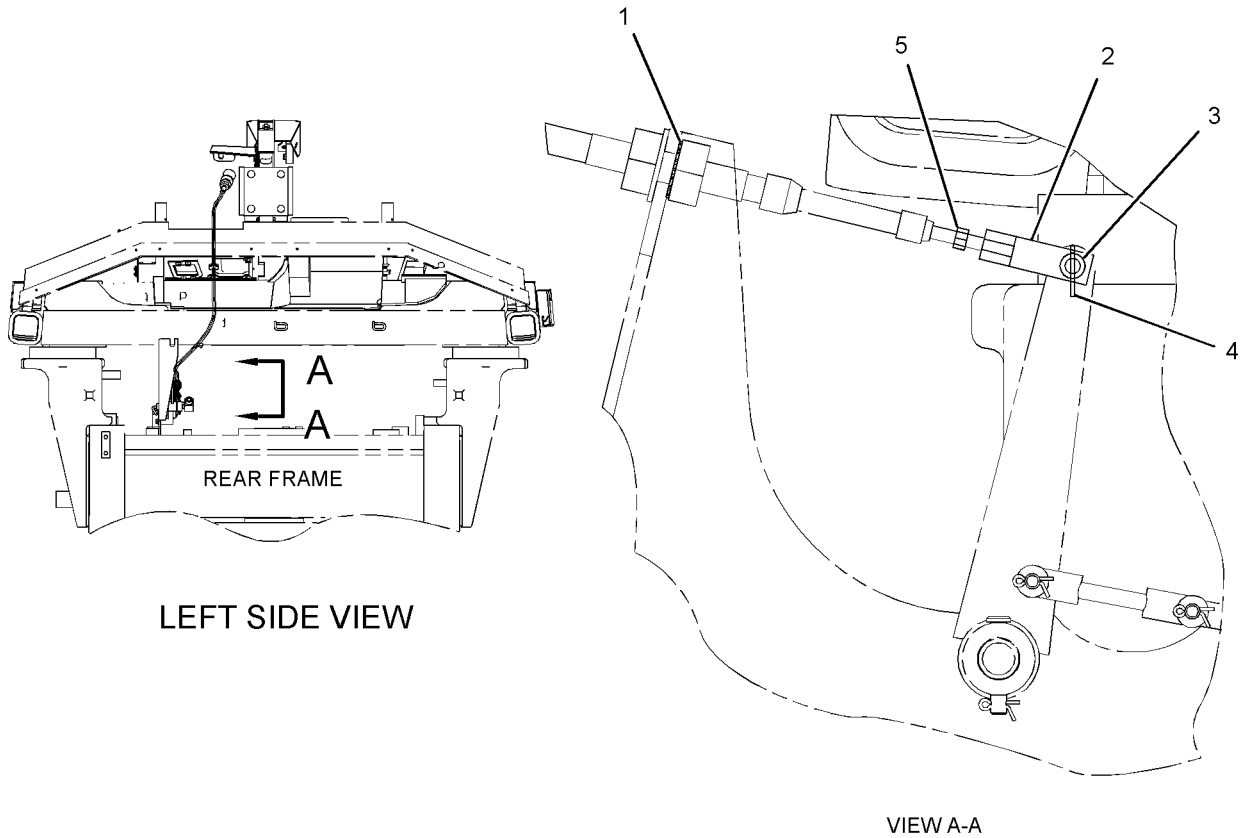
PART OF 346-3822 OPERATOR AR

SMCS-1265, 4284

i04459214

NOTE	REF NO	GRAPHIC REF	PART NUMBER	QTY	PART NAME						SEE PAGE
					1	2	3	4	5	6 (PRODUCT LEVEL)	
	1	1	3J-4818	1	LOCKWASHER						
	2	1	9U-0830	1	END-YOKE ROD						
	3	1	096-0067	1	PIN-CLEVIS						
	4	1	5B-9192	1	PIN-COTTER						
M	5	1	5C-2874	1	NUT (M5X0.8-THD)						

M-METRIC PART



GRAPHIC #1

<END>

g01854175

OPERATOR STATION

228-9628 INSTALLATION GP-RADIO

S/N: A7A1-UP

PART OF 346-3826 CAB AR

SMCS-7338

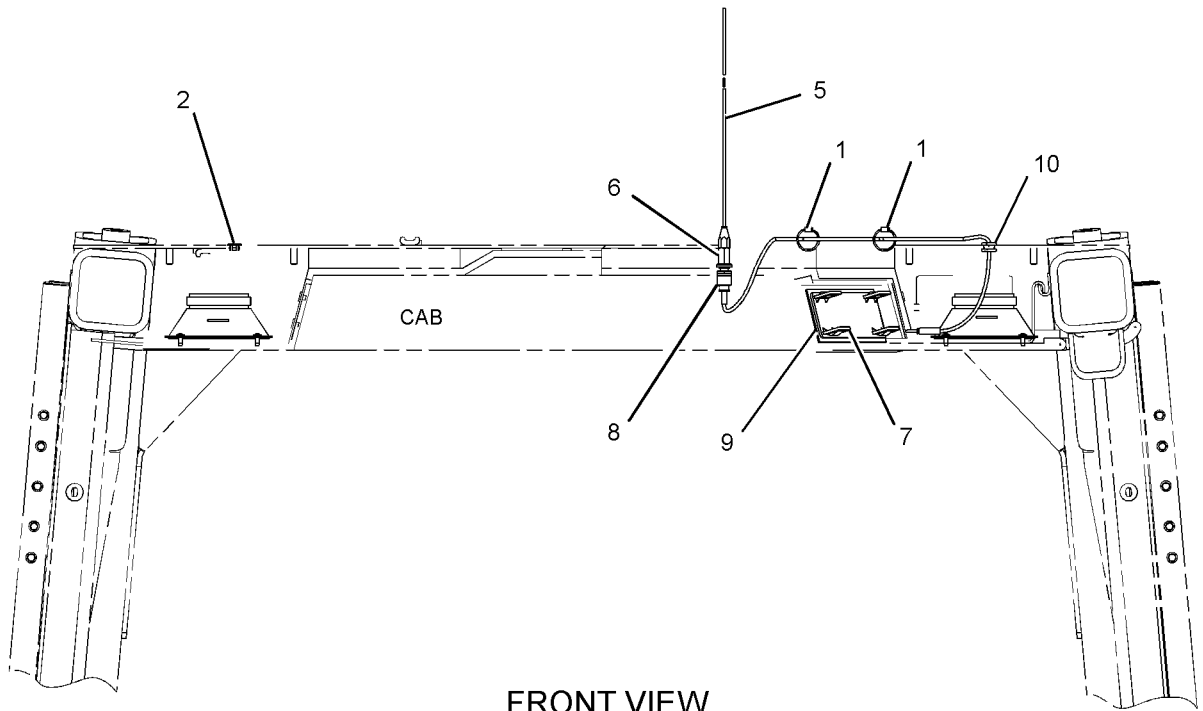
i04461142

NOTE	REF NO	GRAPHIC REF	PART NUMBER	QTY	PART NAME	SEE PAGE
					1 2 3 4 5 6 (PRODUCT LEVEL)	
	1	1	3S-2093	2	STRAP-CABLE	
	2	1	3V-4694	1	PLUG-BUTTON	
	3	1	6T-7695	2	SPEAKER AS-RADIO	
	4	1	6V-2687	8	SCREW-PAN HEAD (10-24X1-IN)	
	5	1	9U-2331	1	ANTENNA AS (COMMUNICATION RADIO)	
	6	1	9U-4431	1	MOUNT-ANTENNA	
	7	1	9U-8263	1	COVER	
	8	1	124-4884	1	CABLE AS	
	9	1	132-3522	1	PLATE	
	10	1	011-7960	1	GROMMET	

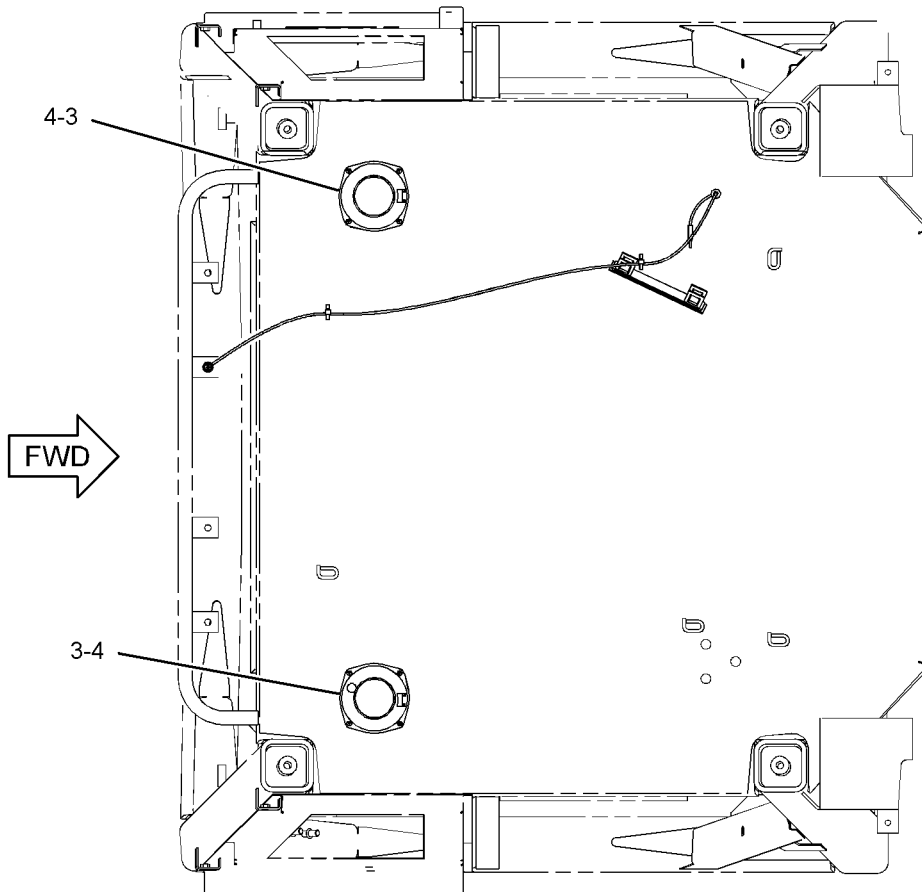
OPERATOR STATION

228-9628 INSTALLATION GP-RADIO (contd.)

i04461142



FRONT VIEW



TOP VIEW

<END>

GRAPHIC #1

g01856835

OPERATOR STATION

228-0920 LINER GP-CAB

S/N: A7A1-UP

PART OF 346-3826 CAB AR

SMCS-7329

i04461143

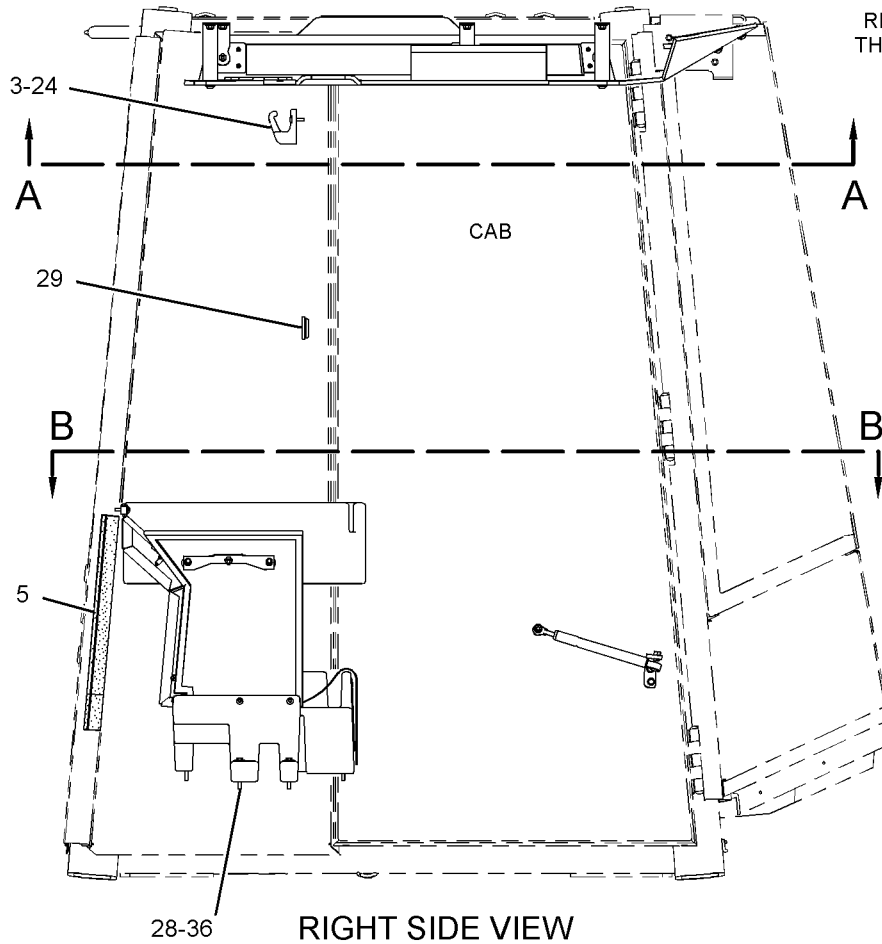
NOTE	REF NO	GRAPHIC REF	PART NUMBER	QTY	PART NAME						SEE PAGE
					1	2	3	4	5	6 (PRODUCT LEVEL)	
	1	2	2R-2376	2	WASHER (7X16X0.8-MM THK)						
	2	2	6I-1418	2	SPACER (8.2X12.7X28.7-MM THK)						
	3	1	6V-8928	1	HOOK-COAT						
M	4	2	6V-9606	2	BOLT (M6X1X140-MM)						
	5	1	120-8878	1	INSULATION						
	6	2	123-2995	1	PANEL						
	7	1	124-8368	4	BRACKET AS (EACH INCLUDES)						
M		1	6V-9632	1	NUT-WELD (M6X1-THD)						
	8	2	129-5224	1	BRACKET AS						
M		2	6V-9632	1	NUT-WELD (M6X1-THD)						
	9	2	142-7442	2	SPRING-GAS						
	10	2	161-3415	1	STRAP						
	11	2	164-7444	4	STUD-BALL						
	12	2	164-7959	4	FITTING						
	13	2	175-3064	1	BRACKET						
	14	2	179-6051	1	TRAY						
	15	2	202-7652	1	COVER AS						
	16	1	239-0282	1	BRACKET AS						
M		1	8T-3612	8	NUT-WELD (M8X1.25-THD)						
M		1	6V-9632	4	NUT-WELD (M6X1-THD)						
	17	2	274-2392	1	SCREW-THUMB						
	18	2	309-5053	1	BRACKET						
	19	1	319-6149	4	BRACKET AS						
	20	2	321-5952	1	TRIM AS						
		2	7K-4201	1	NUT-SPEED						
		2	8M-7758	2	RIVET-POP						
		2	321-5920	1	DOOR						
	21	1	330-4984	1	LINER AS-CAB						
	22	1	101-2867	4	WASHER-HARD (7.2X25X2-MM THK)						
M	23	1	131-3540	8	LOCKNUT (M8X1.25-THD)						
M	24	1,2	3E-8020	17	SCREW-TRUSS HEAD (M6X1X25-MM)						
	25	1	5P-4116	8	WASHER-HARD (8.8X20.5X2-MM THK)						
	26	2	6V-8189	4	NUT (5/16-18-THD)						
M	27	2	7X-0818	2	BOLT (M8X1.25X45-MM)						
M	28	1	7X-2535	2	BOLT (M6X1X60-MM)						
	29	1	8D-6542	1	GROMMET						
	30	1	8T-4121	6	WASHER-HARD (11X21X2.5-MM THK)						
M	31	2	8T-4138	4	BOLT (M6X1X20-MM)						
M	32	1	8T-4195	6	BOLT (M10X1.5X30-MM)						
	33	2	8T-4205	4	WASHER-HARD (7.2X14.5X2-MM THK)						
	34	2	8T-4224	2	WASHER-HARD (8.8X16X2-MM THK)						
	35	2	9N-0869	2	WASHER-HARD (8.8X25.5X2-MM THK)						
	36	1,2	9X-2038	21	WASHER (7X19X2-MM THK)						
M	37	2	9X-2046	5	SCREW-TRUSS HEAD (M6X1X35-MM)						
D	38	2	5P-5637		SEAL (0.23-M EACH)						
D	38A	2	5P-5637		SEAL (0.27-M EACH)						
M	39	2	121-9870	4	SCREW-MACHINE (M6X1X40-MM)						

D-ORDER BY THE METER
M-METRIC PART

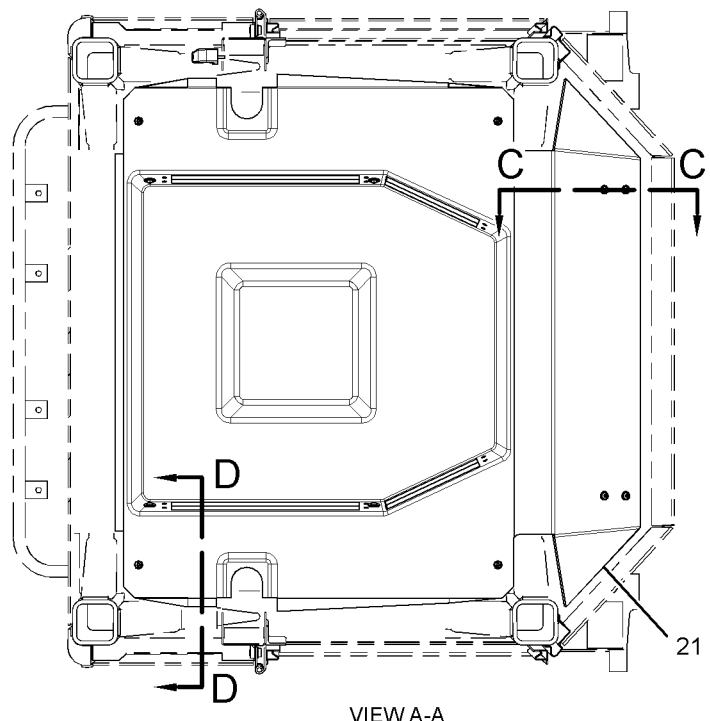
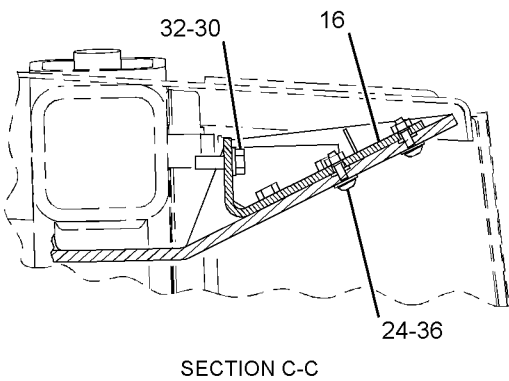
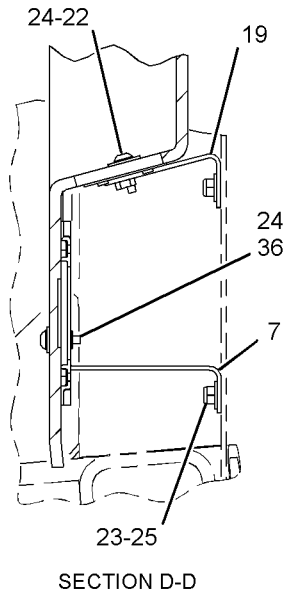
OPERATOR STATION

228-0920 LINER GP-CAB (contd.)

i04461143



REFER TO ALL ILLUSTRATIONS OF THIS GROUP FOR AUXILIARY VIEWS



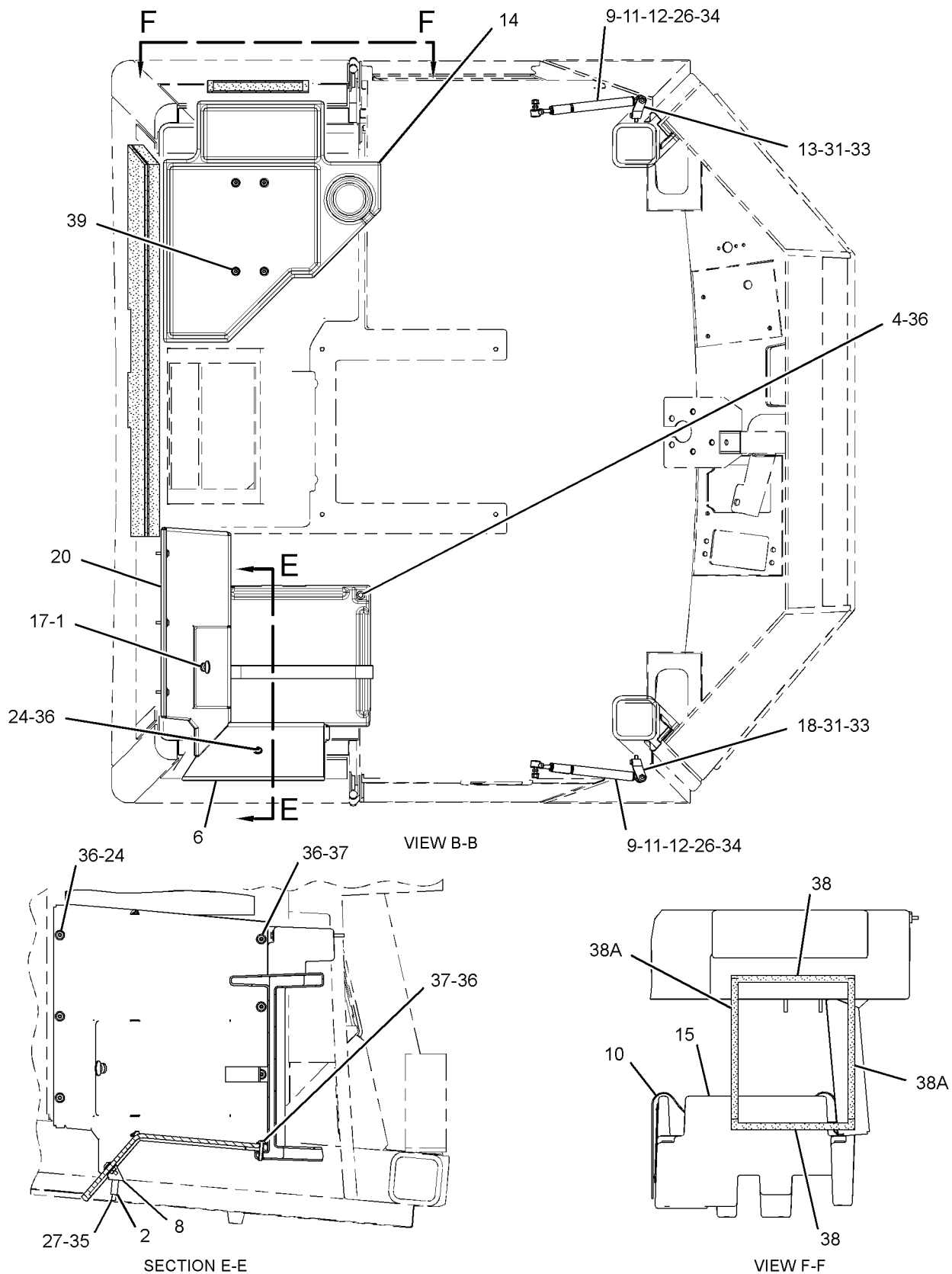
GRAPHIC #1

g02060195

OPERATOR STATION

228-0920 LINER GP-CAB (contd.)

i04461143



GRAPHIC #2

<END>

g02129176

OPERATOR STATION

114-5142 LINES GP-AIR CONDITIONER

S/N: A7A1-UP

PART OF 284-2735 CHASSIS AR

SMCS-1808

i04456250

NOTE	REF NO	GRAPHIC REF	PART NUMBER	QTY	PART NAME						SEE PAGE
					1	2	3	4	5	6 (PRODUCT LEVEL)	
	1	2	5P-3929	1	COUPLING AS-REFRIGERANT						
		2	8F-9206	1	SEAL-O-RING						
		2	107-4397	1	VALVE AS						
	2	2	108-9422	1	BRACKET AS						
M		2	8T-3490	1	NUT-WELD (M10X1.5-THD)						
	3	2	121-1343	1	PLATE AS						
M		2	8T-3490	1	NUT-WELD (M10X1.5-THD)						
	4	2	160-0564	1	BRACKET AS						
M		2	8T-3490	1	NUT-WELD (M10X1.5-THD)						
	5	2	186-6189	1	ACCUMULATOR-REFRIGERANT						
	6	1,2	203-5443	2	BRACKET AS						
I	7	1	246-2293	1	HOSE AS						
I	8	1	246-2294	1	HOSE AS						
	9	2	257-3226	1	DRYER-REFRIGERANT (IN-LINE)						
		2	189-1707	1	ORIFICE AS-AIR CONDITIONER						
	10	2	264-1440	1	FITTING AS-AIR CONDITIONER						
I	11	2	266-4234	1	HOSE AS						
	12	1	304-2740	1	MANIFOLD AS (AIR CONDITIONER)						
I	13	2	329-4997	1	HOSE AS						
I	14	1	347-4784	1	HOSE AS						
	15	2	038-3967	1	BRACKET						
	16	1	118-9902	1	SPACER (12X20X43-MM THK)						
	17	1,2	130-9984	6	CLIP						
	18	1	5P-1076	1	WASHER-HARD (13.5X30X4-MM THK)						
	19	2	5P-3948	1	COUPLING AS-REFRIGERANT						
		2	7F-8607	1	SEAL-O-RING						
		2	107-4399	1	VALVE AS						
	20	1	6V-1889	2	CLIP						
	21	2	6V-4356	1	CLIP (SLOT)						
	22	2	6V-4357	1	CLIP (TAB)						
	23	2	7X-7729	1	WASHER (11X25X3-MM THK)						
	24	1	8M-2773	6	CLIP						
	25	2	8S-6109	1	CLIP (SLOT)						
	26	2	8S-6110	1	CLIP (TAB)						
	27	1	8T-2561	1	WASHER-HARD (10.5X28.5X5-MM THK)						
	28	1,2	8T-4121	22	WASHER-HARD (11X21X2.5-MM THK)						
M	29	1,2	8T-4133	4	NUT (M10X1.5-THD)						
M	30	1,2	8T-4136	3	BOLT (M10X1.5X25-MM)						
M	31	1,2	8T-4137	12	BOLT (M10X1.5X20-MM)						
M	32	1,2	8T-4195	4	BOLT (M10X1.5X30-MM)						
M	33	1	8T-5005	1	BOLT (M10X1.5X70-MM)						
M	34	1	8T-6466	1	BOLT (M10X1.5X60-MM)						
	35	1	9L-1775	3	BRACKET						
	36	2	9M-8406	2	CLIP						
	37	1,2	9X-7380	2	SEAL-O-RING						
	38	1,2	9X-7381	3	SEAL-O-RING						
	39	1,2	9X-7383	5	SEAL-O-RING						
	40	2	9X-7384	1	SEAL-O-RING						
	41	1	9X-7385	2	SEAL-O-RING						
D	42	2	6V-2495		SEAL (0.3-M)						

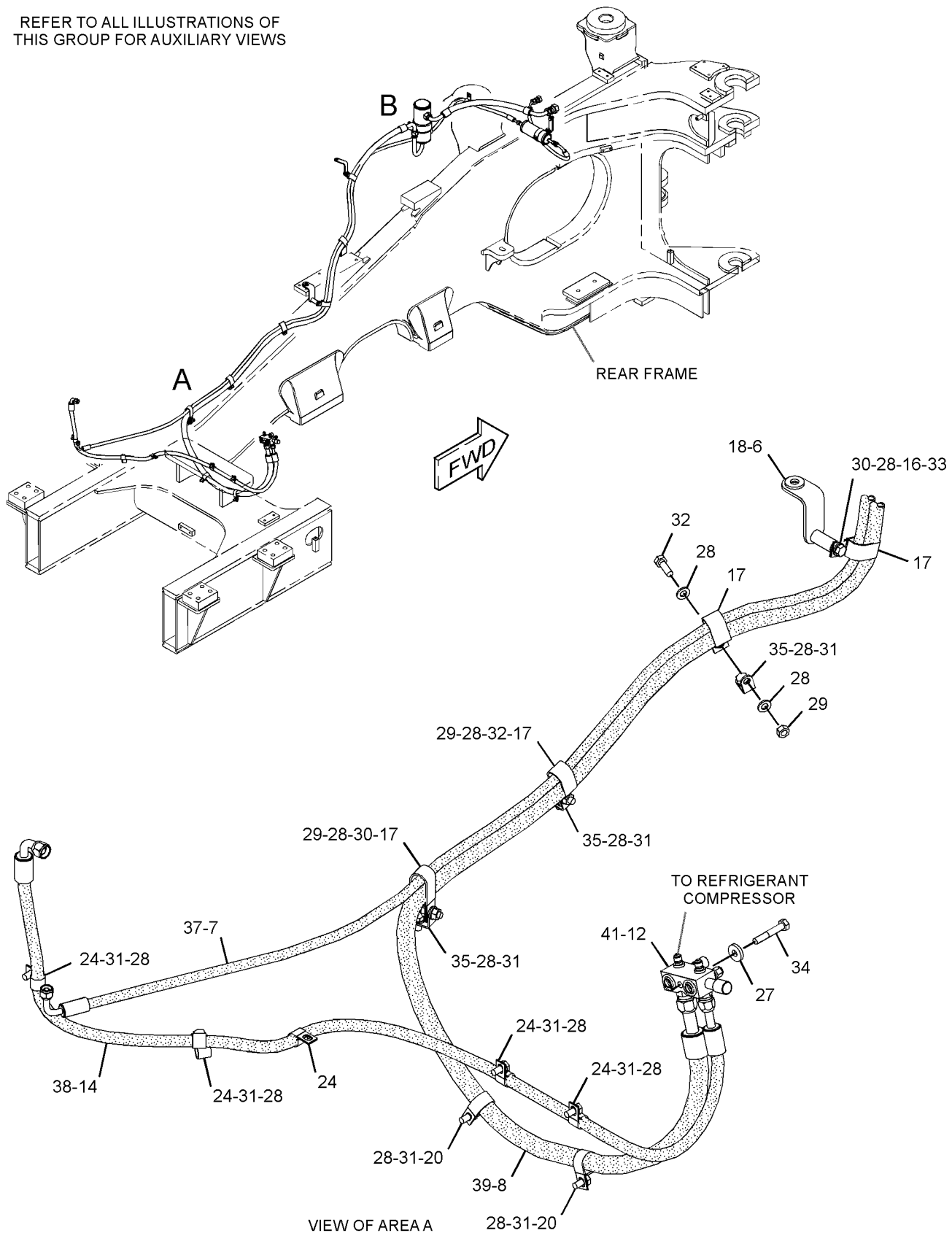
D-ORDER BY THE METER
 I-REFER TO HYDRAULIC INFORMATION SYSTEM
 M-METRIC PART

OPERATOR STATION

114-5142 LINES GP-AIR CONDITIONER (contd.)

i04456250

REFER TO ALL ILLUSTRATIONS OF THIS GROUP FOR AUXILIARY VIEWS



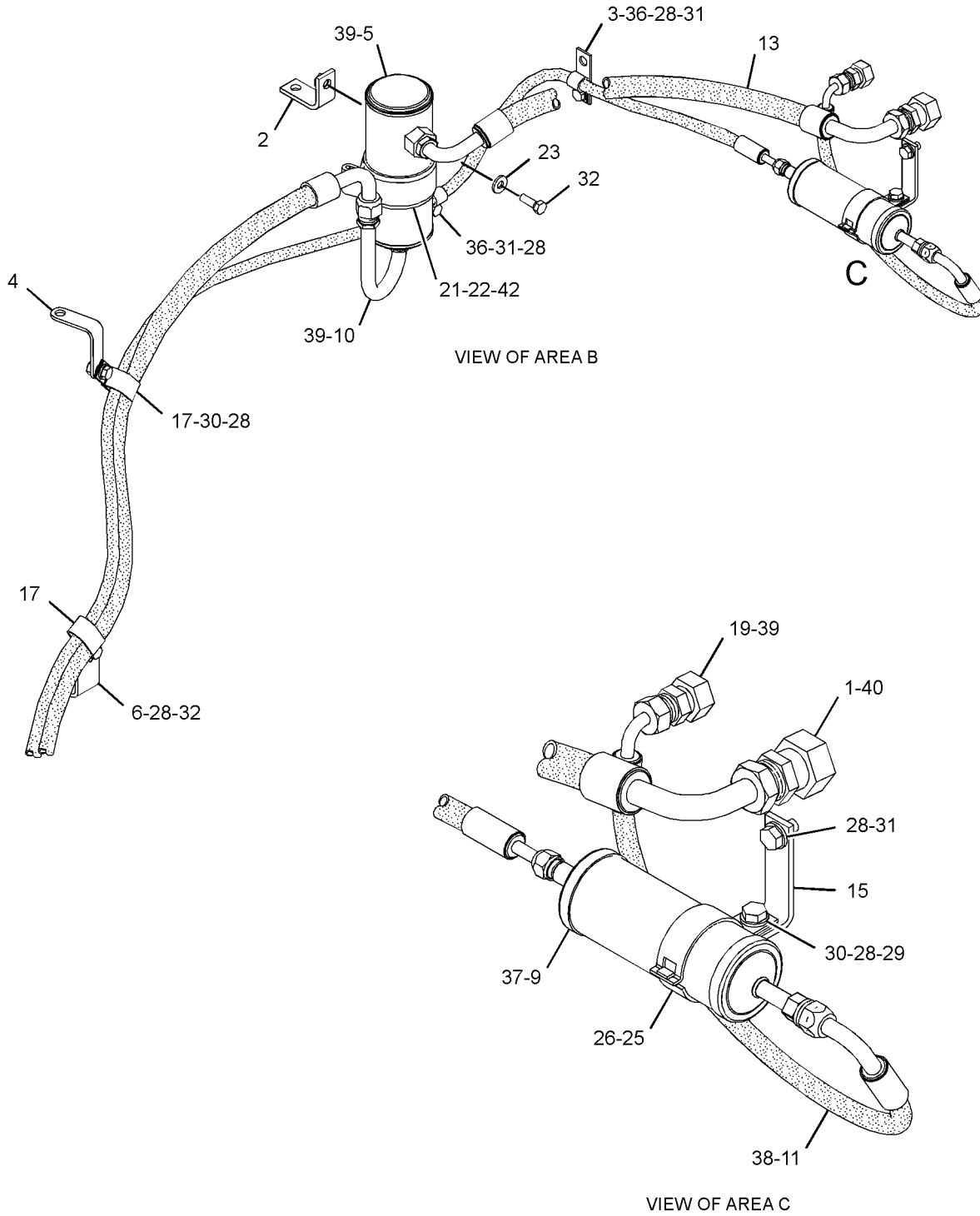
GRAPHIC #1

g02048313

OPERATOR STATION

114-5142 LINES GP-AIR CONDITIONER (contd.)

i04456250



GRAPHIC #2

<END>

g02048315

OPERATOR STATION

331-0315 LINES GP-AIR CONDITIONER

S/N: A7A1-UP

PART OF 331-0314 AIR CONDITIONER AR

SMCS-1808

i04471993

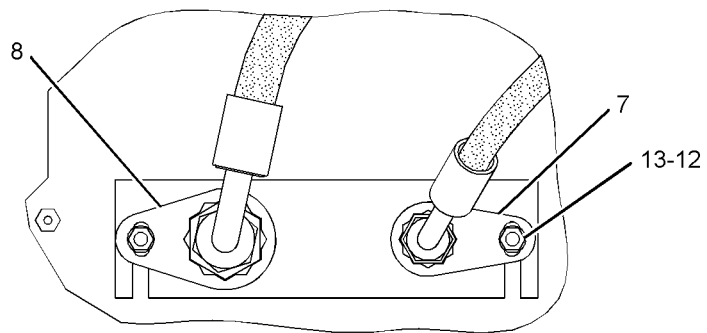
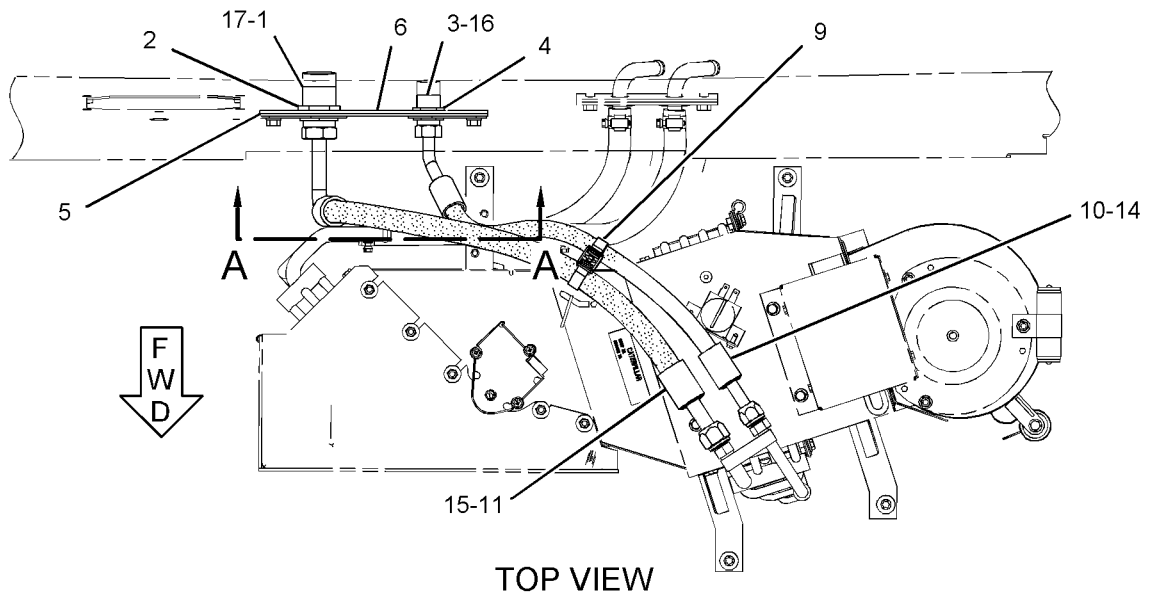
NOTE	REF NO	GRAPHIC REF	PART NUMBER	QTY	PART NAME	SEE PAGE
					1 2 3 4 5 6 (PRODUCT LEVEL)	
	1	1	5P-3928	1	COUPLING AS-REFRIGERANT (SELF SEALING)	
		1	107-4395	1	VALVE AS	
		1	107-4396	1	GASKET	
	2	1	5P-4106	1	NUT (1-7/16-16-THD)	
	3	1	7K-3176	1	COUPLING AS-REFRIGERANT (SELF SEALING)	
		1	107-4393	1	VALVE AS	
		1	107-4394	1	GASKET	
	4	1	7K-3304	1	NUT-JAM (1-20-THD)	
	5	1	126-6008	1	PLATE	
	6	1	130-1887	1	GASKET	
	7	1	170-3447	1	PLATE	
	8	1	170-3448	1	PLATE	
	9	1	177-2215	1	STRAP-DUAL CLAMP	
I	10	1	227-1369	1	HOSE AS	
I	11	1	227-2441	1	HOSE AS	
M	12	1	5C-7261	2	NUT (M8X1.25-THD)	
	13	1	8T-4224	2	WASHER-HARD (8.8X16X2-MM THK)	
	14	1	9X-7381	1	SEAL-O-RING	
	15	1	9X-7382	1	SEAL-O-RING	
	16	1	9X-7383	1	SEAL-O-RING	
	17	1	9X-7384	1	SEAL-O-RING	

I-REFER TO HYDRAULIC INFORMATION SYSTEM
M-METRIC PART

OPERATOR STATION

331-0315 LINES GP-AIR CONDITIONER (contd.)

i04471993



GRAPHIC #1

<END>

g01877658

OPERATOR STATION

114-5141 LINES GP-CAB HEATER-COOLANT

S/N: A7A1-UP

PART OF 226-0307 LINES GP-FUEL HEATER
AN ATTACHMENT

SMCS-7304

i04479959

NOTE	REF NO	GRAPHIC REF	PART NUMBER	QTY	PART NAME						SEE PAGE
					1	2	3	4	5	6 (PRODUCT LEVEL)	
	1	1	1V-1122	2	TAG-IDENTIFICATION (LETTERS SPL)						
	2	1	1V-1123	2	TAG-IDENTIFICATION (LETTERS RET)						
	3	1	8C-6523	2	ADAPTER						
	4	1	9X-2488	4	CLAMP-HOSE						
	5	1	165-2273	2	VALVE GP-SHUTOFF (COOLANT)						
					(EACH INCLUDES)						
		1	6V-7238	1	VALVE-SHUTOFF (COOLANT DRAIN)						
		1	3K-0360		SEAL-O-RING						
	6	1	148-8311	1	ADAPTER AS						
		1	3K-0360	1	SEAL-O-RING						
		1	8T-1715	1	ADAPTER						
	7	1	6D-1641	6	CLIP						
E	8	1	7I-1024		GUARD-HOSE (215-CM)						
E	8A	1	7I-1024		GUARD-HOSE (182-CM)						
E	8B	1	7I-1024		GUARD-HOSE (190-CM)						
E	8C	1	7I-1024		GUARD-HOSE (132-CM)						
E	8D	1	7I-1024		GUARD-HOSE (232-CM)						
E	9	1	5P-0767		HOSE (304.8-CM)						
E	9A	1	5P-0767		HOSE (332.8-CM)						
	10	1	155-7321	1	ADAPTER AS						
		1	3D-2824	1	SEAL-O-RING						
		1	6V-1722	1	ADAPTER-O-RING						

E-ORDER BY THE CENTIMETER

OPERATOR STATION

229-0066 LINES GP-CAB HEATER

S/N: A7A1-UP

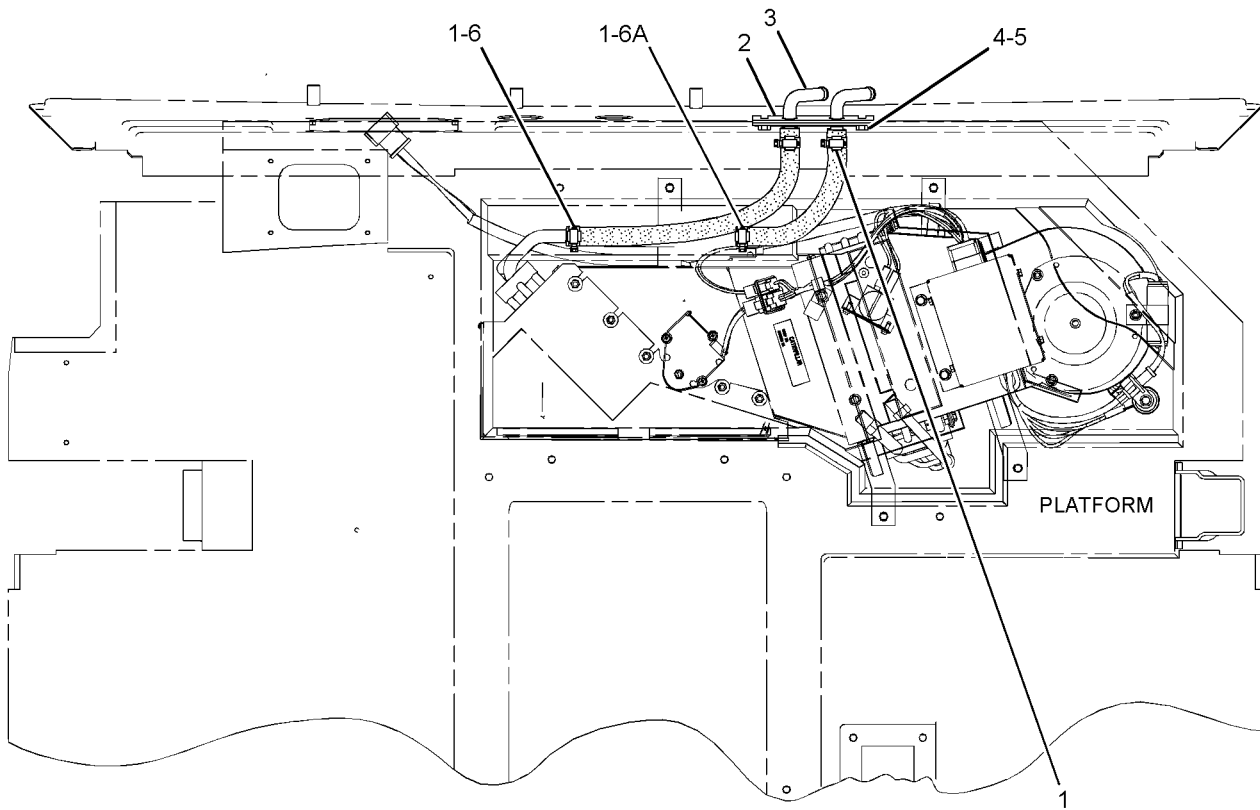
PART OF 331-0314 AIR CONDITIONER AR

SMCS-7304

i04471992

NOTE	REF NO	GRAPHIC REF	PART NUMBER	QTY	PART NAME						SEE PAGE
					1	2	3	4	5	6 (PRODUCT LEVEL)	
	1	1	9X-2488	4	CLAMP-HOSE						
	2	1	131-7741	1	GASKET						
	3	1	138-8187	1	PLATE AS						
M	4	1	5C-7261	2	NUT (M8X1.25-THD)						
	5	1	8T-4224	2	WASHER-HARD (8.8X16X2-MM THK)						
E	6	1	5P-0767		HOSE (38-CM)						
E	6A	1	5P-0767		HOSE (23-CM)						

E-ORDER BY THE CENTIMETER
M-METRIC PART



TOP VIEW

<END>

GRAPHIC #1

g01247443

OPERATOR STATION

346-3850 MIRROR GP-REAR VIEW

S/N: A7A1-UP

PART OF 346-3826 CAB AR

SMCS-7319

i04461145

NOTE	PART NUMBER	QTY	PART NAME						SEE PAGE
			1	2	3	4	5	6 (PRODUCT LEVEL)	
	332-6679	1	ARM AS (LH)						
	332-6900	1	ARM AS (RH)						
M	8T-4195	16	BOLT (M10X1.5X30-MM)						
	351-1901	2	BRACKET AS						
	185-3874	2	MIRROR AS						
	8T-4121	16	WASHER-HARD (11X21X2.5-MM THK)						

M-METRIC PART

<END>

OPERATOR STATION

166-6928 MODULE GP-QUAD GAUGE

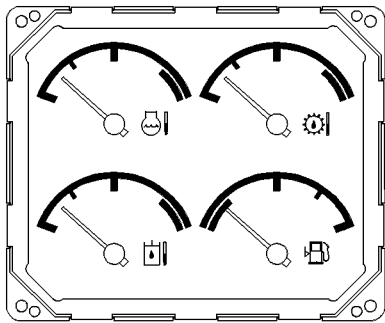
S/N: A7A1-UP

PART OF 345-4460 WIRING GP-CAB

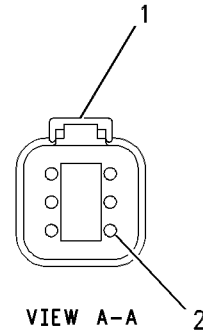
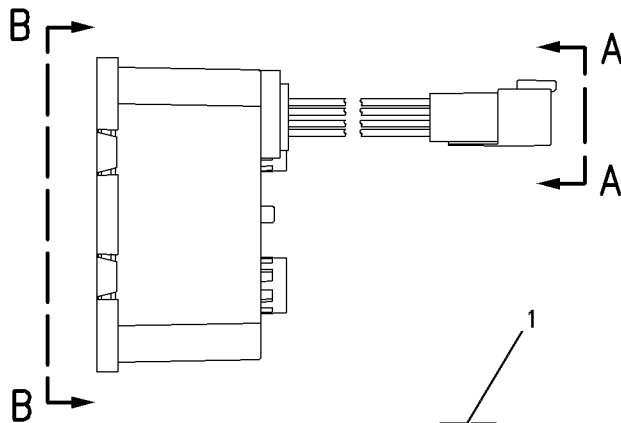
SMCS-7450, 7451, 7490, 7601

i04472159

NOTE	REF NO	GRAPHIC REF	PART NUMBER	QTY	PART NAME						SEE PAGE
					1	2	3	4	5	6 (PRODUCT LEVEL)	
	1	1	102-8805	1	KIT-RECEPTACLE (6-PIN)						
					(INCLUDES RECEPTACLE AS & WEDGE)						
	2	1	8T-8729	6	PIN-CONNECTOR (16-GA TO 18-GA)						



VIEW B-B



VIEW A-A

GRAPHIC #1

<END>

g00587276

OPERATOR STATION

155-5790 MOTOR GP-WINDOW WIPER

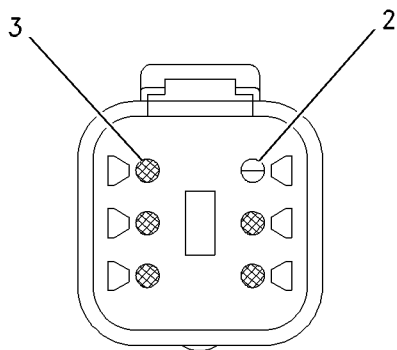
S/N: A7A1-UP

PART OF 109-8196 WIPER GP-WINDOW

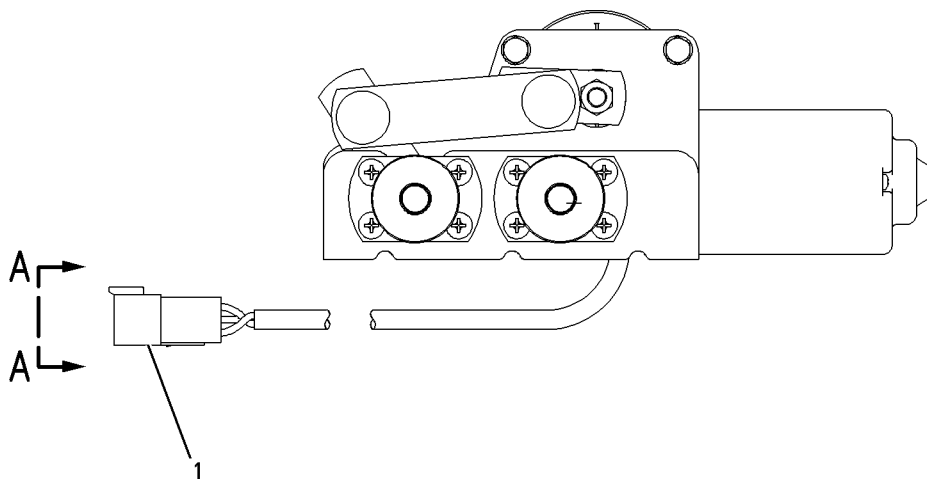
SMCS-7305

i04468650

NOTE	REF NO	GRAPHIC REF	PART NUMBER	QTY	PART NAME						SEE PAGE
					1	2	3	4	5	6 (PRODUCT LEVEL)	
	1	1	102-8805	1	KIT-RECEPTACLE (6-PIN)						
					(INCLUDES RECEPTACLE AS AND WEDGE)						
	2	1	8T-8737	1	PLUG-SEAL						
	3	1	8T-8729	5	PIN-CONNECTOR (16-GA TO 18-GA)						



VIEW A-A



GRAPHIC #1

<END>

g00668134

OPERATOR STATION

330-5050 MOTOR GP-WINDOW WIPER

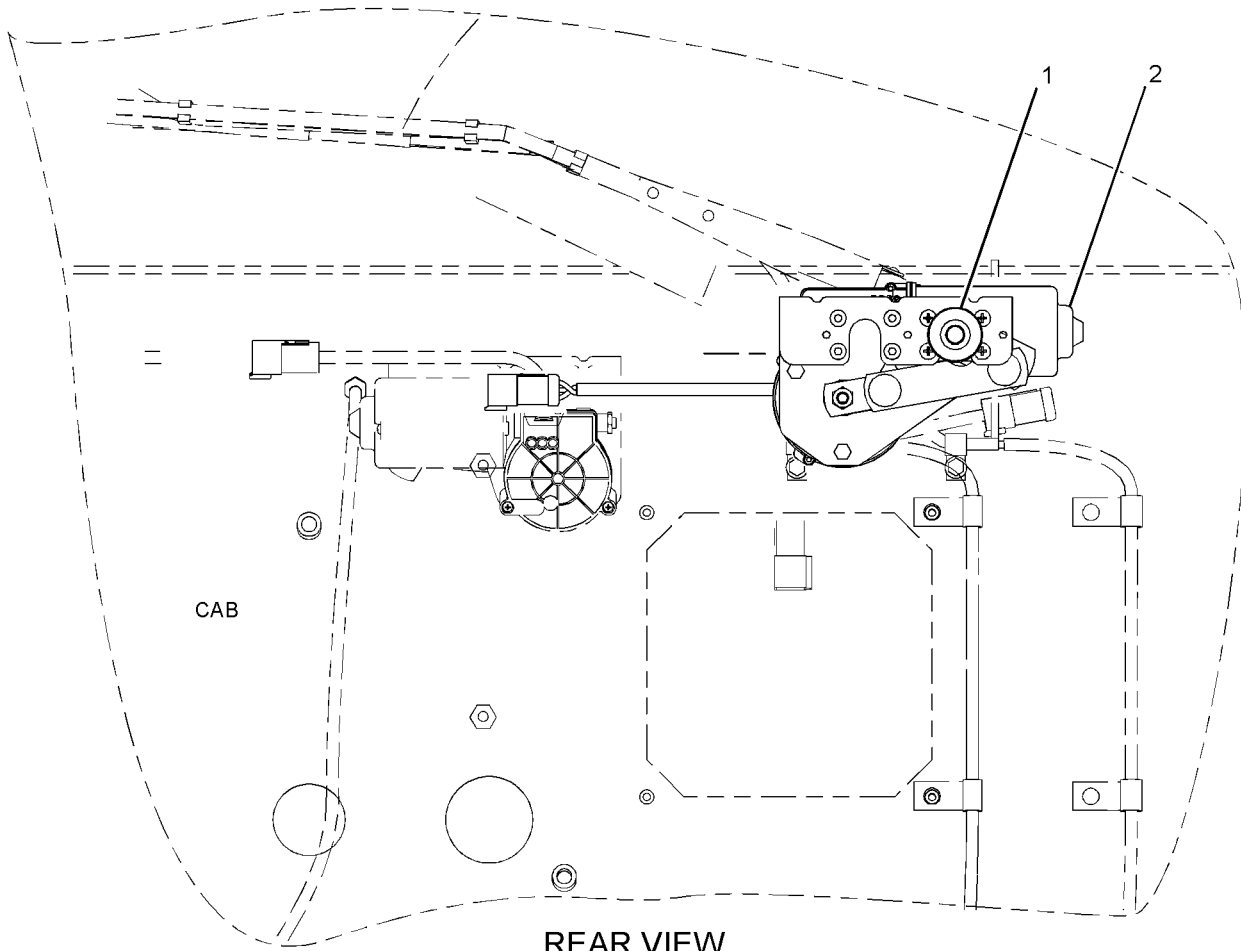
S/N: A7A1-UP

PART OF 109-8196 WIPER GP-WINDOW

SMCS-7305

i04468649

NOTE	REF NO	GRAPHIC REF	PART NUMBER	QTY	PART NAME						SEE PAGE
					1	2	3	4	5	6 (PRODUCT LEVEL)	
	1	1	206-5823	1	CAP						
	2	1	328-2264	1	MOTOR GP-WINDOW WIPER						
		1	8T-8737	1	PLUG-SEAL						
		1	102-8805	1	KIT-RECEPTACLE (6-PIN)						
					(INCLUDES RECEPTACLE AS & WEDGE)						
		1	186-3735	5	PIN-CONNECTOR (16-GA TO 18-GA)						



GRAPHIC #1

<END>

g02053114

OPERATOR STATION

292-6890 MOUNTING GP-CAB

S/N: A7A1-UP

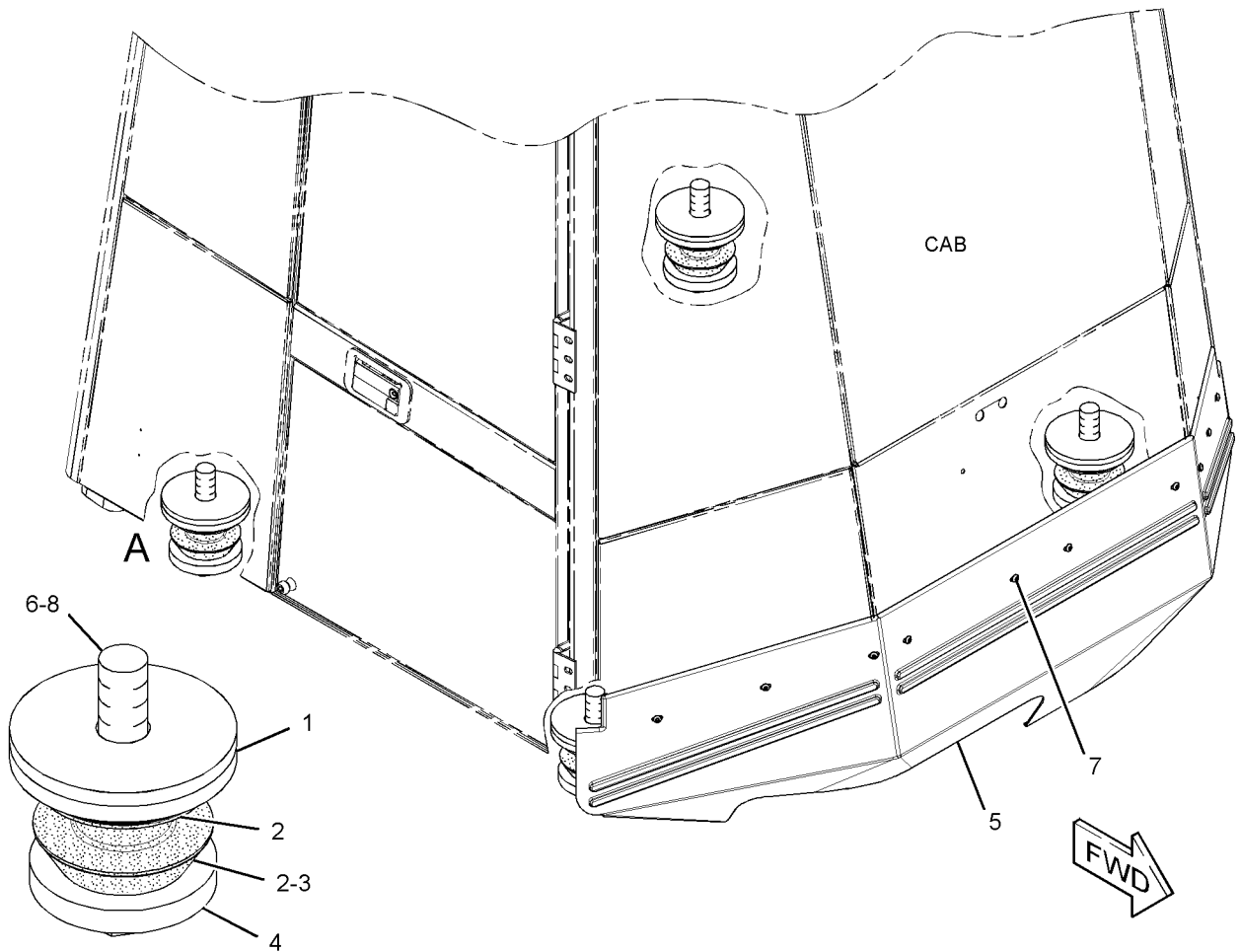
PART OF 346-3822 OPERATOR AR

SMCS-7301

i04459233

NOTE	REF NO	GRAPHIC REF	PART NUMBER	QTY	PART NAME						SEE PAGE
					1	2	3	4	5	6 (PRODUCT LEVEL)	
	1	1	138-8861	4	WASHER AS						
	2	1	138-8862	8	MOUNT						
	3	1	138-8863	4	SLEEVE (36-MM)						
	4	1	138-8864	4	WASHER (39X135X20-MM THK)						
	5	1	177-3579	1	SHROUD						
	6	1	8T-5463	4	WASHER (39X66X5-MM THK)						
M	7	1	9X-2046	10	SCREW-TRUSS HEAD (M6X1X35-MM)						
M	8	1	9X-6626	4	BOLT (M36X4X200-MM)						

M-METRIC PART



VIEW OF AREA A

GRAPHIC #1

<END>

g01606573

OPERATOR STATION

346-3822 OPERATOR AR

S/N: A7A1-UP

PART OF 284-2735 CHASSIS AR

SMCS-7301

i04456291

NOTE	PART NUMBER	QTY	PART NAME						SEE PAGE
			1	2	3	4	5	6 (PRODUCT LEVEL)	
Y	346-3826	1	CAB AR						584
Y	327-6917	1	INSTALLATION GP-CONTROLS (PARKING BRAKE)						611
Y	292-6890	1	MOUNTING GP-CAB						629
	330-7802	1	AIR CONDITIONER GP						
	110-6393	1	PLATE-INSTRUCTION (AIR CONDITIONER)						
Y-SEPARATE ILLUSTRATION									

<END>

OPERATOR STATION

292-6402 PAN GP-BACKREST-LUMBAR

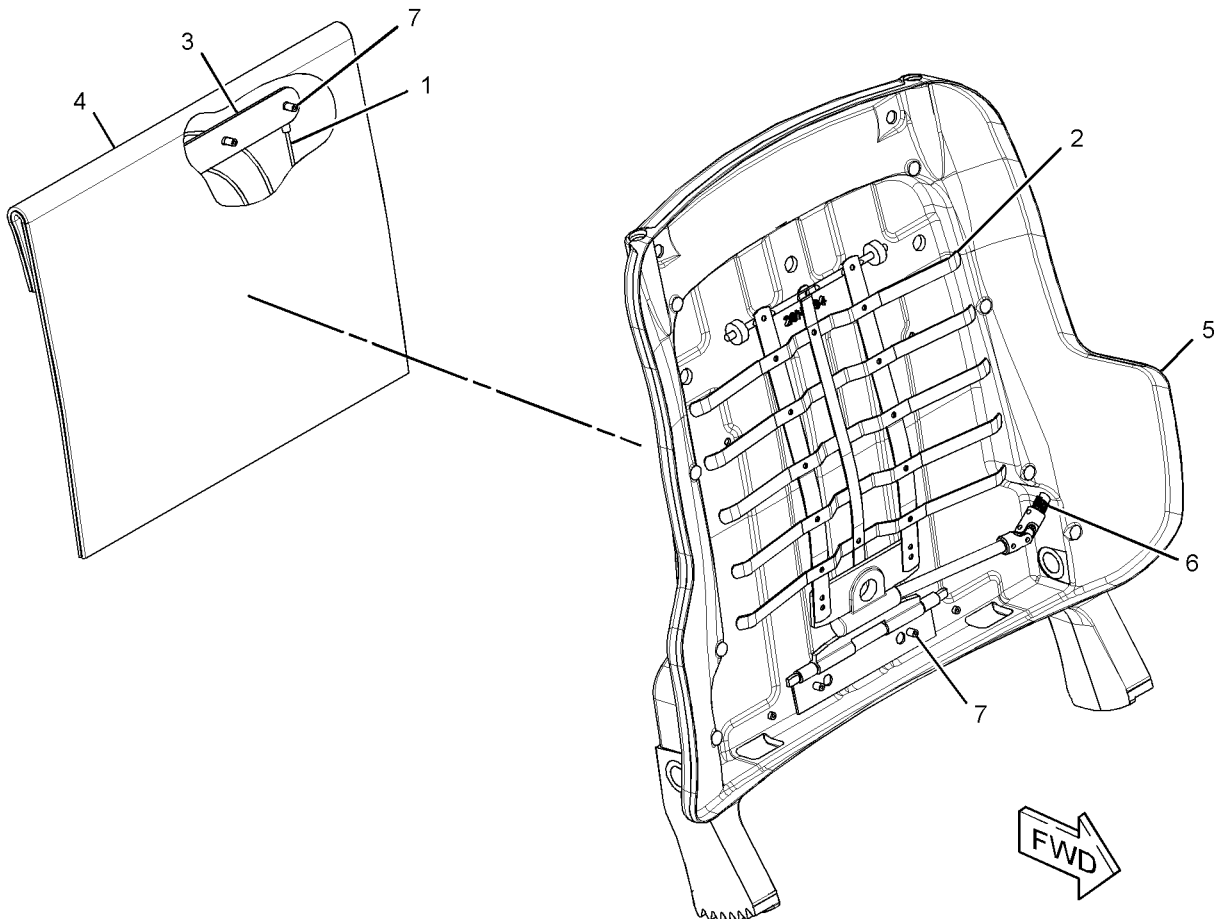
S/N: A7A1-UP

PART OF 292-9237 PAN GP-BACKREST

SMCS-7312

i04471727

NOTE	REF NO	GRAPHIC REF	PART NUMBER	QTY	PART NAME						SEE PAGE
					1	2	3	4	5	6 (PRODUCT LEVEL)	
	1	1	5P-7957	1	LANYARD						
	2	1	136-1543	1	PLATE AS-LUMBAR						
	3	1	173-2052	1	RETAINER						
	4	1	178-7907	1	HOLDER						
	5	1	261-5694	1	PAN AS-BACKREST						
	6	1	322-3161	1	SPRING						
	7	1	4K-9429	8	RIVET-POP						



GRAPHIC #1

<END>

g01577333

OPERATOR STATION

292-9237 PAN GP-BACKREST-CLOTH

S/N: A7A1-UP

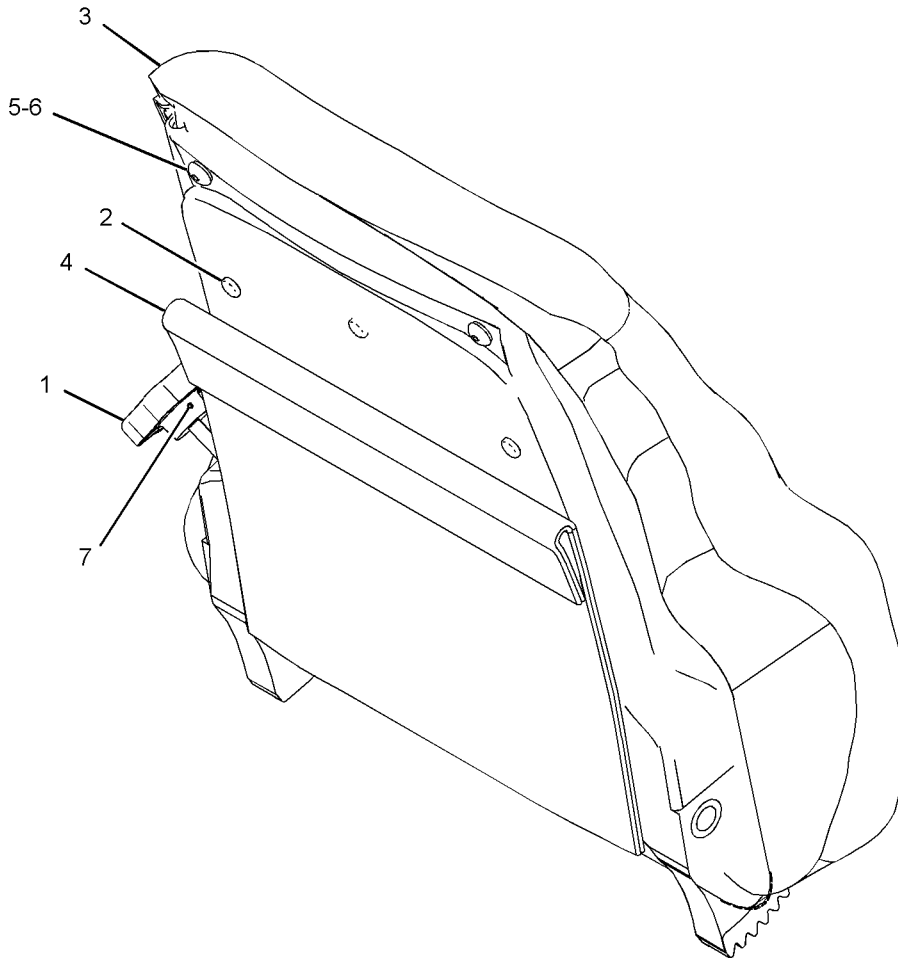
PART OF 178-0603 SEAT GP

SMCS-7312

i04468951

NOTE	REF NO	GRAPHIC REF	PART NUMBER	QTY	PART NAME						SEE PAGE
					1	2	3	4	5	6 (PRODUCT LEVEL)	
	1	1	164-4883	1	KNOB-LUMBAR						
	2	1	250-4628	3	PLUG						
	3	1	292-6097	1	CUSHION AS-BACK						
Y	4	1	292-6402	1	PAN GP-BACKREST (LUMBAR)						631
	5	1	5P-0537	2	WASHER-HARD (7.2X14.5X2-MM THK)						
	6	1	6V-8969	2	SCREW-BUTTON HEAD (1/4-20X0.5-IN)						
	7	1	8T-7566	1	PIN-SPRING						

Y-SEPARATE ILLUSTRATION



GRAPHIC #1

<END>

g01336870

OPERATOR STATION

227-3192 PANEL GP-INSTRUMENT-UPPER

S/N: A7A1-UP

PART OF 346-3826 CAB AR

SMCS-7451

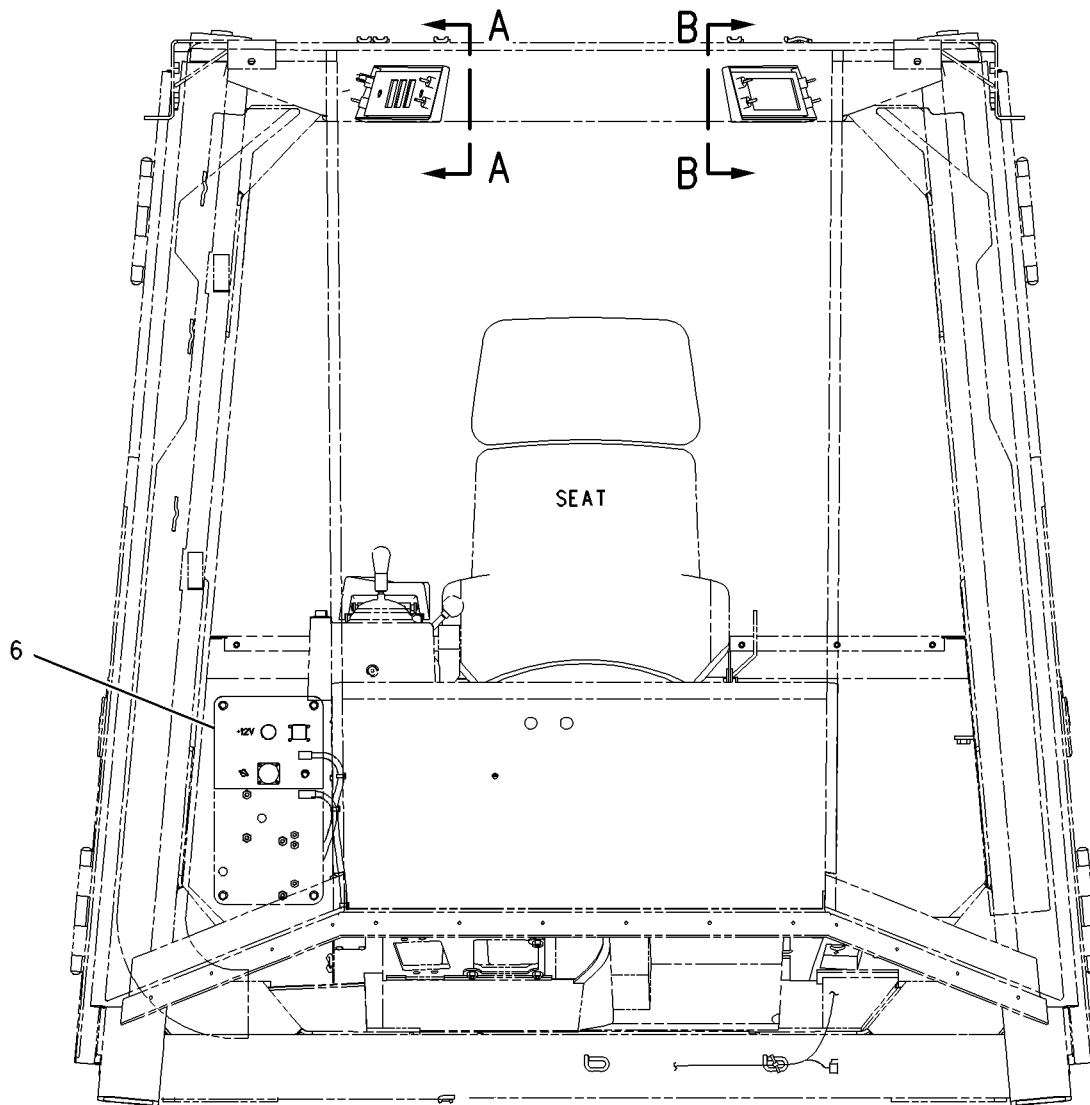
i04461146

NOTE	REF NO	GRAPHIC REF	PART NUMBER	QTY	PART NAME						SEE PAGE
					1	2	3	4	5	6 (PRODUCT LEVEL)	
	1	1	112-5419	1	BEZEL (RH)						
	2	1	116-0434	1	FILM-IDENTIFICATION (FRONT UPPER PANEL, RH)						
	3	1	138-4837	1	BEZEL (LH)						
	4	1	112-5574	1	FILM-SWITCH PANEL (REAR, RH)						
	5	1	138-7823	1	FILM-IDENTIFICATION (UPPER PANEL, LH)						
	6	1	229-2257	1	FILM-PANEL (REAR)						
M	7	1	7Y-7256	12	SCREW-TRUSS HEAD (M4X0.7X35-MM)						
M-METRIC PART											

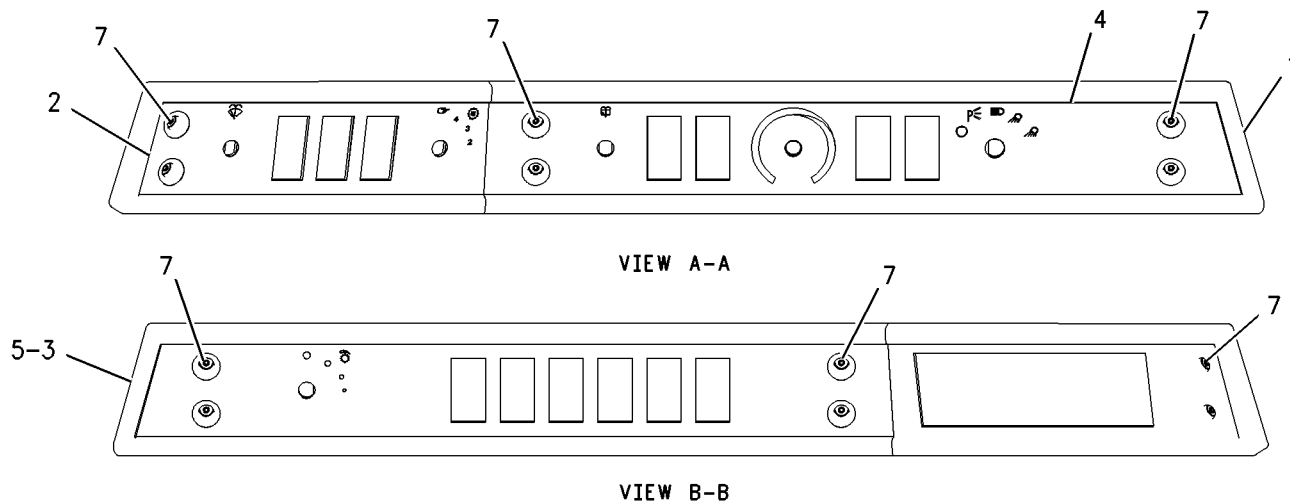
OPERATOR STATION

227-3192 PANEL GP-INSTRUMENT (contd.)

i04461146



FRONT VIEW



<END>

GRAPHIC #1

g01006038

OPERATOR STATION

227-3198 PANEL GP-INSTRUMENT-LOWER

S/N: A7A1-UP

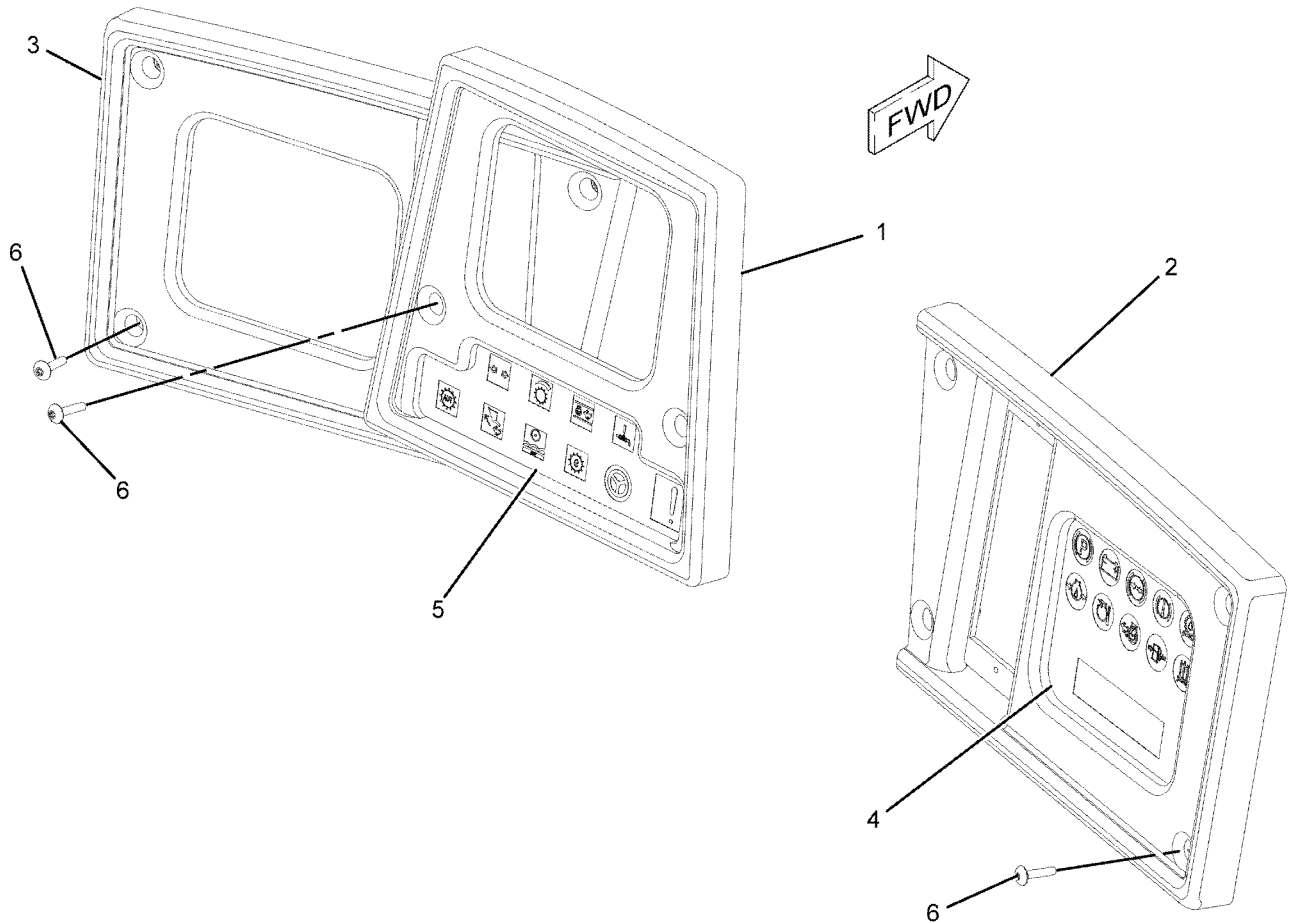
PART OF 346-3826 CAB AR

SMCS-7451

i04461148

NOTE	REF NO	GRAPHIC REF	PART NUMBER	QTY	PART NAME						SEE PAGE
					1	2	3	4	5	6 (PRODUCT LEVEL)	
	1	1	110-4215	1	BEZEL (CENTER)						
	2	1	110-4216	1	BEZEL (RH)						
	3	1	110-4217	1	BEZEL (LH)						
	4	1	230-9085	1	FILM-MONITOR (CATERPILLAR MONITORING SYSTEM)						
	5	1	230-9087	1	FILM-PANEL (INDICATORS)						
M	6	1	9X-1046	10	SCREW (M4X0.7X18-MM)						

M-METRIC PART



GRAPHIC #1

<END>

g01020706

OPERATOR STATION

180-4000 PEDAL GP-BRAKE-PEDAL, RH

S/N: A7A1-UP

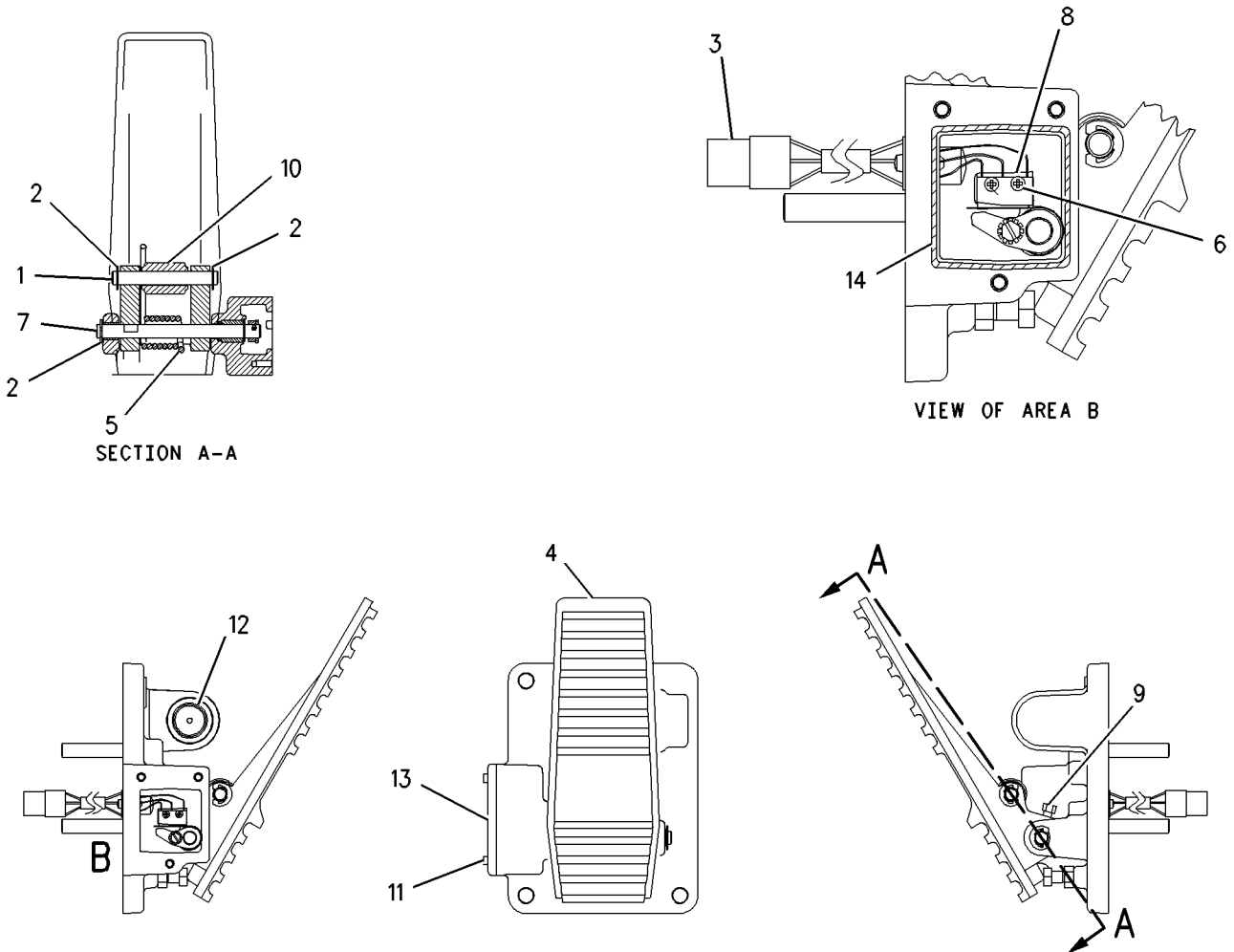
PART OF 180-3999 CONTROL GP-FOOT BRAKE

SMCS-4269, 4290

i04468849

NOTE	REF NO	GRAPHIC REF	PART NUMBER	QTY	PART NAME	1 2 3 4 5 6 (PRODUCT LEVEL)						SEE PAGE
	1	1	4E-9664	1	PIN							
	2	1	009-3101	3	RING-RETAINING							
	3	1	112-2276	1	SWITCH AS-LIMIT (RIGHT FT BRAKE BASE)							
	4	1	113-7752	1	PEDAL-BRAKE							
	5	1	115-2247	1	SPRING							
	6	1	307-7603	2	SCREW-MACHINE (2-56X11.11-MM)							
	7	1	146-1891	1	SHAFT AS							
			1H-4393	1	LOCKWASHER							
			009-3101	1	RING-RETAINING							
M		1	6V-6718	1	SCREW-SELF-TAPPING (8-32X0.25-IN)							
		1	146-1890	1	PIN							
	8	1	148-5581	1	INSULATOR							
M	9	1	153-6273	1	SETSCREW							
	10	1	163-3926	1	ROLLER							
	11	1	5M-6755	3	SCREW-MACHINE (10-24X0.562-IN)							
	12	1	8S-2225	1	SEAL-LIP TYPE							
	13	1	128-0606	1	COVER							
	14	1	128-0607	1	SEAL							

M-METRIC PART



GRAPHIC #1

<END>

g00765563

OPERATOR STATION

180-4001 PEDAL GP-BRAKE

S/N: A7A1-UP

PART OF 180-3999 CONTROL GP-FOOT BRAKE

SMCS-4269, 4290

i04468870

NOTE	REF NO	GRAPHIC REF	PART NUMBER	QTY	PART NAME						SEE PAGE
					1	2	3	4	5	6 (PRODUCT LEVEL)	
	1	1	3J-7354	1	SEAL-O-RING						
	2	1	4E-9664	1	PIN						
	3	1	5M-6755	6	SCREW-MACHINE (10-24X0.562-IN)						
M	4	1	6V-2313	2	BOLT (M5X0.8X30-MM)						
	5	1	8S-2225	1	SEAL-LIP TYPE						
M	6	1	8T-2899	2	SCREW-MACHINE (M2.5X0.45X6-MM)						
	7	1	009-3101	3	RING-RETAINING						
	8	1	105-6117	1	SWITCH AS-LIMIT (NORMALLY CLOSED) (STOP LIGHT)						
	9	1	113-7752	1	PEDAL-BRAKE						
	10	1	115-2247	1	SPRING						
M	11	1	125-3295	2	SCREW-PAN HEAD (M2.5X0.45X12-MM)						
	12	1	205-3583	1	PIN						
	13	1	146-1892	1	HARNES AS-BRAKE (STOP LIGHT) (LEFT FOOT BRAKE BASE)						
		1	155-2270	1	KIT-CONNECTING PLUG (2-PIN) (INCLUDES PLUG AS, WEDGE, & INTERFACE SEAL)						
	14	1	146-1893	1	COVER						
	15	1	146-2598	1	SEAL						
Y	16	1	214-4863	1	SENSOR GP-POSITION (ROTARY) (TC IMPELLER CLUTCH) (LEFT BRAKE PEDAL)						184
	17	1	149-4925	1	ROLLER						
M	18	1	153-6273	1	SETSCREW						
	19	1	161-0022	1	SWITCH AS-ADJUSTABLE (STOP LIGHT LIMIT)						
	20	1	187-2108	1	TERMINAL						
	21	1	4B-4274	2	WASHER (5.5X13X1.2-MM THK)						
	22	1	9S-8002	1	PLUG-O-RING						

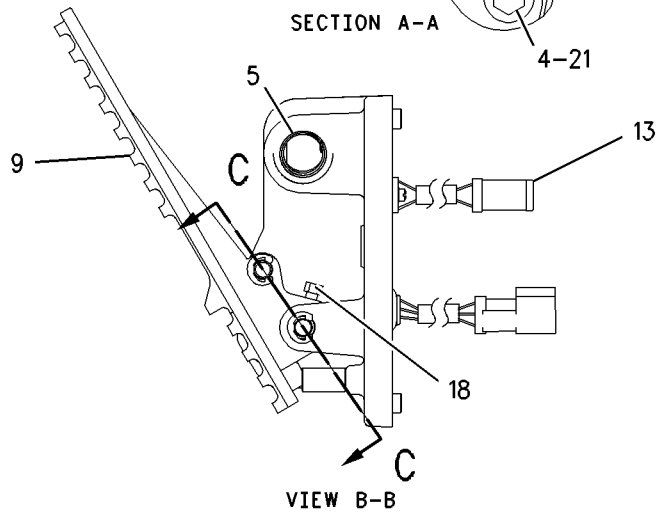
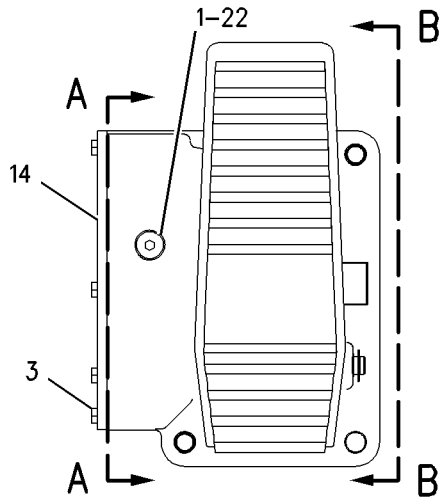
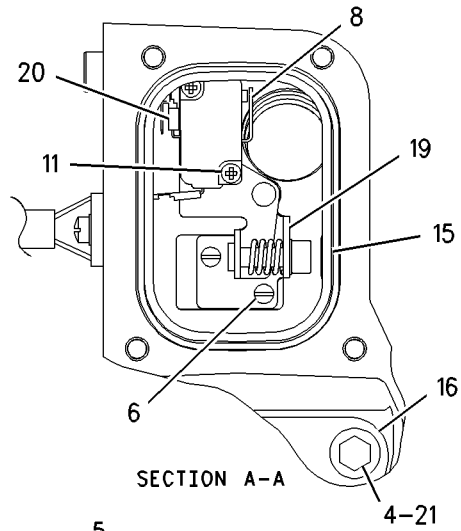
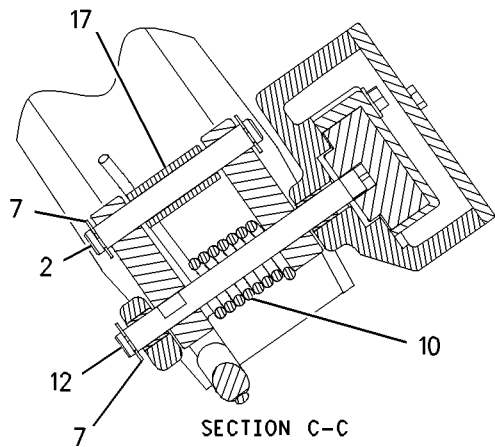
M-METRIC PART

Y-SEPARATE ILLUSTRATION

OPERATOR STATION

180-4001 PEDAL GP-BRAKE (contd.)

i04468870



GRAPHIC #1

<END>

g00764677

OPERATOR STATION

130-8176 PEDAL GP-GOVERNOR

S/N: A7A1-UP

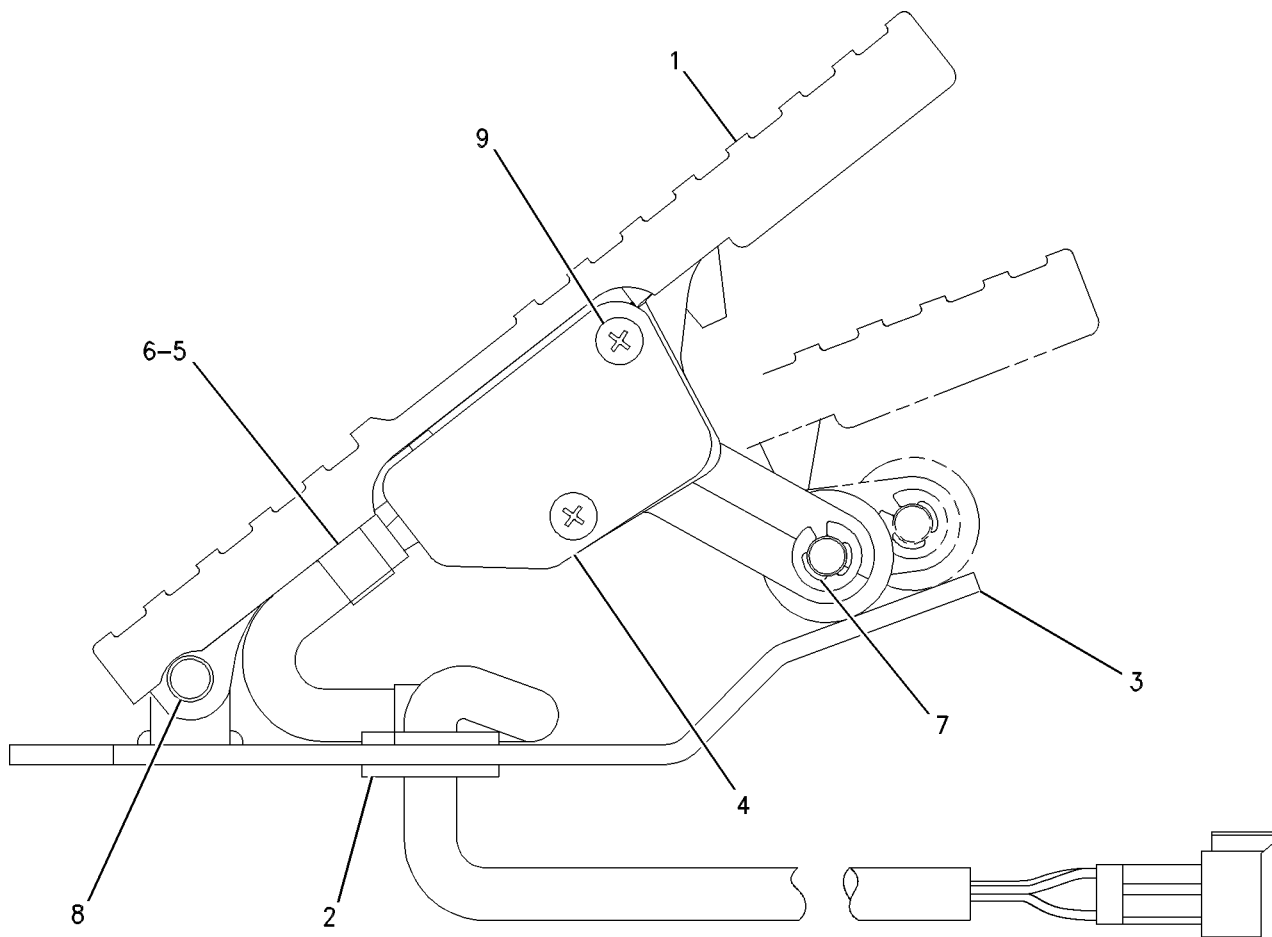
PART OF 141-4645 PEDAL GP-GOVERNOR

SMCS-1276

i04468751

NOTE	REF NO	GRAPHIC REF	PART NUMBER	QTY	PART NAME						SEE PAGE
					1	2	3	4	5	6 (PRODUCT LEVEL)	
	1	1	123-9431	1	COVER						
	2	1	7G-7053	1	GROMMET						
	3	1	160-6353	1	PLATE AS						
Y	4	1	204-7949	1	SENSOR GP-POSITION (ROTARY) (THROTTLE)						183
	5	1	160-6365	2	SCREW						
	6	1	160-6366	2	CLIP						
	7	1	140-2961	1	KIT-ROLLER (BRAKE CONTROL) (INCLUDES SNAP RING, ROLLER AND ROLLER PIN)						
	8	1	274-9189	1	KIT-TREADLE PIN (BRAKE CONTROL) (INCLUDES BUSHINGS, PIN, AND PUSH NUT)						
	9	1	140-2963	2	SCREW						

Y-SEPARATE ILLUSTRATION



GRAPHIC #1

<END>

g00495129

OPERATOR STATION

141-4645 PEDAL GP-GOVERNOR

S/N: A7A1-UP

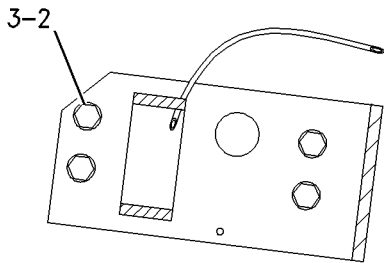
PART OF 346-3826 CAB AR

SMCS-1276

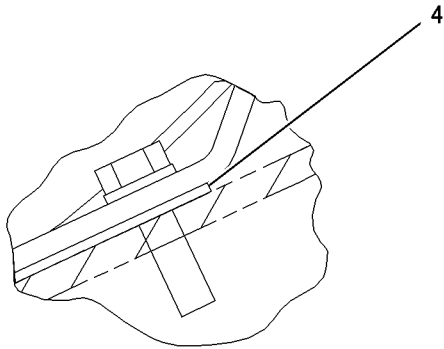
i04461149

NOTE	REF NO	GRAPHIC REF	PART NUMBER	QTY	PART NAME						SEE PAGE
					1	2	3	4	5	6 (PRODUCT LEVEL)	
Y	1	1	130-8176	1	PEDAL GP-GOVERNOR						639
	2	1	8T-4224	4	WASHER-HARD (8.8X16X2-MM THK)						
M	3	1	8T-7547	4	BOLT (M8X1.25X30-MM)						
	4	1	136-3970	1	GASKET						

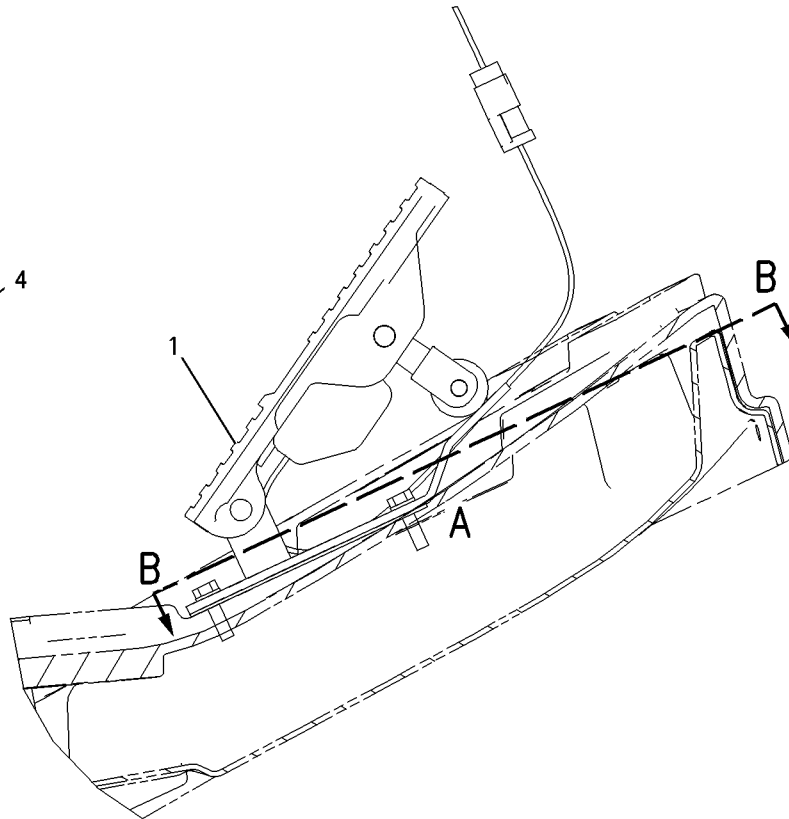
M-METRIC PART
Y-SEPARATE ILLUSTRATION



SECTION B-B



VIEW OF AREA A



GRAPHIC #1

<END>

g00779453

OPERATOR STATION

136-3357 PLATFORM GP

S/N: A7A1-UP

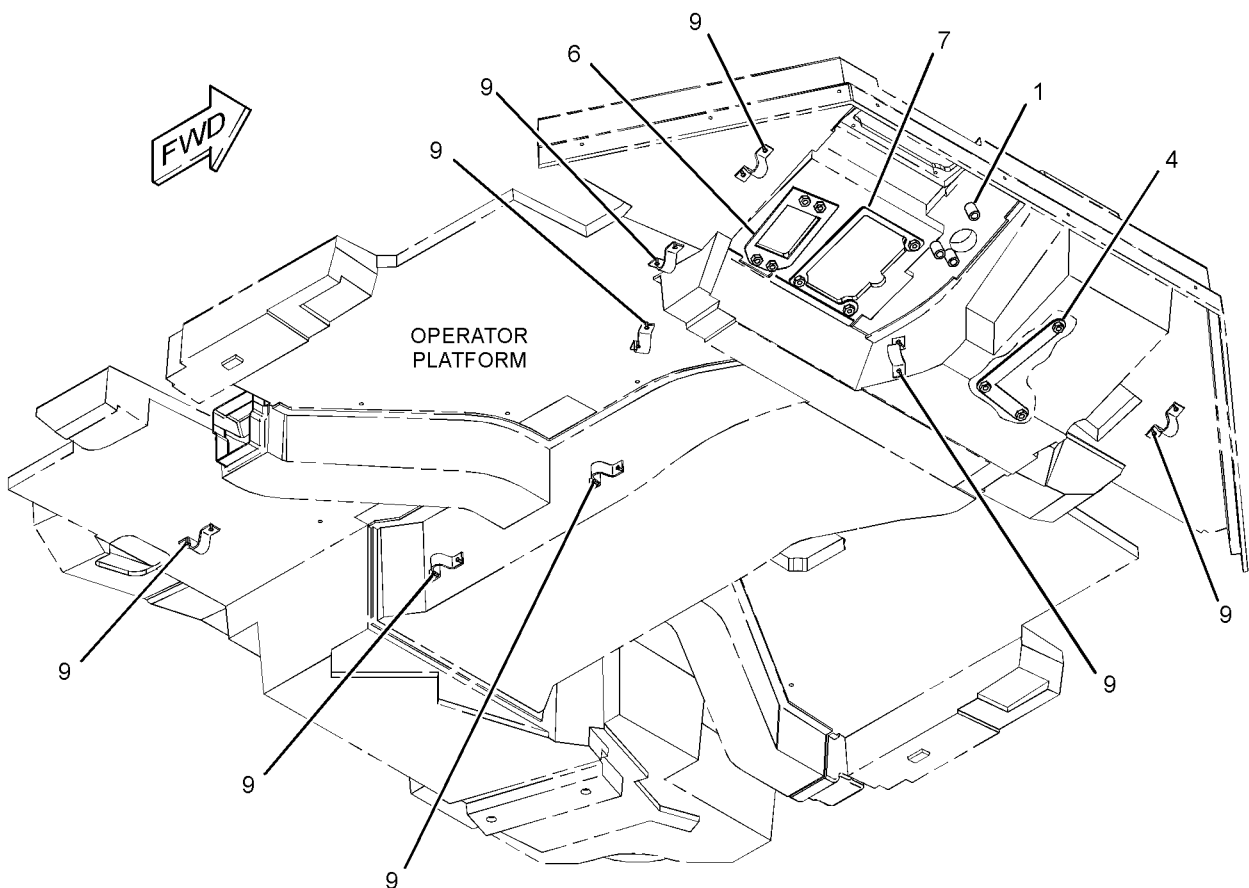
PART OF 172-4387 PLATFORM GP-CAB

SMCS-7253

i04471839

NOTE	REF NO	GRAPHIC REF	PART NUMBER	QTY	PART NAME						SEE PAGE
					1	2	3	4	5	6 (PRODUCT LEVEL)	
	1	1	2M-6102	3	PIPE						
	4	1	125-3276	1	PLATE AS						
M		1	8T-3612	3	NUT-WELD (M8X1.25-THD)						
	6	1	136-3645	1	PLATE AS						
M		1	8T-3612	4	NUT-WELD (M8X1.25-THD)						
	7	1	163-5515	1	PLATE AS						
M		1	8T-3612	3	NUT-WELD (M8X1.25-THD)						
	9	1	6K-3273	16	RIVET-POP						

M-METRIC PART



GRAPHIC #1

<END>

g01382406

OPERATOR STATION

172-4387 PLATFORM GP-CAB

S/N: A7A1-UP

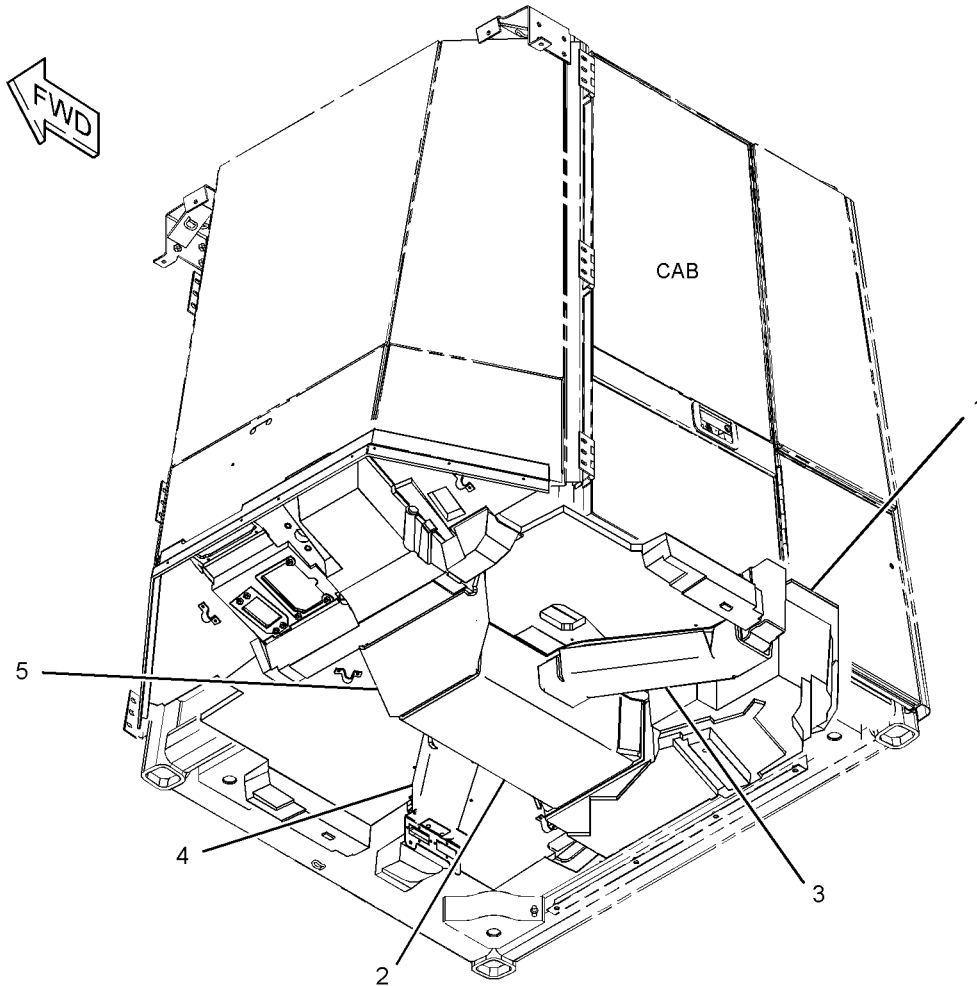
PART OF 292-6893 ROPS GP-ENCLOSED

SMCS-7253

i04471717

NOTE	REF NO	GRAPHIC REF	PART NUMBER	QTY	PART NAME						SEE PAGE
					1	2	3	4	5	6 (PRODUCT LEVEL)	
Y	1	1	136-3357	1	PLATFORM GP						641
	2	1	155-8354	1	INSULATION						
	3	1	155-8355	1	INSULATION						
	4	1	155-8356	1	INSULATION						
	5	1	159-7234	1	INSULATION						

Y-SEPARATE ILLUSTRATION



GRAPHIC #1

<END>

g01364603

OPERATOR STATION

114-5124 PLATFORM GP-OPERATOR

S/N: A7A1-UP

PART OF 284-2735 CHASSIS AR

SMCS-7253

i04456370

NOTE	REF NO	GRAPHIC REF	PART NUMBER	QTY	PART NAME						SEE PAGE
					1	2	3	4	5	6 (PRODUCT LEVEL)	
	1	1	3J-9887	8	PLATE						
	2	2	6V-1635	3	RIVET-POP						
	3	1	316-1835	2	SUPPORT AS						
	4	1	134-6052	2	SUPPORT AS						
	5	1	134-6722	1	PLATFORM AS (LH)						
	6	1	134-6723	1	PLATFORM AS (RH)						
	7	2	134-7326	1	SUPPORT AS						
M		2	8T-3597	5	NUT-WELD (M12X1.75-THD)						
	8	1	138-2800	1	PLATE AS						
	9	1	323-3544	1	SHEET AS						
	10	2	160-5877	1	SHEET AS						
M		2	8T-3597	1	NUT-WELD (M12X1.75-THD)						
Y	11	1	162-7599	1	PLATFORM GP-OPERATOR						646
	12	1	168-1793	1	BRACKET AS						
	13	2	173-9195	1	SHEET AS						
	14	2	173-9197	1	FLAP						
	15	2	173-9198	1	STRIP						
Y	16	1	178-4139	1	DOOR GP-STORAGE						604
	17	1	178-8486	1	SHEET						
	18	1	178-8504	1	SHEET						
	19	2	183-7531	1	SHEET AS-LH						
	20	1	183-7532	1	SHEET AS-RH						
	21	2	184-1699	1	PANEL AS						
	22	2	323-3543	1	PANEL AS						
		2	138-6108	2	SPACER (8.7X20X45-MM THK)						
		2	139-5546	1	SHEET						
	23	1	195-0472	1	SHEET						
	24	1	195-3162	1	SHEET AS						
M		1	8T-3597	1	NUT-WELD (M12X1.75-THD)						
	25	1,2	5P-1076	48	WASHER-HARD (13.5X30X4-MM THK)						
	26	2	7X-7729	3	WASHER (11X25X3-MM THK)						
M	27	2	8T-4137	3	BOLT (M10X1.5X20-MM)						
M	28	1,2	8T-4139	40	BOLT (M12X1.75X30-MM)						
M	29	1,2	8T-4179	24	BOLT (M12X1.75X20-MM)						
M	30	1	8T-4183	16	BOLT (M12X1.75X40-MM)						
M	31	1,2	8T-4192	8	BOLT (M12X1.75X25-MM)						
	32	1,2	8T-4223	48	WASHER-HARD (13.5X25.5X3-MM THK)						
M	33	1	096-9986	8	BOLT (M12X1.75X55-MM)						

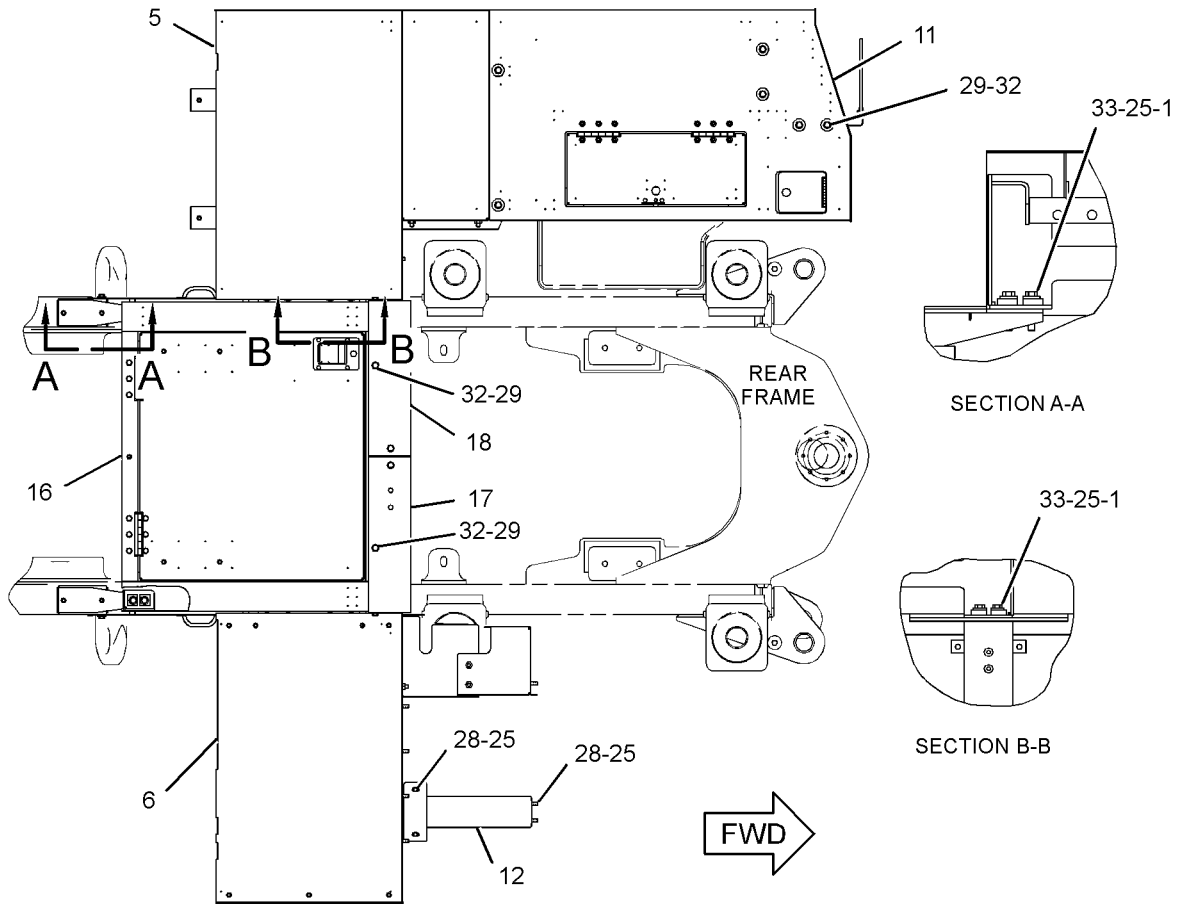
M-METRIC PART

Y-SEPARATE ILLUSTRATION

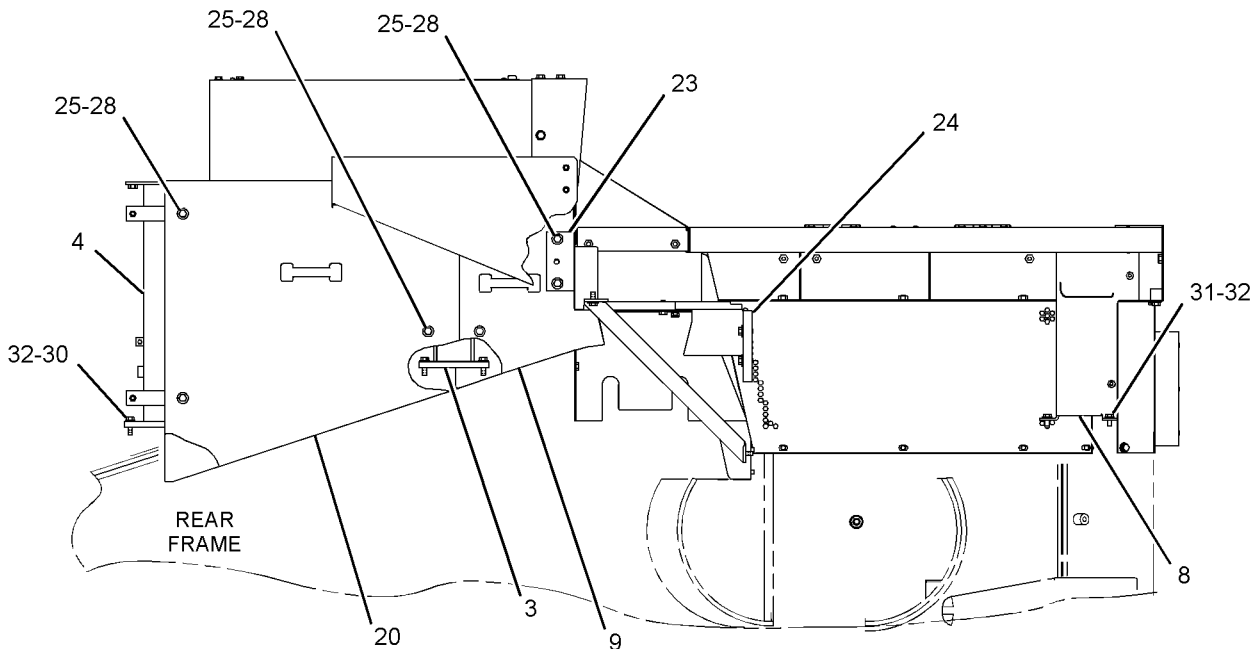
OPERATOR STATION

114-5124 PLATFORM GP-OPERATOR (contd.)

i04456370



TOP VIEW



RIGHT SIDE VIEW

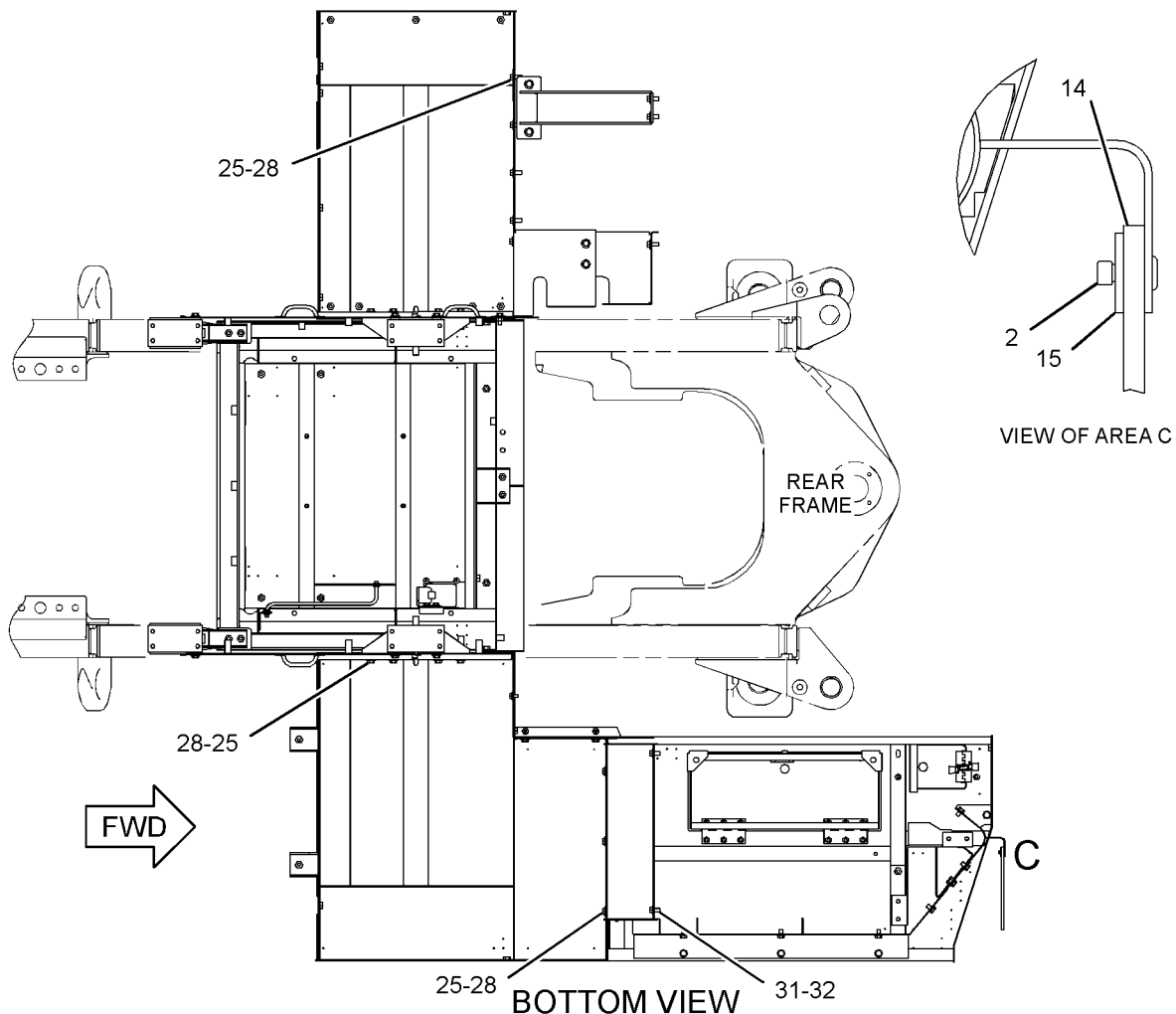
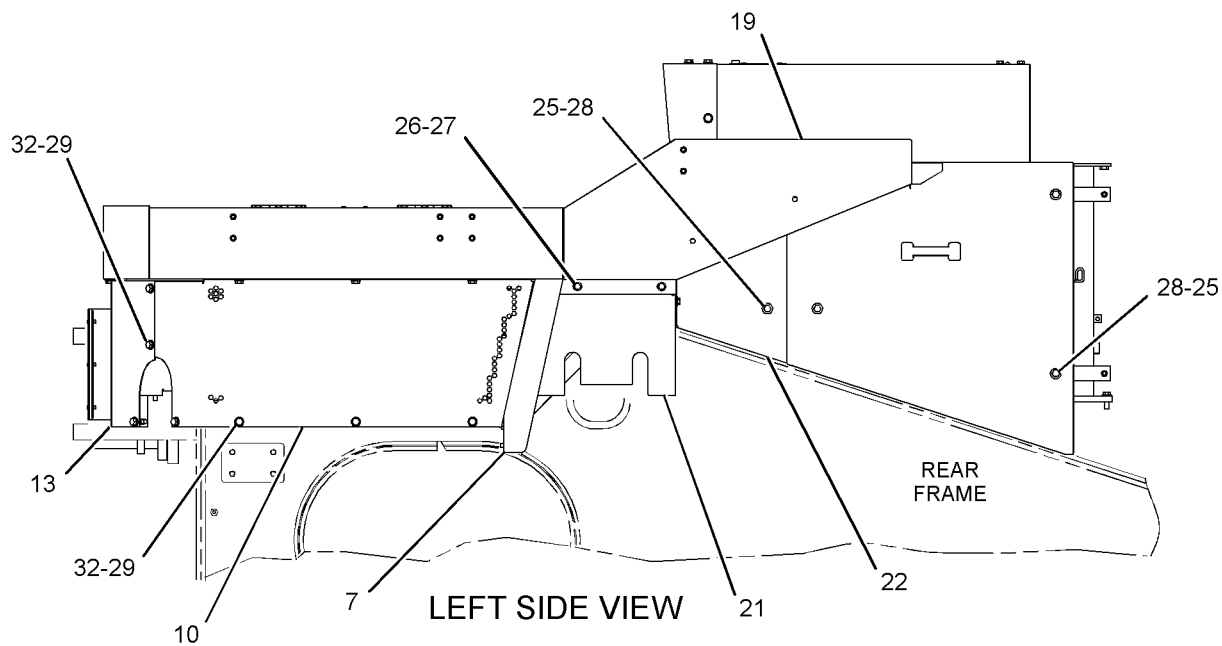
GRAPHIC #1

g01354223

OPERATOR STATION

114-5124 PLATFORM GP-OPERATOR (contd.)

i04456370



GRAPHIC #2

<END>

g01354224

OPERATOR STATION

162-7599 PLATFORM GP-OPERATOR

S/N: A7A1-UP

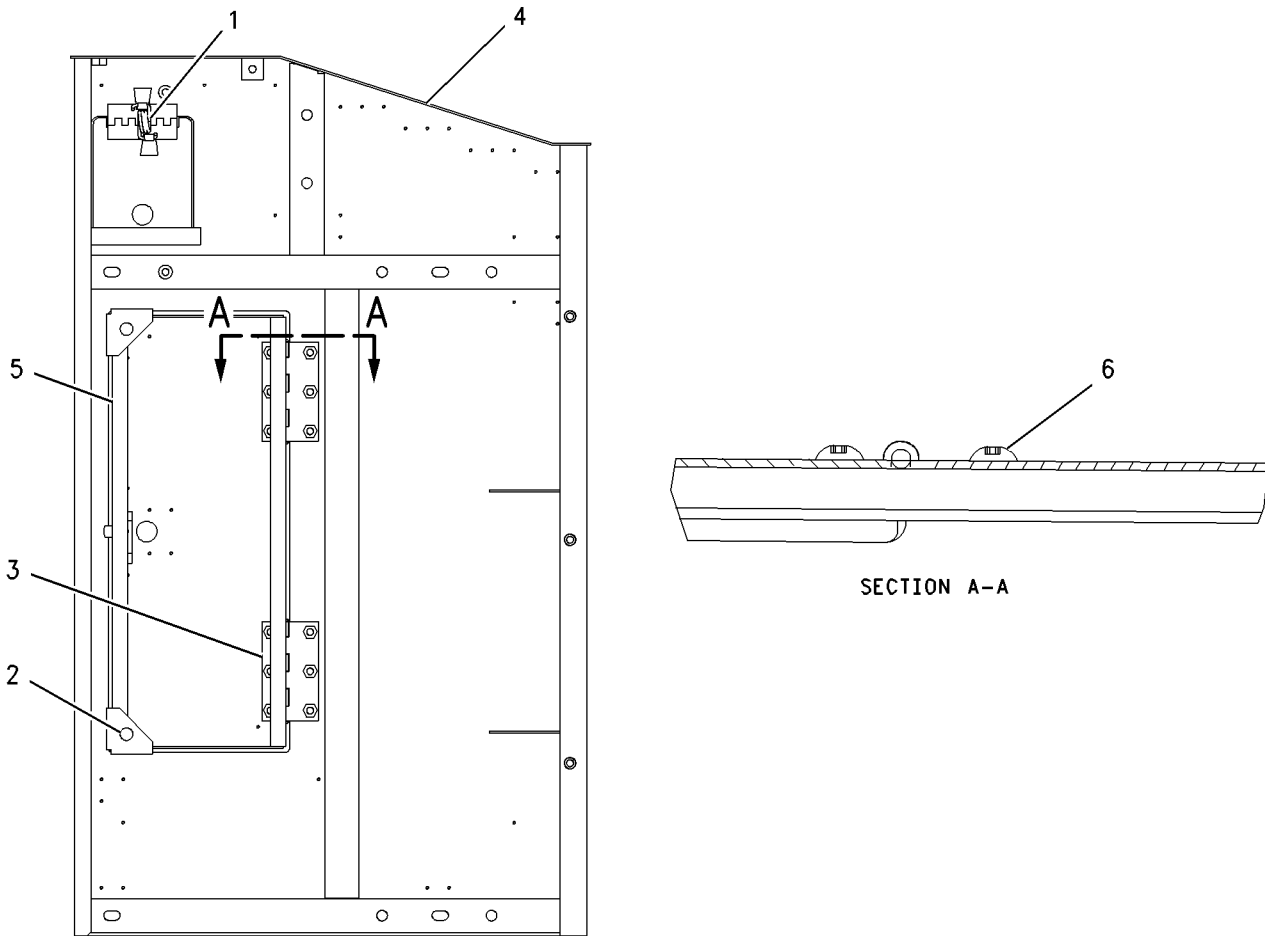
PART OF 114-5124 PLATFORM GP-OPERATOR

SMCS-7253

i04459111

NOTE	REF NO	GRAPHIC REF	PART NUMBER	QTY	PART NAME						SEE PAGE
					1	2	3	4	5	6 (PRODUCT LEVEL)	
	1	1	1K-8850	1	SPRING						
	2	1	9M-5884	2	BUMPER						
	3	1	119-1151	2	HINGE AS						
	4	1	134-6721	1	PLATFORM AS						
		1	3R-9322	1	HINGE						
		1	4K-8501	2	CLIP						
M		1	8T-3597	11	NUT-WELD (M12X1.75-THD)						
M		1	9R-2613	2	BOSS-WELD (M10X1.5X25-MM)						
	5	1	169-4374	1	DOOR AS						
		1	1V-6755	1	LATCH AS						
		1	6V-2370	2	RIVET-POP						
M	6	1	9X-2041	12	SCREW-TRUSS HEAD (M10X1.5X20-MM)						

M-METRIC PART



GRAPHIC #1

<END>

g00679205

OPERATOR STATION

210-2270 RECLINER GP-SEAT

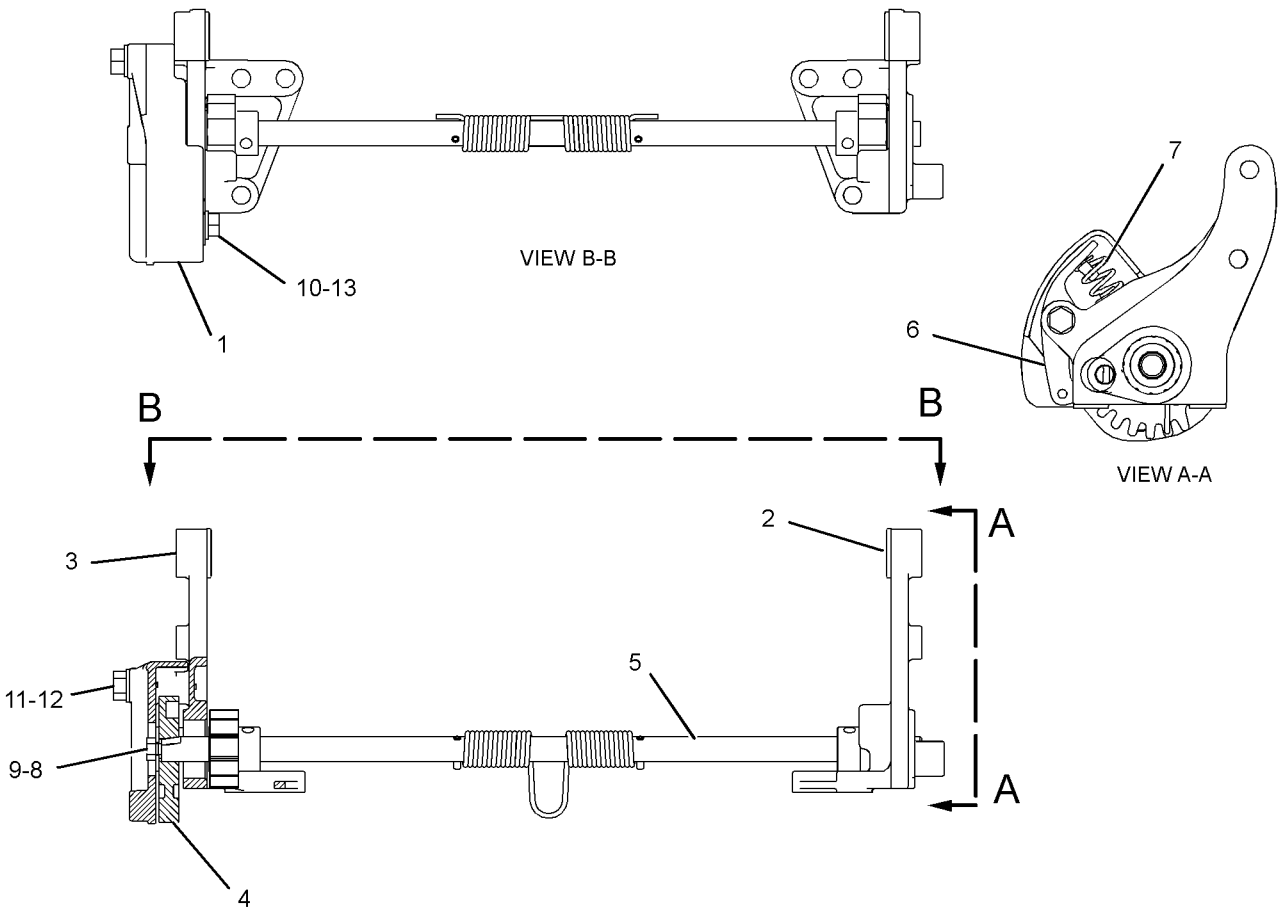
S/N: A7A1-UP

PART OF 178-0603 SEAT GP

SMCS-7312

i02703499

NOTE	REF NO	GRAPHIC REF	PART NUMBER	QTY	PART NAME						SEE PAGE
					1	2	3	4	5	6 (PRODUCT LEVEL)	
	1	1	177-1862	1	BRACKET (SEAT BELT)						
	2	1	210-2262	1	BRACKET AS (LH)						
	3	1	210-2263	1	BRACKET AS (RH)						
	4	1	210-2266	1	GEAR-LOCK (14-TEETH)						
	5	1	293-2911	1	SHAFT AS						
		1	2L-5893	2	PIN-SPRING						
		1	170-8590	1	SPRING						
	6	1	217-7933	1	LATCH						
	7	1	236-5197	1	SPRING						
	8	1	031-0214	1	BOLT-LOCKING (1/4-20X0.5-IN)						
	9	1	101-2867	1	WASHER-HARD (7.2X25X2-MM THK)						
	10	1	4M-6425	1	BOLT (5/16-18X1-IN)						
	11	1	5M-2894	1	WASHER-HARD (10.2X18.5X2.5-MM THK)						
	12	1	5S-7383	1	BOLT (3/8-16X1.75-IN)						
	13	1	8T-4224	1	WASHER-HARD (8.8X16X2-MM THK)						



GRAPHIC #1

<END>

g01296294

OPERATOR STATION

326-3073 ROOF GP-CAB

S/N: A7A1-UP

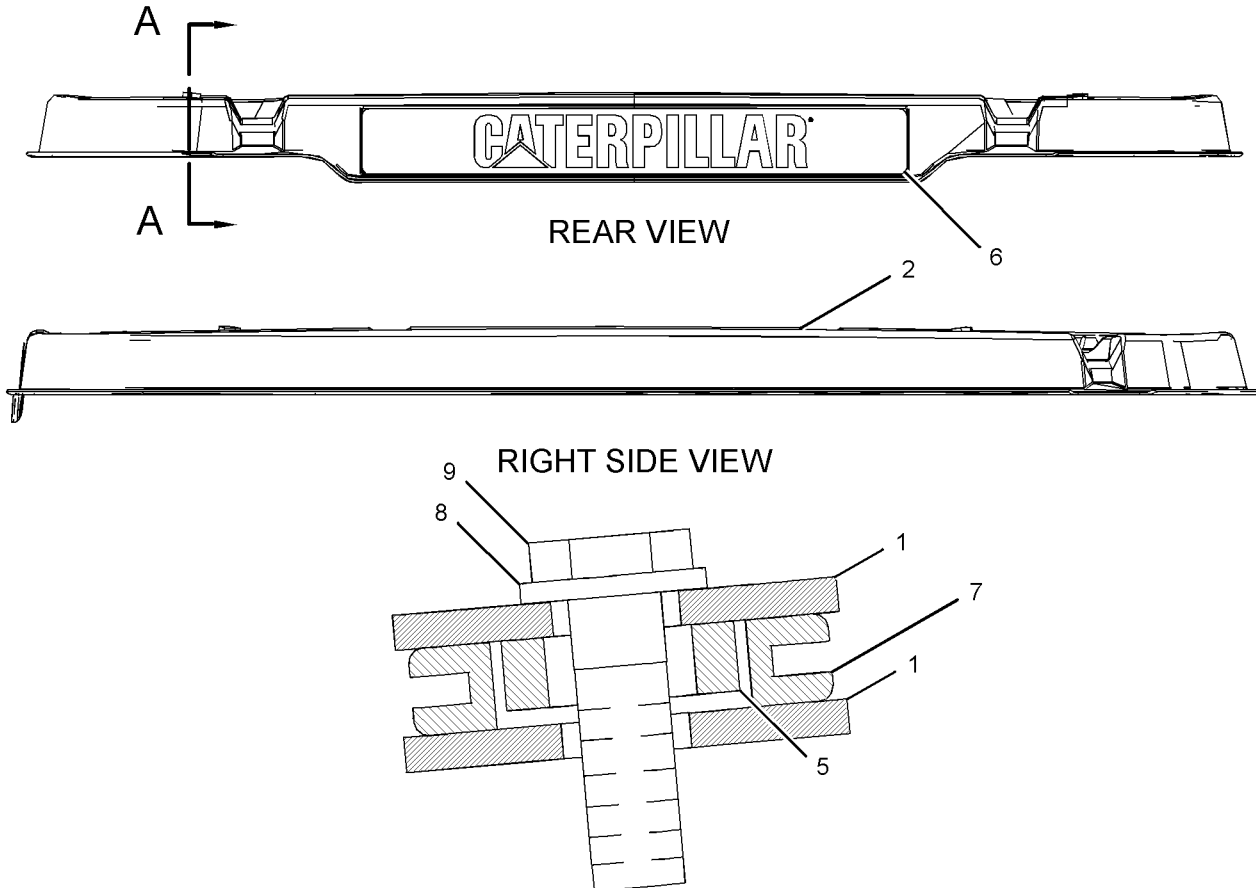
PART OF 346-3826 CAB AR

SMCS-7301

i04461151

NOTE	REF NO	GRAPHIC REF	PART NUMBER	QTY	PART NAME						SEE PAGE
					1	2	3	4	5	6 (PRODUCT LEVEL)	
	1	1	107-3157	8	WASHER (22X76.2X6-MM THK)						
	2	1	173-2118	1	ROOF						
	5	1	196-0436	4	SPACER (25X40X12-MM THK)						
	6	1	197-4859	1	FILM-IDENTIFICATION (CATERPILLAR, REAR CAB)						
	7	1	197-5470	4	GROMMET						
	8	1	8T-4122	4	WASHER-HARD (17X32X3.5-MM THK)						
M	9	1	8T-4193	4	BOLT (M16X2X50-MM)						

M-METRIC PART



SECTION A-A

GRAPHIC #1

<END>

g02061493

OPERATOR STATION

292-6893 ROPS GP-ENCLOSED

S/N: A7A1-UP

PART OF 346-3826 CAB AR

SMCS-7301

i04461153

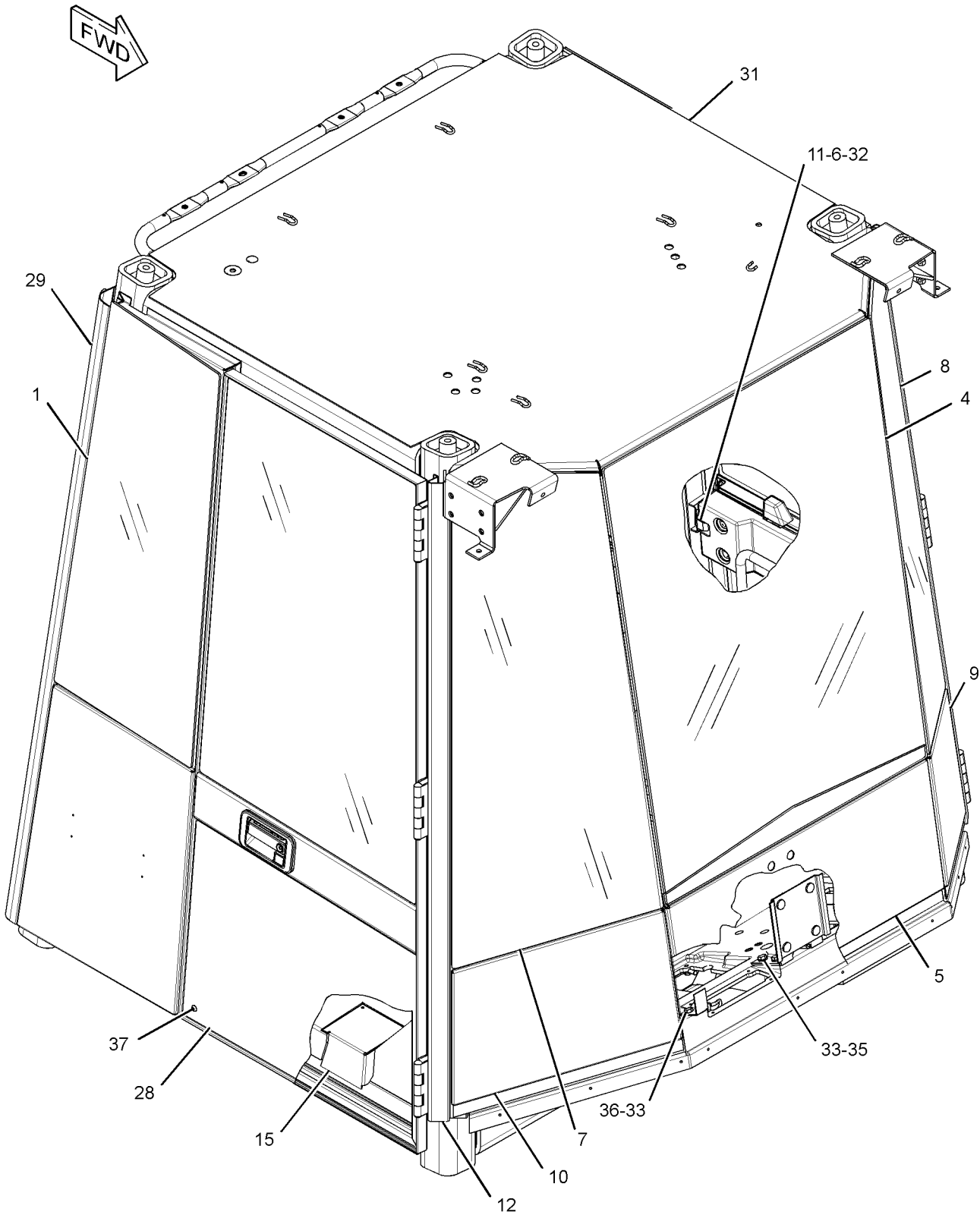
NOTE	REF NO	GRAPHIC REF	PART NUMBER	QTY	PART NAME						SEE PAGE
					1	2	3	4	5	6 (PRODUCT LEVEL)	
	1	1	351-9959	1	GLASS (RIGHT SIDE, REAR)						
	2	2	351-9958	1	GLASS (REAR)						
	3	2	351-9963	1	GLASS (LEFT SIDE, REAR)						
	4	1	107-4603	1	GLASS (FRONT)						
	5	1	107-7306	1	SHEET AS						
	6	1,2	111-0687	2	STRIKER AS						
	7	1	121-3274	1	GLASS (RIGHT SIDE, FRONT)						
	8	1	121-3275	1	GLASS (LEFT SIDE, FRONT)						
	9	1	121-3277	1	SHEET AS (LEFT SIDE, FRONT)						
	10	1	121-3278	1	SHEET AS (RIGHT SIDE, FRONT)						
	11	1,2	128-1026	2	SHIELD-STRIKER						
	12	1	129-2570	1	CHANNEL AS						
		1	5D-9629	2	ROD						
	13	2	129-2572	1	CHANNEL						
	14	2	129-2581	1	DOOR AS						
		2	111-1316	1	HINGE						
		2	1V-6755	1	LATCH AS						
	15	1	136-1725	1	TRIM (RH)						
	16	2	136-1726	1	TRIM (LH)						
	17	2	136-1728	1	TRIM (LH)						
	18	2	136-1729	1	TRIM (RH)						
	19	2	136-1730	1	TRIM (RH)						
	20	2	114-9252	1	BRACKET AS						
	21	2	136-1732	1	SHEET AS						
	22	2	136-1734	1	INSULATION						
	23	2	136-9353	1	TRIM						
	24	2	137-7321	1	TRIM (LH)						
Y	26	2	179-3737	1	DOOR GP-CAB (LH)						600
Y	27	2	172-4387	1	PLATFORM GP-CAB (LH)						642
Y	28	1	179-3738	1	DOOR GP-CAB (RH)						602
	29	1	240-9499	1	TRIM AS (RH)						
	30	2	343-3145	1	BRACKET AS						
	31	1	301-4549	1	CAB AS-ENCLOSED ROPS						
	32	1,2	7T-0920	2	BLOCK						
	33	1,2	8T-4121	24	WASHER-HARD (11X21X2.5-MM THK)						
M	35	1	8T-4136	4	BOLT (M10X1.5X25-MM)						
M	36	1,2	8T-4137	20	BOLT (M10X1.5X20-MM)						
M	37	1	9X-2044	1	SCREW-TRUSS HEAD (M6X1X16-MM)						
M	38	2	9X-2042	2	SCREW-TRUSS HEAD (M6X1X12-MM)						

M-METRIC PART
Y-SEPARATE ILLUSTRATION

OPERATOR STATION

292-6893 ROPS GP-ENCLOSED (contd.)

i04461153



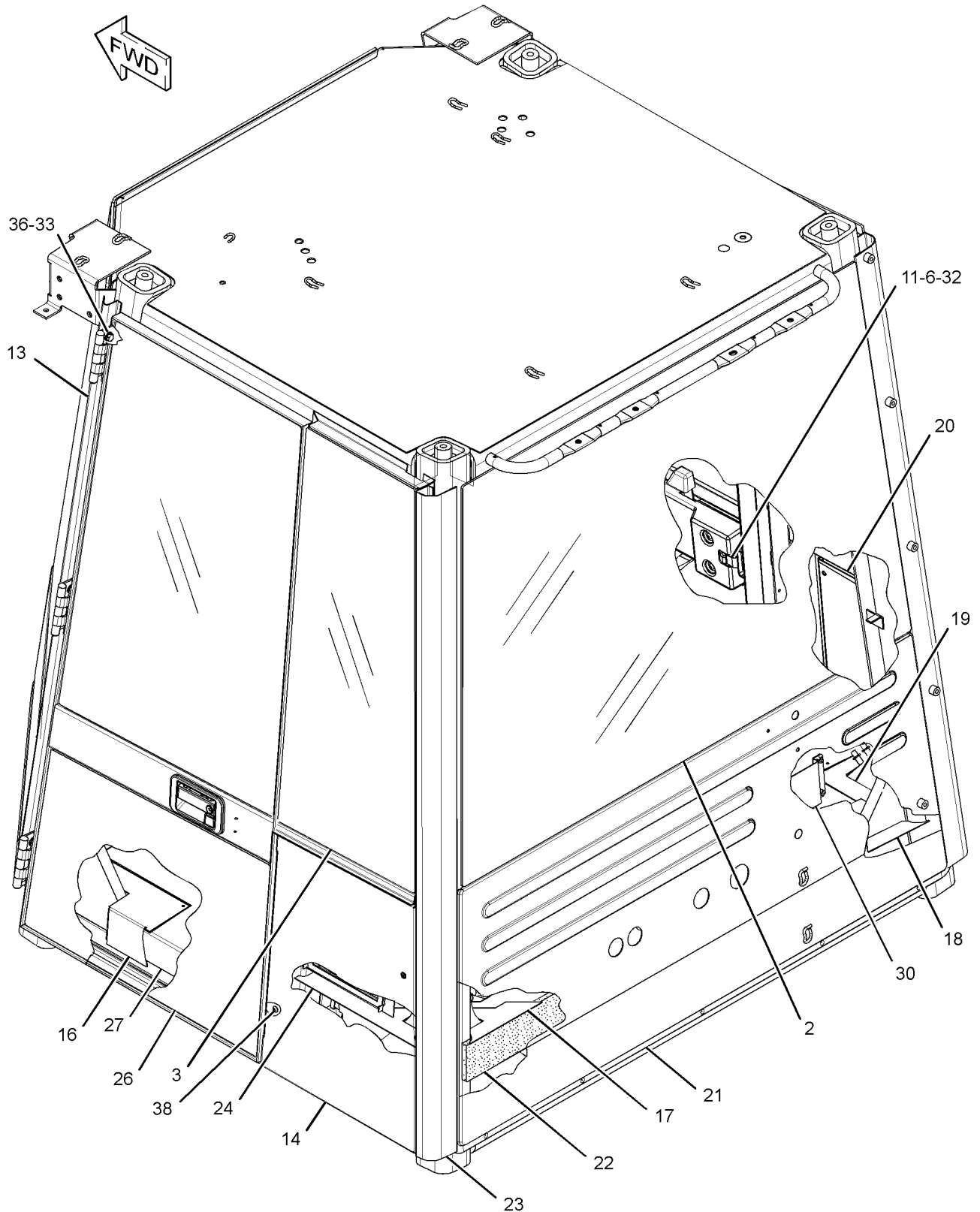
GRAPHIC #1

g02498538

OPERATOR STATION

292-6893 ROPS GP-ENCLOSED (contd.)

i04461153



GRAPHIC #2

<END>

g02498617

OPERATOR STATION

117-1410 SEALING GP-GLASS

S/N: A7A1-UP

PART OF 346-3826 CAB AR

SMCS-7310, 7340

i04461155

NOTE	PART NUMBER	QTY	PART NAME						SEE PAGE
			1	2	3	4	5	6 (PRODUCT LEVEL)	
B	311-3898	1	ADHESIVE						
B-USE AS REQUIRED									

<END>

OPERATOR STATION

222-0345 SEAT BELT GP-RETRACTABLE

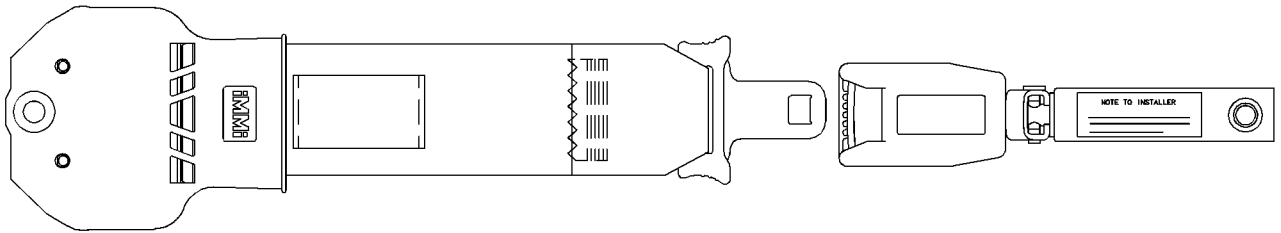
S/N: A7A1-UP

PART OF 178-0606 SEAT GP

SMCS-7327

i04468930

NOTE	REF NO	GRAPHIC REF	PART NUMBER	QTY	PART NAME						SEE PAGE
					1	2	3	4	5	6 (PRODUCT LEVEL)	
F			0T-0244	1	BOLT (7/16-20X1.25-IN)						
F			205-6388	1	BOLT (7/16-20X1.75-IN)						
F-NOT SHOWN											



GRAPHIC #1

<END>

g01196135

OPERATOR STATION

178-0603 SEAT GP-CLOTH

S/N: A7A1-UP

PART OF 178-0606 SEAT GP

SMCS-7312

i04468929

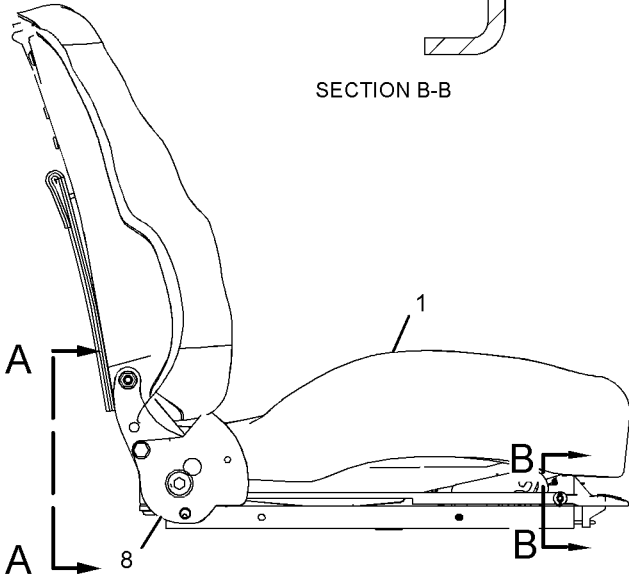
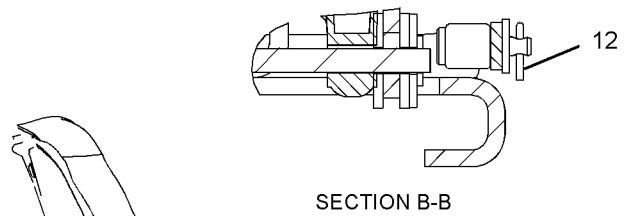
NOTE	REF NO	GRAPHIC REF	PART NUMBER	QTY	PART NAME	SEE PAGE
					1 2 3 4 5 6 (PRODUCT LEVEL)	
	1	1	218-0861	1	PAN AS	
		1	8T-9082	5	RIVET-POP	
		1	217-9049	1	CUSHION AS	
	2	1	143-1288	8	LOCKNUT-FLANGE (3/8-16-THD)	
	3	1	171-1230	6	SCREW-BUTTON HEAD (3/8-16X1-IN)	
	4	1	171-6682	1	BAR	
	5	1	172-2416	2	PIN	
Y	6	1	173-1028	1	ADJUSTER GP-SEAT	575
	7	1	177-1863	2	BOLT-PIVOT (3/8-16X2.89-IN)	
Y	8	1	210-2270	1	RECLINER GP-SEAT	647
Y	9	1	292-9237	1	PAN GP-BACKREST (CLOTH, LUMBAR) (CLOTH)	632
	10	1	184-2298	1	ROD	
	11	1	184-2299	4	WASHER (7X25.4X2.54-MM THK)	
	12	1	095-0843	2	PIN-COTTER	
	13	1	5V-1496	2	RETAINER	
	14	1	6V-7646	2	WASHER-HARD (7.2X25X2-MM THK)	
	15	1	8T-0328	1	WASHER-HARD (5.5X10X1-MM THK)	
	16	1	8T-4205	1	WASHER-HARD (7.2X14.5X2-MM THK)	
	17	1	294-5042	2	SPACER (11.1X19.5X9.67-MM THK)	

Y-SEPARATE ILLUSTRATION

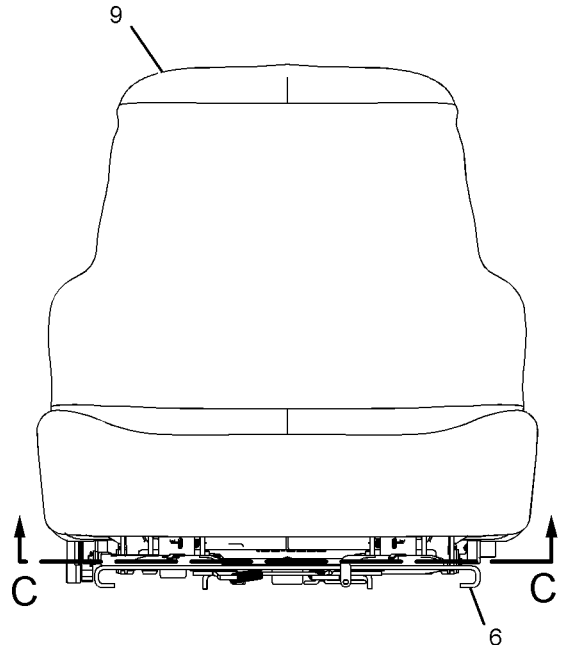
OPERATOR STATION

178-0603 SEAT GP (contd.)

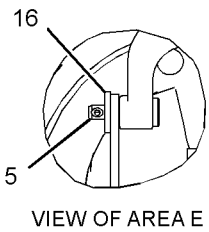
i04468929



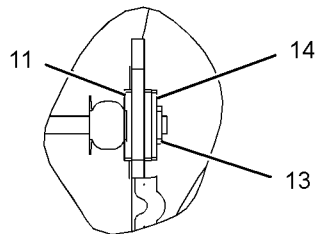
RIGHT SIDE VIEW



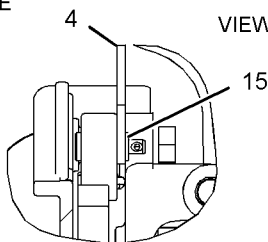
FRONT VIEW



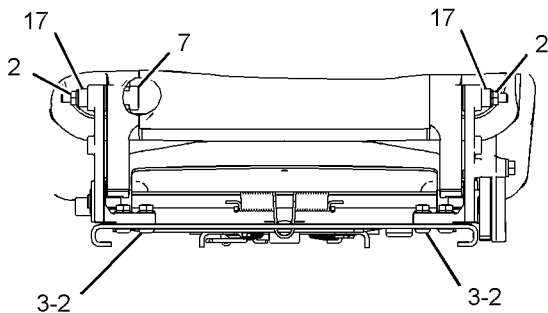
VIEW OF AREA E



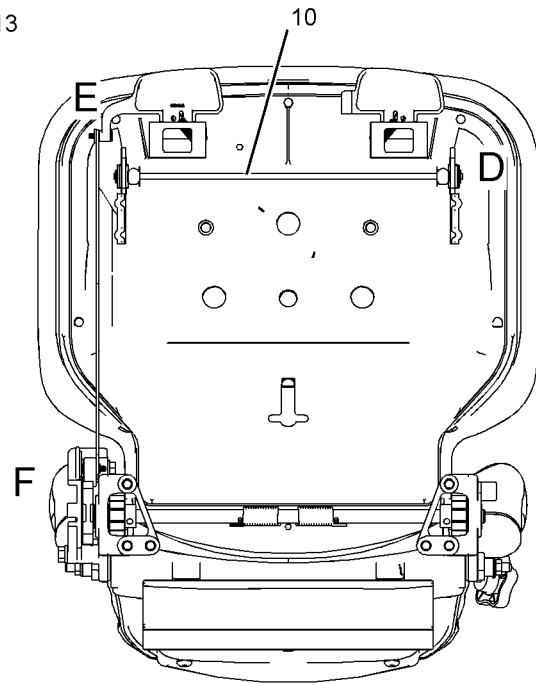
VIEW OF AREA D



VIEW OF AREA F



VIEW A-A



SECTION C-C

GRAPHIC #1

<END>

g01336990

OPERATOR STATION

178-0606 SEAT GP-CLOTH

S/N: A7A1-UP

PART OF 200-3174 SEAT GP-SUSPENSION

SMCS-7312

i04468890

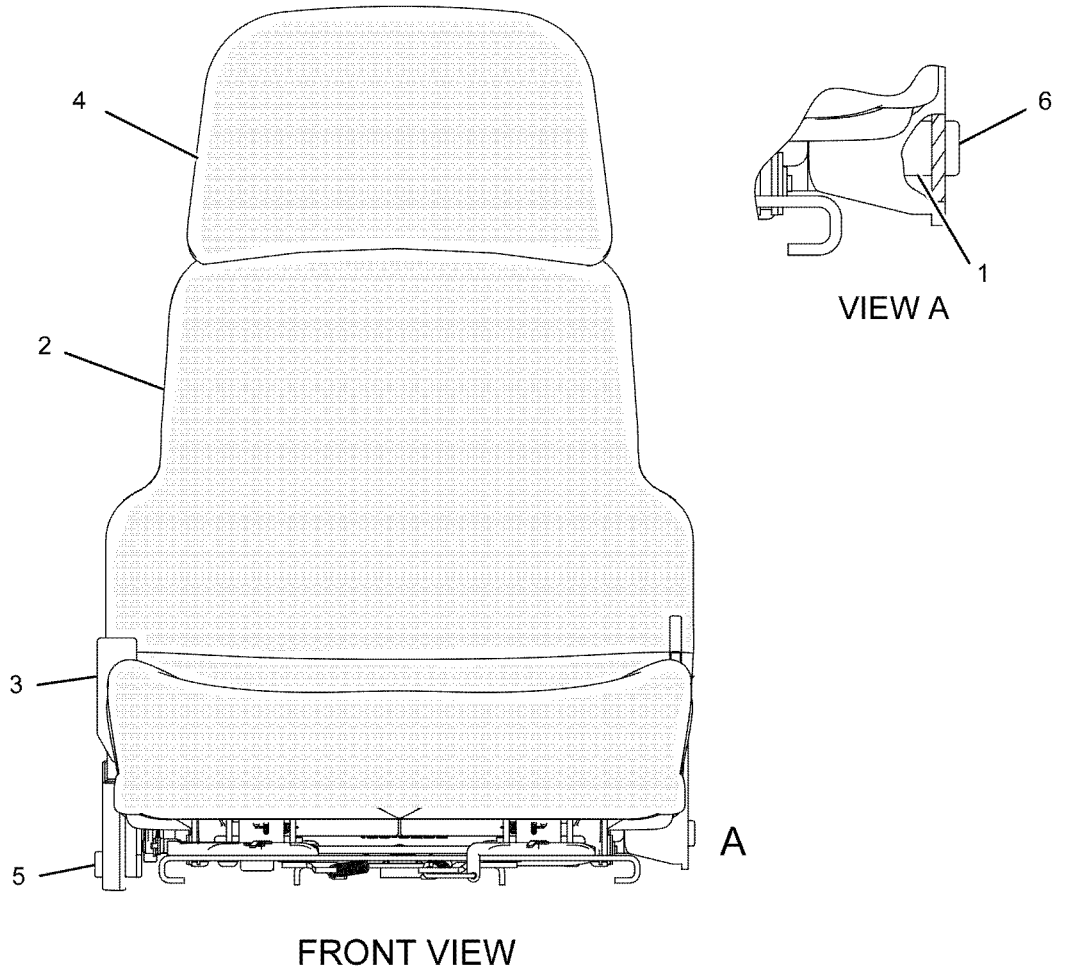
NOTE	REF NO	GRAPHIC REF	PART NUMBER	QTY	PART NAME	SEE PAGE
					1 2 3 4 5 6 (PRODUCT LEVEL)	
	1	1	177-4937	1	SPACER (11.7X19.8X20.3-MM THK)	
Y	2	1	178-0603	1	SEAT GP (CLOTH)	654
Y	3	1	222-0345	1	SEAT BELT GP (RETRACTABLE)	653
	4	1	229-1494	1	EXTENSION GP-BACKREST (CLOTH)	
		1	117-4491	1	ROD	
	5	1	0T-0244	1	BOLT (7/16-20X1.25-IN)	
	6	1	205-6388	1	BOLT (7/16-20X1.75-IN)	

Y-SEPARATE ILLUSTRATION

OPERATOR STATION

178-0606 SEAT GP (contd.)

i04468890



GRAPHIC #1

<END>

g01084230

OPERATOR STATION

200-3174 SEAT GP-SUSPENSION

S/N: A7A1-UP

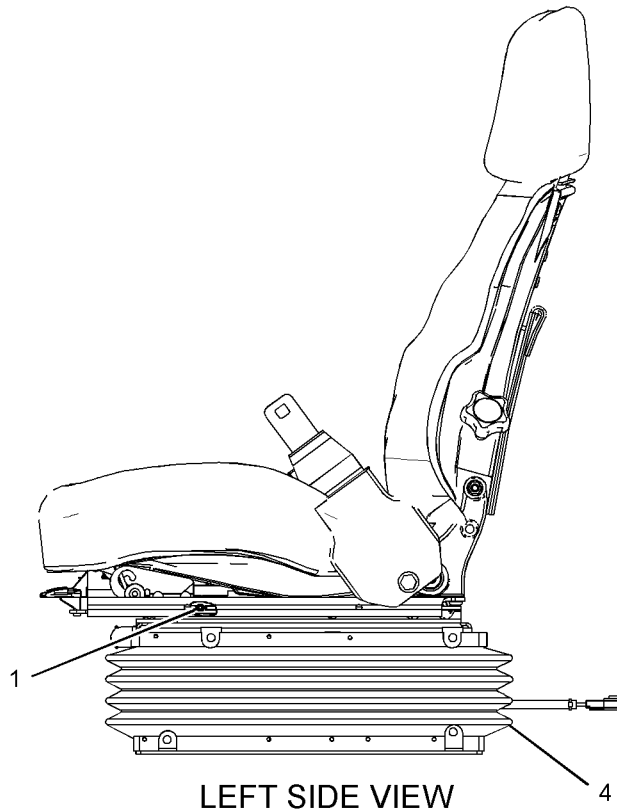
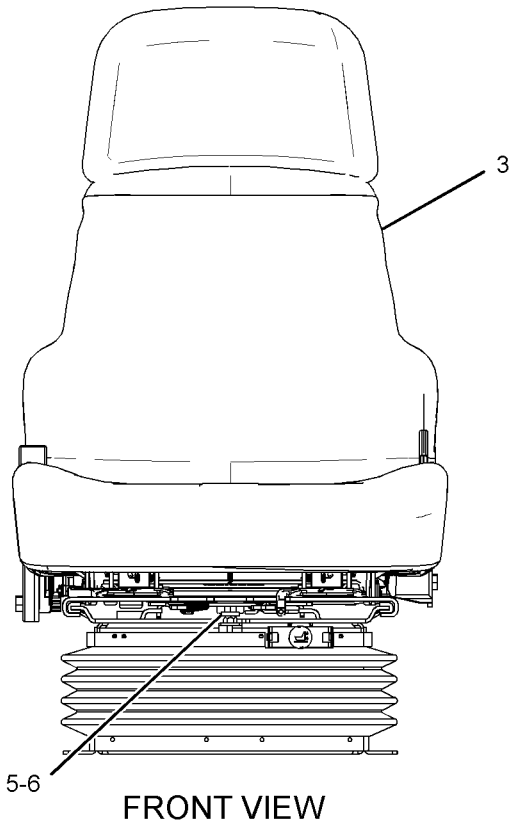
PART OF 346-3826 CAB AR

SMCS-7324, 7336

i04468571

NOTE	REF NO	GRAPHIC REF	PART NUMBER	QTY	PART NAME	SEE PAGE
J	1	1	173-5787	4	SETSCREW (1/4-20-THD)	
Y	3	1	178-0606	1	SEAT GP (CLOTH)	656
Y	4	1	191-2933	1	SUSPENSION GP-SEAT (AIR)	667
J	5	1	203-7703	2	WASHER-HARD (10.2X22.22X2.38-MM THK)	
J	6	1	4F-4879	1	BOLT (3/8-16X0.5-IN)	
AVAILABLE REPAIR KIT(S):						
J			173-7035	1	KIT-SLIDER BLOCK (SUSPENSION SEAT)	

J-KIT MARKED J INCLUDES PARTS MARKED J
Y-SEPARATE ILLUSTRATION



GRAPHIC #1

<END>

g01608353

OPERATOR STATION

325-7180 SUPPORT GP-HYDRAULIC CONTROL

S/N: A7A1-UP

PART OF 346-3826 CAB AR

SMCS-5258

i04461168

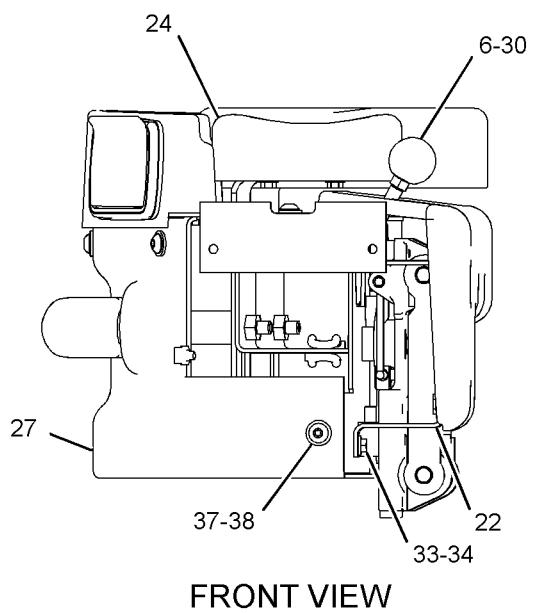
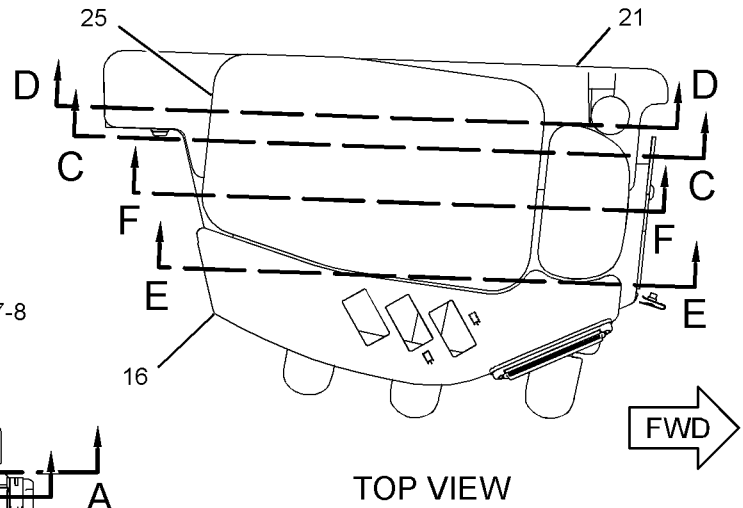
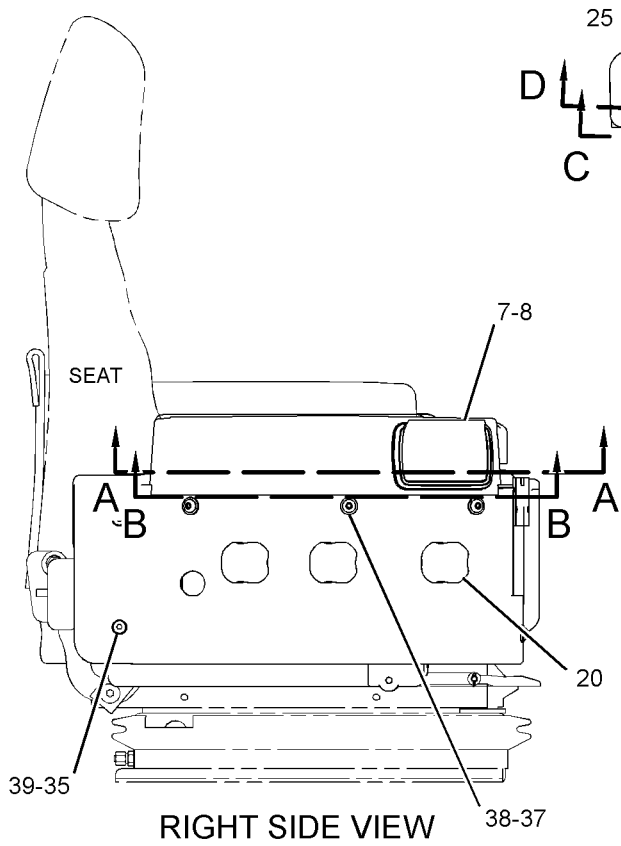
NOTE	REF NO	GRAPHIC REF	PART NUMBER	QTY	PART NAME						SEE PAGE
					1	2	3	4	5	6 (PRODUCT LEVEL)	
	1	2	4E-6523	1	SUPPORT-SLIDE						
	2	2	4E-8722	1	NUT (RETAINER)						
	3	2	4E-9173	2	SHAFT-CONTROL						
	4	2	4E-9174	4	BEARING						
	5	2	7V-0445	1	SPRING						
	6	1	7X-3310	1	KNOB-BALL						
	7	1	8Y-5746	1	ASHTRAY						
	8	1	8Y-6333	1	GASKET (ASHTRAY)						
	9	2	9U-0952	1	PIN						
	10	2	9U-0953	1	GUIDE						
	11	2	9U-0954	1	STUD						
	12	2	9U-0955	1	PIN						
	13	2	9U-3925	8	RING-RETAINING						
	14	2	9U-3926	7	STOP						
	15	2	174-4301	1	LEVER AS						
	16	1	198-8769	1	CONSOLE AS						
	17	2	200-0728	1	BRACKET						
	18	2	200-0729	1	BRACKET						
	19	2	203-0328	1	SPACER (16X19X9-MM THK)						
	20	1	203-9991	3	KNOB AS						
					(EACH INCLUDES)						
		1	8T-0277	1	PIN-SPRING						
M		1	9X-8281	1	STUD-TAPERLOCK (M10X1.5X45-MM)						
	21	1	205-8212	1	CUSHION AS						
	22	1	210-6783	1	BRACKET AS						
	23	2	253-0575	1	BRACKET AS						
	24	1	254-9146	1	CUSHION AS						
	25	1	254-9147	1	CUSHION AS						
	26	2	301-5154	1	SLIDER						
	27	1	348-8181	1	COVER						
M	28	2	099-3649	4	BOLT (M8X1.25X40-MM)						
	29	2	3K-4897	1	PIN-SPRING						
M	30	1,2	5C-7261	4	NUT (M8X1.25-THD)						
M	31	2	6V-9327	4	SETSCREW-SOCKET (M6X1-THD)						
M	32	2	8T-4136	4	BOLT (M10X1.5X25-MM)						
M	33	1	8T-4138	11	BOLT (M6X1X20-MM)						
	34	1	8T-4205	11	WASHER-HARD (7.2X14.5X2-MM THK)						
	35	1,2	8T-4224	9	WASHER-HARD (8.8X16X2-MM THK)						
	36	2	9X-2027	1	WASHER (11X18X2-MM THK)						
	37	1,2	9X-2038	9	WASHER (7X19X2-MM THK)						
M	38	1,2	9X-2044	9	SCREW-TRUSS HEAD (M6X1X16-MM)						
M	39	1,2	9X-2616	2	SCREW-SOCKET (M8X1.25X16-MM)						

M-METRIC PART

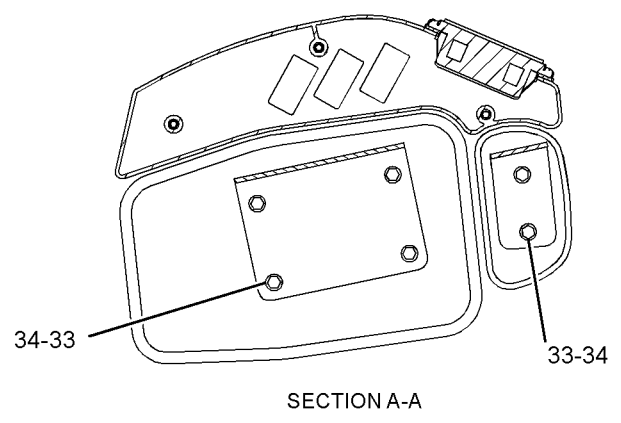
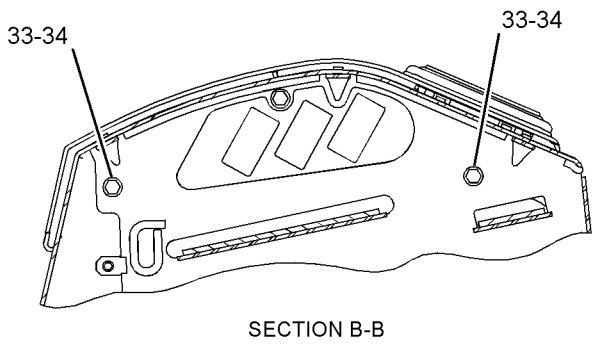
OPERATOR STATION

325-7180 SUPPORT GP-HYDRAULIC CONTROL (contd.)

i04461168



REFER TO ALL ILLUSTRATIONS OF THIS GROUP FOR AUXILIARY VIEWS



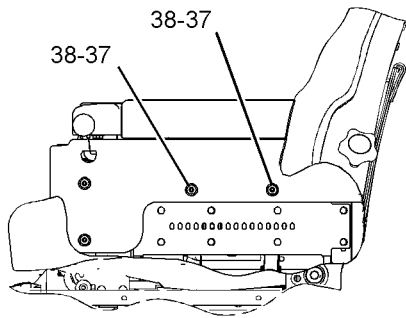
GRAPHIC #1

g02299595

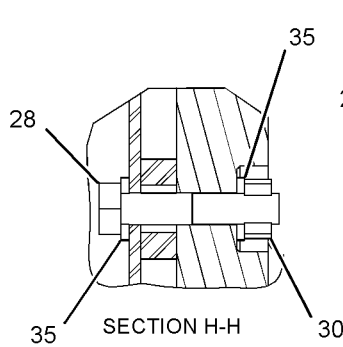
OPERATOR STATION

325-7180 SUPPORT GP-HYDRAULIC CONTROL (contd.)

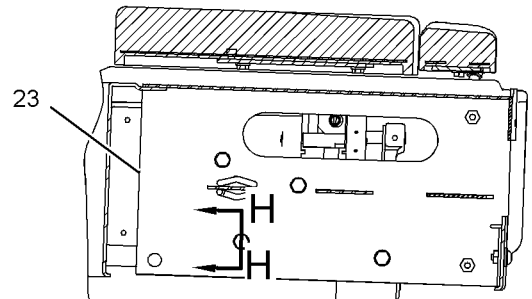
i04461168



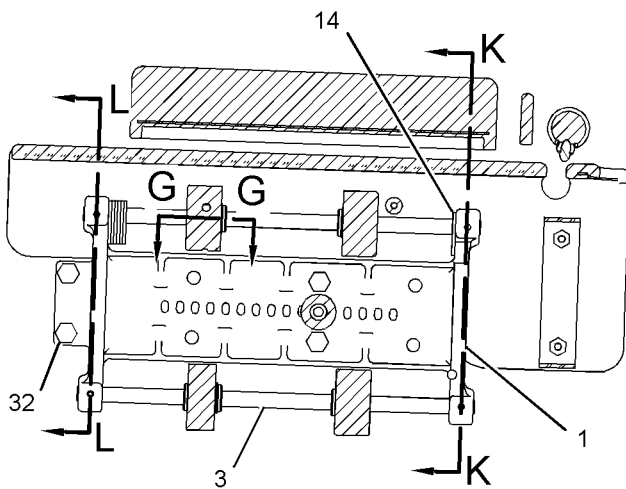
LEFT SIDE VIEW



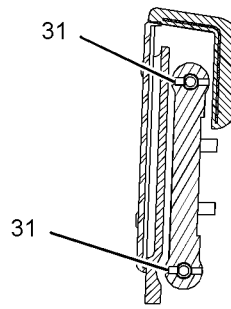
SECTION H-H



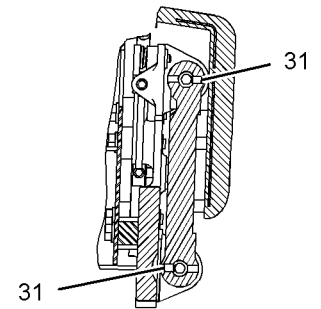
SECTION F-F



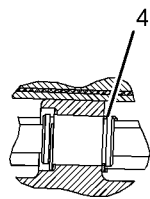
SECTION D-D



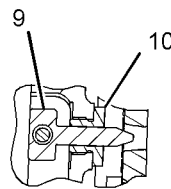
SECTION L-L



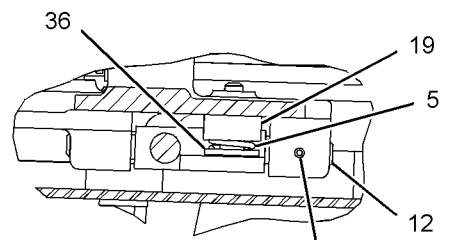
SECTION K-K



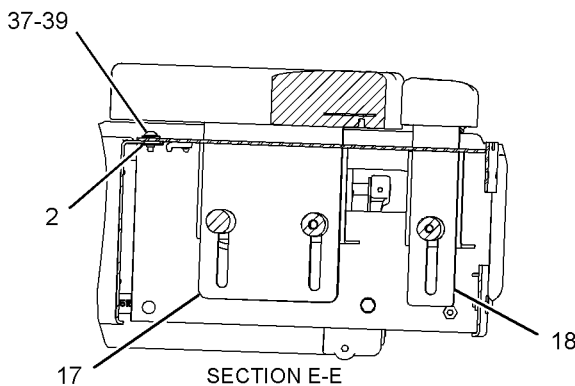
SECTION G-G



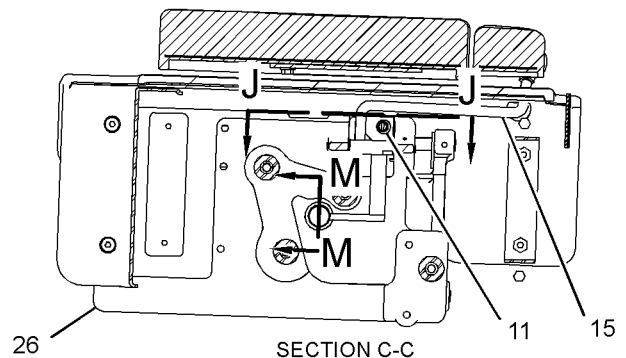
SECTION M-M



SECTION J-J



SECTION E-E



SECTION C-C

GRAPHIC #2

<END>

g02065355

OPERATOR STATION

326-3198 SUPPORT GP-SEAT

S/N: A7A1-UP

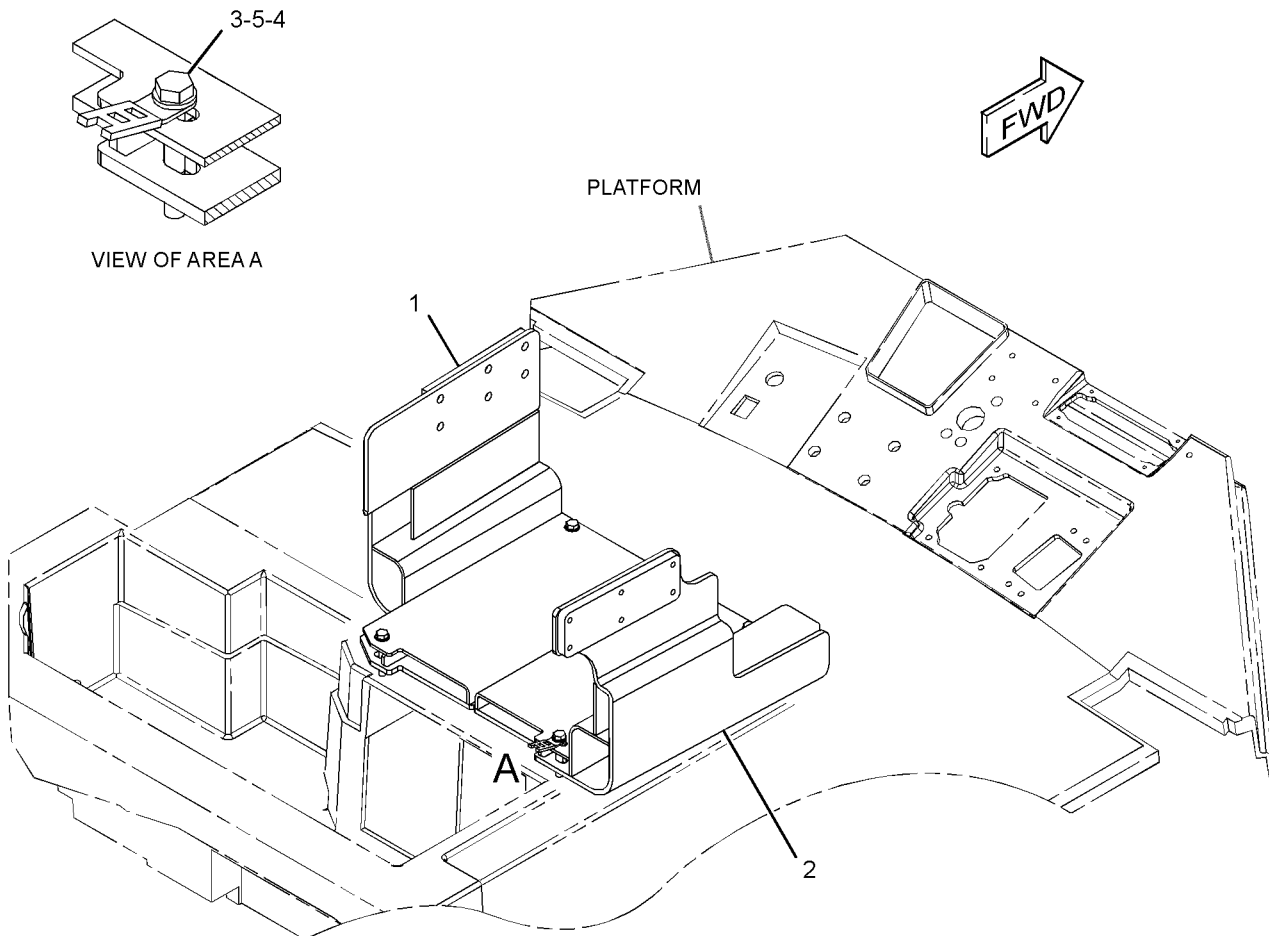
PART OF 346-3826 CAB AR

SMCS-7321

i04468574

NOTE	REF NO	GRAPHIC REF	PART NUMBER	QTY	PART NAME						SEE PAGE
					1	2	3	4	5	6 (PRODUCT LEVEL)	
	1	1	171-9683	1	BRACKET AS (LH)						
	2	1	326-3205	1	BRACKET AS (RH)						
M	3	1	168-4510	4	BOLT (M10X1.5X70-MM)						
	4	1	4P-7581	1	CLIP						
	5	1	8T-4121	4	WASHER-HARD (11X21X2.5-MM THK)						

M-METRIC PART



GRAPHIC #1

<END>

g02064213

OPERATOR STATION

171-3897 SUPPORT GP-STEERING CONTROL

S/N: A7A1-UP

PART OF 346-3826 CAB AR

SMCS-5258

i04461171

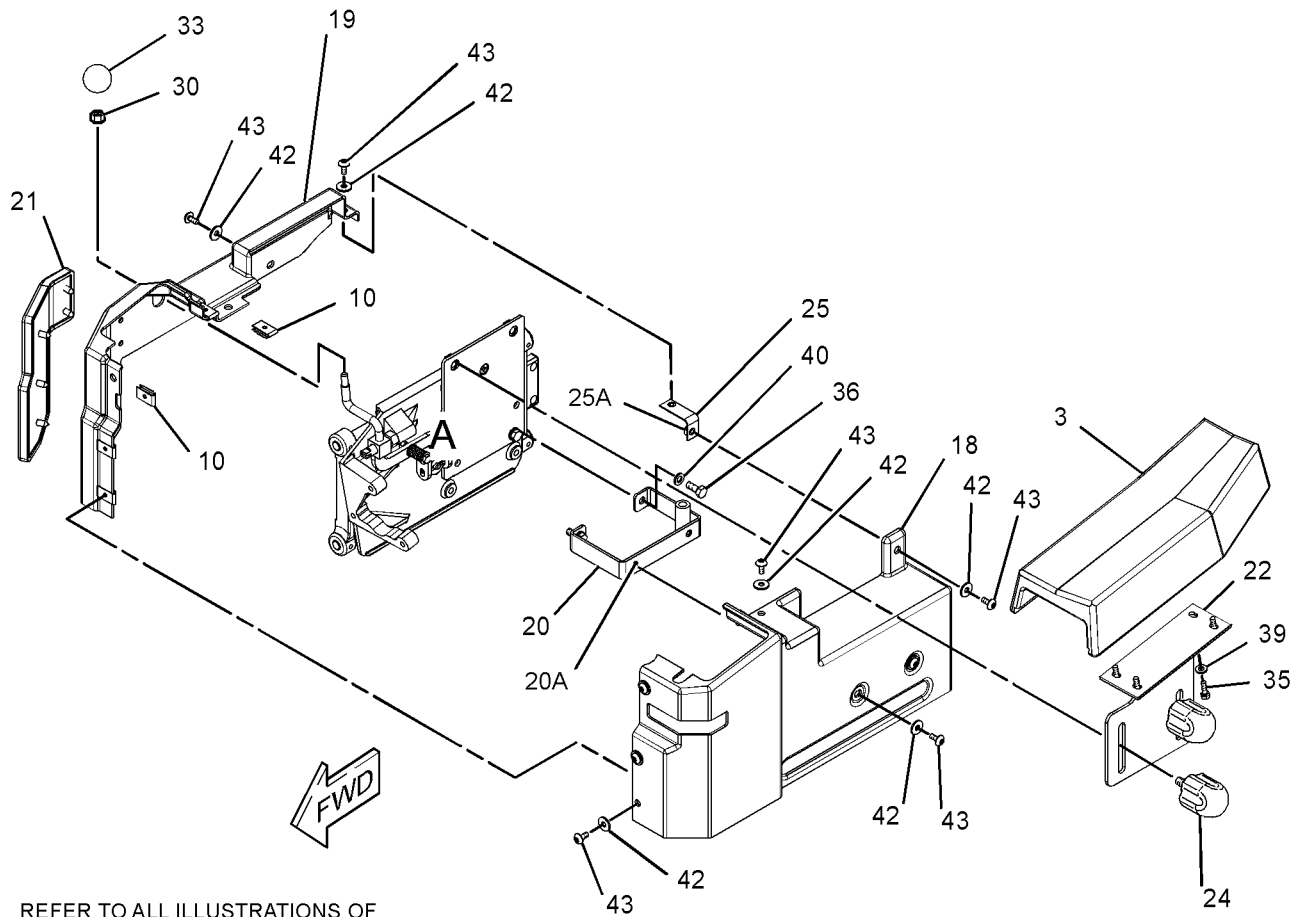
NOTE	REF NO	GRAPHIC REF	PART NUMBER	QTY	PART NAME						SEE PAGE
					1	2	3	4	5	6 (PRODUCT LEVEL)	
	1	2	3G-4711	1	SPRING						
B	2	2	4B-4276	8	WASHER (7X16X1.6-MM THK)						
	3	1	4E-6335	1	CUSHION AS (LH)						
	4	2	4E-6439	1	LEVER AS						
	5	2	4E-6444	1	ROD						
	6	2	4E-6445	1	PIN						
	7	2	4E-6446	1	GUIDE						
	8	2	4E-6523	1	SUPPORT-SLIDE						
	9	2	4E-7163	1	SLIDER						
	10	1	4E-8722	5	NUT (RETAINER)						
	11	2	4E-9173	2	SHAFT-CONTROL						
	12	2	4E-9174	2	BEARING						
	13	2	6E-0923	1	SPACER (7.04X9.52X15.2-MM THK)						
	14	2	9U-3925	4	RING-RETAINING						
	15	2	9U-3926	6	STOP						
	16	2	9U-3927	1	BEARING						
B	17	2	137-6841	2	SHIM (0.2-MM THK)						
	18	1	166-4731	1	HOUSING						
	19	1	166-4732	1	HOUSING						
	20	1	170-0696	1	BRACKET AS						
M	20A	1	6V-9632	2	NUT-WELD (M6X1-THD)						
	21	1	170-0971	1	CUSHION AS						
	22	1	170-0977	1	BRACKET AS						
	23	2	327-5450	1	PLATE AS						
	24	1	211-4942	2	KNOB AS						
	25	1	170-8540	1	BRACKET AS						
M	25A	1	6V-9632	2	NUT-WELD (M6X1-THD)						
	26	2	013-8502	1	LOCKWASHER						
M	27	2	095-0758	1	SCREW-MACHINE (M6X1X14-MM)						
M	28	2	098-5747	1	NUT (M16X2-THD)						
	29	2	1J-5799	1	PIN-SPRING						
M	30	1	5C-7261	1	NUT (M8X1.25-THD)						
M	31	2	6V-9327	4	SETSCREW-SOCKET (M6X1-THD)						
M	32	2	7X-2534	1	BOLT (M6X1X50-MM)						
	33	1	7X-3310	1	KNOB-BALL						
M	34	2	8T-4134	1	NUT (M6X1-THD)						
M	35	1	8T-4138	4	BOLT (M6X1X20-MM)						
M	36	1	8T-4189	2	BOLT (M8X1.25X20-MM)						
M	37	2	8T-4195	6	BOLT (M10X1.5X30-MM)						
M	38	2	8T-4200	2	BOLT (M8X1.25X16-MM)						
	39	1	8T-4205	4	WASHER-HARD (7.2X14.5X2-MM THK)						
	40	1,2	8T-4224	4	WASHER-HARD (8.8X16X2-MM THK)						
M	41	2	8T-4244	1	NUT (M12X1.75-THD)						
	42	1	9X-2038	11	WASHER (7X19X2-MM THK)						
M	43	1	9X-2043	11	SCREW-TRUSS HEAD (M6X1X14-MM)						

B-USE AS REQUIRED
M-METRIC PART

OPERATOR STATION

171-3897 SUPPORT GP-STEERING CONTROL (contd.)

i04461171



REFER TO ALL ILLUSTRATIONS OF THIS GROUP FOR AUXILIARY VIEWS

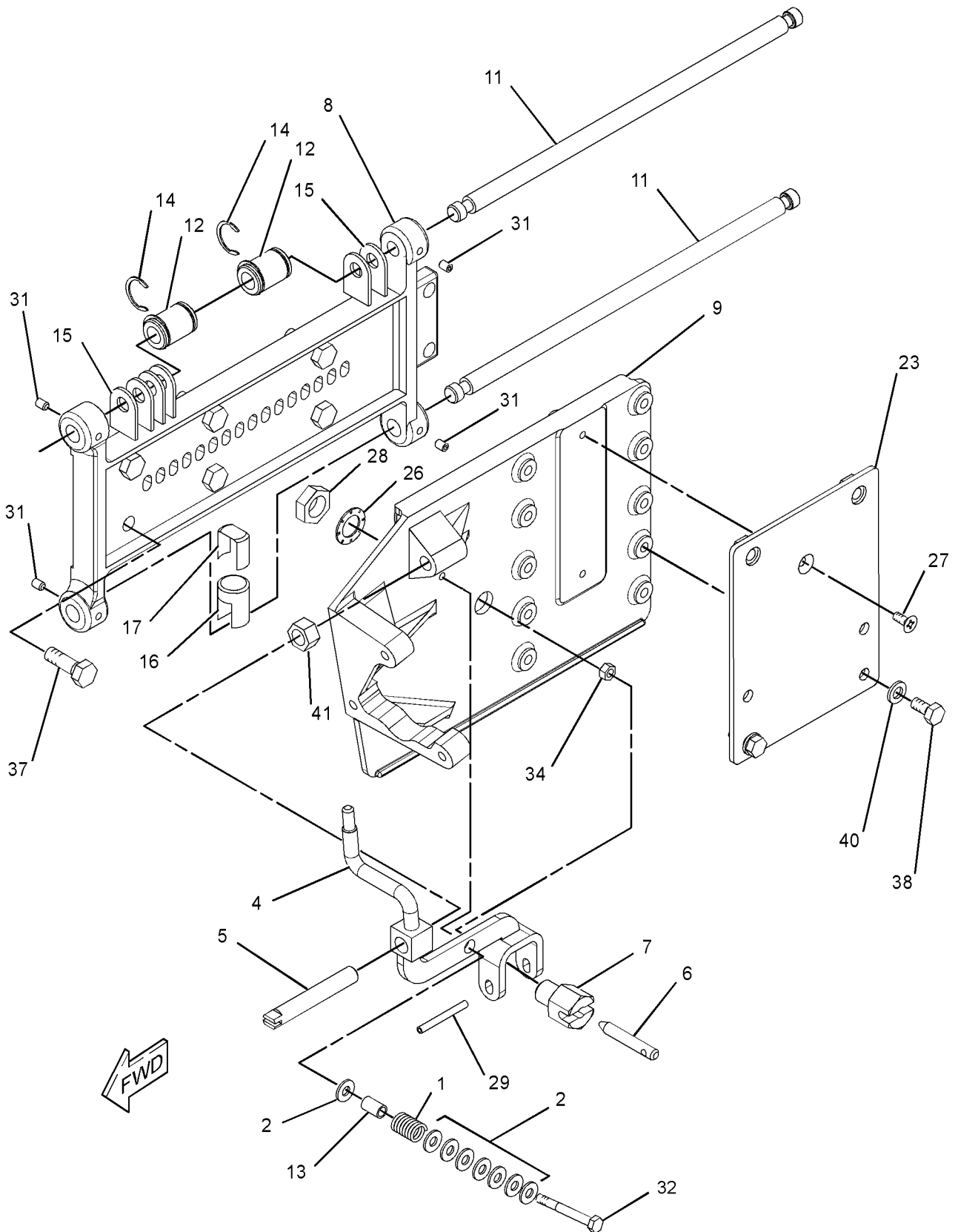
GRAPHIC #1

g01705073

OPERATOR STATION

171-3897 SUPPORT GP-STEERING CONTROL (contd.)

i04461171



VIEW OF AREA A

<END>

GRAPHIC #2

g01705074

OPERATOR STATION

173-9375 SUPPRESSION GP-CAB SOUND

S/N: A7A1-UP

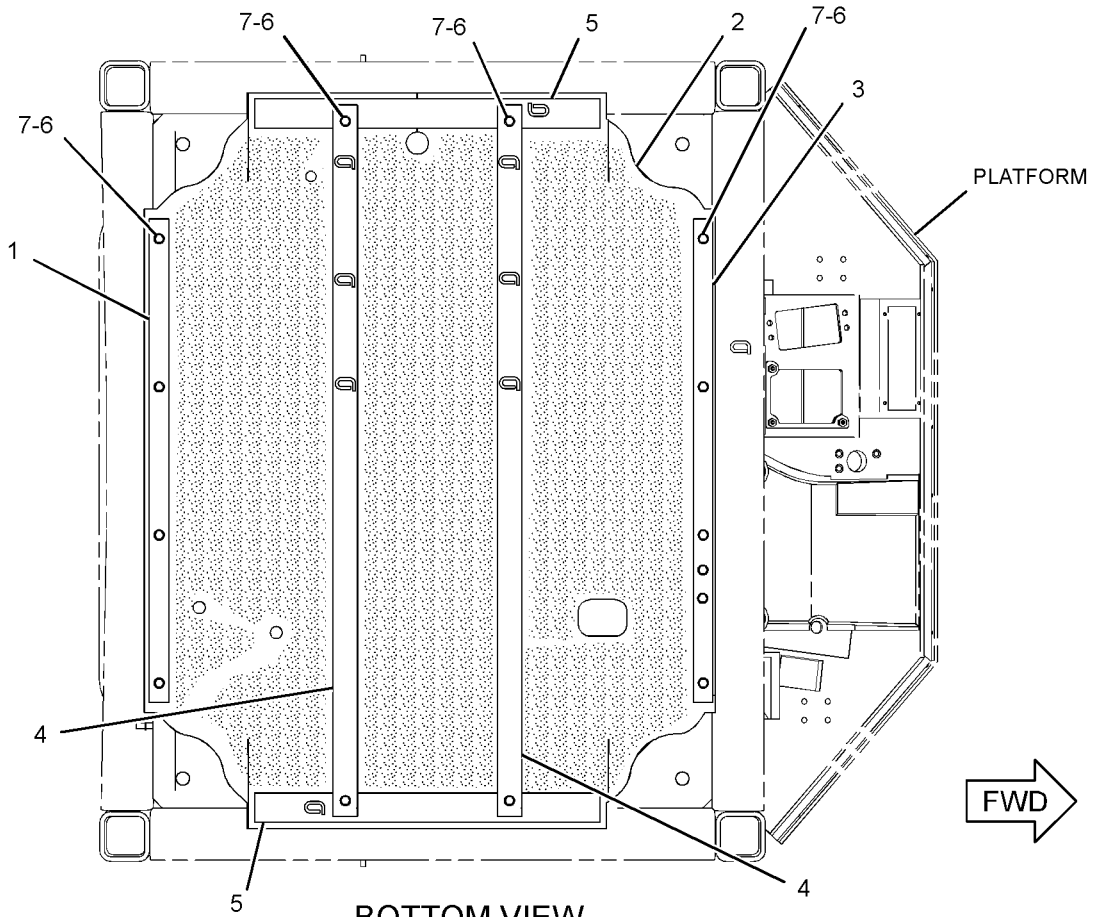
PART OF 346-3826 CAB AR

SMCS-7329

i04468590

NOTE	REF NO	GRAPHIC REF	PART NUMBER	QTY	PART NAME						SEE PAGE
					1	2	3	4	5	6 (PRODUCT LEVEL)	
	1	1	168-9980	1	PLATE						
	2	1	173-9376	1	INSULATION AS						
	3	1	183-1989	1	PLATE						
	4	1	174-3055	2	PLATE AS						
					(EACH INCLUDES)						
		1	7T-1099	3	LINK						
	5	1	313-4573	2	PLATE AS						
					(EACH INCLUDES)						
		1	7T-1099	1	LINK						
M	6	1	8T-0722	14	BOLT-LOCKING (M10X1.5X30-MM)						
	7	1	8T-4121	14	WASHER-HARD (11X21X2.5-MM THK)						

M-METRIC PART



GRAPHIC #1

<END>

g01951115

OPERATOR STATION

191-2933 SUSPENSION GP-SEAT-AIR

S/N: A7A1-UP

PART OF 200-3174 SEAT GP-SUSPENSION

SMCS-7324

i04468892

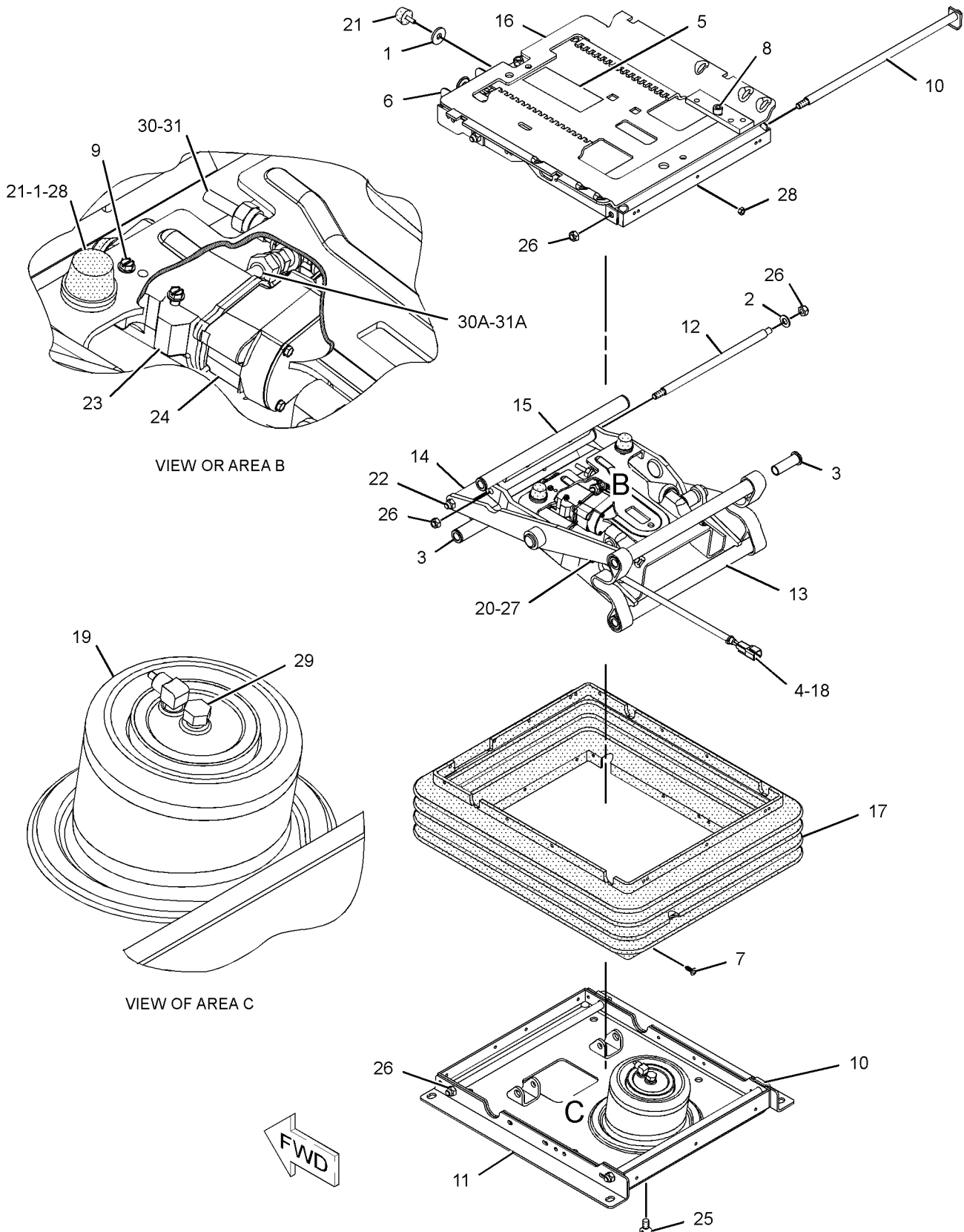
NOTE	REF NO	GRAPHIC REF	PART NUMBER	QTY	PART NAME						SEE PAGE
					1	2	3	4	5	6 (PRODUCT LEVEL)	
	1	1	3P-9900	5	WASHER (10.5X30X3-MM THK)						
	2	1	4B-4278	2	WASHER (10.2X20.5X1.6-MM THK)						
	3	1	4V-8577	12	BEARING						
	4	1	8L-8413	1	STRAP-CABLE						
	5	1	145-0326	1	FILM-INSTRUCTION (SEAT ADJUSTMENT)						
	6	1	164-1234	1	PLATE						
	7	1	101-0003	26	FASTENER						
	8	1	169-7380	1	BOLT-SOCKET HEAD (3/8-16X0.375-IN)						
	9	1	186-5107	2	SCREW-DRIVE (NO 8-16X1.25-IN)						
	10	1	192-7752	4	SHAFT AS						
	11	1	192-7755	1	HOUSING AS (LOWER)						
	12	1	314-5274	1	SHAFT (INNER)						
	13	1	192-7767	1	SCISSORS AS						
	14	1	192-7783	1	TOGGLE AS (WIDE)						
	15	1	192-7787	1	TOGGLE AS (NARROW)						
	16	1	192-7790	1	HOUSING AS (UPPER)						
	17	1	192-7795	1	BOOT						
	18	1	192-7805	1	HARNES AS-VALVE (SEAT AIR COMPRESSOR)						
		1	8T-8729	2	PIN-CONNECTOR (16-GA TO 18-GA)						
		1	102-8802	1	KIT-RECEPTACLE (2-PIN)						
					(INCLUDES RECEPTACLE AS & WEDGE)						
E		1	211-5358		CONDUIT-FLEXIBLE (64-CM)						
	19	1	192-7810	1	SPRING AS-AIR						
		1	5P-4423	1	ELBOW						
		1	163-1135	1	SPRING						
	20	1	192-7812	1	BOLT-SPECIAL						
	21	1	192-7820	3	BUMPER						
	22	1	314-5275	1	SHAFT (OUTER)						
	23	1	237-3943	1	BRACKET						
Y	24	1	237-3970	1	AIR COMPRESSOR GP-SEAT						576
	25	1	108-4311	1	SCREW-MACHINE (3/8-16X0.75-IN)						
	26	1	2K-4973	8	LOCKNUT (3/8-16-THD)						
	27	1	3J-4818	1	LOCKWASHER						
M	28	1	5C-2890	3	NUT (M6X1-THD)						
	29	1	8T-9371	1	BOLT (3/8-16X0.5-IN)						
E	30	1	211-5358		CONDUIT-FLEXIBLE (26.7-CM)						
E	30A	1	211-5358		CONDUIT-FLEXIBLE (35.6-CM)						
D	31	1	5P-6010		TUBE (0.27-M)						
D	31A	1	5P-6010		TUBE (0.36-M)						
					AVAILABLE REPAIR KIT(S):						
			192-7799	1	KIT-AIR VALVE (SUSPENSION SEAT)						
					(INCLUDES KNOB AS, NUT, VALVE, LOCKWASHER & FITTING)						
			192-7848	1	KIT-SHOCK ABSORBER (SUSPENSION SEAT)						
					(INCLUDES LOCKNUT, LOCKWASHER, SHOCK ABSORBER, BEARINGS, WASHER & BOLTS)						
			211-9294	1	KIT-TETHER (SUSPENSION SEAT)						
					(INCLUDES TETHERS)						

D-ORDER BY THE METER
E-ORDER BY THE CENTIMETER
M-METRIC PART
Y-SEPARATE ILLUSTRATION

OPERATOR STATION

191-2933 SUSPENSION GP-SEAT (contd.)

i04468892



GRAPHIC #1

<END>

g01197079

OPERATOR STATION

114-5127 WASHER GP-WINDOW

S/N: A7A1-UP

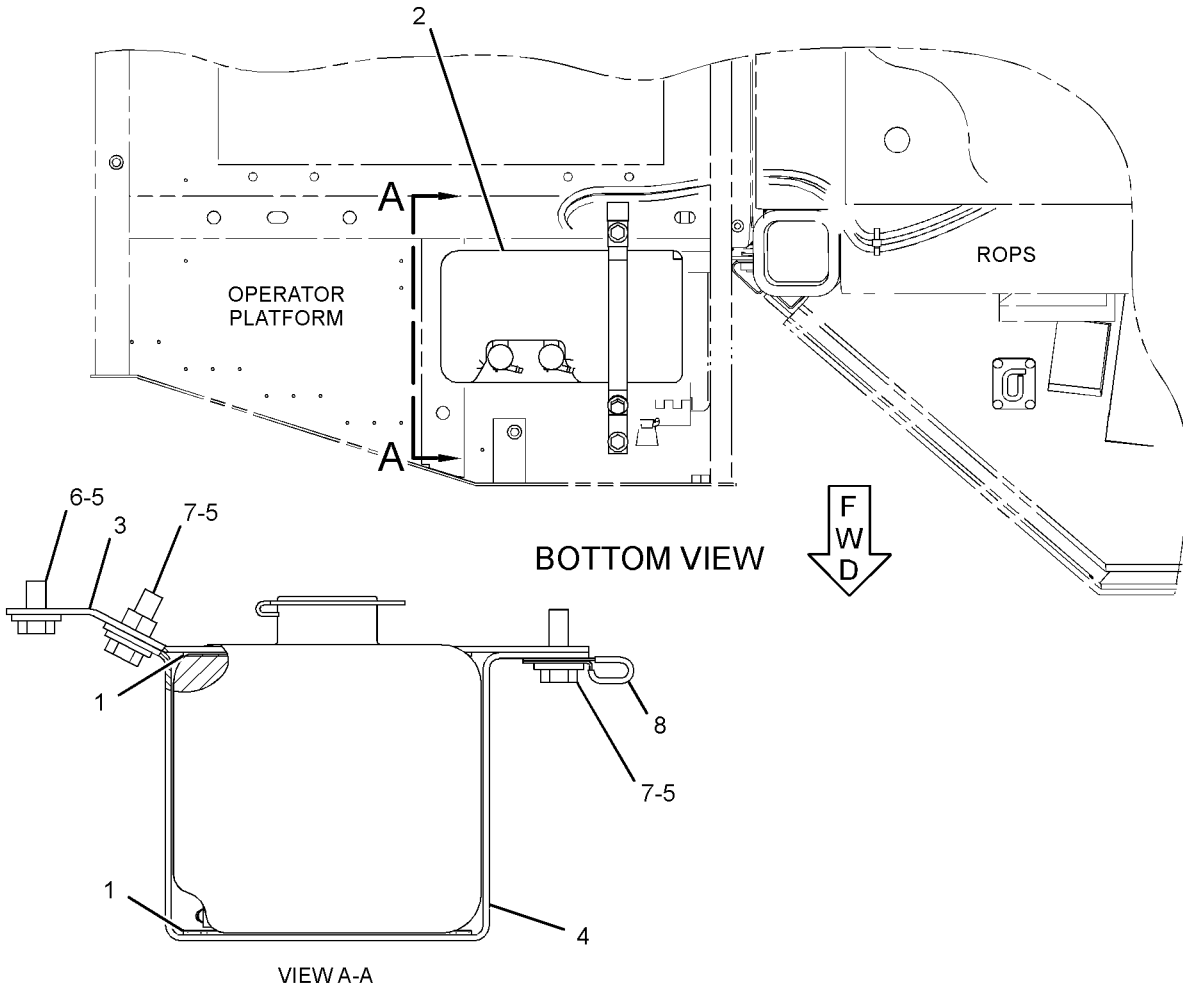
PART OF 284-2735 CHASSIS AR

SMCS-7306

i04456376

NOTE	REF NO	GRAPHIC REF	PART NUMBER	QTY	PART NAME						SEE PAGE
					1	2	3	4	5	6 (PRODUCT LEVEL)	
D	1	1	6V-2496		SEAL (0.15-M EACH)						
	2	1	5G-7398	1	TANK AS-WINDOW WASHER						
			3W-6398	1	CAP						
			3W-6399	1	PACKING						
			7T-8890	2	PUMP AS-WASHER						
			8T-5913	2	SCREEN-FILTER (WINDOW WASHER)						
			8T-5914	2	GROMMET						
		3	1	201-4221	1	STRIP AS					
	4	1	201-4222	1	STRIP						
	5	1	7X-7729	3	WASHER (11X25X3-MM THK)						
M	6	1	8T-4137	1	BOLT (M10X1.5X20-MM)						
M	7	1	8T-4195	2	BOLT (M10X1.5X30-MM)						
	8	1	7S-4244	1	CLIP						

D-ORDER BY THE METER
M-METRIC PART



GRAPHIC #1

<END>

g02051673

OPERATOR STATION

109-8196 WIPER GP-WINDOW

S/N: A7A1-UP

PART OF 346-3826 CAB AR

SMCS-7305

i04468602

NOTE	REF NO	GRAPHIC REF	PART NUMBER	QTY	PART NAME	SEE PAGE
					1 2 3 4 5 6 (PRODUCT LEVEL)	
	1	1, 2, 3	3S-2093	16	STRAP-CABLE	
	3	1	6V-6210	2	GASKET-SHAFT	
	4	1, 2	6V-7419	2	BLADE AS-WIPER (700-MM)	
	5	1, 2	8T-5400	2	CONNECTOR AS	
	6	1	124-3637	1	PLATE-WIPER	
Y	7	1	330-5050	1	MOTOR GP-WINDOW WIPER (REAR)	628
Y	8	2	155-5790	1	MOTOR GP-WINDOW WIPER (FRONT)	627
Y	9	2	214-7634	1	ARM GP-WINDOW WIPER (REAR)	582
Y	10	1	214-7635	1	ARM GP-WINDOW WIPER (FRONT)	583
M	11	2	5C-9553	1	BOLT (M6X1X16-MM)	
	13	2	8T-4205	1	WASHER-HARD (7.2X14.5X2-MM THK)	
E	14	2	144-0195		HOSE (31.7-CM)	
E	14A	2, 3	144-0195		HOSE (29.1-CM EACH)	
E	14B	1	144-0195		HOSE (32.8-CM)	
E	14C	1	144-0195		HOSE (30.2-CM)	
E	14D	3	144-0195		HOSE (35.8-CM)	
E	14E	3	144-0195		HOSE (26.3-CM)	
E	14F	3	144-0195		HOSE (34.4-CM)	

E-ORDER BY THE CENTIMETER

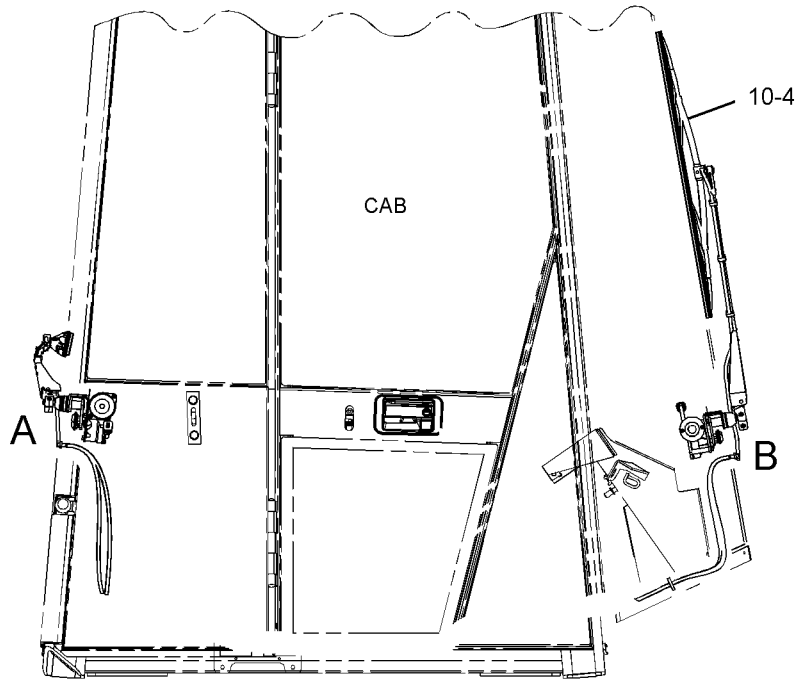
M-METRIC PART

Y-SEPARATE ILLUSTRATION

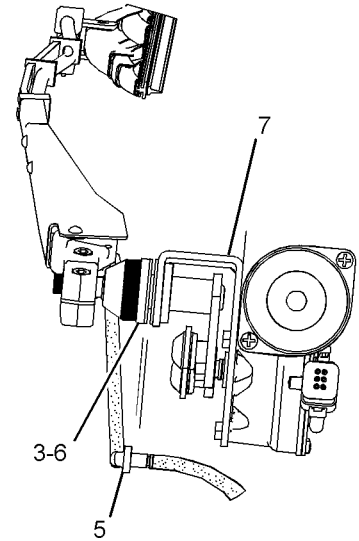
OPERATOR STATION

109-8196 WIPER GP-WINDOW (contd.)

i04468602

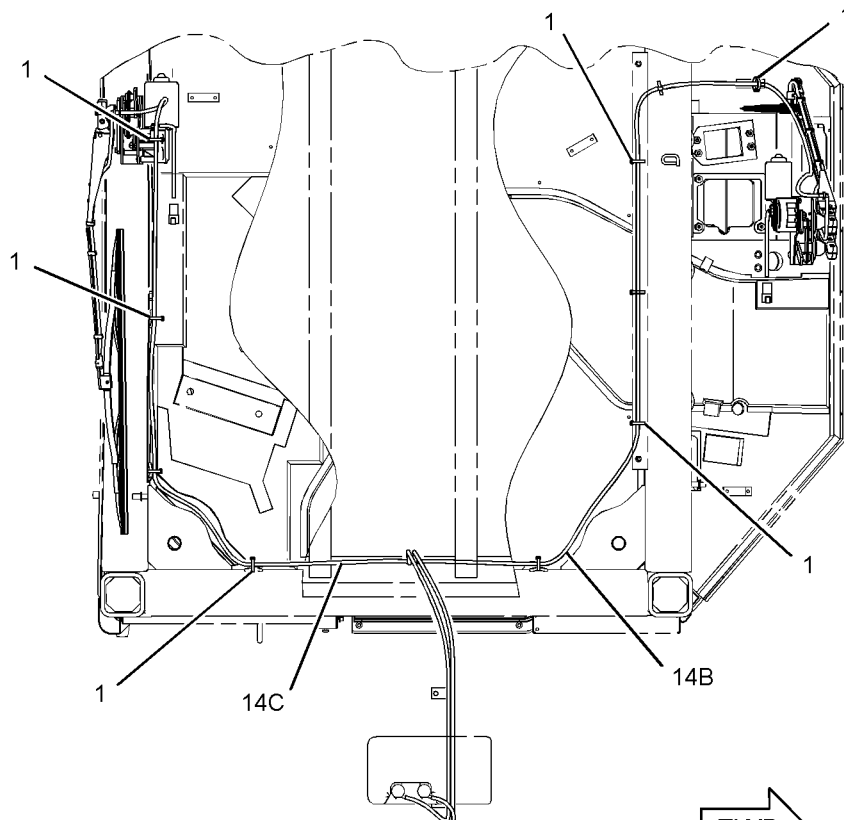


REFER TO ALL ILLUSTRATIONS OF THIS GROUP FOR AUXILIARY VIEWS



VIEW OF AREA A

RIGHT SIDE VIEW



BOTTOM VIEW
(FOR 824 AND 825 SERIES)



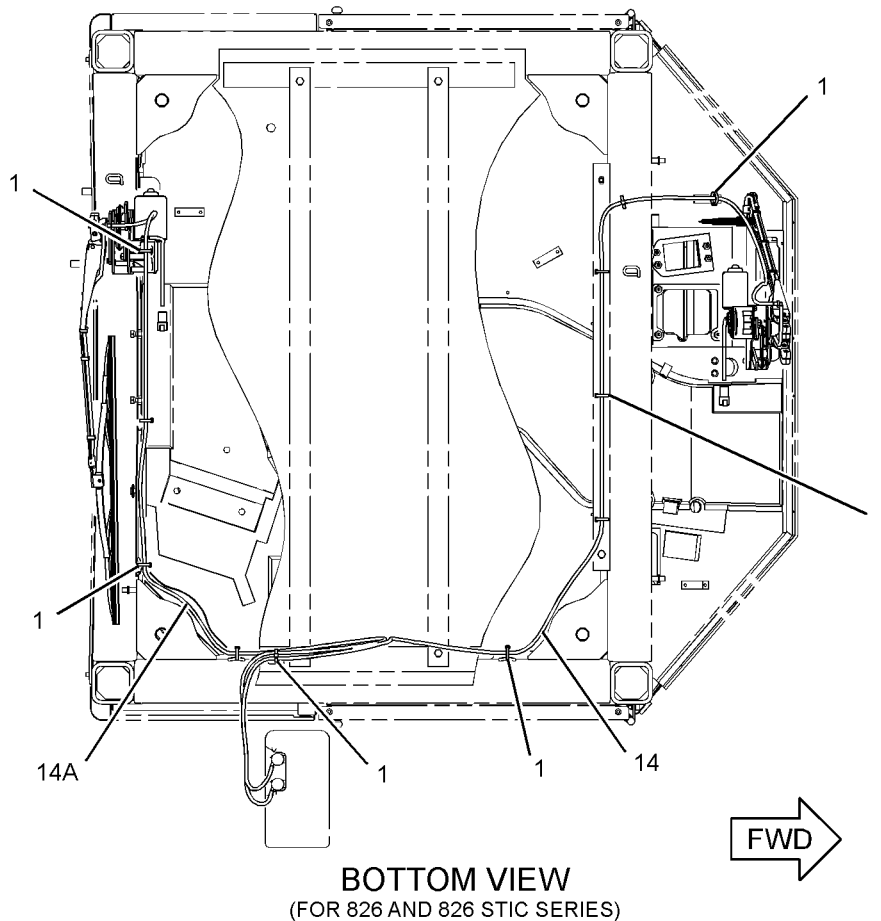
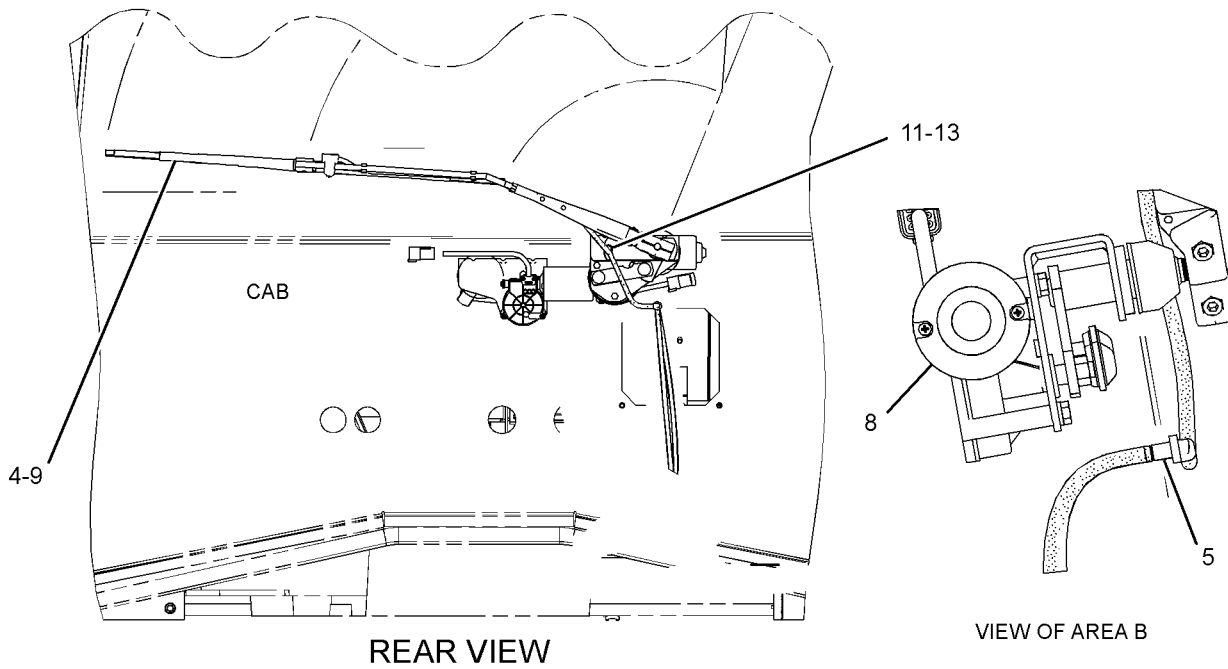
GRAPHIC #1

g02051837

OPERATOR STATION

109-8196 WIPER GP-WINDOW (contd.)

i04468602



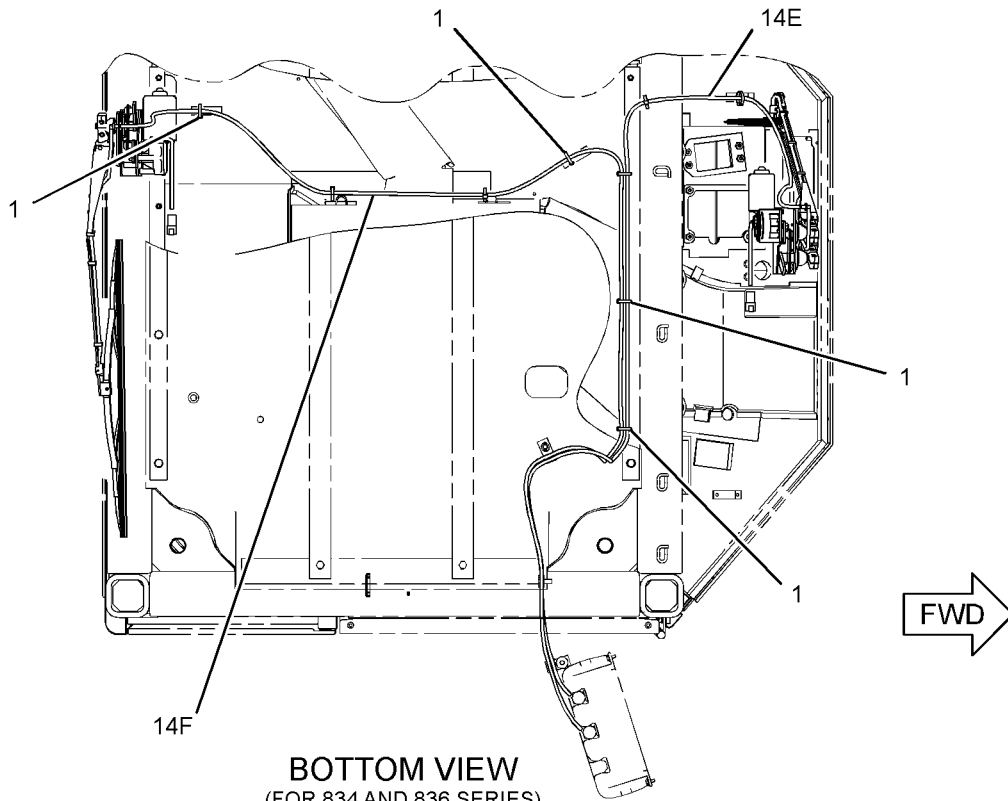
GRAPHIC #2

g02051838

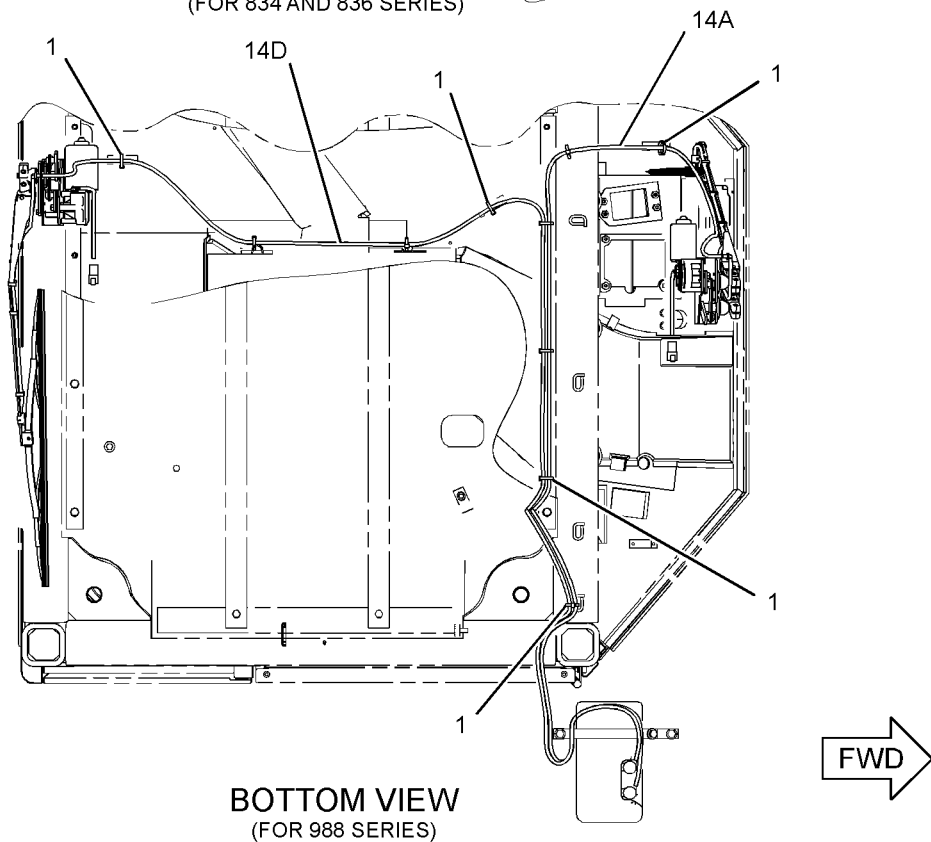
OPERATOR STATION

109-8196 WIPER GP-WINDOW (contd.)

i04468602



BOTTOM VIEW
(FOR 834 AND 836 SERIES)



BOTTOM VIEW
(FOR 988 SERIES)

GRAPHIC #3

<END>

g01617876

WORK TOOLS

333-0891 BUCKET AS-ROCK

S/N: A7A1-UP
6.9-CU M(9-CU YD)
AN ATTACHMENT

SMCS-6102

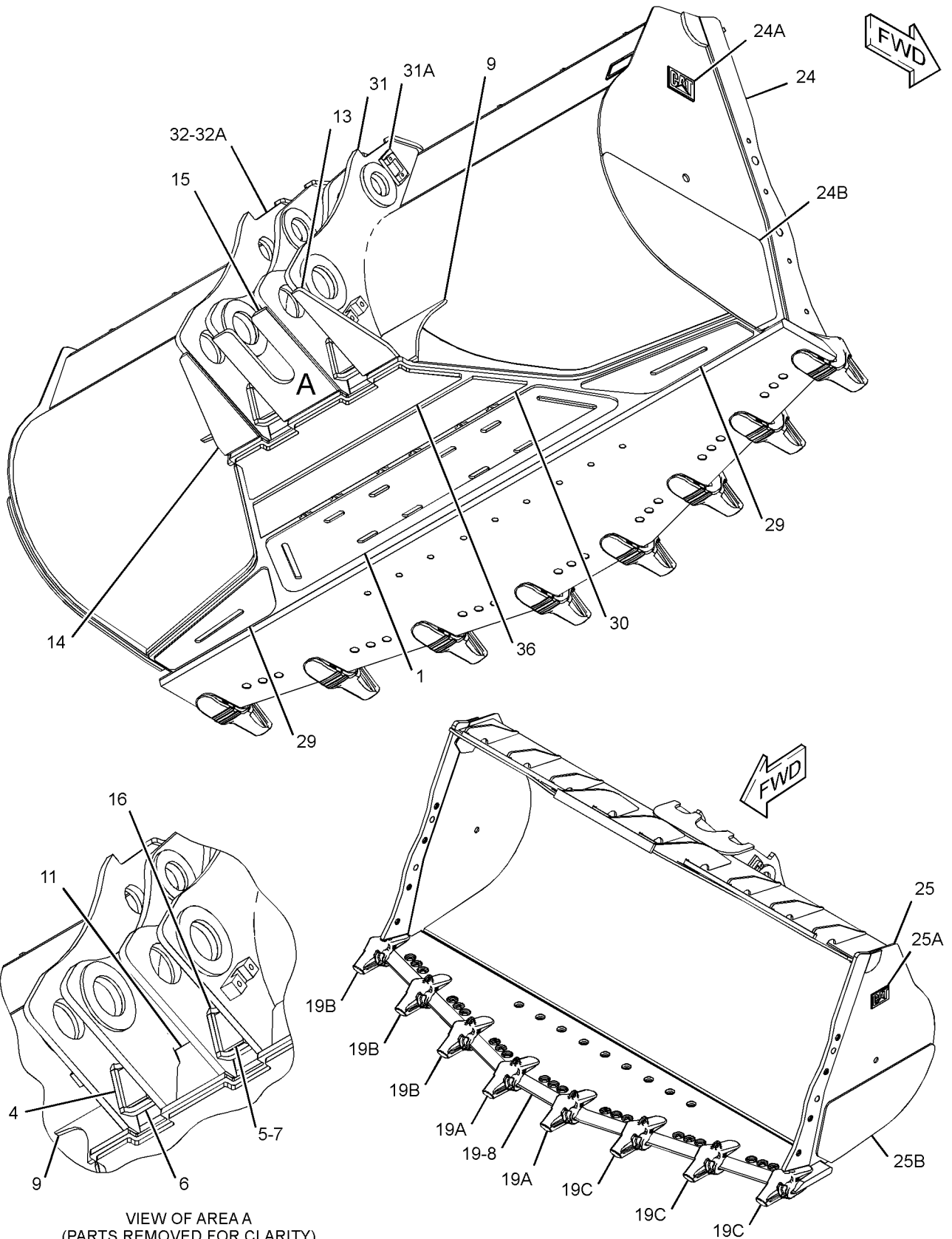
i04444150

NOTE	REF NO	GRAPHIC REF	PART NUMBER	QTY	PART NAME						SEE PAGE
					1	2	3	4	5	6 (PRODUCT LEVEL)	
	1	1	356-0254	1	PLATE-WEAR						
	4	1	225-9482	4	BAR						
	5	1	225-9584	2	PLATE						
	6	1	225-9602	2	PLATE						
	7	1	228-4727	2	PAD-RUBBER						
	8	1	236-7759	1	STRIP						
	9	1	255-6697	2	PLATE						
	11	1	255-6702	1	PLATE						
	13	1	255-6707	1	PLATE-WEAR (RH)						
	14	1	255-6708	1	PLATE-WEAR (LH)						
	15	1	255-6709	1	PLATE-WEAR						
	16	1	257-3651	2	PLATE						
	19	1	346-9152	1	EDGE AS						
	19A	1	232-0134	2	ADAPTER-TIP (K-130, 2-STRAP, CENTER)						
	19B	1	232-0135	3	ADAPTER-TIP (K-130, 2-STRAP, RH)						
	19C	1	232-0136	3	ADAPTER-TIP (K-130, 2-STRAP, LH)						
	24	1	351-7778	1	PLATE AS (RH)						
	24A	1	2C-9259	1	PLATE-IDENTIFICATION (CAT)						
	24B	1	351-7777	1	PLATE-WEAR						
	25	1	351-7779	1	PLATE AS (LH)						
	25A	1	2C-9259	1	PLATE-IDENTIFICATION (CAT)						
	25B	1	351-7777	1	PLATE-WEAR						
	29	1	351-7788	2	PLATE-WEAR						
	30	1	351-7852	1	PLATE-WEAR						
	31	1	351-7863	1	HINGE AS (OUTER, RH)						
	31A	1	4E-5591	1	RETAINER						
	32	1	351-7864	1	HINGE AS (OUTER, LH)						
	32A	1	4E-5591	1	RETAINER						
	36	1	356-0253	1	PLATE-WEAR						

WORK TOOLS

333-0891 BUCKET AS-ROCK (contd.)

i04444150



GRAPHIC #1

<END>

g02700857

WORK TOOLS

333-0911 BUCKET AS-ROCK

S/N: A7A1-UP
6.4-CU M(8.3-CU YD)
AN ATTACHMENT

SMCS-6102

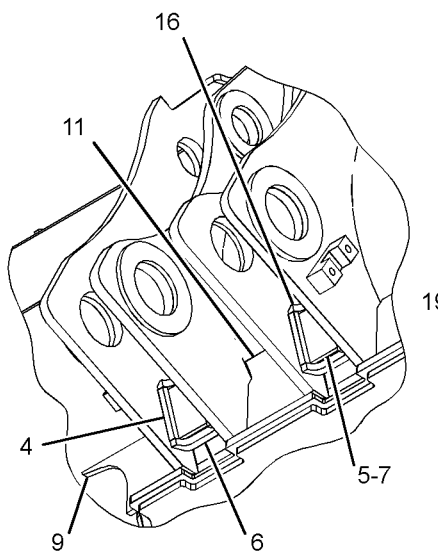
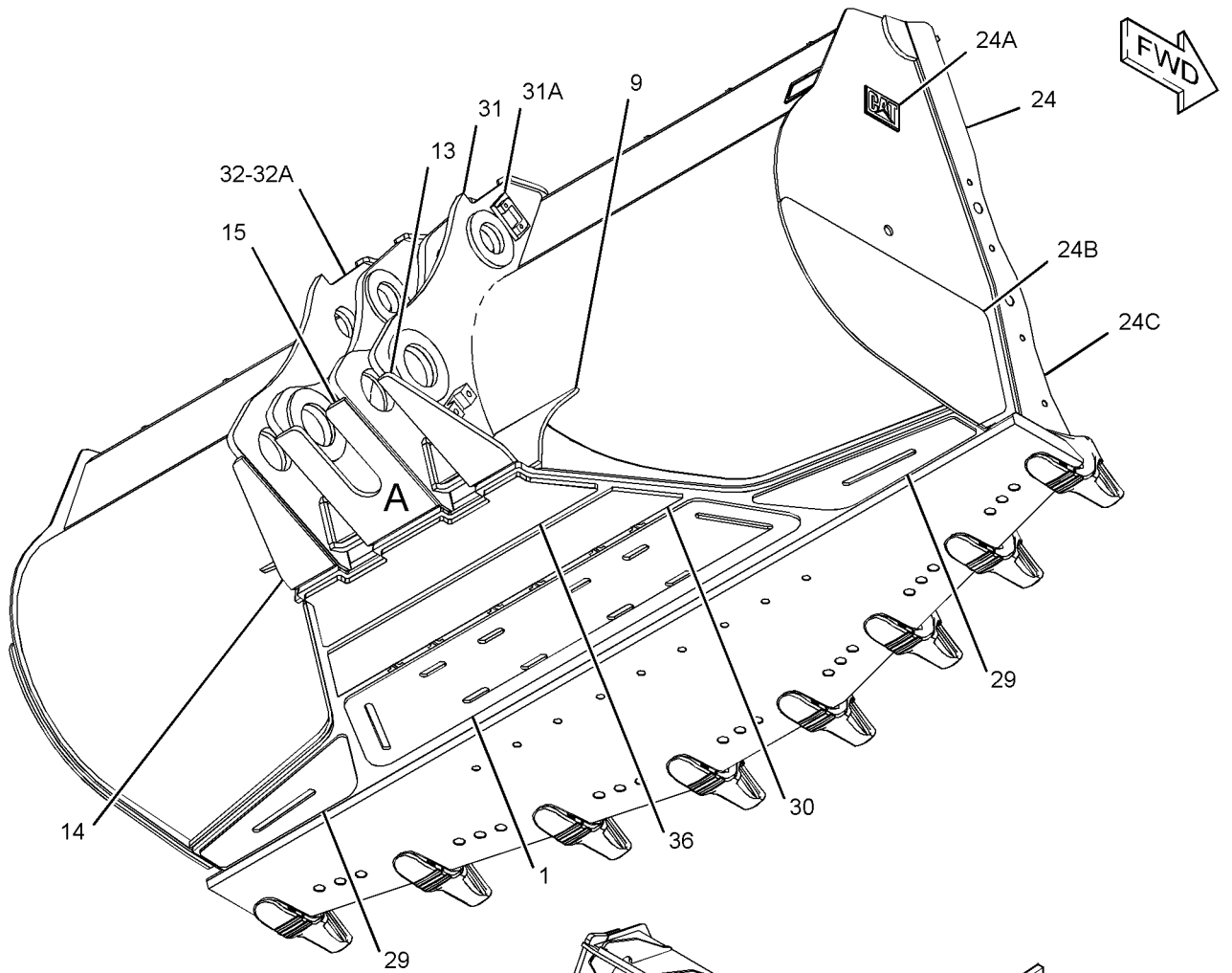
i04524244

NOTE	REF NO	GRAPHIC REF	PART NUMBER	QTY	PART NAME						SEE PAGE
					1	2	3	4	5	6 (PRODUCT LEVEL)	
	1	1	351-7787	1	PLATE-WEAR						
	4	1	225-9482	4	BAR						
	5	1	225-9584	2	PLATE						
	6	1	225-9602	2	PLATE						
	7	1	228-4727	2	PAD-RUBBER						
	8	1	236-7759	1	STRIP						
	9	1	255-6697	2	PLATE						
	11	1	255-6702	1	PLATE						
	13	1	255-6707	1	PLATE-WEAR (RH)						
	14	1	255-6708	1	PLATE-WEAR (LH)						
	15	1	255-6709	1	PLATE-WEAR						
	16	1	257-3651	2	PLATE						
	19	1	346-9152	1	EDGE AS						
	19A	1	232-0134	2	ADAPTER-TIP (K-130, 2-STRAP, CENTER)						
	19B	1	232-0135	3	ADAPTER-TIP (K-130, 2-STRAP, RH)						
	19C	1	232-0136	3	ADAPTER-TIP (K-130, 2-STRAP, LH)						
	24	1	351-7842	1	PLATE AS (RH)						
	24A	1	2C-9259	1	PLATE-IDENTIFICATION (CAT)						
	24B	1	351-7838	1	PLATE-WEAR						
	24C	1	351-7836	1	BAR						
	25	1	351-7843	1	PLATE AS (LH)						
	25A	1	2C-9259	1	PLATE-IDENTIFICATION (CAT)						
	25B	1	351-7838	1	PLATE-WEAR						
	25C	1	351-7836	1	BAR						
	29	1	351-7788	2	PLATE-WEAR						
	30	1	351-7852	1	PLATE-WEAR						
	31	1	351-7853	1	HINGE AS (OUTER, RH)						
	31A	1	4E-5591	1	RETAINER						
	32	1	351-7854	1	HINGE AS (OUTER, LH)						
	32A	1	4E-5591	1	RETAINER						
	36	1	356-0253	1	PLATE-WEAR						

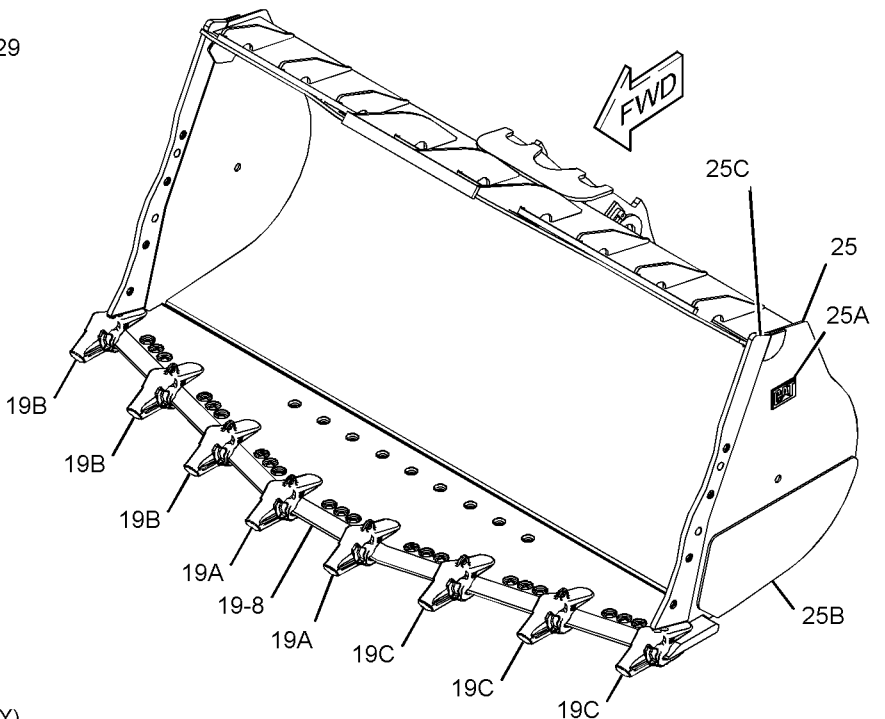
WORK TOOLS

333-0911 BUCKET AS-ROCK (contd.)

i04524244



VIEW OF AREA A
(PARTS REMOVED FOR CLARITY)



<END>

g02703056

WORK TOOLS

107-3533 EDGE GP-SEGMENT

S/N: A7A1-UP

FOR USE WITH 4E-6469 BUCKET GP-ROCK, 9U-4184 BUCKET GP-ROCK, 106-9820
BUCKET GP-ROCK
AN ATTACHMENT

SMCS-6818

i04477998

NOTE	PART NUMBER	QTY	PART NAME						SEE PAGE
			1	2	3	4	5	6 (PRODUCT LEVEL)	
	6V-6535	21	BOLT-PLOW (1-1/4-7X3.74-IN)						
	107-3536	1	EDGE-SEGMENT						
	107-3538	3	EDGE-SEGMENT						
	107-3537	3	EDGE-SEGMENT						
	3K-9770	21	NUT-FULL (1-1/4-7-THD)						
<END>									

109-9051 EDGE GP-SEGMENT

S/N: A7A1-UP

AN ATTACHMENT

SMCS-6818

i04477995

NOTE	PART NUMBER	QTY	PART NAME						SEE PAGE
			1	2	3	4	5	6 (PRODUCT LEVEL)	
	6V-6535	21	BOLT-PLOW (1-1/4-7X3.74-IN)						
	101-9435	1	EDGE-SEGMENT						
	101-9437	3	EDGE-SEGMENT						
	101-9436	3	EDGE-SEGMENT						
	3K-9770	21	NUT-FULL (1-1/4-7-THD)						
<END>									

WORK TOOLS

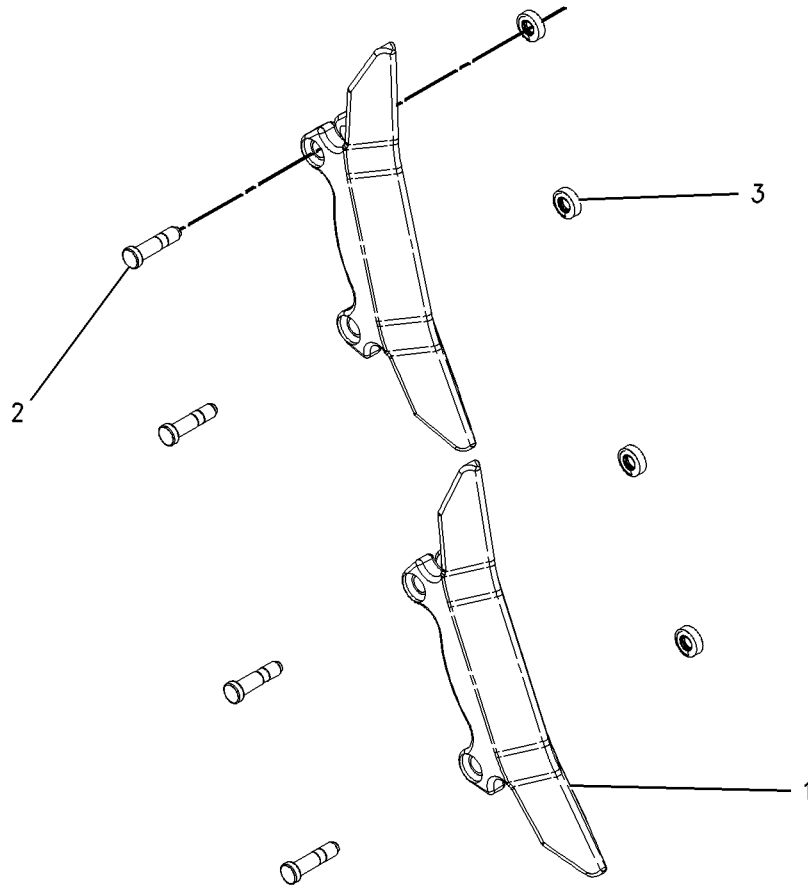
106-0912 PROTECTOR GP-SIDE BAR

S/N: A7A1-UP
AN ATTACHMENT

SMCS-6102, 6817

i04477999

NOTE	REF NO	GRAPHIC REF	PART NUMBER	QTY	PART NAME						SEE PAGE
					1	2	3	4	5	6 (PRODUCT LEVEL)	
	1	1	9J-9600	2	BIT-ROUTER						
	2	1	135-9350	4	PIN						
	3	1	114-0359	4	RETAINER AS						



GRAPHIC #1

<END>

g00738979

SERVICE EQUIPMENT AND SUPPLIES

9G-9288 CAP GP-PROTECTION

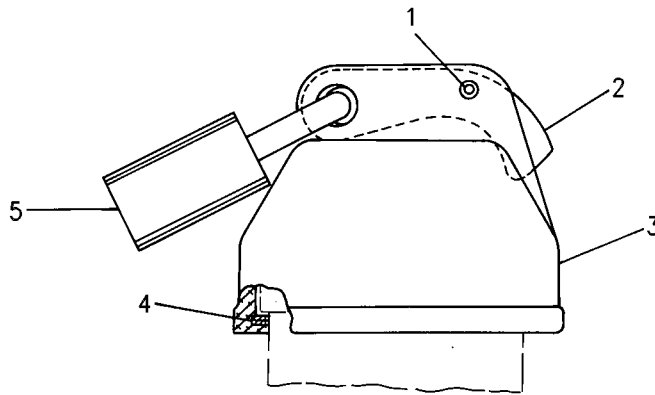
S/N: A7A1-UP

PART OF 132-6143 TANK & MTG GP-HYDRAULIC

SMCS-0663

i02683605

NOTE	REF NO	GRAPHIC REF	PART NUMBER	QTY	PART NAME						SEE PAGE
					1	2	3	4	5	6 (PRODUCT LEVEL)	
	1	1	1L-5072	1	DOWEL						
	2	1	9M-7394	1	LEVER (HYDRAULIC TANK FILL)						
	3	1	5D-1911	1	COVER-HYDRAULIC CAP						
	4	1	2J-7761	1	RING-RETAINING						
	5	1	246-2641	1	PADLOCK GP						
		1	5P-8500	1	KEY						



GRAPHIC #1

<END>

g00600453

SERVICE EQUIPMENT AND SUPPLIES

291-5560 FILM GP

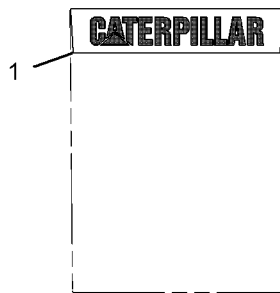
S/N: A7A1-UP

PART OF 233-8479 PLATE & FILM GP

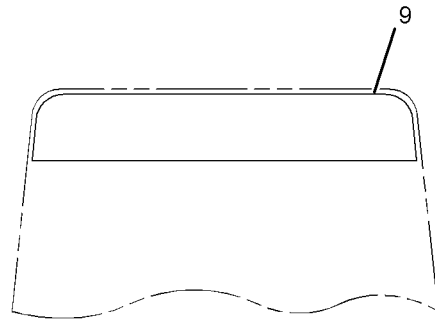
SMCS-7405, 7557

i04459170

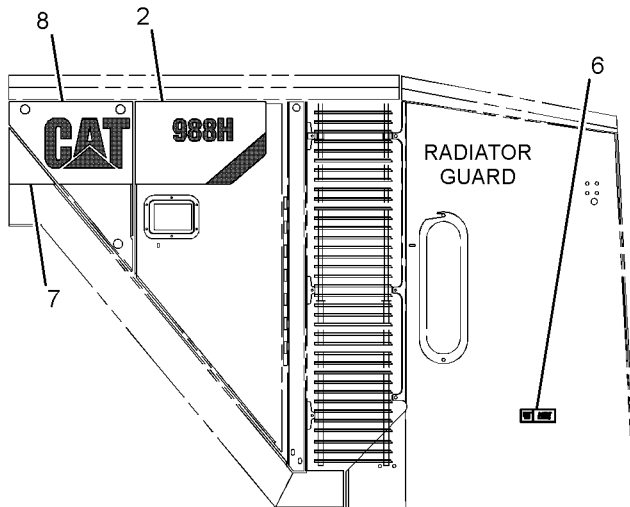
NOTE	REF NO	GRAPHIC REF	PART NUMBER	QTY	PART NAME						SEE PAGE
					1	2	3	4	5	6 (PRODUCT LEVEL)	
	1	1	100-5621	1	FILM-IDENTIFICATION (CATERPILLAR)						
	2	1	291-5558	1	FILM-IDENTIFICATION (988H, LH)						
	3	1	291-5561	1	FILM-IDENTIFICATION (988H, RH)						
	4	1	291-5556	1	FILM-IDENTIFICATION (CAT, RH)						
	5	1	291-5554	1	FILM-STRIPE (FILLER, RH)						
	6	1	253-0861	2	FILM-INFORMATION (CAT POWER, ACERT TECHNOLOGY)						
	7	1	291-5553	1	FILM-STRIPE (FILLER, LH)						
	8	1	291-5555	1	FILM-IDENTIFICATION (CAT, LH)						
	9	1	136-2186	1	FILM-WINDOW (REAR)						



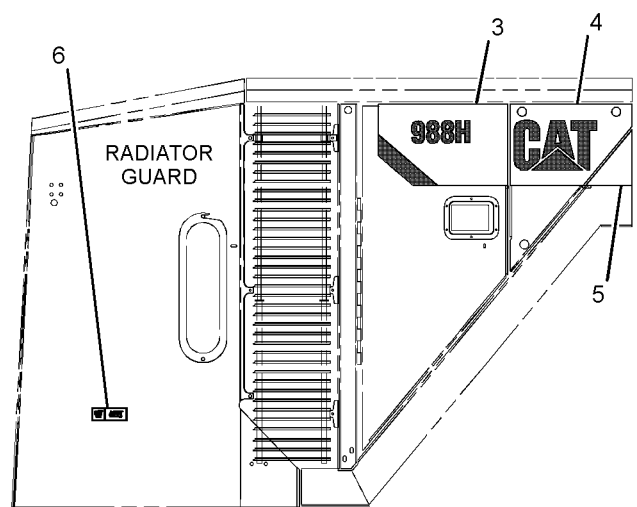
FRONT VIEW
(WINDSHIELD)



REAR VIEW
(WINDSHIELD)



LEFT SIDE VIEW



RIGHT SIDE VIEW

GRAPHIC #1

<END>

g01535616

SERVICE EQUIPMENT AND SUPPLIES

311-7600 LINES GP-DIAGNOSTIC

S/N: A7A1-UP

PART OF 231-7842 TORQUE CONVERTER AR-LOCKUP
AN ATTACHMENT

SMCS-7554

i04480096

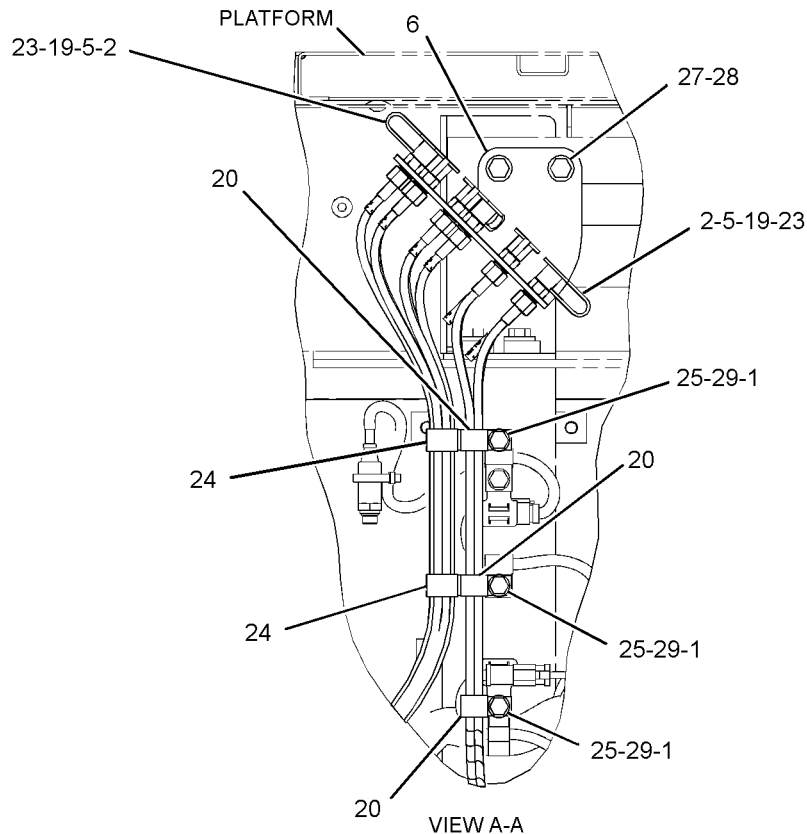
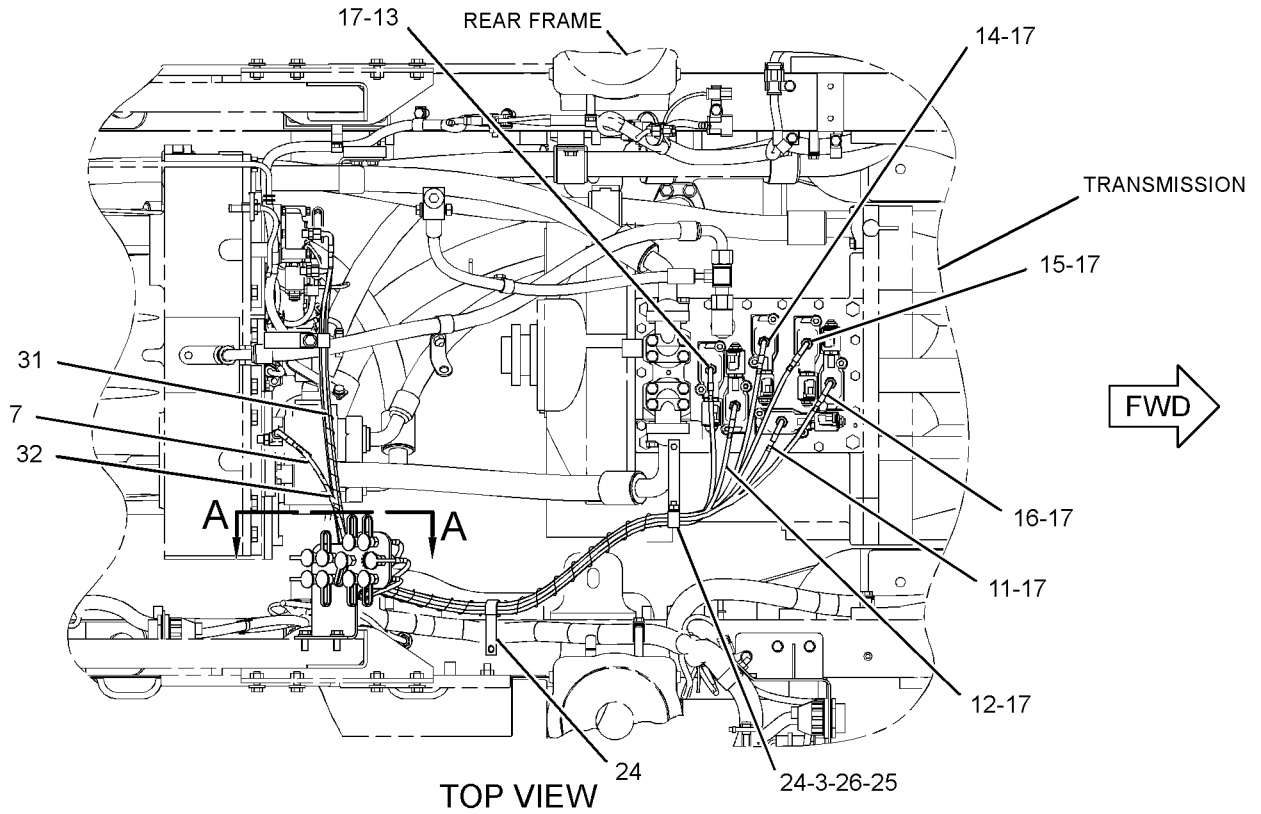
NOTE	REF NO	GRAPHIC REF	PART NUMBER	QTY	PART NAME						SEE PAGE
					1	2	3	4	5	6 (PRODUCT LEVEL)	
	1	1	6B-6205	3	SPACER (0.438X0.875X1.281-IN THK)						
	2	1	6V-0852	10	CAP-DUST						
	3	1	118-6878	1	BRACKET AS						
	4	2	101-9083	1	BRACKET AS						
	5	1	185-6250	10	FITTING AS						
	6	1	311-7595	1	BRACKET						
	7	1	311-7596	1	HOSE AS						
	8	2	311-7597	1	HOSE AS						
	9	2	311-7598	1	HOSE AS						
	10	2	311-7599	1	HOSE AS						
	11	1	311-7603	1	HOSE AS						
	12	1	311-7604	1	HOSE AS						
	13	1	311-7605	1	HOSE AS						
	14	1	311-7606	1	HOSE AS						
	15	1	311-7607	1	HOSE AS						
	16	1	311-7608	1	HOSE AS						
	17	1,2	148-8325	9	CONNECTOR AS (EACH INCLUDES)						
		1,2	3J-1907	1	SEAL-O-RING						
		1,2	4J-5477	1	SEAL-O-RING						
		1,2	6V-8641	1	CONNECTOR						
	18	2	148-8368	1	ELBOW AS						
		2	3J-1907	1	SEAL-O-RING						
		2	4J-5477	1	SEAL-O-RING						
		2	6V-8627	1	ELBOW						
	19	1	170-4735	10	RING-RETAINING						
	20	1	1S-0994	3	CLIP						
	21	2	8M-2773	1	CLIP						
	23	1	4J-5477	10	SEAL-O-RING						
	24	1	6V-1228	4	CLIP						
	25	1	8T-4121	5	WASHER-HARD (11X21X2.5-MM THK)						
M	26	1	8T-4136	2	BOLT (M10X1.5X25-MM)						
M	27	1,2	8T-4139	2	BOLT (M12X1.75X30-MM)						
	28	1,2	8T-4223	2	WASHER-HARD (13.5X25.5X3-MM THK)						
M	29	1	8T-6466	3	BOLT (M10X1.5X60-MM)						
E	30	2	206-2723		GUARD-HOSE (33-CM)						
E	30A	2	206-2723		GUARD-HOSE (37-CM)						
E	31	1	7I-1024		GUARD-HOSE (54-CM)						
E	32	1	5I-4200		GUARD (34-CM)						

E-ORDER BY THE CENTIMETER
M-METRIC PART

SERVICE EQUIPMENT AND SUPPLIES

311-7600 LINES GP-DIAGNOSTIC (contd.)

i04480096



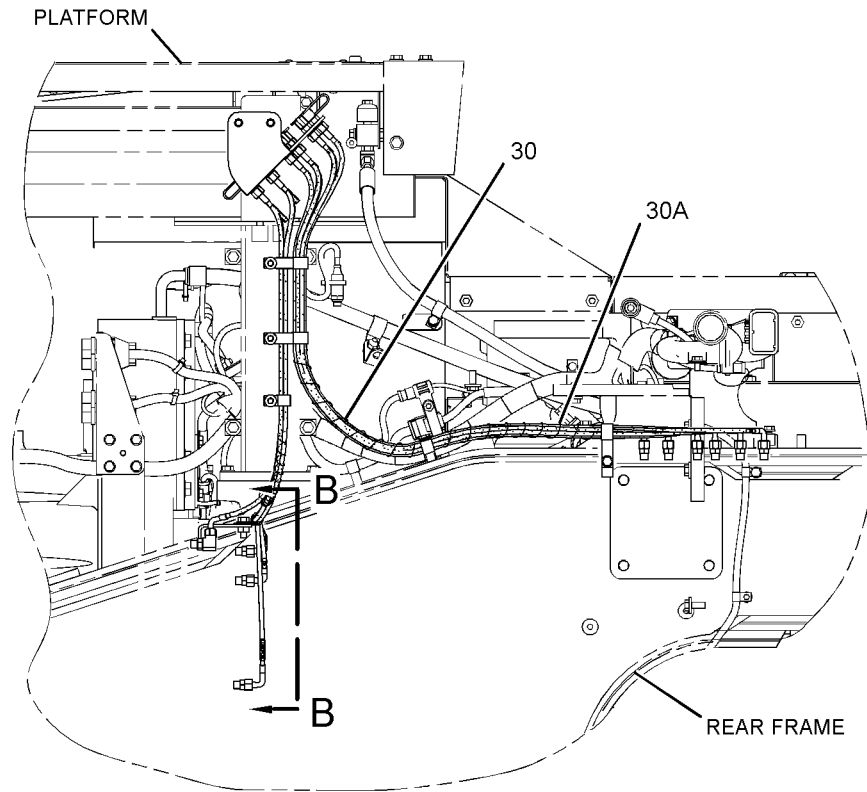
GRAPHIC #1

g02059434

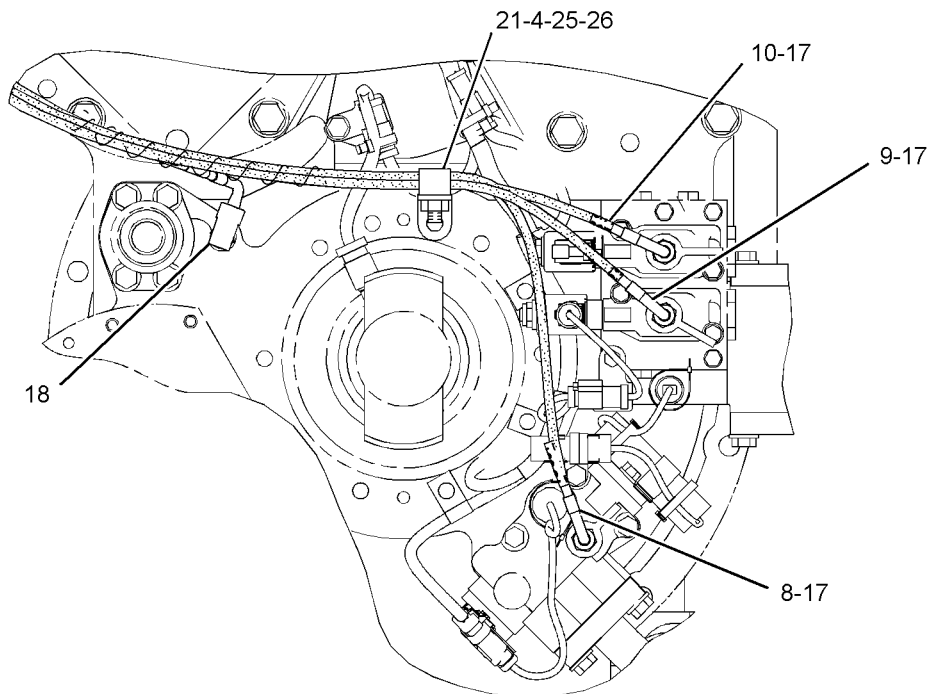
SERVICE EQUIPMENT AND SUPPLIES

311-7600 LINES GP-DIAGNOSTIC (contd.)

i04480096



RIGHT SIDE VIEW



VIEW B-B

GRAPHIC #2

<END>

g02059493

SERVICE EQUIPMENT AND SUPPLIES

311-7601 LINES GP-DIAGNOSTIC

S/N: A7A1-UP

PART OF 231-7844 TORQUE CONVERTER AR
AN ATTACHMENT

SMCS-7554

i04480100

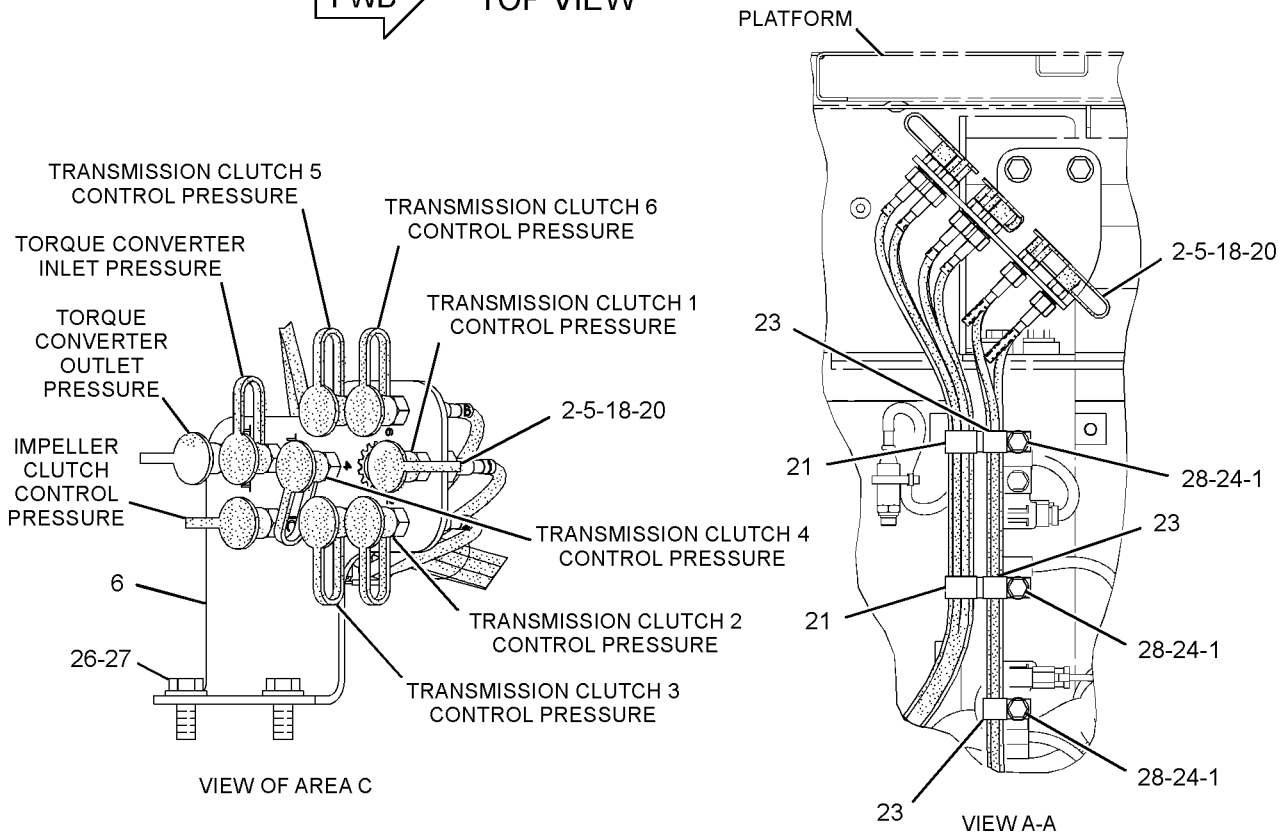
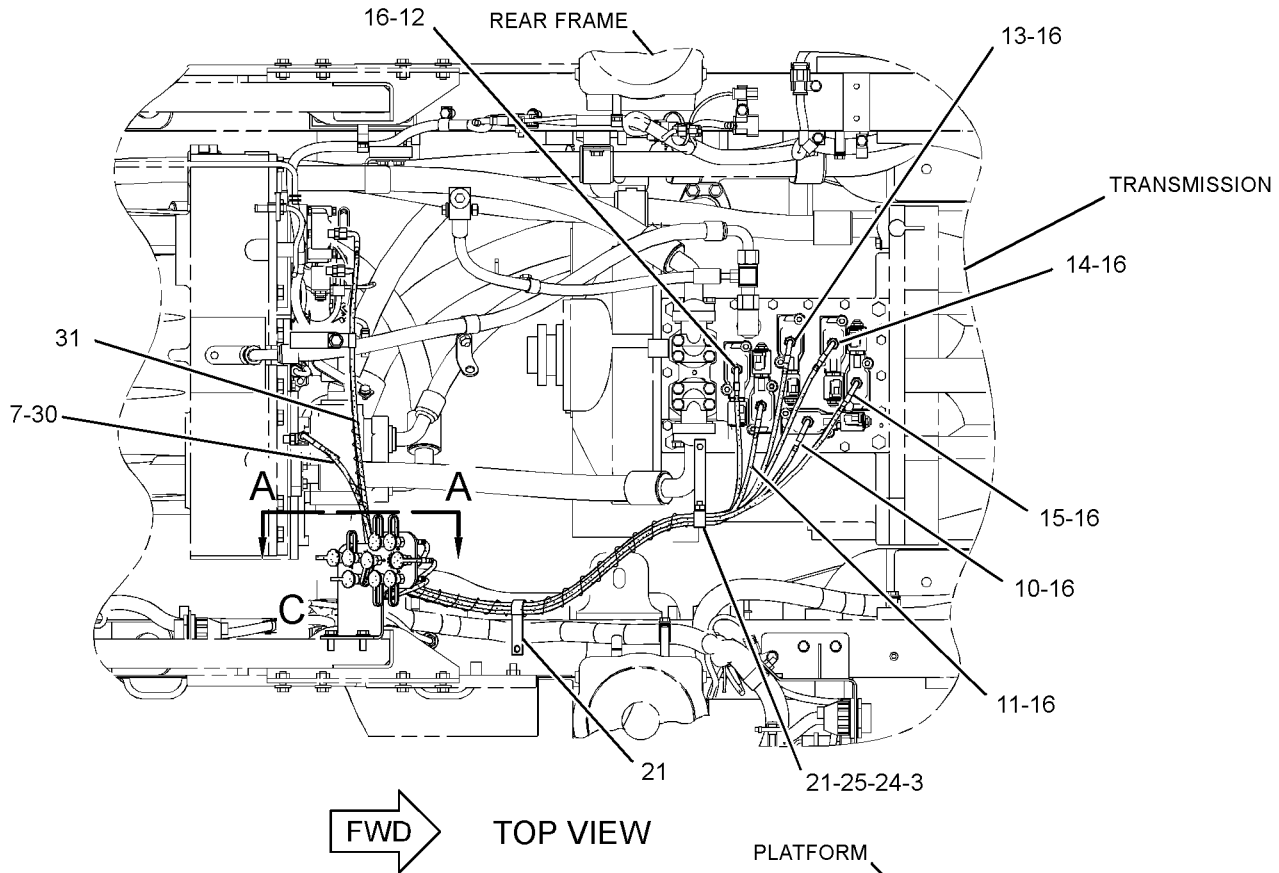
NOTE	REF NO	GRAPHIC REF	PART NUMBER	QTY	PART NAME						SEE PAGE
					1	2	3	4	5	6 (PRODUCT LEVEL)	
	1	1	6B-6205	3	SPACER (0.438X0.875X1.281-IN THK)						
	2	1	6V-0852	9	CAP-DUST						
	3	1	118-6878	1	BRACKET AS						
	4	2	101-9083	1	BRACKET AS						
	5	1	185-6250	9	FITTING AS						
	6	1	311-7595	1	BRACKET						
	7	1	311-7596	1	HOSE AS						
	8	2	311-7597	1	HOSE AS						
	9	2	311-7598	1	HOSE AS						
	10	1	311-7603	1	HOSE AS						
	11	1	311-7604	1	HOSE AS						
	12	1	311-7605	1	HOSE AS						
	13	1	311-7606	1	HOSE AS						
	14	1	311-7607	1	HOSE AS						
	15	1	311-7608	1	HOSE AS						
	16	1,2	148-8325	8	CONNECTOR AS						
					(EACH INCLUDES)						
		1,2	3J-1907	1	SEAL-O-RING						
		1,2	4J-5477	1	SEAL-O-RING						
		1,2	6V-8641	1	CONNECTOR						
	17	2	148-8368	1	ELBOW AS						
		2	3J-1907	1	SEAL-O-RING						
		2	4J-5477	1	SEAL-O-RING						
		2	6V-8627	1	ELBOW						
	18	1	170-4735	9	RING-RETAINING						
M	19	1	8T-4195	1	BOLT (M10X1.5X30-MM)						
	20	1	4J-5477	9	SEAL-O-RING						
	21	1	6V-1228	4	CLIP						
	22	2	6V-2383	2	CLIP						
	23	1	8M-2773	3	CLIP						
	24	1	8T-4121	4	WASHER-HARD (11X21X2.5-MM THK)						
M	25	1	8T-4136	1	BOLT (M10X1.5X25-MM)						
M	26	1,2	8T-4139	2	BOLT (M12X1.75X30-MM)						
	27	1,2	8T-4223	2	WASHER-HARD (13.5X25.5X3-MM THK)						
M	28	1	8T-6466	3	BOLT (M10X1.5X60-MM)						
E	29	2	206-2723		GUARD-HOSE (33-CM)						
E	29A	2	206-2723		GUARD-HOSE (37-CM)						
E	30	1	5I-4200		GUARD (34-CM)						
E	31	1	7I-1024		GUARD-HOSE (54-CM)						
	32	1	7X-7729	1	WASHER (11X25X3-MM THK)						

E-ORDER BY THE CENTIMETER
M-METRIC PART

SERVICE EQUIPMENT AND SUPPLIES

311-7601 LINES GP-DIAGNOSTIC (contd.)

i04480100



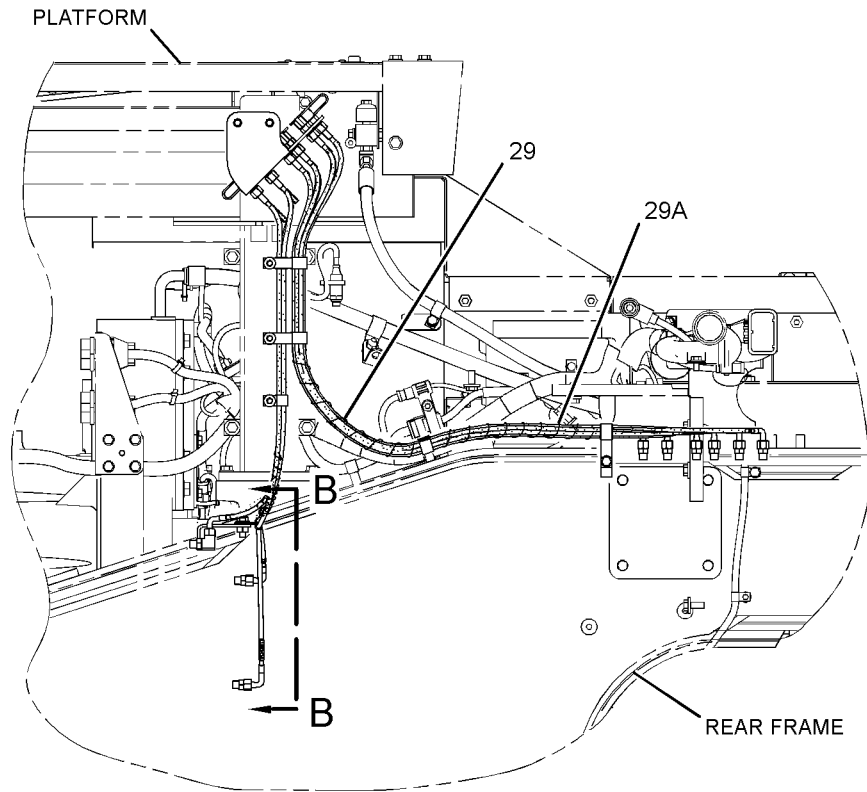
GRAPHIC #1

g02059413

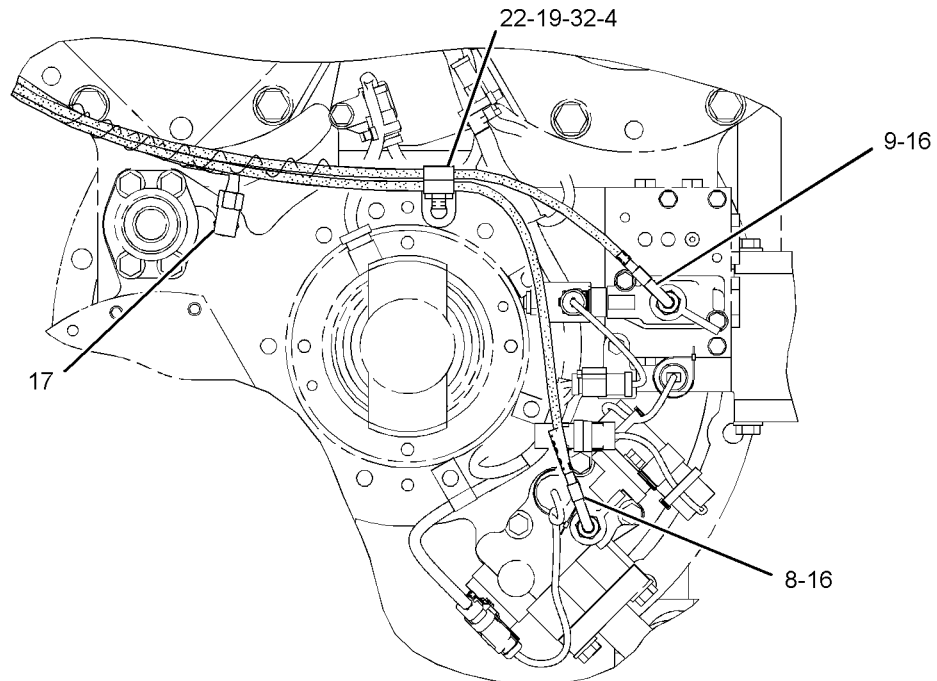
SERVICE EQUIPMENT AND SUPPLIES

311-7601 LINES GP-DIAGNOSTIC (contd.)

i04480100



RIGHT SIDE VIEW



VIEW B-B

GRAPHIC #2

<END>

g02059416

SERVICE EQUIPMENT AND SUPPLIES

233-8479 PLATE & FILM GP

S/N: A7A1-UP

PART OF 284-2735 CHASSIS AR

SMCS-7405, 7557

i04456331

NOTE	PART NUMBER	QTY	PART NAME						SEE PAGE
			1	2	3	4	5	6 (PRODUCT LEVEL)	
Y	291-5560	1	FILM GP						681
	169-8373	1	BOTTLE GP-FLUID SAMPLING (IN TRAY OF CAB AR (LEFT REAR OF CAB))						
	239-6986	1	PLATE-SERIAL NUMBER (MACHINE) (ON PLATE 60-MM FORWARD & 80-MM DOWN ON LH LOADER FRAME SIDE-PLATE)						
A	3N-3790	1	PLATE-SERIAL NUMBER (ENGINE) (ON LOWER RH REAR CORNER OF CYLINDER BLOCK)						
	118-1225	1	FILM-IDENTIFICATION (TRANSMISSION TANK FILL CAP) (ON TRANSMISSION OIL FILLER TUBE)						
	5P-1175	1	FILM-IDENTIFICATION (ENGINE OIL FILL) (ON ENGINE OIL FILLER CAP)						
	334-4603		FILM-INFORMATION (HYDO ADVANCED 10) (ON HYDRAULIC TANK BELOW FILL NECK)						
	134-7258	1	FILM-INFORMATION (EXTENDED LIFE COOLANT) (ON UNDERSIDE OF RADIATOR FILL CAP ACCESS DOOR)						
	146-6747	1	FILM-INFORMATION (24-VOLT) (ON UNDER SIDE OF BATTERY BOX DOOR)						
	237-0212	1	FILM-INFORMATION (ROPS, FOPS, READ OMM) (ON LH REAR SURFACE OF CAB, BELOW WINDOW)						
	220-2782	1	FILM-INFORMATION (HYDRAULIC OIL LEVEL) (TO THE RIGHT OF THE HYDRAULIC OIL SIGHT GAGE ON THE HYDRAULIC OIL TANK, CENTERING MARKS WITH MIDDLE OPENING OF LIQUID LEVEL GAGE)						
	163-3119	1	FILM-INFORMATION (TRANSMISSION OIL LEVEL) (ON PLATE NEAR TRANSMISSION SIGHT GAGE, ALIGN LOW LINE OF THE PLATE-IDENT WITH CENTERLINE OF THE VEHICLES DRIVESHAFT)						
	3E-1552	1	FILM-INSTRUCTION (TRANSMISSION FILTER) (ON TRANSMISSION OIL FILTER)						
	6V-2679	1	FILM-INSTRUCTION (WIPER) (ON CAP OF WINDSHIELD WASHER BOTTLE LOCATED IN THE LH PLATFORM)						
	7X-3229	4	FILM-INSTRUCTION (LIFT EYE, TIE-DOWN LOCATION) (ONE EACH AT FRONT, REAR LIFT & TIEDOWN EYES)						
	190-5386	2	FILM-STRIPE (ROUND RED REFLECTIVE) (ON REAR OUTSIDE SURFACE OF BUMPER, 75-MM FROM EACH SIDE, CENTERED ON FLAT SURFACE)						
	8T-7038	1	FILM-WARNING (DO NOT LIFT) (NEAR DRAW-BAR PIN)						
	358-6729	1	FILM-WARNING (DOWNGRADE HAULING, READ OMM) (IN CAB ON INSIDE OF FRONT DOOR POST)						
	219-0305	1	FILM-WARNING (NO WELD, NO DRILL, READ OMM) (ON LH REAR SURFACE OF CAB, BELOW WINDOW)						

A-NOT PART OF THIS GROUP
Y-SEPARATE ILLUSTRATION

<END>

SERVICE EQUIPMENT AND SUPPLIES

236-0964 PLATE & FILM GP

S/N: A7A1-UP

PART OF 352-8266 CONVERSION AR-MACHINE, 379-3389, 379-3390 DISTRIBUTION AR
AN ATTACHMENT

SMCS-7405, 7557

i04480509

NOTE	PART NUMBER	QTY	PART NAME 1 2 3 4 5 6 (PRODUCT LEVEL)	SEE PAGE
	227-7391	1	FILM-WARNING (SEAT BELT, INTERNATIONAL) (ON LEFT FRONT ROP TUBE)	
	225-0312	1	FILM-WARNING (JUMP START, READ OMM, INTL) (ON UNDERSIDE OF BATTERY BOX DOOR)	
	225-4257	1	FILM-WARNING (HOT FLUID UNDER PRESS, INTL) (ON UNDERSIDE OF RADIATOR FILL CAP ACCESS DOOR)	
	226-1240	2	FILM-WARNING (CRUSH HAZARD, STAY BACK, INTL) (ON SIDE FACE OF LOADER FRAME ONE ON EACH SIDE)	
	226-1274	1	FILM-WARNING (CRUSH HAZARD, READ OMM, INTL) (ON SIDE FACE OF LOADER FRAME SAME SIDE AS SAFETY BAR)	
	228-2616	1	FILM-WARNING (UNIVERSAL, READ OMM, INTL) (IN CAB ON INSIDE OF FRONT DOOR POST)	
	236-7227	1	FILM-WARNING (PARKING BRAKE, INTERNATIONAL) (ON CENTER OF RETAINING PLATE ON PARKING BRAKE GROUP)	
	260-7653	1	FILM-WARNING (PRODUCT LINK 300, INTL) (INSIDE CAB ON LEFT FRONT METAL POST ("A" POST) 1200 MM ABOVE CAB FLOOR)	
	314-3986	2	FILM-WARNING (FALLING HAZARD, READ OMM) (ON FRONT FENDER NEAR THE TOP - ONE ON EACH FENDER)	

<END>

SERVICE EQUIPMENT AND SUPPLIES

353-8741 PLATE & FILM GP

S/N: TXH1-UP; RHX1-UP
PART OF 356-2209 ENGINE AR-CORE
AN ATTACHMENT

SMCS-7405, 7557

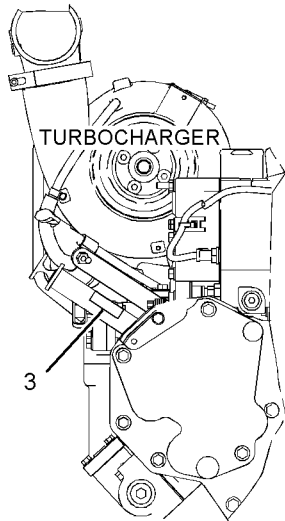
i04400538

NOTE	REF NO	GRAPHIC REF	PART NUMBER	QTY	PART NAME						SEE PAGE
					1	2	3	4	5	6 (PRODUCT LEVEL)	
	1	1	3N-3790	1	PLATE-SERIAL NUMBER (ENGINE)						
	2	1	300-0572	1	PLATE-IDENTIFICATION (CAT C18 ACERT)						
	3	1	136-9066	1	FILM-INFORMATION (ENGINE OIL)						
	4	1	293-9659	2	FILM-WARNING (UNIVERSAL, READ OMM)						

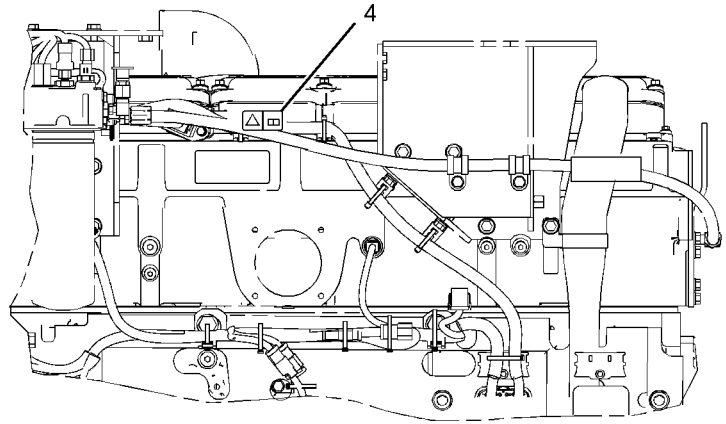
SERVICE EQUIPMENT AND SUPPLIES

353-8741 PLATE & FILM GP (contd.)

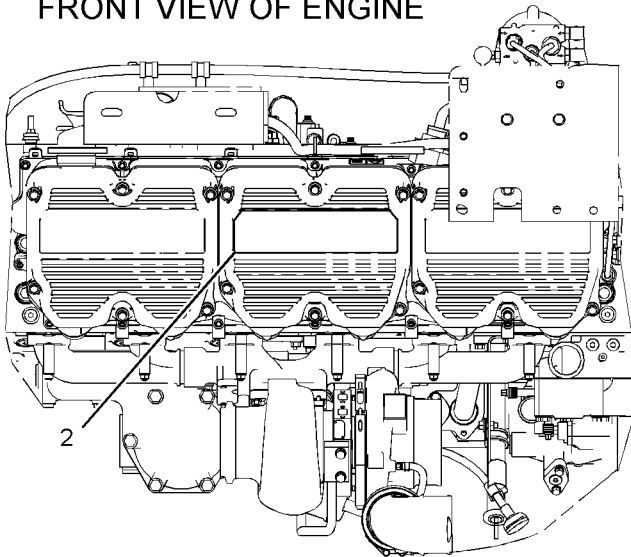
i04400538



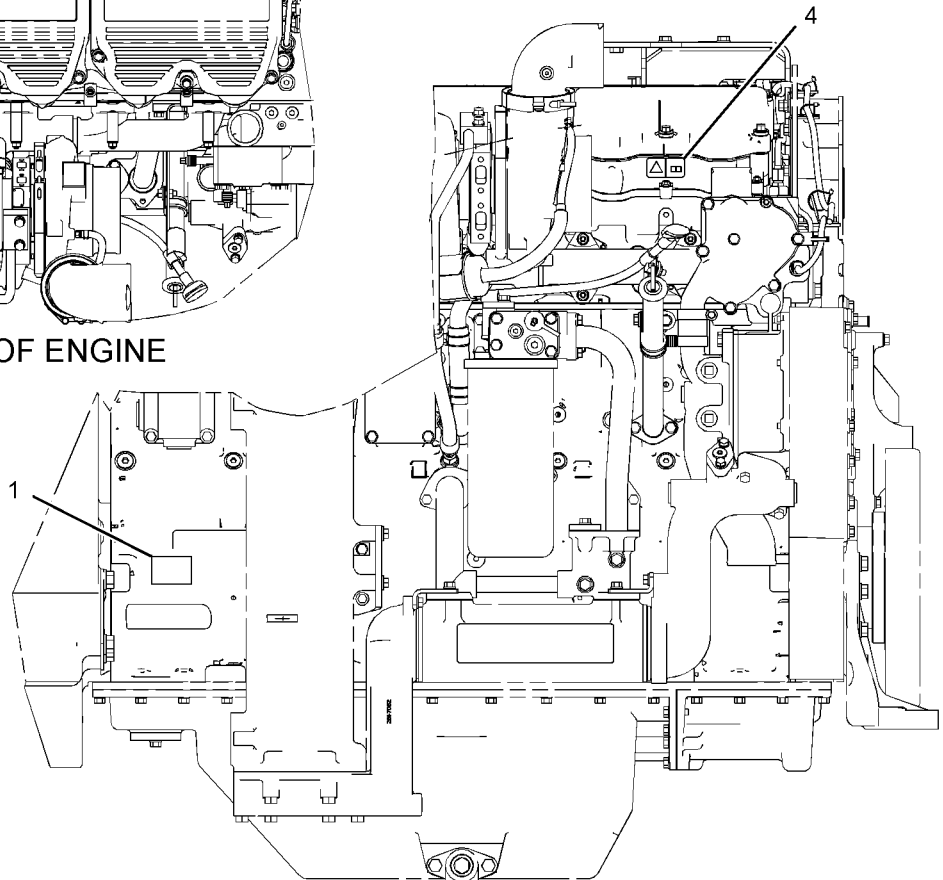
FRONT VIEW OF ENGINE



LEFT SIDE VIEW OF ENGINE



TOP VIEW OF ENGINE



RIGHT SIDE VIEW OF ENGINE

GRAPHIC #1

<END>

g02571838

SERVICE EQUIPMENT AND SUPPLIES

1N-4296 PROTECTION GP-VANDALISM

S/N: A7A1-UP

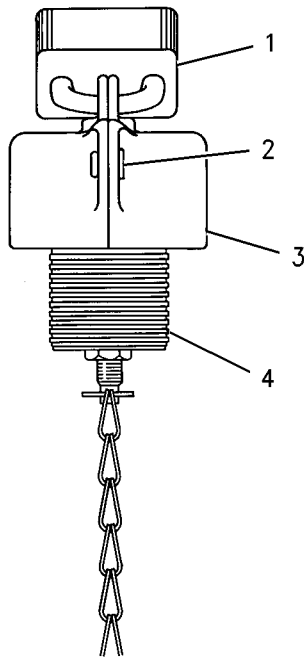
CAP

PART OF 345-3936 LINES GP-POWER TRAIN OIL

SMCS-1273, 3005, 3030, 5056, 7315

i04460599

NOTE	REF NO	GRAPHIC REF	PART NUMBER	QTY	PART NAME						SEE PAGE
					1	2	3	4	5	6 (PRODUCT LEVEL)	
	1	1	246-2641	1	PADLOCK GP						
		1	5P-8500	1	KEY						
	2	1	8S-4212	2	RIVET						
	3	1	8S-3746	2	COVER-FILLER CAP						
	4	1	7W-1484	1	CAP AS-OIL FILLER (POWER TRAIN)						
		1	6H-0411	1	WASHER (32.5X50.8X1.6-MM THK)						



GRAPHIC #1

<END>

g00775220

PART NUMBER INDEX

Part	Page	Part	Page	Part	Page	Part	Page
0							
OL-1143	72	OS-1617	311	1H-2629	200		126
OL-1328	288	OS-1619	42	1H-3244	144	1P-4577	298
OL-1351	80		55		233		446
	93		130	1H-3338	204	1P-4578	298
OL-1558	423	OS-1621	423	1H-4393	636		323
OL-2061	344	OT-0055	15	1H-5728	485	1P-4579	305
	347		45		547		323
OL-2070	45	OT-0065	93	1H-6227	277		338
	93		311		298		341
OL-2315	310	OT-0102	275	1H-8128	132		446
OS-0509	73		285	1H-8171	436		451
	229	OT-0244	653		437		476
OS-0699	135		656	1H-8278	330		479
OS-1571	39	OT-0573	50	1H-8306	139		505
	81	OT-0883	397	1H-8647	7	1P-4582	537
	130			1H-9696	537		305
OS-1576	229	1		1J-2919	406		500
OS-1577	37			1J-4246	326		505
OS-1585	30	1A-1135	97		329	1P-4584	537
	285	1A-1460	288	1J-5799	663		305
OS-1587	51	1A-2029	51	1J-9671	421	1P-5411	451
	264		93		422	1P-5412	487
	288	1A-2223	264	1K-6853	540	1P-5767	451
OS-1588	15		334	1K-8850	262		511
	45		383	1L-3162	646		517
	53	1A-3203	30	1L-3768	360	1P-7326	551
	54	1A-4273	229	1L-5072	321	1P-7346	597
	56	1A-4790	439	1M-0644	680	1P-9261	39
	73	1A-5183	15	1M-0644	82	1P-9269	311
	74	1A-5822	275	1M-3909	323	1P-9269	288
	77		423	1M-6119	147	1R-0762	123
	78	1A-5964	56	1M-6120	147	1R-1052	572
	80	1A-8651	288	1M-6298	487	1R-1060	572
	104	1B-2790	93	1M-6718	475	1R-1808	74
OS-1590	33	1B-2886	458	1M-9968	201	1R-6072	214
	72	1B-3057	91	1M-9971	200	1S-0994	214
	74	1B-3867	7	1N-3974	32		249
OS-1591	80	1B-3908	460	1N-4296	304		451
	81	1B-3909	460		692		682
	88	1B-3953	285	1N-5410	311	1S-1668	106
	93	1B-3955	285	1P-0014	311	1S-3889	364
	97	1B-4367	288	1P-0810	221	1S-6595	289
	117	1B-4971	610	1P-3702	450	1S-7251	147
	181	1B-7182	93	1P-3703	450	1S-7446	214
OS-1594	11		97	1P-3704	450	1S-7446	200
	12	1B-8705	39		511	1S-9540	22
	34	1B-8736	323	1P-3705	517	1S-9593	361
	42	1C-2251	117		500		564
	47	1D-4327	337		511	1S-9989	311
	56		340		515	1T-0479	261
	73	1D-4566	93		517		262
	74	1D-4569	423		547	1T-0720	177
	77	1D-5117	214	1P-3706	511	1T-0765	135
	78	1F-0750	73		515	1T-0766	344
	110		117		517		347
	229	1F-1006	337		541	1T-0786	344
	288		340	1P-3709	483		347
	360	1F-1609	504		485	1T-0787	344
OS-1595	48	1F-7958	35		530	1T-0795	347
	423		288	1P-3958	312		344
	458	1G-5928	469	1P-4078	288	1T-0806	344
OS-1597	200	1G-8878	496	1P-4278	98		347
OS-1608	50	1H-1023	200		100	1T-0807	344

PART NUMBER INDEX

Part	Page	Part	Page	Part	Page	Part	Page
	347		347		522	2T-1051	302
1T-0808	200	2H-2665	289		526	2T-2305	305
1T-0896	347		423		528	2T-2396	302
1T-0936	476	2H-3429	200		540	2T-3013	355
	479	2H-3755	181		560	2T-3019	240
1T-1315	347	2H-3920	210	2N-0822	285		253
1T-1401	344		217	2N-2766	116	2U-7345	479
	347	2H-3922	203	2N-3253	392	2U-7354	477
1T-1426	347	2H-3926	268	2N-3254	392		480
1T-1639	337		296	2N-3350	78	2V-0600	500
	340		298	2P-1293	268	2V-1771	214
1T-1897	344	2H-3932	277		296	2V-3216	168
	347	2H-3933	288		298		173
1U-0322	479		330		500		579
1U-0323	479		572		505	2V-3726	604
1U-1570	537	2H-6489	288	2P-1314	115	2V-4387	597
1U-2827	289	2H-6490	288	2P-1974	50	2W-3815	22
	537	2H-9524	240	2P-2772	42	2W-6225	106
1U-8846	264	2J-3118	39	2P-2975	558	2W-7940	506
	364	2J-6274	547		559		
1V-0134	376	2J-7761	680		561		
1V-1122	622	2J-8163	200	2P-3205	51	3	
1V-1123	622	2K-4472	285		82		
1V-6341	289		288	2P-3760	74	3B-0623	24
1V-6755	646	2K-4821	144		78	3B-0645	24
	649	2K-4973	80	2P-3761	74	3B-1915	51
1V-8732	410		575		78		229
1W-3136	42		667	2P-4301	74	3B-4501	579
1W-6137	78	2K-6830	445	2P-4304	74	3B-4607	439
1W-6448	181	2L-5893	647	2P-4305	74	3B-4610	370
1W-7238	82	2L-6679	178	2P-4470	344		604
1W-7239	82	2L-8049	240		347	3B-4615	397
1W-8620	106	2L-8050	232	2P-4538	360	3B-6487	302
		2L-8054	220	2P-7214	130	3B-6493	400
			249	2Q-3691	417	3B-6552	302
		2L-8057	240	2Q-8723	2	3B-7262	302
		2L-8058	232		▶106	3B-7720	302
		2L-8061	220	2R-0098	364	3B-7733	115
2A-1162	42		249	2R-0239	344	3B-8489	330
2A-1531	423	2L-8065	232		347		333
2A-2677	222	2L-8066	218		530		400
2A-3630	530		220	2R-2376	605		404
2A-4429	26	2L-8067	232		614		572
2A-4639	288	2L-8071	220	2R-6806	123	3B-8686	404
2B-0122	515		221		130	3C-8388	483
2B-0941	240		232		133		485
	450		249	2S-0795	93		530
2B-2404	285	2L-8075	154	2S-1647	89	3D-0490	288
2B-2695	13		232	2S-1654	387	3D-2435	231
	32	2L-8076	218	2S-2596	476	3D-2824	267
2C-9259	674		220		479		292
	676	2L-8078	154	2S-2760	82		295
2D-4202	537	2L-8081	220	2S-3440	103		296
2D-4867	572		221	2S-3567	177		298
2D-6392	200		232	2S-4078	295		304
2D-6533	262		249		476		305
2D-6642	310	2M-0849	423		479		310
2D-6648	483	2M-4287	325		546		356
	485	2M-6102	641		547		432
2D-8363	311	2M-6835	610		558		454
2D-8540	330	2M-9780	126		559		460
2F-6678	201		474		561		476
2G-0395	577		476	2S-5658	337		479
2G-8741	347		505		340		482
2G-8767	147		520	2S-7905	82		487
2H-2255	345						

PART NUMBER INDEX

Part	Page	Part	Page	Part	Page	Part	Page
	493	3E-8026	506		531	3K-4897	659
	499	3E-8027	506		540	3K-5178	222
	500	3E-8044	44		541	3K-6401	392
	504	3E-8320	214		542	3K-8681	381
	505	3E-8557	219		545	3K-9608	330
	536		221		546	3K-9770	678
	541	3E-8558	219		551	3L-3380	200
	622	3E-9411	292		562	3L-6513	249
3D-4603	530		517		682	3L-7634	147
3D-8317	363	3F-3442	310		685		214
3D-9799	233	3F-4479	363	3J-3679	540	3L-9409	285
3E-0400	579	3F-5792	288	3J-3712	275	3L-9410	285
3E-1552	688	3F-9556	144	3J-4818	611	3N-3763	200
3E-2310	439	3G-0361	537		667	3N-3790	688
	505	3G-2683	479	3J-7352	32		690
3E-3371	183	3G-4711	663	3J-7354	93	3P-0747	323
	193	3G-5003	546		98	3P-1155	181
	209		551		100		558
	218	3G-8175	361		189		559
	220		362		253		561
	221	3G-8607	431		267	3P-1323	20
	244	3H-0110	275		305	3P-1932	93
	247	3H-0761	42		431		123
	249	3H-7654	425		476	3P-2404	493
	439	3H-8726	487		479		505
3E-3377	220	3J-0634	530		500	3P-2685	310
	244	3J-1907	115		504	3P-2761	311
	248		125		505	3P-2768	311
	249		249		523	3P-2791	310
3E-3383	217		253		524	3P-2792	311
	244		265		531	3P-2793	310
	248		275		546	3P-2794	310
	249		277		637	3P-2983	312
	591		281	3J-9887	643	3P-3059	310
3E-3389	217		285	3K-0360	126	3P-3060	311
	221		304		134	3P-3098	310
	249		305		249	3P-3103	311
	595		312		253	3P-3242	311
3E-3584	553		360		292	3P-3246	312
3E-3805	600		364		295	3P-3304	310
	602		423		305	3P-3321	310
3E-4304	605		432		364	3P-3418	312
3E-4352	93		439		425	3P-3505	423
3E-4353	130		441		431	3P-3635	310
3E-4367	219		446		432	3P-3735	311
	221		450		441	3P-3743	311
3E-5169	259		451		446	3P-4050	311
3E-5239	231		454		454	3P-4051	310
3E-5464	579		455		455	3P-6061	285
3E-5519	232		463		466	3P-7447	311
3E-6328	▶143		475		467	3P-7489	311
	217		476		472	3P-9658	285
3E-6389	▶158		479		473	3P-9900	667
	217		483		499	3R-8797	200
3E-6753	89		485		500	3R-8801	200
3E-6761	457		493		541	3R-9322	646
3E-6772	28		496		555	3S-1262	423
3E-6790	78		497		563	3S-1284	344
3E-6908	597		499		568		347
3E-6909	126		500		592	3S-1349	337
	429		504		622		340
3E-7401	499		505	3K-0835	595	3S-2093	32
3E-7771	200		511	3K-1787	241		89
3E-8008	69		513	3K-2518	423		123
3E-8020	614		523	3K-2556	423		147

PART NUMBER INDEX

Part	Page	Part	Page	Part	Page	Part	Page
	168		479	4F-4879	658		173
	197	4B-9880	363	4F-6568	444		249
	229	4D-3704	37	4F-7507	572	4K-9097	117
	265	4D-6293	118	4F-7957	7	4K-9429	631
	579	4D-6473	288		8	4L-2729	201
	592	4D-7388	89	4H-1225	411	4L-6454	91
	597		157		412	4M-0189	537
	612		241		433	4M-1831	200
	670		249		506	4M-1853	200
3S-2708	311		305	4H-6112	304	4M-1854	200
3S-8665	89	4D-7735	257	4H-6141	337	4M-1896	201
3S-9643	93	4D-7794	249		340	4M-2381	363
3T-0203	219		257	4H-6730	337	4M-5905	363
3T-0204	248		597		340	4M-6425	647
3T-2662	233	4D-8123	241	4I-3398	383	4M-8239	360
3T-3418	200	4D-8148	334	4I-6289	383	4N-0683	22
3T-3422	200	4D-9517	126	4I-7077	383	4N-0684	19
3T-3423	200	4E-0019	98	4J-0520	292	4N-0699	11
	201		383		298	4N-0826	78
3T-3424	200		390		433	4N-0952	325
3T-3434	200	4E-1966	277		446	4N-1059	199
3T-4709	178	4E-3601	277		501	4N-1156	93
3T-4710	178	4E-4450	604		506	4N-1199	93
3T-4965	504	4E-5591	381	4J-0521	446	4N-1216	78
3T-6175	288		674	4J-0522	292	4N-1294	77
3T-6246	344		676		296	4N-1650	22
	347	4E-5609	572		298	4N-2481	3
3T-7138	311	4E-6015	406		305		▶72
3T-9494	178	4E-6335	663		433	4N-2514	37
	200	4E-6439	663		473	4N-3841	93
3T-9524	200	4E-6444	663		501	4N-8150	74
3T-9525	▶178	4E-6445	663		563		78
	200	4E-6446	663	4J-0523	547	4P-0519	51
3V-4694	612	4E-6523	659	4J-0524	305	4P-2383	96
3V-7476	605		663		446	4P-4460	81
3V-7516	402	4E-7163	663		451	4P-6817	3
3V-9538	295	4E-7498	172		506		▶37
3V-9862	537	4E-7499	172	4J-0525	542	4P-6818	37
3W-6398	669	4E-7520	594		547	4P-6846	3
3W-6399	669	4E-7627	594	4J-0527	305		▶34
3W-9117	383	4E-7628	594		501	4P-7373	80
		4E-8413	584		506	4P-7429	229
			▶594		537	4P-7581	123
		4E-8557	597		542		130
		4E-8560	597	4J-2677	69		222
4B-0418	91	4E-8561	597	4J-5267	292		229
4B-1240	233	4E-8583	423		451		233
4B-2049	200	4E-8722	588		501		241
	222		659	4J-5309	531		253
4B-2913	439		663	4J-5477	98		607
4B-4043	42	4E-8975	176		100		662
4B-4158	423	4E-8976	176		402	4P-7582	241
	479	4E-9173	659		682	4P-7882	69
	546		663		685	4P-8134	222
	551	4E-9174	659	4J-6304	295		229
4B-4274	637		663	4J-6306	295		233
4B-4276	663	4E-9664	636	4J-7533	443		241
4B-4278	667		637		546	4S-1962	148
4B-4550	392	4E-9667	427		547		214
4B-4863	233	4E-9668	427	4J-8224	476		241
4B-8440	404	4E-9924	176		479	4S-4455	241
4B-9373	277	4E-9925	176	4K-3026	400		249
4B-9374	277	4F-0411	93	4K-6066	292		253
4B-9782	65	4F-2294	205	4K-8501	646		296
	476	4F-2320	580	4K-8864	166		487

4

PART NUMBER INDEX

Part	Page	Part	Page	Part	Page	Part	Page
4S-8537	310		212		451	5M-9623	360
	311		222		493	5M-9624	360
4S-8598	289		397		494	5N-0093	22
4S-8603	289		597		499	5P-0049	511
4S-8875	487		607		500	5P-0403	311
4T-0925	475		620		506	5P-0537	8
4T-0928	475		624		542		632
4T-1860	▶475		659	5K-9242	402	5P-0597	106
	476		663		404		111
	479	5C-7423	597	5K-9243	285		304
	546	5C-8312	222		400	5P-0763	71
4T-2770	473	5C-8964	172		402	5P-0767	622
	563	5C-9029	172	5L-3708	151		624
4T-5071	545	5C-9553	139	5L-8957	80	5P-0840	22
4T-5896	▶545		168	5M-2054	311		28
	546		180	5M-2057	289	5P-1076	89
4T-8698	537		222		537		98
4T-8761	458		390	5M-2894	11		100
4T-9298	458		579		12		104
4T-9300	458		597		15		112
4T-9301	458		670		33		113
4V-1074	376	5D-1911	680		34		146
4V-1541	439	5D-5957	337		42		157
4V-1939	227		340		45		268
	247	5D-6298	364		47		296
	257	5D-9231	115		50		368
4V-4164	217	5D-9629	649		51		369
4V-8256	575	5E-8771	39		53		390
4V-8577	667	5F-0149	289		55		394
4W-0518	397	5F-0304	42		56		397
4W-5698	19	5F-1678	364		72		400
4W-5699	19	5F-3106	446		73		407
4W-5700	19		451		74		410
4W-5701	19	5F-9144	125		77		428
4W-9160	115		281		78		501
4W-9890	11		496		81		515
4Y-5812	473		497		82		517
	563	5G-6505	214		93		523
		5G-7398	669		104		524
		5G-7817	126		110		542
		5H-1472	545		117		617
		5H-1504	28		130		643
		5H-4020	501		135	5P-1175	688
5A-3604	531	5H-6005	483		177	5P-1254	31
5B-0651	404		485		181	5P-1404	126
5B-2638	93	5H-6734	132		229	5P-1471	106
5B-3180	363	5I-4200	682		285	5P-1506	243
5B-9192	611		685		288	5P-2199	476
5C-2873	457	5J-1086	277		311		520
5C-2874	173		288		360	5P-2228	89
	611	5J-3419	479		647	5P-2369	76
5C-2890	148	5J-4776	476	5M-3034	200		298
	173		479	5M-3062	241	5P-2503	337
	176	5J-5314	200		421		340
	204	5J-5794	311		422	5P-2504	337
	222	5K-1094	592	5M-3154	289		340
	233	5K-3294	253	5M-6126	311	5P-2525	392
	373	5K-3661	277	5M-6187	310	5P-2587	264
	428	5K-3968	330	5M-6213	275		288
	599	5K-5338	506	5M-6592	277	5P-2673	392
	600	5K-5959	572	5M-6755	636	5P-3928	620
	602	5K-7696	364		637	5P-3929	617
	667	5K-9065	337	5M-7925	311	5P-3948	617
5C-7261	160		340	5M-9548	360	5P-3961	120
	179	5K-9090	267	5M-9622	360	5P-4106	620
	180						

5

PART NUMBER INDEX

Part	Page	Part	Page	Part	Page	Part	Page
5P-4115	148		397	5P-8439	168		98
	373		446	5P-8444	305		100
	390		493		446		250
	579	5P-7469	292		493	6D-4244	241
	600		305	5P-8500	1		250
	602		397		394	6D-4246	433
5P-4116	222		446		680		446
	239		493		692		455
	268	5P-7470	305	5P-8874	432		501
	337		433		446	6D-4247	592
	340		506	5P-8939	148	6D-4636	239
	397	5P-7471	305		214		250
	542		433	5P-9085	213		433
	614		506		227		506
5P-4142	39	5P-7483	373		241	6D-6146	222
5P-4255	45		410		249	6D-7128	91
5P-4423	667	5P-7701	268		257	6D-7889	265
5P-4484	261		282		298		337
	262	5P-7703	451		302		340
5P-4571	172		506	5P-9132	591	6E-0381	466
	219	5P-7803	600	5P-9186	460		467
	220		602	5P-9262	556	6E-0410	476
5P-5618	219	5P-7854	249	5P-9297	166		520
5P-5637	614		506		173	6E-0496	489
5P-5639	268	5P-7957	631		513		490
5P-5677	570	5P-7958	1	5P-9769	392		491
	597		222	5S-0085	262	6E-0763	469
5P-5755	98	5P-8068	78	5S-0581	97	6E-0770	470
	100	5P-8077	501	5S-4245	222	6E-0923	663
	268		511	5S-4246	595	6E-1127	473
	273		517	5S-7001	474		563
5P-5777	441		542	5S-7018	474	6E-1291	546
5P-5908	580		551	5S-7349	144	6E-1454	504
5P-6006	218	5P-8112	451	5S-7383	126	6E-2943	458
	220	5P-8119	425		647	6E-3269	556
5P-6008	247		436	5T-7676	364	6E-3272	556
5P-6010	667		437	5T-9020	218	6E-3273	556
5P-6298	178	5P-8182	305	5V-1496	654	6E-3276	556
5P-6604	261		433	5V-3854	394	6E-3767	469
	262	5P-8245	35	5V-5476	400	6E-3769	469
5P-6718	265		42	5V-6152	243	6E-3775	476
5P-6724	439		48	5V-6153	243		479
5P-6944	249		70			6E-3779	476
	305		253				479
5P-7068	325		264			6E-3780	479
5P-7211	84		275			6E-3986	▶ 472
	98		277	6A-5591	275		480
	100		285	6B-0689	31	6E-4286	476
	390		288	6B-4540	222		480
5P-7462	126		311	6B-4852	277	6E-4287	477
	132		330	6B-6205	89		480
	148		344		250	6E-4499	476
	292		347		394		479
	513		392		682	6E-4500	476
5P-7463	126		531		685		480
	132		537	6B-6684	537	6E-4513	476
	148	5P-8247	42	6B-6863	311		479
	292		144		359	6E-4514	476
	513		150	6C-3060	139		479
5P-7464	305		229	6C-8716	506	6E-4753	472
5P-7465	305		279	6D-0692	364	6E-5510	473
5P-7466	451		288	6D-1004	296		563
5P-7467	451		392	6D-1641	148	6E-5566	446
5P-7468	292	5P-8248	277		622		▶ 474
	305	5P-8356	469	6D-3479	89	6E-6138	473

6

PART NUMBER INDEX

Part	Page	Part	Page	Part	Page	Part	Page
	563	6K-5290	296	6V-0723	605		669
6E-6188	▶473	6K-5291	296	6V-0826	239	6V-2679	688
	476	6K-6307	476		250	6V-2687	222
	479		480	6V-0836	310		612
6E-6527	556		551	6V-0852	123	6V-2689	172
6E-6528	556	6K-8178	173		265		220
6E-6536	556	6K-9194	265		304		249
6E-6537	556	6L-3616	400		337	6V-2722	227
6E-6538	556		404		340		248
6E-6539	556	6L-8598	597		360	6V-3250	103
6E-6540	556	6L-8617	89		431	6V-3251	62
6E-6550	537	6M-1622	261		441	6V-3265	250
6F-0156	310		262		450		433
6F-0253	217		407		463	6V-3303	265
	218	6M-1637	277		483		296
	595	6M-1638	277		485	6V-3382	530
6F-7045	203	6M-6853	265		493	6V-3532	277
6F-7061	531	6M-9155	425		499	6V-3551	458
6F-8499	397	6N-1931	82		523	6V-3668	275
6G-2263	147	6N-3279	200		524		344
6H-0411	692	6N-3826	200		540		364
6H-1717	275	6N-7654	30		546		542
6H-3956	373	6N-8744	587		682		547
6H-6043	344	6N-9590	103		685	6V-3677	39
	347	6P-4903	289	6V-1197	10	6V-3683	177
6H-7062	431	6P-4947	288	6V-1228	682	6V-3823	332
	540	6P-5751	310		685		344
6I-0213	136	6P-6641	166	6V-1270	285		347
6I-0928	26		173	6V-1322	200		355
6I-1055	22	6P-6739	311	6V-1572	298		531
6I-1418	151	6P-7379	311		451	6V-3830	51
	231	6P-7705	311	6V-1573	298	6V-3935	337
	614	6P-9553	347		451		340
6I-2431	98	6R-7653	588	6V-1574	298	6V-3964	151
	100	6S-1753	311	6V-1614	597	6V-3965	123
6I-2435	98	6S-3002	531	6V-1635	388		305
	100	6S-6251	267		643		337
6I-3623	39		394	6V-1668	579		340
6I-3624	39	6T-0363	178	6V-1722	622		357
6I-3625	39	6T-0371	178	6V-1746	364		358
6I-3638	3	6T-0372	178	6V-1820	330		359
	▶33	6T-3631	209		347		360
6I-4025	28	6T-3632	209	6V-1874	292		431
6I-4361	22	6T-3633	209		397		441
6I-4362	22	6T-3642	233	6V-1889	273		450
6I-4363	22	6T-3643	233		296		463
6I-4364	22	6T-3644	233		305		483
6I-4365	22	6T-3720	310		433		485
6I-4366	22	6T-5545	364		493		493
6I-4421	22	6T-5598	239		501		499
6I-4575	7	6T-6052	310		506		505
6I-4582	39	6T-7695	612		617		523
6I-7433	515	6V-0128	8	6V-1970	1		524
6J-2386	458	6V-0467	431	6V-2313	637		541
6J-2680	305	6V-0484	126	6V-2317	363		546
	451		305	6V-2370	370	6V-3987	588
	531		500		373	6V-4248	130
6J-2797	445	6V-0491	219		604		288
6J-4568	482		221		646		325
6J-6721	311	6V-0675	103	6V-2383	250		344
6K-0806	483	6V-0683	126		685		348
	485		132	6V-2491	379	6V-4356	617
6K-3273	641		148		599	6V-4357	617
6K-4934	296		292	6V-2495	617	6V-4589	126
6K-4935	296		513	6V-2496	579		206

PART NUMBER INDEX

Part	Page	Part	Page	Part	Page	Part	Page
6V-4636	526	6V-8150	425		541	6V-8981	429
	528	6V-8187	231	6V-8626	126		432
6V-5063	94	6V-8188	32	6V-8627	682		455
6V-5064	94		200		685		592
	102		214	6V-8632	126	6V-8983	268
6V-5065	61		376		454		505
6V-5142	471		447		541	6V-8985	295
6V-5215	531	6V-8189	144	6V-8634	81	6V-8988	592
6V-5220	597		614		432	6V-8990	296
6V-5324	475	6V-8200	542		454		298
6V-5684	277	6V-8225	582	6V-8635	267	6V-8991	500
	344		583	6V-8636	305	6V-8995	433
	348	6V-8237	309		432		592
	531		489		454	6V-8997	296
6V-5686	531		490		504		298
6V-5758	470		491		513	6V-8998	494
6V-5839	45	6V-8243	531		541	6V-9001	450
	166	6V-8281	364	6V-8637	292		454
	265	6V-8352	556		295		500
	289	6V-8369	210		298		505
	323		217		304	6V-9002	446
	330	6V-8376	233		432	6V-9004	292
	344	6V-8397	267		487		296
	348		268		500		505
	415		305		504	6V-9007	267
	537		431	6V-8639	89		292
6V-5842	265		432		432		487
6V-5843	123		433		541		500
	344		439		592		504
	348		446	6V-8640	505		541
6V-6210	670		450	6V-8641	682	6V-9008	268
6V-6317	289		454		685		493
6V-6535	678		455	6V-8642	540	6V-9023	219
6V-6609	60		493	6V-8647	98		240
	62		499		100		249
	89		500		102	6V-9027	89
	93		504	6V-8713	454		91
	133		505	6V-8716	267		102
	194		513		295	6V-9160	505
6V-6640	288		541		494	6V-9162	305
6V-6703	154		542	6V-8721	505	6V-9168	284
6V-6716	247	6V-8398	126	6V-8723	130		501
6V-6718	636		127		455	6V-9169	429
6V-6923	142		302		500		433
	560		429	6V-8724	432		436
6V-7238	622		431		446		437
6V-7381	591		432		455		455
6V-7419	670		433		541		501
6V-7420	127		439	6V-8774	541		592
6V-7423	337		441	6V-8775	455	6V-9172	494
	340		446	6V-8780	89		501
6V-7646	579		455	6V-8782	432	6V-9173	296
	654		499	6V-8784	500	6V-9182	267
6V-7675	337		500		505		295
	340		505	6V-8789	429		493
6V-7681	525		540	6V-8791	298		500
6V-7687	594		541	6V-8801	150	6V-9189	159
6V-7723	534		592		233	6V-9327	659
6V-7728	579	6V-8400	292	6V-8837	227		663
6V-7744	373		295	6V-8928	614	6V-9505	597
	537		296	6V-8941	268	6V-9606	614
6V-8077	451	6V-8455	277	6V-8942	505	6V-9632	168
6V-8132	309	6V-8625	432	6V-8946	450		218
6V-8149	330		441		505		243
	450		500	6V-8969	632		597

PART NUMBER INDEX

Part	Page	Part	Page	Part	Page	Part	Page
	599	6Y-0799	347	7G-4817	310	7M-0326	200
	614	6Y-0802	347	7G-4818	310	7M-0327	200
	663	6Y-0803	344	7G-5746	310	7M-5130	476
6V-9746	267		347	7G-6772	310		479
	268	6Y-0806	344	7G-7053	639	7M-8479	310
	292		347	7G-7917	219	7M-8480	310
	295	6Y-1354	347		232	7M-8485	139
	296	6Y-1414	347		240		261
	298	6Y-1616	310		248		262
	304	6Y-2090	69	7G-7918	232		267
	305	6Y-2736	460		240		268
	356	6Y-2737	460		248		292
	431	6Y-3484	310	7G-7920	232		295
	432	6Y-4638	363		240		296
	433	6Y-5793	311		248		363
	450	6Y-6328	288	7G-8839	394		381
	451	6Y-6329	288	7H-1447	537		436
	487	6Y-6441	288	7H-7658	312		437
	493	6Y-6584	157	7I-1024	622		441
	494	6Y-6848	275		682		473
	499				685		493
	500			7J-0204	547		494
	501	7		7J-0402	275		499
	504			7J-1089	476		500
	505	7B-1480	302		479		506
	506	7B-1597	265	7J-2546	473		531
	541		285	7J-2656	537		542
6V-9830	542	7B-3028	289	7J-2927	476		546
6V-9833	493	7B-3039	289		479		563
	542		537	7J-7423	479	7M-8651	200
6V-9836	455	7B-5684	563	7J-7852	546	7N-0296	197
	541	7C-1445	13	7J-9108	126	7N-0452	34
6V-9837	432	7C-4355	73		127	7N-0719	▶203
	441	7C-6921	298		454		214
	541	7D-1553	250		455	7N-2059	212
6V-9838	455	7D-1979	337		540	7N-2156	82
6V-9839	298		340		541	7N-7221	220
	505	7D-5238	445		542	7N-7559	81
6V-9840	493	7D-8636	285	7J-9250	489	7N-7878	110
6V-9844	505	7D-8637	285		490	7N-9801	211
	541	7E-3767	106		491	7N-9943	158
6V-9850	432	7E-4341	53	7K-1181	126	7R-0042	298
	446	7E-4342	53		217	7R-2750	232
	454	7E-6508	8		218	7R-2751	232
	541	7E-6513	8		219	7S-1801	304
6V-9851	432	7E-8630	104		247	7S-2962	289
	441	7E-9171	103		592	7S-3996	423
	455	7F-0560	214	7K-1401	305	7S-3997	423
6V-9853	296		233	7K-1402	305	7S-3998	389
	305	7F-2122	311	7K-1972	383	7S-4002	423
	432	7F-3488	200	7K-3176	620	7S-4244	669
6V-9854	267	7F-3525	178	7K-3304	620	7S-5005	19
	494	7F-6013	344	7K-4201	605	7S-8491	479
6V-9855	292		348		614	7S-8553	474
	296	7F-8607	531	7K-4942	423	7T-0020	158
6V-9872	91		617		431	7T-0920	649
	267	7F-9090	74	7K-6058	42	7T-1099	117
	504	7F-9223	375	7K-9197	115		379
6V-9873	439	7G-0141	344	7K-9204	423		666
	455		347	7L-2181	288	7T-3974	200
	505	7G-0283	311	7L-2894	200	7T-4532	585
6V-9876	305	7G-2476	311	7L-9061	338	7T-4925	147
6V-9877	292	7G-2486	311		340	7T-6799	217
	295	7G-2928	310	7M-0324	200	7T-8331	104
6Y-0798	347	7G-3457	311	7M-0325	200		394

PART NUMBER INDEX

Part	Page	Part	Page	Part	Page	Part	Page
	397	7X-2535	614		389		500
7T-8890	669	7X-2543	551		390	8C-3447	304
7T-9346	249	7X-2546	547		394	8C-3451	451
7T-9745	566	7X-2549	305		397		499
7T-9766	564		451		402		504
7T-9988	147		487		409	8C-3756	579
7V-0445	659		515		433	8C-4403	572
7V-6571	130		547		493	8C-4586	579
	239	7X-2552	305		501	8C-5063	32
7V-8346	425		501		506	8C-5197	458
7V-9275	231		572		542	8C-5230	78
7W-1484	692	7X-2553	152		587	8C-6162	298
7W-7381	130		334		604	8C-6354	217
7W-7417	115		397		617	8C-6358	214
7W-8106	240		419		643	8C-6523	622
	243		517		669	8C-6712	304
	506		542		685		499
7X-0297	127		572	7X-7731	42	8C-6871	89
7X-0325	305	7X-2554	390		94		91
7X-0345	63		542	7X-7740	392		302
7X-0492	402	7X-2555	344	7X-7816	338	8C-6959	127
7X-0515	152		348		341	8C-7508	595
	397	7X-2556	515	7Y-0467	460	8C-7510	253
	419		517	7Y-1863	298	8C-7528	253
7X-0531	501	7X-2563	69	7Y-1976	89	8C-8722	572
7X-0550	86		525	7Y-2522	381	8C-8723	407
7X-0562	200		536		383	8C-8771	333
7X-0583	542	7X-2564	69	7Y-3173	595	8C-8989	433
7X-0584	451	7X-2575	572	7Y-3729	450		455
7X-0589	233	7X-2583	572	7Y-4038	511	8C-8992	364
7X-0590	104	7X-2618	439	7Y-4224	530	8C-9160	445
	394	7X-2622	334	7Y-5267	522	8C-9660	200
	397	7X-3186	239	7Y-7256	633		595
	487	7X-3229	688	7Y-8763	381	8C-9987	564
7X-0603	412	7X-3310	659			8D-6542	614
7X-0608	575		663			8D-9947	506
7X-0613	127	7X-3319	222			8E-2882	344
7X-0618	268	7X-3332	119				347
7X-0620	173	7X-3373	200			8E-7366	275
7X-0632	587	7X-3392	292	8B-0544	296	8E-7367	275
7X-0750	240		298	8B-1312	311	8E-8304	311
7X-0751	383		305	8C-3056	231	8E-8316	312
7X-0752	381		397		239	8E-9571	363
	540		433	8C-3085	545	8E-9733	267
7X-0766	373		501	8C-3089	114	8F-0492	450
7X-0772	213	7X-4776	472		200	8F-1434	200
7X-0818	179	7X-4780	180	8C-3093	268	8F-3469	284
	233		255	8C-3097	472		537
	614	7X-6315	154	8C-3110	526		125
7X-0871	431	7X-7700	139		528	8F-7219	310
	441	7X-7729	84	8C-3205	292	8F-8544	617
7X-0873	431		89		451	8F-9206	285
	493		98	8C-3206	293	8H-2768	473
7X-2393	397		100		433	8H-3532	563
7X-2438	460		166		501	8H-3981	338
7X-2459	450		173		506		340
	493		214		537	8H-5303	203
7X-2475	551		244	8C-3210	600	8H-5306	203
7X-2488	334		268		602	8H-8257	275
7X-2497	600		273	8C-3236	277		423
	602		296	8C-3364	296	8J-0331	473
7X-2534	227		370	8C-3442	597		563
	250		372	8C-3445	74	8J-3415	166
	257		373	8C-3446	74		173
	663		388		304	8J-4351	177

8

PART NUMBER INDEX

Part	Page	Part	Page	Part	Page	Part	Page
8J-6815	337		249		353		537
	340	8N-1518	240		354	8T-3312	499
	344		248	8T-0285	542	8T-3331	489
	347	8N-1521	218	8T-0328	200		490
8J-8782	289		240		233	8T-3490	84
	537		248		654		89
8J-8783	289	8N-1522	232	8T-0336	302		98
	537		249	8T-0337	222		100
8L-2777	64	8N-1535	219		579		106
8L-2786	282		248	8T-0375	309		117
	283	8N-1536	249	8T-0389	397		126
	348	8N-1540	232		413		130
	567		248		414		132
8L-5008	402	8N-1541	240		586		148
8L-6565	545		249	8T-0441	262		166
	547	8N-1542	232	8T-0558	537		172
	551		248	8T-0650	279		214
8L-8137	111	8N-1543	240	8T-0652	383		240
8L-8413	36		249	8T-0666	491		243
	147	8N-1544	232	8T-0668	489		247
	667		248		490		253
8M-0627	515	8N-1545	240	8T-0669	309		273
8M-1013	363		249		491		304
8M-2537	360	8N-1725	147	8T-0722	289		372
8M-2770	250	8N-4617	109		537		378
	302	8P-4617	310		666		379
	542	8P-5141	579	8T-0723	594		390
8M-2772	400	8P-8701	325	8T-0741	439		394
	402	8R-0052	277	8T-0785	445		397
8M-2773	250	8R-0053	277	8T-1141	310		415
	253	8R-0126	428	8T-1158	344		429
	255	8R-0752	504		348		446
	305	8R-2014	273	8T-1578	373		450
	433	8R-2857	277	8T-1583	280		454
	505	8R-3695	222	8T-1674	540		504
	617	8R-7102	168	8T-1685	268		506
	682	8R-7858	394	8T-1686	126		540
	685	8S-0948	166	8T-1715	622		592
8M-3837	364		306	8T-1718	541		604
8M-4390	312	8S-1353	106	8T-1739	525		617
8M-4443	305	8S-2225	636	8T-1885	433	8T-3491	504
	338		637		455	8T-3518	231
	341	8S-2332	199		501	8T-3519	214
8M-4986	305	8S-3371	347	8T-1886	433	8T-3597	86
	360	8S-3746	692		455		295
8M-4989	344	8S-4212	692		501		304
	348	8S-6109	617	8T-1887	501		379
8M-5127	305	8S-6110	617	8T-1888	501		394
8M-6146	253	8S-6212	311	8T-1889	130		450
8M-6802	468	8S-6511	82	8T-1890	130		454
8M-7066	103	8S-6823	108	8T-1905	542		499
8M-7758	614	8S-6824	108	8T-2223	476		504
8M-8157	305	8S-9089	94		480		515
8M-8489	82	8S-9104	310	8T-2275	537		643
	323	8S-9191	136	8T-2353	123		646
8M-8627	360	8T-0081	126		523	8T-3611	295
8M-8659	288	8T-0106	330		524	8T-3612	106
8M-9024	117	8T-0119	127	8T-2363	541		120
8N-0869	147	8T-0197	500	8T-2561	390		126
	214	8T-0267	531		617		212
8N-1513	249	8T-0269	594	8T-2899	637		394
8N-1514	219	8T-0273	348	8T-3013	277		454
8N-1515	249	8T-0277	659	8T-3282	262		540
8N-1516	240	8T-0281	330		364		614
8N-1517	232		333	8T-3298	288		641

PART NUMBER INDEX

Part	Page	Part	Page	Part	Page	Part	Page
8T-3647	233		451		148		306
	253		455		166		372
8T-3851	381		487		171		390
	383		493		173		400
8T-3998	483		501		180		402
	485		506		214		417
8T-4121	9		513		227		419
	89		537		233		429
	98		542		239		433
	100		547		241		447
	103		551		244		455
	106		586		250		487
	111		592		253		493
	115		604		257		501
	127		614		265		506
	132		617		268		537
	148		625		273		592
	157		649		277		617
	166		662		293		643
	168		666		296		649
	171		682		298		669
	173		685		306	8T-4138	222
	176	8T-4122	501		388		233
	179		542		390		579
	180		551		429		594
	197		648		433		614
	213	8T-4123	69		446		659
	214		86		451		663
	222		138		493	8T-4139	86
	227		334		506		98
	233		377		513		100
	239		433		542		148
	241		444		587		157
	244		587		592		214
	250		592		604		233
	253	8T-4127	173		617		250
	255	8T-4128	402		649		268
	257	8T-4131	86		659		296
	262	8T-4132	152		682		299
	265	8T-4133	106		685		368
	268		127	8T-4137	89		369
	273		130		98		379
	277		166		100		390
	293		173		127		394
	296		222		148		398
	298		233		157		400
	302		241		166		407
	306		253		168		410
	323		273		173		433
	338		398		179		451
	340		402		197		501
	344		409		213		506
	348		426		214		515
	370		433		222		542
	379		493		233		643
	390		501		239		682
	397		506		241		685
	400		597		244	8T-4140	293
	402		617		250		299
	413	8T-4134	663		253		501
	414	8T-4136	89		255		517
	426		98		257		542
	429		100		265		551
	433		106		296		572
	447		115		302	8T-4149	268

PART NUMBER INDEX

Part	Page	Part	Page	Part	Page	Part	Page
8T-4167	572		447		250	8T-4223	32
8T-4172	306		455		293		86
	447		592		296		106
	487	8T-4186	86		299		108
	542		166		338		118
8T-4173	515		173		340		127
8T-4174	511		214		344		146
	515		241		348		148
8T-4176	299		244		370		152
	306		296		373		157
8T-4177	597		299		390		214
8T-4178	9		306		394		222
	306		415		398		229
	389		433		411		233
	506		455		412		250
8T-4179	157		494		433		268
	244		506		451		293
	643		542		455		296
8T-4180	600		587		501		299
	602	8T-4187	389		506		306
8T-4181	600	8T-4189	85		513		323
	602		127		542		338
8T-4182	106		212		551		341
	127		257		614		376
	222		268		617		379
	296		439		625		388
	413		663		663		392
	414	8T-4191	379		669		394
	506	8T-4192	157		685		398
8T-4183	86		214	8T-4196	233		428
	112		233		241		429
	113		306		293		433
	152		388		299		446
	268		398		323		451
	293		433		398		455
	296		455		433		463
	306		643		447		476
	323	8T-4193	253		451		480
	338		389		493		487
	341		501		501		501
	368		511		506		506
	390		542		537		511
	398		648	8T-4200	91		515
	407	8T-4194	268		253		517
	429		306		663		537
	433		364	8T-4205	144		542
	451		392		173		551
	476		398		176		643
	480		451		200		682
	501		487		208		685
	511		511		222	8T-4224	85
	517		551		231		91
	537	8T-4195	84		233		127
	643		86		579		144
8T-4184	108		89		588		152
	338		98		614		159
	341		100		654		160
	447		103		659		179
	451		111		663		180
	501		127		670		212
	506		132	8T-4222	84		214
	517		173		86		222
8T-4185	302		176		394		233
	394		241		417		253
	398		244		419		257

PART NUMBER INDEX

Part	Page	Part	Page	Part	Page	Part	Page
	268		383		455		361
	338		540		501		439
	341	8T-4956	86		617		446
	398		299		682		564
	417		306		685		595
	439		338	8T-6631	579		626
	455		341	8T-6684	268		627
	597		387	8T-6757	24		667
	610		433	8T-6765	42	8T-8730	168
	614		451		104		186
	620		501	8T-6868	299		197
	624		511		306		218
	640		542		394		247
	647	8T-4970	208	8T-6869	127		248
	659		588		265		253
	663	8T-4971	373		338		570
8T-4226	411		600		341	8T-8731	186
	412		602		542	8T-8732	253
8T-4244	104	8T-4983	93	8T-6870	455	8T-8737	8
	106	8T-4986	499		610		123
	146	8T-4994	265	8T-6876	103		166
	222		501		439		172
	306	8T-5001	392		446		210
	394		438		541		214
	398	8T-5004	375	8T-6895	500		217
	428	8T-5005	180	8T-6911	383		218
	433		293	8T-6912	159		219
	454		296		180		220
	487		299		338		221
	515		417		341		229
	663		433		610		232
8T-4648	104		506	8T-6974	244		240
	106		617	8T-6991	392		243
	394	8T-5041	463	8T-7038	688		247
	451	8T-5400	670	8T-7338	338		248
	506	8T-5413	409		341		253
	511	8T-5432	233		451		337
	542	8T-5436	547	8T-7520	499		340
8T-4747	600		586	8T-7525	526		570
	602	8T-5439	334		528		579
8T-4779	511		436	8T-7529	306		592
	517		437	8T-7535	444		627
	542		536	8T-7547	152		628
8T-4835	146	8T-5460	138		160	8T-8827	239
8T-4896	91		392		180	8T-8874	218
	120	8T-5463	629		268	8T-8887	446
	123	8T-5677	247		640	8T-8899	433
	150	8T-5913	669	8T-7566	632	8T-8900	267
	229	8T-5914	669	8T-7927	292	8T-8901	504
	233	8T-6381	69	8T-7930	146	8T-8919	523
	239		334	8T-7934	402		524
	241	8T-6383	152		586	8T-9082	654
	476	8T-6411	173	8T-8442	526	8T-9371	667
	479		176		528	8T-9377	241
8T-4908	215	8T-6430	334	8T-8729	158	8T-9397	265
	341		377		163	8T-9522	559
	417		444		209		561
8T-4910	86	8T-6466	89		210	8T-9527	33
	118		103		211	8T-9655	126
	299		148		217		151
	306		250		218		231
	394		306		240	8T-9834	220
	398		394		247	8V-3609	425
	511		398		248	8V-5386	330
8T-4935	381		433		259	8W-2966	542

PART NUMBER INDEX

Part	Page	Part	Page	Part	Page	Part	Page
	547	9J-3047	537	9P-0719	222		114
8X-0674	392	9J-3866	431	9P-5531	311		177
8X-3467	454		504	9P-6476	344		479
8X-4086	327	9J-7031	288		347		531
	328		537	9P-7121	139		547
8X-4711	383	9J-9600	679	9R-2613	179		637
8X-4719	511	9J-9821	477		368	9S-8003	78
8X-4886	298		480		379		540
	304	9K-0803	392		381	9S-8004	28
8X-5803	217	9L-1775	617		383		62
8X-6166	275	9L-5854	21		394		74
8X-7415	390	9L-6770	144		411		125
8Y-3966	373	9L-7494	285		412		277
8Y-3998	373	9L-8439	73		504		476
8Y-3999	373	9L-8925	8		646		479
8Y-4501	600	9L-9188	546	9R-4595	381		483
	602		551		383		485
8Y-5743	390	9M-0164	71	9R-5008	547		546
8Y-5746	659		76	9R-8185	389		551
8Y-6333	659	9M-0853	74	9R-8538	373	9S-8005	60
8Y-6352	607		78		600		62
8Y-6386	600	9M-1503	310		602		93
	602	9M-1974	13	9S-1343	310		123
8Y-6388	605		32	9S-2544	200		133
	607		94	9S-4167	123		134
8Y-8306	373		151	9S-4180	547		283
			181	9S-4181	262		364
			265		282		458
			363		337		568
			531		340	9S-8006	22
		9M-2076	425		381		60
9B-0453	428	9M-2095	310		531		62
9B-7233	233	9M-2904	31	9S-4182	476		74
9B-7237	120	9M-3786	96		479		522
9C-2399	298	9M-4007	344		505		526
9C-4935	383		347		546		528
9C-6809	381	9M-4313	360	9S-4183	500	9S-8007	547
	383	9M-4355	310	9S-4185	282	9S-8008	94
9C-7863	381	9M-4370	323		348		310
	383	9M-5024	277		455		460
9C-7928	381	9M-5870	222	9S-4190	126		476
9D-4439	231	9M-5884	646	9S-4191	275		479
9D-6134	389	9M-5894	489		312	9S-8010	61
9D-7924	304		490		337		476
9F-2167	425		491		340		479
9F-3788	310	9M-6097	262		423	9S-8752	33
9F-5599	178	9M-6527	97		450		39
9F-5644	203	9M-7394	680		476		45
9F-6641	468	9M-7783	150		479		50
9F-7283	501	9M-8406	127		511		56
9F-8125	217		253		531		74
9G-0003	147		579		546		135
9G-0004	147		617		562	9S-9334	51
9G-0278	545	9N-0869	127	9S-4205	261		94
9G-1950	579		151		262		139
9G-2673	222		233	9S-4368	344		546
9G-3695	597		607		348	9T-0818	536
9G-4101	200		614	9S-4372	344	9T-1013	499
9G-5321	364	9N-2038	122		347	9T-1258	458
9G-9288	536	9N-3167	51	9S-7949	285	9T-3096	454
	▶680	9N-6108	55	9S-7950	285		▶464
9H-1031	20	9P-0200	338	9S-8001	443	9T-3752	356
9H-3757	200		341		546		504
9H-5537	311	9P-0217	338	9S-8002	60	9T-5134	267
9H-6454	537		341		93	9T-6943	383
9H-6832	364						

9

PART NUMBER INDEX

Part	Page	Part	Page	Part	Page	Part	Page
9T-7419	476		190		247		340
	479		192		248		446
	520		193		253		540
9T-9226	537		204		597	9X-6856	219
9T-9227	537		206	9X-3402	123		232
9T-9992	558		446		166		248
	559		497		172	9X-6857	219
	561	9X-2027	659		214		240
9U-0560	173	9X-2038	7		218		249
9U-0561	172		588		219	9X-7145	221
9U-0585	571		614		221	9X-7146	219
9U-0830	611		659		227	9X-7317	136
9U-0853	381		663		229	9X-7344	255
9U-0952	659	9X-2039	605		232	9X-7378	241
9U-0953	659	9X-2040	577		240		585
9U-0954	659		605		243	9X-7380	617
9U-0955	659	9X-2041	646		248	9X-7381	617
9U-1169	604	9X-2042	233		249		620
9U-1469	147		599		253	9X-7382	620
9U-1793	383		605	9X-3490	219	9X-7383	617
9U-2277	212		649	9X-3495	253		620
	298	9X-2043	663	9X-3579	491	9X-7384	617
9U-2331	612	9X-2044	233	9X-4008	115		620
9U-3430	450		588	9X-4244	159	9X-7385	585
9U-3925	659		600		160		617
	663		602	9X-4493	172	9X-7430	24
9U-3926	659		649	9X-4597	392	9X-7680	526
	663		659	9X-4599	572		528
9U-3927	663	9X-2045	588	9X-4601	572	9X-7722	458
9U-3928	330		599	9X-4605	344	9X-7737	206
9U-4431	612	9X-2046	614		348	9X-7743	285
9U-8263	612		629	9X-4609	363	9X-8250	239
9V-3659	375	9X-2133	102	9X-4997	240		250
9W-0844	218	9X-2145	321	9X-4998	240	9X-8256	139
9W-0852	217	9X-2158	323	9X-6015	295		168
	579	9X-2185	579	9X-6032	451		180
9W-1572	310	9X-2205	139	9X-6165	222		227
9W-1579	311	9X-2289	304	9X-6269	540		233
9W-1951	219	9X-2299	370	9X-6395	473		244
9W-2977	310		604		563		250
9W-3416	147	9X-2327	322	9X-6458	15		257
9W-3460	147	9X-2383	227		39		599
9W-3723	147		248		54	9X-8257	253
9W-3898	312	9X-2404	364		56		299
9W-5568	363	9X-2480	222		73		306
9W-6582	69		257		80		309
	334	9X-2488	579		93		334
9W-6584	69		622		127		338
9W-8297	312		624		130		341
9W-8298	311	9X-2614	500	9X-6580	268		451
9W-9856	312	9X-2616	659		506		501
9W-9930	69	9X-3132	221	9X-6626	629		511
	334	9X-3265	219	9X-6762	147		515
9X-0141	219	9X-3401	123	9X-6772	172		517
9X-0196	247		166		214		542
9X-0262	181		172		219		572
9X-1046	222		185		231	9X-8258	407
	635		190		240		572
9X-1054	232		192		243	9X-8259	572
9X-1056	232		219		247	9X-8268	265
9X-1343	221		220		249		289
9X-1386	240		221		253		296
	597		227		255		530
9X-1813	185		232		298	9X-8281	659
	186		243		337	9X-8399	277

PART NUMBER INDEX

Part	Page	Part	Page	Part	Page	Part	Page
	280	067-9425	111	101-0524	22		247
9X-8408	441	068-0592	295	101-0525	22		248
9X-8498	579	068-8579	177	101-0852	154		253
9X-8600	139	068-8993	579	101-2862	522		259
9X-8872	38	069-2535	421	101-2867	614		439
9X-8873	94		422		647		446
	288	077-3790	458	101-3120	117	102-8804	217
9X-8874	288	077-4639	458	101-3125	104		219
9X-8875	289	077-4643	458	101-3846	439		243
9X-8878	70	081-5645	540	101-6596	32		248
9X-8917	595	083-4419	526	101-7404	132		259
9X-9120	231		528		268		597
9Y-1792	82	085-8091	450	101-8468	39	102-8805	166
9Y-3368	22	091-0081	126	101-9083	304		172
9Y-4104	93		243		682		217
9Y-6089	42		249		685		243
9Y-9236	102	091-9035	130	101-9435	678		247
		092-7385	295	101-9436	678		248
		093-0349	444	101-9437	678		591
		095-0670	526	102-2828	497		626
			528	102-4156	546		627
002-0639	402	095-0690	522	102-4157	546		628
005-4362	123	095-0758	663	102-4158	546	102-8806	123
005-8593	551	095-0843	654	102-5861	39		210
006-0136	530	095-0939	462	102-8801	8		217
008-3214	458	095-0942	460		232		220
009-3101	427	095-1519	470		248		248
	636	095-1678	282		579	102-9089	10
	637		283		592	103-0126	38
011-7960	612	095-1750	555	102-8802	143	103-1303	517
012-0380	204	095-9804	546		163		540
013-8502	663	096-0008	530		190	103-2543	234
030-4605	483	096-0015	535		204	103-5350	381
	485	096-0067	611		211		383
	530	096-1331	323		213	103-5526	217
030-7946	32	096-4883	397		217		▶591
030-7947	130	096-5962	221		218	103-6318	470
	265		595		219	103-6319	468
	285	096-6166	540		227		470
030-8539	285	096-9986	450		229	103-7407	469
031-0214	647		643		232	103-7410	469
031-3185	39	097-4896	302		240	103-8134	8
031-4155	14	097-7234	220		243	104-2091	221
031-9295	147	098-5747	663		248		605
	214	098-8968	217		253		607
032-9313	558	099-3095	321		255	104-3601	172
033-5879	567		438		361	104-4255	468
033-6033	142	099-3649	426		497	104-4256	468
	282		659		564	104-4270	468
	560				579	104-4271	468
	567				585	104-4272	468
033-6042	458				667	104-4273	468
033-6043	556			102-8803	158	104-4274	468
033-8248	166	100-3098	15		162	104-5013	304
	173	100-3866	386		164		▶360
	214		389		183	104-5014	360
	233	100-4311	▶186		184	104-6202	229
	249		253		185	104-7108	454
034-3557	288	100-4995	108		193	105-2145	556
038-3967	617	100-5041	232		209	105-3035	526
039-8557	126	100-5072	136		218		528
045-4065	201	100-5621	681		219	105-3477	592
061-7208	89	100-7399	22		220	105-3483	152
061-8639	66	101-0003	667		221	105-6117	637
061-9455	13	101-0523	22		243	105-8029	595

PART NUMBER INDEX

Part	Page	Part	Page	Part	Page	Part	Page
105-9073	595		347		▶554		172
106-0912	▶679	108-7005	493	112-2276	636		197
106-0933	333	108-7550	450	112-3927	330		214
	353	108-7930	97	112-4511	311		227
	354	108-9382	3	112-5419	633		239
106-1774	439		▶35	112-5421	217		240
	▶443	108-9422	617	112-5574	633		243
106-1792	116	109-0072	80	112-7308	311		247
106-3969	109	109-0076	51	112-7309	311		248
106-3973	109	109-0077	93	112-7448	605		249
106-4155	219		96	112-8244	546		253
	243	109-0078	80	112-9217	39	114-8844	247
106-4572	98	109-1641	438	112-9486	98		249
	100	109-1645	247		100	114-8845	168
106-5673	28	109-1657	3	112-9783	89		240
106-6220	370		▶36	112-9861	554		243
106-6221	370	109-2373	3	113-0002	217		249
106-7798	310		▶88	113-0580	219	114-9252	649
106-9212	363	109-3969	363		243	114-9491	427
107-0266	605	109-5008	397	113-5183	219	115-0627	577
107-0583	39	109-5811	542		221		▶579
107-1984	221	109-5816	450	113-5184	219	115-2247	636
107-2884	458	109-5825	304		221		637
107-2887	458	109-5839	51	113-5304	78	115-2422	147
107-2888	458	109-5840	51	113-6003	604	115-3069	179
107-2889	458	109-8196	584	113-7752	636		180
107-2890	458		▶670		637		439
107-2891	458	109-9051	▶678	113-8113	579		446
107-2893	458	109-9985	47	113-8263	546	115-3071	257
107-3114	460	110-2023	383	113-8490	231	115-3072	249
107-3157	648	110-2079	217	113-8491	231	115-3082	232
107-3533	▶678	110-2446	425	113-8492	231	115-3083	232
107-3536	678	110-2973	530	114-0359	679	115-3519	248
107-3537	678	110-3978	530	114-3466	605	115-7087	122
107-3538	678	110-4215	635	114-5121	1	115-9346	231
107-3727	233	110-4216	635		▶406	116-0118	172
107-4393	620	110-4217	635	114-5124	1		176
107-4394	620	110-4218	217		▶643		243
107-4395	620	110-4344	48	114-5125	2		247
107-4396	620	110-6109	217		▶377	116-0434	633
107-4397	617	110-6393	630	114-5126	1	116-4491	240
107-4399	617	110-6844	221		▶379		247
107-4603	649		232	114-5127	1	116-4798	431
107-4749	227		248		▶669		454
	247	110-6845	221	114-5133	1	116-5710	179
	257		248		▶397	116-7471	231
107-5769	135	110-6846	232	114-5137	1	116-9331	431
107-6736	3	110-6848	232		▶389		454
	▶11	110-7887	217	114-5138	1	117-0067	253
107-7306	649	110-8769	240		▶334	117-0160	546
107-7308	605	111-0343	564	114-5141	132		▶558
107-7495	119	111-0687	649		▶622	117-0775	558
107-8265	304	111-1316	649	114-5142	1		559
107-9172	425	111-1353	602		▶617		561
108-0122	489	111-1354	600	114-5147	▶309	117-0986	381
	490	111-1355	602		320	117-1410	584
	491	111-1356	600	114-5172	1		▶652
108-0358	208	111-2088	3		▶587	117-1903	570
108-2735	310		▶47	114-5192	▶152	117-2311	217
108-2736	310	111-2355	3		570	117-3335	103
108-3320	217		▶48	114-5196	▶569	117-4491	656
108-3612	116	111-9110	421		570	117-4492	575
108-3866	474		422	114-5333	240	117-7865	445
108-4311	667	112-0845	513	114-8843	166	117-8801	39
108-4441	345	112-1817	540		168	118-0271	106

PART NUMBER INDEX

Part	Page	Part	Page	Part	Page	Part	Page
118-0275	387	122-0447	24		232	126-7631	3
118-1225	688	122-0450	240		244		▶150
118-1277	147	122-1472	8		247	126-8182	277
118-2079	148	122-1671	428		248	126-8449	150
118-2080	147	122-3772	96		249	126-8472	580
118-3731	359	122-4026	118		253	127-0366	397
118-5068	77	122-4429	217		597	127-0929	114
118-5083	483	122-6872	103	125-7875	166	127-4667	499
	485	122-7375	24		168	127-4832	460
118-5085	483	122-8612	24		172	127-6356	82
	485	122-9854	217		218	127-6422	579
118-5086	483	123-1373	147		220	127-6423	579
	485	123-2876	288		221	127-9483	526
118-5087	483	123-2877	288		229		528
	485	123-2995	614		232	127-9485	526
118-5805	530	123-2997	288		244		528
118-6606	425	123-3202	8		247	127-9490	526
118-6878	253	123-4627	217		249		528
	682	123-5298	288	125-7876	231	128-0606	636
	685	123-6383	217		239	128-0607	636
118-7226	▶193	123-7615	219	125-8176	375	128-1026	649
	265		221	125-8534	243	128-3786	605
118-9901	304	123-9431	639		493	128-3787	605
	455	124-0174	255	126-0081	3	128-4123	233
118-9902	617		265		▶114	128-4162	240
119-0036	10	124-0501	288	126-0197	499	128-4165	218
119-0959	556	124-0502	288	126-1756	39	128-4188	249
119-1151	604	124-0503	288	126-1757	59	128-5302	340
	646	124-0504	288	126-1767	123		▶344
119-3662	166	124-0665	284		166	128-5303	▶340
	172	124-0689	284		172		343
	218	124-1555	530		185	128-7115	344
	220	124-1854	28		192	128-7116	344
	232	124-1855	28		219	128-8704	344
	240	124-3019	130		220		347
	243		214		232	128-8795	344
	249		247		243		347
119-4258	262		504		248	129-0822	344
119-7837	259		540		597		347
119-7839	247	124-3637	670	126-1768	123	129-1598	344
120-4394	460	124-4884	612		166	129-2552	602
	526	124-7649	259		172	129-2553	600
	528	124-8368	614		218	129-2565	602
120-5737	152	125-0434	93		219	129-2567	600
120-8878	614	125-0965	436		221	129-2570	649
120-9847	3		437		229	129-2572	649
	▶13	125-0966	436		232	129-2577	602
121-1257	277		437		240	129-2578	600
121-1343	243	125-1302	▶204		249	129-2581	649
	446		231	126-1774	240	129-2584	600
	617	125-1355	260		340		602
121-1905	383		▶436	126-3883			
121-2051	483	125-1358	260	126-4935	12	129-3172	45
	485		▶437		93	129-3178	579
121-3274	649	125-2706	265	126-5483	▶337	129-5224	614
121-3275	649		450		343	129-5427	59
121-3277	649	125-3276	641	126-5606	579	129-5428	59
121-3278	649	125-3295	637	126-5607	579	129-7184	599
121-3286	500	125-5835	177	126-5608	579	129-8293	546
121-4345	89	125-6535	201	126-5609	579		▶559
	102	125-6537	201	126-5612	579	129-9907	97
121-7848	214	125-7874	214	126-6006	579	130-1887	620
121-7958	284		218	126-6008	620	130-1888	579
	537		220	126-6009	579	130-1890	579
121-9870	614		221	126-6010	579	130-3281	119
				126-7168	375	130-4698	39

PART NUMBER INDEX

Part	Page	Part	Page	Part	Page	Part	Page
130-4701	39		340	134-4126	154	136-2623	273
130-5300	126	132-4458	337	134-4821	397	136-3188	582
	166		340	134-5623	323		583
	173	132-4460	337	134-5628	325	136-3190	583
	213		340	134-6052	643	136-3195	582
	214	132-4463	344	134-6721	646	136-3357	▶641
	233		347	134-6722	643		642
	240	132-5789	117	134-6723	643	136-3607	592
	244		123	134-7258	688	136-3645	641
	249		221	134-7326	643	136-3742	97
	253		229	134-9817	288	136-3842	438
	265		265	135-0426	▶162	136-3970	640
	337	132-6142	▶454		172	136-4838	311
	340		498	135-1844	325	136-4839	311
	500	132-6143	498	135-1845	325	136-4840	311
130-6392	600		▶536	135-3161	445	136-4841	311
	602	132-6144	2	135-3489	438	136-5049	▶376
	219		▶446	135-3490	321		407
130-6788	220	132-6236	6		438	136-6381	69
130-6789	220		▶69	135-3573	438	136-6382	69
130-6790	220		389	135-4928	97	136-8035	277
130-7093	337	132-7486	386	135-6925	587	136-8036	277
	340	132-7487	386	135-6926	587	136-9066	690
130-8176	▶639	132-7488	389	135-6928	89	136-9353	649
	640	132-7551	98	135-6928	89	136-9353	649
	617		100	135-6929	98	136-9466	397
130-9984	579		148		100	136-9698	431
131-0820	579	132-9770	181	135-7052	304	136-9699	304
131-0821	579	133-0125	93	135-7123	421	136-9723	397
131-0822	220	133-1643	412		422	137-2196	69
131-1492	249	133-1645	412	135-7816	489	137-3300	392
	218	133-2904	310		490	137-5109	166
131-1495	220	133-3359	116	135-9350	679		172
	220	133-3489	231	136-0007	431	137-5646	530
131-1500	221	133-3489	277	136-0008	431	137-6645	191
	249	133-4292	288	136-0012	429	137-6841	663
	218	133-5209	327	136-0013	429	137-7321	649
131-1503	220		328	136-0019	431	137-7331	93
	220	133-5587	344	136-1082	491	137-8832	▶260
131-1507	221		347	136-1107	97		320
	579	133-6347	337	136-1122	390	137-8833	▶260
131-3093	614		340	136-1543	631		320
131-3540	383	133-6567	363	136-1544	575	137-8834	260
131-6593	39	133-6578	458	136-1722	320		▶262
131-7123	344	133-6588	337		▶330	137-8836	261
	347		340	136-1725	649		262
131-7417	337	133-6589	344	136-1726	649	137-8837	364
	340		347	136-1728	649	137-8843	364
131-7418	337	133-6934	240	136-1729	649	137-8846	364
	340	133-7133	344	136-1730	649	137-8849	364
131-7741	624		347	136-1732	649	137-8851	260
131-7810	411	133-7134	344	136-1734	649		▶277
131-7811	411		347	136-1747	330	137-8856	277
131-7812	86	133-7221	337		▶353	137-8857	277
131-8107	42		340	136-1748	353	137-8858	277
132-0338	575	133-8116	▶288	136-1749	330		▶279
132-2927	334		352		▶354	137-8859	279
132-3522	612	133-9116	135	136-1750	354	137-8862	260
132-3968	587	133-9906	7	136-1753	330		▶261
132-4450	344	133-9907	▶7	136-1754	320	137-8865	▶280
	347		33		▶332		320
132-4451	344	134-0039	425	136-1755	332	138-0549	565
	347	134-2778	394		▶355	138-1870	444
132-4452	344	134-2779	394	136-1756	355	138-1873	381
	347	134-2809	3	136-1953	580	138-1875	383
132-4455	337		▶42	136-2186	681	138-2237	267

PART NUMBER INDEX

Part	Page	Part	Page	Part	Page	Part	Page
138-2238	267		295	144-7766	597	148-8326	267
138-2239	▶85	141-7405	499	144-9531	379		504
	267	141-7909	431	145-0326	667	148-8327	292
138-2240	85	141-7913	431	145-2379	212		295
138-2800	643	141-8698	231	145-3319	504		298
138-3815	562	141-8713	168	145-3849	12		304
138-3909	537	141-9203	390	145-4922	402		432
138-4048	431	141-9520	450	145-8951	597		487
138-4050	295	141-9521	450	145-8952	597		500
138-4837	633	141-9666	446	145-9283	93		504
138-6108	106	141-9811	▶326	145-9959	265	148-8333	292
	394		336	146-1890	636	148-8334	295
	410	142-0149	530	146-1891	636	148-8335	267
	643	142-0203	537	146-1892	637	148-8336	305
138-7496	536	142-0358	231	146-1893	637		432
138-7497	536	142-0811	86	146-2274	432		454
138-7823	633	142-2133	458	146-2598	637		504
138-8173	535	142-2137	458	146-3725	431		513
138-8175	535	142-2329	22		▶439		540
138-8187	624	142-3331	506	146-5067	86	148-8339	267
138-8861	629	142-5017	379	146-6734	247		295
138-8862	629	142-5801	397	146-6747	688		494
138-8863	629	142-5802	397	146-8350	397		506
138-8864	629	142-5867	68	146-8990	530	148-8340	432
138-9651	431	142-5868	67	146-8991	530		541
139-2212	214	142-6988	392	146-9408	439	148-8341	454
139-3213	458	142-6989	392	147-1223	▶564	148-8342	126
139-3544	▶560	142-6994	402		566		454
	562	142-6995	402	147-1237	468		541
139-3550	93	142-6996	402		▶469	148-8344	305
139-3884	214	142-7008	373	147-1238	468	148-8346	126
139-5546	643	142-7009	373		▶470	148-8347	292
139-5943	280	142-7010	409	147-1445	232		487
139-6366	373	142-7011	409	147-1446	232		500
139-9189	▶284	142-7442	614	147-2001	572		504
	304	142-8870	85	147-3061	469		541
139-9391	279	143-1288	654	147-3150	130	148-8352	267
139-9392	279	143-2006	530	147-6457	364		494
140-0205	431	143-3669	113	147-6603	475	148-8353	450
140-0206	431	143-4158	450	147-6604	475		454
140-2961	639	143-4512	364	147-6605	475		500
140-2963	639	143-5122	217	147-8561	285		504
140-3129	368	143-7319	530	147-8562	285	148-8354	446
140-3673	376	143-8971	32	147-8563	285	148-8357	493
140-5856	304	143-9148	433	148-1546	364	148-8359	292
140-5945	588	143-9361	394	148-1928	363		295
140-6553	279		▶409	148-3548	530	148-8360	267
140-6554	279	143-9393	93	148-5581	636		295
140-6555	279	144-0195	670	148-7919	89		493
140-9746	3	144-0221	546		▶103		500
	▶12		▶561	148-8240	412	148-8362	267
141-0008	383	144-0290	326	148-8306	441	148-8363	305
141-2150	392		329	148-8307	432	148-8364	432
141-2151	392	144-1636	206		446		441
141-2155	392	144-4524	277	148-8311	622		500
141-2156	392	144-4613	166	148-8312	504		541
141-2158	406		172	148-8313	249	148-8365	439
141-4644	▶428		243	148-8315	540		446
	584		247	148-8316	98		541
141-4645	584		506		100	148-8367	432
	▶640	144-5385	327	148-8318	432		446
141-4936	592		328		454		454
141-4940	584	144-6142	32	148-8322	505		541
	▶592	144-7263	▶309	148-8325	682	148-8368	682
141-7072	292		326		685		685

PART NUMBER INDEX

Part	Page	Part	Page	Part	Page	Part	Page
148-8370	432	149-2610	298	152-3743	568	154-4383	279
	441		▶361	152-3748	572	154-4475	84
	455		565	152-3750	489	154-5512	540
148-8372	505	149-4617	454		490	154-6333	273
148-8373	296		▶465	152-3751	572	154-6659	446
148-8374	455	149-4925	637	152-3752	381	154-6879	571
	500	149-5268	35		568	154-7531	1
148-8375	429	149-7378	16	152-3753	572		▶572
	432		18	152-3870	499	154-7532	454
	455	149-7738	240	152-5713	499	154-7997	277
	592	149-8379	253	152-5714	499	154-7998	277
148-8376	268	149-8452	370	152-5715	499	154-8962	504
	505	149-9110	39	152-5716	499	154-9023	93
148-8378	432	150-1541	▶386	152-7737	504	155-0696	151
	446		416	152-8332	564	155-0698	151
	455	150-2557	16	152-9152	476	155-0809	21
	541	150-3035	541	153-1256	97	155-1838	431
148-8387	292	150-3036	542	153-1460	383	155-2026	494
	296	150-3065	305	153-1804	390	155-2077	344
148-8389	402		500	153-3570	390		347
148-8390	126	150-3135	▶16	153-3602	536	155-2251	483
148-8392	296		17		▶537		485
	305	150-4027	439	153-6224	428		530
	432		505	153-6236	450	155-2255	214
148-8395	568	150-4037	505		505		219
148-8406	546		541	153-6237	292		220
148-8407	450	150-4043	439		296		229
	476		455		505		232
	479		505	153-6241	433		248
	511	150-4047	523		455		253
	546		524	153-6242	500		255
	562	150-4049	268	153-6249	446		265
148-8408	500	150-4279	3	153-6252	441		579
148-8409	476		▶135	153-6273	636	155-2258	214
	479	150-4355	530		637		220
148-8410	126	150-7585	446	153-6293	540		221
148-8411	455		▶458	153-6479	458		249
148-8417	268	150-8993	390	153-6480	458		253
148-8418	505	151-2094	592	153-6481	458	155-2259	220
148-8427	500	151-2384	2	153-7024	26		247
148-8428	432		▶463	153-7095	247	155-2260	214
148-8429	493	151-2680	450	153-7656	431		218
148-8430	431	151-5145	123	153-7738	431		219
	493	151-5925	57	153-8477	511		220
148-8433	455	151-5966	39	153-8478	511		221
	541	151-6250	425	153-8480	511		240
148-8436	455	151-6251	425	153-8481	511		243
148-8439	541	151-6427	597	153-8482	511		247
148-8442	268	151-7455	540	153-8484	511		248
148-8443	450		▶565	153-8921	431		253
	493	151-9274	590	153-8922	431		255
148-8444	432	152-0270	431	153-9023	97		265
	441	152-0961	98	153-9063	537		337
	541		100	153-9624	450		340
148-8446	455	152-1626	273		▶460	155-2265	219
148-8449	298	152-1646	491	153-9784	537		229
	505	152-3426	100	153-9839	571		247
148-8451	298	152-3730	572	153-9840	571		570
148-8452	541	152-3732	572	153-9844	571		592
148-8454	429	152-3735	571	153-9989	551	155-2270	166
148-8455	296	152-3738	572	153-9990	551		168
	298	152-3739	491	154-0350	454		172
148-8457	432	152-3740	571	154-0351	454		192
	592	152-3741	572	154-0352	454		197
148-8889	285	152-3742	572	154-0930	537		205

PART NUMBER INDEX

Part	Page	Part	Page	Part	Page	Part	Page
	214	155-9524	45	160-6353	639	163-4798	417
	218	155-9653	605	160-6365	639	163-5442	450
	219	156-1817	381	160-6366	639	163-5515	641
	220	156-2842	517	160-7271	14	163-5646	592
	221	156-4403	515	160-7689	219	163-5647	592
	227	156-5545	575		240	163-7902	417
	229	156-5970	519		248	163-7903	417
	232	156-6175	221	160-7690	219	163-7908	417
	240	156-7472	504	160-8510	262	163-8033	▶373
	243	157-0670	93		277		394
	247	157-3612	568	161-0022	637	163-8811	592
	248	157-6138	304	161-0114	389	164-0058	1
	253	157-6210	180	161-1353	605		▶487
	255	157-6305	494	161-1382	454	164-0327	409
	265	157-8954	400	161-1383	454	164-1234	667
	337	157-8955	400	161-3357	397	164-2108	357
	547	158-3416	39	161-3415	614		358
	579	158-3504	530	161-3565	93	164-3302	310
	637	158-6153	284	161-4113	4	164-3303	310
155-2271	214	158-6185	▶400		▶82	164-3417	132
	219		405	161-5718	97	164-4156	262
	220	158-8032	388	161-6149	555	164-4175	262
	221	158-8033	536	161-6154	466	164-4180	381
	243	158-8785	1		467	164-4237	584
	248		▶388	161-6161	555		▶599
	253	158-8881	59	161-6403	504	164-4531	575
	592	159-0250	431	161-6622	76	164-4767	412
155-2274	166	159-1533	39	161-6958	122	164-4769	412
	172	159-3945	330	161-6963	122	164-4817	412
	219	159-6159	3	161-7419	151	164-4831	412
	220		▶14	161-8068	323	164-4865	▶411
	243	159-7234	642	161-9275	260		416
	248	159-7320	530		▶425	164-4866	▶412
	265	159-8049	147	161-9903	102		416
	579		214	162-0177	476	164-4883	632
155-2793	21	159-8050	214		479	164-4891	310
155-3624	476	159-8053	147		483	164-5079	311
	479	159-8054	147		485	164-5567	123
	505		214		546		305
	546	159-8524	39		551		337
155-3677	454	159-8612	402	162-2127	450		340
155-3678	454	159-8613	402	162-2128	450		431
155-3679	454	159-8614	292	162-2165	530		441
155-3680	454	159-8615	292	162-6505	609		450
155-3681	454	159-8664	595	162-7365	504		463
155-3683	454	159-8665	595	162-7599	643		483
155-4320	454	159-9322	219		▶646		485
155-4326	530		232	162-8264	540		493
155-4791	506		240	162-8455	450		499
155-5619	42		248	162-8617	55		505
155-5790	▶627	159-9362	3	162-8619	55		523
	670		▶76	163-1135	667		524
155-6344	500	160-0222	439	163-1201	610		541
155-6563	592	160-0564	617	163-1876	161		546
155-7321	622	160-0595	310		217	164-5574	500
155-7328	268	160-1638	289	163-1878	207		505
155-7518	504	160-2243	592		217	164-5586	431
155-7527	504	160-2425	429	163-1879	208		441
155-7528	505	160-3518	595	163-2478	26	164-5590	500
155-8354	642	160-4357	368	163-3119	688	164-5611	499
155-8355	642	160-4989	243	163-3926	636	164-5789	6
155-8356	642	160-5760	1	163-3997	▶259		▶31
155-8357	605		▶84		367	164-6709	281
155-9457	446	160-5877	643	163-4572	364		496
155-9461	499	160-6328	373	163-4797	417	164-6862	505

PART NUMBER INDEX

Part	Page	Part	Page	Part	Page	Part	Page
164-6877	265	168-3385	534	171-6757	572		►54
	285	168-3504	526	171-9683	662	174-4301	659
164-7444	614		528	172-0084	345	174-4312	439
164-7556	159	168-4331	572		347	174-4613	227
	160	168-4332	572	172-2416	654	174-4895	119
164-7959	614	168-4510	662	172-3511	217	174-5907	253
164-9324	277	168-6514	152		218	174-5986	4
164-9326	277	168-7319	522	172-4387	►642		►96
165-0373	304	168-7861	526		649	174-6381	375
165-2135	277		528	172-4848	63	174-7875	610
165-2273	622	168-7868	526	172-5277	504	174-8849	152
165-3825	517		528	172-6409	445	174-9169	197
165-3929	42		►535	172-9200	208	175-1366	14
165-3933	42	168-7940	535	172-9389	►154	175-1367	14
165-4930	265	168-7941	535		233	175-1370	431
165-4931	451	168-7942	535	172-9981	445	175-1372	431
165-4933	296	168-7943	535	173-0714	288	175-1373	431
	298	168-7944	535	173-0715	288	175-1374	431
165-5030	109	168-8508	572	173-1028	►575	175-1375	431
165-5970	126	168-8974	130		654	175-1376	431
	►209	168-9980	666	173-1437	292	175-2853	364
165-6062	530	169-3301	152	173-1583	239	175-3064	614
165-6170	77		►179	173-1827	285	175-3183	126
165-6560	584	169-3302	152	173-1830	285	175-3244	247
	►607		►180	173-1957	54	175-3860	3
165-6561	607	169-3311	179	173-2052	631		►51
165-6769	584	169-4374	646	173-2118	648	175-3868	51
	►605	169-5862	304	173-2469	288	175-4291	159
165-6984	273		499	173-3993	546		160
166-0344	526	169-7380	667	173-5787	658	175-4292	159
	528	169-8258	►426	173-5791	599		160
166-2904	24		584	173-5850	277	175-6795	526
166-4647	493	169-8373	688	173-5986	368		528
	►496	170-0493	421	173-5987	368	175-6799	526
166-4731	663		422	173-6640	334		528
166-4732	663	170-0696	663	173-6706	267	175-7419	371
166-6928	217	170-0971	663	173-6753	267	175-7739	126
	►626	170-0977	663	173-7035	658	175-7887	530
166-7057	115	170-1112	575	173-7455	540	175-7900	445
166-9144	45	170-1114	575		►566	176-5504	304
167-1335	86	170-1115	575	173-8466	165	176-6448	267
167-1795	504	170-1757	6		►610		►356
167-2201	445		►63	173-8612	►489	176-7190	513
167-2220	491	170-1821	217		498	176-7289	330
167-2222	489	170-3447	620	173-8613	►490	176-7507	460
	490	170-3448	620		498	176-7508	460
167-2312	445	170-4735	682	173-8614	489	176-7509	460
167-2336	491		685		490		►462
167-2339	489	170-6712	423	173-8615	489	176-7510	460
	490	170-7309	288	173-8616	490	176-7511	460
167-6769	572	170-8540	663	173-9195	643	176-7512	460
167-6771	572	170-8590	647	173-9197	643	176-7513	460
167-8081	20	171-1230	654	173-9198	643	176-7514	460
167-8130	30	171-1391	423	173-9375	584	176-7516	460
167-9196	104	171-2205	231		►666	176-7517	460
168-0287	388	171-2212	231	173-9376	666	176-7518	460
168-0300	133	171-3673	493	173-9682	445	176-7519	460
168-1793	643	171-3759	597	173-9684	261	176-7520	460
168-2198	526	171-3897	584		262		►471
	528		►663	173-9724	506	176-7521	460
168-2203	522	171-5349	190	174-1550	423	176-7692	460
168-3378	534	171-5427	568	174-1552	320	176-7693	460
168-3379	534	171-6682	654		►423	176-7696	460
168-3382	534	171-6723	433	174-3055	666	176-9369	465
168-3384	534	171-6731	302	174-3874	3		►466

PART NUMBER INDEX

Part	Page	Part	Page	Part	Page	Part	Page
176-9370	465	180-3999	426	185-0295	522	187-2710	359
	▶467		▶427	185-0296	522	187-5420	44
177-0093	537	180-4000	427	185-1861	219	187-6237	93
177-1405	483		▶636		221	187-8039	337
	485	180-4001	427	185-1933	▶55		340
	530		▶637		416	187-8567	457
177-1449	572	180-4533	379	185-2192	55	187-8674	231
177-1483	423	180-5567	77	185-2638	144	187-8675	231
177-1862	647	180-7350	57	185-2639	144	187-8911	147
177-1863	654	180-8424	89	185-2644	144	187-8979	39
177-2215	620		91	185-2645	144	187-8981	19
177-2374	595		103	185-2647	144	187-9116	530
177-3579	629	180-9267	89	185-2648	144	188-0960	423
177-4112	595	180-9270	375	185-2650	144	188-1035	499
177-4113	594	180-9272	▶375	185-2651	144	188-1754	3
	▶595		394	185-2653	144		▶50
177-4122	233	180-9339	8	185-2654	144	188-1755	50
	234		253	185-2655	144	188-2048	597
	371		585	185-2658	144	188-6280	522
177-4155	499	180-9340	192	185-3653	364	189-1707	617
177-4937	656	180-9900	217	185-3874	625	189-2077	588
177-8924	431	180-9971	592	185-3889	530	189-2078	588
	▶438	180-9972	592	185-4021	126	189-2079	588
177-9653	248	183-1989	666	185-4022	126	189-3158	240
177-9656	248	183-2299	383	185-5352	531	189-4918	19
178-0182	537	183-3407	28	185-5354	531	189-5719	431
178-0603	▶654		62	185-6250	682	189-8624	567
	656		74		685	189-9763	530
178-0606	▶656	183-3626	499	185-6278	3	190-0009	4
	658	183-4491	499		▶70		▶49
178-1602	267	183-7228	412	185-6334	104	190-1701	572
178-2500	91	183-7262	476	185-9956	386	190-3635	146
178-2991	277		479		389	190-4764	597
178-2992	280	183-7263	479	186-2001	26	190-5386	688
178-2999	454		546	186-3735	143	190-6560	9
178-3000	454	183-7531	643		162	190-6563	6
178-3001	454	183-7532	643		164		▶9
178-3002	454	183-7535	417		183	191-0965	74
178-4139	▶604	183-7540	417		184	191-1782	126
	643	183-7595	553		193	191-2933	658
178-4640	288		▶567		204		▶667
178-4641	288	183-8004	323		213	191-6084	273
178-6265	180	183-9409	417		217	191-7585	462
178-7907	631	183-9411	417		218	191-7587	462
178-8486	643	183-9412	417		497	191-7589	462
178-8504	643	183-9413	417		591	191-7591	462
178-8583	217	183-9414	417		628	191-7594	462
179-2805	493	183-9415	419	186-3736	205	191-7596	462
179-3211	53	183-9416	419	186-5107	667	191-7597	462
179-3274	446	184-1699	643	186-6189	617	191-7607	471
179-3737	▶600	184-2298	654	186-6218	499	191-7805	130
	649	184-2299	654		▶562	191-8303	191
179-3738	▶602	184-2420	499	187-0541	555	191-8735	504
	649	184-3675	423	187-0565	572		▶553
179-6051	614	184-3677	423	187-0678	285	191-8921	582
179-6791	499	184-4617	423	187-0681	431		583
179-6792	499	184-6673	605	187-0682	431	191-9247	483
179-6794	499	185-0004	295	187-0738	584		485
179-6998	285	185-0275	522		▶597		530
179-9392	217		▶534	187-0844	310		567
180-2595	592	185-0278	522	187-1328	3	192-0815	364
180-2596	592	185-0280	522		▶17	192-0822	260
180-2624	454	185-0287	534	187-1679	132		▶364
180-2625	454	185-0289	534	187-1867	592	192-1425	491
180-3994	427	185-0292	534	187-2108	637	192-4151	66

PART NUMBER INDEX

Part	Page	Part	Page	Part	Page	Part	Page
192-5017	243		304	203-5535	493	210-2263	647
192-7439	231		431	203-5870	431	210-2266	647
192-7455	247		499	203-6481	599	210-2270	▶647
192-7470	522	197-4859	648	203-6490	383		654
192-7752	667	197-4971	39	203-7703	658	210-5692	304
192-7755	667	197-5470	648	203-8482	546	210-6783	659
192-7767	667	197-6660	400	203-8609	526	210-8620	431
192-7783	667	197-7565	219		528	210-9246	73
192-7787	667	197-7863	400	203-9163	526		81
192-7790	667	197-8820	▶144		528	211-0247	381
192-7795	667		146	203-9364	298	211-0248	378
192-7799	667	198-1854	504	203-9368	295	211-3122	26
192-7805	667	198-2914	483	203-9369	295	211-4942	663
192-7810	667		485	203-9991	659	211-5237	91
192-7812	667		530	204-0135	493	211-5358	667
192-7820	667		567	204-0157	322	211-6807	229
192-7848	667	198-4266	381	204-0341	487	211-9047	579
192-8848	368	198-4775	221	204-1340	551	211-9294	667
193-0980	▶323	198-4777	86	204-2281	227	212-6027	567
	325	198-4780	390		243	212-9580	▶125
193-1036	556	198-6570	217		295		137
193-2550	▶190	198-6571	218	204-2640	487	213-3217	57
	289	198-7651	240	204-3611	597	213-4740	126
193-3086	556	198-8769	659	204-7949	▶183		▶137
193-3087	556	198-9229	1		639	213-5268	521
193-3973	221		▶387	204-8000	218		▶522
	295	198-9230	387		227	213-7465	446
193-7404	130	199-1293	383		243	213-7466	446
	▶133	199-5670	180	204-9316	▶38	213-9100	213
193-8912	390	199-6290	305		39	214-2445	530
193-9179	323	199-7891	144	205-0626	144	214-2484	181
194-1497	267	199-8436	144	205-3239	416		▶191
194-1674	572			205-3583	637	214-4208	233
194-2905	304			205-6051	337	214-4863	▶184
194-2906	304				340		637
194-2909	304			205-6388	653	214-6489	530
194-2910	304	200-0728	659		656	214-7566	32
194-3285	471	200-0729	659	205-8212	659		60
194-3286	▶457	200-0818	364	205-9184	304		74
	471	200-0819	364	206-1345	229		93
194-3287	471	200-0820	261	206-2723	682		114
194-3288	471	200-0866	441		685		123
194-3289	471	200-1137	104	206-4227	3		177
194-6626	323	200-3174	584		▶32		181
194-6849	457		▶658	206-5823	628		187
194-7264	302	200-6345	243	206-9295	282		189
195-0472	643		295	207-0449	4	214-7567	78
195-3162	643	201-0364	600		▶39	214-7568	28
195-3324	457		602	207-0695	526		62
195-3325	457	201-0737	425		528		74
195-5979	304	201-4221	669		▶556		123
	▶325	201-4222	669	207-8128	76		126
195-5981	323	201-8318	171	207-8218	547		127
195-5985	323	202-0314	232	208-1629	302		130
195-5988	323	202-3702	267	208-5836	106		133
196-0436	648	202-6614	159		▶119		181
196-5069	66		160	208-5837	119		188
196-5070	66	202-7652	614	208-5838	119		244
196-7365	572	202-8038	431	208-7448	104		282
196-7369	572	203-0147	78	208-8094	321		305
197-0679	569	203-0328	659	209-0381	218		337
	▶571	203-1095	460	209-3569	14		340
197-1488	73	203-3072	499	209-6694	262		357
197-3295	295	203-4811	494	209-6696	277		358
	298	203-5443	617	210-2262	647		359

2

PART NUMBER INDEX

Part	Page	Part	Page	Part	Page	Part	Page
	431	220-2779	302	225-6319	1		607
	450	220-2782	688	▶89	227-1204		22
	483	220-2917	3	225-6320	89	227-1369	620
	485		▶77	225-6330	98	227-2441	620
	493	220-3444	402	225-6331	98	227-3192	584
	499	220-3445	402	225-6333	83		▶633
	505	220-3446	402		▶100	227-3198	584
	524	220-3448	429	225-6334	1		▶635
	530	220-6043	262		▶390	227-3704	30
	541	220-6372	3	225-6712	304	227-3705	3
	546		▶116	225-6713	304		▶30
	567	220-8678	125	225-6714	304	227-3872	70
214-7634	▶582	220-8796	292	225-6716	498	227-7391	689
	670	221-1879	292		▶504	227-7392	582
214-7635	▶583	221-1881	292	225-6717	504		583
	670	221-8690	139	225-6719	504	227-9980	3
215-2423	378	221-9963	567	225-6720	504		▶56
215-2424	378	222-0345	▶653	225-6724	504	228-0376	83
216-2515	522		656	225-6725	2		▶524
216-4884	267	222-1549	262		▶83	228-0920	584
216-4889	267	222-2029	402	225-6841	156		▶614
216-5342	337	222-2030	402		▶157	228-1787	1
	▶357	222-4436	540	225-7922	1		▶138
216-5582	24		▶546		▶383	228-2616	689
216-9195	450	222-4737	547	225-8334	1	228-3636	524
217-0751	24	222-6713	281		▶126		▶526
217-0752	24	222-6869	500	225-8337	2	228-3638	523
217-4590	126	223-0147	115		▶416		▶528
	132	223-2102	523	225-8338	2	228-4727	674
217-6719	▶483		524		▶416		676
	546	223-2112	298	225-9199	108	228-4947	191
	551	223-4254	▶302	225-9482	674		192
217-6720	▶485		320		676	228-6089	221
	546	223-4263	499	225-9584	674	228-7089	81
217-7933	647	223-5118	98		676		130
217-8938	9		100	225-9602	674	228-7092	298
217-8946	114	223-5814	78		676	228-9514	218
217-9049	654	223-5836	364	226-0306	132	228-9628	584
217-9060	93	223-9159	57	226-0307	2		▶612
218-0324	▶585	223-9732	4		▶132	229-0066	577
	586		▶19	226-1240	689		▶624
218-0861	654	224-0672	421	226-1274	689	229-1494	656
218-2373	357	224-2687	118	226-1956	2	229-2257	633
	358	224-2735	233		▶83	229-3177	247
	359	224-3245	57	226-1957	83	229-6259	57
218-9894	361	224-3246	57		▶523	229-8122	304
	362	224-4229	377	226-1973	493	230-0104	3
	564		▶378	226-1982	493		▶15
219-0305	688	224-5122	28	226-2040	498	230-1434	197
219-0313	115	224-9454	104		▶521	230-2569	57
219-1438	489	224-9455	1	226-4222	93	230-3633	267
	490		▶104	226-4737	5		▶281
219-4418	152	224-9456	83	226-4911	106		506
219-4443	3		▶98	226-5561	24	230-3728	136
	▶78	225-0312	689	226-6571	112	230-3775	136
219-4458	57	225-3281	445	226-9431	126	230-4011	123
219-6487	▶159	225-3289	491	226-9643	1		206
	170	225-3290	489		▶6		229
	171		490	226-9798	416	230-4012	123
219-8899	321	225-4257	689		▶417		192
220-1432	▶421	225-5235	1	226-9799	417	230-4013	229
	431		▶394	226-9801	417	230-4182	1
220-1441	4	225-5237	394	226-9802	417		▶410
	▶57	225-5455	1	227-0091	417	230-4183	410
220-1828	579		▶320	227-0213	605	230-4186	410

PART NUMBER INDEX

Part	Page	Part	Page	Part	Page	Part	Page
230-5008	243		▶71	236-7227	689	242-5176	372
	247	232-0364	6	236-7759	674	242-5177	83
	248		▶111		676		▶372
	253	232-0366	117	236-8675	423	242-9537	16
230-5378	3	232-1104	▶285	236-8722	218		18
	▶62		352	237-0212	688	243-0774	222
230-6315	320	232-1293	265	237-0227	123	243-1159	16
	▶352	232-1374	126		189		18
230-6316	▶310	232-1376	126		229	243-1277	304
	352	232-1693	151		248	243-1560	3
230-6317	▶264	232-3235	57	237-0974	364		▶151
	352	232-3236	57	237-1964	3	243-5499	257
230-6318	▶265	233-0065	526		▶110	243-5926	106
	352		528	237-2227	126	243-5927	106
230-8152	172	233-0455	535	237-3943	667	243-6718	19
	176	233-0891	151	237-3970	▶576	244-3114	265
230-9085	635	233-6358	417		667		▶358
230-9087	635	233-6742	123	237-4227	526	244-3712	337
230-9800	499		▶141		528		340
230-9802	499	233-7183	6	237-9310	123	245-6447	588
230-9804	499		▶91	237-9848	288	245-7434	219
230-9961	117	233-7185	91	237-9849	288		220
230-9962	3	233-7186	91	238-2707	57		221
	▶117	233-8479	1	238-5078	14	246-2293	617
231-1270	310		▶688	238-5080	60	246-2294	617
231-1955	▶491	233-8675	77		62	246-2641	138
	515	233-8676	73		81		394
231-1957	491	233-8677	3		123		680
231-1960	491		▶73		130		692
231-2036	416	233-9748	311		195	246-2812	292
	▶419	234-3551	295	238-5081	22	246-2818	295
231-3529	265	234-5012	181		60	246-4395	115
231-3882	156		▶194		74	246-4546	295
	▶213	234-5013	123		141	246-4547	267
231-4779	265		181	238-5082	298	246-4548	267
231-4780	265		▶195	238-5084	51	246-4552	267
231-5295	264	234-5132	89		337	246-4553	267
231-7084	6	234-5925	231		340	246-4555	272
	▶108	234-6707	311	239-0282	614		▶298
231-7090	6	234-7935	4	239-1134	▶211	246-4559	295
	▶118		▶10		212	246-4561	273
231-7842	2	234-8937	42	239-4106	18	246-5659	57
	▶343	235-0251	431	239-4258	364	246-6036	81
231-7844	2	235-1054	3	239-4259	364	246-6624	3
	▶343		▶81	239-6304	93		▶121
231-8177	▶568	235-1402	4	239-6986	688	247-0848	1
	570		▶136	239-7440	372		▶197
231-8178	568	235-1587	82	239-7441	372	247-0849	197
231-8900	265	235-2418	344	239-8129	120		▶212
231-9006	138	235-3595	123	239-9233	504	247-4969	588
	▶139	235-4123	219	240-2653	6	247-5556	197
231-9458	285		221		▶120	247-6050	137
232-0134	674	235-8159	93	240-9499	649	247-9908	26
	676	235-8397	3	241-0037	421	248-0102	397
232-0135	674		▶60	241-0478	▶44	248-5513	93
	676	236-0964	2		45	248-8889	108
232-0136	674		▶689	241-3283	91		▶109
	676	236-4545	197		110	249-0096	181
232-0209	▶275	236-4608	221	241-6217	181		▶187
	352	236-4610	221	241-8368	▶205	249-0945	109
232-0347	6	236-4611	221		231	249-5482	208
	▶115	236-4631	218	241-9265	115	249-5615	▶468
232-0348	118	236-5197	647	242-3360	122		592
232-0350	111	236-5420	302	242-3375	81	249-5616	468
232-0362	6	236-5605	26	242-5175	372	249-7734	74

PART NUMBER INDEX

Part	Page	Part	Page	Part	Page	Part	Page
250-0466	22		▶321		▶74	274-1717	394
250-1423	295	258-8721	64	263-7732	530	274-1718	394
250-4628	632	259-0576	327	264-0010	530	274-1953	4
250-5634	432		328	264-1440	617		▶28
250-9328	530	259-2401	1	264-5732	229	274-2392	605
250-9983	364		▶402	264-7029	123		614
251-2029	207	259-2402	▶404		206	274-3774	214
251-6192	417		405		229		220
251-7828	530	259-2403	404	264-7030	123		243
252-0745	519	259-2404	404		229	274-3775	219
252-1285	450	259-2420	2		248	274-3776	219
252-4501	218		▶405	264-7031	243		220
252-4537	530	259-8357	74		248		221
253-0575	659	259-8449	2		253	274-3777	219
253-0616	136		▶272	265-8171	218	274-3778	219
253-0861	681	260-0254	147	265-9091	6	274-3779	214
253-1752	19	260-0255	147		▶199		219
253-2111	231	260-0256	214	266-2337	179		220
253-4768	273	260-0447	166		180	274-3781	248
253-8745	394		172		▶185	274-4491	64
254-4957	177	260-0859	197	266-4234	617	274-6717	188
254-5665	321	260-3198	231	266-8577	253	274-6718	187
254-6999	81	260-7653	689	266-9266	288	274-6719	189
254-7000	81	260-8638	231	267-3741	530	274-8359	57
254-9146	659	260-8902	321	267-3743	530	274-9189	639
254-9147	659	260-8903	321	267-3838	106	274-9991	93
255-6697	674	260-8904	321	267-3861	106	275-1253	123
		260-8905	321	267-4631	▶20		▶206
255-6702	674	260-9143	304		21	275-5797	551
		260-9234	126	267-8338	231	275-7741	▶210
255-6707	674	260-9236	126	268-1960	83		222
		261-0191	4		▶112	276-0478	489
255-6708	674		▶22	268-1961	83		490
		261-3429	24		▶113	276-5317	64
255-6709	674	261-3430	24	268-2960	122	276-8548	181
		261-3650	214	269-3947	6		▶188
255-8232	392	261-3855	147		▶134	276-9067	123
255-8239	392	261-3857	▶309	270-3561	390		181
255-8243	1		326	270-7898	530		▶189
		261-5694	631	271-5160	84	278-1365	66
255-8244	▶392	261-8024	257		▶86	278-5662	4
255-8245	392	261-8025	▶257	271-5562	86		▶8
255-8246	392		570	271-5563	86	278-7109	231
256-3839	390	261-9418	231	271-5564	86	278-8965	590
256-6453	194	261-9424	371	271-5565	86	278-8967	590
		261-9433	371	271-7303	126	278-8970	590
256-7823	208	261-9434	231	272-0390	8	278-8974	590
256-9817	147		▶371	272-0455	115	279-1280	91
257-2537	1	262-0494	102	272-5475	298	279-1282	91
		262-1557	▶326	272-6641	▶160	279-6102	572
257-3226	617	262-2878	151		166	279-6103	572
257-3651	674	262-4948	6		168	279-6528	▶362
			▶586		172	279-9830	192
257-7676	443	262-5046	6	272-7981	493	280-3979	24
257-7804	450		▶146	272-7990	432	280-8707	192
257-7805	272	262-5236	588	272-9896	588	281-1640	▶24
		262-5239	588	272-9897	588		26
257-7808	298	262-5240	588	273-1639	326	281-2725	141
257-7809	267	262-5490	▶336		▶327		▶142
257-7814	298	262-5491	336	273-1640	327	281-5972	298
257-7815	▶267	263-1493	218	273-2999	111	281-6452	2
		263-4920	24	273-3224	304		▶3
258-4142	231	263-5055	▶26	273-3239	295	281-7060	3
258-4524	122		28	273-5632	247		▶93
258-5060	298	263-5374	3	274-1716	394	281-7062	93

PART NUMBER INDEX

Part	Page	Part	Page	Part	Page	Part	Page
281-7608	383	291-5555	681	297-6919	513	309-0972	2
281-8261	28	291-5556	681	297-6920	513		▶231
282-5042	311	291-5558	681	297-6921	513	309-2710	231
282-9904	93	291-5560	▶681	298-6964	2	309-2714	243
283-1137	▶422		688		▶570	309-2726	156
283-1721	130	291-5561	681	299-5845	146		▶227
284-0001	423	291-6821	3	299-7327	3	309-2727	227
284-2327	▶1		▶80		▶177	309-2740	166
284-2735	1	292-3869	248	299-9618	231	309-2741	172
284-2990	156	292-4307	476			309-2748	172
	▶239		479			309-5053	614
284-3003	156	292-6097	632			309-5131	22
	▶253	292-6402	▶631				60
284-3502	81		632	300-0572	690		74
	89	292-6890	▶629	300-9804	181	309-5133	337
284-3623	222		630		▶192		340
285-3570	231	292-6893	584	301-0104	267	310-7198	428
285-3602	240		▶649	301-0105	267	311-2425	432
285-3606	253	292-9237	▶632	301-2979	259	311-3898	652
285-5629	519		654	301-4549	649	311-6363	359
285-6399	2	292-9779	233	301-4599	463	311-6364	337
	▶165	292-9782	80		▶476		340
285-6400	2	292-9783	80	301-4602	446		▶359
	▶165	292-9911	322		▶479	311-7595	682
285-8674	▶444	292-9912	295	301-5154	659		685
	498		▶322	301-7980	394	311-7596	682
286-1755	419	292-9966	295	301-7981	394		685
286-2486	419	292-9967	295	301-8685	147	311-7597	682
286-3219	322	292-9968	295	301-9554	147		685
286-7232	156	293-2911	647	302-1410	122	311-7598	682
	▶255	293-5263	482	304-2740	617		685
286-7273	247	293-5328	298	304-4218	383	311-7599	682
286-7276	247	293-9659	690	304-5267	415	311-7600	343
287-3049	130	294-0058	506	304-5270	3		▶682
287-8397	255	294-0321	432		▶415	311-7601	343
287-8402	▶497	294-1153	450	304-5687	155		▶685
	499	294-1154	450	304-7716	450	311-7603	682
288-0568	444	294-2318	147	304-8652	218		685
	▶445	294-2319	147	304-8704	334	311-7604	682
288-0569	445		214		383		685
288-1023	229	294-5042	654	304-9540	537	311-7605	682
288-1683	231	295-1145	265	305-3684	126		685
288-4881	24		▶363	305-5522	218	311-7606	682
288-4882	24	295-1146	363	305-9196	22		685
288-4883	24	295-1299	231		▶61	311-7607	682
288-4884	24	295-1300	231	306-0350	233		685
288-7324	229	296-5662	454	306-0351	233	311-7608	682
288-8390	▶196		▶482	306-8156	199		685
	243	296-5725	541	307-2338	221	312-8629	567
	248	296-6055	165	307-2671	60	313-1284	530
	253		▶176		93	313-4573	666
289-5150	229	296-7632	121		114	313-5104	446
289-8215	8		▶122		177	313-9198	292
290-0461	462	296-8263	515	307-2673	60	313-9614	123
290-2298	436	296-8266	515		62		130
290-2299	436	296-8268	▶515		123		133
290-2301	437		570	307-4671	218	314-3243	530
290-2302	437	296-8270	515		▶590	314-3986	689
290-3265	504	296-8271	▶517	307-6457	476	314-4018	585
290-4824	298		570		479	314-5164	3
291-2165	218	296-8276	517	307-6458	476		▶130
291-4392	267	296-8281	517		479	314-5274	667
291-4397	267	296-8282	517	307-7603	636	314-5275	667
291-5553	681	297-0831	390	307-8322	65	314-5581	304
291-5554	681	297-1813	14	308-2613	530	314-5582	304

3

PART NUMBER INDEX

Part	Page	Part	Page	Part	Page	Part	Page
314-7599	102	316-1927	579		340	330-7802	630
314-7938	504	316-4312	493	323-8451	▶21	331-0052	32
314-9582	379	316-4382	304		22	331-0314	▶577
315-2615	390	316-5182	517	323-9531	357		584
315-5160	482	316-6864	135		358	331-0315	577
315-6110	126	317-1109	239	324-3641	139		▶620
315-8420	493	317-2286	379	324-6804	56	331-6206	262
315-8755	▶429	317-2288	379	325-7180	584	331-6210	262
	498	317-2547	379		▶659	331-9011	166
315-8805	498	317-8012	243	325-7221	397		173
	▶513	317-8014	243	325-7222	397	332-0012	229
315-8809	511	317-8766	19	326-1643	125	332-2178	551
315-8814	511	317-9186	139	326-3071	584	332-6679	625
315-8815	▶540	318-2925	515		▶609	332-6900	625
	570		▶551	326-3073	584	332-7298	10
315-8836	292	318-6048	239		▶648	333-0891	▶674
315-8837	295	319-0144	390	326-3191	570	333-0911	▶676
315-8852	540	319-0785	42		▶588	333-2014	368
315-8854	540		▶67	326-3198	584		369
315-8857	540	319-3583	605		▶662		▶370
315-8858	540	319-6149	614	326-3205	662	333-2427	▶147
315-8859	540	319-6234	51	326-3803	450		156
315-8861	540	319-7006	240		▶520	333-9673	397
315-8862	540	319-7401	19	326-4234	130	333-9674	397
315-8863	540		▶68	326-4512	8	333-9675	397
315-8864	540	320-2796	▶64	326-5212	483	333-9676	397
315-8866	540		65		485	333-9677	397
315-8867	540	320-2797	64		530	333-9678	397
315-8868	540	320-7454	390	326-7291	▶441	333-9679	397
315-8869	540	321-0929	394		584	333-9683	397
315-8871	540	321-0932	394	327-1154	227	333-9684	397
315-8872	540	321-5920	614	327-2109	551	333-9685	397
315-8873	540	321-5952	614	327-3740	1	333-9686	397
315-8874	511	321-6256	231		▶407	333-9687	397
315-8930	272	321-8642	78	327-5450	663	333-9688	397
	▶292	321-8649	74	327-6917	▶611	334-0895	546
315-8994	540	321-8654	123		630	334-4603	688
315-8999	511	322-1126	21	327-8026	▶161	334-5410	▶163
315-9142	511	322-1945	130		447		173
315-9159	429	322-2018	530	328-2264	628	334-6832	59
315-9161	429	322-3161	631	328-2929	130	334-6836	280
315-9162	429	322-3621	▶155	328-2931	106	334-8049	▶164
315-9174	292		233	328-3052	370		176
315-9176	292	322-3793	▶519	328-3055	368	334-8332	546
315-9202	450		540	328-3080	1		▶563
315-9203	450	322-5036	359		▶369	335-1304	233
315-9211	292	322-5504	337	328-4236	49	335-1893	51
315-9291	511		▶347		▶65		▶53
315-9315	292	322-5505	347	328-4238	65	335-3974	130
315-9319	295	322-6478	390		▶66	336-4317	233
315-9324	292	323-3533	417	329-4511	57	336-7595	116
315-9326	540	323-3534	417	329-4997	617	336-9313	347
315-9426	540	323-3535	417	329-5511	130	336-9318	344
315-9484	540	323-3536	417	329-5518	123		347
315-9485	540	323-3537	417	329-7415	367	336-9440	397
315-9970	379	323-3538	417		▶368	336-9442	397
315-9971	379	323-3539	417	329-7443	▶367	337-0870	1
315-9972	517	323-3540	417		570		▶156
315-9973	517	323-3543	643	330-3495	605	337-5191	166
315-9974	517	323-3544	643	330-4035	425		173
316-1438	483	323-3545	604	330-4984	614	337-5270	282
	485	323-3750	397	330-5050	▶628		283
	530	323-3752	397		670	337-8778	93
	567	323-3753	397	330-5646	166	338-1105	531
316-1835	643	323-4071	337		172	338-2051	330

PART NUMBER INDEX

Part	Page	Part	Page	Part	Page	Part	Page
	▶333	345-3951	499	351-7777	674	355-9717	▶328
338-2116	333	345-3952	432	351-7778	674		329
338-3453	200	345-3953	295	351-7779	674	356-0253	674
338-3454	199	345-3954	295	351-7787	676		676
	▶200	345-3956	499	351-7788	674	356-0254	674
339-0313	381	345-3958	499		676	356-1798	3
	568	345-3959	499	351-7836	676		▶229
339-0314	568	345-3960	272	351-7838	676	356-1878	3
339-4361	497		▶295	351-7842	676		▶123
339-4477	599	345-3964	304	351-7843	676	356-1889	123
339-8271	156	345-3967	511	351-7852	674	356-2208	▶4
	▶240	345-3969	499		676		5
339-8272	240	345-3981	500	351-7853	676	356-2209	3
339-8790	336	345-4455	218	351-7854	676		▶5
340-1119	▶214	345-4456	220	351-7863	674	356-5212	36
	367	345-4457	221	351-7864	674	356-6693	397
340-1120	214	345-4460	▶217	351-9918	159		413
341-0687	▶336		584		160		414
341-6644	282	346-3822	1	351-9958	649	357-0351	116
341-6804	17		▶630	351-9959	649	357-1752	121
	▶18	346-3826	▶584	351-9963	649	357-2716	89
341-8964	3		630	352-0211	96		▶102
	▶45	346-3830	▶207		▶97	357-6258	326
343-1820	89		343	352-3790	89		▶329
343-2263	513	346-3838	165	352-3791	89	358-4889	211
343-3145	649		▶170	352-3792	89	358-6729	688
343-5527	125	346-3840	165	352-3793	89	359-9007	156
343-6501	222		▶171	352-3794	98	361-7770	156
343-6813	572	346-3850	584	352-5457	98	365-0581	89
343-8115	32		▶625	352-5477	100	365-3632	397
343-8121	32	346-5571	▶282		100	366-4669	103
343-9866	8		304	352-8266	▶2	369-6846	89
345-0509	248	346-5572	282	353-4515	259	369-6847	89
345-0510	156	346-6095	525	353-4688	282	369-6848	89
	▶247		▶530		▶283	370-0438	546
345-0519	165	346-9152	674	353-5065	51		▶555
	▶166		676	353-5102	123	375-2467	121
345-0520	156	347-0404	156	353-5108	130	375-5953	506
	▶243	347-1738	337	353-5125	62	375-5954	505
345-0521	243		340	353-5126	60	379-3389	▶2
345-0522	165	347-4165	89		62	379-3390	▶2
	▶168	347-4430	123		93		
345-0523	165	347-4755	304		133		
	▶172	347-4784	617	353-5140	93		
345-0527	▶156	347-7407	283	353-5144	94		
345-0529	156	348-7743	49	353-8741	5		
345-0530	▶156	348-8181	659		▶690		
345-3928	499	349-1178	249	353-9215	397		
345-3929	499	349-1209	77	353-9979	45		
345-3930	1	349-2530	222		▶59		
	▶498	349-2533	222	354-0041	4		
345-3931	498	349-2654	97		▶181		
	▶511	349-3904	363	354-0049	229		
345-3932	498	349-6239	89	355-1284	397		
	▶499	349-6242	102		▶413		
345-3933	498	350-9567	413	355-1470	361		
	▶525		414		362		
345-3934	▶431	350-9959	221	355-2488	397		
	498	350-9960	165		▶414		
345-3935	▶493		▶208	355-2490	413		
	498	351-0277	102	355-2502	414		
345-3936	▶304	351-1901	625	355-4073	460		
	498	351-5778	304	355-9578	413		
345-3943	▶450	351-6537	89		414		
	498	351-6538	89	355-9715	328		



SEBP5751

988H Wheel Loader

A7A1-Up