

Parts Manual



See "General Information"
for New Parts Manual
Features.

374D L Excavator

PAS1-Up (Machine)
LHX19000-Up (Engine)

Powered By C-15 Engine

Product and Dealer Information

Note: For product identification plate locations, see the section "Product Identification Information" in the Operation and Maintenance Manual.

Delivery Date: _____

Product Information

Model: _____

Product Identification Number: _____

Engine Serial Number: _____

Transmission Serial Number: _____

Generator Serial Number: _____

Attachment Serial Numbers: _____

Attachment Information: _____

Customer Equipment Number: _____

Dealer Equipment Number: _____

Dealer Information

Name: _____ Branch: _____

Address: _____

Dealer Contact

Phone Number

Hours

Sales: _____

Parts: _____

Service: _____

MEMORANDA

TABLE OF CONTENTS

Name	Page	Name	Page
GENERAL INFORMATION	A5	MOUNTING GP-ALTERNATOR & COMPR	53
REPAIR ALTERNATIVES	A8	MOUNTING GP-ENGINE FLEXIBLE	54
SUPPLEMENTAL COOLANT ADDITIVES	A9	PAN GP-OIL	57
MAINTENANCE PARTS	A10	PANEL GP-SOUND SUPPRESSION	59
INDEX	A12	PISTON & ROD GP	61
MACHINE ARRANGEMENT	1	PLATE AS-FRONT HOUSING	63
CHASSIS AR	1	PLUG GP-CYLINDER BLOCK	64
DISTRIBUTION AR	1	PLUG GP-CYLINDER HEAD	66
GENERAL AR	2	PLUG GP-ENGINE	67
OPTION AR-CAB	2	PULLEY GP	68
OPTION AR-COLD WEATHER	3	ROCKER ARM GP	69
OPTION AR-COUPLER	3	SEAL GP-CRANKSHAFT	72
OPTION AR-HYDRAULIC	3	SUPPORT GP-ENGINE	73
OPTION AR-CONTROL	4	LUBRICATION SYSTEM	76
OPTION AR-HYDRAULIC	4	BASE GP-OIL FILTER	76
OPTION AR-REGIONAL	5	BREATHER GP	77
OPTION AR-LUBRICATION	5	FILTER GP-ENGINE OIL	78
SPECIAL AR	6	FUMES DISPOSAL GP	83
ENGINE ARRANGEMENT	7	GUIDE GP-OIL LEVEL GAUGE	84
ENGINE AR	7	LINES GP-ENGINE OIL	85
ENGINE AR-COMPLETE	8	LINES GP-ENGINE OIL DRAIN	87
ENGINE AR-CORE	10	LINES GP-TURBOCHARGER OIL	88
INSTALLATION AR-ENGINE	11	MOUNTING GP-ENGINE OIL FILTER	89
BASIC ENGINE	12	PUMP GP-ENGINE OIL	91
ADAPTER GP-PUMP DRIVE	12	COOLING SYSTEM	92
BASE GP-VALVE COVER & INJ HARN	13	FAN & MOTOR GP	92
CAMSHAFT GP	14	FAN GP-SUCTION	93
COVER GP-CYLINDER BLOCK	15	LINES GP-TURBOCHARGER WATER	96
COVER GP-FRONT HOUSING	18	LINES GP-WATER	98
COVER GP-VALVE MECHANISM	20	PUMP GP-WATER	100
CRANKSHAFT GP	24	RADIATOR & AFTERCOOLER GP	104
CYLINDER BLOCK AS	25	RADIATOR & HYD OIL COOLER GP	106
CYLINDER BLOCK GP	27	SCREEN GP-RADIATOR	108
CYLINDER HEAD AS	29	AIR INLET AND EXHAUST SYSTEM	110
CYLINDER HEAD GP	31	AIR CLEANER AR	110
DAMPER & PULLEY GP	35	AIR CLEANER GP	111
DRIVE GP-FAN	36	EXTENSION GP-EXHAUST	116
FASTENER GP-FRONT HOUSING	37	LINES GP-AIR	117
FASTENER GP-VALVE MECHANISM	39	LINES GP-MUFFLER DRAIN	122
FLYWHEEL GP	40	MANIFOLD GP-EXHAUST	123
GEAR GP-CAMSHAFT	41	MOUNTING GP-AIR CLEANER	124
GEAR GP-FRONT	42	MUFFLER GP	125
GEAR GP-REAR	44	TURBOCHARGER GP	127
HOUSING GP-FLYWHEEL	46	FUEL SYSTEM	129
HOUSING GP-FRONT	47	COOLER GP-FUEL	129
LIFTING GP-ENGINE	50	FILTER GP-SECONDARY FUEL	130
MECHANISM GP-FUEL PUMP & VALVE	52	FILTER GP-WATER SEP & FUEL	132
		LINES GP-FUEL	133
		MANIFOLD GP-FUEL	139
		PUMP & MOTOR GP-REFUELING	140

TABLE OF CONTENTS

Name	Page	Name	Page
PUMP GP-FUEL INJECTION	141	VALVE GP-ETHER STARTING	263
PUMP GP-FUEL PRM & PRIM FILTER	142	WIRING GP-AUX START	
PUMP GP-FUEL TRANSFER	143	RECEPTACLE	264
REGULATOR GP-FUEL PRESSURE	147	WIRING GP-BOOM	266
TANK & MTG GP-FUEL	148	WIRING GP-CAB	269
TANK GP-FUEL	149	WIRING GP-CAMERA	276
VALVE GP-CHECK	151	WIRING GP-CHASSIS	278
ELECTRICAL AND STARTING SYSTEM	152	WIRING GP-COMMUNICATION	285
ALARM GP	152	WIRING GP-CONSOLE	287
ALARM GP-TRAVEL	153	WIRING GP-CONVERTER	293
ALTERNATOR GP-CHARGING	154	WIRING GP-ELECTRONIC CONTROL	297
BATTERY & WIRING GP	157	WIRING GP-ENGINE	299
BLOCK GP-JUNCTION	169	WIRING GP-FRONT	301
CAMERA & MOUNTING GP	170	WIRING GP-GRADE CONTROL	302
CAMERA AR	172	WIRING GP-MONITOR	306
CAMERA GP	173	WIRING GP-PLATFORM	307
CONNECTION GP-ELECTRICAL	174	WIRING GP-QUICK COUPLER	309
CONTROL & MTG GP-ENGINE ELEK	175	WIRING GP-REFUELING PUMP	311
CONTROL & MTG GP-MACHINE	176	POWER TRAIN	314
ELECTRONICS GP-		DRIVE GP-FINAL	314
COMMUNICATION	179	FASTENER GP-FINAL DRIVE & MTR	317
ELECTRONICS GP-MACHINE	179	POWER TRAIN AR	319
ELECTRONICS GP-MONITOR	179	SPROCKET GP	320
FASTENER GP-WIRING HARNESS	180	FRAME AND BODY	321
HARNESS AS-WIRING	181	BOX & MTG GP-STORAGE	321
INSTALLATION GP-COMMUNICATION	182	BOX GP-STORAGE	323
LAMP GP-FLOOD	186	COUNTERWEIGHT & MOUNTING GP	324
LIGHTING GP-CHASSIS	192	COVER AS-SOUND SUPPRESSION	325
LIGHTING GP-FLOOD	193	COVER GP-ACCESS	327
MOUNTING GP-CAMERA	206	COVER GP-CONTROL VALVE	329
MOUNTING GP-SENSOR	209	COVER GP-HOOD	330
PANEL GP-CIRCUIT BREAKER	212	DOOR GP-ACCESS	331
PANEL GP-SWITCH	218	FRAME GP-UPPER	334
PLUG GP-CONNECTOR	220	GEAR & BEARING GP-SWING	338
SENSOR & MTG GP-POSITION	221	GUARD GP-BOTTOM	340
SENSOR GP-ENGINE	222	GUARD GP-SWIVEL	341
SENSOR GP-LIQUID LEVEL	224	HANDRAIL GP	342
SENSOR GP-POSITION	226	HOOD & GUARD GP	346
SENSOR GP-PRESSURE	227	HOOD GP-ENGINE	354
SENSOR GP-SPEED	233	PANEL GP-SOUND SUPPRESSION	358
SENSOR GP-TEMPERATURE	239	SHEET AS-SOUND SUPPRESSION	361
SOFTWARE GP-MACHINE	241	SUPPORT AS-ENCLOSURE	368
SOLENOID GP	242	SUPPORT GP-HOOD	370
STARTING AID GP-ETHER	243	SUPPORT GP-PRECLEANER	377
STARTING AR-COLD WEATHER	246	WALKWAY GP	378
STARTING MOTOR GP-ELECTRIC	247	UNDERCARRIAGE	380
SWITCH GP-DISCONNECT	252	ADJUSTMENT GP-HYDRAULIC	
SWITCH GP-MAGNETIC	253	TRACK	380
SWITCH GP-POSITION	254	FRAME AR-UNDERCARRIAGE	381
SWITCH GP-PRESSURE	255	FRAME GP-UNDERCARRIAGE	382
SWITCH GP-PUSH BUTTON	256	GUARD GP-TRACK GUIDE	384
SWITCH GP-ROTARY	258	GUARD GP-TRAVEL MOTOR	386
SWITCH GP-START	259		
SWITCH GP-TOGGLE	260		

TABLE OF CONTENTS

Name	Page	Name	Page
IDLER GP-FRONT	387	LINES GP-SWING MOTOR	554
LINK AS-TRACK	390	LINES GP-TRAVEL MOTOR	556
ROLLER AR-TRACK & CARRIER	391	MANIFOLD & VALVE GP	560
ROLLER GP-TRACK CARRIER	393	MOTOR & MTG GP-HYDRAULIC FAN	566
ROLLER GP-TRACK-DOUBLE		MOTOR & MTG GP-SWING	567
FLANGE	394	MOTOR & MTG GP-TRAVEL	569
ROLLER GP-TRACK-SINGLE FLANGE	395	MOTOR GP-PISTON	570
SPACER GP-UNDERCARRIAGE	396	MOUNTING GP-HYDRAULIC PUMP	578
SPRING GP-RECOIL	397	MOUNTING GP-MAIN CONTROL	
TRACK GP	398	VALVE	579
HYDRAULIC SYSTEM	403	PLUG GP-CONTROL VALVE	581
ACCUMULATOR & MTG GP-		PUMP & MTG GP-HYDRAULIC	582
HYDRAULIC	403	PUMP & MTG GP-MAIN HYDRAULIC	583
ACCUMULATOR GP	404	PUMP GP-GEAR	585
ACCUMULATOR GP-HYDRAULIC	405	PUMP GP-MAIN HYDRAULIC	587
ACTUATOR GP-PUMP	406	PUMP GP-PISTON	590
BASE GP-OIL FILTER	411	ROTATING GP-PUMP	594
CONTROL AR-AUXILIARY	413	SCREEN GP-HYDRAULIC	602
CONTROL AR-COUPLER	415	SWIVEL GP	603
CONTROL AR-FAN	415	TANK & FILTER GP-HYDRAULIC	604
COUPLING GP-FLEXIBLE	416	TANK & MTG GP-HYDRAULIC	607
COUPLING GP-PUMP	417	VALVE AR-BOOM LOWERING	
CYLINDER & LINES GP-BOOM	418	CONTROL	608
CYLINDER & LINES GP-BUCKET	418	VALVE AR-STICK LOWERING CONT	608
CYLINDER & LINES GP-STICK	419	VALVE GP-CHECK	609
CYLINDER & SEAL GP-BOOM	420	VALVE GP-CHECK & RELIEF	616
CYLINDER & SEAL GP-BUCKET	421	VALVE GP-CONTROL	618
CYLINDER & SEAL GP-STICK	424	VALVE GP-LOAD CONTROL	644
CYLINDER GP-BOOM	425	VALVE GP-MAIN CONTROL	653
CYLINDER GP-BUCKET	427	VALVE GP-MANIFOLD & REDUCING	658
CYLINDER GP-COUPLER	433	VALVE GP-MANUAL	660
CYLINDER GP-STICK	434	VALVE GP-PRESSURE REDUCING	663
DRIVE GP-PUMP	436	VALVE GP-PUMP CONTROL	664
DRIVE GP-SWING	437	VALVE GP-RELIEF	674
FILTER & LINES GP-HYDRAULIC	445	VALVE GP-SHUTTLE	682
FILTER AR-HYDRAULIC	448	VALVE GP-SOLENOID	686
FILTER GP-OIL	449	VALVE GP-SWING CUSHION	693
GAUGE GP-SIGHT	458	VALVE GP-TRAVEL	
HEAD GP-PUMP	459	COUNTERBALANCE	694
HYDRAULIC AR	462	IMPLEMENTS	696
LINES AR-AUXILIARY HYDRAULIC	462	BOOM AR-MASS	696
LINES GP-AUXILIARY HYDRAULIC	462	BOOM AR-REACH	696
LINES GP-BOOM	475	BOOM GP	697
LINES GP-BOOM CYLINDER	481	GUARD GP-CYLINDER	701
LINES GP-BUCKET CYLINDER	486	LINES GP-GREASE	702
LINES GP-CONNECTING	488	LINKAGE AR-BUCKET	718
LINES GP-COUPLER	489	LINKAGE GP-BUCKET	720
LINES GP-FRONT	503	STICK AR-HOE	731
LINES GP-HYDRAULIC OIL COOLER	518	STICK GP-HOE	733
LINES GP-PILOT	524	WORK TOOLS	749
LINES GP-PUMP	537	ADJUSTER GP-BUCKET	749
LINES GP-RETURN & FILTER	541	BUCKET & ADJUSTER GP	753
LINES GP-STICK	545	BUCKET AS-EXCAVATION	766
LINES GP-STICK CYLINDER	551		

TABLE OF CONTENTS

Name	Page	Name	Page
BUCKET AS-EXTREME EXCAVATION	768	CONTROL GP-TRAVEL	894
BUCKET AS-EXTREME SERVICE ROCK	774	COVER GP-CAB	896
BUCKET AS-GENERAL PURPOSE	778	COVER GP-STORAGE	900
BUCKET AS-HEAVY DUTY	787	DOOR & MTG GP-CAB	901
BUCKET AS-ROCK	792	DOOR GP-CAB	902
BUCKET AS-SEVERE SERVICE ROCK	793	DUCT GP-CAB AIR	908
BUCKET GP-EXCAVATION	799	FLOOR MAT GP	910
BUCKET GP-EXTREME SERVICE ROCK	800	GUARD AR-OVERHEAD	911
BUCKET GP-ROCK	801	GUARD GP-FRONT WINDOW	912
COUPLER AR-QUICK	802	GUARD GP-OVERHEAD	913
HOOK GP-LIFTING	807	GUARD GP-WINDOW	914
LOCK GP-QUICK COUPLER	808	HORN GP-ELECTRIC	918
PLATE-WEAR	809	HOUSING GP-AIR CONDITIONER	919
PROTECTOR GP-BUCKET	810	INSTALLATION AR-RADIO	920
PROTECTOR GP-SIDE BAR	811	INSTALLATION GP-RADIO	921
RIPPER GP	813	KIT-SEAT SUSPENSION	923
SIDECUTTER GP	814	LEVER GP-CAB DOOR	925
TIP GP	817	LINES GP-AIR CONDITIONER	926
TIP GP-ABRASION	818	LITERATURE GP	928
TIP GP-BUCKET	822	MIRROR GP-REAR VIEW	929
TIP GP-DOUBLE SPIKE	823	MONITOR & MTG GP-OPERATOR	931
TIP GP-EXTRA-DUTY	825	MONITOR GP-OPERATOR	932
TIP GP-GENERAL PURPOSE	826	MOUNTING GP-ANTENNA	934
TIP GP-HEAVY PENETRATION	828	MOUNTING GP-CAB	939
TIP GP-LONG	829	MOUNTING GP-DISPLAY	940
TIP GP-PENETRATION	832	MOUNTING GP-PLATFORM	942
TIP GP-PENETRATION PLUS	835	OPERATOR AR	944
TIP GP-SHORT	838	PARTS AR-CAB	945
TIP GP-SPIKE	841	PEDAL AR-THIRD	947
TIP GP-TWIN SHARP	843	PLATFORM GP-OPERATOR	948
TIP GP-WIDE	844	RADIO GP	949
YOKE GP-LIFTING	846	RADIO GP-COMMUNICATION	950
OPERATOR STATION	847	SCREEN GP-SUN	951
AIR CONDITIONER & MOUNTING GP	847	SEAT & MOUNTING GP	952
AIR CONDITIONER AR	849	SEAT BELT GP	954
AIR CONDITIONER GP	850	SEAT GP	956
ARMREST GP	852	SEAT GP-SUSPENSION	958
BRACKET GP-MOUNTING	854	SUPPORT GP-SEAT	960
CAB AR	855	SUSPENSION GP-SEAT	961
CAB GP	859	TRIM GP-CAB	963
COIL GP-EVAPORATOR	863	VISOR GP-CAB	966
COMPRESSOR & MTG GP-REFRIG	867	WASHER GP-WINDOW	967
CONDENSER & MTG GP- REFRIGERANT	868	WINDOW GP-CAB	969
CONDENSER GP-REFRIGERANT	870	WINDOW GP-DOOR	981
CONSOLE GP-OPERATOR	872	WIPER & WINDOW AR-CAB	983
CONTROL & MTG GP-JOYSTICK	878	WIPER GP-WINDOW	986
CONTROL & MTG GP-PEDAL	881	SERVICE EQUIPMENT AND SUPPLIES	991
CONTROL GP-HANDLE	884	FILM GP	991
CONTROL GP-HYDRAULIC PEDAL	891	PLATE & FILM GP	1003
CONTROL GP-PEDAL	892	PART NUMBER INDEX	B1

GENERAL INFORMATION

1. MACHINE IDENTIFICATION

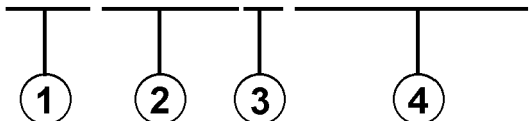
Caterpillar machines are identified by Product Identification Numbers (PIN). Some components included in a machine may be identified by Serial Numbers (S/N). Typical components that will be serialized include engines, transmissions, bulldozers, and rippers. The machine and engine are further identified by arrangement numbers and in some cases modification numbers. These numbers are shown on the product identification plate(s) and on the master plate in the operator's compartment.

Caterpillar dealers need all of these numbers to determine accurate parts identification.

New Feature

Effective First Quarter 2001 the Caterpillar Product Identification Number (PIN) changed from 8 to 17 characters. In an effort to provide uniform equipment identification, Caterpillar and other construction equipment manufacturers are moving to comply with the latest version of the product identification numbering standard. Non-road machine PINs are defined by ISO 10261. The new PIN format will apply to all Caterpillar machines and generator sets. The PIN plates and frame marking will display the 17 character PIN. The new format will look like the following:

* **C A T 0 7 8 9 B G 6 S L 1 2 3 4 5** *



1 2 3 4

Where:

1. Caterpillar's World Manufacturing Code (characters 1-3)
2. Machine Descriptor (characters 4-8)
3. Check Character (character 9)
4. Machine Indicator Section (MIS) or Product Sequence Number (characters 10-17). These were previously referred to as the Serial Number.

Machines and generator sets produced before First Quarter 2001 will maintain their 8 character PIN format.

Components such as engines, transmissions, axles, etc. and work tools will continue to use an 8 character Serial Number (S/N).

2. ORDERING PARTS

WARNING

When replacement parts are required for this product Caterpillar recommends using Caterpillar replacement parts or parts with equivalent specifications including, but not limited to, physical dimensions, type, strength and material.

Failure to heed this warning can lead to premature failures, product damage, personal injury or death.

Quality Caterpillar replacement parts are available from Caterpillar dealers throughout the world. Their parts inventories are up to date and include all parts normally required to protect your investment in Caterpillar machines. Dealers may offer repair kits or remanufactured parts to allow selection of the most effective repair alternative for a particular situation. When ordering parts, your order should specify the quantity, part number, part name, and the serial number/product identification number of the machine for which the parts are needed.

3. PARTS MANUAL ORGANIZATION

Product information in this manual is presented as "information elements" that represent all of the components for the specific model. Engine Arrangement and Seat Group are examples of information elements. The information elements are organized alphabetically by part name and secondarily by part number within each major section of the manual.

4. TABLE OF CONTENTS

A table of contents (TOC) is found at the beginning of the manual. The TOC lists each section of the manual with a complete list of all information elements organized as they appear in the manual. Page numbers are provided for quick reference to detailed parts identification illustrations and serviceable consist lists.

5. MAINTENANCE PARTS INDEX

The Maintenance Parts Index, located near the beginning of the manual, references most frequently used maintenance part numbers, providing description, quantity, usage and page number. This information is organized alphabetically by part description.

GENERAL INFORMATION

6. INDEX

The index located near the front of the manual is an alphabetical listing of all information elements included in the manual. Page numbers are provided for quick reference to detailed parts identification illustrations and serviceable consist lists.

7. PART NUMBER INDEX

A numerical index listing all part numbers and the corresponding page number(s) appears at the back of the manual.

8. CAPTIONS

Captions located at the beginning of each information element identify the part number and part name along with additional descriptive information. PIN and S/N information found in each caption should be used to select correct information for a specific machine. Field replacement options, identification of optional attachment components, and where used ("part of") information is also provided.

The first line of a caption is shown in larger type font to indicate the beginning of an information element. Captions for additional pages that may be required to illustrate an information element will be shown in standard type font and will include the term (*contd.*).

9. NON-SERVICED PARTS

In some instances it is necessary to display non-serviced parts that are a link to a lower level serviceable consist lists. These non-serviced part numbers are shown in *italic* type indicating that they are not available.

10. PARTS LIST REFERENCE NUMBERS

Numbers shown in the Ref No column correspond to numbers used in the associated graphic(s). An alphabetic suffix may be added to a reference number to identify lower level consist items. Numbers shown in the Graphic Ref column refer to the graphic number identifier displayed in the lower left corner of each illustration. The Graphic Ref number may be used in combination with the item Ref No to determine the correct part number. There may be intentional omission of a Ref No in a consist list as information is updated to reflect the latest serviceable part numbers.

11. INDENTED PART NAMES

When a part name is indented in a parts list, it is part of (included in) the group or assembly under which it is indented.

12. ILLUSTRATION REFERENCE LETTERS

When necessary, illustrations contain reference letters (A, B, C etc.) that are intended to track lines and harnesses from one point to another. They are also used to show where to reconnect illustrations that have been separated.

13. ABBREVIATIONS AND SYMBOLS

O.D. – Outside Diameter
I.D. – Inside Diameter
A – Not Part Of This Group
B – Use As Required
C – Change From Previous Type
D – Order By The Meter
E – Order By The Centimeter
F – Not Shown
G – Order By The Inch
I – Refer To Hydraulic Information System
M – Metric Part
R – Remfg Part May Be Available
Y – Separate Illustration
Z – Not Serviced Separately



New Feature

14. DESCRIPTION OF TYPE CHANGES

Type - A type is defined as any configuration change that requires an additional Information Element for an Arrangement, Group, or Assembly. If serial number breaks for types are not available, a type # (Type 1, Type 2, etc.) will be displayed in the caption. These "type" changes are identified with a "C" note (change from previous type) in the Parts List. Only the "types" that apply to this Parts Manual will be included. Additional types may exist causing "C" notes to appear on an Information Element when no other types are shown.

15.<END>

This symbol indicates the end of an information element.

NOTE:

Continuing improvement and advancement of product design may cause changes to your machine which may not be included in this publication. Whenever a question arises regarding your Caterpillar product or this publication, please consult your Caterpillar dealer for the latest available information.

GENERAL INFORMATION

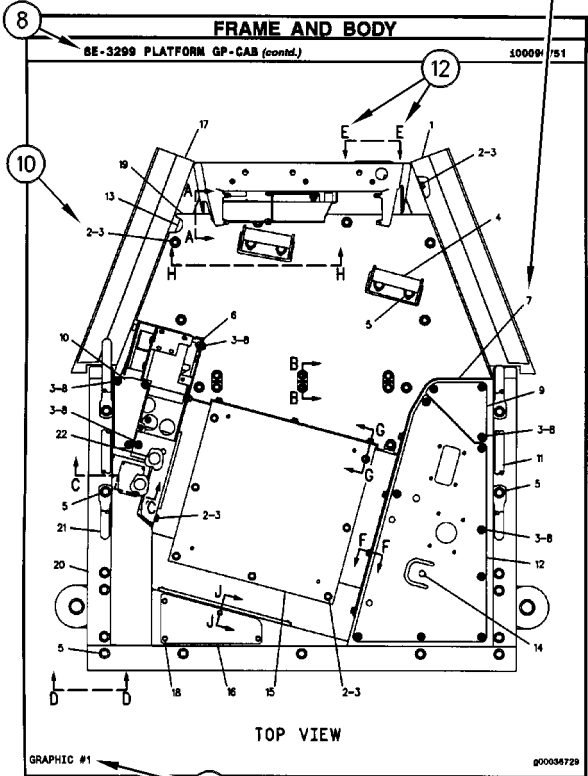
8 FRAME AND BODY							1
8E-3299 PLATFORM GP-CAB							100090781
PIN 38K1-99999							100090781
NOTE	REF	GRAPHIC	PART NUMBER	QTY	PART NAME	SEE PAGE	
	1		ST-2883	1	PLATE AS		
	2		BE-2992	25	BOLT (3/8-16X.750IN)		
	3		WF-1078	41	WASHER-HARD (2MM THK)		
	4		WF-1444	2	SUPPORT AS-FOOT		
	5		WF-2229	19	BOLT (1/2-13X1IN)		
	6		WF-2229	19	WASHER-HARD (4MM THK)		
	8		WF-8126	2	COVER AS-LH		
	9		WF-2978	2	NUT-WELD (3/8-16 THD)		
	10		1P-8189	1	CLIP		
	7		7L-2411	4	COVER		
	8		6J-8488	19	SCREW-HEAD (3/8-16X.875IN)		
	9		4474	1	COVER		
	10		BE-2972	1	GASKET		
	11		ST-2890	1	GASKET		
	11		ST-2896	1	HANDHOLD		
	12		BE-2978	1	COVER AS		
	13		WF-2978	8	NUT-WELD (3/8-16 THD)		
	13		BE-2978	1	GASKET		
	13		7T-9131	1	FLOORPLATE AS		
	14		1F-9748	4	NUT-WELD (1/2-13 THD)		
	14		7F-8047	1	PLUG-BUTTON		
	15		7T-9136	1	PLATE AS		
	16		WF-2978	5	NUT-WELD (3/8-16 THD)		
	17		7T-9296	1	COVER		
	17		7T-9279	1	GASKET		
	17		ST-2981	1	PLATE AS		
	18		ST-2984	4	BOLT (1/4-20X.825IN)		
	18		WF-2984	2	WASHER-HARD (2MM THK)		
	19		81-8484	1	FLOOR MAT		
	20		BE-8946	1	MODULE AS-OPERATOR		
	21		ST-2984	1	HANDHOLD		
	22		WF-8571	2	PLUG		
	23		ST-2984	4	BOLT (1/4-20X.825IN)		
	24		ST-2986	4	WASHER-HARD (2MM THK)		
	24		WF-2986	17	BOLT (3/8-16X.750IN)		
	25		WF-1078	21	WASHER-HARD (2MM THK)		
	26		7T-9136	1	SEAL		
	27		7L-9278	2	BOLT (3/4-10X5IN)		
	27		7L-9282	2	WASHER-HARD (2MM THK)		
	28		ST-2482	2	PLATE		
	28		ST-2890	1	PLATE AS		
	30		7L-8668	8	BRACER		
	30		ST-2981	1	SEAL		
	31		7L-8917	1	GASKET		
	32		7L-8916	1	COVER AS		
	32		WF-2278	2	WASHER		
	32		WF-8038	2	SCREW-KNURLED		
	33		WF-3429	1	COVER		
	34		BE-8997	1	COVER		
	35		WF-3951	8	SCREW-SOCKET HEAD		
	36		WF-3142	8	MOUNTING		
	37		WF-9027	2	PLATE		
	38		7L-0990	2	BOLT (7/8-9X5IN)		
	38		7L-0872	2	WASHER-HARD		
	39		4L-8424	4	BOLT (3/8-16X1.0IN)		
	40		ST-6788	1	COVER		

12 FRAME AND BODY 1 of 4 SELP 170-01

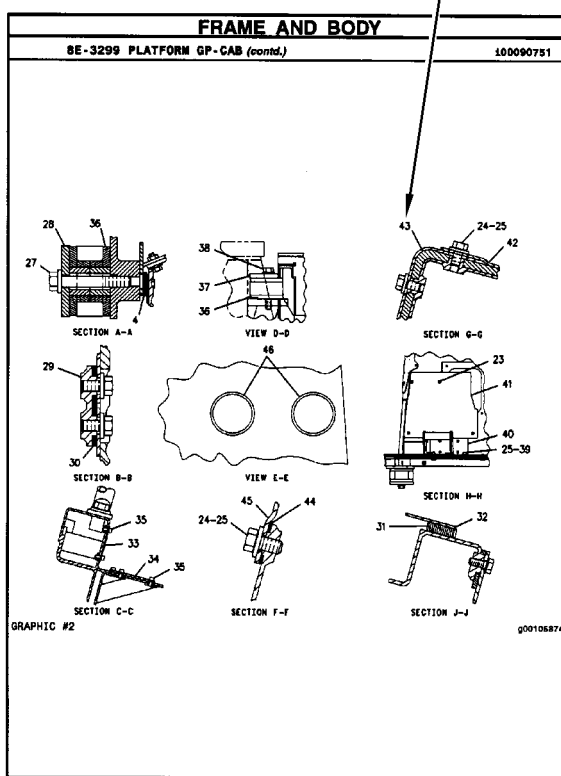
FRAME AND BODY							100090781
8E-3299 PLATFORM GP-CAB (cont.)							100090781
NOTE	REF	GRAPHIC	PART NUMBER	QTY	PART NAME	SEE PAGE	
	41		BE-2816	1	COVER		
	42		7T-9134	1	PLATE		
	43		7T-9138	1	GASKET		
	44		7L-8724	1	GASKET		
	45		7L-8723	1	COVER		
	46		WF-1969	2	PLUG-BUTTON		

M-METRIC PART

SELPA570-01 2 of 4 FRAME AND BODY 13



14 FRAME AND BODY 3 of 4 SELPA570-01



SELPA570-01 4 of 4 FRAME AND BODY 16

REPAIR ALTERNATIVES

REMANUFACTURED COMPONENTS

As an option when making repairs consider Caterpillar Remanufactured Components. Components that are available through the Caterpillar Remanufactured Program are identified three ways in the parts book:

- with the letter R in the note field of the parts list
- with an R* at the beginning of the first line of the caption
- with an *R at the end of the first line of the caption

Typical components included in the Remanufacturing Program include:

ALTERNATORS
CONNECTING RODS
CRANKSHAFTS - UNDERSIZE
CRANKSHAFTS - UPGRADE TO NEW
CYLINDER HEADS
ELECTRONIC CONTROL MODULES (ECM)
ELECTRONIC SENSORS
FUEL INJECTORS
FUEL NOZZLES
FUEL PUMPS
GOVERNORS
OIL PUMPS
PISTONS
SHORT BLOCKS
STARTERS
TURBOCHARGERS - COMPLETE
TURBOCHARGER CARTRIDGES
WATER PUMPS

Caterpillar Remanufactured engines for many engine arrangements are also available.

SUPPLEMENTAL COOLANT ADDITIVES

CUSTOMER BENEFITS:

Protects against cavitation, foam, erosion, corrosion, and scale buildup in cooling systems.

- Provides measured coolant conditioner.

DESCRIPTION:

Additives deplete from the coolant with normal operation. For this reason, Supplemental Coolant Additives (SCA) must be added to all heavy duty coolants at regular intervals. In addition, when not using a fully formulated, pre-charged antifreeze, like Caterpillar's DEAC, an initial charge of SCA must be added to the cooling system. The amount of SCA added to the system is dependent on the capacity of the system.

The SCA for initial fill is provided as a liquid. SCA's for maintenance intervals are available in liquid form and as a spin-on element. (No Spin-on available for 3600 Family of Engines)

NOTE:

The amount of SCA added at initial fill is not the same as the amount added at maintenance intervals.

The coolant additive elements can be used with any ethylene or propylene glycol type antifreeze which meets ASTM D4985 or ASTM D5345 Specifications.

NOTE:

For use with standard heavy duty coolant only, not for use with Extended Life Coolant.

PARTS NEEDED:

Cooling System Capacity		Liquid SCA at Initial Fill	Liquid SCA at Maintenance*	Spin-on SCA Maintenance Element*
Liters	Gallons			
22-30	(6-8)	3P-2044 (1)	6V-3542 (1)	111-2370 (1)
30-38	(8-10)	3P-2044 (1) 6V-3542 (1)	111-2372 (1)	111-2369 (1)
38-49	(10-13)	3P-2044 (1) 8T-1589 (1)	111-2372 (1)	111-2369 (1)
49-64	(13-17)	3P-2044 (2)	8T-1589 (1)	9N-3368 (1)
64-83	(17-22)	3P-2044 (2) 8T-1589 (1)	111-2372 (1) 6V-3542 (1)	111-2371 (1)
83-114	(22-30)	3P-2044 (3) 8T-1589 (1)	3P-2044 (1)	9N-3718 (1)
114-163	(30-43)	3P-2044 (5)	3P-2044 (1) 6V-3542 (1)	111-2371 (2)
163-242	(43-64)	3P-2044 (8)	3P-2044 (2)	9N-3718 (2)

* Normal maintenance period is 250 hrs. See your Operation and Maintenance Manual for complete coolant maintenance instructions.

() Indicates quantity required.

MAINTENANCE PARTS

DESCRIPTION	PART NUMBER	QTY	WHERE USED	PAGE
AIR INLET AND EXHAUST SYSTEM				
FILTER ELEMENT AS-AIR (PRIMARY)	106-3969	1	AIR CLEANER GP	113
FILTER ELEMENT AS-AIR (SECONDARY)	106-3973	1	AIR CLEANER GP	113
BASIC ENGINE				
BELT-SERPENTINE	243-1276	1	PULLEY GP	68
CAP AS-OIL FILLER (ENGINE)	2W-6225	1	COVER GP-VALVE MECHANISM	21
PLUG-DRAIN (ENGINE OIL PAN)	109-5839	1	PAN GP-OIL	57
SEAL-VALVE COVER	242-9537	1	COVER GP-VALVE MECHANISM	20
		1	COVER GP-VALVE MECHANISM	21
		1	COVER GP-VALVE MECHANISM	22
COOLING SYSTEM				
CAP AS (COOLANT FILL)	204-0920	1	RADIATOR & AFTERCOOLER GP	104
CAP AS (COOLANT OVERFLOW)	171-3370	1	RADIATOR & AFTERCOOLER GP	104
CAP AS-RADIATOR	230-2920	1	RADIATOR & HYD OIL COOLER GP	106
GASKET-REGULATOR (HOUSING)	139-3550	1	LINES GP-WATER	98
HOSE-RADIATOR (LOWER)	230-2829	1	RADIATOR & AFTERCOOLER GP	104
HOSE-RADIATOR (UPPER)	245-9351	1	RADIATOR & AFTERCOOLER GP	104
REGULATOR-TEMPERATURE (92-DEG C) (COOLANT)	248-5513	2	LINES GP-WATER	98
SEAL-LIP TYPE (TEMPERATURE REGULATOR HOUSING)	3S-9643	2	LINES GP-WATER	98
ELECTRICAL AND STARTING SYSTEM				
BATTERY (12-VOLT, 1400-CCA)	153-5710	2	BATTERY & WIRING GP	157
		2	BATTERY & WIRING GP	166
CIRCUIT BREAKER AS (105-AMPERE)	171-2212	1	PANEL GP-CIRCUIT BREAKER	212
CIRCUIT BREAKER AS (80-AMPERE)	171-2210	1	PANEL GP-CIRCUIT BREAKER	212
FILTER (ETHER START)	358-4889	1	VALVE GP-ETHER STARTING	263
FUSE (10-AMPERE)	113-8490	21	PANEL GP-CIRCUIT BREAKER	212
FUSE (15-AMPERE)	113-8491	11	PANEL GP-CIRCUIT BREAKER	212
		2	WIRING GP-BOOM	266
FUSE (30-AMPERE)	124-3548	2	PANEL GP-CIRCUIT BREAKER	212
FUSE (5-AMPERE)	141-2759	4	PANEL GP-CIRCUIT BREAKER	212
KEY (BATTERY DISCONNECT)	8H-5306	1	SWITCH GP-DISCONNECT	252
LAMP (24-VOLT)	6C-9122	2	WIRING GP-CAB	269
LAMP (24-VOLT, HID)	290-8160	1	LAMP GP-FLOOD	189
		1	LAMP GP-FLOOD	190
		1	LAMP GP-FLOOD	191
LAMP AS (24-VOLT, 3-WATT)	170-9324	1	PANEL GP-SWITCH	218
LAMP-HALOGEN (24-VOLT, 70-WATT)	9X-3463	1	LAMP GP-FLOOD	186
		1	LAMP GP-FLOOD	187
		1	LAMP GP-FLOOD	188
FUEL SYSTEM				
CAP AS-FILLER (FUEL TANK)	7X-7700	1	TANK GP-FUEL	149
FILTER AS-WATER SEP & FUEL	326-1643	1	FILTER GP-WATER SEP & FUEL	132
FILTER-FUEL (ADVANCED EFFICIENCY)	1R-0755	1	FILTER GP-SECONDARY FUEL	130
STRAINER AS-FUEL	229-1860	1	PUMP GP-FUEL TRANSFER	144
STRAINER AS-FUEL (FLOAT GAUGE)	303-9933	1	TANK GP-FUEL	149

MAINTENANCE PARTS

DESCRIPTION	PART NUMBER	QTY	WHERE USED	PAGE
HYDRAULIC SYSTEM				
BREATHER (SWING DRIVE)	4H-6112	1	DRIVE GP-SWING	439
		1	DRIVE GP-SWING	442
BREATHER AS (SWING DRIVE)	227-6221	1	DRIVE GP-SWING	439
		1	DRIVE GP-SWING	442
BREATHER GP (HYDRAULIC TANK)	212-5467	1	TANK & FILTER GP-HYDRAULIC	604
FILTER (EDGE)	119-2265	1	VALVE GP-MAIN CONTROL	653
		1	VALVE GP-MAIN CONTROL	655
FILTER ELEMENT AS-OIL (ULTRA HIGH EFFICIENCY) (HYDRAULIC RETURN)	179-9806	1	FILTER GP-OIL	451
FILTER ELEMENT-OIL (ULTRA HIGH EFFICIENCY) (HYDRAULIC)	146-9290	1	FILTER GP-OIL	457
FILTER-OIL (ADVANCED EFFICIENCY) (HYDRAULIC)	185-0337	1	FILTER GP-OIL	450
	4T-6788	1	FILTER GP-OIL	449
PLUG-OIL DRAIN (OIL PAN) (HYDRAULIC TANK)	6I-0723	1	TANK & FILTER GP-HYDRAULIC	604
SCREEN AS (HYDRAULIC TANK)	200-3507	1	SCREEN GP-HYDRAULIC	602
LUBRICATION SYSTEM				
BREATHER AS (CRANKCASE)	162-2266	1	BREATHER GP	77
FILTER-ENGINE OIL (ADVANCED EFFICIENCY)	1R-1808	1	FILTER GP-ENGINE OIL	80
SCREEN AS (ENGINE OIL)	3T-6471	1	LINES GP-ENGINE OIL	85
MACHINE ARRANGEMENT				
SEAT BELT GP (RETRACTABLE, 76-MM)	305-0466	1	OPTION AR-CAB	2
		1	OPTION AR-CAB	3
OPERATOR STATION				
BLADE AS-WIPER (280-MM) (LOWER)	292-6567	1	WIPER GP-WINDOW	990
BLADE AS-WIPER (600-MM) (LOWER)	6V-6864	1	WIPER GP-WINDOW	986
BLADE AS-WIPER (700-MM) (UPPER)	6V-7419	1	WIPER GP-WINDOW	986
BLADE AS-WIPER (900-MM) (UPPER)	248-7990	1	WIPER GP-WINDOW	990
CAP AS (WINDOW WASHER)	178-5431	1	WASHER GP-WINDOW	967
FILTER ELEMENT-CAB AIR	245-7823	1	AIR CONDITIONER GP	850
	4I-1278	1	CAB GP	859
RECEIVER-REFRIGERANT DRYER	176-1902	1	LINES GP-AIR CONDITIONER	926
SEAT BELT GP (RETRACTABLE, 43-MM)	327-6541	1	SEAT BELT GP	955
SEAT BELT GP (RETRACTABLE, 76-MM)	327-6540	1	SEAT BELT GP	954

INDEX

Name	Page	Name	Page
A			
ACCUMULATOR & MTG GP-HYDRAULIC	403	BOX & MTG GP-STORAGE	699
ACCUMULATOR GP-CHARGED	404	BOX GP-STORAGE	321
ACCUMULATOR GP-HYDRAULIC- UNCHARGED	405	BRACKET GP-MOUNTING-WIPER SWITCH . . .	323
ACTUATOR GP-PUMP	406	BREATHING (SWING DRIVE)	854
	407		439
	408		442
	409	BREATHING AS (CRANKCASE)	77
	410	BREATHING AS (SWING DRIVE)	439
ADAPTER GP-PUMP DRIVE	12		442
ADJUSTER GP-BUCKET-UB, VB-FAMILY	751	BREATHING GP (HYDRAULIC TANK)	604
ADJUSTER GP-BUCKET- UB/WB/HB/JB-FAMILY	749	BREATHING GP-CRANKCASE	77
	752	BUCKET & ADJUSTER GP- EXCAVATION, VB-FAMILY	758
ADJUSTER GP-BUCKET-VB-FAMILY	750		760
ADJUSTMENT GP-HYDRAULIC TRACK	380	BUCKET & ADJUSTER GP- EXCAVATION, WB-FAMILY	754
AFTERCOOLER AS	106	BUCKET & ADJUSTER GP- EXTREME EXCAVATION, WB-FAMILY	755
AIR CLEANER AR-PRECLEANER	110		756
AIR CLEANER GP	111		761
	113		764
	115	BUCKET & ADJUSTER GP- GENERAL PURPOSE, VB-FAMILY	757
AIR CONDITIONER & MOUNTING GP	847	BUCKET & ADJUSTER GP- GENERAL PURPOSE, VB2-FAMILY	753
AIR CONDITIONER AR	849	BUCKET & ADJUSTER GP- GENERAL PURPOSE, WB-FAMILY	763
AIR CONDITIONER GP	850		765
ALARM GP (BACKUP)	153	BUCKET & ADJUSTER GP- HEAVY-DUTY, VB-FAMILY	757
ALARM GP-FAULT	152		758
ALARM GP-TRAVEL-BACKUP	153		759
ALTERNATOR GP-CHARGING	154	BUCKET & ADJUSTER GP- HEAVY-DUTY, WB FAMILY	763
	156		765
ARMREST GP-LH	853	BUCKET & ADJUSTER GP- HEAVY-DUTY, WB-FAMILY	755
ARMREST GP-RH	852	BUCKET & ADJUSTER GP- HEAVY-DUTY, WB-FAMILY	755
ATOMIZER AS-ETHER	243	BUCKET & ADJUSTER GP- ROCK, WB-FAMILY	755
B			
BASE GP-OIL FILTER	76	BUCKET & ADJUSTER GP- SEVERE SERVICE ROCK, VB-FAMILY	759
BASE GP-OIL FILTER-HYDRAULIC	411		760
	412	BUCKET & ADJUSTER GP- SEVERE SERVICE ROCK, WB-FAMILY	762
BASE GP-VALVE COVER & INJ HARN	13	BUCKET AS-EXCAVATION-VB-FAMILY	767
BATTERY & WIRING GP	157	BUCKET AS-EXCAVATION-WB-FAMILY	766
BATTERY & WIRING GP-COLD WEATHER	166	BUCKET AS-EXTREME EXCAVATION- WB-FAMILY	768
BATTERY (12-VOLT, 1400-CCA)	157		769
	166		770
BELT-SERPENTINE	68		771
BLADE AS-WIPER (280-MM) (LOWER)	990		772
BLADE AS-WIPER (600-MM) (LOWER)	986		773
BLADE AS-WIPER (700-MM) (UPPER)	986	BUCKET AS-EXTREME SERVICE ROCK- WB-FAMILY	774
BLADE AS-WIPER (900-MM) (UPPER)	990		
BLOCK AS-JUNCTION (BATTERY)	169		
BLOCK GP-JUNCTION-BATTERY	169		
BOOM AR-MASS	696		
BOOM AR-REACH	696		
BOOM GP	697		

INDEX

Name	Page	Name	Page
BUCKET AS-EXTREME SERVICE ROCK- WB2-FAMILY	776	CAP AS-OIL FILLER (ENGINE)	21
BUCKET AS-GENERAL PURPOSE- HEAVY-DUTY, WB-FAMILY	785	CAP AS-RADIATOR	106
BUCKET AS-GENERAL PURPOSE- QUICK COUPLER	778	CHASSIS AR	1
BUCKET AS-GENERAL PURPOSE- VB-FAMILY	779	CIRCUIT BREAKER AS (105-AMPERE)	212
	780	CIRCUIT BREAKER AS (80-AMPERE)	212
	781	COIL GP-EVAPORATOR	863
BUCKET AS-GENERAL PURPOSE- VB2-FAMILY	786		865
BUCKET AS-GENERAL PURPOSE- WB-FAMILY	782	COMPRESSOR & MTG GP-REFRIG	867
	783	CONDENSER & MTG GP-REFRIGERANT	868
	784	CONDENSER GP-REFRIGERANT	870
BUCKET AS-HEAVY DUTY-VB-FAMILY	787	CONNECTION GP-ELECTRICAL	174
	788	CONSOLE GP-OPERATOR	872
	789	CONSOLE GP-OPERATOR-LH	876
	790	CONSOLE GP-OPERATOR-RH	874
BUCKET AS-HEAVY DUTY-WB2-FAMILY	791	CONTROL & MTG GP-ENGINE ELEK	175
BUCKET AS-ROCK-WB-FAMILY	792	CONTROL & MTG GP-JOYSTICK-1-SWITCH ...	878
BUCKET AS-SEVERE SERVICE ROCK- QUICK COUPLER	793	CONTROL & MTG GP-JOYSTICK- 3-BUTTON, TRIGGER SWITCH	880
	794	CONTROL & MTG GP-JOYSTICK- WITH THUMB SWITCHES	879
BUCKET AS-SEVERE SERVICE ROCK- VB-FAMILY	795	CONTROL & MTG GP-MACHINE	176
	796		177
	797	CONTROL & MTG GP-PEDAL-LH	882
	798	CONTROL & MTG GP-PEDAL-RH	883
BUCKET GP-EXCAVATION- QUICK COUPLER	799	CONTROL & MTG GP-PEDAL-TRAVEL	881
BUCKET GP-EXTREME SERVICE ROCK- WB2-FAMILY	800	CONTROL AR-AUXILIARY	414
BUCKET GP-ROCK-QUICK COUPLER	801	CONTROL AR-AUXILIARY- 1-SWITCH, JOYSTICK	413
		CONTROL AR-AUXILIARY- 1-WAY/2-WAY FLOW	413
		CONTROL AR-AUXILIARY- JOYSTICK MODULATION SWITCH	414
		CONTROL AR-AUXILIARY- JOYSTICK, 4-BUTTON	415
		CONTROL AR-AUXILIARY-PEDAL, LH	413
		CONTROL AR-AUXILIARY-PEDAL, RH	414
		CONTROL AR-AUXILIARY-SINGLE	413
		CONTROL AR-COUPLER-UNIVERSAL	415
		CONTROL AR-FAN	415
		CONTROL GP-HANDLE-JOYSTICK, LH	884
			887
			889
		CONTROL GP-HANDLE-JOYSTICK, RH	885
			886
			888
		CONTROL GP-HANDLE-LH	890
		CONTROL GP-HYDRAULIC PEDAL	891
		CONTROL GP-JOYSTICK (POSITION SENSOR)	878
			879
		CONTROL GP-PEDAL-ELECTRIC	893
		CONTROL GP-PEDAL-TRAVEL	892
		CONTROL GP-TRAVEL-LEVERS, PEDALS	894
		CONTROL GP-UNPROGRAMMED	177
		CONTROL GP-UNPROGRAMMED (ENGINE) ...	175

C

INDEX

Name	Page	Name	Page
CONTROL GP-WIPER	270	CYLINDER GP-BOOM	425
CONVERTER-POWER (24-VOLT TO 12-VOLT)	294	CYLINDER GP-BUCKET	427
	921		429
COOLER GP-FUEL	129		431
CORE AS (ENGINE OIL COOLER)	98	CYLINDER GP-COUPLER	433
CORE AS-FUEL COOLER	129	CYLINDER GP-STICK	434
CORE AS-HEATER	850	CYLINDER HEAD AS	29
CORE AS-OIL COOLER (HYDRAULIC OIL)	106	CYLINDER HEAD GP	31
CORE AS-RADIATOR	106		33
COUNTERWEIGHT & MOUNTING GP	324		
COUPLER AR-QUICK-HYDRAULIC	802	D	
	803	DAMPER & PULLEY GP	35
	804	DISTRIBUTION AR	1
	805	DOOR & MTG GP-CAB	901
COUPLER AR-QUICK-VB-FAMILY	806	DOOR GP-ACCESS-	
COUPLER AR-QUICK-WB-FAMILY	806	BATTERY, CIRCUIT BREAKER	332
COUPLING GP-FLEXIBLE	416	DOOR GP-ACCESS-PUMP COMPARTMENT	333
COUPLING GP-PUMP	417	DOOR GP-ACCESS-REVERSING FAN	331
COVER AS-SOUND SUPPRESSION	325	DOOR GP-CAB	902
	326		905
COVER GP-ACCESS-			907
ENGINE HOOD, CENTER	327	DRIVE GP-FAN	36
COVER GP-ACCESS-		DRIVE GP-FINAL-WITH MOTOR	316
PUMP COMPARTMENT	328	DRIVE GP-FINAL-WITHOUT MOTOR	314
COVER GP-CAB-EXTERIOR, LH	899	DRIVE GP-PUMP	436
COVER GP-CAB-INTERIOR, FRONT	897	DRIVE GP-SWING-WITH MOTOR, LH	438
COVER GP-CAB-REAR	896	DRIVE GP-SWING-WITH MOTOR, RH	437
COVER GP-CONSOLE	897	DRIVE GP-SWING-WITHOUT MOTOR, LH	442
COVER GP-CONTROL VALVE-UPPER	329	DRIVE GP-SWING-WITHOUT MOTOR, RH	439
COVER GP-CYLINDER BLOCK	15	DUCT GP-CAB AIR	908
	16		
	17	E	
COVER GP-FRONT HOUSING	18	ELECTRONICS GP-COMMUNICATION-	
	19	PRODUCT LINK 300	179
COVER GP-HOOD-ENGINE	330	ELECTRONICS GP-MACHINE	179
COVER GP-STORAGE-CAB, REAR	900	ELECTRONICS GP-MONITOR	179
COVER GP-VALVE MECHANISM	20	ENGINE AR	7
	21	ENGINE AR-COMPLETE	8
	22	ENGINE AR-CORE	10
	23	EXTENSION GP-EXHAUST	116
CRANKSHAFT GP	24		
CYLINDER & LINES GP-BOOM-LH	418	F	
CYLINDER & LINES GP-BOOM-RH	418	FAN & MOTOR GP-CONDENSER	92
CYLINDER & LINES GP-BUCKET	418	FAN GP-SUCTION	93
	419	FASTENER GP-CYLINDER HEAD	33
CYLINDER & LINES GP-STICK	419	FASTENER GP-FINAL DRIVE & MTR-	
CYLINDER & SEAL GP-BOOM	420	SWING, TRAVEL	317
CYLINDER & SEAL GP-BUCKET	421	FASTENER GP-FRONT HOUSING	37
	422		38
	423	FASTENER GP-VALVE MECHANISM	39
CYLINDER & SEAL GP-STICK	424	FASTENER GP-WIRING HARNESS-	
CYLINDER BLOCK AS	25	JOYSTICK	180
	26		
CYLINDER BLOCK GP	27		

INDEX

Name	Page	Name	Page
FILM GP	997	FILTER ELEMENT AS-OIL (ULTRA HIGH EFFICIENCY) (HYDRAULIC RETURN)	451
FILM GP-ACCUMULATOR	995	FILTER ELEMENT-CAB AIR	850
FILM GP-LIFTING, READ OMM	1002		859
FILM GP-OPERATOR CONTROLS, HAMMER	993	FILTER ELEMENT-OIL (ULTRA HIGH EFFICIENCY) (HYDRAULIC)	457
	994	FILTER GP-ENGINE OIL	78
	1000		80
	1001	FILTER GP-OIL-HYDRAULIC	449
FILM GP-OVERLOAD WARNING DEVICE	999		450
FILM GP-QUICK COUPLER	992		453
FILM GP-REVERSING FAN	991		455
FILM GP-			457
WORK AREA VISUAL SYSTEM, REAR	996	FILTER GP-OIL-HYDRAULIC RETURN	451
FILM-IDENTIFICATION (SMARTBOOM)	999	FILTER GP-SECONDARY FUEL	130
FILM-INFORMATION		FILTER GP-WATER SEP & FUEL	132
(PRODUCT LINK, READ OMM)	182	FILTER-ENGINE OIL (ADVANCED EFFICIENCY)	80
FILM-INFORMATION (READ OMM)	1002	FILTER-FUEL (ADVANCED EFFICIENCY)	130
FILM-INSTRUCTION		FILTER-OIL (ADVANCED EFFICIENCY) (HYDRAULIC)	449
(HYDRAULIC OIL RETURN FILTER)	451		450
FILM-INSTRUCTION		FINAL DRIVE GP	314
(OPERATOR CONTROLS)	413		316
FILM-INSTRUCTION (REFUELING PUMP)	144	FLOOR MAT	942
FILM-INSTRUCTION (TRAVEL CONTROLS)	947	FLOOR MAT GP-ACCUGRADE READY	910
FILM-WARNING (BOOM FLOAT)	999	FLYWHEEL GP	40
FILM-WARNING		FRAME AR-UNDERCARRIAGE	381
(CRUSH HAZARD, READ OMM)	1002	FRAME GP-UNDERCARRIAGE	382
FILM-WARNING (FLYING DEBRIS)	813	FRAME GP-UPPER	334
FILM-WARNING			336
(FRONT GUARD, READ OMM)	914	FUMES DISPOSAL GP	83
FILM-WARNING (LIFTING, READ OMM)	1002	FUSE (10-AMPERE)	212
FILM-WARNING		FUSE (15-AMPERE)	212
(NO WELD, NO DRILL, READ OMM)	913		266
FILM-WARNING		FUSE (30-AMPERE)	212
(PRODUCT LINK RADIO, INTL)	182	FUSE (5-AMPERE)	212
FILM-WARNING			
(PRODUCT LINK RADIO, U.S.)	182	G	
FILM-WARNING (READ OMM)	802	GASKET-REGULATOR (HOUSING)	98
	803	GAUGE AS-OIL LEVEL (DIPSTICK) (ENGINE)	84
	804	GAUGE GP-SIGHT-HYDRAULIC OIL LEVEL	458
	805	GAUGE-OIL LEVEL (SWING DRIVE)	439
	813		442
FILM-WARNING		GEAR & BEARING GP-SWING	338
(TIPPING HAZARD, READ OMM)	999	GEAR GP-CAMSHAFT	41
	1002	GEAR GP-FRONT	42
FILM-WARNING (TOP GUARD, READ OMM)	913	GEAR GP-REAR	44
FILTER & LINES GP-HYDRAULIC-		GENERAL AR	2
FINE FILTRATION	445	GUARD AR-OVERHEAD	911
FILTER (EDGE)	653	GUARD AR-OVERHEAD-WINDOW	911
	655	GUARD GP-BOTTOM	340
FILTER (ETHER START)	263	GUARD GP-CYLINDER	701
FILTER AR-HYDRAULIC-FINE FILTRATION	448		
FILTER AS-WATER SEP & FUEL	132		
FILTER ELEMENT AS-AIR (PRIMARY)	113		
FILTER ELEMENT AS-AIR (SECONDARY)	113		

INDEX

Name	Page	Name	Page
GUARD GP-FRONT WINDOW	912	HARNESS AS-PUMP (MAIN)	157
GUARD GP-OVERHEAD	913	HARNESS AS-PUMP (REFUELING LEVEL SWITCH)	311
GUARD GP-SWIVEL	341	HARNESS AS-PUMP (REFUELING)	311
GUARD GP-TRACK GUIDE-CENTER	384	HARNESS AS-RADIO	921
GUARD GP-TRACK GUIDE-FULL LENGTH	385	HARNESS AS-SENSOR (BOOMFLOAT)	281
GUARD GP-TRAVEL MOTOR	386	HARNESS AS-SENSOR (FUEL FILTER)	130
GUARD GP-WINDOW	911	HARNESS AS-SENSOR (HYD OIL LEVEL, TEMPERATURE)	157
	914	HARNESS AS-SENSOR (OVERLOAD WARNING DEVICE)	281
	916	HARNESS AS-SENSOR (SMARTBOOM)	274
GUIDE GP-OIL LEVEL GAUGE	84	HARNESS AS-SOLENOID	161
			283
H		HARNESS AS-SWITCH	301
HANDRAIL GP	345	HARNESS AS-SWITCH (BACKUP)	272
HANDRAIL GP-CAB	344	HARNESS AS-SWITCH (REFUELING PUMP, START)	256
HANDRAIL GP-FRONT, UPPER	342		311
HARNESS AS-CAB	294	HARNESS AS-SWITCH (REFUELING PUMP, STOP)	257
	309		311
HARNESS AS-CHASSIS	159	HARNESS AS-WIRING (CAB)	309
	278	HARNESS AS-WIRING (CAMERA)	277
HARNESS AS-CHASSIS (BOOM)	158		306
HARNESS AS-CHASSIS (STD CHASSIS)	266	HARNESS AS-WIRING (CONDENSER FAN MOTOR)	870
HARNESS AS-CONSOLE	288	HARNESS AS-WIRING (HORN)	918
	291	HARNESS AS-WIRING (MONITOR)	306
HARNESS AS-CONSOLE (RH)	218	HARNESS AS-WIRING (QUICK COUPLER SWITCH)	262
HARNESS AS-CONTROL	283	HARNESS AS-WIRING (SPEED SENSOR)	236
	285	HARNESS AS-WIRING- POWER CONVERTER	181
HARNESS AS-CONTROL (DISPLAY, GPS RADIO)	266	HEAD GP-PUMP-MAIN HYDRAULIC PUMP	459
HARNESS AS-CONTROL (GRADE CONTROL)	304	HEAD GP-PUMP-SWING PUMP	460
HARNESS AS-CONTROL (SPEED SENSOR)	158	HOOD & GUARD GP	346
HARNESS AS-ENGINE (ELECTRONIC CONTROL MODULE)	299		350
HARNESS AS-ENGINE (UNIT INJECTOR)	13		351
HARNESS AS-FRONT	302	HOOD & GUARD GP-HIGH AMBIENT	353
HARNESS AS-HEATER & AIR COND	847	HOOD GP-ENGINE	355
	850	HOOD GP-ENGINE-LH	357
HARNESS AS-HEATER & AIR COND (CONTROL PANEL SWITCHES)	847	HOOD GP-ENGINE-RADIATOR	354
HARNESS AS-LIGHTING	193	HOOD GP-ENGINE-RH	356
	195	HOOK GP-LIFTING	807
	199	HORN GP-ELECTRIC	918
	200	HOSE-RADIATOR (LOWER)	104
	201	HOSE-RADIATOR (UPPER)	104
	202	HOUSING GP-AIR CONDITIONER-INLET AIR	919
	274	HOUSING GP-FLYWHEEL	46
HARNESS AS-LIGHTING (CAB GUARD)	198	HOUSING GP-FRONT	47
HARNESS AS-LIGHTING (HID FLOODLIGHTS, FRONT)	204		49
HARNESS AS-MONITOR	272	HYDRAULIC AR	462
HARNESS AS-OPERATOR CONTROLS	287		
HARNESS AS-PANEL	212		
HARNESS AS-PLATFORM	307		
	309		

INDEX

Name	Page	Name	Page
I			
IDLER GP-FRONT	389	LINES AR-AUXILIARY HYDRAULIC- HIGH PRESSURE	462
IDLER GP-FRONT-HEAVY-DUTY	387	LINES GP-AIR	119
	388	LINES GP-AIR- AFTERCOOLER TO TURBOCHARGER	118
INDICATOR AS (HYDRAULIC RETURN FILTER)	453	LINES GP-AIR- AIR CLEANER TO TURBOCHARGER	120
INDICATOR AS-AIR FILTER CHANGE (AIR RESTRICTION)	113	LINES GP-AIR CONDITIONER	926
INJECTOR GP-FUEL	141	LINES GP-AIR-TURBOCHARGER OUTLET	117
INSTALLATION AR-ENGINE	11	LINES GP-AUXILIARY HYDRAULIC- BOOM, HIGH PRESSURE	462
INSTALLATION AR-RADIO-2-WAY	920		463
INSTALLATION GP-COMMUNICATION- PRODUCT LINK 121SR	182		465
INSTALLATION GP-COMMUNICATION- PRODUCT LINK 321SR	184	LINES GP-AUXILIARY HYDRAULIC- STICK, HIGH PRESSURE	468
	185		470
INSTALLATION GP-RADIO	921		471
			472
			473
			474
K			
KEY (BATTERY DISCONNECT)	252	LINES GP-BOOM	475
KIT-SEAT SUSPENSION-AIR	924		477
KIT-SEAT SUSPENSION-MECHANICAL	923	LINES GP-BOOM CYLINDER- BOOM LOWERING CONTROL	481
		LINES GP-BOOM CYLINDER-LH	484
		LINES GP-BOOM CYLINDER-RH	485
		LINES GP-BOOM- REACH BOOM, STICK LOAD CONTROL	479
		LINES GP-BUCKET CYLINDER	486
			487
		LINES GP-CONNECTING	488
		LINES GP-COUPLER	492
			496
			497
			498
			500
			501
			502
		LINES GP-COUPLER-MASS BOOM	489
		LINES GP-COUPLER-REACH BOOM	494
		LINES GP-COUPLER-STICK	491
		LINES GP-ENGINE OIL	85
		LINES GP-ENGINE OIL DRAIN	87
		LINES GP-FRONT	510
			516
		LINES GP-FRONT-SINGLE ACTION	513
		LINES GP-FRONT- SMARTBOOM, BOOM LOAD CONTROL	503
		LINES GP-FRONT- UNIVERSAL QUICK COUPLER	505
		LINES GP-FUEL	133
			135
		LINES GP-GREASE-BOOM	707
			709
L			
LAMP (24-VOLT)	269		
LAMP (24-VOLT, HID)	189		
	190		
	191		
LAMP AS (24-VOLT, 3-WATT)	218		
LAMP GP-FLOOD	186		
	189		
	190		
	191		
LAMP GP-FLOOD-CAB GUARD	188		
LAMP GP-FLOOD-FRONT, RH	187		
LAMP-HALOGEN (24-VOLT, 70-WATT)	186		
	187		
	188		
LEVER GP-CAB DOOR	925		
LIFTING GP-ENGINE	50		
	51		
LIGHTING GP-CHASSIS-FRONT	192		
LIGHTING GP-FLOOD-BOOM	193		
	195		
LIGHTING GP-FLOOD-CAB	197		
	201		
LIGHTING GP-FLOOD-CAB GUARD	198		
	200		
LIGHTING GP-FLOOD-GUARD, FRONT	199		
LIGHTING GP-FLOOD-MASS BOOM	204		
LIGHTING GP-FLOOD-REACH BOOM	202		

INDEX

Name	Page	Name	Page
LINES GP-GREASE-STICK	702	MANIFOLD GP-EXHAUST	123
	705	MANIFOLD GP-FUEL	133
	711		139
	713	MECHANISM GP-FUEL PUMP & VALVE	52
	716	MIRROR GP-REAR VIEW	929
LINES GP-HYDRAULIC OIL COOLER	521		930
LINES GP-HYDRAULIC OIL COOLER- REVERSING FAN	518	MONITOR & MTG GP-OPERATOR	931
LINES GP-MUFFLER DRAIN	122	MONITOR GP-OPERATOR	932
LINES GP-PILOT- BOOM LOWERING CONTROL	531		933
	535	MOTOR & MTG GP-HYDRAULIC FAN	566
LINES GP-PILOT- HIGH PRESSURE CUTOFF, OFF	524	MOTOR & MTG GP-SWING-LH	567
LINES GP-PILOT- STICK LOWERING CONTROL	533	MOTOR & MTG GP-SWING-RH	568
LINES GP-PUMP-SUPPLY	537	MOTOR & MTG GP-TRAVEL	569
LINES GP-RETURN & FILTER	541	MOTOR GP-PISTON-FAN	577
LINES GP-STICK	545	MOTOR GP-PISTON-HYDRAULIC FAN	575
	546	MOTOR GP-PISTON-SWING, LH	573
	547	MOTOR GP-PISTON-SWING, RH	574
	548	MOTOR GP-PISTON-TRAVEL	570
	549	MOUNTING GP-AIR CLEANER	124
	550	MOUNTING GP-ALTERNATOR & COMPR	53
LINES GP-STICK CYLINDER	551	MOUNTING GP-ANTENNA- ACCUGRADE READY	934
LINES GP-STICK CYLINDER- STICK LOWERING CONTROL	552	MOUNTING GP-ANTENNA- COMMUNICATION RADIO	936
LINES GP-SWING MOTOR	554	MOUNTING GP-ANTENNA-PRODUCT LINK	937
LINES GP-TRAVEL MOTOR	556	MOUNTING GP-CAB-REAR	939
LINES GP-TURBOCHARGER OIL	88	MOUNTING GP-CAMERA- COUNTERWEIGHT	207
LINES GP-TURBOCHARGER WATER	96	MOUNTING GP-CAMERA-MIRROR, RH	208
LINES GP-WATER	98	MOUNTING GP-CAMERA- WORK AREA VISUAL SYSTEM, BOOM	206
LINK AS-TRACK	390	MOUNTING GP-DISPLAY- WORK AREA VISUAL SYSTEM	940
LINKAGE AR-BUCKET- EXTREME EXCAVATION, VB-FAMILY	719	MOUNTING GP-ENGINE FLEXIBLE	54
LINKAGE AR-BUCKET- VB-FAMILY, WITH LIFTING EYE	718	MOUNTING GP-ENGINE OIL FILTER	89
LINKAGE AR-BUCKET-WB-FAMILY	718	MOUNTING GP-HYDRAULIC PUMP	578
LINKAGE AR-BUCKET- WB-FAMILY, WITH LIFTING EYE	718	MOUNTING GP-MAIN CONTROL VALVE	579
LINKAGE GP-BUCKET-VB-FAMILY	728	MOUNTING GP-PLATFORM	942
LINKAGE GP-BUCKET- VB-FAMILY, WITH LIFTING EYE	720	MOUNTING GP-SENSOR	210
LINKAGE GP-BUCKET-WB-FAMILY	722	MOUNTING GP-SENSOR- ATMOSPHERIC, ENGINE OIL	209
	724	MOUNTING GP-SENSOR- BODY TILT SENSOR	211
	726	MUFFLER GP	125
LITERATURE GP	928		
LOCK GP-QUICK COUPLER-HYDRAULIC	808		
		O	
		OPERATOR AR	944
		OPTION AR-CAB	2
			3
		OPTION AR-COLD WEATHER	3
		OPTION AR-CONTROL	4
		OPTION AR-COUPLER	3
		OPTION AR-HYDRAULIC	3
			4

M

MANIFOLD & VALVE GP	564
MANIFOLD & VALVE GP- MAIN CONTROL VALVE	560
	562

INDEX

Name	Page	Name	Page
	5	PLUG GP-CYLINDER HEAD	66
OPTION AR-LUBRICATION	5	PLUG GP-ENGINE	67
OPTION AR-REGIONAL	5	PLUG-DRAIN (ENGINE OIL PAN)	57
		PLUG-OIL DRAIN (OIL PAN) (HYDRAULIC TANK)	604
P		POWER TRAIN AR	319
PADLOCK GP	148	PROTECTOR GP-BUCKET	810
	321	PROTECTOR GP-SIDE BAR	812
PAN GP-OIL-ENGINE	57	PROTECTOR GP-SIDE BAR-BUCKET	811
PANEL GP-CIRCUIT BREAKER	212	PULLEY GP	68
PANEL GP-FUSE	213	PUMP & MOTOR GP-REFUELING	140
PANEL GP-SOUND SUPPRESSION	59	PUMP & MTG GP-HYDRAULIC- HYDRAULIC FAN, PILOT, SWING	582
PANEL GP-SOUND SUPPRESSION- FRONT HOUSING	60	PUMP & MTG GP-MAIN HYDRAULIC	583
PANEL GP-SOUND SUPPRESSION- PUMP COMPARTMENT, UPPER	359	PUMP GP-ENGINE OIL	91
	360	PUMP GP-FUEL INJECTION	141
PANEL GP-SOUND SUPPRESSION- TURBOCHARGER	358	PUMP GP-FUEL PRM & PRIM FILTER	142
PANEL GP-SWITCH-ENGINE SPEED, START ...	218	PUMP GP-FUEL TRANSFER	143
PARTS AR-CAB	945		144
	946		146
PEDAL AR-THIRD	947	PUMP GP-GEAR	586
PISTON & ROD GP	61	PUMP GP-GEAR-PILOT	585
PLATE & FILM GP	1004	PUMP GP-MAIN HYDRAULIC	587
PLATE & FILM GP- BIODEGRADABLE HYDRAULIC OIL	1003	PUMP GP-PISTON-HYDRAULIC FAN	590
PLATE AS-FRONT HOUSING	63	PUMP GP-PISTON-SWING	592
PLATE-CAUTION (OIL FILL)	570	PUMP GP-WATER	100
PLATE-IDENTIFICATION (CAT)	753		101
	754		102
	755		103
	756		
	757		
	758		
	759		
	760		
	762		
	763		
	764		
	765		
	799		
	800		
	801		
	813		
PLATE-INFORMATION	813		
PLATE-WARNING (HIGH PRESSURE CYLINDER)	380		
PLATE-WEAR	809		
PLATFORM GP-OPERATOR	948		
PLUG GP-CONNECTOR- ENGINE HARNESS, PROTECTIVE COVER ...	220		
PLUG GP-CONTROL VALVE	581		
PLUG GP-CYLINDER BLOCK	64		
	65		
		R	
		RADIATOR & AFTERCOOLER GP	104
		RADIATOR & HYD OIL COOLER GP	106
		RADIO GP-AM/FM	949
		RADIO GP-COMMUNICATION- PRODUCT LINK 121SR	950
		RECEIVER-REFRIGERANT DRYER	926
		REDUCER AS	491
			496
			497
			498
			500
			501
			502
		REGULATOR AS-VOLTAGE (24-VOLT) (ALTERNATOR)	154
		REGULATOR GP-FUEL PRESSURE	147
		REGULATOR-TEMPERATURE (92-DEG C) (COOLANT)	98
		RELAY (24-VOLT)	212
			278
			281
			311
		RELAY (BLOWER)	919

INDEX

Name	Page	Name	Page
RELAY (COMPRESSOR CLUTCH)	919	SENSOR & MTG GP-POSITION-BOOM	221
RELAY (CONDENSER)	919	SENSOR AS-LIQUID LEVEL	
RELAY (CONDENSER, HIGH)	919	(WATER IN FUEL)	224
RIPPER GP	813	SENSOR AS-POSITION (LIFT, TILT)	226
ROCKER ARM GP	69	SENSOR AS-PRESSURE	
	70	(BOOM LOWERING CONTROL)	481
	71	SENSOR AS-PRESSURE (BOOM RAISE)	510
ROLLER AR-TRACK & CARRIER	391	SENSOR AS-PRESSURE	
	392	(MAIN HYDRAULIC PUMP)	525
ROLLER GP-TRACK CARRIER	393	SENSOR AS-PRESSURE (SWING PUMP)	525
ROLLER GP-TRACK-DOUBLE FLANGE	394	SENSOR AS-TEMPERATURE (AIR)	919
ROLLER GP-TRACK-SINGLE FLANGE	395	SENSOR AS-TEMPERATURE (AMBIENT AIR) ...	850
ROTATING GP-PUMP-HYDRAULIC FAN	595	SENSOR AS-TEMPERATURE (COOLANT)	850
	596	SENSOR GP-ENGINE	8
ROTATING GP-PUMP-			222
MAIN HYDRAULIC PUMP	594	SENSOR GP-LIQUID LEVEL	
	597	(WATER SEPARATOR)	225
	599	SENSOR GP-LIQUID LEVEL-	
	600	WATER IN FUEL	224
ROTATING GP-PUMP-SWING PUMP	598		225
	601	SENSOR GP-POSITION	429
		SENSOR GP-POSITION (BOOM)	221
		SENSOR GP-POSITION (JOYSTICK)	880
		SENSOR GP-POSITION-BOOM	226
		SENSOR GP-PRESSURE	227
			228
			229
			230
			231
			232
		SENSOR GP-PRESSURE (ATMOSPHERIC)	222
		SENSOR GP-PRESSURE (ENGINE OIL)	222
			230
		SENSOR GP-PRESSURE (FUEL)	130
		SENSOR GP-PRESSURE	
		(INTAKE AIR MANIFOLD)	222
		SENSOR GP-SPEED	233
			235
			236
			237
			238
		SENSOR GP-SPEED (ENGINE)	233
		SENSOR GP-SPEED (TIMING, CAMSHAFT)	222
		SENSOR GP-TEMPERATURE	239
			240
		SENSOR GP-TEMPERATURE (FUEL)	130
		SENSOR-TEMPERATURE (AMBIENT AIR)	847
		SHEET AS-SOUND SUPPRESSION	361
			362
			365
		SHEET AS-SOUND SUPPRESSION-	
		ENGINE COMPARTMENT	366
		SHEET AS-SOUND SUPPRESSION-	
		PUMP COMPARTMENT	367

S

SCREEN AS (ENGINE OIL)	85
SCREEN AS (HYDRAULIC TANK)	602
SCREEN GP-HYDRAULIC-TANK	602
SCREEN GP-RADIATOR	108
	109
SCREEN GP-SUN	951
SEAL GP-CRANKSHAFT	72
SEAL-LIP TYPE	
(TEMPERATURE REGULATOR HOUSING) ...	98
SEAL-VALVE COVER	20
	21
	22
SEAT & MOUNTING GP-HIGH BACK, TILT	952
SEAT & MOUNTING GP-	
HIGH BACK, WITH HEATER	953
SEAT BELT GP (RETRACTABLE, 43-MM)	955
SEAT BELT GP (RETRACTABLE, 76-MM)	2
	3
	954
SEAT BELT GP-RETRACTABLE, 43-MM	955
SEAT BELT GP-RETRACTABLE, 76-MM	954
SEAT GP (HIGH BACK, TILT)	958
SEAT GP (HIGH BACK, WITH HEATER)	959
SEAT GP-HIGH BACK, TILT	956
SEAT GP-HIGH BACK, WITH HEATER	957
SEAT GP-SUSPENSION-HIGH BACK, TILT	958
SEAT GP-SUSPENSION-	
HIGH BACK, WITH HEATER	959
SENDER AS-FUEL LEVEL	149
SENDER AS-TEMPERATURE	
(HYDRAULIC OIL)	604

INDEX

Name	Page	Name	Page
SHEET AS-SOUND SUPPRESSION- RADIATOR	363	SUSPENSION GP-SEAT-AIR	962
	364	SUSPENSION GP-SEAT-MECHANICAL	961
SIDECUTTER GP	814	SWITCH AS	311
	815	SWITCH AS (REFUELING PUMP, START)	256
	816	SWITCH AS (WIPER CUT-OUT)	972
SOFTWARE GP-COMMUNICATION	179	SWITCH AS-LIMIT (FLOW INDICATOR)	660
SOFTWARE GP-COMMUNICATION (PRODUCT LINK 121SR)	950		661
SOFTWARE GP-MACHINE	179	SWITCH AS-LIMIT (NEUTRAL START)	254
	241	SWITCH AS-LIQUID LEVEL (ENGINE OIL)	57
SOFTWARE GP-MONITOR	179	SWITCH AS-LIQUID LEVEL (FUEL TANK SHUTOFF)	144
	933	SWITCH AS-LIQUID LEVEL (LOW HYDRAULIC OIL)	604
SOLENOID AS (FLOW COMPENSATOR)	673	SWITCH AS-MAGNETIC (24-VOLT)	311
SOLENOID AS-STARTING MOTOR (24-VOLT) ...	248	SWITCH AS-MAGNETIC (24-VOLT) (MAIN RELAY)	212
SOLENOID GP	242	SWITCH AS-PRESSURE (BOOM LOWERING)	503
SPACER GP-UNDERCARRIAGE	396	SWITCH AS-PRESSURE (REFRIGERANT)	926
SPECIAL AR	6	SWITCH AS-PUSH BUTTON (HORN)	884
SPECIAL AR-EXTREME SERVICE	6	SWITCH AS-PUSH BUTTON (MANUAL LOW IDLE)	885
SPRING AS-GAS	976	SWITCH AS-ROCKER (BOOM FLOAT)	274
SPRING GP-RECOIL	397	SWITCH AS-ROCKER (HEATED SEAT)	953
SPROCKET GP	320	SWITCH AS-ROCKER (OVERLOAD WARNING)	274
STARTING AID GP-ETHER	243	SWITCH AS-ROCKER (RADIO MUTE)	921
STARTING AR-COLD WEATHER	246	SWITCH AS-TOGGLE (BACKUP BOOM)	288
STARTING MOTOR GP-ELECTRIC	247	SWITCH AS-TOGGLE (BACKUP GOVERNOR)	291
	250	SWITCH AS-TOGGLE (MANUAL ENGINE SPEED CONTROL)	288
	251		291
STICK AR-HOE	732	SWITCH AS-TOGGLE (QUICK COUPLER)	262
STICK AR-HOE-EXTREME SERVICE	732	SWITCH GP-DISCONNECT-BATTERY	252
STICK AR-HOE-MASS	732	SWITCH GP-MAGNETIC-START RELAY	253
STICK AR-HOE-REACH	731	SWITCH GP-POSITION- HYDRAULIC LOCKOUT	254
STICK GP-HOE	733	SWITCH GP-PRESSURE	255
	735	SWITCH GP-PRESSURE (FUEL)	130
	737	SWITCH GP-PUSH BUTTON (REFUELING PUMP, STOP)	257
	739	SWITCH GP-PUSH BUTTON- REFUELING PUMP, START	256
	741	SWITCH GP-PUSH BUTTON- REFUELING PUMP, STOP	257
	747	SWITCH GP-PUSHBUTTON (REFUELING PUMP, START)	256
STICK GP-HOE-MASS	743	SWITCH GP-ROTARY- THROTTLE POSITION	258
	745	SWITCH GP-START-ENGINE, KEY	259
STRAINER AS-FUEL	144	SWITCH GP-TOGGLE (QUICK COUPLER)	272
STRAINER AS-FUEL (FLOAT GAUGE)	149		309
SUN VISOR	966	SWITCH GP-TOGGLE (SECONDARY SHUTDOWN)	157
SUPPORT AS-ENCLOSURE-ENGINE	368		
SUPPORT AS-ENCLOSURE- ENGINE HOOD, LH	369		
SUPPORT GP-ENGINE	73		
	74		
	75		
SUPPORT GP-HOOD	370		
	372		
	374		
SUPPORT GP-PRECLEANER	377		
SUPPORT GP-SEAT	960		
SUSPENSION GP-SEAT (AIR)	959		
SUSPENSION GP-SEAT (MECHANICAL)	958		

INDEX

Name	Page	Name	Page
SWITCH GP-TOGGLE–FUEL PRIMING PUMP . . .	260		
SWITCH GP-TOGGLE–QUICK COUPLER	262		
SWITCH GP-TOGGLE– SECONDARY SHUTDOWN	261		
SWITCH-PUSH BUTTON	311		
SWITCH-PUSH BUTTON (REFUELING PUMP, STOP)	257		
SWIVEL GP	603		
 T 			
TANK & FILTER GP-HYDRAULIC	604		
TANK & MTG GP-FUEL	148		
TANK & MTG GP-HYDRAULIC	607		
TANK GP-FUEL	149		
TIMER AS (TIME DELAY LIGHTING)	212		
TIP GP–J-600	817		
TIP GP-ABRASION–J-600	819		
TIP GP-ABRASION–J-600, HEAVY-DUTY	818		
TIP GP-ABRASION–K-150, HEAVY-DUTY	820		
TIP GP-ABRASION–K-170, HEAVY-DUTY	821		
TIP GP-BUCKET–K-150, HEAVY-DUTY	822		
TIP GP-DOUBLE SPIKE–K-150	823		
TIP GP-DOUBLE SPIKE–K-170	824		
TIP GP-EXTRA-DUTY–K-170	825		
TIP GP-GENERAL PURPOSE–K-150	826		
TIP GP-GENERAL PURPOSE–K-170	827		
TIP GP-HEAVY PENETRATION–K-170	828		
TIP GP-LONG–J-600	829		
TIP GP-LONG–J-600, HEAVY-DUTY	830		
TIP GP-PENETRATION–J-600	832		
TIP GP-PENETRATION–K-150	833		
TIP GP-PENETRATION–K-170	834		
TIP GP-PENETRATION PLUS–J-600	835		
TIP GP-PENETRATION PLUS–K-150	836		
TIP GP-PENETRATION PLUS–K-170	837		
TIP GP-SHORT–J-600	838		
TIP GP-SHORT–K-150	840		
TIP GP-SPIKE–K-150	841		
TIP GP-SPIKE–K-170	842		
TIP GP-TWIN SHARP–J-600	843		
TIP GP-WIDE–K-150	844		
TIP GP-WIDE–K-170	845		
TRACK GP–2-REQUIRED	398		
	401		
TRACK GP– 2-REQUIRED, EXTREME SERVICE	400		
	402		
TRIM GP-CAB–INTERIOR, REAR	963		
TURBOCHARGER GP	127		
	128		
 V 			
		VALVE AR-BOOM LOWERING CONTROL	608
		VALVE AR-STICK LOWERING CONT	608
		VALVE GP (FLOW COMPENSATOR)	629
			633
			638
		VALVE GP-CHECK	609
			610
			611
			613
			615
		VALVE GP-CHECK & RELIEF– STICK LOWERING CONTROL VALVE	616
		VALVE GP-CHECK (COMPENSATOR)	629
		VALVE GP-CHECK (PILOT OPERATED)	644
		VALVE GP-CHECK–FUEL	151
		VALVE GP-CONTROL	663
		VALVE GP-CONTROL (BUCKET COMPENSATOR)	638
		VALVE GP-CONTROL (BUCKET)	633
		VALVE GP-CONTROL– BOOM, BUCKET, WORK TOOL	633
			638
		VALVE GP-CONTROL– DRIFT REDUCTION, STICK	628
		VALVE GP-CONTROL–NEUTRAL BYPASS	618
			619
			622
			626
		VALVE GP-CONTROL–QUICK COUPLER	642
		VALVE GP-CONTROL–REVERSE FLOW FAN	621
		VALVE GP-CONTROL–STICK, TRAVEL	629
		VALVE GP-CONTROL–SWING	624
		VALVE GP-ETHER STARTING	263
		VALVE GP-LOAD CONTROL– BOOM CYLINDER	644
		VALVE GP-LOAD CONTROL– BOOM LOWERING, REGENERATION	647
		VALVE GP-LOAD CONTROL– DRIFT REDUCTION, VAR ADJ BOOM	650
		VALVE GP-MAIN CONTROL	653
			655
		VALVE GP-MANIFOLD & REDUCING	658
		VALVE GP-MANUAL–BOOM LOWER	662
		VALVE GP-MANUAL–LH	660
		VALVE GP-MANUAL–RH	661
		VALVE GP-PRESSURE REDUCING– SIGNAL DUPLICATION	663
		VALVE GP-PUMP CONTROL	669
			671
			673
		VALVE GP-PUMP CONTROL– FLOW COMPENSATOR	665

INDEX

Name	Page	Name	Page
VALVE GP-PUMP CONTROL- HORSEPOWER CONTROL	664	VALVE GP-SWING CUSHION	693
VALVE GP-PUMP CONTROL- PRESSURE COMPENSATOR	667	VALVE GP-TRAVEL COUNTERBALANCE	694
VALVE GP-PUMP CONTROL- PRESSURE, FLOW COMPENSATOR	666	VISOR GP-CAB-RAIN	966
VALVE GP-RELIEF	513	W	
	573	WALKWAY GP	378
	574	WASHER GP-WINDOW	967
	674	WINDOW GP-CAB-	
	675	FRONT WINDOW, 1-PIECE	969
	676	WINDOW GP-CAB-	
	677	FRONT WINDOW, 70/30-SPLIT	972
	678		974
	679		976
	680	WINDOW GP-CAB-HIGH RESISTANT GLASS ...	971
	681	WINDOW GP-CAB-	
	694	REAR, SIDE, TOP WINDOWS	978
VALVE GP-RELIEF (1-WAY FLOW)	516		979
VALVE GP-RELIEF (LINE)	621		980
VALVE GP-SHUTTLE	682	WINDOW GP-DOOR	981
	683	WIPER & WINDOW AR-CAB-	
	684	FRONT WINDOW, 1-PIECE	983
	685	WIPER & WINDOW AR-CAB-	
VALVE GP-SOLENOID	686	FRONT WINDOW, 70/30-SPLIT	984
	687	WIPER & WINDOW AR-CAB-	
	688	HIGH RESISTANT GLASS	985
	689	WIPER GP-WINDOW-	
	690	FRONT WINDOW, 1-PIECE	986
	691	WIPER GP-WINDOW-	
	692	FRONT WINDOW, 70/30-SPLIT	988
VALVE GP-SOLENOID (24-VOLT)	653		990
	655	WIRING GP-AUX START RECEPTACLE	264
	692	WIRING GP-BOOM-ACCUGRADE	266
VALVE GP-SOLENOID (24-VOLT) (NEUTRAL BYPASS)	619	WIRING GP-CAB	269
	622	WIRING GP-CAB-ACCUGRADE	272
	626	WIRING GP-CAB-	
VALVE GP-SOLENOID (BOOM FLOAT)	647	OVERLOAD WARNING DEVICE	274
	650	WIRING GP-CAMERA	277
VALVE GP-SOLENOID (CHECK VALVE)	505	WIRING GP-CAMERA-	
VALVE GP-SOLENOID (FAN PUMP)	667	WORK AREA VISUAL SYSTEM	276
VALVE GP-SOLENOID (HYDRAULIC LOCK)	658	WIRING GP-CHASSIS-1-WAY/2-WAY FLOW ...	283
VALVE GP-SOLENOID (LOAD SENSING)	525	WIRING GP-CHASSIS-BOOM FLOAT	281
VALVE GP-SOLENOID (POWER SHIFT PRESSURE)	658	WIRING GP-CHASSIS-	
VALVE GP-SOLENOID (QUICK COUPLER, LOCK, UNLOCK)	642	COMMUNICATION RADIO	280
VALVE GP-SOLENOID (REVERSING FAN)	518	WIRING GP-CHASSIS-	
VALVE GP-SOLENOID (STICK LOWERING CONTROL)	533	UNIVERSAL QUICK COUPLER	278
	535	WIRING GP-COMMUNICATION-	
VALVE GP-SOLENOID (SWING PARKING BRAKE)	573	PRODUCT LINK	285
VALVE GP-SOLENOID (TRAVEL SPEED)	658	WIRING GP-CONSOLE	290
		WIRING GP-CONSOLE-LH	288
		WIRING GP-CONSOLE-RH	291
		WIRING GP-CONSOLE-SMARTBOOM, RH	287
		WIRING GP-CONVERTER	293
			296

INDEX

Name	Page	Name	Page
WIRING GP-CONVERTER- COMMUNICATION RADIO	294		
WIRING GP-ELECTRONIC CONTROL- FOOT SWITCH, LH	297		
WIRING GP-ELECTRONIC CONTROL- PEDAL, RH	298		
WIRING GP-ENGINE	299		
WIRING GP-FRONT	301		
WIRING GP-GRADE CONTROL- ACCUGRADE, BOOM	302		
WIRING GP-GRADE CONTROL- ACCUGRADE, STICK	304		
WIRING GP-MONITOR- WORK AREA VISUAL SYSTEM, REAR	306		
WIRING GP-PLATFORM	307		
WIRING GP-QUICK COUPLER	309		
WIRING GP-REFUELING PUMP	311		
Y			
YOKE GP-LIFTING	846		

MACHINE ARRANGEMENT

294-1232 CHASSIS AR

S/N: PAS1-UP

PART OF 294-1200 GENERAL AR

SMCS-7000

i03679837

NOTE	PART NUMBER	QTY	PART NAME						SEE PAGE
			1	2	3	4	5	6 (PRODUCT LEVEL)	
Y	299-2626	1	BATTERY & WIRING GP						157
Y	333-5152	1	BOX & MTG GP-STORAGE						321
Y	290-9395	1	CONTROL & MTG GP-MACHINE						176
Y	307-8000	1	COUNTERWEIGHT & MOUNTING GP						324
Y	297-7537	1	FRAME GP-UPPER						334
Y	313-7809	1	GUARD GP-BOTTOM						340
Y	223-3008	1	HANDRAIL GP (FRONT, UPPER)						342
Y	293-6887	1	HOOD & GUARD GP						346
Y	251-0575	1	HORN GP-ELECTRIC						918
Y	150-7033	1	LIGHTING GP-CHASSIS (FRONT)						192
Y	225-5781	1	LINES GP-AIR CONDITIONER						926
Y	307-8128	1	LINES GP-FUEL						135
Y	7Y-0059	1	LITERATURE GP						928
Y	223-3074	1	MIRROR GP-REAR VIEW						929
Y	245-7811	1	MOUNTING GP-PLATFORM						942
Y	342-3451	1	OPERATOR AR						944
Y	294-1235	1	PLATE & FILM GP						1004
Y	310-9563	1	SENSOR GP-LIQUID LEVEL (WATER IN FUEL)						225
Y	313-8266	1	TANK & MTG GP-FUEL						148
Y	307-7993	1	WALKWAY GP						378
Y	225-5780	1	WASHER GP-WINDOW						967

Y-SEPARATE ILLUSTRATION

<END>

340-3991 DISTRIBUTION AR

S/N: PAS1-UP

AN ATTACHMENT

SMCS-7000

i03871992

NOTE	PART NUMBER	QTY	PART NAME						SEE PAGE
			1	2	3	4	5	6 (PRODUCT LEVEL)	
Y	308-7022	1	CAB AR						858
Y	352-6876	1	CONTROL AR-AUXILIARY (JOYSTICK, 4-BUTTON)						415
Y	340-4002	1	OPTION AR-CAB						2

Y-SEPARATE ILLUSTRATION

<END>

MACHINE ARRANGEMENT

294-1200 GENERAL AR

S/N: PAS1-UP

SMCS-7000

i03680000

NOTE	PART NUMBER	QTY	PART NAME						SEE PAGE
			1	2	3	4	5	6 (PRODUCT LEVEL)	
Y	294-1232	1	CHASSIS AR						1
Y	221-8861	1	ELECTRONICS GP-MONITOR						179
Y	296-4816	1	ENGINE AR						7
Y	294-1299	1	FRAME AR-UNDERCARRIAGE						381
Y	297-0212	1	HYDRAULIC AR						462
Y	297-7683	1	INSTALLATION AR-ENGINE						11
Y	296-6151	1	POWER TRAIN AR						319
Y	327-7467	1	SOFTWARE GP-MACHINE						241

Y-SEPARATE ILLUSTRATION

<END>

340-4002 OPTION AR-CAB

S/N: PAS1-UP

PART OF 340-3991 DISTRIBUTION AR
AN ATTACHMENT

SMCS-7000

i03832373

NOTE	PART NUMBER	QTY	PART NAME						SEE PAGE
			1	2	3	4	5	6 (PRODUCT LEVEL)	
Y	229-9079	1	AIR CONDITIONER AR						849
Y	234-6500	1	COVER GP-STORAGE (CAB, REAR)						900
Y	251-0542	1	PANEL GP-SWITCH (ENGINE SPEED, START)						218
Y	327-6503	1	SEAT & MOUNTING GP (HIGH BACK, WITH HEATER)						953
Y	305-0466	1	SEAT BELT GP (RETRACTABLE, 76-MM)						954
Y	249-7113	1	WIPER & WINDOW AR-CAB (FRONT WINDOW, 70/30-SPLIT)						984
Y	350-8247	1	WIRING GP-CONVERTER (12-VOLT, 10-AMPERE) (POWER SUPPLY)						296

Y-SEPARATE ILLUSTRATION

<END>

340-4003 OPTION AR-CAB

S/N: PAS1-UP

AN ATTACHMENT

SMCS-7000

i03832729

NOTE	PART NUMBER	QTY	PART NAME						SEE PAGE
			1	2	3	4	5	6 (PRODUCT LEVEL)	
Y	229-9079	1	AIR CONDITIONER AR						849
Y	234-6500	1	COVER GP-STORAGE (CAB, REAR)						900
Y	251-0542	1	PANEL GP-SWITCH (ENGINE SPEED, START)						218
Y	327-6503	1	SEAT & MOUNTING GP (HIGH BACK, WITH HEATER)						953
Y	305-0466	1	SEAT BELT GP (RETRACTABLE, 76-MM)						954
Y	249-2759	1	WIPER & WINDOW AR-CAB (FRONT WINDOW, 1-PIECE)						983
Y	350-8247	1	WIRING GP-CONVERTER (12-VOLT, 10-AMPERE) (POWER SUPPLY)						296

Y-SEPARATE ILLUSTRATION

<END>

MACHINE ARRANGEMENT

340-4004 OPTION AR-CAB

S/N: PAS1-UP

PART OF 340-3992 OPTION AR-REGIONAL
AN ATTACHMENT

SMCS-7000

i03832749

NOTE	PART NUMBER	QTY	PART NAME						SEE PAGE
			1	2	3	4	5	6 (PRODUCT LEVEL)	
Y	229-9079	1	AIR CONDITIONER AR						849
Y	234-6500	1	COVER GP-STORAGE (CAB, REAR)						900
Y	251-0542	1	PANEL GP-SWITCH (ENGINE SPEED, START)						218
Y	327-6501	1	SEAT & MOUNTING GP (HIGH BACK, TILT)						952
Y	305-0466	1	SEAT BELT GP (RETRACTABLE, 76-MM)						954
Y	249-7113	1	WIPER & WINDOW AR-CAB (FRONT WINDOW, 70/30-SPLIT)						984
Y	350-8247	1	WIRING GP-CONVERTER (12-VOLT, 10-AMPERE) (POWER SUPPLY)						296

Y-SEPARATE ILLUSTRATION

<END>

340-4005 OPTION AR-COLD WEATHER

S/N: PAS1-UP

AN ATTACHMENT

SMCS-7000

i03790237

NOTE	PART NUMBER	QTY	PART NAME						SEE PAGE
			1	2	3	4	5	6 (PRODUCT LEVEL)	
Y	303-2685	1	STARTING AR-COLD WEATHER						246
Y	299-3056	1	WIRING GP-AUX START RECEPTACLE						264

Y-SEPARATE ILLUSTRATION

<END>

340-4015 OPTION AR-COUPLER

S/N: PAS1-UP

AN ATTACHMENT

SMCS-7000

i03872066

NOTE	PART NUMBER	QTY	PART NAME						SEE PAGE
			1	2	3	4	5	6 (PRODUCT LEVEL)	
Y	326-8306	1	LINES GP-COUPLER (BOOM)						494
Y	326-8309	1	LINES GP-COUPLER (STICK)						497

Y-SEPARATE ILLUSTRATION

<END>

340-4012 OPTION AR-HYDRAULIC

S/N: PAS1-UP

AN ATTACHMENT

SMCS-7000

i03872029

NOTE	PART NUMBER	QTY	PART NAME						SEE PAGE
			1	2	3	4	5	6 (PRODUCT LEVEL)	
Y	277-0899	1	LINES GP-COUPLER (STICK)						491
Y	302-9459	1	LINES GP-COUPLER (BOOM)						492

Y-SEPARATE ILLUSTRATION

<END>

MACHINE ARRANGEMENT

340-4013 OPTION AR-CONTROL

S/N: PAS1-UP
AN ATTACHMENT

SMCS-7000

i03872049

NOTE	PART NUMBER	QTY	PART NAME						SEE PAGE
			1	2	3	4	5	6 (PRODUCT LEVEL)	
Y	328-4957	1	LINES GP-COUPLER (STICK)						500
Y	302-9459	1	LINES GP-COUPLER (BOOM)						492

Y-SEPARATE ILLUSTRATION

<END>

340-4014 OPTION AR-CONTROL

S/N: PAS1-UP
AN ATTACHMENT

SMCS-7000

i03872055

NOTE	PART NUMBER	QTY	PART NAME						SEE PAGE
			1	2	3	4	5	6 (PRODUCT LEVEL)	
Y	326-8306	1	LINES GP-COUPLER (BOOM)						494
Y	326-8308	1	LINES GP-COUPLER (STICK)						496

Y-SEPARATE ILLUSTRATION

<END>

340-4019 OPTION AR-HYDRAULIC

S/N: PAS1-UP
AN ATTACHMENT

SMCS-7000

i03894719

NOTE	PART NUMBER	QTY	PART NAME						SEE PAGE
			1	2	3	4	5	6 (PRODUCT LEVEL)	
Y	355-7869	1	LINES GP-AUXILIARY HYDRAULIC (STICK, HIGH PRESSURE)						473
Y	302-9438	1	LINES GP-AUXILIARY HYDRAULIC (BOOM, HIGH PRESSURE)						462

Y-SEPARATE ILLUSTRATION

<END>

340-4020 OPTION AR-HYDRAULIC

S/N: PAS1-UP
AN ATTACHMENT

SMCS-7000

i03894722

NOTE	PART NUMBER	QTY	PART NAME						SEE PAGE
			1	2	3	4	5	6 (PRODUCT LEVEL)	
Y	355-7868	1	LINES GP-AUXILIARY HYDRAULIC (STICK, HIGH PRESSURE)						472
Y	326-8303	1	LINES GP-AUXILIARY HYDRAULIC (BOOM, HIGH PRESSURE)						465

Y-SEPARATE ILLUSTRATION

<END>

MACHINE ARRANGEMENT

340-4022 OPTION AR-HYDRAULIC

S/N: PAS1-UP
AN ATTACHMENT

SMCS-7000

i03894732

NOTE	PART NUMBER	QTY	PART NAME						SEE PAGE
			1	2	3	4	5	6 (PRODUCT LEVEL)	
Y	355-7866	1	LINES GP-AUXILIARY HYDRAULIC (STICK, HIGH PRESSURE)						470
Y	326-8303	1	LINES GP-AUXILIARY HYDRAULIC (BOOM, HIGH PRESSURE)						465
Y-SEPARATE ILLUSTRATION									
<END>									

340-4023 OPTION AR-HYDRAULIC

S/N: PAS1-UP
AN ATTACHMENT

SMCS-7000

i03790193

NOTE	PART NUMBER	QTY	PART NAME						SEE PAGE
			1	2	3	4	5	6 (PRODUCT LEVEL)	
Y	326-8303	1	LINES GP-AUXILIARY HYDRAULIC (BOOM, HIGH PRESSURE)						465
Y	326-8311	1	LINES GP-AUXILIARY HYDRAULIC (STICK, HIGH PRESSURE)						468
Y-SEPARATE ILLUSTRATION									
<END>									

340-3992 OPTION AR-REGIONAL

S/N: PAS1-UP
AN ATTACHMENT

SMCS-7000

i03872009

NOTE	PART NUMBER	QTY	PART NAME						SEE PAGE
			1	2	3	4	5	6 (PRODUCT LEVEL)	
Y	308-7022	1	CAB AR						858
Y	352-6876	1	CONTROL AR-AUXILIARY (JOYSTICK, 4-BUTTON)						415
Y	340-4004	1	OPTION AR-CAB						3
Y-SEPARATE ILLUSTRATION									
<END>									

340-4024 OPTION AR-LUBRICATION

S/N: PAS1-UP
AN ATTACHMENT

SMCS-7000

i03786215

NOTE	PART NUMBER	QTY	PART NAME						SEE PAGE
			1	2	3	4	5	6 (PRODUCT LEVEL)	
Y	303-2623	1	FILTER AR-HYDRAULIC						448
Y	228-8097	1	PLATE & FILM GP						1003
Y-SEPARATE ILLUSTRATION									
<END>									

MACHINE ARRANGEMENT

319-9194 SPECIAL AR

S/N: PAS1-UP

FOR USE WITH 294-1284-PAGE 696
AN ATTACHMENT

SMCS-7000

i03789870

NOTE	PART NUMBER	QTY	PART NAME						SEE PAGE
			1	2	3	4	5	6 (PRODUCT LEVEL)	
Y	319-9198	1	LINKAGE AR-BUCKET						718
Y	319-9196	1	STICK AR-HOE						732

Y-SEPARATE ILLUSTRATION

<END>

319-9195 SPECIAL AR-EXTREME SERVICE

S/N: PAS1-UP

FOR USE WITH 294-1281-PAGE 696. CANNOT BE USED WITH ANY OTHER STICK OR
BUCKET LINKAGE
AN ATTACHMENT

SMCS-7000

i03829992

NOTE	PART NUMBER	QTY	PART NAME						SEE PAGE
			1	2	3	4	5	6 (PRODUCT LEVEL)	
Y	319-9199	1	LINKAGE AR-BUCKET (EXTREME EXCAVATION, VB-FAMILY)						719
Y	319-9197	1	STICK AR-HOE (EXTREME SERVICE)						732

Y-SEPARATE ILLUSTRATION

<END>

319-9260 SPECIAL AR

S/N: PAS1-UP

CANNOT BE USED WITH 319-9126-PAGE 172
AN ATTACHMENT

SMCS-7000

i03880034

NOTE	PART NUMBER	QTY	PART NAME						SEE PAGE
			1	2	3	4	5	6 (PRODUCT LEVEL)	
Y	353-6875	1	CYLINDER & LINES GP-BUCKET						418
Y	273-5358	1	FLOOR MAT GP (ACCUGRADE READY)						910
Y	303-8946	1	FRAME GP-UPPER						336
Y	349-4089	1	GUARD GP-CYLINDER						701
Y	320-5538	1	HOOD GP-ENGINE						355
Y	270-5603	1	MOUNTING GP-ANTENNA (ACCUGRADE)						934
Y	349-5367	1	MOUNTING GP-SENSOR						211
Y	297-4514	1	SENSOR & MTG GP-POSITION						221
Y	299-2997	1	WIRING GP-BOOM						266
Y	299-2999	1	WIRING GP-CAB						272
Y	299-3001	1	WIRING GP-GRADE CONTROL (ACCUGRADE, BOOM)						302
Y	299-3004	1	WIRING GP-GRADE CONTROL (ACCUGRADE, STICK)						304

Y-SEPARATE ILLUSTRATION

<END>

ENGINE ARRANGEMENT

296-4816 ENGINE AR

S/N: PAS1-UP

PART OF 294-1200 GENERAL AR

SMCS-1000

i03680720

NOTE	PART NUMBER	QTY	PART NAME						SEE
			1	2	3	4	5	6 (PRODUCT LEVEL)	PAGE
Y	288-8156	1	ENGINE AR-COMPLETE						8
Y	222-8254	1	MUFFLER GP						125

Y-SEPARATE ILLUSTRATION

ENGINE ARRANGEMENT

288-8156 ENGINE AR-COMPLETE

S/N: LHX19430-UP

382 BRAKE KW (512 BHP) AT 1800 RPM

PART OF 296-4816 ENGINE AR

SMCS-1000

i03883610

NOTE	PART NUMBER	QTY	PART NAME						SEE PAGE
			1	2	3	4	5	6 (PRODUCT LEVEL)	
Y	235-2471	1	ALTERNATOR GP-CHARGING						156
Y	275-6470	1	COMPRESSOR & MTG GP-REFRIG						867
Y	126-7631	1	CONNECTION GP-ELECTRICAL						174
Y	229-5509	1	CONTROL & MTG GP-ENGINE ELEK						175
Y	107-6736	1	COVER GP-CYLINDER BLOCK (TURBOCHARGER DRAIN COVER)						15
Y	107-6737	1	COVER GP-CYLINDER BLOCK						16
Y	229-5519	1	COVER GP-CYLINDER BLOCK						17
Y	120-9847	1	COVER GP-FRONT HOUSING						18
Y	159-6159	1	COVER GP-FRONT HOUSING (CAM, IDLER GEAR)						19
Y	246-5629	1	COVER GP-VALVE MECHANISM						23
Y	212-2113	1	DAMPER & PULLEY GP						35
Y	6I-3638	1	DRIVE GP-PUMP						436
Y	241-5929	1	ENGINE AR-CORE						10
Y	4P-6846	1	FASTENER GP-FRONT HOUSING						37
Y	221-1428	1	FASTENER GP-FRONT HOUSING						38
Y	221-7630	1	FILTER GP-ENGINE OIL						80
Y	194-7097	1	FLYWHEEL GP						40
Y	241-6325	1	FUMES DISPOSAL GP						83
Y	4P-9823	1	GEAR GP-REAR						44
Y	224-6830	1	GUIDE GP-OIL LEVEL GAUGE						84
Y	7E-8996	1	HOUSING GP-FLYWHEEL						46
Y	241-0164	1	HOUSING GP-FRONT						47
Y	111-2088	1	LIFTING GP-ENGINE (REAR)						50
Y	112-2418	1	LIFTING GP-ENGINE (FRONT)						51
Y	126-0081	1	LINES GP-AIR (TURBOCHARGER OUTLET)						117
Y	263-1129	1	LINES GP-AIR						119
Y	160-6894	1	LINES GP-ENGINE OIL						85
Y	246-4620	1	LINES GP-FUEL						133
Y	220-3490	1	LINES GP-TURBOCHARGER OIL						88
Y	220-3493	1	LINES GP-TURBOCHARGER WATER						96
Y	228-4224	1	LINES GP-WATER						98
Y	220-6372	1	MANIFOLD GP-EXHAUST						123
Y	227-3503	1	MOUNTING GP-ALTERNATOR & COMPR						53
Y	197-7415	1	MOUNTING GP-SENSOR (ATMOSPHERIC, ENGINE OIL)						209
Y	332-6780	1	S/N: LHX19430-22300 MOUNTING GP-SENSOR (ATMOSPHERIC, ENGINE OIL)						210
Y	271-5761	1	S/N: LHX22301-UP PAN GP-OIL						57
Y	238-6802	1	PANEL GP-SOUND SUPPRESSION						59
Y	246-5984	1	PANEL GP-SOUND SUPPRESSION						60
Y	235-8200	1	PLUG GP-CONNECTOR (ENGINE HARNESS, PROT COVER)						220
Y	229-6709	1	PLUG GP-CYLINDER BLOCK (OIL GALLERY)						64
Y	282-3645	1	PLUG GP-CYLINDER HEAD						66
Y	235-5941	1	PLUG GP-ENGINE						67
Y	221-3705	1	PULLEY GP						68
YR	198-1508	1	PUMP GP-ENGINE OIL						91
Y	100-4265	1	PUMP GP-FUEL TRANSFER						143
Y	224-3239	1	PUMP GP-WATER						100
Y	280-8039	1	S/N: LHX19430-22300 PUMP GP-WATER						101
Y	231-1973	1	S/N: LHX22301-UP SENSOR GP-ENGINE						222
Y	171-8963	1	SENSOR GP-SPEED						233

ENGINE ARRANGEMENT

288-8156 ENGINE AR-COMPLETE (contd.)

i03883610

NOTE	PART NUMBER	QTY	PART NAME						SEE PAGE
			1	2	3	4	5	6 (PRODUCT LEVEL)	
Y	273-1682	1	STARTING MOTOR GP-ELECTRIC (24-VOLT)						250
			S/N: LHX19430-22300						
Y	331-6081	1	STARTING MOTOR GP-ELECTRIC (24-VOLT)						251
			S/N: LHX22301-UP						
Y	235-5805	1	SUPPORT GP-ENGINE						74
			S/N: LHX19430-22300						
Y	227-9495	1	SUPPORT GP-ENGINE (BRACE)						73
			S/N: LHX22301-UP						
Y	290-9021	1	SUPPORT GP-ENGINE (FRONT)						75
Y	262-2943	1	TURBOCHARGER GP						127
Y	228-6601	1	WIRING GP-ENGINE						299

PLEASE USE THE GASKET KIT LINK IN SIS OR
CONTACT YOUR LOCAL DEALER FOR THE LATEST
GASKET KIT INFORMATION

R-REMG PART MAY BE AVAILABLE
Y-SEPARATE ILLUSTRATION

ENGINE ARRANGEMENT

241-5929 ENGINE AR-CORE

S/N: LHX19430-UP

PART OF 288-8156 ENGINE AR-COMplete

SMCS-1000

i03624404

NOTE	PART NUMBER	QTY	PART NAME						SEE PAGE
			1	2	3	4	5	6 (PRODUCT LEVEL)	
Y	278-5662	1	BASE GP-VALVE COVER & INJ HARN						13
Y	234-7935	1	CAMSHAFT GP						14
Y	223-9731	1	CRANKSHAFT GP						24
Y	223-9252	1	CYLINDER BLOCK GP						27
Y	274-1953	1	CYLINDER HEAD GP						33
Y	335-2317	1	FASTENER GP-VALVE MECHANISM						39
Y	208-9490	1	GEAR GP-FRONT						42
Y	229-2863	6	PISTON & ROD GP						61
Y	235-1401	6	PUMP GP-FUEL INJECTION						141
Y	190-0009	1	MECHANISM GP-FUEL PUMP & VALVE						52

Y-SEPARATE ILLUSTRATION

ENGINE ARRANGEMENT

297-7683 INSTALLATION AR-ENGINE

S/N: PAS1-UP

PART OF 294-1200 GENERAL AR

SMCS-1000

i03655249

NOTE	PART NUMBER	QTY	PART NAME						SEE PAGE
			1	2	3	4	5	6 (PRODUCT LEVEL)	
Y	229-9065	1	CONDENSER & MTG GP-REFRIGERANT						868
Y	222-8352	1	COOLER GP-FUEL						129
Y	222-8334	1	EXTENSION GP-EXHAUST						116
Y	281-3551	1	FAN GP-SUCTION						93
Y	324-4065	1	FILTER GP-SECONDARY FUEL						130
Y	210-8148	1	LINES GP-AIR (AFTERCOOLER TO TURBOCHARGER)						118
Y	324-4189	1	LINES GP-AIR (AIR CLEANER TO TURBOCHARGER)						120
Y	222-8346	1	LINES GP-ENGINE OIL DRAIN						87
Y	222-8345	1	LINES GP-MUFFLER DRAIN						122
Y	321-8122	1	MOUNTING GP-AIR CLEANER						124
Y	324-4054	1	MOUNTING GP-ENGINE FLEXIBLE						54
Y	222-8347	1	MOUNTING GP-ENGINE OIL FILTER						89
Y	344-0694	1	RADIATOR & AFTERCOOLER GP						104

Y-SEPARATE ILLUSTRATION

BASIC ENGINE

133-9907 ADAPTER GP-PUMP DRIVE

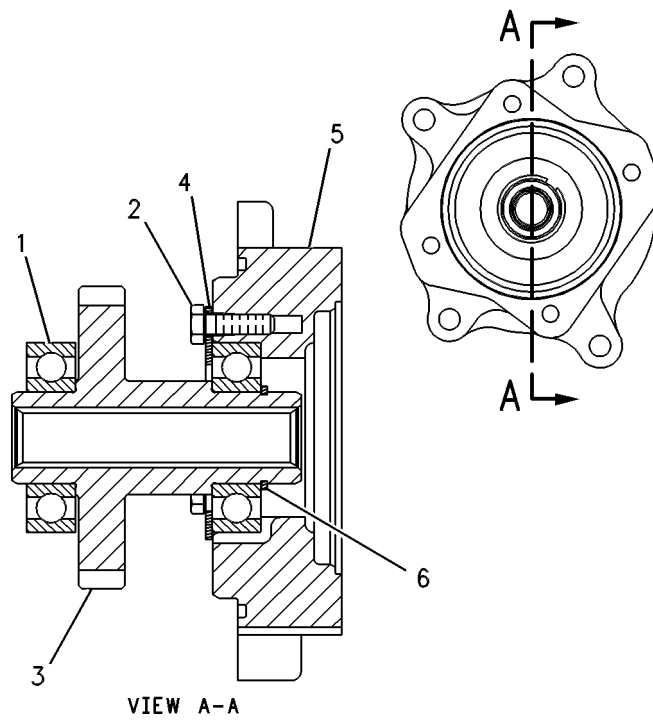
S/N: LHX19430-UP

PART OF 6I-3638 DRIVE GP-PUMP

SMCS-1313, 3108

i01514868

NOTE	REF NO	GRAPHIC REF	PART NUMBER	QTY	PART NAME						SEE PAGE
					1	2	3	4	5	6 (PRODUCT LEVEL)	
	1	1	1B-3867	2	BALL BEARING						
	2	1	4F-7957	3	BOLT (1/4-20X0.875 IN)						
	3	1	6I-4575	1	GEAR (34 TEETH)						
	4	1	9X-2038	3	WASHER (7X19X2MM THK)						
	5	1	133-9906	1	ADAPTER						
	6	1	1H-8647	1	RING-SNAP						



VIEW A-A

GRAPHIC #1

<END>

g00263602

BASIC ENGINE

278-5662 BASE GP-VALVE COVER & INJ HARN

S/N: LHX19430-UP

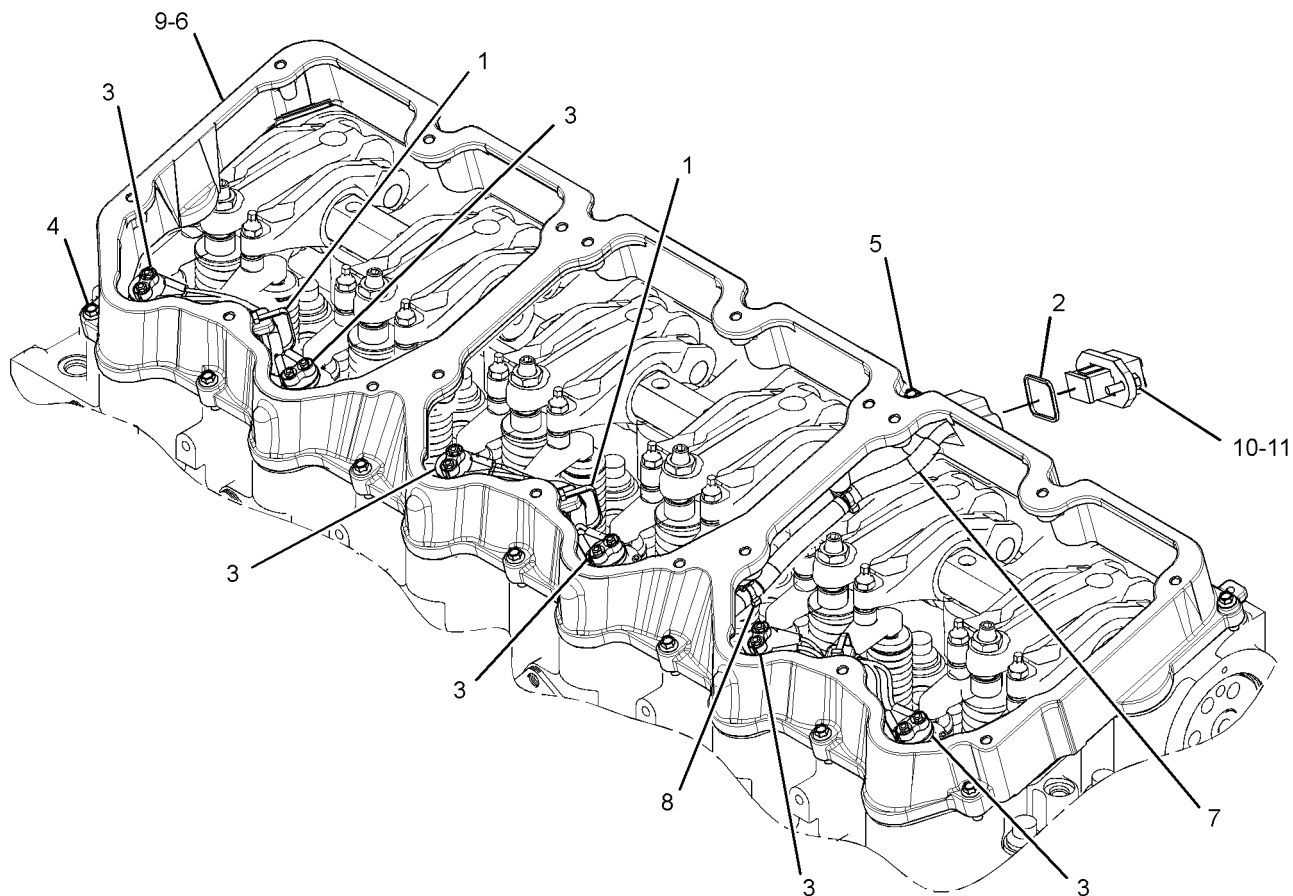
PART OF 241-5929 ENGINE AR-CORE

SMCS-1120, 1408

i03799402

NOTE	REF NO	GRAPHIC REF	PART NUMBER	QTY	PART NAME						SEE PAGE
					1	2	3	4	5	6 (PRODUCT LEVEL)	
	1	1	123-3202	3	STRAP-CABLE						
	2	1	6V-0128	1	SEAL-CONNECTOR						
	3	1	7E-6508	6	CAP AS						
	4	1	9L-8925	14	BOLT (5/16-18X1.25-IN)						
	5	1	122-1472	1	BOLT (5/16-18X2.36-IN)						
C	6	1	289-8215	1	BASE-VALVE MECHANISM COVER						
	7	1	343-9866	1	HARNES AS-ENGINE (UNIT INJECTOR)						
		1	103-8134	1	KIT-RECEPTACLE (12-PIN)						
		1	102-8801	1	KIT-RECEPTACLE (12-PIN)						
					(EACH KIT INCLUDES RECEPTACLE AS & WEDGE)						
		1	7E-6513	6	CONNECTOR AS						
		1	8T-8737	3	PLUG-SEAL						
		1	180-9339	9	PIN-CONNECTOR (14-GA TO 18-GA)						
	8	1	326-4512	6	MOUNTING-CABLE TIE						
C	9	1	272-0390	1	SEAL						
	10	1	4F-7957	2	BOLT (1/4-20X0.875-IN)						
	11	1	5P-0537	2	WASHER-HARD (7.2X14.5X2-MM THK)						

C-CHANGE FROM PREVIOUS TYPE



GRAPHIC #1

<END>

g02060774

BASIC ENGINE

234-7935 CAMSHAFT GP

S/N: LHX19430-UP

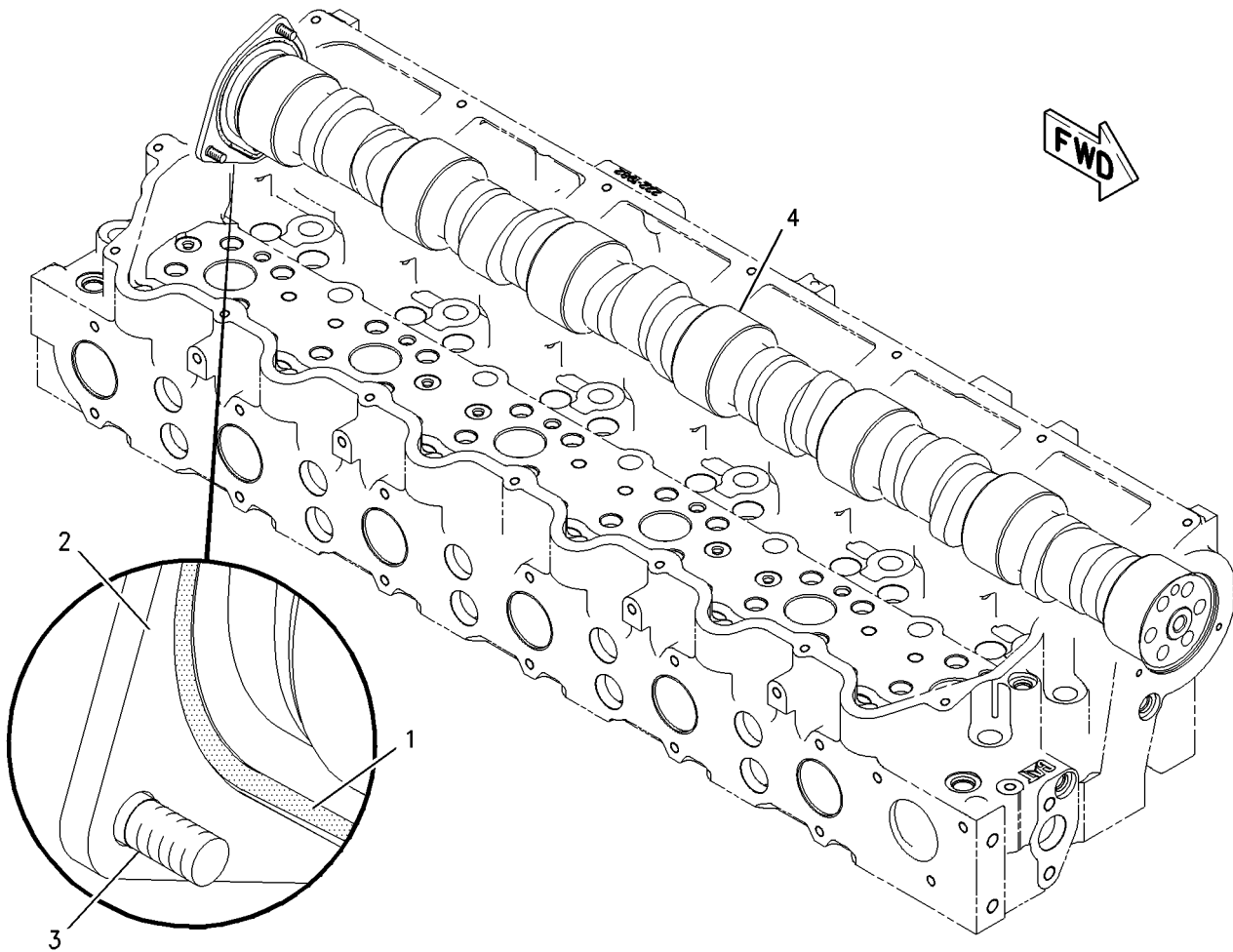
PART OF 241-5929 ENGINE AR-CORE

SMCS-1210

i03768572

NOTE	REF NO	GRAPHIC REF	PART NUMBER	QTY	PART NAME						SEE PAGE
					1	2	3	4	5	6 (PRODUCT LEVEL)	
	1	1	6V-1197	1	SEAL-O-RING						
	2	1	102-9089	1	COVER						
	3	1	119-0036	3	SCREW-FLAT HEAD (5/16-18X0.875-IN)						
R	4	1	332-7298	1	CAMSHAFT						

R-REMG PART MAY BE AVAILABLE



GRAPHIC #1

<END>

g01002422

BASIC ENGINE

107-6736 COVER GP-CYLINDER BLOCK

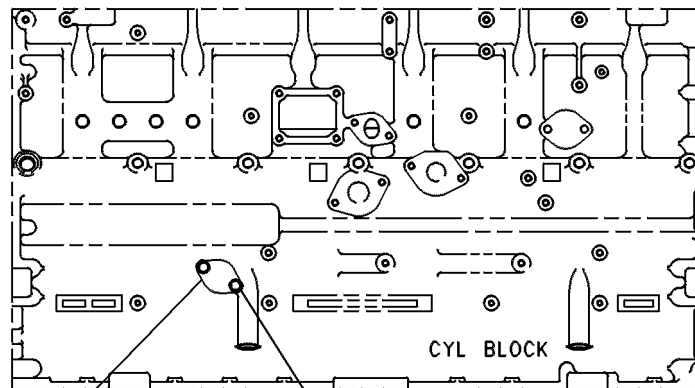
S/N: LHX19430-UP

PART OF 288-8156 ENGINE AR-COMPLETE

SMCS-1201

i01516054

NOTE	REF NO	GRAPHIC REF	PART NUMBER	QTY	PART NAME						SEE PAGE
					1	2	3	4	5	6 (PRODUCT LEVEL)	
1	1	1	0S-1594	2	BOLT (3/8-16X1 IN)						
2	1	1	5M-2894	2	WASHER-HARD (10.2X18.5X2.5MM THK)						
3	1	1	4W-9890	1	COVER						
4	1	1	4N-0699	1	GASKET						



4-3 1-2

LEFT SIDE VIEW

GRAPHIC #1

<END>

g00244599

BASIC ENGINE

107-6737 COVER GP-CYLINDER BLOCK

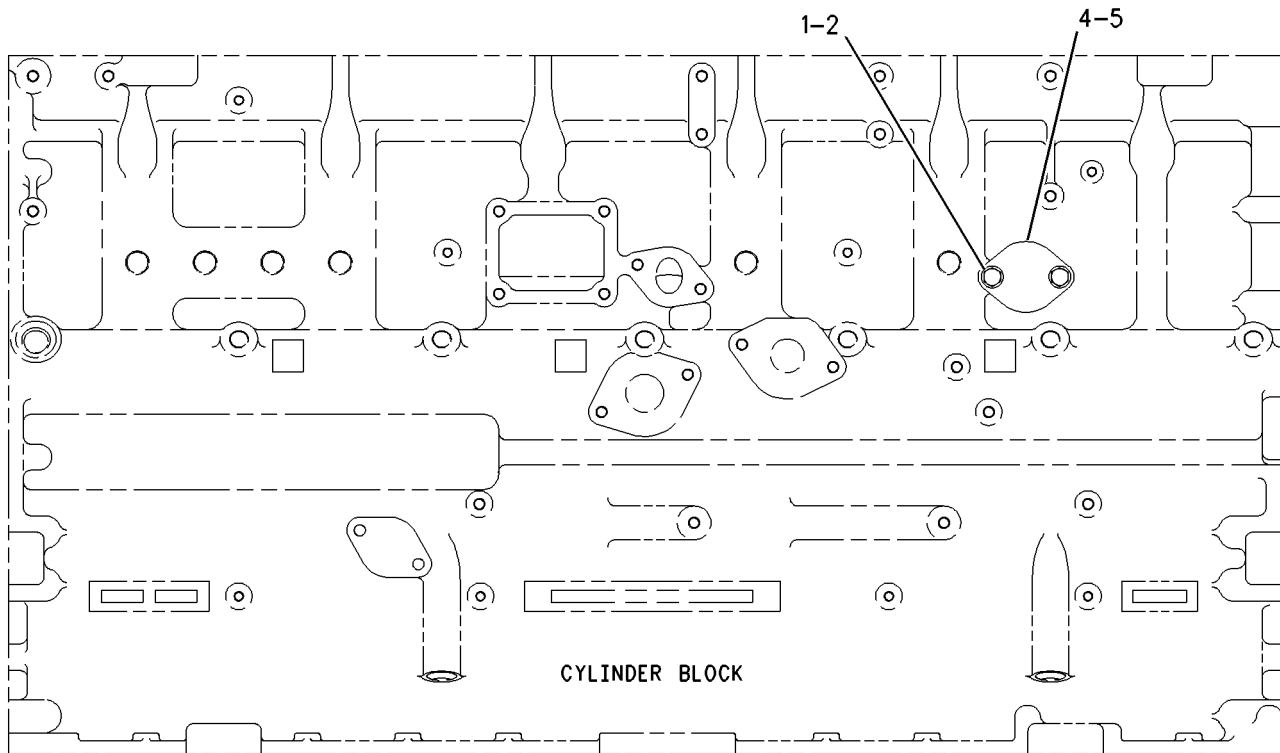
S/N: LHX19430-UP

PART OF 288-8156 ENGINE AR-COMplete
CANNOT BE USED WITH RIGHT SIDE OIL FILLER

SMCS-1201

i02103632

NOTE	REF NO	GRAPHIC REF	PART NUMBER	QTY	PART NAME						SEE PAGE
					1	2	3	4	5	6 (PRODUCT LEVEL)	
1	1	1	0S-1594	2	BOLT (3/8-16X1-IN)						
2	1	1	5M-2894	2	WASHER-HARD (10.2X18.5X2.5-MM THK)						
4	1	1	4N-0699	1	GASKET						
5	1	1	4W-9890	1	COVER						



LEFT SIDE VIEW

GRAPHIC #1

<END>

g00942208

BASIC ENGINE

229-5519 COVER GP-CYLINDER BLOCK

S/N: LHX19430-UP

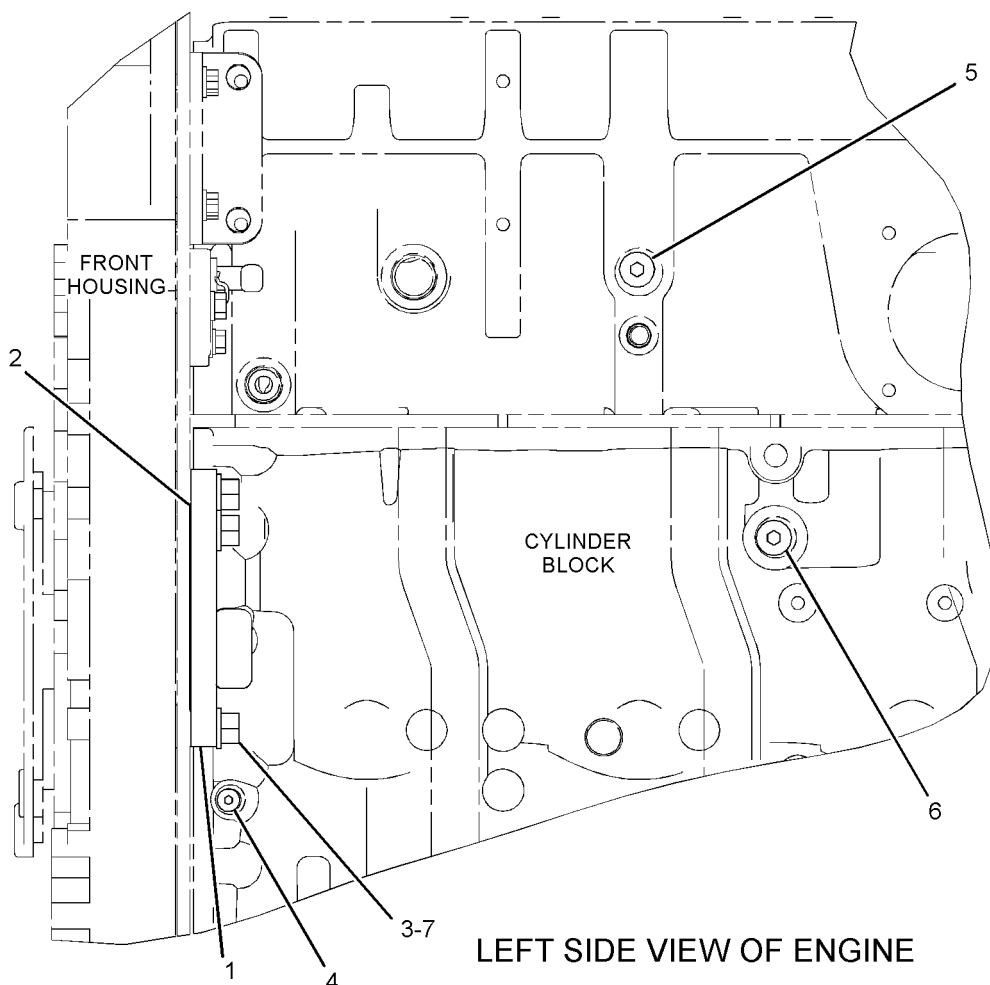
PART OF 288-8156 ENGINE AR-COMplete

SMCS-1201

i03892715

NOTE	REF NO	GRAPHIC REF	PART NUMBER	QTY	PART NAME						SEE PAGE
					1	2	3	4	5	6 (PRODUCT LEVEL)	
C	1	1	285-0823	1	COVER						
	2	1	117-8801	1	SEAL-O-RING						
	3	1	1F-7958	3	NUT-FULL (1/2-13-THD)						
C	4	1	307-2671	1	PLUG AS						
		1	9S-8002	1	PLUG-O-RING						
	1	214-7566	1	SEAL-O-RING							
	5	1	307-2673	1	PLUG AS						
		1	9S-8005	1	PLUG-O-RING						
	1	238-5080	1	SEAL-O-RING							
	6	1	353-5126	1	PLUG AS						
1		6V-6609	1	SEAL-O-RING							
1		9S-8005	1	PLUG-O-RING							
7	1	5P-8245	3	WASHER-HARD (13.5X25.5X3-MM THK)							

C-CHANGE FROM PREVIOUS TYPE



GRAPHIC #1

<END>

g02139704

BASIC ENGINE

120-9847 COVER GP-FRONT HOUSING

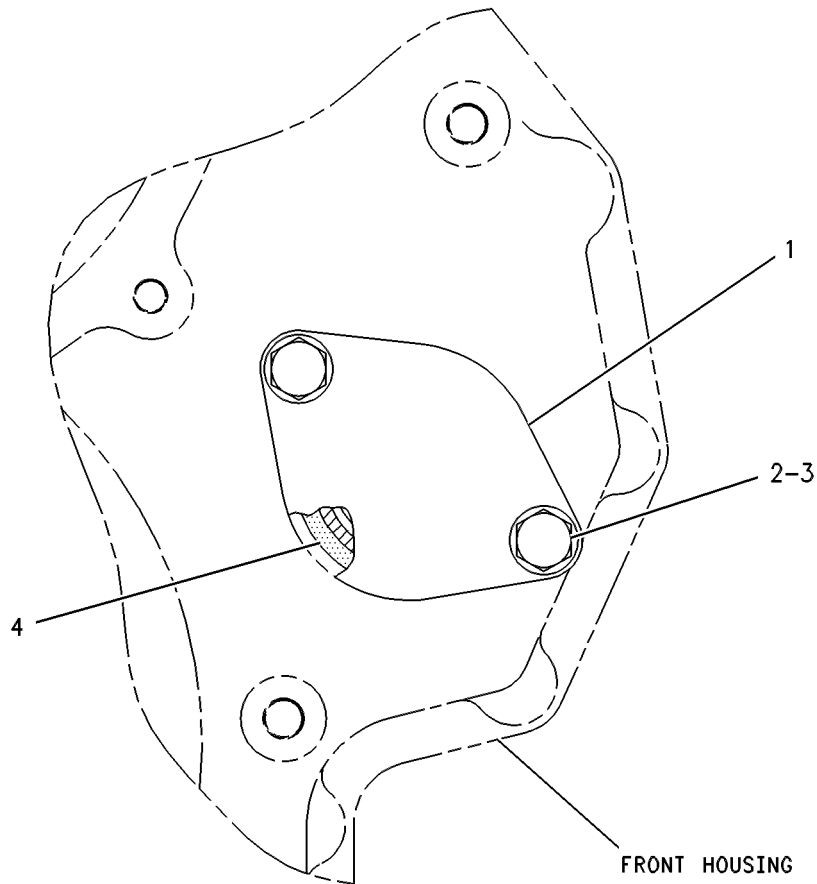
S/N: LHX19430-UP

PART OF 288-8156 ENGINE AR-COMPLETE

SMCS-1150

i02099526

NOTE	REF NO	GRAPHIC REF	PART NUMBER	QTY	PART NAME						SEE PAGE
					1	2	3	4	5	6 (PRODUCT LEVEL)	
	1	1	7C-1445	1	COVER						
	2	1	2B-2695	2	BOLT (5/16-18X0.875-IN)						
	3	1	9M-1974	2	WASHER-HARD (8.8X16X2-MM THK)						
	4	1	061-9455	1	SEAL-O-RING						



GRAPHIC #1

<END>

g00252251

BASIC ENGINE

159-6159 COVER GP-FRONT HOUSING

S/N: LHX19430-UP

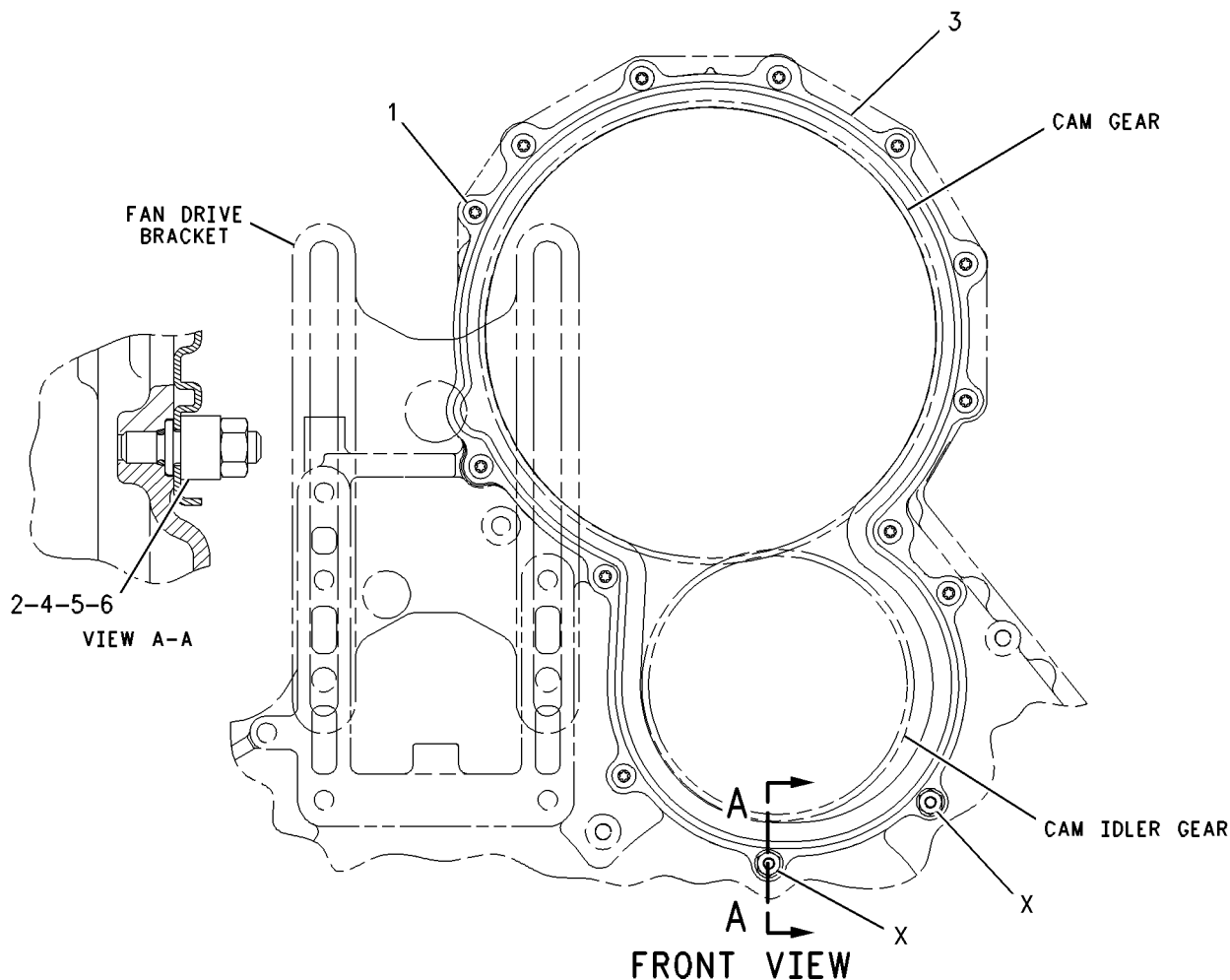
CAM AND IDLER GEAR ACCESS

PART OF 288-8156 ENGINE AR-COMplete

SMCS-1150

i03784811

NOTE	REF NO	GRAPHIC REF	PART NUMBER	QTY	PART NAME						SEE PAGE
					1	2	3	4	5	6 (PRODUCT LEVEL)	
	1	1	297-1813	12	SCREW-HEAD (5/16-18X1-IN)						
	2	1	175-1367	2	SPACER (8.8X16X10-MM THK) (MARKED X)						
	3	1	209-3569	1	COVER GP-FRONT HOUSING						
		1	160-7271	1	SEAL						
	4	1	031-4155	2	LOCKNUT (5/16-18-THD) (MARKED X)						
	5	1	175-1366	2	STUD (MARKED X)						
	6	1	238-5078	2	SEAL-O-RING (MARKED X)						



GRAPHIC #1

<END>

g00631258

BASIC ENGINE

150-3135 COVER GP-VALVE MECHANISM

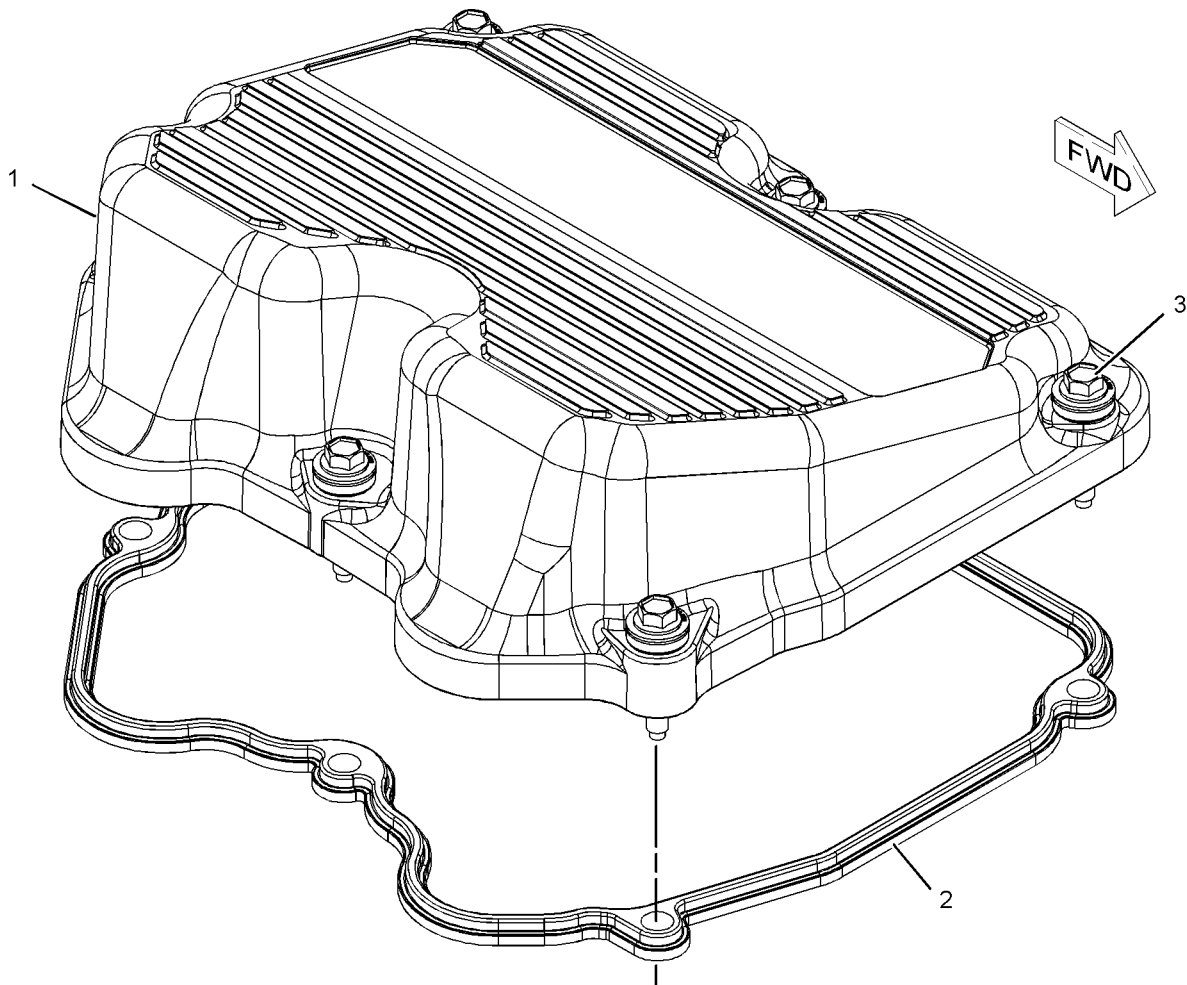
S/N: LHX19430-UP

PART OF 246-5629 COVER GP-VALVE MECHANISM

SMCS-1107

i02405247

NOTE	REF NO	GRAPHIC REF	PART NUMBER	QTY	PART NAME						SEE PAGE
					1	2	3	4	5	6 (PRODUCT LEVEL)	
	1	1	150-2557	1	COVER-VALVE MECH						
	2	1	242-9537	1	SEAL-VALVE COVER						
	3	1	243-1159	6	FASTENER AS						
					(EACH INCLUDES)						
		1	149-7378	1	GROMMET						



GRAPHIC #1

<END>

g01055147

BASIC ENGINE

150-3139 COVER GP-VALVE MECHANISM

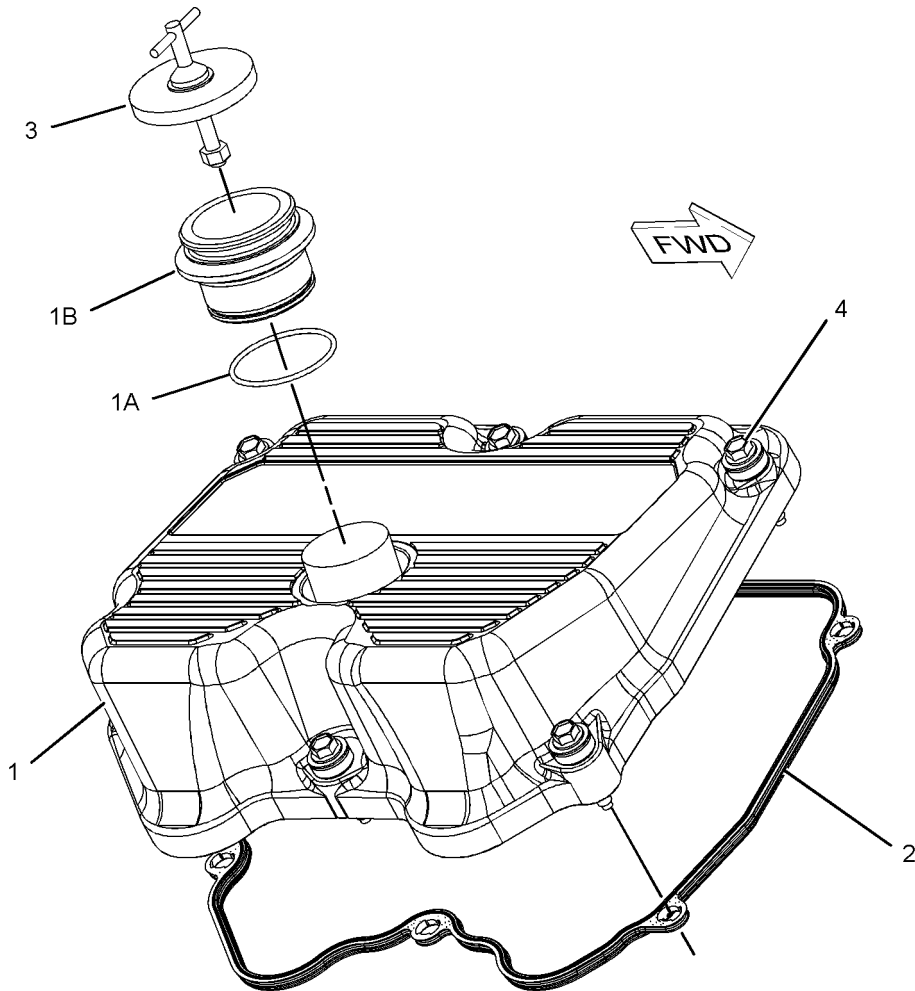
S/N: LHX19430-UP

PART OF 246-5629 COVER GP-VALVE MECHANISM

SMCS-1107

i03626448

NOTE	REF NO	GRAPHIC REF	PART NUMBER	QTY	PART NAME						SEE PAGE
					1	2	3	4	5	6 (PRODUCT LEVEL)	
	1	1	150-3136	1	COVER AS-VALVE MECHANISM						
	1A	1	6V-5100	1	SEAL-O-RING						
	1B	1	7C-6514	1	ADAPTER						
	2	1	242-9537	1	SEAL-VALVE COVER						
	3	1	2W-6225	1	CAP AS-OIL FILLER (ENGINE)						
	4	1	243-1159	6	FASTENER AS (EACH INCLUDES)						
		1	149-7378	1	GROMMET						



GRAPHIC #1

<END>

g01055126

BASIC ENGINE

160-7452 COVER GP-VALVE MECHANISM

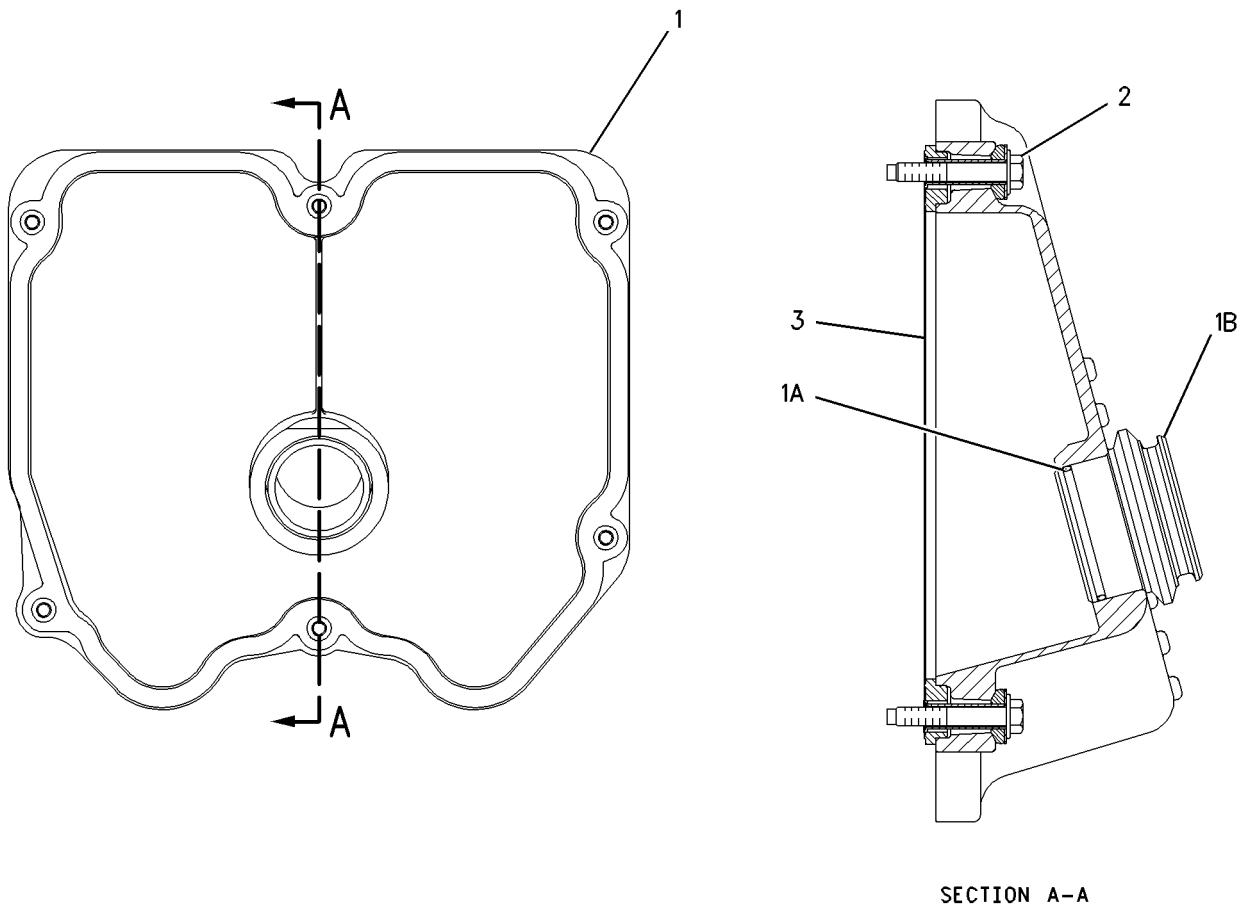
S/N: LHX19430-UP

PART OF 246-5629 COVER GP-VALVE MECHANISM

SMCS-1107

i03905241

NOTE	REF NO	GRAPHIC REF	PART NUMBER	QTY	PART NAME						SEE PAGE
					1	2	3	4	5	6 (PRODUCT LEVEL)	
	1	1	150-3136	1	COVER AS-VALVE MECHANISM						
	1A	1	6V-5100	1	SEAL-O-RING						
	1B	1	7C-6514	1	ADAPTER						
	2	1	243-1159	6	FASTENER AS						
					(EACH INCLUDES)						
		1	149-7378	1	GROMMET						
	3	1	242-9537	1	SEAL-VALVE COVER						



GRAPHIC #1

<END>

g00632472

BASIC ENGINE

246-5629 COVER GP-VALVE MECHANISM

S/N: LHX19430-UP

REAR OIL FILL

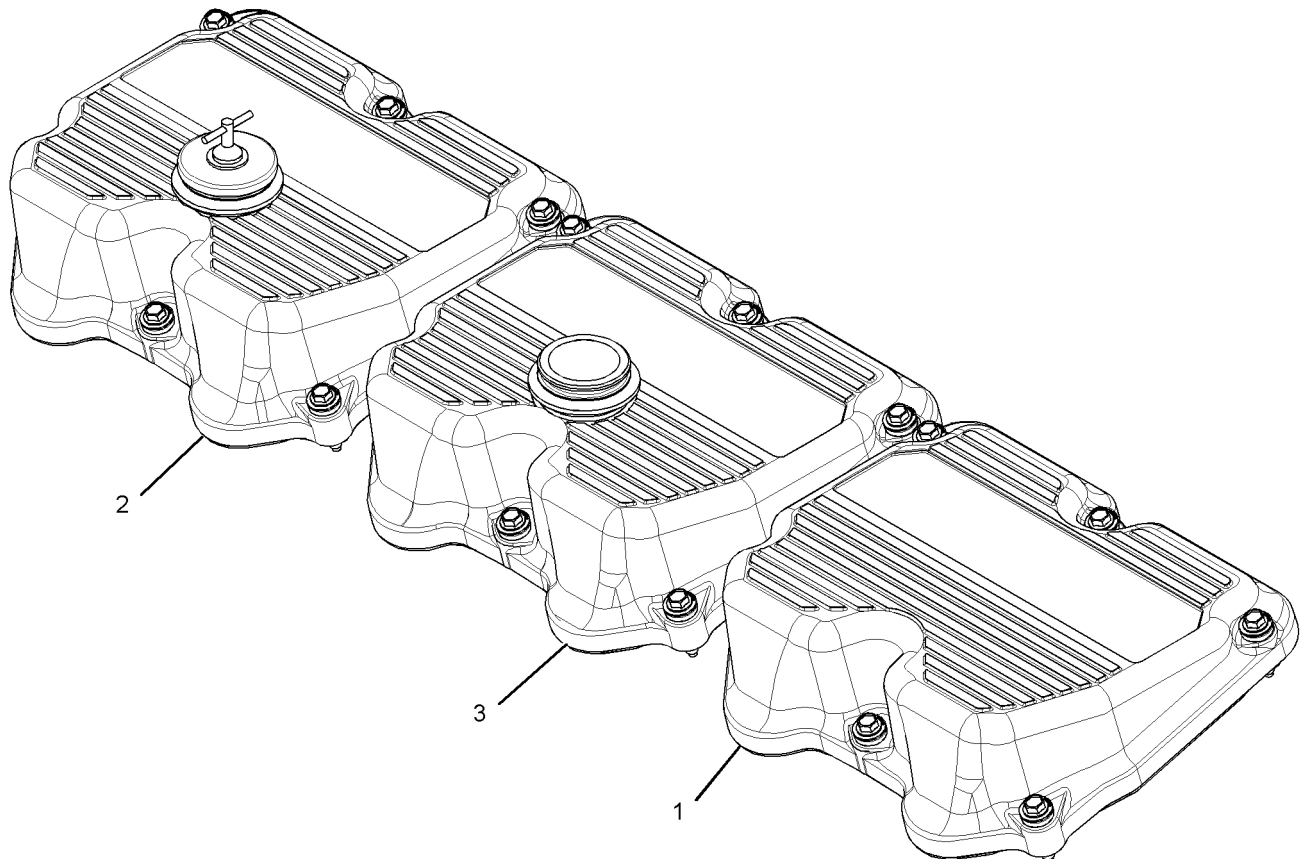
PART OF 288-8156 ENGINE AR-COMPLETE

SMCS-1107

i03624840

NOTE	REF NO	GRAPHIC REF	PART NUMBER	QTY	PART NAME						SEE PAGE
					1	2	3	4	5	6 (PRODUCT LEVEL)	
Y	1	1	150-3135	1	COVER GP-VALVE MECHANISM						20
Y	2	1	150-3139	1	COVER GP-VALVE MECHANISM						21
Y	3	1	160-7452	1	COVER GP-VALVE MECHANISM						22

Y-SEPARATE ILLUSTRATION



GRAPHIC #1

<END>

g01947070

BASIC ENGINE

223-9731 CRANKSHAFT GP

S/N: LHX19430-UP

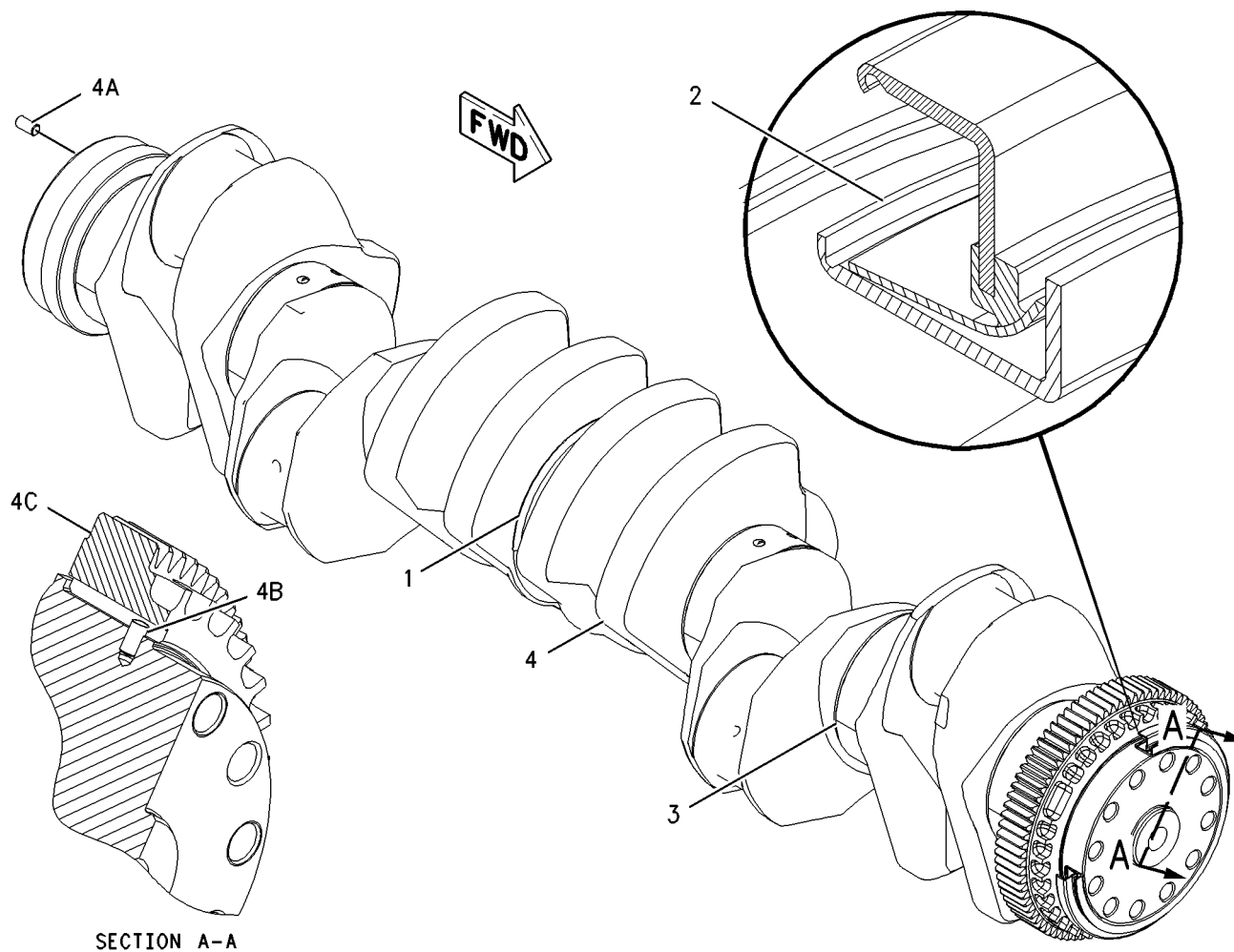
PART OF 241-5929 ENGINE AR-CORE

SMCS-1202

i03601421

NOTE	REF NO	GRAPHIC REF	PART NUMBER	QTY	PART NAME						SEE PAGE
					1	2	3	4	5	6 (PRODUCT LEVEL)	
J	1	1	253-1752	2	PLATE - THRUST						
Y	2	1	<i>319-7401</i>	1	SEAL GP - CRANKSHAFT (FRONT)						72
J	3	1	317-8766	7	BEARING - MAIN (STANDARD)						
AB		1	4W-5698		BEARING - MAIN (0.63-MM US)						
AB		1	4W-5699		BEARING - MAIN (1.27-MM US)						
AB		1	4W-5700		BEARING - MAIN (0.63-MM OS)						
AB		1	4W-5701		BEARING - MAIN (0.63-MM US - 0.63-MM OS)						
R	4	1	221-9360	1	CRANKSHAFT AS						
	4A	1	4N-0684	1	DOWEL						
	4B	1	7S-5005	1	DOWEL						
	4C	1	160-5120	1	GEAR - CRANKSHAFT (80-TEETH)						
					AVAILABLE REPAIR KIT(S):						
AJ			243-6718		KIT - CRANKSHAFT BEARING (STANDARD)						
					(INCLUDES THRUST PLATES AND MAIN BEARINGS)						

A-NOT PART OF THIS GROUP
 B-USE AS REQUIRED
 J-KIT MARKED J INCLUDES PARTS MARKED J
 R-REMG PART MAY BE AVAILABLE
 Y-SEPARATE ILLUSTRATION



SECTION A-A

GRAPHIC #1

<END>

g00955077

BASIC ENGINE

267-4631 CYLINDER BLOCK AS*R

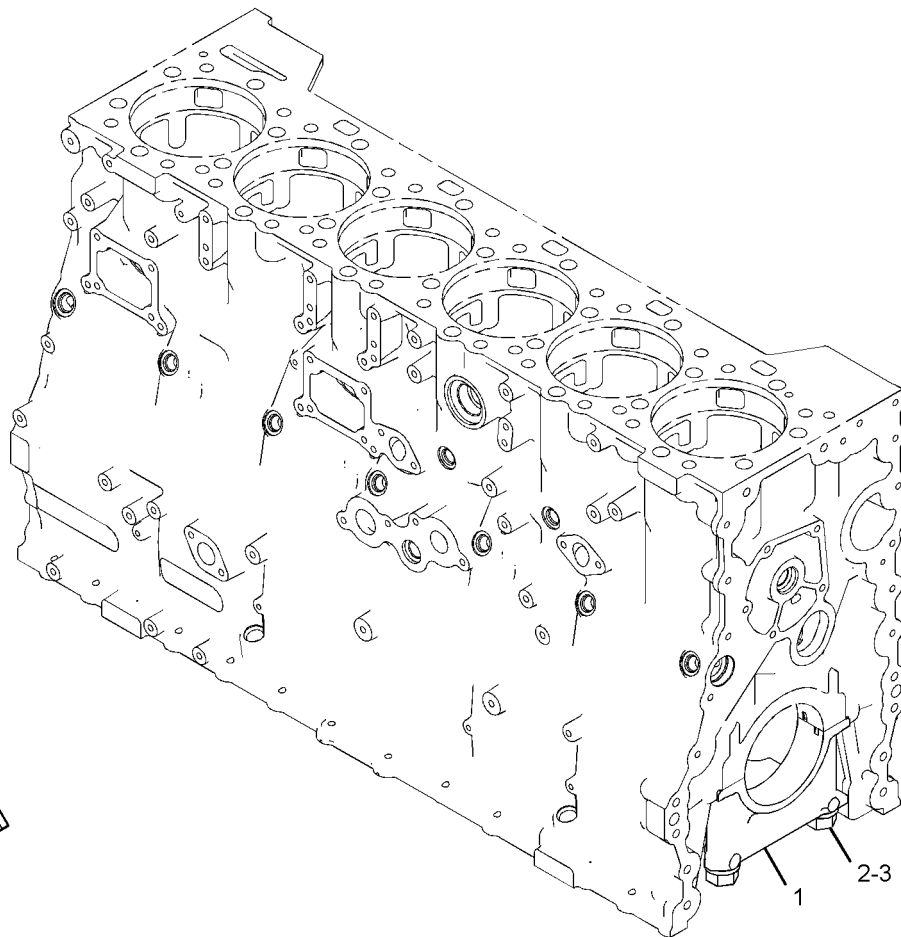
S/N: LHX19430-UP

PART OF 267-4632 CYLINDER BLOCK AS

SMCS-1201

i03625755

NOTE	REF NO	GRAPHIC REF	PART NUMBER	QTY	PART NAME						SEE PAGE
					1	2	3	4	5	6 (PRODUCT LEVEL)	
1	1	1	167-8081	7	CAP-CRANKSHAFT BEARING						
2	1	1	3P-1323	14	BOLT-BEARING CAP (7/8-14X7.75-IN)						
3	1	1	9H-1031	14	WASHER-HARD (24X41.5X6-MM THK)						



GRAPHIC #1

<END>

g01177294

BASIC ENGINE

267-4632 CYLINDER BLOCK AS

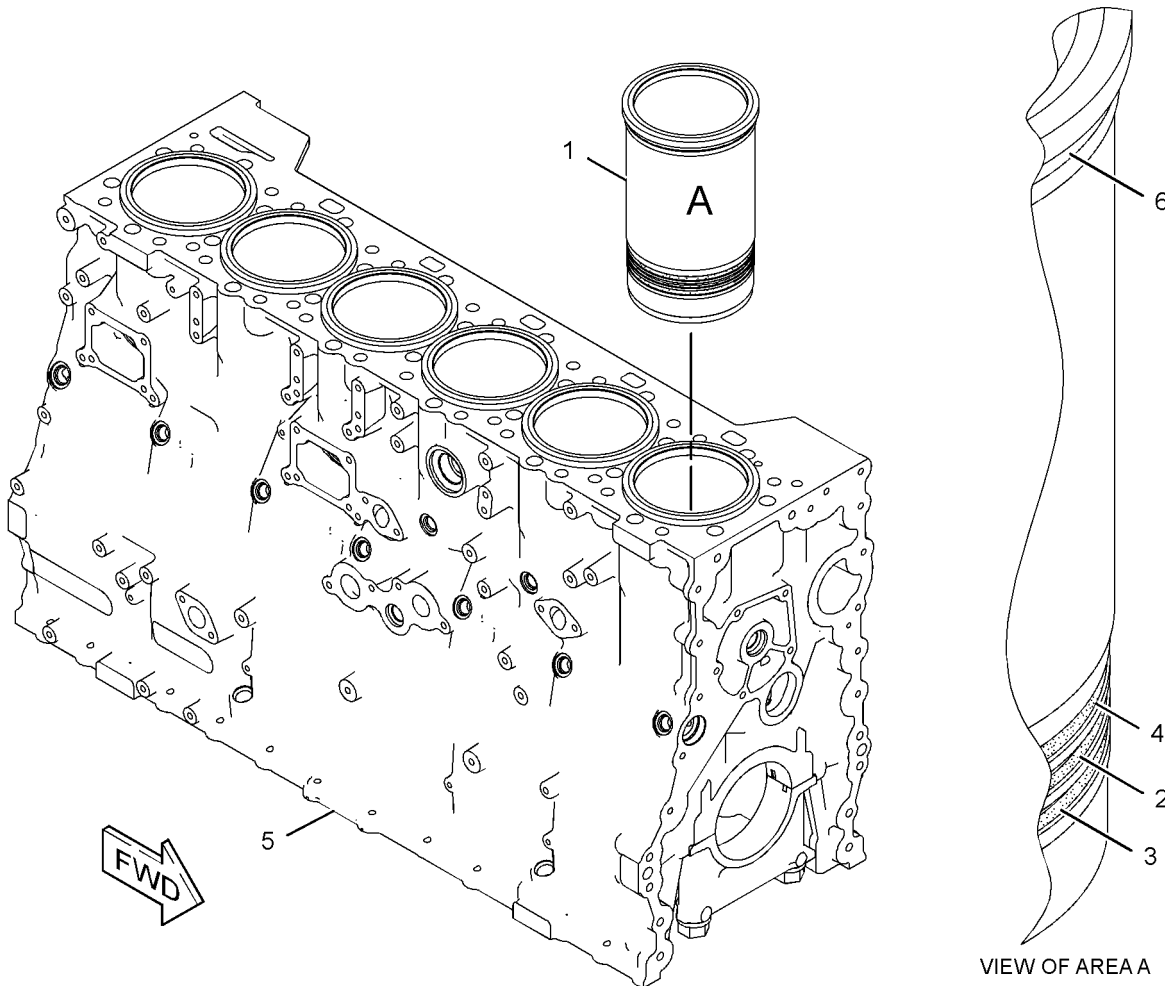
S/N: LHX19430-UP
PART OF 223-9252 CYLINDER BLOCK GP

SMCS-1201

i03337785

NOTE	REF NO	GRAPHIC REF	PART NUMBER	QTY	PART NAME						SEE PAGE
					1	2	3	4	5	6 (PRODUCT LEVEL)	
	1	1	197-9322	6	LINER-CYLINDER						
	2	1	110-2220	6	SEAL-LINER						
	3	1	142-6217	6	SEAL-O-RING						
	4	1	142-7072	6	SEAL-LINER						
YR	5	1	267-4631	1	CYLINDER BLOCK AS						25
	6	1	9L-5854	6	BAND-FILLER (130.2-MM ID)						

R-REMG PART MAY BE AVAILABLE
Y-SEPARATE ILLUSTRATION



GRAPHIC #1

<END>

g01177148

BASIC ENGINE

223-9252 CYLINDER BLOCK GP

S/N: LHX19430-UP

PART OF 241-5929 ENGINE AR-CORE

SMCS-1201

i03840154

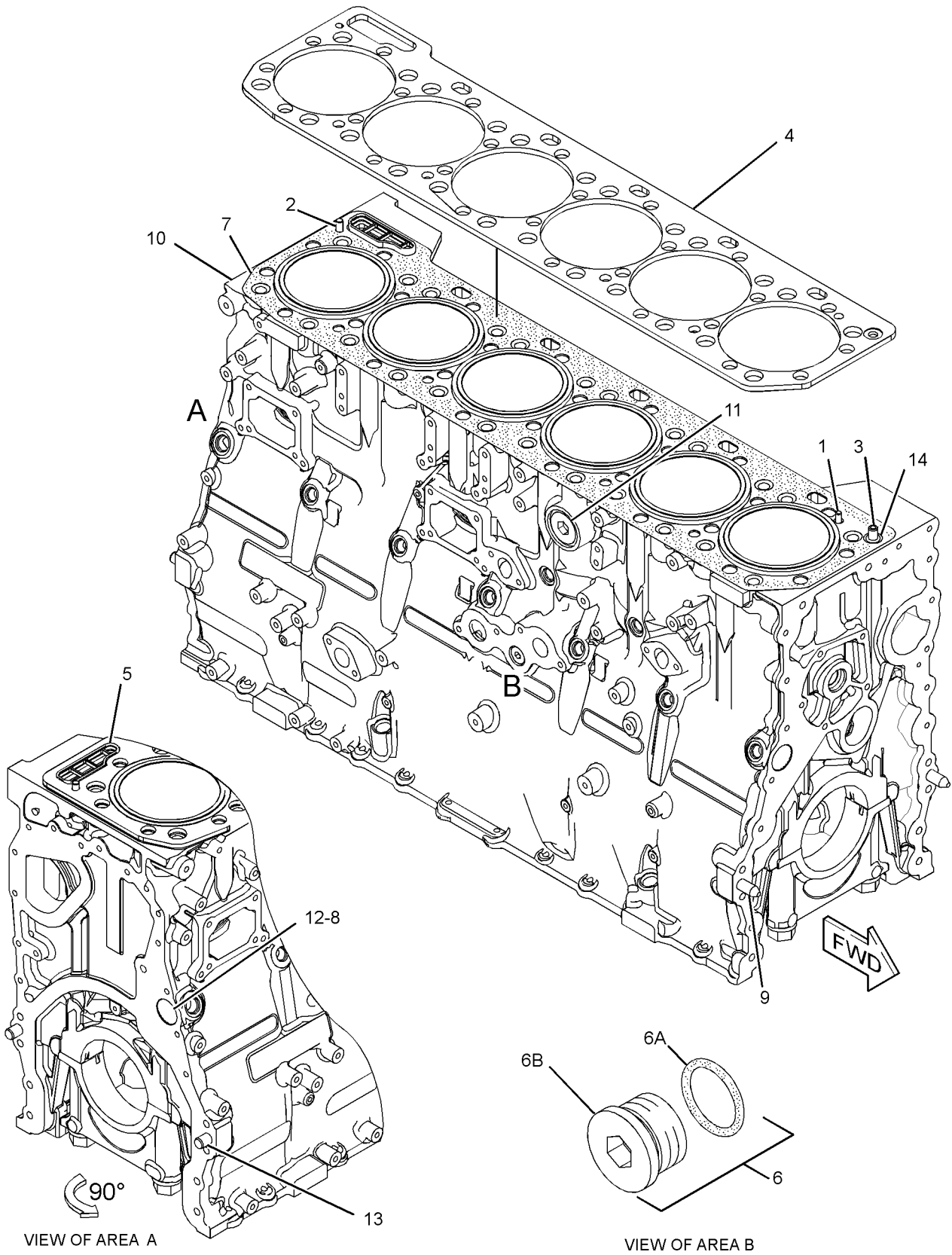
NOTE	REF NO	GRAPHIC REF	PART NUMBER	QTY	PART NAME						SEE PAGE
					1	2	3	4	5	6 (PRODUCT LEVEL)	
	1	1	1S-9540	1	DOWEL						
	2	1	4N-1650	1	DOWEL						
	3	1	6I-1055	1	DOWEL						
	4	1	6I-4421	1	PLATE-SPACER						
	5	1	142-2329	1	SEAL						
C	6	1	<i>309-5131</i>	1	PLUG AS						
	6A	1	238-5081	1	SEAL-O-RING						
	6B	1	9S-8006	1	PLUG-O-RING						
	7	1	227-1204	1	GASKET						
	8	1	230-3728	2	SEAL-O-RING						
	9	1	266-6038	2	DOWEL						
CY	10	1	267-4632	1	CYLINDER BLOCK AS						26
CY	11	1	<i>305-9196</i>	1	PLUG GP-CYLINDER BLOCK						65
	12	1	100-7399	2	PLUG						
	13	1	4N-0683	2	DOWEL						
	14	1	5P-0840	1	SEAL-O-RING						

C-CHANGE FROM PREVIOUS TYPE
Y-SEPARATE ILLUSTRATION

BASIC ENGINE

223-9252 CYLINDER BLOCK GP (contd.)

i03840154



GRAPHIC #1

<END>

g01513093

BASIC ENGINE

281-1640 CYLINDER HEAD AS

S/N: LHX19430-UP

PART OF 263-5055 CYLINDER HEAD GP

SMCS-1100

i03905229

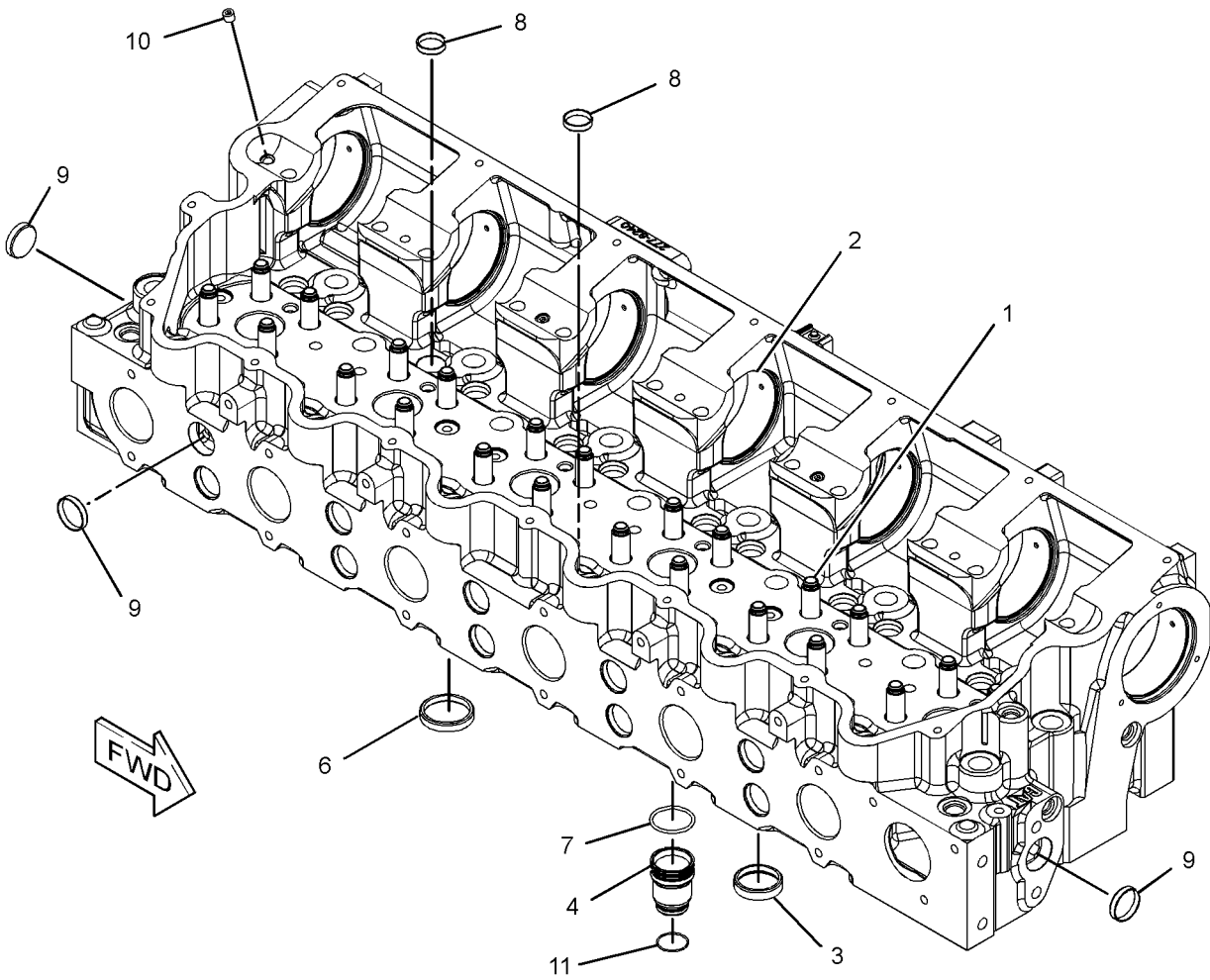
NOTE	REF NO	GRAPHIC REF	PART NUMBER	QTY	PART NAME						SEE PAGE
					1	2	3	4	5	6 (PRODUCT LEVEL)	
	1	1	122-7375	24	GUIDE-VALVE (STANDARD)						
AB		1	122-0447		GUIDE-VALVE (0.51-MM OS)						
AB		1	122-8612		GUIDE-VALVE (0.13-MM OS)						
	2	1	216-5582	7	BUSHING (STANDARD)						
AB		1	217-0751		BUSHING (0.25-MM OS)						
AB		1	217-0752		BUSHING (0.762-MM OS)						
AB		1	261-3429		BUSHING (1.778-MM OS)						
AB		1	261-3430		BUSHING (1.27-MM OS)						
	3	1	226-5561	12	INSERT-VALVE (EXHAUST) (STANDARD)						
AB		1	288-4883		INSERT-VALVE (0.51-MM OS, EXHAUST)						
AB		1	288-4884		INSERT-VALVE (0.76-MM OS, EXHAUST)						
	4	1	263-4920	6	SLEEVE-INJECTOR (INLET)						
	6	1	280-3979	12	INSERT-VALVE (INLET) (STANDARD)						
AB		1	288-4881		INSERT-VALVE (INLET) (0.51-MM OS)						
AB		1	288-4882		INSERT-VALVE (0.76-MM OS, INLET)						
	7	1	166-2904	12	SEAL-O-RING						
	8	1	3B-0623	17	PLUG-CUP						
	9	1	3B-0645	20	PLUG-CUP						
	10	1	8T-6757	3	PLUG-PIPE						
	11	1	9X-7430	6	SEAL-O-RING						

A-NOT PART OF THIS GROUP
B-USE AS REQUIRED

BASIC ENGINE

281-1640 CYLINDER HEAD AS (contd.)

i03905229



GRAPHIC #1

<END>

g01207161

BASIC ENGINE

263-5055 CYLINDER HEAD GP*R

S/N: LHX19430-UP

PART OF 274-1953 CYLINDER HEAD GP

SMCS-1100

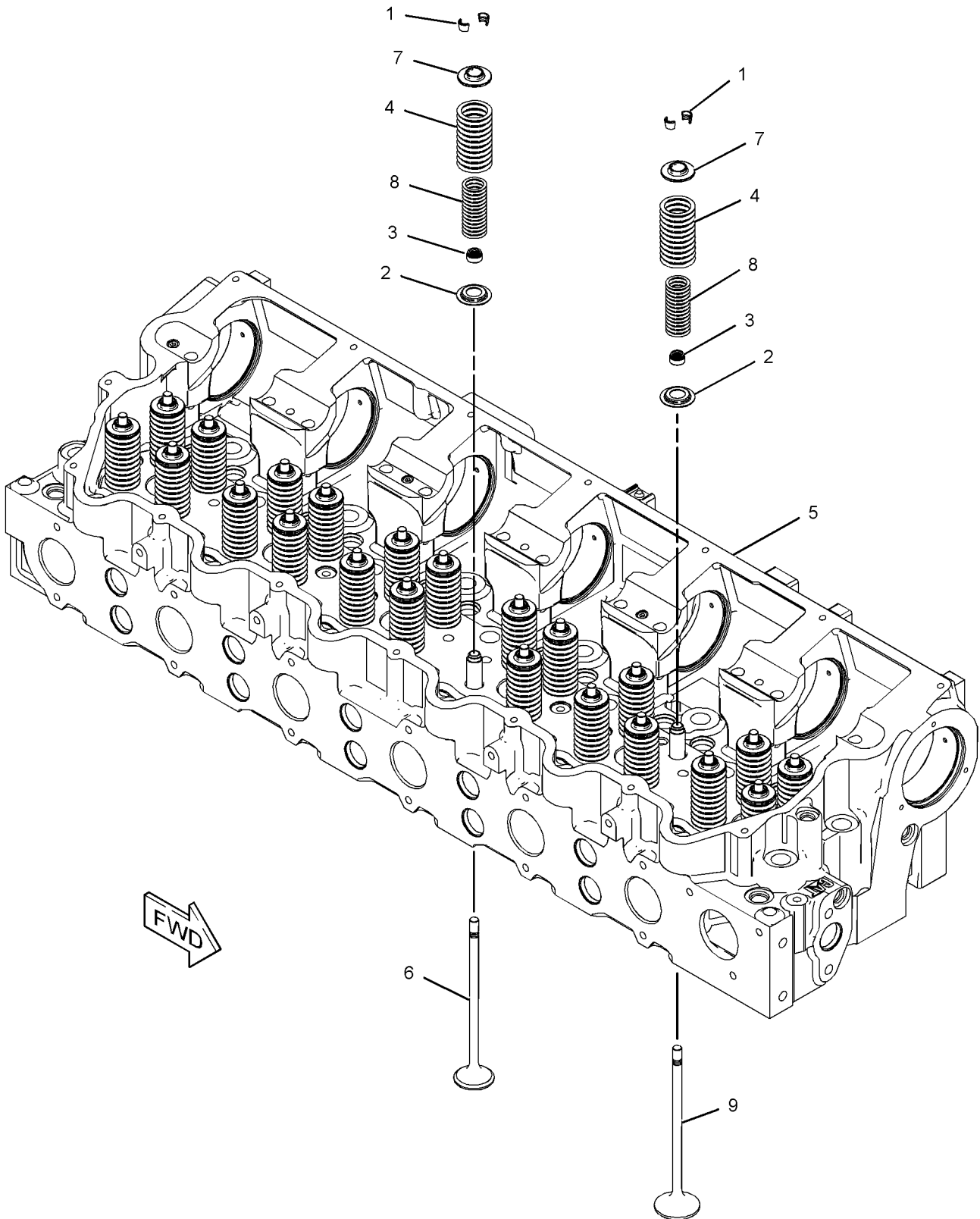
i02857220

NOTE	REF NO	GRAPHIC REF	PART NUMBER	QTY	PART NAME						SEE PAGE
					1	2	3	4	5	6 (PRODUCT LEVEL)	
	1	1	2A-4429	48	LOCK-RETAINER						
	2	1	6I-0928	24	WASHER-SPECIAL						
	3	1	163-2478	24	SEAL-VALVE STEM						
	4	1	247-9908	24	SPRING-VALVE (OUTER)						
Y	5	1	281-1640	1	CYLINDER HEAD AS						29
	6	1	153-7024	12	VALVE-EXHAUST						
	7	1	186-2001	24	ROTOCOIL AS						
	8	1	211-3122	24	SPRING-VALVE (INNER)						
	9	1	236-5605	12	VALVE-INLET						
Y-SEPARATE ILLUSTRATION											

BASIC ENGINE

263-5055 CYLINDER HEAD GP (contd.)

i02857220



GRAPHIC #1

<END>

g01207023

BASIC ENGINE

274-1953 CYLINDER HEAD GP

S/N: LHX19430-UP

PART OF 241-5929 ENGINE AR-CORE

SMCS-1100

i03785474

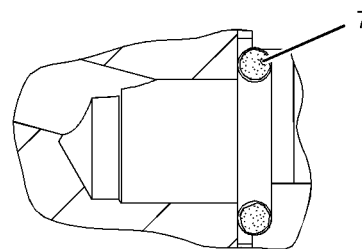
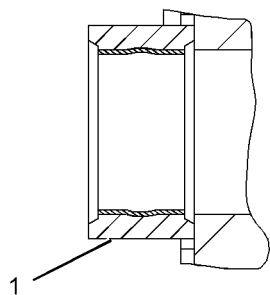
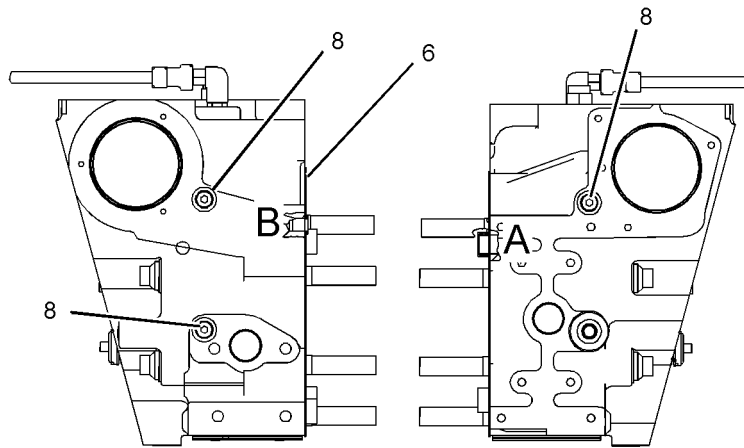
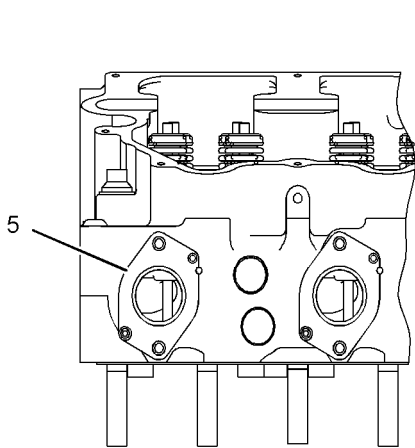
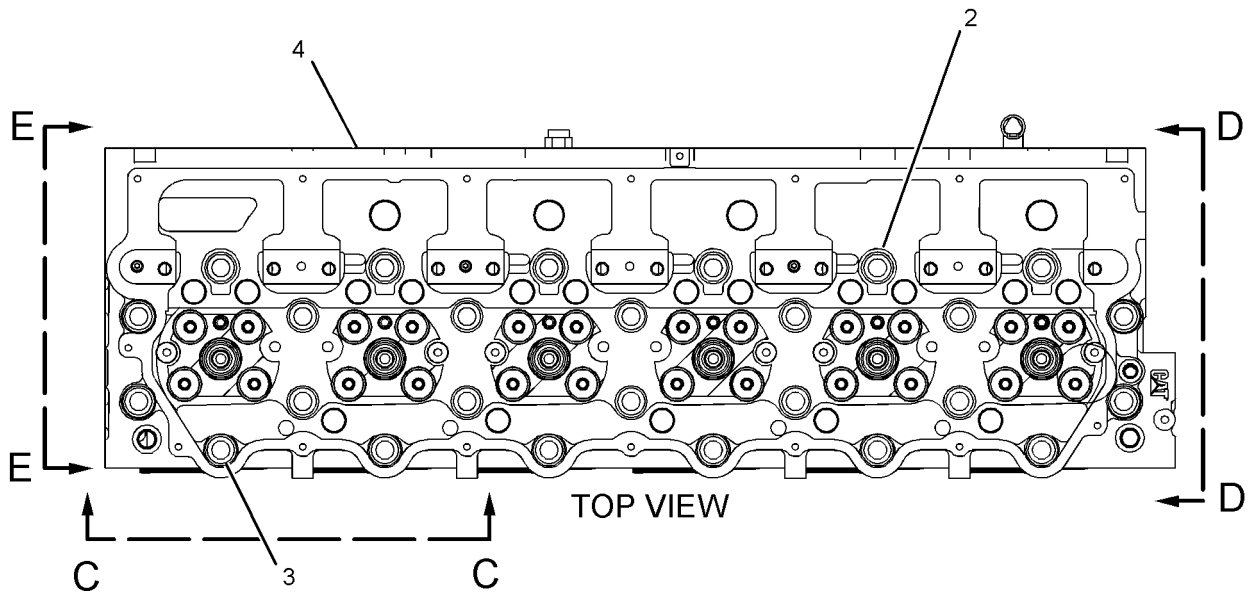
NOTE	REF NO	GRAPHIC REF	PART NUMBER	QTY	PART NAME						SEE PAGE
					1	2	3	4	5	6 (PRODUCT LEVEL)	
	1	1	3E-6772	24	SEAL						
	2	1	<i>6I-4025</i>	16	FASTENER GP-CYLINDER HEAD (EACH INCLUDES)						
		1	5H-1504	1	WASHER-HARD (20X33.5X5-MM THK)						
		1	124-1855	1	BOLT-12 POINT HEAD (3/4-16X7.638-IN)						
	3	1	<i>106-5673</i>	10	FASTENER GP-CYLINDER HEAD (EACH INCLUDES)						
		1	5H-1504	1	WASHER-HARD (20X33.5X5-MM THK)						
		1	124-1854	1	BOLT-12 POINT HEAD (3/4-16X8.5-IN)						
YR	4	1	<i>263-5055</i>	1	CYLINDER HEAD GP						31
	5	1	281-8261	6	SLEEVE AS-EXHAUST						
	6	1	224-5122	1	GASKET (CYLINDER HEAD)						
	7	1	5P-0840	1	SEAL-O-RING						
	8	1	183-3407	3	PLUG AS (EACH INCLUDES)						
		1	214-7568	1	SEAL-O-RING						
		1	9S-8004	1	PLUG-O-RING						

R-REMG PART MAY BE AVAILABLE
Y-SEPARATE ILLUSTRATION

BASIC ENGINE

274-1953 CYLINDER HEAD GP (contd.)

i03785474



GRAPHIC #1

<END>

g01648636

BASIC ENGINE

212-2113 DAMPER & PULLEY GP

S/N: LHX19430-UP

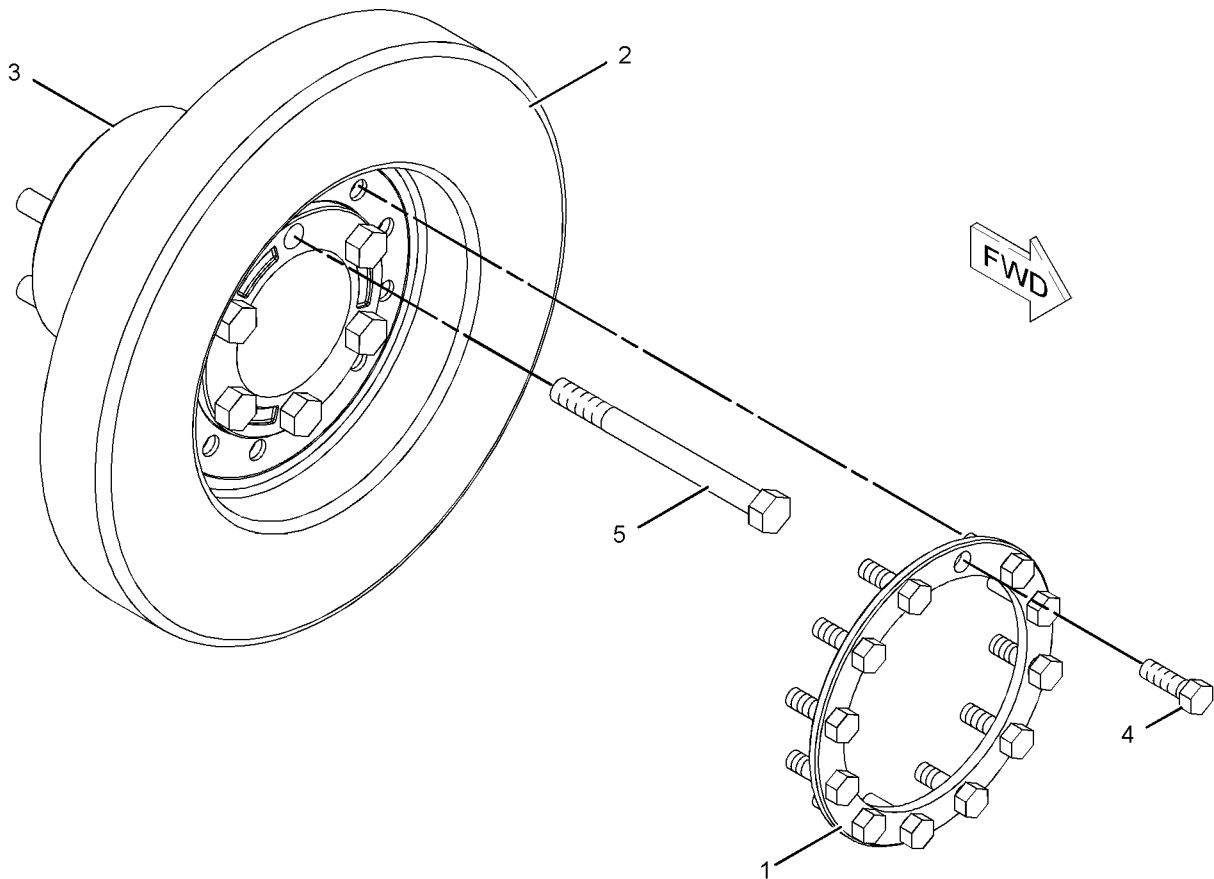
8 GROOVE, 241.3MM DIAMETER PULLEY
PART OF 288-8156 ENGINE AR-COMPLETE

SMCS-1205

i03191284

NOTE	REF NO	GRAPHIC REF	PART NUMBER	QTY	PART NAME						SEE PAGE
					1	2	3	4	5	6 (PRODUCT LEVEL)	
	1	1	6N-7654	1	SPACER (6.312X8.18X0.312-IN THK)						
R	2	1	167-8130	1	DAMPER AS						
	3	1	212-2086	1	PULLEY-CRANKSHAFT (8 GROOVES)						
	4	1	0S-1585	12	BOLT (1/2-13X1.5-IN)						
	5	1	1B-3623	6	BOLT (5/8-18X7-IN)						

R-REMG PART MAY BE AVAILABLE



GRAPHIC #1

<END>

g01033610

BASIC ENGINE

315-4365 DRIVE GP-FAN

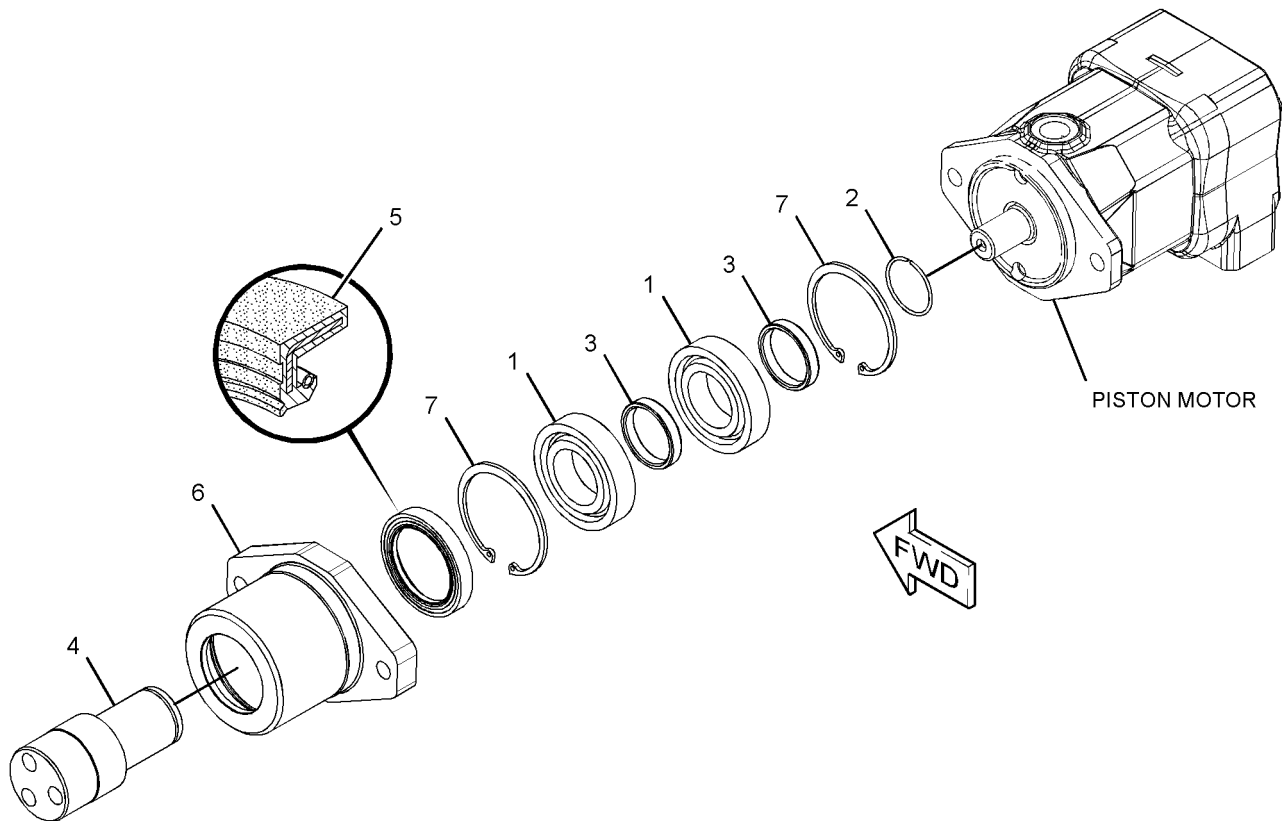
S/N: PAS1-UP

PART OF 281-3551 FAN GP-SUCTION

SMCS-1359

i02939961

NOTE	REF NO	GRAPHIC REF	PART NUMBER	QTY	PART NAME						SEE PAGE
					1	2	3	4	5	6 (PRODUCT LEVEL)	
	1	1	4B-3665	2	BALL BEARING						
	2	1	095-7424	1	RING-RETAINING						
	3	1	137-3749	2	SPACER (45X53X10-MM THK)						
	4	1	315-4366	1	SHAFT						
	5	1	315-4367	1	SEAL-LIP TYPE						
	6	1	315-4368	1	HOUSING						
	7	1	6V-5590	2	RING-RETAINING						



GRAPHIC #1

<END>

g01456902

BASIC ENGINE

4P-6846 FASTENER GP-FRONT HOUSING

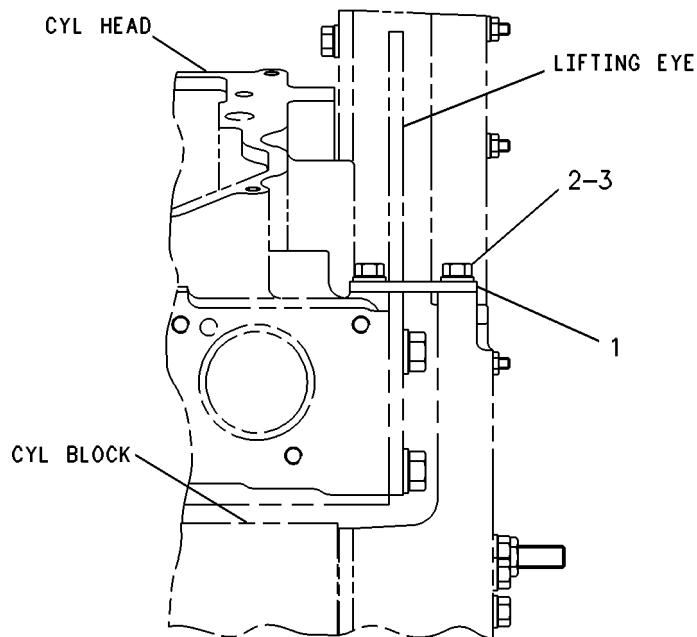
S/N: LHX19430-UP

PART OF 288-8156 ENGINE AR-COMplete

SMCS-1162

i01494962

NOTE	REF NO	GRAPHIC REF	PART NUMBER	QTY	PART NAME						SEE PAGE
					1	2	3	4	5	6 (PRODUCT LEVEL)	
	1	1	7N-0452	1	PLATE						
	2	1	0S-1594	2	BOLT (3/8-16X1-IN)						
	3	1	5M-2894	2	WASHER-HARD (10.2X18.5X2.5-MM THK)						



RIGHT SIDE VIEW

GRAPHIC #1

<END>

g00231021

BASIC ENGINE

221-1428 FASTENER GP-FRONT HOUSING

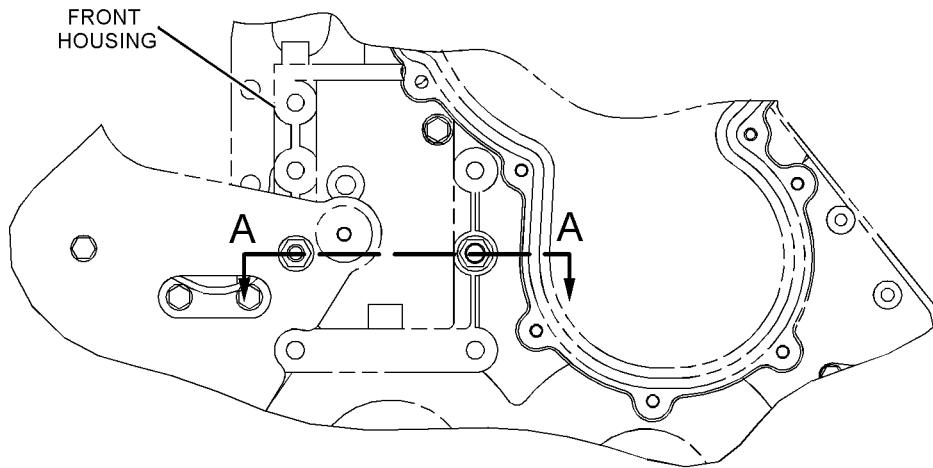
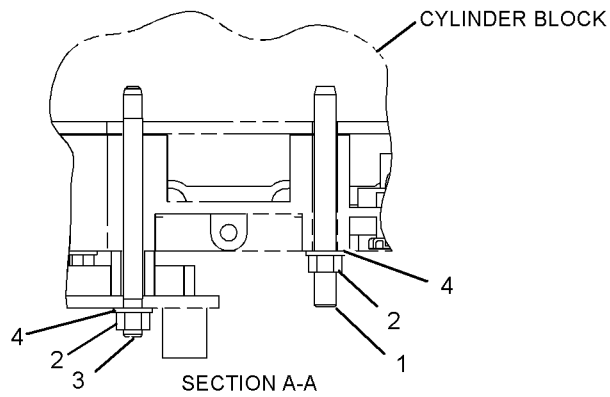
S/N: LHX19430-UP

PART OF 288-8156 ENGINE AR-COMplete

SMCS-1162

i02103151

NOTE	REF NO	GRAPHIC REF	PART NUMBER	QTY	PART NAME						SEE PAGE
					1	2	3	4	5	6 (PRODUCT LEVEL)	
1	1	1	149-5268	1	STUD-TAPERLOCK						
2	1	1	1F-7958	2	NUT-FULL (1/2-13-THD)						
3	1	1	4M-8547	1	STUD-TAPERLOCK						
4	1	1	5P-8245	2	WASHER-HARD (13.5X25.5X3-MM THK)						



GRAPHIC #1

g01021070

BASIC ENGINE

335-2317 FASTENER GP-VALVE MECHANISM

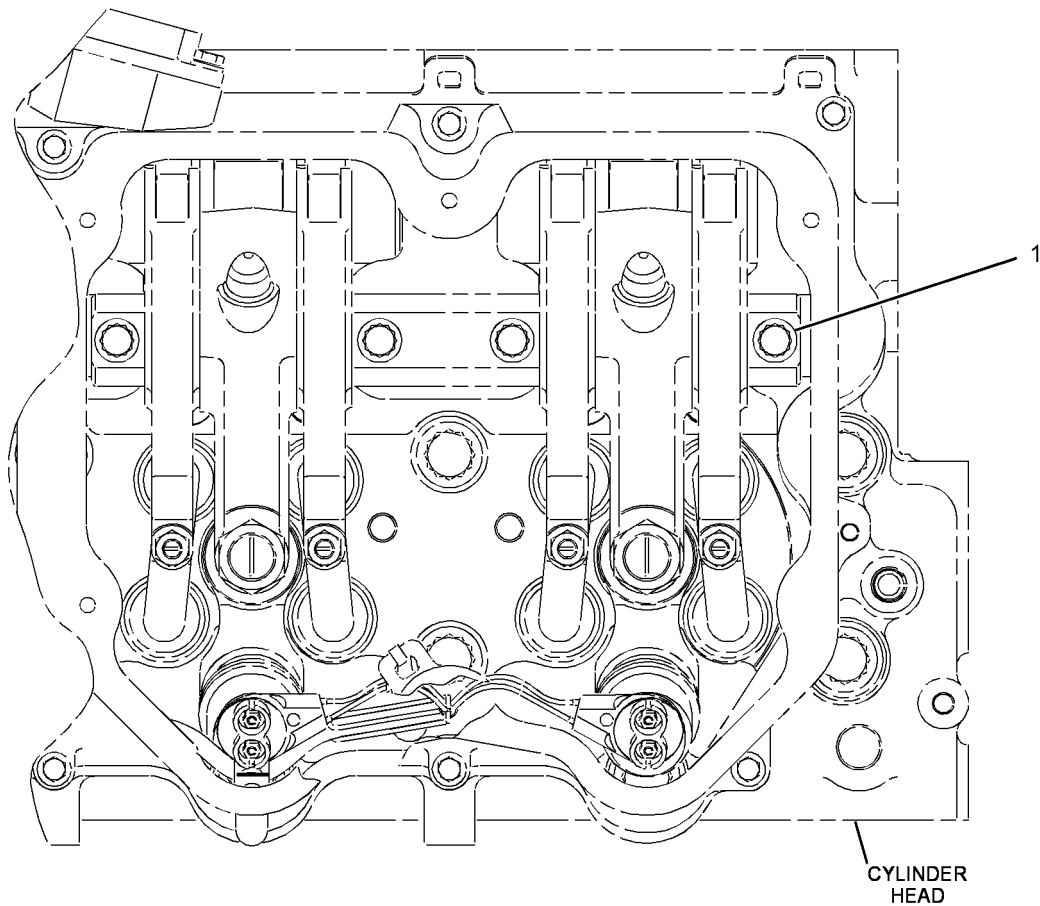
S/N: LHX19430-UP

PART OF 241-5929 ENGINE AR-CORE

SMCS-1107

i03624448

NOTE	REF NO	GRAPHIC REF	PART NUMBER	QTY	PART NAME						SEE PAGE
					1	2	3	4	5	6 (PRODUCT LEVEL)	
	1	1	5J-5794	12	BOLT (1/2-13X3.5-IN)						



TOP VIEW

<END>

GRAPHIC #1

g01932375

BASIC ENGINE

194-7097 FLYWHEEL GP

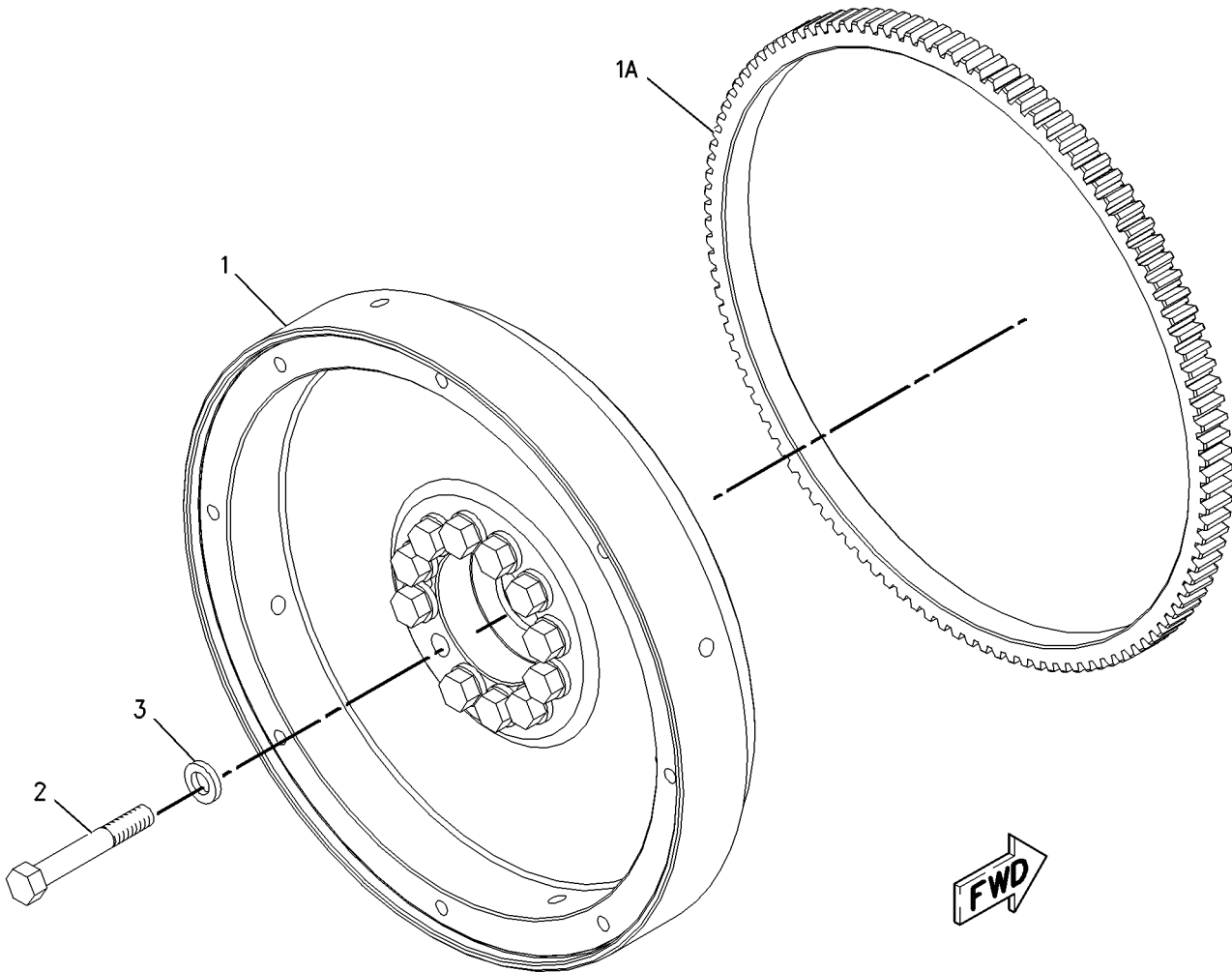
S/N: LHX19430-UP

PART OF 288-8156 ENGINE AR-COMLETE

SMCS-1156

i01518226

NOTE	REF NO	GRAPHIC REF	PART NUMBER	QTY	PART NAME						SEE PAGE
					1	2	3	4	5	6 (PRODUCT LEVEL)	
	1	1	195-0313	1	FLYWHEEL AS						
	1A	1	4N-2514	1	GEAR (113 TEETH)						
	2	1	0V-0523	12	BOLT (5/8-18X4.25IN)						
	3	1	4D-3704	12	WASHER-HARD (17X30X5MM THK)						



GRAPHIC #1

<END>

g00788986

BASIC ENGINE

204-9316 GEAR GP-CAMSHAFT

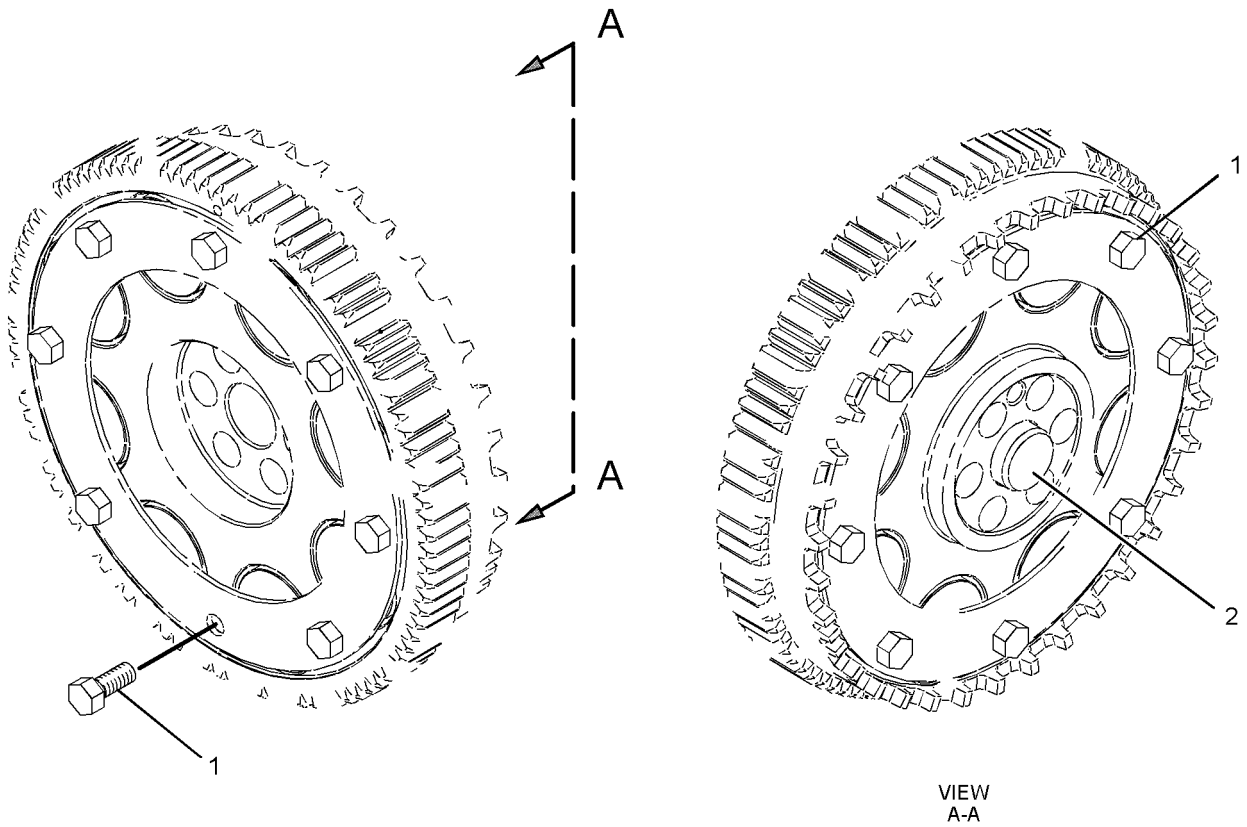
S/N: LHX19430-UP

PART OF 208-9490 GEAR GP-FRONT

SMCS-1206, 1212

i02677335

NOTE	REF NO	GRAPHIC REF	PART NUMBER	QTY	PART NAME						SEE PAGE
					1	2	3	4	5	6 (PRODUCT LEVEL)	
	1	1	9X-8872	16	BOLT-LOCKING (3/8-16X0.875-IN)						
	2	1	103-0126	1	DOWEL						



GRAPHIC #1

<END>

g01345309

BASIC ENGINE

208-9490 GEAR GP-FRONT

S/N: LHX19430-UP

PART OF 241-5929 ENGINE AR-CORE

SMCS-1151, 1162, 1206

i03070413

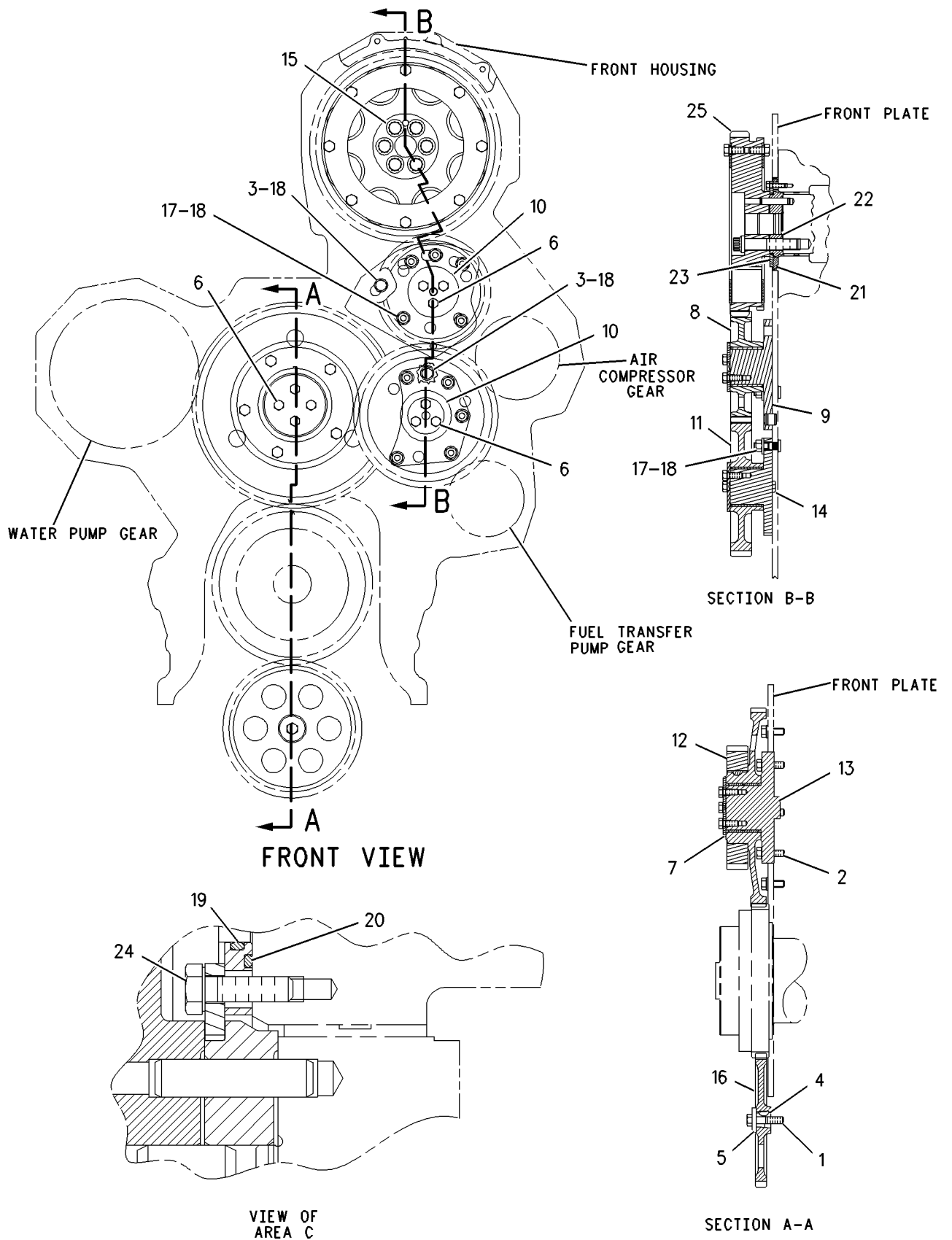
NOTE	REF NO	GRAPHIC REF	PART NUMBER	QTY	PART NAME						SEE PAGE
					1	2	3	4	5	6 (PRODUCT LEVEL)	
	1	1	0S-1571	1	BOLT (3/8-16X1.75-IN)						
	2	1	2J-3118	5	BOLT-LOCKING (3/8-16X1.25-IN)						
	3	1	5P-4142	2	BOLT-LOCKING (3/8-16X1.5-IN)						
	4	1	1B-8705	1	KEY-WOODRUFF						
	5	1	1P-7346	1	WASHER-HARD (10.2X35X6-MM THK)						
	6	1	126-1756	10	BOLT-LOCKING (5/16-18X0.875-IN)						
	7	1	112-9217	1	PLATE-THRUST						
	8	1	130-4701	1	GEAR AS (56-TEETH)						
	9	1	151-5966	1	SHAFT AS-STUB						
		1	6I-3623	1	DOWEL						
	10	1	6I-3624	2	PLATE-THRUST						
	11	1	6I-3625	1	GEAR AS (71-TEETH)						
	12	1	149-9107	1	GEAR AS-CLUSTER (105/63-TEETH)						
		1	1B-8705	1	KEY-WOODRUFF						
	13	1	197-4971	1	SHAFT-STUB						
	14	1	158-3416	1	SHAFT-STUB						
	15	1	031-3185	6	BOLT-12 POINT HEAD (5/8-11X3-IN)						
	16	1	149-9110	1	GEAR-OIL PUMP DRIVE (69-TEETH)						
	17	1	9S-8752	10	NUT-FULL (3/8-16-THD)						
	18	1	9X-6458	12	WASHER-HARD (10.2X22.5X3-MM THK)						
	19	1	117-8801	1	SEAL-O-RING						
	20	1	5E-8771	1	SEAL-O-RING						
	21	1	159-1533	1	PLATE-SEALING						
	22	1	159-8524	1	ADAPTER AS						
		1	6V-3677	1	DOWEL						
	23	1	102-5861	1	PLATE-THRUST						
	24	1	107-0583	3	BOLT-LOCKING (1/4-20X0.87-IN)						
Y	25	1	204-9316	1	GEAR GP-CAMSHAFT (96-TEETH)						41

Y-SEPARATE ILLUSTRATION

BASIC ENGINE

208-9490 GEAR GP-FRONT (contd.)

i03070413



GRAPHIC #1

<END>

g00840424

BASIC ENGINE

4P-9823 GEAR GP-REAR

S/N: LHX19430-UP

PART OF 288-8156 ENGINE AR-COMplete

SMCS-1204

i03874061

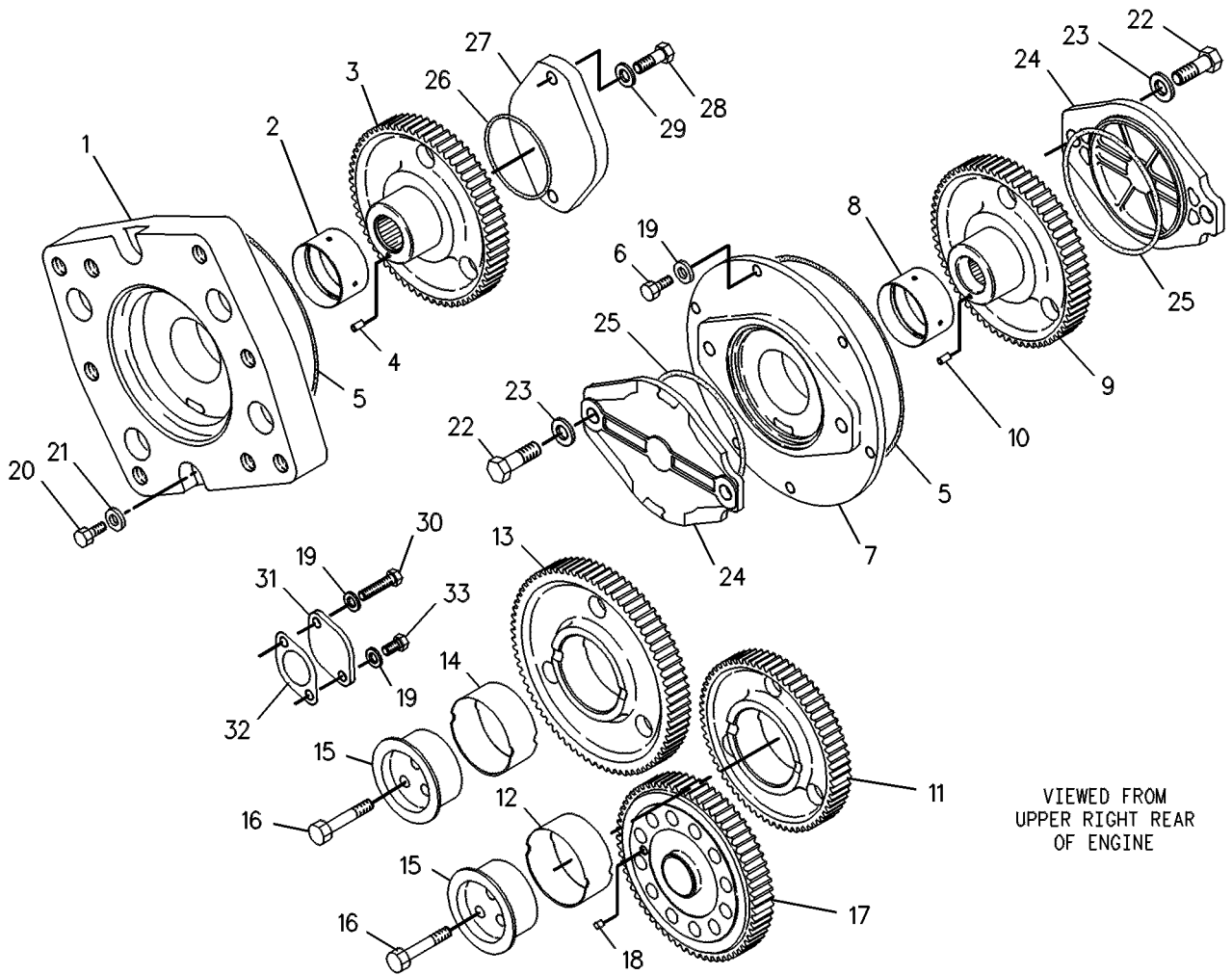
NOTE	REF NO	GRAPHIC REF	PART NUMBER	QTY	PART NAME						SEE PAGE
					1	2	3	4	5	6 (PRODUCT LEVEL)	
	1	1	187-8230	1	ADAPTER AS						
	2	1	160-8184	1	BEARING-SLEEVE						
	3	1	187-8202	1	GEAR AS-DRIVE (64-TEETH)						
	4	1	4F-6024	1	PIN						
	5	1	4N-1230	2	SEAL-O-RING						
	6	1	1A-2029	6	BOLT (3/8-16X1.125-IN)						
	7	1	187-8229	1	ADAPTER AS						
	8	1	160-8184	1	BEARING-SLEEVE						
	9	1	187-8194	1	GEAR AS-DRIVE (64-TEETH)						
	10	1	4F-6024	1	PIN						
	11	1	2W-0494	1	GEAR AS-IDLER (64-TEETH)						
	12	1	1W-4738	1	BEARING-SLEEVE						
	13	1	2W-0493	1	GEAR AS-IDLER (74-TEETH)						
	14	1	1W-4738	1	BEARING-SLEEVE						
	15	1	1W-4746	2	RETAINER-GEAR						
	16	1	1A-1460	6	BOLT (1/2-13X2-IN)						
	17	1	2W-0496	1	GEAR AS-CRANKSHAFT (68-TEETH)						
	18	1	4N-0684	1	DOWEL						
	19	1	5M-2894	8	WASHER-HARD (10.2X18.5X2.5-MM THK)						
	20	1	0T-0768	6	BOLT (7/16-14X1.75-IN)						
	21	1	5P-8244	6	WASHER-HARD (12X22.5X2.5-MM THK)						
	22	1	4B-4043	4	BOLT (5/8-11X1.375-IN)						
	23	1	5P-8247	4	WASHER-HARD (17X32X3.5-MM THK)						
	24	1	7N-8374	2	COVER-PUMP						
	25	1	9X-7371	2	SEAL-O-RING						
	26	1	4M-0189	1	SEAL-O-RING						
C	27	1	175-3721	1	COVER						
C	28	1	0S-1621	2	BOLT (1/2-13X1-IN)						
	29	1	5P-8245	2	WASHER-HARD (13.5X25.5X3-MM THK)						
	30	1	0S-1619	1	BOLT (3/8-16X3-IN)						
	31	1	2P-2772	1	COVER						
	32	1	234-8937	1	SEAL-INTEGRAL						
	33	1	0S-1594	1	BOLT (3/8-16X1-IN)						

C-CHANGE FROM PREVIOUS TYPE

BASIC ENGINE

4P-9823 GEAR GP-REAR (contd.)

i03874061



VIEWED FROM
UPPER RIGHT REAR
OF ENGINE

GRAPHIC #1

<END>

g00239603

BASIC ENGINE

7E-8996 HOUSING GP-FLYWHEEL

S/N: LHX19430-UP

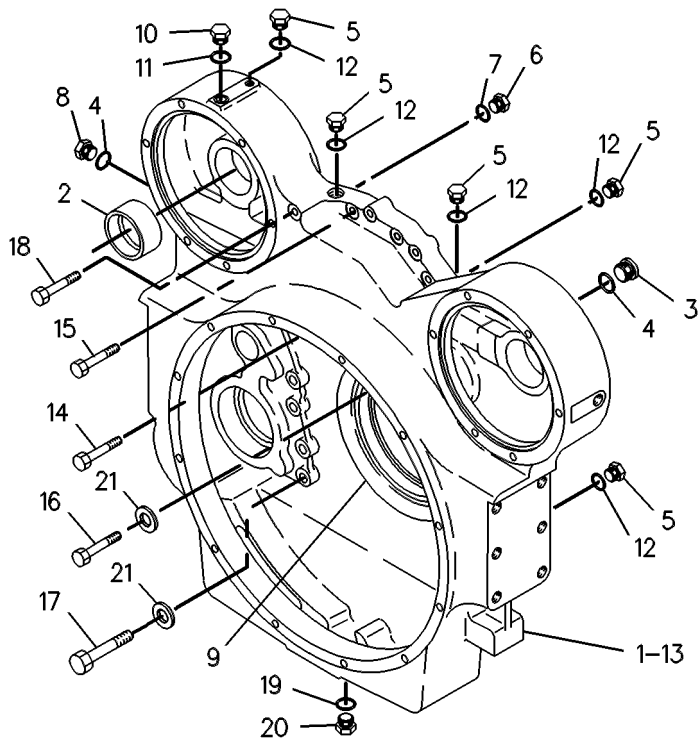
PART OF 288-8156 ENGINE AR-COMplete

SMCS-1157

i01097936

NOTE	REF NO	GRAPHIC REF	PART NUMBER	QTY	PART NAME						SEE PAGE
					1	2	3	4	5	6 (PRODUCT LEVEL)	
	1	1	108-5914	1	HOUSING AS						
	2	1	8M-9315	2	BUSHING						
	3	1	9S-8005	2	PLUG-O-RING						
	4	1	8L-2786	3	SEAL-O-RING						
	5	1	3K-8460	5	PLUG						
	6	1	9S-4191	1	PLUG-O-RING						
	7	1	6V-5049	1	SEAL-O-RING						
	8	1	9S-4185	1	PLUG-O-RING						
	9	1	1W-3136	1	BAFFLE						
	10	1	9S-4182	1	PLUG-O-RING						
	11	1	6V-5048	1	SEAL-O-RING						
	12	1	5P-7814	5	SEAL-O-RING						
B	13	1	1U-8846		SEALANT-GASKET						
	14	1	165-3930	6	BOLT (3/8-16X1.625-IN)						
	15	1	165-3932	6	BOLT (3/8-16X2-IN)						
	16	1	5J-5793	1	BOLT-12 POINT HEAD (1/2-13X1.75-IN)						
	17	1	9K-7290	8	BOLT-12 POINT HEAD (1/2-13X1.5-IN)						
	18	1	165-3936	1	BOLT (3/8-16X4.5-IN)						
	19	1	8L-2786	1	SEAL-O-RING						
	20	1	9S-4185	1	PLUG-O-RING						
	21	1	5P-8245	9	WASHER-HARD (13.5X25.5X3-MM THK)						

B-USE AS REQUIRED



GRAPHIC #1

<END>

g00252411

BASIC ENGINE

241-0164 HOUSING GP-FRONT

S/N: LHX19430-UP

PART OF 288-8156 ENGINE AR-COMplete

SMCS-1151, 1162, 1206

i03893085

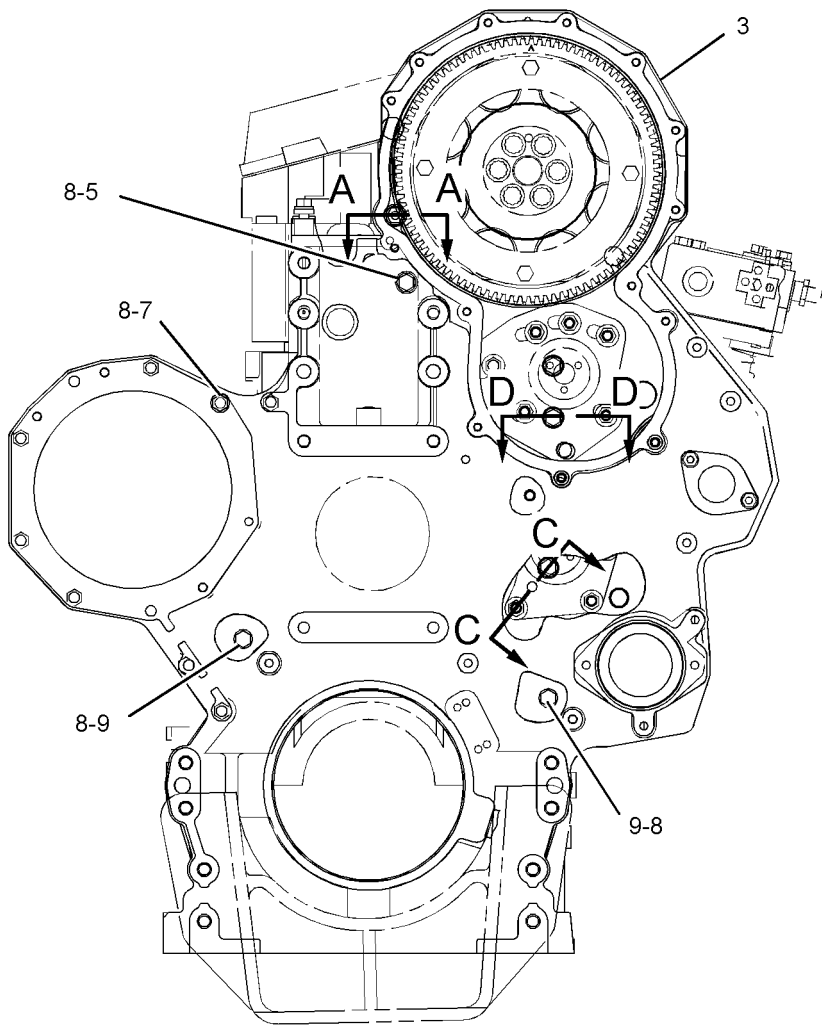
NOTE	REF NO	GRAPHIC REF	PART NUMBER	QTY	PART NAME						SEE PAGE
					1	2	3	4	5	6 (PRODUCT LEVEL)	
	1	1	155-9524	1	SEAL - INTEGRAL						
	2	1	166-9144	1	GASKET						
Y	3	1	241-0478	1	HOUSING GP-FRONT						49
Y	4	1	353-9982	1	PLATE AS-FRONT HOUSING						63
	5	1	0L-2070	1	BOLT (3/8-16X2.25-IN)						
	6	1	0S-1588	10	BOLT (3/8-16X1.25-IN)						
	7	1	0T-0055	1	BOLT (3/8-16X4.25-IN)						
	8	1	5M-2894	21	WASHER-HARD (10.2X18.5X2.5-MM THK)						
	9	1	5P-4255	8	BOLT-LOCKING (3/8-16X1-IN)						
	10	1	9S-8752	1	NUT-FULL (3/8-16-THD)						

Y-SEPARATE ILLUSTRATION

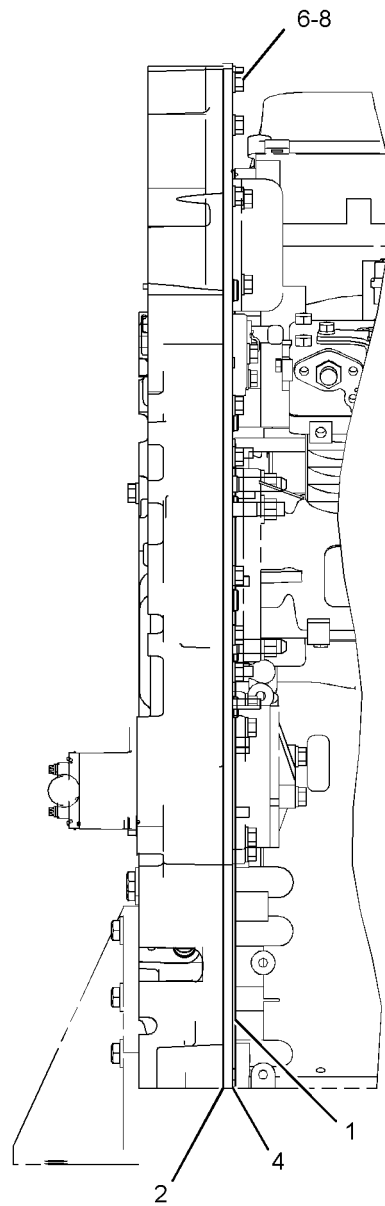
BASIC ENGINE

241-0164 HOUSING GP-FRONT (contd.)

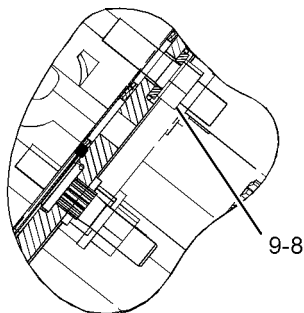
i03893085



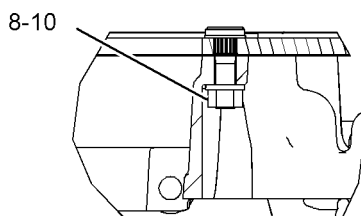
FRONT VIEW



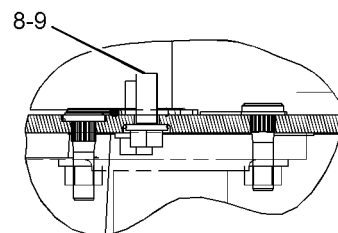
LEFT SIDE VIEW



SECTION C-C



SECTION A-A



SECTION D-D

GRAPHIC #1

<END>

g02140213

BASIC ENGINE

241-0478 HOUSING GP-FRONT

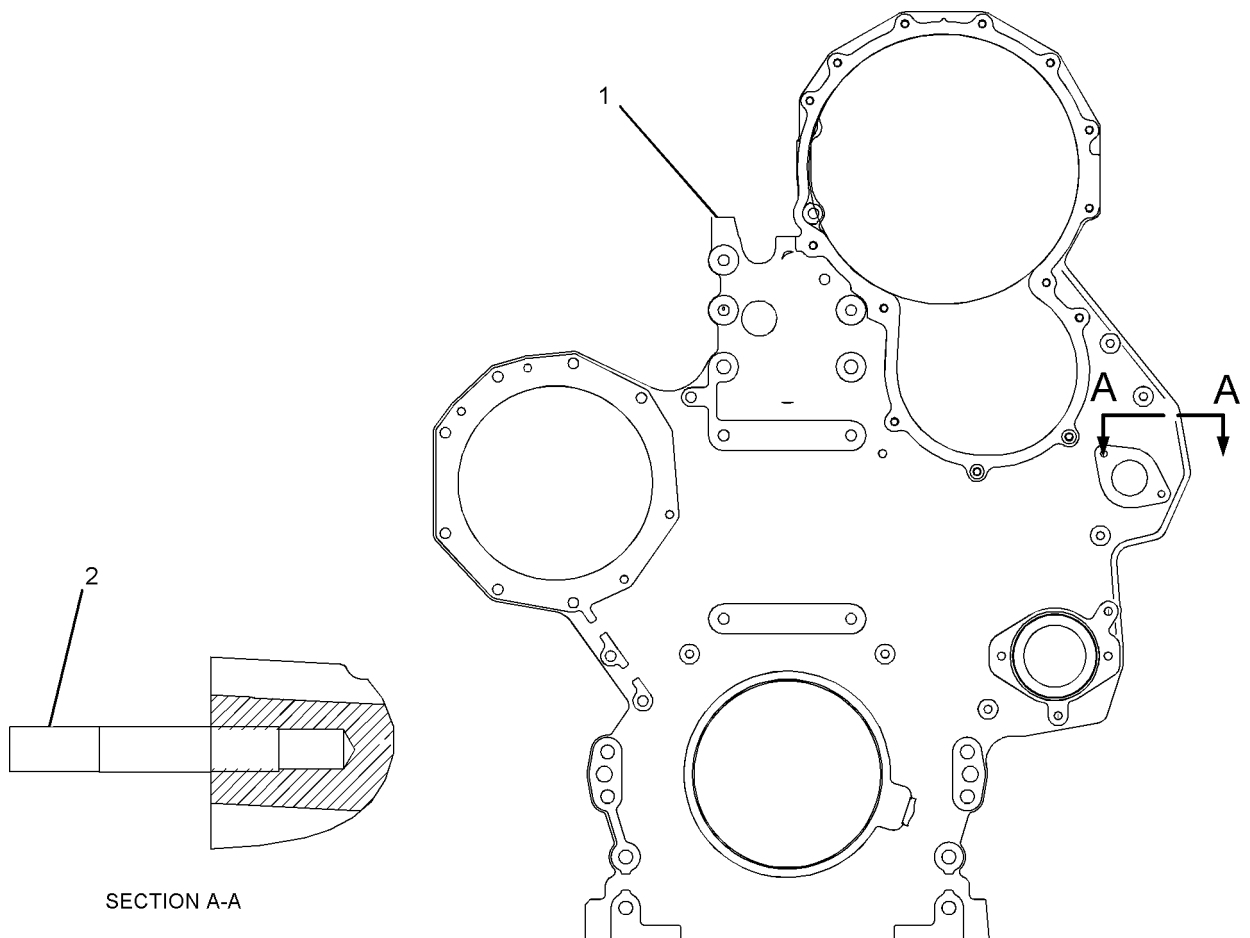
S/N: LHX19430-UP

PART OF 241-0164 HOUSING GP-FRONT

SMCS-1151, 1162, 1206

i02100846

NOTE	REF NO	GRAPHIC REF	PART NUMBER	QTY	PART NAME						SEE PAGE
					1	2	3	4	5	6 (PRODUCT LEVEL)	
	1	1	187-5420	1	HOUSING-FRONT						
	2	1	3E-8044	1	STUD (1/2-13X2.95-IN)						



SECTION A-A

GRAPHIC #1

<END>

g01071877

BASIC ENGINE

111-2088 LIFTING GP-ENGINE

S/N: LHX19430-UP

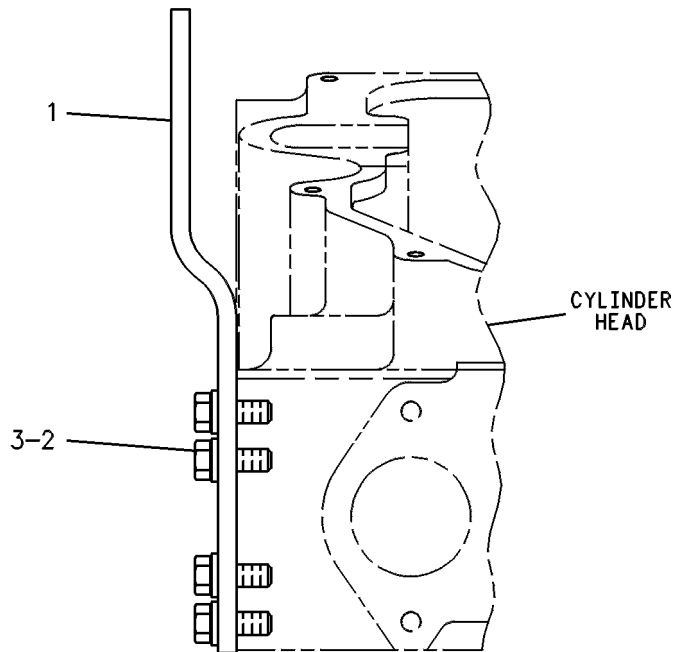
REAR, LOW PROFILE LIFTING EYE

PART OF 288-8156 ENGINE AR-COMplete

SMCS-1122

i01503053

NOTE	REF NO	GRAPHIC REF	PART NUMBER	QTY	PART NAME						SEE PAGE
					1	2	3	4	5	6 (PRODUCT LEVEL)	
1	1	1	109-9985	1	EYE-LIFTING						
2	1	1	0S-1594	8	BOLT (3/8-16X1 IN)						
3	1	1	5M-2894	8	WASHER-HARD (10.2X18.5X2.5MM THK)						



GRAPHIC #1

<END>

g00238183

BASIC ENGINE

112-2418 LIFTING GP-ENGINE

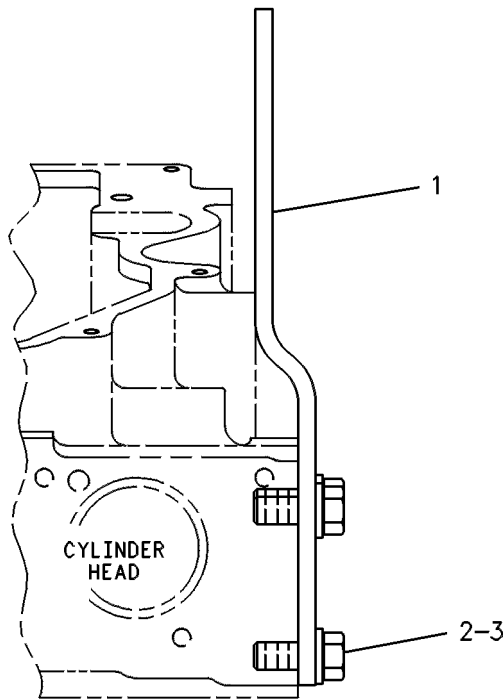
S/N: LHX19430-UP

PART OF 288-8156 ENGINE AR-COMPLETE

SMCS-1122

i01516137

NOTE	REF NO	GRAPHIC REF	PART NUMBER	QTY	PART NAME						SEE PAGE
					1	2	3	4	5	6 (PRODUCT LEVEL)	
	1	1	104-8586	1	EYE-LIFTING						
	2	1	0S-1595	4	BOLT (1/2-13X1.25-IN)						
	3	1	5P-8245	4	WASHER-HARD (13.5X25.5X3-MM THK)						



GRAPHIC #1

<END>

g00238168

BASIC ENGINE

190-0009 MECHANISM GP-FUEL PUMP & VALVE

S/N: LHX19430-UP

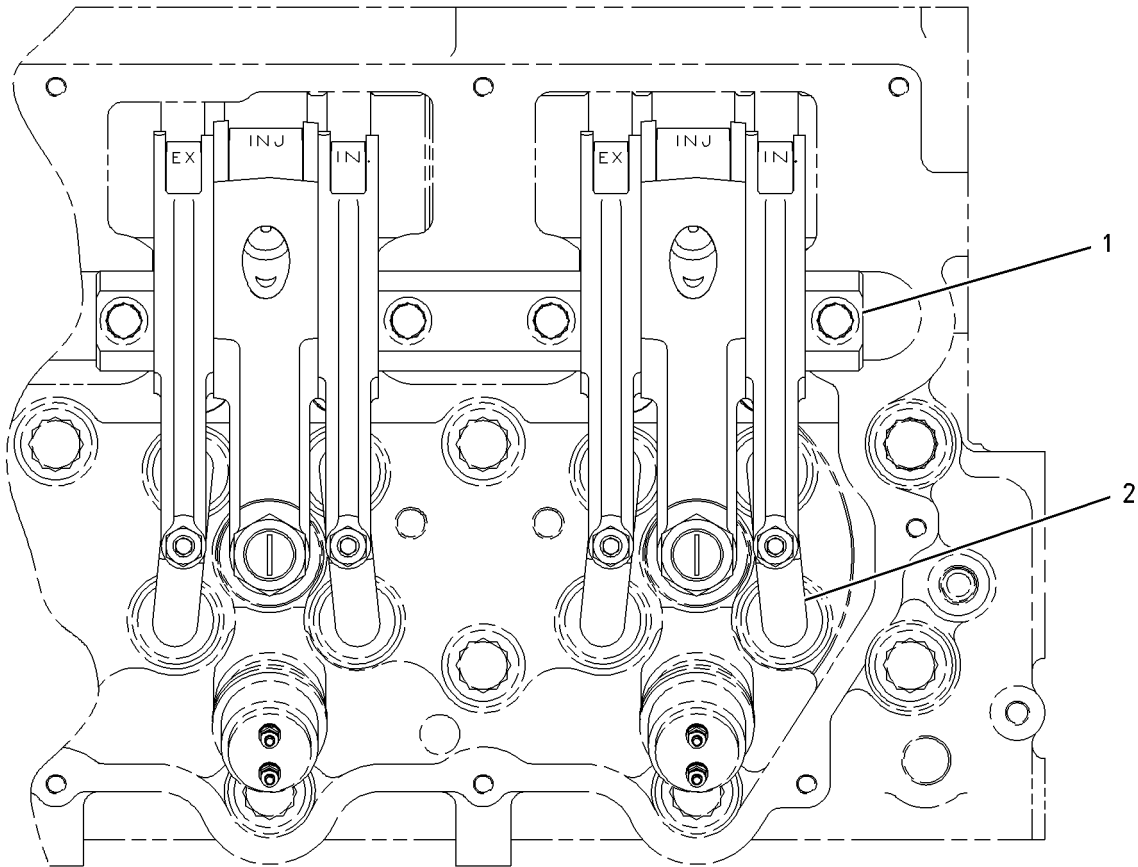
PART OF 241-5929 ENGINE AR-CORE

SMCS-1102

i03690828

NOTE	REF NO	GRAPHIC REF	PART NUMBER	QTY	PART NAME						SEE PAGE
					1	2	3	4	5	6 (PRODUCT LEVEL)	
CY	1	1	328-4236	3	ROCKER ARM GP						70
	2	1	348-7743	12	BRIDGE-VALVE						

C-CHANGE FROM PREVIOUS TYPE
Y-SEPARATE ILLUSTRATION



TOP VIEW

GRAPHIC #1

<END>

g00814910

BASIC ENGINE

227-3503 MOUNTING GP-ALTERNATOR & COMPR

S/N: LHX19430-UP

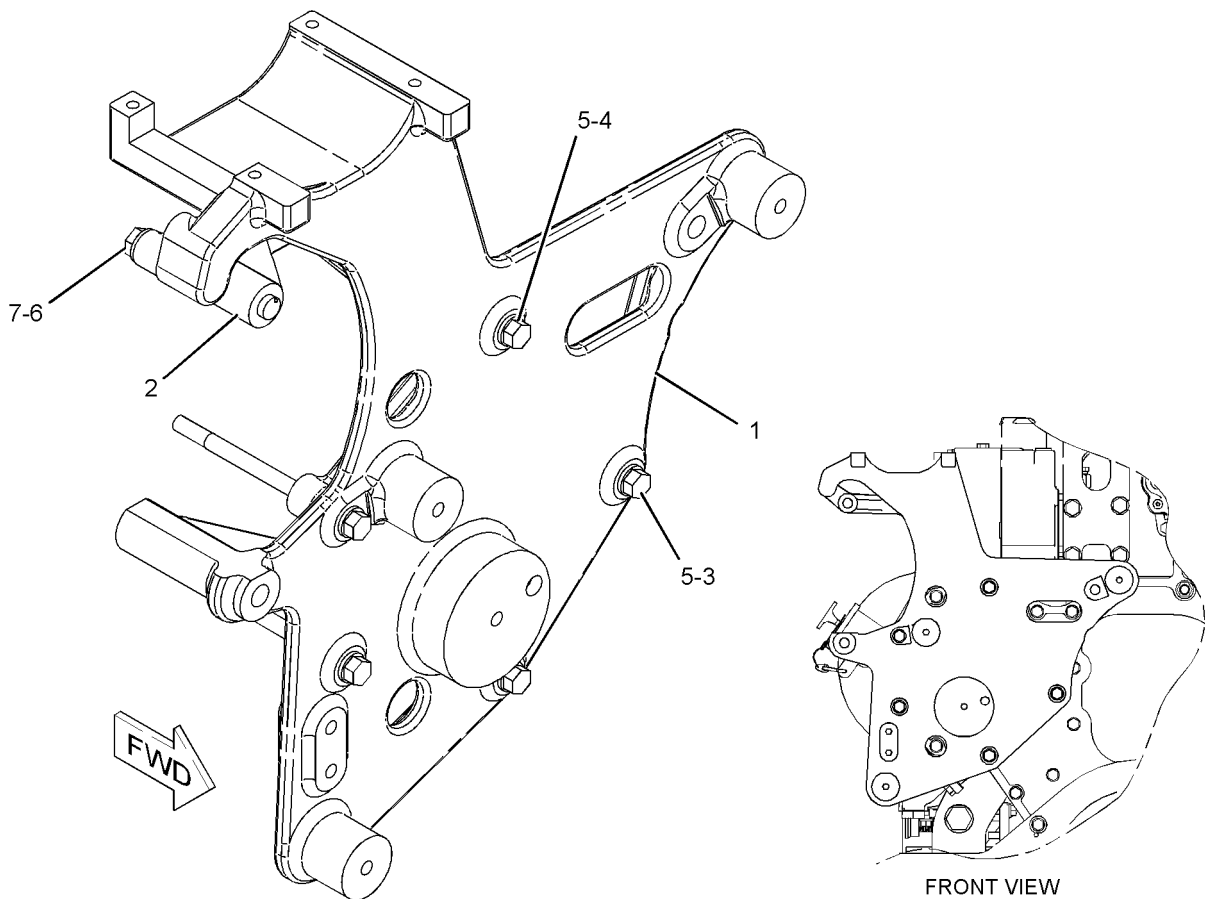
PART OF 288-8156 ENGINE AR-COMPLETE

SMCS-1405, 1802

i02520789

NOTE	REF NO	GRAPHIC REF	PART NUMBER	QTY	PART NAME						SEE PAGE
					1	2	3	4	5	6 (PRODUCT LEVEL)	
	1	1	238-5436	1	BRACKET						
	2	1	238-8643	1	BRACKET						
	3	1	0L-2070	1	BOLT (3/8-16X2.25-IN)						
	4	1	5F-4899	4	BOLT (3/8-16X5.5-IN)						
	5	1	5M-2894	5	WASHER-HARD (10.2X18.5X2.5-MM THK)						
	6	1	8T-4121	3	WASHER-HARD (11X21X2.5-MM THK)						
CM	7	1	8T-4186	3	BOLT (M10X1.5X40-MM)						

C-CHANGE FROM PREVIOUS TYPE
M-METRIC PART



GRAPHIC #1

<END>

g01309366

BASIC ENGINE

324-4054 MOUNTING GP-ENGINE FLEXIBLE

S/N: PAS1-UP

PART OF 297-7683 INSTALLATION AR-ENGINE

SMCS-1152

i03655489

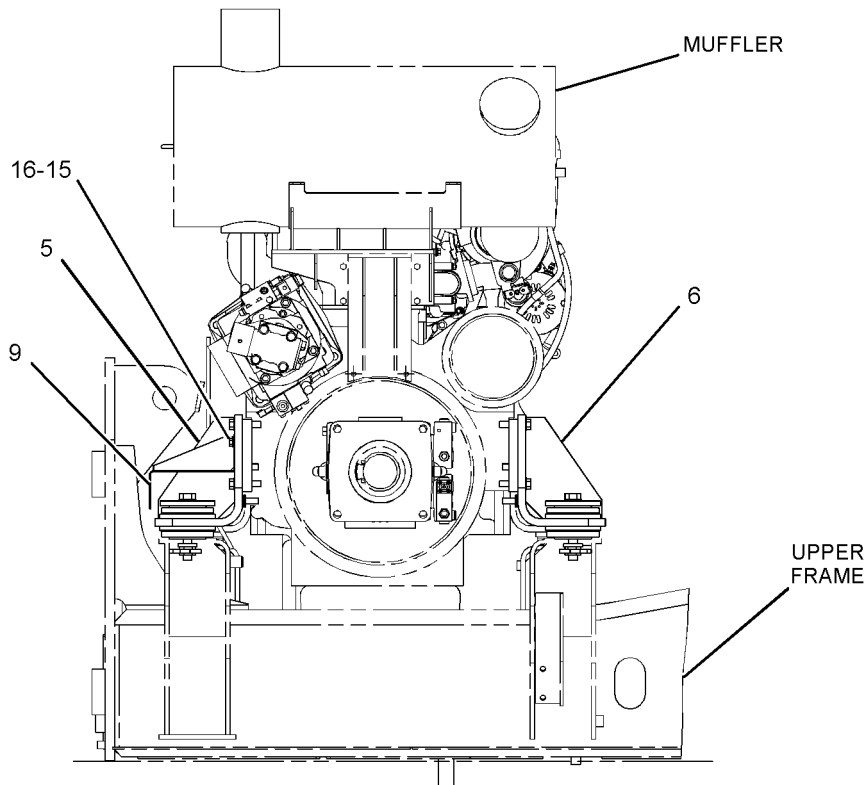
NOTE	REF NO	GRAPHIC REF	PART NUMBER	QTY	PART NAME						SEE PAGE
					1	2	3	4	5	6 (PRODUCT LEVEL)	
	1	2	9W-7388	6	WASHER (26X144X12-MM THK)						
M	2	2	139-8873	6	SUPPORT AS						
	3	2	147-6982	6	MOUNT-FLEXIBLE						
	4	2	147-6983	6	MOUNT-FLEXIBLE						
	5	1	171-9057	1	BRACKET AS						
	6	1	233-1202	1	BRACKET AS						
	7	2	255-2924	1	BRACKET AS						
	8	2	287-0204	1	BRACKET AS						
	9	1	324-4047	1	COVER AS						
M	10	2	7X-2567	6	BOLT (M24X3X160-MM)						
	11	2	8C-6362	8	BOLT (5/8-11X2.75-IN)						
	12	2	8T-1482	6	WASHER-HARD (26X50X8-MM THK)						
	13	2	8T-4122	16	WASHER-HARD (17X32X3.5-MM THK)						
	14	2	8T-4167	6	WASHER-HARD (26X44X4-MM THK)						
M	15	1	8T-4192	2	BOLT (M12X1.75X25-MM)						
	16	1	8T-4223	2	WASHER-HARD (13.5X25.5X3-MM THK)						
	17	2	8T-9393	8	BOLT (5/8-11X1.5-IN)						

M-METRIC PART

BASIC ENGINE

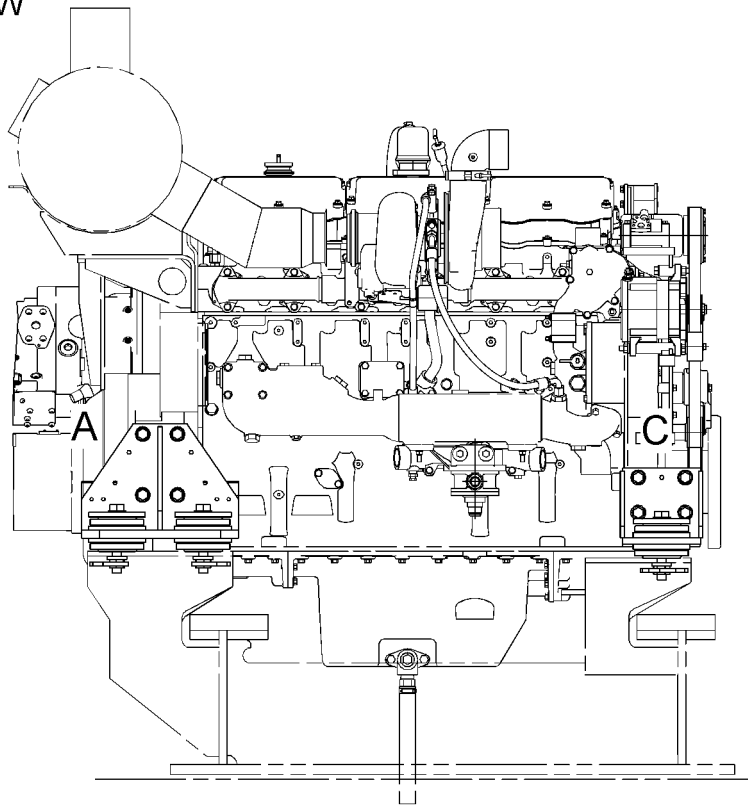
324-4054 MOUNTING GP-ENGINE FLEXIBLE (contd.)

i03655489



REFER TO ALL ILLUSTRATIONS OF THIS GROUP FOR AUXILIARY VIEWS

RIGHT SIDE VIEW



FRONT VIEW

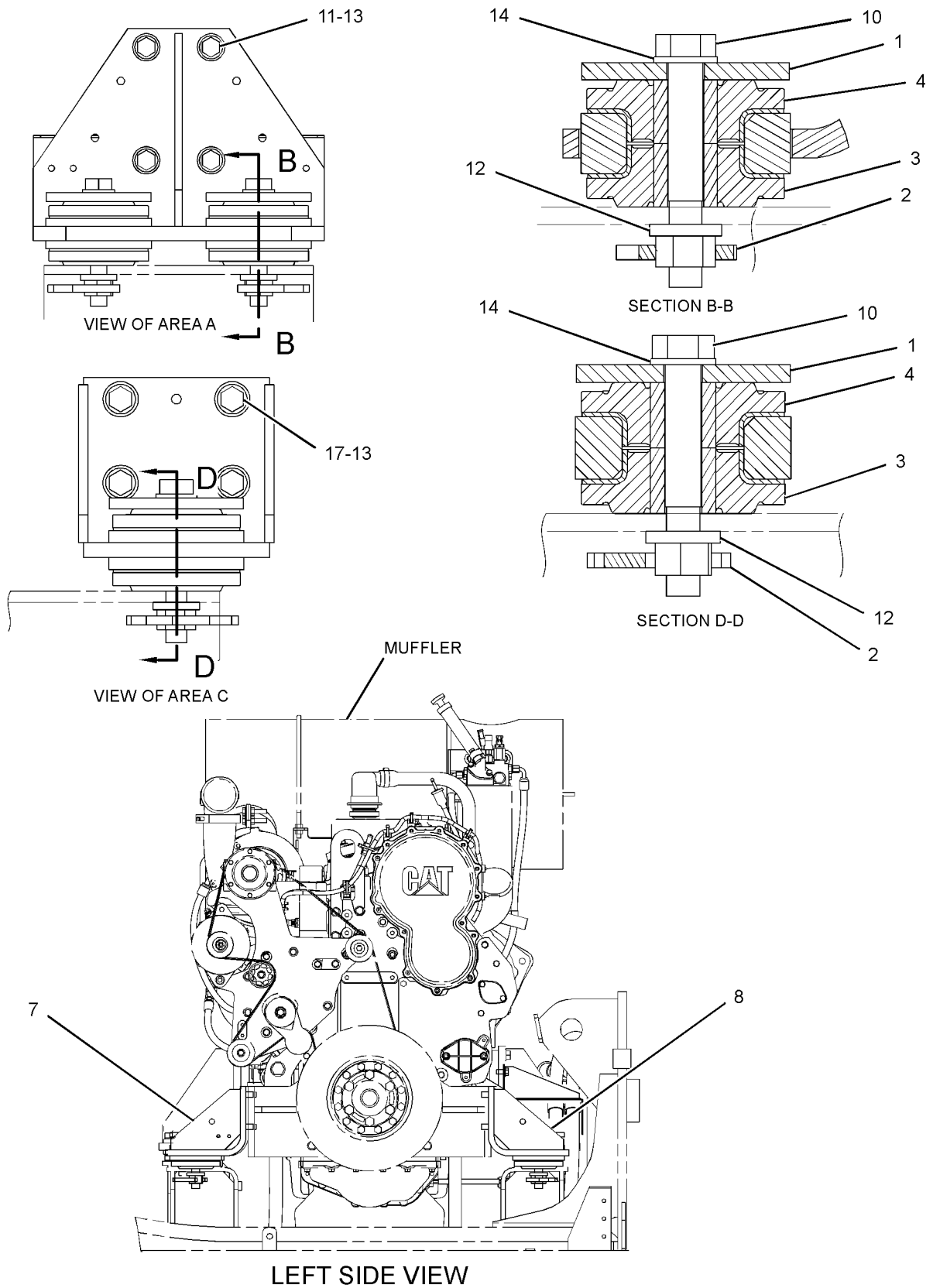
GRAPHIC #1

g02085159

BASIC ENGINE

324-4054 MOUNTING GP-ENGINE FLEXIBLE (contd.)

i03655489



GRAPHIC #2

<END>

g02085281

BASIC ENGINE

271-5761 PAN GP-OIL-ENGINE

S/N: LHX19430-UP

PART OF 288-8156 ENGINE AR-COMPLETE

SMCS-1302

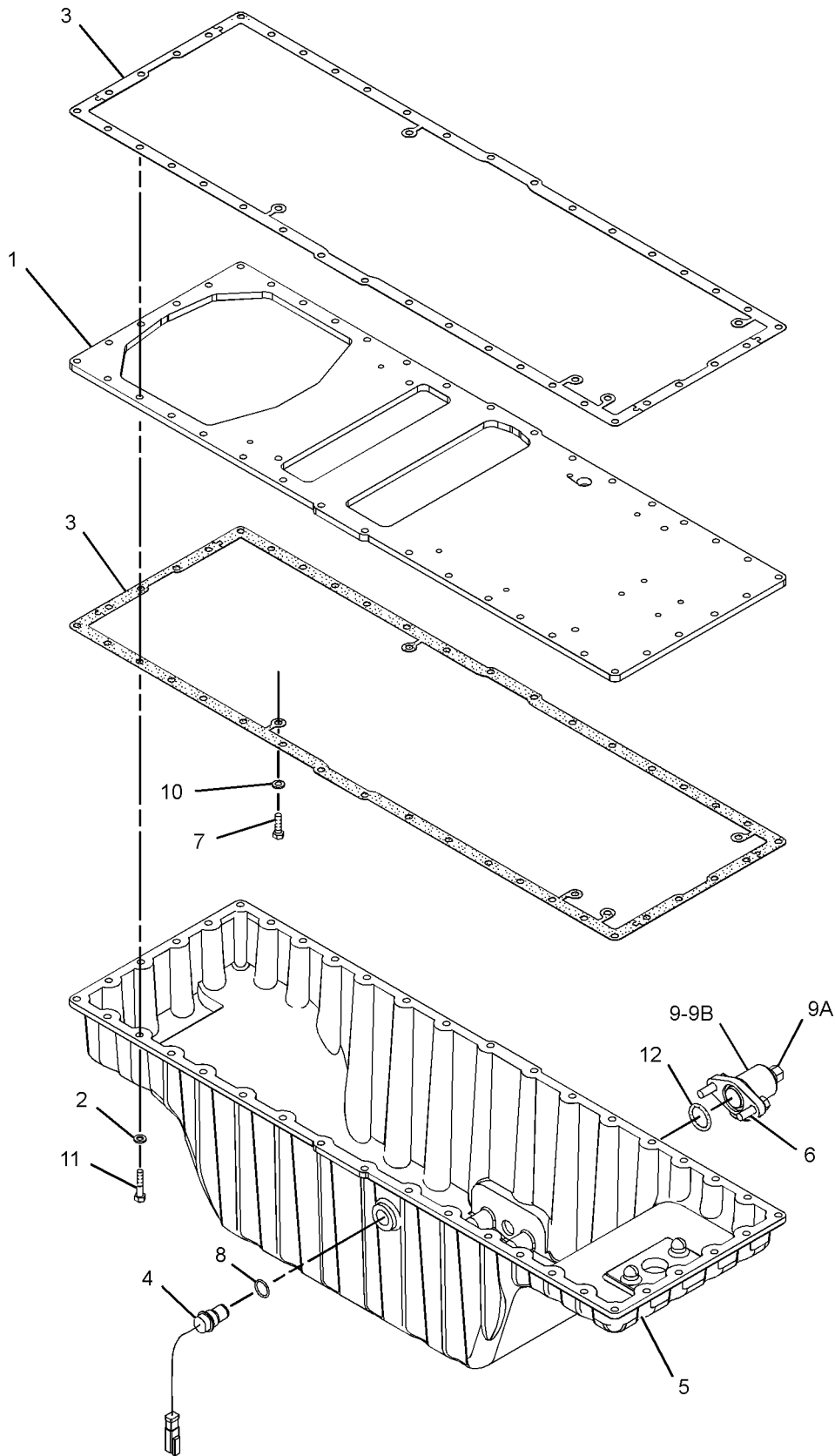
i03818556

NOTE	REF NO	GRAPHIC REF	PART NUMBER	QTY	PART NAME						SEE PAGE
					1	2	3	4	5	6 (PRODUCT LEVEL)	
1	1	1	7E-4661	1	PLATE						
2	1	1	8T-4896	40	WASHER-HARD (10.2X18.5X2.5-MM THK)						
3	1	1	188-0210	2	GASKET						
4	1	1	213-0677	1	SWITCH AS-LIQUID LEVEL (ENGINE OIL)						
		1	102-8802	1	KIT-RECEPTACLE (2-PIN)						
					(INCLUDES RECEPTACLE AS & WEDGE)						
		1	144-1636	2	PIN-CONNECTOR (14-GA TO 18-GA)						
5	1	1	271-4068	1	PAN-OIL						
6	1	1	0S-1587	2	BOLT (1/2-13X1.75-IN)						
7	1	1	0S-1588	3	BOLT (3/8-16X1.25-IN)						
8	1	1	238-5082	1	SEAL-O-RING						
9	1	1	4P-0519	1	ADAPTER AS-DRAIN						
9A	1	1	109-5839	1	PLUG-DRAIN (ENGINE OIL PAN)						
9B	1	1	109-5840	1	ADAPTER-PLUG						
10	1	1	5M-2894	3	WASHER-HARD (10.2X18.5X2.5-MM THK)						
11	1	1	0S-1571	40	BOLT (3/8-16X1.75-IN)						
12	1	1	6V-3830	1	SEAL-O-RING						

BASIC ENGINE

271-5761 PAN GP-OIL (contd.)

i03818556



GRAPHIC #1

<END>

g02049883

BASIC ENGINE

238-6802 PANEL GP-SOUND SUPPRESSION

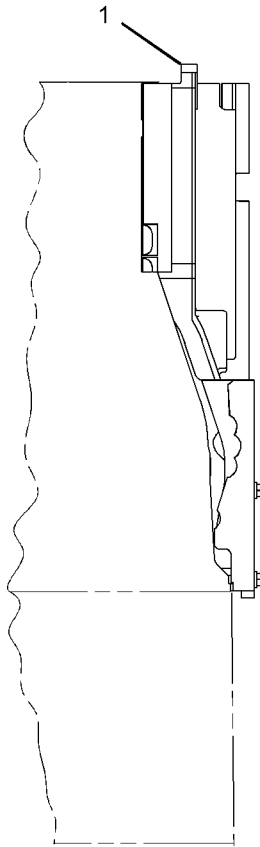
S/N: LHX19430-UP

PART OF 288-8156 ENGINE AR-COMPLETE

SMCS-1801

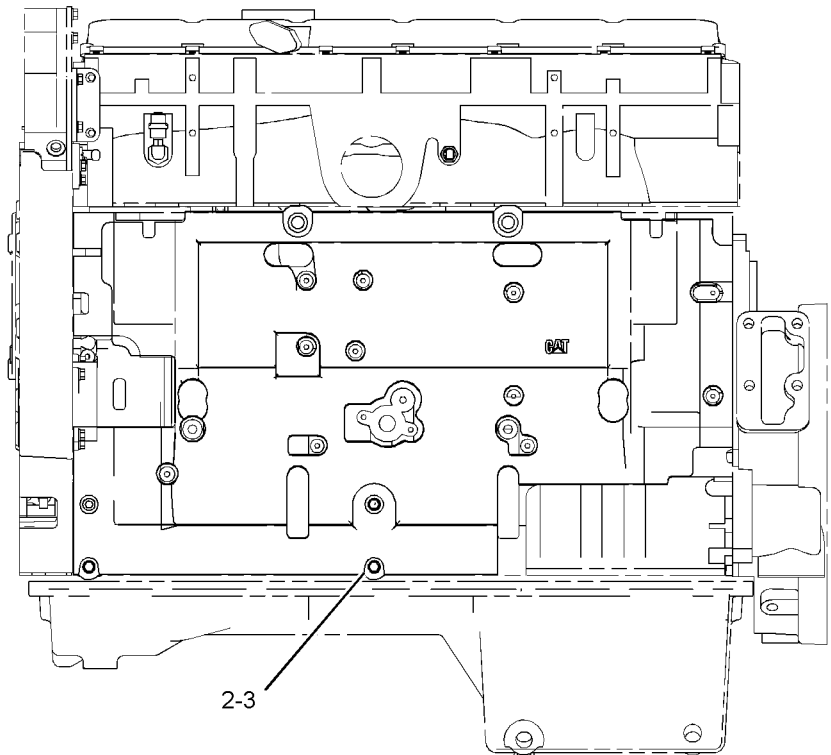
i02100292

NOTE	REF NO	GRAPHIC REF	PART NUMBER	QTY	PART NAME						SEE PAGE
					1	2	3	4	5	6 (PRODUCT LEVEL)	
	1	1	238-6801	1	PANEL AS-SOUND SUPPRESSION						
	2	1	0S-1588	3	BOLT (3/8-16X1.25-IN)						
	3	1	5M-2894	3	WASHER-HARD (10.2X18.5X2.5-MM THK)						



FRONT VIEW

GRAPHIC #1



LEFT SIDE VIEW

<END>

g01070865

BASIC ENGINE

246-5984 PANEL GP-SOUND SUPPRESSION-FRONT HOUSING

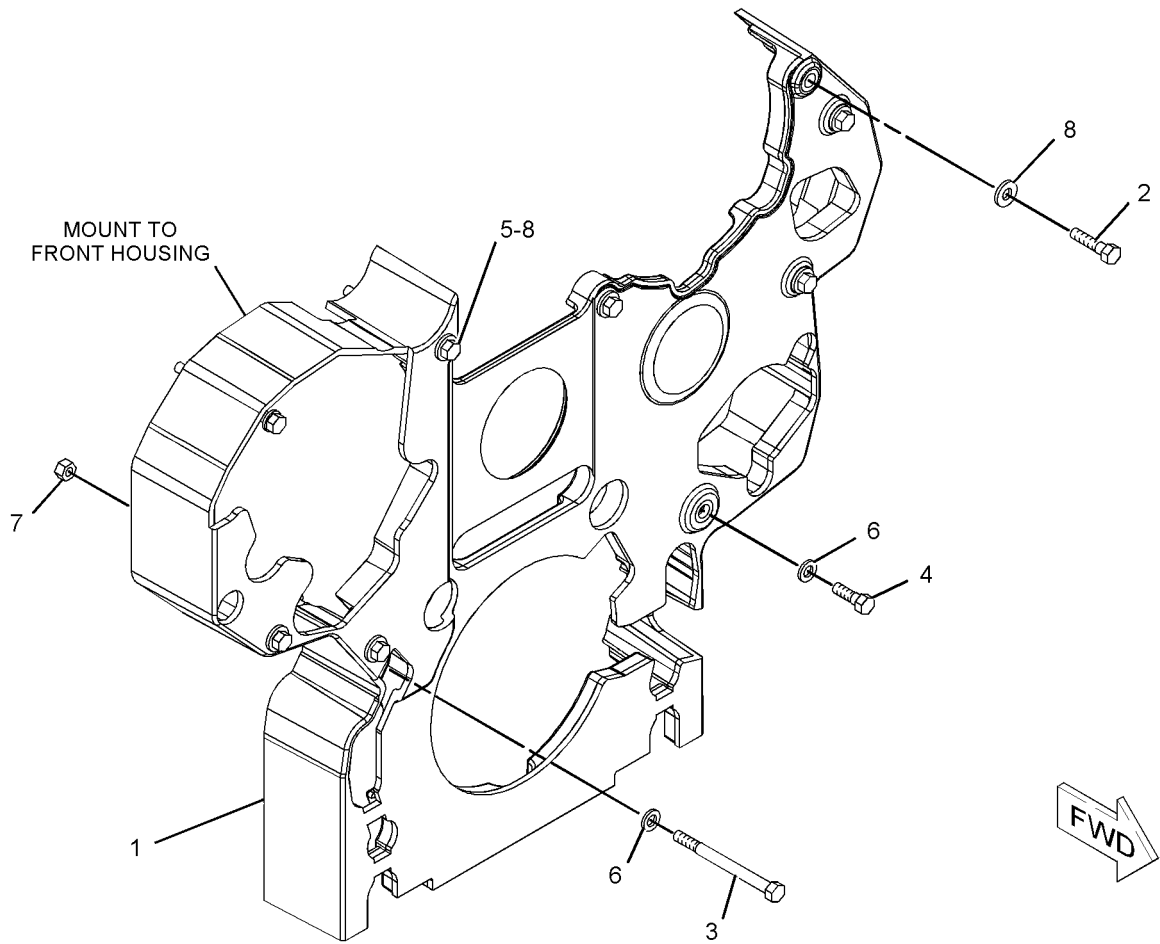
S/N: LHX19430-UP

PART OF 288-8156 ENGINE AR-COMplete

SMCS-1801

i02219315

NOTE	REF NO	GRAPHIC REF	PART NUMBER	QTY	PART NAME						SEE PAGE
					1	2	3	4	5	6 (PRODUCT LEVEL)	
	1	1	237-4332	1	COVER AS						
	2	1	0S-1591	3	BOLT (3/8-16X1.5-IN)						
	3	1	0T-0055	3	BOLT (3/8-16X4.25-IN)						
	4	1	1A-2029	2	BOLT (3/8-16X1.125-IN)						
	5	1	1A-5964	2	BOLT (3/8-16X4.5-IN)						
	6	1	5M-2894	4	WASHER-HARD (10.2X18.5X2.5-MM THK)						
	7	1	9S-8752	1	NUT-FULL (3/8-16-THD)						
	8	1	9X-6458	7	WASHER-HARD (10.2X22.5X3-MM THK)						



GRAPHIC #1

<END>

g01126959

BASIC ENGINE

229-2863 PISTON & ROD GP

S/N: LHX19430-UP

18:1 COMPRESSION RATIO

PART OF 241-5929 ENGINE AR-CORE

SMCS-1225

i03905243

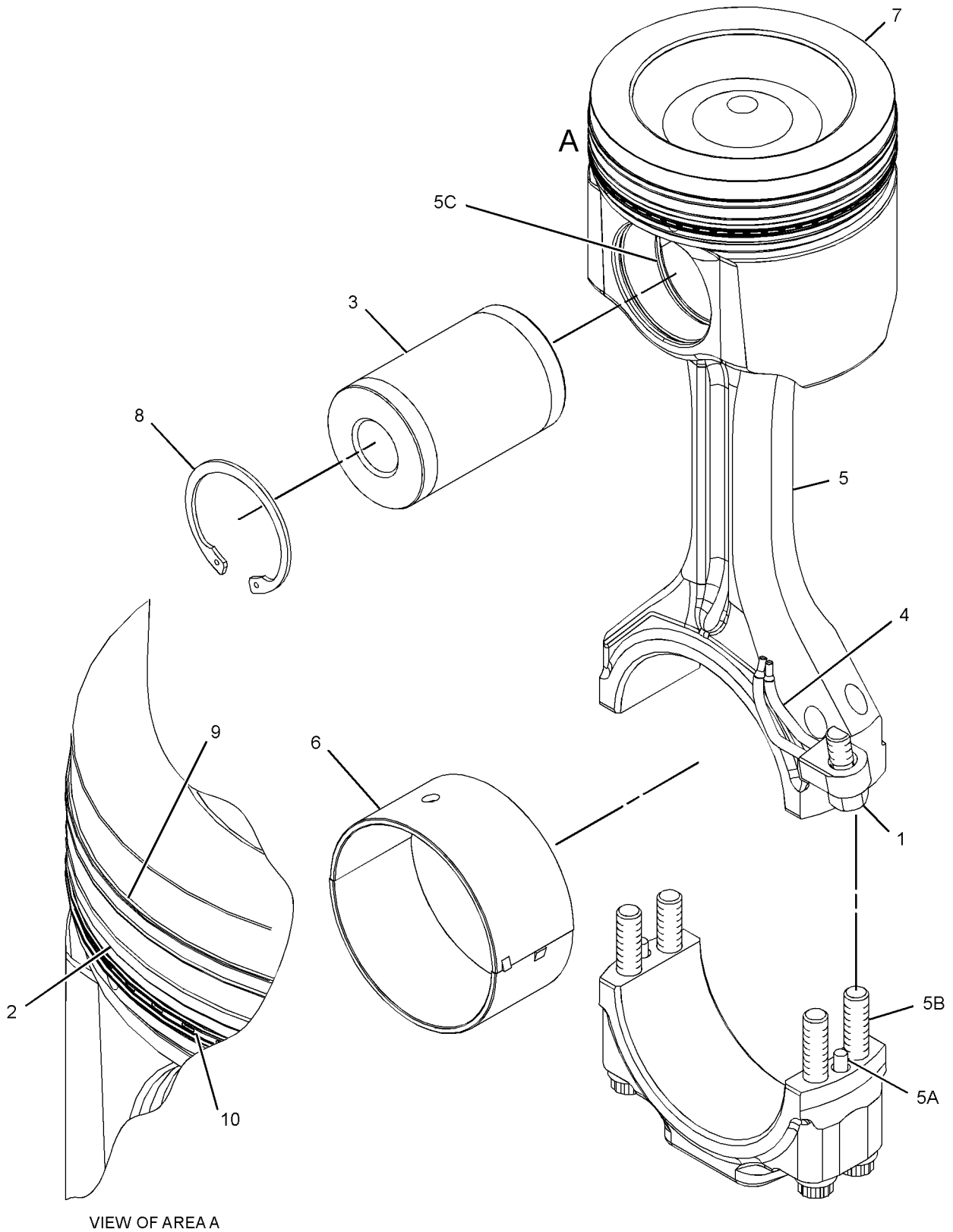
NOTE	REF NO	GRAPHIC REF	PART NUMBER	QTY	PART NAME						SEE PAGE
					1	2	3	4	5	6 (PRODUCT LEVEL)	
	1	1	151-5925	1	BOLT (7/16-14-THD)						
	2	1	164-4187	1	RING-PISTON (INTERMEDIATE)						
	3	1	180-7350	1	PIN-PISTON						
	4	1	276-4637	1	TUBE AS-OIL JET						
R	5	1	224-3245	1	ROD AS						
	5A	1	219-4458	2	PIN-DOWEL						
	5B	1	213-3217	4	BOLT (M11X1.25X84-MM)						
	5C	1	229-6259	1	BEARING						
	6	1	224-3246	1	BEARING-CONNECTING ROD (STANDARD)						
AB			232-3235		BEARING-CONNECTING ROD (0.64-MM US)						
AB			232-3236		BEARING-CONNECTING ROD (1.27-MM US)						
C	7	1	346-6616	1	BODY AS-PISTON						
C	8	1	250-2940	2	RETAINER-PIN						
C	9	1	310-4188	1	RING-PISTON (TOP)						
C	10	1	306-4014	1	RING-PISTON (OIL)						

A-NOT PART OF THIS GROUP
 B-USE AS REQUIRED
 C-CHANGE FROM PREVIOUS TYPE
 R-REMG PART MAY BE AVAILABLE

BASIC ENGINE

229-2863 PISTON & ROD GP (contd.)

i03905243



GRAPHIC #1

<END>

g01978175

BASIC ENGINE

353-9982 PLATE AS-FRONT HOUSING

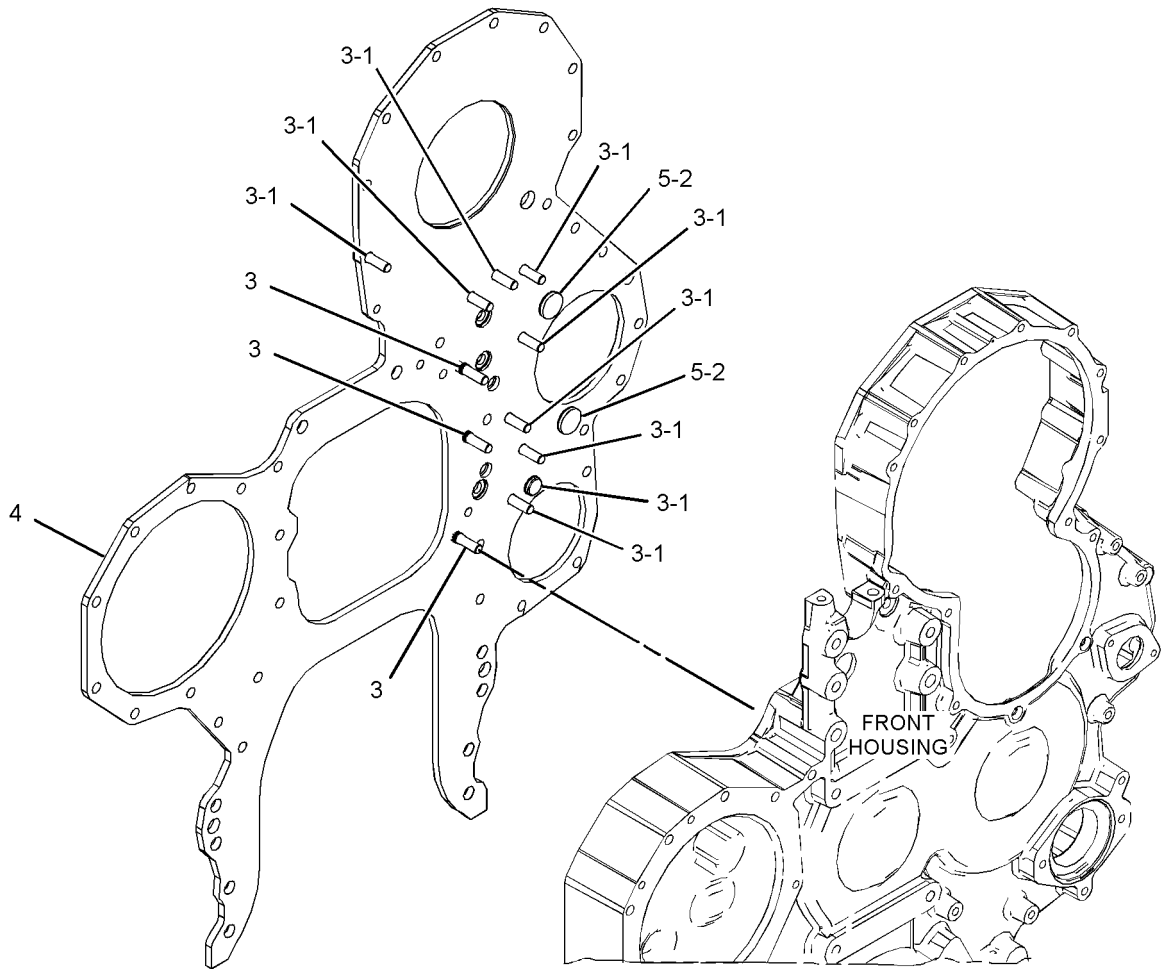
S/N: LHX19430-UP

PART OF 241-0164 HOUSING GP-FRONT

SMCS-1151, 1162

i03896289

NOTE	REF NO	GRAPHIC REF	PART NUMBER	QTY	PART NAME						SEE PAGE
					1	2	3	4	5	6 (PRODUCT LEVEL)	
	1	1	126-1757	9	WASHER (10.85X19.3X1.27-MM THK)						
	2	1	129-5427	2	WASHER-SPECIAL (SEALING)						
	3	1	129-5428	12	STUD (BRAKE)						
	4	1	223-0533	1	PLATE						
	5	1	334-6832	2	STUD-SPECIAL (BRAKE)						



GRAPHIC #1

<END>

g02129274

BASIC ENGINE

229-6709 PLUG GP-CYLINDER BLOCK

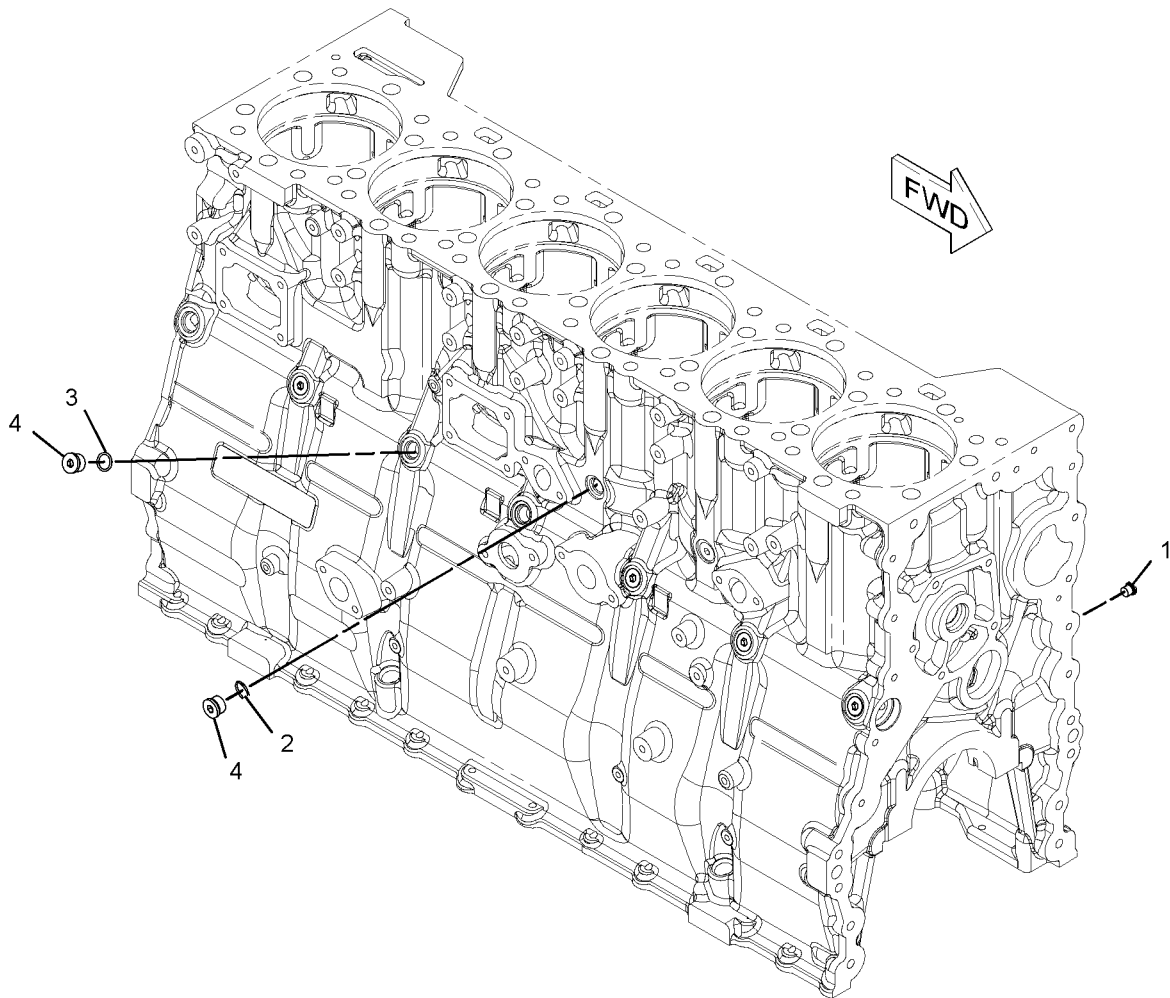
S/N: LHX19430-UP

PART OF 288-8156 ENGINE AR-COMPLETE

SMCS-1201

i02103141

NOTE	REF NO	GRAPHIC REF	PART NUMBER	QTY	PART NAME						SEE PAGE
					1	2	3	4	5	6 (PRODUCT LEVEL)	
	1	1	183-3409	1	PLUG AS						
		1	9S-8002	1	PLUG-O-RING						
		1	033-5853	1	SEAL-O-RING						
	2	1	6V-6609	2	SEAL-O-RING						
	3	1	8L-2786	5	SEAL-O-RING						
	4	1	9S-8005	7	PLUG-O-RING						



GRAPHIC #1

<END>

g01038550

BASIC ENGINE

305-9196 PLUG GP-CYLINDER BLOCK

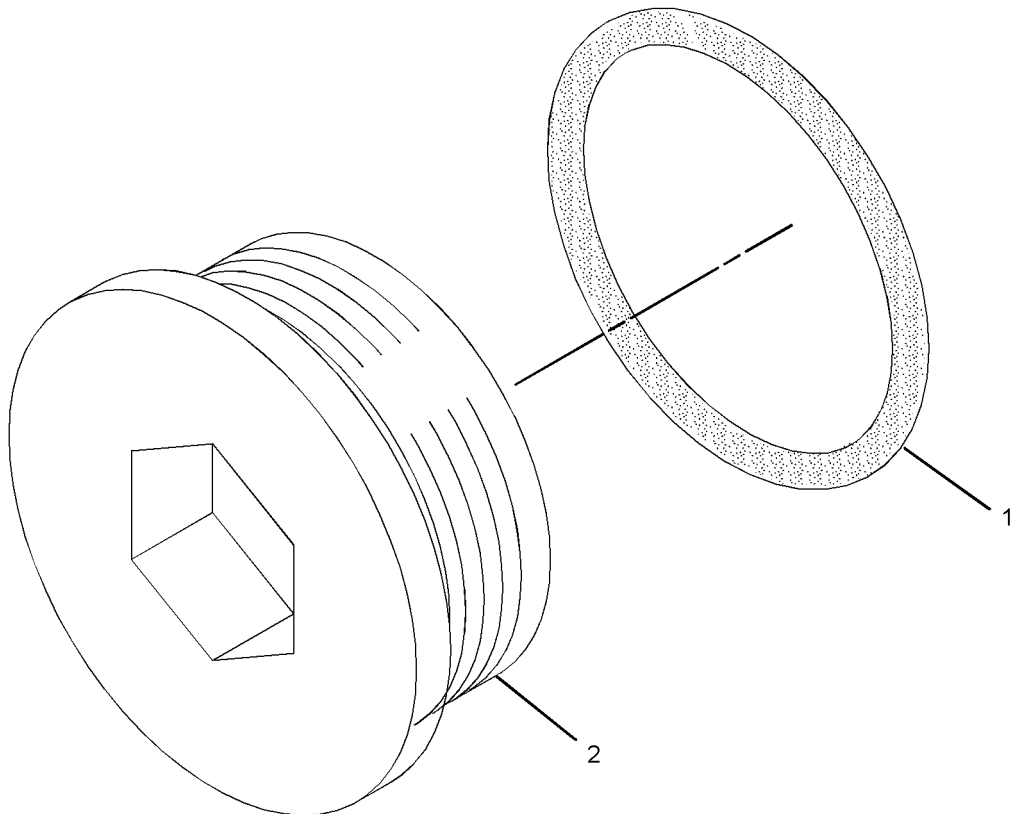
S/N: LHX19430-UP

PART OF 223-9252 CYLINDER BLOCK GP

SMCS-1201

i02680408

NOTE	REF NO	GRAPHIC REF	PART NUMBER	QTY	PART NAME						SEE PAGE
					1	2	3	4	5	6 (PRODUCT LEVEL)	
	1	1	6V-5065	1	SEAL-O-RING						
	2	1	9S-8010	1	PLUG						



GRAPHIC #1

<END>

g01347363

BASIC ENGINE

282-3645 PLUG GP-CYLINDER HEAD

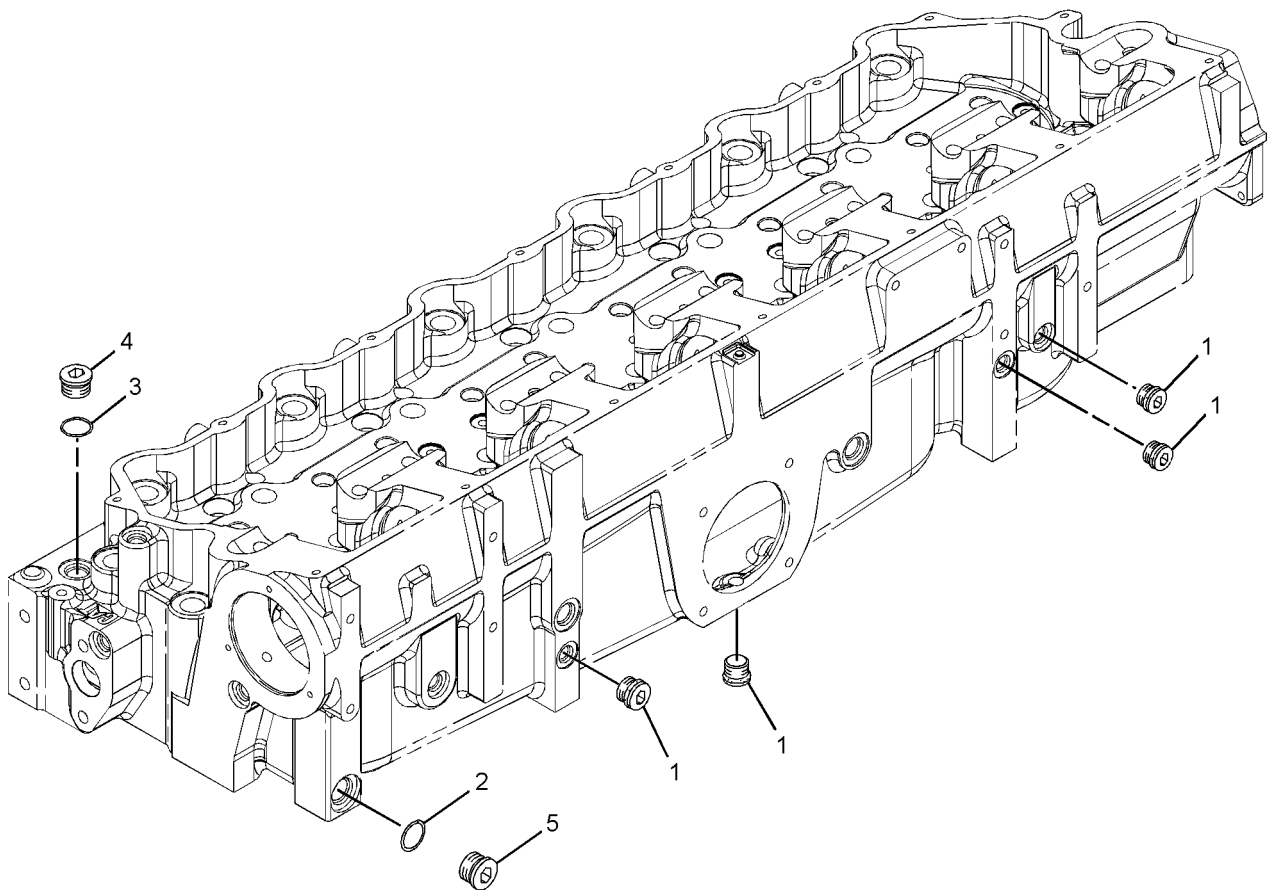
S/N: LHX19430-UP

PART OF 288-8156 ENGINE AR-COMplete

SMCS-1100

i02518021

NOTE	REF NO	GRAPHIC REF	PART NUMBER	QTY	PART NAME						SEE PAGE
					1	2	3	4	5	6 (PRODUCT LEVEL)	
1	1	1	183-3408	4	PLUG AS						
					(EACH INCLUDES)						
		1	6V-5049	1	SEAL-O-RING						
		1	9S-8004	1	PLUG-O-RING						
2		1	6V-3251	1	SEAL-O-RING						
3		1	6V-6609	1	SEAL-O-RING						
4		1	9S-8005	1	PLUG-O-RING						
5		1	9S-8006	1	PLUG-O-RING						



GRAPHIC #1

<END>

g01311024

BASIC ENGINE

235-5941 PLUG GP-ENGINE

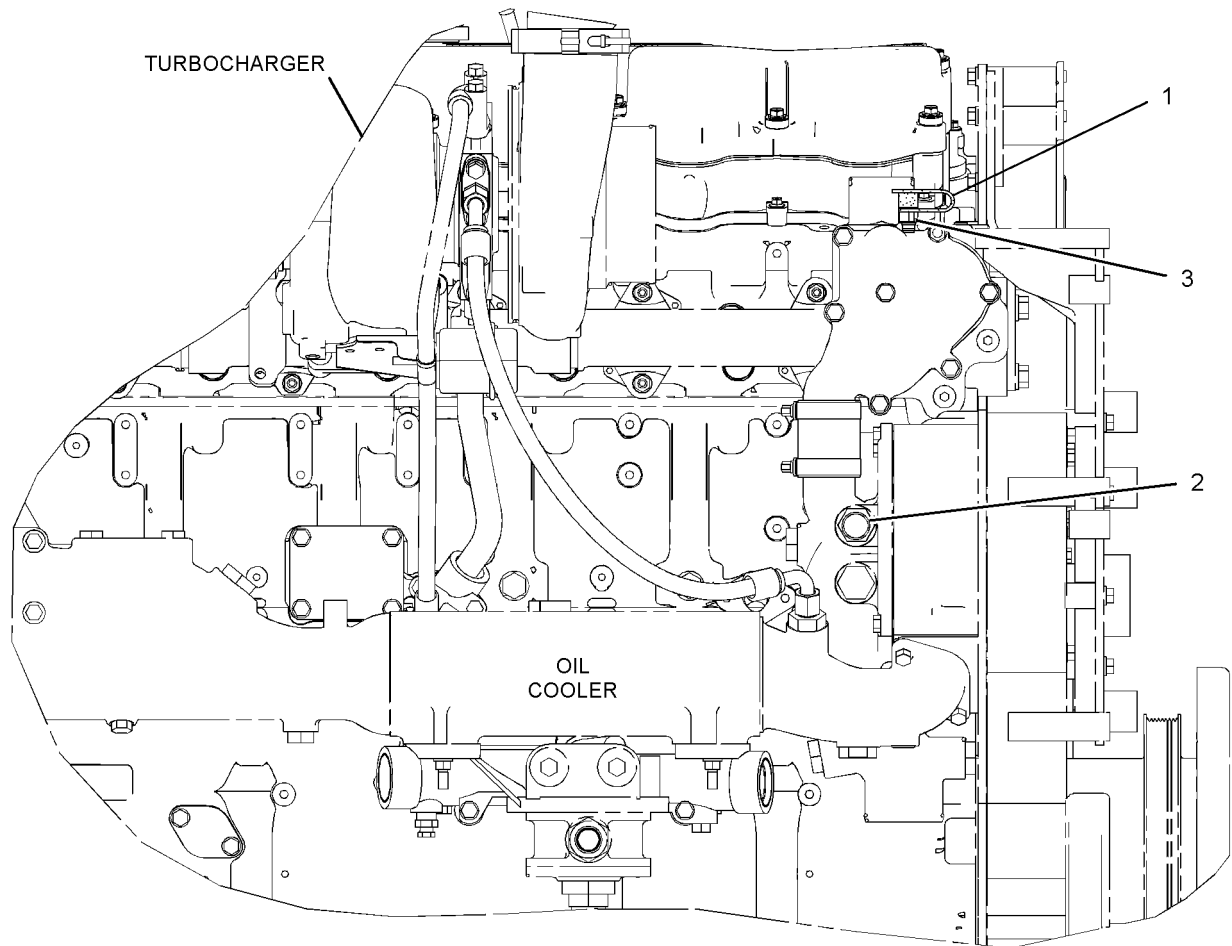
S/N: LHX19430-UP

PART OF 288-8156 ENGINE AR-COMplete

SMCS-1000

i03645113

NOTE	REF NO	GRAPHIC REF	PART NUMBER	QTY	PART NAME						SEE PAGE
					1	2	3	4	5	6 (PRODUCT LEVEL)	
	1	1	157-0670	1	CAP-DUST (ENGINE COOLANT)						
	2	1	<i>148-8408</i>	1	PLUG AS						
		1	3D-2824	1	SEAL-O-RING						
		1	9S-4183	1	PLUG-O-RING (STRAIGHT THREAD O-RING)						
	3	1	<i>217-9060</i>	1	VALVE AS-FLUID SAMPLING (COOLANT)						
		1	3J-7354	1	SEAL-O-RING						
		1	154-9023	1	VALVE-SAMPLING						



RIGHT SIDE VIEW OF ENGINE

<END>

GRAPHIC #1

g01435842

BASIC ENGINE

221-3705 PULLEY GP

S/N: LHX19430-UP

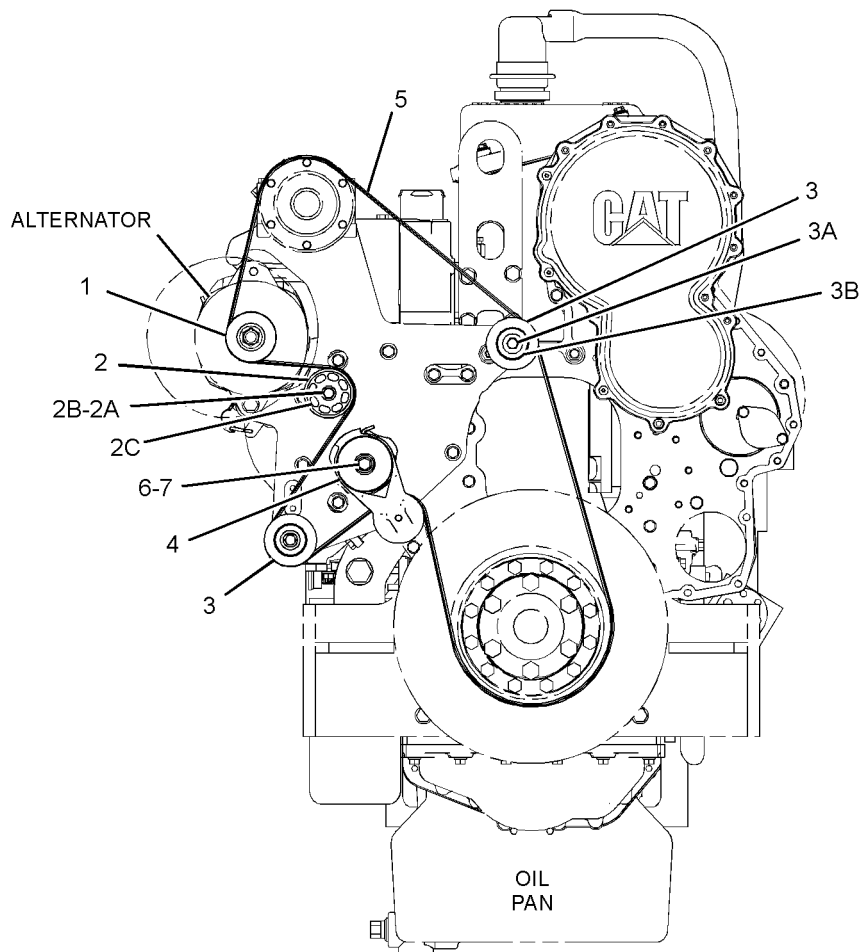
PART OF 288-8156 ENGINE AR-COMplete

SMCS-1205, 1207, 1358, 1384, 1425

i02881499

NOTE	REF NO	GRAPHIC REF	PART NUMBER	QTY	PART NAME						SEE PAGE
					1	2	3	4	5	6 (PRODUCT LEVEL)	
	1	1	123-0791	1	PULLEY (8-GROOVE)						
	2	1	133-7023	1	PULLEY AS-IDLER						
	2A	1	151-2898	1	SPACER (10.4X38.1X20-MM THK)						
M	2B	1	151-2900	1	BOLT (M10X1.5X54.25-MM)						
	2C	1	166-6358	1	COVER-DUST						
	3	1	289-6304	2	PULLEY AS-IDLER (EACH INCLUDES)						
M	3A	1	151-2900	1	BOLT (M10X1.5X54.25-MM)						
	3B	1	166-6358	1	COVER-DUST						
	4	1	200-2279	1	BELT TENSIONER						
	5	1	243-1276	1	BELT-SERPENTINE						
	6	1	8T-4121	1	WASHER-HARD (11X21X2.5-MM THK)						
M	7	1	8T-4172	1	BOLT (M10X1.5X80-MM)						

M-METRIC PART



FRONT VIEW OF ENGINE

<END>

GRAPHIC #1

g01435857

BASIC ENGINE

320-2796 ROCKER ARM GP*R

S/N: LHX19430-UP

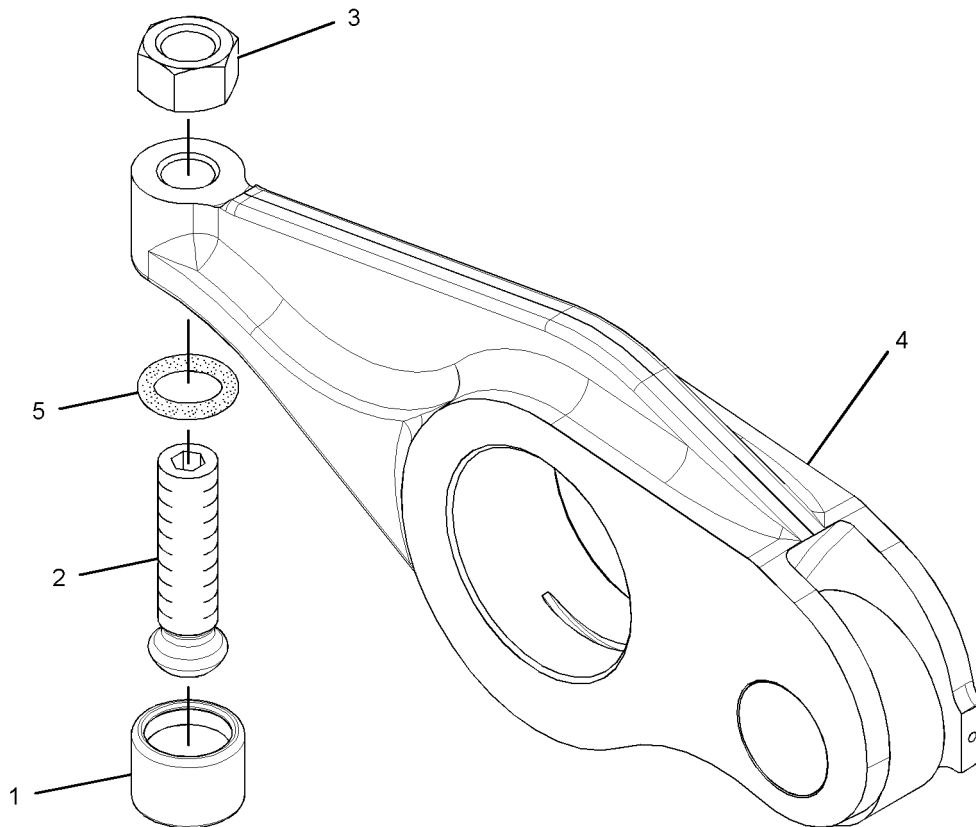
PART OF 328-4236 ROCKER ARM GP

SMCS-1123

i03326363

NOTE	REF NO	GRAPHIC REF	PART NUMBER	QTY	PART NAME						SEE PAGE
					1	2	3	4	5	6 (PRODUCT LEVEL)	
	1	1	258-8721	1	BUTTON						
	2	1	274-4491	1	SCREW-ARM ADJUSTMENT (3/8-24X1.20-IN)						
	3	1	276-5317	1	NUT (3/8-24-THD)						
R	4	1	320-2797	1	ROCKER ARM AS						
	5	1	8L-2777	1	SEAL-O-RING						

R-REMG PART MAY BE AVAILABLE



GRAPHIC #1

<END>

g01526902

BASIC ENGINE

328-4236 ROCKER ARM GP

S/N: LHX19430-UP

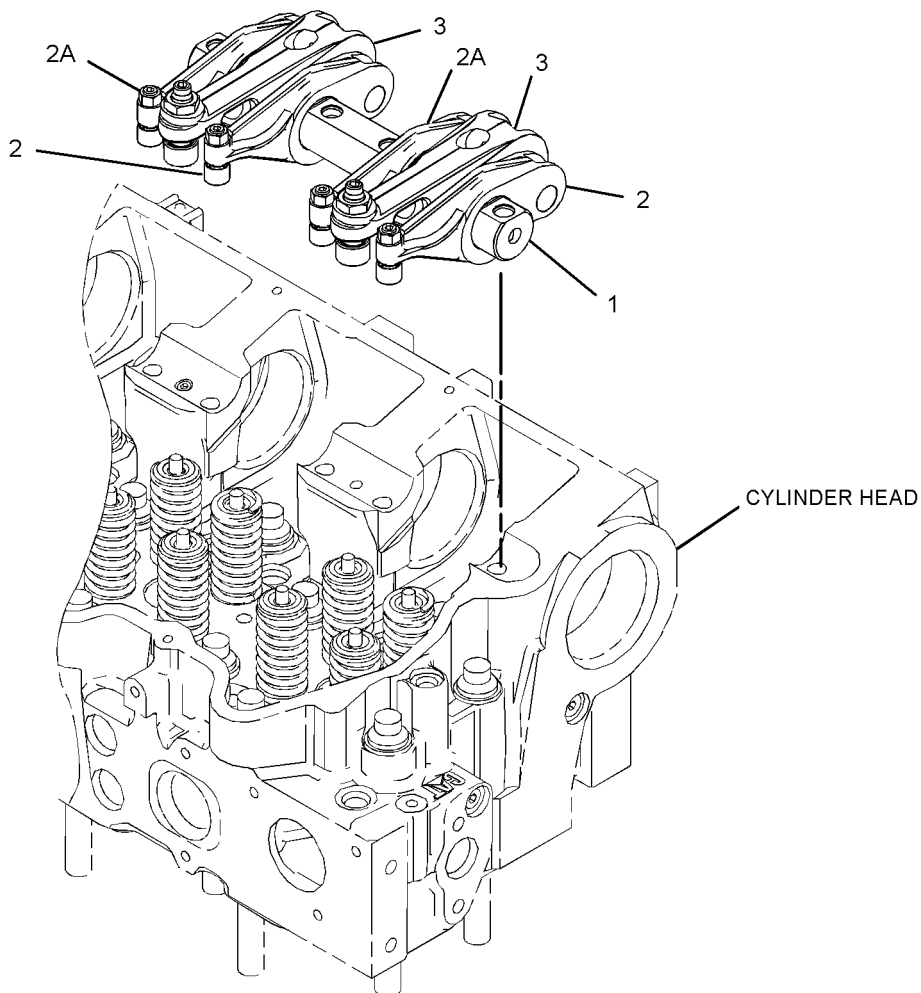
PART OF 190-0009 MECHANISM GP-FUEL PUMP & VALVE

SMCS-1123

i03837675

NOTE	REF NO	GRAPHIC REF	PART NUMBER	QTY	PART NAME						SEE PAGE
					1	2	3	4	5	6 (PRODUCT LEVEL)	
	1	1	307-8322	1	SHAFT AS-ROCKER ARM						
		1	4B-9782	2	BALL						
YR	2	1	320-2796	2	ROCKER ARM GP (INTAKE)						69
YR	2A	1	320-2796	2	ROCKER ARM GP (EXHAUST)						69
YR	3	1	328-4238	2	ROCKER ARM GP (UNIT INJECTOR)						71

R-REMFG PART MAY BE AVAILABLE
Y-SEPARATE ILLUSTRATION



GRAPHIC #1

<END>

g02086418

BASIC ENGINE

328-4238 ROCKER ARM GP*R

S/N: LHX19430-UP

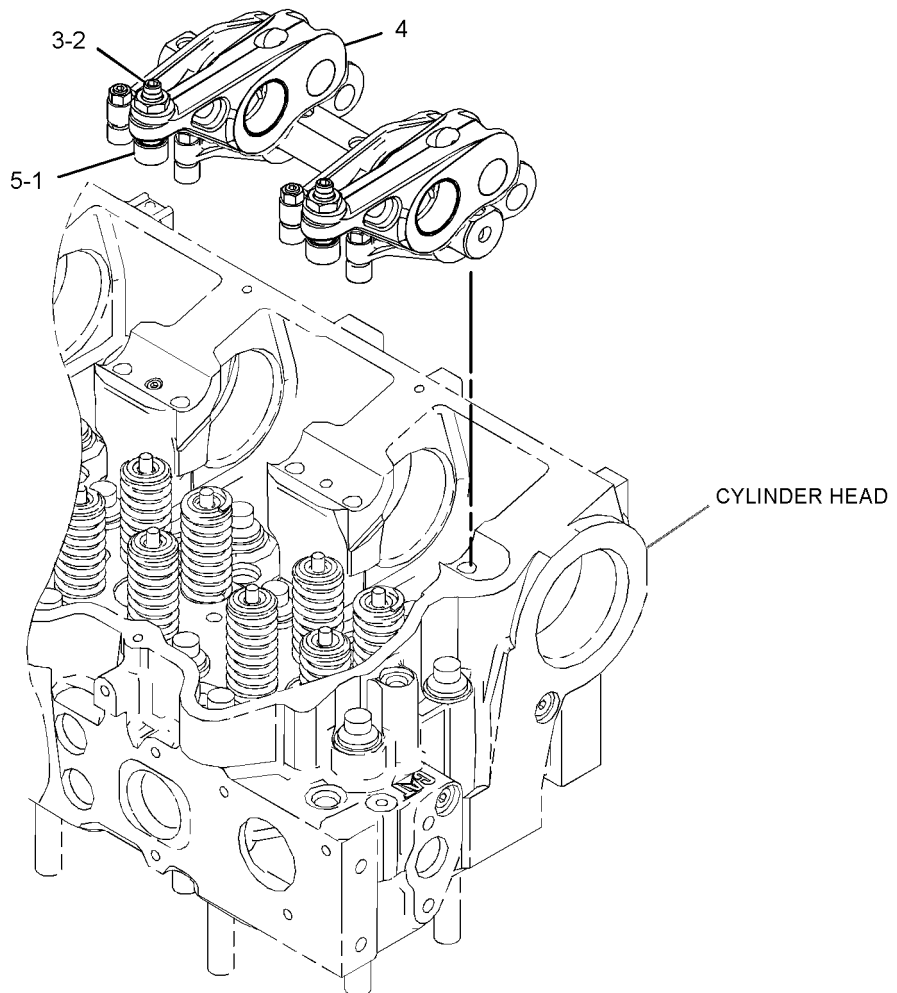
PART OF 328-4236 ROCKER ARM GP

SMCS-1123

i03326323

NOTE	REF NO	GRAPHIC REF	PART NUMBER	QTY	PART NAME						SEE PAGE
					1	2	3	4	5	6 (PRODUCT LEVEL)	
	1	1	192-4151	1	BUTTON						
	2	1	196-5069	1	SCREW-ARM ADJUSTMENT (9/16-18X2-IN)						
	3	1	196-5070	1	NUT-JAM (9/16-18-THD)						
R	4	1	278-1365	1	ROCKER ARM AS						
	5	1	061-8639	1	SEAL-O-RING						

R-REMG PART MAY BE AVAILABLE



GRAPHIC #1

<END>

g01707153

BASIC ENGINE

319-7401 SEAL GP-CRANKSHAFT

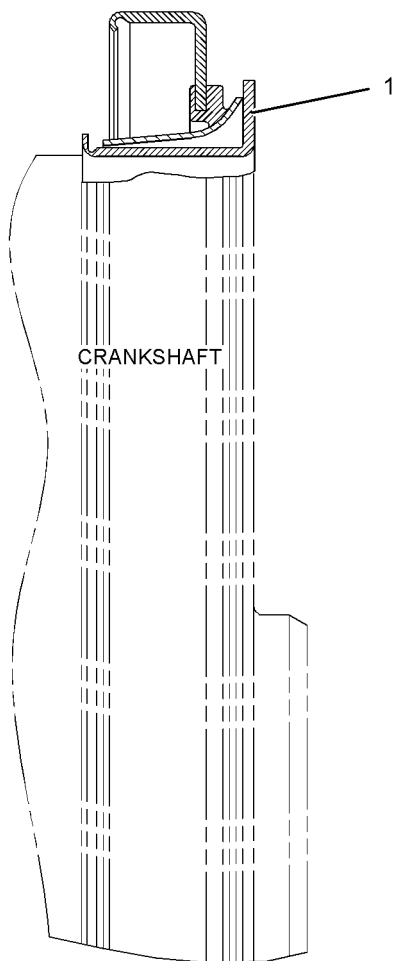
S/N: LHX19430-UP

PART OF 223-9731 CRANKSHAFT GP

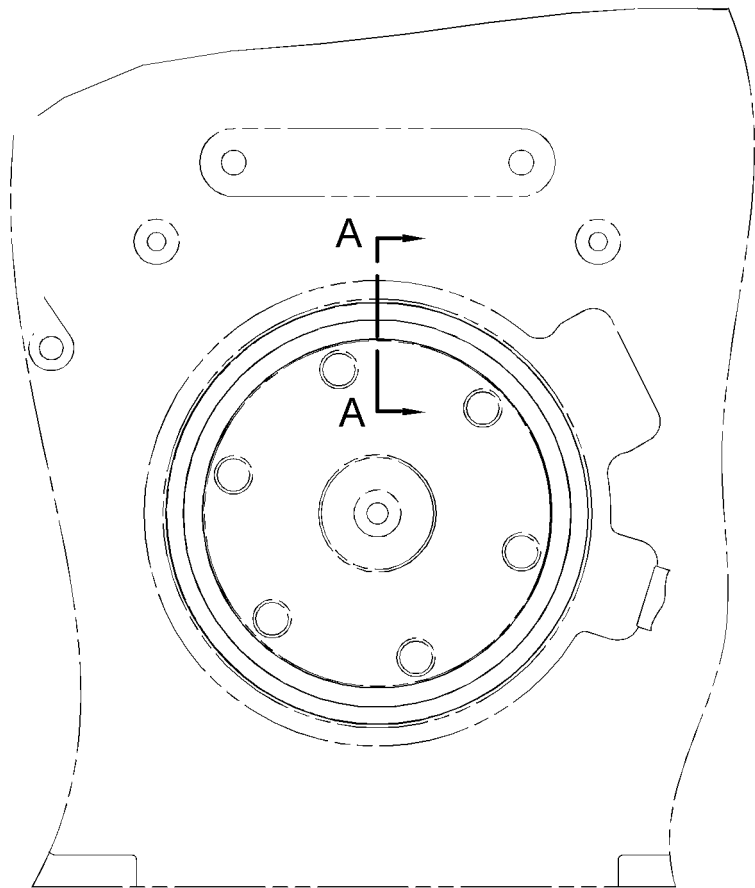
SMCS-1160, 1161

i03191287

NOTE	REF NO	GRAPHIC REF	PART NUMBER	QTY	PART NAME						SEE PAGE
					1	2	3	4	5	6 (PRODUCT LEVEL)	
	1	1	142-5867	1	SEAL - CRANKSHAFT (FRONT)						



SECTION A-A



FRONT VIEW OF ENGINE

GRAPHIC #1

<END>

g01516169

BASIC ENGINE

227-9495 SUPPORT GP-ENGINE

S/N: LHX22301-UP

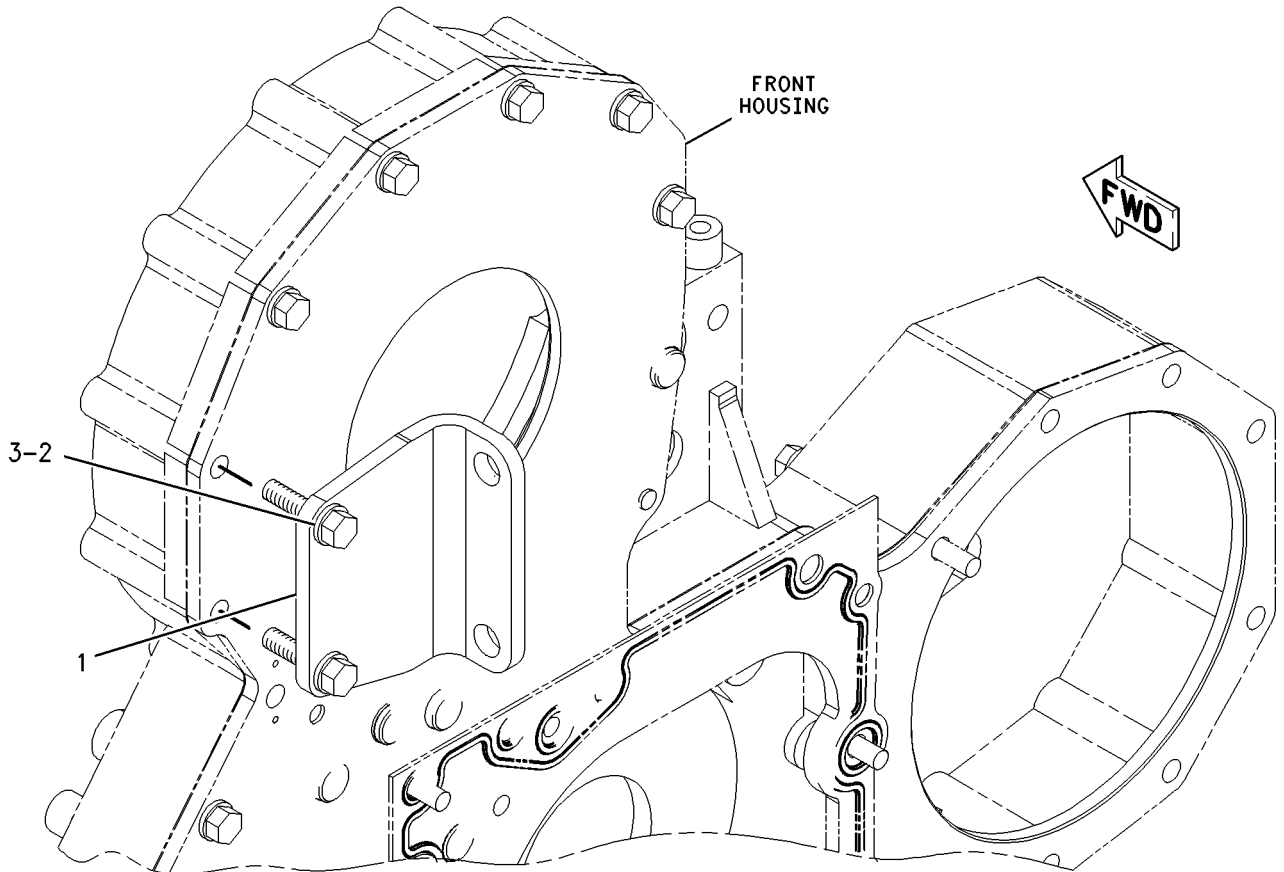
FRONT PLATE TO CYLINDER HEAD

PART OF 288-8156 ENGINE AR-COMPLETE

SMCS-1152, 1153, 1154

i03449243

NOTE	REF NO	GRAPHIC REF	PART NUMBER	QTY	PART NAME						SEE PAGE
					1	2	3	4	5	6 (PRODUCT LEVEL)	
	1	1	6I-3968	1	BRACKET-SUPPORT						
	2	1	0S-1591	2	BOLT (3/8-16X1.5-IN)						
	3	1	5M-2894	2	WASHER-HARD (10.2X18.5X2.5-MM THK)						



GRAPHIC #1

<END>

g00999807

BASIC ENGINE

235-5805 SUPPORT GP-ENGINE

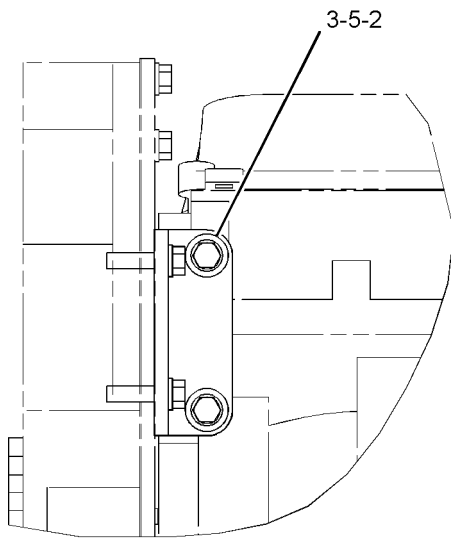
S/N: LHX19430-22300

PART OF 288-8156 ENGINE AR-COMplete

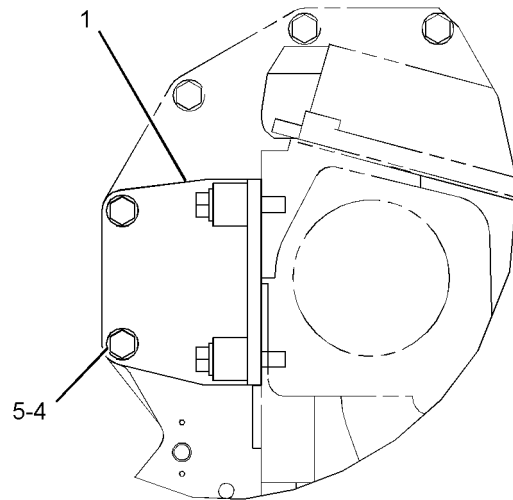
SMCS-1152, 1153, 1154

i02103096

NOTE	REF NO	GRAPHIC REF	PART NUMBER	QTY	PART NAME						SEE PAGE
					1	2	3	4	5	6 (PRODUCT LEVEL)	
	1	1	6I-3968	1	BRACKET-SUPPORT						
	2	1	101-3120	2	SPACER (10.5X25X20-MM THK)						
	3	1	0S-1571	2	BOLT (3/8-16X1.75-IN)						
	4	1	0S-1591	2	BOLT (3/8-16X1.5-IN)						
	5	1	5M-2894	4	WASHER-HARD (10.2X18.5X2.5-MM THK)						



LEFT SIDE VIEW



REAR VIEW

GRAPHIC #1

<END>

g01071857

BASIC ENGINE

290-9021 SUPPORT GP-ENGINE

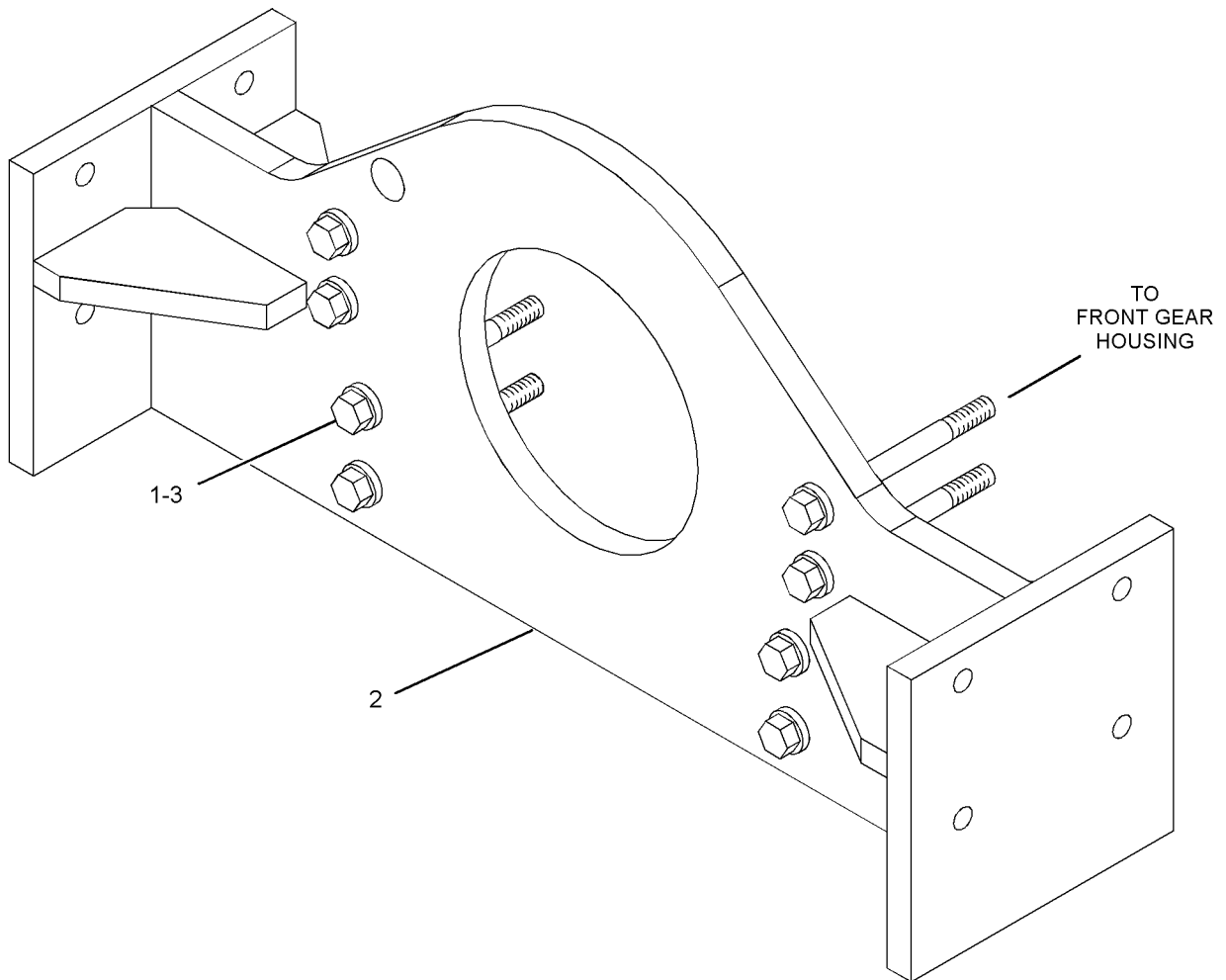
S/N: LHX19430-UP

PART OF 288-8156 ENGINE AR-COMplete

SMCS-1152, 1153, 1154

i02598570

NOTE	REF NO	GRAPHIC REF	PART NUMBER	QTY	PART NAME						SEE PAGE
					1	2	3	4	5	6 (PRODUCT LEVEL)	
	1	1	6F-5282	8	BOLT (1/2-13X5.25-IN)						
	2	1	290-9020	1	SUPPORT AS						
	3	1	2M-0849	8	WASHER-HARD (13.5X25.5X5-MM THK)						



GRAPHIC #1

<END>

g01301875

LUBRICATION SYSTEM

121-2471 BASE GP-OIL FILTER

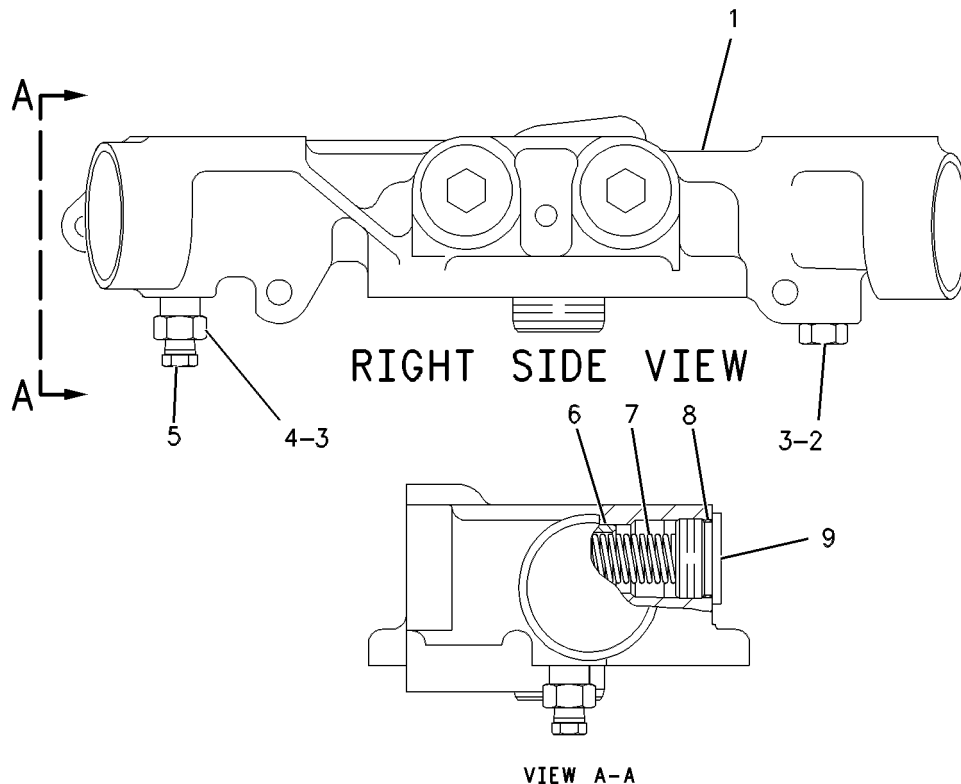
S/N: LHX19430-UP

PART OF 155-4800 FILTER GP-ENGINE OIL

SMCS-1306

i02105170

NOTE	REF NO	GRAPHIC REF	PART NUMBER	QTY	PART NAME						SEE PAGE
					1	2	3	4	5	6 (PRODUCT LEVEL)	
	1	1	176-1363	1	BASE GP-OIL FILTER						
		1	9L-7657	2	PLUG-CUP						
		1	2P-4304	1	STUD-HOLLOW						
2		1	9S-4191	1	PLUG-O-RING						
3		1	6V-5049	2	SEAL-O-RING						
4		1	5P-3501	1	ADAPTER						
5		1	8T-6765	1	PLUG-PIPE						
6		1	9M-0853	2	PLUNGER-VALVE						
7		1	4N-8150	2	SPRING						
8		1	5P-7701	2	SEAL-O-RING						
9		1	9S-9334	2	PLUG-O-RING						



GRAPHIC #1

<END>

g00598034

LUBRICATION SYSTEM

234-2916 BREATHER GP-CRANKCASE

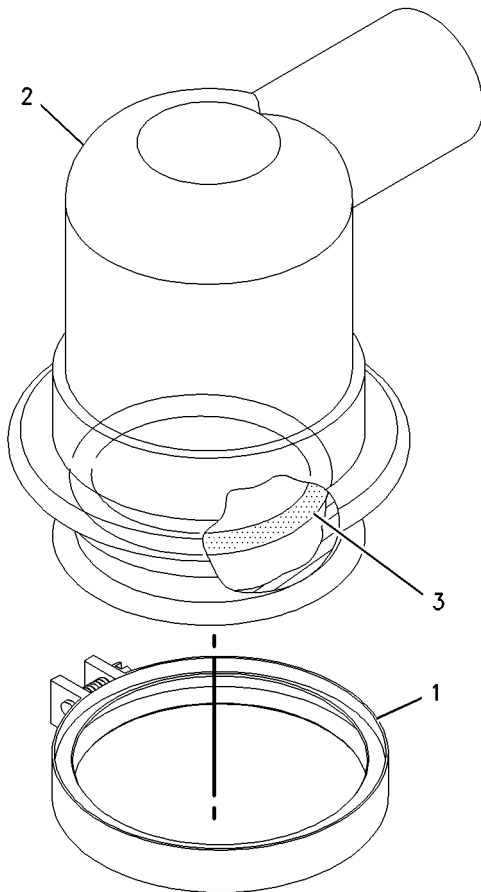
S/N: LHX19430-UP

PART OF 241-6325 FUMES DISPOSAL GP

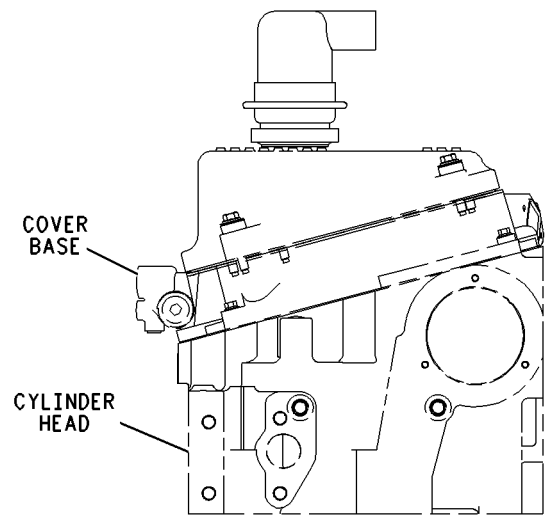
SMCS-1317

i03823169

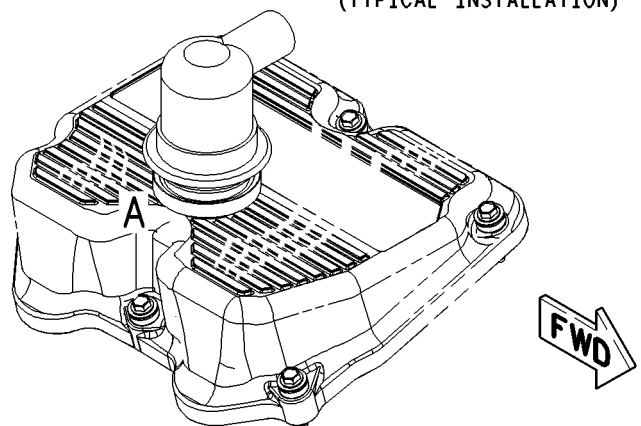
NOTE	REF NO	GRAPHIC REF	PART NUMBER	QTY	PART NAME						SEE PAGE
					1	2	3	4	5	6 (PRODUCT LEVEL)	
	1	1	2N-8109	1	CLAMP (V-BAND)						
	2	1	162-2266	1	BREATHER AS (CRANKCASE)						
	3	1	6V-3831	1	SEAL-O-RING						



EXPLODED VIEW
OF AREA A



FRONT VIEW
(TYPICAL INSTALLATION)



GRAPHIC #1

<END>

g00990942

LUBRICATION SYSTEM

155-4800 FILTER GP-ENGINE OIL

S/N: LHX19430-UP

PART OF 221-7630 FILTER GP-ENGINE OIL

SMCS-1308

i02105130

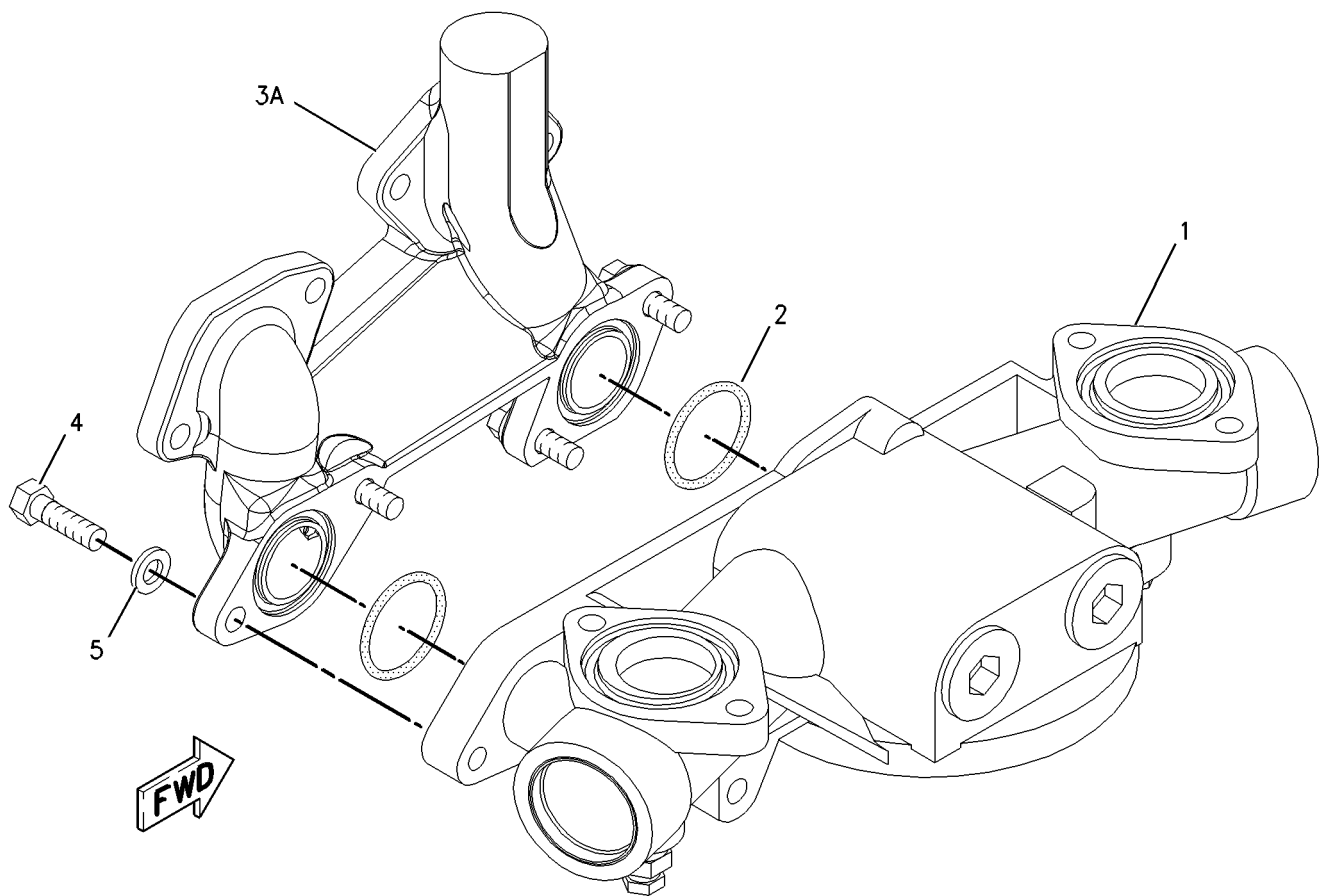
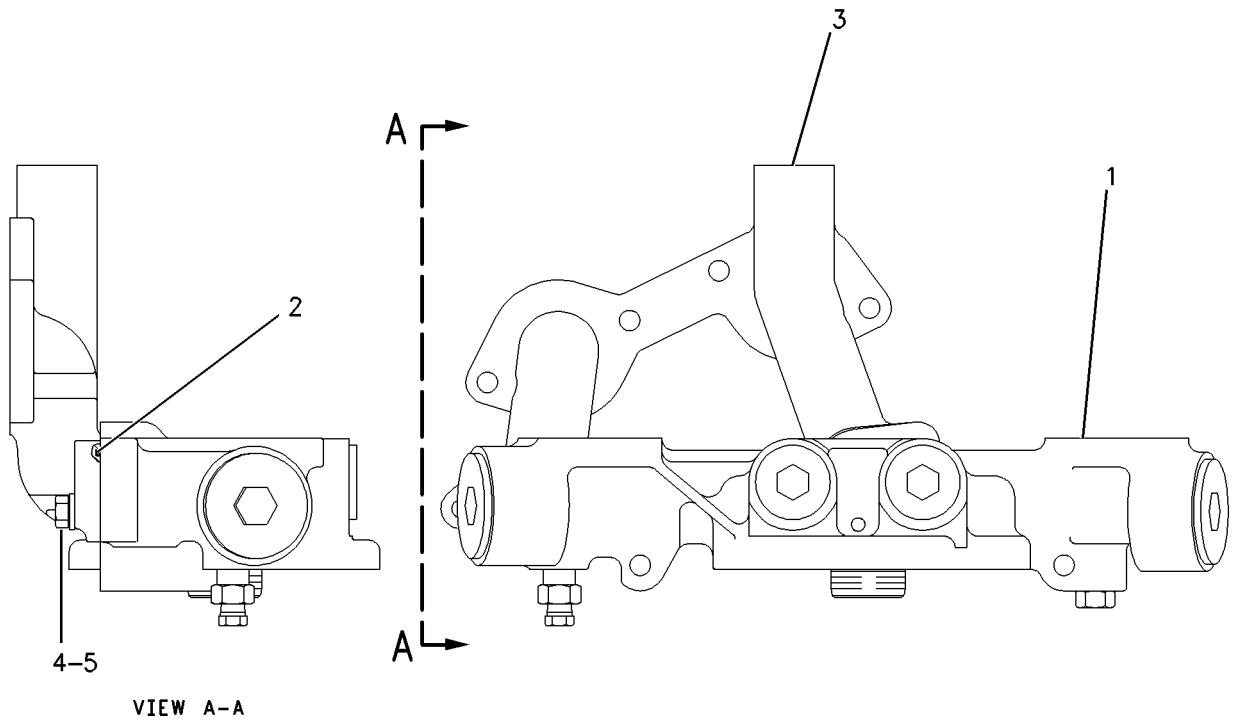
NOTE	REF NO	GRAPHIC REF	PART NUMBER	QTY	PART NAME						SEE PAGE
					1	2	3	4	5	6 (PRODUCT LEVEL)	
Y	1	1	121-2471	1	BASE GP-OIL FILTER (ENGINE)						76
	2	1	061-7540	2	SEAL-O-RING						
	3	1	153-6680	1	ELBOW (THREADED HOLE)						
					-OR-						
	3A	1	200-4246	1	ELBOW						
	4	1	0S-1588	4	BOLT (3/8-16X1.25-IN)						
	5	1	5M-2894	4	WASHER-HARD (10.2X18.5X2.5-MM THK)						

Y-SEPARATE ILLUSTRATION

LUBRICATION SYSTEM

155-4800 FILTER GP-ENGINE OIL (contd.)

i02105130



GRAPHIC #1

<END>

g00881330

LUBRICATION SYSTEM

221-7630 FILTER GP-ENGINE OIL

S/N: LHX19430-UP

PART OF 288-8156 ENGINE AR-COMPLETE

SMCS-1308

i03678225

NOTE	REF NO	GRAPHIC REF	PART NUMBER	QTY	PART NAME						SEE PAGE
					1	2	3	4	5	6 (PRODUCT LEVEL)	
	1	1	8C-3445	1	CAP-DUST						
Y	3	2	<i>155-4800</i>	1	FILTER GP-ENGINE OIL						78
	4	1	275-6631	1	BASE AS-OIL FILTER (ENGINE) (OIL FILTER)						
		1	2P-4304	1	STUD-HOLLOW						
	5	2	208-5033	1	COVER						
	6	2	208-5034	1	ADAPTER						
I	7	1	279-4485	2	HOSE AS						
	10	1	0S-1608	2	BOLT (3/8-16X3.75-IN)						
	11	2	0S-1619	2	BOLT (3/8-16X3-IN)						
	13	1,2	129-3172	2	STUD-MOUNTING (3/8-16X1.564-IN)						
	14	1,2	1A-2029	4	BOLT (3/8-16X1.125-IN)						
	15	1	1R-1808	1	FILTER-ENGINE OIL (ADVANCED EFFICIENCY)						
	16	1	3P-0650	2	SEAL-O-RING						
	17	1,2	5M-2894	10	WASHER-HARD (10.2X18.5X2.5-MM THK)						
C	18	1	5P-7701	1	SEAL-O-RING						
	19	2	6V-3908	2	SEAL-O-RING						
	20	1	6V-5048	1	SEAL-O-RING						
C	21	2	<i>309-5137</i>	4	CONNECTOR AS						
					(EACH INCLUDES)						
	21A	2	238-5084	1	SEAL-O-RING						
	21B	2	228-7093	1	SEAL-O-RING						
		2	6V-8635	1	CONNECTOR						
	22	1	8C-3446	1	VALVE-FLUID SAMPLING (ENGINE OIL)						
	23	1	8C-5230	2	SEAL-O-RING						
	24	1	8D-8428	1	ADAPTER						

C-CHANGE FROM PREVIOUS TYPE

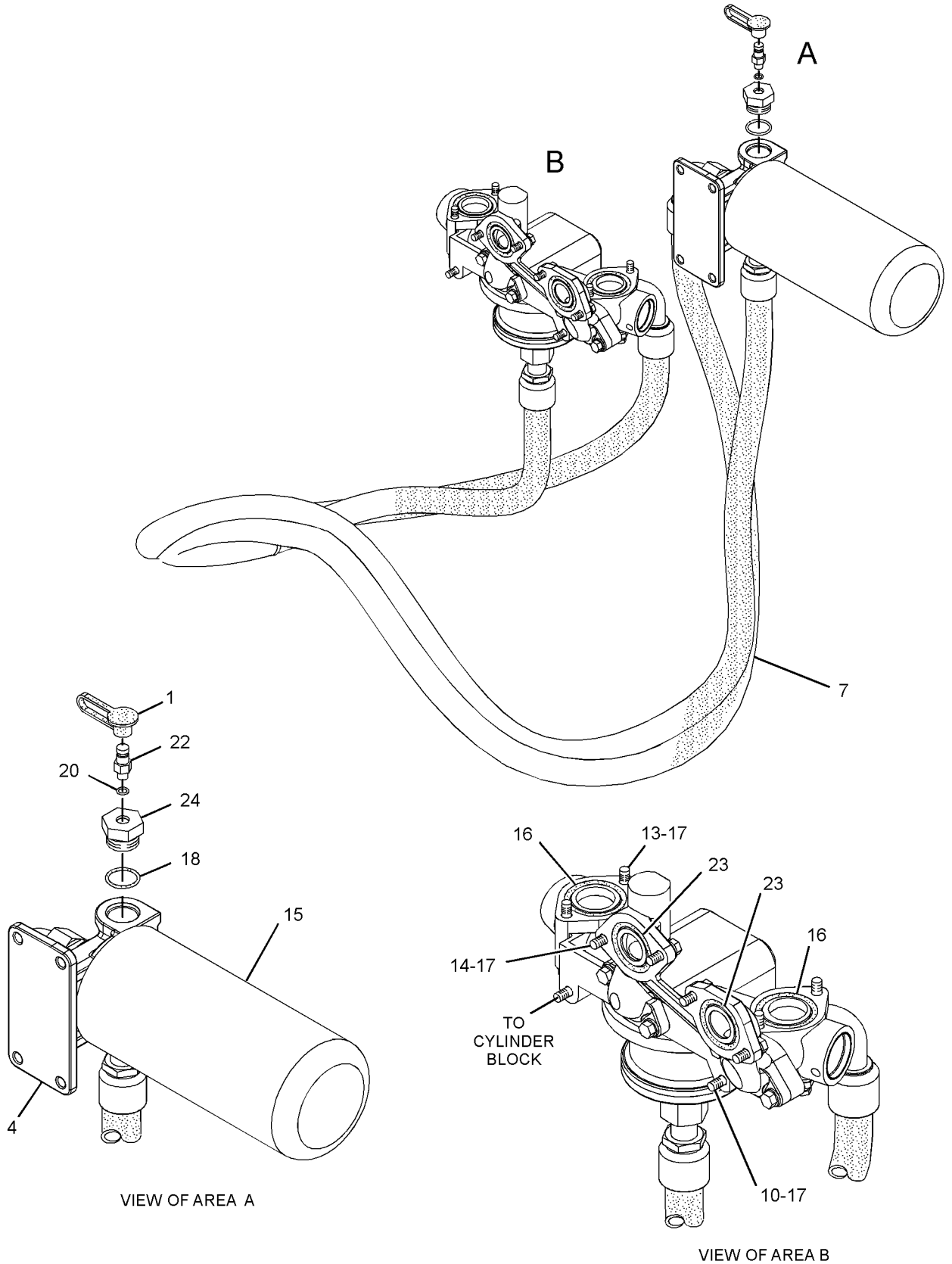
I-REFER TO HYDRAULIC INFORMATION SYSTEM

Y-SEPARATE ILLUSTRATION

LUBRICATION SYSTEM

221-7630 FILTER GP-ENGINE OIL (contd.)

i03678225



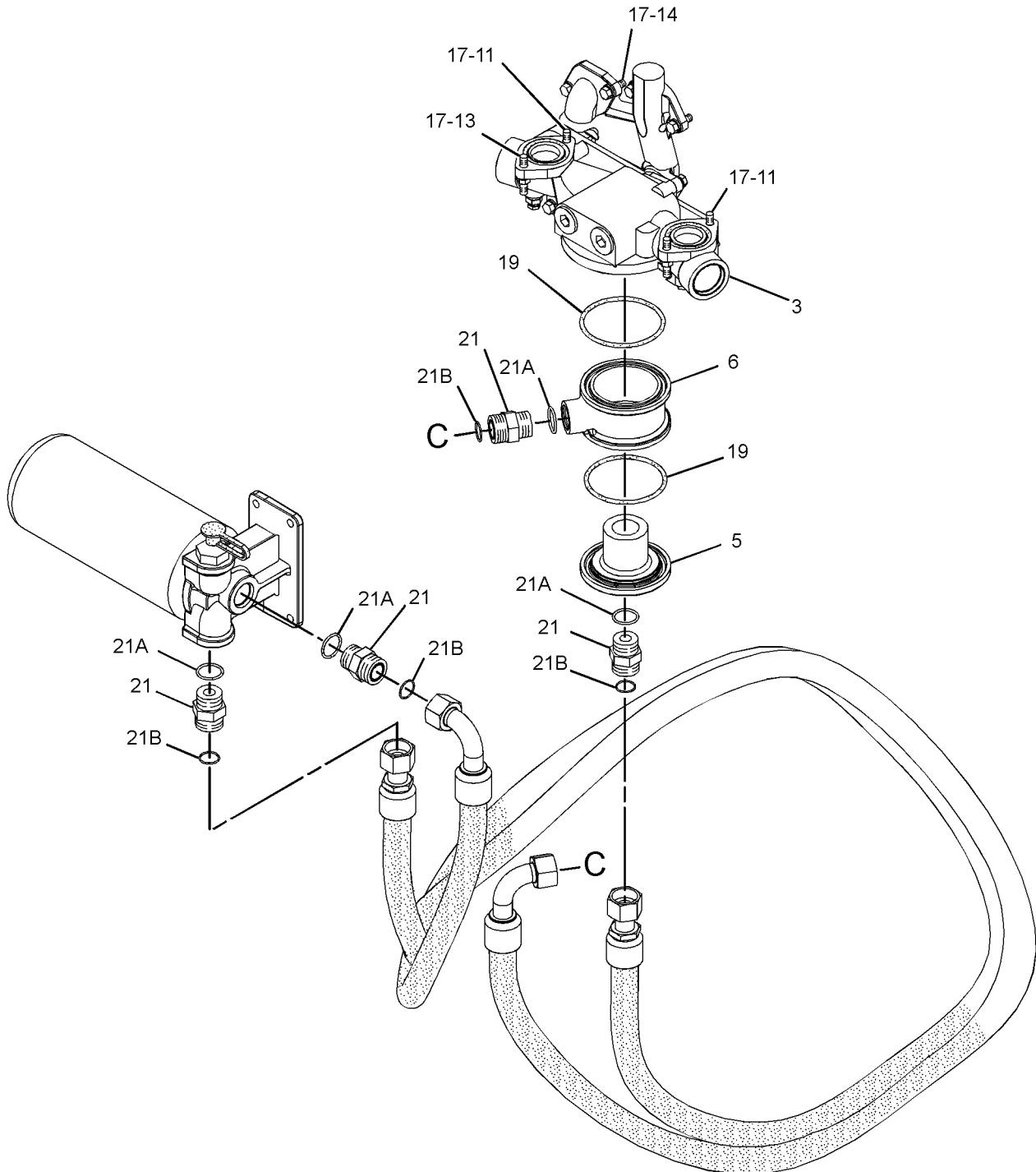
GRAPHIC #1

g01435824

LUBRICATION SYSTEM

221-7630 FILTER GP-ENGINE OIL (contd.)

i03678225



GRAPHIC #2

<END>

g01977723

LUBRICATION SYSTEM

241-6325 FUMES DISPOSAL GP

S/N: LHX19430-UP

MID CANISTER

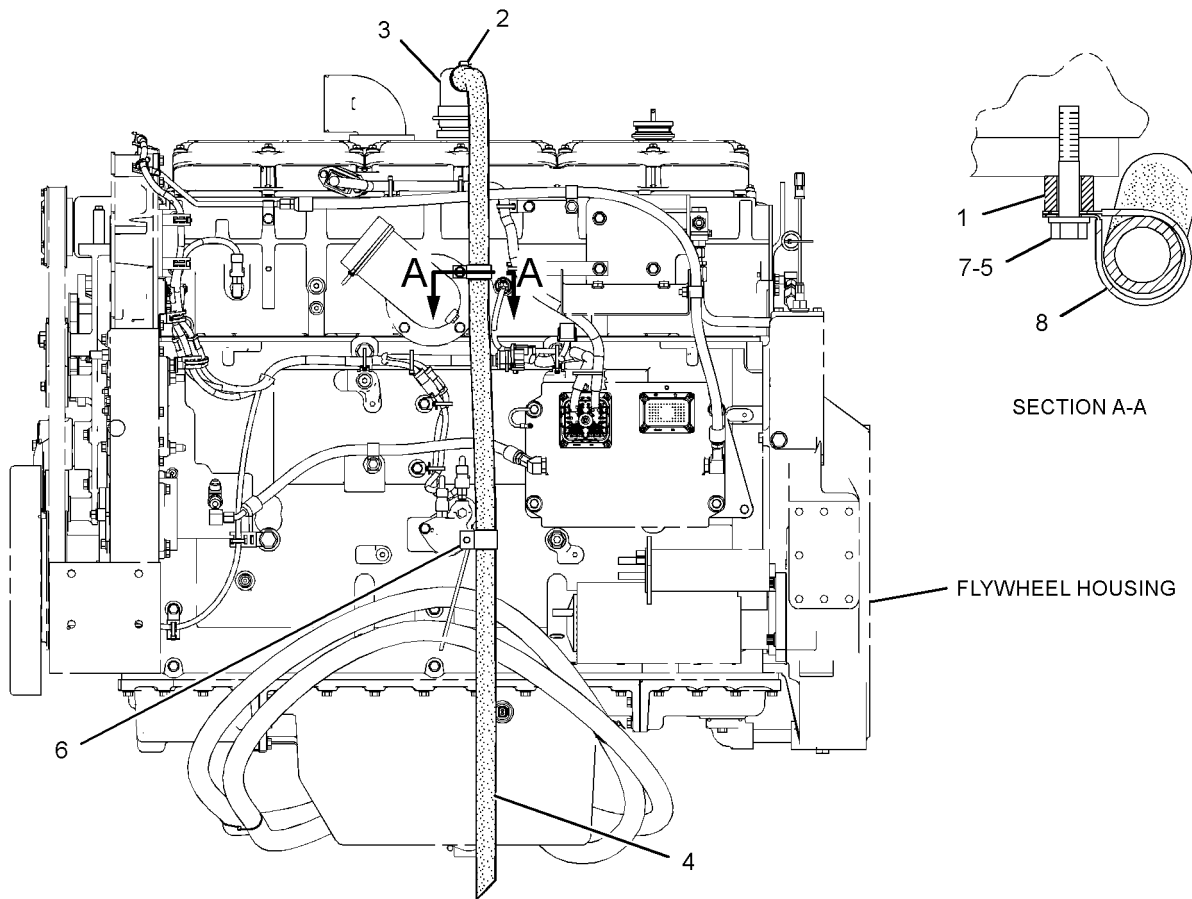
PART OF 288-8156 ENGINE AR-COMplete

SMCS-1317

i03645182

NOTE	REF NO	GRAPHIC REF	PART NUMBER	QTY	PART NAME						SEE PAGE
					1	2	3	4	5	6 (PRODUCT LEVEL)	
	1	1	9G-8140	1	SPACER (10.5X25X15-MM THK)						
	2	1	9M-2904	1	CLAMP-HOSE						
Y	3	1	234-2916	1	BREATHER GP (CRANKCASE)						77
	4	1	236-9862	1	HOSE-DISPOSAL (FUMES)						
	5	1	8T-2501	1	BOLT (3/8-16X2-IN)						
	6	1	4D-7388	1	CLIP						
	7	1	8T-4896	1	WASHER-HARD (10.2X18.5X2.5-MM THK)						
	8	1	7D-7233	1	CLIP						

Y-SEPARATE ILLUSTRATION



LEFT SIDE VIEW OF ENGINE

GRAPHIC #1

<END>

g01866013

LUBRICATION SYSTEM

224-6830 GUIDE GP-OIL LEVEL GAUGE

S/N: LHX19430-UP

LEFT HAND FRONT

PART OF 288-8156 ENGINE AR-COMplete

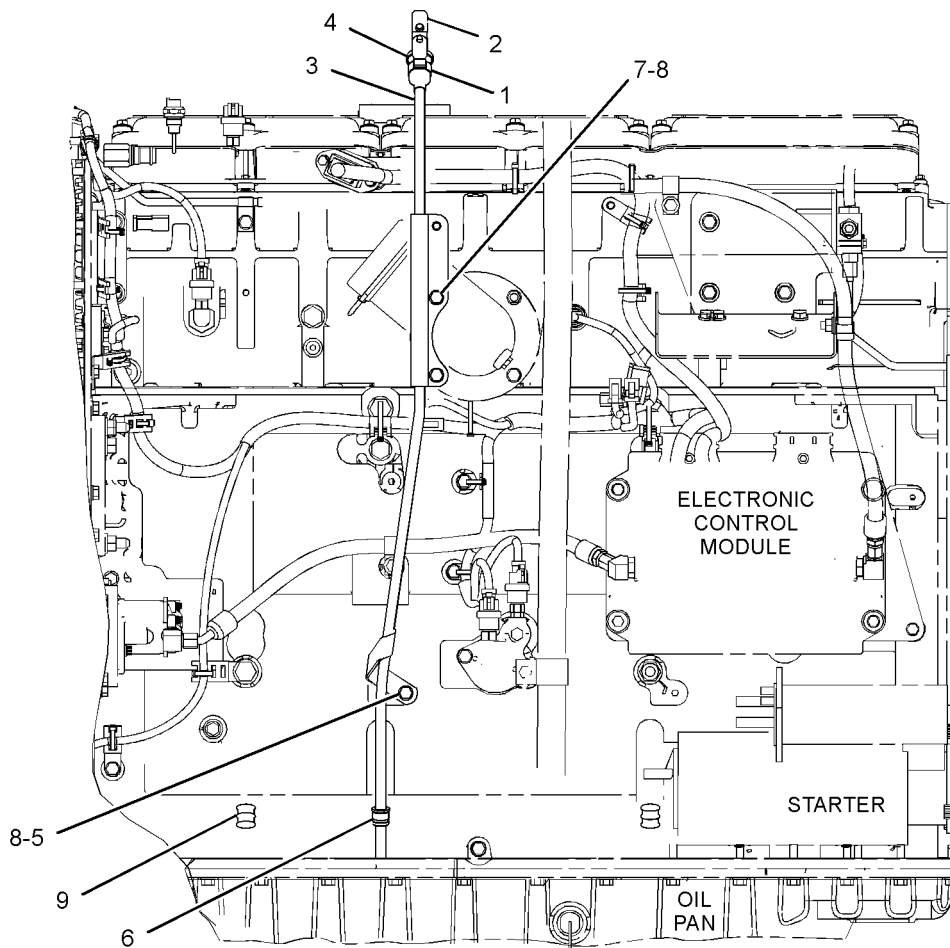
SMCS-1326

i02591893

NOTE	REF NO	GRAPHIC REF	PART NUMBER	QTY	PART NAME						SEE PAGE
					1	2	3	4	5	6 (PRODUCT LEVEL)	
	1	1	3E-7445	1	CLAMP-HOSE						
	2	1	264-4501	1	LOCK AS						
C	3	1	275-8734	1	TUBE AS						
	4	1	287-2115	1	GAUGE AS-OIL LEVEL (DIPSTICK) (ENGINE)						
	5	1	0L-1351	1	BOLT (3/8-16X0.875-IN)						
	6	1	118-5068	1	SEAL-O-RING						
	7	1	3B-1915	2	BOLT (3/8-16X1.375-IN)						
	8	1	5M-2894	3	WASHER-HARD (10.2X18.5X2.5-MM THK)						
J	9	1	165-6170	3	PLUG						

C-CHANGE FROM PREVIOUS TYPE

J-USE TO PLUG OPTIONAL DIPSTICK LOCATIONS



LEFT SIDE VIEW OF ENGINE

GRAPHIC #1

<END>

g01298766

LUBRICATION SYSTEM

160-6894 LINES GP-ENGINE OIL

S/N: LHX19430-UP

PART OF 288-8156 ENGINE AR-COMPLETE

SMCS-1307

i03905718

NOTE	REF NO	GRAPHIC REF	PART NUMBER	QTY	PART NAME						SEE PAGE
					1	2	3	4	5	6 (PRODUCT LEVEL)	
	1	1	3T-6471	1	SCREEN AS (ENGINE OIL)						
		1	3T-6469	1	WASHER (19X26X1.6-MM THK)						
	2	1	4N-8410	1	TUBE-COOLER BYPASS						
	3	1	4P-7373	1	TUBE AS						
	4	1	7E-4509	1	TUBE AS						
	5	1	7E-5142	1	CONNECTOR						
	7	1	9Y-5373	1	ELBOW						
I	8	1	172-8827	1	HOSE AS						
C	9	1	292-9782	1	BRACKET						
C	10	1	292-9783	1	TUBE AS						
	11	1	030-7955	1	TEE-FLARED						
	12	1	030-8194	1	CONNECTOR						
	13	1	0L-1351	1	BOLT (3/8-16X0.875-IN)						
	14	1	0S-1588	2	BOLT (3/8-16X1.25-IN)						
	15	1	0S-1590	4	BOLT (3/8-16X2-IN)						
	16	1	0S-1591	2	BOLT (3/8-16X1.5-IN)						
	17	1	5P-5846	1	SEAL-O-RING						
	18	1	109-0076	1	SEAL-O-RING						
	19	1	5P-8068	2	SEAL-O-RING						
	20	1	114-2687	3	SEAL-O-RING						
C	21	1	2K-4973	2	LOCKNUT (3/8-16-THD)						
	22	1	238-5081	1	SEAL-O-RING						
	23	1	3B-1915	2	BOLT (3/8-16X1.375-IN)						
	24	1	214-7568	1	SEAL-O-RING						
	25	1	6V-5134	1	SEAL-O-RING						
C	26	1	9X-6458	5	WASHER-HARD (10.2X22.5X3-MM THK)						

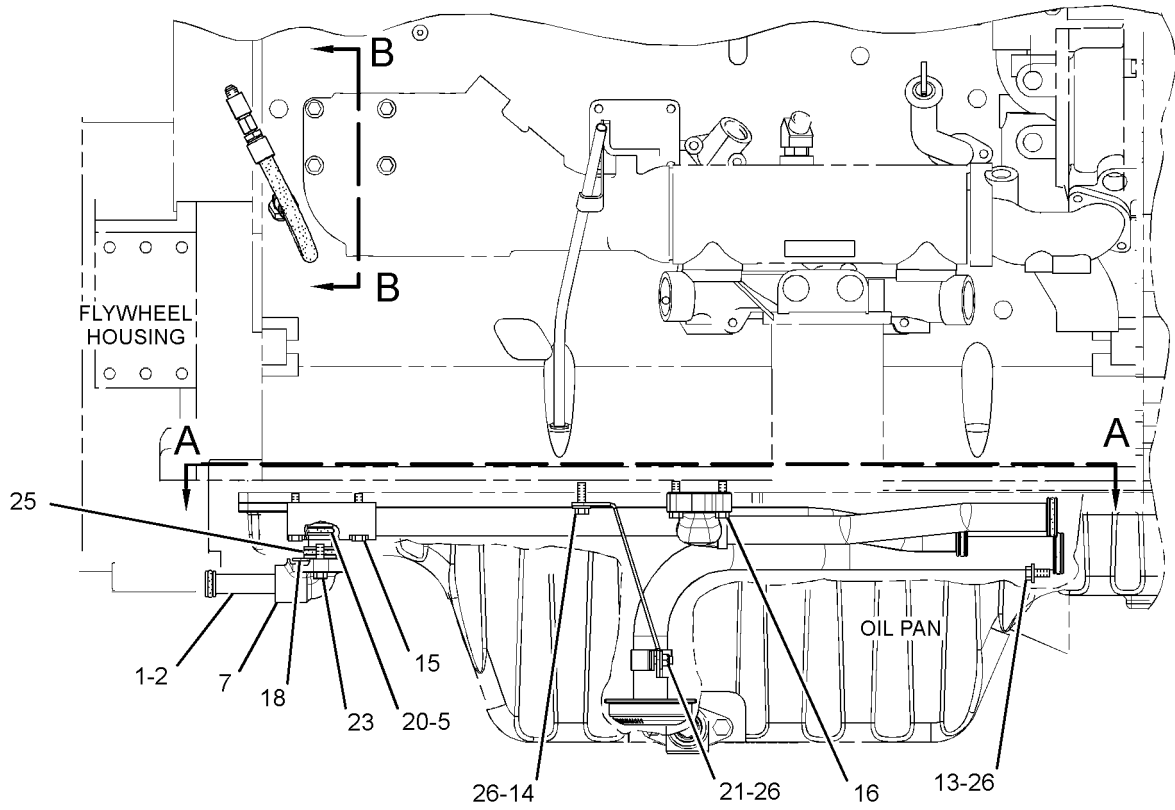
C-CHANGE FROM PREVIOUS TYPE

I-REFER TO HYDRAULIC INFORMATION SYSTEM

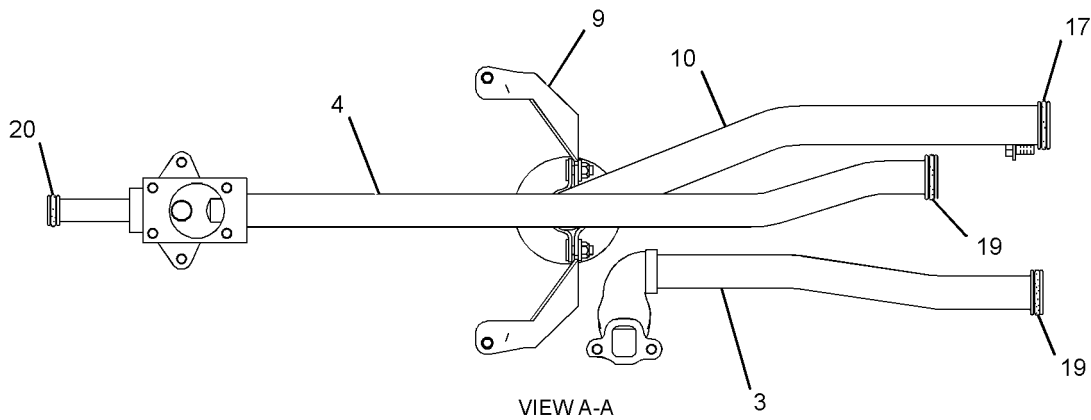
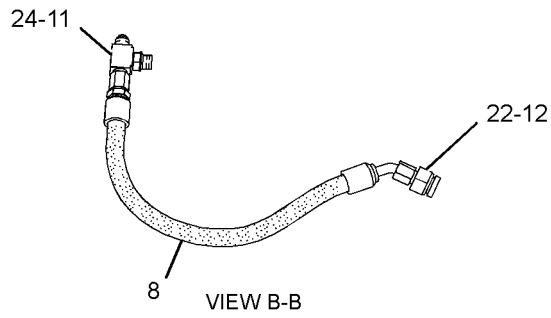
LUBRICATION SYSTEM

160-6894 LINES GP-ENGINE OIL (contd.)

i03905718



RIGHT SIDE VIEW OF ENGINE



GRAPHIC #1

<END>

g01699361

LUBRICATION SYSTEM

222-8346 LINES GP-ENGINE OIL DRAIN

S/N: PAS1-UP

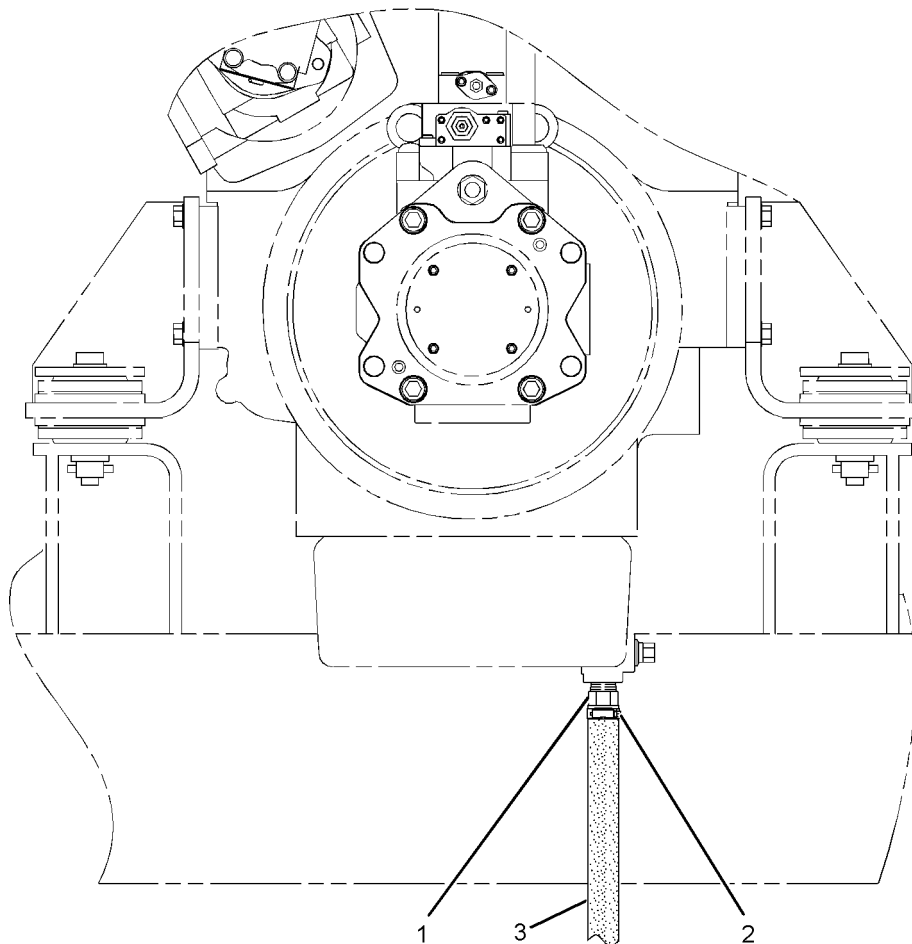
PART OF 297-7683 INSTALLATION AR-ENGINE

SMCS-1307

i02103359

NOTE	REF NO	GRAPHIC REF	PART NUMBER	QTY	PART NAME						SEE PAGE
					1	2	3	4	5	6 (PRODUCT LEVEL)	
	1	1	005-4273	1	CONNECTOR-HOSE						
	2	1	095-1390	1	CLAMP-HOSE						
E	3	1	5P-2094		HOSE (31-CM)						

E-ORDER BY THE CENTIMETER



RIGHT SIDE VIEW
<END>

GRAPHIC #1

g01074576

LUBRICATION SYSTEM

220-3490 LINES GP-TURBOCHARGER OIL

S/N: LHX19430-UP

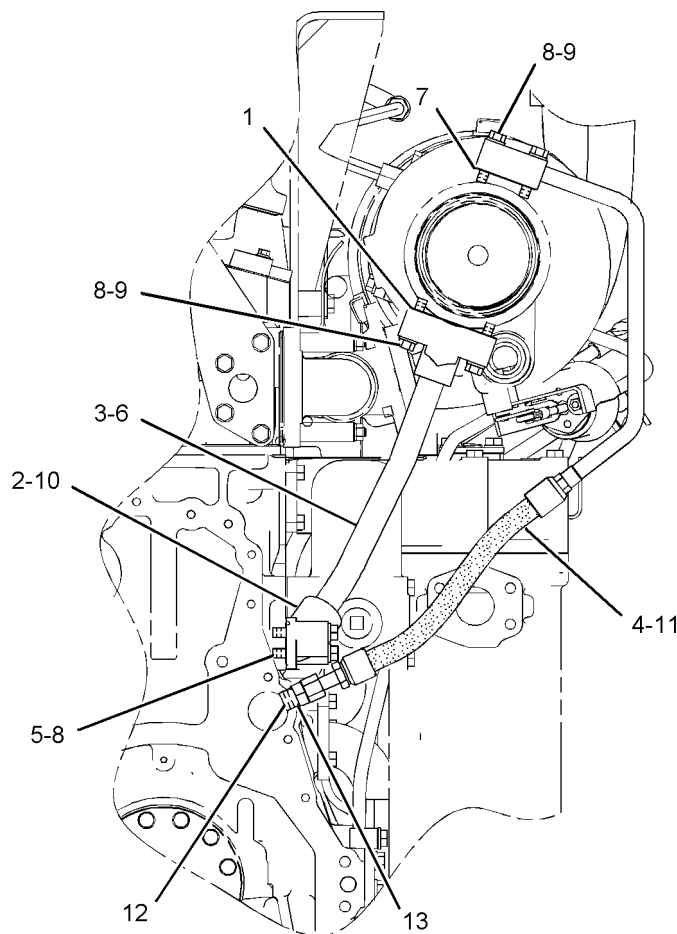
PART OF 288-8156 ENGINE AR-COMplete

SMCS-1052

i02518495

NOTE	REF NO	GRAPHIC REF	PART NUMBER	QTY	PART NAME						SEE PAGE
					1	2	3	4	5	6 (PRODUCT LEVEL)	
	1	1	7N-7559	1	GASKET						
	2	1	106-3544	1	ELBOW						
	3	1	225-8569	1	TUBE AS						
	4	1	242-3375	1	HOSE AS						
	5	1	0L-2070	2	BOLT (3/8-16X2.25-IN)						
	6	1	114-2687	1	SEAL-O-RING						
C	7	1	4P-4460	1	GASKET						
	8	1	5M-2894	6	WASHER-HARD (10.2X18.5X2.5-MM THK)						
	9	1	5S-7383	4	BOLT (3/8-16X1.75-IN)						
	10	1	6V-5266	1	SEAL-O-RING						
	11	1	6V-8397	1	SEAL-O-RING						
	12	1	6V-8634	1	CONNECTOR						
	13	1	8L-2786	1	SEAL-O-RING						

C-CHANGE FROM PREVIOUS TYPE



REAR VIEW
<END>

GRAPHIC #1

g01071754

LUBRICATION SYSTEM

222-8347 MOUNTING GP-ENGINE OIL FILTER

S/N: PAS1-UP

PART OF 297-7683 INSTALLATION AR-ENGINE

SMCS-1308

i03571706

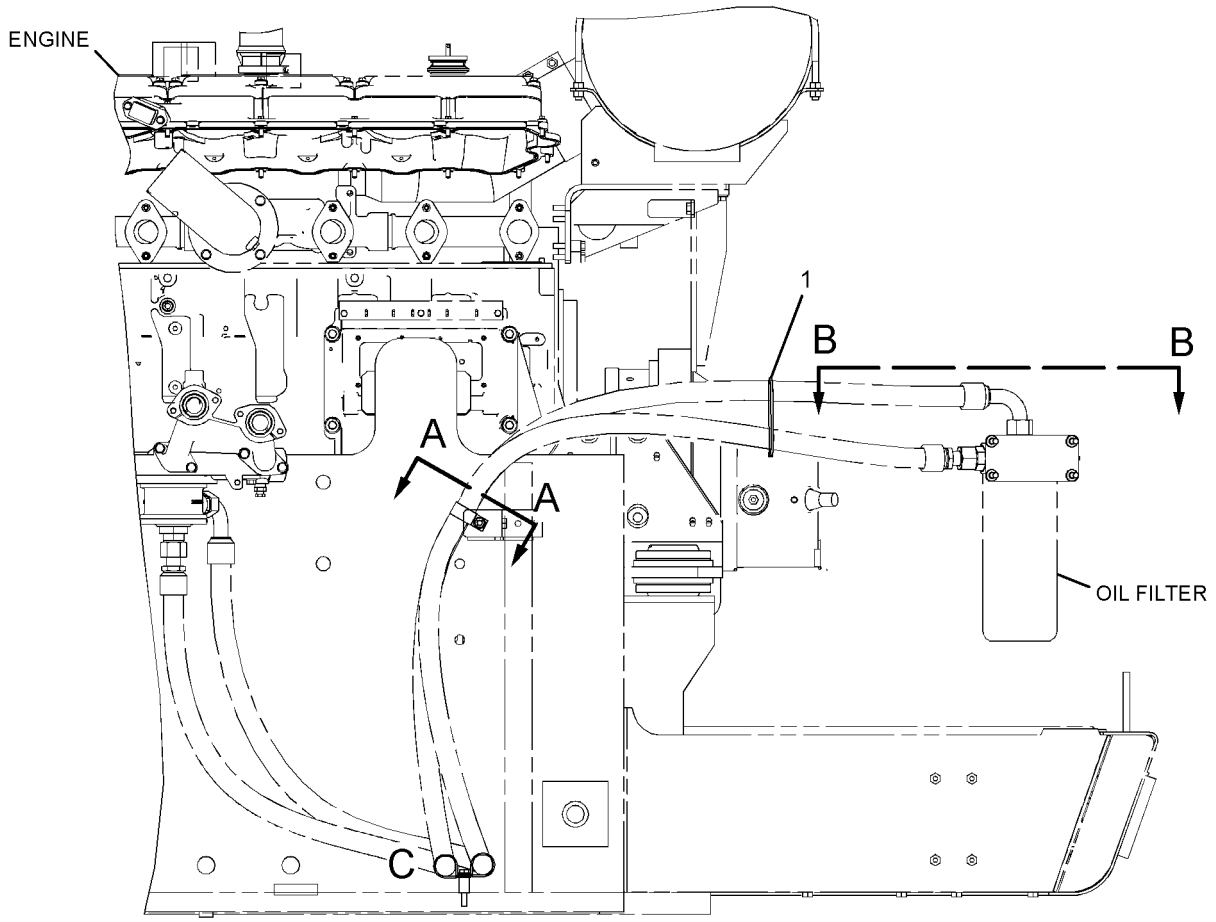
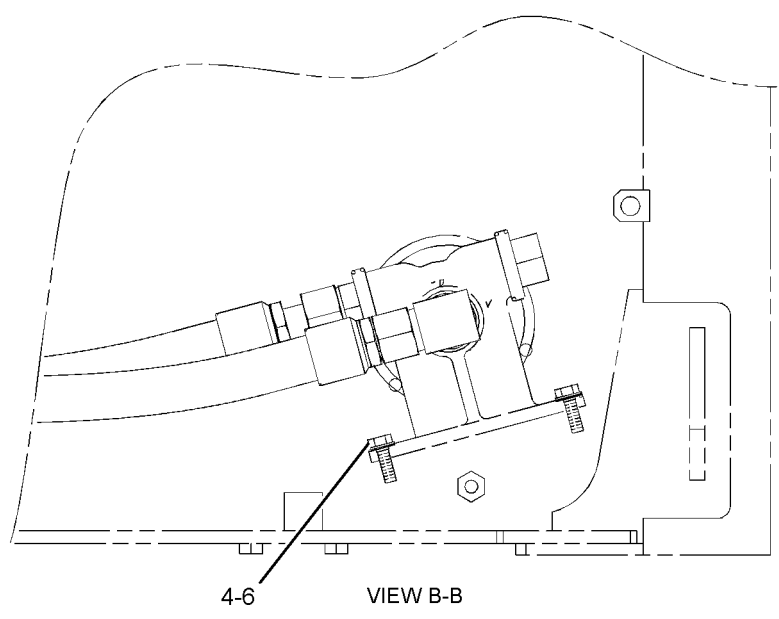
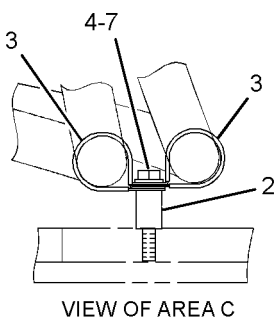
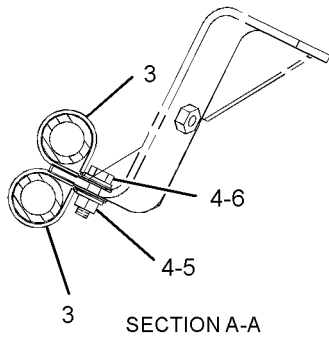
NOTE	REF NO	GRAPHIC REF	PART NUMBER	QTY	PART NAME						SEE PAGE
					1	2	3	4	5	6 (PRODUCT LEVEL)	
	1	1	7K-1181	1	STRAP-CABLE						
	2	1	6G-2263	1	SPACER (10.5X19X28.5-MM THK)						
	3	1	7D-7233	4	CLIP						
	4	1	8T-4121	7	WASHER-HARD (11X21X2.5-MM THK)						
M	5	1	8T-4133	1	NUT (M10X1.5-THD)						
M	6	1	8T-4195	5	BOLT (M10X1.5X30-MM)						
M	7	1	8T-6466	1	BOLT (M10X1.5X60-MM)						

M-METRIC PART

LUBRICATION SYSTEM

222-8347 MOUNTING GP-ENGINE OIL FILTER (contd.)

i03571706



REAR VIEW
<END>

GRAPHIC #1

g01241967

LUBRICATION SYSTEM

198-1508 PUMP GP-ENGINE OIL*R

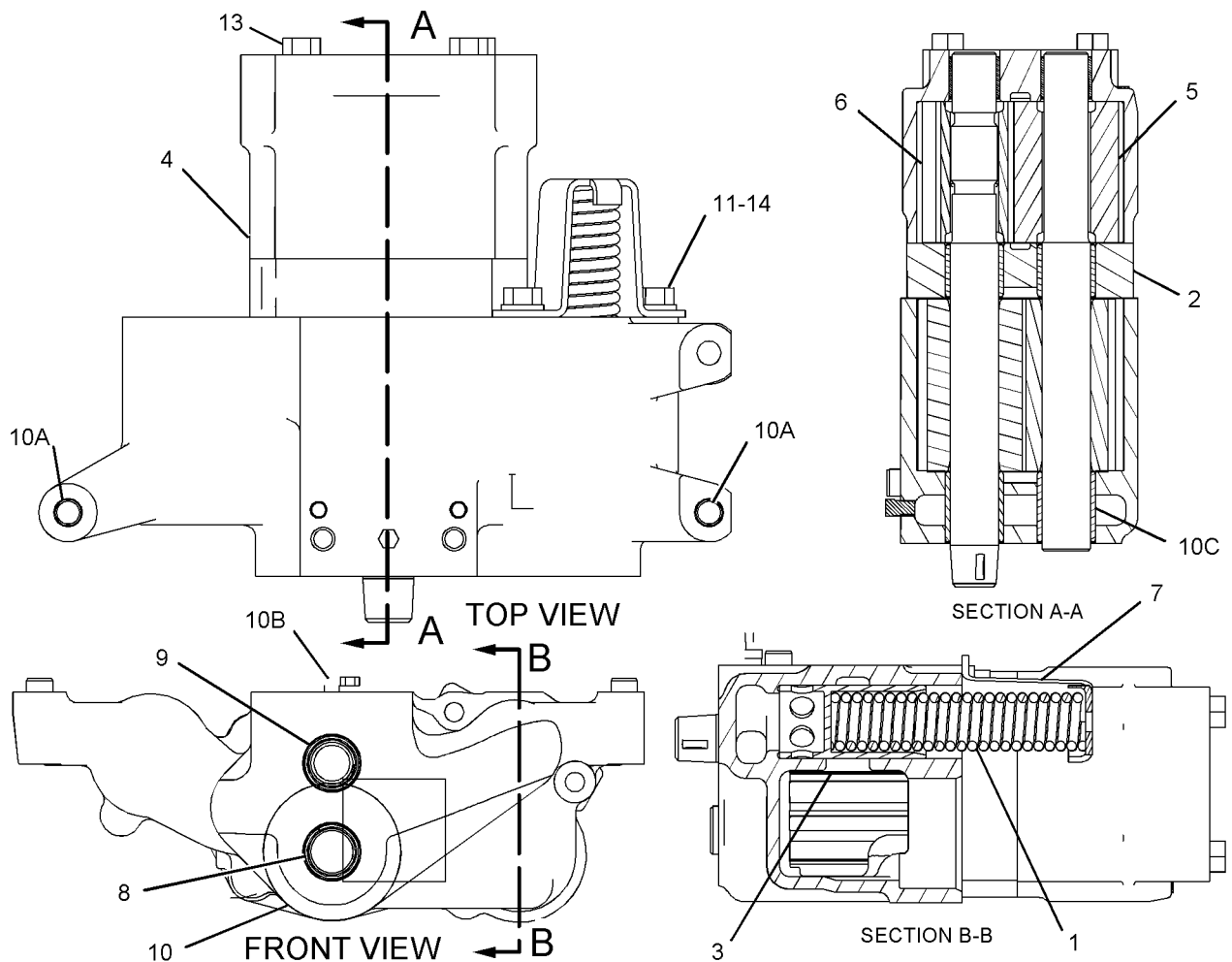
S/N: LHX19430-UP

PART OF 288-8156 ENGINE AR-COMplete

SMCS-1304, 1315

i03645793

NOTE	REF NO	GRAPHIC REF	PART NUMBER	QTY	PART NAME						SEE PAGE
					1	2	3	4	5	6 (PRODUCT LEVEL)	
	1	1	2S-2760	1	SPRING						
	2	1	4N-5339	1	SPACER AS-OIL PUMP						
		1	7N-2155	2	BEARING-SLEEVE						
	3	1	6N-1931	1	PLUNGER						
	4	1	6N-2343	1	BODY AS-PUMP						
	5	1	7W-6528	1	GEAR-PUMP (8-TEETH)						
	6	1	7W-7141	1	GEAR-PUMP (8-TEETH)						
	7	1	9Y-1792	1	RETAINER						
	8	1	145-8503	1	SHAFT AS-IDLER						
	9	1	202-3572	1	SHAFT AS-DRIVE						
	10	1	235-1587	1	BODY AS						
	10A	1	8M-8489	2	DOWEL						
	10B	1	2S-7905	1	PLUG-PIPE						
	10C	1	7N-2156	2	BEARING-SLEEVE						
	11	1	1M-0644	2	BOLT (3/8-16X2.25-IN)						
	13	1	5F-4899	4	BOLT (3/8-16X5.5-IN)						
	14	1	5M-2894	2	WASHER-HARD (10.2X18.5X2.5-MM THK)						



GRAPHIC #1

<END>

g01066706

COOLING SYSTEM

336-1157 FAN & MOTOR GP-CONDENSER

S/N: PAS1-UP

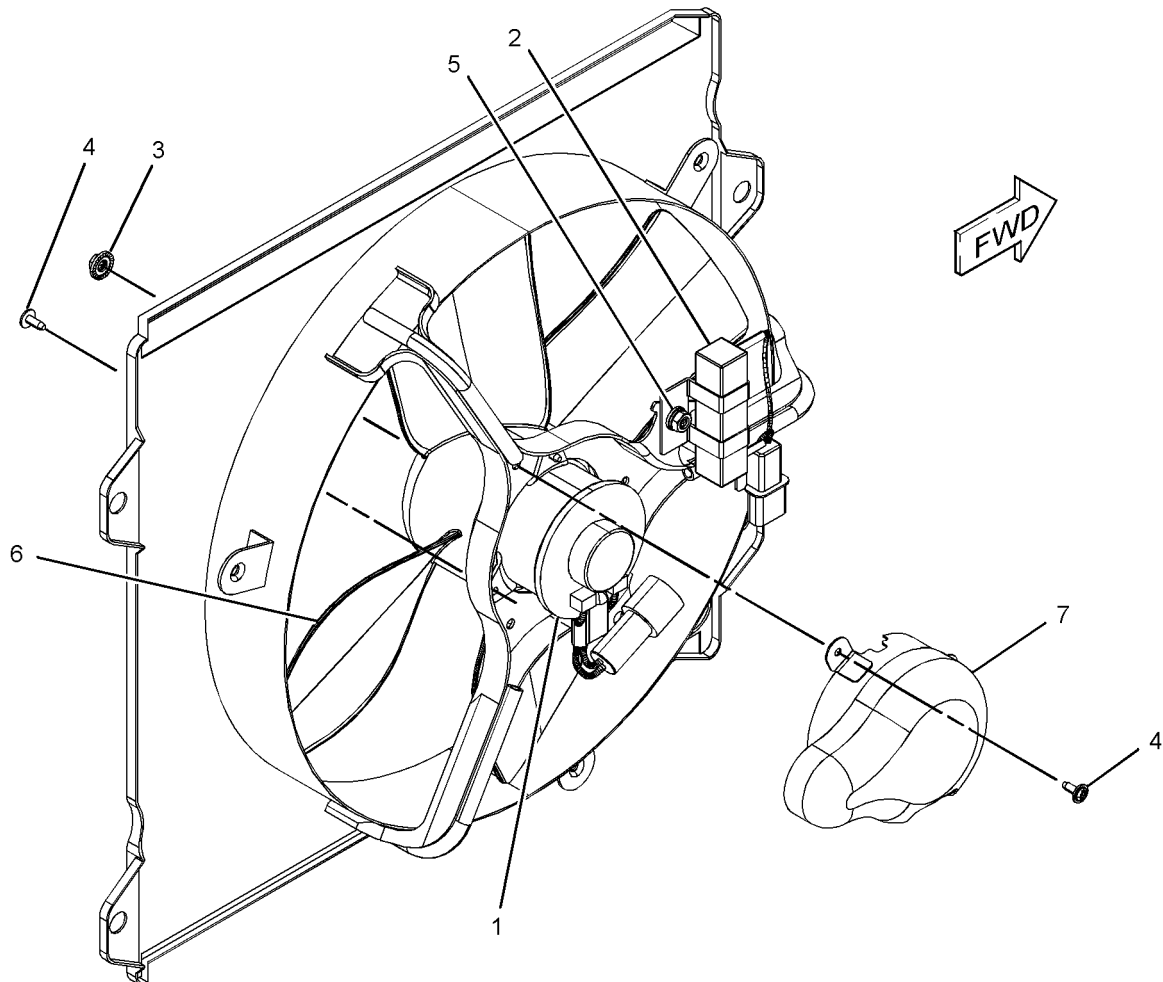
PART OF 334-6571 CONDENSER GP-REFRIGERANT

SMCS-1356, 1360, 1386, 5057

i03645017

NOTE	REF NO	GRAPHIC REF	PART NUMBER	QTY	PART NAME						SEE PAGE
					1	2	3	4	5	6 (PRODUCT LEVEL)	
	1	1	161-3732	1	MOTOR AS						
	2	1	161-3734	1	RESISTOR AS						
M	3	1	164-0499	1	NUT-FLANGE (M5X0.8-THD)						
M	4	1	245-7877	6	SCREW AS (M4X0.7X11-MM)						
M	5	1	245-7903	1	BOLT AS						
	6	1	273-5307	1	FAN AS-CONDENSER (4-BLADE)						
	7	1	334-6572	1	COVER						

M-METRIC PART



GRAPHIC #1

<END>

g01750336

COOLING SYSTEM

281-3551 FAN GP-SUCTION

S/N: PAS1-UP

PART OF 297-7683 INSTALLATION AR-ENGINE

SMCS-1356

i03655438

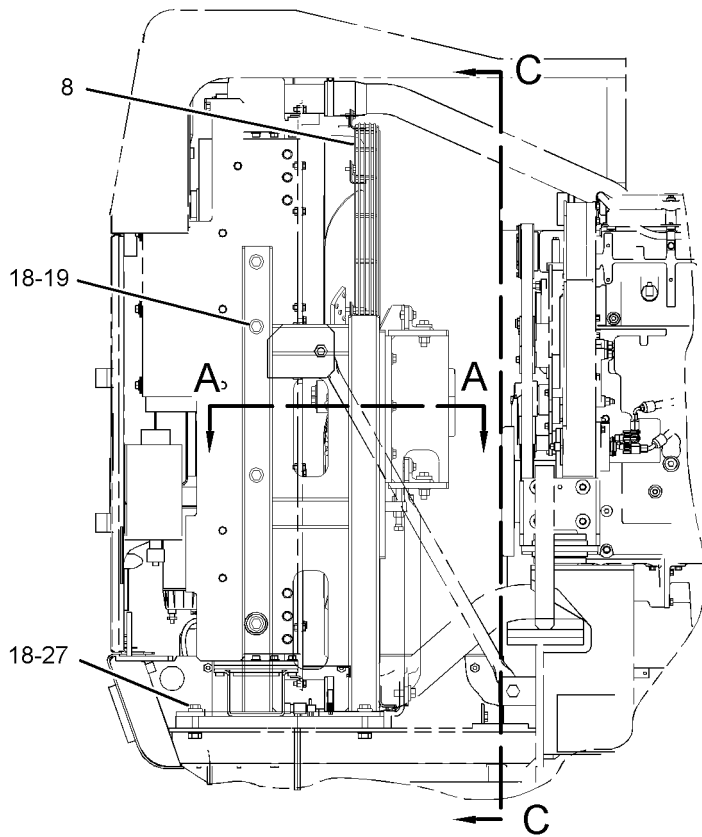
NOTE	REF NO	GRAPHIC REF	PART NUMBER	QTY	PART NAME						SEE PAGE
					1	2	3	4	5	6 (PRODUCT LEVEL)	
	1	1,2	196-0711	6	WASHER (17X40X8-MM THK)						
	2	2	245-9319	1	SUPPORT AS (RH)						
	3	2	245-9320	1	SUPPORT AS (LH)						
	4	1	245-9323	1	SUPPORT AS (FAN)						
	5	2	245-9327	2	ANGLE						
	6	2	245-9328	2	PLATE AS						
	7	1	245-9331	2	BRACE						
	8	1	245-9342	2	GUARD AS						
	9	2	281-3553	1	FAN (8-BLADE)						
	10	2	281-3582	1	SUPPORT AS-FAN (LH)						
	11	2	281-3583	1	SUPPORT AS-FAN (RH)						
	12	1	281-3645	1	ADAPTER-FAN						
Y	13	1	311-9550	1	MOTOR GP-PISTON (HYDRAULIC FAN)						575
Y	14	1	315-4365	1	DRIVE GP-FAN (MODULATING)						36
M	15	2	136-4182	2	BOLT (M16X2X100-MM)						
	16	1	4M-0189	1	SEAL-O-RING						
	17	2	5P-1076	6	WASHER-HARD (13.5X30X4-MM THK)						
	18	1	7X-0595	12	WASHER-HARD (17X30X8-MM THK)						
M	19	1	7X-2553	8	BOLT (M16X2X40-MM)						
	20	1,2	7X-7729	16	WASHER (11X25X3-MM THK)						
	21	1	8T-4121	8	WASHER-HARD (11X21X2.5-MM THK)						
M	22	2	8T-4132	6	NUT (M16X2-THD)						
M	23	1,2	8T-4137	16	BOLT (M10X1.5X20-MM)						
M	24	2	8T-4140	4	BOLT (M16X2X60-MM)						
M	25	2	8T-4183	6	BOLT (M12X1.75X40-MM)						
M	26	1	8T-4186	8	BOLT (M10X1.5X40-MM)						
M	27	1	8T-4193	4	BOLT (M16X2X50-MM)						
M	28	1,2	8T-4194	6	BOLT (M12X1.75X50-MM)						
	29	1,2	8T-4223	10	WASHER-HARD (13.5X25.5X3-MM THK)						
M	30	1	8T-4779	3	BOLT (M16X2X35-MM)						
M	31	2	8T-4956	4	BOLT (M12X1.75X35-MM)						
M	32	1	8T-7338	4	BOLT (M16X2X45-MM)						
	33	1,2	9X-8257	9	WASHER (17.5X30X3.5-MM THK)						

M-METRIC PART
Y-SEPARATE ILLUSTRATION

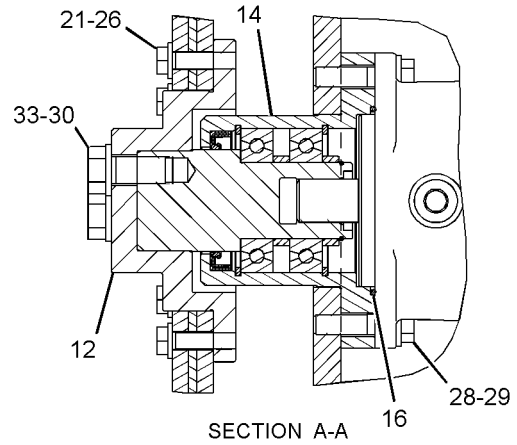
COOLING SYSTEM

281-3551 FAN GP-SUCTION (contd.)

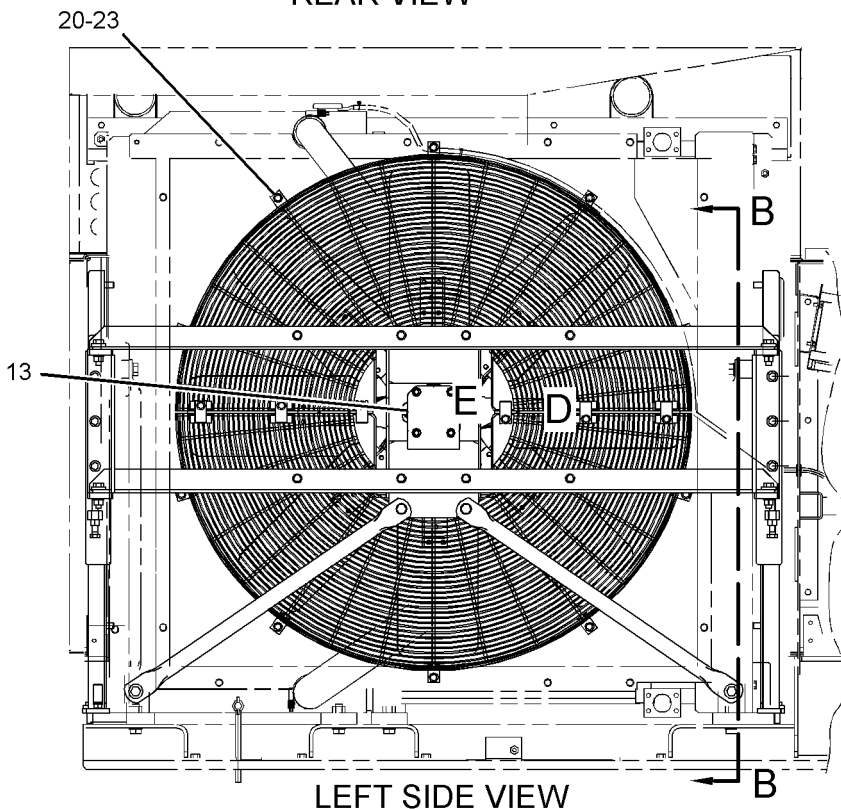
i03655438



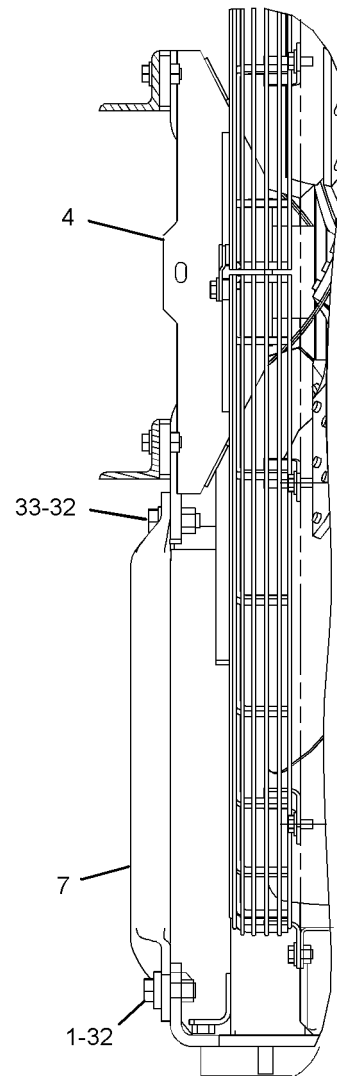
REAR VIEW



SECTION A-A



LEFT SIDE VIEW



SECTION B-B

REFER TO ALL ILLUSTRATIONS OF THIS GROUP FOR AUXILIARY VIEWS

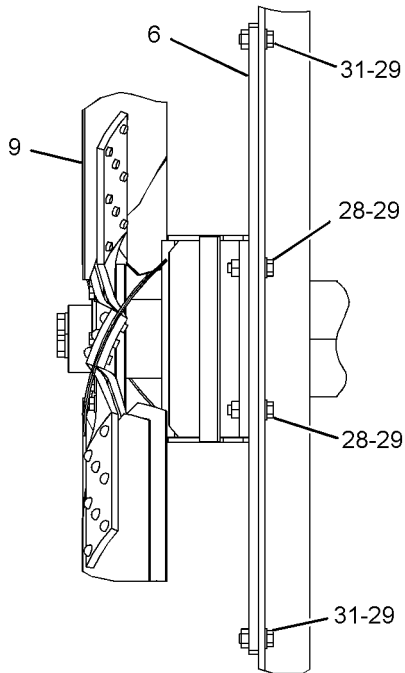
GRAPHIC #1

g02097793

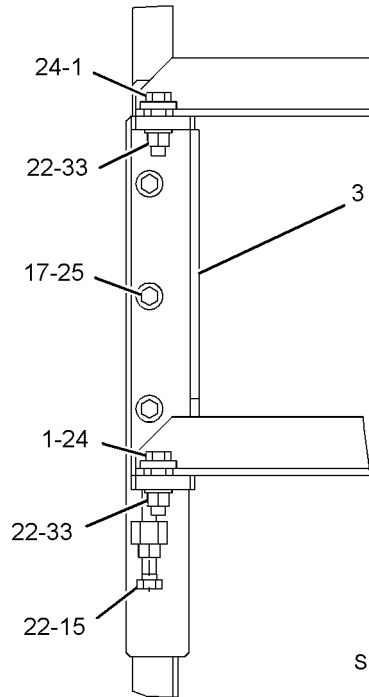
COOLING SYSTEM

281-3551 FAN GP-SUCTION (contd.)

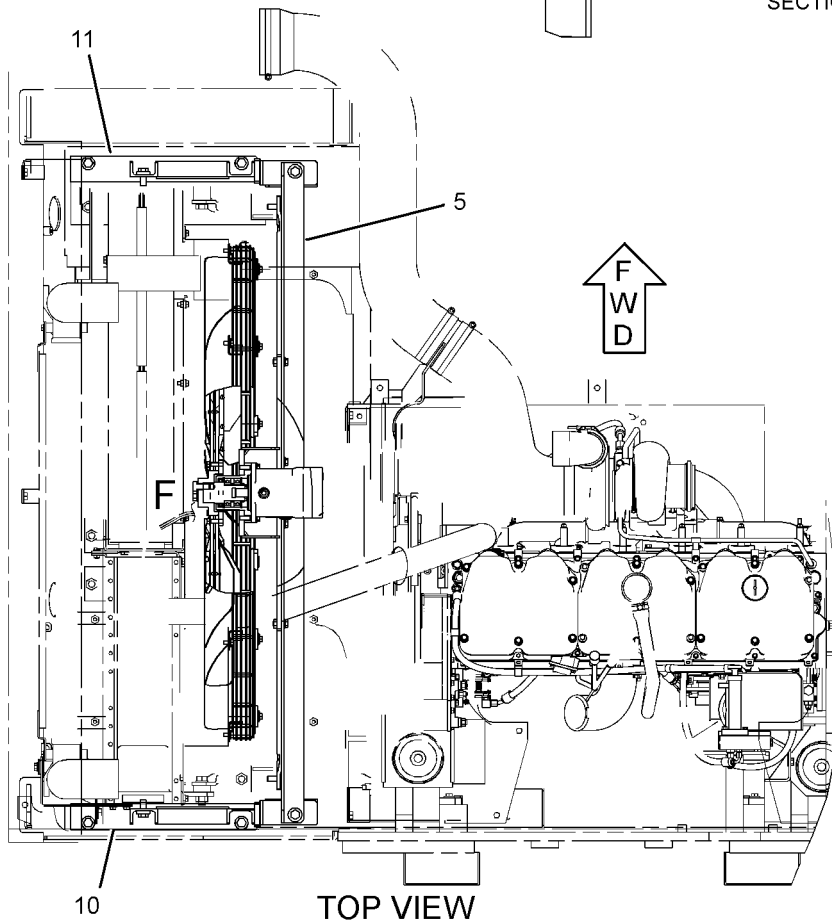
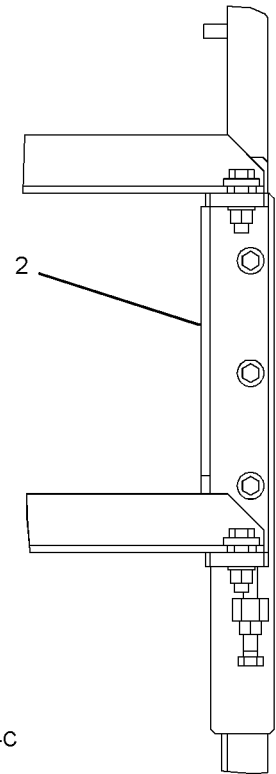
i03655438



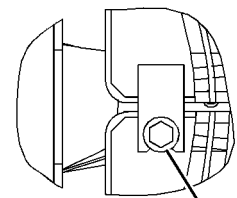
VIEW OF AREA F



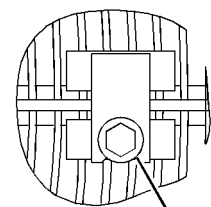
SECTION C-C



TOP VIEW



VIEW OF AREA E
23-20



VIEW OF AREA D
23-20

GRAPHIC #2

<END>

g02097794

COOLING SYSTEM

220-3493 LINES GP-TURBOCHARGER WATER

S/N: LHX19430-UP

CENTER SECTION

PART OF 288-8156 ENGINE AR-COMplete

SMCS-1052

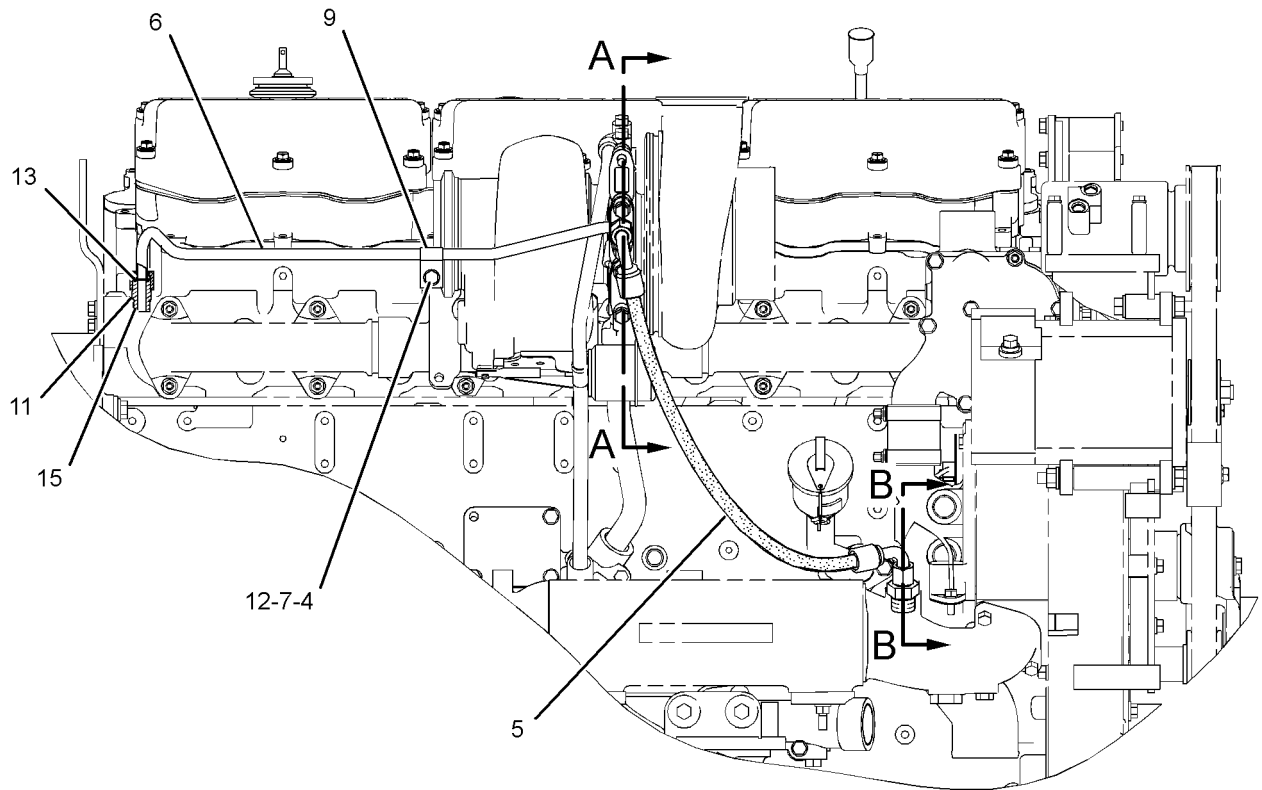
i03637240

NOTE	REF NO	GRAPHIC REF	PART NUMBER	QTY	PART NAME						SEE PAGE
					1	2	3	4	5	6 (PRODUCT LEVEL)	
1	1	1	241-3283	4	GASKET						
2	1	1	7N-7878	2	PLATE-COVER						
3	1	1	8N-0788	1	COVER						
4	1	1	6Y-1352	1	SPACER (10.5X20X27-MM THK)						
5	1	1	335-4198	1	HOSE AS						
6	1	1	220-3496	1	TUBE AS (DRAIN) (53-CM)						
7	1	1	0S-1571	1	BOLT (3/8-16X1.75-IN)						
8	1	1	0S-1591	8	BOLT (3/8-16X1.5-IN)						
9	1	1	1B-3057	1	CLIP						
10	1	1	3D-2824	1	SEAL-O-RING						
11	1	1	3K-0360	1	SEAL-O-RING						
12	1	1	5M-2894	1	WASHER-HARD (10.2X18.5X2.5-MM THK)						
13	1	1	6V-8398	3	SEAL-O-RING						
14	1	1	6V-8633	1	CONNECTOR						
15	1	1	6V-8639	1	CONNECTOR						
16	1	1	8C-6871	1	CONNECTOR						
17	1	1	1L-5081	8	SPACER (0.41X0.75X0.56-IN THK)						

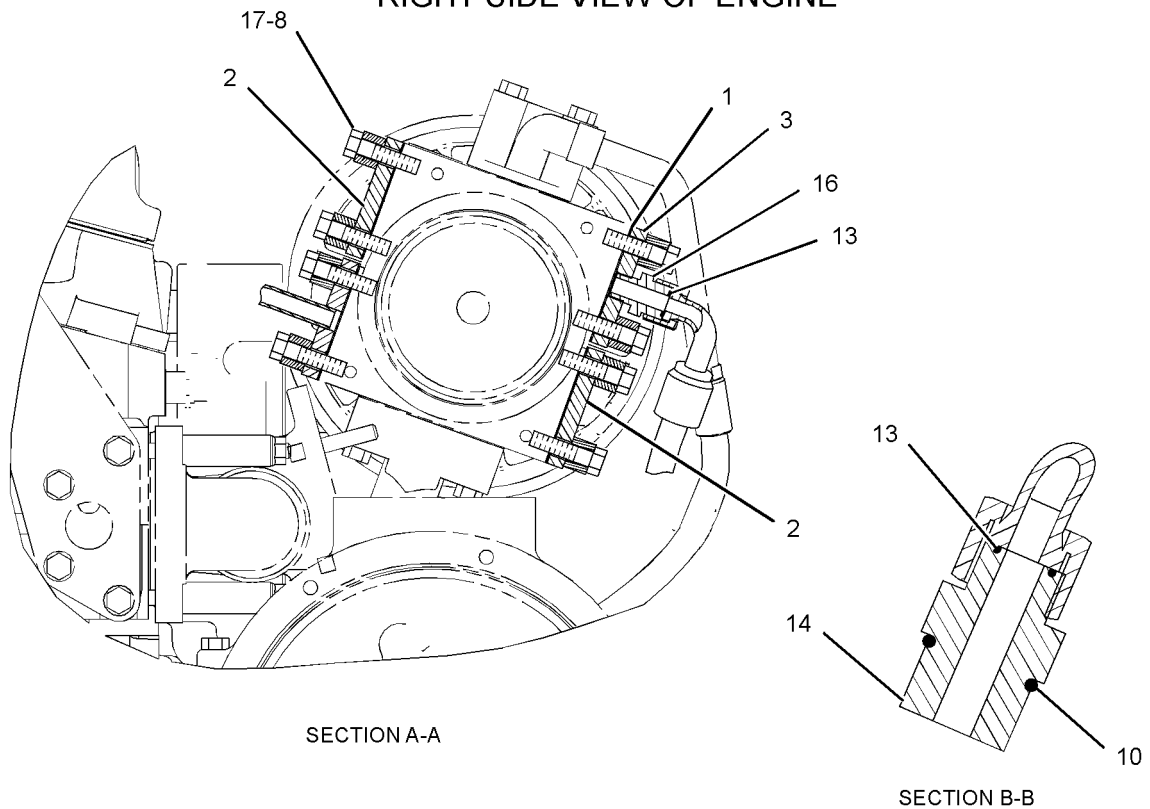
COOLING SYSTEM

220-3493 LINES GP-TURBOCHARGER WATER (contd.)

i03637240



RIGHT SIDE VIEW OF ENGINE



SECTION A-A

SECTION B-B

GRAPHIC #1

<END>

g01445821

COOLING SYSTEM

228-4224 LINES GP-WATER

S/N: LHX19430-UP

PART OF 288-8156 ENGINE AR-COMplete

SMCS-1355, 1380

i03339380

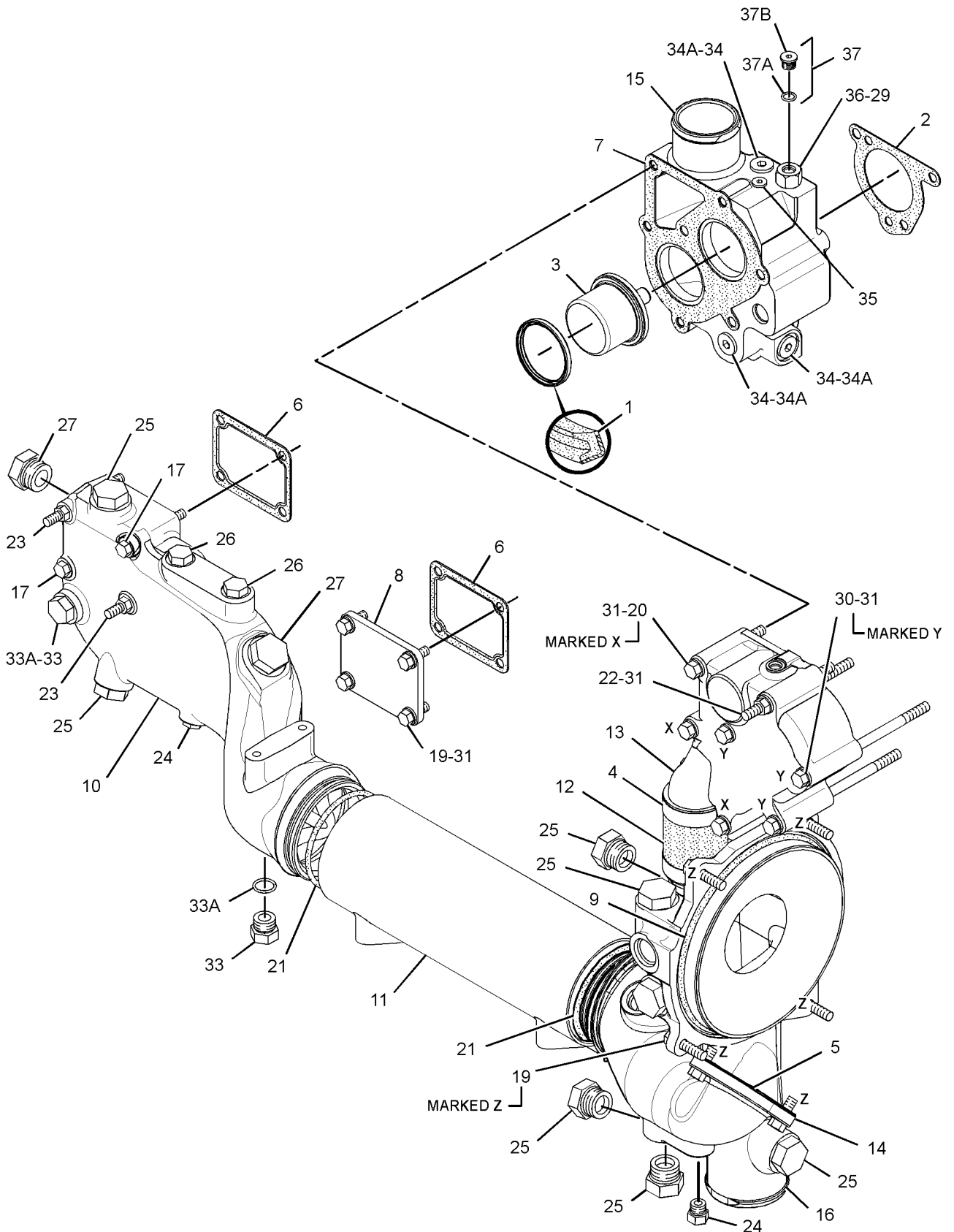
NOTE	REF NO	GRAPHIC REF	PART NUMBER	QTY	PART NAME						SEE PAGE
					1	2	3	4	5	6 (PRODUCT LEVEL)	
	1	1	3S-9643	2	SEAL-LIP TYPE (TEMPERATURE REGULATOR HOUSING)						
	2	1	4N-1156	1	GASKET-REGULATOR COVER (TEMPERATURE REGULATOR HOUSING)						
	3	1	248-5513	2	REGULATOR-TEMPERATURE (92-DEG C) (COOLANT)						
	4	1	8T-6703	2	CLAMP-HOSE						
	5	1	125-0434	1	SEAL-INTEGRAL						
	6	1	126-4935	2	SEAL-INTEGRAL						
	7	1	139-3550	1	GASKET-REGULATOR (HOUSING)						
	8	1	145-3849	1	COVER						
	9	1	197-8006	1	SEAL-O-RING						
	10	1	223-4746	1	BONNET-OUTLET						
R	11	1	223-7962	1	CORE AS (ENGINE OIL COOLER)						
	12	1	223-9257	1	HOSE						
	13	1	329-9776	1	HOUSING-REGULATOR						
	14	1	229-2282	1	BONNET-OIL COOLER						
	15	1	239-6304	1	MANIFOLD-HOUSING						
	16	1	244-6835	1	COVER-WATER PUMP						
	17	1	0L-1352	2	BOLT (3/8-16X3.25-IN)						
	19	1	0S-1594	10	BOLT (3/8-16X1-IN)						
	20	1	0T-0065	3	BOLT (3/8-16X3.5-IN)						
	21	1	109-0077	2	SEAL-O-RING						
	22	1	143-9393	1	STUD						
	23	1	147-0323	2	STUD (3/8-16X3.25-IN)						
	24	1	148-8407	2	PLUG AS (EACH INCLUDES)						
		1	3J-1907	1	SEAL-O-RING						
		1	9S-4191	1	PLUG-O-RING						
	25	1	148-8408	8	PLUG AS (EACH INCLUDES)						
		1	3D-2824	1	SEAL-O-RING						
		1	9S-4183	1	PLUG-O-RING						
	26	1	148-8411	2	PLUG AS (EACH INCLUDES)						
		1	3K-0360	1	SEAL-O-RING						
		1	9S-4185	1	PLUG-O-RING						
	27	1	207-7899	2	PLUG AS (EACH INCLUDES)						
		1	4K-1388	1	SEAL-O-RING						
		1	9S-4188	1	PLUG						
	29	1	3K-0360	1	SEAL-O-RING						
	30	1	4F-0411	3	BOLT (3/8-16X6.5-IN)						
	31	1	5M-2894	11	WASHER-HARD (10.2X18.5X2.5-MM THK)						
	33	1	148-8410	2	PLUG AS (EACH INCLUDES)						
		1	9S-4190	1	PLUG-O-RING						
	33A	1	2M-9780	1	SEAL-O-RING						
C	34	1	148-8395	3	PLUG AS (EACH INCLUDES)						
		1	9S-8005	1	PLUG-O-RING						
	34A	1	3K-0360	1	SEAL-O-RING						
	35	1	183-7263	1	PLUG AS						
		1	9S-8002	1	PLUG-O-RING						
		1	3J-7354	1	SEAL-O-RING						
C	36	1	268-1616	1	ADAPTER						
C	37	1	3J-3679	1	PLUG AS						
	37A	1	1J-9671	1	SEAL-O-RING						
	37B	1	0S-8002	1	PLUG						

COOLING SYSTEM

228-4224 LINES GP-WATER (contd.)

i03339380

C-CHANGE FROM PREVIOUS TYPE
R-REMG PART MAY BE AVAILABLE



GRAPHIC #1

<END>

g01435829

COOLING SYSTEM

224-3239 PUMP GP-WATER

S/N: LHX19430-22300

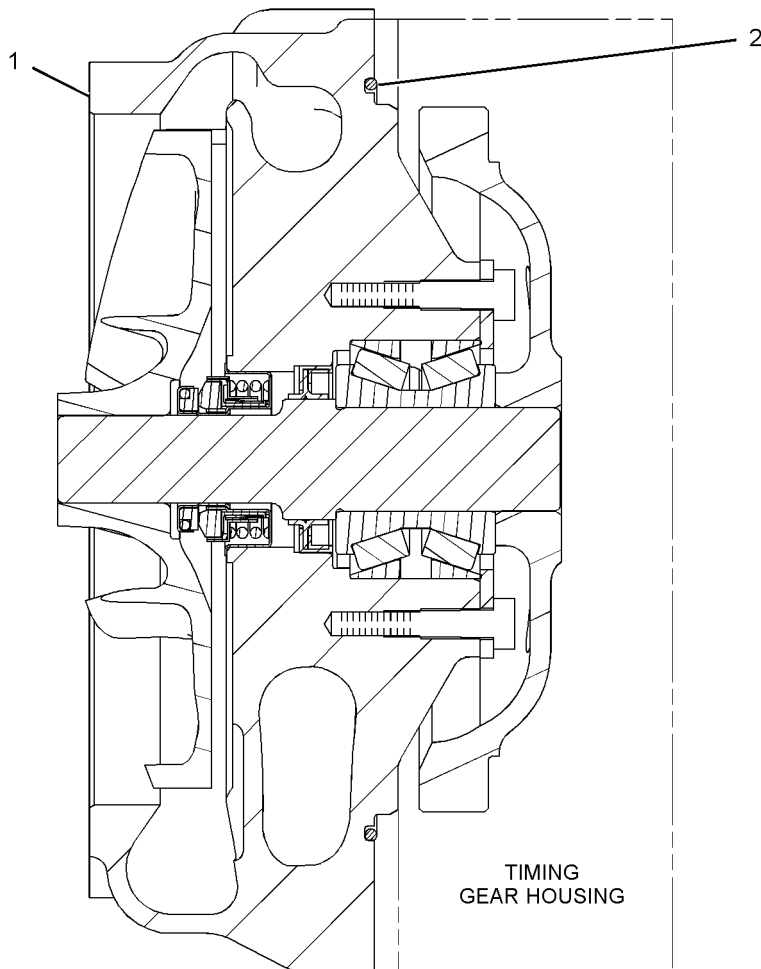
PART OF 288-8156 ENGINE AR-COMplete

SMCS-1361

i02833182

NOTE	REF NO	GRAPHIC REF	PART NUMBER	QTY	PART NAME						SEE PAGE
					1	2	3	4	5	6 (PRODUCT LEVEL)	
CY	1	1	314-5155	1	PUMP GP-WATER						102
	2	1	122-3772	1	SEAL-O-RING						

C-CHANGE FROM PREVIOUS TYPE
Y-SEPARATE ILLUSTRATION



GRAPHIC #1

<END>

g01413586

COOLING SYSTEM

280-8039 PUMP GP-WATER

S/N: LHX22301-UP

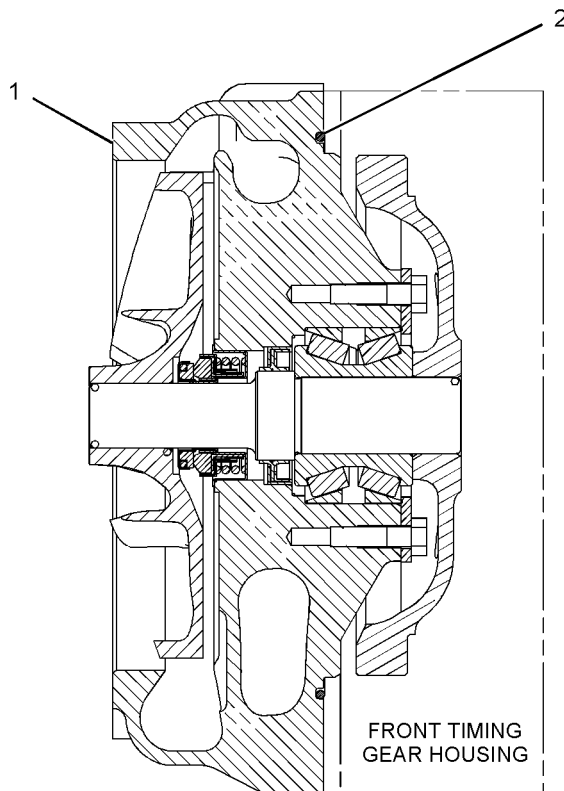
PART OF 288-8156 ENGINE AR-COMPLETE

SMCS-1361

i03854429

NOTE	REF NO	GRAPHIC REF	PART NUMBER	QTY	PART NAME						SEE PAGE	
					1	2	3	4	5	6 (PRODUCT LEVEL)		
Y	1	1	336-2213	1	PUMP	GP-WATER						103
	2	1	122-3772	1	SEAL-O-RING	(WATER PUMP)						

Y-SEPARATE ILLUSTRATION



GRAPHIC #1

<END>

g01147605

COOLING SYSTEM

314-5155 PUMP GP-WATER*R

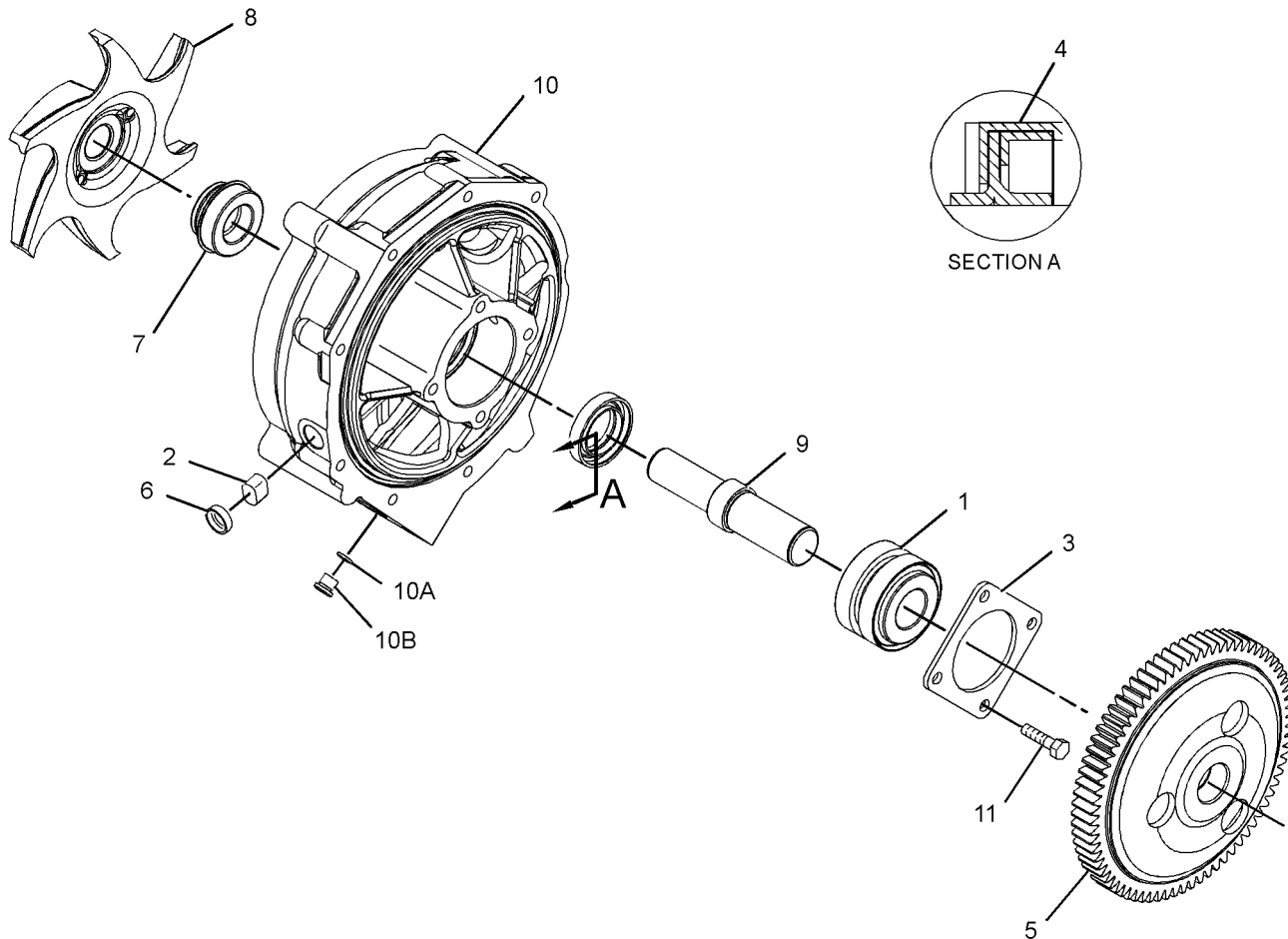
S/N: LHX19430-22300

PART OF 224-3239 PUMP GP-WATER

SMCS-1361

i03497275

NOTE	REF NO	GRAPHIC REF	PART NUMBER	QTY	PART NAME						SEE PAGE
					1	2	3	4	5	6 (PRODUCT LEVEL)	
	1	1	108-7930	1	BEARING AS-ROLLER						
	2	1	315-6645	1	PLUG-FELT						
	3	1	136-1107	1	RETAINER						
	4	1	153-1256	1	SEAL-LIP TYPE						
	5	1	195-0319	1	GEAR (74-TEETH)						
	6	1	203-3831	1	PLUG-CUP						
	7	1	276-4756	1	SEAL GP						
	8	1	246-3129	1	IMPELLER-PUMP						
	9	1	246-3130	1	SHAFT-WATER PUMP						
	10	1	303-8698	1	HOUSING AS-PUMP						
10A	1		6V-5048	1	SEAL-O-RING						
10B	1		9S-8002	1	PLUG-O-RING						
11	1		1B-7182	4	BOLT (5/16-18X1.25-IN)						



GRAPHIC #1

<END>

g01414102

COOLING SYSTEM

336-2213 PUMP GP-WATER

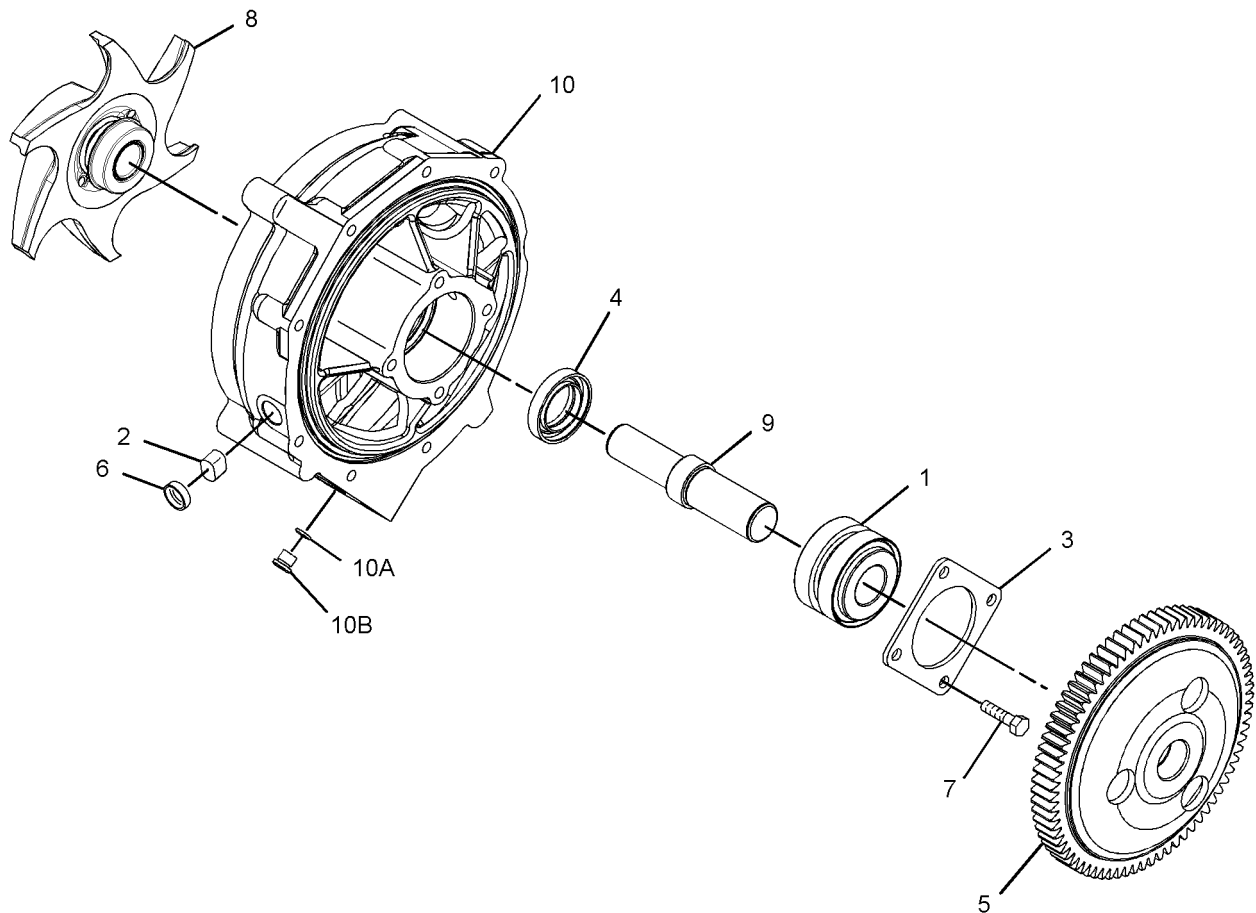
S/N: LHX22301-UP

PART OF 280-8039 PUMP GP-WATER

SMCS-1361

i03812273

NOTE	REF NO	GRAPHIC REF	PART NUMBER	QTY	PART NAME						SEE PAGE
					1	2	3	4	5	6 (PRODUCT LEVEL)	
	1	1	108-7930	1	BEARING AS-ROLLER						
	2	1	315-6645	1	PLUG-FELT						
	3	1	136-1107	1	RETAINER						
	4	1	153-1256	1	SEAL-LIP TYPE						
	5	1	195-0319	1	GEAR (74-TEETH)						
	6	1	203-3831	1	PLUG-CUP						
	7	1	1B-7182	4	BOLT (5/16-18X1.25-IN)						
	8	1	246-3129	1	IMPELLER-PUMP						
	9	1	246-3130	1	SHAFT-WATER PUMP						
	10	1	303-8698	1	HOUSING AS-PUMP						
10A	1		6V-5048	1	SEAL-O-RING						
10B	1		9S-8002	1	PLUG-O-RING						



GRAPHIC #1

<END>

g02067794

COOLING SYSTEM

344-0694 RADIATOR & AFTERCooler GP

S/N: PAS1-UP

PART OF 297-7683 INSTALLATION AR-ENGINE

SMCS-1063, 1353

i03905249

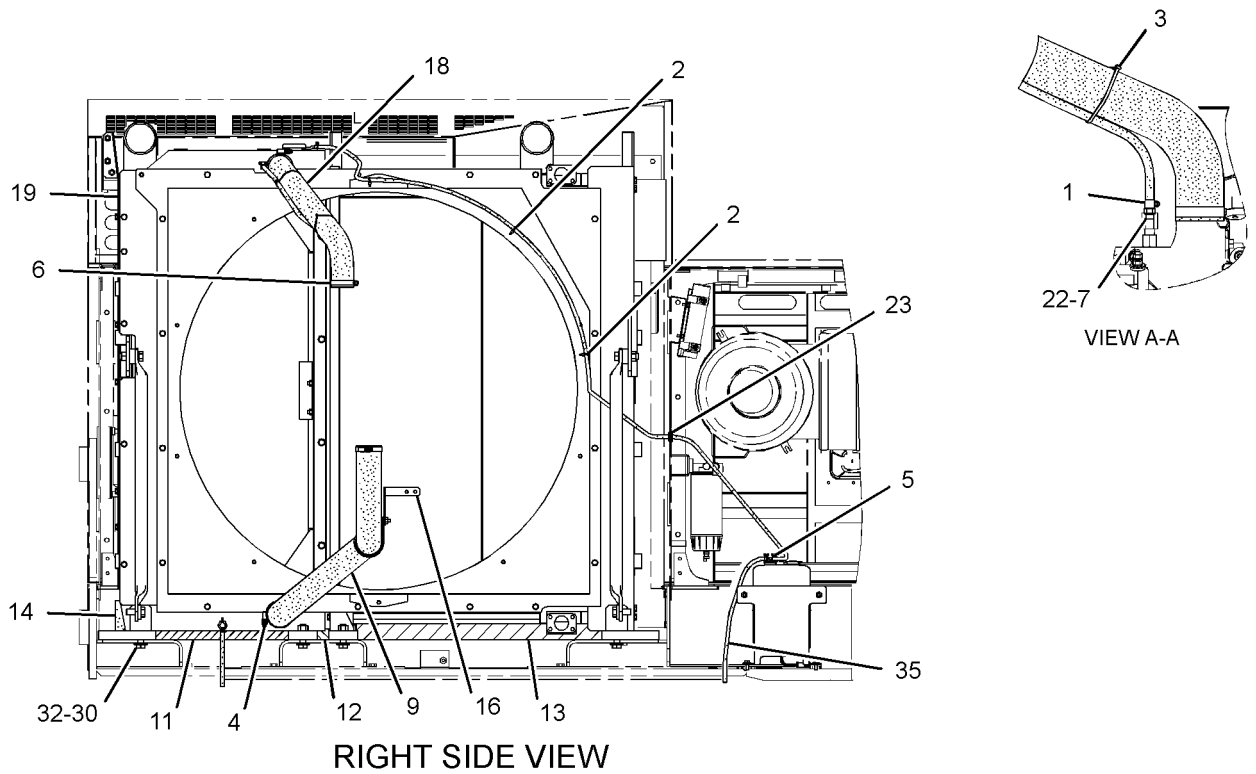
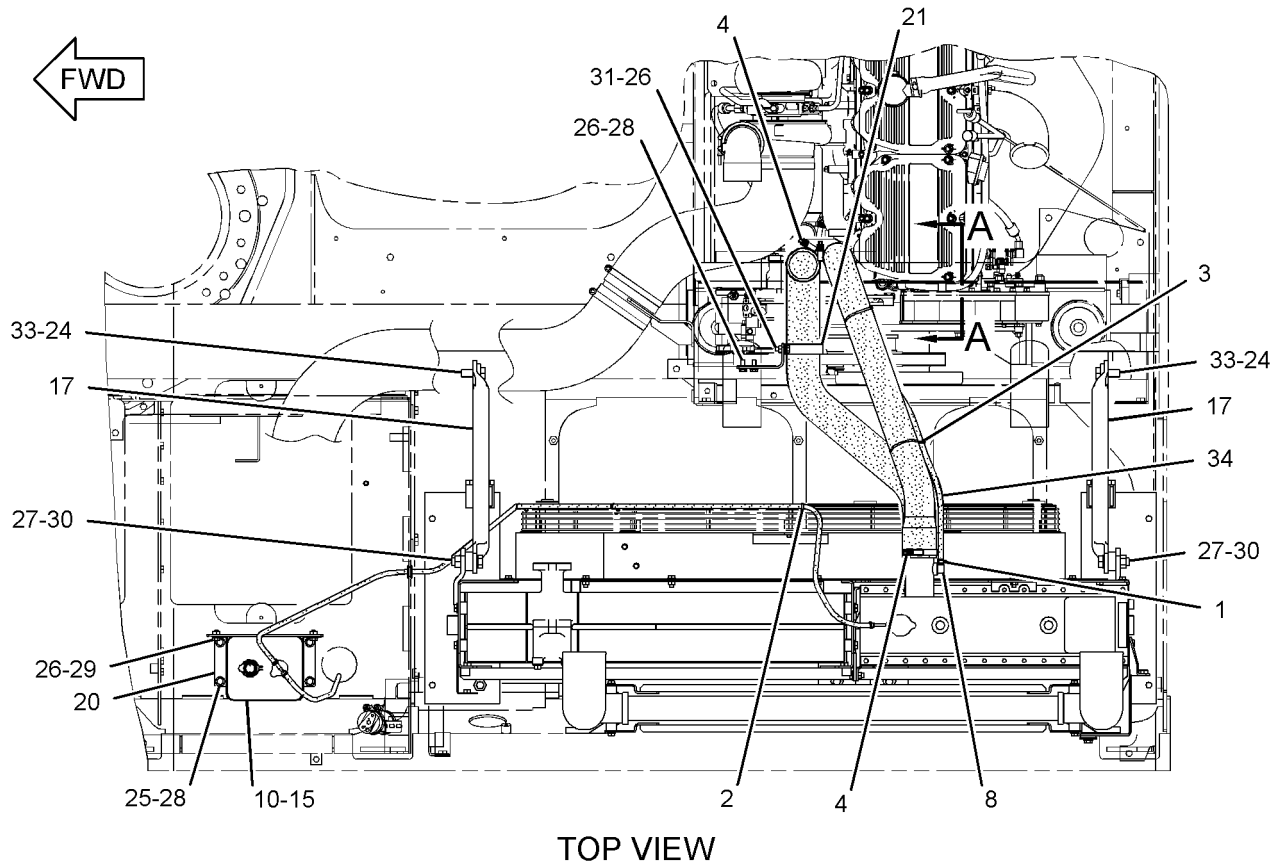
NOTE	REF NO	GRAPHIC REF	PART NUMBER	QTY	PART NAME						SEE PAGE
					1	2	3	4	5	6 (PRODUCT LEVEL)	
	1	1	5P-4961	2	CLAMP-HOSE						
	2	1	7I-2673	3	STRAP-CABLE						
	3	1	7K-1181	2	STRAP-CABLE						
	4	1	8T-4985	3	CLAMP-HOSE						
	5	1	096-4035	1	CLIP						
	6	1	144-0367	1	CLAMP-HOSE						
	7	1	151-1975	1	CONNECTOR						
	8	1	160-5945	1	ELBOW						
	9	1	230-2829	1	HOSE-RADIATOR (LOWER)						
	10	1	230-2850	1	BAND						
	11	1	230-2851	1	SEAL						
	12	1	230-2852	1	SEAL						
	13	1	230-2853	1	SEAL						
	14	1	245-9186	1	SEAL						
	15	1	245-9206	1	TANK AS-EXPANSION (INCLUDES COOLANT LEVEL SWITCH)						
		1	171-3370	1	CAP AS (COOLANT OVERFLOW)						
		1	204-0920	1	CAP AS (COOLANT FILL)						
	16	1	245-9290	1	BRACKET AS						
	17	1	245-9332	2	BRACE						
	18	1	245-9351	1	HOSE-RADIATOR (UPPER)						
Y	19	1	281-3538	1	RADIATOR & HYD OIL COOLER GP						106
	20	1	344-0695	1	BRACKET AS						
	21	1	195-5662	1	CLIP						
	22	1	1J-9671	1	SEAL-O-RING						
	23	1	4H-2558	1	GROMMET						
	24	1	6C-9149	2	WASHER (22X50X10-MM THK)						
	25	1	7X-7729	4	WASHER (11X25X3-MM THK)						
	26	1	8T-4121	5	WASHER-HARD (11X21X2.5-MM THK)						
	27	1	8T-4123	2	WASHER (22X35X3.5-MM THK)						
M	28	1	8T-4136	6	BOLT (M10X1.5X25-MM)						
M	29	1	8T-4137	2	BOLT (M10X1.5X20-MM)						
M	30	1	8T-4141	10	BOLT (M20X2.5X70-MM)						
M	31	1	8T-4195	1	BOLT (M10X1.5X30-MM)						
	32	1	8T-5439	8	WASHER-HARD (21.5X45X6-MM THK)						
M	33	1	8T-6430	2	BOLT (M20X2.5X50-MM)						
E	34	1	5P-1420		HOSE (100-CM)						
E	35	1	7Y-1976		HOSE-WATER (53-CM)						

E-ORDER BY THE CENTIMETER
M-METRIC PART
Y-SEPARATE ILLUSTRATION

COOLING SYSTEM

344-0694 RADIATOR & AFTERCooler GP (contd.)

i03905249



GRAPHIC #1

<END>

g02125842

COOLING SYSTEM

281-3538 RADIATOR & HYD OIL COOLER GP

S/N: PAS1-UP

PART OF 344-0694 RADIATOR & AFTERCOOLER GP

SMCS-1351

i03205341

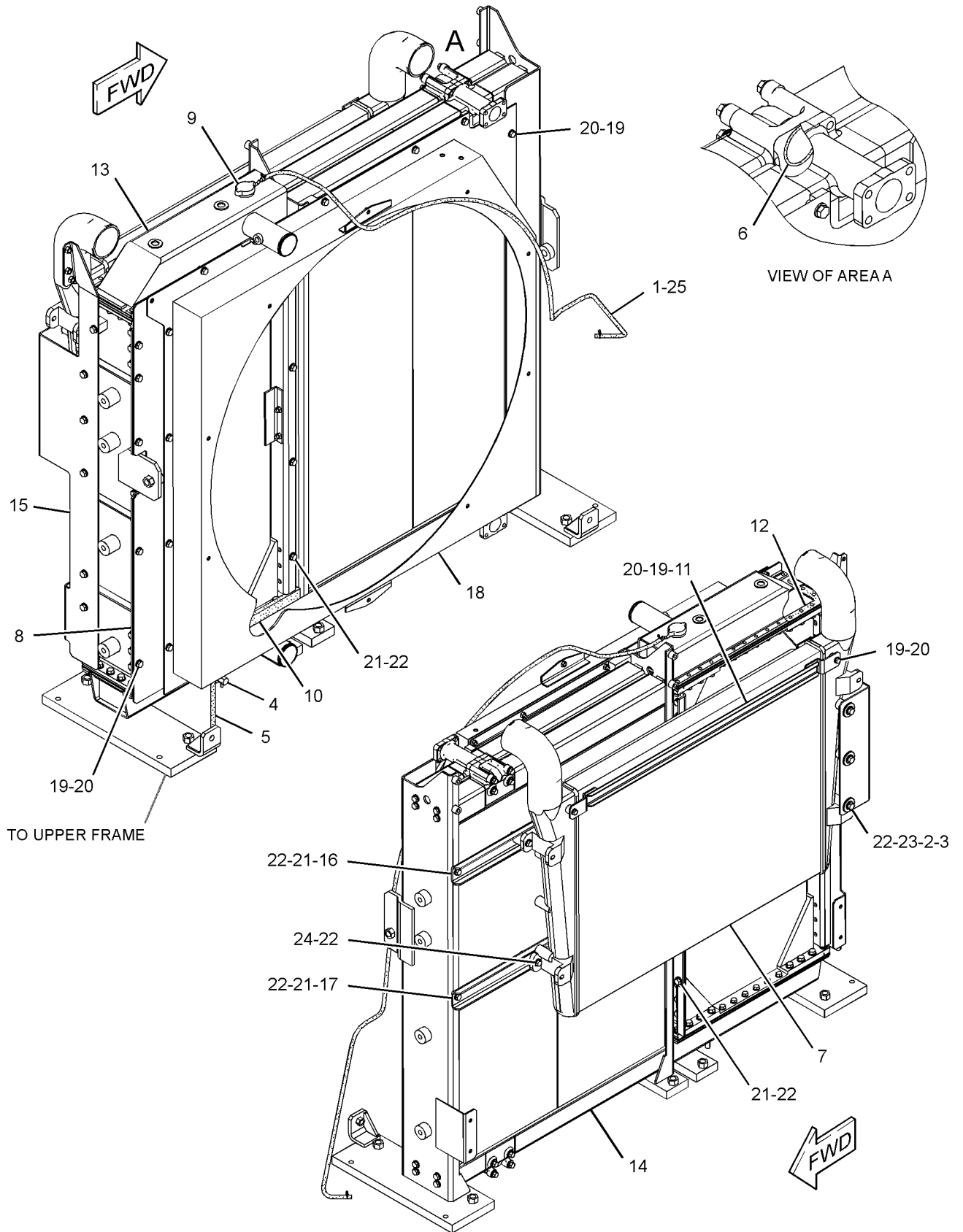
NOTE	REF NO	GRAPHIC REF	PART NUMBER	QTY	PART NAME						SEE PAGE
					1	2	3	4	5	6 (PRODUCT LEVEL)	
	1	1	096-4035	2	CLIP						
	2	1	196-8088	3	SEAL						
	3	1	196-8089	3	BOSS						
	4	1	210-7994	1	DRAIN AS						
	5	1	210-7995	1	HOSE-WATER						
	6	1	210-8081	2	SEAL-O-RING						
	7	1	230-2917	1	AFTERCOOLER AS						
	8	1	230-2919	1	PLATE AS						
	9	1	230-2920	1	CAP AS-RADIATOR						
	10	1	230-2921	2	SEAL						
	11	1	230-2923	2	BRACKET AS						
	12	1	245-9268	2	GASKET						
	13	1	245-9334	1	CORE AS-RADIATOR						
	14	1	245-9335	1	CORE AS-OIL COOLER (HYDRAULIC OIL)						
	15	1	245-9336	1	PLATE AS						
	16	1	245-9338	1	PLATE AS						
	17	1	245-9339	1	PLATE AS						
	18	1	281-3539	1	SHROUD AS						
	19	1	8T-4121	31	WASHER-HARD (11X21X2.5-MM THK)						
M	20	1	8T-4136	31	BOLT (M10X1.5X25-MM)						
M	21	1	8T-4139	15	BOLT (M12X1.75X30-MM)						
	22	1	8T-4223	20	WASHER-HARD (13.5X25.5X3-MM THK)						
M	23	1	8T-4956	3	BOLT (M12X1.75X35-MM)						
M	24	1	8T-6868	2	BOLT (M12X1.75X80-MM)						
E	25	1	7Y-1976		HOSE-WATER (270-CM)						

E-ORDER BY THE CENTIMETER
M-METRIC PART

COOLING SYSTEM

281-3538 RADIATOR & HYD OIL COOLER GP (contd.)

i03205341



GRAPHIC #1

<END>

g01646236

COOLING SYSTEM

241-2299 SCREEN GP-RADIATOR

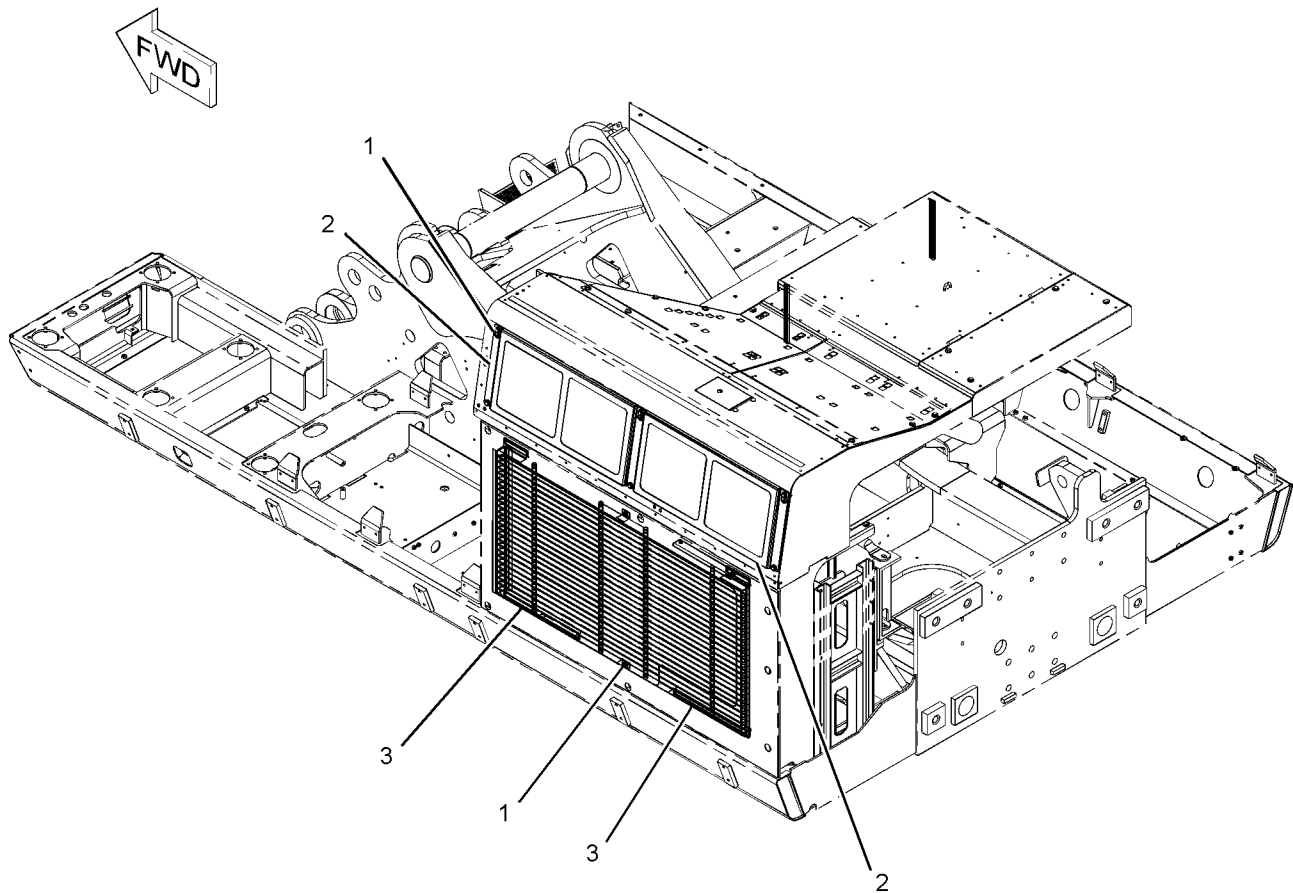
S/N: PAS1-UP
AN ATTACHMENT

SMCS-7272

i02226169

NOTE	REF NO	GRAPHIC REF	PART NUMBER	QTY	PART NAME						SEE PAGE
					1	2	3	4	5	6 (PRODUCT LEVEL)	
M	1	1	135-8573	9	BOLT AS						
	2	1	237-8551	2	SCREEN AS (UPPER, LH)						
	3	1	256-1790	2	SCREEN AS (LOWER, LH)						

M-METRIC PART



GRAPHIC #1

<END>

g01086908

COOLING SYSTEM

245-9238 SCREEN GP-RADIATOR

S/N: PAS1-UP

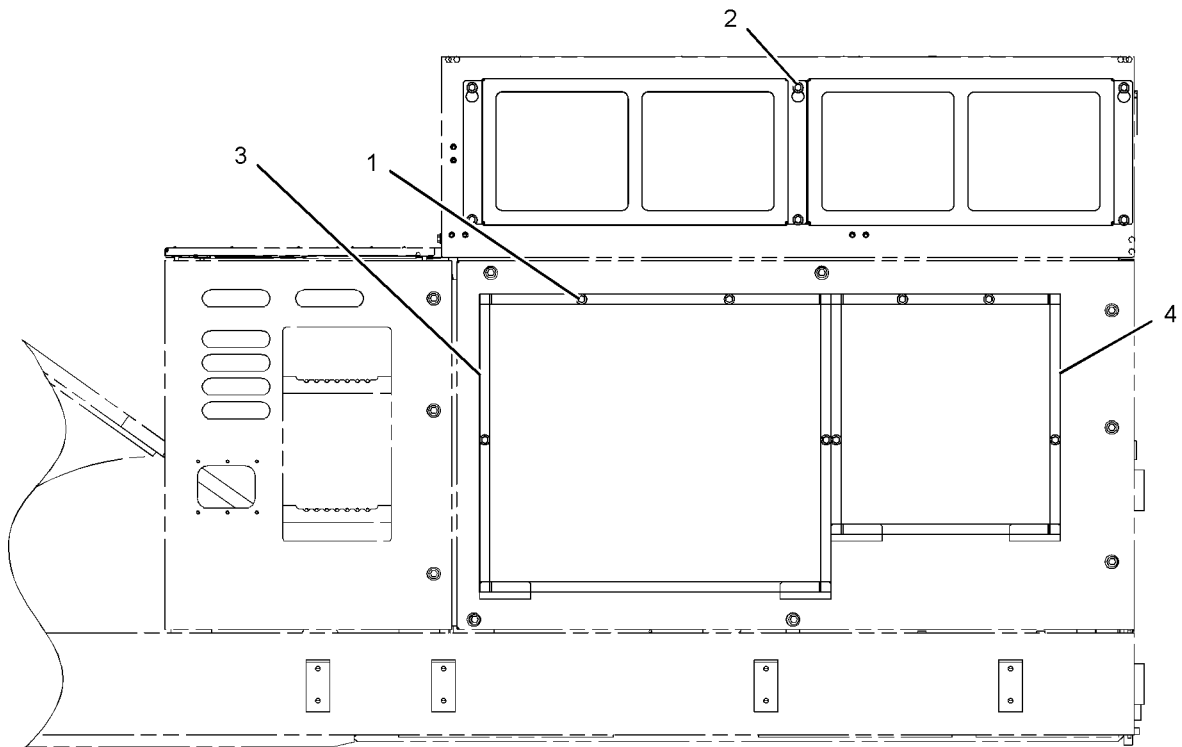
PART OF 303-2628 CONTROL AR-FAN
AN ATTACHMENT

SMCS-7272

i02956752

NOTE	REF NO	GRAPHIC REF	PART NUMBER	QTY	PART NAME						SEE PAGE
					1	2	3	4	5	6 (PRODUCT LEVEL)	
M	1	1	135-8573	14	BOLT AS						
	2	1	237-8551	2	SCREEN AS (UPPER, LH)						
	3	1	281-3562	1	SCREEN AS (LOWER, LH)						
	4	1	281-3563	1	SCREEN AS (LOWER, LH)						

M-METRIC PART



LEFT SIDE VIEW
<END>

GRAPHIC #1

g01085828

AIR INLET AND EXHAUST SYSTEM

319-9127 AIR CLEANER AR-PRECLEANER

S/N: PAS1-UP
AN ATTACHMENT

SMCS-1051

i03656950

NOTE	PART NUMBER	QTY	PART NAME						SEE PAGE
			1	2	3	4	5	6 (PRODUCT LEVEL)	
Y	305-4684	1	AIR CLEANER GP						111
Y	320-5464	1	SUPPORT GP-PRECLEANER						377

Y-SEPARATE ILLUSTRATION

<END>

AIR INLET AND EXHAUST SYSTEM

305-4684 AIR CLEANER GP

S/N: PAS1-UP

PART OF 319-9127 AIR CLEANER AR
AN ATTACHMENT

SMCS-1051, 1054

i03656998

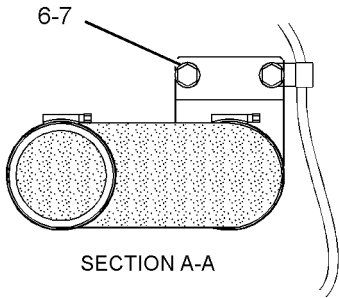
NOTE	REF NO	GRAPHIC REF	PART NUMBER	QTY	PART NAME						SEE PAGE
					1	2	3	4	5	6 (PRODUCT LEVEL)	
	1	1	6V-3582	2	CLAMP-HOSE						
	2	1	239-6460	1	TUBE AS						
	3	1	239-6463	1	HOSE						
	4	1	239-6645	1	HOSE						
Y	5	1	305-4934	1	AIR CLEANER GP						113
	6	1	8T-4121	2	WASHER-HARD (11X21X2.5-MM THK)						
M	7	1	8T-4136	2	BOLT (M10X1.5X25-MM)						

M-METRIC PART
Y-SEPARATE ILLUSTRATION

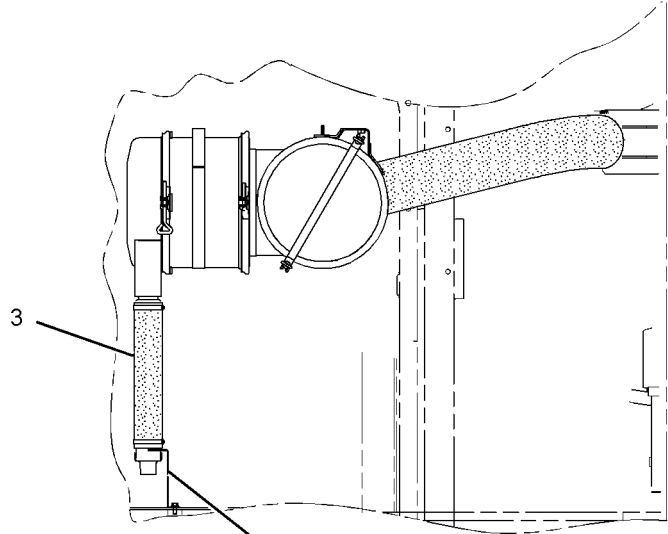
AIR INLET AND EXHAUST SYSTEM

305-4684 AIR CLEANER GP (contd.)

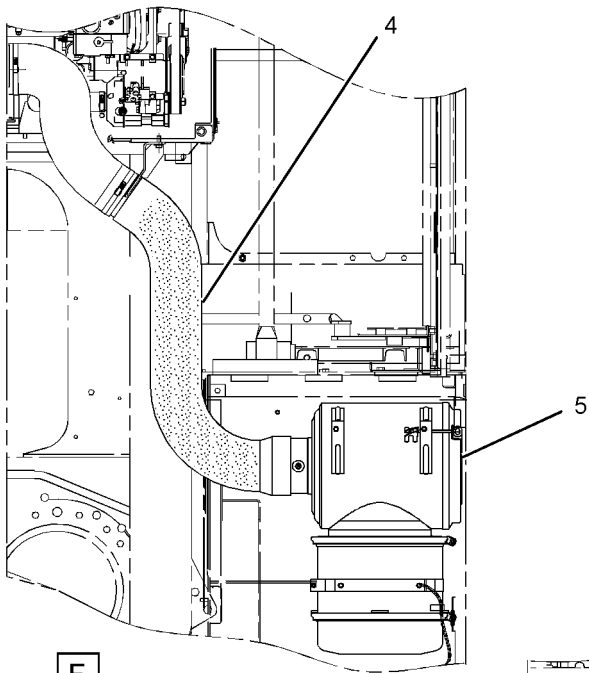
i03656998



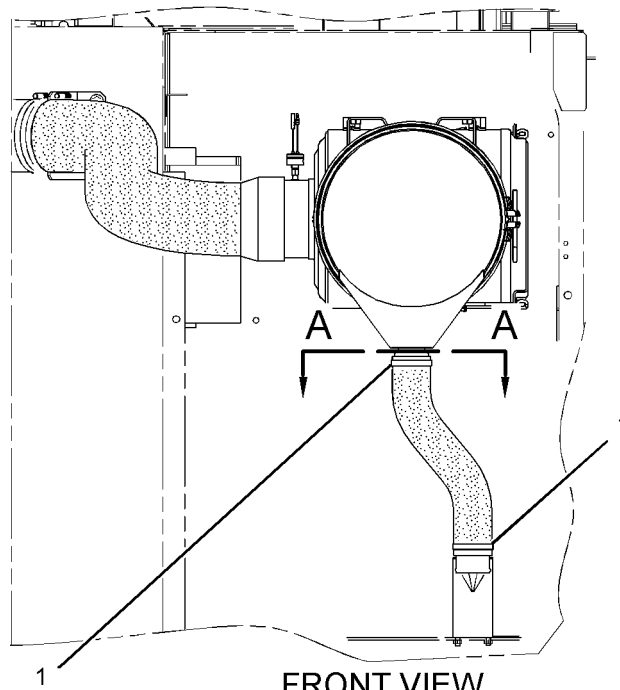
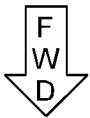
SECTION A-A



LEFT SIDE VIEW



TOP VIEW



FRONT VIEW

GRAPHIC #1

<END>

g02042674

AIR INLET AND EXHAUST SYSTEM

305-4934 AIR CLEANER GP

S/N: PAS1-UP

PART OF 305-4684 AIR CLEANER GP
AN ATTACHMENT

SMCS-1051, 1054

i03877751

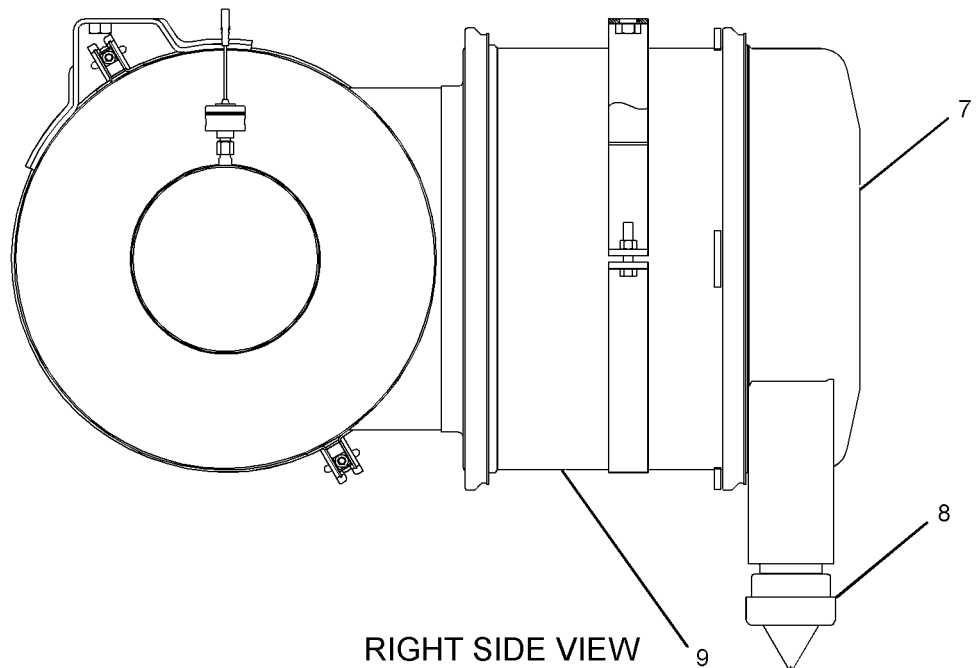
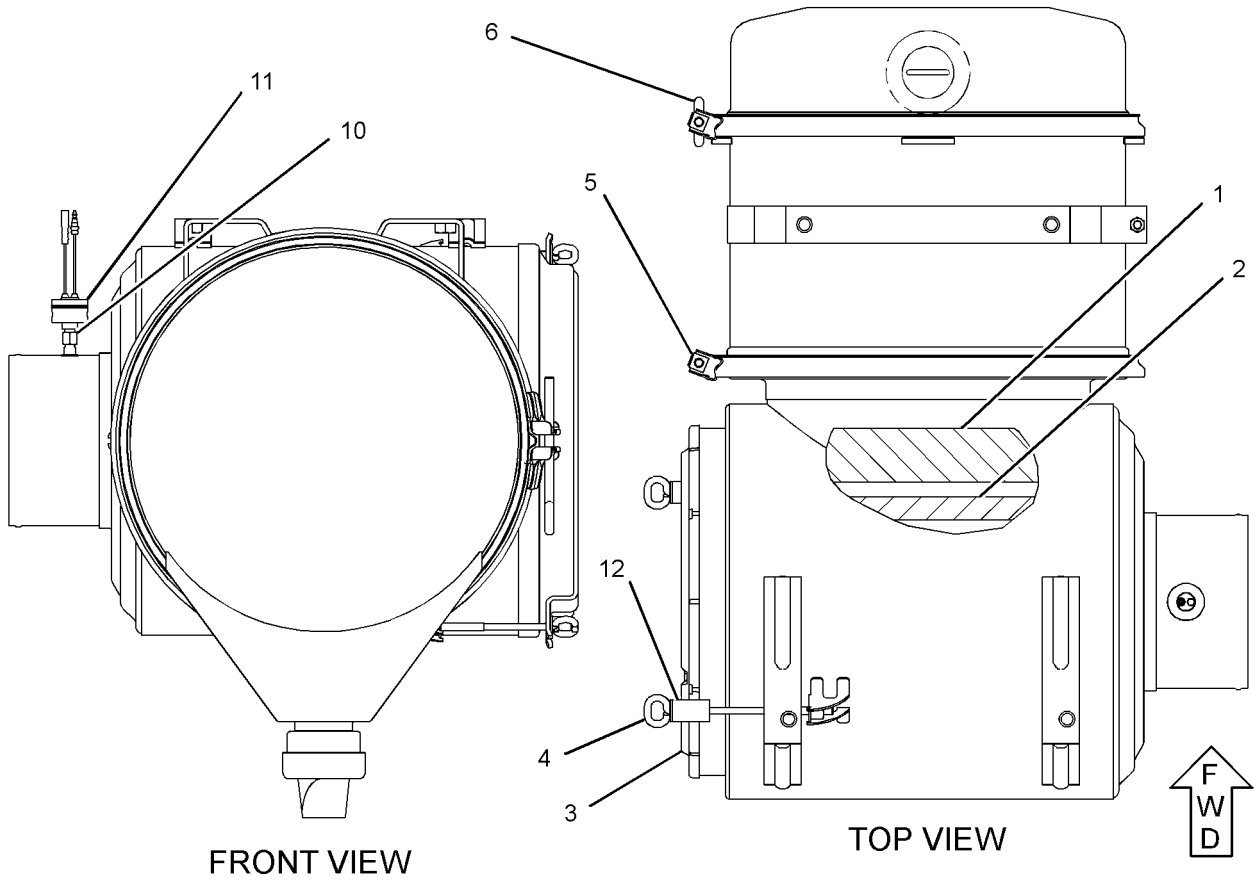
NOTE	REF NO	GRAPHIC REF	PART NUMBER	QTY	PART NAME						SEE PAGE
					1	2	3	4	5	6 (PRODUCT LEVEL)	
	1	1	106-3969	1	FILTER ELEMENT AS-AIR (PRIMARY)						
	2	1	106-3973	1	FILTER ELEMENT AS-AIR (SECONDARY)						
	3	1	310-9602	1	COVER AS						
E		1	7X-2634		SEAL (130-CM)						
	4	1	6N-6460	2	ROD AS (AIR CLEANER)						
	5	1	6L-3314	1	CLAMP AS (UPPER)						
	6	1	6L-3316	1	CLAMP AS (LOWER)						
	7	1	131-4770	1	CUP AS						
	8	1	1S-5485	1	VALVE-AIR CLEANER DUST						
	9	1	131-4769	1	BODY AS						
	10	1	7W-0629	1	ADAPTER AS-FILTER						
	11	1	162-6208	1	INDICATOR AS-AIR FILTER CHANGE (AIR RESTRICTION)						
	12	1	324-4181	2	SPACER						

E-ORDER BY THE CENTIMETER

AIR INLET AND EXHAUST SYSTEM

305-4934 AIR CLEANER GP (contd.)

i03877751



GRAPHIC #1

<END>

g02138311

AIR INLET AND EXHAUST SYSTEM

321-8124 AIR CLEANER GP

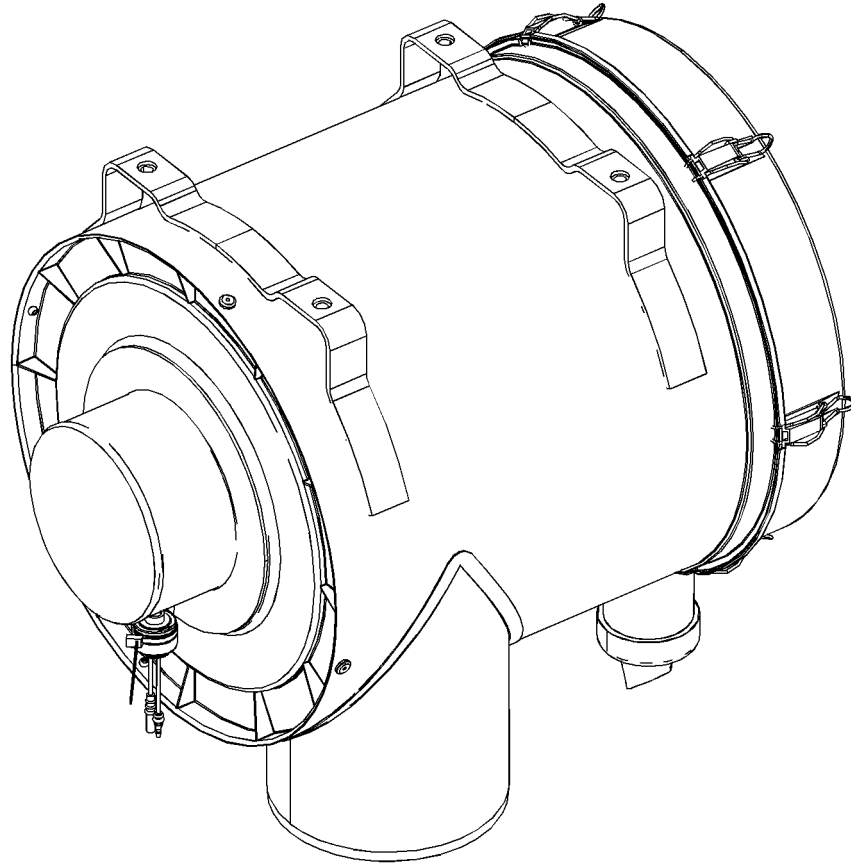
S/N: PAS1-UP

PART OF 321-8122 MOUNTING GP-AIR CLEANER

SMCS-1051, 1054

i03655487

NOTE	REF NO	GRAPHIC REF	PART NUMBER	QTY	PART NAME	SEE PAGE
					1 2 3 4 5 6 (PRODUCT LEVEL)	
(NO BREAKDOWN OF SERVICEABLE PARTS AT TIME OF PUBLICATION)						



GRAPHIC #1

<END>

g02122860

AIR INLET AND EXHAUST SYSTEM

222-8334 EXTENSION GP-EXHAUST

S/N: PAS1-UP

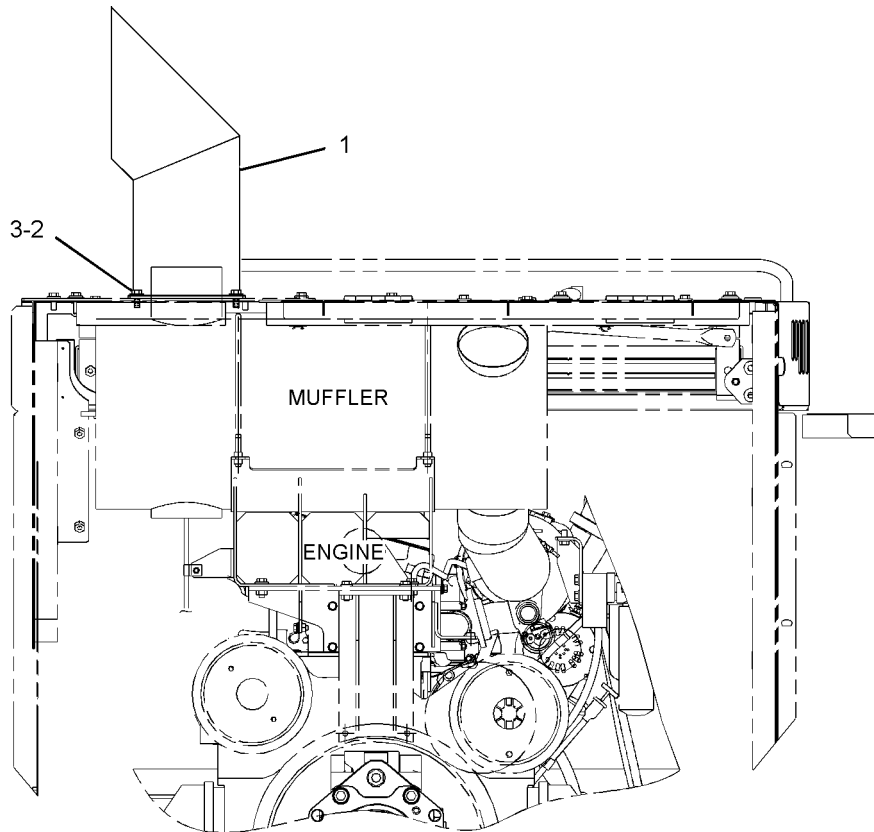
PART OF 297-7683 INSTALLATION AR-ENGINE

SMCS-1061

i02214567

NOTE	REF NO	GRAPHIC REF	PART NUMBER	QTY	PART NAME						SEE PAGE
					1	2	3	4	5	6 (PRODUCT LEVEL)	
	1	1	255-2901	1	TUBE AS						
	2	1	5P-1076	4	WASHER-HARD (13.5X30X4-MM THK)						
M	3	1	8T-4139	4	BOLT (M12X1.75X30-MM)						

M-METRIC PART



RIGHT SIDE VIEW
<END>

GRAPHIC #1

g01072395

AIR INLET AND EXHAUST SYSTEM

126-0081 LINES GP-AIR-TURBOCHARGER OUTLET

S/N: LHX19430-UP

90-DEG OUTLET ELBOW

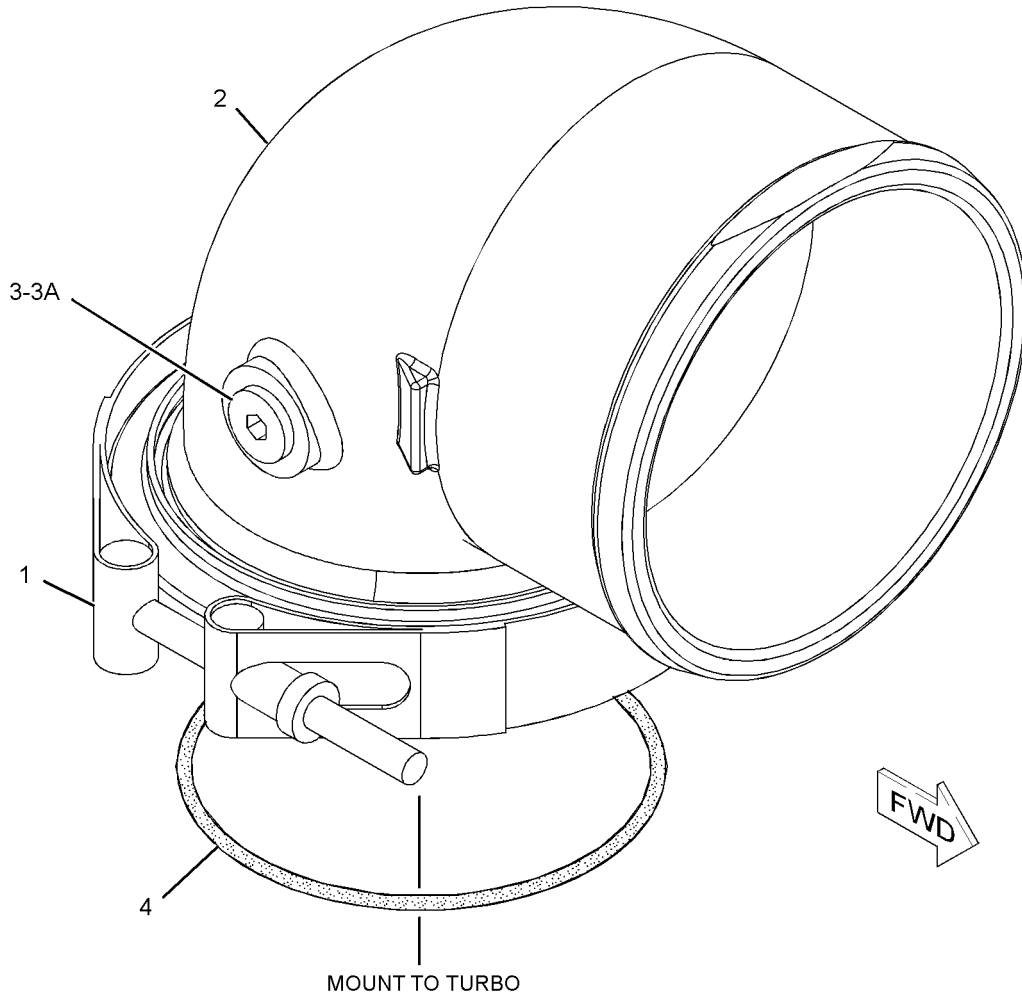
PART OF 288-8156 ENGINE AR-COMPLETE

SMCS-1071

i02356414

NOTE	REF NO	GRAPHIC REF	PART NUMBER	QTY	PART NAME						SEE PAGE
					1	2	3	4	5	6 (PRODUCT LEVEL)	
	1	1	127-0929	1	CLAMP						
C	2	1	217-8946	1	ELBOW						
C	3	1	183-3409	1	PLUG AS						
	3A	1	033-5853	1	SEAL-O-RING						
		1	9S-8002	1	PLUG-O-RING						
	4	1	8C-3089	1	SEAL-O-RING						

C-CHANGE FROM PREVIOUS TYPE



GRAPHIC #1

<END>

g01154678

AIR INLET AND EXHAUST SYSTEM

210-8148 LINES GP-AIR-AFTERCOOLER TO TURBOCHARGER

S/N: PAS1-UP

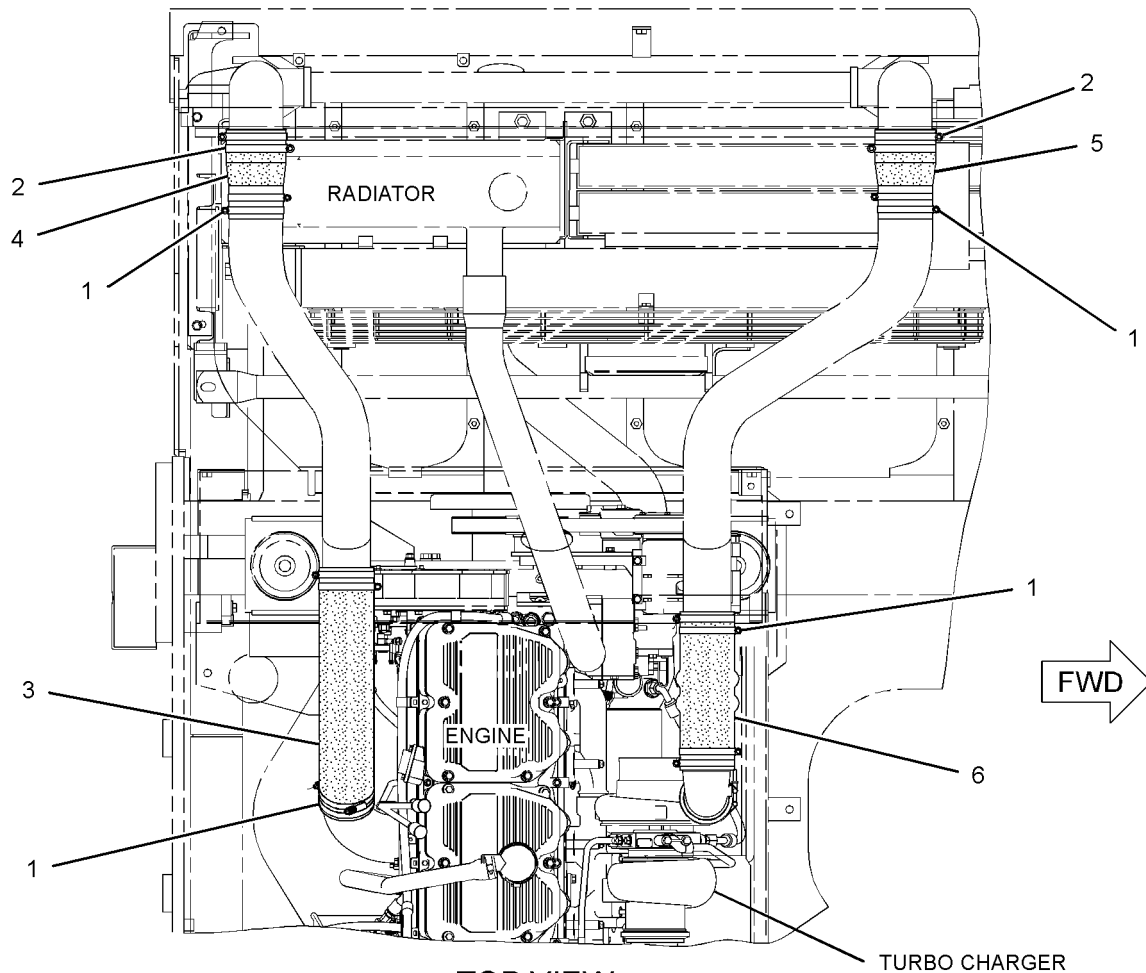
PART OF 297-7683 INSTALLATION AR-ENGINE

SMCS-1071

i03075201

NOTE	REF NO	GRAPHIC REF	PART NUMBER	QTY	PART NAME						SEE PAGE
					1	2	3	4	5	6 (PRODUCT LEVEL)	
	1	1	8T-4986	12	CLAMP-HOSE						
	2	1	9X-6654	4	CLAMP-HOSE						
	3	1	230-2832	1	HOSE						
C	4	1	210-8165	1	HOSE						
C	5	1	230-2895	1	HOSE						
	6	1	245-9267	1	HOSE						

C-CHANGE FROM PREVIOUS TYPE



TOP VIEW

<END>

GRAPHIC #1

g01581013

AIR INLET AND EXHAUST SYSTEM

263-1129 LINES GP-AIR

S/N: LHX19430-UP

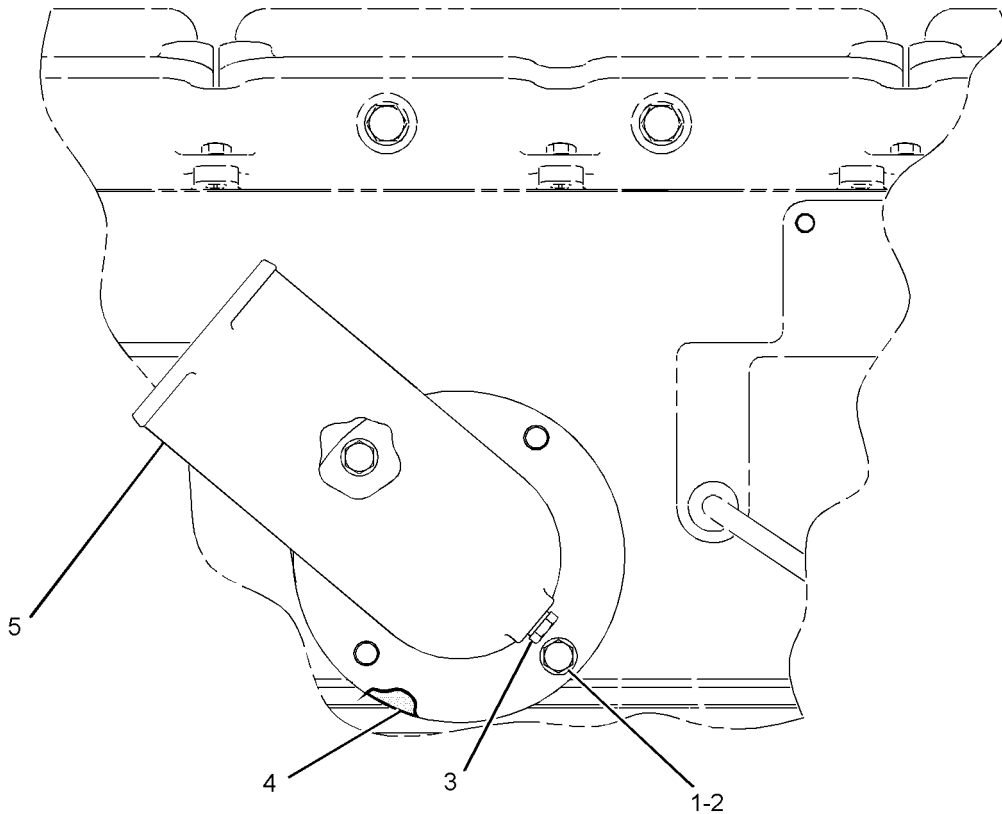
PART OF 288-8156 ENGINE AR-COMPLETE

SMCS-1071

i02593495

NOTE	REF NO	GRAPHIC REF	PART NUMBER	QTY	PART NAME						SEE PAGE
					1	2	3	4	5	6 (PRODUCT LEVEL)	
C	1	1	0S-1588	1	BOLT (3/8-16X1.25-IN)						
C	2	1	5M-2894	1	WASHER-HARD (10.2X18.5X2.5-MM THK)						
	3	1	8T-6765	1	PLUG-PIPE						
	4	1	101-3125	1	GASKET (AIR INLET MANIFOLD)						
	5	1	125-5032	1	ELBOW						

C-CHANGE FROM PREVIOUS TYPE



LEFT
SIDE
VIEW

GRAPHIC #1

<END>

g01298049

AIR INLET AND EXHAUST SYSTEM

324-4189 LINES GP-AIR-AIR CLEANER TO TURBOCHARGER

S/N: PAS1-UP

PART OF 297-7683 INSTALLATION AR-ENGINE

SMCS-1071

i03655484

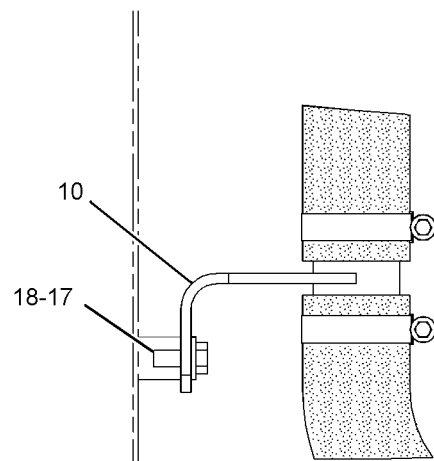
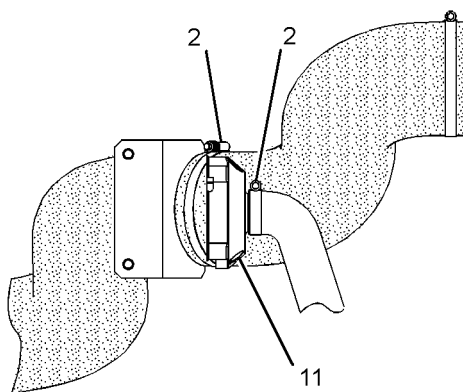
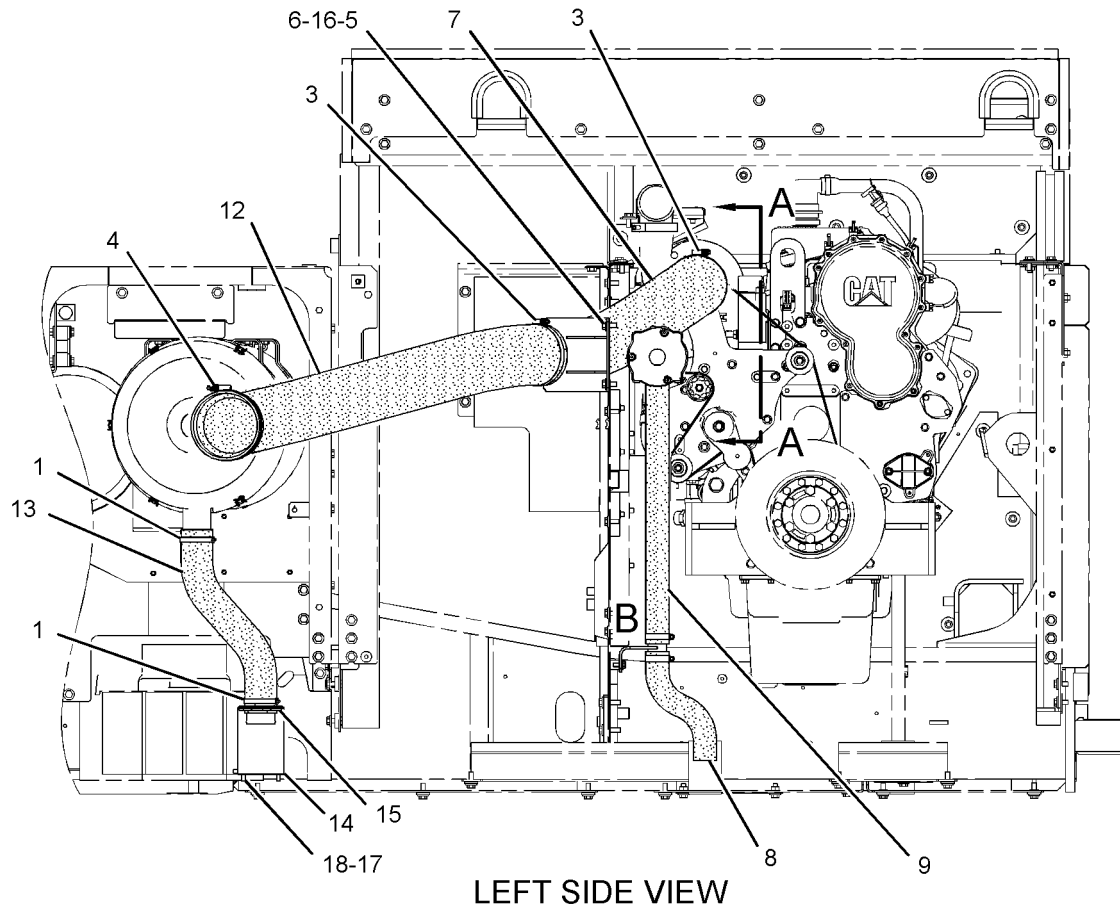
NOTE	REF NO	GRAPHIC REF	PART NUMBER	QTY	PART NAME						SEE PAGE
					1	2	3	4	5	6 (PRODUCT LEVEL)	
	1	1	6V-3582	2	CLAMP-HOSE						
	2	1	8T-4984	3	CLAMP-HOSE						
	3	1	8T-4988	3	CLAMP-HOSE						
	4	1	8T-4989	1	CLAMP-HOSE						
	5	1	233-1170	1	TUBE AS						
M	6	1	8T-4139	2	BOLT (M12X1.75X30-MM)						
	7	1	239-6644	1	HOSE						
	8	1	239-6665	1	HOSE						
	9	1	239-6666	1	HOSE						
	10	1	239-6667	1	TUBE AS						
	11	1	239-7853	1	GUARD (ALTERNATOR)						
	12	1	321-8123	1	HOSE-AIR						
	13	1	324-4190	1	HOSE						
	14	1	324-4191	1	PLATE						
	15	1	4P-0947	1	GROMMET						
	16	1	5P-1076	2	WASHER-HARD (13.5X30X4-MM THK)						
	17	1	7X-7729	4	WASHER (11X25X3-MM THK)						
M	18	1	8T-4136	4	BOLT (M10X1.5X25-MM)						

M-METRIC PART

AIR INLET AND EXHAUST SYSTEM

324-4189 LINES GP-AIR (contd.)

i03655484



GRAPHIC #1

<END>

g02121793

AIR INLET AND EXHAUST SYSTEM

222-8345 LINES GP-MUFFLER DRAIN

S/N: PAS1-UP

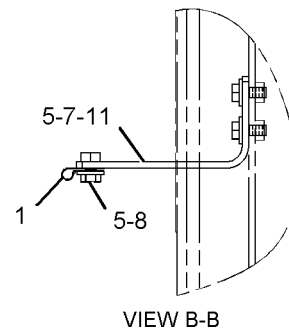
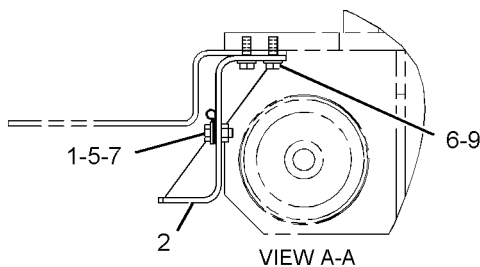
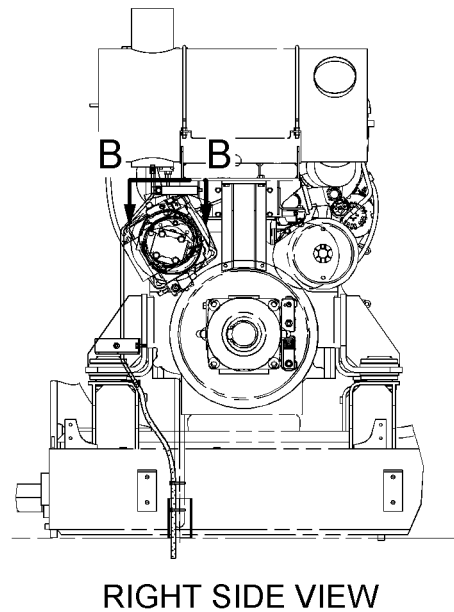
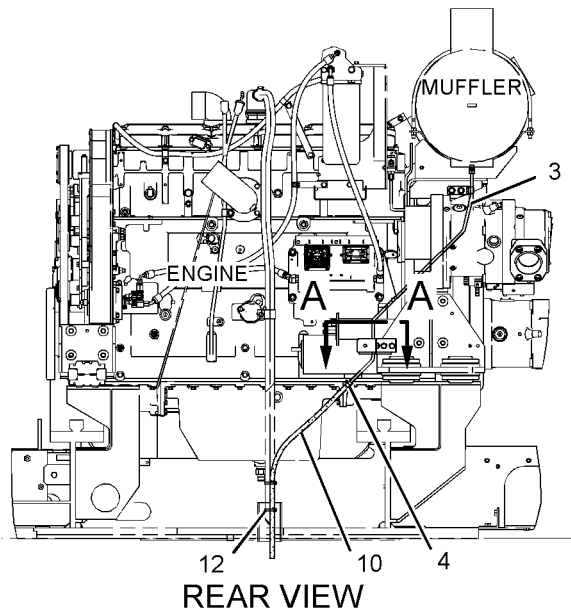
PART OF 297-7683 INSTALLATION AR-ENGINE

SMCS-1062

i02389835

NOTE	REF NO	GRAPHIC REF	PART NUMBER	QTY	PART NAME						SEE PAGE
					1	2	3	4	5	6 (PRODUCT LEVEL)	
	1	1	151-6641	2	CLIP						
	2	1	266-6160	1	BRACKET AS						
	3	1	233-1271	1	TUBE AS						
	4	1	5P-4961	1	CLAMP-HOSE						
	5	1	7X-7729	4	WASHER (11X25X3-MM THK)						
	6	1	8T-4121	2	WASHER-HARD (11X21X2.5-MM THK)						
M	7	1	8T-4136	3	BOLT (M10X1.5X25-MM)						
M	8	1	8T-4137	1	BOLT (M10X1.5X20-MM)						
M	9	1	8T-4195	2	BOLT (M10X1.5X30-MM)						
E	10	1	5P-1442		HOSE (80-CM)						
	11	1	255-2867	1	PLATE AS						
	12	1	7K-1181	2	STRAP-CABLE						

E-ORDER BY THE CENTIMETER
M-METRIC PART



GRAPHIC #1

<END>

g01117753

AIR INLET AND EXHAUST SYSTEM

220-6372 MANIFOLD GP-EXHAUST

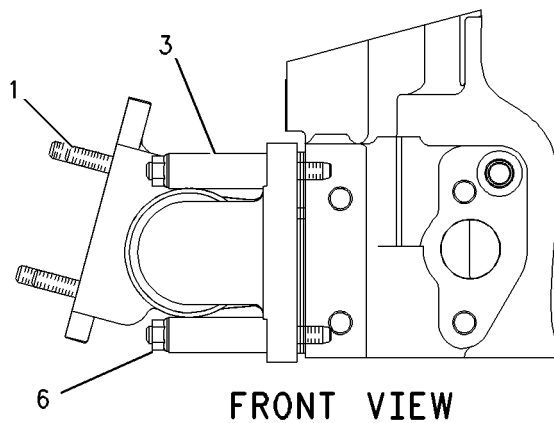
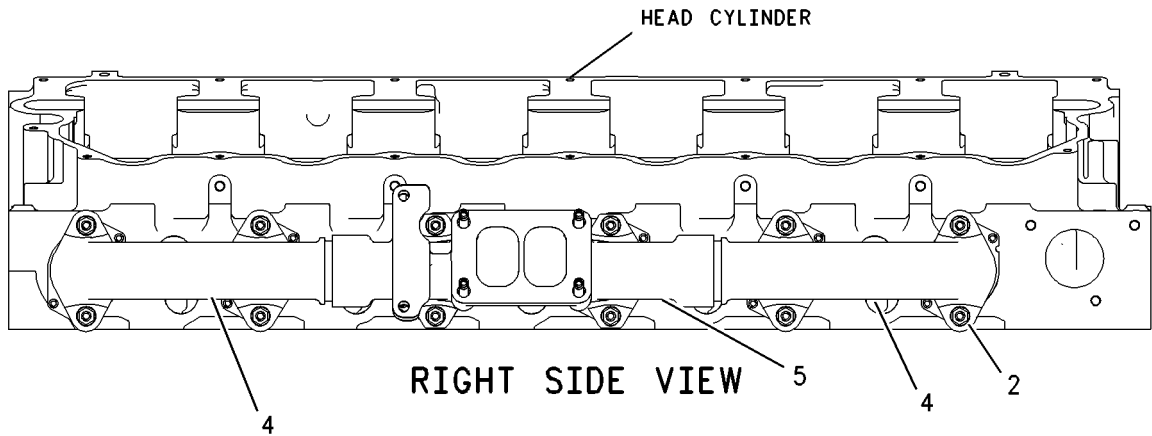
S/N: LHX19430-UP

PART OF 288-8156 ENGINE AR-COMPLETE

SMCS-1059

i03785273

NOTE	REF NO	GRAPHIC REF	PART NUMBER	QTY	PART NAME						SEE PAGE
					1	2	3	4	5	6 (PRODUCT LEVEL)	
	1	1	313-9550	4	STUD-TAPERLOCK (3/8-16X2.165-IN) (HIGH TEMPERATURE)						
	2	1	106-1792	12	STUD-TAPERLOCK (3/8-16X4-IN) (HIGH TEMPERATURE)						
	3	1	108-3612	12	SPACER (11.13X19.05X53-MM THK)						
	4	1	133-3359	2	MANIFOLD-EXHAUST (END)						
	5	1	221-1426	1	MANIFOLD-EXHAUST (CENTER)						
	6	1	2N-2766	12	LOCKNUT (3/8-16-THD)						



GRAPHIC #1

<END>

g01002978

AIR INLET AND EXHAUST SYSTEM

321-8122 MOUNTING GP-AIR CLEANER

S/N: PAS1-UP

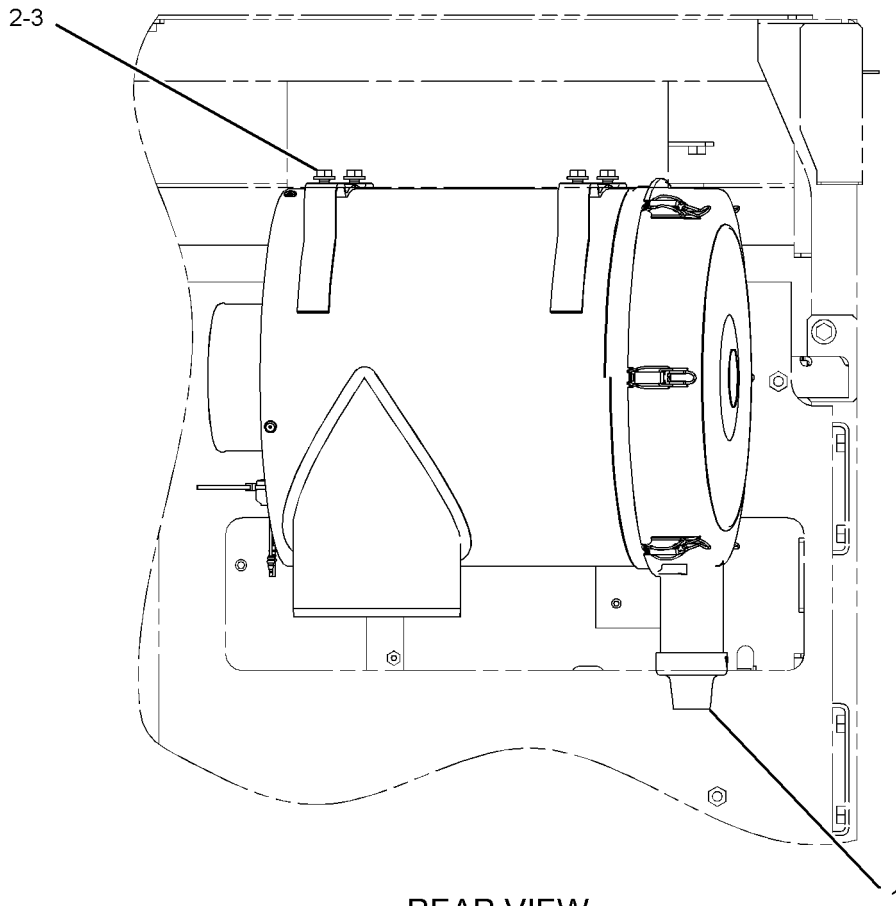
PART OF 297-7683 INSTALLATION AR-ENGINE

SMCS-1051

i03655485

NOTE	REF NO	GRAPHIC REF	PART NUMBER	QTY	PART NAME						SEE PAGE
					1	2	3	4	5	6 (PRODUCT LEVEL)	
Y	1	1	321-8124	1	AIR CLEANER GP						115
M	2	1	8T-4192	4	BOLT (M12X1.75X25-MM)						
	3	1	8T-4223	4	WASHER-HARD (13.5X25.5X3-MM THK)						

M-METRIC PART
Y-SEPARATE ILLUSTRATION



REAR VIEW

<END>

GRAPHIC #1

g02121314

AIR INLET AND EXHAUST SYSTEM

222-8254 MUFFLER GP

S/N: PAS1-UP

PART OF 296-4816 ENGINE AR

SMCS-1062

i03627267

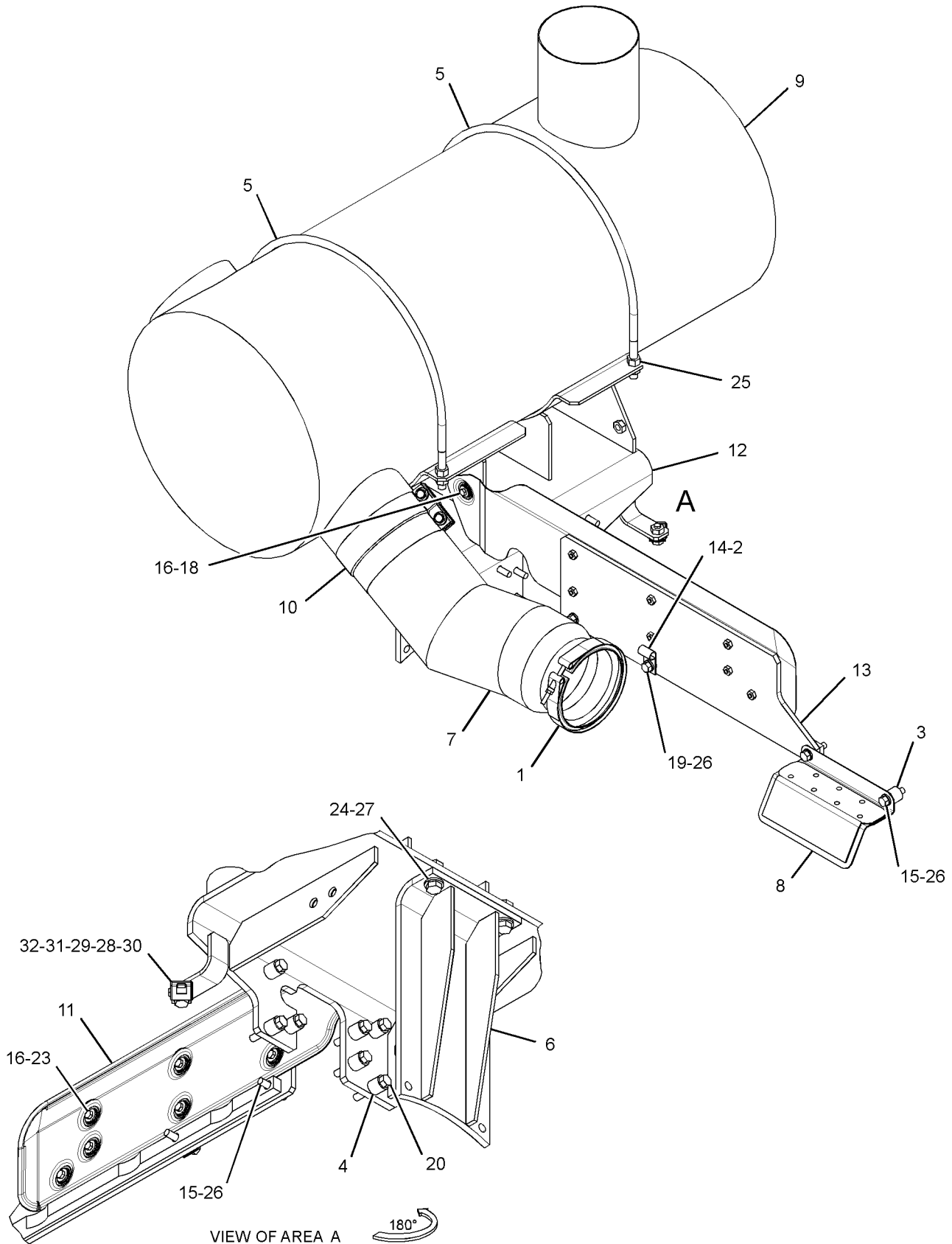
NOTE	REF NO	GRAPHIC REF	PART NUMBER	QTY	PART NAME						SEE PAGE
					1	2	3	4	5	6 (PRODUCT LEVEL)	
	1	1	4W-9160	1	CLAMP-V BAND						
	2	1	5I-8748	1	SPACER (11X18X5-MM THK)						
	3	1	8X-1386	1	SPACER (12.2X23X22-MM THK)						
	4	1	205-6716	7	SPACER (10.5X20X19-MM THK)						
	5	1	233-1188	2	U-BOLT						
	6	1	233-1215	1	BRACKET AS						
	7	1	233-1216	1	TUBE AS						
	8	1	324-4084	1	PLATE						
	9	1	272-4760	1	MUFFLER AS						
	10	1	289-2492	1	CLAMP-MUFFLER						
	11	1	310-9504	1	PLATE						
	12	1	310-9692	1	BRACKET AS						
	13	1	310-9759	1	PLATE AS						
	14	1	1B-3057	1	CLIP						
	15	1	4L-9337	3	BOLT (3/8-16X1.5-IN)						
	16	1	5P-4115	8	WASHER-HARD (7.2X19X2-MM THK)						
M	18	1	6V-7357	1	BOLT (M6X1X25-MM)						
	19	1	7X-0289	1	BOLT (3/8-16X1.875-IN)						
	20	1	8T-2501	7	BOLT (3/8-16X2-IN)						
M	23	1	8T-4138	7	BOLT (M6X1X20-MM)						
	24	1	8T-4223	2	WASHER-HARD (13.5X25.5X3-MM THK)						
M	25	1	8T-4244	8	NUT (M12X1.75-THD)						
	26	1	8T-4896	4	WASHER-HARD (10.2X18.5X2.5-MM THK)						
M	27	1	8T-4956	2	BOLT (M12X1.75X35-MM)						
	28	1	100-3237	1	GROMMET						
	29	1	8T-1887	1	CLIP (SLOT)						
	30	1	8T-1888	1	CLIP (TAB)						
	31	1	8T-4121	1	WASHER-HARD (11X21X2.5-MM THK)						
M	32	1	8T-4136	1	BOLT (M10X1.5X25-MM)						

M-METRIC PART

AIR INLET AND EXHAUST SYSTEM

222-8254 MUFFLER GP (contd.)

i03627267



GRAPHIC #1

<END>

g01947073

AIR INLET AND EXHAUST SYSTEM

262-2943 TURBOCHARGER GP

S/N: LHX19430-UP

WATER COOLED CENTER SECTION

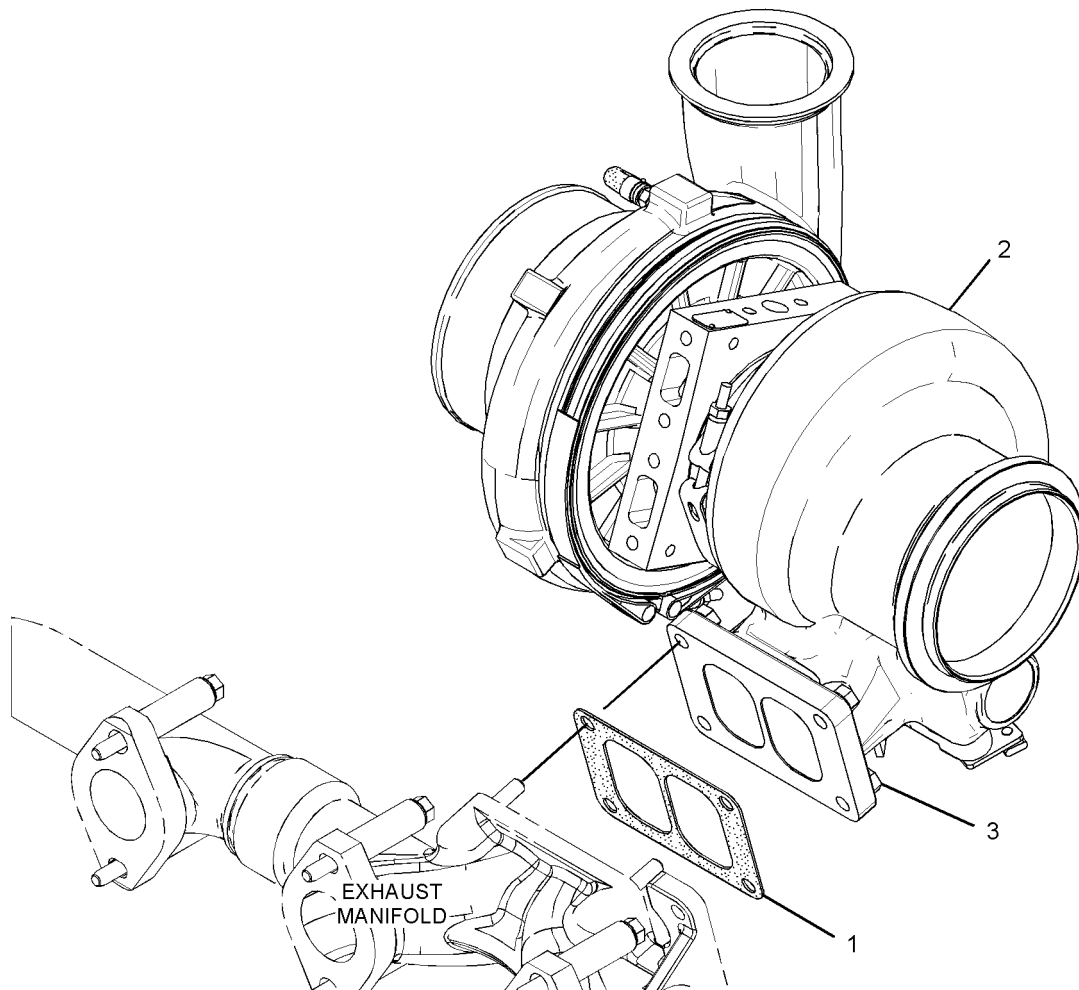
PART OF 288-8156 ENGINE AR-COMplete

SMCS-1052, 1053

i03816850

NOTE	REF NO	GRAPHIC REF	PART NUMBER	QTY	PART NAME						SEE PAGE
					1	2	3	4	5	6 (PRODUCT LEVEL)	
	1	1	1S-4295	1	GASKET (TURBOCHARGER)						
CY	2	1	332-3936	1	TURBOCHARGER GP						128
	3	1	2N-2766	4	LOCKNUT (3/8-16-THD)						

C-CHANGE FROM PREVIOUS TYPE
Y-SEPARATE ILLUSTRATION



GRAPHIC #1

<END>

g01945389

AIR INLET AND EXHAUST SYSTEM

332-3936 TURBOCHARGER GP

S/N: LHX19430-UP

PART OF 262-2943 TURBOCHARGER GP

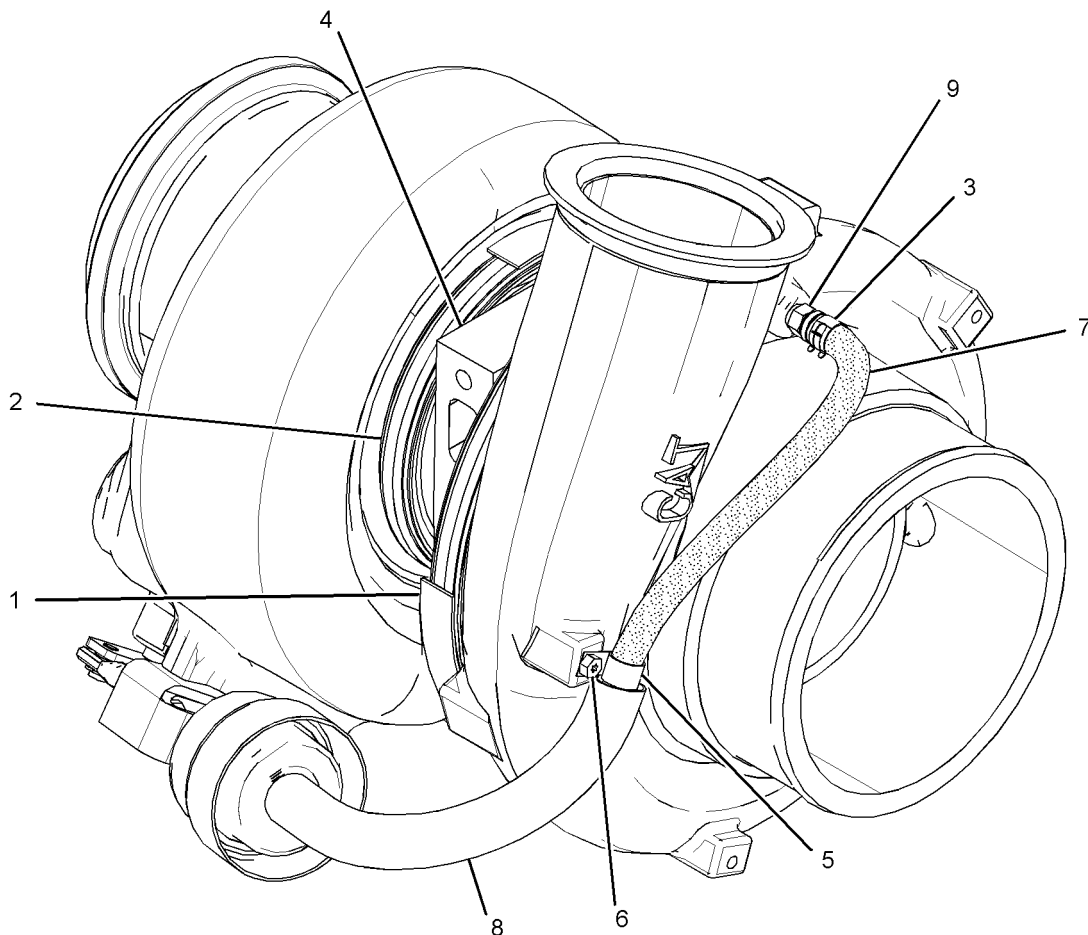
SMCS-1052, 1053

i03624902

NOTE	REF NO	GRAPHIC REF	PART NUMBER	QTY	PART NAME						SEE PAGE
					1	2	3	4	5	6 (PRODUCT LEVEL)	
	1	1	7W-2297	1	CLAMP AS (COMPRESSOR)						
	2	1	9N-2038	1	CLAMP AS-TURBINE						
	3	1	161-6963	2	CLAMP						
R	4	1	240-7359	1	CARTRIDGE GP-TURBOCHARGER						
	5	1	161-6958	1	CLIP-HOSE						
	6	1	115-7087	1	BOLT (M6X0.04X10.4-MM)						
E	7	1	242-3360		HOSE (40-CM)						
E	8	1	258-4524		SLEEVE (22-CM)						
	9	1	2V-4868	1	FITTING						

E-ORDER BY THE CENTIMETER

R-REMG PART MAY BE AVAILABLE



GRAPHIC #1

<END>

g01945396

FUEL SYSTEM

222-8352 COOLER GP-FUEL

S/N: PAS1-UP

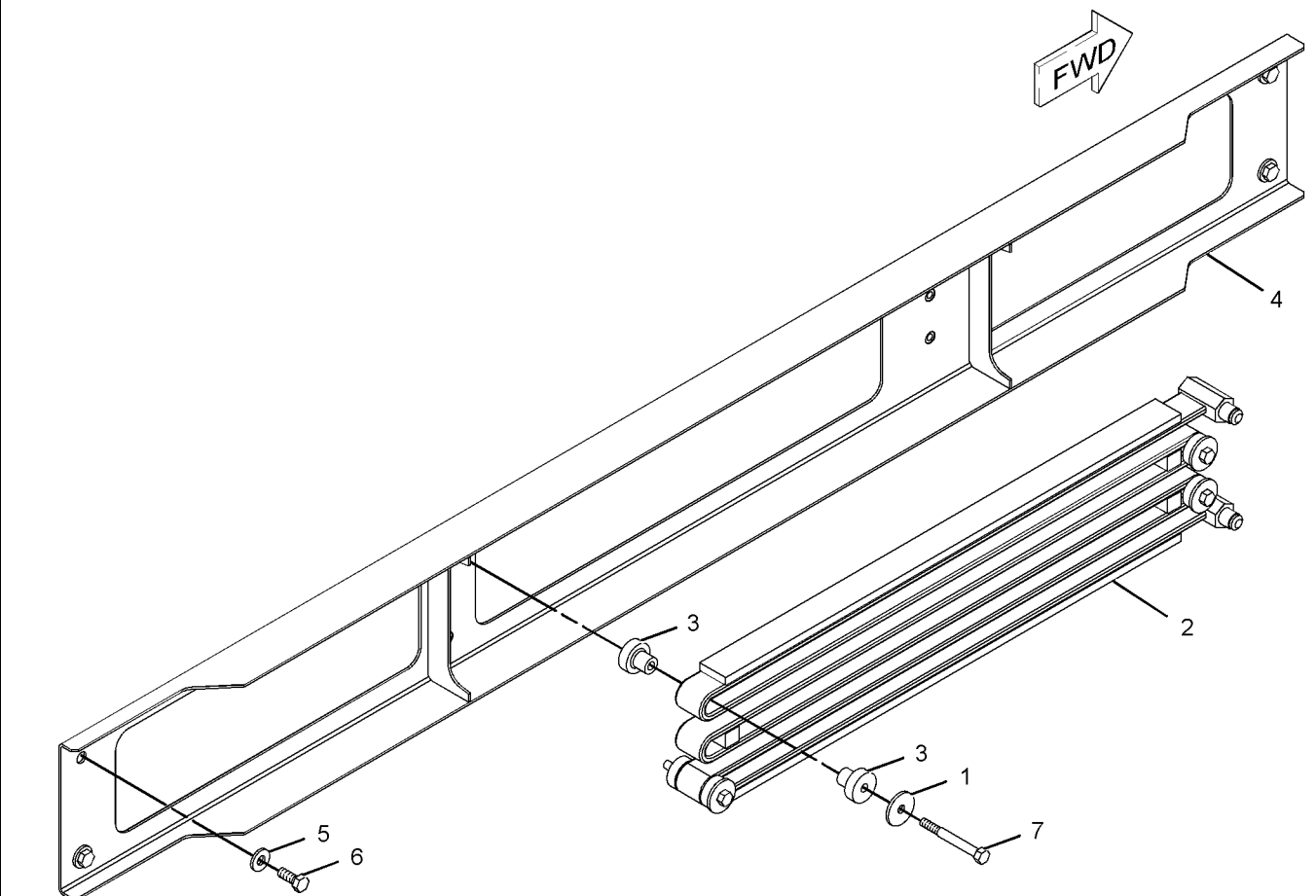
PART OF 297-7683 INSTALLATION AR-ENGINE

SMCS-1712

i02223493

NOTE	REF NO	GRAPHIC REF	PART NUMBER	QTY	PART NAME						SEE PAGE
					1	2	3	4	5	6 (PRODUCT LEVEL)	
	1	1	134-3196	4	WASHER (10.2X39.6X2.3-MM THK)						
	2	1	129-5429	1	CORE AS-FUEL COOLER						
	3	1	141-1060	8	MOUNT-ISOLATION						
	4	1	233-1211	1	SUPPORT AS						
	5	1	7X-7729	4	WASHER (11X25X3-MM THK)						
M	6	1	8T-4136	4	BOLT (M10X1.5X25-MM)						
	7	1	8T-8915	4	BOLT (3/8-16X3.25-IN)						

M-METRIC PART



GRAPHIC #1

<END>

g01081393

FUEL SYSTEM

324-4065 FILTER GP-SECONDARY FUEL

S/N: PAS1-UP

PART OF 297-7683 INSTALLATION AR-ENGINE

SMCS-1261

i03655434

NOTE	REF NO	GRAPHIC REF	PART NUMBER	QTY	PART NAME						SEE PAGE
					1	2	3	4	5	6 (PRODUCT LEVEL)	
	1	1	3S-2093	3	STRAP-CABLE						
	2	1	6V-0852	1	CAP-DUST						
	3	1	134-6852	1	CONNECTOR						
	4	1	162-9728	1	BRACKET AS						
	5	1	237-9307	1	BASE AS-FUEL FILTER						
		1	237-9323	1	STUD						
Y	6	1	239-2396	1	SENSOR GP-PRESSURE (FUEL)						230
I	7	1	255-2956	1	HOSE AS						
	8	1	255-3067	1	HARNESS AS-SENSOR (FUEL FILTER)						
		1	102-8803	1	KIT-RECEPTACLE (3-PIN)						
		1	102-8806	1	KIT-RECEPTACLE (8-PIN)						
					(EACH RECEPTACLE KIT INCLUDES RECEPTACLE AS & WEDGE)						
		1	8T-8737	1	PLUG-SEAL						
		1	9X-3402	4	SOCKET-CONNECTOR (16-GA TO 18-GA)						
		1	9X-3401	10	PIN-CONNECTOR (16-GA TO 18-GA)						
		1	155-2270	2	KIT-CONNECTING PLUG (2-PIN)						
					(EACH INCLUDES PLUG AS, WEDGE & INTERFACE SEAL)						
	9	1	255-3068	1	PLATE						
Y	10	1	258-0883	1	SWITCH GP-PRESSURE (FUEL)						255
	11	1	264-4297	1	SENSOR GP-TEMPERATURE (FUEL)						
		1	137-6645	1	PAD						
	12	1	280-8377	1	SPACER (11.1X19.1X25-MM THK)						
	13	1	282-2593	1	BRACKET AS						
	14	1	030-8188	2	CONNECTOR						
	15	1	067-2551	1	CLIP						
	16	1	1R-0755	1	FILTER-FUEL (ADVANCED EFFICIENCY)						
	17	1	214-7568	1	SEAL-O-RING						
	18	1	3J-7354	1	SEAL-O-RING						
	19	1	4P-7581	1	CLIP						
	20	1	5P-6944	1	ADAPTER						
	21	1	5S-7383	1	BOLT (3/8-16X1.75-IN)						
	22	1	6K-8178	1	CLIP						
	23	1	6V-3965	1	FITTING (QUICK DISCONNECT)						
	24	1	7V-6571	2	GROMMET						
	25	1	8L-2786	7	SEAL-O-RING						
	26	1	8T-1715	1	ADAPTER						
	27	1	8T-1889	2	CLIP (SLOT)						
	28	1	8T-1890	2	CLIP (TAB)						
	29	1	8T-4121	7	WASHER-HARD (11X21X2.5-MM THK)						
M	30	1	8T-4133	1	NUT (M10X1.5-THD)						
M	31	1	8T-4136	3	BOLT (M10X1.5X25-MM)						
M	32	1	8T-4137	1	BOLT (M10X1.5X20-MM)						
M	33	1	8T-4192	3	BOLT (M12X1.75X25-MM)						
M	34	1	8T-4196	2	BOLT (M10X1.5X35-MM)						
	35	1	8T-4223	3	WASHER-HARD (13.5X25.5X3-MM THK)						
	36	1	8T-4896	1	WASHER-HARD (10.2X18.5X2.5-MM THK)						
	37	1	9S-4185	1	PLUG-O-RING						

I-REFER TO HYDRAULIC INFORMATION SYSTEM

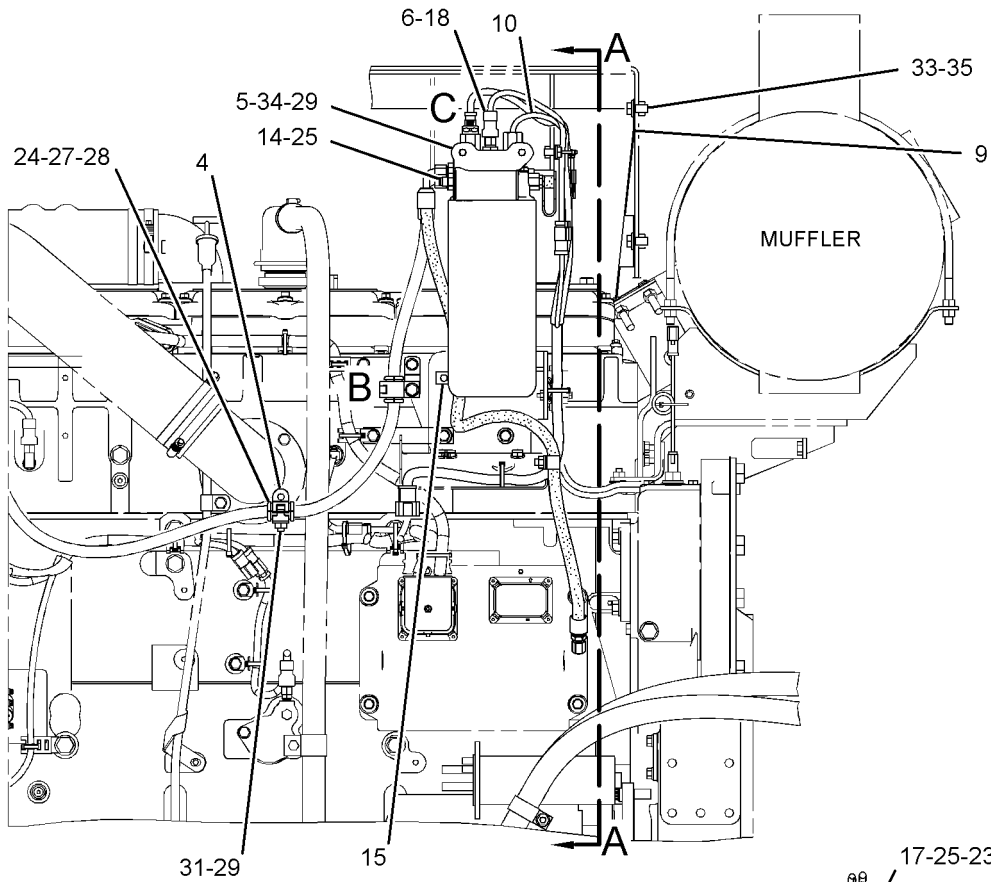
M-METRIC PART

Y-SEPARATE ILLUSTRATION

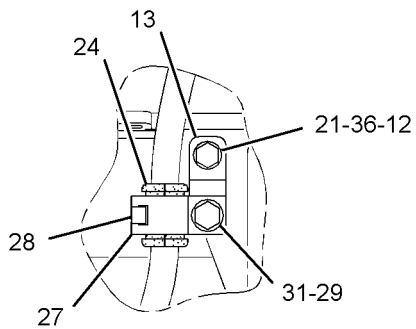
FUEL SYSTEM

324-4065 FILTER GP-SECONDARY FUEL (contd.)

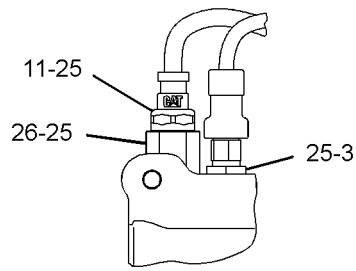
i03655434



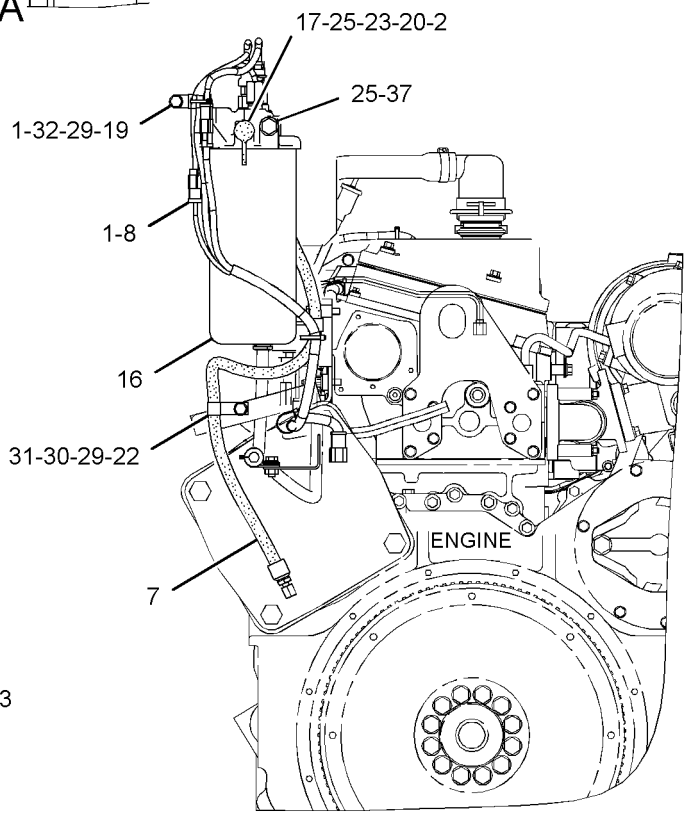
REAR VIEW



VIEW OF AREA B



VIEW OF AREA C



VIEW A-A

GRAPHIC #1

<END>

g02073993

FUEL SYSTEM

212-9580 FILTER GP-WATER SEP & FUEL

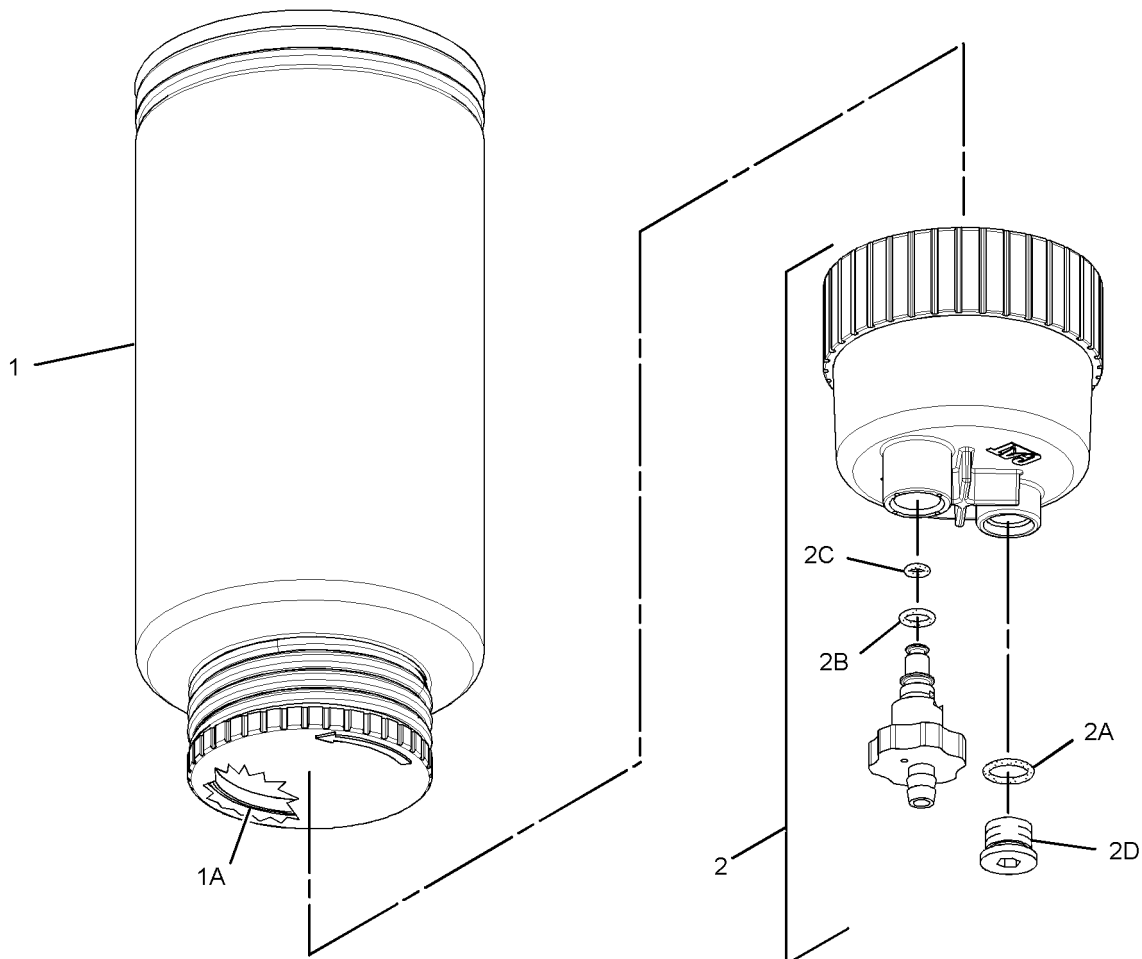
S/N: PAS1-UP

PART OF 312-2617 PUMP GP-FUEL PRM & PRIM FILTER

SMCS-1261, 1263

i03620163

NOTE	REF NO	GRAPHIC REF	PART NUMBER	QTY	PART NAME						SEE PAGE
					1	2	3	4	5	6 (PRODUCT LEVEL)	
1	1	1	326-1643	1	FILTER AS-WATER SEP & FUEL						
1A	1	1	220-8678	1	SEAL-RING (FUEL FILTER)						
2	1	1	343-5527	1	BOWL AS						
2A	1	1	3J-1907	1	SEAL-O-RING						
2B	1	1	5F-9144	1	SEAL-O-RING						
2C	1	1	8F-7219	1	SEAL-O-RING						
2D	1	1	9S-8004	1	PLUG-O-RING						



GRAPHIC #1

<END>

g01944750

FUEL SYSTEM

246-4620 LINES GP-FUEL

S/N: LHX19430-UP

PART OF 288-8156 ENGINE AR-COMPLETE

SMCS-1274

i03661661

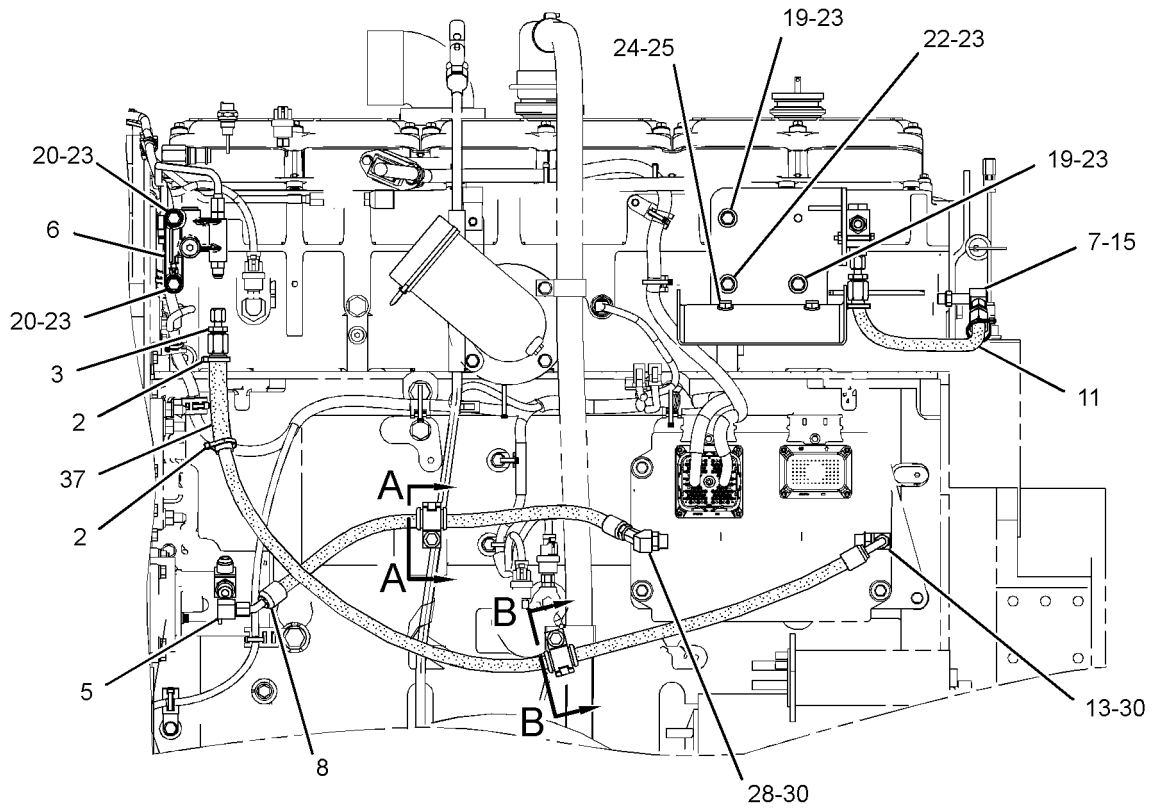
NOTE	REF NO	GRAPHIC REF	PART NUMBER	QTY	PART NAME						SEE PAGE
					1	2	3	4	5	6 (PRODUCT LEVEL)	
	1	1	1M-3381	1	SPACER (0.438X0.75X1-IN THK)						
	2	1	3S-2093	4	STRAP-CABLE						
I	3	1	116-5263	1	HOSE AS						
	4	1	168-8974	1	TUBE AS (FUEL SUPPLY)						
	5	1	191-7805	1	ELBOW AS						
		1	214-7568	1	SEAL-O-RING						
		1	030-7947	1	ELBOW						
Y	6	1	193-7404	1	MANIFOLD GP-FUEL						139
	7	1	214-7568	1	SEAL-O-RING						
I	8	1	235-2470	1	HOSE AS						
Y	9	1	235-6387	1	REGULATOR GP-FUEL PRESSURE						147
	10	1	244-1697	1	PLATE AS						
		1	189-9240	1	LINK						
I	11	1	237-2706	1	HOSE AS						
	12	1	260-7806	1	BRACKET AS						
	13	1	005-4362	1	ELBOW (90-DEG)						
	14	1	1P-7625	1	ELBOW (90-DEG)						
	15	1	030-8156	1	ELBOW (90-DEG)						
	16	1	030-8188	1	CONNECTOR						
	17	1	033-6042	1	SEAL-O-RING						
	18	1	0S-1571	1	BOLT (3/8-16X1.75-IN)						
	19	1	0S-1588	2	BOLT (3/8-16X1.25-IN)						
	20	1	0S-1619	2	BOLT (3/8-16X3-IN)						
	21	1	2R-6806	1	CONNECTOR-O-RING						
	22	1	3B-1915	1	BOLT (3/8-16X1.375-IN)						
	23	1	5M-2894	5	WASHER-HARD (10.2X18.5X2.5-MM THK)						
M	24	1	6V-4248	2	BOLT (M10X1.5X25-MM)						
	25	1	6V-5839	2	WASHER (11X21X2.5-MM THK)						
	27	1	6W-6231	1	SPACER (0.493X0.675X1.78-IN THK)						
	28	1	7D-9984	1	ELBOW						
	29	1	7V-6571	2	GROMMET						
	30	1	8L-2786	5	SEAL-O-RING						
	31	1	8M-0505	1	CONNECTOR						
M	32	1	8T-0275	2	BOLT (M6X1X50-MM)						
	33	1	8T-1889	2	CLIP (SLOT)						
	34	1	8T-1890	2	CLIP (TAB)						
C	35	1	9X-6458	2	WASHER-HARD (10.2X22.5X3-MM THK)						
	36	1	9X-8267	2	WASHER (6.6X12X2-MM THK)						
E	37	1	8C-5064		CONDUIT-FLEXIBLE (15-CM)						
C	38	1	0L-1352	1	BOLT (3/8-16X3.25-IN)						

C-CHANGE FROM PREVIOUS TYPE
 E-ORDER BY THE CENTIMETER
 I-REFER TO HYDRAULIC INFORMATION SYSTEM
 M-METRIC PART
 Y-SEPARATE ILLUSTRATION

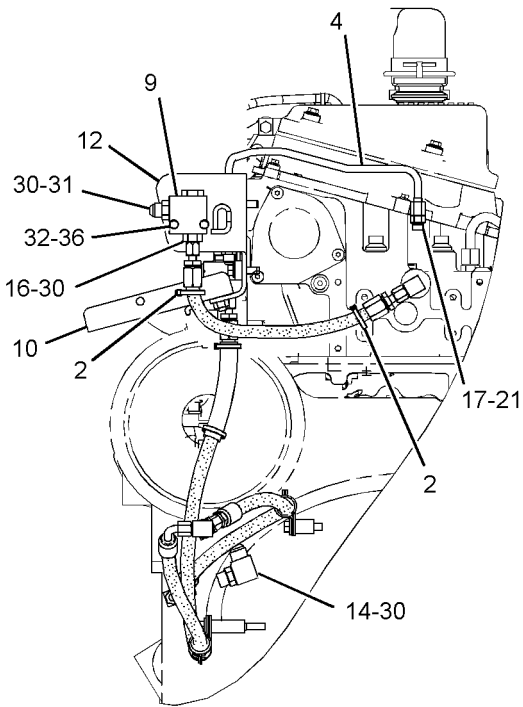
FUEL SYSTEM

246-4620 LINES GP-FUEL (contd.)

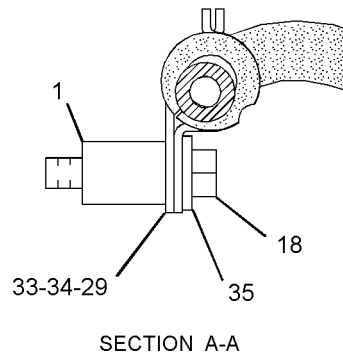
i03661661



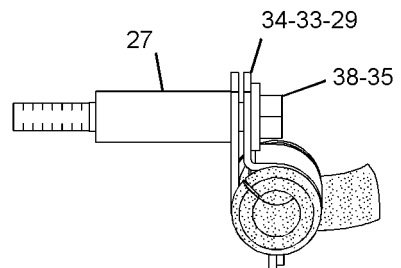
LEFT SIDE VIEW OF ENGINE



REAR VIEW OF ENGINE



SECTION A-A



SECTION B-B

GRAPHIC #1

<END>

g01964837

FUEL SYSTEM

307-8128 LINES GP-FUEL

S/N: PAS1-UP

PART OF 294-1232 CHASSIS AR

SMCS-1274

i03656480

NOTE	REF NO	GRAPHIC REF	PART NUMBER	QTY	PART NAME						SEE PAGE
					1	2	3	4	5	6 (PRODUCT LEVEL)	
	1	1	4I-0379	1	VALVE-MANUAL (DRAIN, FUEL TANK)						
	2	1	7Y-3196	1	GROMMET						
	3	2	8T-9655	6	MOUNT-ISOLATION						
	4	1	003-7764	2	END-HOSE						
	5	1	006-5490	1	ELBOW						
	6	1	095-1386	3	CLAMP-HOSE						
	7	2	156-2525	1	VALVE GP-SHUTOFF						
	8	2	191-1782	1	SPACER (8.5X12.7X38.2-MM THK)						
	9	2	191-1783	2	SPACER (8.5X12.7X87.3-MM THK)						
	10	2	193-6769	1	HOSE						
	11	1	237-8510	1	GROMMET						
	12	1	237-8511	1	GROMMET						
I	13	1	307-8129	1	HOSE AS						
I	14	1	307-8130	1	HOSE AS						
Y	15	2	312-2617	1	PUMP GP-FUEL PRM & PRIM FILTER						142
	16	1	339-7151	2	ELBOW AS						
					(EACH INCLUDES)						
		1	6V-8398	1	SEAL-O-RING						
		1	339-7152	1	ELBOW						
I	17	1	343-2379	1	HOSE AS						
I	18	1	343-2380	1	HOSE AS						
I	19	1	343-2381	1	HOSE AS						
	20	1	148-8444	1	TEE AS-SWIVEL						
		1	6V-8398	2	SEAL-O-RING						
		1	6V-9837	1	TEE-SWIVEL						
	21	1	149-7738	2	CLIP						
	22	1	150-3072	1	PLUG AS						
		1	6V-8398	1	SEAL-O-RING						
		1	6V-9509	1	PLUG (13/16-16-THD)						
	23	2	164-5619	2	PLUG AS						
					(EACH INCLUDES)						
		2	2M-9780	1	SEAL-O-RING						
		2	9S-8006	1	PLUG-O-RING						
	24	1	228-2775	3	CLIP						
	25	2	2M-9780	2	SEAL-O-RING						
	26	2	2P-1292	1	CONNECTOR-PORT						
	27	2	2P-7636	1	CONNECTOR						
	28	2	3K-0360	3	SEAL-O-RING						
	29	1	4D-7388	3	CLIP						
	30	1	4I-7889	1	SPACER (11X25X45-MM THK)						
	31	1	5P-4325	2	CLIP						
	32	1,2	6D-1641	7	CLIP						
	33	1	6D-4244	5	CLIP						
	34	2	6V-7420	1	ADAPTER						
M	35	2	7X-2539	2	BOLT (M8X1.25X110-MM)						
	36	1	7Y-8170	2	GROMMET						
	37	1	8K-2396	1	ELBOW-FLARED						
	38	2	8T-0119	1	ELBOW						
	39	1,2	8T-4121	25	WASHER-HARD (11X21X2.5-MM THK)						
M	40	1	8T-4133	1	NUT (M10X1.5-THD)						
M	41	1,2	8T-4137	21	BOLT (M10X1.5X20-MM)						
M	42	1	8T-4191	2	BOLT (M10X1.5X16-MM)						
M	43	1	8T-6466	1	BOLT (M10X1.5X60-MM)						
M	44	2	8T-6869	1	BOLT (M8X1.25X60-MM)						
	45	1	9M-8406	3	CLIP						
	46	2	9N-0869	3	WASHER-HARD (8.8X25.5X2-MM THK)						

FUEL SYSTEM

307-8128 LINES GP-FUEL (contd.)

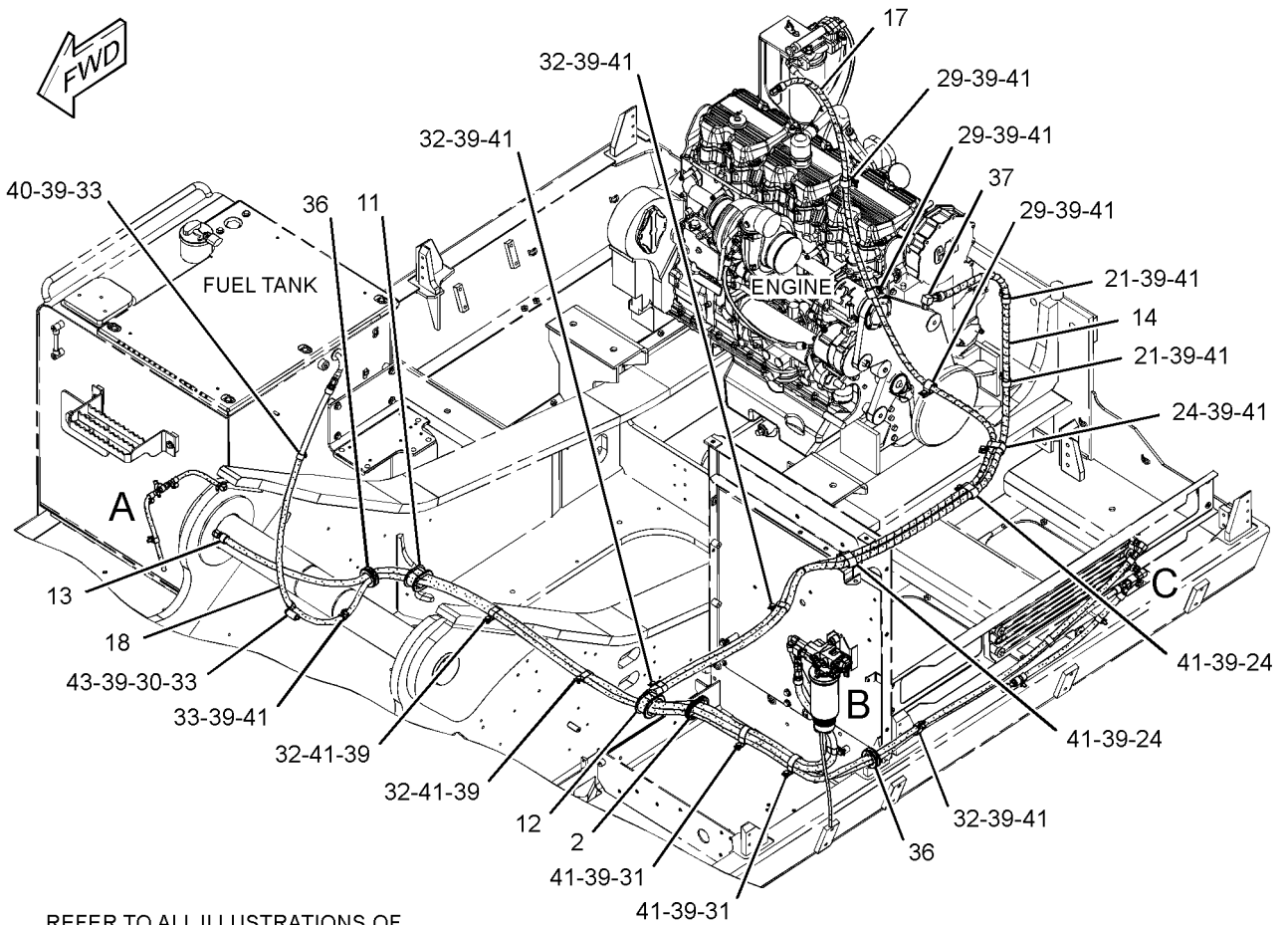
i03656480

NOTE	REF NO	GRAPHIC REF	PART NUMBER	QTY	PART NAME						SEE PAGE
					1	2	3	4	5	6 (PRODUCT LEVEL)	
E	47	1	5P-1442		HOSE (38-CM EACH)						
E-ORDER BY THE CENTIMETER I-REFER TO HYDRAULIC INFORMATION SYSTEM M-METRIC PART Y-SEPARATE ILLUSTRATION											

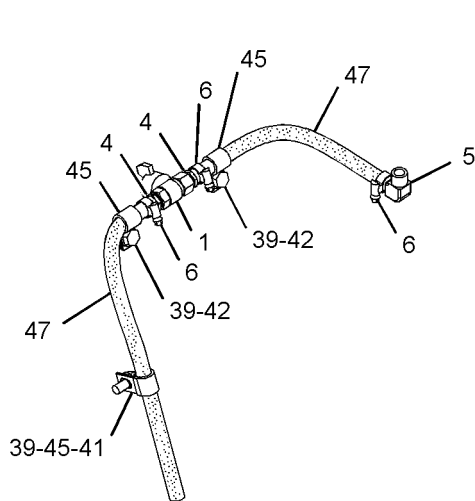
FUEL SYSTEM

307-8128 LINES GP-FUEL (contd.)

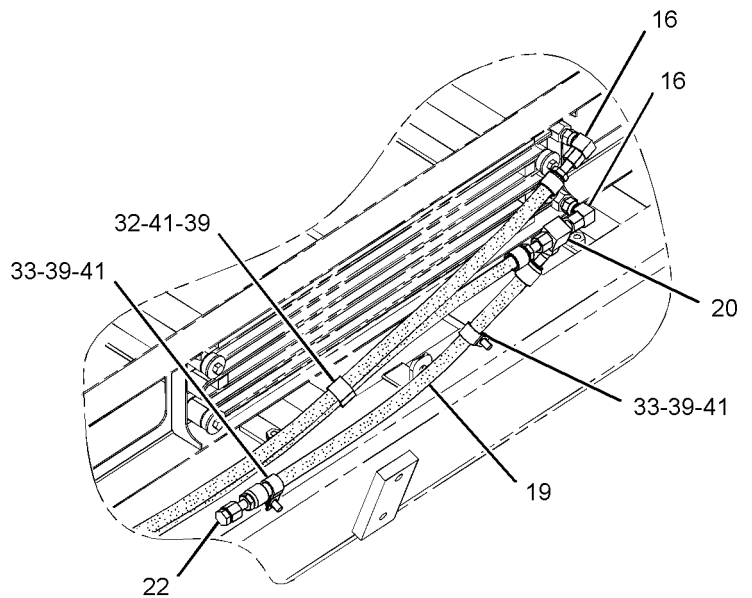
i03656480



REFER TO ALL ILLUSTRATIONS OF THIS GROUP FOR AUXILIARY VIEWS



VIEW OF AREA A



VIEW OF AREA C

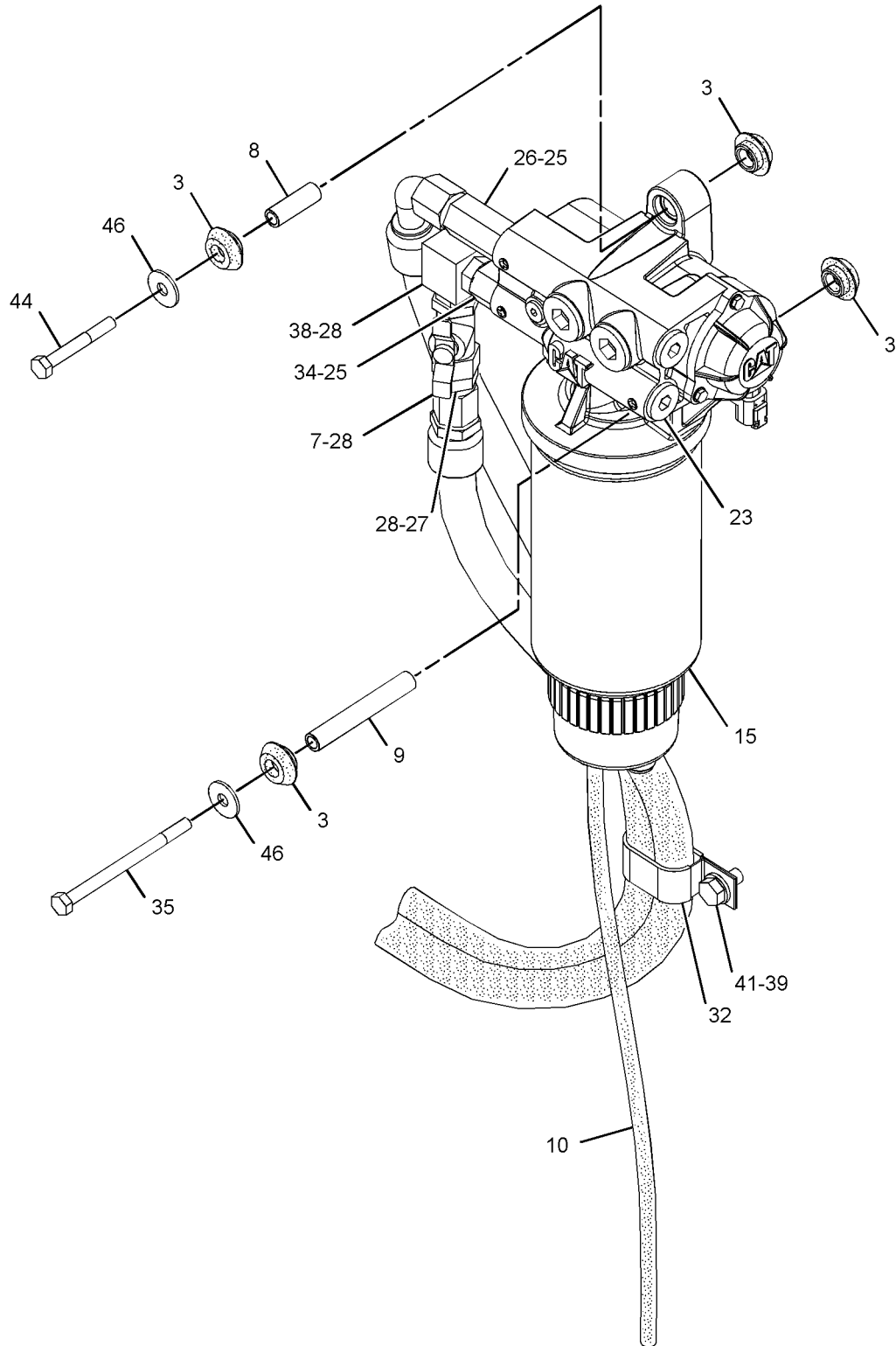
GRAPHIC #1

g02090433

FUEL SYSTEM

307-8128 LINES GP-FUEL (contd.)

i03656480



VIEW OF AREA B

<END>

GRAPHIC #2

g02091193

FUEL SYSTEM

193-7404 MANIFOLD GP-FUEL

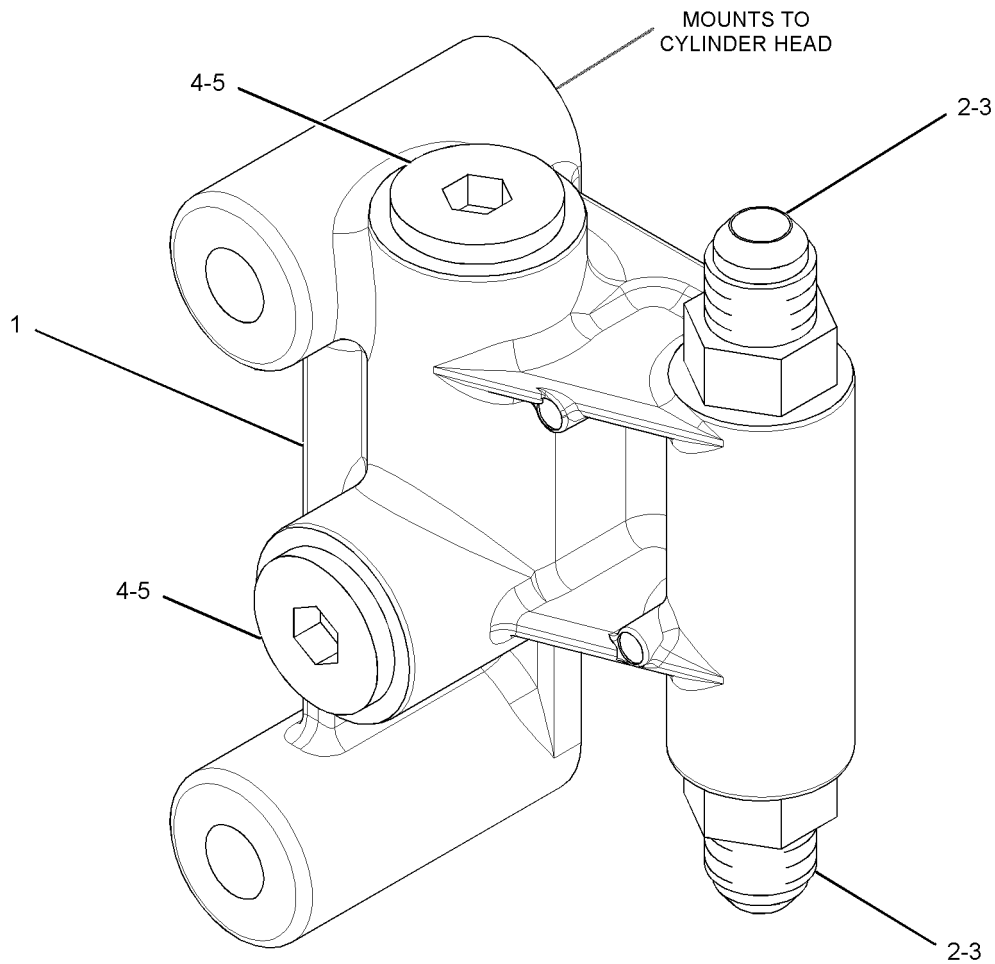
S/N: LHX19430-UP

PART OF 246-4620 LINES GP-FUEL

SMCS-1274

i03383901

NOTE	REF NO	GRAPHIC REF	PART NUMBER	QTY	PART NAME						SEE PAGE
					1	2	3	4	5	6 (PRODUCT LEVEL)	
	1	1	168-0300	1	MANIFOLD						
	2	1	033-6042	2	SEAL-O-RING						
	3	1	2R-6806	2	CONNECTOR-O-RING						
	4	1	6V-6609	2	SEAL-O-RING						
	5	1	9S-8005	2	PLUG-O-RING						



GRAPHIC #1

<END>

g01750177

FUEL SYSTEM

165-4962 PUMP & MOTOR GP-REFUELING

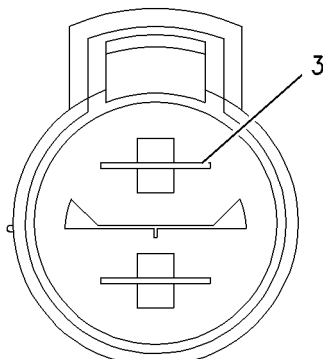
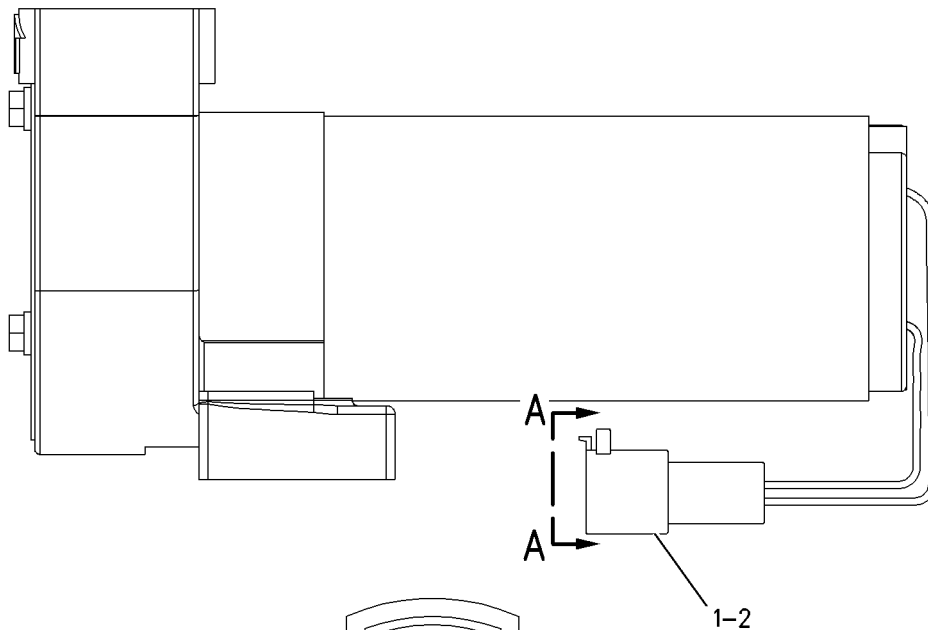
S/N: PAS1-UP

PART OF 228-8094 PUMP GP-FUEL TRANSFER
AN ATTACHMENT

SMCS-1295

i01251933

NOTE	REF NO	GRAPHIC REF	PART NUMBER	QTY	PART NAME						SEE PAGE
					1	2	3	4	5	6 (PRODUCT LEVEL)	
	1	1	121-1038	1	HOUSING-RECEPTACLE						
	2	1	116-0128	1	SEAL						
	3	1	121-1039	2	TERMINAL (MALE)						



VIEW A-A

<END>

GRAPHIC #1

g00676516

FUEL SYSTEM

235-1401 PUMP GP-FUEL INJECTION

S/N: LHX19430-UP

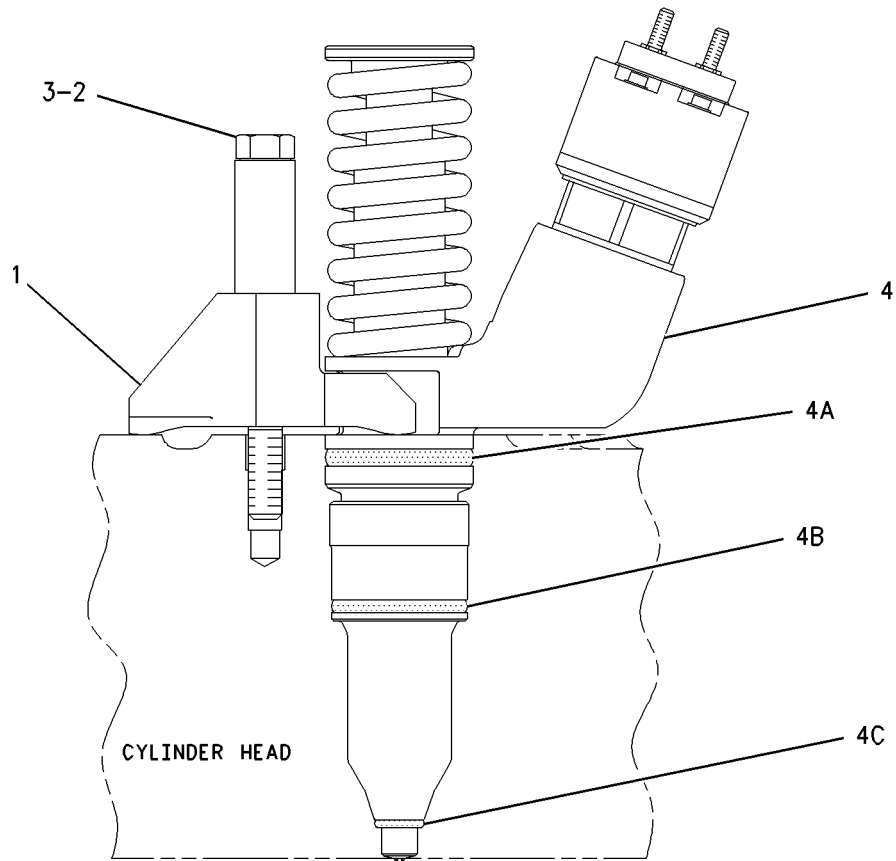
PART OF 241-5929 ENGINE AR-CORE

SMCS-1251, 1290

i02199995

NOTE	REF NO	GRAPHIC REF	PART NUMBER	QTY	PART NAME						SEE PAGE
					1	2	3	4	5	6 (PRODUCT LEVEL)	
	1	1	6I-0213	1	CLAMP						
	2	1	8S-9191	1	BOLT (3/8-16X4-IN)						
	3	1	100-5072	1	SPACER (9.8X15.85X37.6-MM THK)						
R	4	1	253-0615	1	INJECTOR GP-FUEL						
	4A	1	230-3775	1	SEAL-O-RING						
	4B	1	230-3728	1	SEAL-O-RING						
	4C	1	9X-7317	1	SEAL-O-RING						

R-REMFG PART MAY BE AVAILABLE



GRAPHIC #1

<END>

g00900391

FUEL SYSTEM

312-2617 PUMP GP-FUEL PRM & PRIM FILTER

S/N: PAS1-UP

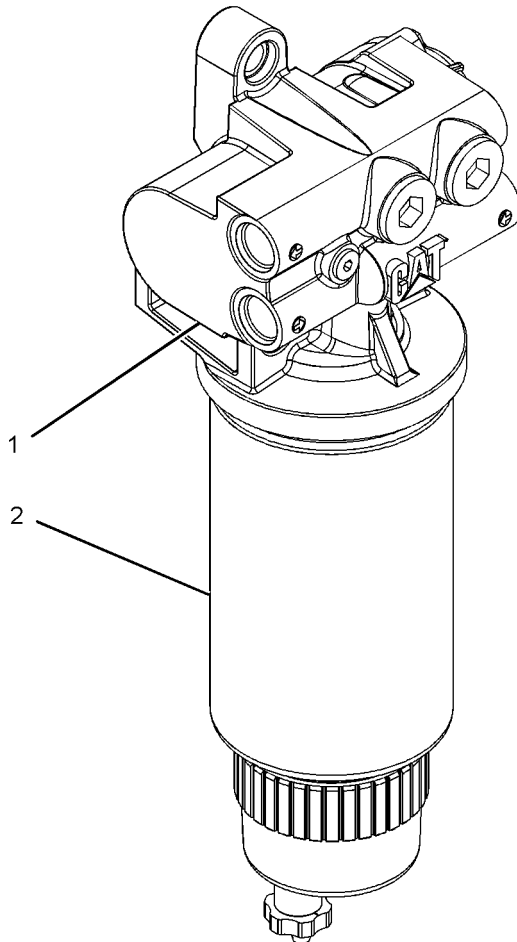
PART OF 307-8128 LINES GP-FUEL

SMCS-1258

i03656482

NOTE	REF NO	GRAPHIC REF	PART NUMBER	QTY	PART NAME						SEE PAGE
					1	2	3	4	5	6 (PRODUCT LEVEL)	
	1	1	190-8970	1	PUMP AS-FUEL PRIMING						
		1	6D-5801	2	LOCKNUT (8-32-THD)						
		1	9S-2437	3	SCREW-TAPPING (10-24X19.05-MM)						
		1	9S-8002	1	PLUG-O-RING						
		1	179-7400	2	SEAL (FUEL)						
Y	2	1	212-9580	1	FILTER GP-WATER SEP & FUEL						132

Y-SEPARATE ILLUSTRATION



GRAPHIC #1

<END>

g02006775

FUEL SYSTEM

100-4265 PUMP GP-FUEL TRANSFER

S/N: LHX19430-UP

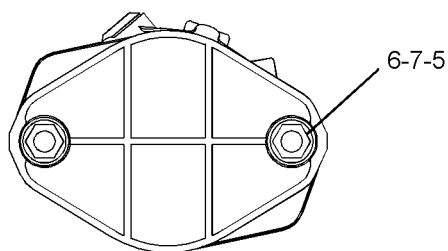
PART OF 288-8156 ENGINE AR-COMplete

SMCS-1256

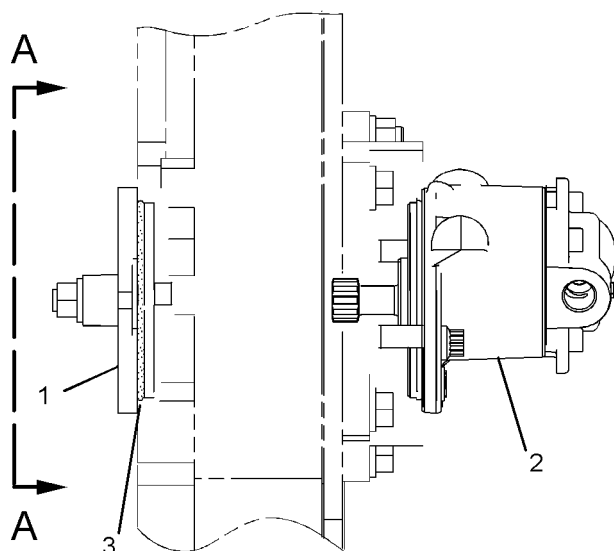
i03905187

NOTE	REF NO	GRAPHIC REF	PART NUMBER	QTY	PART NAME						SEE PAGE
					1	2	3	4	5	6 (PRODUCT LEVEL)	
	1	1	103-4672	1	COVER (HYDRAULIC PUMP DRIVE)						
JR	2	1	316-6864	1	PUMP GP-FUEL TRANSFER						
	3	1	107-5769	2	SEAL-O-RING						
	4	1	1T-0765	2	BOLT (3/8-16X1-IN)						
	5	1	5M-2894	2	WASHER-HARD (10.2X18.5X2.5-MM THK)						
	6	1	6H-0406	2	STUD-TAPERLOCK (3/8-16X1.968-IN)						
	7	1	9S-8752	2	NUT-FULL (3/8-16-THD)						
AVAILABLE REPAIR KIT(S):											
J			339-4983	1	KIT-SPRING						

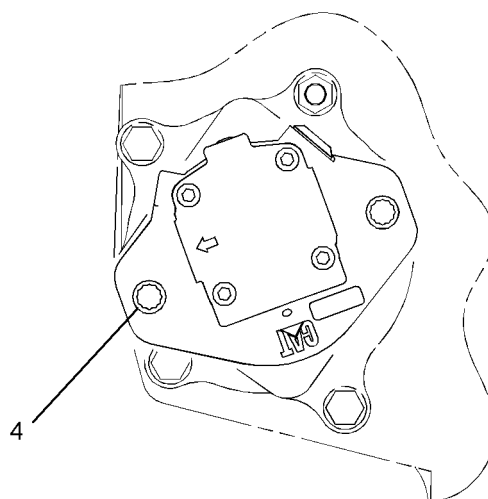
J-KIT MARKED J SERVICES PART MARKED J
R-REMG PART MAY BE AVAILABLE



VIEW A-A



LEFT SIDE VIEW



REAR VIEW

GRAPHIC #1

<END>

g01261844

FUEL SYSTEM

228-8094 PUMP GP-FUEL TRANSFER

S/N: PAS1-UP

PART OF 340-3966 PUMP GP-FUEL TRANSFER
AN ATTACHMENT

SMCS-1256

i03571661

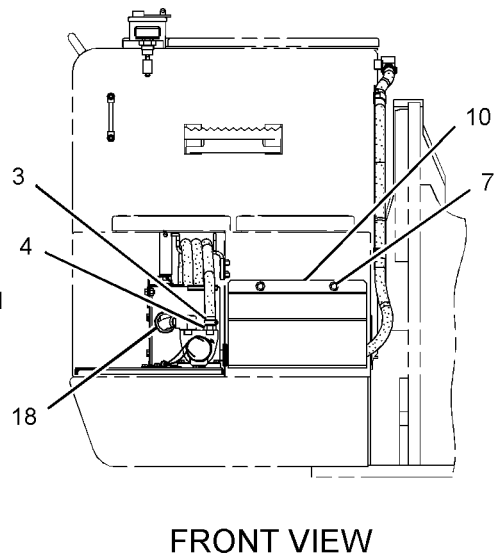
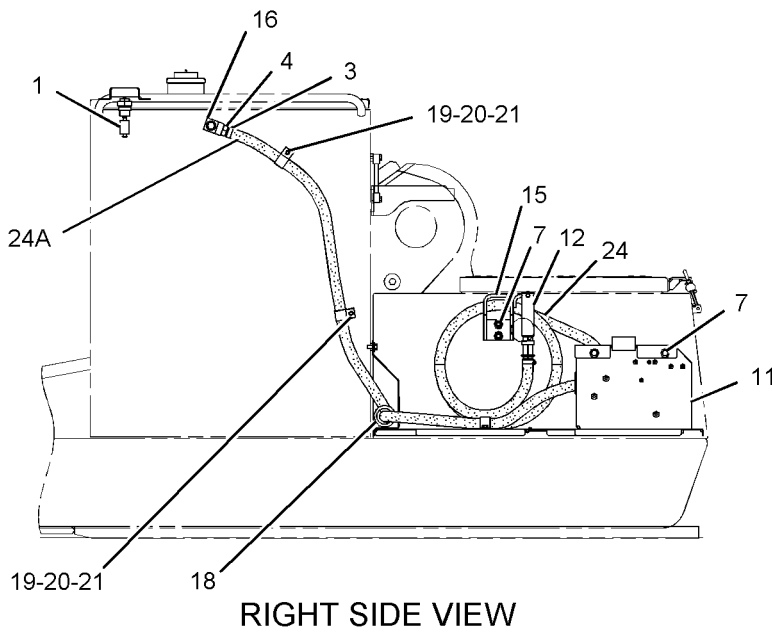
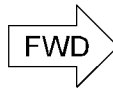
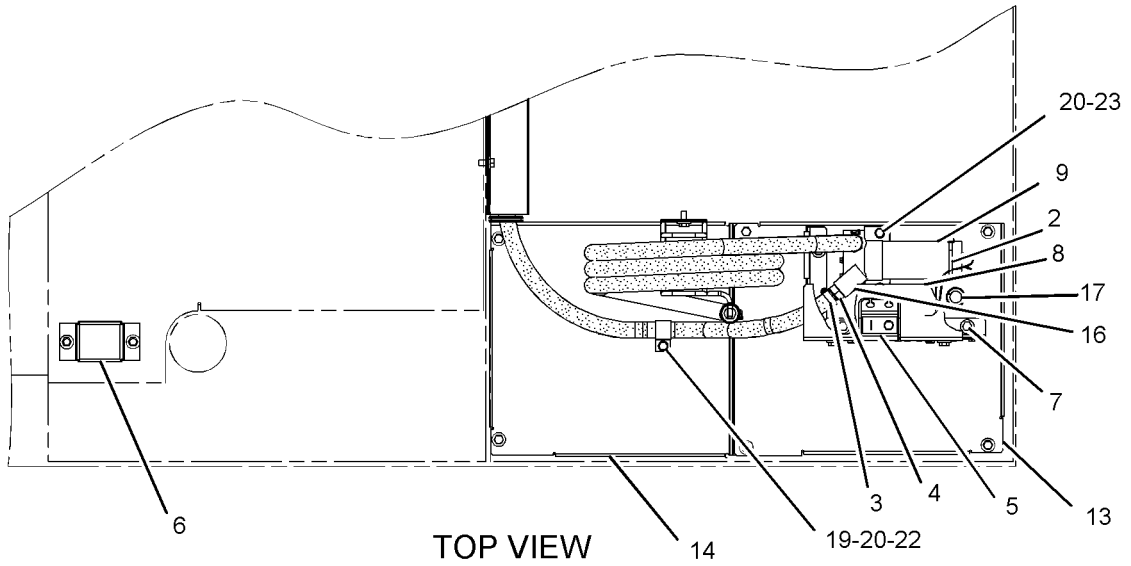
NOTE	REF NO	GRAPHIC REF	PART NUMBER	QTY	PART NAME						SEE PAGE
					1	2	3	4	5	6 (PRODUCT LEVEL)	
C	1	1	312-2645	1	SWITCH AS-LIQUID LEVEL (FUEL TANK SHUTOFF)						
		1	2S-4078	1	SEAL-O-RING						
		1	186-3735	2	PIN-CONNECTOR (16-GA TO 18-GA)						
		1	243-4505	1	RECEPTACLE AS-CONNECTOR (2-PIN)						
	2	1	7K-1181	1	STRAP-CABLE						
	3	1	9M-7958	4	CLAMP-HOSE						
	4	1	229-1861	3	CONNECTOR-HOSE						
	5	1	120-5114	1	FILM-INSTRUCTION (REFUELING PUMP)						
	6	1	122-4021	1	COVER						
M	7	1	135-8573	9	BOLT AS						
	8	1	152-9560	1	SHEET						
Y	9	1	165-4962	1	PUMP & MOTOR GP-REFUELING						140
	10	1	176-0433	1	COVER						
	11	1	176-0436	1	SHEET AS						
D		1	5P-9205		SEAL (0.1-M)						
	12	1	229-1860	1	STRAINER AS-FUEL						
	13	1	262-2374	1	SHEET AS						
	14	1	262-2372	1	SHEET AS						
	15	1	228-8255	1	BRACKET AS						
	16	1	006-5707	2	ELBOW-PIPE						
	17	1	2D-0388	1	GROMMET						
	18	1	2S-1647	2	GROMMET						
	19	1	139-1398	3	CLIP						
	20	1	8T-4121	5	WASHER-HARD (11X21X2.5-MM THK)						
M	21	1	8T-4133	2	NUT (M10X1.5-THD)						
M	22	1	8T-4137	1	BOLT (M10X1.5X20-MM)						
M	23	1	8T-4196	2	BOLT (M10X1.5X35-MM)						
E	24	1	229-1857		HOSE (400-CM)						
E	24A	1	229-1857		HOSE (270-CM)						

C-CHANGE FROM PREVIOUS TYPE
D-ORDER BY THE METER
E-ORDER BY THE CENTIMETER
M-METRIC PART
Y-SEPARATE ILLUSTRATION

FUEL SYSTEM

228-8094 PUMP GP-FUEL TRANSFER (contd.)

i03571661



GRAPHIC #1

<END>

g01079113

FUEL SYSTEM

340-3966 PUMP GP-FUEL TRANSFER

S/N: PAS1-UP
AN ATTACHMENT

SMCS-1256

i03789412

NOTE	PART NUMBER	QTY	PART NAME						SEE PAGE
			1	2	3	4	5	6 (PRODUCT LEVEL)	
Y	228-8094	1	PUMP	GP-FUEL	TRANSFER				144
Y	342-2870	1	WIRING	GP-REFUELING	PUMP				311

Y-SEPARATE ILLUSTRATION

<END>

FUEL SYSTEM

235-6387 REGULATOR GP-FUEL PRESSURE

S/N: LHX19430-UP

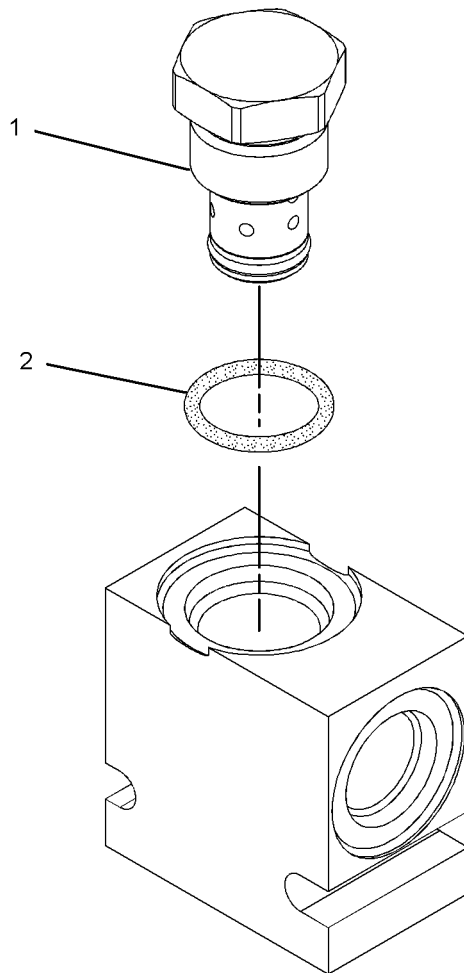
PART OF 246-4620 LINES GP-FUEL

SMCS-1715

i02449291

NOTE	REF NO	GRAPHIC REF	PART NUMBER	QTY	PART NAME						SEE PAGE
					1	2	3	4	5	6 (PRODUCT LEVEL)	
Y	1	1	281-2725	1	VALVE GP-CHECK (FUEL)						151
	2	1	6V-4589	1	SEAL-O-RING						

Y-SEPARATE ILLUSTRATION



GRAPHIC #1

<END>

g01126512

FUEL SYSTEM

313-8266 TANK & MTG GP-FUEL

S/N: PAS1-UP

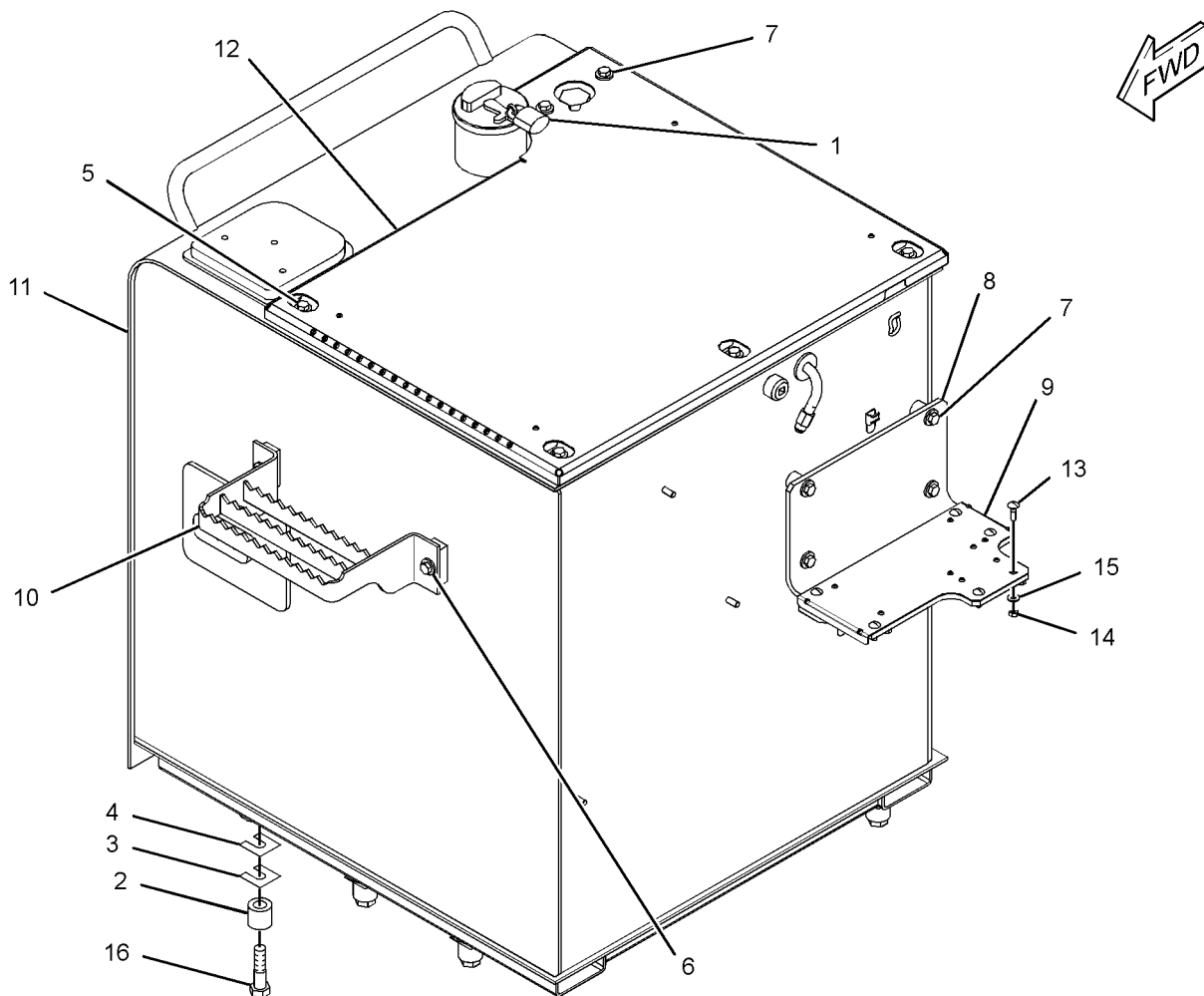
PART OF 294-1232 CHASSIS AR

SMCS-1273

i03656486

NOTE	REF NO	GRAPHIC REF	PART NUMBER	QTY	PART NAME	1 2 3 4 5 6 (PRODUCT LEVEL)						SEE PAGE
	1	1	246-2641	1	PADLOCK GP							
		1	5P-8500	1	KEY							
	2	1	9S-8178	6	SPACER (0.891X1.625X1.5-IN THK)							
B	3	1	093-0407	6	SHIM (0.4-MM THK)							
B	4	1	093-0408	6	SHIM (1-MM THK)							
M	5	1	135-8572	4	BOLT AS							
M	6	1	135-8573	2	BOLT AS							
M	7	1	135-8575	6	BOLT AS							
	8	1	236-3658	1	PLATE AS							
	9	1	236-3662	1	COVER							
	10	1	293-6801	1	STEP AS							
Y	11	1	313-8085	1	TANK GP-FUEL							149
	12	1	327-3149	1	COVER AS-TANK							
M	13	1	131-3990	6	BOLT-CARRIAGE (M8X1.25X30-MM)							
M	14	1	5C-7261	6	NUT (M8X1.25-THD)							
	15	1	5P-4116	6	WASHER-HARD (8.8X20.5X2-MM THK)							
M	16	1	8T-4187	6	BOLT (M20X2.5X80-MM)							

B-USE AS REQUIRED
M-METRIC PART
Y-SEPARATE ILLUSTRATION



GRAPHIC #1

<END>

g02006096

FUEL SYSTEM

313-8085 TANK GP-FUEL

S/N: PAS1-UP

930-L (246-US GAL)

PART OF 313-8266 TANK & MTG GP-FUEL

SMCS-1273

i03656487

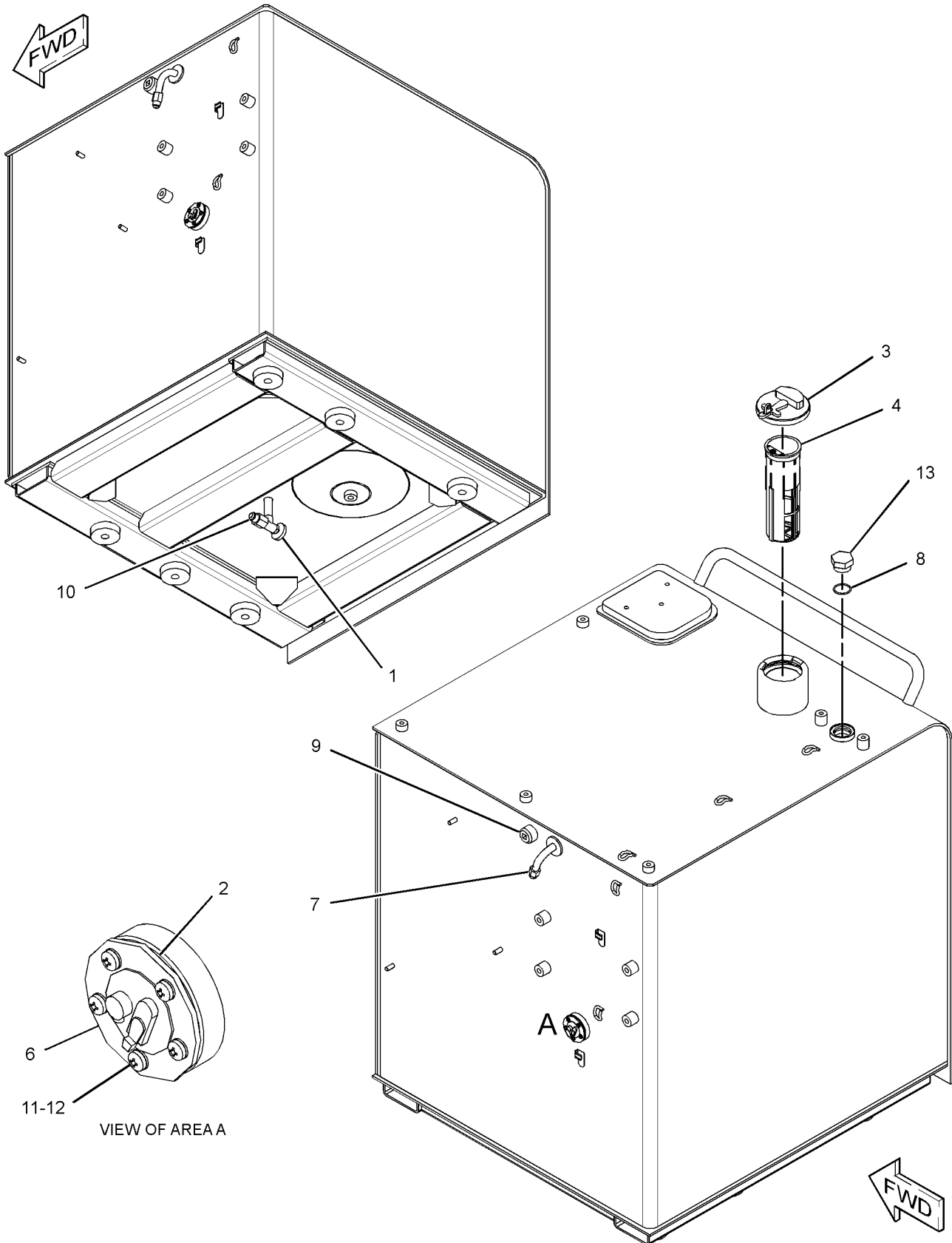
NOTE	REF NO	GRAPHIC REF	PART NUMBER	QTY	PART NAME						SEE PAGE
					1	2	3	4	5	6 (PRODUCT LEVEL)	
	1	1	3E-2306	1	VALVE AS (FUEL DRAIN)						
	2	1	4I-0378	1	GASKET-RUBBER						
	3	1	7X-7700	1	CAP AS-FILLER (FUEL TANK)						
		1	9X-2205	1	KIT-CAP FILTER (FUEL TANK)						
					(INCLUDES FILTER AS, SCREWS, GASKETS & VALVE)						
		1	9X-8600	1	SEAL-O-RING						
J	4	1	303-9933	1	STRAINER AS-FUEL (FLOAT GAUGE)						
	6	1	341-1842	1	SENDER AS-FUEL LEVEL						
		1	102-8802	1	KIT-RECEPTACLE (2-PIN)						
					(INCLUDES RECEPTACLE AS & WEDGE)						
		1	186-3735	2	PIN-CONNECTOR (16-GA TO 18-GA)						
	7	1	061-9413	1	CONNECTOR						
	8	1	2S-4078	1	SEAL-O-RING						
	9	1	3B-0551	1	PLUG-PIPE						
	10	1	6V-1846	1	CONNECTOR						
M	11	1	6V-9673	5	SCREW-MACHINE (M5X0.8X12-MM)						
	12	1	8T-0328	5	WASHER-HARD (5.5X10X1-MM THK)						
	13	1	9S-6130	1	PLUG						
					AVAILABLE REPAIR KIT(S):						
J			303-9937	1	KIT-GAUGE (FUEL STRAINER)						
					(INCLUDES STOPPER & GAUGE)						

J-KIT MARKED J SERVICES PART(S) MARKED J
M-METRIC PART

FUEL SYSTEM

313-8085 TANK GP-FUEL (contd.)

i03656487



GRAPHIC #1

<END>

g02039473

FUEL SYSTEM

281-2725 VALVE GP-CHECK-FUEL

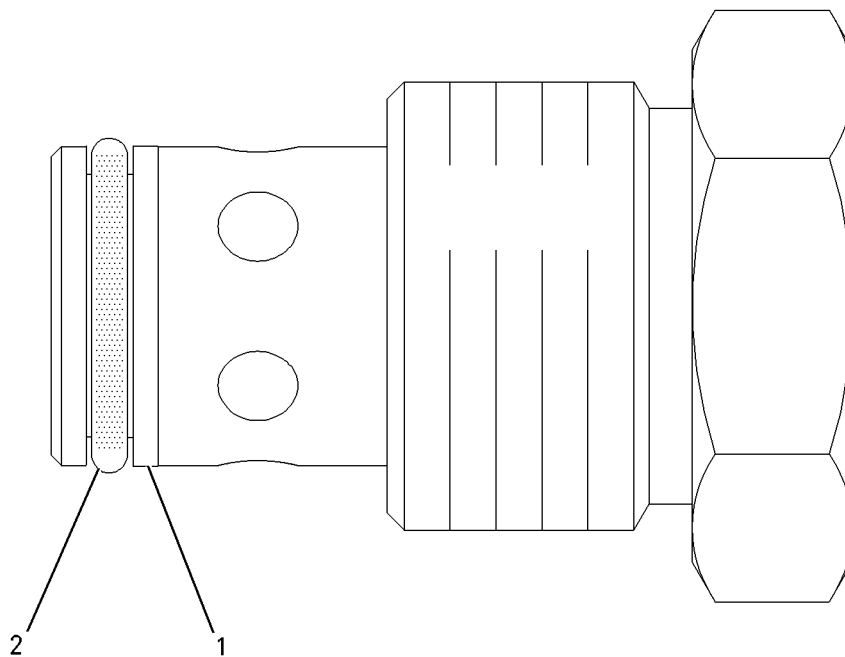
S/N: LHX19430-UP

PART OF 235-6387 REGULATOR GP-FUEL PRESSURE

SMCS-1251

i02447467

NOTE	REF NO	GRAPHIC REF	PART NUMBER	QTY	PART NAME						SEE PAGE
					1	2	3	4	5	6 (PRODUCT LEVEL)	
	1	1	6V-6923	1	RING-BACKUP						
	2	1	033-6033	1	SEAL-O-RING						



GRAPHIC #1

<END>

g00864141

ELECTRICAL AND STARTING SYSTEM

132-1829 ALARM GP-FAULT

S/N: PAS1-UP

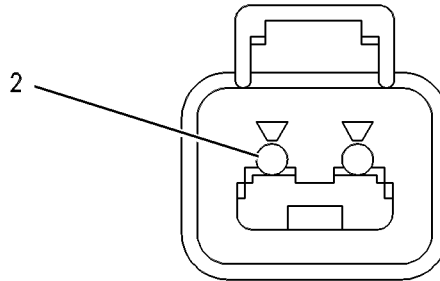
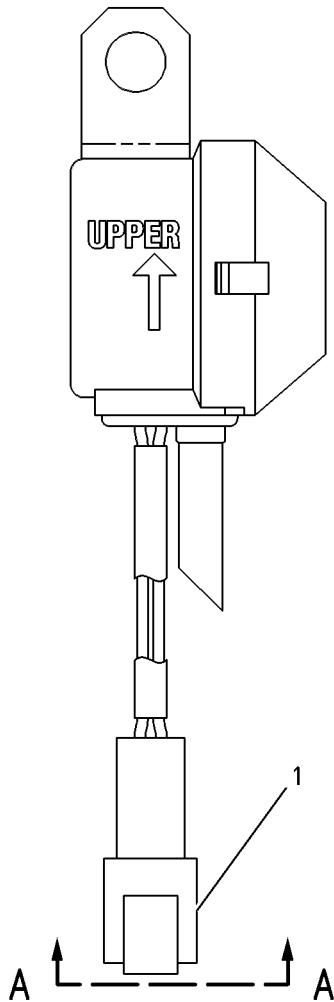
24-VOLT

PART OF 299-2628 WIRING GP-CAB

SMCS-7400, 7402, 7407

i01454019

NOTE	REF NO	GRAPHIC REF	PART NUMBER	QTY	PART NAME						SEE PAGE
					1	2	3	4	5	6 (PRODUCT LEVEL)	
	1	1	102-8802	1	KIT-RECEPTACLE (2-PIN)						
					(INCLUDES RECEPTACLE AS & WEDGE)						
	2	1	186-3735	2	PIN-CONNECTOR (16-GA TO 18-GA)						



VIEW A-A

GRAPHIC #1

<END>

g00272185

ELECTRICAL AND STARTING SYSTEM

231-1771 ALARM GP-TRAVEL-BACKUP

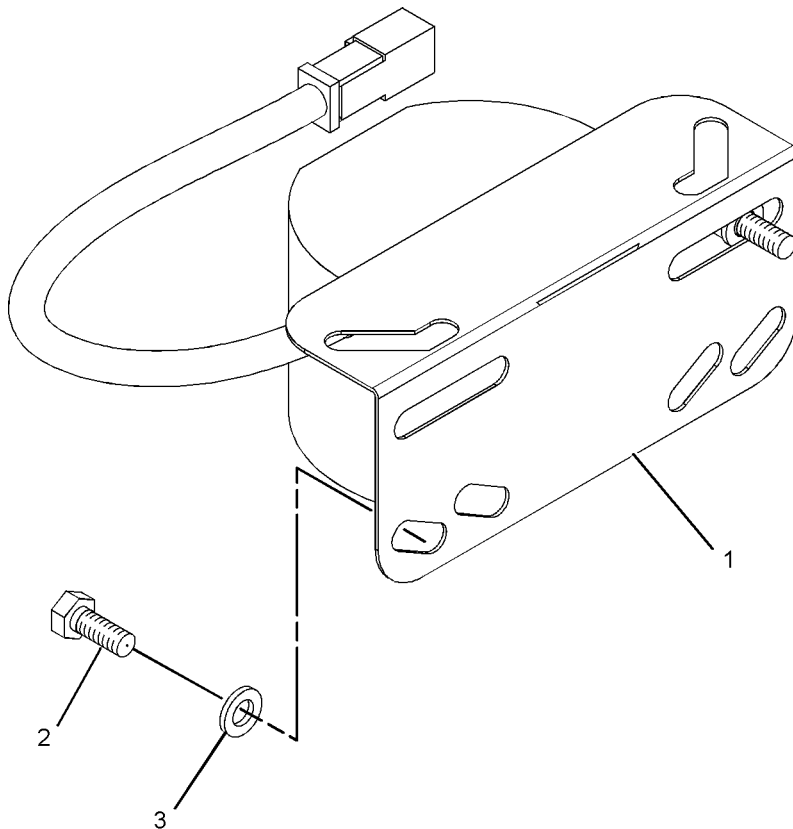
S/N: PAS1-UP
AN ATTACHMENT

SMCS-7429

i03267821

NOTE	REF NO	GRAPHIC REF	PART NUMBER	QTY	PART NAME						SEE PAGE
					1	2	3	4	5	6 (PRODUCT LEVEL)	
	1	1	213-9100	1	ALARM GP (BACKUP)						
		1	102-8802	1	KIT-RECEPTACLE (2-PIN) (INCLUDES RECEPTACLE AS & WEDGE)						
		1	186-3735	2	PIN-CONNECTOR (16-GA TO 18-GA)						
E		1	9X-1813		SLEEVE (29-CM)						
M	2	1	8T-4189	2	BOLT (M8X1.25X20-MM)						
	3	1	5P-4116	2	WASHER-HARD (8.8X20.5X2-MM THK)						

E-ORDER BY THE CENTIMETER
M-METRIC PART



GRAPHIC #1

<END>

g01071794

ELECTRICAL AND STARTING SYSTEM

177-9953 ALTERNATOR GP-CHARGING*R

S/N: LHX19430-UP

24-VOLT, 80-AMPERE

PART OF 235-2471 ALTERNATOR GP-CHARGING

SMCS-1405

i02703713

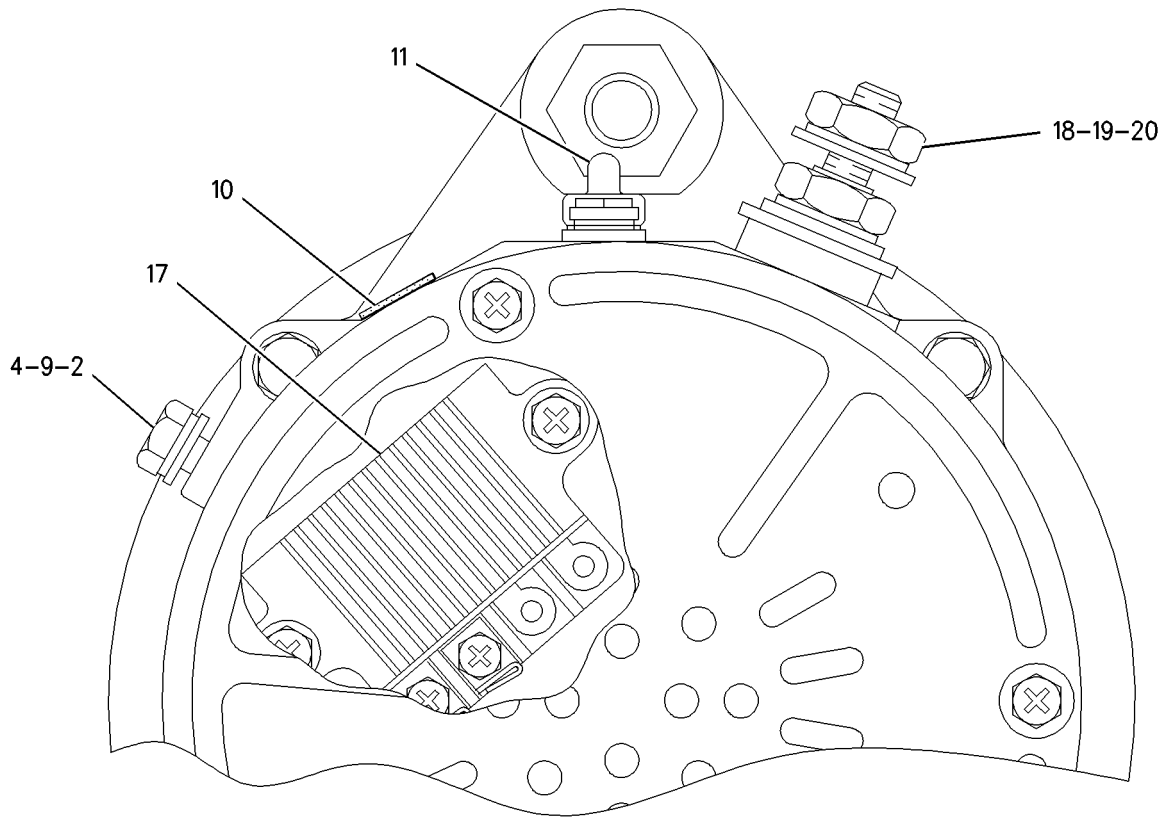
NOTE	REF NO	GRAPHIC REF	PART NUMBER	QTY	PART NAME						SEE PAGE
					1	2	3	4	5	6 (PRODUCT LEVEL)	
	1	1	185-2653	1	FRAME						
	2	1	5S-7349	1	BOLT (1/4-20X0.5-IN)						
	3	1	185-2639	1	FAN AS						
	4	1	1H-3244	1	LOCKWASHER						
	5	1	185-2645	1	FRAME						
	6	1	2K-4821	1	LOCKNUT (5/8-18-THD)						
	7	1	5P-8247	1	WASHER-HARD (17X32X3.5-MM THK)						
	8	1	185-2651	1	COVER						
	9	1	8T-4205	1	WASHER-HARD (7.2X14.5X2-MM THK)						
	10	1	185-2647	1	GROMMET						
	11	1	9L-6770	1	CAP-DUST						
	12	1	185-2643	1	STATOR AS						
	13	1	185-2638	2	COLLAR						
	14	1	185-2654	1	PLATE						
	15	1	185-2650	1	ROTOR AS						
	16	1	185-2644	1	COIL AS						
	17	1	185-2648	1	REGULATOR AS-VOLTAGE (24-VOLT) (ALTERNATOR)						
J	18	1	6V-8189	1	NUT (5/16-18-THD)						
J	19	1	8T-4224	1	WASHER-HARD (8.8X16X2-MM THK)						
J	20	1	3F-9556	1	LOCKWASHER						
					AVAILABLE REPAIR KIT(S):						
J			199-7891		KIT-TERMINAL (ALTERNATOR) (INCLUDES INSULATORS, WASHERS, NUT, STEP NUT)						
			185-2655		KIT-BEARING (ALTERNATOR) (INCLUDES 2 BEARINGS)						
			199-8436		KIT-TERMINAL (ALTERNATOR) (INCLUDES HOLDER AS, PLATE, INSULATOR, PIN, BOLT, GROMMET, NUT)						
			185-2658		KIT-HARDWARE (ALTERNATOR) (INCLUDES BOLTS)						

J-KIT MARKED J AVAILABLE FOR PARTS MARKED J

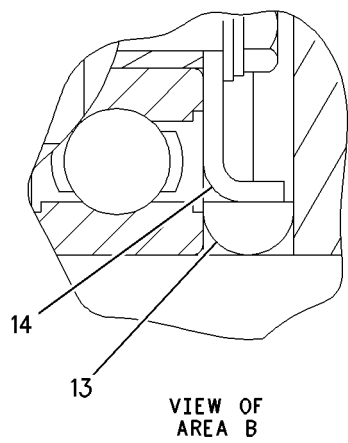
ELECTRICAL AND STARTING SYSTEM

177-9953 ALTERNATOR GP-CHARGING (contd.)

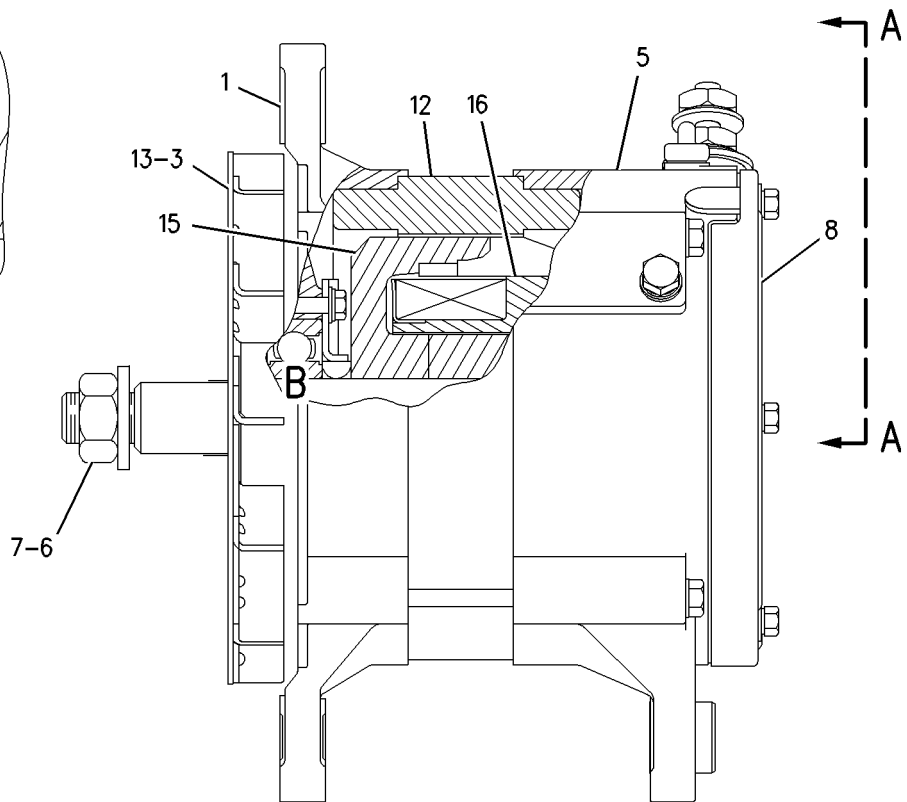
i02703713



VIEW A-A



VIEW OF
AREA B



<END>

GRAPHIC #1

g00795850

ELECTRICAL AND STARTING SYSTEM

235-2471 ALTERNATOR GP-CHARGING

S/N: LHX19430-UP

24-VOLT, 80-AMPERE

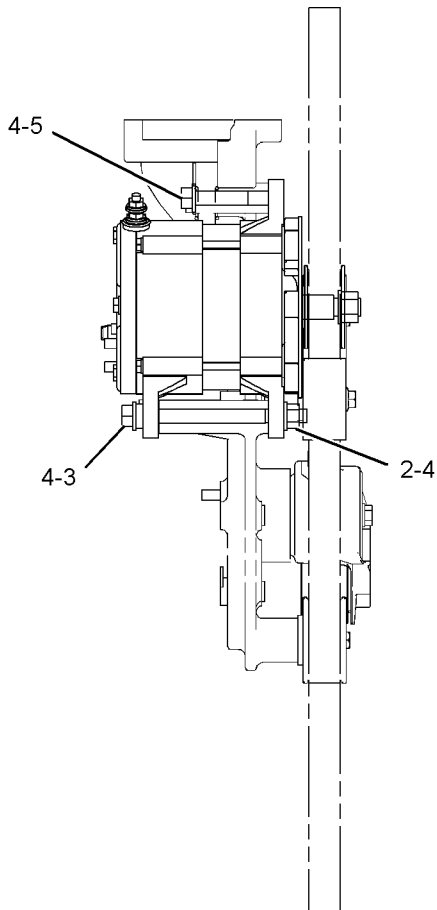
PART OF 288-8156 ENGINE AR-COMPLETE

SMCS-1405

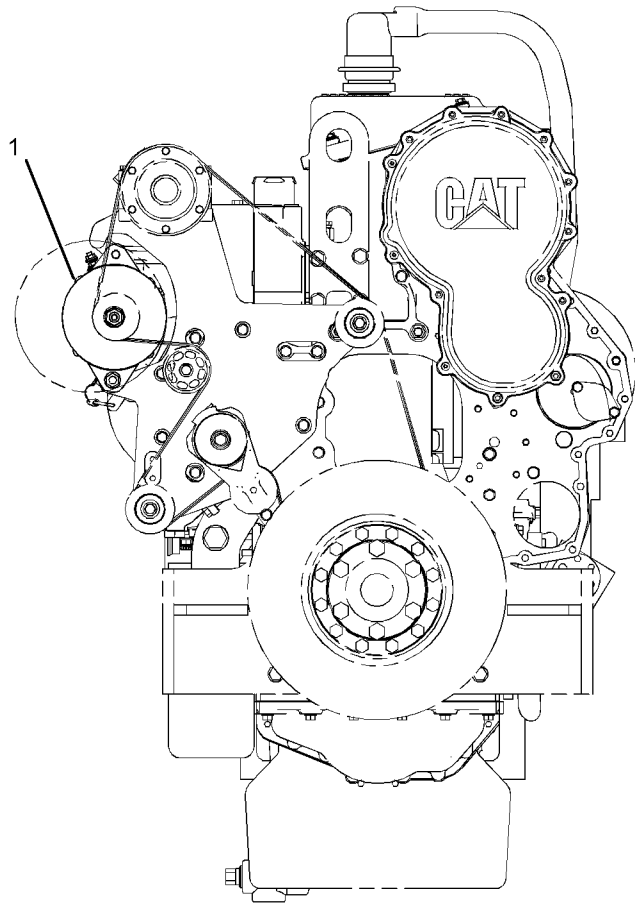
i02097510

NOTE	REF NO	GRAPHIC REF	PART NUMBER	QTY	PART NAME						SEE PAGE
					1	2	3	4	5	6 (PRODUCT LEVEL)	
YR	1	1	177-9953	1	ALTERNATOR GP-CHARGING (24-VOLT, 80-AMPERE)						154
	2	1	6V-8188	1	NUT (1/2-13-THD)						
	3	1	7X-0339	1	BOLT (1/2-13X6.25-IN)						
	4	1	8T-4223	3	WASHER-HARD (13.5X25.5X3-MM THK)						
	5	1	8T-8920	1	BOLT (1/2-13X3.25-IN)						

R-REMG PART MAY BE AVAILABLE
Y-SEPARATE ILLUSTRATION



RIGHT SIDE VIEW



FRONT VIEW

GRAPHIC #1

<END>

g01070125

ELECTRICAL AND STARTING SYSTEM

299-2626 BATTERY & WIRING GP

S/N: PAS1-UP

PART OF 294-1232 CHASSIS AR

SMCS-1401, 1402, 1408

i03656426

NOTE	REF NO	GRAPHIC REF	PART NUMBER	QTY	PART NAME						SEE PAGE
					1	2	3	4	5	6 (PRODUCT LEVEL)	
	1	2, 3, 4	2G-8767	11	WASHER (10.5X60X3-MM THK)						
	2	2	3E-5169	1	GUARD-SWITCH						
	3	1, 3, 4	3S-2093	74	STRAP-CABLE						
M	4	2	4I-5049	1	NUT-SPACER (M6X1-THD)						
	5	2, 3, 4	6G-2256	7	CLAMP						
	6	2, 3, 4	6G-2263	7	SPACER (10.5X19X28.5-MM THK)						
	7	2	7G-1060	1	STRAP AS-GROUND						
	8	1, 3	7I-2673	6	STRAP-CABLE						
	9	1, 2, 3, 4	7K-1181	15	STRAP-CABLE						
Y	10	2	9W-0742	1	BLOCK GP-JUNCTION (BATTERY)						169
	11	2	096-0679	2	GROMMET						
	12	1, 3, 4	111-4836	12	CLIP						
	13	1, 2, 3, 4	111-4837	47	CLIP						
	14	2, 3, 4	111-4838	17	CLIP						
	15	2, 3, 4	111-4839	16	STRAP						
	16	1, 2, 3, 4	116-0118	8	CLIP						
	17	2	124-9108	2	ROD						
	18	4	128-8886	1	STRAP AS-GROUND						
	19	2	136-0207	1	STRAP-CABLE						
	20	3	149-5083	1	GROMMET						
	21	1, 3, 4	153-2447	3	BRACKET AS						
	22	4	153-2451	1	BRACKET AS						
	23	2	153-5710	2	BATTERY (12-VOLT, 1400-CCA)						
M	24	2	157-4822	2	BOLT (M10X1.5X250-MM)						
	25	2	161-3115	1	COVER						
	26	2	161-3117	1	KNOB AS						
Y	27	3	165-5970	1	SWITCH GP-TOGGLE (FUEL PRIMING PUMP)						260
	28	2	167-3583	1	STRAP AS-GROUND						
Y	29	2	170-2512	1	SWITCH GP-TOGGLE (SECONDARY SHUTDOWN)						261
	30	4	170-6977	1	BRACKET AS						
	31	4	184-9159	1	GROMMET						
	32	2	198-7070	1	SUPPORT AS						
	33	4	204-1611	1	STRAP-CABLE						
	34	4	204-1673	1	STRAP-CABLE						
	35	2	204-1771	1	PLATE						
	36	4	234-1183	1	HARNESS AS-SENSOR (HYD OIL LEVEL, TEMPERATURE)						
		4	9X-3402	4	SOCKET-CONNECTOR (16-GA TO 18-GA)						
		4	2L-8065	1	TERMINAL-RING (10-GA TO 12-GA, NO. 8 SCREW)						
		4	2L-8075	1	TERMINAL-RING (14-GA TO 16-GA, NO. 8 SCREW)						
		4	9X-3401	4	PIN-CONNECTOR (16-GA TO 18-GA)						
		4	155-2270	2	KIT-CONNECTING PLUG (2-PIN) (EACH INCLUDES PLUG AS, WEDGE, & INTERFACE SEAL)						
		4	243-4507	1	RECEPTACLE AS-CONNECTOR (4-PIN)						
	37	1, 2	237-8511	2	GROMMET						
	38	4	238-2345	1	BRACKET AS						
	39	4	238-2420	1	HARNESS AS-PUMP (MAIN)						
		4	8T-8729	2	PIN-CONNECTOR (16-GA TO 18-GA)						
		4	8T-8737	1	PLUG-SEAL						
		4	243-4506	1	RECEPTACLE AS-CONNECTOR (3-PIN)						
	40	2	238-2535	1	BRACKET AS						
	41	4	259-5104	1	BRACKET AS						
Y	42	2	299-2627	1	PANEL GP-CIRCUIT BREAKER						212

ELECTRICAL AND STARTING SYSTEM

299-2626 BATTERY & WIRING GP (contd.)

i03656426

NOTE	REF NO	GRAPHIC REF	PART NUMBER	QTY	PART NAME						SEE PAGE
					1	2	3	4	5	6 (PRODUCT LEVEL)	
	43	1	306-8515	1	BRACKET AS						
	44	3	306-8524	1	BRACKET AS						
	45	3	324-5775	1	BRACKET AS						
	46	2	328-0333	1	CABLE AS						
		2	8C-5917	1	TERMINAL AS-BATTERY (POSITIVE)						
		2	1M-6119	2	BOLT (5/16-18X1.375-IN)						
		2	1M-6120	2	NUT (5/16-18-THD)						
E		2	159-8049		CABLE (00-GA, RED) (15-CM)						
		2	8T-9757	1	TERMINAL AS-BATTERY (NEGATIVE)						
		2	1M-6119	1	BOLT (5/16-18X1.375-IN)						
		2	1M-6120	1	NUT (5/16-18-THD)						
		2	9G-0003	1	COVER AS-TERMINAL (BLACK)						
		2	8L-8413	1	STRAP-CABLE						
		2	9G-0004	1	COVER AS-TERMINAL (RED)						
		2	8L-8413	1	STRAP-CABLE						
	47	1	342-2846	1	HARNESS AS-CHASSIS (BOOM)						
		1	8T-8729	1	PIN-CONNECTOR (16-GA TO 18-GA)						
		1	8T-8730	20	SOCKET-CONNECTOR (16-GA TO 18-GA)						
		1	3W-2093	10	ANGLE						
		1	8T-8737	17	PLUG-SEAL						
		1	9X-4813	1	RECEPTACLE AS-CONNECTOR (3-PIN)						
		1	100-5805	1	CAP-RECEPTACLE						
E		1	103-2529		HOSE (140-CM)						
		1	9W-0852	6	PIN-CONNECTOR (14-GA)						
		1	9W-0844	8	SOCKET-CONNECTOR (14-GA)						
		1	116-0126	1	HOUSING-PLUG						
		1	116-0128	2	SEAL						
		1	116-0255	2	TERMINAL-BLADE (10-GA TO 20-GA) (FEMALE)						
BE		1	119-3662		TUBE-HEAT SHRINK (10.85-MM DIA)						
		1	121-1038	1	HOUSING-RECEPTACLE						
		1	121-1039	1	TERMINAL (MALE)						
BE		1	125-7874		TUBE-HEAT SHRINK (5.72-MM DIA)						
BE		1	125-7875		TUBE-HEAT SHRINK (7.44-MM DIA)						
		1	9X-3402	27	SOCKET-CONNECTOR (16-GA TO 18-GA)						
		1	3T-4696	4	TERMINAL-RING (10-GA TO 12-GA, 7/16-IN SCREW)						
		1	2L-8075	2	TERMINAL-RING (14-GA TO 16-GA, NO. 8 SCREW)						
		1	9X-3401	8	PIN-CONNECTOR (16-GA TO 18-GA)						
		1	155-2270	5	KIT-CONNECTING PLUG (2-PIN)						
		1	155-2260	1	KIT-CONNECTING PLUG (3-PIN)						
					(EACH PLUG KIT INCLUDES PLUG AS, WEDGE, & INTERFACE SEAL)						
		1	230-4009	1	PLUG AS-CONNECTOR (12-PIN)						
		1	264-7034	1	SEAL-CONNECTOR						
		1	230-4011	6	PLUG AS-CONNECTOR (2-PIN)						
					(EACH INCLUDES)						
		1	264-7029	1	SEAL-CONNECTOR						
		1	230-4013	3	PLUG AS-CONNECTOR (3-PIN)						
					(EACH INCLUDES)						
		1	264-7030	1	SEAL-CONNECTOR						
		1	230-5008	2	PLUG AS-CONNECTOR (4-PIN)						
					(EACH INCLUDES)						
		1	264-7031	1	SEAL-CONNECTOR						
		1	231-2295	1	PLUG AS-CONNECTOR (8-PIN)						
					(EACH INCLUDES)						
		1	264-7033	1	SEAL-CONNECTOR						
		1	243-4505	3	RECEPTACLE AS-CONNECTOR (2-PIN)						
		1	243-4507	1	RECEPTACLE AS-CONNECTOR (4-PIN)						
		1	243-4510	1	RECEPTACLE AS-CONNECTOR (12-PIN)						
	48	4	342-2847	1	HARNESS AS-CONTROL (SPEED SENSOR)						

ELECTRICAL AND STARTING SYSTEM

299-2626 BATTERY & WIRING GP (contd.)

i03656426

NOTE	REF NO	GRAPHIC REF	PART NUMBER	QTY	PART NAME						SEE PAGE
					1	2	3	4	5	6 (PRODUCT LEVEL)	
		4	126-1768	6	SOCKET-CONNECTOR (14-GA)						
		4	8N-1544	1	PIN-CONNECTOR (8-GA)						
		4	8T-8737	56	PLUG-SEAL						
		4	9W-0852	3	PIN-CONNECTOR (14-GA)						
BE		4	119-3662		TUBE-HEAT SHRINK (10.85-MM DIA)						
		4	9X-3402	14	SOCKET-CONNECTOR (16-GA TO 18-GA)						
		4	127-5486	1	RECEPTACLE AS-CONNECTOR (1-PIN)						
		4	2L-8049	1	TERMINAL-RING (6-GA, NO. 10 SCREW)						
					-OR-						
		4	2L-8057	1	TERMINAL-RING (8-GA, NO. 10 SCREW)						
		4	9X-3401	13	PIN-CONNECTOR (16-GA TO 18-GA)						
		4	155-2270	2	KIT-CONNECTING PLUG (2-PIN)						
					(EACH INCLUDES PLUG AS, WEDGE, & INTERFACE SEAL)						
		4	160-7689	1	PLUG AS-CONNECTOR (70-PIN)						
		4	159-9322	1	SEAL-O-RING						
		4	243-4508	1	RECEPTACLE AS-CONNECTOR (6-PIN)						
		4	243-4510	1	RECEPTACLE AS-CONNECTOR (12-PIN)						
	49	3	342-2849	1	BRACKET AS						
	50	3,4	342-2854	4	BRACKET AS						
	51	1	342-2865	1	CABLE AS						
E		1	159-8049		CABLE (00-GA, RED) (461-CM)						
		1	301-0091	1	COVER-TERMINAL (RED) (JUNCTION BLOCK)						
		1	1S-7251	2	TERMINAL-CABLE (00-GA, 1/2-IN SCREW)						
		1	8N-0869	1	COVER-TERMINAL (RED) (STARTING MOTOR)						
	52	2	342-2866	1	CABLE AS						
		2	1S-7251	1	TERMINAL-CABLE (00-GA, 1/2-IN SCREW)						
		2	8N-0869	1	COVER-TERMINAL (RED) (CIRCUIT BREAKER PANEL)						
		2	030-1706	1	TERMINAL-RING (00-GA, 1/4-IN SCREW)						
E		2	159-8049		CABLE (00-GA, RED) (142-CM)						
		2	301-0091	1	COVER-TERMINAL (RED) (JUNCTION BLOCK)						
	53	2	342-2867	1	CABLE AS						
		2	1S-7251	1	TERMINAL-CABLE (00-GA, 1/2-IN SCREW)						
		2	8N-1725	1	COVER AS-TERMINAL (RED) (BATTERY POSITIVE)						
		2	8L-8413	1	STRAP-CABLE						
		2	3S-6049	1	TERMINAL AS-BATTERY (POSITIVE)						
		2	1M-6119	1	BOLT (5/16-18X1.375-IN)						
		2	1M-6120	1	NUT (5/16-18-THD)						
E		2	159-8049		CABLE (00-GA, RED) (47-CM)						
		2	301-0091	1	COVER-TERMINAL (RED) (JUNCTION BLOCK)						
	54	2	342-2869	1	CABLE AS						
		2	1S-7252	1	TERMINAL-CABLE (00-GA, 3/8-IN SCREW)						
		2	7N-5274	1	COVER-TERMINAL (BLACK) (BATTERY NEGATIVE)						
		2	8L-8413	1	STRAP-CABLE						
		2	9G-8909	1	COVER-TERMINAL (BLACK) (DISCONNECT SWITCH)						
		2	3S-6050	1	TERMINAL AS-BATTERY (NEGATIVE)						
		2	1M-6119	1	BOLT (5/16-18X1.375-IN)						
		2	1M-6120	1	NUT (5/16-18-THD)						
E		2	159-8050		CABLE (00-GA, BLACK) (44-CM)						
	55	2	342-3153	1	BRACKET						
	56	1	350-8197	1	HARNESS AS-CHASSIS						
		1	102-8802	1	KIT-RECEPTACLE (2-PIN)						
		1	102-8803	3	KIT-RECEPTACLE (3-PIN)						
		1	102-8804	1	KIT-RECEPTACLE (4-PIN)						
					(EACH RECEPTACLE KIT INCLUDES RECEPTACLE AS & WEDGE)						
		1	8T-8729	8	PIN-CONNECTOR (16-GA TO 18-GA)						
		1	8T-8730	11	SOCKET-CONNECTOR (16-GA TO 18-GA)						
		1	3S-2093	21	STRAP-CABLE						

ELECTRICAL AND STARTING SYSTEM

299-2626 BATTERY & WIRING GP (contd.)

i03656426

NOTE	REF NO	GRAPHIC REF	PART NUMBER	QTY	PART NAME						SEE PAGE
					1	2	3	4	5	6 (PRODUCT LEVEL)	
		1	3T-4688	1	TERMINAL-RING (4-GA, 7/16-IN SCREW)						
		1	9X-0196	1	WIRE AS						
		1	7Y-3962	1	TERMINAL-BULLET (MALE)						
		1	7Y-3963	1	TERMINAL-BULLET (FEMALE)						
		1	8N-1545	1	SOCKET-CONNECTOR (8-GA)						
		1	8T-8737	92	PLUG-SEAL						
		1	8T-8827	1	BOOT (RED)						
		1	110-8769	1	WIRE AS						
E		1	103-2529		HOSE (104-CM)						
		1	9W-0852	11	PIN-CONNECTOR (14-GA)						
		1	9W-0844	25	SOCKET-CONNECTOR (14-GA)						
		1	116-0255	1	TERMINAL-BLADE (10-GA TO 20-GA) (FEMALE)						
BE		1	119-3662		TUBE-HEAT SHRINK (10.85-MM DIA)						
BE		1	125-7874		TUBE-HEAT SHRINK (5.72-MM DIA)						
BE		1	125-7875		TUBE-HEAT SHRINK (7.44-MM DIA)						
		1	9X-3402	153	SOCKET-CONNECTOR (16-GA TO 18-GA)						
		1	126-1768	5	SOCKET-CONNECTOR (14-GA)						
		1	127-5485	1	PLUG AS-CONNECTOR (1-PIN)						
		1	9G-4343	2	TERMINAL-RING (4-GA, 1/4-IN SCREW)						
		1	9G-4336	1	TERMINAL-RING (4-GA)						
		1	2L-8050	1	TERMINAL-RING (6-GA, 1/4-IN SCREW)						
					-OR-						
		1	2L-8058	1	TERMINAL-RING (8-GA, 1/4-IN SCREW)						
		1	2L-8067	1	TERMINAL-RING (10-GA TO 12-GA, 1/4-IN SCREW)						
		1	2L-8069	4	TERMINAL-RING (2-GA TO 10-GA, 3/8-IN SCREW)						
		1	2L-8079	1	TERMINAL-RING (14-GA TO 16-GA, 3/8-IN SCREW)						
		1	134-3296	1	HOUSING-PLUG						
		1	134-3297	1	SEAL						
		1	9X-3401	86	PIN-CONNECTOR (16-GA TO 18-GA)						
					-OR-						
		1	126-1767	86	PIN-CONNECTOR (14-GA)						
		1	155-2260	2	KIT-CONNECTING PLUG (3-PIN)						
		1	155-2270	4	KIT-CONNECTING PLUG (2-PIN)						
		1	155-2271	1	KIT-CONNECTING PLUG (4-PIN)						
					(EACH PLUG KIT INCLUDES PLUG AS, WEDGE, & INTERFACE SEAL)						
		1	163-6637	1	RECEPTACLE AS-CONNECTOR (54-PIN, BLACK)						
		1	170-9479	1	PLUG AS-CONNECTOR (54-PIN, BLACK)						
		1	163-6759	1	SEAL						
		1	170-9480	1	PLUG AS-CONNECTOR (54-PIN, BROWN)						
		1	163-6759	1	SEAL						
		1	174-3016	3	PLUG AS-CONNECTOR (3-PIN)						
		1	230-4009	5	PLUG AS-CONNECTOR (12-PIN)						
					(EACH INCLUDES)						
		1	264-7034	1	SEAL-CONNECTOR						
		1	230-4011	1	PLUG AS-CONNECTOR (2-PIN)						
		1	264-7029	1	SEAL-CONNECTOR						
		1	230-4013	2	PLUG AS-CONNECTOR (3-PIN)						
					(EACH INCLUDES)						
		1	264-7030	1	SEAL-CONNECTOR						
		1	230-5010	2	PLUG AS-CONNECTOR (6-PIN)						
					(EACH INCLUDES)						
		1	264-7032	1	SEAL-CONNECTOR						
		1	231-2295	2	PLUG AS-CONNECTOR (8-PIN)						
					(EACH INCLUDES)						
		1	264-7033	1	SEAL-CONNECTOR						
		1	239-7356	1	PLUG AS-CONNECTOR (12-PIN)						
		1	264-7034	1	SEAL-CONNECTOR						

ELECTRICAL AND STARTING SYSTEM

299-2626 BATTERY & WIRING GP (contd.)

i03656426

NOTE	REF NO	GRAPHIC REF	PART NUMBER	QTY	PART NAME						SEE PAGE
					1	2	3	4	5	6 (PRODUCT LEVEL)	
		1	243-4506	2	RECEPTACLE AS-CONNECTOR (3-PIN)						
		1	243-4508	1	RECEPTACLE AS-CONNECTOR (6-PIN)						
		1	243-4509	2	RECEPTACLE AS-CONNECTOR (8-PIN)						
		1	243-4510	5	RECEPTACLE AS-CONNECTOR (12-PIN)						
	57	1	350-8198	1	HARNES AS-SOLENOID						
		1	102-8802	4	KIT-RECEPTACLE (2-PIN)						
					(EACH INCLUDES RECEPTACLE AS & WEDGE)						
		1	8T-8729	1	PIN-CONNECTOR (16-GA TO 18-GA)						
		1	8T-8730	39	SOCKET-CONNECTOR (16-GA TO 18-GA)						
		1	3S-2093	13	STRAP-CABLE						
		1	8T-8737	10	PLUG-SEAL						
		1	9W-0852	1	PIN-CONNECTOR (14-GA)						
		1	9W-0844	1	SOCKET-CONNECTOR (14-GA)						
BE		1	125-7874		TUBE-HEAT SHRINK (5.72-MM DIA)						
BE		1	125-7875		TUBE-HEAT SHRINK (7.44-MM DIA)						
		1	9X-3402	18	SOCKET-CONNECTOR (16-GA TO 18-GA)						
					-OR-						
		1	126-1768	18	SOCKET-CONNECTOR (14-GA)						
		1	9X-3401	17	PIN-CONNECTOR (16-GA TO 18-GA)						
					-OR-						
		1	126-1767	17	PIN-CONNECTOR (14-GA)						
		1	155-2260	1	KIT-CONNECTING PLUG (3-PIN)						
		1	155-2270	22	KIT-CONNECTING PLUG (2-PIN)						
					(EACH PLUG KIT INCLUDES PLUG AS, WEDGE, & INTERFACE SEAL)						
		1	230-4009	1	PLUG AS-CONNECTOR (12-PIN)						
		1	264-7034	1	SEAL-CONNECTOR						
		1	243-4509	1	RECEPTACLE AS-CONNECTOR (8-PIN)						
		1	243-4510	1	RECEPTACLE AS-CONNECTOR (12-PIN)						
	58	2,3,4	132-5789	5	CLIP						
	59	1	4I-5426	1	GROMMET						
	60	4	4P-7428	1	CLIP						
	61	3,4	4P-7581	3	CLIP						
M	62	2	5C-7261	2	NUT (M8X1.25-THD)						
M	63	2	5C-7883	4	BOLT-SOCKET HEAD (M6X1X16-MM)						
	64	2	5P-1075	2	WASHER-HARD (10.2X22.5X3-MM THK)						
	65	3,4	5P-4116	5	WASHER-HARD (8.8X20.5X2-MM THK)						
M	66	4	7X-2548	1	BOLT (M12X1.75X16-MM)						
M	67	4	7X-2621	1	BOLT (M10X1.5X12-MM)						
	68	1,2,3,4	8T-4121	111	WASHER-HARD (11X21X2.5-MM THK)						
M	69	1,2,3,4	8T-4136	15	BOLT (M10X1.5X25-MM)						
M	70	1,2,3,4	8T-4137	80	BOLT (M10X1.5X20-MM)						
M	71	2,3,4	8T-4182	5	BOLT (M10X1.5X45-MM)						
M	72	4	8T-4185	2	BOLT (M10X1.5X50-MM)						
M	73	3,4	8T-4189	4	BOLT (M8X1.25X20-MM)						
M	74	2,4	8T-4191	5	BOLT (M10X1.5X16-MM)						
M	75	2,4	8T-4195	8	BOLT (M10X1.5X30-MM)						
M	76	3,4	8T-4199	6	BOLT (M8X1.25X12-MM)						
M	77	3,4	8T-4200	2	BOLT (M8X1.25X16-MM)						
	78	4	8T-4223	1	WASHER-HARD (13.5X25.5X3-MM THK)						
	79	3,4	8T-4224	7	WASHER-HARD (8.8X16X2-MM THK)						
	80	2	9X-8256	4	WASHER (6.6X12X2-MM THK)						

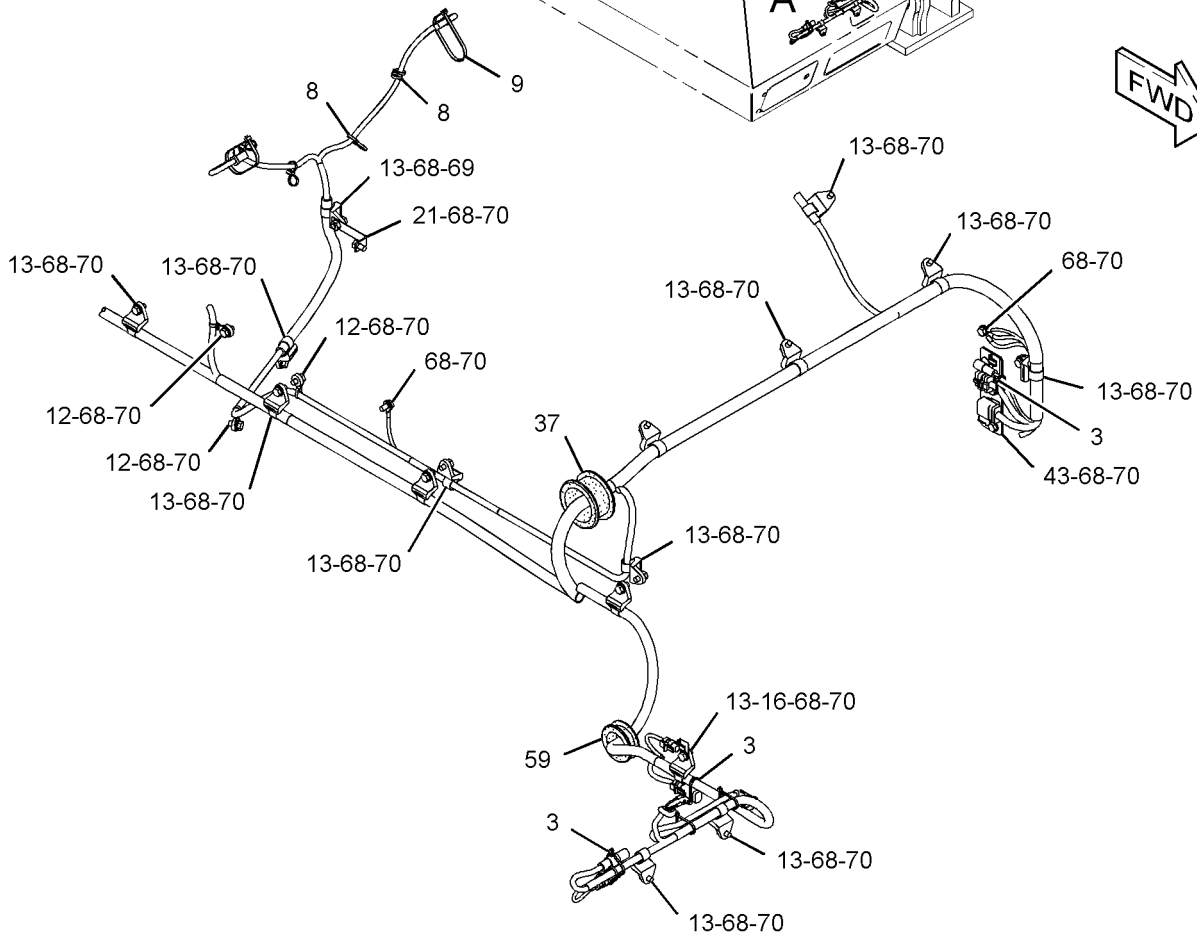
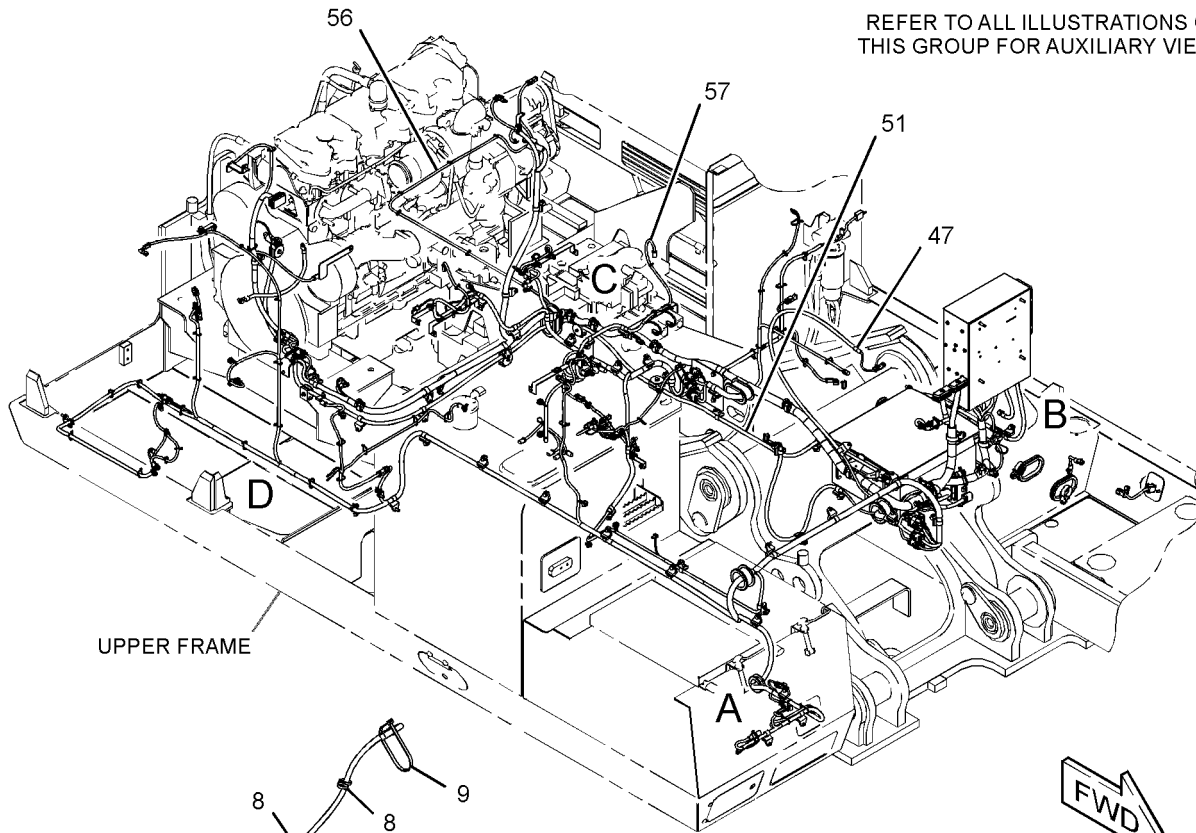
B-USE AS REQUIRED
 E-ORDER BY THE CENTIMETER
 M-METRIC PART
 Y-SEPARATE ILLUSTRATION

ELECTRICAL AND STARTING SYSTEM

299-2626 BATTERY & WIRING GP (contd.)

i03656426

REFER TO ALL ILLUSTRATIONS OF THIS GROUP FOR AUXILIARY VIEWS



VIEW OF AREA A

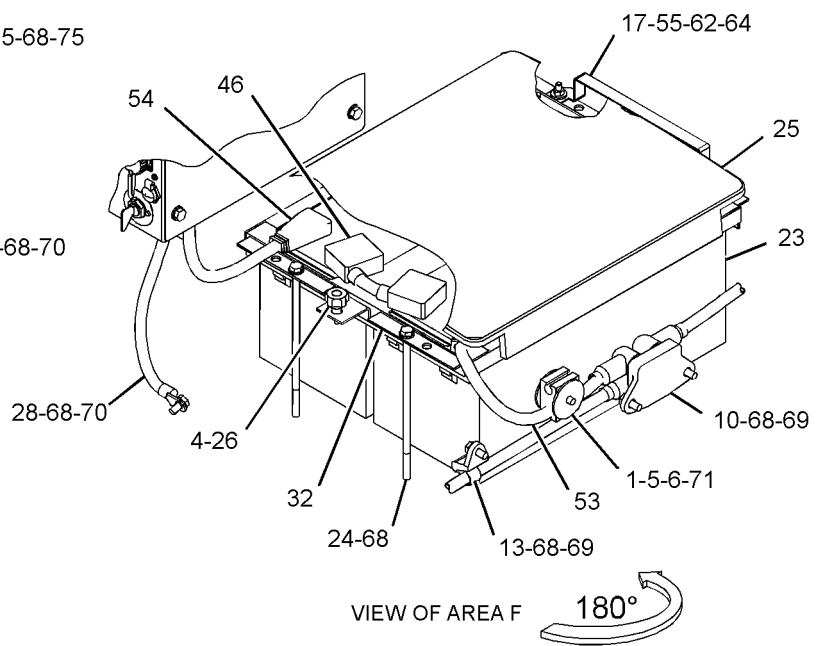
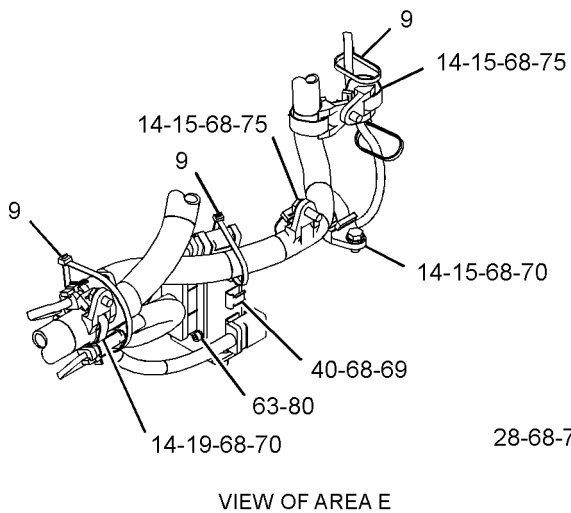
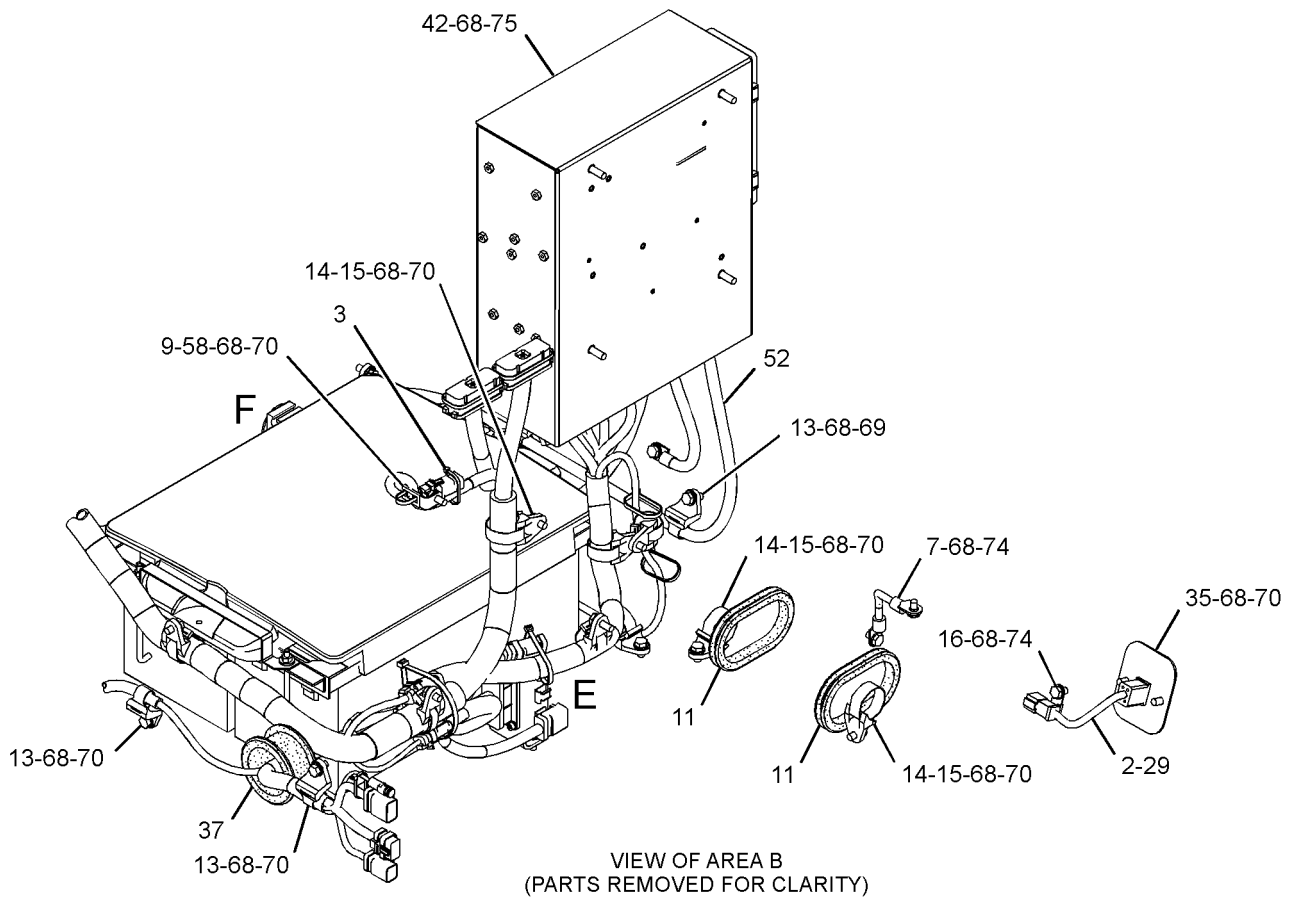
GRAPHIC #1

g02131515

ELECTRICAL AND STARTING SYSTEM

299-2626 BATTERY & WIRING GP (contd.)

i03656426



GRAPHIC #2

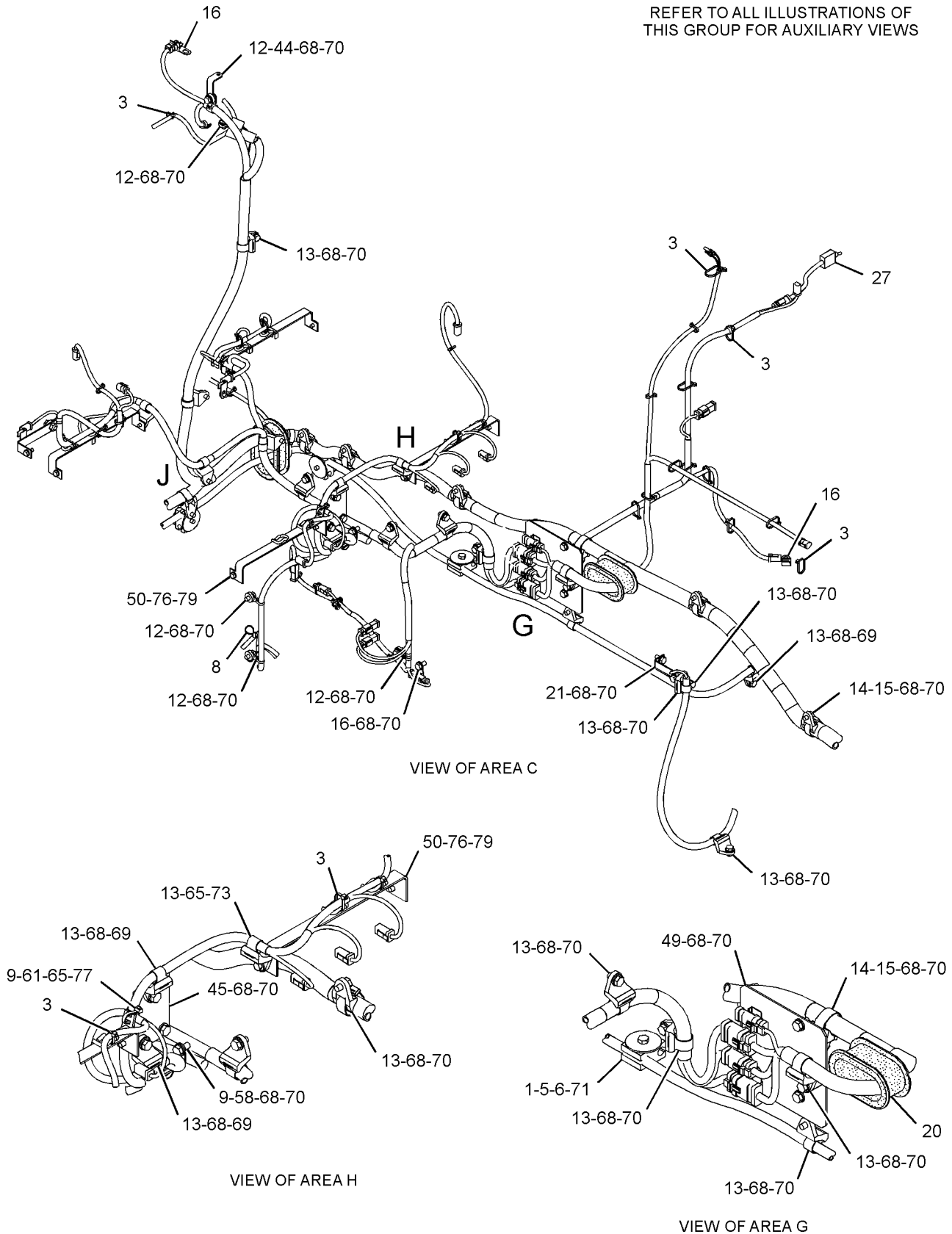
g02131561

ELECTRICAL AND STARTING SYSTEM

299-2626 BATTERY & WIRING GP (contd.)

i03656426

REFER TO ALL ILLUSTRATIONS OF THIS GROUP FOR AUXILIARY VIEWS



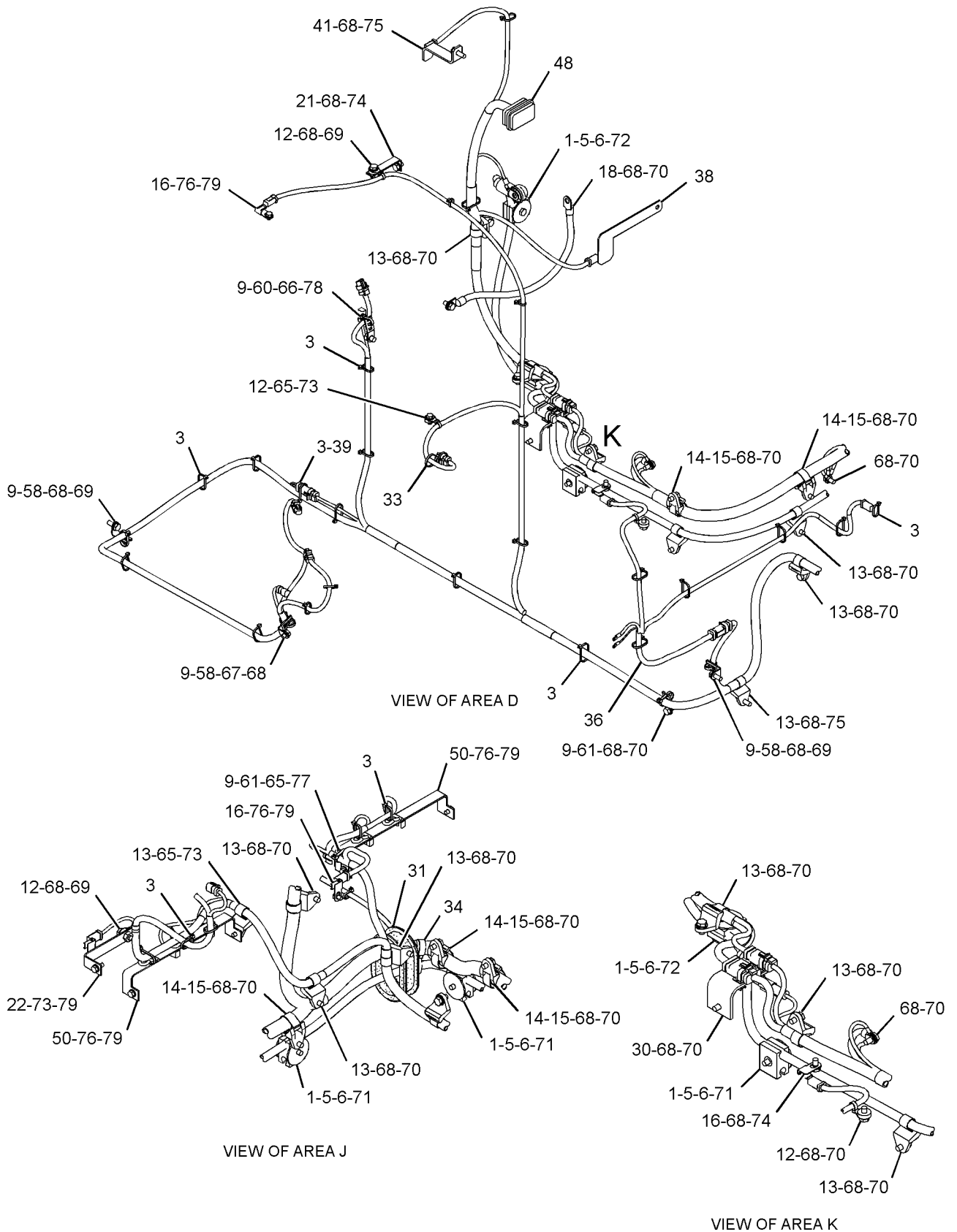
GRAPHIC #3

g02131564

ELECTRICAL AND STARTING SYSTEM

299-2626 BATTERY & WIRING GP (contd.)

i03656426



GRAPHIC #4

<END>

g02131567

ELECTRICAL AND STARTING SYSTEM

299-3055 BATTERY & WIRING GP-COLD WEATHER

S/N: PAS1-UP

PART OF 303-2685 STARTING AR-COLD WEATHER
AN ATTACHMENT

SMCS-1401, 1402, 1408

i03877711

NOTE	REF NO	GRAPHIC REF	PART NUMBER	QTY	PART NAME						SEE PAGE
					1	2	3	4	5	6 (PRODUCT LEVEL)	
M	1	1	4I-5049	1	NUT-SPACER (M6X1-THD)						
	2	1	8V-0622	1	CABLE AS						
		1	8C-5917	1	TERMINAL AS-BATTERY (POSITIVE) (RH)						
		1	1M-6119	1	BOLT (5/16-18X1.375-IN)						
		1	1M-6120	1	NUT (5/16-18-THD)						
		1	1M-6119	2	BOLT (5/16-18X1.375-IN)						
		1	1M-6120	2	NUT (5/16-18-THD)						
E		1	5P-0761		CABLE (00-GA, RED) (14-CM)						
		1	8T-9757	1	TERMINAL AS-BATTERY (NEGATIVE) (LH)						
		1	1M-6119	1	BOLT (5/16-18X1.375-IN)						
		1	1M-6120	1	NUT (5/16-18-THD)						
		1	9G-0003	1	COVER AS-TERMINAL (BLACK) (NEGATIVE, LH)						
		1	9G-0004	1	COVER AS-TERMINAL (RED) (POSITIVE, RH)						
					(EACH COVER AS INCLUDES)						
		1	8L-8413	1	STRAP-CABLE						
Y	3	1	9W-0742	1	BLOCK GP-JUNCTION (BATTERY)						169
	4	1	111-4837	5	CLIP						
	5	1	124-9108	2	ROD						
	6	1	153-5710	2	BATTERY (12-VOLT, 1400-CCA)						
M	7	1	157-4822	2	BOLT (M10X1.5X250-MM)						
	8	1	161-3115	1	COVER						
	9	1	161-3117	1	KNOB AS						
	10	1	198-7070	1	SUPPORT AS						
	11	1	204-1673	3	STRAP-CABLE						
	12	1	228-8146	1	SPACER (11X25X12.5-MM THK)						
	13	1	306-8526	1	GROMMET						
	14	1	342-2900	1	CABLE AS						
		1	1S-7251	1	TERMINAL-CABLE (00-GA, 1/2-IN SCREW)						
BD		1	6V-2722		TUBE-HEAT SHRINK						
		1	8N-1725	1	COVER AS-TERMINAL (RED) (POSITIVE)						
		1	8L-8413	1	STRAP-CABLE						
		1	3S-6049	1	TERMINAL AS-BATTERY (POSITIVE)						
		1	1M-6119	1	BOLT (5/16-18X1.375-IN)						
		1	1M-6120	1	NUT (5/16-18-THD)						
E		1	159-8049		CABLE (00-GA, RED) (456-CM)						
	15	1	342-2901	1	CABLE AS						
		1	1S-7251	1	TERMINAL-CABLE (00-GA, 1/2-IN SCREW)						
E		1	5P-0746		CABLE (0-GA, BLACK) (27-CM)						
		1	7N-5274	1	COVER-TERMINAL (BLACK) (BATTERY NEGATIVE)						
		1	8L-8413	1	STRAP-CABLE						
		1	9G-8909	1	COVER-TERMINAL (BLACK) (JUNCTION BLOCK)						
		1	3S-6050	1	TERMINAL AS-BATTERY (NEGATIVE)						
		1	1M-6119	1	BOLT (5/16-18X1.375-IN)						
		1	1M-6120	1	NUT (5/16-18-THD)						
	16	1	342-2902	1	CABLE AS						
		1	1S-7251	1	TERMINAL-CABLE (00-GA, 1/2-IN SCREW)						
		1	1S-7252	1	TERMINAL-CABLE (00-GA, 3/8-IN SCREW)						
		1	9G-8909	1	COVER-TERMINAL (BLACK)						
E		1	159-8050		CABLE (00-GA, BLACK) (108-CM)						
	17	1	342-3206	1	BRACKET AS						
	18	1	093-2065	1	GROMMET						
M	19	1	5C-7261	2	NUT (M8X1.25-THD)						
	20	1	5P-1075	2	WASHER-HARD (10.2X22.5X3-MM THK)						
	21	1	8T-1889	1	CLIP (SLOT)						
	22	1	8T-1890	1	CLIP (TAB)						

ELECTRICAL AND STARTING SYSTEM

299-3055 BATTERY & WIRING GP (contd.)

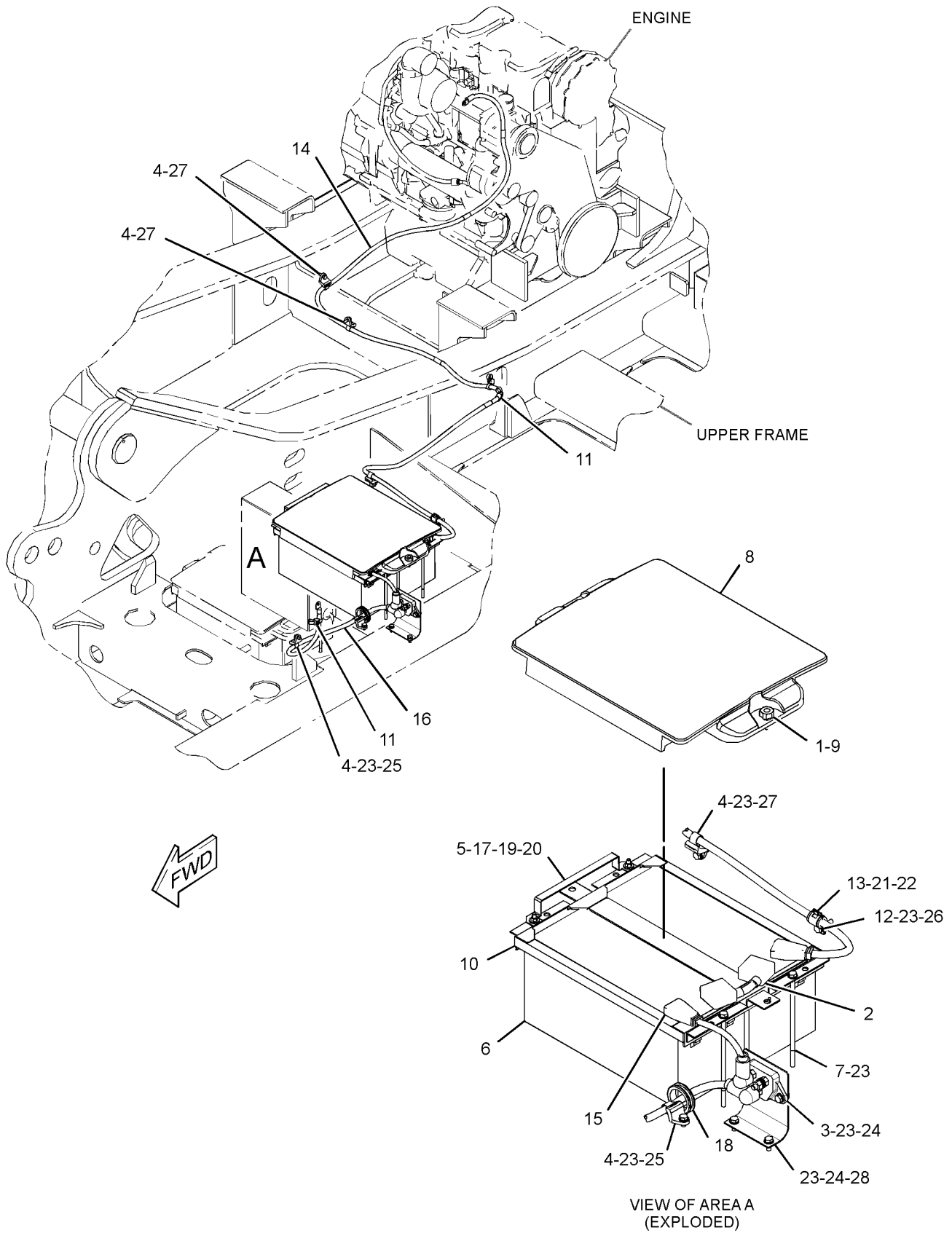
i03877711

NOTE	REF NO	GRAPHIC REF	PART NUMBER	QTY	PART NAME						SEE PAGE
					1	2	3	4	5	6 (PRODUCT LEVEL)	
	23	1	8T-4121	10	WASHER-HARD (11X21X2.5-MM THK)						
M	24	1	8T-4136	4	BOLT (M10X1.5X25-MM)						
M	25	1	8T-4137	2	BOLT (M10X1.5X20-MM)						
M	26	1	8T-4186	1	BOLT (M10X1.5X40-MM)						
M	27	1	8T-4195	3	BOLT (M10X1.5X30-MM)						
	28	1	342-3153	1	BRACKET						
B-USE AS REQUIRED D-ORDER BY THE METER E-ORDER BY THE CENTIMETER M-METRIC PART Y-SEPARATE ILLUSTRATION											

ELECTRICAL AND STARTING SYSTEM

299-3055 BATTERY & WIRING GP (contd.)

i03877711



GRAPHIC #1

<END>

g02137313

ELECTRICAL AND STARTING SYSTEM

9W-0742 BLOCK GP-JUNCTION-BATTERY

S/N: PAS1-UP

PART OF 299-2626, 299-3055 BATTERY & WIRING GP, 299-3056 WIRING GP-AUX START
RECEPTACLE

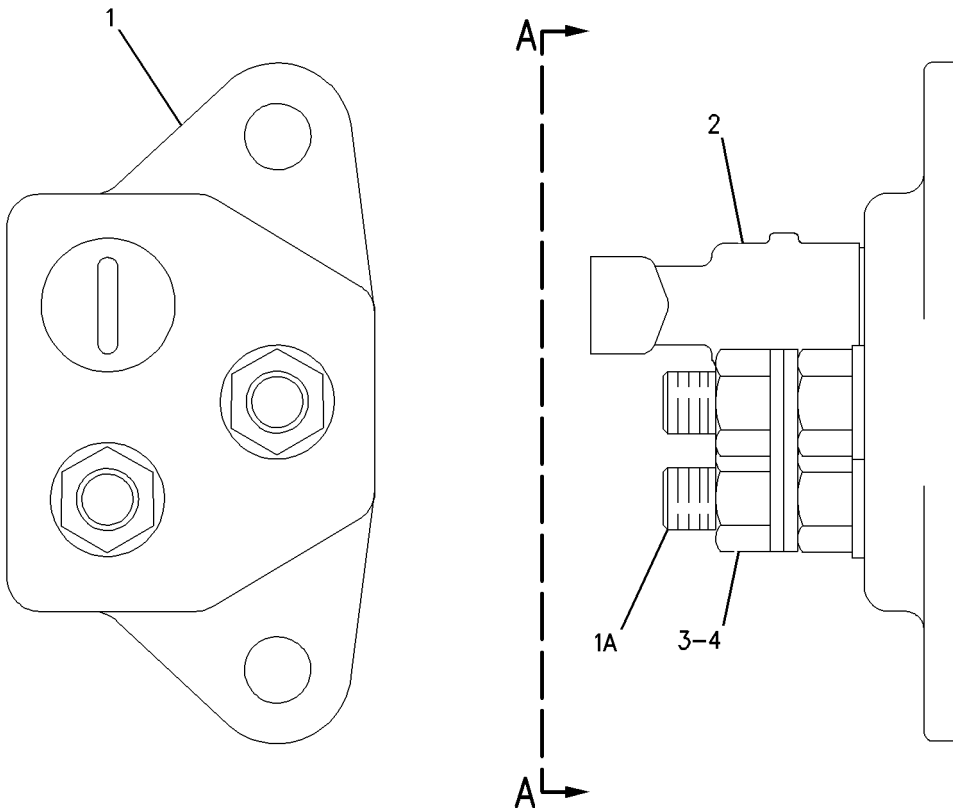
ALSO AN ATTACHMENT

SMCS-7426

i01863967

NOTE	REF NO	GRAPHIC REF	PART NUMBER	QTY	PART NAME						SEE PAGE
					1	2	3	4	5	6 (PRODUCT LEVEL)	
	1	1	8C-6358	1	BLOCK AS-JUNCTION (BATTERY)						
	1A	1	8T-3519	3	BOLT-BRONZE (1/2-13X2-IN)						
BD	2	1	6V-2722		TUBE-HEAT SHRINK						
	3	1	7F-0560	6	WASHER (0.516X0.938X0.101-IN THK)						
	4	1	8T-3518	6	NUT-FULL (1/2-13-THD)						

B-USE AS REQUIRED
D-ORDER BY THE METER



VIEW A-A

GRAPHIC #1

<END>

g00650721

ELECTRICAL AND STARTING SYSTEM

313-7833 CAMERA & MOUNTING GP-
WORK AREA VISUAL SYSTEM, REAR
S/N: PAS1-UP
PART OF 307-7757 MOUNTING GP-CAMERA
AN ATTACHMENT

SMCS-7348

i03825909

NOTE	REF NO	GRAPHIC REF	PART NUMBER	QTY	PART NAME						SEE PAGE
					1	2	3	4	5	6 (PRODUCT LEVEL)	
	1	1	3S-2093	1	STRAP-CABLE						
Y	2	1	336-6684	1	CAMERA GP (12-VOLT, 24-VOLT)						173
	3	1	320-5392	1	BRACKET AS						
M	4	1	5C-9553	2	BOLT (M6X1X16-MM)						
	5	1	9X-8256	2	WASHER (6.6X12X2-MM THK)						

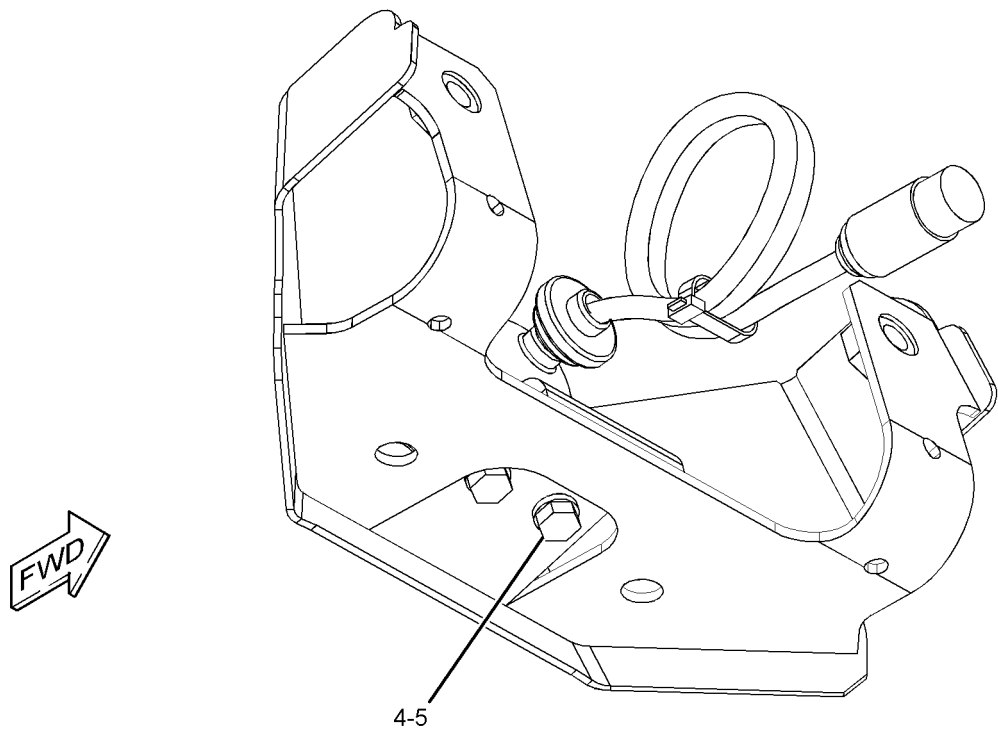
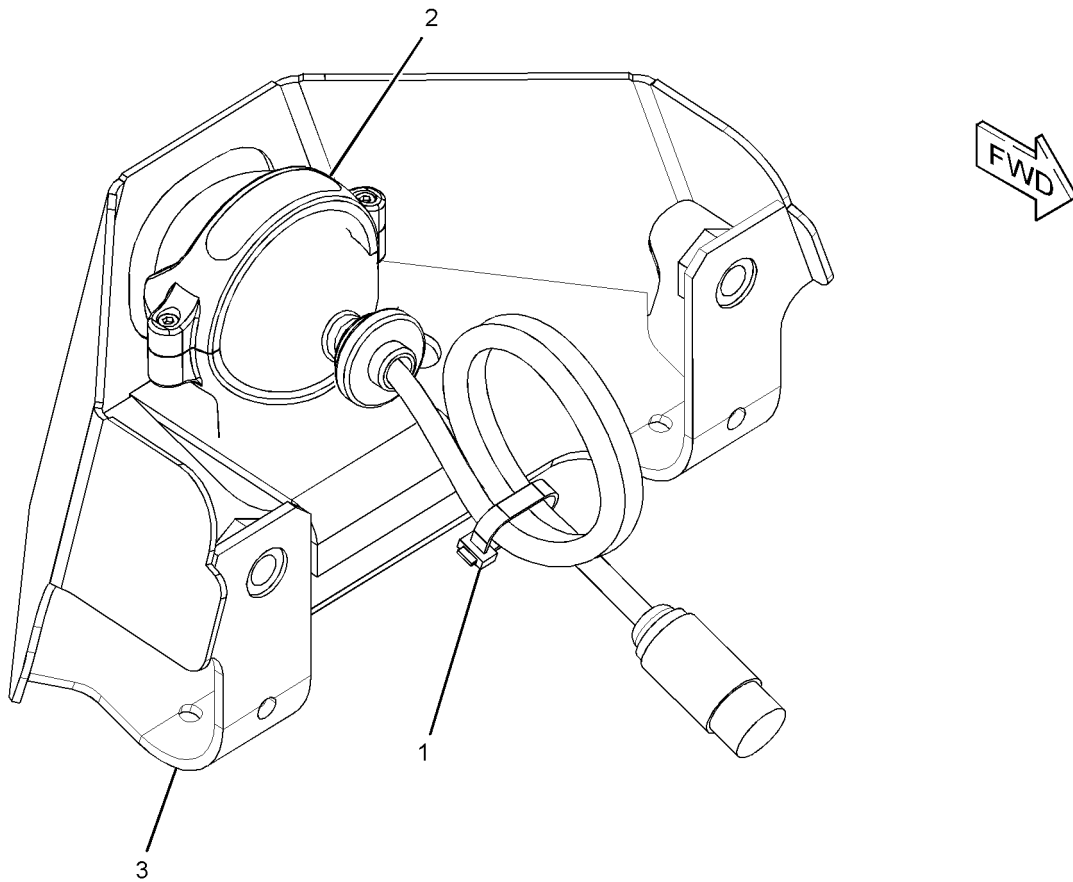
M-METRIC PART

Y-SEPARATE ILLUSTRATION

ELECTRICAL AND STARTING SYSTEM

313-7833 CAMERA & MOUNTING GP (contd.)

i03825909



GRAPHIC #1

<END>

g02034396

ELECTRICAL AND STARTING SYSTEM

319-9126 CAMERA AR-WORK AREA VISUAL SYSTEM

S/N: PAS1-UP

CANNOT BE USED WITH 319-9260-PAGE 6
AN ATTACHMENT

SMCS-7348

i03819351

NOTE	PART NUMBER	QTY	PART NAME						SEE PAGE
			1	2	3	4	5	6 (PRODUCT LEVEL)	
Y	273-5358	1	FLOOR MAT GP (ACCUGRADE READY)						910
Y	306-8692	1	MOUNTING GP-CAMERA (BOOM)						206
Y	320-5621	1	MOUNTING GP-CAMERA (MIRROR, RH)						208
Y	309-5805	1	MOUNTING GP-DISPLAY						940
Y	299-3016	1	WIRING GP-CAMERA						277

Y-SEPARATE ILLUSTRATION

<END>

319-9157 CAMERA AR-WORK AREA VISUAL SYSTEM, REAR

S/N: PAS1-UP

AN ATTACHMENT

SMCS-7348

i03784610

NOTE	PART NUMBER	QTY	PART NAME						SEE PAGE
			1	2	3	4	5	6 (PRODUCT LEVEL)	
Y	303-2787	1	FILM GP (WORK AREA VISUAL SYSTEM, REAR)						996
Y	307-7757	1	MOUNTING GP-CAMERA (COUNTERWEIGHT)						207
Y	299-2944	1	WIRING GP-CAMERA (WORK AREA VISUAL SYSTEM)						276
Y	299-2943	1	WIRING GP-MONITOR (WORK AREA VISUAL SYSTEM, REAR)						306

Y-SEPARATE ILLUSTRATION

<END>

ELECTRICAL AND STARTING SYSTEM

336-6684 CAMERA GP-WORK AREA VISUAL SYSTEM, REAR

S/N: PAS1-UP

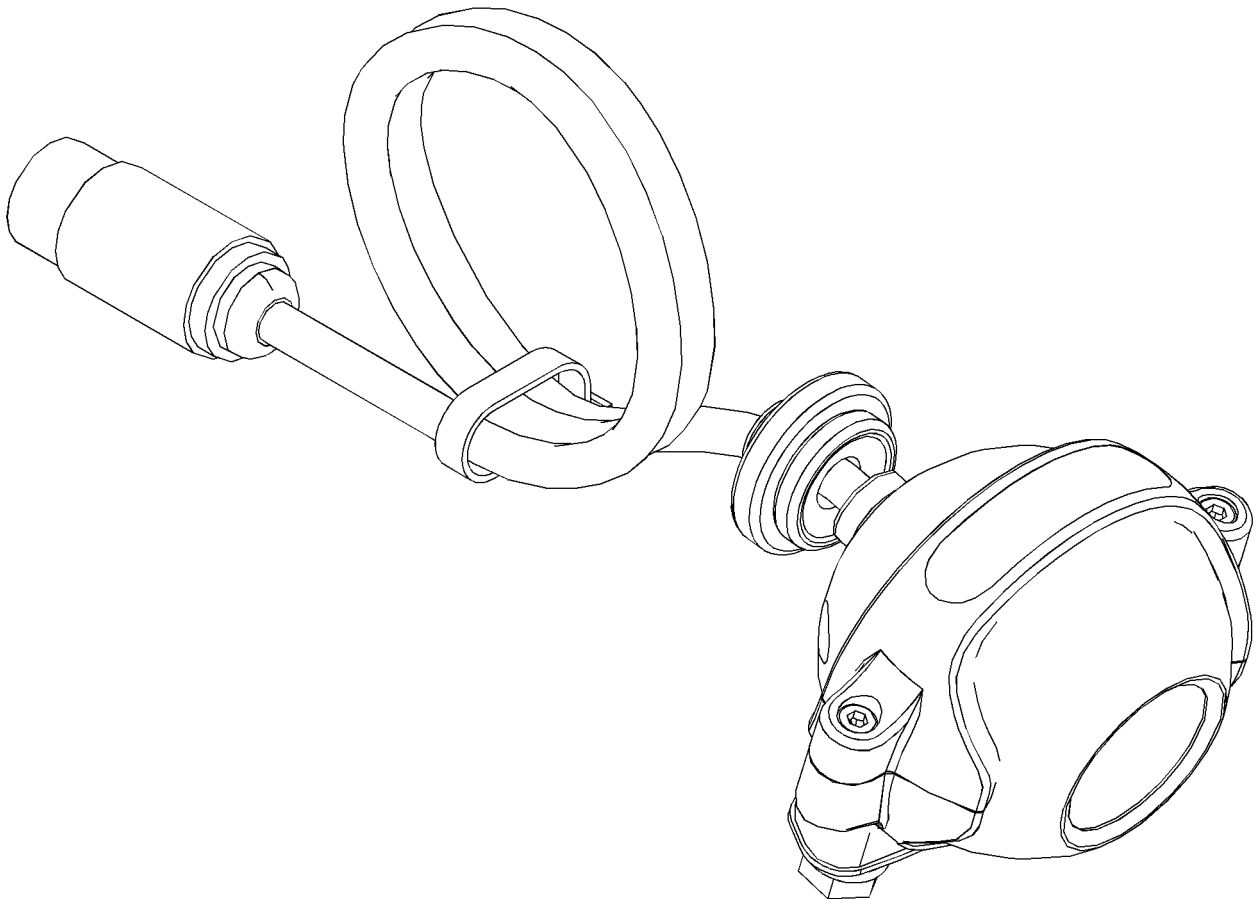
12-VOLT/24-VOLT

PART OF 313-7833 CAMERA & MOUNTING GP
AN ATTACHMENT

SMCS-7348

i03836469

NOTE	REF NO	GRAPHIC REF	PART NUMBER	QTY	PART NAME 1 2 3 4 5 6 (PRODUCT LEVEL)	SEE PAGE
					AVAILABLE REPAIR KIT(S):	
			251-4162	1	KIT-BRACKET (CAMERA)	
					(INCLUDES BRACKET, BOLTS, LOCK NUTS, GASKET & ALLEN KEY)	



GRAPHIC #1

<END>

g02034339

ELECTRICAL AND STARTING SYSTEM

126-7631 CONNECTION GP-ELECTRICAL

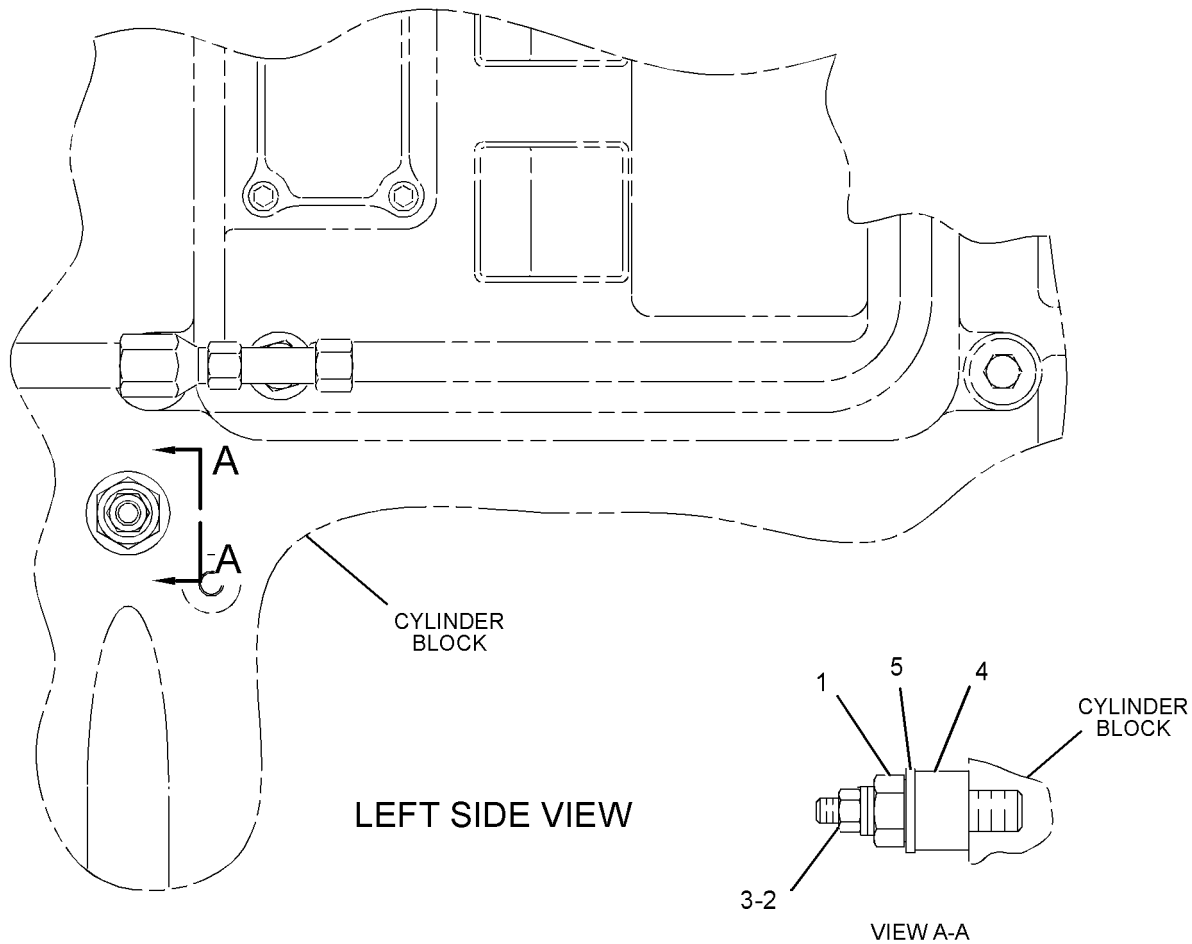
S/N: LHX19430-UP

PART OF 288-8156 ENGINE AR-COMplete
FOR USE WITH BLOCK SOUND PANEL

SMCS-1408, 7553

i03905699

NOTE	REF NO	GRAPHIC REF	PART NUMBER	QTY	PART NAME						SEE PAGE
					1	2	3	4	5	6 (PRODUCT LEVEL)	
1	1	1	126-8449	1	STUD (3/8-16, 5/8-18X3.1-IN)						
2	1	1	8T-4896	2	WASHER-HARD (10.2X18.5X2.5-MM THK)						
3	1	1	6V-8801	1	NUT (3/8-16-THD)						
4	1	1	9M-7783	1	SPACER (0.65X1.188X0.81-IN THK)						
5	1	1	5P-8247	1	WASHER-HARD (17X32X3.5-MM THK)						



GRAPHIC #1

<END>

g01380369

ELECTRICAL AND STARTING SYSTEM

229-5509 CONTROL & MTG GP-ENGINE ELEK

S/N: LHX19430-UP

ADEM-IV, FUEL COOLED

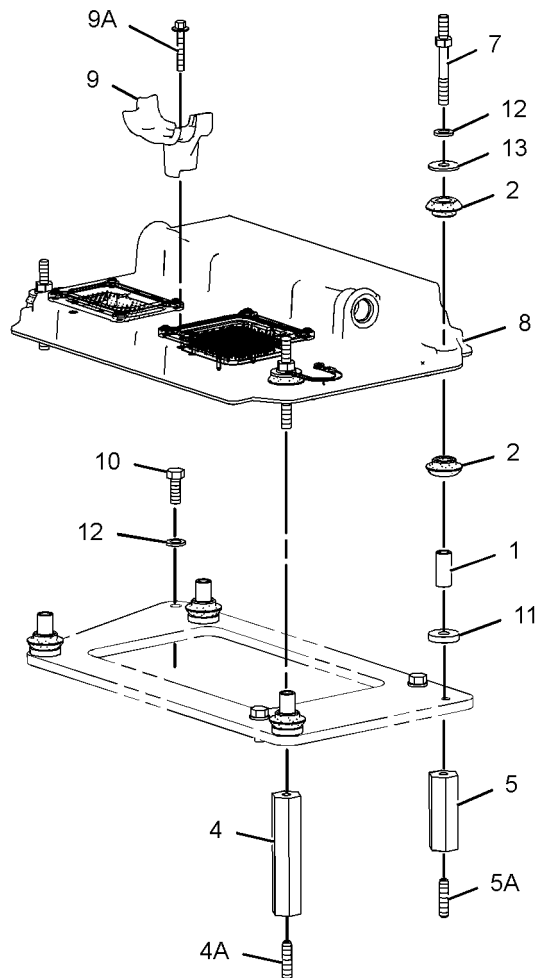
PART OF 288-8156 ENGINE AR-COMplete

SMCS-1901

i03905717

NOTE	REF NO	GRAPHIC REF	PART NUMBER	QTY	PART NAME						SEE PAGE
					1	2	3	4	5	6 (PRODUCT LEVEL)	
	1	1	6I-1418	4	SPACER (8.2X12.7X28.7-MM THK)						
	2	1	8T-9655	8	MOUNT-ISOLATION						
	4	1	155-0696	1	SUPPORT AS						
	4A	1	5L-3708	1	STUD-TAPERLOCK (5/16-18X1.28-IN)						
	5	1	155-0698	1	SUPPORT AS						
	5A	1	5L-3708	1	STUD-TAPERLOCK (5/16-18X1.28-IN)						
	7	1	161-7419	4	STUD						
CR	8	1	262-2879	1	CONTROL GP-UNPROGRAMMED (ENGINE)						
	9	1	233-0891	1	BRACKET AS						
M	9A	1	232-1693	1	BOLT-FLANGE HEAD (M6X1X35-MM)						
	10	1	2B-2695	3	BOLT (5/16-18X0.875-IN)						
	11	1	7X-0613	4	WASHER-HARD (8.8X25.5X5-MM THK)						
	12	1	9M-1974	7	WASHER-HARD (8.8X16X2-MM THK)						
	13	1	9N-0869	4	WASHER-HARD (8.8X25.5X2-MM THK)						

C-CHANGE FROM PREVIOUS TYPE
M-METRIC PART
R-REMG PART MAY BE AVAILABLE



GRAPHIC #1

<END>

g01386928

ELECTRICAL AND STARTING SYSTEM

290-9395 CONTROL & MTG GP-MACHINE

S/N: PAS1-UP

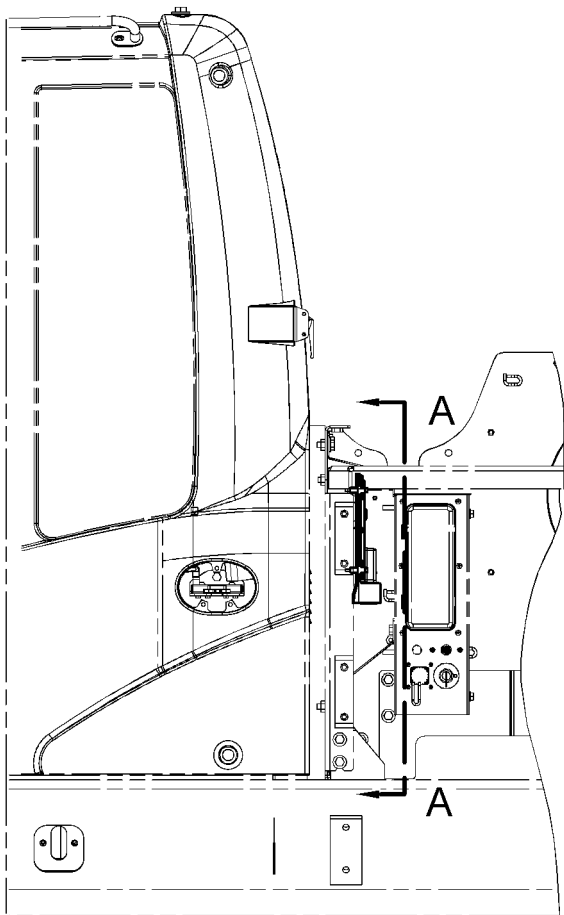
PART OF 294-1232 CHASSIS AR

SMCS-1931, 7600

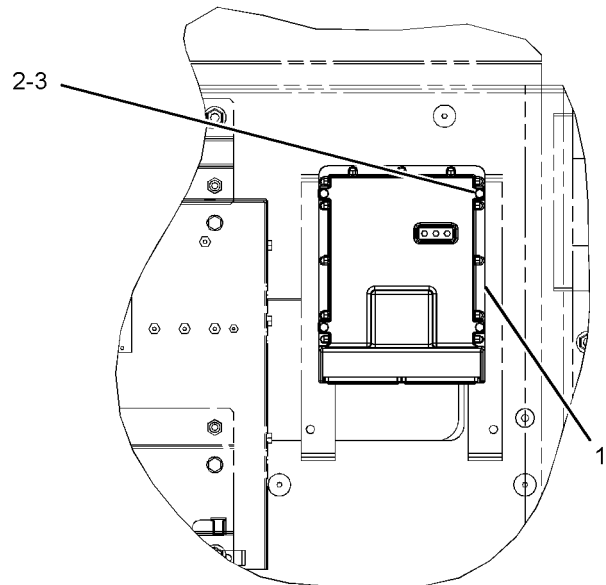
i03655947

NOTE	REF NO	GRAPHIC REF	PART NUMBER	QTY	PART NAME						SEE PAGE
					1	2	3	4	5	6 (PRODUCT LEVEL)	
	1	1	290-9479	1	CONTROL GP-MACHINE						
M	2	1	9X-2480	4	BOLT (M6X1X45-MM)						
	3	1	9X-8256	4	WASHER (6.6X12X2-MM THK)						

M-METRIC PART



LEFT SIDE VIEW



VIEW A-A

GRAPHIC #1

<END>

g02049353

ELECTRICAL AND STARTING SYSTEM

290-9517 CONTROL & MTG GP-MACHINE

S/N: PAS1-UP

PART OF 309-9999, 310-0000 CONTROL AR-AUXILIARY
AN ATTACHMENT

SMCS-1931, 7600

i03602441

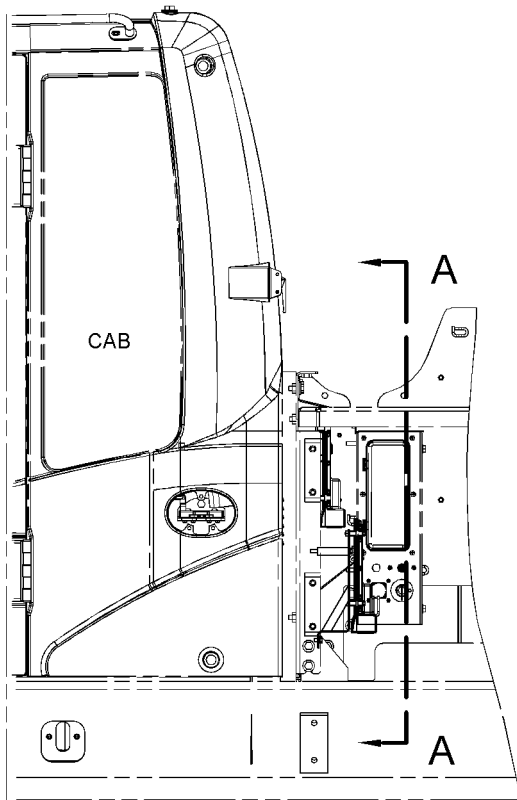
NOTE	REF NO	GRAPHIC REF	PART NUMBER	QTY	PART NAME						SEE PAGE
					1	2	3	4	5	6 (PRODUCT LEVEL)	
	1	1	171-2584	1	BRACKET AS						
	2	1	221-8874	1	CONTROL GP-UNPROGRAMMED						
M	3	1	7X-2536	2	BOLT (M8X1.25X14-MM)						
M	4	1	7X-2538	2	BOLT (M8X1.25X100-MM)						
	5	1	8T-4224	4	WASHER-HARD (8.8X16X2-MM THK)						
M	6	1	9X-2480	4	BOLT (M6X1X45-MM)						
	7	1	9X-8256	4	WASHER (6.6X12X2-MM THK)						

M-METRIC PART

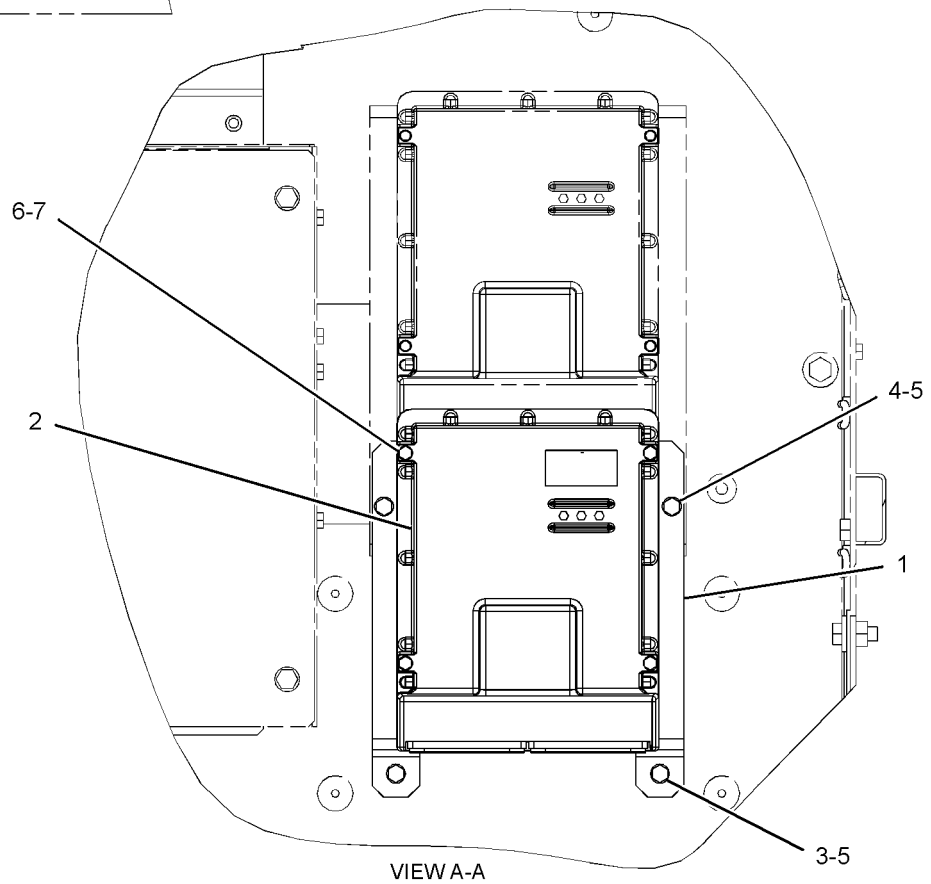
ELECTRICAL AND STARTING SYSTEM

290-9517 CONTROL & MTG GP-MACHINE (contd.)

i03602441



LEFT SIDE VIEW



VIEW A-A

GRAPHIC #1

<END>

g01943376

ELECTRICAL AND STARTING SYSTEM

262-1421 ELECTRONICS GP-COMMUNICATION- PRODUCT LINK 300

S/N: PAS1-UP
PART OF 309-5844 INSTALLATION GP-COMMUNICATION
AN ATTACHMENT

SMCS-7606, 7610, 7620

i03907267

NOTE	PART NUMBER	QTY	PART NAME 1 2 3 4 5 6 (PRODUCT LEVEL)	SEE PAGE
	355-5105	1	SOFTWARE GP-COMMUNICATION	
			-OR-	
	355-9764	1	SERVICE GP-COMMUNICATION (OPTIONAL SERVICE REPLACEMENT) (INCLUDES CONTROL GP & SOFTWARE)	
<END>				

290-9518 ELECTRONICS GP-MACHINE

S/N: PAS1-UP
PART OF 309-9999, 310-0000 CONTROL AR-AUXILIARY
AN ATTACHMENT

SMCS-7610, 7620

i03602420

NOTE	PART NUMBER	QTY	PART NAME 1 2 3 4 5 6 (PRODUCT LEVEL)	SEE PAGE
	290-9519	1	SOFTWARE GP-MACHINE	
			-OR-	
	290-9520	1	SERVICE GP-MACHINE (OPTIONAL SERVICE REPLACEMENT) (INCLUDES CONTROL GP & SOFTWARE)	
<END>				

221-8861 ELECTRONICS GP-MONITOR

S/N: PAS1-UP
PART OF 294-1200 GENERAL AR

SMCS-7490, 7601, 7610, 7620

i03901153

NOTE	PART NUMBER	QTY	PART NAME 1 2 3 4 5 6 (PRODUCT LEVEL)	SEE PAGE
	349-5410	1	SOFTWARE GP-MONITOR	
			-OR-	
Y	349-5408	1	MONITOR GP-OPERATOR (OPTIONAL SERVICE REPLACEMENT) (INCLUDES MONITOR GP & SOFTWARE)	933
Y-SEPARATE ILLUSTRATION				
<END>				

ELECTRICAL AND STARTING SYSTEM

259-5295 FASTENER GP-WIRING HARNESS-JOYSTICK

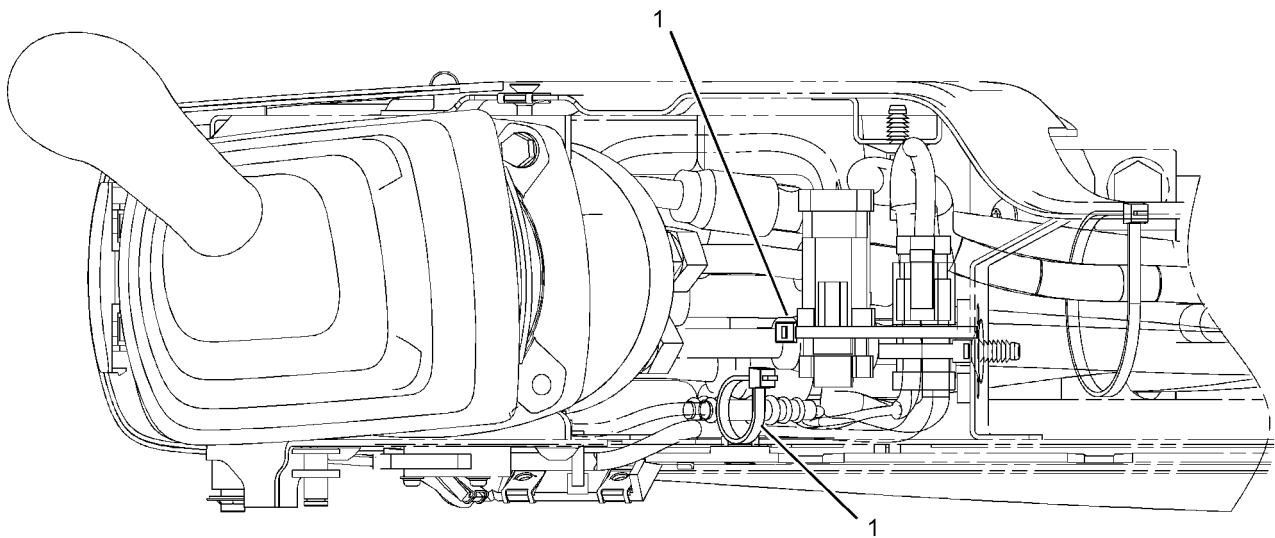
S/N: PAS1-UP

PART OF 352-6875, 352-6876 CONTROL AR-AUXILIARY
AN ATTACHMENT

SMCS-1408, 7553

i02304936

NOTE	REF NO	GRAPHIC REF	PART NUMBER	QTY	PART NAME						SEE PAGE
					1	2	3	4	5	6 (PRODUCT LEVEL)	
	1	1	3S-2093	2	STRAP-CABLE						



TOP VIEW

GRAPHIC #1

<END>

g01160306

ELECTRICAL AND STARTING SYSTEM

335-2081 HARNESS AS-WIRING-POWER CONVERTER

S/N: PAS1-UP

FOR USE WITH 131-0327 CONVERTER AS, 283-2783 CONVERTER-POWER
FIELD INSTALLATION

SMCS-1408

i03483783

NOTE	PART NUMBER	QTY	PART NAME						SEE PAGE
			1	2	3	4	5	6 (PRODUCT LEVEL)	
	102-8806	1	KIT-RECEPTACLE (8-PIN)						
			(INCLUDES RECEPTACLE AS AND WEDGE)						
	186-3735	6	PIN-CONNECTOR (16-GA TO 18-GA)						
	230-5010	1	PLUG AS-CONNECTOR (6-PIN)						
	264-7032	1	SEAL-CONNECTOR						
	8T-8737	2	PLUG-SEAL						
	186-3736	5	SOCKET-CONNECTOR (16-GA TO 18-GA)						
	9W-0844	1	SOCKET-CONNECTOR (14-GA)						
	3E-3389	1	WEDGE-RECEPTACLE LOCK						
D	5P-5677		WIRE (18-GA, BLACK) (1.0-M)						
D	5P-5623		WIRE-ELECTRICAL (16-GA, BLACK) (0.2-M)						

D-ORDER BY THE METER

<END>

ELECTRICAL AND STARTING SYSTEM

309-5843 INSTALLATION GP-COMMUNICATION- PRODUCT LINK 121SR

S/N: PAS1-UP

PART OF 340-3967 INSTALLATION GP-COMMUNICATION
AN ATTACHMENT

SMCS-7606

i03326861

NOTE	REF NO	GRAPHIC REF	PART NUMBER	QTY	PART NAME						SEE PAGE
					1	2	3	4	5	6 (PRODUCT LEVEL)	
	1	1	3S-2093	10	STRAP-CABLE						
	2	1	111-4836	2	CLIP						
	3	1	260-2135	1	BRACKET AS						
Y	4	1	263-9088	1	RADIO GP-COMMUNICATION (PRODUCT LINK 121SR)						950
	5	1	132-5789	2	CLIP						
	6	1	8T-4121	8	WASHER-HARD (11X21X2.5-MM THK)						
M	7	1	8T-4136	2	BOLT (M10X1.5X25-MM)						
M	8	1	8T-4137	6	BOLT (M10X1.5X20-MM)						
M	9	1	8T-4138	4	BOLT (M6X1X20-MM)						
	10	1	9X-8256	4	WASHER (6.6X12X2-MM THK)						
	11	1	230-1340	1	FILM-WARNING (PRODUCT LINK RADIO, U.S.)						
					-OR-						
			230-1341	1	FILM-WARNING (PRODUCT LINK RADIO, INTL)						
	12	1	307-0047	1	FILM-INFORMATION (PRODUCT LINK, READ OMM)						

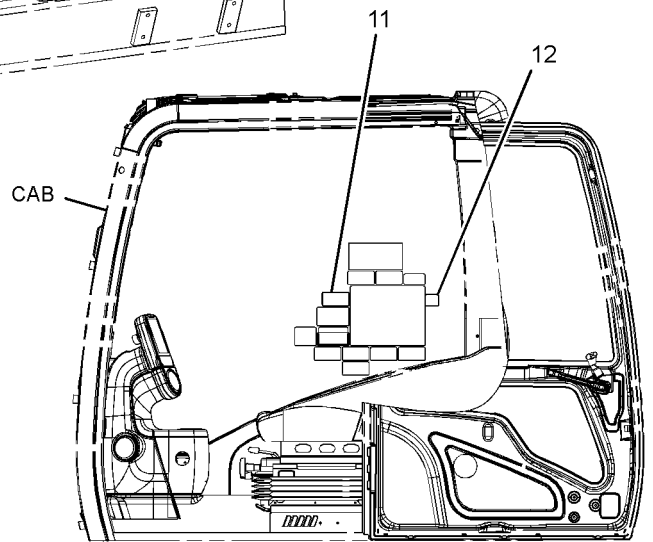
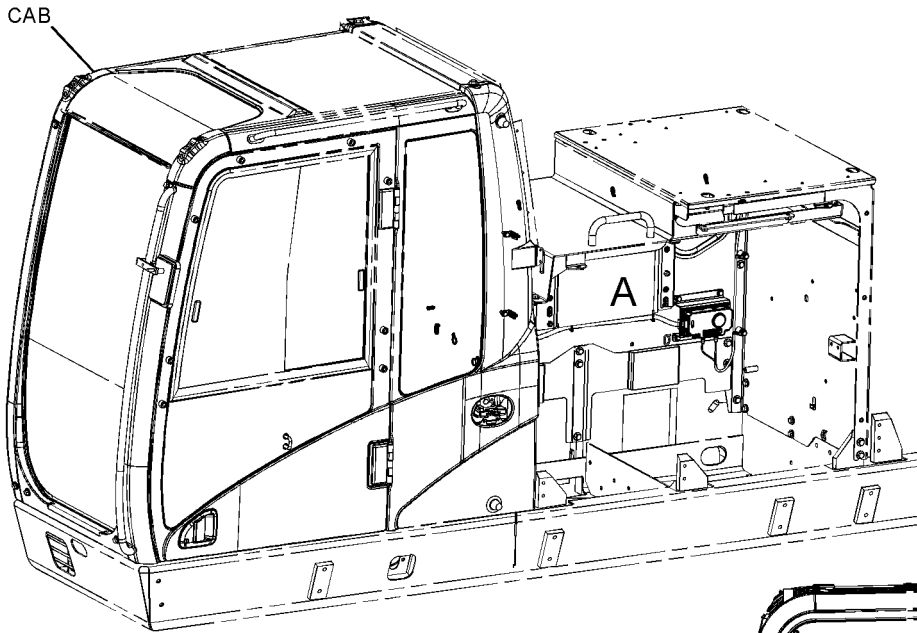
M-METRIC PART

Y-SEPARATE ILLUSTRATION

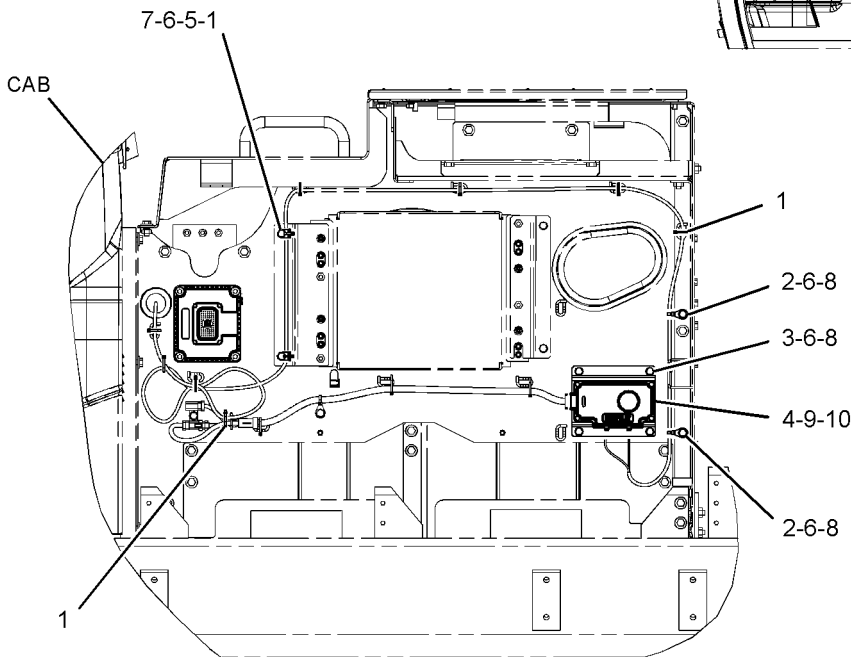
ELECTRICAL AND STARTING SYSTEM

309-5843 INSTALLATION GP-COMMUNICATION (contd.)

i03326861



LEFT SIDE VIEW



VIEW OF AREA A

GRAPHIC #1

<END>

g01852577

ELECTRICAL AND STARTING SYSTEM

309-5844 INSTALLATION GP-COMMUNICATION- PRODUCT LINK 321SR

S/N: PAS1-UP

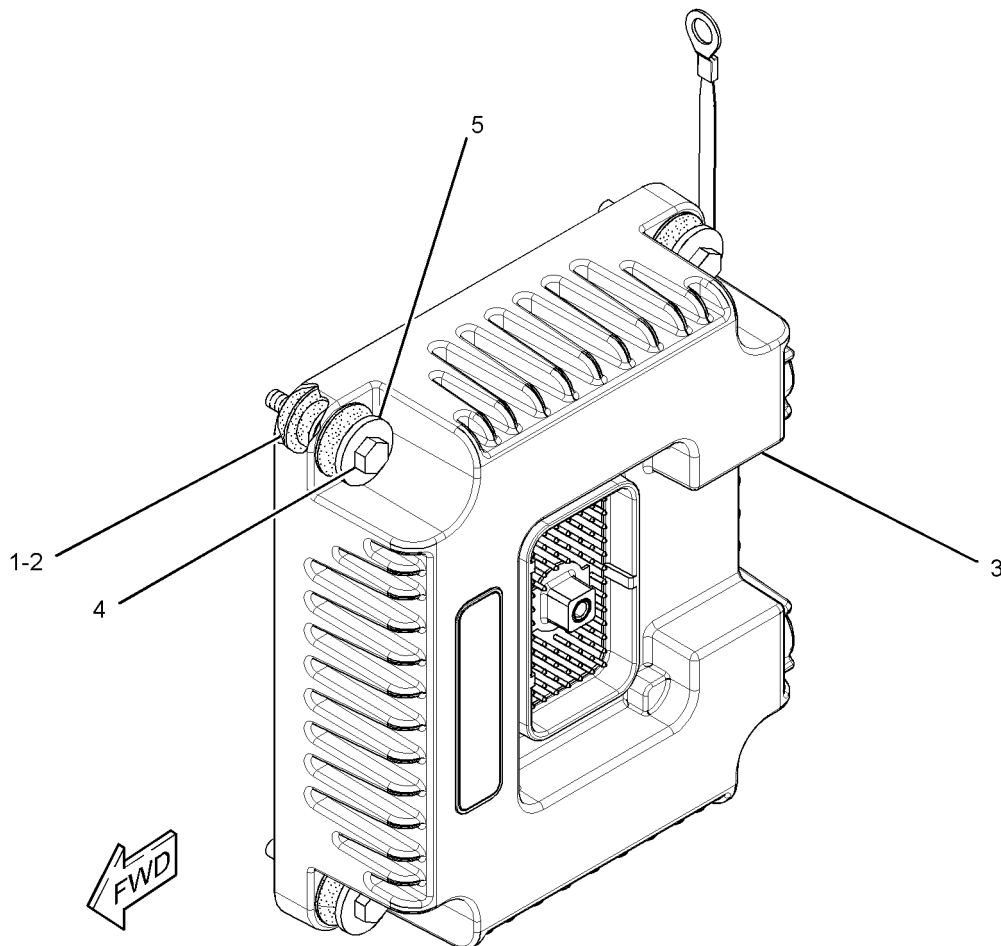
PART OF 340-3967 INSTALLATION GP-COMMUNICATION
AN ATTACHMENT

SMCS-7606

i02992159

NOTE	REF NO	GRAPHIC REF	PART NUMBER	QTY	PART NAME						SEE PAGE
					1	2	3	4	5	6 (PRODUCT LEVEL)	
	1	1	8C-5608	4	SPACER (6.5X9.5X25.4-MM THK)						
	2	1	9X-9896	8	MOUNT (ISOLATION)						
Y	3	1	262-1421	1	ELECTRONICS GP-COMMUNICATION (PRODUCT LINK 300)						179
M	4	1	8C-8451	4	BOLT (M6X1X40-MM)						
	5	1	9X-6165	4	WASHER (6.5X22X2.5-MM THK)						

M-METRIC PART
Y-SEPARATE ILLUSTRATION



GRAPHIC #1

<END>

g01542493

ELECTRICAL AND STARTING SYSTEM

340-3967 INSTALLATION GP-COMMUNICATION- PRODUCT LINK 321SR

S/N: PAS1-UP
AN ATTACHMENT

SMCS-7606

i03790242

NOTE	PART NUMBER	QTY	PART NAME						SEE PAGE
			1	2	3	4	5	6 (PRODUCT LEVEL)	
Y	309-5843	1	INSTALLATION GP-COMMUNICATION (PRODUCT LINK 121SR)						182
Y	309-5844	1	INSTALLATION GP-COMMUNICATION (PRODUCT LINK 321SR)						184
Y	309-5852	1	MOUNTING GP-ANTENNA (PRODUCT LINK)						937
Y	336-6337	1	WIRING GP-COMMUNICATION (PRODUCT LINK)						285

Y-SEPARATE ILLUSTRATION

<END>

ELECTRICAL AND STARTING SYSTEM

153-2521 LAMP GP-FLOOD

S/N: PAS1-UP

24-VOLT

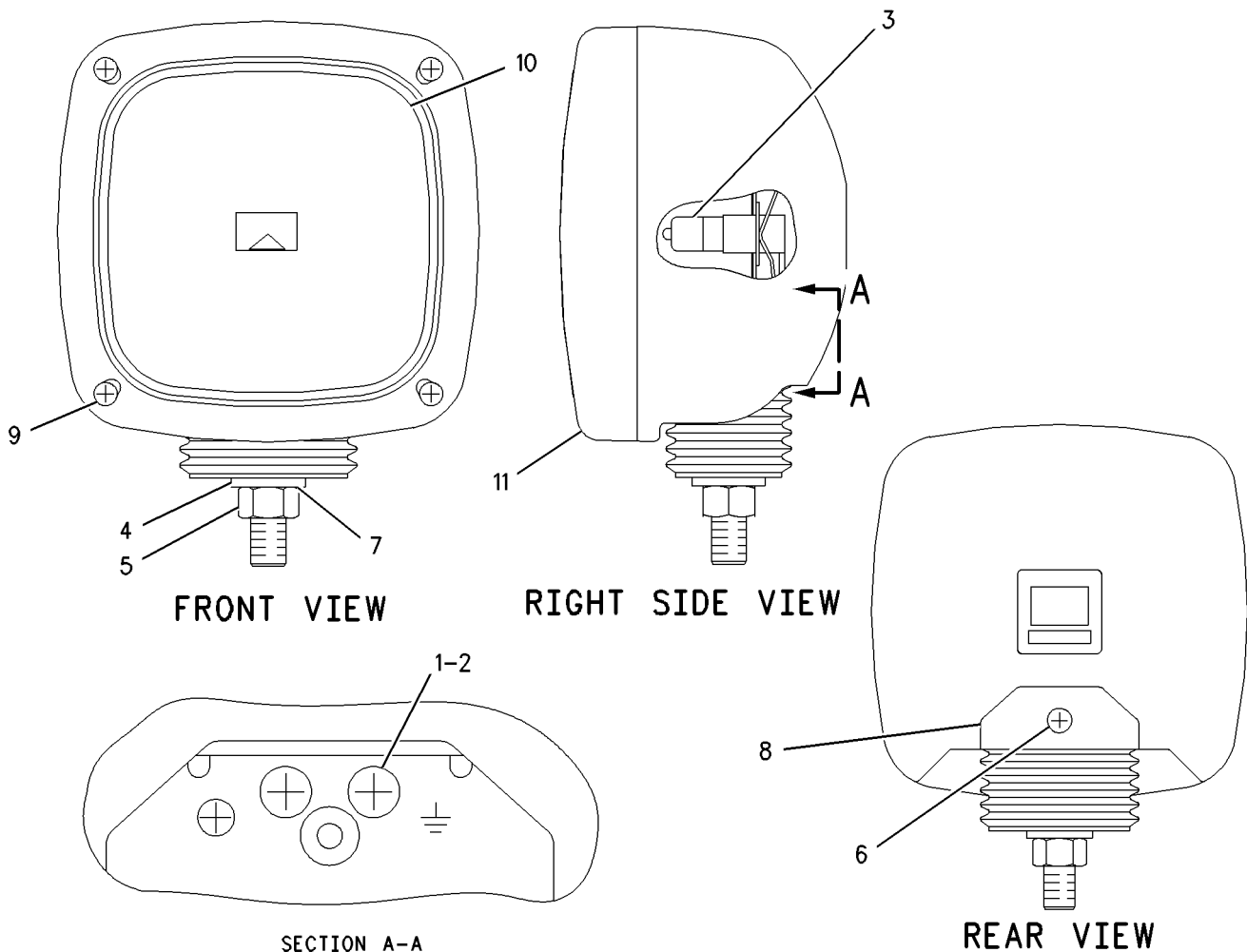
PART OF 150-7033 LIGHTING GP-CHASSIS, 238-2162, 238-2163 LIGHTING GP-FLOOD
ALSO AN ATTACHMENT

SMCS-1434

i03626397

NOTE	REF NO	GRAPHIC REF	PART NUMBER	QTY	PART NAME						SEE PAGE
					1	2	3	4	5	6 (PRODUCT LEVEL)	
M	1	1	6V-5210	2	SCREW-MACHINE (M4X0.7X10-MM)						
	2	1	3B-4501	2	LOCKWASHER						
	3	1	9X-3463	1	LAMP-HALOGEN (24-VOLT, 70-WATT)						
	4	1	8T-4223	1	WASHER-HARD (13.5X25.5X3-MM THK)						
M	5	1	8T-4244	1	NUT (M12X1.75-THD)						
M	6	1	174-7791	1	SCREW-TAPPING						
	7	1	5C-2889	1	LOCKWASHER						
	8	1	170-6993	1	COVER						
M	9	1	180-3861	4	SCREW-TAPPING						
	10	1	170-9417	1	LENS AS (FLOOD)						
	11	1	170-9418	1	BAND						

M-METRIC PART



GRAPHIC #1

<END>

g00646000

ELECTRICAL AND STARTING SYSTEM

153-2523 LAMP GP-FLOOD-FRONT, RH

S/N: PAS1-UP

24-VOLT

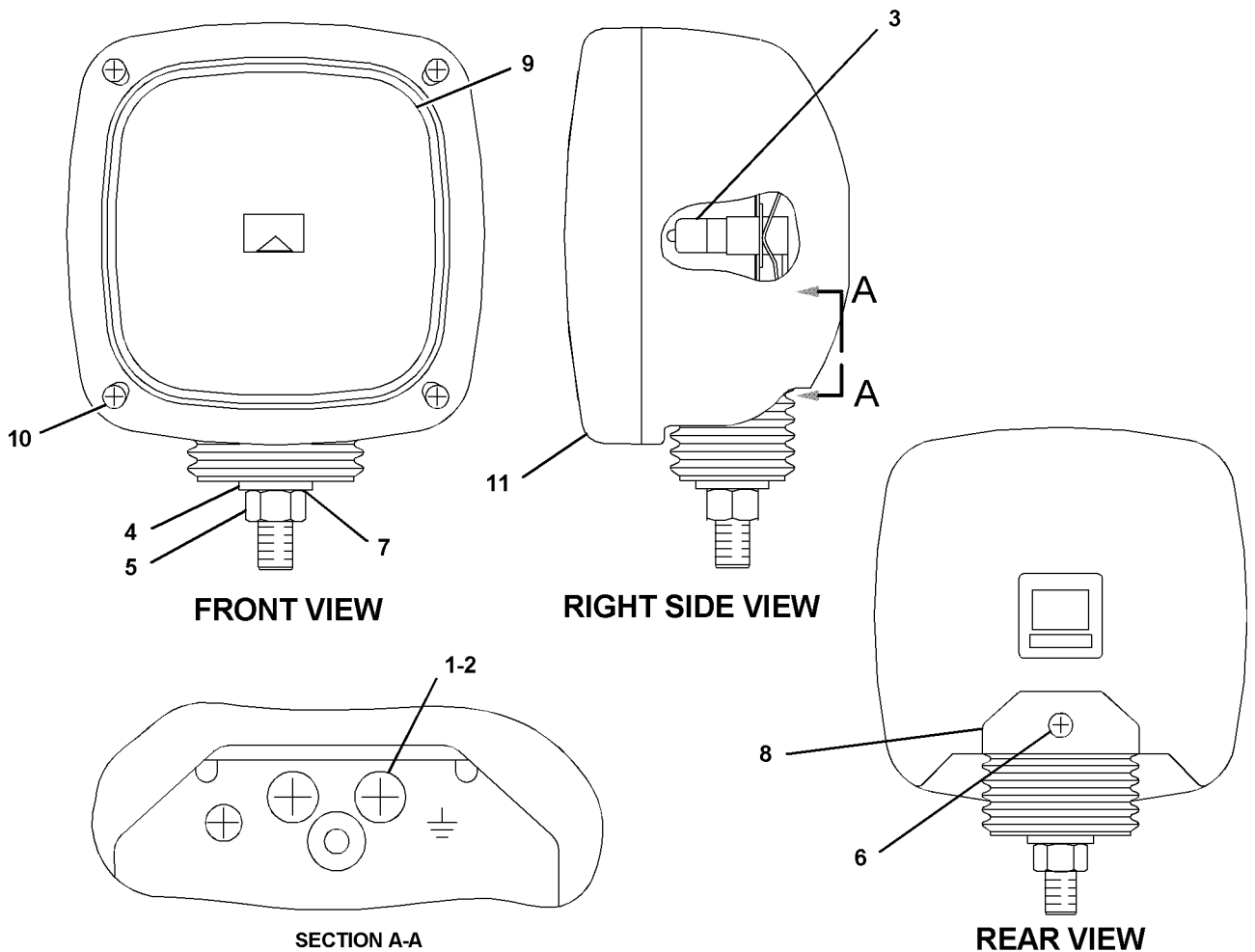
PART OF 150-7033 LIGHTING GP-CHASSIS

SMCS-1434

i02635978

NOTE	REF NO	GRAPHIC REF	PART NUMBER	QTY	PART NAME						SEE PAGE
					1	2	3	4	5	6 (PRODUCT LEVEL)	
M	1	1	6V-5210	2	SCREW-MACHINE (M4X0.7X10-MM)						
	2	1	3B-4501	2	LOCKWASHER						
	3	1	9X-3463	1	LAMP-HALOGEN (24-VOLT, 70-WATT)						
	4	1	8T-4223	1	WASHER-HARD (13.5X25.5X3-MM THK)						
M	5	1	8T-4244	1	NUT (M12X1.75-THD)						
M	6	1	174-7791	1	SCREW-TAPPING						
	7	1	5C-2889	1	LOCKWASHER						
	8	1	170-6993	1	COVER						
	9	1	170-9417	1	LENS AS (FLOOD)						
M	10	1	180-3861	4	SCREW-TAPPING						
	11	1	170-9418	1	BAND						

M-METRIC PART



GRAPHIC #1

<END>

g01084899

ELECTRICAL AND STARTING SYSTEM

167-3441 LAMP GP-FLOOD-CAB GUARD

S/N: PAS1-UP

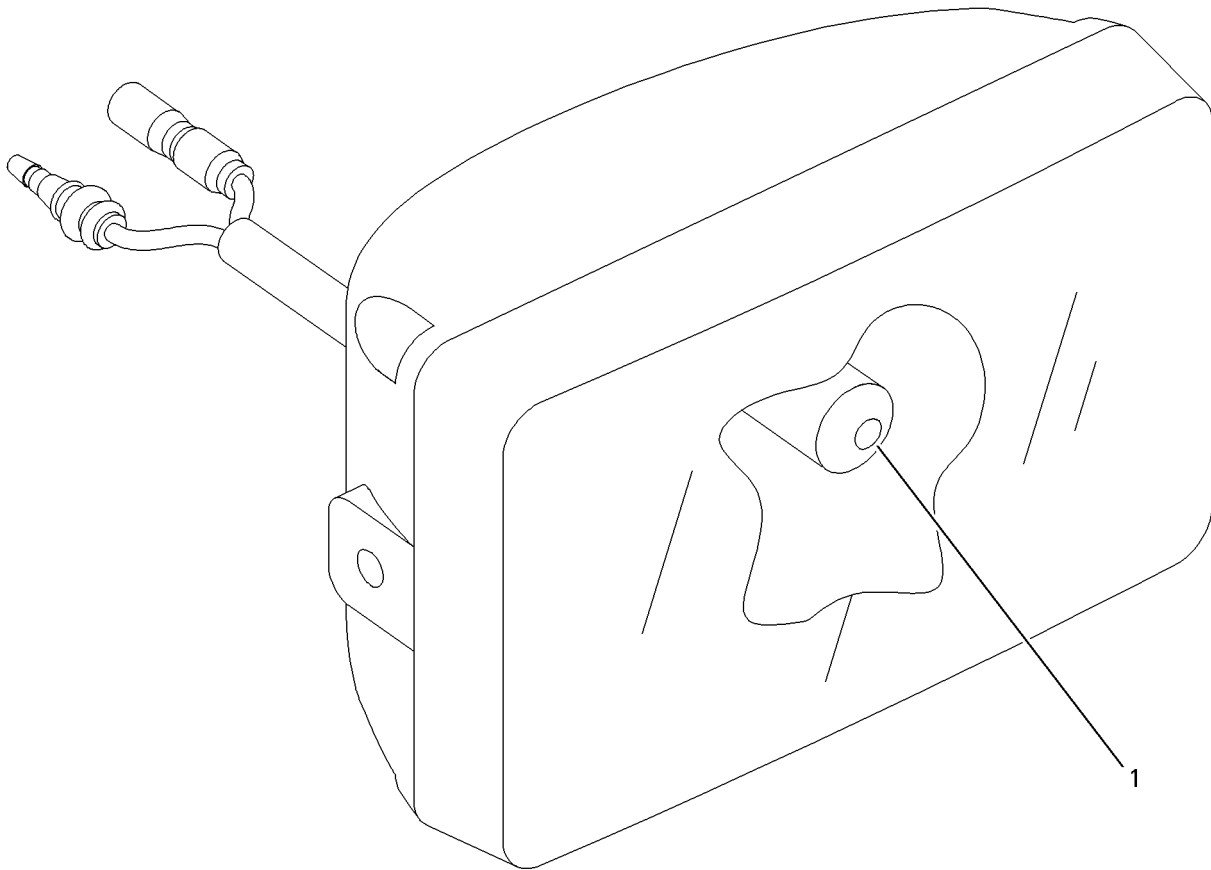
24-VOLT

PART OF 252-1241, 252-1242, 259-8120 LIGHTING GP-FLOOD
AN ATTACHMENT

SMCS-1434

i02635981

NOTE	REF NO	GRAPHIC REF	PART NUMBER	QTY	PART NAME	SEE PAGE
	1	1	9X-3463	1	1 2 3 4 5 6 (PRODUCT LEVEL) LAMP-HALOGEN (24-VOLT, 70-WATT)	



GRAPHIC #1

<END>

g00692317

ELECTRICAL AND STARTING SYSTEM

283-8144 LAMP GP-FLOOD

S/N: PAS1-UP

24-VOLT

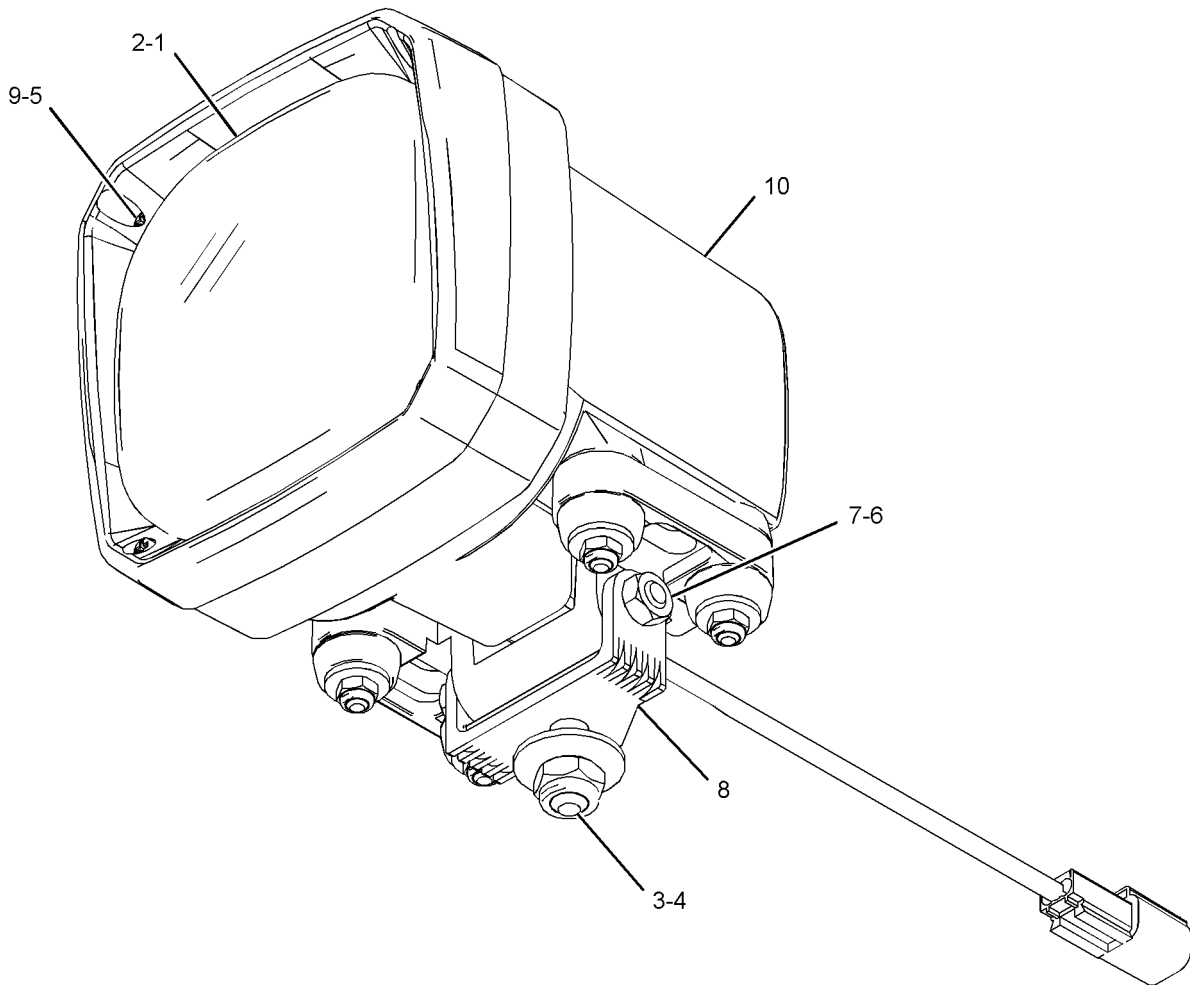
PART OF 299-2940 LIGHTING GP-FLOOD
AN ATTACHMENT

SMCS-1434

i03627232

NOTE	REF NO	GRAPHIC REF	PART NUMBER	QTY	PART NAME						SEE PAGE
					1	2	3	4	5	6 (PRODUCT LEVEL)	
	1	1	277-3082	1	LENS AS (HID)						
	2	1	290-8160	1	LAMP (24-VOLT, HID)						
M	3	1	8T-4186	1	BOLT (M10X1.5X40-MM)						
	4	1	8T-4121	1	WASHER-HARD (11X21X2.5-MM THK)						
M	5	1	120-9027	4	SCREW-PAN HEAD (M3X0.5X16-MM)						
M	6	1	5P-8347	1	BOLT (M8X1.25X70-MM)						
M	7	1	6V-9189	1	LOCKNUT (M8X1.25-THD)						
	8	1	290-8996	1	BRACKET						
	9	1	229-9974	1	BEZEL						
	10	1	319-7384	1	BALLAST AS (24-VOLT, 35-WATT, HID)						

M-METRIC PART



GRAPHIC #1

<END>

g01316918

ELECTRICAL AND STARTING SYSTEM

283-8145 LAMP GP-FLOOD

S/N: PAS1-UP

24-VOLT, 35-WATT, HID

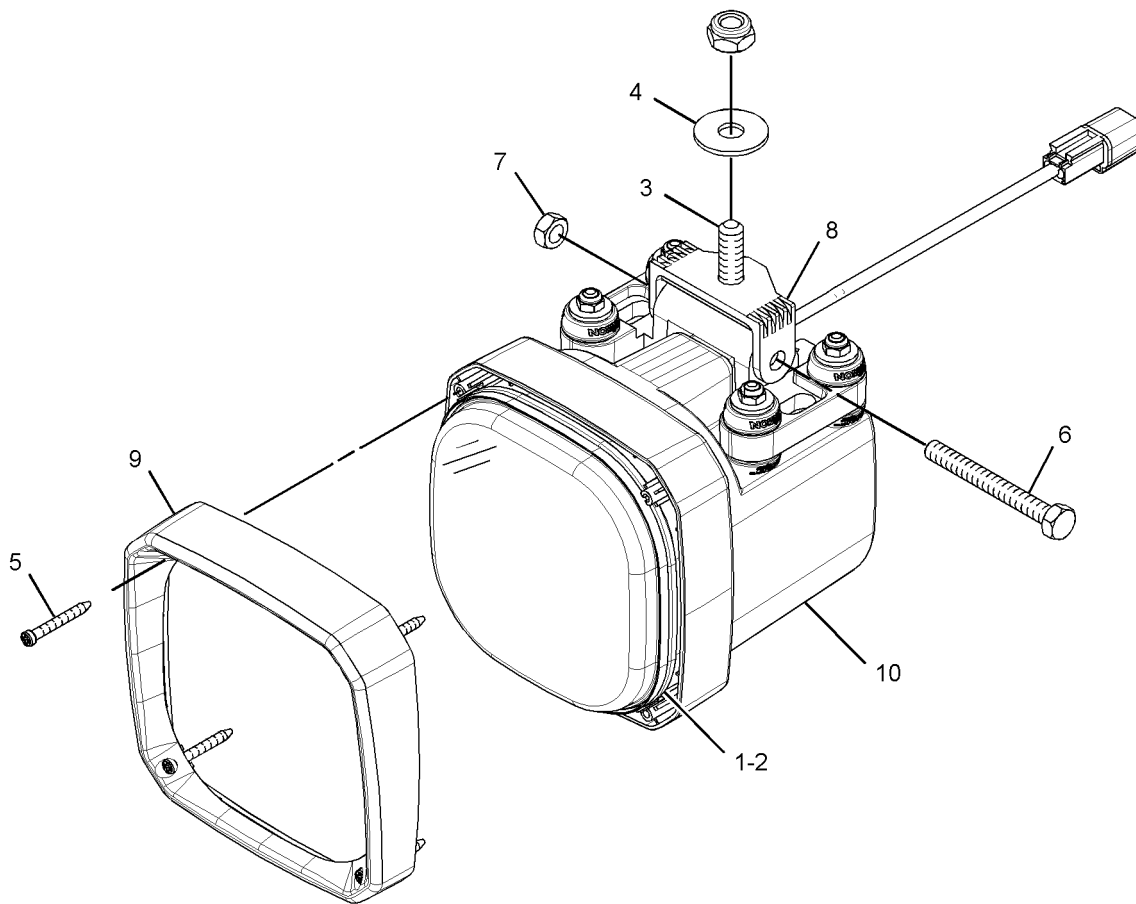
PART OF 299-2939 LIGHTING GP-FLOOD
AN ATTACHMENT

SMCS-1434

i03627260

NOTE	REF NO	GRAPHIC REF	PART NUMBER	QTY	PART NAME						SEE PAGE
					1	2	3	4	5	6 (PRODUCT LEVEL)	
	1	1	277-3082	1	LENS AS						
	2	1	290-8160	1	LAMP (24-VOLT, HID)						
M	3	1	8T-4186	1	BOLT (M10X1.5X40-MM)						
	4	1	8T-4121	1	WASHER-HARD (11X21X2.5-MM THK)						
M	5	1	120-9027	4	SCREW-PAN HEAD (M3X0.5X16-MM)						
M	6	1	5P-8347	1	BOLT (M8X1.25X70-MM)						
M	7	1	6V-9189	1	LOCKNUT (M8X1.25-THD)						
	8	1	290-8996	1	BRACKET						
	9	1	229-9974	1	BEZEL						
	10	1	319-7384	1	BALLAST AS (24-VOLT, 35-WATT, HID)						

M-METRIC PART



GRAPHIC #1

<END>

g02004652

ELECTRICAL AND STARTING SYSTEM

347-9427 LAMP GP-FLOOD

S/N: PAS1-UP

24-VOLT, 35-WATT, HID

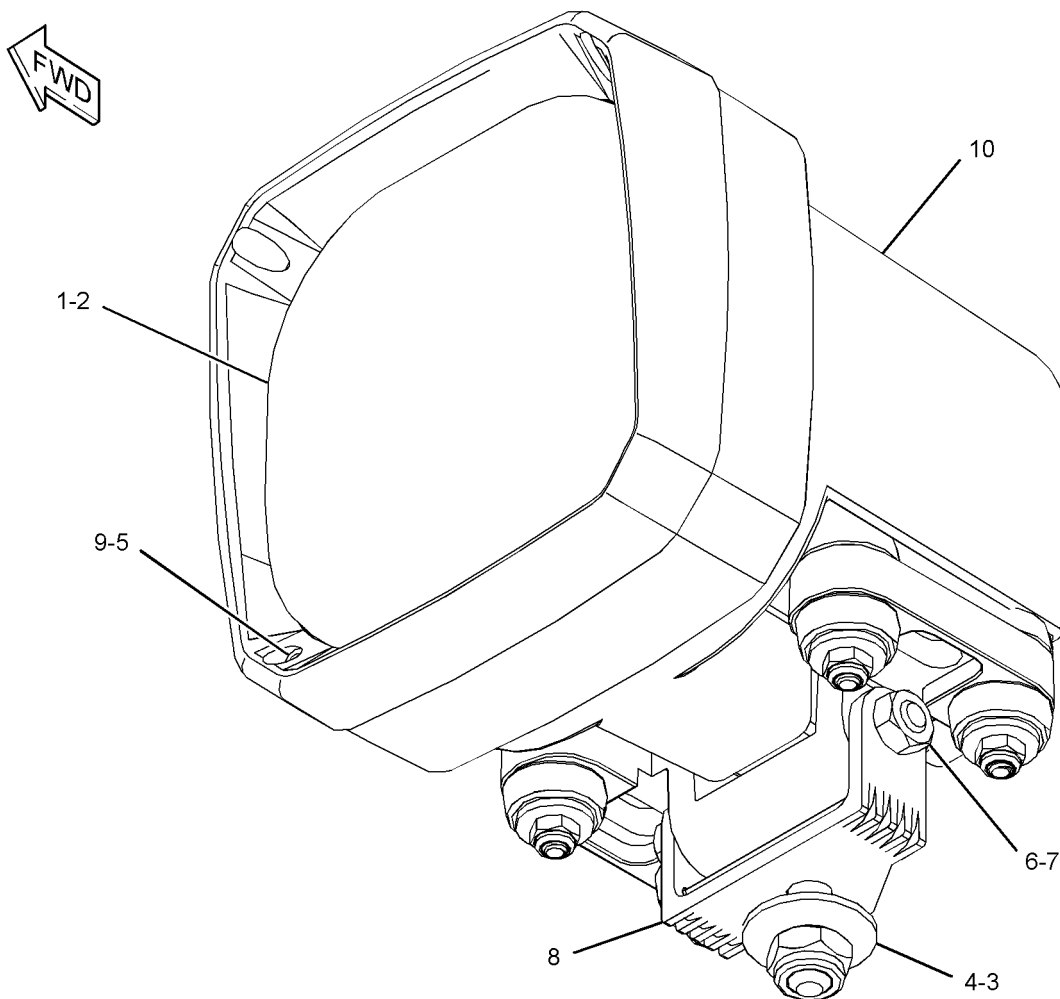
PART OF 299-2941, 306-8413 LIGHTING GP-FLOOD
AN ATTACHMENT

SMCS-1434

i03877418

NOTE	REF NO	GRAPHIC REF	PART NUMBER	QTY	PART NAME						SEE PAGE
					1	2	3	4	5	6 (PRODUCT LEVEL)	
	1	1	277-3082	1	LENS AS						
	2	1	290-8160	1	LAMP (24-VOLT, HID)						
M	3	1	8T-4186	1	BOLT (M10X1.5X40-MM)						
	4	1	8T-4121	1	WASHER-HARD (11X21X2.5-MM THK)						
M	5	1	120-9027	4	SCREW-PAN HEAD (M3X0.5X16-MM)						
M	6	1	5P-8347	2	BOLT (M8X1.25X70-MM)						
M	7	1	6V-9189	2	LOCKNUT (M8X1.25-THD)						
	8	1	290-8996	1	BRACKET						
	9	1	229-9974	1	BEZEL						
	10	1	319-7384	1	BALLAST AS (24-VOLT, 35-WATT, HID)						

M-METRIC PART



GRAPHIC #1

<END>

g02059593

ELECTRICAL AND STARTING SYSTEM

150-7033 LIGHTING GP-CHASSIS-FRONT

S/N: PAS1-UP

24-VOLT

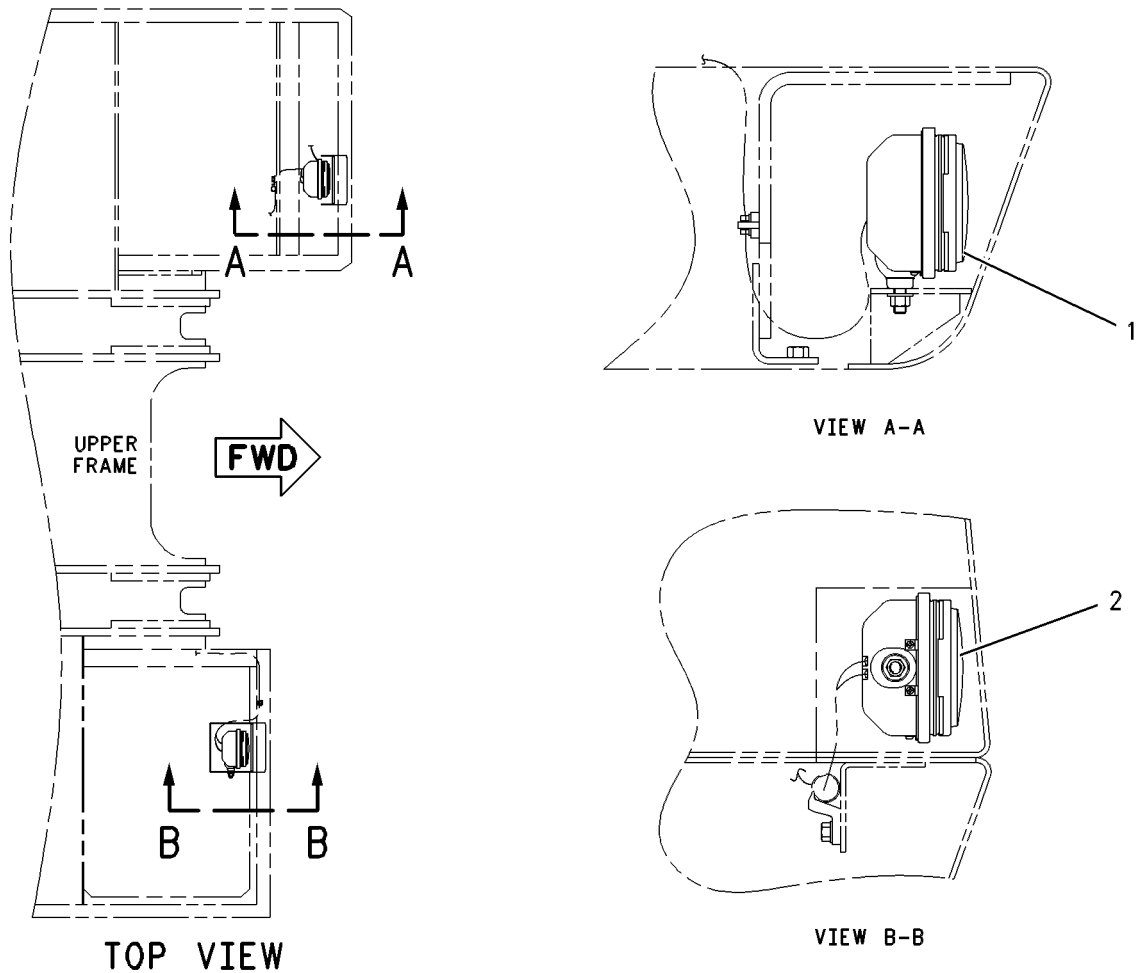
PART OF 294-1232 CHASSIS AR

SMCS-1429

i03626167

NOTE	REF NO	GRAPHIC REF	PART NUMBER	QTY	PART NAME						SEE PAGE
					1	2	3	4	5	6 (PRODUCT LEVEL)	
Y	1	1	153-2521	1	LAMP GP-FLOOD (24-VOLT) (LH)						186
Y	2	1	153-2523	1	LAMP GP-FLOOD (24-VOLT) (RH)						187

Y-SEPARATE ILLUSTRATION



GRAPHIC #1

<END>

g00530517

ELECTRICAL AND STARTING SYSTEM

238-2162 LIGHTING GP-FLOOD-BOOM

S/N: PAS1-UP

PART OF 294-1281 BOOM AR-REACH
AN ATTACHMENT

SMCS-1434

i02628791

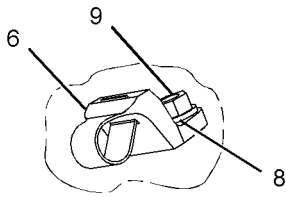
NOTE	REF NO	GRAPHIC REF	PART NUMBER	QTY	PART NAME						SEE PAGE
					1	2	3	4	5	6 (PRODUCT LEVEL)	
	1	1	3S-2093	2	STRAP-CABLE						
	2	1	116-0118	1	CLIP						
Y	3	1	153-2521	2	LAMP GP-FLOOD (24-VOLT)						186
	4	1	251-0578	1	HARNESS AS-LIGHTING						
		1	243-4505	1	RECEPTACLE AS-CONNECTOR (2-PIN) (INCLUDES RECEPTACLE AS & WEDGE)						
	5	1	111-4836	18	CLIP						
	6	1	111-4837	1	CLIP						
	7	1	134-3284	2	BRACKET						
	8	1	8T-4121	20	WASHER-HARD (11X21X2.5-MM THK)						
M	9	1	8T-4133	18	NUT (M10X1.5-THD)						
M	10	1	8T-4137	2	BOLT (M10X1.5X20-MM)						
M	11	1	8T-4190	2	BOLT (M16X2X25-MM)						
	12	1	9X-8257	2	WASHER (17.5X30X3.5-MM THK)						

M-METRIC PART
Y-SEPARATE ILLUSTRATION

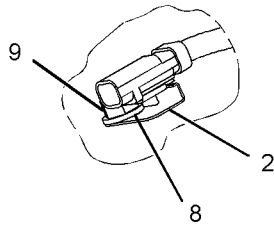
ELECTRICAL AND STARTING SYSTEM

238-2162 LIGHTING GP-FLOOD (contd.)

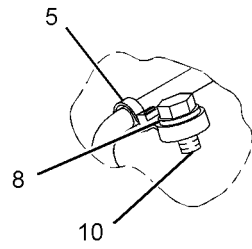
i02628791



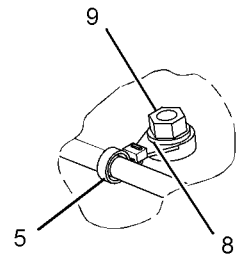
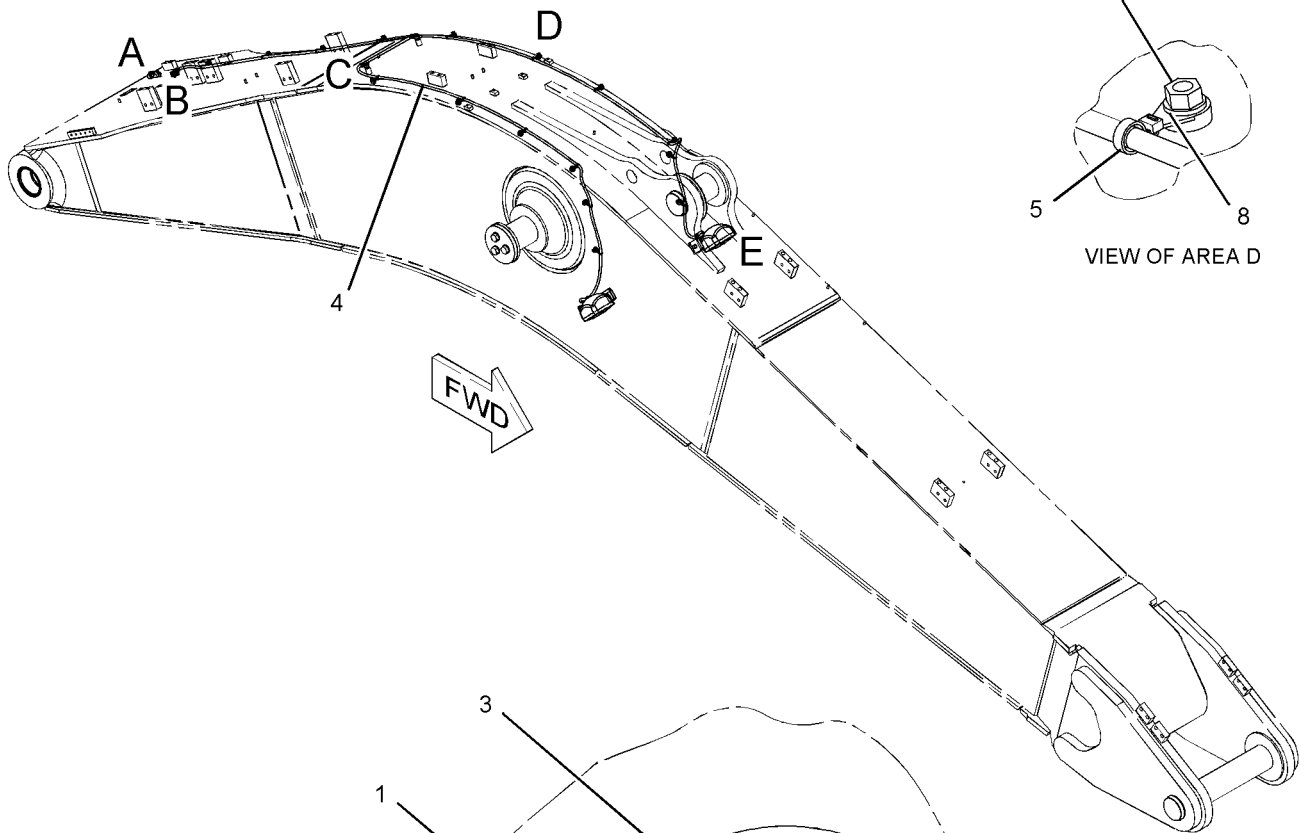
VIEW OF AREA A



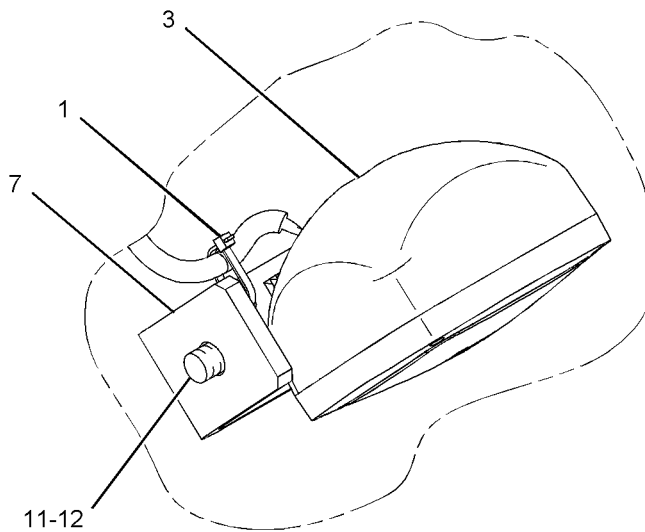
VIEW OF AREA B



VIEW OF AREA C



VIEW OF AREA D



VIEW OF AREA E

GRAPHIC #1

<END>

g01123545

ELECTRICAL AND STARTING SYSTEM

238-2163 LIGHTING GP-FLOOD-BOOM

S/N: PAS1-UP

PART OF 294-1284 BOOM AR-MASS
AN ATTACHMENT

SMCS-1434

i02628758

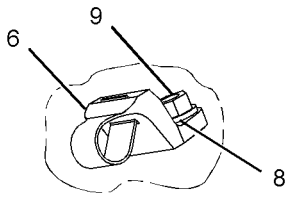
NOTE	REF NO	GRAPHIC REF	PART NUMBER	QTY	PART NAME						SEE PAGE
					1	2	3	4	5	6 (PRODUCT LEVEL)	
	1	1	3S-2093	2	STRAP-CABLE						
	2	1	116-0118	1	CLIP						
Y	3	1	153-2521	2	LAMP GP-FLOOD (24-VOLT)						186
	4	1	251-0577	1	HARNESS AS-LIGHTING						
		1	243-4505	1	RECEPTACLE AS-CONNECTOR (2-PIN) (INCLUDES RECEPTACLE AS & WEDGE)						
	5	1	111-4836	15	CLIP						
	6	1	111-4837	1	CLIP						
	7	1	134-3284	2	BRACKET						
	8	1	8T-4121	17	WASHER-HARD (11X21X2.5-MM THK)						
M	9	1	8T-4133	15	NUT (M10X1.5-THD)						
M	10	1	8T-4137	2	BOLT (M10X1.5X20-MM)						
M	11	1	8T-4190	2	BOLT (M16X2X25-MM)						
	12	1	9X-8257	2	WASHER (17.5X30X3.5-MM THK)						

M-METRIC PART
Y-SEPARATE ILLUSTRATION

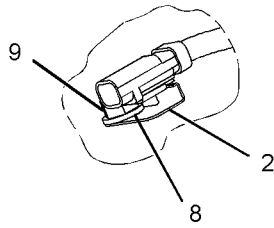
ELECTRICAL AND STARTING SYSTEM

238-2163 LIGHTING GP-FLOOD (contd.)

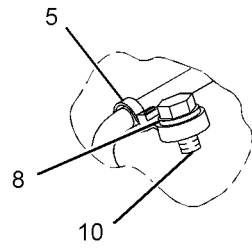
i02628758



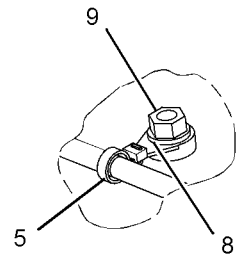
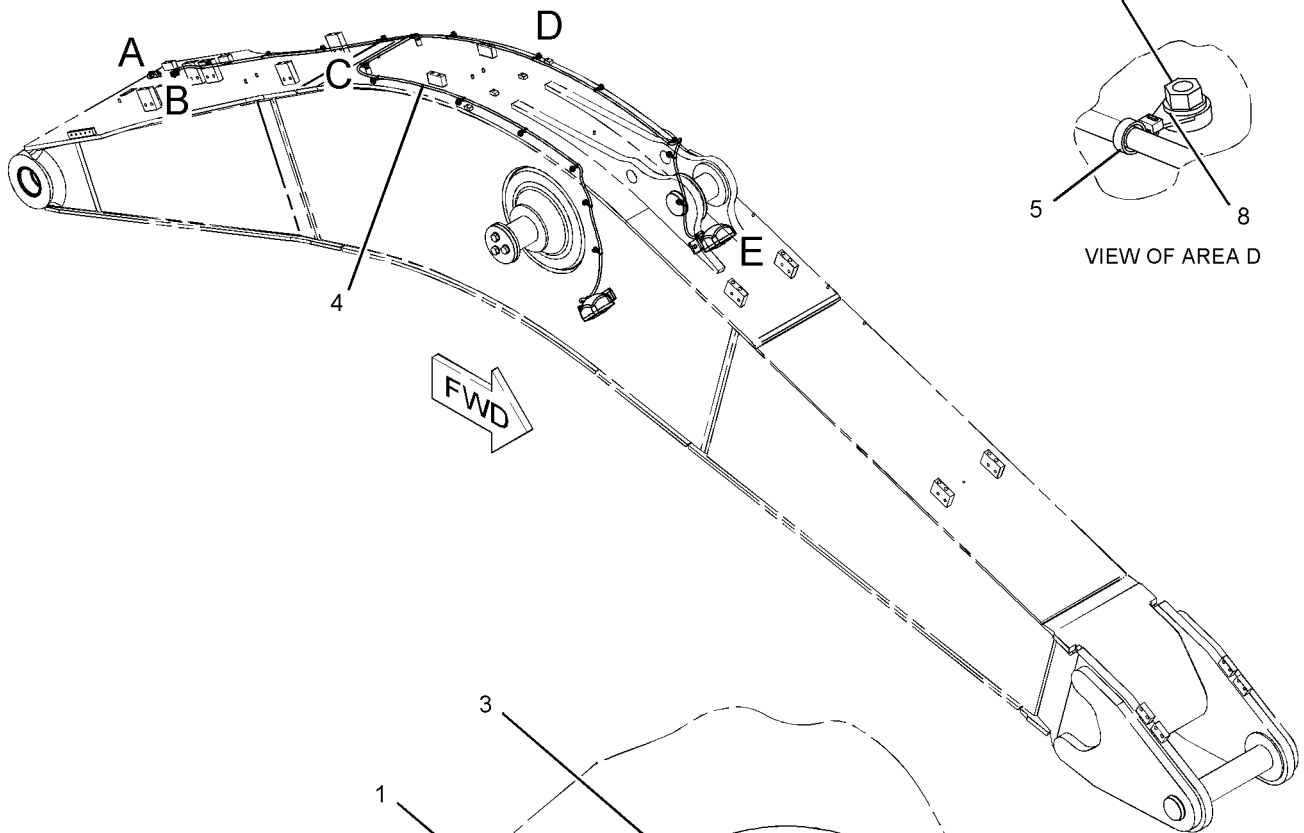
VIEW OF AREA A



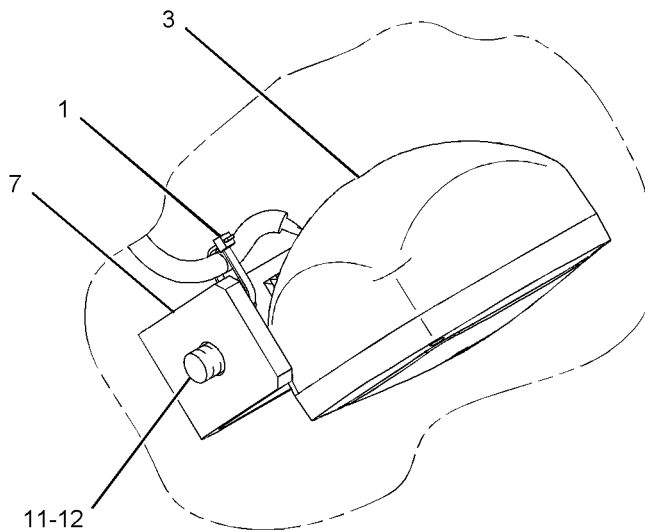
VIEW OF AREA B



VIEW OF AREA C



VIEW OF AREA D



VIEW OF AREA E

GRAPHIC #1

<END>

g01123545

ELECTRICAL AND STARTING SYSTEM

252-1241 LIGHTING GP-FLOOD-CAB

S/N: PAS1-UP

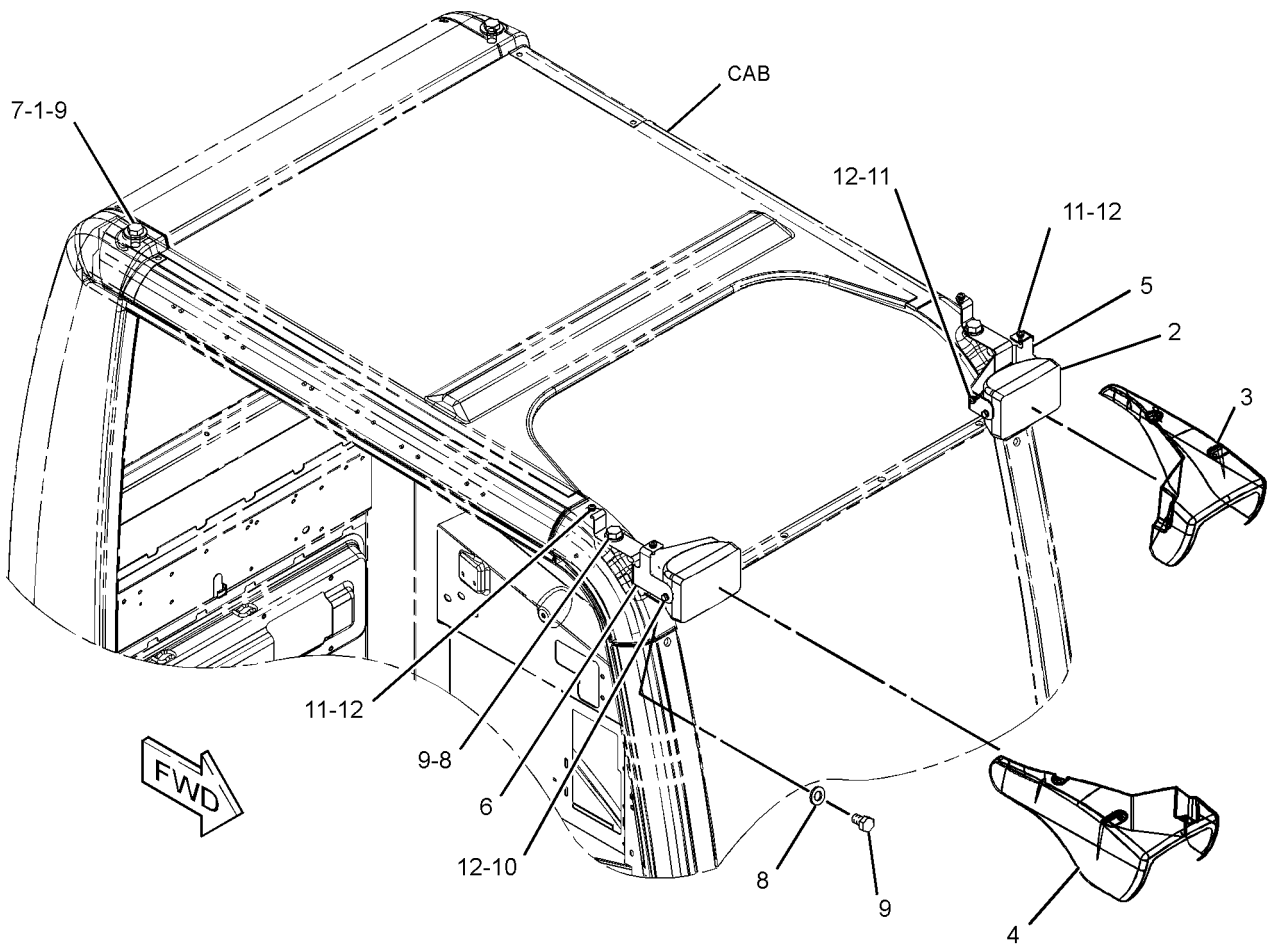
PART OF 249-7107 PARTS AR-CAB
AN ATTACHMENT

SMCS-1434

i03496020

NOTE	REF NO	GRAPHIC REF	PART NUMBER	QTY	PART NAME						SEE PAGE
					1	2	3	4	5	6 (PRODUCT LEVEL)	
	1	1	120-5737	2	WASHER (17.5X40X4-MM THK)						
Y	2	1	167-3441	2	LAMP GP-FLOOD (24-VOLT) (CAB GUARD)						188
	3	1	217-2543	1	COVER (LH)						
	4	1	217-2544	1	COVER (RH)						
	5	1	255-9075	1	BRACKET AS (LH)						
M		1	180-1718	3	NUT (M6X1-THD)						
	6	1	255-9074	1	BRACKET AS (RH)						
M		1	180-1718	3	NUT (M6X1-THD)						
	7	1	120-5738	2	WASHER-RUBBER (14.5X40X2-MM THK)						
	8	1	8T-4122	4	WASHER-HARD (17X32X3.5-MM THK)						
M	9	1	8T-4190	6	BOLT (M16X2X25-MM)						
M	10	1	8T-4970	4	BOLT (M6X1X14-MM)						
M	11	1	095-0742	6	SCREW-MACHINE (M6X1X16-MM)						
	12	1	9X-8256	10	WASHER (6.6X12X2-MM THK)						

M-METRIC PART
Y-SEPARATE ILLUSTRATION



GRAPHIC #1

<END>

g01214088

ELECTRICAL AND STARTING SYSTEM

252-1242 LIGHTING GP-FLOOD-CAB GUARD

S/N: PAS1-UP

PART OF 249-7109, 250-0712 GUARD AR-OVERHEAD
AN ATTACHMENT

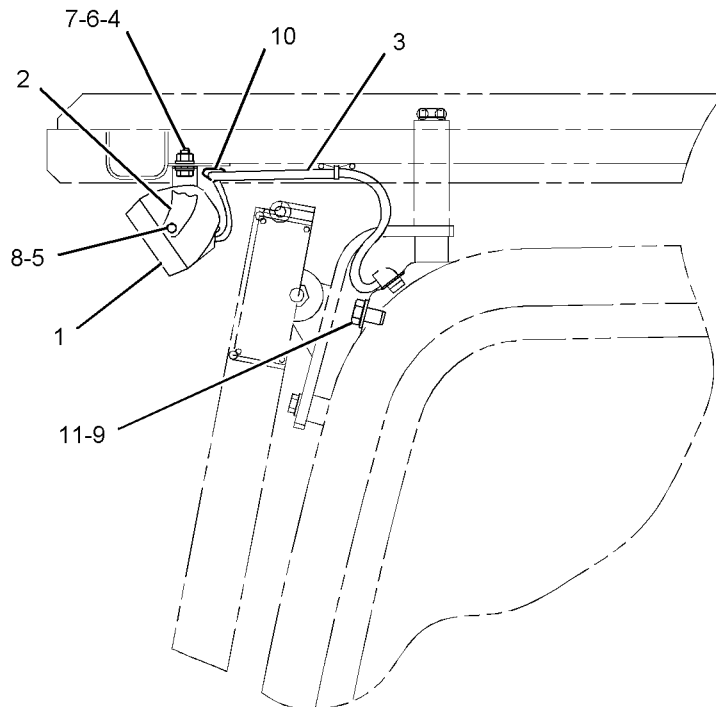
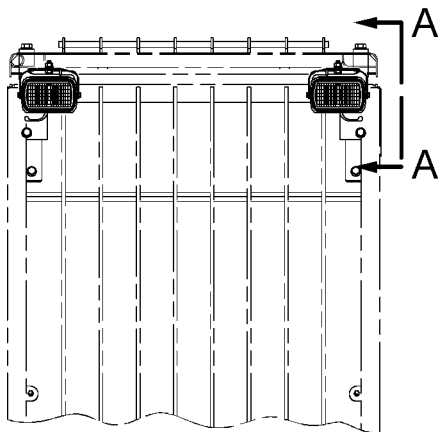
SMCS-1434

i03882977

NOTE	REF NO	GRAPHIC REF	PART NUMBER	QTY	PART NAME						SEE PAGE
					1	2	3	4	5	6 (PRODUCT LEVEL)	
Y	1	1	167-3441	2	LAMP GP-FLOOD (24-VOLT) (CAB GUARD)						188
	2	1	198-1659	2	SUPPORT						
	3	1	198-6223	2	HARNESS AS-LIGHTING (CAB GUARD)						
M	4	1	8T-4136	2	BOLT (M10X1.5X25-MM)						
M	5	1	8T-4970	4	BOLT (M6X1X14-MM)						
M	6	1	8T-4133	2	NUT (M10X1.5-THD)						
	7	1	8T-4121	4	WASHER-HARD (11X21X2.5-MM THK)						
	8	1	9X-8256	4	WASHER (6.6X12X2-MM THK)						
M	9	1	142-8545	2	BOLT (M16X2X20-MM)						
	10	1	7K-1181	4	STRAP-CABLE						
	11	1	9H-1024	2	WASHER-HARD (17X30X6-MM THK)						

M-METRIC PART

Y-SEPARATE ILLUSTRATION



GRAPHIC #1

<END>

g01087554

ELECTRICAL AND STARTING SYSTEM

259-8120 LIGHTING GP-FLOOD-GUARD, FRONT

S/N: PAS1-UP

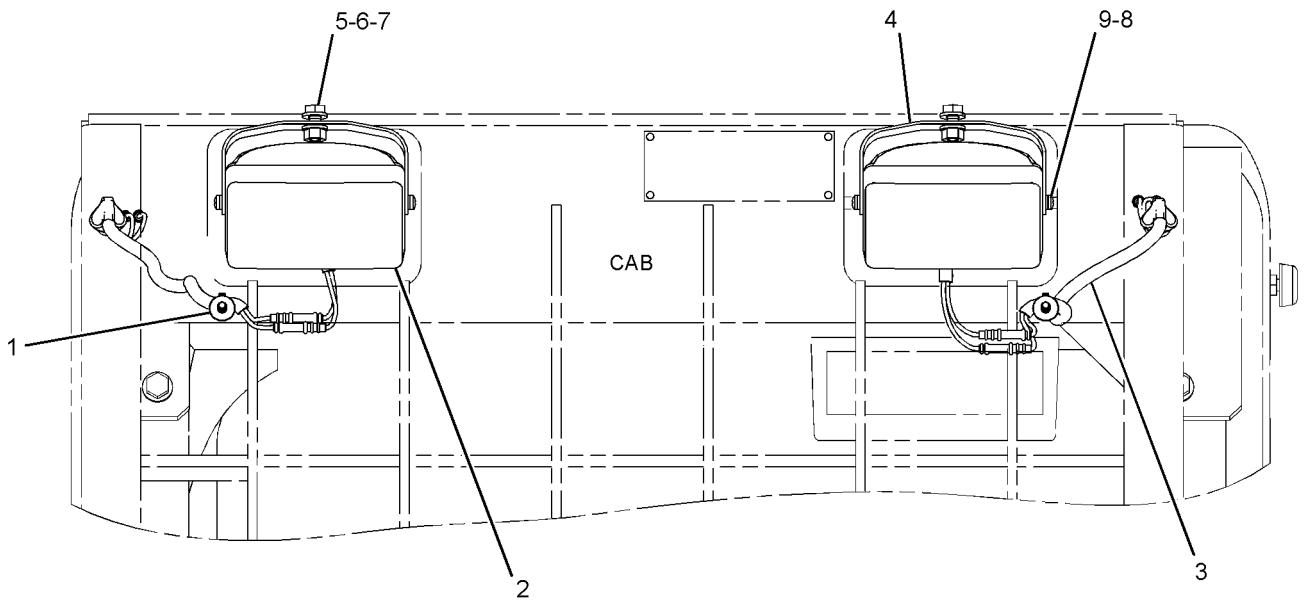
PART OF 259-8009 GUARD GP-FRONT WINDOW
AN ATTACHMENT

SMCS-1434

i03126189

NOTE	REF NO	GRAPHIC REF	PART NUMBER	QTY	PART NAME						SEE PAGE
					1	2	3	4	5	6 (PRODUCT LEVEL)	
	1	1	163-6795	2	STRAP-CABLE						
Y	2	1	167-3441	2	LAMP GP-FLOOD (24-VOLT) (CAB)						188
	3	1	170-9295	2	HARNESS AS-LIGHTING						
	4	1	198-1659	2	SUPPORT						
	5	1	8T-4121	4	WASHER-HARD (11X21X2.5-MM THK)						
M	6	1	8T-4133	2	NUT (M10X1.5-THD)						
M	7	1	8T-4137	2	BOLT (M10X1.5X20-MM)						
M	8	1	8T-6412	4	SCREW-MACHINE (M6X1X20-MM)						
	9	1	9X-8256	4	WASHER (6.6X12X2-MM THK)						

M-METRIC PART
Y-SEPARATE ILLUSTRATION



FRONT VIEW

GRAPHIC #1

<END>

g01648673

ELECTRICAL AND STARTING SYSTEM

299-2939 LIGHTING GP-FLOOD-CAB GUARD

S/N: PAS1-UP

PART OF 330-3028 GUARD AR-OVERHEAD
AN ATTACHMENT

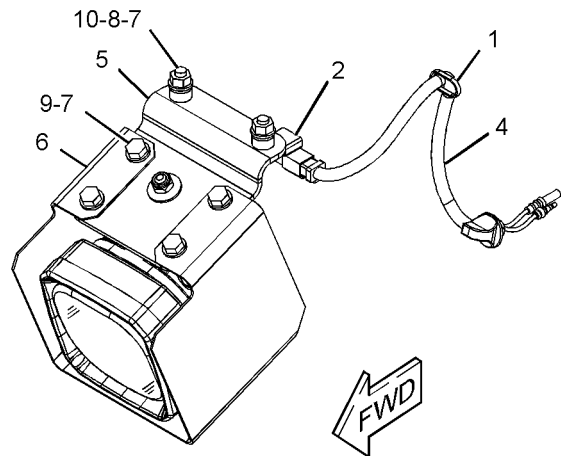
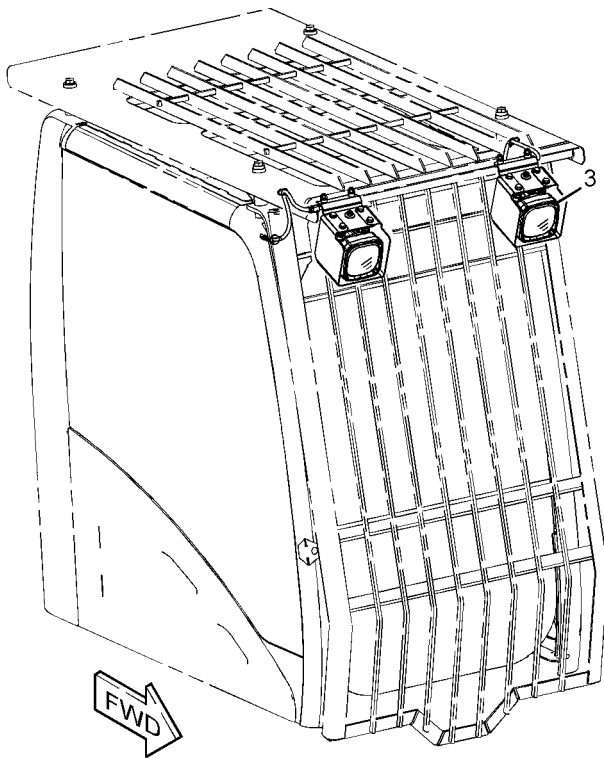
SMCS-1434

i03789992

NOTE	REF NO	GRAPHIC REF	PART NUMBER	QTY	PART NAME						SEE PAGE
					1	2	3	4	5	6 (PRODUCT LEVEL)	
	1	1	3S-2093	2	STRAP-CABLE						
	2	1	116-0118	2	CLIP						
Y	3	1	283-8145	2	LAMP GP-FLOOD (24-VOLT, 35-WATT, HID)						190
	4	1	306-8571	2	HARNESS AS-LIGHTING						
					(EACH INCLUDES)						
		1	7Y-3962	1	TERMINAL-BULLET (MALE)						
		1	7Y-3963	1	TERMINAL-BULLET (FEMALE)						
		1	9W-0844	2	SOCKET-CONNECTOR (14-GA)						
		1	155-2270	1	KIT-CONNECTING PLUG (2-PIN)						
					(INCLUDES PLUG AS, WEDGE, & INTERFACE SEAL)						
	5	1	306-8572	2	BRACKET AS						
	6	1	319-1434	2	BRACKET						
	7	1	8T-4121	16	WASHER-HARD (11X21X2.5-MM THK)						
M	8	1	8T-4133	4	NUT (M10X1.5-THD)						
M	9	1	8T-4137	8	BOLT (M10X1.5X20-MM)						
M	10	1	8T-4196	4	BOLT (M10X1.5X35-MM)						

M-METRIC PART

Y-SEPARATE ILLUSTRATION



GRAPHIC #1

<END>

g02126579

ELECTRICAL AND STARTING SYSTEM

299-2940 LIGHTING GP-FLOOD-CAB

S/N: PAS1-UP

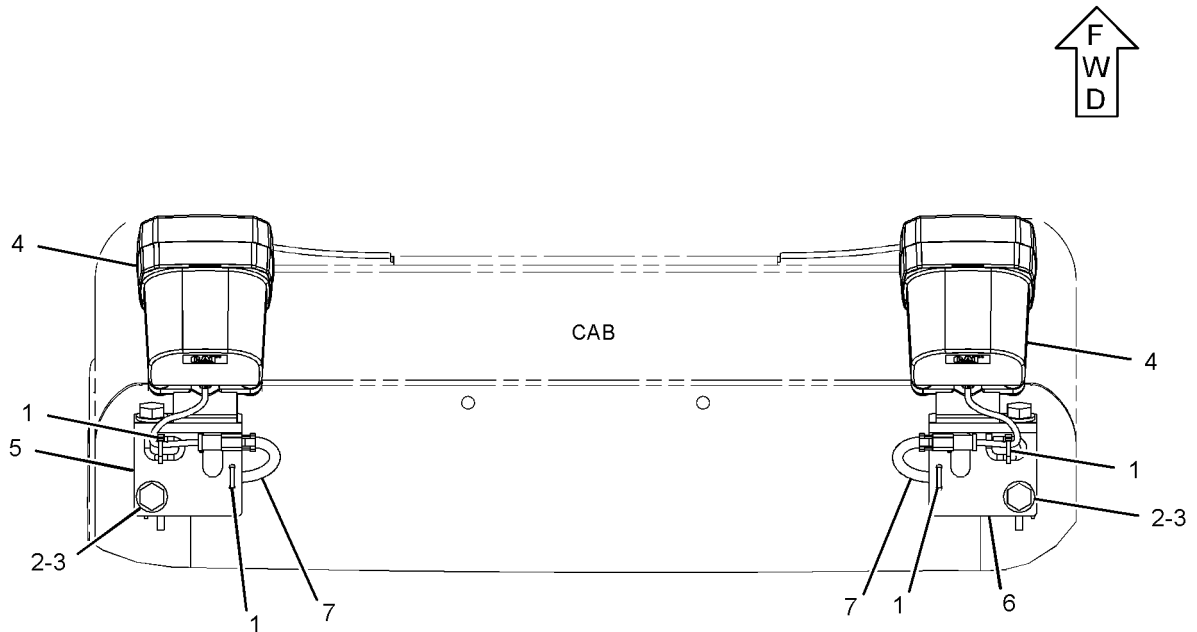
PART OF 330-3027 PARTS AR-CAB
AN ATTACHMENT

SMCS-1434

i03819310

NOTE	REF NO	GRAPHIC REF	PART NUMBER	QTY	PART NAME						SEE PAGE
					1	2	3	4	5	6 (PRODUCT LEVEL)	
	1	1	3S-2093	4	STRAP-CABLE						
	2	1	8T-4122	4	WASHER-HARD (17X32X3.5-MM THK)						
M	3	1	8T-4190	4	BOLT (M16X2X25-MM)						
Y	4	1	283-8144	2	LAMP GP-FLOOD (24-VOLT, 35-WATT, HID)						189
	5	1	306-8459	1	BRACKET AS						
	6	1	306-8461	1	BRACKET AS						
	7	1	306-8466	2	HARNES AS-LIGHTING						
					(EACH INCLUDES)						
		1	7Y-3962	1	TERMINAL-BULLET (MALE)						
		1	7Y-3963	1	TERMINAL-BULLET (FEMALE)						
		1	9W-0844	2	SOCKET-CONNECTOR (14-GA)						
		1	155-2270	1	KIT-CONNECTING PLUG (2-PIN)						
					(INCLUDES PLUG AS, WEDGE, & INTERFACE SEAL)						

M-METRIC PART
Y-SEPARATE ILLUSTRATION



GRAPHIC #1

<END>

g02131813

ELECTRICAL AND STARTING SYSTEM

299-2941 LIGHTING GP-FLOOD-REACH BOOM

S/N: PAS1-UP

CANNOT BE USED WITH 238-2162-PAGE 193

AN ATTACHMENT

SMCS-1434

i03877417

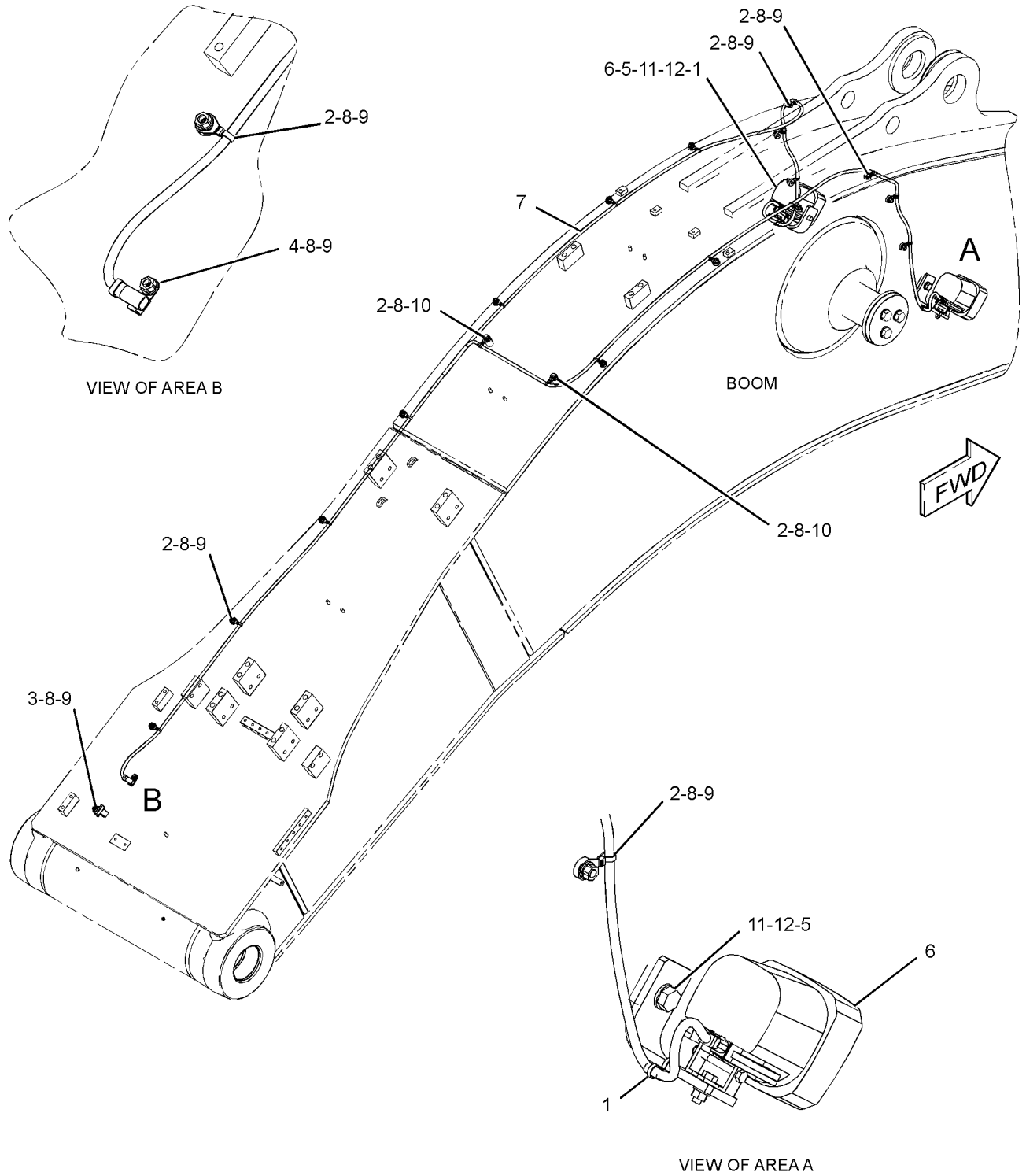
NOTE	REF NO	GRAPHIC REF	PART NUMBER	QTY	PART NAME						SEE PAGE
					1	2	3	4	5	6 (PRODUCT LEVEL)	
	1	1	7I-2673	2	STRAP-CABLE						
	2	1	111-4836	18	CLIP						
	3	1	111-4837	1	CLIP						
	4	1	116-0118	1	CLIP						
	5	1	134-3284	2	BRACKET						
Y	6	1	347-9427	2	LAMP GP-FLOOD (24-VOLT, 35-WATT, HID)						191
	7	1	306-8412	1	HARNESS AS-LIGHTING						
		1	9W-0852	2	PIN-CONNECTOR (14-GA)						
		1	9W-0844	4	SOCKET-CONNECTOR (14-GA)						
BE		1	125-7875		TUBE-HEAT SHRINK (7.44-MM DIA)						
		1	155-2270	2	KIT-CONNECTING PLUG (2-PIN)						
					(EACH INCLUDES PLUG AS, WEDGE, & INTERFACE SEAL)						
		1	243-4505	1	RECEPTACLE AS-CONNECTOR (2-PIN)						
	8	1	8T-4121	20	WASHER-HARD (11X21X2.5-MM THK)						
M	9	1	8T-4133	18	NUT (M10X1.5-THD)						
M	10	1	8T-4137	2	BOLT (M10X1.5X20-MM)						
M	11	1	8T-4190	2	BOLT (M16X2X25-MM)						
	12	1	9X-8257	2	WASHER (17.5X30X3.5-MM THK)						

B-USE AS REQUIRED
 E-ORDER BY THE CENTIMETER
 M-METRIC PART
 Y-SEPARATE ILLUSTRATION

ELECTRICAL AND STARTING SYSTEM

299-2941 LIGHTING GP-FLOOD (contd.)

i03877417



GRAPHIC #1

<END>

g02137946

ELECTRICAL AND STARTING SYSTEM

306-8413 LIGHTING GP-FLOOD-MASS BOOM

S/N: PAS1-UP

CANNOT BE USED WITH 238-2163-PAGE 195

AN ATTACHMENT

SMCS-1434

i03877761

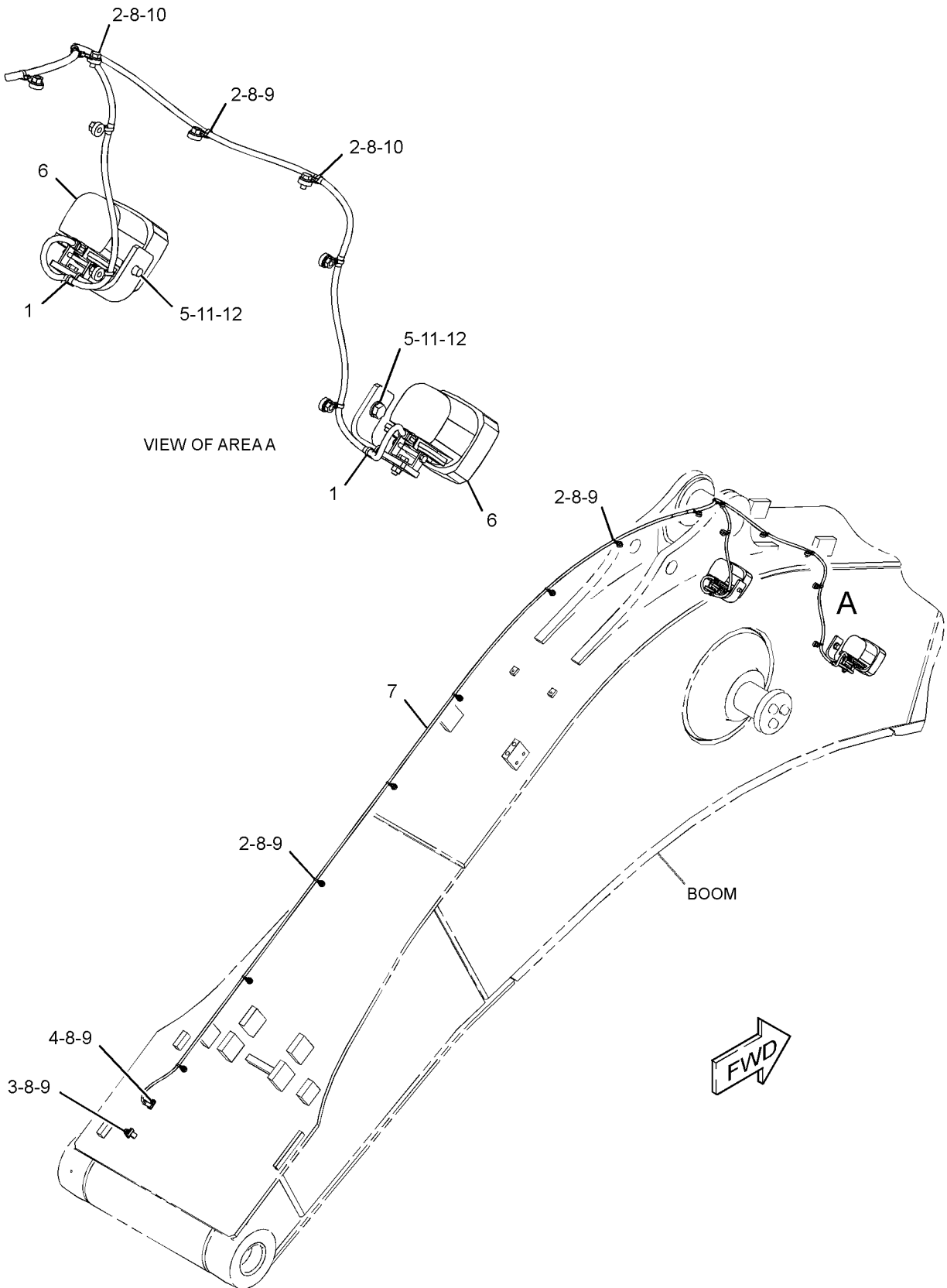
NOTE	REF NO	GRAPHIC REF	PART NUMBER	QTY	PART NAME						SEE PAGE
					1	2	3	4	5	6 (PRODUCT LEVEL)	
	1	1	7I-2673	2	STRAP-CABLE						
	2	1	111-4836	15	CLIP						
	3	1	111-4837	1	CLIP						
	4	1	116-0118	1	CLIP						
	5	1	134-3284	2	BRACKET						
Y	6	1	347-9427	2	LAMP GP-FLOOD (24-VOLT, 35-WATT, HID)						191
	7	1	306-8414	1	HARNESS AS-LIGHTING (HID FLOODLIGHTS, FRONT)						
		1	9W-0852	2	PIN-CONNECTOR (14-GA)						
		1	9W-0844	4	SOCKET-CONNECTOR (14-GA)						
BE		1	125-7875		TUBE-HEAT SHRINK (7.44-MM DIA)						
		1	155-2270	2	KIT-CONNECTING PLUG (2-PIN)						
					(EACH INCLUDES PLUG AS, WEDGE, & INTERFACE SEAL)						
		1	243-4505	1	RECEPTACLE AS-CONNECTOR (2-PIN)						
	8	1	8T-4121	17	WASHER-HARD (11X21X2.5-MM THK)						
M	9	1	8T-4133	15	NUT (M10X1.5-THD)						
M	10	1	8T-4137	2	BOLT (M10X1.5X20-MM)						
M	11	1	8T-4190	2	BOLT (M16X2X25-MM)						
	12	1	9X-8257	2	WASHER (17.5X30X3.5-MM THK)						

B-USE AS REQUIRED
 E-ORDER BY THE CENTIMETER
 M-METRIC PART
 Y-SEPARATE ILLUSTRATION

ELECTRICAL AND STARTING SYSTEM

306-8413 LIGHTING GP-FLOOD (contd.)

i03877761



GRAPHIC #1

<END>

g02125657

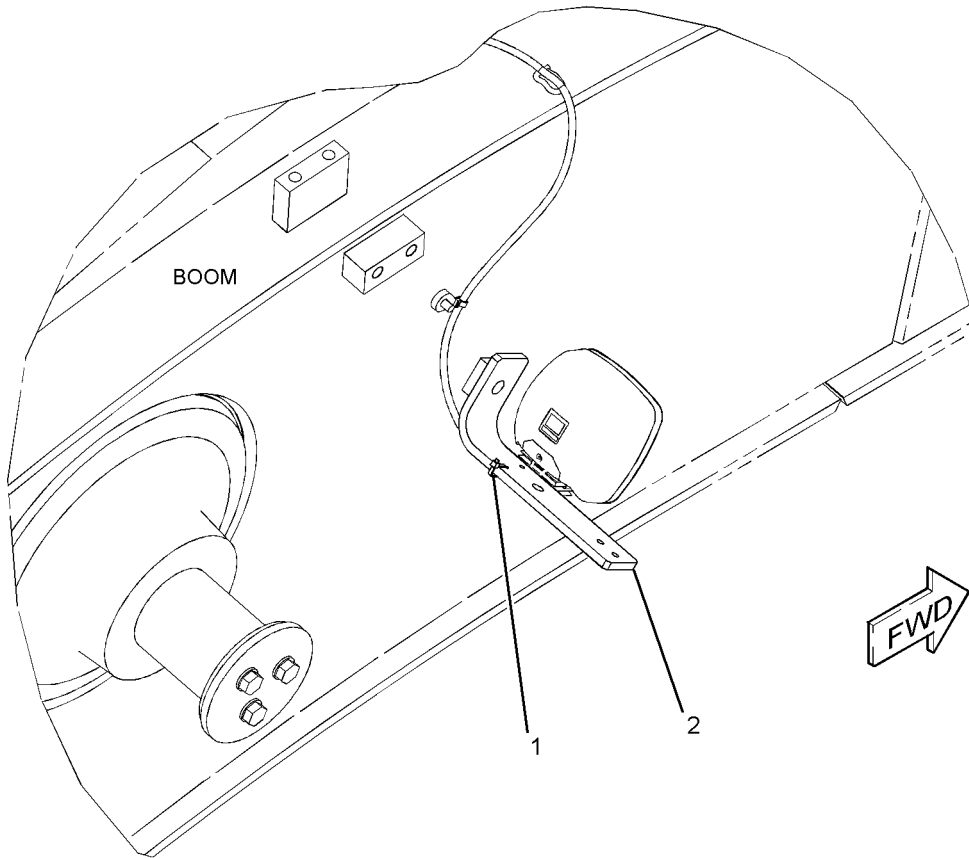
ELECTRICAL AND STARTING SYSTEM

306-8692 MOUNTING GP-CAMERA-
WORK AREA VISUAL SYSTEM, BOOM
 S/N: PAS1-UP
 PART OF 319-9126 CAMERA AR
 AN ATTACHMENT

SMCS-7348

i02960580

NOTE	REF NO	GRAPHIC REF	PART NUMBER	QTY	PART NAME						SEE PAGE
					1	2	3	4	5	6 (PRODUCT LEVEL)	
	1	1	3S-2093	1	STRAP-CABLE						
	2	1	306-8693	1	BRACKET						



GRAPHIC #1

<END>

g01462807

ELECTRICAL AND STARTING SYSTEM

307-7757 MOUNTING GP-CAMERA-COUNTERWEIGHT

S/N: PAS1-UP

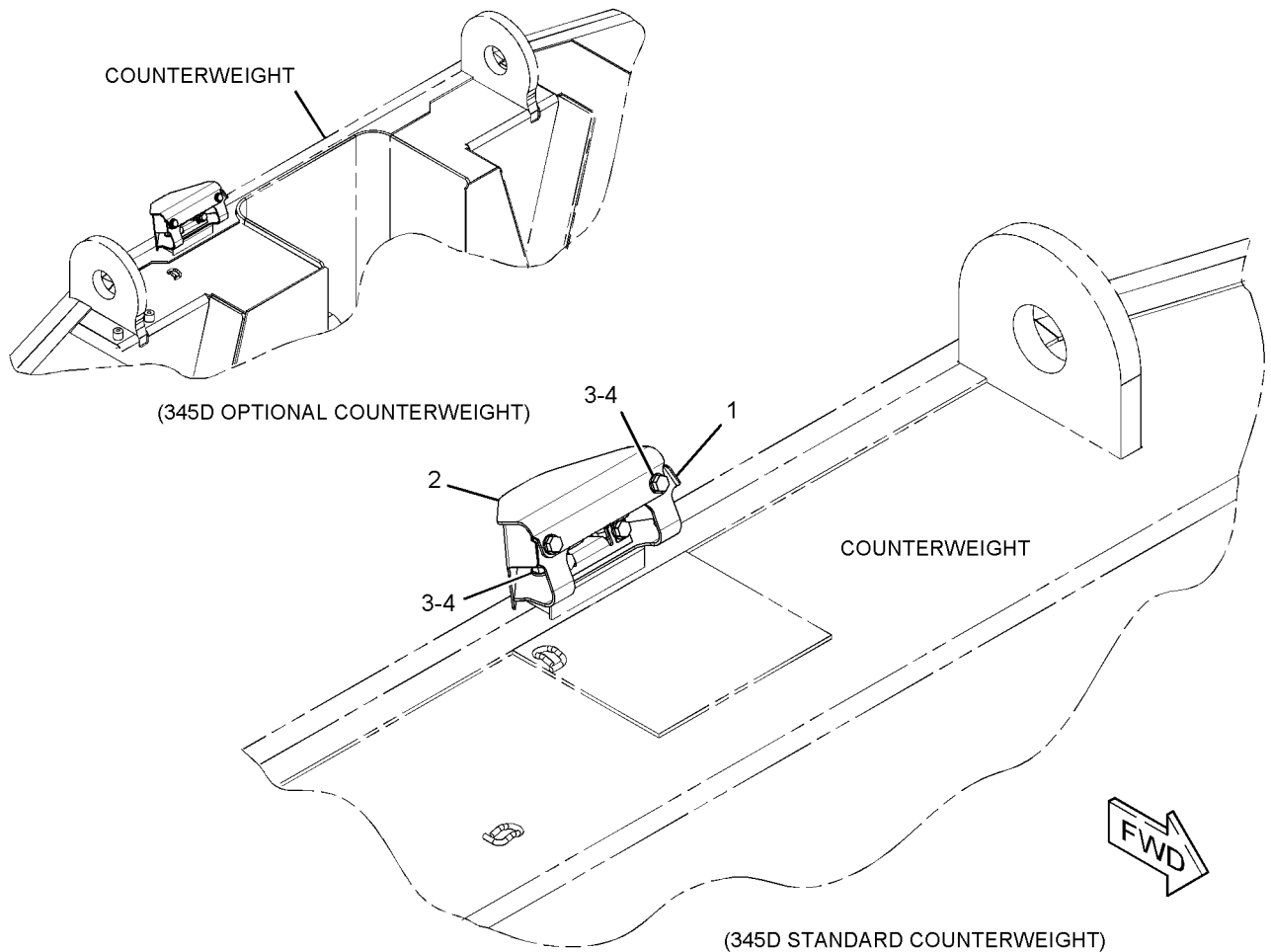
PART OF 319-9157 CAMERA AR
AN ATTACHMENT

SMCS-7348

i02977442

NOTE	REF NO	GRAPHIC REF	PART NUMBER	QTY	PART NAME						SEE PAGE
					1	2	3	4	5	6 (PRODUCT LEVEL)	
Y	1	1	313-7833	1	CAMERA & MOUNTING GP (WORK AREA VISUAL SYSTEM, REAR)						170
	2	1	320-5396	1	COVER						
	3	1	8T-4121	4	WASHER-HARD (11X21X2.5-MM THK)						
M	4	1	8T-4137	4	BOLT (M10X1.5X20-MM)						

M-METRIC PART
Y-SEPARATE ILLUSTRATION



GRAPHIC #1

<END>

g01461067

ELECTRICAL AND STARTING SYSTEM

320-5621 MOUNTING GP-CAMERA-MIRROR, RH

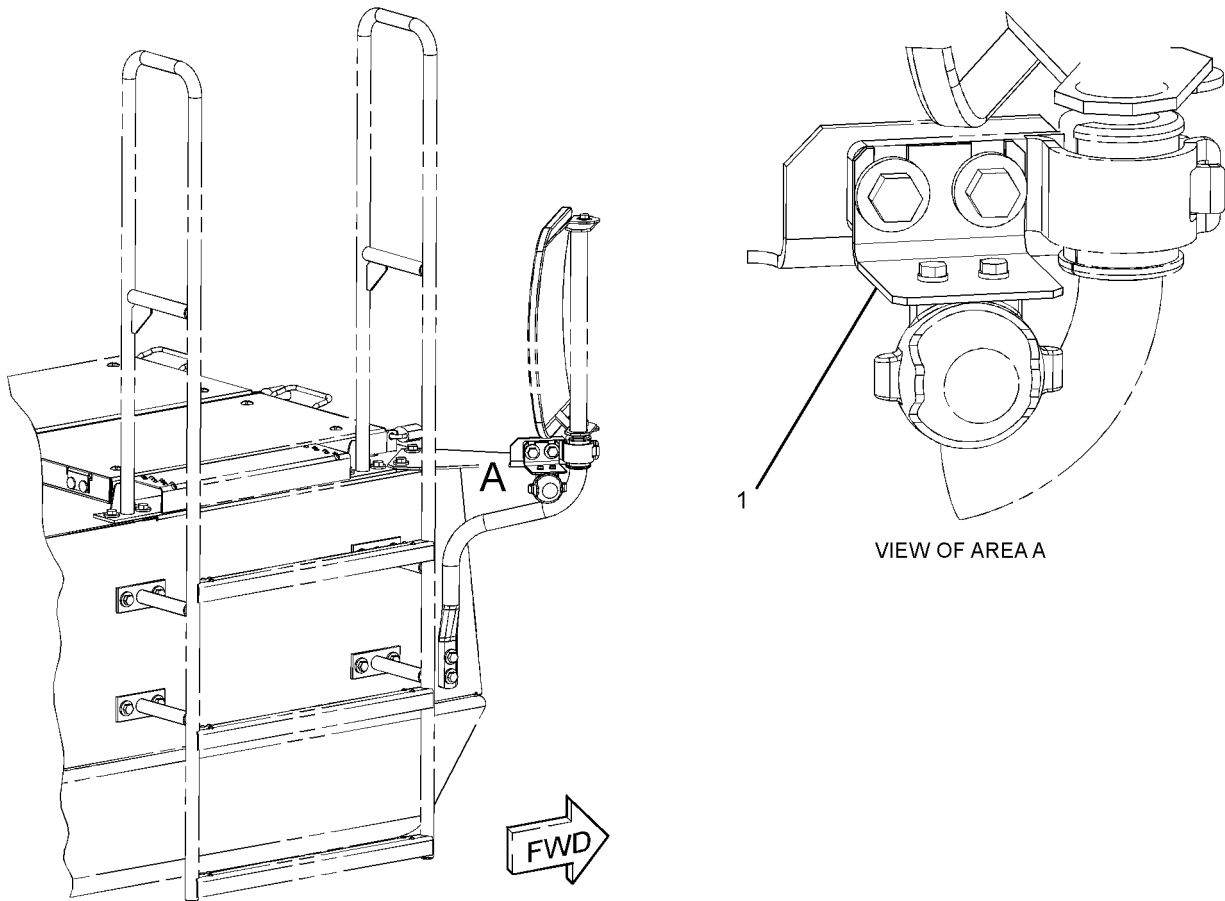
S/N: PAS1-UP

WORK AREA VISUAL SYSTEM
PART OF 319-9126 CAMERA AR
AN ATTACHMENT

SMCS-7348

i03656959

NOTE	REF NO	GRAPHIC REF	PART NUMBER	QTY	PART NAME						SEE PAGE
					1	2	3	4	5	6 (PRODUCT LEVEL)	
	1	1	327-3087	1	BRACKET						



GRAPHIC #1

<END>

g02046973

ELECTRICAL AND STARTING SYSTEM

197-7415 MOUNTING GP-SENSOR-ATMOSPHERIC, ENGINE OIL

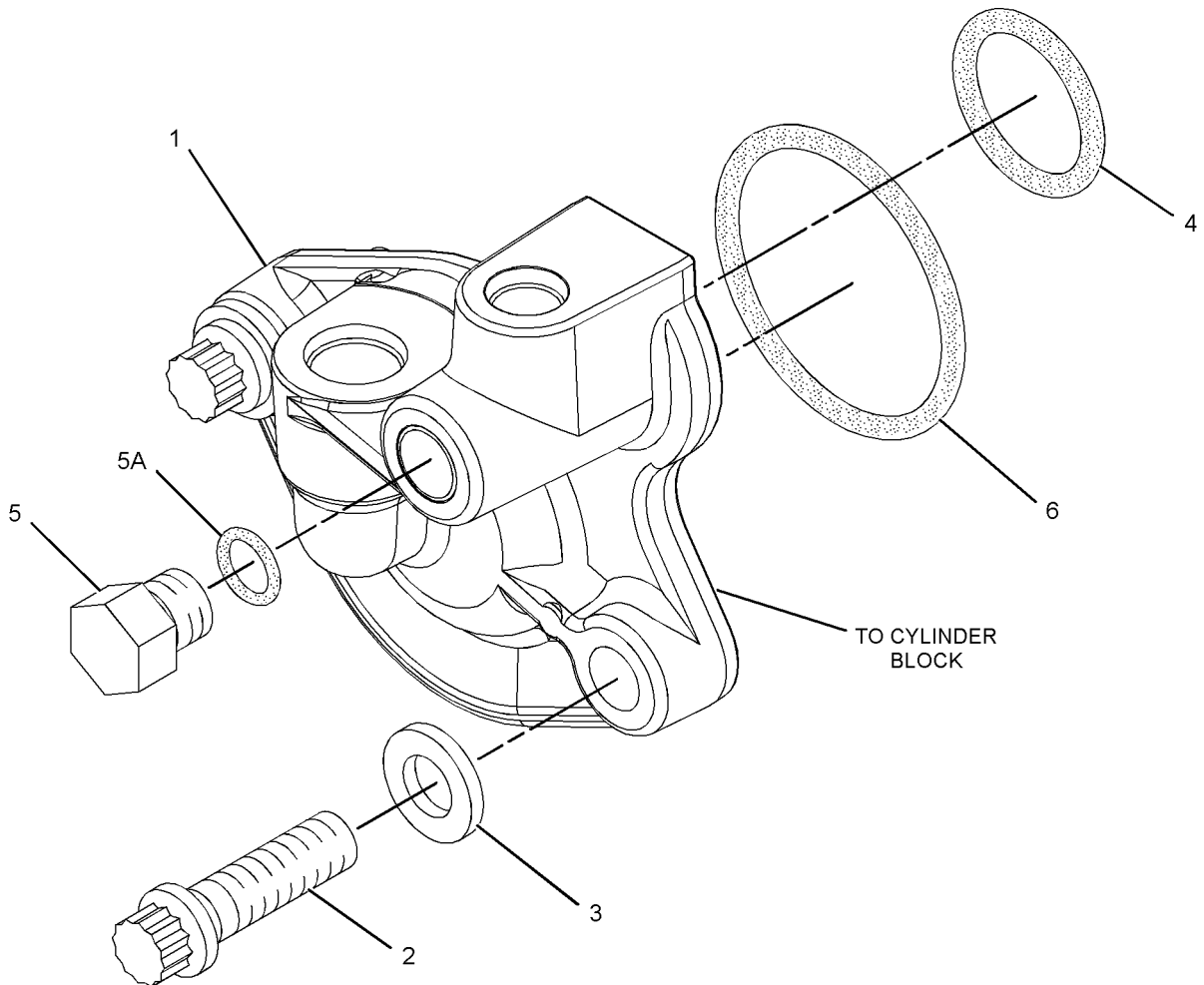
S/N: LHX19430-22300

PART OF 288-8156 ENGINE AR-COMPLETE

SMCS-1439, 1923, 1924

i03767891

NOTE	REF NO	GRAPHIC REF	PART NUMBER	QTY	PART NAME						SEE PAGE
					1	2	3	4	5	6 (PRODUCT LEVEL)	
	1	1	166-6693	1	ADAPTER						
	2	1	1T-0720	2	BOLT-12 POINT HEAD (3/8-16X1.25-IN)						
	3	1	5M-2894	2	WASHER-HARD (10.2X18.5X2.5-MM THK)						
	4	1	6V-3683	1	SEAL-O-RING						
	5	1	307-2671	1	PLUG AS						
	5A	1	214-7566	1	SEAL-O-RING						
		1	9S-8002	1	PLUG-O-RING						
	6	1	8J-4351	1	SEAL-O-RING						



GRAPHIC #1

<END>

g02032475

ELECTRICAL AND STARTING SYSTEM

332-6780 MOUNTING GP-SENSOR

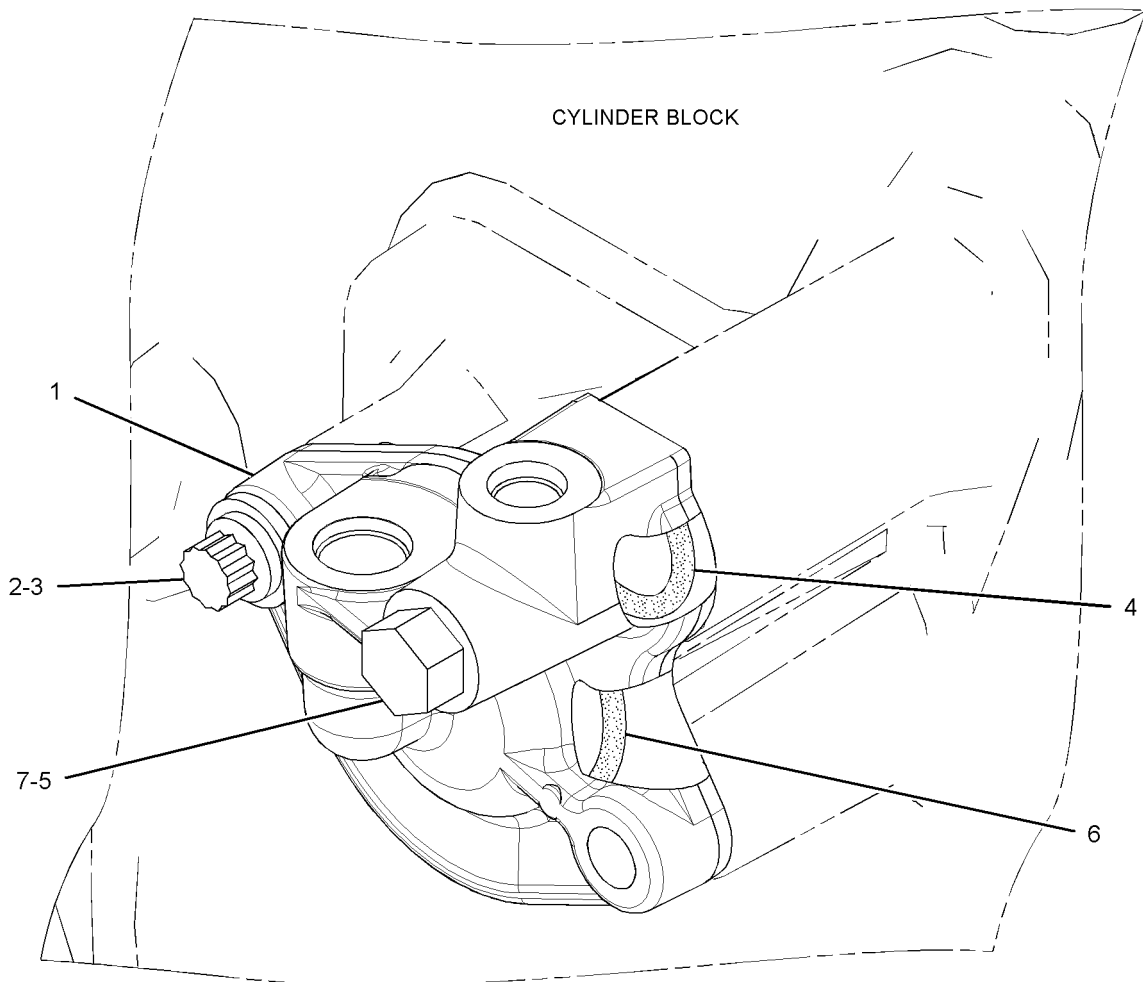
S/N: LHX22301-UP

PART OF 288-8156 ENGINE AR-COMplete

SMCS-1439, 1923, 1924

i03449262

NOTE	REF NO	GRAPHIC REF	PART NUMBER	QTY	PART NAME						SEE PAGE
					1	2	3	4	5	6 (PRODUCT LEVEL)	
	1	1	166-6693	1	ADAPTER						
	2	1	1T-0720	1	BOLT-12 POINT HEAD (3/8-16X1.25-IN)						
	3	1	5M-2894	1	WASHER-HARD (10.2X18.5X2.5-MM THK)						
	4	1	6V-3683	1	SEAL-O-RING						
	5	1	6V-5048	1	SEAL-O-RING						
	6	1	8J-4351	1	SEAL-O-RING						
	7	1	9S-4182	1	PLUG-O-RING						



GRAPHIC #1

<END>

g01798155

ELECTRICAL AND STARTING SYSTEM

349-5367 MOUNTING GP-SENSOR-BODY TILT SENSOR

S/N: PAS1-UP

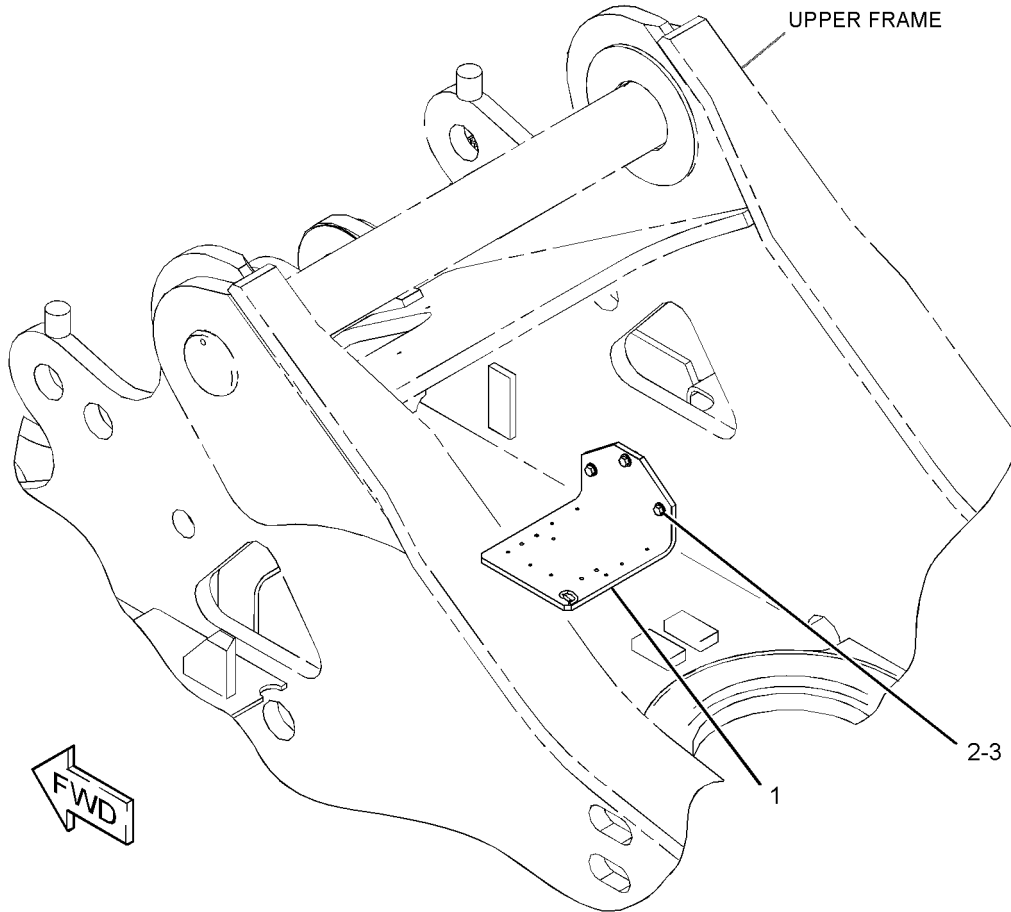
PART OF 319-9260 SPECIAL AR
AN ATTACHMENT

SMCS-1439, 1923, 1924

i03822531

NOTE	REF NO	GRAPHIC REF	PART NUMBER	QTY	PART NAME						SEE PAGE
					1	2	3	4	5	6 (PRODUCT LEVEL)	
	1	1	338-6978	1	BRACKET AS						
M	2	1	8T-4139	3	BOLT (M12X1.75X30-MM)						
	3	1	8T-4223	3	WASHER-HARD (13.5X25.5X3-MM THK)						

M-METRIC PART



GRAPHIC #1

<END>

g02131937

ELECTRICAL AND STARTING SYSTEM

299-2627 PANEL GP-CIRCUIT BREAKER

S/N: PAS1-UP

PART OF 299-2626 BATTERY & WIRING GP

SMCS-1417

i03656427

NOTE	REF NO	GRAPHIC REF	PART NUMBER	QTY	PART NAME						SEE PAGE
					1	2	3	4	5	6 (PRODUCT LEVEL)	
	1	1	3E-8320	1	PLATE-INSTRUCTION (BATTERY)						
	2	2	3S-2093	9	STRAP-CABLE						
	3	2	7I-2673	1	STRAP-CABLE						
Y	4	1	7N-0719	1	SWITCH GP-DISCONNECT (BATTERY)						252
	5	3	7Y-5499	1	BLOCK AS-TERMINAL						
	6	4	9G-8451	1	BLOCK AS						
		4	1H-3244	1	LOCKWASHER						
		4	4B-4276	2	WASHER (7X16X1.6-MM THK)						
		4	4L-7124	1	BOLT (1/4-20X1.25-IN)						
		4	6V-8185	2	NUT (1/4-20-THD)						
7	1		9R-7941	1	SOCKET AS						
		1	9R-7980	1	COVER						
8		2,3	105-9983	2	CLIP						
9		4	105-9986	2	CLIP						
10		4	106-0193	1	RESISTOR AS						
11		3	113-8490	21	FUSE (10-AMPERE)						
12		3	113-8491	11	FUSE (15-AMPERE)						
13		3	124-3548	2	FUSE (30-AMPERE)						
Y	14	3	125-1302	1	SWITCH GP-MAGNETIC (24-VOLT) (START RELAY)						253
	15	4	136-4055	1	STRIP						
	16	3	141-2759	4	FUSE (5-AMPERE)						
	17	3	145-3084	1	RESISTOR AS						
	18	2	149-5050	1	RELAY (24-VOLT)						
	19	3	151-9360	2	RESISTOR AS						
					(EACH INCLUDES)						
		3	102-8802	1	KIT-RECEPTACLE (2-PIN)						
					(INCLUDES RECEPTACLE AS & WEDGE)						
		3	9W-0852	2	PIN-CONNECTOR (14-GA)						
20		3	161-3128	8	RELAY (24-VOLT)						
21		2	163-6704	1	TIMER AS (TIME DELAY LIGHTING)						
		2	102-8802	1	KIT-RECEPTACLE (2-PIN)						
		2	102-8803	1	KIT-RECEPTACLE (3-PIN)						
					(EACH RECEPTACLE AS INCLUDES RECEPTACLE AS & WEDGE)						
		2	186-3735	5	PIN-CONNECTOR (16-GA TO 18-GA)						
22		1	167-3593	1	STRAP						
23		3	170-6888	1	PULLER-FUSE						
24		1	171-2210	1	CIRCUIT BREAKER AS (80-AMPERE)						
		1	6V-8187	2	NUT (1/4-28-THD)						
		1	8T-4205	2	WASHER-HARD (7.2X14.5X2-MM THK)						
		1	253-2111	2	LOCKWASHER						
25		1	171-2212	1	CIRCUIT BREAKER AS (105-AMPERE)						
		1	6V-8187	2	NUT (1/4-28-THD)						
		1	8T-4205	2	WASHER-HARD (7.2X14.5X2-MM THK)						
		1	1H-3244	2	LOCKWASHER						
26		4	213-0772	1	SWITCH AS-MAGNETIC (24-VOLT) (MAIN RELAY)						
27		3	234-1194	1	WIRE AS						
28		4	234-1196	1	WIRE AS						
29		3	234-1198	1	WIRE AS						
30		3	234-1199	1	WIRE AS						
31		4	238-2392	2	BAR-BUS						
32		2	238-2526	1	COVER						
33		1	328-0213	1	BRACKET AS						
34		4	328-0307	1	WIRE AS						
35		4	328-0308	1	WIRE AS						
36		2	342-2890	1	HARNESS AS-PANEL						

ELECTRICAL AND STARTING SYSTEM

299-2627 PANEL GP-CIRCUIT BREAKER (contd.)

i03656427

NOTE	REF NO	GRAPHIC REF	PART NUMBER	QTY	PART NAME						SEE PAGE
					1	2	3	4	5	6 (PRODUCT LEVEL)	
		2	8T-8729	5	PIN-CONNECTOR (16-GA TO 18-GA)						
		2	8T-8730	15	SOCKET-CONNECTOR (16-GA TO 18-GA)						
		2	3S-2093	43	STRAP-CABLE						
		2	9X-0196	1	WIRE AS						
		2	7Y-3951	31	TERMINAL-BLADE (14-GA) (FEMALE)						
		2	7Y-3952	16	CONNECTOR-PLUG (2-PIN)						
		2	7Y-3963	7	TERMINAL-BULLET (FEMALE)						
		2	7Y-3993	1	TERMINAL-BLADE (12-GA) (FEMALE)						
		2	8C-6354	1	CAP-RECEPTACLE						
		2	8T-8737	8	PLUG-SEAL						
		2	9W-1951	1	RECEPTACLE-CONNECTOR (9-PIN)						
		2	9W-0852	13	PIN-CONNECTOR (14-GA)						
		2	9W-0844	24	SOCKET-CONNECTOR (14-GA)						
BE		2	119-3662		TUBE-HEAT SHRINK (10.85-MM DIA)						
		2	121-1022	16	DIODE						
BE		2	125-7875		TUBE-HEAT SHRINK (7.44-MM DIA)						
		2	9X-3402	7	SOCKET-CONNECTOR (16-GA TO 18-GA)						
		2	2L-8065	3	TERMINAL-RING (10-GA TO 12-GA, NO. 8 SCREW)						
		2	2L-8066	1	TERMINAL-RING (10-GA TO 12-GA, NO. 10 SCREW)						
		2	2L-8067	4	TERMINAL-RING (10-GA TO 12-GA, 1/4-IN SCREW)						
		2	2L-8075	1	TERMINAL-RING (14-GA TO 16-GA, NO. 8 SCREW)						
		2	2L-8076	13	TERMINAL-RING (14-GA TO 16-GA, NO. 10 SCREW)						
		2	9X-3401	24	PIN-CONNECTOR (16-GA TO 18-GA)						
		2	149-5051	10	CONNECTOR-RECEPTACLE						
		2	149-5069	12	TERMINAL-BLADE (14-GA TO 20-GA) (FEMALE)						
		2	149-5070	20	TERMINAL-BLADE (16-GA TO 20-GA) (FEMALE)						
		2	149-5071	8	TERMINAL-BLADE (12-GA TO 14-GA) (FEMALE)						
		2	155-2260	1	KIT-CONNECTING PLUG (3-PIN)						
		2	155-2270	4	KIT-CONNECTING PLUG (2-PIN) (EACH PLUG KIT INCLUDES PLUG AS, WEDGE, & INTERFACE SEAL)						
		2	170-6890	10	TERMINAL-BLADE (14-GA)						
		2	170-6891	18	TERMINAL-BLADE (16-GA TO 18-GA)						
		2	183-1000	1	PANEL GP-FUSE						
		2	230-4009	2	PLUG AS-CONNECTOR (12-PIN) (EACH INCLUDES)						
		2	264-7034	1	SEAL-CONNECTOR						
		2	230-4011	1	PLUG AS-CONNECTOR (2-PIN)						
		2	264-7029	1	SEAL-CONNECTOR						
		2	239-7356	1	PLUG AS-CONNECTOR (12-PIN)						
		2	264-7034	1	SEAL-CONNECTOR						
		2	243-4505	1	RECEPTACLE AS-CONNECTOR (2-PIN)						
		2	243-4510	2	RECEPTACLE AS-CONNECTOR (12-PIN)						
		2	272-5000	1	RECEPTACLE AS-CONNECTOR (12-PIN)						
M	37	3,4	095-0735	14	SCREW-MACHINE (M5X0.8X8-MM)						
M	38	4	096-4833	2	BOLT-SOCKET HEAD (M5X0.8X20-MM)						
	39	1	096-5962	4	WASHER-HARD (3.4X7X0.8-MM THK)						
	40	1,2,3,4	096-6166	8	WASHER-HARD (4.5X9X1-MM THK)						
	41	1	111-4874	1	COVER						
M	42	1	3E-8048	4	SCREW-MACHINE (M3X0.5X6-MM)						
	43	1	6V-5645	4	SCREW-MACHINE (10-32X0.87-IN)						
M	44	2,3,4	7X-2619	5	BOLT (M6X1X10-MM)						
M	45	1,2,3,4	8C-7581	8	SCREW-MACHINE (M4X0.7X8-MM)						
	46	1,3,4	8T-0328	20	WASHER-HARD (5.5X10X1-MM THK)						
	47	2	8T-4121	4	WASHER-HARD (11X21X2.5-MM THK)						

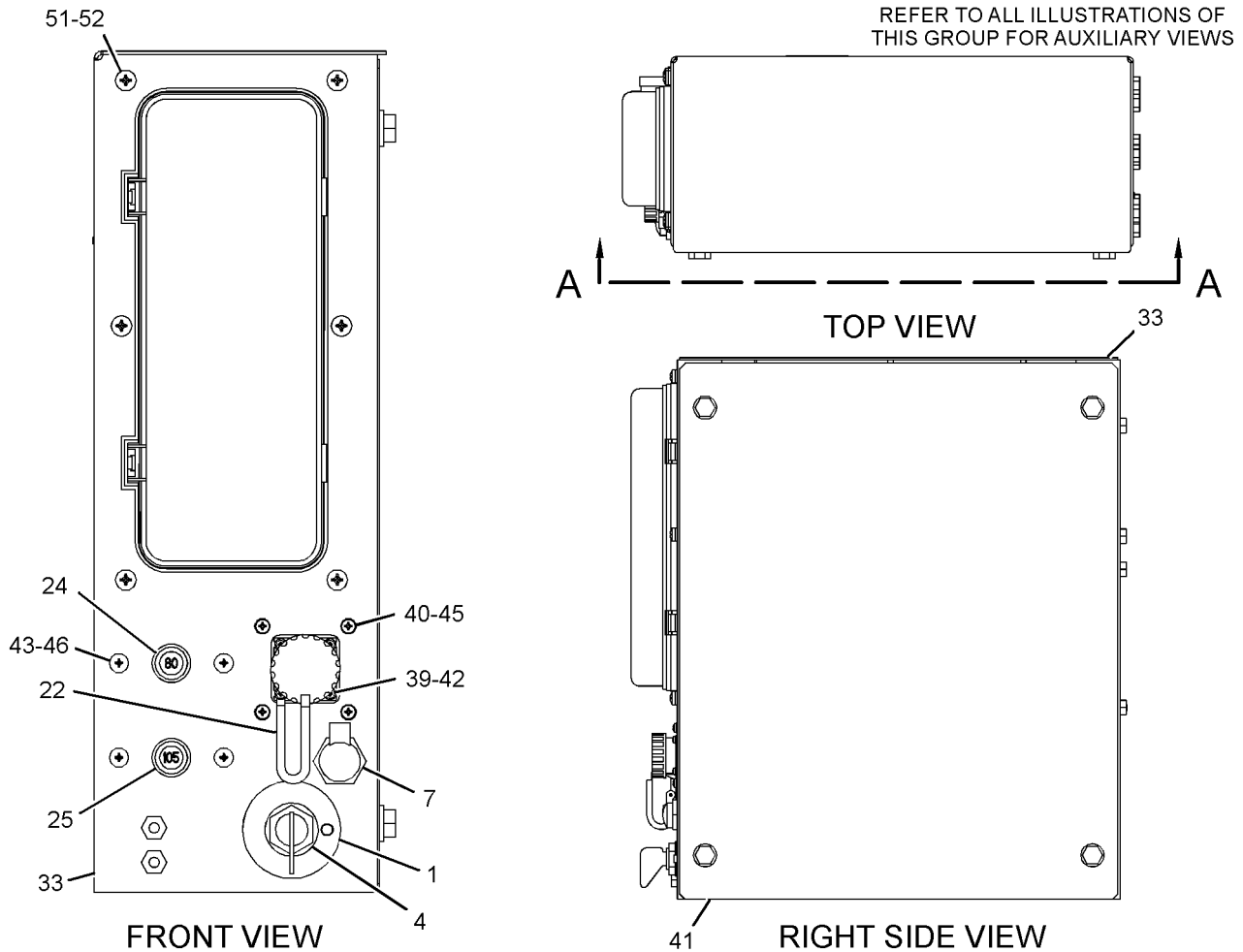
ELECTRICAL AND STARTING SYSTEM

299-2627 PANEL GP-CIRCUIT BREAKER (contd.)

i03656427

NOTE	REF NO	GRAPHIC REF	PART NUMBER	QTY	PART NAME						SEE PAGE
					1	2	3	4	5	6 (PRODUCT LEVEL)	
M	48	3	8T-4171	6	BOLT (M6X1X12-MM)						
M	49	2	8T-4191	4	BOLT (M10X1.5X16-MM)						
M	50	2,4	8T-4970	4	BOLT (M6X1X14-MM)						
M	51	1,2,3	8T-6411	12	SCREW-MACHINE (M6X1X12-MM)						
	52	1,2,3,4	9X-8256	27	WASHER (6.6X12X2-MM THK)						

B-USE AS REQUIRED
 E-ORDER BY THE CENTIMETER
 M-METRIC PART
 Y-SEPARATE ILLUSTRATION



GRAPHIC #1

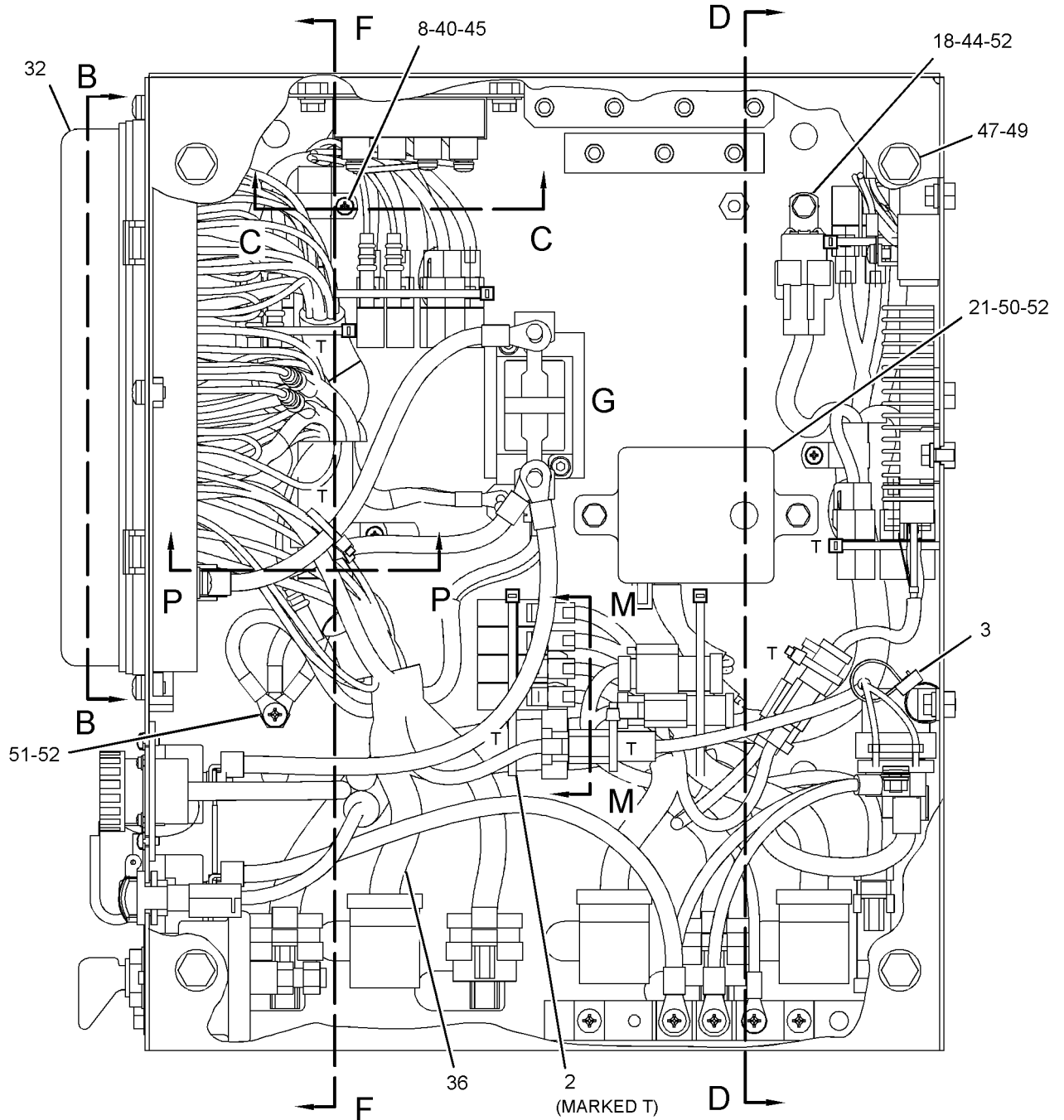
g02093855

ELECTRICAL AND STARTING SYSTEM

299-2627 PANEL GP-CIRCUIT BREAKER (contd.)

i03656427

REFER TO ALL ILLUSTRATIONS OF THIS GROUP FOR AUXILIARY VIEWS



VIEW A-A
(COVER REMOVED)

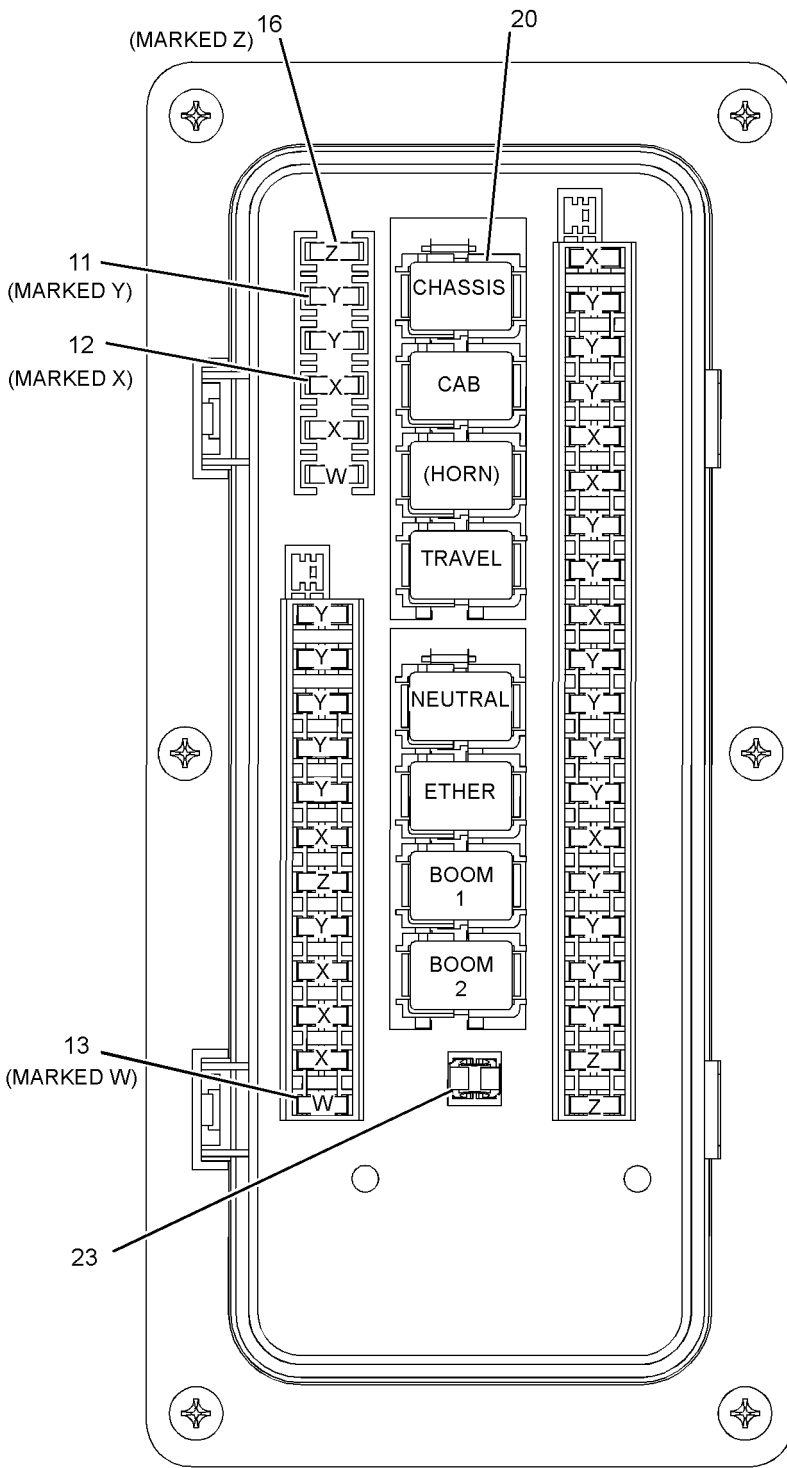
GRAPHIC #2

g02093856

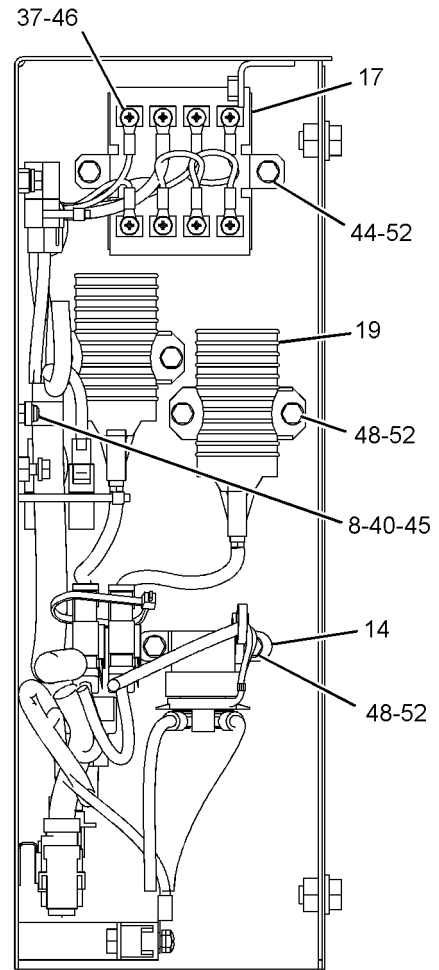
ELECTRICAL AND STARTING SYSTEM

299-2627 PANEL GP-CIRCUIT BREAKER (contd.)

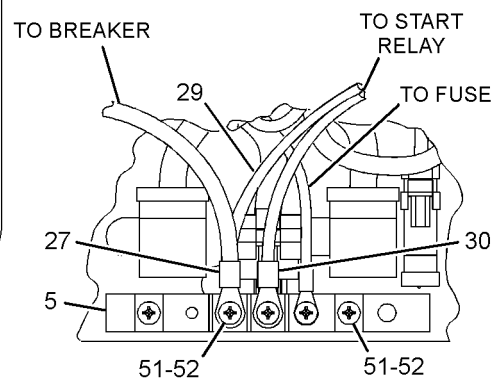
i03656427



SECTION B-B



SECTION D-D



VIEW OF AREA E

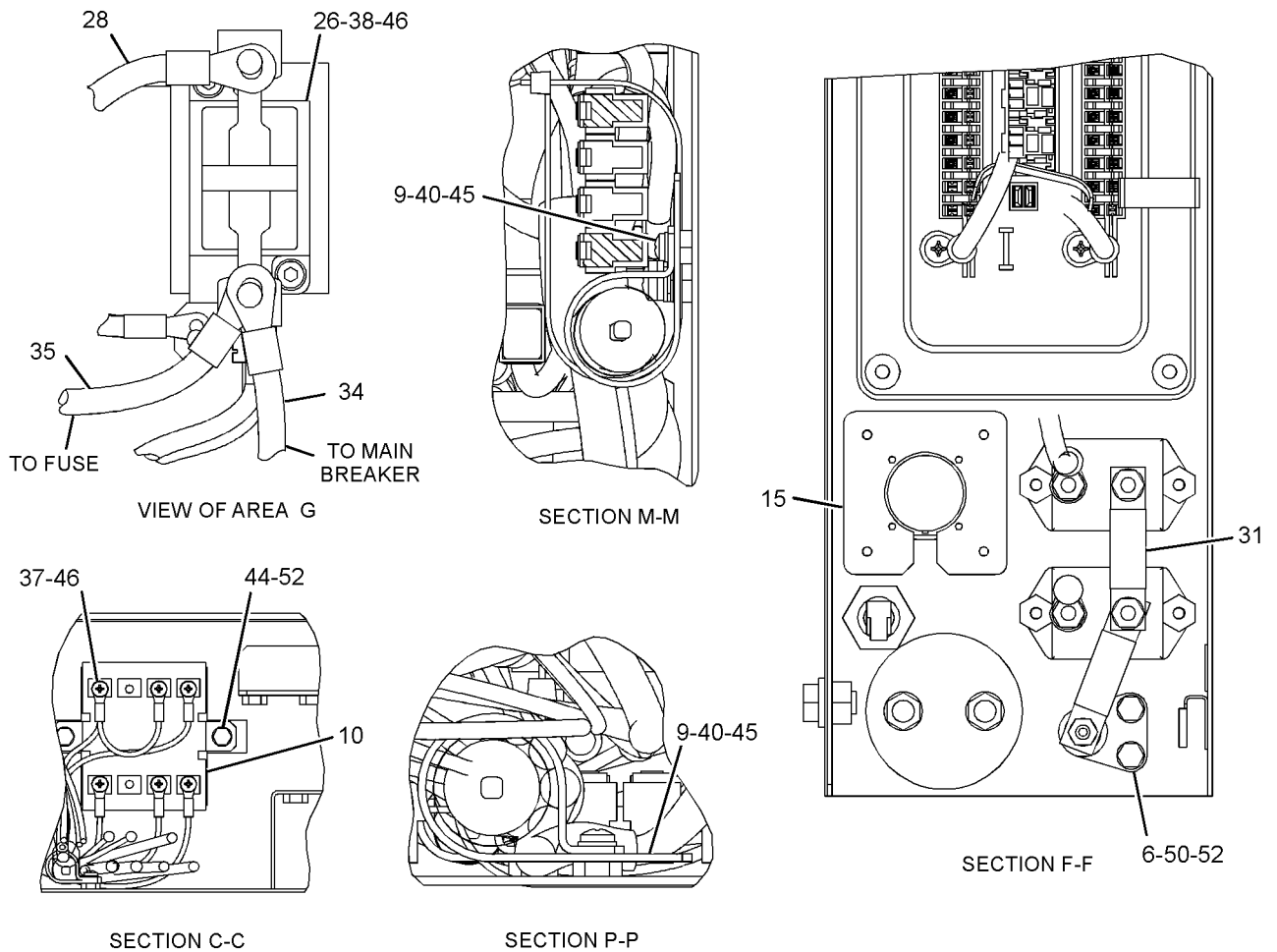
GRAPHIC #3

g02093857

ELECTRICAL AND STARTING SYSTEM

299-2627 PANEL GP-CIRCUIT BREAKER (contd.)

i03656427



GRAPHIC #4

<END>

g02093858

ELECTRICAL AND STARTING SYSTEM

251-0542 PANEL GP-SWITCH-ENGINE SPEED, START

S/N: PAS1-UP

PART OF 340-4002, 340-4003, 340-4004 OPTION AR-CAB
AN ATTACHMENT

SMCS-1408, 1429, 7332, 7451

i03631049

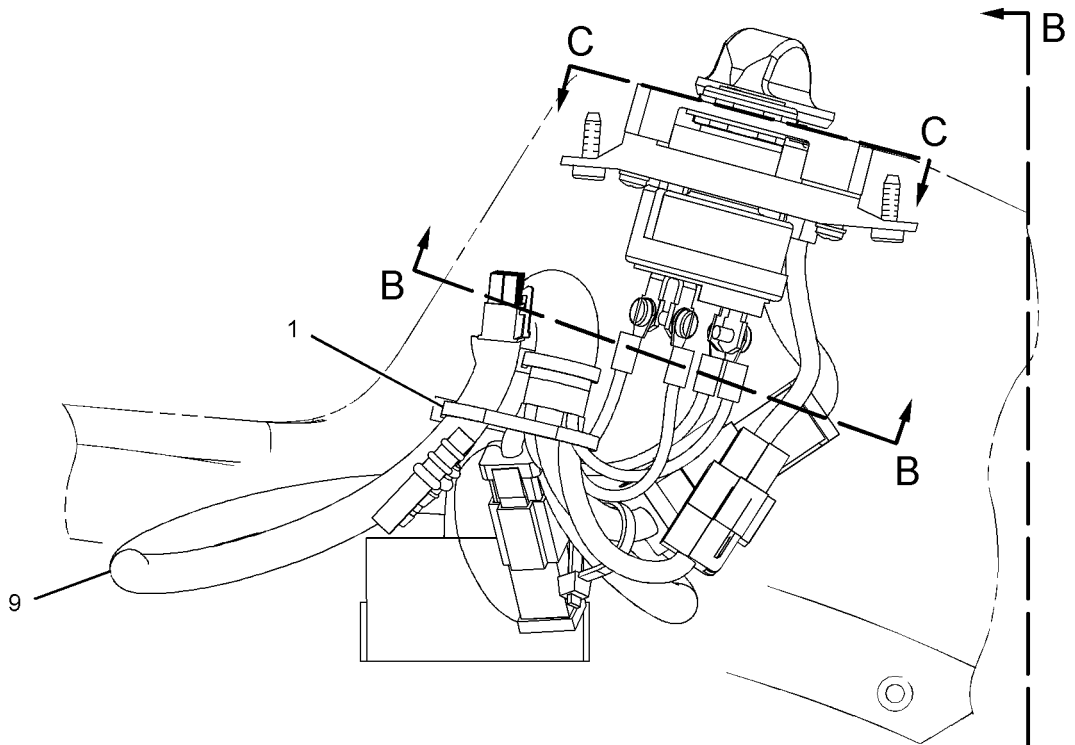
NOTE	REF NO	GRAPHIC REF	PART NUMBER	QTY	PART NAME						SEE PAGE
					1	2	3	4	5	6 (PRODUCT LEVEL)	
	1	1	3S-2093	4	STRAP-CABLE						
Y	2	1	9G-7641	1	SWITCH GP-START (ENGINE, KEY)						259
CY	3	1	319-4420	1	SWITCH GP-ROTARY (THROTTLE POSITION)						258
	4	1	170-9324	1	LAMP AS (24-VOLT, 3-WATT)						
	5	1	185-9208	1	KNOB AS (THROTTLE POSITION)						
	6	1	234-1156	1	COVER						
	7	1	234-1158	1	COVER						
	8	1	267-7976	1	PANEL						
C	9	1	328-0021	1	HARNESS AS-CONSOLE (RH)						
		1	102-8802	1	KIT-RECEPTACLE (2-PIN) (INCLUDES RECEPTACLE AS & WEDGE)						
		1	3S-2093	3	STRAP-CABLE						
		1	7Y-3951	2	TERMINAL-BLADE (14-GA)						
		1	7Y-3952	1	CONNECTOR-PLUG (2-PIN)						
		1	7Y-3962	1	TERMINAL-BULLET (MALE)						
		1	7Y-3963	1	TERMINAL-BULLET (FEMALE)						
		1	8T-8737	3	PLUG-SEAL						
		1	121-1168	1	CONNECTOR-RECEPTACLE						
		1	121-1173	14	TERMINAL (MALE)						
		1	9X-3402	7	SOCKET-CONNECTOR (16-GA TO 18-GA) -OR-						
		1	126-1768	7	SOCKET-CONNECTOR (14-GA)						
		1	2L-8075	4	TERMINAL-RING (14-GA TO 16-GA, NO. 8 SCREW)						
		1	153-2540	10	TERMINAL						
		1	153-2541	1	CONNECTOR-PLUG						
		1	155-2270	1	KIT-CONNECTING PLUG (2-PIN) (INCLUDES PLUG AS, WEDGE, & INTERFACE SEAL)						
		1	230-5010	1	PLUG AS-CONNECTOR (6-PIN)						
		1	238-2366	7	TERMINAL (MALE)						
	10	1	096-6166	4	WASHER-HARD (4.5X9X1-MM THK)						
	11	1	119-5026	4	SCREW-PAN HEAD (10-16X0.63-IN)						
M	12	1	6V-9491	4	SCREW-MACHINE (M4X0.7X20-MM)						

C-CHANGE FROM PREVIOUS TYPE
M-METRIC PART
Y-SEPARATE ILLUSTRATION

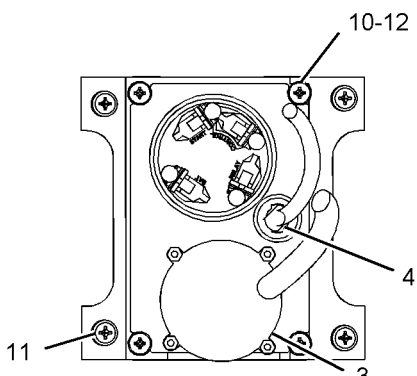
ELECTRICAL AND STARTING SYSTEM

251-0542 PANEL GP-SWITCH (contd.)

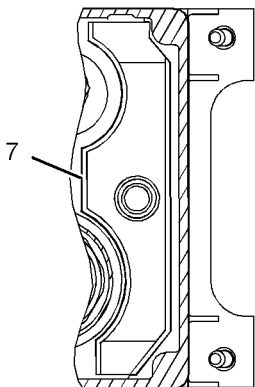
i03631049



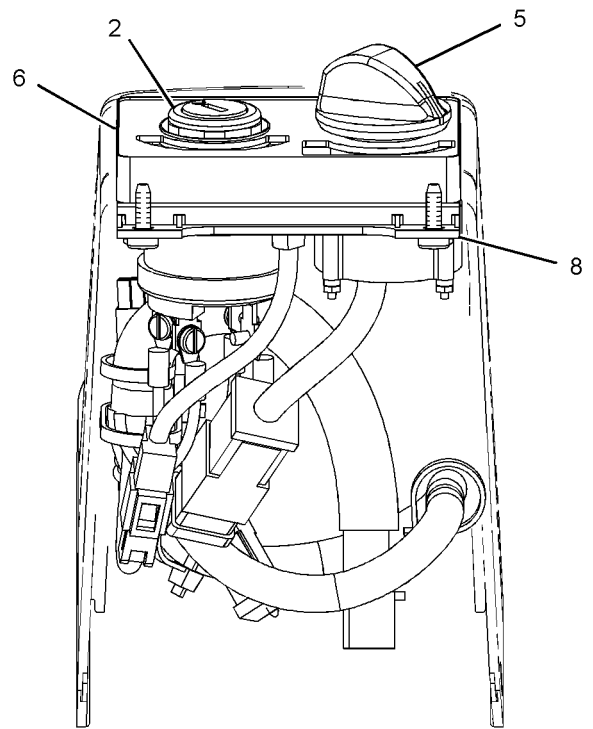
RIGHT SIDE VIEW



SECTION B-B



VIEW C-C



VIEW B-B

GRAPHIC #1

<END>

g01112022

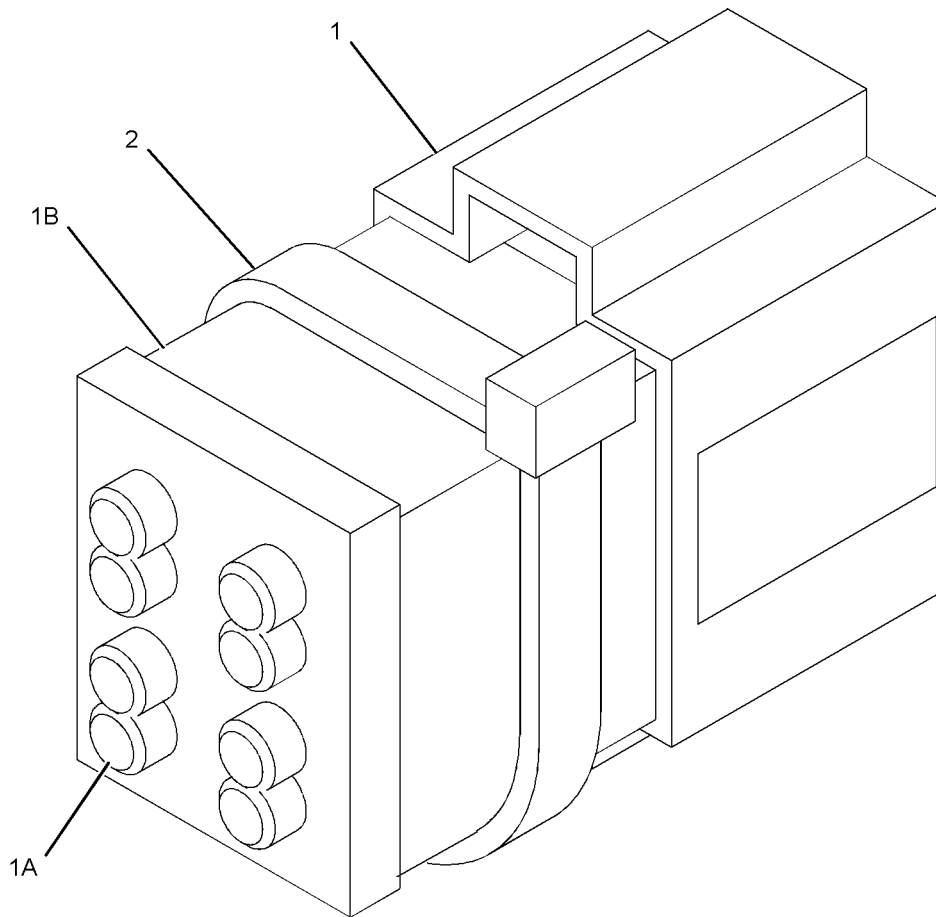
ELECTRICAL AND STARTING SYSTEM

235-8200 PLUG GP-CONNECTOR- ENGINE HARNESS, PROTECTIVE COVER S/N: LHX19430-UP PART OF 288-8156 ENGINE AR-COMplete

SMCS-1403, 1408

i02951918

NOTE	REF NO	GRAPHIC REF	PART NUMBER	QTY	PART NAME						SEE PAGE
					1	2	3	4	5	6 (PRODUCT LEVEL)	
	1	1	246-9353	1	PLUG AS						
	1A	1	8T-8737	8	PLUG-SEAL						
	1B	1	102-8806	1	KIT-RECEPTACLE (8-PIN) (INCLUDES RECEPTACLE AS & WEDGE)						
	2	1	3S-2093	1	STRAP-CABLE						



GRAPHIC #1

<END>

g01105455

ELECTRICAL AND STARTING SYSTEM

297-4514 SENSOR & MTG GP-POSITION-BOOM

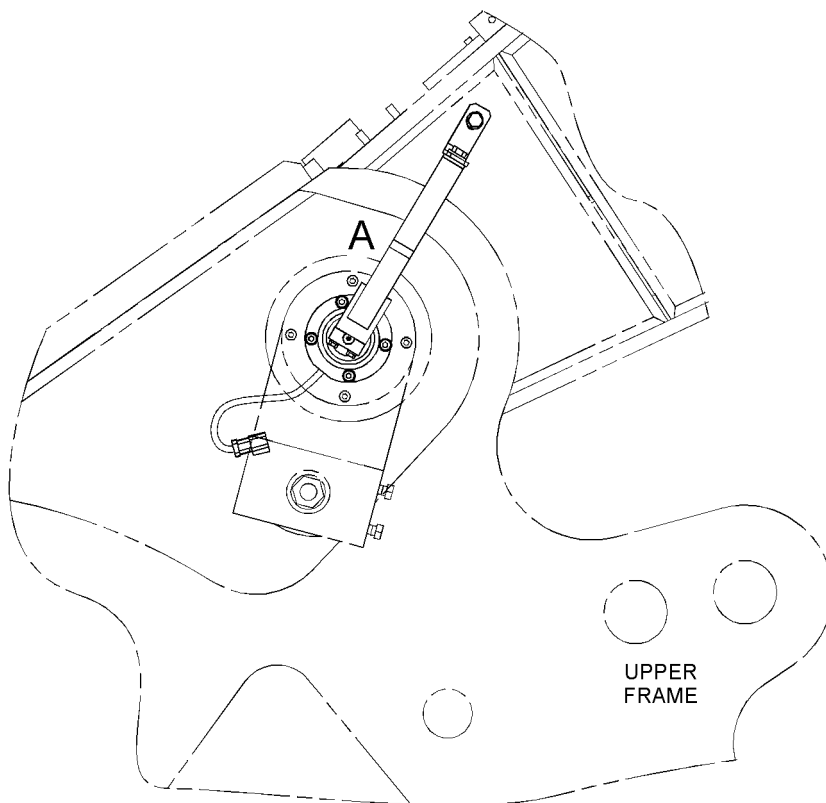
S/N: PAS1-UP
PART OF 319-9260 SPECIAL AR
AN ATTACHMENT

SMCS-5736

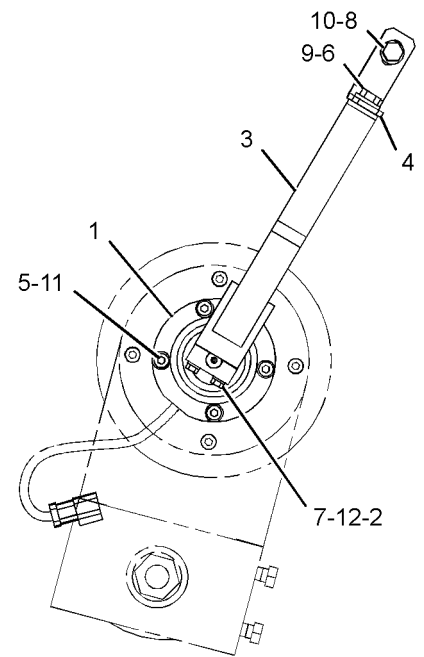
i03877416

NOTE	REF NO	GRAPHIC REF	PART NUMBER	QTY	PART NAME						SEE PAGE
					1	2	3	4	5	6 (PRODUCT LEVEL)	
Y	1	1	169-0417	1	SENSOR GP-POSITION (BOOM)						226
	2	1	309-5694	1	PLATE						
	3	1	349-5520	1	LEVER AS						
	4	1	349-5522	1	ANGLE						
M	5	1	131-3983	4	BOLT-SOCKET HEAD (M8X1.25X35-MM)						
	6	1	7X-7729	2	WASHER (11X25X3-MM THK)						
M	7	1	8C-8451	2	BOLT (M6X1X40-MM)						
	8	1	8T-4121	1	WASHER-HARD (11X21X2.5-MM THK)						
M	9	1	8T-4136	2	BOLT (M10X1.5X25-MM)						
M	10	1	8T-4137	1	BOLT (M10X1.5X20-MM)						
	11	1	8T-4224	4	WASHER-HARD (8.8X16X2-MM THK)						
	12	1	9X-8256	2	WASHER (6.6X12X2-MM THK)						

M-METRIC PART
Y-SEPARATE ILLUSTRATION



RIGHT SIDE VIEW



VIEW OF AREA A

GRAPHIC #1

<END>

g02138289

ELECTRICAL AND STARTING SYSTEM

231-1973 SENSOR GP-ENGINE

S/N: LHX19430-UP

PART OF 288-8156 ENGINE AR-COMplete

SMCS-1000, 1906, 1907, 1924, 7422

i02379233

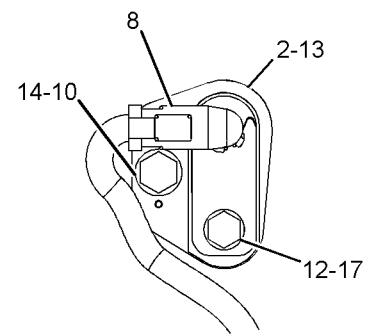
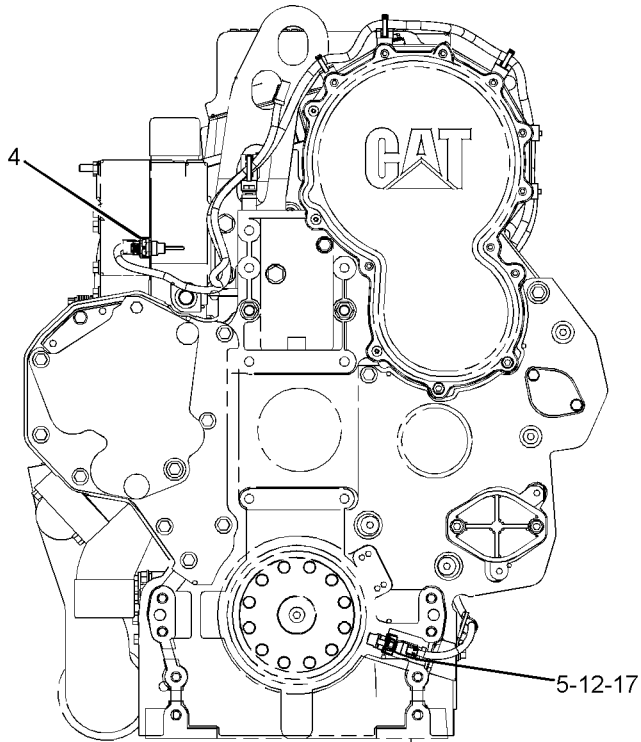
NOTE	REF NO	GRAPHIC REF	PART NUMBER	QTY	PART NAME						SEE PAGE
					1	2	3	4	5	6 (PRODUCT LEVEL)	
	1	1	9X-0262	1	ADAPTER						
	2	1	132-9770	1	SPACER AS						
		1	1W-6448	2	DOWEL						
Y	3	1	274-7395	1	SENSOR GP-TEMPERATURE (INTAKE AIR MANIFOLD)						239
Y	4	1	274-7396	1	SENSOR GP-TEMPERATURE (WATER, COOLANT)						240
Y	5	1	214-2484	1	SENSOR GP-SPEED (TIMING, CRANKSHAFT)						237
Y	6	1	239-2395	1	SENSOR GP-PRESSURE (ATMOSPHERIC)						229
Y	7	1	239-2396	1	SENSOR GP-PRESSURE (ENGINE OIL)						230
Y	8	1	239-5928	1	SENSOR GP-SPEED (TIMING, CAMSHAFT)						238
	9	1	241-6186	1	ELBOW						
	10	1	0S-1591	1	BOLT (3/8-16X1.5-IN)						
Y	11	1	239-5674	1	SENSOR GP-PRESSURE (INTAKE AIR MANIFOLD)						232
	12	1	2H-3755	2	BOLT (5/16-18X0.43-IN)						
	13	1	3P-1155	1	SEAL-O-RING						
	14	1	5M-2894	1	WASHER-HARD (10.2X18.5X2.5-MM THK)						
	15	1	6V-5048	1	SEAL-O-RING						
	16	1	6V-5049	1	SEAL-O-RING						
	17	1	9M-1974	2	WASHER-HARD (8.8X16X2-MM THK)						

Y-SEPARATE ILLUSTRATION

ELECTRICAL AND STARTING SYSTEM

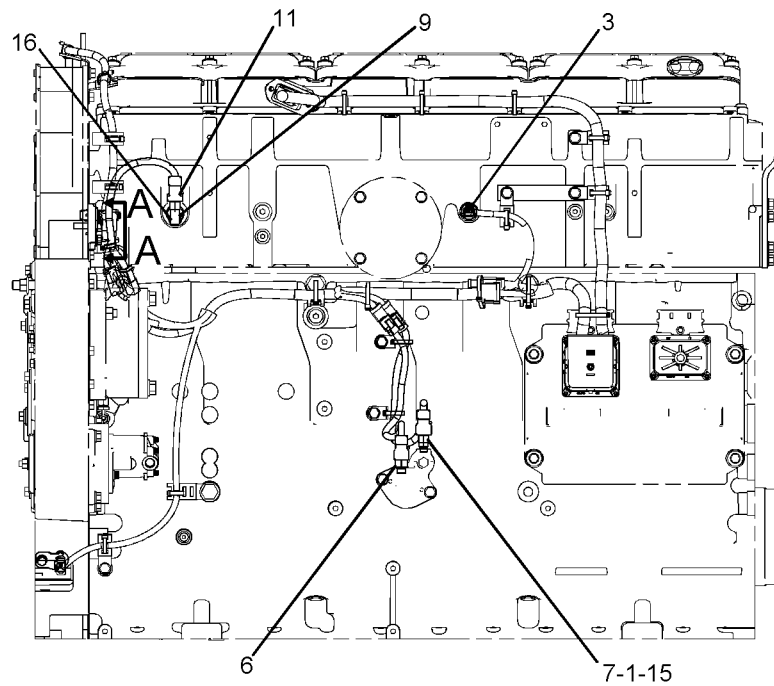
231-1973 SENSOR GP-ENGINE (contd.)

i02379233



SECTION A-A

FRONT VIEW



LEFT SIDE VIEW

<END>

GRAPHIC #1

g01055021

ELECTRICAL AND STARTING SYSTEM

178-2345 SENSOR GP-LIQUID LEVEL-WATER IN FUEL

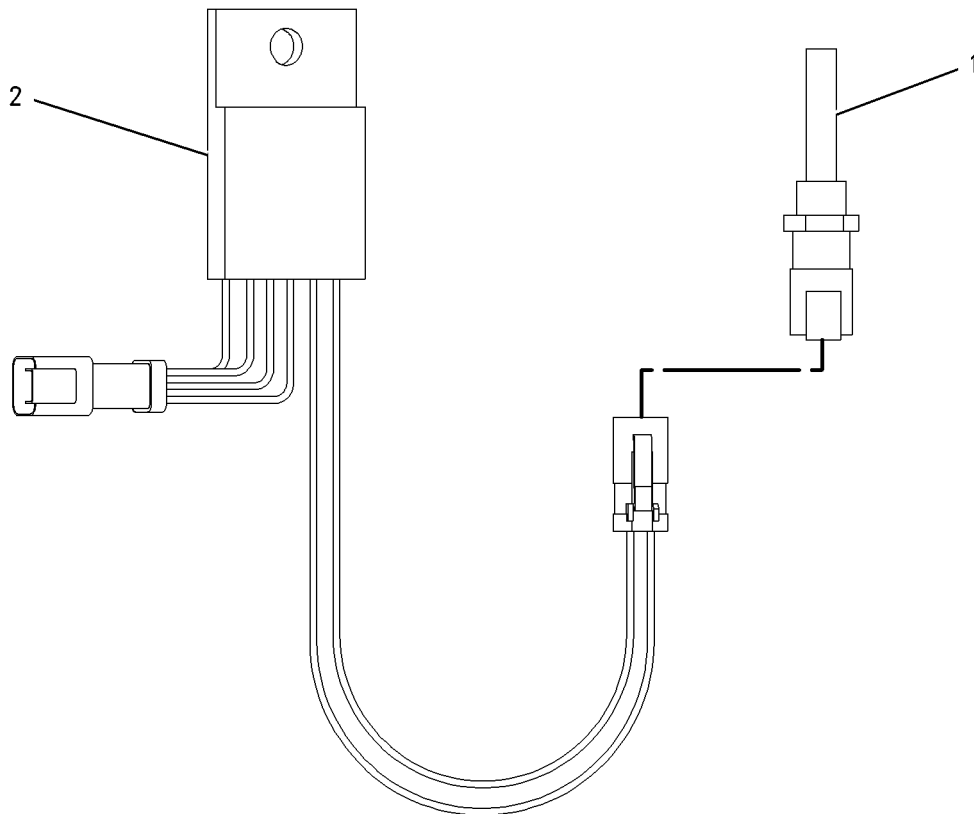
S/N: PAS1-UP

PART OF 310-9563 SENSOR GP-LIQUID LEVEL

SMCS-7422

i03202240

NOTE	REF NO	GRAPHIC REF	PART NUMBER	QTY	PART NAME						SEE PAGE
					1	2	3	4	5	6 (PRODUCT LEVEL)	
1	1	1	178-2334	1	PROBE AS-LIQUID LEVEL (WATER IN FUEL)						
		1	3J-1907	1	SEAL-O-RING						
2	1	1	178-2335	1	SENSOR AS-LIQUID LEVEL (WATER IN FUEL)						
		1	102-8804	1	KIT-RECEPTACLE (4-PIN) (INCLUDES RECEPTACLE AS & WEDGE)						
		1	155-2270	1	KIT-CONNECTING PLUG (2-PIN) (INCLUDES PLUG AS, WEDGE & INTERFACE SEAL)						
	1		186-3735	4	PIN-CONNECTOR (16-GA TO 18-GA)						
	1		186-3736	2	SOCKET-CONNECTOR (16-GA TO 18-GA)						



GRAPHIC #1

<END>

g00816289

ELECTRICAL AND STARTING SYSTEM

310-9563 SENSOR GP-LIQUID LEVEL-WATER IN FUEL

S/N: PAS1-UP

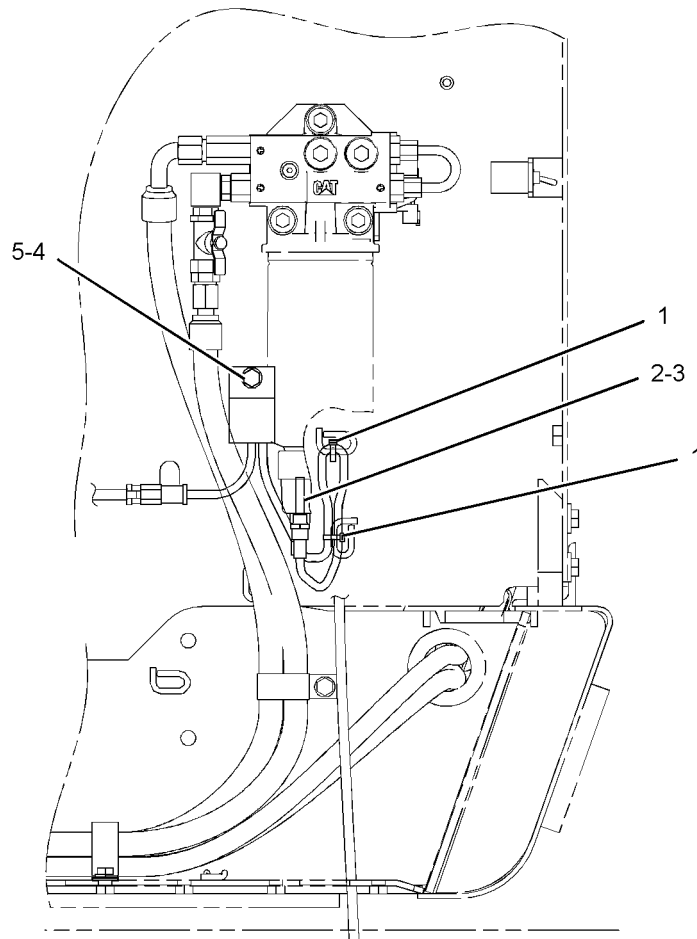
PART OF 294-1232 CHASSIS AR

SMCS-7422

i03656485

NOTE	REF NO	GRAPHIC REF	PART NUMBER	QTY	PART NAME						SEE PAGE
					1	2	3	4	5	6 (PRODUCT LEVEL)	
	1	1	3S-2093	2	STRAP-CABLE						
Y	2	1	178-2345	1	SENSOR GP-LIQUID LEVEL (WATER SEPARATOR)						224
	3	1	214-7568	1	SEAL-O-RING						
	4	1	8T-4121	1	WASHER-HARD (11X21X2.5-MM THK)						
M	5	1	8T-4137	1	BOLT (M10X1.5X20-MM)						

M-METRIC PART
Y-SEPARATE ILLUSTRATION



FRONT VIEW

<END>

GRAPHIC #1

g02045119

ELECTRICAL AND STARTING SYSTEM

169-0417 SENSOR GP-POSITION-BOOM

S/N: PAS1-UP

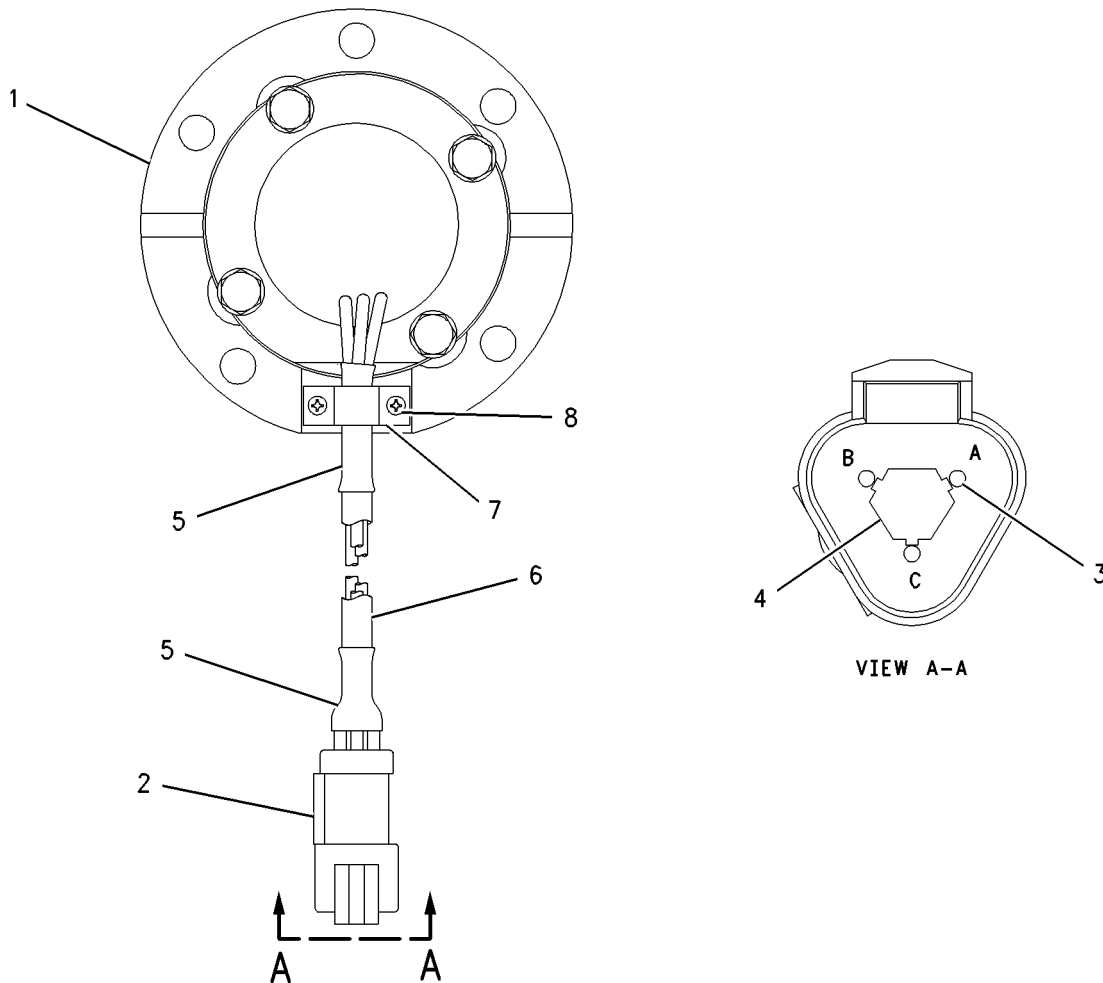
PART OF 297-4514 SENSOR & MTG GP-POSITION
AN ATTACHMENT

SMCS-5737

i02481734

NOTE	REF NO	GRAPHIC REF	PART NUMBER	QTY	PART NAME						SEE PAGE
					1	2	3	4	5	6 (PRODUCT LEVEL)	
	1	1	169-0418	1	SENSOR AS-POSITION (LIFT, TILT)						
M		1	6V-9671	4	SCREW-MACHINE (M3X0.5X12-MM)						
		1	172-1483	4	SPACER						
		1	191-9253	4	WASHER						
	2	1	102-8803	1	KIT-RECEPTACLE (3-PIN) (INCLUDES RECEPTACLE AS & WEDGE)						
	3	1	9X-3401	3	PIN-CONNECTOR (16-GA TO 18-GA)						
	4	1	3E-3371	1	WEDGE-RECEPTACLE LOCK (3-PIN)						
E	5	1	119-3662		TUBE-HEAT SHRINK (10.85-MM DIA) (5CM)						
E	6	1	9X-1813		SLEEVE (17CM)						
	7	1	172-1482	1	CLAMP						
M	8	1	3E-8048	2	SCREW-MACHINE (M3X0.5X6-MM)						

E-ORDER BY THE CENTIMETER
M-METRIC PART



GRAPHIC #1

<END>

g00744970

ELECTRICAL AND STARTING SYSTEM

194-6722 SENSOR GP-PRESSURE

S/N: LHX19430-UP

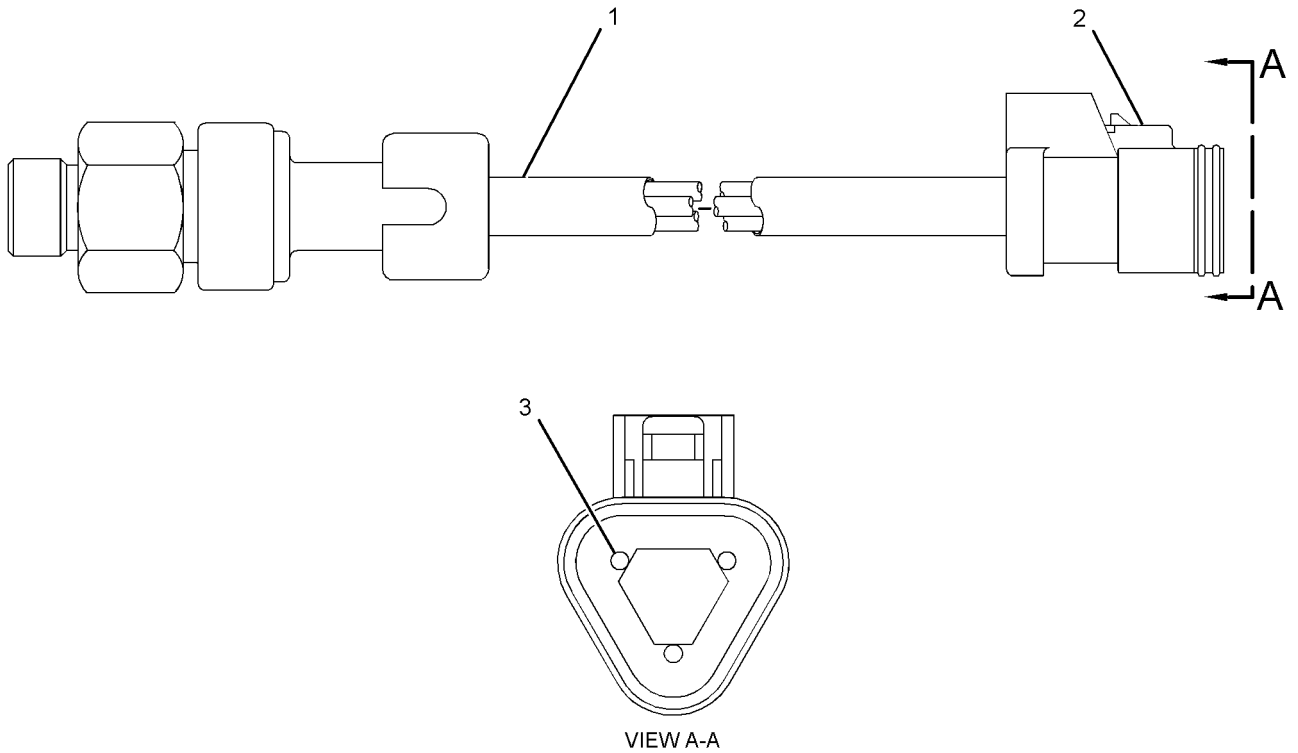
PART OF 239-2395 SENSOR GP-PRESSURE

SMCS-1439, 1916, 1917, 1923, 1924

i03698118

NOTE	REF NO	GRAPHIC REF	PART NUMBER	QTY	PART NAME						SEE PAGE
					1	2	3	4	5	6 (PRODUCT LEVEL)	
E	1	1	9X-1813		SLEEVE (34-CM)						
	2	1	155-2260	1	KIT-CONNECTING PLUG (3-PIN) (INCLUDES PLUG AS, WEDGE & INTERFACE SEAL)						
	3	1	180-9340	3	SOCKET-CONNECTOR (14-GA TO 18-GA)						

E-ORDER BY THE CENTIMETER



GRAPHIC #1

<END>

g01991395

ELECTRICAL AND STARTING SYSTEM

194-6725 SENSOR GP-PRESSURE

S/N: PAS1-UP; LHX19430-UP

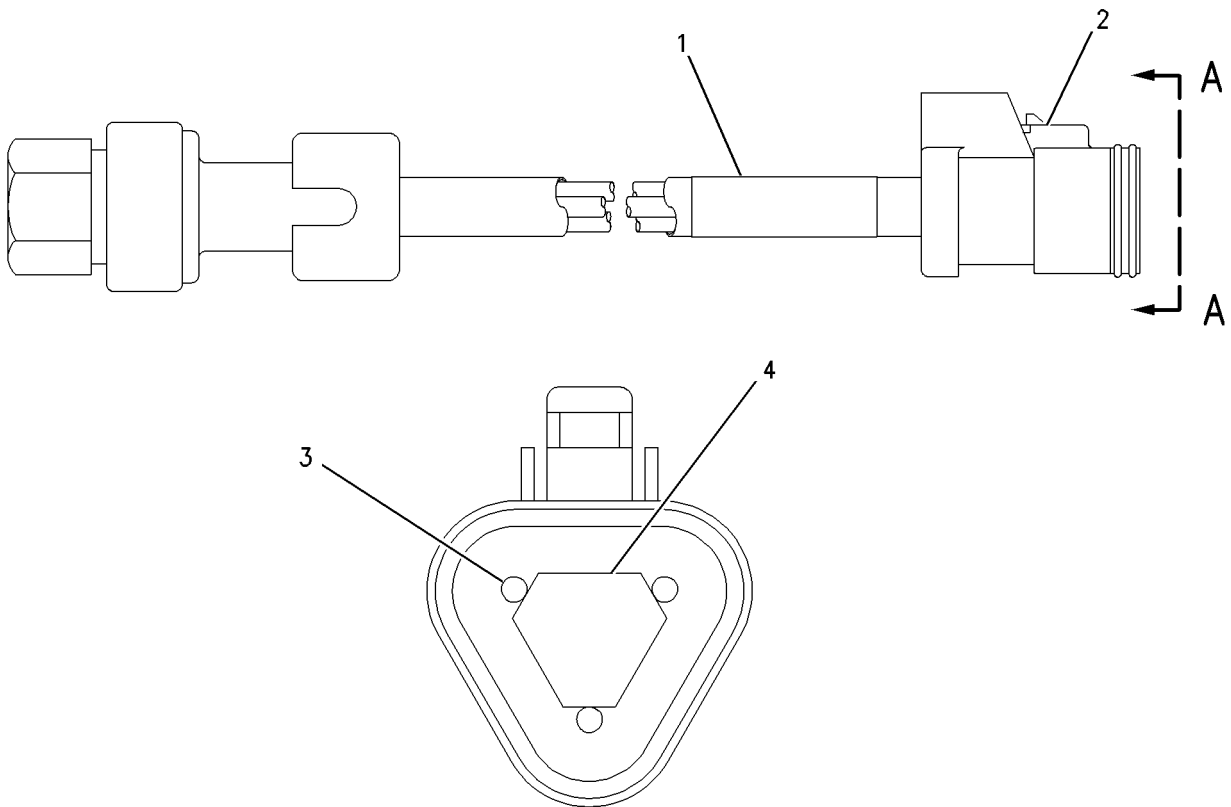
PART OF 239-2396 SENSOR GP-PRESSURE

SMCS-1439, 1916, 1917, 1923, 1924

i03579874

NOTE	REF NO	GRAPHIC REF	PART NUMBER	QTY	PART NAME						SEE PAGE
					1	2	3	4	5	6 (PRODUCT LEVEL)	
E	1	1	9X-1813		SLEEVE (34-CM)						
	2	1	155-2260	1	KIT-CONNECTING PLUG (3-PIN) (INCLUDES PLUG AS & WEDGE)						
	3	1	180-9340	3	SOCKET-CONNECTOR (14-GA TO 18-GA)						
	4	1	3E-3368	1	WEDGE-PLUG LOCK (3-PIN)						

E-ORDER BY THE CENTIMETER



VIEW A-A

GRAPHIC #1

<END>

g00851220

ELECTRICAL AND STARTING SYSTEM

239-2395 SENSOR GP-PRESSURE

S/N: LHX19430-UP

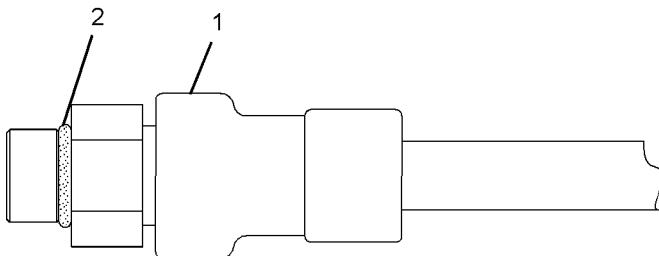
PART OF 231-1973 SENSOR GP-ENGINE

SMCS-1439, 1916, 1917, 1923, 1924

i02799352

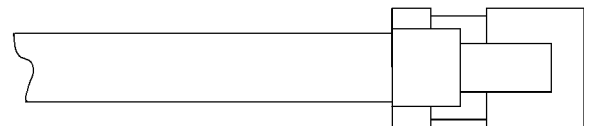
NOTE	REF NO	GRAPHIC REF	PART NUMBER	QTY	PART NAME						SEE PAGE
					1	2	3	4	5	6 (PRODUCT LEVEL)	
Y	1	1	194-6722	1	SENSOR GP-PRESSURE						227
	2	1	6V-5049	1	SEAL-O-RING						

Y-SEPARATE ILLUSTRATION



GRAPHIC #1

<END>



g01019702

ELECTRICAL AND STARTING SYSTEM

239-2396 SENSOR GP-PRESSURE

S/N: PAS1-UP; LHX19430-UP

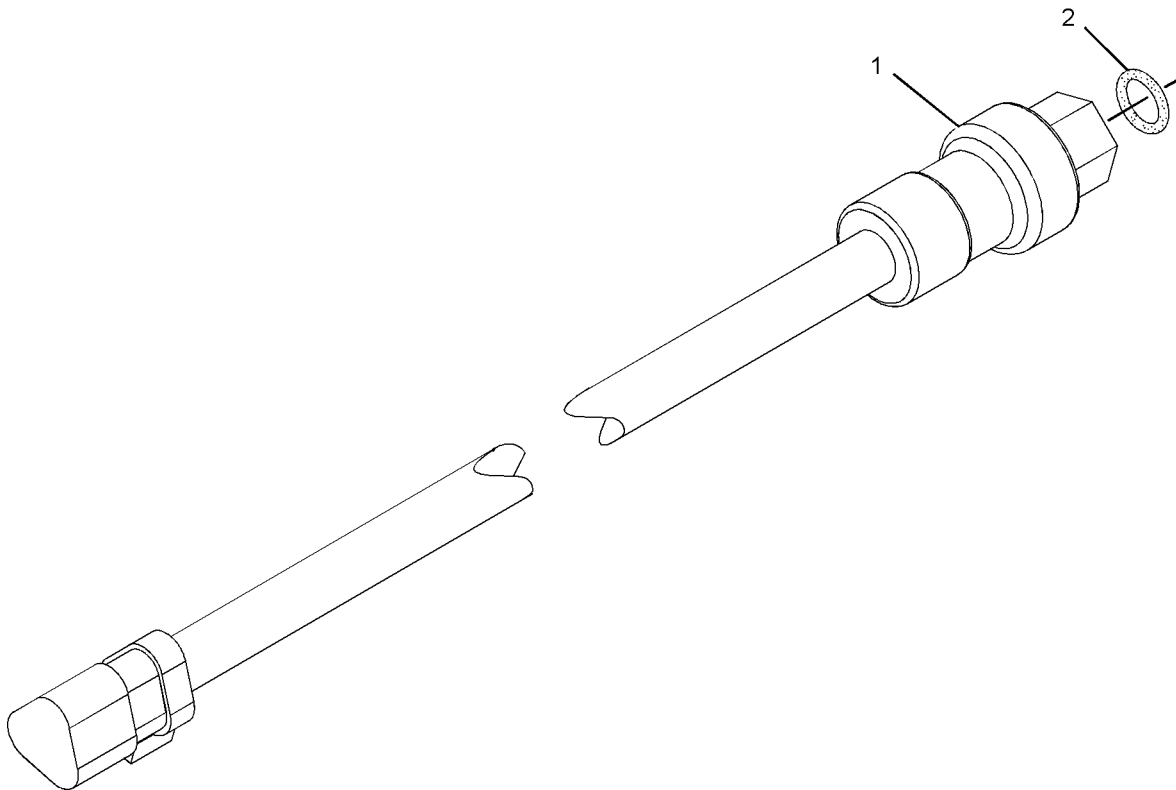
PART OF 324-4065 FILTER GP-SECONDARY FUEL, 231-1973 SENSOR GP-ENGINE

SMCS-1439, 1916, 1917, 1923, 1924

i03821288

NOTE	REF NO	GRAPHIC REF	PART NUMBER	QTY	PART NAME						SEE PAGE
					1	2	3	4	5	6 (PRODUCT LEVEL)	
Y	1	1	194-6725	1	SENSOR GP-PRESSURE (ENGINE OIL)						228
	2	1	214-7566	1	SEAL-O-RING						

Y-SEPARATE ILLUSTRATION



GRAPHIC #1

<END>

g01057563

ELECTRICAL AND STARTING SYSTEM

239-3478 SENSOR GP-PRESSURE

S/N: LHX19430-UP

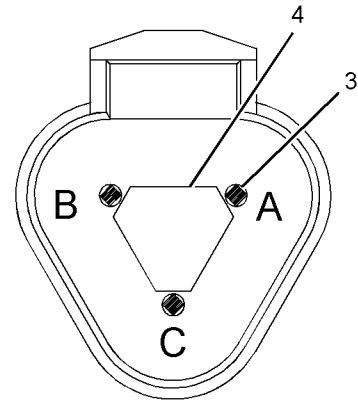
PART OF 239-5674 SENSOR GP-PRESSURE

SMCS-1439, 1916, 1917, 1923, 1924

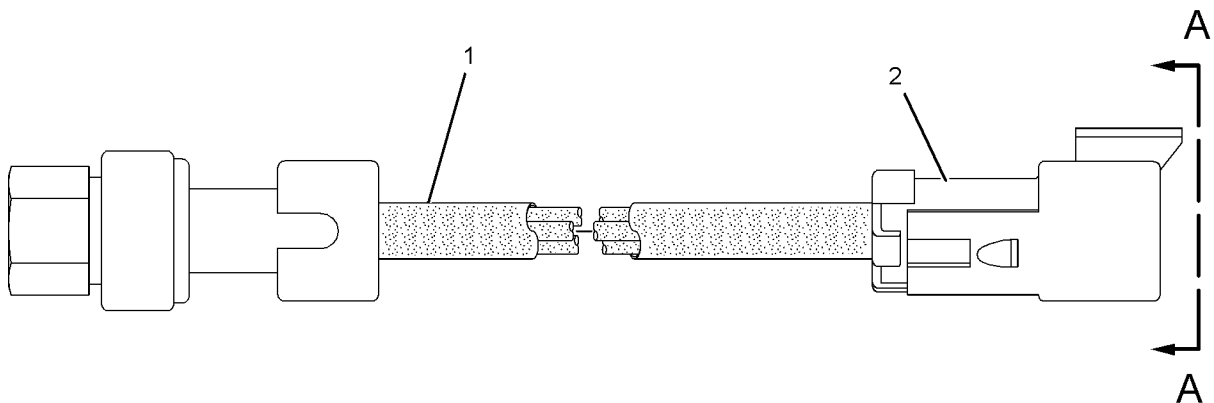
i03330528

NOTE	REF NO	GRAPHIC REF	PART NUMBER	QTY	PART NAME						SEE PAGE
					1	2	3	4	5	6 (PRODUCT LEVEL)	
BE	1	1	9X-1813		SLEEVE (34-CM)						
	2	1	102-8803	1	KIT-RECEPTACLE (3-PIN) (INCLUDES RECEPTACLE AS & WEDGE)						
	3	1	180-9339	3	PIN-CONNECTOR (14-GA TO 18-GA)						
	4	1	3E-3371	1	WEDGE-RECEPTACLE LOCK (3-PIN)						

B-USE AS REQUIRED
E-ORDER BY THE CENTIMETER



VIEW A-A



GRAPHIC #1

<END>

g01019421

ELECTRICAL AND STARTING SYSTEM

239-5674 SENSOR GP-PRESSURE

S/N: LHX19430-UP

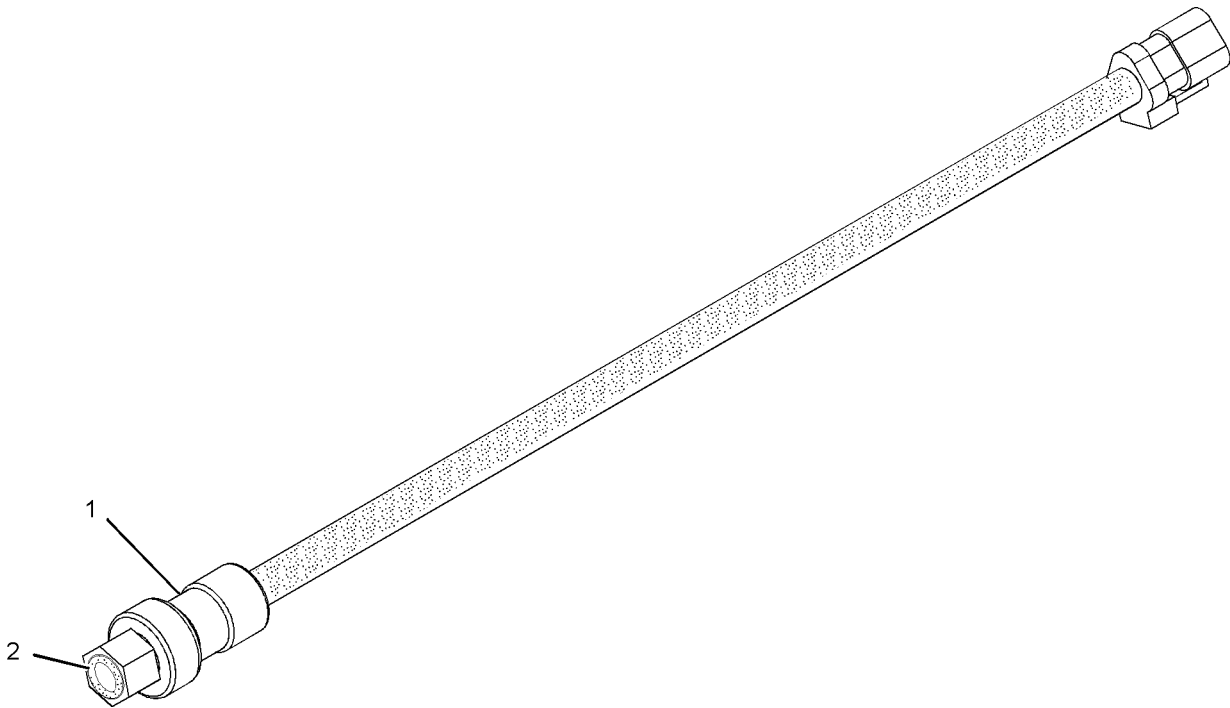
PART OF 231-1973 SENSOR GP-ENGINE

SMCS-1439, 1916, 1917, 1923, 1924

i03821196

NOTE	REF NO	GRAPHIC REF	PART NUMBER	QTY	PART NAME						SEE PAGE
					1	2	3	4	5	6 (PRODUCT LEVEL)	
Y	1	1	239-3478	1	SENSOR GP-PRESSURE						231
	2	1	214-7566	1	SEAL-O-RING						

Y-SEPARATE ILLUSTRATION



GRAPHIC #1

<END>

g01019323

ELECTRICAL AND STARTING SYSTEM

171-8963 SENSOR GP-SPEED

S/N: LHX19430-UP

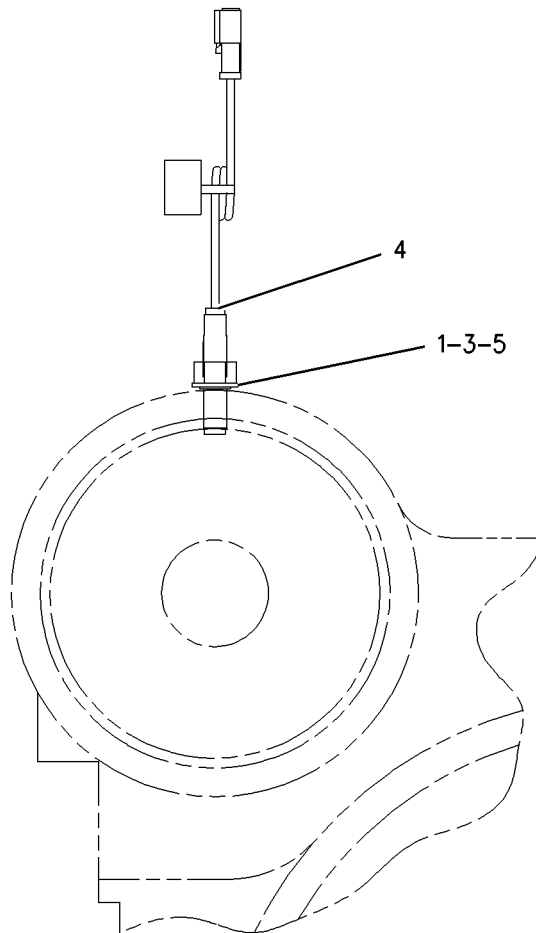
PART OF 288-8156 ENGINE AR-COMplete

SMCS-1907, 1912, 4803, 7493

i01833134

NOTE	REF NO	GRAPHIC REF	PART NUMBER	QTY	PART NAME						SEE PAGE
					1	2	3	4	5	6 (PRODUCT LEVEL)	
	1	1	1V-6341	1	SEAL						
	3	1	6B-6683	1	NUT (5/8-18-THD)						
Y	4	1	189-5746	1	SENSOR GP-SPEED (ENGINE)						235
	5	1	5P-8247	1	WASHER-HARD (17X32X3.5-MM THK)						

Y-SEPARATE ILLUSTRATION



REAR VIEW

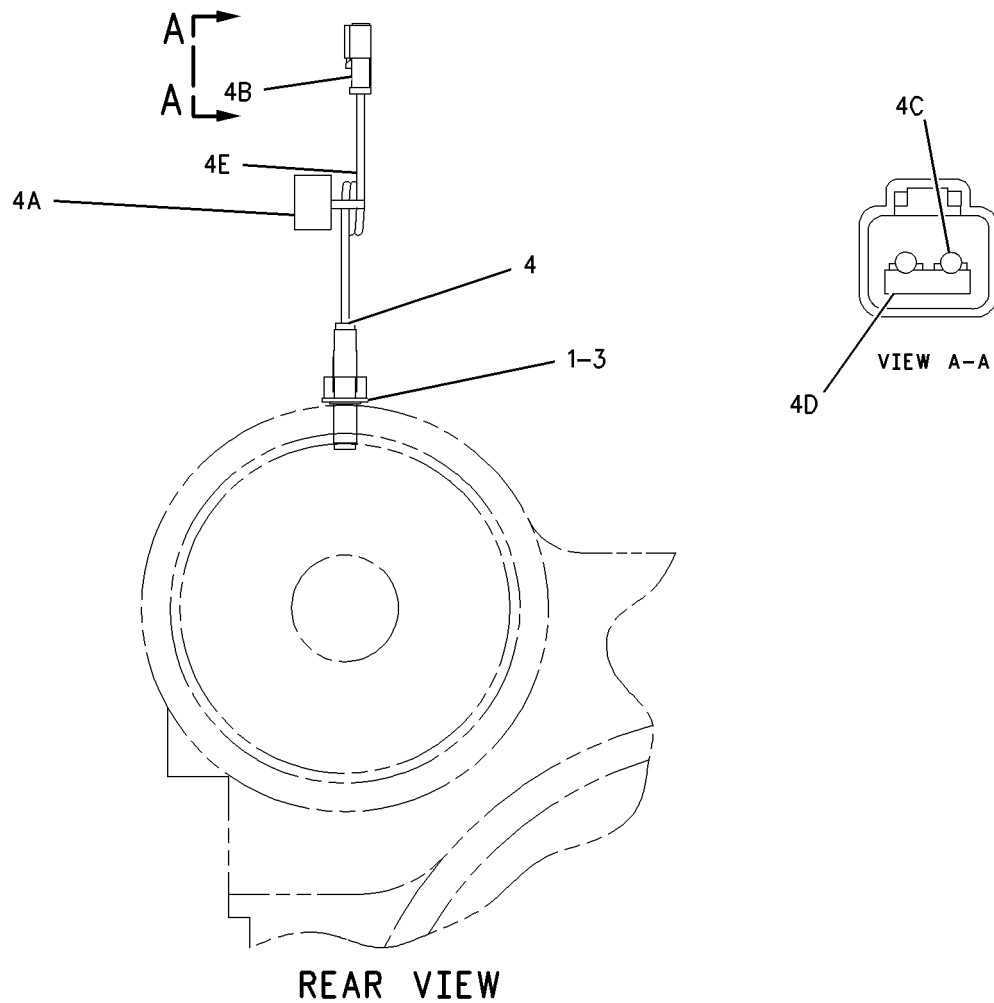
GRAPHIC #1

g00936444

ELECTRICAL AND STARTING SYSTEM

171-8963 SENSOR GP-SPEED (contd.)

i01833134



GRAPHIC #2

<END>

g00790511

ELECTRICAL AND STARTING SYSTEM

189-5746 SENSOR GP-SPEED

S/N: LHX19430-UP

MAGNETIC (LOW OUTPUT)

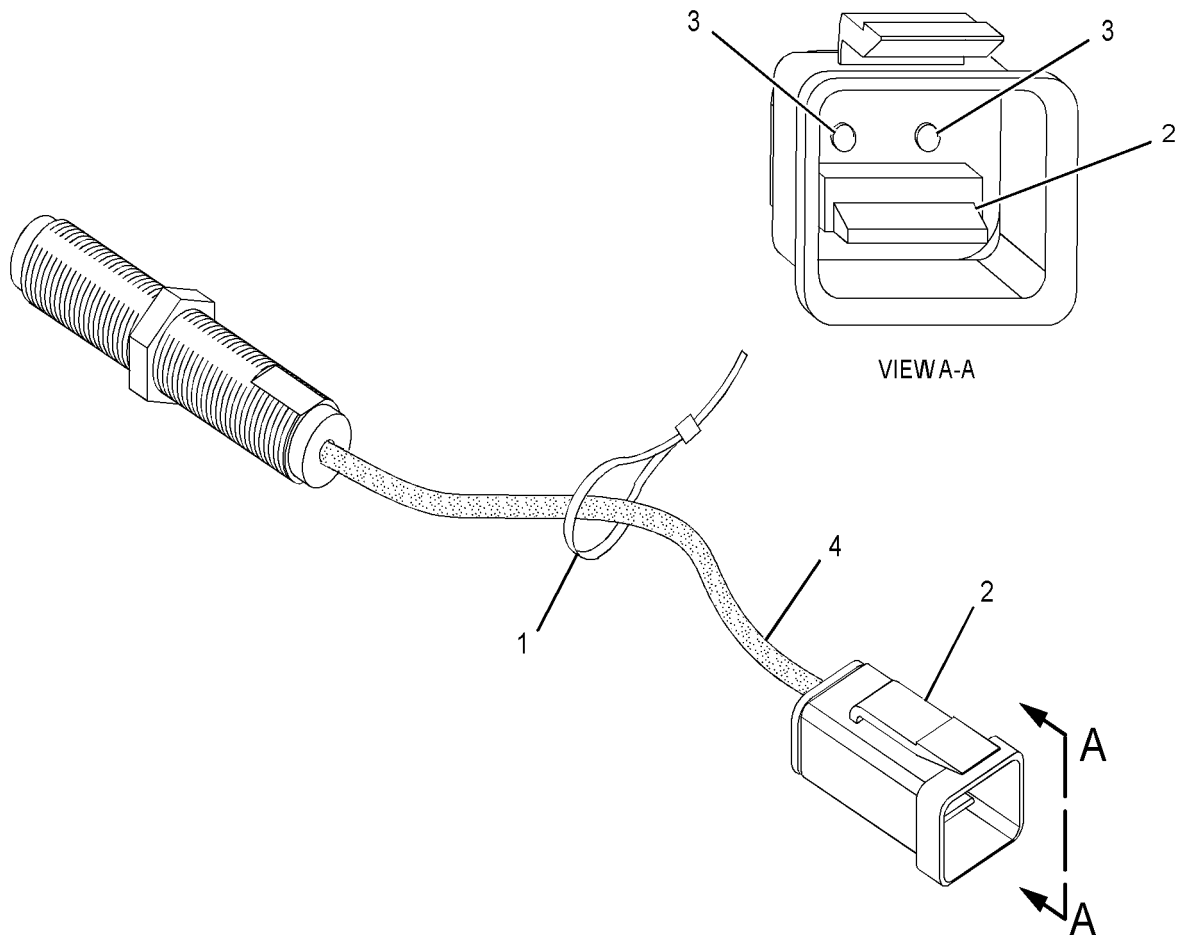
PART OF 171-8963 SENSOR GP-SPEED

SMCS-1907, 1912, 4803, 7493

i03286575

NOTE	REF NO	GRAPHIC REF	PART NUMBER	QTY	PART NAME						SEE PAGE
					1	2	3	4	5	6 (PRODUCT LEVEL)	
	1	1	171-5349	1	STRAP-MARKER						
	2	1	102-8802	1	KIT-RECEPTACLE (2-PIN) (INCLUDES RECEPTACLE AS & WEDGE)						
	3	1	9X-3401	2	PIN-CONNECTOR (16-GA TO 18-GA) -OR-						
		1	126-1767	2	PIN-CONNECTOR (14-GA)						
E	4	1	9X-1386		SLEEVE (14-CM)						

E-ORDER BY THE CENTIMETER



GRAPHIC #1

<END>

g01353977

ELECTRICAL AND STARTING SYSTEM

201-6617 SENSOR GP-SPEED

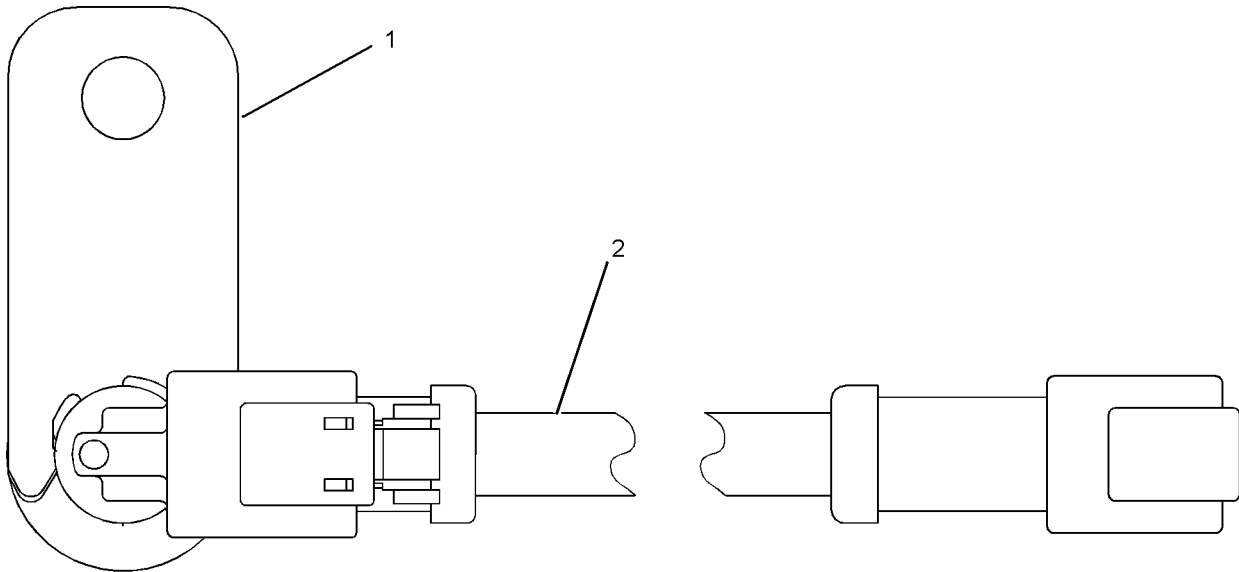
S/N: LHX19430-UP

PART OF 239-5928 SENSOR GP-SPEED

SMCS-1907, 1912, 4803, 7493

i02103122

NOTE	REF NO	GRAPHIC REF	PART NUMBER	QTY	PART NAME						SEE PAGE
					1	2	3	4	5	6 (PRODUCT LEVEL)	
	1	1	133-0261	1	BRACKET						
	2	1	189-0852	1	HARNESS AS-WIRING (SPEED SENSOR)						
		1	102-8802	1	KIT-RECEPTACLE (2-PIN)						
					(INCLUDES RECEPTACLE AS AND WEDGE)						
		1	155-2270	1	KIT-CONNECTING PLUG (2-PIN)						
					(INCLUDES PLUG AS AND WEDGE)						



GRAPHIC #1

<END>

g01071396

ELECTRICAL AND STARTING SYSTEM

214-2484 SENSOR GP-SPEED

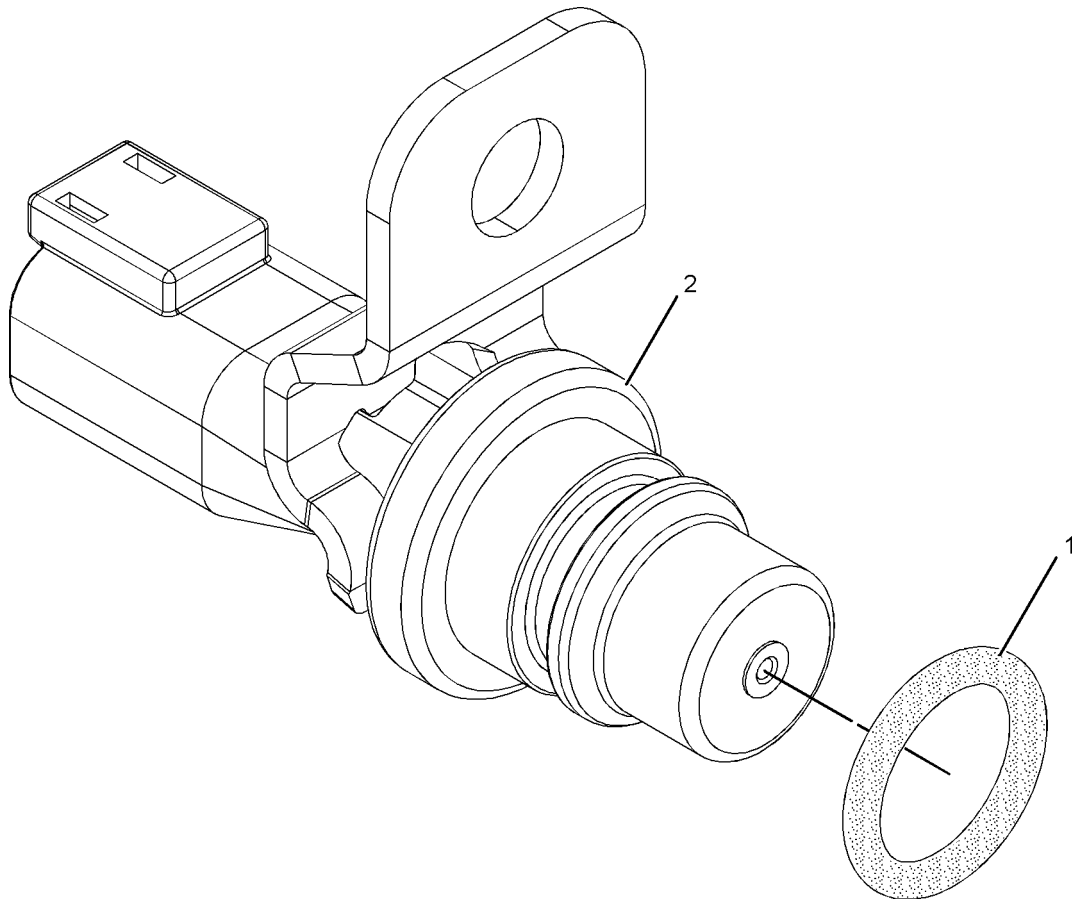
S/N: LHX19430-UP

PART OF 231-1973 SENSOR GP-ENGINE

SMCS-1907, 1912, 4803, 7493

i03319929

NOTE	REF NO	GRAPHIC REF	PART NUMBER	QTY	PART NAME						SEE PAGE
					1	2	3	4	5	6 (PRODUCT LEVEL)	
	1	1	228-4947	1	SEAL-O-RING						
	2	1	191-8303	1	SENSOR GP-SPEED						
		1	137-6645	1	PAD (CONNECTOR)						



GRAPHIC #1

<END>

g01021497

ELECTRICAL AND STARTING SYSTEM

239-5928 SENSOR GP-SPEED

S/N: LHX19430-UP

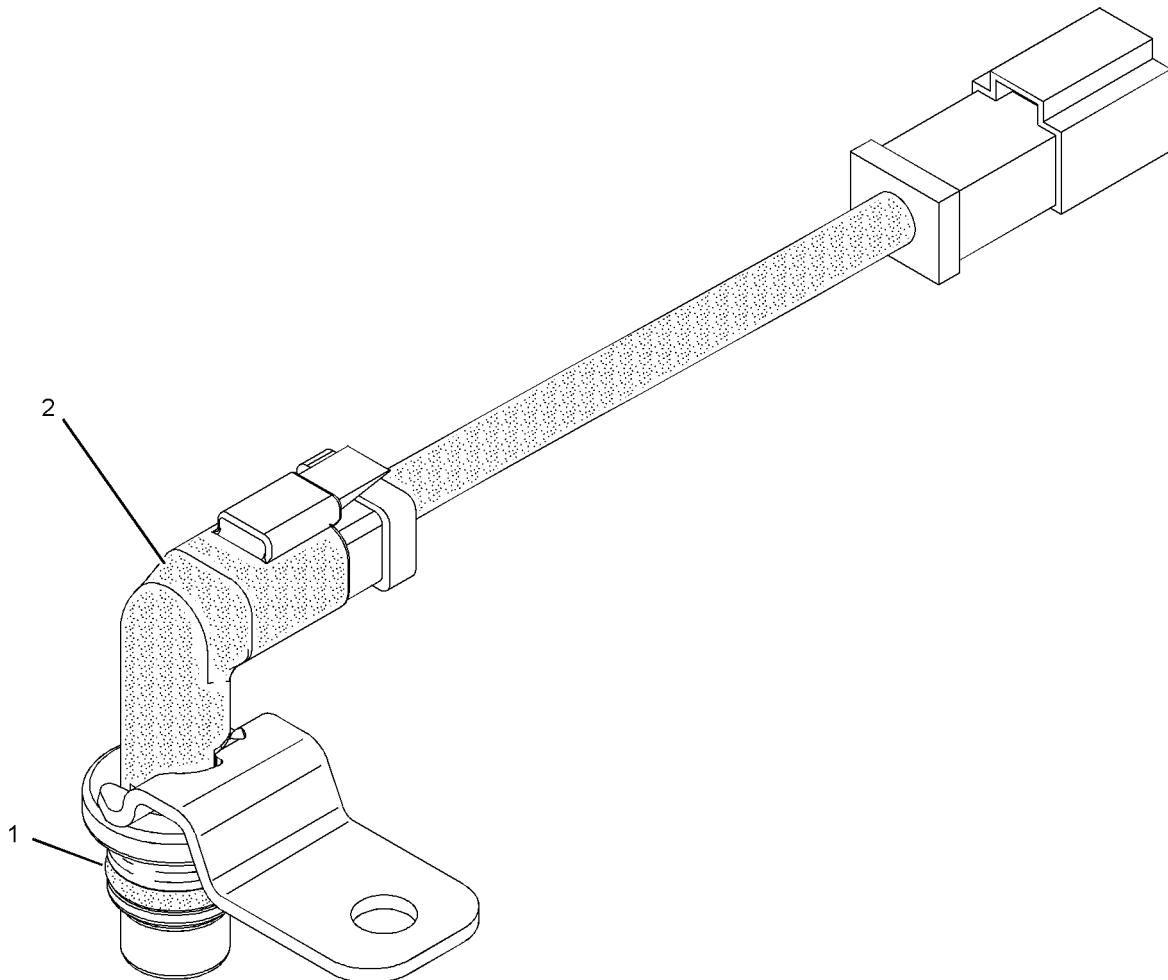
PART OF 231-1973 SENSOR GP-ENGINE

SMCS-1907, 1912, 4803, 7493

i02799357

NOTE	REF NO	GRAPHIC REF	PART NUMBER	QTY	PART NAME						SEE PAGE
					1	2	3	4	5	6 (PRODUCT LEVEL)	
	1	1	228-4947	1	SEAL-O-RING						
Y	2	1	201-6617	1	SENSOR GP-SPEED						236

Y-SEPARATE ILLUSTRATION



GRAPHIC #1

<END>

g01019337

ELECTRICAL AND STARTING SYSTEM

274-7395 SENSOR GP-TEMPERATURE

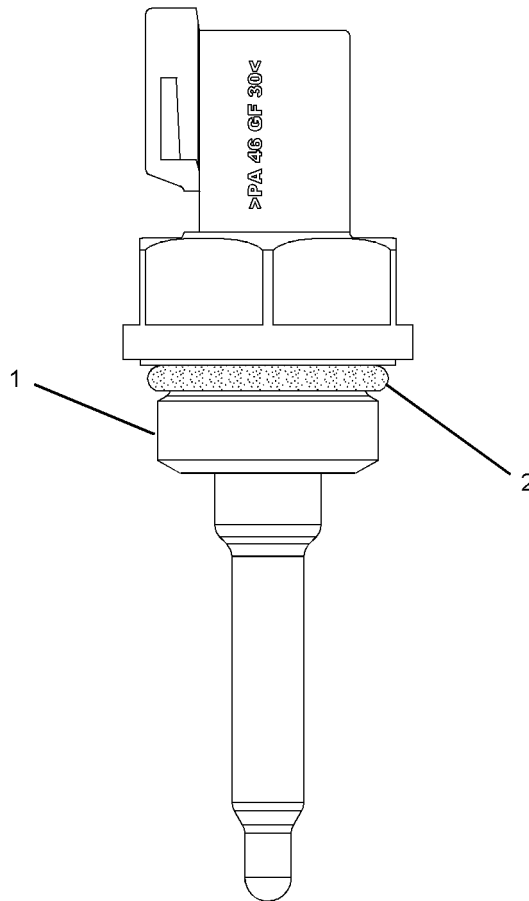
S/N: LHX19430-UP

PART OF 231-1973 SENSOR GP-ENGINE

SMCS-1906, 1921, 1922, 1928, 1929, 3290, 7344

i03905244

NOTE	REF NO	GRAPHIC REF	PART NUMBER	QTY	PART NAME						SEE PAGE
					1	2	3	4	5	6 (PRODUCT LEVEL)	
	1		264-4297	1	SENSOR GP-TEMPERATURE						
		1	137-6645	1	PAD						
	2	1	8L-2786	1	SEAL-O-RING						



GRAPHIC #1

<END>

g01193032

ELECTRICAL AND STARTING SYSTEM

274-7396 SENSOR GP-TEMPERATURE

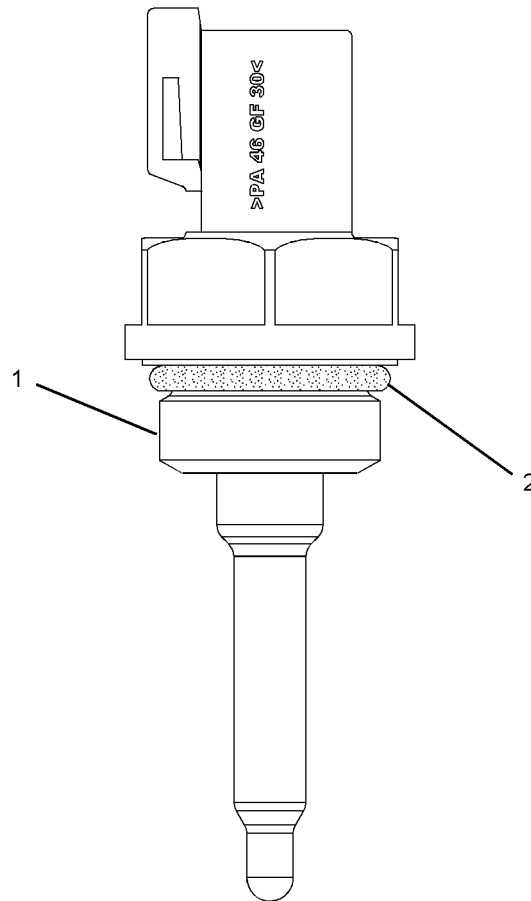
S/N: LHX19430-UP

PART OF 231-1973 SENSOR GP-ENGINE

SMCS-1906, 1921, 1922, 1928, 1929, 3290, 7344

i03905248

NOTE	REF NO	GRAPHIC REF	PART NUMBER	QTY	PART NAME						SEE PAGE
					1	2	3	4	5	6 (PRODUCT LEVEL)	
	1	1	264-4297	1	SENSOR GP-TEMPERATURE						
		1	137-6645	1	PAD (CONNECTOR)						
	2	1	6V-6609	1	SEAL-O-RING						



GRAPHIC #1

<END>

g01193032

ELECTRICAL AND STARTING SYSTEM

327-7467 SOFTWARE GP-MACHINE

S/N: PAS1-UP

PART OF 294-1200 GENERAL AR

SMCS-7610, 7620

i03818849

NOTE	PART NUMBER	QTY	PART NAME						SEE PAGE
			1	2	3	4	5	6 (PRODUCT LEVEL)	
	327-7468	1	SOFTWARE GP-MACHINE						
			-OR-						
	327-7469	1	SERVICE GP-MACHINE						
			(OPTIONAL SERVICE REPLACEMENT) (INCLUDES CONTROL GP & SOFTWARE)						
			<END>						

ELECTRICAL AND STARTING SYSTEM

156-2829 SOLENOID GP

S/N: PAS1-UP

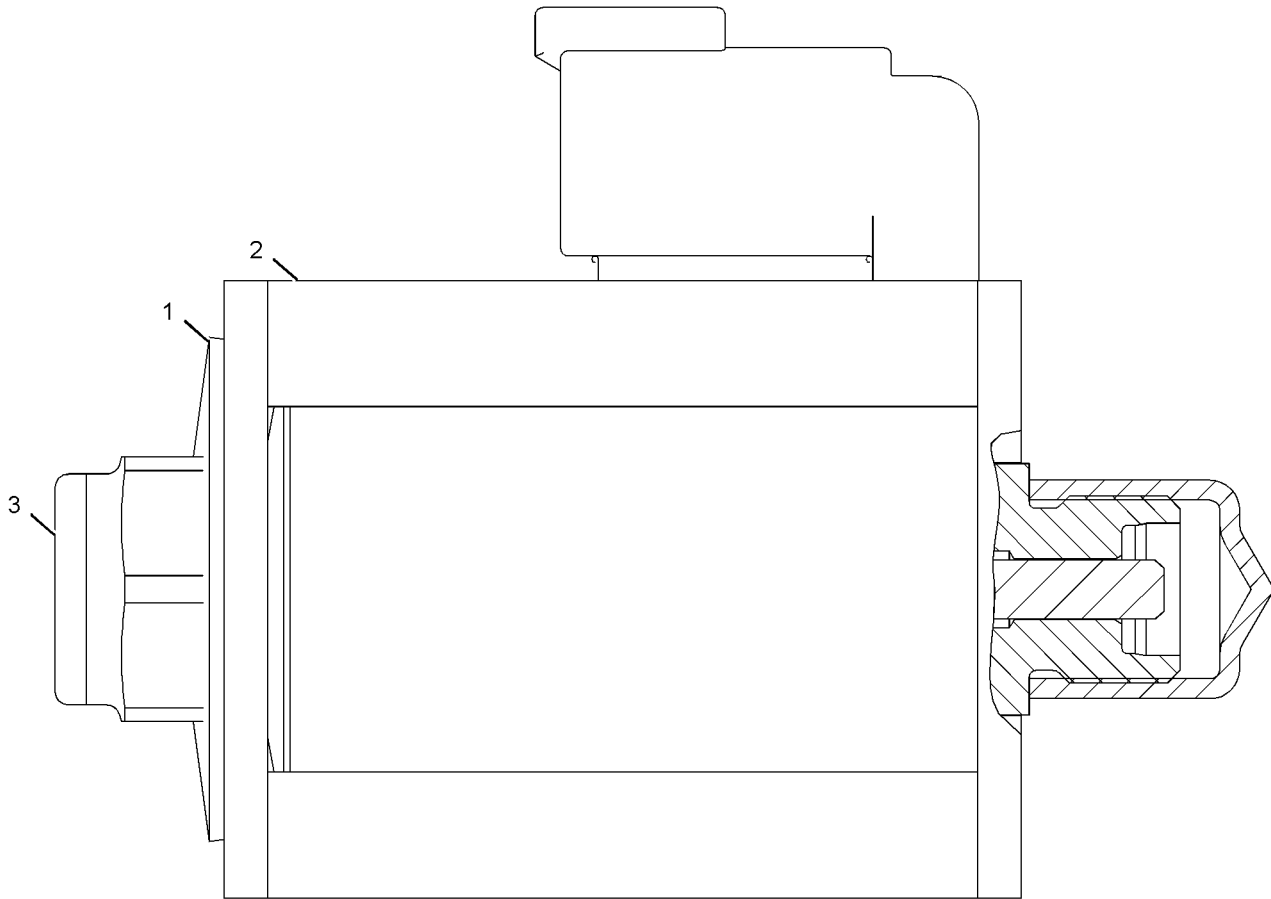
PART OF 194-0946, 194-0947, 224-6809 MANIFOLD & VALVE GP

ALSO AN ATTACHMENT

SMCS-1426, 1467, 7499

i03491580

NOTE	REF NO	GRAPHIC REF	PART NUMBER	QTY	PART NAME						SEE PAGE
					1	2	3	4	5	6 (PRODUCT LEVEL)	
	1	1	146-3728	1	WASHER-SPRING						
	2	1	148-2350	1	COIL AS						
	3	1	154-4133	1	CARTRIDGE AS						
		1	214-7568	2	SEAL-O-RING						



GRAPHIC #1

<END>

g01118096

ELECTRICAL AND STARTING SYSTEM

222-8351 STARTING AID GP-ETHER

S/N: PAS1-UP

PART OF 303-2685 STARTING AR-COLD WEATHER
AN ATTACHMENT

SMCS-1456

i03624283

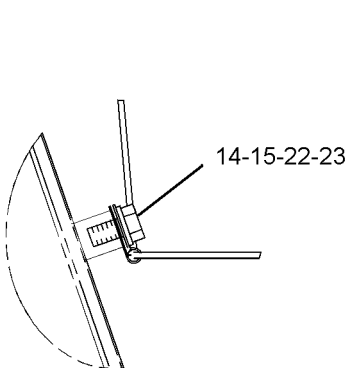
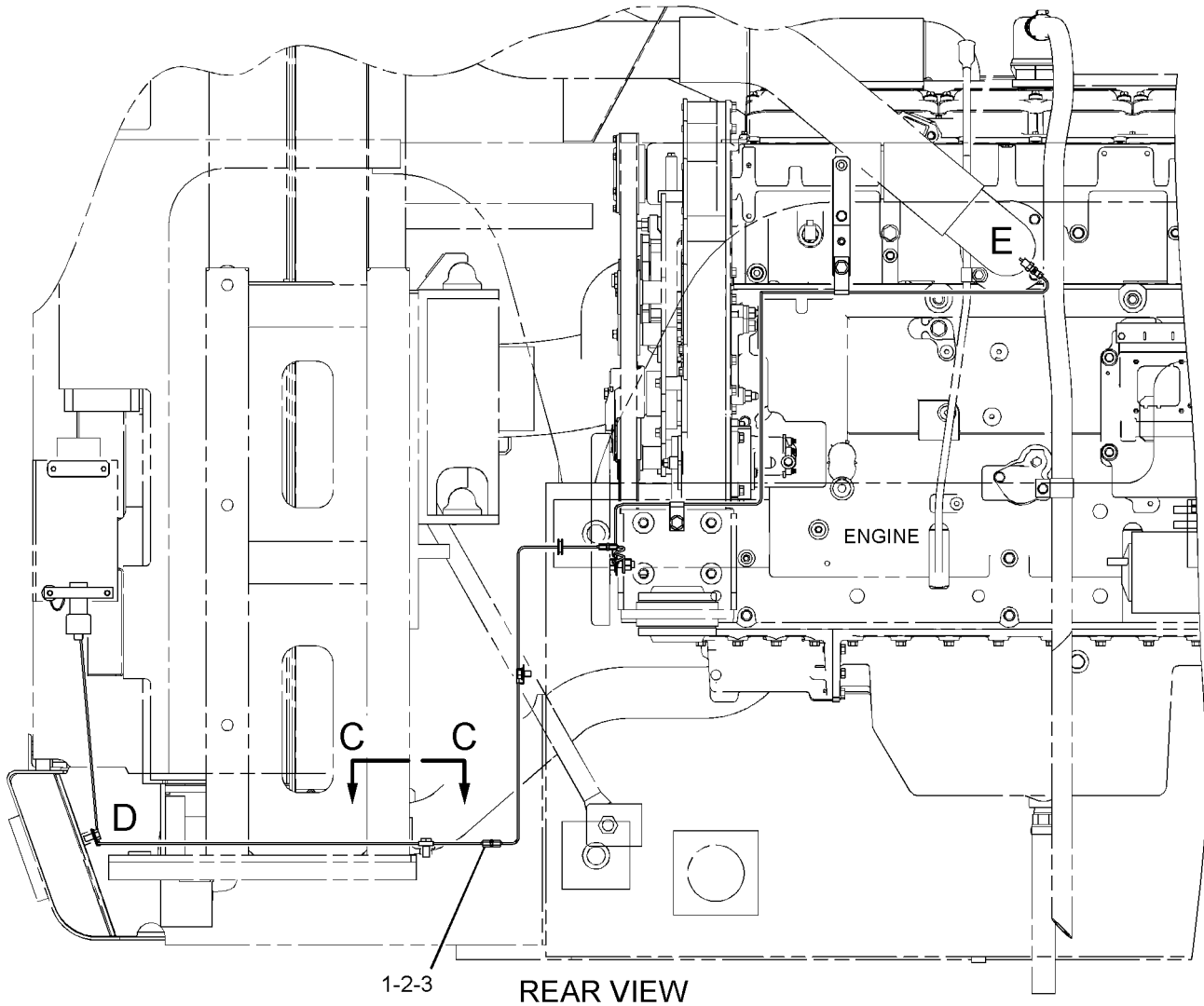
NOTE	REF NO	GRAPHIC REF	PART NUMBER	QTY	PART NAME						SEE PAGE
					1	2	3	4	5	6 (PRODUCT LEVEL)	
	1	1	5P-6312	1	UNION						
	2	1,2	5P-6313	3	NUT (5/16-24-THD)						
	3	1,2	5P-6314	3	SLEEVE						
	4	2	7N-0140	1	TUBE AS-COIL						
	5	2	7N-2059	1	CLAMP AS						
C	6	1	280-2562	1	ATOMIZER AS-ETHER						
		1	236-4545	1	NUT-SLEEVE (5/16-24-THD)						
	7	2	230-1434	1	FITTING AS						
		2	236-4545	1	NUT-SLEEVE (5/16-24-THD)						
Y	8	2	239-1134	1	VALVE GP-ETHER STARTING (24-VOLT)						263
	9	2	239-6655	1	TUBE						
	10	2	239-6673	1	TUBE						
	11	2	251-0524	1	SUPPORT AS						
	12	2	255-2921	1	TUBE						
	13	2	1B-3581	2	CLIP						
	14	1,2	2B-2404	2	CLIP						
	15	1,2	3D-5102	6	GROMMET						
C	16	1	3B-6768	1	BUSHING-REDUCER						
	17	1,2	5K-0430	2	CLIP						
	18	2	5M-3062	1	BOLT (3/8-16X0.75-IN)						
	19	2	5P-1076	1	WASHER-HARD (13.5X30X4-MM THK)						
M	20	2	7X-2548	1	BOLT (M12X1.75X16-MM)						
	21	2	8P-8540	1	GROMMET						
	22	1,2	8T-4121	2	WASHER-HARD (11X21X2.5-MM THK)						
M	23	1	8T-4137	1	BOLT (M10X1.5X20-MM)						
M	24	2	8T-4179	1	BOLT (M12X1.75X20-MM)						
M	25	2	8T-4189	4	BOLT (M8X1.25X20-MM)						
M	26	2	8T-4191	1	BOLT (M10X1.5X16-MM)						
M	27	1	8T-4192	1	BOLT (M12X1.75X25-MM)						
	28	1,2	8T-4223	4	WASHER-HARD (13.5X25.5X3-MM THK)						
	29	2	8T-4224	4	WASHER-HARD (8.8X16X2-MM THK)						
M	30	2	8T-4244	1	NUT (M12X1.75-THD)						
	31	2	8T-4896	1	WASHER-HARD (10.2X18.5X2.5-MM THK)						
M	32	2	8T-4956	1	BOLT (M12X1.75X35-MM)						
	33	2	3B-1915	1	BOLT (3/8-16X1.375-IN)						
	34	2	5M-2894	1	WASHER-HARD (10.2X18.5X2.5-MM THK)						
AF			7N-0296	1	CYLINDER AS-ETHER (MUST BE PROCURED LOCALLY FROM YOUR CATERPILLAR DEALER)						

A-NOT PART OF THIS GROUP
C-CHANGE FROM PREVIOUS TYPE
F-NOT SHOWN
M-METRIC PART
Y-SEPARATE ILLUSTRATION

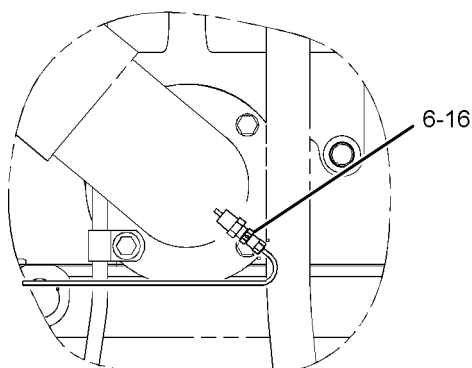
ELECTRICAL AND STARTING SYSTEM

222-8351 STARTING AID GP-ETHER (contd.)

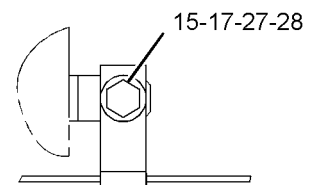
i03624283



VIEW OF AREA D



VIEW OF AREA E



VIEW C-C

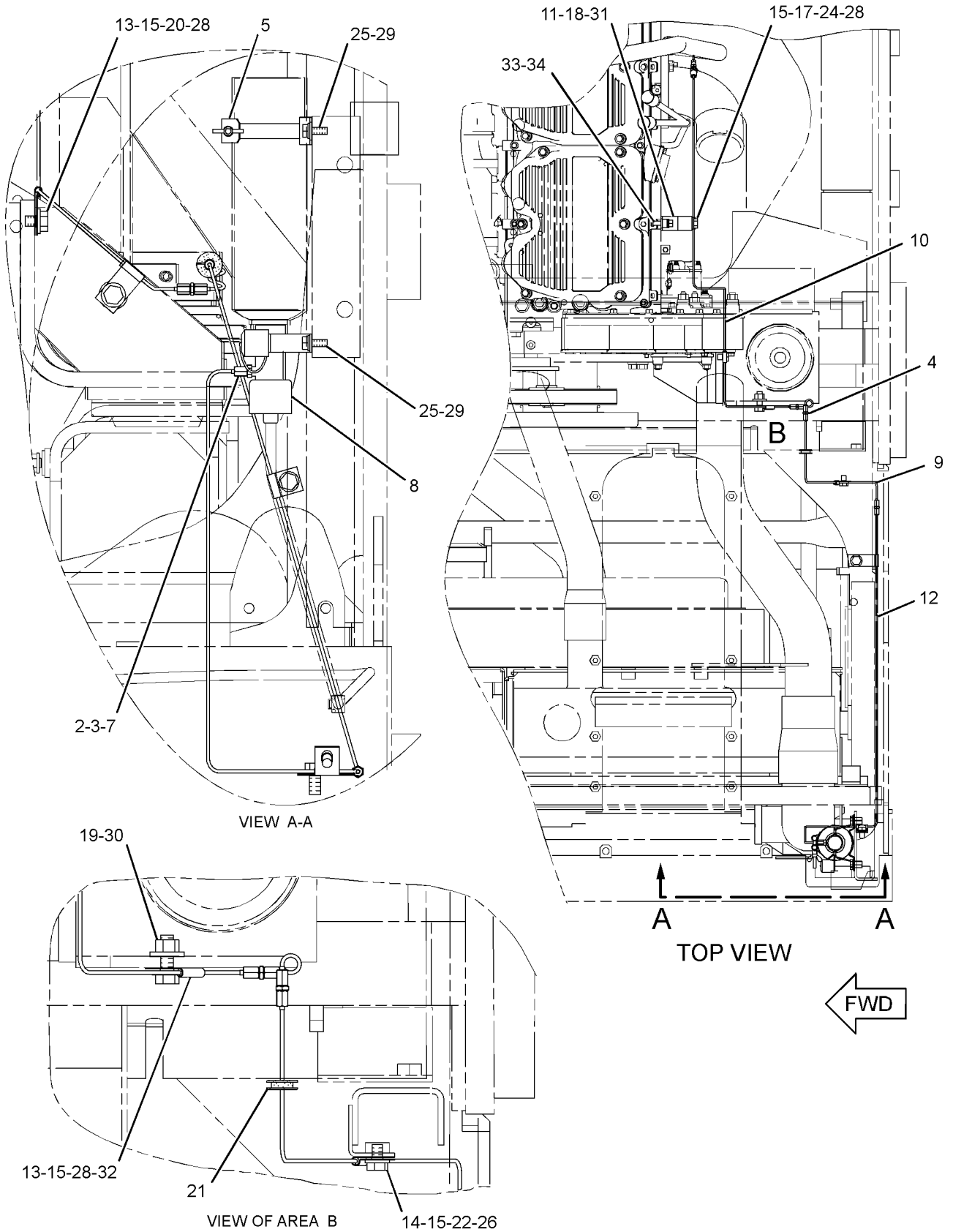
GRAPHIC #1

g01644095

ELECTRICAL AND STARTING SYSTEM

222-8351 STARTING AID GP-ETHER (contd.)

i03624283



GRAPHIC #2

<END>

g01947222

ELECTRICAL AND STARTING SYSTEM

303-2685 STARTING AR-COLD WEATHER

S/N: PAS1-UP

PART OF 340-4005 OPTION AR-COLD WEATHER
AN ATTACHMENT

SMCS-1450

i03656943

NOTE	PART NUMBER	QTY	PART NAME						SEE PAGE
			1	2	3	4	5	6 (PRODUCT LEVEL)	
Y	299-3055	1	BATTERY & WIRING GP						166
Y	222-8351	1	STARTING AID GP-ETHER						243

Y-SEPARATE ILLUSTRATION

<END>

ELECTRICAL AND STARTING SYSTEM

272-7123 STARTING MOTOR GP-ELECTRIC

S/N: LHX19430-UP

24 VOLT

PART OF 273-1682, 331-6081 STARTING MOTOR GP-ELECTRIC

SMCS-1453

i02968255

NOTE	REF NO	GRAPHIC REF	PART NUMBER	QTY	PART NAME						SEE PAGE
					1	2	3	4	5	6 (PRODUCT LEVEL)	
	1	1	7M-0326	1	CONNECTOR						
	2	1	9H-3757	2	WASHER (0.516X1X0.094-IN THK)						
	3	1	1S-7446	3	SCREW-MACHINE (8-32X0.437-IN)						
	4	1	8C-9660	3	WASHER (4.6X7.9X0.8-MM THK)						
	5	1	9S-2544	9	SCREW-HEX HEAD (8-32X11.13-MM)						
	6	1	7M-0327	1	WASHER-THRUST (17.4X25.4X1.6-MM THK)						
	7	1	3T-3418	1	FRAME AS-END						
		1	3T-3423	1	CUP						
		1	3T-3424	1	PLUG-FELT						
		1	9G-4101	1	BUSHING-END						
	8	1	3T-9525	1	PLATE AS-BRUSH						
	8A	1	6T-0371	1	INSULATOR						
	8B	1	5P-6298	12	SCREW-MACHINE (10-32X0.5-IN)						
		1	9F-5599	12	LOCKWASHER						
	8C	1	7F-3525	6	WASHER-BUSHING (0.207X0.39X0.09-IN THK)						
	8D	1	6T-0372	1	PLATE						
	8E	1	3T-4709	3	PLATE						
	8F	1	2L-6679	3	PLATE-INSULATOR						
	8G	1	3T-4710	3	PLATE						
	8H	1	6T-0363	6	HOLDER AS-BRUSH (EACH INCLUDES)						
	8J	1	3T-9494	1	SPRING						
	9	1	7F-3491	2	WASHER (0.516X1X0.094-IN THK)						
	10	1	3T-3422	1	WIRE AS						
	11	1	2J-8163	2	SEAL-O-RING						
	12	1	7X-3373	1	BOLT (5/16-18X0.88-IN)						
	13	1	5J-5314	5	BOLT (5/16-18X1.5-IN)						
	14	1	3L-3380	1	BUSHING-TERMINAL						
	15	1	036-9821	1	WASHER						
	16	1	4M-1828	1	RETAINER-SPRING						
	17	1	306-3998	1	BOOT-RUBBER						
	18	1	9M-7609	1	SPRING (SHIFT LEVER)						
	19	1	4M-1827	1	RETAINER-SPRING						
	20	1	8C-3089	1	SEAL-O-RING						
	21	1	4M-1853	1	LEVER AS-SHIFT						
	22	1	5M-3034	1	LOCKNUT (5/16-24-THD)						
	23	1	7L-2894	4	GASKET						
	24	1	4M-1831	4	PLUG-LEVER HOUSING						
	25	1	4M-1854	1	SHAFT-LEVER						
	26	1	1H-1023	1	SEAL-O-RING						
	27	1	2D-6392	1	SEAL-O-RING						
	28	1	272-7152	1	HOUSING AS-DRIVE						
	29	1	6N-3826	1	DRIVE AS-MOTOR						
	30	1	2H-3429	2	RING-RETAINING						
	31	1	6V-1322	4	BOLT (1/4-20X0.375-IN)						
	32	1	8T-4205	4	WASHER-HARD (7.2X14.5X2-MM THK)						
	33	1	6N-3279	1	INSULATOR						
	34	1	036-9823	13	BOLT (1/4-28X1-IN)						
	35	1	1M-9971	1	SPACER (0.835X1.72X0.188-IN THK)						
	36	1	1H-2629	3	STRIP-INSULATION						
	37	1	7M-0324	1	COIL AS-FIELD						
	38	1	3R-8797	12	SCREW & WASHER AS (3/8-24X0.72-IN)						
	39	1	7F-3488	6	SHOE-POLE						
	40	1	7M-8651	1	ARMATURE AS						
	41	1	7M-0325	1	INSULATOR						

ELECTRICAL AND STARTING SYSTEM

272-7123 STARTING MOTOR GP-ELECTRIC (contd.)

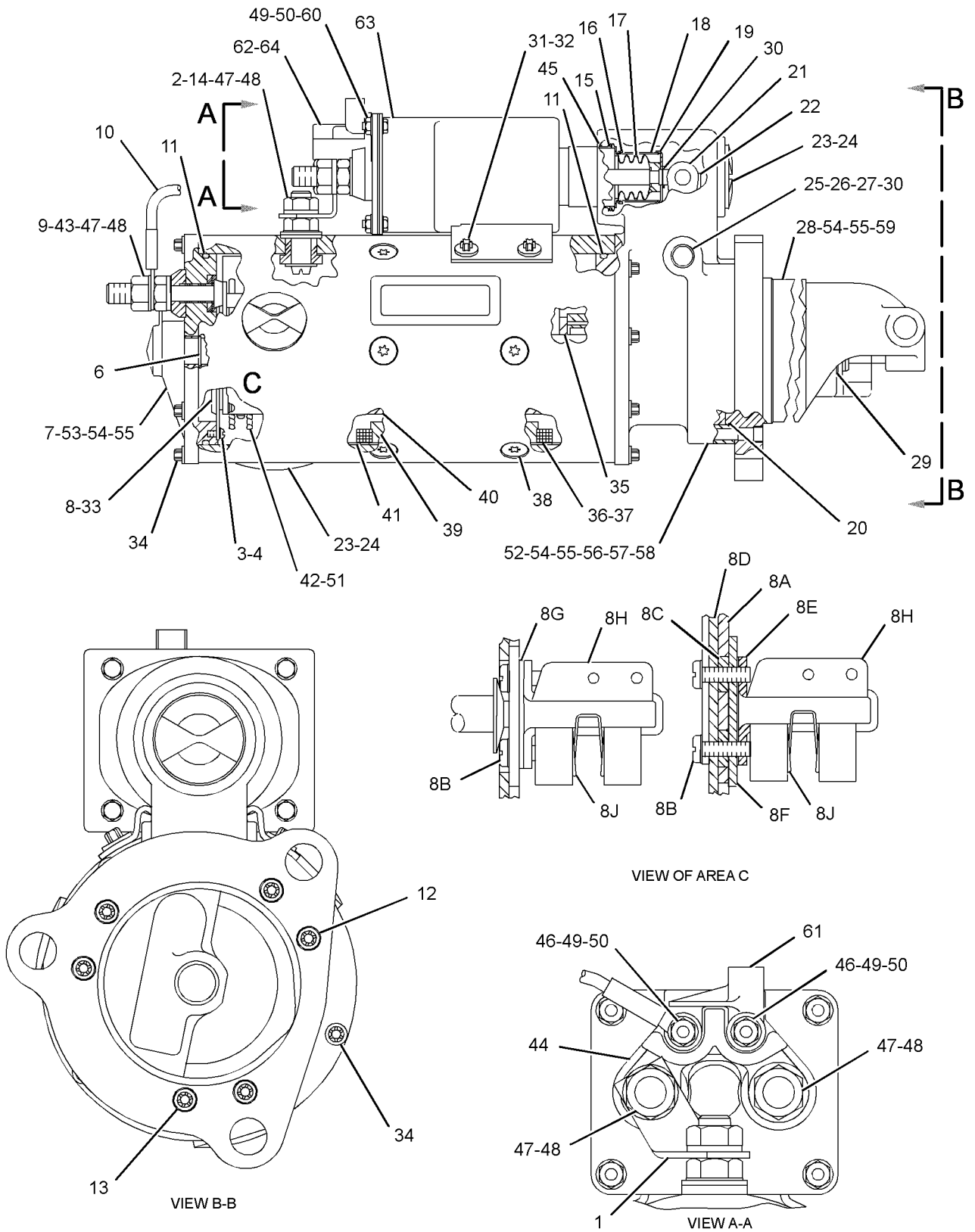
i02968255

NOTE	REF NO	GRAPHIC REF	PART NUMBER	QTY	PART NAME						SEE PAGE
					1	2	3	4	5	6 (PRODUCT LEVEL)	
	42	1	3T-9524	6	BRUSH AS						
	43	1	3N-3763	1	KIT-TERMINAL (STARTING MOTOR) (INCLUDES INSULATOR, BUSHINGS, AND WASHER)						
	44	1	125-6537	1	INSULATOR						
	45	1	3R-8801	1	CLAMP						
	46	1	8F-1434	2	LOCKWASHER						
	47	1	6V-8188	6	NUT (1/2-13-THD)						
	48	1	7X-0562	6	WASHER-HARD (13.5X19X0.8-MM THK)						
	49	1	4B-2049	6	NUT (10-32-THD)						
	50	1	8T-0328	10	WASHER-HARD (5.5X10X1-MM THK)						
	51	1	3T-9494	6	SPRING						
	52	1	3E-7771	1	HOUSING AS (STARTING MOTOR)						
	53	1	9G-4101	1	BUSHING-END						
	54	1	3T-3424	3	PLUG-FELT						
	55	1	3T-3423	3	CUP						
	56	1	1M-9968	1	BUSHING						
	57	1	2F-6678	1	SEAL-LIP TYPE						
	58	1	4L-2729	1	WASHER (0.844X1.9X0.188-IN THK)						
	59	1	4M-1896	1	BUSHING-TERMINAL						
	60	1	045-4065	4	SCREW-MACHINE (10-32X0.75-IN)						
	61	1	125-6535	1	COVER-STARTING MOTOR						
	62	1	7T-9123	1	GASKET-PLATE						
	63	1	318-2082	1	SOLENOID AS-STARTING MOTOR (24-VOLT)						
	64	1	125-6536	1	TERMINAL AS						

ELECTRICAL AND STARTING SYSTEM

272-7123 STARTING MOTOR GP-ELECTRIC (contd.)

i02968255



GRAPHIC #1

<END>

g01181840

ELECTRICAL AND STARTING SYSTEM

273-1682 STARTING MOTOR GP-ELECTRIC

S/N: LHX19430-22300

24 VOLT

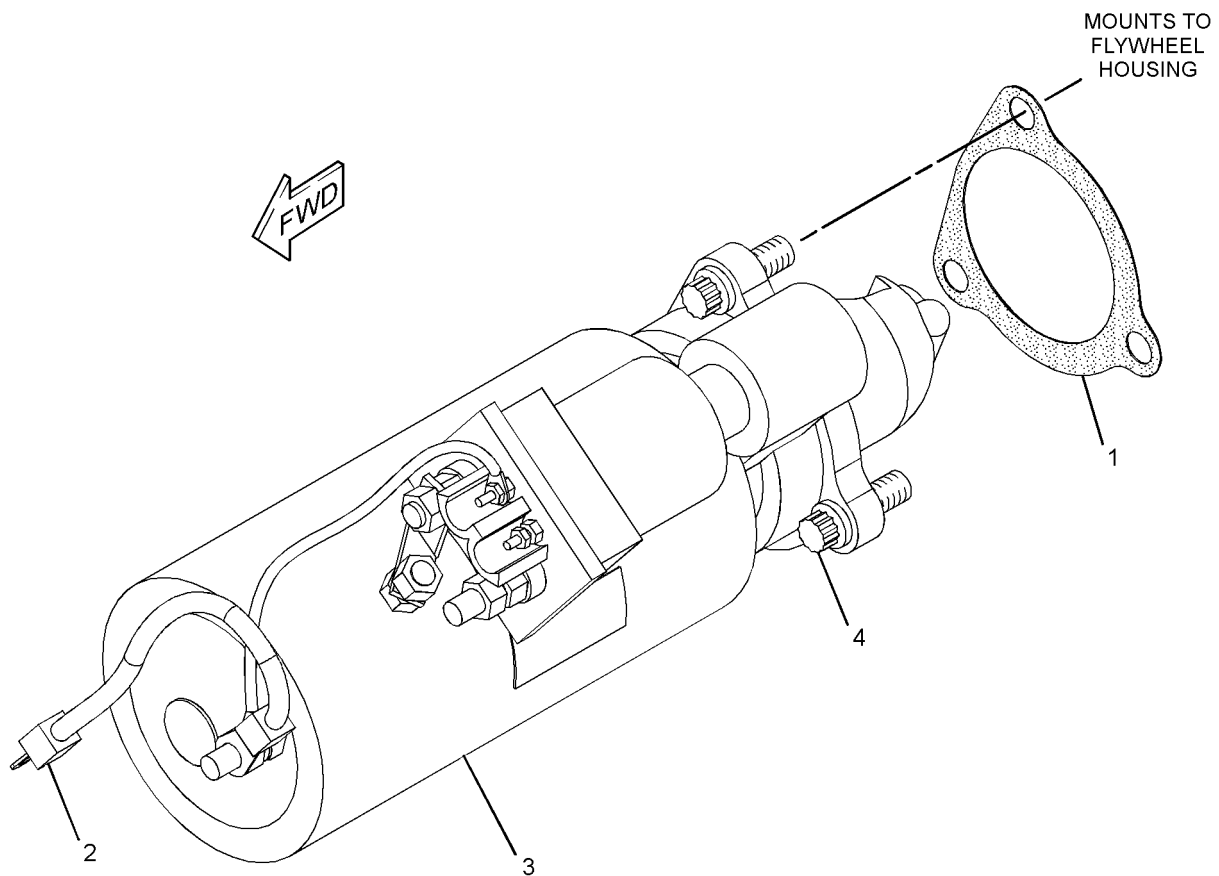
PART OF 288-8156 ENGINE AR-COMPLETE

SMCS-1453

i03905250

NOTE	REF NO	GRAPHIC REF	PART NUMBER	QTY	PART NAME						SEE PAGE
					1	2	3	4	5	6 (PRODUCT LEVEL)	
	1	1	4N-1059	1	GASKET						
	2	1	8Y-9603	1	CABLE AS-STARTING MOTOR (GROUND)						
		1	1S-7251	1	TERMINAL-CABLE (00-GA, 1/2-IN BOLT)						
		1	1S-7252	1	TERMINAL-CABLE (00-GA, 3/8-IN BOLT)						
E		1	5P-0747		CABLE (00-GA, BLACK) (28-CM)						
Y	3	1	272-7123	1	STARTING MOTOR GP-ELECTRIC (24-VOLT)						247
	4	1	8S-2332	3	BOLT-12 POINT HEAD (5/8-11X1.75-IN)						

E-ORDER BY THE CENTIMETER
Y-SEPARATE ILLUSTRATION



GRAPHIC #1

<END>

g01194860

ELECTRICAL AND STARTING SYSTEM

331-6081 STARTING MOTOR GP-ELECTRIC

S/N: LHX22301-UP

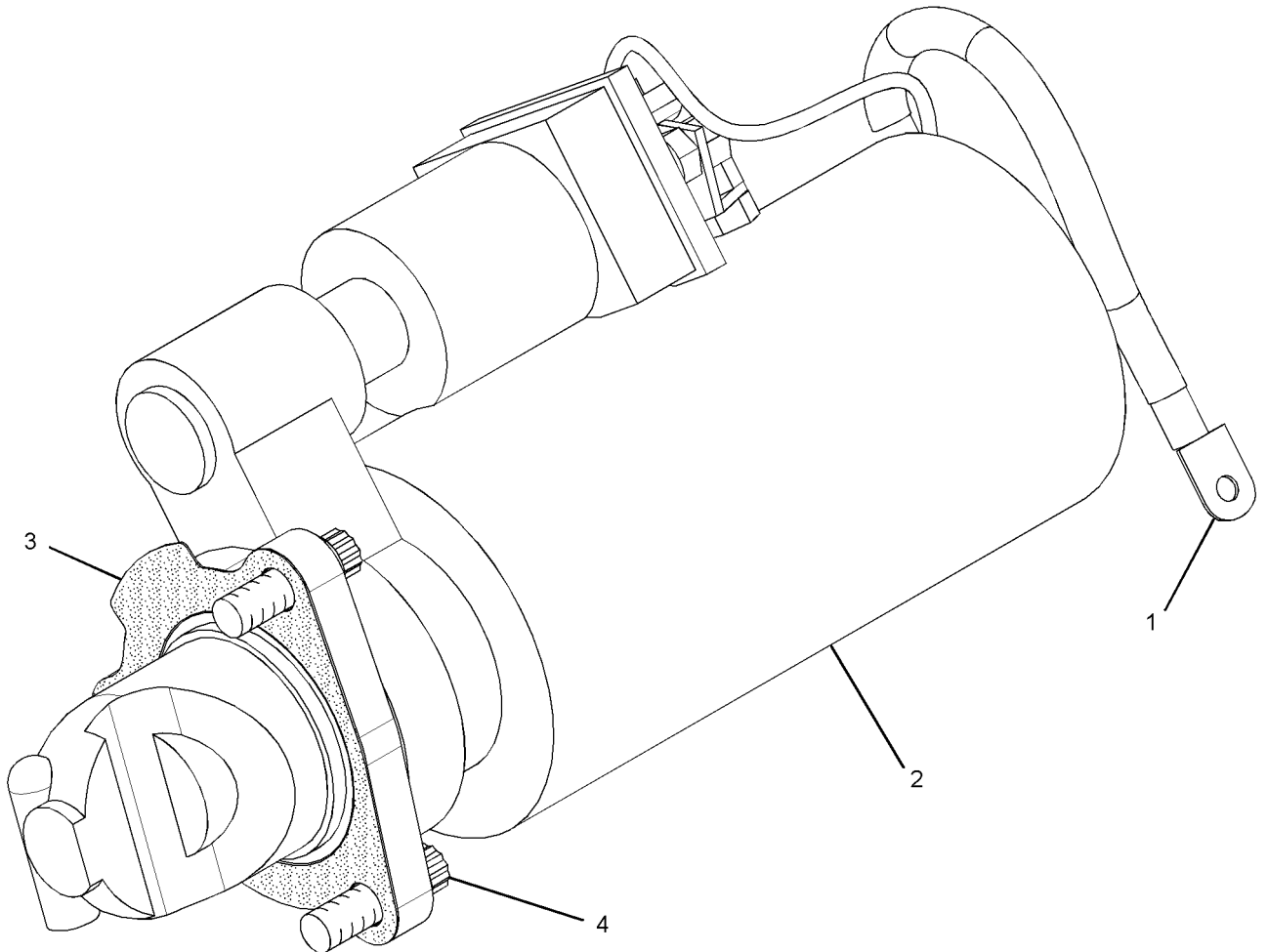
PART OF 288-8156 ENGINE AR-COMPLETE

SMCS-1453

i03909164

NOTE	REF NO	GRAPHIC REF	PART NUMBER	QTY	PART NAME						SEE PAGE
					1	2	3	4	5	6 (PRODUCT LEVEL)	
	1	1	8Y-9603	1	CABLE AS-STARTING MOTOR						
		1	1S-7251	1	TERMINAL-CABLE (00-GA, 1/2-IN SCREW)						
		1	1S-7252	1	TERMINAL-CABLE (00-GA, 3/8-IN SCREW)						
E		1	5P-0747		CABLE (00-GA, BLACK) (28-CM)						
Y	2	1	272-7123	1	STARTING MOTOR GP-ELECTRIC (24-VOLT)						247
	3	1	303-2004	1	GASKET						
	4	1	176-2543	3	BOLT-12 POINT HEAD (5/8-11X1.75-IN)						

E-ORDER BY THE CENTIMETER
Y-SEPARATE ILLUSTRATION



GRAPHIC #1

<END>

g01797093

ELECTRICAL AND STARTING SYSTEM

7N-0719 SWITCH GP-DISCONNECT-BATTERY

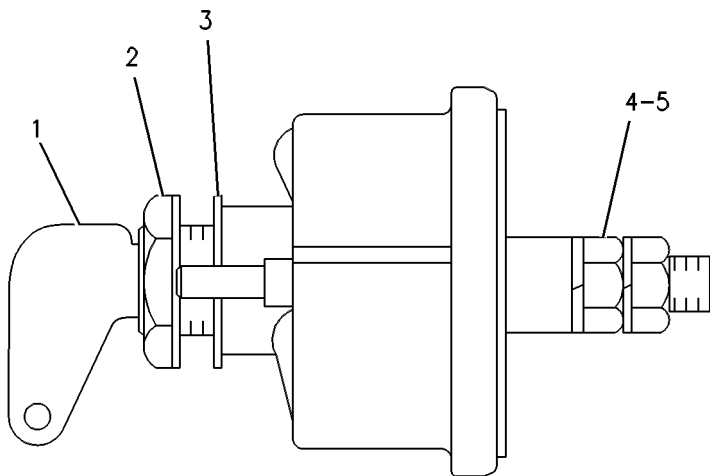
S/N: PAS1-UP

PART OF 299-2627 PANEL GP-CIRCUIT BREAKER

SMCS-1411

i02490079

NOTE	REF NO	GRAPHIC REF	PART NUMBER	QTY	PART NAME						SEE PAGE
					1	2	3	4	5	6 (PRODUCT LEVEL)	
	1	1	8H-5306	1	KEY (BATTERY DISCONNECT)						
	2	1	8H-5303	1	NUT (3/4-16-THD)						
	3	1	2H-3922	2	LOCKWASHER						
	4	1	9F-5644	2	LOCKWASHER						
	5	1	6F-7045	2	NUT-FULL (3/8-24-THD)						



GRAPHIC #1

<END>

g00272142

ELECTRICAL AND STARTING SYSTEM

125-1302 SWITCH GP-MAGNETIC-START RELAY

S/N: PAS1-UP

24-VOLT

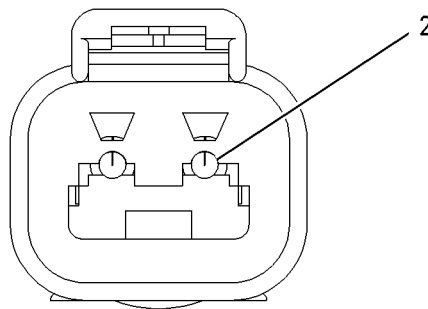
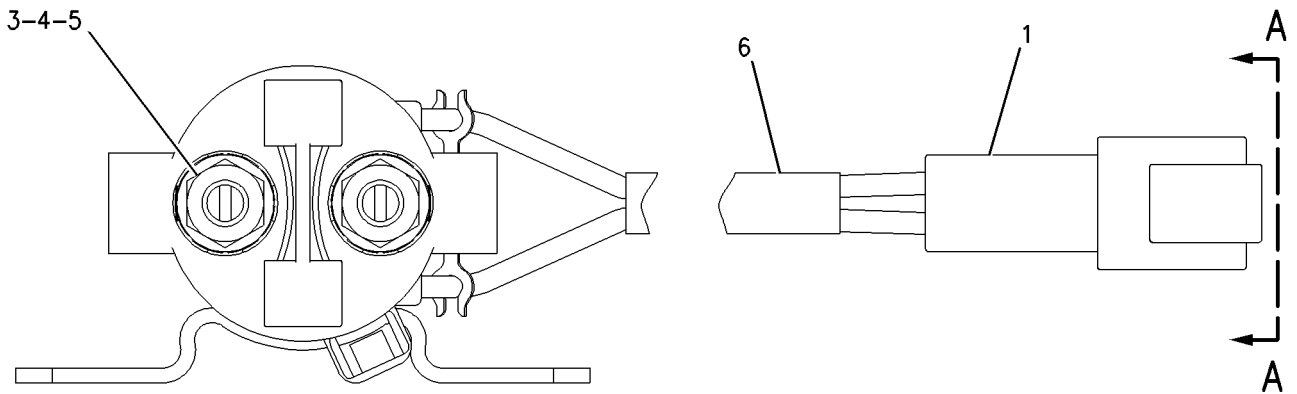
PART OF 299-2627 PANEL GP-CIRCUIT BREAKER

SMCS-7499

i03276825

NOTE	REF NO	GRAPHIC REF	PART NUMBER	QTY	PART NAME						SEE PAGE
					1	2	3	4	5	6 (PRODUCT LEVEL)	
	1	1	102-8802	1	KIT-RECEPTACLE (2-PIN)						
					(INCLUDES RECEPTACLE AS & WEDGE)						
	2	1	186-3735	2	PIN-CONNECTOR (16-GA TO 18-GA)						
	3	1	1H-3338	2	LOCKWASHER (EXTERNAL TOOTH)						
	4	1	012-0380	2	LOCKWASHER						
M	5	1	5C-2890	2	NUT (M6X1-THD)						
E	6	1	9X-1813		SLEEVE (16-CM)						

E-ORDER BY THE CENTIMETER
M-METRIC PART



VIEW A-A

GRAPHIC #1

<END>

g00988004

ELECTRICAL AND STARTING SYSTEM

234-6613 SWITCH GP-POSITION-HYDRAULIC LOCKOUT

S/N: PAS1-UP

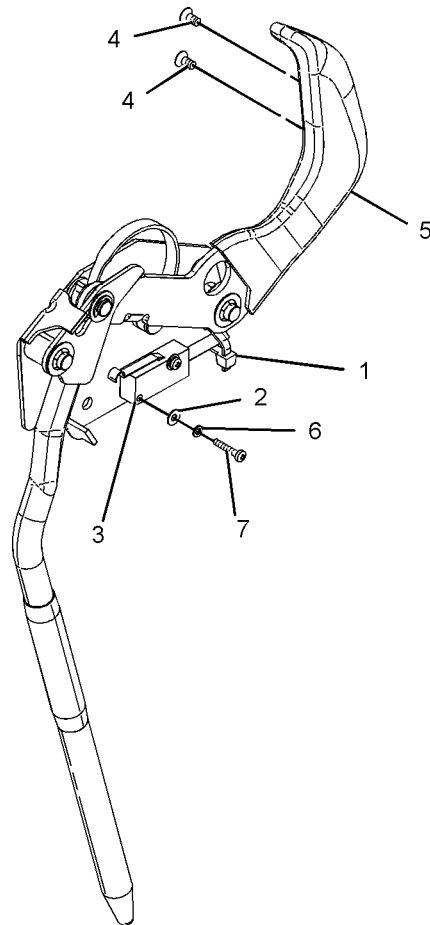
PART OF 259-7349 CONSOLE GP-OPERATOR

SMCS-1408, 1435

i03496041

NOTE	REF NO	GRAPHIC REF	PART NUMBER	QTY	PART NAME						SEE PAGE
					1	2	3	4	5	6 (PRODUCT LEVEL)	
	1	1	3S-2093	1	STRAP-CABLE						
	2	1	4I-3038	2	WASHER (3.3X8X0.5-MM THK)						
	3	1	111-4799	1	SWITCH AS-LIMIT (NEUTRAL START)						
		1	102-8803	1	KIT-RECEPTACLE (3-PIN) (INCLUDES RECEPTACLE AS & WEDGE)						
		1	186-3735	3	PIN-CONNECTOR (16-GA TO 18-GA)						
D		1	5P-5998		TUBE (0.3-M)						
M	4	1	185-8286	2	SCREW-MACHINE (M4X0.7X8-MM)						
	5	1	234-6615	1	KNOB						
	6	1	087-4683	2	LOCKWASHER						
M	7	1	120-9027	2	SCREW-PAN HEAD (M3X0.5X16-MM)						

D-ORDER BY THE METER
M-METRIC PART



GRAPHIC #1

<END>

g01076610

ELECTRICAL AND STARTING SYSTEM

258-0883 SWITCH GP-PRESSURE

S/N: PAS1-UP

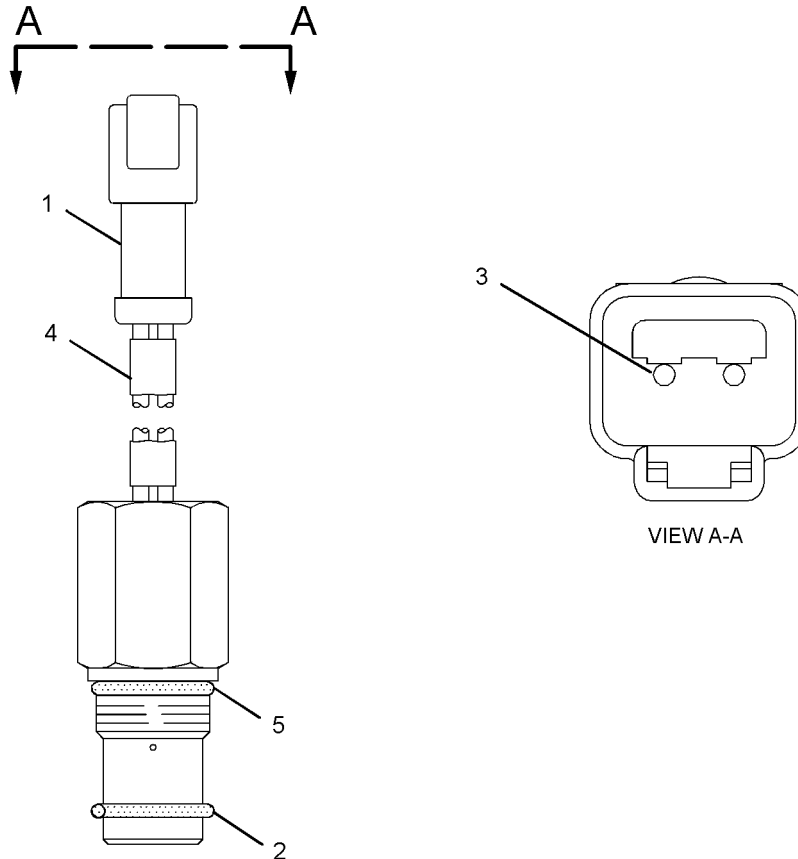
PART OF 324-4065 FILTER GP-SECONDARY FUEL

SMCS-1435

i03652333

NOTE	REF NO	GRAPHIC REF	PART NUMBER	QTY	PART NAME						SEE PAGE
					1	2	3	4	5	6 (PRODUCT LEVEL)	
	1	1	102-8802	1	KIT-RECEPTACLE (2-PIN)						
					(INCLUDES RECEPTACLE AS & WEDGE)						
	2	1	9X-7737	1	SEAL-O-RING						
	3	1	8T-8729	2	PIN-CONNECTOR (16-GA TO 18-GA)						
E	4	1	9X-1813		SLEEVE (14-CM)						
	5	1	6V-4589	1	SEAL-O-RING						

E-ORDER BY THE CENTIMETER



GRAPHIC #1

<END>

g01960393

ELECTRICAL AND STARTING SYSTEM

238-1594 SWITCH GP-PUSH BUTTON-REFUELING PUMP, START

S/N: PAS1-UP

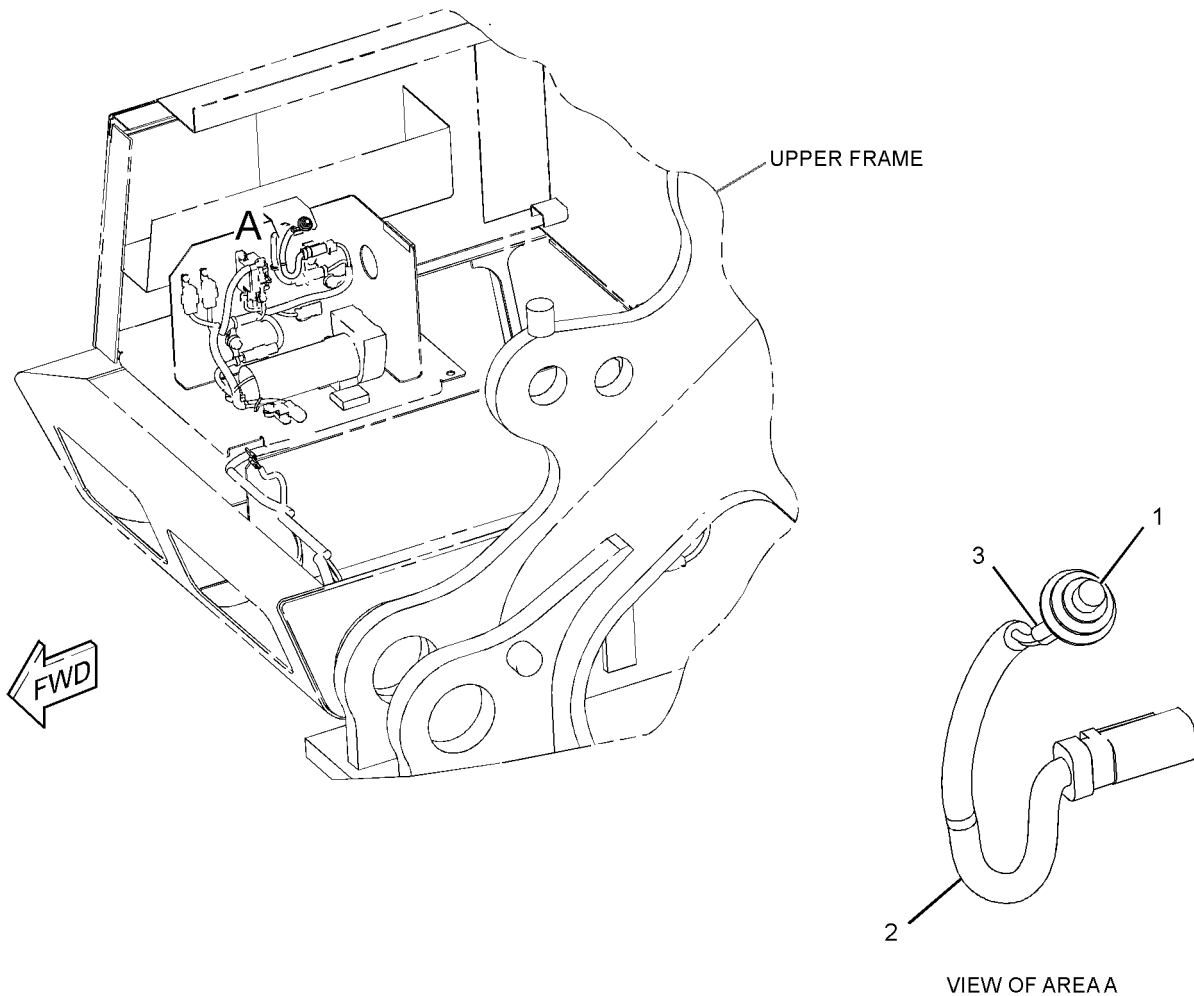
PART OF 342-2870 WIRING GP-REFUELING PUMP
AN ATTACHMENT

SMCS-1435, 7332

i03883474

NOTE	REF NO	GRAPHIC REF	PART NUMBER	QTY	PART NAME						SEE PAGE
					1	2	3	4	5	6 (PRODUCT LEVEL)	
	1	1	6T-9442	1	SWITCH GP-PUSHBUTTON (REFUELING PUMP, START)						
		1	1S-0812	2	SCREW-TAPPING						
		1	3K-0835	1	NUT (5/8-24-THD)						
		1	6F-0253	1	LOCKWASHER						
		1	8T-8748	1	ADAPTER-MOUNT						
		1	9W-0625	1	SWITCH AS (REFUELING PUMP, START)						
2	1	1	238-1595	1	HARNESS AS-SWITCH (REFUELING PUMP, START)						
		1	186-3735	2	PIN-CONNECTOR (16-GA TO 18-GA)						
		1	243-4505	1	RECEPTACLE AS-CONNECTOR (2-PIN)						
BCE	3	1	125-7875		TUBE-HEAT SHRINK (7.44-MM DIA)						

B-USE AS REQUIRED
C-CHANGE FROM PREVIOUS TYPE
E-ORDER BY THE CENTIMETER



GRAPHIC #1

<END>

VIEW OF AREA A

g01560235

ELECTRICAL AND STARTING SYSTEM

238-1596 SWITCH GP-PUSH BUTTON-REFUELING PUMP, STOP

S/N: PAS1-UP

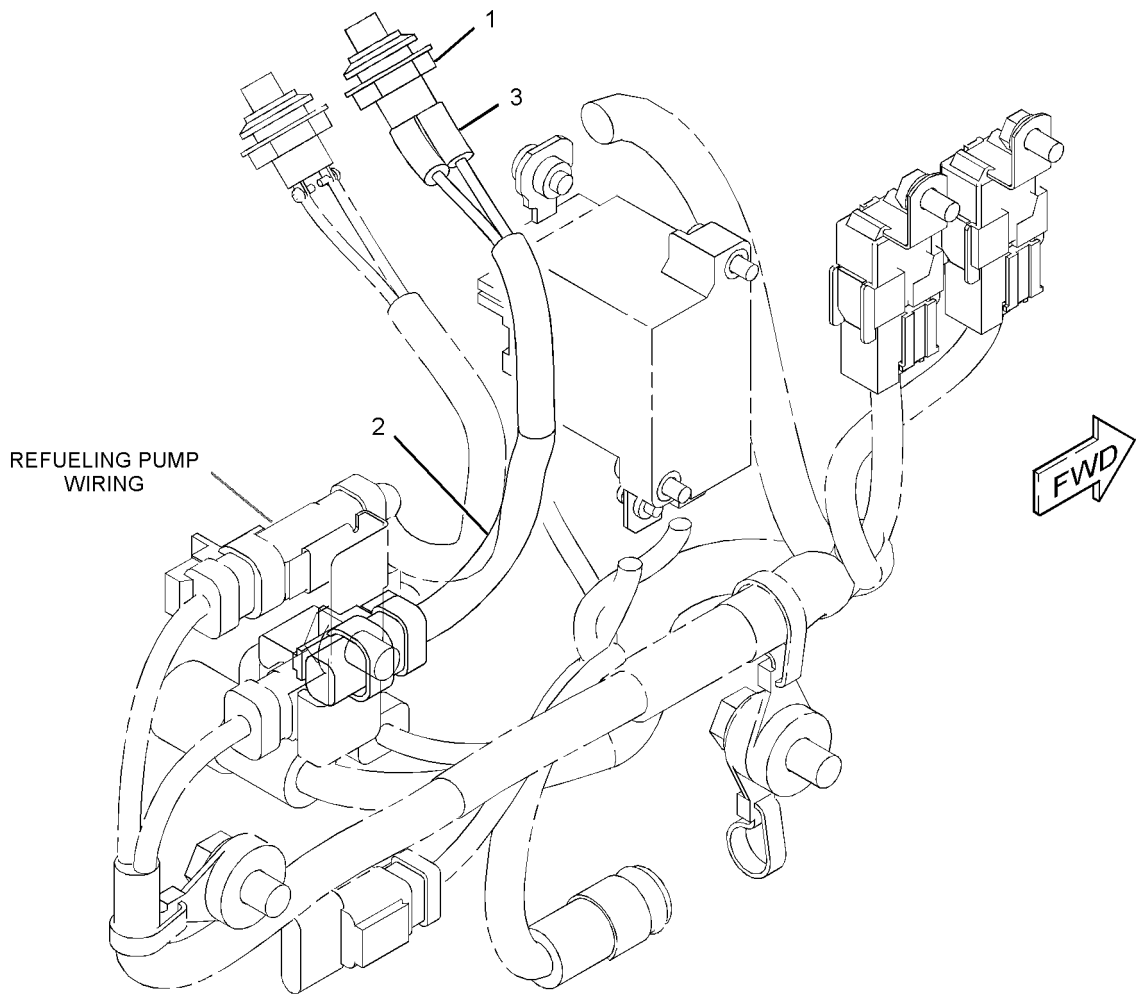
PART OF 342-2870 WIRING GP-REFUELING PUMP
AN ATTACHMENT

SMCS-1435, 7332

i03883475

NOTE	REF NO	GRAPHIC REF	PART NUMBER	QTY	PART NAME						SEE PAGE
					1	2	3	4	5	6 (PRODUCT LEVEL)	
	1	1	9X-4184	1	SWITCH GP-PUSH BUTTON (REFUELING PUMP, STOP)						
		1	1S-0812	2	SCREW-TAPPING						
		1	3E-7389	1	SWITCH-PUSH BUTTON (REFUELING PUMP, STOP)						
		1	3K-0835	1	NUT (5/8-24-THD)						
		1	6F-0253	1	LOCKWASHER						
		1	8T-8748	1	ADAPTER-MOUNT						
	2	1	238-1597	1	HARNES AS-SWITCH (REFUELING PUMP, STOP)						
		1	8T-8730	2	SOCKET-CONNECTOR (16-GA TO 18-GA)						
		1	230-4011	1	PLUG AS-CONNECTOR (2-PIN)						
		1	264-7029	1	SEAL-CONNECTOR						
BE	3	1	125-7875		TUBE-HEAT SHRINK (7.44-MM DIA)						

B-USE AS REQUIRED
E-ORDER BY THE CENTIMETER



GRAPHIC #1

<END>

g01560319

ELECTRICAL AND STARTING SYSTEM

319-4420 SWITCH GP-ROTARY-THROTTLE POSITION

S/N: PAS1-UP

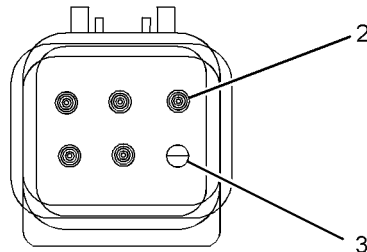
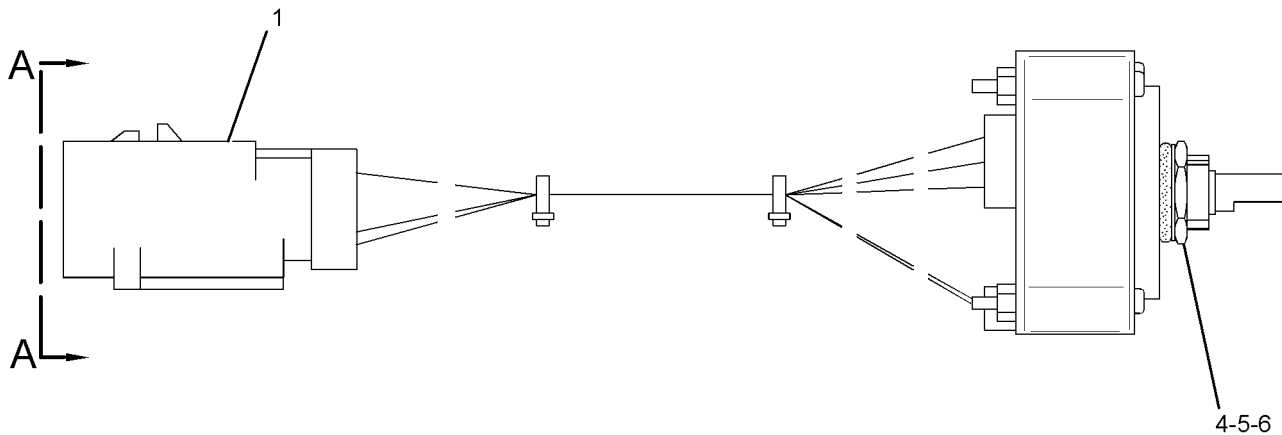
PART OF 251-0542 PANEL GP-SWITCH
AN ATTACHMENT

SMCS-7332

i03401061

NOTE	REF NO	GRAPHIC REF	PART NUMBER	QTY	PART NAME						SEE PAGE
					1	2	3	4	5	6 (PRODUCT LEVEL)	
	1	1	243-4508	1	RECEPTACLE AS-CONNECTOR (6-PIN)						
	2	1	9X-3401	5	PIN-CONNECTOR (16-GA TO 18-GA)						
					-OR-						
		1	126-1767	5	PIN-CONNECTOR (14-GA)						
	3	1	8T-8737	1	PLUG-SEAL						
M	4	1	7Y-5458	1	NUT (M12X1-THD)						
	5	1	7Y-5464	1	WASHER (12.2X15.4X0.5-MM THK)						
	6	1	106-0210	1	SEAL						

M-METRIC PART



VIEW A-A

GRAPHIC #1

<END>

g01588034

ELECTRICAL AND STARTING SYSTEM

9G-7641 SWITCH GP-START-ENGINE, KEY

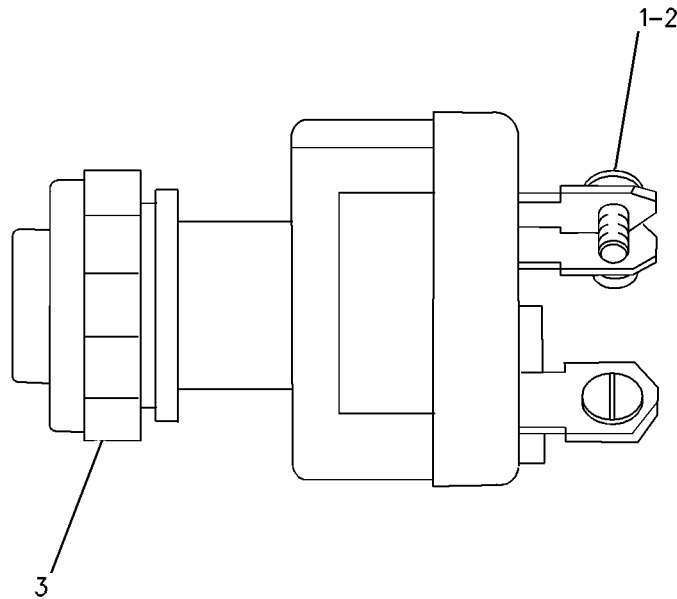
S/N: PAS1-UP

PART OF 251-0542 PANEL GP-SWITCH
AN ATTACHMENT

SMCS-1416

i01943219

NOTE	REF NO	GRAPHIC REF	PART NUMBER	QTY	PART NAME						SEE PAGE
					1	2	3	4	5	6 (PRODUCT LEVEL)	
	1	1	6V-8362	4	SCREW-MACHINE (8-32X0.31-IN)						
	2	1	9B-7233	4	LOCKWASHER						
	3	1	7T-6799	1	NUT-MOUNTING (1-32-THD)						
AF			5P-8500	1	KEY (IGNITION)						
A-NOT PART OF THIS GROUP											
F-NOT SHOWN											



GRAPHIC #1

<END>

g00699802

ELECTRICAL AND STARTING SYSTEM

165-5970 SWITCH GP-TOGGLE-FUEL PRIMING PUMP

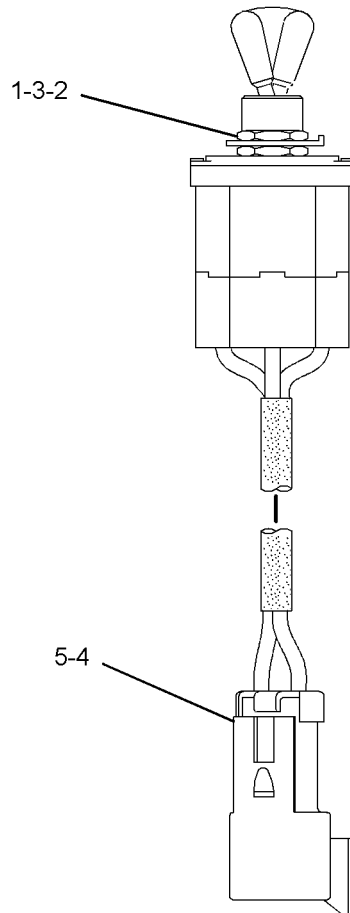
S/N: PAS1-UP

PART OF 299-2626 BATTERY & WIRING GP

SMCS-7332

i02409114

NOTE	REF NO	GRAPHIC REF	PART NUMBER	QTY	PART NAME						SEE PAGE
					1	2	3	4	5	6 (PRODUCT LEVEL)	
	1	1	6T-3631	2	NUT-HEX (15/32-32-THD)						
	2	1	6T-3632	1	LOCKWASHER						
	3	1	6T-3633	1	RING-LOCKING						
	4	1	102-8803	1	KIT-RECEPTACLE (3-PIN) (INCLUDES RECEPTACLE AS & WEDGE)						
	5	1	186-3735	3	PIN-CONNECTOR (16-GA TO 18-GA)						



GRAPHIC #1

<END>

g01203825

ELECTRICAL AND STARTING SYSTEM

170-2512 SWITCH GP-TOGGLE-SECONDARY SHUTDOWN

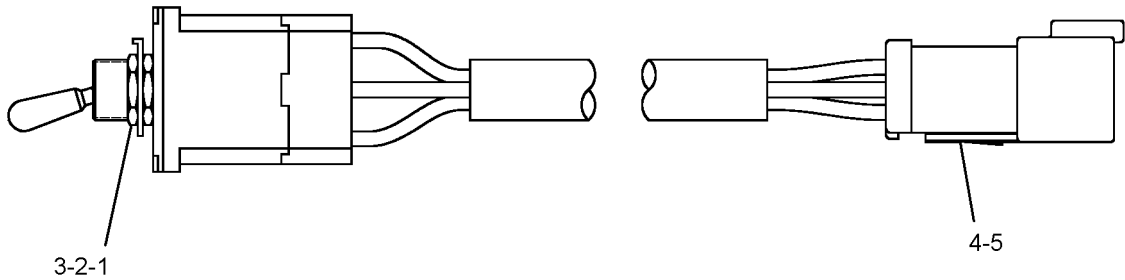
S/N: PAS1-UP

PART OF 299-2626 BATTERY & WIRING GP

SMCS-7332

i03493400

NOTE	REF NO	GRAPHIC REF	PART NUMBER	QTY	PART NAME						SEE PAGE
					1	2	3	4	5	6 (PRODUCT LEVEL)	
	1	1	6T-3631	2	NUT-HEX (15/32-32-THD)						
	2	1	6T-3632	1	LOCKWASHER						
	3	1	6T-3633	1	RING-LOCKING						
	4	1	102-8805	1	KIT-RECEPTACLE (6-PIN) (INCLUDES RECEPTACLE AS & WEDGE)						
	5	1	186-3735	6	PIN-CONNECTOR (16-GA TO 18-GA)						



GRAPHIC #1

<END>

g01814901

ELECTRICAL AND STARTING SYSTEM

238-2478 SWITCH GP-TOGGLE-QUICK COUPLER

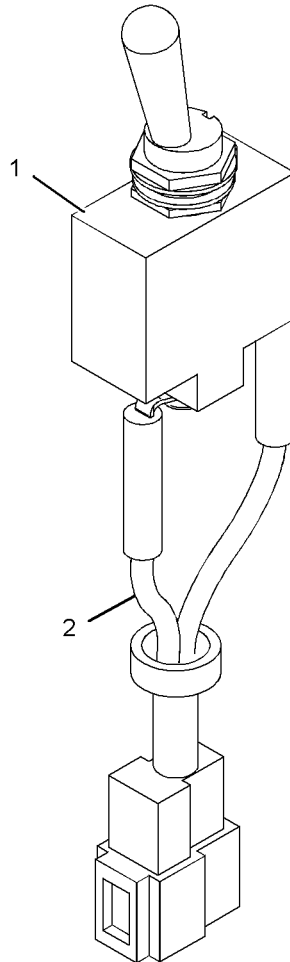
S/N: PAS1-UP

PART OF 299-2999 WIRING GP-CAB
AN ATTACHMENT

SMCS-7332

i03738640

NOTE	REF NO	GRAPHIC REF	PART NUMBER	QTY	PART NAME						SEE PAGE
					1	2	3	4	5	6 (PRODUCT LEVEL)	
1	1	1	7N-2353	1	SWITCH AS-TOGGLE (QUICK COUPLER)						
2	1	1	238-2479	1	HARNES AS-WIRING (QUICK COUPLER SWITCH)						
		1	5P-2321	2	TERMINAL-FORK (14-GA TO 16-GA, NO. 6 SCREW)						
		1	7Y-3950	2	TERMINAL-BLADE (14-GA TO 20-GA)						
		1	7Y-3953	1	CONNECTOR-RECEPTACLE						
		1	3S-2093	1	STRAP-CABLE						



GRAPHIC #1

<END>

g01125914

ELECTRICAL AND STARTING SYSTEM

239-1134 VALVE GP-ETHER STARTING

S/N: PAS1-UP

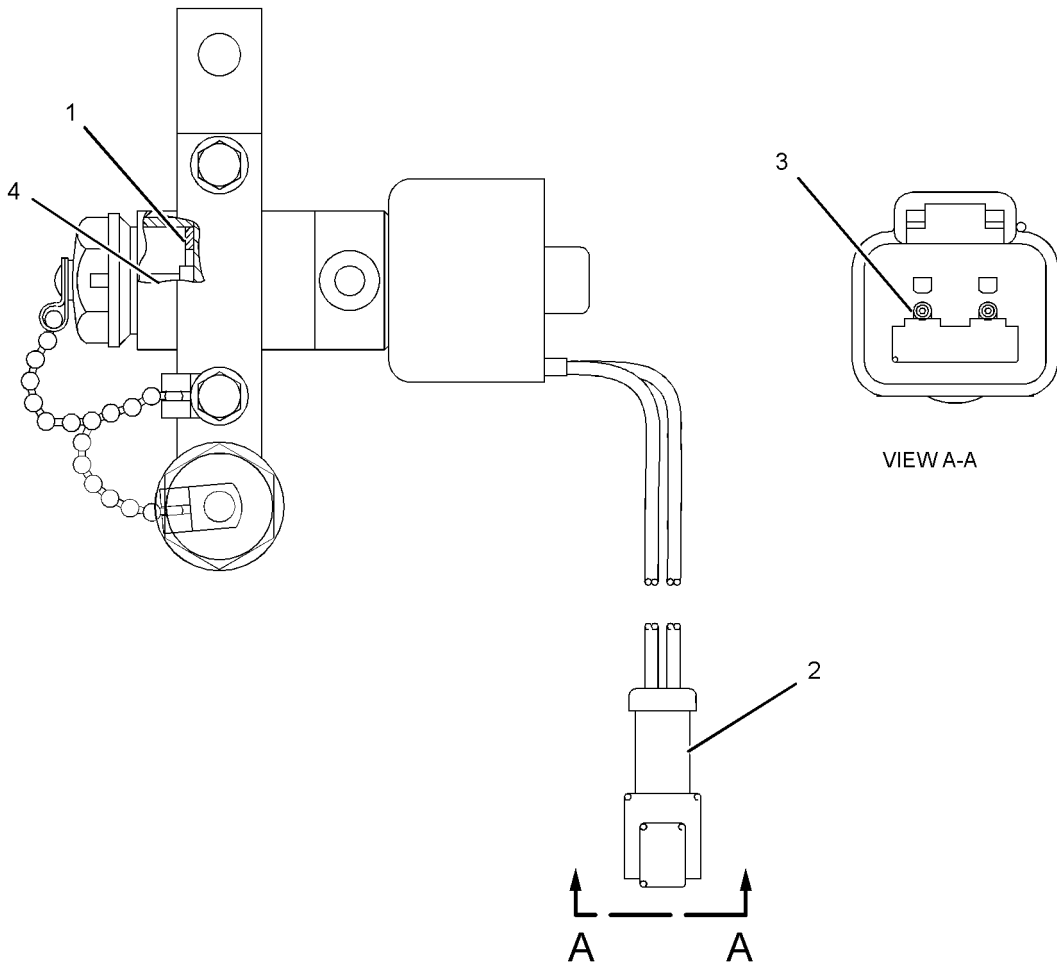
24-VOLT

PART OF 222-8351 STARTING AID GP-ETHER
AN ATTACHMENT

SMCS-1456

i03909933

NOTE	REF NO	GRAPHIC REF	PART NUMBER	QTY	PART NAME						SEE PAGE
					1	2	3	4	5	6 (PRODUCT LEVEL)	
1	1	1	7N-9801	1	GASKET						
2	1	1	102-8802	1	KIT-RECEPTACLE (2-PIN) (INCLUDES RECEPTACLE AS & WEDGE)						
3	1	1	8T-8729	2	PIN-CONNECTOR (16-GA TO 18-GA)						
4	1	1	358-4889	1	FILTER (ETHER START)						



GRAPHIC #1

<END>

g02138138

ELECTRICAL AND STARTING SYSTEM

299-3056 WIRING GP-AUX START RECEPTACLE

S/N: PAS1-UP

PART OF 340-4005 OPTION AR-COLD WEATHER
AN ATTACHMENT

SMCS-1408, 1463

i03656978

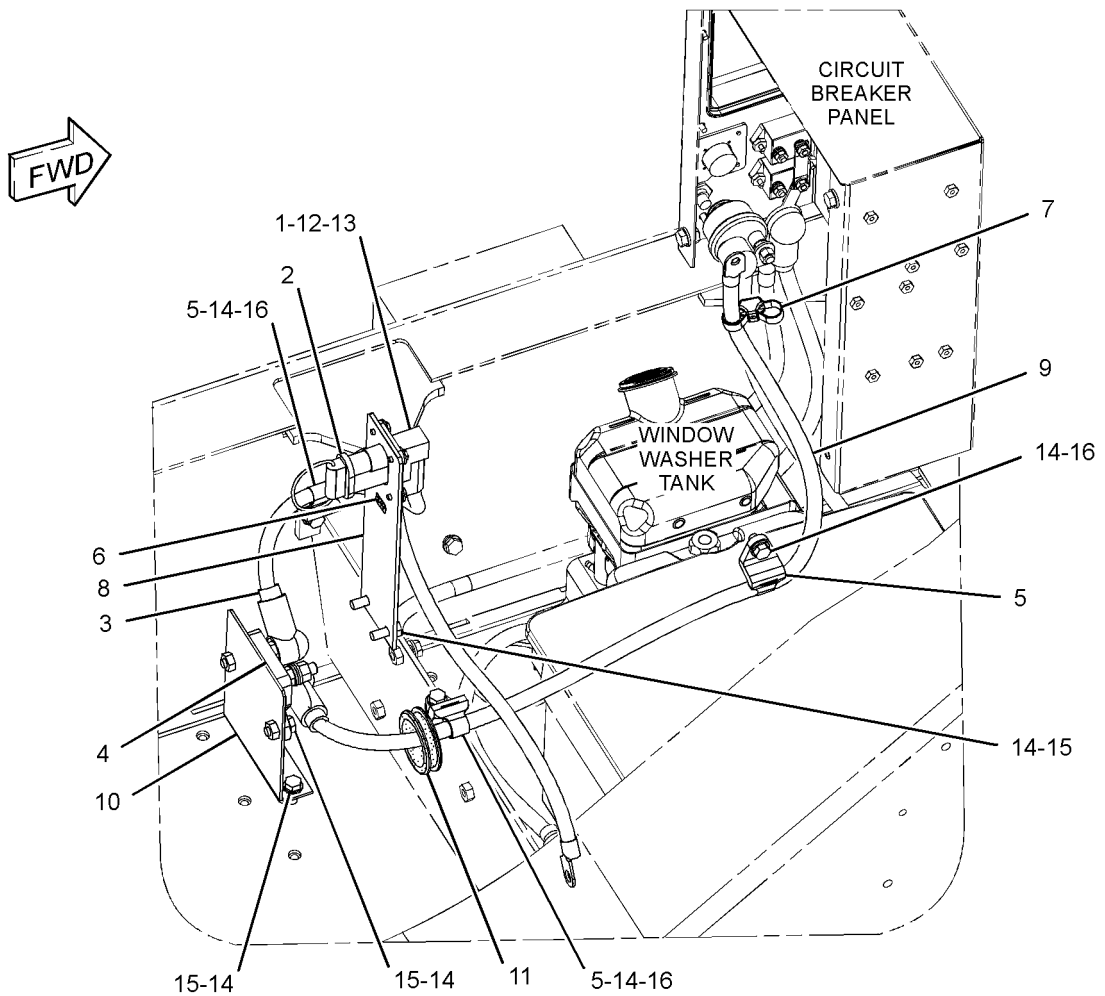
NOTE	REF NO	GRAPHIC REF	PART NUMBER	QTY	PART NAME						SEE PAGE
					1	2	3	4	5	6 (PRODUCT LEVEL)	
	1	1	2G-1830	1	RECEPTACLE AS (AUXILIARY START)						
		1	1S-7251	2	TERMINAL-CABLE (00-GA, 1/2-IN SCREW)						
E		1	5P-0747		CABLE (00-GA, BLACK) (49-CM)						
E		1	5P-0761		CABLE (00-GA, RED) (56-CM)						
BE		1	6V-2722		TUBE-HEAT SHRINK						
	2	1	8S-2634	1	COVER AS (BATTERY)						
	3	1	9G-8909	1	COVER-TERMINAL (BLACK)						
Y	4	1	9W-0742	1	BLOCK GP-JUNCTION (BATTERY)						169
	5	1	111-4837	3	CLIP						
	6	1	146-6747	1	FILM-INFORMATION (24-VOLT)						
	7	1	204-1673	1	STRAP-CABLE						
	8	1	342-2902	1	CABLE AS (JUNCTION BLOCK)						
		1	1S-7251	1	TERMINAL-CABLE (00-GA, 1/2-IN SCREW)						
		1	1S-7252	1	TERMINAL-CABLE (00-GA, 3/8-IN SCREW)						
		1	9G-8909	1	COVER-TERMINAL (BLACK)						
E		1	159-8050		CABLE (00-GA, BLACK) (108-CM)						
	9	1	342-3185	1	BRACKET						
	10	1	342-3206	1	BRACKET AS						
	11	1	093-2065	1	GROMMET						
M	12	1	5C-9553	4	BOLT (M6X1X16-MM)						
	13	1	5P-4115	4	WASHER-HARD (7.2X19X2-MM THK)						
	14	1	8T-4121	9	WASHER-HARD (11X21X2.5-MM THK)						
M	15	1	8T-4136	6	BOLT (M10X1.5X25-MM)						
M	16	1	8T-4137	3	BOLT (M10X1.5X20-MM)						

B-USE AS REQUIRED
E-ORDER BY THE CENTIMETER
M-METRIC PART
Y-SEPARATE ILLUSTRATION

ELECTRICAL AND STARTING SYSTEM

299-3056 WIRING GP-AUX START RECEPTACLE (contd.)

i03656978



GRAPHIC #1

<END>

g02122233

ELECTRICAL AND STARTING SYSTEM

299-2997 WIRING GP-BOOM-ACCUGRADE

S/N: PAS1-UP

PART OF 319-9260 SPECIAL AR
AN ATTACHMENT

SMCS-1408

i03877644

NOTE	REF NO	GRAPHIC REF	PART NUMBER	QTY	PART NAME						SEE PAGE
					1	2	3	4	5	6 (PRODUCT LEVEL)	
	1	1	3S-2093	1	STRAP-CABLE						
	2	1	7K-1181	59	STRAP-CABLE						
	3	1	102-7886	1	SLEEVE						
	4	1	111-4837	3	CLIP						
	5	1	113-8491	2	FUSE (15-AMPERE)						
	6	1	116-0118	1	CLIP						
	7	1	275-6842	1	HARNESS AS-CONTROL (DISPLAY, GPS RADIO)						
		1	8T-8737	6	PLUG-SEAL						
		1	9X-3401	6	PIN-CONNECTOR (16-GA TO 18-GA)						
		1	167-8987	1	PLUG AS-CONNECTOR (8-PIN)						
		1	243-4510	1	RECEPTACLE AS-CONNECTOR (12-PIN)						
8	1	1	342-3182	1	HARNESS AS-CHASSIS (STD CHASSIS)						
		1	102-8803	2	KIT-RECEPTACLE (3-PIN)						
					(EACH INCLUDES RECEPTACLE AS & WEDGE)						
		1	8T-8729	1	PIN-CONNECTOR (16-GA TO 18-GA)						
		1	8T-8730	2	SOCKET-CONNECTOR (16-GA TO 18-GA)						
		1	3R-9965	1	PLUG AS-CONNECTOR (8-PIN)						
		1	3S-2093	7	STRAP-CABLE						
		1	6D-5257	1	PLUG AS-CONNECTOR (8-PIN)						
		1	7Y-3962	1	TERMINAL-BULLET (MALE)						
		1	8L-8413	4	STRAP-CABLE						
		1	8T-8737	57	PLUG-SEAL						
		1	9X-4385	1	PLUG AS-CONNECTOR (6-PIN)						
		1	104-6871	2	CAP-DUST						
		1	9W-0852	1	PIN-CONNECTOR (14-GA)						
		1	9W-0844	3	SOCKET-CONNECTOR (14-GA)						
BE		1	119-3662		TUBE-HEAT SHRINK (10.85-MM DIA)						
BE		1	125-7874		TUBE-HEAT SHRINK (5.72-MM DIA)						
BE		1	125-7875		TUBE-HEAT SHRINK (7.44-MM DIA)						
		1	9X-3402	36	SOCKET-CONNECTOR (16-GA TO 18-GA)						
		1	2L-8079	2	TERMINAL-RING (14-GA TO 16-GA, 3/8-IN SCREW)						
		1	176-9299	2	KIT-RECEPTACLE (3-PIN)						
					(EACH INCLUDES RECEPTACLE AS & WEDGE)						
		1	9X-3401	22	PIN-CONNECTOR (16-GA TO 18-GA)						
		1	174-0503	1	KIT-CONNECTING PLUG (3-PIN)						
		1	155-2260	2	KIT-CONNECTING PLUG (3-PIN)						
					(EACH PLUG KIT INCLUDES PLUG AS, WEDGE, & INTERFACE SEAL)						
		1	170-6891	1	TERMINAL-BLADE (16-GA TO 18-GA)						
		1	174-3016	2	PLUG AS-CONNECTOR (3-PIN)						
		1	230-4009	5	PLUG AS-CONNECTOR (12-PIN)						
					(EACH INCLUDES)						
		1	264-7034	1	SEAL-CONNECTOR						
		1	230-4011	1	PLUG AS-CONNECTOR (2-PIN)						
		1	264-7029	1	SEAL-CONNECTOR						
		1	243-4510	4	RECEPTACLE AS-CONNECTOR (12-PIN)						
		1	243-5362	2	CAP-DUST						
		1	253-2695	1	PLUG AS-CONNECTOR						
E		1	262-8088		HOSE (138-CM)						
	9	1	132-5789	1	CLIP						
	10	1	2S-1647	2	GROMMET						
	11	1	4P-7428	4	CLIP						
	12	1	4P-7581	2	CLIP						
M	13	1	7X-2621	1	BOLT (M10X1.5X12-MM)						

ELECTRICAL AND STARTING SYSTEM

299-2997 WIRING GP-BOOM (contd.)

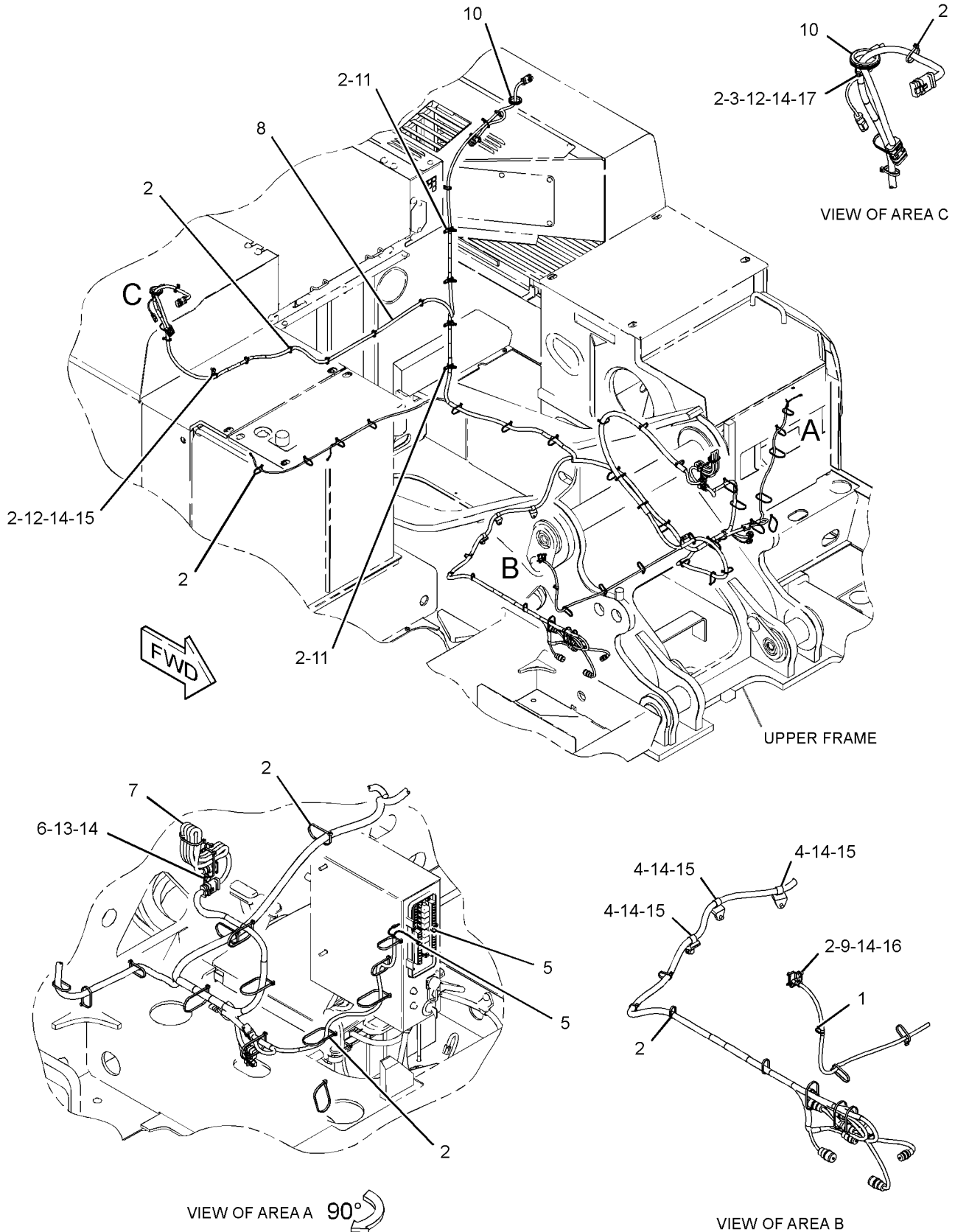
i03877644

NOTE	REF NO	GRAPHIC REF	PART NUMBER	QTY	PART NAME						SEE PAGE
					1	2	3	4	5	6 (PRODUCT LEVEL)	
	14	1	8T-4121	7	WASHER-HARD (11X21X2.5-MM THK)						
M	15	1	8T-4137	4	BOLT (M10X1.5X20-MM)						
M	16	1	8T-4191	1	BOLT (M10X1.5X16-MM)						
M	17	1	8T-4198	1	BOLT (M10X1.5X100-MM)						
B-USE AS REQUIRED E-ORDER BY THE CENTIMETER M-METRIC PART											

ELECTRICAL AND STARTING SYSTEM

299-2997 WIRING GP-BOOM (contd.)

i03877644



GRAPHIC #1

<END>

g02139167

ELECTRICAL AND STARTING SYSTEM

299-2628 WIRING GP-CAB

S/N: PAS1-UP

PART OF 342-3451 OPERATOR AR

SMCS-1408, 7301

i03900396

NOTE	REF NO	GRAPHIC REF	PART NUMBER	QTY	PART NAME						SEE PAGE
					1	2	3	4	5	6 (PRODUCT LEVEL)	
	1	1	3S-2093	8	STRAP-CABLE						
M	2	1	6C-9058	3	SCREW (M6X1X12-MM)						
	3	1	6C-9081	2	LOCKWASHER						
	4	1	6C-9121	1	BRACKET AS-LAMP						
	5	1	6C-9122	2	LAMP (24-VOLT)						
M	6	1	6V-4298	2	BOLT (M5X0.8X16-MM)						
	7	1	120-4779	8	HOOK						
Y	8	1	132-1829	1	ALARM GP (24-VOLT) (FAULT)						152
	9	1	301-7292	1	KIT-SERVICE METER (INCLUDES METER & FILM)						
	10	1	167-3593	1	STRAP						
	11	1	214-8889	2	SPEAKER						
	12	1	220-6420	8	SCREW						
	13	1	234-1097	1	BRACKET						
	15	1	259-5022	1	ANTENNA AS						
		1	259-5081	1	ROD						
		1	259-5082	1	CABLE AS						
16	1	1	350-8248	1	HARNESS AS-CAB						
		1	102-8803	2	KIT-RECEPTACLE (3-PIN) (EACH INCLUDES RECEPTACLE AS & WEDGE)						
		1	8T-8730	4	SOCKET-CONNECTOR (16-GA TO 18-GA)						
		1	3S-2093	73	STRAP-CABLE						
		1	6T-6506	2	TERMINAL-BLADE (14-GA TO 18-GA)						
		1	7N-7221	2	TERMINAL-BLADE (18-GA TO 22-GA)						
		1	7Y-3962	2	TERMINAL-BULLET (MALE)						
		1	7Y-3693	5	ANGLE						
		1	8C-6354	1	CAP-RECEPTACLE						
		1	8T-8737	16	PLUG-SEAL						
		1	3M-6018	1	TERMINAL						
		1	9W-1951	1	RECEPTACLE-CONNECTOR (9-PIN)						
		1	5P-2957	2	TERMINAL-BLADE (14-GA TO 16-GA)						
					-OR-						
		1	5P-5602	2	TERMINAL-BLADE (18-GA TO 22-GA)						
		1	102-7964	1	CONNECTOR-PLUG						
		1	102-7965	49	TERMINAL (FEMALE)						
		1	111-4815	1	CONNECTOR-PLUG						
BE	1	1	119-3662		TUBE-HEAT SHRINK (10.85-MM DIA)						
	1	1	121-1168	1	CONNECTOR-RECEPTACLE						
	1	1	121-1173	6	TERMINAL (MALE)						
	1	1	125-4838	1	WEDGE-PLUG LOCK						
	1	1	125-4841	1	WEDGE-PLUG LOCK (21-PIN)						
BE	1	1	125-7874		TUBE-HEAT SHRINK (5.72-MM DIA)						
BE	1	1	125-7875		TUBE-HEAT SHRINK (7.44-MM DIA)						
	1	1	9X-3402	15	SOCKET-CONNECTOR (16-GA TO 18-GA)						
	1	1	2L-8066	2	TERMINAL-RING (10-GA TO 12-GA, NO. 10 SCREW)						
	1	1	2L-8067	3	TERMINAL-RING (10-GA TO 12-GA, 1/4-IN SCREW)						
	1	1	2L-8075	7	TERMINAL-RING (14-GA TO 16-GA, NO. 8 SCREW)						
	1	1	176-9299	2	KIT-RECEPTACLE (3-PIN) (EACH RECEPTACLE KIT INCLUDES RECEPTACLE AS & WEDGE)						
	1	1	9X-3401	10	PIN-CONNECTOR (16-GA TO 18-GA)						
	1	1	153-2602	3	CONNECTOR-RECEPTACLE						
	1	1	153-2631	3	TERMINAL (FEMALE)						

ELECTRICAL AND STARTING SYSTEM

299-2628 WIRING GP-CAB (contd.)

i03900396

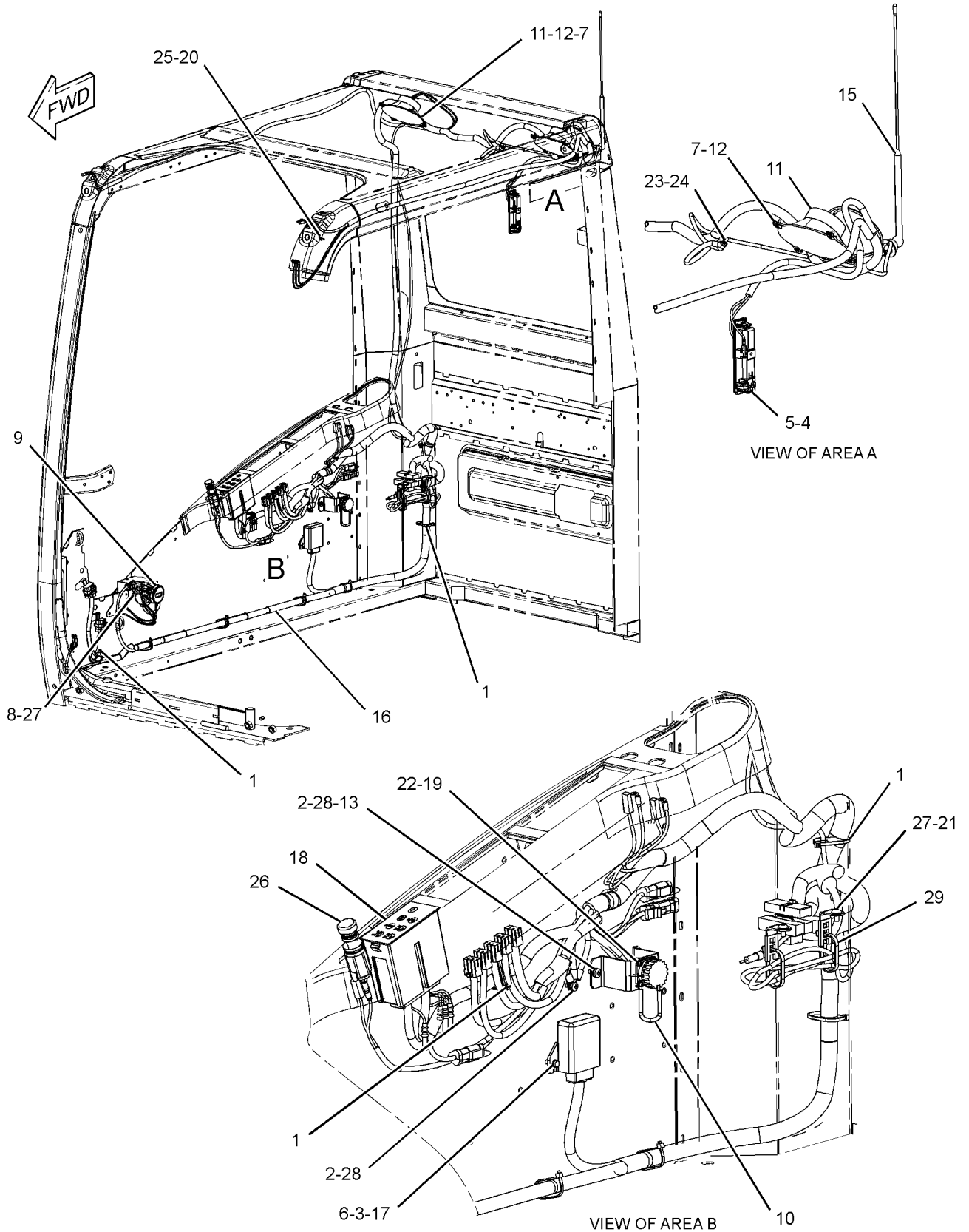
NOTE	REF NO	GRAPHIC REF	PART NUMBER	QTY	PART NAME						SEE PAGE
					1	2	3	4	5	6 (PRODUCT LEVEL)	
		1	155-2270	1	KIT-CONNECTING PLUG (2-PIN) (INCLUDES PLUG AS, WEDGE & INTERFACE SEAL)						
		1	163-6659	1	CONNECTOR-PLUG						
		1	163-6699	1	CONNECTOR-PLUG						
		1	163-6790	20	TERMINAL (FEMALE)						
		1	163-6803	5	CONNECTOR-PLUG						
		1	167-3487	5	WEDGE-PLUG LOCK						
		1	174-3016	2	PLUG AS-CONNECTOR (3-PIN)						
		1	230-4009	1	PLUG AS-CONNECTOR (12-PIN)						
		1	264-7034	1	SEAL-CONNECTOR						
		1	230-4011	1	PLUG AS-CONNECTOR (2-PIN)						
		1	264-7029	1	SEAL-CONNECTOR						
		1	238-2363	6	TERMINAL (FEMALE)						
		1	238-2366	12	TERMINAL (MALE)						
		1	239-7356	1	PLUG AS-CONNECTOR (12-PIN)						
		1	264-7034	1	SEAL-CONNECTOR						
		1	243-4505	1	RECEPTACLE AS-CONNECTOR (2-PIN)						
		1	349-5084	3	TERMINAL-BLADE						
		1	349-5085	3	RECEPTACLE AS-CONNECTOR						
	17	1	328-0651	1	CONTROL GP-WIPER						
	18	1	338-6833	1	PANEL AS-CONTROL						
	19	1	096-5962	3	WASHER-HARD (3.4X7X0.8-MM THK)						
	20	1	096-6166	1	WASHER-HARD (4.5X9X1-MM THK)						
	21	1	132-5789	2	CLIP						
M	22	1	150-6256	3	BOLT-SOCKET HEAD (M3X0.5X12-MM)						
M	23	1	6V-9673	1	SCREW-MACHINE (M5X0.8X12-MM)						
	24	1	8T-0328	1	WASHER-HARD (5.5X10X1-MM THK)						
M	25	1	8T-0337	1	SCREW-MACHINE (M4X0.7X12-MM)						
	26	1	9W-0335	1	LIGHTER AS-CIGAR (24-VOLT)						
M	27	1	9X-2042	3	SCREW-TRUSS HEAD (M6X1X12-MM)						
	28	1	9X-8256	3	WASHER (6.6X12X2-MM THK)						
	29	1	7K-1181	2	STRAP-CABLE						

B-USE AS REQUIRED
E-ORDER BY THE CENTIMETER
M-METRIC PART
Y-SEPARATE ILLUSTRATION

ELECTRICAL AND STARTING SYSTEM

299-2628 WIRING GP-CAB (contd.)

i03900396



GRAPHIC #1

<END>

g02145376

ELECTRICAL AND STARTING SYSTEM

299-2999 WIRING GP-CAB-ACCUGRADE

S/N: PAS1-UP

PART OF 319-9260 SPECIAL AR
AN ATTACHMENT

SMCS-1408, 7301

i03877678

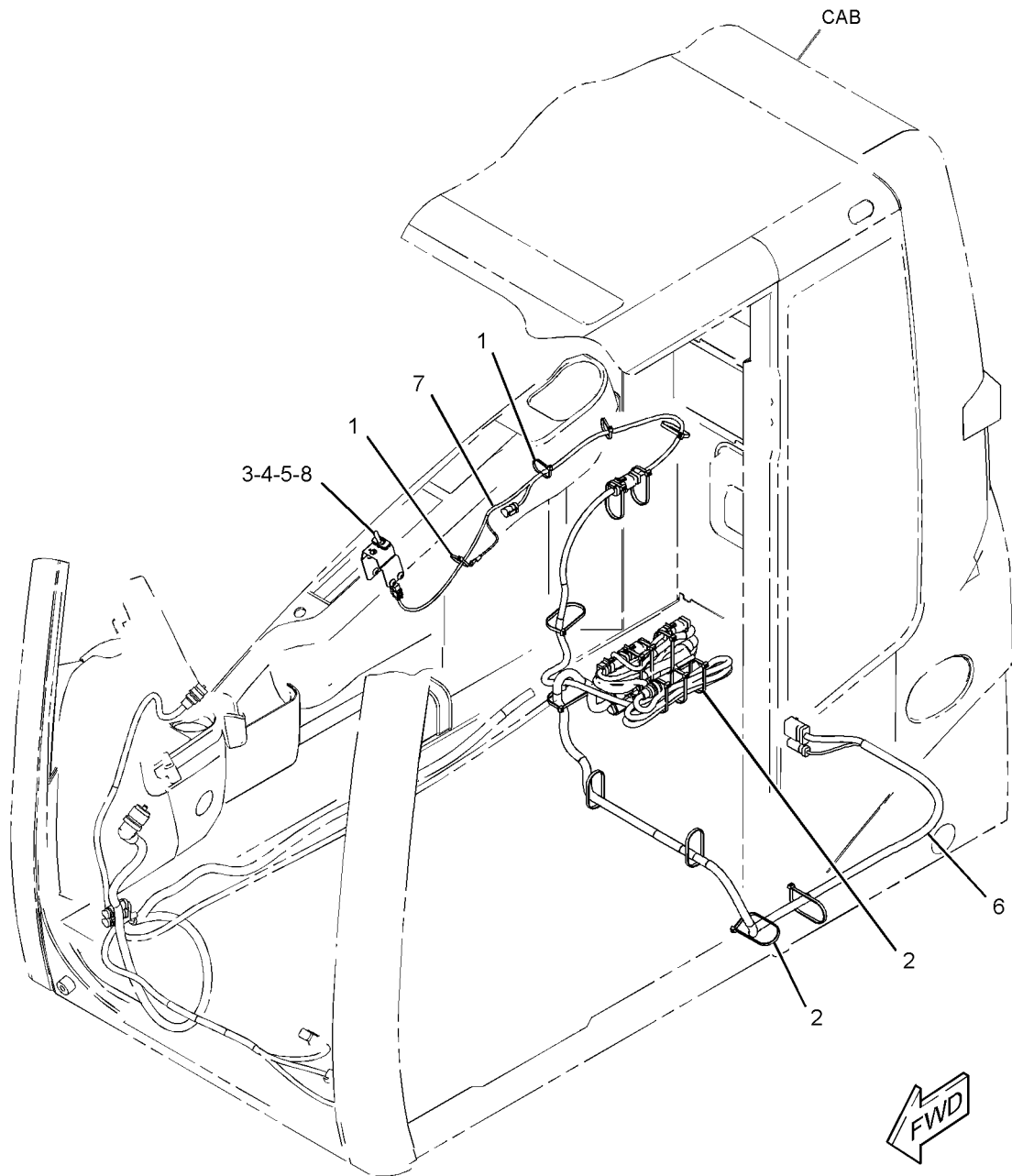
NOTE	REF NO	GRAPHIC REF	PART NUMBER	QTY	PART NAME						SEE PAGE
					1	2	3	4	5	6 (PRODUCT LEVEL)	
	1	1	3S-2093	3	STRAP-CABLE						
	2	1	7K-1181	15	STRAP-CABLE						
Y	3	1	238-2478	1	SWITCH GP-TOGGLE (QUICK COUPLER)						262
	4	1	259-7220	1	COVER						
	5	1	267-7695	1	BRACKET AS						
	6	1	342-2925	1	HARNESS AS-MONITOR						
		1	102-8803	2	KIT-RECEPTACLE (3-PIN)						
					(EACH INCLUDES RECEPTACLE AS & WEDGE)						
		1	8T-8729	2	PIN-CONNECTOR (16-GA TO 18-GA)						
		1	8T-8730	2	SOCKET-CONNECTOR (16-GA TO 18-GA)						
		1	3S-2093	1	STRAP-CABLE						
		1	8L-8413	2	STRAP-CABLE						
		1	8T-8737	18	PLUG-SEAL						
		1	9W-0852	3	PIN-CONNECTOR (14-GA)						
		1	9W-0844	1	SOCKET-CONNECTOR (14-GA)						
BE		1	125-7874		TUBE-HEAT SHRINK (5.72-MM DIA)						
BE		1	125-7875		TUBE-HEAT SHRINK (7.44-MM DIA)						
		1	9X-3402	11	SOCKET-CONNECTOR (16-GA TO 18-GA)						
		1	176-9299	2	KIT-RECEPTACLE (3-PIN)						
					(EACH INCLUDES RECEPTACLE AS & WEDGE)						
		1	9X-3401	13	PIN-CONNECTOR (16-GA TO 18-GA)						
		1	174-3016	2	PLUG AS-CONNECTOR (3-PIN)						
		1	230-5008	3	PLUG AS-CONNECTOR (4-PIN)						
					(EACH INCLUDES)						
		1	264-7031	1	SEAL-CONNECTOR						
		1	230-5010	1	PLUG AS-CONNECTOR (6-PIN)						
		1	264-7032	1	SEAL-CONNECTOR						
		1	243-4505	1	RECEPTACLE AS-CONNECTOR (2-PIN)						
		1	243-4507	3	RECEPTACLE AS-CONNECTOR (4-PIN)						
		1	243-4510	1	RECEPTACLE AS-CONNECTOR (12-PIN)						
		1	243-5362	1	CAP-DUST						
		1	248-5358	1	PLUG AS-CONNECTOR (39-PIN)						
		1	253-2695	1	PLUG AS-CONNECTOR						
		1	287-8404	1	CAP AS-DUST						
	7	1	342-2926	1	HARNESS AS-SWITCH (BACKUP)						
		1	8T-8729	2	PIN-CONNECTOR (16-GA TO 18-GA)						
		1	3S-2093	4	STRAP-CABLE						
		1	8T-8737	2	PLUG-SEAL						
		1	9W-0852	1	PIN-CONNECTOR (14-GA)						
		1	9X-3402	2	SOCKET-CONNECTOR (16-GA TO 18-GA)						
		1	2L-8077	1	TERMINAL (14-GA TO 16-GA, 1/4-IN SCREW)						
		1	9X-3401	2	PIN-CONNECTOR (16-GA TO 18-GA)						
		1	155-2260	1	KIT-CONNECTING PLUG (3-PIN)						
					(INCLUDES PLUG AS, WEDGE, & INTERFACE SEAL)						
		1	243-4508	1	RECEPTACLE AS-CONNECTOR (6-PIN)						
M	8	1	9X-2042	3	SCREW-TRUSS HEAD (M6X1X12-MM)						

B-USE AS REQUIRED
E-ORDER BY THE CENTIMETER
M-METRIC PART
Y-SEPARATE ILLUSTRATION

ELECTRICAL AND STARTING SYSTEM

299-2999 WIRING GP-CAB (contd.)

i03877678



GRAPHIC #1

<END>

g02134686

ELECTRICAL AND STARTING SYSTEM

328-0102 WIRING GP-CAB-OVERLOAD WARNING DEVICE

S/N: PAS1-UP

PART OF 297-0420 VALVE AR-BOOM LOWERING CONTROL
AN ATTACHMENT

SMCS-1408, 7301

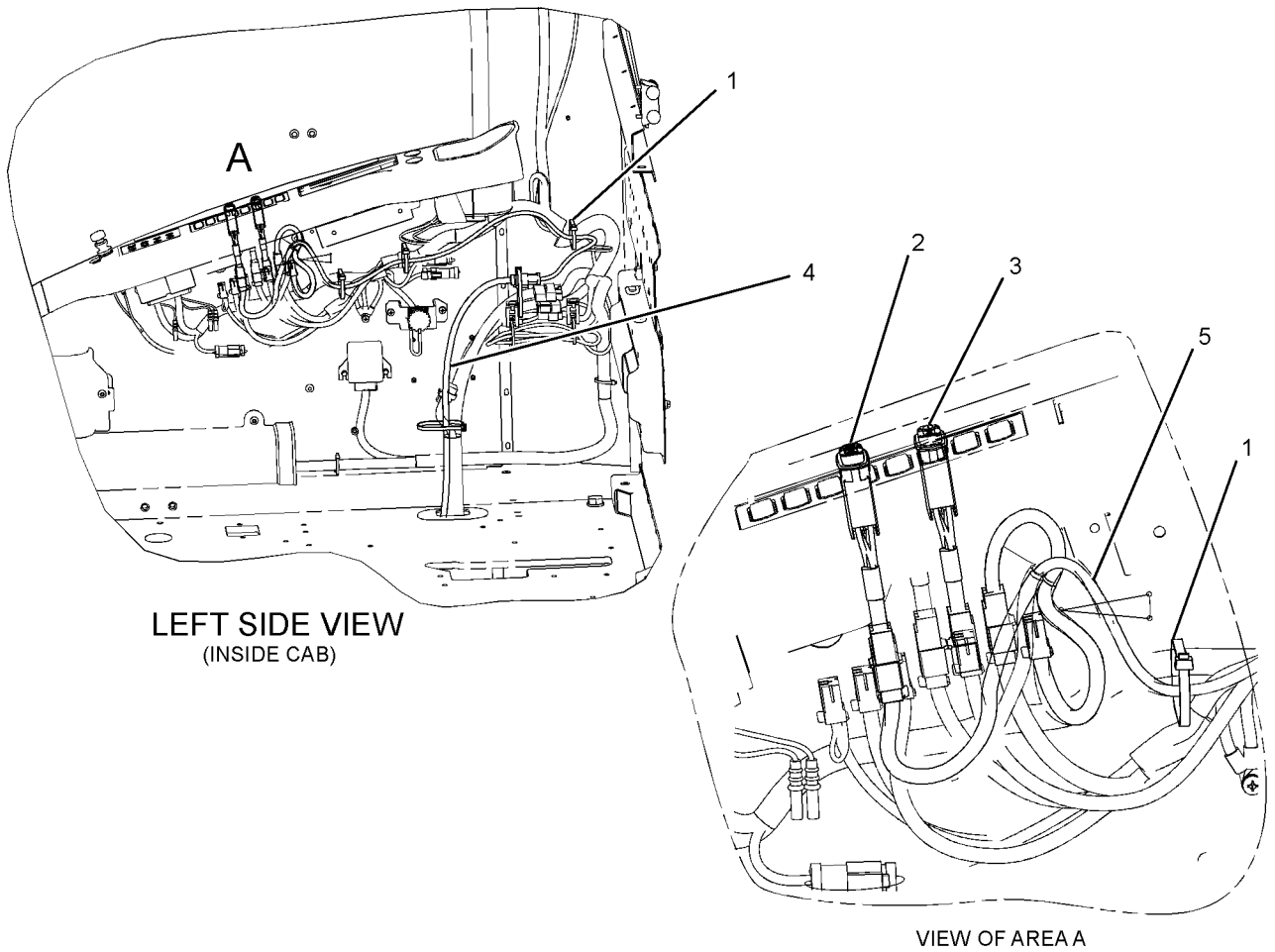
i03790671

NOTE	REF NO	GRAPHIC REF	PART NUMBER	QTY	PART NAME						SEE PAGE
					1	2	3	4	5	6 (PRODUCT LEVEL)	
	1	1	7K-1181	11	STRAP-CABLE						
	2	1	238-2214	1	SWITCH AS-ROCKER (BOOM FLOAT)						
		1	167-3542	1	CONNECTOR-RECEPTACLE						
		1	167-3543	5	TERMINAL (MALE)						
	3	1	328-0028	1	SWITCH AS-ROCKER (OVERLOAD WARNING)						
		1	167-3542	1	CONNECTOR-RECEPTACLE						
		1	167-3543	4	TERMINAL (MALE)						
	4	1	342-2939	1	HARNESS AS-SENSOR (SMARTBOOM)						
		1	8T-8729	4	PIN-CONNECTOR (16-GA TO 18-GA)						
		1	8T-8730	5	SOCKET-CONNECTOR (16-GA TO 18-GA)						
		1	155-2260	1	KIT-CONNECTING PLUG (3-PIN)						
		1	155-2270	1	KIT-CONNECTING PLUG (2-PIN)						
					(EACH PLUG KIT INCLUDES PLUG AS, WEDGE, & INTERFACE SEAL)						
		1	243-4507	1	RECEPTACLE AS-CONNECTOR (4-PIN)						
	5	1	342-2940	1	HARNESS AS-LIGHTING						
		1	102-8803	1	KIT-RECEPTACLE (3-PIN)						
					(INCLUDES RECEPTACLE AS & WEDGE)						
		1	8T-8729	3	PIN-CONNECTOR (16-GA TO 18-GA)						
		1	102-7965	9	TERMINAL (FEMALE)						
		1	163-6803	2	CONNECTOR-PLUG						
		1	167-3542	1	CONNECTOR-RECEPTACLE						
		1	167-3543	4	TERMINAL (MALE)						
		1	167-3487	2	WEDGE-PLUG LOCK						

ELECTRICAL AND STARTING SYSTEM

328-0102 WIRING GP-CAB (contd.)

i03790671



LEFT SIDE VIEW
(INSIDE CAB)

VIEW OF AREA A

GRAPHIC #1

<END>

g02073726

ELECTRICAL AND STARTING SYSTEM

299-2944 WIRING GP-CAMERA-WORK AREA VISUAL SYSTEM

S/N: PAS1-UP

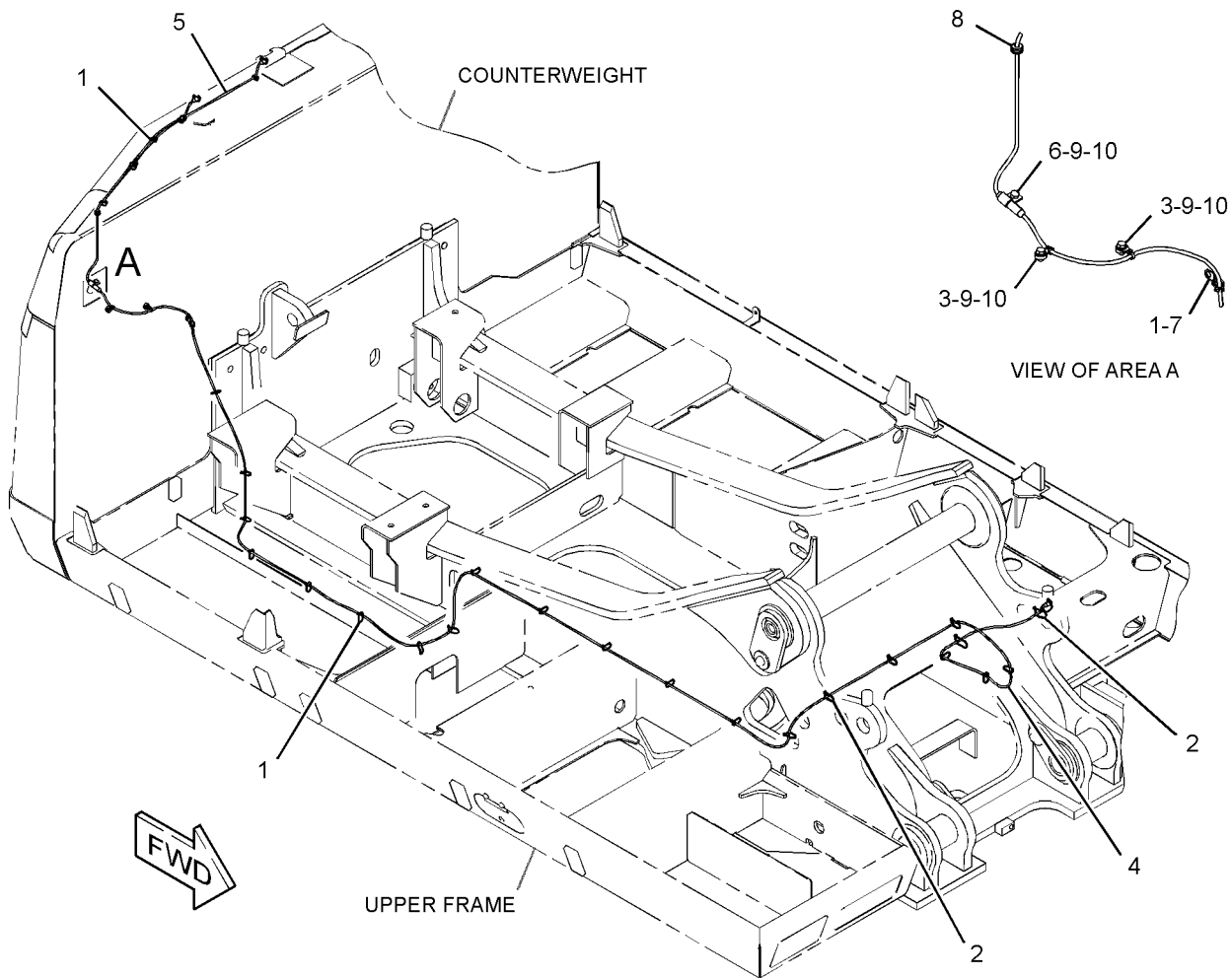
PART OF 319-9157 CAMERA AR
AN ATTACHMENT

SMCS-1408, 7348

i03784629

NOTE	REF NO	GRAPHIC REF	PART NUMBER	QTY	PART NAME						SEE PAGE
					1	2	3	4	5	6 (PRODUCT LEVEL)	
	1	1	3S-2093	19	STRAP-CABLE						
	2	1	7K-1181	10	STRAP-CABLE						
	3	1	111-4836	2	CLIP						
	4	1	251-4169	1	CABLE AS-COAXIAL (11-M)						
	5	1	261-3223	1	CABLE AS-COAXIAL (3-M)						
	6	1	002-9372	1	CLIP						
	7	1	4P-7428	1	CLIP						
	8	1	5P-8522	1	GROMMET						
	9	1	8T-4121	3	WASHER-HARD (11X21X2.5-MM THK)						
M	10	1	8T-4137	3	BOLT (M10X1.5X20-MM)						

M-METRIC PART



GRAPHIC #1

<END>

g02128294

ELECTRICAL AND STARTING SYSTEM

299-3016 WIRING GP-CAMERA

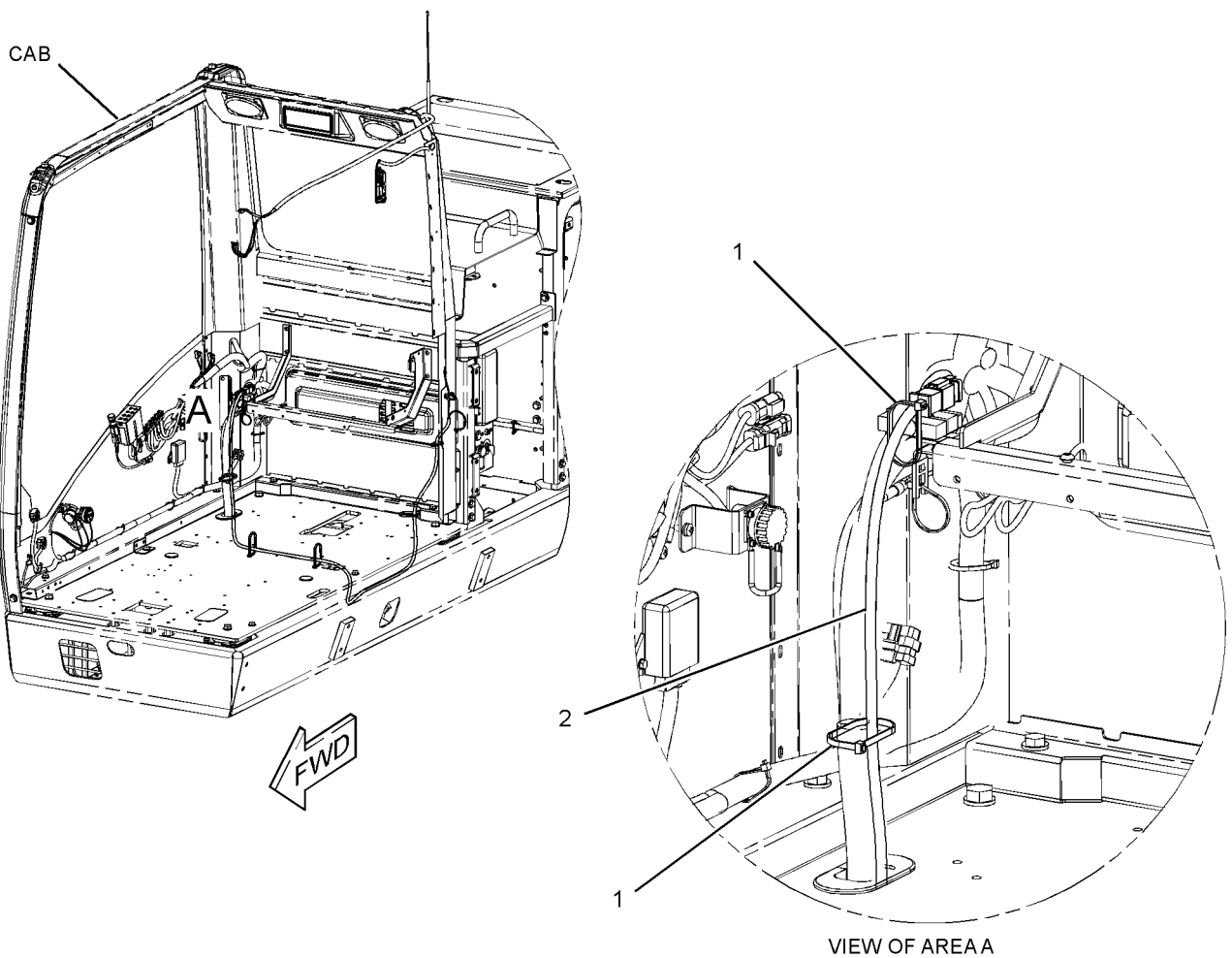
S/N: PAS1-UP

PART OF 319-9126 CAMERA AR
AN ATTACHMENT

SMCS-1408, 7348

i03656976

NOTE	REF NO	GRAPHIC REF	PART NUMBER	QTY	PART NAME						SEE PAGE
					1	2	3	4	5	6 (PRODUCT LEVEL)	
	1	1	7K-1181	7	STRAP-CABLE						
	2	1	306-8588	1	HARNESS AS-WIRING (CAMERA)						
		1	102-8805	1	KIT-RECEPTACLE (6-PIN) (INCLUDES RECEPTACLE AS & WEDGE)						
		1	8T-8729	2	PIN-CONNECTOR (16-GA TO 18-GA)						
		1	7Y-3962	1	TERMINAL-BULLET (MALE)						
		1	8T-8737	10	PLUG-SEAL						
		1	2L-8077	1	TERMINAL (14-GA TO 16-GA, 1/4-IN SCREW)						
		1	155-2274	1	KIT-CONNECTING PLUG (6-PIN) (INCLUDES PLUG AS, WEDGE, & INTERFACE SEAL)						



GRAPHIC #1

<END>

g02050256

ELECTRICAL AND STARTING SYSTEM

299-2936 WIRING GP-CHASSIS-UNIVERSAL QUICK COUPLER

S/N: PAS1-UP

PART OF 302-9440 CONTROL AR-COUPLER
AN ATTACHMENT

SMCS-1408

i03785231

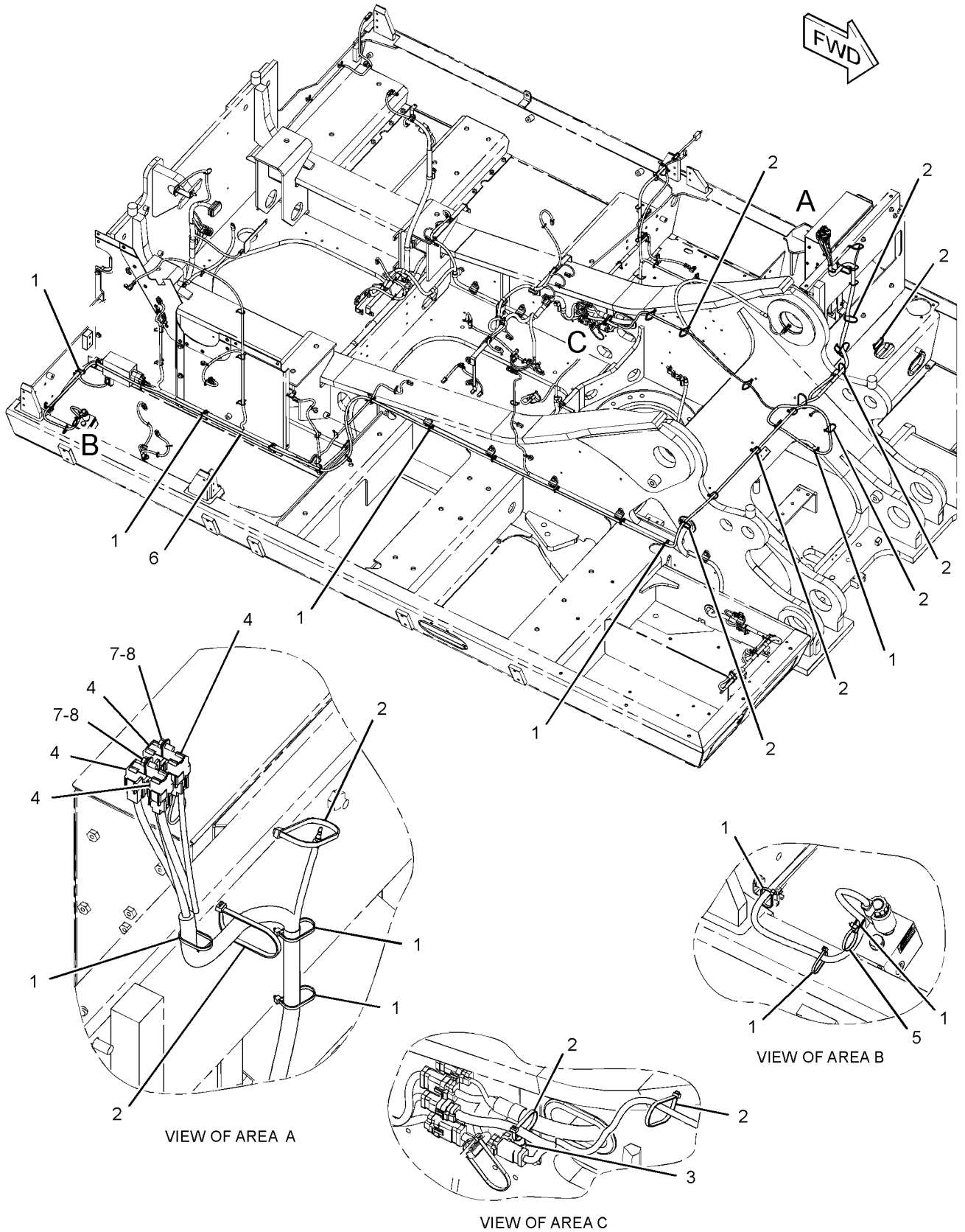
NOTE	REF NO	GRAPHIC REF	PART NUMBER	QTY	PART NAME						SEE PAGE
					1	2	3	4	5	6 (PRODUCT LEVEL)	
	1	1	3S-2093	20	STRAP-CABLE						
	2	1	7K-1181	18	STRAP-CABLE						
	3	1	116-0118	1	CLIP						
	4	1	149-5050	4	RELAY (24-VOLT)						
	5	1	266-7379	1	STRAP-CABLE						
	6	1	342-2873	1	HARNESS AS-CHASSIS						
		1	8T-8730	2	SOCKET-CONNECTOR (16-GA TO 18-GA)						
		1	3S-2093	6	STRAP-CABLE						
		1	7Y-3962	1	TERMINAL-BULLET (MALE)						
		1	9W-0852	4	PIN-CONNECTOR (14-GA)						
		1	9W-0844	2	SOCKET-CONNECTOR (14-GA)						
BE		1	125-7874		TUBE-HEAT SHRINK (5.72-MM DIA)						
BE		1	125-7875		TUBE-HEAT SHRINK (7.44-MM DIA)						
		1	9X-3402	8	SOCKET-CONNECTOR (16-GA TO 18-GA)						
		1	2L-8069	1	TERMINAL-RING (2-GA TO 10-GA, 3/8-IN SCREW)						
		1	9X-3401	8	PIN-CONNECTOR (16-GA TO 18-GA)						
		1	149-5051	4	CONNECTOR-RECEPTACLE						
		1	149-5069	7	TERMINAL-BLADE (14-GA TO 20-GA) (FEMALE)						
		1	149-5070	9	TERMINAL-BLADE (16-GA TO 20-GA) (FEMALE)						
		1	155-2270	2	KIT-CONNECTING PLUG (2-PIN)						
					(EACH INCLUDES PLUG AS, WEDGE, & INTERFACE SEAL)						
		1	231-2295	1	PLUG AS-CONNECTOR (8-PIN)						
		1	264-7033	1	SEAL-CONNECTOR						
		1	243-4507	1	RECEPTACLE AS-CONNECTOR (4-PIN)						
		1	243-4509	1	RECEPTACLE AS-CONNECTOR (8-PIN)						
M	7	1	8T-4970	2	BOLT (M6X1X14-MM)						
	8	1	9X-8256	2	WASHER (6.6X12X2-MM THK)						

B-USE AS REQUIRED
E-ORDER BY THE CENTIMETER
M-METRIC PART

ELECTRICAL AND STARTING SYSTEM

299-2936 WIRING GP-CHASSIS (contd.)

i03785231



GRAPHIC #1

<END>

g02127493

ELECTRICAL AND STARTING SYSTEM

299-2942 WIRING GP-CHASSIS-COMMUNICATION RADIO

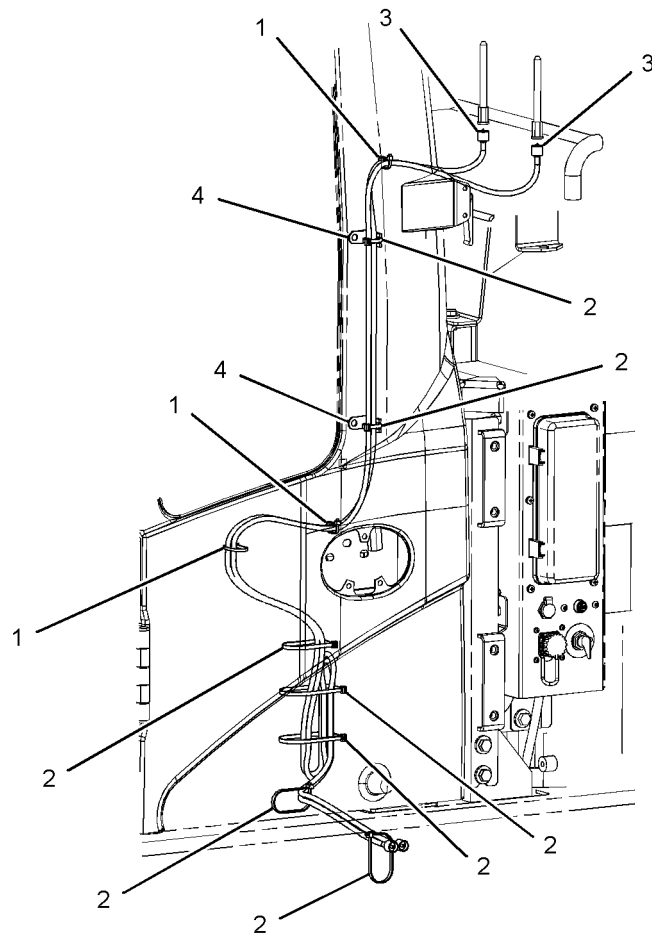
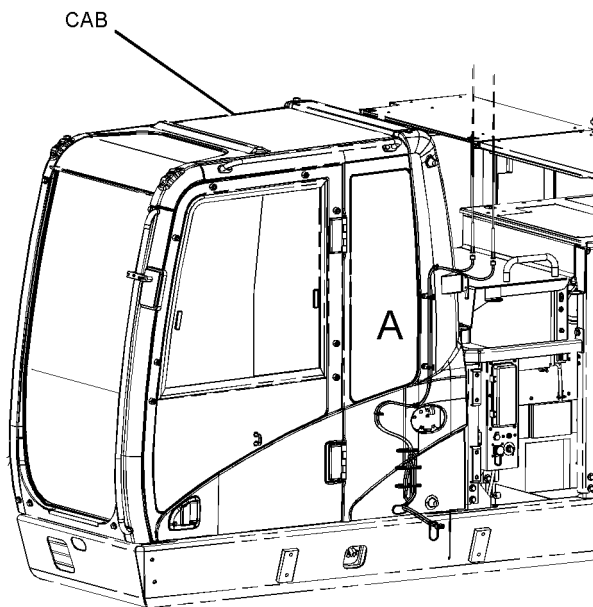
S/N: PAS1-UP

PART OF 303-2632 INSTALLATION AR-RADIO
AN ATTACHMENT

SMCS-1408

i03784753

NOTE	REF NO	GRAPHIC REF	PART NUMBER	QTY	PART NAME						SEE PAGE
					1	2	3	4	5	6 (PRODUCT LEVEL)	
1	1	1	3S-2093	3	STRAP-CABLE						
2	1	1	7K-1181	7	STRAP-CABLE						
3	1	1	306-8640	2	CABLE AS						
4	1	1	132-5789	2	CLIP						



VIEW OF AREA A

GRAPHIC #1

<END>

g02054558

ELECTRICAL AND STARTING SYSTEM

299-3054 WIRING GP-CHASSIS-BOOM FLOAT

S/N: PAS1-UP

PART OF 297-0420 VALVE AR-BOOM LOWERING CONTROL
AN ATTACHMENT

SMCS-1408

i03790669

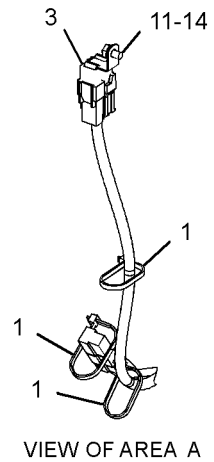
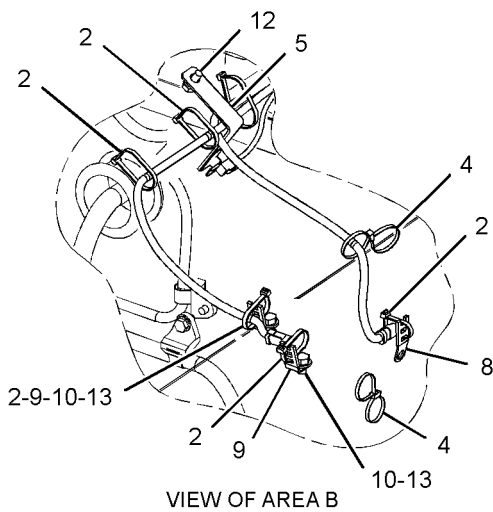
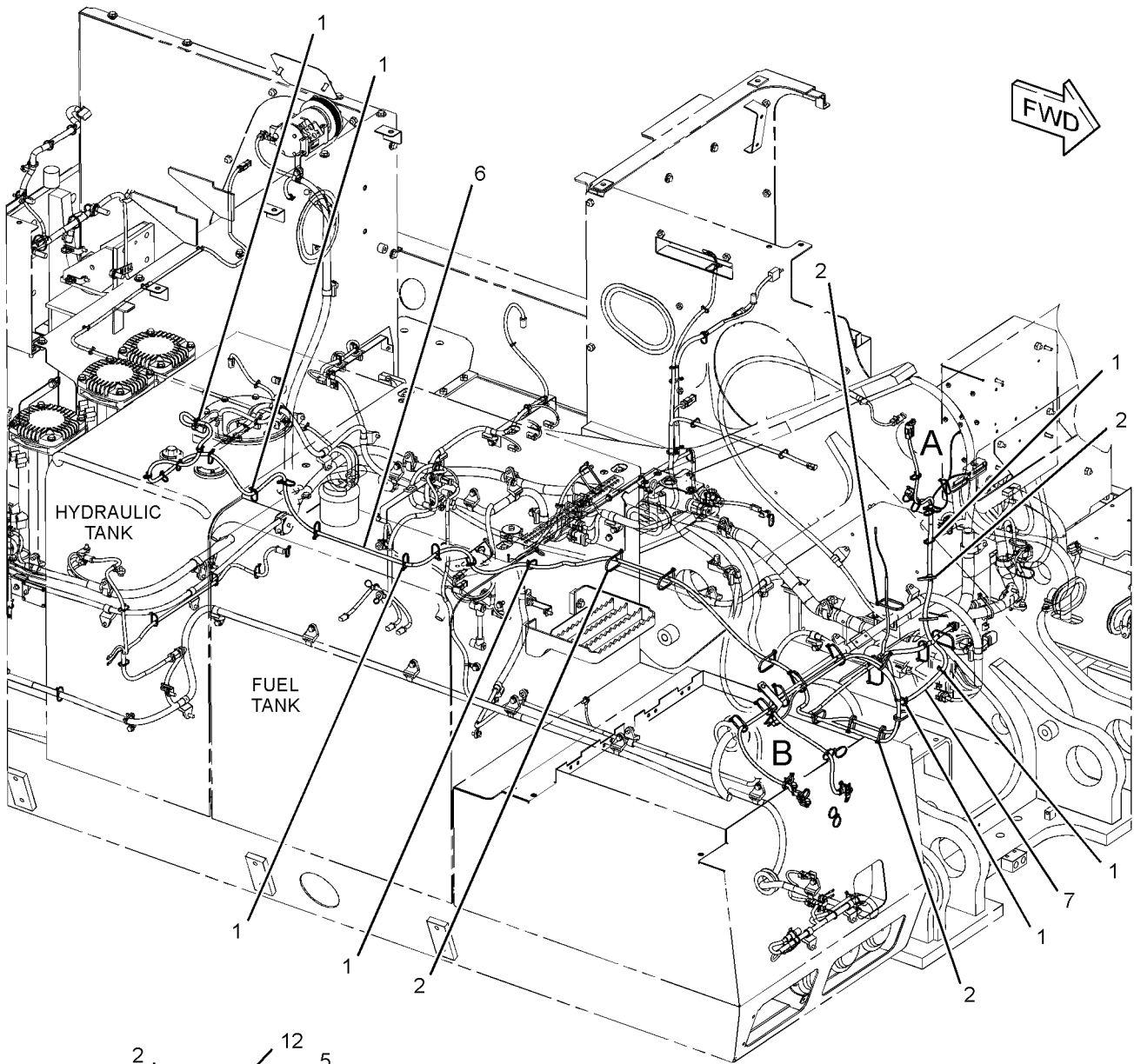
NOTE	REF NO	GRAPHIC REF	PART NUMBER	QTY	PART NAME						SEE PAGE
					1	2	3	4	5	6 (PRODUCT LEVEL)	
	1	1	3S-2093	22	STRAP-CABLE						
	2	1	7K-1181	22	STRAP-CABLE						
	3	1	149-5050	1	RELAY (24-VOLT)						
	4	1	204-1611	2	STRAP-CABLE						
	5	1	342-2896	1	BRACKET AS						
	6	1	342-2905	1	HARNESS AS-SENSOR (OVERLOAD WARNING DEVICE)						
		1	102-8803	1	KIT-RECEPTACLE (3-PIN) (INCLUDES RECEPTACLE AS & WEDGE)						
		1	9X-3402	3	SOCKET-CONNECTOR (16-GA TO 18-GA)						
		1	9X-3401	1	PIN-CONNECTOR (16-GA TO 18-GA)						
		1	155-2260	1	KIT-CONNECTING PLUG (3-PIN) (INCLUDES PLUG AS, WEDGE, & INTERFACE SEAL)						
	7	1	342-2941	1	HARNESS AS-SENSOR (BOOMFLOAT)						
		1	8T-8730	8	SOCKET-CONNECTOR (16-GA TO 18-GA)						
		1	3S-2093	3	STRAP-CABLE						
		1	7Y-3951	2	TERMINAL-BLADE (14-GA) (FEMALE)						
		1	7Y-3952	1	CONNECTOR-PLUG (2-PIN)						
		1	121-1022	1	DIODE						
BE		1	125-7874		TUBE-HEAT SHRINK (5.72-MM DIA)						
		1	9X-3402	1	SOCKET-CONNECTOR (16-GA TO 18-GA)						
		1	2L-8077	1	TERMINAL (14-GA TO 16-GA, 1/4-IN SCREW)						
		1	149-5051	1	CONNECTOR-RECEPTACLE						
		1	149-5069	1	TERMINAL-BLADE (14-GA TO 20-GA) (FEMALE)						
		1	149-5070	3	TERMINAL-BLADE (16-GA TO 20-GA) (FEMALE)						
		1	155-2270	2	KIT-CONNECTING PLUG (2-PIN) (EACH INCLUDES PLUG AS, WEDGE, & INTERFACE SEAL)						
		1	170-6891	1	TERMINAL-BLADE (16-GA TO 18-GA)						
		1	230-5008	1	PLUG AS-CONNECTOR (4-PIN)						
		1	264-7031	1	SEAL-CONNECTOR						
	8	1	4P-7428	1	CLIP						
	9	1	4P-7429	2	CLIP						
M	10	1	7X-2548	2	BOLT (M12X1.75X16-MM)						
M	11	1	7X-2619	1	BOLT (M6X1X10-MM)						
M	12	1	8T-4136	1	BOLT (M10X1.5X25-MM)						
	13	1	8T-4223	2	WASHER-HARD (13.5X25.5X3-MM THK)						
	14	1	9X-8256	1	WASHER (6.6X12X2-MM THK)						

B-USE AS REQUIRED
E-ORDER BY THE CENTIMETER
M-METRIC PART

ELECTRICAL AND STARTING SYSTEM

299-3054 WIRING GP-CHASSIS (contd.)

i03790669



GRAPHIC #1

<END>

g02126106

ELECTRICAL AND STARTING SYSTEM

306-8313 WIRING GP-CHASSIS-1-WAY/2-WAY FLOW

S/N: PAS1-UP

PART OF 309-9999, 310-0000 CONTROL AR-AUXILIARY
AN ATTACHMENT

SMCS-1408

i03602329

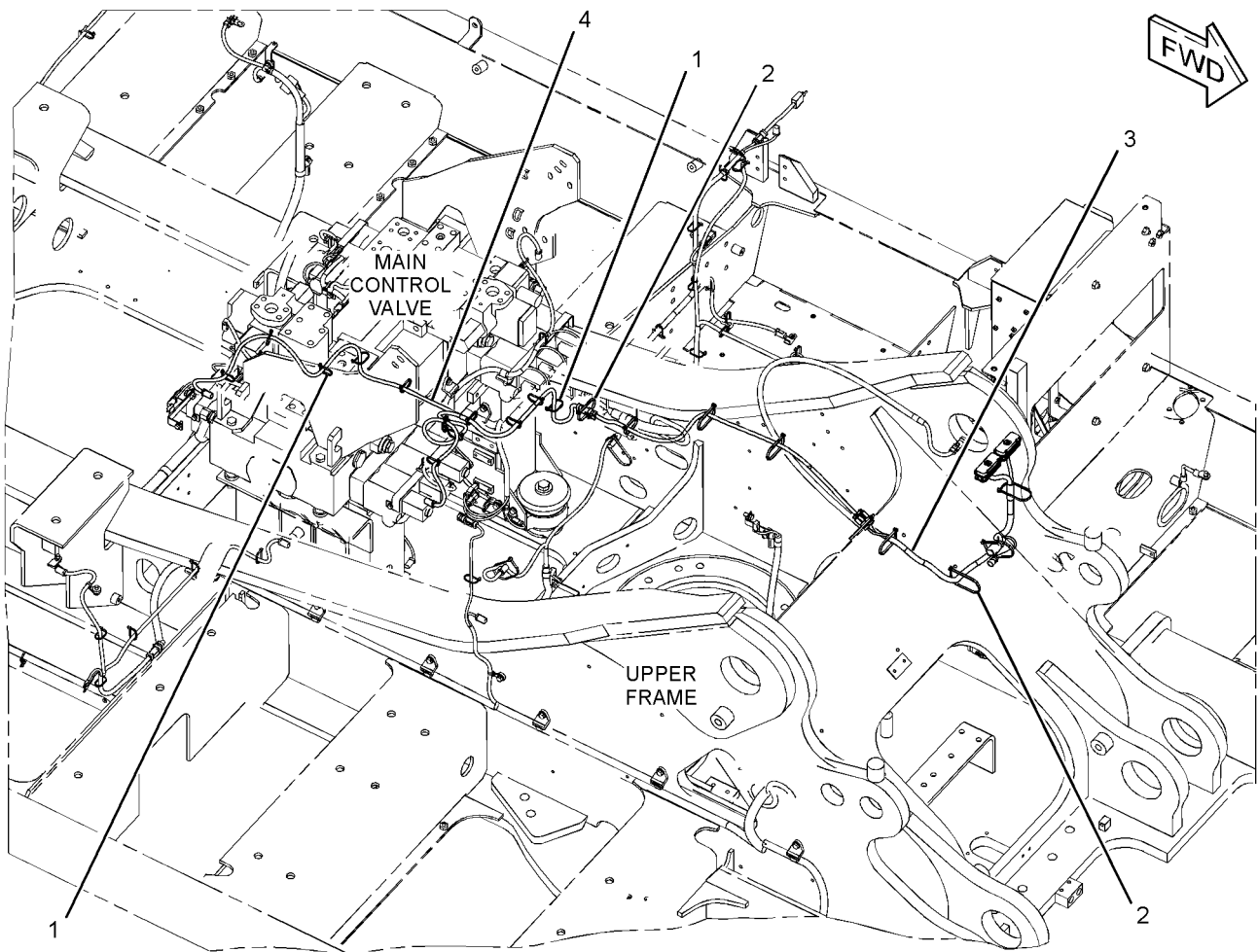
NOTE	REF NO	GRAPHIC REF	PART NUMBER	QTY	PART NAME						SEE PAGE
					1	2	3	4	5	6 (PRODUCT LEVEL)	
	1	1	3S-2093	13	STRAP-CABLE						
	2	1	7K-1181	9	STRAP-CABLE						
	3	1	342-2892	1	HARNESS AS-CONTROL						
		1	102-8803	2	KIT-RECEPTACLE (3-PIN) (EACH INCLUDES RECEPTACLE AS & WEDGE)						
		1	8T-8730	3	SOCKET-CONNECTOR (16-GA TO 18-GA)						
		1	8T-8737	102	PLUG-SEAL						
		1	9W-0852	2	PIN-CONNECTOR (14-GA)						
BE		1	119-3662		TUBE-HEAT SHRINK (10.85-MM DIA)						
BE		1	125-7874		TUBE-HEAT SHRINK (5.72-MM DIA)						
		1	9X-3402	10	SOCKET-CONNECTOR (16-GA TO 18-GA) -OR-						
		1	126-1768	10	SOCKET-CONNECTOR (14-GA)						
		1	126-1767	1	PIN-CONNECTOR (14-GA)						
		1	176-9299	2	KIT-RECEPTACLE (3-PIN) (EACH INCLUDES RECEPTACLE AS & WEDGE)						
		1	9X-3401	6	PIN-CONNECTOR (16-GA TO 18-GA) -OR-						
		1	126-1767	6	PIN-CONNECTOR (14-GA)						
		1	153-2620	1	PLUG AS-CONNECTOR (54-PIN, BLACK)						
		1	163-6759	1	SEAL						
		1	153-2630	1	PLUG AS-CONNECTOR (54-PIN, BROWN)						
		1	163-6759	1	SEAL						
		1	174-0503	1	KIT-CONNECTING PLUG (3-PIN) (INCLUDES PLUG AS, WEDGE & INTERFACE SEAL)						
		1	155-2260	1	KIT-CONNECTING PLUG (3-PIN) (INCLUDES PLUG AS, WEDGE & INTERFACE SEAL)						
		1	174-3016	2	PLUG AS-CONNECTOR (3-PIN)						
		1	230-4013	1	PLUG AS-CONNECTOR (3-PIN)						
		1	243-4509	1	RECEPTACLE AS-CONNECTOR (8-PIN)						
	4	1	342-2893	1	HARNESS AS-SOLENOID						
		1	186-3735	3	PIN-CONNECTOR (16-GA TO 18-GA)						
		1	8T-8730	4	SOCKET-CONNECTOR (16-GA TO 18-GA)						
BE		1	125-7874		TUBE-HEAT SHRINK (5.72-MM DIA)						
		1	155-2270	2	KIT-CONNECTING PLUG (2-PIN) (EACH INCLUDES PLUG AS, WEDGE & INTERFACE SEAL)						
		1	243-4506	1	RECEPTACLE AS-CONNECTOR (3-PIN)						

B-USE AS REQUIRED
E-ORDER BY THE CENTIMETER

ELECTRICAL AND STARTING SYSTEM

306-8313 WIRING GP-CHASSIS (contd.)

i03602329



GRAPHIC #1

<END>

g01947387

ELECTRICAL AND STARTING SYSTEM

336-6337 WIRING GP-COMMUNICATION-PRODUCT LINK

S/N: PAS1-UP

PART OF 340-3967 INSTALLATION GP-COMMUNICATION
AN ATTACHMENT

SMCS-1408

i03790413

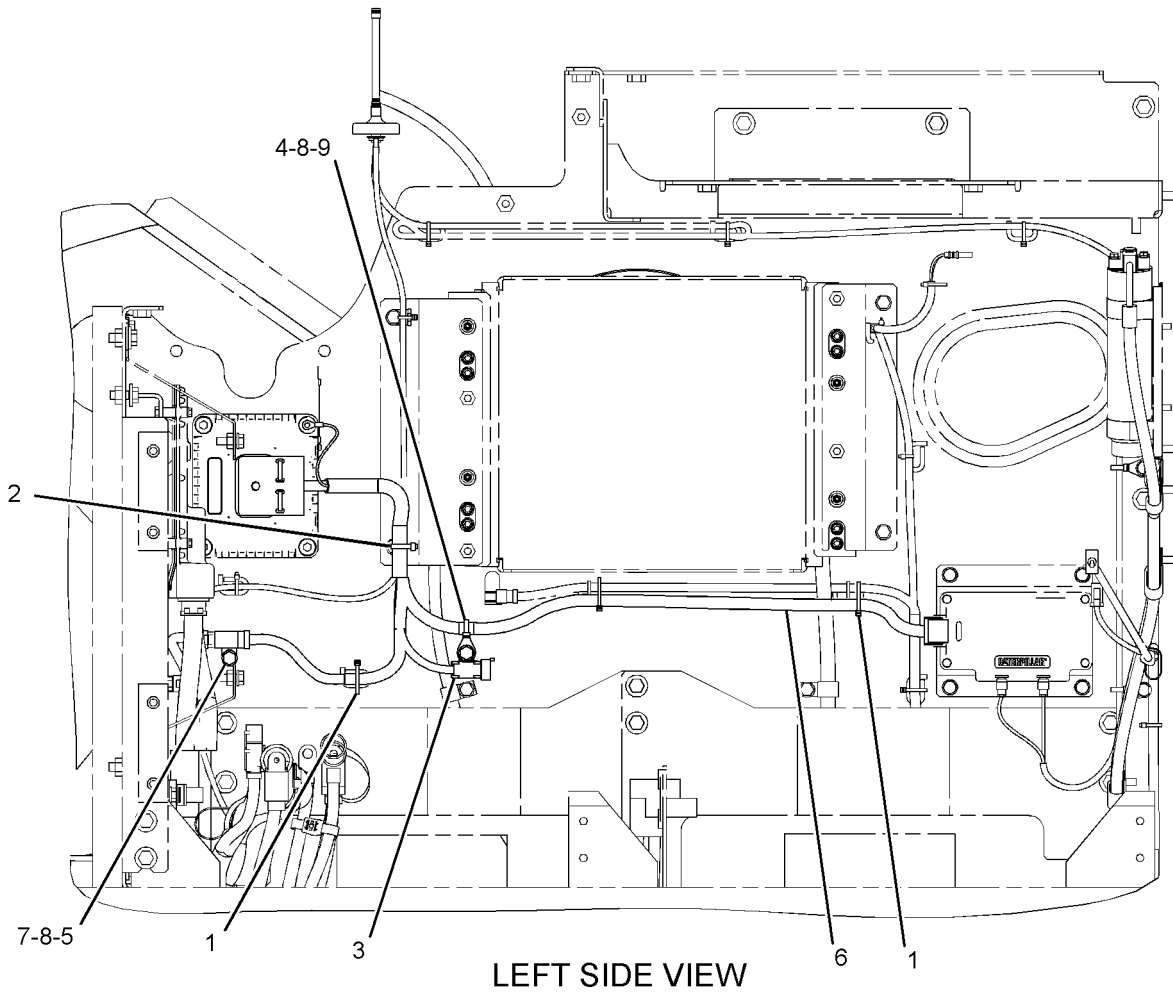
NOTE	REF NO	GRAPHIC REF	PART NUMBER	QTY	PART NAME						SEE PAGE
					1	2	3	4	5	6 (PRODUCT LEVEL)	
	1	1	3S-2093	3	STRAP-CABLE						
	2	1	7K-1181	1	STRAP-CABLE						
	3	1	9X-3495	1	CLIP AS						
	4	1	111-4836	1	CLIP						
	5	1	116-0118	1	CLIP						
	6	1	342-2882	1	HARNESS AS-CONTROL						
		1	8T-8729	1	PIN-CONNECTOR (16-GA TO 18-GA)						
		1	3S-2093	2	STRAP-CABLE						
		1	8T-8732	1	RECEPTACLE (3-PIN)						
		1	8T-8737	59	PLUG-SEAL						
		1	100-5805	1	CAP-RECEPTACLE						
		1	9W-0852	1	PIN-CONNECTOR (14-GA)						
BE		1	125-7874		TUBE-HEAT SHRINK (5.72-MM DIA)						
BE		1	125-7875		TUBE-HEAT SHRINK (7.44-MM DIA)						
		1	9X-3402	23	SOCKET-CONNECTOR (16-GA TO 18-GA)						
		1	126-1774	1	COVER-CONNECTOR						
		1	2L-8077	1	TERMINAL (14-GA TO 16-GA, 1/4-IN SCREW)						
		1	9X-3401	7	PIN-CONNECTOR (16-GA TO 18-GA)						
		1	155-2255	1	KIT-CONNECTING PLUG (12-PIN)						
					(INCLUDES PLUG AS, WEDGE, & INTERFACE SEAL)						
		1	160-7690	1	PLUG AS-CONNECTOR (70-PIN)						
		1	159-9322	1	SEAL-O-RING						
		1	243-4508	1	RECEPTACLE AS-CONNECTOR (6-PIN)						
M	7	1	7X-2621	1	BOLT (M10X1.5X12-MM)						
	8	1	8T-4121	2	WASHER-HARD (11X21X2.5-MM THK)						
M	9	1	8T-4137	1	BOLT (M10X1.5X20-MM)						

B-USE AS REQUIRED
E-ORDER BY THE CENTIMETER
M-METRIC PART

ELECTRICAL AND STARTING SYSTEM

336-6337 WIRING GP-COMMUNICATION (contd.)

i03790413



LEFT SIDE VIEW

<END>

GRAPHIC #1

g02127049

ELECTRICAL AND STARTING SYSTEM

250-0103 WIRING GP-CONSOLE-SMARTBOOM, RH

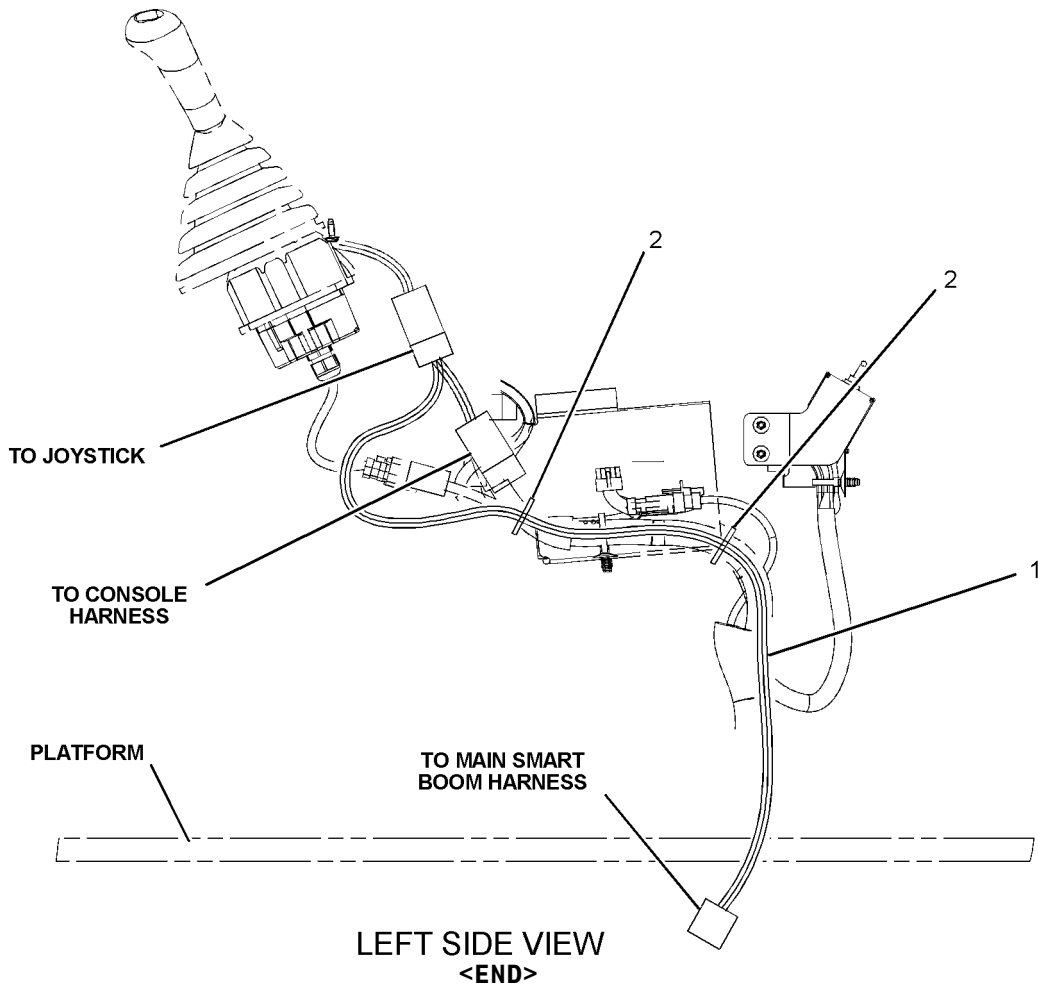
S/N: PAS1-UP

PART OF 297-0420 VALVE AR-BOOM LOWERING CONTROL
AN ATTACHMENT

SMCS-1408

i02118337

NOTE	REF NO	GRAPHIC REF	PART NUMBER	QTY	PART NAME						SEE PAGE
					1	2	3	4	5	6 (PRODUCT LEVEL)	
	1	1	250-0091	1	HARNES AS-OPERATOR CONTROLS						
		1	102-8802	1	KIT-RECEPTACLE (2-PIN) (INCLUDES RECEPTACLE AS & WEDGE)						
		1	8T-8737	2	PLUG-SEAL						
		1	239-7352	1	PLUG AS-CONNECTOR (6-PIN)						
		1	247-2693	1	RECEPTACLE AS-CONNECTOR (6-PIN)						
2		1	3S-2093	4	STRAP-CABLE						



GRAPHIC #1

g01087340

ELECTRICAL AND STARTING SYSTEM

299-2754 WIRING GP-CONSOLE-LH

S/N: PAS1-UP

PART OF 342-2887 WIRING GP-CONSOLE

SMCS-1408

i03656513

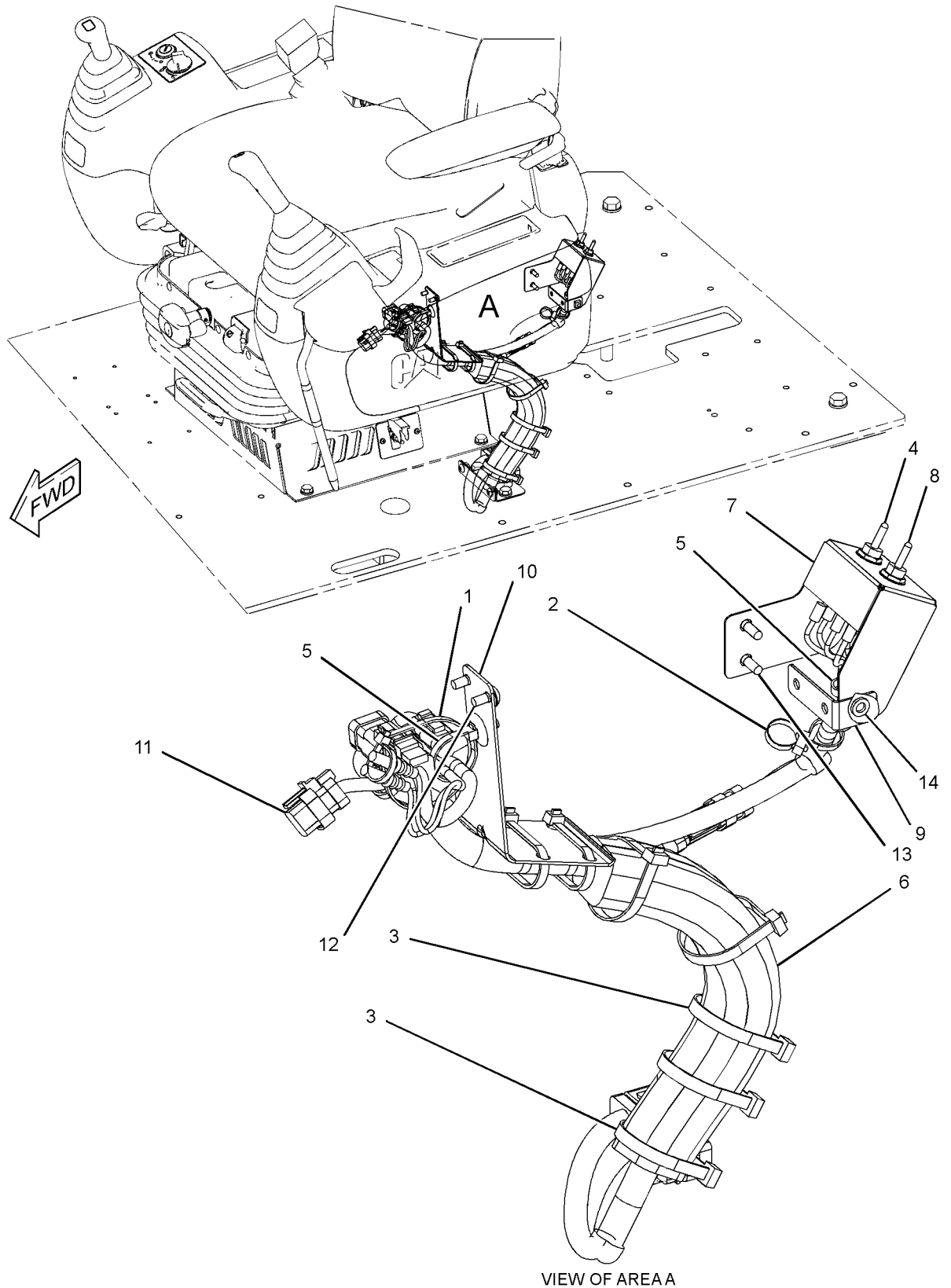
NOTE	REF NO	GRAPHIC REF	PART NUMBER	QTY	PART NAME						SEE PAGE
					1	2	3	4	5	6 (PRODUCT LEVEL)	
	1	1	3S-2093	2	STRAP-CABLE						
	2	1	7I-2673	1	STRAP-CABLE						
	3	1	7K-1181	7	STRAP-CABLE						
	4	1	163-6711	1	SWITCH AS-TOGGLE (MANUAL ENGINE SPEED CONTROL)						
	5	1	163-6795	3	STRAP-CABLE						
	6	1	176-1913	1	GUARD						
	7	1	234-1112	1	BRACKET						
	8	1	234-1155	1	SWITCH AS-TOGGLE (BACKUP BOOM)						
	9	1	238-1641	1	BRACKET AS						
	10	1	251-0605	1	BRACKET						
	11	1	306-8534	1	HARNESS AS-CONSOLE						
		1	8T-8729	3	PIN-CONNECTOR (16-GA TO 18-GA)						
		1	8T-8730	4	SOCKET-CONNECTOR (16-GA TO 18-GA)						
		1	3S-2093	7	STRAP-CABLE						
		1	7Y-3963	2	TERMINAL-BULLETT (FEMALE)						
		1	8T-8737	13	PLUG-SEAL						
		1	9W-0852	3	PIN-CONNECTOR (14-GA)						
		1	9W-0844	8	SOCKET-CONNECTOR (14-GA)						
BE		1	125-7874		TUBE-HEAT SHRINK (5.72-MM DIA)						
BE		1	128-7875		PLATE & FILM GP						
		1	9X-3402	11	SOCKET-CONNECTOR (16-GA TO 18-GA)						
		1	2L-8074	8	TERMINAL-RING (14-GA TO 16-GA, NO. 6 SCREW)						
		1	9X-3401	6	PIN-CONNECTOR (16-GA TO 18-GA)						
		1	155-2260	1	KIT-CONNECTING PLUG (3-PIN) (INCLUDES PLUG KIT, WEDGE & INTERFACE SEAL)						
		1	230-4009	1	PLUG AS-CONNECTOR (12-PIN)						
		1	264-7034	1	SEAL-CONNECTOR						
		1	230-4011	1	PLUG AS-CONNECTOR (2-PIN)						
		1	264-7029	1	SEAL-CONNECTOR						
		1	230-5010	1	PLUG AS-CONNECTOR (6-PIN)						
		1	264-7032	1	SEAL-CONNECTOR						
		1	239-7352	1	PLUG AS-CONNECTOR (6-PIN)						
		1	264-7032	1	SEAL-CONNECTOR						
		1	243-4505	1	RECEPTACLE AS-CONNECTOR (2-PIN)						
		1	243-4510	1	RECEPTACLE AS-CONNECTOR (12-PIN)						
		1	247-2693	1	RECEPTACLE AS-CONNECTOR (6-PIN)						
M	12	1	9X-2042	3	SCREW-TRUSS HEAD (M6X1X12-MM)						
M	13	1	9X-2044	2	SCREW-TRUSS HEAD (M6X1X16-MM)						
	14	1	9X-8256	1	WASHER (6.6X12X2-MM THK)						

B-USE AS REQUIRED
E-ORDER BY THE CENTIMETER
M-METRIC PART

ELECTRICAL AND STARTING SYSTEM

299-2754 WIRING GP-CONSOLE (contd.)

i03656513



VIEW OF AREA A

GRAPHIC #1

<END>

g02121776

ELECTRICAL AND STARTING SYSTEM

342-2887 WIRING GP-CONSOLE

S/N: PAS1-UP

PART OF 342-3451 OPERATOR AR

SMCS-1408

i03656509

NOTE	PART NUMBER	QTY	PART NAME						SEE PAGE
			1	2	3	4	5	6 (PRODUCT LEVEL)	
Y	299-2754	1	WIRING GP-CONSOLE (LH)						288
Y	342-2888	1	WIRING GP-CONSOLE (RH)						291

Y-SEPARATE ILLUSTRATION

<END>

ELECTRICAL AND STARTING SYSTEM

342-2888 WIRING GP-CONSOLE-RH

S/N: PAS1-UP

PART OF 342-2887 WIRING GP-CONSOLE

SMCS-1408

i03900375

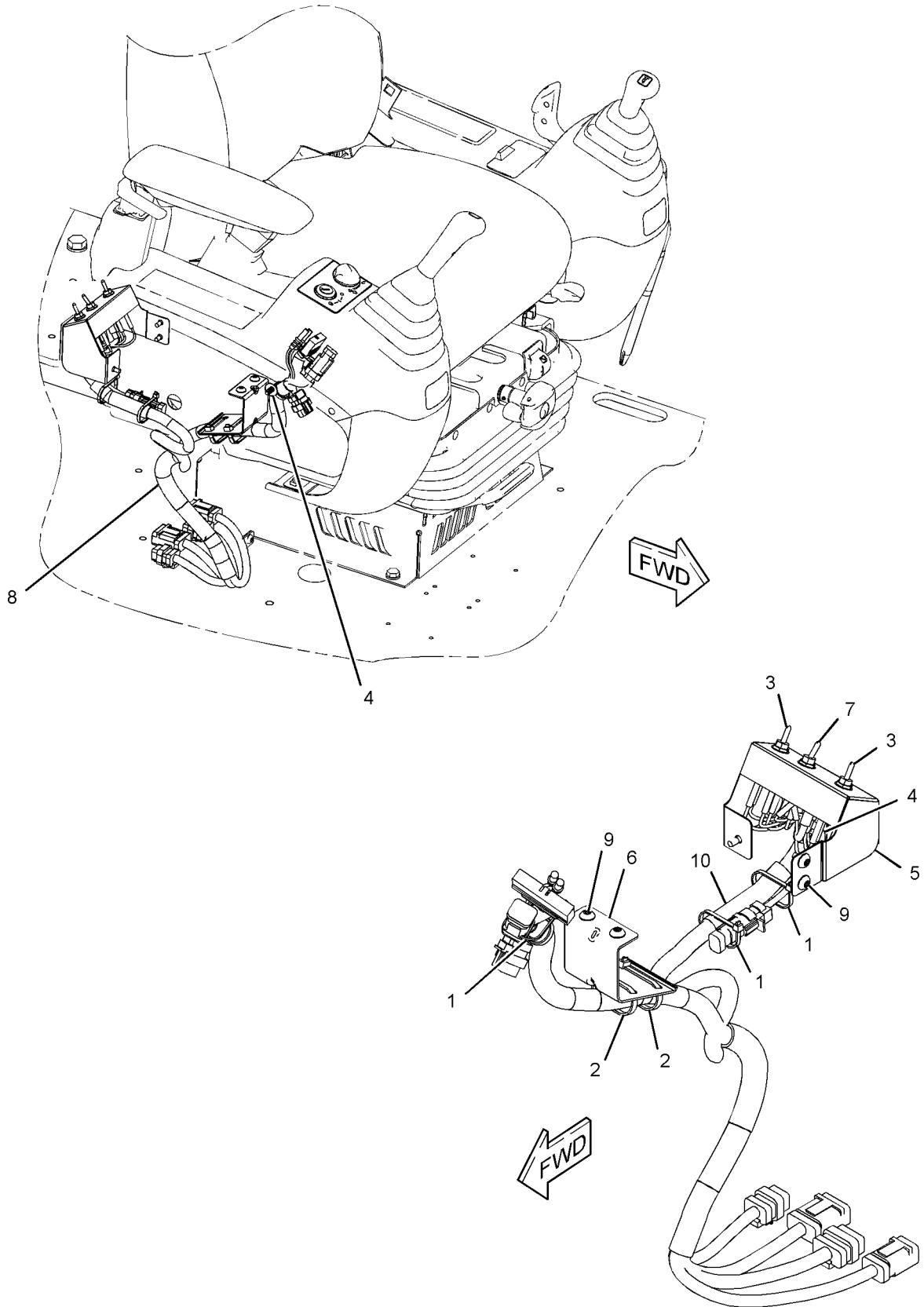
NOTE	REF NO	GRAPHIC REF	PART NUMBER	QTY	PART NAME						SEE PAGE
					1	2	3	4	5	6 (PRODUCT LEVEL)	
	1	1	3S-2093	3	STRAP-CABLE						
	2	1	7K-1181	2	STRAP-CABLE						
	3	1	163-6711	2	SWITCH AS-TOGGLE (MANUAL ENGINE SPEED CONTROL)						
	4	1	163-6795	2	STRAP-CABLE						
	5	1	251-0602	1	BRACKET						
	6	1	251-0606	1	BRACKET AS						
	7	1	283-3074	1	SWITCH AS-TOGGLE (BACKUP GOVERNOR)						
	8	1	342-2889	1	HARNESS AS-CONSOLE						
		1	8T-8729	2	PIN-CONNECTOR (16-GA TO 18-GA)						
		1	8T-8730	8	SOCKET-CONNECTOR (16-GA TO 18-GA)						
		1	3S-2093	9	STRAP-CABLE						
		1	7Y-3963	2	TERMINAL-BULLET (FEMALE)						
		1	8T-8737	11	PLUG-SEAL						
		1	102-7964	1	CONNECTOR-PLUG						
		1	102-7965	14	TERMINAL (FEMALE)						
		1	9W-0852	3	PIN-CONNECTOR (14-GA)						
		1	9W-0844	6	SOCKET-CONNECTOR (14-GA)						
		1	125-4841	1	WEDGE-PLUG LOCK (21-PIN)						
BE		1	125-7874		TUBE-HEAT SHRINK (5.72-MM DIA)						
BE		1	125-7875		TUBE-HEAT SHRINK (7.44-MM DIA)						
		1	9X-3402	17	SOCKET-CONNECTOR (16-GA TO 18-GA)						
		1	2L-8064	1	TERMINAL-RING (10-GA TO 12-GA, NO. 6 SCREW)						
		1	2L-8074	2	TERMINAL-RING (14-GA TO 16-GA, NO. 6 SCREW)						
		1	5P-2766	12	TERMINAL-RING (18-GA TO 22-GA, NO. 6 SCREW)						
		1	9X-3401	15	PIN-CONNECTOR (16-GA TO 18-GA)						
		1	230-4009	1	PLUG AS-CONNECTOR (12-PIN)						
		1	264-7034	1	SEAL-CONNECTOR						
		1	230-4011	1	PLUG AS-CONNECTOR (2-PIN)						
		1	264-7029	1	SEAL-CONNECTOR						
		1	230-5010	1	PLUG AS-CONNECTOR (6-PIN)						
		1	264-7032	1	SEAL-CONNECTOR						
		1	231-2295	1	PLUG AS-CONNECTOR (8-PIN)						
		1	264-7033	1	SEAL-CONNECTOR						
		1	238-2363	5	TERMINAL (FEMALE)						
		1	239-7352	1	PLUG AS-CONNECTOR (6-PIN)						
		1	264-7032	1	SEAL-CONNECTOR						
		1	243-4505	1	RECEPTACLE AS-CONNECTOR (2-PIN)						
		1	243-4509	1	RECEPTACLE AS-CONNECTOR (8-PIN)						
		1	243-4510	1	RECEPTACLE AS-CONNECTOR (12-PIN)						
		1	247-2693	1	RECEPTACLE AS-CONNECTOR (6-PIN)						
M	9	1	9X-2042	5	SCREW-TRUSS HEAD (M6X1X12-MM)						
E	10	1	8C-5063		CONDUIT-FLEXIBLE (10-CM)						

B-USE AS REQUIRED
E-ORDER BY THE CENTIMETER
M-METRIC PART

ELECTRICAL AND STARTING SYSTEM

342-2888 WIRING GP-CONSOLE (contd.)

i03900375



GRAPHIC #1

<END>

g02145523

ELECTRICAL AND STARTING SYSTEM

231-1767 WIRING GP-CONVERTER

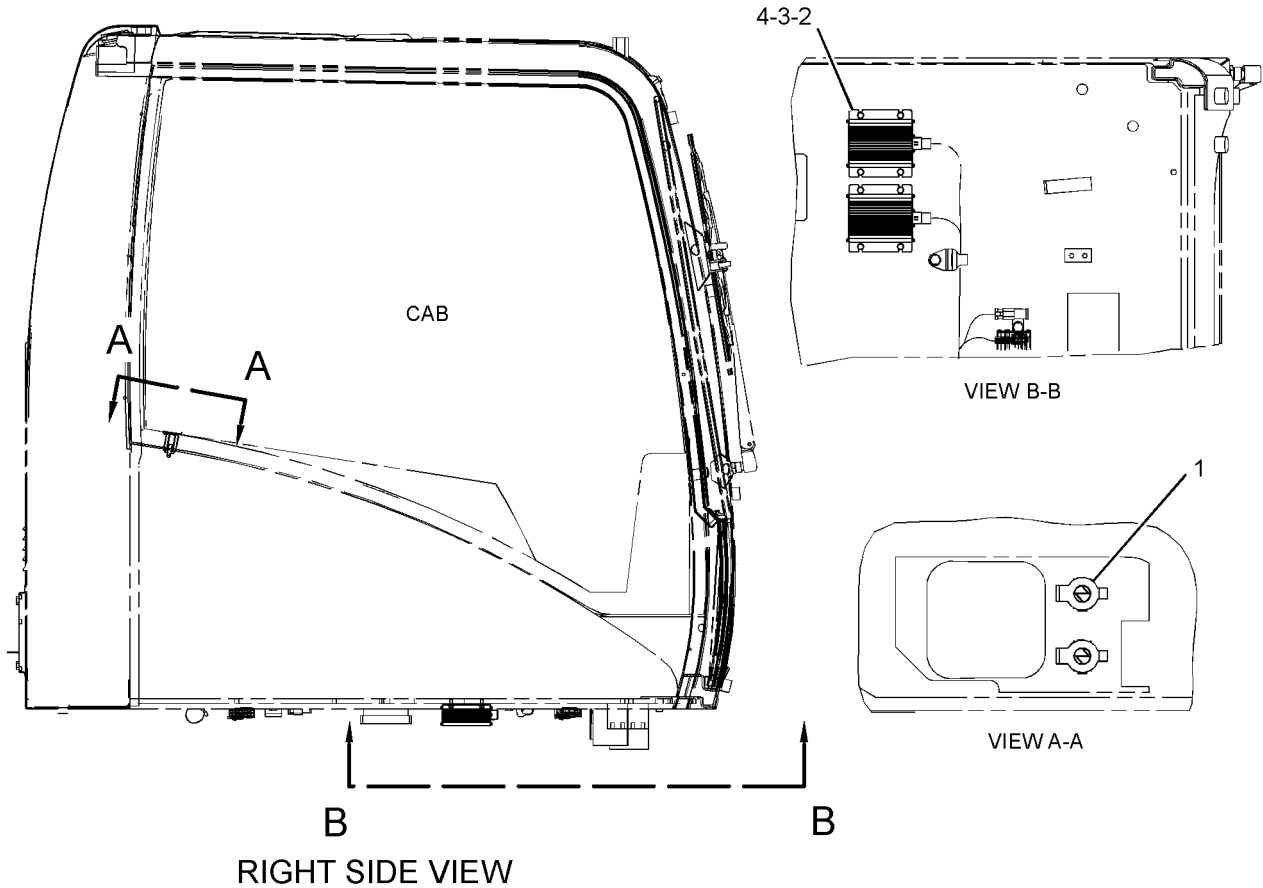
S/N: PAS1-UP
12-VOLT, 7-AMPERE (X2) POWER SUPPLY
AN ATTACHMENT

SMCS-1421

i02672607

NOTE	REF NO	GRAPHIC REF	PART NUMBER	QTY	PART NAME						SEE PAGE
					1	2	3	4	5	6 (PRODUCT LEVEL)	
	1	1	121-0987	2	SOCKET (12-VOLT, 7-AMPERE)						
C	2	1	283-2783	2	CONVERTER-POWER (24-VOLT TO 12-VOLT)						
M	3	1	5C-9553	8	BOLT (M6X1X16-MM)						
	4	1	9X-8256	8	WASHER (6.6X12X2-MM THK)						

C-CHANGE FROM PREVIOUS TYPE
M-METRIC PART



GRAPHIC #1

<END>

g01355574

ELECTRICAL AND STARTING SYSTEM

299-2636 WIRING GP-CONVERTER-COMMUNICATION RADIO

S/N: PAS1-UP

PART OF 303-2632 INSTALLATION AR-RADIO
AN ATTACHMENT

SMCS-1421

i03877620

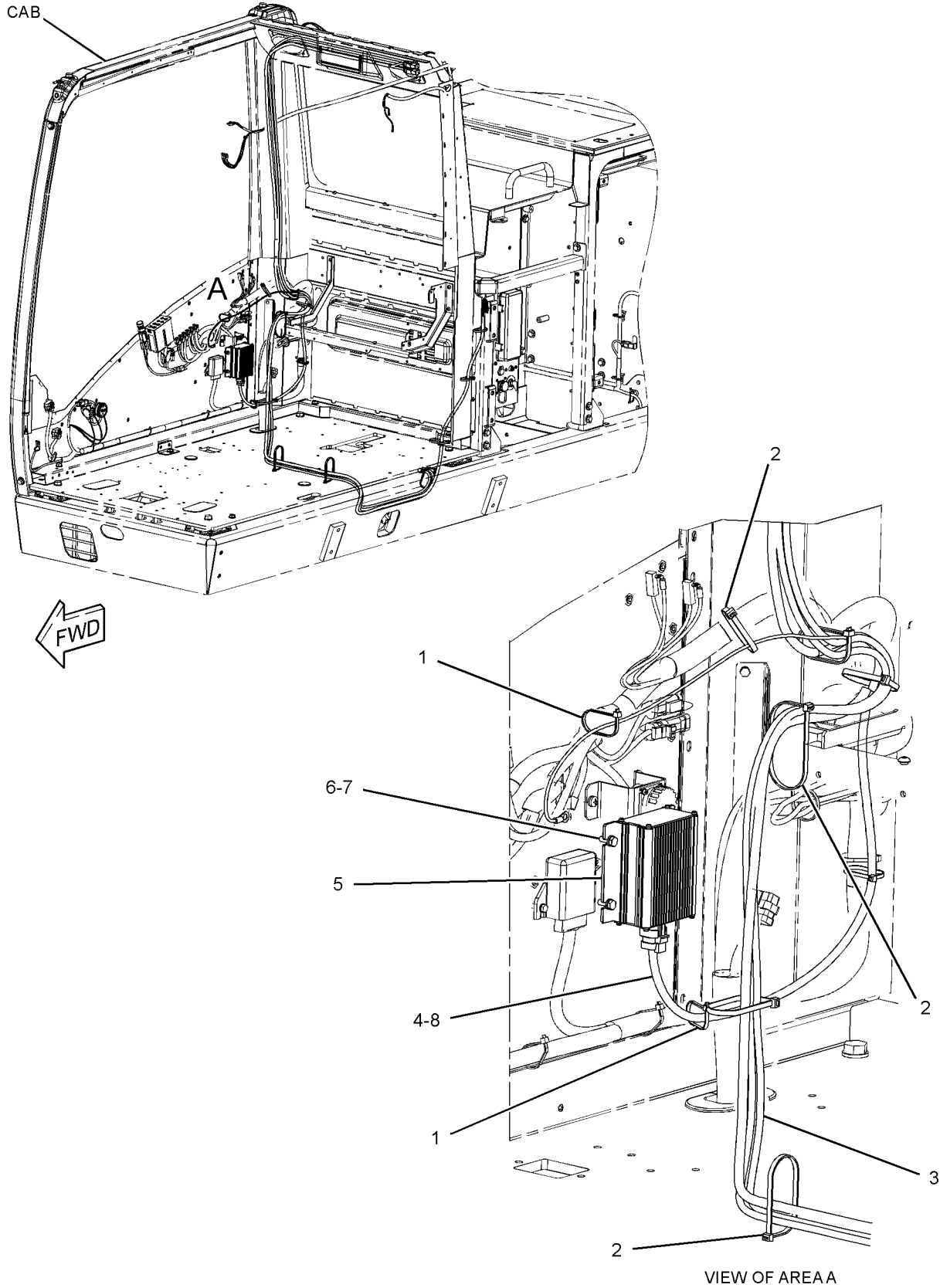
NOTE	REF NO	GRAPHIC REF	PART NUMBER	QTY	PART NAME						SEE PAGE
					1	2	3	4	5	6 (PRODUCT LEVEL)	
	1	1	3S-2093	3	STRAP-CABLE						
	2	1	7K-1181	11	STRAP-CABLE						
	3	1	306-8641	2	CABLE AS						
	4	1	342-2936	1	HARNESS AS-CAB						
		1	102-8804	2	KIT-RECEPTACLE (4-PIN) (EACH INCLUDES RECEPTACLE AS & WEDGE)						
		1	3S-2093	13	STRAP-CABLE						
		1	8T-8737	12	PLUG-SEAL						
		1	9W-0852	2	PIN-CONNECTOR (14-GA)						
		1	9W-0844	10	SOCKET-CONNECTOR (14-GA)						
BE		1	125-7875		TUBE-HEAT SHRINK (7.44-MM DIA)						
		1	2L-8077	1	TERMINAL (14-GA TO 16-GA, 1/4-IN SCREW)						
		1	155-2271	2	KIT-CONNECTING PLUG (4-PIN) (EACH INCLUDES PLUG AS, WEDGE & INTERFACE SEAL)						
		1	230-5010	1	PLUG AS-CONNECTOR (6-PIN)						
		1	264-7032	1	SEAL-CONNECTOR						
		1	243-4505	1	RECEPTACLE AS-CONNECTOR (2-PIN)						
	5	1	283-2783	1	CONVERTER-POWER (24-VOLT TO 12-VOLT)						
M	6	1	5C-9553	4	BOLT (M6X1X16-MM)						
	7	1	9X-8256	4	WASHER (6.6X12X2-MM THK)						
	8	1	342-2937	1	HARNESS AS-CAB						
		1	7Y-3962	2	TERMINAL-BULLET (MALE)						
		1	9W-0844	2	SOCKET-CONNECTOR (14-GA)						
		1	230-4011	1	PLUG AS-CONNECTOR (2-PIN)						
		1	264-7029	1	SEAL-CONNECTOR						

B-USE AS REQUIRED
E-ORDER BY THE CENTIMETER
M-METRIC PART

ELECTRICAL AND STARTING SYSTEM

299-2636 WIRING GP-CONVERTER (contd.)

i03877620



GRAPHIC #1

<END>

g02125053

ELECTRICAL AND STARTING SYSTEM

350-8247 WIRING GP-CONVERTER

S/N: PAS1-UP

12-VOLT, 10- AMPERE POWER SUPPLY

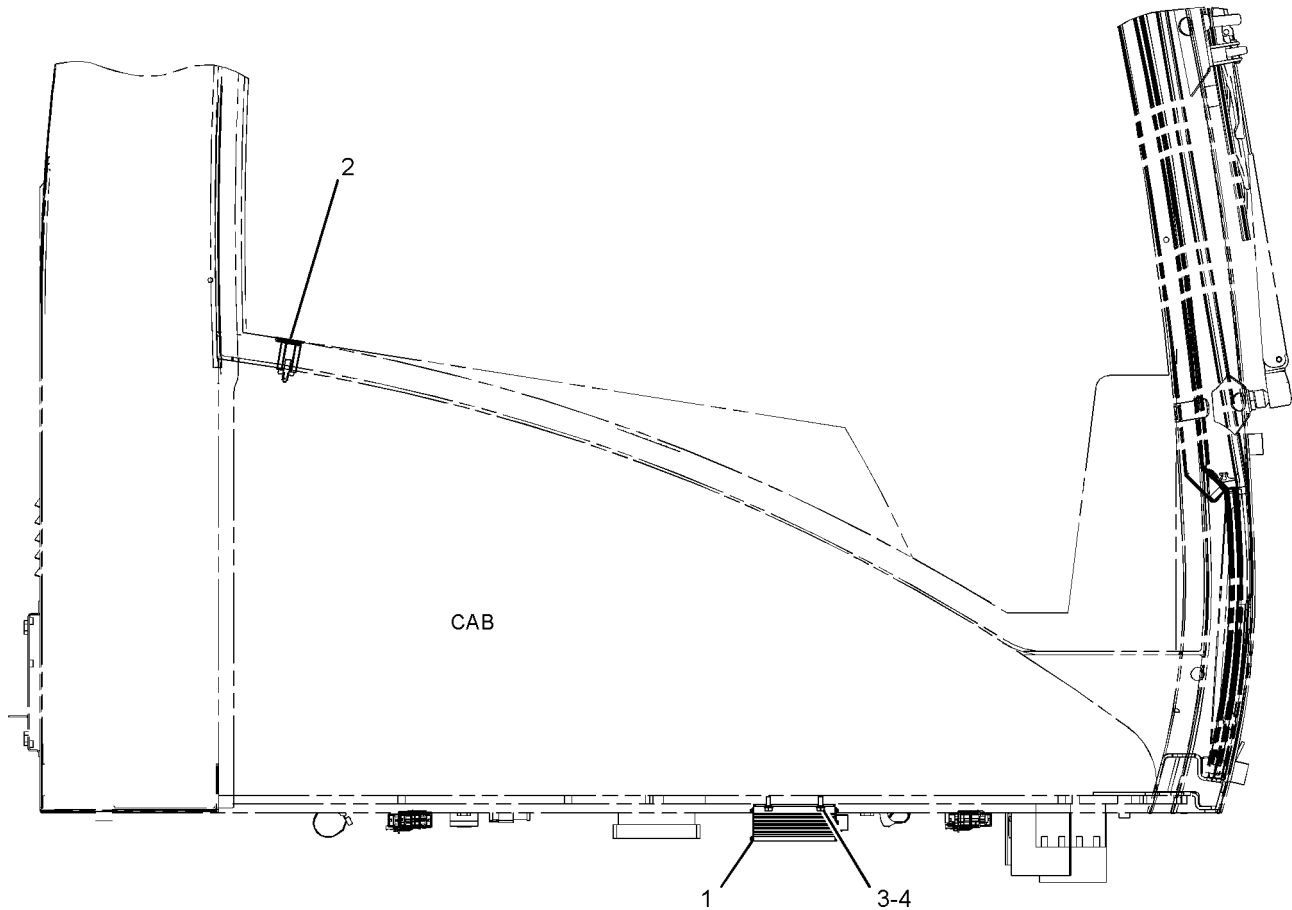
PART OF 340-4002, 340-4003, 340-4004 OPTION AR-CAB
AN ATTACHMENT

SMCS-1421

i03832527

NOTE	REF NO	GRAPHIC REF	PART NUMBER	QTY	PART NAME						SEE PAGE
					1	2	3	4	5	6 (PRODUCT LEVEL)	
	1	1	324-5770	1	POWER SUPPLY (24-VOLT TO 12-VOLT)						
	2	1	324-5771	2	CONVERTER-POWER						
M	3	1	5C-9553	4	BOLT (M6X1X16-MM)						
	4	1	9X-8256	4	WASHER (6.6X12X2-MM THK)						

M-METRIC PART



RIGHT SIDE VIEW

<END>

GRAPHIC #1

g02132883

ELECTRICAL AND STARTING SYSTEM

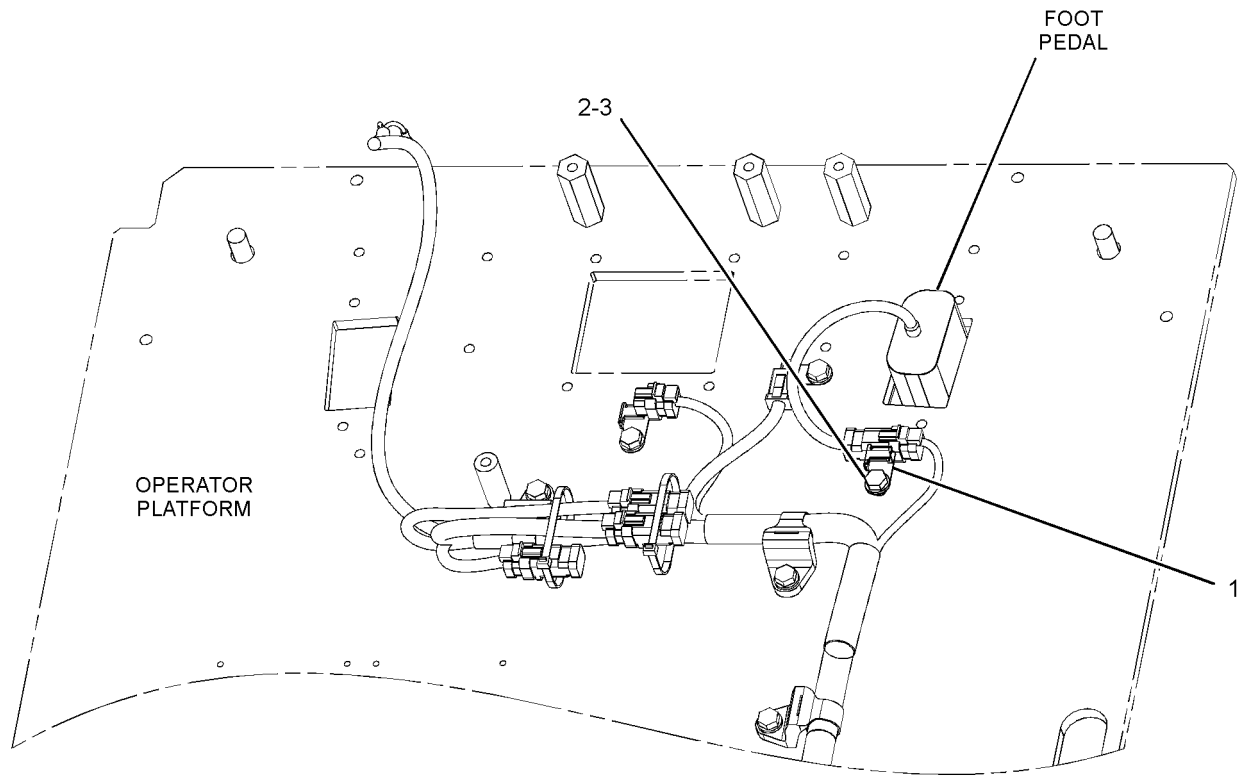
306-8555 WIRING GP-ELECTRONIC CONTROL-
FOOT SWITCH, LH
 S/N: PAS1-UP
 PART OF 310-0001 CONTROL AR-AUXILIARY
 AN ATTACHMENT

SMCS-1408

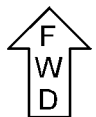
i03790451

NOTE	REF NO	GRAPHIC REF	PART NUMBER	QTY	PART NAME						SEE PAGE
					1	2	3	4	5	6 (PRODUCT LEVEL)	
	1	1	116-0118	1	CLIP						
M	2	1	7X-2621	1	BOLT (M10X1.5X12-MM)						
	3	1	8T-4121	1	WASHER-HARD (11X21X2.5-MM THK)						

M-METRIC PART



BOTTOM VIEW



GRAPHIC #1

<END>

g02061356

ELECTRICAL AND STARTING SYSTEM

306-8566 WIRING GP-ELECTRONIC CONTROL-PEDAL, RH

S/N: PAS1-UP

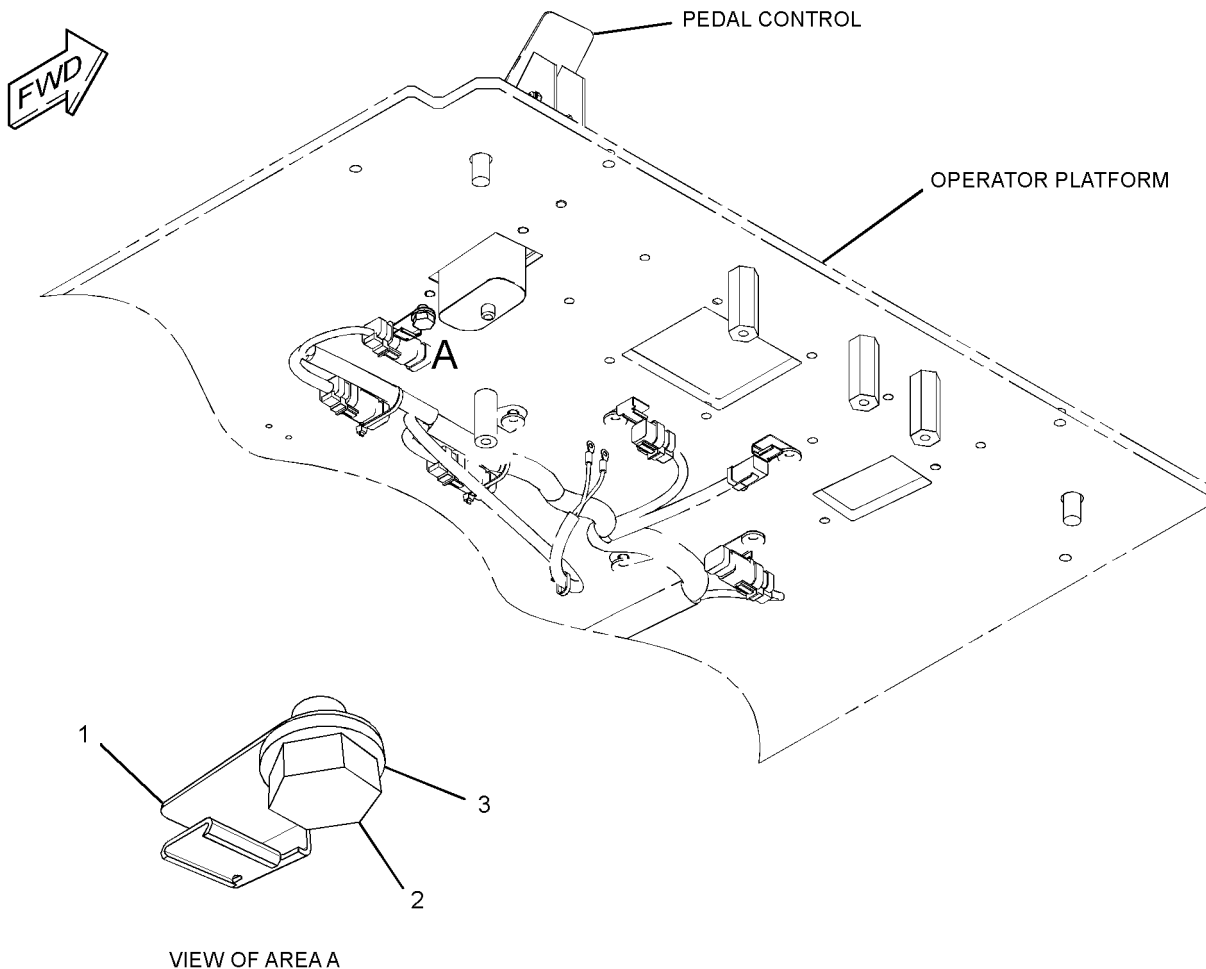
PART OF 310-0002 CONTROL AR-AUXILIARY
AN ATTACHMENT

SMCS-1408

i03656980

NOTE	REF NO	GRAPHIC REF	PART NUMBER	QTY	PART NAME						SEE PAGE
					1	2	3	4	5	6 (PRODUCT LEVEL)	
	1	1	116-0118	1	CLIP						
M	2	1	7X-2621	1	BOLT (M10X1.5X12-MM)						
	3	1	8T-4121	1	WASHER-HARD (11X21X2.5-MM THK)						

M-METRIC PART



GRAPHIC #1

<END>

g02039018

ELECTRICAL AND STARTING SYSTEM

228-6601 WIRING GP-ENGINE

S/N: LHX19430-UP

PART OF 288-8156 ENGINE AR-COMplete

SMCS-1408

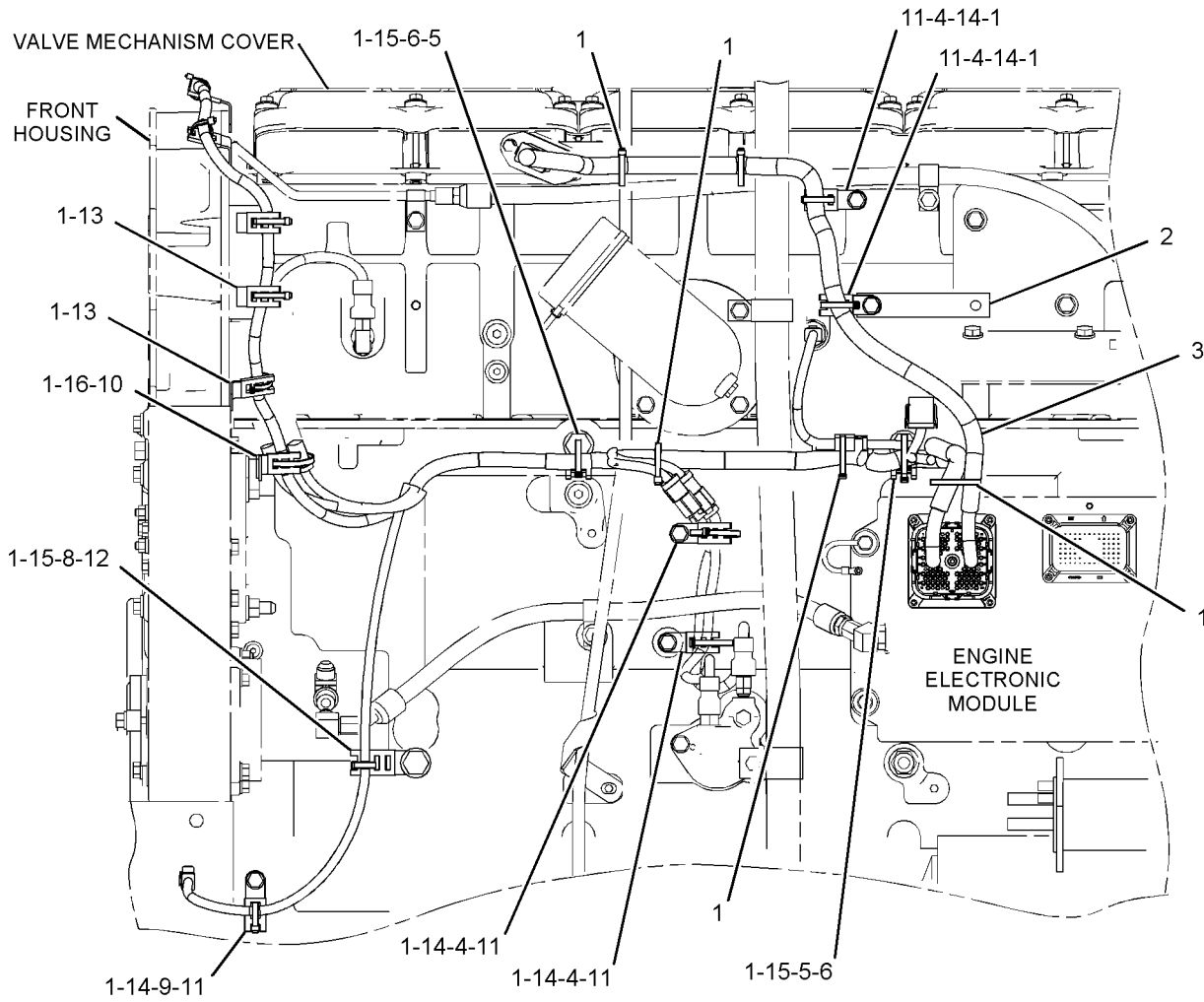
i03514619

NOTE	REF NO	GRAPHIC REF	PART NUMBER	QTY	PART NAME						SEE PAGE
					1	2	3	4	5	6 (PRODUCT LEVEL)	
	1	1	3S-2093	22	STRAP-CABLE						
	2	1	7T-0266	1	BRACKET AS						
		1	1F-0750	1	NUT-WELD (3/8-16-THD)						
	3	1	239-5929	1	HARNESS AS-ENGINE (ELECTRONIC CONTROL MODULE)						
		1	102-8802	1	KIT-RECEPTACLE (2-PIN)						
					(INCLUDES RECEPTACLE AS & WEDGE)						
		1	102-8803	2	KIT-RECEPTACLE (3-PIN)						
					(EACH INCLUDES RECEPTACLE AS & WEDGE)						
		1	8T-8737	81	PLUG-SEAL						
		1	155-2255	1	KIT-CONNECTING PLUG (12-PIN)						
					(INCLUDES PLUG AS & WEDGE)						
		1	155-2265	1	KIT-CONNECTING PLUG (8-PIN)						
					(INCLUDES PLUG AS & WEDGE)						
		1	155-2260	1	KIT-CONNECTING PLUG (3-PIN)						
					(INCLUDES PLUG AS & WEDGE)						
		1	155-2270	5	KIT-CONNECTING PLUG (2-PIN)						
					(EACH INCLUDES PLUG AS & WEDGE)						
		1	227-4002	1	PLUG AS-CONNECTOR (108-PIN)						
	4	1	0S-0509	4	BOLT (3/8-16X0.75-IN)						
	5	1	0S-1576	2	BOLT (5/8-18X2-IN)						
	6	1	104-6202	2	CLIP						
	8	1	1A-4273	1	BOLT (5/8-18X1.25-IN)						
	9	1	3B-1915	1	BOLT (3/8-16X1.375-IN)						
	10	1	4P-7429	1	CLIP						
	11	1	4P-7581	5	CLIP						
	12	1	4P-7582	1	CLIP						
	13	1	4P-8134	8	CLIP						
	14	1	5M-2894	5	WASHER-HARD (10.2X18.5X2.5-MM THK)						
	15	1	5P-8247	3	WASHER-HARD (17X32X3.5-MM THK)						
	16	1	8T-4223	1	WASHER-HARD (13.5X25.5X3-MM THK)						

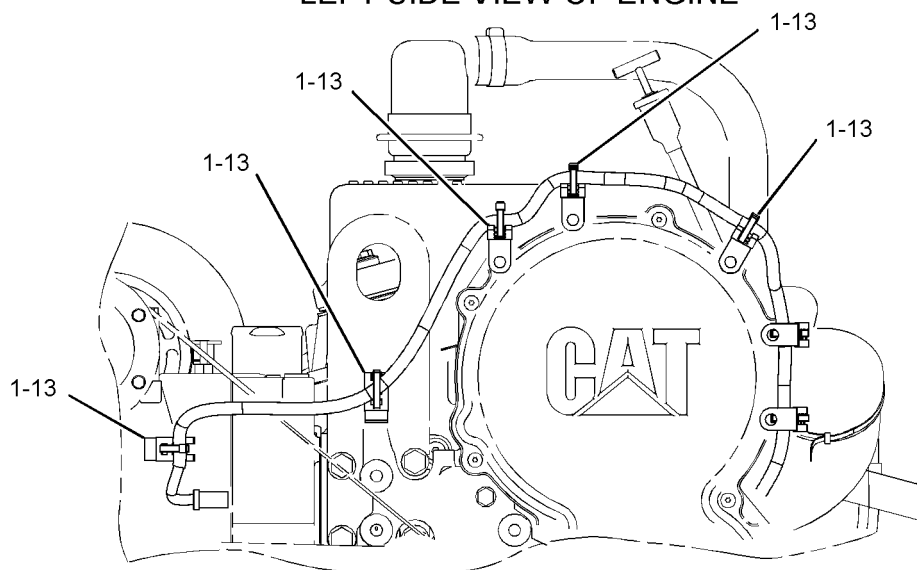
ELECTRICAL AND STARTING SYSTEM

228-6601 WIRING GP-ENGINE (contd.)

i03514619



LEFT SIDE VIEW OF ENGINE



FRONT VIEW OF ENGINE

GRAPHIC #1

<END>

g01865937

ELECTRICAL AND STARTING SYSTEM

342-2952 WIRING GP-FRONT

S/N: PAS1-UP

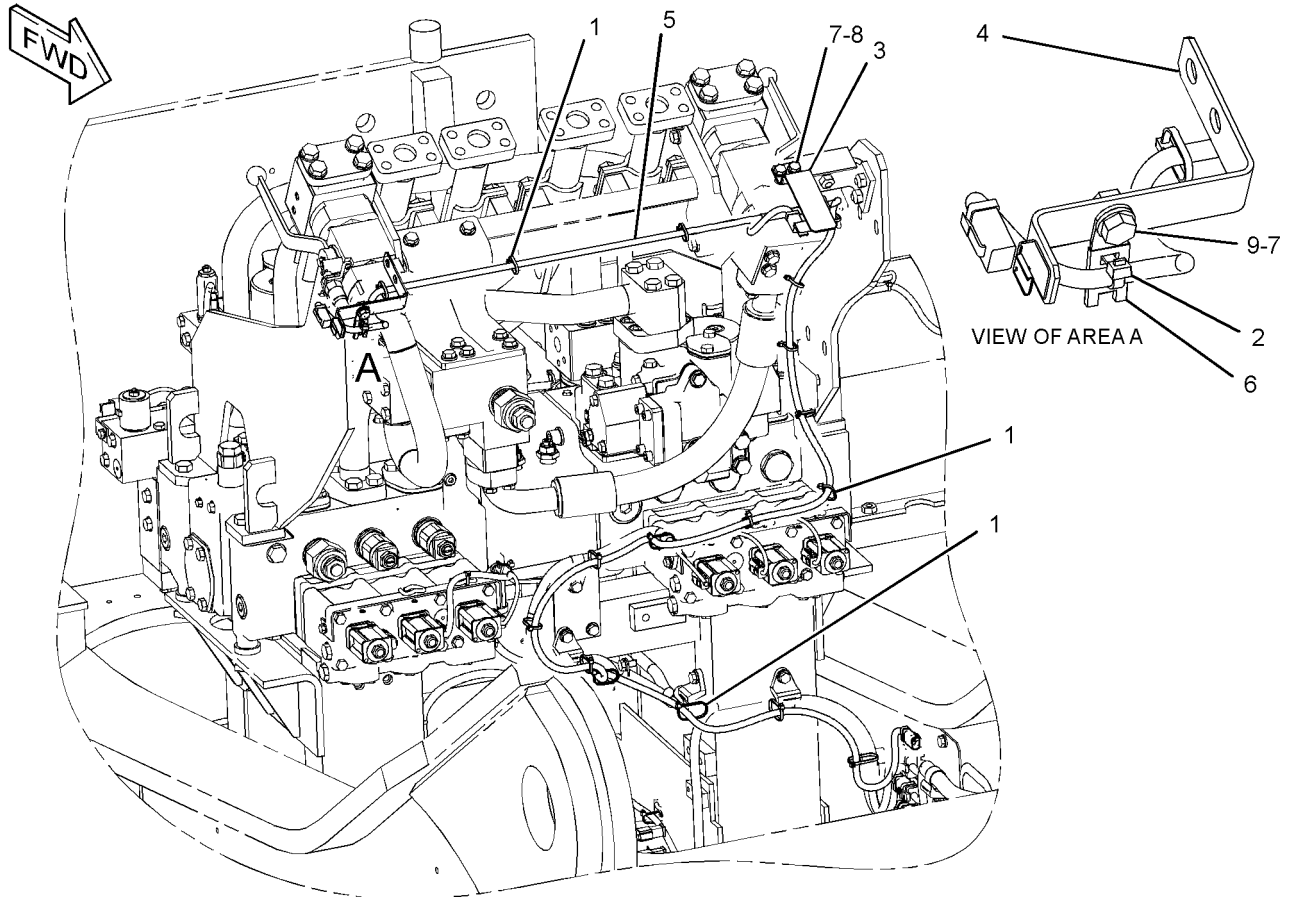
PART OF 310-0000 CONTROL AR-AUXILIARY
AN ATTACHMENT

SMCS-1408, 5734

i03819330

NOTE	REF NO	GRAPHIC REF	PART NUMBER	QTY	PART NAME						SEE PAGE
					1	2	3	4	5	6 (PRODUCT LEVEL)	
	1	1	3S-2093	18	STRAP-CABLE						
	2	1	7K-1181	1	STRAP-CABLE						
	3	1	251-0471	1	BRACKET AS						
	4	1	324-5734	1	BRACKET AS						
	5	1	342-2953	1	HARNESS AS-SWITCH						
		1	8T-8729	3	PIN-CONNECTOR (16-GA TO 18-GA)						
		1	8T-8730	4	SOCKET-CONNECTOR (16-GA TO 18-GA)						
		1	8T-8737	4	PLUG-SEAL						
BE	1	1	125-7874		TUBE-HEAT SHRINK (5.72-MM DIA)						
		1	155-2271	2	KIT-CONNECTING PLUG (4-PIN)						
					(EACH INCLUDES PLUG AS, WEDGE, & INTERFACE SEAL)						
		1	243-4506	1	RECEPTACLE AS-CONNECTOR (3-PIN)						
	6	1	4P-7581	1	CLIP						
	7	1	8T-4121	3	WASHER-HARD (11X21X2.5-MM THK)						
M	8	1	8T-4136	2	BOLT (M10X1.5X25-MM)						
M	9	1	8T-4191	1	BOLT (M10X1.5X16-MM)						

B-USE AS REQUIRED
E-ORDER BY THE CENTIMETER
M-METRIC PART



GRAPHIC #1

<END>

g02131653

ELECTRICAL AND STARTING SYSTEM

299-3001 WIRING GP-GRADE CONTROL-ACCUGRADE, BOOM

S/N: PAS1-UP

PART OF 319-9260 SPECIAL AR
AN ATTACHMENT

SMCS-1408, 7220

i03840212

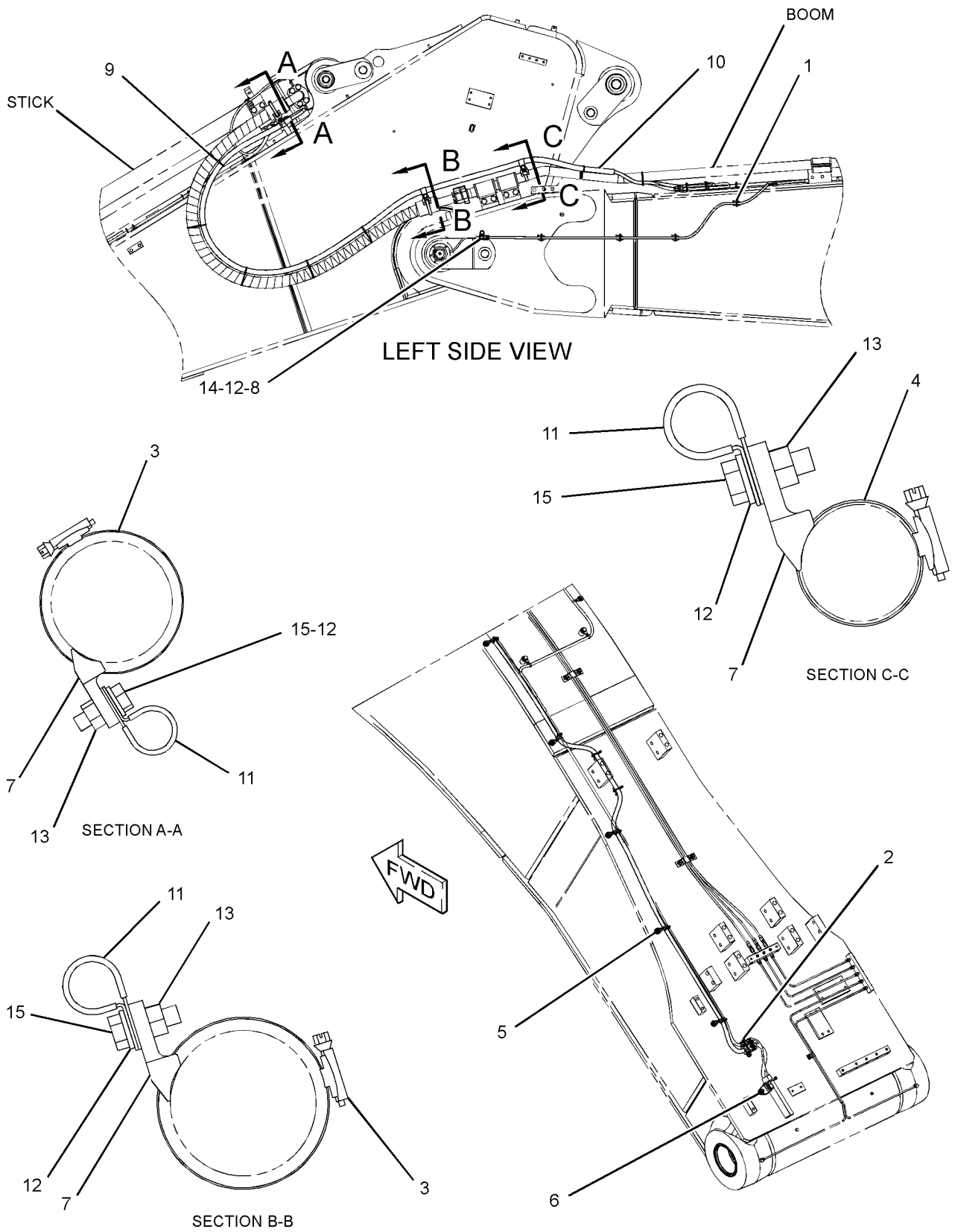
NOTE	REF NO	GRAPHIC REF	PART NUMBER	QTY	PART NAME						SEE PAGE
					1	2	3	4	5	6 (PRODUCT LEVEL)	
	1	1	3S-2093	22	STRAP-CABLE						
	2	1	7K-1181	3	STRAP-CABLE						
	3	1	9M-7959	2	CLAMP-HOSE						
	4	1	095-9785	1	CLAMP-HOSE						
	5	1	111-4836	8	CLIP						
	6	1	111-4837	1	CLIP						
	7	1	111-4838	3	CLIP						
	8	1	116-0118	1	CLIP						
	9	1	204-1611	7	STRAP-CABLE						
	10	1	324-5715	1	HARNESS AS-FRONT						
		1	8T-8737	3	PLUG-SEAL						
		1	9X-3402	12	SOCKET-CONNECTOR (16-GA TO 18-GA)						
		1	9X-3401	12	PIN-CONNECTOR (16-GA TO 18-GA)						
		1	155-2260	1	KIT-CONNECTING PLUG (3-PIN)						
					(INCLUDES PLUG AS, WEDGE, & INTERFACE SEAL)						
		1	230-4009	1	PLUG AS-CONNECTOR (12-PIN)						
		1	264-7034	1	SEAL-CONNECTOR						
		1	243-4510	1	RECEPTACLE AS-CONNECTOR (12-PIN)						
E		1	262-8088		HOSE (320-CM)						
	11	1	4S-1962	3	CLIP						
	12	1	8T-4121	5	WASHER-HARD (11X21X2.5-MM THK)						
M	13	1	8T-4133	4	NUT (M10X1.5-THD)						
M	14	1	8T-4191	1	BOLT (M10X1.5X16-MM)						
M	15	1	8T-4195	3	BOLT (M10X1.5X30-MM)						

E-ORDER BY THE CENTIMETER
M-METRIC PART

ELECTRICAL AND STARTING SYSTEM

299-3001 WIRING GP-GRADE CONTROL (contd.)

i03840212



GRAPHIC #1

<END>

g02048334

ELECTRICAL AND STARTING SYSTEM

299-3004 WIRING GP-GRADE CONTROL-ACCUGRADE, STICK

S/N: PAS1-UP

PART OF 319-9260 SPECIAL AR
AN ATTACHMENT

SMCS-1408, 7220

i03877744

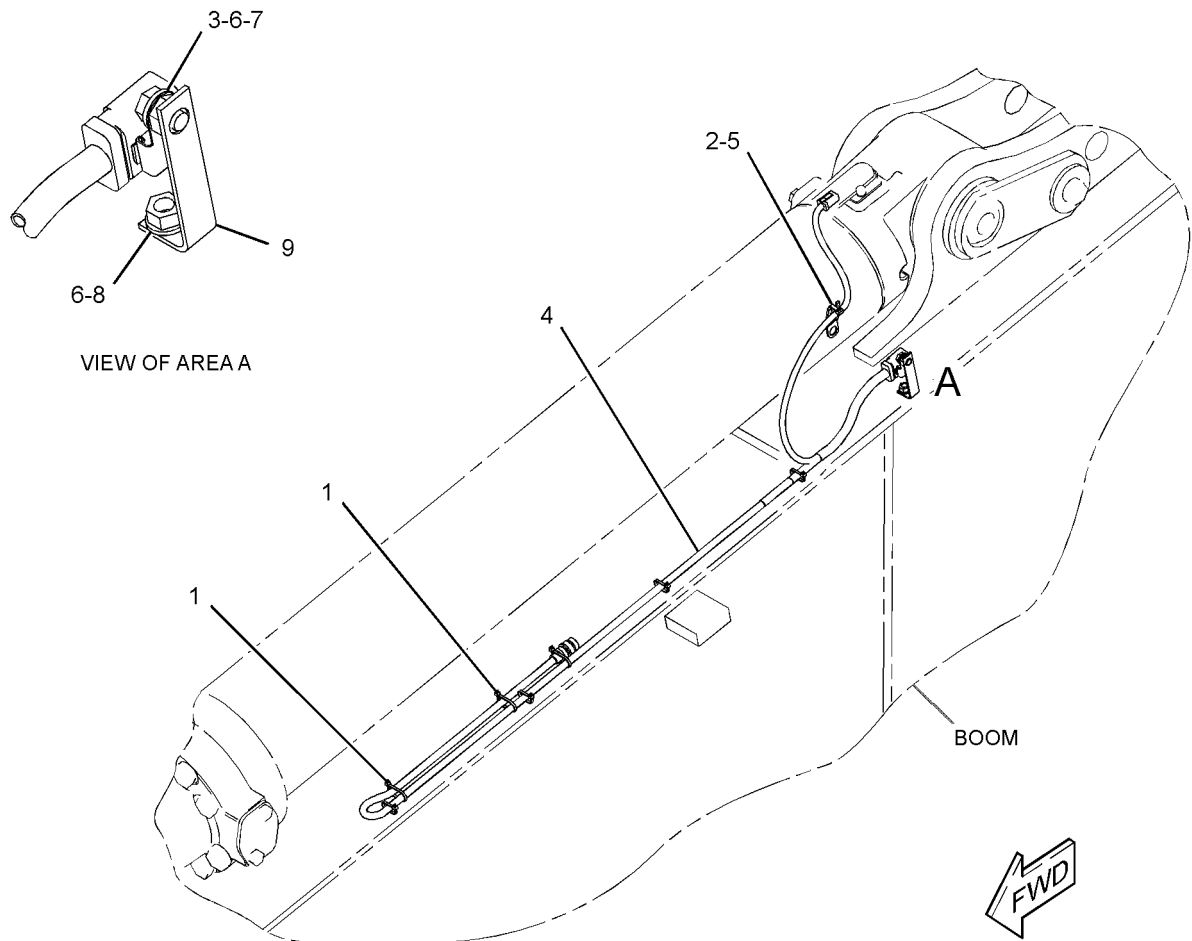
NOTE	REF NO	GRAPHIC REF	PART NUMBER	QTY	PART NAME						SEE PAGE
					1	2	3	4	5	6 (PRODUCT LEVEL)	
	1	1	3S-2093	7	STRAP-CABLE						
	2	1	7K-1181	1	STRAP-CABLE						
	3	1	116-0118	1	CLIP						
	4	1	324-5716	1	HARNESS AS-CONTROL (GRADE CONTROL)						
		1	8L-8413	1	STRAP-CABLE						
		1	8T-8737	4	PLUG-SEAL						
BE		1	125-7874		TUBE-HEAT SHRINK (5.72-MM DIA)						
		1	9X-3402	3	SOCKET-CONNECTOR (16-GA TO 18-GA)						
		1	9X-3401	9	PIN-CONNECTOR (16-GA TO 18-GA)						
		1	155-2271	1	KIT-CONNECTING PLUG (4-PIN)						
					(INCLUDES PLUG AS, WEDGE, & INTERFACE SEAL)						
		1	243-4510	1	RECEPTACLE AS-CONNECTOR (12-PIN)						
		1	243-5362	1	CAP-DUST						
		1	253-2695	1	PLUG AS-CONNECTOR						
	5	1	4P-7582	1	CLIP						
	6	1	8T-4121	2	WASHER-HARD (11X21X2.5-MM THK)						
M	7	1	8T-4191	1	BOLT (M10X1.5X16-MM)						
M	8	1	8T-4133	1	NUT (M10X1.5-THD)						
	9	1	153-2447	1	BRACKET AS						

B-USE AS REQUIRED
E-ORDER BY THE CENTIMETER
M-METRIC PART

ELECTRICAL AND STARTING SYSTEM

299-3004 WIRING GP-GRADE CONTROL (contd.)

i03877744



GRAPHIC #1

<END>

g02136616

ELECTRICAL AND STARTING SYSTEM

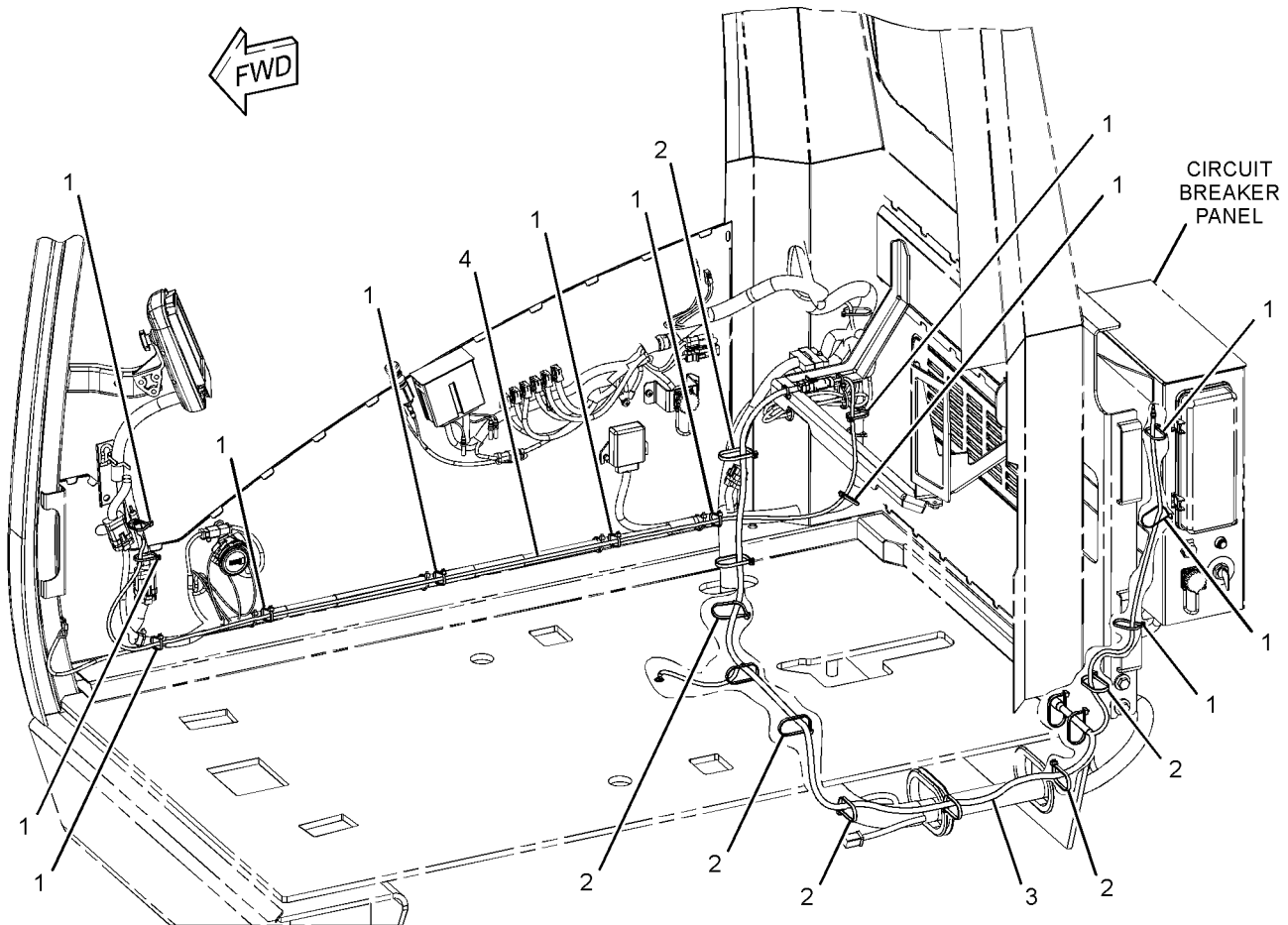
299-2943 WIRING GP-MONITOR- WORK AREA VISUAL SYSTEM, REAR S/N: PAS1-UP PART OF 319-9157 CAMERA AR AN ATTACHMENT

SMCS-1408

i03775664

NOTE	REF NO	GRAPHIC REF	PART NUMBER	QTY	PART NAME						SEE PAGE
					1	2	3	4	5	6 (PRODUCT LEVEL)	
	1	1	3S-2093	14	STRAP-CABLE						
	2	1	7K-1181	11	STRAP-CABLE						
	3	1	342-2934	1	HARNESS AS-WIRING (CAMERA)						
		1	3S-2093	3	STRAP-CABLE						
		1	7Y-3962	1	TERMINAL-BULLET (MALE)						
BE		1	119-3662		TUBE-HEAT SHRINK (10.85-MM DIA)						
BE		1	125-7874		TUBE-HEAT SHRINK (5.72-MM DIA)						
		1	9X-3402	2	SOCKET-CONNECTOR (16-GA TO 18-GA)						
		1	2L-8079	1	TERMINAL-RING (14-GA TO 16-GA, 3/8-IN SCREW)						
		1	230-4011	1	PLUG AS-CONNECTOR (2-PIN)						
		1	264-7029	1	SEAL-CONNECTOR						
	4	1	342-2935	1	HARNESS AS-WIRING (MONITOR)						

B-USE AS REQUIRED
E-ORDER BY THE CENTIMETER



GRAPHIC #1

<END>

g02126605

ELECTRICAL AND STARTING SYSTEM

299-2629 WIRING GP-PLATFORM

S/N: PAS1-UP

PART OF 342-3451 OPERATOR AR

SMCS-1408

i03656502

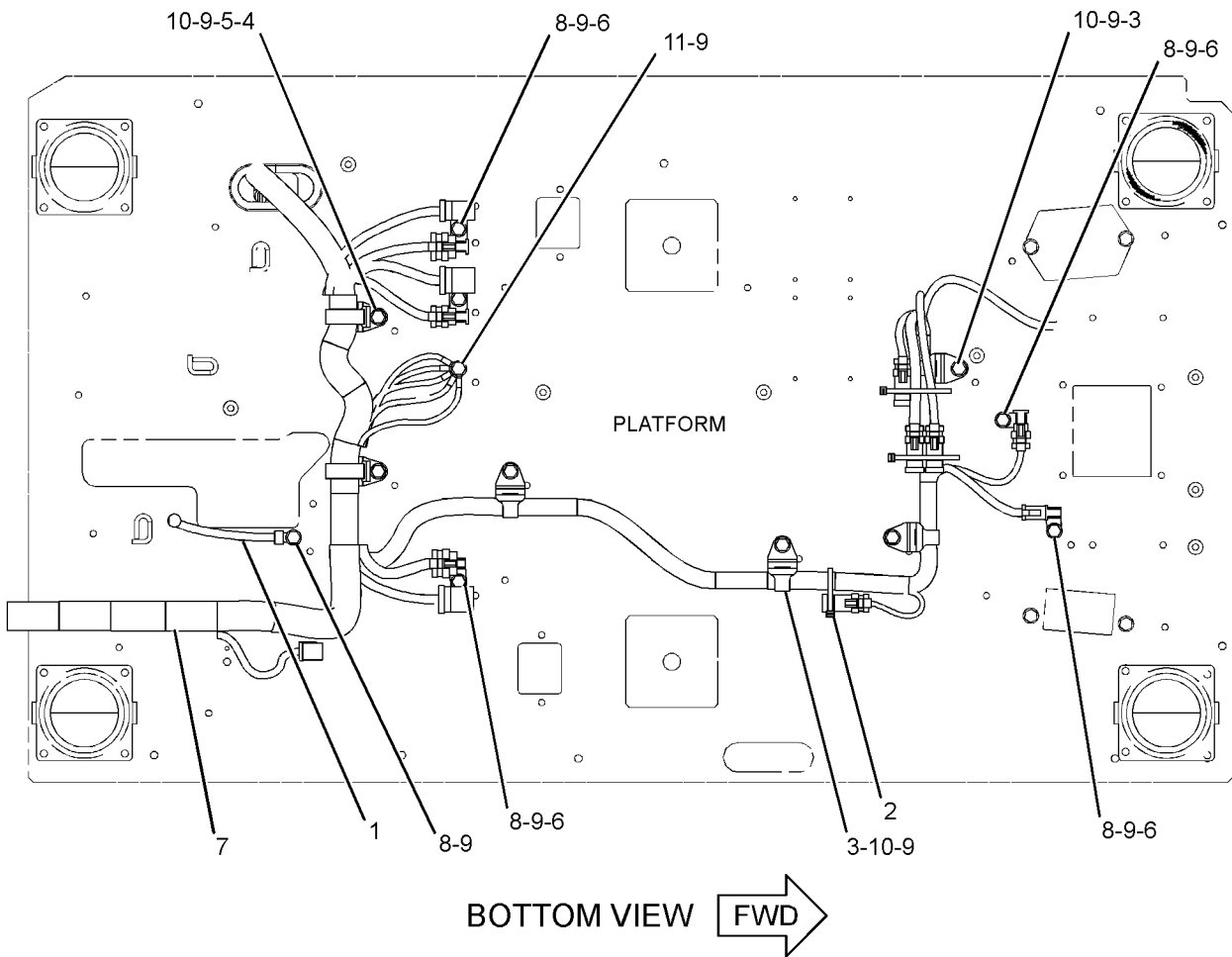
NOTE	REF NO	GRAPHIC REF	PART NUMBER	QTY	PART NAME						SEE PAGE
					1	2	3	4	5	6 (PRODUCT LEVEL)	
	1	1	7G-1060	1	STRAP AS-GROUND						
	2	1	7K-1181	3	STRAP-CABLE						
	3	1	111-4837	4	CLIP						
	4	1	111-4838	2	CLIP						
	5	1	111-4839	2	STRAP						
	6	1	116-0118	8	CLIP						
	7	1	342-2886	1	HARNESS AS-PLATFORM						
		1	8T-8729	14	PIN-CONNECTOR (16-GA TO 18-GA)						
		1	8T-8730	12	SOCKET-CONNECTOR (16-GA TO 18-GA)						
		1	3S-2093	12	STRAP-CABLE						
		1	8T-8737	53	PLUG-SEAL						
		1	102-7964	1	CONNECTOR-PLUG						
		1	102-7965	6	TERMINAL (FEMALE)						
		1	9W-0852	23	PIN-CONNECTOR (14-GA)						
		1	9W-0844	42	SOCKET-CONNECTOR (14-GA)						
BE		1	119-3662		TUBE-HEAT SHRINK (10.85-MM DIA)						
		1	121-1168	1	CONNECTOR-RECEPTACLE						
		1	121-1173	21	TERMINAL (MALE)						
		1	125-4841	1	WEDGE-PLUG LOCK (21-PIN)						
BE		1	125-7875		TUBE-HEAT SHRINK (7.44-MM DIA)						
		1	9X-3402	86	SOCKET-CONNECTOR (16-GA TO 18-GA)						
		1	2L-8069	5	TERMINAL-RING (2-GA TO 10-GA, 3/8-IN SCREW)						
		1	2L-8075	2	TERMINAL-RING (14-GA TO 16-GA, NO. 8 SCREW)						
		1	9X-3401	12	PIN-CONNECTOR (16-GA TO 18-GA)						
		1	153-2620	1	PLUG AS-CONNECTOR (54-PIN, BLACK)						
		1	155-2271	1	KIT-CONNECTING PLUG (4-PIN)						
		1	155-2274	1	KIT-CONNECTING PLUG (6-PIN)						
					(EACH PLUG KIT INCLUDES PLUG AS, WEDGE & INTERFACE SEAL)						
		1	230-4009	5	PLUG AS-CONNECTOR (12-PIN)						
		1	230-5010	2	PLUG AS-CONNECTOR (6-PIN)						
		1	231-2295	1	PLUG AS-CONNECTOR (8-PIN)						
		1	238-2363	12	TERMINAL (FEMALE)						
		1	238-2366	5	TERMINAL (MALE)						
		1	239-7352	3	PLUG AS-CONNECTOR (6-PIN)						
		1	243-4508	2	RECEPTACLE AS-CONNECTOR (6-PIN)						
		1	243-4509	1	RECEPTACLE AS-CONNECTOR (8-PIN)						
		1	243-4510	3	RECEPTACLE AS-CONNECTOR (12-PIN)						
		1	247-2693	2	RECEPTACLE AS-CONNECTOR (6-PIN)						
		1	272-5000	1	RECEPTACLE AS-CONNECTOR (12-PIN)						
M	8	1	7X-2621	6	BOLT (M10X1.5X12-MM)						
	9	1	8T-4121	13	WASHER-HARD (11X21X2.5-MM THK)						
M	10	1	8T-4137	6	BOLT (M10X1.5X20-MM)						
M	11	1	8T-4191	1	BOLT (M10X1.5X16-MM)						

B-USE AS REQUIRED
E-ORDER BY THE CENTIMETER
M-METRIC PART

ELECTRICAL AND STARTING SYSTEM

299-2629 WIRING GP-PLATFORM (contd.)

i03656502



GRAPHIC #1

<END>

g02123016

ELECTRICAL AND STARTING SYSTEM

306-8538 WIRING GP-QUICK COUPLER

S/N: PAS1-UP

PART OF 302-9440 CONTROL AR-COUPLER
AN ATTACHMENT

SMCS-1408, 6129

i03785269

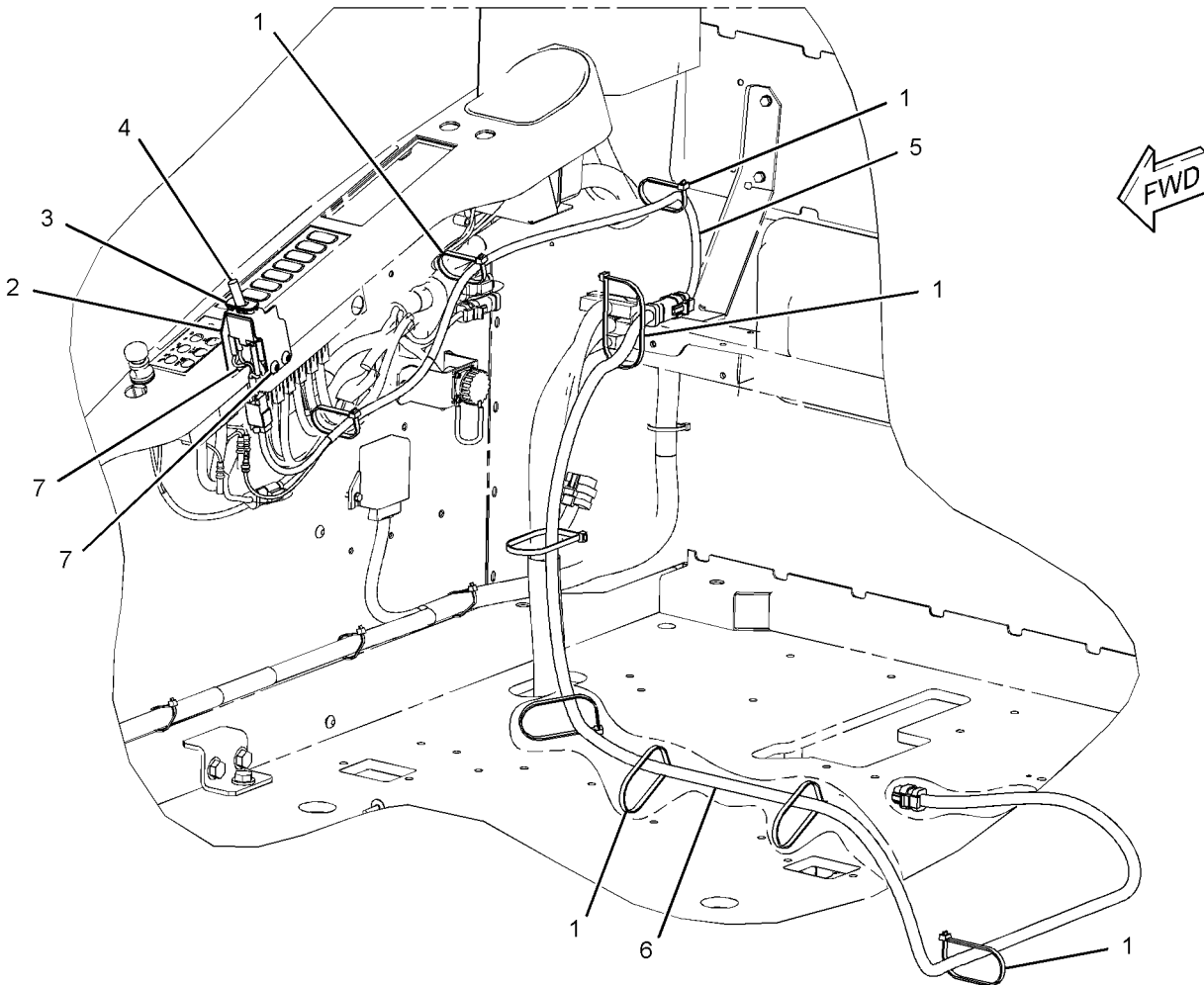
NOTE	REF NO	GRAPHIC REF	PART NUMBER	QTY	PART NAME						SEE PAGE
					1	2	3	4	5	6 (PRODUCT LEVEL)	
	1	1	7K-1181	9	STRAP-CABLE						
	2	1	259-4884	1	BRACKET AS						
	3	1	259-7220	1	COVER						
	4	1	267-7671	1	SWITCH GP-TOGGLE (QUICK COUPLER)						
		1	3L-8187	6	LOCKWASHER						
		1	6T-3631	2	NUT-HEX (15/32-32-THD)						
		1	6T-3632	1	LOCKWASHER						
		1	6T-3633	1	RING-LOCKING						
		1	6V-8374	6	SCREW-MACHINE (6-32X0.25-IN)						
		1	267-7672	1	HARNESS AS-WIRING (CAB)						
		1	3S-2093	1	STRAP-CABLE						
		1	121-1173	3	TERMINAL (MALE)						
		1	9X-8081	1	TERMINAL-RING (10-GA TO 12-GA, NO. 6 SCREW)						
		1	5P-2321	1	TERMINAL-FORK (14-GA TO 16-GA, NO. 6 SCREW)						
		1	167-3542	1	CONNECTOR-RECEPTACLE						
	5	1	342-2931	1	HARNESS AS-CAB						
		1	3S-2093	5	STRAP-CABLE						
		1	7Y-3962	1	TERMINAL-BULLET (MALE)						
		1	102-7965	3	TERMINAL (FEMALE)						
		1	9W-0844	4	SOCKET-CONNECTOR (14-GA)						
BE		1	125-7875		TUBE-HEAT SHRINK (7.44-MM DIA) (5-CM)						
		1	163-6803	1	CONNECTOR-PLUG						
		1	167-3487	1	WEDGE-PLUG LOCK						
		1	230-5008	1	PLUG AS-CONNECTOR (4-PIN)						
		1	264-7031	1	SEAL-CONNECTOR						
	6	1	342-2932	1	HARNESS AS-PLATFORM						
		1	9W-0852	4	PIN-CONNECTOR (14-GA)						
		1	9W-0844	4	SOCKET-CONNECTOR (14-GA)						
		1	230-5008	1	PLUG AS-CONNECTOR (4-PIN)						
		1	264-7031	1	SEAL-CONNECTOR						
		1	243-4507	1	RECEPTACLE AS-CONNECTOR (4-PIN)						
M	7	1	9X-2042	3	SCREW-TRUSS HEAD (M6X1X12-MM)						

B-USE AS REQUIRED
E-ORDER BY THE CENTIMETER
M-METRIC PART

ELECTRICAL AND STARTING SYSTEM

306-8538 WIRING GP-QUICK COUPLER (contd.)

i03785269



GRAPHIC #1

<END>

g02126344

ELECTRICAL AND STARTING SYSTEM

342-2870 WIRING GP-REFUELING PUMP

S/N: PAS1-UP

PART OF 340-3966 PUMP GP-FUEL TRANSFER
AN ATTACHMENT

SMCS-1408

i03849313

NOTE	REF NO	GRAPHIC REF	PART NUMBER	QTY	PART NAME						SEE PAGE
					1	2	3	4	5	6 (PRODUCT LEVEL)	
	1	1	3S-2093	6	STRAP-CABLE						
	2	1	7K-1181	2	STRAP-CABLE						
	3	1	111-4836	3	CLIP						
	4	1	116-0118	3	CLIP						
	5	1	149-5050	2	RELAY (24-VOLT)						
	6	1	213-0772	1	SWITCH AS-MAGNETIC (24-VOLT)						
Y	7	1	238-1594	1	SWITCH GP-PUSH BUTTON (REFUELING PUMP, START)						256
		1	1S-0812	2	SCREW-TAPPING						
		1	3K-0835	1	NUT (5/8-24-THD)						
		1	6F-0253	1	LOCKWASHER						
		1	8T-8748	1	ADAPTER-MOUNT						
		1	9W-0625	1	SWITCH AS						
BE		1	125-7875		TUBE-HEAT SHRINK (7.44-MM DIA)						
		1	238-1595	1	HARNESS AS-SWITCH (REFUELING PUMP, START)						
		1	8T-8729	1	PIN-CONNECTOR (16-GA TO 18-GA)						
		1	243-4505	1	RECEPTACLE AS-CONNECTOR (2-PIN)						
Y	8	1	238-1596	1	SWITCH GP-PUSH BUTTON (REFUELING PUMP, STOP)						257
		1	1S-0812	2	SCREW-TAPPING						
		1	3E-7389	1	SWITCH-PUSH BUTTON						
		1	3K-0835	1	NUT (5/8-24-THD)						
		1	6F-0253	1	LOCKWASHER						
		1	8T-8748	1	ADAPTER-MOUNT						
BE		1	125-7875		TUBE-HEAT SHRINK (7.44-MM DIA)						
		1	238-1597	1	HARNESS AS-SWITCH (REFUELING PUMP, STOP)						
		1	8T-8730	2	SOCKET-CONNECTOR (16-GA TO 18-GA)						
		1	230-4011	1	PLUG AS-CONNECTOR (2-PIN)						
		1	264-7029	1	SEAL-CONNECTOR						
	9	1	238-1637	1	HARNESS AS-PUMP (REFUELING)						
		1	8T-8729	4	PIN-CONNECTOR (16-GA TO 18-GA)						
		1	8T-8730	4	SOCKET-CONNECTOR (16-GA TO 18-GA)						
		1	3S-2093	2	STRAP-CABLE						
		1	116-0126	1	HOUSING-PLUG						
		1	116-0128	2	SEAL						
		1	116-0255	2	TERMINAL-BLADE (10-GA TO 20-GA) (FEMALE)						
		1	121-1038	1	HOUSING-RECEPTACLE						
		1	121-1039	2	TERMINAL (MALE)						
BE		1	125-7875		TUBE-HEAT SHRINK (7.44-MM DIA)						
		1	2L-8050	1	TERMINAL-RING (6-GA, 1/4-IN SCREW)						
					-OR-						
		1	2L-8058	1	TERMINAL-RING (8-GA, 1/4-IN SCREW)						
		1	2L-8065	1	TERMINAL-RING (10-GA TO 12-GA, NO. 8 SCREW)						
		1	2L-8067	1	TERMINAL-RING (10-GA TO 12-GA, 1/4-IN SCREW)						
		1	2L-8075	1	TERMINAL-RING (14-GA TO 16-GA, NO. 8 SCREW)						
		1	149-5051	2	CONNECTOR-RECEPTACLE						
		1	149-5069	4	TERMINAL-BLADE (14-GA TO 20-GA) (FEMALE)						
		1	149-5070	4	TERMINAL-BLADE (16-GA TO 20-GA) (FEMALE)						
		1	155-2270	1	KIT-CONNECTING PLUG (2-PIN) (INCLUDES PLUG AS, WEDGE & INTERFACE SEAL)						
		1	197-4385	1	DIODE						
		1	230-4011	1	PLUG AS-CONNECTOR (2-PIN)						
		1	264-7029	1	SEAL-CONNECTOR						
		1	243-4505	2	RECEPTACLE AS-CONNECTOR (2-PIN)						
	10	1	342-2879	1	HARNESS AS-PUMP (REFUELING LEVEL SWITCH)						

ELECTRICAL AND STARTING SYSTEM

342-2870 WIRING GP-REFUELING PUMP (contd.)

i03849313

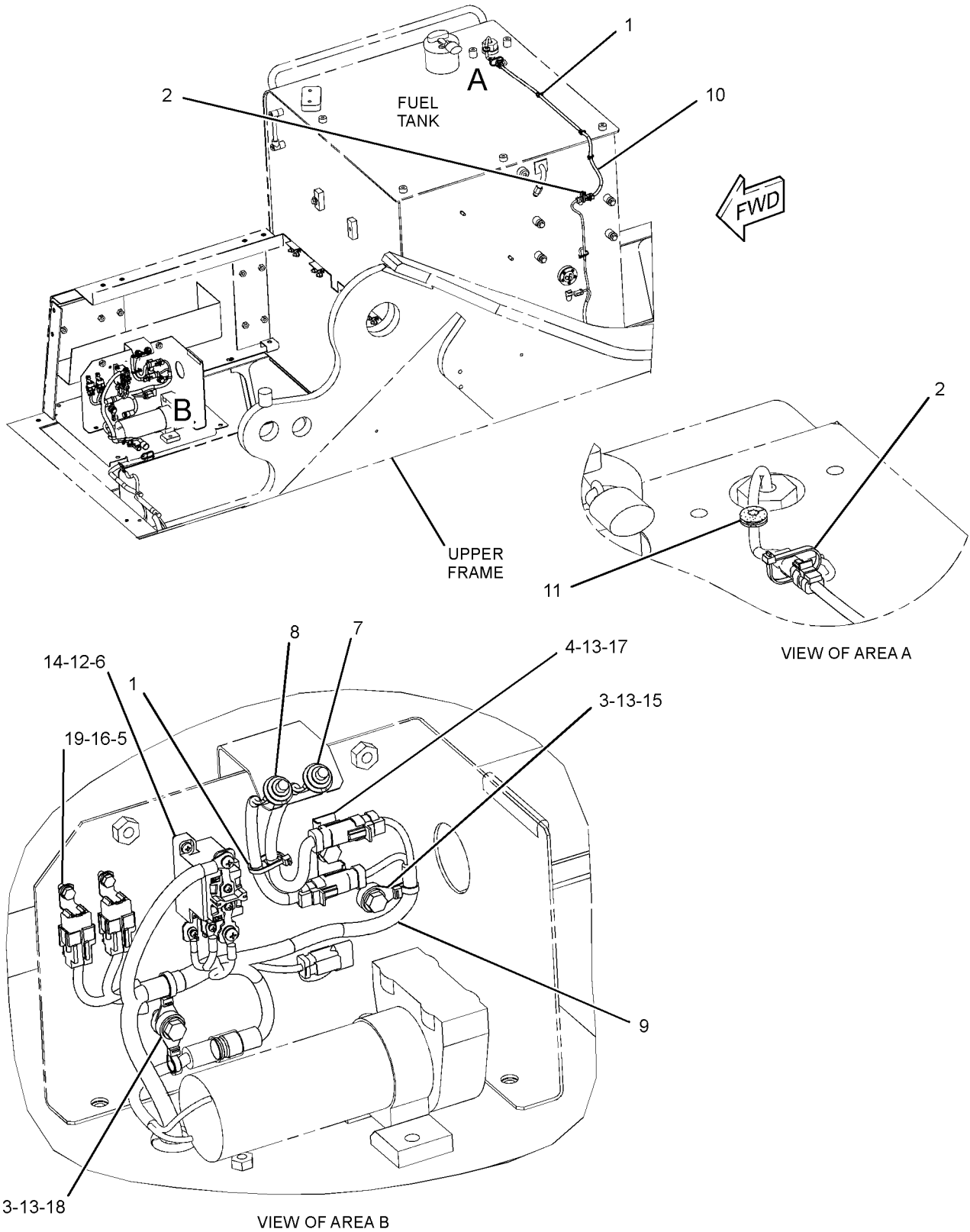
NOTE	REF NO	GRAPHIC REF	PART NUMBER	QTY	PART NAME						SEE PAGE
					1	2	3	4	5	6 (PRODUCT LEVEL)	
		1	8T-8730	2	SOCKET-CONNECTOR (16-GA TO 18-GA)						
		1	9X-3402	2	SOCKET-CONNECTOR (16-GA TO 18-GA)						
		1	230-4011	2	PLUG AS-CONNECTOR (2-PIN)						
					(EACH INCLUDES)						
		1	264-7029	1	SEAL-CONNECTOR						
	11	1	5P-8439	1	GROMMET						
	12	1	8T-0328	2	WASHER-HARD (5.5X10X1-MM THK)						
	13	1	8T-4121	4	WASHER-HARD (11X21X2.5-MM THK)						
M	14	1	8T-4127	2	SCREW-MACHINE (M5X0.8X20-MM)						
M	15	1	8T-4137	1	BOLT (M10X1.5X20-MM)						
M	16	1	8T-4171	2	BOLT (M6X1X12-MM)						
M	17	1	8T-4191	2	BOLT (M10X1.5X16-MM)						
M	18	1	8T-4195	1	BOLT (M10X1.5X30-MM)						
	19	1	9X-8256	2	WASHER (6.6X12X2-MM THK)						

B-USE AS REQUIRED
 E-ORDER BY THE CENTIMETER
 M-METRIC PART
 Y-SEPARATE ILLUSTRATION

ELECTRICAL AND STARTING SYSTEM

342-2870 WIRING GP-REFUELING PUMP (contd.)

i03849313



GRAPHIC #1

<END>

g02079484

POWER TRAIN

199-4726 DRIVE GP-FINAL-WITHOUT MOTOR

S/N: PAS1-UP

PART OF 296-6303 DRIVE GP-FINAL

SMCS-4050

i03905561

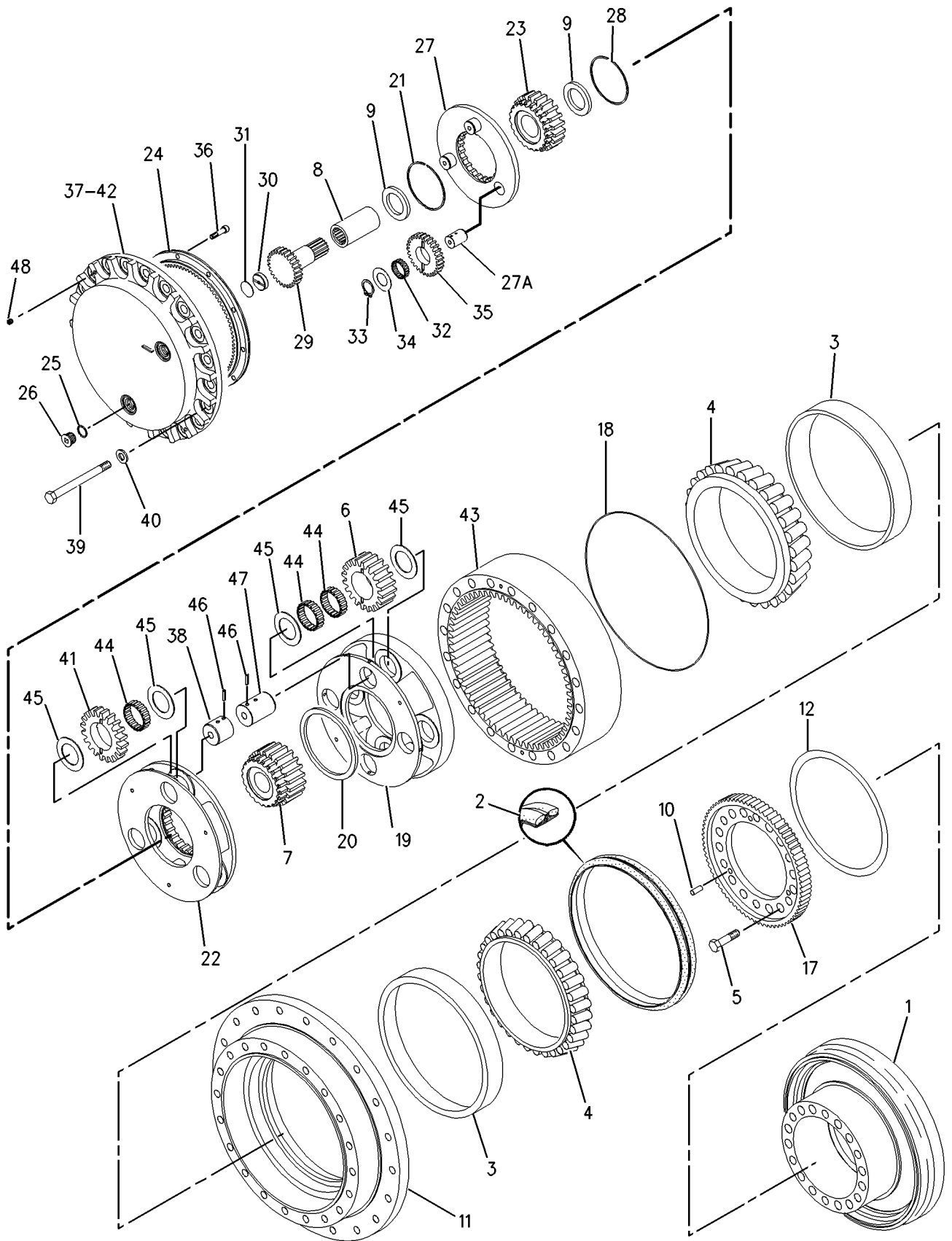
NOTE	REF NO	GRAPHIC REF	PART NUMBER	QTY	PART NAME						SEE PAGE
					1	2	3	4	5	6 (PRODUCT LEVEL)	
	1	1	199-4727	1	HOUSING-MOTOR						
	2	1	214-7880	1	SEAL GP-DUO-CONE						
		1	214-7879	2	RING-TORIC						
	3	1	163-1657	2	CUP-SPECIAL TAPERED						
	4	1	163-1656	2	CONE-SPECIAL TAPERED						
M	5	1	8C-3411	10	BOLT (M30X3.5X90-MM)						
	6	1	136-2926	4	GEAR-PLANETARY (22-TEETH)						
	7	1	136-2923	1	GEAR-SUN (20-TEETH)						
	8	1	7Y-1469	1	COUPLING						
	9	1	136-2944	2	SPACER (61X95.1X10-MM THK)						
	10	1	136-2948	6	PIN-DOWEL						
	11	1	199-4728	1	HOUSING						
BJ	12	1	136-2959	1	SHIM (0.3-MM THK)						
BJ		1	136-2962	1	SHIM (0.6-MM THK)						
BJ		1	136-2963	1	SHIM (0.7-MM THK)						
BJ		1	136-2964	1	SHIM (0.8-MM THK)						
BJ		1	136-2965	1	SHIM (1-MM THK)						
BJ		1	136-2966	1	SHIM (1.6-MM THK)						
	17	1	136-2949	1	GEAR-COUPLING (83-TEETH)						
	18	1	136-2967	1	SEAL-O-RING						
	19	1	136-2947	1	CARRIER-PLANETARY						
	20	1	136-2945	1	SPACER (203X233X8.5-MM THK)						
	21	1	136-2943	1	RING-RETAINING						
	22	1	136-2930	1	CARRIER-PLANETARY						
	23	1	136-2922	1	GEAR-SUN (19-TEETH)						
	24	1	136-2927	1	GEAR-RING (86-TEETH)						
	25	1	7M-8485	2	SEAL-O-RING						
	26	1	3E-2338	2	PLUG-PIPE						
	27	1	136-2934	1	CARRIER AS						
	27A	1	136-2931	3	SHAFT-PLANETARY						
	28	1	7Y-0667	1	RING-RETAINING						
	29	1	136-2921	1	GEAR-SUN (22-TEETH)						
	30	1	7Y-1493	1	SPACER (8.7X50X14-MM THK)						
B	31	1	7Y-0808	1	SHIM (1.6-MM THK)						
	32	1	136-2946	3	BEARING-CAGED						
	33	1	8T-4240	3	RING-RETAINING						
	34	1	094-0584	6	WASHER (40.3X72X1-MM THK)						
	35	1	136-2924	3	GEAR-PLANETARY (31-TEETH)						
M	36	1	8T-3957	12	BOLT-SOCKET HEAD (M12X1.75X30-MM)						
	37	1	136-2920	1	COVER						
	38	1	136-2932	3	SHAFT-PLANETARY						
M	39	1	7Y-5231	18	BOLT (M30X3.5X260-MM)						
	40	1	9X-8258	18	WASHER (33X56X6-MM THK)						
	41	1	136-2925	3	GEAR-PLANETARY (23-TEETH)						
B	42	1	1U-8846		SEALANT-GASKET						
	43	1	136-2928	1	GEAR-RING (68-TEETH)						
	44	1	7Y-0912	11	BEARING AS-ROLLER						
	45	1	4I-7576	14	WASHER (66.3X104X3-MM THK)						
	46	1	099-5194	7	PIN-SPRING						
	47	1	136-2933	4	SHAFT-PLANETARY						
M	48	1	096-3216	2	SETSCREW-SOCKET (M12X1.75X12-MM)						
					AVAILABLE REPAIR KIT(S):						
J			136-2957	1	KIT-SHIM (FINAL DRIVE)						

B-USE AS REQUIRED
 J-KIT MARKED J SERVICES PARTS MARKED J
 M-METRIC PART

POWER TRAIN

199-4726 DRIVE GP-FINAL (contd.)

i03905561



GRAPHIC #1

<END>

g00999966

POWER TRAIN

296-6303 DRIVE GP-FINAL-WITH MOTOR

S/N: PAS1-UP

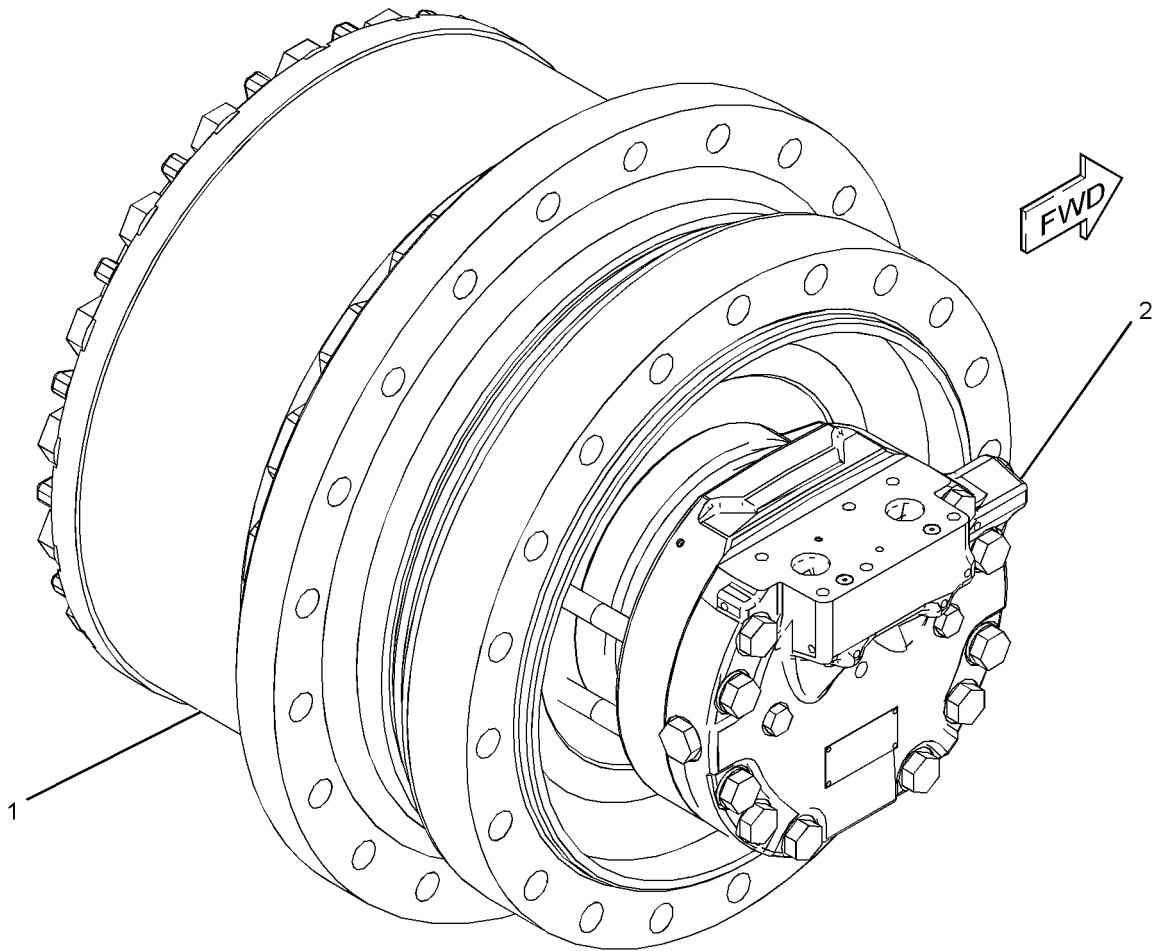
PART OF 296-6151 POWER TRAIN AR

SMCS-4050

i03655264

NOTE	REF NO	GRAPHIC REF	PART NUMBER	QTY	PART NAME						SEE PAGE
					1	2	3	4	5	6 (PRODUCT LEVEL)	
Y	1	1	199-4726	1	DRIVE GP-FINAL (WITHOUT MOTOR)						314
Y	2	1	315-4480	1	MOTOR & MTG GP-TRAVEL						569

Y-SEPARATE ILLUSTRATION



GRAPHIC #1

<END>

g02115793

POWER TRAIN

227-6064 FASTENER GP-FINAL DRIVE & MTR- SWING, TRAVEL

S/N: PAS1-UP

PART OF 296-6151 POWER TRAIN AR

SMCS-4050

i03620080

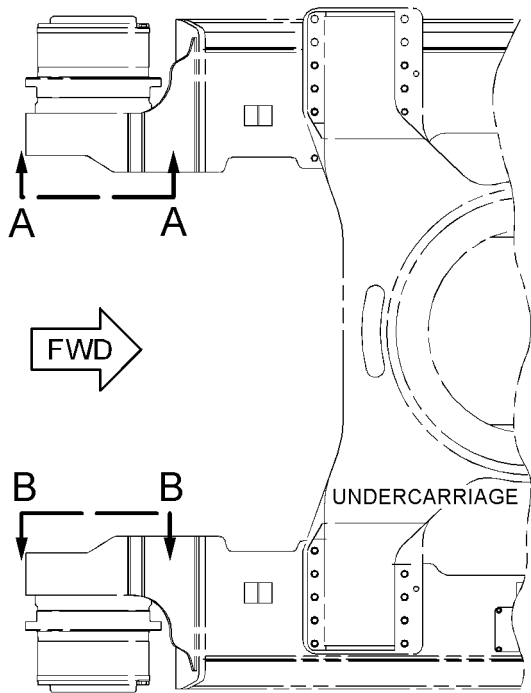
NOTE	REF NO	GRAPHIC REF	PART NUMBER	QTY	PART NAME						SEE PAGE
					1	2	3	4	5	6 (PRODUCT LEVEL)	
	1	1	2B-7561	4	CORK						
	2	1	5D-1026	2	CLAMP-BAND						
	3	1	096-4755	2	PIN						
M	4	1	8T-5878	30	BOLT (M24X3X80-MM)						
M	5	1	7X-2580	40	BOLT (M30X3.5X90-MM)						
	6	1	267-6787	30	SPACER (24.5X44X14-MM THK)						
	7	1	9X-8258	40	WASHER (33X56X6-MM THK)						
E	8	1	5P-0767		HOSE (130-CM EACH)						
B	9	1	1U-8846		SEALANT-GASKET						

B-USE AS REQUIRED
E-ORDER BY THE CENTIMETER
M-METRIC PART

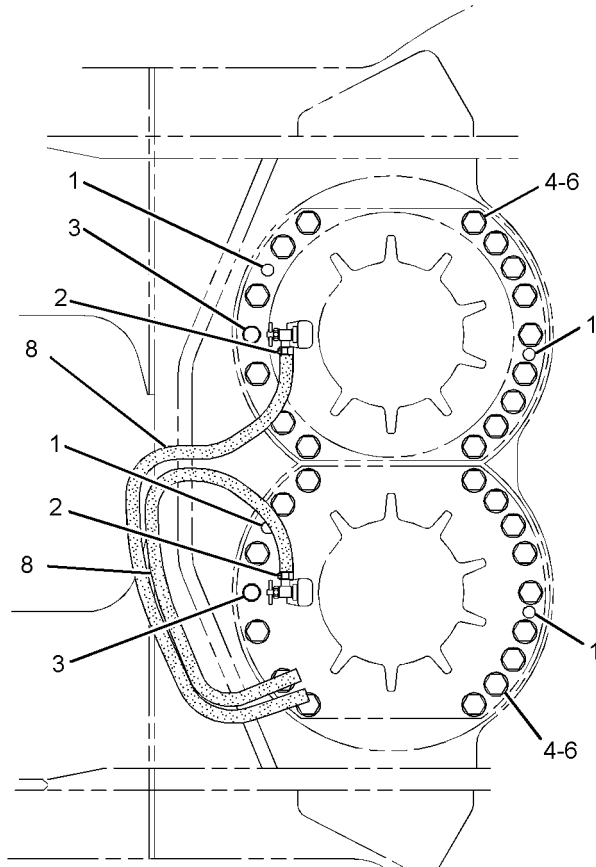
POWER TRAIN

227-6064 FASTENER GP-FINAL DRIVE & MTR (contd.)

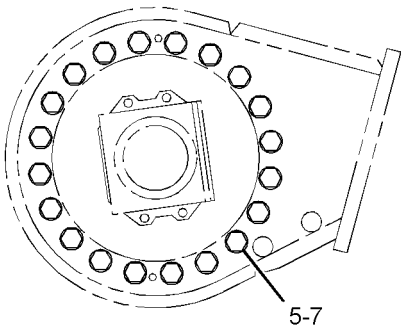
i03620080



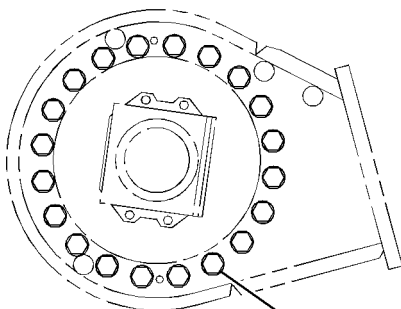
TOP VIEW



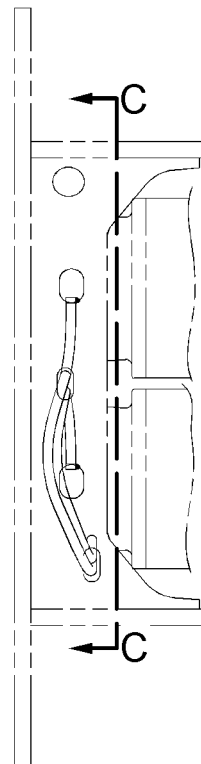
SECTION C-C



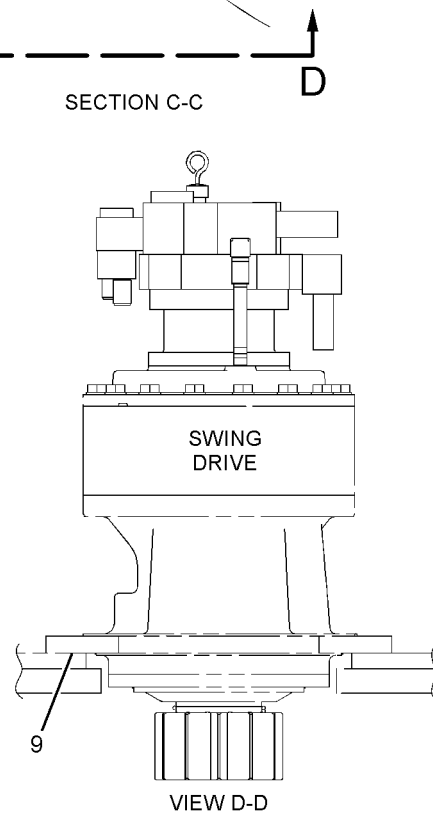
VIEW A-A



VIEW B-B



<END>



VIEW D-D

GRAPHIC #1

g01317839

POWER TRAIN

296-6151 POWER TRAIN AR

S/N: PAS1-UP

PART OF 294-1200 GENERAL AR

SMCS-3000, 4000

i03655247

NOTE	PART NUMBER	QTY	PART NAME						SEE PAGE
			1	2	3	4	5	6 (PRODUCT LEVEL)	
Y	296-6303	2	DRIVE GP-FINAL (WITH MOTOR)						316
Y	267-6933	1	DRIVE GP-SWING (WITH MOTOR, RH)						437
Y	296-6145	1	DRIVE GP-SWING (WITH MOTOR, LH)						438
Y	227-6064	1	FASTENER GP-FINAL DRIVE & MTR (SWING, TRAVEL)						317
Y	136-2461	2	SPROCKET GP						320

Y-SEPARATE ILLUSTRATION

<END>

POWER TRAIN

136-2461 SPROCKET GP

S/N: PAS1-UP

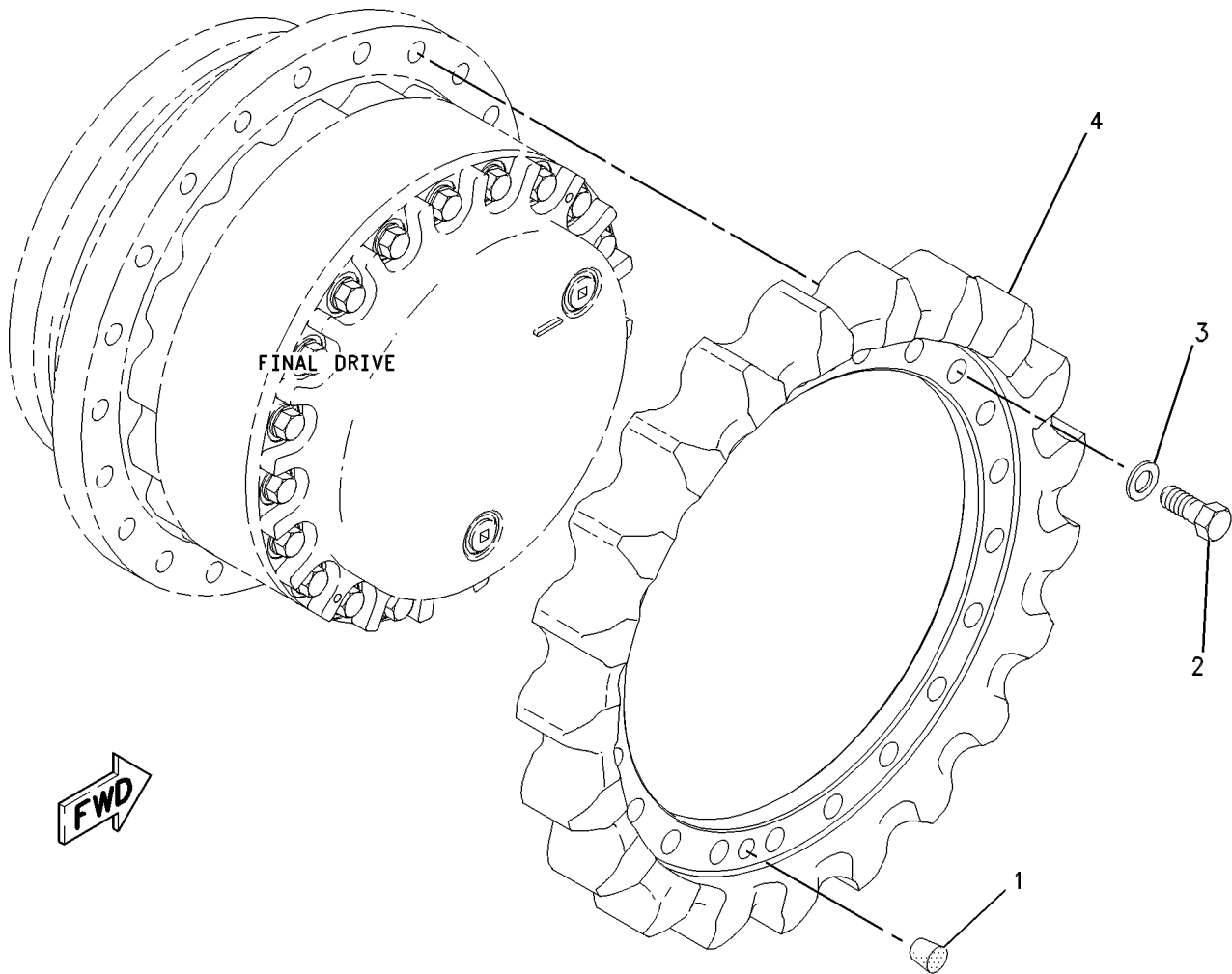
PART OF 296-6151 POWER TRAIN AR

SMCS-4164

i01292878

NOTE	REF NO	GRAPHIC REF	PART NUMBER	QTY	PART NAME						SEE PAGE
					1	2	3	4	5	6 (PRODUCT LEVEL)	
	1	1	7M-4514	2	CORK						
M	2	1	145-2970	21	BOLT						
	3	1	9X-8399	21	WASHER (6.0MM THK)						
	4	1	141-9655	1	SPROCKET						

M-METRIC PART



GRAPHIC #1

<END>

g00529029

FRAME AND BODY

333-5152 BOX & MTG GP-STORAGE

S/N: PAS1-UP

PART OF 294-1232 CHASSIS AR

SMCS-7268

i03656490

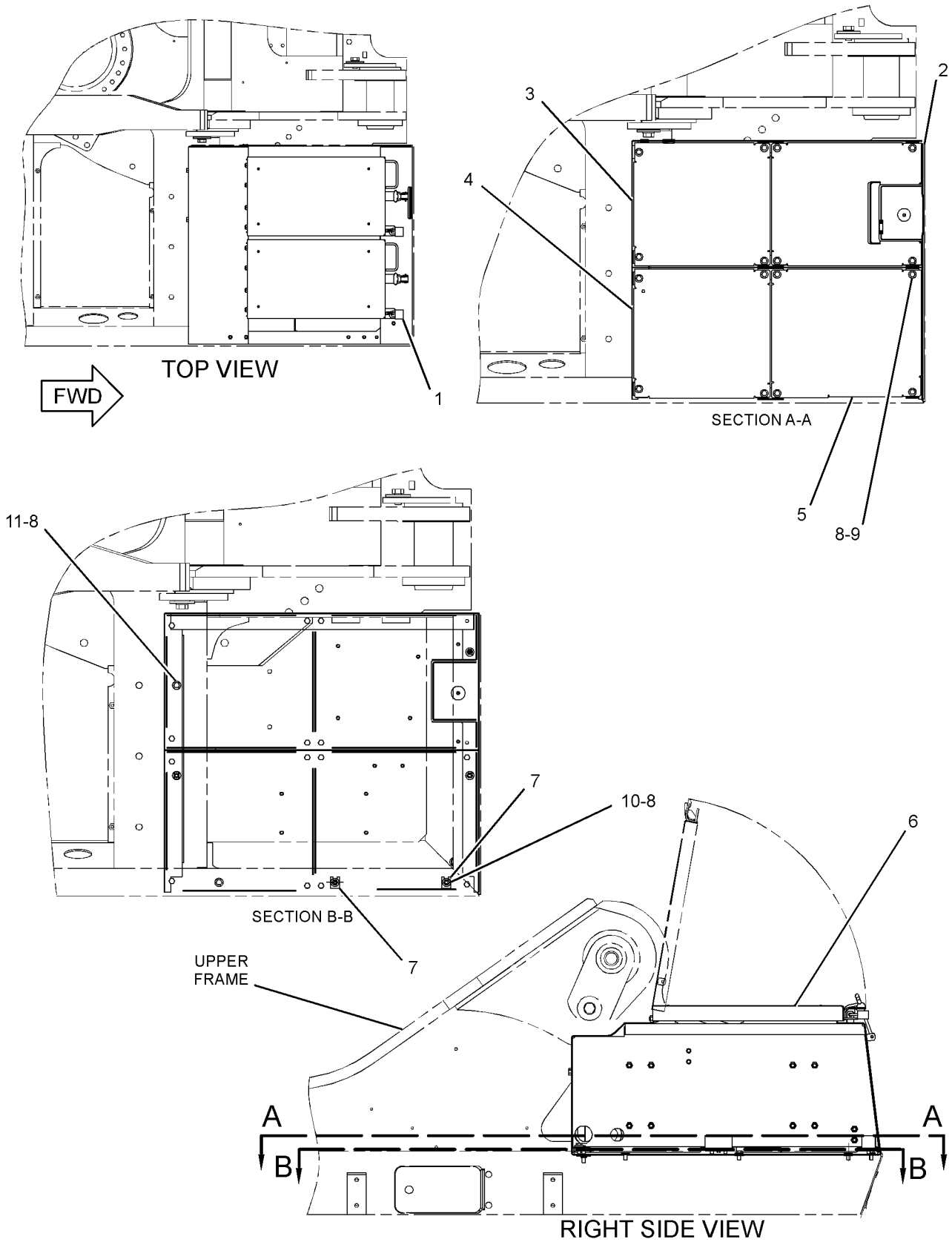
NOTE	REF NO	GRAPHIC REF	PART NUMBER	QTY	PART NAME						SEE PAGE
					1	2	3	4	5	6 (PRODUCT LEVEL)	
	1	1	246-2641	2	PADLOCK GP						
					(EACH INCLUDES)						
		1	5P-8500	1	KEY						
	2	1	259-3934	1	SHEET AS						
	3	1	259-3936	1	SHEET						
	4	1	259-3937	1	SHEET						
	5	1	259-3938	1	SHEET						
Y	6	1	333-5153	1	BOX GP-STORAGE						323
B	7	1	087-8895	4	SHIM (1-MM THK)						
	8	1	5P-1076	23	WASHER-HARD (13.5X30X4-MM THK)						
M	9	1	8T-4139	16	BOLT (M12X1.75X30-MM)						
M	10	1	8T-4192	5	BOLT (M12X1.75X25-MM)						
M	11	1	8T-4956	2	BOLT (M12X1.75X35-MM)						

B-USE AS REQUIRED
M-METRIC PART
Y-SEPARATE ILLUSTRATION

FRAME AND BODY

333-5152 BOX & MTG GP-STORAGE (contd.)

i03656490



GRAPHIC #1

<END>

g02056493

FRAME AND BODY

333-5153 BOX GP-STORAGE

S/N: PAS1-UP

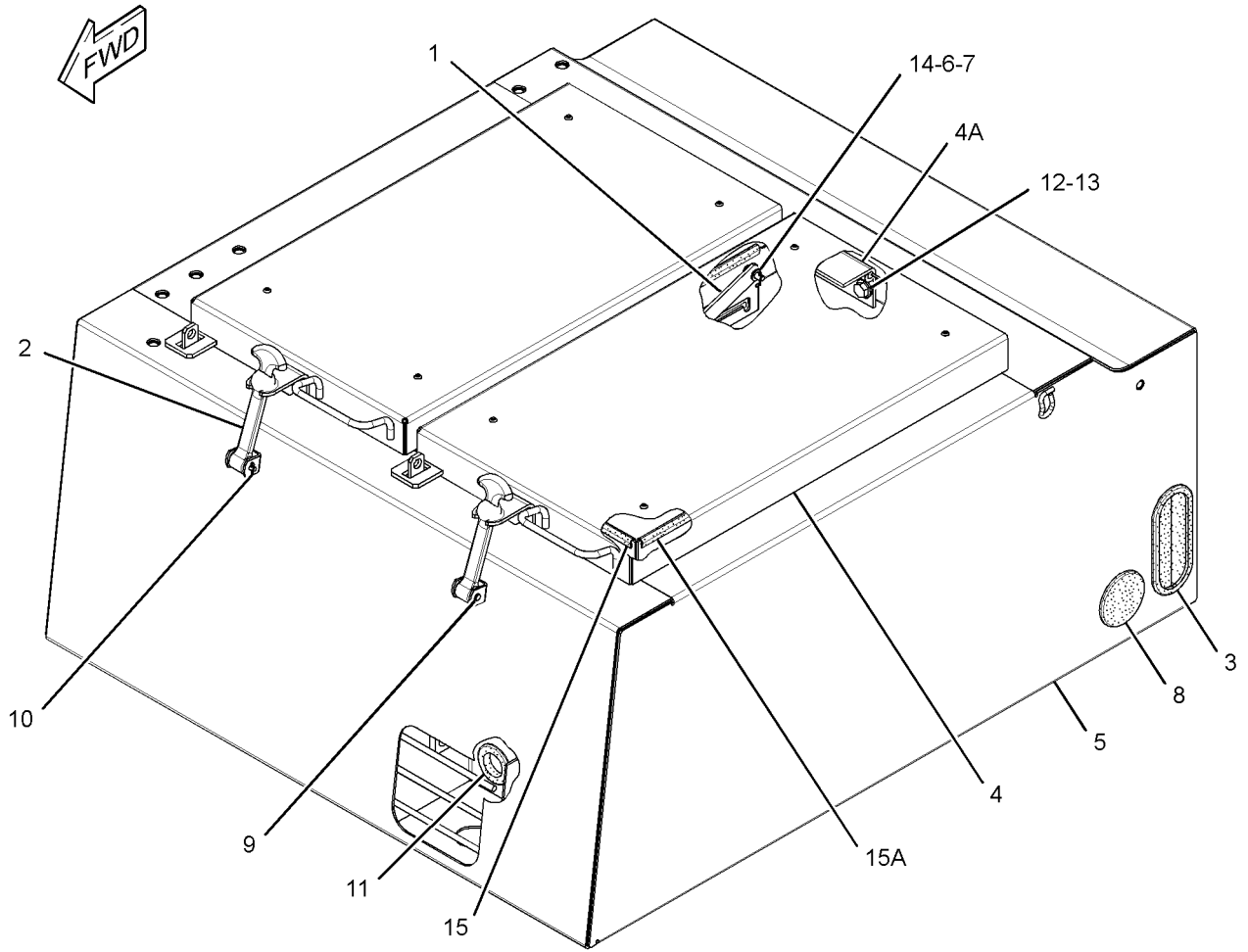
PART OF 333-5152 BOX & MTG GP-STORAGE

SMCS-7268

i03656491

NOTE	REF NO	GRAPHIC REF	PART NUMBER	QTY	PART NAME						SEE PAGE
					1	2	3	4	5	6 (PRODUCT LEVEL)	
	1	1	4I-2187	2	SUPPORT AS						
	2	1	9M-3835	2	LATCH-RUBBER						
	3	1	177-5632	1	GROMMET						
	4	1	259-3919	2	DOOR AS						
					(EACH INCLUDES)						
	4A	1	144-9298	2	HINGE						
	5	1	333-5154	1	BOX AS						
	6	1	095-0843	2	PIN-COTTER						
	7	1	095-1314	2	PIN-CLEVIS						
	8	1	099-4674	1	GROMMET						
	9	1	2M-5795	2	PIN-CLEVIS						
	10	1	3B-4607	2	PIN-COTTER						
	11	1	7Y-3281	1	GROMMET						
M	12	1	8T-4192	8	BOLT (M12X1.75X25-MM)						
	13	1	8T-4223	8	WASHER-HARD (13.5X25.5X3-MM THK)						
	14	1	8T-4224	4	WASHER-HARD (8.8X16X2-MM THK)						
E	15	1	7X-7877		STRIP-EDGING (36-CM EACH)						
E	15A	1	7X-7877		STRIP-EDGING (59-CM EACH)						

E-ORDER BY THE CENTIMETER
M-METRIC PART



GRAPHIC #1

<END>

g02049313

FRAME AND BODY

307-8000 COUNTERWEIGHT & MOUNTING GP

S/N: PAS1-UP

10955-KG (24152-LB)

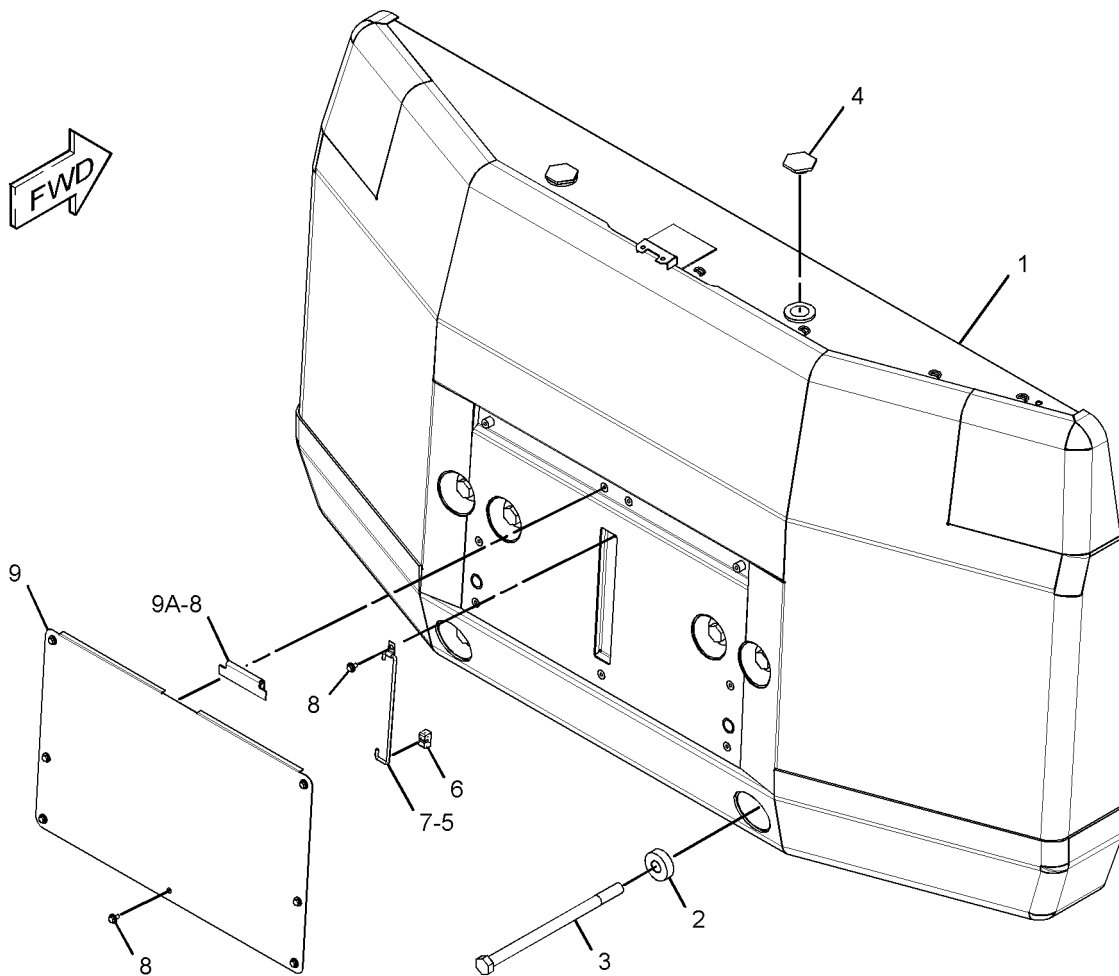
PART OF 294-1232 CHASSIS AR

SMCS-7056

i03818602

NOTE	REF NO	GRAPHIC REF	PART NUMBER	QTY	PART NAME						SEE PAGE
					1	2	3	4	5	6 (PRODUCT LEVEL)	
	1	1	307-8021	1	COUNTERWEIGHT AS						
	2	1	126-6290	6	SPACER (40X100X30-MM THK)						
M	3	1	127-7678	6	BOLT (M36X4X603-MM)						
	4	1	122-5203	2	PLUG						
	5	1	3D-9428	1	CLIP						
	6	1	259-3943	1	RETAINER-ROD (RUBBER)						
	7	1	259-6227	1	ROD						
M	8	1	135-8573	10	BOLT AS						
	9	1	259-3525	1	COVER AS-ACCESS						
	9A	1	259-3680	1	HINGE						

M-METRIC PART



GRAPHIC #1

<END>

g02132794

FRAME AND BODY

250-4984 COVER AS-SOUND SUPPRESSION

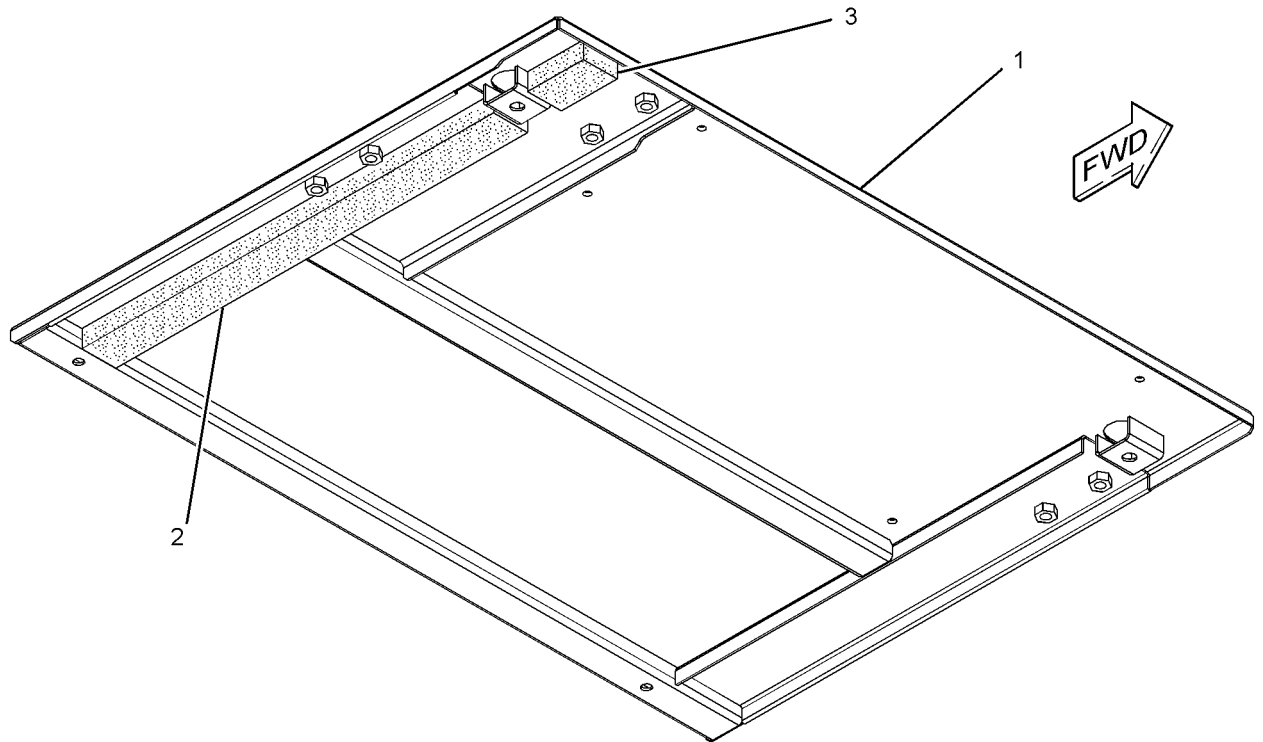
S/N: PAS1-UP

PART OF 313-7808 HOOD & GUARD GP

SMCS-7253, 7263, 7276, 795C

i03822209

NOTE	REF NO	GRAPHIC REF	PART NUMBER	QTY	PART NAME						SEE PAGE
					1	2	3	4	5	6 (PRODUCT LEVEL)	
	1	1	236-3586	1	COVER AS						
	2	1	250-4985	1	LINER (605X50X25.4-MM THK)						
	3	1	250-4986	1	LINER (82X50X25.4-MM THK)						



GRAPHIC #1

<END>

g02078635

FRAME AND BODY

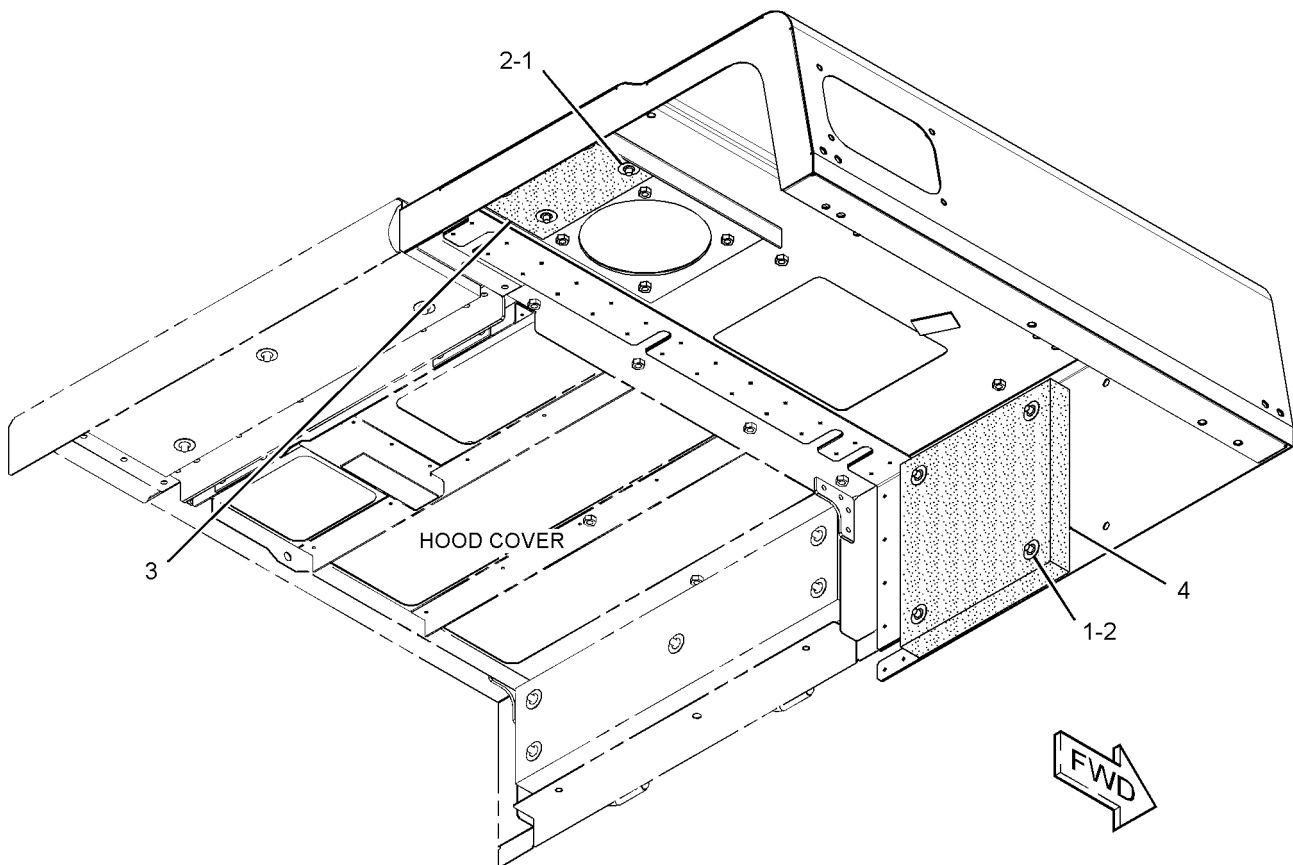
327-3017 COVER AS-SOUND SUPPRESSION

S/N: PAS1-UP
PART OF 327-3016 HOOD & GUARD GP
AN ATTACHMENT

SMCS-7253, 7263, 7276, 795C

i03585224

NOTE	REF NO	GRAPHIC REF	PART NUMBER	QTY	PART NAME						SEE PAGE
					1	2	3	4	5	6 (PRODUCT LEVEL)	
1	1	1	4I-7924	8	WASHER (4.5X40X1.2-MM THK)						
2	1	1	6P-2216	8	CAP						
3	1	1	256-1561	1	INSULATION						
4	1	1	256-1562	1	INSULATION						



GRAPHIC #1

<END>

g01922713

FRAME AND BODY

303-9608 COVER GP-ACCESS-ENGINE HOOD, CENTER

S/N: PAS1-UP

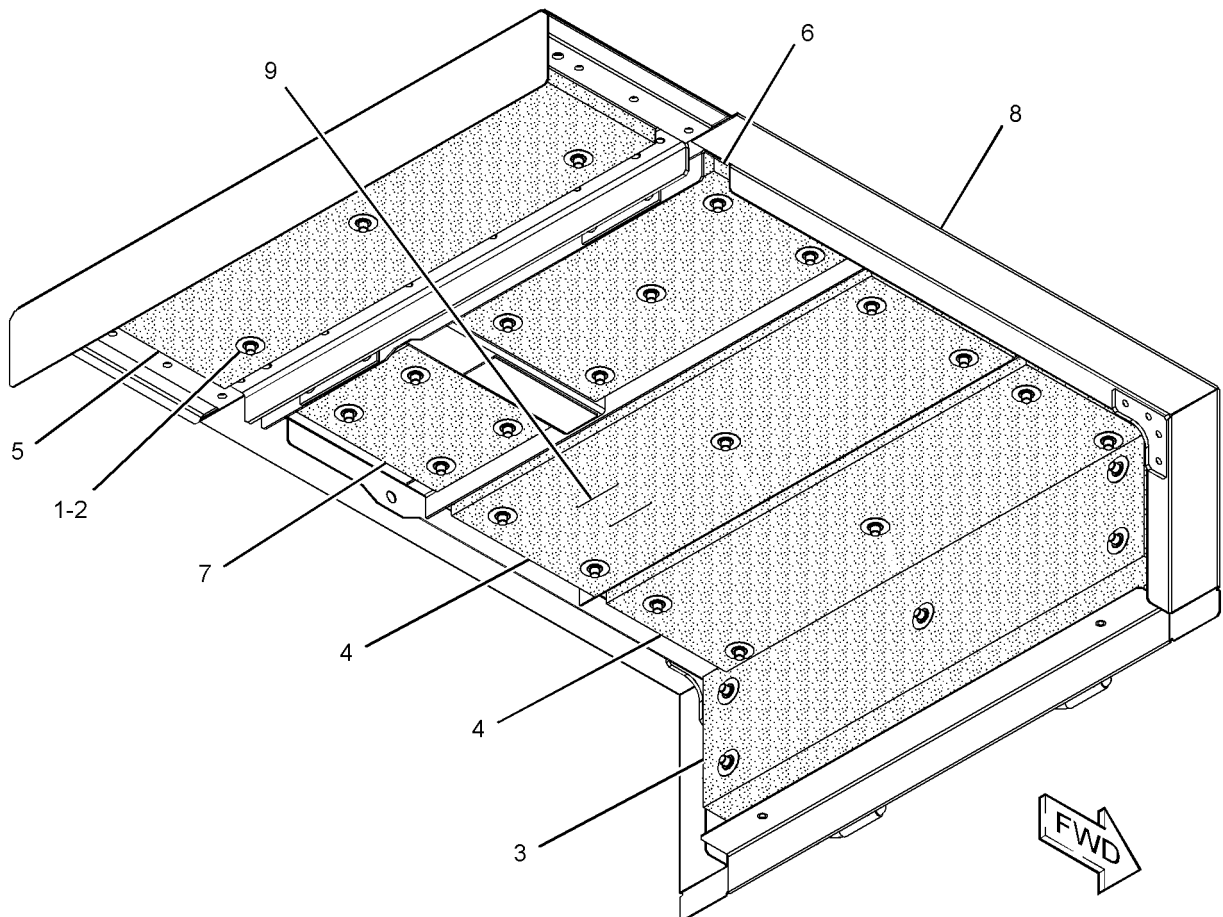
PART OF 313-7808 HOOD & GUARD GP

SMCS-726A

i03261322

NOTE	REF NO	GRAPHIC REF	PART NUMBER	QTY	PART NAME						SEE PAGE
					1	2	3	4	5	6 (PRODUCT LEVEL)	
	1	1	4I-7924	29	WASHER (4.5X40X1.2-MM THK)						
	2	1	6P-2216	29	CAP (PUSH ON)						
	3	1	250-5351	1	INSULATION						
	4	1	250-5352	2	INSULATION						
	5	1	250-5353	1	INSULATION						
	6	1	250-5354	1	INSULATION						
	7	1	250-5355	1	INSULATION						
	8	1	303-9609	1	COVER AS						
		1	146-4936	2	HANDLE AS						
		1	165-3010	2	HINGE						
D	9		5P-6027		LOCKWIRE (0.35-M EACH)						

D-ORDER BY THE METER



GRAPHIC #1

<END>

g01526822

FRAME AND BODY

320-5530 COVER GP-ACCESS-PUMP COMPARTMENT

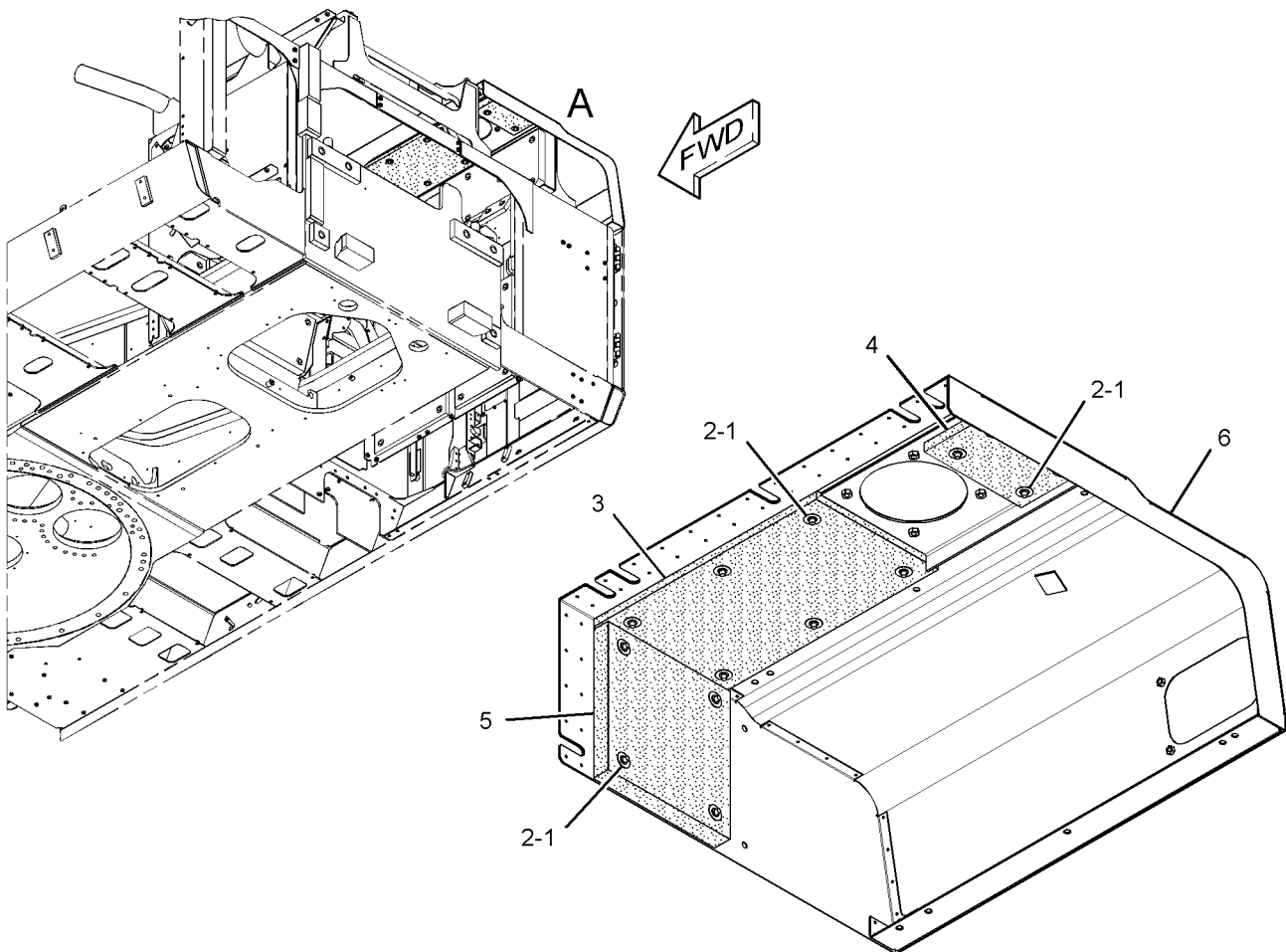
S/N: PAS1-UP

PART OF 313-7805 HOOD & GUARD GP

SMCS-726A

i03819050

NOTE	REF NO	GRAPHIC REF	PART NUMBER	QTY	PART NAME						SEE PAGE
					1	2	3	4	5	6 (PRODUCT LEVEL)	
	1	1	4I-7924	14	WASHER (4.5X40X1.2-MM THK)						
	2	1	6P-2216	14	CAP						
	3	1	256-1560	1	INSULATION						
	4	1	256-1561	1	INSULATION						
	5	1	256-1562	1	INSULATION						
	6	1	320-5532	1	COVER AS						



VIEW OF AREA A

GRAPHIC #1

<END>

g02132978

FRAME AND BODY

356-8945 COVER GP-CONTROL VALVE-UPPER

S/N: PAS1-UP

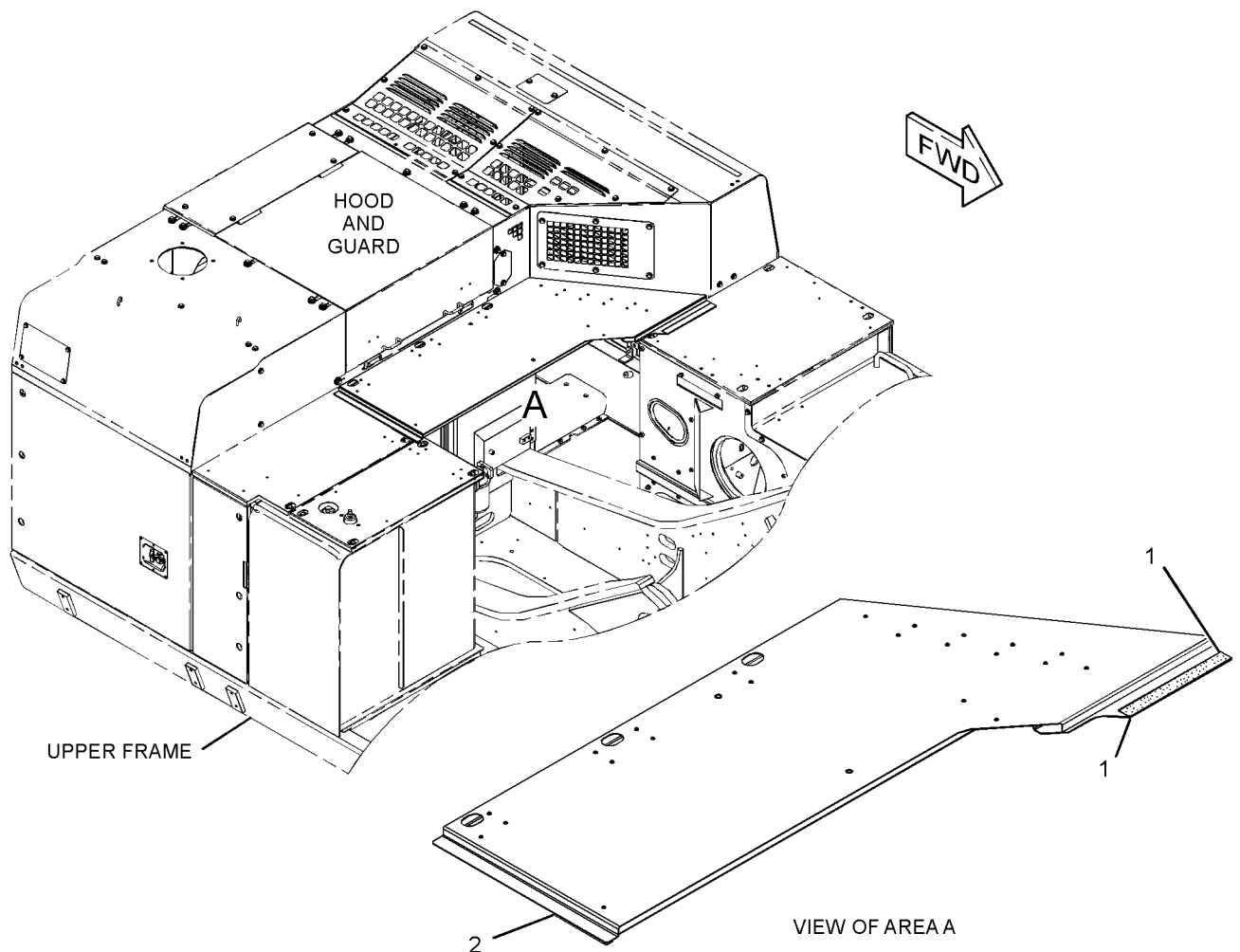
PART OF 313-7805 HOOD & GUARD GP

SMCS-7150

i03876795

NOTE	REF NO	GRAPHIC REF	PART NUMBER	QTY	PART NAME						SEE PAGE
					1	2	3	4	5	6 (PRODUCT LEVEL)	
1	1	1	356-8942	2	SHEET-RUBBER						
2	1	1	256-1556	1	SHEET-RUBBER						

PARTS SHOWN IN GRAPHIC(S) WITHOUT A REFERENCE NUMBER ARE NOT SERVICED SEPARATELY



GRAPHIC #1

<END>

g02126274

FRAME AND BODY

274-8948 COVER GP-HOOD-ENGINE

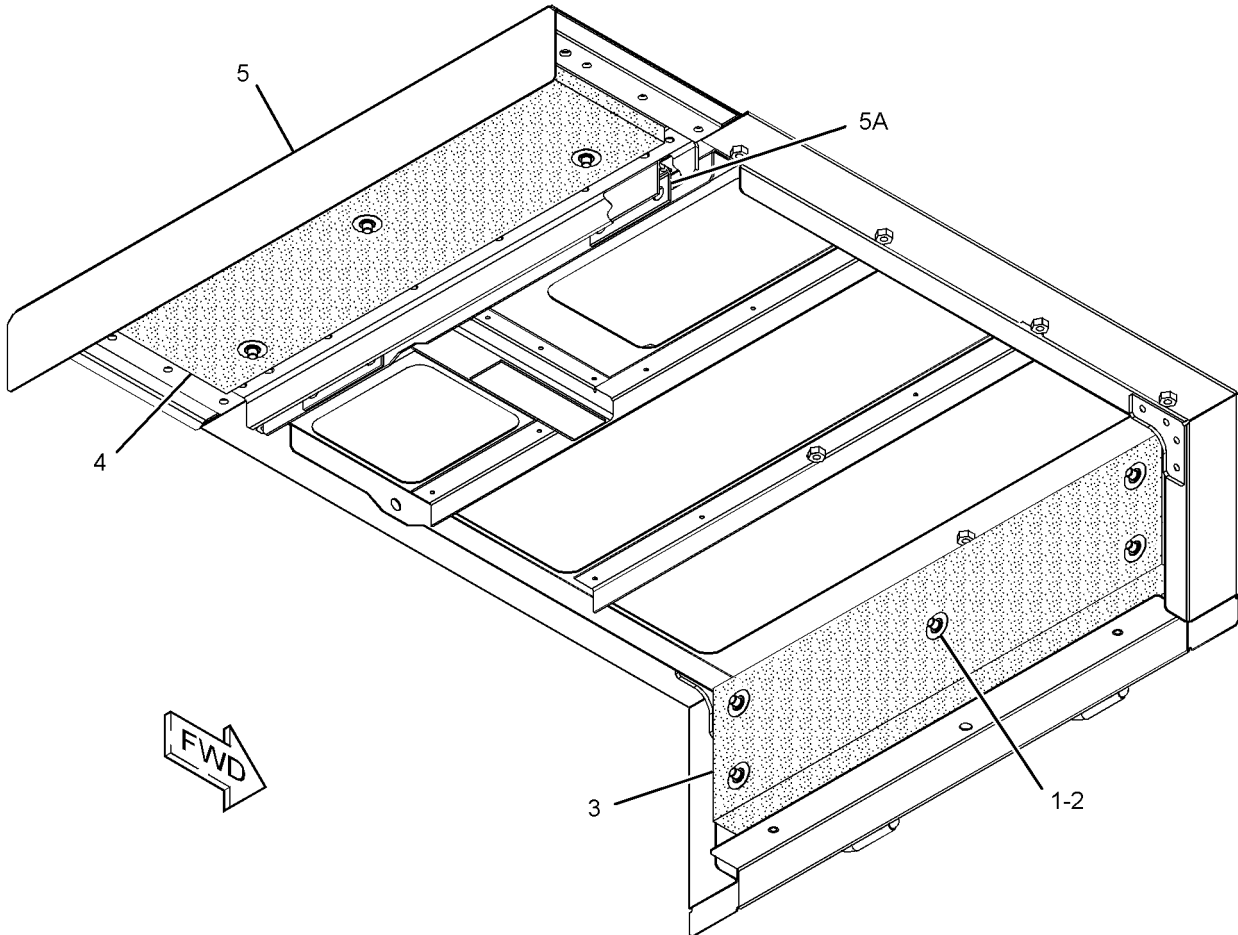
S/N: PAS1-UP
HIGH AMBIENT

PART OF 327-3016 HOOD & GUARD GP
AN ATTACHMENT

SMCS-7251

i03526262

NOTE	REF NO	GRAPHIC REF	PART NUMBER	QTY	PART NAME						SEE PAGE
					1	2	3	4	5	6 (PRODUCT LEVEL)	
	1	1	4I-7924	10	WASHER (4.5X40X1.2-MM THK)						
	2	1	6P-2216	10	CAP						
	3	1	250-5351	1	INSULATION						
	4	1	250-5353	1	INSULATION						
	5	1	274-8949	1	COVER AS						
	5A	1	165-3010	2	HINGE						



GRAPHIC #1

<END>

g01412541

FRAME AND BODY

250-5138 DOOR GP-ACCESS-REVERSING FAN

S/N: PAS1-UP

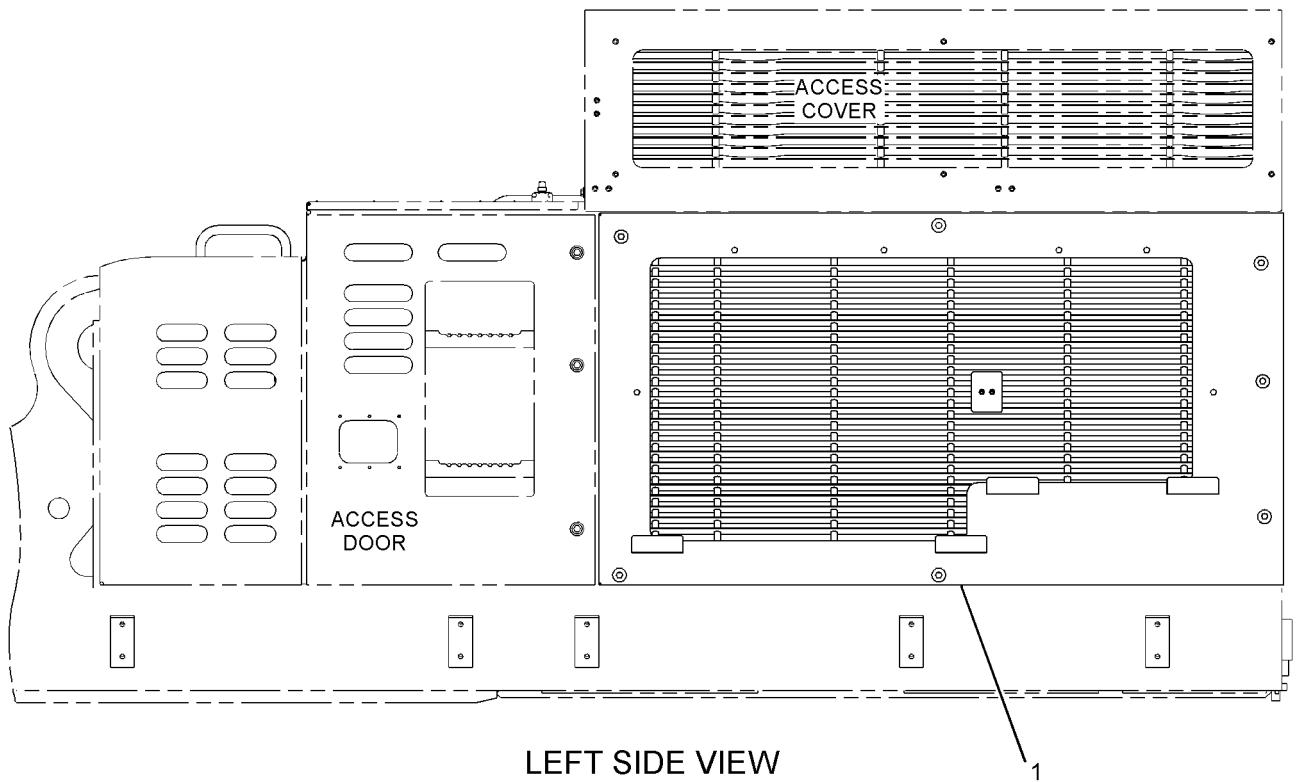
PART OF 303-2628 CONTROL AR-FAN
AN ATTACHMENT

SMCS-7273

i02628641

NOTE	REF NO	GRAPHIC REF	PART NUMBER	QTY	PART NAME						SEE PAGE
					1	2	3	4	5	6 (PRODUCT LEVEL)	
C	1	1	273-7965	1	DOOR AS-RADIATOR						
		1	4I-2601	2	HINGE						

C-CHANGE FROM PREVIOUS TYPE



GRAPHIC #1

<END>

g01333867

FRAME AND BODY

298-3357 DOOR GP-ACCESS-BATTERY, CIRCUIT BREAKER

S/N: PAS1-UP

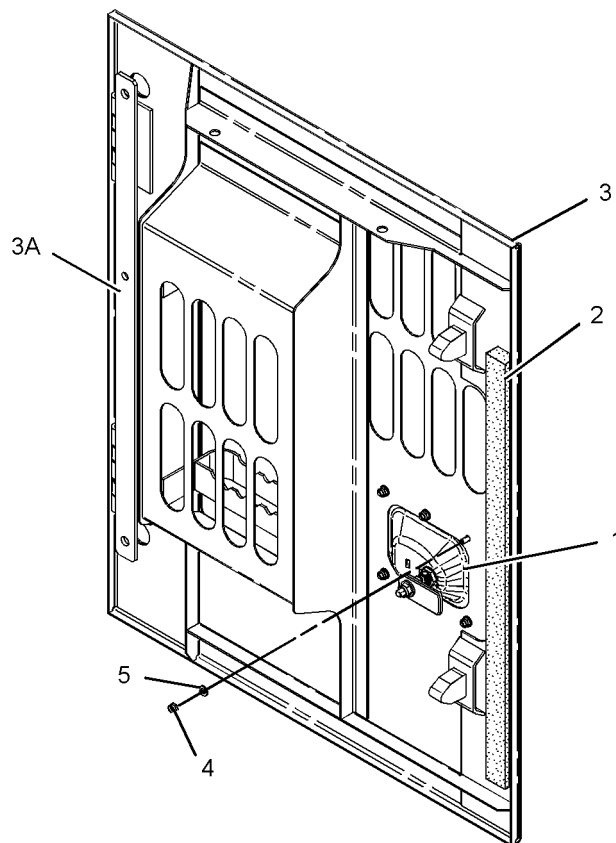
PART OF 313-7808 HOOD & GUARD GP

SMCS-7273

i03261305

NOTE	REF NO	GRAPHIC REF	PART NUMBER	QTY	PART NAME						SEE PAGE
					1	2	3	4	5	6 (PRODUCT LEVEL)	
J	1	1	307-7655	1	LOCK AS						
	2	1	250-5329	1	SHEET-RUBBER						
	3	1	298-3358	1	DOOR AS-ACCESS						
	3A	1	4I-2601	2	HINGE						
M	4	1	096-4882	6	LOCKNUT (M8X1.25-THD)						
	5	1	8T-4224	6	WASHER-HARD (8.8X16X2-MM THK)						

J-REQUIRES CORPORATE KEY
M-METRIC PART



GRAPHIC #1

<END>

g01671596

FRAME AND BODY

298-3364 DOOR GP-ACCESS-PUMP COMPARTMENT

S/N: PAS1-UP

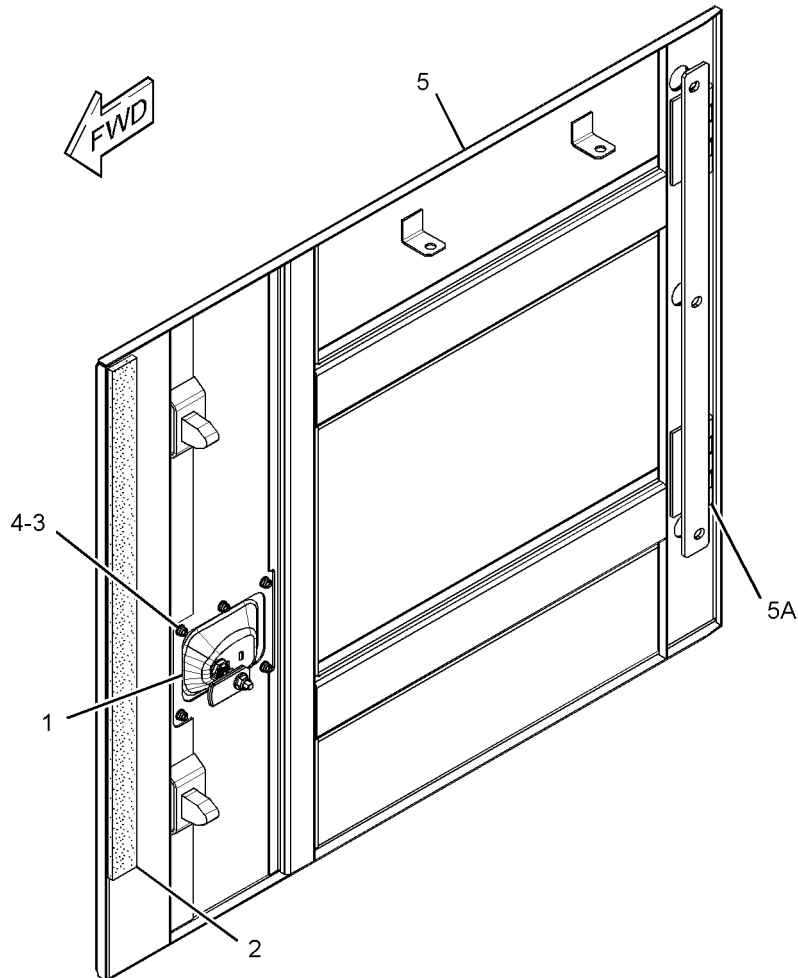
PART OF 313-7805 HOOD & GUARD GP

SMCS-7273

i03261342

NOTE	REF NO	GRAPHIC REF	PART NUMBER	QTY	PART NAME						SEE PAGE
					1	2	3	4	5	6 (PRODUCT LEVEL)	
J	1	1	307-7655	1	LOCK AS						
	2	1	256-1788	1	LINER						
M	3	1	096-4882	6	LOCKNUT (M8X1.25-THD)						
	4	1	8T-4224	6	WASHER-HARD (8.8X16X2-MM THK)						
	5	1	298-3361	1	DOOR AS-ACCESS						
	5A	1	4I-2601	2	HINGE						

J-REQUIRES CORPORATE KEY
M-METRIC PART



GRAPHIC #1

<END>

g01427176

FRAME AND BODY

297-7537 FRAME GP-UPPER

S/N: PAS1-UP

PART OF 294-1232 CHASSIS AR

SMCS-7051

i03905570

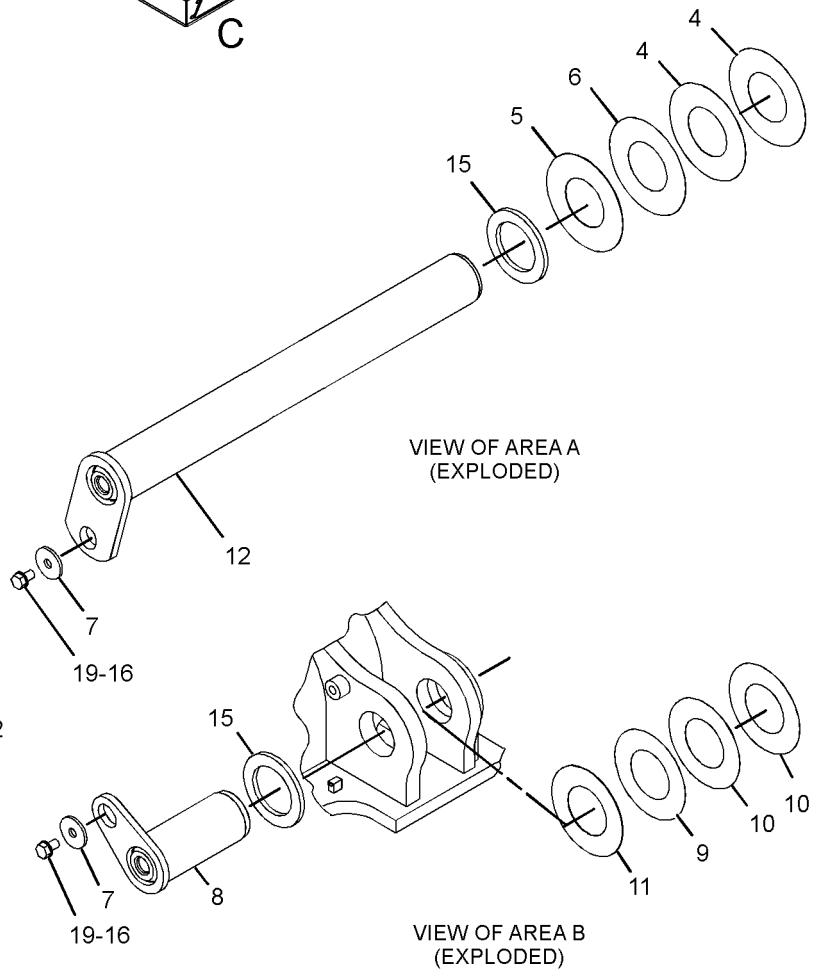
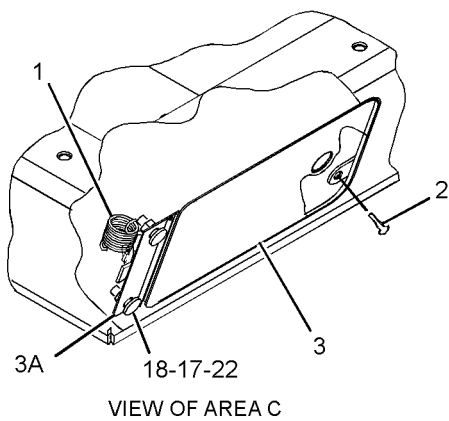
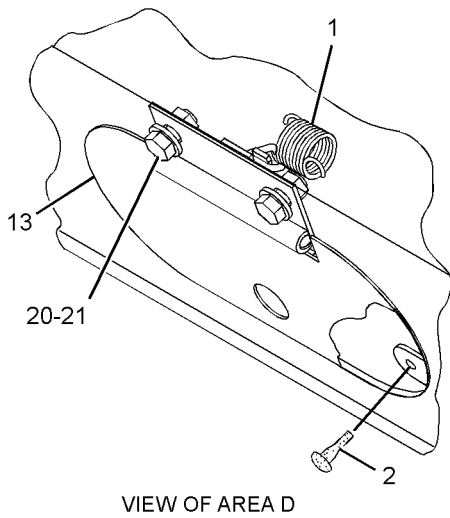
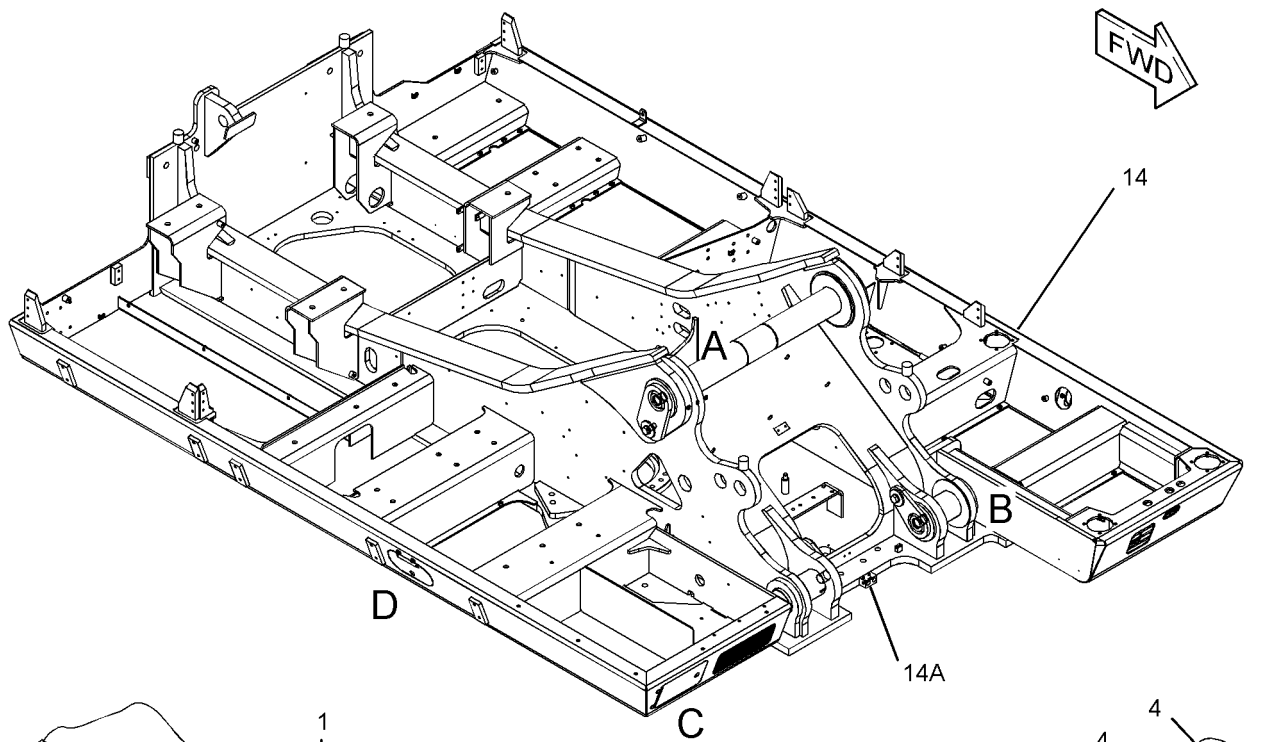
NOTE	REF NO	GRAPHIC REF	PART NUMBER	QTY	PART NAME						SEE PAGE
					1	2	3	4	5	6 (PRODUCT LEVEL)	
	1	1	1K-8850	2	SPRING						
	2	1	5V-3854	2	BUMPER						
	3	1	087-3765	1	DOOR AS						
		1	4K-8501	2	CLIP						
	3A	1	9V-3659	1	HINGE						
B	4	1	093-0077	2	SHIM (1-MM THK)						
B	5	1	093-0109	1	SHIM (2-MM THK)						
B	6	1	158-3852	1	SHIM (0.5-MM THK)						
	7	1	201-2771	3	WASHER (26X90X8-MM THK)						
	8	1	208-1941	2	PIN AS						
B	9	1	208-1972	2	SHIM (0.5-MM THK)						
B	10	1	208-1973	4	SHIM (1-MM THK)						
B	11	1	208-1974	2	SHIM (2-MM THK)						
	12	1	359-5666	1	PIN AS						
	13	1	254-2869	1	DOOR AS						
		1	4K-8501	2	CLIP						
	14	1	297-7539	1	FRAME AS-UPPER						
	14A	1	151-0474	1	BOSS						
	15	1	093-0377	3	SPACER (143X210X14-MM THK)						
M	16	1	7X-2573	3	BOLT (M24X3X40-MM)						
	17	1	8T-4121	2	WASHER-HARD (11X21X2.5-MM THK)						
M	18	1	8T-4133	2	NUT (M10X1.5-THD)						
	19	1	8T-4167	3	WASHER-HARD (26X44X4-MM THK)						
M	20	1	8T-4192	2	BOLT (M12X1.75X25-MM)						
	21	1	8T-4223	2	WASHER-HARD (13.5X25.5X3-MM THK)						
M	22	1	8T-5413	2	STUD-WELD (M10X1.5X25-MM OAL)						
					THE FOLLOWING REPAIR PARTS ARE AVAILABLE FOR REPAIR OF DAMAGED SKIRTS						
F			184-5719	1	PLATE-SKIRT (1100-MM)						
F			184-5720	1	PLATE-SKIRT (2000-MM)						

B-USE AS REQUIRED
 F-NOT SHOWN
 M-METRIC PART

FRAME AND BODY

297-7537 FRAME GP-UPPER (contd.)

i03905570



GRAPHIC #1

<END>

g02144189

FRAME AND BODY

303-8946 FRAME GP-UPPER

S/N: PAS1-UP

PART OF 319-9260 SPECIAL AR
AN ATTACHMENT

SMCS-7051

i03905578

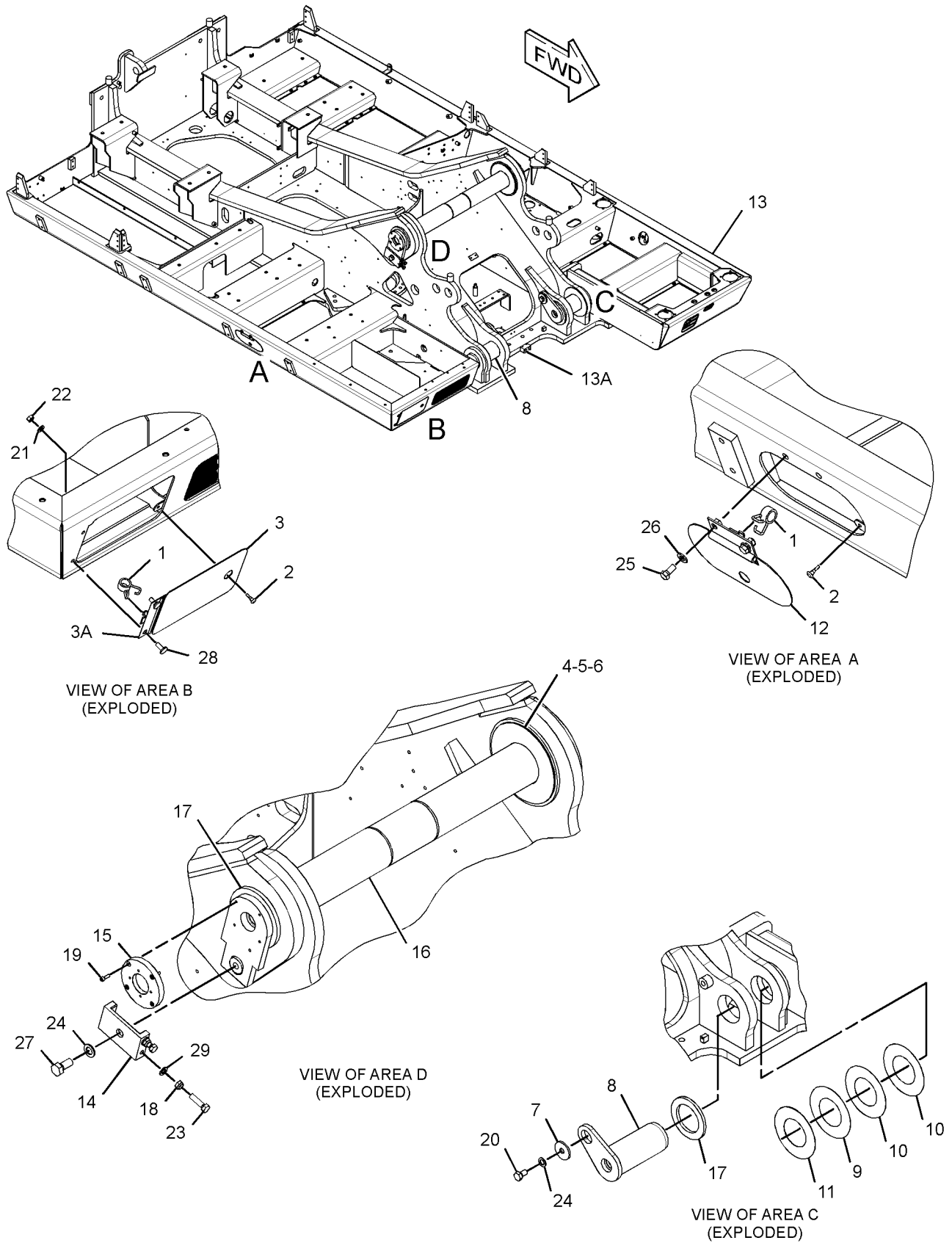
NOTE	REF NO	GRAPHIC REF	PART NUMBER	QTY	PART NAME						SEE PAGE
					1	2	3	4	5	6 (PRODUCT LEVEL)	
	1	1	1K-8850	2	SPRING						
	2	1	5V-3854	2	BUMPER						
	3	1	087-3765	1	DOOR AS						
		1	4K-8501	2	CLIP						
	3A	1	9V-3659	1	HINGE						
B	4	1	093-0077	2	SHIM (1-MM THK)						
B	5	1	093-0109	1	SHIM (2-MM THK)						
B	6	1	158-3852	1	SHIM (0.5-MM THK)						
	7	1	201-2771	2	WASHER (26X90X8-MM THK)						
	8	1	208-1941	2	PIN AS						
B	9	1	208-1972	2	SHIM (0.5-MM THK)						
B	10	1	208-1973	4	SHIM (1-MM THK)						
B	11	1	208-1974	2	SHIM (2-MM THK)						
	12	1	254-2869	1	DOOR AS						
		1	4K-8501	2	CLIP						
	13	1	297-7539	1	FRAME AS-UPPER						
	13A	1	151-0474	1	BOSS						
	14	1	308-8952	1	PLATE						
	15	1	308-8953	1	PLATE						
	16	1	330-2766	1	PIN AS						
	17	1	093-0377	3	SPACER (143X210X14-MM THK)						
M	18	1	096-4885	2	LOCKNUT (M16X2-THD)						
M	19	1	5A-3604	4	BOLT-SOCKET HEAD (M8X1.25X25-MM)						
M	20	1	7X-2573	2	BOLT (M24X3X40-MM)						
	21	1	8T-4121	2	WASHER-HARD (11X21X2.5-MM THK)						
M	22	1	8T-4133	2	NUT (M10X1.5-THD)						
M	23	1	8T-4140	2	BOLT (M16X2X60-MM)						
	24	1	8T-4167	3	WASHER-HARD (26X44X4-MM THK)						
M	25	1	8T-4192	2	BOLT (M12X1.75X25-MM)						
	26	1	8T-4223	2	WASHER-HARD (13.5X25.5X3-MM THK)						
M	27	1	8T-5379	1	BOLT (M24X3X50-MM)						
M	28	1	8T-5413	2	STUD-WELD (M10X1.5X25-MM OAL)						
	29	1	9X-8257	2	WASHER (17.5X30X3.5-MM THK)						
					THE FOLLOWING REPAIR PARTS ARE AVAILABLE FOR REPAIR OF DAMAGED SKIRTS						
F			184-5719	1	PLATE-SKIRT (1100-MM)						
F			184-5720	1	PLATE-SKIRT (2000-MM)						

B-USE AS REQUIRED
F-NOT SHOWN
M-METRIC PART

FRAME AND BODY

303-8946 FRAME GP-UPPER (contd.)

i03905578



GRAPHIC #1

<END>

g02147535

FRAME AND BODY

296-6176 GEAR & BEARING GP-SWING

S/N: PAS1-UP

PART OF 294-1299 FRAME AR-UNDERCARRIAGE

SMCS-7063

i0365528

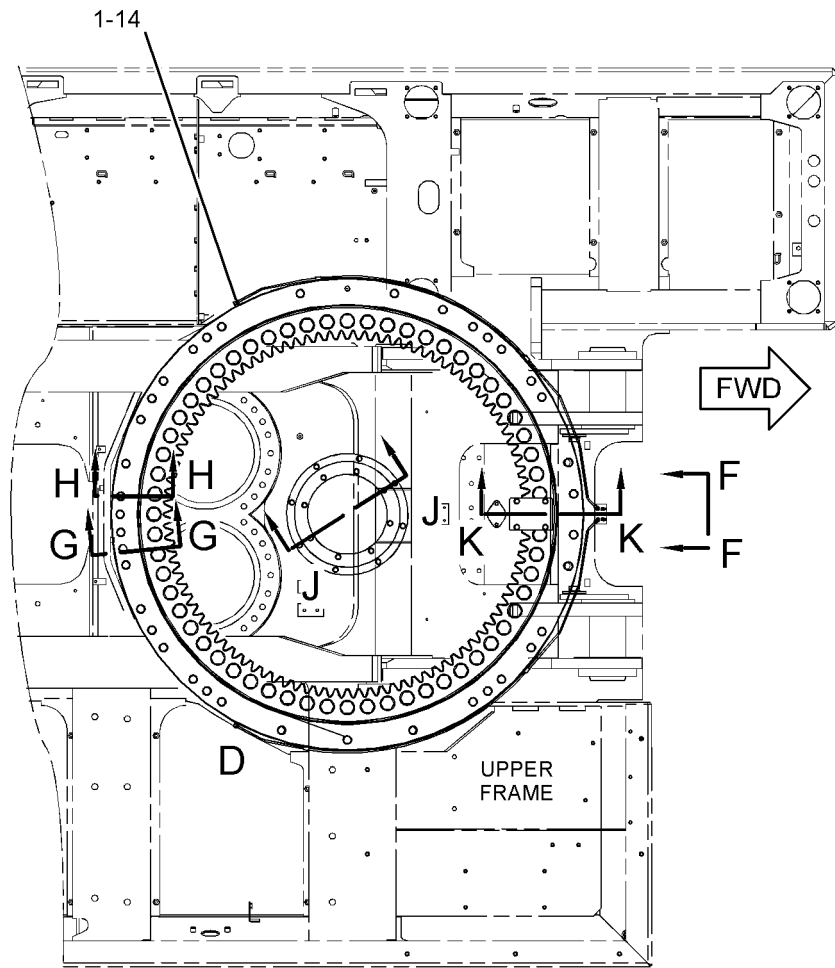
NOTE	REF NO	GRAPHIC REF	PART NUMBER	QTY	PART NAME						SEE PAGE
					1	2	3	4	5	6 (PRODUCT LEVEL)	
	1	1	5K-9243	4	ELBOW-FLARED						
	2	1	6I-6563	17	CORK						
	3	1	7Y-1647	1	GASKET						
	4	1	148-4573	1	PLUG						
	5	1	199-4500	37	BOLT-SPECIAL						
	6	1	199-4501	60	SPACER (31.5X56X5-MM THK)						
	7	1	296-6211	1	RETAINER						
	8	1	296-6212	1	BOOT AS						
	9	1	296-6213	1	RETAINER						
	10	1	296-6214	1	RETAINER						
	11	1	296-6254	37	SPACER						
	12	1	333-3009	1	GEAR & BEARING GP-SWING						
		1	3B-8489	1	FITTING-GREASE						
E		1	110-7183		SEAL (1018-CM)						
	13	1	342-1895	1	TUBE AS						
	14	1	342-1896	1	TUBE AS						
	15	1	148-4703	1	COVER						
	16	1	148-4704	1	GASKET						
M	17	1	171-9285	60	BOLT (M30X3.5X200-MM)						
	18	1	3B-8489	2	FITTING-GREASE						
	19	1	4N-9170	4	CLIP						
	20	1	7Y-1095	1	DOWEL						
	21	1	7Y-1648	1	STRIP						
	22	1	8T-4121	22	WASHER-HARD (11X21X2.5-MM THK)						
M	23	1	8T-4136	12	BOLT (M10X1.5X25-MM)						
M	24	1	8T-4137	2	BOLT (M10X1.5X20-MM)						
M	25	1	8T-4196	8	BOLT (M10X1.5X35-MM)						
M	26	1	8T-4199	4	BOLT (M8X1.25X12-MM)						
	27	1	8T-6757	2	PLUG-PIPE						
B	28	1	1U-8846		SEALANT-GASKET						

B-USE AS REQUIRED
 E-ORDER BY THE CENTIMETER
 M-METRIC PART

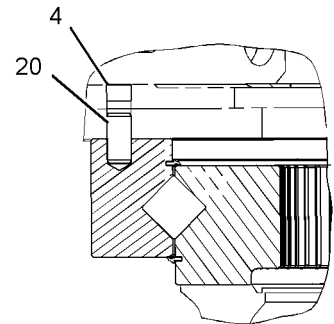
FRAME AND BODY

296-6176 GEAR & BEARING GP-SWING (contd.)

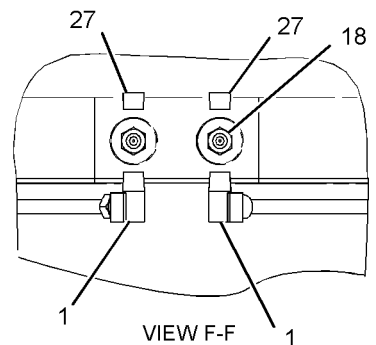
i0365528



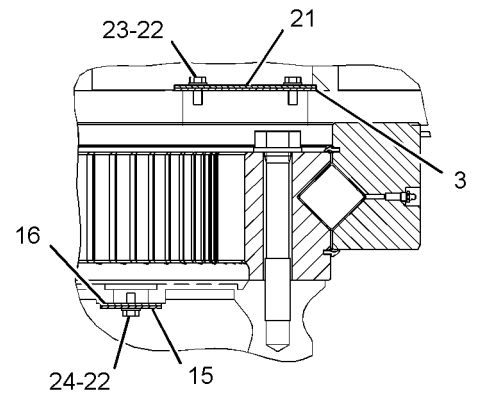
TOP VIEW



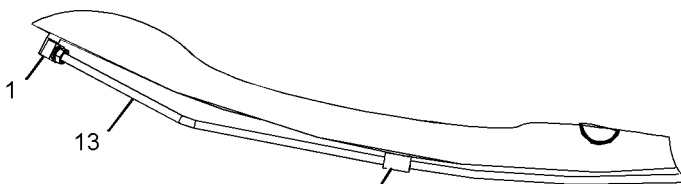
SECTION G-G



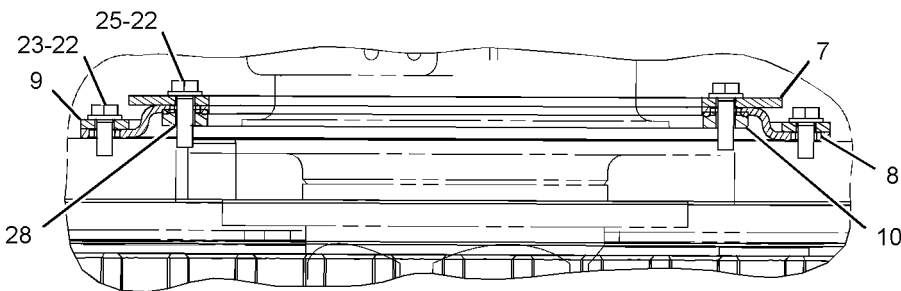
VIEW F-F



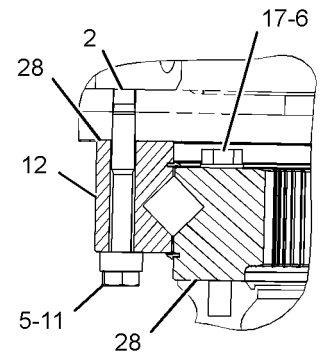
SECTION K-K



VIEW OF AREA D



SECTION J-J



SECTION H-H

GRAPHIC #1

<END>

g02045534

FRAME AND BODY

313-7809 GUARD GP-BOTTOM

S/N: PAS1-UP

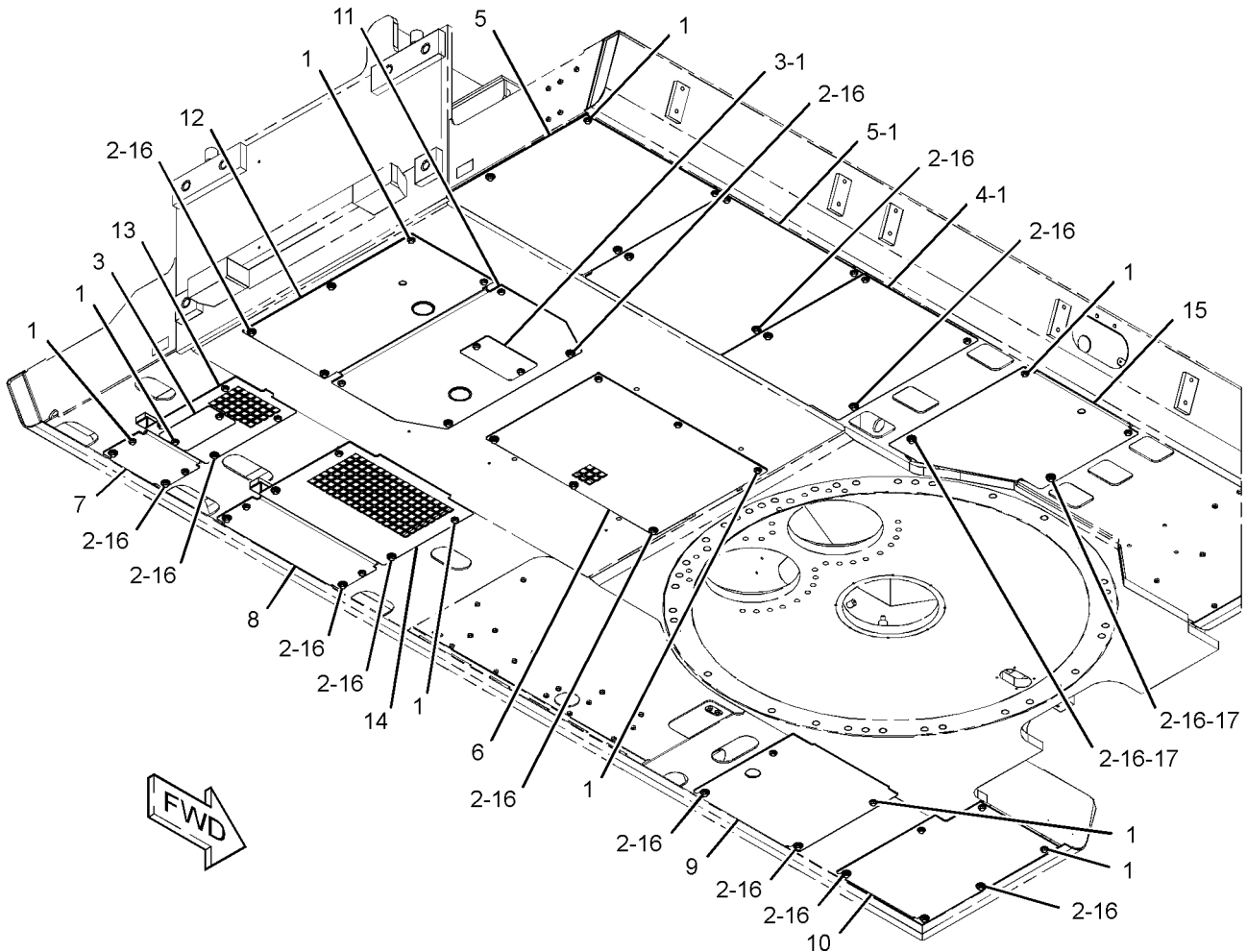
PART OF 294-1232 CHASSIS AR

SMCS-7153

i03818674

NOTE	REF NO	GRAPHIC REF	PART NUMBER	QTY	PART NAME						SEE PAGE
					1	2	3	4	5	6 (PRODUCT LEVEL)	
M	1	1	135-8575	32	BOLT AS						
M	2	1	135-8577	29	BOLT AS						
	3	1	140-1493	2	SHEET						
	4	1	237-8427	1	SHEET						
	5	1	237-8428	2	SHEET						
	6	1	237-8431	1	SHEET						
	7	1	237-8433	1	COVER AS						
	8	1	237-8437	1	COVER AS						
	9	1	237-8440	1	SHEET						
	10	1	237-8441	1	SHEET						
	11	1	241-2380	1	SHEET AS						
	12	1	241-2381	1	SHEET AS						
	13	1	307-8126	1	SHEET AS						
	14	1	313-7820	1	SHEET						
	15	1	320-5470	1	SHEET						
	16	1	7Y-2853	29	SPACER (13X38X5-MM THK)						
	17	1	7Y-2854	2	SPACER (24X38X3-MM THK)						

M-METRIC PART



GRAPHIC #1

<END>

g02131702

FRAME AND BODY

284-7291 GUARD GP-SWIVEL

S/N: PAS1-UP

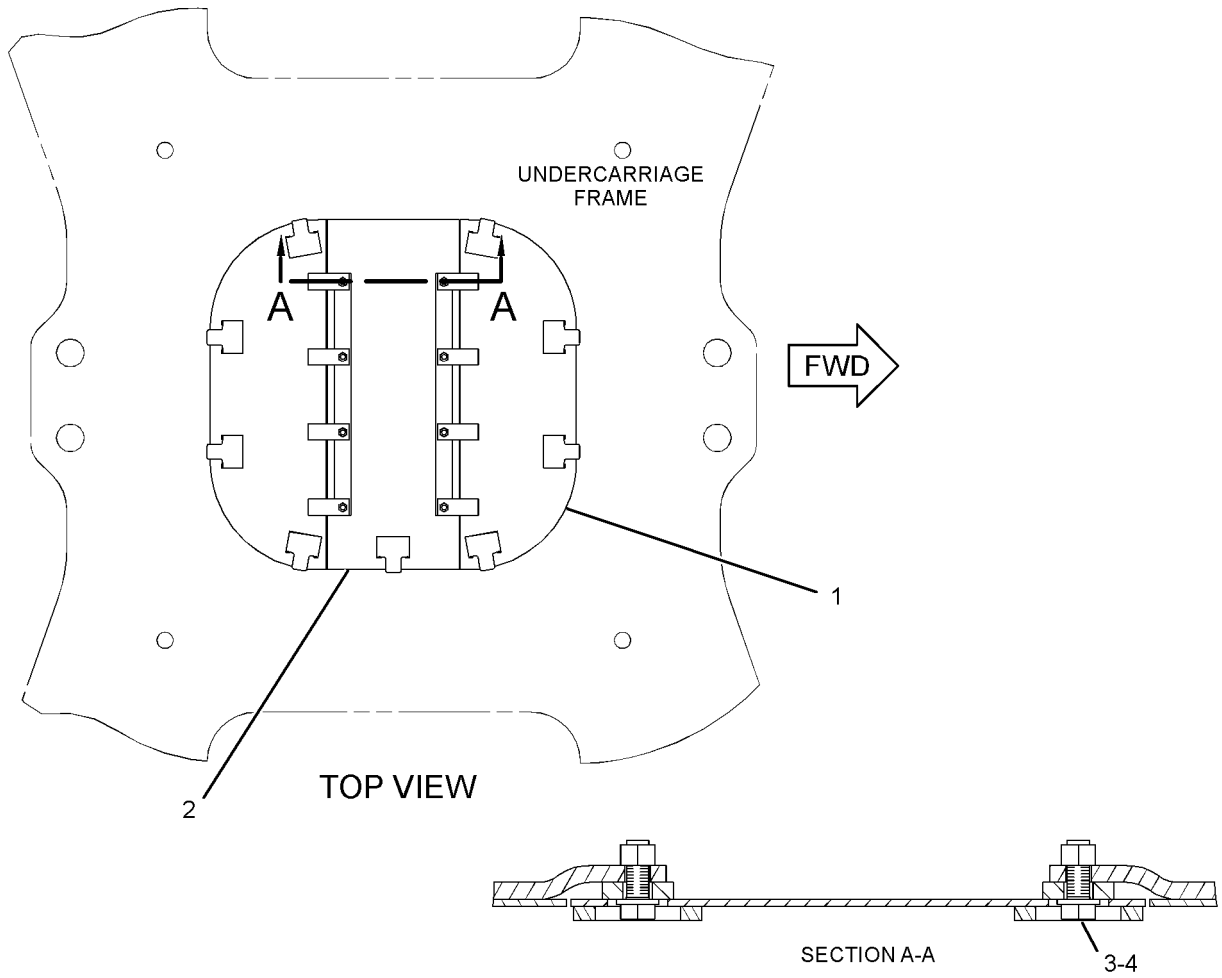
PART OF 294-1299 FRAME AR-UNDERCARRIAGE

SMCS-7183

i02617746

NOTE	REF NO	GRAPHIC REF	PART NUMBER	QTY	PART NAME						SEE PAGE
					1	2	3	4	5	6 (PRODUCT LEVEL)	
	1	1	284-7292	2	COVER AS						
	2	1	284-7293	1	COVER AS						
M	3	1	100-4982	8	BOLT-Self-LOCKING (M16X2X45-MM)						
	4	1	9X-8257	8	WASHER (17.5X30X3.5-MM THK)						

M-METRIC PART



GRAPHIC #1

<END>

g01311677

FRAME AND BODY

223-3008 HANDRAIL GP-FRONT, UPPER

S/N: PAS1-UP

PART OF 294-1232 CHASSIS AR

SMCS-7256

i02223915

NOTE	REF NO	GRAPHIC REF	PART NUMBER	QTY	PART NAME						SEE PAGE
					1	2	3	4	5	6 (PRODUCT LEVEL)	
M	1	1	135-8577	20	BOLT AS						
	2	1	148-4977	1	HANDRAIL AS						
	3	1	178-5870	1	CLIP (TAB)						
	4	1	178-5871	1	CLIP (SLOT)						
	5	1	223-3064	1	HANDRAIL AS						
	6	1	223-3067	1	HANDRAIL AS						
	7	1	236-3710	2	HANDRAIL AS						
Y	8	1	259-3906	1	HANDRAIL GP						345
	9	1	259-3905	1	SHEET						
	10	1	5P-1076	16	WASHER-HARD (13.5X30X4-MM THK)						
	11	1	8T-2920	1	GROMMET						
M	12	1	8T-4139	2	BOLT (M12X1.75X30-MM)						
M	13	1	8T-4183	2	BOLT (M12X1.75X40-MM)						
M	14	1	8T-4194	10	BOLT (M12X1.75X50-MM)						
M	15	1	8T-4244	2	NUT (M12X1.75-THD)						
M	16	1	135-8575	3	BOLT AS						

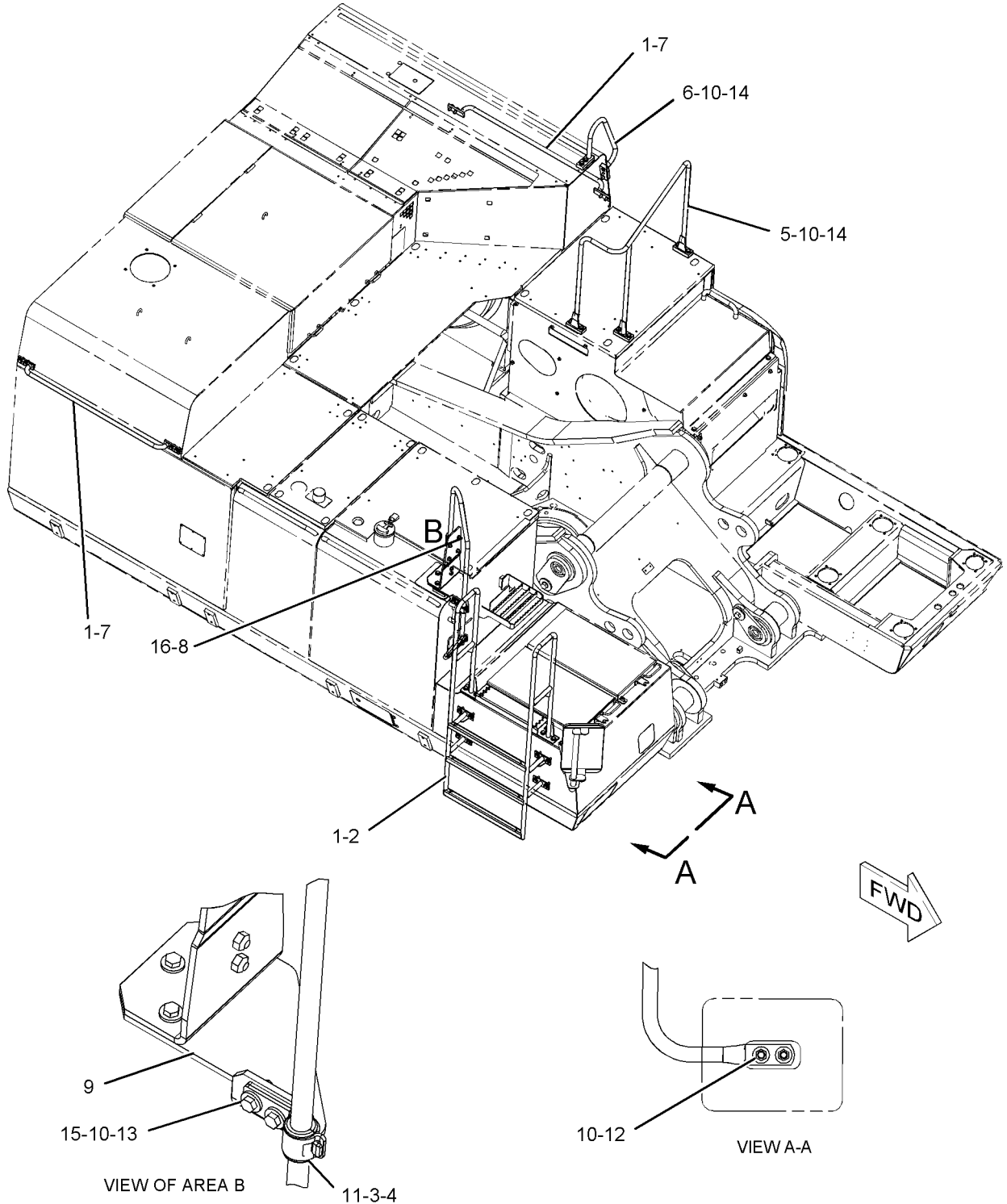
M-METRIC PART

Y-SEPARATE ILLUSTRATION

FRAME AND BODY

223-3008 HANDRAIL GP (contd.)

i02223915



GRAPHIC #1

<END>

g01124772

FRAME AND BODY

249-7108 HANDRAIL GP-CAB

S/N: PAS1-UP

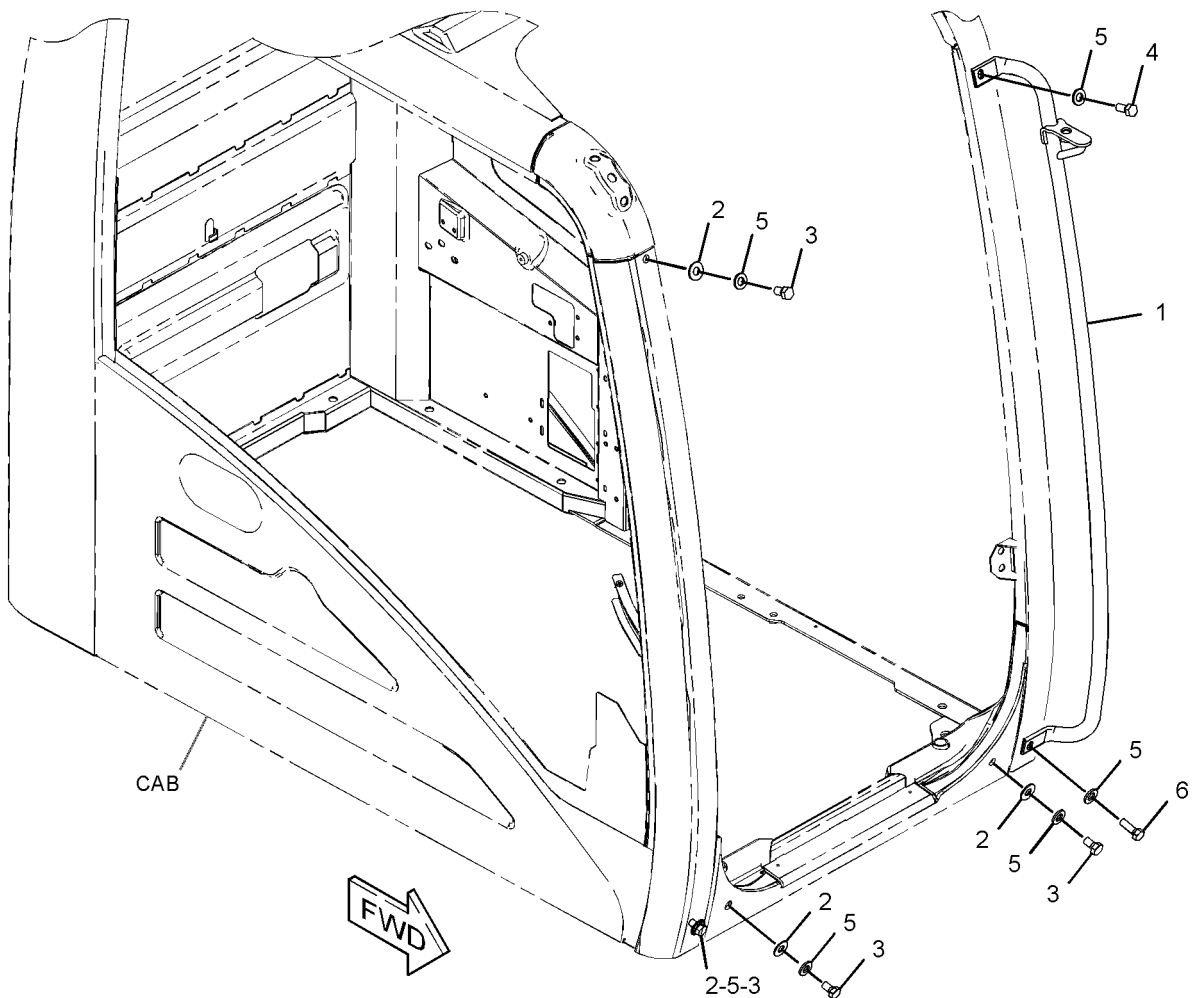
PART OF 249-7109 GUARD AR-OVERHEAD, 249-7107, 330-3027 PARTS AR-CAB
AN ATTACHMENT

SMCS-7256

i03179229

NOTE	REF NO	GRAPHIC REF	PART NUMBER	QTY	PART NAME						SEE PAGE
					1	2	3	4	5	6 (PRODUCT LEVEL)	
C	1	1	331-7263	1	HANDRAIL AS						
	2	1	229-8062	4	SEAL						
M	3	1	8T-4179	4	BOLT (M12X1.75X20-MM)						
M	4	1	8T-4192	1	BOLT (M12X1.75X25-MM)						
	5	1	8T-4223	6	WASHER-HARD (13.5X25.5X3-MM THK)						
M	6	1	8T-4956	1	BOLT (M12X1.75X35-MM)						
					(USE WITH CAB AS WITHOUT WELDED BOSSES)						
					-OR-						
M		1	8T-4192	1	BOLT (M12X1.75X25-MM)						
					(USE WITH CAB AS WITH WELDED BOSSES)						

C-CHANGE FROM PREVIOUS TYPE
M-METRIC PART



GRAPHIC #1

<END>

g01625684

FRAME AND BODY

259-3906 HANDRAIL GP

S/N: PAS1-UP

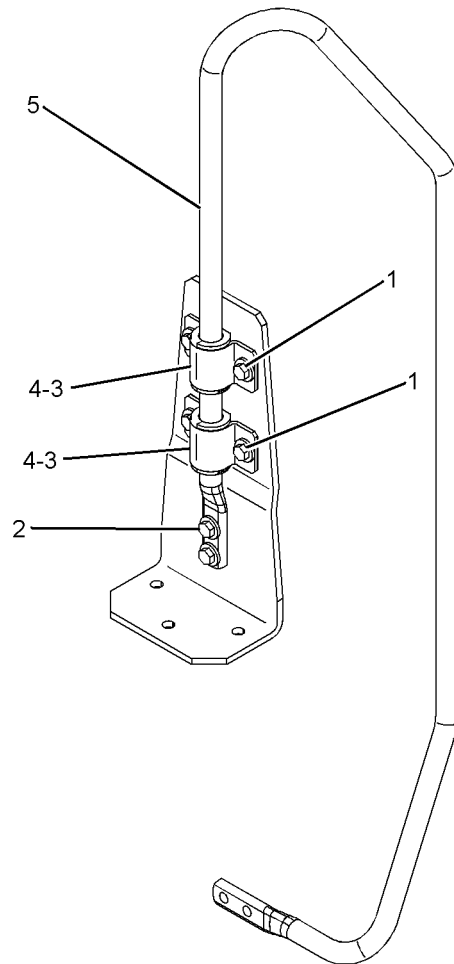
PART OF 223-3008 HANDRAIL GP

SMCS-7256

i02221313

NOTE	REF NO	GRAPHIC REF	PART NUMBER	QTY	PART NAME						SEE PAGE
					1	2	3	4	5	6 (PRODUCT LEVEL)	
M	1	1	135-8577	4	BOLT AS						
M	2	1	135-8578	2	BOLT AS						
	3	1	177-5879	2	CLAMP						
	4	1	177-5880	4	SLEEVE						
	5	1	259-3907	1	HANDRAIL						
	6	1	259-3908	1	SUPPORT AS						

M-METRIC PART



GRAPHIC #1

<END>

g01123982

FRAME AND BODY

293-6887 HOOD & GUARD GP

S/N: PAS1-UP

PART OF 294-1232 CHASSIS AR

SMCS-7251, 7276

i03818678

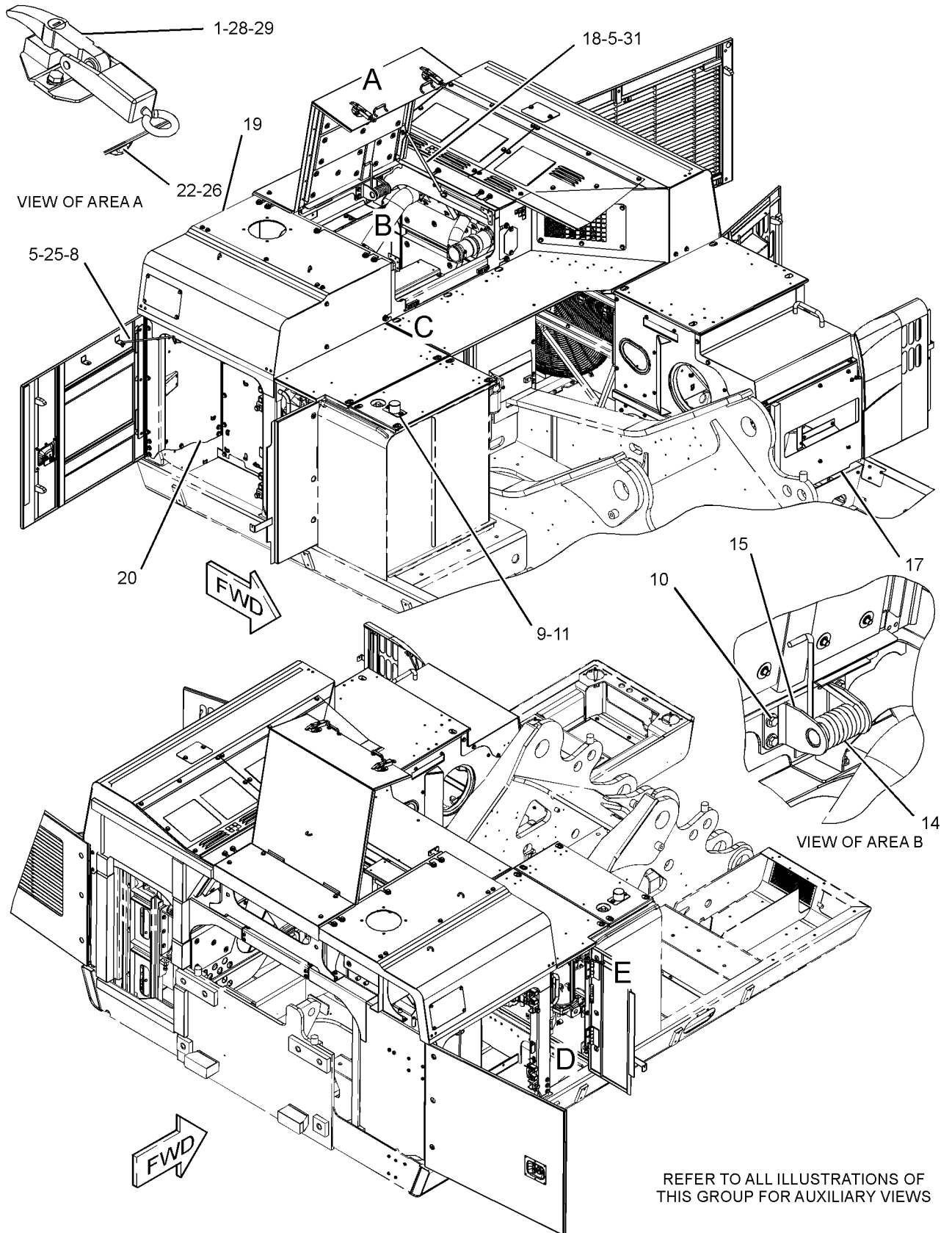
NOTE	REF NO	GRAPHIC REF	PART NUMBER	QTY	PART NAME						SEE PAGE
					1	2	3	4	5	6 (PRODUCT LEVEL)	
	1	1	4I-0117	2	FASTENER						
	2	3	4I-0118	2	HOOK AS						
	3	3	4I-2374	1	ROD AS						
	4	2,3	4I-2599	5	SOCKET						
	5	1,3	3B-4618	5	PIN-COTTER						
	6	3	122-3979	2	BAND						
	7	3	122-3980	2	ROD						
	8	1,3	122-4120	4	ROD						
M	9	1	135-8573	2	BOLT AS						
M	10	1	135-8575	4	BOLT AS						
	11	1	152-9354	1	COVER AS						
	12	2,3	214-8310	5	PLATE						
	13	2,3	236-9349	5	SHEET AS						
	14	1	250-4943	1	SPRING						
	15	1	250-5051	2	SUPPORT AS						
	16	3	256-1730	2	SHEET AS						
					(EACH INCLUDES)						
		3	256-1732	1	SHEET-RUBBER						
Y	17	1	298-3101	1	SUPPORT GP-HOOD						370
	18	1	307-7826	1	SUPPORT AS						
Y	19	1	313-7805	1	HOOD & GUARD GP						350
Y	20	1	320-5481	1	SUPPORT GP-HOOD						372
	21	3	3B-4615	1	PIN-COTTER						
	22	1,3	4I-1205	6	BUMPER						
	23	2,3	5P-1076	10	WASHER-HARD (13.5X30X4-MM THK)						
	24	2,3	5P-4115	8	WASHER-HARD (7.2X19X2-MM THK)						
	25	1,3	8T-4121	5	WASHER-HARD (11X21X2.5-MM THK)						
M	26	1,3	8T-4133	6	NUT (M10X1.5-THD)						
M	27	2,3	8T-4138	8	BOLT (M6X1X20-MM)						
M	28	1,3	8T-4189	8	BOLT (M8X1.25X20-MM)						
	29	1,3	8T-4224	8	WASHER-HARD (8.8X16X2-MM THK)						
M	30	2,3	8T-4648	10	BOLT (M12X1.75X70-MM)						
	31	1	9X-8257	1	WASHER (17.5X30X3.5-MM THK)						

M-METRIC PART
Y-SEPARATE ILLUSTRATION

FRAME AND BODY

293-6887 HOOD & GUARD GP (contd.)

i03818678



REFER TO ALL ILLUSTRATIONS OF THIS GROUP FOR AUXILIARY VIEWS

GRAPHIC #1

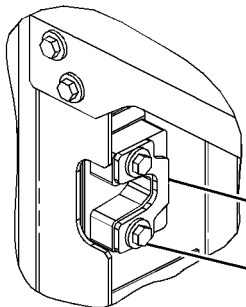
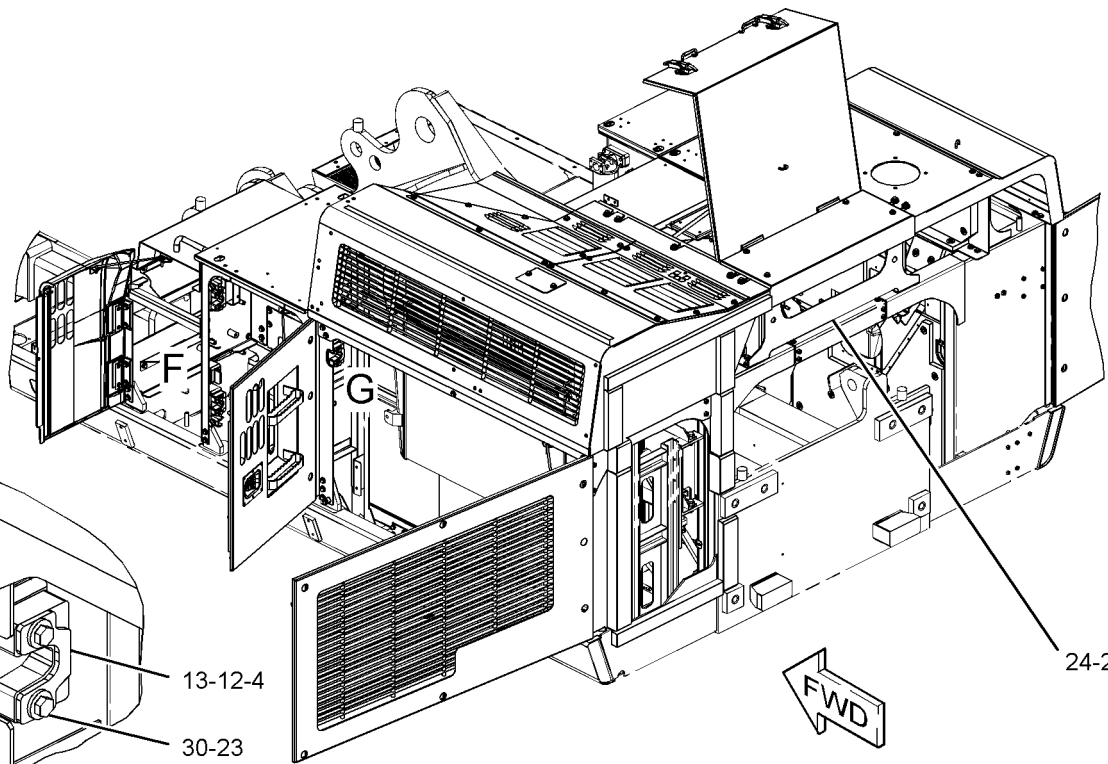
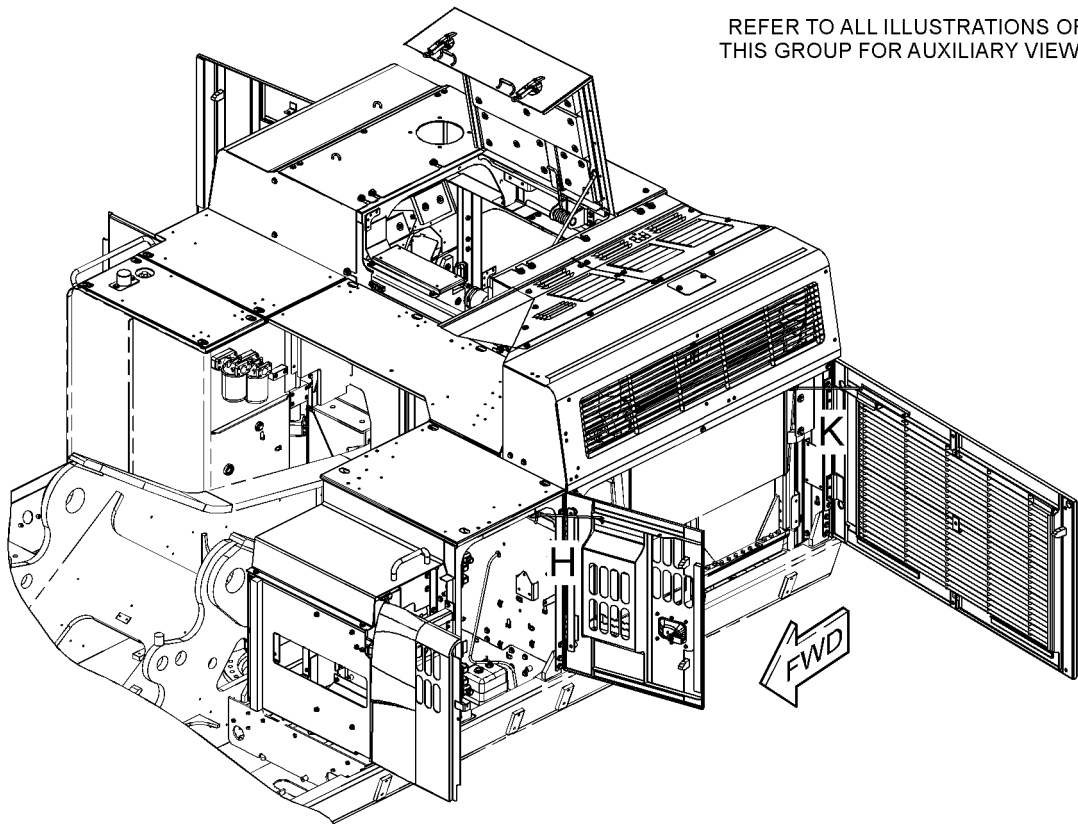
g02129877

FRAME AND BODY

293-6887 HOOD & GUARD GP (contd.)

i03818678

REFER TO ALL ILLUSTRATIONS OF THIS GROUP FOR AUXILIARY VIEWS



VIEW OF AREA G

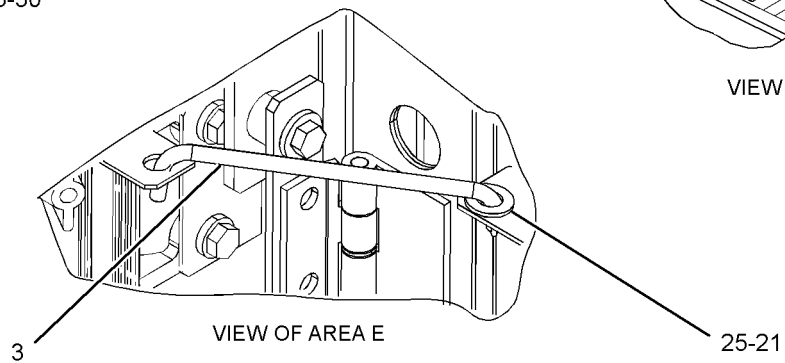
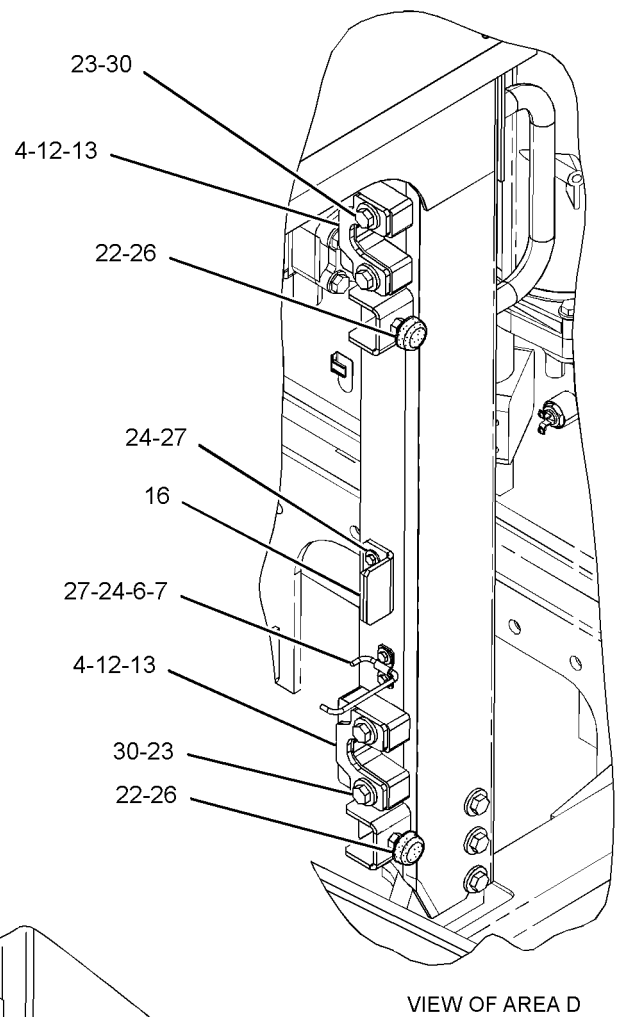
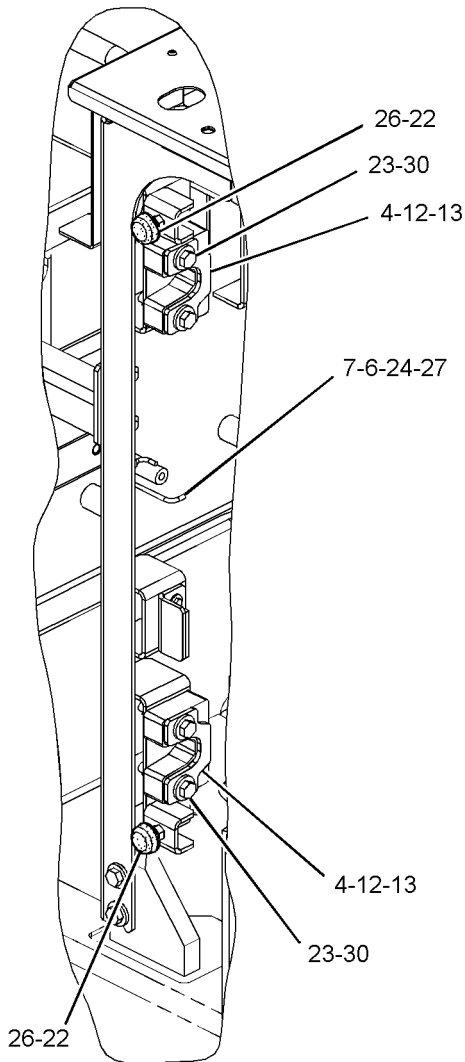
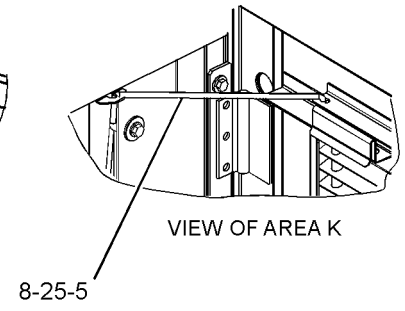
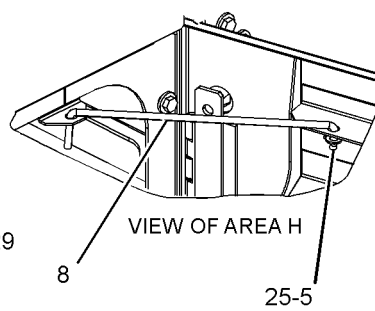
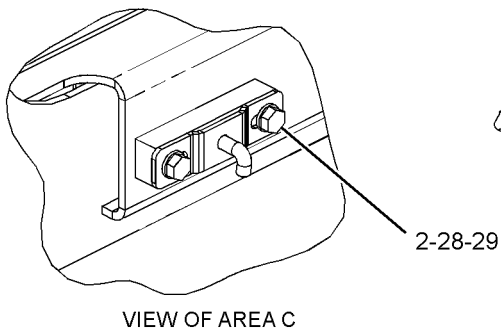
GRAPHIC #2

g02129993

FRAME AND BODY

293-6887 HOOD & GUARD GP (contd.)

i03818678



GRAPHIC #3

<END>

g02130156

FRAME AND BODY

313-7805 HOOD & GUARD GP

S/N: PAS1-UP

PART OF 293-6887 HOOD & GUARD GP

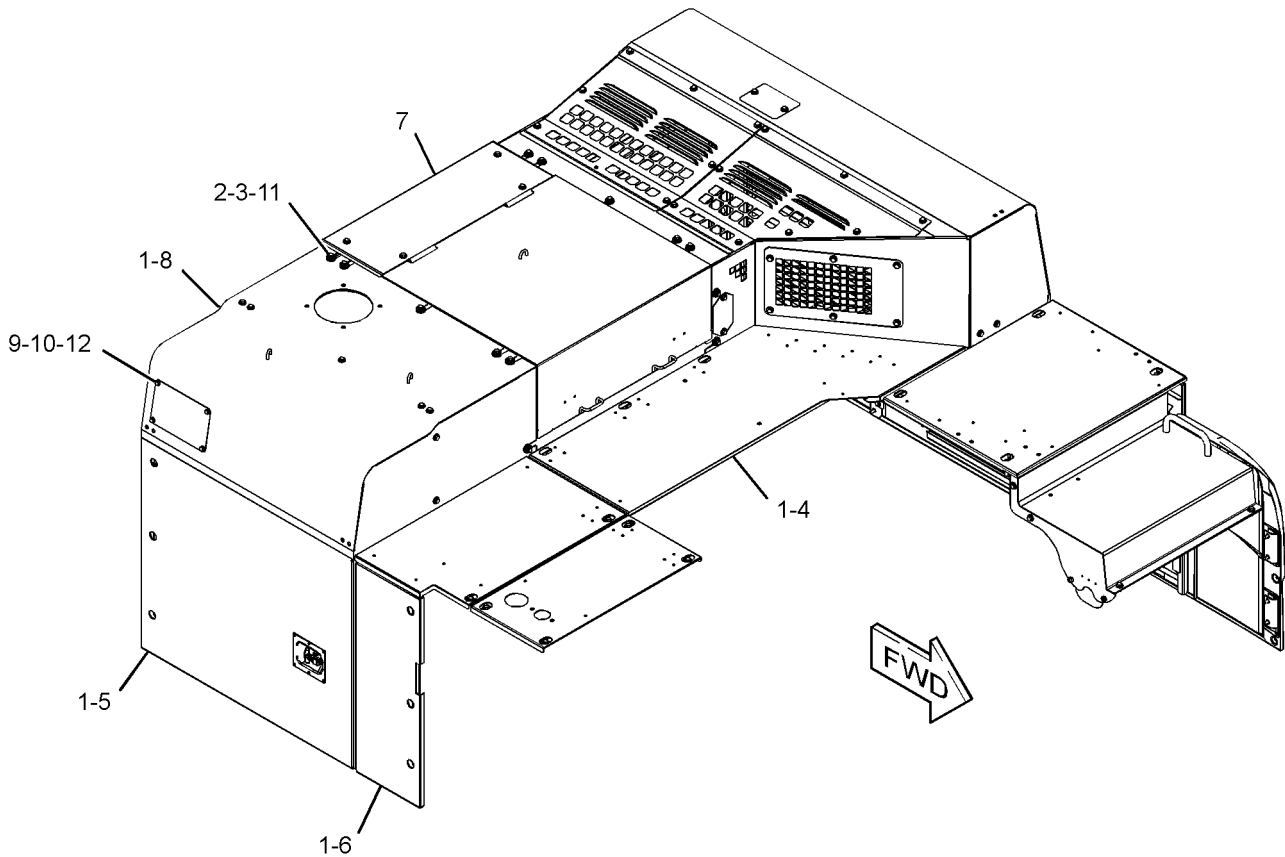
SMCS-7251, 7276

i03876724

NOTE	REF NO	GRAPHIC REF	PART NUMBER	QTY	PART NAME						SEE PAGE
					1	2	3	4	5	6 (PRODUCT LEVEL)	
M	1	1	135-8575	21	BOLT AS						
M	2	1	135-8578	6	BOLT AS						
	3	1	190-6919	6	SPACER (24X38X16.5-MM THK)						
Y	4	1	356-8945	1	COVER GP-CONTROL VALVE (UPPER)						329
Y	5	1	298-3364	1	DOOR GP-ACCESS (PUMP COMPARTMENT)						333
	6	1	303-9605	1	DOOR GP-ACCESS (HYDRAULIC FILTER)						
Y	7	1	313-7808	1	HOOD & GUARD GP						351
Y	8	1	320-5530	1	COVER GP-ACCESS (PUMP COMPARTMENT)						328
	9	1	320-5531	1	SHEET						
	10	1	5P-1075	4	WASHER-HARD (10.2X22.5X3-MM THK)						
	11	1	7Y-2854	12	SPACER (24X38X3-MM THK)						
M	12	1	8T-4137	4	BOLT (M10X1.5X20-MM)						

M-METRIC PART

Y-SEPARATE ILLUSTRATION



GRAPHIC #1

<END>

g02135453

FRAME AND BODY

313-7808 HOOD & GUARD GP

S/N: PAS1-UP

PART OF 313-7805 HOOD & GUARD GP

SMCS-7251, 7276

i03901470

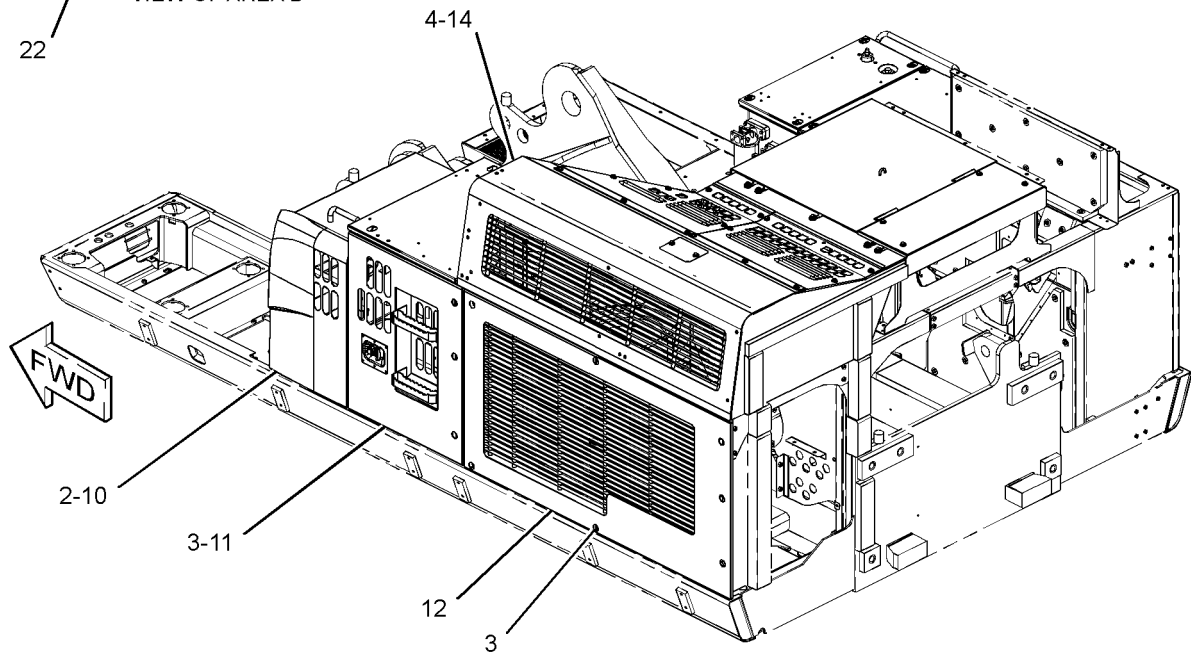
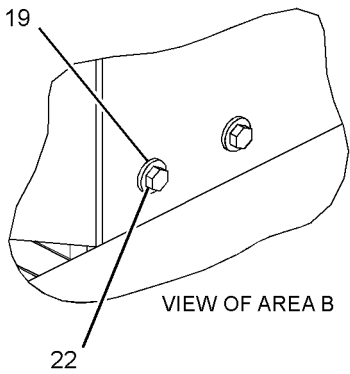
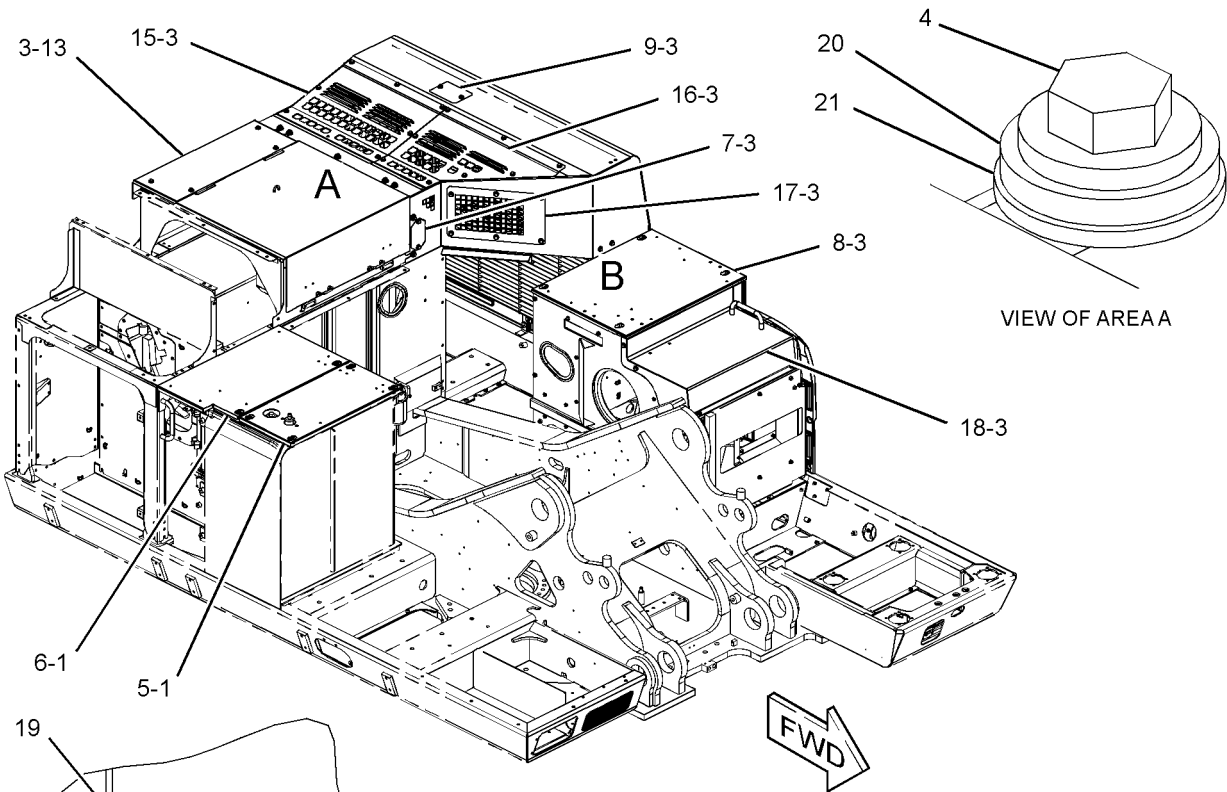
NOTE	REF NO	GRAPHIC REF	PART NUMBER	QTY	PART NAME						SEE PAGE
					1	2	3	4	5	6 (PRODUCT LEVEL)	
M	1	1	135-8572	6	BOLT AS						
M	2	1	135-8573	4	BOLT AS						
M	3	1	135-8575	50	BOLT AS						
M	4	1	135-8578	11	BOLT AS						
	5	1	236-3571	1	COVER AS						
	6	1	237-8497	1	COVER AS						
		1	237-8498	1	SHEET-RUBBER						
	7	1	244-7866	1	PLATE						
Y	8	1	250-4984	1	COVER AS-SOUND SUPPRESSION						325
	9	1	256-1633	1	PLATE						
	10	1	298-3355	1	DOOR GP-ACCESS (AIR CLEANER)						
		1	250-5342	1	SHEET-RUBBER						
Y	11	1	298-3357	1	DOOR GP-ACCESS (BATTERY, CIRCUIT BREAKER)						332
	12	1	298-3359	1	DOOR AS-ACCESS (RADIATOR)						
		1	237-8647	2	HINGE						
Y	13	1	303-9608	1	COVER GP-ACCESS (ENGINE HOOD, CENTER)						327
Y	14	1	313-7834	1	HOOD GP-ENGINE						354
	15	1	313-7837	1	SHEET						
	16	1	313-7841	1	SHEET						
	17	1	313-7843	1	SHEET AS						
	18	1	313-8119	1	SHEET AS						
	19	1	5P-1076	2	WASHER-HARD (13.5X30X4-MM THK)						
	20	1	7Y-2853	7	SPACER (13X38X5-MM THK)						
	21	1	7Y-2854	7	SPACER (24X38X3-MM THK)						
M	22	1	8T-4194	2	BOLT (M12X1.75X50-MM)						

M-METRIC PART
Y-SEPARATE ILLUSTRATION

FRAME AND BODY

313-7808 HOOD & GUARD GP (contd.)

i03901470



GRAPHIC #1

<END>

g02053227

FRAME AND BODY

327-3016 HOOD & GUARD GP-HIGH AMBIENT

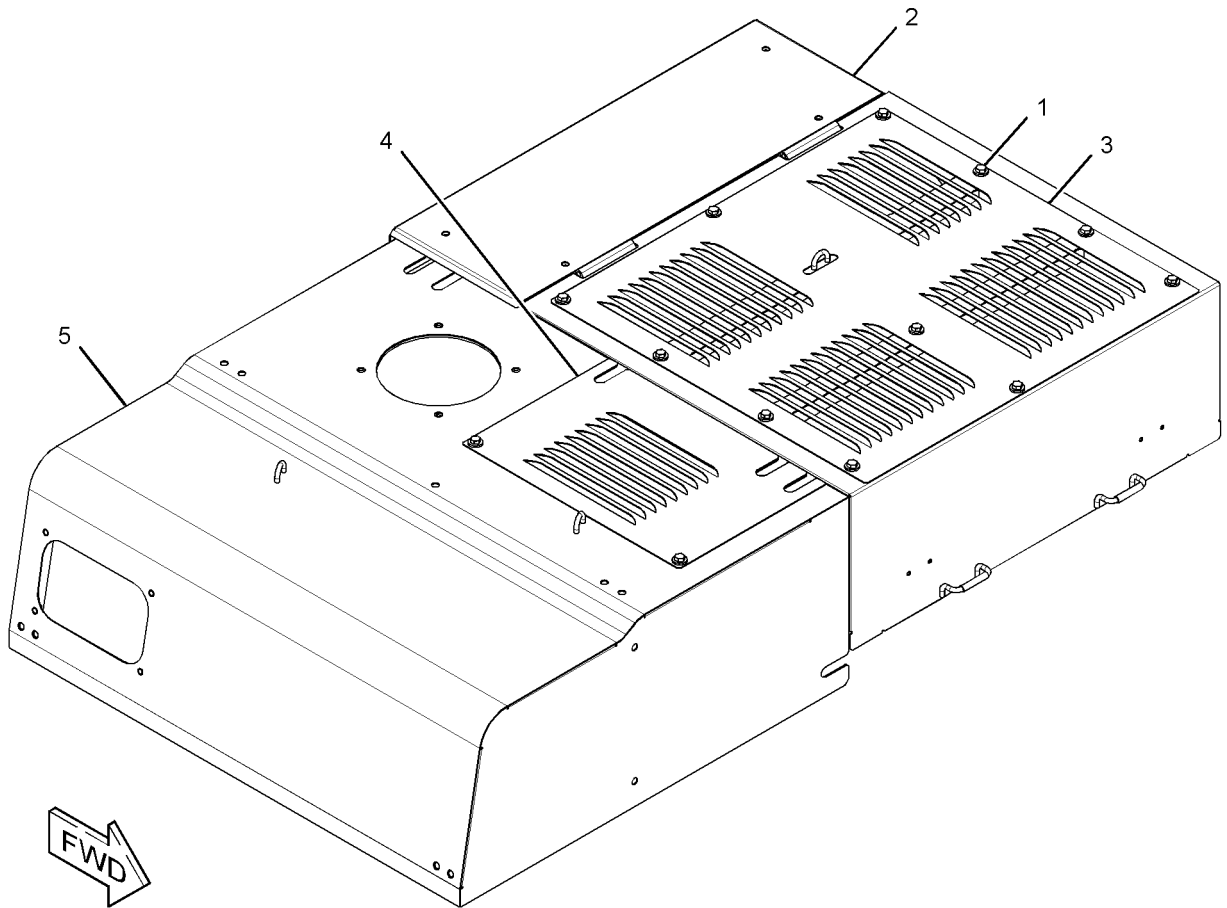
S/N: PAS1-UP
AN ATTACHMENT

SMCS-7251, 7276

i03585221

NOTE	REF NO	GRAPHIC REF	PART NUMBER	QTY	PART NAME						SEE PAGE
					1	2	3	4	5	6 (PRODUCT LEVEL)	
M	1	1	135-8573	13	BOLT AS						
Y	2	1	274-8948	1	COVER GP-HOOD						330
	3	1	274-8950	1	COVER						
	4	1	275-2898	1	COVER-LOUVER						
Y	5	1	327-3017	1	COVER AS-SOUND SUPPRESSION						326

M-METRIC PART
Y-SEPARATE ILLUSTRATION



GRAPHIC #1

<END>

g01922674

FRAME AND BODY

313-7834 HOOD GP-ENGINE-RADIATOR

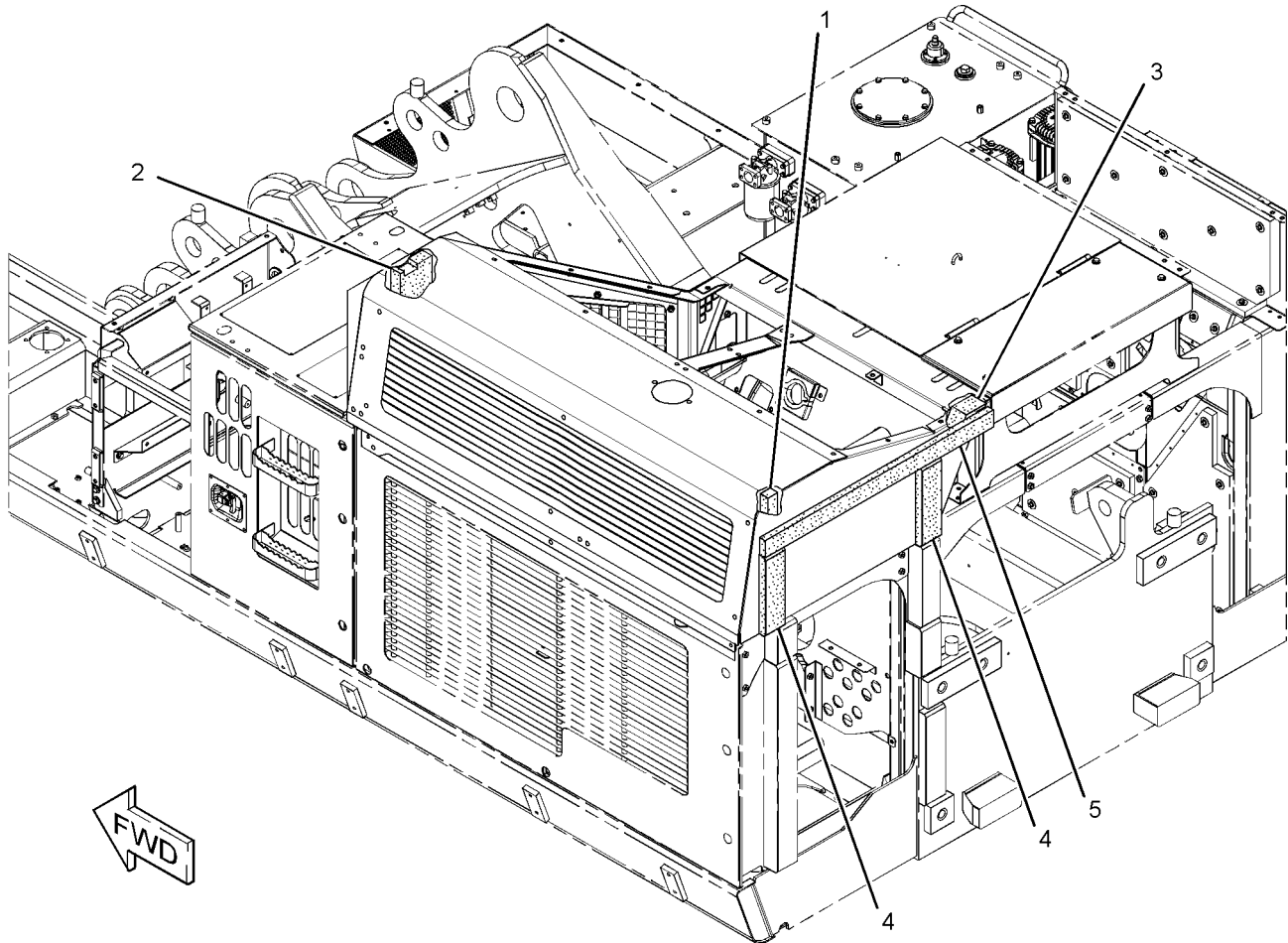
S/N: PAS1-UP

PART OF 313-7808 HOOD & GUARD GP

SMCS-7251

i03822109

NOTE	REF NO	GRAPHIC REF	PART NUMBER	QTY	PART NAME						SEE PAGE
					1	2	3	4	5	6 (PRODUCT LEVEL)	
1	1	1	256-1573	1	LINER						
2	1	1	256-1574	1	LINER						
3	1	1	259-3494	1	LINER						
4	1	1	259-3497	2	LINER AS						
5	1	1	259-3500	1	LINER						



GRAPHIC #1

<END>

g02107113

FRAME AND BODY

320-5538 HOOD GP-ENGINE

S/N: PAS1-UP

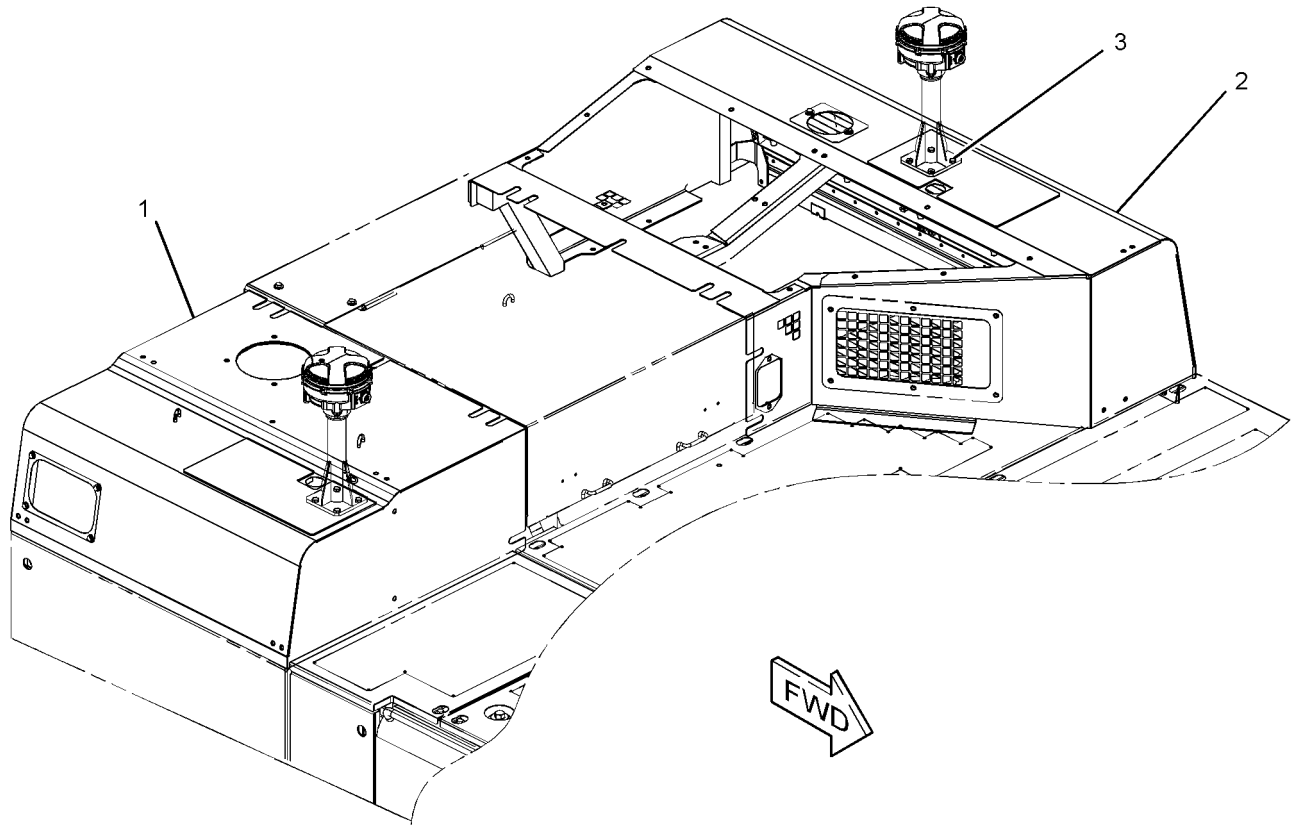
PART OF 319-9260 SPECIAL AR
AN ATTACHMENT

SMCS-7251

i03656971

NOTE	REF NO	GRAPHIC REF	PART NUMBER	QTY	PART NAME						SEE PAGE
					1	2	3	4	5	6 (PRODUCT LEVEL)	
Y	1	1	320-5540	1	HOOD GP-ENGINE (RH)						356
Y	2	1	320-5544	1	HOOD GP-ENGINE (LH)						357
M	3	1	8T-4179	8	BOLT (M12X1.75X20-MM)						

M-METRIC PART
Y-SEPARATE ILLUSTRATION



GRAPHIC #1

<END>

g02046495

FRAME AND BODY

320-5540 HOOD GP-ENGINE-RH

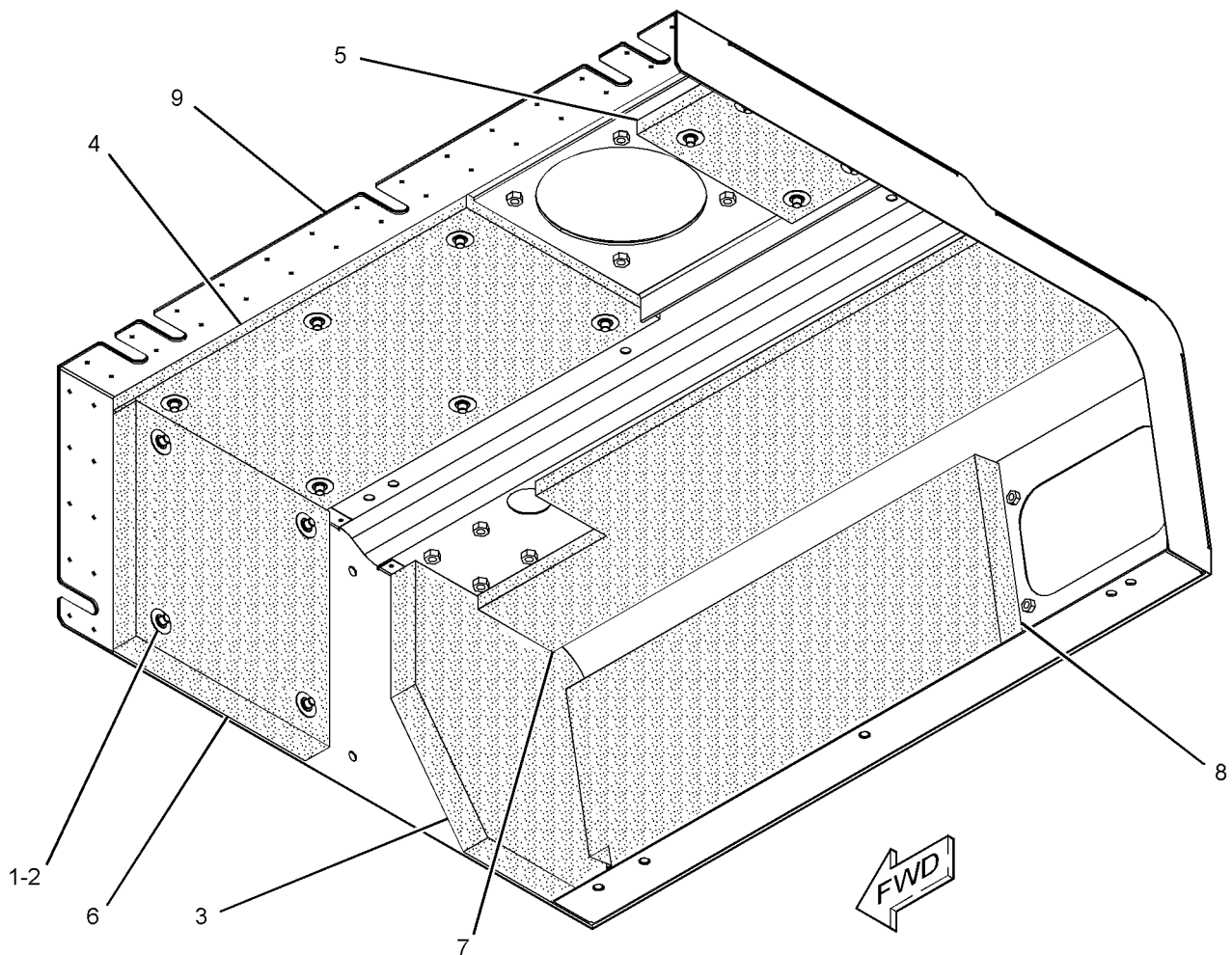
S/N: PAS1-UP

PART OF 320-5538 HOOD GP-ENGINE
AN ATTACHMENT

SMCS-7251

i03656954

NOTE	REF NO	GRAPHIC REF	PART NUMBER	QTY	PART NAME						SEE PAGE
					1	2	3	4	5	6 (PRODUCT LEVEL)	
1	1	1	4I-7924	14	WASHER (4.5X40X1.2-MM THK)						
2	1	1	6P-2216	14	CAP						
3	1	1	250-5402	1	INSULATION						
4	1	1	256-1560	1	INSULATION						
5	1	1	256-1561	1	INSULATION						
6	1	1	256-1562	1	INSULATION						
7	1	1	303-9620	1	INSULATION						
8	1	1	320-5534	1	INSULATION						
9	1	1	320-5542	1	COVER AS						



GRAPHIC #1

<END>

g02039076

FRAME AND BODY

320-5544 HOOD GP-ENGINE-LH

S/N: PAS1-UP

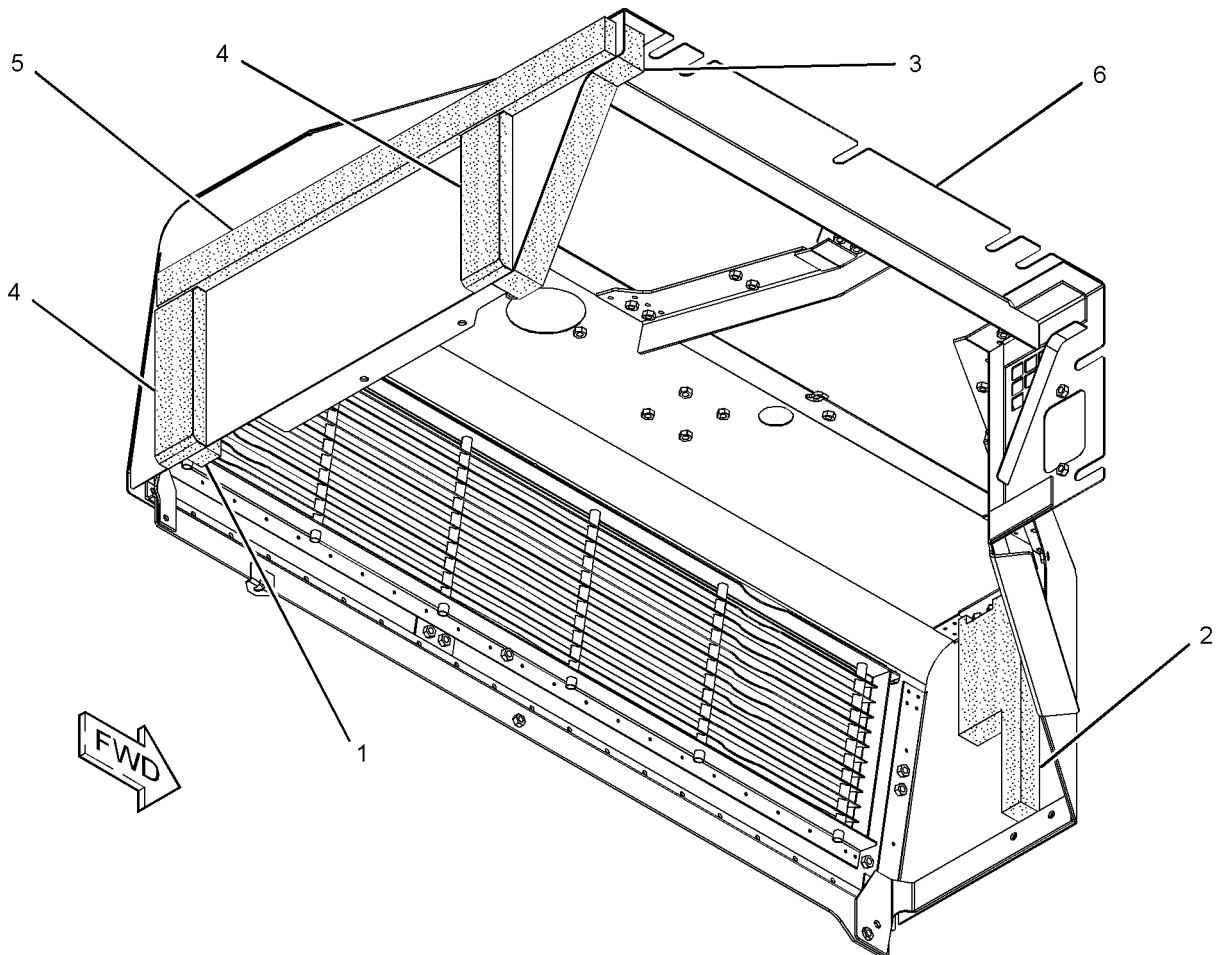
ACCUGRADE READY

PART OF 320-5538 HOOD GP-ENGINE
AN ATTACHMENT

SMCS-7251

i03656955

NOTE	REF NO	GRAPHIC REF	PART NUMBER	QTY	PART NAME						SEE PAGE	
					1	2	3	4	5	6 (PRODUCT LEVEL)		
	1	1	256-1573	1	LINER							
	2	1	256-1574	1	LINER							
	3	1	259-3494	1	LINER							
	4	1	259-3497	2	LINER AS							
	5	1	259-3500	1	LINER							
	6	1	320-5545	1	COVER AS							



GRAPHIC #1

<END>

g02040554

FRAME AND BODY

241-2211 PANEL GP-SOUND SUPPRESSION-TURBOCHARGER

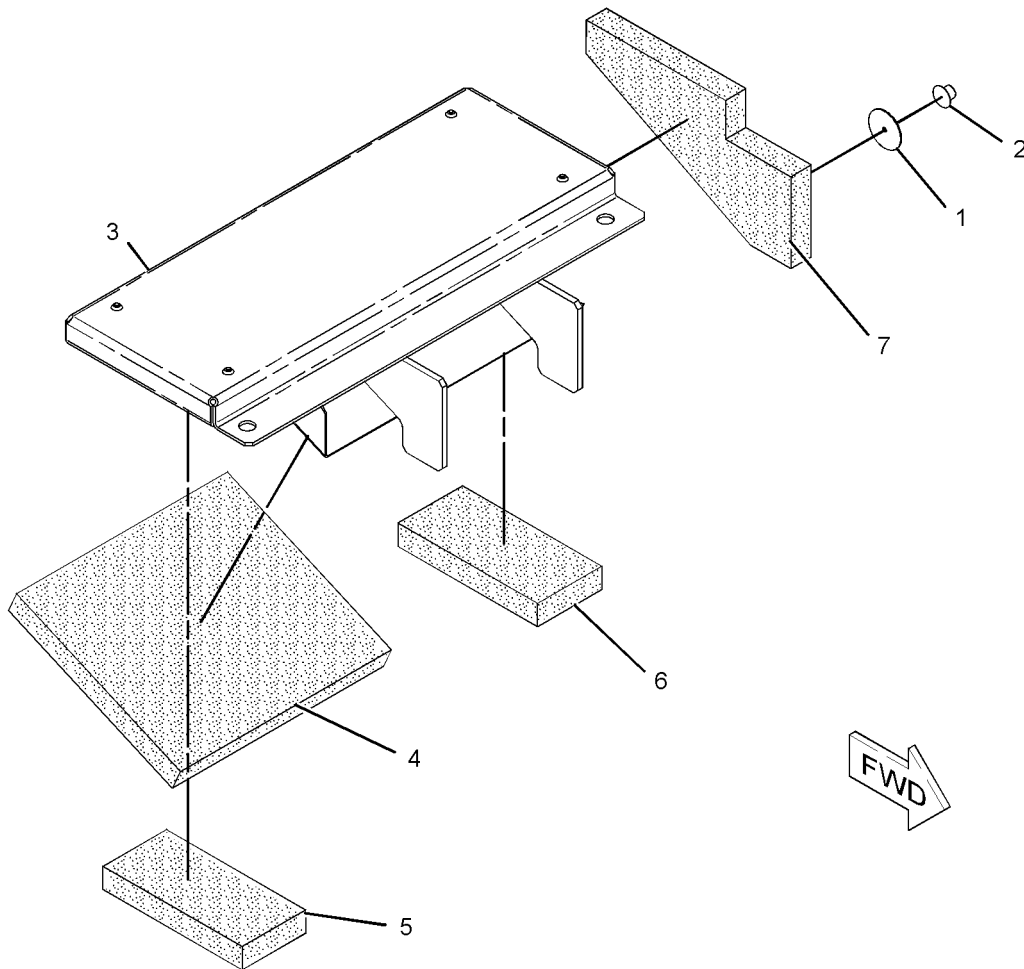
S/N: PAS1-UP

PART OF 320-5483 SUPPORT GP-HOOD

SMCS-1801, 7076, 7261

i02221298

NOTE	REF NO	GRAPHIC REF	PART NUMBER	QTY	PART NAME						SEE PAGE
					1	2	3	4	5	6 (PRODUCT LEVEL)	
1	1	1	4I-7924	10	WASHER (4.5X40X1.2-MM THK)						
2	1	1	6P-2216	10	CAP						
3	1	1	237-8505	1	SHEET AS						
4	1	1	241-2212	1	INSULATION						
5	1	1	241-2213	1	INSULATION						
6	1	1	248-9037	1	INSULATION						
7	1	1	248-9038	1	INSULATION						



GRAPHIC #1

<END>

g01123013

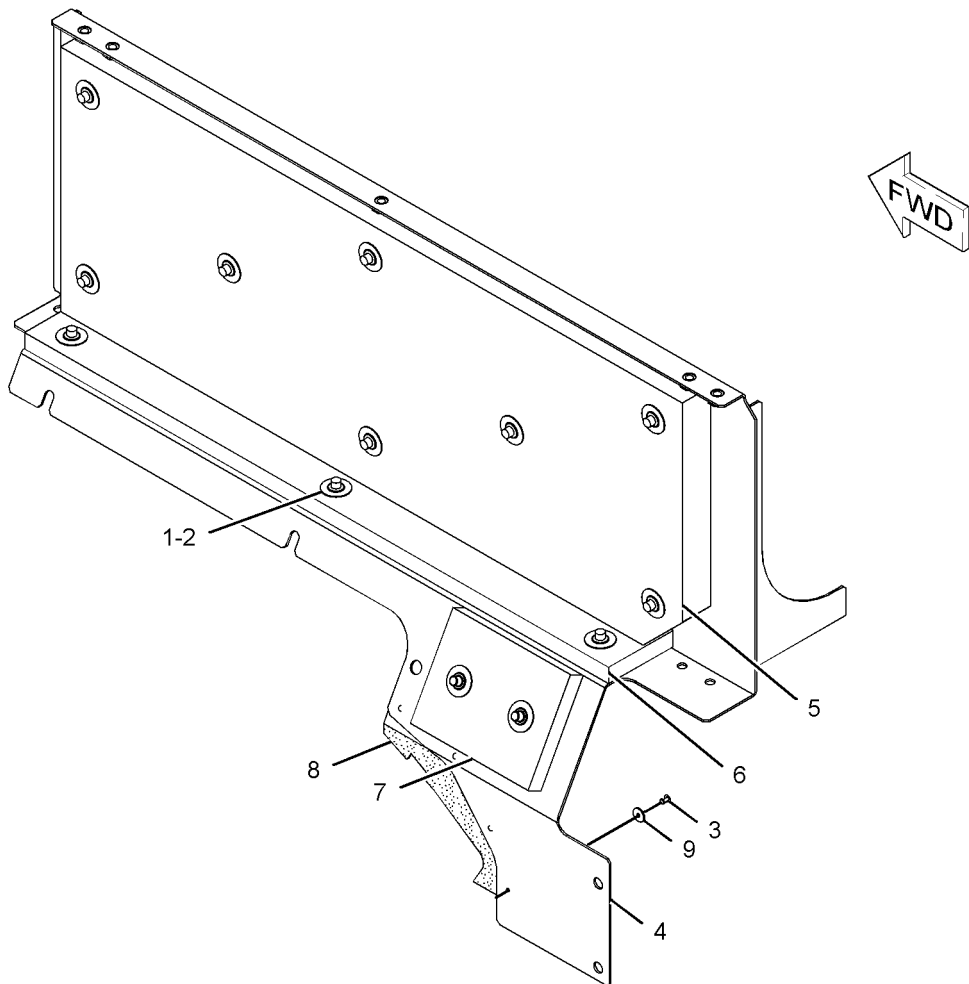
FRAME AND BODY

256-1496 PANEL GP-SOUND SUPPRESSION- PUMP COMPARTMENT, UPPER S/N: PAS1-UP PART OF 320-5483 SUPPORT GP-HOOD

SMCS-1801, 7076, 7261

i02235925

NOTE	REF NO	GRAPHIC REF	PART NUMBER	QTY	PART NAME						SEE PAGE
					1	2	3	4	5	6 (PRODUCT LEVEL)	
	1	1	4I-7924	13	WASHER (4.5X40X1.2-MM THK)						
	2	1	6P-2216	13	CAP						
	3	1	9M-5732	4	RIVET-POP						
	4	1	256-1497	1	SHEET AS						
	5	1	256-1499	1	INSULATION						
	6	1	256-1500	1	INSULATION						
	7	1	256-1501	1	INSULATION						
	8	1	256-1502	1	SHEET-RUBBER						
	9	1	9M-2307	4	WASHER (5.2X19X2-MM THK)						



GRAPHIC #1

<END>

g01124751

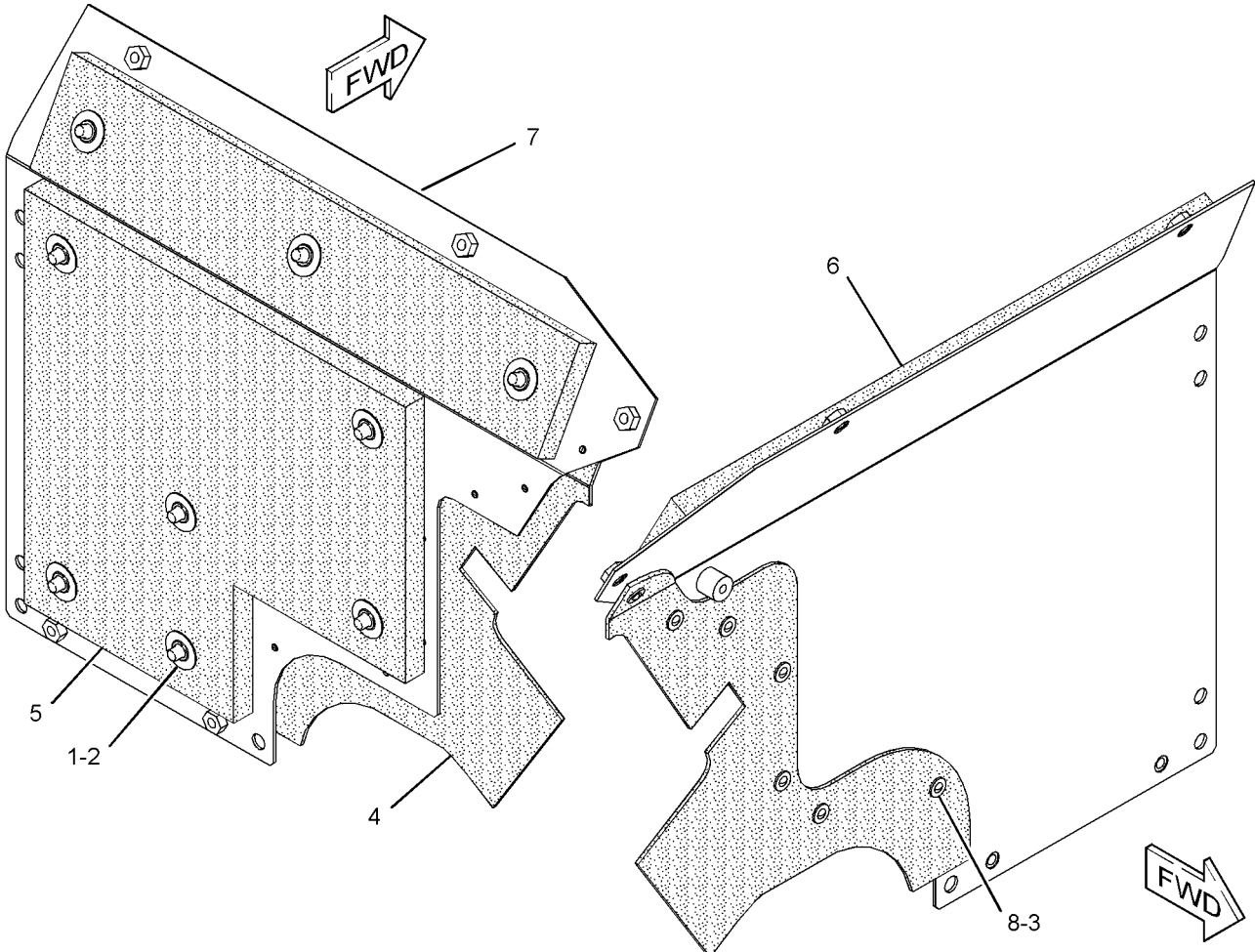
FRAME AND BODY

333-5156 PANEL GP-SOUND SUPPRESSION- PUMP COMPARTMENT, UPPER S/N: PAS1-UP PART OF 320-5483 SUPPORT GP-HOOD

SMCS-1801, 7076, 7261

i03571271

NOTE	REF NO	GRAPHIC REF	PART NUMBER	QTY	PART NAME						SEE PAGE
					1	2	3	4	5	6 (PRODUCT LEVEL)	
	1	1	4I-7924	9	WASHER (4.5X40X1.2-MM THK)						
	2	1	6P-2216	9	CAP						
	3	1	9M-5732	7	RIVET-POP						
	4	1	241-2044	1	SHEET-RUBBER						
	5	1	241-2249	1	INSULATION						
	6	1	241-2250	1	INSULATION						
	7	1	333-5157	1	SHEET AS						
	8	1	9M-2307	7	WASHER (5.2X19X2-MM THK)						



GRAPHIC #1

<END>

g01899914

FRAME AND BODY

250-4919 SHEET AS-SOUND SUPPRESSION

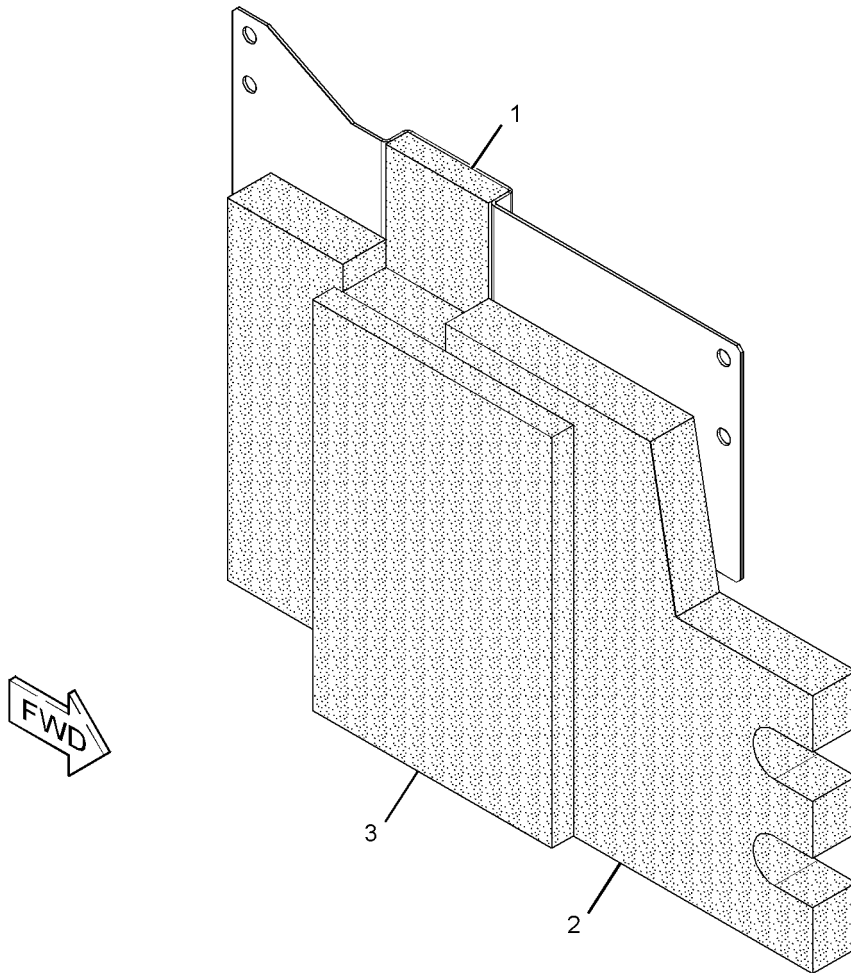
S/N: PAS1-UP

PART OF 298-3101 SUPPORT GP-HOOD

SMCS-1801, 7076, 7251, 7267

i02887937

NOTE	REF NO	GRAPHIC REF	PART NUMBER	QTY	PART NAME						SEE PAGE
					1	2	3	4	5	6 (PRODUCT LEVEL)	
	1	1	250-4922	1	LINER						
	2	1	250-4923	1	LINER						
	3	1	250-4925	1	LINER						



GRAPHIC #1

<END>

g01479436

FRAME AND BODY

250-4926 SHEET AS-SOUND SUPPRESSION

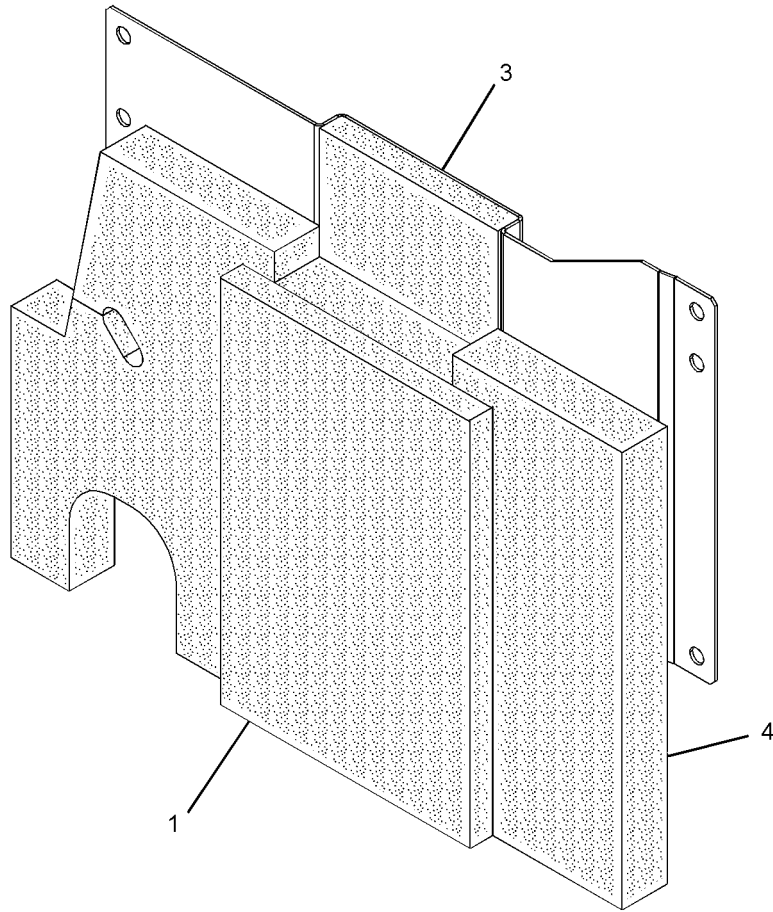
S/N: PAS1-UP

PART OF 298-3101 SUPPORT GP-HOOD

SMCS-1801, 7076, 7251, 7267

i02910636

NOTE	REF NO	GRAPHIC REF	PART NUMBER	QTY	PART NAME						SEE PAGE
					1	2	3	4	5	6 (PRODUCT LEVEL)	
	1	1	250-4925	1	LINER						
	3	1	250-4928	1	LINER						
	4	1	250-4930	1	LINER						



GRAPHIC #1

<END>

g01530854

FRAME AND BODY

256-1449 SHEET AS-SOUND SUPPRESSION-RADIATOR

S/N: PAS1-UP

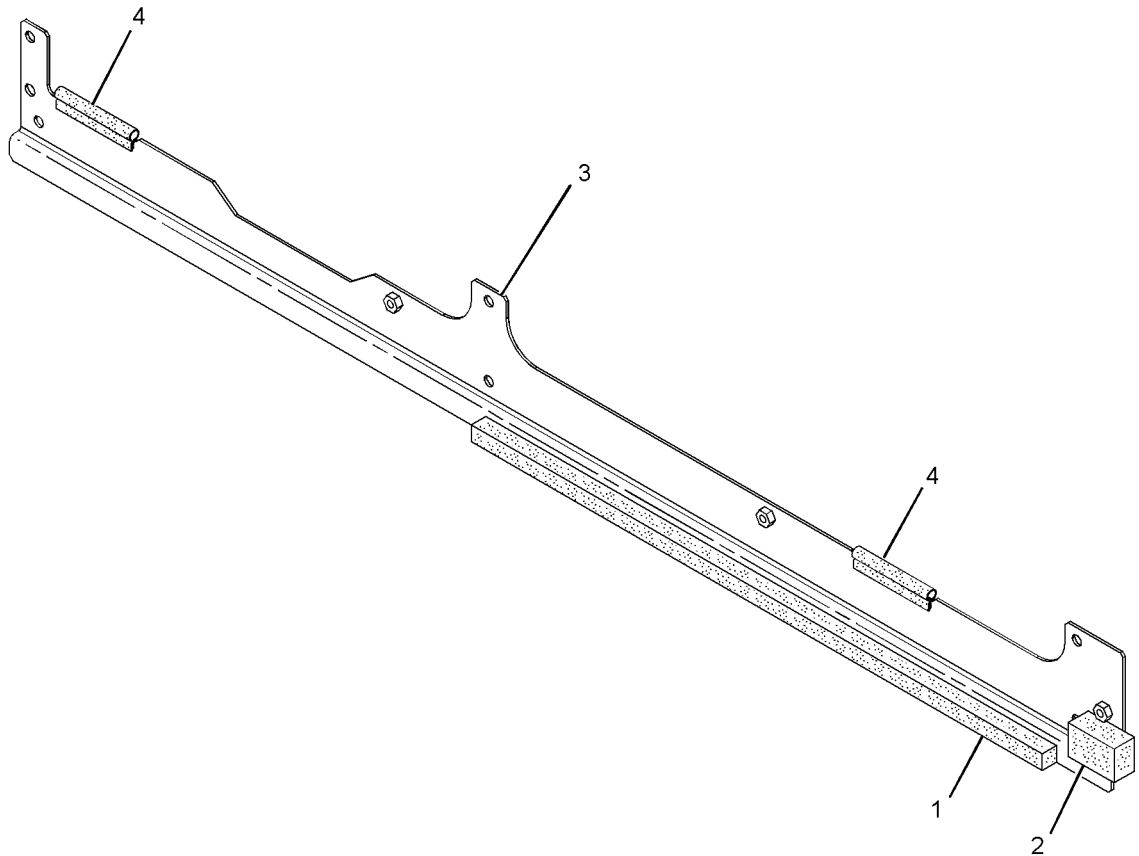
PART OF 320-5483 SUPPORT GP-HOOD

SMCS-1801, 7076, 7251, 7267

i02471230

NOTE	REF NO	GRAPHIC REF	PART NUMBER	QTY	PART NAME						SEE PAGE
					1	2	3	4	5	6 (PRODUCT LEVEL)	
	1	1	256-1450	1	LINER						
	2	1	256-1451	1	LINER						
Z	3	1		1	SHEET AS						
D	4	1	5P-8309		SEAL (0.13-M EACH)						

D-ORDER BY THE METER
Z-NOT SERVICED SEPARATELY



GRAPHIC #1

<END>

g01234463

FRAME AND BODY

256-1454 SHEET AS-SOUND SUPPRESSION-RADIATOR

S/N: PAS1-UP

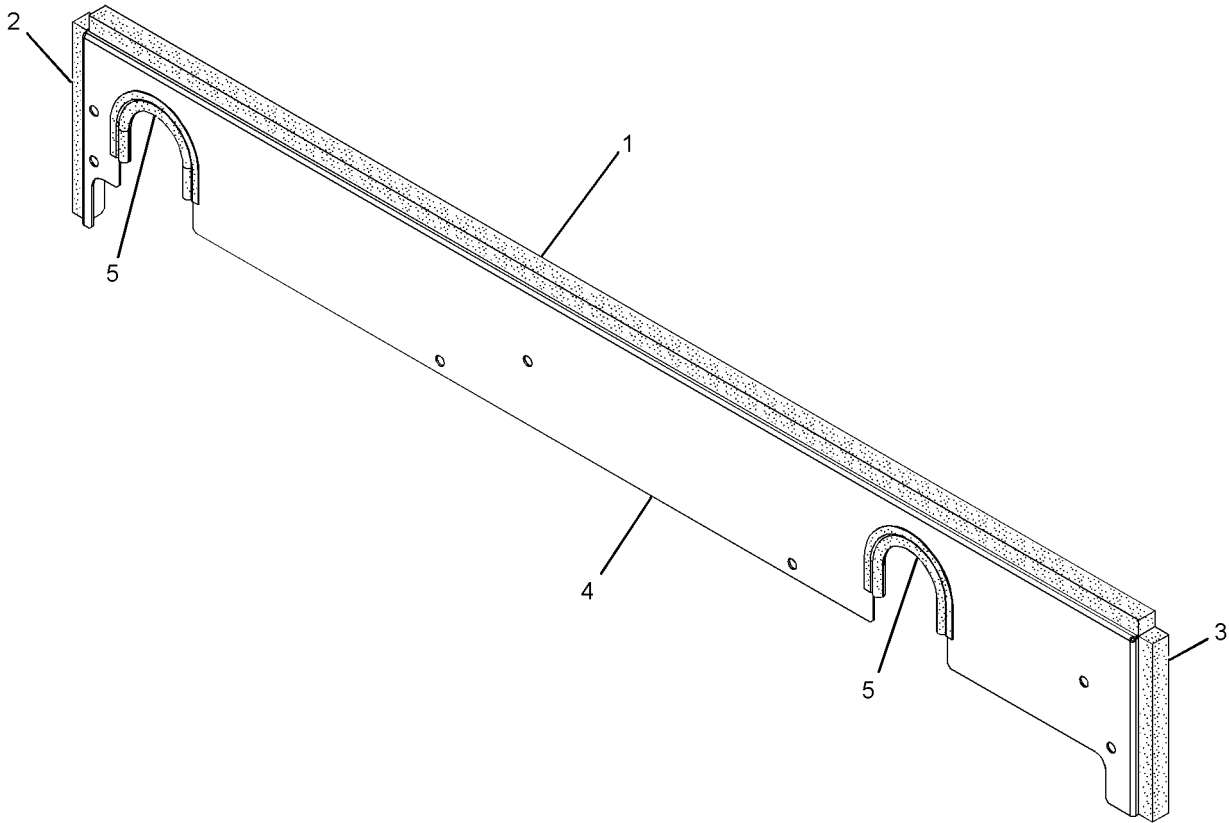
PART OF 320-5483 SUPPORT GP-HOOD

SMCS-1801, 7076, 7251, 7267

i02471232

NOTE	REF NO	GRAPHIC REF	PART NUMBER	QTY	PART NAME						SEE PAGE
					1	2	3	4	5	6 (PRODUCT LEVEL)	
	1	1	256-1455	1	LINER						
	2	1	256-1456	1	LINER						
	3	1	256-1457	1	LINER						
Z	4	1		1	SHEET						
D	5	1	5P-8309		SEAL (0.32-M EACH)						

D-ORDER BY THE METER
Z-NOT SERVICED SEPARATELY



GRAPHIC #1

<END>

g01234460

FRAME AND BODY

320-5484 SHEET AS-SOUND SUPPRESSION

S/N: PAS1-UP

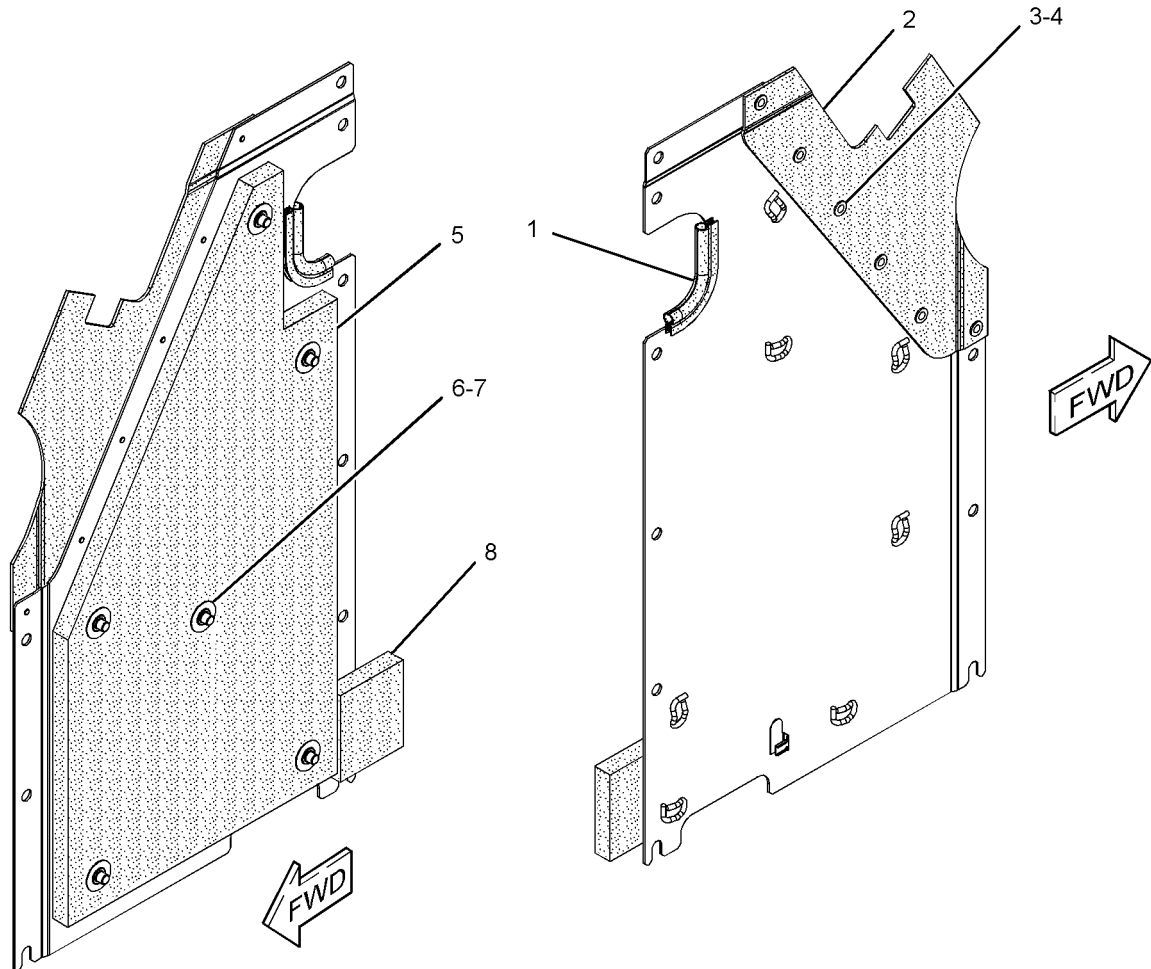
PART OF 320-5483 SUPPORT GP-HOOD

SMCS-1801, 7076, 7251, 7267

i03656531

NOTE	REF NO	GRAPHIC REF	PART NUMBER	QTY	PART NAME						SEE PAGE
					1	2	3	4	5	6 (PRODUCT LEVEL)	
D	1	1	5P-8309		SEAL (0.2-M)						
	2	1	256-1628	1	SHEET-RUBBER						
	3	1	9M-2307	6	WASHER (5.2X19X2-MM THK)						
	4	1	9M-5732	6	RIVET-POP						
	5	1	256-1629	1	INSULATION						
	6	1	4I-7924	6	WASHER (4.5X40X1.2-MM THK)						
	7	1	6P-2216	6	CAP						
	8	1	327-3190	1	LINER						

D-ORDER BY THE METER



GRAPHIC #1

<END>

g02005993

FRAME AND BODY

327-3154 SHEET AS-SOUND SUPPRESSION- ENGINE COMPARTMENT

S/N: PAS1-UP

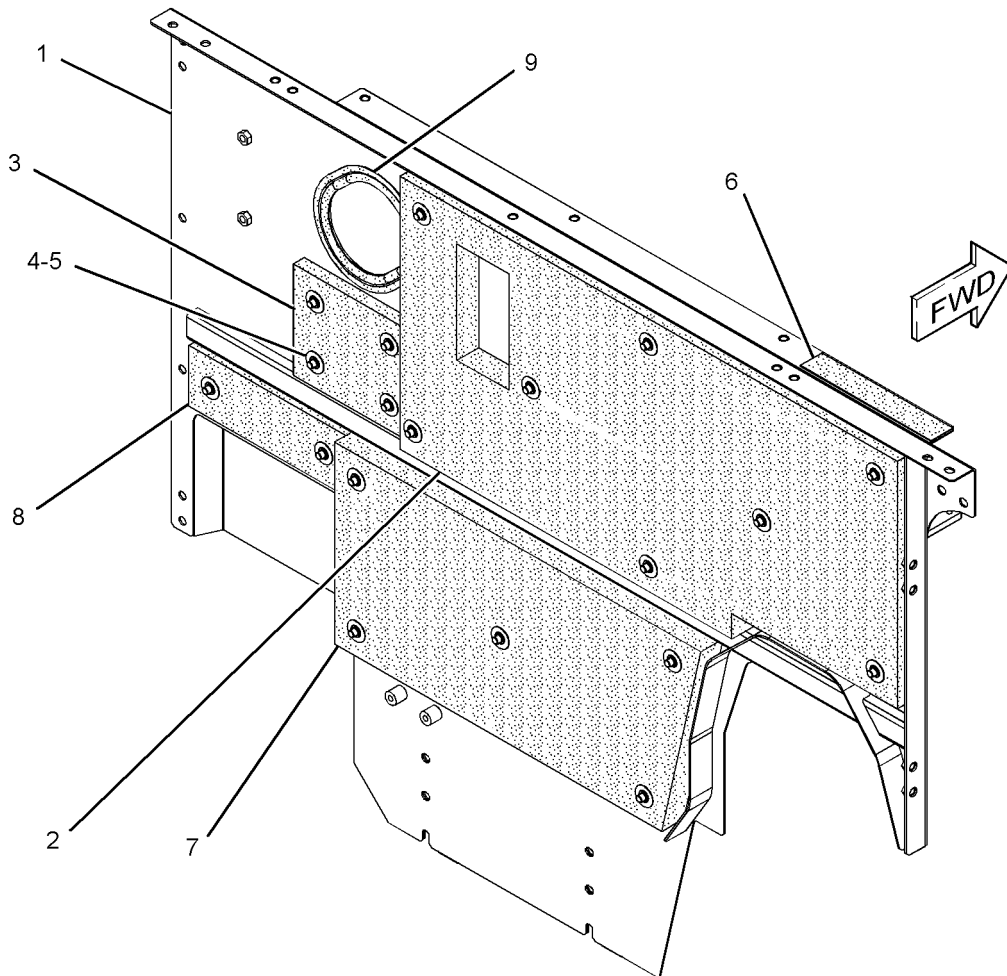
PART OF 320-5483 SUPPORT GP-HOOD

SMCS-1801, 7076, 7251, 7267

i03656530

NOTE	REF NO	GRAPHIC REF	PART NUMBER	QTY	PART NAME						SEE PAGE
					1	2	3	4	5	6 (PRODUCT LEVEL)	
	1	1	327-3155	1	SHEET AS						
	2	1	250-5413	1	INSULATION						
	3	1	250-5414	1	INSULATION						
	4	1	4I-7924	19	WASHER (4.5X40X1.2-MM THK)						
	5	1	6P-2216	19	CAP						
	6	1	250-5417	2	SHEET-RUBBER						
	7	1	250-5415	1	INSULATION						
	8	1	250-5416	1	INSULATION						
D	9	1	5P-8309		SEAL (0.7-M)						

D-ORDER BY THE METER



GRAPHIC #1

<END>

g02057777

FRAME AND BODY

327-3156 SHEET AS-SOUND SUPPRESSION-PUMP COMPARTMENT

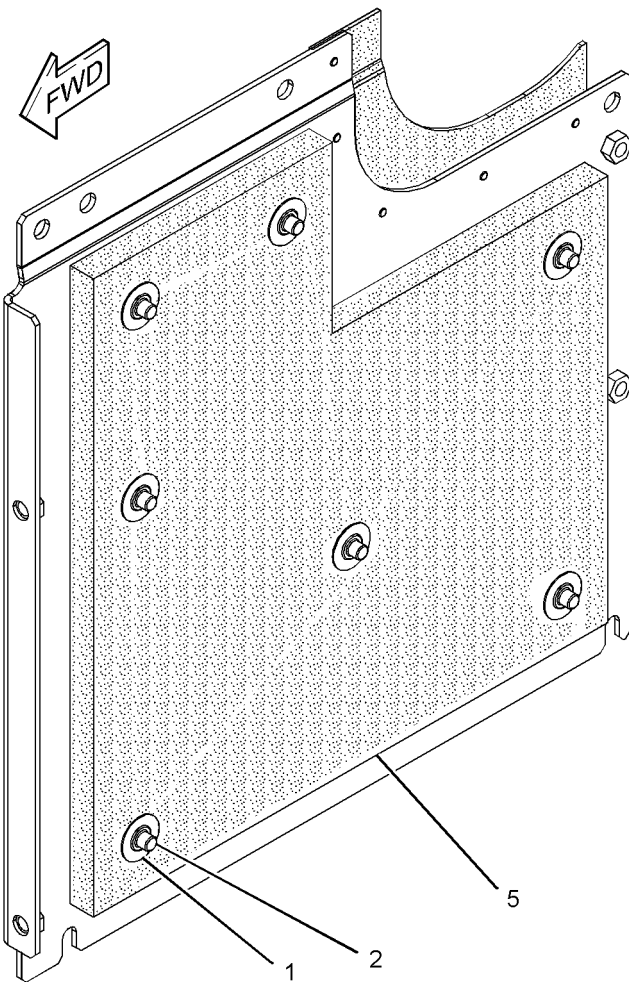
S/N: PAS1-UP

PART OF 320-5483 SUPPORT GP-HOOD

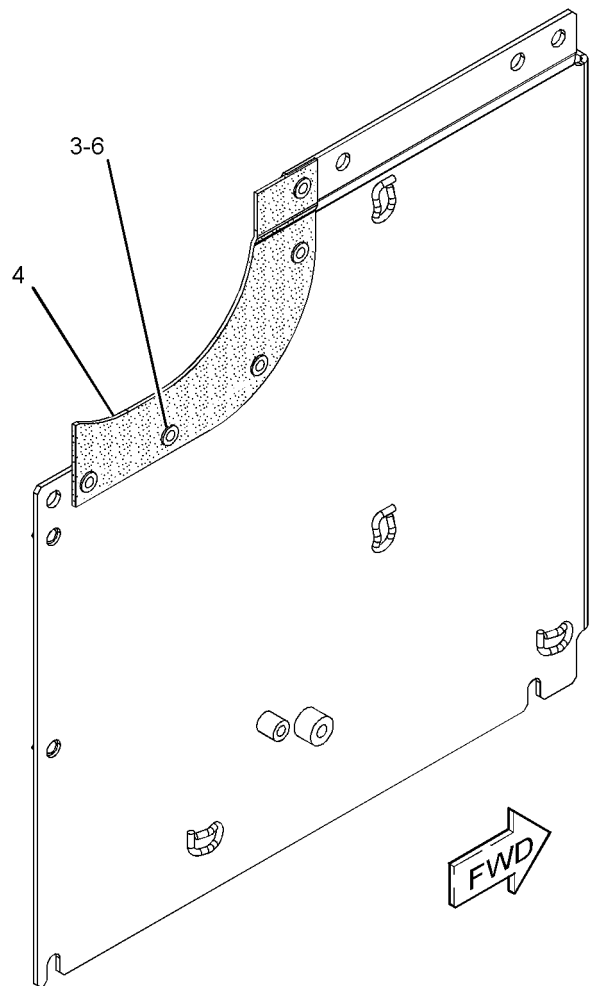
SMCS-1801, 7076, 7251, 7267

i03656529

NOTE	REF NO	GRAPHIC REF	PART NUMBER	QTY	PART NAME						SEE PAGE
					1	2	3	4	5	6 (PRODUCT LEVEL)	
	1	1	4I-7924	7	WASHER (4.5X40X1.2-MM THK)						
	2	1	6P-2216	7	CAP						
	3	1	9M-5732	5	RIVET-POP						
	4	1	236-3480	1	SHEET-RUBBER						
	5	1	241-2252	1	INSULATION						
	6	1	9M-2307	5	WASHER (5.2X19X2-MM THK)						



GRAPHIC #1



<END>

g02061576

FRAME AND BODY

256-1470 SUPPORT AS-ENCLOSURE-ENGINE

S/N: PAS1-UP

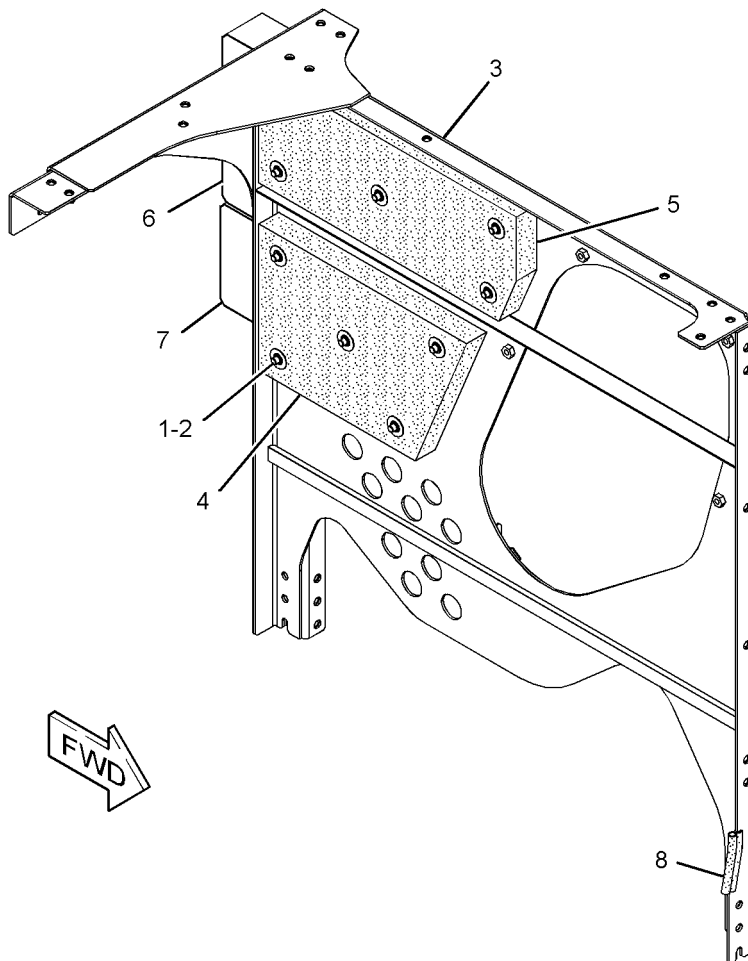
PART OF 320-5483 SUPPORT GP-HOOD

SMCS-0635, 1801, 7076, 7251, 7263, 7267, 7272, 7276

i02469735

NOTE	REF NO	GRAPHIC REF	PART NUMBER	QTY	PART NAME						SEE PAGE
					1	2	3	4	5	6 (PRODUCT LEVEL)	
	1	1	4I-7924	10	WASHER (4.5X40X1.2-MM THK)						
	2	1	6P-2216	10	CAP						
Z	3	1		1	SUPPORT AS						
	4	1	256-1481	1	INSULATION						
	5	1	256-1495	1	INSULATION						
	6	1	259-3482	1	LINER AS						
	7	1	259-3485	1	LINER AS						
D	8	1	5P-8309		SEAL (0.2-M)						

D-ORDER BY THE METER
Z-NOT SERVICED SEPARATELY



GRAPHIC #1

<END>

g01234327

FRAME AND BODY

293-6962 SUPPORT AS-ENCLOSURE-ENGINE HOOD, LH

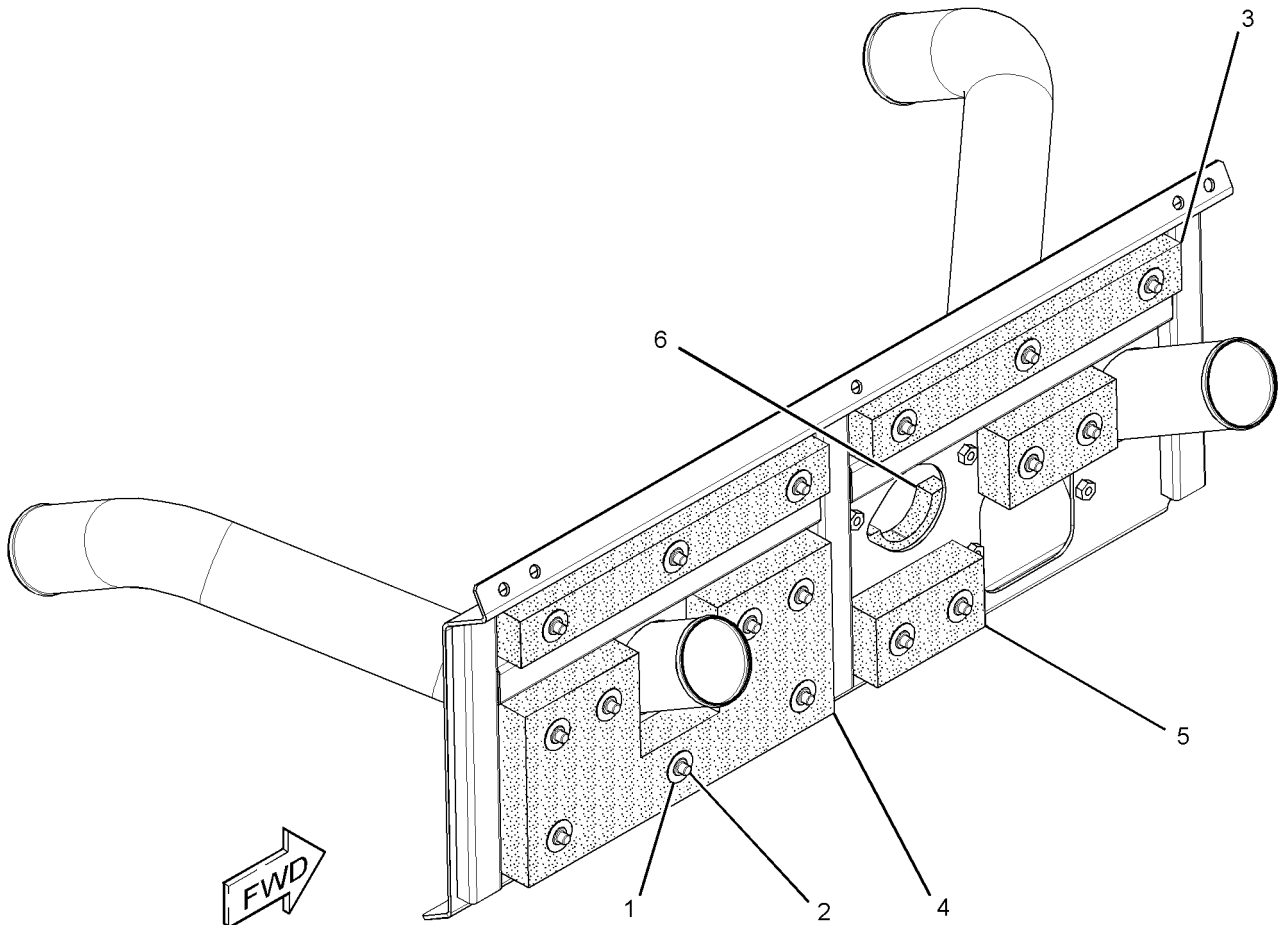
S/N: PAS1-UP

PART OF 320-5483 SUPPORT GP-HOOD

SMCS-0635, 1801, 7076, 7251, 7263, 7267, 7272, 7276

i02957164

NOTE	REF NO	GRAPHIC REF	PART NUMBER	QTY	PART NAME						SEE PAGE
					1	2	3	4	5	6 (PRODUCT LEVEL)	
	1	1	4I-7924	17	WASHER (4.5X40X1.2-MM THK)						
	2	1	6P-2216	17	CAP						
	3	1	256-1549	2	INSULATION						
	4	1	256-1550	1	INSULATION						
	5	1	256-1551	2	INSULATION						
	6	1	256-1552	1	LINER						



GRAPHIC #1

<END>

g01540773

FRAME AND BODY

298-3101 SUPPORT GP-HOOD

S/N: PAS1-UP

PART OF 293-6887 HOOD & GUARD GP

SMCS-7251

i03656544

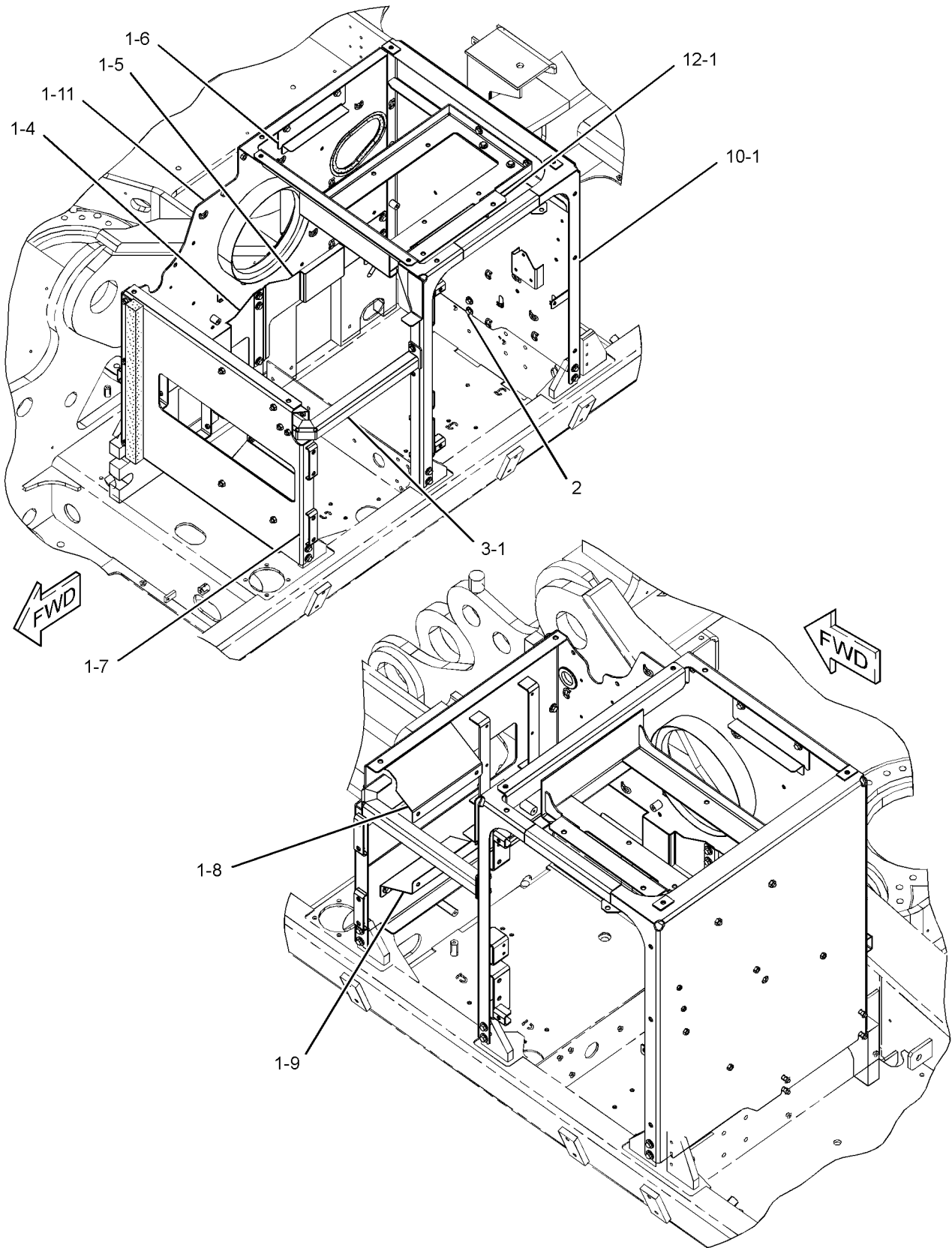
NOTE	REF NO	GRAPHIC REF	PART NUMBER	QTY	PART NAME						SEE PAGE
					1	2	3	4	5	6 (PRODUCT LEVEL)	
M	1	1	135-8575	35	BOLT AS						
M	2	1	135-8577	4	BOLT AS						
	3	1	248-9330	1	SUPPORT AS						
Y	4	1	250-4919	1	SHEET AS-SOUND SUPPRESSION						361
Y	5	1	250-4926	1	SHEET AS-SOUND SUPPRESSION						362
	6	1	250-4933	1	PLATE						
	7	1	298-3137	1	SUPPORT AS						
		1	115-8646	1	GUARD						
		1	248-9385	1	LINER						
	8	1	298-3139	1	SUPPORT AS						
	9	1	298-3140	1	SUPPORT AS						
	10	1	313-7796	1	SUPPORT AS						
		1	121-1029	2	CLIP						
	11	1	320-5408	1	SUPPORT AS						
D		1	5P-8309		SEAL (0.8-M)						
		1	099-4674	1	GROMMET						
		1	259-3944	1	LINER						
	12	1	320-5460	1	SUPPORT AS						

D-ORDER BY THE METER
M-METRIC PART
Y-SEPARATE ILLUSTRATION

FRAME AND BODY

298-3101 SUPPORT GP-HOOD (contd.)

i03656544



GRAPHIC #1

<END>

g02045013

FRAME AND BODY

320-5481 SUPPORT GP-HOOD

S/N: PAS1-UP

PART OF 293-6887 HOOD & GUARD GP

SMCS-7251

i03818890

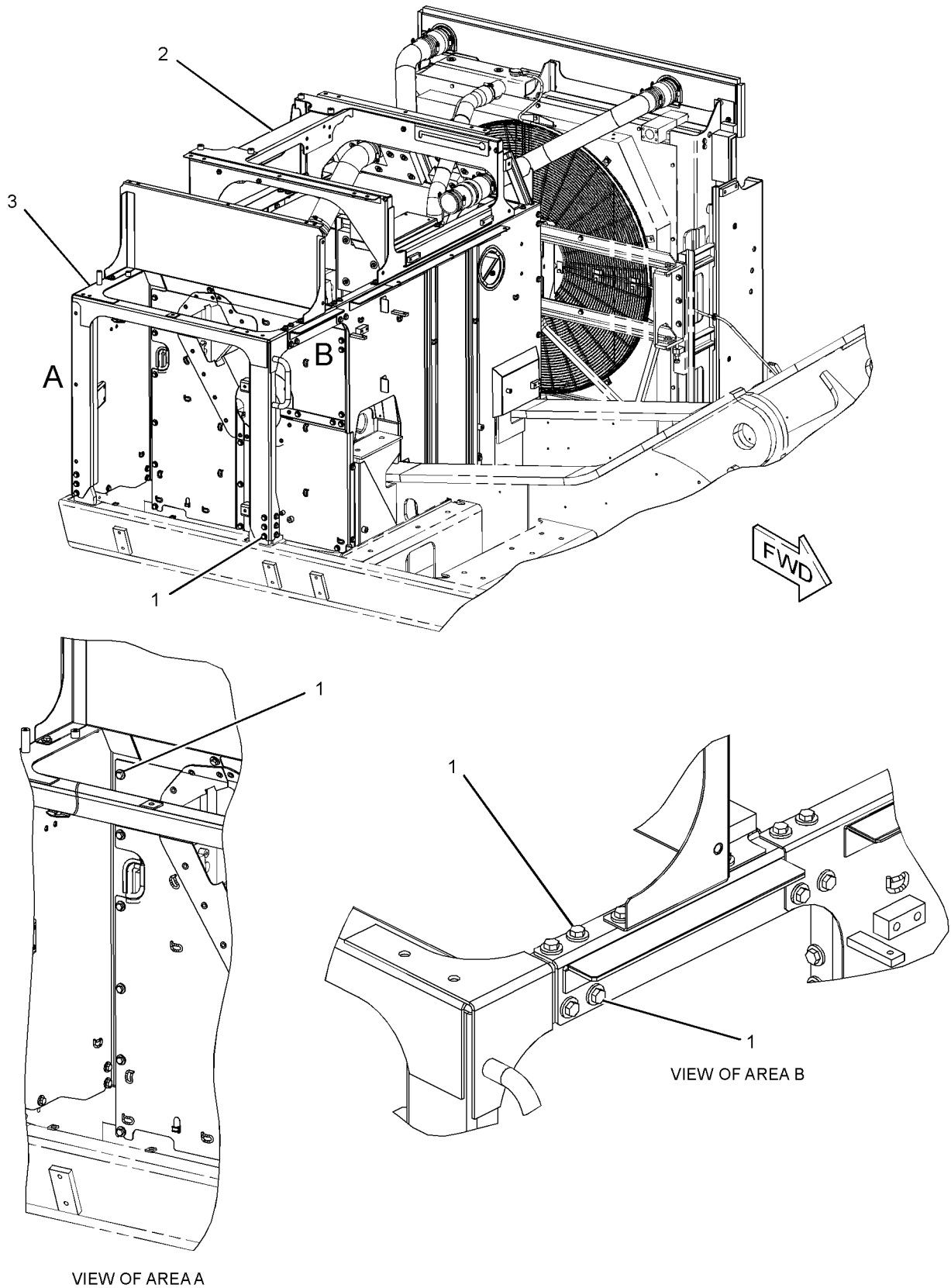
NOTE	REF NO	GRAPHIC REF	PART NUMBER	QTY	PART NAME						SEE PAGE
					1	2	3	4	5	6 (PRODUCT LEVEL)	
M	1	1	135-8575	32	BOLT AS						
Y	2	1	320-5483	1	SUPPORT GP-HOOD						374
	3	1	320-5486	1	SUPPORT AS						
D		1	5P-8309		SEAL (0.2-M)						

D-ORDER BY THE METER
M-METRIC PART
Y-SEPARATE ILLUSTRATION

FRAME AND BODY

320-5481 SUPPORT GP-HOOD (contd.)

i03818890



VIEW OF AREA A

VIEW OF AREA B

GRAPHIC #1

<END>

g02080413

FRAME AND BODY

320-5483 SUPPORT GP-HOOD

S/N: PAS1-UP

PART OF 320-5481 SUPPORT GP-HOOD

SMCS-7251

i03656527

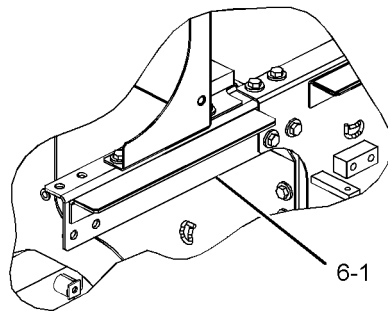
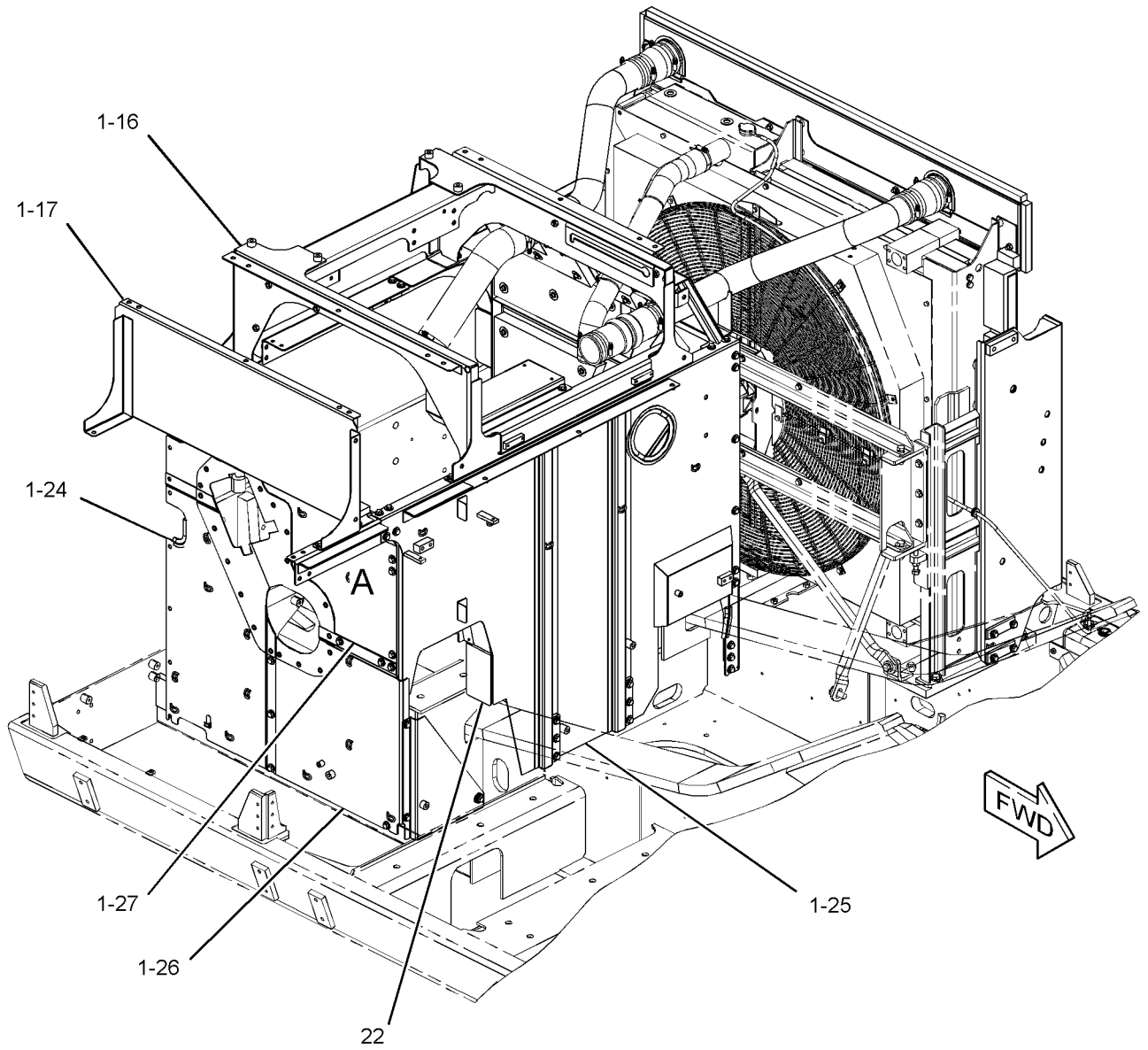
NOTE	REF NO	GRAPHIC REF	PART NUMBER	QTY	PART NAME						SEE PAGE
					1	2	3	4	5	6 (PRODUCT LEVEL)	
M	1	1,2	135-8575	105	BOLT AS						
	2	2	236-3621	1	SHEET AS						
	3	2	241-1975	1	SHEET AS						
	4	2	241-1983	1	SHEET						
Y	5	2	241-2211	1	PANEL GP-SOUND SUPPRESSION (TURBOCHARGER)						358
	6	1	250-5124	1	SUPPORT AS						
	7	2	250-5139	1	SHEET AS						
	8	2	256-1441	1	SUPPORT AS						
		2	256-1442	1	LINER						
		2	259-3488	1	LINER AS						
Y	9	2	256-1449	1	SHEET AS-SOUND SUPPRESSION (RADIATOR)						363
Y	10	2	256-1454	1	SHEET AS-SOUND SUPPRESSION (RADIATOR)						364
	11	2	256-1459	1	SUPPORT AS						
	12	2	256-1461	2	PLATE						
	13	2	256-1462	1	SHEET						
	14	2	256-1464	1	SHEET AS						
		2	256-1465	1	LINER						
Y	15	2	256-1470	1	SUPPORT AS-ENCLOSURE (ENGINE)						368
	16	1	256-1482	1	SUPPORT AS						
Y	17	1	256-1496	1	PANEL GP-SOUND SUPPRESSION (PUMP COMPARTMENT, UPPER)						359
	18	2	256-1658	1	SUPPORT AS						
		2	256-1443	2	LINER						
		2	259-3491	1	LINER AS						
	19	2	256-1717	1	SHEET AS						
		2	256-1552	1	LINER						
		2	256-1718	1	SHEET						
	20	2	259-3501	1	LINER AS						
	21	2	259-3504	1	LINER						
	22	1	259-3794	1	SHEET AS						
Y	23	2	293-6962	1	SUPPORT AS-ENCLOSURE (ENGINE HOOD, LH)						369
Y	24	1	320-5484	1	SHEET AS-SOUND SUPPRESSION						365
Y	25	1	327-3154	1	SHEET AS-SOUND SUPPRESSION						366
Y	26	1	327-3156	1	SHEET AS-SOUND SUPPRESSION (PUMP COMPARTMENT)						367
Y	27	1	333-5156	1	PANEL GP-SOUND SUPPRESSION (PUMP COMPARTMENT, UPPER)						360
	28	2	5P-1076	10	WASHER-HARD (13.5X30X4-MM THK)						
	29	2	7Y-2853	1	SPACER (13X38X5-MM THK)						
	30	2	7Y-2854	1	SPACER (24X38X3-MM THK)						
M	31	2	8T-4194	10	BOLT (M12X1.75X50-MM)						

M-METRIC PART
Y-SEPARATE ILLUSTRATION

FRAME AND BODY

320-5483 SUPPORT GP-HOOD (contd.)

i03656527



VIEW OF AREA A

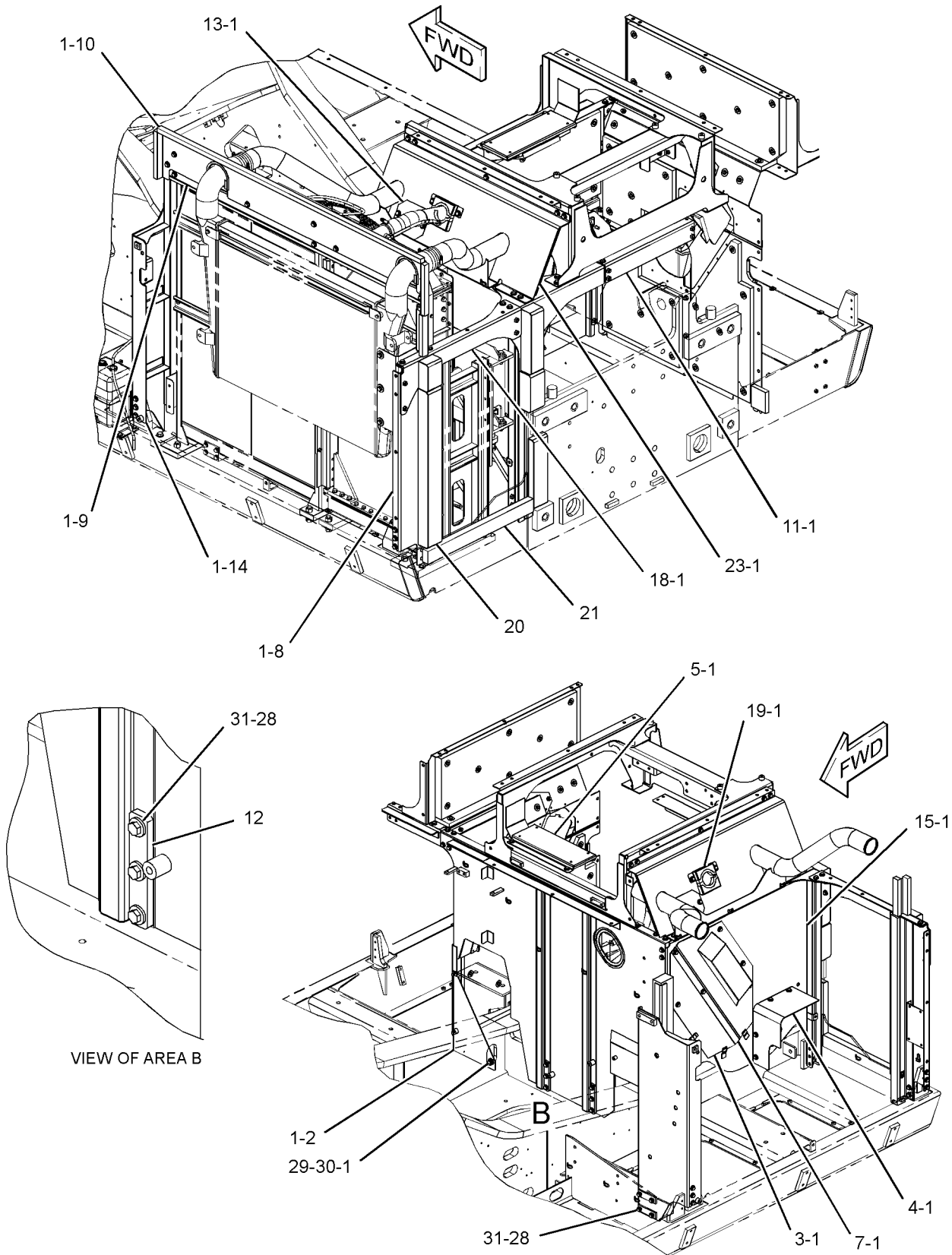
GRAPHIC #1

g02059674

FRAME AND BODY

320-5483 SUPPORT GP-HOOD (contd.)

i03656527



GRAPHIC #2

<END>

g02059886

FRAME AND BODY

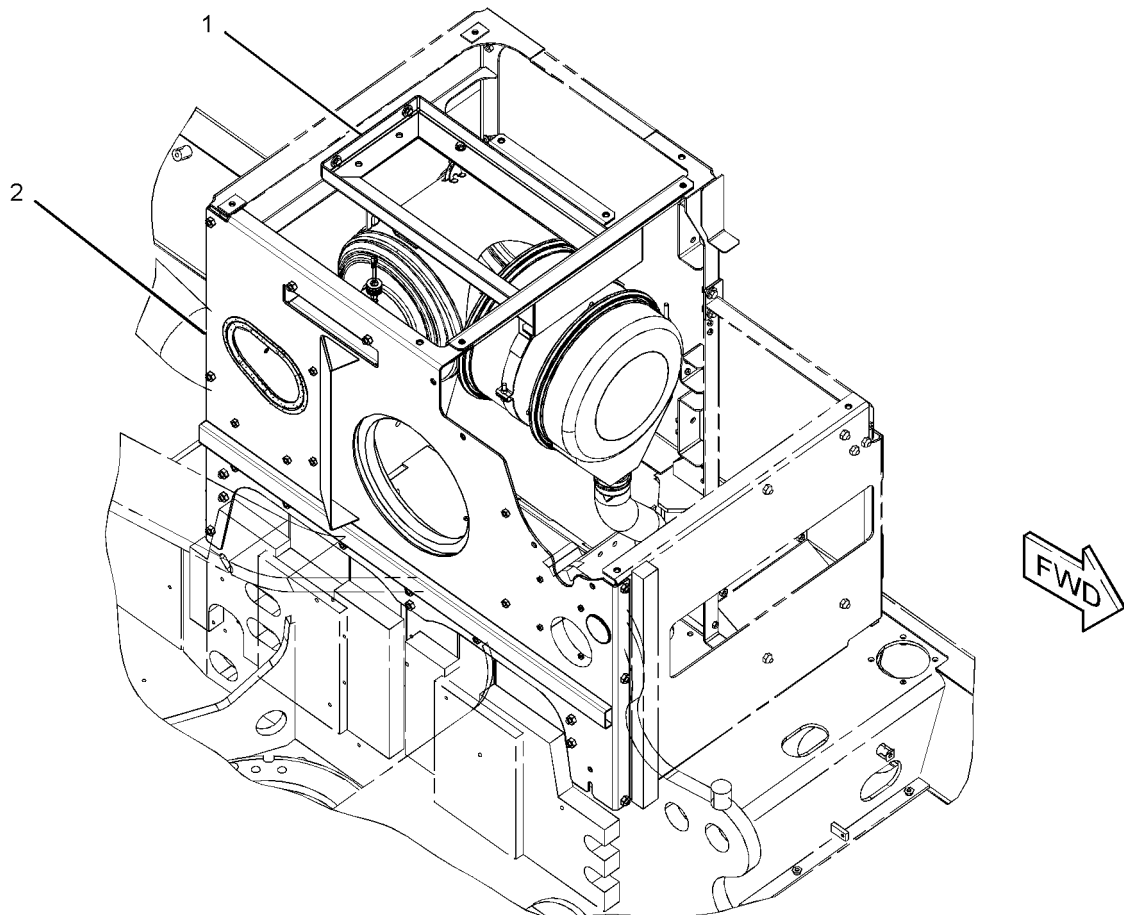
320-5464 SUPPORT GP-PRECLEANER

S/N: PAS1-UP
 PART OF 319-9127 AIR CLEANER AR
 AN ATTACHMENT

SMCS-1055

i03657017

NOTE	REF NO	GRAPHIC REF	PART NUMBER	QTY	PART NAME						SEE PAGE
					1	2	3	4	5	6 (PRODUCT LEVEL)	
	1	1	236-3506	1	SUPPORT AS						
	2	1	262-2517	1	SUPPORT AS						
		1	099-4674	1	GROMMET						
		1	259-3944	1	LINER						



GRAPHIC #1

<END>

g02042301

FRAME AND BODY

307-7993 WALKWAY GP

S/N: PAS1-UP

PART OF 294-1232 CHASSIS AR

SMCS-7255

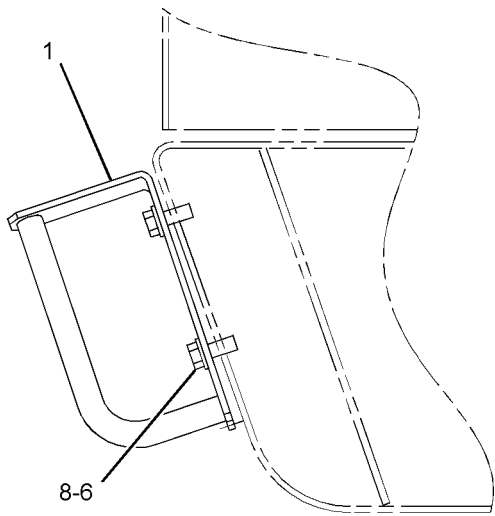
i03656428

NOTE	REF NO	GRAPHIC REF	PART NUMBER	QTY	PART NAME						SEE PAGE
					1	2	3	4	5	6 (PRODUCT LEVEL)	
	1	1	170-2999	1	HANDRAIL AS						
	2	1	307-8122	1	WALKWAY AS						
	3	1	313-7824	2	WALKWAY AS						
	4	1	313-7826	1	WALKWAY AS						
	5	1	3E-9411	22	WASHER-HARD (17.5X38X6-MM THK)						
M	6	1	8T-4139	2	BOLT (M12X1.75X30-MM)						
M	7	1	8T-4190	22	BOLT (M16X2X25-MM)						
	8	1	8T-4223	2	WASHER-HARD (13.5X25.5X3-MM THK)						
M-METRIC PART											

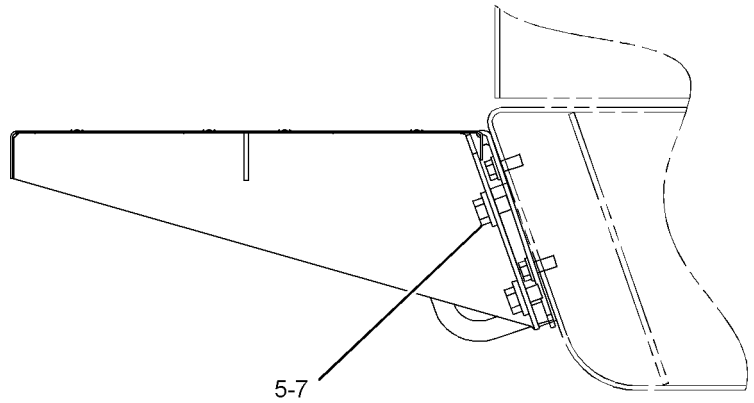
FRAME AND BODY

307-7993 WALKWAY GP (contd.)

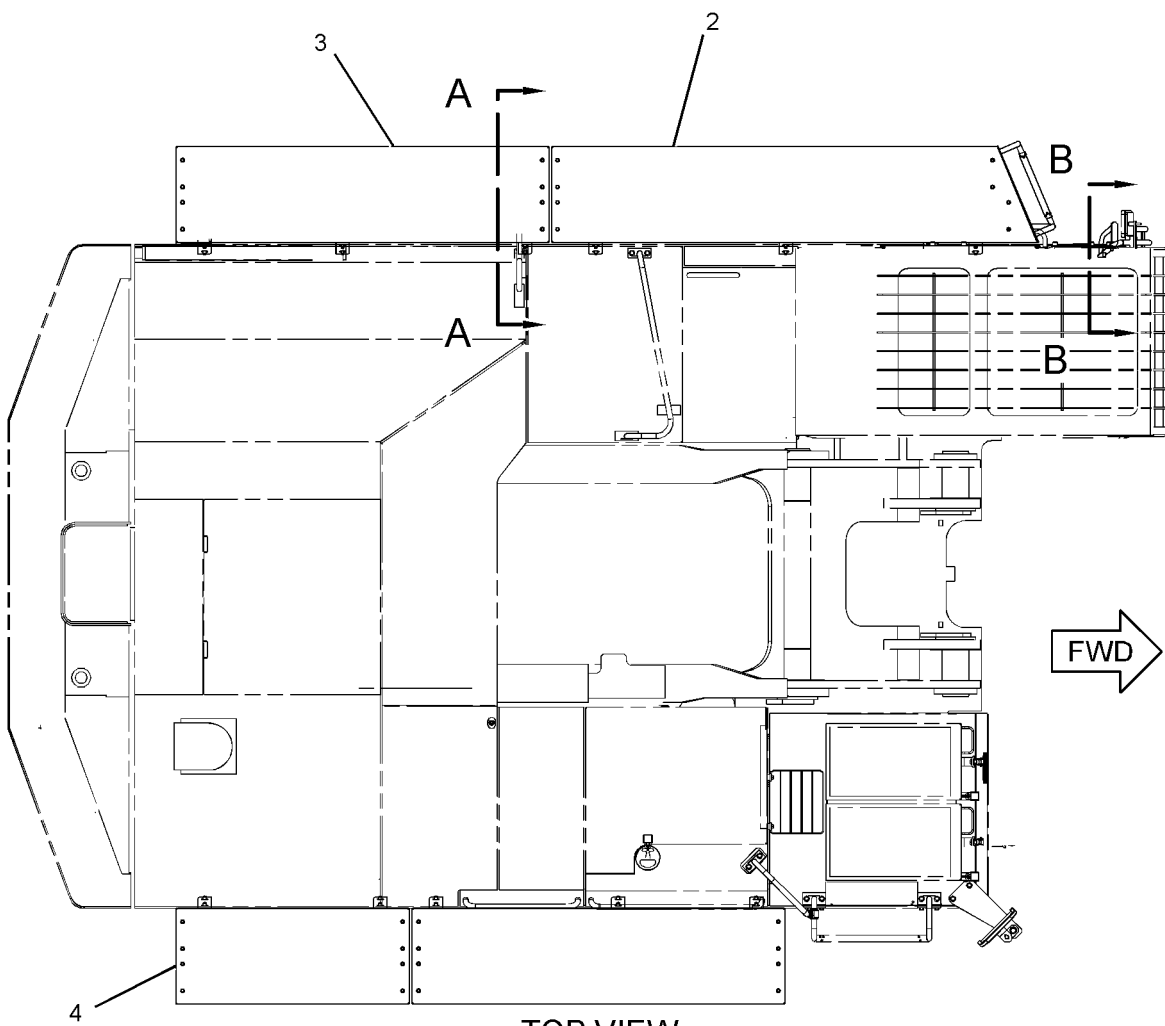
i03656428



VIEW B-B



SECTION A-A



TOP VIEW

GRAPHIC #1

<END>

g02043573

UNDERCARRIAGE

297-9153 ADJUSTMENT GP-HYDRAULIC TRACK

S/N: PAS1-UP

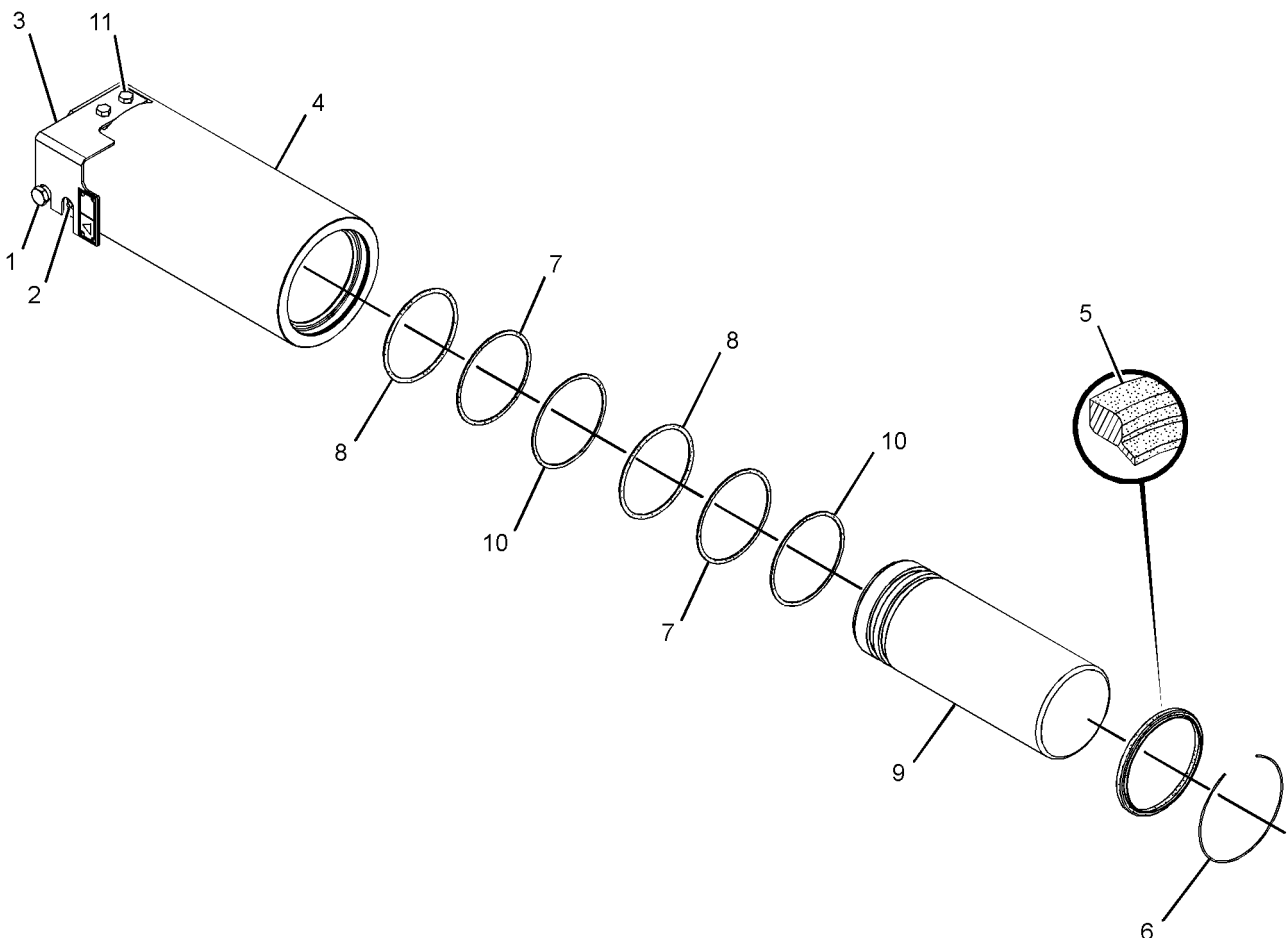
PART OF 297-9174 IDLER GP-FRONT

SMCS-4157

i02991840

NOTE	REF NO	GRAPHIC REF	PART NUMBER	QTY	PART NAME						SEE PAGE
					1	2	3	4	5	6 (PRODUCT LEVEL)	
	1	1	2S-5926	1	VALVE-RELIEF						
	2	1	095-2927	1	VALVE-FILL						
	3	1	<i>136-2439</i>	1	PLATE AS						
		1	4B-4158	4	SCREW-DRIVE (NO 4X0.25-IN)						
		1	136-2440	1	PLATE						
		1	253-1346	1	PLATE-WARNING (HIGH PRESSURE CYLINDER)						
	4	1	136-2441	1	CYLINDER						
	5	1	136-2443	1	SEAL-LIP TYPE						
	6	1	136-2444	1	RING						
	7	1	136-2445	2	RING-BACKUP						
	8	1	248-7179	2	SEAL-O-RING						
	9	1	297-9158	1	PISTON						
	10	1	7Y-4633	2	RING-BACKUP						
M	11	1	8T-4191	2	BOLT (M10X1.5X16-MM)						

M-METRIC PART



GRAPHIC #1

<END>

g01424975

UNDERCARRIAGE

294-1299 FRAME AR-UNDERCARRIAGE

S/N: PAS1-UP

PART OF 294-1200 GENERAL AR

SMCS-4151

i03655245

NOTE	PART NUMBER	QTY	PART NAME						SEE PAGE
			1	2	3	4	5	6 (PRODUCT LEVEL)	
Y	308-8758	1	FRAME	GP	UNDERCARRIAGE				382
Y	296-6176	1	GEAR & BEARING	GP	SWING				338
Y	284-7291	1	GUARD	GP	SWIVEL				341
Y	308-8762	1	GUARD	GP	TRAVEL MOTOR				386
Y	297-9174	1	IDLER	GP	FRONT				387
Y	248-7285	1	ROLLER	AR	TRACK & CARRIER				391

Y-SEPARATE ILLUSTRATION

<END>

UNDERCARRIAGE

308-8758 FRAME GP-UNDERCARRIAGE

S/N: PAS1-UP

PART OF 294-1299 FRAME AR-UNDERCARRIAGE

SMCS-4150

i03655521

NOTE	REF NO	GRAPHIC REF	PART NUMBER	QTY	PART NAME						SEE PAGE
					1	2	3	4	5	6 (PRODUCT LEVEL)	
H	1	1	104-8147	24	PLUG						
J	2	1	109-8506	36	SPACER (37X70X50-MM THK)						
	3	1	308-8759	1	FRAME AS-CARBODY						
	4	1	308-8760	1	FRAME AS-TRACK ROLLER (RH)						
	4A	1	158-3864	1	BRACKET						
	4B	1	146-4647	2	BRACKET						
	5	1	308-8761	1	FRAME AS-TRACK ROLLER (LH)						
	5A	1	158-3864	1	BRACKET						
	5B	1	146-4647	2	BRACKET						
	6	1	308-8957	4	PLATE						
	7	1	346-7268	3	STEP						
	8	1	346-7269	1	STEP AS						
JM	9	1	147-2001	8	BOLT (M36X4X100-MM)						
M	10	1	160-6513	4	BOLT (M36X4X80-MM)						
M	11	1	7X-2552	8	BOLT (M16X2X30-MM)						
M	12	1	7X-2563	24	BOLT (M20X2.5X60-MM)						
JM	13	1	7Y-5245	48	BOLT (M36X4X150-MM)						
	14	1	7Y-8942	2	PLATE						
	15	1	8T-4123	24	WASHER (22X35X3.5-MM THK)						
	16	1	9X-8257	8	WASHER (17.5X30X3.5-MM THK)						
J	17	1	9X-8259	24	WASHER (39X66X6-MM THK)						

H-USE TO PLUG UNUSED BOLT HOLES WHEN IN TRANSPORTATION STYLE

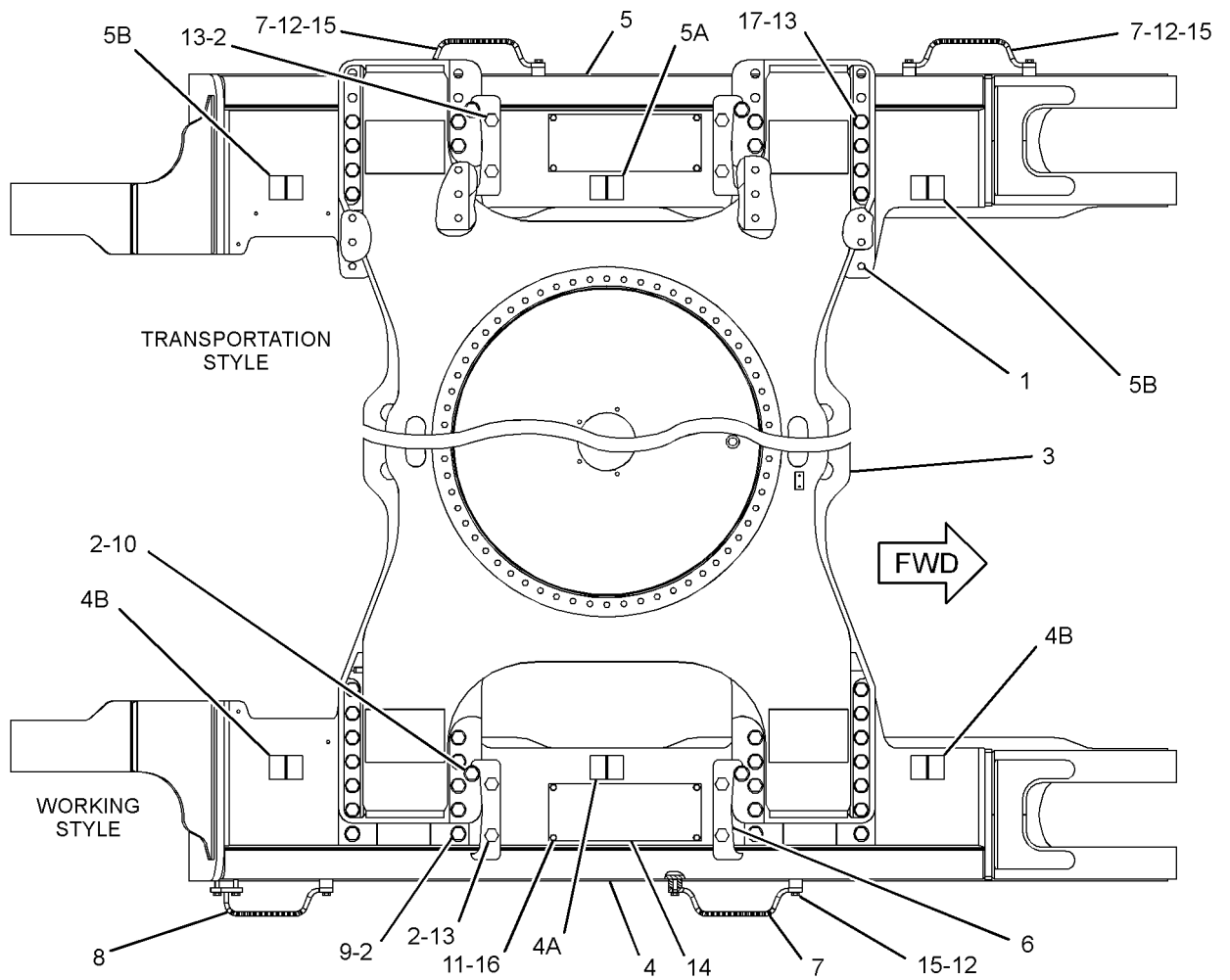
J-TOTAL QUANTITIES REQUIRED FOR USE WITH WORKING STYLE

M-METRIC PART

UNDERCARRIAGE

308-8758 FRAME GP-UNDERCARRIAGE (contd.)

i0365521



GRAPHIC #1

<END>

g02059244

UNDERCARRIAGE

141-3748 GUARD GP-TRACK GUIDE-CENTER

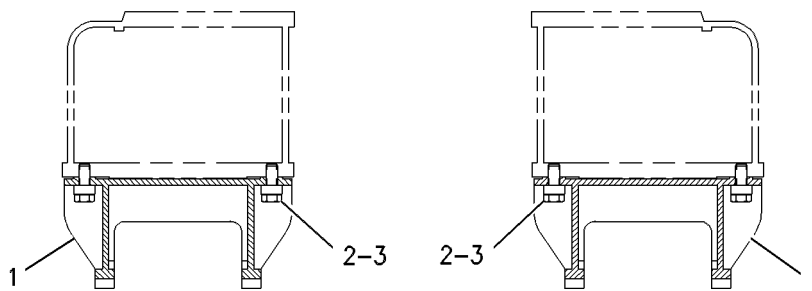
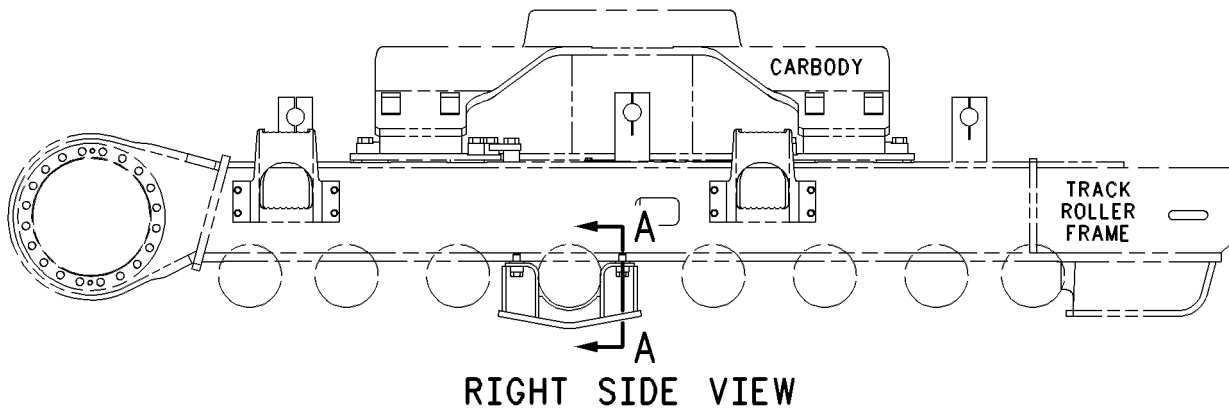
S/N: PAS1-UP
 CANNOT BE USED WITH 141-3751-PAGE 385
 AN ATTACHMENT

SMCS-4177

i01836583

NOTE	REF NO	GRAPHIC REF	PART NUMBER	QTY	PART NAME						SEE PAGE
					1	2	3	4	5	6 (PRODUCT LEVEL)	
	1	1	148-3095	2	GUARD AS-TRACK GUIDE						
M	2	1	8C-8723	8	BOLT (M30X3.5X80MM)						
	3	1	148-3111	8	SPACER (30.5X55.X24MM THK)						

M-METRIC PART



SECTION A-A

GRAPHIC #1

<END>

g00533758

UNDERCARRIAGE

141-3751 GUARD GP-TRACK GUIDE-FULL LENGTH

S/N: PAS1-UP

CANNOT BE USED WITH 141-3748-PAGE 384

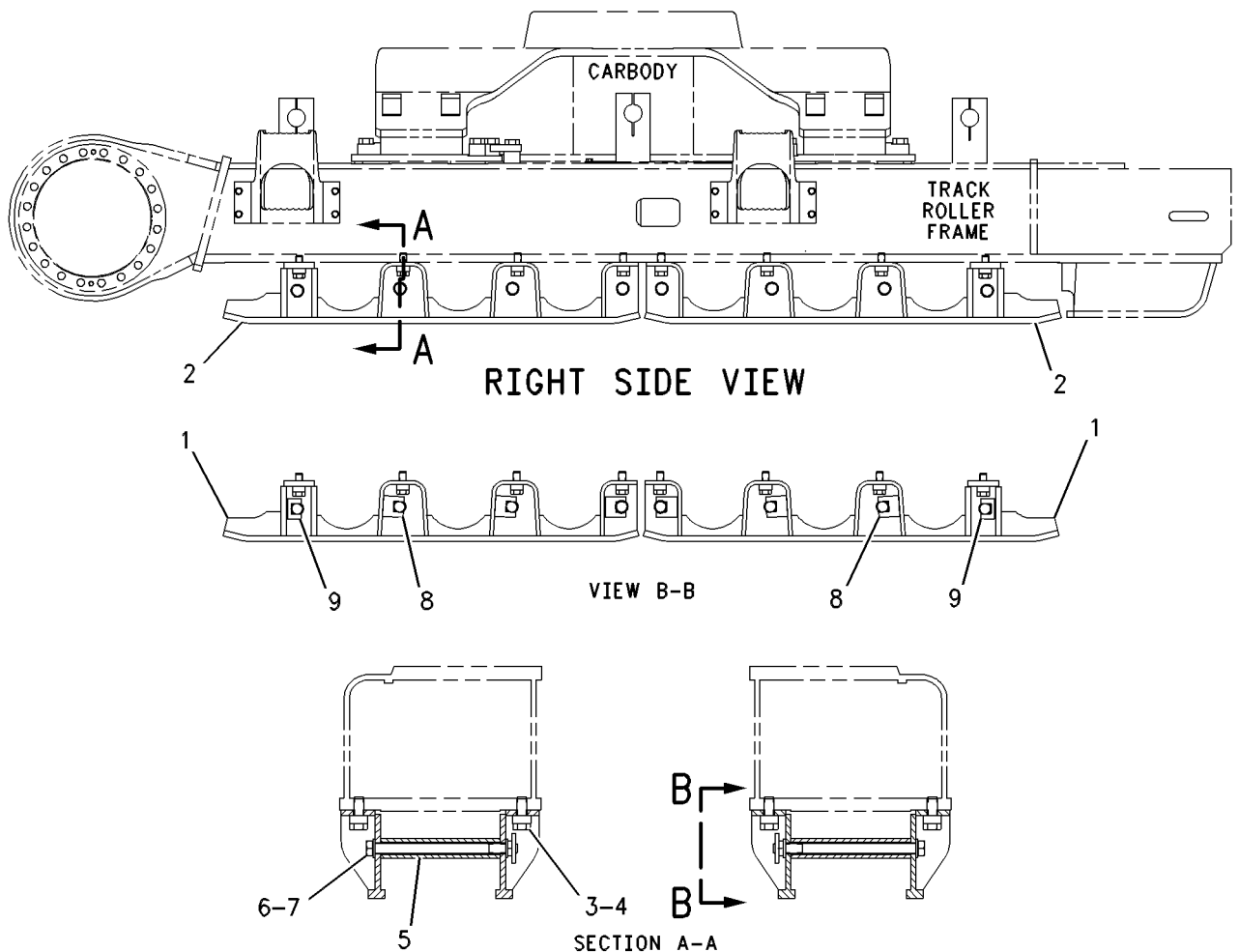
AN ATTACHMENT

SMCS-4177

i01836665

NOTE	REF NO	GRAPHIC REF	PART NUMBER	QTY	PART NAME						SEE PAGE
					1	2	3	4	5	6 (PRODUCT LEVEL)	
	1	1	148-3124	4	GUARD AS-TRACK GUIDE (INNER, RH; OUTER, LH)						
	2	1	148-3104	4	GUARD AS-TRACK GUIDE (OUTER, RH; INNER, LH)						
M	3	1	8C-8723	32	BOLT (M30X3.5X80-MM)						
	4	1	148-3111	32	SPACER (30X55X24-MM) (30.5X55.X24.MM THK)						
	5	1	7Y-2914	16	PIPE						
M	6	1	105-6203	16	BOLT (M30X3.5X435-MM)						
	7	1	9X-8258	32	WASHER (33X56X6-MM THK)						
	8	1	101-2162	12	SUPPORT AS						
	9	1	101-2160	4	SUPPORT AS						

M-METRIC PART



GRAPHIC #1

<END>

g00534838

UNDERCARRIAGE

308-8762 GUARD GP-TRAVEL MOTOR

S/N: PAS1-UP

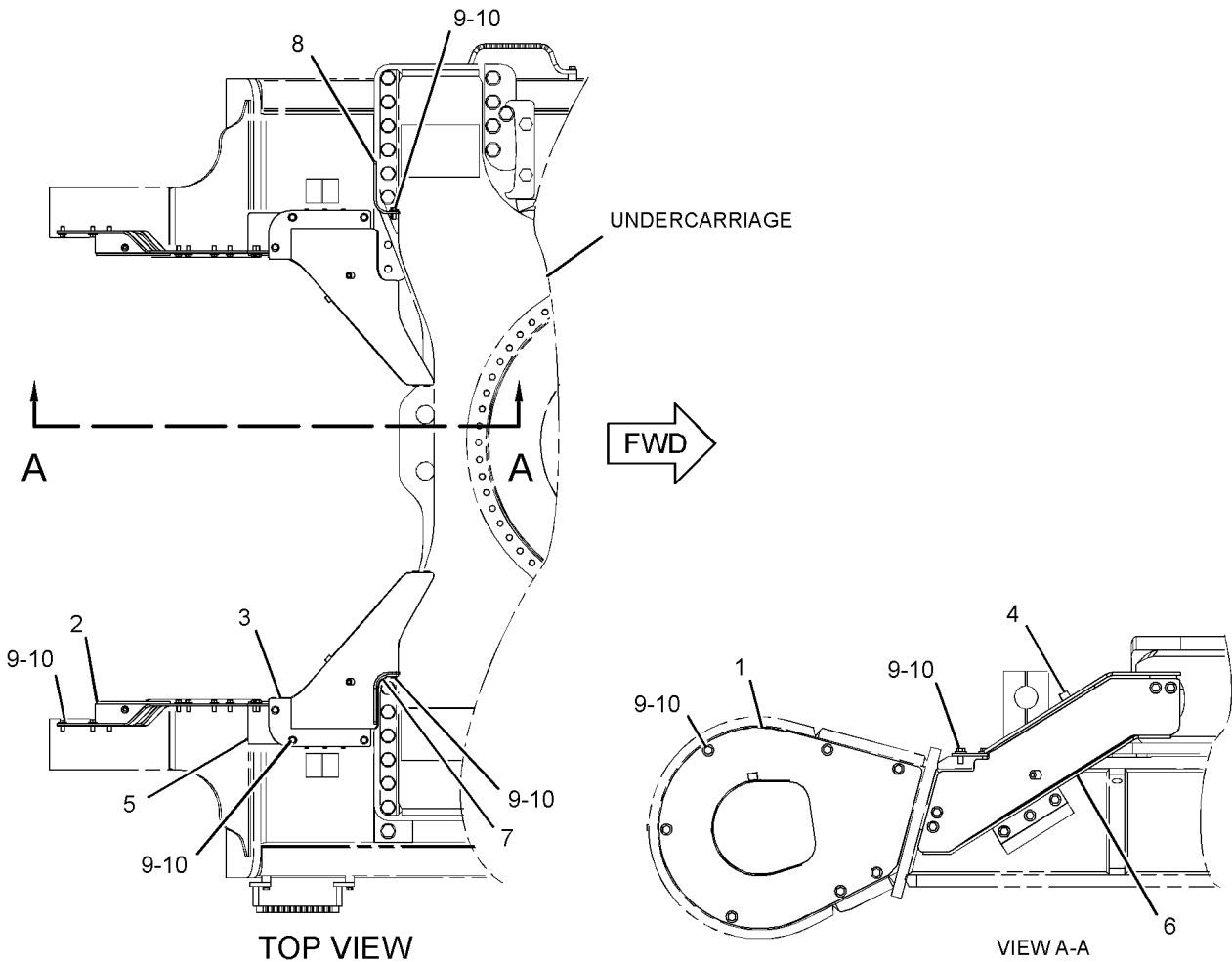
PART OF 294-1299 FRAME AR-UNDERCARRIAGE

SMCS-7163

i03655501

NOTE	REF NO	GRAPHIC REF	PART NUMBER	QTY	PART NAME						SEE PAGE
					1	2	3	4	5	6 (PRODUCT LEVEL)	
	1	1	186-5605	1	COVER AS						
	2	1	186-5608	1	COVER AS						
	3	1	308-8987	1	COVER AS						
	4	1	308-8988	1	COVER AS						
	5	1	308-8989	1	COVER AS						
	6	1	308-8990	1	COVER AS						
	7	1	330-2783	1	PLATE						
	8	1	330-2784	1	PLATE						
M	9	1	100-3866	38	BOLT-SELF-LOCKING (M16X2X40-MM)						
	10	1	3E-9411	38	WASHER-HARD (17.5X38X6-MM THK)						

M-METRIC PART



GRAPHIC #1

<END>

g02120320

UNDERCARRIAGE

297-9174 IDLER GP-FRONT-HEAVY-DUTY

S/N: PAS1-UP

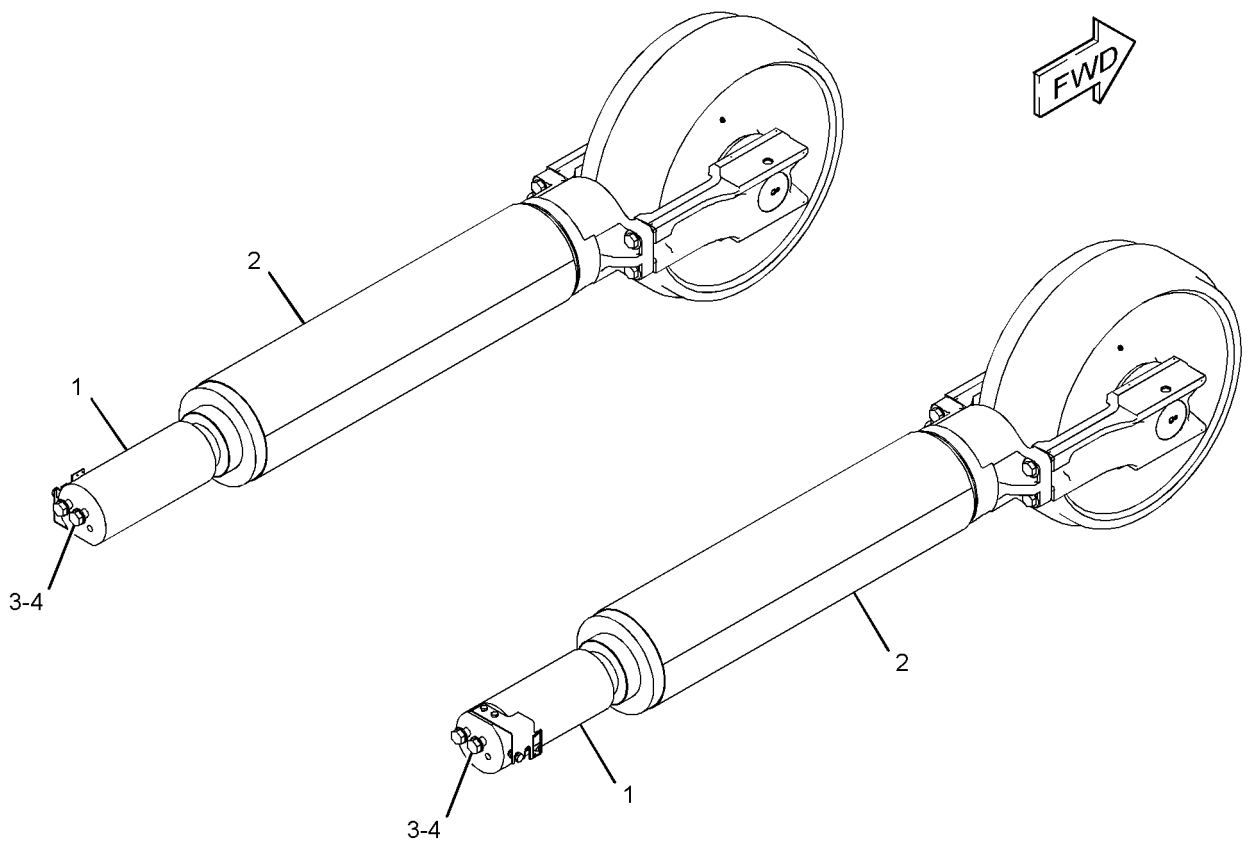
PART OF 294-1299 FRAME AR-UNDERCARRIAGE

SMCS-4159

i03655529

NOTE	REF NO	GRAPHIC REF	PART NUMBER	QTY	PART NAME						SEE PAGE
					1	2	3	4	5	6 (PRODUCT LEVEL)	
Y	1	1	297-9153	2	ADJUSTMENT GP-HYDRAULIC TRACK						380
Y	2	1	340-8249	2	IDLER GP-FRONT						388
	3	1	8T-4167	4	WASHER-HARD (26X44X4-MM THK)						
M	4	1	8T-5878	4	BOLT (M24X3X80-MM)						

M-METRIC PART
Y-SEPARATE ILLUSTRATION



GRAPHIC #1

<END>

g02126489

UNDERCARRIAGE

340-8249 IDLER GP-FRONT-HEAVY-DUTY

S/N: PAS1-UP

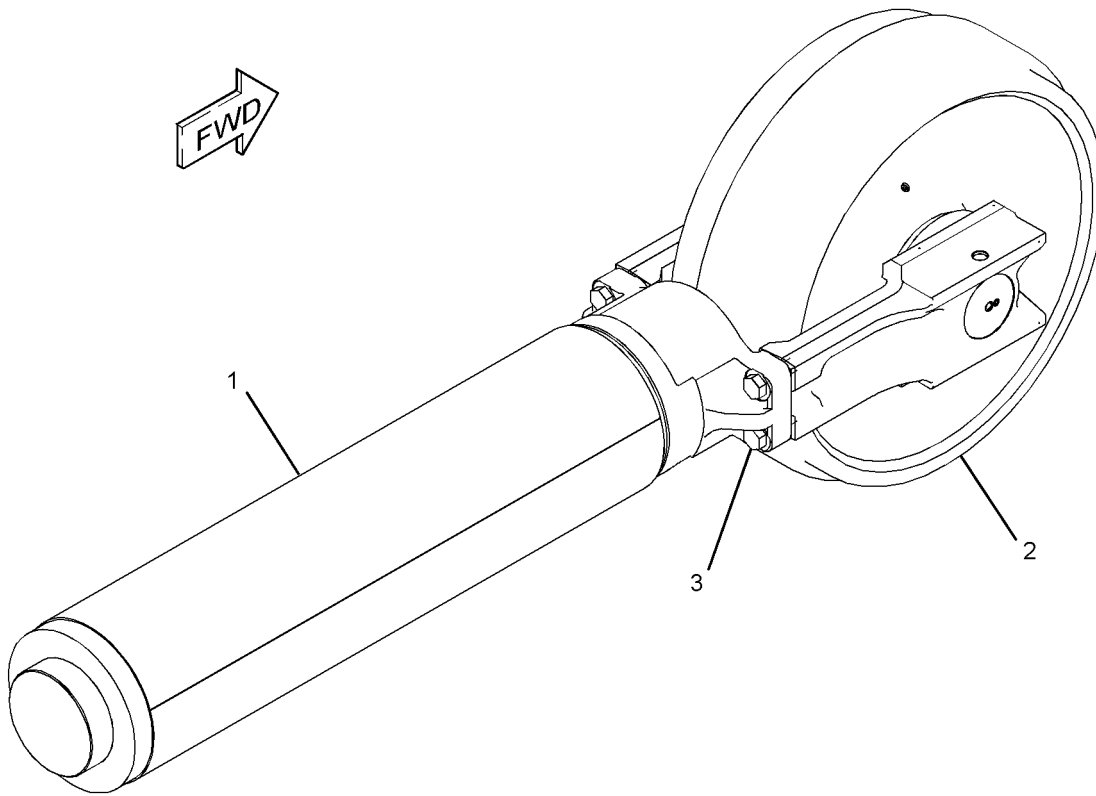
PART OF 297-9174 IDLER GP-FRONT

SMCS-4159

i03879476

NOTE	REF NO	GRAPHIC REF	PART NUMBER	QTY	PART NAME						SEE PAGE
					1	2	3	4	5	6 (PRODUCT LEVEL)	
Y	1	1	297-9176	1	SPRING GP-RECOIL						397
Y	2	1	340-8250	1	IDLER GP-FRONT						389
M	3	1	8T-5878	4	BOLT (M24X3X80-MM)						

M-METRIC PART
Y-SEPARATE ILLUSTRATION



GRAPHIC #1

<END>

g02126493

UNDERCARRIAGE

340-8250 IDLER GP-FRONT

S/N: PAS1-UP

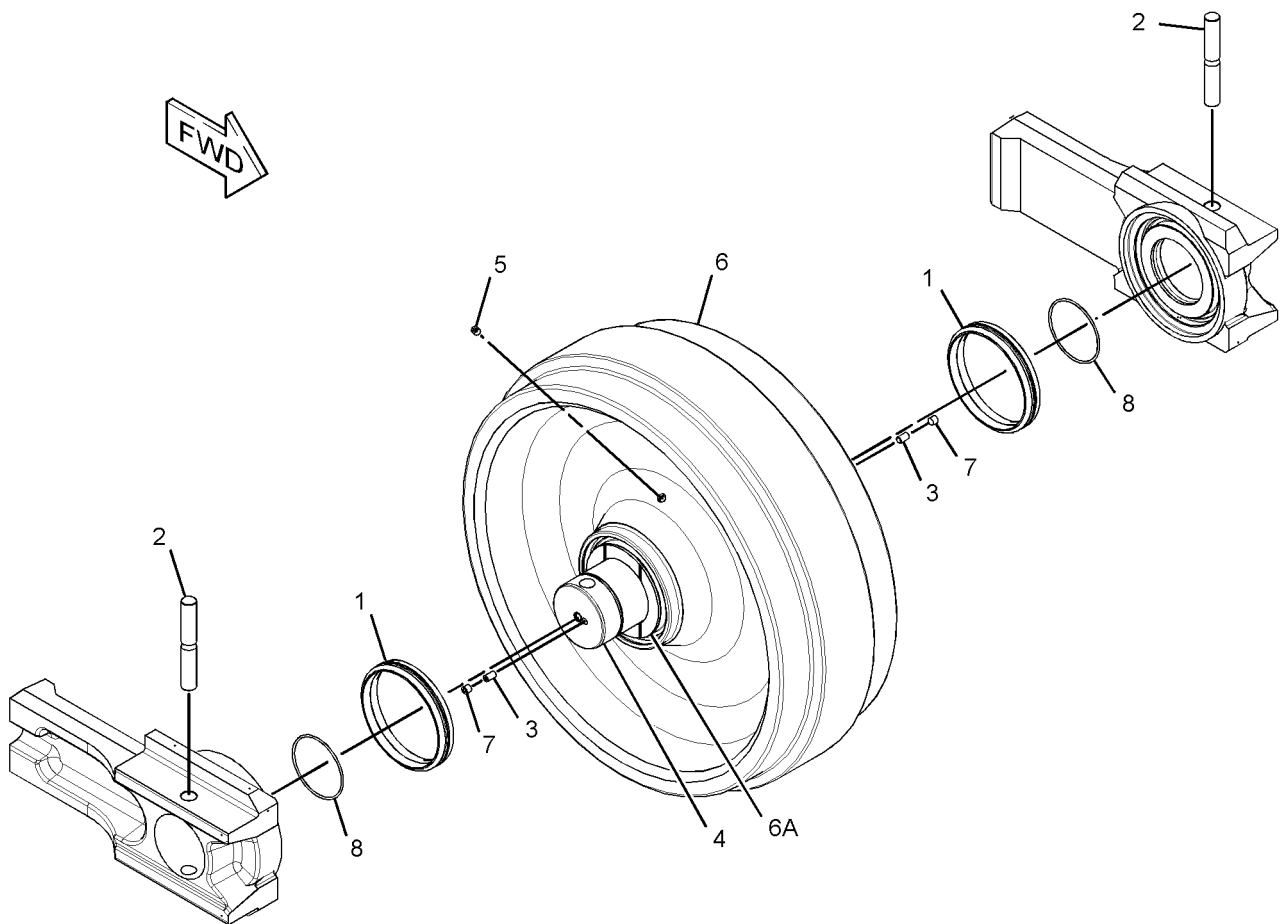
PART OF 340-8249 IDLER GP-FRONT

SMCS-4159

i03879528

NOTE	REF NO	GRAPHIC REF	PART NUMBER	QTY	PART NAME						SEE PAGE
					1	2	3	4	5	6 (PRODUCT LEVEL)	
	1	1	109-0861	2	SEAL GP-DUO-CONE						
	2	1	194-1155	2	PIN						
	3	1	194-1162	2	DOWEL						
	4	1	293-8218	1	SHAFT-IDLER						
	5	1	9W-2146	1	PLUG						
	6	1	352-3735	1	IDLER & BEARING AS						
	6A	1	6Y-7599	2	BEARING-IDLER						
	7	1	102-0883	2	PLUG-PIPE						
	8	1	2H-3928	2	SEAL-O-RING						

PARTS SHOWN IN GRAPHIC(S) WITHOUT A REFERENCE NUMBER ARE NOT SERVICED SEPARATELY



GRAPHIC #1

<END>

g02126499

UNDERCARRIAGE

294-3060 LINK AS-TRACK

S/N: PAS1-UP

GREASE LUBRICATED TRACK, POSITIVE PIN RETENTION

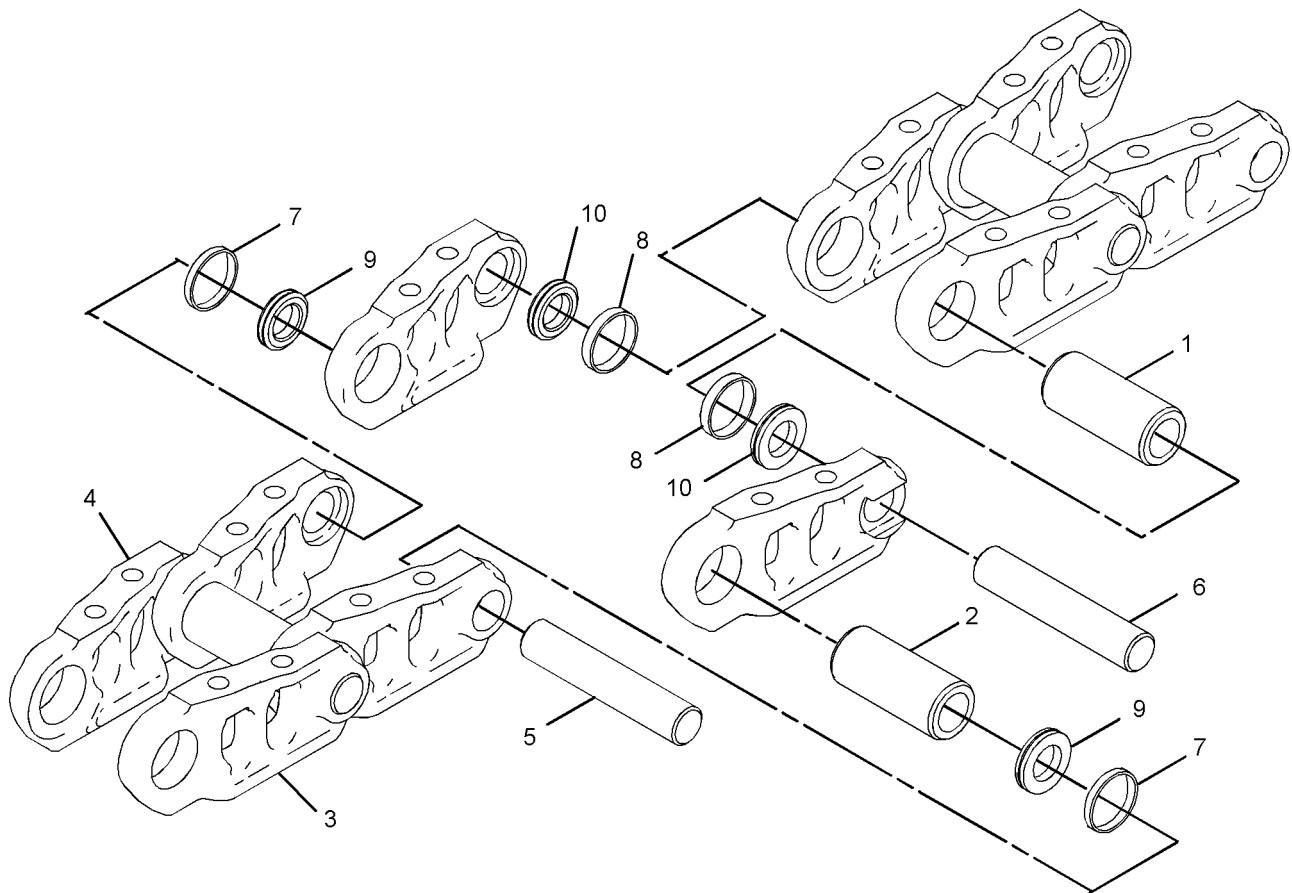
PART OF 298-6017, 301-2302, 301-2304, 301-2308 TRACK GP
AN ATTACHMENT

SMCS-4169, 4171

i02872006

NOTE	REF NO	GRAPHIC REF	PART NUMBER	QTY	PART NAME						SEE PAGE
					1	2	3	4	5	6 (PRODUCT LEVEL)	
1		1	245-3806	1	BUSHING-MASTER						
2		1	245-3805	46	BUSHING-TRACK						
3		1	296-4361	47	LINK-TRACK (RH)						
4		1	296-4362	47	LINK-TRACK (LH)						
5		1	294-3061	46	PIN-TRACK						
6		1	294-3062	1	PIN-TRACK (MASTER)						
7		1	2P-9419	92	RING-THRUST						
8		1	245-3808	2	RING-THRUST (MASTER)						
9		1	248-1537	92	SEAL AS						
10		1	244-8697	2	SEAL AS (MASTER)						

PARTS SHOWN IN GRAPHIC(S) WITHOUT A REFERENCE NUMBER ARE NOT SERVICED SEPARATELY



GRAPHIC #1

<END>

g01553873

UNDERCARRIAGE

248-7285 ROLLER AR-TRACK & CARRIER

S/N: PAS1-UP

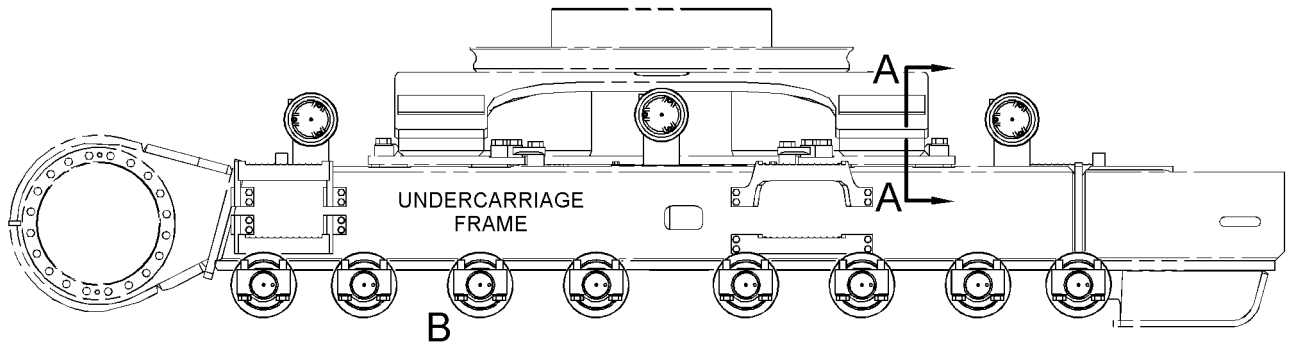
PART OF 294-1299 FRAME AR-UNDERCARRIAGE

SMCS-4154, 4180

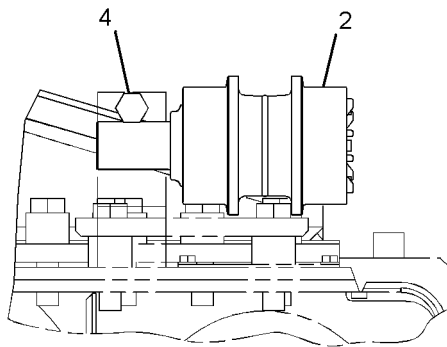
i03625593

NOTE	REF NO	GRAPHIC REF	PART NUMBER	QTY	PART NAME						SEE PAGE
					1	2	3	4	5	6 (PRODUCT LEVEL)	
Y	1	1	178-7288	16	ROLLER GP-TRACK-SINGLE FLANGE						395
Y	2	1	300-4611	6	ROLLER GP-TRACK CARRIER						393
M	3	1	107-3953	64	BOLT (M30X3.5X150-MM)						
M	4	1	7X-2584	6	BOLT (M30X3.5X140-MM)						
	5	1	9X-8258	64	WASHER (33X56X6-MM THK)						

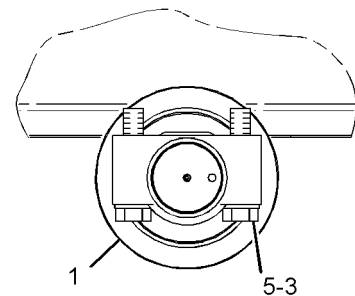
M-METRIC PART
Y-SEPARATE ILLUSTRATION



RIGHT SIDE VIEW



VIEW A-A



VIEW OF AREA B

GRAPHIC #1

<END>

g01946231

UNDERCARRIAGE

248-7303 ROLLER AR-TRACK & CARRIER

S/N: PAS1-UP
AN ATTACHMENT

SMCS-4154, 4180

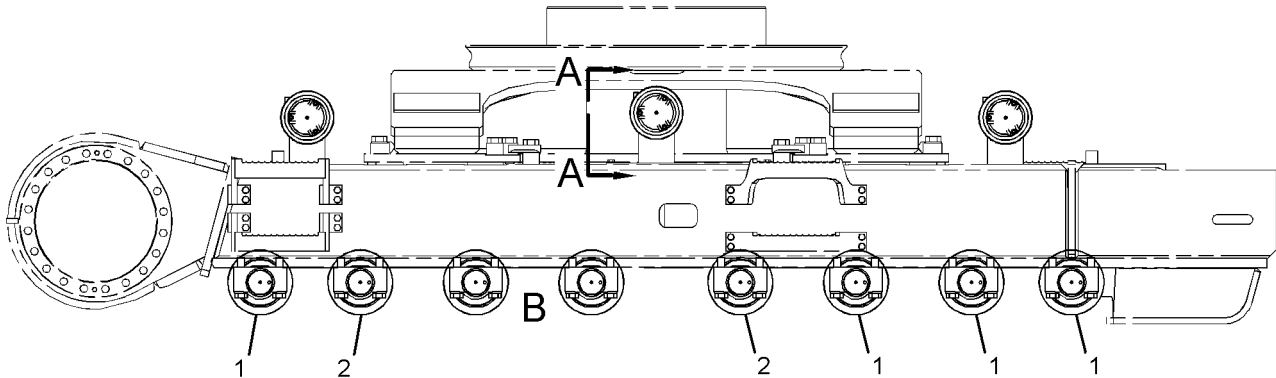
i03620268

NOTE	REF NO	GRAPHIC REF	PART NUMBER	QTY	PART NAME						SEE PAGE
					1	2	3	4	5	6 (PRODUCT LEVEL)	
Y	1	1	178-7288	10	ROLLER GP-TRACK-SINGLE FLANGE						395
Y	2	1	179-2348	6	ROLLER GP-TRACK-DOUBLE FLANGE						394
Y	3	1	300-4611	6	ROLLER GP-TRACK CARRIER						393
M	4	1	107-3953	64	BOLT (M30X3.5X150-MM)						
M	5	1	7X-2584	6	BOLT (M30X3.5X140-MM)						
	6	1	9X-8258	64	WASHER (33X56X6-MM THK)						

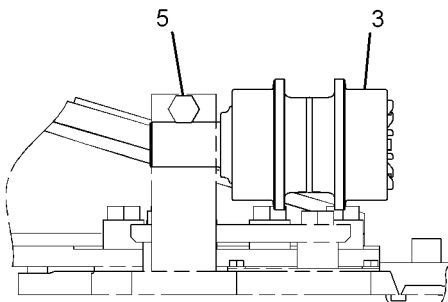
QUANTITIES SHOWN ARE THOSE REQUIRED FOR BOTH LH AND RH SIDES

M-METRIC PART

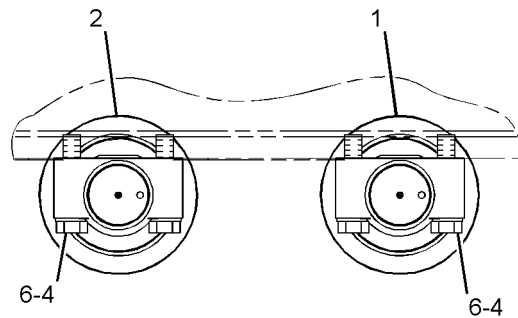
Y-SEPARATE ILLUSTRATION



RIGHT SIDE VIEW



VIEW A-A



VIEW OF AREA B

GRAPHIC #1

<END>

g01909617

UNDERCARRIAGE

300-4611 ROLLER GP-TRACK CARRIER

S/N: PAS1-UP

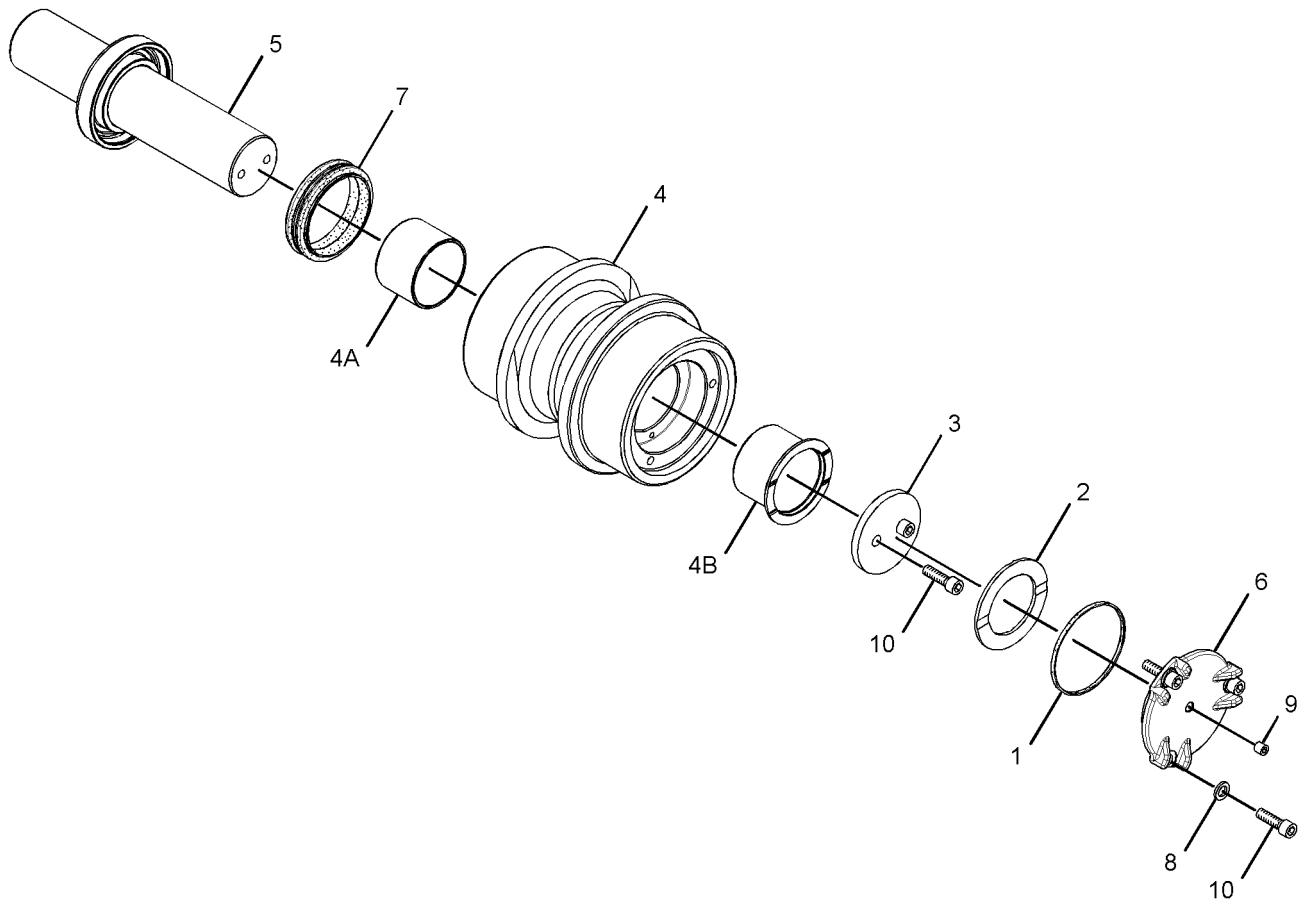
PART OF 248-7285, 248-7303 ROLLER AR-TRACK & CARRIER
ALSO AN ATTACHMENT

SMCS-4154

i03905631

NOTE	REF NO	GRAPHIC REF	PART NUMBER	QTY	PART NAME						SEE PAGE
					1	2	3	4	5	6 (PRODUCT LEVEL)	
	1	1	4H-9105	1	SEAL-O-RING						
	2	1	6Y-8176	1	WASHER-THRUST (78X116X4.5-MM THK)						
	3	1	6Y-9339	1	RETAINER						
	4	1	300-4523	1	ROLLER & BEARING AS						
	4A	1	6Y-8171	1	BEARING-CARRIER ROLLER						
	4B	1	6Y-8172	1	BEARING-CARRIER ROLLER						
	5	1	300-4525	1	SHAFT AS-TRACK						
	6	1	320-2677	1	COVER						
	7	1	171-5811	1	SEAL GP-DUO-CONE						
		1	171-5713	2	RING-TORIC						
	8	1	3H-7654	3	WASHER-HARD (13.5X22.5X3.0-MM THK)						
	9	1	7H-3171	1	PLUG-PIPE						
M	10	1	8T-0273	5	BOLT-SOCKET HEAD (M12X1.75X40-MM)						

M-METRIC PART



GRAPHIC #1

<END>

g01817557

UNDERCARRIAGE

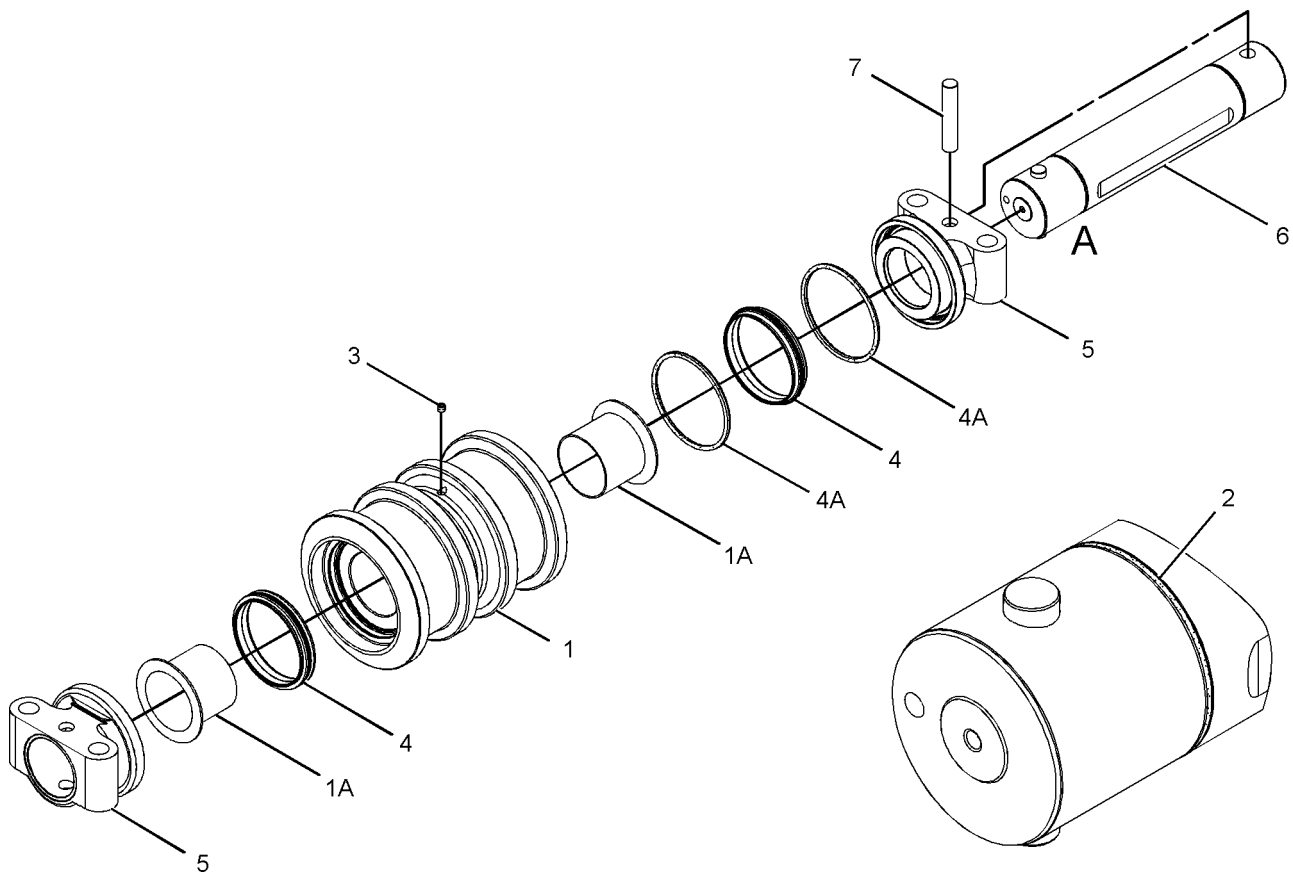
179-2348 ROLLER GP-TRACK-DOUBLE FLANGE

S/N: PAS1-UP
PART OF 248-7303 ROLLER AR-TRACK & CARRIER
AN ATTACHMENT

SMCS-4180

i03905632

NOTE	REF NO	GRAPHIC REF	PART NUMBER	QTY	PART NAME						SEE PAGE
					1	2	3	4	5	6 (PRODUCT LEVEL)	
	1	1	179-2393	1	ROLLER & BEARING AS						
	1A	1	145-2295	2	BUSHING						
	2	1	175-7900	2	SEAL-O-RING						
	3	1	9W-2146	1	PLUG						
	4	1	176-5332	2	SEAL GP-DUO-CONE						
					(EACH INCLUDES)						
	4A	1	176-5334	2	RING-TORIC						
	5	1	178-7291	2	COLLAR-TRACK ROLLER						
	6	1	178-7292	1	SHAFT-TRACK ROLLER						
	7	1	178-7540	2	DOWEL						



GRAPHIC #1

<END>

VIEW OF AREA A

g01100335

UNDERCARRIAGE

178-7288 ROLLER GP-TRACK-SINGLE FLANGE

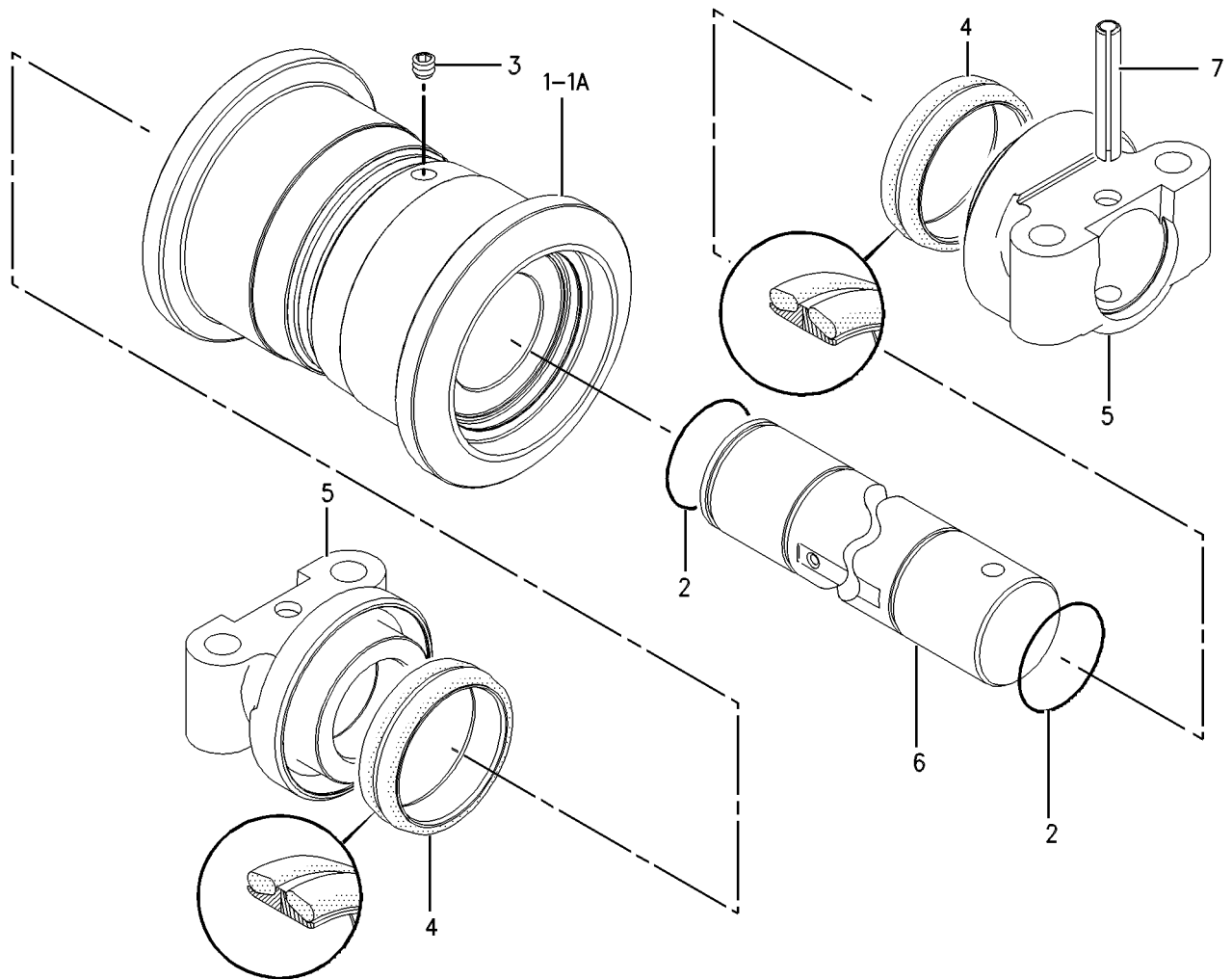
S/N: PAS1-UP

PART OF 248-7285, 248-7303 ROLLER AR-TRACK & CARRIER
ALSO AN ATTACHMENT

SMCS-4180

i03625620

NOTE	REF NO	GRAPHIC REF	PART NUMBER	QTY	PART NAME						SEE PAGE
					1	2	3	4	5	6 (PRODUCT LEVEL)	
	1	1	178-7289	1	ROLLER & BEARING AS-TRACK						
	1A	1	145-2295	2	BEARING-SLEEVE						
	2	1	175-7900	2	SEAL-O-RING						
	3	1	9W-2146	1	PLUG						
	4	1	176-5332	2	SEAL GP-DUO-CONE (EACH INCLUDES)						
		1	176-5334	2	RING-TORIC						
	5	1	178-7291	2	COLLAR-TRACK ROLLER						
	6	1	178-7292	1	SHAFT-TRACK ROLLER						
	7	1	178-7540	2	DOWEL						



GRAPHIC #1

<END>

g00636631

UNDERCARRIAGE

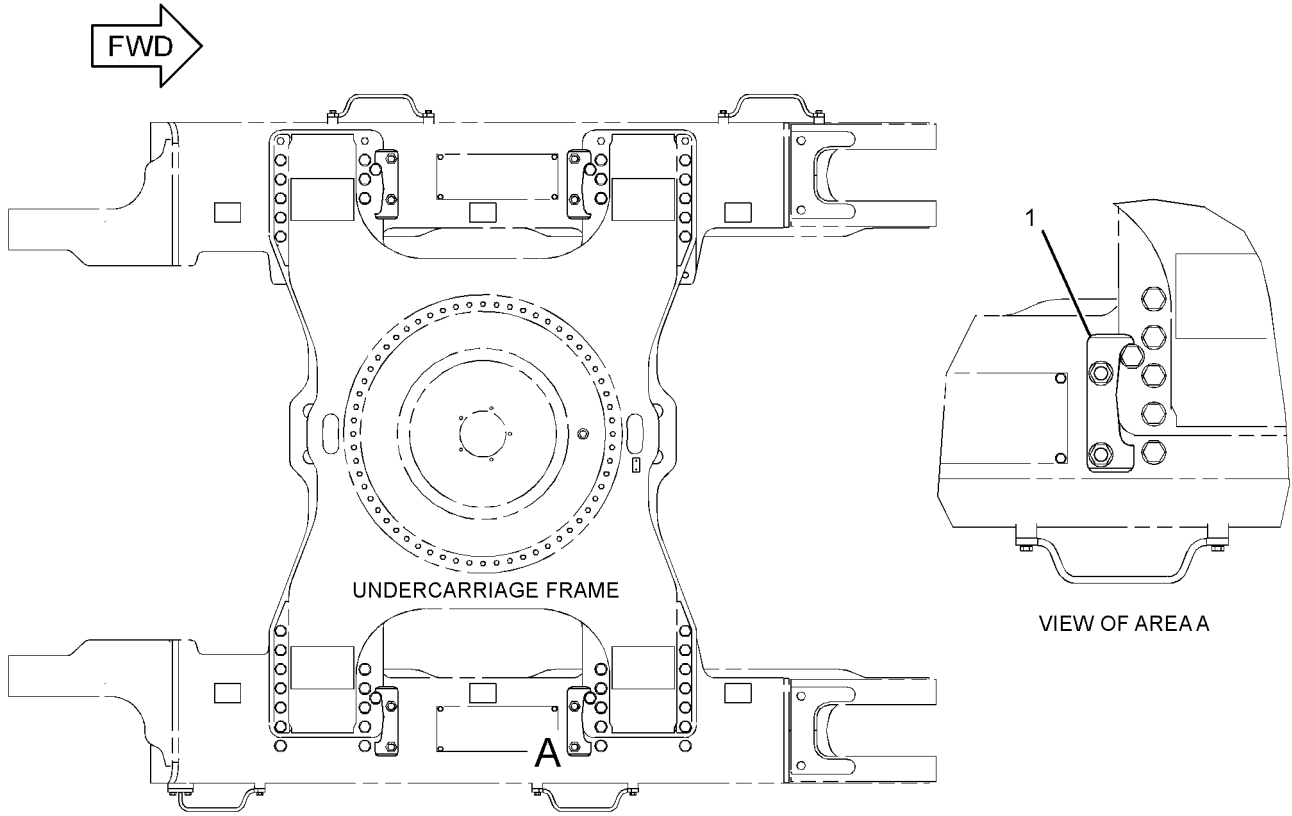
348-0790 SPACER GP-UNDERCARRIAGE

S/N: PAS1-UP
PART OF 340-4028 TRACK GP
AN ATTACHMENT

SMCS-4150

i03877820

NOTE	REF NO	GRAPHIC REF	PART NUMBER	QTY	PART NAME						SEE PAGE
					1	2	3	4	5	6 (PRODUCT LEVEL)	
	1	1	348-0791	4	PLATE						



GRAPHIC #1

<END>

g02126617

UNDERCARRIAGE

297-9176 SPRING GP-RECOIL

S/N: PAS1-UP

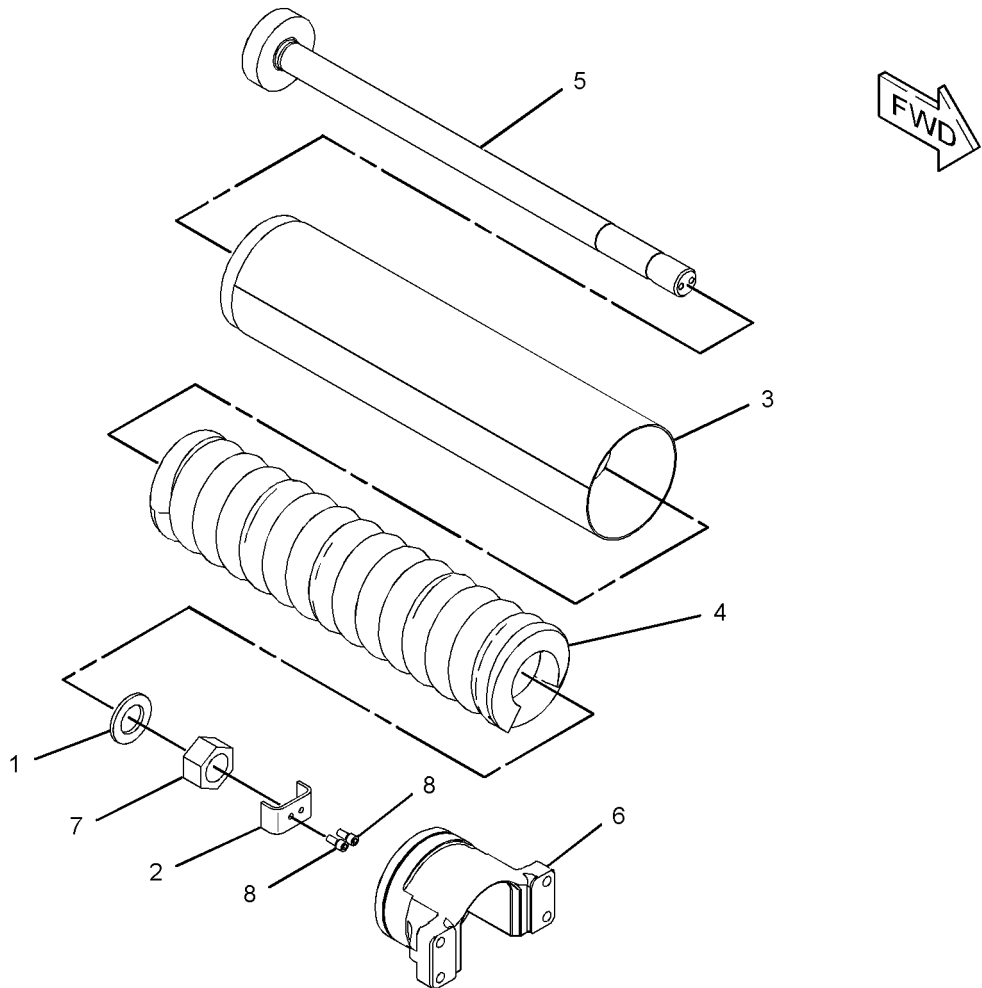
PART OF 340-8249 IDLER GP-FRONT

SMCS-4158

i03655535

NOTE	REF NO	GRAPHIC REF	PART NUMBER	QTY	PART NAME						SEE PAGE
					1	2	3	4	5	6 (PRODUCT LEVEL)	
	1	1	136-2434	1	WASHER (72X105X12-MM THK)						
	2	1	136-2437	1	PLATE						
	3	1	297-9177	1	SUPPORT AS						
	4	1	297-9178	1	SPRING						
	5	1	297-9179	1	ROD						
	6	1	297-9180	1	SUPPORT						
M	7	1	136-2435	1	NUT (M72X6-THD)						
M	8	1	8T-6594	2	BOLT-SOCKET HEAD (M16X2X35-MM)						

M-METRIC PART



GRAPHIC #1

<END>

g02049735

UNDERCARRIAGE

298-6017 TRACK GP-2-REQUIRED

S/N: PAS1-UP

650-MM (25.6-IN) DOUBLE GROUSER SHOE, TRAPEZOID.

GREASE LUB TCK, POS PIN RETEN

CANNOT BE USED WITH 301-2302-PAGE 399, 301-2304-PAGE 400
AN ATTACHMENT

SMCS-4170

i02872004

NOTE	PART NUMBER	QTY	PART NAME						SEE PAGE
			1	2	3	4	5	6 (PRODUCT LEVEL)	
Y	294-3060	1	LINK AS-TRACK						390
M	144-0805	188	BOLT-TRACK						
	144-0806	188	NUT-TRACK						
	144-8598	47	SHOE-TRACK						
M-METRIC PART Y-SEPARATE ILLUSTRATION									

<END>

UNDERCARRIAGE

301-2302 TRACK GP-2-REQUIRED

S/N: PAS1-UP

750-MM (29.5-IN) DOUBLE GROUSER SHOE, TRAPEZOID.

GREASE LUB TCK, POS PIN RETEN

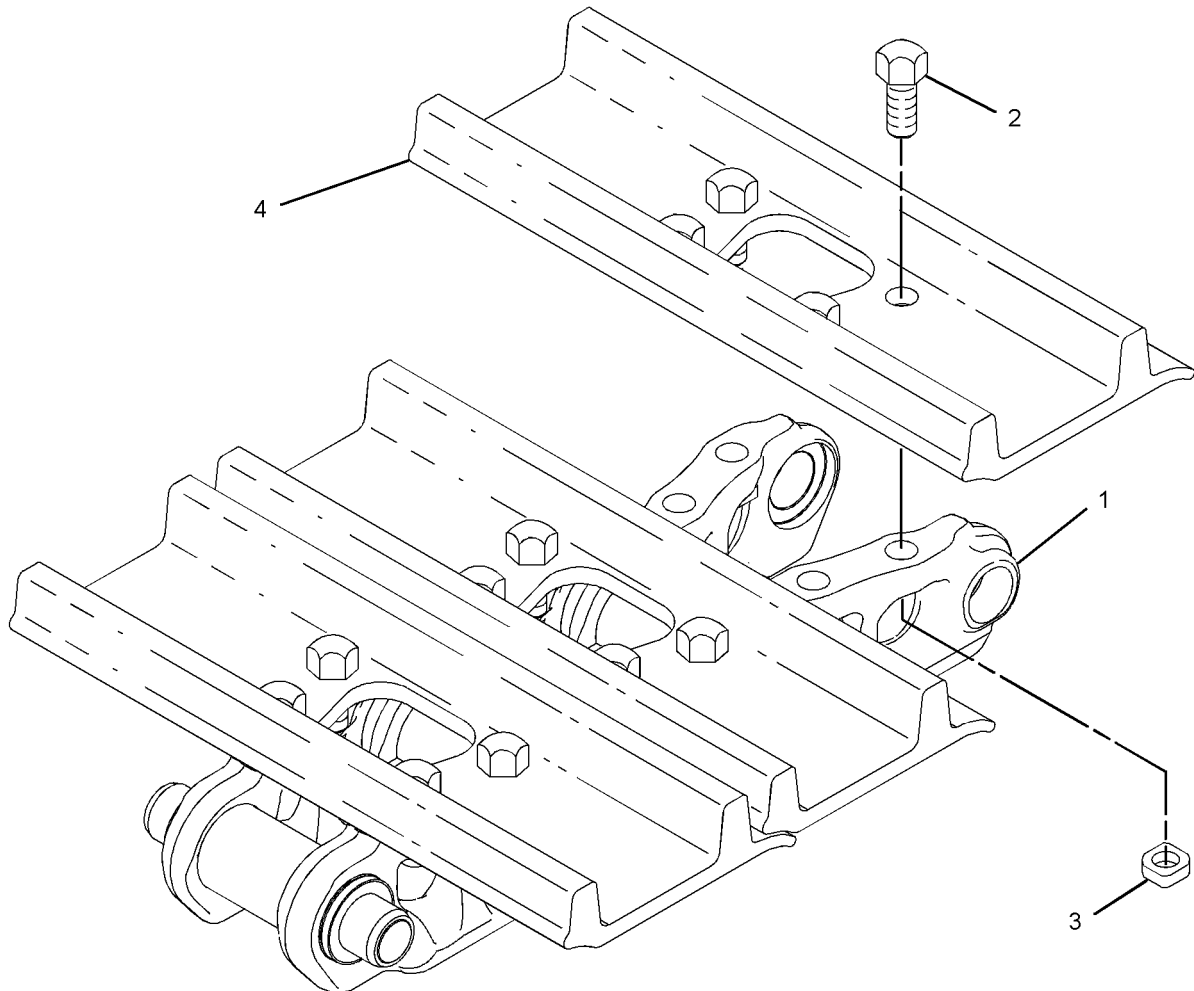
CANNOT BE USED WITH 298-6017-PAGE 398, 301-2304-PAGE 400
AN ATTACHMENT

SMCS-4170

i03126731

NOTE	REF NO	GRAPHIC REF	PART NUMBER	QTY	PART NAME						SEE PAGE
					1	2	3	4	5	6 (PRODUCT LEVEL)	
Y	1	1	294-3060	1	LINK AS-TRACK						390
M	2	1	144-0805	188	BOLT - TRACK						
	3	1	144-0806	188	NUT - TRACK						
	4	1	166-4932	47	SHOE - TRACK						

M-METRIC PART
Y-SEPARATE ILLUSTRATION



GRAPHIC #1

<END>

g01250402

UNDERCARRIAGE

301-2304 TRACK GP-2-REQUIRED, EXTREME SERVICE

S/N: PAS1-UP

900-MM (35.4-IN) DOUBLE GROUSER SHOE, TRAPEZOIDAL.

GREASE LUB TCK, POS PIN RETEN

PART OF 340-4028 TRACK GP

CANNOT BE USED WITH 301-2302-PAGE 399, 298-6017-PAGE 398

AN ATTACHMENT

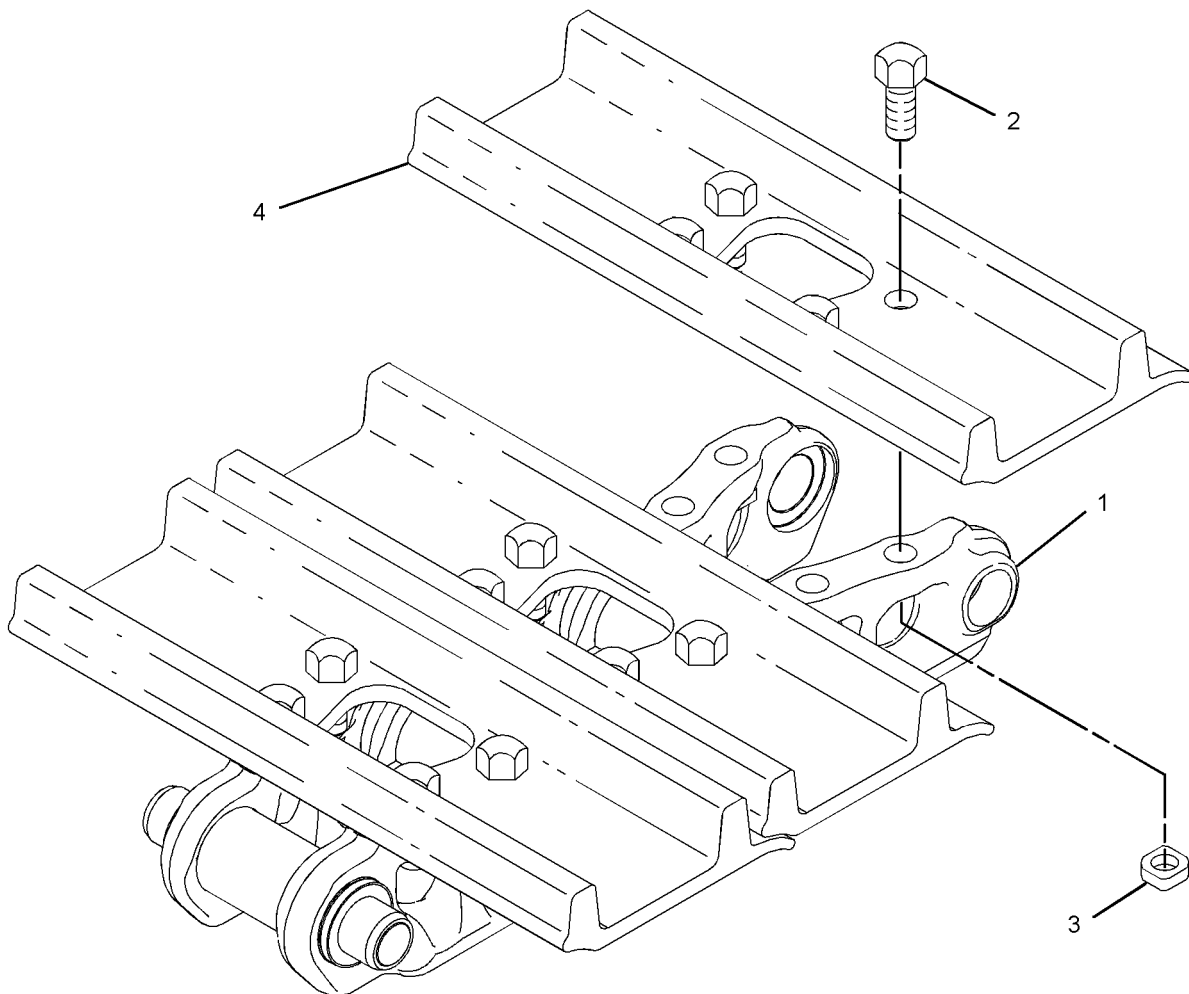
SMCS-4170

i03137672

NOTE	REF NO	GRAPHIC REF	PART NUMBER	QTY	PART NAME						SEE PAGE
					1	2	3	4	5	6 (PRODUCT LEVEL)	
Y	1	1	294-3060	1	LINK AS-TRACK						390
M	2	1	144-0805	188	BOLT-TRACK						
	3	1	144-0806	188	NUT-TRACK						
	4	1	166-4933	47	SHOE-TRACK						

M-METRIC PART

Y-SEPARATE ILLUSTRATION



GRAPHIC #1

<END>

g01250402

UNDERCARRIAGE

301-2308 TRACK GP-2-REQUIRED

S/N: PAS1-UP

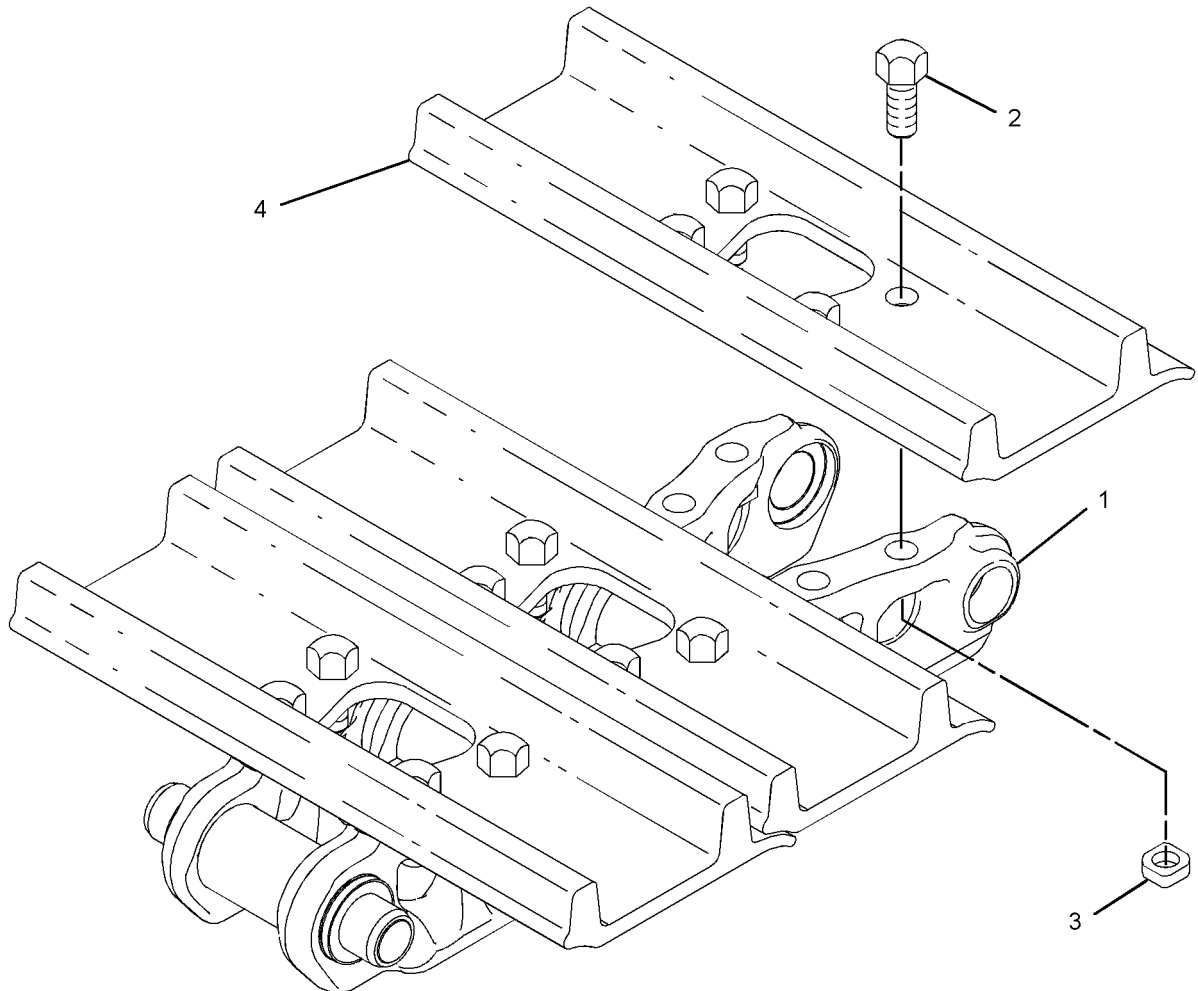
**610-MM (24-IN) DOUBLE GROUSER SHOE. POSITIVE PIN RETENTION,
CLIPPED TRACK SHOE, TRAPEZOID, GREASE LUBRICATED TRACK
AN ATTACHMENT**

SMCS-4170

i03657014

NOTE	REF NO	GRAPHIC REF	PART NUMBER	QTY	PART NAME						SEE PAGE
					1	2	3	4	5	6 (PRODUCT LEVEL)	
Y	1	1	294-3060	1	LINK AS-TRACK						390
M	2	1	144-0805	188	BOLT - TRACK						
	3	1	144-0806	188	NUT - TRACK						
	4	1	166-4930	47	SHOE - TRACK						

M-METRIC PART
Y-SEPARATE ILLUSTRATION



GRAPHIC #1

<END>

g01250402

UNDERCARRIAGE

340-4028 TRACK GP-2-REQUIRED, EXTREME SERVICE

S/N: PAS1-UP

900-MM (35.4-IN) DOUBLE GROUSER SHOE, TRAPEZOIDAL.

GREASE LUB TCK, POS PIN RETEN

AN ATTACHMENT

SMCS-4170

i03877816

NOTE	PART NUMBER	QTY	PART NAME						SEE PAGE
			1	2	3	4	5	6 (PRODUCT LEVEL)	
Y	348-0790	1	SPACER GP						396
Y	301-2304	1	TRACK GP (2-REQUIRED, EXTREME SERVICE)						400

Y-SEPARATE ILLUSTRATION

<END>

HYDRAULIC SYSTEM

160-4138 ACCUMULATOR & MTG GP-HYDRAULIC

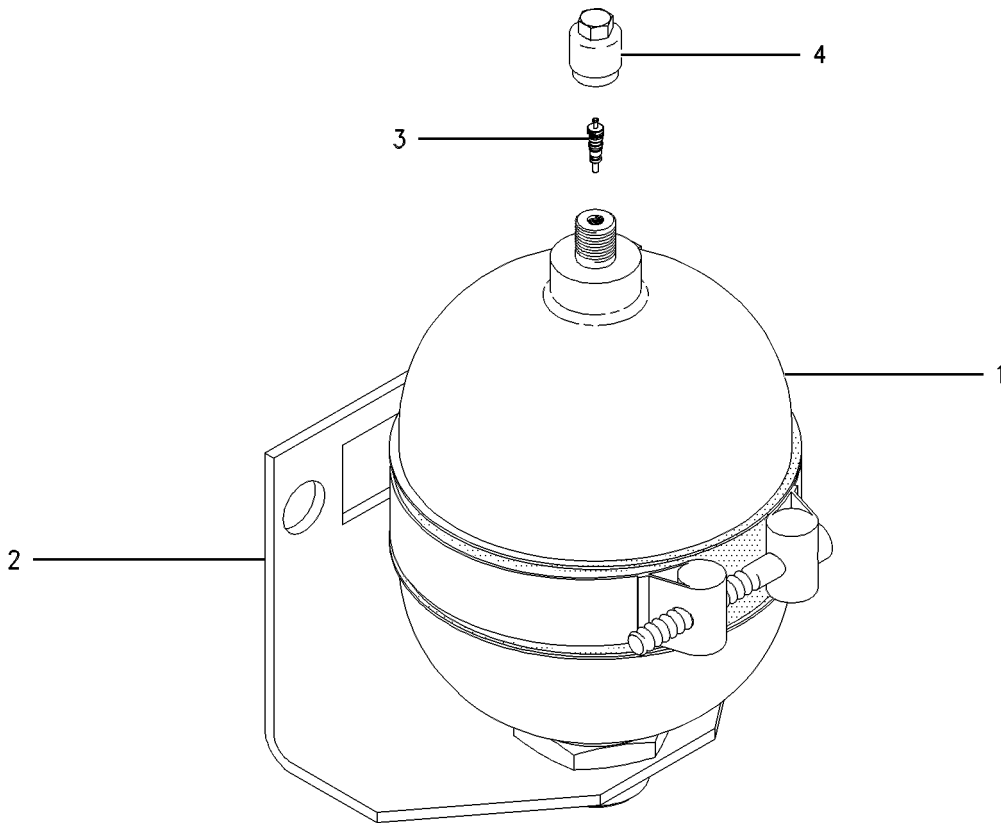
S/N: PAS1-UP

PART OF 296-7095 LINES GP-PILOT

SMCS-5077

i01089702

NOTE	REF NO	GRAPHIC REF	PART NUMBER	QTY	PART NAME						SEE PAGE
					1	2	3	4	5	6 (PRODUCT LEVEL)	
	1	1	161-6876	1	ACCUMULATOR						
	2	1	161-1309	1	SUPPORT						
	3	1	161-6880	1	CORE						
	4	1	161-6879	1	CAP						



GRAPHIC #1

<END>

g00570311

HYDRAULIC SYSTEM

297-0680 ACCUMULATOR GP-CHARGED

S/N: PAS1-UP

PART OF 296-7100 LINES GP-PILOT

FIELD REPLACEMENT ORDER 310-0018-PAGE 405

AN ATTACHMENT

SMCS-5077

i03469860

NOTE	PART NUMBER	QTY	PART NAME						SEE PAGE
			1	2	3	4	5	6 (PRODUCT LEVEL)	
(NO SERVICED PARTS)									
<END>									

HYDRAULIC SYSTEM

310-0018 ACCUMULATOR GP-HYDRAULIC-UNCHARGED

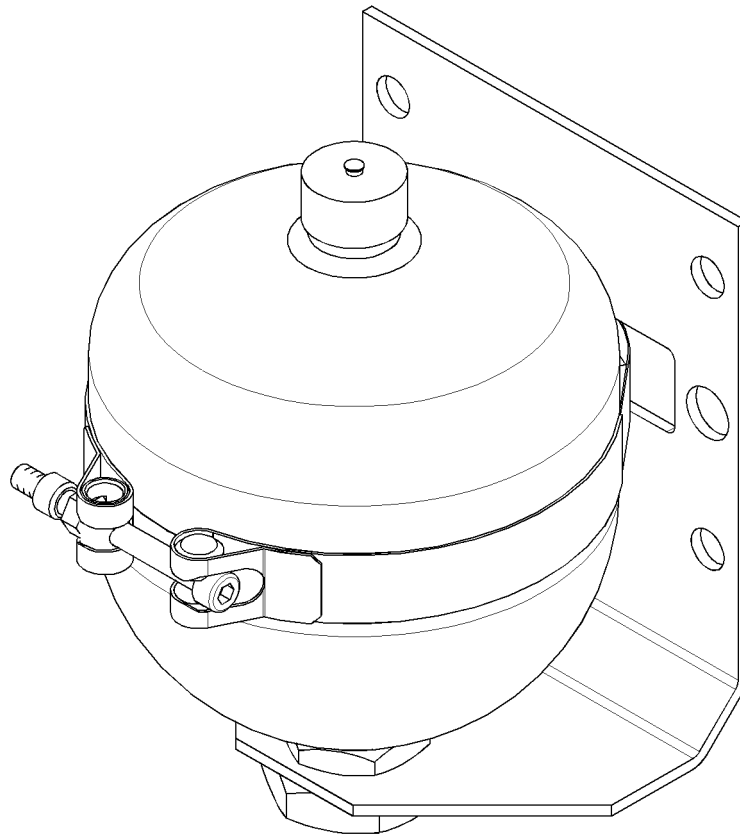
S/N: PAS1-UP

FIELD REPLACEMENT FOR 297-0680-PAGE 404

SMCS-5077

i03470084

NOTE	REF NO	GRAPHIC REF	PART NUMBER	QTY	PART NAME						SEE PAGE
					1	2	3	4	5	6 (PRODUCT LEVEL)	
(NO SERVICED PARTS)											



GRAPHIC #1

<END>

g01811213

HYDRAULIC SYSTEM

145-3165 ACTUATOR GP-PUMP

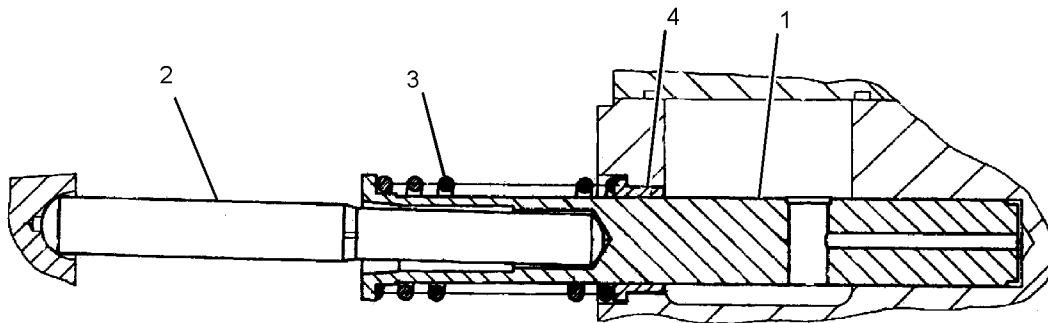
S/N: PAS1-UP

PART OF 295-9677 PUMP GP-PISTON

SMCS-5078

i02109971

NOTE	REF NO	GRAPHIC REF	PART NUMBER	QTY	PART NAME						SEE PAGE
					1	2	3	4	5	6 (PRODUCT LEVEL)	
	1	1	145-3778	1	PISTON						
	2	1	145-3780	1	ROD						
	3	1	5I-4303	1	SPRING						
	4	1	145-3783	1	SLEEVE						



GRAPHIC #1

<END>

g01077855

HYDRAULIC SYSTEM

158-9102 ACTUATOR GP-PUMP

S/N: PAS1-UP

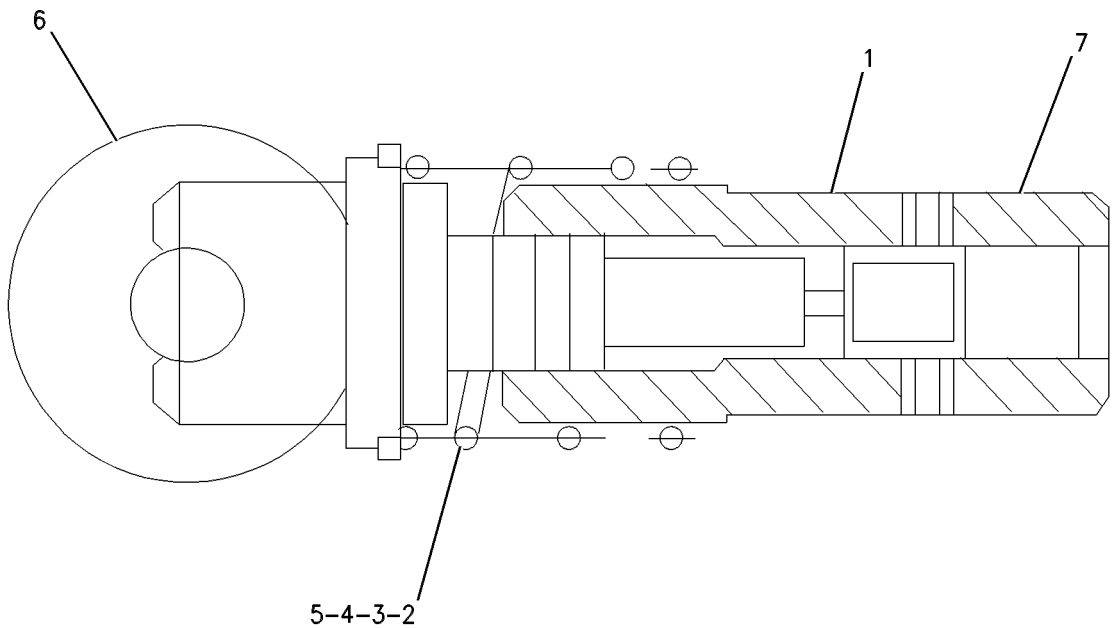
PART OF 185-0217, 315-4381 VALVE GP-PUMP CONTROL

SMCS-5078

i03656830

NOTE	REF NO	GRAPHIC REF	PART NUMBER	QTY	PART NAME						SEE PAGE
					1	2	3	4	5	6 (PRODUCT LEVEL)	
	1	1	165-9387	1	PISTON						
B	2	1	165-9390	1	SPRING (24.0MM OAL)						
B	3	1	165-9391	1	SPRING (18.5MM OAL)						
B	4	1	165-9392	1	SPRING (22.2MM OAL)						
B	5	1	165-9393	1	SPRING (24.7MM OAL)						
	6	1	160-9567	1	ROLLER						
	7	1	165-9389	1	SLEEVE						

B-USE AS REQUIRED



GRAPHIC #1

<END>

g00651561

HYDRAULIC SYSTEM

158-9103 ACTUATOR GP-PUMP

S/N: PAS1-UP

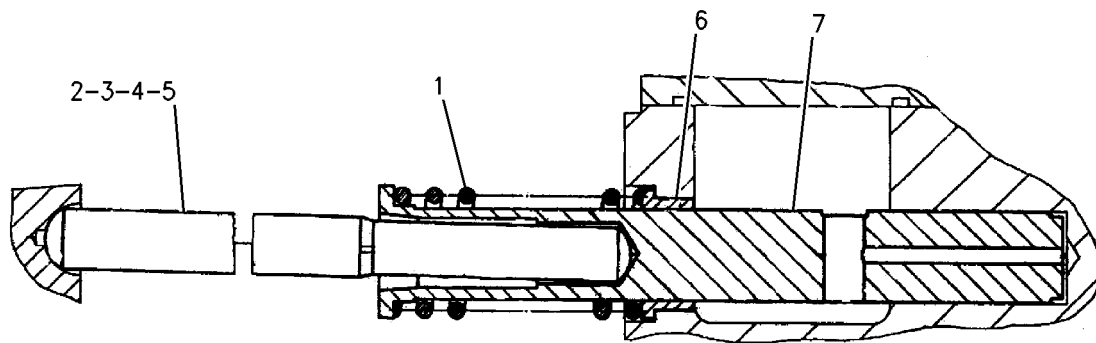
PART OF 295-9676 PUMP GP-MAIN HYDRAULIC

SMCS-5078

i03576423

NOTE	REF NO	GRAPHIC REF	PART NUMBER	QTY	PART NAME						SEE PAGE
					1	2	3	4	5	6 (PRODUCT LEVEL)	
	1	1	6E-3869	1	SPRING						
B	2	1	165-9396	1	ROD (159.2-MM, OAL)						
B	3	1	165-9397	1	ROD (159.4-MM, OAL)						
B	4	1	165-9398	1	ROD (159.0-MM, OAL)						
B	5	1	165-9399	1	ROD (158.8-MM, OAL)						
	6	1	165-9400	1	SEAT						
	7	1	165-9395	1	PISTON						

B-USE AS REQUIRED



GRAPHIC #1

<END>

g00703193

HYDRAULIC SYSTEM

185-0236 ACTUATOR GP-PUMP

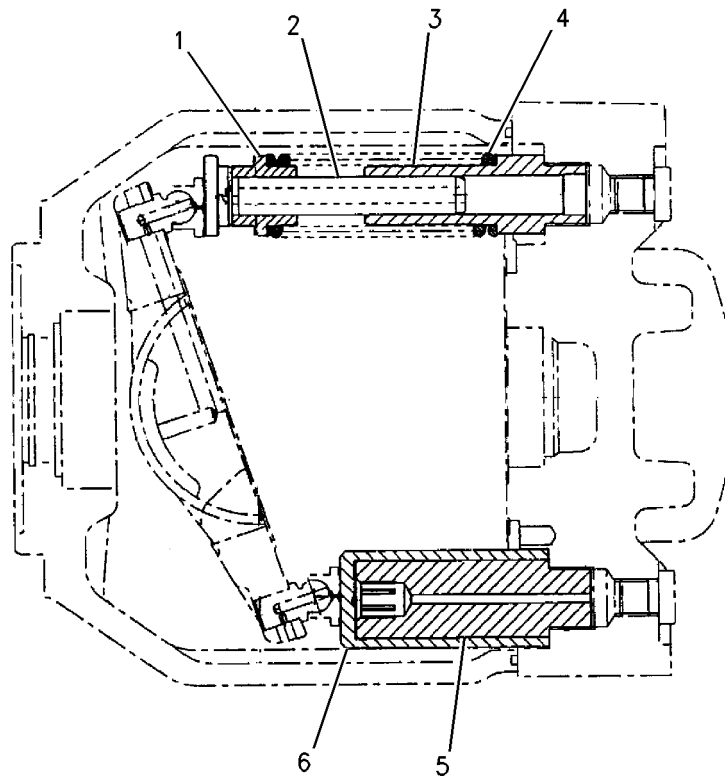
S/N: PAS1-UP

PART OF 247-8968 PUMP GP-PISTON

SMCS-5078

i03839530

NOTE	REF NO	GRAPHIC REF	PART NUMBER	QTY	PART NAME						SEE PAGE	
					1	2	3	4	5	6 (PRODUCT LEVEL)		
	1	1	185-0262	1	RETAINER							
	2	1	138-4697	1	PLUNGER							
	3	1	185-0260	1	GUIDE-PISTON							
	4	1	185-0261	1	SPRING							
	5	1	185-0258	1	GUIDE-PISTON							
	6	1	185-0257	1	PISTON-CONTROL							



GRAPHIC #1

<END>

g00759891

HYDRAULIC SYSTEM

249-4488 ACTUATOR GP-PUMP

S/N: PAS1-UP

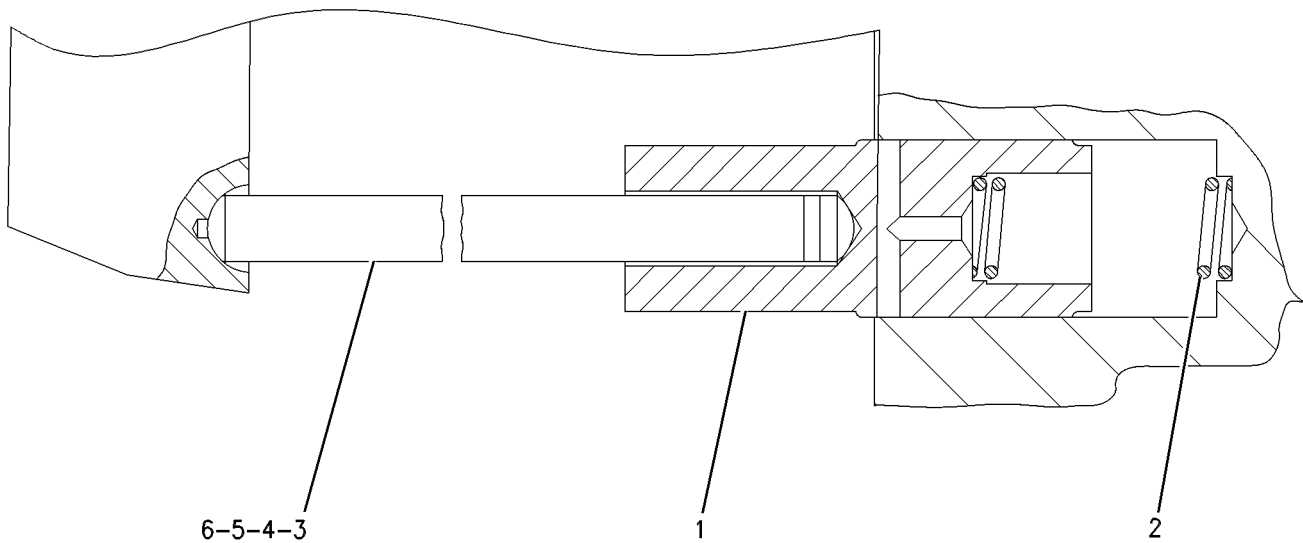
PART OF 295-9676 PUMP GP-MAIN HYDRAULIC

SMCS-5078

i02110664

NOTE	REF NO	GRAPHIC REF	PART NUMBER	QTY	PART NAME						SEE PAGE
					1	2	3	4	5	6 (PRODUCT LEVEL)	
	1	1	249-4489	1	PISTON						
	2	1	6E-3872	1	SPRING						
B	3	1	165-9402	1	ROD (152.2-MM, OAL)						
B	4	1	165-9403	1	ROD (151.8-MM, OAL)						
B	5	1	165-9404	1	ROD (152-MM, OAL)						
B	6	1	165-9405	1	ROD (152.4-MM, OAL)						

B-USE AS REQUIRED



GRAPHIC #1

<END>

g00553641

HYDRAULIC SYSTEM

129-8053 BASE GP-OIL FILTER-HYDRAULIC

S/N: PAS1-UP

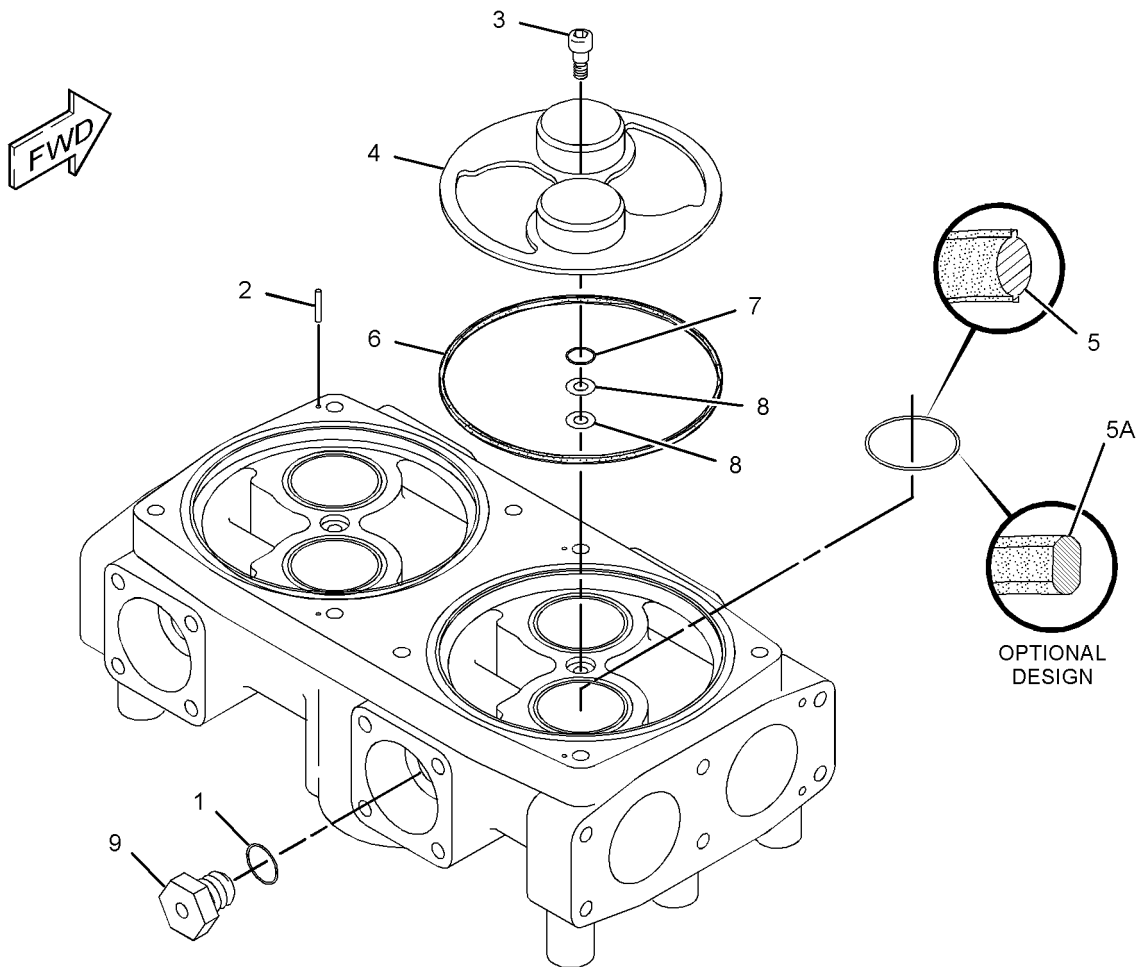
PART OF 234-4531 FILTER GP-OIL

SMCS-5068

i03529625

NOTE	REF NO	GRAPHIC REF	PART NUMBER	QTY	PART NAME						SEE PAGE
					1	2	3	4	5	6 (PRODUCT LEVEL)	
	1	1	3J-1907	2	SEAL-O-RING						
	2	1	7Y-5272	4	PIN-SPRING						
M	3	1	137-3626	2	BOLT-SPECIAL						
	4	1	137-3630	2	PLATE-SLIDE						
	5	1	6V-7658	4	SEAL-O-RING						
					-OR-						
	5A	1	177-2619	4	PACKING						
	6	1	137-3631	2	PACKING						
	7	1	5L-4758	2	SEAL-O-RING						
	8	1	137-3628	2	SHIM (0.1-MM THK)						
	9	1	137-3632	2	PLUG AS						

M-METRIC PART



GRAPHIC #1

<END>

g01833730

HYDRAULIC SYSTEM

173-3503 BASE GP-OIL FILTER-HYDRAULIC

S/N: PAS1-UP

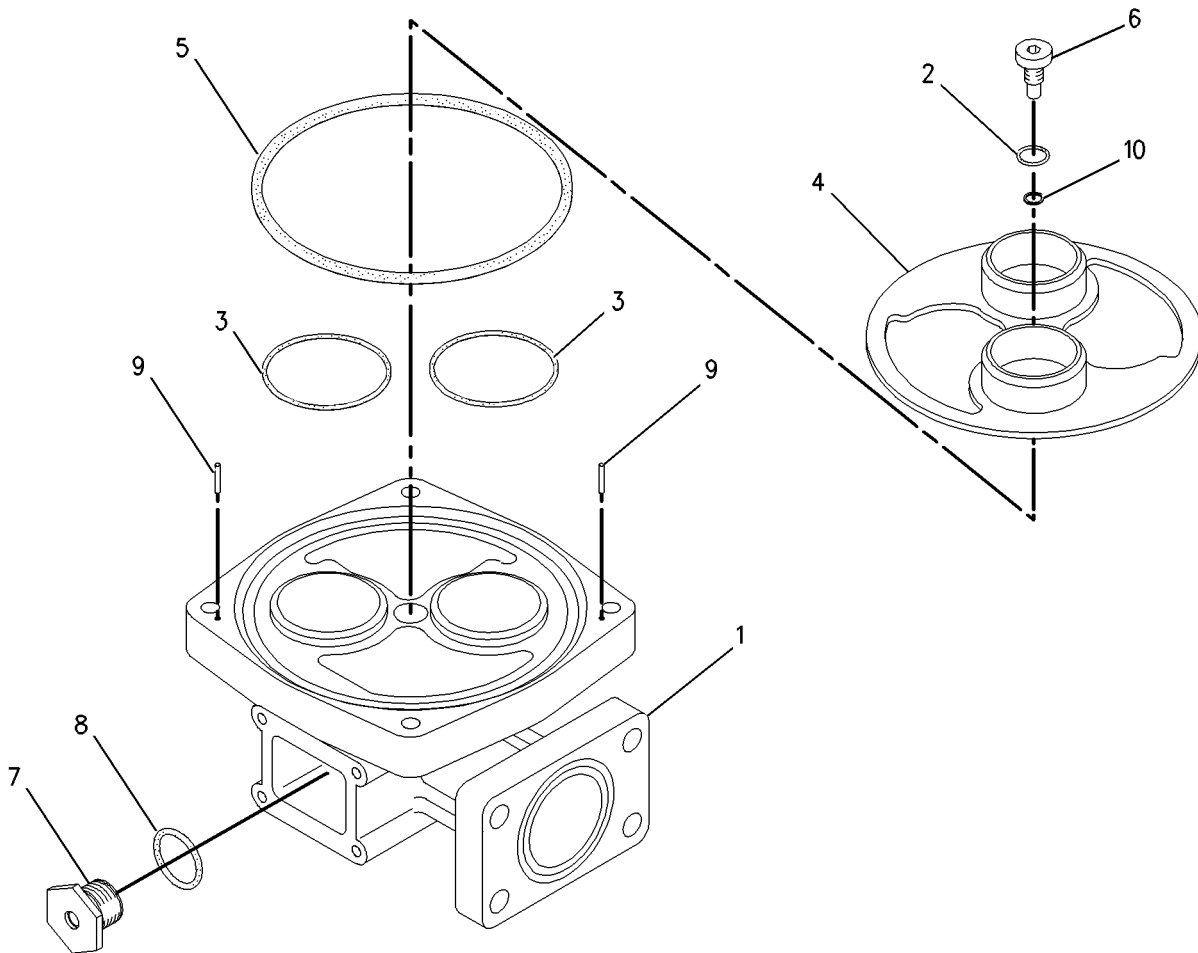
PART OF 242-6878 FILTER GP-OIL

SMCS-5068

i02553552

NOTE	REF NO	GRAPHIC REF	PART NUMBER	QTY	PART NAME						SEE PAGE
					1	2	3	4	5	6 (PRODUCT LEVEL)	
C	1	1	204-2763	1	BLOCK						
	2	1	5L-4758	1	SEAL-O-RING						
C	3	1	177-2619	2	PACKING						
	4	1	173-3505	1	PLATE-SLIDE						
	5	1	137-3631	1	PACKING						
M	6	1	137-3626	1	BOLT-SPECIAL						
	7	1	173-3506	1	PLUG AS						
	8	1	3J-1907	1	SEAL-O-RING						
	9	1	7Y-5272	2	PIN-SPRING						
	10	1	137-3628	1	SHIM (0.1-MM THK)						

C-CHANGE FROM PREVIOUS TYPE
M-METRIC PART



GRAPHIC #1

<END>

g00669130

HYDRAULIC SYSTEM

263-3762 CONTROL AR-AUXILIARY-1-SWITCH, JOYSTICK

S/N: PAS1-UP
AN ATTACHMENT

SMCS-5051

i02637367

NOTE	PART NUMBER	QTY	PART NAME						SEE PAGE
			1	2	3	4	5	6 (PRODUCT LEVEL)	
Y	221-8818	1	CONTROL & MTG GP-JOYSTICK (1-SWITCH)						878
	4I-8472	1	FILM-INSTRUCTION (OPERATOR CONTROLS)						
Y-SEPARATE ILLUSTRATION									
<END>									

309-9999 CONTROL AR-AUXILIARY-SINGLE

S/N: PAS1-UP
FOR USE WITH 310-0001-PAGE 413, 310-0002-PAGE 414
AN ATTACHMENT

SMCS-5051

i03602381

NOTE	PART NUMBER	QTY	PART NAME						SEE PAGE
			1	2	3	4	5	6 (PRODUCT LEVEL)	
Y	290-9517	1	CONTROL & MTG GP-MACHINE						177
Y	290-9518	1	ELECTRONICS GP-MACHINE						179
Y	338-6187	1	LINES GP-FRONT (SINGLE ACTION)						513
Y	306-8313	1	WIRING GP-CHASSIS (1-WAY/2-WAY FLOW)						283
Y-SEPARATE ILLUSTRATION									
<END>									

310-0000 CONTROL AR-AUXILIARY-1-WAY/2-WAY FLOW

S/N: PAS1-UP
FOR USE WITH 310-0002-PAGE 414
AN ATTACHMENT

SMCS-5051

i03819311

NOTE	PART NUMBER	QTY	PART NAME						SEE PAGE
			1	2	3	4	5	6 (PRODUCT LEVEL)	
Y	290-9517	1	CONTROL & MTG GP-MACHINE						177
Y	290-9518	1	ELECTRONICS GP-MACHINE						179
Y	338-6188	1	LINES GP-FRONT (COMMON)						516
Y	306-8313	1	WIRING GP-CHASSIS (1-WAY/2-WAY FLOW)						283
Y	342-2952	1	WIRING GP-FRONT (COMBINED)						301
Y-SEPARATE ILLUSTRATION									
<END>									

310-0001 CONTROL AR-AUXILIARY-PEDAL, LH

S/N: PAS1-UP
AN ATTACHMENT

SMCS-5051

i03790245

NOTE	PART NUMBER	QTY	PART NAME						SEE PAGE
			1	2	3	4	5	6 (PRODUCT LEVEL)	
Y	221-8884	1	CONTROL & MTG GP-PEDAL (LH)						882
Y	303-2678	1	FILM GP						993
Y	306-8555	1	WIRING GP-ELECTRONIC CONTROL						297
Y-SEPARATE ILLUSTRATION									
<END>									

HYDRAULIC SYSTEM

310-0002 CONTROL AR-AUXILIARY-PEDAL, RH

S/N: PAS1-UP

CANNOT BE USED WITH 225-5782-PAGE 947
AN ATTACHMENT

SMCS-5051

i03656951

NOTE	PART NUMBER	QTY	PART NAME						SEE PAGE
			1	2	3	4	5	6 (PRODUCT LEVEL)	
Y	221-8885	1	CONTROL & MTG GP-PEDAL (RH)						883
Y	303-2679	1	FILM GP						994
Y	306-8566	1	WIRING GP-ELECTRONIC CONTROL						298

Y-SEPARATE ILLUSTRATION

<END>

340-4018 CONTROL AR-AUXILIARY

S/N: PAS1-UP

AN ATTACHMENT

SMCS-5051

i03894714

NOTE	PART NUMBER	QTY	PART NAME						SEE PAGE
			1	2	3	4	5	6 (PRODUCT LEVEL)	
Y	355-7870	1	LINES GP-AUXILIARY HYDRAULIC (STICK, HIGH PRESSURE)						474
Y	302-9438	1	LINES GP-AUXILIARY HYDRAULIC (BOOM, HIGH PRESSURE)						462

Y-SEPARATE ILLUSTRATION

<END>

352-6875 CONTROL AR-AUXILIARY- JOYSTICK MODULATION SWITCH

S/N: PAS1-UP

FOR USE WITH 309-9999-PAGE 413, 310-0000-PAGE 413. CANNOT BE USED WITH
352-6876-PAGE 415
AN ATTACHMENT

SMCS-5051

i03854629

NOTE	PART NUMBER	QTY	PART NAME						SEE PAGE
			1	2	3	4	5	6 (PRODUCT LEVEL)	
Y	221-8883	1	CONTROL & MTG GP-JOYSTICK (WITH THUMB SWITCHES)						879
Y	259-5295	1	FASTENER GP-WIRING HARNESS (JOYSTICK)						180
Y	319-9324	1	FILM GP						1000

Y-SEPARATE ILLUSTRATION

<END>

HYDRAULIC SYSTEM

352-6876 CONTROL AR-AUXILIARY-JOYSTICK, 4-BUTTON

S/N: PAS1-UP

PART OF 340-3991 DISTRIBUTION AR, 340-3992 OPTION AR-REGIONAL
FOR USE WITH 309-9999-PAGE 413, 310-0000-PAGE 413. CANNOT BE USED WITH
352-6875-PAGE 414
AN ATTACHMENT

SMCS-5051

i03854869

NOTE	PART NUMBER	QTY	PART NAME						SEE PAGE
			1	2	3	4	5	6 (PRODUCT LEVEL)	
Y	247-5190	1	CONTROL & MTG GP-JOYSTICK (3-BUTTON, TRIGGER SWITCH)						880
Y	259-5295	1	FASTENER GP-WIRING HARNESS (JOYSTICK)						180
Y	319-9326	1	FILM GP (OPERATOR CONTROLS, HAMMER)						1001
Y-SEPARATE ILLUSTRATION									
<END>									

302-9440 CONTROL AR-COUPLER-UNIVERSAL

S/N: PAS1-UP

AN ATTACHMENT

SMCS-6129

i03666811

NOTE	PART NUMBER	QTY	PART NAME						SEE PAGE
			1	2	3	4	5	6 (PRODUCT LEVEL)	
Y	268-6816	1	FILM GP (QUICK COUPLER)						992
Y	302-3058	1	LINES GP-FRONT						505
Y	299-2936	1	WIRING GP-CHASSIS						278
Y	306-8538	1	WIRING GP-QUICK COUPLER						309
Y-SEPARATE ILLUSTRATION									
<END>									

303-2628 CONTROL AR-FAN

S/N: PAS1-UP

CANNOT BE USED WITH 241-2299-PAGE 108
AN ATTACHMENT

SMCS-1386, 138R

i03666701

NOTE	PART NUMBER	QTY	PART NAME						SEE PAGE
			1	2	3	4	5	6 (PRODUCT LEVEL)	
Y	250-5138	1	DOOR GP-ACCESS (REVERSING FAN)						331
Y	257-4599	1	FILM GP (REVERSING FAN)						991
Y	245-5312	1	LINES GP-HYDRAULIC OIL COOLER						518
Y	326-4438	1	MOTOR & MTG GP-HYDRAULIC FAN						566
Y	245-9238	1	SCREEN GP-RADIATOR						109
Y-SEPARATE ILLUSTRATION									
<END>									

HYDRAULIC SYSTEM

222-8375 COUPLING GP-FLEXIBLE

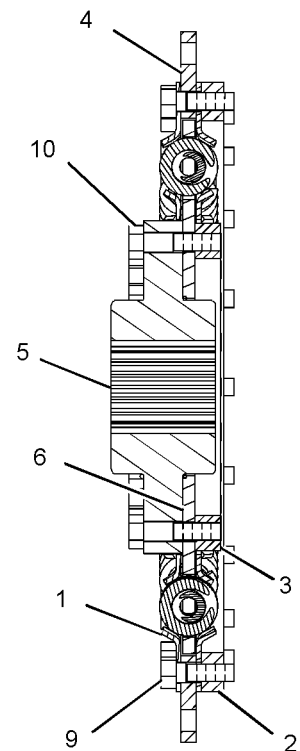
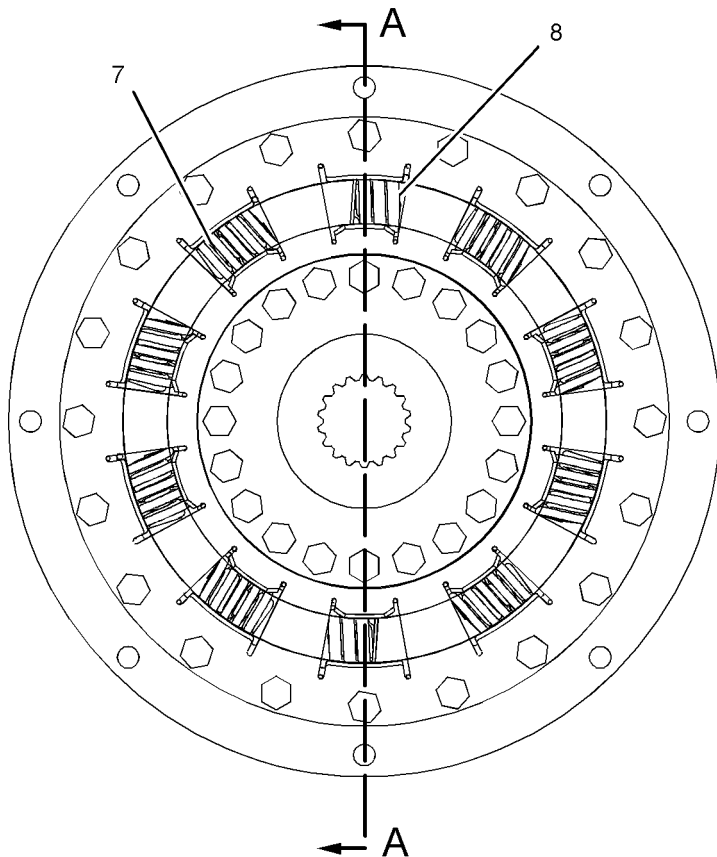
S/N: PAS1-UP

PART OF 222-8350 COUPLING GP-PUMP

SMCS-3252

i02110676

NOTE	REF NO	GRAPHIC REF	PART NUMBER	QTY	PART NAME						SEE PAGE
					1	2	3	4	5	6 (PRODUCT LEVEL)	
	1	1	212-8526	2	CAGE-SPRING						
	2	1	212-8530	1	SPACER						
	3	1	212-8531	1	COLLAR						
	4	1	239-6421	1	SPACER						
	5	1	239-6422	1	HUB						
	6	1	239-6423	1	PLATE						
	7	1	239-6458	8	SPRING AS						
	8	1	239-6459	2	SPRING AS						
	9	1	5P-2566	20	BOLT (1/2-13X1.5-IN)						
	10	1	8T-4835	20	BOLT (1/2-13X2-IN)						



GRAPHIC #1

<END>

g01075300

HYDRAULIC SYSTEM

222-8350 COUPLING GP-PUMP

S/N: PAS1-UP

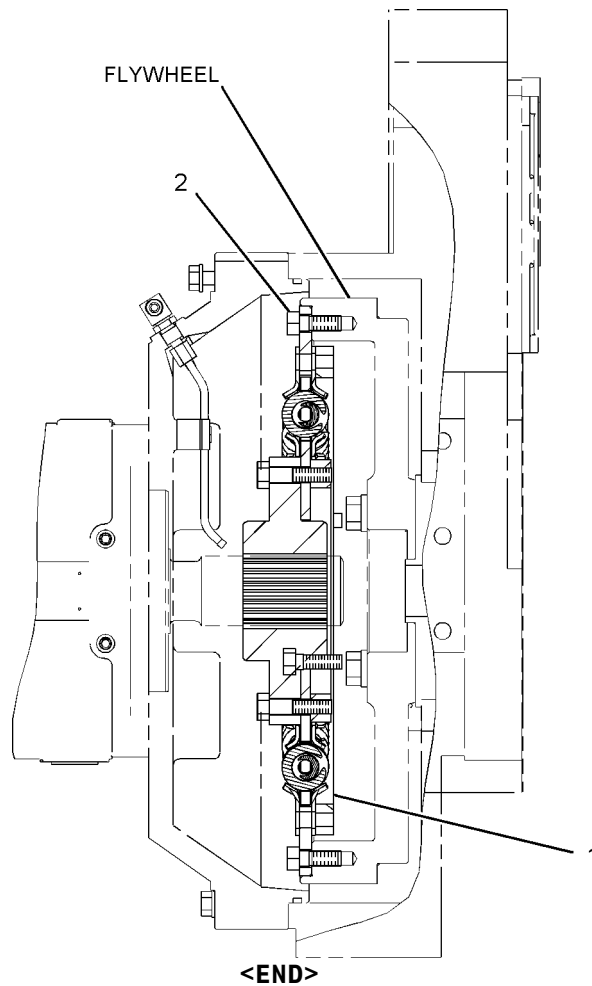
PART OF 297-7684 PUMP & MTG GP-MAIN HYDRAULIC

SMCS-5062

i02110675

NOTE	REF NO	GRAPHIC REF	PART NUMBER	QTY	PART NAME						SEE PAGE
					1	2	3	4	5	6 (PRODUCT LEVEL)	
Y	1	1	222-8375	1	COUPLING GP-FLEXIBLE						416
	2	1	8T-8917	8	BOLT (1/2-13X1.25-IN)						

Y-SEPARATE ILLUSTRATION



GRAPHIC #1

g01075301

HYDRAULIC SYSTEM

353-6880 CYLINDER & LINES GP-BOOM-LH

S/N: PAS1-UP

PART OF 294-1284 BOOM AR-MASS, 294-1281 BOOM AR-REACH
AN ATTACHMENT

SMCS-5456, 7562

i03864866

NOTE	PART NUMBER	QTY	PART NAME						SEE PAGE
			1	2	3	4	5	6 (PRODUCT LEVEL)	
Y	353-6879	1	CYLINDER & SEAL GP-BOOM						420
Y	353-6882	1	LINES GP-BOOM CYLINDER (LH)						484

Y-SEPARATE ILLUSTRATION

<END>

353-6881 CYLINDER & LINES GP-BOOM-RH

S/N: PAS1-UP

PART OF 294-1284 BOOM AR-MASS, 294-1281 BOOM AR-REACH
AN ATTACHMENT

SMCS-5456, 7562

i03864869

NOTE	PART NUMBER	QTY	PART NAME						SEE PAGE
			1	2	3	4	5	6 (PRODUCT LEVEL)	
Y	353-6879	1	CYLINDER & SEAL GP-BOOM						420
Y	353-6883	1	LINES GP-BOOM CYLINDER (RH)						485

Y-SEPARATE ILLUSTRATION

<END>

353-6872 CYLINDER & LINES GP-BUCKET

S/N: PAS1-UP

PART OF 294-1297, 319-9199 LINKAGE AR-BUCKET
AN ATTACHMENT

SMCS-5457

i03864840

NOTE	PART NUMBER	QTY	PART NAME						SEE PAGE
			1	2	3	4	5	6 (PRODUCT LEVEL)	
Y	353-6871	1	CYLINDER & SEAL GP-BUCKET						421
Y	353-6873	1	LINES GP-BUCKET CYLINDER						486

Y-SEPARATE ILLUSTRATION

<END>

353-6875 CYLINDER & LINES GP-BUCKET

S/N: PAS1-UP

PART OF 319-9260 SPECIAL AR
AN ATTACHMENT

SMCS-5457

i03865572

NOTE	PART NUMBER	QTY	PART NAME						SEE PAGE
			1	2	3	4	5	6 (PRODUCT LEVEL)	
Y	353-6874	1	CYLINDER & SEAL GP-BUCKET						422
Y	353-6873	1	LINES GP-BUCKET CYLINDER						486

Y-SEPARATE ILLUSTRATION

<END>

HYDRAULIC SYSTEM

353-6877 CYLINDER & LINES GP-BUCKET

S/N: PAS1-UP

PART OF 303-2703, 303-2704, 319-9198 LINKAGE AR-BUCKET
AN ATTACHMENT

SMCS-5457

i03860354

NOTE	PART NUMBER	QTY	PART NAME						SEE PAGE
			1	2	3	4	5	6 (PRODUCT LEVEL)	
Y	353-6876	1	CYLINDER & SEAL GP-BUCKET						423
Y	353-6878	1	LINES GP-BUCKET CYLINDER						487

Y-SEPARATE ILLUSTRATION

<END>

353-6859 CYLINDER & LINES GP-STICK

S/N: PAS1-UP

PART OF 294-1284 BOOM AR-MASS, 294-1281 BOOM AR-REACH
AN ATTACHMENT

SMCS-5458

i03864864

NOTE	PART NUMBER	QTY	PART NAME						SEE PAGE
			1	2	3	4	5	6 (PRODUCT LEVEL)	
Y	353-6858	1	CYLINDER & SEAL GP-STICK						424
Y	353-6860	1	LINES GP-STICK CYLINDER						551

Y-SEPARATE ILLUSTRATION

<END>

HYDRAULIC SYSTEM

353-6879 CYLINDER & SEAL GP-BOOM

S/N: PAS1-UP

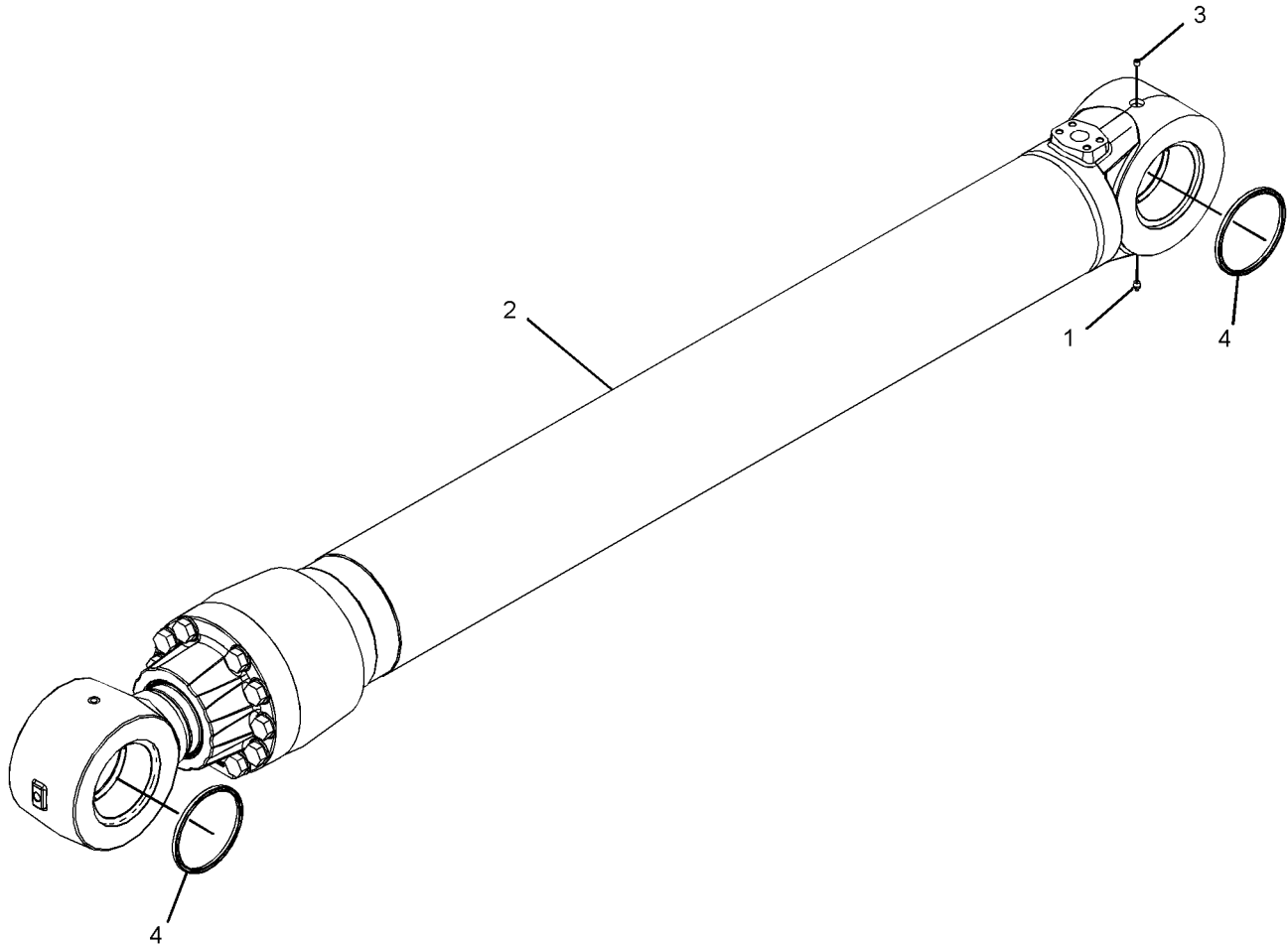
PART OF 353-6880, 353-6881 CYLINDER & LINES GP-BOOM
AN ATTACHMENT

SMCS-5456

i03864881

NOTE	REF NO	GRAPHIC REF	PART NUMBER	QTY	PART NAME						SEE PAGE
					1	2	3	4	5	6 (PRODUCT LEVEL)	
	1	1	3B-8489	1	FITTING-GREASE						
Y	2	1	353-6907	1	CYLINDER GP-BOOM						425
	3	1	8T-6757	1	PLUG-PIPE						
	4	1	9X-4601	4	SEAL-LIP TYPE						

Y-SEPARATE ILLUSTRATION



GRAPHIC #1

<END>

g02126648

HYDRAULIC SYSTEM

353-6871 CYLINDER & SEAL GP-BUCKET

S/N: PAS1-UP

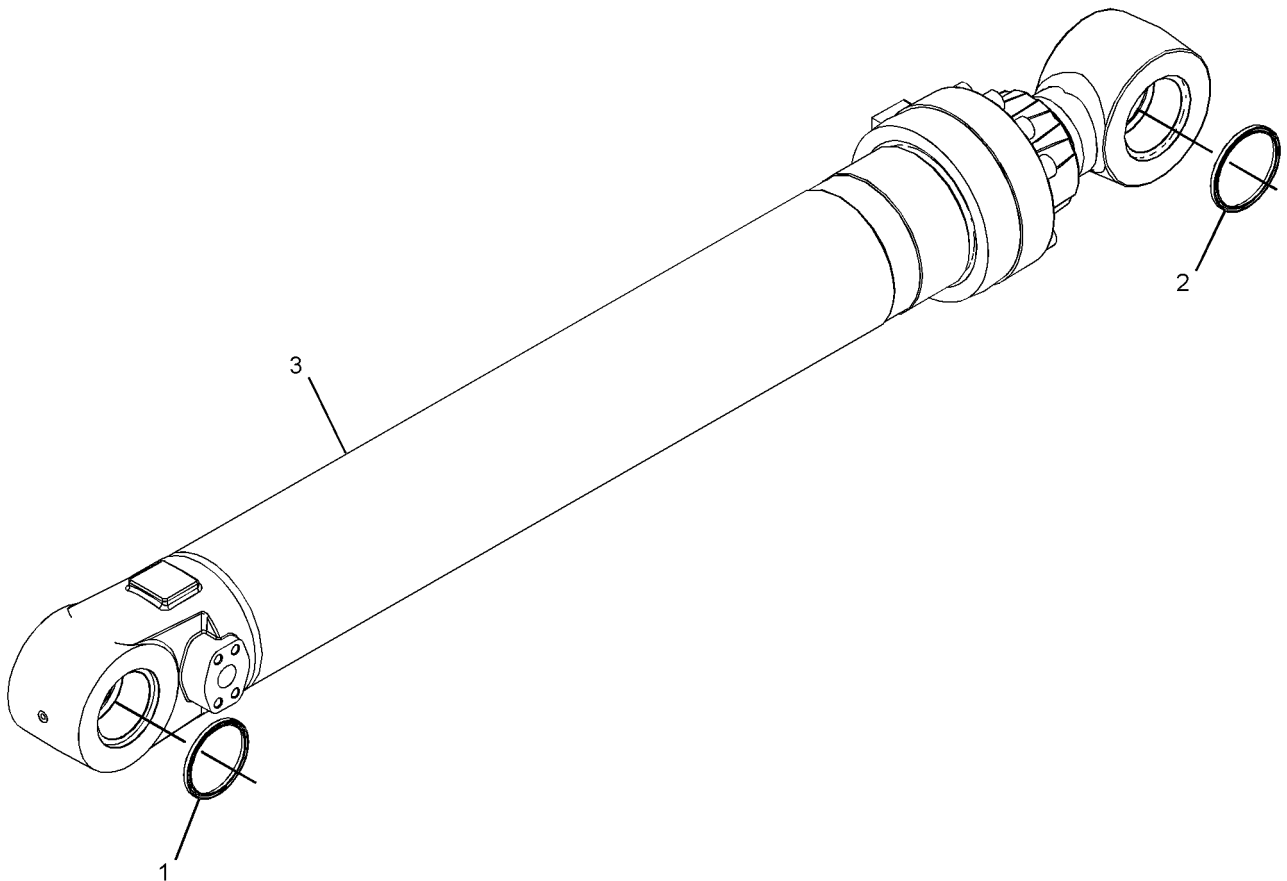
PART OF 353-6872 CYLINDER & LINES GP-BUCKET
AN ATTACHMENT

SMCS-5457

i03864842

NOTE	REF NO	GRAPHIC REF	PART NUMBER	QTY	PART NAME						SEE PAGE
					1	2	3	4	5	6 (PRODUCT LEVEL)	
	1	1	9X-4598	2	SEAL-LIP TYPE						
	2	1	9X-4599	2	SEAL-LIP TYPE						
Y	3	1	353-6439	1	CYLINDER GP-BUCKET						427

Y-SEPARATE ILLUSTRATION



GRAPHIC #1

<END>

g02126734

HYDRAULIC SYSTEM

353-6874 CYLINDER & SEAL GP-BUCKET

S/N: PAS1-UP

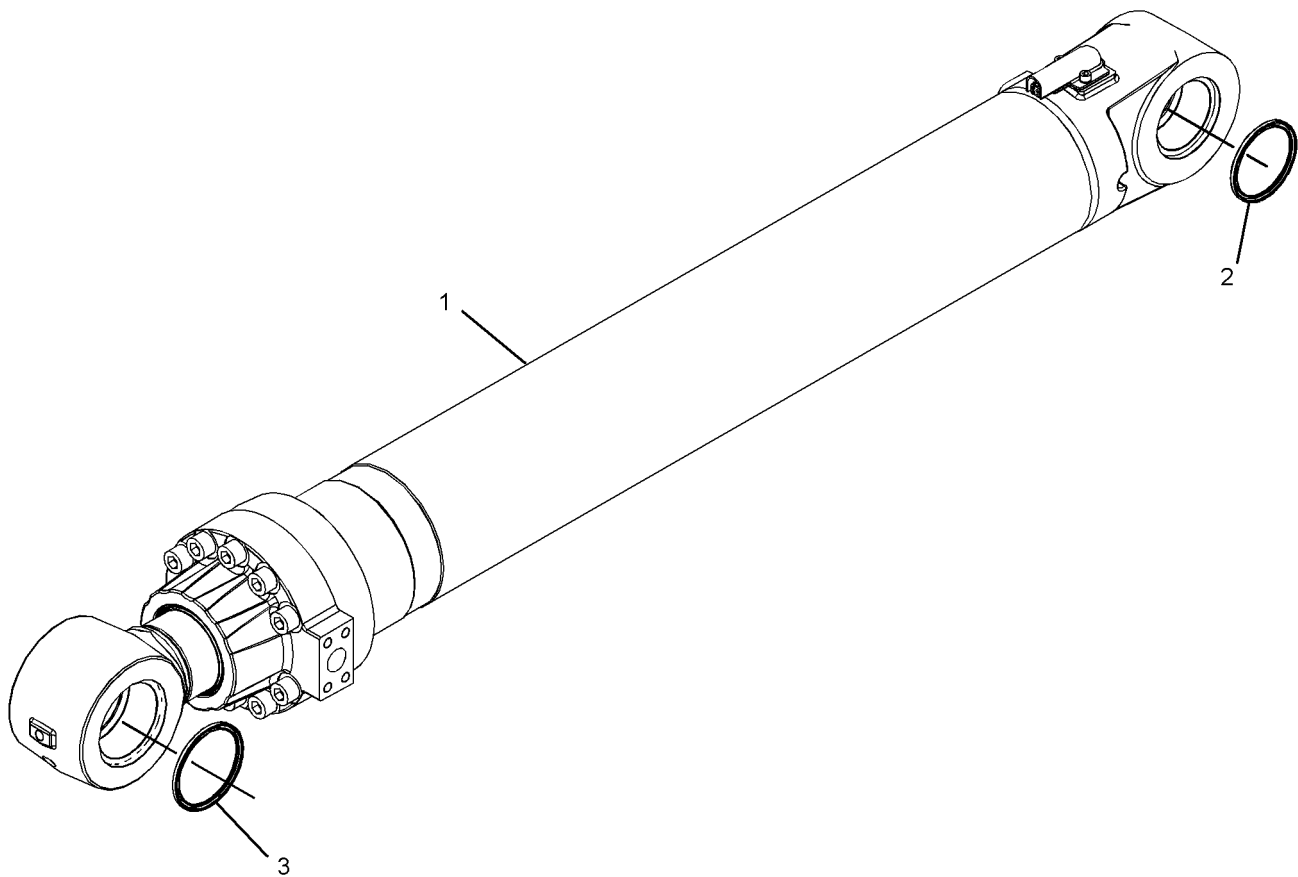
PART OF 353-6875 CYLINDER & LINES GP-BUCKET
AN ATTACHMENT

SMCS-5457

i03865589

NOTE	REF NO	GRAPHIC REF	PART NUMBER	QTY	PART NAME						SEE PAGE
					1	2	3	4	5	6 (PRODUCT LEVEL)	
Y	1	1	353-6837	1	CYLINDER GP-BUCKET						429
	2	1	9X-4598	2	SEAL-LIP TYPE						
	3	1	9X-4599	2	SEAL-LIP TYPE						

Y-SEPARATE ILLUSTRATION



GRAPHIC #1

<END>

g02126645

HYDRAULIC SYSTEM

353-6876 CYLINDER & SEAL GP-BUCKET

S/N: PAS1-UP

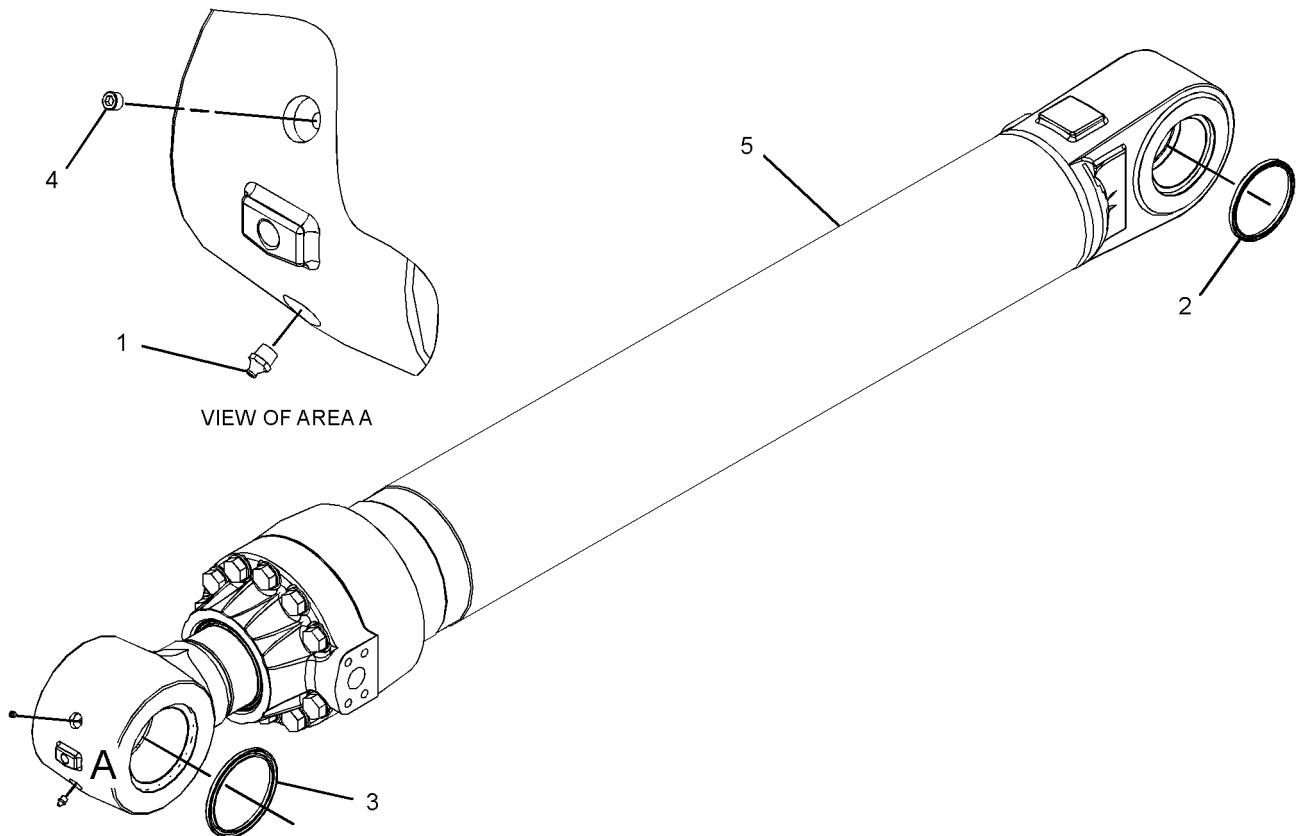
PART OF 353-6877 CYLINDER & LINES GP-BUCKET
AN ATTACHMENT

SMCS-5457

i03860356

NOTE	REF NO	GRAPHIC REF	PART NUMBER	QTY	PART NAME						SEE PAGE
					1	2	3	4	5	6 (PRODUCT LEVEL)	
	1	1	3B-8489	1	FITTING-GREASE						
	2	1	9X-4599	2	SEAL-LIP TYPE						
	3	1	9X-4600	2	SEAL-LIP TYPE						
	4	1	190-4896	1	PLUG						
Y	5	1	353-6904	1	CYLINDER GP-BUCKET						431

Y-SEPARATE ILLUSTRATION



VIEW OF AREA A

GRAPHIC #1

<END>

g02126735

HYDRAULIC SYSTEM

353-6858 CYLINDER & SEAL GP-STICK

S/N: PAS1-UP

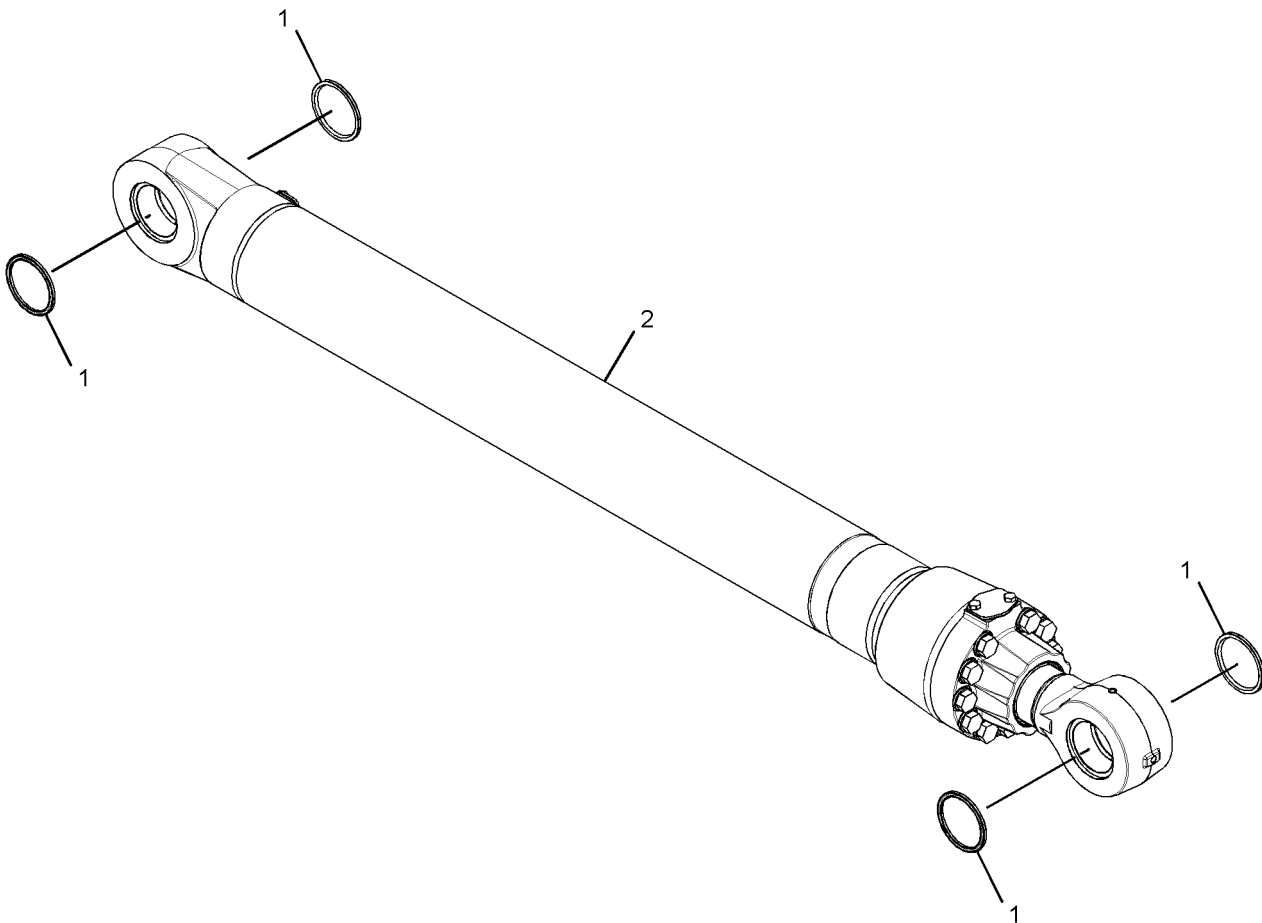
PART OF 353-6859 CYLINDER & LINES GP-STICK
AN ATTACHMENT

SMCS-5458

i03864874

NOTE	REF NO	GRAPHIC REF	PART NUMBER	QTY	PART NAME						SEE PAGE
					1	2	3	4	5	6 (PRODUCT LEVEL)	
	1	1	9X-4600	4	SEAL-LIP TYPE						
Y	2	1	353-5691	1	CYLINDER GP-STICK						434

Y-SEPARATE ILLUSTRATION



GRAPHIC #1

<END>

g02137673

HYDRAULIC SYSTEM

353-6907 CYLINDER GP-BOOM

S/N: PAS1-UP

190-MM(7.5-IN) BORE X 1792-MM(70.6-IN) STROKE

PART OF 353-6879 CYLINDER & SEAL GP-BOOM

AN ATTACHMENT

SMCS-5456

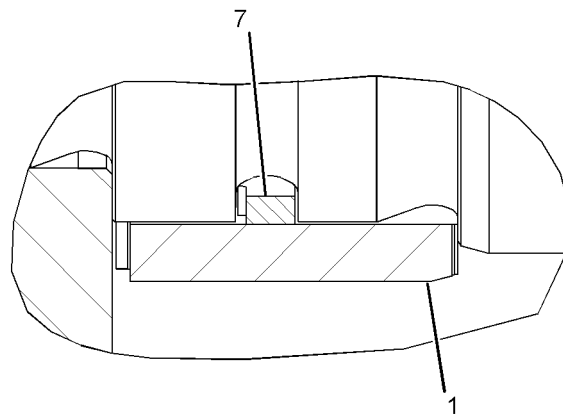
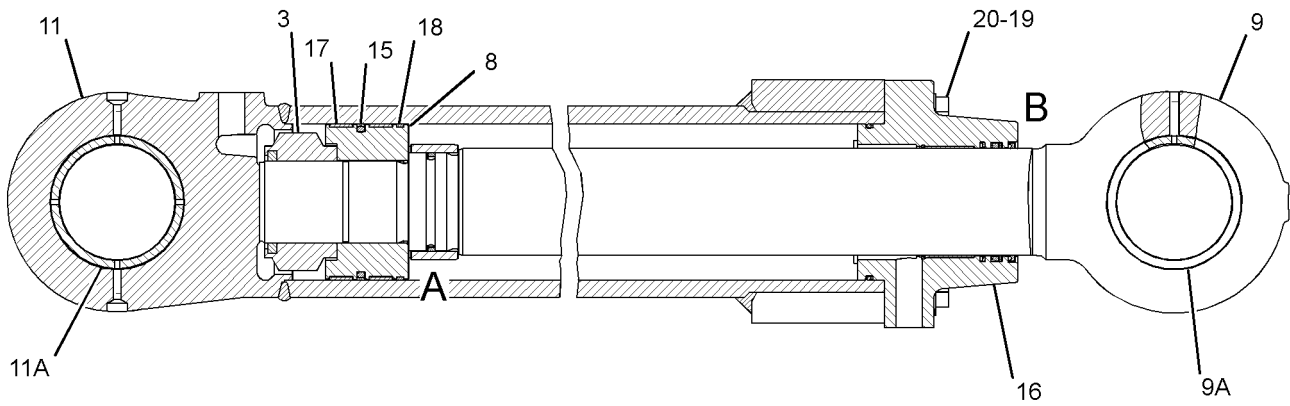
i03901483

NOTE	REF NO	GRAPHIC REF	PART NUMBER	QTY	PART NAME						SEE PAGE
					1	2	3	4	5	6 (PRODUCT LEVEL)	
	1	1	087-5390	1	STOP						
	2	1	114-0763	1	BUSHING						
M	3	1	126-1971	1	LOCKNUT-SPECIAL						
J	4	1	126-1978	1	RING-BACKUP						
J	5	1	165-9293	1	SEAL-LIP TYPE						
J	6	1	170-9850	1	SEAL-BUFFER						
J	7	1	200-3620	1	RING-SEAL						
	8	1	204-2844	1	PISTON						
	9	1	215-9867	1	ROD AS						
	9A	1	148-3381	1	BEARING						
J	10	1	216-0008	1	SEAL-U-CUP						
	11	1	353-6909	1	CYLINDER AS						
	11A	1	234-3748	1	BUSHING						
	12	1	087-5393	1	RING-RETAINING						
J	13	1	087-5397	1	RING-BACKUP						
J	14	1	095-1730	1	SEAL-O-RING						
J	15	1	125-1286	1	SEAL AS						
	16	1	126-2047	1	HEAD						
J	17	1	204-2845	2	RING						
J	18	1	204-2846	1	RING						
M	19	1	7X-2489	10	BOLT (M24X3X100-MM)						
	20	1	8T-4167	10	WASHER-HARD (26X44X4-MM THK)						
					AVAILABLE REPAIR KIT(S):						
J			225-4646	1	KIT-SEAL (BOOM CYLINDER)						
J-KIT MARKED J INCLUDES PART(S) MARKED J											
M-METRIC PART											

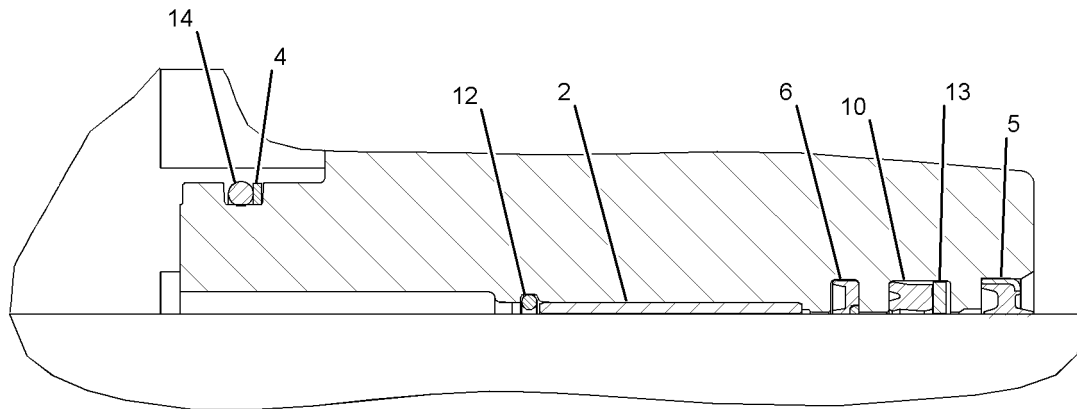
HYDRAULIC SYSTEM

353-6907 CYLINDER GP-BOOM (contd.)

i03901483



VIEW OF AREA A



VIEW OF AREA B

GRAPHIC #1

<END>

g02137450

HYDRAULIC SYSTEM

353-6439 CYLINDER GP-BUCKET

S/N: PAS1-UP

190-MM(7.5-IN) BORE X 1433-MM(56.4-IN) STROKE

PART OF 353-6871 CYLINDER & SEAL GP-BUCKET

AN ATTACHMENT

SMCS-5457

i03864846

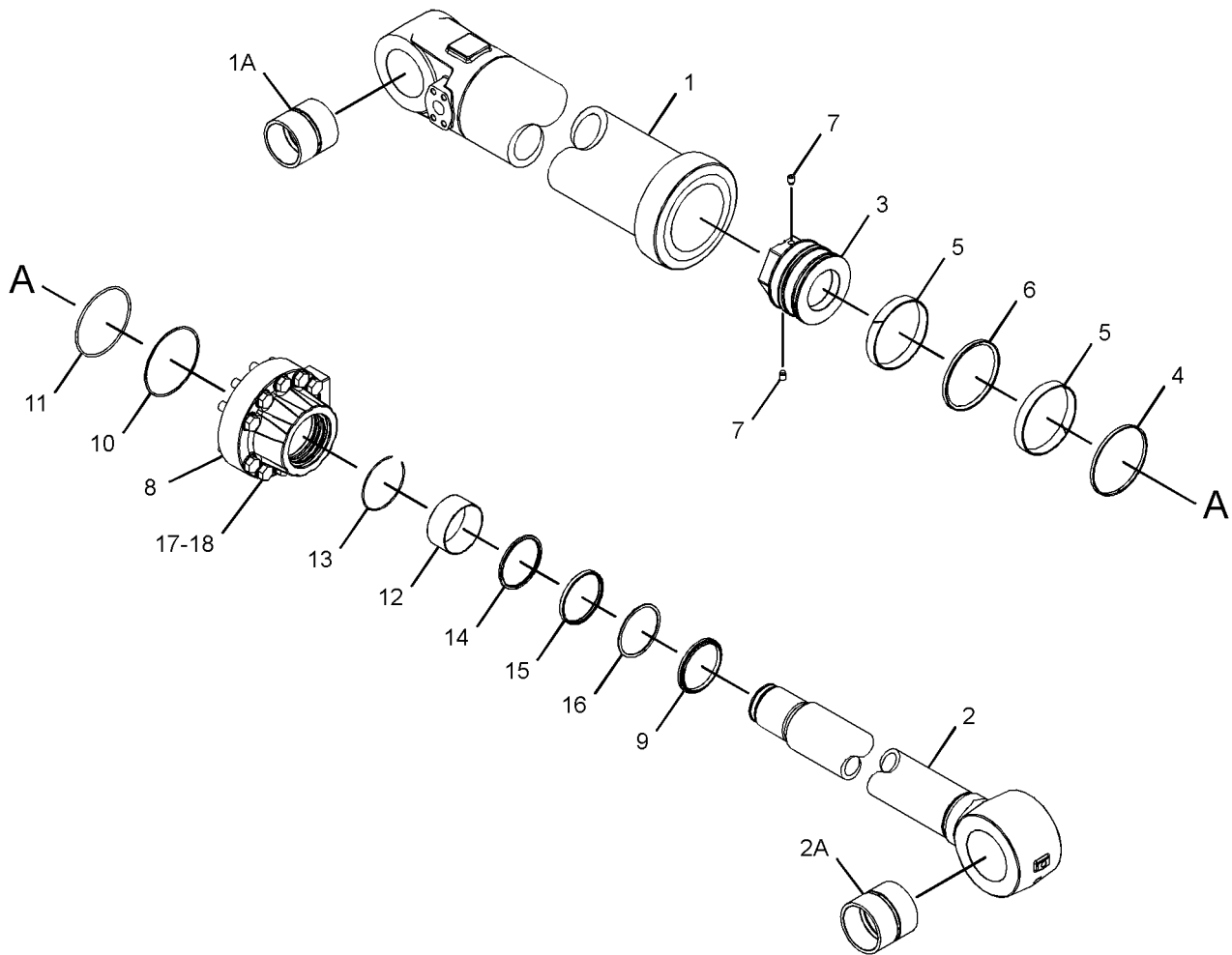
NOTE	REF NO	GRAPHIC REF	PART NUMBER	QTY	PART NAME						SEE PAGE
					1	2	3	4	5	6 (PRODUCT LEVEL)	
	1	1	353-6857	1	CYLINDER AS						
	1A	1	4I-1520	1	BEARING-SLEEVE						
	2	1	302-1791	1	ROD AS						
	2A	1	198-5529	1	BEARING-SLEEVE						
	3	1	309-2664	1	PISTON						
J	4	1	204-2846	1	RING						
J	5	1	204-2845	2	RING						
J	6	1	125-1286	1	SEAL AS						
M	7	1	095-1280	2	SETSCREW-SOCKET (M16X2X20-MM)						
	8	1	309-2658	1	HEAD						
J	9	1	165-9293	1	SEAL-LIP TYPE						
J	10	1	126-1978	1	RING-BACKUP						
J	11	1	095-1730	1	SEAL-O-RING						
	12	1	114-0763	1	BEARING-SLEEVE						
	13	1	087-5393	1	RING-RETAINING						
J	14	1	170-9850	1	SEAL-BUFFER						
J	15	1	216-0008	1	SEAL-U-CUP						
J	16	1	087-5397	1	RING-BACKUP						
	17	1	6V-8237	10	WASHER (26X44X4-MM THK)						
M	18	1	112-3929	10	BOLT (M24X3X100-MM)						
					AVAILABLE REPAIR KIT(S) :						
J			225-4646	1	KIT-SEAL (BUCKET CYLINDER)						
					(ALSO INCLUDES SEAL RING)						

J-KIT MARKED J INCLUDES PART(S) MARKED J
M-METRIC PART

HYDRAULIC SYSTEM

353-6439 CYLINDER GP-BUCKET (contd.)

i03864846



GRAPHIC #1

<END>

g02137759

HYDRAULIC SYSTEM

353-6837 CYLINDER GP-BUCKET

S/N: PAS1-UP
 190-MM (7.5-IN) BORE X 1433-MM(56.4-IN) STROKE
 PART OF 353-6874 CYLINDER & SEAL GP-BUCKET
 AN ATTACHMENT

SMCS-5457

i03865592

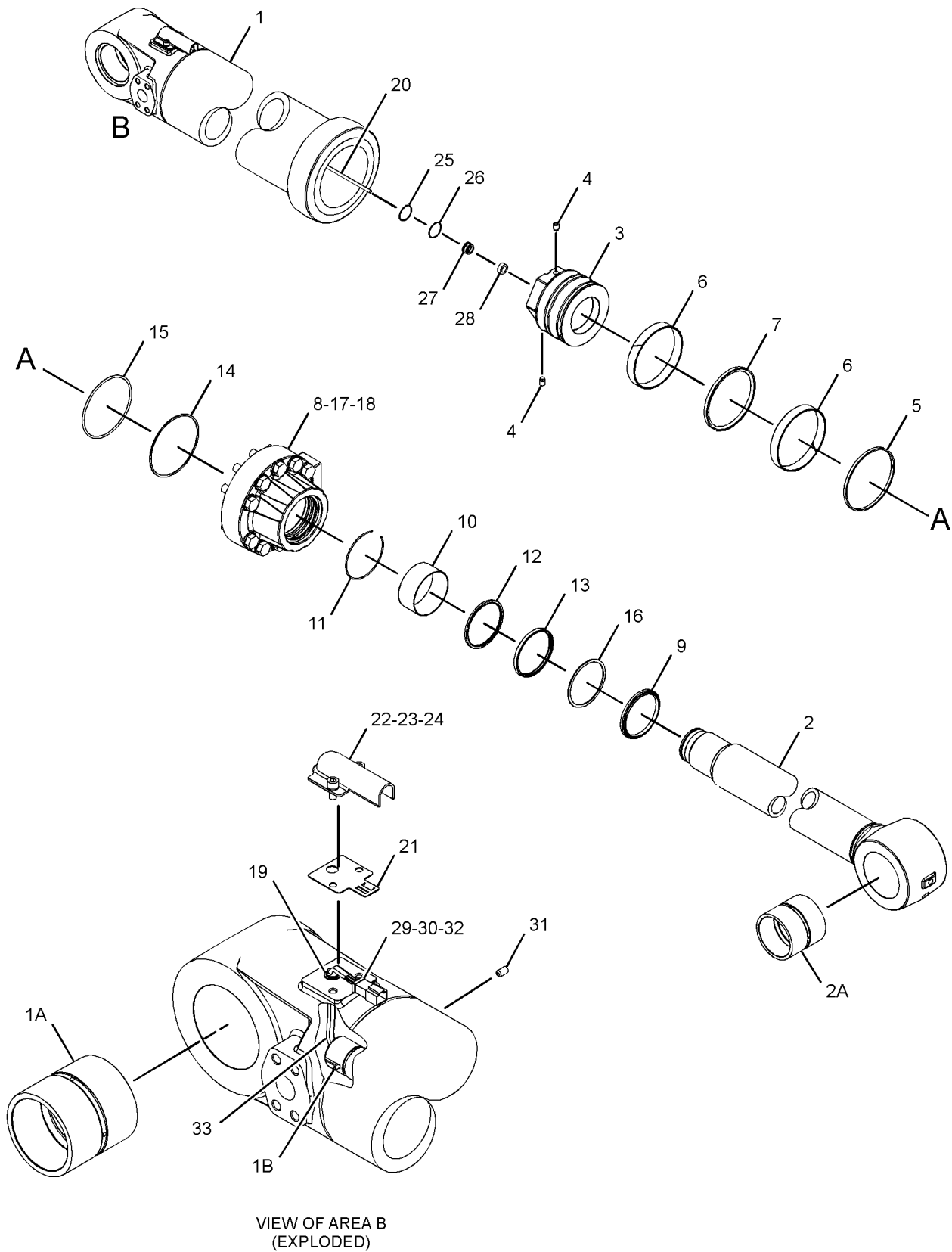
NOTE	REF NO	GRAPHIC REF	PART NUMBER	QTY	PART NAME						SEE PAGE
					1	2	3	4	5	6 (PRODUCT LEVEL)	
	1	1	353-6902	1	CYLINDER AS						
	1A	1	4I-1520	1	BEARING-SLEEVE						
	1B	1	095-0879	1	PIN-SPRING						
	2	1	300-9652	1	ROD AS						
	2A	1	198-5529	1	BEARING-SLEEVE						
	3	1	309-2664	1	PISTON						
M	4	1	095-1280	2	SETSCREW-SOCKET (M16X2X20-MM)						
J	5	1	204-2846	1	RING						
J	6	1	204-2845	2	RING						
J	7	1	125-1286	1	SEAL AS						
	8	1	309-2658	1	HEAD						
J	9	1	165-9293	1	SEAL-LIP TYPE						
	10	1	114-0763	1	BEARING-SLEEVE						
	11	1	087-5393	1	RING-RETAINING						
J	12	1	170-9850	1	SEAL-BUFFER						
J	13	1	216-0008	1	SEAL-U-CUP						
J	14	1	126-1978	1	RING-BACKUP						
J	15	1	095-1730	1	SEAL-O-RING						
J	16	1	087-5397	1	RING-BACKUP						
	17	1	6V-8237	10	WASHER (26X44X4-MM THK)						
M	18	1	112-3929	10	BOLT (M24X3X100-MM)						
	19	1	102-2244	1	GROMMET						
	20	1	300-8783	1	SENSOR GP-POSITION						
		1	9X-3401		PIN-CONNECTOR (16-GA TO 18-GA)						
	21	1	212-0907	1	PLATE-CONNECTOR						
	22	1	217-8763	1	COVER-PROTECTION						
	23	1	3V-2431	2	WASHER (10.2X16X2-MM THK)						
M	24	1	8T-8894	2	BOLT-SOCKET HEAD (M10X1.5X20-MM)						
	25	1	215-1942	1	RING-BACKUP						
	26	1	188-2199	1	SEAL-O-RING						
	27	1	243-3177	1	RETAINER						
	28	1	214-1639	1	MAGNET						
	29	1	3E-3376	1	RECEPTACLE AS-CONNECTOR (4-PIN)						
		1	102-8804	1	KIT-RECEPTACLE (4-PIN) (INCLUDES RECEPTACLE AS & WEDGE)						
	30	1	3E-3377	1	WEDGE-RECEPTACLE LOCK (4-PIN)						
M	31	1	6V-8223	1	SETSCREW-SOCKET (M10X1.5X16-MM)						
	32	1	8T-8737	1	PLUG-SEAL						
E	33	1	9X-1386		SLEEVE (20-CM)						
					AVAILABLE REPAIR KIT(S):						
J			225-4646	1	KIT-SEAL (BUCKET CYLINDER) (INCLUDES SEAL RING)						

E-ORDER BY THE CENTIMETER
 J-KIT MARKED J INCLUDES PART(S) MARKED J
 M-METRIC PART

HYDRAULIC SYSTEM

353-6837 CYLINDER GP-BUCKET (contd.)

i03865592



GRAPHIC #1

<END>

g02136295

HYDRAULIC SYSTEM

353-6904 CYLINDER GP-BUCKET

S/N: PAS1-UP

200-MM (7.87-IN) BORE X 1457-MM (57.36-IN) STROKE

PART OF 353-6876 CYLINDER & SEAL GP-BUCKET

AN ATTACHMENT

SMCS-5457

i03860369

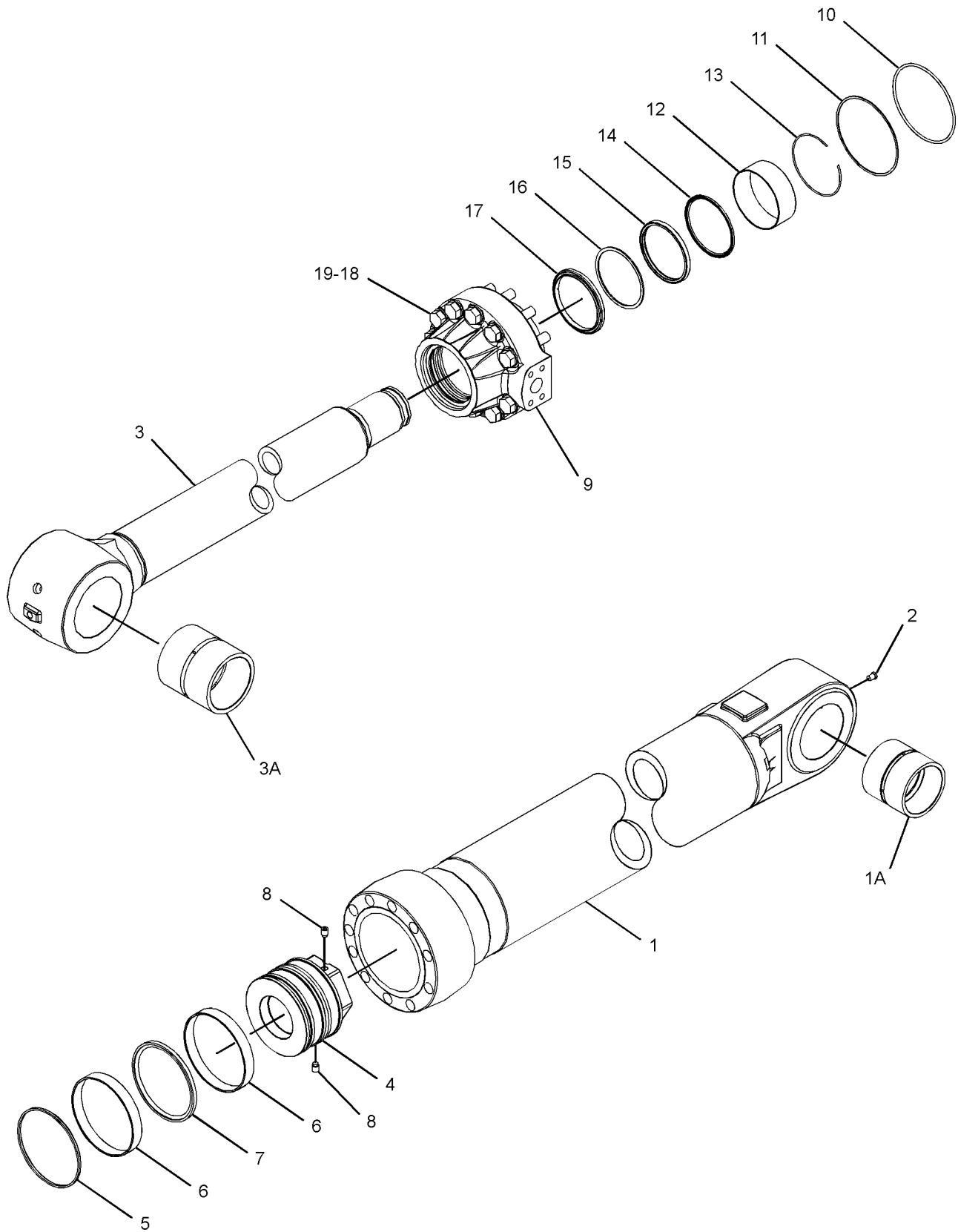
NOTE	REF NO	GRAPHIC REF	PART NUMBER	QTY	PART NAME						SEE PAGE
					1	2	3	4	5	6 (PRODUCT LEVEL)	
	1	1	353-6905	1	CYLINDER AS						
	1A	1	198-5529	1	BEARING-SLEEVE						
	2	1	5M-6213	1	PLUG-PIPE						
	3	1	315-3323	1	ROD AS						
	3A	1	6E-0813	1	BEARING-SLEEVE						
	4	1	315-3344	1	PISTON						
J	5	1	147-5776	1	RING						
J	6	1	147-5738	2	RING						
J	7	1	8C-9179	1	SEAL AS						
M	8	1	095-1280	2	SETSCREW-SOCKET (M16X2X20-MM)						
	9	1	147-5739	1	HEAD						
J	10	1	095-1731	1	SEAL-O-RING						
J	11	1	4I-6330	1	RING-BACKUP						
	12	1	128-9261	1	BEARING-SLEEVE						
	13	1	102-0786	1	RING-RETAINING						
J	14	1	170-9851	1	SEAL-BUFFER						
J	15	1	216-0009	1	SEAL-U-CUP						
J	16	1	147-5771	1	RING-BACKUP						
J	17	1	165-9294	1	SEAL-LIP TYPE						
	18	1	8T-4167	11	WASHER-HARD (26X44X4-MM THK)						
M	19	1	8T-0363	11	BOLT (M24X3X120-MM)						
					AVAILABLE REPAIR KIT(S):						
J			215-9995	1	KIT-SEAL (BUCKET CYLINDER)						
					(ALSO INCLUDES SEAL-RING)						

J-KIT MARKED J INCLUDES PARTS MARKED J
M-METRIC PART

HYDRAULIC SYSTEM

353-6904 CYLINDER GP-BUCKET (contd.)

i03860369



GRAPHIC #1

<END>

g02135313

HYDRAULIC SYSTEM

169-0776 CYLINDER GP-COUPLER

S/N: PAS1-UP

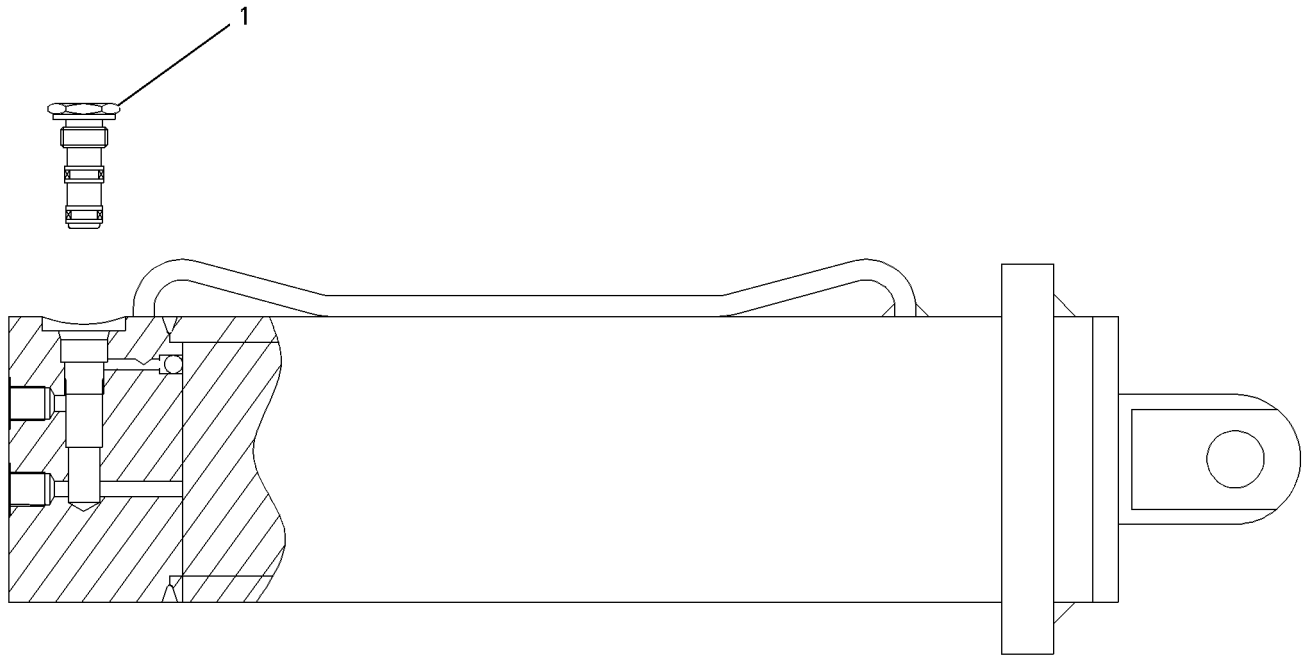
90-MM (3.5-IN) BORE X 200-MM (7.9-IN) STROKE

PART OF 169-0762 LOCK GP-QUICK COUPLER
AN ATTACHMENT

SMCS-5133

i03901487

NOTE	REF NO	GRAPHIC REF	PART NUMBER	QTY	PART NAME						SEE PAGE
					1	2	3	4	5	6 (PRODUCT LEVEL)	
	1	1	169-3923	1	KIT-VALVE (QUICK COUPLER)						
AVAILABLE REPAIR KIT(S):											
			219-1323	1	KIT-SEAL (COUPLER CYLINDER)						



GRAPHIC #1

<END>

g00562808

HYDRAULIC SYSTEM

353-5691 CYLINDER GP-STICK

S/N: PAS1-UP

210-MM(8.3-IN) BORE X 2118-MM(83.4-IN) STROKE

PART OF 353-6858 CYLINDER & SEAL GP-STICK

AN ATTACHMENT

SMCS-5458

i03912134

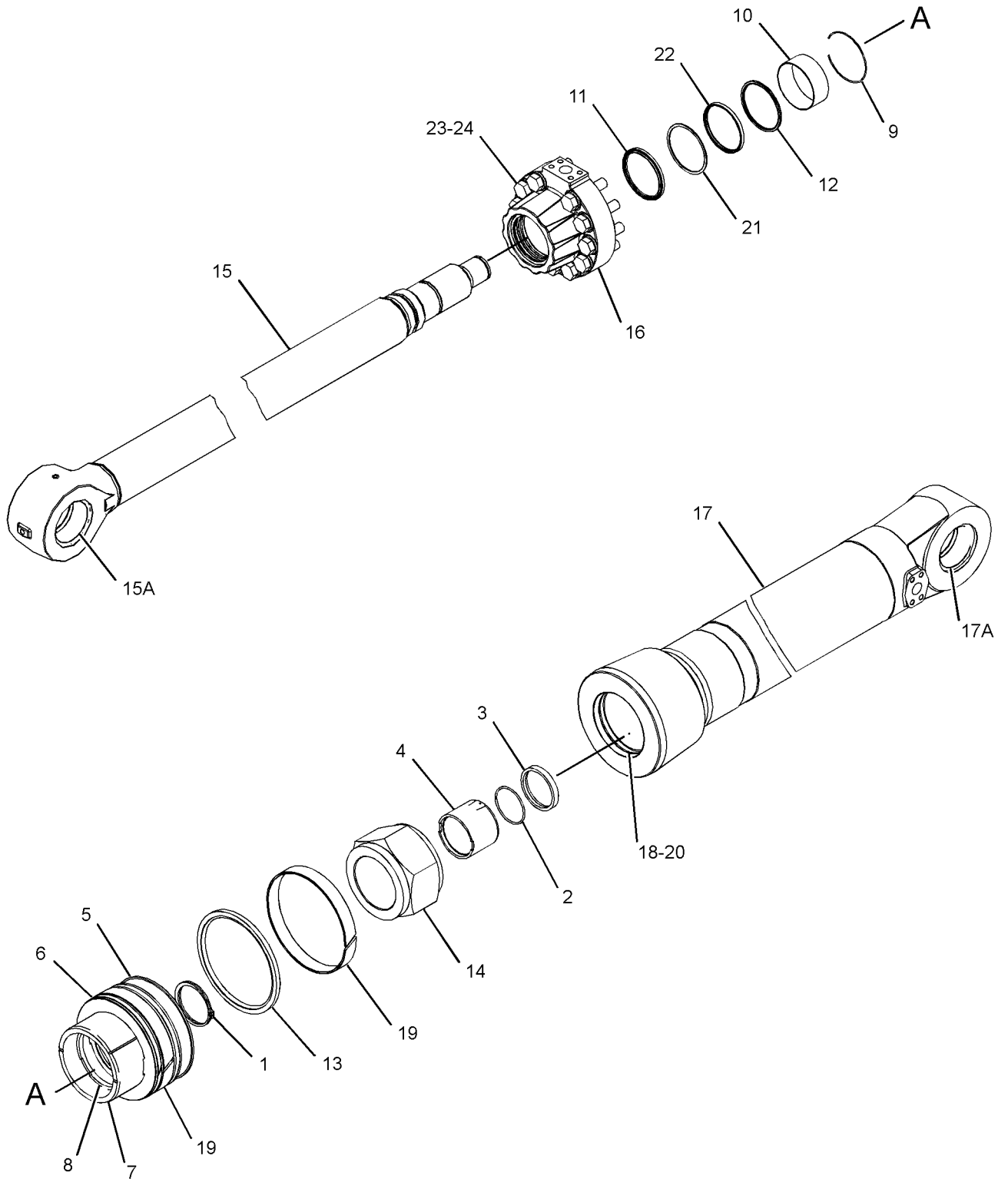
NOTE	REF NO	GRAPHIC REF	PART NUMBER	QTY	PART NAME						SEE PAGE
					1	2	3	4	5	6 (PRODUCT LEVEL)	
	1	1	143-1452	2	RING-RETAINING						
	2	1	147-5764	1	RING-RETAINING						
	3	1	147-5765	1	RING						
	4	1	147-5766	1	STOP						
	5	1	155-9092	1	PISTON						
J	6	1	155-9094	1	RING						
	7	1	155-9095	1	STOP						
J	8	1	155-9096	1	RING-SEAL						
	9	1	155-9099	1	RING-RETAINING						
	10	1	155-9100	1	BUSHING						
J	11	1	165-9295	1	SEAL-LIP TYPE						
J	12	1	170-9852	1	SEAL-BUFFER						
J	13	1	172-3918	1	SEAL AS						
	14	1	188-4192	1	LOCKNUT-SPECIAL						
	15	1	327-8206	1	ROD AS						
	15A	1	6E-0781	1	BUSHING						
	16	1	346-5550	1	HEAD						
	17	1	353-5690	1	CYLINDER AS						
	17A	1	6E-0781	1	BUSHING						
J	18	1	095-1732	1	SEAL-O-RING						
J	19	1	155-9093	2	RING						
J	20	1	155-9098	1	RING-BACKUP						
J	21	1	155-9103	1	RING-BACKUP						
J	22	1	216-0010	1	SEAL-U-CUP						
M	23	1	9X-6618	11	BOLT (M30X3.5X130-MM)						
	24	1	9X-8258	11	WASHER (33X56X6-MM THK)						
					AVAILABLE REPAIR KIT(S) :						
J			215-9999	1	KIT-SEAL (STICK CYLINDER)						

J-KIT MARKED J INCLUDES PART(S) MARKED J
M-METRIC PART

HYDRAULIC SYSTEM

353-5691 CYLINDER GP-STICK (contd.)

i03912134



GRAPHIC #1

<END>

g02137276

HYDRAULIC SYSTEM

6I-3638 DRIVE GP-PUMP

S/N: LHX19430-UP

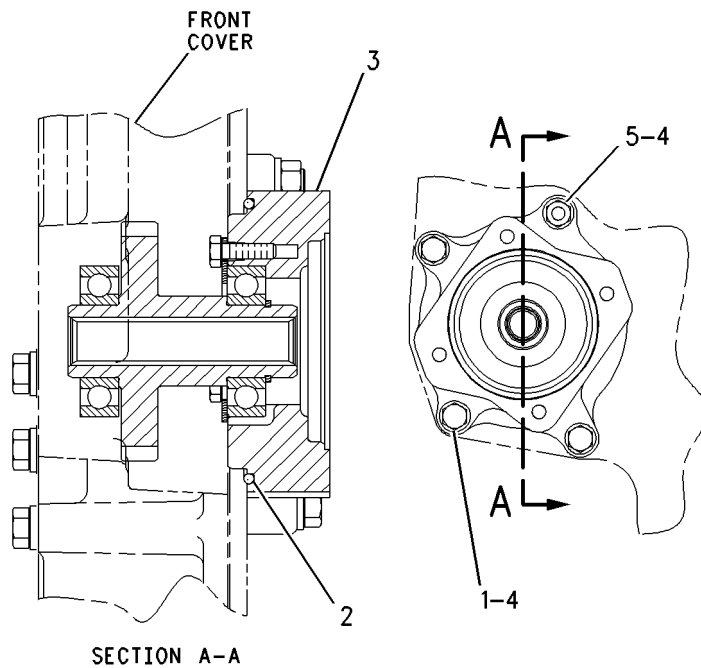
PART OF 288-8156 ENGINE AR-COMplete

SMCS-3108

i02936794

NOTE	REF NO	GRAPHIC REF	PART NUMBER	QTY	PART NAME						SEE PAGE
					1	2	3	4	5	6 (PRODUCT LEVEL)	
	1	1	0S-1590	3	BOLT (3/8-16X2-IN)						
	2	1	8T-9527	1	SEAL-O-RING						
YC	3	1	<i>133-9907</i>	1	ADAPTER GP-PUMP DRIVE						12
	4	1	5M-2894	4	WASHER-HARD (10.2X18.5X2.5-MM THK)						
	5	1	9S-8752	1	NUT-FULL (3/8-16-THD)						

C-CHANGE FROM PREVIOUS TYPE
Y-SEPARATE ILLUSTRATION



GRAPHIC #1

<END>

g00892672

HYDRAULIC SYSTEM

267-6933 DRIVE GP-SWING-WITH MOTOR, RH

S/N: PAS1-UP

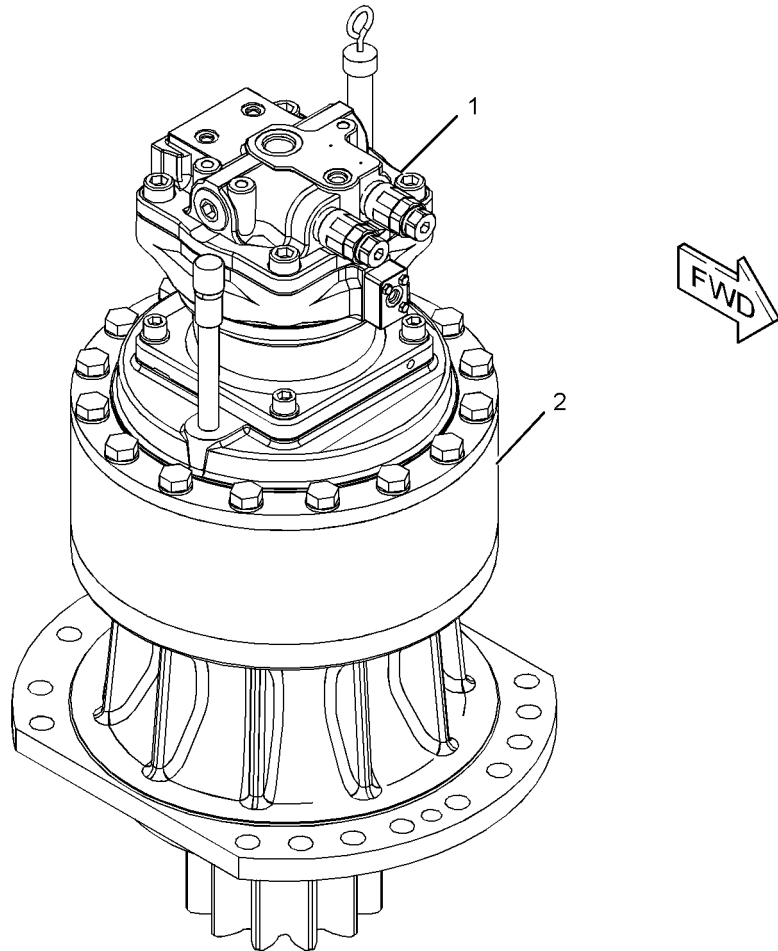
PART OF 296-6151 POWER TRAIN AR

SMCS-5459

i03655255

NOTE	REF NO	GRAPHIC REF	PART NUMBER	QTY	PART NAME						SEE PAGE
					1	2	3	4	5	6 (PRODUCT LEVEL)	
Y	1	1	295-9406	1	MOTOR & MTG GP-SWING (WITHOUT MOTOR, RH)						568
Y	2	1	296-6146	1	DRIVE GP-SWING						439

Y-SEPARATE ILLUSTRATION



GRAPHIC #1

<END>

g02086278

HYDRAULIC SYSTEM

296-6145 DRIVE GP-SWING-WITH MOTOR, LH

S/N: PAS1-UP

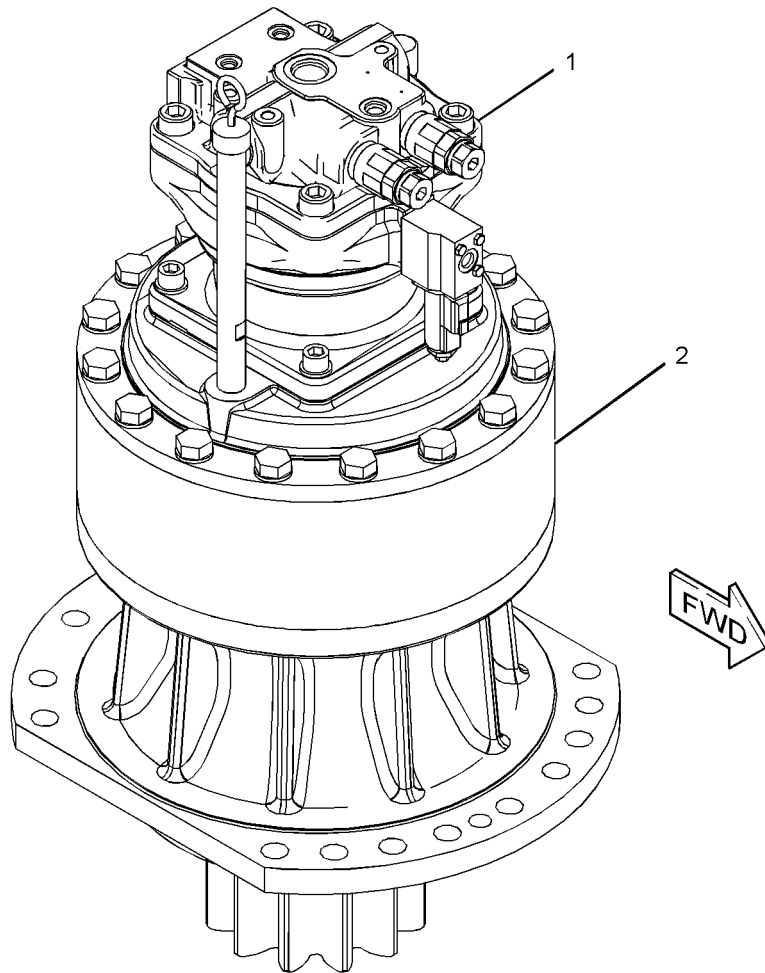
PART OF 296-6151 POWER TRAIN AR

SMCS-5459

i03655268

NOTE	REF NO	GRAPHIC REF	PART NUMBER	QTY	PART NAME						SEE PAGE
					1	2	3	4	5	6 (PRODUCT LEVEL)	
Y	1	1	295-9405	1	MOTOR & MTG GP-SWING						567
Y	2	1	296-6147	1	DRIVE GP-SWING (WITHOUT MOTOR, LH)						442

Y-SEPARATE ILLUSTRATION



GRAPHIC #1

<END>

g02086248

HYDRAULIC SYSTEM

296-6146 DRIVE GP-SWING-WITHOUT MOTOR, RH

S/N: PAS1-UP

PART OF 267-6933 DRIVE GP-SWING

SMCS-5459

i03655257

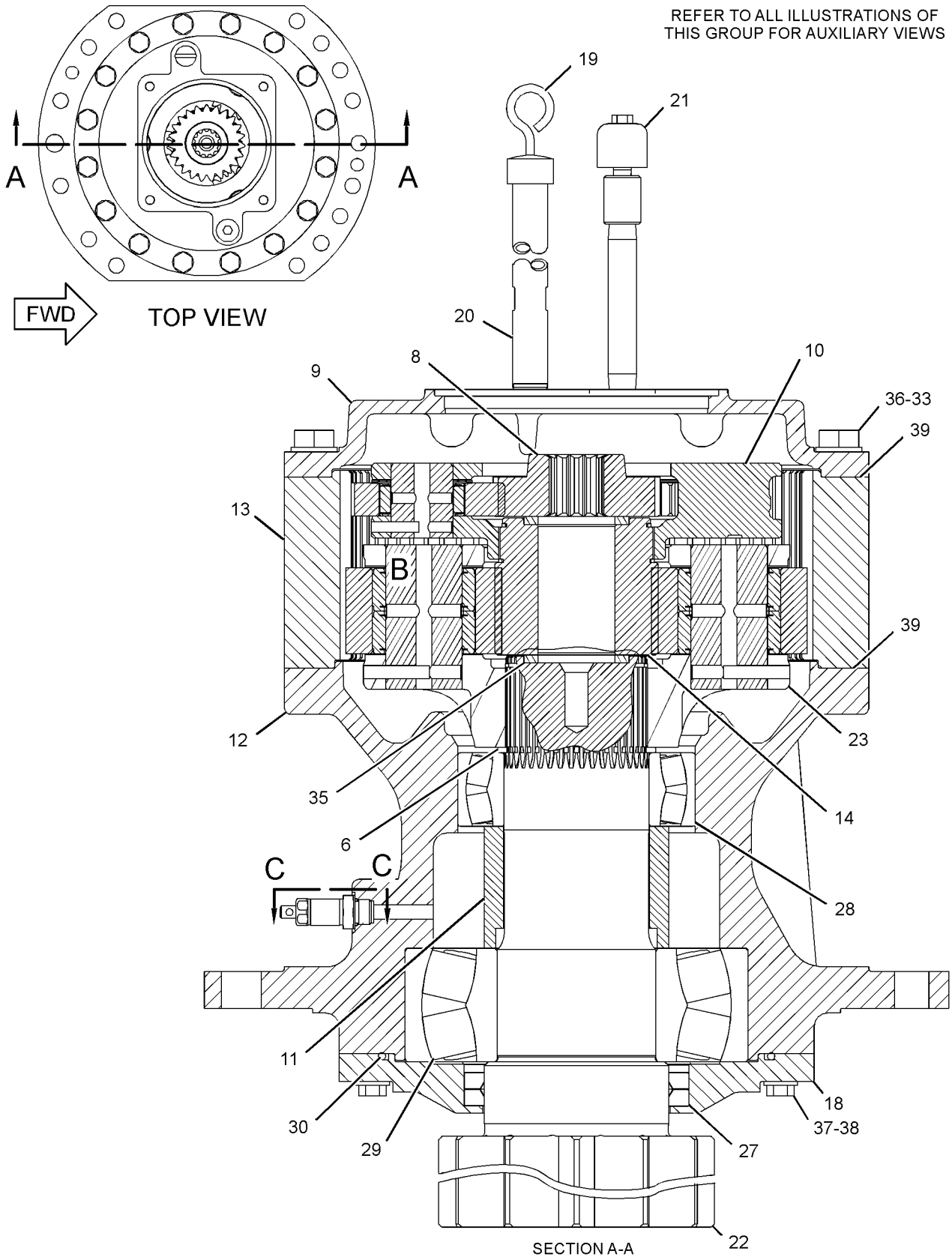
NOTE	REF NO	GRAPHIC REF	PART NUMBER	QTY	PART NAME						SEE PAGE
					1	2	3	4	5	6 (PRODUCT LEVEL)	
	1	2	6V-7238	1	VALVE-SHUTOFF (HYDRAULIC OIL)						
	2	2	7Y-0225	3	SHAFT-PLANETARY						
	3	2	093-1730	1	RING-RETAINING						
	4	2	094-0574	1	RING-RETAINING						
	5	2	094-0611	6	WASHER (47.3X76X1-MM THK)						
	6	1	096-2653	1	RING-RETAINING						
	7	2	110-7053	3	GEAR-PLANETARY (23-TEETH)						
	8	1	136-2889	1	GEAR-SUN (23-TEETH)						
	9	1	136-2890	1	COVER-HOUSING						
	10	1	136-2891	1	CARRIER-PLANETARY						
	11	1	136-2893	1	SPACER-SPECIAL						
	12	1	136-2894	1	HOUSING						
	13	1	136-2896	1	GEAR-RING (70-TEETH)						
	14	1	136-2897	1	GEAR-SUN (22-TEETH)						
	15	2	136-2898	8	WASHER (58.3X89X1-MM THK)						
	16	2	136-2899	4	SHAFT-PLANETARY						
	17	2	136-2901	4	GEAR-PLANETARY (23-TEETH)						
	18	1	136-2941	1	CAGE						
	19	1	148-4645	1	GAUGE-OIL LEVEL (SWING DRIVE)						
	20	1	148-4646	1	PIPE-GAUGE						
	21	1	227-6221	1	BREATHER AS (SWING DRIVE)						
		1	4H-6112	1	BREATHER (SWING DRIVE)						
		1	227-6215	1	BOSS (1/4-18-THD)						
		1	267-6785	1	PIPE						
	22	1	267-6914	1	SHAFT-PINION						
	23	1	296-6229	1	CARRIER-PLANETARY						
	24	2	093-1731	1	RING-RETAINING						
	25	2	095-0891	3	PIN-SPRING						
	26	2	099-5194	4	PIN-SPRING						
	27	1	135-9044	2	SEAL-LIP TYPE						
	28	1	136-2904	1	BEARING						
	29	1	136-2940	1	BEARING						
	30	1	136-2942	1	SEAL-O-RING						
	31	2	297-6841	8	BEARING-ROLLER						
	32	2	3K-0360	1	SEAL-O-RING						
M	33	1	7X-2569	16	BOLT (M20X2.5X200-MM)						
	34	2	7Y-0252	3	BEARING AS-ROLLER						
	35	1,2	7Y-0595	2	SPACER (58X79.6X6-MM THK)						
	36	1	8T-4123	16	WASHER (22X35X3.5-MM THK)						
M	37	1	8T-4183	10	BOLT (M12X1.75X40-MM)						
	38	1	8T-4223	10	WASHER-HARD (13.5X25.5X3-MM THK)						
B	39	1	1U-8846		SEALANT-GASKET						

B-USE AS REQUIRED
M-METRIC PART

HYDRAULIC SYSTEM

296-6146 DRIVE GP-SWING (contd.)

i03655257



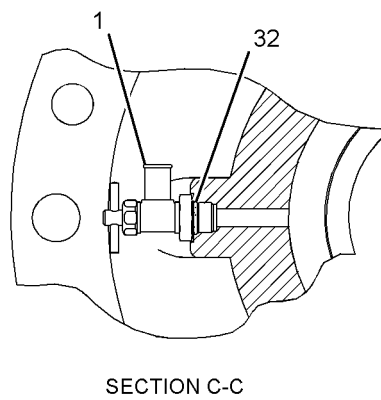
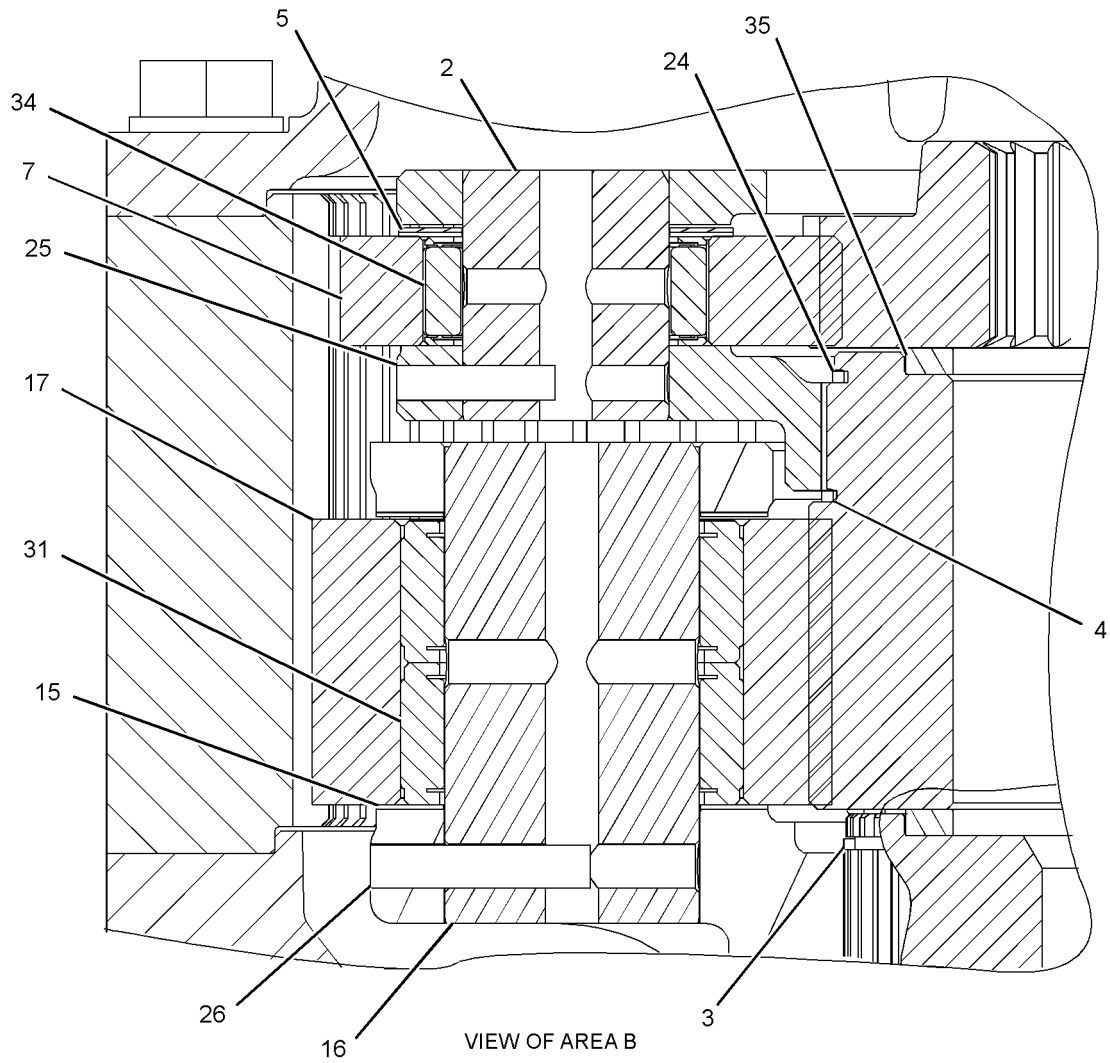
GRAPHIC #1

g02124695

HYDRAULIC SYSTEM

296-6146 DRIVE GP-SWING (contd.)

i03655257



GRAPHIC #2

<END>

g02124696

HYDRAULIC SYSTEM

296-6147 DRIVE GP-SWING-WITHOUT MOTOR, LH

S/N: PAS1-UP

PART OF 296-6145 DRIVE GP-SWING

SMCS-5459

i03655272

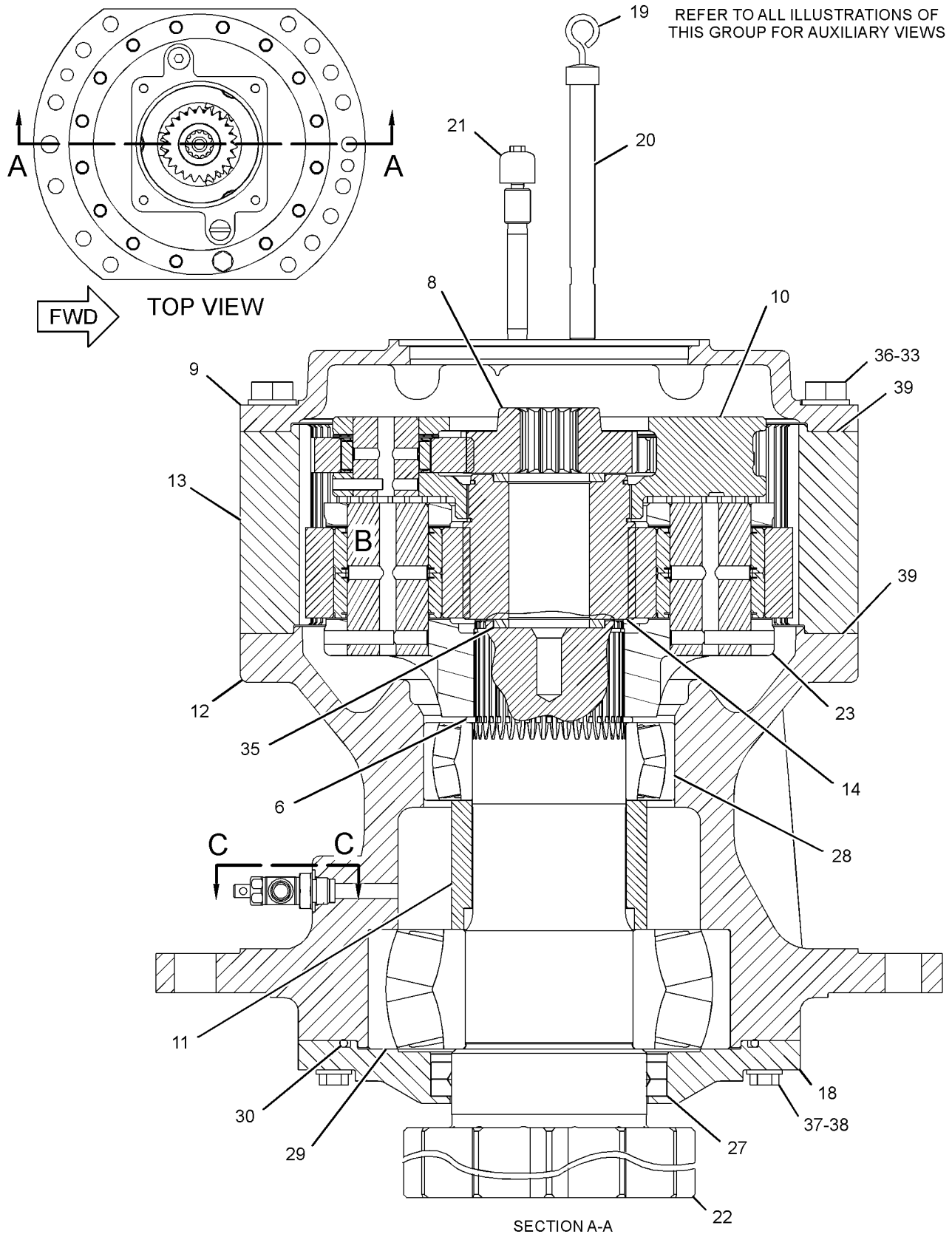
NOTE	REF NO	GRAPHIC REF	PART NUMBER	QTY	PART NAME						SEE PAGE
					1	2	3	4	5	6 (PRODUCT LEVEL)	
	1	2	6V-7238	1	VALVE-SHUTOFF (HYDRAULIC OIL)						
	2	2	7Y-0225	3	SHAFT-PLANETARY						
	3	2	093-1730	1	RING-RETAINING						
	4	2	094-0574	1	RING-RETAINING						
	5	2	094-0611	6	WASHER (47.3X76X1-MM THK)						
	6	1	096-2653	1	RING-RETAINING						
	7	2	110-7053	3	GEAR-PLANETARY (23-TEETH)						
	8	1	136-2889	1	GEAR-SUN (23-TEETH)						
	9	1	136-2890	1	COVER-HOUSING						
	10	1	136-2891	1	CARRIER-PLANETARY						
	11	1	136-2893	1	SPACER-SPECIAL						
	12	1	136-2894	1	HOUSING						
	13	1	136-2896	1	GEAR-RING (70-TEETH)						
	14	1	136-2897	1	GEAR-SUN (22-TEETH)						
	15	2	136-2898	8	WASHER (58.3X89X1-MM THK)						
	16	2	136-2899	4	SHAFT-PLANETARY						
	17	2	136-2901	4	GEAR-PLANETARY (23-TEETH)						
	18	1	136-2941	1	CAGE						
	19	1	148-4645	1	GAUGE-OIL LEVEL (SWING DRIVE)						
	20	1	148-4646	1	PIPE-GAUGE						
	21	1	227-6221	1	BREATHER AS (SWING DRIVE)						
		1	4H-6112	1	BREATHER (SWING DRIVE)						
		1	227-6215	1	BOSS (1/4-18-THD)						
		1	267-6785	1	PIPE						
	22	1	267-6914	1	SHAFT-PINION						
	23	1	296-6229	1	CARRIER-PLANETARY						
	24	2	093-1731	1	RING-RETAINING						
	25	2	095-0891	3	PIN-SPRING						
	26	2	099-5194	4	PIN-SPRING						
	27	1	135-9044	2	SEAL-LIP TYPE						
	28	1	136-2904	1	BEARING						
	29	1	136-2940	1	BEARING						
	30	1	136-2942	1	SEAL-O-RING						
	31	2	297-6841	8	BEARING-ROLLER						
	32	2	3K-0360	1	SEAL-O-RING						
M	33	1	7X-2569	16	BOLT (M20X2.5X200-MM)						
	34	2	7Y-0252	3	BEARING AS-ROLLER						
	35	1,2	7Y-0595	2	SPACER (58X79.6X6-MM THK)						
	36	1	8T-4123	16	WASHER (22X35X3.5-MM THK)						
M	37	1	8T-4183	10	BOLT (M12X1.75X40-MM)						
	38	1	8T-4223	10	WASHER-HARD (13.5X25.5X3-MM THK)						
B	39	1	1U-8846		SEALANT-GASKET						

B-USE AS REQUIRED
M-METRIC PART

HYDRAULIC SYSTEM

296-6147 DRIVE GP-SWING (contd.)

i03655272



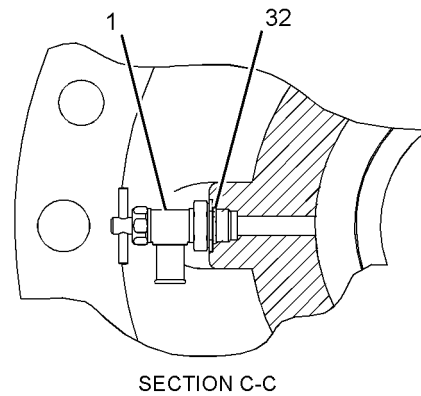
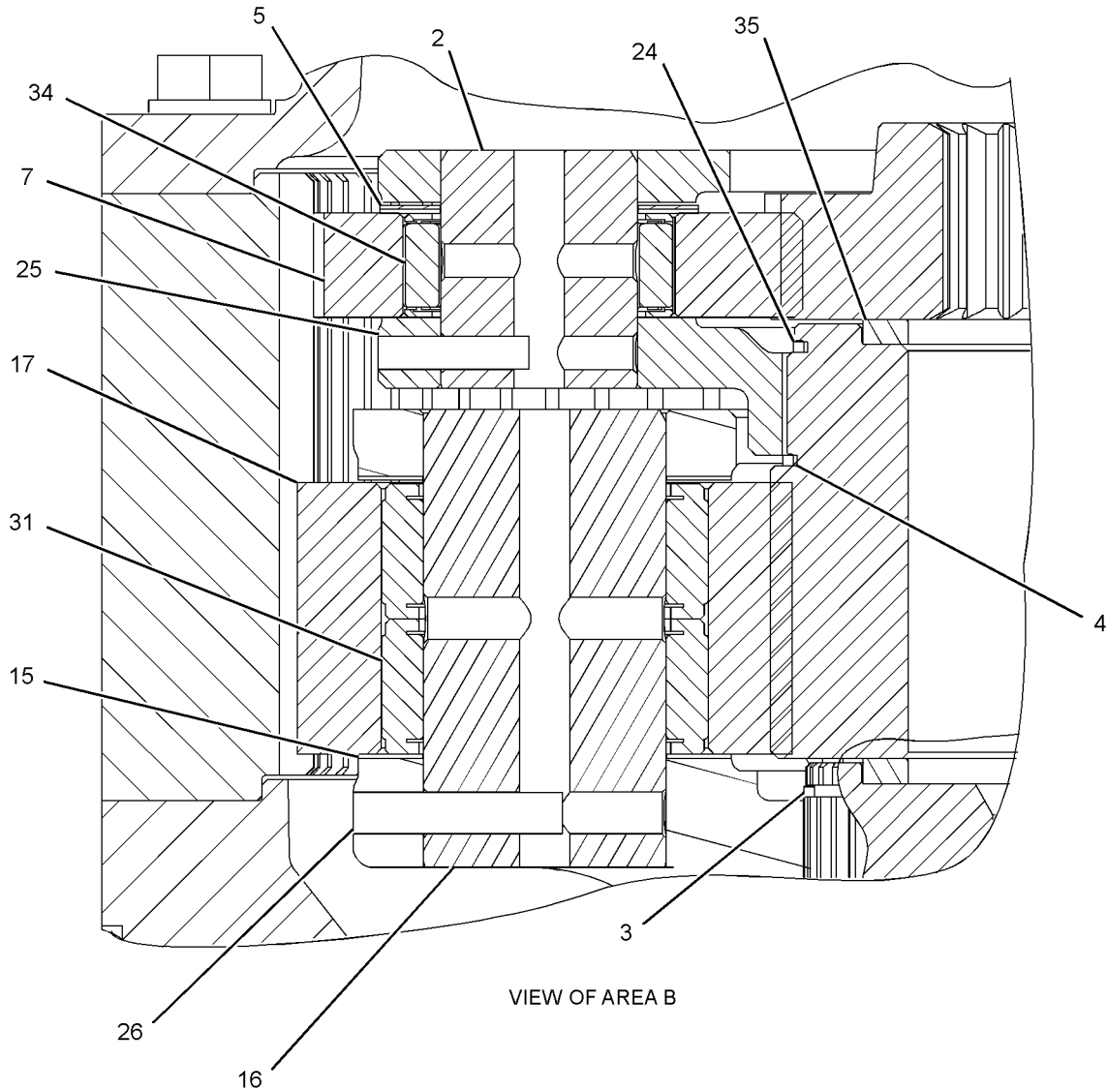
GRAPHIC #1

g02124214

HYDRAULIC SYSTEM

296-6147 DRIVE GP-SWING (contd.)

i03655272



GRAPHIC #2

<END>

g02124215

HYDRAULIC SYSTEM

266-0928 FILTER & LINES GP-HYDRAULIC- FINE FILTRATION

S/N: PAS1-UP

PART OF 303-2623 FILTER AR-HYDRAULIC
AN ATTACHMENT

SMCS-5057, 5068

i03880708

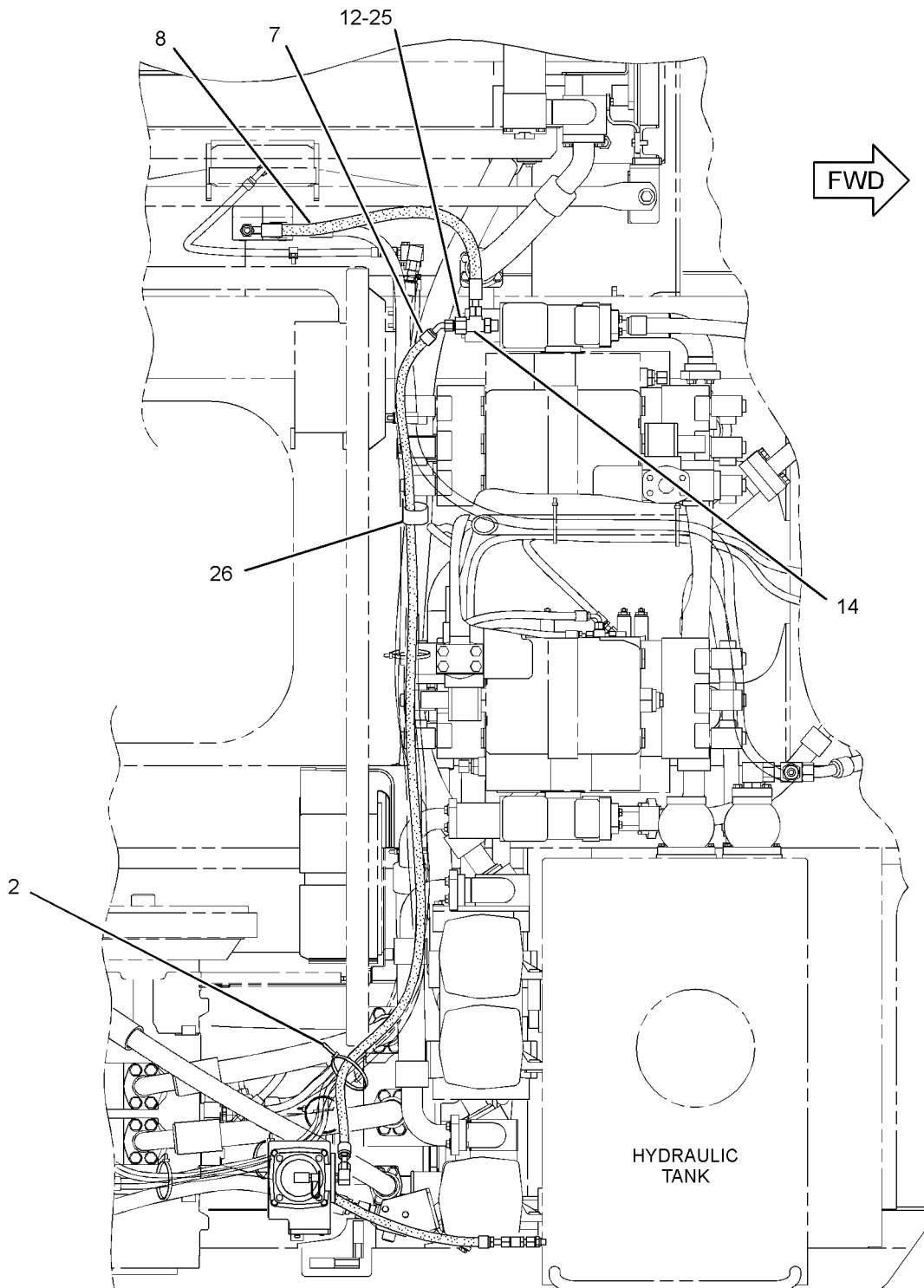
NOTE	REF NO	GRAPHIC REF	PART NUMBER	QTY	PART NAME						SEE PAGE
					1	2	3	4	5	6 (PRODUCT LEVEL)	
Y	1	2	6I-6849	1	VALVE GP-CHECK						609
	2	1	7K-1181	1	STRAP-CABLE						
	3	2	087-3591	2	SPACER (15.5X30X12-MM THK)						
Y	4	2	250-0729	1	FILTER GP-OIL (HYDRAULIC)						457
	5	2	266-0929	1	SUPPORT AS						
	6	2	266-0931	1	PLATE						
I	7	1	266-0932	1	HOSE AS						
I	8	1	266-0938	1	HOSE AS						
I	9	2	266-1068	1	HOSE AS						
	10	2	<i>148-8365</i>	1	ELBOW AS						
		2	3J-1907	1	SEAL-O-RING						
		2	6V-8398	1	SEAL-O-RING						
		2	8T-6876	1	ELBOW						
	11	2	<i>148-8372</i>	1	ELBOW AS						
		2	2M-9780	1	SEAL-O-RING						
		2	6V-8398	1	SEAL-O-RING						
		2	6V-8721	1	ELBOW						
	12	1	<i>148-8418</i>	1	REDUCER AS						
		1	6V-8398	1	SEAL-O-RING						
		1	6V-8942	1	REDUCER-O-RING						
	13	2	<i>150-4043</i>	1	CONNECTOR AS						
		2	3J-1907	1	SEAL-O-RING						
		2	6V-8398	1	SEAL-O-RING						
		2	6V-9873	1	CONNECTOR						
	14	1	<i>164-5578</i>	1	TEE AS						
		1	3D-2824	1	SEAL-O-RING						
		1	6V-9175	1	TEE (FACE SEAL)						
		1	6V-9746	1	SEAL-O-RING						
		1	7J-9108	1	SEAL-O-RING						
	16	2	6V-0852	1	CAP-DUST						
C	17	2	<i>164-5567</i>	1	COUPLER AS-QUICK DISCONNECT (MALE)						
		1	6V-3965	1	FITTING (QUICK DISCONNECT)						
		1	214-7568	1	SEAL-O-RING						
C	18	2	<i>241-6215</i>	1	ELBOW AS						
		1	3J-1907	1	SEAL-O-RING						
		1	6V-8076	1	ELBOW						
	19	2	6V-8398	1	SEAL-O-RING						
M	20	2	7X-2537	4	BOLT (M8X1.25X35-MM)						
	21	2	8T-4121	4	WASHER-HARD (11X21X2.5-MM THK)						
M	22	2	8T-4136	4	BOLT (M10X1.5X25-MM)						
M	23	2	8T-4183	2	BOLT (M12X1.75X40-MM)						
	24	2	8T-4224	4	WASHER-HARD (8.8X16X2-MM THK)						
	25	1	9X-6580	1	NUT (1-3/16-12-THD)						
	26	1	144-3935	1	CLIP						

C-CHANGE FROM PREVIOUS TYPE
I-REFER TO HYDRAULIC INFORMATION SYSTEM
M-METRIC PART
Y-SEPARATE ILLUSTRATION

HYDRAULIC SYSTEM

266-0928 FILTER & LINES GP-HYDRAULIC (contd.)

i03880708



TOP VIEW

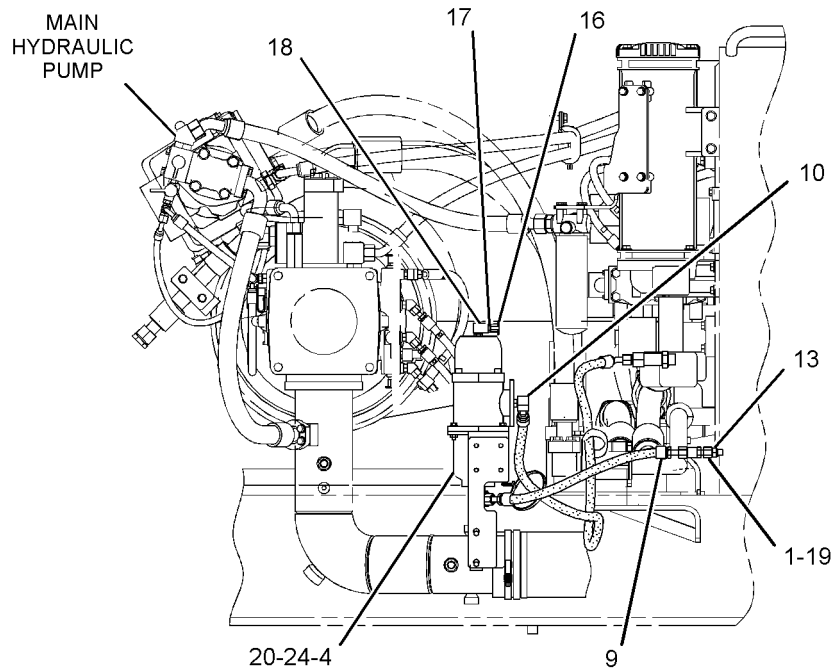
GRAPHIC #1

g01865741

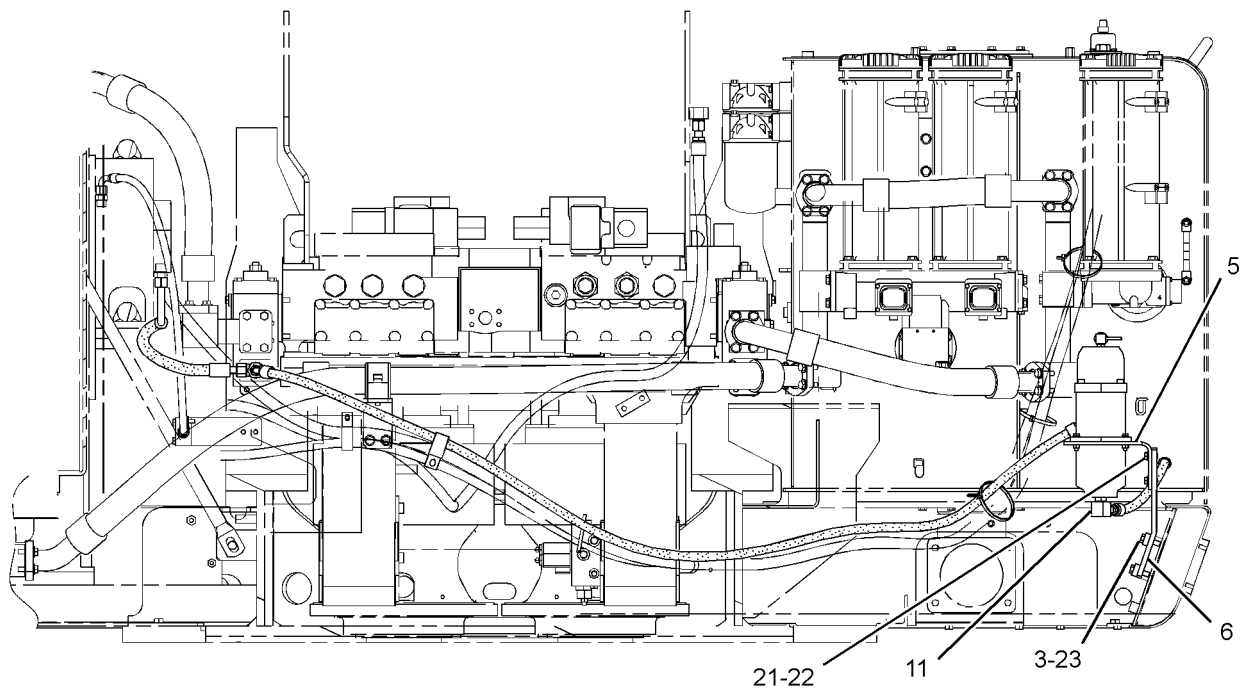
HYDRAULIC SYSTEM

266-0928 FILTER & LINES GP-HYDRAULIC (contd.)

i03880708



RIGHT SIDE VIEW



REAR VIEW

GRAPHIC #2

<END>

g02126911

HYDRAULIC SYSTEM

303-2623 FILTER AR-HYDRAULIC-FINE FILTRATION

S/N: PAS1-UP

PART OF 340-4024 OPTION AR-SERVICE
AN ATTACHMENT

SMCS-5068

i03598777

NOTE	PART NUMBER	QTY	PART NAME						SEE PAGE
			1	2	3	4	5	6 (PRODUCT LEVEL)	
Y	266-0928	1	FILTER & LINES GP-HYDRAULIC						445
Y-SEPARATE ILLUSTRATION									

<END>

HYDRAULIC SYSTEM

6E-5534 FILTER GP-OIL-HYDRAULIC

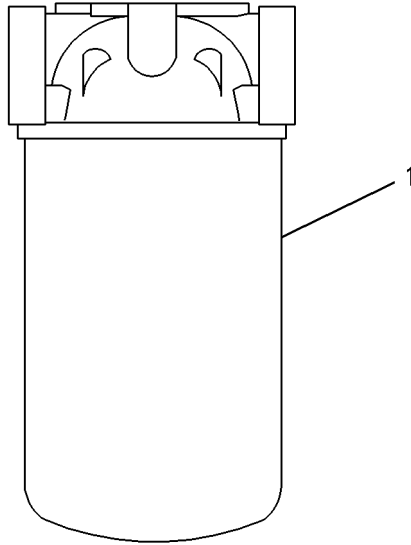
S/N: PAS1-UP

PART OF 227-0410 TANK & FILTER GP-HYDRAULIC

SMCS-3004, 4295, 431F, 5068, 5091, 5092

i02636069

NOTE	REF NO	GRAPHIC REF	PART NUMBER	QTY	PART NAME						SEE PAGE
					1	2	3	4	5	6 (PRODUCT LEVEL)	
	1	1	4T-6788	1	FILTER-OIL (ADVANCED EFFICIENCY) (HYDRAULIC)						



GRAPHIC #1

<END>

g00233591

HYDRAULIC SYSTEM

185-0336 FILTER GP-OIL-HYDRAULIC

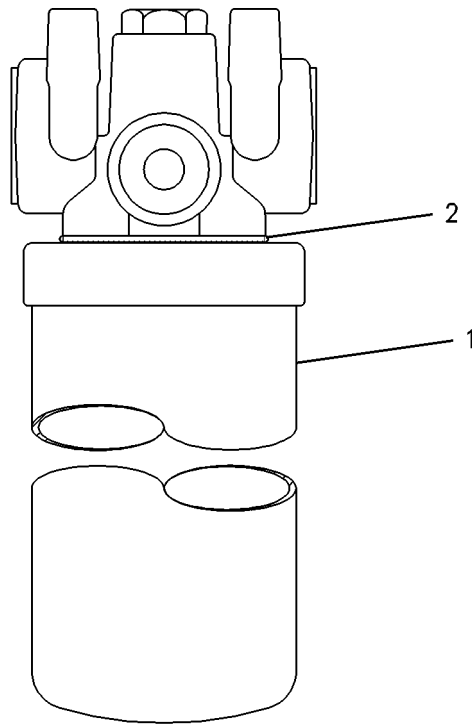
S/N: PAS1-UP

PART OF 296-7095 LINES GP-PILOT

SMCS-3004, 4295, 431F, 5068, 5091, 5092

i02636070

NOTE	REF NO	GRAPHIC REF	PART NUMBER	QTY	PART NAME						SEE PAGE
					1	2	3	4	5	6 (PRODUCT LEVEL)	
1	1	1	185-0337	1	FILTER-OIL (ADVANCED EFFICIENCY) (HYDRAULIC)						
2	1	1	103-8236	1	RING						



GRAPHIC #1

<END>

g00233577

HYDRAULIC SYSTEM

188-4142 FILTER GP-OIL-HYDRAULIC RETURN

S/N: PAS1-UP

PART OF 234-4531, 242-6878 FILTER GP-OIL

SMCS-3004, 4295, 431F, 5068, 5091, 5092

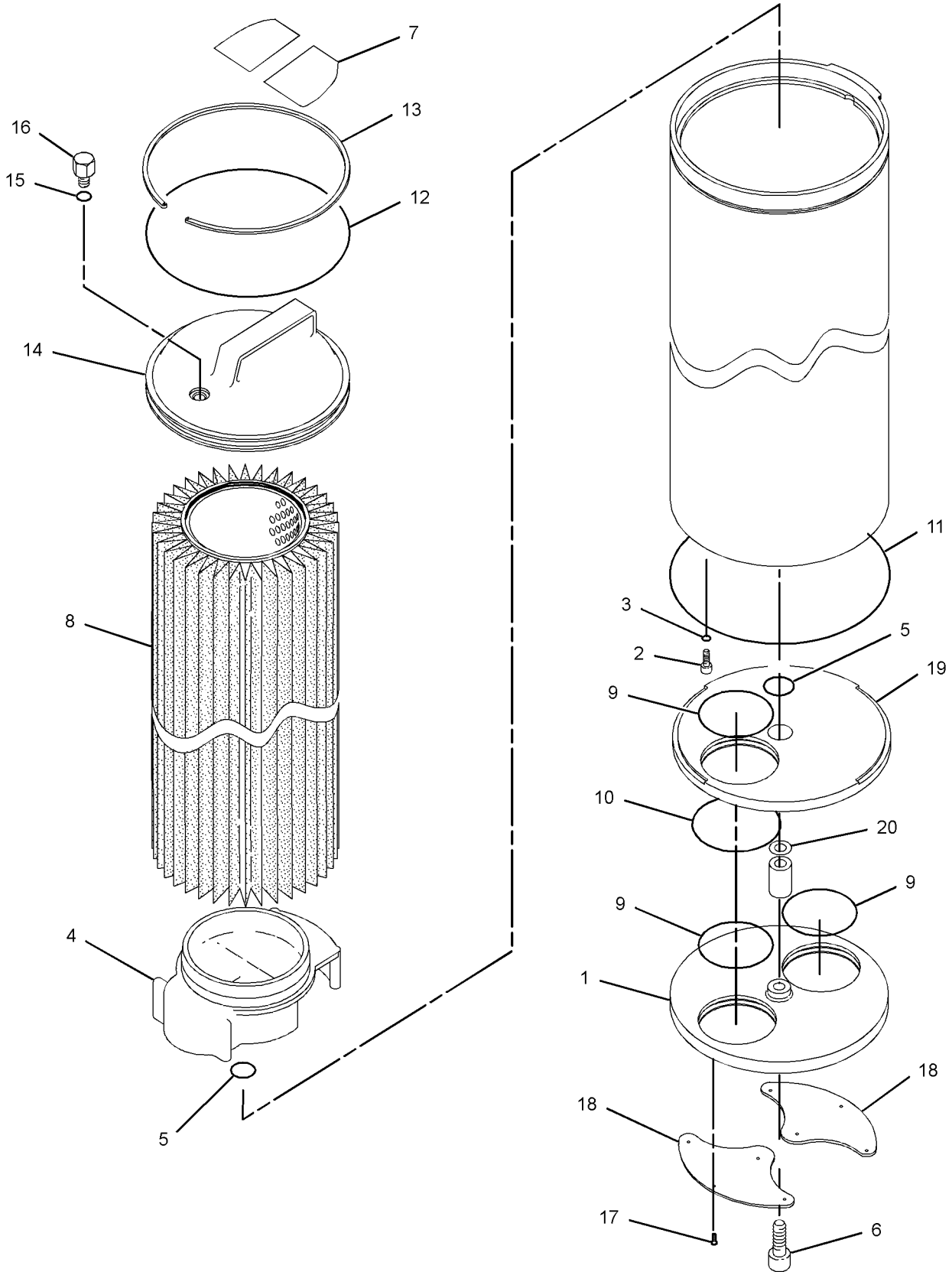
i03493360

NOTE	REF NO	GRAPHIC REF	PART NUMBER	QTY	PART NAME						SEE PAGE
					1	2	3	4	5	6 (PRODUCT LEVEL)	
	1	1	204-2762	1	PLATE						
JM	2	1	173-3529	6	BOLT (M6X1X15-MM)						
J	3	1	3T-7528	6	SEAL-O-RING						
	4	1	173-3513	1	BASE						
J	5	1	3E-4297	2	SEAL-O-RING						
M	6	1	137-3626	1	BOLT-SHOULDER (M6X1X28.75-MM)						
	7	1	188-4143	1	FILM-INSTRUCTION (HYDRAULIC OIL RETURN FILTER)						
	8	1	179-9806	1	FILTER ELEMENT AS-OIL (ULTRA HIGH EFFICIENCY) (HYDRAULIC RETURN)						
J	9	1	137-3623	4	SEAL-O-RING						
J	10	1	6V-7658	2	SEAL-O-RING						
J	11	1	177-2553	1	SEAL						
J	12	1	095-1681	1	SEAL-O-RING						
	13	1	173-3515	1	RING-RETAINING						
	14	1	173-3516	1	HANDLE						
J	15	1	4J-7533	1	SEAL-O-RING						
J	16	1	9S-4180	1	PLUG						
JM	17	1	137-3624	8	SCREW (M3X0.5X5-MM)						
J	18	1	137-3625	2	PAD						
	19	1	173-3517	1	PLATE						
J	20	1	137-3628	1	SHIM (0.1-MM THK)						
					AVAILABLE REPAIR KIT(S):						
J			201-9299	1	KIT-SERVICE (HYDRAULIC FILTER)						
J-KIT MARKED J SERVICES PARTS MARKED J M-METRIC PART											

HYDRAULIC SYSTEM

188-4142 FILTER GP-OIL (contd.)

i03493360



GRAPHIC #1

<END>

g01830153

HYDRAULIC SYSTEM

234-4531 FILTER GP-OIL-HYDRAULIC

S/N: PAS1-UP

PART OF 227-0410 TANK & FILTER GP-HYDRAULIC

SMCS-3004, 4295, 431F, 5068, 5091, 5092

i02497558

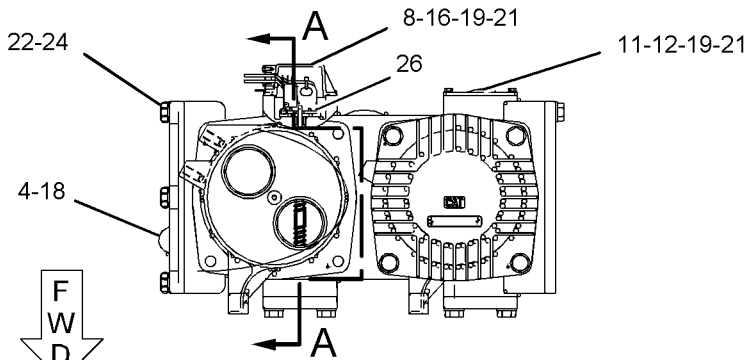
NOTE	REF NO	GRAPHIC REF	PART NUMBER	QTY	PART NAME						SEE PAGE
					1	2	3	4	5	6 (PRODUCT LEVEL)	
	1	1	129-8034	2	VALVE AS-BYPASS						
Y	2	1	129-8053	1	BASE GP-OIL FILTER (HYDRAULIC)						411
	3	1	129-8055	2	FLANGE						
	4	1	129-8056	1	COVER						
	5	1	129-7815	1	COVER						
	6	1	173-3507	2	HOUSING AS						
	7	1	173-3510	2	COVER						
	8	1	173-3518	1	INDICATOR AS (HYDRAULIC RETURN FILTER)						
Y	9	1	188-4142	2	FILTER GP-OIL (HYDRAULIC RETURN)						451
	11	1	242-6882	1	COVER						
	12	1	242-6883	1	GASKET						
M	13	1	095-0759	2	SCREW-MACHINE (M6X1X3.4-MM)						
	15	1	123-2003	4	SEAL-O-RING						
	16	1	159-7784	1	SEAL-O-RING						
	17	1	3J-7354	1	SEAL-O-RING						
	18	1	6J-2680	4	SEAL-O-RING						
M	19	1	6V-4298	8	BOLT (M5X0.8X16-MM)						
	20	1	6V-7609	2	SEAL-O-RING						
	21	1	8T-0328	8	WASHER-HARD (5.5X10X1-MM THK)						
M	22	1	8T-4183	6	BOLT (M12X1.75X40-MM)						
M	23	1	8T-4194	16	BOLT (M12X1.75X50-MM)						
	24	1	8T-4223	32	WASHER-HARD (13.5X25.5X3-MM THK)						
M	25	1	8T-4956	10	BOLT (M12X1.75X35-MM)						
M	26	1	8T-6693	4	SCREW-MACHINE (M5X0.8X16-MM)						
	27	1	9S-4182	1	PLUG-O RING						

M-METRIC PART
Y-SEPARATE ILLUSTRATION

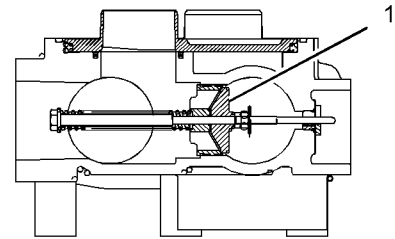
HYDRAULIC SYSTEM

234-4531 FILTER GP-OIL (contd.)

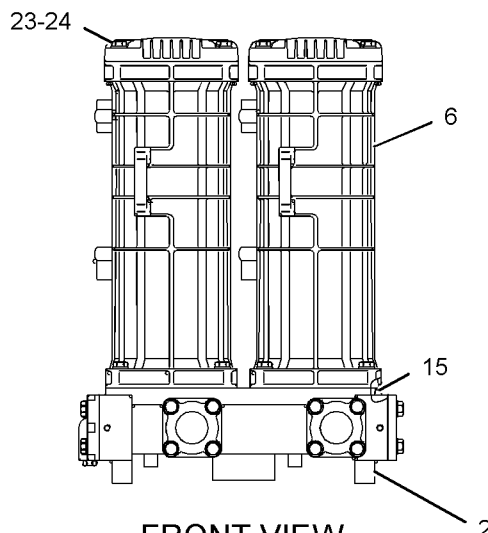
i02497558



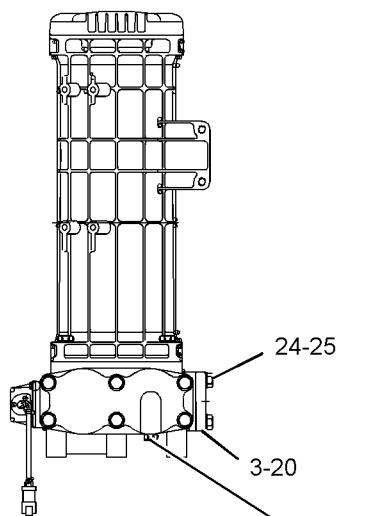
TOP VIEW



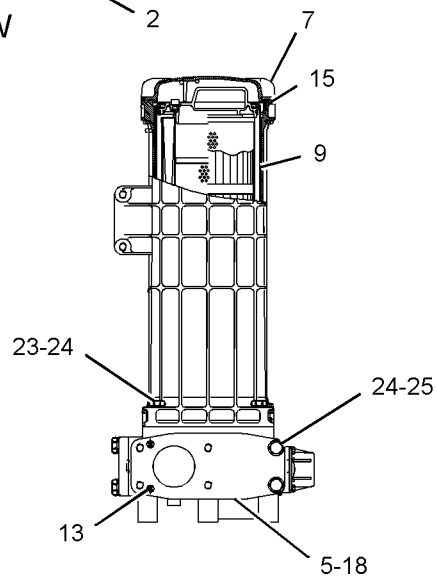
SECTION A-A



FRONT VIEW



RIGHT SIDE VIEW



LEFT SIDE VIEW

GRAPHIC #1

<END>

g01076063

HYDRAULIC SYSTEM

242-6878 FILTER GP-OIL-HYDRAULIC

S/N: PAS1-UP

PART OF 227-0410 TANK & FILTER GP-HYDRAULIC

SMCS-3004, 4295, 431F, 5068, 5091, 5092

i02110714

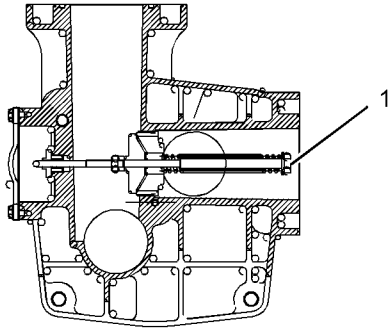
NOTE	REF NO	GRAPHIC REF	PART NUMBER	QTY	PART NAME						SEE PAGE
					1	2	3	4	5	6 (PRODUCT LEVEL)	
	1	1	129-8034	1	VALVE AS-BYPASS						
Y	2	1	173-3503	1	BASE GP-OIL FILTER (HYDRAULIC)						412
	3	1	173-3507	1	HOUSING AS						
	4	1	173-3510	1	COVER						
Y	5	1	188-4142	1	FILTER GP-OIL (HYDRAULIC RETURN)						451
	6	1	242-6882	1	COVER						
	7	1	242-6883	1	GASKET						
	10	1	123-2003	2	SEAL-O-RING						
M	11	1	6V-4298	4	BOLT (M5X0.8X16-MM)						
	12	1	8T-0328	4	WASHER-HARD (5.5X10X1-MM THK)						
M	13	1	8T-4194	8	BOLT (M12X1.75X50-MM)						
	14	1	8T-4223	8	WASHER-HARD (13.5X25.5X3-MM THK)						

M-METRIC PART
Y-SEPARATE ILLUSTRATION

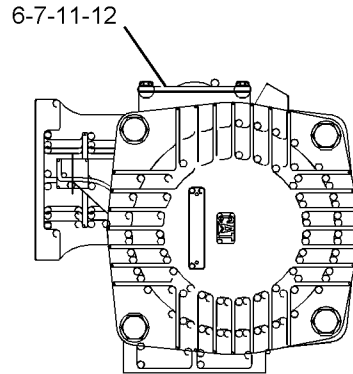
HYDRAULIC SYSTEM

242-6878 FILTER GP-OIL (contd.)

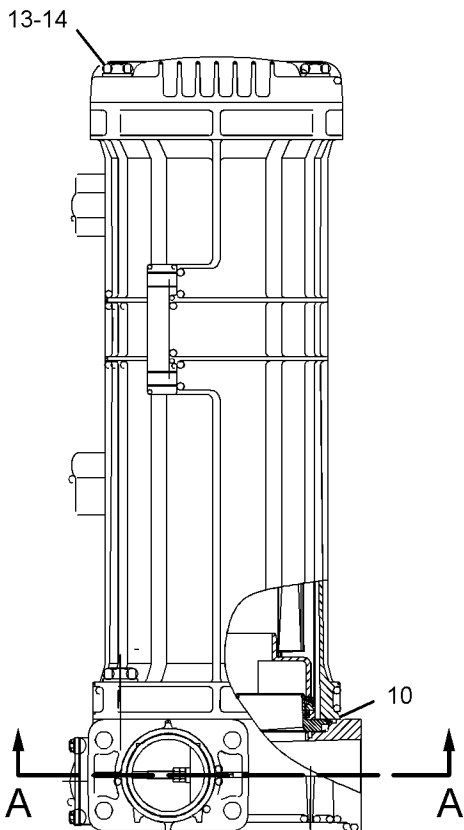
i02110714



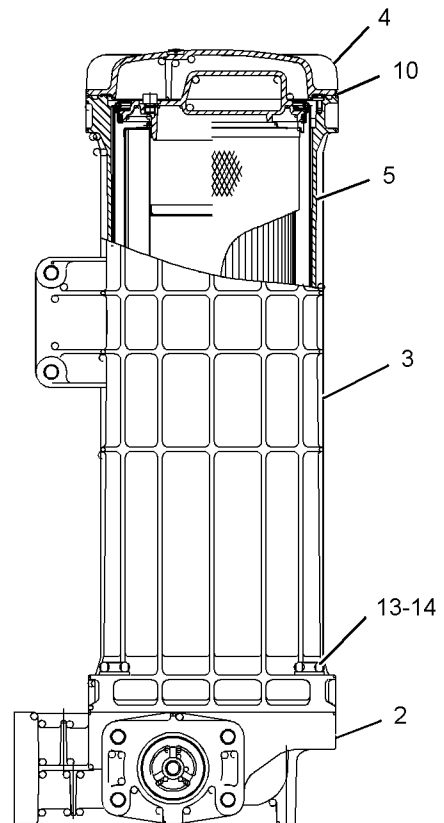
SECTION A-A



TOP VIEW



FRONT VIEW



LEFT SIDE VIEW

GRAPHIC #1

<END>

g01081939

HYDRAULIC SYSTEM

250-0729 FILTER GP-OIL-HYDRAULIC

S/N: PAS1-UP

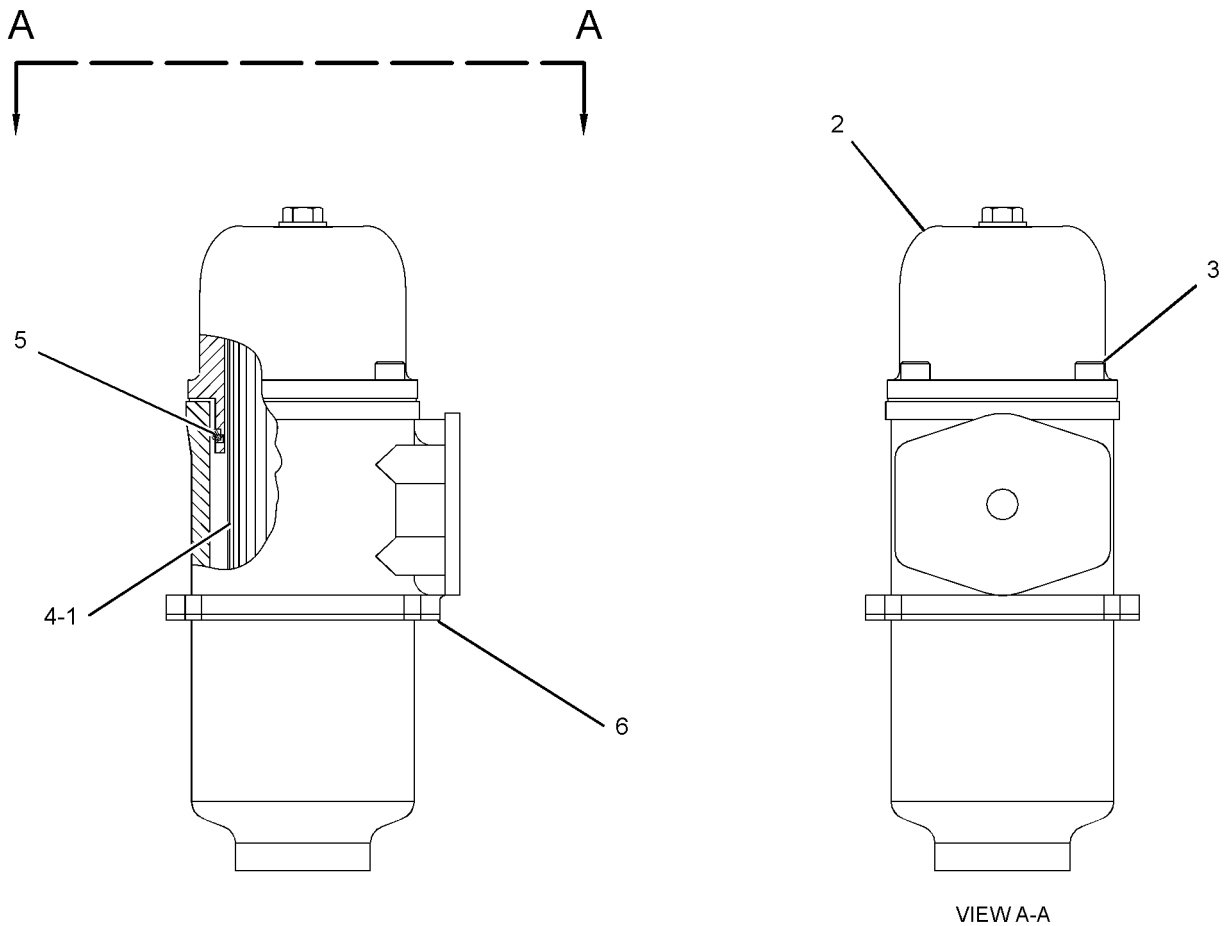
PART OF 266-0928 FILTER & LINES GP-HYDRAULIC
AN ATTACHMENT

SMCS-3004, 4295, 431F, 5068, 5091, 5092

i02956347

NOTE	REF NO	GRAPHIC REF	PART NUMBER	QTY	PART NAME						SEE PAGE
					1	2	3	4	5	6 (PRODUCT LEVEL)	
	1	1	146-9290	1	FILTER ELEMENT-OIL (ULTRA HIGH EFFICIENCY) (HYDRAULIC)						
	2	1	250-6967	1	COVER						
M	3	1	105-3484	4	BOLT-SOCKET HEAD (M10X1.5X25-MM)						
	4	1	155-4038	1	SEAL-O-RING						
	5	1	155-4039	1	SEAL-O-RING						
	6	1	155-4041	1	SEAL-O-RING						

M-METRIC PART



VIEW A-A

GRAPHIC #1

<END>

g01176490

HYDRAULIC SYSTEM

227-0620 GAUGE GP-SIGHT-HYDRAULIC OIL LEVEL

S/N: PAS1-UP

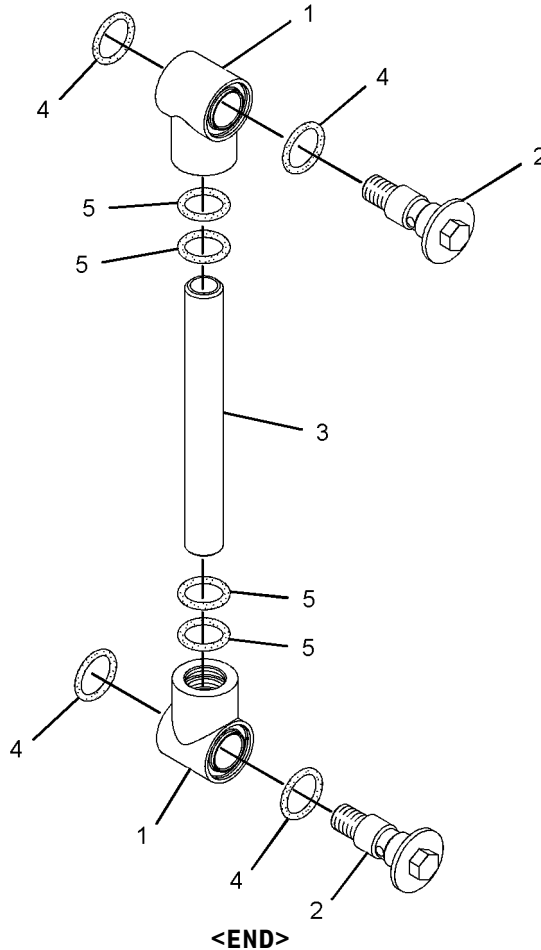
PART OF 227-0410 TANK & FILTER GP-HYDRAULIC

SMCS-7479

i02553818

NOTE	REF NO	GRAPHIC REF	PART NUMBER	QTY	PART NAME						SEE PAGE
					1	2	3	4	5	6 (PRODUCT LEVEL)	
	1	1	236-3258	2	BLOCK						
M	2	1	236-3259	2	BOLT-SPECIAL						
	3	1	236-3257	1	PIPE						
	4	1	095-1519	4	SEAL-O-RING						
	5	1	6F-4855	4	SEAL-O-RING						

M-METRIC PART



GRAPHIC #1

<END>

g01091508

HYDRAULIC SYSTEM

158-9098 HEAD GP-PUMP-MAIN HYDRAULIC PUMP

S/N: PAS1-UP

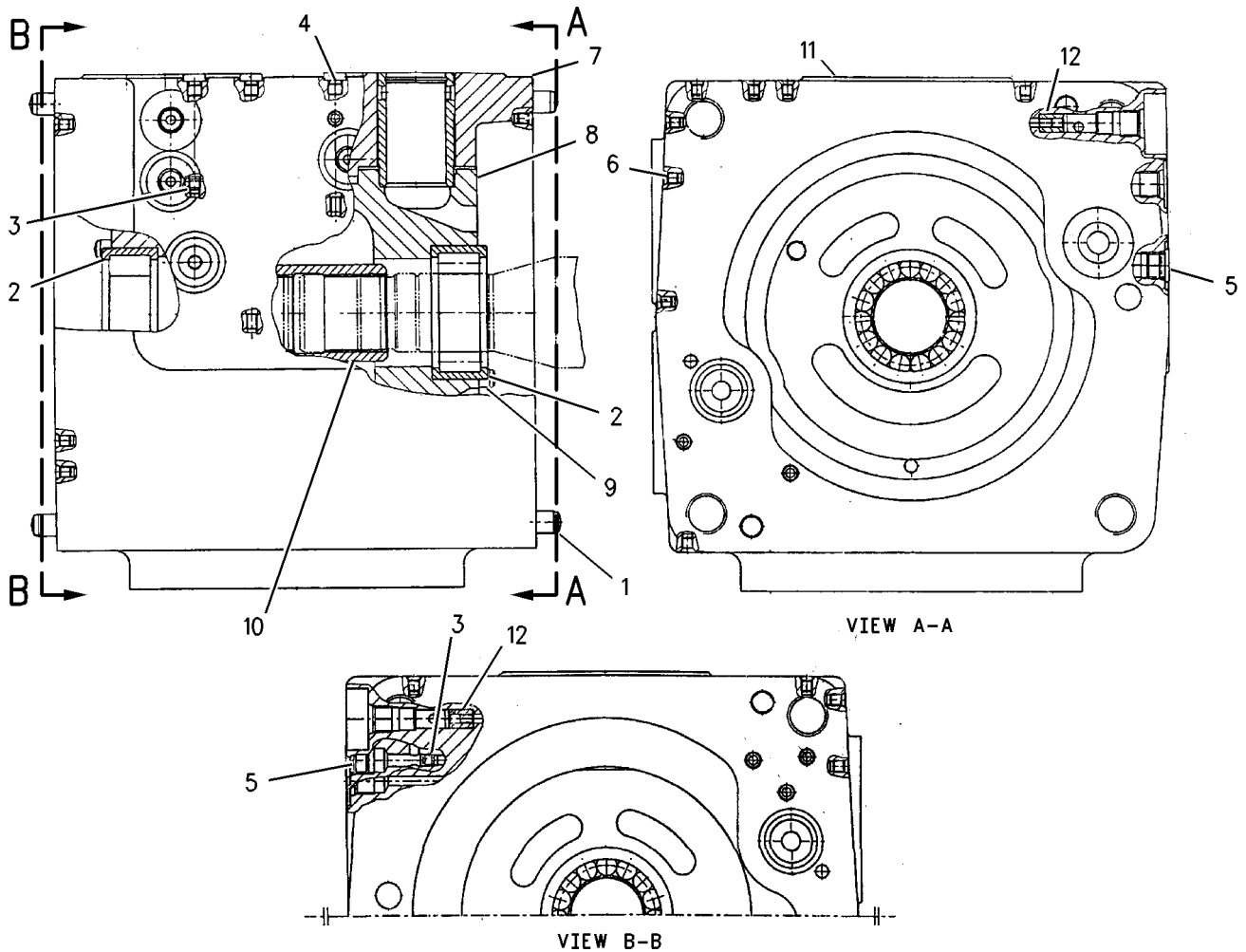
PART OF 295-9676 PUMP GP-MAIN HYDRAULIC

SMCS-3222, 5070, 5086

i02635980

NOTE	REF NO	GRAPHIC REF	PART NUMBER	QTY	PART NAME						SEE PAGE
					1	2	3	4	5	6 (PRODUCT LEVEL)	
	1	1	5I-4341	4	DOWEL						
	2	1	6E-3874	2	BEARING						
	3	1	6E-3873	2	PLUG-ORIFICE						
	4	1	087-4772	3	PLUG-O-RING						
	5	1	099-5845	2	PLUG						
	6	1	120-4394	10	PLUG-BREAK OFF						
	7	1	209-5871	1	BUSHING						
	8	1	165-9370	1	BLOCK						
	9	1	170-9903	2	PIN-TAPERED						
	10	1	165-9369	1	COUPLING						
Z	11	1		1	BODY						
	12	1	165-9367	2	VALVE						

Z-NOT SERVICED SEPARATELY



GRAPHIC #1

<END>

g00887847

HYDRAULIC SYSTEM

247-8754 HEAD GP-PUMP-SWING PUMP

S/N: PAS1-UP

PART OF 295-9677 PUMP GP-PISTON

SMCS-3222, 5070, 5086

i02110116

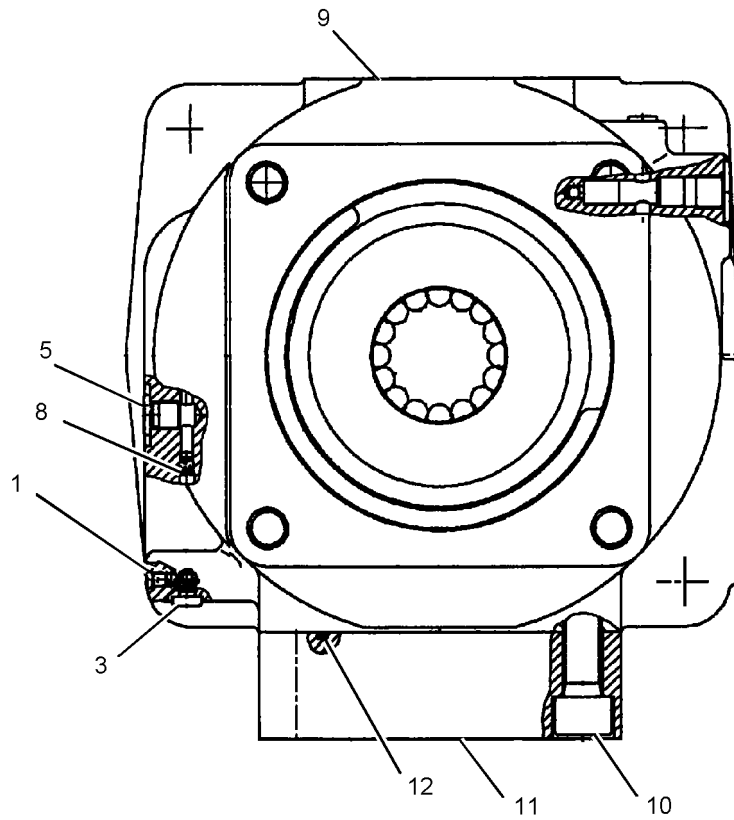
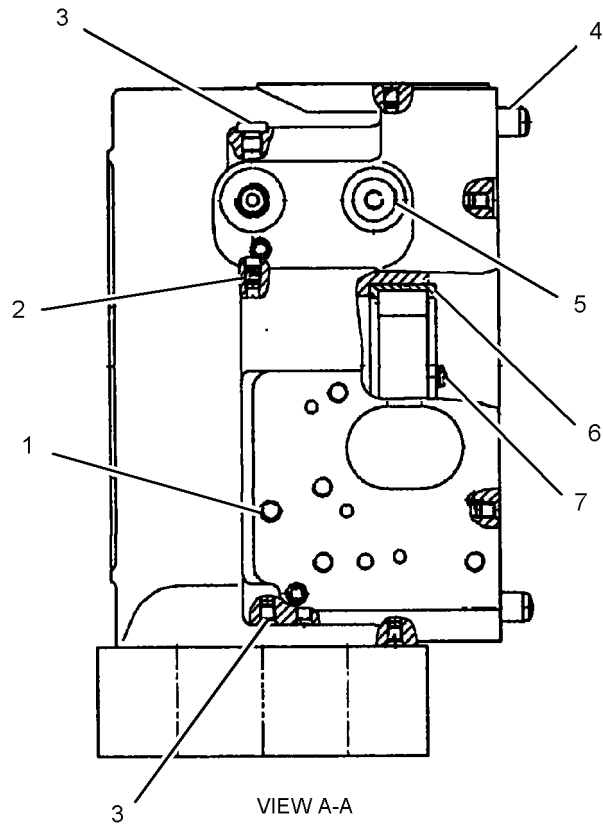
NOTE	REF NO	GRAPHIC REF	PART NUMBER	QTY	PART NAME						SEE PAGE
					1	2	3	4	5	6 (PRODUCT LEVEL)	
	1	1	120-4394	7	PLUG-BREAK OFF						
	2	1	5I-4277	1	ORIFICE						
	3	1	087-4772	2	PLUG-O-RING						
	4	1	5I-4341	2	DOWEL						
	5	1	099-5845	2	PLUG						
	6	1	5I-4374	1	BEARING-ROLLER						
	7	1	179-6918	1	DOWEL						
	8	1	6E-3873	1	PLUG-ORIFICE						
	9	1	247-8761	1	PLATE						
M	10	1	8T-0348	1	BOLT-SOCKET HEAD (M16X2X50-MM)						
	11	1	170-9815	1	PLATE						
	12	1	2H-3934	1	SEAL-O-RING						

M-METRIC PART

HYDRAULIC SYSTEM

247-8754 HEAD GP-PUMP (contd.)

i02110116



GRAPHIC #1

g01076572

HYDRAULIC SYSTEM

297-0212 HYDRAULIC AR

S/N: PAS1-UP

PART OF 294-1200 GENERAL AR

SMCS-5050

i03655248

NOTE	PART NUMBER	QTY	PART NAME						SEE PAGE
			1	2	3	4	5	6 (PRODUCT LEVEL)	
Y	338-6176	1	LINES GP-FRONT						510
Y	307-5188	1	LINES GP-HYDRAULIC OIL COOLER						521
Y	296-7095	1	LINES GP-PILOT (HIGH PRESSURE CUTOFF, OFF)						524
Y	338-6177	1	LINES GP-PUMP (SUPPLY)						537
Y	302-3060	1	LINES GP-RETURN & FILTER						541
Y	319-9995	1	LINES GP-SWING MOTOR						554
Y	338-6178	1	LINES GP-TRACK MOTOR						556
Y	296-7092	1	MOUNTING GP-MAIN CONTROL VALVE						579
Y	295-9404	1	PUMP & MTG GP-HYDRAULIC (HYDRAULIC FAN, PILOT, SWING)						582
Y	297-7684	1	PUMP & MTG GP-MAIN HYDRAULIC						583
Y	227-0409	1	TANK & MTG GP-HYDRAULIC						607
Y	323-7782	1	VALVE GP-MAIN CONTROL						653

Y-SEPARATE ILLUSTRATION

<END>

340-4021 LINES AR-AUXILIARY HYDRAULIC-HIGH PRESSURE

S/N: PAS1-UP

FOR USE WITH 294-1281-PAGE 696, 294-1287-PAGE 731, 309-9999-PAGE 413,
310-0000-PAGE 413
AN ATTACHMENT

SMCS-5057

i03894725

NOTE	PART NUMBER	QTY	PART NAME						SEE PAGE
			1	2	3	4	5	6 (PRODUCT LEVEL)	
Y	355-7867	1	LINES GP-AUXILIARY HYDRAULIC (STICK, HIGH PRESSURE)						471
Y	326-8303	1	LINES GP-AUXILIARY HYDRAULIC (BOOM, HIGH PRESSURE)						465

Y-SEPARATE ILLUSTRATION

<END>

302-9438 LINES GP-AUXILIARY HYDRAULIC- BOOM, HIGH PRESSURE

S/N: PAS1-UP

PART OF 340-4018 CONTROL AR-AUXILIARY, 340-4019 OPTION AR-HYDRAULIC
FOR USE WITH 7-M (23-FT) BOOM
AN ATTACHMENT

SMCS-5057

i03656969

NOTE	PART NUMBER	QTY	PART NAME						SEE PAGE
			1	2	3	4	5	6 (PRODUCT LEVEL)	
Y	302-9483	1	LINES GP-AUXILIARY HYDRAULIC						463

Y-SEPARATE ILLUSTRATION

<END>

HYDRAULIC SYSTEM

302-9483 LINES GP-AUXILIARY HYDRAULIC- BOOM, HIGH PRESSURE

S/N: PAS1-UP

PART OF 302-9438 LINES GP-AUXILIARY HYDRAULIC
FOR USE WITH 7-M (23-FT) BOOM
AN ATTACHMENT

SMCS-5057

i03840218

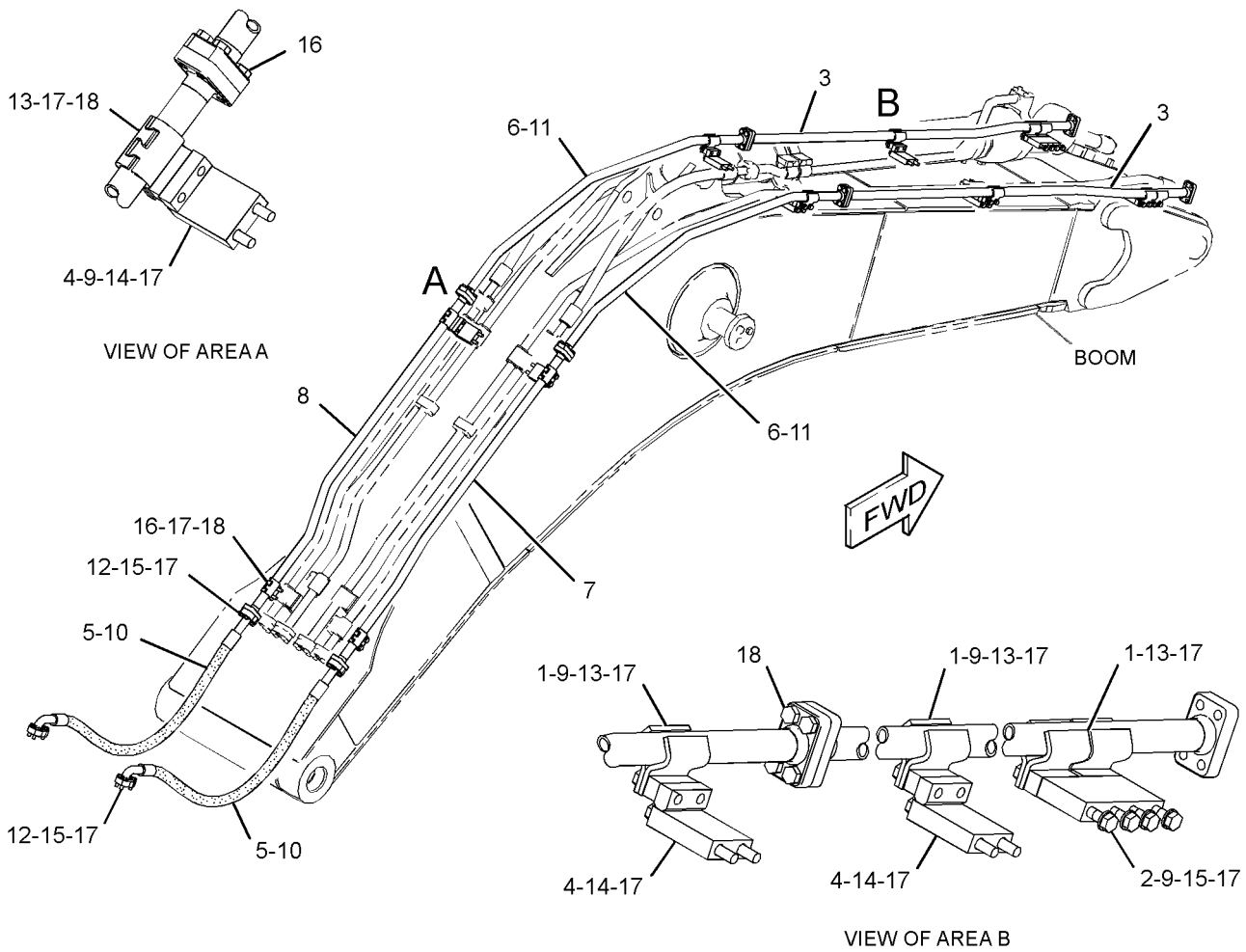
NOTE	REF NO	GRAPHIC REF	PART NUMBER	QTY	PART NAME						SEE PAGE
					1	2	3	4	5	6 (PRODUCT LEVEL)	
	1	1	143-4160	16	CLIP						
	2	1	146-1462	2	PLATE						
	3	1	146-1466	2	TUBE AS						
	4	1	153-8587	6	PLATE AS						
I	5	1	338-6191	2	HOSE AS						
	6	1	302-9503	2	TUBE AS						
	7	1	302-9506	1	TUBE AS						
	8	1	302-9507	1	TUBE AS						
	9	1	146-1461	10	PLATE						
	10	1	1P-3705	4	SEAL - RECTANGULAR						
	11	1	1P-3706	4	SEAL - RECTANGULAR						
	12	1	5P-8077	8	FLANGE - HALF						
M	13	1	7X-2554	20	BOLT (M16X2X70-MM)						
M	14	1	7X-2559	12	BOLT (M16X2X160-MM)						
M	15	1	8T-4140	24	BOLT (M16X2X60-MM)						
M	16	1	8T-4193	20	BOLT (M16X2X50-MM)						
	17	1	9X-8257	60	WASHER (17.5X30X3.5-MM THK)						
	18	1	306-1355	8	CLAMP - HALF						

I-REFER TO HYDRAULIC INFORMATION SYSTEM
M-METRIC PART

HYDRAULIC SYSTEM

302-9483 LINES GP-AUXILIARY HYDRAULIC (contd.)

i03840218



GRAPHIC #1

<END>

g02134853

HYDRAULIC SYSTEM

326-8303 LINES GP-AUXILIARY HYDRAULIC- BOOM, HIGH PRESSURE

S/N: PAS1-UP

PART OF 340-4021 LINES AR-AUXILIARY HYDRAULIC, 340-4020, 340-4022, 340-4023
OPTION AR-HYDRAULIC
AN ATTACHMENT

SMCS-5057

i03786191

NOTE	PART NUMBER	QTY	PART NAME						SEE PAGE
			1	2	3	4	5	6 (PRODUCT LEVEL)	
Y	326-8305	1	LINES GP-AUXILIARY HYDRAULIC						466
Y-SEPARATE ILLUSTRATION									

<END>

HYDRAULIC SYSTEM

326-8305 LINES GP-AUXILIARY HYDRAULIC- BOOM, HIGH PRESSURE

S/N: PAS1-UP

PART OF 326-8303 LINES GP-AUXILIARY HYDRAULIC
AN ATTACHMENT

SMCS-5057

i03860349

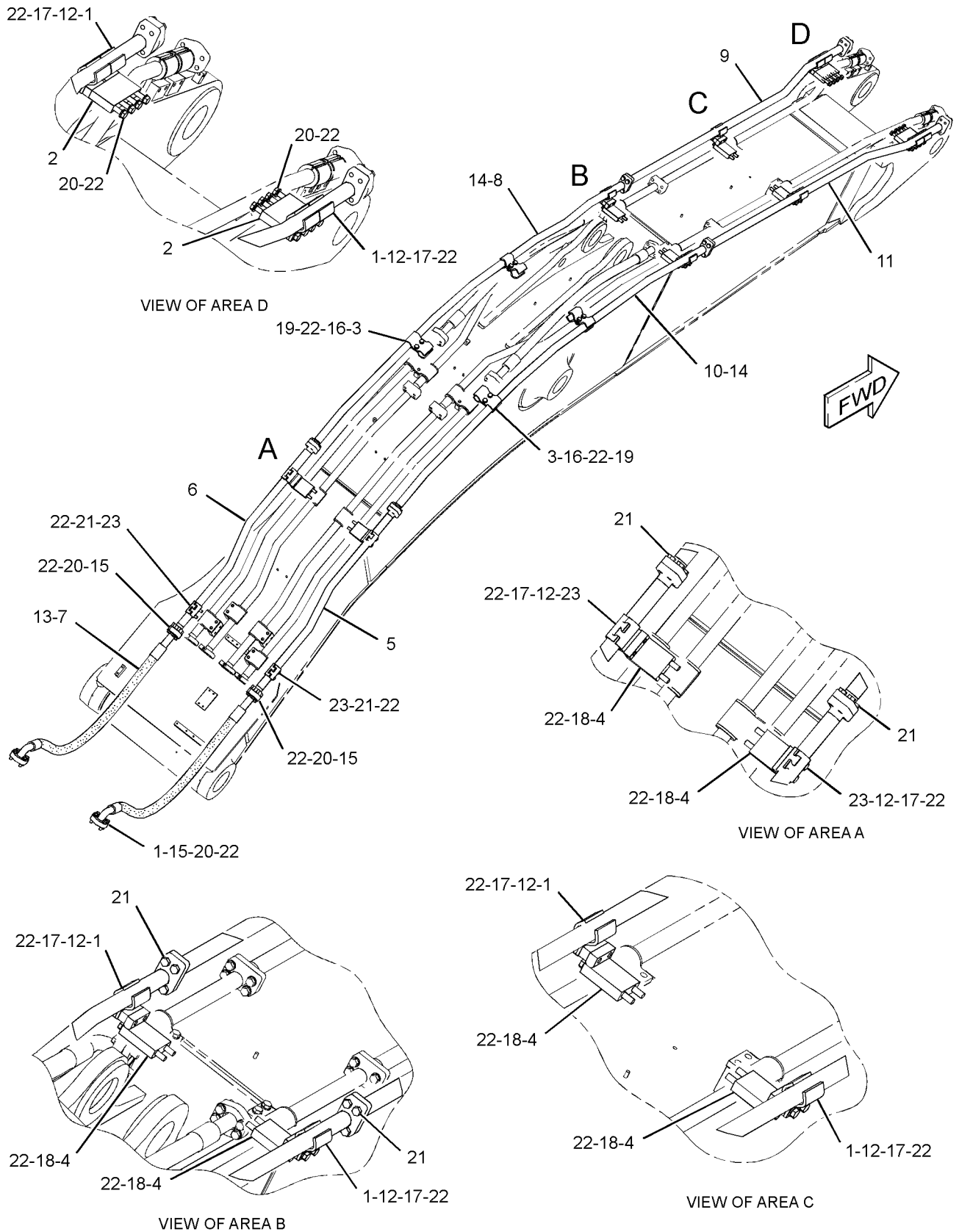
NOTE	REF NO	GRAPHIC REF	PART NUMBER	QTY	PART NAME						SEE PAGE
					1	2	3	4	5	6 (PRODUCT LEVEL)	
	1	1	143-4160	16	CLIP						
	2	1	146-1462	2	PLATE						
	3	1	146-1463	8	CLIP						
	4	1	153-8587	6	PLATE AS						
	5	1	153-8648	1	TUBE AS						
	6	1	187-9834	1	TUBE AS						
I	7	1	338-6191	2	HOSE AS						
	8	1	326-8274	1	TUBE AS						
	9	1	326-8275	1	TUBE AS						
	10	1	326-8276	1	TUBE AS						
	11	1	326-8277	1	TUBE AS						
	12	1	146-1461	10	PLATE						
	13	1	1P-3705	4	SEAL-RECTANGULAR						
	14	1	1P-3706	4	SEAL-RECTANGULAR						
	15	1	5P-8077	8	FLANGE-HALF						
M	16	1	7X-2553	8	BOLT (M16X2X40-MM)						
M	17	1	7X-2554	20	BOLT (M16X2X70-MM)						
M	18	1	7X-2559	12	BOLT (M16X2X160-MM)						
M	19	1	8T-4132	8	NUT (M16X2-THD)						
M	20	1	8T-4140	24	BOLT (M16X2X60-MM)						
M	21	1	8T-4193	20	BOLT (M16X2X50-MM)						
	22	1	9X-8257	68	WASHER (17.5X30X3.5-MM THK)						
	23	1	306-1355	8	CLAMP-HALF						

I-REFER TO HYDRAULIC INFORMATION SYSTEM
M-METRIC PART

HYDRAULIC SYSTEM

326-8305 LINES GP-AUXILIARY HYDRAULIC (contd.)

i03860349



GRAPHIC #1

<END>

g02135873

HYDRAULIC SYSTEM

326-8311 LINES GP-AUXILIARY HYDRAULIC- STICK, HIGH PRESSURE

S/N: PAS1-UP

VB-FAMILY

PART OF 340-4023 OPTION AR-HYDRAULIC
FOR USE WITH 4.7-M (15.4-FT) STICK
AN ATTACHMENT

SMCS-5057

i03823630

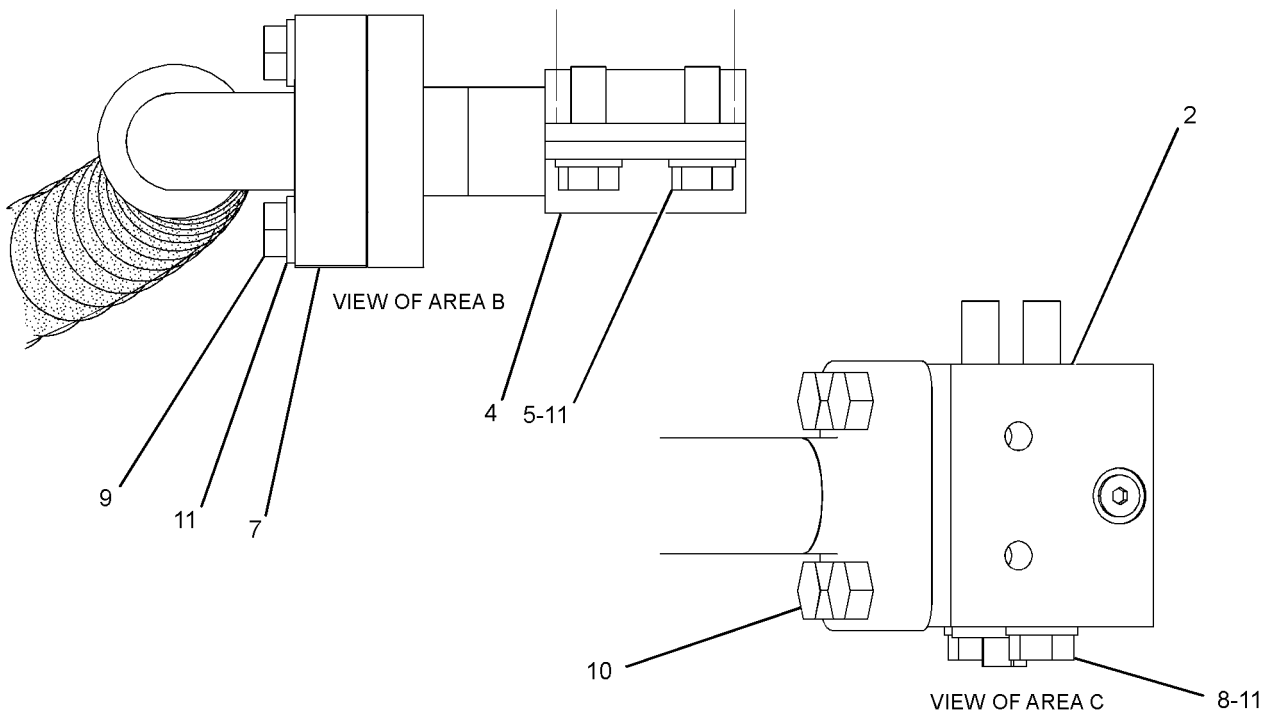
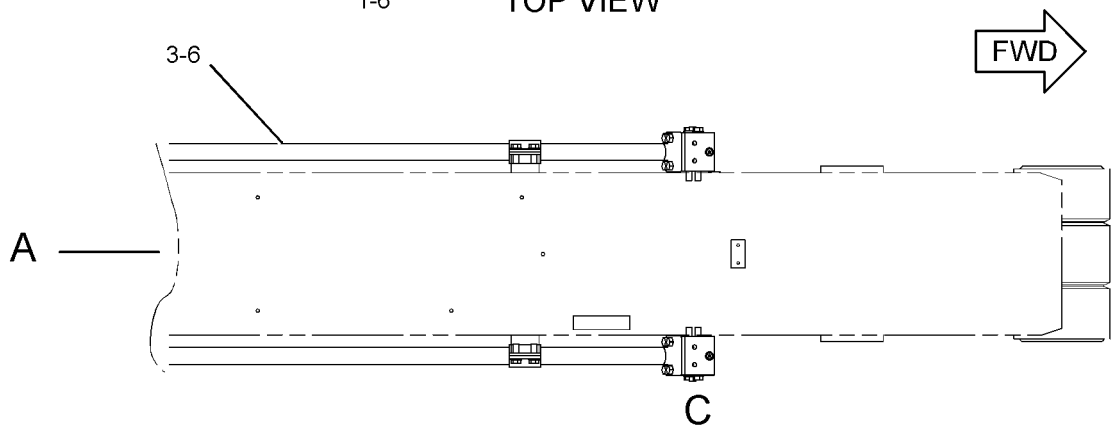
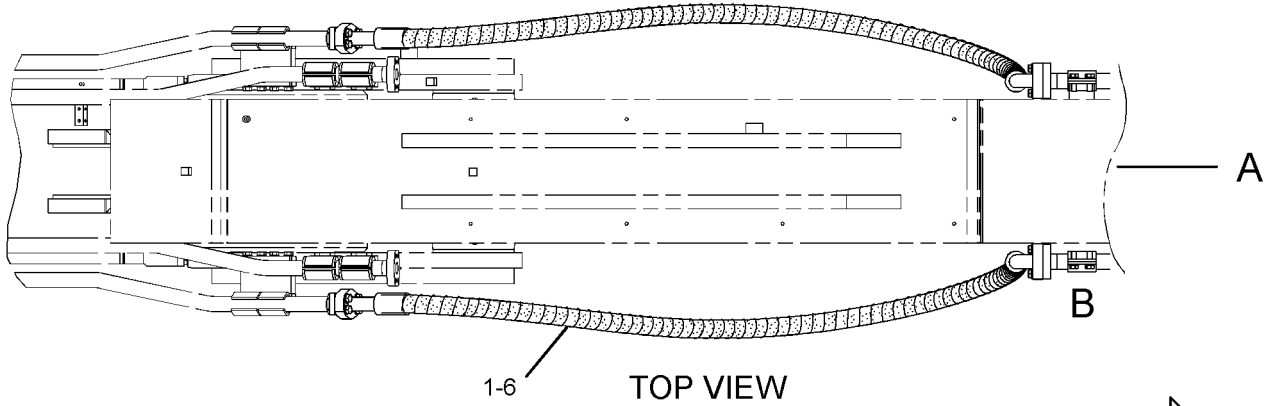
NOTE	REF NO	GRAPHIC REF	PART NUMBER	QTY	PART NAME						SEE PAGE
					1	2	3	4	5	6 (PRODUCT LEVEL)	
	1	1	338-6158	2	HOSE AS						
					(EACH INCLUDES)						
E		1	6V-0757		GUARD-HOSE (422-CM)						
	2	1	292-7752	2	VALVE AS-MANUAL (SHUTOFF)						
	3	1	302-9216	2	TUBE AS						
	4	1	306-1355	8	CLAMP-HALF						
M	5	1	100-4982	8	BOLT-SELF-LOCKING (M16X2X45-MM)						
	6	1	1P-3705	6	SEAL-RECTANGULAR						
	7	1	5P-8077	8	FLANGE-HALF						
M	8	1	7X-2557	4	BOLT (M16X2X140-MM)						
M	9	1	8T-4140	16	BOLT (M16X2X60-MM)						
M	10	1	8T-4193	8	BOLT (M16X2X50-MM)						
	11	1	9X-8257	28	WASHER (17.5X30X3.5-MM THK)						

E-ORDER BY THE CENTIMETER
M-METRIC PART

HYDRAULIC SYSTEM

326-8311 LINES GP-AUXILIARY HYDRAULIC (contd.)

i03823630



GRAPHIC #1

<END>

g02036473

HYDRAULIC SYSTEM

355-7866 LINES GP-AUXILIARY HYDRAULIC-STICK, HIGH PRESSURE

S/N: PAS1-UP

VB-FAMILY

PART OF 340-4022 OPTION AR-HYDRAULIC
FOR USE WITH 4.15-M (13.6-FT) STICK

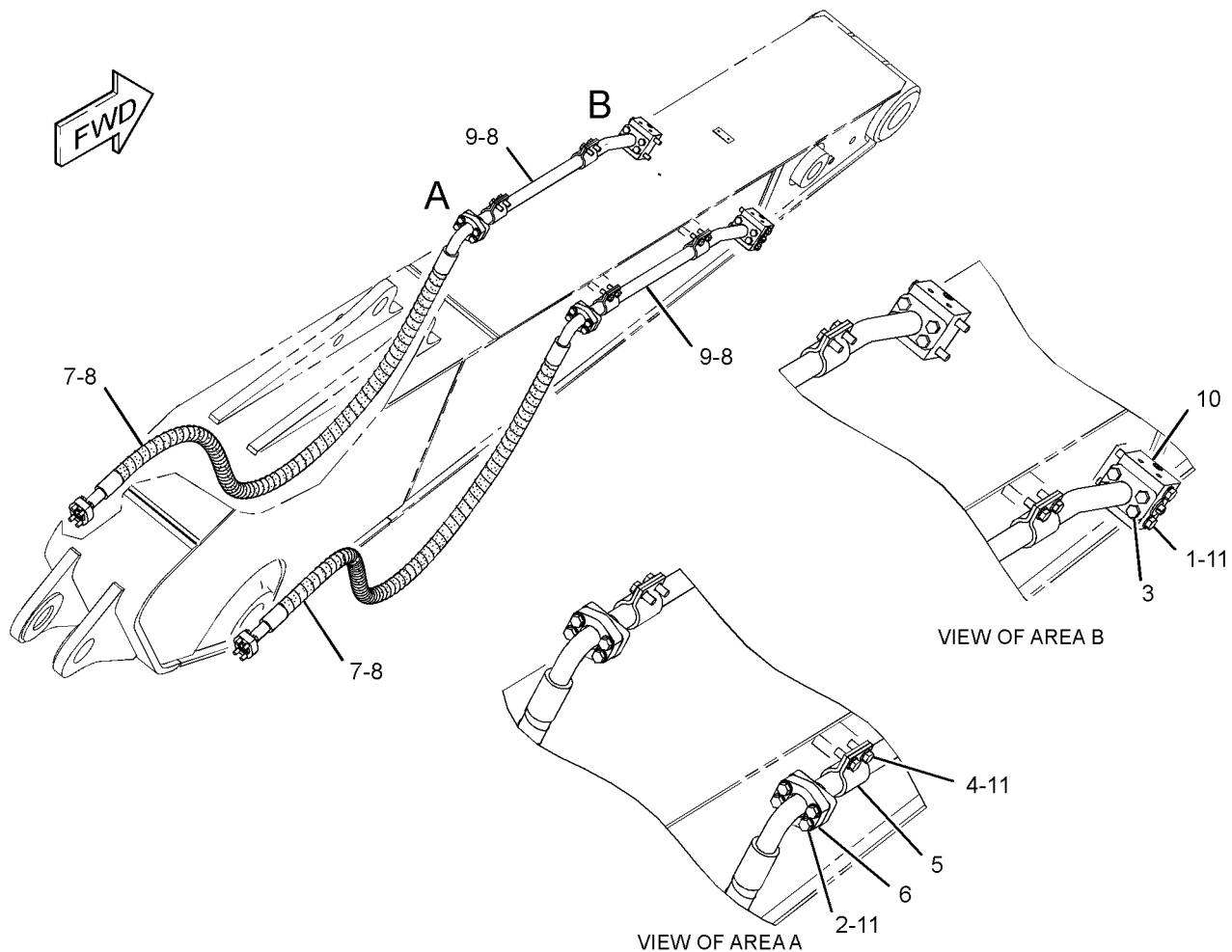
AN ATTACHMENT

SMCS-5057

i03887651

NOTE	REF NO	GRAPHIC REF	PART NUMBER	QTY	PART NAME						SEE PAGE
					1	2	3	4	5	6 (PRODUCT LEVEL)	
M	1	1	7X-2557	4	BOLT (M16X2X140-MM)						
M	2	1	8T-4140	16	BOLT (M16X2X60-MM)						
M	3	1	8T-4193	8	BOLT (M16X2X50-MM)						
M	4	1	100-4982	8	BOLT-SELF-LOCKING (M16X2X45-MM)						
	5	1	306-1355	8	CLAMP-HALF						
	6	1	5P-8077	8	FLANGE-HALF						
I	7	1	338-6158	2	HOSE AS						
	8	1	1P-3705	6	SEAL-RECTANGULAR						
	9	1	302-9214	2	TUBE AS						
	10	1	292-7752	2	VALVE AS-MANUAL (SHUTOFF) (AUXILIARY)						
	11	1	9X-8257	28	WASHER (17.5X30X3.5-MM THK)						

I-REFER TO HYDRAULIC INFORMATION SYSTEM
M-METRIC PART



GRAPHIC #1

<END>

g02138072

HYDRAULIC SYSTEM

355-7867 LINES GP-AUXILIARY HYDRAULIC- STICK, HIGH PRESSURE

S/N: PAS1-UP

VB-FAMILY

PART OF 340-4021 LINES AR-AUXILIARY HYDRAULIC
FOR USE WITH 3.6-M (11.8-FT) STICK

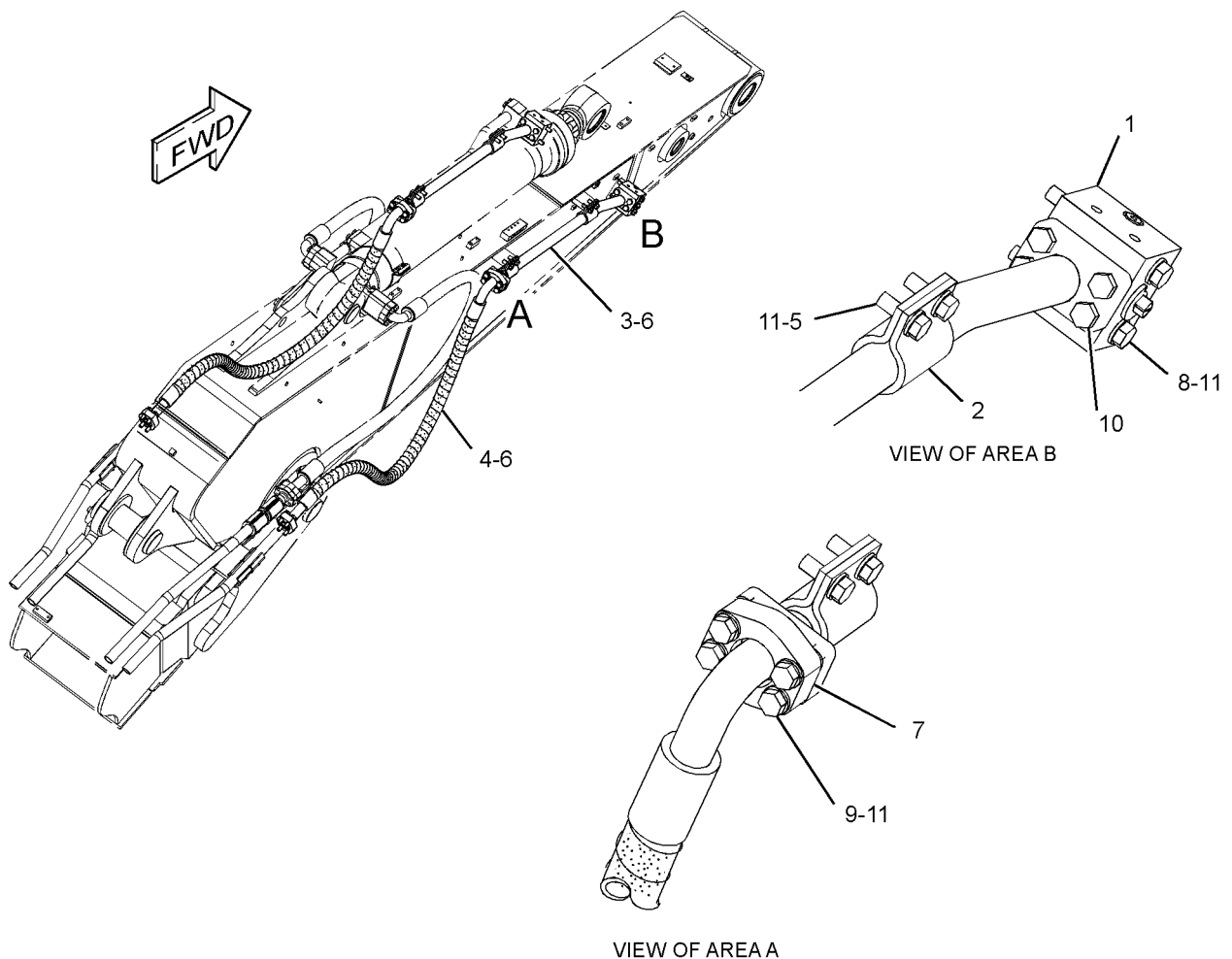
AN ATTACHMENT

SMCS-5057

i03887670

NOTE	REF NO	GRAPHIC REF	PART NUMBER	QTY	PART NAME						SEE PAGE
					1	2	3	4	5	6 (PRODUCT LEVEL)	
	1	1	292-7752	2	VALVE AS-MANUAL (SHUTOFF) (AUXILIARY)						
	2	1	306-1355	8	CLAMP-HALF						
	3	1	335-5131	2	TUBE AS						
I	4	1	350-4082	2	HOSE AS						
M	5	1	100-4982	8	BOLT-SELF-LOCKING (M16X2X45-MM)						
	6	1	1P-3705	6	SEAL-RECTANGULAR						
	7	1	5P-8077	8	FLANGE-HALF						
M	8	1	7X-2557	4	BOLT (M16X2X140-MM)						
M	9	1	8T-4140	16	BOLT (M16X2X60-MM)						
M	10	1	8T-4193	8	BOLT (M16X2X50-MM)						
	11	1	9X-8257	28	WASHER (17.5X30X3.5-MM THK)						

I-REFER TO HYDRAULIC INFORMATION SYSTEM
M-METRIC PART



GRAPHIC #1

<END>

g02138333

HYDRAULIC SYSTEM

355-7868 LINES GP-AUXILIARY HYDRAULIC- STICK, HIGH PRESSURE

S/N: PAS1-UP

VB-FAMILY

PART OF 340-4020 OPTION AR-HYDRAULIC

FOR USE WITH 2.8-M (9.2-FT) STICK

AN ATTACHMENT

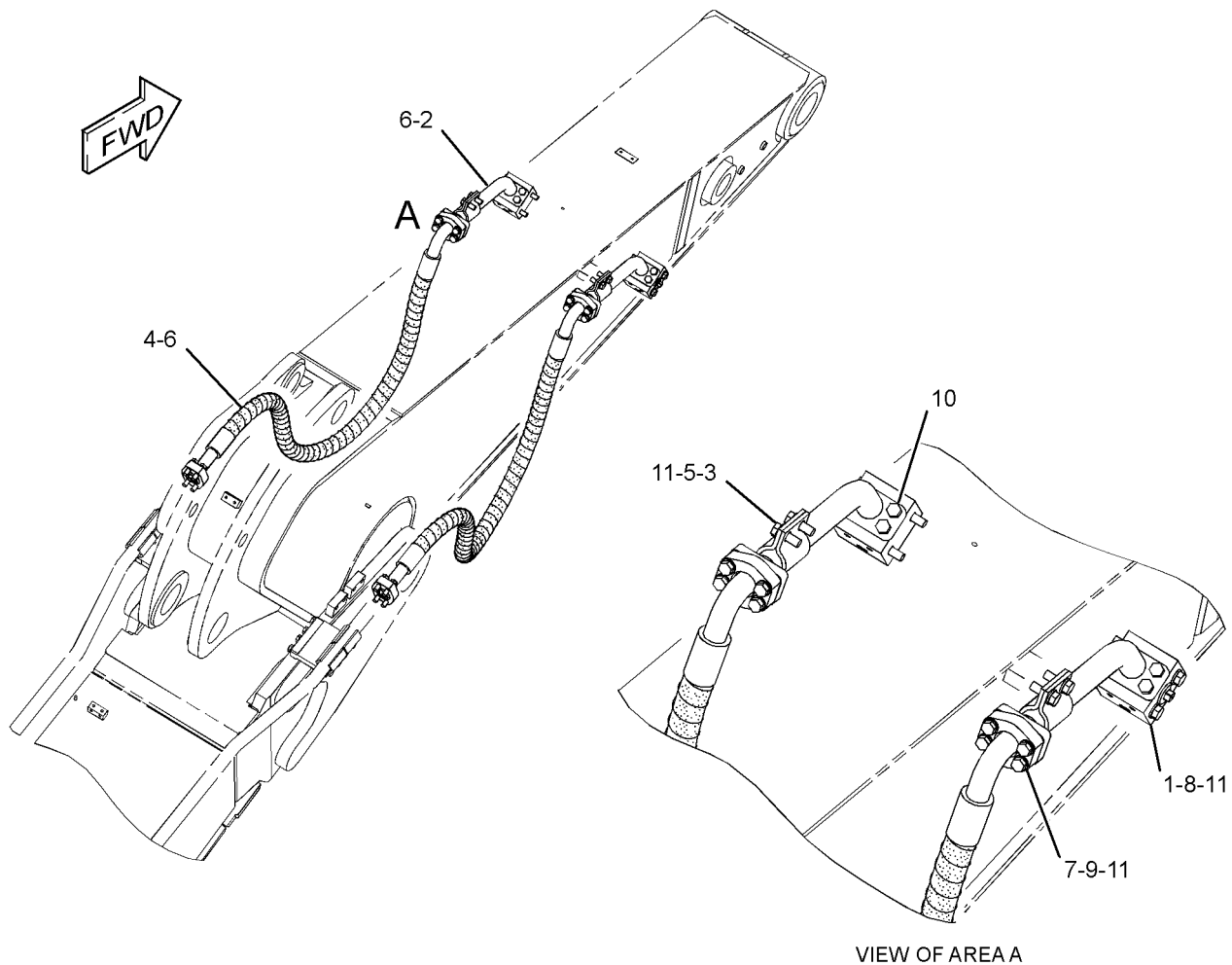
SMCS-5057

i03887690

NOTE	REF NO	GRAPHIC REF	PART NUMBER	QTY	PART NAME						SEE PAGE
					1	2	3	4	5	6 (PRODUCT LEVEL)	
	1	1	292-7752	2	VALVE AS-MANUAL (SHUTOFF) (AUXILIARY)						
	2	1	302-9212	2	TUBE AS						
	3	1	306-1355	4	CLAMP-HALF						
I	4	1	338-6157	2	HOSE AS						
M	5	1	100-4982	4	BOLT-SELF-LOCKING (M16X2X45-MM)						
	6	1	1P-3705	6	SEAL-RECTANGULAR						
	7	1	5P-8077	8	FLANGE-HALF						
M	8	1	7X-2557	4	BOLT (M16X2X140-MM)						
M	9	1	8T-4140	16	BOLT (M16X2X60-MM)						
M	10	1	8T-4193	8	BOLT (M16X2X50-MM)						
	11	1	9X-8257	24	WASHER (17.5X30X3.5-MM THK)						

I-REFER TO HYDRAULIC INFORMATION SYSTEM

M-METRIC PART



GRAPHIC #1

<END>

g02138118

HYDRAULIC SYSTEM

355-7869 LINES GP-AUXILIARY HYDRAULIC- STICK, HIGH PRESSURE

S/N: PAS1-UP

WB-FAMILY

PART OF 340-4019 OPTION AR-HYDRAULIC

FOR USE WITH 3-M (9.8-FT) STICK

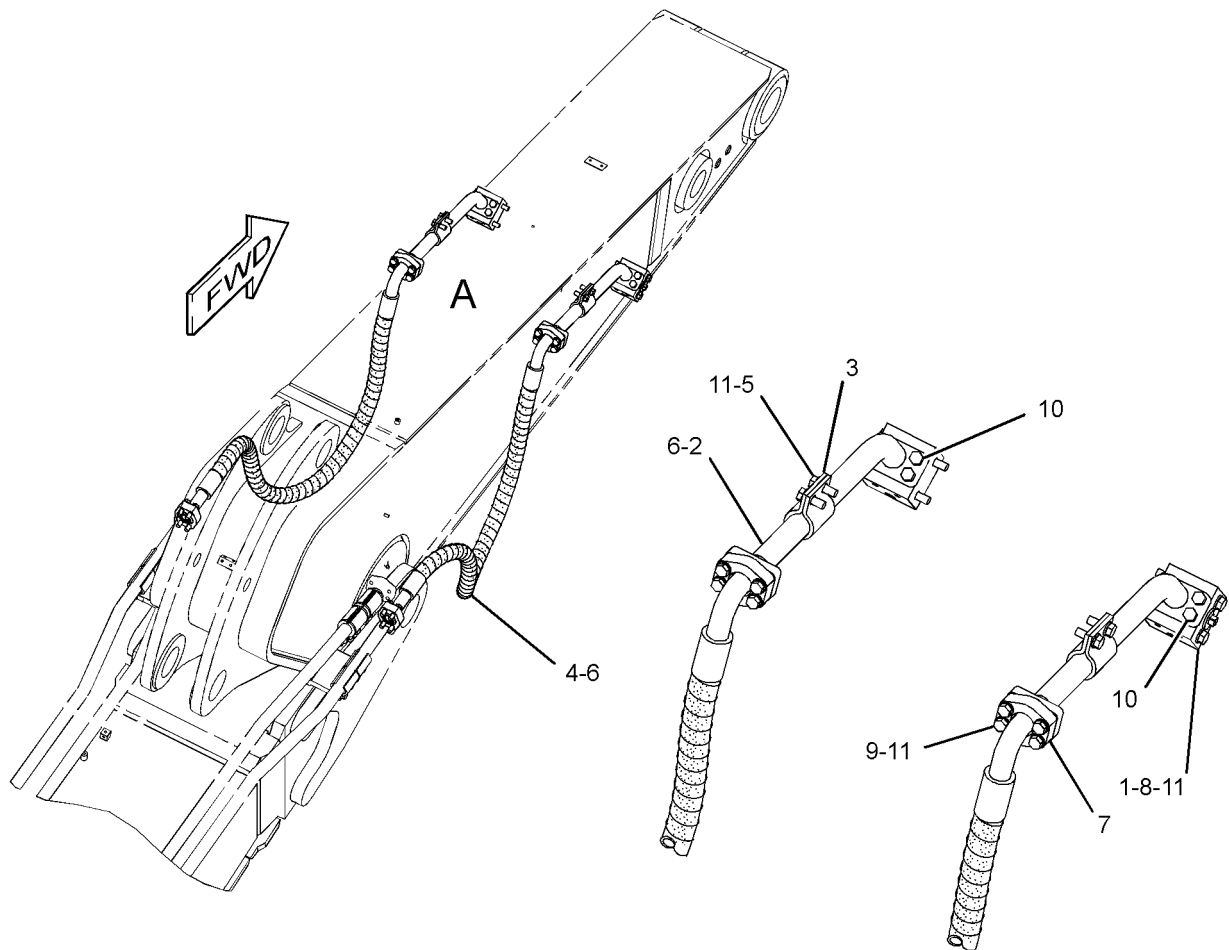
AN ATTACHMENT

SMCS-5057

i03887692

NOTE	REF NO	GRAPHIC REF	PART NUMBER	QTY	PART NAME						SEE PAGE
					1	2	3	4	5	6 (PRODUCT LEVEL)	
	1	1	292-7752	2	VALVE AS-MANUAL (SHUTOFF)						
	2	1	302-9213	2	TUBE AS						
	3	1	306-1355	4	CLAMP - HALF						
I	4	1	338-6157	2	HOSE AS						
M	5	1	100-4982	4	BOLT - SELF - LOCKING (M16X2X45-MM)						
	6	1	1P-3705	6	SEAL - RECTANGULAR						
	7	1	5P-8077	8	FLANGE - HALF						
M	8	1	7X-2557	4	BOLT (M16X2X140-MM)						
M	9	1	8T-4140	16	BOLT (M16X2X60-MM)						
M	10	1	8T-4193	8	BOLT (M16X2X50-MM)						
	11	1	9X-8257	24	WASHER (17.5X30X3.5-MM THK)						

I-REFER TO HYDRAULIC INFORMATION SYSTEM
M-METRIC PART



VIEW OF AREA A

GRAPHIC #1

<END>

g02138912

HYDRAULIC SYSTEM

355-7870 LINES GP-AUXILIARY HYDRAULIC-STICK, HIGH PRESSURE

S/N: PAS1-UP

WB-FAMILY

PART OF 340-4018 CONTROL AR-AUXILIARY

FOR USE WITH 2.6-M (8.4-FT) STICK

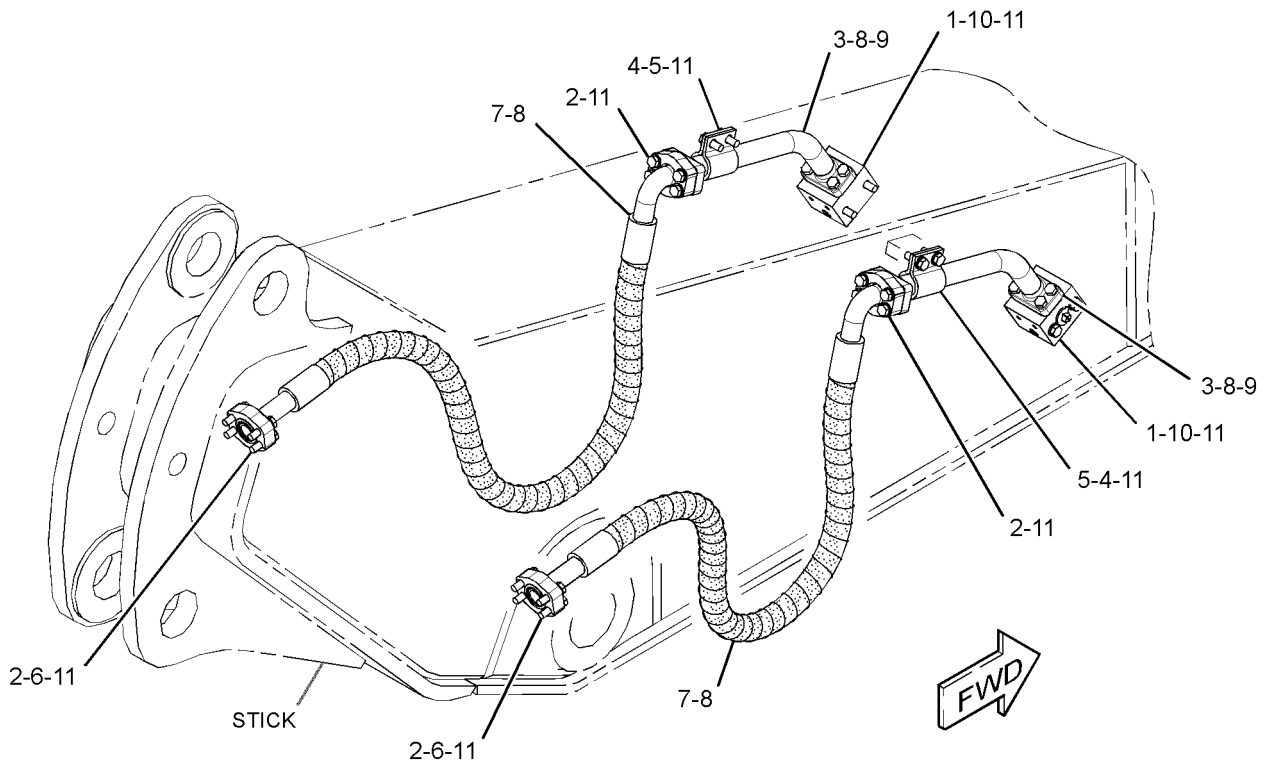
AN ATTACHMENT

SMCS-5057

i03887694

NOTE	REF NO	GRAPHIC REF	PART NUMBER	QTY	PART NAME						SEE PAGE
					1	2	3	4	5	6 (PRODUCT LEVEL)	
M	1	1	7X-2557	4	BOLT (M16X2X140-MM)						
M	2	1	8T-4140	16	BOLT (M16X2X60-MM)						
M	3	1	8T-4193	8	BOLT (M16X2X50-MM)						
M	4	1	100-4982	4	BOLT-SELF-LOCKING (M16X2X45-MM)						
	5	1	306-1355	4	CLAMP-HALF						
	6	1	5P-8077	8	FLANGE-HALF						
I	7	1	338-6210	2	HOSE AS						
	8	1	1P-3705	6	SEAL-RECTANGULAR						
	9	1	302-9212	2	TUBE AS						
	10	1	292-7752	2	VALVE AS-MANUAL (SHUTOFF)						
	11	1	9X-8257	24	WASHER (17.5X30X3.5-MM THK)						

I-REFER TO HYDRAULIC INFORMATION SYSTEM
M-METRIC PART



GRAPHIC #1

<END>

g02139377

HYDRAULIC SYSTEM

338-6179 LINES GP-BOOM

S/N: PAS1-UP

PART OF 294-1281 BOOM AR-REACH
FOR USE WITH 7.8-M (25.6-FT) BOOM
AN ATTACHMENT

SMCS-5057

i03657018

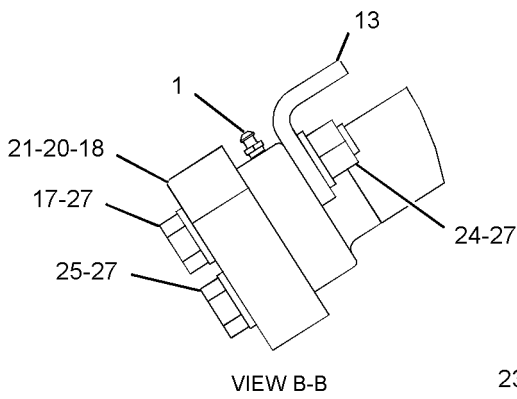
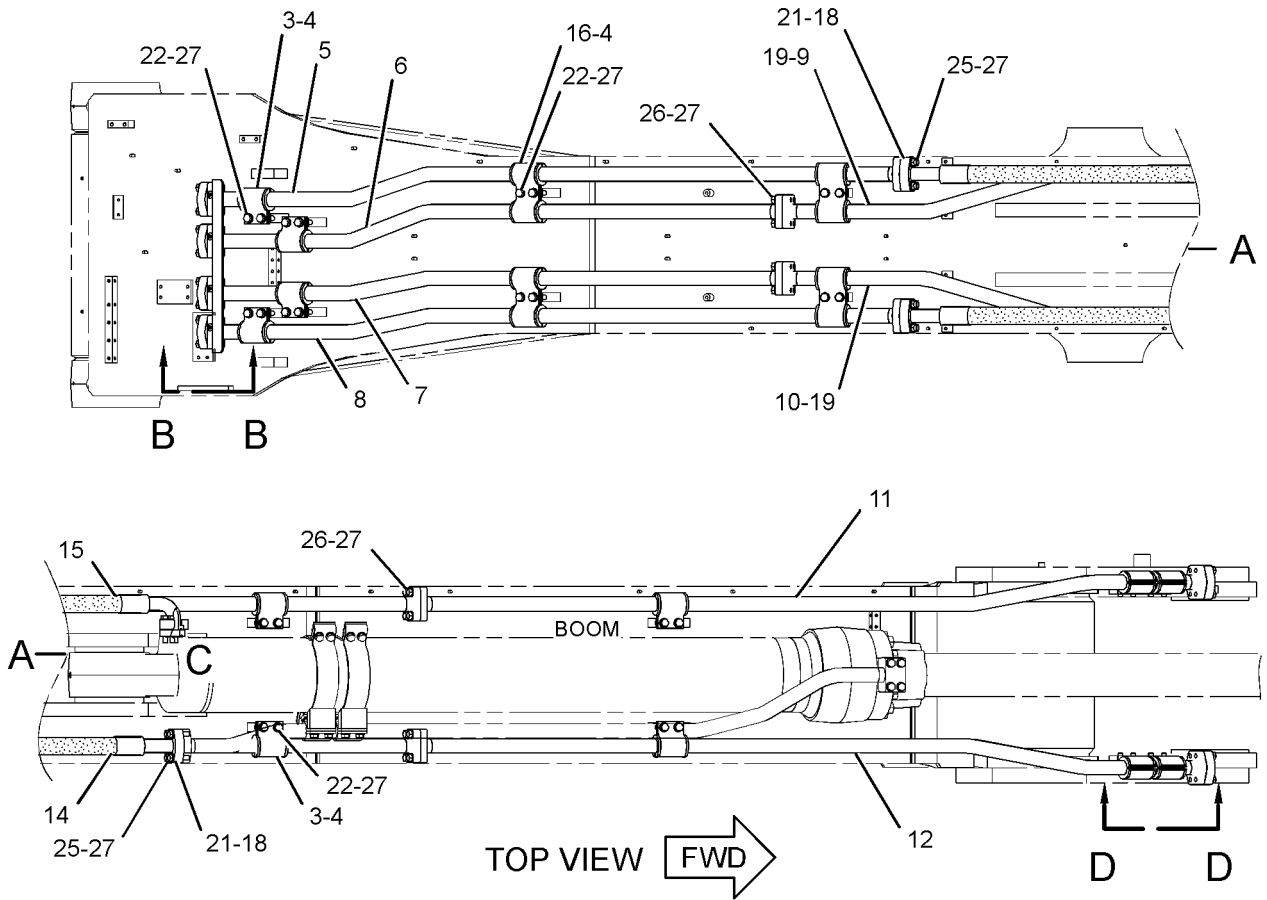
NOTE	REF NO	GRAPHIC REF	PART NUMBER	QTY	PART NAME						SEE PAGE
					1	2	3	4	5	6 (PRODUCT LEVEL)	
	1	1	9F-2167	4	SCREW-PURGE (3/8-24X1.164-IN)						
	2	1	103-1419	1	FLANGE						
	3	1	138-5708	24	CLIP-HALF						
	4	1	138-5709	20	GROMMET						
	5	1	320-0070	1	TUBE AS						
	6	1	320-0071	1	TUBE AS						
	7	1	320-0072	1	TUBE AS						
	8	1	320-0073	1	TUBE AS						
	9	1	320-0074	1	TUBE AS						
	10	1	320-0075	1	TUBE AS						
	11	1	320-0076	1	TUBE AS						
	12	1	320-0077	1	TUBE AS						
	13	1	330-2438	1	PLATE						
	14	1	338-6204	1	HOSE AS						
	15	1	338-6205	1	HOSE AS						
	16	1	124-1106	8	CLIP						
M	17	1	170-8555	8	BOLT (M16X2X90-MM)						
	18	1	1P-3705	10	SEAL-RECTANGULAR						
	19	1	1P-3706	5	SEAL-RECTANGULAR						
	20	1	5P-0049	6	COVER						
	21	1	5P-8077	20	FLANGE-HALF						
M	22	1	7X-2554	24	BOLT (M16X2X70-MM)						
M	23	1	7X-2555	4	BOLT (M16X2X80-MM)						
M	24	1	8T-4132	8	NUT (M16X2-THD)						
M	25	1	8T-4140	36	BOLT (M16X2X60-MM)						
M	26	1	8T-4193	16	BOLT (M16X2X50-MM)						
	27	1	9X-8257	96	WASHER (17.5X30X3.5-MM THK)						

M-METRIC PART

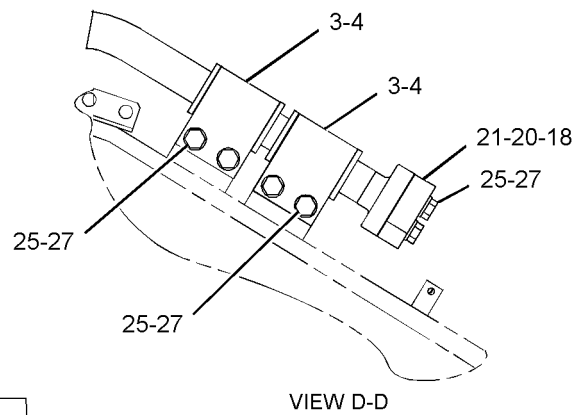
HYDRAULIC SYSTEM

338-6179 LINES GP-BOOM (contd.)

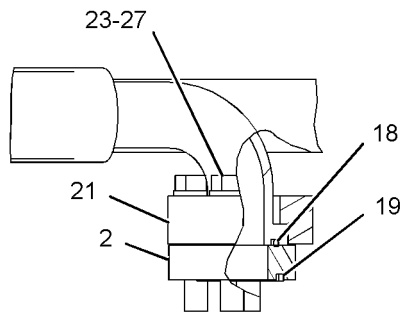
i03657018



VIEW B-B



VIEW D-D



VIEW OF AREA C

<END>

GRAPHIC #1

g02071283

HYDRAULIC SYSTEM

338-6180 LINES GP-BOOM

S/N: PAS1-UP

PART OF 294-1284 BOOM AR-MASS

FOR USE WITH 7-M (23-FT) BOOM

AN ATTACHMENT

SMCS-5057

i03656983

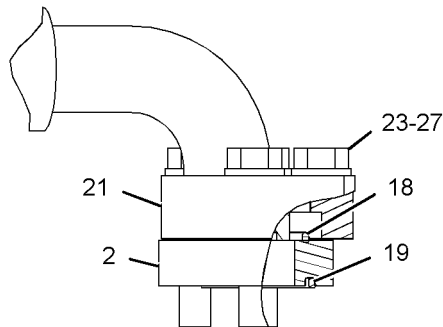
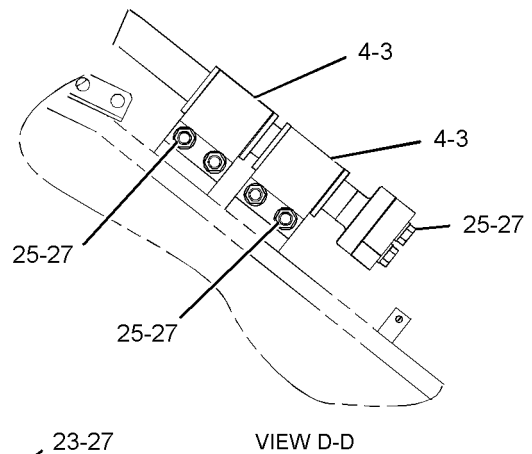
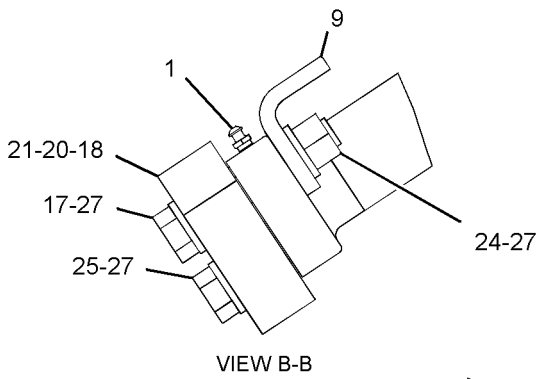
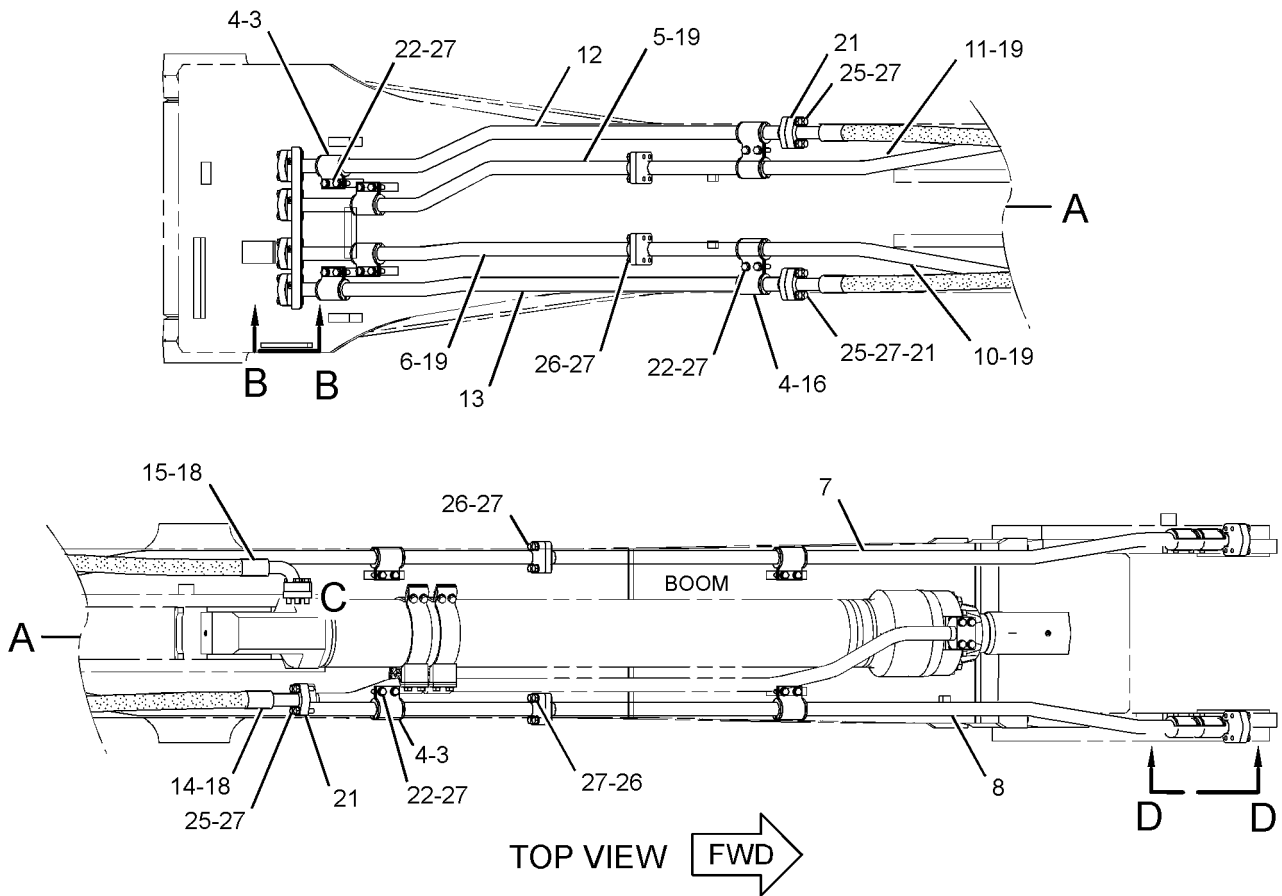
NOTE	REF NO	GRAPHIC REF	PART NUMBER	QTY	PART NAME						SEE PAGE
					1	2	3	4	5	6 (PRODUCT LEVEL)	
	1	1	9F-2167	4	SCREW-PURGE (3/8-24X1.164-IN)						
	2	1	103-1419	1	FLANGE						
	3	1	138-5708	24	CLIP-HALF						
	4	1	138-5709	16	GROMMET						
	5	1	317-4805	1	TUBE AS						
	6	1	317-4806	1	TUBE AS						
	7	1	317-4810	1	TUBE AS						
	8	1	317-4811	1	TUBE AS						
	9	1	330-2438	1	PLATE						
	10	1	338-6027	1	TUBE AS						
	11	1	338-6028	1	TUBE AS						
	12	1	338-6029	1	TUBE AS						
	13	1	338-6030	1	TUBE AS						
	14	1	338-6204	1	HOSE AS						
	15	1	338-6206	1	HOSE AS						
	16	1	124-1106	4	CLIP						
M	17	1	170-8555	8	BOLT (M16X2X90-MM)						
	18	1	1P-3705	10	SEAL-RECTANGULAR						
	19	1	1P-3706	5	SEAL-RECTANGULAR						
	20	1	5P-0049	6	COVER						
	21	1	5P-8077	20	FLANGE-HALF						
M	22	1	7X-2554	20	BOLT (M16X2X70-MM)						
M	23	1	7X-2555	4	BOLT (M16X2X80-MM)						
M	24	1	8T-4132	8	NUT (M16X2-THD)						
M	25	1	8T-4140	36	BOLT (M16X2X60-MM)						
M	26	1	8T-4193	16	BOLT (M16X2X50-MM)						
	27	1	9X-8257	92	WASHER (17.5X30X3.5-MM THK)						

M-METRIC PART

HYDRAULIC SYSTEM

338-6180 LINES GP-BOOM (contd.)

i03656983



GRAPHIC #1

VIEW OF AREA C
<END>

g02071076

HYDRAULIC SYSTEM

344-4340 LINES GP-BOOM-REACH BOOM, STICK LOAD CONTROL

S/N: PAS1-UP

PART OF 297-0425 VALVE AR-STICK LOWERING CONT
AN ATTACHMENT

SMCS-5057

i03875567

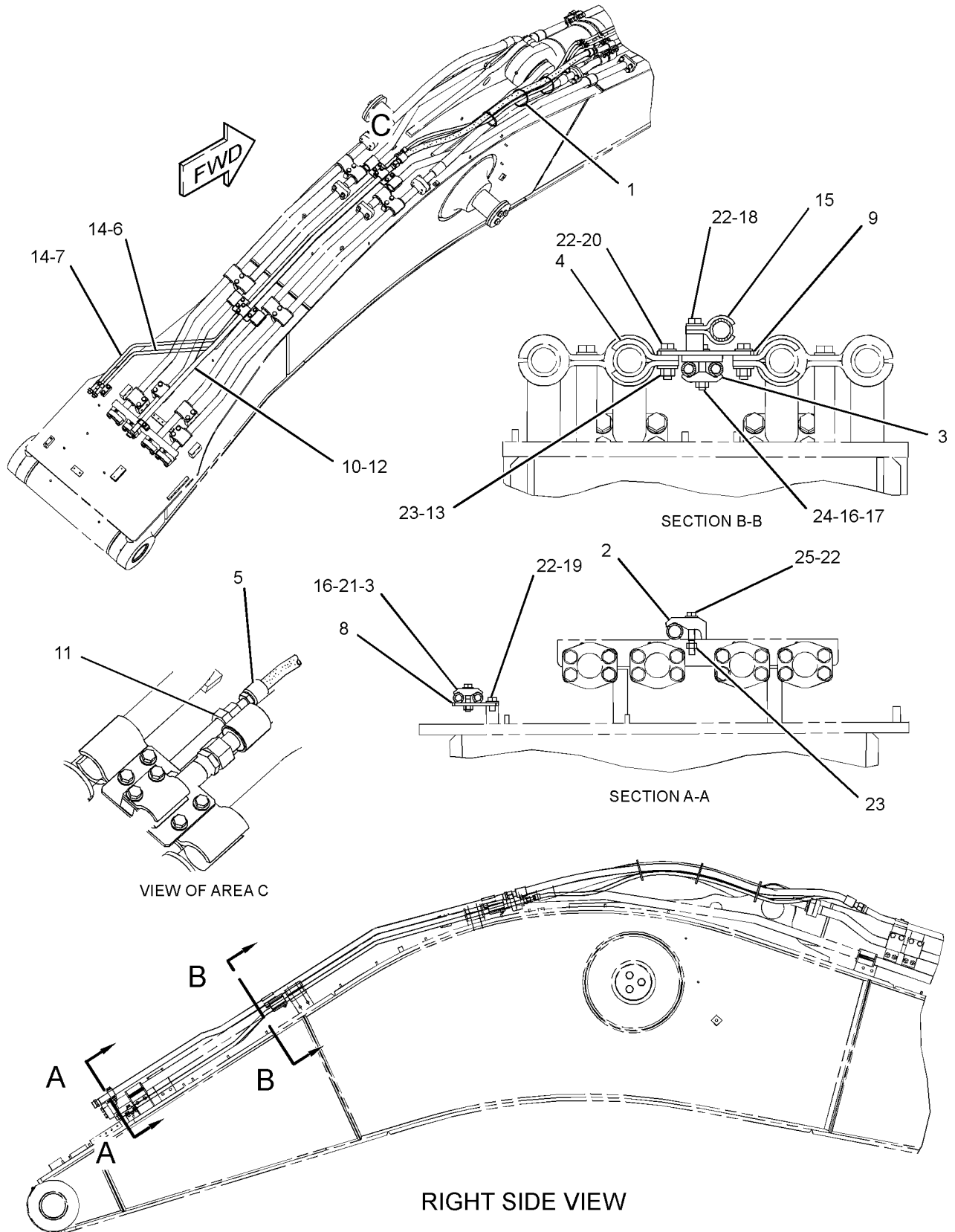
NOTE	REF NO	GRAPHIC REF	PART NUMBER	QTY	PART NAME						SEE PAGE
					1	2	3	4	5	6 (PRODUCT LEVEL)	
	1	1	6K-0806	3	STRAP-CABLE						
	2	1	093-1293	1	CLAMP						
	3	1	093-1294	3	CLAMP						
	4	1	128-7514	8	CLIP						
I	5	1	173-4675	2	HOSE AS						
	6	1	173-7849	1	PIPE AS						
	7	1	173-7851	1	PIPE AS						
	8	1	344-4341	1	PLATE AS						
	9	1	344-4343	2	PLATE AS						
	10	1	344-4346	1	TUBE AS						
	11	1	344-4347	1	HOSE AS						
	12	1	5K-9090	2	SEAL-O-RING						
	13	1	5P-1076	8	WASHER-HARD (13.5X30X4-MM THK)						
	14	1	6V-8398	4	SEAL-O-RING						
	15	1	7Y-3732	4	CLIP						
	16	1	8T-4121	3	WASHER-HARD (11X21X2.5-MM THK)						
M	17	1	8T-4133	2	NUT (M10X1.5-THD)						
M	18	1	8T-4139	4	BOLT (M12X1.75X30-MM)						
M	19	1	8T-4179	2	BOLT (M12X1.75X20-MM)						
M	20	1	8T-4184	8	BOLT (M12X1.75X45-MM)						
M	21	1	8T-4185	1	BOLT (M10X1.5X50-MM)						
	22	1	8T-4223	15	WASHER-HARD (13.5X25.5X3-MM THK)						
M	23	1	8T-4244	9	NUT (M12X1.75-THD)						
M	24	1	8T-6466	2	BOLT (M10X1.5X60-MM)						
M	25	1	8T-6868	1	BOLT (M12X1.75X80-MM)						

I-REFER TO HYDRAULIC INFORMATION SYSTEM
M-METRIC PART

HYDRAULIC SYSTEM

344-4340 LINES GP-BOOM (contd.)

i03875567



GRAPHIC #1

<END>

g02132987

HYDRAULIC SYSTEM

296-7098 LINES GP-BOOM CYLINDER-BOOM LOWERING CONTROL

S/N: PAS1-UP

PART OF 297-0420 VALVE AR-BOOM LOWERING CONTROL
AN ATTACHMENT

SMCS-5057, 5456

i03790690

NOTE	REF NO	GRAPHIC REF	PART NUMBER	QTY	PART NAME						SEE PAGE
					1	2	3	4	5	6 (PRODUCT LEVEL)	
	1	1	7K-1181	16	STRAP-CABLE						
I	2	1	7Y-8472	2	HOSE AS						
	3	1	124-1216	2	SUPPORT AS						
	4	1	221-8859	1	SENSOR AS-PRESSURE (BOOM LOWERING CONTROL)						
		1	3K-0360	1	SEAL-O-RING						
		1	9X-3401	3	PIN-CONNECTOR (16-GA TO 18-GA)						
					-OR-						
		1	126-1767	3	PIN-CONNECTOR (14-GA)						
		1	171-0596	1	RECEPTACLE AS						
I	5	1	255-1720	2	HOSE AS						
Y	6	1	263-4918	2	VALVE GP-LOAD CONTROL (BOOM CYLINDER)						644
Y	7	1	270-5692	1	VALVE GP-MANUAL (BOOM LOWER)						662
	8	1	302-3012	2	SUPPORT AS						
I	9	1	302-3032	2	HOSE AS						
	10	1	307-4849	2	CONNECTOR AS						
					(EACH INCLUDES)						
		1	3K-0360	1	SEAL-O-RING						
		1	6V-8397	1	SEAL-O-RING						
		1	168-9352	1	CONNECTOR						
	11	1	333-4516	1	BRACKET						
	12	1	333-4531	1	SUPPORT AS						
	13	1	338-6009	1	TUBE AS						
	14	1	338-6010	1	TUBE AS						
	15	1	338-6012	1	TUBE AS						
I	16	1	342-4171	1	HOSE AS						
	17	1	346-3394	1	HOSE AS						
M	18	1	108-3819	8	BOLT-SOCKET HEAD (M12X1.75X70-MM)						
	19	1	148-8317	1	CONNECTOR AS						
		1	3D-2824	1	SEAL-O-RING						
		1	5K-9090	1	SEAL-O-RING						
		1	6V-8714	1	CONNECTOR						
	20	1	148-8327	2	CONNECTOR AS						
					(EACH INCLUDES)						
		1	3D-2824	1	SEAL-O-RING						
		1	6V-8637	1	CONNECTOR						
		1	6V-9746	1	SEAL-O-RING						
	21	1	148-8336	4	CONNECTOR AS						
					(EACH INCLUDES)						
		1	3D-2824	1	SEAL-O-RING						
		1	6V-8637	1	CONNECTOR						
		1	6V-9746	1	SEAL-O-RING						
	22	1	148-8347	2	ELBOW AS						
					(EACH INCLUDES)						
		1	3D-2824	1	SEAL-O-RING						
		1	6V-9007	1	ELBOW						
		1	6V-9746	1	SEAL-O-RING						
	23	1	148-8366	2	ELBOW AS						
					(EACH INCLUDES)						
		1	6V-8397	2	SEAL-O-RING						
		1	6V-8987	1	ELBOW						
	24	1	148-8367	2	ELBOW AS						
					(EACH INCLUDES)						
		1	6V-8397	1	SEAL-O-RING						
		1	6V-9850	1	ELBOW						

HYDRAULIC SYSTEM

296-7098 LINES GP-BOOM CYLINDER (contd.)

i03790690

NOTE	REF NO	GRAPHIC REF	PART NUMBER	QTY	PART NAME						SEE PAGE
					1	2	3	4	5	6 (PRODUCT LEVEL)	
	25	1	148-8378	2	ELBOW AS						
					(EACH INCLUDES)						
		1	3J-1907	1	SEAL-O-RING						
		1	6V-8397	1	SEAL-O-RING						
		1	6V-8724	1	ELBOW						
	26	1	148-8433	2	TEE AS						
					(EACH INCLUDES)						
		1	6V-8397	2	SEAL-O-RING						
		1	6V-9836	1	TEE-SWIVEL						
	27	1	1P-3705	4	SEAL-RECTANGULAR						
	28	1	6V-9168	2	NUT (11/16-16-THD)						
	29	1	8T-4121	10	WASHER-HARD (11X21X2.5-MM THK)						
M	30	1	8T-4136	2	BOLT (M10X1.5X25-MM)						
M	31	1	8T-4139	4	BOLT (M12X1.75X30-MM)						
M	32	1	8T-4176	2	BOLT (M12X1.75X90-MM)						
M	33	1	8T-4183	10	BOLT (M12X1.75X40-MM)						
M	34	1	8T-4196	8	BOLT (M10X1.5X35-MM)						
	35	1	8T-4223	16	WASHER-HARD (13.5X25.5X3-MM THK)						
	36	1	9X-8257	2	WASHER (17.5X30X3.5-MM THK)						

I-REFER TO HYDRAULIC INFORMATION SYSTEM

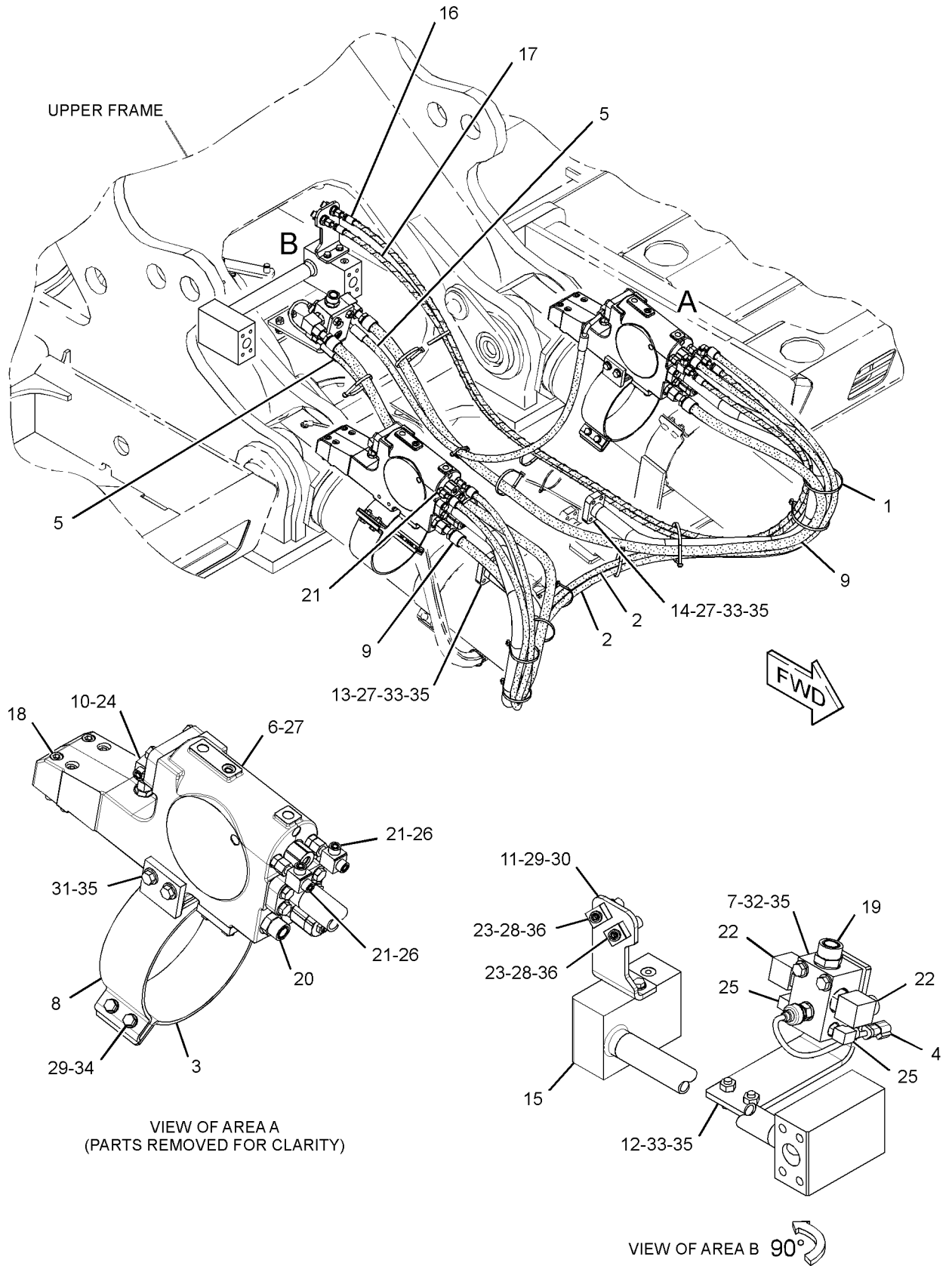
M-METRIC PART

Y-SEPARATE ILLUSTRATION

HYDRAULIC SYSTEM

296-7098 LINES GP-BOOM CYLINDER (contd.)

i03790690



GRAPHIC #1

<END>

g02129238

HYDRAULIC SYSTEM

353-6882 LINES GP-BOOM CYLINDER-LH

S/N: PAS1-UP

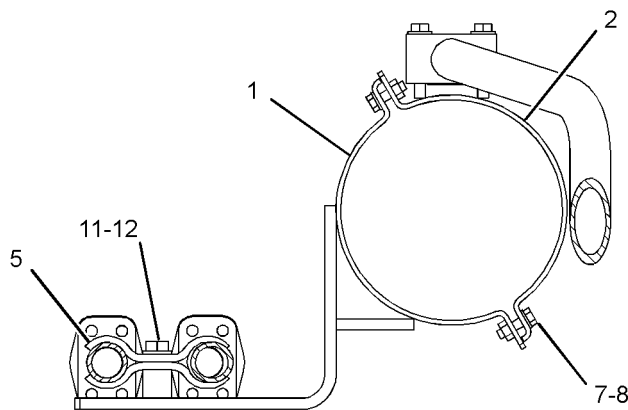
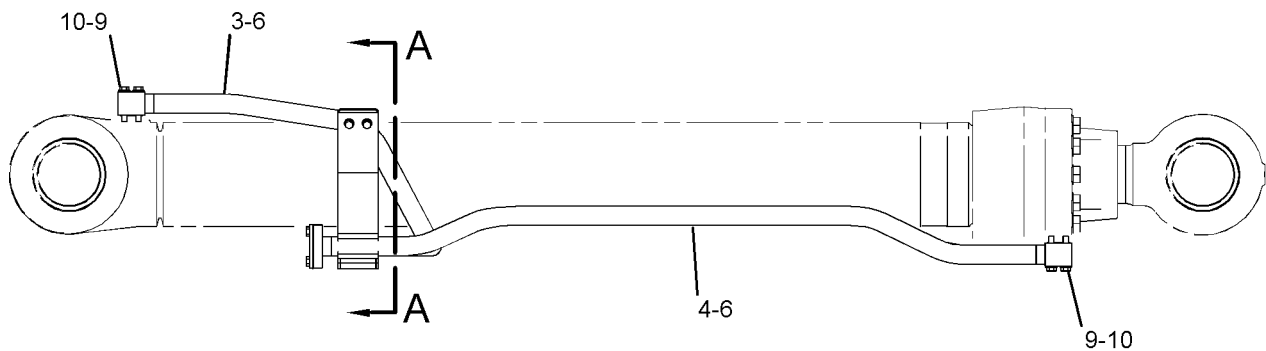
PART OF 353-6880 CYLINDER & LINES GP-BOOM
AN ATTACHMENT

SMCS-5057, 5456

i03864886

NOTE	REF NO	GRAPHIC REF	PART NUMBER	QTY	PART NAME						SEE PAGE
					1	2	3	4	5	6 (PRODUCT LEVEL)	
	1	1	356-9107	1	SUPPORT AS						
	2	1	356-9108	1	SUPPORT AS						
	3	1	356-9110	1	TUBE AS						
	4	1	356-9111	1	TUBE AS						
	5	1	124-0971	2	CLIP						
	6	1	1P-3705	2	SEAL - RECTANGULAR						
	7	1	8T-4121	4	WASHER-HARD (11X21X2.5-MM THK)						
M	8	1	8T-4196	4	BOLT (M10X1.5X35-MM)						
	9	1	8T-4223	8	WASHER-HARD (13.5X25.5X3-MM THK)						
M	10	1	8T-4648	8	BOLT (M12X1.75X70-MM)						
M	11	1	8T-7338	2	BOLT (M16X2X45-MM)						
	12	1	9X-8257	2	WASHER (17.5X30X3.5-MM THK)						

M-METRIC PART



SECTION A-A

<END>

GRAPHIC #1

g02136693

HYDRAULIC SYSTEM

353-6883 LINES GP-BOOM CYLINDER-RH

S/N: PAS1-UP

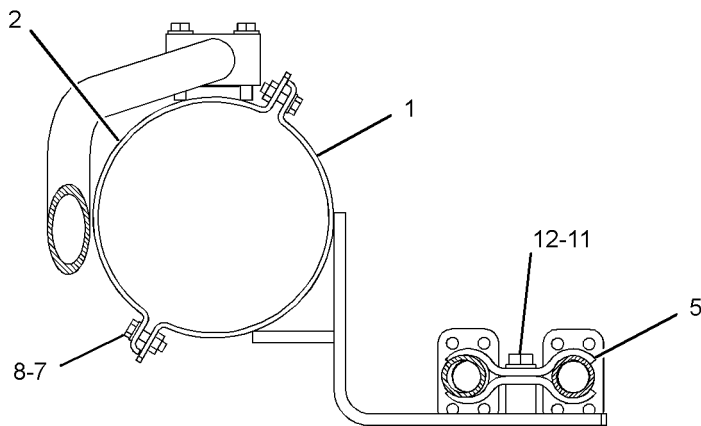
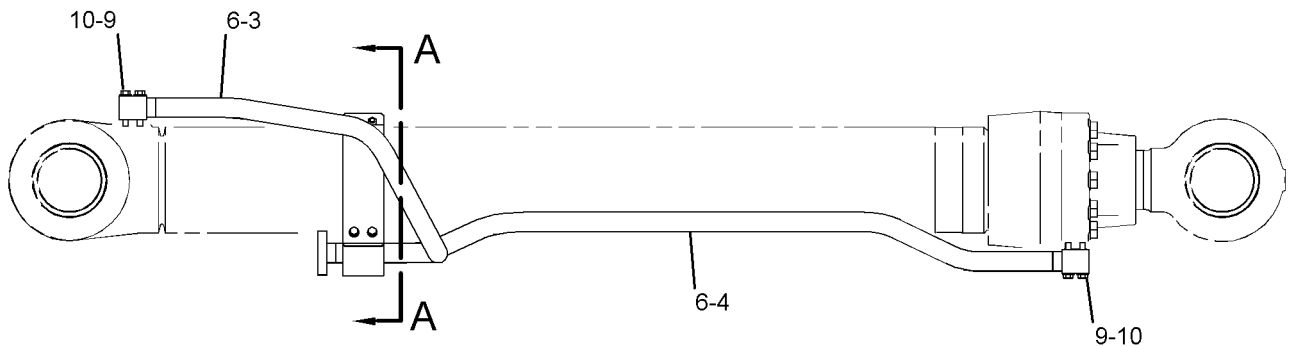
PART OF 353-6881 CYLINDER & LINES GP-BOOM
AN ATTACHMENT

SMCS-5057, 5456

i03864894

NOTE	REF NO	GRAPHIC REF	PART NUMBER	QTY	PART NAME						SEE PAGE
					1	2	3	4	5	6 (PRODUCT LEVEL)	
	1	1	356-9107	1	SUPPORT AS						
	2	1	356-9108	1	SUPPORT AS						
	3	1	356-9112	1	TUBE AS						
	4	1	356-9113	1	TUBE AS						
	5	1	124-0971	2	CLIP						
	6	1	1P-3705	2	SEAL - RECTANGULAR						
	7	1	8T-4121	4	WASHER-HARD (11X21X2.5-MM THK)						
M	8	1	8T-4196	4	BOLT (M10X1.5X35-MM)						
	9	1	8T-4223	8	WASHER-HARD (13.5X25.5X3-MM THK)						
M	10	1	8T-4648	8	BOLT (M12X1.75X70-MM)						
M	11	1	8T-7338	2	BOLT (M16X2X45-MM)						
	12	1	9X-8257	2	WASHER (17.5X30X3.5-MM THK)						

M-METRIC PART



SECTION A-A
<END>

GRAPHIC #1

g02136595

HYDRAULIC SYSTEM

353-6873 LINES GP-BUCKET CYLINDER

S/N: PAS1-UP

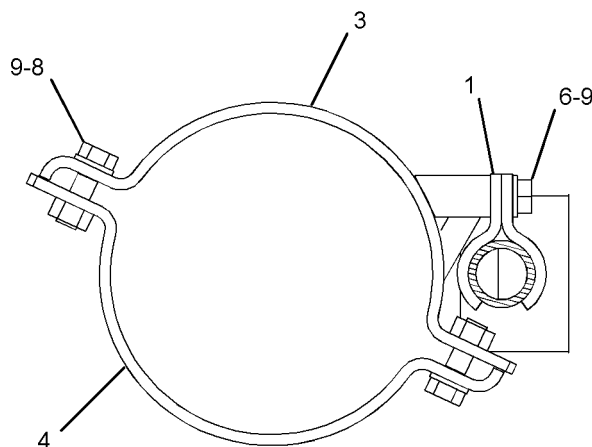
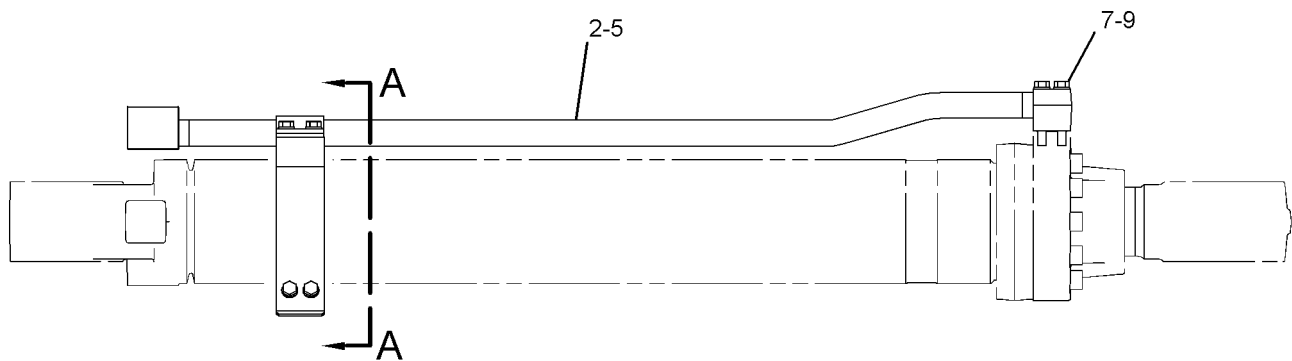
PART OF 353-6872, 353-6875 CYLINDER & LINES GP-BUCKET
AN ATTACHMENT

SMCS-5457

i03864843

NOTE	REF NO	GRAPHIC REF	PART NUMBER	QTY	PART NAME						SEE PAGE
					1	2	3	4	5	6 (PRODUCT LEVEL)	
	1	1	128-7514	2	CLIP						
	2	1	338-6055	1	TUBE AS						
	3	1	356-9118	1	SUPPORT AS						
	4	1	356-9119	1	SUPPORT AS						
	5	1	1P-3706	1	SEAL - RECTANGULAR						
M	6	1	8T-4140	2	BOLT (M16X2X60-MM)						
M	7	1	8T-4173	4	BOLT (M16X2X110-MM)						
M	8	1	8T-4193	4	BOLT (M16X2X50-MM)						
	9	1	9X-8257	10	WASHER (17.5X30X3.5-MM THK)						

M-METRIC PART



SECTION A-A
<END>

GRAPHIC #1

g02137193

HYDRAULIC SYSTEM

353-6878 LINES GP-BUCKET CYLINDER

S/N: PAS1-UP

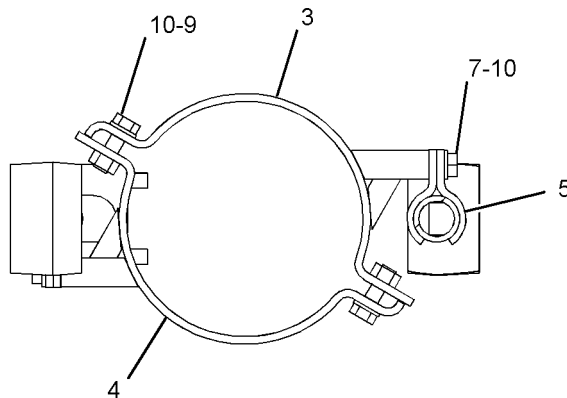
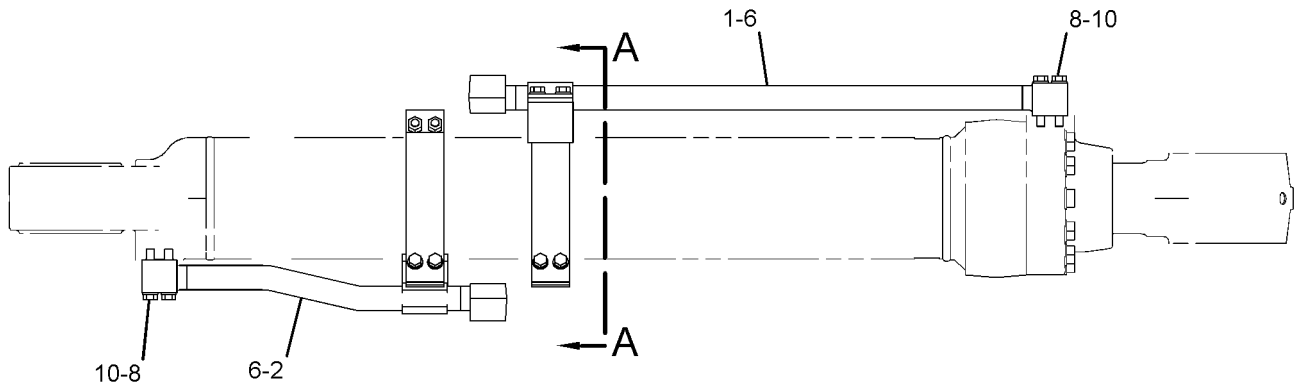
PART OF 353-6877 CYLINDER & LINES GP-BUCKET
AN ATTACHMENT

SMCS-5457

i03860358

NOTE	REF NO	GRAPHIC REF	PART NUMBER	QTY	PART NAME						SEE PAGE
					1	2	3	4	5	6 (PRODUCT LEVEL)	
	1	1	356-9122	1	TUBE AS						
	2	1	356-9123	1	TUBE AS						
	3	1	356-9124	2	SUPPORT AS						
	4	1	356-9125	2	SUPPORT AS						
	5	1	128-7514	4	CLIP						
	6	1	1P-3706	2	SEAL - RECTANGULAR						
M	7	1	7X-2554	4	BOLT (M16X2X70-MM)						
M	8	1	8T-4175	8	BOLT (M16X2X90-MM)						
M	9	1	8T-4193	8	BOLT (M16X2X50-MM)						
	10	1	9X-8257	20	WASHER (17.5X30X3.5-MM THK)						

M-METRIC PART



SECTION A-A

<END>

GRAPHIC #1

g02134856

HYDRAULIC SYSTEM

342-8073 LINES GP-CONNECTING

S/N: PAS1-UP

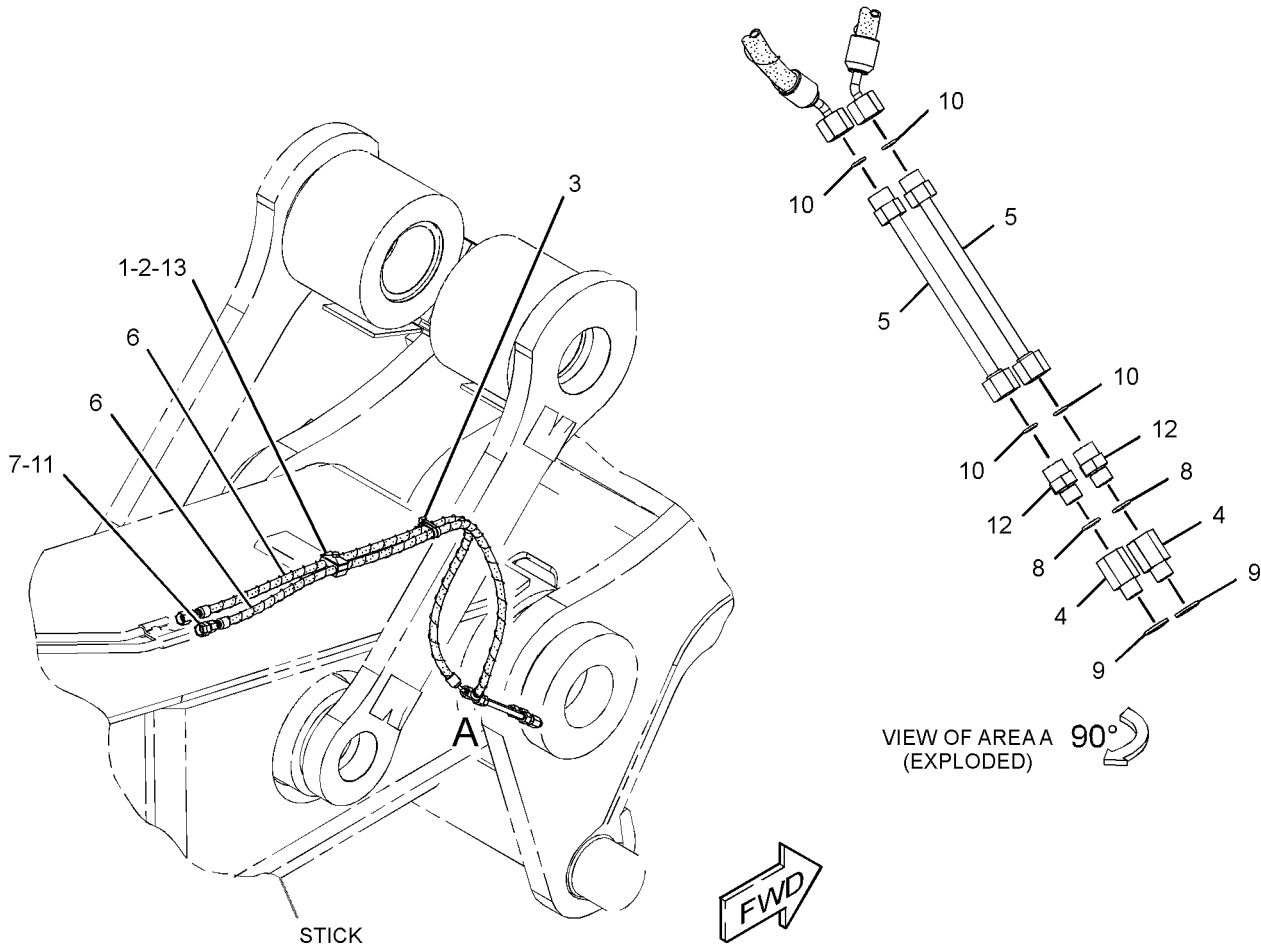
PART OF 333-7419, 333-7420, 333-7421, 348-7207 COUPLER AR-QUICK
FOR USE WITH CW-70 QUICK COUPLER, "JC" LINKAGE
AN ATTACHMENT

SMCS-5057

i03828591

NOTE	REF NO	GRAPHIC REF	PART NUMBER	QTY	PART NAME						SEE PAGE
					1	2	3	4	5	6 (PRODUCT LEVEL)	
	1	1	3V-0046	1	PLATE						
	2	1	6W-2464	2	CLAMP						
	3	1	7K-1181	2	STRAP-CABLE						
	4	1	8T-7910	2	ADAPTER						
	5	1	177-5025	2	TUBE AS						
I	6	1	344-3687	2	HOSE AS						
	7	1	148-8419	1	REDUCER AS						
		1	4J-5477	1	SEAL-O-RING						
		1	6V-8935	1	REDUCER-O-RING						
	8	1	3J-1907	2	SEAL-O-RING						
	9	1	6V-0405	2	SEAL-BONDED						
	10	1	6V-8397	4	SEAL-O-RING						
	11	1	6V-8554	1	NUT (13/16-16-THD)						
	12	1	6V-8636	2	CONNECTOR						
	13	1	8C-6561	1	BOLT (5/16-18X1.375-IN)						

I-REFER TO HYDRAULIC INFORMATION SYSTEM



GRAPHIC #1

<END>

g02134373

HYDRAULIC SYSTEM

277-0892 LINES GP-COUPLER-MASS BOOM

S/N: PAS1-UP
AN ATTACHMENT

SMCS-5057, 5133

i03864951

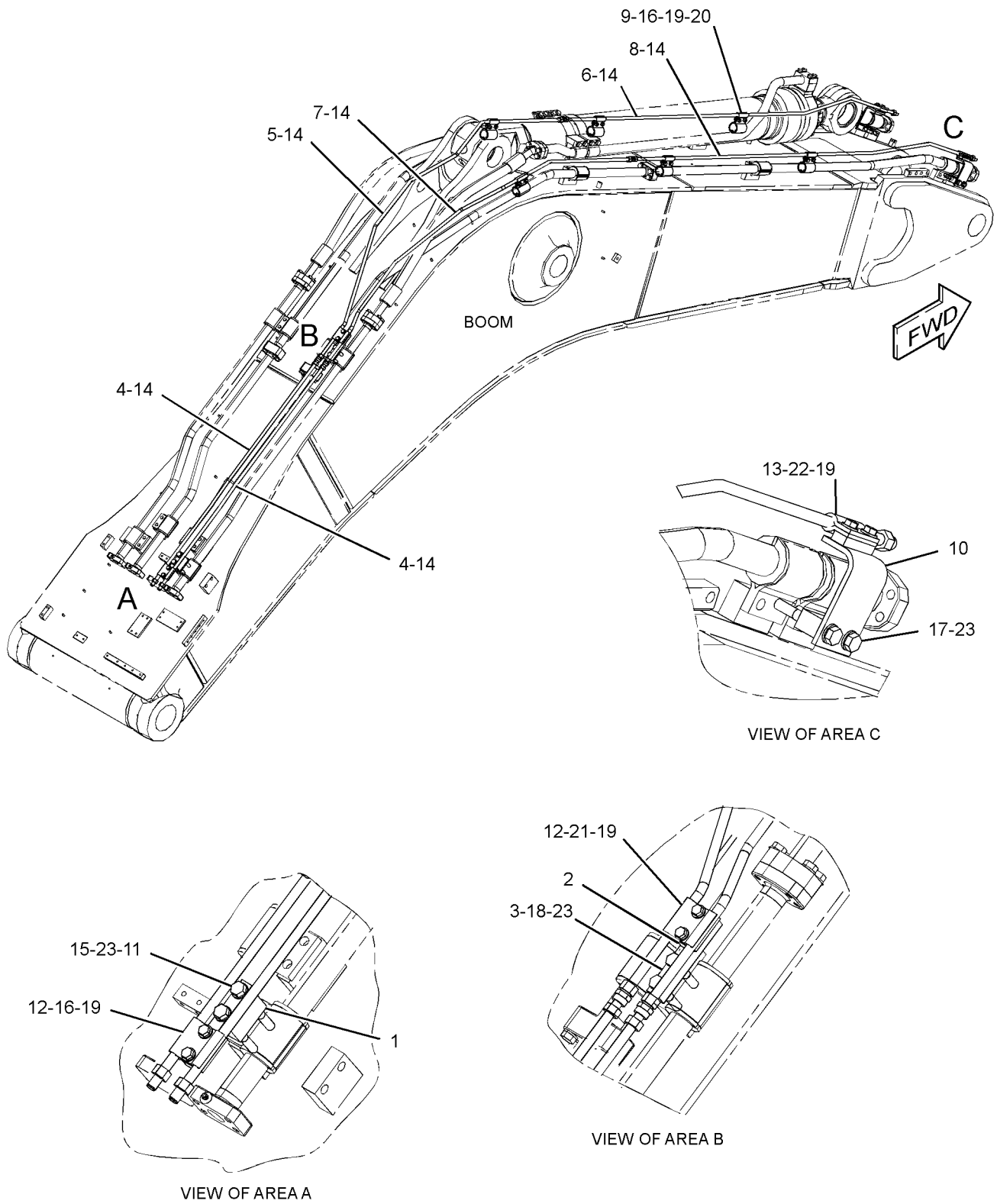
NOTE	REF NO	GRAPHIC REF	PART NUMBER	QTY	PART NAME						SEE PAGE
					1	2	3	4	5	6 (PRODUCT LEVEL)	
	1	1	153-8800	1	PLATE						
	2	1	138-0524	1	PLATE						
	3	1	193-6662	1	PLATE						
	4	1	282-5706	2	TUBE AS						
	5	1	282-5707	1	TUBE AS						
	6	1	282-5708	1	TUBE AS						
	7	1	282-5709	1	TUBE AS						
	8	1	282-5710	1	TUBE AS						
	9	1	282-5842	12	CLAMP - HALF						
	10	1	282-5843	2	SUPPORT AS						
	11	1	331-2020	1	PLATE						
	12	1	135-3980	4	CLIP						
	13	1	5Q-4212	4	CLIP						
	14	1	6V-8398	8	SEAL - O - RING						
M	15	1	7X-2557	2	BOLT (M16X2X140-MM)						
M	16	1	8T-4139	14	BOLT (M12X1.75X30-MM)						
M	17	1	8T-4173	4	BOLT (M16X2X110-MM)						
M	18	1	8T-4175	2	BOLT (M16X2X90-MM)						
	19	1	8T-4223	20	WASHER - HARD (13.5X25.5X3-MM THK)						
M	20	1	8T-4244	12	NUT (M12X1.75-THD)						
M	21	1	8T-4910	2	BOLT (M12X1.75X60-MM)						
M	22	1	8T-4956	4	BOLT (M12X1.75X35-MM)						
	23	1	9X-8257	8	WASHER (17.5X30X3.5-MM THK)						

M-METRIC PART

HYDRAULIC SYSTEM

277-0892 LINES GP-COUPLER (contd.)

i03864951



GRAPHIC #1

<END>

g02137992

HYDRAULIC SYSTEM

277-0899 LINES GP-COUPLER-STICK

S/N: PAS1-UP

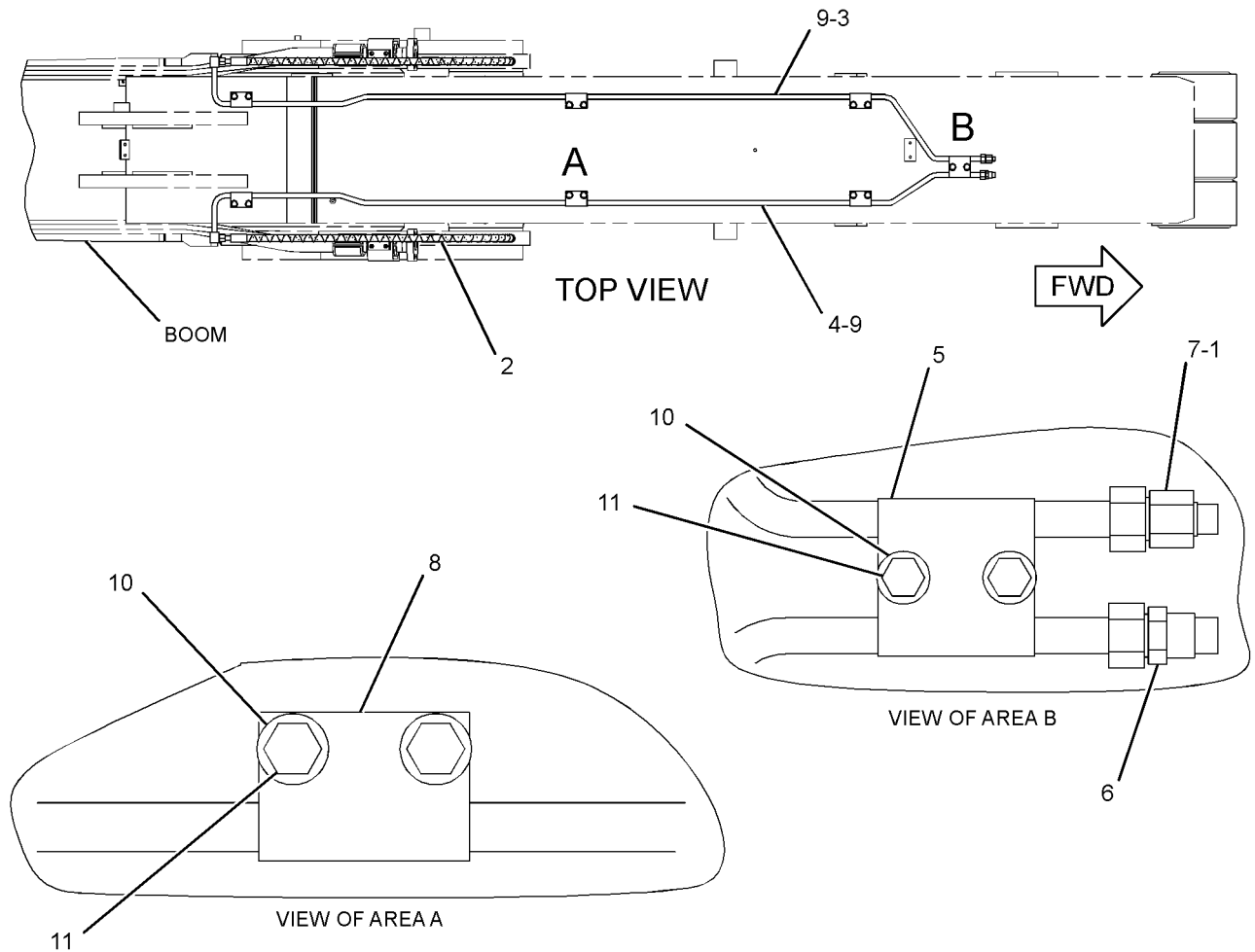
PART OF 340-4012 OPTION AR-HYDRAULIC
AN ATTACHMENT

SMCS-5057, 5133

i03790409

NOTE	REF NO	GRAPHIC REF	PART NUMBER	QTY	PART NAME						SEE PAGE
					1	2	3	4	5	6 (PRODUCT LEVEL)	
	1	1	9X-6582	1	NUT (13/16-16-THD)						
I	2	1	177-8572	2	HOSE AS						
	3	1	288-7516	1	TUBE AS						
	4	1	288-7517	1	TUBE AS						
	5	1	135-3980	2	CLIP						
	6	1	148-8415	1	REDUCER AS						
		1	6V-8397	1	SEAL-O-RING						
		1	6V-8936	1	REDUCER						
	7	1	148-8419	1	REDUCER AS						
		1	4J-5477	1	SEAL-O-RING						
		1	6V-8935	1	REDUCER-O-RING						
	8	1	5Q-4212	12	CLIP						
	9	1	6V-8398	4	SEAL-O-RING						
	10	1	8T-4223	14	WASHER-HARD (13.5X25.5X3-MM THK)						
M	11	1	8T-4956	14	BOLT (M12X1.75X35-MM)						

I-REFER TO HYDRAULIC INFORMATION SYSTEM
M-METRIC PART



GRAPHIC #1

<END>

g02064318

HYDRAULIC SYSTEM

302-9459 LINES GP-COUPLER

S/N: PAS1-UP

PART OF 340-4012, 340-4013 OPTION AR-HYDRAULIC
FOR USE WITH 7-M (23-FT) BOOM
AN ATTACHMENT

SMCS-5057, 5133

i03666864

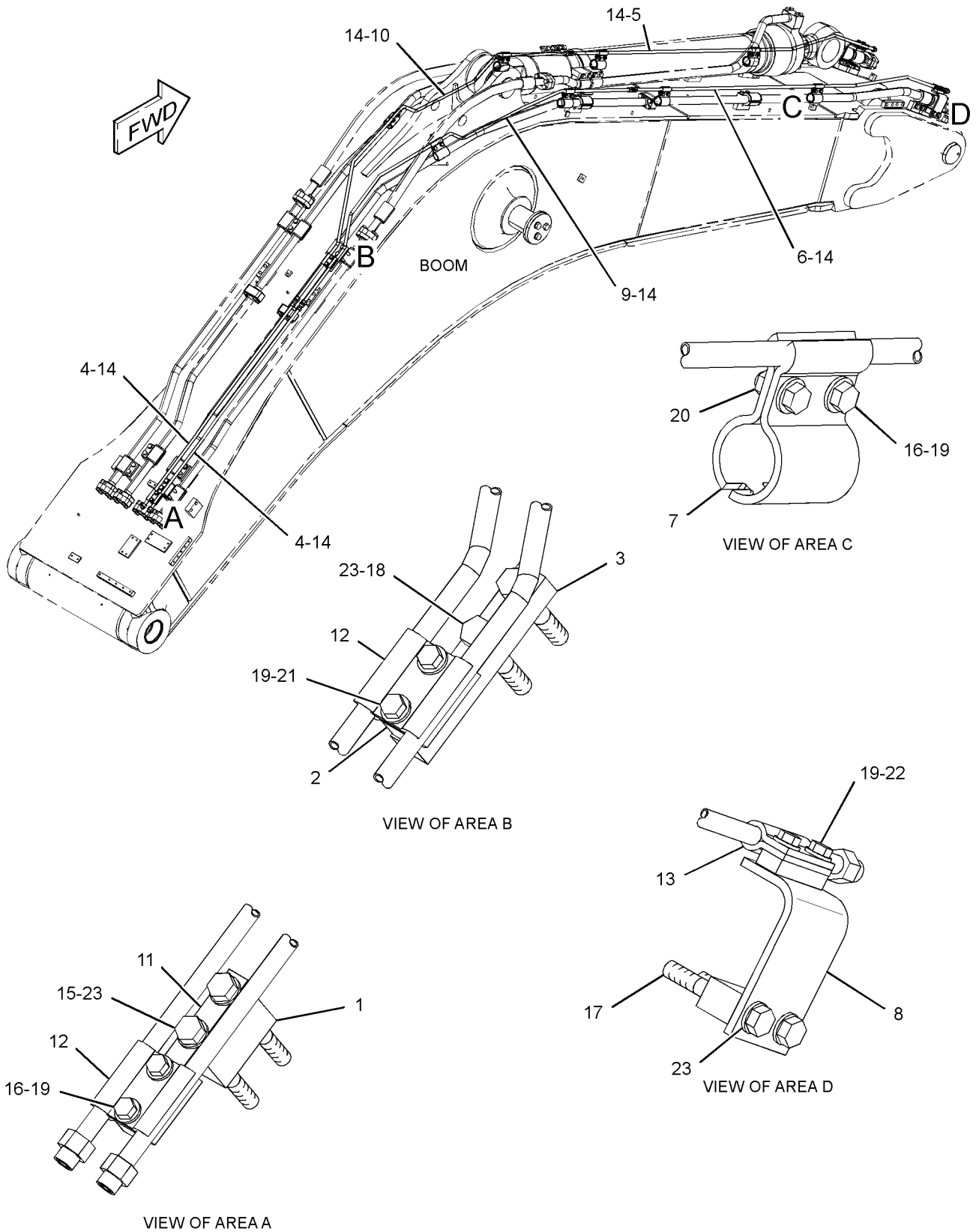
NOTE	REF NO	GRAPHIC REF	PART NUMBER	QTY	PART NAME						SEE PAGE
					1	2	3	4	5	6 (PRODUCT LEVEL)	
	1	1	138-0524	1	PLATE						
	2	1	153-8800	1	PLATE						
	3	1	193-6662	1	PLATE						
	4	1	282-5706	2	TUBE AS						
	5	1	282-5708	1	TUBE AS						
	6	1	282-5710	1	TUBE AS						
	7	1	282-5842	16	CLAMP-HALF						
	8	1	282-5843	2	SUPPORT AS						
	9	1	302-9516	1	TUBE AS						
	10	1	302-9517	1	TUBE AS						
	11	1	331-2020	1	PLATE						
	12	1	135-3980	4	CLIP						
	13	1	5Q-4212	4	CLIP						
	14	1	6V-8398	8	SEAL-O-RING						
M	15	1	7X-2557	2	BOLT (M16X2X140-MM)						
M	16	1	8T-4139	18	BOLT (M12X1.75X30-MM)						
M	17	1	8T-4173	4	BOLT (M16X2X110-MM)						
M	18	1	8T-4175	2	BOLT (M16X2X90-MM)						
	19	1	8T-4223	24	WASHER-HARD (13.5X25.5X3-MM THK)						
M	20	1	8T-4244	16	NUT (M12X1.75-THD)						
M	21	1	8T-4910	2	BOLT (M12X1.75X60-MM)						
M	22	1	8T-4956	4	BOLT (M12X1.75X35-MM)						
	23	1	9X-8257	8	WASHER (17.5X30X3.5-MM THK)						

M-METRIC PART

HYDRAULIC SYSTEM

302-9459 LINES GP-COUPLER (contd.)

i03666864



GRAPHIC #1

<END>

g02004476

HYDRAULIC SYSTEM

326-8306 LINES GP-COUPLER-REACH BOOM

S/N: PAS1-UP

PART OF 340-4015 OPTION AR-COUPLER, 340-4014 OPTION AR-HYDRAULIC
AN ATTACHMENT

SMCS-5057, 5133

i03786194

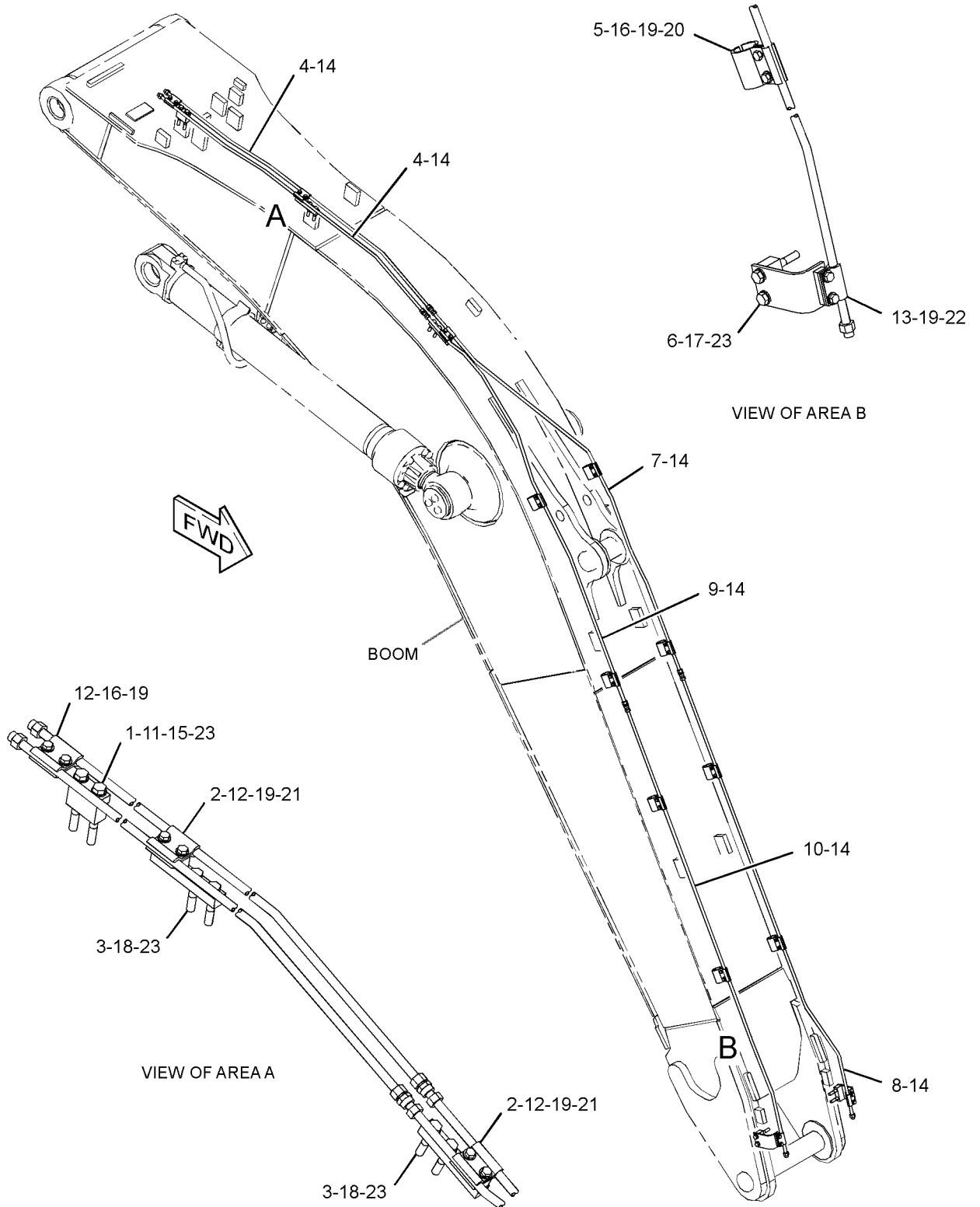
NOTE	REF NO	GRAPHIC REF	PART NUMBER	QTY	PART NAME						SEE PAGE
					1	2	3	4	5	6 (PRODUCT LEVEL)	
	1	1	138-0524	1	PLATE						
	2	1	153-8800	2	PLATE						
	3	1	193-6662	2	PLATE						
	4	1	282-5671	2	TUBE AS						
	5	1	282-5842	16	CLAMP-HALF						
	6	1	282-5843	2	SUPPORT AS						
	7	1	327-4738	1	TUBE AS						
	8	1	327-4739	1	TUBE AS						
	9	1	327-4740	1	TUBE AS						
	10	1	327-4741	1	TUBE AS						
	11	1	331-2020	1	PLATE						
	12	1	135-3980	6	CLIP						
	13	1	5Q-4212	4	CLIP						
	14	1	6V-8398	8	SEAL-O-RING						
M	15	1	7X-2557	2	BOLT (M16X2X140-MM)						
M	16	1	8T-4139	18	BOLT (M12X1.75X30-MM)						
M	17	1	8T-4173	4	BOLT (M16X2X110-MM)						
M	18	1	8T-4175	4	BOLT (M16X2X90-MM)						
	19	1	8T-4223	26	WASHER-HARD (13.5X25.5X3-MM THK)						
M	20	1	8T-4244	16	NUT (M12X1.75-THD)						
M	21	1	8T-4910	4	BOLT (M12X1.75X60-MM)						
M	22	1	8T-4956	4	BOLT (M12X1.75X35-MM)						
	23	1	9X-8257	10	WASHER (17.5X30X3.5-MM THK)						

M-METRIC PART

HYDRAULIC SYSTEM

326-8306 LINES GP-COUPLER (contd.)

i03786194



GRAPHIC #1

<END>

g02128894

HYDRAULIC SYSTEM

326-8308 LINES GP-COUPLER

S/N: PAS1-UP

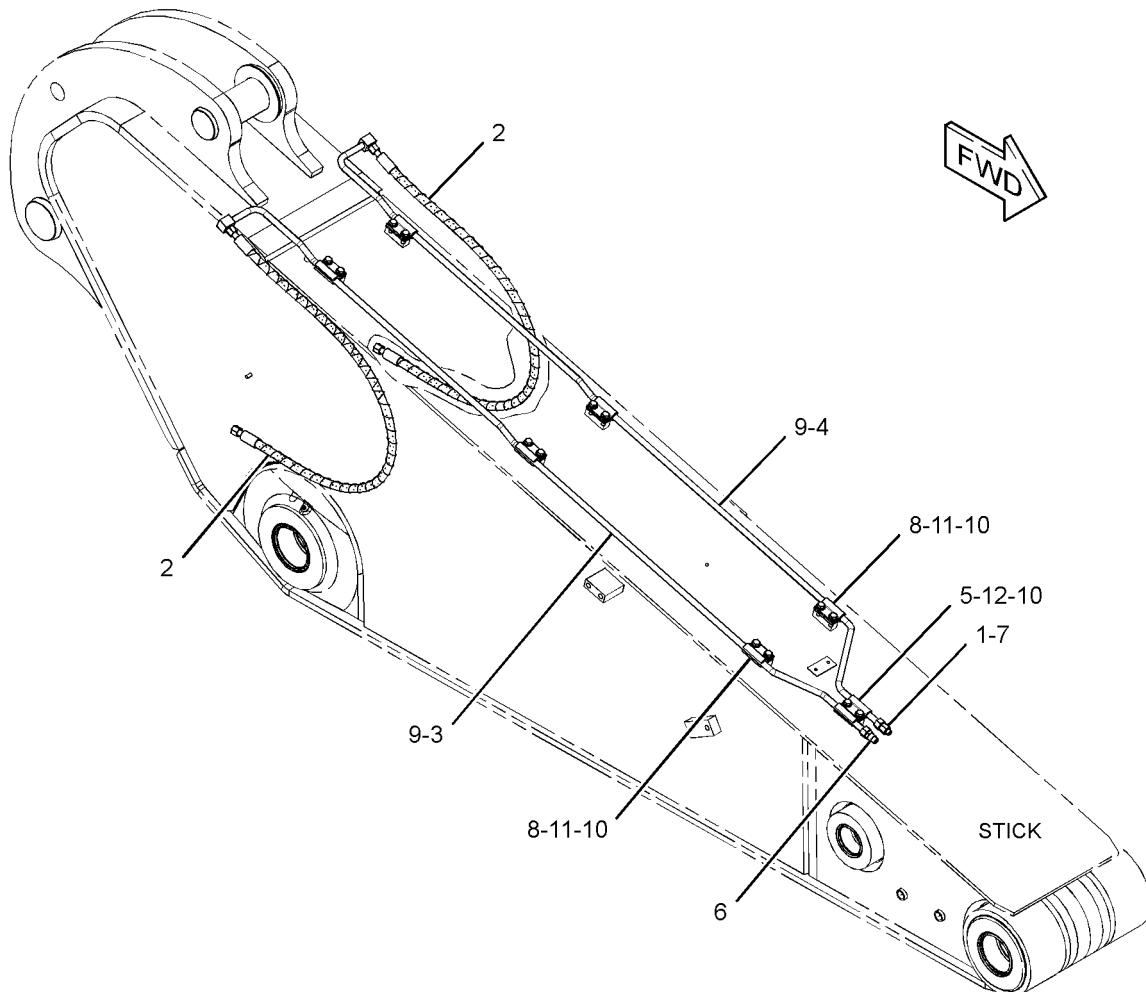
PART OF 340-4014 OPTION AR-HYDRAULIC
FOR USE WITH 2.84-M (9.3-FT) STICK
AN ATTACHMENT

SMCS-5057, 5133

i03894433

NOTE	REF NO	GRAPHIC REF	PART NUMBER	QTY	PART NAME						SEE PAGE
					1	2	3	4	5	6 (PRODUCT LEVEL)	
	1	1	9X-6582	1	NUT (13/16-16-THD)						
I	2	1	262-3390	2	HOSE AS						
	3	1	344-4357	1	TUBE AS						
	4	1	344-4356	1	TUBE AS						
	5	1	135-3980	2	CLIP						
	6	1	148-8415	1	REDUCER AS						
		1	6V-8397	1	SEAL-O-RING						
		1	6V-8936	1	REDUCER						
	7	1	148-8419	1	REDUCER AS						
		1	4J-5477	1	SEAL-O-RING						
		1	6V-8935	1	REDUCER-O-RING						
	8	1	5Q-4212	12	CLIP						
	9	1	6V-8398	4	SEAL-O-RING						
	10	1	8T-4223	14	WASHER-HARD (13.5X25.5X3-MM THK)						
M	11	1	8T-4956	12	BOLT (M12X1.75X35-MM)						
M	12	1	8T-4192	2	BOLT (M12X1.75X25-MM)						

I-REFER TO HYDRAULIC INFORMATION SYSTEM
M-METRIC PART



GRAPHIC #1

<END>

g02137976

HYDRAULIC SYSTEM

326-8309 LINES GP-COUPLER

S/N: PAS1-UP

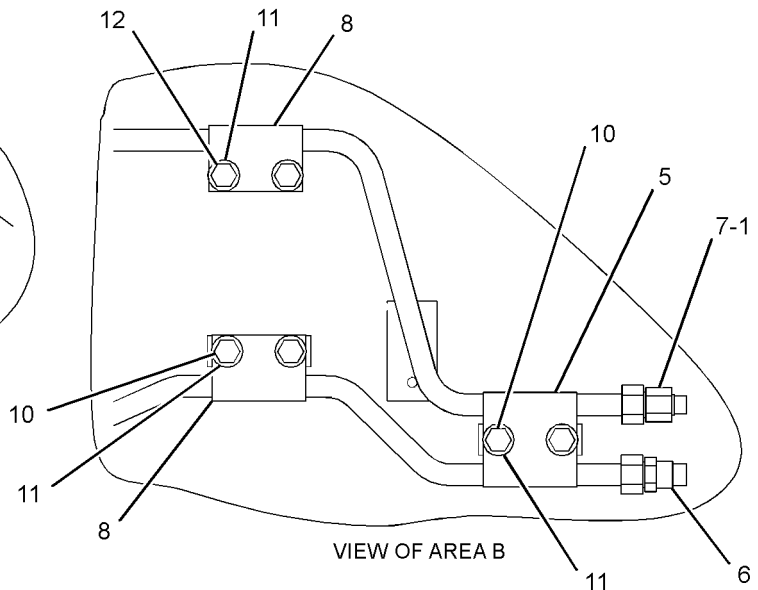
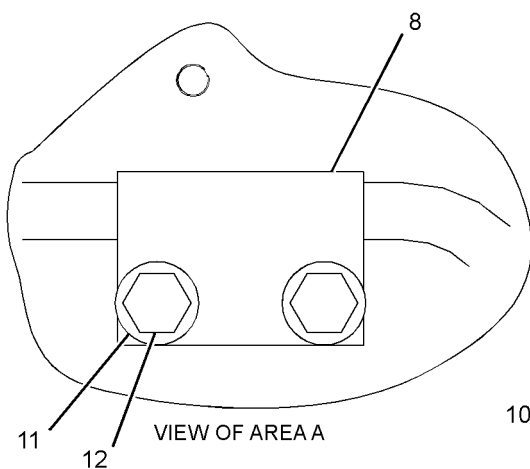
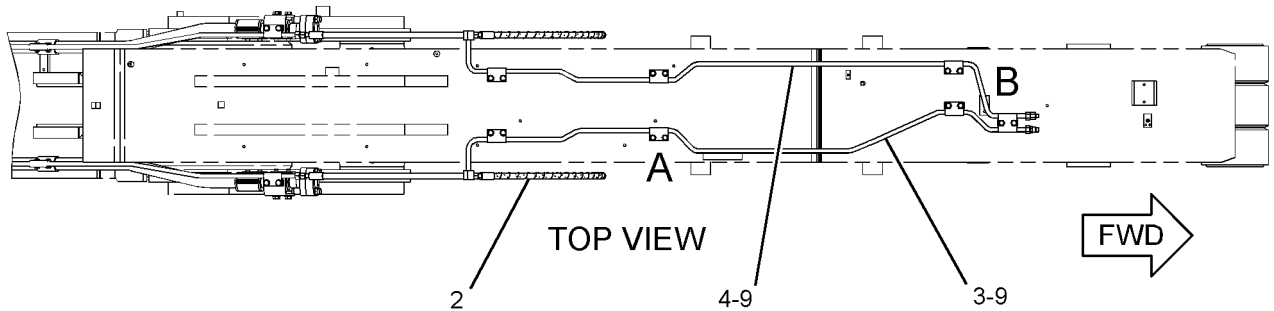
PART OF 340-4015 OPTION AR-COUPLER
FOR USE WITH 3.6-M (11.8-FT) STICK
AN ATTACHMENT

SMCS-5057, 5133

i03786210

NOTE	REF NO	GRAPHIC REF	PART NUMBER	QTY	PART NAME						SEE PAGE
					1	2	3	4	5	6 (PRODUCT LEVEL)	
	1	1	9X-6582	1	NUT (13/16-16-THD)						
I	2	1	177-8588	2	HOSE AS						
	3	1	327-4691	1	TUBE AS						
	4	1	327-4692	1	TUBE AS						
	5	1	135-3980	2	CLIP						
	6	1	148-8415	1	REDUCER AS						
		1	6V-8397	1	SEAL-O-RING						
		1	6V-8936	1	REDUCER						
	7	1	148-8419	1	REDUCER AS						
		1	4J-5477	1	SEAL-O-RING						
		1	6V-8935	1	REDUCER-O-RING						
	8	1	5Q-4212	12	CLIP						
	9	1	6V-8398	4	SEAL-O-RING						
M	10	1	8T-4192	4	BOLT (M12X1.75X25-MM)						
	11	1	8T-4223	14	WASHER-HARD (13.5X25.5X3-MM THK)						
M	12	1	8T-4956	10	BOLT (M12X1.75X35-MM)						

I-REFER TO HYDRAULIC INFORMATION SYSTEM
M-METRIC PART



GRAPHIC #1

<END>

g02062515

HYDRAULIC SYSTEM

326-8310 LINES GP-COUPLER

S/N: PAS1-UP

FOR USE WITH 4.2-M (13.8-FT) STICK
AN ATTACHMENT

SMCS-5057, 5133

i03656970

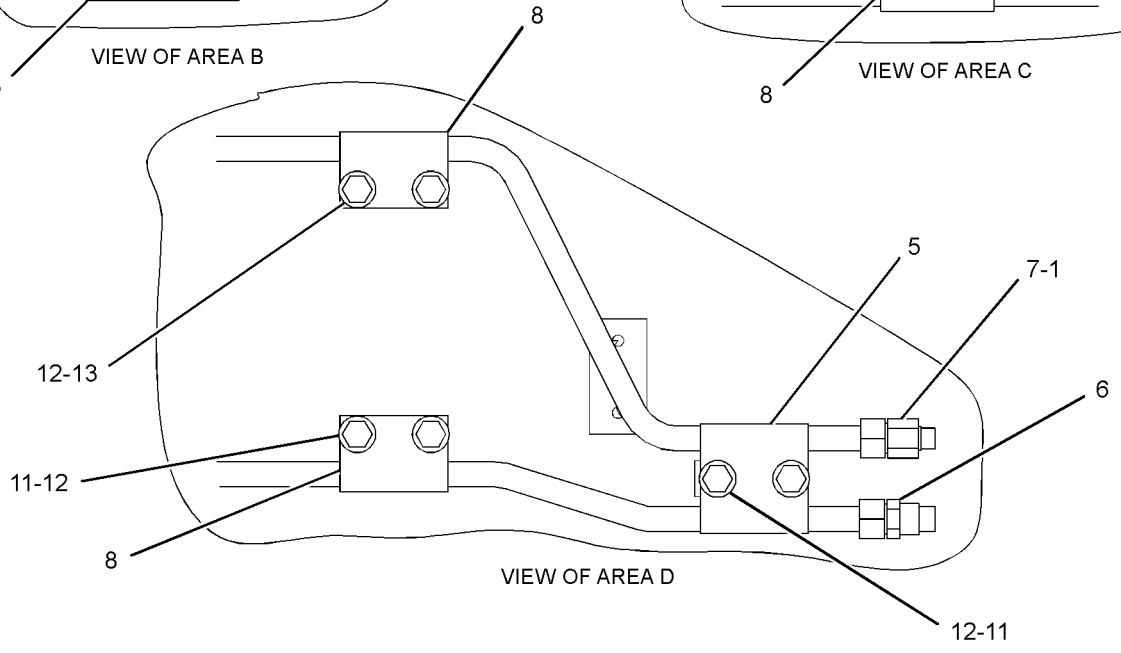
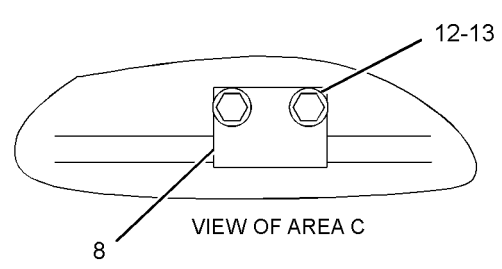
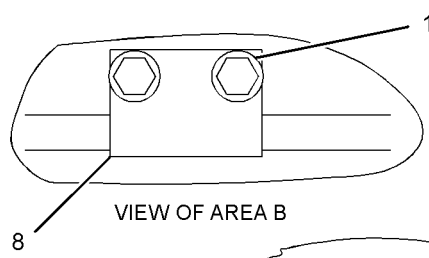
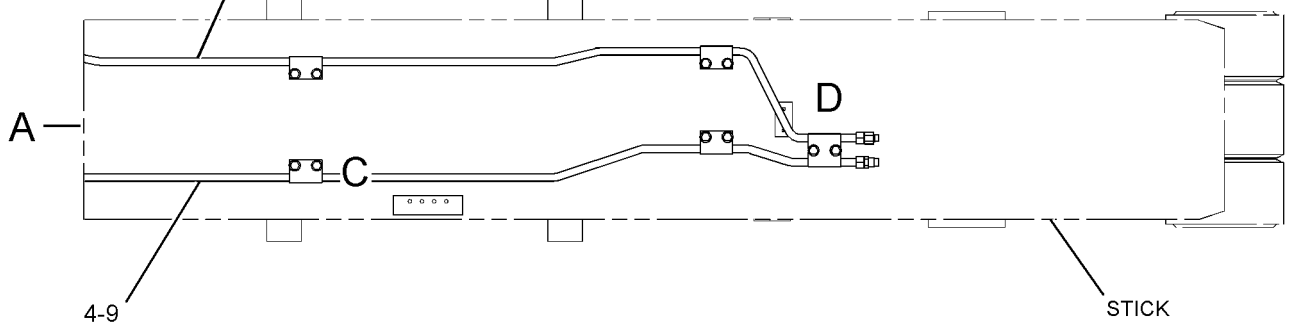
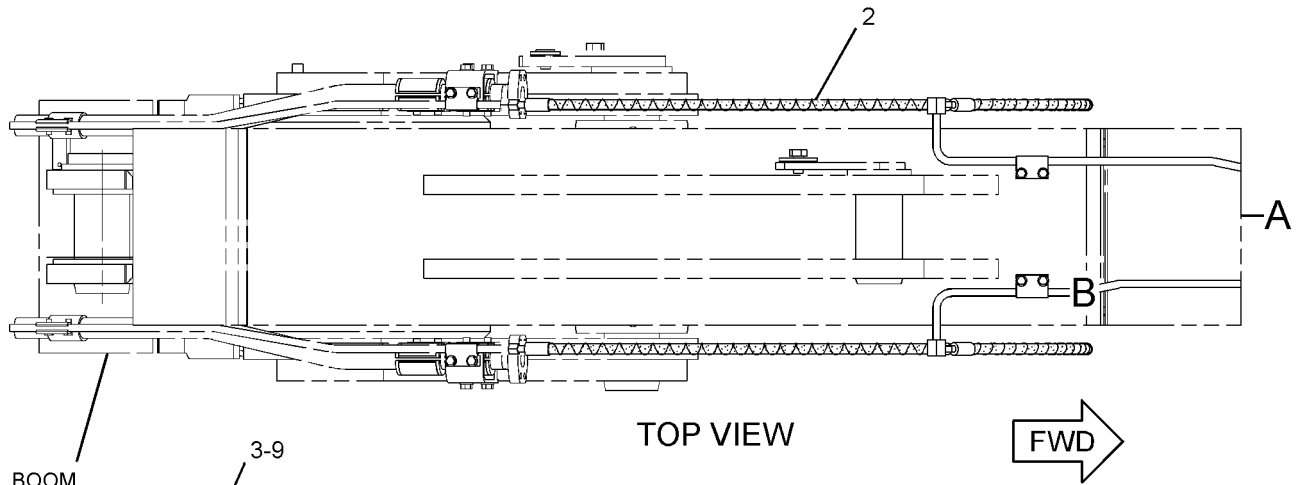
NOTE	REF NO	GRAPHIC REF	PART NUMBER	QTY	PART NAME						SEE PAGE
					1	2	3	4	5	6 (PRODUCT LEVEL)	
	1	1	9X-6582	1	NUT (13/16-16-THD)						
I	2	1	230-0483	2	HOSE AS						
	3	1	339-0772	1	TUBE AS						
	4	1	339-0773	1	TUBE AS						
	5	1	135-3980	2	CLIP						
	6	1	<i>148-8415</i>	1	REDUCER AS						
		1	6V-8397	1	SEAL-O-RING						
		1	6V-8936	1	REDUCER						
	7	1	<i>148-8419</i>	1	REDUCER AS						
		1	4J-5477	1	SEAL-O-RING						
		1	6V-8935	1	REDUCER-O-RING						
	8	1	5Q-4212	12	CLIP						
	9	1	6V-8398	4	SEAL-O-RING						
M	10	1	8T-4139	4	BOLT (M12X1.75X30-MM)						
M	11	1	8T-4192	4	BOLT (M12X1.75X25-MM)						
	12	1	8T-4223	14	WASHER-HARD (13.5X25.5X3-MM THK)						
M	13	1	8T-4956	6	BOLT (M12X1.75X35-MM)						

I-REFER TO HYDRAULIC INFORMATION SYSTEM
M-METRIC PART

HYDRAULIC SYSTEM

326-8310 LINES GP-COUPLER (contd.)

i03656970



GRAPHIC #1

<END>

g02047853

HYDRAULIC SYSTEM

328-4957 LINES GP-COUPLER

S/N: PAS1-UP

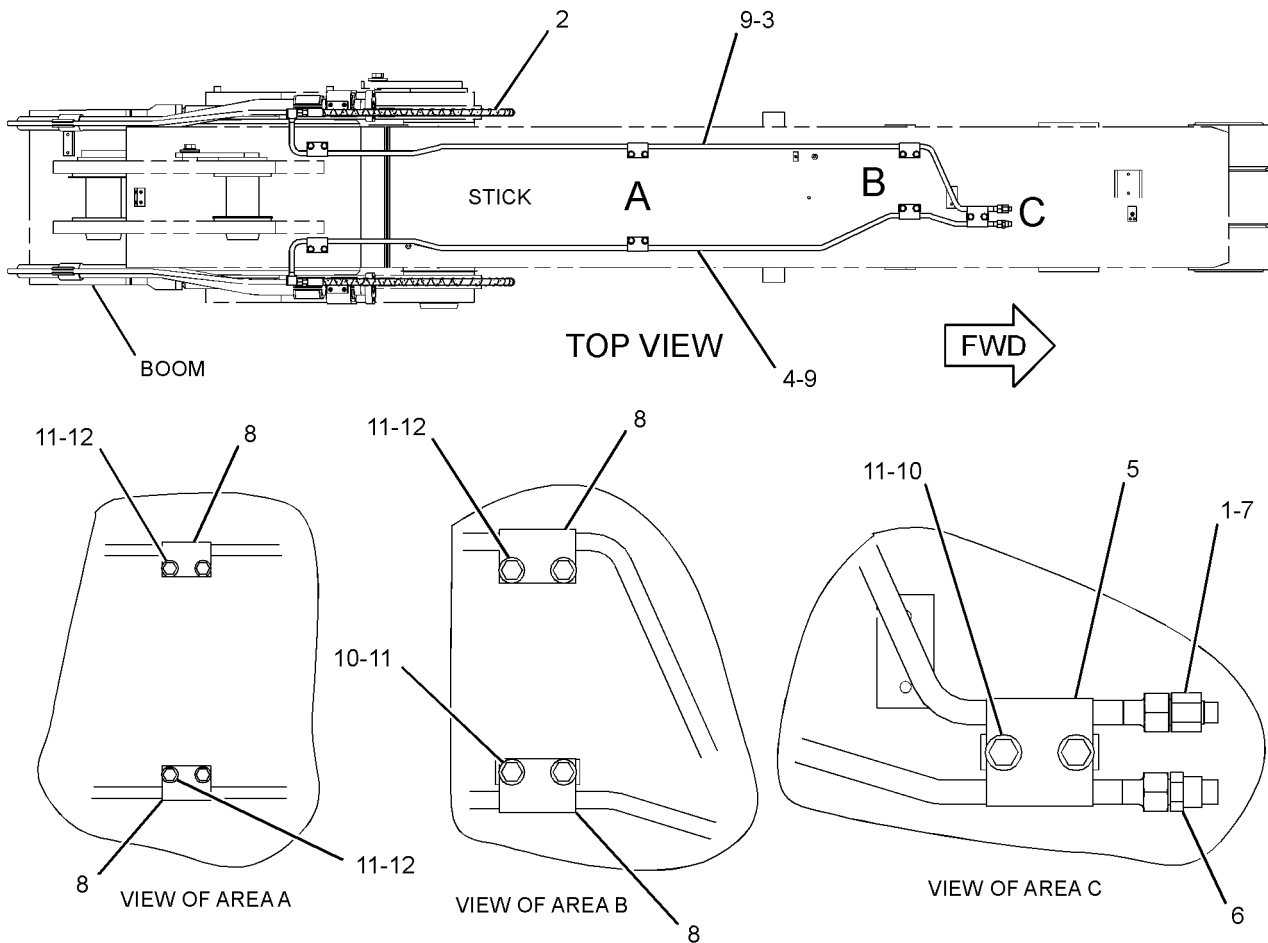
PART OF 340-4013 OPTION AR-HYDRAULIC
FOR USE WITH 3-M (9.8-FT) STICK
AN ATTACHMENT

SMCS-5057, 5133

i03786213

NOTE	REF NO	GRAPHIC REF	PART NUMBER	QTY	PART NAME						SEE PAGE
					1	2	3	4	5	6 (PRODUCT LEVEL)	
	1	1	9X-6582	1	NUT (13/16-16-THD)						
I	2	1	262-3390	2	HOSE AS						
	3	1	344-4354	1	TUBE AS						
	4	1	344-4355	1	TUBE AS						
	5	1	135-3980	2	CLIP						
	6	1	148-8415	1	REDUCER AS						
		1	6V-8397	1	SEAL-O-RING						
		1	6V-8936	1	REDUCER						
	7	1	148-8419	1	REDUCER AS						
		1	4J-5477	1	SEAL-O-RING						
		1	6V-8935	1	REDUCER-O-RING						
	8	1	5Q-4212	12	CLIP						
	9	1	6V-8398	4	SEAL-O-RING						
M	10	1	8T-4192	4	BOLT (M12X1.75X25-MM)						
	11	1	8T-4223	14	WASHER-HARD (13.5X25.5X3-MM THK)						
M	12	1	8T-4956	10	BOLT (M12X1.75X35-MM)						

I-REFER TO HYDRAULIC INFORMATION SYSTEM
M-METRIC PART



GRAPHIC #1

<END>

g02073793

HYDRAULIC SYSTEM

331-2097 LINES GP-COUPLER

S/N: PAS1-UP

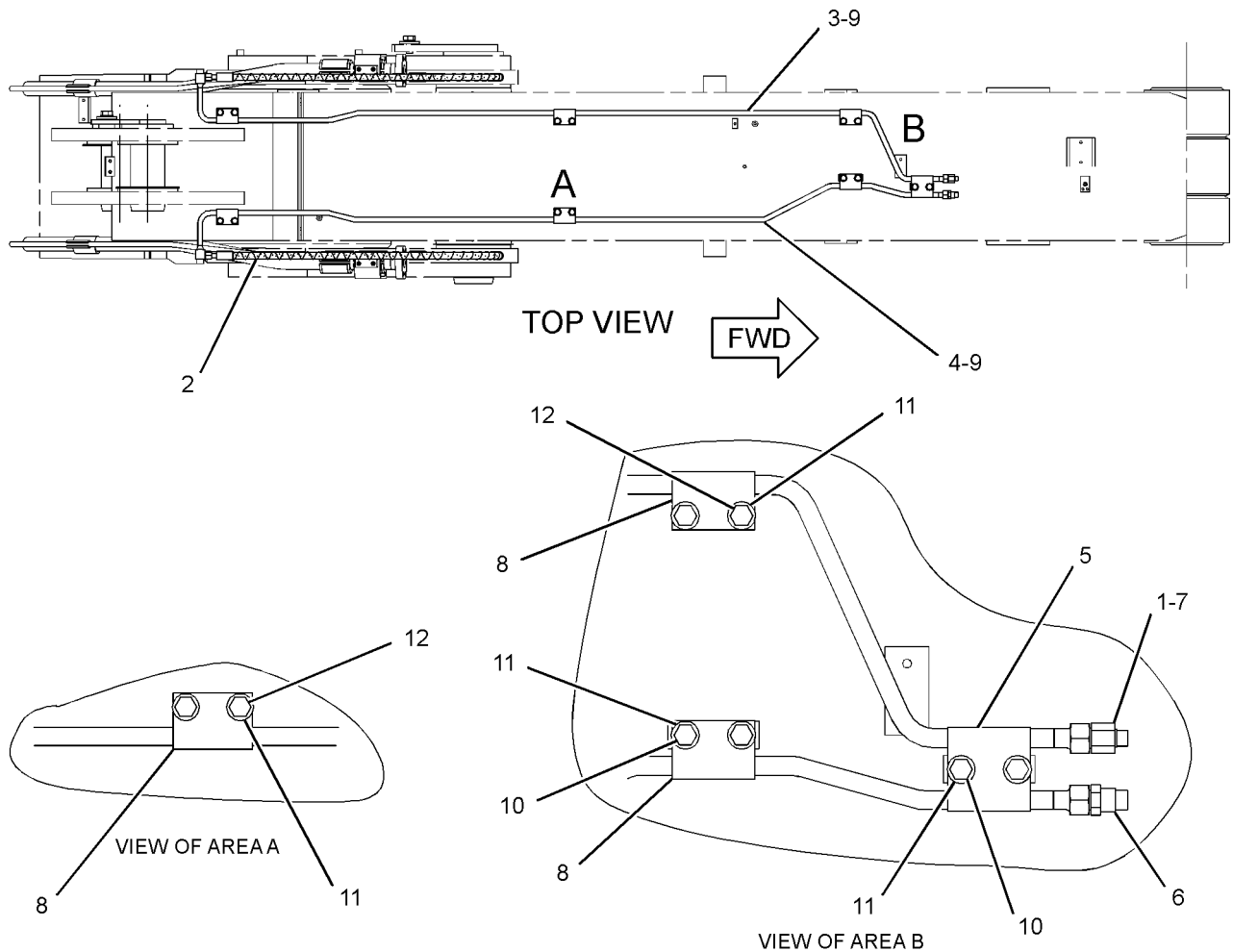
FOR USE WITH 2.57-M (8.4-FT) STICK
AN ATTACHMENT

SMCS-5057, 5133

i03786214

NOTE	REF NO	GRAPHIC REF	PART NUMBER	QTY	PART NAME						SEE PAGE
					1	2	3	4	5	6 (PRODUCT LEVEL)	
	1	1	9X-6582	1	NUT (13/16-16-THD)						
I	2	1	177-8572	2	HOSE AS						
	3	1	344-4352	1	TUBE AS						
	4	1	344-4353	1	TUBE AS						
	5	1	135-3980	2	CLIP						
	6	1	148-8415	1	REDUCER AS						
		1	6V-8397	1	SEAL-O-RING						
		1	6V-8936	1	REDUCER						
	7	1	148-8419	1	REDUCER AS						
		1	4J-5477	1	SEAL-O-RING						
		1	6V-8935	1	REDUCER-O-RING						
	8	1	5Q-4212	12	CLIP						
	9	1	6V-8398	4	SEAL-O-RING						
M	10	1	8T-4192	4	BOLT (M12X1.75X25-MM)						
	11	1	8T-4223	14	WASHER-HARD (13.5X25.5X3-MM THK)						
M	12	1	8T-4956	10	BOLT (M12X1.75X35-MM)						

I-REFER TO HYDRAULIC INFORMATION SYSTEM
M-METRIC PART



GRAPHIC #1

<END>

g02061233

HYDRAULIC SYSTEM

344-4199 LINES GP-COUPLER

S/N: PAS1-UP

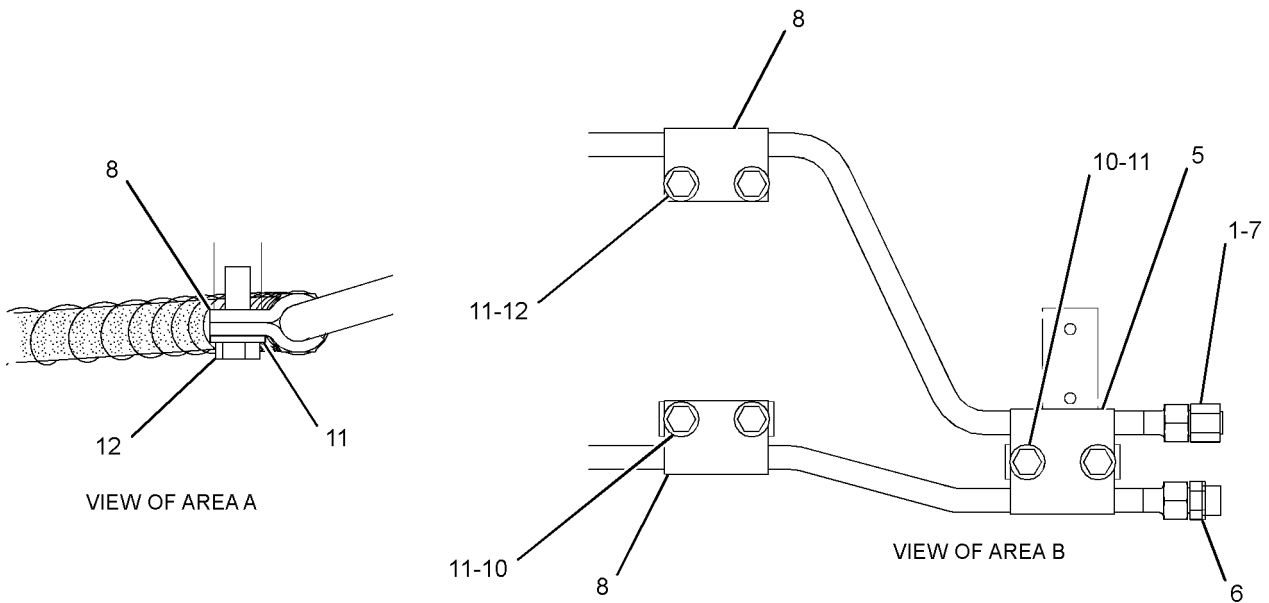
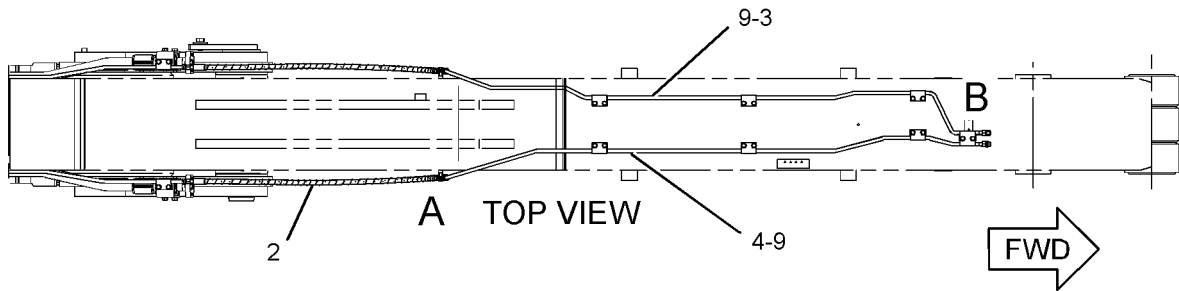
FOR USE WITH 4.67-M (15.3-FT) STICK
AN ATTACHMENT

SMCS-5057, 5133

i03785539

NOTE	REF NO	GRAPHIC REF	PART NUMBER	QTY	PART NAME						SEE PAGE
					1	2	3	4	5	6 (PRODUCT LEVEL)	
	1	1	9X-6582	1	NUT (13/16-16-THD)						
I	2	1	177-8588	2	HOSE AS						
	3	1	344-4200	1	TUBE AS						
	4	1	344-4201	1	TUBE AS						
	5	1	135-3980	2	CLIP						
	6	1	148-8415	1	REDUCER AS						
		1	6V-8397	1	SEAL-O-RING						
		1	6V-8936	1	REDUCER						
	7	1	148-8419	1	REDUCER AS						
		1	4J-5477	1	SEAL-O-RING						
		1	6V-8935	1	REDUCER-O-RING						
	8	1	5Q-4212	16	CLIP						
	9	1	6V-8398	4	SEAL-O-RING						
M	10	1	8T-4192	4	BOLT (M12X1.75X25-MM)						
	11	1	8T-4223	18	WASHER-HARD (13.5X25.5X3-MM THK)						
M	12	1	8T-4956	14	BOLT (M12X1.75X35-MM)						

I-REFER TO HYDRAULIC INFORMATION SYSTEM
M-METRIC PART



GRAPHIC #1

<END>

g02051173

HYDRAULIC SYSTEM

302-3056 LINES GP-FRONT-SMARTBOOM, BOOM LOAD CONTROL

S/N: PAS1-UP

PART OF 297-0420 VALVE AR-BOOM LOWERING CONTROL
AN ATTACHMENT

SMCS-5057

i03790672

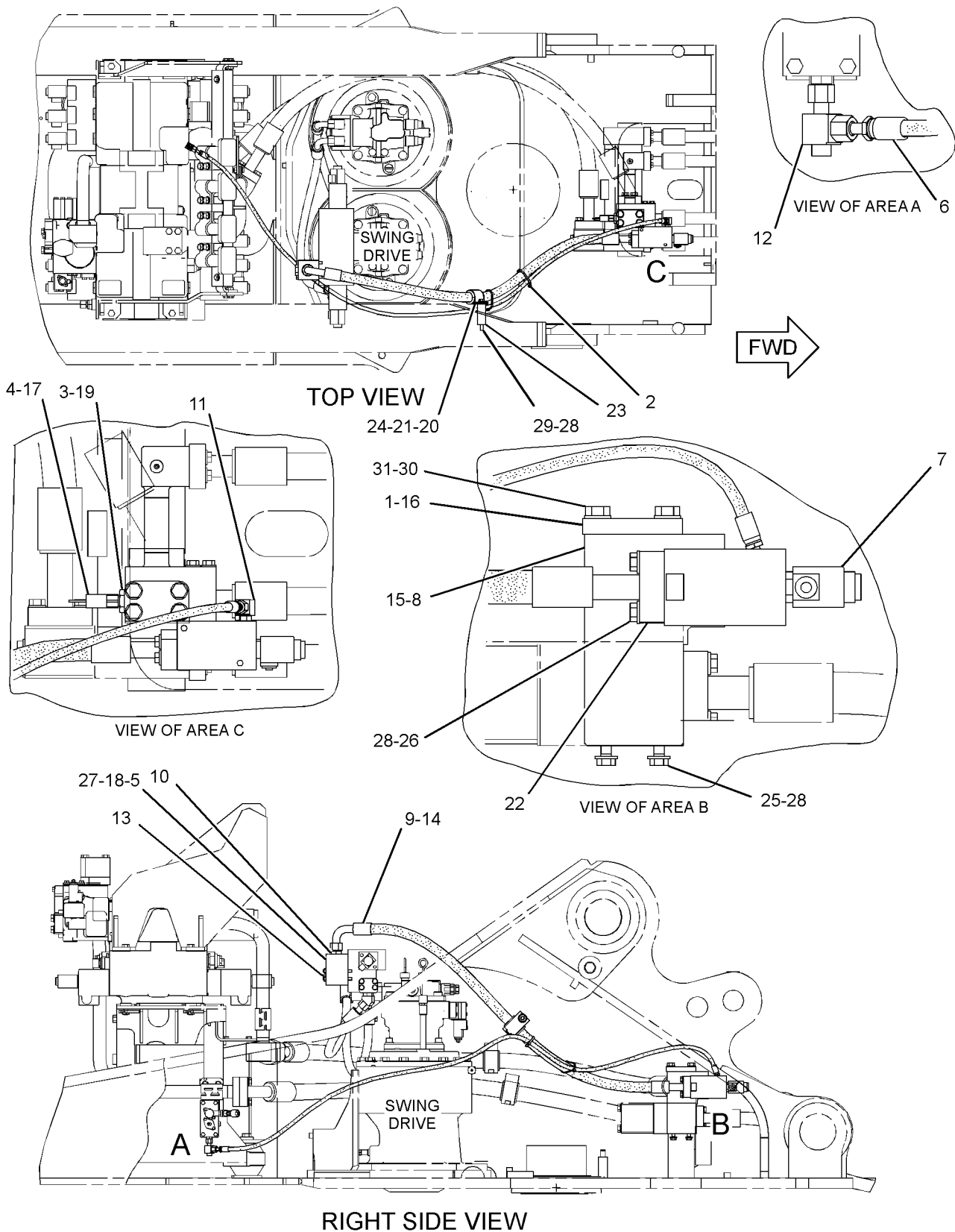
NOTE	REF NO	GRAPHIC REF	PART NUMBER	QTY	PART NAME						SEE PAGE
					1	2	3	4	5	6 (PRODUCT LEVEL)	
	1	1	4I-7739	1	FLANGE						
	2	1	7K-1181	2	STRAP-CABLE						
	3	1	9X-8405	1	ADAPTER						
	4	1	202-9002	1	SWITCH AS-PRESSURE (BOOM LOWERING)						
		1	3J-1907	1	SEAL-O-RING						
		1	8T-8729	2	PIN-CONNECTOR (16-GA TO 18-GA)						
		1	102-8802	1	KIT-RECEPTACLE (2-PIN)						
					(RECEPTACLE KIT INCLUDES RECEPTACLE AS & WEDGE)						
	5	1	249-8800	1	BLOCK						
	6	1	292-7419	1	HOSE AS						
Y	7	1	297-0370	1	VALVE GP-CHECK						615
	8	1	338-6057	1	TUBE AS						
I	9	1	347-1216	1	HOSE AS						
	10	1	148-8335	1	CONNECTOR AS						
		1	5K-9090	1	SEAL-O-RING						
		1	6V-8635	1	CONNECTOR						
		1	7M-8485	1	SEAL-O-RING						
	11	1	148-8378	1	ELBOW AS						
		1	3J-1907	1	SEAL-O-RING						
		1	6V-8397	1	SEAL-O-RING						
		1	6V-8724	1	ELBOW						
	12	1	148-8433	1	TEE AS						
		1	6V-8397	2	SEAL-O-RING						
		1	6V-9836	1	TEE-SWIVEL						
	13	1	164-4180	1	PLUG AS						
		1	7M-8485	1	SEAL-O-RING						
		1	9S-4181	1	PLUG-O-RING						
	14	1	1P-3703	1	SEAL-RECTANGULAR						
	15	1	1P-3704	1	SEAL-RECTANGULAR						
	16	1	1P-3706	1	SEAL-RECTANGULAR						
	17	1	3J-1907	1	SEAL-O-RING						
	18	1	4J-0522	1	SEAL-O-RING						
	19	1	4K-1388	1	SEAL-O-RING						
	20	1	5P-7468	1	CLIP (SLOT)						
	21	1	5P-7469	1	CLIP (TAB)						
	22	1	6V-0400	2	FLANGE-HALF						
	23	1	7Y-8838	1	PIPE						
	24	1	8T-2525	1	GROMMET						
M	25	1	8T-4139	2	BOLT (M12X1.75X30-MM)						
M	26	1	8T-4184	4	BOLT (M12X1.75X45-MM)						
M	27	1	8T-4198	4	BOLT (M10X1.5X100-MM)						
	28	1	8T-4223	11	WASHER-HARD (13.5X25.5X3-MM THK)						
M	29	1	8T-5041	5	BOLT (M12X1.75X120-MM)						
M	30	1	8T-7338	4	BOLT (M16X2X45-MM)						
	31	1	9X-8257	4	WASHER (17.5X30X3.5-MM THK)						

I-REFER TO HYDRAULIC INFORMATION SYSTEM
M-METRIC PART
Y-SEPARATE ILLUSTRATION

HYDRAULIC SYSTEM

302-3056 LINES GP-FRONT (contd.)

i03790672



GRAPHIC #1

<END>

g02078273

HYDRAULIC SYSTEM

302-3058 LINES GP-FRONT-UNIVERSAL QUICK COUPLER

S/N: PAS1-UP

PART OF 302-9440 CONTROL AR-COUPLER
AN ATTACHMENT

SMCS-5057

i03785250

NOTE	REF NO	GRAPHIC REF	PART NUMBER	QTY	PART NAME						SEE PAGE
					1	2	3	4	5	6 (PRODUCT LEVEL)	
	1	2	4I-9527	2	BAND-MARKER (GREEN, R3)						
Y	2	2	4T-1860	1	VALVE GP-SHUTTLE						682
I	3	1	5I-8458	1	HOSE AS						
	4	1	7K-1181	6	STRAP-CABLE						
I	5	1	103-1361	1	HOSE AS						
	6	2	123-2431	2	BODY-VALVE						
	7	1,2	123-4750	3	VALVE-CHECK						
	8	1	148-8424	1	TEE AS						
		1	6V-8397	1	SEAL-O-RING						
		1	8T-8902	1	TEE						
	9	1	148-8433	1	TEE AS						
		1	6V-8397	2	SEAL-O-RING						
		1	6V-9836	1	TEE-SWIVEL						
	10	2	168-1968	2	TEE AS						
					(EACH INCLUDES)						
		2	3J-1907	1	SEAL-O-RING						
		2	6V-8397	1	SEAL-O-RING						
		2	126-6872	1	TEE						
I	11	2	187-5666	1	HOSE AS						
	12	3	213-3745	1	ELBOW						
	13	3	238-6189	1	HOSE AS						
I	14	3	260-7900	1	HOSE AS						
I	15	3	269-9700	1	HOSE AS						
	16	1,2,3	275-1442	5	CLIP (TAB)						
	17	1,2,3	275-1443	5	CLIP (SLOT)						
I	18	3	278-6470	1	HOSE AS						
I	19	1	286-6812	1	HOSE AS						
I	20	3	292-7148	1	HOSE AS						
	21	2	297-0616	1	VALVE GP-SOLENOID (CHECK VALVE)						
	22	3	325-9046	1	SUPPORT AS						
Y	23	3	329-5224	1	VALVE GP-CONTROL						642
	24	2	333-4520	1	PLATE						
I	25	3	333-4521	1	HOSE AS						
I	26	1	333-4522	2	HOSE AS						
I	27	2	333-4525	1	HOSE AS						
	28	3	333-4536	1	SUPPORT AS						
	29	1,2,3	333-4609	5	GROMMET						
I	30	3	337-2612	1	HOSE AS						
I	31	3	337-2615	1	HOSE AS						
M	32	3	118-4977	2	BOLT (M16X2X65-MM)						
	33	2,3	148-8321	2	CONNECTOR AS						
					(EACH INCLUDES)						
		2,3	3J-1907	1	SEAL-O-RING						
		2,3	6V-8397	1	SEAL-O-RING						
		2,3	8C-0564	1	CONNECTOR						
	34	3	148-8325	1	CONNECTOR AS						
		3	3J-1907	1	SEAL-O-RING						
		3	4J-5477	1	SEAL-O-RING						
		3	6V-8641	1	CONNECTOR						
	35	3	148-8336	3	CONNECTOR AS						
					(EACH INCLUDES)						
		3	3J-1907	1	SEAL-O-RING						
		3	6V-8397	1	SEAL-O-RING						
		3	6V-8636	1	CONNECTOR						

HYDRAULIC SYSTEM

302-3058 LINES GP-FRONT (contd.)

i03785250

NOTE	REF NO	GRAPHIC REF	PART NUMBER	QTY	PART NAME						SEE PAGE
					1	2	3	4	5	6 (PRODUCT LEVEL)	
	36	2,3	148-8353	4	ELBOW AS						
					(EACH INCLUDES)						
		2,3	3J-1907	1	SEAL-O-RING						
		2,3	6V-8397	1	SEAL-O-RING						
		2,3	6V-9001	1	ELBOW						
	37	3	148-8367	1	ELBOW AS						
		3	6V-8397	1	SEAL-O-RING						
		3	6V-9850	1	ELBOW						
	38	2,3	148-8378	4	ELBOW AS						
					(EACH INCLUDES)						
		2,3	3J-1907	1	SEAL-O-RING						
		2,3	6V-8397	1	SEAL-O-RING						
		2,3	6V-8724	1	ELBOW						
	39	1	148-8415	3	REDUCER AS						
					(EACH INCLUDES)						
		1	6V-8397	1	SEAL-O-RING						
		1	6V-8936	1	REDUCER						
	40	2,3	148-8435	2	TEE AS						
					(EACH INCLUDES)						
		2,3	6V-8781	1	TEE-FACE SEAL						
		2,3	6V-8397	2	SEAL-O-RING						
		2,3	3J-1907	1	SEAL-O-RING						
	41	1	148-8444	1	TEE AS-SWIVEL						
		1	6V-8398	2	SEAL-O-RING						
		1	6V-9837	1	TEE-SWIVEL						
	42	2,3	150-3036	3	ELBOW AS						
					(EACH INCLUDES)						
		2,3	3J-1907	1	SEAL-O-RING						
		2,3	6V-8397	2	SEAL-O-RING						
		2,3	6V-8781	1	TEE-FACE SEAL						
	43	2	153-6249	1	CONNECTOR AS						
		2	8T-8887	1	CONNECTOR						
		2	6V-8397	1	SEAL-O-RING						
		2	3J-1907	1	SEAL-O-RING						
	44	1,2	164-5567	3	COUPLER AS-QUICK DISCONNECT (MALE)						
					(EACH INCLUDES)						
		1,2	6V-3965	1	FITTING (QUICK DISCONNECT)						
		1,2	214-7568	1	SEAL-O-RING						
	45	1	4I-9521	6	BAND-MARKER (RED, L1)						
	46	1	4I-9522	6	BAND-MARKER (YELLOW, L2)						
	47	1,2	4I-9526	4	BAND-MARKER (WHITE, R2)						
M	48	3	5C-7261	2	NUT (M8X1.25-THD)						
	49	1,2	6V-0852	3	CAP-DUST						
	50	1	7D-7233	1	CLIP						
M	51	3	7Y-7992	4	BOLT (M12X1.75X75-MM)						
M	52	3	8T-3647	2	BOLT (M8X1.25X80-MM)						
	53	1,2,3	8T-4121	11	WASHER-HARD (11X21X2.5-MM THK)						
M	54	2,3	8T-4136	5	BOLT (M10X1.5X25-MM)						
M	55	1	8T-4137	1	BOLT (M10X1.5X20-MM)						
M	56	2	8T-4192	2	BOLT (M12X1.75X25-MM)						
M	57	1,2,3	8T-4195	5	BOLT (M10X1.5X30-MM)						
	58	2,3	8T-4223	6	WASHER-HARD (13.5X25.5X3-MM THK)						
	59	3	8T-4224	4	WASHER-HARD (8.8X16X2-MM THK)						
	60	3	9X-8257	2	WASHER (17.5X30X3.5-MM THK)						

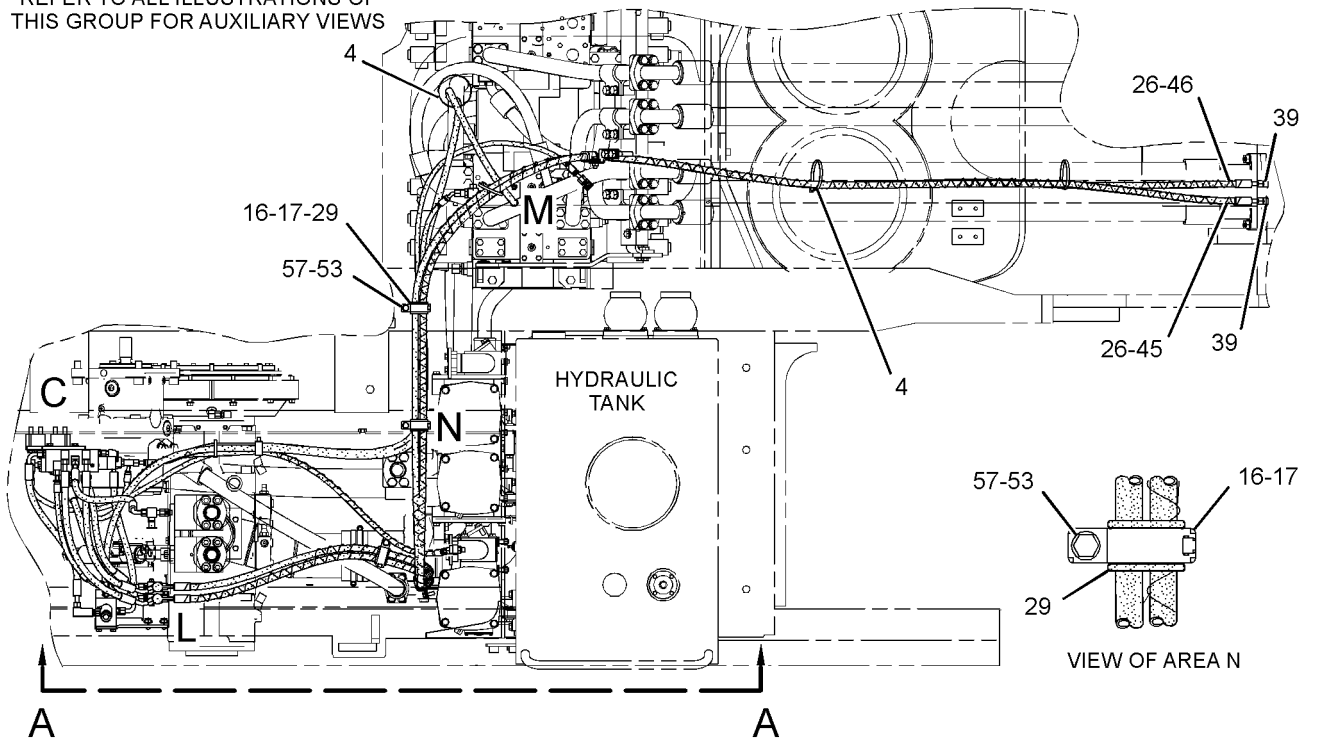
I-REFER TO HYDRAULIC INFORMATION SYSTEM
M-METRIC PART
Y-SEPARATE ILLUSTRATION

HYDRAULIC SYSTEM

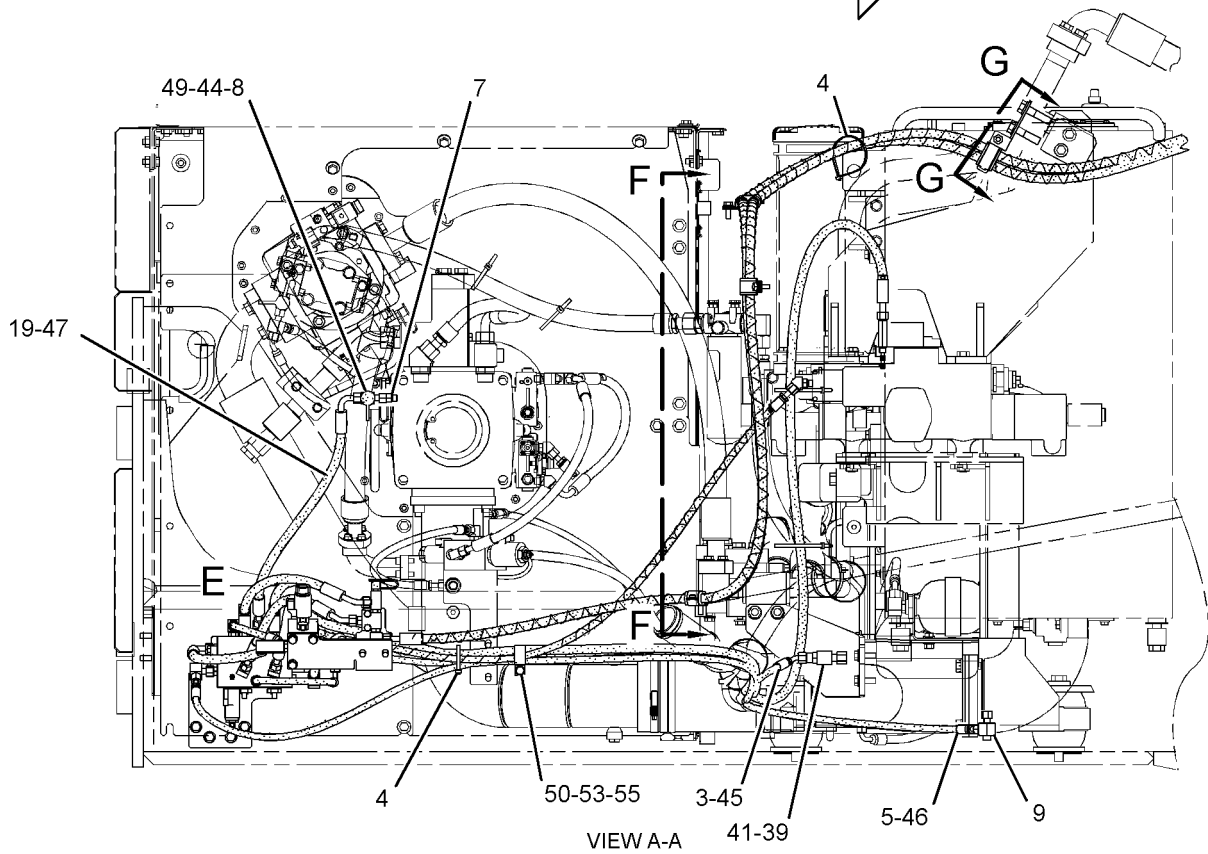
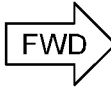
302-3058 LINES GP-FRONT (contd.)

i03785250

REFER TO ALL ILLUSTRATIONS OF THIS GROUP FOR AUXILIARY VIEWS



TOP VIEW



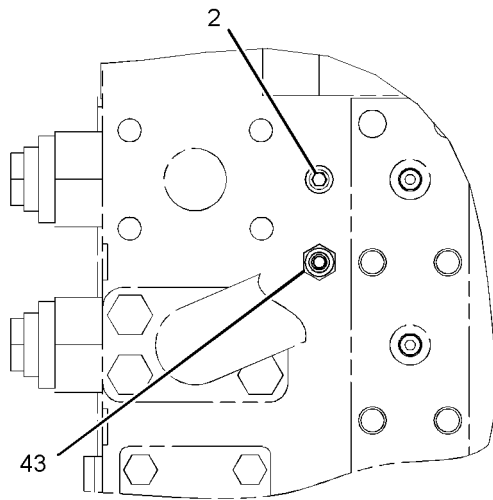
GRAPHIC #1

g02126485

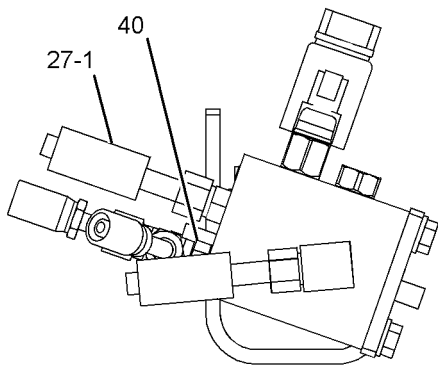
HYDRAULIC SYSTEM

302-3058 LINES GP-FRONT (contd.)

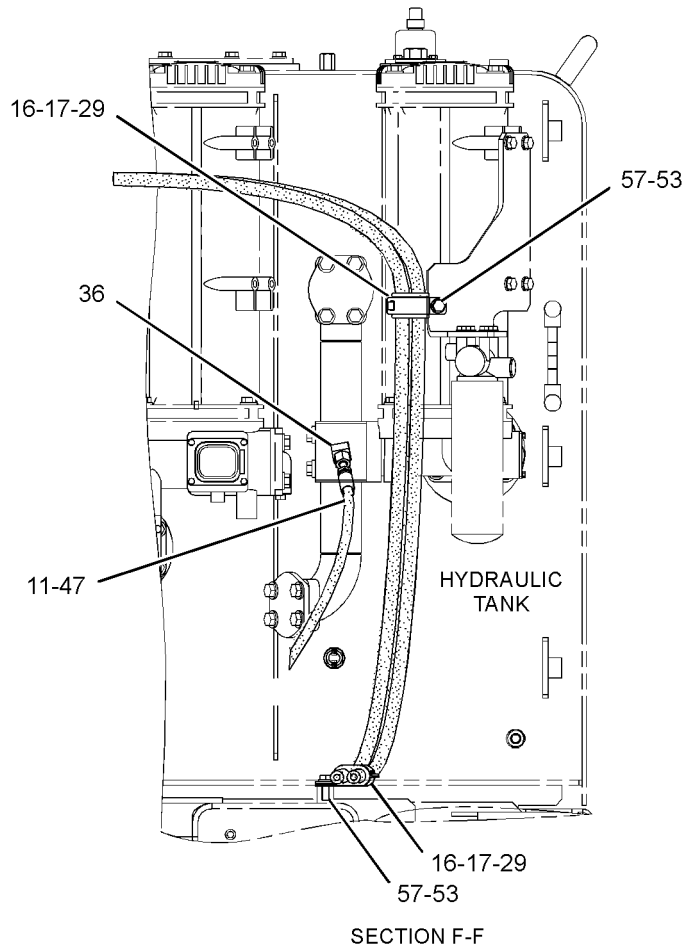
i03785250



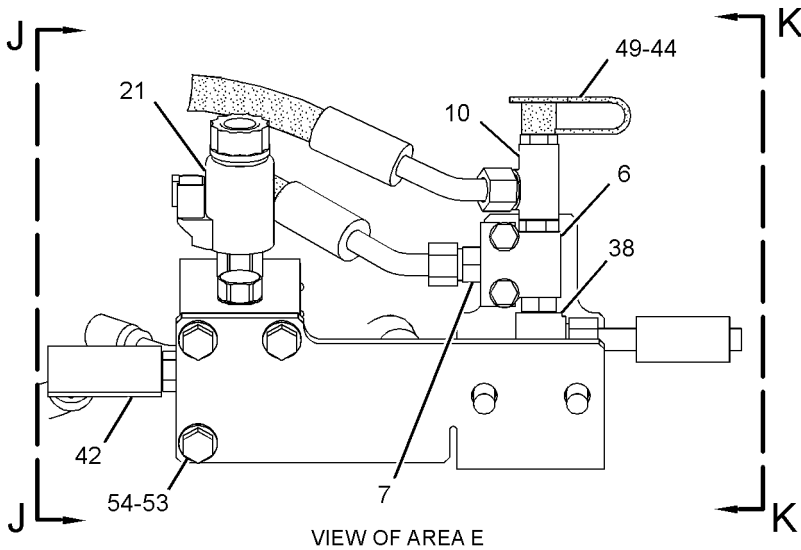
VIEW OF AREA M
(HOSE REMOVED FOR CLARITY)



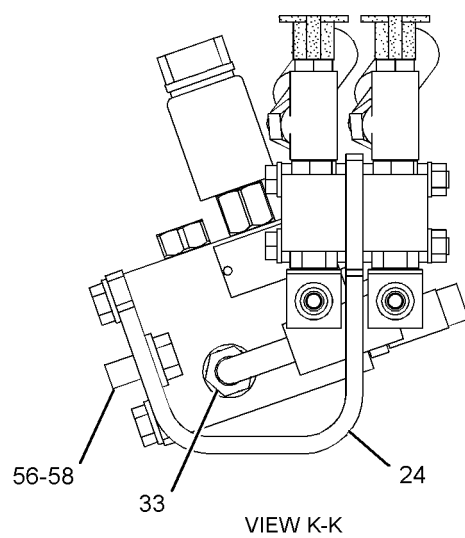
VIEW J-J



SECTION F-F



VIEW OF AREA E



VIEW K-K

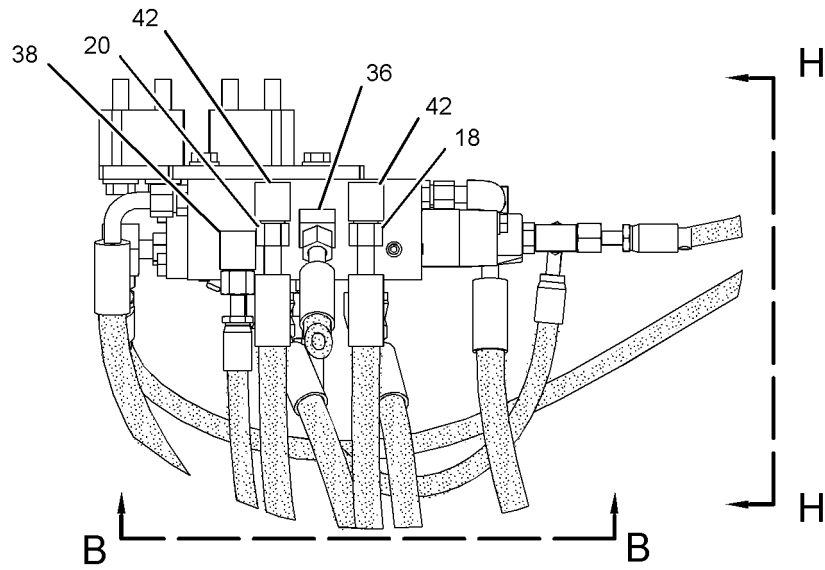
GRAPHIC #2

g02126486

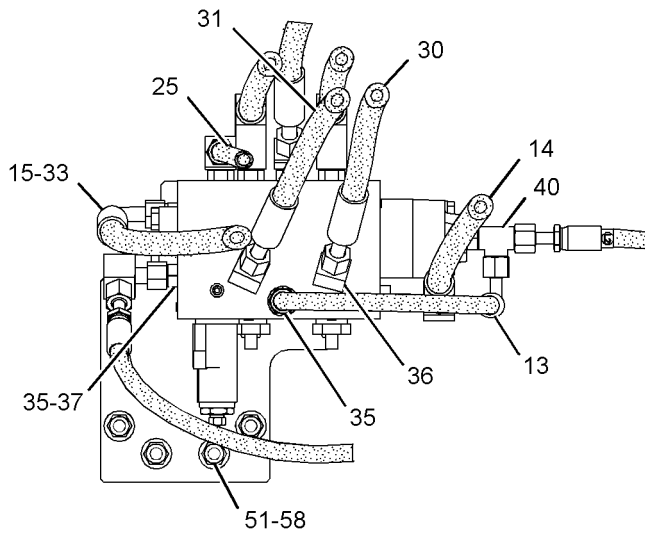
HYDRAULIC SYSTEM

302-3058 LINES GP-FRONT (contd.)

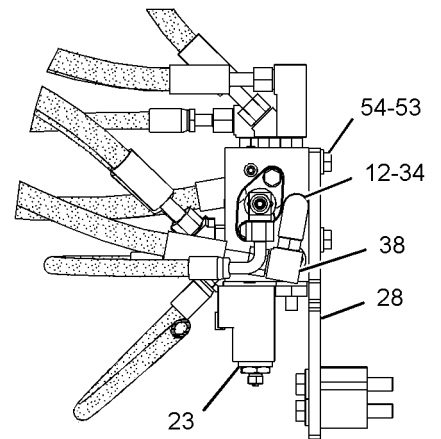
i03785250



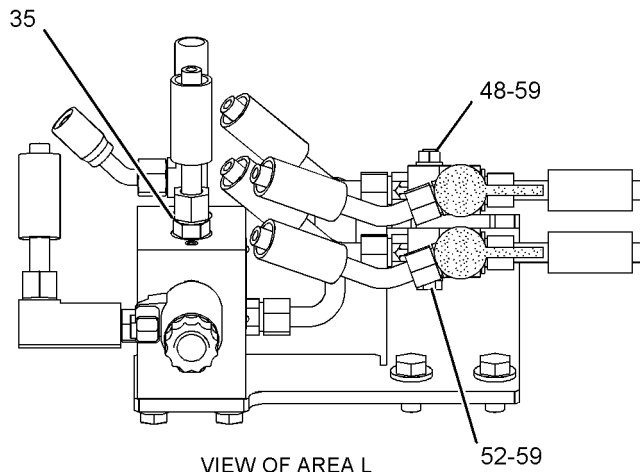
VIEW OF AREA C



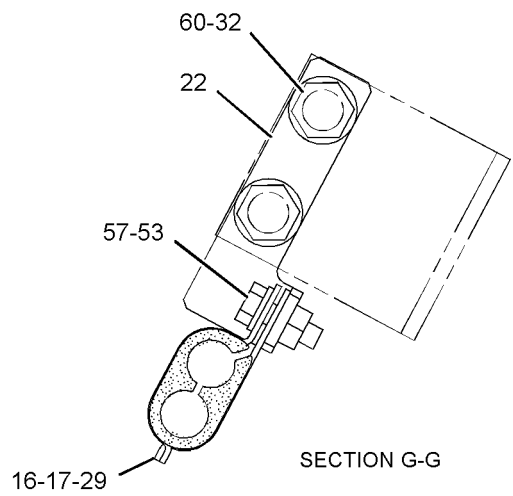
VIEW B-B



VIEW H-H



VIEW OF AREA L



SECTION G-G

GRAPHIC #3

<END>

g02126487

HYDRAULIC SYSTEM

338-6176 LINES GP-FRONT

S/N: PAS1-UP

PART OF 297-0212 HYDRAULIC AR

SMCS-5057

i03656686

NOTE	REF NO	GRAPHIC REF	PART NUMBER	QTY	PART NAME						SEE PAGE
					1	2	3	4	5	6 (PRODUCT LEVEL)	
	1	2	4I-7822	2	COVER						
	2	2	6H-3615	2	PLUG-PROTECTION						
	3	2	9F-2167	2	SCREW-PURGE (3/8-24X1.164-IN)						
M	4	2	113-2004	16	BOLT-SOCKET HEAD (M12X1.75X45-MM)						
	5	2	138-5312	1	FLANGE						
	6	2	138-5324	1	SUPPORT AS						
	7	2	221-8859	1	SENSOR AS-PRESSURE (BOOM RAISE)						
		2	3K-0360	1	SEAL-O-RING						
		2	9X-3401	3	PIN-CONNECTOR (16-GA TO 18-GA)						
					-OR-						
		2	126-1767	3	PIN-CONNECTOR (14-GA)						
		2	171-0596	1	RECEPTACLE AS						
	8	2	239-2009	2	SUPPORT AS						
	9	2	266-1001	1	SUPPORT AS						
	10	2	302-2942	2	FLANGE						
	11	2	302-2947	1	BLOCK						
	12	2	317-4716	1	TUBE AS						
	13	2	325-8832	1	SUPPORT AS						
	14	2	325-8835	1	TUBE AS						
	15	2	338-6013	1	TUBE AS						
	16	2	338-6014	1	TUBE AS						
	17	2	338-6015	1	TUBE AS						
	18	2	338-6016	1	TUBE AS						
	19	2	338-6017	1	TUBE AS						
	20	2	338-6018	1	TUBE AS						
I	21	1	338-6190	4	HOSE AS						
I	22	1	338-6191	4	HOSE AS						
I	23	1	338-6192	1	HOSE AS						
I	24	1	338-6193	1	HOSE AS						
I	25	2	347-1213	1	HOSE AS						
I	26	2	347-1214	1	HOSE AS						
M	27	2	107-9403	12	BOLT-SOCKET HEAD (M16X2X35-MM)						
	28	1	128-7514	8	CLIP						
	29	2	148-8411	1	PLUG AS						
		2	3K-0360	1	SEAL-O-RING						
		2	9S-4185	1	PLUG-O-RING						
	30	2	1P-3703	4	SEAL-RECTANGULAR						
	31	1	1P-3704	8	SEAL-RECTANGULAR						
	32	1,2	1P-3705	14	SEAL-RECTANGULAR						
	33	2	1P-3706	10	SEAL-RECTANGULAR						
	34	1,2	1P-5767	16	FLANGE-HALF						
	35	2	5P-1076	6	WASHER-HARD (13.5X30X4-MM THK)						
	36	1,2	5P-8077	24	FLANGE-HALF						
	37	2	6V-0400	8	FLANGE-HALF						
	38	2	6V-1572	2	CLIP (SLOT)						
	39	2	6V-1573	2	CLIP (TAB)						
	40	2	6V-1574	2	GROMMET						
M	41	2	7X-2556	8	BOLT (M16X2X100-MM)						
M	42	2	7X-2557	4	BOLT (M16X2X140-MM)						
M	43	2	7X-2558	4	BOLT (M16X2X150-MM)						
	44	2	7Y-4039	4	CLAMP-HALF						
	45	2	8T-4121	2	WASHER-HARD (11X21X2.5-MM THK)						
M	46	2	8T-4139	14	BOLT (M12X1.75X30-MM)						
M	47	1,2	8T-4140	56	BOLT (M16X2X60-MM)						
M	48	2	8T-4174	4	BOLT (M16X2X120-MM)						
M	49	2	8T-4183	4	BOLT (M12X1.75X40-MM)						

HYDRAULIC SYSTEM

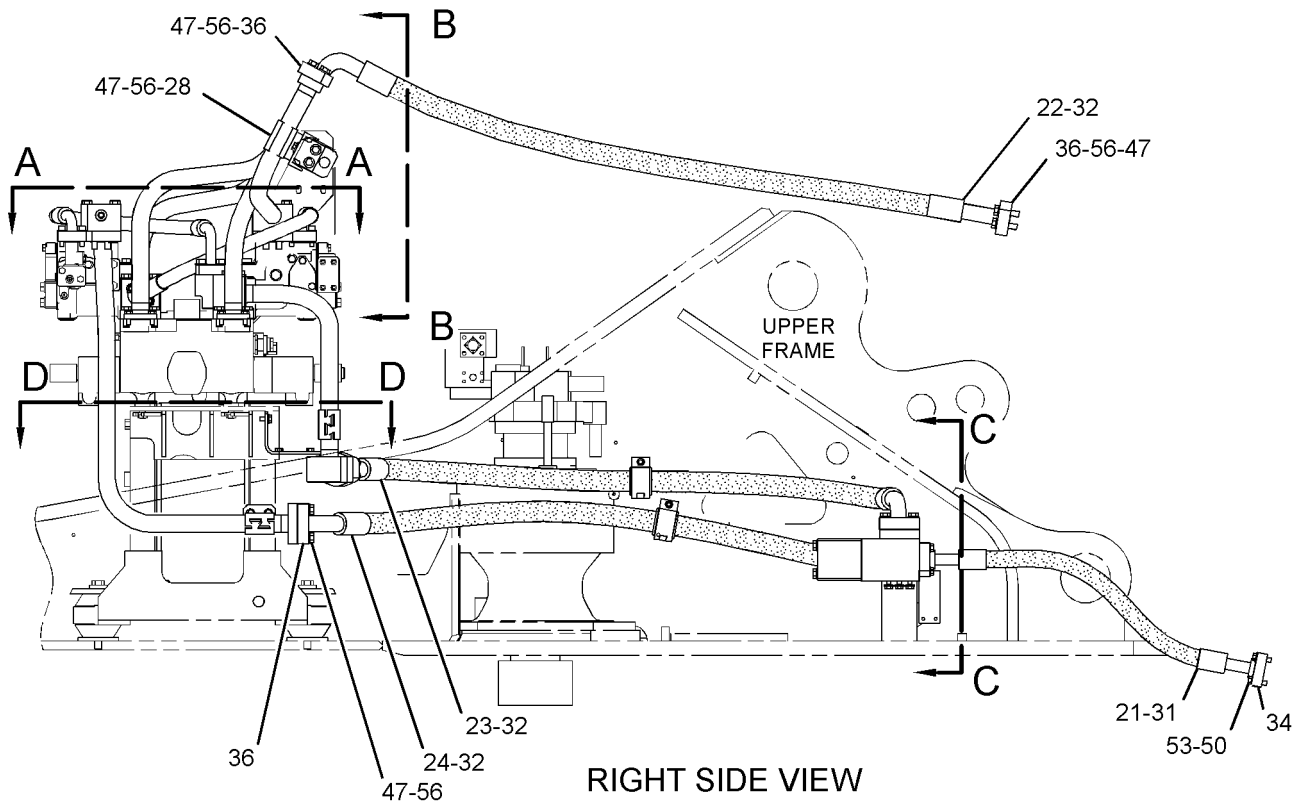
338-6176 LINES GP-FRONT (contd.)

i03656686

NOTE	REF NO	GRAPHIC REF	PART NUMBER	QTY	PART NAME						SEE PAGE
					1	2	3	4	5	6 (PRODUCT LEVEL)	
M	50	1,2	8T-4184	32	BOLT (M12X1.75X45-MM)						
M	51	2	8T-4192	4	BOLT (M12X1.75X25-MM)						
M	52	2	8T-4195	2	BOLT (M10X1.5X30-MM)						
	53	1,2	8T-4223	62	WASHER-HARD (13.5X25.5X3-MM THK)						
M	54	2	8T-4956	6	BOLT (M12X1.75X35-MM)						
M	55	2	8T-7338	8	BOLT (M16X2X45-MM)						
	56	1,2	9X-8257	64	WASHER (17.5X30X3.5-MM THK)						

I-REFER TO HYDRAULIC INFORMATION SYSTEM
M-METRIC PART

REFER TO ALL ILLUSTRATIONS OF THIS GROUP FOR AUXILIARY VIEWS



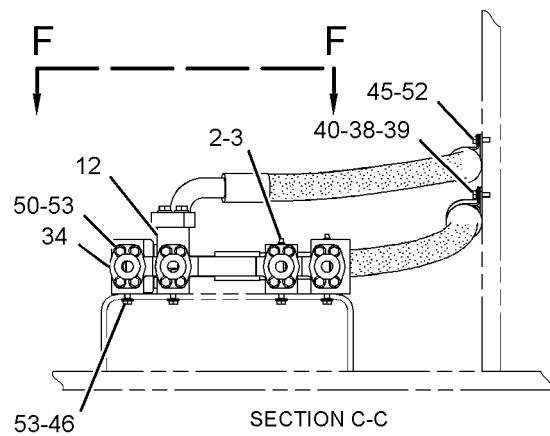
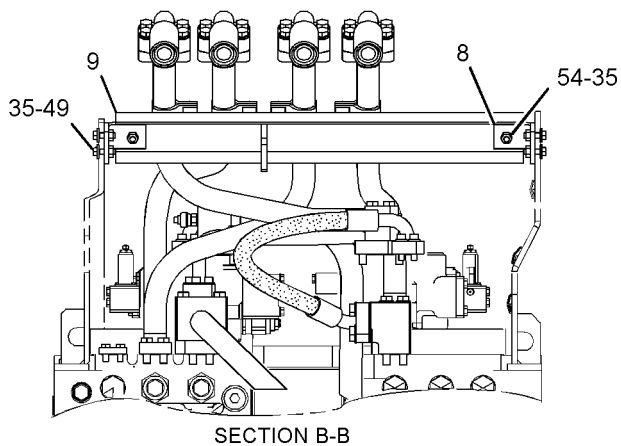
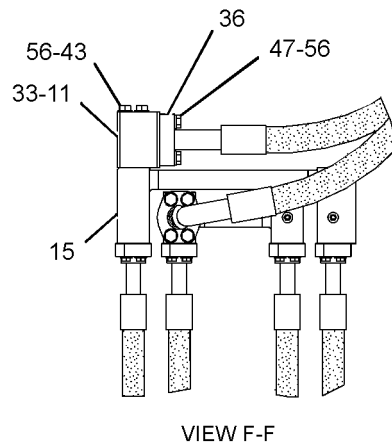
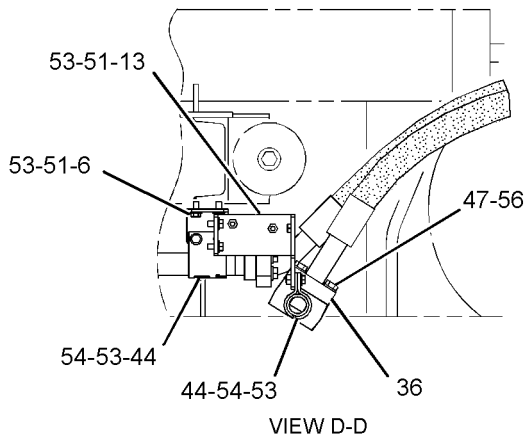
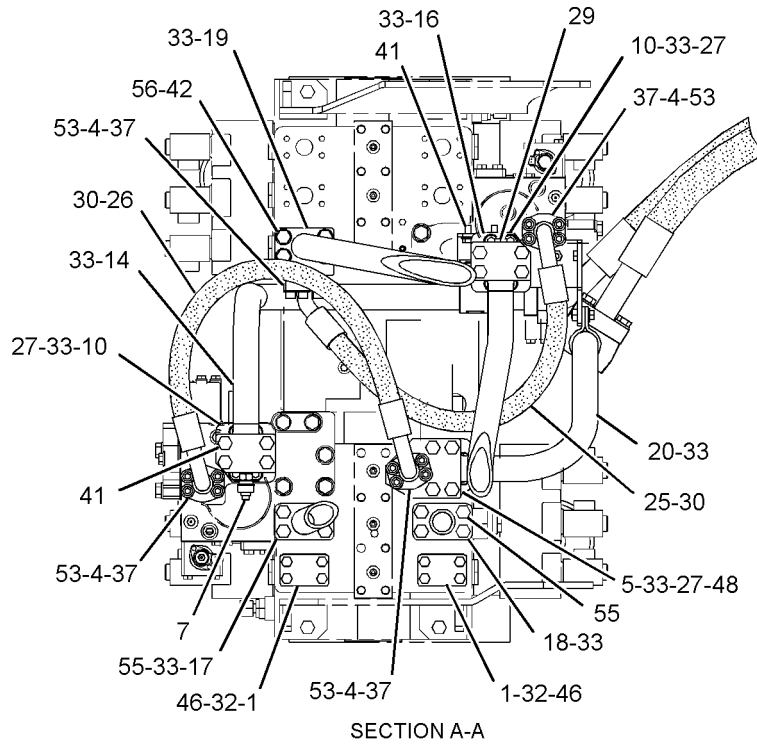
GRAPHIC #1

g02091986

HYDRAULIC SYSTEM

338-6176 LINES GP-FRONT (contd.)

i03656686



GRAPHIC #2

<END>

g02091978

HYDRAULIC SYSTEM

338-6187 LINES GP-FRONT-SINGLE ACTION

S/N: PAS1-UP

PART OF 309-9999 CONTROL AR-AUXILIARY
AN ATTACHMENT

SMCS-5057

i03900390

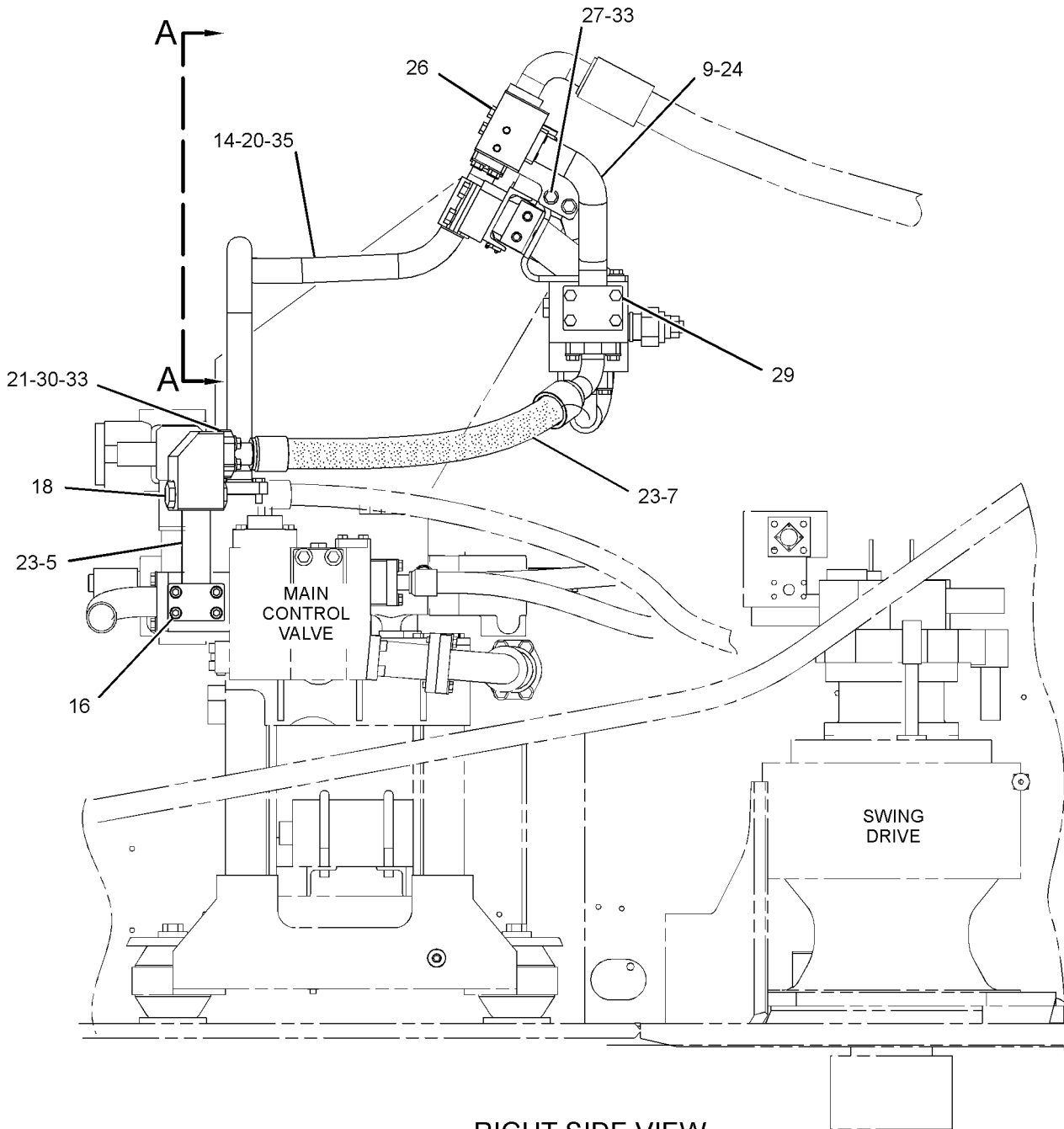
NOTE	REF NO	GRAPHIC REF	PART NUMBER	QTY	PART NAME						SEE PAGE
					1	2	3	4	5	6 (PRODUCT LEVEL)	
	1	2	4I-7822	1	COVER						
	2	2	124-0909	2	CLIP						
Y	3	2	232-4144	1	VALVE GP-RELIEF						679
	4	2	236-3067	1	BLOCK						
	5	1	347-2077	1	PIPE AS						
	6	2	236-3081	1	SUPPORT						
I	7	1	347-2076	1	HOSE AS						
	8	2	245-5269	1	BLOCK						
	9	1	356-9089	1	PIPE AS						
	10	2	266-0989	1	SUPPORT						
	11	2	266-0990	1	SUPPORT AS						
	12	2	356-9091	1	SUPPORT AS						
	13	2	356-9103	1	SUPPORT AS						
	14	1	338-6048	1	TUBE AS						
I	15	2	338-6211	1	HOSE AS						
M	16	1	105-3485	4	BOLT-SOCKET HEAD (M12X1.75X60-MM)						
	17	2	148-8408	1	PLUG AS						
		2	3D-2824	1	SEAL-O-RING						
		2	9S-4183	1	PLUG-O-RING						
	18	1	164-4180	2	PLUG AS						
					(EACH INCLUDES)						
		1	7M-8485	1	SEAL-O-RING						
		1	9S-4181	1	PLUG-O-RING						
	19	2	1P-3704	2	SEAL-RECTANGULAR						
	20	1,2	1P-3705	4	SEAL-RECTANGULAR						
	21	1,2	1P-4579	4	FLANGE-HALF						
	22	2	1P-5767	4	FLANGE-HALF						
	23	1	4J-0524	3	SEAL-O-RING						
	24	1	4J-0526	1	SEAL-O-RING						
	25	2	5P-1076	1	WASHER-HARD (13.5X30X4-MM THK)						
M	26	1	7X-2549	4	BOLT (M12X1.75X100-MM)						
M	27	1,2	8T-4139	8	BOLT (M12X1.75X30-MM)						
M	28	2	8T-4140	2	BOLT (M16X2X60-MM)						
M	29	1	8T-4176	4	BOLT (M12X1.75X90-MM)						
M	30	1,2	8T-4183	9	BOLT (M12X1.75X40-MM)						
M	31	2	8T-4192	5	BOLT (M12X1.75X25-MM)						
M	32	2	8T-4194	8	BOLT (M12X1.75X50-MM)						
	33	1,2	8T-4223	35	WASHER-HARD (13.5X25.5X3-MM THK)						
M	34	2	8T-4648	2	BOLT (M12X1.75X70-MM)						
M	35	1,2	8T-4956	12	BOLT (M12X1.75X35-MM)						
	36	2	9X-8257	2	WASHER (17.5X30X3.5-MM THK)						

I-REFER TO HYDRAULIC INFORMATION SYSTEM
M-METRIC PART
Y-SEPARATE ILLUSTRATION

HYDRAULIC SYSTEM

338-6187 LINES GP-FRONT (contd.)

i03900390



RIGHT SIDE VIEW

REFER TO ALL ILLUSTRATIONS OF THIS GROUP FOR AUXILIARY VIEWS

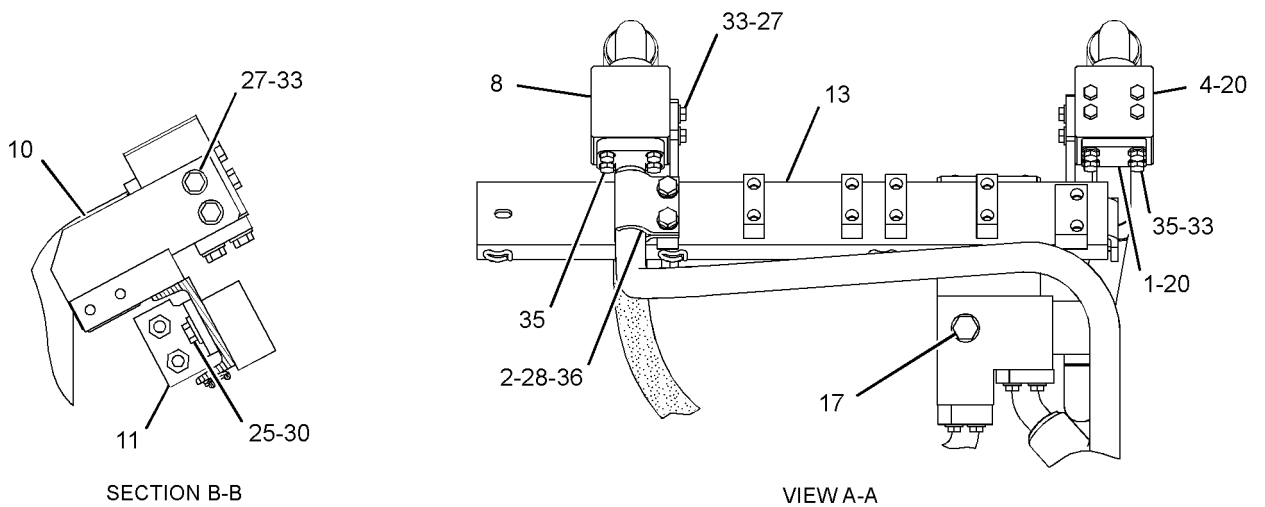
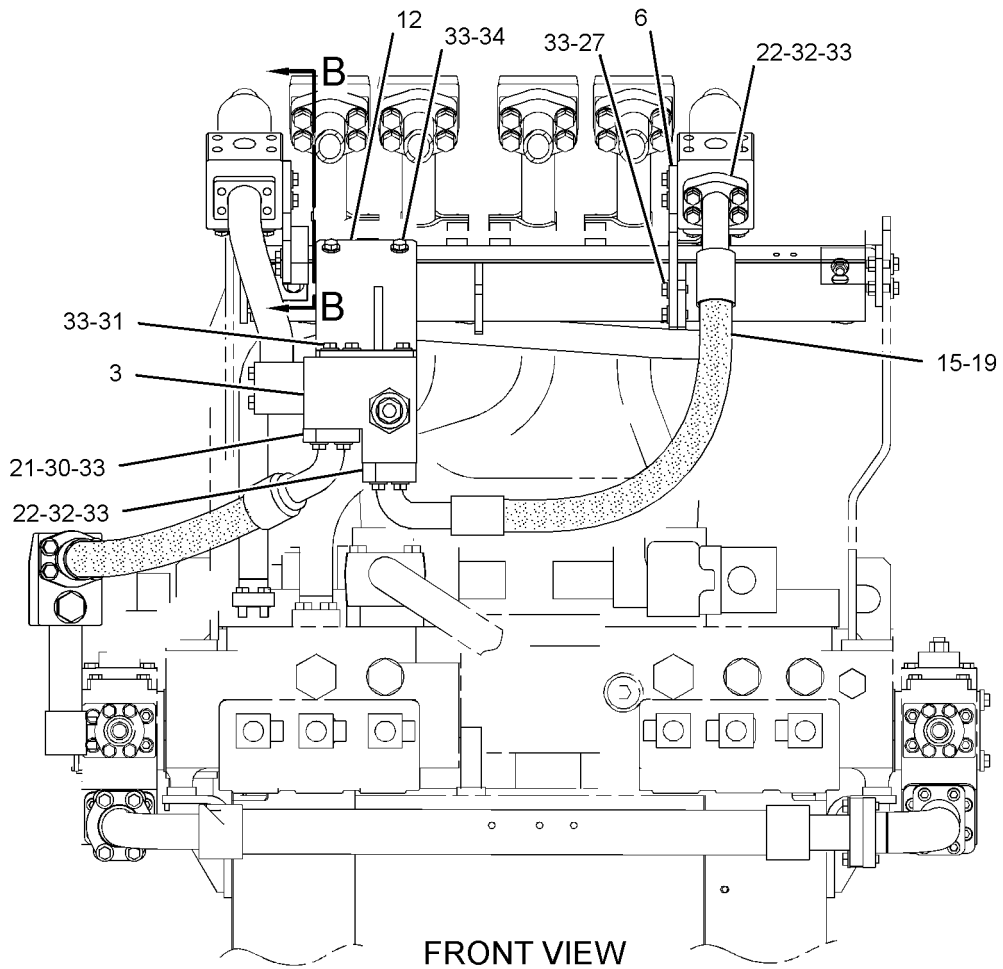
GRAPHIC #1

g02145397

HYDRAULIC SYSTEM

338-6187 LINES GP-FRONT (contd.)

i03900390



GRAPHIC #2

<END>

g02145398

HYDRAULIC SYSTEM

338-6188 LINES GP-FRONT

S/N: PAS1-UP

PART OF 310-0000 CONTROL AR-AUXILIARY
AN ATTACHMENT

SMCS-5057

i03877796

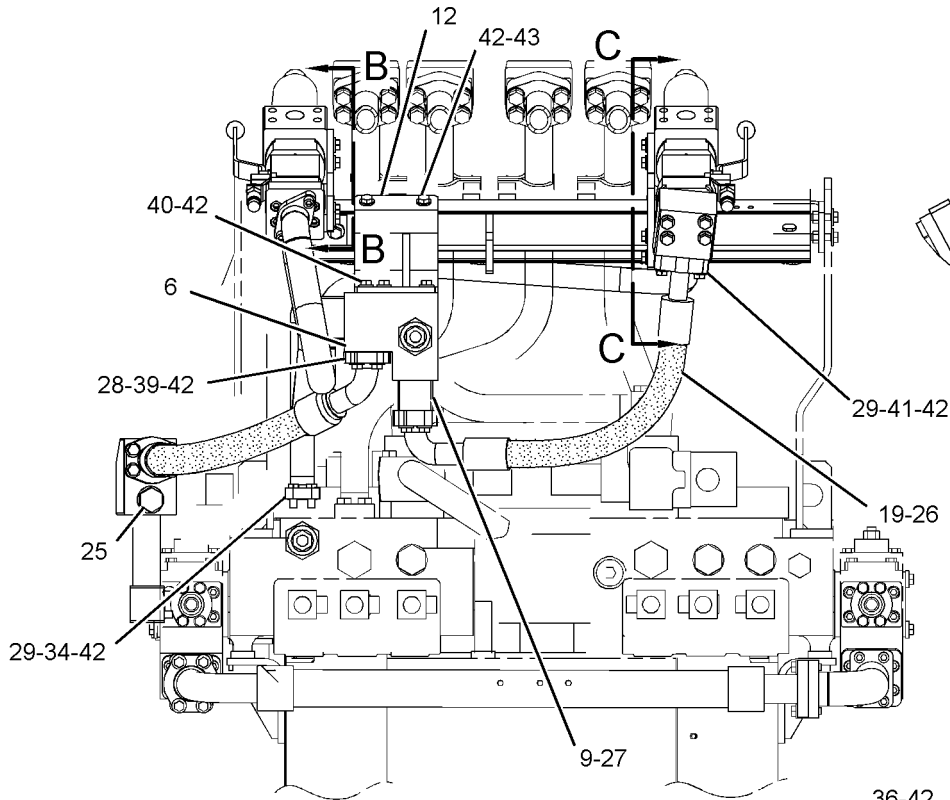
NOTE	REF NO	GRAPHIC REF	PART NUMBER	QTY	PART NAME						SEE PAGE
					1	2	3	4	5	6 (PRODUCT LEVEL)	
	1	1	124-0909	4	CLIP						
Y	2	1	160-0964	1	VALVE GP-MANUAL (LH)						660
Y	3	1	160-8734	2	VALVE GP-RELIEF (LINE)						677
M	4	1	170-8553	4	BOLT-SOCKET HEAD (M12X1.75X40-MM)						
Y	5	1	175-1814	1	VALVE GP-MANUAL (RH)						661
Y	6	1	232-4144	1	VALVE GP-RELIEF (1-WAY FLOW)						679
	7	1	236-3067	2	BLOCK						
	8	1	236-3081	1	SUPPORT						
	9	1	245-5250	1	BLOCK						
	10	1	266-0989	1	SUPPORT						
	11	1	266-0990	1	SUPPORT AS						
	12	1	266-1003	1	SUPPORT AS						
	13	1	296-7210	1	BLOCK						
	14	1	296-7211	1	TUBE AS						
	15	1	325-8781	1	SUPPORT AS						
	16	1	325-8841	1	BLOCK						
	17	1	338-6047	1	TUBE AS						
	18	1	338-6048	1	TUBE AS						
I	19	1	338-6212	1	HOSE AS						
I	20	1	347-2076	1	HOSE AS						
	21	1	347-2077	1	PIPE AS						
M	22	1	101-7402	2	BOLT-SOCKET HEAD (M12X1.75X30-MM)						
M	23	1	105-3485	4	BOLT-SOCKET HEAD (M12X1.75X60-MM)						
	24	1	148-8408	1	PLUG AS						
		1	3D-2824	1	SEAL-O-RING						
		1	9S-4183	1	PLUG-O-RING						
	25	1	164-4180	2	PLUG AS						
					(EACH INCLUDES)						
		1	7M-8485	1	SEAL-O-RING						
		1	9S-4181	1	PLUG-O-RING						
	26	1	1P-3704	2	SEAL-RECTANGULAR						
	27	1	1P-3705	8	SEAL-RECTANGULAR						
	28	1	1P-4579	4	FLANGE-HALF						
	29	1	1P-5767	4	FLANGE-HALF						
	30	1	4J-0522	2	SEAL-O-RING						
	31	1	4J-0524	3	SEAL-O-RING						
	32	1	4J-0526	1	SEAL-O-RING						
	33	1	5P-1076	1	WASHER-HARD (13.5X30X4-MM THK)						
M	34	1	7X-2549	4	BOLT (M12X1.75X100-MM)						
M	35	1	7X-2550	12	BOLT (M12X1.75X110-MM)						
M	36	1	8T-4139	8	BOLT (M12X1.75X30-MM)						
M	37	1	8T-4140	4	BOLT (M16X2X60-MM)						
M	38	1	8T-4176	4	BOLT (M12X1.75X90-MM)						
M	39	1	8T-4183	9	BOLT (M12X1.75X40-MM)						
M	40	1	8T-4192	5	BOLT (M12X1.75X25-MM)						
M	41	1	8T-4194	4	BOLT (M12X1.75X50-MM)						
	42	1	8T-4223	35	WASHER-HARD (13.5X25.5X3-MM THK)						
M	43	1	8T-4648	2	BOLT (M12X1.75X70-MM)						
M	44	1	8T-4956	16	BOLT (M12X1.75X35-MM)						
	45	1	9X-8257	4	WASHER (17.5X30X3.5-MM THK)						

I-REFER TO HYDRAULIC INFORMATION SYSTEM
M-METRIC PART
Y-SEPARATE ILLUSTRATION

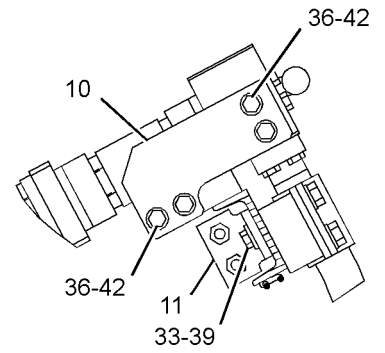
HYDRAULIC SYSTEM

338-6188 LINES GP-FRONT (contd.)

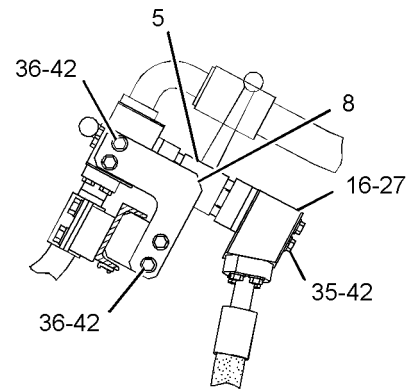
i03877796



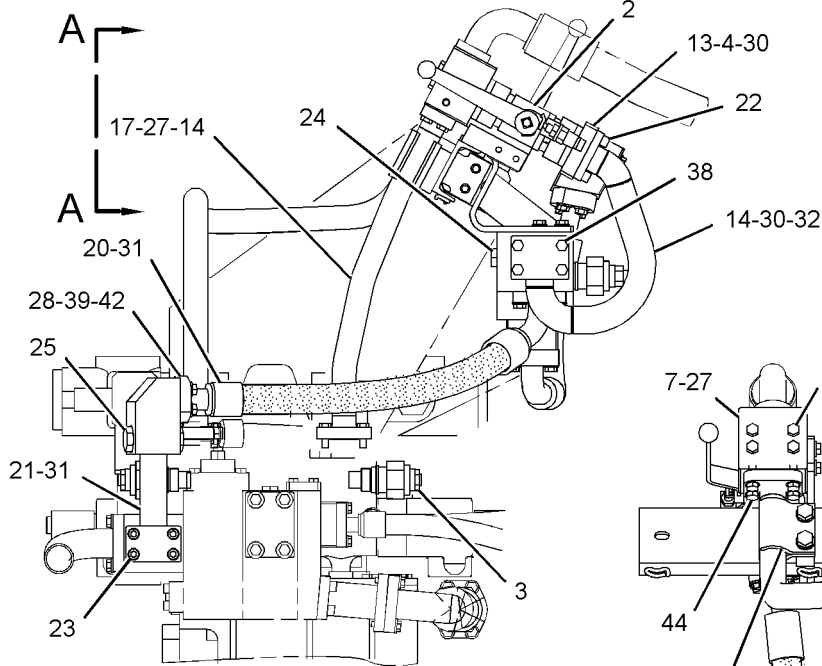
FRONT VIEW



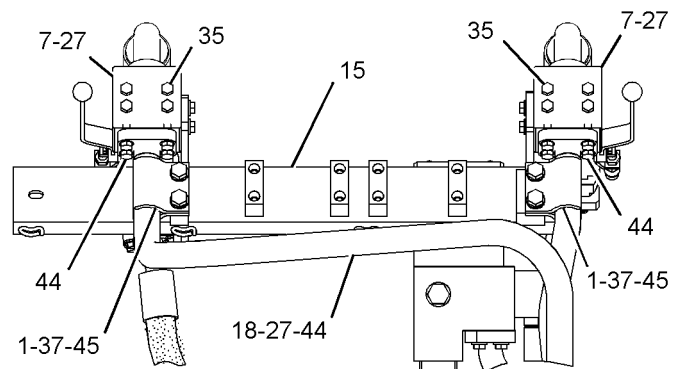
SECTION B-B



SECTION C-C



RIGHT SIDE VIEW



VIEW A-A

GRAPHIC #1

<END>

g02138255

HYDRAULIC SYSTEM

245-5312 LINES GP-HYDRAULIC OIL COOLER- REVERSING FAN

S/N: PAS1-UP

PART OF 303-2628 CONTROL AR-FAN
AN ATTACHMENT

SMCS-1374

i03905649

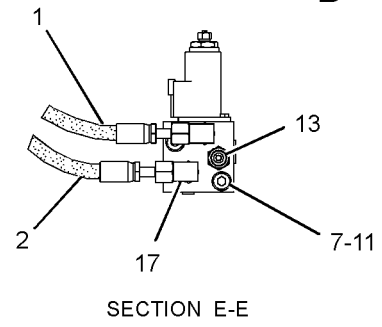
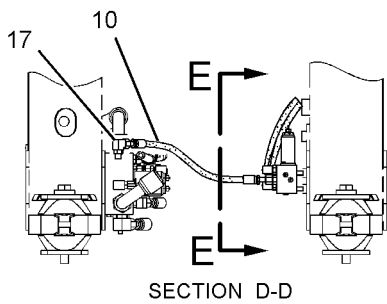
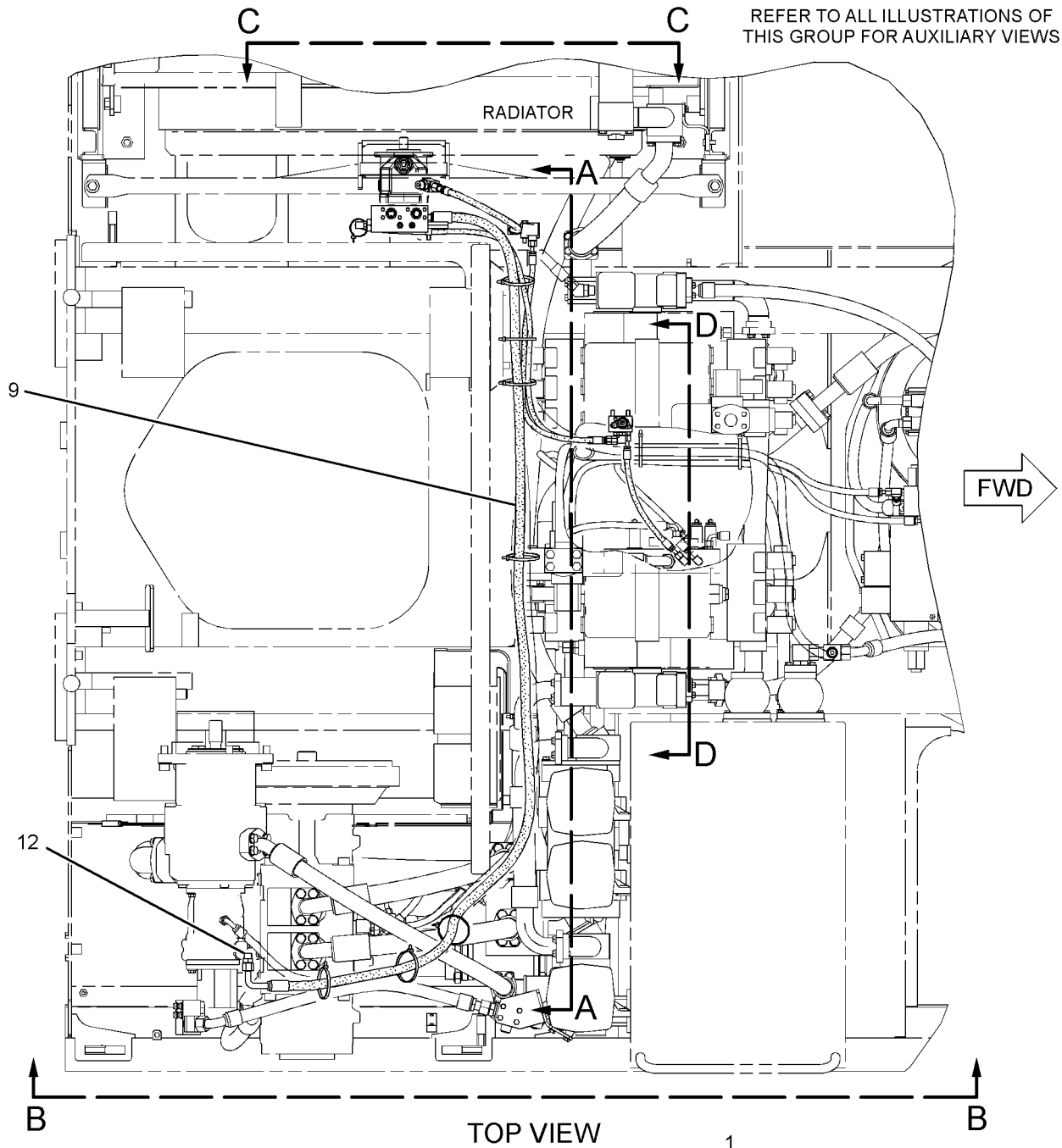
NOTE	REF NO	GRAPHIC REF	PART NUMBER	QTY	PART NAME						SEE PAGE
					1	2	3	4	5	6 (PRODUCT LEVEL)	
I	1	1	4I-5900	1	HOSE AS						
I	2	1	4I-5933	1	HOSE AS						
	3	2	7K-1181	8	STRAP-CABLE						
C	4	2	223-7042	1	HOSE AS						
M	5	2	101-7400	6	BOLT-SOCKET HEAD (M10X1.5X110-MM)						
Y	6	2	234-4624	1	VALVE GP-CONTROL (REVERSE FLOW FAN)						621
Y	7	1	242-6880	1	VALVE GP-SOLENOID (REVERSING FAN)						691
	8	2	248-9440	1	BLOCK						
I	9	1	248-9441	1	HOSE AS						
I	10	1	248-9443	1	HOSE AS						
M	11	1	129-3181	2	BOLT-SOCKET HEAD (M10X1.5X55-MM)						
	12	1,2	148-8315	2	CONNECTOR AS						
					(EACH INCLUDES)						
		1,2	2M-9780	1	SEAL-O-RING						
		1,2	6V-8642	1	CONNECTOR						
		1,2	7J-9108	1	SEAL-O-RING						
	13	1,2	148-8336	2	CONNECTOR AS						
					(EACH INCLUDES)						
		1,2	3J-1907	1	SEAL-O-RING						
		1,2	6V-8397	1	SEAL-O-RING						
		1,2	6V-8636	1	CONNECTOR						
C	14	2	148-8364	2	ELBOW AS						
					(EACH INCLUDES)						
		2	3K-0360	1	SEAL-O-RING						
		2	6V-8398	1	SEAL-O-RING						
		2	6V-8625	1	ELBOW						
C	15	2	148-8372	1	ELBOW AS						
		2	2M-9780	1	SEAL-O-RING						
		2	6V-8398	1	SEAL-O-RING						
		2	6V-8721	1	ELBOW						
	17	1,2	148-8378	4	ELBOW AS						
					(EACH INCLUDES)						
		1,2	3J-1907	1	SEAL-O-RING						
		1,2	6V-8397	1	SEAL-O-RING						
		1,2	6V-8724	1	ELBOW						
	18	2	148-8390	2	ELBOW AS						
					(EACH INCLUDES)						
		2	2M-9780	1	SEAL-O-RING						
		2	6V-8626	1	ELBOW						
		2	7J-9108	1	SEAL-O-RING						
	19	2	4J-5267	2	SEAL-O-RING						
M	21	2	8T-4137	1	BOLT (M10X1.5X20-MM)						
M	22	2	8T-6466	2	BOLT (M10X1.5X60-MM)						
	23	2	4K-8864	1	CLIP						
	24	2	8T-4121	1	WASHER-HARD (11X21X2.5-MM THK)						

C-CHANGE FROM PREVIOUS TYPE
I-REFER TO HYDRAULIC INFORMATION SYSTEM
M-METRIC PART
Y-SEPARATE ILLUSTRATION

HYDRAULIC SYSTEM

245-5312 LINES GP-HYDRAULIC OIL COOLER (contd.)

i03905649



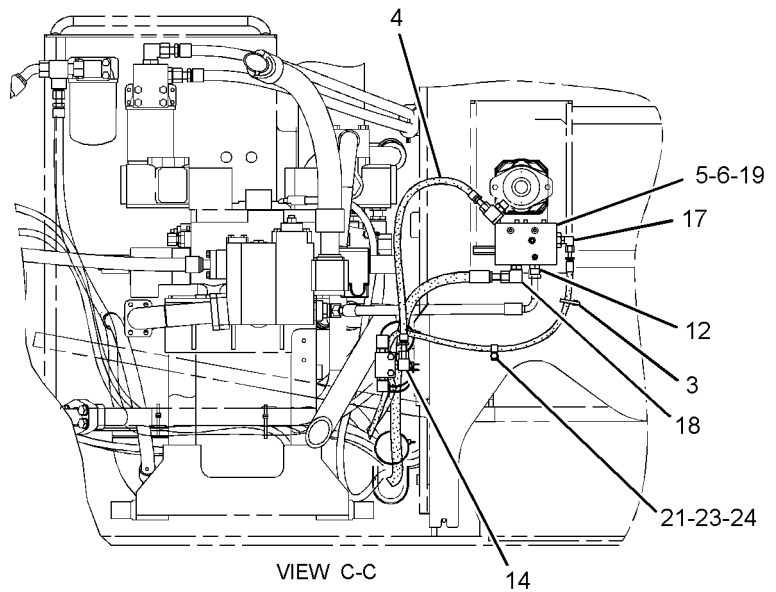
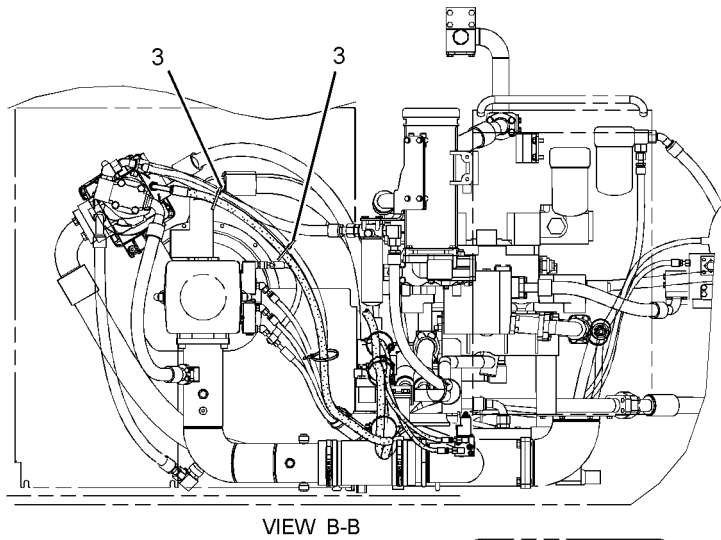
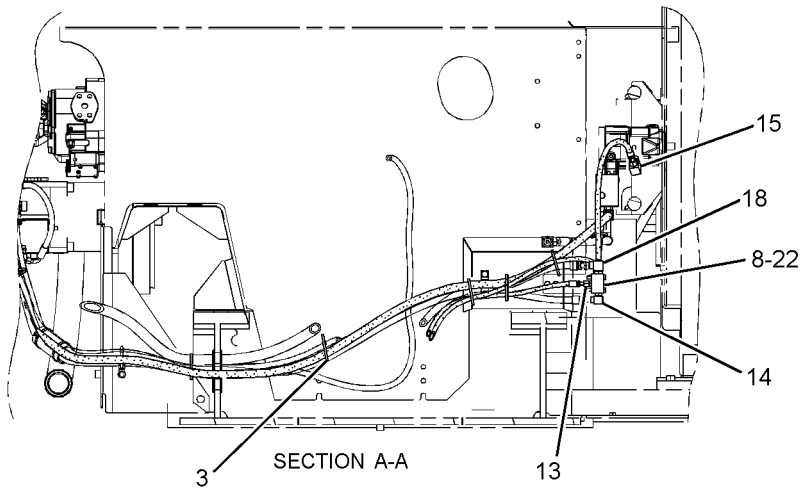
GRAPHIC #1

g01527898

HYDRAULIC SYSTEM

245-5312 LINES GP-HYDRAULIC OIL COOLER (contd.)

i03905649



GRAPHIC #2

<END>

g01527899

HYDRAULIC SYSTEM

307-5188 LINES GP-HYDRAULIC OIL COOLER

S/N: PAS1-UP

PART OF 297-0212 HYDRAULIC AR

SMCS-1374

i03656554

NOTE	REF NO	GRAPHIC REF	PART NUMBER	QTY	PART NAME						SEE PAGE
					1	2	3	4	5	6 (PRODUCT LEVEL)	
	1	2	7K-1181	4	STRAP - CABLE						
I	2	2	102-1160	1	HOSE AS						
	3	2	105-7781	1	SPACER (13.5X25X40-MM THK)						
	4	2	148-5055	1	HOSE AS						
	5	2	149-6805	1	BLOCK						
I	6	2	248-9442	1	HOSE AS						
I	7	2	248-9444	1	HOSE AS						
	8	2	269-9947	1	BLOCK						
I	9	2	275-1662	1	HOSE AS						
	10	2	289-5670	1	SUPPORT AS						
	11	2	307-5297	1	FLANGE						
	12	2	333-4549	1	CONNECTION AS						
I	13	2	333-4551	1	HOSE AS						
	14	2	092-7385	1	CLIP						
M	15	2	101-7404	4	BOLT-SOCKET HEAD (M10X1.5X30-MM)						
M	16	2	108-1781	4	BOLT-SOCKET HEAD (M12X1.75X35-MM)						
	17	2	148-8315	1	CONNECTOR AS						
		2	2M-9780	1	SEAL-O-RING						
		2	6V-8642	1	CONNECTOR						
		2	7J-9108	1	SEAL-O-RING						
18	2	2	148-8341	1	CONNECTOR AS						
		2	3D-2824	1	SEAL-O-RING						
		2	6V-8713	1	CONNECTOR						
		2	7J-9108	1	SEAL-O-RING						
19	2	2	148-8345	1	CONNECTOR AS						
		2	2M-9780	1	SEAL-O-RING						
		2	6V-8398	1	SEAL-O-RING						
		2	6V-8638	1	CONNECTOR						
20	2	2	148-8364	2	ELBOW AS						
					(EACH INCLUDES)						
		2	3K-0360	1	SEAL-O-RING						
		2	6V-8398	1	SEAL-O-RING						
		2	6V-8625	1	ELBOW						
21	2	2	148-8372	1	ELBOW AS						
		2	2M-9780	1	SEAL-O-RING						
		2	6V-8398	1	SEAL-O-RING						
		2	6V-8721	1	ELBOW						
22	2	2	148-8382	1	ELBOW AS						
		2	3D-2824	1	SEAL-O-RING						
		2	7J-9108	1	SEAL-O-RING						
		2	8T-0404	1	ELBOW						
23	2	2	148-8390	1	ELBOW AS						
		2	2M-9780	1	SEAL-O-RING						
		2	6V-8626	1	ELBOW						
		2	7J-9108	1	SEAL-O-RING						
24	2	2	150-3071	1	REDUCER AS						
		2	6V-8945	1	REDUCER-O-RING						
		2	7J-9108	1	SEAL-O-RING						
25	2	2	153-6232	1	ELBOW AS						
		2	3D-2824	1	SEAL-O-RING						
		2	7J-9108	1	SEAL-O-RING						
		2	8T-0120	1	ELBOW						
26	2	2	1P-3703	1	SEAL-RECTANGULAR						
27	2	2	1P-4578	4	FLANGE - HALF						
28	2	2	4J-0522	3	SEAL-O-RING						
29	2	2	4J-0524	1	SEAL-O-RING						

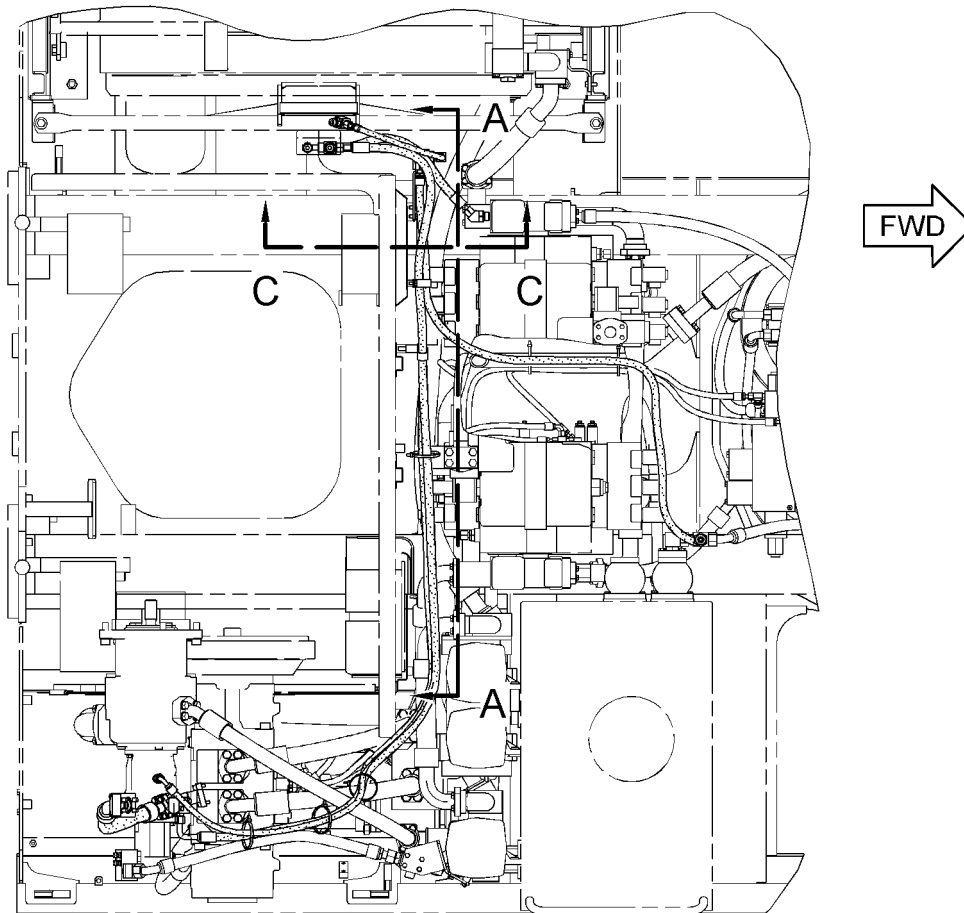
HYDRAULIC SYSTEM

307-5188 LINES GP-HYDRAULIC OIL COOLER (contd.)

i03656554

NOTE	REF NO	GRAPHIC REF	PART NUMBER	QTY	PART NAME						SEE PAGE
					1	2	3	4	5	6 (PRODUCT LEVEL)	
	30	2	5P-4325	1	CLIP						
	31	2	8T-4121	11	WASHER-HARD (11X21X2.5-MM THK)						
M	32	2	8T-4137	3	BOLT (M10X1.5X20-MM)						
M	33	2	8T-4172	2	BOLT (M10X1.5X80-MM)						
M	34	2	8T-4185	4	BOLT (M10X1.5X50-MM)						
M	35	2	8T-4186	4	BOLT (M10X1.5X40-MM)						
M	36	2	8T-4196	4	BOLT (M10X1.5X35-MM)						
	37	2	8T-4223	1	WASHER-HARD (13.5X25.5X3-MM THK)						
M	38	2	8T-4648	1	BOLT (M12X1.75X70-MM)						
	39	2	9X-6579	1	NUT-ORIFICE (7/16-12-THD)						

I-REFER TO HYDRAULIC INFORMATION SYSTEM
M-METRIC PART



TOP VIEW

REFER TO ALL ILLUSTRATIONS OF THIS GROUP FOR AUXILIARY VIEWS

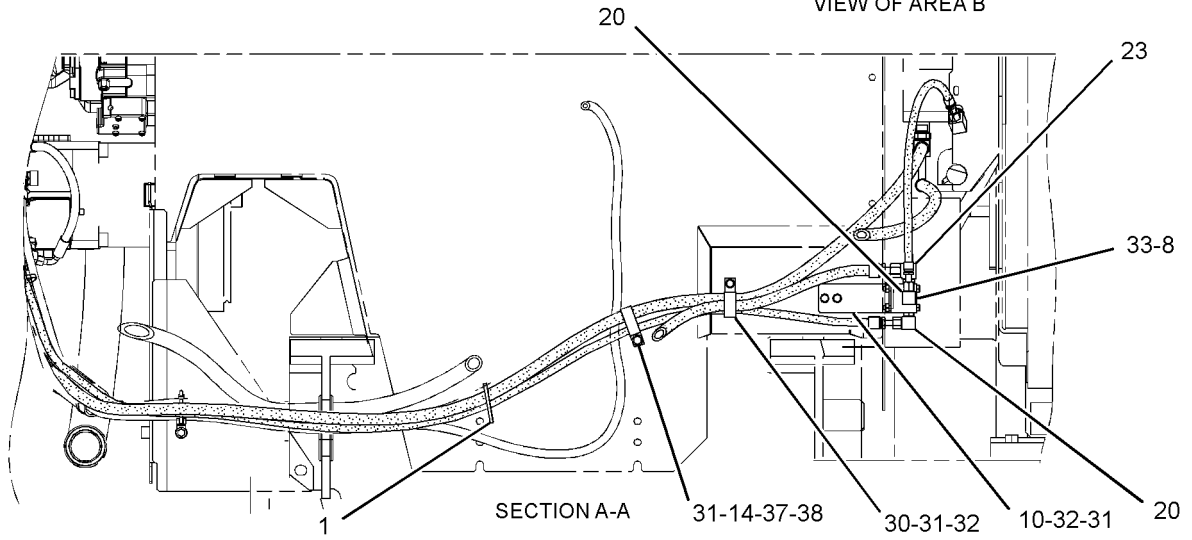
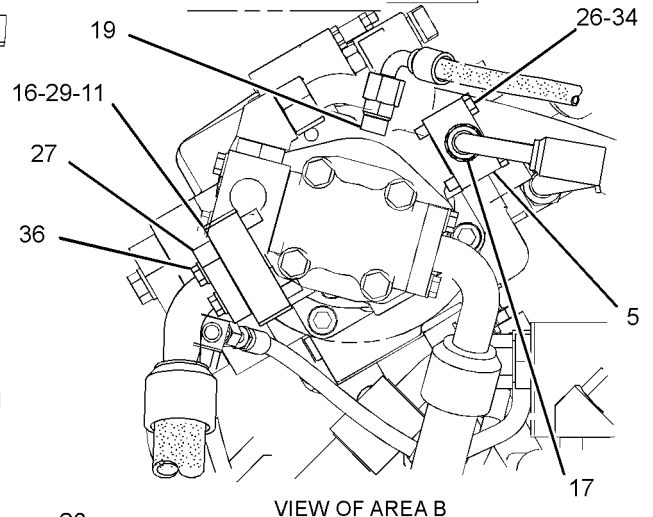
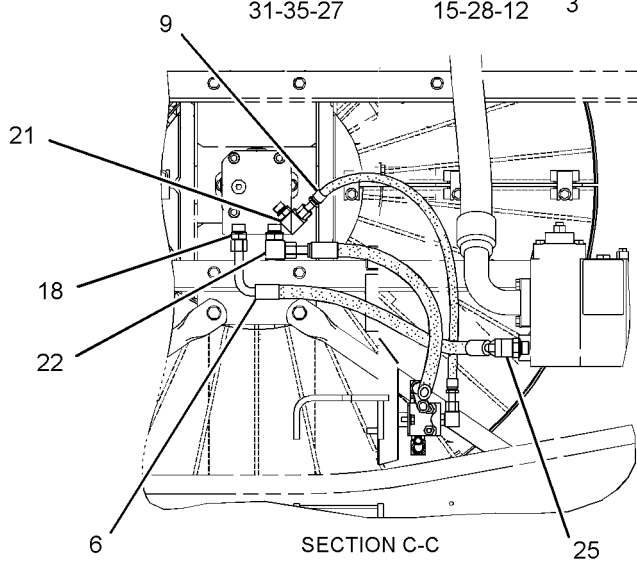
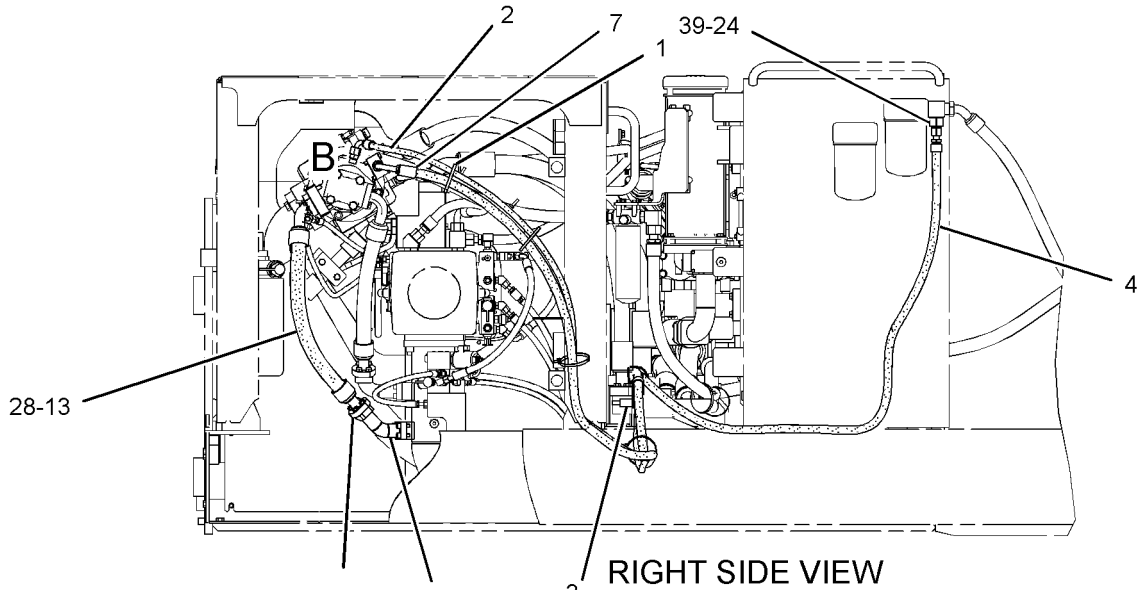
GRAPHIC #1

g02045160

HYDRAULIC SYSTEM

307-5188 LINES GP-HYDRAULIC OIL COOLER (contd.)

i03656554



GRAPHIC #2

<END>

g02045417

HYDRAULIC SYSTEM

296-7095 LINES GP-PILOT-HIGH PRESSURE CUTOFF, OFF

S/N: PAS1-UP

PART OF 297-0212 HYDRAULIC AR

SMCS-5057, 5059

i03656693

NOTE	REF NO	GRAPHIC REF	PART NUMBER	QTY	PART NAME						SEE PAGE
					1	2	3	4	5	6 (PRODUCT LEVEL)	
I	1	1	4I-3991	1	HOSE AS						
I	2	2	4I-3994	1	HOSE AS						
I	3	2	4I-6054	1	HOSE AS						
I	4	2	4I-6121	1	HOSE AS						
	5	2	4I-9521	4	BAND-MARKER (RED, L1)						
	6	2	4I-9522	4	BAND-MARKER (YELLOW, L2)						
	7	1,2	4I-9523	8	BAND-MARKER (BLUE, L3)						
	8	1,2	4I-9524	6	BAND-MARKER (BROWN, L4)						
	9	2	4I-9525	2	BAND-MARKER (ORANGE, R1)						
	10	1	4I-9526	4	BAND-MARKER (WHITE, R2)						
	11	1,2	4I-9527	6	BAND-MARKER (GREEN, R3)						
	12	1,2	4I-9528	4	BAND-MARKER (PURPLE, R4)						
	13	1,2	6V-0852	12	CAP-DUST						
I	14	1	7I-1090	1	HOSE AS						
I	15	2	7I-8252	1	HOSE AS						
	16	1,2	7K-1181	23	STRAP-CABLE						
I	17	1	7Y-4190	1	HOSE AS						
I	18	1	7Y-8478	1	HOSE AS						
	19	2	8C-3451	1	CAP-DUST						
I	20	2	087-4531	1	HOSE AS						
I	21	2	087-5758	2	HOSE AS						
I	22	1	087-5765	1	HOSE AS						
I	23	1	087-5767	1	HOSE AS						
I	24	2	087-5783	1	HOSE AS						
I	25	1	087-6583	1	HOSE AS						
I	26	1	108-7313	1	HOSE AS						
I	27	1	110-5499	1	HOSE AS						
	28	1	115-8645	2	GUARD						
I	29	2	115-8848	1	HOSE AS						
Y	30	2	140-0736	1	VALVE GP-MANIFOLD & REDUCING						658
	31	1	148-8443	1	TEE AS						
		1	3J-1907	1	SEAL-O-RING						
		1	6V-8397	1	SEAL-O-RING						
		1	7X-2459	1	TEE-O-RING						
	32	1	149-6547	1	BLOCK						
I	33	2	149-6679	1	HOSE AS						
	34	2	150-4027	1	TEE AS						
		2	3E-2310	1	TEE						
		2	3J-1907	1	SEAL-O-RING						
		2	6V-8397	1	SEAL-O-RING						
Y	35	2	160-4138	1	ACCUMULATOR & MTG GP-HYDRAULIC (CHARGED)						403
	36	2	164-5546	1	TEE AS						
		2	3E-7410	1	TEE-O-RING						
		2	3J-1907	1	SEAL-O-RING						
	37	1	164-5628	1	CONNECTOR AS						
		1	3J-1907	1	SEAL-O-RING						
		1	6V-8397	1	SEAL-O-RING						
		1	107-6631	1	CONNECTOR-FILTER						
	38	2	164-6869	2	CONNECTOR AS						
					(EACH INCLUDES)						
		2	3K-0360	1	SEAL-O-RING						
		2	6V-8398	1	SEAL-O-RING						
		2	128-9001	1	CONNECTOR-FILTER						
	39	1,2	164-6874	2	FITTING AS-ELBOW						
					(EACH INCLUDES)						
		1,2	3J-1907	1	SEAL-O-RING						

HYDRAULIC SYSTEM

296-7095 LINES GP-PILOT (contd.)

i03656693

NOTE	REF NO	GRAPHIC REF	PART NUMBER	QTY	PART NAME						SEE PAGE
					1	2	3	4	5	6 (PRODUCT LEVEL)	
		1, 2	085-7356	1	FITTING						
	40	1	168-9688	1	BLOCK						
	41	1	184-9159	1	GROMMET						
I	42	2	184-9420	2	HOSE AS						
Y	43	1	185-0336	1	FILTER GP-OIL (HYDRAULIC)						450
I	44	1	187-6925	1	HOSE AS						
	45	2	196-2036	1	TEE AS						
		2	3K-0360	1	SEAL-O-RING						
		2	6V-8398	1	SEAL-O-RING						
		2	9X-2492	1	TEE-O-RING						
I	46	1	202-3998	1	HOSE AS						
I	47	1	218-1336	1	HOSE AS						
	48	1	221-8859	1	SENSOR AS-PRESSURE (SWING PUMP)						
		1	3K-0360	1	SEAL-O-RING						
		1	171-0596	1	RECEPTACLE AS						
		1	9X-3401	3	PIN-CONNECTOR (16-GA TO 18-GA)						
					-OR-						
		1	126-1767	3	PIN-CONNECTOR (14-GA)						
	49	1, 2	221-8912	2	FLANGE						
I	50	1	236-3059	1	HOSE AS						
I	51	1	236-3060	1	HOSE AS						
I	52	1	248-9810	1	HOSE AS						
	53	1	260-2180	2	SENSOR AS-PRESSURE (MAIN HYDRAULIC PUMP)						
					(EACH INCLUDES)						
		1	095-1777	1	RING-BACKUP						
		1	260-2191	1	SEAL-O-RING						
I	54	1	275-1497	1	HOSE AS						
I	55	1	286-6769	1	HOSE AS						
I	56	2	289-5298	1	HOSE AS						
I	57	2	292-7446	1	HOSE AS						
I	58	1	302-2982	1	HOSE AS						
	59	1	302-9721	1	HOSE AS						
	60	1	307-4850	1	TUBE AS						
I	61	1	307-4995	1	HOSE AS						
I	62	1	307-5312	1	HOSE AS						
	63	2	307-5316	1	BRACKET AS-MOUNTING						
	64	1	310-0122	1	MANIFOLD & VALVE GP (LOAD SENSING)						
		1	7Y-4359	2	SCREW						
		1	230-2734	1	VALVE GP-SOLENOID (LOAD SENSING)						
I	65	2	320-0105	1	HOSE AS						
	66	2	320-0115	1	PLATE AS						
	67	2	325-8986	1	SUPPORT						
I	68	1	333-4541	1	HOSE AS						
	69	1	338-6126	1	HOSE AS						
	70	2	350-7396	1	PLATE						
	71	1	351-4976	1	BRACKET AS						
Y	72	1	352-6819	1	VALVE GP-SOLENOID (HYDRAULIC PUMP CONTROL)						692
	73	1	091-9035	2	SPACER (11X25X20-MM THK)						
M	74	1	101-7404	4	BOLT-SOCKET HEAD (M10X1.5X30-MM)						
	75	1, 2	148-8317	3	CONNECTOR AS						
					(EACH INCLUDES)						
		1, 2	3D-2824	1	SEAL-O-RING						
		1, 2	5K-9090	1	SEAL-O-RING						
		1, 2	6V-8714	1	CONNECTOR						
	76	2	148-8318	1	CONNECTOR AS						
		2	3K-0360	1	SEAL-O-RING						
		2	6V-8397	1	SEAL-O-RING						
		2	6V-8634	1	CONNECTOR						
	77	1	148-8335	1	CONNECTOR AS						

HYDRAULIC SYSTEM

296-7095 LINES GP-PILOT (contd.)

i03656693

NOTE	REF NO	GRAPHIC REF	PART NUMBER	QTY	PART NAME						SEE PAGE
					1	2	3	4	5	6 (PRODUCT LEVEL)	
		1	5K-9090	1	SEAL-O-RING						
		1	6V-8635	1	CONNECTOR						
		1	7M-8485	1	SEAL-O-RING						
78		1,2	148-8336	8	CONNECTOR AS (EACH INCLUDES)						
		1,2	3J-1907	1	SEAL-O-RING						
		1,2	6V-8397	1	SEAL-O-RING						
		1,2	6V-8636	1	CONNECTOR						
79		1	148-8339	1	CONNECTOR AS						
		1	6V-8716	1	CONNECTOR						
		1	6V-9746	1	SEAL-O-RING						
		1	7M-8485	1	SEAL-O-RING						
80		2	148-8340	4	CONNECTOR AS (EACH INCLUDES)						
		2	3K-0360	1	SEAL-O-RING						
		2	6V-8398	1	SEAL-O-RING						
		2	6V-8639	1	CONNECTOR						
81		1,2	148-8353	8	ELBOW AS (EACH INCLUDES)						
		1,2	3J-1907	1	SEAL-O-RING						
		1,2	6V-8397	1	SEAL-O-RING						
		1,2	6V-9001	1	ELBOW						
82		1	148-8355	1	ELBOW AS						
		1	5K-9090	1	SEAL-O-RING						
		1	6V-9005	1	ELBOW						
		1	7M-8485	1	SEAL-O-RING						
83		1	148-8360	2	ELBOW AS (EACH INCLUDES)						
		1	6V-9182	1	ELBOW						
		1	6V-9746	1	SEAL-O-RING						
		1	7M-8485	1	SEAL-O-RING						
84		1	148-8362	1	ELBOW AS						
		1	3D-2824	1	SEAL-O-RING						
		1	5K-9090	1	SEAL-O-RING						
		1	8T-6684	1	ELBOW						
85		2	148-8364	2	ELBOW AS (EACH INCLUDES)						
		2	3K-0360	1	SEAL-O-RING						
		2	6V-8398	1	SEAL-O-RING						
		2	6V-8625	1	ELBOW						
86		1,2	148-8367	2	ELBOW AS (EACH INCLUDES)						
		1,2	6V-8397	1	SEAL-O-RING						
		1,2	6V-9850	1	ELBOW						
87		2	148-8370	1	ELBOW AS						
		2	6V-8398	1	SEAL-O-RING						
		2	6V-9851	1	ELBOW						
88		2	148-8374	2	ELBOW AS (EACH INCLUDES)						
		2	3K-0360	1	SEAL-O-RING						
		2	6V-8397	1	SEAL-O-RING						
		2	6V-8723	1	ELBOW						
89		1,2	148-8378	21	ELBOW AS (EACH INCLUDES)						
		1,2	3J-1907	1	SEAL-O-RING						
		1,2	6V-8397	1	SEAL-O-RING						
		1,2	6V-8724	1	ELBOW						
90		2	148-8433	2	TEE AS (EACH INCLUDES)						

HYDRAULIC SYSTEM

296-7095 LINES GP-PILOT (contd.)

i03656693

NOTE	REF NO	GRAPHIC REF	PART NUMBER	QTY	PART NAME						SEE PAGE
					1	2	3	4	5	6 (PRODUCT LEVEL)	
		2	6V-8397	2	SEAL-O-RING						
		2	6V-9836	1	TEE-SWIVEL						
	91	1,2	148-8435	2	TEE AS						
					(EACH INCLUDES)						
		1,2	3J-1907	1	SEAL-O-RING						
		1,2	6V-8397	2	SEAL-O-RING						
		1,2	6V-8781	1	TEE-FACE SEAL						
	92	2	148-8439	1	TEE AS						
		2	3J-1907	1	SEAL-O-RING						
		2	6V-8397	2	SEAL-O-RING						
		2	6V-8774	1	TEE						
	93	1	148-8442	1	TEE AS						
		1	6V-9746	2	SEAL-O-RING						
		1	7M-8485	1	SEAL-O-RING						
		1	8T-1685	1	TEE						
	94	2	150-3036	1	ELBOW AS						
		2	3J-1907	1	SEAL-O-RING						
		2	6V-8397	1	SEAL-O-RING						
		2	8T-1905	1	ELBOW						
	95	1	150-4049	1	ELBOW AS						
		1	6V-9746	1	SEAL-O-RING						
		1	7M-8485	1	SEAL-O-RING						
		1	8T-4149	1	ELBOW						
	96	2	153-6241	1	ELBOW AS						
		2	6V-8398	1	SEAL-O-RING						
		2	8C-8989	1	ELBOW						
	97	2	164-4180	1	PLUG AS						
		2	7M-8485	1	SEAL-O-RING						
		2	9S-4181	1	PLUG-O-RING						
	98	1,2	164-5567	12	COUPLER AS-QUICK DISCONNECT (MALE)						
					(EACH INCLUDES)						
		1,2	6V-3965	1	FITTING (QUICK DISCONNECT)						
		1,2	214-7568	1	SEAL-O-RING						
	99	2	164-5590	1	VALVE AS-FLUID SAMPLING						
		2	3J-7354	1	SEAL-O-RING						
		2	8C-3446	1	VALVE-FLUID SAMPLING						
	100	2	164-8908	1	CONNECTOR AS						
		2	3K-0360	1	SEAL-O-RING						
		2	6V-8398	1	SEAL-O-RING						
		2	8T-0077	1	CONNECTOR						
	101	1	1P-4578	4	FLANGE-HALF						
	102	1	4J-0520	1	SEAL-O-RING						
	103	1	4J-0522	3	SEAL-O-RING						
	104	1	4J-0524	1	SEAL-O-RING						
	105	1	4K-8864	1	CLIP						
	106	2	4P-7429	1	CLIP						
	107	1	5K-8451	2	CLIP						
	108	1	7G-3833	1	CLIP (TAB)						
	109	1	7G-3834	1	CLIP (SLOT)						
	110	2	7X-3391	1	WASHER-HARD (13.5X32X6-MM THK)						
	111	1	8C-3174	1	GROMMET						
	112	1	8C-8533	3	CLIP						
	113	1,2	8T-4121	26	WASHER-HARD (11X21X2.5-MM THK)						
M	114	2	8T-4136	4	BOLT (M10X1.5X25-MM)						
M	115	1	8T-4137	1	BOLT (M10X1.5X20-MM)						
M	116	2	8T-4139	2	BOLT (M12X1.75X30-MM)						
M	117	2	8T-4179	1	BOLT (M12X1.75X20-MM)						
M	118	1	8T-4182	1	BOLT (M10X1.5X45-MM)						
M	119	1	8T-4185	1	BOLT (M10X1.5X50-MM)						

HYDRAULIC SYSTEM

296-7095 LINES GP-PILOT (contd.)

i03656693

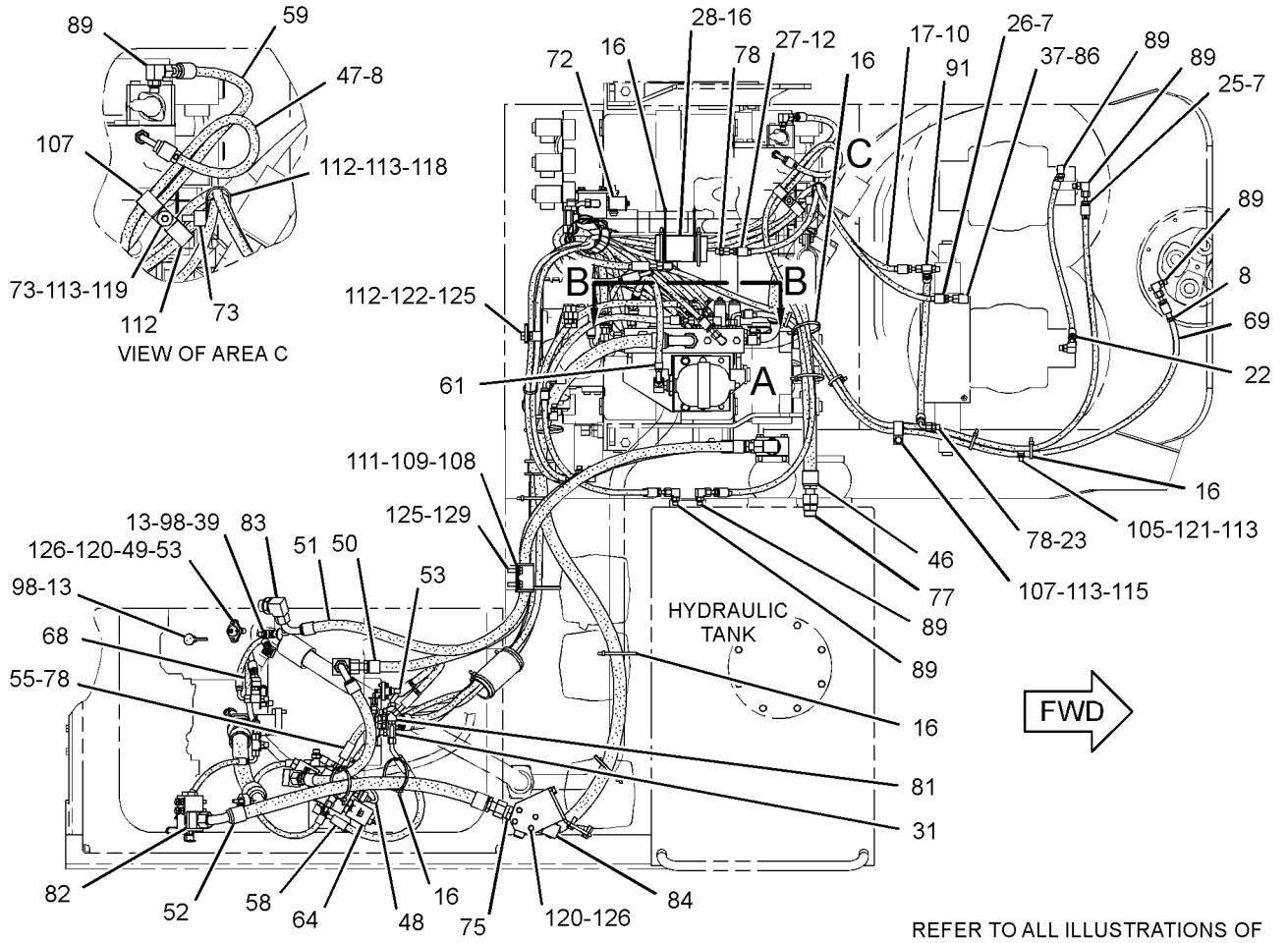
NOTE	REF NO	GRAPHIC REF	PART NUMBER	QTY	PART NAME						SEE PAGE
					1	2	3	4	5	6 (PRODUCT LEVEL)	
M	120	1	8T-4189	8	BOLT (M8X1.25X20-MM)						
M	121	1	8T-4191	1	BOLT (M10X1.5X16-MM)						
M	122	1,2	8T-4192	5	BOLT (M12X1.75X25-MM)						
M	123	1,2	8T-4195	6	BOLT (M10X1.5X30-MM)						
M	124	1	8T-4196	8	BOLT (M10X1.5X35-MM)						
	125	1,2	8T-4223	12	WASHER-HARD (13.5X25.5X3-MM THK)						
	126	1,2	8T-4224	8	WASHER-HARD (8.8X16X2-MM THK)						
M	127	2	8T-4244	2	NUT (M12X1.75-THD)						
M	128	1,2	8T-4648	7	BOLT (M12X1.75X70-MM)						
M	129	1	8T-4956	2	BOLT (M12X1.75X35-MM)						
M	130	1	8T-5005	4	BOLT (M10X1.5X70-MM)						

I-REFER TO HYDRAULIC INFORMATION SYSTEM
M-METRIC PART
Y-SEPARATE ILLUSTRATION

HYDRAULIC SYSTEM

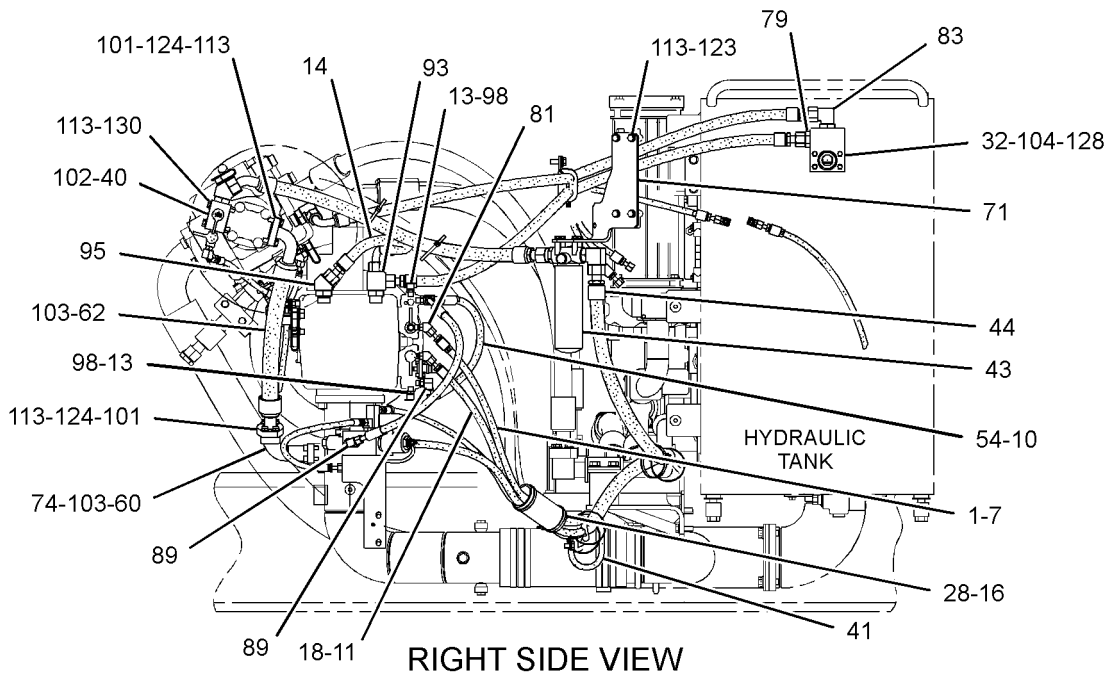
296-7095 LINES GP-PILOT (contd.)

i03656693



TOP VIEW

REFER TO ALL ILLUSTRATIONS OF THIS GROUP FOR AUXILIARY VIEWS



RIGHT SIDE VIEW

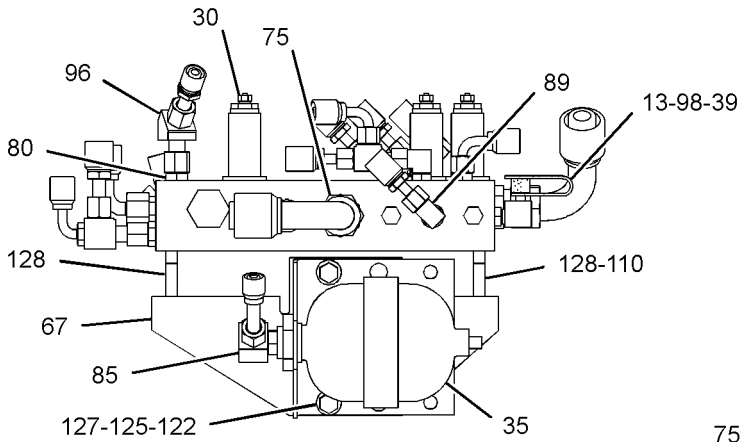
GRAPHIC #1

g02129814

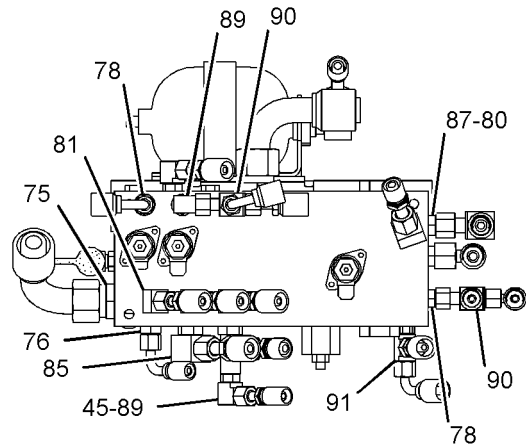
HYDRAULIC SYSTEM

296-7095 LINES GP-PILOT (contd.)

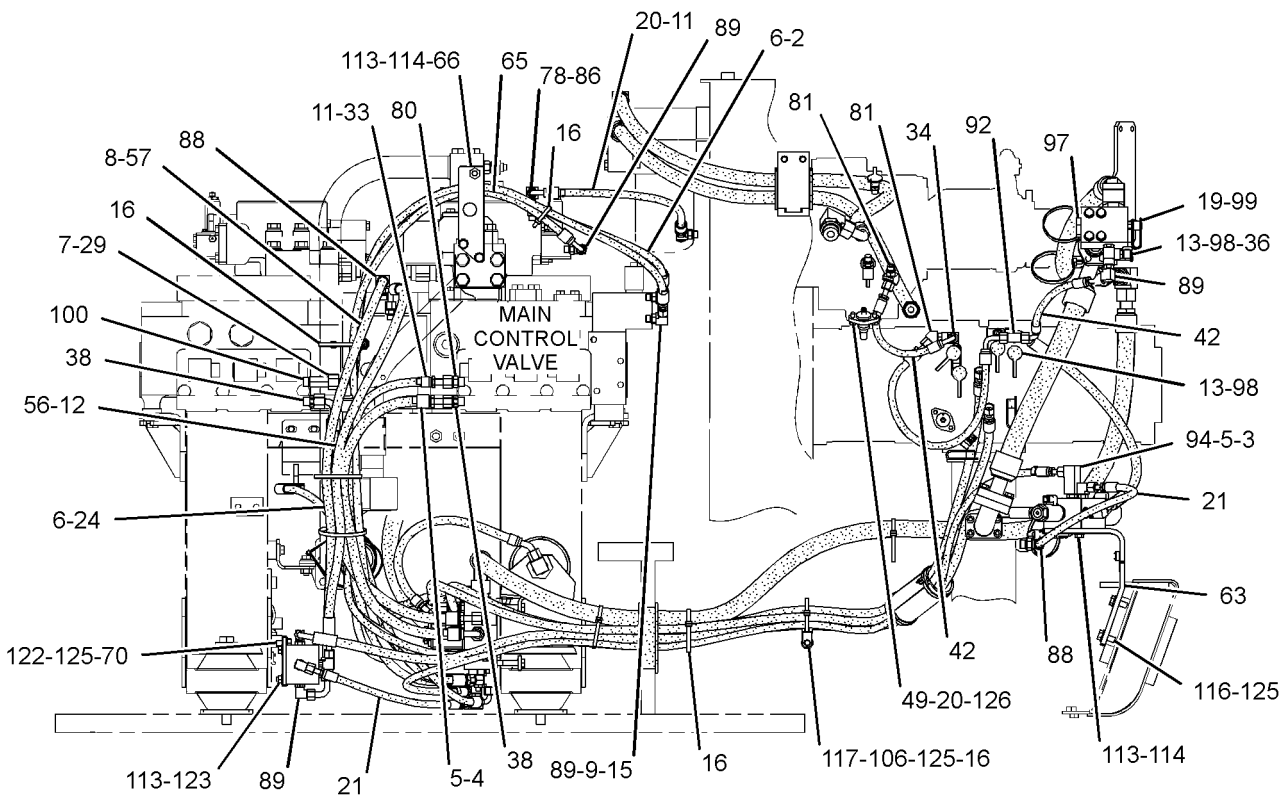
i03656693



VIEW OF AREA A



SECTION B-B



REAR VIEW

<END>

GRAPHIC #2

g02129816

HYDRAULIC SYSTEM

296-7100 LINES GP-PILOT-BOOM LOWERING CONTROL

S/N: PAS1-UP

PART OF 297-0420 VALVE AR-BOOM LOWERING CONTROL
AN ATTACHMENT

SMCS-5057, 5059

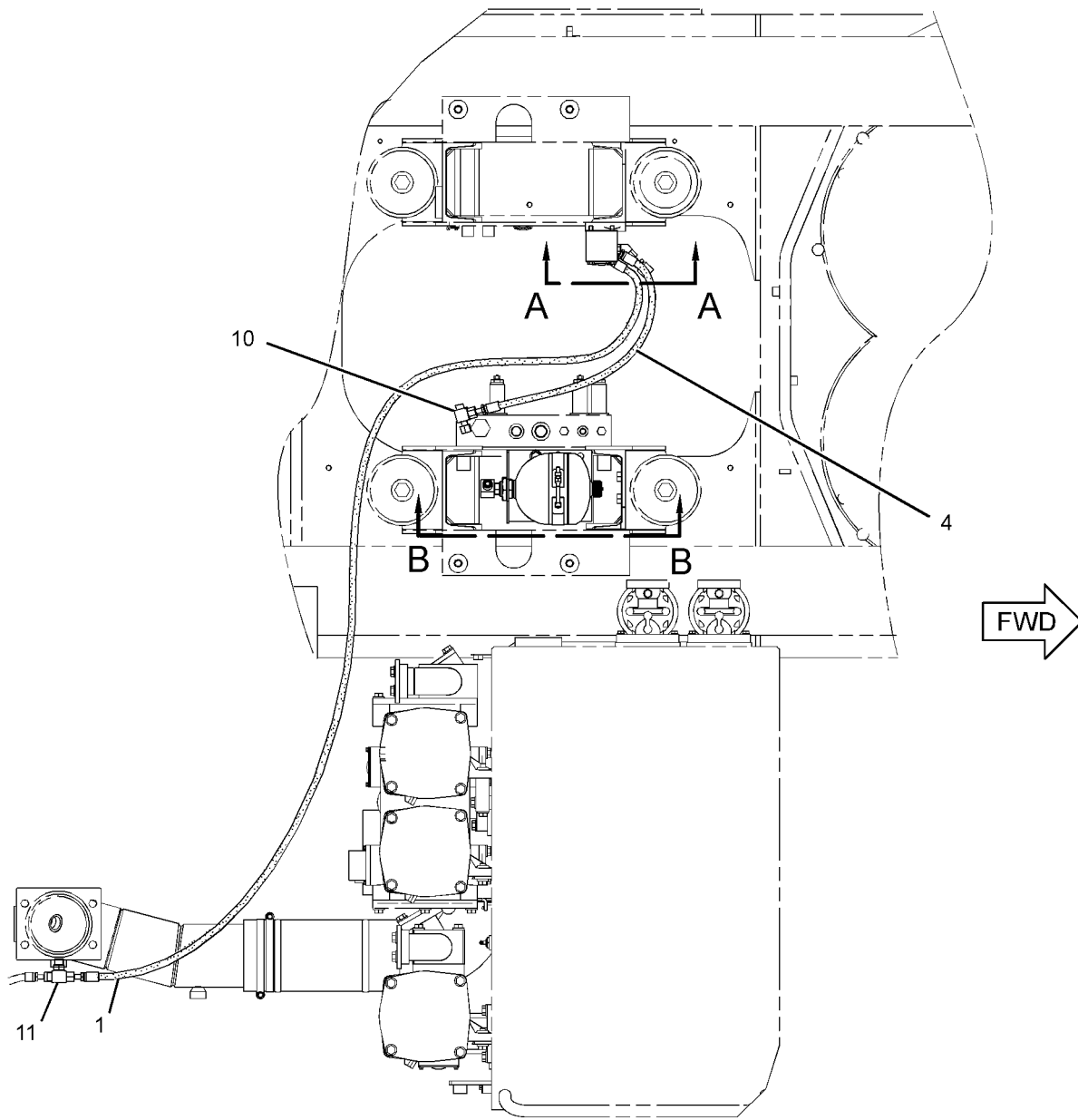
i03790749

NOTE	REF NO	GRAPHIC REF	PART NUMBER	QTY	PART NAME						SEE PAGE
					1	2	3	4	5	6 (PRODUCT LEVEL)	
I	1	1	087-4405	1	HOSE AS						
	2	1	171-0049	1	HOUSING						
Y	3	1	171-0113	1	PLUG GP-CONTROL VALVE						581
	4	1	275-1818	1	HOSE AS						
Y	5	1	297-0680	1	ACCUMULATOR GP (CHARGED)						404
	6	1	148-8336	1	CONNECTOR AS						
		1	3J-1907	1	SEAL-O-RING						
		1	6V-8397	1	SEAL-O-RING						
		1	6V-8636	1	CONNECTOR						
	7	1	148-8364	1	ELBOW AS						
		1	3K-0360	1	SEAL-O-RING						
		1	6V-8398	1	SEAL-O-RING						
		1	6V-8625	1	ELBOW						
	8	1	148-8378	1	ELBOW AS						
		1	3J-1907	1	SEAL-O-RING						
		1	6V-8397	1	SEAL-O-RING						
		1	6V-8724	1	ELBOW						
	9	1	148-8407	1	PLUG AS						
		1	3J-1907	1	SEAL-O-RING						
		1	9S-4191	1	PLUG-O-RING						
	10	1	148-8433	1	TEE AS						
		1	6V-8397	2	SEAL-O-RING						
		1	6V-9836	1	TEE-SWIVEL						
	11	1	206-5121	1	TEE AS						
		1	3K-0360	1	SEAL-O-RING						
		1	6V-8397	2	SEAL-O-RING						
		1	206-5119	1	TEE						
M	12	1	7I-2272	2	BOLT (M5X0.8X12-MM)						
M	13	1	8T-3647	4	BOLT (M8X1.25X80-MM)						
M	14	1	8T-4192	2	BOLT (M12X1.75X25-MM)						
	15	1	8T-4223	4	WASHER-HARD (13.5X25.5X3-MM THK)						
M	16	1	8T-4244	2	NUT (M12X1.75-THD)						
I-REFER TO HYDRAULIC INFORMATION SYSTEM M-METRIC PART Y-SEPARATE ILLUSTRATION											

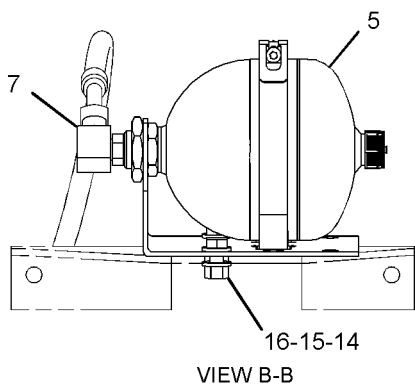
HYDRAULIC SYSTEM

296-7100 LINES GP-PILOT (contd.)

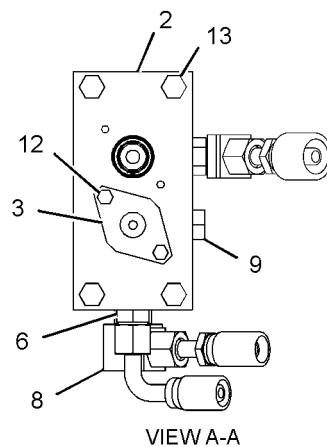
i03790749



TOP VIEW



VIEW B-B



VIEW A-A

GRAPHIC #1

<END>

g02126619

HYDRAULIC SYSTEM

307-4983 LINES GP-PILOT-STICK LOWERING CONTROL

S/N: PAS1-UP

PART OF 297-0425 VALVE AR-STICK LOWERING CONT
AN ATTACHMENT

SMCS-5057, 5059

i03875592

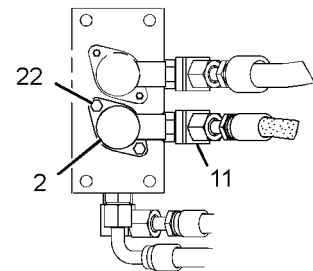
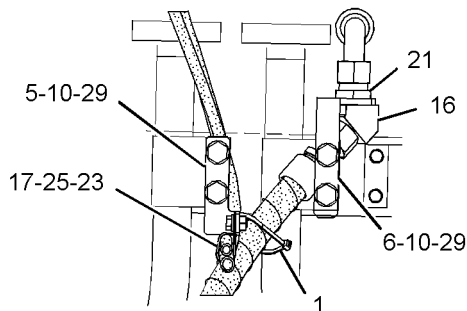
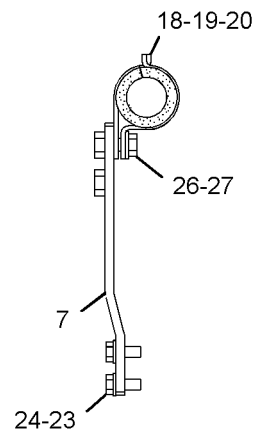
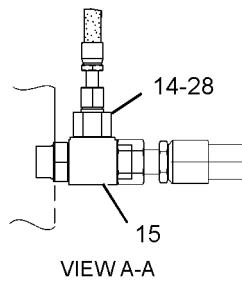
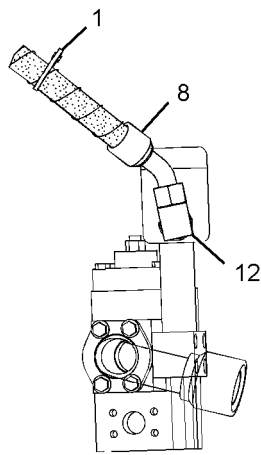
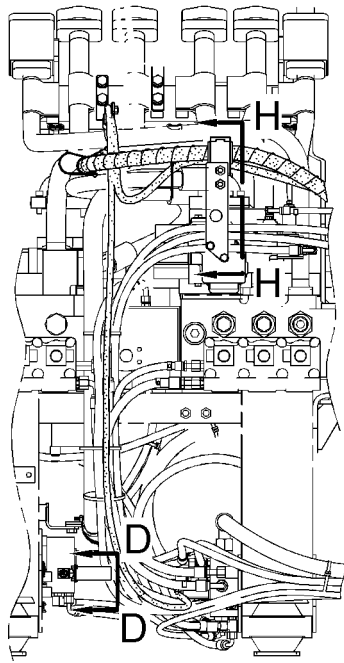
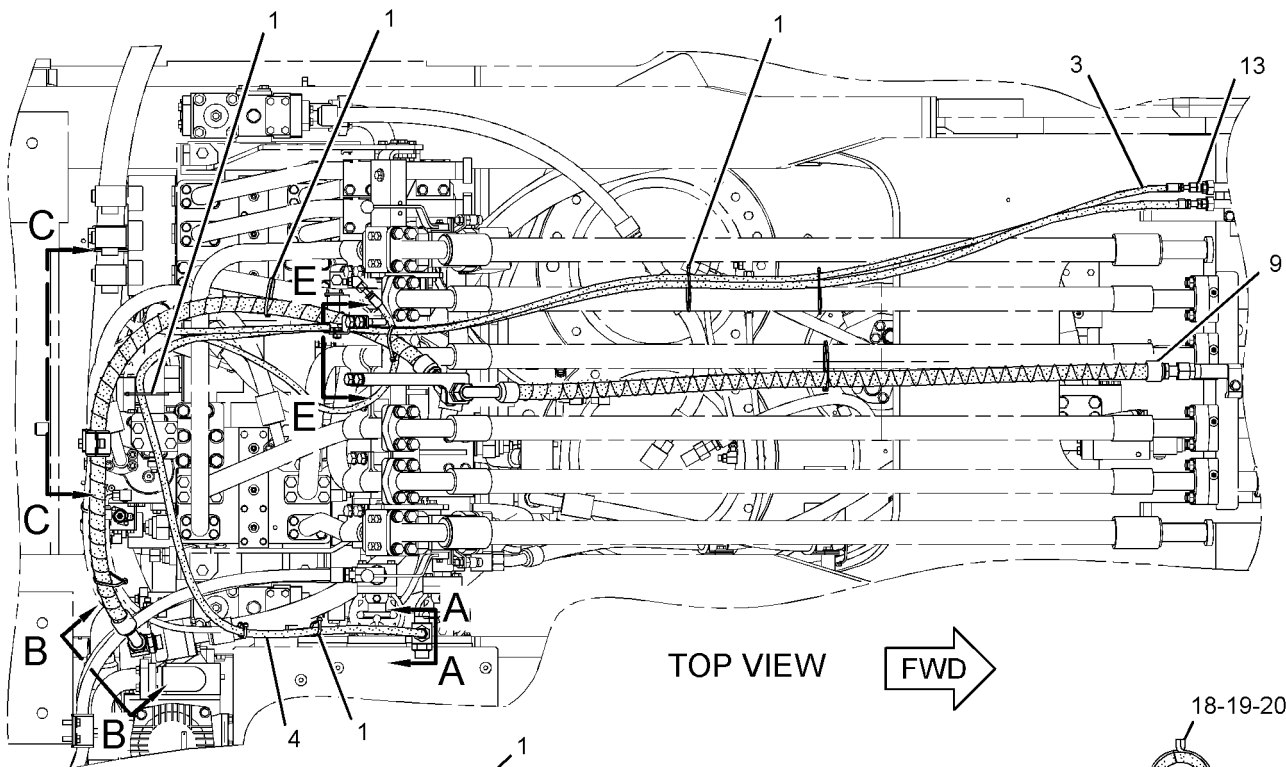
NOTE	REF NO	GRAPHIC REF	PART NUMBER	QTY	PART NAME						SEE PAGE
					1	2	3	4	5	6 (PRODUCT LEVEL)	
	1	1	7K-1181	9	STRAP-CABLE						
Y	2	1	171-0028	1	VALVE GP-SOLENOID (STICK LOWERING CONTROL)						689
I	3	1	307-4989	1	HOSE AS						
I	4	1	307-4990	1	HOSE AS						
	5	1	325-9046	1	SUPPORT AS						
	6	1	347-2082	1	PLATE						
	7	1	347-2083	1	PLATE AS						
	8	1	347-6072	1	HOSE AS						
	9	1	347-6075	1	HOSE AS						
M	10	1	118-4977	4	BOLT (M16X2X65-MM)						
	11	1	148-8353	1	ELBOW AS						
		1	3J-1907	1	SEAL-O-RING						
		1	6V-8397	1	SEAL-O-RING						
		1	6V-9001	1	ELBOW						
	12	1	148-8357	1	ELBOW AS						
		1	5K-9090	1	SEAL-O-RING						
		1	6V-9008	1	ELBOW						
		1	7M-8485	1	SEAL-O-RING						
	13	1	148-8415	1	REDUCER AS						
		1	6V-8397	1	SEAL-O-RING						
		1	6V-8936	1	REDUCER						
	14	1	148-8418	1	REDUCER AS						
		1	6V-8398	1	SEAL-O-RING						
		1	6V-8942	1	REDUCER-O-RING						
	15	1	148-8422	1	TEE AS						
		1	5K-9090	1	SEAL-O-RING						
		1	6V-9746	1	SEAL-O-RING						
		1	7M-8485	1	SEAL-O-RING						
		1	8T-6356	1	TEE-O-RING PORT						
	16	1	155-6344	1	ELBOW AS						
		1	5K-9090	2	SEAL-O-RING						
		1	6V-8991	1	ELBOW						
	17	1	5I-3978	1	CLIP						
	18	1	5P-7468	1	CLIP (SLOT)						
	19	1	5P-7469	1	CLIP (TAB)						
	20	1	5P-8444	1	GROMMET						
	21	1	6V-9172	1	NUT (1-7/16-12-THD)						
M	22	1	7I-2272	2	BOLT (M5X0.8X12-MM)						
	23	1	8T-4121	3	WASHER-HARD (11X21X2.5-MM THK)						
M	24	1	8T-4136	2	BOLT (M10X1.5X25-MM)						
M	25	1	8T-4137	1	BOLT (M10X1.5X20-MM)						
M	26	1	8T-4139	1	BOLT (M12X1.75X30-MM)						
	27	1	8T-4223	1	WASHER-HARD (13.5X25.5X3-MM THK)						
	28	1	9X-6580	1	NUT (1-3/16-12-THD)						
	29	1	9X-8257	4	WASHER (17.5X30X3.5-MM THK)						

I-REFER TO HYDRAULIC INFORMATION SYSTEM
M-METRIC PART
Y-SEPARATE ILLUSTRATION

HYDRAULIC SYSTEM

307-4983 LINES GP-PILOT (contd.)

i03875592



GRAPHIC #1

<END>

g02135334

HYDRAULIC SYSTEM

338-6189 LINES GP-PILOT-BOOM LOWERING CONTROL

S/N: PAS1-UP

PART OF 297-0420 VALVE AR-BOOM LOWERING CONTROL
AN ATTACHMENT

SMCS-5057, 5059

i03790753

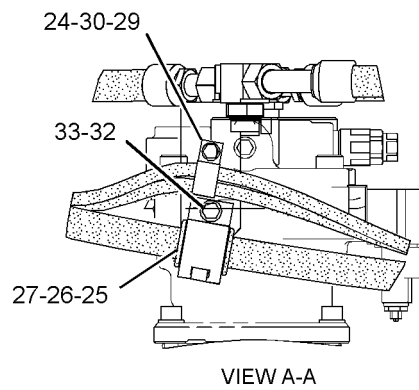
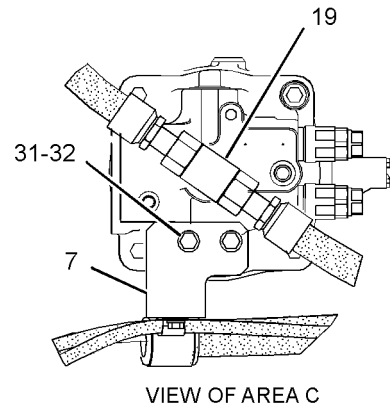
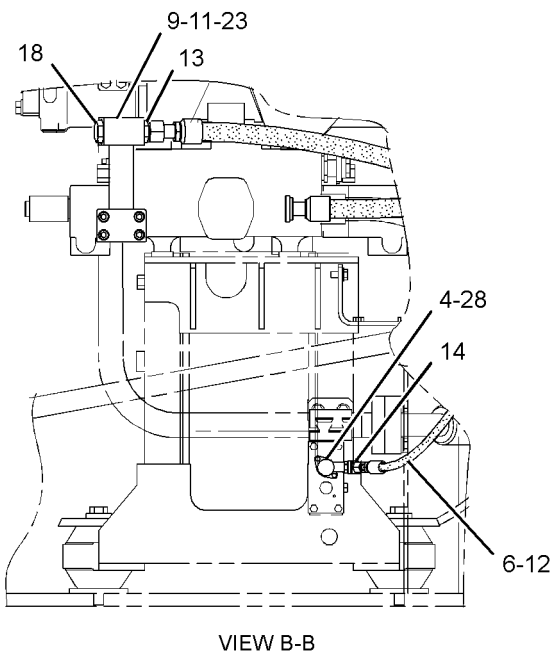
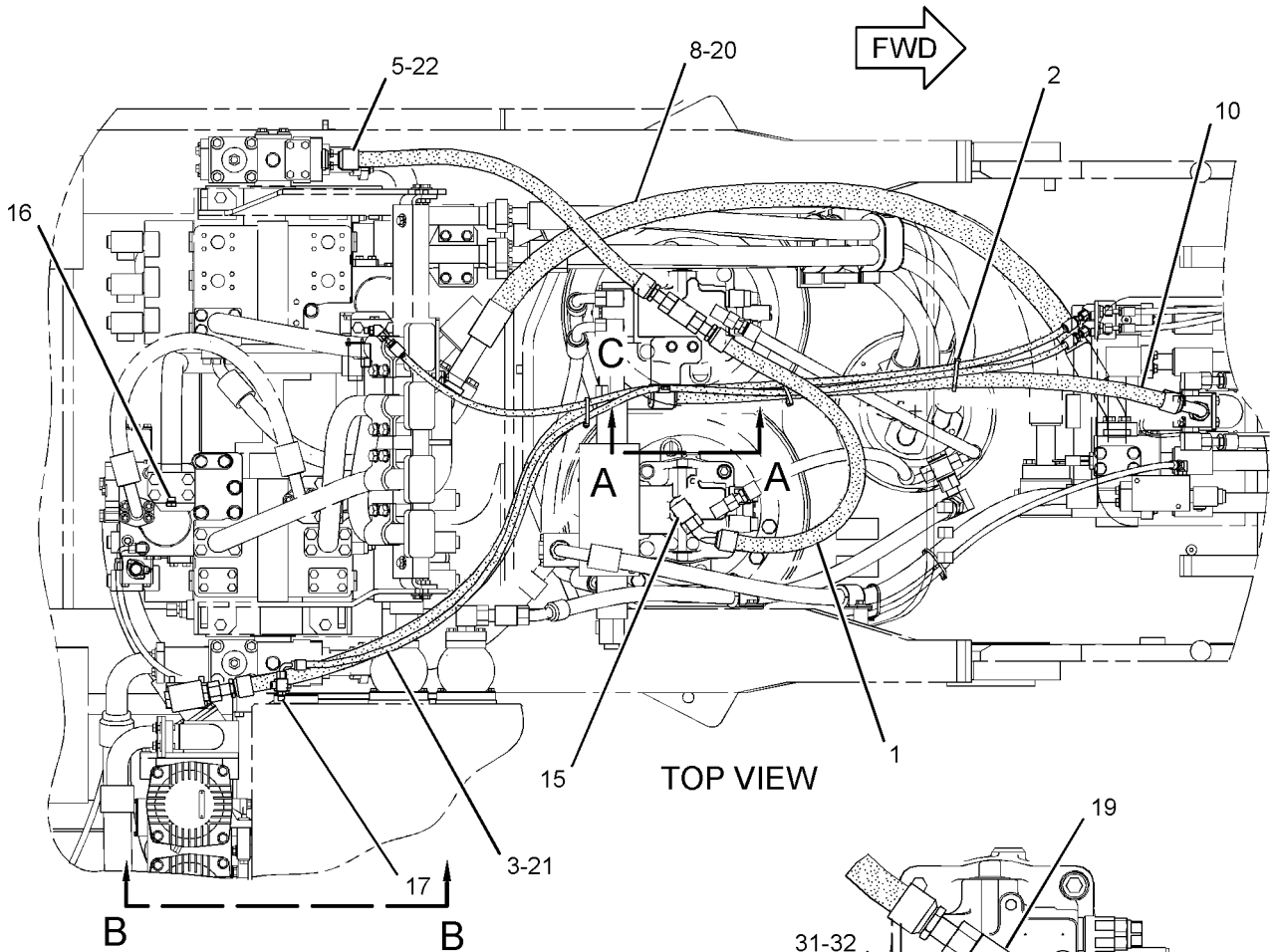
NOTE	REF NO	GRAPHIC REF	PART NUMBER	QTY	PART NAME						SEE PAGE
					1	2	3	4	5	6 (PRODUCT LEVEL)	
I	1	1	7I-1204	1	HOSE AS						
	2	1	7K-1181	3	STRAP-CABLE						
I	3	1	7Y-4390	1	HOSE AS						
Y	4	1	171-0028	1	VALVE GP-SOLENOID (STICK LOWERING CONTROL)						689
I	5	1	236-2805	1	HOSE AS						
I	6	1	319-9976	1	HOSE AS						
	7	1	333-4616	1	SUPPORT AS						
I	8	1	338-6213	1	HOSE AS						
	9	1	347-2086	1	PIPE AS						
	10	1	347-6078	1	HOSE AS						
M	11	1	105-3485	4	BOLT-SOCKET HEAD (M12X1.75X60-MM)						
	12	1	133-5813	2	BAND-MARKER (GRAY, P)						
	13	1	148-8335	1	CONNECTOR AS						
		1	5K-9090	1	SEAL-O-RING						
		1	6V-8635	1	CONNECTOR						
		1	7M-8485	1	SEAL-O-RING						
14	1	1	148-8353	1	ELBOW AS						
		1	3J-1907	1	SEAL-O-RING						
		1	6V-8397	1	SEAL-O-RING						
		1	6V-9001	1	ELBOW						
15	1	1	148-8357	1	ELBOW AS						
		1	5K-9090	1	SEAL-O-RING						
		1	6V-9008	1	ELBOW						
		1	7M-8485	1	SEAL-O-RING						
16	1	1	148-8411	1	PLUG AS						
		1	3K-0360	1	SEAL-O-RING						
		1	9S-4185	1	PLUG-O-RING						
17	1	1	148-8435	1	TEE AS						
		1	3J-1907	1	SEAL-O-RING						
		1	6V-8397	2	SEAL-O-RING						
		1	6V-8781	1	TEE-FACE SEAL						
18	1	1	164-4180	1	PLUG AS						
		1	7M-8485	1	SEAL-O-RING						
		1	9S-4181	1	PLUG-O-RING						
19	1	1	164-6858	1	TEE AS						
		1	5K-9090	2	SEAL-O-RING						
		1	6V-8778	1	TEE-FACE SEAL						
		1	7M-8485	1	SEAL-O-RING						
	20	1	1P-3705	2	SEAL-RECTANGULAR						
	21	1	4I-9526	2	BAND-MARKER (WHITE, R2)						
	22	1	4J-0522	1	SEAL-O-RING						
	23	1	4J-0524	1	SEAL-O-RING						
	24	1	5K-8451	1	CLIP						
	25	1	5P-7468	1	CLIP (SLOT)						
	26	1	5P-7469	1	CLIP (TAB)						
	27	1	5P-8444	1	GROMMET						
M	28	1	7I-2272	2	BOLT (M5X0.8X12-MM)						
	29	1	8T-4121	1	WASHER-HARD (11X21X2.5-MM THK)						
M	30	1	8T-4136	1	BOLT (M10X1.5X25-MM)						
M	31	1	8T-4183	2	BOLT (M12X1.75X40-MM)						
	32	1	8T-4223	3	WASHER-HARD (13.5X25.5X3-MM THK)						
M	33	1	8T-4956	1	BOLT (M12X1.75X35-MM)						

I-REFER TO HYDRAULIC INFORMATION SYSTEM
M-METRIC PART
Y-SEPARATE ILLUSTRATION

HYDRAULIC SYSTEM

338-6189 LINES GP-PILOT (contd.)

i03790753



GRAPHIC #1

<END>

g02138454

HYDRAULIC SYSTEM

338-6177 LINES GP-PUMP-SUPPLY

S/N: PAS1-UP

PART OF 297-0212 HYDRAULIC AR

SMCS-5057

i03656687

NOTE	REF NO	GRAPHIC REF	PART NUMBER	QTY	PART NAME						SEE PAGE
					1	2	3	4	5	6 (PRODUCT LEVEL)	
	1	1	3E-7424	4	CLAMP-HOSE						
M	2	1	113-2003	4	BOLT-SOCKET HEAD (M16X2X40-MM)						
	3	2	124-1067	2	PLATE						
	4	2	124-1253	4	GROMMET						
	5	2	128-7514	2	CLIP						
	6	2	138-5555	1	SUPPORT						
	7	1	148-4964	1	HOSE						
	8	1	152-9248	1	PIPE AS						
	9	1	152-9320	4	CLIP-HALF						
	10	2	184-9203	2	BLOCK						
	11	2	245-5172	1	SUPPORT						
I	12	2	245-5175	1	HOSE AS						
	13	2	289-5712	2	BLOCK						
	14	2	289-5713	1	SUPPORT AS						
	15	2	292-7275	1	SUPPORT						
	16	1	314-8096	1	TUBE AS						
	17	2	328-4315	8	BOLT						
	18	1	333-4547	1	PIPE AS						
	19	1	338-6049	1	TUBE AS						
	20	1	338-6050	1	TUBE AS						
I	21	1	338-6194	1	HOSE AS						
I	22	1	338-6197	1	HOSE AS						
I	23	1	338-6198	1	HOSE AS						
I	24	1	338-6199	1	HOSE AS						
I	25	1	342-4005	1	HOSE AS						
I	26	1	342-4049	1	HOSE AS						
I	27	1	347-1215	2	HOSE AS						
	28	1	347-1232	1	BLOCK						
	29	1	347-6123	1	SUPPORT AS						
M	30	2	096-4885	4	LOCKNUT (M16X2-THD)						
M	31	1	099-0169	4	BOLT (M16X2X55-MM)						
	32	1	148-8323	2	CONNECTOR AS						
					(EACH INCLUDES)						
		1	2S-4078	1	SEAL-O-RING						
		1	5K-9090	1	SEAL-O-RING						
		1	6V-9875	1	CONNECTOR						
	33	1	148-8407	2	PLUG AS						
					(EACH INCLUDES)						
		1	3J-1907	1	SEAL-O-RING						
		1	9S-4191	1	PLUG-O-RING						
	34	1	148-8411	3	PLUG AS						
					(EACH INCLUDES)						
		1	3K-0360	1	SEAL-O-RING						
		1	9S-4185	1	PLUG-O-RING						
	35	1	150-3073	2	PLUG AS						
					(EACH INCLUDES)						
		1	5K-9090	1	SEAL-O-RING						
		1	6V-9512	1	PLUG (1-7/16-12-THD)						
	36	1	152-9321	2	GROMMET						
	37	2	190-6063	1	U-BOLT						
	38	2	190-6064	1	U-BOLT						
	39	1	1P-3704	3	SEAL-RECTANGULAR						
	40	1	1P-3705	10	SEAL-RECTANGULAR						
	41	1,2	1P-3706	4	SEAL-RECTANGULAR						
	42	2	1P-4585	4	FLANGE-HALF						
	43	1	1P-5767	6	FLANGE-HALF						

HYDRAULIC SYSTEM

338-6177 LINES GP - PUMP (contd.)

i03656687

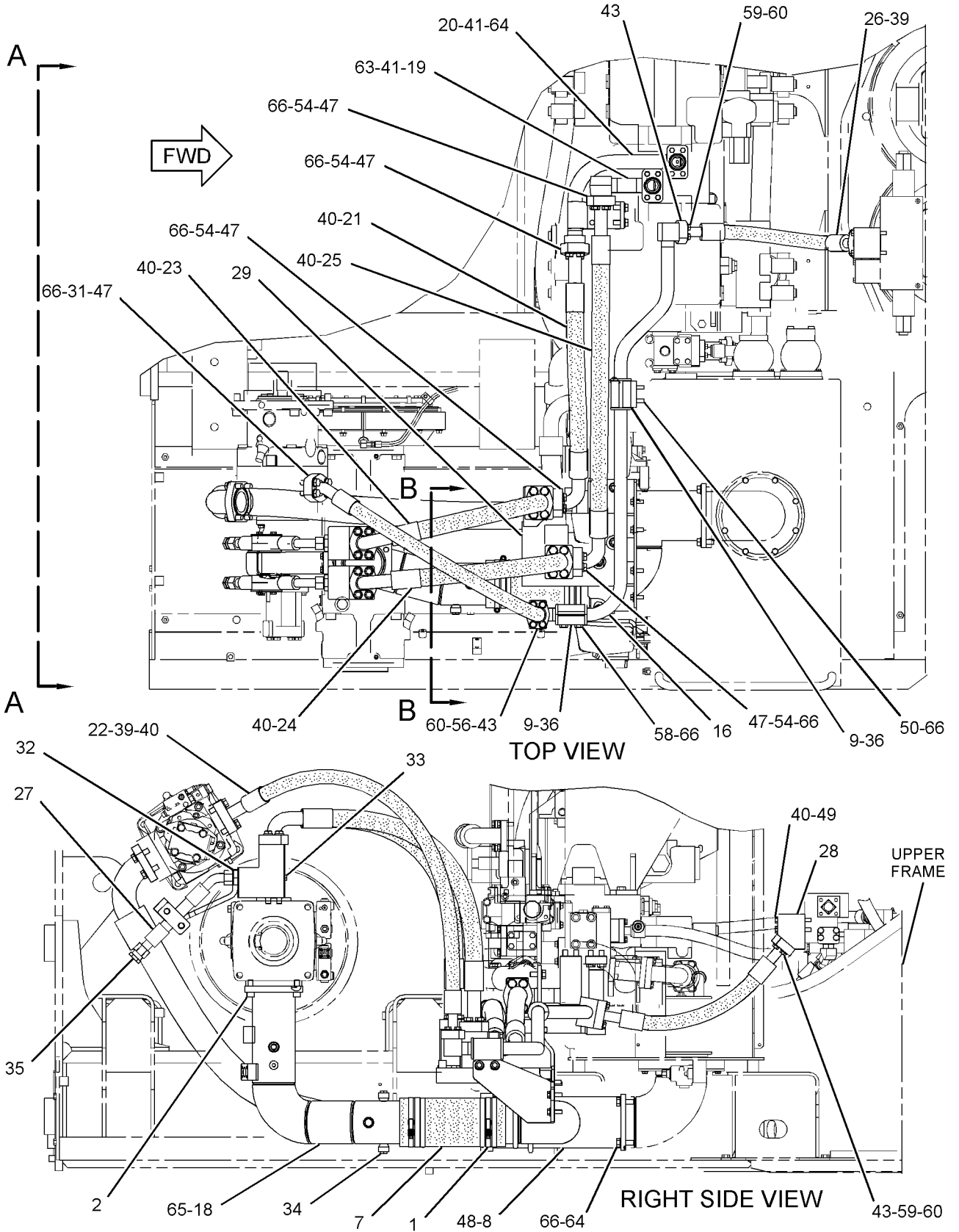
NOTE	REF NO	GRAPHIC REF	PART NUMBER	QTY	PART NAME						SEE PAGE
					1	2	3	4	5	6 (PRODUCT LEVEL)	
	44	2	2H-6338	2	SEAL - O - RING						
	45	2	331-1697	4	BOLT (M16X2X45-MM)						
	46	2	5P-1076	4	WASHER-HARD (13.5X30X4-MM THK)						
	47	1,2	5P-8077	18	FLANGE-HALF						
	48	1	6F-4718	1	SEAL - O - RING						
M	49	1	7X-2550	4	BOLT (M12X1.75X110-MM)						
M	50	1,2	7X-2553	4	BOLT (M16X2X40-MM)						
	51	2	8T-4121	4	WASHER-HARD (11X21X2.5-MM THK)						
M	52	2	8T-4132	2	NUT (M16X2-THD)						
M	53	2	8T-4136	4	BOLT (M10X1.5X25-MM)						
M	54	1,2	8T-4140	24	BOLT (M16X2X60-MM)						
M	55	2	8T-4183	4	BOLT (M12X1.75X40-MM)						
M	56	1	8T-4184	4	BOLT (M12X1.75X45-MM)						
M	57	2	8T-4192	4	BOLT (M12X1.75X25-MM)						
M	58	1,2	8T-4193	6	BOLT (M16X2X50-MM)						
M	59	1	8T-4194	8	BOLT (M12X1.75X50-MM)						
	60	1,2	8T-4223	22	WASHER-HARD (13.5X25.5X3-MM THK)						
M	61	2	8T-4779	2	BOLT (M16X2X35-MM)						
M	62	2	8T-4956	6	BOLT (M12X1.75X35-MM)						
M	63	1	8T-6385	4	BOLT (M16X2X180-MM)						
M	64	1	8T-7338	8	BOLT (M16X2X45-MM)						
	65	1	9M-3786	1	SEAL - O - RING						
	66	1,2	9X-8257	62	WASHER (17.5X30X3.5-MM THK)						

I-REFER TO HYDRAULIC INFORMATION SYSTEM
M-METRIC PART

HYDRAULIC SYSTEM

338-6177 LINES GP-PUMP (contd.)

i03656687



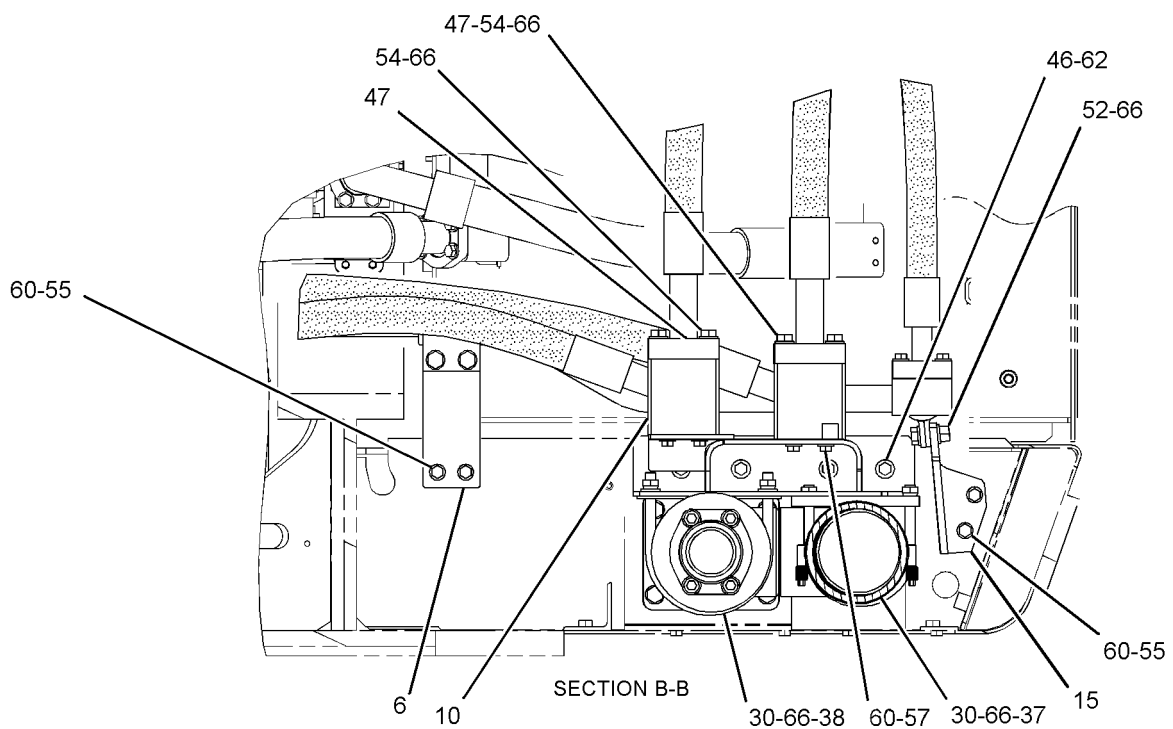
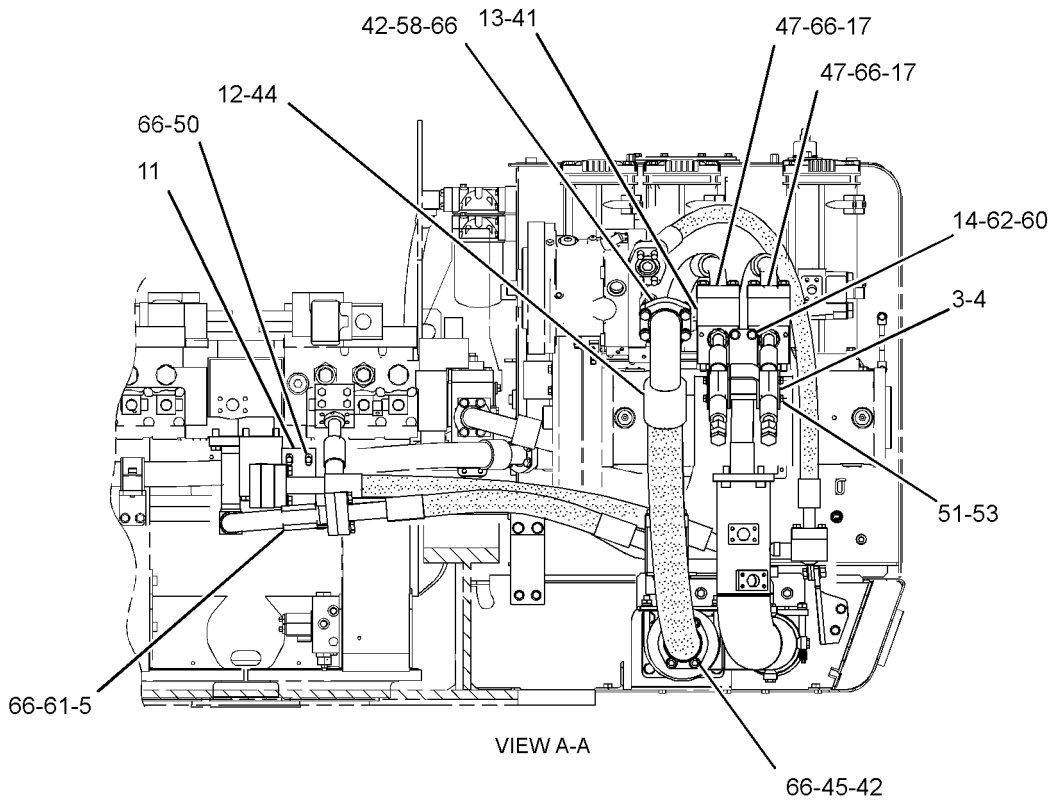
GRAPHIC #1

g02094393

HYDRAULIC SYSTEM

338-6177 LINES GP-PUMP (contd.)

i03656687



GRAPHIC #2

<END>

g02094554

HYDRAULIC SYSTEM

302-3060 LINES GP-RETURN & FILTER

S/N: PAS1-UP

PART OF 297-0212 HYDRAULIC AR

SMCS-5057

i03656695

NOTE	REF NO	GRAPHIC REF	PART NUMBER	QTY	PART NAME						SEE PAGE
					1	2	3	4	5	6 (PRODUCT LEVEL)	
I	1	1	7Y-4154	1	HOSE AS						
	2	2	087-5729	1	BLOCK						
M	3	2	113-2004	2	BOLT-SOCKET HEAD (M12X1.75X45-MM)						
	4	2	114-0741	1	COVER						
I	5	2	128-7568	1	HOSE AS						
	6	2	148-4787	1	BLOCK						
	7	1,2	152-9521	2	FLANGE						
	8	1,2	152-9522	2	COVER						
	9	1,2	173-4939	2	FLANGE						
	10	2	192-6815	2	PIPE AS						
Y	11	1	201-9381	1	VALVE GP-CHECK						611
Y	12	2	201-9382	1	VALVE GP-CHECK						613
I	13	2	204-8298	1	HOSE AS						
I	14	2	204-8301	1	HOSE AS						
	15	1,2	212-5595	8	SPACER (13.5X30X6-MM THK)						
	16	2	236-2802	1	HOSE AS						
I	17	1	236-2805	1	HOSE AS						
I	18	1	236-2808	1	HOSE AS						
	19	1	236-2821	1	SUPPORT						
	20	2	236-2855	1	FLANGE						
	21	2	236-2859	1	BLOCK						
	22	1,2	245-5222	2	COVER						
I	23	2	260-7956	1	HOSE AS						
	24	2	285-2481	1	TUBE AS						
	25	1	289-5695	1	SUPPORT						
I	26	2	292-7244	1	HOSE AS						
I	27	2	302-3293	1	HOSE AS						
I	28	2	307-5037	1	HOSE AS						
M	29	1,2	101-7402	8	BOLT-SOCKET HEAD (M12X1.75X30-MM)						
M	30	2	101-7404	4	BOLT-SOCKET HEAD (M10X1.5X30-MM)						
M	31	1	105-3489	2	BOLT-SOCKET HEAD (M12X1.75X80-MM)						
M	32	2	108-1781	8	BOLT-SOCKET HEAD (M12X1.75X35-MM)						
	33	2	148-8352	1	ELBOW AS						
		2	5K-9090	1	SEAL-O-RING						
		2	6V-9854	1	ELBOW						
	34	1	148-8357	2	ELBOW AS						
					(EACH INCLUDES)						
		1	5K-9090	1	SEAL-O-RING						
		1	6V-9008	1	ELBOW						
		1	7M-8485	1	SEAL-O-RING						
	35	1	148-8359	2	ELBOW AS						
					(EACH INCLUDES)						
		1	3K-0360	1	SEAL-O-RING						
		1	6V-9746	1	SEAL-O-RING						
		1	6V-9877	1	ELBOW						
	36	2	148-8422	1	TEE AS						
		2	5K-9090	1	SEAL-O-RING						
		2	6V-9746	1	SEAL-O-RING						
		2	7M-8485	1	SEAL-O-RING						
		2	8T-6356	1	TEE-O-RING PORT						
	37	2	148-8429	1	TEE AS						
		2	5K-9090	2	SEAL-O-RING						
		2	6V-9840	1	TEE-SWIVEL						
	38	2	150-4033	1	TEE AS						
		2	6V-9746	2	SEAL-O-RING						
		2	6V-9846	1	TEE-SWIVEL						

HYDRAULIC SYSTEM

302-3060 LINES GP-RETURN & FILTER (contd.)

i03656695

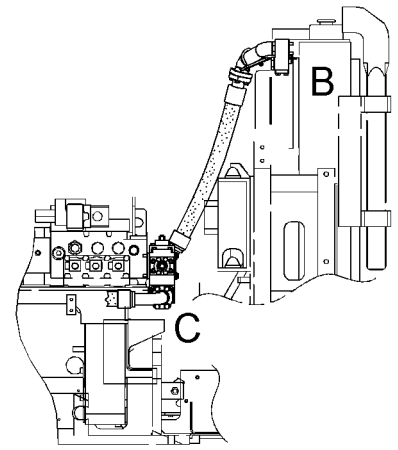
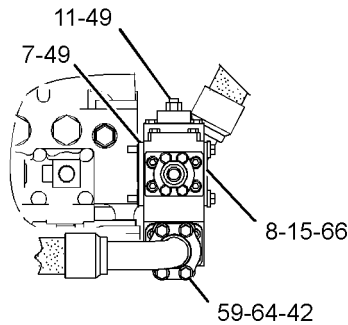
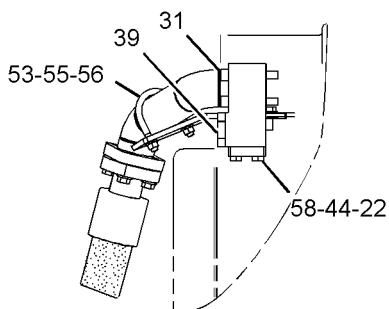
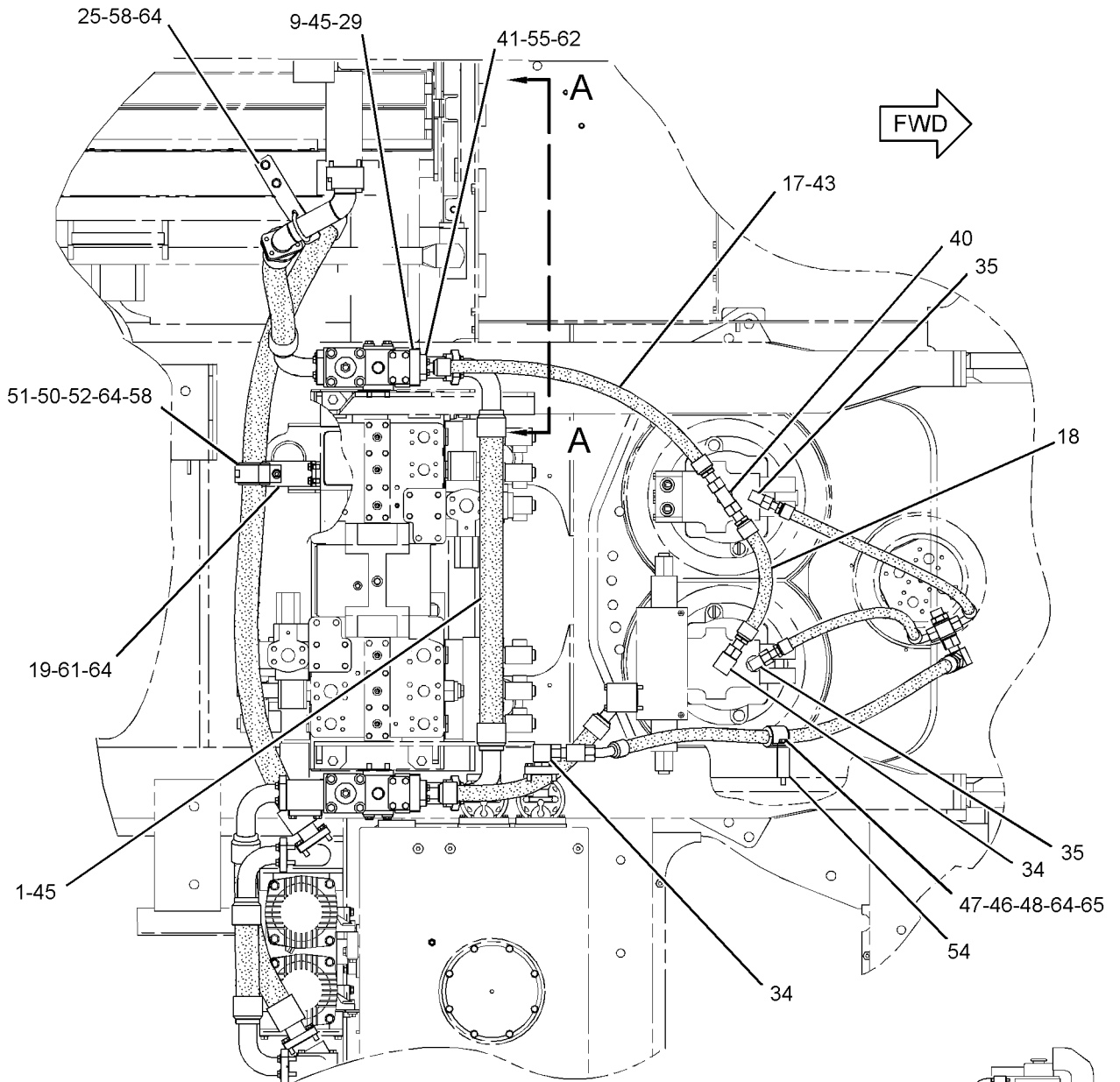
NOTE	REF NO	GRAPHIC REF	PART NUMBER	QTY	PART NAME						SEE PAGE
					1	2	3	4	5	6 (PRODUCT LEVEL)	
	39	1	164-5616	1	PLUG AS						
		1	2S-4078	1	SEAL-O-RING						
		1	9S-6130	1	PLUG						
	40	1	164-6858	1	TEE AS						
		1	5K-9090	2	SEAL-O-RING						
		1	6V-8778	1	TEE-FACE SEAL						
		1	7M-8485	1	SEAL-O-RING						
	41	1,2	1P-4578	6	FLANGE-HALF						
	42	1,2	1P-4582	20	FLANGE-HALF						
	43	1,2	4J-0522	6	SEAL-O-RING						
	44	1,2	4J-0524	3	SEAL-O-RING						
	45	1,2	4J-0527	16	SEAL-O-RING						
	46	1	5P-7468	1	CLIP (SLOT)						
	47	1	5P-7469	1	CLIP (TAB)						
	48	1	5P-8444	1	GROMMET						
	49	1,2	6J-2680	6	SEAL-O-RING						
	50	1	6V-1867	1	CLIP (SLOT)						
	51	1	6V-1868	1	CLIP (TAB)						
	52	1	6V-1869	1	GROMMET						
M	53	1	7Y-5247	1	U-BOLT						
	54	1	7Y-8838	1	PIPE						
	55	1,2	8T-4121	14	WASHER-HARD (11X21X2.5-MM THK)						
M	56	1	8T-4133	2	NUT (M10X1.5-THD)						
M	57	2	8T-4136	4	BOLT (M10X1.5X25-MM)						
M	58	1,2	8T-4139	11	BOLT (M12X1.75X30-MM)						
M	59	1,2	8T-4183	32	BOLT (M12X1.75X40-MM)						
M	60	2	8T-4184	8	BOLT (M12X1.75X45-MM)						
M	61	1	8T-4192	2	BOLT (M12X1.75X25-MM)						
M	62	1,2	8T-4196	12	BOLT (M10X1.5X35-MM)						
M	63	2	8T-4198	4	BOLT (M10X1.5X100-MM)						
	64	1,2	8T-4223	46	WASHER-HARD (13.5X25.5X3-MM THK)						
M	65	1	8T-5041	1	BOLT (M12X1.75X120-MM)						
M	66	1,2	8T-5092	8	BOLT (M12X1.75X150-MM)						
M	67	2	8T-5412	4	BOLT (M12X1.75X140-MM)						

I-REFER TO HYDRAULIC INFORMATION SYSTEM
M-METRIC PART
Y-SEPARATE ILLUSTRATION

HYDRAULIC SYSTEM

302-3060 LINES GP-RETURN & FILTER (contd.)

i03656695



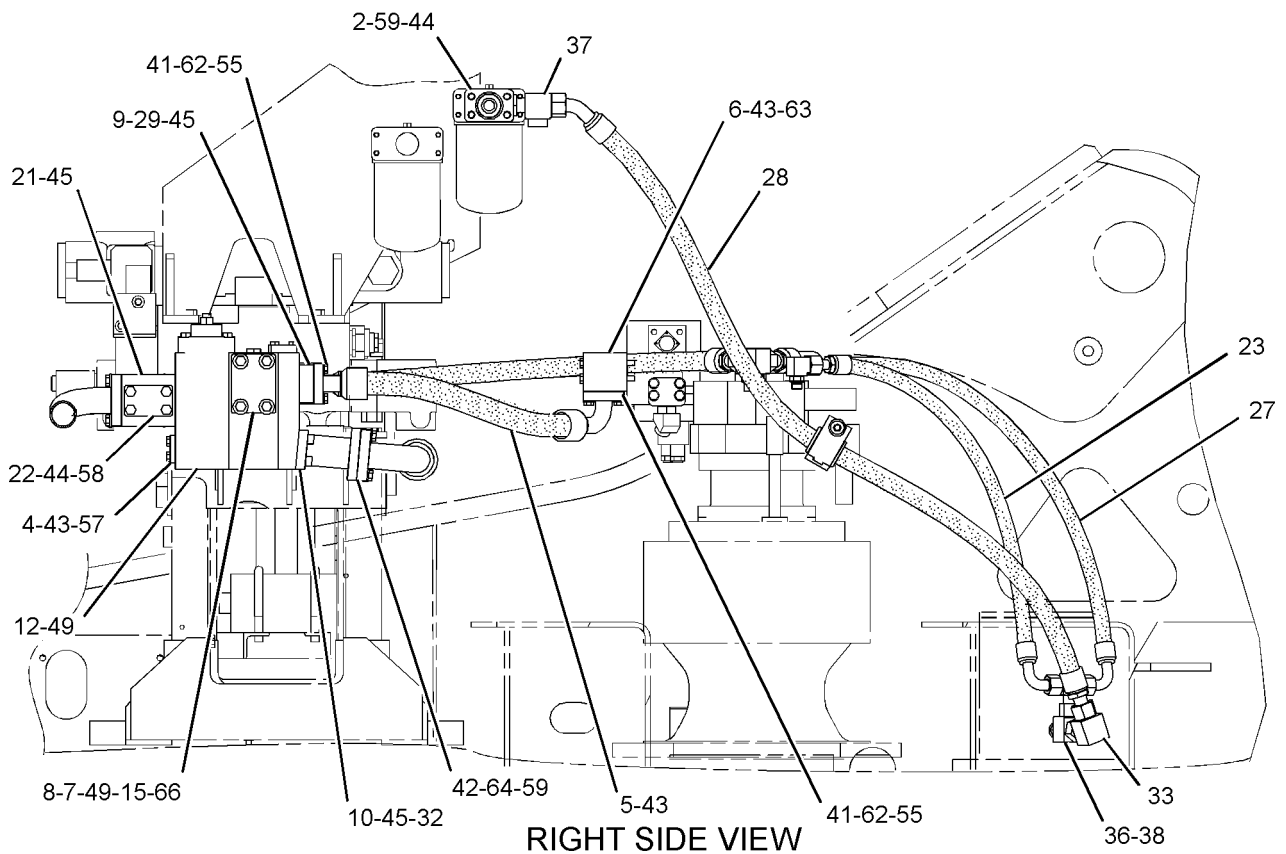
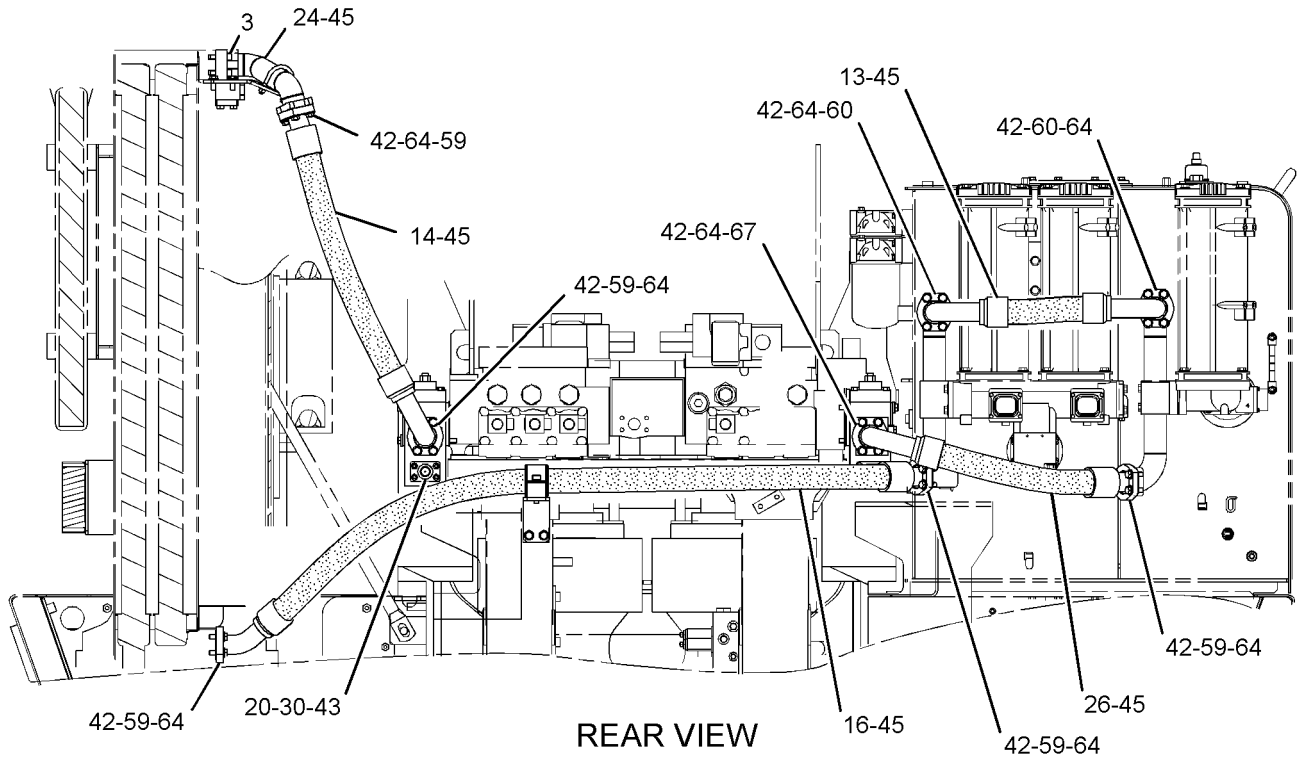
GRAPHIC #1

g02054593

HYDRAULIC SYSTEM

302-3060 LINES GP-RETURN & FILTER (contd.)

i03656695



GRAPHIC #2

<END>

g02054594

HYDRAULIC SYSTEM

338-6181 LINES GP-STICK

S/N: PAS1-UP

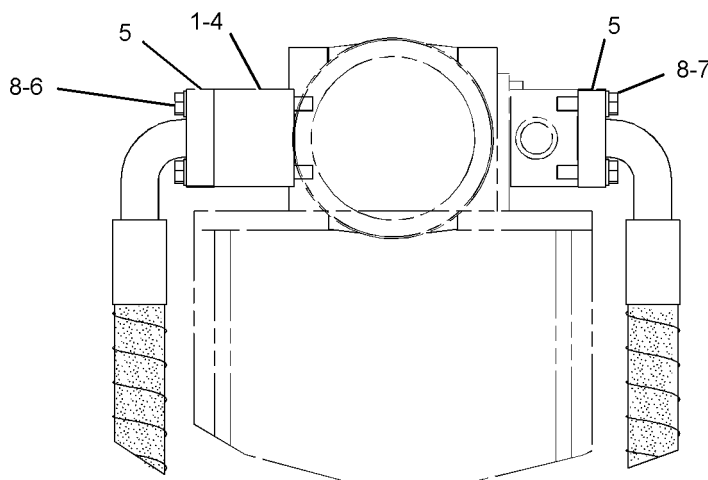
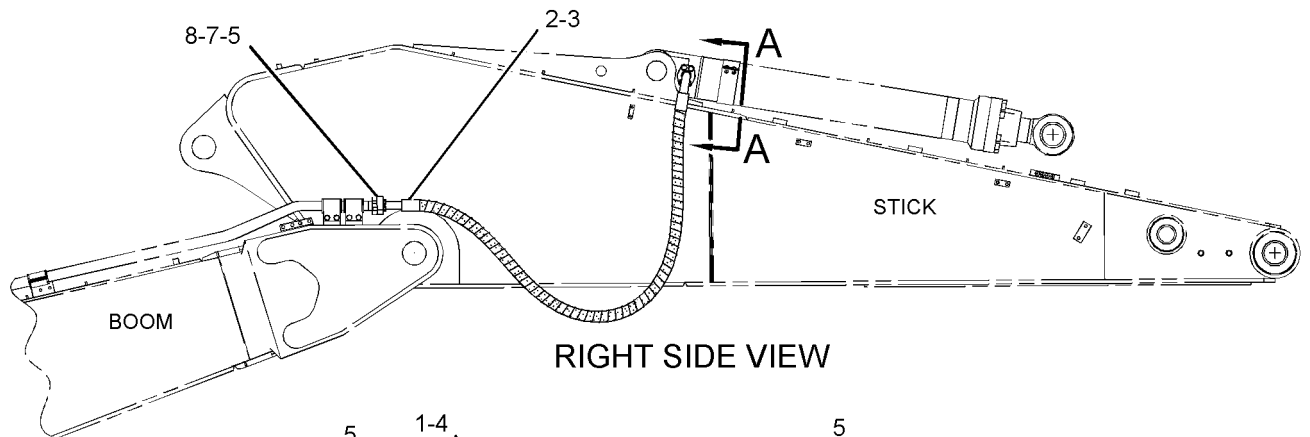
PART OF 294-1285 STICK AR-HOE
AN ATTACHMENT

SMCS-5057, 5458

i03908090

NOTE	REF NO	GRAPHIC REF	PART NUMBER	QTY	PART NAME						SEE PAGE
					1	2	3	4	5	6 (PRODUCT LEVEL)	
	1	1	4I-0924	1	FLANGE						
I	2	1	338-6208	2	HOSE AS (EACH INCLUDES)						
E		1	6V-0757		GUARD-HOSE (380-CM)						
	3	1	1P-3705	4	SEAL-RECTANGULAR						
	4	1	1P-3706	1	SEAL-RECTANGULAR						
	5	1	5P-8077	8	FLANGE-HALF						
M	6	1	7X-2558	4	BOLT (M16X2X150-MM)						
M	7	1	8T-4140	12	BOLT (M16X2X60-MM)						
	8	1	9X-8257	16	WASHER (17.5X30X3.5-MM THK)						

E-ORDER BY THE CENTIMETER
I-REFER TO HYDRAULIC INFORMATION SYSTEM
M-METRIC PART



VIEW A-A

GRAPHIC #1

<END>

g01936193

HYDRAULIC SYSTEM

338-6182 LINES GP-STICK

S/N: PAS1-UP

PART OF 294-1286 STICK AR-HOE
AN ATTACHMENT

SMCS-5057, 5458

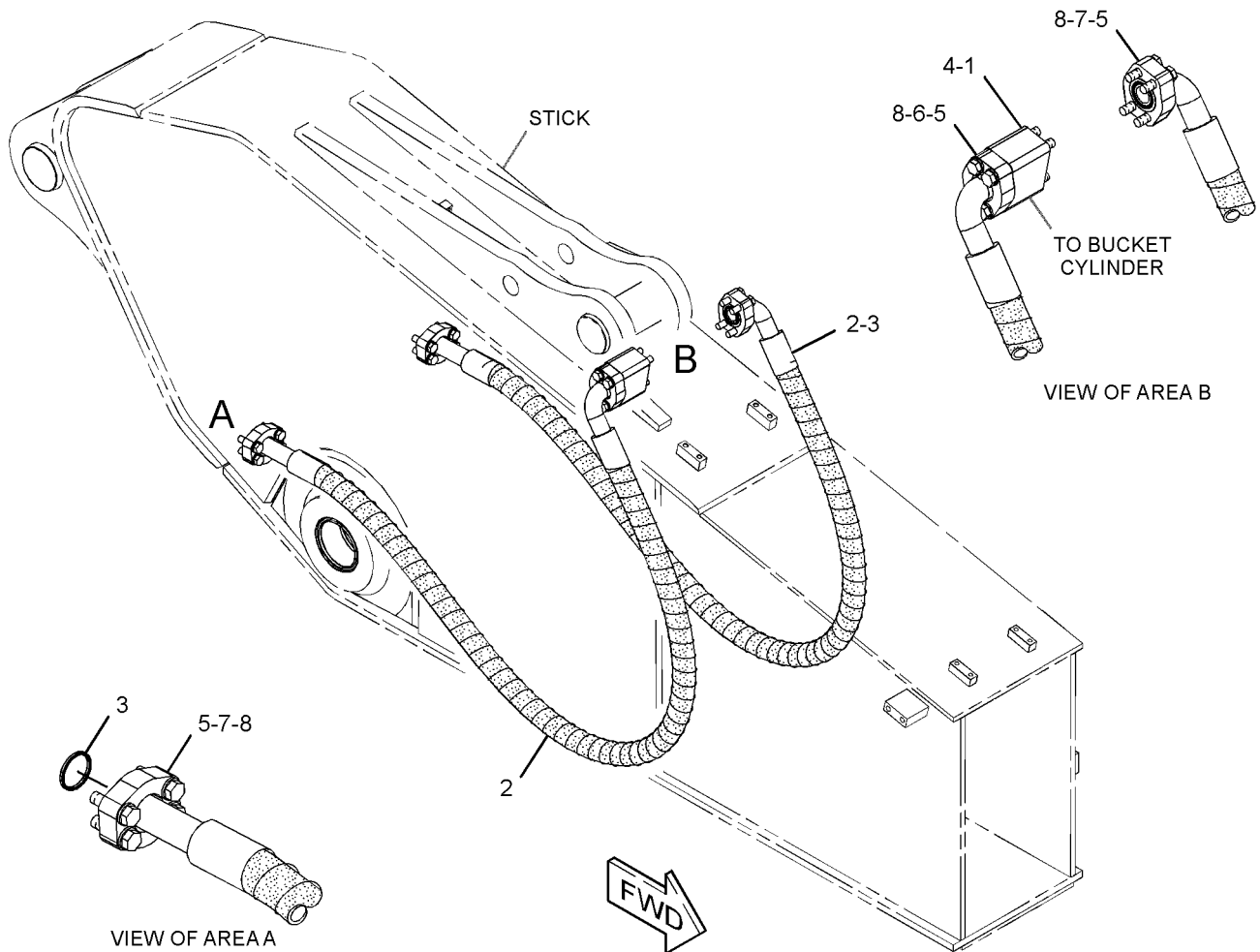
i03905689

NOTE	REF NO	GRAPHIC REF	PART NUMBER	QTY	PART NAME						SEE PAGE
					1	2	3	4	5	6 (PRODUCT LEVEL)	
	1	1	4I-0924	1	FLANGE						
I	2	1	338-6209	2	HOSE AS						
					(EACH INCLUDES)						
E		1	6V-0757		GUARD-HOSE (325-CM)						
	3	1	1P-3705	4	SEAL-RECTANGULAR						
	4	1	1P-3706	1	SEAL-RECTANGULAR						
	5	1	5P-8077	8	FLANGE-HALF						
M	6	1	7X-2558	4	BOLT (M16X2X150-MM)						
M	7	1	8T-4140	12	BOLT (M16X2X60-MM)						
	8	1	9X-8257	16	WASHER (17.5X30X3.5-MM THK)						

E-ORDER BY THE CENTIMETER

I-REFER TO HYDRAULIC INFORMATION SYSTEM

M-METRIC PART



GRAPHIC #1

<END>

g01923325

HYDRAULIC SYSTEM

338-6183 LINES GP-STICK

S/N: PAS1-UP

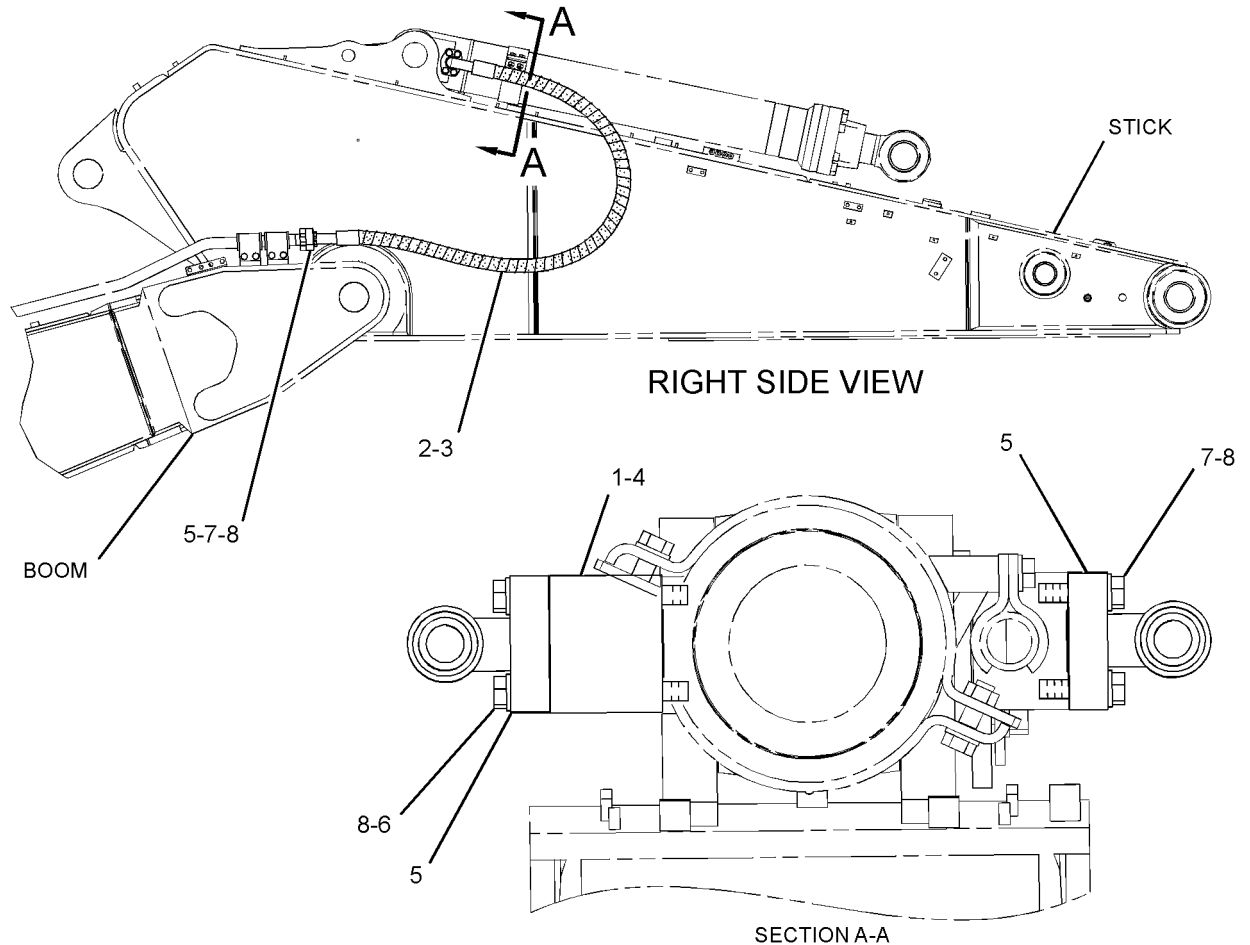
PART OF 294-1287, 319-9197 STICK AR-HOE
AN ATTACHMENT

SMCS-5057, 5458

i03908092

NOTE	REF NO	GRAPHIC REF	PART NUMBER	QTY	PART NAME						SEE PAGE
					1	2	3	4	5	6 (PRODUCT LEVEL)	
	1	1	4I-0924	1	FLANGE						
I	2	1	338-6209	2	HOSE AS (EACH INCLUDES)						
E		1	6V-0757		GUARD-HOSE (328-CM)						
	3	1	1P-3705	4	SEAL-RECTANGULAR						
	4	1	1P-3706	1	SEAL-RECTANGULAR						
	5	1	5P-8077	8	FLANGE-HALF						
M	6	1	7X-2558	4	BOLT (M16X2X150-MM)						
M	7	1	8T-4140	12	BOLT (M16X2X60-MM)						
	8	1	9X-8257	16	WASHER (17.5X30X3.5-MM THK)						

E-ORDER BY THE CENTIMETER
I-REFER TO HYDRAULIC INFORMATION SYSTEM
M-METRIC PART



GRAPHIC #1

<END>

g02004854

HYDRAULIC SYSTEM

338-6184 LINES GP-STICK

S/N: PAS1-UP

PART OF 294-1288 STICK AR-HOE
AN ATTACHMENT

SMCS-5057, 5458

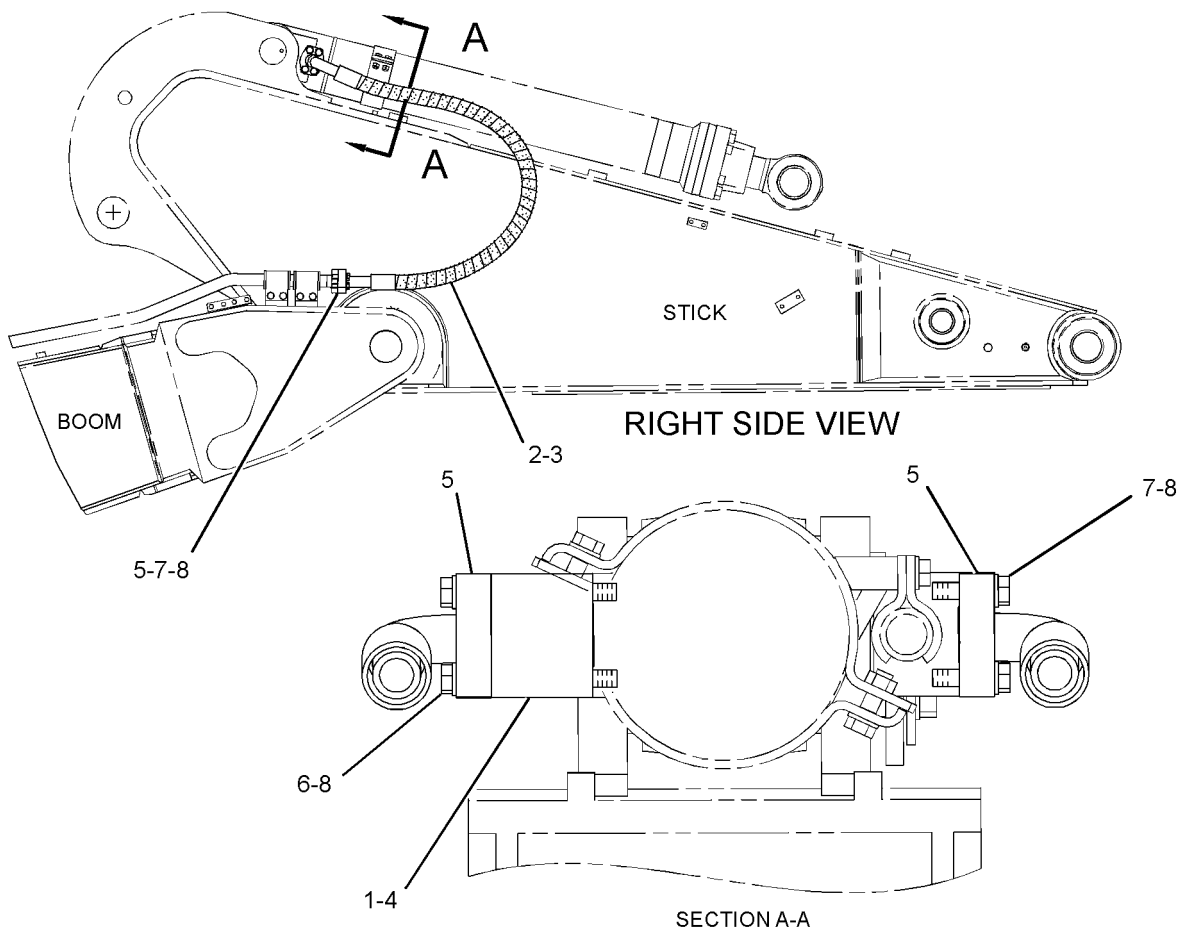
i03908097

NOTE	REF NO	GRAPHIC REF	PART NUMBER	QTY	PART NAME						SEE PAGE
					1	2	3	4	5	6 (PRODUCT LEVEL)	
	1	1	4I-0924	1	FLANGE						
I	2	1	338-6210	2	HOSE AS (EACH INCLUDES)						
E		1	6V-0757		GUARD-HOSE (247-CM)						
	3	1	1P-3705	4	SEAL-RECTANGULAR						
	4	1	1P-3706	1	SEAL-RECTANGULAR						
	5	1	5P-8077	8	FLANGE-HALF						
M	6	1	7X-2558	4	BOLT (M16X2X150-MM)						
M	7	1	8T-4140	12	BOLT (M16X2X60-MM)						
	8	1	9X-8257	16	WASHER (17.5X30X3.5-MM THK)						

E-ORDER BY THE CENTIMETER

I-REFER TO HYDRAULIC INFORMATION SYSTEM

M-METRIC PART



GRAPHIC #1

<END>

g02003713

HYDRAULIC SYSTEM

338-6185 LINES GP-STICK

S/N: PAS1-UP

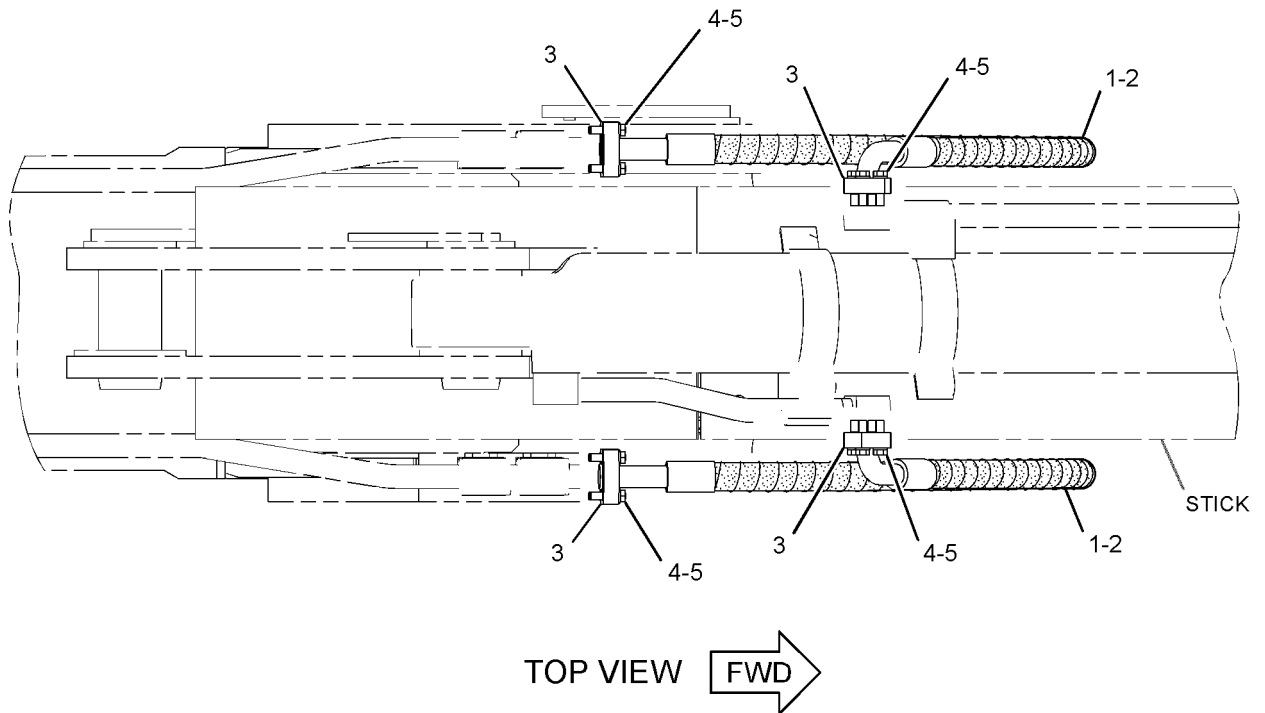
PART OF 294-1289 STICK AR-HOE
AN ATTACHMENT

SMCS-5057, 5458

i03908100

NOTE	REF NO	GRAPHIC REF	PART NUMBER	QTY	PART NAME						SEE PAGE
					1	2	3	4	5	6 (PRODUCT LEVEL)	
	1	1	356-9150	2	HOSE AS						
					(EACH INCLUDES)						
E		1	6V-0757		GUARD-HOSE (235-CM)						
	2	1	1P-3705	4	SEAL-RECTANGULAR						
	3	1	5P-8077	8	FLANGE-HALF						
M	4	1	8T-4140	16	BOLT (M16X2X60-MM)						
	5	1	9X-8257	16	WASHER (17.5X30X3.5-MM THK)						

E-ORDER BY THE CENTIMETER
M-METRIC PART



GRAPHIC #1

<END>

g02136315

HYDRAULIC SYSTEM

338-6186 LINES GP-STICK

S/N: PAS1-UP

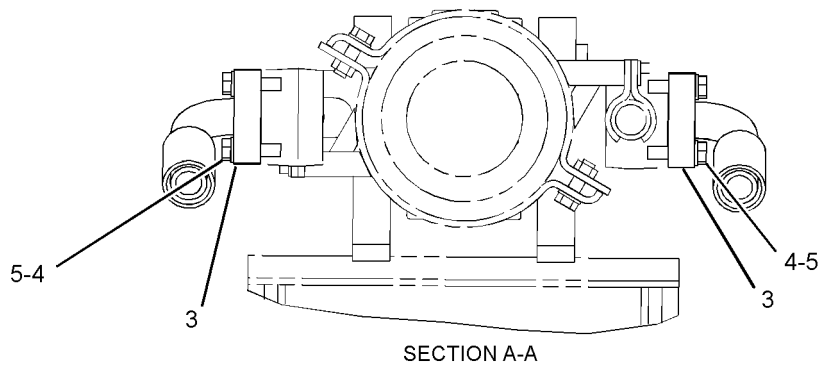
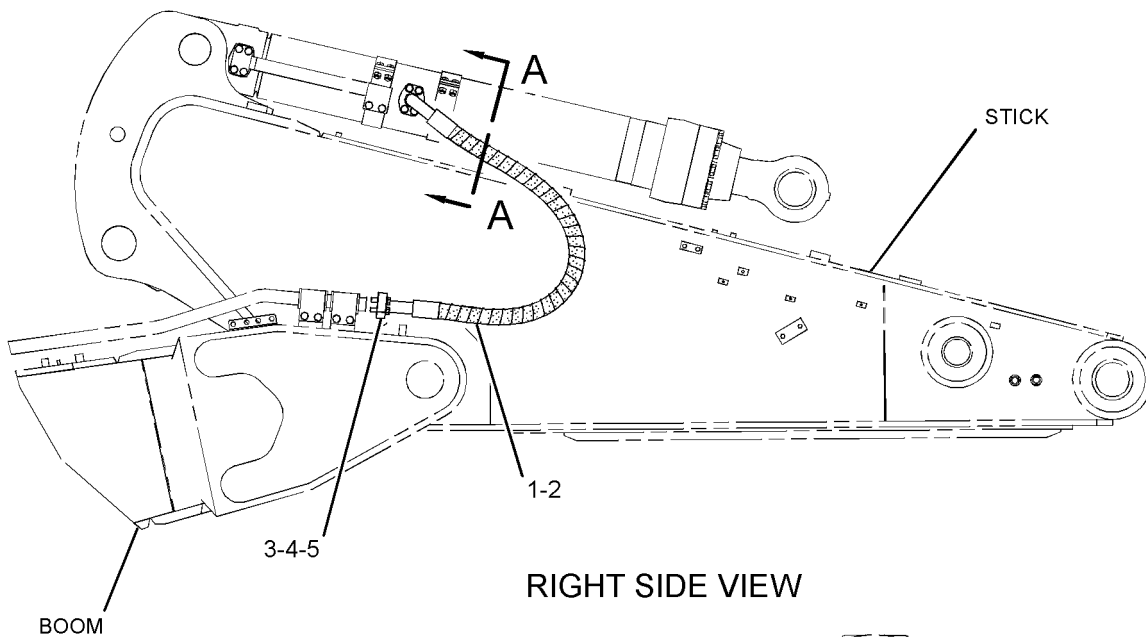
PART OF 294-1290, 319-9196 STICK AR-HOE
AN ATTACHMENT

SMCS-5057, 5458

i03908105

NOTE	REF NO	GRAPHIC REF	PART NUMBER	QTY	PART NAME						SEE PAGE
					1	2	3	4	5	6 (PRODUCT LEVEL)	
	1	1	356-9151	2	HOSE AS						
					(EACH INCLUDES)						
E		1	6V-0757		GUARD-HOSE (202-CM)						
	2	1	1P-3705	4	SEAL-RECTANGULAR						
	3	1	5P-8077	8	FLANGE-HALF						
M	4	1	8T-4140	16	BOLT (M16X2X60-MM)						
	5	1	9X-8257	16	WASHER (17.5X30X3.5-MM THK)						

E-ORDER BY THE CENTIMETER
M-METRIC PART



GRAPHIC #1

<END>

g02136434

HYDRAULIC SYSTEM

353-6860 LINES GP-STICK CYLINDER

S/N: PAS1-UP

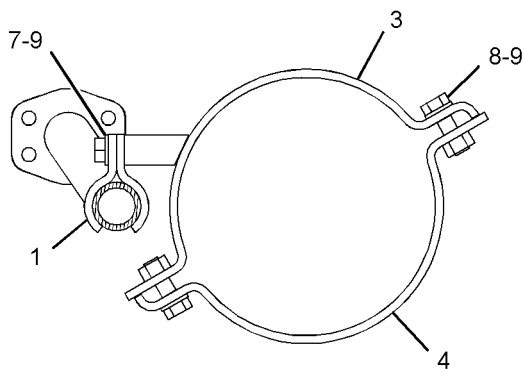
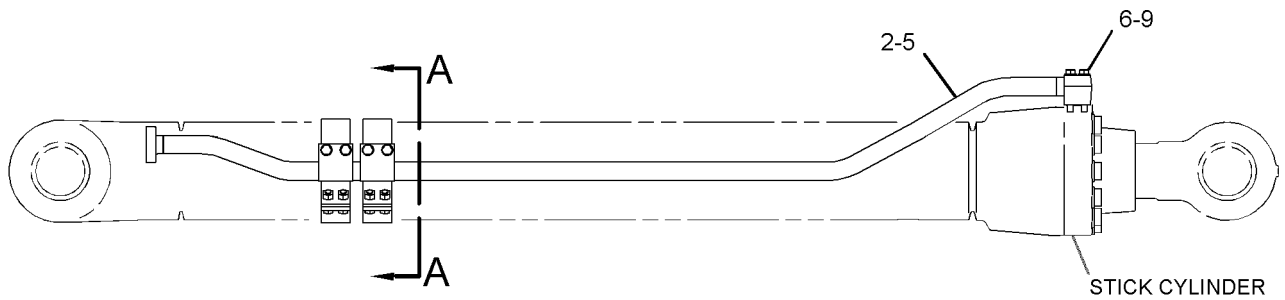
PART OF 353-6859 CYLINDER & LINES GP-STICK
AN ATTACHMENT

SMCS-5458

i03864876

NOTE	REF NO	GRAPHIC REF	PART NUMBER	QTY	PART NAME						SEE PAGE
					1	2	3	4	5	6 (PRODUCT LEVEL)	
	1	1	128-7514	4	CLIP						
	2	1	347-6169	1	TUBE AS						
	3	1	356-9099	2	SUPPORT AS						
	4	1	356-9100	2	SUPPORT AS						
	5	1	1P-3706	1	SEAL - RECTANGULAR						
M	6	1	7X-2556	4	BOLT (M16X2X100-MM)						
M	7	1	8T-4140	4	BOLT (M16X2X60-MM)						
M	8	1	8T-4193	8	BOLT (M16X2X50-MM)						
	9	1	9X-8257	16	WASHER (17.5X30X3.5-MM THK)						

M-METRIC PART



SECTION A-A

GRAPHIC #1

<END>

g02137894

HYDRAULIC SYSTEM

356-8004 LINES GP-STICK CYLINDER- STICK LOWERING CONTROL

S/N: PAS1-UP

PART OF 297-0425 VALVE AR-STICK LOWERING CONT
AN ATTACHMENT

SMCS-5458

i03875599

NOTE	REF NO	GRAPHIC REF	PART NUMBER	QTY	PART NAME						SEE PAGE
					1	2	3	4	5	6 (PRODUCT LEVEL)	
	1	1	093-1294	2	CLAMP						
	2	1	128-7514	6	CLIP						
Y	3	1	335-0311	1	VALVE GP-CHECK & RELIEF						616
	4	1	344-4341	2	PLATE AS						
	5	1	344-4351	1	TUBE AS						
	6	1	344-4567	2	PLATE						
	7	1	344-4568	1	TUBE AS						
	8	1	344-4569	1	TUBE AS						
	9	1	344-4570	1	TUBE AS						
	10	1	347-4429	1	ADAPTER AS						
		1	3D-2824	1	SEAL-O-RING						
		1	5K-9090	1	SEAL-O-RING						
		1	347-4425	1	ADAPTER						
	11	1	354-3696	1	SUPPORT AS						
	12	1	354-3698	2	SUPPORT AS						
	13	1	356-9099	1	SUPPORT AS						
	14	1	356-9100	4	SUPPORT AS						
	15	1	148-8318	1	CONNECTOR AS						
		1	3K-0360	1	SEAL-O-RING						
		1	6V-8397	1	SEAL-O-RING						
		1	6V-8634	1	CONNECTOR						
	16	1	148-8336	1	CONNECTOR AS						
		1	3J-1907	1	SEAL-O-RING						
		1	6V-8397	1	SEAL-O-RING						
		1	6V-8636	1	CONNECTOR						
	17	1	1P-3706	2	SEAL-RECTANGULAR						
	18	1	5K-9090	1	SEAL-O-RING						
	19	1	6V-8398	2	SEAL-O-RING						
M	20	1	7X-2554	6	BOLT (M16X2X70-MM)						
M	21	1	7X-2557	4	BOLT (M16X2X140-MM)						
	22	1	7Y-3732	4	CLIP						
	23	1	8T-4121	2	WASHER-HARD (11X21X2.5-MM THK)						
M	24	1	8T-4139	8	BOLT (M12X1.75X30-MM)						
M	25	1	8T-4182	2	BOLT (M10X1.5X45-MM)						
M	26	1	8T-4193	20	BOLT (M16X2X50-MM)						
	27	1	8T-4223	12	WASHER-HARD (13.5X25.5X3-MM THK)						
M	28	1	8T-4956	4	BOLT (M12X1.75X35-MM)						
	29	1	9X-8257	22	WASHER (17.5X30X3.5-MM THK)						

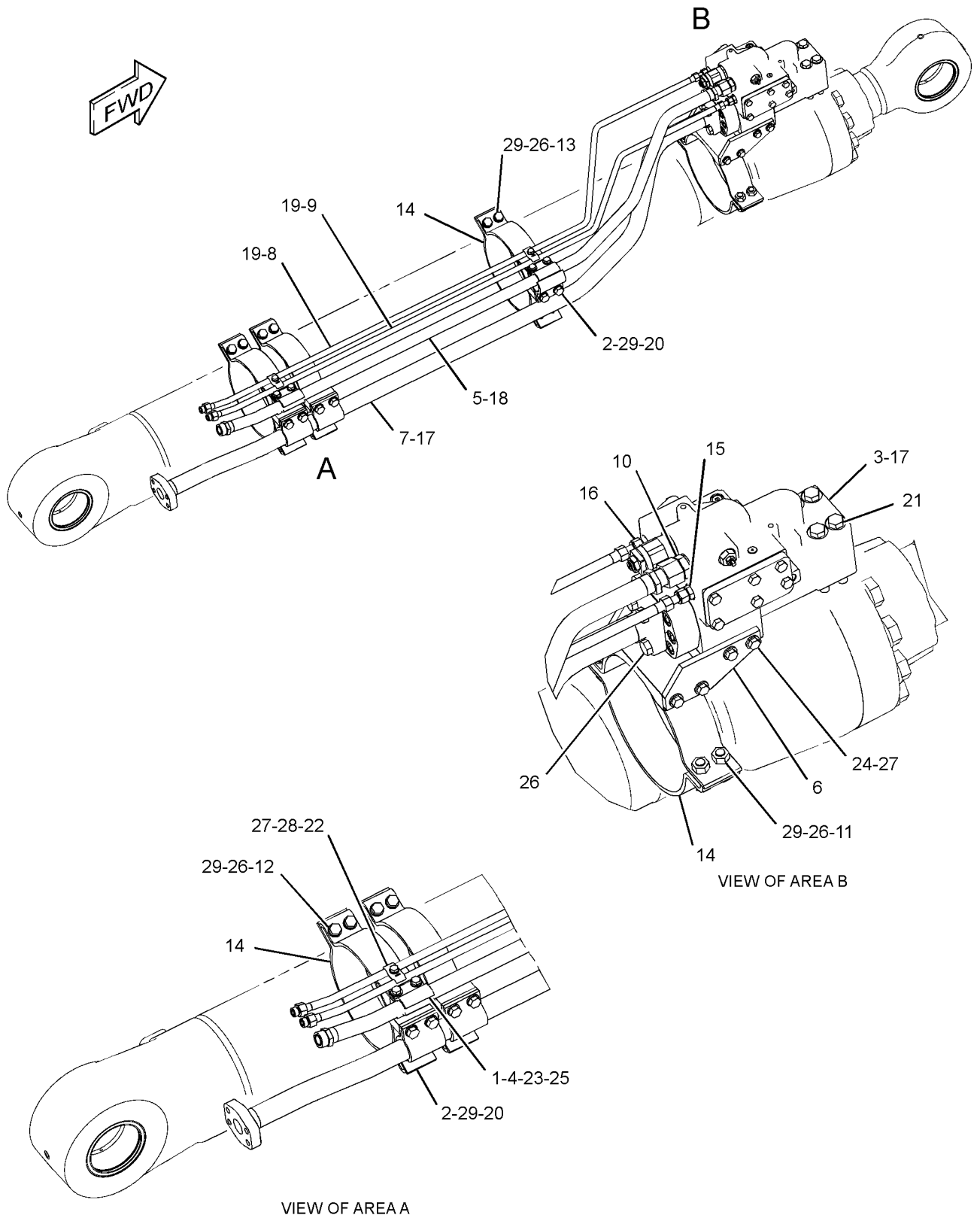
M-METRIC PART

Y-SEPARATE ILLUSTRATION

HYDRAULIC SYSTEM

356-8004 LINES GP-STICK CYLINDER (contd.)

i03875599



GRAPHIC #1

<END>

g02135717

HYDRAULIC SYSTEM

319-9995 LINES GP-SWING MOTOR

S/N: PAS1-UP

PART OF 297-0212 HYDRAULIC AR

SMCS-5057

i03656689

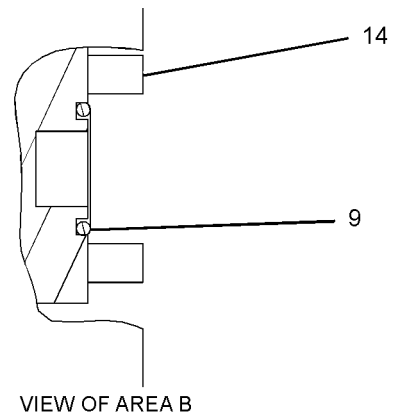
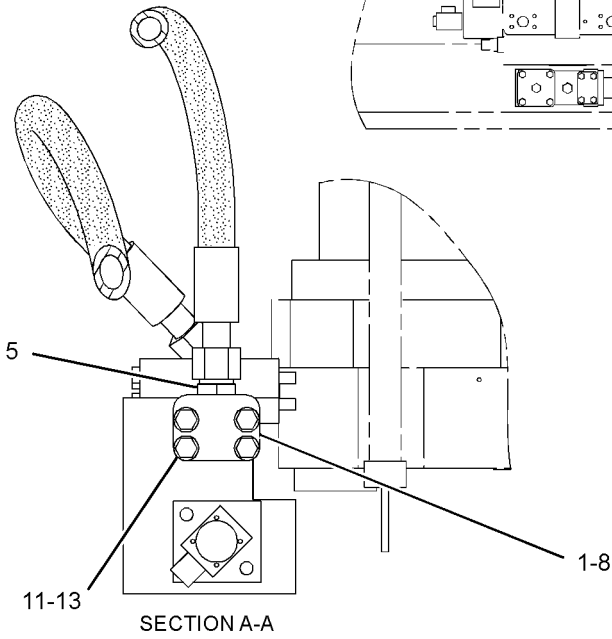
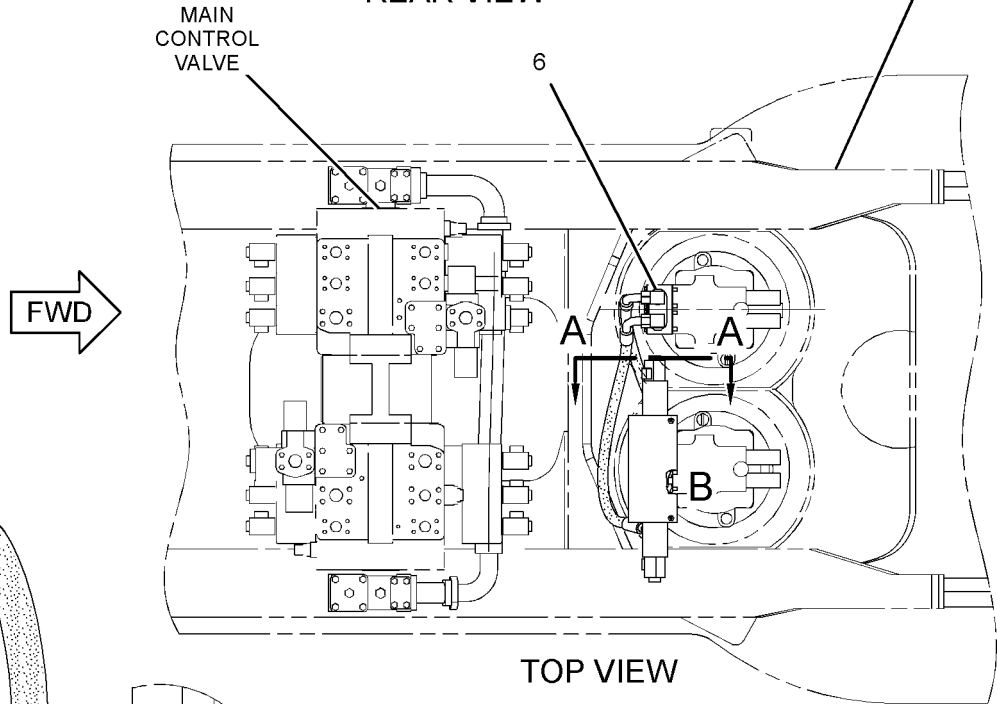
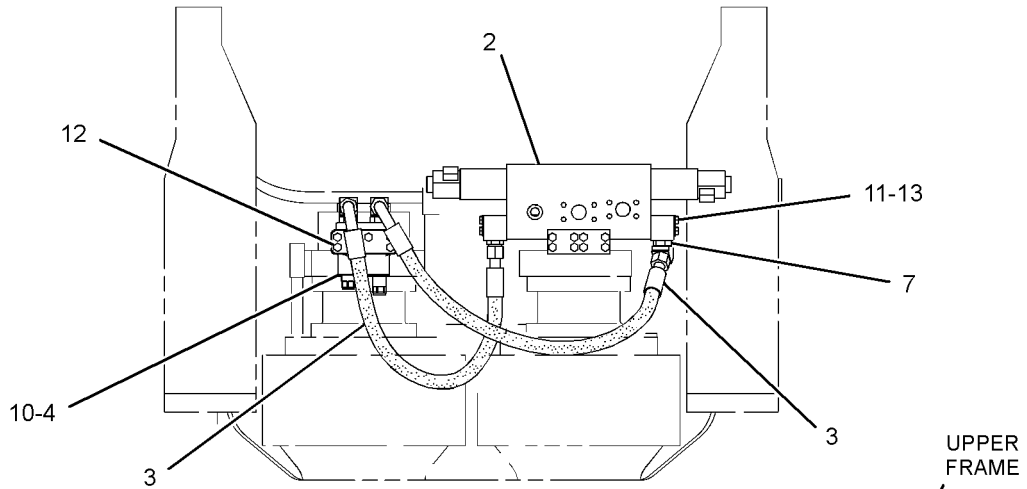
NOTE	REF NO	GRAPHIC REF	PART NUMBER	QTY	PART NAME						SEE PAGE
					1	2	3	4	5	6 (PRODUCT LEVEL)	
	1	1	149-6812	2	BLOCK						
Y	2	1	241-8928	1	VALVE GP-CONTROL (SWING)						624
I	3	1	269-9684	2	HOSE AS						
Y	4	1	315-4394	1	VALVE GP-SWING CUSHION						693
	5	1	148-8327	1	CONNECTOR AS						
		1	3D-2824	1	SEAL-O-RING						
		1	6V-8637	1	CONNECTOR						
		1	6V-9746	1	SEAL-O-RING						
	6	1	148-8347	2	ELBOW AS						
					(EACH INCLUDES)						
		1	3D-2824	1	SEAL-O-RING						
		1	6V-9007	1	ELBOW						
		1	6V-9746	1	SEAL-O-RING						
	7	1	153-6237	1	ELBOW AS						
		1	3D-2824	1	SEAL-O-RING						
		1	6V-9004	1	ELBOW						
		1	6V-9746	1	SEAL-O-RING						
	8	1	1P-3702	2	SEAL-RECTANGULAR						
	9	1	4F-8946	2	SEAL-O-RING						
	10	1	4J-5267	2	SEAL-O-RING						
	11	1	8T-4121	8	WASHER-HARD (11X21X2.5-MM THK)						
M	12	1	8T-4178	6	BOLT (M10X1.5X90-MM)						
M	13	1	8T-5005	8	BOLT (M10X1.5X70-MM)						
M	14	1	8T-5436	8	BOLT (M10X1.5X130-MM)						

I-REFER TO HYDRAULIC INFORMATION SYSTEM
M-METRIC PART
Y-SEPARATE ILLUSTRATION

HYDRAULIC SYSTEM

319-9995 LINES GP-SWING MOTOR (contd.)

i03656689



GRAPHIC #1

<END>

g02054693

HYDRAULIC SYSTEM

338-6178 LINES GP-TRAVEL MOTOR

S/N: PAS1-UP

PART OF 297-0212 HYDRAULIC AR

SMCS-5057, 5058

i03656688

NOTE	REF NO	GRAPHIC REF	PART NUMBER	QTY	PART NAME						SEE PAGE
					1	2	3	4	5	6 (PRODUCT LEVEL)	
	1	2	7K-1181	7	STRAP-CABLE						
M	2	2	115-3407	12	BOLT (M12X1.75X105-MM)						
Y	3	2	143-8067	2	VALVE GP-TRAVEL COUNTERBALANCE						694
	4	2	148-4958	4	GROMMET						
	5	2	148-4960	2	GROMMET						
Y	6	1	295-9595	1	SWIVEL GP						603
	7	1	295-9609	1	SUPPORT AS						
	8	1	295-9626	1	PLATE						
	9	1	307-4860	1	BRACKET AS						
	10	1	307-4862	1	BRACKET AS						
I	11	2	307-4875	2	HOSE AS						
	12	2	307-4878	2	HOSE AS						
	13	1	338-6044	1	TUBE AS						
	14	1	338-6045	1	TUBE AS						
	15	1	338-6046	2	TUBE AS						
I	16	2	338-6200	2	HOSE AS						
I	17	2	338-6201	2	HOSE AS						
I	18	1	338-6202	2	HOSE AS						
I	19	1	338-6203	2	HOSE AS						
	20	1	338-6260	1	BRACKET AS						
	21	2	095-1701	4	SEAL-O-RING						
	22	2	148-8327	2	CONNECTOR AS						
					(EACH INCLUDES)						
		2	3D-2824	1	SEAL-O-RING						
		2	6V-8637	1	CONNECTOR						
		2	6V-9746	1	SEAL-O-RING						
23		2	148-8378	2	ELBOW AS						
					(EACH INCLUDES)						
		2	3J-1907	1	SEAL-O-RING						
		2	6V-8397	1	SEAL-O-RING						
		2	6V-8724	1	ELBOW						
24		2	148-8392	2	ELBOW AS						
					(EACH INCLUDES)						
		2	6V-9746	1	SEAL-O-RING						
		2	6V-9853	1	ELBOW						
25		2	148-8439	1	TEE AS						
		2	3J-1907	1	SEAL-O-RING						
		2	6V-8397	2	SEAL-O-RING						
		2	6V-8774	1	TEE						
26		2	153-6259	1	TEE AS						
		2	3D-2824	1	SEAL-O-RING						
		2	6V-8777	1	TEE-FACE SEAL						
		2	6V-9746	2	SEAL-O-RING						
27		2	172-4621	1	ADAPTER AS						
		2	6V-0301	1	ADAPTER						
		2	7M-8485	1	SEAL-O-RING						
28		1,2	1P-3704	16	SEAL-RECTANGULAR						
29		1	1P-3705	4	SEAL-RECTANGULAR						
30		1,2	1P-5767	32	FLANGE-HALF						
31		1,2	6V-1575	4	CLIP (SLOT)						
32		1,2	6V-1576	4	CLIP (TAB)						
33		1,2	6V-1577	4	GROMMET						
M	34	1	7X-2552	5	BOLT (M16X2X30-MM)						
	35	1	7Y-4038	8	CLAMP-HALF						
	36	1	8T-0706	2	RING-RETAINING						
	37	1,2	8T-4121	8	WASHER-HARD (11X21X2.5-MM THK)						

HYDRAULIC SYSTEM

338-6178 LINES GP-TRAVEL MOTOR (contd.)

i03656688

NOTE	REF NO	GRAPHIC REF	PART NUMBER	QTY	PART NAME						SEE PAGE
					1	2	3	4	5	6 (PRODUCT LEVEL)	
M	38	1	8T-4139	11	BOLT (M12X1.75X30-MM)						
M	39	1	8T-4183	20	BOLT (M12X1.75X40-MM)						
M	40	1	8T-4184	18	BOLT (M12X1.75X45-MM)						
M	41	1,2	8T-4194	48	BOLT (M12X1.75X50-MM)						
M	42	1,2	8T-4195	8	BOLT (M10X1.5X30-MM)						
	43	1,2	8T-4223	81	WASHER-HARD (13.5X25.5X3-MM THK)						
	44	1	9X-8257	5	WASHER (17.5X30X3.5-MM THK)						
B	45	1	1U-8846	1	SEALANT-GASKET						

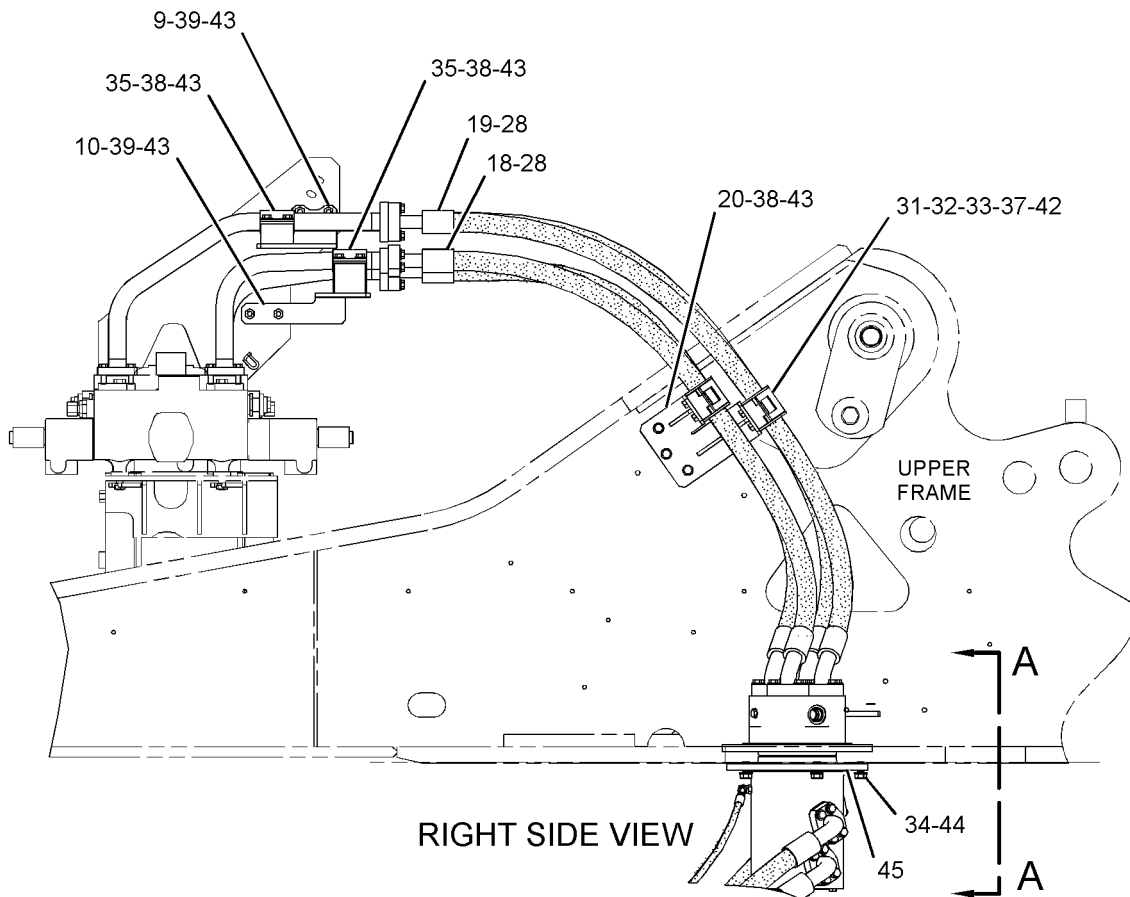
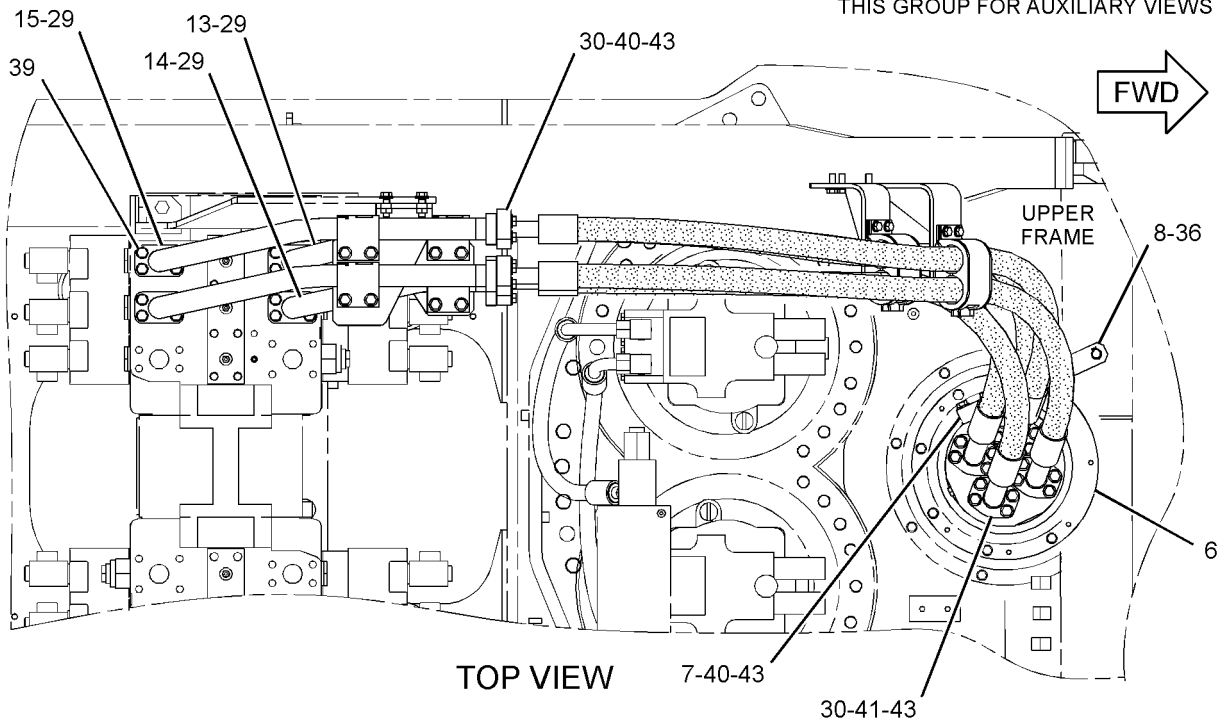
B-USE AS REQUIRED
 I-REFER TO HYDRAULIC INFORMATION SYSTEM
 M-METRIC PART
 Y-SEPARATE ILLUSTRATION

HYDRAULIC SYSTEM

338-6178 LINES GP-TRAVEL MOTOR (contd.)

i03656688

REFER TO ALL ILLUSTRATIONS OF THIS GROUP FOR AUXILIARY VIEWS



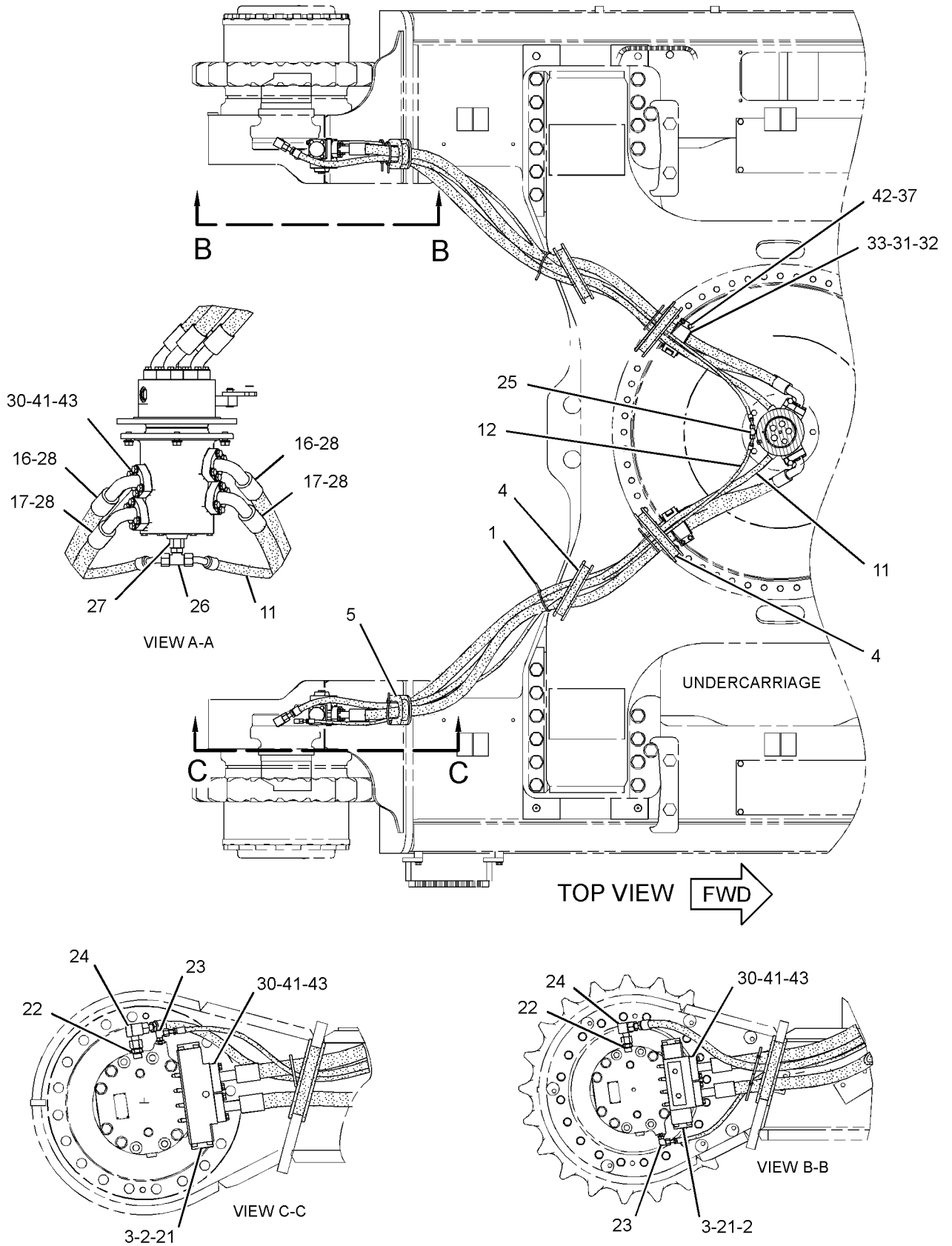
GRAPHIC #1

g02057355

HYDRAULIC SYSTEM

338-6178 LINES GP-TRAVEL MOTOR (contd.)

i03656688



GRAPHIC #2

<END>

g02057356

HYDRAULIC SYSTEM

194-0946 MANIFOLD & VALVE GP-MAIN CONTROL VALVE

S/N: PAS1-UP

PART OF 295-7734, 295-7735, 295-7760 VALVE GP-CONTROL

ALSO AN ATTACHMENT

SMCS-5264, 5479

i03905751

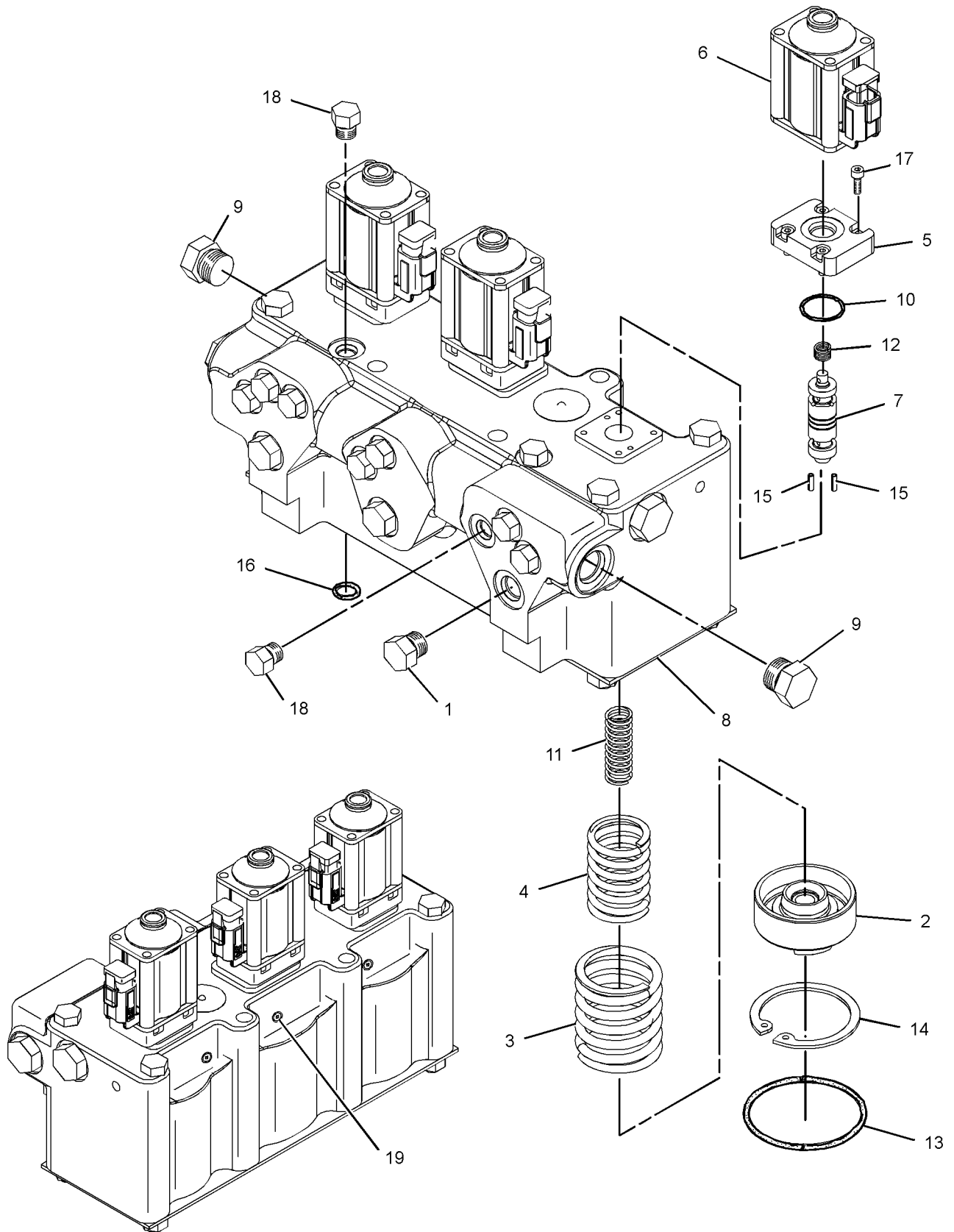
NOTE	REF NO	GRAPHIC REF	PART NUMBER	QTY	PART NAME						SEE PAGE
					1	2	3	4	5	6 (PRODUCT LEVEL)	
	1	1	148-8407	3	PLUG AS						
					(EACH INCLUDES)						
		1	3J-1907	1	SEAL-O-RING						
		1	9S-4191	1	PLUG-O-RING						
	2	1	118-5085	3	RETAINER						
	3	1	118-5086	3	SPRING						
	4	1	118-5087	3	SPRING						
	5	1	155-2251	3	PLATE						
Y	6	1	156-2829	3	SOLENOID GP						242
Z	7	1		3	SPOOL-CONTROL						
	8	1	194-0944	1	HOUSING						
	9	1	148-8411	4	PLUG AS						
					(EACH INCLUDES)						
		1	3K-0360	1	SEAL-O-RING						
		1	9S-4185	1	PLUG-O-RING						
	10	1	030-4605	3	SEAL-O-RING						
	11	1	177-1403	3	SPRING						
	12	1	177-1405	3	SPRING						
	13	1	1H-5728	3	SEAL-O-RING						
	14	1	2D-6648	3	RING-RETAINING						
	15	1	3C-8388	6	PIN-ROLL						
	16	1	4J-9535	2	SEAL-O-RING						
M	17	1	8T-3998	12	BOLT (M4X0.7X12-MM)						
	18	1	155-3624	10	PLUG AS						
					(EACH INCLUDES)						
		1	3J-7354	1	SEAL-O-RING						
		1	9S-4182	1	PLUG-O-RING						
	19	1	8T-6759	3	PLUG-PIPE						

M-METRIC PART
Y-SEPARATE ILLUSTRATION
Z-NOT SERVICED SEPARATELY

HYDRAULIC SYSTEM

194-0946 MANIFOLD & VALVE GP (contd.)

i03905751



GRAPHIC #1

<END>

g01232797

HYDRAULIC SYSTEM

194-0947 MANIFOLD & VALVE GP-MAIN CONTROL VALVE

S/N: PAS1-UP

PART OF 295-7734, 295-7735, 295-7760 VALVE GP-CONTROL

ALSO AN ATTACHMENT

SMCS-5264, 5479

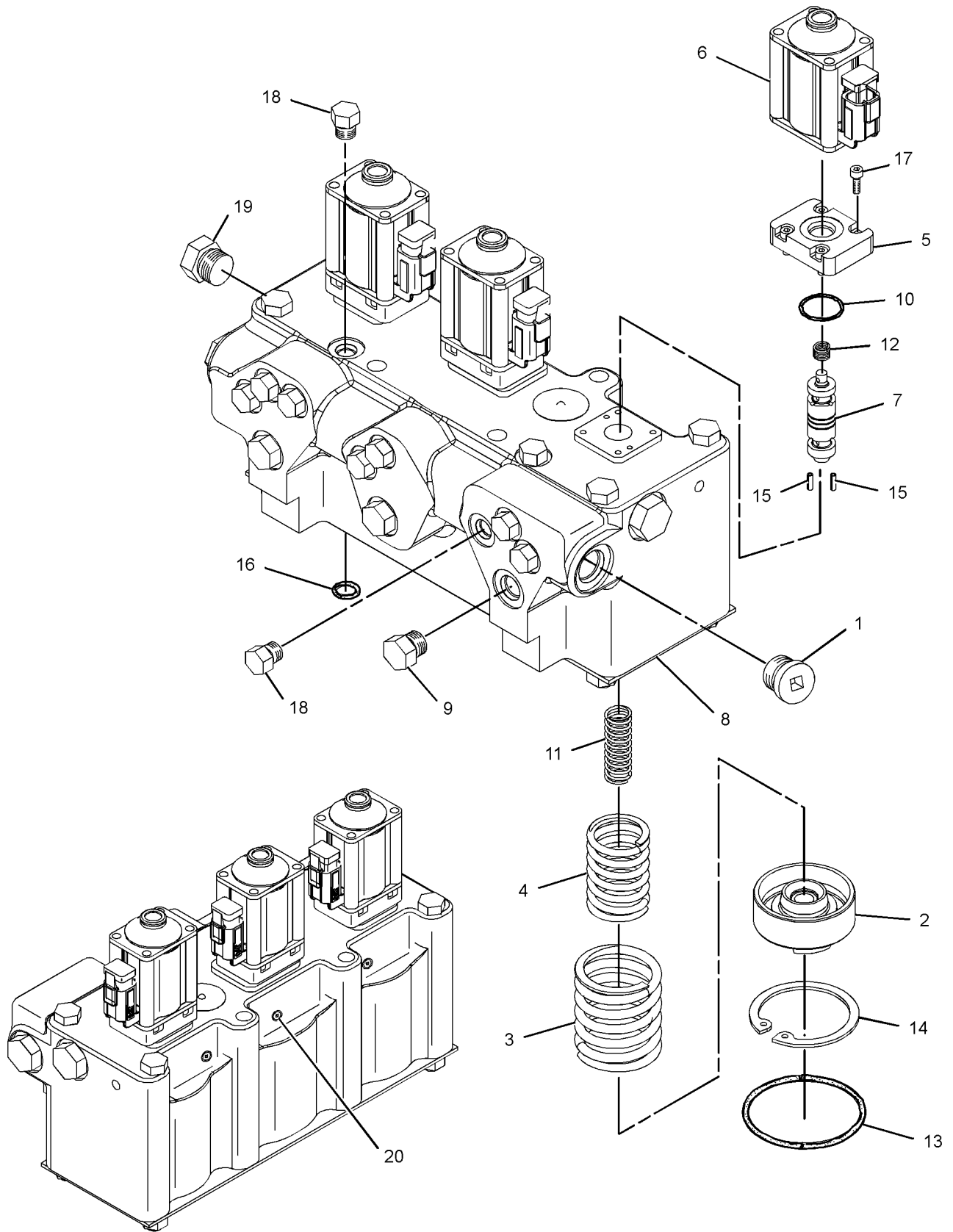
i03905753

NOTE	REF NO	GRAPHIC REF	PART NUMBER	QTY	PART NAME						SEE PAGE
					1	2	3	4	5	6 (PRODUCT LEVEL)	
	1	1	148-8395	2	PLUG AS						
					(EACH INCLUDES)						
		1	3K-0360	1	SEAL-O-RING						
		1	9S-8005	1	PLUG-O-RING						
	2	1	118-5085	3	RETAINER						
	3	1	118-5086	3	SPRING						
	4	1	118-5087	3	SPRING						
	5	1	155-2251	3	PLATE						
Y	6	1	156-2829	3	SOLENOID GP						242
Z	7	1		3	SPOOL-CONTROL						
	8	1	194-0945	1	HOUSING						
	9	1	148-8407	3	PLUG AS						
					(EACH INCLUDES)						
		1	3J-1907	1	SEAL-O-RING						
		1	9S-4191	1	PLUG-O-RING						
	10	1	030-4605	3	SEAL-O-RING						
	11	1	177-1403	3	SPRING						
	12	1	177-1405	3	SPRING						
	13	1	1H-5728	3	SEAL-O-RING						
	14	1	2D-6648	3	RING-RETAINING						
	15	1	3C-8388	6	PIN-ROLL						
	16	1	4J-9535	2	SEAL-O-RING						
M	17	1	8T-3998	12	BOLT (M4X0.7X12-MM)						
	18	1	155-3624	10	PLUG AS						
					(EACH INCLUDES)						
		1	3J-7354	1	SEAL-O-RING						
		1	9S-4182	1	PLUG-O-RING						
	19	1	148-8411	2	PLUG AS						
					(EACH INCLUDES)						
		1	3K-0360	1	SEAL-O-RING						
		1	9S-4185	1	PLUG-O-RING						
	20	1	8T-6759	3	PLUG-PIPE						
M-METRIC PART Y-SEPARATE ILLUSTRATION Z-NOT SERVICED SEPARATELY											

HYDRAULIC SYSTEM

194-0947 MANIFOLD & VALVE GP (contd.)

i03905753



GRAPHIC #1

<END>

g01233119

HYDRAULIC SYSTEM

224-6809 MANIFOLD & VALVE GP

S/N: PAS1-UP

PART OF 241-8928 VALVE GP-CONTROL

SMCS-5264, 5479

i02208733

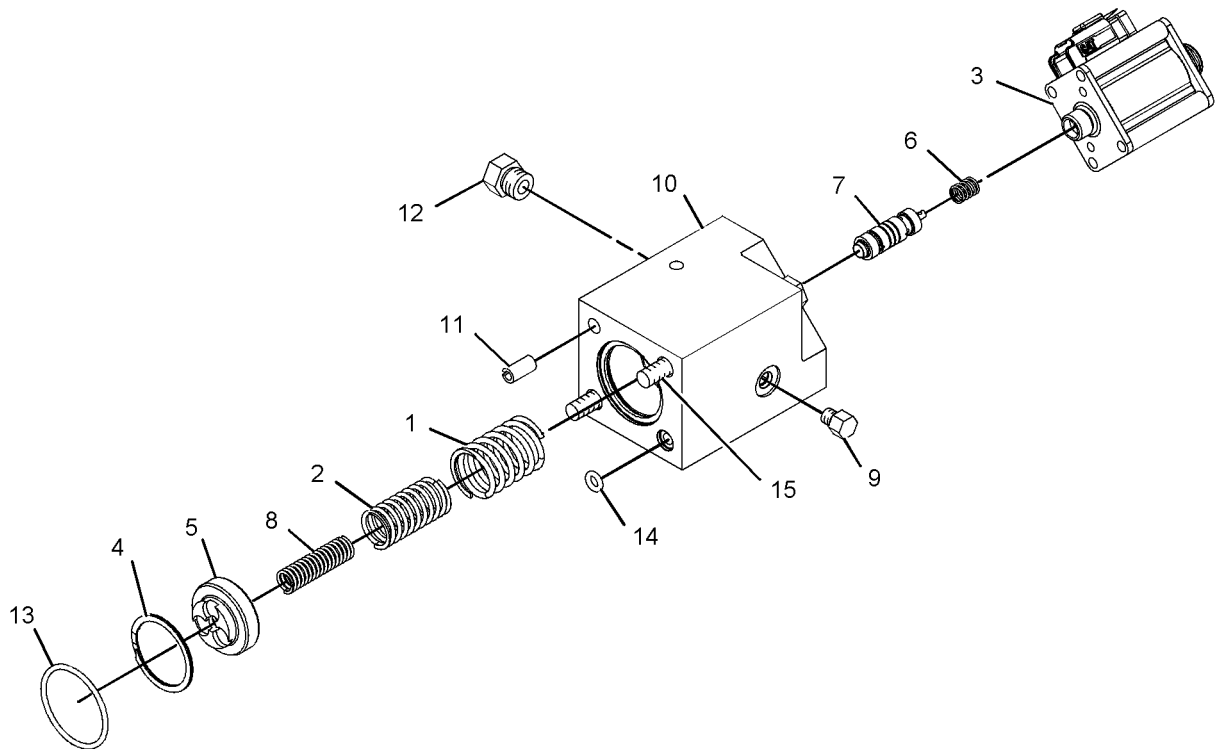
NOTE	REF NO	GRAPHIC REF	PART NUMBER	QTY	PART NAME						SEE PAGE
					1	2	3	4	5	6 (PRODUCT LEVEL)	
	1	1	141-5497	1	SPRING						
	2	1	141-5498	1	SPRING						
Y	3	1	156-2829	1	SOLENOID GP (SWING)						242
	4	1	158-1113	1	RING-RETAINING						
	5	1	158-6564	1	RETAINER						
	6	1	173-4012	1	SPRING						
Z	7	1		1	SPOOL-CONTROL						
	8	1	188-3365	1	SPRING						
	9	1	222-4737	2	PLUG AS						
					(EACH INCLUDES)						
		1	4J-7533	1	SEAL-O-RING						
		1	9S-4180	1	PLUG						
Z	10	1		1	HOUSING						
	11	1	099-8111	1	PIN-SPRING						
	12	1	148-8407	1	PLUG AS						
		1	3J-1907	1	SEAL-O-RING						
		1	9S-4191	1	PLUG-O-RING						
	13	1	6V-5597	1	SEAL-O-RING						
	14	1	8J-8343	1	SEAL-O-RING						
M	15	1	8T-4198	2	BOLT (M10X1.5X100-MM)						

M-METRIC PART
Y-SEPARATE ILLUSTRATION
Z-NOT SERVICED SEPARATELY

HYDRAULIC SYSTEM

224-6809 MANIFOLD & VALVE GP (contd.)

i02208733



GRAPHIC #1

<END>

g01117308

HYDRAULIC SYSTEM

326-4438 MOTOR & MTG GP-HYDRAULIC FAN

S/N: PAS1-UP

PART OF 303-2628 CONTROL AR-FAN
AN ATTACHMENT

SMCS-1386

i03666711

NOTE	PART NUMBER	QTY	PART NAME						SEE PAGE
			1	2	3	4	5	6 (PRODUCT LEVEL)	
Y	326-4439	1	MOTOR GP-PISTON						577

Y-SEPARATE ILLUSTRATION

<END>

HYDRAULIC SYSTEM

295-9405 MOTOR & MTG GP-SWING-LH

S/N: PAS1-UP

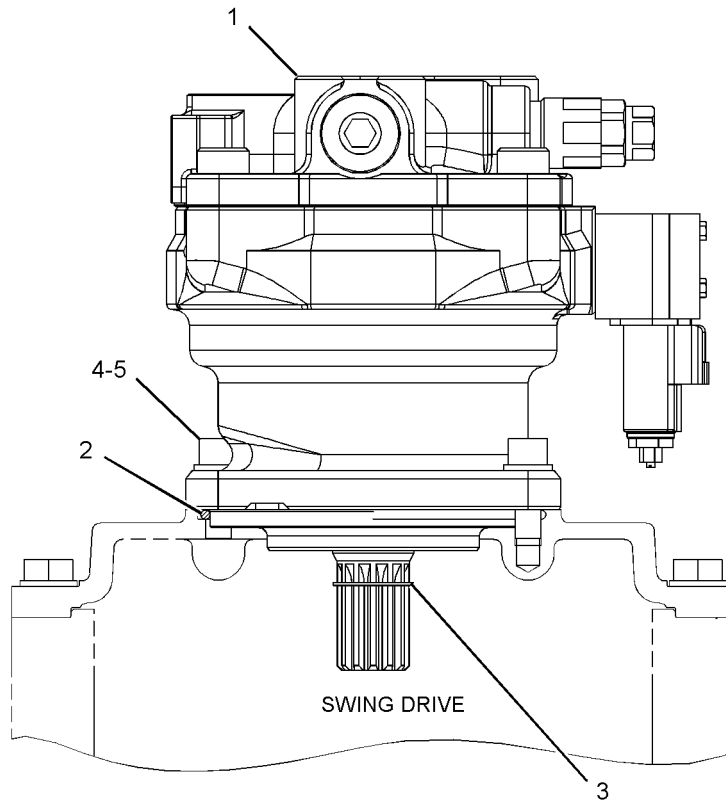
PART OF 296-6145 DRIVE GP-SWING

SMCS-5058

i03655269

NOTE	REF NO	GRAPHIC REF	PART NUMBER	QTY	PART NAME						SEE PAGE
					1	2	3	4	5	6 (PRODUCT LEVEL)	
Y	1	1	295-9414	1	MOTOR GP-PISTON (SWING LEFT)						573
	2	1	095-1687	1	SEAL-O-RING						
	3	1	6V-5204	1	RING-RETAINING						
M	4	1	6V-8201	4	BOLT-SOCKET HEAD (M16X2X45-MM)						
	5	1	9X-8257	4	WASHER (17.5X30X3.5-MM THK)						

M-METRIC PART
Y-SEPARATE ILLUSTRATION



RIGHT SIDE VIEW

GRAPHIC #1

<END>

g02050254

HYDRAULIC SYSTEM

295-9406 MOTOR & MTG GP-SWING-RH

S/N: PAS1-UP

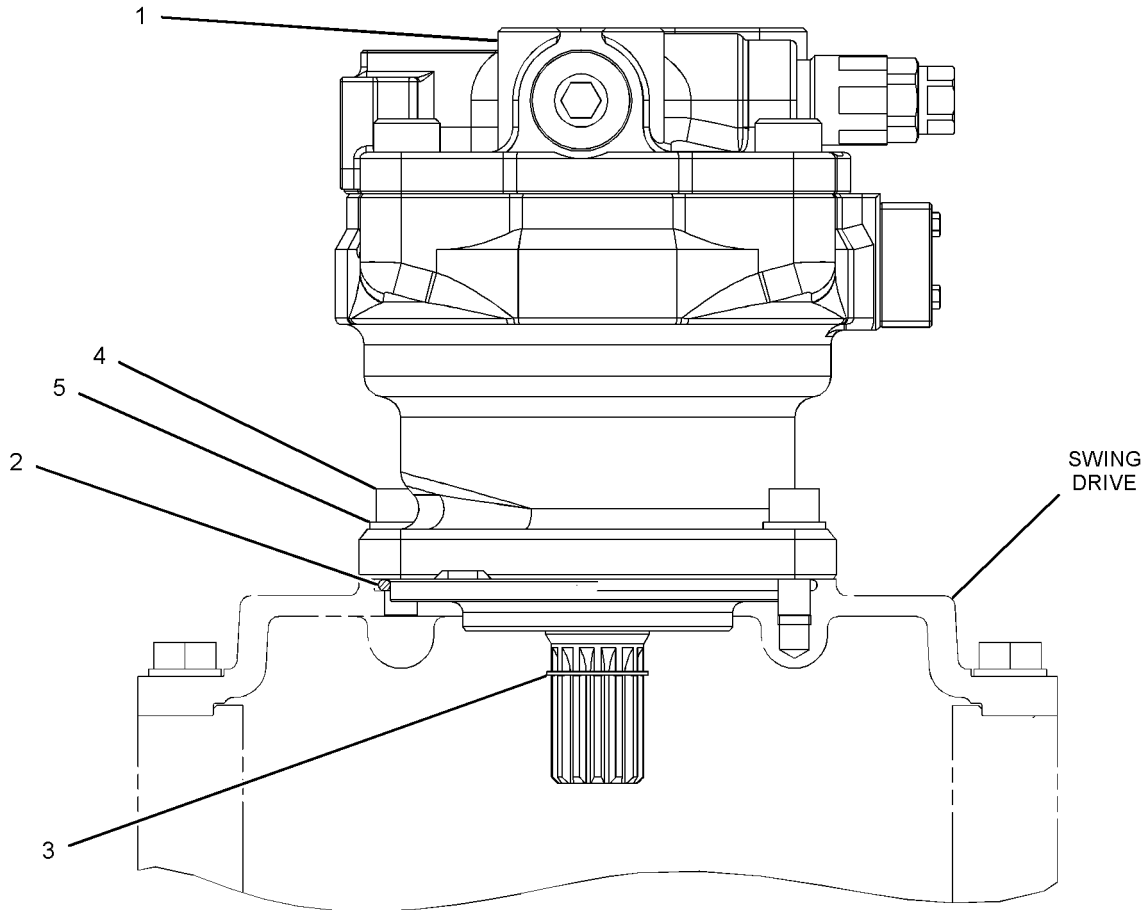
PART OF 267-6933 DRIVE GP-SWING

SMCS-5058

i03655256

NOTE	REF NO	GRAPHIC REF	PART NUMBER	QTY	PART NAME						SEE PAGE
					1	2	3	4	5	6 (PRODUCT LEVEL)	
Y	1	1	295-9416	1	MOTOR GP-PISTON (SWING RIGHT)						574
	2	1	095-1687	1	SEAL-O-RING						
	3	1	6V-5204	1	RING-RETAINING						
M	4	1	6V-8201	4	BOLT-SOCKET HEAD (M16X2X45-MM)						
	5	1	9X-8257	4	WASHER (17.5X30X3.5-MM THK)						

M-METRIC PART
Y-SEPARATE ILLUSTRATION



GRAPHIC #1

<END>

g02054114

HYDRAULIC SYSTEM

315-4480 MOTOR & MTG GP-TRAVEL

S/N: PAS1-UP

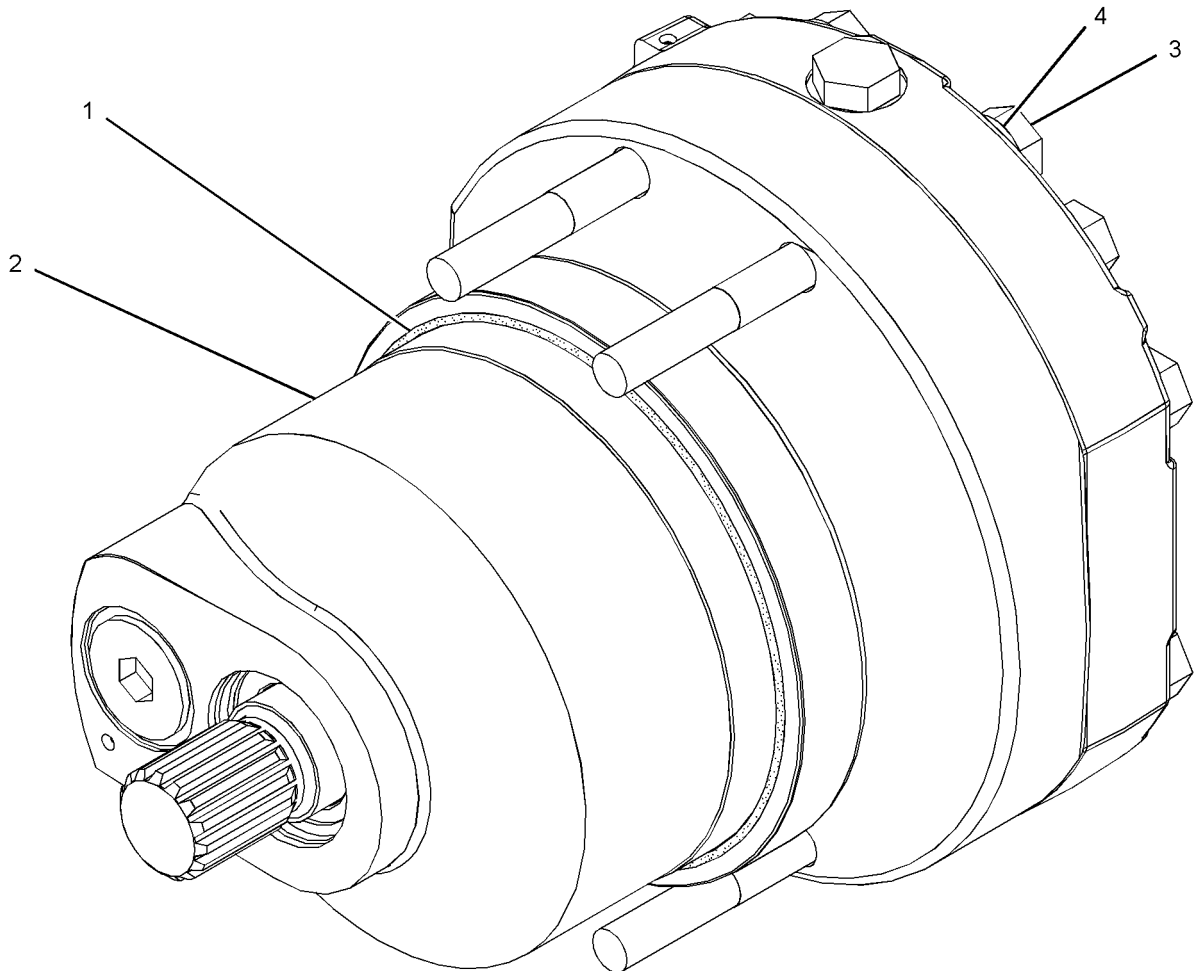
PART OF 296-6303 DRIVE GP-FINAL

SMCS-4351

i03655265

NOTE	REF NO	GRAPHIC REF	PART NUMBER	QTY	PART NAME						SEE PAGE
					1	2	3	4	5	6 (PRODUCT LEVEL)	
	1	1	1T-0132	1	SEAL-O-RING						
Y	2	1	228-3238	1	MOTOR GP-PISTON						570
M	3	1	7X-2570	4	BOLT (M20X2.5X220-MM)						
	4	1	8T-4123	4	WASHER (22X35X3.5-MM THK)						

M-METRIC PART
Y-SEPARATE ILLUSTRATION



GRAPHIC #1

<END>

g02071421

HYDRAULIC SYSTEM

228-3238 MOTOR GP-PISTON-TRAVEL

S/N: PAS1-UP

PART OF 315-4480 MOTOR & MTG GP-TRAVEL

SMCS-5058

i03864206

NOTE	REF NO	GRAPHIC REF	PART NUMBER	QTY	PART NAME						SEE PAGE
					1	2	3	4	5	6 (PRODUCT LEVEL)	
	1	1	1T-0936	2	PLUG-PIPE						
	2	1	4B-4158	4	SCREW-DRIVE (4X0.25-IN)						
J	3	1	6V-3382	1	SEAL-LIP TYPE						
	4	1	8J-2559	1	PLATE-CAUTION (OIL FILL)						
	5	1	087-4786	1	ADAPTER						
	6	1	118-5805	1	BEARING-SPECIAL RACE						
	7	1	124-1530	1	BARREL AS						
	8	1	124-1536	5	DISC-FRICTION						
	9	1	124-1537	6	PLATE-SEPARATOR						
	10	1	124-1541	2	PIN						
	11	1	124-1554	1	SPRING						
	12	1	124-1557	2	RETAINER						
	13	1	124-1561	20	SPRING-BRAKE						
J	14	1	126-4002	2	SEAL-O-RING						
J	15	1	126-4003	1	SEAL-O-RING						
J	16	1	126-4004	1	RING-BACKUP						
J	17	1	126-4040	1	RING-BACKUP						
	18	1	357-1728	1	SPACER (70.4X80X2.3-MM THK)						
	19	1	137-5646	1	SPACER (70.4X87.5X7.6-MM THK)						
	20	1	143-7140	2	KEY						
	21	1	148-3548	1	BEARING						
	22	1	149-1207	1	PLATE						
	23	1	155-4897	9	PISTON AS						
	24	1	159-7320	1	PLATE-RETAINER						
	25	1	167-3872	1	SPOOL						
	26	1	175-7887	2	DOWEL						
	27	1	343-5942	1	HEAD AS-PUMP						
		1	096-5916	2	SEAT						
		1	124-1555	8	PLUG						
	28	1	193-2301	1	SHAFT						
	29	1	195-4456	1	PLUG-ORIFICE						
	30	1	343-4855	1	PISTON-ACTUATOR						
	31	1	226-6544	1	PISTON-BRAKE						
	32	1	228-7074	1	PLATE-CAM						
	33	1	230-5483	1	SPRING						
	34	1	231-6550	1	HOLD-DOWN						
	35	1	232-3868	4	WASHER-BELLEVILLE						
	36	1	292-5991	1	BODY AS						
		1	124-1555	4	PLUG						
J	37	1	095-1572	2	SEAL-O-RING						
J	38	1	096-5919	2	RING-BACKUP						
	39	1	143-7319	1	RACE-ROLLER BEARING						
	40	1	2D-6642	2	BALL						
J	41	1	2M-9780	1	SEAL-O-RING						
	42	1	2R-1236	1	RING-RETAINING (LOCK, INTERNAL)						
J	43	1	3D-2824	2	SEAL-O-RING						
J	44	1	3K-0360	2	SEAL-O-RING						
	45	1	5B-9318	1	BALL						
	46	1	5P-7684	1	PLUG						
J	47	1	6K-6307	1	SEAL-O-RING						
J	48	1	7Y-5219	2	SEAL-O-RING						
M	49	1	8T-4187	6	BOLT (M20X2.5X80-MM)						
	50	1	9S-4183	2	PLUG-O-RING						
	51	1	9S-4185	2	PLUG-O-RING						

HYDRAULIC SYSTEM

228-3238 MOTOR GP-PISTON (contd.)

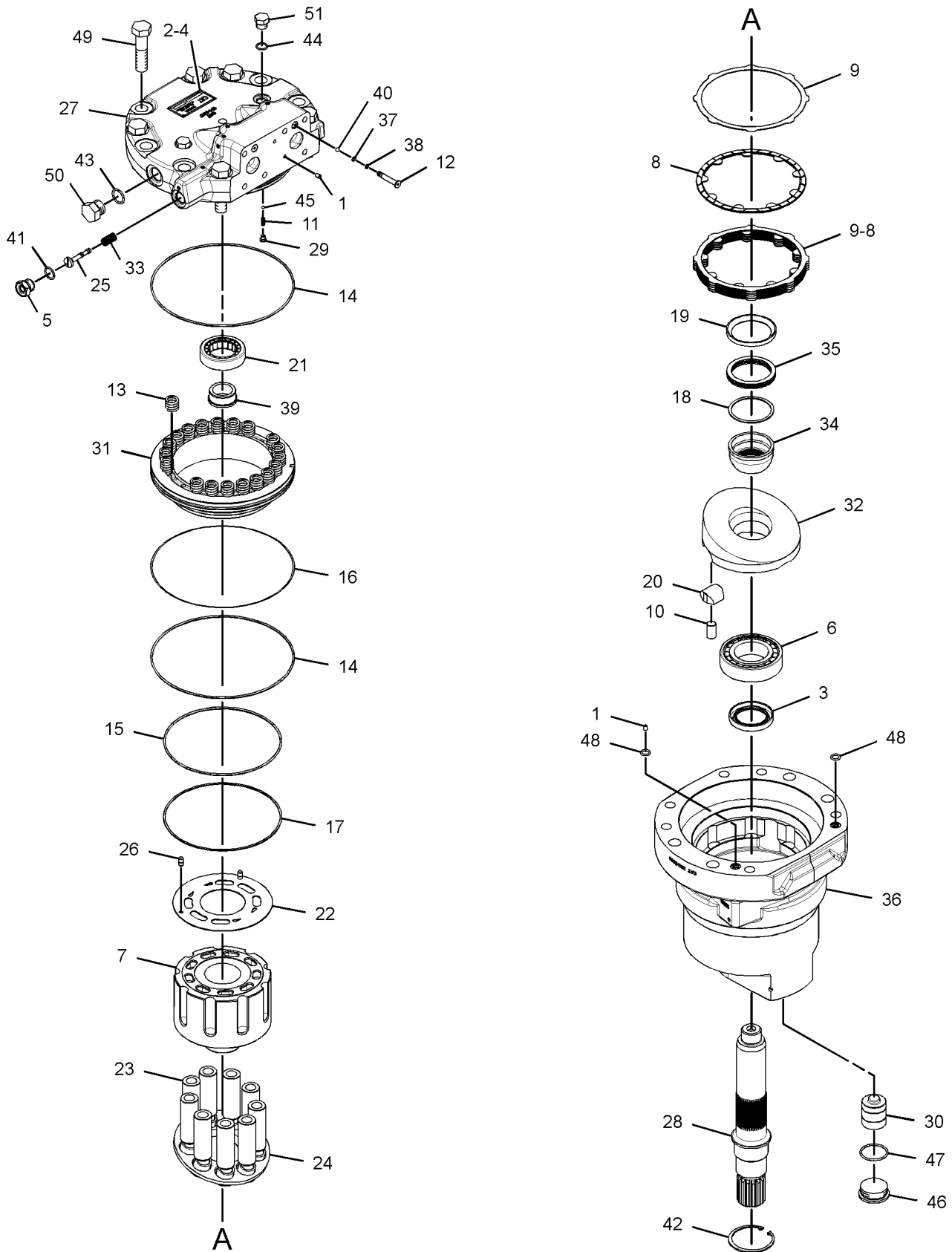
i03864206

NOTE	REF NO	GRAPHIC REF	PART NUMBER	QTY	PART NAME 1 2 3 4 5 6 (PRODUCT LEVEL)	SEE PAGE
					AVAILABLE REPAIR KIT(S):	
J			226-6473	1	KIT-SEAL (TRAVEL MOTOR) (ALSO INCLUDES O-RING SEAL)	
J-KIT MARKED J INCLUDES PART(S) MARKED J M-METRIC PART						

HYDRAULIC SYSTEM

228-3238 MOTOR GP-PISTON (contd.)

i03864206



GRAPHIC #1

<END>

g02084047

HYDRAULIC SYSTEM

295-9414 MOTOR GP-PISTON-SWING, LH

S/N: PAS1-UP

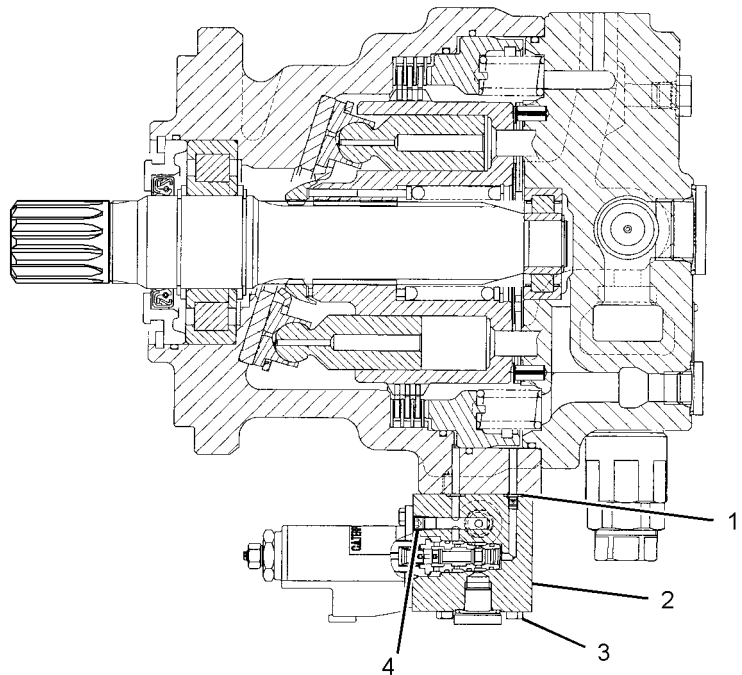
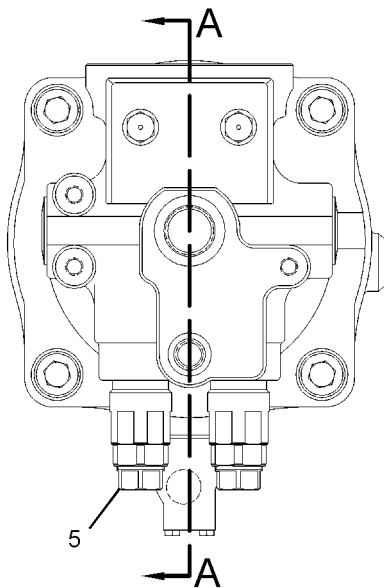
PART OF 295-9405 MOTOR & MTG GP-SWING

SMCS-5058

i03897676

NOTE	REF NO	GRAPHIC REF	PART NUMBER	QTY	PART NAME						SEE PAGE
					1	2	3	4	5	6 (PRODUCT LEVEL)	
	1	1	095-1574	2	SEAL-O-RING						
Y	2	1	137-3713	1	VALVE GP-SOLENOID (SWING PARKING BRAKE)						688
M	3	1	8T-6974	3	BOLT (M6X1X80-MM)						
	4	1	8T-6759	1	PLUG-PIPE						
	5	1	295-9435	2	VALVE GP-RELIEF						
					(EACH INCLUDES)						
		1	6V-5556	1	SEAL-O-RING						
		1	7J-9933	1	SEAL-O-RING						
		1	095-1698	1	SEAL-O-RING						

M-METRIC PART
Y-SEPARATE ILLUSTRATION



SECTION A-A

GRAPHIC #1

<END>

g02084554

HYDRAULIC SYSTEM

295-9416 MOTOR GP-PISTON-SWING, RH

S/N: PAS1-UP

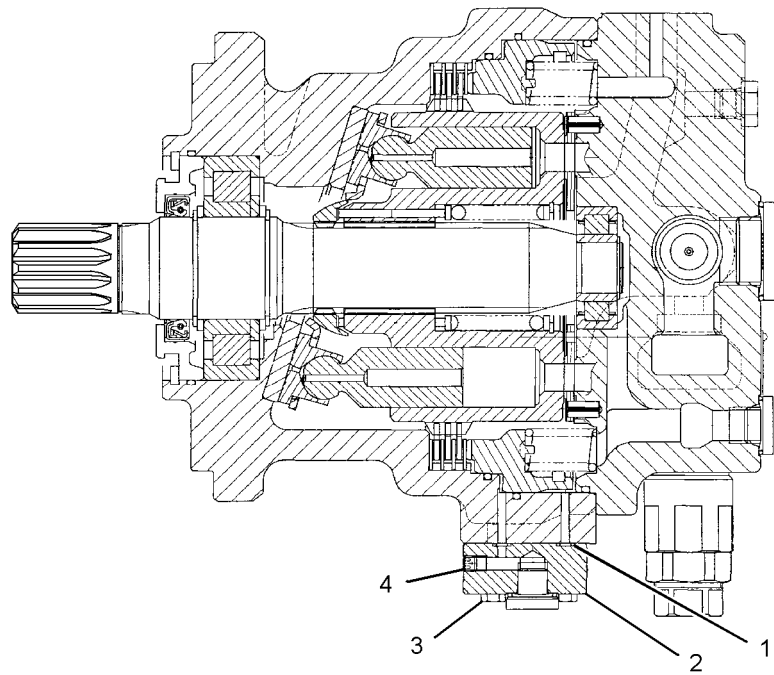
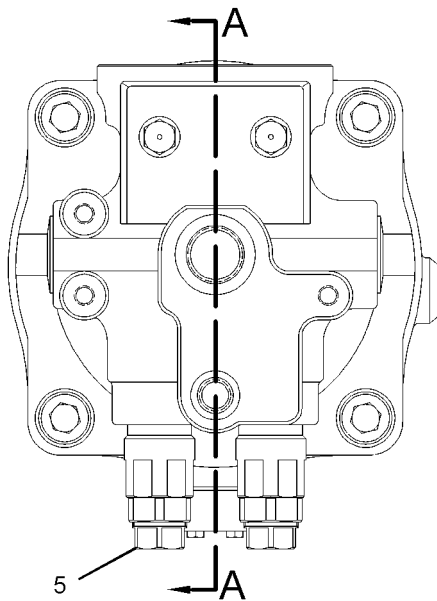
PART OF 295-9406 MOTOR & MTG GP-SWING

SMCS-5058

i03655270

NOTE	REF NO	GRAPHIC REF	PART NUMBER	QTY	PART NAME						SEE PAGE
					1	2	3	4	5	6 (PRODUCT LEVEL)	
	1	1	095-1573	2	SEAL-O-RING						
	2	1	137-3716	1	BODY						
M	3	1	7X-2533	3	BOLT (M6X1X35-MM)						
	4	1	8T-6759	1	PLUG-PIPE						
	5	1	295-9435	2	VALVE GP-RELIEF						
					(EACH INCLUDES)						
		1	6V-5556	1	SEAL-O-RING						
		1	7J-9933	1	SEAL-O-RING						
		1	095-1698	1	SEAL-O-RING						

M-METRIC PART



SECTION A-A

GRAPHIC #1

<END>

g02086074

HYDRAULIC SYSTEM

311-9550 MOTOR GP-PISTON-HYDRAULIC FAN

S/N: PAS1-UP

PART OF 281-3551 FAN GP-SUCTION

SMCS-5058

i03655482

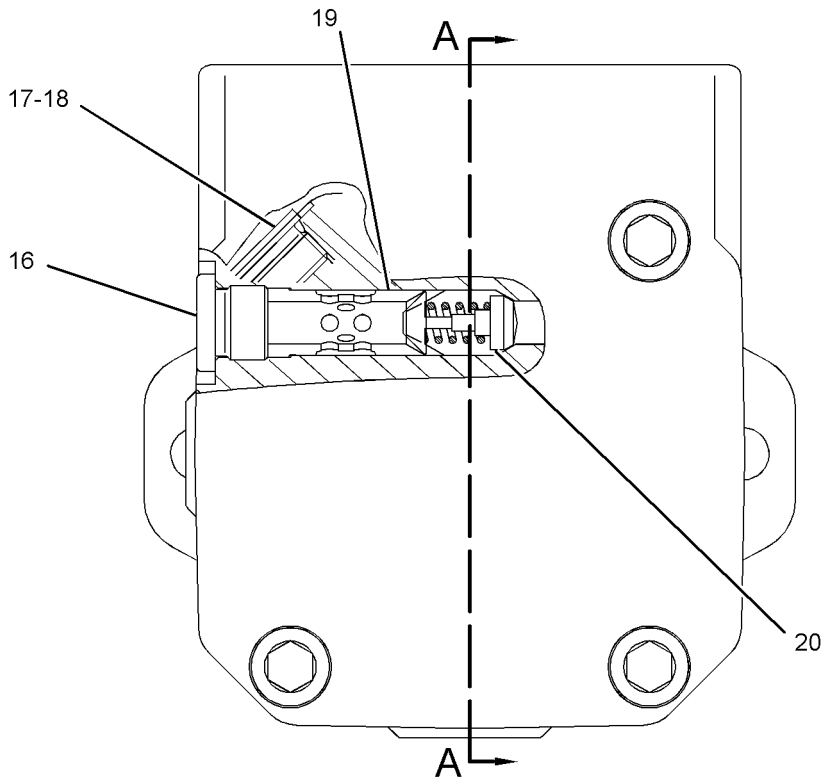
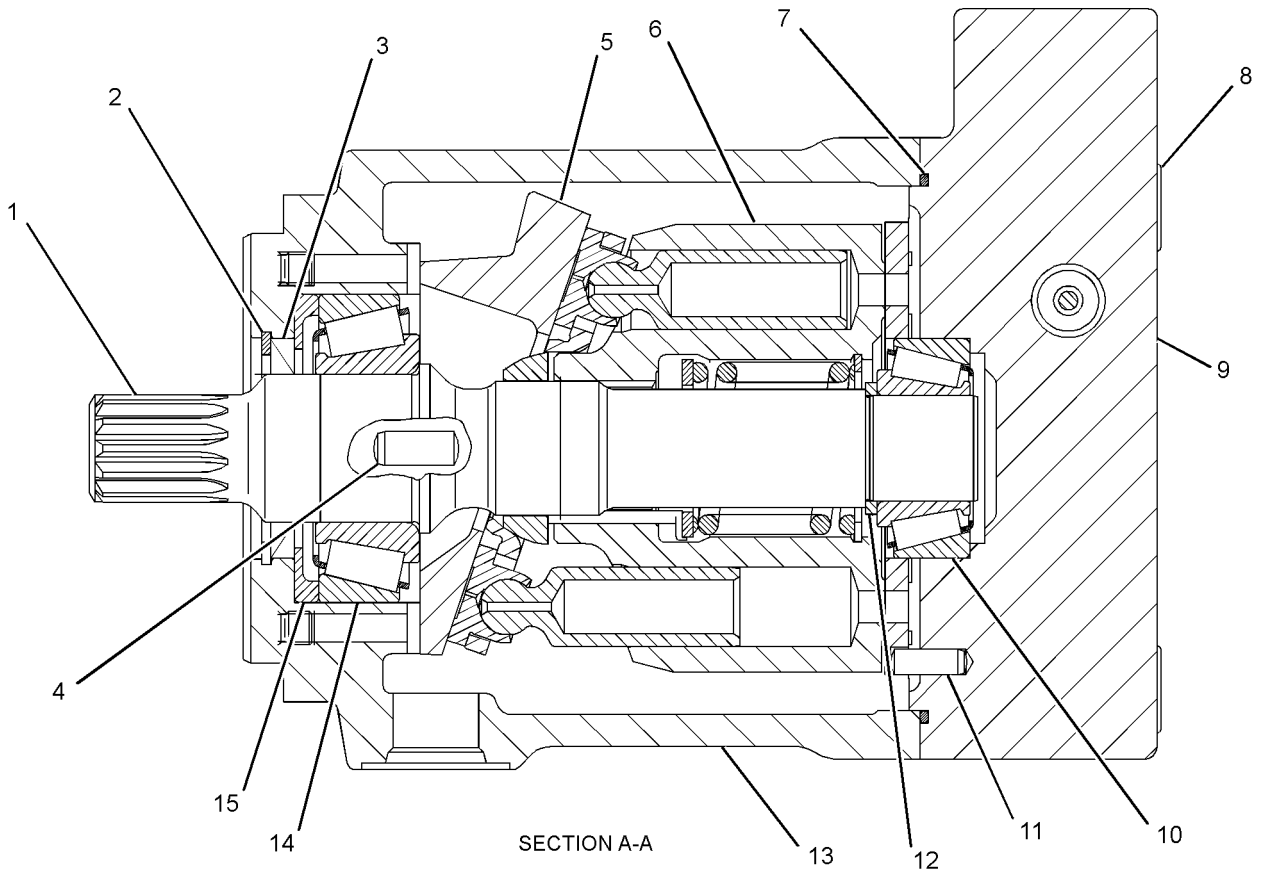
NOTE	REF NO	GRAPHIC REF	PART NUMBER	QTY	PART NAME						SEE PAGE
					1	2	3	4	5	6 (PRODUCT LEVEL)	
	1	1	209-6063	1	SHAFT						
	2	1	7Y-5267	1	RING-RETAINING						
	3	1	168-7319	1	SEAL-SHAFT						
	4	1	9T-9529	2	PIN						
	5	1	185-0278	1	SWASHPLATE						
Y	6	1	295-9547	1	ROTATING GP-PUMP						596
	7	1	192-7470	1	SEAL-O-RING						
M	8	1	095-0690	4	BOLT-SOCKET HEAD (M14X2X60-MM)						
	9	1	242-6844	1	COVER						
	10	1	185-0296	1	BEARING						
	11	1	9X-8979	1	DOWEL						
	12	1	168-2203	1	SHIM-SHAFT						
	13	1	295-9550	1	HOUSING						
	14	1	185-0295	1	BEARING						
	15	1	185-0280	1	PLATE						
	16	1	197-2471	1	PLUG AS						
		1	197-2472	1	SEAL						
	17	1	9S-8006	1	PLUG-O-RING						
	18	1	2M-9780	1	SEAL-O-RING						
	19	1	242-3374	1	SLEEVE						
	20	1	197-2474	1	VALVE AS						

M-METRIC PART
Y-SEPARATE ILLUSTRATION

HYDRAULIC SYSTEM

311-9550 MOTOR GP-PISTON (contd.)

i03655482



GRAPHIC #1

<END>

g02082515

HYDRAULIC SYSTEM

326-4439 MOTOR GP-PISTON-FAN

S/N: PAS1-UP

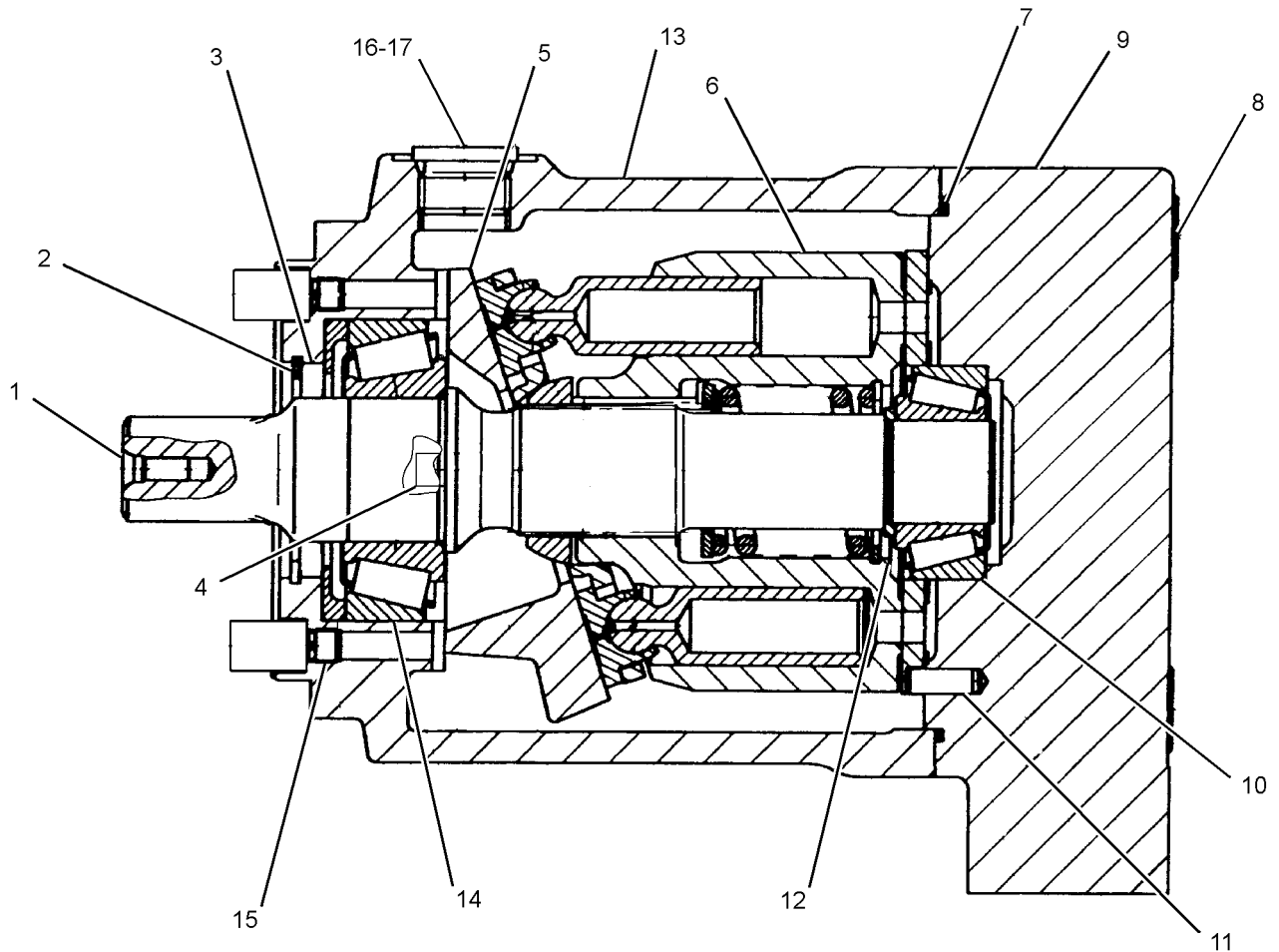
PART OF 326-4438 MOTOR & MTG GP-HYDRAULIC FAN
AN ATTACHMENT

SMCS-5058

i03666776

NOTE	REF NO	GRAPHIC REF	PART NUMBER	QTY	PART NAME						SEE PAGE
					1	2	3	4	5	6 (PRODUCT LEVEL)	
	1	1	209-6063	1	SHAFT						
	2	1	7Y-5267	1	RING-RETAINING						
	3	1	168-7319	1	SEAL-SHAFT						
	4	1	9T-9529	2	PIN						
	5	1	185-0278	1	SWASHPLATE						
Y	6	1	295-9547	1	ROTATING GP-PUMP						596
	7	1	192-7470	1	SEAL-O-RING						
M	8	1	095-0690	4	BOLT-SOCKET HEAD (M14X2X60-MM)						
	9	1	185-0277	1	COVER						
	10	1	185-0296	1	BEARING						
	11	1	9X-8979	1	DOWEL						
	12	1	185-0297	1	KIT-SHIM (INCLUDES 9-SHIMS)						
	13	1	185-0276	1	HOUSING						
	14	1	185-0295	1	BEARING						
	15	1	185-0280	1	PLATE						
	16	1	9S-8006	1	PLUG-O-RING						
	17	1	2M-9780	1	SEAL-O-RING						

M-METRIC PART
Y-SEPARATE ILLUSTRATION



GRAPHIC #1

<END>

g02128838

HYDRAULIC SYSTEM

247-8757 MOUNTING GP-HYDRAULIC PUMP

S/N: PAS1-UP

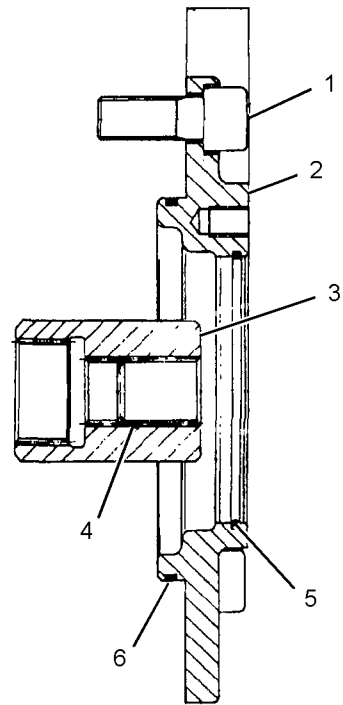
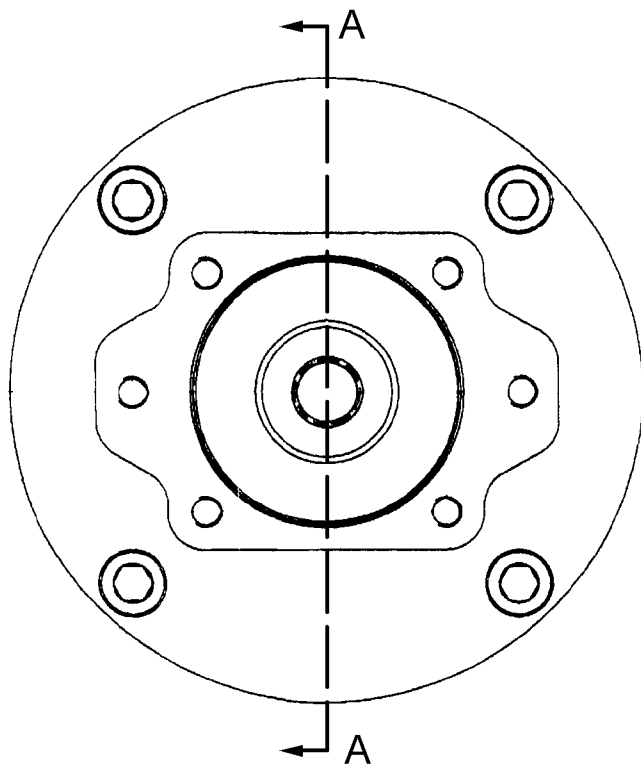
PART OF 295-9677 PUMP GP-PISTON

SMCS-5070, 5073

i03826349

NOTE	REF NO	GRAPHIC REF	PART NUMBER	QTY	PART NAME						SEE PAGE
					1	2	3	4	5	6 (PRODUCT LEVEL)	
M	1	1	8T-4944	4	BOLT-SOCKET HEAD (M16X2X40-MM)						
	2	1	141-2448	1	FLANGE						
	3	1	247-8767	1	COUPLING						
	4	1	247-8785	1	RING						
	5	1	8T-5049	1	SEAL-O-RING						
	6	1	2H-3935	1	SEAL-O-RING						

M-METRIC PART



SECTION A-A

GRAPHIC #1

<END>

g01083875

HYDRAULIC SYSTEM

296-7092 MOUNTING GP-MAIN CONTROL VALVE

S/N: PAS1-UP

PART OF 297-0212 HYDRAULIC AR

SMCS-5051

i03656692

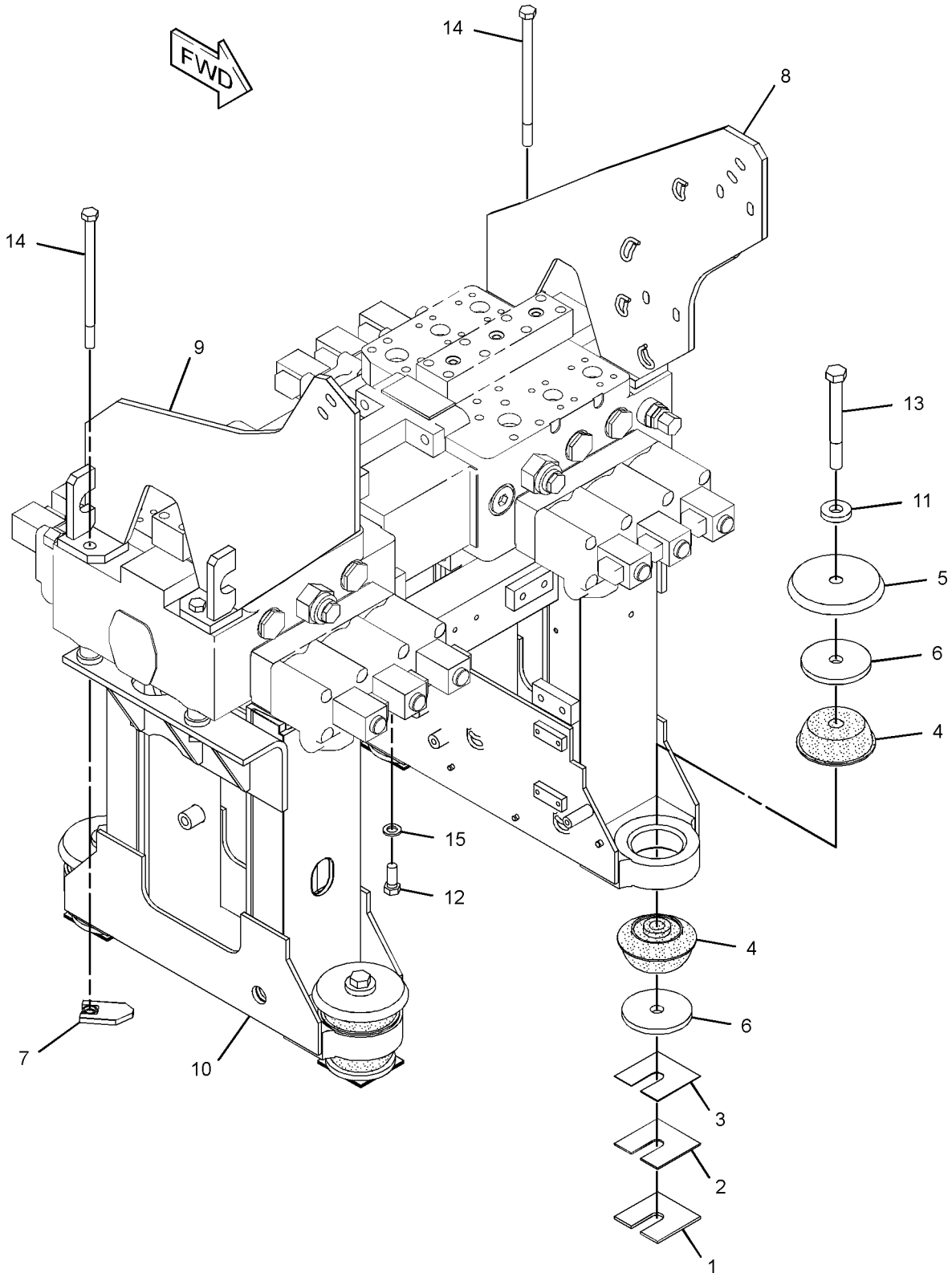
NOTE	REF NO	GRAPHIC REF	PART NUMBER	QTY	PART NAME						SEE PAGE
					1	2	3	4	5	6 (PRODUCT LEVEL)	
B	1	1	7I-0070	12	SHIM (1.6-MM THK)						
B	2	1	7I-0071	12	SHIM (3-MM THK)						
B	3	1	7I-0072	12	SHIM (5-MM THK)						
	4	1	7I-0985	8	RUBBER						
	5	1	7I-7400	4	COVER						
	6	1	7X-2622	8	WASHER (22X115X10-MM THK)						
	7	1	176-4347	4	SUPPORT AS						
	8	1	307-4890	1	PLATE AS-MOUNTING						
	9	1	307-4891	1	PLATE AS-MOUNTING						
	10	1	307-4892	1	SUPPORT AS-VALVE						
	11	1	6C-9149	4	WASHER (22X50X10-MM THK)						
M	12	1	7X-2553	1	BOLT (M16X2X40-MM)						
M	13	1	7X-2568	4	BOLT (M20X2.5X180-MM)						
M	14	1	8T-6382	4	BOLT (M16X2X260-MM)						
	15	1	9X-8257	1	WASHER (17.5X30X3.5-MM THK)						

B-USE AS REQUIRED
M-METRIC PART

HYDRAULIC SYSTEM

296-7092 MOUNTING GP-MAIN CONTROL VALVE (contd.)

i03656692



GRAPHIC #1

<END>

g02048135

HYDRAULIC SYSTEM

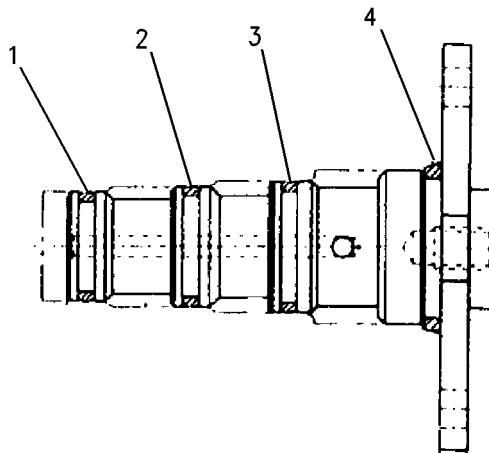
171-0113 PLUG GP-CONTROL VALVE

S/N: PAS1-UP
PART OF 296-7100 LINES GP-PILOT
AN ATTACHMENT

SMCS-5051

i03590321

NOTE	REF NO	GRAPHIC REF	PART NUMBER	QTY	PART NAME						SEE PAGE
					1	2	3	4	5	6 (PRODUCT LEVEL)	
	1	1	4K-2039	1	SEAL-O-RING						
	2	1	5L-4758	1	SEAL-O-RING						
	3	1	4D-2297	1	SEAL-O-RING						
	4	1	095-1586	1	SEAL-O-RING						



GRAPHIC #1

<END>

g00856802

HYDRAULIC SYSTEM

295-9404 PUMP & MTG GP-HYDRAULIC- HYDRAULIC FAN, PILOT, SWING

S/N: PAS1-UP

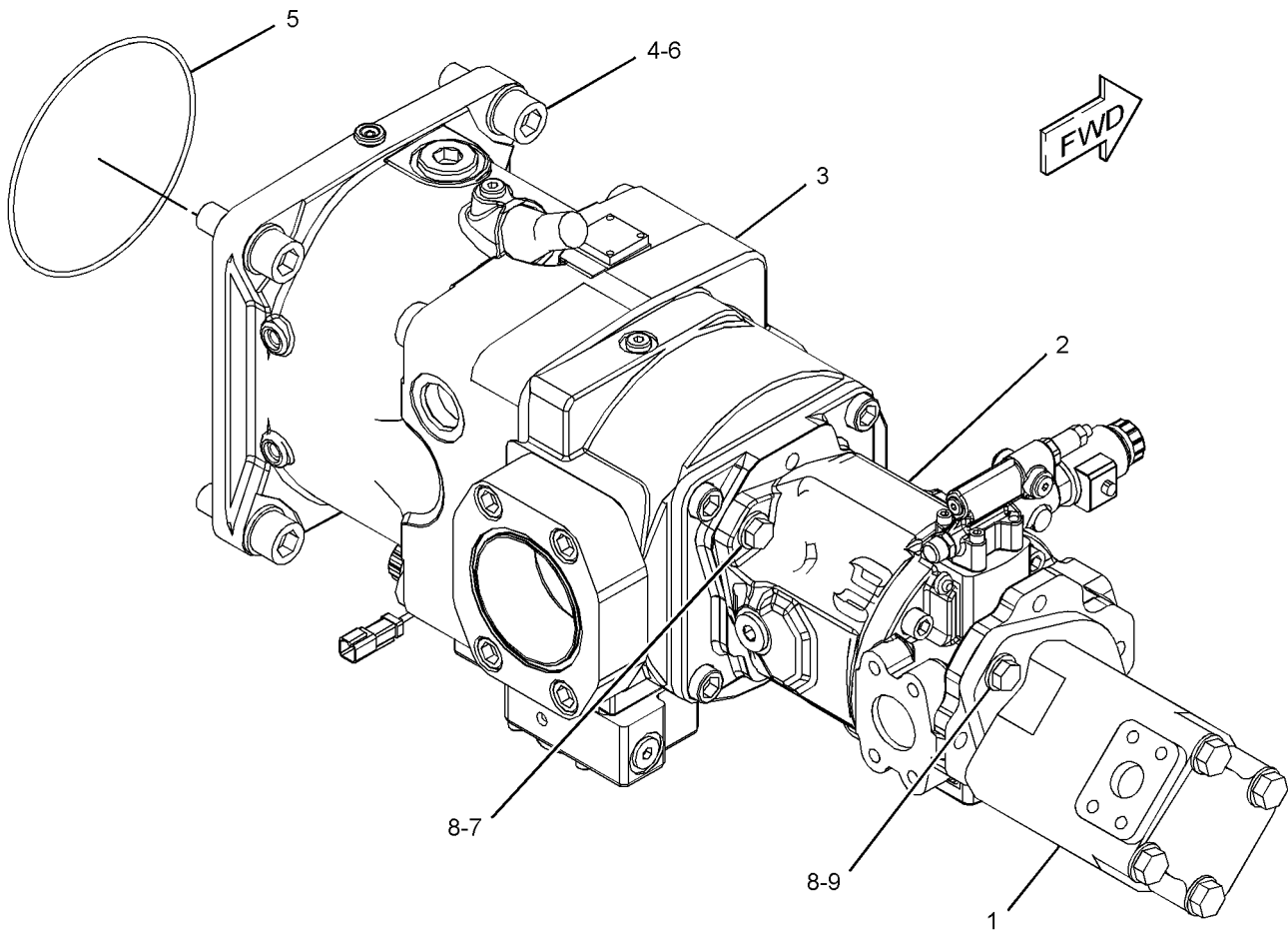
PART OF 297-0212 HYDRAULIC AR

SMCS-1387, 4324, 5055, 5070, 5073, 5084

i03901545

NOTE	REF NO	GRAPHIC REF	PART NUMBER	QTY	PART NAME						SEE PAGE
					1	2	3	4	5	6 (PRODUCT LEVEL)	
Y	1	1	155-9222	1	PUMP GP-GEAR (PILOT)						585
YR	2	1	247-8968	1	PUMP GP-PISTON (HYDRAULIC FAN)						590
Y	3	1	295-9677	1	PUMP GP-PISTON (SWING)						592
M	4	1	118-0589	4	BOLT-SOCKET HEAD (M20X2.5X60-MM)						
	5	1	6V-7681	1	SEAL-O-RING						
	6	1	8T-4123	4	WASHER (22X35X3.5-MM THK)						
M	7	1	8T-4139	2	BOLT (M12X1.75X30-MM)						
	8	1	8T-4223	4	WASHER-HARD (13.5X25.5X3-MM THK)						
M	9	1	8T-4956	2	BOLT (M12X1.75X35-MM)						

M-METRIC PART
R-REMG PART MAY BE AVAILABLE
Y-SEPARATE ILLUSTRATION



GRAPHIC #1

<END>

g02096493

HYDRAULIC SYSTEM

297-7684 PUMP & MTG GP-MAIN HYDRAULIC

S/N: PAS1-UP

PART OF 297-0212 HYDRAULIC AR

SMCS-5070

i03656694

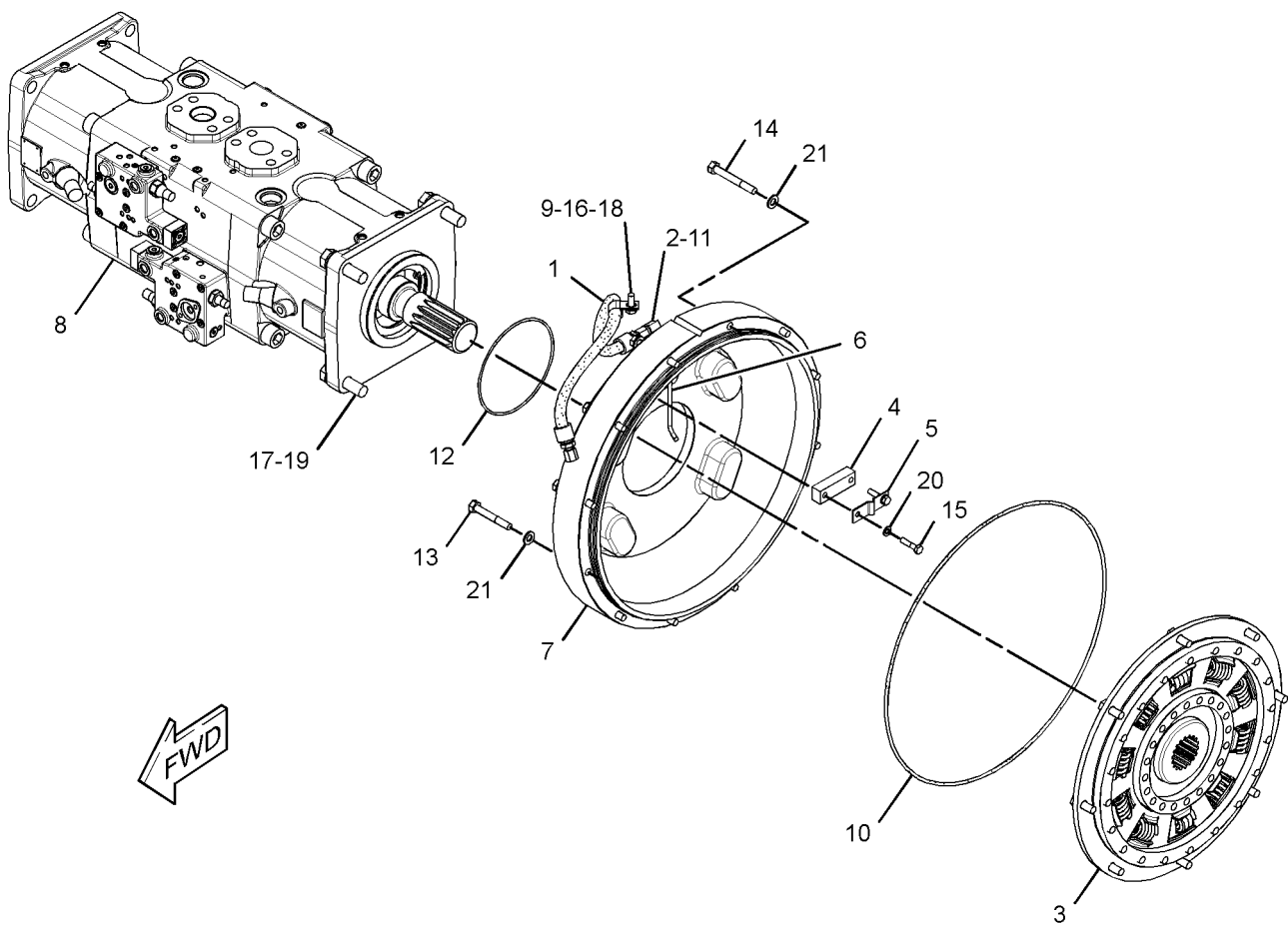
NOTE	REF NO	GRAPHIC REF	PART NUMBER	QTY	PART NAME						SEE PAGE
					1	2	3	4	5	6 (PRODUCT LEVEL)	
I	1	1	2W-4332	1	HOSE AS						
	2	1	196-8173	1	ELBOW						
Y	3	1	222-8350	1	COUPLING GP-PUMP						417
	4	1	233-1153	1	CLAMP						
	5	1	233-1154	1	PLATE						
	6	1	233-1155	1	TUBE AS						
	7	1	233-1194	1	COVER						
Y	8	1	295-9676	1	PUMP GP-MAIN HYDRAULIC						587
	9	1	067-2551	1	CLIP						
	10	1	6V-5043	1	SEAL-O-RING						
	11	1	214-7568	1	SEAL-O-RING						
	12	1	6V-7681	1	SEAL-O-RING						
	13	1	7X-0314	10	BOLT (7/16-14X3-IN)						
	14	1	7X-0316	2	BOLT (7/16-14X3.5-IN)						
M	15	1	7X-2537	2	BOLT (M8X1.25X35-MM)						
	16	1	8T-4121	1	WASHER-HARD (11X21X2.5-MM THK)						
	17	1	8T-4123	4	WASHER (22X35X3.5-MM THK)						
M	18	1	8T-4136	1	BOLT (M10X1.5X25-MM)						
M	19	1	8T-4141	4	BOLT (M20X2.5X70-MM)						
	20	1	8T-4224	2	WASHER-HARD (8.8X16X2-MM THK)						
	21	1	8T-5360	12	WASHER (12X22.5X2.5-MM THK)						

I-REFER TO HYDRAULIC INFORMATION SYSTEM
M-METRIC PART
Y-SEPARATE ILLUSTRATION

HYDRAULIC SYSTEM

297-7684 PUMP & MTG GP-MAIN HYDRAULIC (contd.)

i03656694



GRAPHIC #1

<END>

g02073253

HYDRAULIC SYSTEM

155-9222 PUMP GP-GEAR-PILOT

S/N: PAS1-UP

PART OF 295-9404 PUMP & MTG GP-HYDRAULIC

SMCS-5073

i03546604

NOTE	PART NUMBER	QTY	PART NAME						SEE PAGE
			1	2	3	4	5	6 (PRODUCT LEVEL)	
Y	155-9224	1	PUMP	GP	-	GEAR		586	
Y-SEPARATE ILLUSTRATION									

<END>

HYDRAULIC SYSTEM

155-9224 PUMP GP-GEAR

S/N: PAS1-UP

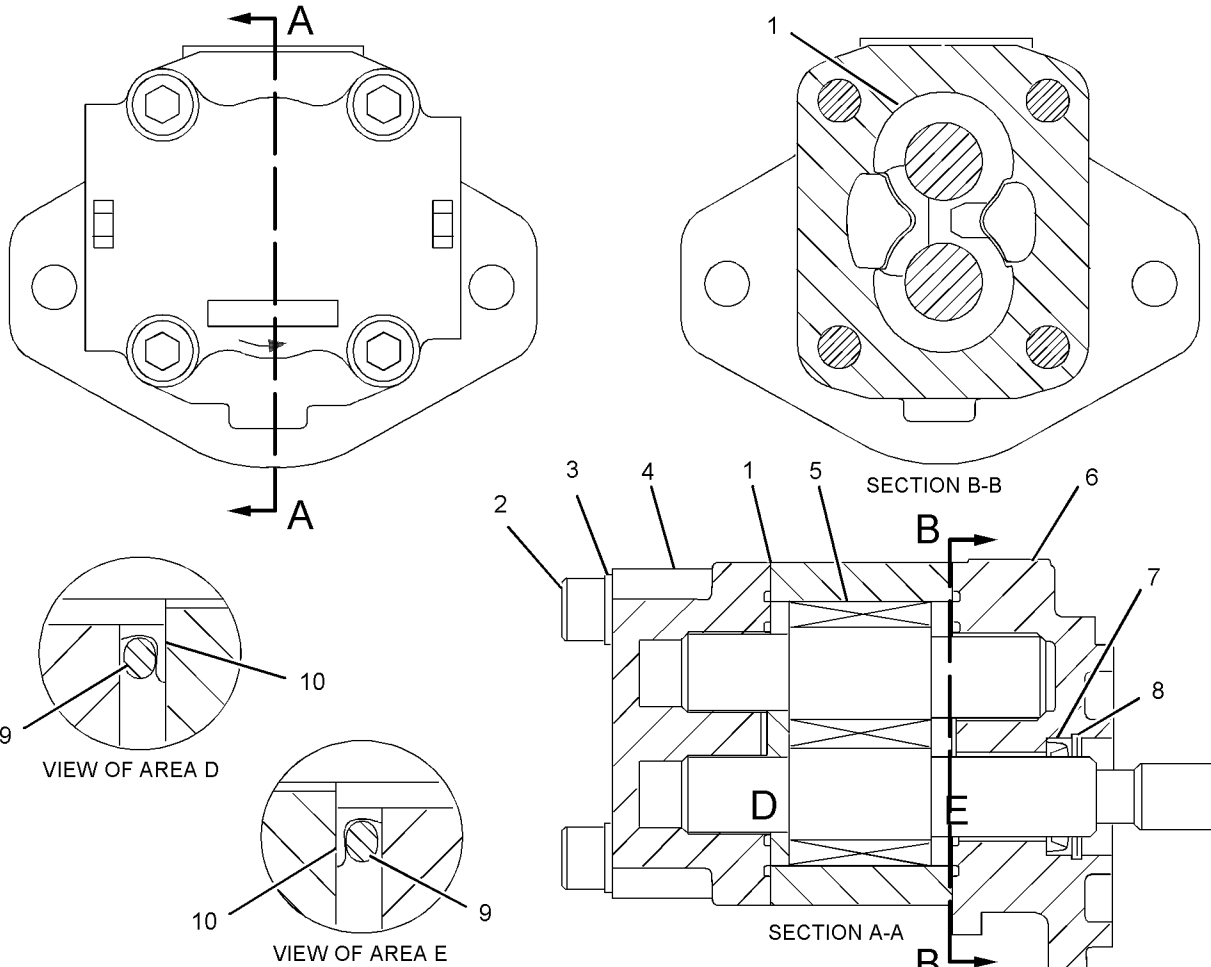
PART OF 155-9222 PUMP GP-GEAR

SMCS-5073

i03643767

NOTE	REF NO	GRAPHIC REF	PART NUMBER	QTY	PART NAME						SEE PAGE
					1	2	3	4	5	6 (PRODUCT LEVEL)	
	1	1	158-8937	2	PLATE						
M	2	1	099-0724	4	BOLT (M14X2X145-MM)						
	3	1	096-5867	4	WASHER-HARD (15X28X2.5-MM THK)						
	4	1	209-5979	1	COVER						
	5	1	209-5981	1	GEAR AS						
	6	1	158-8936	1	FLANGE						
J	7	1	158-8940	1	SEAL-LIP TYPE						
J	8	1	8C-3110	1	RING-RETAINING						
J	9	1	158-8938	2	SEAL-OIL						
J	10	1	158-8939	2	RING-BACKUP						
AVAILABLE REPAIR KIT(S) :											
J			209-5980	1	KIT-SEAL (GEAR PUMP)						

J-KIT MARKED J SERVICES PART(S) MARKED J
M-METRIC PART



GRAPHIC #1

<END>

g01079666

HYDRAULIC SYSTEM

295-9676 PUMP GP-MAIN HYDRAULIC

S/N: PAS1-UP

PART OF 297-7684 PUMP & MTG GP-MAIN HYDRAULIC

SMCS-5070

i03656742

NOTE	REF NO	GRAPHIC REF	PART NUMBER	QTY	PART NAME						SEE PAGE
					1	2	3	4	5	6 (PRODUCT LEVEL)	
Y	1	1	185-0217	1	VALVE GP-PUMP CONTROL (PRESSURE, FLOW COMPENSATOR)						666
	2	2	170-9900	4	PIN						
Y	3	1	326-4427	1	ROTATING GP-PUMP						597
Y	4	2	158-9103	2	ACTUATOR GP-PUMP						408
	5	2	145-3171	4	LOCKNUT-SEAL						
	6	2	145-3169	4	PIN-THREADED						
	7	2	234-9503	2	SEAL-O-RING						
	8	2	096-8058	2	RING-RETAINING						
	9	2	112-4629	1	SCREW						
Y	10	1	315-4381	1	VALVE GP-PUMP CONTROL						669
Y	11	2	158-9097	1	ROTATING GP-PUMP						594
	12	2	112-4630	4	SCREW (1-5/16-THD)						
Y	13	2	249-4488	2	ACTUATOR GP-PUMP						410
Y	14	1	158-9105	2	VALVE GP-SHUTTLE						685
Y	15	1	158-9098	1	HEAD GP-PUMP						459
	16	2	165-9353	1	BLOCK						
	17	1	117-5716	8	PIN						
	18	1	9T-3928	8	PLUG AS						
					(EACH INCLUDES)						
		1	187-8001	1	SEAL						
M	19	1	177-0359	8	BOLT-SOCKET HEAD (M22X2.5X90-MM)						
	20	1	183-3242	2	PRELOAD AS						
					(EACH INCLUDES)						
		1	183-3252	1	ROD						
		1	183-4888	1	JACKET						
		1	183-8404	1	SPRING						
		1	186-6592	30	SPRING						
	21	2	205-5626	4	CAP						
	22	2	9T-4367	2	CAP AS						
	23	2	122-5335	2	CAP						

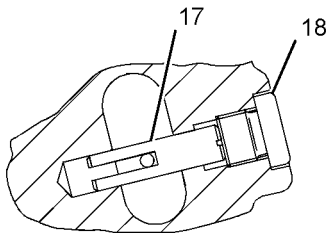
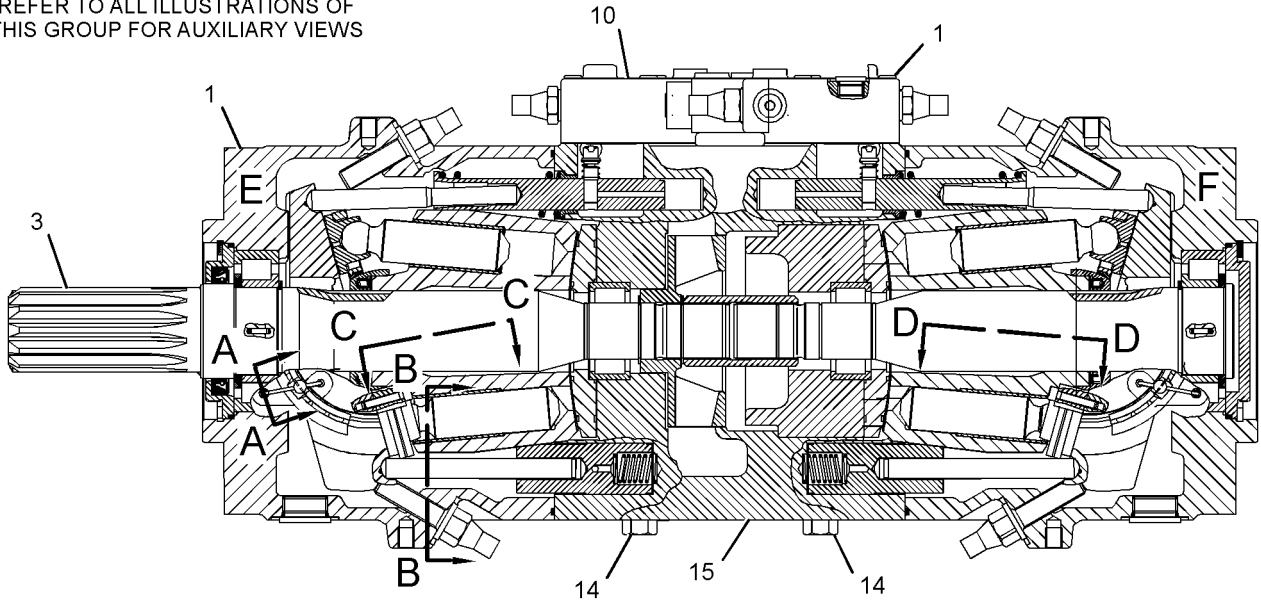
M-METRIC PART
Y-SEPARATE ILLUSTRATION

HYDRAULIC SYSTEM

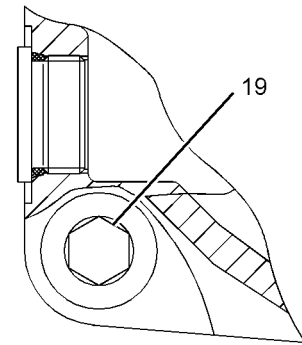
295-9676 PUMP GP-MAIN HYDRAULIC (contd.)

i03656742

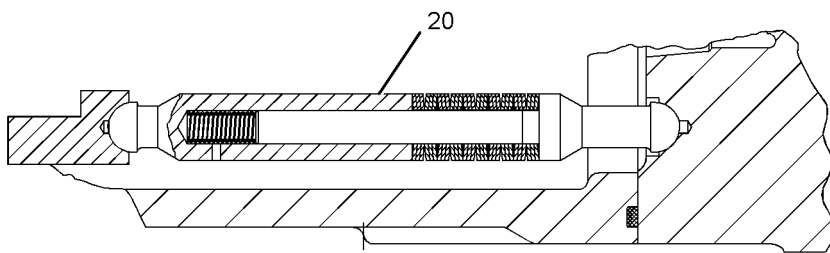
REFER TO ALL ILLUSTRATIONS OF THIS GROUP FOR AUXILIARY VIEWS



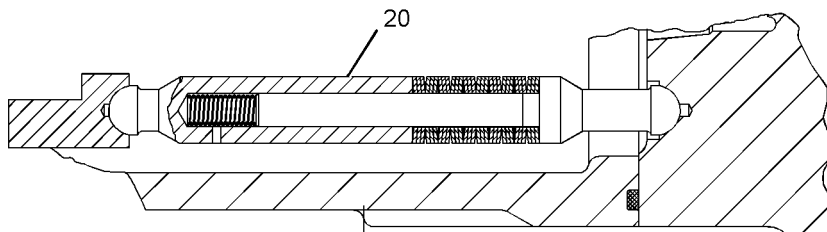
SECTION A-A



SECTION B-B



SECTION C-C

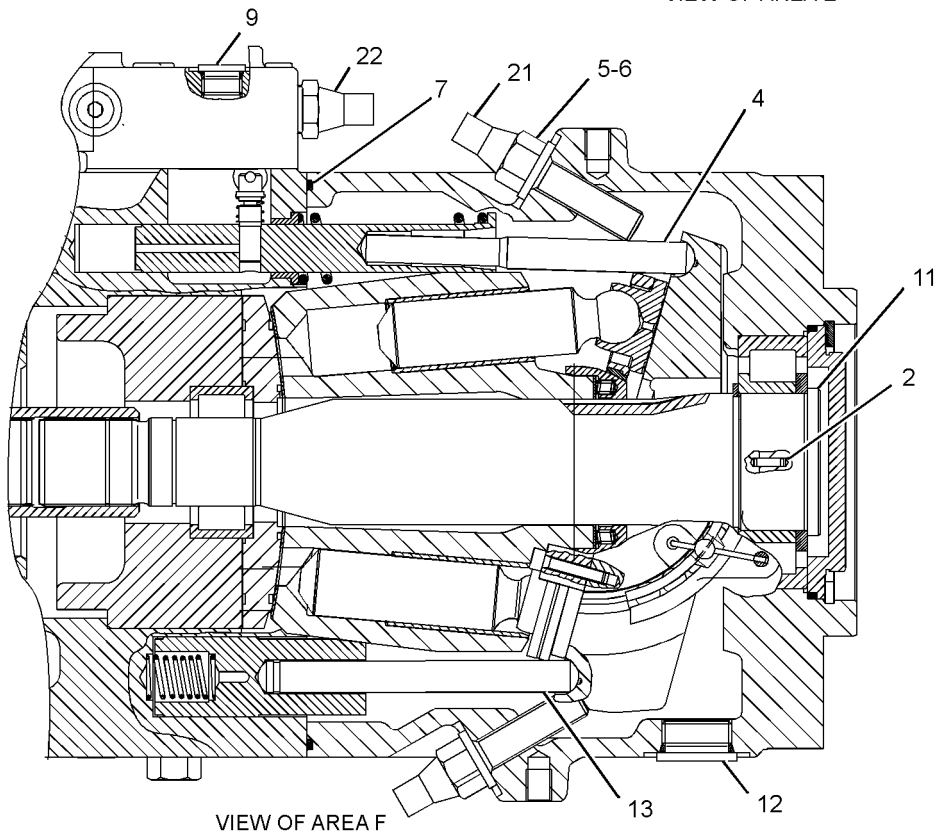
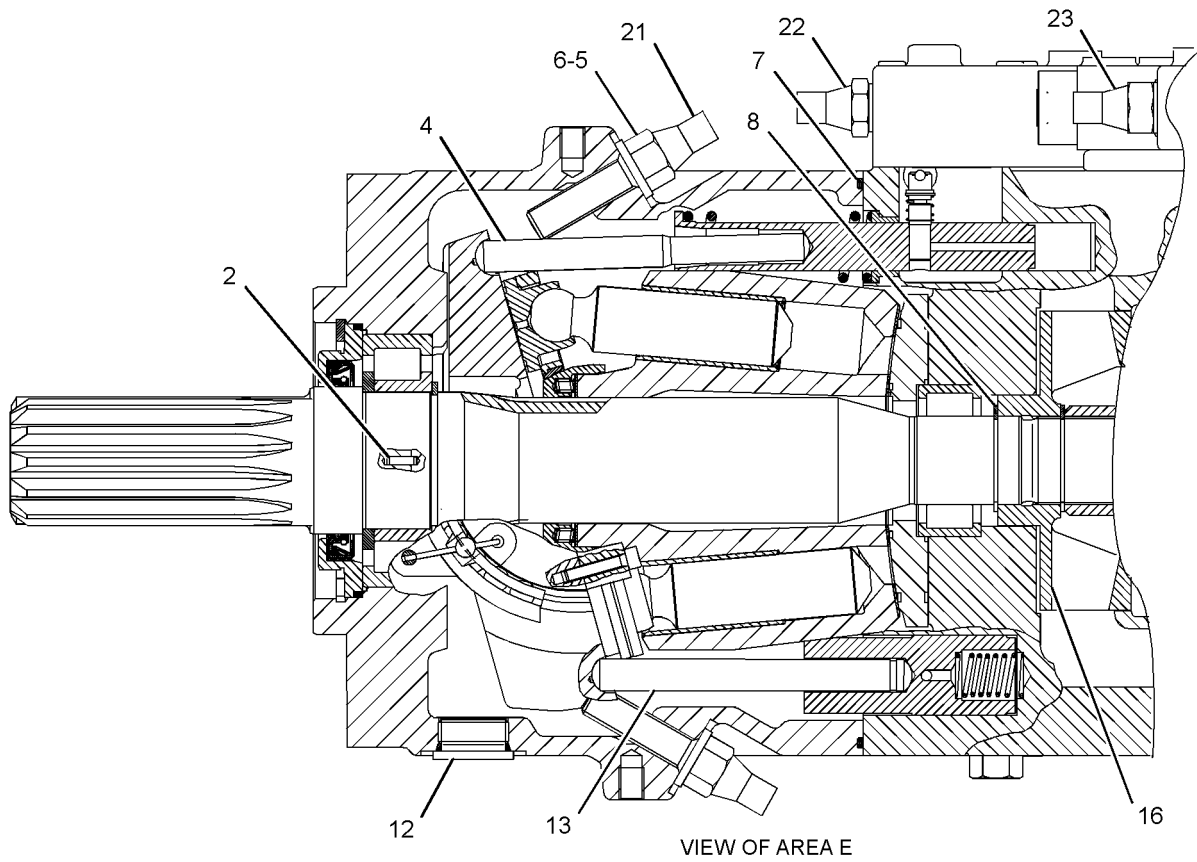


SECTION D-D

HYDRAULIC SYSTEM

295-9676 PUMP GP-MAIN HYDRAULIC (contd.)

i03656742



GRAPHIC #2

<END>

g02122775

HYDRAULIC SYSTEM

247-8968 PUMP GP-PISTON-HYDRAULIC FAN*R

S/N: PAS1-UP

PART OF 295-9404 PUMP & MTG GP-HYDRAULIC

SMCS-5070

i02209328

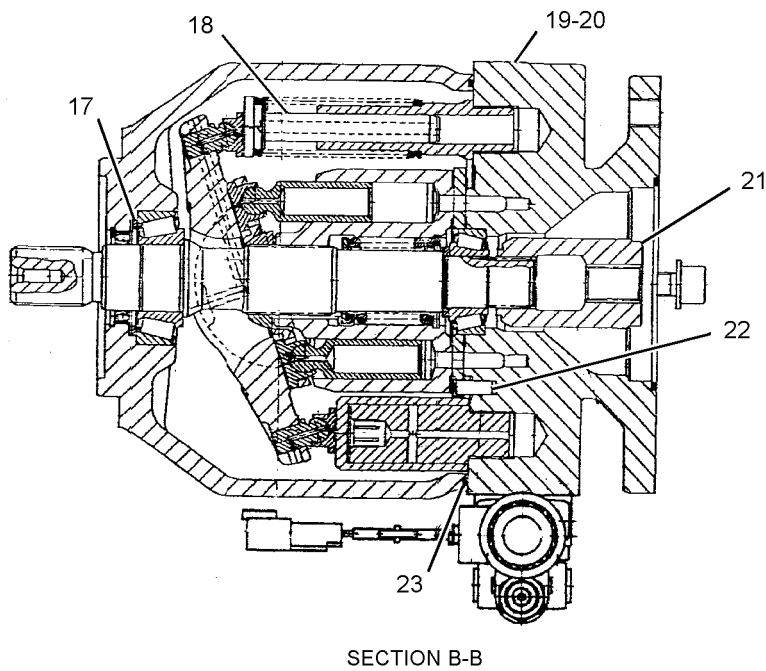
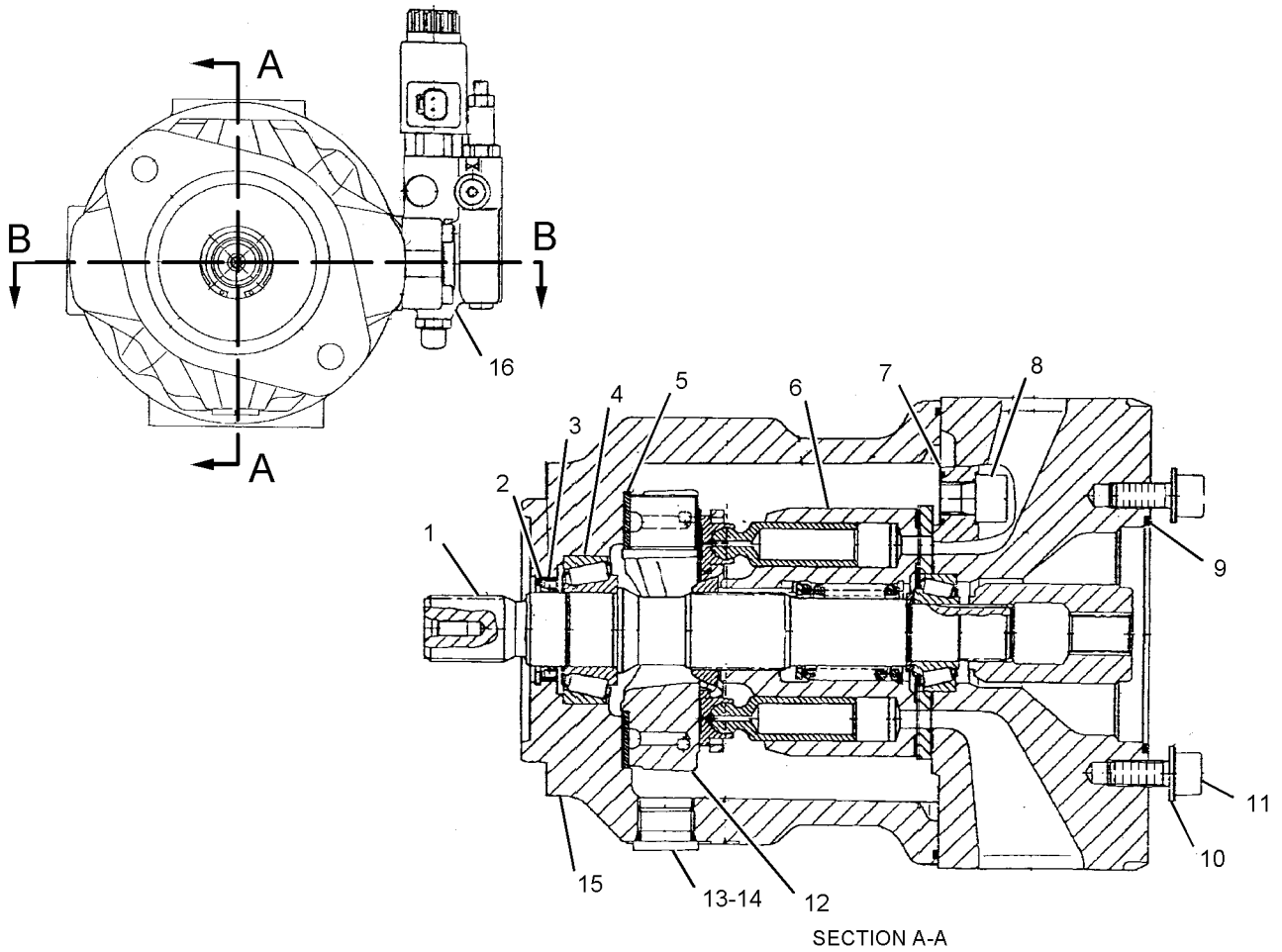
NOTE	REF NO	GRAPHIC REF	PART NUMBER	QTY	PART NAME						SEE PAGE
					1	2	3	4	5	6 (PRODUCT LEVEL)	
	1	1	185-0240	1	SHAFT						
	2	1	8C-3110	1	RING-RETAINING						
	3	1	185-0248	1	SEAL-OIL						
	4	1	185-0243	1	BEARING AS						
		1	185-0263	1	BEARING						
		1	185-0265	1	SHIM PACK (INCLUDES 14-SHIMS)						
		1	189-4717	1	BEARING						
	5	1	185-0244	2	PLATE						
Y	6	1	185-0235	1	ROTATING GP-PUMP						595
	7	1	122-9250	4	SEAL-O-RING						
M	8	1	8T-0273	4	BOLT-SOCKET HEAD (M12X1.75X40-MM)						
	9	1	118-3122	1	SEAL-O-RING						
	10	1	8T-4223	2	WASHER-HARD (13.5X25.5X3-MM THK)						
M	11	1	8T-3957	2	BOLT-SOCKET HEAD (M12X1.75X30-MM)						
	12	1	185-0239	1	SWASHPLATE						
	13	1	9S-8006	1	PLUG-O-RING						
	14	1	2M-9780	1	SEAL-O-RING						
	15	1	185-0237	1	HOUSING						
Y	16	1	209-5937	1	VALVE GP-PUMP CONTROL (PRESSURE COMPENSATOR)						667
	17	1	185-0242	1	PLATE						
Y	18	1	185-0236	1	ACTUATOR GP-PUMP						409
	19	1	185-0238	1	COVER						
	20	1	185-0246	1	PLUG AS						
	21	1	185-0241	1	COUPLING						
	22	1	188-6280	1	DOWEL						
	23	1	190-3009	1	SEAL-O-RING						

M-METRIC PART
Y-SEPARATE ILLUSTRATION

HYDRAULIC SYSTEM

247-8968 PUMP GP-PISTON (contd.)

i02209328



GRAPHIC #1

<END>

g01126990

HYDRAULIC SYSTEM

295-9677 PUMP GP-PISTON-SWING

S/N: PAS1-UP

PART OF 295-9404 PUMP & MTG GP-HYDRAULIC

SMCS-5070

i03656844

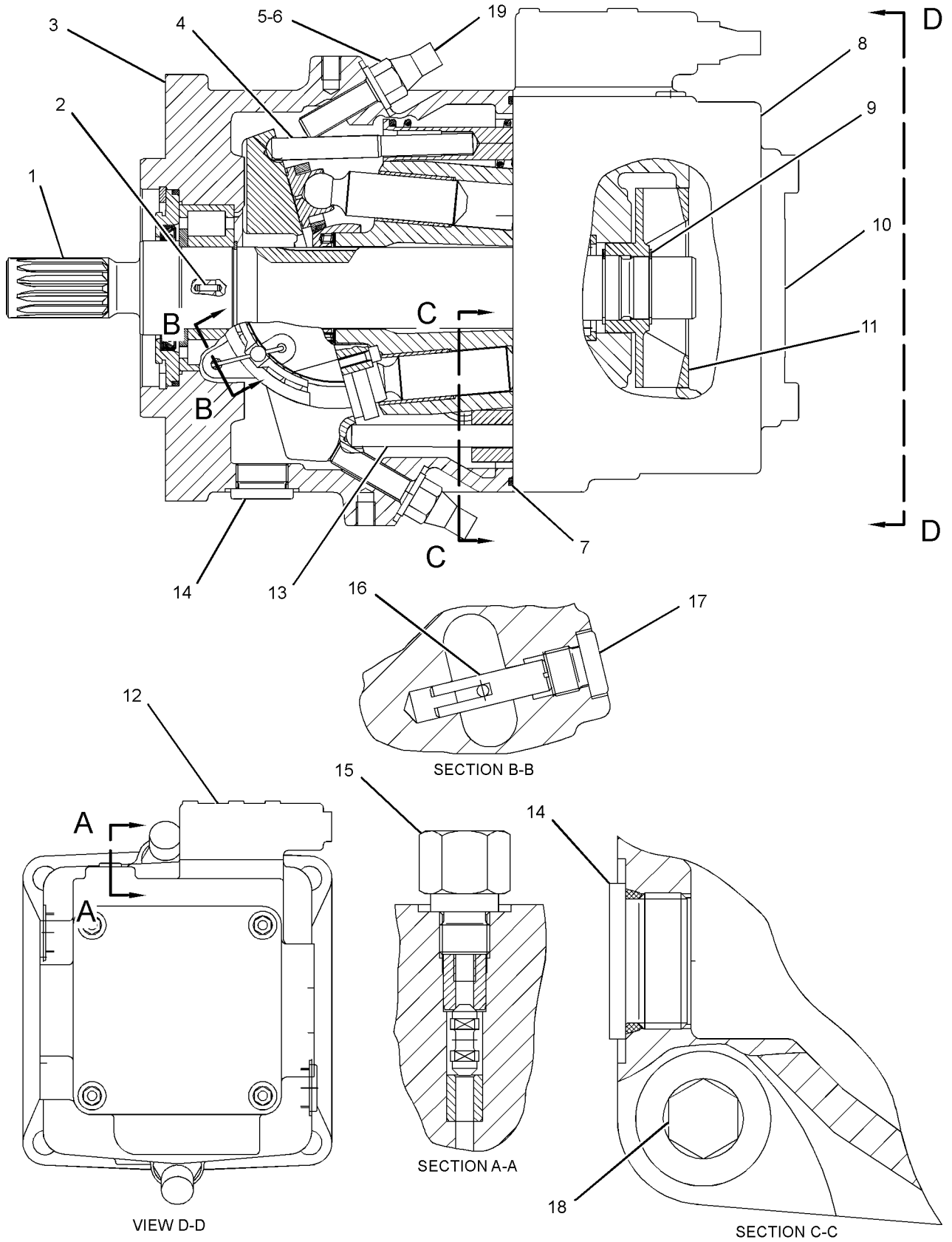
NOTE	REF NO	GRAPHIC REF	PART NUMBER	QTY	PART NAME						SEE PAGE
					1	2	3	4	5	6 (PRODUCT LEVEL)	
Y	1	1	326-4429	1	ROTATING GP-PUMP						598
	2	1	170-9900	2	PIN						
	3	1	315-4389	1	BODY						
Y	4	1	145-3165	1	ACTUATOR GP-PUMP						406
	5	1	145-3171	2	LOCKNUT-SEAL						
	6	1	145-3169	2	PIN-THREADED						
	7	1	8F-6230	1	SEAL-O-RING						
Y	8	1	247-8754	1	HEAD GP-PUMP						460
	9	1	8T-4240	2	RING-RETAINING						
Y	10	1	247-8757	1	MOUNTING GP-HYDRAULIC PUMP						578
	11	1	247-8759	1	PLATE						
Y	12	1	315-4383	1	VALVE GP-PUMP CONTROL						671
	13	1	247-8756	1	ACTUATOR GP-PUMP						
		1	5I-4306	1	SPRING						
		1	145-3792	1	ROD (128.2-MM LG)						
		1	200-0961	1	PISTON						
	14	1	112-4630	2	SCREW (1-5/16-THD)						
Y	15	1	158-9105	1	VALVE GP-SHUTTLE						685
	16	1	117-5716	4	PIN						
	17	1	9T-3928	4	PLUG AS						
M	18	1	7X-2564	4	BOLT (M20X2.5X90-MM)						
	19	1	128-8981	2	CAP						

M-METRIC PART
Y-SEPARATE ILLUSTRATION

HYDRAULIC SYSTEM

295-9677 PUMP GP-PISTON (contd.)

i03656844



GRAPHIC #1

<END>

g02121417

HYDRAULIC SYSTEM

158-9097 ROTATING GP-PUMP—MAIN HYDRAULIC PUMP

S/N: PAS1-UP

PART OF 295-9676 PUMP GP-MAIN HYDRAULIC

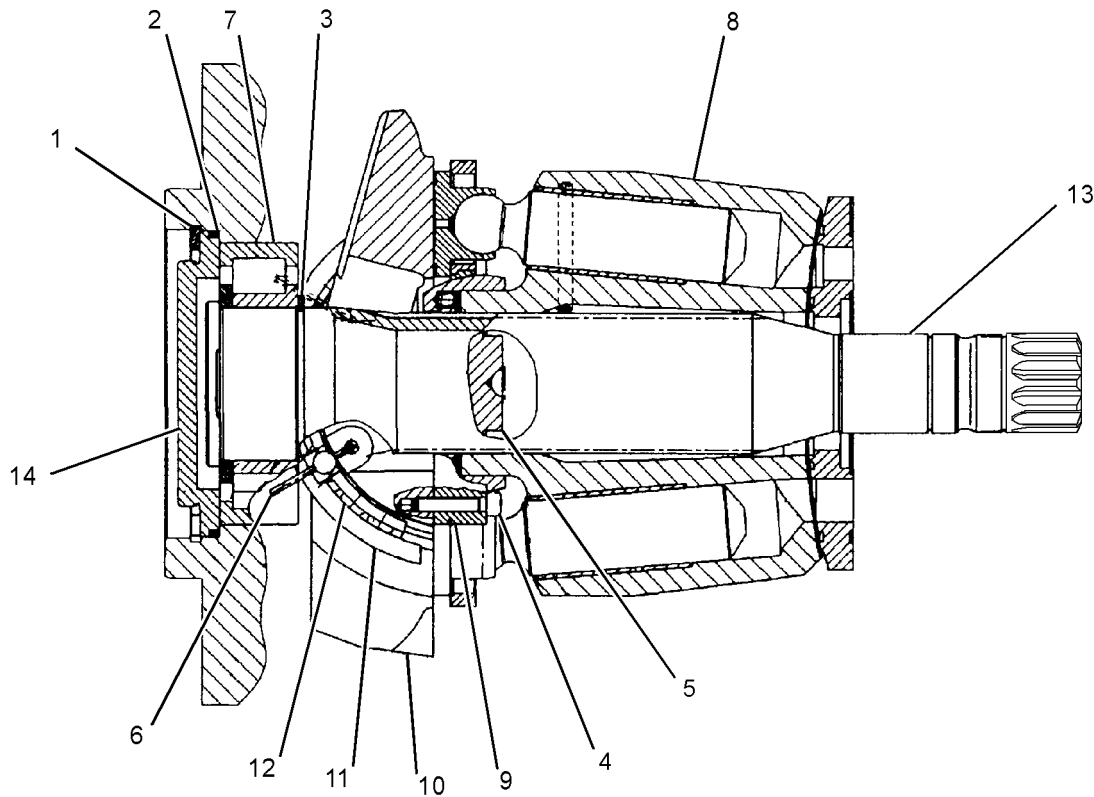
SMCS-5070

i03826392

NOTE	REF NO	GRAPHIC REF	PART NUMBER	QTY	PART NAME						SEE PAGE
					1	2	3	4	5	6 (PRODUCT LEVEL)	
	1	1	6I-6788	1	RING-RETAINING						
	2	1	6V-8260	1	SEAL-O-RING						
	3	1	095-0929	1	RING-RETAINING						
M	4	1	8T-8442	4	BOLT-SOCKET HEAD (M6X1X30-MM)						
	5	1	178-4003	1	RETAINER						
	6	1	6E-3840	4	ROD						
	7	1	170-9901	1	BEARING						
Y	8	1	342-1848	1	ROTATING GP-PUMP						600
	9	1	165-9357	1	RETAINER						
	10	1	165-9354	1	SWASHPLATE						
	11	1	259-0895	1	BEARING						
	12	1	191-5592	1	BEARING AS						
	13	1	165-9364	1	SHAFT						
	14	1	165-9365	1	COVER						

M-METRIC PART

Y-SEPARATE ILLUSTRATION



GRAPHIC #1

<END>

g01285116

HYDRAULIC SYSTEM

185-0235 ROTATING GP-PUMP-HYDRAULIC FAN

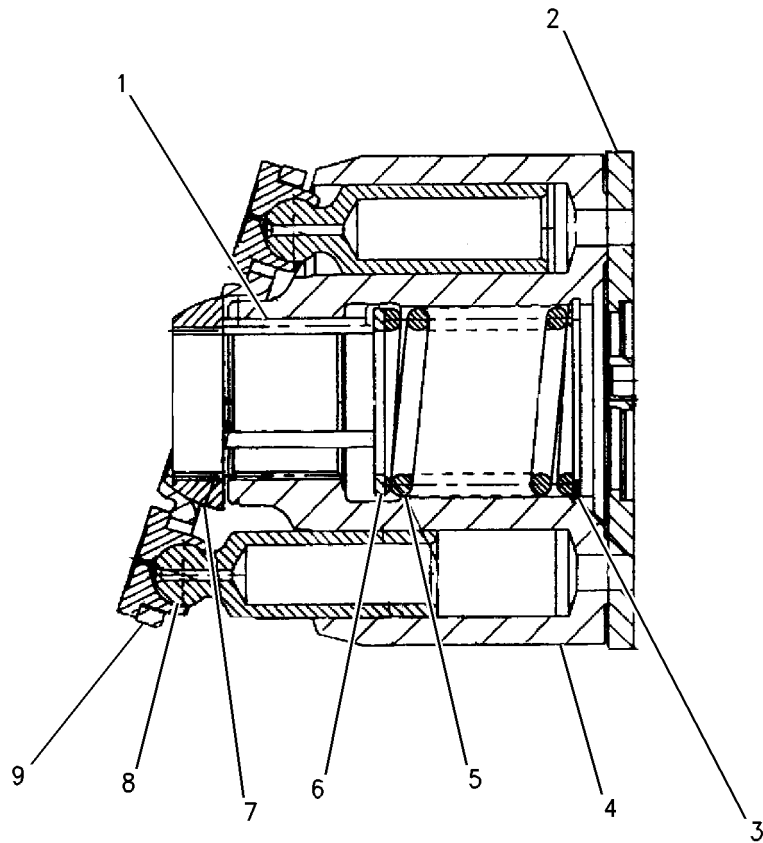
S/N: PAS1-UP

PART OF 247-8968 PUMP GP-PISTON

SMCS-5070

i01471661

NOTE	REF NO	GRAPHIC REF	PART NUMBER	QTY	PART NAME						SEE PAGE
					1	2	3	4	5	6 (PRODUCT LEVEL)	
	1	1	168-7940	3	PIN						
	2	1	175-6796	1	PLATE-VALVE						
	3	1	096-0015	1	RING-RETAINING						
	4	1	185-0251	1	BARREL						
	5	1	168-7941	1	SPRING						
	6	1	168-7942	1	WASHER (36.5-MM ODX2.0-MM THK)						
	7	1	185-0253	1	GUIDE-BALL						
	8	1	185-0250	1	PISTON AS						
	9	1	168-7944	1	PLATE-RETRACTION						



GRAPHIC #1

<END>

g00749331

HYDRAULIC SYSTEM

295-9547 ROTATING GP-PUMP-HYDRAULIC FAN

S/N: PAS1-UP

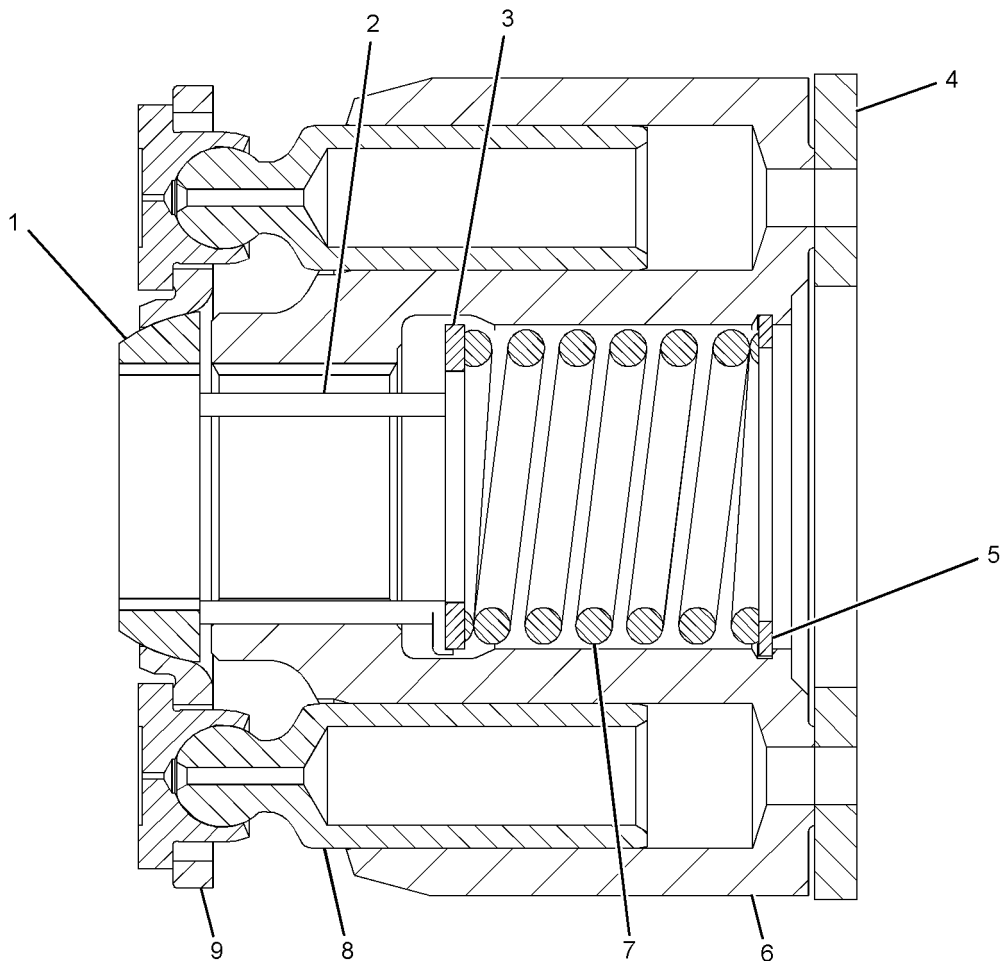
PART OF 311-9550, 326-4439 MOTOR GP-PISTON

ALSO AN ATTACHMENT

SMCS-5070

i02939895

NOTE	REF NO	GRAPHIC REF	PART NUMBER	QTY	PART NAME						SEE PAGE
					1	2	3	4	5	6 (PRODUCT LEVEL)	
1	1	1	168-3378	1	BEARING-SPHERICAL						
2	1	1	168-3379	3	PIN						
3	1	1	168-3382	1	WASHER (42-MM ODX2.7-MM THK)						
4	1	1	311-9549	1	PLATE-VALVE						
5	1	1	6V-7723	1	RING-RETAINING						
6	1	1	295-9549	1	BARREL						
7	1	1	185-0292	1	SPRING						
8	1	1	168-3384	9	PISTON AS-PUMP						
9	1	1	168-3385	1	PLATE-RETRACTION						



GRAPHIC #1

<END>

g01483753

HYDRAULIC SYSTEM

326-4427 ROTATING GP-PUMP-MAIN HYDRAULIC PUMP

S/N: PAS1-UP

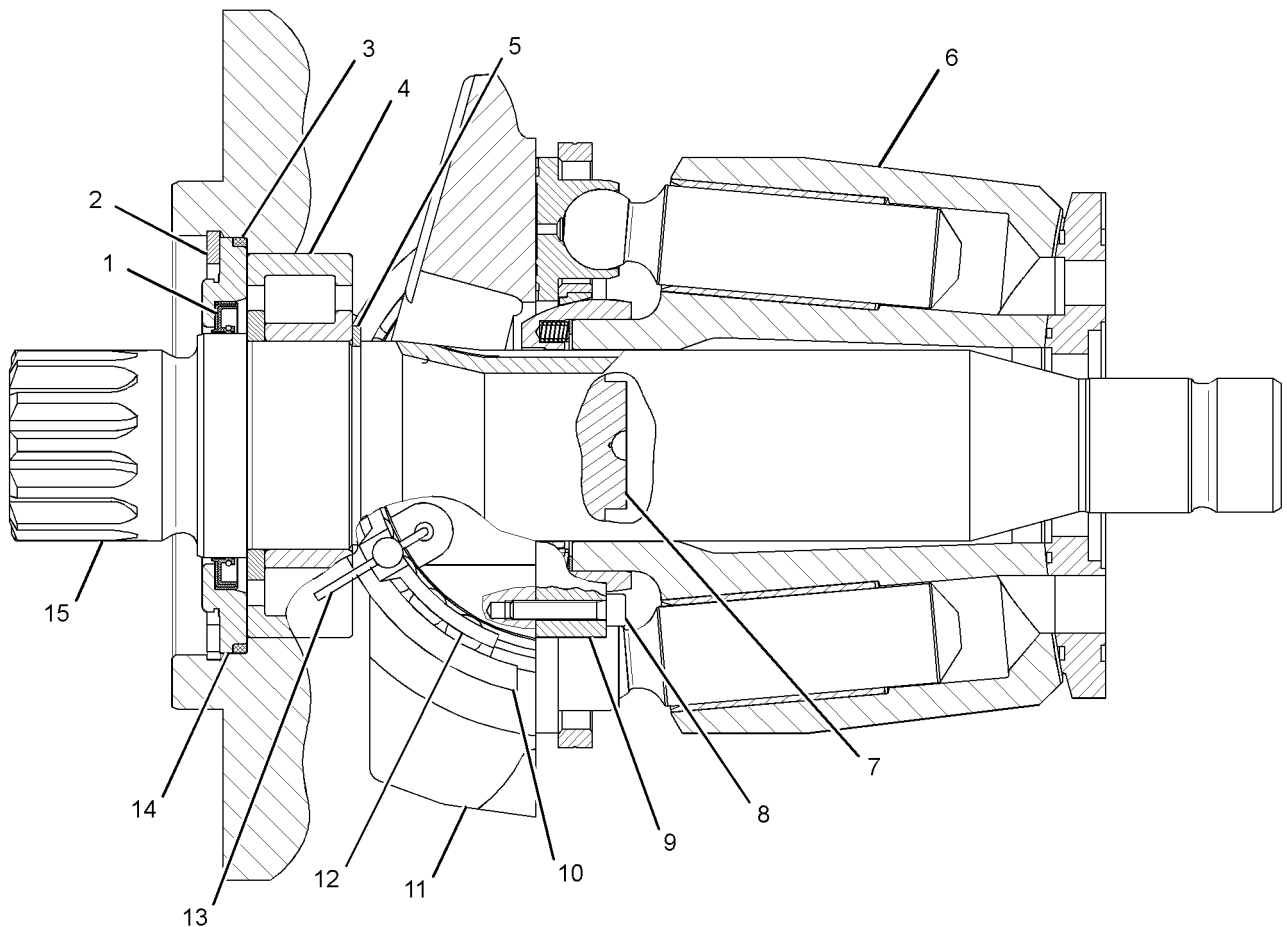
PART OF 295-9676 PUMP GP-MAIN HYDRAULIC

SMCS-5070

i03656760

NOTE	REF NO	GRAPHIC REF	PART NUMBER	QTY	PART NAME						SEE PAGE
					1	2	3	4	5	6 (PRODUCT LEVEL)	
	1	1	326-4428	1	SEAL-SHAFT						
	2	1	6I-6788	1	RING-RETAINING						
	3	1	6V-8260	1	SEAL-O-RING						
	4	1	170-9901	1	BEARING						
	5	1	095-0929	1	RING-RETAINING						
Y	6	1	342-1842	1	ROTATING GP-PUMP						599
	7	1	178-4003	1	RETAINER						
M	8	1	8T-8442	4	BOLT-SOCKET HEAD (M6X1X30-MM)						
	9	1	165-9357	1	RETAINER						
	10	1	259-0895	1	BEARING						
	11	1	165-9354	1	SWASHPLATE						
	12	1	191-5592	1	BEARING AS						
	13	1	6E-3840	4	ROD						
	14	1	259-0883	1	COVER						
	15	1	247-8775	1	SHAFT						

M-METRIC PART
Y-SEPARATE ILLUSTRATION



GRAPHIC #1

<END>

g02088015

HYDRAULIC SYSTEM

326-4429 ROTATING GP-PUMP-SWING PUMP

S/N: PAS1-UP

PART OF 295-9677 PUMP GP-PISTON

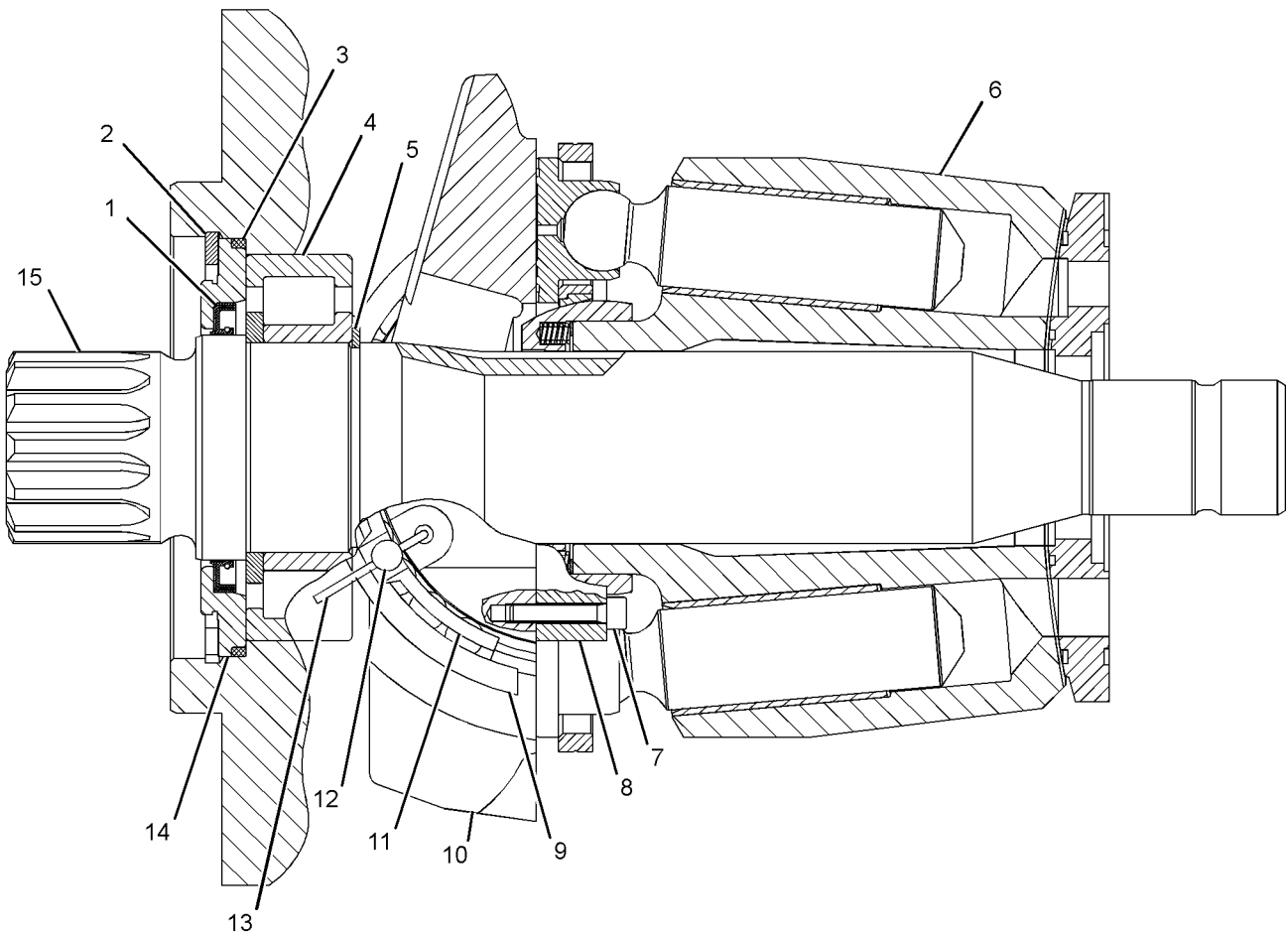
SMCS-5070

i03656874

NOTE	REF NO	GRAPHIC REF	PART NUMBER	QTY	PART NAME						SEE PAGE
					1	2	3	4	5	6 (PRODUCT LEVEL)	
	1	1	326-4430	1	SEAL-SHAFT						
	2	1	3E-4334	1	RING-RETAINING						
	3	1	2J-8163	1	SEAL-O-RING						
	4	1	5I-4275	1	BEARING-ROLLER						
	5	1	7Y-5267	1	RING-RETAINING						
Y	6	1	342-1851	1	ROTATING GP-PUMP						601
M	7	1	8T-8442	4	BOLT-SOCKET HEAD (M6X1X30-MM)						
	8	1	145-3775	2	RETAINER						
	9	1	145-3774	1	LINER-BEARING						
	10	1	145-3771	1	CRADLE						
	11	1	145-3776	1	CAGE						
	12	1	145-3773	4	ROLLER						
	13	1	6E-3840	4	ROD						
	14	1	259-0904	1	COVER						
	15	1	247-8760	1	SHAFT						

M-METRIC PART

Y-SEPARATE ILLUSTRATION



GRAPHIC #1

<END>

g02125868

HYDRAULIC SYSTEM

342-1842 ROTATING GP-PUMP—MAIN HYDRAULIC PUMP

S/N: PAS1-UP

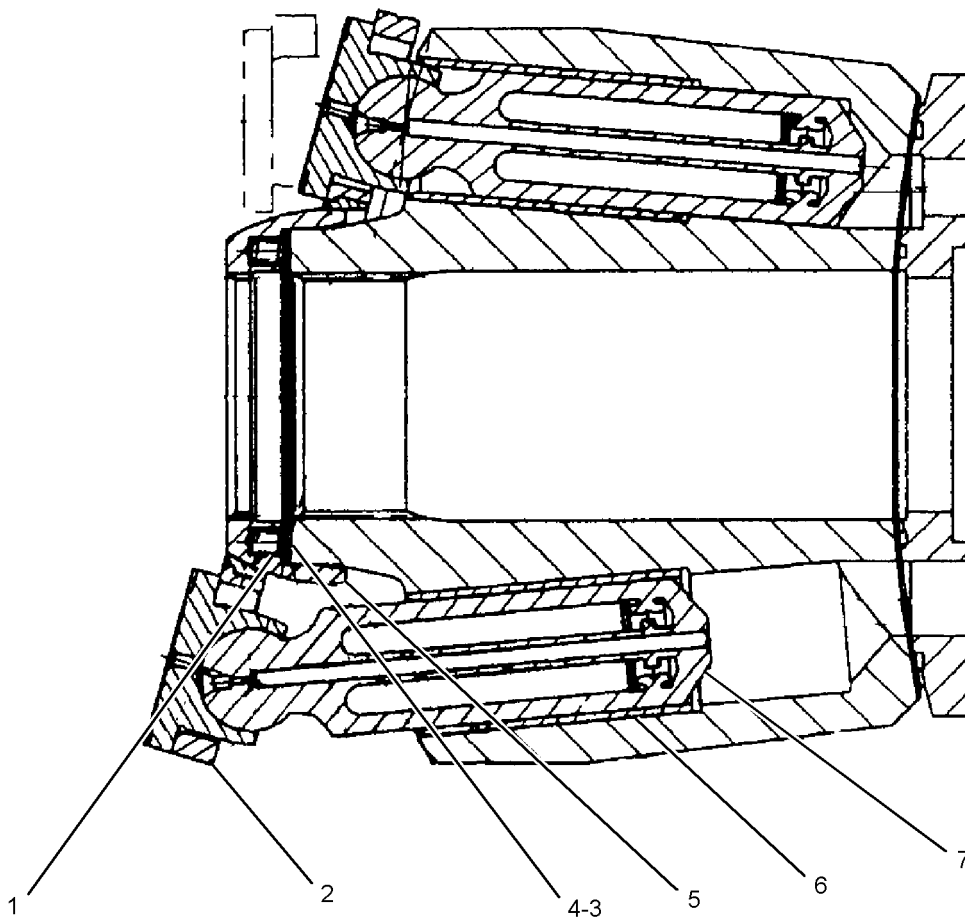
PART OF 326-4427 ROTATING GP-PUMP

SMCS-5070

i03656831

NOTE	REF NO	GRAPHIC REF	PART NUMBER	QTY	PART NAME						SEE PAGE
					1	2	3	4	5	6 (PRODUCT LEVEL)	
	1	1	165-9363	20	SPRING						
	2	1	342-1843	1	RETAINER						
B	3	1	165-9362	2	SHIM (0.75-MM THK)						
B	4	1	165-9361	2	SHIM (0.5-MM THK)						
	5	1	342-1845	1	GUIDE						
	6	1	342-1846	1	BARREL AS						
	7	1	259-0882	1	PISTON AS-PUMP						

B-USE AS REQUIRED



GRAPHIC #1

<END>

g02097586

HYDRAULIC SYSTEM

342-1848 ROTATING GP-PUMP—MAIN HYDRAULIC PUMP

S/N: PAS1-UP

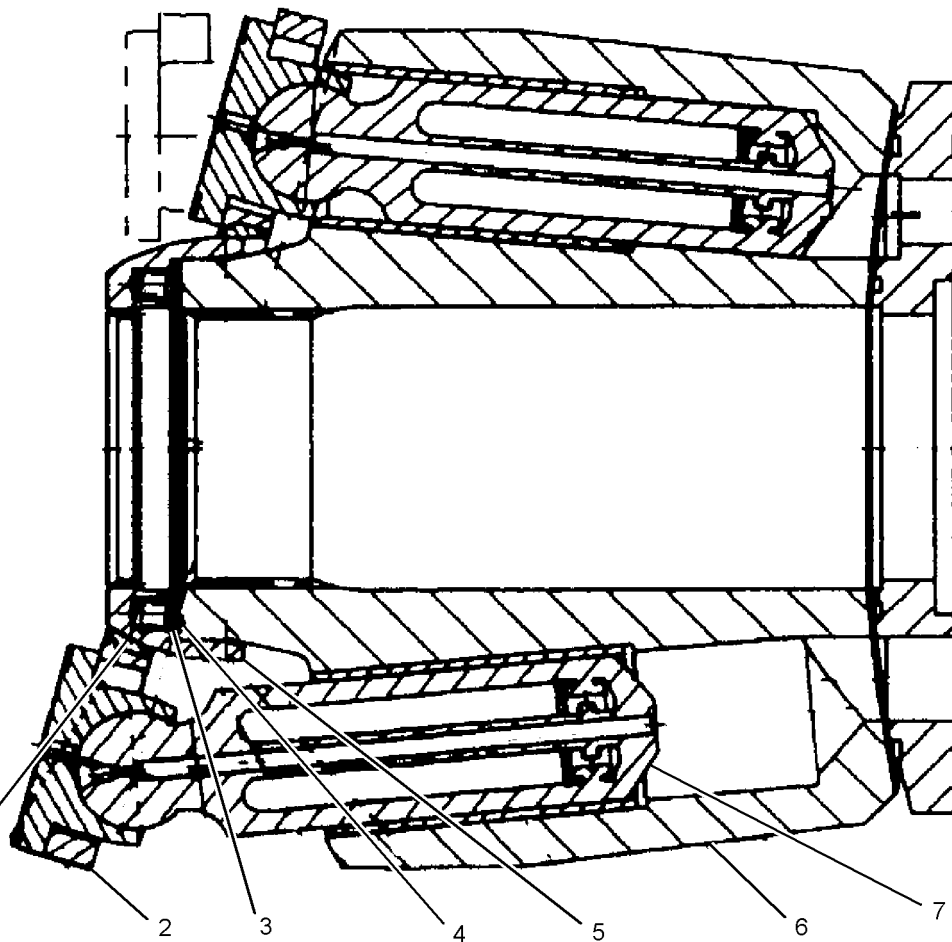
PART OF 158-9097 ROTATING GP-PUMP

SMCS-5070

i03826409

NOTE	REF NO	GRAPHIC REF	PART NUMBER	QTY	PART NAME						SEE PAGE
					1	2	3	4	5	6 (PRODUCT LEVEL)	
	1	1	165-9363	20	SPRING						
	2	1	342-1843	1	RETAINER						
B	3	1	165-9362	2	SHIM (0.75-MM THK)						
B	4	1	165-9361	2	SHIM (0.5-MM THK)						
	5	1	342-1845	1	GUIDE						
	6	1	342-1849	1	BARREL AS						
	7	1	259-0882	1	PISTON AS-PUMP						

B-USE AS REQUIRED



GRAPHIC #1

<END>

g02132773

HYDRAULIC SYSTEM

342-1851 ROTATING GP-PUMP-SWING PUMP

S/N: PAS1-UP

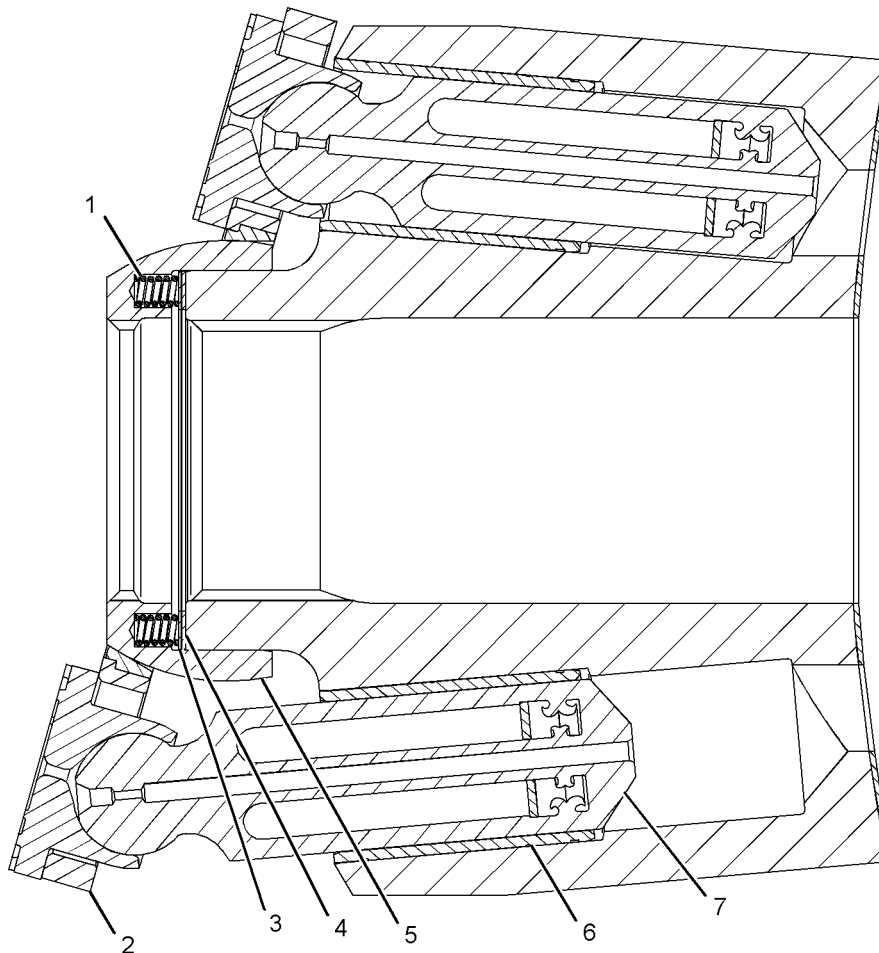
PART OF 326-4429 ROTATING GP-PUMP

SMCS-5070

i03875821

NOTE	REF NO	GRAPHIC REF	PART NUMBER	QTY	PART NAME						SEE PAGE
					1	2	3	4	5	6 (PRODUCT LEVEL)	
	1	1	342-1852	20	SPRING						
	2	1	179-6912	1	PLATE						
B	3	1	342-1854	2	SHIM						
B	4	1	342-1855	2	SHIM						
	5	1	179-6913	1	RETAINER						
	6	1	342-1858	1	BARREL AS-PUMP						
	7	1	342-1859	1	PISTON AS-PUMP						

B-USE AS REQUIRED



GRAPHIC #1

<END>

g02126004

HYDRAULIC SYSTEM

234-4445 SCREEN GP-HYDRAULIC-TANK

S/N: PAS1-UP

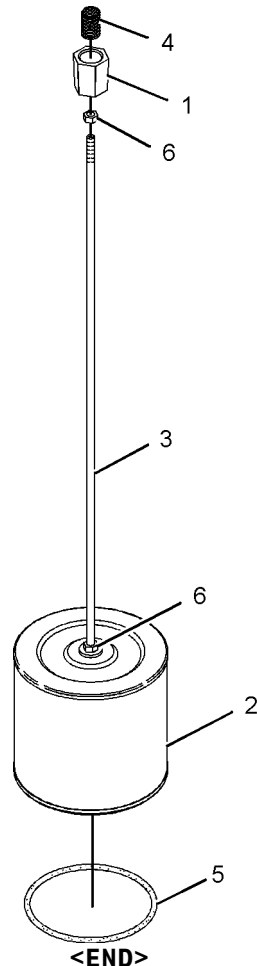
PART OF 227-0410 TANK & FILTER GP-HYDRAULIC

SMCS-5068

i02628778

NOTE	REF NO	GRAPHIC REF	PART NUMBER	QTY	PART NAME						SEE PAGE
					1	2	3	4	5	6 (PRODUCT LEVEL)	
	1	1	095-6641	1	GUIDE						
	2	1	200-3507	1	SCREEN AS (HYDRAULIC TANK)						
	3	1	234-4446	1	ROD						
	4	1	095-6639	1	SPRING						
	5	1	5L-5032	1	SEAL-O-RING						
M	6	1	8T-4133	2	NUT (M10X1.5-THD)						

M-METRIC PART



GRAPHIC #1

<END>

g01079819

HYDRAULIC SYSTEM

295-9595 SWIVEL GP

S/N: PAS1-UP

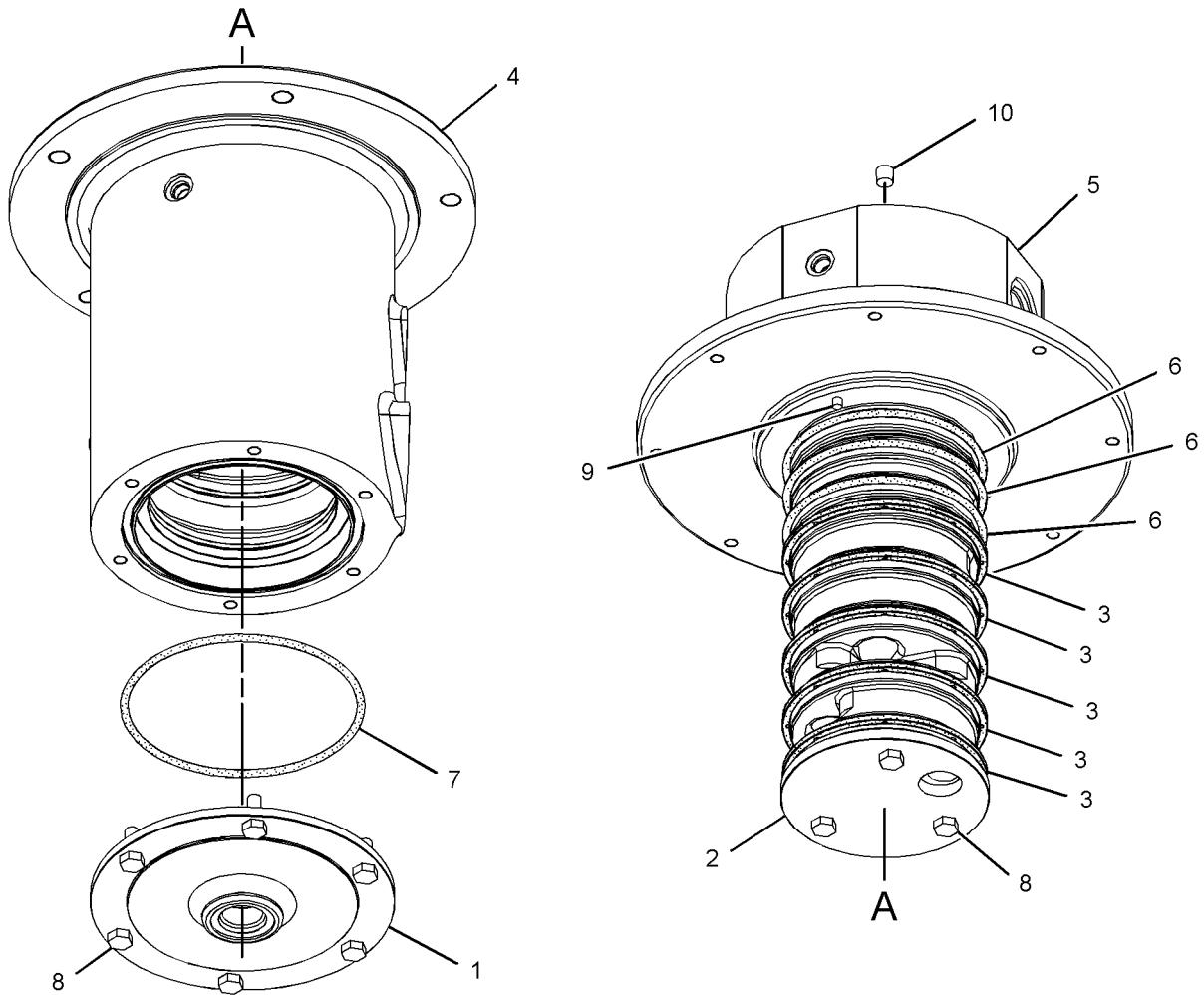
PART OF 338-6178 LINES GP-TRAVEL MOTOR

SMCS-5060

i03656700

NOTE	REF NO	GRAPHIC REF	PART NUMBER	QTY	PART NAME						SEE PAGE
					1	2	3	4	5	6 (PRODUCT LEVEL)	
	1	1	7Y-4837	1	COVER						
	2	1	7Y-4843	1	RETAINER						
	3	1	156-0619	5	SEAL						
	4	1	295-9606	1	HOUSING						
	5	1	295-9607	1	ROTOR						
	6	1	095-1633	3	SEAL-O-RING						
	7	1	095-1728	1	SEAL-O-RING						
M	8	1	8T-4136	9	BOLT (M10X1.5X25-MM)						
	9	1	8T-6759	1	PLUG-PIPE						
	10	1	8T-6763	1	PLUG-PIPE						

M-METRIC PART



GRAPHIC #1

<END>

g02113854

HYDRAULIC SYSTEM

227-0410 TANK & FILTER GP-HYDRAULIC

S/N: PAS1-UP

670-L (177-US GAL)

PART OF 227-0409 TANK & MTG GP-HYDRAULIC

SMCS-5056, 5068

i03656897

NOTE	REF NO	GRAPHIC REF	PART NUMBER	QTY	PART NAME						SEE PAGE
					1	2	3	4	5	6 (PRODUCT LEVEL)	
	1	1	4I-3591	1	FLANGE AS						
	2	1	342-2924	1	SENDER AS-TEMPERATURE (HYDRAULIC OIL)						
		1	095-0826	2	LOCKWASHER						
M		1	095-7930	2	SCREW-MACHINE (M4X0.7X6-MM)						
	3	1	7Y-4796	2	COVER AS						
	4	1	212-5467	1	BREATHER GP (HYDRAULIC TANK)						
	5	1	213-0677	1	SWITCH AS-LIQUID LEVEL (LOW HYDRAULIC OIL)						
		1	102-8802	1	KIT-RECEPTACLE (2-PIN) (INCLUDES RECEPTACLE AS & WEDGE)						
		1	9X-3401	2	PIN-CONNECTOR (16-GA TO 18-GA)						
	6	1	227-0411	1	TANK AS-HYDRAULIC						
Y	7	1	227-0620	1	GAUGE GP-SIGHT (HYDRAULIC OIL LEVEL)						458
	8	1	227-0684	1	TUBE AS						
	9	1	227-0689	1	TUBE AS						
	10	1	325-9044	1	TUBE AS						
Y	11	1	234-4445	1	SCREEN GP-HYDRAULIC						602
Y	12	1	234-4531	1	FILTER GP-OIL (HYDRAULIC) (RETURN)						453
Y	13	1	242-6878	1	FILTER GP-OIL (HYDRAULIC) (RETURN)						455
	14	1	207-6403	1	PLUG						
	15	1	207-6404	1	WASHER (49.5X60.5X1.5-MM THK)						
	16	1	095-1608	1	SEAL-O-RING						
	17	1	095-1735	2	SEAL-O-RING						
M	18	1	108-1782	4	BOLT-SOCKET HEAD (M12X1.75X90-MM)						
	19	1	129-7813	1	PLATE						
	20	1	155-3624	2	PLUG AS (EACH INCLUDES)						
		1	3J-7354	1	SEAL-O-RING						
		1	9S-4182	1	PLUG-O-RING						
	21	1	1H-7339	1	SEAL-O-RING						
	22	1	2M-0849	4	WASHER-HARD (13.5X25.5X5-MM THK)						
	23	1	3D-2824	1	SEAL-O-RING						
	24	1	3K-0360	1	SEAL-O-RING						
	25	1	4J-0524	2	SEAL-O-RING						
	26	1	4J-0527	1	SEAL-O-RING						
	27	1	5P-8068	1	SEAL-O-RING						
Y	28	1	6E-5534	2	FILTER GP-OIL (HYDRAULIC) (CASE DRAIN)						449
	29	1	6I-0723	1	PLUG-OIL DRAIN (OIL PAN) (HYDRAULIC TANK)						
	30	1	6I-0724	1	ADAPTER-PLUG						
	31	1	6J-2680	4	SEAL-O-RING						
M	32	1	7X-2549	4	BOLT (M12X1.75X100-MM)						
M	33	1	7X-2550	4	BOLT (M12X1.75X110-MM)						
	34	1	8T-4121	16	WASHER-HARD (11X21X2.5-MM THK)						
M	35	1	8T-4137	16	BOLT (M10X1.5X20-MM)						
M	36	1	8T-4138	4	BOLT (M6X1X20-MM)						
M	37	1	8T-4183	8	BOLT (M12X1.75X40-MM)						
M	38	1	8T-4194	2	BOLT (M12X1.75X50-MM)						
	39	1	8T-4223	18	WASHER-HARD (13.5X25.5X3-MM THK)						
	40	1	8T-4224	8	WASHER-HARD (8.8X16X2-MM THK)						
M	41	1	8T-4956	6	BOLT (M12X1.75X35-MM)						
M	42	1	8T-5041	2	BOLT (M12X1.75X120-MM)						
	43	1	8T-6761	1	PLUG-PIPE						
M	44	1	8T-7547	8	BOLT (M8X1.25X30-MM)						
	45	1	9X-8256	4	WASHER (6.6X12X2-MM THK)						
	46	1	8T-7971	4	WASHER-HARD (13.5X25.5X5-MM THK)						
	47	1	148-8407	1	PLUG AS						

HYDRAULIC SYSTEM

227-0410 TANK & FILTER GP-HYDRAULIC (contd.)

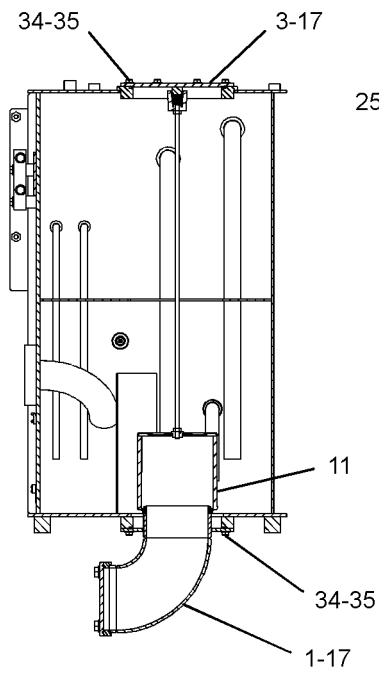
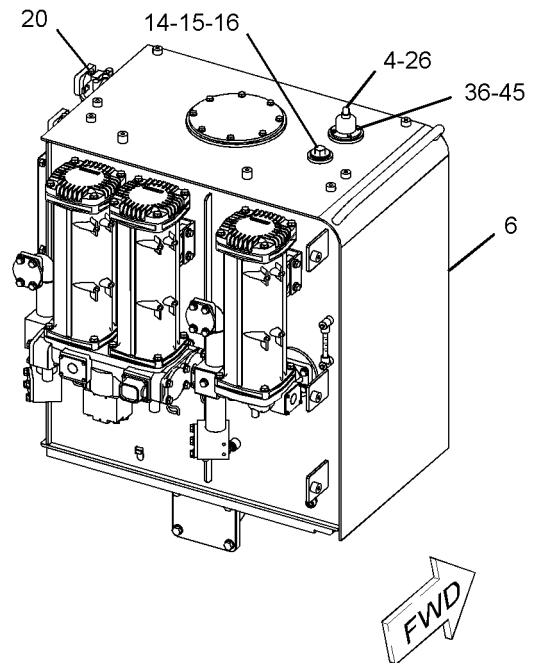
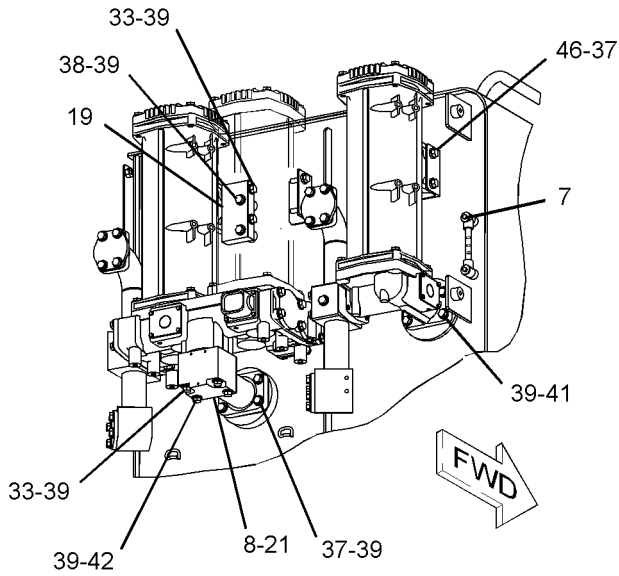
i03656897

NOTE	REF NO	GRAPHIC REF	PART NUMBER	QTY	PART NAME						SEE PAGE
					1	2	3	4	5	6 (PRODUCT LEVEL)	
		1	3J-1907	1	SEAL-O-RING						
		1	9S-4191	1	PLUG-O-RING						
M-METRIC PART Y-SEPARATE ILLUSTRATION											

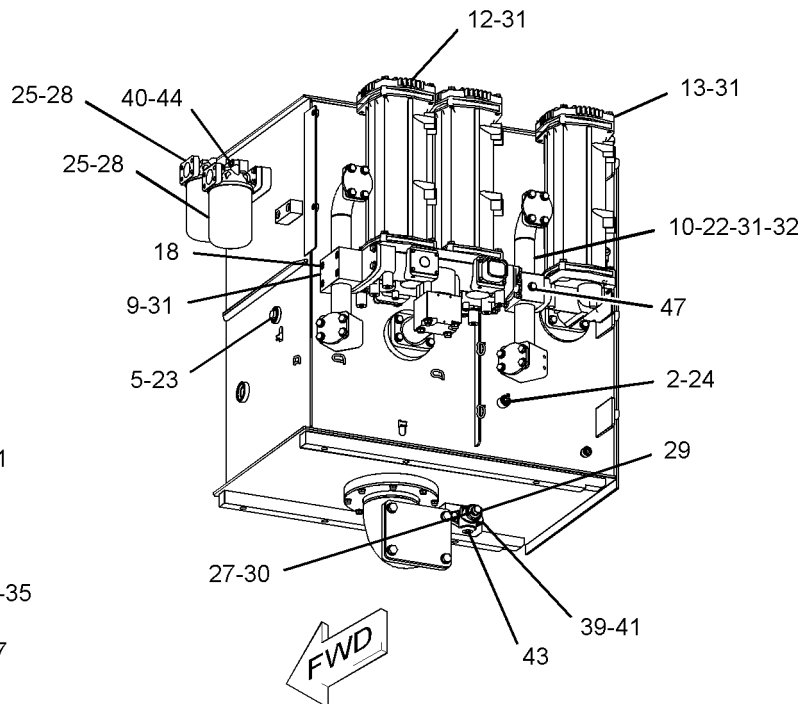
HYDRAULIC SYSTEM

227-0410 TANK & FILTER GP-HYDRAULIC (contd.)

i03656897



RIGHT SIDE VIEW



GRAPHIC #1

<END>

g02047536

HYDRAULIC SYSTEM

227-0409 TANK & MTG GP-HYDRAULIC

S/N: PAS1-UP

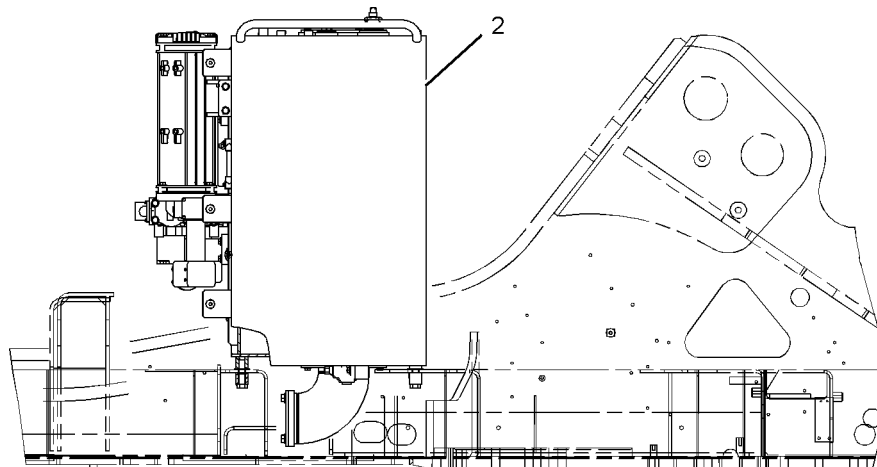
PART OF 297-0212 HYDRAULIC AR

SMCS-5056

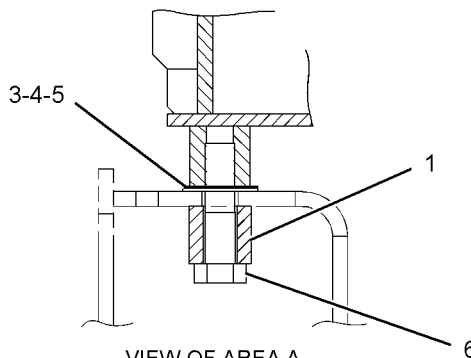
i02100256

NOTE	REF NO	GRAPHIC REF	PART NUMBER	QTY	PART NAME						SEE PAGE
					1	2	3	4	5	6 (PRODUCT LEVEL)	
	1	1	9S-8178	6	SPACER (0.89X1.625X1.5-IN THK)						
Y	2	1	227-0410	1	TANK & FILTER GP-HYDRAULIC						604
B	3	1	087-8906	6	SHIM (2-MM THK)						
B	4	1	087-8907	6	SHIM (1-MM THK)						
B	5	1	087-8909	6	SHIM (0.4-MM THK)						
M	6	1	8T-4187	6	BOLT (M20X2.5X80-MM)						

B-USE AS REQUIRED
M-METRIC PART
Y-SEPARATE ILLUSTRATION



RIGHT SIDE VIEW



VIEW OF AREA A
<END>

GRAPHIC #1

g01074672

HYDRAULIC SYSTEM

297-0420 VALVE AR-BOOM LOWERING CONTROL

S/N: PAS1-UP
FOR USE WITH 294-1281-PAGE 696, 294-1284-PAGE 696
AN ATTACHMENT

SMCS-5147

i03790494

NOTE	PART NUMBER	QTY	PART NAME						SEE PAGE
			1	2	3	4	5	6 (PRODUCT LEVEL)	
Y	303-2680	1	FILM GP (ACCUMULATOR, FUEL PRESSURE)						995
Y	319-9236	1	FILM GP (OVERLOAD WARNING DEVICE)						999
Y	296-7098	1	LINES GP-BOOM CYLINDER (BOOM LOWERING CONTROL)						481
Y	302-3056	1	LINES GP-FRONT (SMARTBOOM, BOOM LOAD CONTROL)						503
Y	296-7100	1	LINES GP-PILOT (BOOM LOWERING CONTROL)						531
Y	338-6189	1	LINES GP-PILOT (BOOM LOWERING CONTROL)						535
Y	323-7782	1	VALVE GP-MAIN CONTROL						653
Y	323-7784	1	VALVE GP-MAIN CONTROL (SMARTBOOM, BOOM LOAD CONTROL)						655
Y	328-0102	1	WIRING GP-CAB (OVERLOAD WARNING DEVICE)						274
Y	299-3054	1	WIRING GP-CHASSIS (BOOM FLOAT)						281
Y	250-0103	1	WIRING GP-CONSOLE (RH)						287

Y-SEPARATE ILLUSTRATION

<END>

297-0425 VALVE AR-STICK LOWERING CONT

S/N: PAS1-UP
FOR USE WITH 297-0420-PAGE 608. CANNOT BE USED WITH 294-1284-PAGE 696
AN ATTACHMENT

SMCS-5147

i03875563

NOTE	PART NUMBER	QTY	PART NAME						SEE PAGE
			1	2	3	4	5	6 (PRODUCT LEVEL)	
Y	344-4340	1	LINES GP-BOOM (REACH BOOM, STICK LOAD CONTROL)						479
Y	307-4983	1	LINES GP-PILOT (STICK LOWERING CONTROL)						533
Y	356-8004	1	LINES GP-STICK CYLINDER (STICK LOWERING CONTROL)						552

Y-SEPARATE ILLUSTRATION

<END>

HYDRAULIC SYSTEM

6I-6849 VALVE GP-CHECK

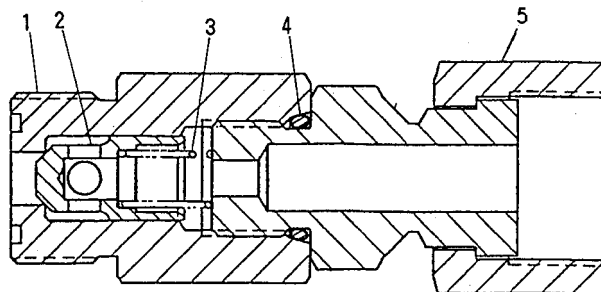
S/N: PAS1-UP

PART OF 266-0928 FILTER & LINES GP-HYDRAULIC
AN ATTACHMENT

SMCS-5067

i00621266

NOTE	REF NO	GRAPHIC REF	PART NUMBER	QTY	PART NAME						SEE PAGE
					1	2	3	4	5	6 (PRODUCT LEVEL)	
	1	1	6I-6851	1	CONNECTOR						
	2	1	6I-6850	1	VALVE						
	3	1	094-1873	1	SPRING						
	4	1	3J-1907	1	SEAL-O-RING						
	5	1	4I-1776	1	FITTING AS						



GRAPHIC #1

<END>

g00231658

HYDRAULIC SYSTEM

200-7127 VALVE GP-CHECK

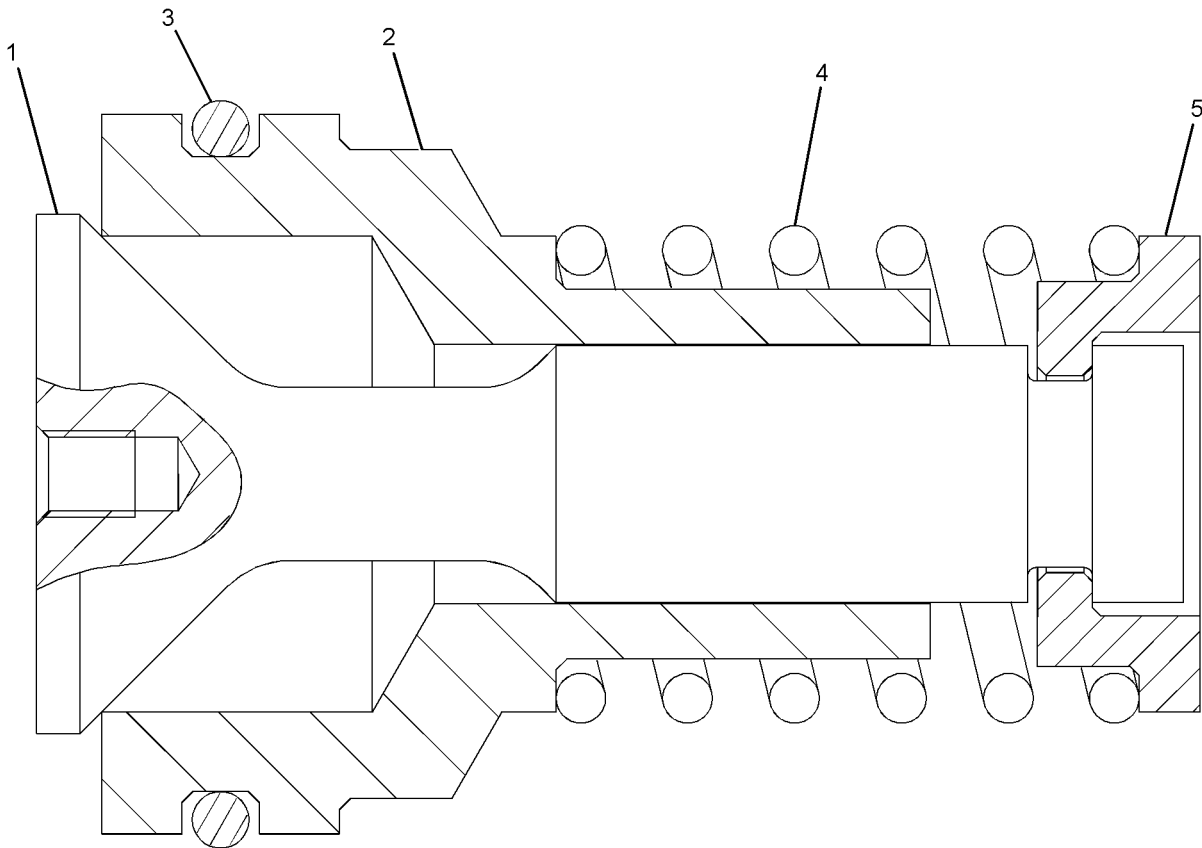
S/N: PAS1-UP

PART OF 241-8928 VALVE GP-CONTROL

SMCS-5067

i02223444

NOTE	REF NO	GRAPHIC REF	PART NUMBER	QTY	PART NAME						SEE PAGE
					1	2	3	4	5	6 (PRODUCT LEVEL)	
	1	1	6E-5484	1	VALVE						
	2	1	6E-5483	1	SEAT						
	3	1	2K-8199	1	SEAL-O-RING						
	4	1	7J-7837	1	SPRING						
	5	1	200-7126	2	RETAINER						



GRAPHIC #1

<END>

g01123108

HYDRAULIC SYSTEM

201-9381 VALVE GP-CHECK

S/N: PAS1-UP

PART OF 302-3060 LINES GP-RETURN & FILTER

SMCS-5067

i01823399

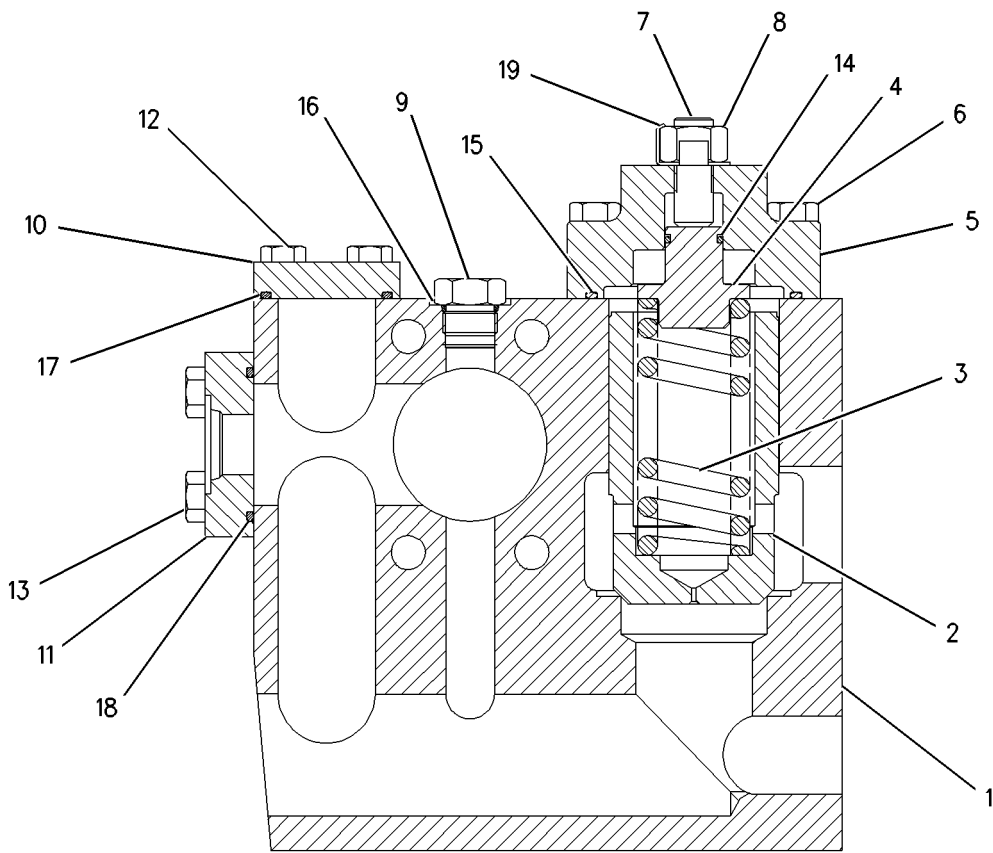
NOTE	REF NO	GRAPHIC REF	PART NUMBER	QTY	PART NAME						SEE PAGE
					1	2	3	4	5	6 (PRODUCT LEVEL)	
Z	1	1		1	BODY-VALVE						
	2	1	201-9383	1	VALVE						
	3	1	7I-0075	1	SPRING						
	4	1	201-9385	1	STOP						
	5	1	201-9384	1	FLANGE						
M	6	1	8T-4184	4	BOLT (M12X1.75X45-MM)						
M	7	1	185-0373	1	SETSCREW (SOCKET)						
M	8	1	8T-4132	1	NUT (M16X2-THD)						
	9	1	9S-4190	1	PLUG-O RING						
	10	1	158-8263	1	COVER						
	11	1	158-8262	1	FLANGE						
M	12	1	8T-4195	4	BOLT (M10X1.5X30-MM)						
M	13	1	8T-4956	4	BOLT (M12X1.75X35-MM)						
	14	1	6V-3922	1	SEAL-O-RING						
	15	1	6V-6707	1	SEAL-O-RING						
	16	1	2M-9780	1	SEAL-O-RING						
	17	1	4J-0524	1	SEAL-O-RING						
	18	1	4J-0527	1	SEAL-O-RING						
	19	1	185-0391	1	WASHER (1.2-MM THK)						

M-METRIC PART
Z-NOT SERVICED SEPARATELY

HYDRAULIC SYSTEM

201-9381 VALVE GP-CHECK (contd.)

i01823399



GRAPHIC #1

<END>

g00836141

HYDRAULIC SYSTEM

201-9382 VALVE GP-CHECK

S/N: PAS1-UP

PART OF 302-3060 LINES GP-RETURN & FILTER

SMCS-5067

i01889087

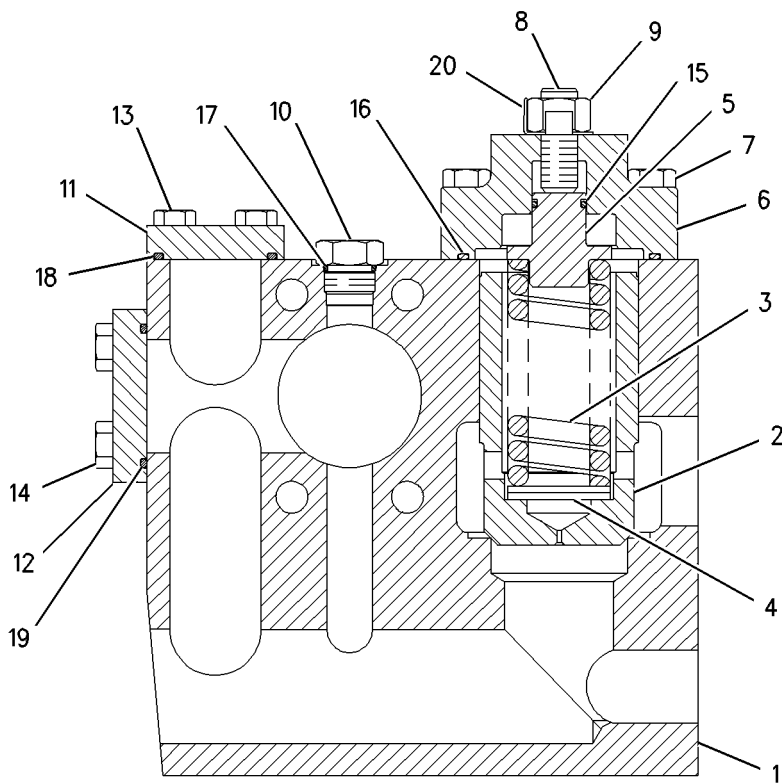
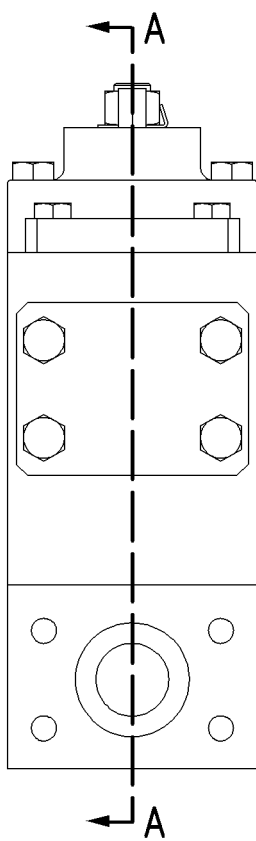
NOTE	REF NO	GRAPHIC REF	PART NUMBER	QTY	PART NAME						SEE PAGE
					1	2	3	4	5	6 (PRODUCT LEVEL)	
Z	1	1		1	BODY-VALVE						
	2	1	201-9383	1	VALVE						
	3	1	7I-7120	1	SPRING						
	4	1	4I-5734	2	SPACER (28X45X3-MM THK)						
	5	1	201-9386	1	STOP						
	6	1	201-9384	1	FLANGE						
M	7	1	8T-4184	4	BOLT (M12X1.75X45-MM)						
M	8	1	185-0373	1	SETSCREW (SOCKET)						
M	9	1	8T-4132	1	NUT (M16X2-THD)						
	10	1	9S-4190	1	PLUG-O RING						
	11	1	158-8263	1	COVER						
	12	1	158-8261	1	COVER						
M	13	1	8T-4195	4	BOLT (M10X1.5X30-MM)						
M	14	1	8T-4956	4	BOLT (M12X1.75X35-MM)						
	15	1	6V-3922	1	SEAL-O-RING						
	16	1	6V-6707	1	SEAL-O-RING						
	17	1	2M-9780	1	SEAL-O-RING						
	18	1	4J-0524	1	SEAL-O-RING						
	19	1	4J-0527	1	SEAL-O-RING						
	20	1	185-0391	1	WASHER (1.2-MM THK)						

M-METRIC PART
Z-NOT SERVICED SEPARATELY

HYDRAULIC SYSTEM

201-9382 VALVE GP-CHECK (contd.)

i01889087



SECTION A-A

GRAPHIC #1

<END>

g00839190

HYDRAULIC SYSTEM

297-0370 VALVE GP-CHECK

S/N: PAS1-UP

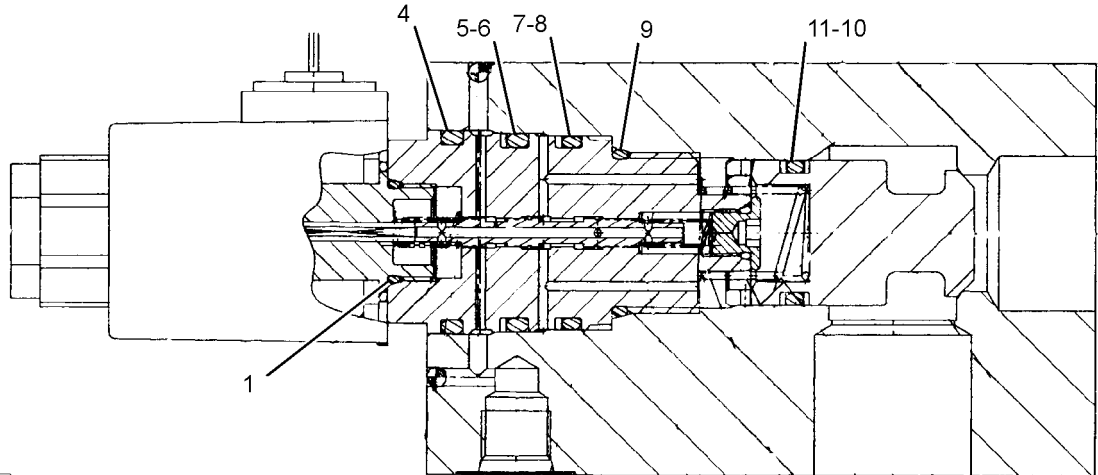
PART OF 302-3056 LINES GP-FRONT
AN ATTACHMENT

SMCS-5067

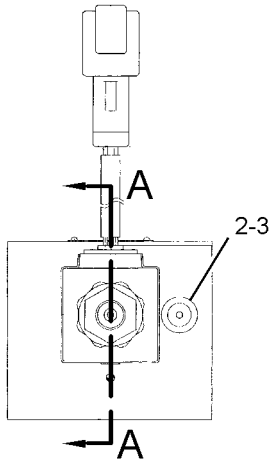
i03634310

NOTE	REF NO	GRAPHIC REF	PART NUMBER	QTY	PART NAME						SEE PAGE
					1	2	3	4	5	6 (PRODUCT LEVEL)	
	1	1	095-1585	1	SEAL-O-RING						
	2	1	225-4804	3	PLUG						
	3	1	4J-7533	3	SEAL-O-RING						
	4	1	095-1602	1	SEAL-O-RING						
	5	1	232-4113	1	RING						
	6	1	095-1601	1	SEAL-O-RING						
	7	1	8T-3008	1	RING-BACKUP						
	8	1	095-1700	1	SEAL-O-RING						
	9	1	7M-8485	1	SEAL-O-RING						
	10	1	095-1657	1	SEAL-O-RING						
	11	1	232-4114	2	RING						

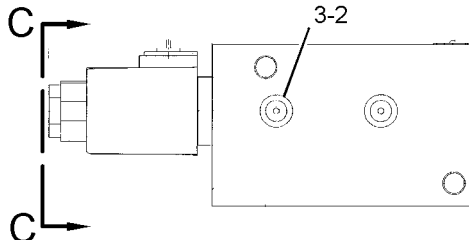
PARTS SHOWN IN GRAPHIC(S) WITHOUT A REFERENCE NUMBER ARE NOT SERVICED SEPARATELY



SECTION A-A



SECTION C-C



GRAPHIC #1

<END>

g01950574

HYDRAULIC SYSTEM

335-0311 VALVE GP-CHECK & RELIEF- STICK LOWERING CONTROL VALVE

S/N: PAS1-UP

PART OF 356-8004 LINES GP-STICK CYLINDER
AN ATTACHMENT

SMCS-5117, 5453

i03875601

NOTE	REF NO	GRAPHIC REF	PART NUMBER	QTY	PART NAME						SEE PAGE
					1	2	3	4	5	6 (PRODUCT LEVEL)	
	1	1	4I-8965	1	GUIDE						
	2	1	5I-8511	1	SPRING						
	3	1	8J-1751	1	PLUG						
	4	1	8J-1752	1	PLUNGER						
	5	1	122-7774	1	SPRING						
	6	1	153-5134	1	SPRING						
	7	1	153-5135	1	GUIDE						
	8	1	153-5139	1	SEAT						
	9	1	153-5264	1	VALVE						
	10	1	153-5265	1	SPRING						
	11	1	153-5278	1	SEAT						
	12	1	165-9469	1	COVER						
	13	1	165-9471	1	COVER						
	14	1	165-9478	1	SEAT						
	15	1	225-4818	11	PLUG AS						
					(EACH INCLUDES)						
		1	4J-7533	1	SEAL-O-RING						
		1	225-4804	1	PLUG						
	16	1	9L-7712	1	NUT (3/8-24-THD)						
Y	17	1	352-6869	1	VALVE GP-RELIEF (PILOT OPERATED)						681
	18	1	095-1599	1	SEAL-O-RING						
	19	1	095-1616	2	SEAL-O-RING						
	20	1	095-1793	1	RING-BACKUP						
	21	1	096-5572	1	SEAL-O-RING						
	22	1	148-8395	3	PLUG AS						
					(EACH INCLUDES)						
		1	3K-0360	1	SEAL-O-RING						
		1	9S-8005	1	PLUG-O-RING						
	23	1	162-0177	1	PLUG AS						
		1	3J-1907	1	SEAL-O-RING						
		1	9S-8004	1	PLUG-O-RING						
	24	1	2M-9780	1	SEAL-O-RING						
	25	1	4B-9783	1	BALL						
	26	1	4J-0528	1	SEAL-O-RING						
	27	1	6J-3134	1	SEAL-O-RING						
M	28	1	8T-0348	6	BOLT-SOCKET HEAD (M16X2X50-MM)						
M	29	1	8T-4139	6	BOLT (M12X1.75X30-MM)						
M	30	1	8T-4195	2	BOLT (M10X1.5X30-MM)						
	31	1	8T-6347	2	RING-BACKUP						

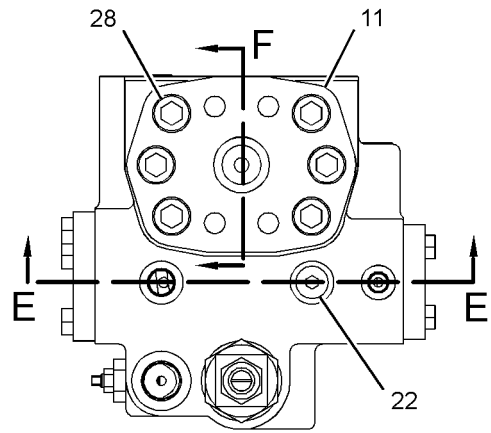
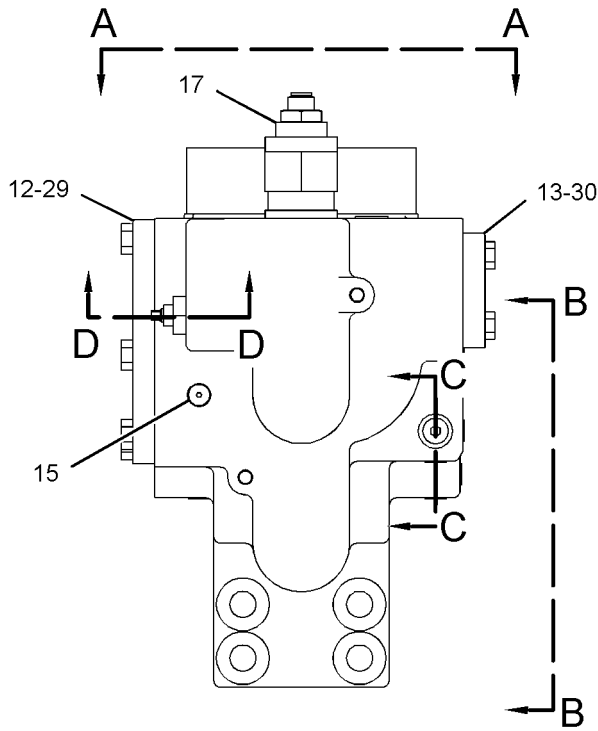
M-METRIC PART

Y-SEPARATE ILLUSTRATION

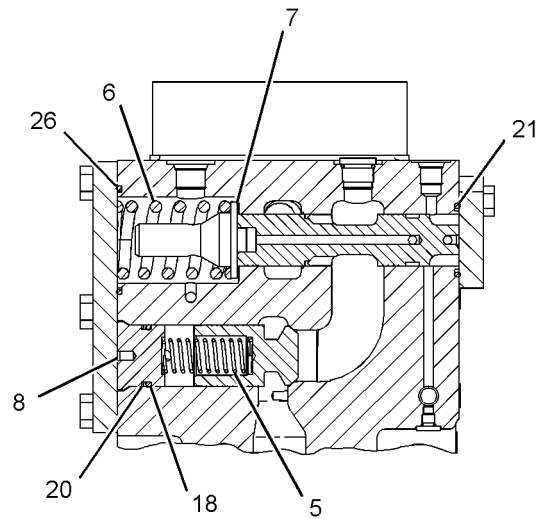
HYDRAULIC SYSTEM

335-0311 VALVE GP-CHECK & RELIEF (contd.)

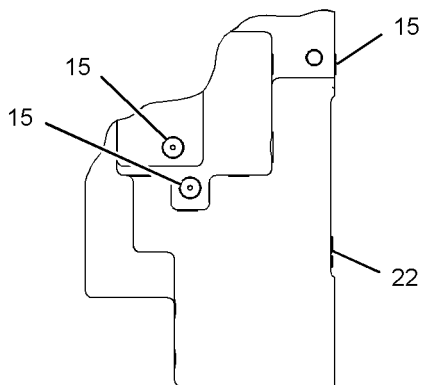
i03875601



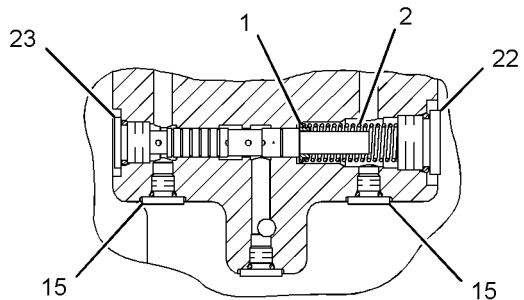
VIEW A-A



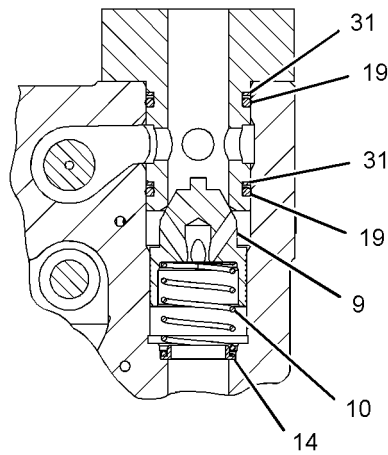
SECTION E-E



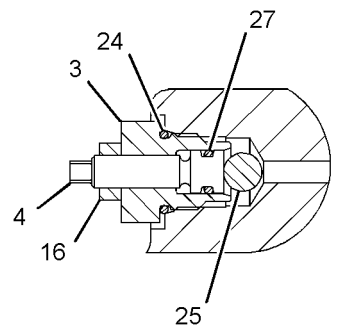
VIEW B-B



SECTION C-C



SECTION F



SECTION D-D

GRAPHIC #1

<END>

g02135993

HYDRAULIC SYSTEM

144-7087 VALVE GP-CONTROL-NEUTRAL BYPASS

S/N: PAS1-UP

PART OF 295-7735, 295-7760 VALVE GP-CONTROL

ALSO AN ATTACHMENT

SMCS-5051

i02241224

NOTE	PART NUMBER	QTY	PART NAME						SEE PAGE
			1	2	3	4	5	6 (PRODUCT LEVEL)	
Y	225-6287	1	VALVE GP-CONTROL (NEUTRAL BYPASS)						619
			-OR-						
Y	234-6899	1	VALVE GP-CONTROL (NEUTRAL BYPASS)						622
			-OR-						
Y	257-7284	1	VALVE GP-CONTROL (NEUTRAL BYPASS)						626
Y-SEPARATE ILLUSTRATION									

<END>

HYDRAULIC SYSTEM

225-6287 VALVE GP-CONTROL-NEUTRAL BYPASS

S/N: PAS1-UP

PART OF 144-7087 VALVE GP-CONTROL

ALSO AN ATTACHMENT

SMCS-5051

i03865108

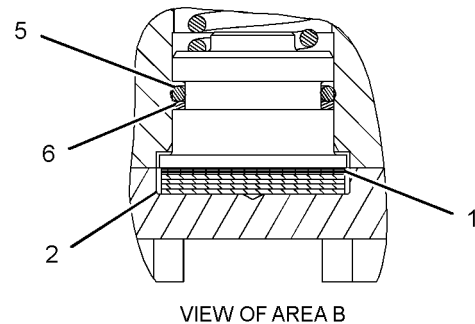
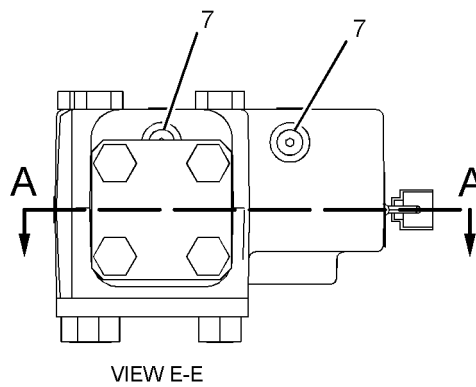
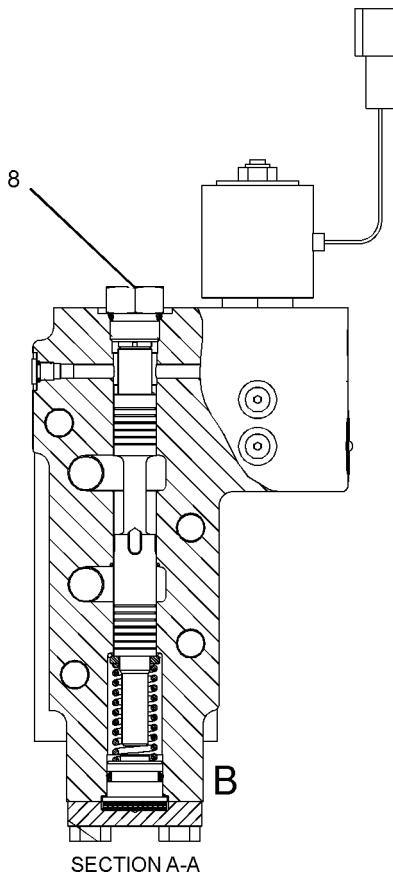
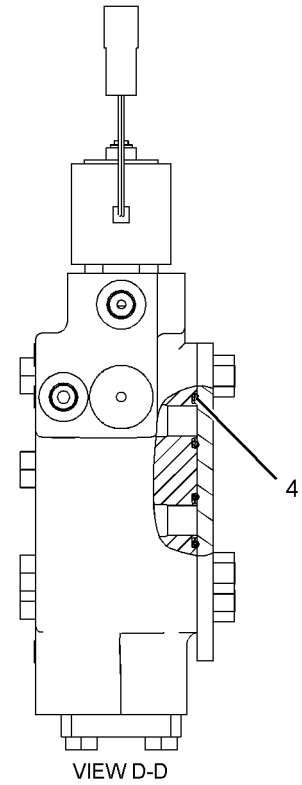
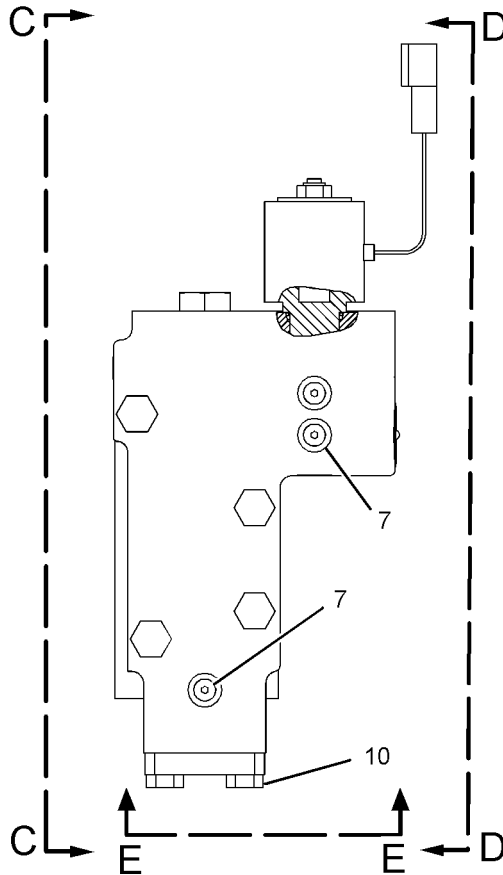
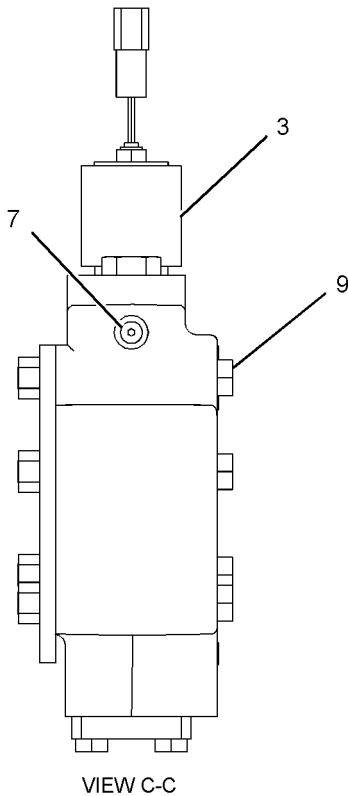
NOTE	REF NO	GRAPHIC REF	PART NUMBER	QTY	PART NAME						SEE PAGE
					1	2	3	4	5	6 (PRODUCT LEVEL)	
B	1	1	9N-1574	4	SHIM (0.03-IN THK)						
B	2	1	9N-1575	4	SHIM (0.03-IN THK)						
Y	3	1	171-3685	1	VALVE GP-SOLENOID (24-VOLT) (NEUTRAL BYPASS)						690
	4	1	008-2103	2	SEAL-O-RING						
	5	1	095-1587	1	SEAL-O-RING						
	6	1	095-1786	1	RING-BACKUP						
	7	1	173-3993	6	PLUG AS						
					(EACH INCLUDES)						
		1	4J-7533	1	SEAL-O-RING						
		1	9S-8001	1	PLUG-O-RING						
	8	1	2M-9780	1	SEAL-O-RING						
M	9	1	7X-2549	4	BOLT (M12X1.75X100-MM)						
M	10	1	8T-4136	4	BOLT (M10X1.5X25-MM)						

B-USE AS REQUIRED
M-METRIC PART
Y-SEPARATE ILLUSTRATION

HYDRAULIC SYSTEM

225-6287 VALVE GP-CONTROL (contd.)

i03865108



GRAPHIC #1

<END>

g02124754

HYDRAULIC SYSTEM

234-4624 VALVE GP-CONTROL-REVERSE FLOW FAN

S/N: PAS1-UP

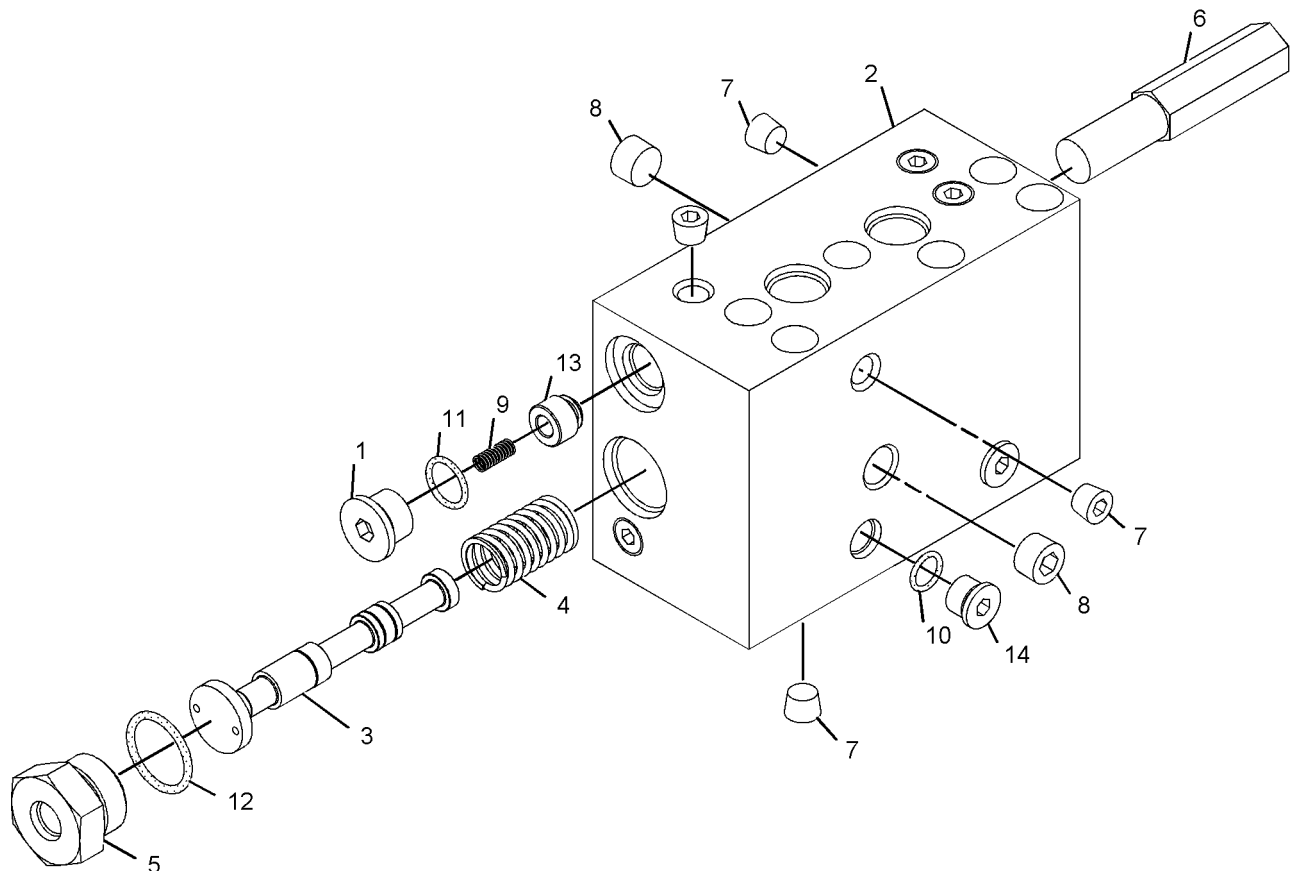
PART OF 245-5312 LINES GP-HYDRAULIC OIL COOLER
AN ATTACHMENT

SMCS-5051

i02637453

NOTE	REF NO	GRAPHIC REF	PART NUMBER	QTY	PART NAME						SEE PAGE
					1	2	3	4	5	6 (PRODUCT LEVEL)	
	1	1	7Y-5010	2	PLUG						
	2	1	283-5990	1	BODY AS-VALVE						
Z	3	1		1	SPOOL						
	4	1	242-6890	1	SPRING						
	5	1	242-6891	1	PLUG						
	6	1	242-6892	1	VALVE GP-RELIEF (LINE)						
		1	242-6925	1	KIT-SEAL (LINE RELIEF VALVE)						
	7	1	107-7068	11	PLUG-PIPE						
	8	1	111-9959	3	PLUG-PIPE						
	9	1	096-1598	1	SPRING						
	10	1	3J-1907	2	SEAL-O-RING						
	11	1	3K-0360	2	SEAL-O-RING						
	12	1	4K-1388	1	SEAL-O-RING						
	13	1	7Y-5011	1	VALVE						
	14	1	9S-8004	2	PLUG-O-RING						

Z-NOT SERVICED SEPARATELY



GRAPHIC #1

<END>

g01093739

HYDRAULIC SYSTEM

234-6899 VALVE GP-CONTROL-NEUTRAL BYPASS

S/N: PAS1-UP

PART OF 144-7087 VALVE GP-CONTROL

ALSO AN ATTACHMENT

SMCS-5051

i02111004

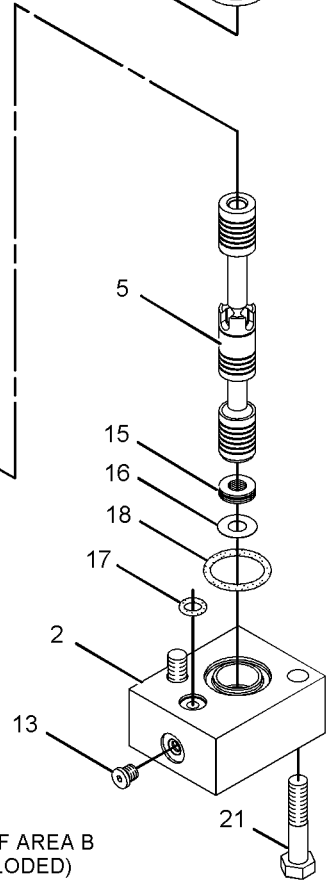
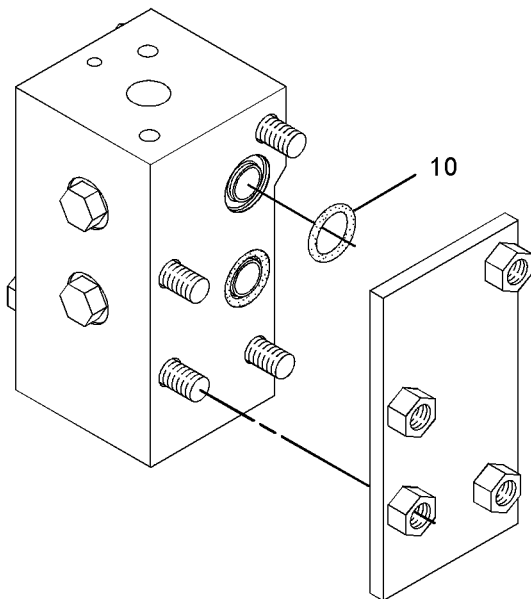
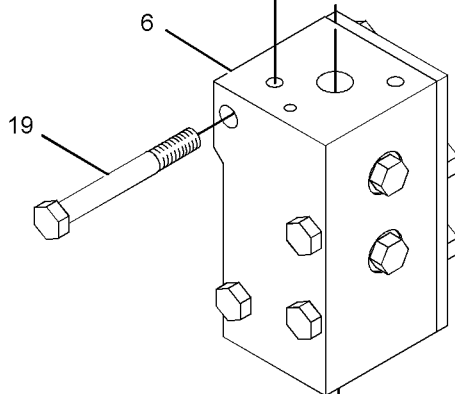
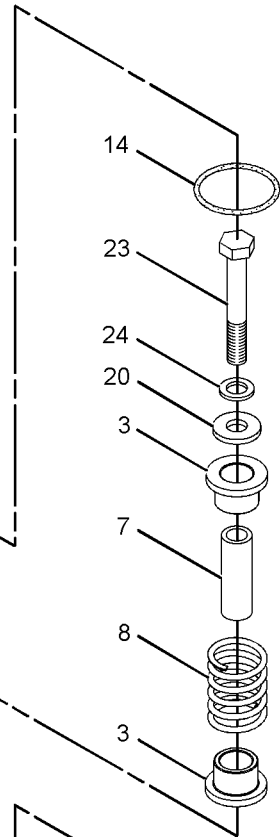
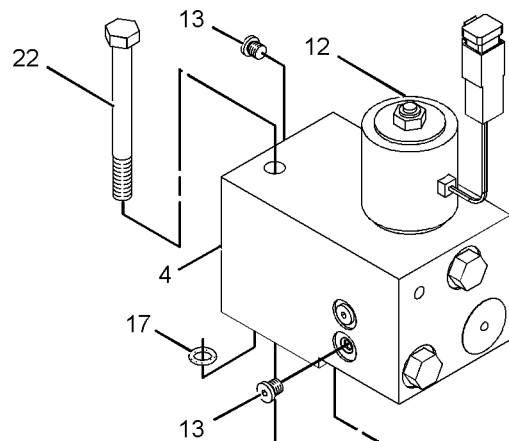
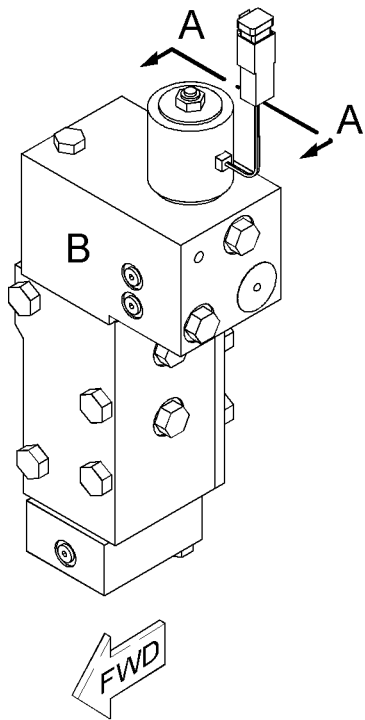
NOTE	REF NO	GRAPHIC REF	PART NUMBER	QTY	PART NAME						SEE PAGE
					1	2	3	4	5	6 (PRODUCT LEVEL)	
	2	1	144-7088	1	COVER						
	3	1	144-7092	2	RETAINER-SPRING						
	4	1	144-7093	1	HOUSING-SPRING						
Z	5	1		1	VALVE-STEM						
Z	6	1		1	BODY						
	7	1	147-2286	1	SLEEVE						
	8	1	161-7204	1	SPRING						
	10	1	008-2103	2	SEAL-O-RING						
Y	12	1	171-3685	1	VALVE GP-SOLENOID (24-VOLT) (NEUTRAL BYPASS)						690
	13	1	173-3993	5	PLUG AS						
					(EACH INCLUDES)						
		1	4J-7533	1	SEAL-O-RING						
		1	9S-8001	1	PLUG-O-RING						
	14	1	1R-5318	1	SEAL-O-RING						
	15	1	3K-4520	5	WASHER (0.377X0.75X0.048-IN THK)						
	16	1	3P-0760	8	SPACER (9.53X20.62X0.25-MM THK)						
	17	1	4J-5309	2	SEAL-O-RING						
	18	1	4J-8997	1	SEAL-O-RING						
M	19	1	7X-2549	4	BOLT (M12X1.75X100-MM)						
	20	1	7X-7729	1	WASHER (11X25X3-MM THK)						
M	21	1	8T-4185	2	BOLT (M10X1.5X50-MM)						
M	22	1	8T-4198	2	BOLT (M10X1.5X100-MM)						
M	23	1	8T-5005	1	BOLT (M10X1.5X70-MM)						
	24	1	9X-2027	1	WASHER (11X18X2-MM THK)						

M-METRIC PART
Y-SEPARATE ILLUSTRATION
Z-NOT SERVICED SEPARATELY

HYDRAULIC SYSTEM

234-6899 VALVE GP-CONTROL (contd.)

i02111004



VIEW A-A
(EXPLODED)

VIEW OF AREA B
(EXPLODED)

GRAPHIC #1

<END>

g01077685

HYDRAULIC SYSTEM

241-8928 VALVE GP-CONTROL-SWING

S/N: PAS1-UP

PART OF 319-9995 LINES GP-SWING MOTOR

SMCS-5051

i03642120

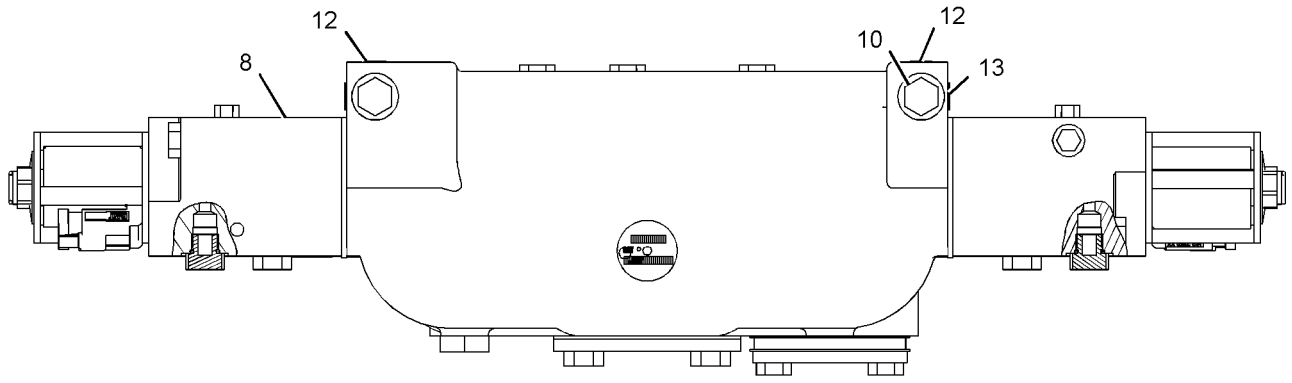
NOTE	REF NO	GRAPHIC REF	PART NUMBER	QTY	PART NAME						SEE PAGE
					1	2	3	4	5	6 (PRODUCT LEVEL)	
	1	1	2S-2596	3	SPRING						
	2	1	7M-8485	3	SEAL-O-RING						
	3	1	9T-1614	3	VALVE						
Y	4	1	200-7127	1	VALVE GP-CHECK						610
	5	1	142-0844	3	PLUG AS						
					(EACH INCLUDES)						
		1	4T-0987	1	BEARING-SLEEVE						
Z	6	1		6	BODY-VALVE						
Z	7	1		1	STEM						
Y	8	1	224-6809	2	MANIFOLD & VALVE GP (SWING)						564
	9	1	4J-2506	1	SEAL-O-RING						
	10	1	<i>148-8407</i>	1	PLUG AS						
		1	3J-1907	1	SEAL-O-RING						
		1	9S-4191	1	PLUG-O-RING						
	11	1	<i>148-8410</i>	1	PLUG AS						
		1	2M-9780	1	SEAL-O-RING						
		1	9S-4190	1	PLUG-O-RING						
	12	1	173-3993	2	PLUG AS						
					(EACH INCLUDES)						
		1	4J-7533	1	SEAL-O-RING						
		1	9S-8001	1	PLUG-O-RING						
	13	1	<i>183-7263</i>	2	PLUG AS						
					(EACH INCLUDES)						
		1	3J-7354	1	SEAL-O-RING						
		1	9S-8002	1	PLUG-O-RING						
	14	1	4F-8946	2	SEAL-O-RING						

Y-SEPARATE ILLUSTRATION
Z-NOT SERVICED SEPARATELY

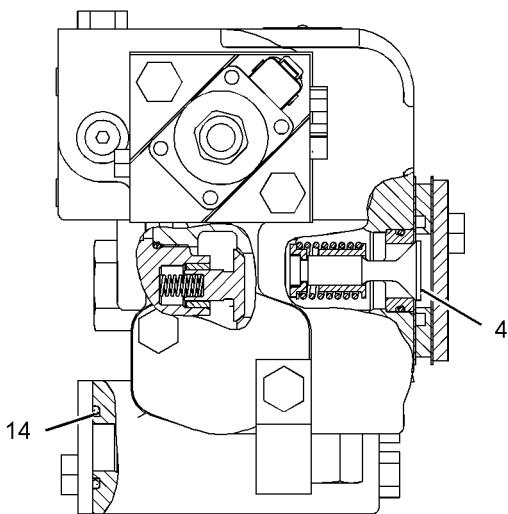
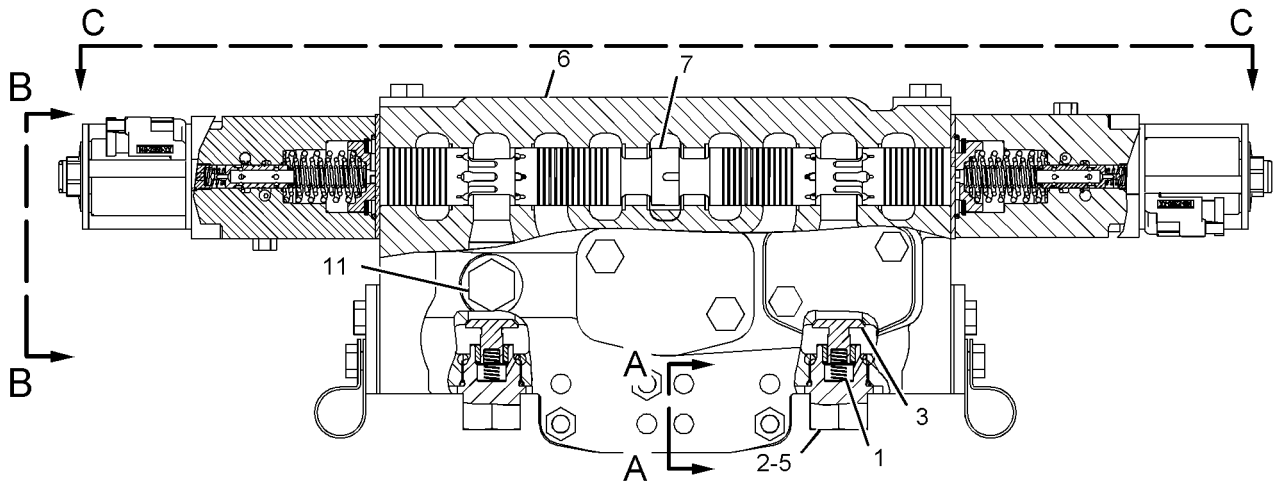
HYDRAULIC SYSTEM

241-8928 VALVE GP-CONTROL (contd.)

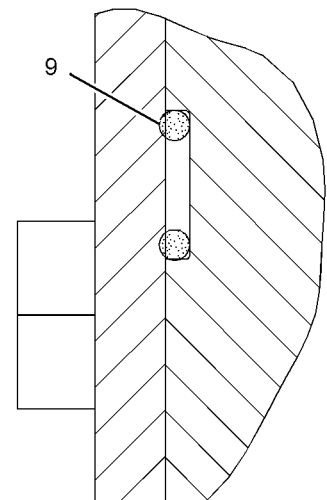
i03642120



VIEW C-C



VIEW B-B



SECTION A-A

GRAPHIC #1

<END>

g01117279

HYDRAULIC SYSTEM

257-7284 VALVE GP-CONTROL-NEUTRAL BYPASS

S/N: PAS1-UP

PART OF 144-7087 VALVE GP-CONTROL

ALSO AN ATTACHMENT

SMCS-5051

i02293810

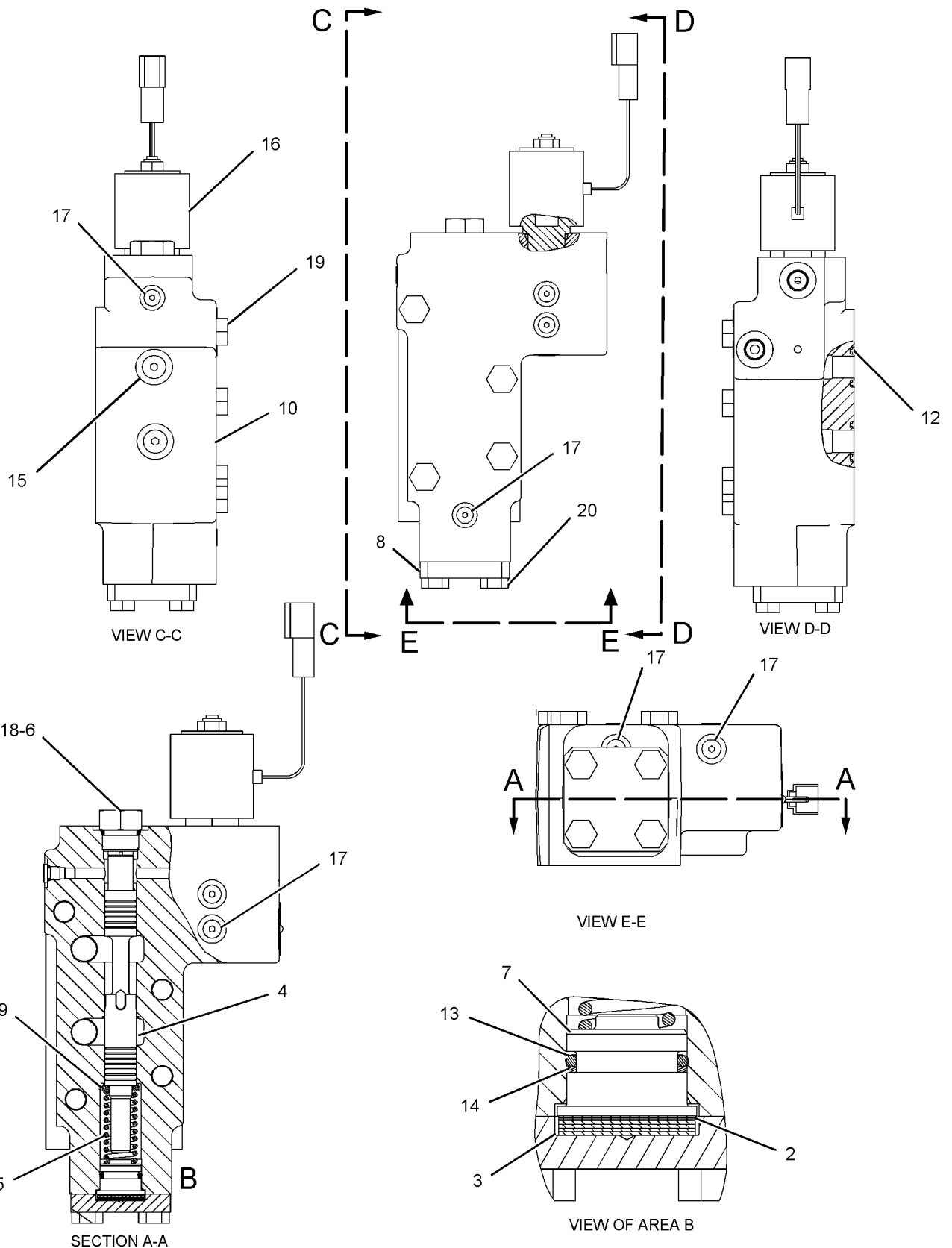
NOTE	REF NO	GRAPHIC REF	PART NUMBER	QTY	PART NAME						SEE PAGE
					1	2	3	4	5	6 (PRODUCT LEVEL)	
B	2	1	9N-1574	4	SHIM (0.03-IN THK)						
B	3	1	9N-1575	4	SHIM (0.03-IN THK)						
Z	4	1		1	STEM						
Z	5	1		1	SPRING						
Z	6	1		1	PLUG						
Z	7	1		1	GUIDE						
Z	8	1		1	COVER						
Z	9	1		1	RETAINER						
Z	10	1		1	BODY						
	12	1	008-2103	2	SEAL-O-RING						
	13	1	095-1587	1	SEAL-O-RING						
	14	1	095-1786	1	RING-BACKUP						
	15	1	162-0177	2	PLUG AS						
					(EACH INCLUDES)						
		1	3J-1907	1	SEAL-O-RING						
		1	9S-8004	1	PLUG-O-RING						
Y	16	1	171-3685	1	VALVE GP-SOLENOID (24-VOLT) (NEUTRAL BYPASS)						690
	17	1	173-3993	6	PLUG AS						
					(EACH INCLUDES)						
		1	4J-7533	1	SEAL-O-RING						
		1	9S-8001	1	PLUG-O-RING						
	18	1	2M-9780	1	SEAL-O-RING						
M	19	1	7X-2549	4	BOLT (M12X1.75X100-MM)						
M	20	1	8T-4136	4	BOLT (M10X1.5X25-MM)						

B-USE AS REQUIRED
M-METRIC PART
Y-SEPARATE ILLUSTRATION
Z-NOT SERVICED SEPARATELY

HYDRAULIC SYSTEM

257-7284 VALVE GP-CONTROL (contd.)

i02293810



GRAPHIC #1

<END>

g01129675

HYDRAULIC SYSTEM

270-5810 VALVE GP-CONTROL-DRIFT REDUCTION, STICK

S/N: PAS1-UP

PART OF 270-5804 VALVE GP-LOAD CONTROL

ALSO AN ATTACHMENT

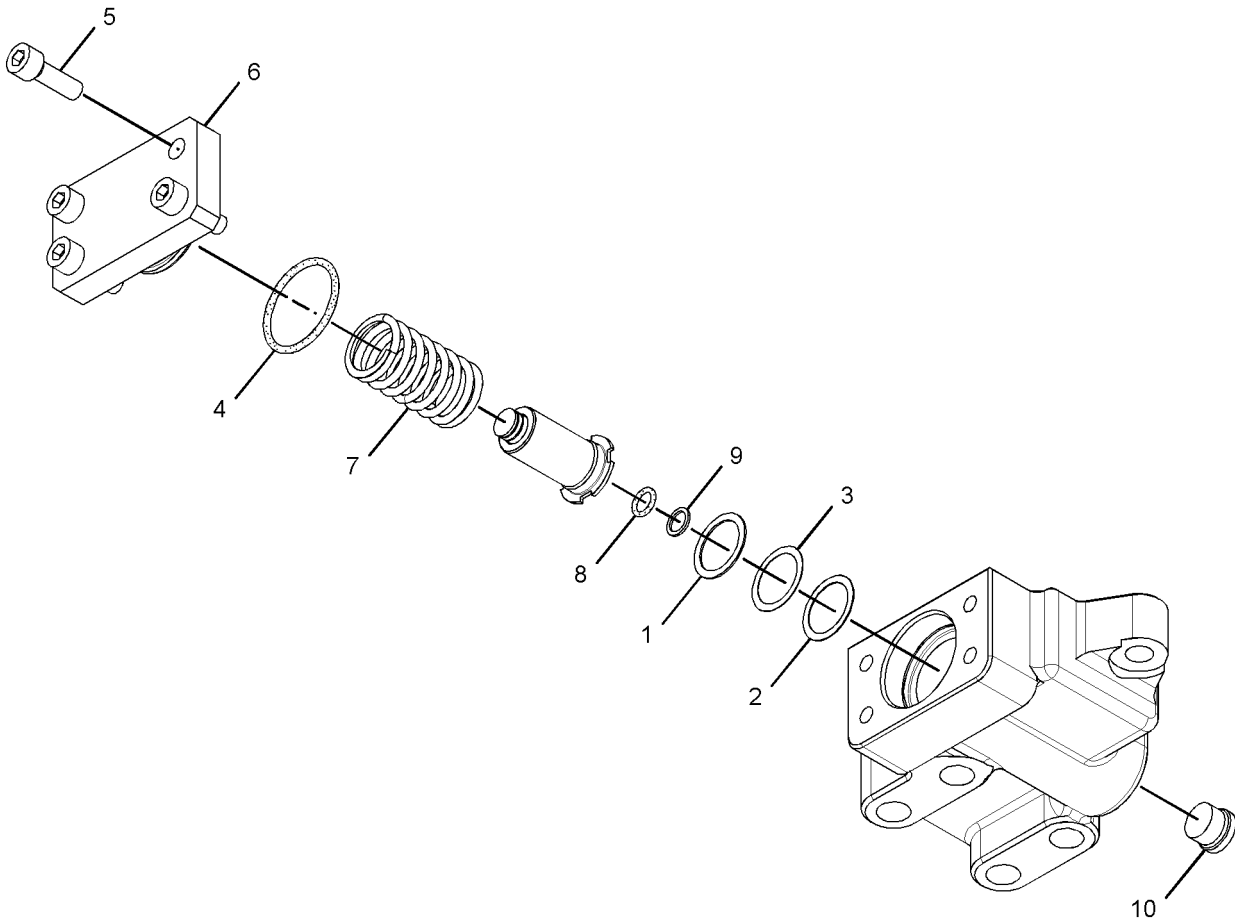
SMCS-5051

i03656885

NOTE	REF NO	GRAPHIC REF	PART NUMBER	QTY	PART NAME						SEE PAGE
					1	2	3	4	5	6 (PRODUCT LEVEL)	
B	1	1	285-1489	1	SHIM						
B	2	1	285-1490	1	SHIM						
B	3	1	285-1491	1	SHIM						
	4	1	4J-0523	1	SEAL-O-RING						
M	5	1	9X-6032	4	BOLT-SOCKET HEAD (M10X1.5X30-MM)						
	6	1	285-1620	1	COVER						
	7	1	285-1622	1	SPRING						
	8	1	095-1579	1	SEAL-O-RING						
	9	1	095-1780	1	RING-BACKUP						
	10	1	148-8395	1	PLUG AS						
		1	3K-0360	1	SEAL-O-RING						
		1	9S-8005	1	PLUG-O-RING						

PARTS SHOWN IN GRAPHIC(S) WITHOUT A REFERENCE NUMBER ARE NOT SERVICED SEPARATELY

B-USE AS REQUIRED
M-METRIC PART



GRAPHIC #1

<END>

g02045555

HYDRAULIC SYSTEM

295-7734 VALVE GP-CONTROL-STICK, TRAVEL

S/N: PAS1-UP

PART OF 323-7782, 323-7784 VALVE GP-MAIN CONTROL

ALSO AN ATTACHMENT

SMCS-5051

i03877191

NOTE	REF NO	GRAPHIC REF	PART NUMBER	QTY	PART NAME						SEE PAGE
					1	2	3	4	5	6 (PRODUCT LEVEL)	
	1	1	4J-9780	1	PLUG-ORIFICE						
Y	2	1	4T-1860	1	VALVE GP-SHUTTLE (LOAD SIGNAL, STEERING CYLINDER)						682
	3	1	5J-5004	3	PLUG-ORIFICE						
	4	1	6E-3993	5	PLUG AS						
					(EACH INCLUDES)						
		1	2M-9780	1	SEAL-O-RING						
		1	2S-4078	1	SEAL-O-RING						
		1	6E-3991	1	PLUG						
		1	148-0767	1	RING-SPLIT						
	5	2	005-8164	1	PLUG						
	6	2	100-6211	3	PISTON						
	7	1	109-8040	2	PLUG-ORIFICE						
Y	8	1	111-0336	1	VALVE GP-SHUTTLE						684
Y	9	1	144-7113	1	VALVE GP-RELIEF (LOAD SENSING DIFF PRESSURE)						675
	10	2	146-0182	1	BLOCK-MANIFOLD						
Y	12	1	352-6869	1	VALVE GP-RELIEF (PILOT OPERATED) (LINE)						681
Y	13	1	194-0946	1	MANIFOLD & VALVE GP (MAIN CONTROL VALVE)						560
Y	14	2	194-0947	1	MANIFOLD & VALVE GP (MAIN CONTROL VALVE)						562
	15	1,2	222-4737	8	PLUG AS						
					(EACH INCLUDES)						
		1,2	4J-7533	1	SEAL-O-RING						
		1,2	9S-4180	1	PLUG						
	17	1	247-4574	2	SPRING						
	18	1	247-4577	1	SPRING						
	19	1	247-4579	1	SPRING						
	20	1	247-4585	1	COVER						
	21	1	248-6875	3	RING-BACKUP						
	22	1	250-2941	2	VALVE GP-CHECK (COMPENSATOR)						
	23	1	250-2942	1	VALVE GP (FLOW COMPENSATOR)						
Y	24	1	270-5804	1	VALVE GP-LOAD CONTROL (DRIFT REDUCTION, VAR ADJ BOOM)						650
	26	1	095-1607	3	SEAL-O-RING						
	27	1	095-1608	3	SEAL-O-RING						
	28	2	148-8405	3	PLUG AS						
					(EACH INCLUDES)						
		2	1J-9671	1	SEAL-O-RING						
		2	3K-8460	1	PLUG						
	29	1	148-8407	6	PLUG AS						
					(EACH INCLUDES)						
		1	3J-1907	1	SEAL-O-RING						
		1	9S-4191	1	PLUG-O-RING						
	30	2	148-8408	3	PLUG AS						
					(EACH INCLUDES)						
		2	3D-2824	1	SEAL-O-RING						
		2	9S-4183	1	PLUG-O-RING						
	31	2	148-8409	2	PLUG AS						
					(EACH INCLUDES)						
		2	3D-2824	1	SEAL-O-RING						
		2	9S-8008	1	PLUG-O-RING						
	32	2	148-8410	2	PLUG AS						
					(EACH INCLUDES)						
		2	2M-9780	1	SEAL-O-RING						
		2	9S-4190	1	PLUG-O-RING						
	33	1,2	155-3624	4	PLUG AS						

HYDRAULIC SYSTEM

295-7734 VALVE GP-CONTROL (contd.)

i03877191

NOTE	REF NO	GRAPHIC REF	PART NUMBER	QTY	PART NAME						SEE PAGE
					1	2	3	4	5	6 (PRODUCT LEVEL)	
		1, 2	3J-7354	1	SEAL-O-RING						
		1, 2	9S-4182	1	PLUG-O-RING						
	34	1	<i>173-3993</i>	3	PLUG AS						
					(EACH INCLUDES)						
		1	4J-7533	1	SEAL-O-RING						
		1	9S-8001	1	PLUG-O-RING						
	35	1	<i>183-7262</i>	1	PLUG AS						
		1	2S-4078	1	SEAL-O-RING						
		1	9S-8010	1	PLUG						
	36	1	<i>183-7263</i>	1	PLUG AS						
		1	3J-7354	1	SEAL-O-RING						
		1	9S-8002	1	PLUG-O-RING						
	37	2	1H-5728	3	SEAL-O-RING						
	38	2	2D-6392	3	SEAL-O-RING						
	39	2	3D-2824	1	SEAL-O-RING						
	40	2	4J-9535	2	SEAL-O-RING						
	41	1	6V-7666	3	RING-BACKUP						
M	42	1	7X-2546	8	BOLT (M10X1.5X180-MM)						
M	43	1	7X-2555	8	BOLT (M16X2X80-MM)						
	44	1	8J-1699	2	SEAL-O-RING						
M	45	2	8T-5436	8	BOLT (M10X1.5X130-MM)						

M-METRIC PART

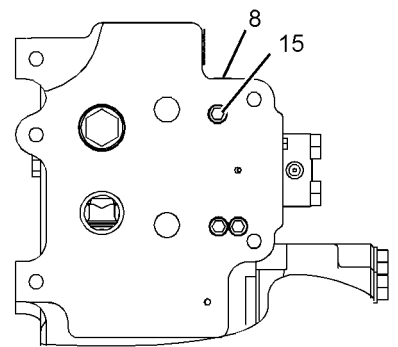
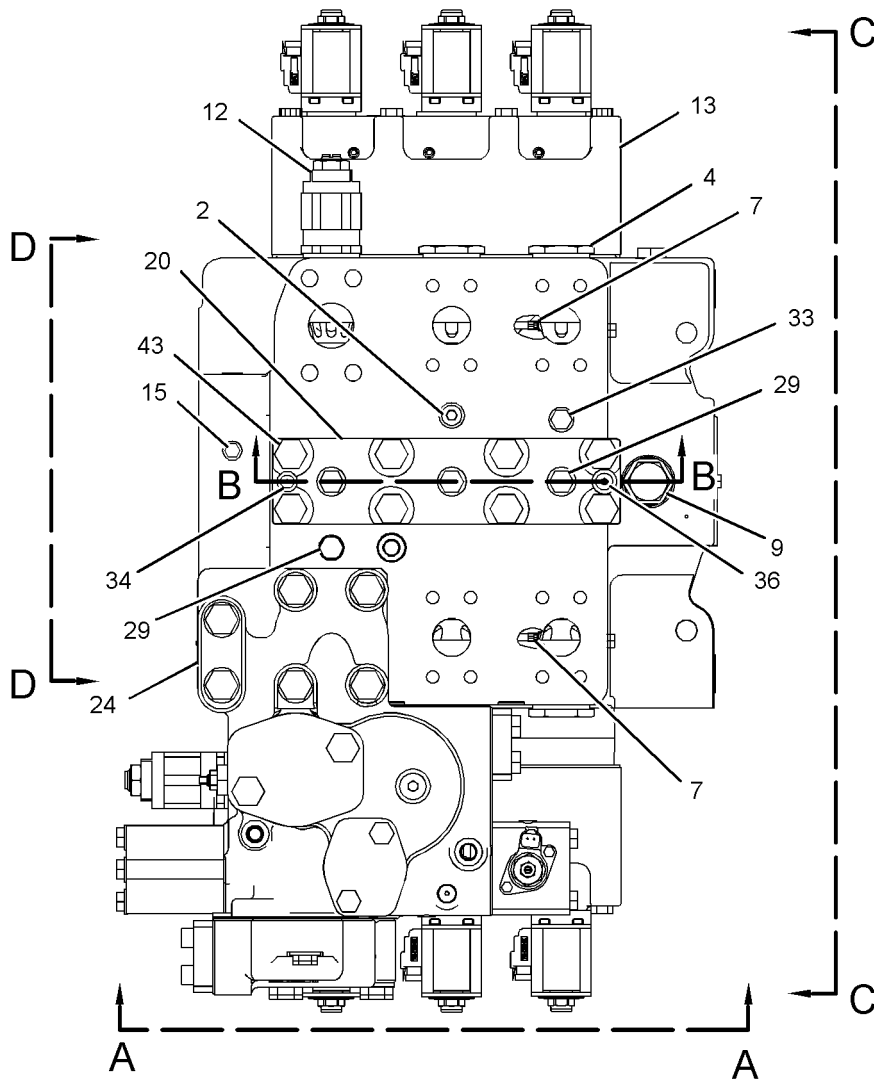
Y-SEPARATE ILLUSTRATION

HYDRAULIC SYSTEM

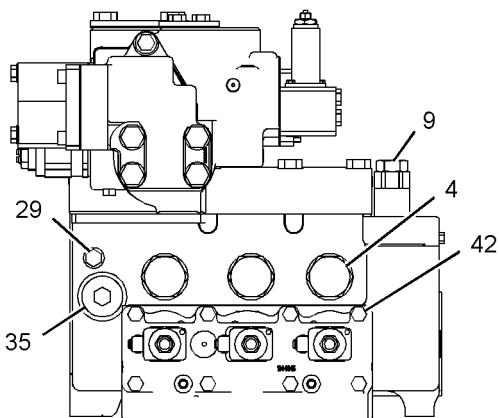
295-7734 VALVE GP-CONTROL (contd.)

i03877191

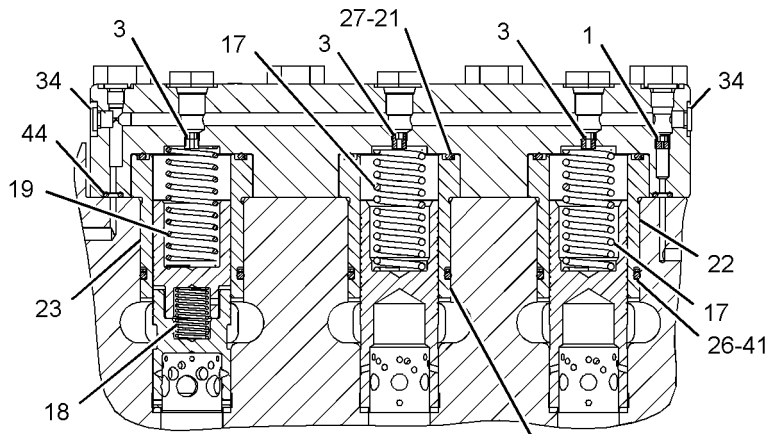
REFER TO ALL ILLUSTRATIONS OF THIS GROUP FOR AUXILIARY VIEWS



VIEW D-D



VIEW A-A



SECTION B-B

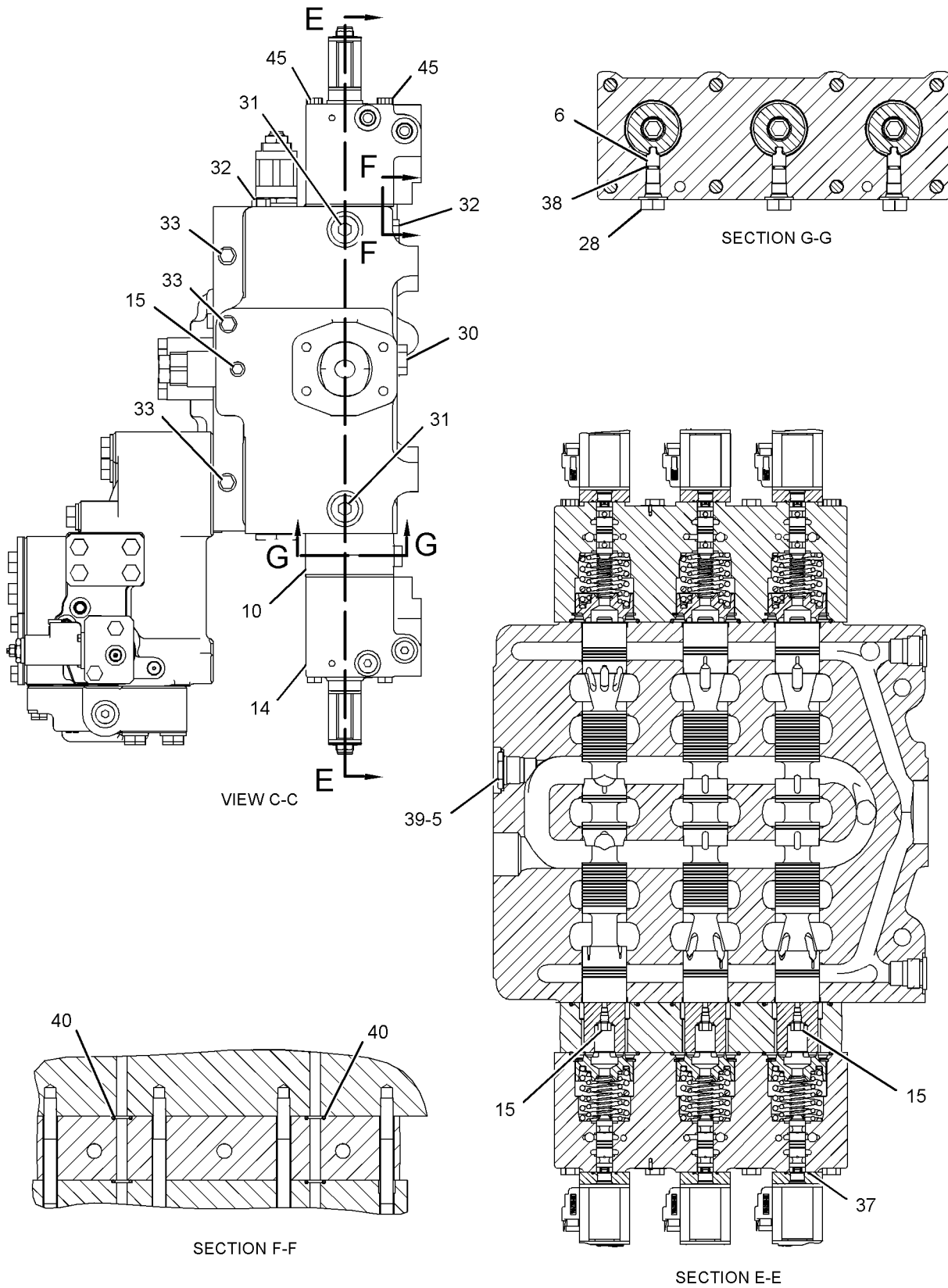
GRAPHIC #1

g02074613

HYDRAULIC SYSTEM

295-7734 VALVE GP-CONTROL (contd.)

i03877191



GRAPHIC #2

<END>

g02074614

HYDRAULIC SYSTEM

295-7735 VALVE GP-CONTROL-BOOM, BUCKET, WORK TOOL

S/N: PAS1-UP

PART OF 323-7782 VALVE GP-MAIN CONTROL

ALSO AN ATTACHMENT

SMCS-5051

i03877192

NOTE	REF NO	GRAPHIC REF	PART NUMBER	QTY	PART NAME						SEE PAGE
					1	2	3	4	5	6 (PRODUCT LEVEL)	
	1	1	4J-9780	1	PLUG-ORIFICE						
Y	2	3	4T-1860	1	VALVE GP-SHUTTLE (LOAD SIGNAL, STEERING CYLINDER)						682
	3	1	4T-4207	1	PLUG-ORIFICE						
	4	1	5J-5004	1	PLUG-ORIFICE						
	5	1	6E-3993	3	PLUG AS						
					(EACH INCLUDES)						
		1	2M-9780	1	SEAL-O-RING						
		1	2S-4078	1	SEAL-O-RING						
		1	6E-3991	1	PLUG						
		1	148-0767	1	RING-SPLIT						
Y	6	2	6E-4429	1	VALVE GP-SHUTTLE						683
	7	1	9J-8126	1	PLUG-ORIFICE						
	8	2	005-8164	1	PLUG						
	9	2	100-6211	3	PISTON						
Y	10	3	144-7087	1	VALVE GP-CONTROL (NEUTRAL BYPASS)						618
Y	11	1	144-7113	1	VALVE GP-RELIEF (LOAD SENSING DIFF PRESSURE)						675
	12	1	145-8747	1	SPACER						
Y	14	1	352-6869	3	VALVE GP-RELIEF (PILOT OPERATED) (LINE)						681
Y	15	1	194-0946	1	MANIFOLD & VALVE GP (MAIN CONTROL VALVE)						560
Y	16	1	194-0947	1	MANIFOLD & VALVE GP (MAIN CONTROL VALVE)						562
	18	1,2,3	222-4737	8	PLUG AS						
					(EACH INCLUDES)						
		1,2,3	4J-7533	1	SEAL-O-RING						
		1,2,3	9S-4180	1	PLUG						
	20	1	247-4574	3	SPRING						
	21	1	247-4577	3	SPRING						
	22	1	247-4585	1	COVER						
	23	1	248-6875	3	RING-BACKUP						
	24	1	250-2942	3	VALVE GP (FLOW COMPENSATOR)						
Y	25	1	270-5803	1	VALVE GP-LOAD CONTROL (BOOM LOWERING)						647
	26	1	323-7776	1	VALVE GP-CONTROL (BUCKET)						
	28	1	095-1607	3	SEAL-O-RING						
	29	1	095-1608	3	SEAL-O-RING						
	30	1	148-8407	6	PLUG AS						
					(EACH INCLUDES)						
		1	3J-1907	1	SEAL-O-RING						
		1	9S-4191	1	PLUG-O-RING						
	31	3	148-8408	1	PLUG AS						
		3	3D-2824	1	SEAL-O-RING						
		3	9S-4183	1	PLUG-O-RING						
	32	3	148-8409	2	PLUG AS						
					(EACH INCLUDES)						
		3	3D-2824	1	SEAL-O-RING						
		3	9S-8008	1	PLUG-O-RING						
	33	1,3	148-8410	2	PLUG AS						
					(EACH INCLUDES)						
		1,3	2M-9780	1	SEAL-O-RING						
		1,3	9S-4190	1	PLUG-O-RING						
	34	1,3	155-3624	2	PLUG AS						
					(EACH INCLUDES)						
		1,3	3J-7354	1	SEAL-O-RING						
		1,3	9S-4182	1	PLUG-O-RING						
	35	1	173-3993	3	PLUG AS						
					(EACH INCLUDES)						

HYDRAULIC SYSTEM

295-7735 VALVE GP-CONTROL (contd.)

i03877192

NOTE	REF NO	GRAPHIC REF	PART NUMBER	QTY	PART NAME						SEE PAGE
					1	2	3	4	5	6 (PRODUCT LEVEL)	
		1	4J-7533	1	SEAL-O-RING						
		1	9S-8001	1	PLUG-O-RING						
36		1	<i>183-7262</i>	1	PLUG AS						
		1	2S-4078	1	SEAL-O-RING						
		1	9S-8010	1	PLUG						
37		1	<i>183-7263</i>	1	PLUG AS						
		1	3J-7354	1	SEAL-O-RING						
		1	9S-8002	1	PLUG-O-RING						
38		2	1H-5728	3	SEAL-O-RING						
39		2	<i>148-8405</i>	3	PLUG AS						
					(EACH INCLUDES)						
		2	1J-9671	1	SEAL-O-RING						
		2	3K-8460	1	PLUG						
40		2	2D-6392	3	SEAL-O-RING						
41		2	3D-2824	1	SEAL-O-RING						
43		3	4J-9535	2	SEAL-O-RING						
44		1	6V-7666	3	RING-BACKUP						
M	45	1,2	7X-2546	8	BOLT (M10X1.5X180-MM)						
M	46	1	7X-2555	8	BOLT (M16X2X80-MM)						
	47	1	8J-1699	2	SEAL-O-RING						
M	48	1	8T-5436	8	BOLT (M10X1.5X130-MM)						

M-METRIC PART

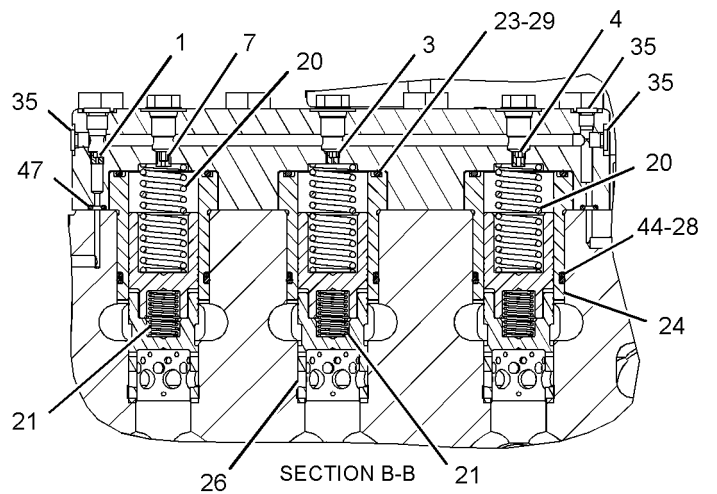
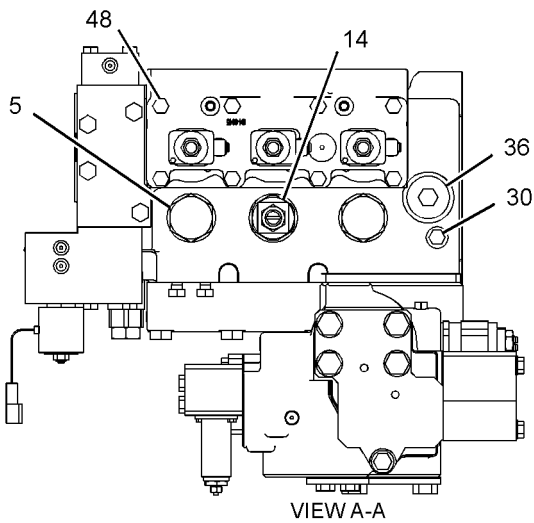
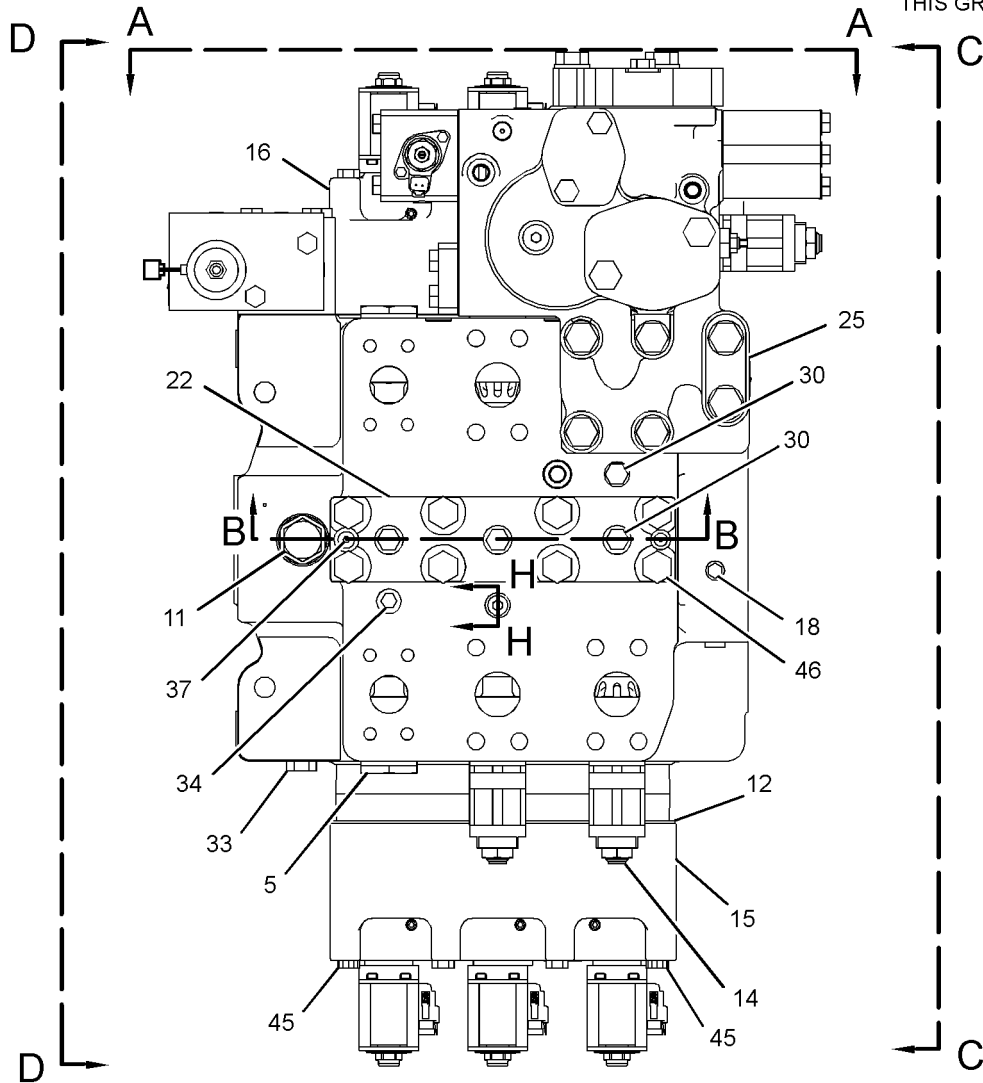
Y-SEPARATE ILLUSTRATION

HYDRAULIC SYSTEM

295-7735 VALVE GP-CONTROL (contd.)

i03877192

REFER TO ALL ILLUSTRATIONS OF THIS GROUP FOR AUXILIARY VIEWS



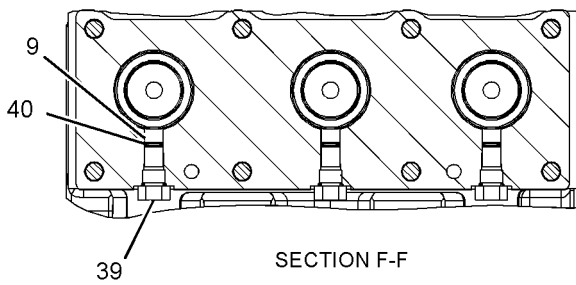
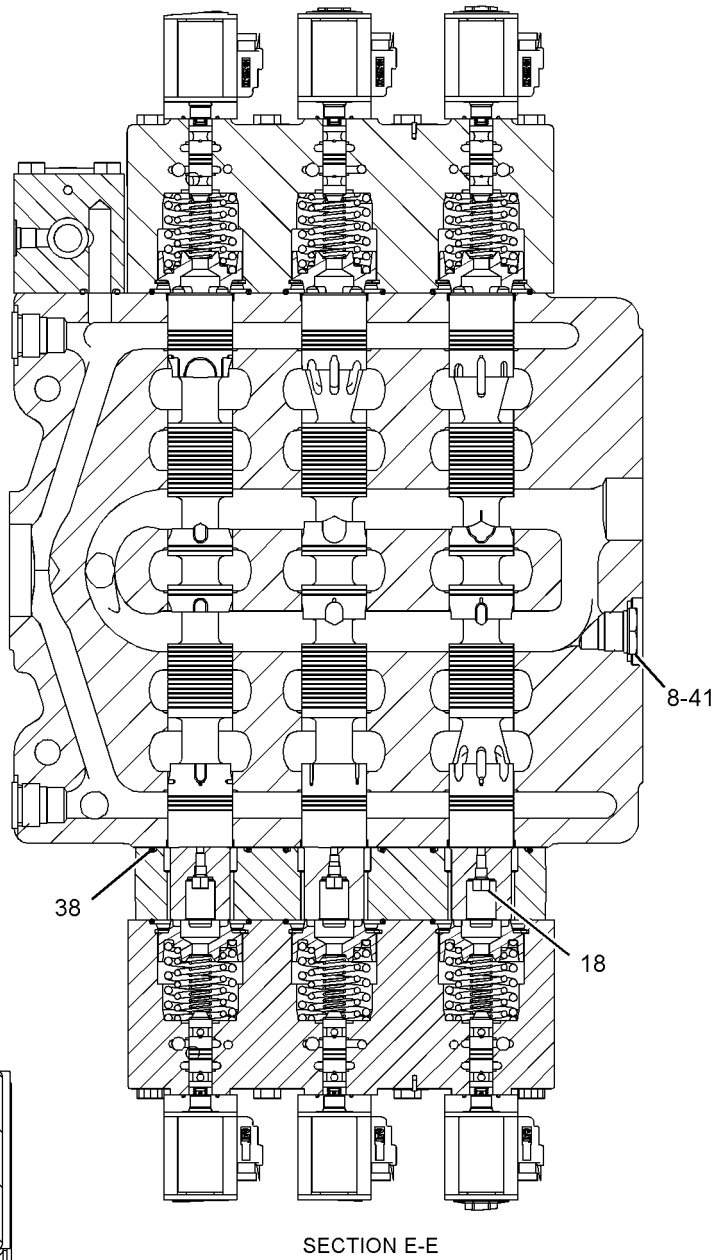
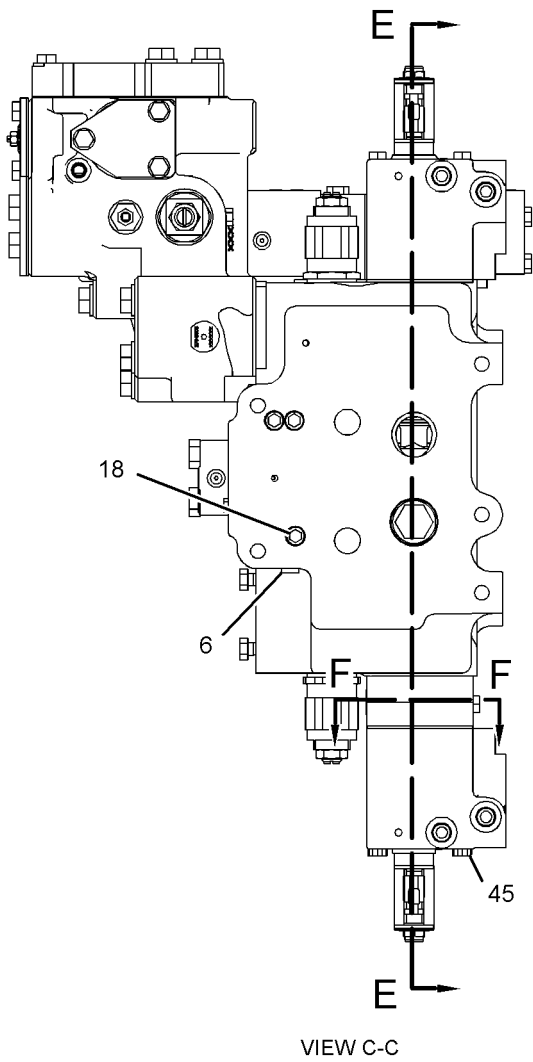
GRAPHIC #1

g02073794

HYDRAULIC SYSTEM

295-7735 VALVE GP-CONTROL (contd.)

i03877192



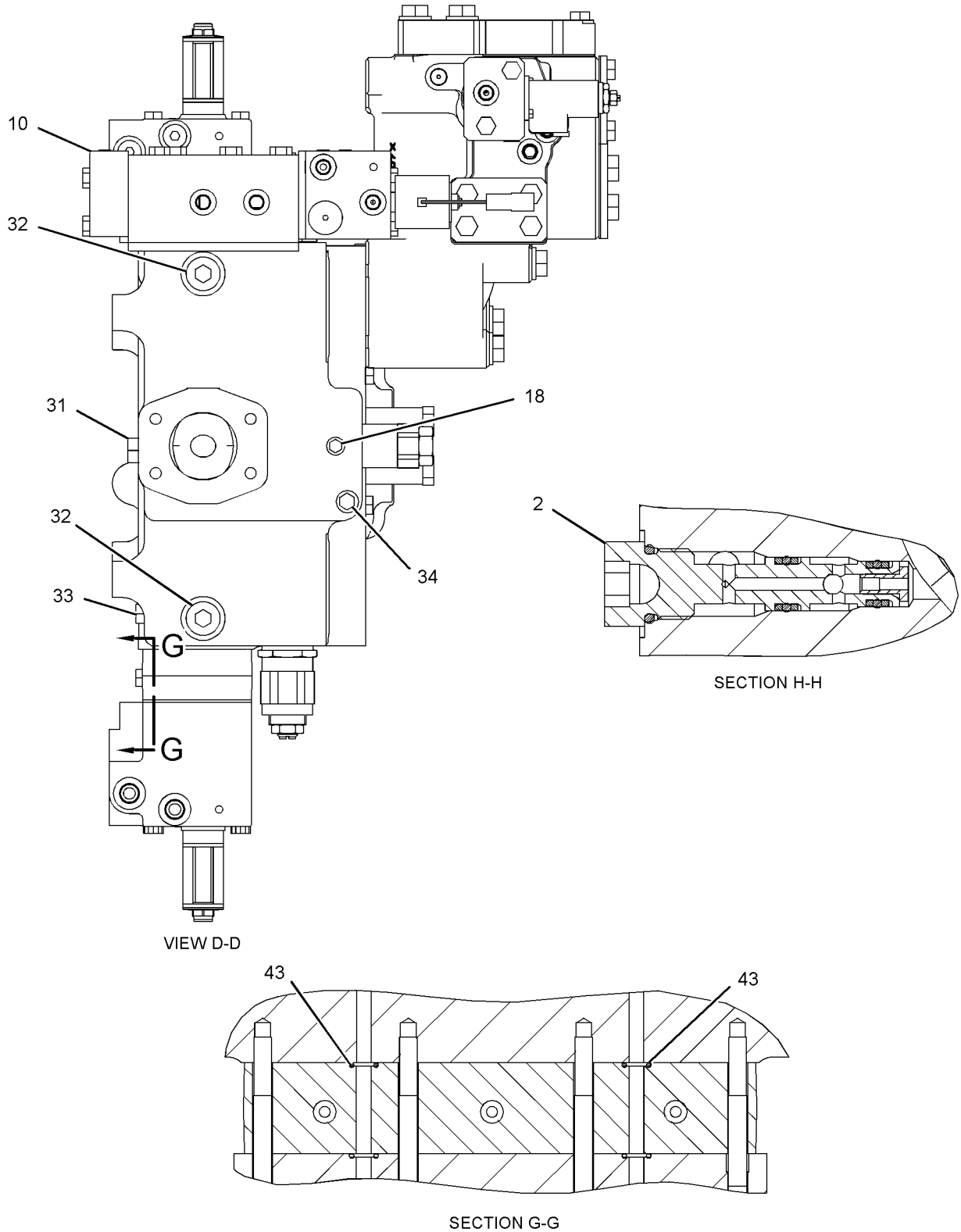
GRAPHIC #2

g02128773

HYDRAULIC SYSTEM

295-7735 VALVE GP-CONTROL (contd.)

i03877192



GRAPHIC #3

<END>

g02073796

HYDRAULIC SYSTEM

295-7760 VALVE GP-CONTROL-BOOM, BUCKET, WORK TOOL

S/N: PAS1-UP

PART OF 323-7784 VALVE GP-MAIN CONTROL
AN ATTACHMENT

SMCS-5051

i03896752

NOTE	REF NO	GRAPHIC REF	PART NUMBER	QTY	PART NAME						SEE PAGE
					1	2	3	4	5	6 (PRODUCT LEVEL)	
	1	1	4J-9780	1	PLUG-ORIFICE						
Y	2	1	4T-1860	1	VALVE GP-SHUTTLE (BALL RESOLVER)						682
	3	1	4T-4207	1	PLUG-ORIFICE						
	4	1	5J-5004	1	PLUG-ORIFICE						
	5	1	6E-3993	3	PLUG AS						
					(EACH INCLUDES)						
		1	2M-9780	1	SEAL-O-RING						
		1	2S-4078	1	SEAL-O-RING						
		1	148-0767	1	RING-SPLIT						
Y	6	1	6E-4429	1	VALVE GP-SHUTTLE (BALL RESOLVER)						683
	7	1	9J-8126	1	PLUG-ORIFICE						
	8	2	005-8164	1	PLUG						
	9	2	100-6211	3	PISTON						
Y	10	2	144-7087	1	VALVE GP-CONTROL (NEUTRAL BYPASS)						618
Y	11	2	144-7113	1	VALVE GP-RELIEF (LOAD SENSING DIFF PRESSURE)						675
	12	1	145-8747	1	SPACER						
Y	14	1	352-6869	3	VALVE GP-RELIEF (PILOT OPERATED)						681
Y	15	1	194-0946	1	MANIFOLD & VALVE GP (MAIN CONTROL VALVE)						560
Y	16	1	194-0947	1	MANIFOLD & VALVE GP (MAIN CONTROL VALVE)						562
	17	1,2	222-4737	8	PLUG AS						
					(EACH INCLUDES)						
		1,2	4J-7533	1	SEAL-O-RING						
		1,2	9S-4180	1	PLUG						
	19	1	247-4574	3	SPRING						
	20	1	247-4577	3	SPRING						
	21	1	247-4585	1	COVER						
	22	1	248-6875	3	RING-BACKUP						
	23	1	250-2942	2	VALVE GP (FLOW COMPENSATOR)						
Y	24	2	270-5803	1	VALVE GP-LOAD CONTROL						647
	26	1	323-7776	1	VALVE GP-CONTROL (BUCKET COMPENSATOR)						
	28	1	095-1607	3	SEAL-O-RING						
	29	1	095-1608	3	SEAL-O-RING						
	30	2	<i>148-8405</i>	3	PLUG AS						
					(EACH INCLUDES)						
		2	1J-9671	1	SEAL-O-RING						
		2	3K-8460	1	PLUG						
	31	1	<i>148-8407</i>	6	PLUG AS						
					(EACH INCLUDES)						
		1	3J-1907	1	SEAL-O-RING						
		1	9S-4191	1	PLUG-O-RING						
	32	2	<i>148-8408</i>	1	PLUG AS						
		2	3D-2824	1	SEAL-O-RING						
		2	9S-4183	1	PLUG-O-RING						
	33	2	<i>148-8409</i>	2	PLUG AS						
					(EACH INCLUDES)						
		2	3D-2824	1	SEAL-O-RING						
		2	9S-8008	1	PLUG-O-RING						
	34	1,2	<i>148-8410</i>	2	PLUG AS						
					(EACH INCLUDES)						
		1,2	2M-9780	1	SEAL-O-RING						
		1,2	9S-4190	1	PLUG-O-RING						
	35	1,2	<i>155-3624</i>	2	PLUG AS						
					(EACH INCLUDES)						
		1,2	3J-7354	1	SEAL-O-RING						
		1,2	9S-4182	1	PLUG-O-RING						

HYDRAULIC SYSTEM

295-7760 VALVE GP-CONTROL (contd.)

i03896752

NOTE	REF NO	GRAPHIC REF	PART NUMBER	QTY	PART NAME						SEE PAGE
					1	2	3	4	5	6 (PRODUCT LEVEL)	
	36	1	173-3993	3	PLUG AS						
					(EACH INCLUDES)						
		1	4J-7533	1	SEAL-O-RING						
		1	9S-8001	1	PLUG-O-RING						
	37	1	183-7262	1	PLUG AS						
		1	2S-4078	1	SEAL-O-RING						
		1	9S-8010	1	PLUG						
	38	1	183-7263	1	PLUG AS						
		1	3J-7354	1	SEAL-O-RING						
		1	9S-8002	1	PLUG-O-RING						
	39	2	1H-5728	3	SEAL-O-RING						
	40	2	2D-6392	3	SEAL-O-RING						
	41	2	3D-2824	1	SEAL-O-RING						
	42	2	4J-9535	2	SEAL-O-RING						
	43	1	6V-7666	3	RING-BACKUP						
M	44	2	7X-2546	8	BOLT (M10X1.5X180-MM)						
M	45	1	7X-2555	8	BOLT (M16X2X80-MM)						
	46	1	8J-1699	2	SEAL-O-RING						
M	47	1	8T-5436	8	BOLT (M10X1.5X130-MM)						

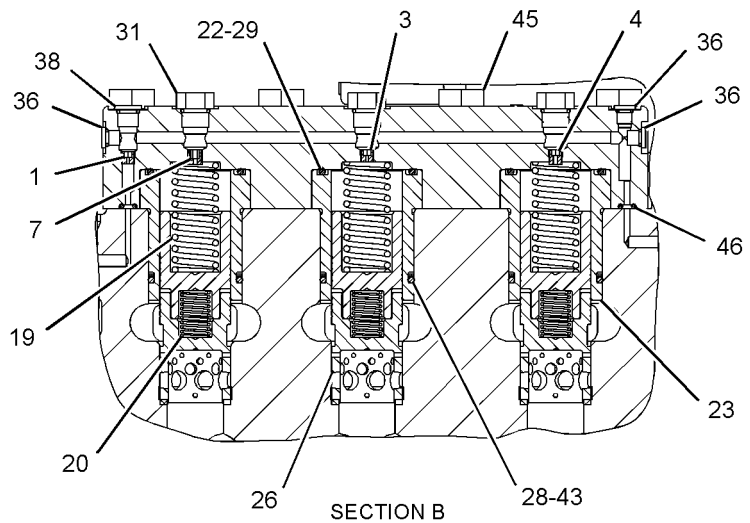
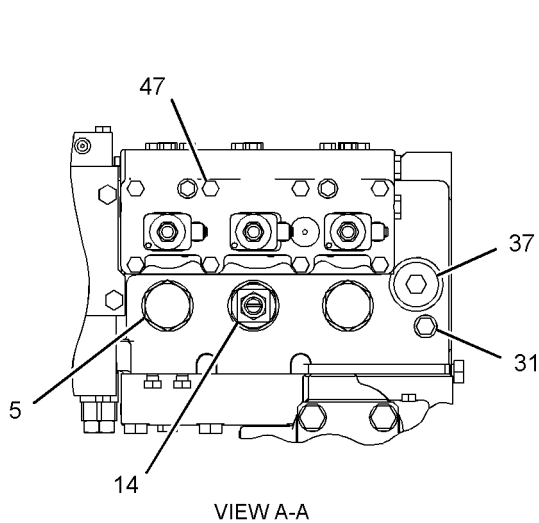
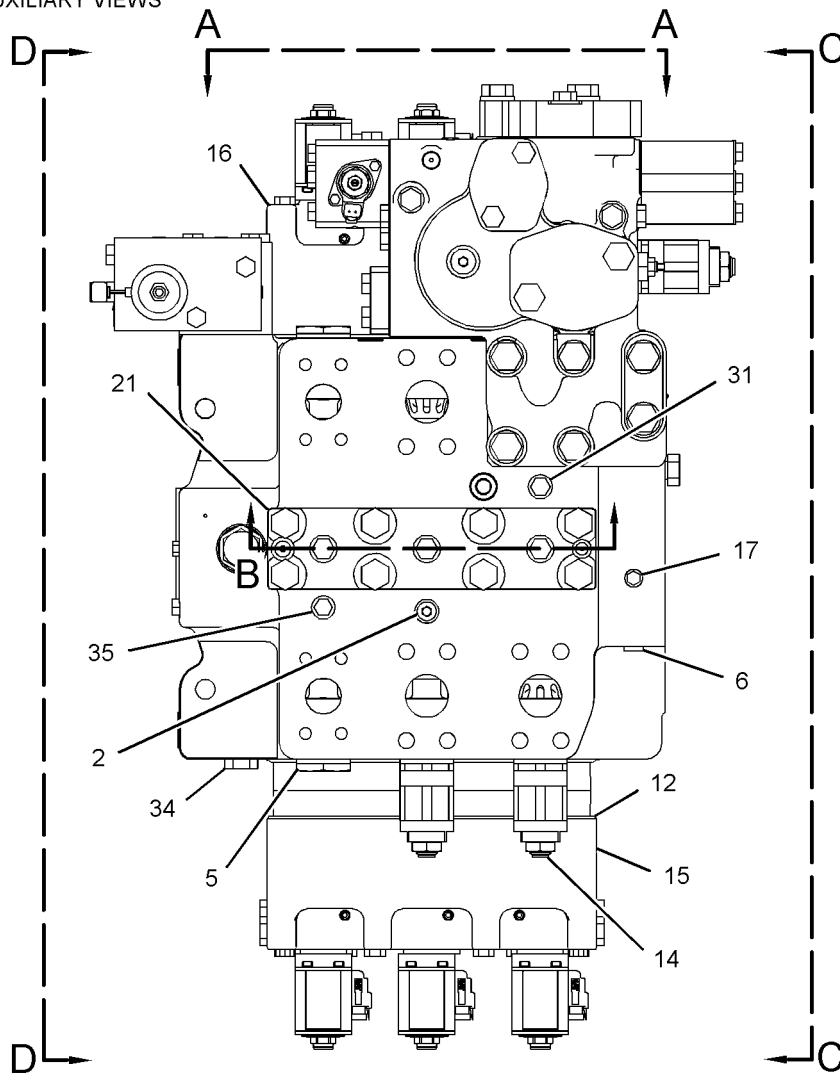
M-METRIC PART
Y-SEPARATE ILLUSTRATION

HYDRAULIC SYSTEM

295-7760 VALVE GP-CONTROL (contd.)

i03896752

REFER TO ALL ILLUSTRATIONS OF THIS GROUP FOR AUXILIARY VIEWS



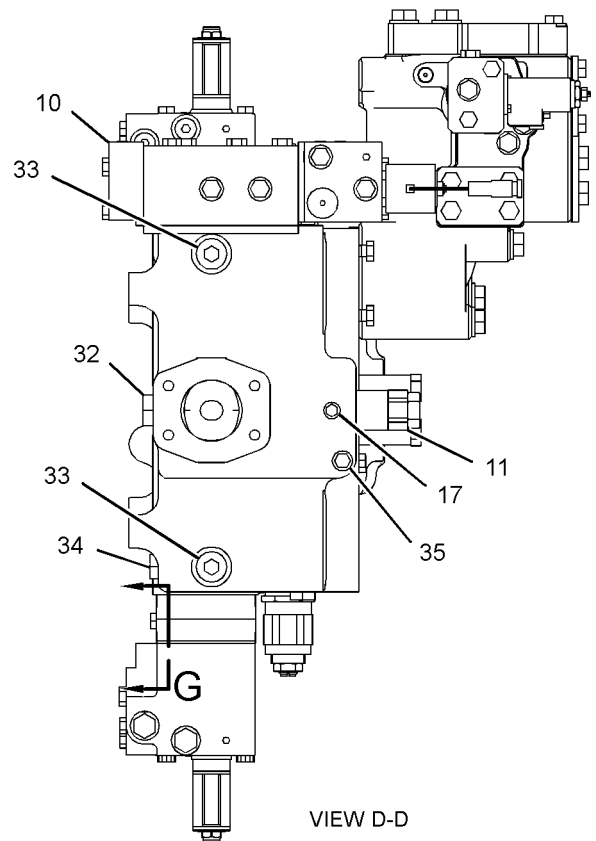
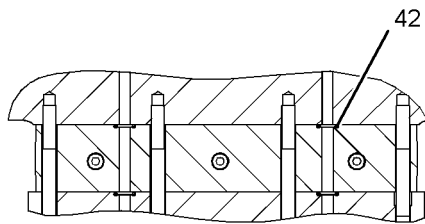
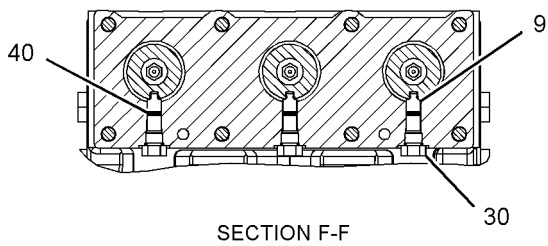
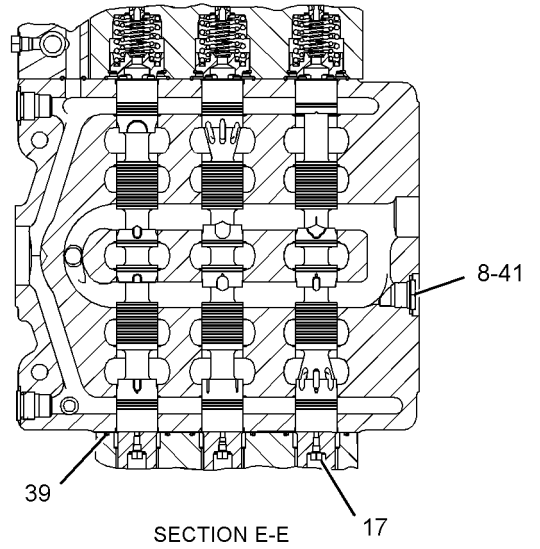
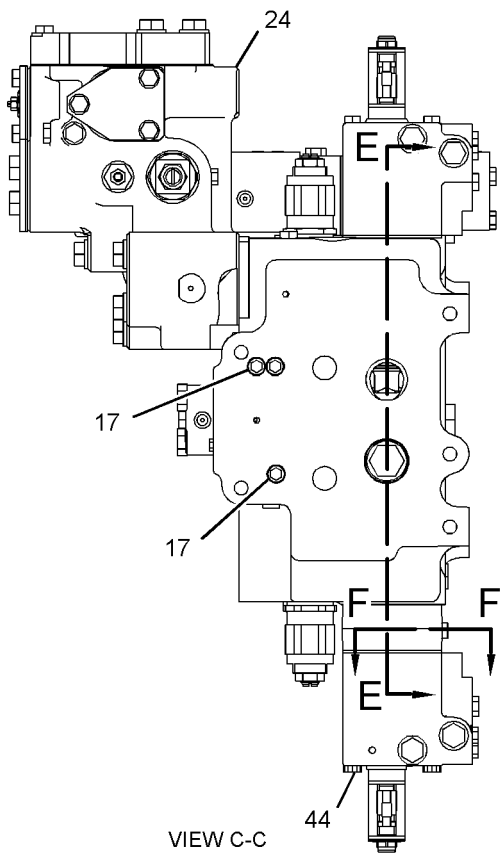
GRAPHIC #1

g02140453

HYDRAULIC SYSTEM

295-7760 VALVE GP-CONTROL (contd.)

i03896752



GRAPHIC #2

<END>

g02140454

HYDRAULIC SYSTEM

329-5224 VALVE GP-CONTROL-QUICK COUPLER

S/N: PAS1-UP

PART OF 302-3058 LINES GP-FRONT
AN ATTACHMENT

SMCS-5051

i03785312

NOTE	REF NO	GRAPHIC REF	PART NUMBER	QTY	PART NAME						SEE PAGE
					1	2	3	4	5	6 (PRODUCT LEVEL)	
	1	1	6E-5438	1	SPRING						
	2	1	6E-5439	1	SPRING						
Y	3	1	121-1491	1	VALVE GP-SOLENOID (QUICK COUPLER, LOCK, UNLOCK)						687
	4	1	287-2352	1	RETAINER-SPRING						
M	5	1	8T-6870	2	BOLT (M8X1.25X70-MM)						
	6	1	291-0811	2	VALVE GP-PRESSURE REDUCING (EACH INCLUDES)						
		1	172-4432	1	KIT-SEAL (QUICK COUPLER VALVE)						
	7	1	8T-6759	10	PLUG-PIPE						
	8	1	148-8407	4	PLUG AS (EACH INCLUDES)						
		1	3J-1907	1	SEAL-O-RING						
		1	9S-4191	1	PLUG-O-RING						
	9	1	4J-5267	1	SEAL-O-RING						
	10	1	6E-2313	1	COVER						
	11	1	6E-5431	5	SHIM (0.5-MM THK)						
	12	1	6E-5434	1	HOUSING-PILOT						
M	13	1	7I-2272	2	BOLT (M5X0.8X12-MM)						
	14	1	8F-0212	1	SEAL-O-RING						
M	15	1	8T-4195	2	BOLT (M10X1.5X30-MM)						
	16	1	8T-4224	2	WASHER-HARD (8.8X16X2-MM THK)						

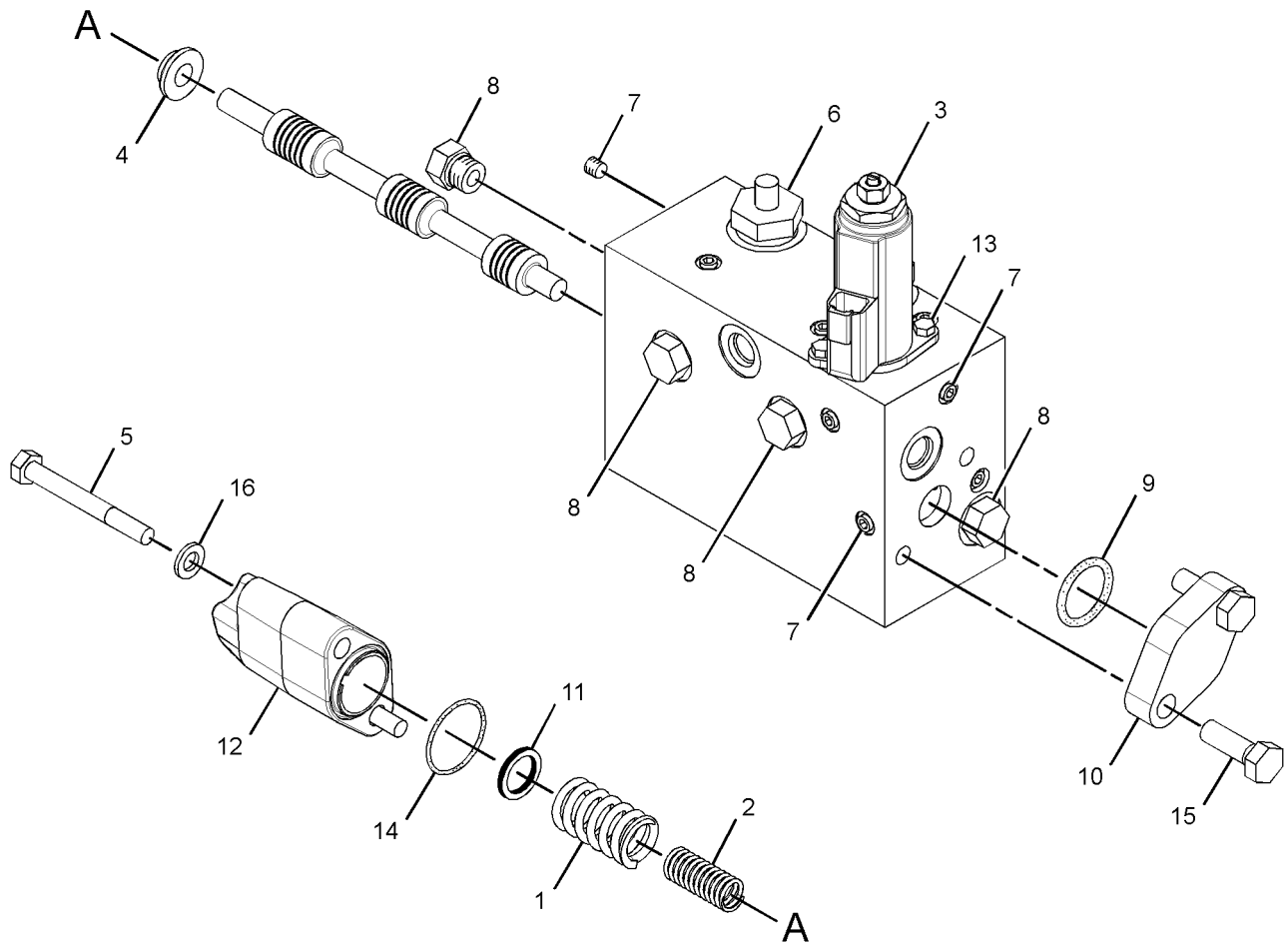
PARTS SHOWN IN GRAPHIC(S) WITHOUT A REFERENCE NUMBER ARE NOT SERVICED SEPARATELY

M-METRIC PART
Y-SEPARATE ILLUSTRATION

HYDRAULIC SYSTEM

329-5224 VALVE GP-CONTROL (contd.)

i03785312



GRAPHIC #1

<END>

g02126566

HYDRAULIC SYSTEM

263-4918 VALVE GP-LOAD CONTROL-BOOM CYLINDER

S/N: PAS1-UP

PART OF 296-7098 LINES GP-BOOM CYLINDER
AN ATTACHMENT

SMCS-5067, 5117, 5147, 5811

i03790715

NOTE	REF NO	GRAPHIC REF	PART NUMBER	QTY	PART NAME						SEE PAGE
					1	2	3	4	5	6 (PRODUCT LEVEL)	
	1	2	2S-2596	1	SPRING						
	2	2	8J-6815	1	PLUG-ORIFICE						
B	3	2	9N-1574	3	SHIM (0.03-IN THK)						
B	4	2	9N-1575	2	SHIM (0.03-IN THK)						
	5	2	153-8623	1	RING-BACKUP						
	6	2	190-8601	1	PLUNGER						
	7	1	190-8602	1	VALVE GP-CHECK (PILOT OPERATED)						
		1	190-8604	1	PLUG						
		1	211-4196	1	PIN						
	8	2	203-3022	1	VALVE						
	9	1	225-4796	1	PISTON						
	10	1,2	225-4818	5	PLUG AS						
					(EACH INCLUDES)						
		1,2	4J-7533	1	SEAL-O-RING						
		1,2	225-4804	1	PLUG						
	11	2	225-4820	1	PLUG AS						
		2	3J-7354	1	SEAL-O-RING						
		2	225-4821	1	PLUG						
Y	12	1	239-8983	1	VALVE GP-RELIEF (PILOT OPERATED)						680
	14	2	263-8088	1	POPPET						
	15	2	264-0726	1	GUIDE AS						
	15A	2	1U-0322	1	BEARING-SLEEVE						
	16	1	264-6346	1	GUIDE AS						
		1	225-4794	1	GUIDE						
		1	264-6344	1	PIN						
	18	2	274-1252	1	GUIDE						
	19	2	292-7882	1	SEAT						
	20	1	292-8517	1	COVER						
	21	2	314-8312	1	RETAINER						
	22	2	335-3038	1	SPRING						
	23	2	095-0933	1	RING-RETAINING						
	24	2	095-1599	1	SEAL-O-RING						
	25	2	095-1793	1	RING-BACKUP						
	26	1	158-8267	1	COVER						
	27	2	1P-3705	1	SEAL-RECTANGULAR						
	28	2	3D-2824	1	SEAL-O-RING						
	29	1	3J-1907	1	SEAL-O-RING						
	31	1	4D-2886	2	CLIP						
	32	2	4I-6397	1	RING-BACKUP						
	33	2	4J-0522	1	SEAL-O-RING						
	34	2	4T-5071	1	RING-BACKUP						
	35	2	6V-3922	1	SEAL-O-RING						
	36	2	8C-3085	1	SEAL-O-RING						
M	37	1	8T-0293	1	BOLT (M12X1.75X20-MM)						
M	38	1	8T-4139	4	BOLT (M12X1.75X30-MM)						
M	39	1	8T-4184	3	BOLT (M12X1.75X45-MM)						
M	40	1	8T-4194	1	BOLT (M12X1.75X50-MM)						
	41	1	8T-4223	5	WASHER-HARD (13.5X25.5X3-MM THK)						

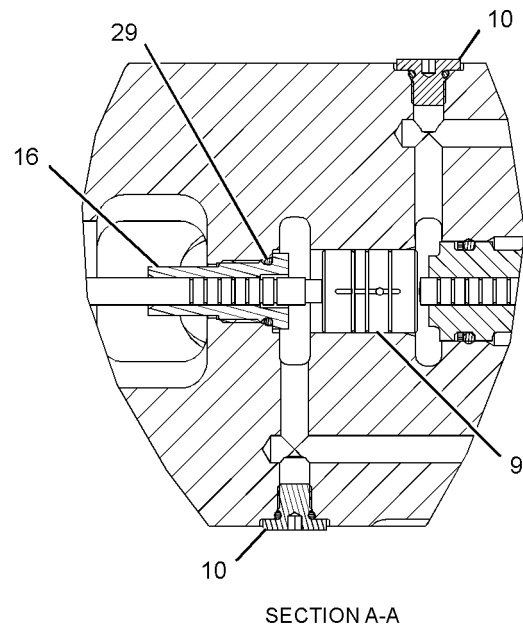
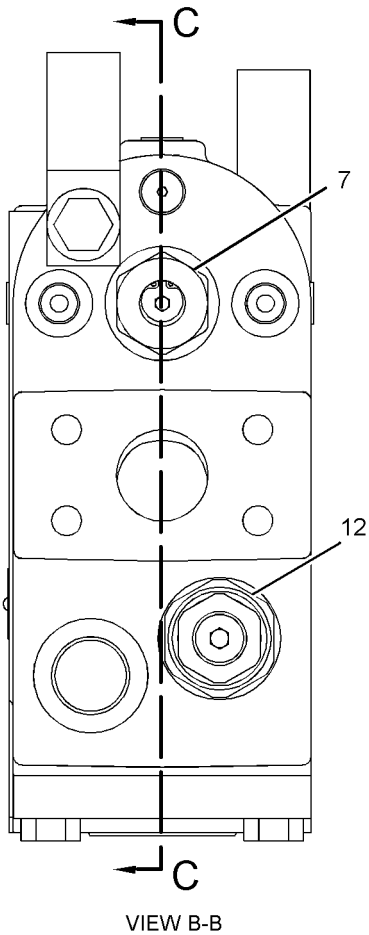
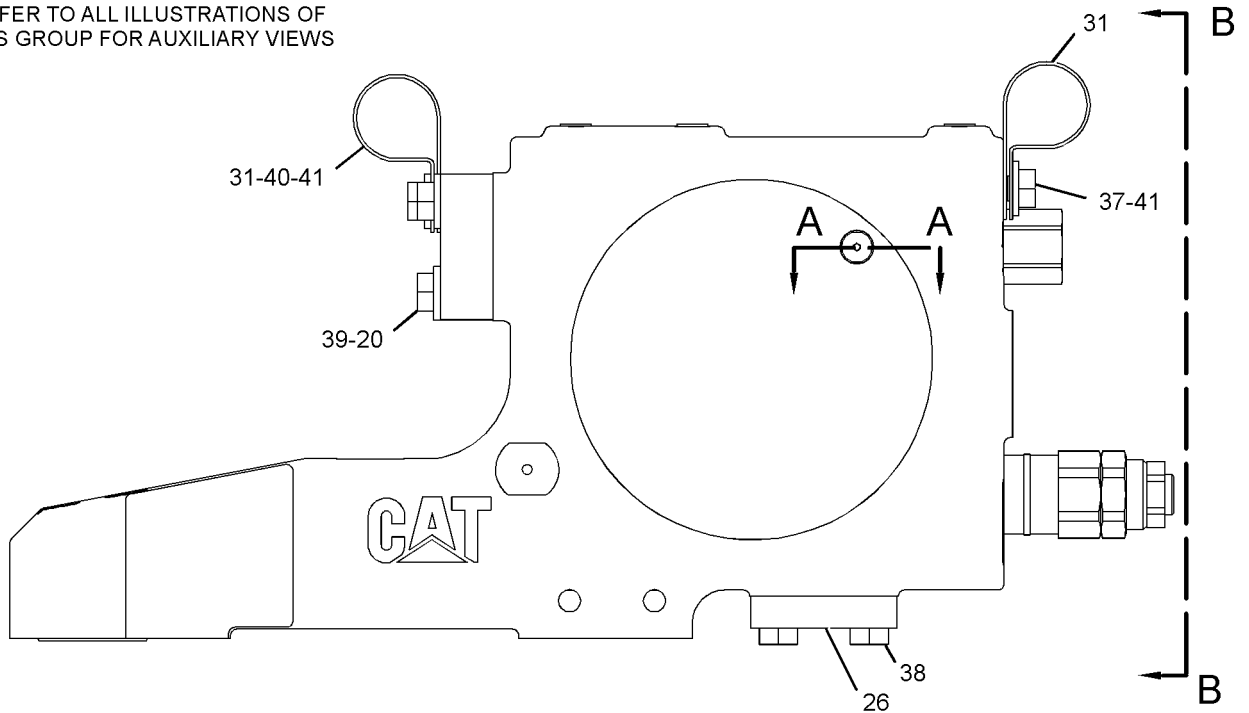
B-USE AS REQUIRED
M-METRIC PART
Y-SEPARATE ILLUSTRATION

HYDRAULIC SYSTEM

263-4918 VALVE GP-LOAD CONTROL (contd.)

i03790715

REFER TO ALL ILLUSTRATIONS OF THIS GROUP FOR AUXILIARY VIEWS



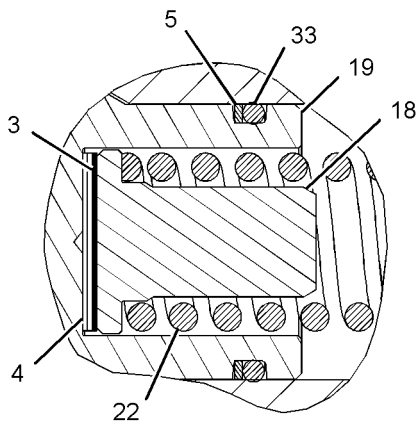
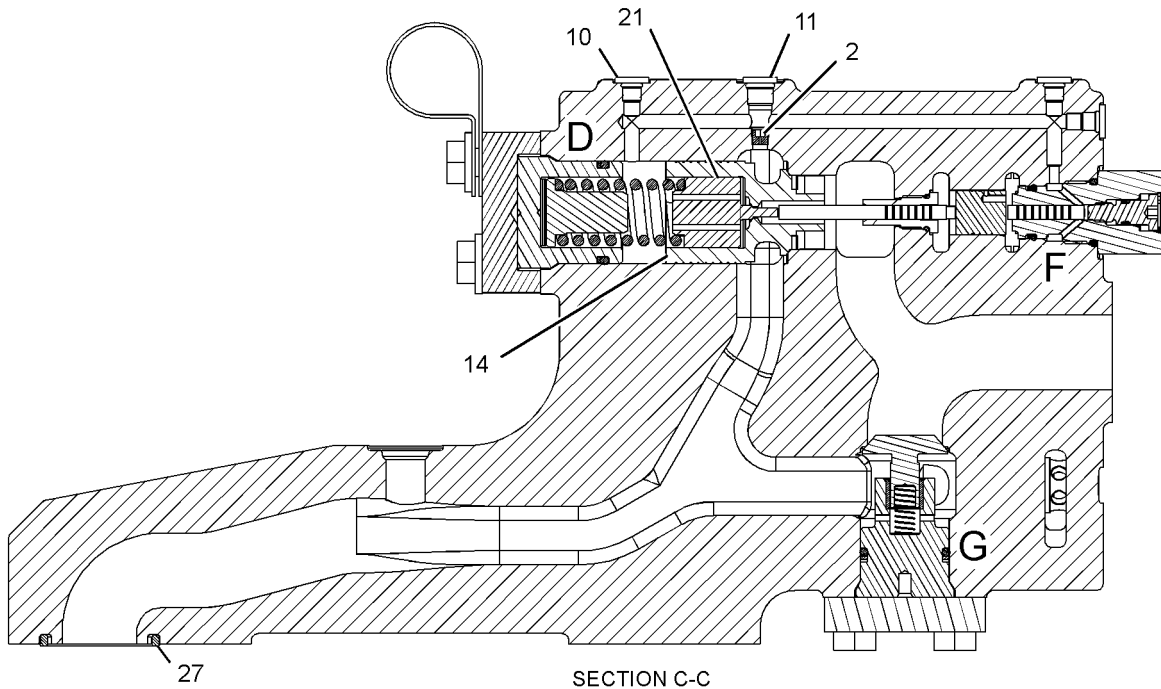
GRAPHIC #1

g02139264

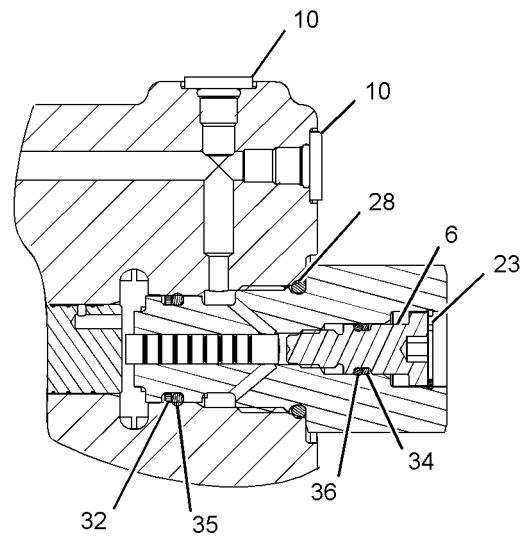
HYDRAULIC SYSTEM

263-4918 VALVE GP-LOAD CONTROL (contd.)

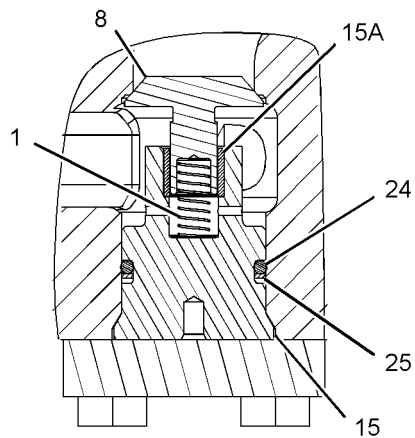
i03790715



VIEW OF AREA D



VIEW OF AREA F



VIEW OF AREA G

GRAPHIC #2

<END>

g02139265

HYDRAULIC SYSTEM

270-5803 VALVE GP-LOAD CONTROL- BOOM LOWERING, REGENERATION

S/N: PAS1-UP

PART OF 295-7735, 295-7760 VALVE GP-CONTROL
ALSO AN ATTACHMENT

SMCS-5067, 5117, 5147, 5811

i03900393

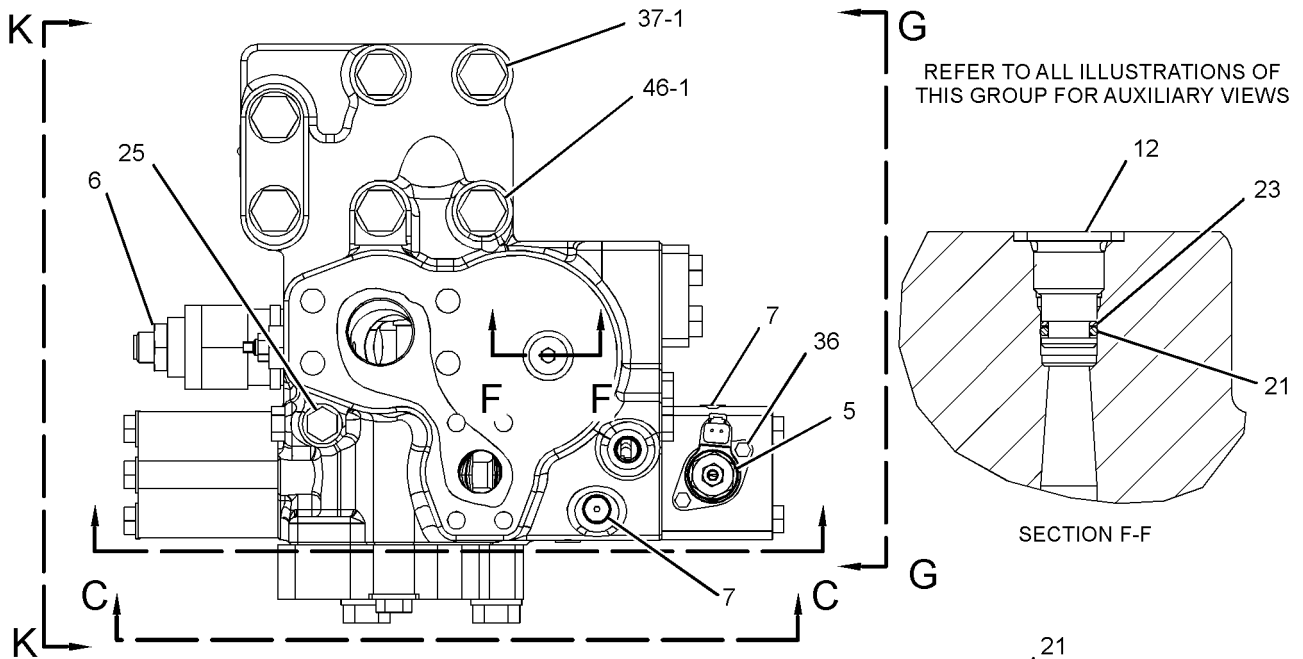
NOTE	REF NO	GRAPHIC REF	PART NUMBER	QTY	PART NAME						SEE PAGE
					1	2	3	4	5	6 (PRODUCT LEVEL)	
	1	1	9X-8257	10	WASHER (17.5X30X3.5-MM THK)						
	2	2	8J-1751	1	PLUG						
	3	2	8J-1752	1	PLUNGER						
	4	2	095-1706	1	SEAL-O-RING						
Y	5	1	111-9916	1	VALVE GP-SOLENOID (BOOM FLOAT)						686
Y	6	1	352-6869	1	VALVE GP-RELIEF (PILOT OPERATED)						681
	7	1,2	225-4818	5	PLUG AS						
					(EACH INCLUDES)						
		1,2	4J-7533	1	SEAL-O-RING						
		1,2	225-4804	1	PLUG						
	10	1	270-5816	1	BLOCK						
	11	2	270-5817	1	COVER						
	12	1	270-5818	1	PLUG						
	13	2	270-5819	1	COVER						
	14	2	270-5820	1	SPRING						
	15	1	270-5821	1	PLUG						
	16	2	270-5822	1	SPRING						
	19	1	285-1621	1	COVER						
	20	1	335-0498	1	SPRING						
	21	1	095-1579	2	SEAL-O-RING						
	22	2	095-1597	1	SEAL-O-RING						
	23	1	095-1780	1	RING-BACKUP						
	24	2	096-3044	1	SEAL-O-RING						
	25	1,2	148-8407	5	PLUG AS						
					(EACH INCLUDES)						
		1,2	3J-1907	1	SEAL-O-RING						
		1,2	9S-4191	1	PLUG-O-RING						
	26	2	155-3624	1	PLUG AS						
		2	3J-7354	1	SEAL-O-RING						
		2	9S-4182	1	PLUG-O-RING						
	27	2	1P-3706	1	SEAL-RECTANGULAR						
	28	2	2M-9780	1	SEAL-O-RING						
	29	2	4B-9783	1	BALL						
	30	1	4J-5573	1	SEAL-O-RING						
	31	1	4T-5076	1	RING-BACKUP						
	32	1	5J-2974	1	SEAL-O-RING						
	33	2	6J-3134	1	SEAL-O-RING						
	34	1	6V-3922	2	SEAL-O-RING						
	35	2	6V-8218	1	SEAL-O-RING						
M	36	1	7I-2272	2	BOLT (M5X0.8X12-MM)						
M	37	1	7X-2557	4	BOLT (M16X2X140-MM)						
	38	1	7Y-5219	1	SEAL-O-RING						
	39	2	8T-4121	3	WASHER-HARD (11X21X2.5-MM THK)						
M	40	1	8T-4140	4	BOLT (M16X2X60-MM)						
M	41	2	8T-4172	2	BOLT (M10X1.5X80-MM)						
M	42	1	8T-4194	1	BOLT (M12X1.75X50-MM)						
M	43	2	8T-4198	3	BOLT (M10X1.5X100-MM)						
	44	1	8T-4223	1	WASHER-HARD (13.5X25.5X3-MM THK)						
M	45	2	8T-4956	4	BOLT (M12X1.75X35-MM)						
M	46	1	8T-6385	2	BOLT (M16X2X180-MM)						
	47	2	9L-7712	1	NUT (3/8-24-THD)						

M-METRIC PART
Y-SEPARATE ILLUSTRATION

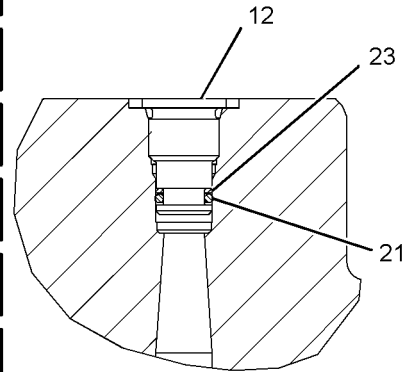
HYDRAULIC SYSTEM

270-5803 VALVE GP-LOAD CONTROL (contd.)

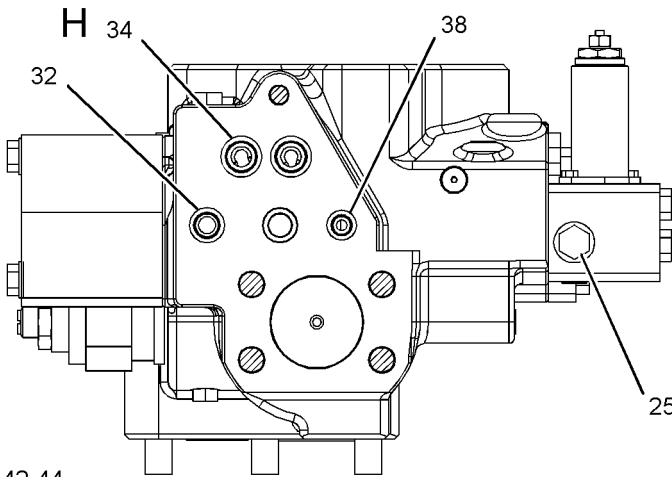
i03900393



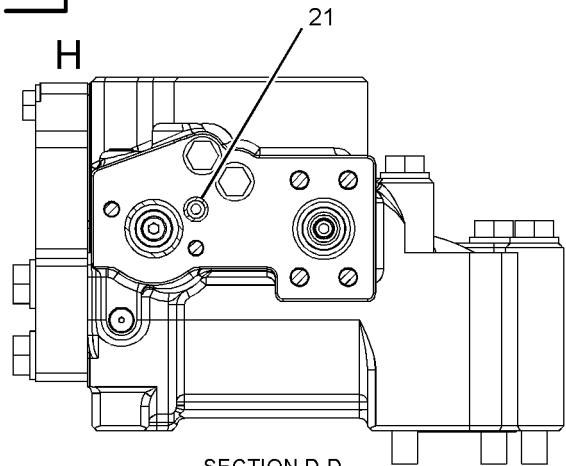
REFER TO ALL ILLUSTRATIONS OF THIS GROUP FOR AUXILIARY VIEWS



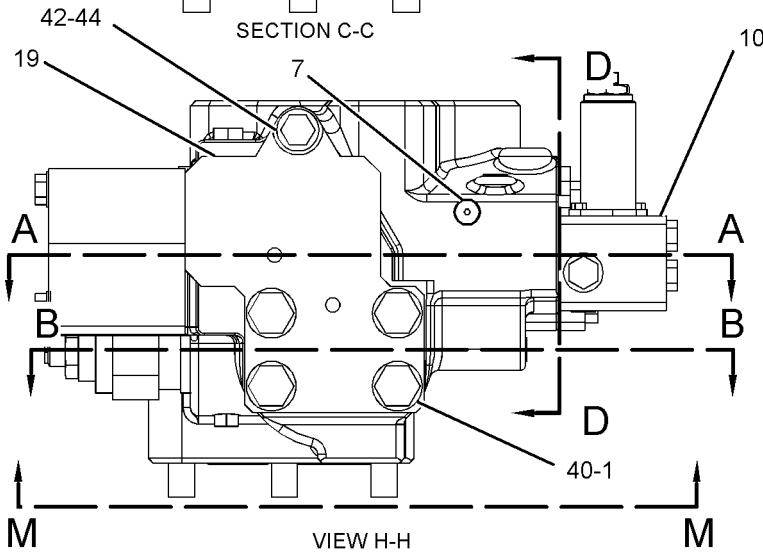
SECTION F-F



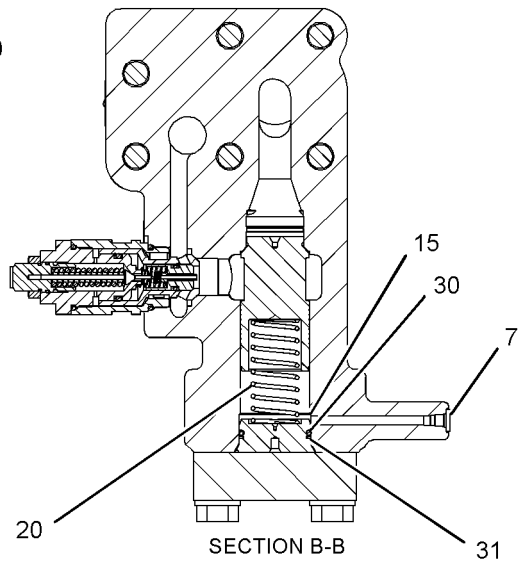
SECTION C-C



SECTION D-D



VIEW H-H



SECTION B-B

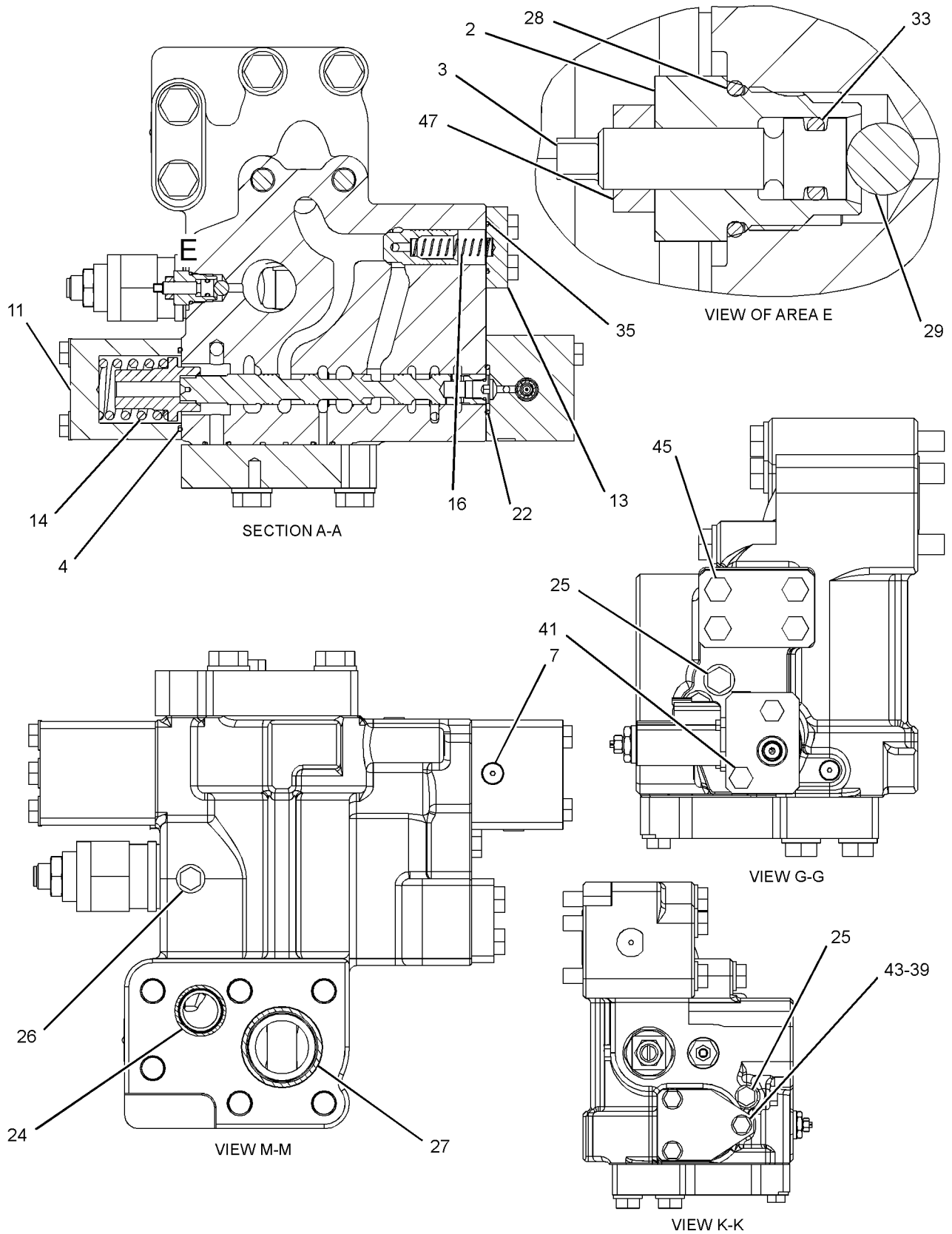
GRAPHIC #1

g02145352

HYDRAULIC SYSTEM

270-5803 VALVE GP-LOAD CONTROL (contd.)

i03900393



GRAPHIC #2

<END>

g02145353

HYDRAULIC SYSTEM

270-5804 VALVE GP-LOAD CONTROL- DRIFT REDUCTION, VAR ADJ BOOM

S/N: PAS1-UP

PART OF 295-7734 VALVE GP-CONTROL

ALSO AN ATTACHMENT

SMCS-5067, 5117, 5147, 5811

i03906196

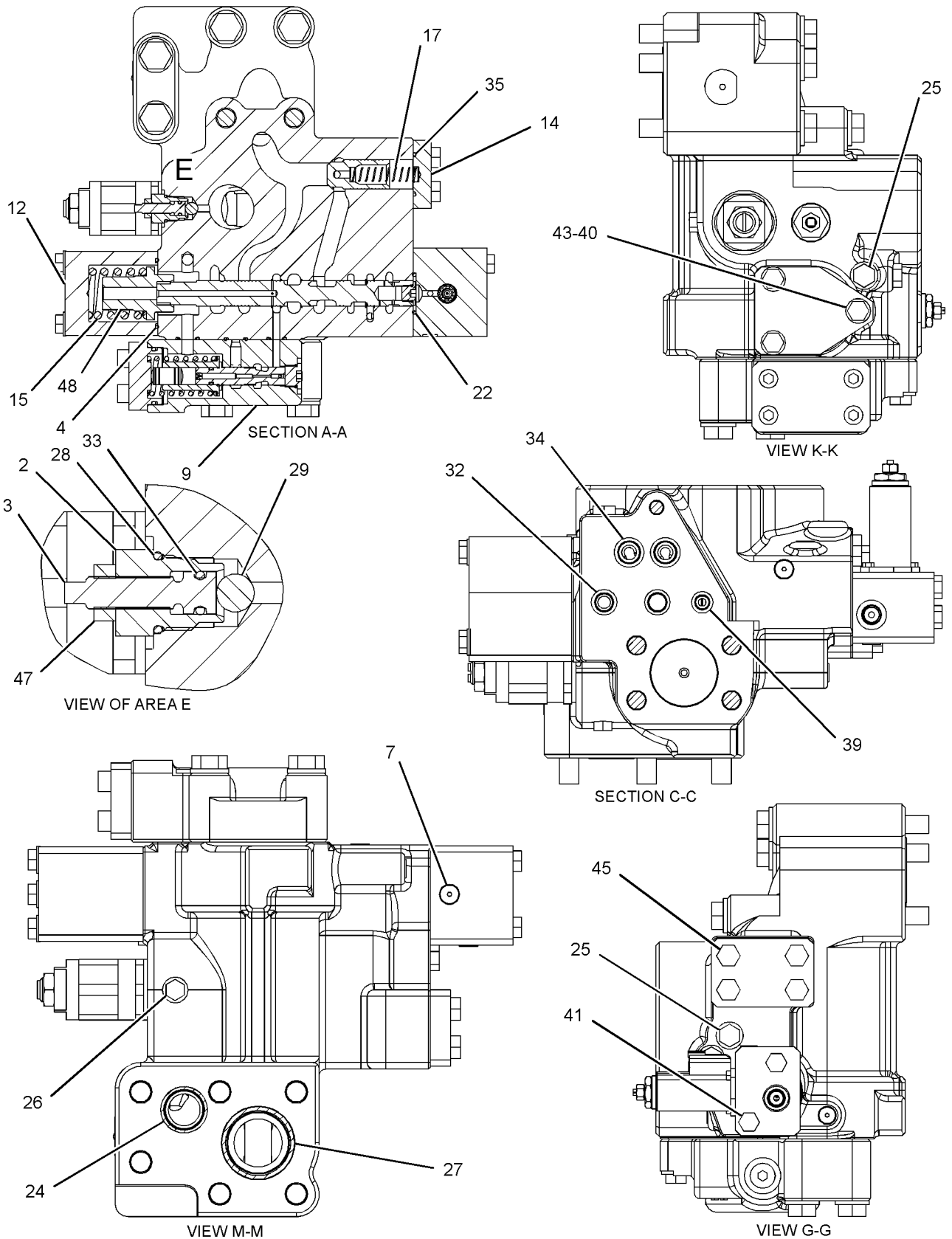
NOTE	REF NO	GRAPHIC REF	PART NUMBER	QTY	PART NAME						SEE PAGE
					1	2	3	4	5	6 (PRODUCT LEVEL)	
	1	2	9X-8257	10	WASHER (17.5X30X3.5-MM THK)						
	2	1	8J-1751	1	PLUG						
	3	1	8J-1752	1	PLUNGER						
	4	1	095-1706	1	SEAL-O-RING						
Y	5	2	111-9916	1	VALVE GP-SOLENOID (BOOM FLOAT)						686
Y	6	2	352-6869	1	VALVE GP-RELIEF (PILOT OPERATED)						681
	7	1,2	225-4818	5	PLUG AS						
					(EACH INCLUDES)						
		1,2	4J-7533	1	SEAL-O-RING						
		1,2	225-4804	1	PLUG						
Y	9	1	270-5810	1	VALVE GP-CONTROL (DRIFT REDUCTION, STICK)						628
	11	2	270-5816	1	BLOCK						
	12	1	270-5817	1	COVER						
	13	2	270-5818	1	PLUG						
	14	1	270-5819	1	COVER						
	15	1	270-5820	1	SPRING						
	16	2	270-5821	1	PLUG						
	17	1	270-5822	1	SPRING						
	20	2	335-0498	1	SPRING						
	21	2	095-1579	2	SEAL-O-RING						
	22	1	095-1597	1	SEAL-O-RING						
	23	2	095-1780	1	RING-BACKUP						
	24	1	096-3044	1	SEAL-O-RING						
	25	1,2	148-8407	5	PLUG AS						
					(EACH INCLUDES)						
		1,2	3J-1907	1	SEAL-O-RING						
		1,2	9S-4191	1	PLUG-O-RING						
	26	1	155-3624	1	PLUG AS						
		1	3J-7354	1	SEAL-O-RING						
		1	9S-4182	1	PLUG-O-RING						
	27	1	1P-3706	1	SEAL-RECTANGULAR						
	28	1	2M-9780	1	SEAL-O-RING						
	29	1	4B-9783	1	BALL						
	30	2	4J-5573	1	SEAL-O-RING						
	31	2	4T-5076	1	RING-BACKUP						
	32	1	5J-2974	2	SEAL-O-RING						
	33	1	6J-3134	1	SEAL-O-RING						
	34	1	6V-3922	2	SEAL-O-RING						
	35	1	6V-8218	1	SEAL-O-RING						
M	36	2	7I-2272	2	BOLT (M5X0.8X12-MM)						
M	37	2	7X-2555	4	BOLT (M16X2X80-MM)						
M	38	2	7X-2557	4	BOLT (M16X2X140-MM)						
	39	1	7Y-5219	1	SEAL-O-RING						
	40	1	8T-4121	3	WASHER-HARD (11X21X2.5-MM THK)						
M	41	1	8T-4172	2	BOLT (M10X1.5X80-MM)						
M	42	2	8T-4194	1	BOLT (M12X1.75X50-MM)						
M	43	1	8T-4198	3	BOLT (M10X1.5X100-MM)						
	44	2	8T-4223	1	WASHER-HARD (13.5X25.5X3-MM THK)						
M	45	1	8T-4956	4	BOLT (M12X1.75X35-MM)						
M	46	2	8T-6385	2	BOLT (M16X2X180-MM)						
	47	1	9L-7712	1	NUT (3/8-24-THD)						
	48	1	335-0505	1	RETAINER						

M-METRIC PART
Y-SEPARATE ILLUSTRATION

HYDRAULIC SYSTEM

270-5804 VALVE GP-LOAD CONTROL (contd.)

i03906196



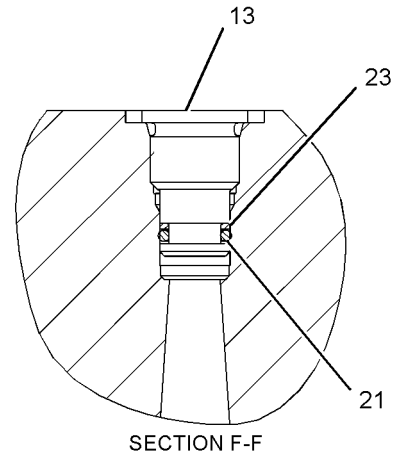
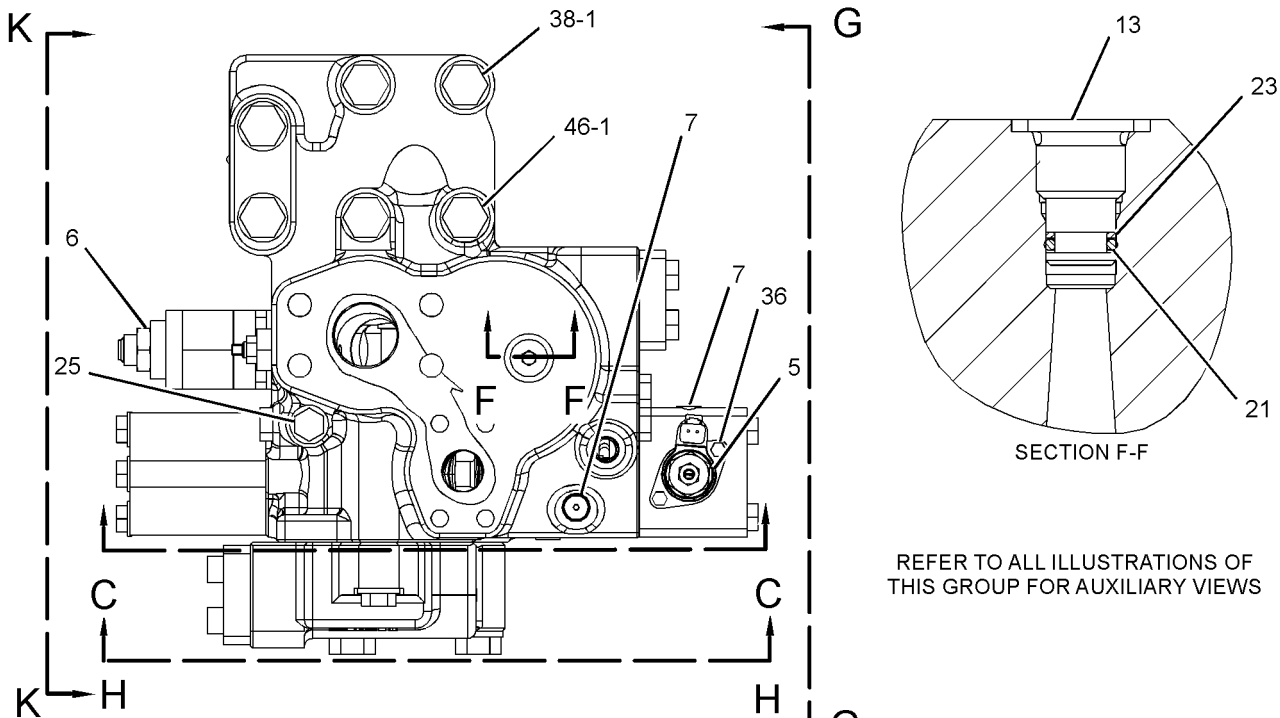
GRAPHIC #1

g02148093

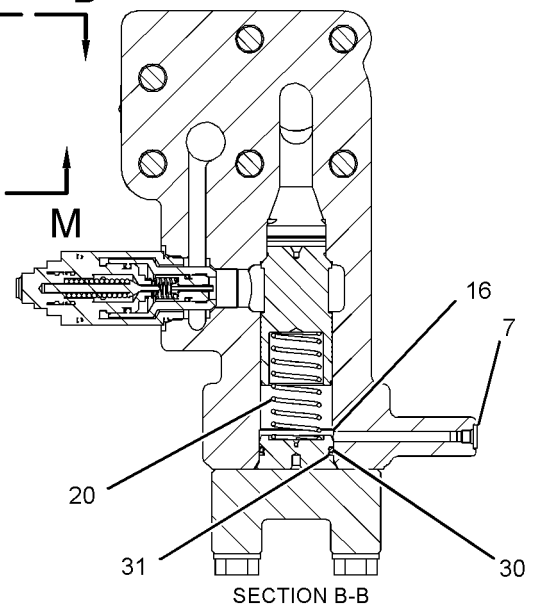
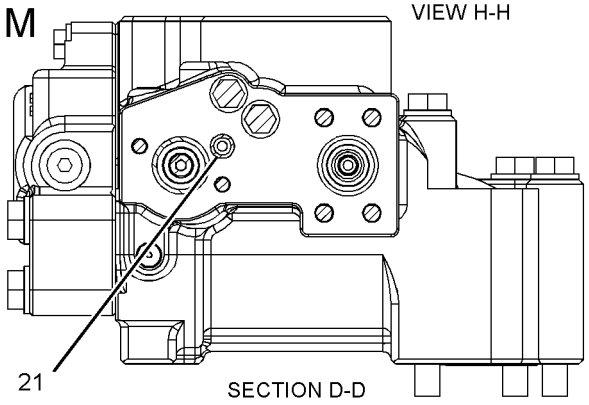
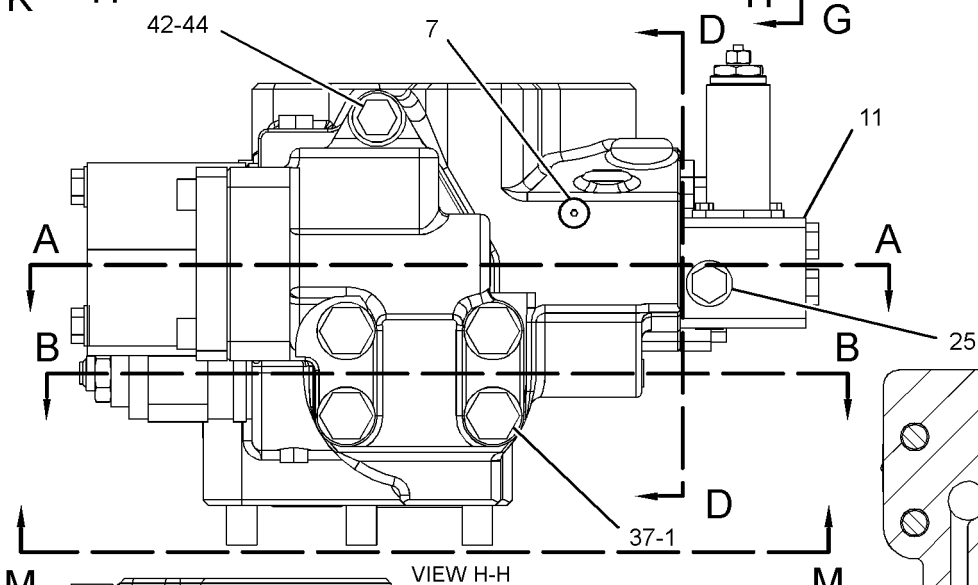
HYDRAULIC SYSTEM

270-5804 VALVE GP-LOAD CONTROL (contd.)

i03906196



REFER TO ALL ILLUSTRATIONS OF THIS GROUP FOR AUXILIARY VIEWS



GRAPHIC #2

<END>

g02148073

HYDRAULIC SYSTEM

323-7782 VALVE GP-MAIN CONTROL

S/N: PAS1-UP

PART OF 297-0212 HYDRAULIC AR, 297-0420 VALVE AR-BOOM LOWERING CONTROL
ALSO AN ATTACHMENT

SMCS-5051

i03879869

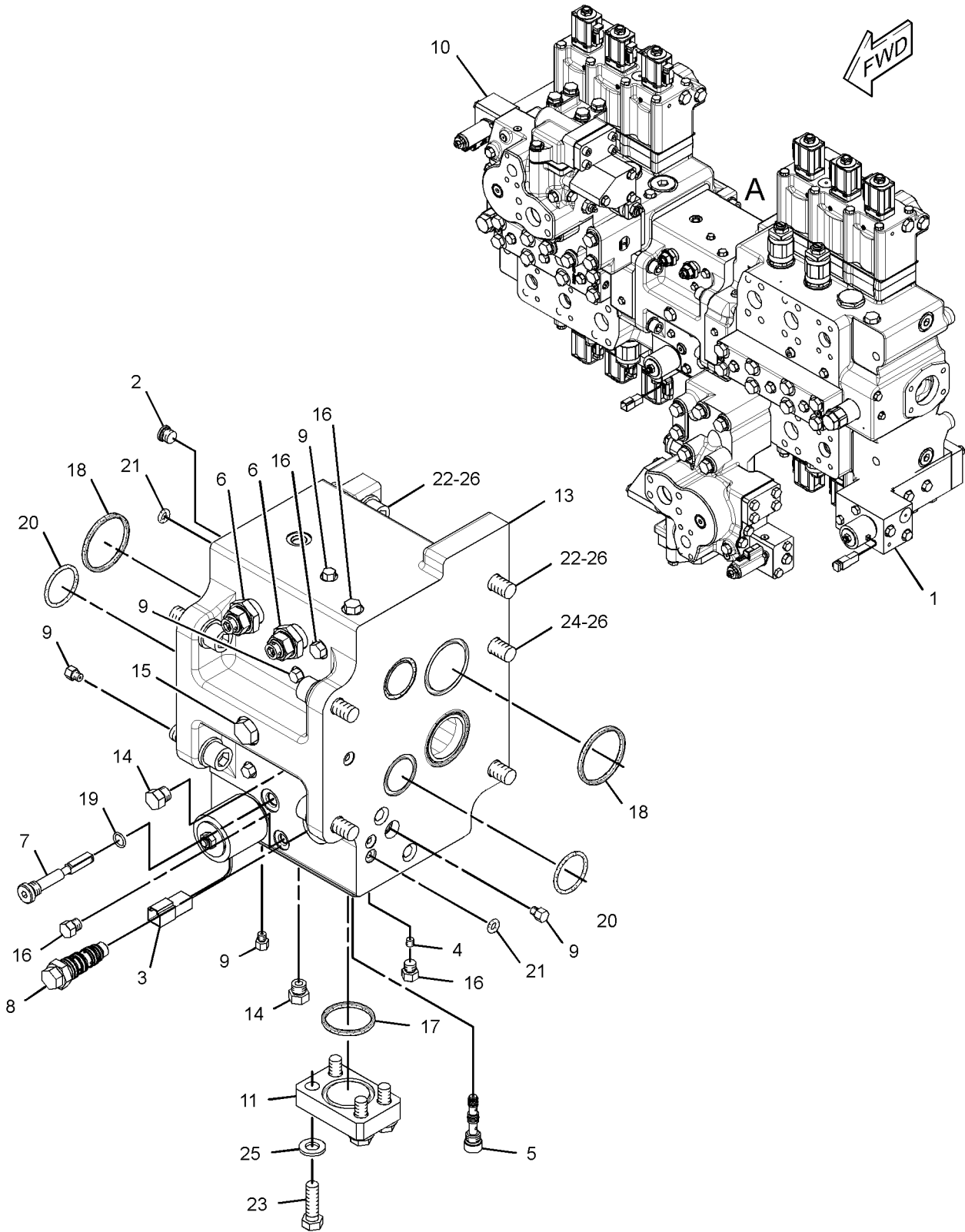
NOTE	REF NO	GRAPHIC REF	PART NUMBER	QTY	PART NAME						SEE PAGE
					1	2	3	4	5	6 (PRODUCT LEVEL)	
Y	1	1	295-7734	1	VALVE GP-CONTROL (STICK, TRAVEL)						629
	2	1	<i>3J-3679</i>	1	PLUG AS						
		1	1J-9671	1	SEAL-O-RING						
		1	9S-8003	1	PLUG						
Y	3	1	171-3685	1	VALVE GP-SOLENOID (24-VOLT)						690
	4	1	4J-9780	1	PLUG-ORIFICE						
Y	5	1	4T-1860	1	VALVE GP-SHUTTLE						682
Y	6	1	117-5270	2	VALVE GP-RELIEF (HIGH SIGNAL PRESSURE)						674
	7	1	119-2265	1	FILTER (EDGE)						
Y	8	1	193-1665	1	VALVE GP-PRESSURE REDUCING (SIGNAL DUPLICATION)						663
	9	1	<i>222-4737</i>	16	PLUG AS						
					(EACH INCLUDES)						
		1	4J-7533	1	SEAL-O-RING						
		1	9S-4180	1	PLUG						
Y	10	1	295-7735	1	VALVE GP-CONTROL (BOOM, BUCKET, WORK TOOL)						633
	11	1	310-0036	1	COVER						
	13	1	165-5623	1	MANIFOLD-INLET						
	14	1	<i>148-8407</i>	3	PLUG AS						
					(EACH INCLUDES)						
		1	3J-1907	1	SEAL-O-RING						
		1	9S-4191	1	PLUG-O-RING						
	15	1	<i>148-8411</i>	1	PLUG AS						
		1	3K-0360	1	SEAL-O-RING						
		1	9S-4185	1	PLUG-O-RING						
	16	1	<i>155-3624</i>	4	PLUG AS						
					(EACH INCLUDES)						
		1	3J-7354	1	SEAL-O-RING						
		1	9S-4182	1	PLUG-O-RING						
	17	1	1P-3705	1	SEAL-RECTANGULAR						
	18	1	1P-3707	4	SEAL-RECTANGULAR						
	19	1	3J-1907	1	SEAL-O-RING						
	20	1	4J-0522	4	SEAL-O-RING						
	21	1	6V-5555	5	SEAL-O-RING						
M	22	1	8T-0348	8	BOLT-SOCKET HEAD (M16X2X50-MM)						
M	23	1	8T-4183	4	BOLT (M12X1.75X40-MM)						
M	24	1	8T-4193	2	BOLT (M16X2X50-MM)						
	25	1	8T-4223	4	WASHER-HARD (13.5X25.5X3-MM THK)						
	26	1	9X-8257	10	WASHER (17.5X30X3.5-MM THK)						

M-METRIC PART
Y-SEPARATE ILLUSTRATION

HYDRAULIC SYSTEM

323-7782 VALVE GP-MAIN CONTROL (contd.)

i03879869



VIEW OF AREA A
(EXPLODED)

GRAPHIC #1

<END>

g02126858

HYDRAULIC SYSTEM

323-7784 VALVE GP-MAIN CONTROL

S/N: PAS1-UP

PART OF 297-0420 VALVE AR-BOOM LOWERING CONTROL
AN ATTACHMENT

SMCS-5051

i03790754

NOTE	REF NO	GRAPHIC REF	PART NUMBER	QTY	PART NAME						SEE PAGE
					1	2	3	4	5	6 (PRODUCT LEVEL)	
Y	1	1	295-7734	1	VALVE GP-CONTROL (STICK, TRAVEL)						629
	2	1	<i>3J-3679</i>	1	PLUG AS						
		1	1J-9671	1	SEAL-O-RING						
		1	9S-8003	1	PLUG						
	4	2	4J-9780	1	PLUG-ORIFICE						
Y	5	2	4T-1860	1	VALVE GP-SHUTTLE						682
Y	6	2	117-5270	2	VALVE GP-RELIEF (HIGH SIGNAL PRESSURE)						674
	7	1	119-2265	1	FILTER (EDGE)						
	8	1	165-5623	1	MANIFOLD-INLET						
Y	9	2	171-3685	1	VALVE GP-SOLENOID (24-VOLT)						690
Y	10	1	193-1665	1	VALVE GP-PRESSURE REDUCING (SIGNAL DUPLICATION)						663
	11	1,2	<i>222-4737</i>	16	PLUG AS						
					(EACH INCLUDES)						
		1,2	4J-7533	1	SEAL-O-RING						
		1,2	9S-4180	1	PLUG						
Y	12	1	295-7760	1	VALVE GP-CONTROL (BOOM, BUCKET, WORK TOOL)						638
	13	2	310-0036	1	COVER						
	15	1,2	<i>148-8407</i>	3	PLUG AS						
					(EACH INCLUDES)						
		1,2	3J-1907	1	SEAL-O-RING						
		1,2	9S-4191	1	PLUG-O-RING						
	16	1	<i>148-8411</i>	1	PLUG AS						
		1	3K-0360	1	SEAL-O-RING						
		1	9S-4185	1	PLUG-O-RING						
	17	1,2	<i>155-3624</i>	4	PLUG AS						
					(EACH INCLUDES)						
		1,2	3J-7354	1	SEAL-O-RING						
		1,2	9S-4182	1	PLUG-O-RING						
	18	2	1P-3705	1	SEAL-RECTANGULAR						
	19	1	1P-3707	4	SEAL-RECTANGULAR						
	20	1	3J-1907	1	SEAL-O-RING						
	21	1	4J-0522	4	SEAL-O-RING						
	22	1	6V-5555	5	SEAL-O-RING						
M	23	1,2	8T-0348	8	BOLT-SOCKET HEAD (M16X2X50-MM)						
M	24	2	8T-4183	4	BOLT (M12X1.75X40-MM)						
M	25	2	8T-4193	2	BOLT (M16X2X50-MM)						
	26	2	8T-4223	4	WASHER-HARD (13.5X25.5X3-MM THK)						
	27	1,2	9X-8257	10	WASHER (17.5X30X3.5-MM THK)						

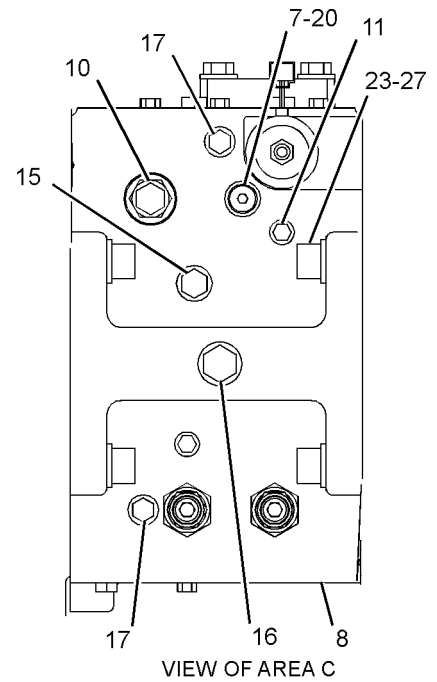
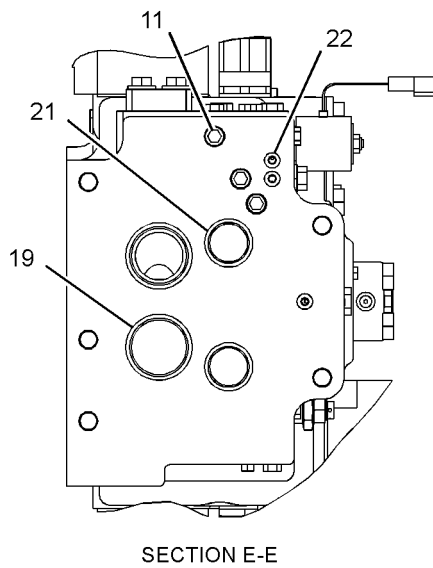
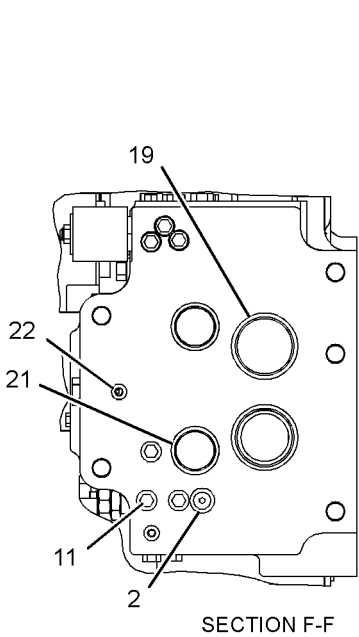
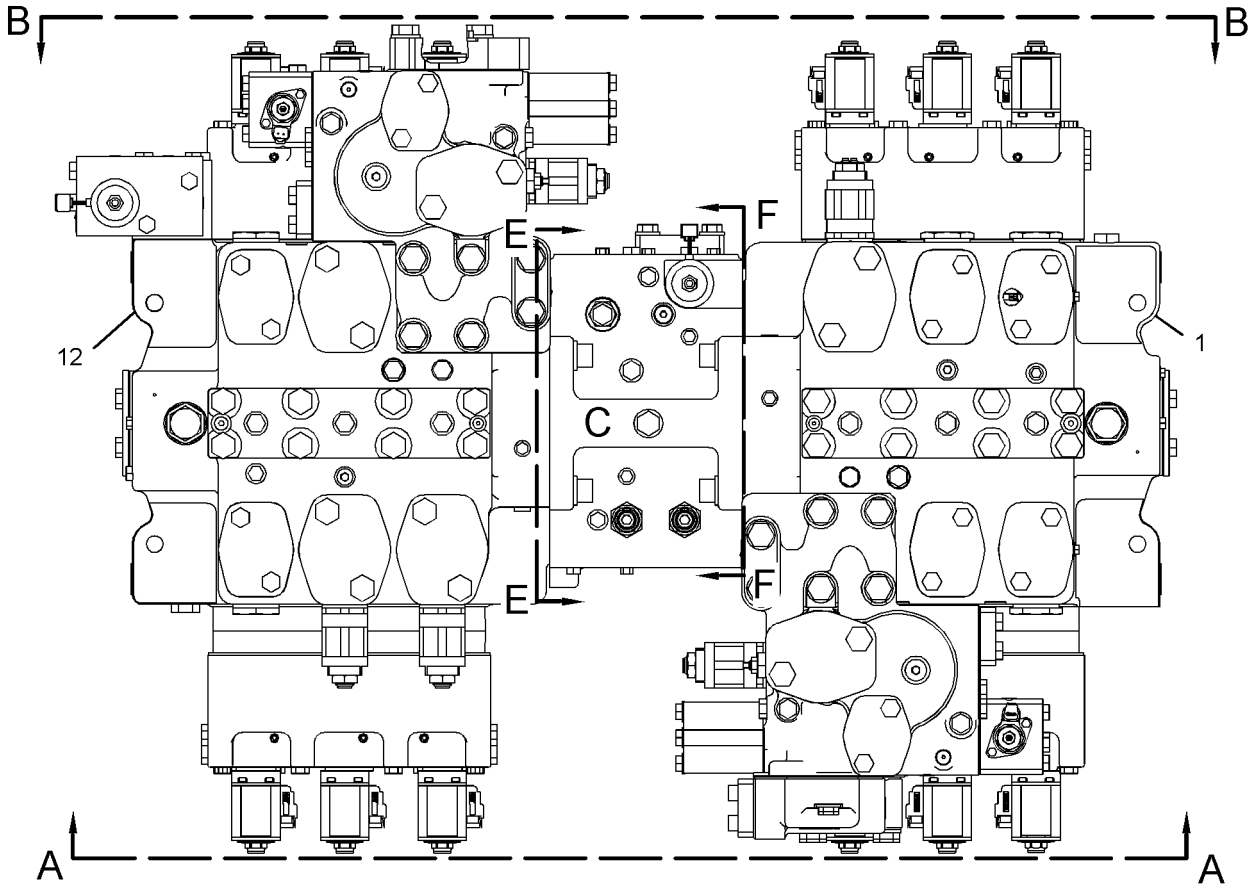
M-METRIC PART
Y-SEPARATE ILLUSTRATION

HYDRAULIC SYSTEM

323-7784 VALVE GP-MAIN CONTROL (contd.)

i03790754

REFER TO ALL ILLUSTRATIONS OF THIS GROUP FOR AUXILIARY VIEWS



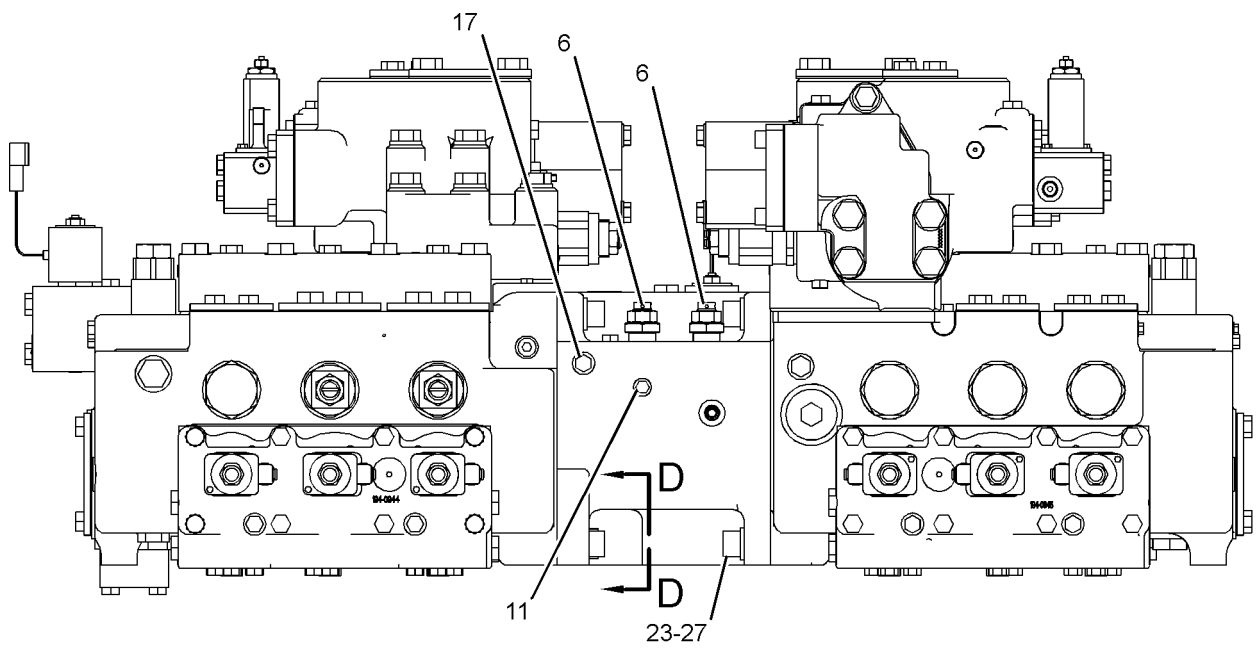
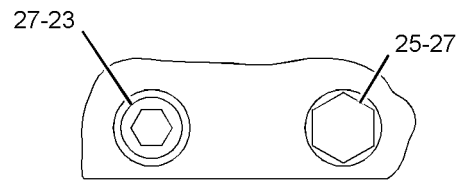
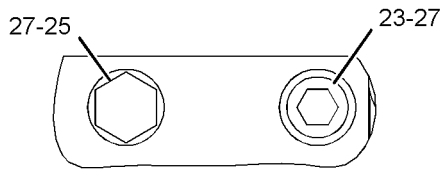
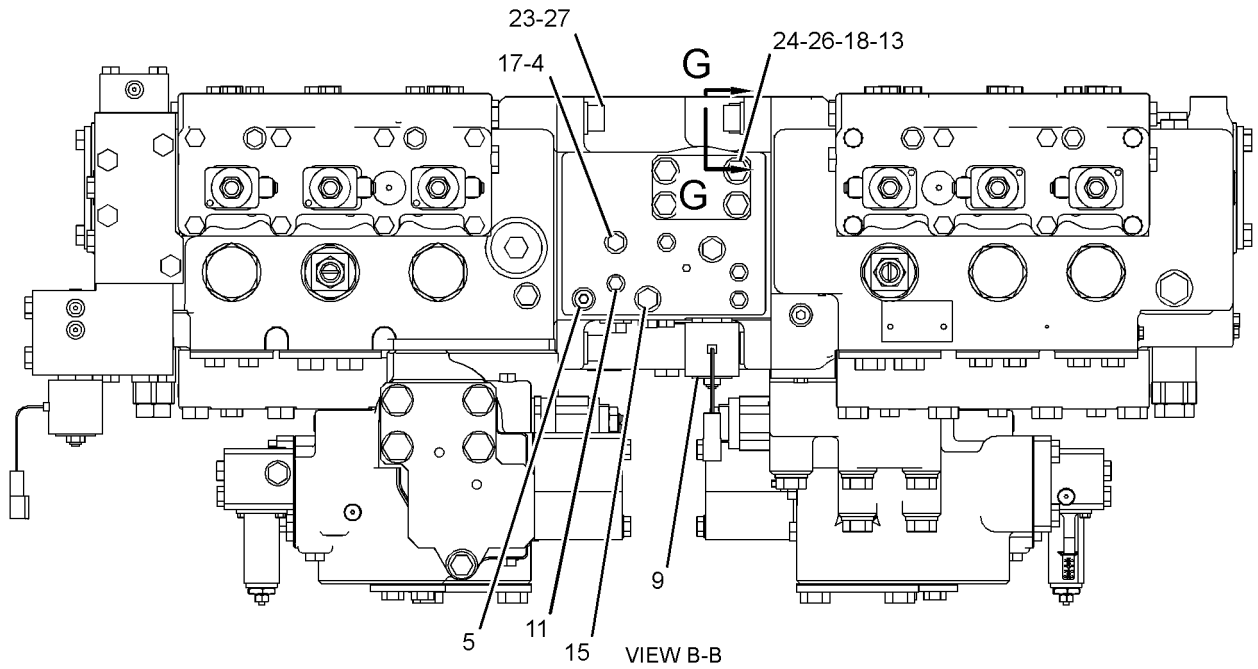
GRAPHIC #1

g02137761

HYDRAULIC SYSTEM

323-7784 VALVE GP-MAIN CONTROL (contd.)

i03790754



GRAPHIC #2

<END>

g02137762

HYDRAULIC SYSTEM

140-0736 VALVE GP-MANIFOLD & REDUCING

S/N: PAS1-UP

PART OF 296-7095 LINES GP-PILOT

SMCS-3206

i03909360

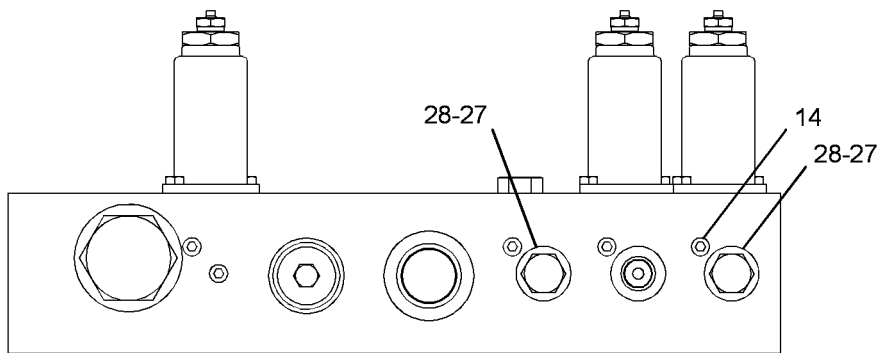
NOTE	REF NO	GRAPHIC REF	PART NUMBER	QTY	PART NAME 1 2 3 4 5 6 (PRODUCT LEVEL)	SEE PAGE
Z	1	1		1	VALVE GP-CONTROL	
	2	1	119-5364	1	PLUG	
	3	1	2M-9780	1	SEAL-O-RING	
	4	1	119-5362	1	SPRING	
	5	1	119-5365	1	VALVE	
	6	1	107-7068	2	PLUG-PIPE	
	7	1	7Y-5009	1	CAP	
M	8	1	8T-4133	1	NUT (M10X1.5-THD)	
M	9	1	4I-8915	1	SETSCREW-SOCKET (M10X1.5X25-MM)	
	10	1	4I-5657	1	PLUG	
	11	1	095-1582	1	SEAL-O-RING	
	12	1	153-5187	1	SPRING	
	13	1	095-1592	1	SEAL-O-RING	
	14	1	8T-6759	11	PLUG-PIPE	
Y	15	1	111-9916	1	VALVE GP-SOLENOID (POWER SHIFT PRESSURE)	686
Y	16	1	121-1491	1	VALVE GP-SOLENOID (TRAVEL SPEED)	687
Y	16A	1	121-1491	1	VALVE GP-SOLENOID (HYDRAULIC LOCK)	687
M	17	1	7I-2272	6	BOLT (M5X0.8X12-MM)	
	18	1	095-0968	1	PLUG	
	19	1	140-0741	2	PLUG	
	20	1	7M-8485	2	SEAL-O-RING	
	21	1	140-0742	1	SPRING	
	27	1	9S-4191	3	PLUG-O-RING	
	28	1	3J-1907	3	SEAL-O-RING	

M-METRIC PART
Y-SEPARATE ILLUSTRATION
Z-NOT SERVICED SEPARATELY

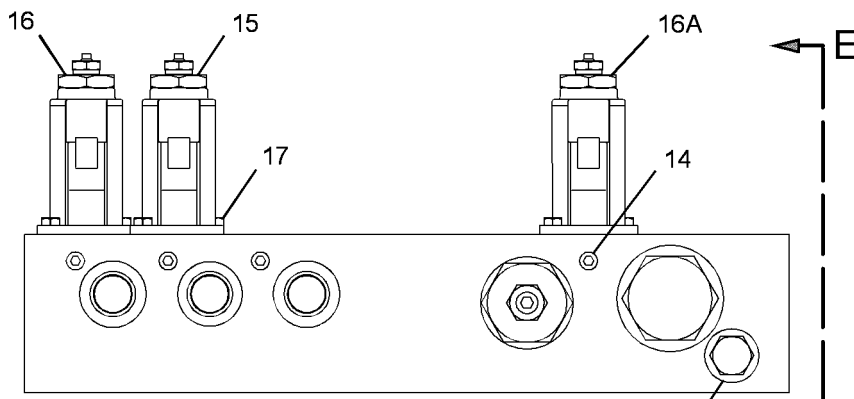
HYDRAULIC SYSTEM

140-0736 VALVE GP-MANIFOLD & REDUCING (contd.)

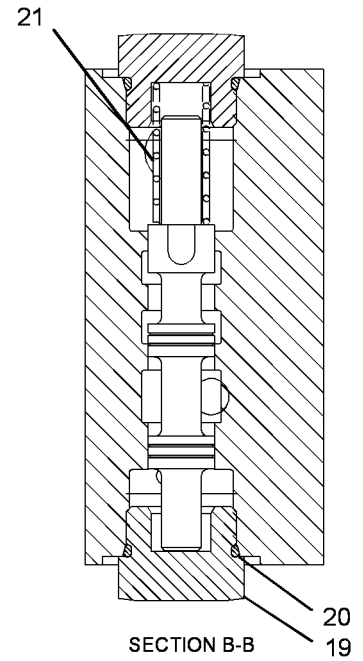
i03909360



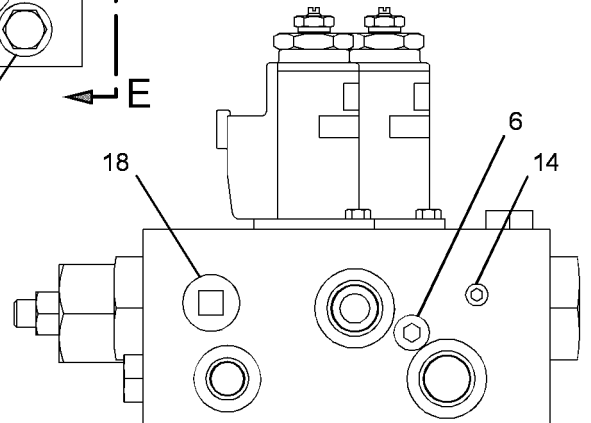
VIEW D-D



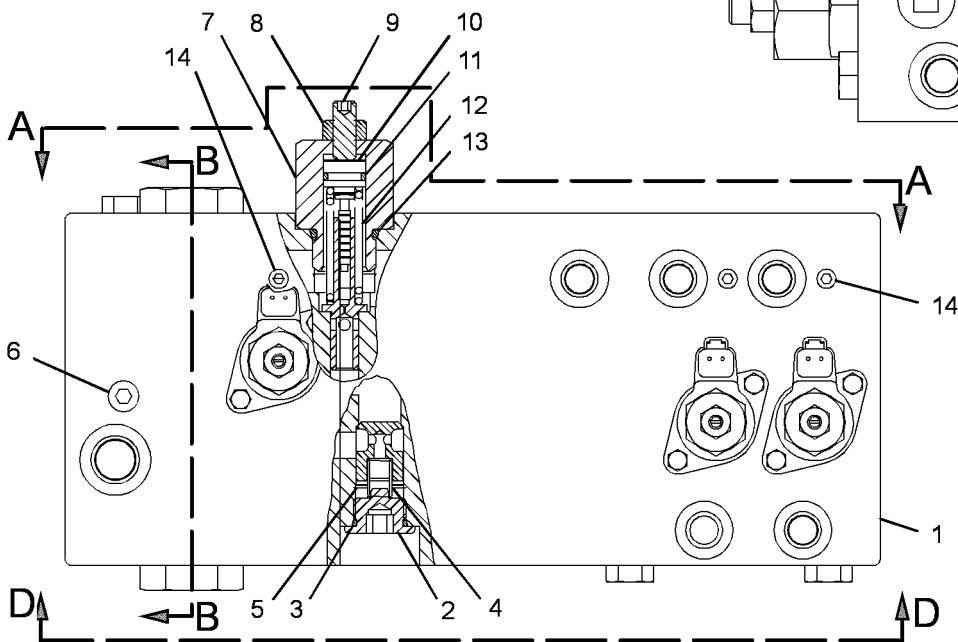
VIEW A-A



SECTION B-B



VIEW E-E



GRAPHIC #1

<END>

g02147934

HYDRAULIC SYSTEM

160-0964 VALVE GP-MANUAL-LH

S/N: PAS1-UP

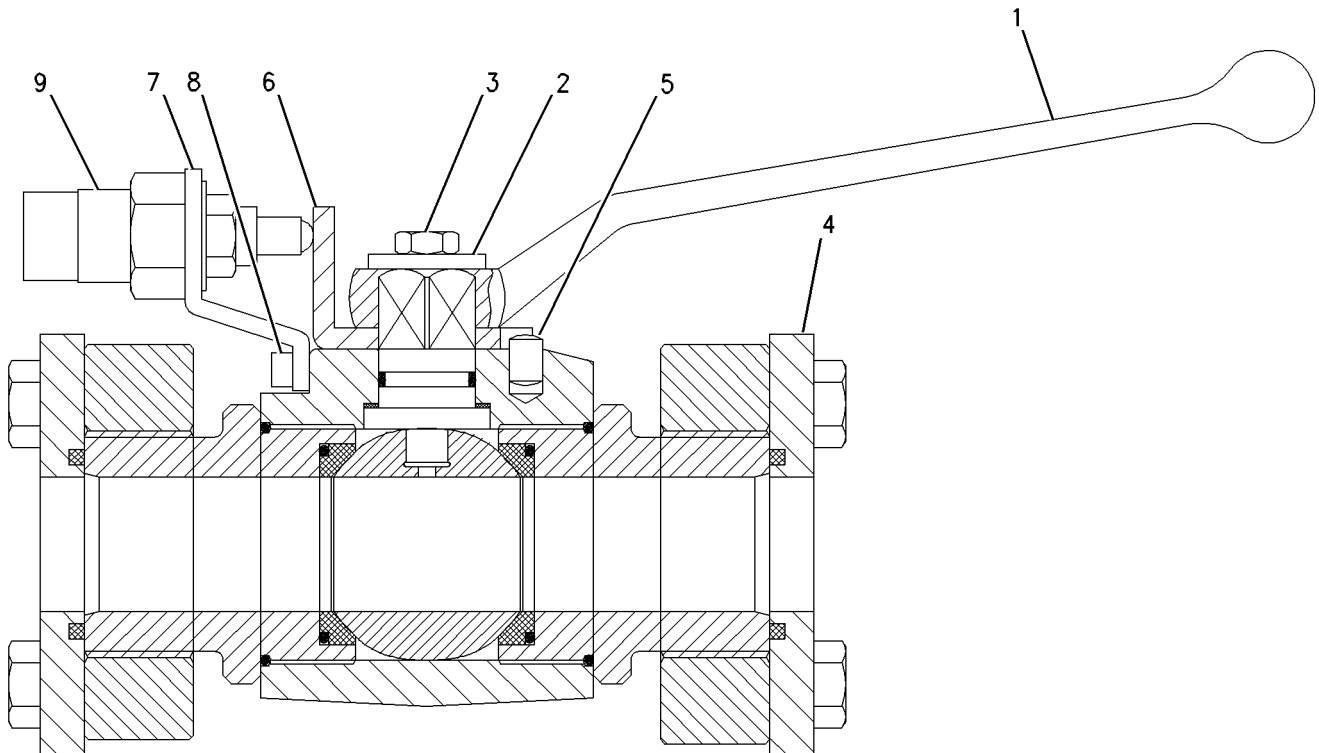
PART OF 338-6188 LINES GP-FRONT
AN ATTACHMENT

SMCS-1329, 5001, 5130

i03071786

NOTE	REF NO	GRAPHIC REF	PART NUMBER	QTY	PART NAME						SEE PAGE
					1	2	3	4	5	6 (PRODUCT LEVEL)	
	1	1	160-9185	1	HANDLE						
	2	1	160-9187	1	PLATE						
M	3	1	7X-2536	1	BOLT (M8X1.25X14-MM)						
	4	1	160-9999	2	PLATE						
	5	1	142-1356	1	PIN						
	6	1	175-3796	1	PLATE						
	7	1	175-3797	1	PLATE						
M	8	1	099-2374	2	BOLT-SOCKET HEAD (M5X0.8X12-MM)						
	9	1	171-7085	1	SWITCH AS-LIMIT (FLOW INDICATOR)						
		1	186-3735	4	PIN-CONNECTOR (16-GA TO 18-GA)						
E		1	9X-1386		SLEEVE (9-CM)						
		1	102-8804	1	KIT-RECEPTACLE (4-PIN) (INCLUDES RECEPTACLE AS & WEDGE)						
AVAILABLE REPAIR KIT(S):											
			160-9186	1	KIT-SEAL (MANUAL VALVE)						

E-ORDER BY THE CENTIMETER
M-METRIC PART



GRAPHIC #1

<END>

g00812137

HYDRAULIC SYSTEM

175-1814 VALVE GP-MANUAL-RH

S/N: PAS1-UP

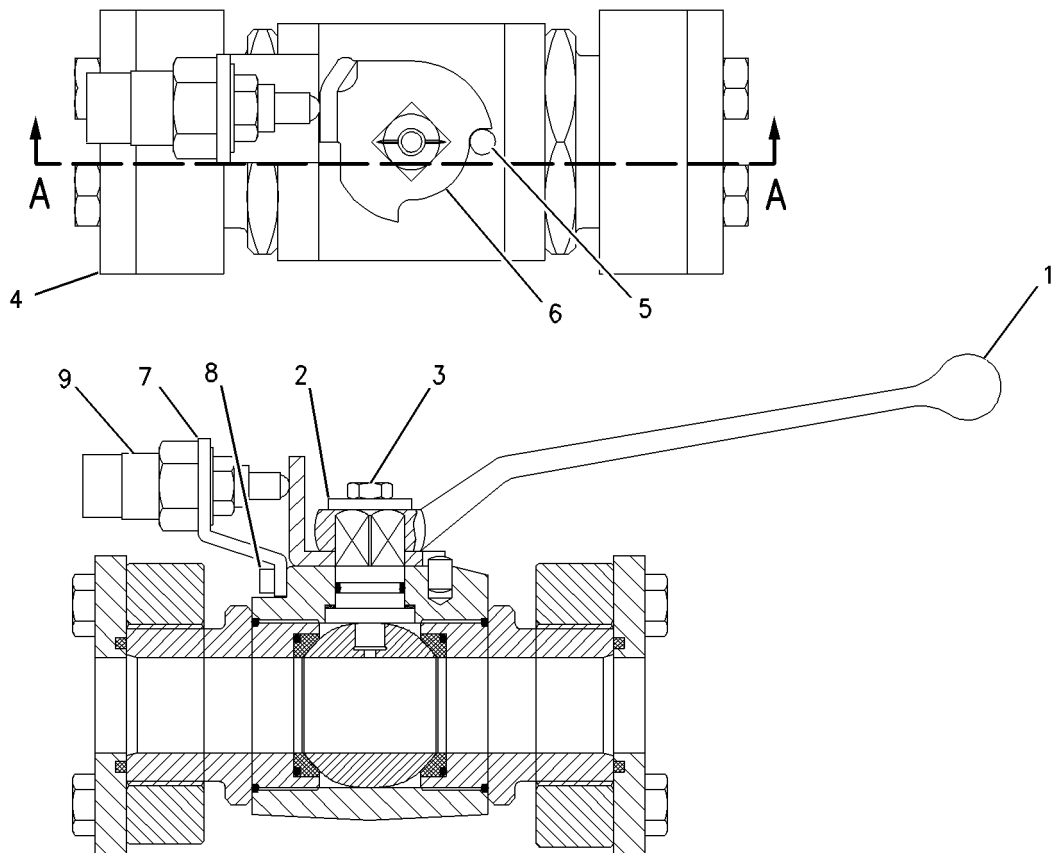
PART OF 338-6188 LINES GP-FRONT
AN ATTACHMENT

SMCS-1329, 5001, 5130

i03905793

NOTE	REF NO	GRAPHIC REF	PART NUMBER	QTY	PART NAME						SEE PAGE
					1	2	3	4	5	6 (PRODUCT LEVEL)	
	1	1	160-9185	1	HANDLE						
	2	1	160-9187	1	PLATE						
M	3	1	7X-2536	1	BOLT (M8X1.25X14-MM)						
	4	1	160-9999	2	PLATE						
	5	1	142-1356	1	PIN						
	6	1	175-3800	1	PLATE						
	7	1	175-3797	1	PLATE						
M	8	1	099-2374	2	BOLT-SOCKET HEAD (M5X0.8X12-MM)						
	9	1	171-7085	1	SWITCH AS-LIMIT (FLOW INDICATOR)						
		1	186-3735	4	PIN-CONNECTOR (16-GA TO 18-GA)						
E		1	9X-1386		SLEEVE (9-CM)						
		1	102-8804	1	KIT-RECEPTACLE (4-PIN)						
(INCLUDES RECEPTACLE AS & WEDGE)											
AVAILABLE REPAIR KIT(S):											
			160-9186	1	KIT-SEAL (MANUAL VALVE)						

E-ORDER BY THE CENTIMETER
M-METRIC PART



SECTION A-A

GRAPHIC #1

<END>

g00710867

HYDRAULIC SYSTEM

270-5692 VALVE GP-MANUAL-BOOM LOWER

S/N: PAS1-UP

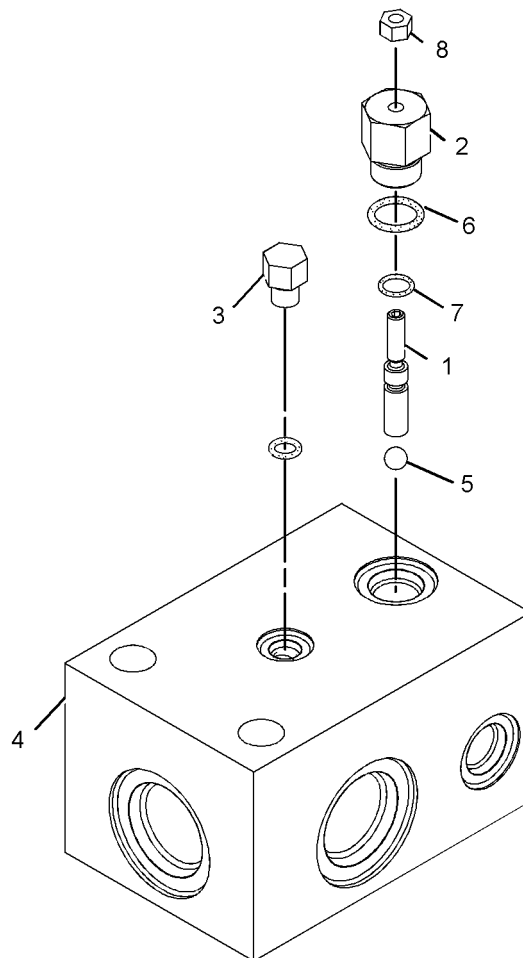
PART OF 296-7098 LINES GP-BOOM CYLINDER
AN ATTACHMENT

SMCS-1329, 5001, 5130

i02466135

NOTE	REF NO	GRAPHIC REF	PART NUMBER	QTY	PART NAME						SEE PAGE
					1	2	3	4	5	6 (PRODUCT LEVEL)	
	1	1	165-9513	1	SEAT						
	2	1	165-9514	1	PLUG						
	3	1	222-4737	3	PLUG AS						
					(EACH INCLUDES)						
		1	4J-7533	1	SEAL-O-RING						
		1	9S-4180	1	PLUG						
	4	1	270-5693	1	BLOCK						
	5	1	2D-6642	1	BALL						
	6	1	3H-0442	1	SEAL-O-RING						
	7	1	3J-1907	1	SEAL-O-RING						
M	8	1	7Y-5226	1	NUT (M5X0.8-THD)						

M-METRIC PART



GRAPHIC #1

<END>

g01193347

HYDRAULIC SYSTEM

193-1665 VALVE GP-PRESSURE REDUCING- SIGNAL DUPLICATION

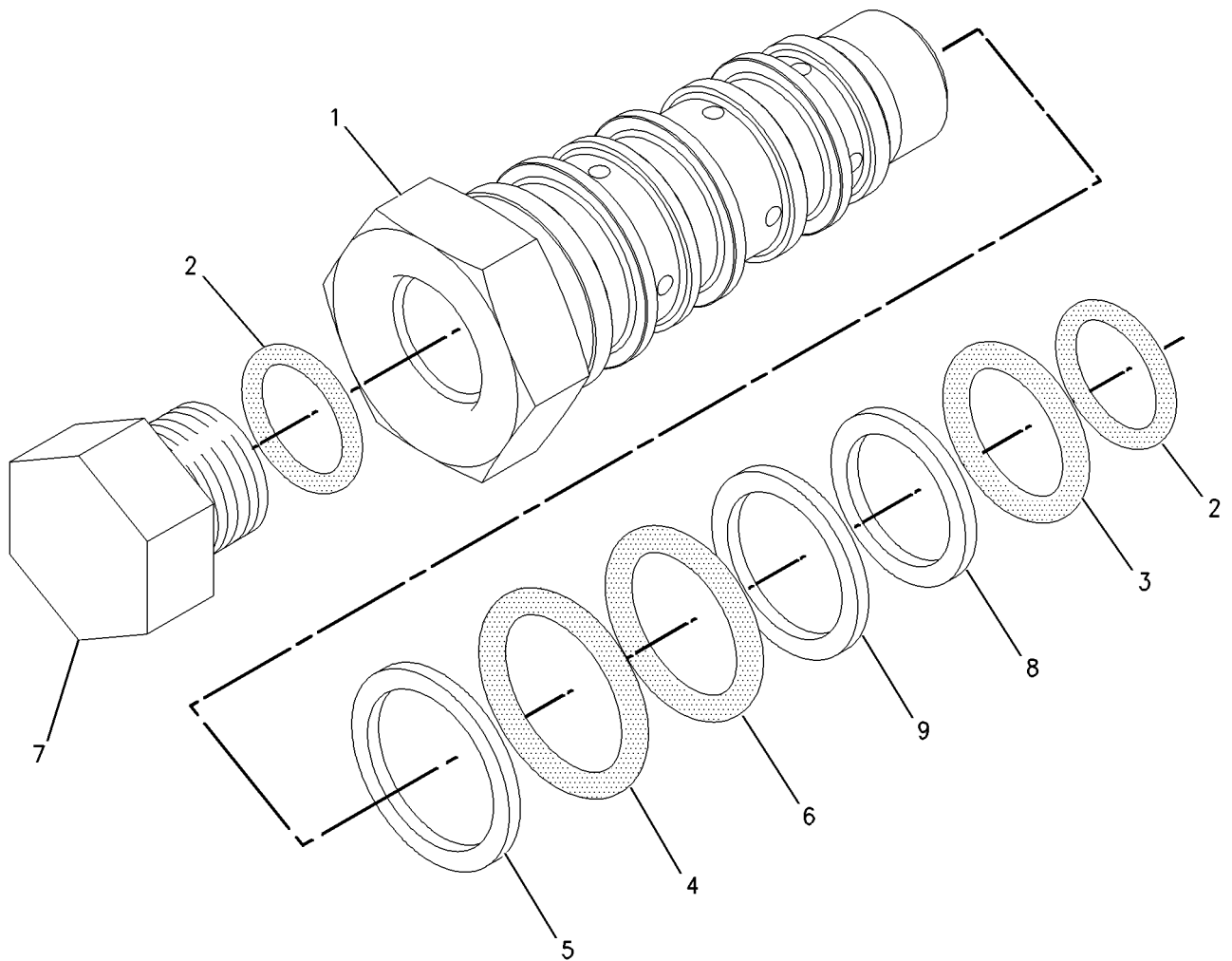
S/N: PAS1-UP

PART OF 323-7782, 323-7784 VALVE GP-MAIN CONTROL
ALSO AN ATTACHMENT

SMCS-5117

i02778327

NOTE	REF NO	GRAPHIC REF	PART NUMBER	QTY	PART NAME						SEE PAGE
					1	2	3	4	5	6 (PRODUCT LEVEL)	
	1	1	193-1664	1	VALVE GP-CONTROL						
	2	1	3J-1907	2	SEAL-O-RING						
	3	1	4J-5268	1	SEAL-O-RING						
	4	1	4J-5351	1	SEAL-O-RING						
	5	1	301-5243	1	RING-BACKUP						
	6	1	5J-2974	1	SEAL-O-RING						
	7	1	5P-6719	1	PLUG						
	8	1	301-5241	1	RING-BACKUP						
	9	1	301-5242	1	RING-BACKUP						



GRAPHIC #1

<END>

g00763618

HYDRAULIC SYSTEM

158-9100 VALVE GP-PUMP CONTROL—HORSEPOWER CONTROL

S/N: PAS1-UP

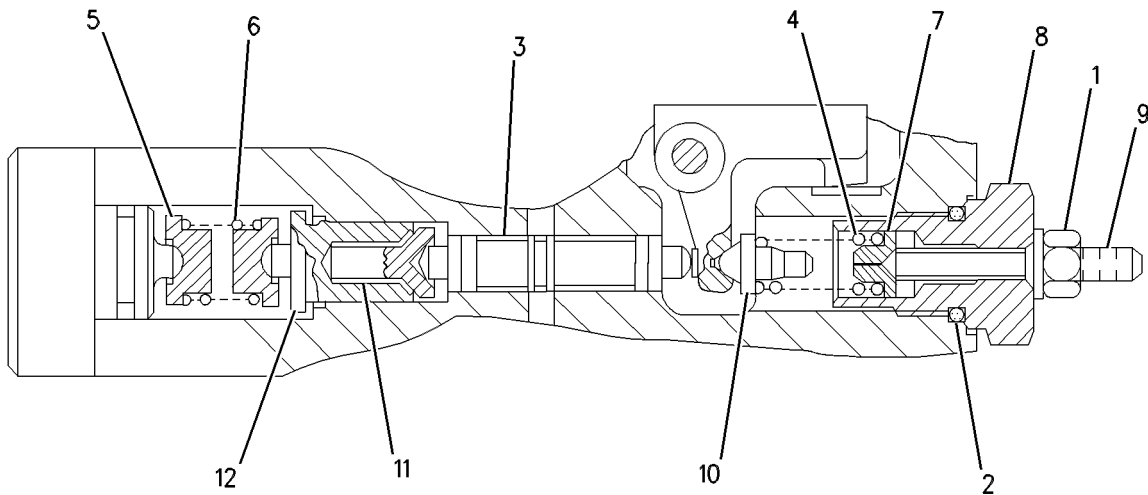
PART OF 185-0217, 315-4381 VALVE GP-PUMP CONTROL

SMCS-5455

i03656828

NOTE	REF NO	GRAPHIC REF	PART NUMBER	QTY	PART NAME						SEE PAGE
					1	2	3	4	5	6 (PRODUCT LEVEL)	
M	1	1	9T-3853	1	LOCKNUT (M6X1-THD)						
	2	1	107-3117	1	SEAL-O-RING						
	3	1	4I-7705	1	SPOOL						
	4	1	4I-5969	1	SPRING						
	5	1	165-9380	2	SEAT						
	6	1	259-0898	1	SPRING						
	7	1	165-9378	1	SEAT						
	8	1	165-9377	1	ADAPTER						
M	9	1	170-9904	1	SETSCREW (M6X1X45-MM)						
	10	1	165-9379	1	SEAT						
	11	1	165-9376	1	PIN						
	12	1	165-9375	1	PISTON						

M-METRIC PART



GRAPHIC #1

<END>

g00651553

HYDRAULIC SYSTEM

158-9101 VALVE GP-PUMP CONTROL-FLOW COMPENSATOR

S/N: PAS1-UP

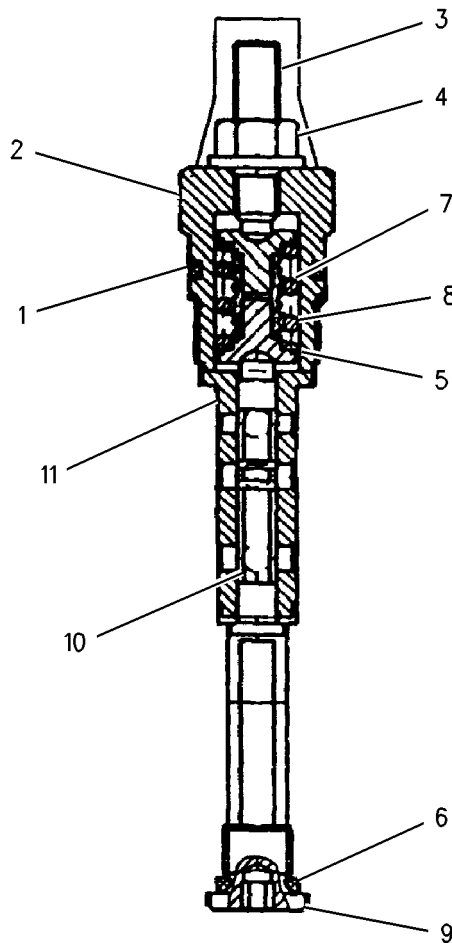
PART OF 185-0217, 315-4381 VALVE GP-PUMP CONTROL

SMCS-5455

i03656827

NOTE	REF NO	GRAPHIC REF	PART NUMBER	QTY	PART NAME						SEE PAGE
					1	2	3	4	5	6 (PRODUCT LEVEL)	
	1	1	109-3203	1	SEAL-O-RING						
	2	1	165-9407	1	PLUG						
	3	1	117-7524	1	SETSCREW						
M	4	1	204-1455	1	NUT-SEALING (M8X1-THD)						
	5	1	107-6593	2	RETAINER						
	6	1	107-3118	1	SEAL-O-RING						
	7	1	165-9383	1	SPRING						
	8	1	165-9384	1	SPRING						
	9	1	165-9386	1	STOP						
	10	1	165-9382	1	PISTON						
	11	1	165-9385	1	SEAT						

M-METRIC PART



GRAPHIC #1

<END>

g00648698

HYDRAULIC SYSTEM

185-0217 VALVE GP-PUMP CONTROL- PRESSURE, FLOW COMPENSATOR

S/N: PAS1-UP

PART OF 295-9676 PUMP GP-MAIN HYDRAULIC

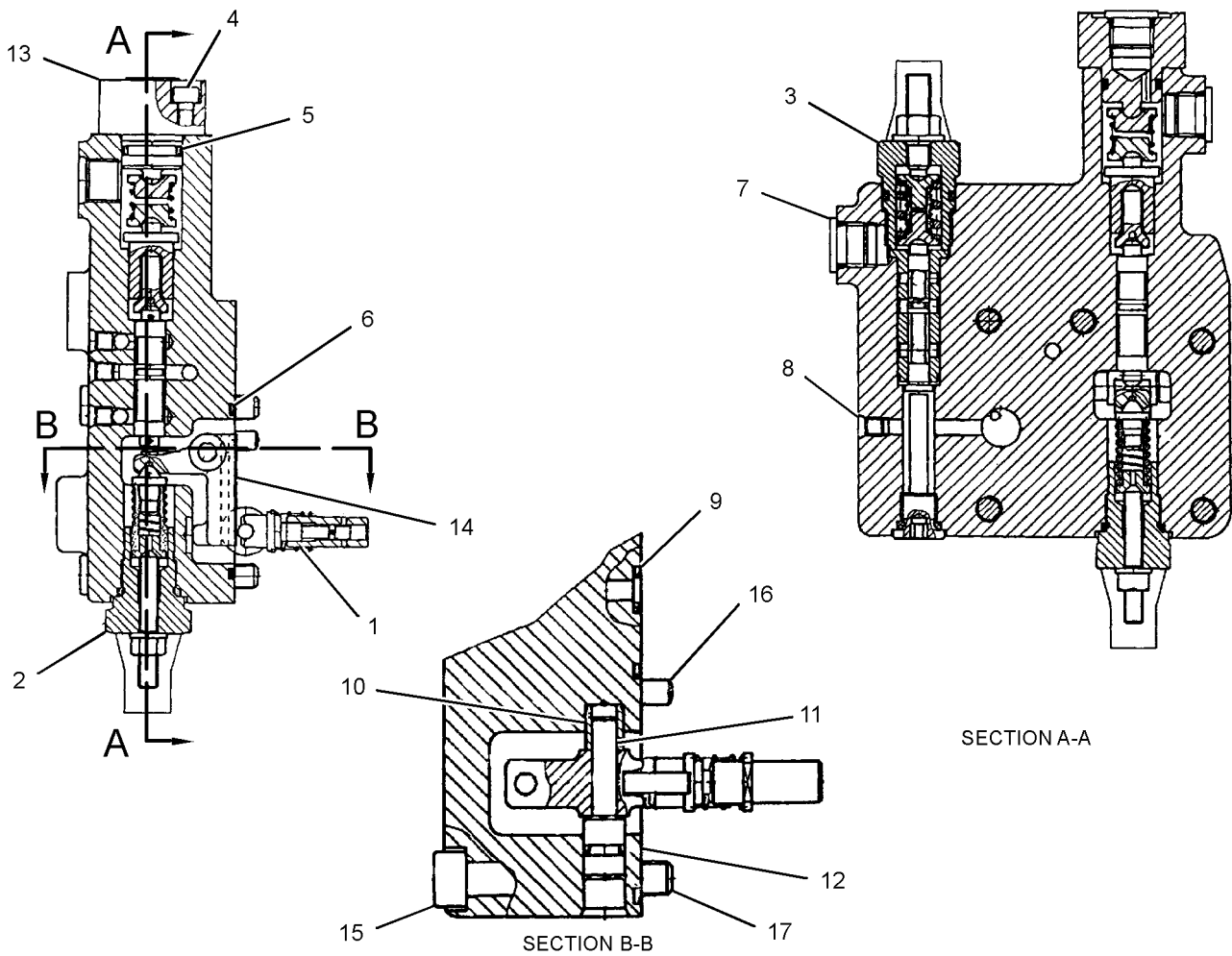
SMCS-5455

i03656816

NOTE	REF NO	GRAPHIC REF	PART NUMBER	QTY	PART NAME						SEE PAGE
					1	2	3	4	5	6 (PRODUCT LEVEL)	
Y	1	1	158-9102	1	ACTUATOR GP-PUMP						407
Y	2	1	158-9100	1	VALVE GP-PUMP CONTROL (HORSEPOWER CONTROL)						664
Y	3	1	158-9101	1	VALVE GP-PUMP CONTROL (FLOW COMPENSATOR)						665
M	4	1	8C-8580	4	BOLT-SOCKET HEAD (M5X0.8X16-MM)						
	5	1	107-3117	1	SEAL-O-RING						
	6	1	6E-5412	1	SEAL-O-RING						
	7	1	241-4007	3	SCREW-LOCK						
	8	1	9T-3940	8	PLUG-BREAK OFF						
	9	1	259-0891	3	SEAL-RING						
	10	1	4I-7690	1	BUSHING						
	11	1	4I-7691	1	PIN						
	12	1	9N-1756	1	SEAL-O-RING						
	13	1	165-9373	1	COVER						
	14	1	165-9374	1	LEVER						
M	15	1	3E-8025	5	BOLT-SOCKET HEAD (M8X1.25X50-MM)						
	16	1	146-3493	2	PIN						
	17	1	117-8766	1	SEAL-O-RING						

M-METRIC PART

Y-SEPARATE ILLUSTRATION



GRAPHIC #1

<END>

g02076239

HYDRAULIC SYSTEM

209-5937 VALVE GP-PUMP CONTROL-PRESSURE COMPENSATOR

S/N: PAS1-UP

PART OF 247-8968 PUMP GP-PISTON

SMCS-5455

i03879840

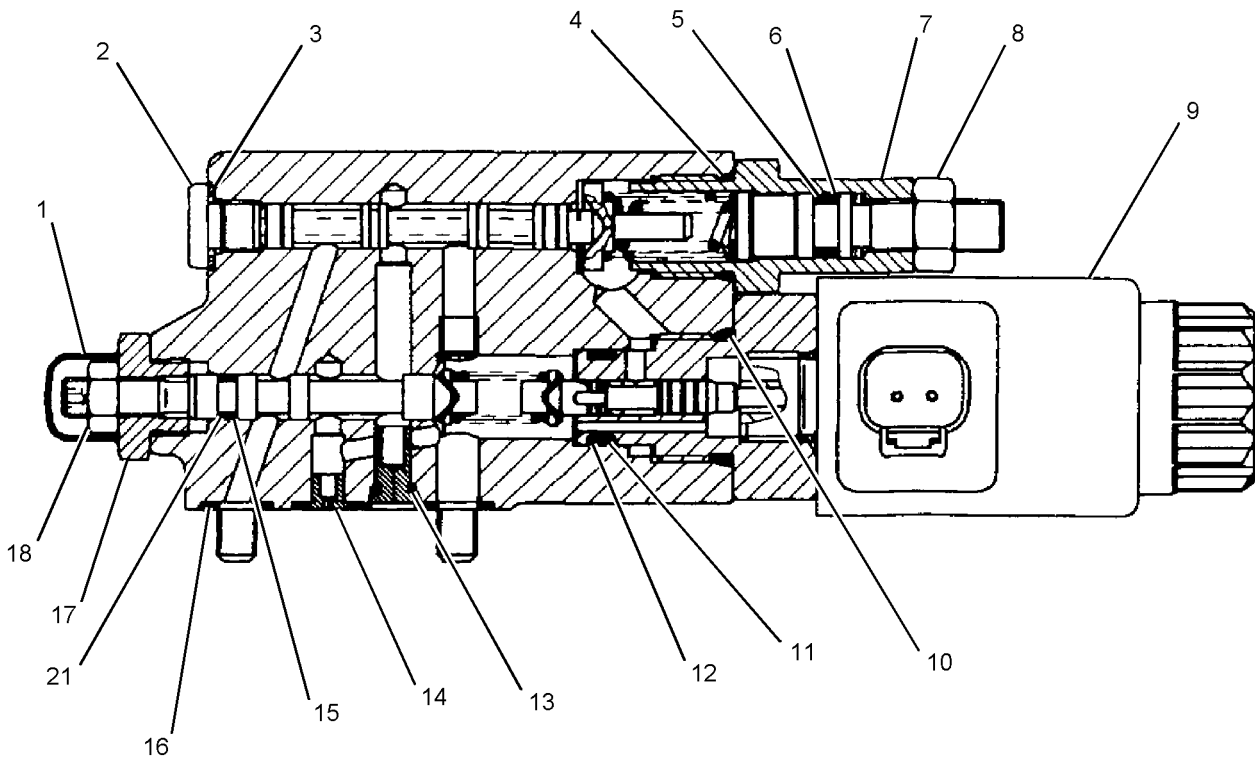
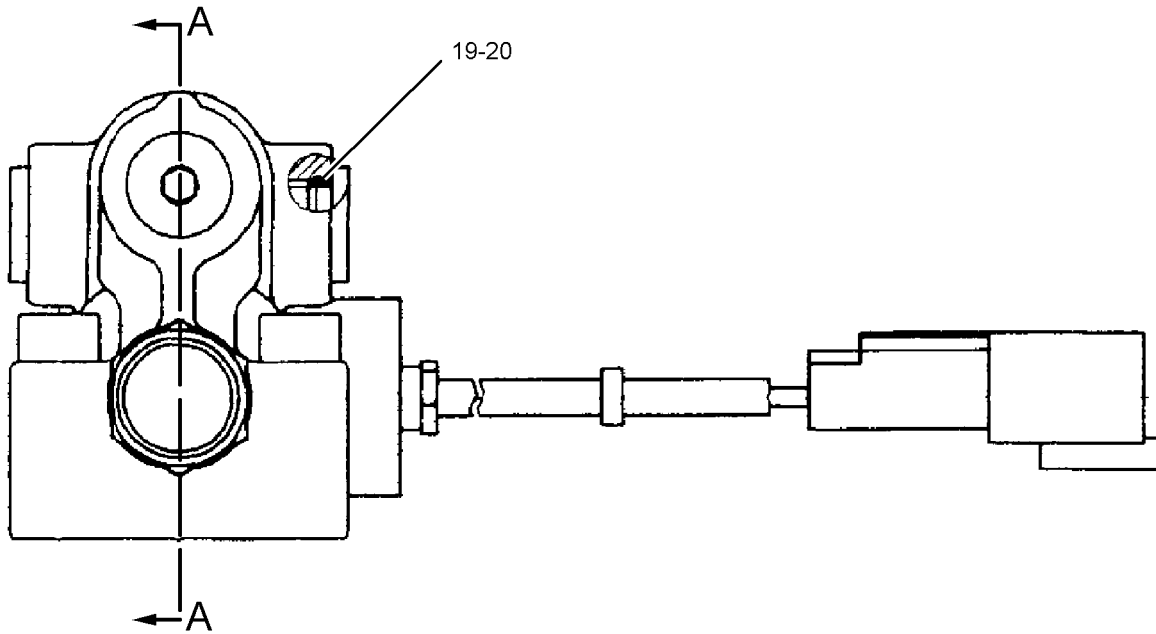
NOTE	REF NO	GRAPHIC REF	PART NUMBER	QTY	PART NAME						SEE PAGE
					1	2	3	4	5	6 (PRODUCT LEVEL)	
	1	1	209-5943	1	CAP						
	2	1	134-7489	1	PLUG						
	3	1	6E-6528	1	SEAL						
	4	1	033-6043	1	SEAL-O-RING						
	5	1	213-9244	1	SEAL-O-RING						
	6	1	200-5363	1	RING-THRUST						
	7	1	209-5941	1	PLUG						
M	8	1	5C-7261	1	NUT (M8X1.25-THD)						
	9	1	209-5939	1	VALVE GP-SOLENOID (FAN PUMP)						
	10	1	213-9242	1	SEAL-O-RING						
	11	1	213-9247	1	SEAL-O-RING						
	12	1	209-6004	1	RING						
	13	1	213-9243	1	SEAL-O-RING						
	14	1	209-5940	1	ORIFICE						
	15	1	213-9246	1	SEAL-O-RING						
	16	1	9X-7680	3	SEAL-O-RING						
	17	1	209-5942	1	PLUG						
M	18	1	5C-2890	1	NUT (M6X1-THD)						
	19	1	9S-8002	2	PLUG-O-RING						
	20	1	033-5853	2	SEAL-O-RING						
	21	1	209-6005	1	RING						

M-METRIC PART

HYDRAULIC SYSTEM

209-5937 VALVE GP-PUMP CONTROL (contd.)

i03879840



SECTION A-A

GRAPHIC #1

<END>

g01124453

HYDRAULIC SYSTEM

315-4381 VALVE GP-PUMP CONTROL

S/N: PAS1-UP

PART OF 295-9676 PUMP GP-MAIN HYDRAULIC

SMCS-5455

i03656818

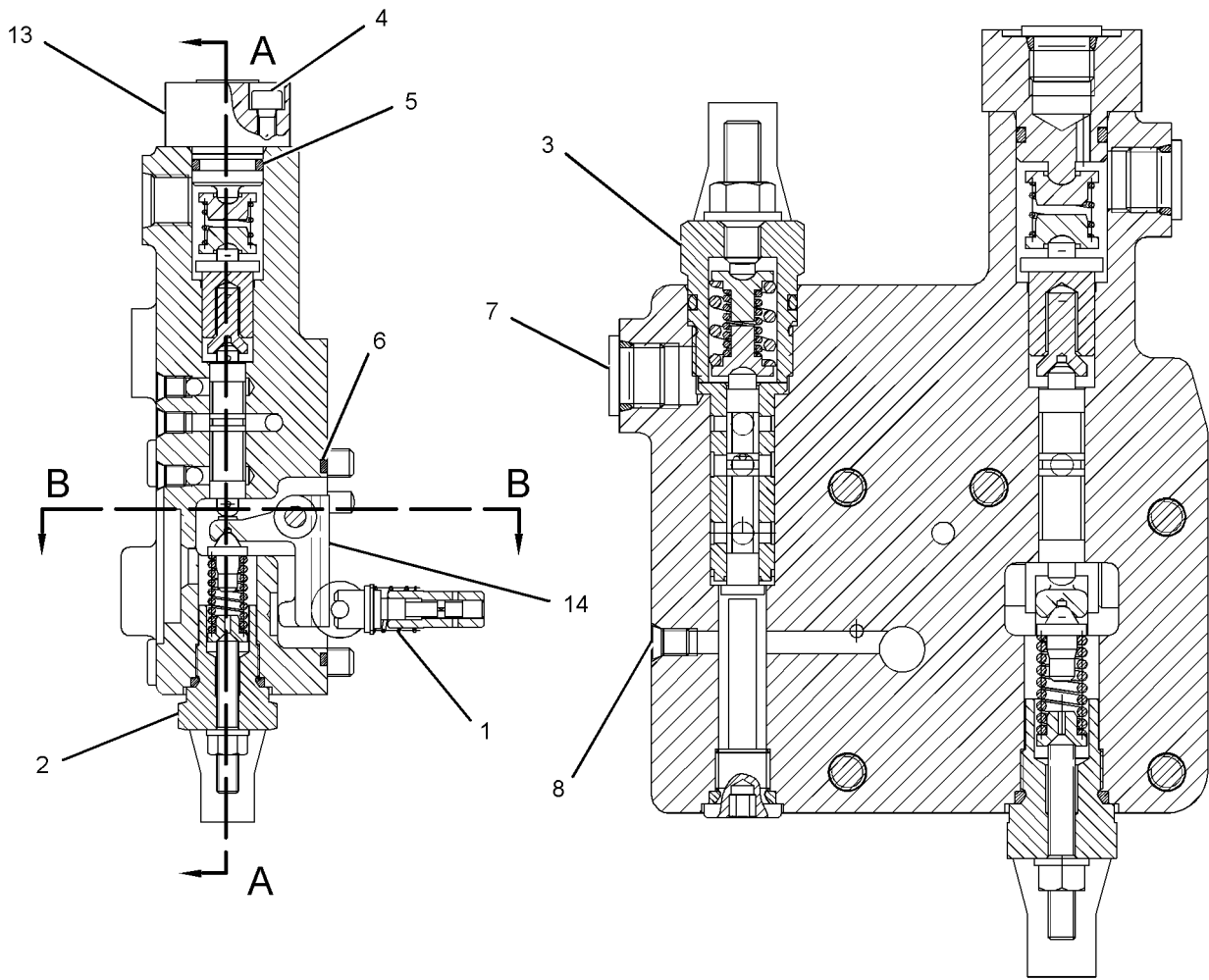
NOTE	REF NO	GRAPHIC REF	PART NUMBER	QTY	PART NAME						SEE PAGE
					1	2	3	4	5	6 (PRODUCT LEVEL)	
Y	1	1	158-9102	1	ACTUATOR GP-PUMP						407
Y	2	1	158-9101	1	VALVE GP-PUMP CONTROL (FLOW COMPENSATOR)						665
Y	3	1	158-9100	1	VALVE GP-PUMP CONTROL (HORSEPOWER CONTROL)						664
M	4	1	8C-8580	4	BOLT-SOCKET HEAD (M5X0.8X16-MM)						
	5	1	107-3117	1	SEAL-O-RING						
	6	1	6E-5412	1	SEAL-O-RING						
	7	1	241-4007	3	SCREW-LOCK						
	8	1	120-4394	8	PLUG-BREAK OFF						
	9	1	259-0891	3	SEAL-RING						
	10	1	4I-7690	1	BUSHING						
	11	1	4I-7691	1	PIN						
	12	1	9N-1756	1	SEAL-O-RING						
	13	1	165-9373	1	COVER						
	14	1	165-9374	1	LEVER						
M	15	1	3E-8025	5	BOLT-SOCKET HEAD (M8X1.25X50-MM)						
	16	1	146-3493	2	PIN						
	17	1	326-4428	1	SEAL-SHAFT						

M-METRIC PART
Y-SEPARATE ILLUSTRATION

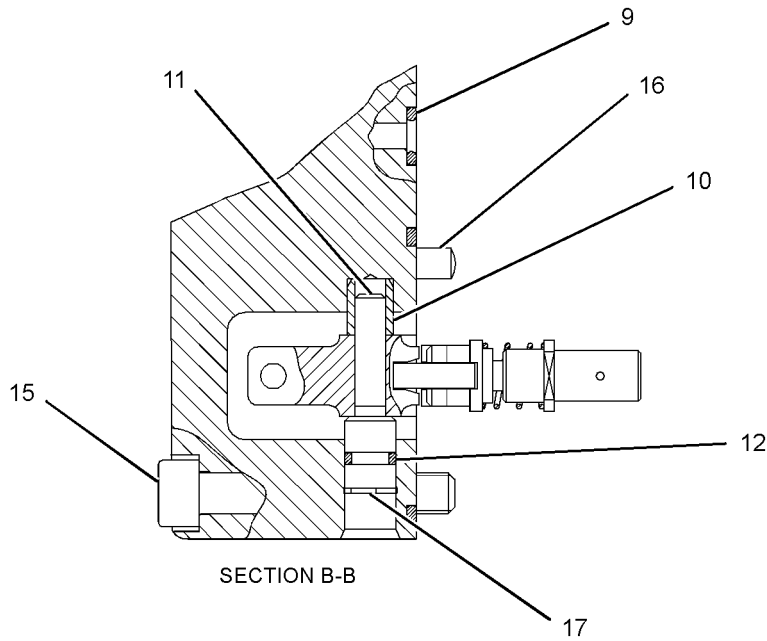
HYDRAULIC SYSTEM

315-4381 VALVE GP-PUMP CONTROL (contd.)

i03656818



SECTION A-A



SECTION B-B

GRAPHIC #1

<END>

g02099421

HYDRAULIC SYSTEM

315-4383 VALVE GP-PUMP CONTROL

S/N: PAS1-UP

PART OF 295-9677 PUMP GP-PISTON

SMCS-5455

i03656876

NOTE	REF NO	GRAPHIC REF	PART NUMBER	QTY	PART NAME						SEE PAGE
					1	2	3	4	5	6 (PRODUCT LEVEL)	
	1	1	120-4394	8	PLUG-BREAK OFF						
	2	1	112-4629	1	SCREW						
M	3	1	095-0645	5	BOLT-SOCKET HEAD (M6X1X55-MM)						
Y	4	1	315-4384	1	VALVE GP-PUMP CONTROL						673
	5	1	259-0891	3	SEAL-RING						
	6	1	6E-5412	1	SEAL-O-RING						
	7	1	146-3493	2	PIN						
	8	1	200-0957	1	ROD						

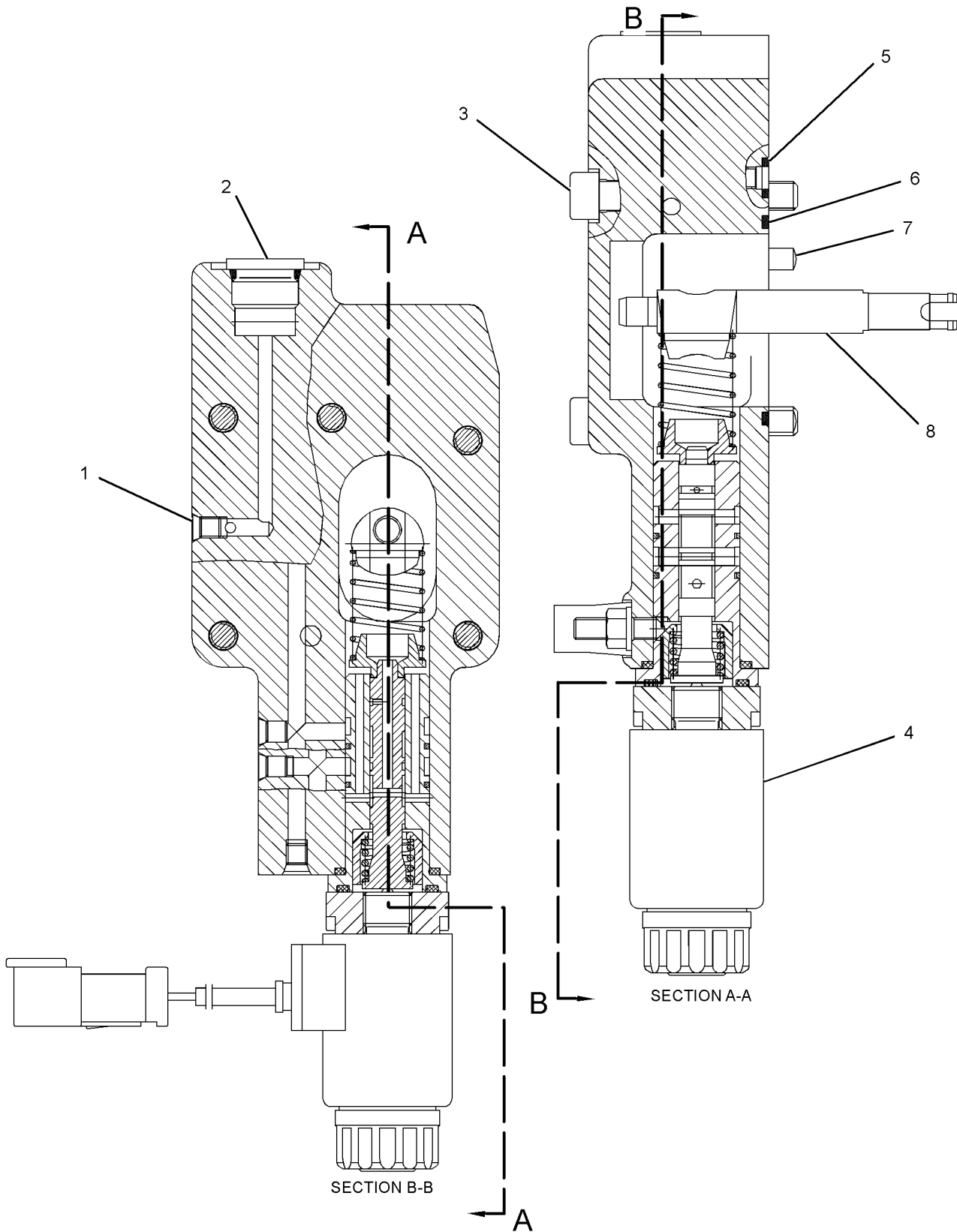
M-METRIC PART

Y-SEPARATE ILLUSTRATION

HYDRAULIC SYSTEM

315-4383 VALVE GP-PUMP CONTROL (contd.)

i03656876



GRAPHIC #1

<END>

g02042614

HYDRAULIC SYSTEM

315-4384 VALVE GP-PUMP CONTROL

S/N: PAS1-UP

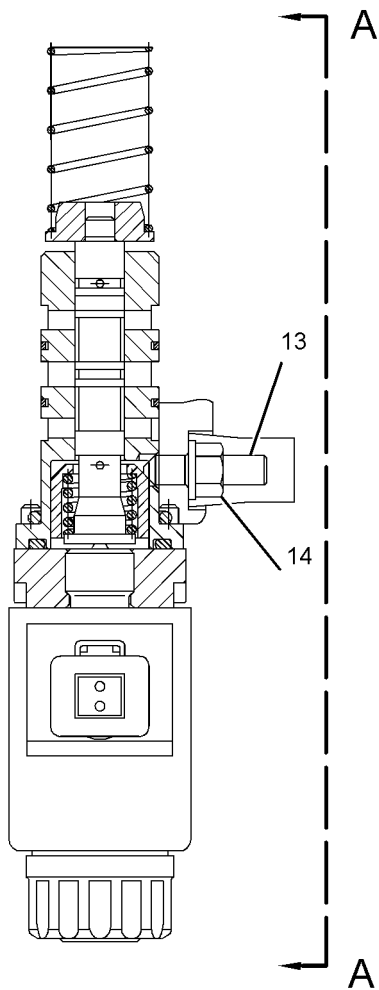
PART OF 315-4383 VALVE GP-PUMP CONTROL

SMCS-5455

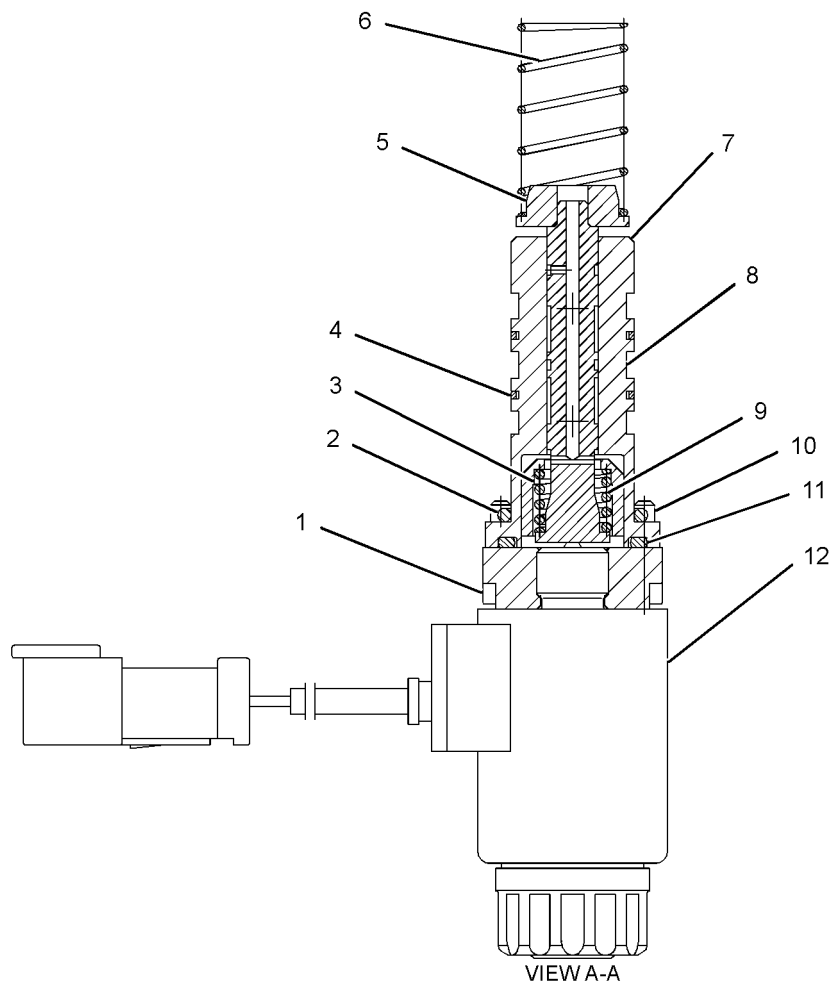
i03656877

NOTE	REF NO	GRAPHIC REF	PART NUMBER	QTY	PART NAME						SEE PAGE
					1	2	3	4	5	6 (PRODUCT LEVEL)	
	1	1	216-1594	1	ADAPTER						
	2	1	3D-4245	1	SEAL-O-RING						
	3	1	170-9820	1	BUSHING						
	4	1	177-7747	2	RING						
	5	1	102-0811	1	RETAINER						
	6	1	315-4386	1	SPRING						
	7	1	247-8764	1	SLEEVE						
	8	1	315-4385	1	PISTON						
	9	1	315-4387	1	SPRING						
M	10	1	8T-9405	4	BOLT-SOCKET HEAD (M4X0.7X16-MM)						
	11	1	112-4717	1	SEAL-O-RING						
	12	1	216-1397	1	SOLENOID AS (FLOW COMPENSATOR)						
		1	217-3875	1	SEAL-O-RING						
M	13	1	170-9906	1	SETSCREW (M6X1X25-MM)						
M	14	1	9T-3853	1	LOCKNUT (M6X1-THD)						

M-METRIC PART



GRAPHIC #1



<END>

g02044876

HYDRAULIC SYSTEM

117-5270 VALVE GP-RELIEF

S/N: PAS1-UP

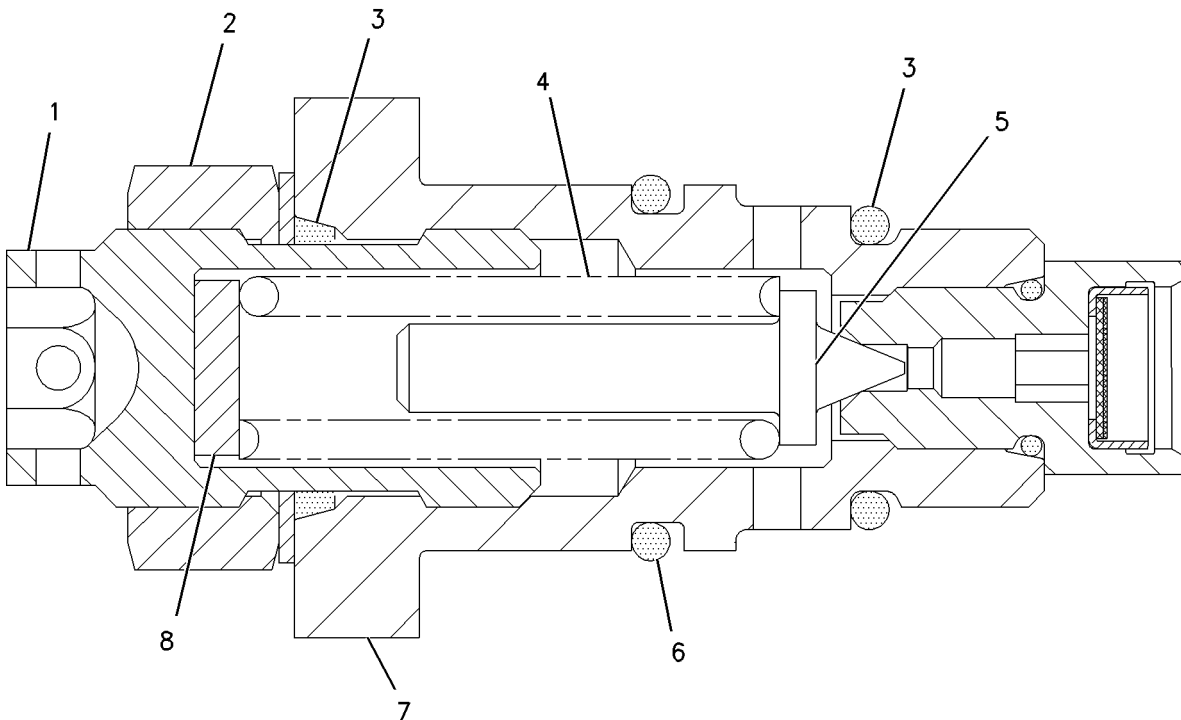
PART OF 323-7782, 323-7784 VALVE GP-MAIN CONTROL

ALSO AN ATTACHMENT

SMCS-5069, 5117

i01705364

NOTE	REF NO	GRAPHIC REF	PART NUMBER	QTY	PART NAME						SEE PAGE
					1	2	3	4	5	6 (PRODUCT LEVEL)	
	1	1	9T-7202	1	RETAINER AS						
	2	1	9X-6395	1	NUT (3/4-16-THD)						
	3	1	3K-0360	2	SEAL-O-RING						
	4	1	9T-1670	1	SPRING						
	5	1	111-5754	1	VALVE						
	6	1	5P-3108	1	SEAL-O-RING						
	7	1	117-5272	1	BODY AS						
		1	3J-7354	1	SEAL-O-RING						
		1	115-5637	1	SCREEN AS						
		1	117-5274	1	SEAT						
8	1	1	8J-4376	1	SPACER (0.12-IN THK)						



GRAPHIC #1

<END>

g00688480

HYDRAULIC SYSTEM

144-7113 VALVE GP-RELIEF

S/N: PAS1-UP

PART OF 295-7734, 295-7735, 295-7760 VALVE GP-CONTROL
ALSO AN ATTACHMENT

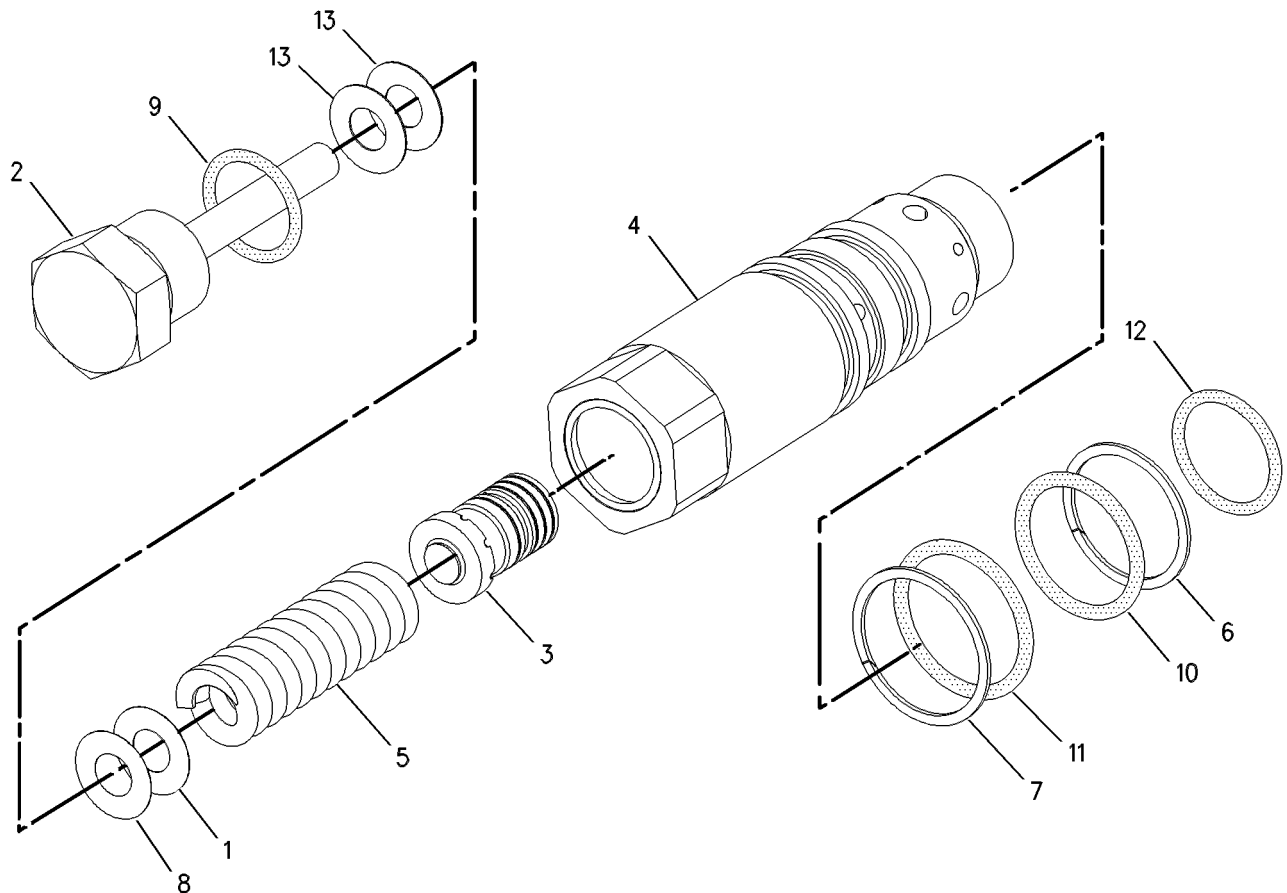
SMCS-5069, 5117

i01823550

NOTE	REF NO	GRAPHIC REF	PART NUMBER	QTY	PART NAME						SEE PAGE
					1	2	3	4	5	6 (PRODUCT LEVEL)	
B	1	1	152-5550	1	SPACER (0.16-MM THK)						
	2	1	168-5102	1	PLUG						
	3	1	168-5103	1	VALVE						
Z	4	1		1	BODY						
	5	1	168-5191	1	SPRING						
	6	1	170-2414	1	RING-BACKUP						
	7	1	170-2415	1	RING-BACKUP						
	8	1	179-5857	1	SPACER (11.12X23X0.1-MM THK)						
	9	1	3D-2824	1	SEAL-O-RING						
	10	1	4J-0519	1	SEAL-O-RING						
B	11	1	4J-0521	1	SEAL-O-RING						
	12	1	4K-1388	1	SEAL-O-RING						
	13	1	8S-6214	2	SPACER (11.12X23X0.4-MM THK)						

B-USE AS REQUIRED

Z-NOT SERVICED SEPARATELY



GRAPHIC #1

<END>

g00634048

HYDRAULIC SYSTEM

155-4847 VALVE GP-RELIEF

S/N: PAS1-UP

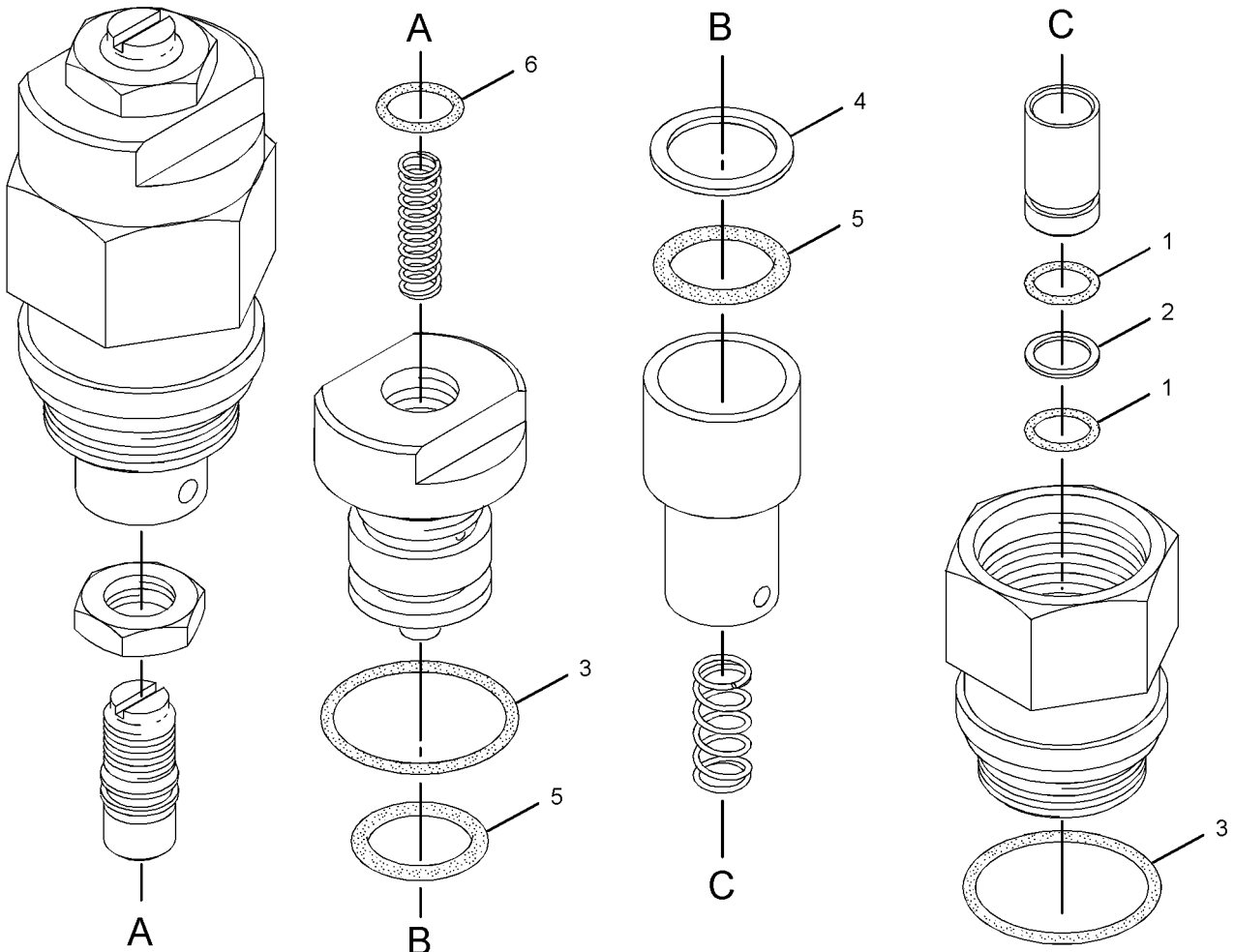
PART OF 232-4144 VALVE GP-RELIEF
AN ATTACHMENT

SMCS-5069, 5117

i03591002

NOTE	REF NO	GRAPHIC REF	PART NUMBER	QTY	PART NAME						SEE PAGE
					1	2	3	4	5	6 (PRODUCT LEVEL)	
	1	1	9T-9992	2	RING-BACKUP						
	2	1	8T-9522	1	SEAL-O-RING						
	3	1	2S-4078	2	SEAL-O-RING						
	4	1	3P-1155	1	SEAL-O-RING						
	5	1	117-0775	2	RING-BACKUP						
	6	1	2P-2975	1	SEAL-O-RING						

PARTS SHOWN IN GRAPHIC(S) WITHOUT A REFERENCE NUMBER ARE NOT SERVICED SEPARATELY



GRAPHIC #1

<END>

g01916983

HYDRAULIC SYSTEM

160-8734 VALVE GP-RELIEF

S/N: PAS1-UP

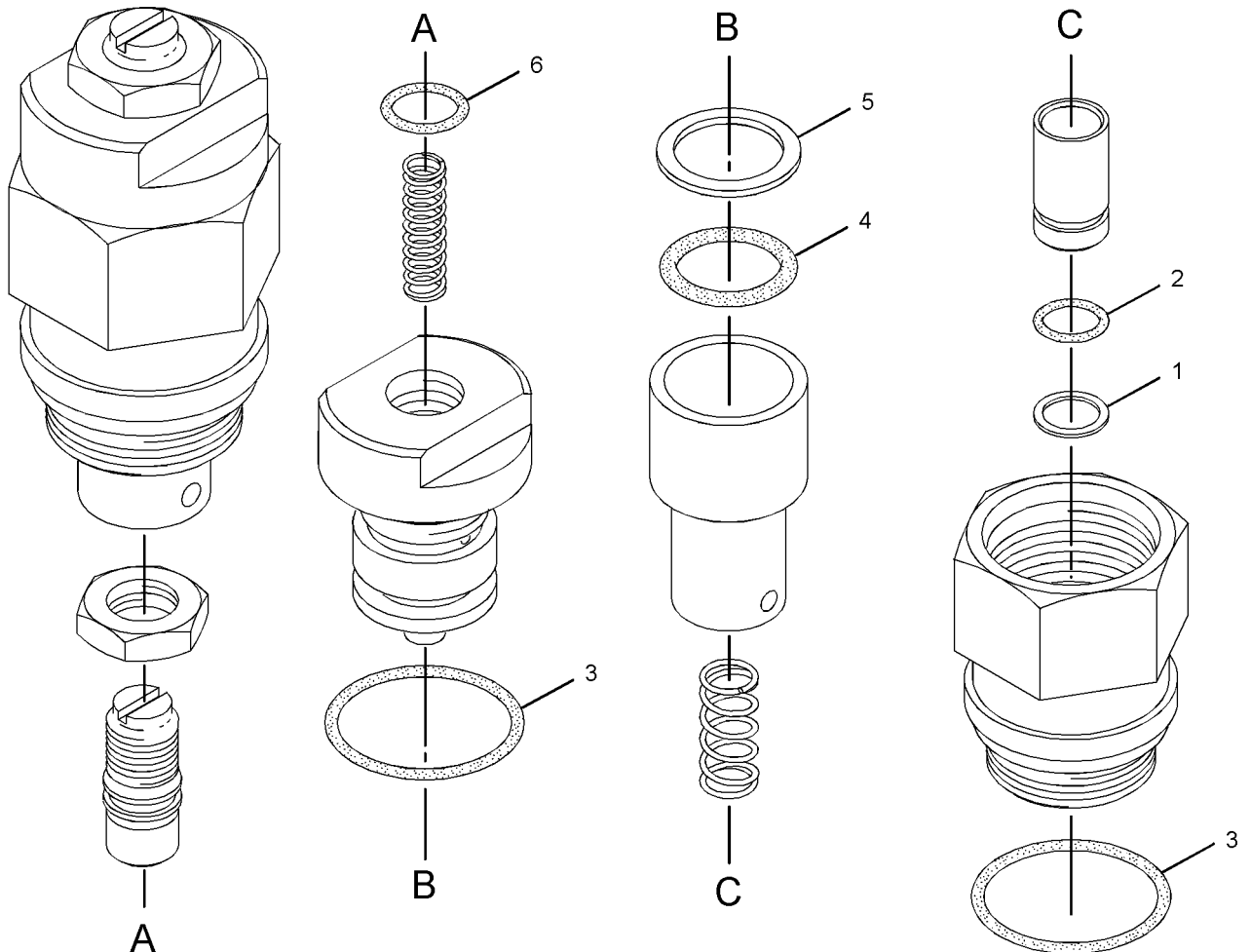
PART OF 338-6188 LINES GP-FRONT
AN ATTACHMENT

SMCS-5069, 5117

i03591003

NOTE	REF NO	GRAPHIC REF	PART NUMBER	QTY	PART NAME						SEE PAGE
					1	2	3	4	5	6 (PRODUCT LEVEL)	
	1	1	9T-9992	1	RING-BACKUP						
	2	1	8T-9522	1	SEAL-O-RING						
	3	1	2S-4078	2	SEAL-O-RING						
	4	1	3P-1155	1	SEAL-O-RING						
	5	1	117-0775	1	RING-BACKUP						
	6	1	2P-2975	1	SEAL-O-RING						

PARTS SHOWN IN GRAPHIC(S) WITHOUT A REFERENCE NUMBER ARE NOT SERVICED SEPARATELY



GRAPHIC #1

<END>

g01916980

HYDRAULIC SYSTEM

191-5701 VALVE GP-RELIEF

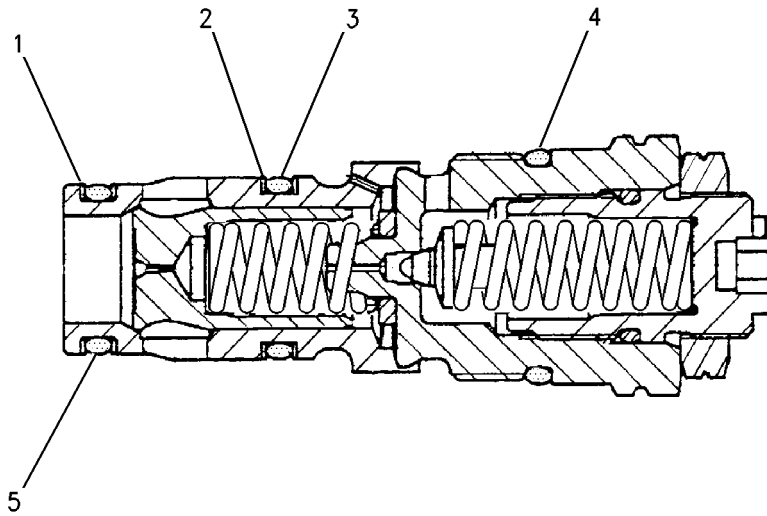
S/N: PAS1-UP

PART OF 143-8067 VALVE GP-TRAVEL COUNTERBALANCE

SMCS-5069, 5117

i01453607

NOTE	REF NO	GRAPHIC REF	PART NUMBER	QTY	PART NAME						SEE PAGE
					1	2	3	4	5	6 (PRODUCT LEVEL)	
	1	1	7I-7330	2	RING-BACKUP						
	2	1	7I-7331	2	RING-BACKUP						
	3	1	4J-5351	1	SEAL-O-RING						
	4	1	6V-5326	1	SEAL-O-RING						
	5	1	5J-2974	1	SEAL-O-RING						



GRAPHIC #1

<END>

g00777363

HYDRAULIC SYSTEM

232-4144 VALVE GP-RELIEF

S/N: PAS1-UP

PART OF 338-6187, 338-6188 LINES GP-FRONT
AN ATTACHMENT

SMCS-5069, 5117

i02250790

NOTE	PART NUMBER	QTY	PART NAME						SEE PAGE
			1	2	3	4	5	6 (PRODUCT LEVEL)	
Y	155-4847	1	VALVE GP-RELIEF						676
	232-4145	1	BLOCK						
Y-SEPARATE ILLUSTRATION									

<END>

HYDRAULIC SYSTEM

239-8983 VALVE GP-RELIEF

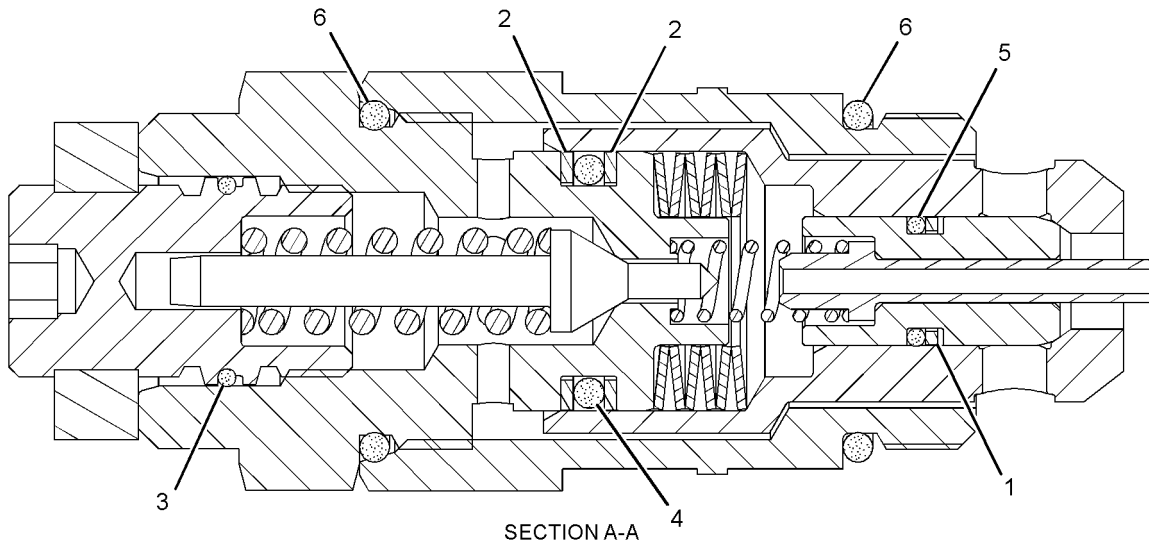
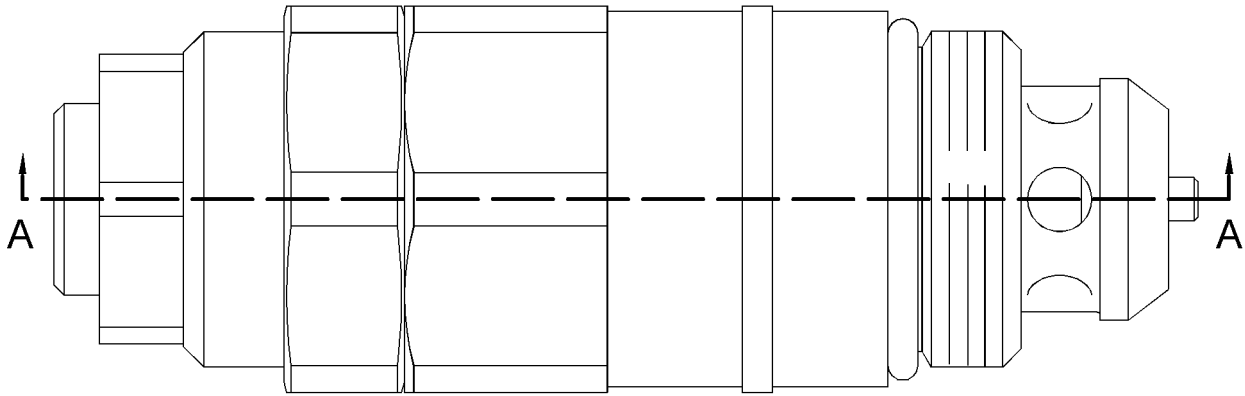
S/N: PAS1-UP

PART OF 263-4918 VALVE GP-LOAD CONTROL
AN ATTACHMENT

SMCS-5069, 5117

i02435120

NOTE	REF NO	GRAPHIC REF	PART NUMBER	QTY	PART NAME						SEE PAGE
					1	2	3	4	5	6 (PRODUCT LEVEL)	
1	1	1	030-0167	1	RING-BACKUP						
2	1	1	183-8068	2	RING-BACKUP						
3	1	1	2P-2975	1	SEAL-O-RING						
4	1	1	2T-2695	1	SEAL						
5	1	1	6V-8397	1	SEAL-O-RING						
6	1	1	7M-8485	2	SEAL-O-RING						



GRAPHIC #1

SECTION A-A
<END>

g01217845

HYDRAULIC SYSTEM

352-6869 VALVE GP-RELIEF

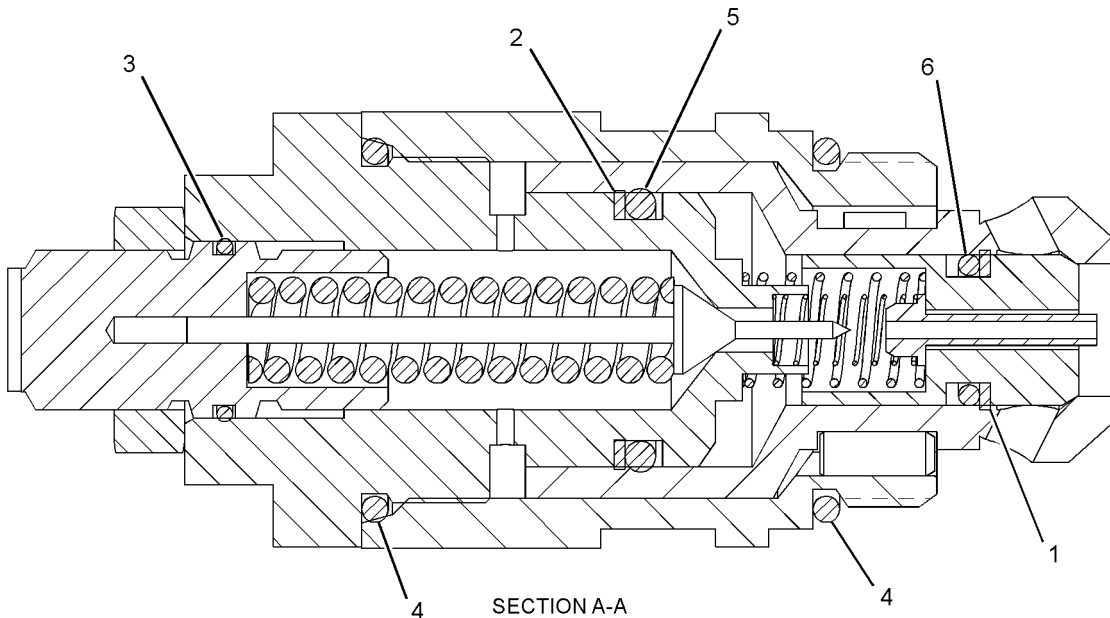
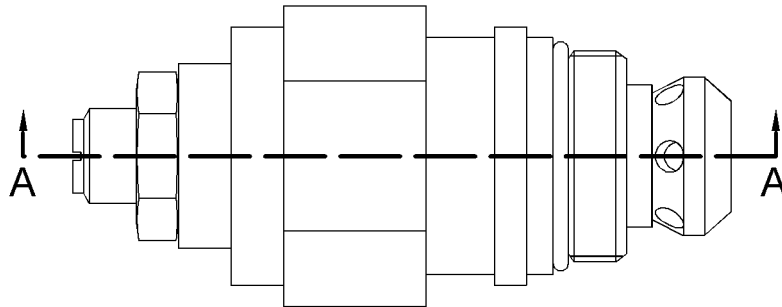
S/N: PAS1-UP

PART OF 335-0311 VALVE GP-CHECK & RELIEF, 295-7734, 295-7735, 295-7760 VALVE
GP-CONTROL, 270-5803, 270-5804 VALVE GP-LOAD CONTROL
ALSO AN ATTACHMENT

SMCS-5069, 5117

i03875605

NOTE	REF NO	GRAPHIC REF	PART NUMBER	QTY	PART NAME						SEE PAGE
					1	2	3	4	5	6 (PRODUCT LEVEL)	
1	1	1	9T-9992	1	RING-BACKUP						
2	1	1	117-0775	1	RING-BACKUP						
3	1	1	2P-2975	1	SEAL-O-RING						
4	1	1	2S-4078	2	SEAL-O-RING						
5	1	1	3P-1155	1	SEAL-O-RING						
6	1	1	8T-9522	1	SEAL-O-RING						



SECTION A-A

GRAPHIC #1

<END>

g02126172

HYDRAULIC SYSTEM

4T-1860 VALVE GP-SHUTTLE

S/N: PAS1-UP

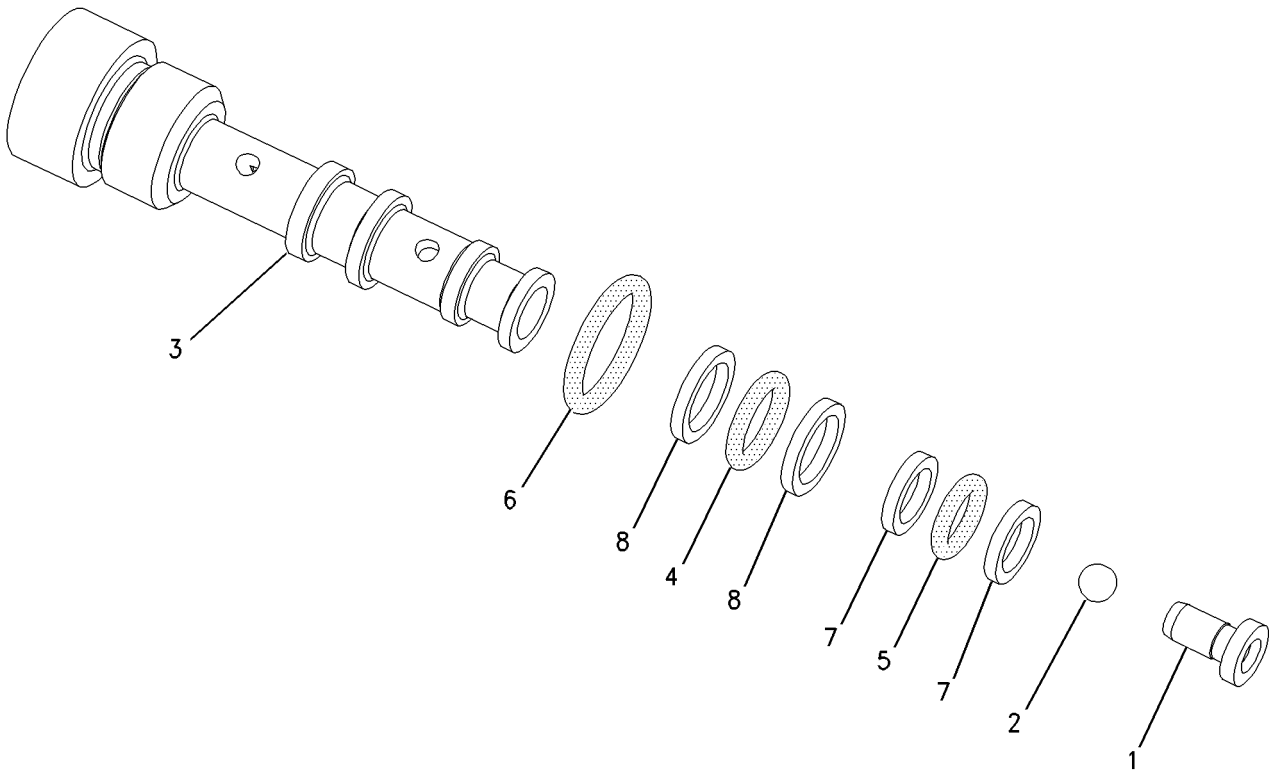
PART OF 302-3058 LINES GP-FRONT, 295-7734, 295-7735, 295-7760 VALVE
GP-CONTROL, 323-7782, 323-7784 VALVE GP-MAIN CONTROL
ALSO AN ATTACHMENT

SMCS-5079

i03242612

NOTE	REF NO	GRAPHIC REF	PART NUMBER	QTY	PART NAME						SEE PAGE
					1	2	3	4	5	6 (PRODUCT LEVEL)	
	1	1	4T-0925	1	SEAT						
	2	1	1M-6718	1	BALL						
Z	3	1		1	VALVE						
	4	1	6V-5324	1	SEAL-O-RING						
	5	1	147-6603	1	SEAL-O-RING						
	6	1	3J-1907	1	SEAL-O-RING						
	7	1	147-6604	2	RING-BACKUP						
	8	1	147-6605	2	RING-BACKUP						

Z-NOT SERVICED SEPARATELY



GRAPHIC #1

<END>

g00775006

HYDRAULIC SYSTEM

6E-4429 VALVE GP-SHUTTLE

S/N: PAS1-UP

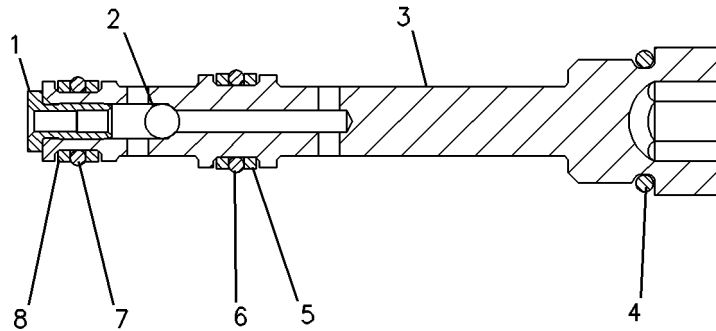
PART OF 295-7735, 295-7760 VALVE GP-CONTROL

ALSO AN ATTACHMENT

SMCS-5079

i02353698

NOTE	REF NO	GRAPHIC REF	PART NUMBER	QTY	PART NAME						SEE PAGE
					1	2	3	4	5	6 (PRODUCT LEVEL)	
	1	1	4T-0925	1	SEAT						
	2	1	1M-6718	1	BALL						
	3	1	6E-4428	1	VALVE						
	4	1	3J-1907	1	SEAL-O-RING						
	5	1	147-6605	2	RING-BACKUP						
	6	1	6V-5324	1	SEAL-O-RING						
	7	1	147-6603	1	SEAL-O-RING						
	8	1	147-6604	2	RING-BACKUP						



GRAPHIC #1

<END>

g00083868

HYDRAULIC SYSTEM

111-0336 VALVE GP-SHUTTLE

S/N: PAS1-UP

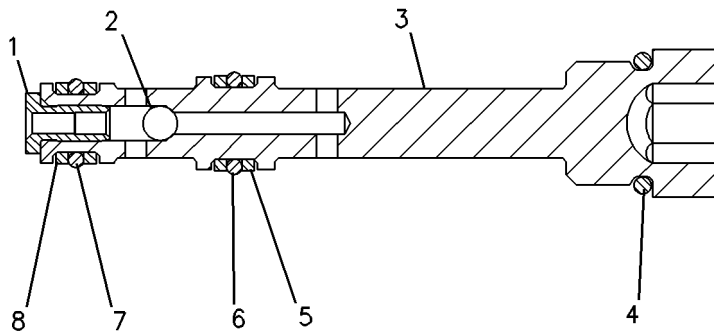
PART OF 295-7734 VALVE GP-CONTROL

ALSO AN ATTACHMENT

SMCS-5079

i02450276

NOTE	REF NO	GRAPHIC REF	PART NUMBER	QTY	PART NAME						SEE PAGE
					1	2	3	4	5	6 (PRODUCT LEVEL)	
	1	1	4T-0925	1	SEAT						
	2	1	1M-6718	1	BALL						
	3	1	111-0337	1	VALVE						
	4	1	3J-1907	1	SEAL-O-RING						
	5	1	147-6605	2	RING-BACKUP						
	6	1	6V-5324	1	SEAL-O-RING						
	7	1	147-6603	1	SEAL-O-RING						
	8	1	147-6604	2	RING-BACKUP						



GRAPHIC #1

<END>

g00083868

HYDRAULIC SYSTEM

158-9105 VALVE GP-SHUTTLE

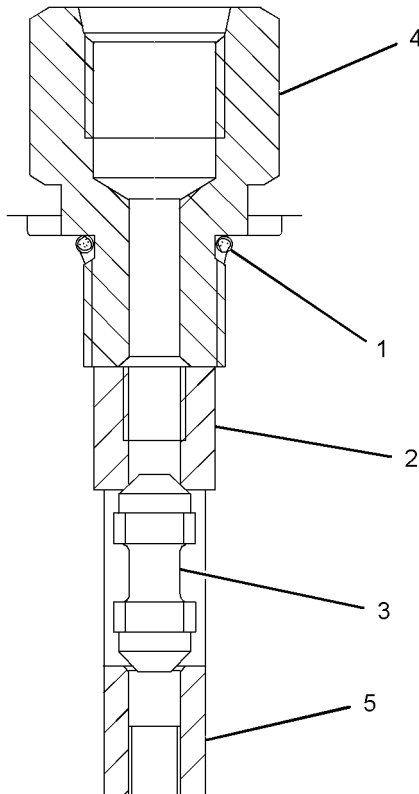
S/N: PAS1-UP

PART OF 295-9676 PUMP GP-MAIN HYDRAULIC, 295-9677 PUMP GP-PISTON

SMCS-5079

i03880367

NOTE	REF NO	GRAPHIC REF	PART NUMBER	QTY	PART NAME						SEE PAGE
					1	2	3	4	5	6 (PRODUCT LEVEL)	
	1	1	3J-1907	1	SEAL-O-RING						
	2	1	102-0814	1	BUSHING						
	3	1	138-6780	1	VALVE-SHUTTLE						
	4	1	138-6781	1	ADAPTER						
	5	1	165-9367	1	VALVE						



GRAPHIC #1

<END>

g02127050

HYDRAULIC SYSTEM

111-9916 VALVE GP-SOLENOID

S/N: PAS1-UP

PART OF 270-5803, 270-5804 VALVE GP-LOAD CONTROL, 140-0736 VALVE GP-MANIFOLD
& REDUCING

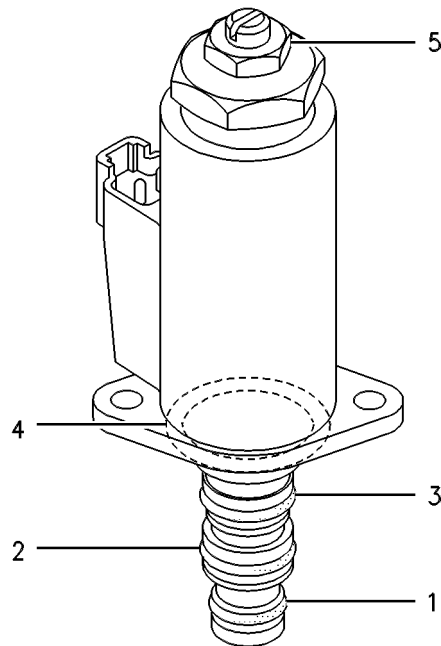
ALSO AN ATTACHMENT

SMCS-5479

i02668929

NOTE	REF NO	GRAPHIC REF	PART NUMBER	QTY	PART NAME						SEE PAGE
					1	2	3	4	5	6 (PRODUCT LEVEL)	
	1	1	095-1750	1	SEAL-O-RING						
	2	1	6V-8398	1	SEAL-O-RING						
	3	1	095-1751	1	SEAL-O-RING						
	4	1	095-1586	1	SEAL-O-RING						
M	5	1	114-0623	1	NUT AS (M6X1-THD)						

M-METRIC PART



GRAPHIC #1

<END>

g00258219

HYDRAULIC SYSTEM

121-1491 VALVE GP-SOLENOID

S/N: PAS1-UP

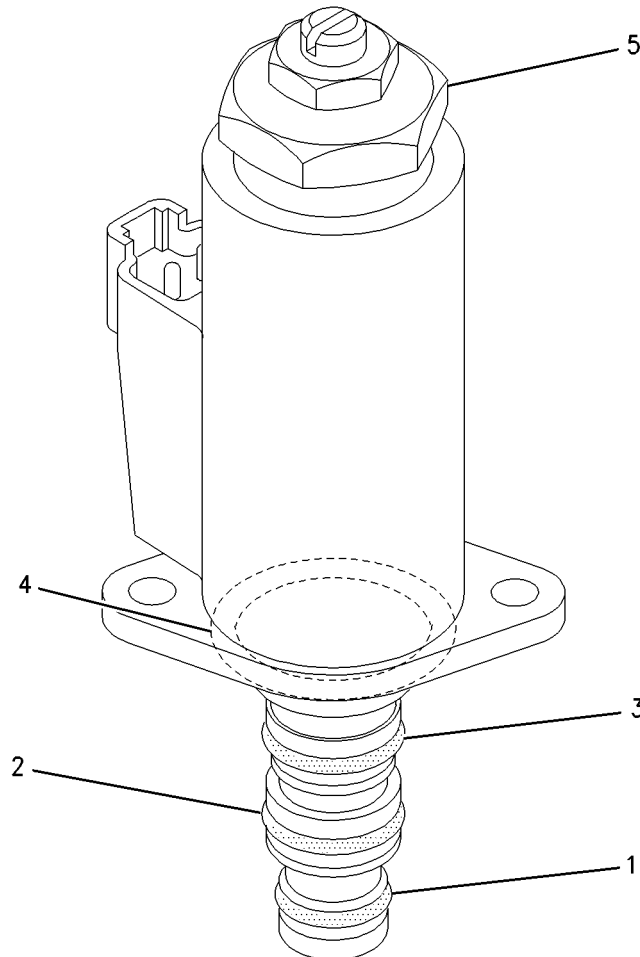
PART OF 329-5224 VALVE GP-CONTROL, 140-0736 VALVE GP-MANIFOLD & REDUCING,
137-3713, 242-6880 VALVE GP-SOLENOID
ALSO AN ATTACHMENT

SMCS-5479

i02195437

NOTE	REF NO	GRAPHIC REF	PART NUMBER	QTY	PART NAME						SEE PAGE
					1	2	3	4	5	6 (PRODUCT LEVEL)	
	1	1	095-1750	1	SEAL-O-RING						
	2	1	6V-8398	1	SEAL-O-RING						
	3	1	095-1751	1	SEAL-O-RING						
	4	1	095-1586	1	SEAL-O-RING						
M	5	1	114-0623	1	NUT AS (M6X1-THD)						

M-METRIC PART



GRAPHIC #1

<END>

g00928680

HYDRAULIC SYSTEM

137-3713 VALVE GP-SOLENOID

S/N: PAS1-UP

PART OF 295-9414 MOTOR GP-PISTON

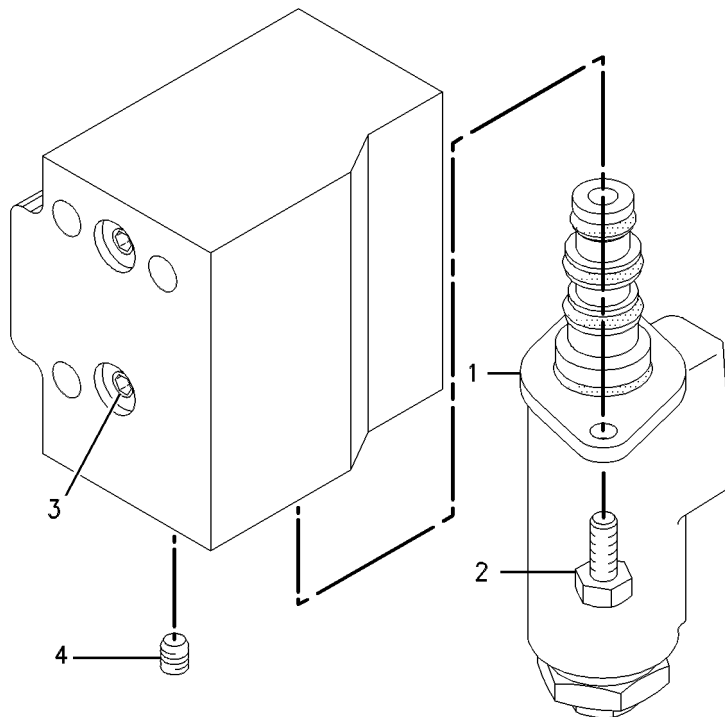
SMCS-5479

i01036888

NOTE	REF NO	GRAPHIC REF	PART NUMBER	QTY	PART NAME						SEE PAGE
					1	2	3	4	5	6 (PRODUCT LEVEL)	
Y	1	1	121-1491	1	VALVE GP-SOLENOID						687
M	2	1	8T-0288	2	BOLT (M5X0.8X12-MM)						
	3	1	137-3639	1	ORIFICE						
	4	1	8T-6759	1	PLUG-PIPE						

M-METRIC PART

Y-SEPARATE ILLUSTRATION



GRAPHIC #1

<END>

g00295176

HYDRAULIC SYSTEM

171-0028 VALVE GP-SOLENOID

S/N: PAS1-UP

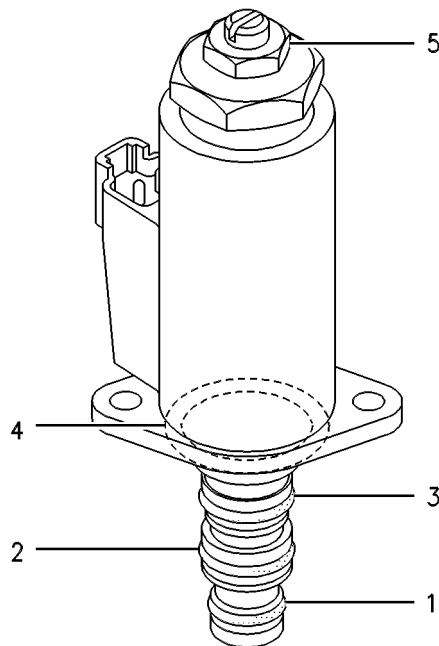
PART OF 307-4983, 338-6189 LINES GP-PILOT
AN ATTACHMENT

SMCS-5479

i02672467

NOTE	REF NO	GRAPHIC REF	PART NUMBER	QTY	PART NAME						SEE PAGE
					1	2	3	4	5	6 (PRODUCT LEVEL)	
	1	1	6V-8398	1	SEAL-O-RING						
	2	1	095-1751	1	SEAL-O-RING						
	3	1	7J-9108	1	SEAL-O-RING						
	4	1	095-1586	1	SEAL-O-RING						
M	5	1	114-0623	1	NUT AS (M6X1-THD)						

M-METRIC PART



GRAPHIC #1

<END>

g00258219

HYDRAULIC SYSTEM

171-3685 VALVE GP-SOLENOID

S/N: PAS1-UP

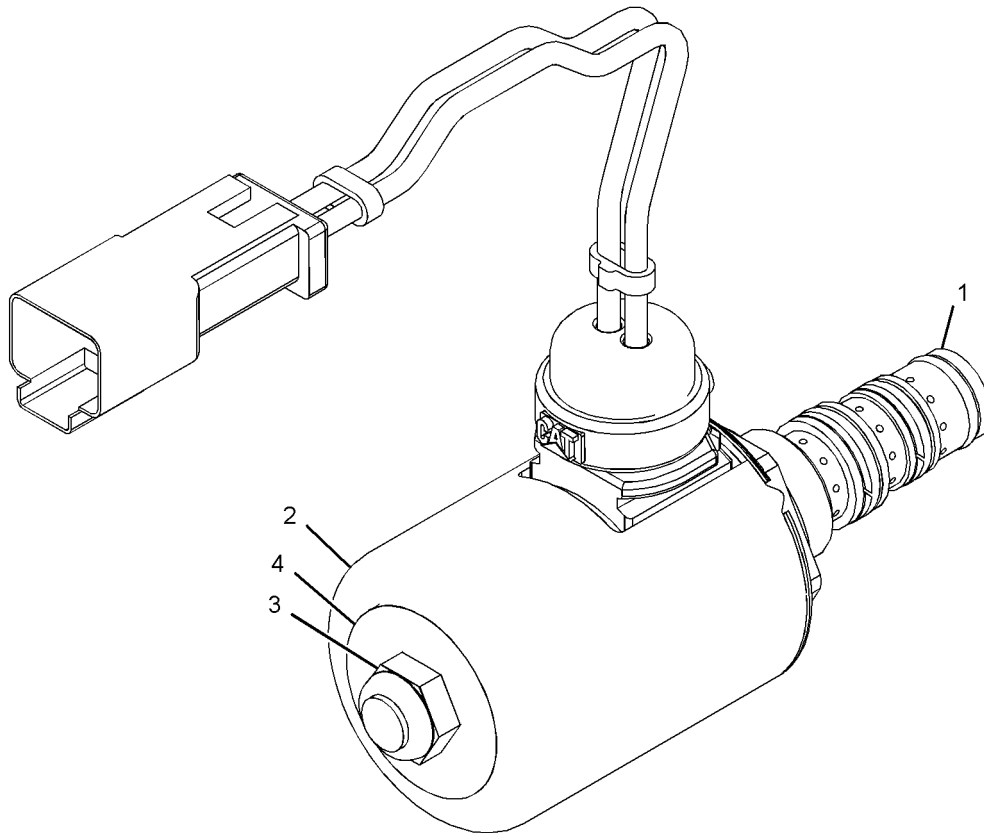
PART OF 225-6287, 234-6899, 257-7284 VALVE GP-CONTROL, 323-7782, 323-7784
VALVE GP-MAIN CONTROL, 352-6819 VALVE GP-SOLENOID
ALSO AN ATTACHMENT

SMCS-5479

i03656896

NOTE	REF NO	GRAPHIC REF	PART NUMBER	QTY	PART NAME						SEE PAGE
					1	2	3	4	5	6 (PRODUCT LEVEL)	
J	1	1	171-3684	1	VALVE AS						
		1	8C-9987	1	WASHER (8.3X28X2.5-MM THK)						
		1	111-0343	1	LOCKNUT (5/16-18-THD)						
	2	1	218-9894	1	COIL AS (24-VOLT)						
		1	3E-3365	1	WEDGE-RECEPTACLE LOCK (2-PIN)						
		1	1S-9593	2	STRAP-CABLE						
		1	102-8802	1	KIT-RECEPTACLE (2-PIN)						
					(INCLUDES RECEPTACLE AS & WEDGE)						
		1	8T-8729	2	PIN-CONNECTOR (16-GA TO 18-GA)						
	3	1	111-0343	1	LOCKNUT (5/16-18-THD)						
	4	1	8C-9987	1	WASHER (8.3X28X2.5-MM THK)						
					AVAILABLE REPAIR KIT(S):						
J			160-3771	1	KIT-SEAL (SOLENOID VALVE)						
					(INCLUDES BACKUP RINGS & O-RING SEALS)						

J-KIT MARKED J SERVICES PART(S) MARKED J



GRAPHIC #1

<END>

g02071354

HYDRAULIC SYSTEM

242-6880 VALVE GP-SOLENOID

S/N: PAS1-UP

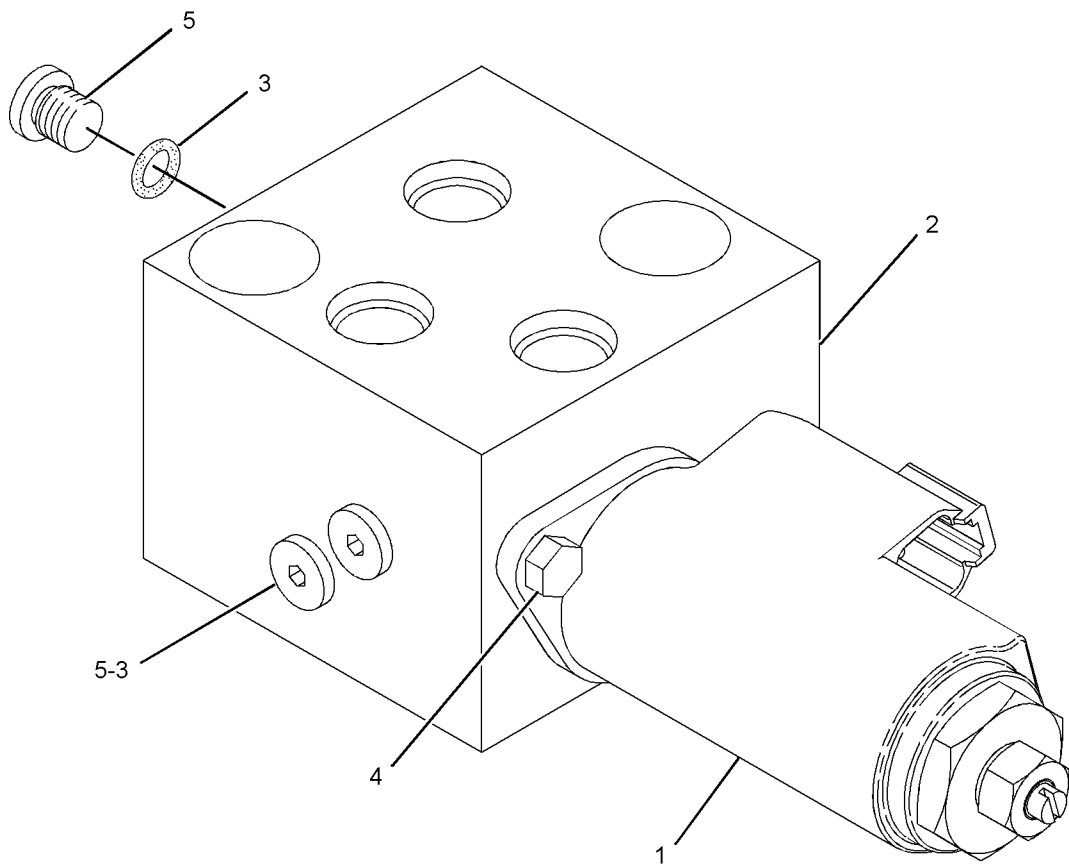
PART OF 245-5312 LINES GP-HYDRAULIC OIL COOLER
AN ATTACHMENT

SMCS-5479

i02117544

NOTE	REF NO	GRAPHIC REF	PART NUMBER	QTY	PART NAME						SEE PAGE
					1	2	3	4	5	6 (PRODUCT LEVEL)	
Y	1	1	121-1491	1	VALVE GP-SOLENOID						687
	2	1	242-6893	1	BLOCK						
	3	1	4J-7533	3	SEAL-O-RING						
M	4	1	7I-2272	2	BOLT (M5X0.8X12-MM)						
	5	1	9S-8001	3	PLUG-O-RING						

M-METRIC PART
Y-SEPARATE ILLUSTRATION



GRAPHIC #1

<END>

g01084421

HYDRAULIC SYSTEM

352-6819 VALVE GP-SOLENOID

S/N: PAS1-UP

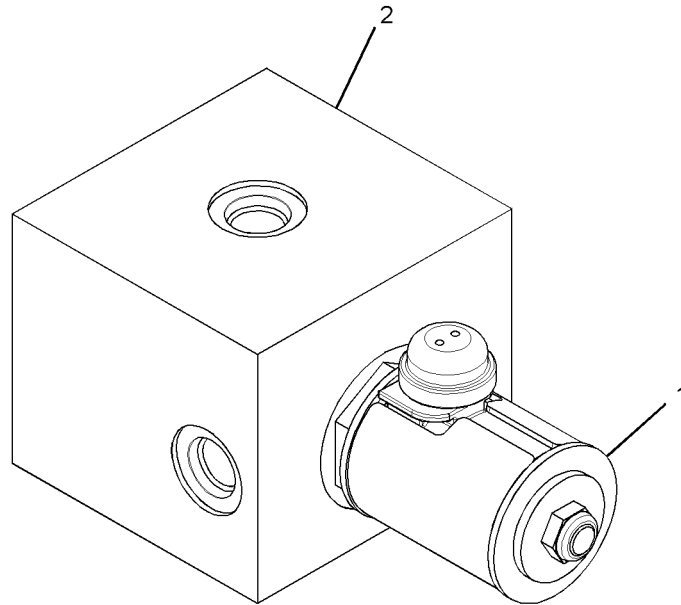
PART OF 296-7095 LINES GP-PILOT

SMCS-5479

i03901636

NOTE	REF NO	GRAPHIC REF	PART NUMBER	QTY	PART NAME						SEE PAGE
					1	2	3	4	5	6 (PRODUCT LEVEL)	
Y	1	1	171-3685	1	VALVE GP-SOLENOID (24-VOLT)						690
	2	1	352-6820	1	BLOCK-HYDRAULIC						

Y-SEPARATE ILLUSTRATION



GRAPHIC #1

<END>

g02129634

HYDRAULIC SYSTEM

315-4394 VALVE GP-SWING CUSHION

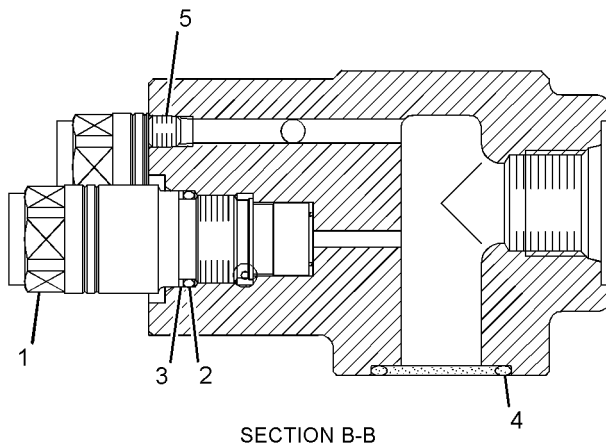
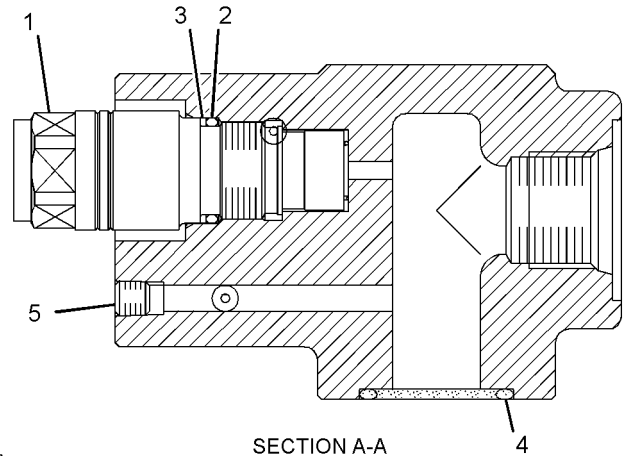
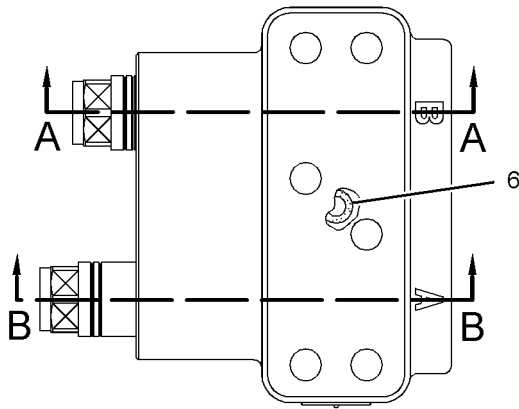
S/N: PAS1-UP

PART OF 319-9995 LINES GP-SWING MOTOR

SMCS-5480

i03656699

NOTE	REF NO	GRAPHIC REF	PART NUMBER	QTY	PART NAME						SEE PAGE
					1	2	3	4	5	6 (PRODUCT LEVEL)	
	1	1	315-4395	2	VALVE GP-SWING CUSHION						
	2	1	095-1586	2	SEAL-O-RING						
	3	1	095-1785	2	RING-BACKUP						
	4	1	095-1698	2	SEAL-O-RING						
	5	1	8T-6759	4	PLUG-PIPE						
	6	1	095-1576	1	SEAL-O-RING						



GRAPHIC #1

<END>

g02062955

HYDRAULIC SYSTEM

143-8067 VALVE GP-TRAVEL COUNTERBALANCE

S/N: PAS1-UP

PART OF 338-6178 LINES GP-TRAVEL MOTOR

SMCS-5811

i03656898

NOTE	REF NO	GRAPHIC REF	PART NUMBER	QTY	PART NAME						SEE PAGE
					1	2	3	4	5	6 (PRODUCT LEVEL)	
	1	1	116-3510	2	PLUG						
J	4	1	095-1592	2	SEAL-O-RING						
Y	5	1	191-5701	2	VALVE GP-RELIEF						678
J	6	1	3J-1907	2	SEAL-O-RING						
	7	1	116-3508	2	PLUG						
	8	1	095-1517	2	SEAL-O-RING						
	9	1	110-5525	2	PLUG						
	10	1	116-3505	2	SPRING						
	11	1	116-3509	2	SEAT						
	12	1	165-9234	1	VALVE AS						
J	13	1	032-9882	2	SEAL-O-RING						
	14	1	165-9243	2	SPRING						
	15	1	342-1814	2	COVER						
	16	1	7I-7586	2	SEAT-SPRING						
J	17	1	095-1701	2	SEAL-O-RING						
	18	1	116-3504	2	ORIFICE						
M	19	1	101-7402	8	BOLT-SOCKET HEAD (M12X1.75X30-MM)						
J	20	1	095-1579	2	SEAL-O-RING						
	21	1	085-5564	2	PLUG						
	22	1	289-7832	1	VALVE AS						
		1	116-3501	1	SLEEVE						
	23	1	116-3503	1	SPRING						
	25	1	116-3500	1	PLUG						
J	26	1	095-1582	1	SEAL-O-RING						
J	27	1	095-1750	2	SEAL-O-RING						

AVAILABLE REPAIR KIT(S) :

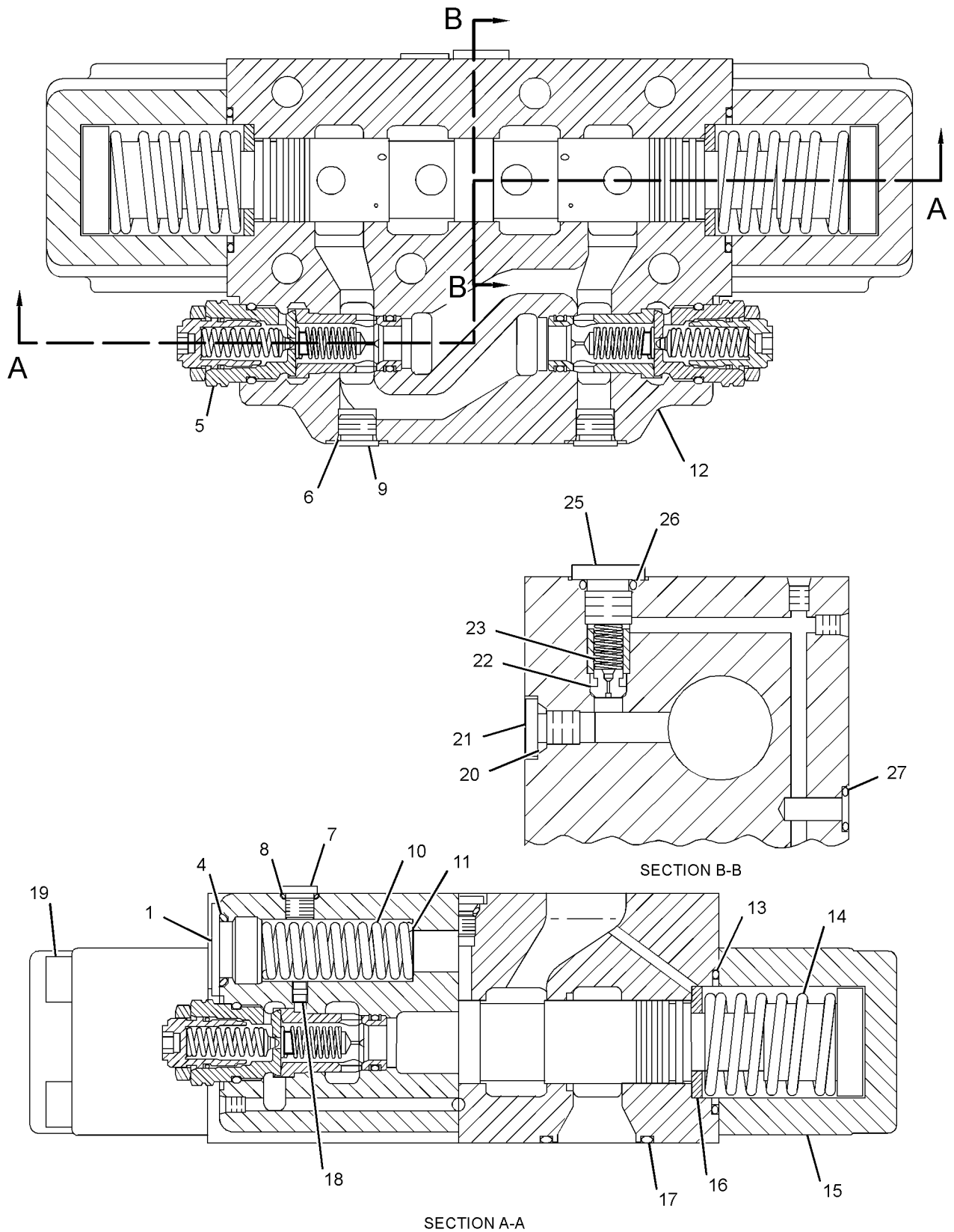
J	165-9245	1	KIT-SEAL (COUNTERBALANCE VALVE)
---	----------	---	---------------------------------

J-KIT MARKED J SERVICES PARTS MARKED J
M-METRIC PART
Y-SEPARATE ILLUSTRATION

HYDRAULIC SYSTEM

143-8067 VALVE GP-TRAVEL COUNTERBALANCE (contd.)

i03656898



GRAPHIC #1

SECTION A-A

<END>

g01397681

IMPLEMENTS

294-1284 BOOM AR-MASS

S/N: PAS1-UP

7-M (23-FT)

CANNOT BE USED WITH 294-1281-PAGE 696
AN ATTACHMENT

SMCS-6501, 7000

i03864860

NOTE	PART NUMBER	QTY	PART NAME						SEE PAGE
			1	2	3	4	5	6 (PRODUCT LEVEL)	
Y	297-7319	1	BOOM GP						699
Y	353-6880	1	CYLINDER & LINES GP-BOOM (LH)						418
Y	353-6881	1	CYLINDER & LINES GP-BOOM (RH)						418
Y	353-6859	1	CYLINDER & LINES GP-STICK						419
Y	238-2163	1	LIGHTING GP-FLOOD						195
Y	338-6180	1	LINES GP-BOOM						477
Y	315-0849	1	LINES GP-GREASE						709

Y-SEPARATE ILLUSTRATION

<END>

294-1281 BOOM AR-REACH

S/N: PAS1-UP

7.8-M (25.6-FT)

FOR USE WITH 294-1285-PAGE 731, 294-1286-PAGE 731, 294-1287-PAGE 731,
294-1288-PAGE 731

AN ATTACHMENT

SMCS-7000

i03865514

NOTE	PART NUMBER	QTY	PART NAME						SEE PAGE
			1	2	3	4	5	6 (PRODUCT LEVEL)	
Y	294-1517	1	BOOM GP						697
Y	353-6880	1	CYLINDER & LINES GP-BOOM (LH)						418
Y	353-6881	1	CYLINDER & LINES GP-BOOM (RH)						418
Y	353-6859	1	CYLINDER & LINES GP-STICK						419
Y	238-2162	1	LIGHTING GP-FLOOD						193
Y	338-6179	1	LINES GP-BOOM						475
Y	315-0829	1	LINES GP-GREASE						707

Y-SEPARATE ILLUSTRATION

<END>

IMPLEMENTS

294-1517 BOOM GP

S/N: PAS1-UP

7.8-M (25.6-FT)

PART OF 294-1281 BOOM AR-REACH
AN ATTACHMENT

SMCS-6301, 6302, 6460, 6501, 6516, 6521, 6535, 6536

i03657000

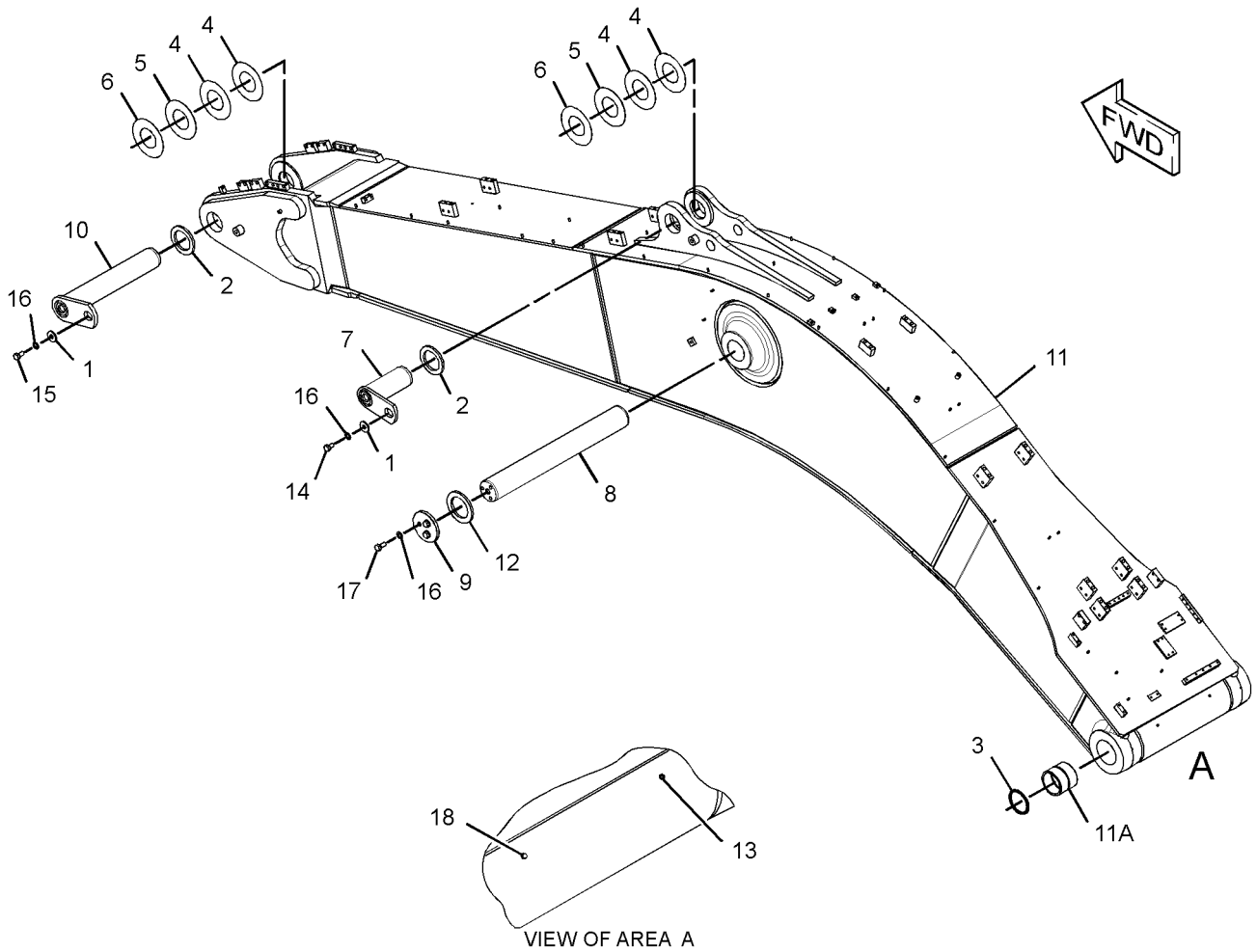
NOTE	REF NO	GRAPHIC REF	PART NUMBER	QTY	PART NAME						SEE PAGE
					1	2	3	4	5	6 (PRODUCT LEVEL)	
	1	1	4I-3183	2	WASHER (26X70X8-MM THK)						
	2	1	7Y-9267	2	SPACER (133X190X14-MM THK)						
	3	1	9X-4601	2	SEAL-LIP TYPE						
B	4	1	093-0076	4	SHIM (1-MM THK)						
B	5	1	093-0108	2	SHIM (2-MM THK)						
B	6	1	158-3853	2	SHIM (0.5-MM THK)						
	7	1	158-4105	1	PIN AS						
	8	1	208-1922	1	PIN						
	9	1	208-1923	2	PLATE						
	10	1	234-4038	1	PIN AS						
	11	1	294-1518	1	BOOM & BEARING AS						
	11A	1	234-3748	2	BEARING-SLEEVE						
	12	1	093-0377	2	SPACER (143X210X14-MM THK)						
	13	1	3B-8489	1	FITTING-GREASE						
M	14	1	7X-2573	1	BOLT (M24X3X40-MM)						
M	15	1	7X-2574	1	BOLT (M24X3X45-MM)						
	16	1	8T-4167	8	WASHER-HARD (26X44X4-MM THK)						
M	17	1	8T-5379	6	BOLT (M24X3X50-MM)						
	18	1	8T-6764	1	PLUG-PIPE (1/8-27-THD)						

B-USE AS REQUIRED
M-METRIC PART

IMPLEMENTS

294-1517 BOOM GP (contd.)

i03657000



GRAPHIC #1

<END>

g02073833

IMPLEMENTS

297-7319 BOOM GP

S/N: PAS1-UP

7-M (23-FT)

PART OF 294-1284 BOOM AR-MASS

AN ATTACHMENT

SMCS-6301, 6302, 6460, 6501, 6516, 6521, 6535, 6536

i03657001

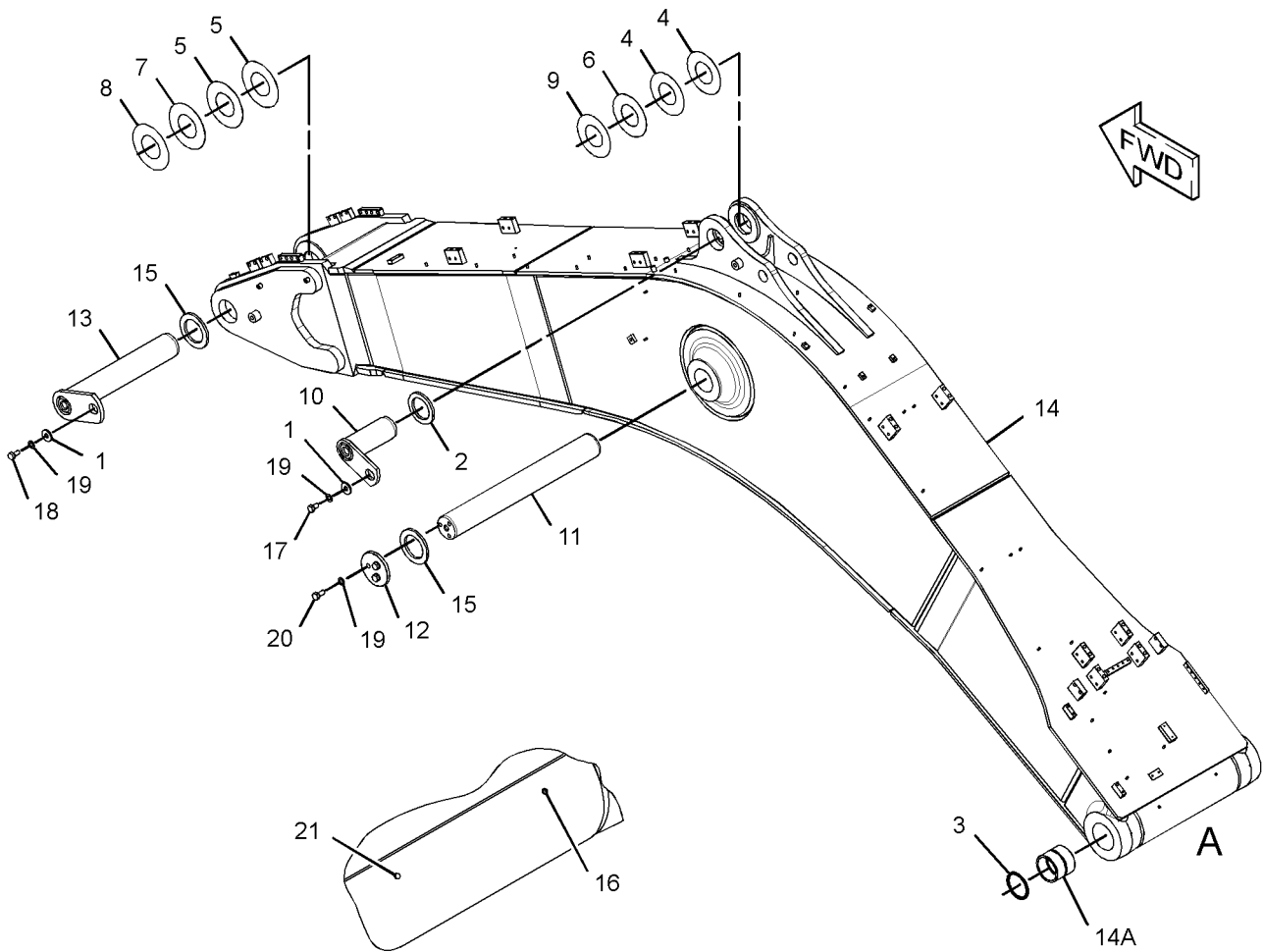
NOTE	REF NO	GRAPHIC REF	PART NUMBER	QTY	PART NAME						SEE PAGE
					1	2	3	4	5	6 (PRODUCT LEVEL)	
	1	1	4I-3183	2	WASHER (26X70X8-MM THK)						
	2	1	7Y-9267	1	SPACER (133X190X14-MM THK)						
	3	1	9X-4601	2	SEAL-LIP TYPE						
B	4	1	093-0076	2	SHIM (1-MM THK)						
B	5	1	093-0077	2	SHIM (1-MM THK)						
B	6	1	093-0108	1	SHIM (2-MM THK)						
B	7	1	093-0109	1	SHIM (2-MM THK)						
B	8	1	158-3852	1	SHIM (0.5-MM THK)						
B	9	1	158-3853	1	SHIM (0.5-MM THK)						
	10	1	158-4105	1	PIN AS						
	11	1	208-1922	1	PIN						
	12	1	208-1923	2	PLATE						
	13	1	234-4042	1	PIN AS						
	14	1	297-7320	1	BOOM & BEARING AS						
	14A	1	234-3748	2	BEARING-SLEEVE						
	15	1	093-0377	3	SPACER (143X210X14-MM THK)						
	16	1	3B-8489	1	FITTING-GREASE						
M	17	1	7X-2573	1	BOLT (M24X3X40-MM)						
M	18	1	7X-2574	1	BOLT (M24X3X45-MM)						
	19	1	8T-4167	8	WASHER-HARD (26X44X4-MM THK)						
M	20	1	8T-5379	6	BOLT (M24X3X50-MM)						
	21	1	8T-6764	1	PLUG-PIPE (1/8-27-THD)						

B-USE AS REQUIRED
M-METRIC PART

IMPLEMENTS

297-7319 BOOM GP (contd.)

i03657001



VIEW OF AREA A

<END>

GRAPHIC #1

g02073534

IMPLEMENTS

349-4089 GUARD GP-CYLINDER

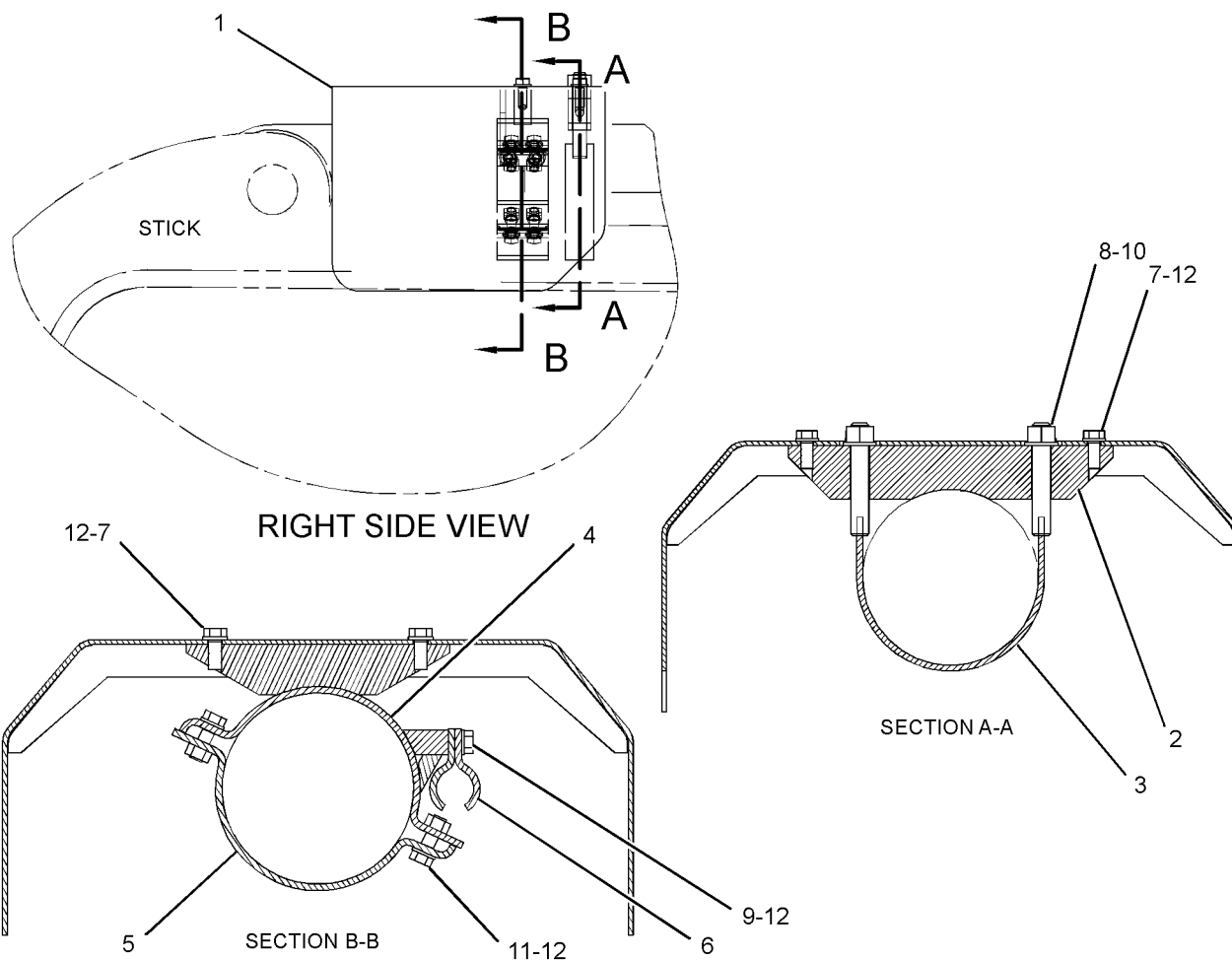
S/N: PAS1-UP
PART OF 319-9260 SPECIAL AR
AN ATTACHMENT

SMCS-7164

i03878954

NOTE	REF NO	GRAPHIC REF	PART NUMBER	QTY	PART NAME						SEE PAGE
					1	2	3	4	5	6 (PRODUCT LEVEL)	
	1	1	349-4090	1	GUARD AS-CYLINDER						
	2	1	349-4092	1	SUPPORT						
	3	1	349-4093	1	SUPPORT AS						
	4	1	349-4095	1	SUPPORT AS						
	5	1	356-9119	1	SUPPORT AS						
	6	1	128-7514	2	CLIP						
M	7	1	7X-2553	4	BOLT (M16X2X40-MM)						
M	8	1	8T-4001	2	NUT (M24X3-THD)						
M	9	1	8T-4140	2	BOLT (M16X2X60-MM)						
	10	1	8T-4167	2	WASHER-HARD (26X44X4-MM THK)						
M	11	1	8T-4193	4	BOLT (M16X2X50-MM)						
	12	1	9X-8257	10	WASHER (17.5X30X3.5-MM THK)						

M-METRIC PART



GRAPHIC #1

<END>

g02131566

IMPLEMENTS

158-3996 LINES GP-GREASE-STICK

S/N: PAS1-UP

PART OF 294-1290, 319-9196 STICK AR-HOE

FOR USE WITH 2.6-M (8.5-FT) STICK

AN ATTACHMENT

SMCS-7510

i02481471

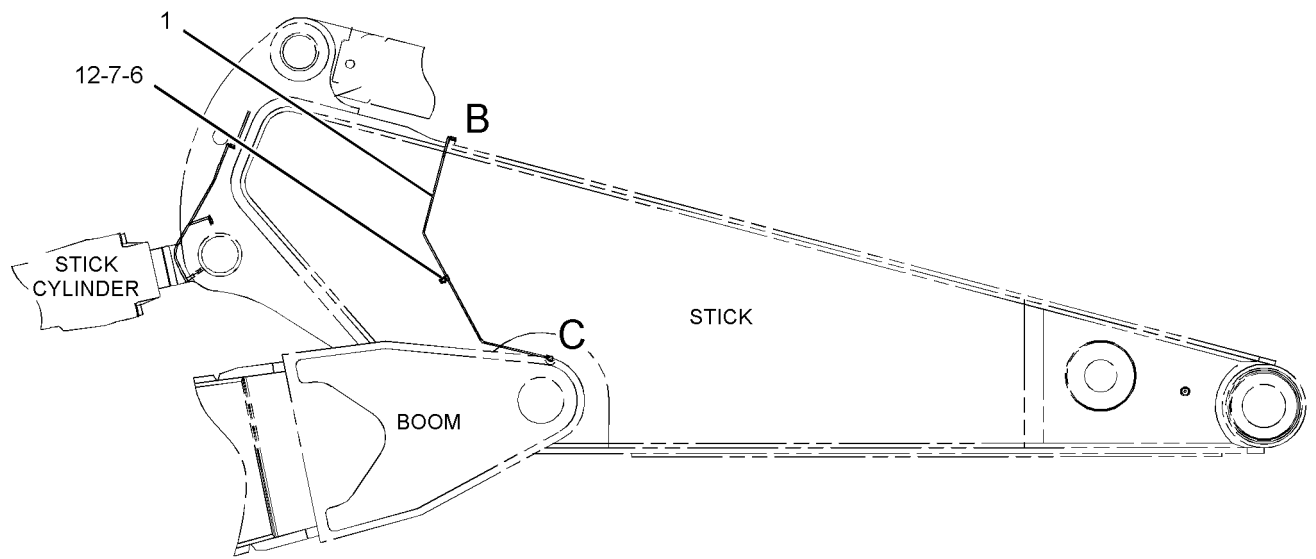
NOTE	REF NO	GRAPHIC REF	PART NUMBER	QTY	PART NAME						SEE PAGE	
					1	2	3	4	5	6 (PRODUCT LEVEL)		
	1	1	151-0610	1	TUBE	AS						
	2	2	151-0611	1	TUBE	AS						
	3	2	151-0612	1	TUBE	AS						
	4	2	151-0613	1	TUBE	AS						
	5	2	141-3672	1	ELBOW	AS						
		2	2D-1683	1	FITTING							
		2	141-3636	1	ELBOW							
	6	1,2	8M-2772	3	CLIP							
	7	1,2	8T-4121	3	WASHER-HARD	(11X21X2.5-MM THK)						
M	8	1	8T-4191	1	BOLT	(M10X1.5X16-MM)						
	9	1	5K-9243	2	ELBOW-FLARED							
C	10	2	108-6717	3	ELBOW							
	11	2	6L-3616	6	CONNECTOR							
M	12	1,2	8T-4133	2	NUT	(M10X1.5-THD)						
	13	2	141-3637	1	HOSE	AS						
	14	2	3B-8489	4	FITTING-GREASE							
	15	2	8T-6757	4	PLUG-PIPE							
	16	2	4M-5317	2	BUSHING-REDUCING							
C	17	2	130-4317	1	HOSE	AS						

C-CHANGE FROM PREVIOUS TYPE
M-METRIC PART

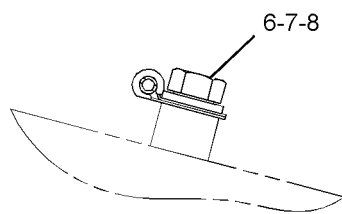
IMPLEMENTS

158-3996 LINES GP-GREASE (contd.)

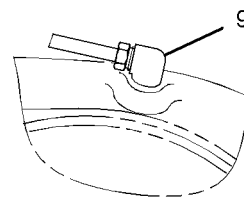
i02481471



RIGHT SIDE VIEW



VIEW OF AREA B



VIEW OF AREA C

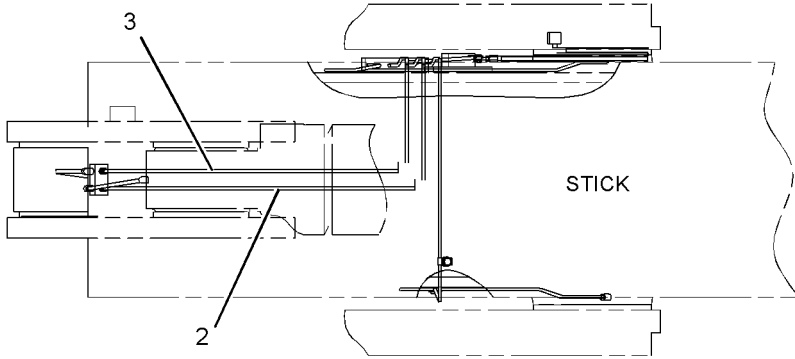
GRAPHIC #1

g01241575

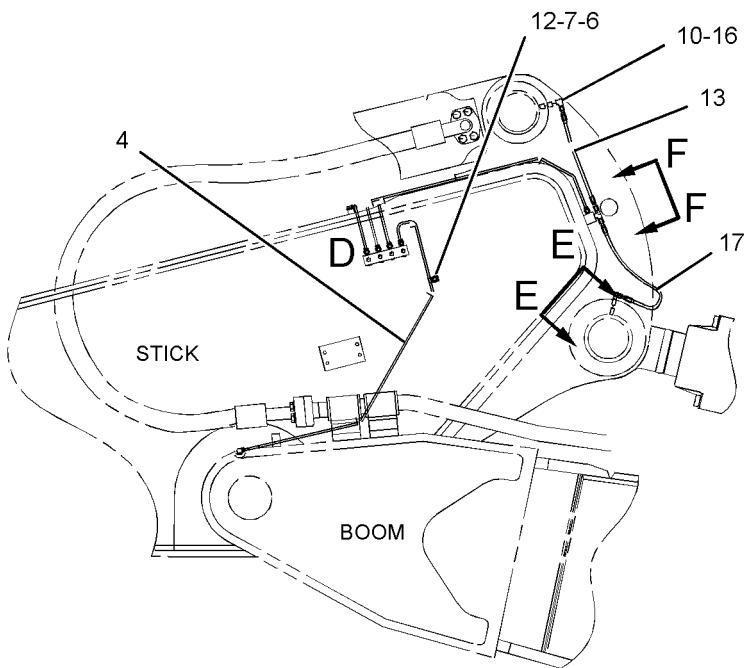
IMPLEMENTS

158-3996 LINES GP-GREASE (contd.)

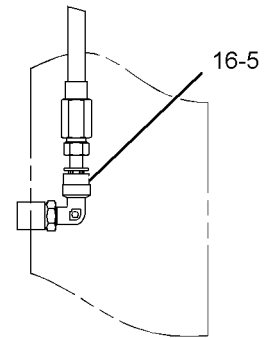
i02481471



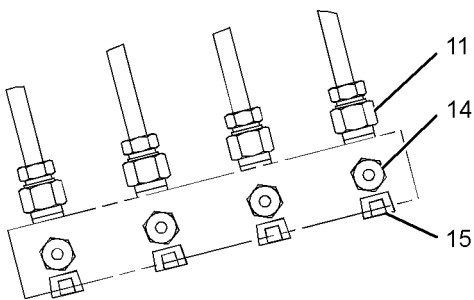
TOP VIEW



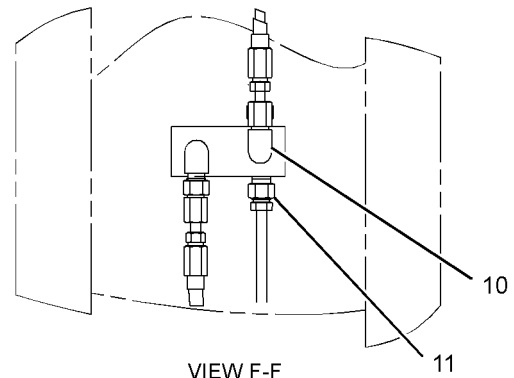
LEFT SIDE VIEW



VIEW E-E



VIEW OF AREA D



VIEW F-F

GRAPHIC #2

<END>

g01245409

IMPLEMENTS

219-8204 LINES GP-GREASE-STICK

S/N: PAS1-UP

PART OF 294-1287, 319-9197 STICK AR-HOE

FOR USE WITH 3.6-M (11.8-FT) STICK

AN ATTACHMENT

SMCS-7510

i03901639

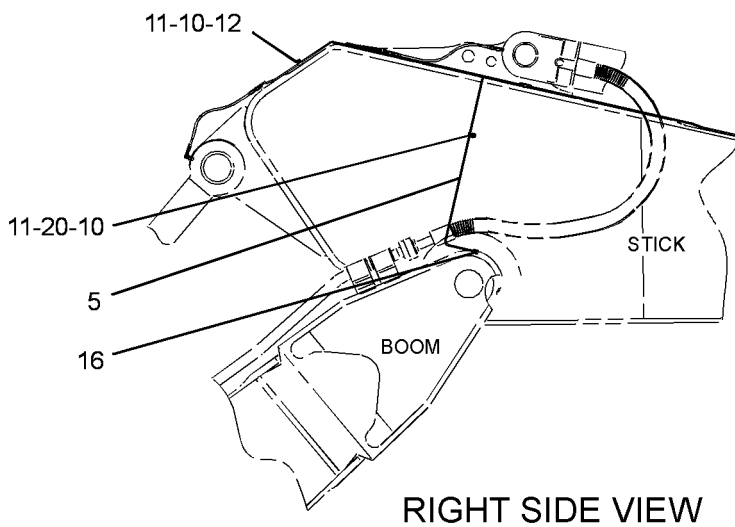
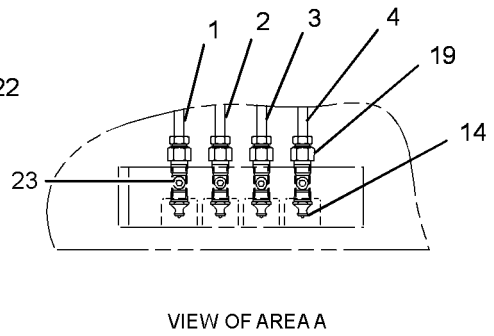
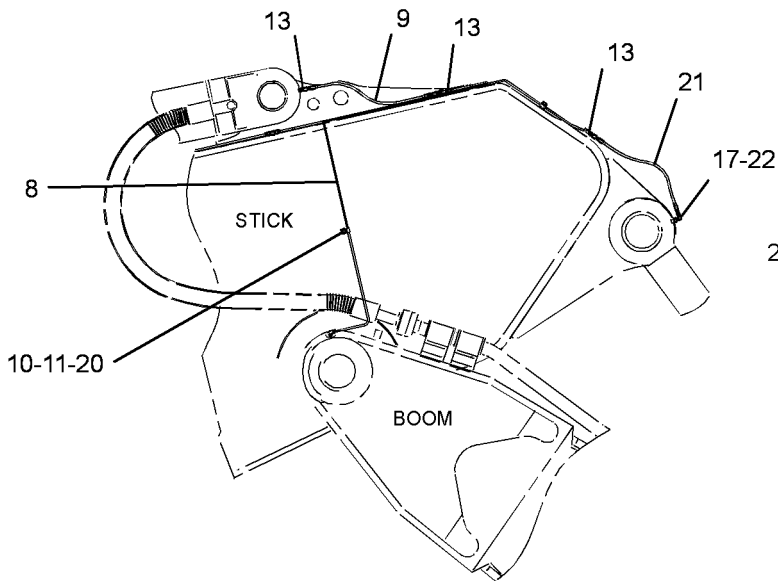
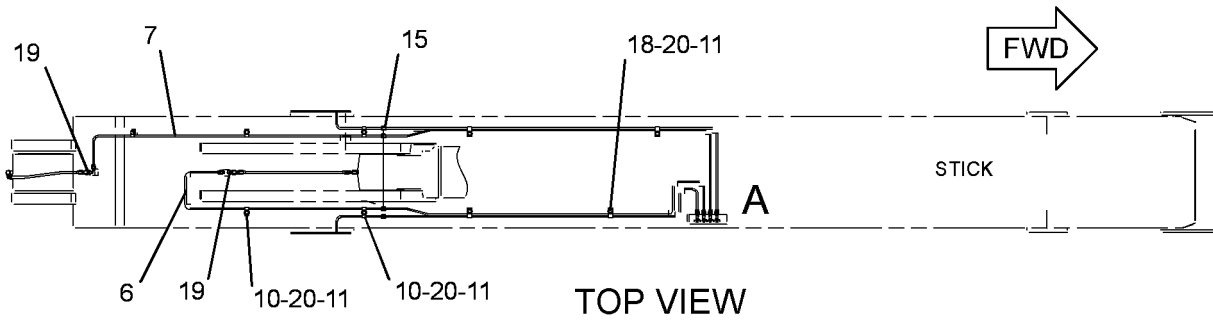
NOTE	REF NO	GRAPHIC REF	PART NUMBER	QTY	PART NAME						SEE PAGE	
					1	2	3	4	5	6 (PRODUCT LEVEL)		
	1	1	163-3717	1	TUBE	AS						
	2	1	163-3718	1	TUBE	AS						
	3	1	163-3719	1	TUBE	AS						
	4	1	163-3721	1	TUBE	AS						
	5	1	180-7609	1	TUBE	AS						
	6	1	219-8239	1	TUBE	AS						
	7	1	208-1964	1	TUBE	AS						
	8	1	180-7608	1	TUBE	AS						
	9	1	130-4317	1	HOSE	AS						
	10	1	8M-2772	9	CLIP							
	11	1	8T-4121	11	WASHER-HARD	(11X21X2.5-MM THK)						
M	12	1	8T-4191	1	BOLT	(M10X1.5X16-MM)						
	13	1	108-6709	3	CONNECTOR							
	14	1	3B-8489	4	FITTING-GREASE							
	15	1	5K-9242	4	UNION-FLARED							
	16	1	5K-9243	2	ELBOW-FLARED							
	17	1	4M-5317	1	BUSHING-REDUCING							
	18	1	5K-2298	4	CLIP							
	19	1	6L-3616	6	CONNECTOR							
M	20	1	8T-4133	10	NUT	(M10X1.5-THD)						
	21	1	151-0605	1	HOSE	AS						
	22	1	141-3672	1	ELBOW	AS						
		1	2D-1683	1	FITTING							
B	23	1	8T-6757	4	PLUG-PIPE							

B-USE AS REQUIRED
M-METRIC PART

IMPLEMENTS

219-8204 LINES GP-GREASE (contd.)

i03901639



GRAPHIC #1

<END>

g02144410

IMPLEMENTS

315-0829 LINES GP-GREASE-BOOM

S/N: PAS1-UP

PART OF 294-1281 BOOM AR-REACH
FOR USE WITH 7.8-M (25.6-FT) BOOM
AN ATTACHMENT

SMCS-7510

i03877762

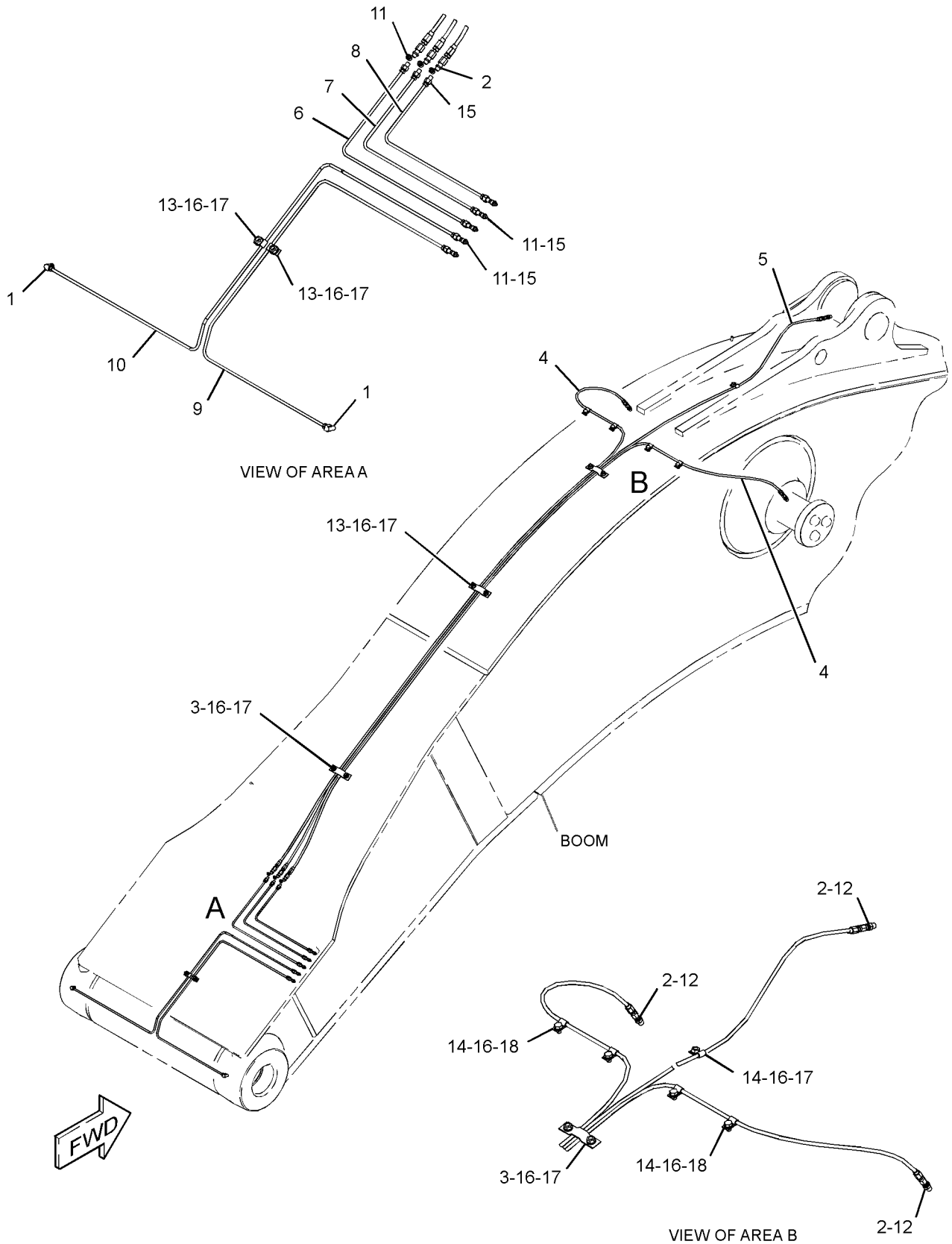
NOTE	REF NO	GRAPHIC REF	PART NUMBER	QTY	PART NAME						SEE PAGE
					1	2	3	4	5	6 (PRODUCT LEVEL)	
	1	1	5K-9243	2	ELBOW-FLARED						
	2	1	108-6709	6	CONNECTOR						
	3	1	141-3678	3	PLATE						
	4	1	151-0749	2	HOSE AS						
	5	1	158-4007	1	HOSE AS						
	6	1	315-0830	1	TUBE AS						
	7	1	315-0831	1	TUBE AS						
	8	1	315-0832	1	TUBE AS						
	9	1	315-0833	1	TUBE AS						
	10	1	350-6444	1	TUBE AS						
	11	1	3B-8489	8	FITTING-GREASE						
	12	1	4M-5317	3	BUSHING-REDUCING						
	13	1	8M-2772	2	CLIP						
	14	1	5P-9085	5	CLIP						
	15	1	6L-3616	8	CONNECTOR						
	16	1	8T-4121	13	WASHER-HARD (11X21X2.5-MM THK)						
M	17	1	8T-4133	9	NUT (M10X1.5-THD)						
M	18	1	8T-4191	4	BOLT (M10X1.5X16-MM)						

M-METRIC PART

IMPLEMENTS

315-0829 LINES GP-GREASE (contd.)

i03877762



GRAPHIC #1

<END>

g02134782

IMPLEMENTS

315-0849 LINES GP-GREASE-BOOM

S/N: PAS1-UP

PART OF 294-1284 BOOM AR-MASS

FOR USE WITH 7-M (23-FT) BOOM

AN ATTACHMENT

SMCS-7510

i03877778

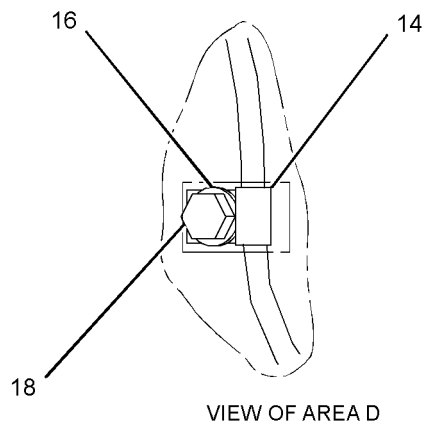
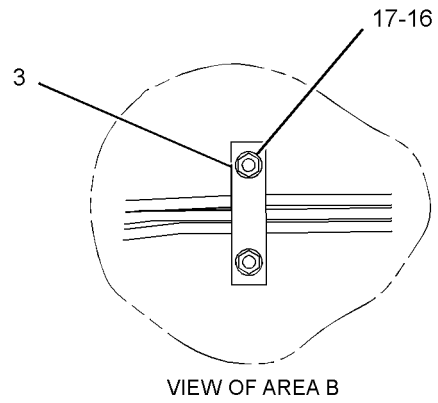
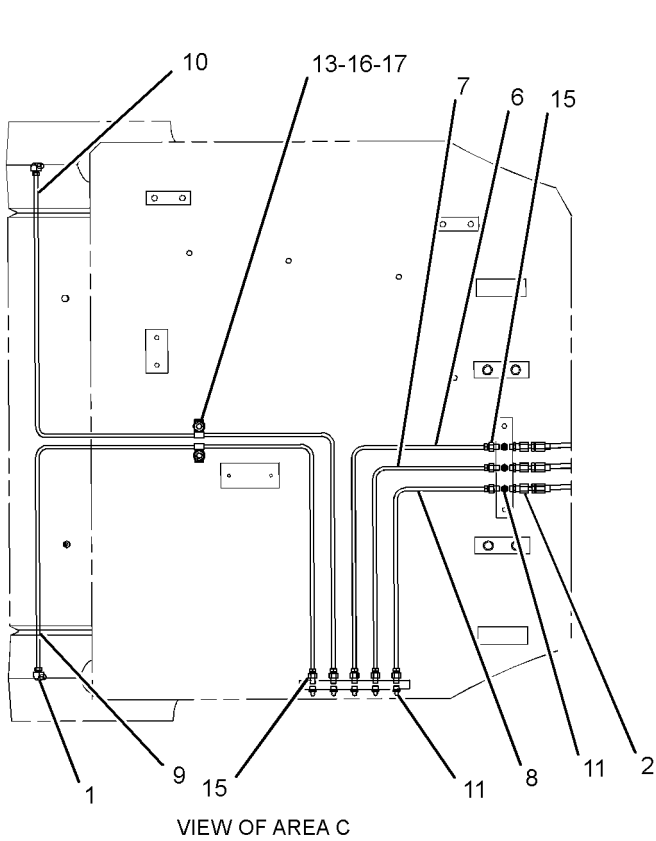
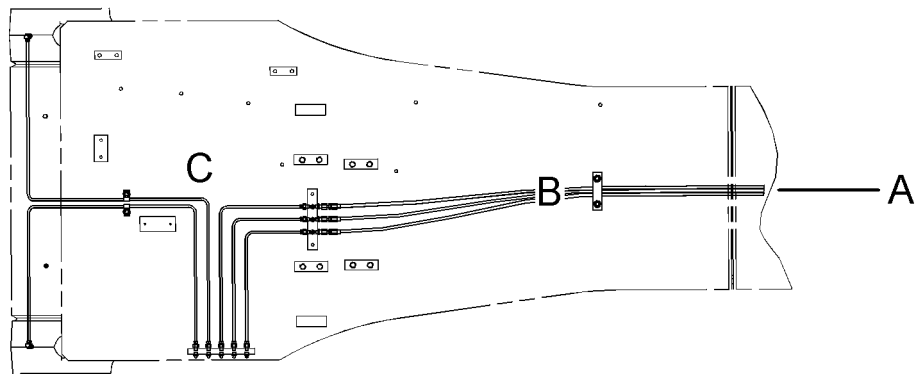
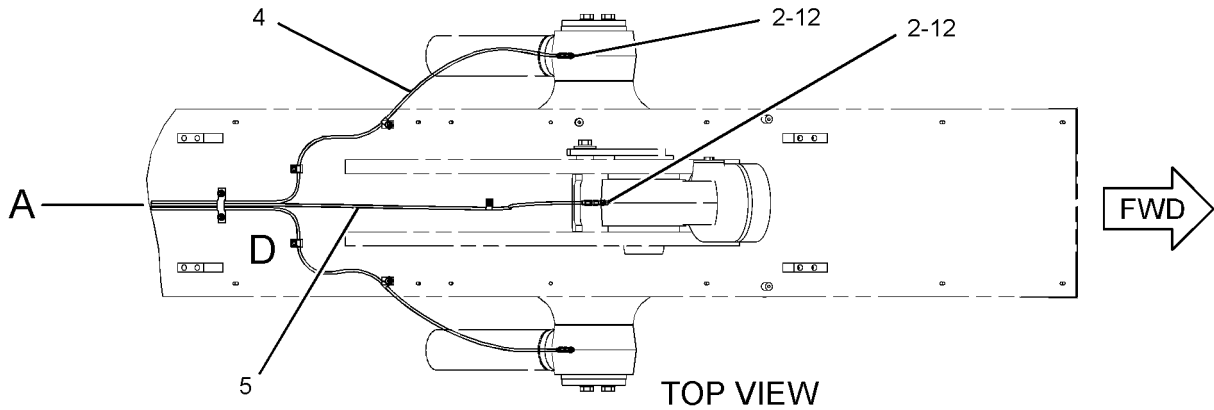
NOTE	REF NO	GRAPHIC REF	PART NUMBER	QTY	PART NAME						SEE PAGE
					1	2	3	4	5	6 (PRODUCT LEVEL)	
	1	1	5K-9243	2	ELBOW-FLARED						
	2	1	108-6709	6	CONNECTOR						
	3	1	141-3678	2	PLATE						
	4	1	147-3942	2	HOSE AS						
	5	1	151-0749	1	HOSE AS						
	6	1	315-0830	1	TUBE AS						
	7	1	315-0831	1	TUBE AS						
	8	1	315-0832	1	TUBE AS						
	9	1	315-0833	1	TUBE AS						
	10	1	350-6444	1	TUBE AS						
	11	1	3B-8489	8	FITTING-GREASE						
	12	1	4M-5317	3	BUSHING-REDUCING						
	13	1	8M-2772	2	CLIP						
	14	1	5P-9085	5	CLIP						
	15	1	6L-3616	8	CONNECTOR						
	16	1	8T-4121	11	WASHER-HARD (11X21X2.5-MM THK)						
M	17	1	8T-4133	7	NUT (M10X1.5-THD)						
M	18	1	8T-4191	4	BOLT (M10X1.5X16-MM)						

M-METRIC PART

IMPLEMENTS

315-0849 LINES GP-GREASE (contd.)

i03877778



GRAPHIC #1

<END>

g02134333

IMPLEMENTS

341-5221 LINES GP-GREASE-STICK

S/N: PAS1-UP

PART OF 294-1285 STICK AR-HOE
FOR USE WITH 4.67-M (15.3-FT) STICK
AN ATTACHMENT

SMCS-7510

i03656984

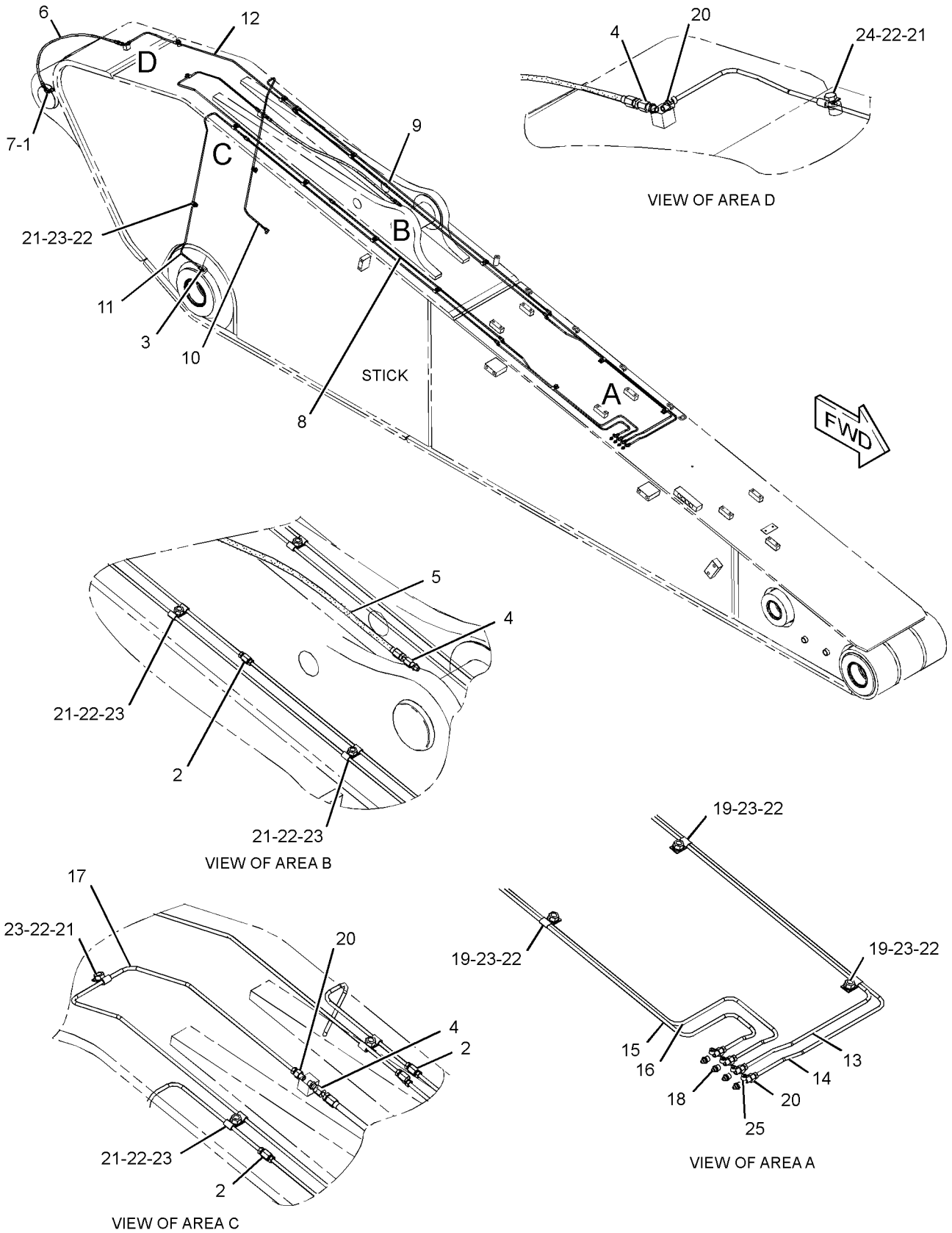
NOTE	REF NO	GRAPHIC REF	PART NUMBER	QTY	PART NAME						SEE PAGE
					1	2	3	4	5	6 (PRODUCT LEVEL)	
	1	1	4M-5317	1	BUSHING-REDUCING						
	2	1	5K-9242	8	UNION-FLARED						
	3	1	5K-9243	2	ELBOW-FLARED						
	4	1	108-6709	3	CONNECTOR						
	5	1	118-6066	1	HOSE AS						
	6	1	123-5592	1	HOSE AS						
	7	1	141-3672	1	ELBOW AS						
		1	141-3636	1	ELBOW						
		1	2D-1683	1	FITTING						
	8	1	166-1504	1	TUBE AS						
	9	1	166-1505	3	TUBE AS						
	10	1	180-7612	1	TUBE AS						
	11	1	180-7613	1	TUBE AS						
	12	1	219-8237	1	TUBE AS						
	13	1	341-5132	1	TUBE AS						
	14	1	341-5133	1	TUBE AS						
	15	1	341-5222	1	TUBE AS						
	16	1	341-5223	1	TUBE AS						
	17	1	341-5224	1	TUBE AS						
	18	1	3B-8489	4	FITTING-GREASE						
	19	1	5K-2298	3	CLIP						
	20	1	6L-3616	6	CONNECTOR						
	21	1	8M-2772	18	CLIP						
	22	1	8T-4121	14	WASHER-HARD (11X21X2.5-MM THK)						
M	23	1	8T-4133	13	NUT (M10X1.5-THD)						
M	24	1	8T-4191	1	BOLT (M10X1.5X16-MM)						
	25	1	8T-6757	4	PLUG-PIPE						

M-METRIC PART

IMPLEMENTS

341-5221 LINES GP-GREASE (contd.)

i03656984



GRAPHIC #1

<END>

g02087908

IMPLEMENTS

341-5228 LINES GP-GREASE-STICK

S/N: PAS1-UP

PART OF 294-1286 STICK AR-HOE

FOR USE WITH 4.15-M (13.6-FT) STICK

AN ATTACHMENT

SMCS-7510

i03593341

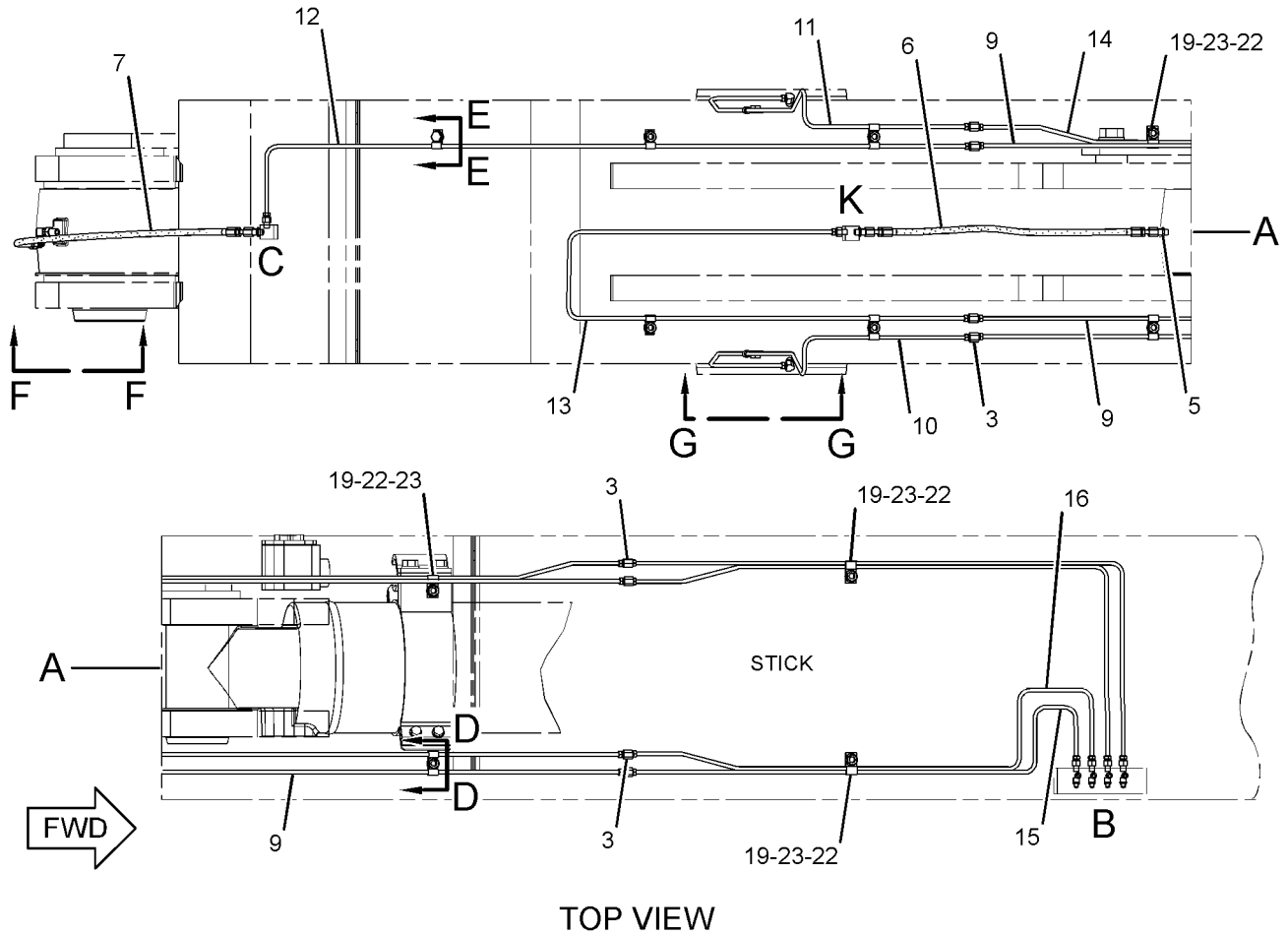
NOTE	REF NO	GRAPHIC REF	PART NUMBER	QTY	PART NAME						SEE PAGE
					1	2	3	4	5	6 (PRODUCT LEVEL)	
	1	2	3B-8489	4	FITTING-GREASE						
	2	1	4M-5317	1	BUSHING-REDUCING						
	3	1	5K-9242	8	UNION-FLARED						
	4	2	5K-9243	2	ELBOW-FLARED						
	5	1	108-6709	3	CONNECTOR						
	6	1	130-4317	1	HOSE AS						
	7	1	133-2603	1	HOSE AS						
	8	1	141-3672	1	ELBOW AS						
		1	2D-1683	1	FITTING						
		1	141-3636	1	ELBOW						
	9	1	166-1504	3	TUBE AS						
	10	1	219-8251	1	TUBE AS						
	11	1	219-8252	1	TUBE AS						
	12	1	219-8253	1	TUBE AS						
	13	1	219-8254	1	TUBE AS						
	14	1	341-5080	1	TUBE AS						
	15	1	341-5081	1	TUBE AS						
	16	1	341-5082	1	TUBE AS						
	17	2	341-5083	1	TUBE AS						
	18	2	341-5084	1	TUBE AS						
	19	1	5K-2298	4	CLIP						
	20	1,2	6L-3616	6	CONNECTOR						
	21	2	8M-2772	13	CLIP						
	22	1,2	8T-4121	13	WASHER-HARD (11X21X2.5-MM THK)						
M	23	1,2	8T-4133	12	NUT (M10X1.5-THD)						
M	24	2	8T-4191	1	BOLT (M10X1.5X16-MM)						
	25	2	8T-6757	4	PLUG-PIPE						

M-METRIC PART

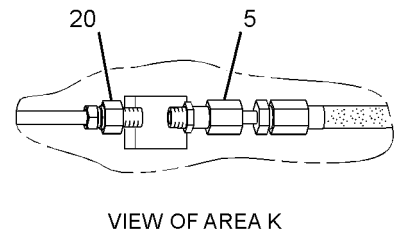
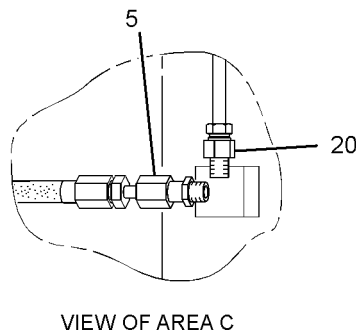
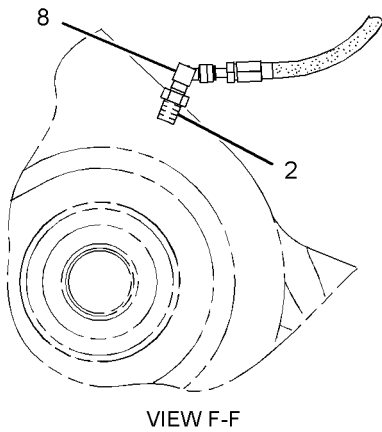
IMPLEMENTS

341-5228 LINES GP-GREASE (contd.)

i03593341



REFER TO ALL ILLUSTRATIONS OF THIS GROUP FOR AUXILIARY VIEWS



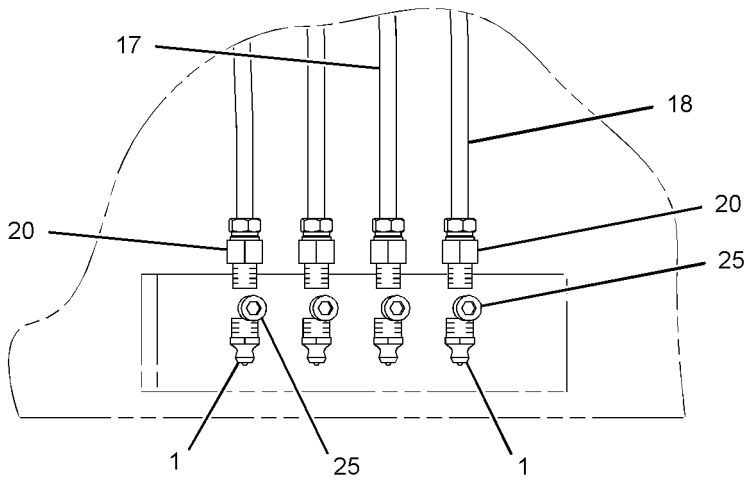
GRAPHIC #1

g01949321

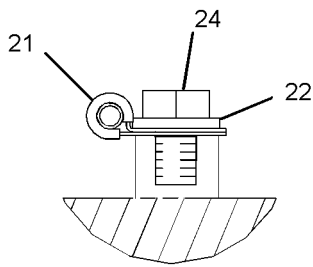
IMPLEMENTS

341-5228 LINES GP-GREASE (contd.)

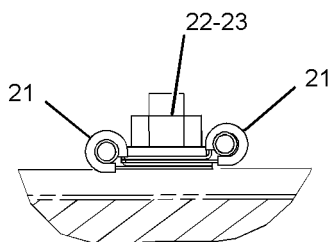
i03593341



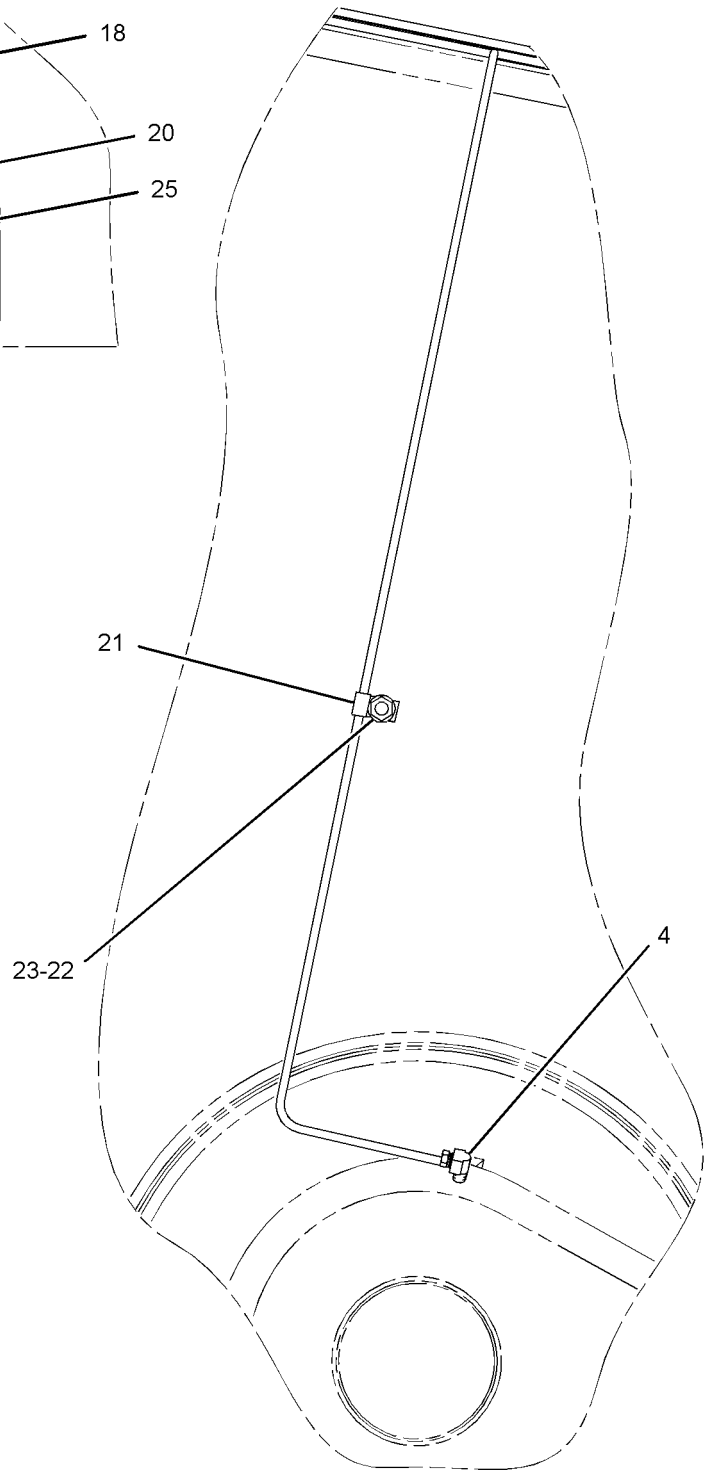
VIEW OF AREA B



SECTION E-E



SECTION D-D



VIEW G-G

GRAPHIC #2

<END>

g01949544

IMPLEMENTS

350-6512 LINES GP-GREASE-STICK

S/N: PAS1-UP

PART OF 294-1289 STICK AR-HOE
FOR USE WITH 3-M (9.8-FT) STICK
AN ATTACHMENT

SMCS-7510

i03877414

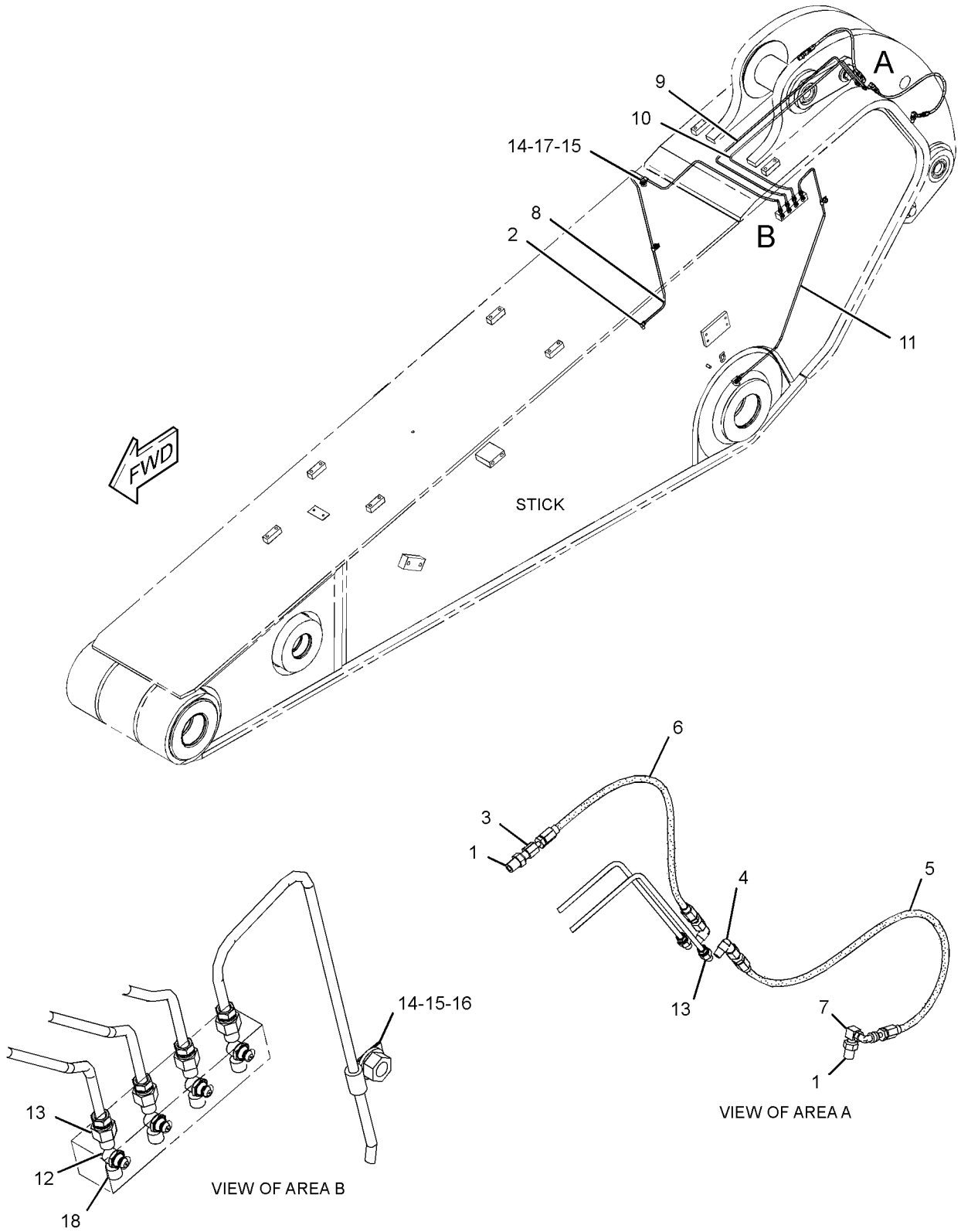
NOTE	REF NO	GRAPHIC REF	PART NUMBER	QTY	PART NAME						SEE PAGE
					1	2	3	4	5	6 (PRODUCT LEVEL)	
	1	1	4M-5317	2	BUSHING-REDUCING						
	2	1	5K-9243	2	ELBOW-FLARED						
	3	1	108-6709	1	CONNECTOR						
	4	1	108-6717	2	ELBOW						
	5	1	130-4316	1	HOSE AS						
	6	1	130-4317	1	HOSE AS						
	7	1	141-3672	1	ELBOW AS						
		1	2D-1683	1	FITTING						
		1	141-3636	1	ELBOW						
	8	1	350-6507	1	TUBE AS						
	9	1	350-6508	1	TUBE AS						
	10	1	350-6509	1	TUBE AS						
	11	1	350-6510	1	TUBE AS						
	12	1	3B-8489	4	FITTING-GREASE						
	13	1	6L-3616	6	CONNECTOR						
	14	1	8M-2772	3	CLIP						
	15	1	8T-4121	3	WASHER-HARD (11X21X2.5-MM THK)						
M	16	1	8T-4133	2	NUT (M10X1.5-THD)						
M	17	1	8T-4191	1	BOLT (M10X1.5X16-MM)						
	18	1	8T-6757	4	PLUG-PIPE						

M-METRIC PART

IMPLEMENTS

350-6512 LINES GP-GREASE (contd.)

i03877414



GRAPHIC #1

<END>

g02136633

IMPLEMENTS

294-1297 LINKAGE AR-BUCKET-VB-FAMILY, WITH LIFTING EYE

S/N: PAS1-UP

CANNOT BE USED WITH 303-2703-PAGE 718, 303-2704-PAGE 718
AN ATTACHMENT

SMCS-6513

i03865518

NOTE	PART NUMBER	QTY	PART NAME						SEE PAGE
			1	2	3	4	5	6 (PRODUCT LEVEL)	
Y	353-6872	1	CYLINDER & LINES GP-BUCKET						418
Y	297-7352	1	LINKAGE GP-BUCKET						720

Y-SEPARATE ILLUSTRATION

<END>

303-2703 LINKAGE AR-BUCKET-WB-FAMILY, WITH LIFTING EYE

S/N: PAS1-UP

FOR USE WITH 294-1289-PAGE 732, 294-1290-PAGE 732
AN ATTACHMENT

SMCS-6513

i03864898

NOTE	PART NUMBER	QTY	PART NAME						SEE PAGE
			1	2	3	4	5	6 (PRODUCT LEVEL)	
Y	353-6877	1	CYLINDER & LINES GP-BUCKET						419
Y	321-2136	1	LINKAGE GP-BUCKET						724

Y-SEPARATE ILLUSTRATION

<END>

303-2704 LINKAGE AR-BUCKET-WB-FAMILY

S/N: PAS1-UP

CANNOT BE USED WITH 303-2703-PAGE 718, 294-1297-PAGE 718
AN ATTACHMENT

SMCS-6513

i03865551

NOTE	PART NUMBER	QTY	PART NAME						SEE PAGE
			1	2	3	4	5	6 (PRODUCT LEVEL)	
Y	353-6877	1	CYLINDER & LINES GP-BUCKET						419
Y	321-2051	1	LINKAGE GP-BUCKET						722

Y-SEPARATE ILLUSTRATION

<END>

319-9198 LINKAGE AR-BUCKET-WB-FAMILY

S/N: PAS1-UP

PART OF 319-9194 SPECIAL AR
AN ATTACHMENT

SMCS-6513

i03860353

NOTE	PART NUMBER	QTY	PART NAME						SEE PAGE
			1	2	3	4	5	6 (PRODUCT LEVEL)	
Y	353-6877	1	CYLINDER & LINES GP-BUCKET						419
Y	330-2599	1	LINKAGE GP-BUCKET (WB-FAMILY)						726

Y-SEPARATE ILLUSTRATION

<END>

IMPLEMENTS

319-9199 LINKAGE AR-BUCKET-
EXTREME EXCAVATION, VB-FAMILY
S/N: PAS1-UP
PART OF 319-9195 SPECIAL AR
AN ATTACHMENT

SMCS-6513

i03864838

NOTE	PART NUMBER	QTY	PART NAME						SEE PAGE
			1	2	3	4	5	6 (PRODUCT LEVEL)	
Y	353-6872	1	CYLINDER & LINES GP						418
Y	330-2619	1	LINKAGE GP-BUCKET						728
Y-SEPARATE ILLUSTRATION									

<END>

IMPLEMENTS

297-7352 LINKAGE GP-BUCKET-VB-FAMILY, WITH LIFTING EYE

S/N: PAS1-UP

PART OF 294-1297 LINKAGE AR-BUCKET
AN ATTACHMENT

SMCS-6513

i03657015

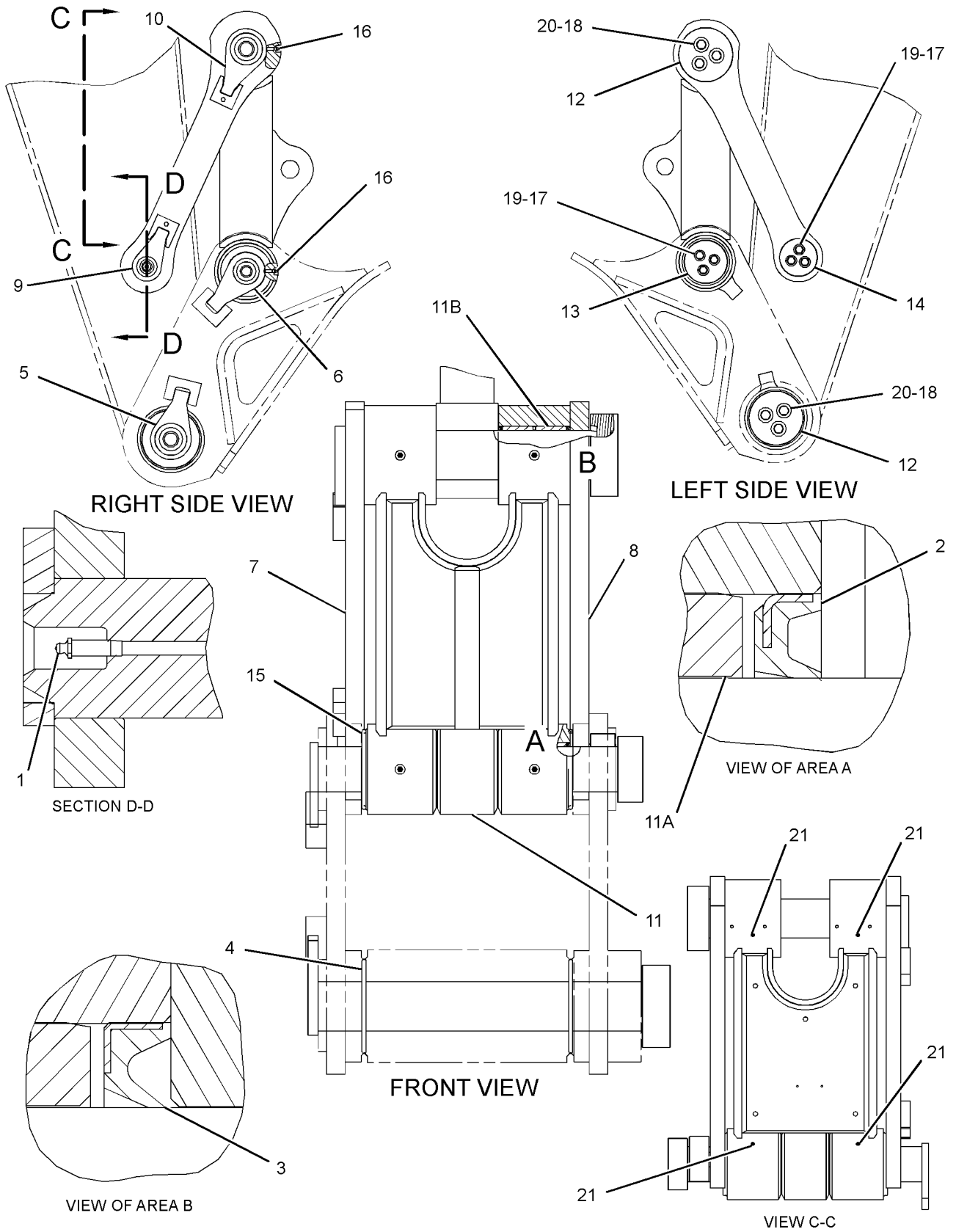
NOTE	REF NO	GRAPHIC REF	PART NUMBER	QTY	PART NAME						SEE PAGE
					1	2	3	4	5	6 (PRODUCT LEVEL)	
	1	1	5B-0651	1	FITTING-STRAIGHT						
	2	1	9X-4598	2	SEAL-LIP TYPE						
	3	1	9X-4599	4	SEAL-LIP TYPE						
	4	1	198-5647	2	SEAL-O-RING						
	5	1	212-3086	1	PIN AS						
	6	1	212-3088	1	PIN AS						
	7	1	294-1539	1	LINK AS						
	8	1	294-1540	1	LINK						
	9	1	294-1545	1	PIN AS						
	10	1	294-1550	1	PIN AS						
	11	1	297-7353	1	LINK & BEARING AS						
	11A	1	4I-6718	2	BEARING-SLEEVE						
	11B	1	294-1561	2	BEARING-SLEEVE						
	12	1	330-2646	2	PLATE						
	13	1	341-5272	1	PLATE						
	14	1	343-9279	1	PLATE						
	15	1	093-1349	2	SEAL-O-RING						
	16	1	3B-8489	4	FITTING-GREASE						
	17	1	7X-0513	6	WASHER-HARD (17X30X5-MM THK)						
	18	1	8T-4123	6	WASHER (22X35X3.5-MM THK)						
M	19	1	8T-4140	6	BOLT (M16X2X60-MM)						
M	20	1	8T-4141	6	BOLT (M20X2.5X70-MM)						
	21	1	8T-6757	4	PLUG-PIPE						

M-METRIC PART

IMPLEMENTS

297-7352 LINKAGE GP-BUCKET (contd.)

i03657015



GRAPHIC #1

<END>

g02054873

IMPLEMENTS

321-2051 LINKAGE GP-BUCKET-WB-FAMILY

S/N: PAS1-UP

WITHOUT LIFTING EYE

PART OF 303-2704 LINKAGE AR-BUCKET

AN ATTACHMENT

SMCS-6513

i03656985

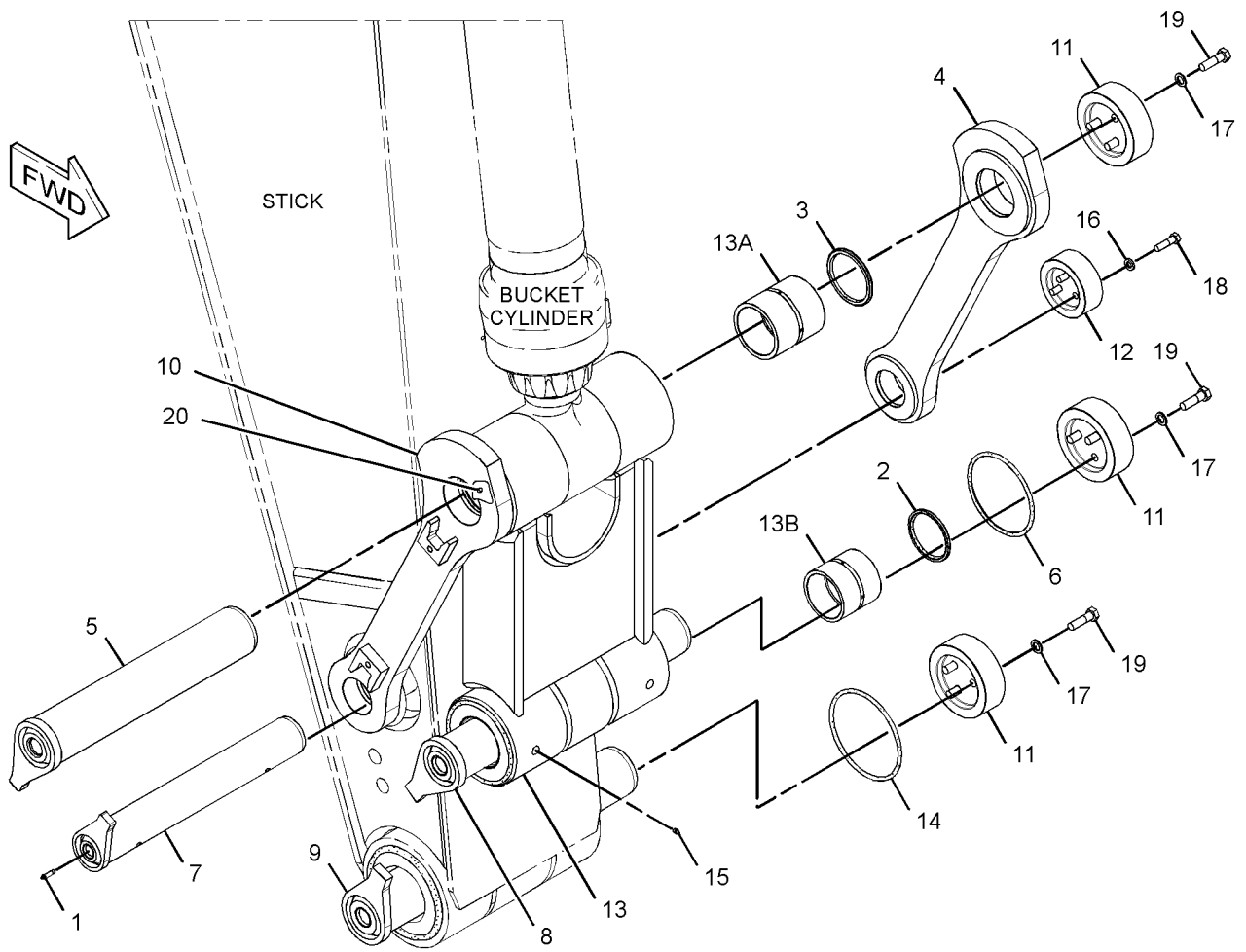
NOTE	REF NO	GRAPHIC REF	PART NUMBER	QTY	PART NAME						SEE PAGE
					1	2	3	4	5	6 (PRODUCT LEVEL)	
	1	1	5B-0651	1	FITTING-STRAIGHT						
	2	1	9X-4599	2	SEAL-LIP TYPE						
	3	1	9X-4600	4	SEAL-LIP TYPE						
	4	1	176-2265	1	LINK AS						
	5	1	195-5476	1	PIN AS						
	6	1	198-5647	2	SEAL-O-RING						
	7	1	212-2896	1	PIN AS						
	8	1	212-3086	1	PIN AS						
	9	1	218-5433	1	PIN AS						
	10	1	324-1120	1	LINK AS						
	11	1	330-2646	3	PLATE						
	12	1	341-5272	1	PLATE						
	13	1	343-9283	1	LINK & BEARING AS						
	13A	1	7Y-9915	2	BEARING-SLEEVE						
	13B	1	198-5529	2	BEARING-SLEEVE						
	14	1	101-2154	2	SEAL-O-RING						
	15	1	3B-8489	4	FITTING-GREASE						
	16	1	7X-0513	3	WASHER-HARD (17X30X5-MM THK)						
	17	1	8T-4123	9	WASHER (22X35X3.5-MM THK)						
M	18	1	8T-4140	3	BOLT (M16X2X60-MM)						
M	19	1	8T-4141	9	BOLT (M20X2.5X70-MM)						
	20	1	8T-6757	4	PLUG-PIPE						

M-METRIC PART

IMPLEMENTS

321-2051 LINKAGE GP-BUCKET (contd.)

i03656985



GRAPHIC #1

<END>

g02051534

IMPLEMENTS

321-2136 LINKAGE GP-BUCKET-WB-FAMILY

S/N: PAS1-UP

PART OF 303-2703 LINKAGE AR-BUCKET
AN ATTACHMENT

SMCS-6513

i03790016

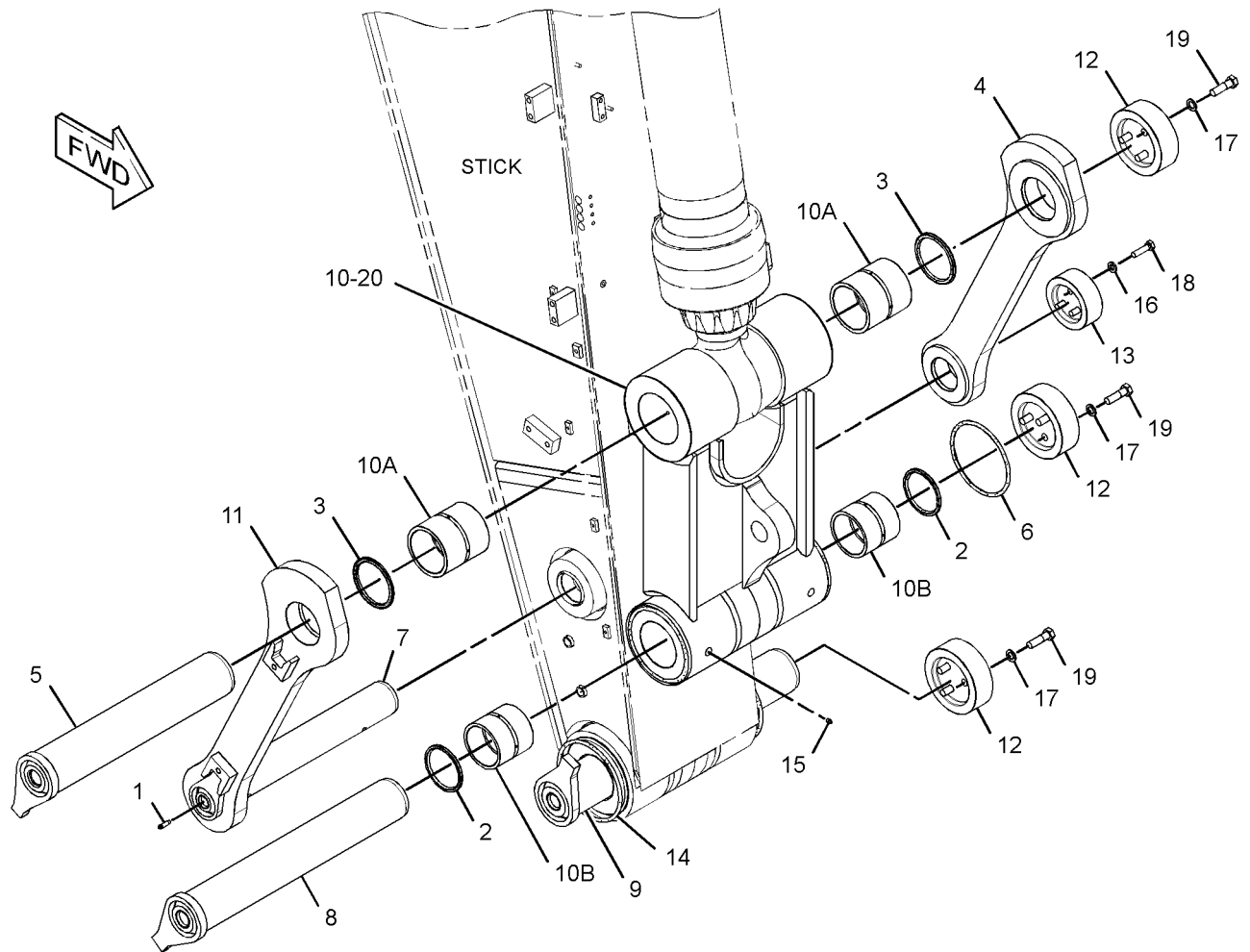
NOTE	REF NO	GRAPHIC REF	PART NUMBER	QTY	PART NAME						SEE PAGE
					1	2	3	4	5	6 (PRODUCT LEVEL)	
	1	1	5B-0651	1	FITTING-STRAIGHT						
	2	1	9X-4599	2	SEAL-LIP TYPE						
	3	1	9X-4600	4	SEAL-LIP TYPE						
	4	1	176-2265	1	LINK AS						
	5	1	195-5476	1	PIN AS						
	6	1	198-5647	2	SEAL-O-RING						
	7	1	212-2896	1	PIN AS						
	8	1	212-3086	1	PIN AS						
	9	1	218-5433	1	PIN AS						
	10	1	324-0965	1	LINK & BEARING AS						
	10A	1	7Y-9915	2	BEARING-SLEEVE						
	10B	1	198-5529	2	BEARING-SLEEVE						
	11	1	324-1120	1	LINK AS						
	12	1	330-2646	3	PLATE						
	13	1	341-5272	1	PLATE						
	14	1	101-2154	2	SEAL-O-RING						
	15	1	3B-8489	4	FITTING-GREASE						
	16	1	7X-0513	3	WASHER-HARD (17X30X5-MM THK)						
	17	1	8T-4123	9	WASHER (22X35X3.5-MM THK)						
M	18	1	8T-4140	3	BOLT (M16X2X60-MM)						
M	19	1	8T-4141	9	BOLT (M20X2.5X70-MM)						
	20	1	8T-6757	4	PLUG-PIPE						

M-METRIC PART

IMPLEMENTS

321-2136 LINKAGE GP-BUCKET (contd.)

i03790016



GRAPHIC #1

<END>

g02127191

IMPLEMENTS

330-2599 LINKAGE GP-BUCKET-WB-FAMILY

S/N: PAS1-UP

PART OF 319-9198 LINKAGE AR-BUCKET
AN ATTACHMENT

SMCS-6513

i03789909

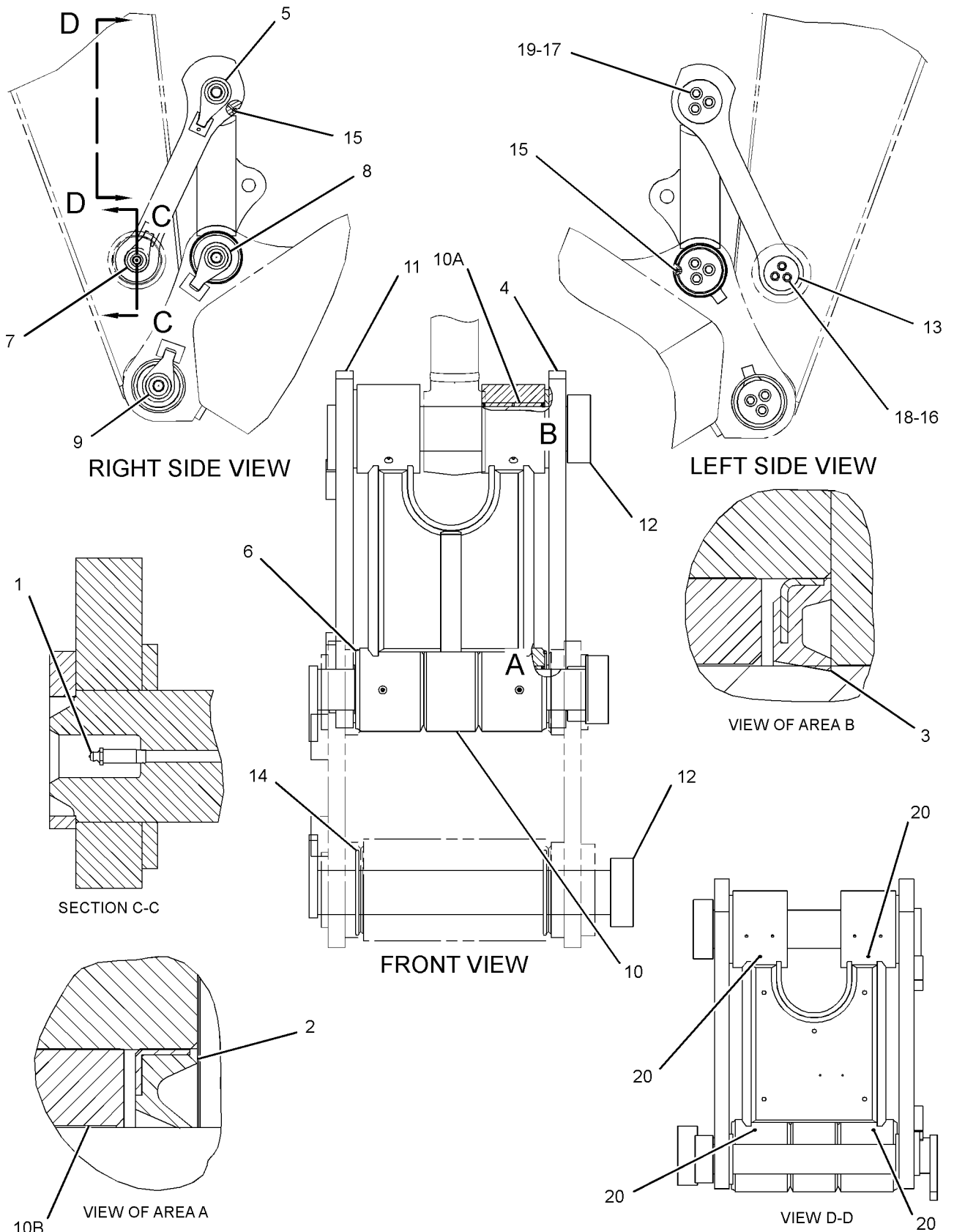
NOTE	REF NO	GRAPHIC REF	PART NUMBER	QTY	PART NAME						SEE PAGE
					1	2	3	4	5	6 (PRODUCT LEVEL)	
	1	1	5B-0651	1	FITTING-STRAIGHT						
	2	1	9X-4599	2	SEAL-LIP TYPE						
	3	1	9X-4600	4	SEAL-LIP TYPE						
	4	1	176-2265	1	LINK AS						
	5	1	195-5476	1	PIN AS						
	6	1	198-5647	2	SEAL-O-RING						
	7	1	212-2896	1	PIN AS						
	8	1	212-3086	1	PIN AS						
	9	1	269-1603	1	PIN AS						
	10	1	324-0965	1	LINK & BEARING AS						
	10A	1	7Y-9915	2	BEARING-SLEEVE						
	10B	1	198-5529	2	BEARING-SLEEVE						
	11	1	324-1120	1	LINK AS						
	12	1	330-2646	3	PLATE						
	13	1	341-5272	1	PLATE						
	14	1	101-2154	2	SEAL-O-RING						
	15	1	3B-8489	4	FITTING-GREASE						
	16	1	7X-0513	3	WASHER-HARD (17X30X5-MM THK)						
	17	1	8T-4123	9	WASHER (22X35X3.5-MM THK)						
M	18	1	8T-4140	3	BOLT (M16X2X60-MM)						
M	19	1	8T-4141	9	BOLT (M20X2.5X70-MM)						
	20	1	8T-6757	4	PLUG-PIPE						

M-METRIC PART

IMPLEMENTS

330-2599 LINKAGE GP-BUCKET (contd.)

i03789909



GRAPHIC #1

<END>

g02054236

IMPLEMENTS

330-2619 LINKAGE GP-BUCKET-VB-FAMILY

S/N: PAS1-UP

PART OF 319-9199 LINKAGE AR-BUCKET
AN ATTACHMENT

SMCS-6513

i03830074

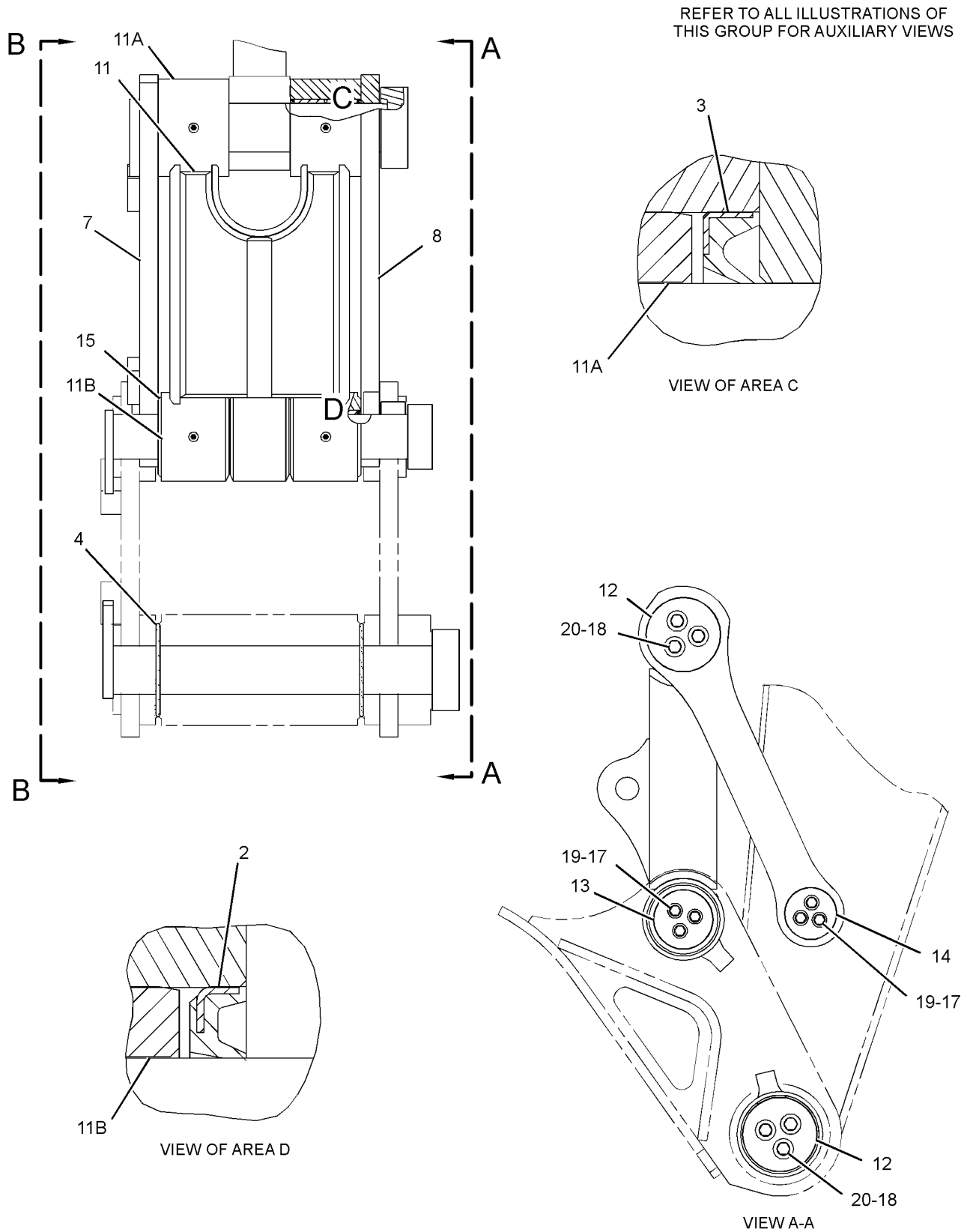
NOTE	REF NO	GRAPHIC REF	PART NUMBER	QTY	PART NAME						SEE PAGE
					1	2	3	4	5	6 (PRODUCT LEVEL)	
	1	2	5B-0651	1	FITTING-STRAIGHT						
	2	1	9X-4598	2	SEAL-LIP TYPE						
	3	1	9X-4599	4	SEAL-LIP TYPE						
	4	1	198-5647	2	SEAL-O-RING						
	5	2	212-3088	1	PIN AS						
	6	2	282-4719	1	PIN AS						
	7	1	294-1539	1	LINK AS						
	8	1	294-1540	1	LINK						
	9	2	294-1545	1	PIN AS						
	10	2	294-1550	1	PIN AS						
	11	1	297-7353	1	LINK & BEARING AS						
	11A	1	294-1561	2	BEARING-SLEEVE						
	11B	1	4I-6718	2	BEARING-SLEEVE						
	12	1	330-2646	2	PLATE						
	13	1	341-5272	1	PLATE						
	14	1	343-9279	1	PLATE						
	15	1	093-1349	2	SEAL-O-RING						
	16	2	3B-8489	4	FITTING-GREASE						
	17	1	7X-0513	6	WASHER-HARD (17X30X5-MM THK)						
	18	1	8T-4123	6	WASHER (22X35X3.5-MM THK)						
M	19	1	8T-4140	6	BOLT (M16X2X60-MM)						
M	20	1	8T-4141	6	BOLT (M20X2.5X70-MM)						
	21	2	8T-6757	4	PLUG-PIPE						

M-METRIC PART

IMPLEMENTS

330-2619 LINKAGE GP-BUCKET (contd.)

i03830074



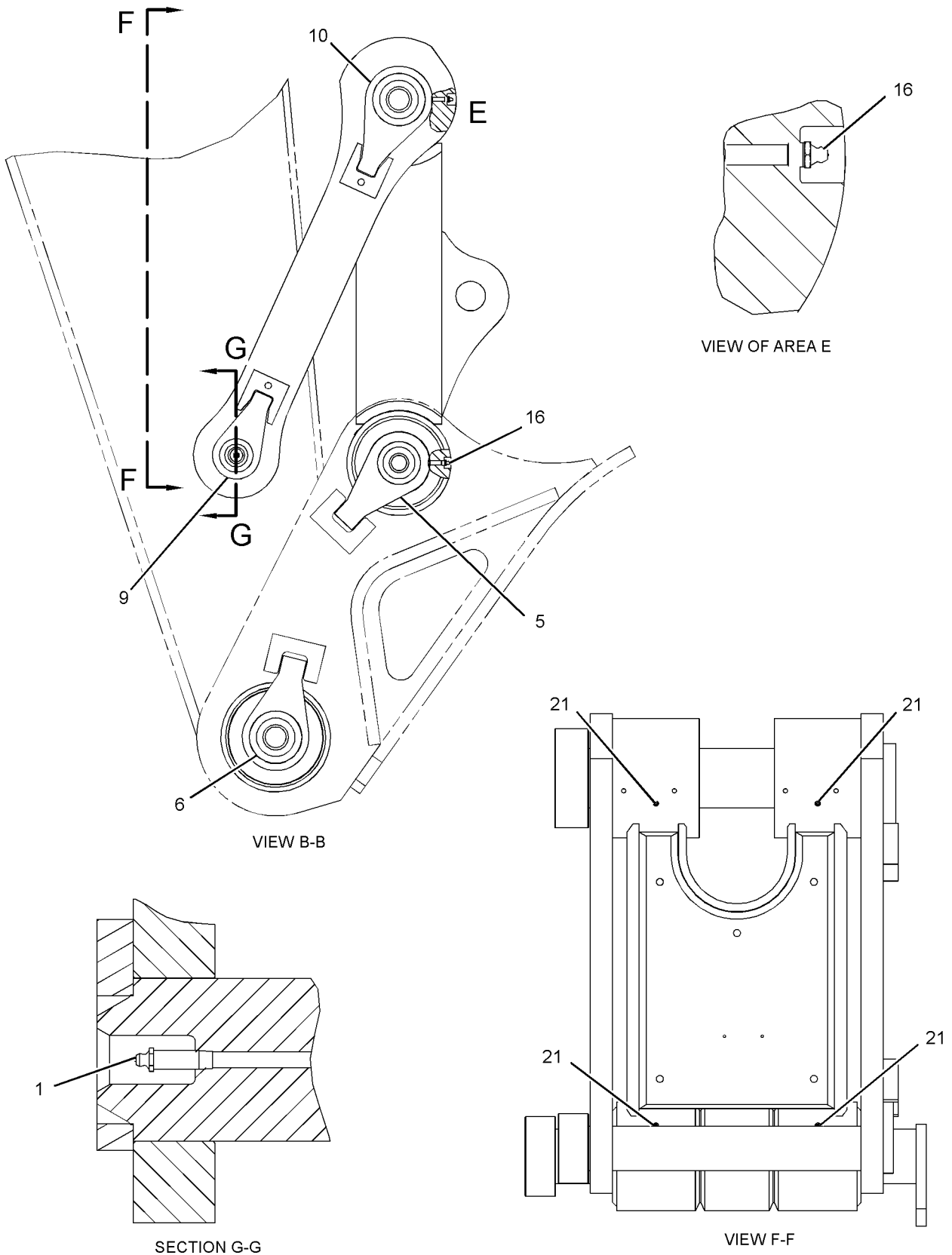
GRAPHIC #1

g02136253

IMPLEMENTS

330-2619 LINKAGE GP-BUCKET (contd.)

i03830074



GRAPHIC #2

<END>

g02136259

IMPLEMENTS

294-1285 STICK AR-HOE-REACH

S/N: PAS1-UP
4.67-M (15.3-FT). VB-FAMILY
AN ATTACHMENT

SMCS-6502

i03656899

NOTE	PART NUMBER	QTY	PART NAME						SEE PAGE
			1	2	3	4	5	6 (PRODUCT LEVEL)	
Y	341-5221	1	LINES GP-GREASE						711
Y	338-6181	1	LINES GP-STICK						545
Y	297-7328	1	STICK GP-HOE						735

Y-SEPARATE ILLUSTRATION

<END>

294-1286 STICK AR-HOE-REACH

S/N: PAS1-UP
4.15-M (13.6-FT). VB-FAMILY
AN ATTACHMENT

SMCS-6502

i03593315

NOTE	PART NUMBER	QTY	PART NAME						SEE PAGE
			1	2	3	4	5	6 (PRODUCT LEVEL)	
Y	341-5228	1	LINES GP-GREASE						713
Y	338-6182	1	LINES GP-STICK						546
Y	297-7333	1	STICK GP-HOE						737

Y-SEPARATE ILLUSTRATION

<END>

294-1287 STICK AR-HOE-REACH

S/N: PAS1-UP
3.6-M (11.8-FT). VB-FAMILY
AN ATTACHMENT

SMCS-6502

i03656900

NOTE	PART NUMBER	QTY	PART NAME						SEE PAGE
			1	2	3	4	5	6 (PRODUCT LEVEL)	
Y	219-8204	1	LINES GP-GREASE						705
Y	338-6183	1	LINES GP-STICK						547
Y	294-1525	1	STICK GP-HOE						733

Y-SEPARATE ILLUSTRATION

<END>

294-1288 STICK AR-HOE-REACH

S/N: PAS1-UP
2.84-M (9.3-FT). VB-FAMILY
AN ATTACHMENT

SMCS-6502

i03656904

NOTE	PART NUMBER	QTY	PART NAME						SEE PAGE
			1	2	3	4	5	6 (PRODUCT LEVEL)	
Y	338-6184	1	LINES GP-STICK						548
Y	297-7338	1	STICK GP-HOE						739

Y-SEPARATE ILLUSTRATION

<END>

IMPLEMENTS

294-1289 STICK AR-HOE-MASS

S/N: PAS1-UP
3.0-M (9.8-FT). WB-FAMILY
AN ATTACHMENT

SMCS-6502

i03877412

NOTE	PART NUMBER	QTY	PART NAME						SEE PAGE
			1	2	3	4	5	6 (PRODUCT LEVEL)	
Y	350-6512	1	LINES GP-GREASE (STICK)						716
Y	338-6185	1	LINES GP-STICK						549
Y	297-7342	1	STICK GP-HOE						741

Y-SEPARATE ILLUSTRATION

<END>

294-1290 STICK AR-HOE-MASS

S/N: PAS1-UP
2.6-M (8.5-FT). WB-FAMILY
AN ATTACHMENT

SMCS-6502

i03656939

NOTE	PART NUMBER	QTY	PART NAME						SEE PAGE
			1	2	3	4	5	6 (PRODUCT LEVEL)	
Y	158-3996	1	LINES GP-GREASE (STICK)						702
Y	338-6186	1	LINES GP-STICK						550
Y	297-7347	1	STICK GP-HOE						743

Y-SEPARATE ILLUSTRATION

<END>

319-9196 STICK AR-HOE

S/N: PAS1-UP
PART OF 319-9194 SPECIAL AR
AN ATTACHMENT

SMCS-6502

i03789873

NOTE	PART NUMBER	QTY	PART NAME						SEE PAGE
			1	2	3	4	5	6 (PRODUCT LEVEL)	
Y	158-3996	1	LINES GP-GREASE (STICK)						702
Y	338-6186	1	LINES GP-STICK						550
Y	324-1211	1	STICK GP-HOE						745

Y-SEPARATE ILLUSTRATION

<END>

319-9197 STICK AR-HOE-EXTREME SERVICE

S/N: PAS1-UP
PART OF 319-9195 SPECIAL AR
AN ATTACHMENT

SMCS-6502

i03830010

NOTE	PART NUMBER	QTY	PART NAME						SEE PAGE
			1	2	3	4	5	6 (PRODUCT LEVEL)	
Y	219-8204	1	LINES GP-GREASE (STICK)						705
Y	338-6183	1	LINES GP-STICK						547
Y	330-2613	1	STICK GP-HOE						747

Y-SEPARATE ILLUSTRATION

<END>

IMPLEMENTS

294-1525 STICK GP-HOE

S/N: PAS1-UP

3.6-M (11.8-FT)

PART OF 294-1287 STICK AR-HOE
AN ATTACHMENT

SMCS-6502

i03593446

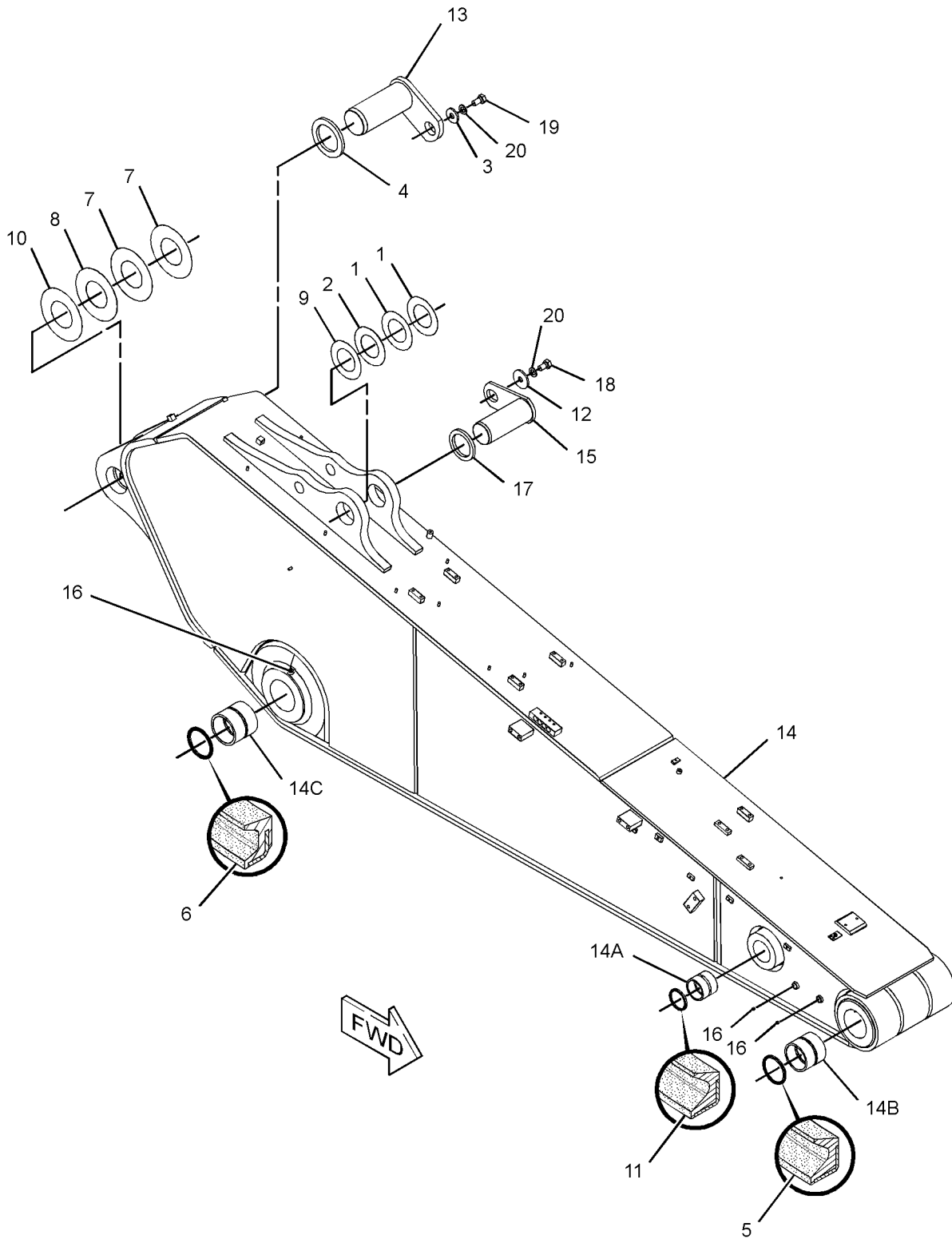
NOTE	REF NO	GRAPHIC REF	PART NUMBER	QTY	PART NAME						SEE PAGE
					1	2	3	4	5	6 (PRODUCT LEVEL)	
B	1	1	4I-0575	2	SHIM (1-MM THK)						
B	2	1	4I-0577	1	SHIM (2-MM THK)						
	3	1	4I-3183	1	WASHER (26X70X8-MM THK)						
	4	1	7Y-9267	1	SPACER (133X190X14-MM THK)						
	5	1	9X-4599	2	SEAL-LIP TYPE						
	6	1	9X-4600	2	SEAL-LIP TYPE						
B	7	1	093-0076	2	SHIM (1-MM THK)						
B	8	1	093-0108	1	SHIM (2-MM THK)						
B	9	1	133-2428	1	SHIM (0.5-MM THK)						
B	10	1	158-3853	1	SHIM (0.5-MM THK)						
	11	1	166-1495	2	SEAL-LIP TYPE						
	12	1	201-2771	1	WASHER (26X90X8-MM THK)						
	13	1	235-7516	1	PIN AS						
	14	1	294-1526	1	STICK & BEARING AS						
	14A	1	7Y-2396	2	BEARING-SLEEVE						
	14B	1	228-5621	2	BEARING-SLEEVE						
	14C	1	234-3749	2	BEARING-SLEEVE						
	15	1	308-8938	1	PIN AS						
	16	1	3B-8489	4	FITTING-GREASE						
	17	1	4I-1129	1	SPACER (113X150X14-MM THK)						
M	18	1	7X-2573	1	BOLT (M24X3X40-MM)						
M	19	1	7X-2574	1	BOLT (M24X3X45-MM)						
	20	1	8T-4167	2	WASHER-HARD (26X44X4-MM THK)						

B-USE AS REQUIRED
M-METRIC PART

IMPLEMENTS

294-1525 STICK GP-HOE (contd.)

i03593446



GRAPHIC #1

<END>

g01930159

IMPLEMENTS

297-7328 STICK GP-HOE

S/N: PAS1-UP

4.67-M (15.3-FT)

PART OF 294-1285 STICK AR-HOE
AN ATTACHMENT

SMCS-6502

i03593120

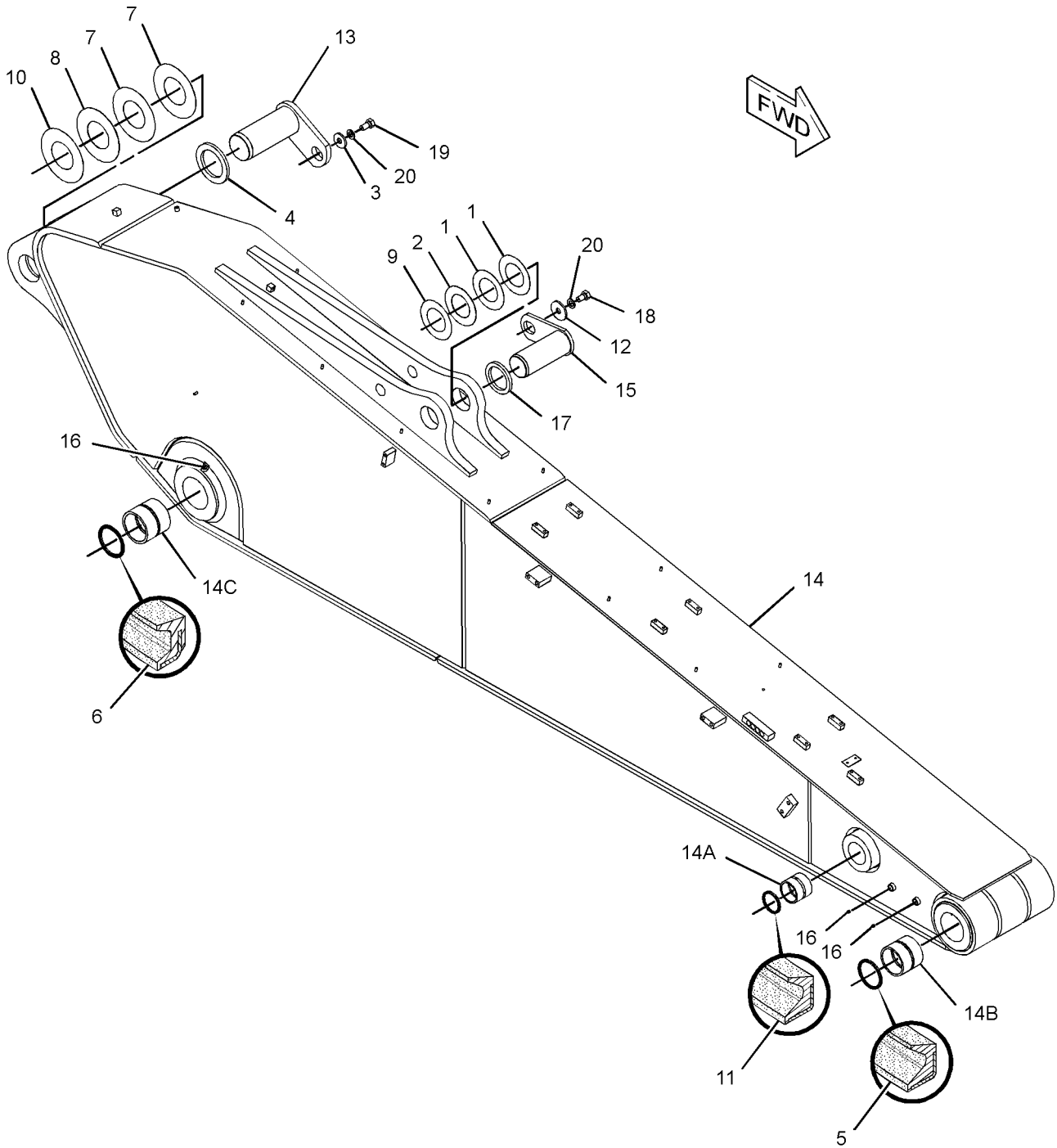
NOTE	REF NO	GRAPHIC REF	PART NUMBER	QTY	PART NAME						SEE PAGE
					1	2	3	4	5	6 (PRODUCT LEVEL)	
B	1	1	4I-0575	2	SHIM (1-MM THK)						
B	2	1	4I-0577	1	SHIM (2-MM THK)						
	3	1	4I-3183	1	WASHER (26X70X8-MM THK)						
	4	1	7Y-9267	1	SPACER (133X190X14-MM THK)						
	5	1	9X-4599	2	SEAL-LIP TYPE						
	6	1	9X-4600	2	SEAL-LIP TYPE						
B	7	1	093-0076	2	SHIM (1-MM THK)						
B	8	1	093-0108	1	SHIM (2-MM THK)						
B	9	1	133-2428	1	SHIM (0.5-MM THK)						
B	10	1	158-3853	1	SHIM (0.5-MM THK)						
	11	1	166-1495	2	SEAL-LIP TYPE						
	12	1	201-2771	1	WASHER (26X90X8-MM THK)						
	13	1	235-7516	1	PIN AS						
	14	1	297-7329	1	STICK & BEARING AS						
	14A	1	7Y-2396	2	BEARING-SLEEVE						
	14B	1	228-5621	2	BEARING-SLEEVE						
	14C	1	234-3749	2	BEARING-SLEEVE						
	15	1	308-8938	1	PIN AS						
	16	1	3B-8489	4	FITTING-GREASE						
	17	1	4I-1129	1	SPACER (113X150X14-MM THK)						
M	18	1	7X-2573	1	BOLT (M24X3X40-MM)						
M	19	1	7X-2574	1	BOLT (M24X3X45-MM)						
	20	1	8T-4167	2	WASHER-HARD (26X44X4-MM THK)						

B-USE AS REQUIRED
M-METRIC PART

IMPLEMENTS

297-7328 STICK GP-HOE (contd.)

i03593120



GRAPHIC #1

<END>

g01929873

IMPLEMENTS

297-7333 STICK GP-HOE

S/N: PAS1-UP

4.15-M (13.6-FT)

PART OF 294-1286 STICK AR-HOE
AN ATTACHMENT

SMCS-6502

i03593336

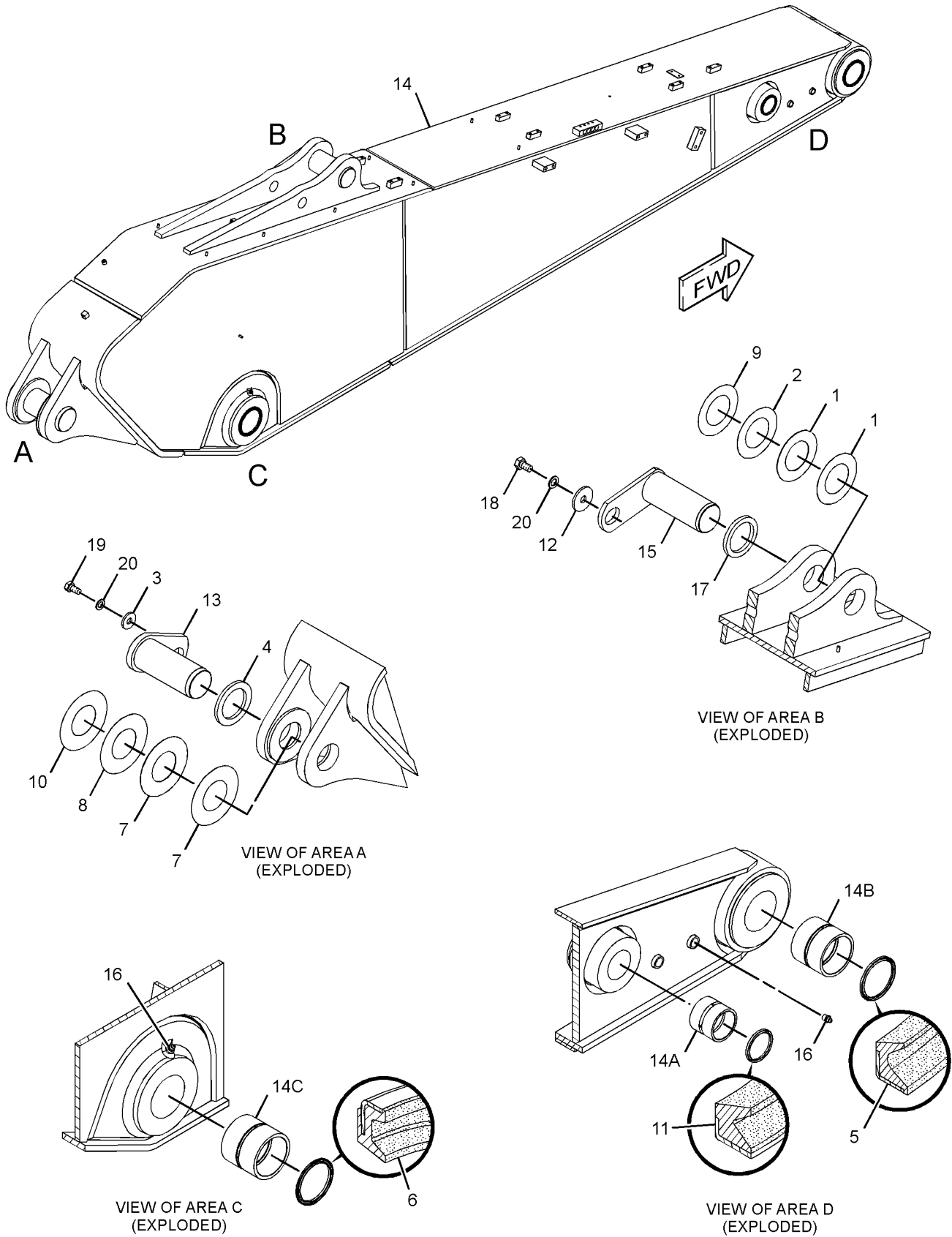
NOTE	REF NO	GRAPHIC REF	PART NUMBER	QTY	PART NAME						SEE PAGE
					1	2	3	4	5	6 (PRODUCT LEVEL)	
B	1	1	4I-0575	2	SHIM (1-MM THK)						
B	2	1	4I-0577	1	SHIM (2-MM THK)						
	3	1	4I-3183	1	WASHER (26X70X8-MM THK)						
	4	1	7Y-9267	1	SPACER (133X190X14-MM THK)						
	5	1	9X-4599	2	SEAL-LIP TYPE						
	6	1	9X-4600	2	SEAL-LIP TYPE						
B	7	1	093-0076	2	SHIM (1-MM THK)						
B	8	1	093-0108	1	SHIM (2-MM THK)						
B	9	1	133-2428	1	SHIM (0.5-MM THK)						
B	10	1	158-3853	1	SHIM (0.5-MM THK)						
	11	1	166-1495	2	SEAL-LIP TYPE						
	12	1	201-2771	1	WASHER (26X90X8-MM THK)						
	13	1	235-7516	1	PIN AS						
	14	1	297-7334	1	STICK & BEARING AS						
	14A	1	7Y-2396	2	BEARING-SLEEVE						
	14B	1	228-5621	2	BEARING-SLEEVE						
	14C	1	234-3749	2	BEARING-SLEEVE						
	15	1	308-8938	1	PIN AS						
	16	1	3B-8489	4	FITTING-GREASE						
	17	1	4I-1129	1	SPACER (113X150X14-MM THK)						
M	18	1	7X-2573	1	BOLT (M24X3X40-MM)						
M	19	1	7X-2574	1	BOLT (M24X3X45-MM)						
	20	1	8T-4167	2	WASHER-HARD (26X44X4-MM THK)						

B-USE AS REQUIRED
M-METRIC PART

IMPLEMENTS

297-7333 STICK GP-HOE (contd.)

i03593336



GRAPHIC #1

<END>

g01923593

IMPLEMENTS

297-7338 STICK GP-HOE

S/N: PAS1-UP

2.84-M (9.3-FT)

PART OF 294-1288 STICK AR-HOE
AN ATTACHMENT

SMCS-6502

i03594761

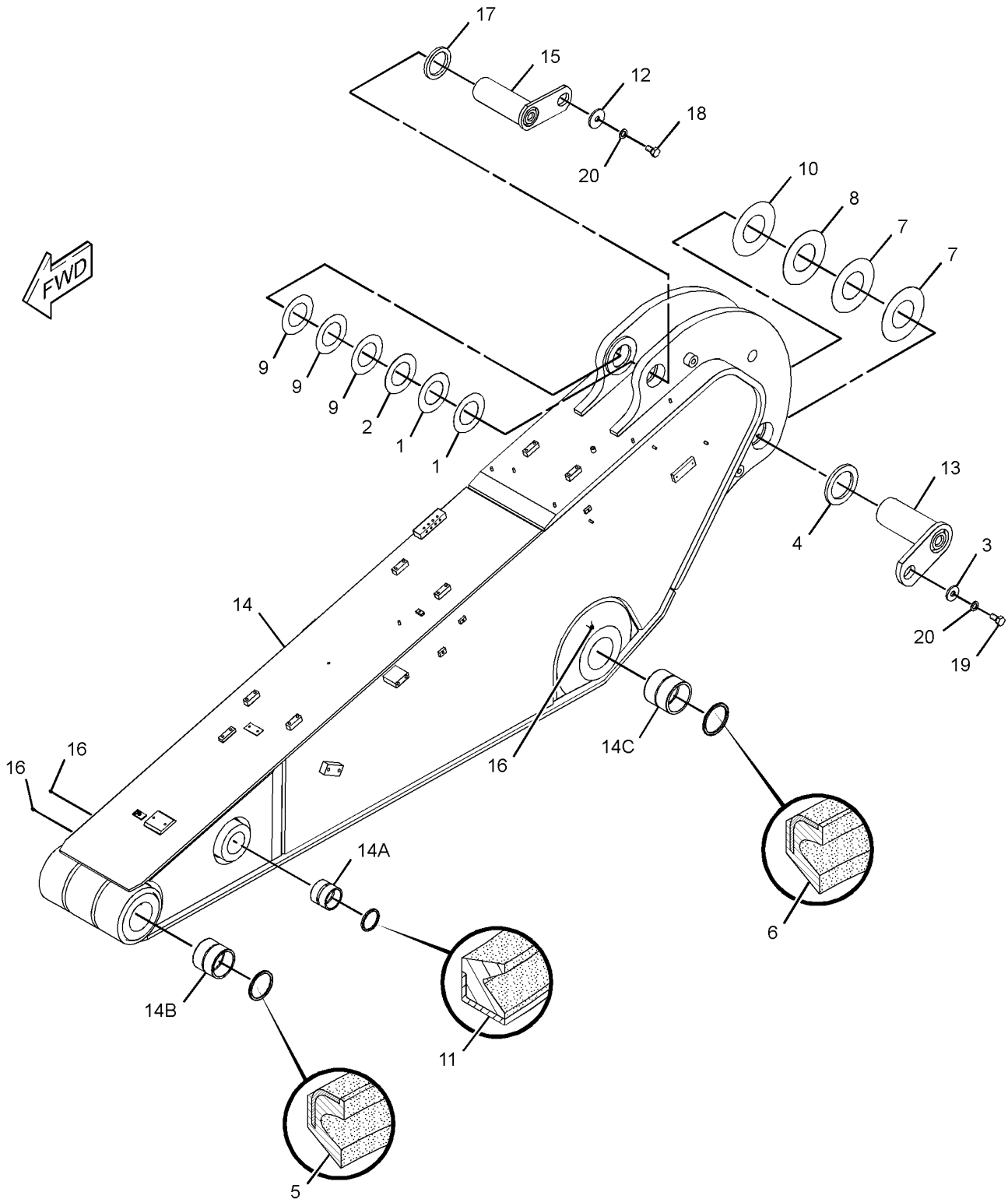
NOTE	REF NO	GRAPHIC REF	PART NUMBER	QTY	PART NAME						SEE PAGE
					1	2	3	4	5	6 (PRODUCT LEVEL)	
B	1	1	4I-0575	2	SHIM (1-MM THK)						
B	2	1	4I-0577	1	SHIM (2-MM THK)						
	3	1	4I-3183	1	WASHER (26X70X8-MM THK)						
	4	1	7Y-9267	1	SPACER (133X190X14-MM THK)						
	5	1	9X-4599	2	SEAL-LIP TYPE						
	6	1	9X-4600	2	SEAL-LIP TYPE						
B	7	1	093-0076	2	SHIM (1-MM THK)						
B	8	1	093-0108	1	SHIM (2-MM THK)						
B	9	1	133-2428	3	SHIM (0.5-MM THK)						
B	10	1	158-3853	1	SHIM (0.5-MM THK)						
	11	1	166-1495	2	SEAL-LIP TYPE						
	12	1	201-2771	1	WASHER (26X90X8-MM THK)						
	13	1	235-7516	1	PIN AS						
	14	1	297-7339	1	STICK & BEARING AS						
	14A	1	7Y-2396	2	BEARING-SLEEVE						
	14B	1	228-5621	2	BEARING-SLEEVE						
	14C	1	234-3749	2	BEARING-SLEEVE						
	15	1	315-1025	1	PIN AS						
	16	1	3B-8489	4	FITTING-GREASE						
	17	1	4I-1129	1	SPACER (113X150X14-MM THK)						
M	18	1	7X-2573	1	BOLT (M24X3X40-MM)						
M	19	1	7X-2574	1	BOLT (M24X3X45-MM)						
	20	1	8T-4167	2	WASHER-HARD (26X44X4-MM THK)						

B-USE AS REQUIRED
M-METRIC PART

IMPLEMENTS

297-7338 STICK GP-HOE (contd.)

i03594761



GRAPHIC #1

<END>

g01947592

IMPLEMENTS

297-7342 STICK GP-HOE

S/N: PAS1-UP

3-M (9.8-FT)

PART OF 294-1289 STICK AR-HOE
AN ATTACHMENT

SMCS-6502

i03656902

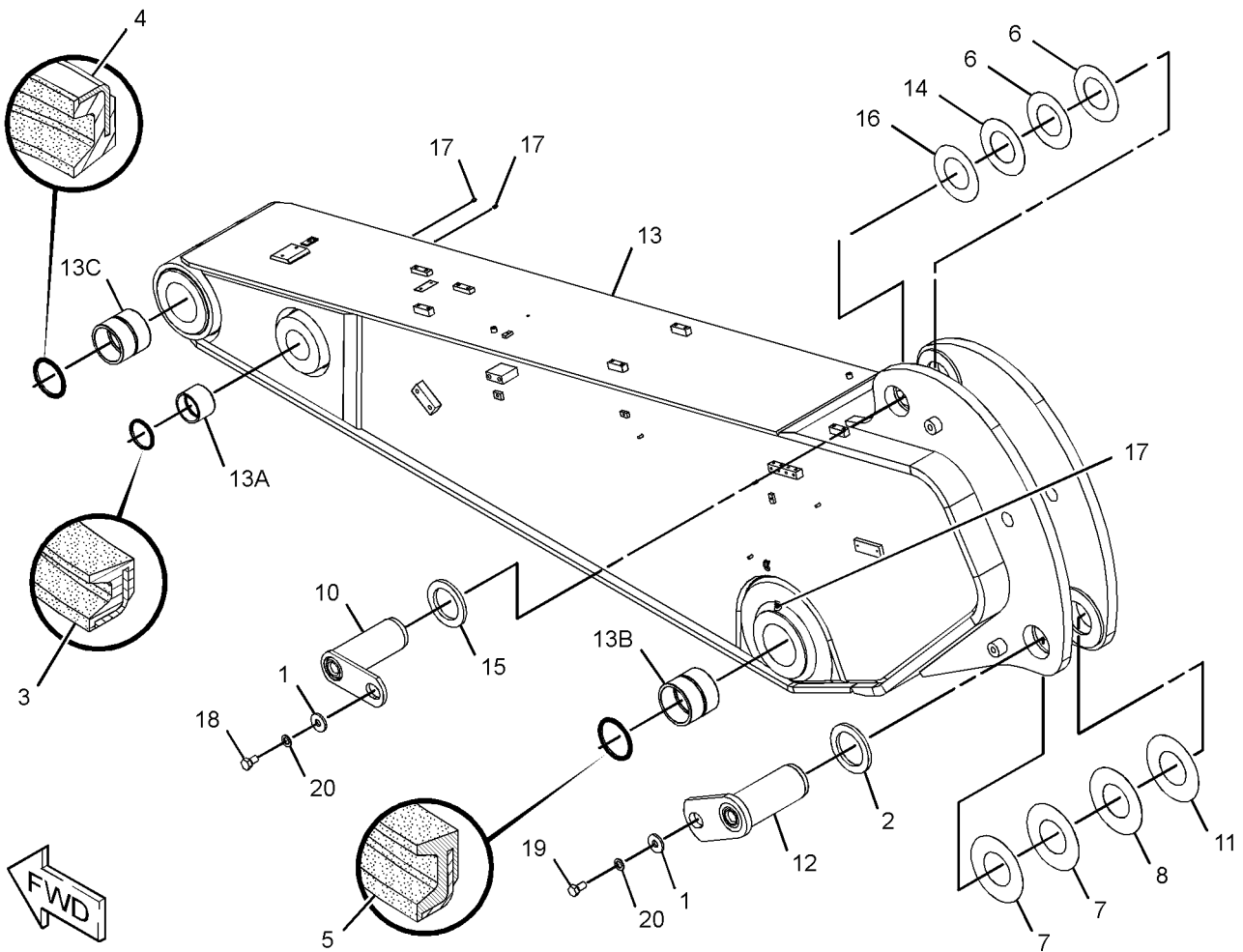
NOTE	REF NO	GRAPHIC REF	PART NUMBER	QTY	PART NAME						SEE PAGE
					1	2	3	4	5	6 (PRODUCT LEVEL)	
	1	1	4I-3183	2	WASHER (26X70X8-MM THK)						
	2	1	7Y-9267	1	SPACER (133X190X14-MM THK)						
	3	1	9X-4597	2	SEAL-LIP TYPE						
	4	1	9X-4600	2	SEAL-LIP TYPE						
	5	1	9X-4601	2	SEAL-LIP TYPE						
B	6	1	093-0074	2	SHIM (1-MM THK)						
B	7	1	093-0076	2	SHIM (1-MM THK)						
B	8	1	093-0108	1	SHIM (2-MM THK)						
	10	1	149-9445	1	PIN AS						
B	11	1	158-3853	1	SHIM (0.5-MM THK)						
	12	1	235-7516	1	PIN AS						
	13	1	297-7343	1	STICK & BEARING AS						
	13A	1	7Y-9914	2	BEARING-SLEEVE						
	13B	1	234-3748	2	BEARING-SLEEVE						
	13C	1	234-3749	2	BEARING-SLEEVE						
B	14	1	093-0106	1	SHIM (2-MM THK)						
	15	1	093-0373	1	SPACER (123X180X14-MM THK)						
B	16	1	147-3957	1	SHIM (0.5-MM THK)						
	17	1	3B-8489	4	FITTING-GREASE						
M	18	1	7X-2573	1	BOLT (M24X3X40-MM)						
M	19	1	7X-2574	1	BOLT (M24X3X45-MM)						
	20	1	8T-4167	2	WASHER-HARD (26X44X4-MM THK)						

B-USE AS REQUIRED
M-METRIC PART

IMPLEMENTS

297-7342 STICK GP-HOE (contd.)

i03656902



GRAPHIC #1

<END>

g02035435

IMPLEMENTS

297-7347 STICK GP-HOE-MASS

S/N: PAS1-UP

2.6-M (8.5-FT). WB-FAMILY

PART OF 294-1290 STICK AR-HOE

AN ATTACHMENT

SMCS-6502

i03656957

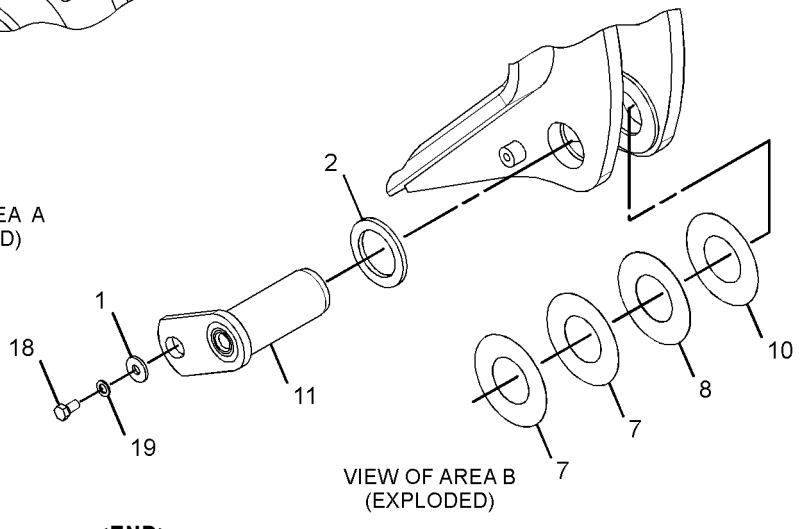
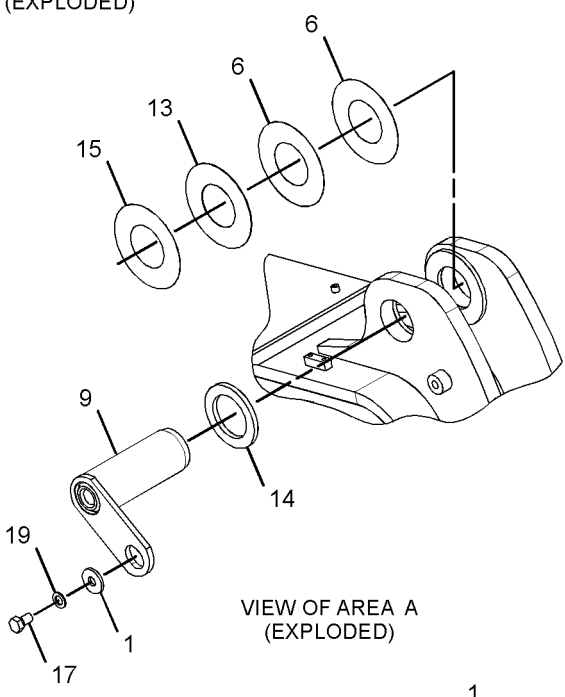
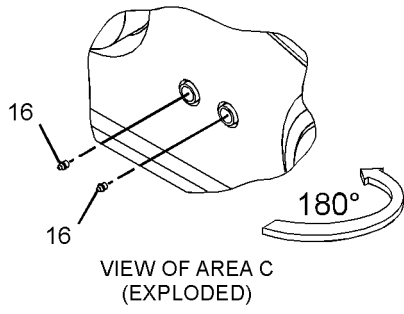
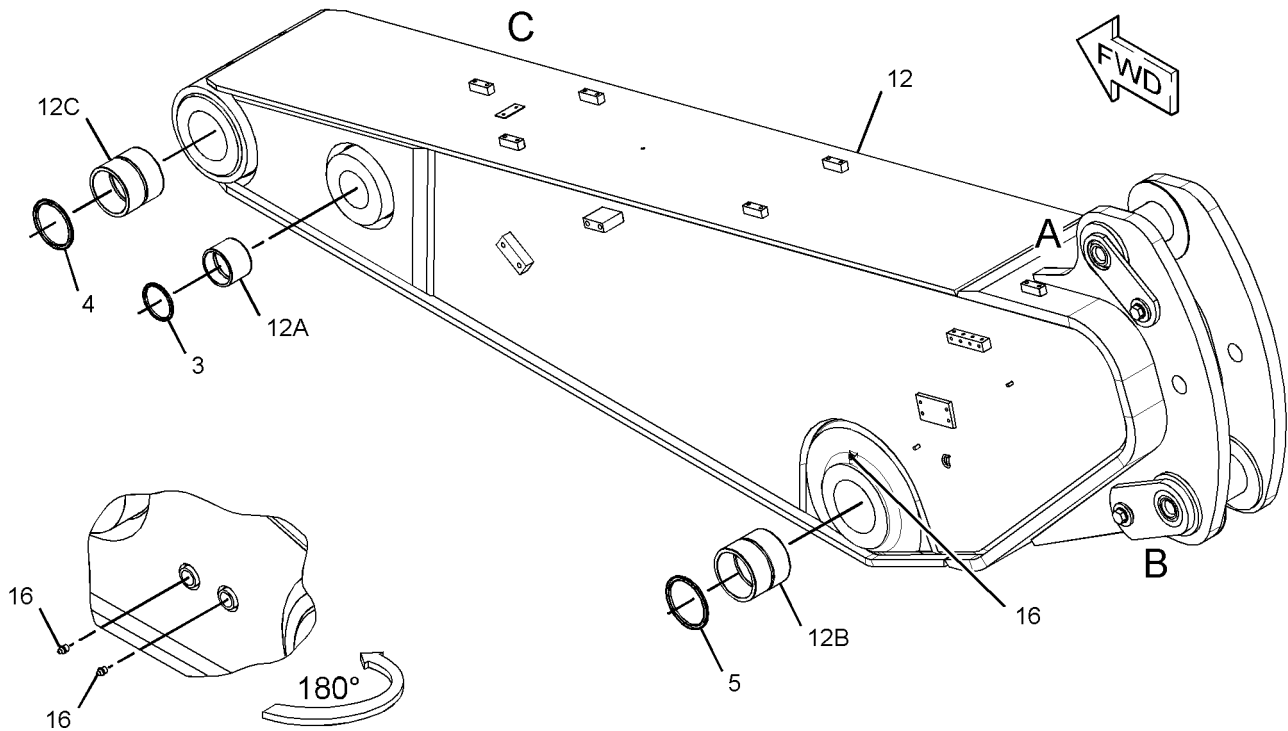
NOTE	REF NO	GRAPHIC REF	PART NUMBER	QTY	PART NAME						SEE PAGE
					1	2	3	4	5	6 (PRODUCT LEVEL)	
	1	1	4I-3183	2	WASHER (26X70X8-MM THK)						
	2	1	7Y-9267	1	SPACER (133X190X14-MM THK)						
	3	1	9X-4597	2	SEAL-LIP TYPE						
	4	1	9X-4600	2	SEAL-LIP TYPE						
	5	1	9X-4601	2	SEAL-LIP TYPE						
B	6	1	093-0074	2	SHIM (1-MM THK)						
B	7	1	093-0076	2	SHIM (1-MM THK)						
B	8	1	093-0108	1	SHIM (2-MM THK)						
	9	1	149-9445	1	PIN AS						
B	10	1	158-3853	1	SHIM (0.5-MM THK)						
	11	1	235-7516	1	PIN AS						
	12	1	297-7348	1	STICK & BEARING AS						
	12A	1	7Y-9914	2	BEARING-SLEEVE						
	12B	1	234-3748	2	BEARING-SLEEVE						
	12C	1	234-3749	2	BEARING-SLEEVE						
B	13	1	093-0106	1	SHIM (2-MM THK)						
	14	1	093-0373	1	SPACER (123X180X14-MM THK)						
B	15	1	147-3957	1	SHIM (0.5-MM THK)						
	16	1	3B-8489	4	FITTING-GREASE						
M	17	1	7X-2573	1	BOLT (M24X3X40-MM)						
M	18	1	7X-2574	1	BOLT (M24X3X45-MM)						
	19	1	8T-4167	2	WASHER-HARD (26X44X4-MM THK)						

B-USE AS REQUIRED
M-METRIC PART

IMPLEMENTS

297-7347 STICK GP-HOE (contd.)

i03656957



GRAPHIC #1

<END>

g02046196

IMPLEMENTS

324-1211 STICK GP-HOE-MASS

S/N: PAS1-UP

2.57-M (8.4-FT). WB-FAMILY

PART OF 319-9196 STICK AR-HOE

AN ATTACHMENT

SMCS-6502

i03789876

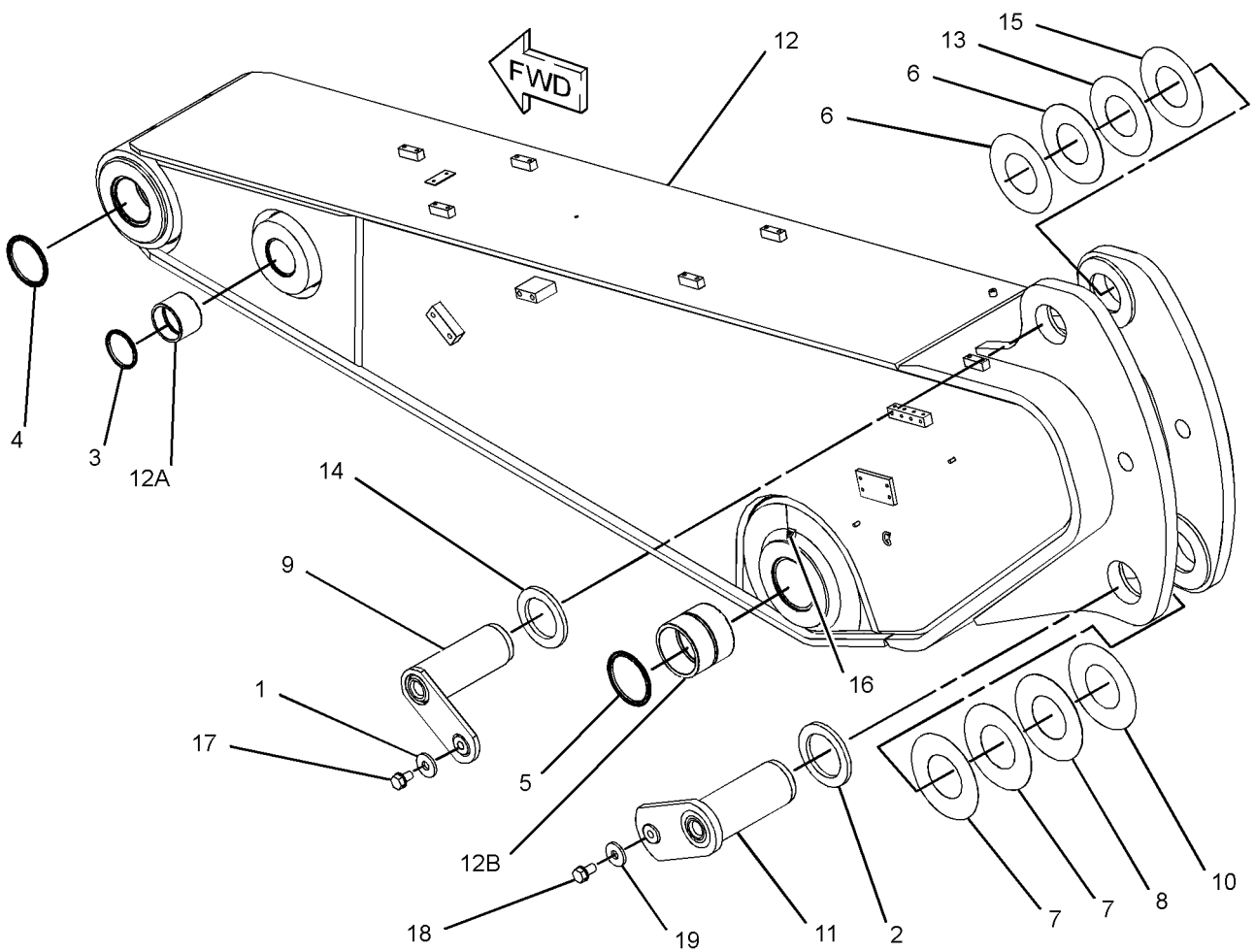
NOTE	REF NO	GRAPHIC REF	PART NUMBER	QTY	PART NAME						SEE PAGE
					1	2	3	4	5	6 (PRODUCT LEVEL)	
	1	1	4I-3183	2	WASHER (26X70X8-MM THK)						
	2	1	7Y-9267	1	SPACER (133X190X14-MM THK)						
	3	1	9X-4597	2	SEAL-LIP TYPE						
	4	1	9X-4600	2	SEAL-LIP TYPE						
	5	1	9X-4601	2	SEAL-LIP TYPE						
B	6	1	093-0074	2	SHIM (1-MM THK)						
B	7	1	093-0076	2	SHIM (1-MM THK)						
B	8	1	093-0108	1	SHIM (2-MM THK)						
	9	1	149-9445	1	PIN AS						
B	10	1	158-3853	1	SHIM (0.5-MM THK)						
	11	1	235-7516	1	PIN AS						
	12	1	324-1212	1	STICK & BEARING AS						
	12A	1	7Y-9914	2	BEARING-SLEEVE						
	12B	1	234-3748	2	BEARING-SLEEVE						
B	13	1	093-0106	1	SHIM (2-MM THK)						
	14	1	093-0373	1	SPACER (123X180X14-MM THK)						
B	15	1	147-3957	1	SHIM (0.5-MM THK)						
	16	1	3B-8489	4	FITTING-GREASE						
M	17	1	7X-2573	1	BOLT (M24X3X40-MM)						
M	18	1	7X-2574	1	BOLT (M24X3X45-MM)						
	19	1	8T-4167	2	WASHER-HARD (26X44X4-MM THK)						

B-USE AS REQUIRED
M-METRIC PART

IMPLEMENTS

324-1211 STICK GP-HOE (contd.)

i03789876



GRAPHIC #1

<END>

g02131274

IMPLEMENTS

330-2613 STICK GP-HOE

S/N: PAS1-UP

3.6-M (11.8-FT) . VB-FAMILY

PART OF 319-9197 STICK AR-HOE

AN ATTACHMENT

SMCS-6502

i03830018

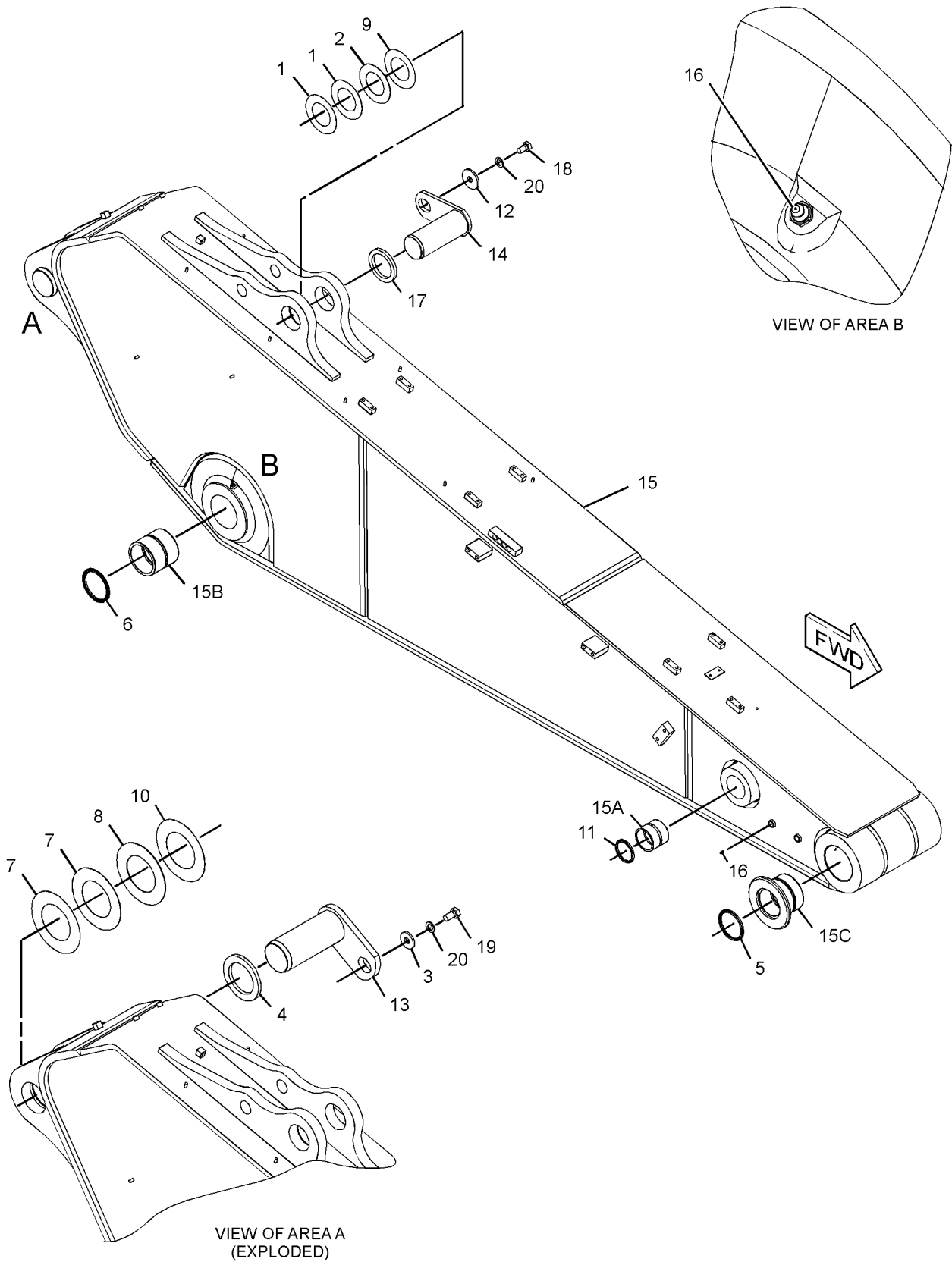
NOTE	REF NO	GRAPHIC REF	PART NUMBER	QTY	PART NAME						SEE PAGE
					1	2	3	4	5	6 (PRODUCT LEVEL)	
B	1	1	4I-0575	2	SHIM (1-MM THK)						
B	2	1	4I-0577	1	SHIM (2-MM THK)						
	3	1	4I-3183	1	WASHER (26X70X8-MM THK)						
	4	1	7Y-9267	1	SPACER (133X190X14-MM THK)						
	5	1	9X-4599	2	SEAL-LIP TYPE						
	6	1	9X-4600	2	SEAL-LIP TYPE						
B	7	1	093-0076	2	SHIM (1-MM THK)						
B	8	1	093-0108	1	SHIM (2-MM THK)						
B	9	1	133-2428	1	SHIM (0.5-MM THK)						
B	10	1	158-3853	1	SHIM (0.5-MM THK)						
	11	1	166-1495	2	SEAL-LIP TYPE						
	12	1	201-2771	1	WASHER (26X90X8-MM THK)						
	13	1	235-7516	1	PIN AS						
	14	1	308-8938	1	PIN AS						
	15	1	330-2614	1	STICK & BEARING AS						
	15A	1	7Y-2396	2	BEARING-SLEEVE						
	15B	1	234-3749	2	BEARING-SLEEVE						
	15C	1	282-4716	2	BEARING						
	16	1	3B-8489	4	FITTING-GREASE						
	17	1	4I-1129	1	SPACER (113X150X14-MM THK)						
M	18	1	7X-2573	1	BOLT (M24X3X40-MM)						
M	19	1	7X-2574	1	BOLT (M24X3X45-MM)						
	20	1	8T-4167	2	WASHER-HARD (26X44X4-MM THK)						

B-USE AS REQUIRED
M-METRIC PART

IMPLEMENTS

330-2613 STICK GP-HOE (contd.)

i03830018



GRAPHIC #1

<END>

g02136053

WORK TOOLS

7Y-3477 ADJUSTER GP-BUCKET-UB/WB/HB/JB-FAMILY

S/N: PAS1-UP

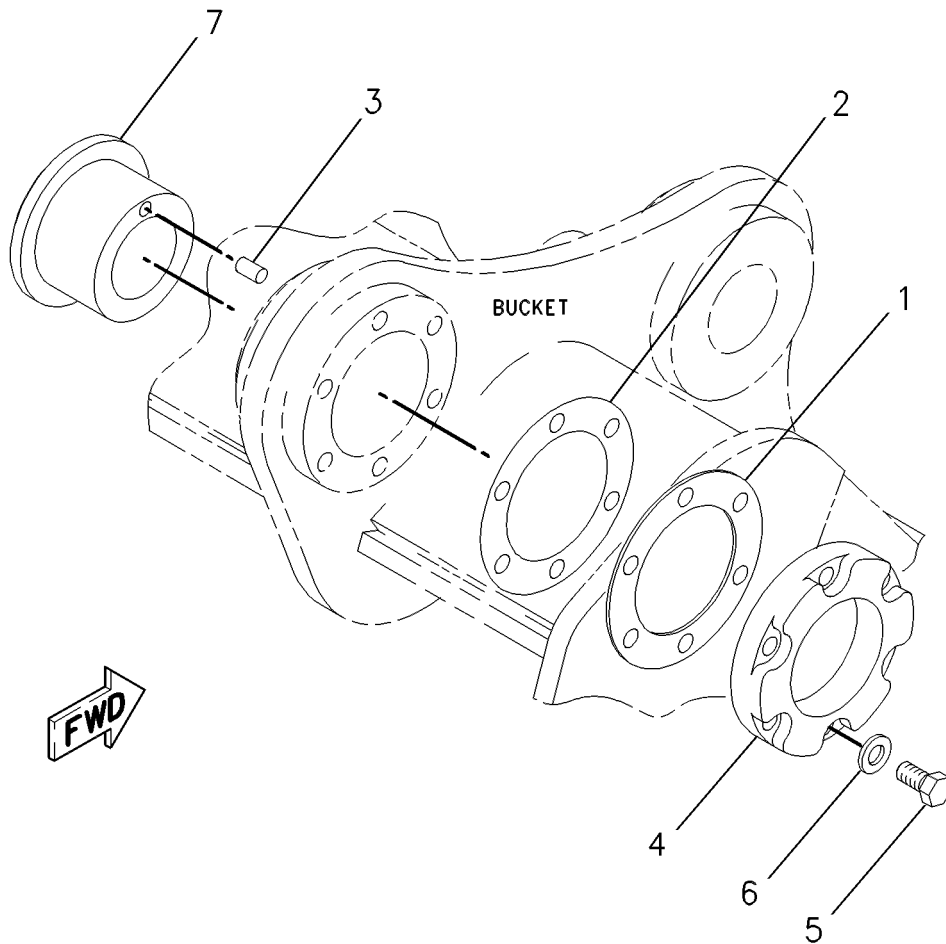
PART OF 302-8995, 329-2000, 329-2002, 329-2003, 329-2004, 329-2005,
329-2006, 329-2072, 330-6575, 330-6576, 330-6577, 330-6579, 358-3905 BUCKET
& ADJUSTER GP
AN ATTACHMENT

SMCS-6513, 6700

i01826549

NOTE	REF NO	GRAPHIC REF	PART NUMBER	QTY	PART NAME						SEE PAGE
					1	2	3	4	5	6 (PRODUCT LEVEL)	
B	1	1	7Y-7830	6	SHIM (1-MM THK)						
B	2	1	7Y-7829	4	SHIM (0.5-MM THK)						
	3	1	7Y-7828	1	PIN						
	4	1	158-3960	1	PLATE						
M	5	1	7X-2563	6	BOLT (M20X2.5X60-MM)						
	6	1	8T-4123	6	WASHER (22X35X3.5-MM THK)						
	7	1	153-1731	1	FLANGE						

B-USE AS REQUIRED
M-METRIC PART



GRAPHIC #1

<END>

g00540240

WORK TOOLS

216-5734 ADJUSTER GP-BUCKET-VB-FAMILY

S/N: PAS1-UP

PART OF 302-8992, 329-2054, 329-2055, 329-2056, 329-2059, 329-2060,
329-2061, 329-2063, 329-2064, 329-2065, 329-2066, 329-2067 BUCKET & ADJUSTER
GP

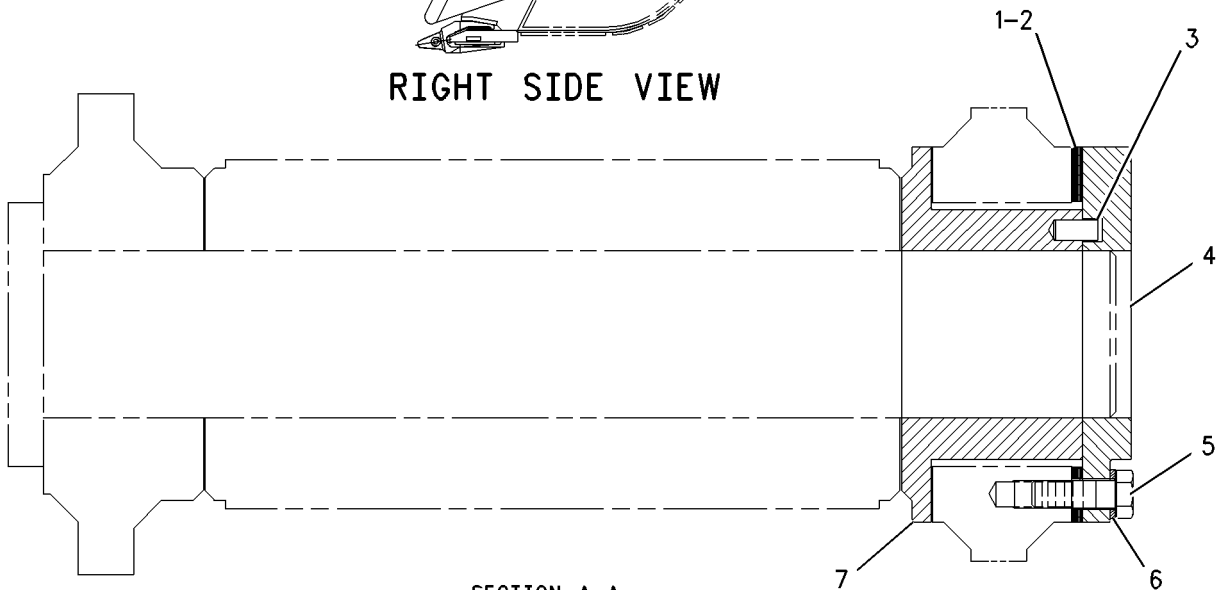
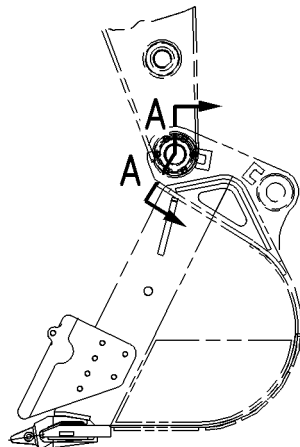
AN ATTACHMENT

SMCS-6513, 6700

i01770857

NOTE	REF NO	GRAPHIC REF	PART NUMBER	QTY	PART NAME						SEE PAGE
					1	2	3	4	5	6 (PRODUCT LEVEL)	
B	1	1	216-5740	6	SHIM (1-MM THK)						
B	2	1	216-5739	4	SHIM (0.5-MM THK)						
	3	1	4I-6626	1	PIN						
	4	1	216-5738	1	PLATE						
M	5	1	7X-2563	6	BOLT (M20X2.5X60-MM)						
	6	1	8T-4123	6	WASHER (22X35X3.5-MM THK)						
	7	1	216-5736	1	FLANGE						

B-USE AS REQUIRED
M-METRIC PART



GRAPHIC #1

<END>

g00905645

WORK TOOLS

305-1750 ADJUSTER GP-BUCKET-UB, VB-FAMILY

S/N: PAS1-UP

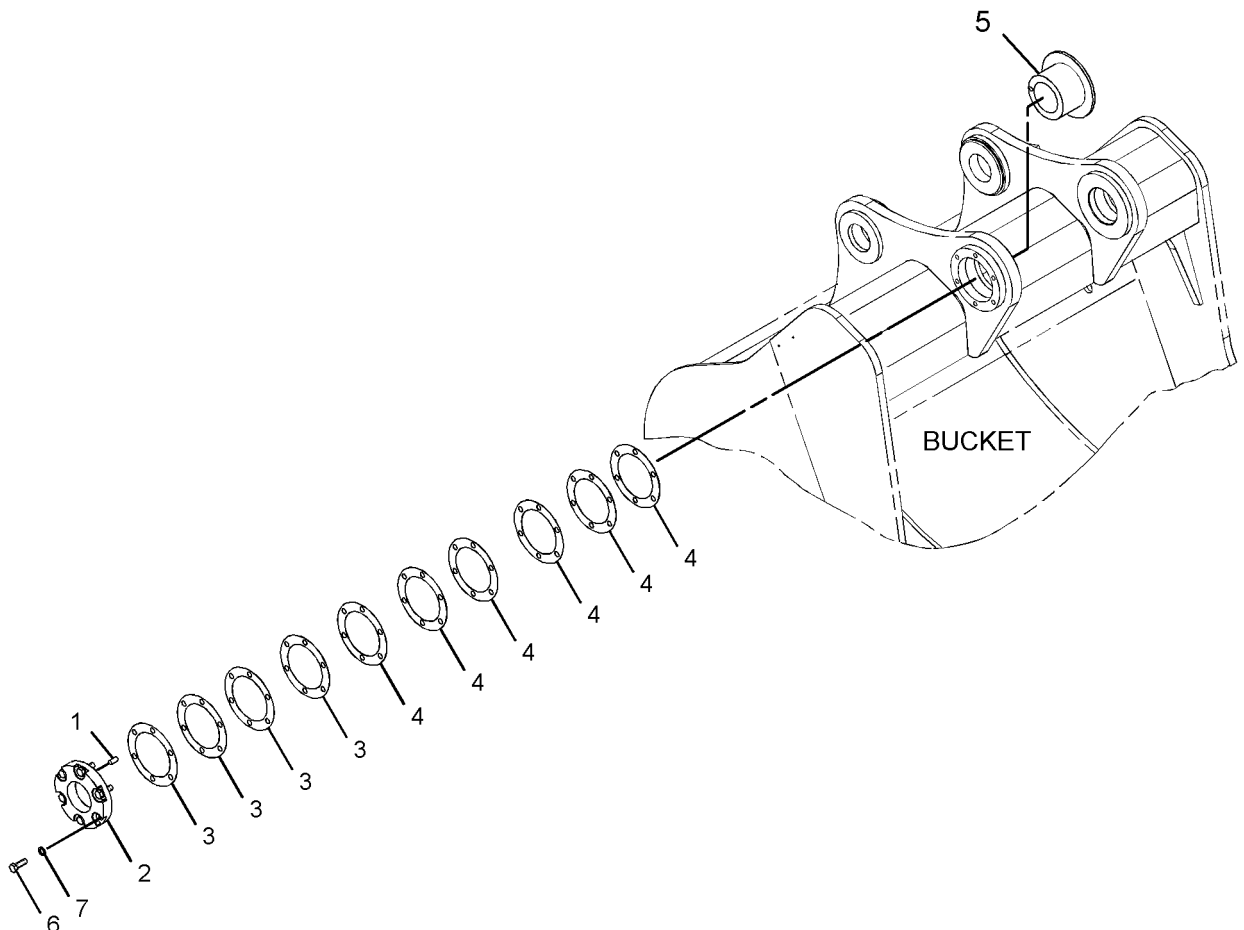
PART OF 329-2015 BUCKET & ADJUSTER GP
AN ATTACHMENT

SMCS-6513, 6700

i03193322

NOTE	REF NO	GRAPHIC REF	PART NUMBER	QTY	PART NAME						SEE PAGE
					1	2	3	4	5	6 (PRODUCT LEVEL)	
	1	1	4I-6626	1	PIN						
	2	1	216-5738	1	PLATE						
B	3	1	216-5739	4	SHIM (0.5-MM THK)						
B	4	1	216-5740	6	SHIM (1-MM THK)						
	5	1	282-4718	1	FLANGE						
M	6	1	7X-2563	6	BOLT (M20X2.5X60-MM)						
	7	1	8T-4123	6	WASHER (22X35X3.5-MM THK)						

B-USE AS REQUIRED
M-METRIC PART



GRAPHIC #1

<END>

g01632974

WORK TOOLS

305-1751 ADJUSTER GP-BUCKET-UB/WB/HB/JB-FAMILY

S/N: PAS1-UP

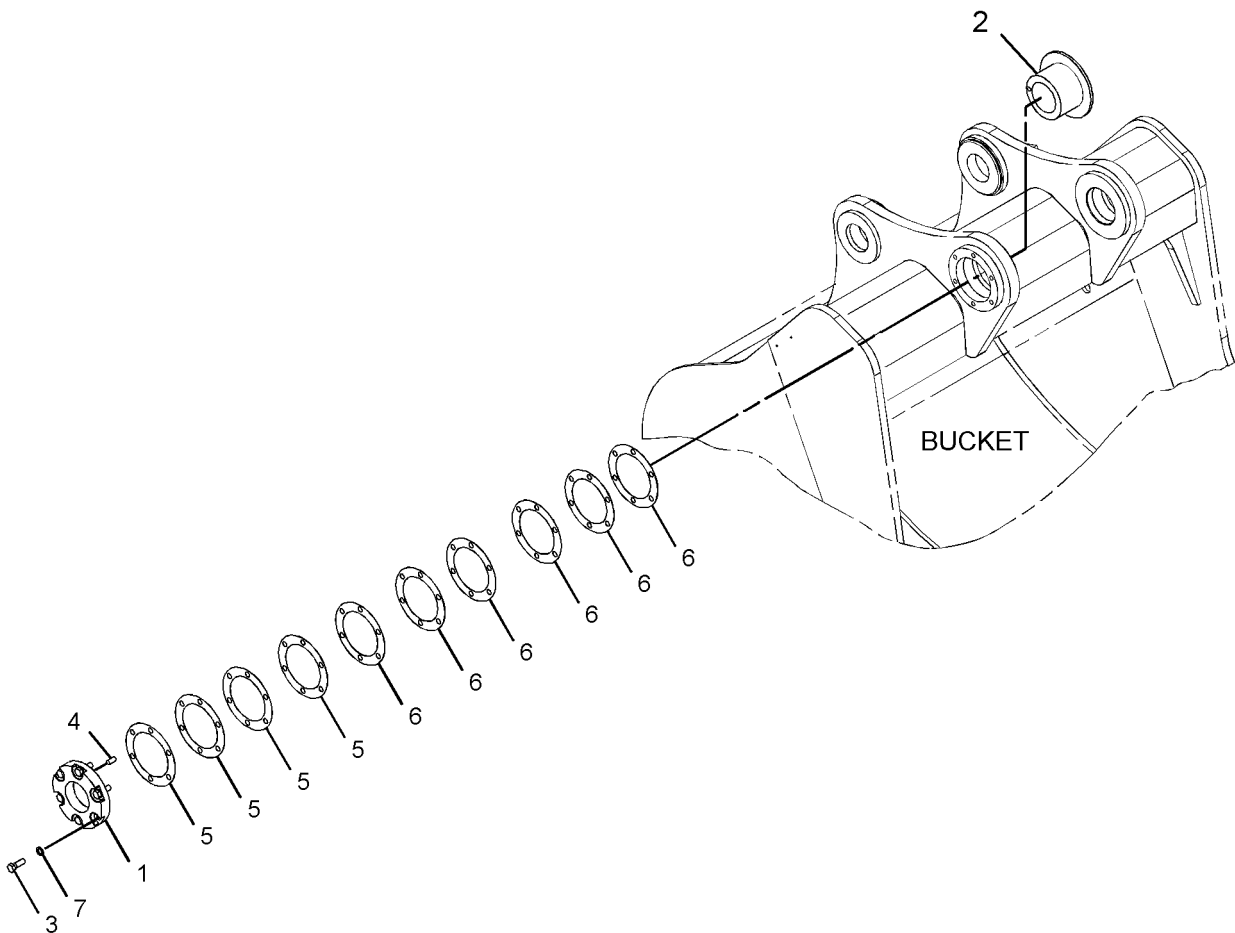
PART OF 330-4521 BUCKET & ADJUSTER GP
AN ATTACHMENT

SMCS-6513, 6700

i03132542

NOTE	REF NO	GRAPHIC REF	PART NUMBER	QTY	PART NAME						SEE PAGE
					1	2	3	4	5	6 (PRODUCT LEVEL)	
	1	1	158-3960	1	PLATE						
	2	1	282-4740	1	FLANGE						
M	3	1	7X-2563	6	BOLT (M20X2.5X60-MM)						
	4	1	7Y-7828	1	PIN						
B	5	1	7Y-7829	4	SHIM (0.5-MM THK)						
B	6	1	7Y-7830	6	SHIM (1-MM THK)						
	7	1	8T-4123	6	WASHER (22X35X3.5-MM THK)						

B-USE AS REQUIRED
M-METRIC PART



GRAPHIC #1

<END>

g01627667

WORK TOOLS

302-8992 BUCKET & ADJUSTER GP-

GENERAL PURPOSE, VB2-FAMILY

S/N: PAS1-UP

1900-MM (75-IN) WIDE X 3.8-CU M (5-CU YD) CAPACITY. K-150 ADAPTERS, QTY OF 5
AN ATTACHMENT

SMCS-6503, 6513

i03898449

NOTE	PART NUMBER	QTY	PART NAME						SEE PAGE
			1	2	3	4	5	6 (PRODUCT LEVEL)	
Y	216-5734	1	ADJUSTER GP-BUCKET (UB, VB-FAMILY)						750
Y	357-0998	1	BUCKET AS-GENERAL PURPOSE (VB2-FAMILY)						786
	2C-9259	2	PLATE-IDENTIFICATION (CAT)						
			(ON LH & RH SIDES OF BUCKET)						
Y-SEPARATE ILLUSTRATION									
<END>									

WORK TOOLS

302-8995 BUCKET & ADJUSTER GP-EXCAVATION, WB-FAMILY

S/N: PAS1-UP

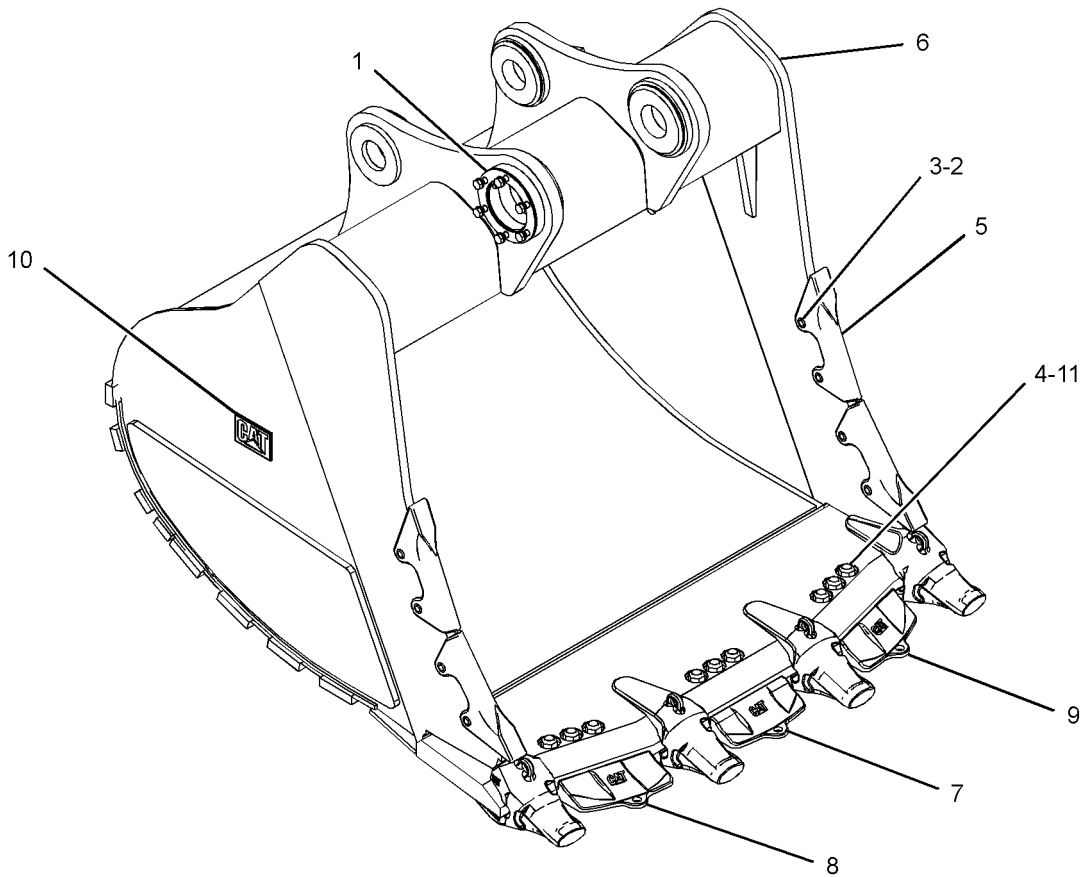
2100-MM (83-IN) WIDE X 4.6-CU M (6-CU YD) CAPACITY. K-150 ADAPTERS, QTY OF 4
AN ATTACHMENT

SMCS-6503, 6513

i03657030

NOTE	REF NO	GRAPHIC REF	PART NUMBER	QTY	PART NAME						SEE PAGE
					1	2	3	4	5	6 (PRODUCT LEVEL)	
Y	1	1	7Y-3477	1	ADJUSTER GP-BUCKET (UB/WB/HB/JB-FAMILY)						749
	2	1	132-0998	8	PIN						
	3	1	132-0999	8	RETAINER AS						
	4	1	3K-9770	9	NUT-FULL (1-1/4-7-THD)						
	5	1	166-2877	4	PROTECTOR-SIDE BAR						
Y	6	1	302-8996	1	BUCKET AS-EXCAVATION						766
	7	1	347-3234	1	EDGE-SEGMENT (CENTER)						
	8	1	347-3235	1	EDGE-SEGMENT (LH)						
	9	1	347-3236	1	EDGE-SEGMENT (RH)						
	10	1	2C-9259	2	PLATE-IDENTIFICATION (CAT)						
	11	1	5P-8361	9	BOLT-PLOW (1-1/4-7X4.92-IN)						

Y-SEPARATE ILLUSTRATION



GRAPHIC #1

<END>

g02046395

WORK TOOLS

329-2000 BUCKET & ADJUSTER GP-HEAVY-DUTY, WB-FAMILY

S/N: PAS1-UP

2100-MM (83-IN) WIDE X 5-CU M (6.5-CU YD) CAPACITY. K-150 ADAPTERS, QTY OF 5
AN ATTACHMENT

SMCS-6503, 6513

i03880732

NOTE	PART NUMBER	QTY	PART NAME						SEE PAGE
			1	2	3	4	5	6 (PRODUCT LEVEL)	
Y	7Y-3477	1	ADJUSTER GP-BUCKET (UB/WB/HB/JB-FAMILY)						749
Y	358-3914	1	BUCKET AS-HEAVY DUTY						791
	2C-9259	2	PLATE-IDENTIFICATION (CAT) (ON LH & RH SIDES OF BUCKET)						

Y-SEPARATE ILLUSTRATION

<END>

329-2002 BUCKET & ADJUSTER GP- EXTREME EXCAVATION, WB-FAMILY

S/N: PAS1-UP

1800-MM (71-IN) WIDE X 3.7-CU M (4.8-CU YD) CAPACITY.
K-150 ADAPTERS, QTY OF 4
AN ATTACHMENT

SMCS-6503, 6513

i03657061

NOTE	PART NUMBER	QTY	PART NAME						SEE PAGE
			1	2	3	4	5	6 (PRODUCT LEVEL)	
Y	7Y-3477	1	ADJUSTER GP-BUCKET (UB/WB/HB/JB-FAMILY)						749
Y	345-1742	1	BUCKET AS-EXTREME EXCAVATION						769
	2C-9259	2	PLATE-IDENTIFICATION (CAT)						

Y-SEPARATE ILLUSTRATION

<END>

329-2003 BUCKET & ADJUSTER GP-ROCK, WB-FAMILY

S/N: PAS1-UP

2000-MM (79-IN) WIDE X 4-CU M (5.2-CU YD) CAPACITY. K-150 ADAPTERS, QTY OF 4
AN ATTACHMENT

SMCS-6503, 6513

i03657058

NOTE	PART NUMBER	QTY	PART NAME						SEE PAGE
			1	2	3	4	5	6 (PRODUCT LEVEL)	
Y	7Y-3477	1	ADJUSTER GP-BUCKET (UB/WB/HB/JB-FAMILY)						749
Y	331-1291	1	BUCKET AS-ROCK						792
	2C-9259	2	PLATE-IDENTIFICATION (CAT)						

Y-SEPARATE ILLUSTRATION

<END>

WORK TOOLS

329-2004 BUCKET & ADJUSTER GP- EXTREME EXCAVATION, WB-FAMILY

S/N: PAS1-UP
2000-MM (79-IN) WIDE X 4.4-CU M (5.8-CU YD) CAPACITY.
K-150 ADAPTERS, QTY OF 4
AN ATTACHMENT

SMCS-6503, 6513

i03657041

NOTE	PART NUMBER	QTY	PART NAME						SEE PAGE
			1	2	3	4	5	6 (PRODUCT LEVEL)	
Y	7Y-3477	1	ADJUSTER GP-BUCKET (UB/WB/HB/JB-FAMILY)						749
Y	345-1743	1	BUCKET AS-EXTREME EXCAVATION						770
	2C-9259	2	PLATE-IDENTIFICATION (CAT)						

Y-SEPARATE ILLUSTRATION

<END>

329-2005 BUCKET & ADJUSTER GP- EXTREME EXCAVATION, WB-FAMILY

S/N: PAS1-UP
2100-MM (83-IN) WIDE X 4.6-CU M (6-CU YD) CAPACITY. K-150 ADAPTERS, QTY OF 4
AN ATTACHMENT

SMCS-6503, 6513

i03657065

NOTE	PART NUMBER	QTY	PART NAME						SEE PAGE
			1	2	3	4	5	6 (PRODUCT LEVEL)	
Y	7Y-3477	1	ADJUSTER GP-BUCKET (UB/WB/HB/JB-FAMILY)						749
Y	345-1744	1	BUCKET AS-EXTREME EXCAVATION						771
	2C-9259	2	PLATE-IDENTIFICATION (CAT)						

Y-SEPARATE ILLUSTRATION

<END>

329-2006 BUCKET & ADJUSTER GP- EXTREME EXCAVATION, WB-FAMILY

S/N: PAS1-UP
2250-MM (89-IN) WIDE X 5-CU M (6.5-CU YD) CAPACITY. K-150 ADAPTERS, QTY OF 4
AN ATTACHMENT

SMCS-6503, 6513

i03657068

NOTE	PART NUMBER	QTY	PART NAME						SEE PAGE
			1	2	3	4	5	6 (PRODUCT LEVEL)	
Y	7Y-3477	1	ADJUSTER GP-BUCKET (UB/WB/HB/JB-FAMILY)						749
Y	345-1745	1	BUCKET AS-EXTREME EXCAVATION						772
	2C-9259	2	PLATE-IDENTIFICATION (CAT)						

Y-SEPARATE ILLUSTRATION

<END>

WORK TOOLS

329-2015 BUCKET & ADJUSTER GP-HEAVY-DUTY, VB-FAMILY

S/N: PAS1-UP

1980-MM (78-IN) WIDE X 3.8-CU M (5-CU YD) CAPACITY. K-150 ADAPTERS, QTY OF 5
AN ATTACHMENT

SMCS-6503, 6513

i03880722

NOTE	PART NUMBER	QTY	PART NAME						SEE PAGE
			1	2	3	4	5	6 (PRODUCT LEVEL)	
Y	305-1750	1	ADJUSTER GP-BUCKET						751
Y	357-7950	1	BUCKET AS-HEAVY DUTY						790
	282-4717	1	BEARING						
	2C-9259	2	PLATE-IDENTIFICATION (CAT) (ON LH & RH SIDES OF BUCKET)						
Y-SEPARATE ILLUSTRATION									
<END>									

329-2054 BUCKET & ADJUSTER GP- GENERAL PURPOSE, VB-FAMILY

S/N: PAS1-UP

1525-MM (60-IN) WIDE X 2.7-CU M (3.6-CU YD) CAPACITY.
K-150 ADAPTERS, QTY OF 4
AN ATTACHMENT

SMCS-6503, 6513

i03657071

NOTE	PART NUMBER	QTY	PART NAME						SEE PAGE
			1	2	3	4	5	6 (PRODUCT LEVEL)	
Y	216-5734	1	ADJUSTER GP-BUCKET						750
Y	340-9238	1	BUCKET AS-GENERAL PURPOSE						780
	2C-9259	2	PLATE-IDENTIFICATION (CAT) (ON LH & RH SIDES OF BUCKET)						
Y-SEPARATE ILLUSTRATION									
<END>									

329-2055 BUCKET & ADJUSTER GP- GENERAL PURPOSE, VB-FAMILY

S/N: PAS1-UP

1980-MM (78-IN) WIDE X 3.8-CU M (5-CU YD) CAPACITY. K-150 ADAPTERS, QTY OF 4
AN ATTACHMENT

SMCS-6503, 6513

i03657042

NOTE	PART NUMBER	QTY	PART NAME						SEE PAGE
			1	2	3	4	5	6 (PRODUCT LEVEL)	
Y	216-5734	1	ADJUSTER GP-BUCKET						750
Y	340-9239	1	BUCKET AS-GENERAL PURPOSE						781
	2C-9259	2	PLATE-IDENTIFICATION (CAT)						
Y-SEPARATE ILLUSTRATION									
<END>									

WORK TOOLS

329-2056 BUCKET & ADJUSTER GP-EXCAVATION, VB-FAMILY

S/N: PAS1-UP

2100-MM (83-IN) WIDE X 4.6-CU M (6-CU YD) CAPACITY. K-150 ADAPTERS, QTY OF 5
AN ATTACHMENT

SMCS-6503, 6513

i03657029

NOTE	PART NUMBER	QTY	PART NAME						SEE PAGE
			1	2	3	4	5	6 (PRODUCT LEVEL)	
Y	216-5734	1	ADJUSTER GP-BUCKET (UB, VB-FAMILY)						750
Y	340-2757	1	BUCKET AS-GENERAL PURPOSE						779
	2C-9259	2	PLATE-IDENTIFICATION (CAT)						

Y-SEPARATE ILLUSTRATION

<END>

329-2059 BUCKET & ADJUSTER GP-EXCAVATION, VB-FAMILY

S/N: PAS1-UP

1220-MM (48-IN) WIDE X 2-CU M (2.6-CU YD) CAPACITY. K-150 ADAPTERS, QTY OF 3
AN ATTACHMENT

SMCS-6503, 6513

i03657047

NOTE	PART NUMBER	QTY	PART NAME						SEE PAGE
			1	2	3	4	5	6 (PRODUCT LEVEL)	
Y	216-5734	1	ADJUSTER GP-BUCKET						750
Y	343-2264	1	BUCKET AS-EXCAVATION						767
	2C-9259	2	PLATE-IDENTIFICATION (CAT)						

Y-SEPARATE ILLUSTRATION

<END>

329-2060 BUCKET & ADJUSTER GP-HEAVY-DUTY, VB-FAMILY

S/N: PAS1-UP

1680-MM (66-IN) WIDE X 3.10-CU M (4-CU YD) CAPACITY.

K-150 ADAPTERS, QTY OF 5

AN ATTACHMENT

SMCS-6503, 6513

i03880925

NOTE	PART NUMBER	QTY	PART NAME						SEE PAGE
			1	2	3	4	5	6 (PRODUCT LEVEL)	
Y	216-5734	1	ADJUSTER GP-BUCKET (UB, VB-FAMILY)						750
Y	343-2265	1	BUCKET AS-HEAVY DUTY						788
	2C-9259	2	PLATE-IDENTIFICATION (CAT)						
			(ON LH & RH SIDE OF BUCKET)						

Y-SEPARATE ILLUSTRATION

<END>

WORK TOOLS

329-2061 BUCKET & ADJUSTER GP-HEAVY-DUTY, VB-FAMILY

S/N: PAS1-UP
 1980-MM (78-IN) WIDE X 3.8-CU M (5-CU YD) CAPACITY.
 K-150 ADAPTERS, QTY OF 5
 AN ATTACHMENT

SMCS-6503, 6513

i03880938

NOTE	PART NUMBER	QTY	PART NAME						SEE PAGE
			1	2	3	4	5	6 (PRODUCT LEVEL)	
Y	216-5734	1	ADJUSTER GP-BUCKET (UB, VB-FAMILY)						750
Y	343-2266	1	BUCKET AS-HEAVY DUTY						789
	2C-9259	2	PLATE-IDENTIFICATION (CAT) (ON LH & RH SIDE OF BUCKET)						
Y-SEPARATE ILLUSTRATION									
<END>									

329-2063 BUCKET & ADJUSTER GP-HEAVY-DUTY, VB-FAMILY

S/N: PAS1-UP
 1980-MM (78-IN) WIDE X 3.8-CU M (5-CU YD) CAPACITY. K-150 ADAPTERS, QTY OF 5
 AN ATTACHMENT

SMCS-6503, 6513

i03657056

NOTE	PART NUMBER	QTY	PART NAME						SEE PAGE
			1	2	3	4	5	6 (PRODUCT LEVEL)	
Y	216-5734	1	ADJUSTER GP-BUCKET						750
Y	331-1292	1	BUCKET AS-HEAVY DUTY						787
	2C-9259	2	PLATE-IDENTIFICATION (CAT)						
Y-SEPARATE ILLUSTRATION									
<END>									

329-2064 BUCKET & ADJUSTER GP- SEVERE SERVICE ROCK, VB-FAMILY

S/N: PAS1-UP
 1000-MM (39-IN) WIDE X 1.5-CU M (2-CU YD) CAPACITY. K-150 ADAPTERS, QTY OF 3
 AN ATTACHMENT

SMCS-6503, 6513

i03880946

NOTE	PART NUMBER	QTY	PART NAME						SEE PAGE
			1	2	3	4	5	6 (PRODUCT LEVEL)	
Y	216-5734	1	ADJUSTER GP-BUCKET (UB, VB-FAMILY)						750
Y	343-5892	1	BUCKET AS-SEVERE SERVICE ROCK						796
	2C-9259	2	PLATE-IDENTIFICATION (CAT) (ON LH & RH SIDES OF BUCKET)						
Y-SEPARATE ILLUSTRATION									
<END>									

WORK TOOLS

329-2065 BUCKET & ADJUSTER GP- SEVERE SERVICE ROCK, VB-FAMILY

S/N: PAS1-UP

1525-MM (60-IN) WIDE X 2.7-CU M (3.6-CU YD) CAPACITY.

K-150 ADAPTERS, QTY OF 4
AN ATTACHMENT

SMCS-6503, 6513

i03880954

NOTE	PART NUMBER	QTY	PART NAME						SEE PAGE
			1	2	3	4	5	6 (PRODUCT LEVEL)	
Y	216-5734	1	ADJUSTER GP-BUCKET (UB, VB-FAMILY)						750
Y	343-5893	1	BUCKET AS-SEVERE SERVICE ROCK						797

2C-9259 2 PLATE-IDENTIFICATION (CAT)
(ON LH & RH SIDES OF BUCKET)

Y-SEPARATE ILLUSTRATION

<END>

329-2066 BUCKET & ADJUSTER GP- SEVERE SERVICE ROCK, VB-FAMILY

S/N: PAS1-UP

1680-MM(66-IN) WIDE X 3.1-CU M(4-CU YD) CAPACITY. K-150 ADAPTERS, QTY OF 4

AN ATTACHMENT

SMCS-6503, 6513

i03880973

NOTE	PART NUMBER	QTY	PART NAME						SEE PAGE
			1	2	3	4	5	6 (PRODUCT LEVEL)	
Y	216-5734	1	ADJUSTER GP-BUCKET (UB, VB-FAMILY)						750
Y	343-5894	1	BUCKET AS-SEVERE SERVICE ROCK						798

2C-9259 2 PLATE-IDENTIFICATION (CAT)
(ON LH & RH SIDES OF BUCKET)

Y-SEPARATE ILLUSTRATION

<END>

329-2067 BUCKET & ADJUSTER GP-EXCAVATION, VB-FAMILY

S/N: PAS1-UP

1980-MM (78-IN) WIDE X 3.8-CU M (5-CU YD) CAPACITY. K-150 ADAPTERS, QTY OF 5

AN ATTACHMENT

SMCS-6503, 6513

i03657064

NOTE	PART NUMBER	QTY	PART NAME						SEE PAGE
			1	2	3	4	5	6 (PRODUCT LEVEL)	
Y	216-5734	1	ADJUSTER GP-BUCKET (UB, VB-FAMILY)						750
Y	337-3427	1	BUCKET AS-SEVERE SERVICE ROCK						795

2C-9259 2 PLATE-IDENTIFICATION (CAT)

Y-SEPARATE ILLUSTRATION

<END>

WORK TOOLS

329-2072 BUCKET & ADJUSTER GP- EXTREME EXCAVATION, WB-FAMILY

S/N: PAS1-UP

2000-MM (79-IN) WIDE X 4.4-CU M (5.8-CU YD) CAPACITY.

K-150 ADAPTERS, QTY OF 4
AN ATTACHMENT

SMCS-6503, 6513

i03657059

NOTE	PART NUMBER	QTY	PART NAME						SEE PAGE
			1	2	3	4	5	6 (PRODUCT LEVEL)	
Y	7Y-3477	1	ADJUSTER GP-BUCKET (UB/WB/HB/JB-FAMILY)						749
Y	331-1290	1	BUCKET AS-EXTREME EXCAVATION						768
Y-SEPARATE ILLUSTRATION									

<END>

WORK TOOLS

330-4521 BUCKET & ADJUSTER GP- SEVERE SERVICE ROCK, WB-FAMILY

S/N: PAS1-UP

2000-MM (79-IN) WIDE X 4.4-CU M (5.8-CU YD) CAPACITY.

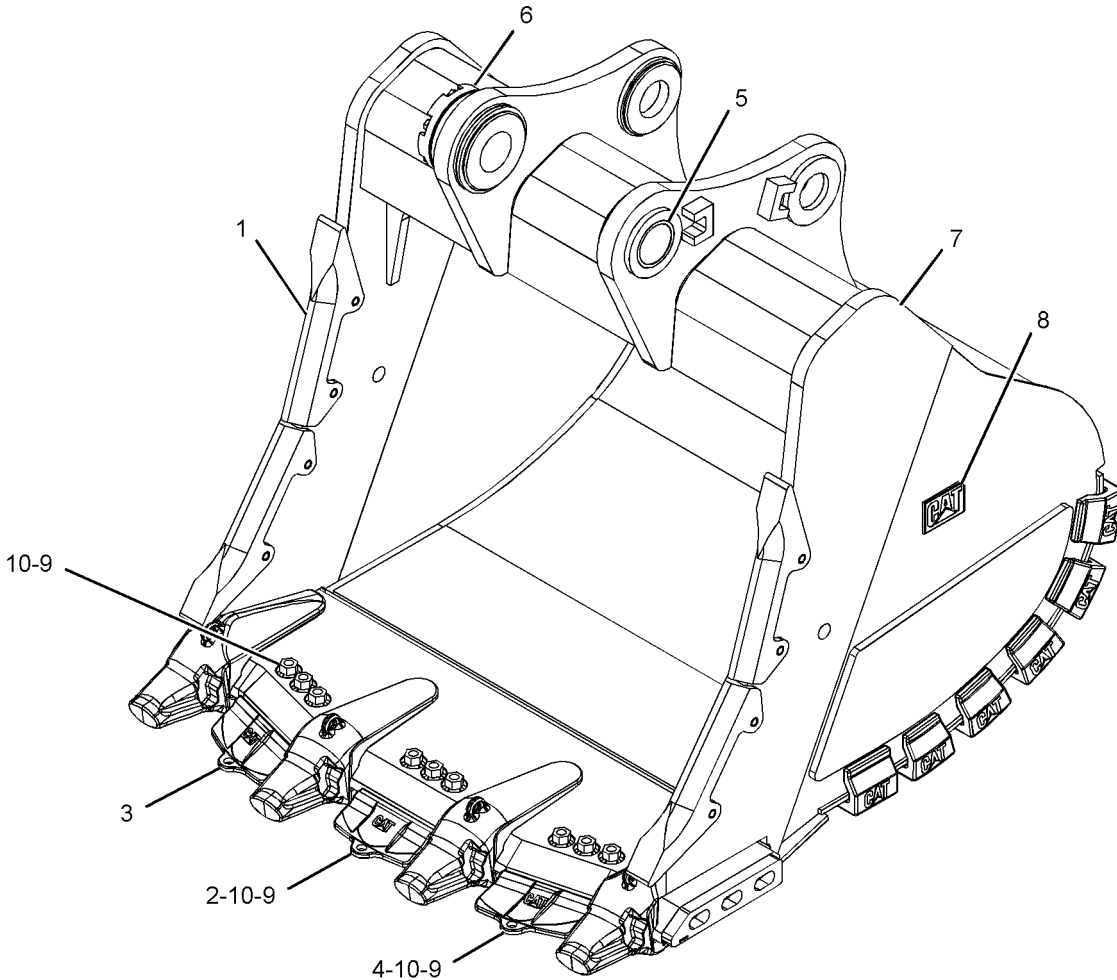
K-150 ADAPTERS, QTY OF 4
AN ATTACHMENT

SMCS-6503, 6513

i03883109

NOTE	REF NO	GRAPHIC REF	PART NUMBER	QTY	PART NAME						SEE PAGE
					1	2	3	4	5	6 (PRODUCT LEVEL)	
Y	1	1	112-2491	2	PROTECTOR GP-SIDE BAR (BUCKET)						811
	2	1	116-7460	1	EDGE-SEGMENT (CENTER)						
	3	1	116-7461	1	EDGE-SEGMENT (LH)						
	4	1	116-7462	4	EDGE-SEGMENT (RH)						
	5	1	269-1601	1	BEARING						
Y	6	1	305-1751	1	ADJUSTER GP-BUCKET						752
Y	7	1	352-4230	1	BUCKET AS-EXTREME SERVICE ROCK						774
	8	1	2C-9259	2	PLATE-IDENTIFICATION (CAT)						
	9	1	3K-9770	9	NUT-FULL (1-1/4-7-THD)						
	10	1	5P-8361	9	BOLT-PLOW (1-1/4-7X4.92-IN)						

Y-SEPARATE ILLUSTRATION



GRAPHIC #1

<END>

g02138756

WORK TOOLS

330-6575 BUCKET & ADJUSTER GP- GENERAL PURPOSE, WB-FAMILY

S/N: PAS1-UP

2100-MM (83-IN) WIDE X 4.6-CU M (6-CU YD) CAPACITY. K-150 ADAPTERS, QTY OF 4
AN ATTACHMENT

SMCS-6503, 6513

i03882869

NOTE	PART NUMBER	QTY	PART NAME						SEE PAGE
			1	2	3	4	5	6 (PRODUCT LEVEL)	
Y	7Y-3477	1	ADJUSTER GP-BUCKET (UB/WB/HB/JB-FAMILY)						749
Y	353-0365	1	BUCKET AS-GENERAL PURPOSE						783
	2C-9259	2	PLATE-IDENTIFICATION (CAT)						

Y-SEPARATE ILLUSTRATION

<END>

330-6576 BUCKET & ADJUSTER GP- GENERAL PURPOSE, WB-FAMILY

S/N: PAS1-UP

2250-MM(89-IN) WIDE X 5-CU M(6.5-CU YD) CAPACITY. K-150 ADAPTERS, QTY OF 5
AN ATTACHMENT

SMCS-6503, 6513

i03881259

NOTE	PART NUMBER	QTY	PART NAME						SEE PAGE
			1	2	3	4	5	6 (PRODUCT LEVEL)	
Y	7Y-3477	1	ADJUSTER GP-BUCKET (UB/WB/HB/JB-FAMILY)						749
Y	346-4726	1	BUCKET AS-GENERAL PURPOSE						782
	2C-9259	2	PLATE-IDENTIFICATION (CAT) (ON LH & RH SIDES OF BUCKET)						

Y-SEPARATE ILLUSTRATION

<END>

330-6577 BUCKET & ADJUSTER GP-HEAVY-DUTY, WB FAMILY

S/N: PAS1-UP

2250-MM(89-IN) WIDE X 55.3-CU M(7-CU YD) CAPACITY. K-150 ADAPTERS, QTY OF 5
AN ATTACHMENT

SMCS-6503, 6513

i03880991

NOTE	PART NUMBER	QTY	PART NAME						SEE PAGE
			1	2	3	4	5	6 (PRODUCT LEVEL)	
Y	7Y-3477	1	ADJUSTER GP-BUCKET (UB/WB/HB/JB-FAMILY)						749
Y	353-0367	1	BUCKET AS-GENERAL PURPOSE (HEAVY-DUTY, WB-FAMILY)						785
	2C-9259	2	PLATE-IDENTIFICATION (CAT) (ON LH & RH SIDES OF BUCKET)						

Y-SEPARATE ILLUSTRATION

<END>

WORK TOOLS

330-6579 BUCKET & ADJUSTER GP- EXTREME EXCAVATION, WB-FAMILY

S/N: PAS1-UP

2000-MM (79-IN) WIDE X 4.4-CU M (5.8-CU YD) CAPACITY.

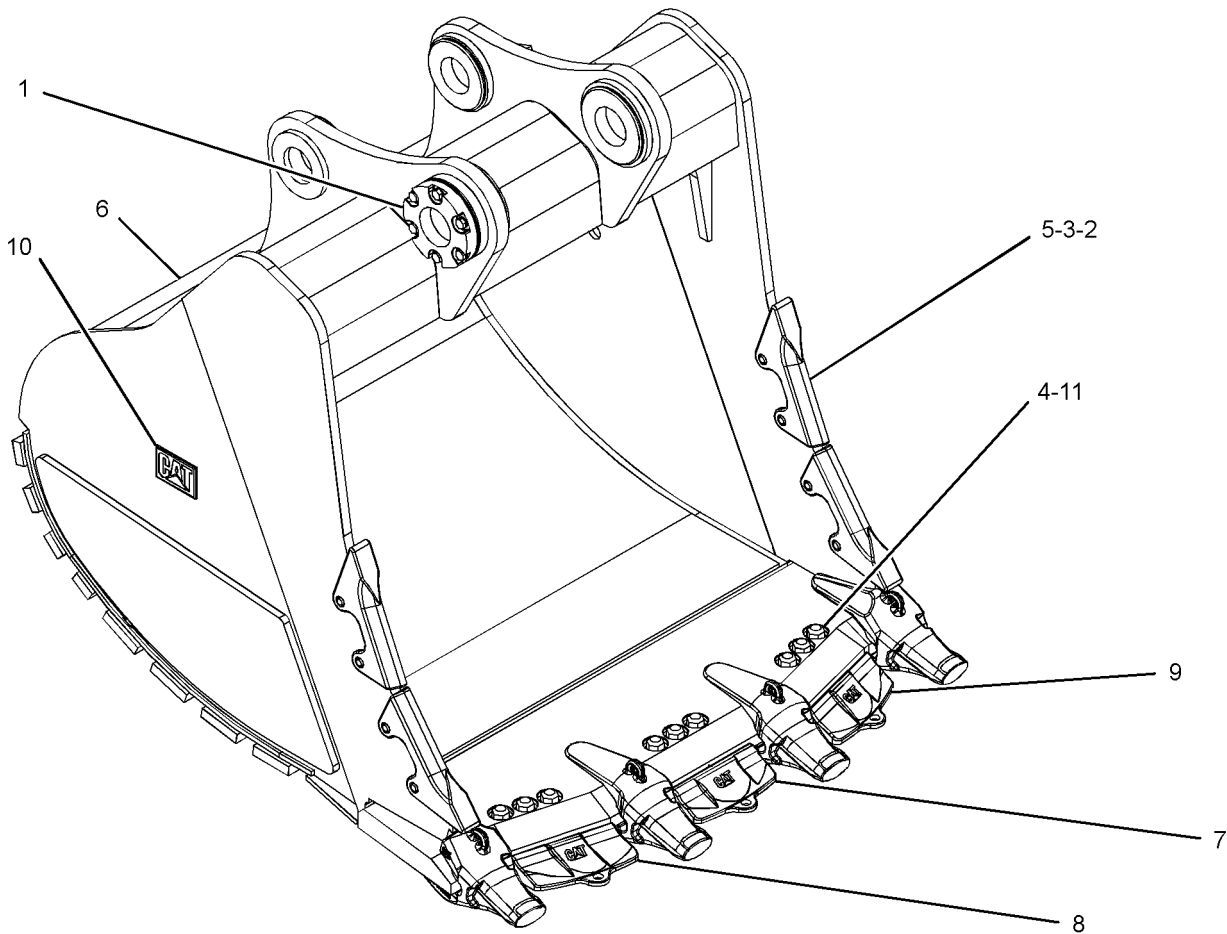
K-150 ADAPTERS, QTY OF 4
AN ATTACHMENT

SMCS-6503, 6513

i03657072

NOTE	REF NO	GRAPHIC REF	PART NUMBER	QTY	PART NAME						SEE PAGE
					1	2	3	4	5	6 (PRODUCT LEVEL)	
Y	1	1	7Y-3477	1	ADJUSTER GP-BUCKET (UB/WB/HB/JB-FAMILY)						749
	2	1	132-0998	8	PIN						
	3	1	132-0999	8	RETAINER AS						
	4	1	3K-9770	9	NUT-FULL (1-1/4-7-THD)						
	5	1	166-2877	4	PROTECTOR-SIDE BAR						
Y	6	1	345-2588	1	BUCKET AS-EXTREME EXCAVATION						773
	7	1	347-3234	1	EDGE-SEGMENT (CENTER)						
	8	1	347-3235	1	EDGE-SEGMENT (LH)						
	9	1	347-3236	1	EDGE-SEGMENT (RH)						
	10	1	2C-9259	2	PLATE-IDENTIFICATION (CAT)						
	11	1	5P-8361	9	BOLT-PLOW (1-1/4-7X4.92-IN)						

Y-SEPARATE ILLUSTRATION



GRAPHIC #1

<END>

g02039577

WORK TOOLS

358-3905 BUCKET & ADJUSTER GP-

GENERAL PURPOSE, WB-FAMILY

S/N: PAS1-UP

2000-MM (79-IN) WIDE X 4.6-CU M (6-CU YD) CAPACITY. K-150 ADAPTERS, QTY OF 4
AN ATTACHMENT

SMCS-6503, 6513

i03883172

NOTE	PART NUMBER	QTY	PART NAME 1 2 3 4 5 6 (PRODUCT LEVEL)	SEE PAGE
Y	7Y-3477	1	ADJUSTER GP-BUCKET (UB/WB/HB/JB-FAMILY)	749
Y	353-0366	1	BUCKET AS-GENERAL PURPOSE	784
	2C-9259	2	PLATE-IDENTIFICATION (CAT) (ON LH & RH SIDES OF BUCKET)	
Y-SEPARATE ILLUSTRATION				
<END>				

WORK TOOLS

302-8996 BUCKET AS-EXCAVATION-WB-FAMILY

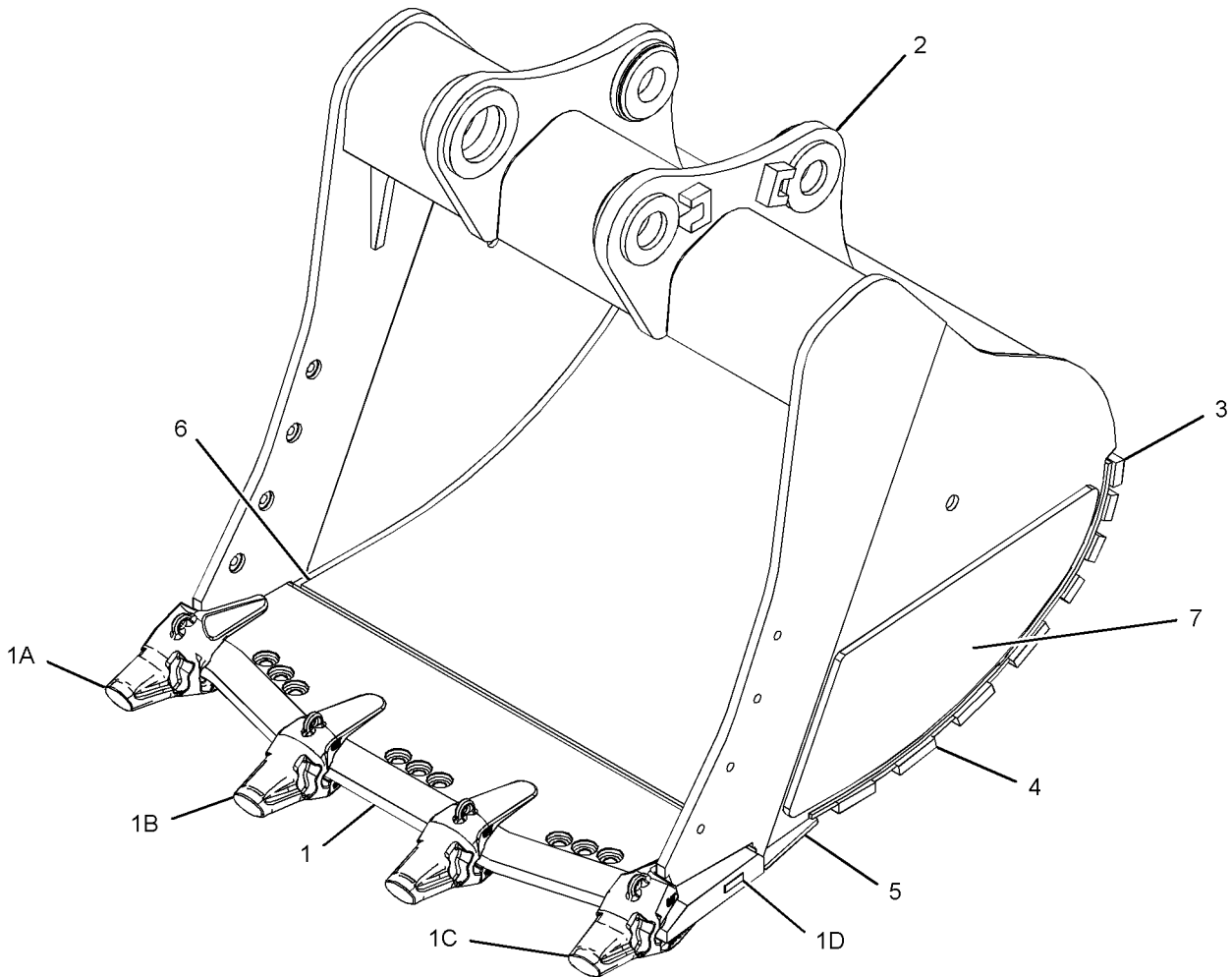
S/N: PAS1-UP

2100-MM (83-IN) WIDE X 4.6-CU M (6-CU YD) CAPACITY. K-150 ADAPTERS, QTY OF 4
PART OF 302-8995 BUCKET & ADJUSTER GP
AN ATTACHMENT

SMCS-6523

i03657050

NOTE	REF NO	GRAPHIC REF	PART NUMBER	QTY	PART NAME						SEE PAGE
					1	2	3	4	5	6 (PRODUCT LEVEL)	
	1	1	302-9049	1	EDGE AS						
	1A	1	264-2156	1	ADAPTER-TIP (K-150, LH)						
	1B	1	195-9154	2	ADAPTER-TIP (K-150, 2-STRAP, CENTER)						
	1C	1	264-2155	1	ADAPTER-TIP (K-150, RH)						
	1D	1	8P-9770	1	PLATE						
	2	1	302-9060	1	PLATE AS-BOX						
	3	1	302-9058	4	PLATE-WEAR						
	4	1	302-9059	4	PLATE-WEAR						
	5	1	340-2767	1	PLATE-WEAR						
	6	1	302-9048	1	PLATE-WEAR						
	7	1	302-9056	2	PLATE-WEAR						



GRAPHIC #1

<END>

g02097914

WORK TOOLS

343-2264 BUCKET AS-EXCAVATION-VB-FAMILY

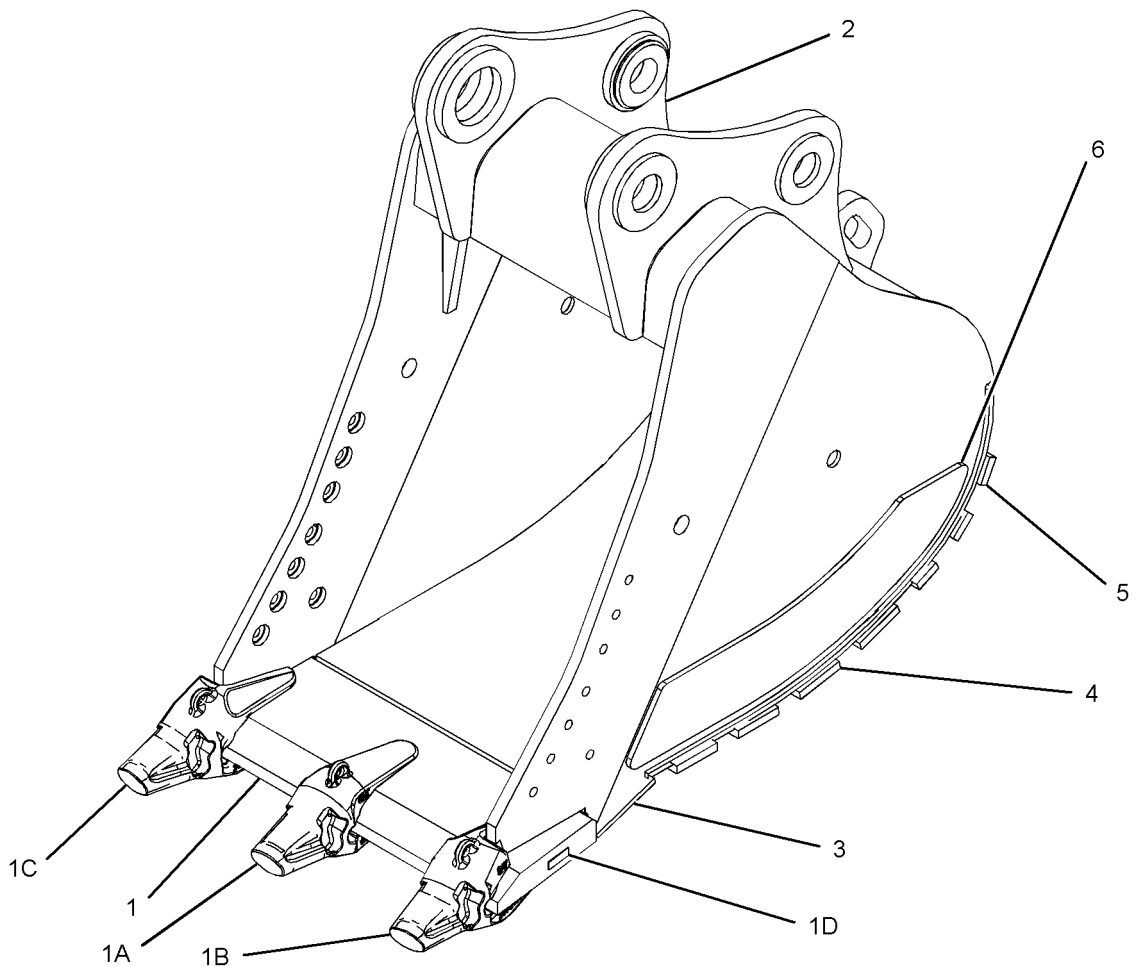
S/N: PAS1-UP

1220-MM (48-IN) WIDE X 2-CU M (2.6-CU YD) CAPACITY. K-150 ADAPTERS, QTY OF 3
PART OF 329-2059 BUCKET & ADJUSTER GP
AN ATTACHMENT

SMCS-6523

i03657052

NOTE	REF NO	GRAPHIC REF	PART NUMBER	QTY	PART NAME						SEE PAGE
					1	2	3	4	5	6 (PRODUCT LEVEL)	
1	1	1	340-6395	1	EDGE AS						
1A	1	1	195-9154	1	ADAPTER-TIP (K-150, 2-STRAP, CENTER)						
1B	1	1	264-2155	1	ADAPTER-TIP (K-150, RH)						
1C	1	1	264-2156	1	ADAPTER-TIP (K-150, LH)						
1D	1	1	8P-9770	1	PLATE						
2	1	1	343-2272	1	PLATE AS-BOX						
3	1	1	343-2269	1	PLATE-WEAR						
4	1	1	343-2270	4	PLATE-WEAR						
5	1	1	343-2271	3	PLATE-WEAR						
6	1	1	335-9401	2	PLATE-WEAR						



GRAPHIC #1

<END>

g02050196

WORK TOOLS

331-1290 BUCKET AS-EXTREME EXCAVATION-WB-FAMILY

S/N: PAS1-UP

2000-MM (79-IN) WIDE X 4.4-CU M (5.8-CU YD) CAPACITY.

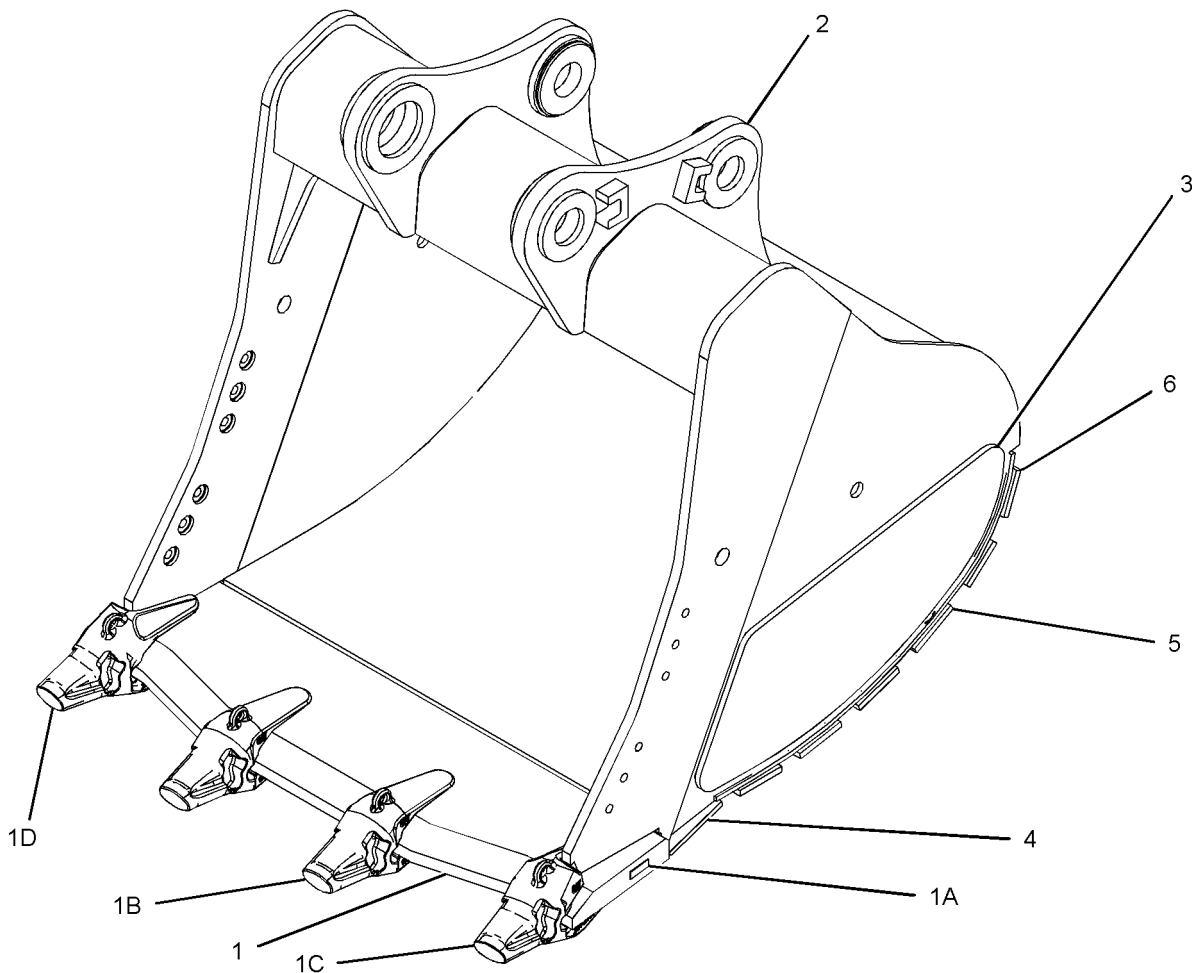
K-150 ADAPTERS, QTY OF 4

PART OF 329-2072 BUCKET & ADJUSTER GP
AN ATTACHMENT

SMCS-6523, 6529

i03657040

NOTE	REF NO	GRAPHIC REF	PART NUMBER	QTY	PART NAME						SEE PAGE
					1	2	3	4	5	6 (PRODUCT LEVEL)	
	1	1	329-1975	1	EDGE AS						
	1A	1	8P-9770	1	PLATE						
	1B	1	195-9154	2	ADAPTER-TIP (K-150, 2-STRAP, CENTER)						
	1C	1	264-2155	1	ADAPTER-TIP (K-150, RH)						
	1D	1	264-2156	1	ADAPTER-TIP (K-150, LH)						
	2	1	334-9120	1	PLATE AS-BOX						
	3	1	334-9116	2	PLATE-WEAR						
	4	1	334-9117	1	PLATE-WEAR						
	5	1	334-9118	4	PLATE-WEAR						
	6	1	334-9119	2	PLATE-WEAR						



GRAPHIC #1

<END>

g02039294

WORK TOOLS

345-1742 BUCKET AS-EXTREME EXCAVATION-WB-FAMILY

S/N: PAS1-UP

1800-MM (71-IN) WIDE X 3.7-CU M (4.8-CU YD) CAPACITY.

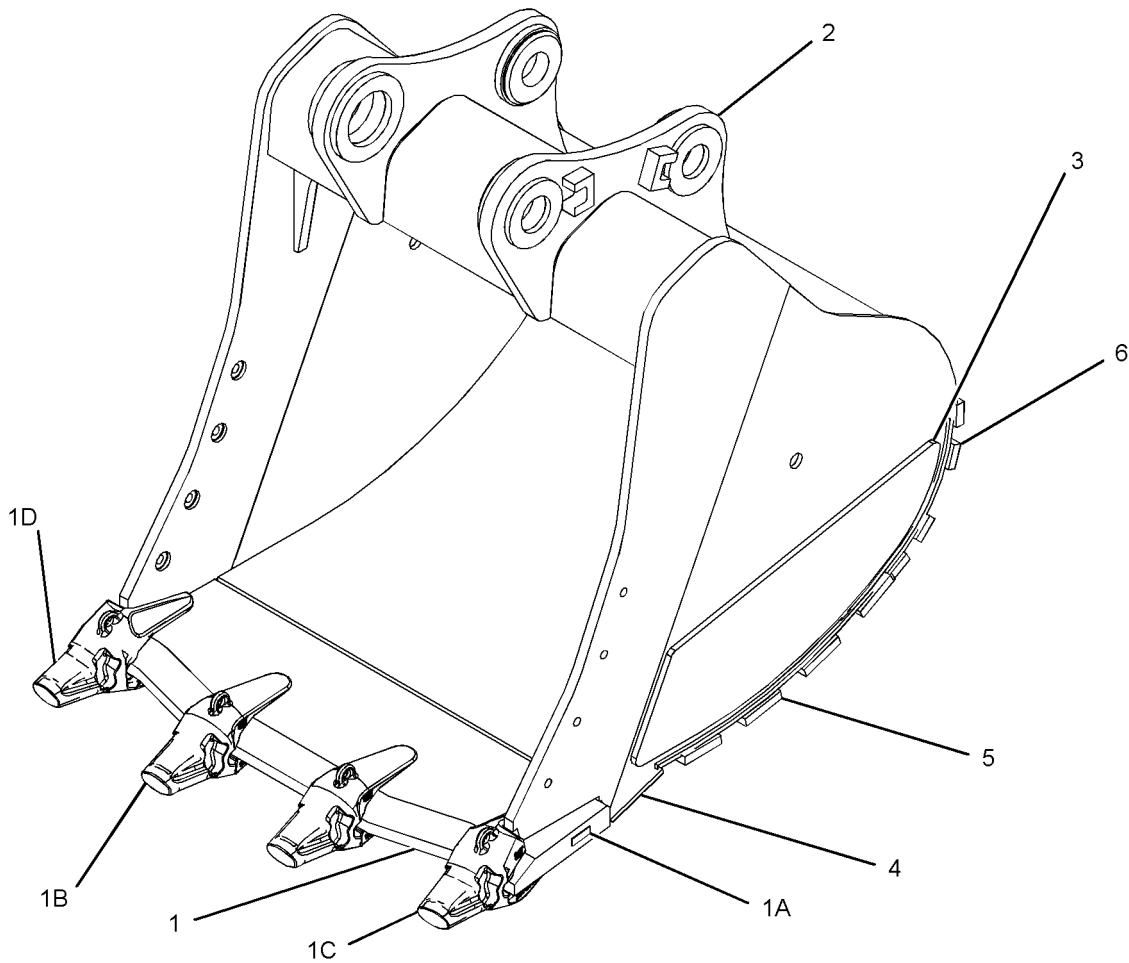
K-150 ADAPTERS, QTY OF 4

PART OF 329-2002 BUCKET & ADJUSTER GP
AN ATTACHMENT

SMCS-6523, 6529

i03657032

NOTE	REF NO	GRAPHIC REF	PART NUMBER	QTY	PART NAME						SEE PAGE
					1	2	3	4	5	6 (PRODUCT LEVEL)	
	1	1	340-6406	1	EDGE AS						
	1A	1	8P-9770	1	PLATE						
	1B	1	195-9154	2	ADAPTER-TIP (K-150, 2-STRAP, CENTER)						
	1C	1	264-2155	1	ADAPTER-TIP (K-150, RH)						
	1D	1	264-2156	1	ADAPTER-TIP (K-150, LH)						
	2	1	345-2599	1	PLATE AS-BOX						
	3	1	329-2041	2	PLATE-WEAR						
	4	1	345-2586	1	PLATE-WEAR						
	5	1	345-2590	4	PLATE-WEAR						
	6	1	345-2592	4	PLATE-WEAR						



GRAPHIC #1

<END>

g02037946

WORK TOOLS

345-1743 BUCKET AS-EXTREME EXCAVATION-WB-FAMILY

S/N: PAS1-UP

2000-MM (79-IN) WIDE X 4.4-CU M (5.8-CU YD) CAPACITY.

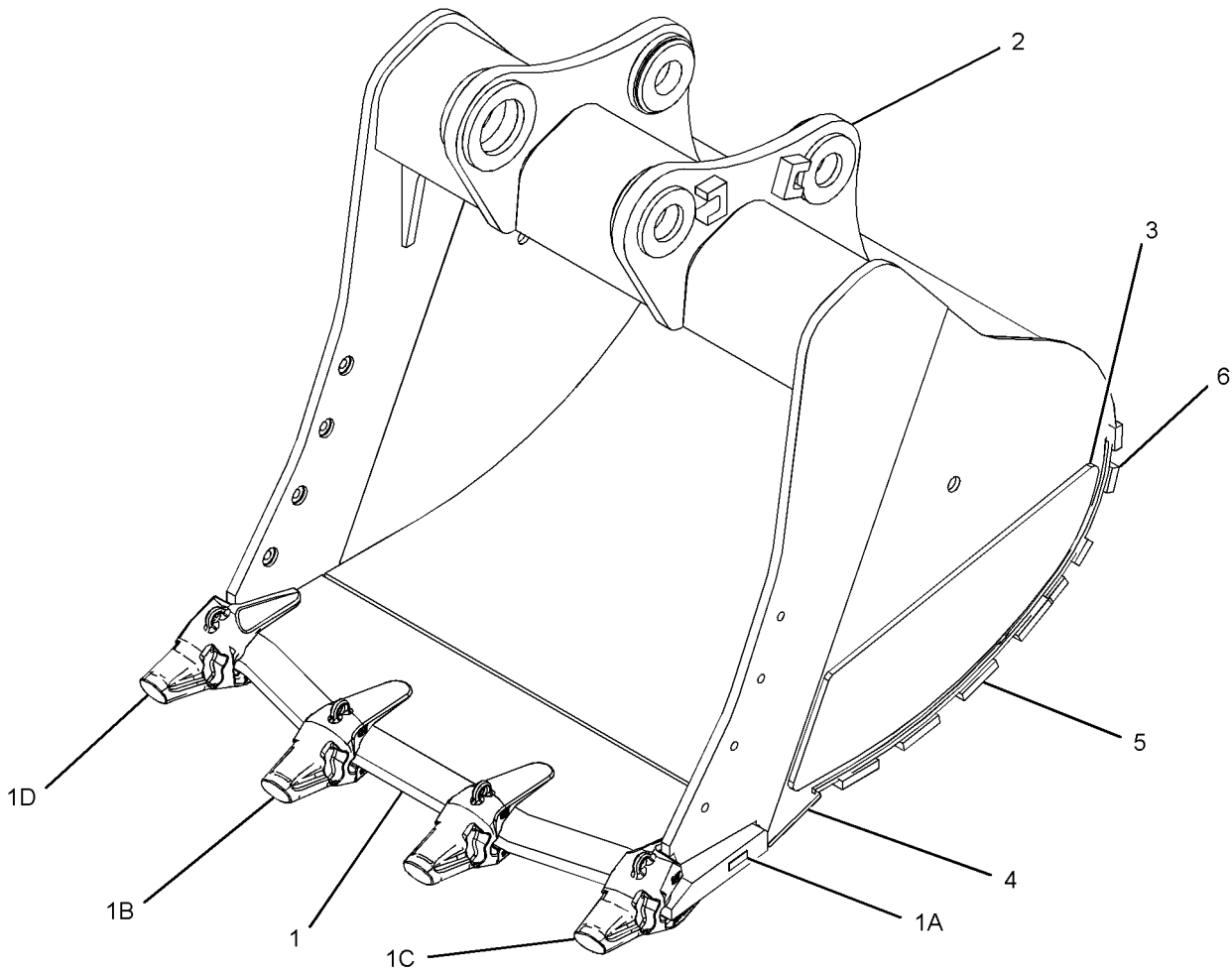
K-150 ADAPTERS, QTY OF 4

PART OF 329-2004 BUCKET & ADJUSTER GP
AN ATTACHMENT

SMCS-6523, 6529

i03657038

NOTE	REF NO	GRAPHIC REF	PART NUMBER	QTY	PART NAME						SEE PAGE
					1	2	3	4	5	6 (PRODUCT LEVEL)	
	1	1	329-1975	1	EDGE AS						
	1A	1	8P-9770	1	PLATE						
	1B	1	195-9154	2	ADAPTER-TIP (K-150, 2-STRAP, CENTER)						
	1C	1	264-2155	1	ADAPTER-TIP (K-150, RH)						
	1D	1	264-2156	1	ADAPTER-TIP (K-150, LH)						
	2	1	334-9120	1	PLATE AS-BOX						
	3	1	329-2041	2	PLATE-WEAR						
	4	1	329-2044	1	PLATE-WEAR						
	5	1	329-2045	4	PLATE-WEAR						
	6	1	329-2052	4	PLATE-WEAR						



GRAPHIC #1

<END>

g02037034

WORK TOOLS

345-1744 BUCKET AS-EXTREME EXCAVATION-WB-FAMILY

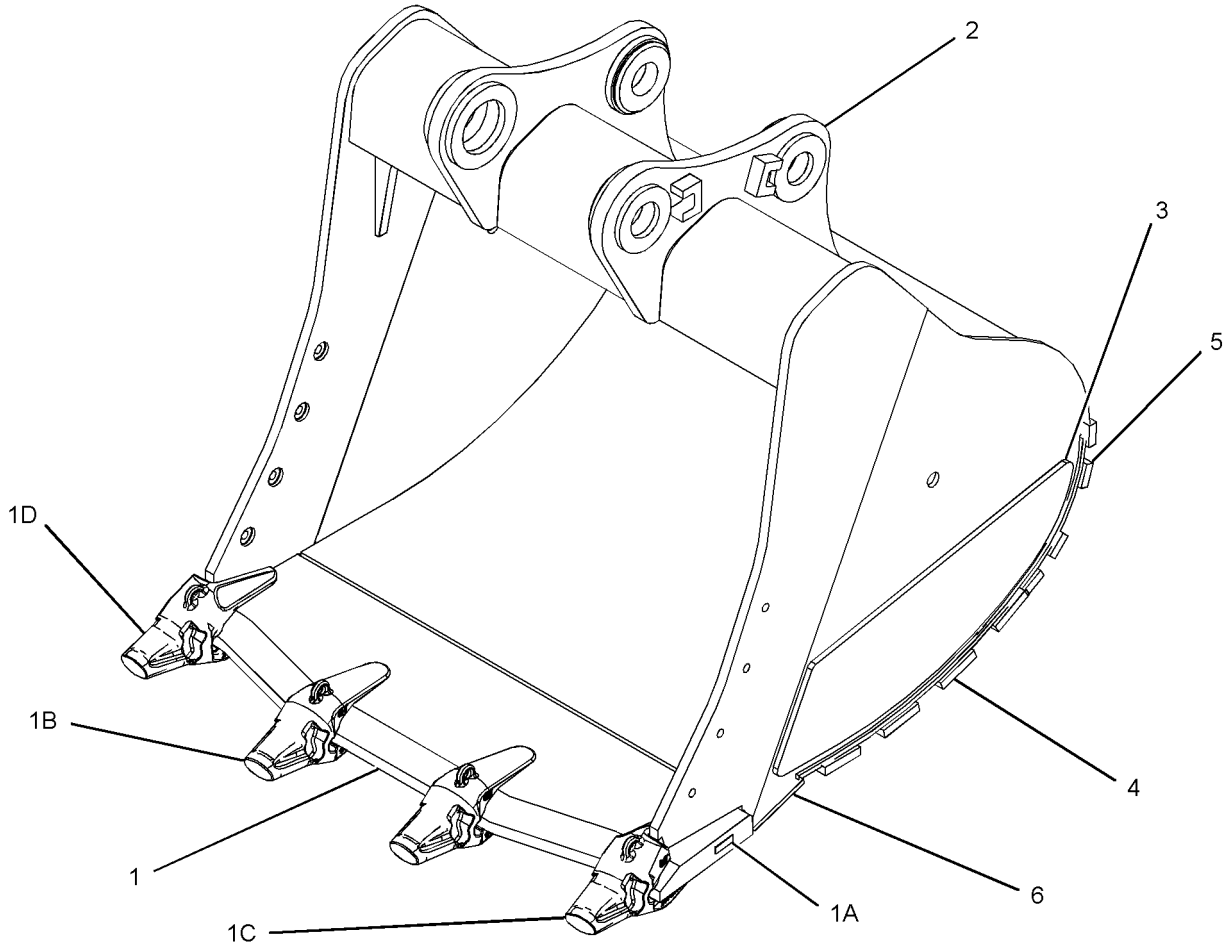
S/N: PAS1-UP

2100-MM (83-IN) WIDE X 4.6-CU M (6-CU YD) CAPACITY. K-150 ADAPTERS, QTY OF 4
PART OF 329-2005 BUCKET & ADJUSTER GP
AN ATTACHMENT

SMCS-6523, 6529

i03657031

NOTE	REF NO	GRAPHIC REF	PART NUMBER	QTY	PART NAME						SEE PAGE
					1	2	3	4	5	6 (PRODUCT LEVEL)	
	1	1	329-1976	1	EDGE AS						
	1A	1	8P-9770	1	PLATE						
	1B	1	195-9154	2	ADAPTER-TIP (K-150, 2-STRAP, CENTER)						
	1C	1	264-2155	1	ADAPTER-TIP (K-150, RH)						
	1D	1	264-2156	1	ADAPTER-TIP (K-150, LH)						
	2	1	302-9060	1	PLATE AS-BOX						
	3	1	329-2041	2	PLATE-WEAR						
	4	1	329-2047	4	PLATE-WEAR						
	5	1	329-2053	4	PLATE-WEAR						
	6	1	340-2767	1	PLATE-WEAR						



GRAPHIC #1

<END>

g02037635

WORK TOOLS

345-1745 BUCKET AS-EXTREME EXCAVATION-WB-FAMILY

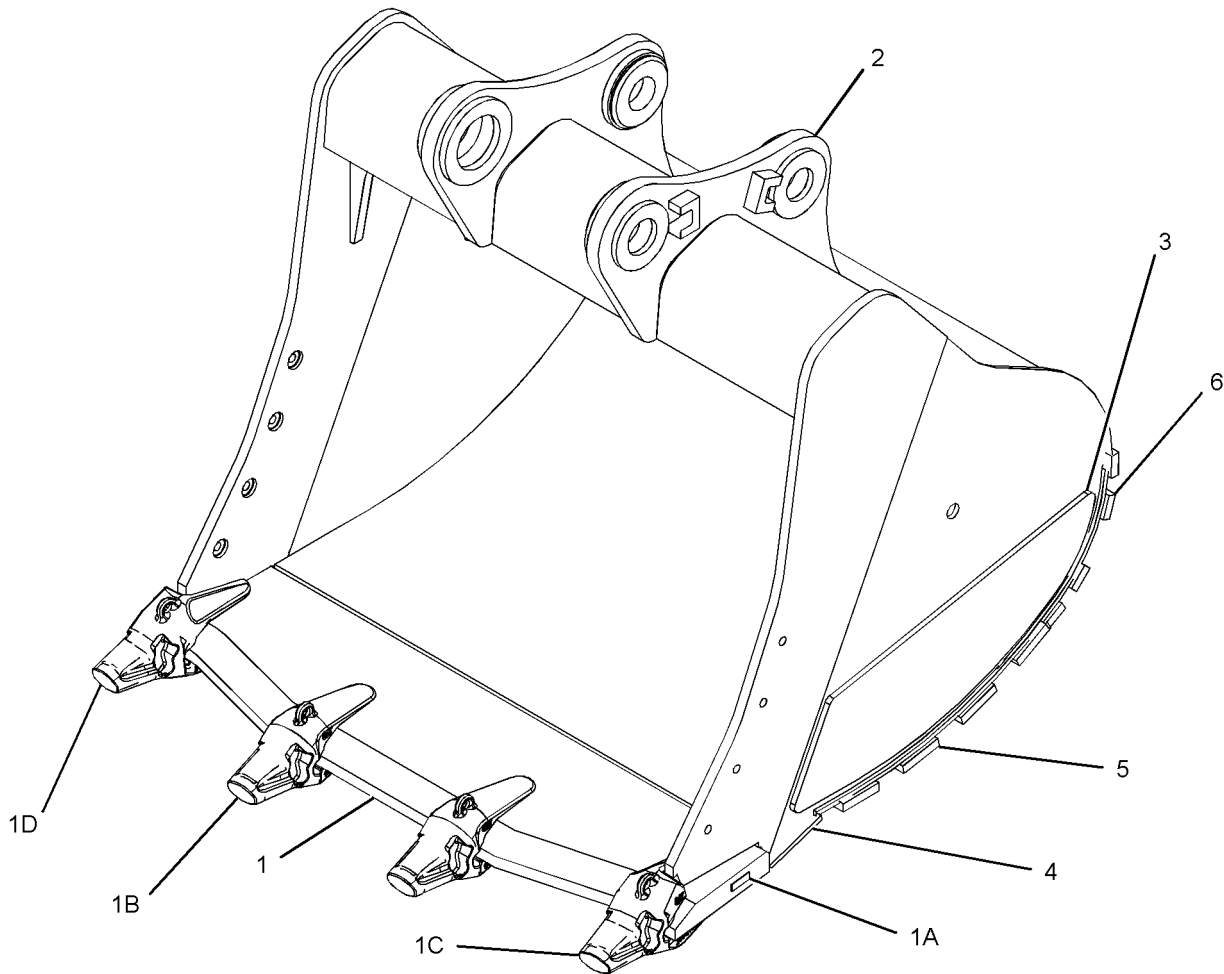
S/N: PAS1-UP

2250-MM (89-IN) WIDE X 5-CU M (6.5-CU YD) CAPACITY. K-150 ADAPTERS, QTY OF 4
PART OF 329-2006 BUCKET & ADJUSTER GP
AN ATTACHMENT

SMCS-6523, 6529

i03657046

NOTE	REF NO	GRAPHIC REF	PART NUMBER	QTY	PART NAME						SEE PAGE
					1	2	3	4	5	6 (PRODUCT LEVEL)	
	1	1	329-1977	1	EDGE AS						
	1A	1	8P-9770	1	PLATE						
	1B	1	195-9154	2	ADAPTER-TIP (K-150, 2-STRAP, CENTER)						
	1C	1	264-2155	1	ADAPTER-TIP (K-150, RH)						
	1D	1	264-2156	1	ADAPTER-TIP (K-150, LH)						
	2	1	345-2606	1	PLATE AS-BOX						
	3	1	329-2041	2	PLATE-WEAR						
	4	1	345-2589	1	PLATE-WEAR						
	5	1	345-2591	4	PLATE-WEAR						
	6	1	345-2594	4	PLATE-WEAR						



GRAPHIC #1

<END>

g02038985

WORK TOOLS

345-2588 BUCKET AS-EXTREME EXCAVATION-WB-FAMILY

S/N: PAS1-UP

2000-MM (79-IN) WIDE X 4.4-CU M (5.8-CU YD) CAPACITY.

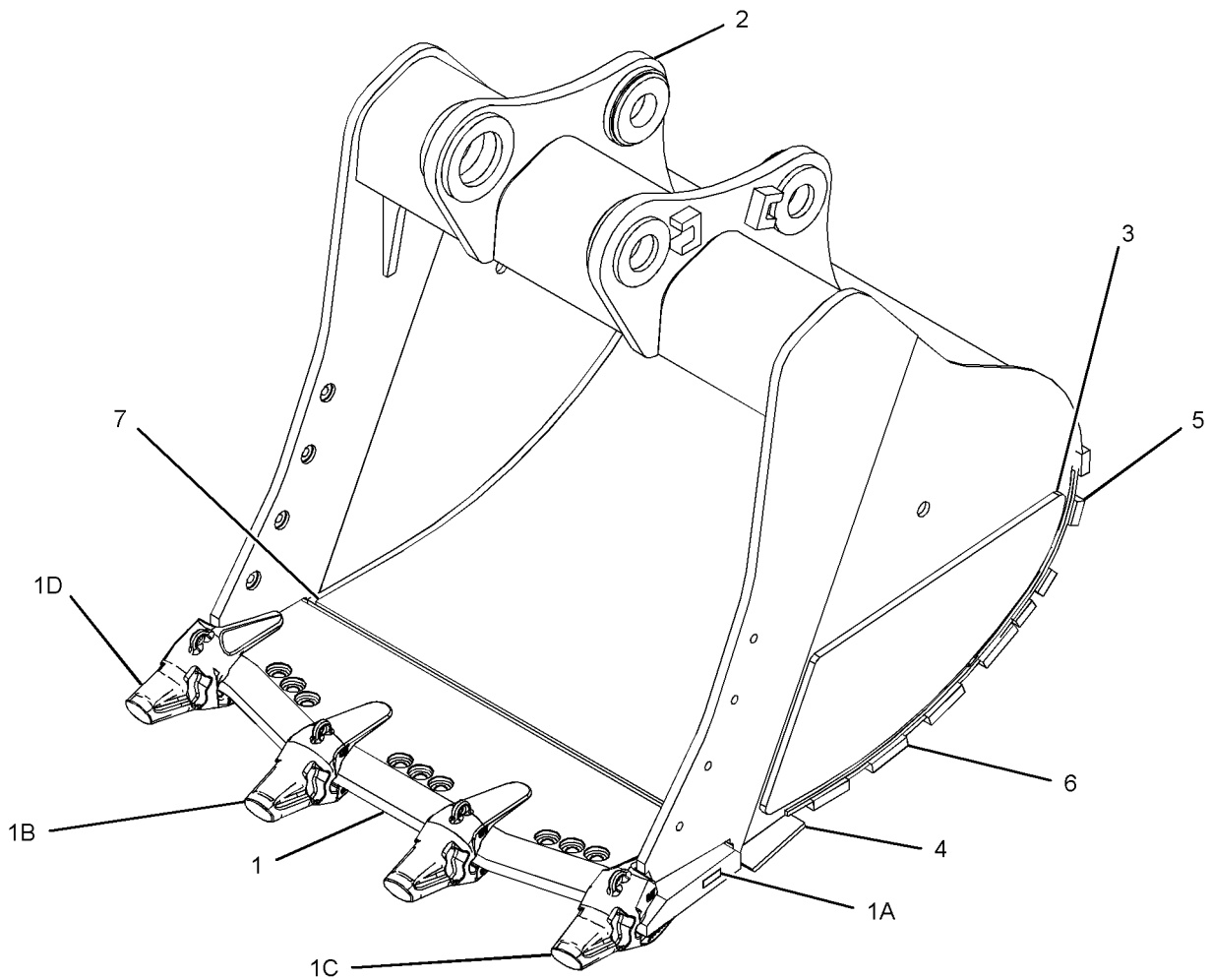
K-150 ADAPTERS, QTY OF 4

PART OF 330-6579 BUCKET & ADJUSTER GP
AN ATTACHMENT

SMCS-6523, 6529

i03657044

NOTE	REF NO	GRAPHIC REF	PART NUMBER	QTY	PART NAME						SEE PAGE
					1	2	3	4	5	6 (PRODUCT LEVEL)	
	1	1	334-3402	1	EDGE AS						
	1A	1	8P-9770	1	PLATE						
	1B	1	195-9154	2	ADAPTER-TIP (K-150, 2-STRAP, CENTER)						
	1C	1	264-2155	1	ADAPTER-TIP (K-150, RH)						
	1D	1	264-2156	1	ADAPTER-TIP (K-150, LH)						
	2	1	334-9120	1	PLATE AS-BOX						
	3	1	302-9056	2	PLATE-WEAR						
	4	1	329-2044	1	PLATE-WEAR						
	5	1	334-3404	4	PLATE-WEAR						
	6	1	334-3405	4	PLATE-WEAR						
	7	1	334-3410	1	PLATE-WEAR						



GRAPHIC #1

<END>

g02038533

WORK TOOLS

352-4230 BUCKET AS-EXTREME SERVICE ROCK-WB-FAMILY

S/N: PAS1-UP

2000-MM (79-IN) WIDE X 4.4-CU M (5.8-CU YD) CAPACITY.

K-150 ADAPTERS, QTY OF 4

PART OF 330-4521 BUCKET & ADJUSTER GP
AN ATTACHMENT

SMCS-6102, 6529

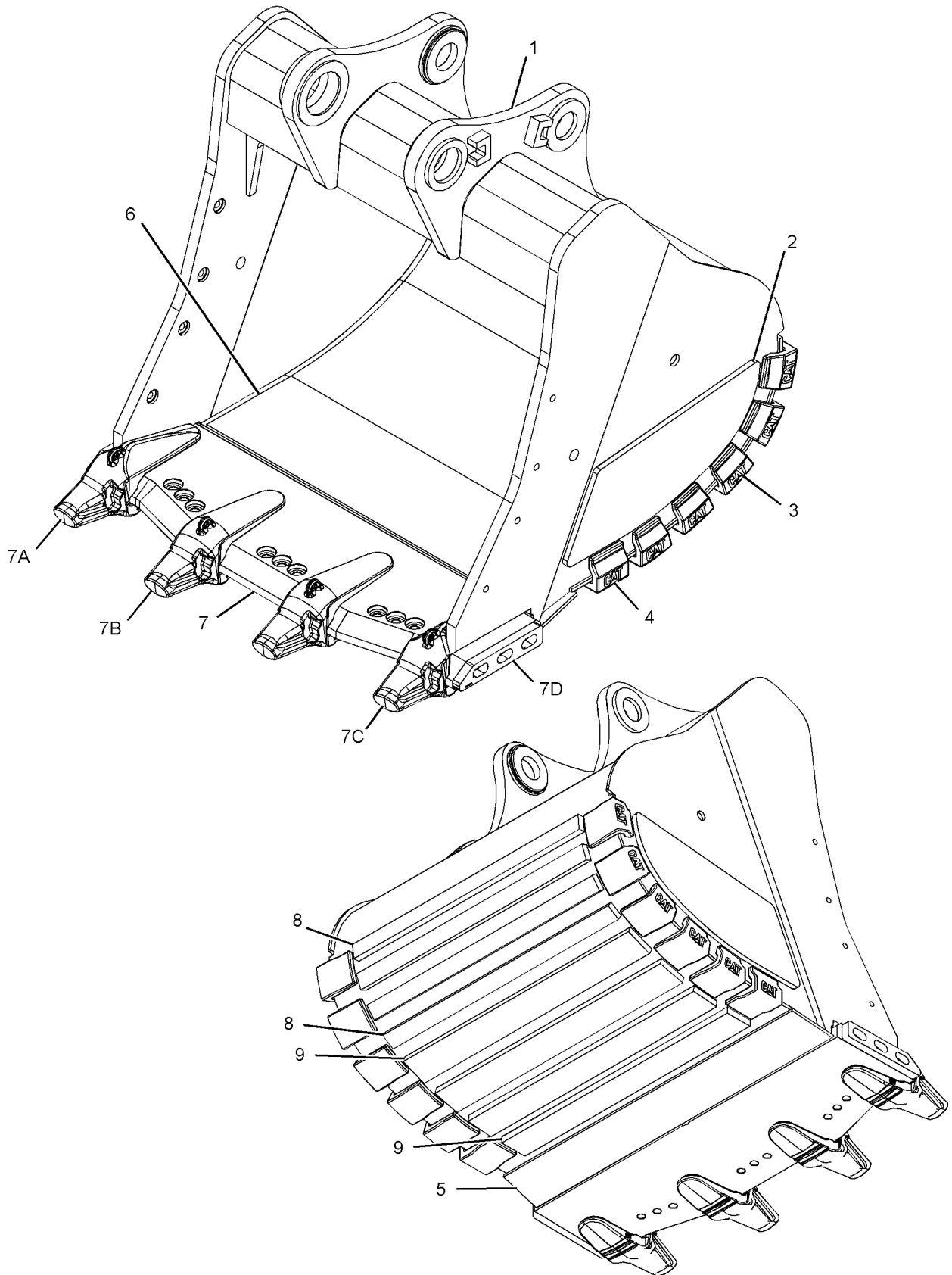
i03883092

NOTE	REF NO	GRAPHIC REF	PART NUMBER	QTY	PART NAME						SEE PAGE
					1	2	3	4	5	6 (PRODUCT LEVEL)	
1	1	1	352-4241	1	PLATE AS-BOX						
2	1	1	352-4240	2	PLATE-WEAR						
3	1	1	138-6551	10	SHROUD (HEEL, CURVED)						
4	1	1	138-6529	2	SHROUD (HEEL, STRAIGHT)						
5	1	1	352-4226	1	PLATE-WEAR						
6	1	1	352-4232	1	PLATE-WEAR						
7	1	1	352-4233	1	EDGE AS						
7A	1	1	232-2172	1	ADAPTER-TIP (K-170, 2-STRAP, LH)						
7B	1	1	232-2170	2	ADAPTER-TIP (K-170, 2-STRAP, CENTER)						
7C	1	1	232-2171	1	ADAPTER-TIP (K-170, 2-STRAP, RH)						
7D	1	1	286-2126	2	BLOCK-WEAR						
8	1	1	352-4228	4	PLATE-WEAR						
9	1	1	352-4227	4	PLATE-WEAR						

WORK TOOLS

352-4230 BUCKET AS-EXTREME SERVICE ROCK (contd.)

i03883092



GRAPHIC #1

<END>

g02138770

WORK TOOLS

356-2093 BUCKET AS-EXTREME SERVICE ROCK-WB2-FAMILY

S/N: PAS1-UP

2000-MM(79-IN) WIDE X 4.4-CU M(5.75-CU YD) CAPACITY.

K-170 ADAPTERS, QTY OF 4

PART OF 350-0208 BUCKET GP-EXTREME SERVICE ROCK
AN ATTACHMENT

SMCS-6102, 6529

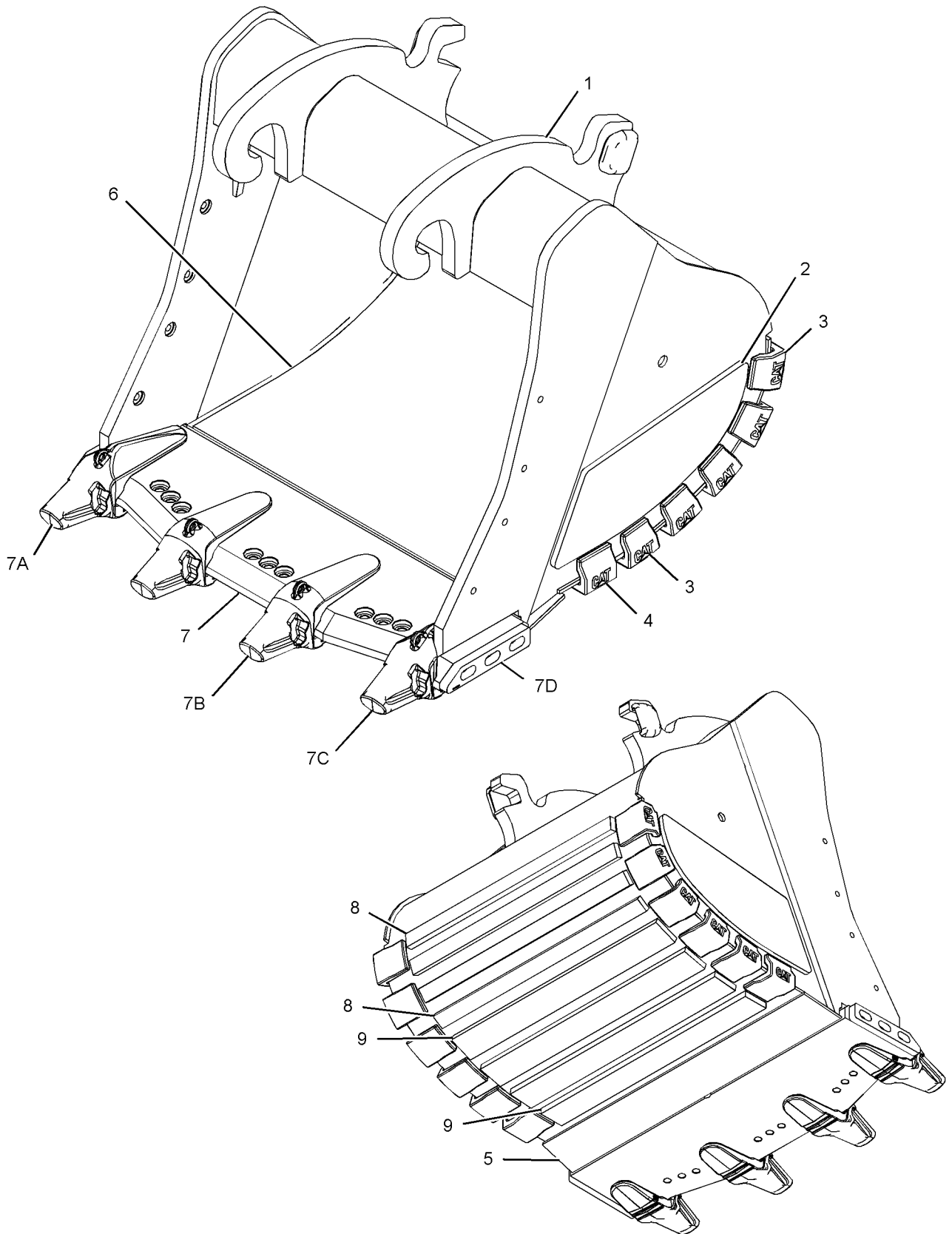
i03882970

NOTE	REF NO	GRAPHIC REF	PART NUMBER	QTY	PART NAME						SEE PAGE
					1	2	3	4	5	6 (PRODUCT LEVEL)	
1	1	1	356-2094	1	PLATE AS-BOX						
2	1	1	352-4240	1	PLATE-WEAR						
3	1	1	138-6551	10	SHROUD (HEEL, CURVED)						
4	1	1	138-6529	2	SHROUD (HEEL, STRAIGHT)						
5	1	1	352-4226	1	PLATE-WEAR						
6	1	1	352-4232	1	PLATE-WEAR						
7	1	1	352-4233	1	EDGE AS						
7A	1	1	232-2172	1	ADAPTER-TIP (K-170, 2-STRAP, LH)						
7B	1	1	232-2170	2	ADAPTER-TIP (K-170, 2-STRAP, CENTER)						
7C	1	1	232-2171	1	ADAPTER-TIP (K-170, 2-STRAP, RH)						
7D	1	1	286-2126	2	BLOCK-WEAR						
8	1	1	352-4228	4	PLATE-WEAR						
9	1	1	352-4227	4	PLATE-WEAR						

WORK TOOLS

356-2093 BUCKET AS-EXTREME SERVICE ROCK (contd.)

i03882970



GRAPHIC #1

<END>

g02138817

WORK TOOLS

331-1294 BUCKET AS-GENERAL PURPOSE-QUICK COUPLER

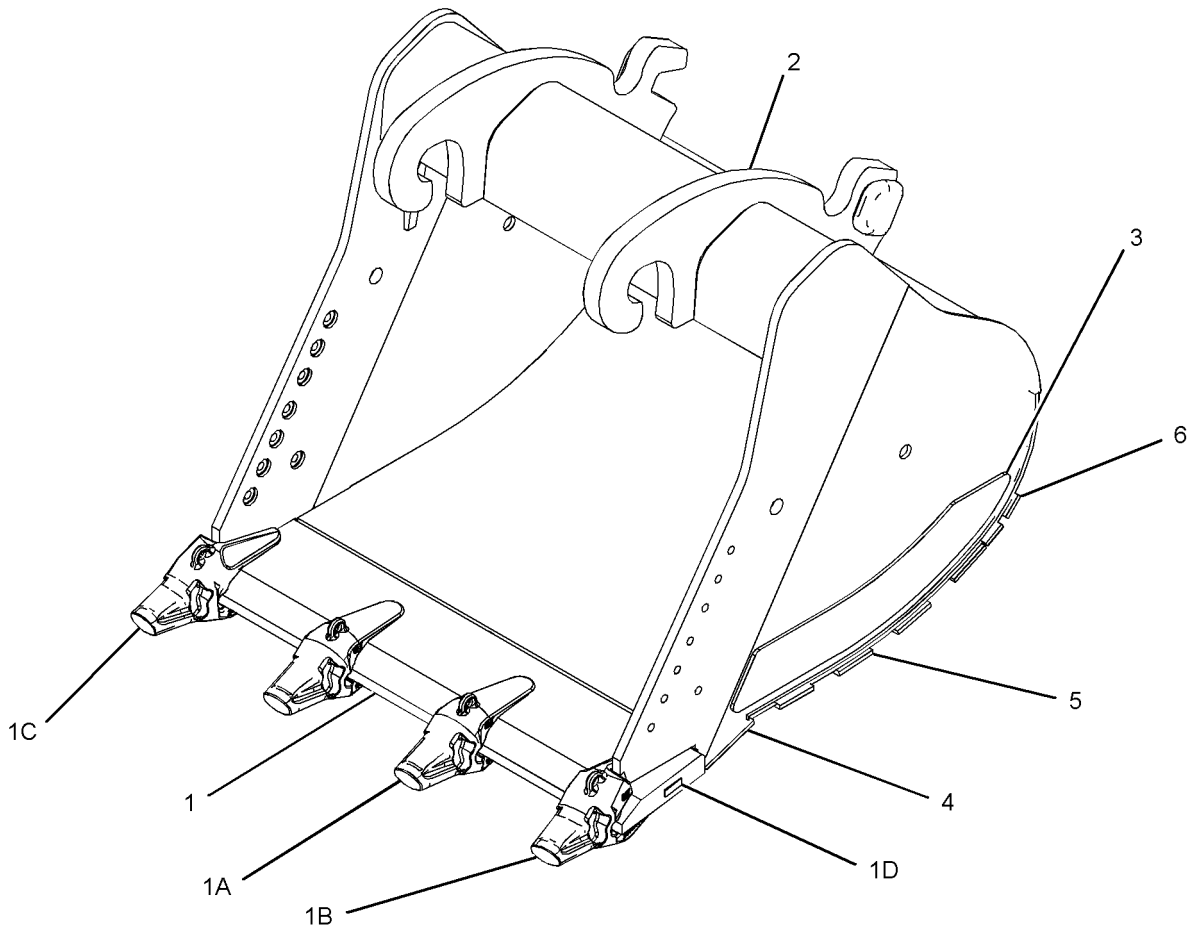
S/N: PAS1-UP

1980-MM (78-IN) WIDE X 3.8-CU M (5-CU YD) CAPACITY. K-150 ADAPTERS, QTY OF 4
PART OF 329-2069 BUCKET GP-EXCAVATION
AN ATTACHMENT

SMCS-6101

i03657043

NOTE	REF NO	GRAPHIC REF	PART NUMBER	QTY	PART NAME						SEE PAGE
					1	2	3	4	5	6 (PRODUCT LEVEL)	
	1	1	340-6398	1	EDGE AS						
	1A	1	195-9154	2	ADAPTER-TIP (K-150, 2-STRAP, CENTER)						
	1B	1	264-2155	1	ADAPTER-TIP (K-150, RH)						
	1C	1	264-2156	1	ADAPTER-TIP (K-150, LH)						
	1D	1	8P-9770	1	PLATE						
	2	1	331-3614	1	PLATE AS-BOX						
	3	1	331-3610	2	PLATE-WEAR						
	4	1	331-3611	1	PLATE-WEAR						
	5	1	331-3612	4	PLATE-WEAR						
	6	1	331-3613	2	PLATE-WEAR						



GRAPHIC #1

<END>

g02050054

WORK TOOLS

340-2757 BUCKET AS-GENERAL PURPOSE-VB-FAMILY

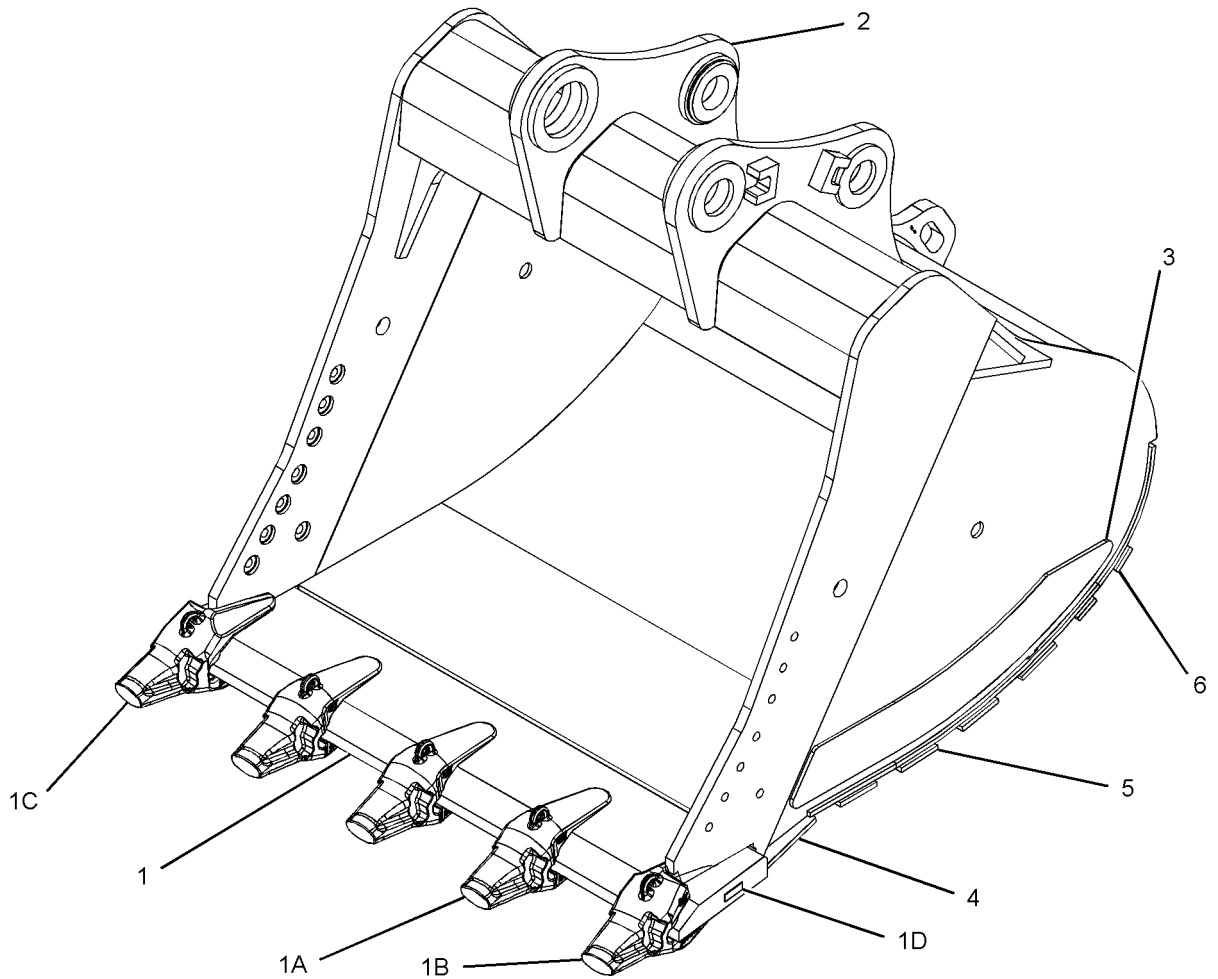
S/N: PAS1-UP

2100-MM (83-IN) WIDE X 4.6-CU M (6-CU YD) CAPACITY. K-150 ADAPTERS, QTY OF 5
PART OF 329-2056 BUCKET & ADJUSTER GP
AN ATTACHMENT

SMCS-6101

i03657062

NOTE	REF NO	GRAPHIC REF	PART NUMBER	QTY	PART NAME						SEE PAGE
					1	2	3	4	5	6 (PRODUCT LEVEL)	
	1	1	340-6401	1	EDGE AS						
	1A	1	195-9154	3	ADAPTER-TIP (K-150, 2-STRAP, CENTER)						
	1B	1	264-2155	1	ADAPTER-TIP (K-150, RH)						
	1C	1	264-2156	1	ADAPTER-TIP (K-150, LH)						
	1D	1	8P-9770	1	PLATE						
	2	1	340-2770	1	PLATE AS-BOX						
	3	1	340-2766	2	PLATE-WEAR						
	4	1	340-2767	1	PLATE-WEAR						
	5	1	340-2768	4	PLATE-WEAR						
	6	1	340-2769	2	PLATE-WEAR						



GRAPHIC #1

g02049593

WORK TOOLS

340-9238 BUCKET AS-GENERAL PURPOSE-VB-FAMILY

S/N: PAS1-UP

1525-MM (60-IN) WIDE X 2.7-CU M (3.6-CU YD) CAPACITY.

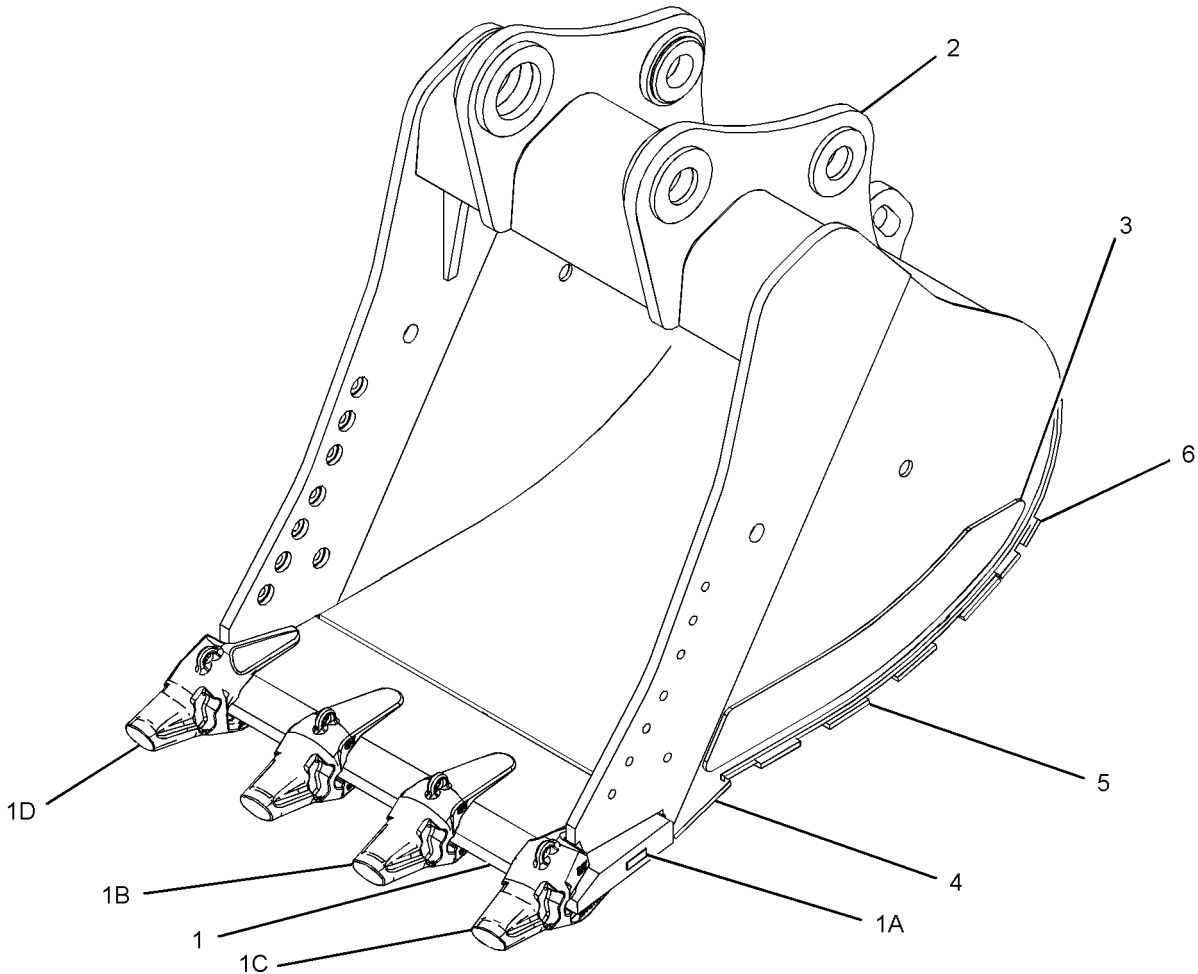
K-150 ADAPTERS, QTY OF 4

PART OF 329-2054 BUCKET & ADJUSTER GP
AN ATTACHMENT

SMCS-6101

i03657036

NOTE	REF NO	GRAPHIC REF	PART NUMBER	QTY	PART NAME						SEE PAGE
					1	2	3	4	5	6 (PRODUCT LEVEL)	
	1	1	340-6396	1	EDGE AS						
	1A	1	8P-9770	1	PLATE						
	1B	1	195-9154	2	ADAPTER-TIP (K-150, 2-STRAP, CENTER)						
	1C	1	264-2155	1	ADAPTER-TIP (K-150, RH)						
	1D	1	264-2156	1	ADAPTER-TIP (K-150, LH)						
	2	1	340-9244	1	PLATE AS-BOX						
	3	1	331-3610	2	PLATE-WEAR						
	4	1	340-9241	1	PLATE-WEAR						
	5	1	340-9242	4	PLATE-WEAR						
	6	1	340-9243	2	PLATE-WEAR						



GRAPHIC #1

<END>

g02037894

WORK TOOLS

340-9239 BUCKET AS-GENERAL PURPOSE-VB-FAMILY

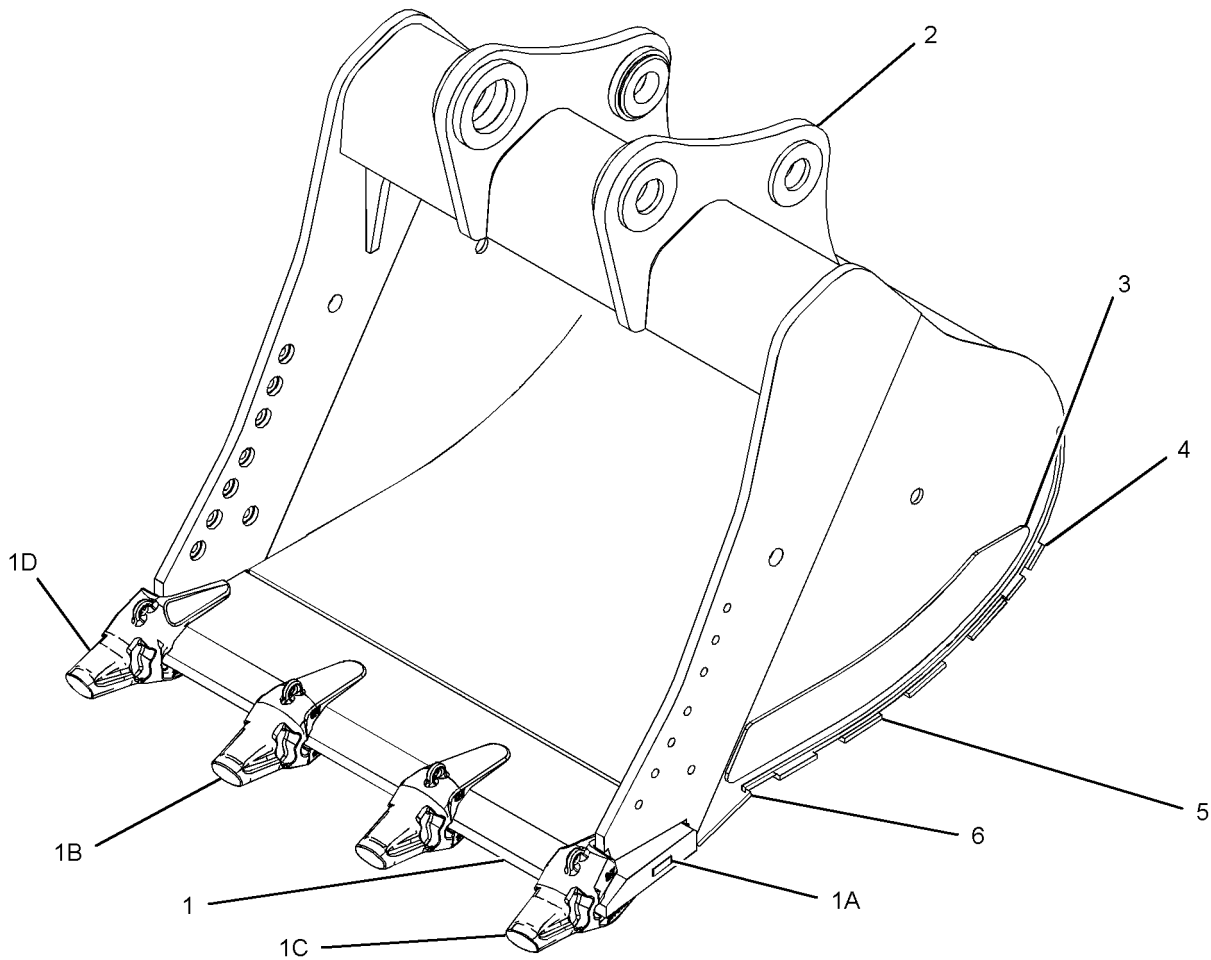
S/N: PAS1-UP

1980-MM (78-IN) WIDE X 3.8-CU M (5-CU YD) CAPACITY. K-150 ADAPTERS, QTY OF 4
PART OF 329-2055 BUCKET & ADJUSTER GP
AN ATTACHMENT

SMCS-6101

i03657033

NOTE	REF NO	GRAPHIC REF	PART NUMBER	QTY	PART NAME						SEE PAGE
					1	2	3	4	5	6 (PRODUCT LEVEL)	
	1	1	340-6398	1	EDGE AS						
	1A	1	8P-9770	1	PLATE						
	1B	1	195-9154	2	ADAPTER-TIP (K-150, 2-STRAP, CENTER)						
	1C	1	264-2155	1	ADAPTER-TIP (K-150, RH)						
	1D	1	264-2156	1	ADAPTER-TIP (K-150, LH)						
	2	1	321-9775	1	PLATE AS-BOX						
	3	1	331-3610	2	PLATE-WEAR						
	4	1	331-3613	2	PLATE-WEAR						
	5	1	331-3612	4	PLATE-WEAR						
	6	1	331-3611	1	PLATE-WEAR						



GRAPHIC #1

<END>

g02037973

WORK TOOLS

346-4726 BUCKET AS-GENERAL PURPOSE-WB-FAMILY

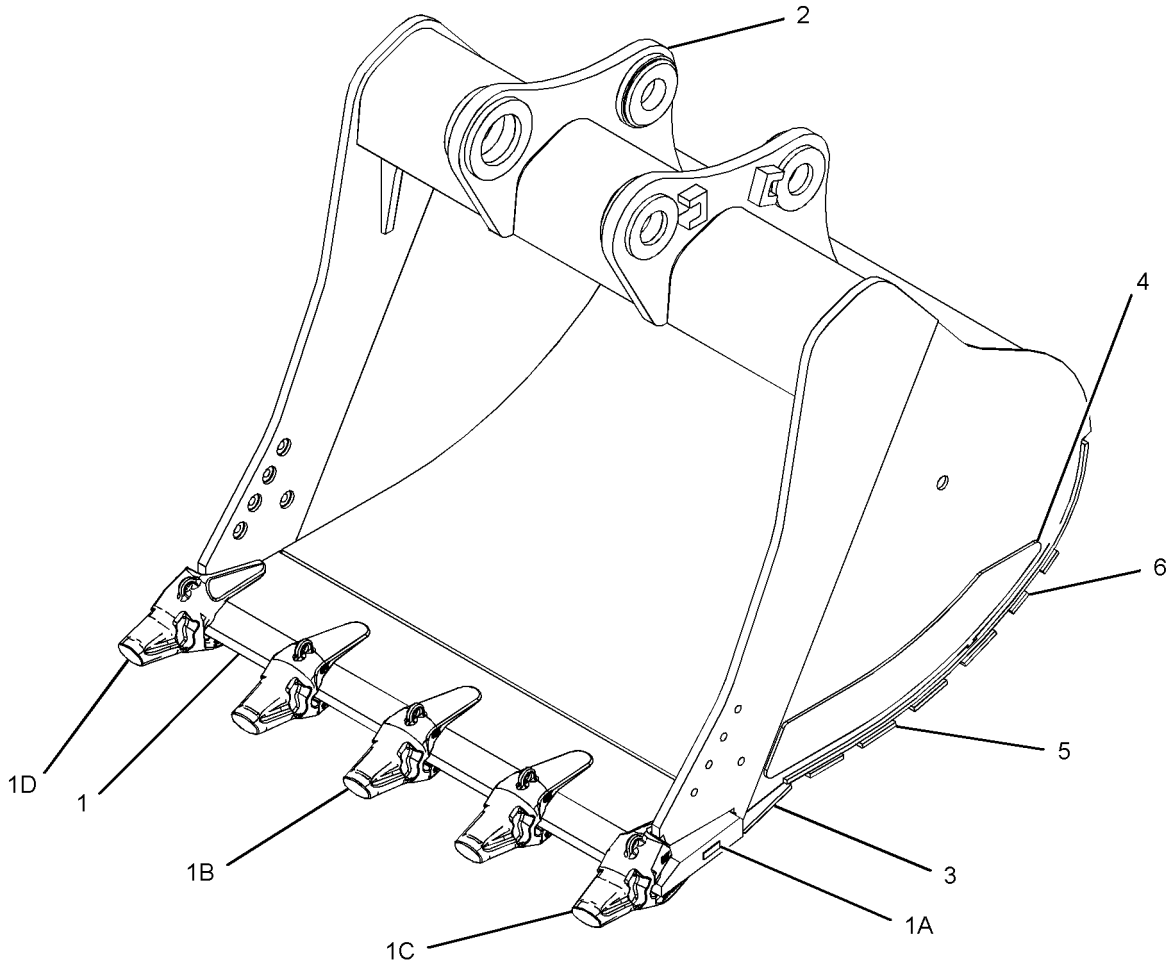
S/N: PAS1-UP

2250-MM(89-IN) WIDE X 5-CU M(6.5-CU YD) CAPACITY. K-150 ADAPTERS, QTY OF 5
PART OF 330-6576 BUCKET & ADJUSTER GP
AN ATTACHMENT

SMCS-6101

i03881266

NOTE	REF NO	GRAPHIC REF	PART NUMBER	QTY	PART NAME						SEE PAGE
					1	2	3	4	5	6 (PRODUCT LEVEL)	
	1	1	340-6403	1	EDGE AS						
	1A	1	8P-9770	1	PLATE						
	1B	1	195-9154	3	ADAPTER-TIP (K-150, 2-STRAP, CENTER)						
	1C	1	264-2155	1	ADAPTER-TIP (K-150, RH)						
	1D	1	264-2156	1	ADAPTER-TIP (K-150, LH)						
	2	1	345-2606	1	PLATE AS-BOX						
	3	1	345-2589	1	PLATE-WEAR						
	4	1	346-4732	2	PLATE-WEAR						
	5	1	347-3670	4	PLATE-WEAR						
	6	1	347-3671	2	PLATE-WEAR						



GRAPHIC #1

<END>

g02138739

WORK TOOLS

353-0365 BUCKET AS-GENERAL PURPOSE-WB-FAMILY

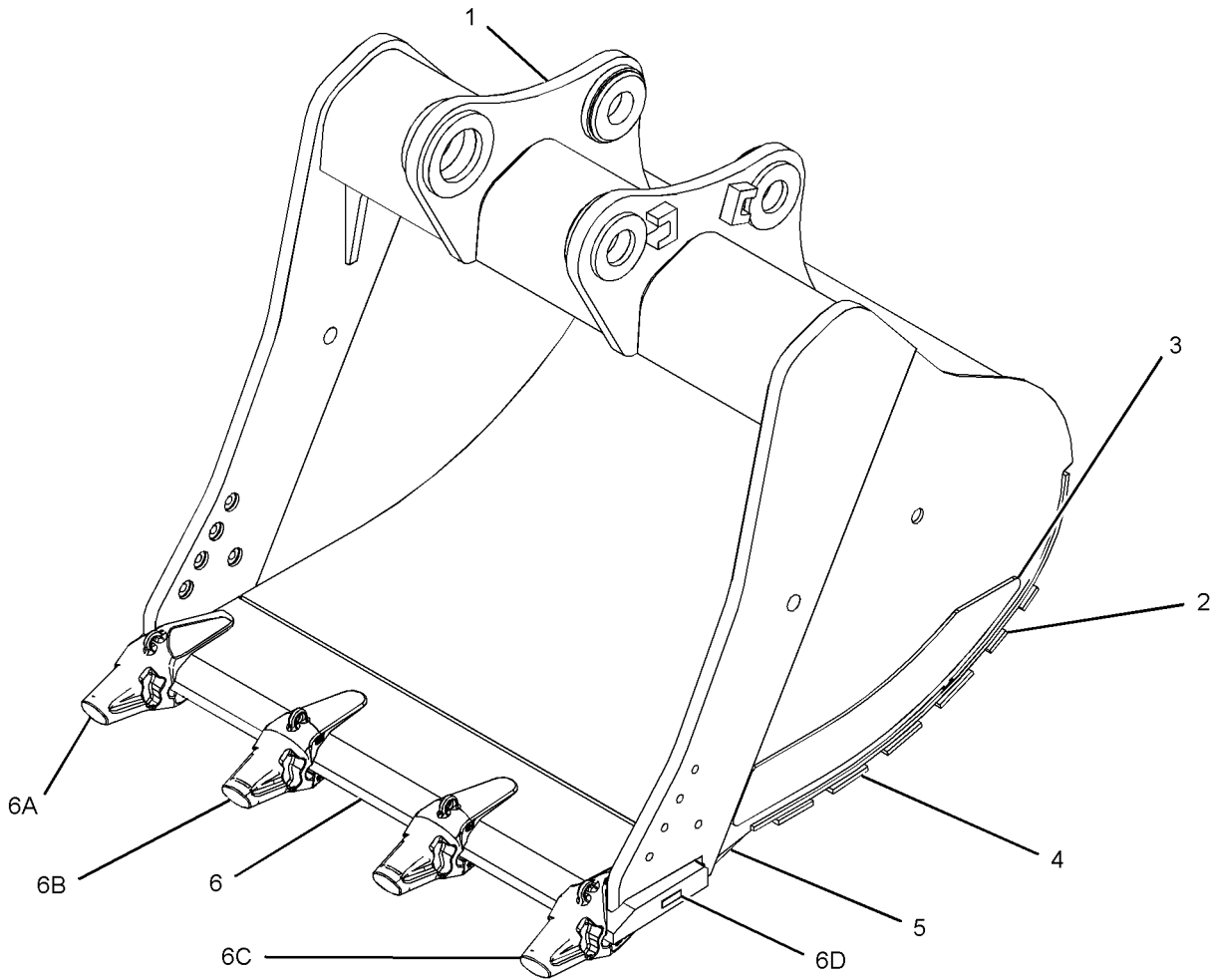
S/N: PAS1-UP

2100-MM (83-IN) WIDE X 4.6-CU M (6-CU YD) CAPACITY. K-150 ADAPTERS, QTY OF 4
PART OF 330-6575 BUCKET & ADJUSTER GP
AN ATTACHMENT

SMCS-6101

i03882889

NOTE	REF NO	GRAPHIC REF	PART NUMBER	QTY	PART NAME						SEE PAGE
					1	2	3	4	5	6 (PRODUCT LEVEL)	
	1	1	354-5906	1	PLATE AS-BOX						
	2	1	354-5901	2	PLATE-WEAR						
	3	1	346-4732	2	PLATE-WEAR						
	4	1	354-5900	4	PLATE-WEAR						
	5	1	302-9057	1	PLATE-WEAR						
	6	1	353-0359	1	EDGE AS						
	6A	1	195-9156	1	ADAPTER-TIP (K-150, 2-STRAP, LH)						
	6B	1	195-9154	2	ADAPTER-TIP (K-150, 2-STRAP, CENTER)						
	6C	1	195-9155	1	ADAPTER-TIP (K-150, 2-STRAP, RH)						
	6D	1	8P-9770	1	PLATE						



GRAPHIC #1

<END>

g02132874

WORK TOOLS

353-0366 BUCKET AS-GENERAL PURPOSE-WB-FAMILY

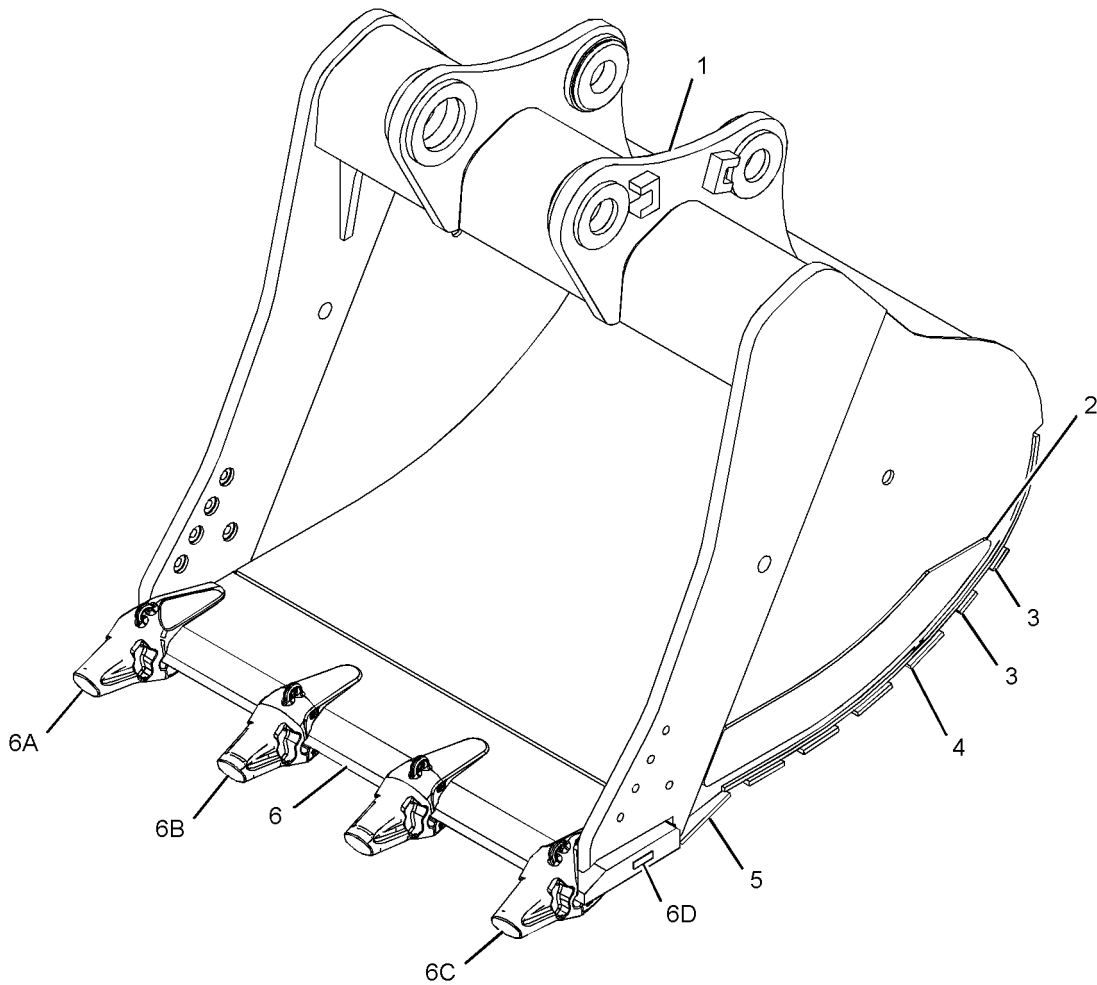
S/N: PAS1-UP

2000-M (79-IN) WIDE X 4.6-CU M (6-CU YD) CAPACITY. K-150 ADAPTERS, QTY OF 4
PART OF 358-3905 BUCKET & ADJUSTER GP
AN ATTACHMENT

SMCS-6101

i03883176

NOTE	REF NO	GRAPHIC REF	PART NUMBER	QTY	PART NAME						SEE PAGE
					1	2	3	4	5	6 (PRODUCT LEVEL)	
	1	1	358-3909	1	PLATE AS-BOX						
	2	1	346-4732	2	PLATE-WEAR						
	3	1	354-5903	2	PLATE-WEAR						
	4	1	354-5902	4	PLATE-WEAR						
	5	1	358-9661	1	PLATE-WEAR						
	6	1	358-3907	1	EDGE AS						
	6A	1	195-9156	1	ADAPTER-TIP (K-150, 2-STRAP, LH)						
	6B	1	195-9154	2	ADAPTER-TIP (K-150, 2-STRAP, CENTER)						
	6C	1	195-9155	1	ADAPTER-TIP (K-150, 2-STRAP, RH)						
	6D	1	8P-9770	1	PLATE						



GRAPHIC #1

<END>

g02138761

WORK TOOLS

353-0367 BUCKET AS-GENERAL PURPOSE- HEAVY-DUTY, WB-FAMILY

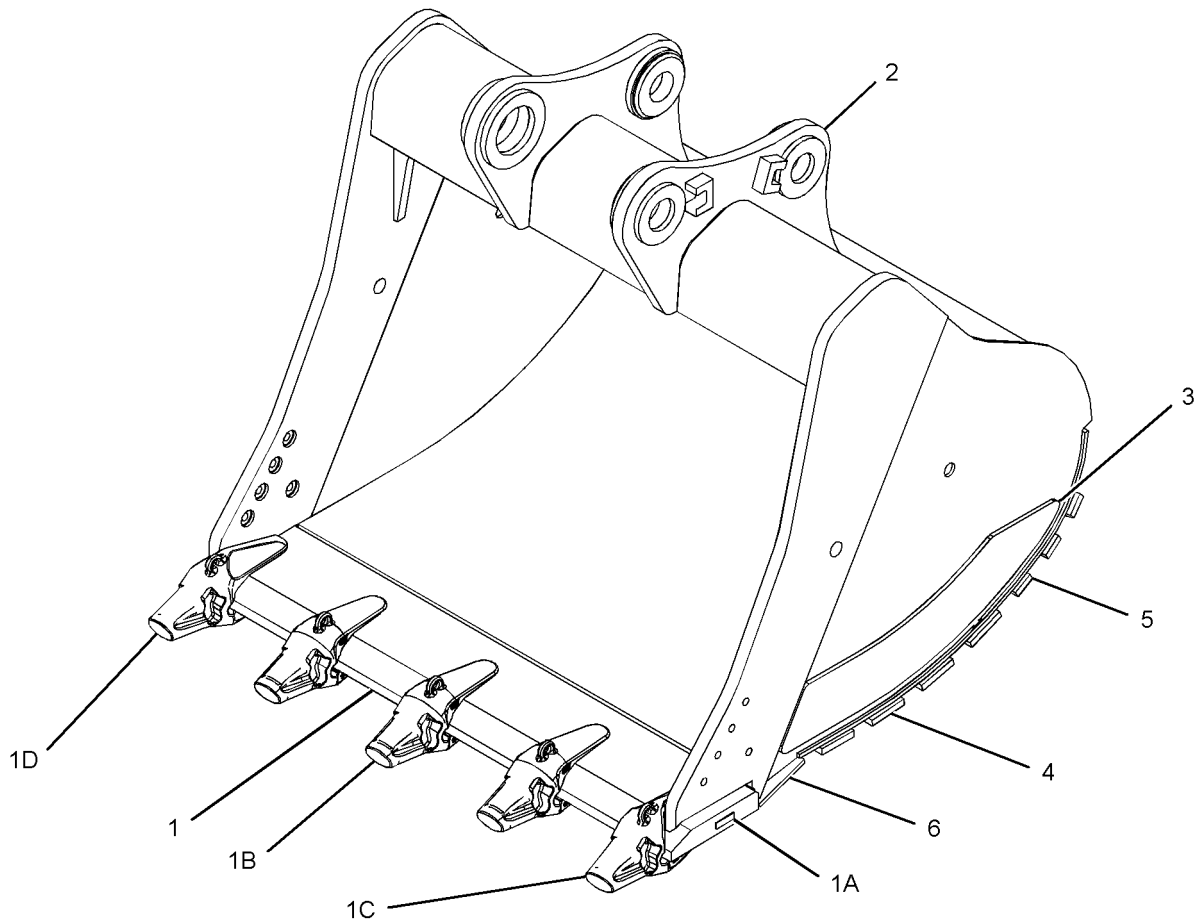
S/N: PAS1-UP

2250-MM(89-IN) WIDE X 5.3-CU M(7-CU YD) CAPACITY. K-150 ADAPTERS, QTY OF 5
PART OF 330-6577 BUCKET & ADJUSTER GP
AN ATTACHMENT

SMCS-6101

i03880999

NOTE	REF NO	GRAPHIC REF	PART NUMBER	QTY	PART NAME						SEE PAGE
					1	2	3	4	5	6 (PRODUCT LEVEL)	
	1	1	353-0361	1	EDGE AS						
	1A	1	8P-9770	1	PLATE						
	1B	1	195-9154	3	ADAPTER-TIP (K-150, 2-STRAP, CENTER)						
	1C	1	195-9155	1	ADAPTER-TIP (K-150, 2-STRAP, RH)						
	1D	1	195-9156	1	ADAPTER-TIP (K-150, 2-STRAP, LH)						
	2	1	354-5907	1	PLATE AS-BOX						
	3	1	347-3453	2	PLATE-WEAR						
	4	1	354-5904	4	PLATE-WEAR						
	5	1	354-5905	3	PLATE-WEAR						
	6	1	358-6756	1	PLATE-WEAR						



GRAPHIC #1

<END>

g02138755

WORK TOOLS

357-0998 BUCKET AS-GENERAL PURPOSE-VB2-FAMILY

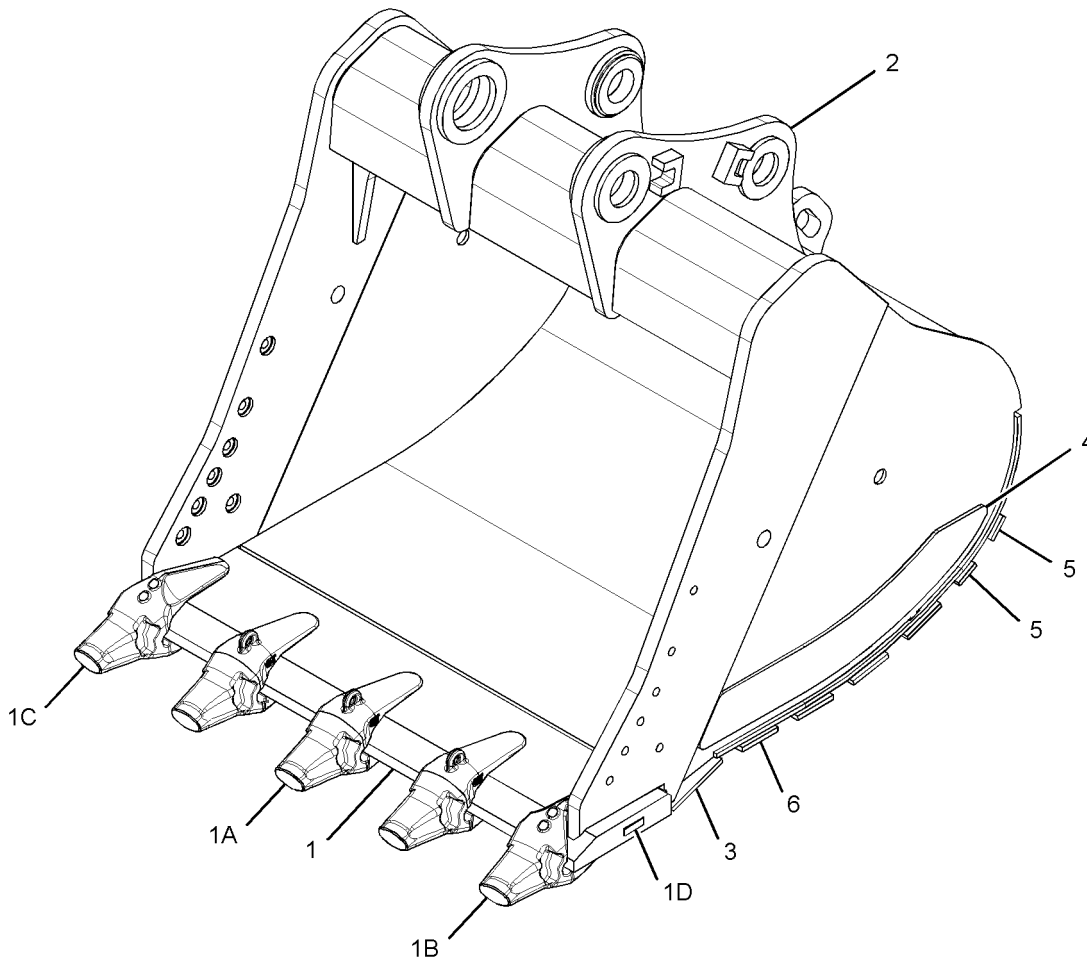
S/N: PAS1-UP

1900-MM (75-IN) WIDE X 3.8-CU M (5-CU YD) CAPACITY. K-150 ADAPTERS, QTY OF 5
PART OF 302-8992 BUCKET & ADJUSTER GP
AN ATTACHMENT

SMCS-6101

i03898461

NOTE	REF NO	GRAPHIC REF	PART NUMBER	QTY	PART NAME						SEE PAGE
					1	2	3	4	5	6 (PRODUCT LEVEL)	
	1	1	357-1003	1	EDGE AS						
	1A	1	195-9154	3	ADAPTER-TIP (K-150, 2-STRAP, CENTER)						
	1B	1	195-9155	1	ADAPTER-TIP (K-150, 2-STRAP, RH)						
	1C	1	195-9156	1	ADAPTER-TIP (K-150, 2-STRAP, LH)						
	1D	1	8P-9770	1	PLATE						
	2	1	357-1017	1	PLATE AS-BOX						
	3	1	357-1011	1	PLATE-WEAR						
	4	1	331-3610	2	PLATE-WEAR						
	5	1	357-1015	2	PLATE-WEAR						
	6	1	357-1013	4	PLATE-WEAR						



GRAPHIC #1

<END>

g02142298

WORK TOOLS

331-1292 BUCKET AS-HEAVY DUTY-VB-FAMILY

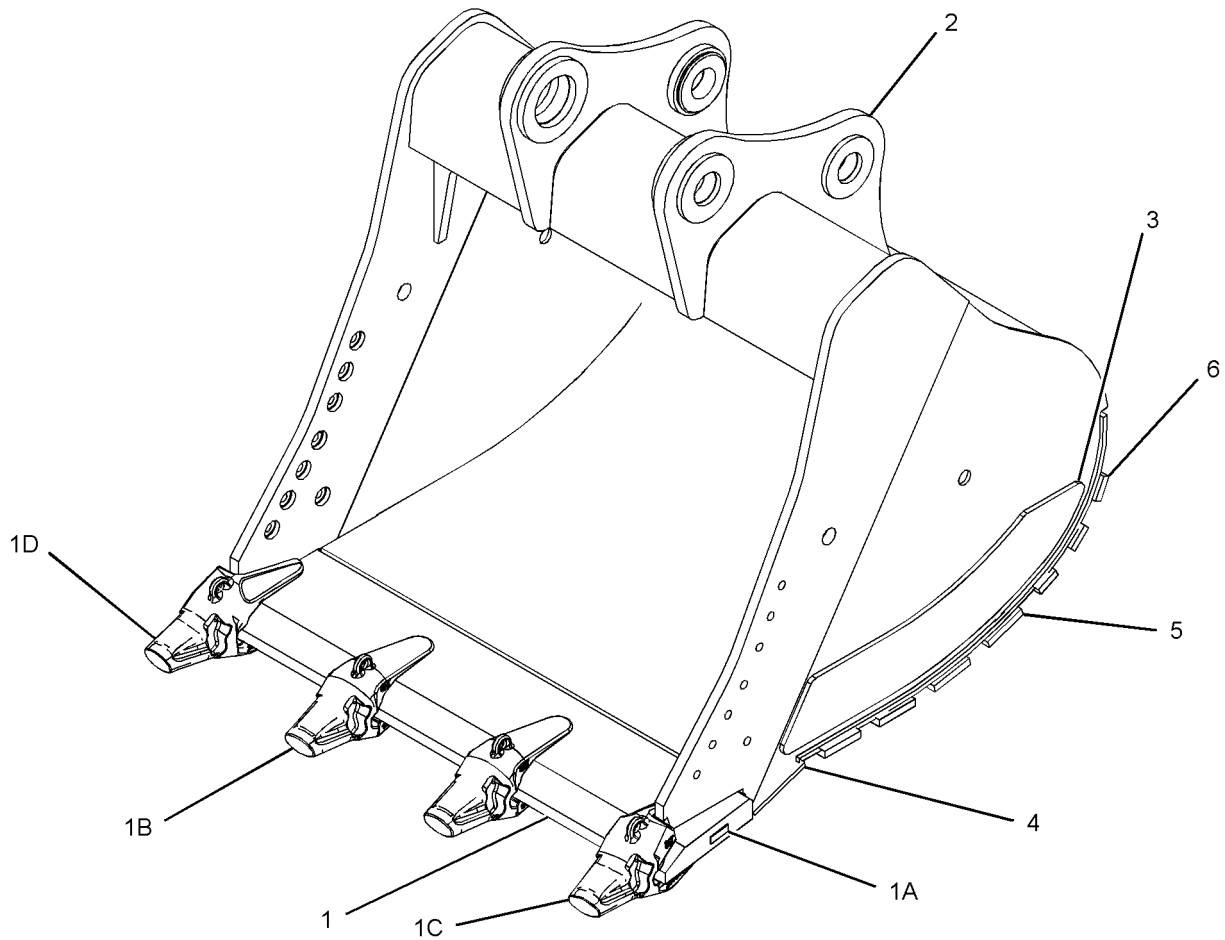
S/N: PAS1-UP

1980-MM (78-IN) WIDE X 3.8-CU M (5-CU YD) CAPACITY. K-150 ADAPTERS, QTY OF 5
PART OF 329-2063 BUCKET & ADJUSTER GP
AN ATTACHMENT

SMCS-6531

i03657034

NOTE	REF NO	GRAPHIC REF	PART NUMBER	QTY	PART NAME						SEE PAGE
					1	2	3	4	5	6 (PRODUCT LEVEL)	
	1	1	340-6398	1	EDGE AS						
	1A	1	8P-9770	1	PLATE						
	1B	1	195-9154	2	ADAPTER-TIP (K-150, 2-STRAP, CENTER)						
	1C	1	264-2155	1	ADAPTER-TIP (K-150, RH)						
	1D	1	264-2156	1	ADAPTER-TIP (K-150, LH)						
	2	1	321-9775	1	PLATE AS-BOX						
	3	1	335-9401	2	PLATE-WEAR						
	4	1	331-3611	1	PLATE-WEAR						
	5	1	335-9402	4	PLATE-WEAR						
	6	1	335-9404	3	PLATE-WEAR						



GRAPHIC #1

<END>

g02041874

WORK TOOLS

343-2265 BUCKET AS-HEAVY DUTY-VB-FAMILY

S/N: PAS1-UP

1680-MM (66-IN) WIDE X 3.10-CU M (4-CU YD) CAPACITY.

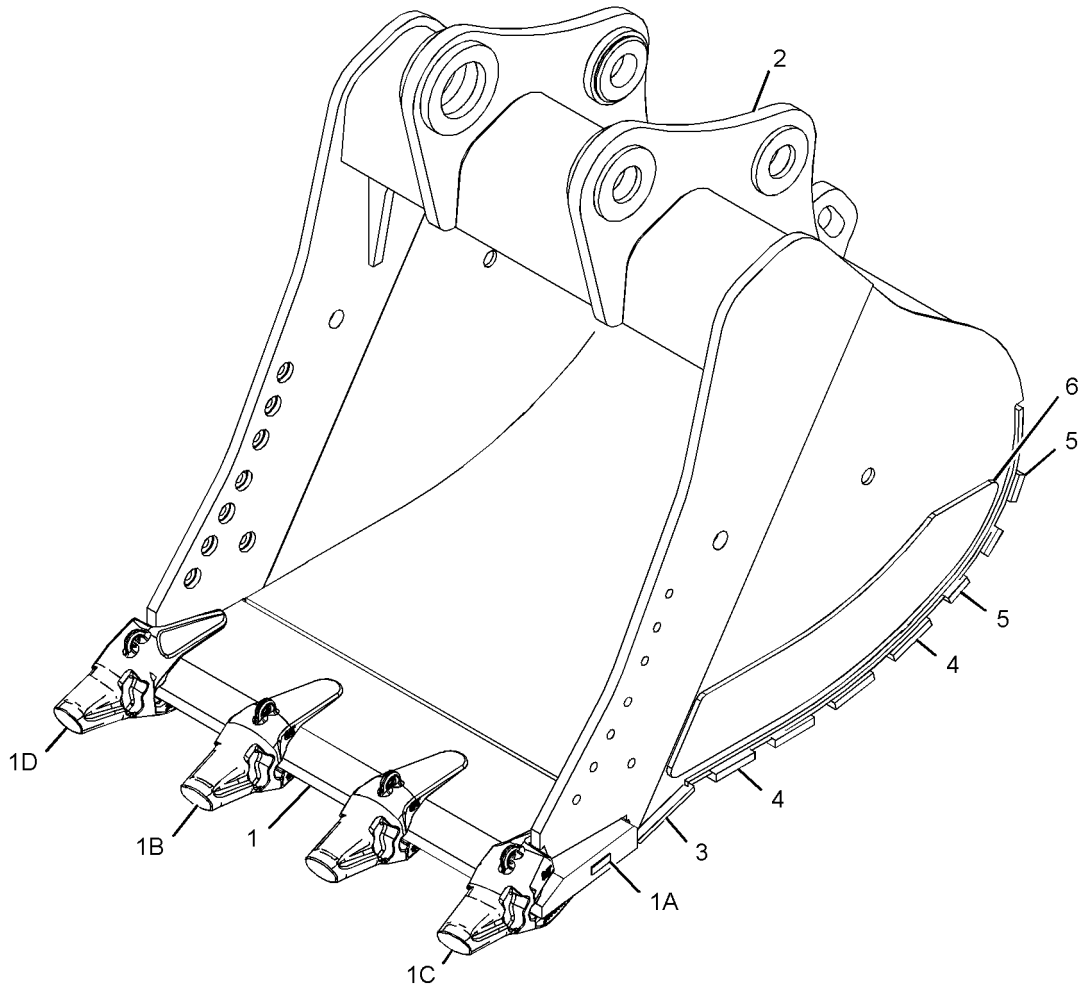
K-150 ADAPTERS, QTY OF 4

PART OF 329-2060 BUCKET & ADJUSTER GP
AN ATTACHMENT

SMCS-6531

i03880933

NOTE	REF NO	GRAPHIC REF	PART NUMBER	QTY	PART NAME						SEE PAGE
					1	2	3	4	5	6 (PRODUCT LEVEL)	
	1	1	340-6397	1	EDGE AS						
	1A	1	8P-9770	1	PLATE						
	1B	1	195-9154	2	ADAPTER-TIP (K-150, 2-STRAP, CENTER)						
	1C	1	264-2155	1	ADAPTER-TIP (K-150, RH)						
	1D	1	264-2156	1	ADAPTER-TIP (K-150, LH)						
	2	1	343-2277	1	PLATE AS-BOX						
	3	1	343-2274	1	PLATE-WEAR						
	4	1	343-2275	4	PLATE-WEAR						
	5	1	343-2276	3	PLATE-WEAR						
	6	1	335-9401	2	PLATE-WEAR						



GRAPHIC #1

<END>

g02138823

WORK TOOLS

343-2266 BUCKET AS-HEAVY DUTY-VB-FAMILY

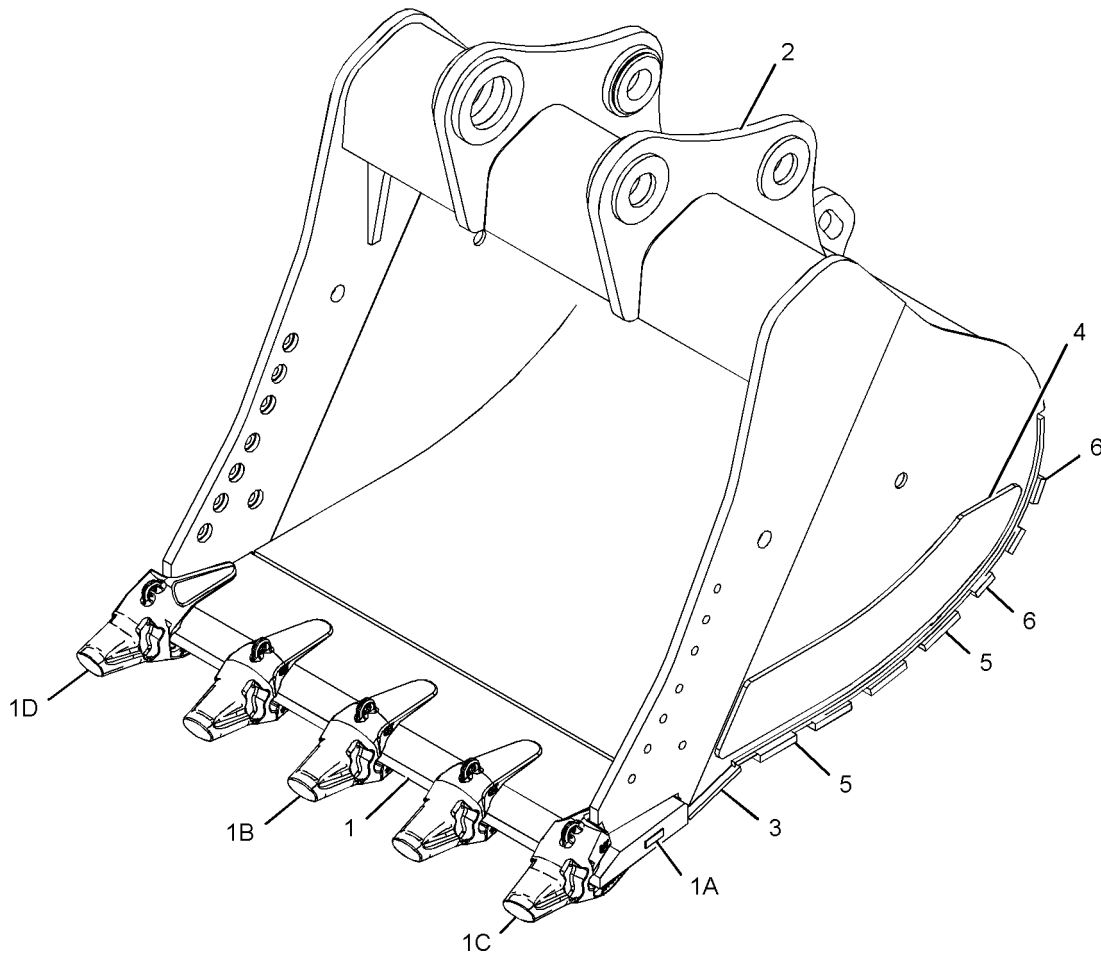
S/N: PAS1-UP

1980-MM (78-IN) WIDE X 3.8-CU M (5-CU YD) CAPACITY. K-150 ADAPTERS, QTY OF 5
PART OF 329-2061 BUCKET & ADJUSTER GP
AN ATTACHMENT

SMCS-6531

i03880942

NOTE	REF NO	GRAPHIC REF	PART NUMBER	QTY	PART NAME						SEE PAGE
					1	2	3	4	5	6 (PRODUCT LEVEL)	
	1	1	323-6140	1	EDGE AS						
	1A	1	8P-9770	1	PLATE						
	1B	1	195-9154	3	ADAPTER-TIP (K-150, 2-STRAP, CENTER)						
	1C	1	264-2155	1	ADAPTER-TIP (K-150, RH)						
	1D	1	264-2156	1	ADAPTER-TIP (K-150, LH)						
	2	1	321-9775	1	PLATE AS-BOX						
	3	1	331-3611	1	PLATE-WEAR						
	4	1	335-9401	2	PLATE-WEAR						
	5	1	335-9402	4	PLATE-WEAR						
	6	1	335-9404	3	PLATE-WEAR						



GRAPHIC #1

<END>

g02138884

WORK TOOLS

357-7950 BUCKET AS-HEAVY DUTY-VB-FAMILY

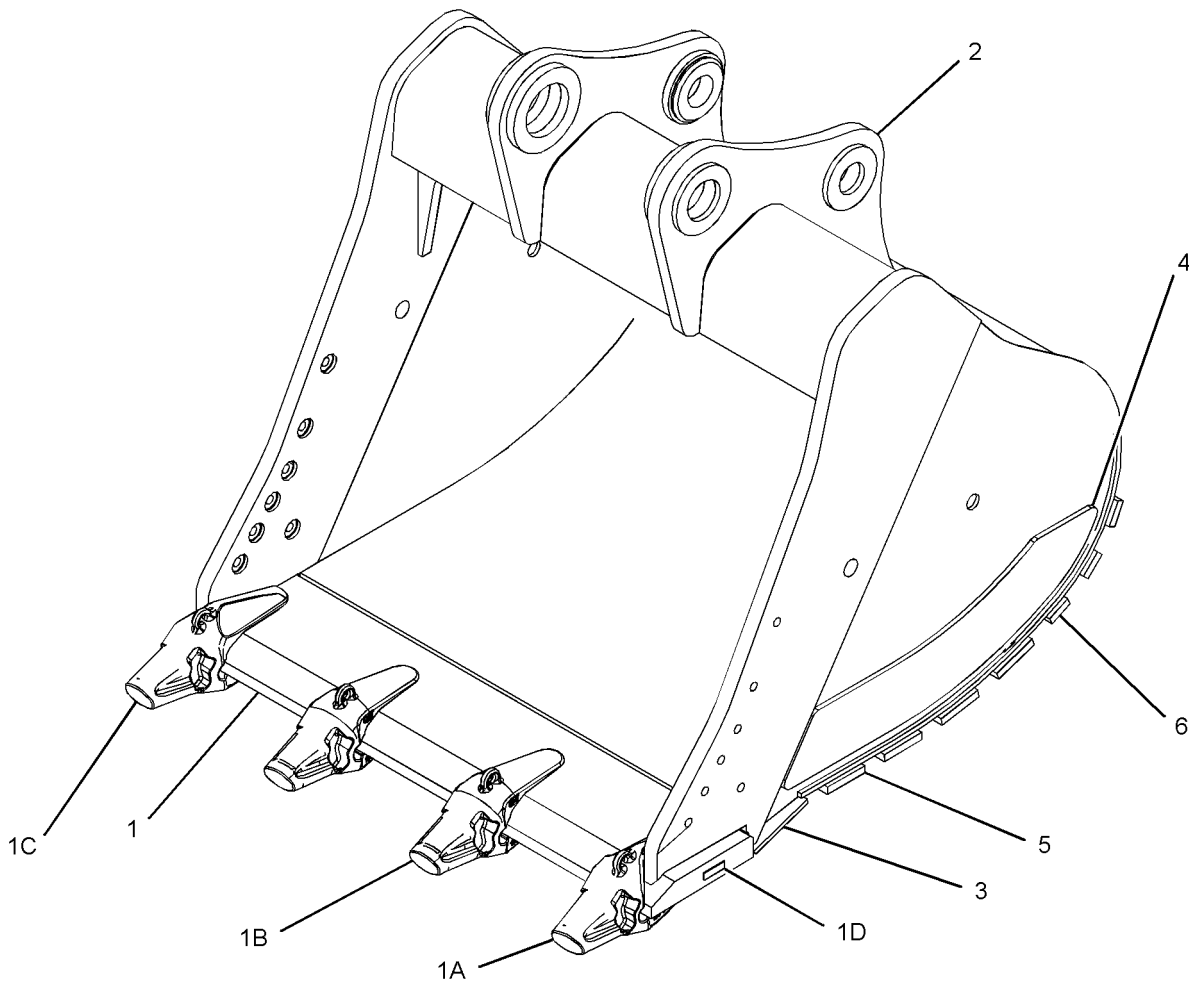
S/N: PAS1-UP

1980-MM (78-IN) WIDE X 3.8-CU M(5-CU YD) CAPACITY. K-150 ADAPTERS, QTY OF 4
PART OF 329-2015 BUCKET & ADJUSTER GP
AN ATTACHMENT

SMCS-6531

i03882455

NOTE	REF NO	GRAPHIC REF	PART NUMBER	QTY	PART NAME						SEE PAGE
					1	2	3	4	5	6 (PRODUCT LEVEL)	
	1	1	357-1002	1	EDGE AS						
	1A	1	195-9155	1	ADAPTER-TIP (K-150, 2-STRAP, RH)						
	1B	1	195-9154	2	ADAPTER-TIP (K-150, 2-STRAP, CENTER)						
	1C	1	195-9156	1	ADAPTER-TIP (K-150, 2-STRAP, LH)						
	1D	1	8P-9770	1	PLATE						
	2	1	357-7951	1	PLATE AS-BOX						
	3	1	357-1011	1	PLATE-WEAR						
	4	1	335-9401	2	PLATE-WEAR						
	5	1	357-3289	4	PLATE-WEAR						
	6	1	357-3292	3	PLATE-WEAR						



GRAPHIC #1

<END>

g02132954

WORK TOOLS

358-3914 BUCKET AS-HEAVY DUTY-WB2-FAMILY

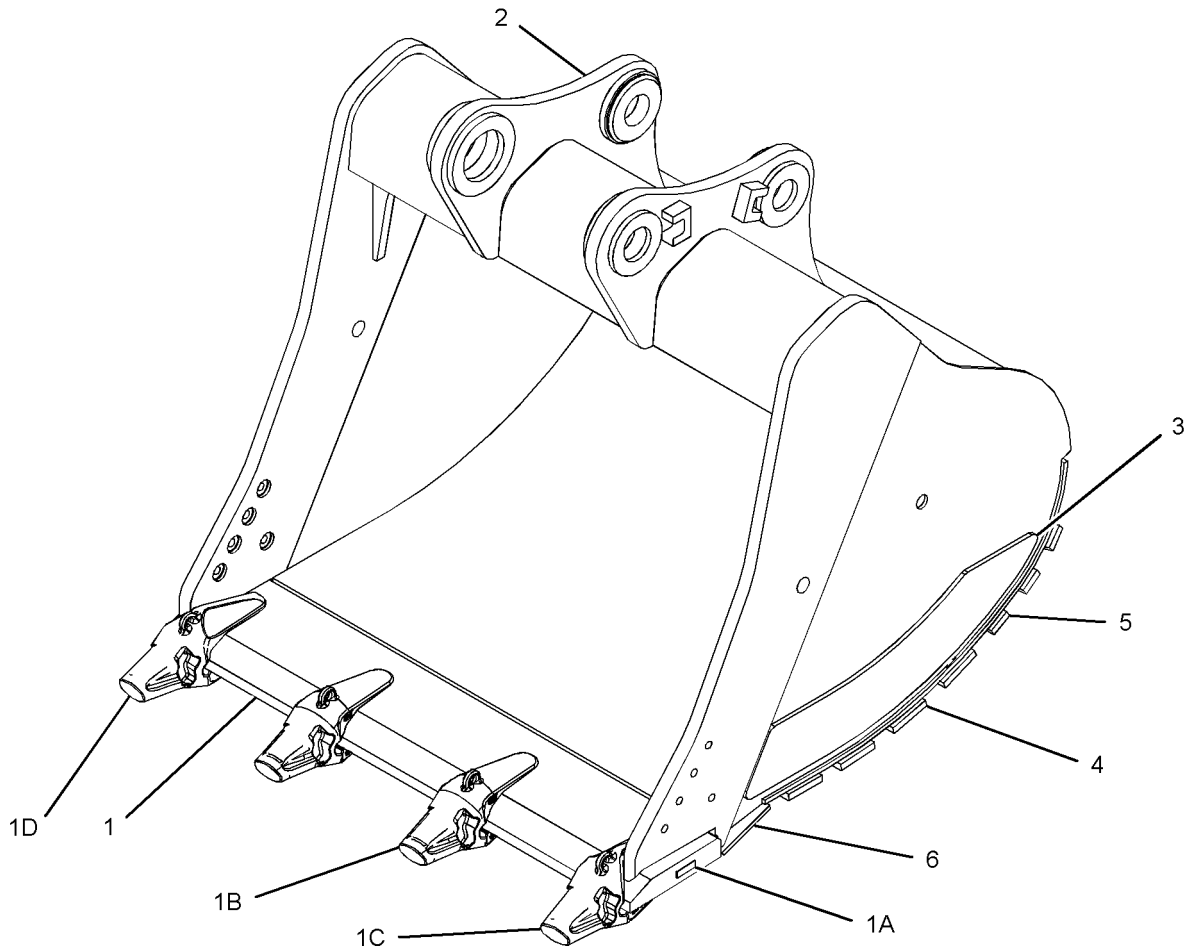
S/N: PAS1-UP

2100-MM (83-IN) WIDE X 5-CU M (6.5-CU YD) CAPACITY. K-150 ADAPTERS, QTY OF 4
PART OF 329-2000 BUCKET & ADJUSTER GP
AN ATTACHMENT

SMCS-6531

i03880741

NOTE	REF NO	GRAPHIC REF	PART NUMBER	QTY	PART NAME						SEE PAGE
					1	2	3	4	5	6 (PRODUCT LEVEL)	
	1	1	353-0359	1	EDGE AS						
	1A	1	8P-9770	1	PLATE						
	1B	1	195-9154	2	ADAPTER-TIP (K-150, 2-STRAP, CENTER)						
	1C	1	195-9155	1	ADAPTER-TIP (K-150, 2-STRAP, RH)						
	1D	1	195-9156	1	ADAPTER-TIP (K-150, 2-STRAP, LH)						
	2	1	354-5906	1	PLATE AS-BOX						
	3	1	347-3453	2	PLATE-WEAR						
	4	1	358-3915	4	PLATE-WEAR						
	5	1	358-3916	3	PLATE-WEAR						
	6	1	358-9662	1	PLATE-WEAR						



GRAPHIC #1

<END>

g02138697

WORK TOOLS

331-1291 BUCKET AS-ROCK-WB-FAMILY

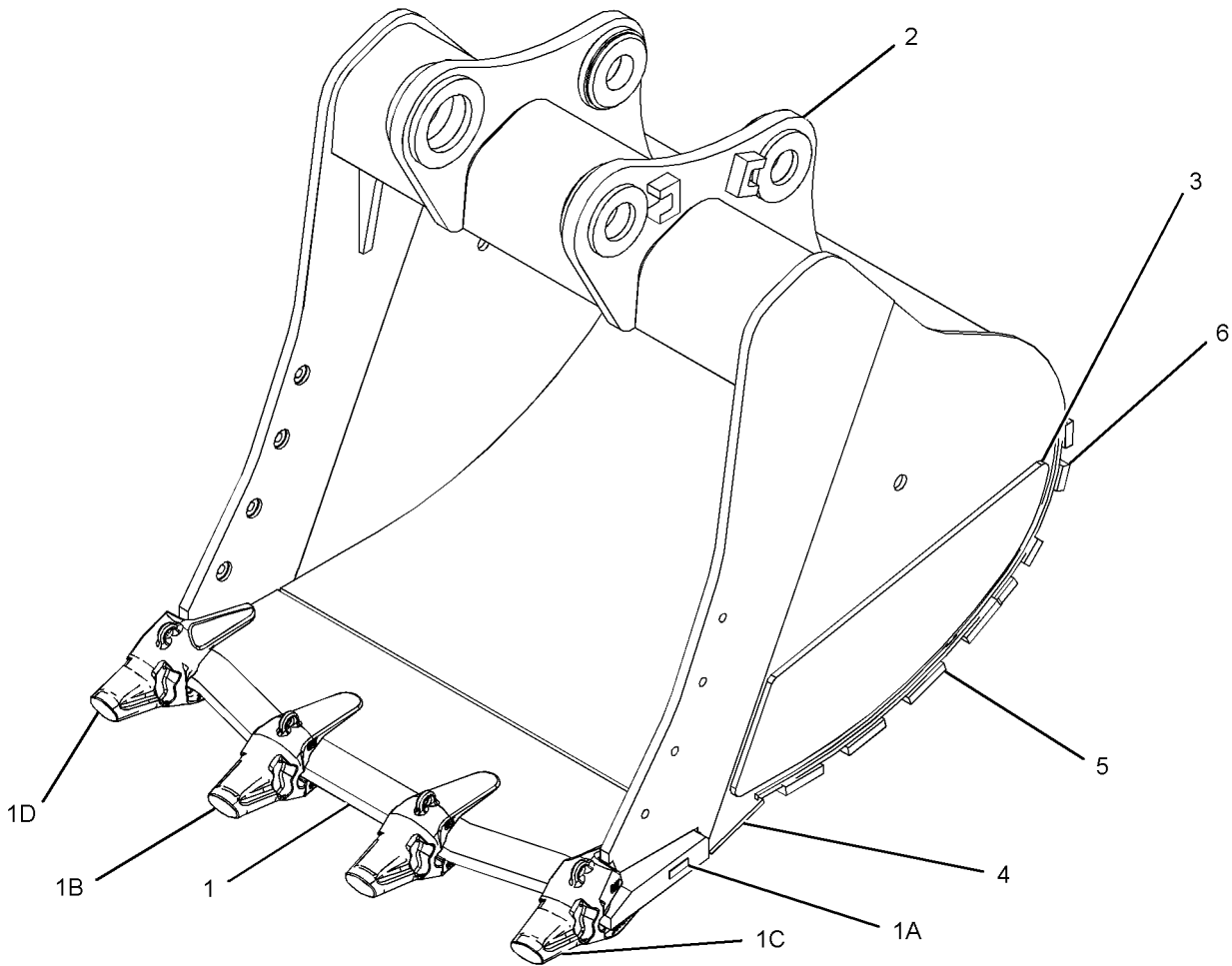
S/N: PAS1-UP

2000-MM (79-IN) WIDE X 4-CU M (5.2-CU YD) CAPACITY. K-150 ADAPTERS, QTY OF 4
PART OF 329-2003 BUCKET & ADJUSTER GP
AN ATTACHMENT

SMCS-6102

i03657067

NOTE	REF NO	GRAPHIC REF	PART NUMBER	QTY	PART NAME						SEE PAGE
					1	2	3	4	5	6 (PRODUCT LEVEL)	
	1	1	329-1974	1	EDGE AS						
	1A	1	8P-9770	1	PLATE						
	1B	1	195-9154	2	ADAPTER-TIP (K-150, 2-STRAP, CENTER)						
	1C	1	264-2155	1	ADAPTER-TIP (K-150, RH)						
	1D	1	264-2156	1	ADAPTER-TIP (K-150, LH)						
	2	1	334-8865	1	PLATE AS-BOX						
	3	1	329-2041	2	PLATE-WEAR						
	4	1	329-2042	1	PLATE-WEAR						
	5	1	329-2043	4	PLATE-WEAR						
	6	1	329-2051	4	PLATE-WEAR						



GRAPHIC #1

<END>

g02039195

WORK TOOLS

329-2030 BUCKET AS-SEVERE SERVICE ROCK- QUICK COUPLER

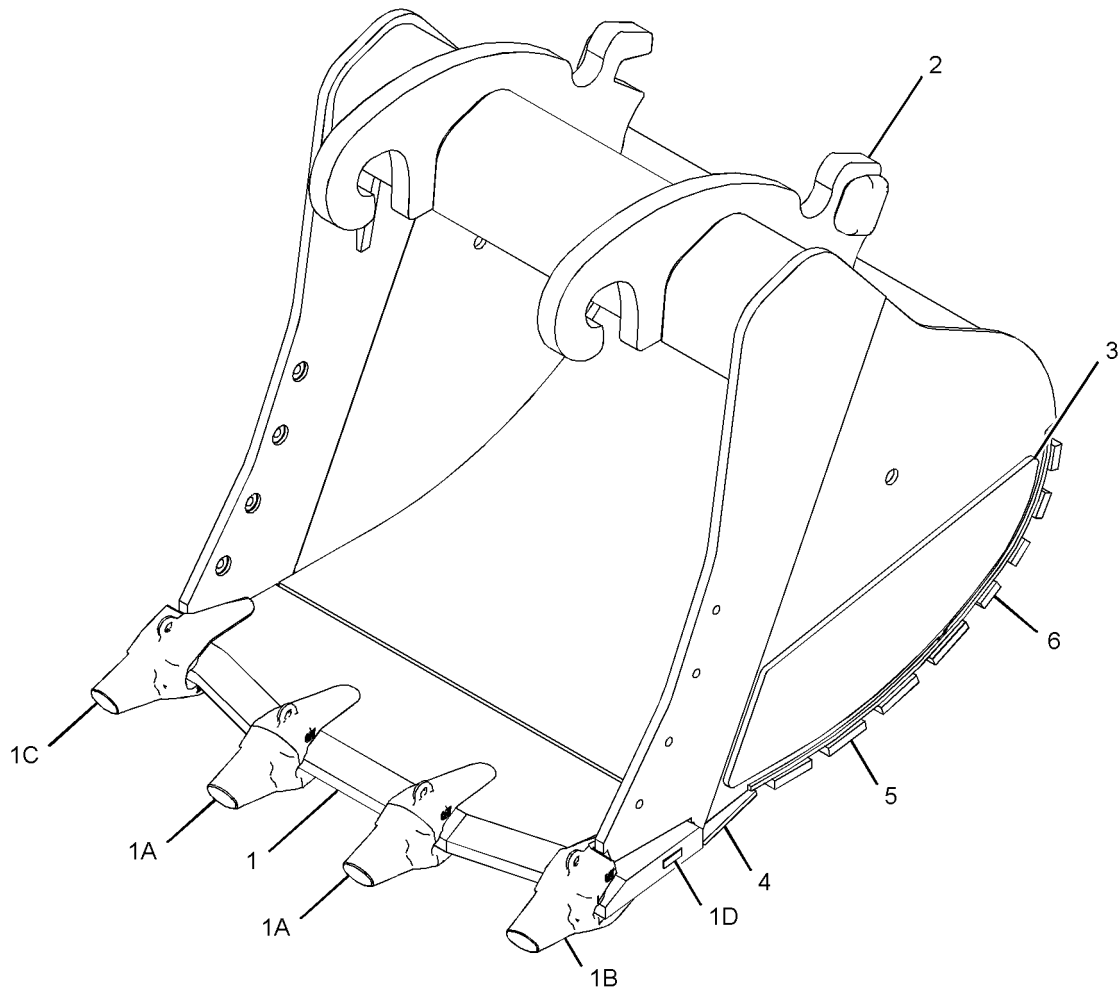
S/N: PAS1-UP

1900-MM (75-IN) WIDE X 4-CU M (5.2-CU YD) CAPACITY. K-150 ADAPTERS, QTY OF 4
PART OF 329-2010 BUCKET GP-ROCK
AN ATTACHMENT

SMCS-6001

i03657048

NOTE	REF NO	GRAPHIC REF	PART NUMBER	QTY	PART NAME						SEE PAGE
					1	2	3	4	5	6 (PRODUCT LEVEL)	
	1	1	329-1974	1	EDGE AS						
	1A	1	195-9154	2	ADAPTER-TIP (K-150, 2-STRAP, CENTER)						
	1B	1	264-2155	1	ADAPTER-TIP (K-150, RH)						
	1C	1	264-2156	1	ADAPTER-TIP (K-150, LH)						
	1D	1	8P-9770	1	PLATE						
	2	1	329-1982	1	PLATE AS-BOX						
	3	1	329-2041	2	PLATE-WEAR						
	4	1	329-2042	1	PLATE-WEAR						
	5	1	329-2043	4	PLATE-WEAR						
	6	1	329-2051	4	PLATE-WEAR						



GRAPHIC #1

<END>

g02063103

WORK TOOLS

329-2031 BUCKET AS-SEVERE SERVICE ROCK- QUICK COUPLER

S/N: PAS1-UP

2000-MM (79-IN) WIDE X 4.4-CU M (5.8-CU YD) CAPACITY.

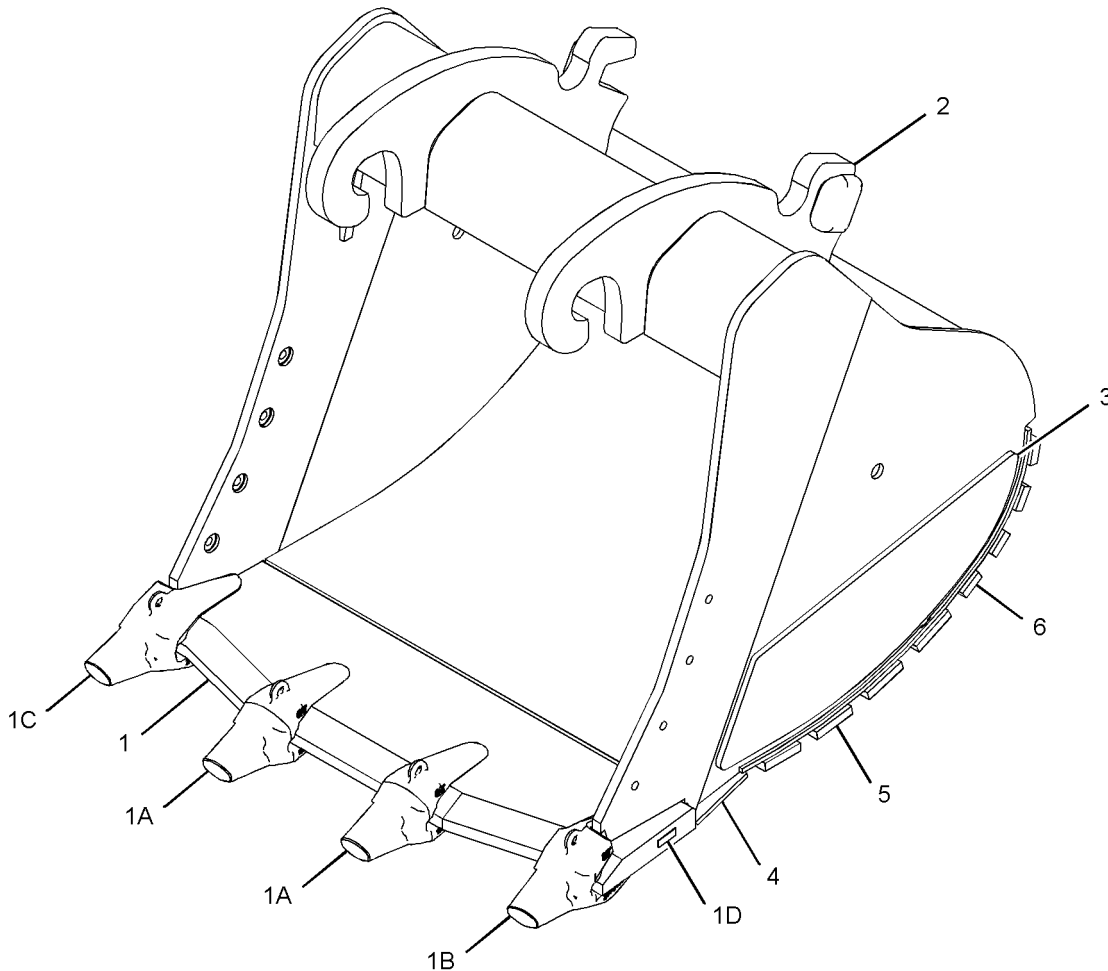
K-150 ADAPTERS, QTY OF 4

PART OF 329-2011 BUCKET GP-ROCK
AN ATTACHMENT

SMCS-6001

i03657035

NOTE	REF NO	GRAPHIC REF	PART NUMBER	QTY	PART NAME						SEE PAGE
					1	2	3	4	5	6 (PRODUCT LEVEL)	
1	1	1	329-1975	1	EDGE AS						
1A	1	1	195-9154	2	ADAPTER-TIP (K-150, 2-STRAP, CENTER)						
1B	1	1	264-2155	1	ADAPTER-TIP (K-150, RH)						
1C	1	1	264-2156	1	ADAPTER-TIP (K-150, LH)						
1D	1	1	8P-9770	1	PLATE						
2	1	1	329-1983	1	PLATE AS-BOX						
3	1	1	329-2041	2	PLATE-WEAR						
4	1	1	329-2044	1	PLATE-WEAR						
5	1	1	329-2045	4	PLATE-WEAR						
6	1	1	329-2052	4	PLATE-WEAR						



GRAPHIC #1

<END>

g02069194

WORK TOOLS

337-3427 BUCKET AS-SEVERE SERVICE ROCK-VB-FAMILY

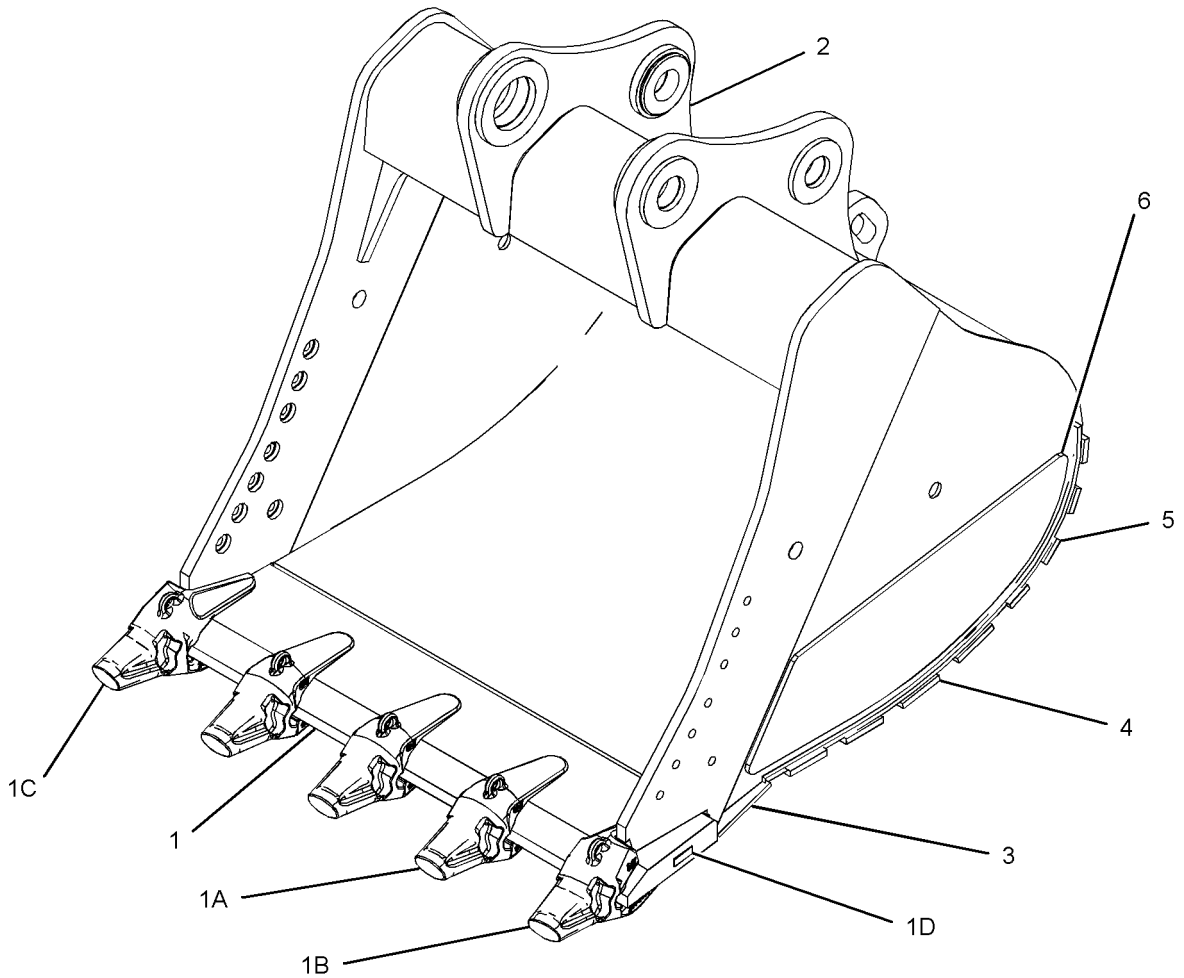
S/N: PAS1-UP

1980-MM (78-IN) WIDE X 3.8-CU M (5-CU YD) CAPACITY. K-150 ADAPTERS, QTY OF 5
PART OF 329-2067 BUCKET & ADJUSTER GP
AN ATTACHMENT

SMCS-6001

i03657039

NOTE	REF NO	GRAPHIC REF	PART NUMBER	QTY	PART NAME						SEE PAGE
					1	2	3	4	5	6 (PRODUCT LEVEL)	
1	1	1	323-6140	1	EDGE AS						
1A	1	1	195-9154	3	ADAPTER-TIP (K-150, 2-STRAP, CENTER)						
1B	1	1	264-2155	1	ADAPTER-TIP (K-150, RH)						
1C	1	1	264-2156	1	ADAPTER-TIP (K-150, LH)						
1D	1	1	8P-9770	1	PLATE						
2	1	1	321-9775	1	PLATE AS-BOX						
3	1	1	331-3611	1	PLATE-WEAR						
4	1	1	335-9402	4	PLATE-WEAR						
5	1	1	335-9404	4	PLATE-WEAR						
6	1	1	337-3432	2	PLATE-WEAR						



GRAPHIC #1

<END>

g02050113

WORK TOOLS

343-5892 BUCKET AS-SEVERE SERVICE ROCK-VB-FAMILY

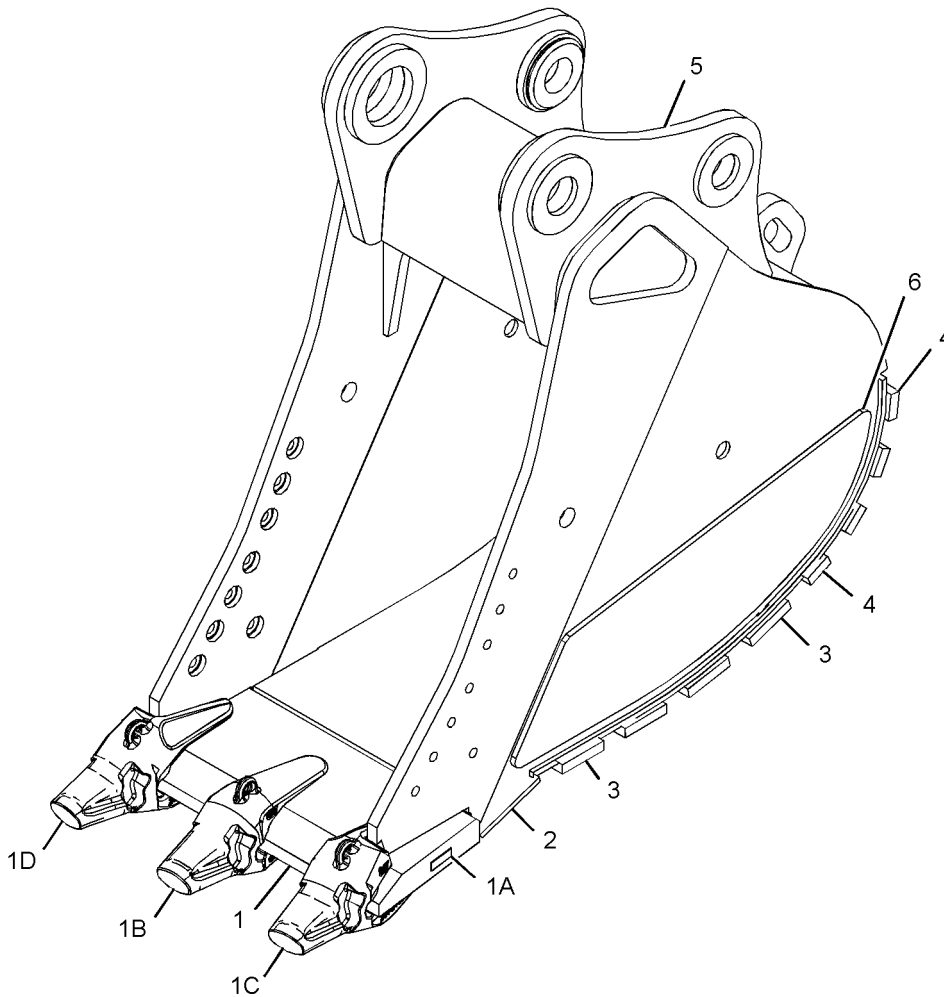
S/N: PAS1-UP

1000-MM (39-IN) WIDE X 1.5-CU M (2-CU YD) CAPACITY. K-150 ADAPTERS, QTY OF 3
PART OF 329-2064 BUCKET & ADJUSTER GP
AN ATTACHMENT

SMCS-6001

i03880949

NOTE	REF NO	GRAPHIC REF	PART NUMBER	QTY	PART NAME						SEE PAGE
					1	2	3	4	5	6 (PRODUCT LEVEL)	
1	1	1	340-6394	1	EDGE AS						
1A	1	1	8P-9770	1	PLATE						
1B	1	1	195-9154	1	ADAPTER-TIP (K-150, 2-STRAP, CENTER)						
1C	1	1	264-2155	1	ADAPTER-TIP (K-150, RH)						
1D	1	1	264-2156	1	ADAPTER-TIP (K-150, LH)						
2	1	1	343-5896	1	PLATE-WEAR						
3	1	1	343-5898	4	PLATE-WEAR						
4	1	1	343-5900	4	PLATE-WEAR						
5	1	1	343-5902	1	PLATE AS-BOX						
6	1	1	337-3432	2	PLATE-WEAR						



GRAPHIC #1

<END>

g02138869

WORK TOOLS

343-5893 BUCKET AS-SEVERE SERVICE ROCK-VB-FAMILY

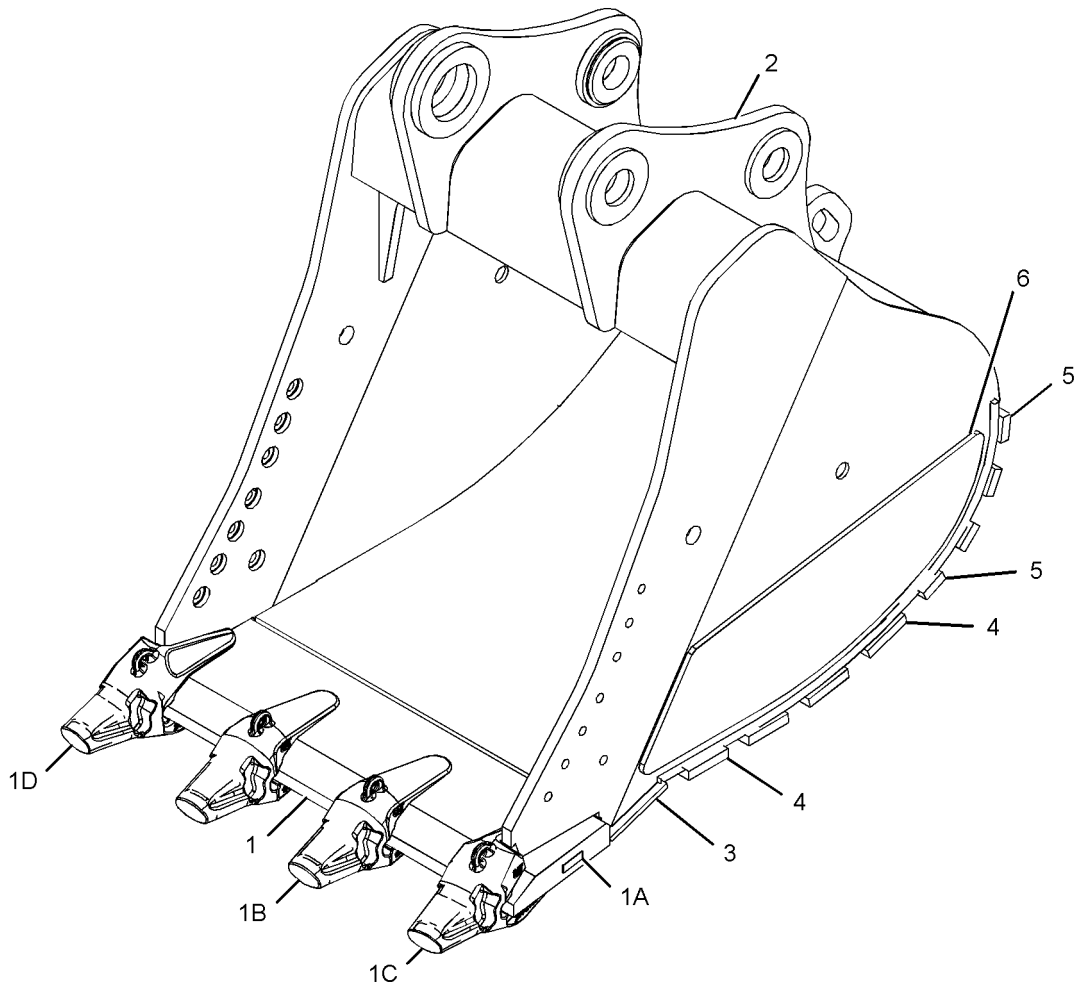
S/N: PAS1-UP

1525-MM(60-IN) WIDE X 2.7-CU M(3.6-CU YD) CAPACITY. K-150 ADAPTERS, QTY OF 4
PART OF 329-2065 BUCKET & ADJUSTER GP
AN ATTACHMENT

SMCS-6001

i03880966

NOTE	REF NO	GRAPHIC REF	PART NUMBER	QTY	PART NAME						SEE PAGE
					1	2	3	4	5	6 (PRODUCT LEVEL)	
	1	1	340-6396	1	EDGE AS						
	1A	1	8P-9770	1	PLATE						
	1B	1	195-9154	2	ADAPTER-TIP (K-150, 2-STRAP, CENTER)						
	1C	1	264-2155	1	ADAPTER-TIP (K-150, RH)						
	1D	1	264-2156	1	ADAPTER-TIP (K-150, LH)						
	2	1	340-9244	1	PLATE AS-BOX						
	3	1	340-9241	1	PLATE-WEAR						
	4	1	343-5899	4	PLATE-WEAR						
	5	1	343-5901	4	PLATE-WEAR						
	6	1	337-3432	2	PLATE-WEAR						



GRAPHIC #1

<END>

g02138803

WORK TOOLS

343-5894 BUCKET AS-SEVERE SERVICE ROCK-VB-FAMILY

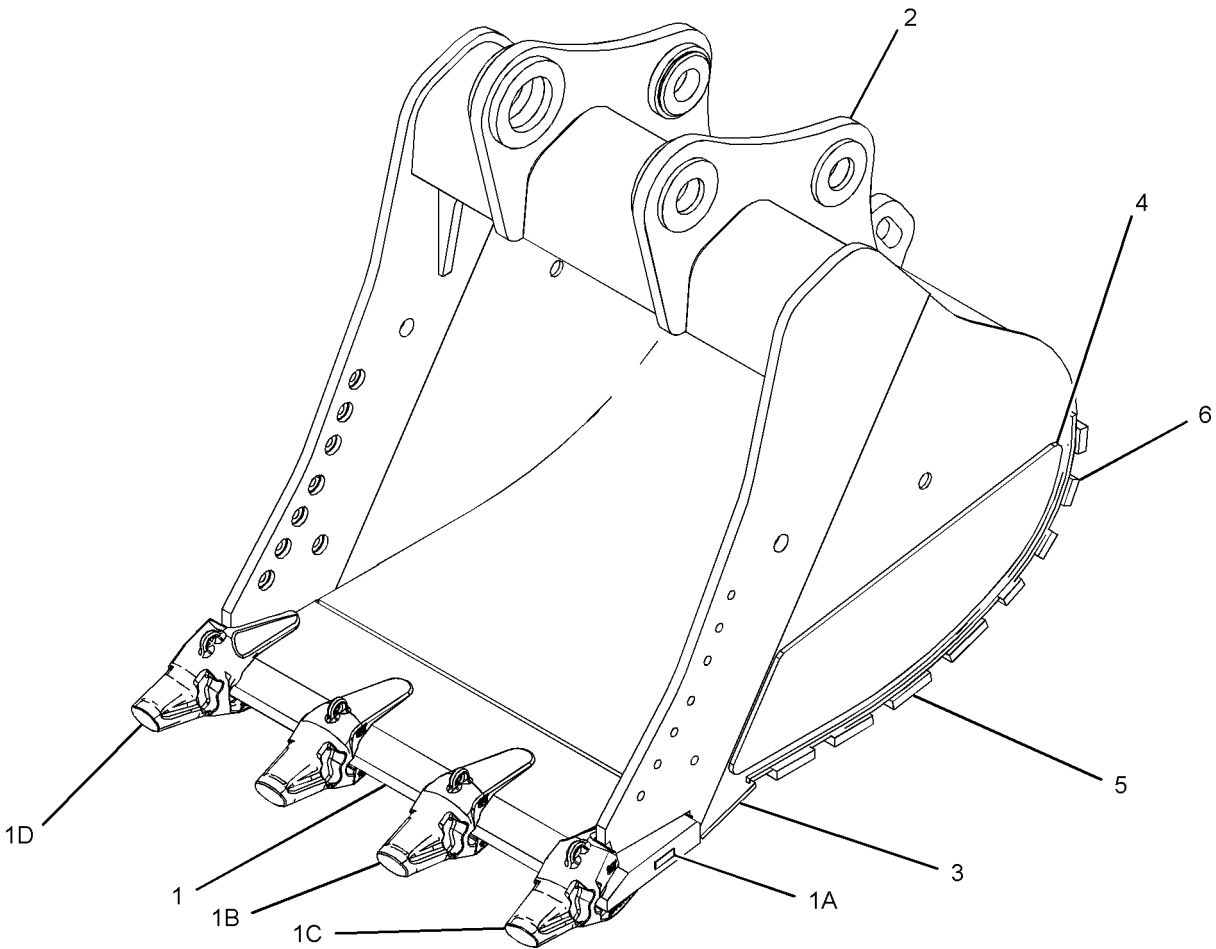
S/N: PAS1-UP

1680-MM (66-IN) WIDE X 3.1-CU M (4-CU YD) CAPACITY. K-150 ADAPTERS, QTY OF 4
PART OF 329-2066 BUCKET & ADJUSTER GP
AN ATTACHMENT

SMCS-6001

i03880976

NOTE	REF NO	GRAPHIC REF	PART NUMBER	QTY	PART NAME						SEE PAGE
					1	2	3	4	5	6 (PRODUCT LEVEL)	
1	1	1	340-6397	1	EDGE AS						
1A	1	1	8P-9770	1	PLATE						
1B	1	1	195-9154	2	ADAPTER-TIP (K-150, 2-STRAP, CENTER)						
1C	1	1	264-2155	1	ADAPTER-TIP (K-150, RH)						
1D	1	1	264-2156	1	ADAPTER-TIP (K-150, LH)						
2	1	1	343-2277	1	PLATE AS-BOX						
3	1	1	343-2274	1	PLATE-WEAR						
4	1	1	337-3432	2	PLATE-WEAR						
5	1	1	344-2058	4	PLATE-WEAR						
6	1	1	344-2060	4	PLATE-WEAR						



GRAPHIC #1

<END>

g02138717

WORK TOOLS

329-2069 BUCKET GP-EXCAVATION-QUICK COUPLER

S/N: PAS1-UP

1980-MM (78-IN) WIDE X 3.8-CU M (5-CU YD) CAPACITY. K-150 ADAPTERS, QTY OF 4
AN ATTACHMENT

SMCS-6523

i03657060

NOTE	PART NUMBER	QTY	PART NAME	SEE PAGE
Y	331-1294	2	BUCKET AS-GENERAL PURPOSE	778
	2C-9259	2	PLATE-IDENTIFICATION (CAT)	
Y-SEPARATE ILLUSTRATION				

<END>

WORK TOOLS

350-0208 BUCKET GP-EXTREME SERVICE ROCK-WB2-FAMILY

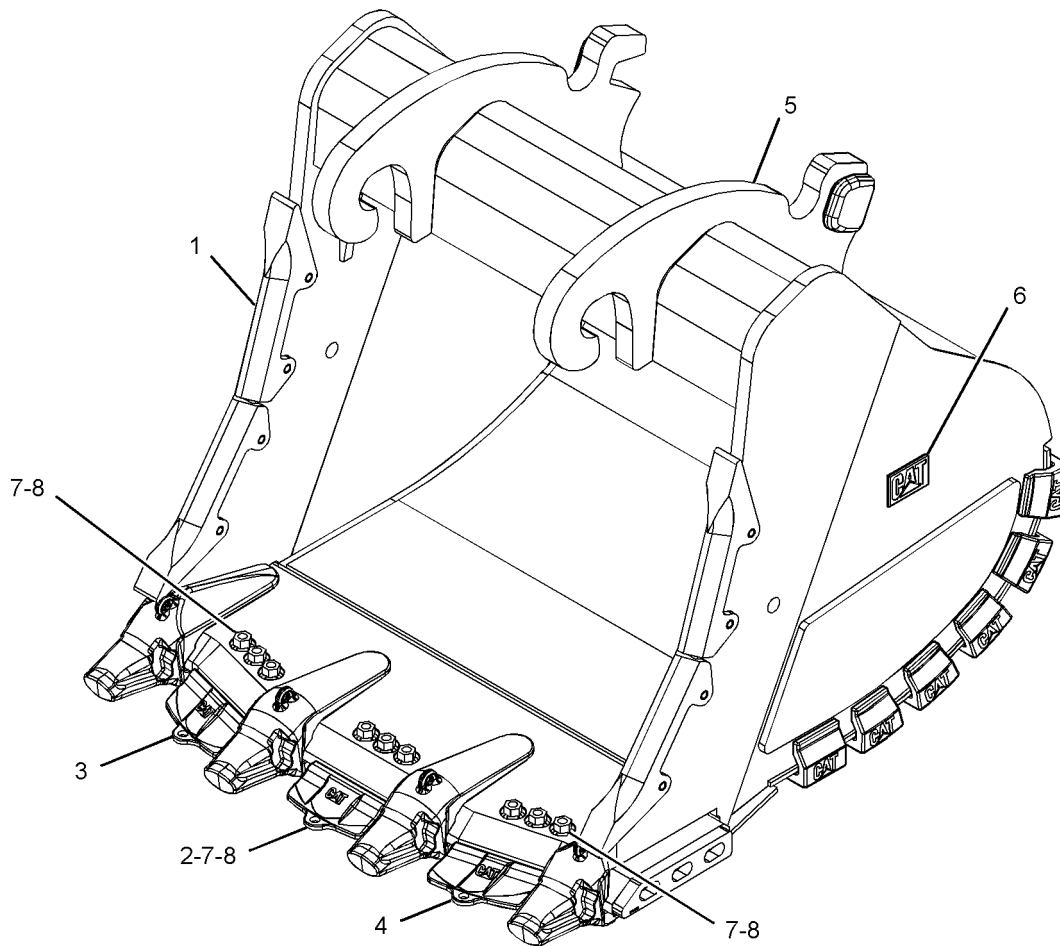
S/N: PAS1-UP
 2000-MM(79-IN) WIDE X 4.4-CU M (5.75-CU YD) CAPACITY.
 K-170 ADAPTERS, QTY OF 4
 AN ATTACHMENT

SMCS-6102, 6529

i03882949

NOTE	REF NO	GRAPHIC REF	PART NUMBER	QTY	PART NAME						SEE PAGE
					1	2	3	4	5	6 (PRODUCT LEVEL)	
Y	1	1	112-2491	2	PROTECTOR GP-SIDE BAR (BUCKET)						811
	2	1	116-7460	1	EDGE-SEGMENT (CENTER)						
	3	1	116-7461	1	EDGE-SEGMENT (LH)						
	4	1	116-7462	1	EDGE-SEGMENT (RH)						
Y	5	1	356-2093	1	BUCKET AS-EXTREME SERVICE ROCK						776
	6	1	2C-9259	2	PLATE-IDENTIFICATION (CAT)						
	7	1	3K-9770	9	NUT-FULL (1-1/4-7-THD)						
	8	1	5P-8361	9	BOLT-PLOW (1-1/4-7X4.92-IN)						

Y-SEPARATE ILLUSTRATION



GRAPHIC #1

<END>

g02138728

WORK TOOLS

329-2010 BUCKET GP-ROCK-QUICK COUPLER

S/N: PAS1-UP

1900-MM (75-IN) WIDE X 4-CU M (5.2-CU YD) CAPACITY. K-150 ADAPTERS, QTY OF 4
AN ATTACHMENT

SMCS-6102

i03657069

NOTE	PART NUMBER	QTY	PART NAME						SEE PAGE
			1	2	3	4	5	6 (PRODUCT LEVEL)	
Y	329-2030	1	BUCKET AS-SEVERE SERVICE ROCK						793
	2C-9259	2	PLATE-IDENTIFICATION (CAT)						
Y-SEPARATE ILLUSTRATION									
<END>									

329-2011 BUCKET GP-ROCK-QUICK COUPLER

S/N: PAS1-UP

2000-MM (79-IN) WIDE X 4.4-CU M (5.8-CU YD) CAPACITY.
K-150 ADAPTERS, QTY OF 4
AN ATTACHMENT

SMCS-6102

i03657070

NOTE	PART NUMBER	QTY	PART NAME						SEE PAGE
			1	2	3	4	5	6 (PRODUCT LEVEL)	
Y	329-2031	1	BUCKET AS-SEVERE SERVICE ROCK						794
	2C-9259	2	PLATE-IDENTIFICATION (CAT)						
Y-SEPARATE ILLUSTRATION									
<END>									

WORK TOOLS

231-7732 COUPLER AR-QUICK-HYDRAULIC

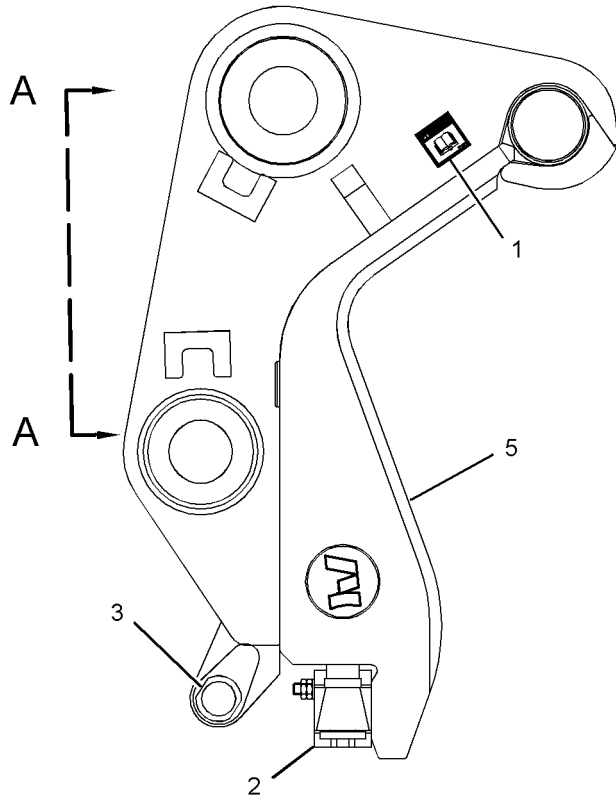
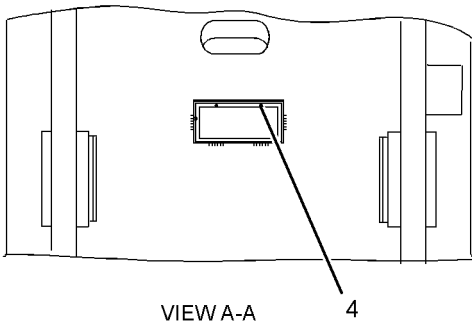
S/N: PAS1-UP
 PART OF 333-7419 COUPLER AR-QUICK
 FOR USE WITH "VB" LINKAGE
 AN ATTACHMENT

SMCS-1408, 5057, 6129

i03829751

NOTE	REF NO	GRAPHIC REF	PART NUMBER	QTY	PART NAME						SEE PAGE
					1	2	3	4	5	6 (PRODUCT LEVEL)	
	1	1	159-8036	2	FILM-WARNING (READ OMM)						
Y	2	1	169-0762	1	LOCK GP-QUICK COUPLER (HYDRAULIC)						808
Y	3	1	235-5634	1	YOKE GP-LIFTING						846
M	4	1	136-0155	2	SETSCREW (M4X0.7X8-MM)						
Z	5	1		1	HOUSING AS-COUPLER						

M-METRIC PART
 Y-SEPARATE ILLUSTRATION
 Z-NOT SERVICED SEPARATELY



GRAPHIC #1

<END>

g01339677

WORK TOOLS

233-0758 COUPLER AR-QUICK-HYDRAULIC

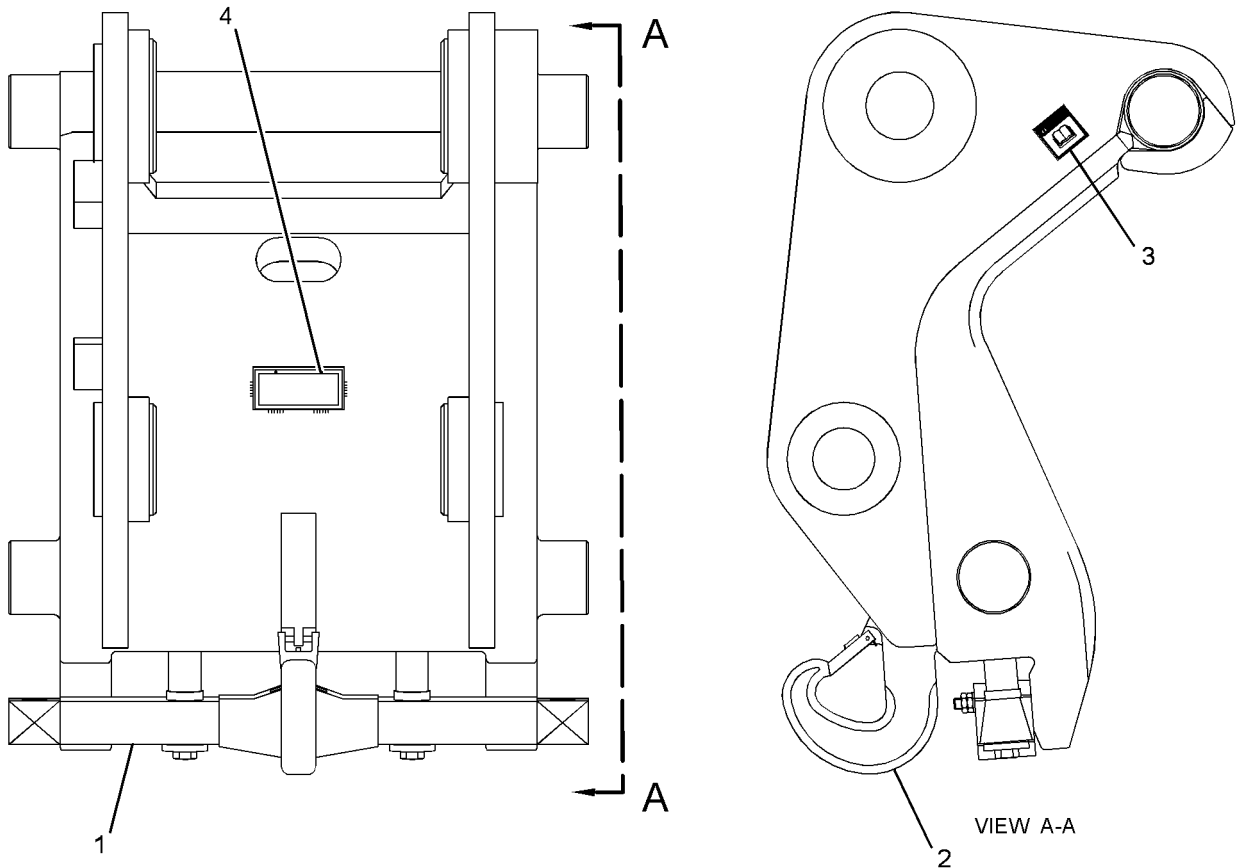
S/N: PAS1-UP
 PART OF 348-7207 COUPLER AR-QUICK
 FOR USE WITH VB FAMILY
 AN ATTACHMENT

SMCS-1408, 5057, 6129

i03854368

NOTE	REF NO	GRAPHIC REF	PART NUMBER	QTY	PART NAME						SEE PAGE
					1	2	3	4	5	6 (PRODUCT LEVEL)	
Y	1	1	169-0762	1	LOCK GP-QUICK COUPLER (HYDRAULIC)						808
Y	2	1	173-9958	1	HOOK GP-LIFTING						807
	3	1	159-8036	2	FILM-WARNING (READ OMM)						
M	4	1	136-0155	2	SETSCREW (M4X0.7X8-MM)						

M-METRIC PART
 Y-SEPARATE ILLUSTRATION



GRAPHIC #1

<END>

g02100274

WORK TOOLS

330-8139 COUPLER AR-QUICK-HYDRAULIC

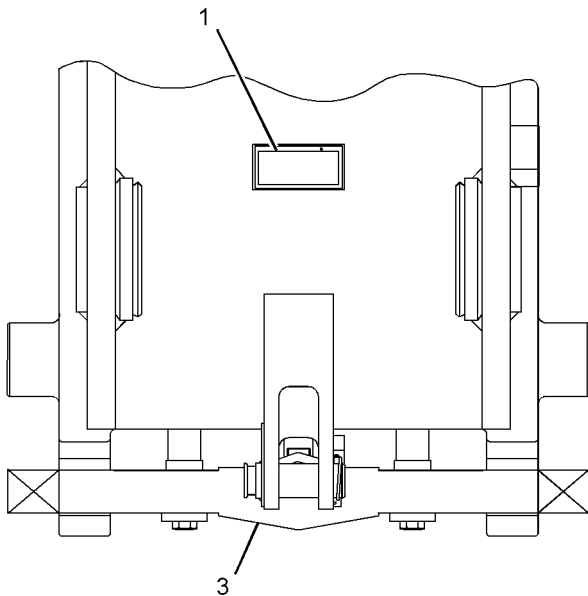
S/N: PAS1-UP
 PART OF 333-7420 COUPLER AR-QUICK
 FOR USE WITH WB-LINKAGE
 AN ATTACHMENT

SMCS-1408, 5057, 6129

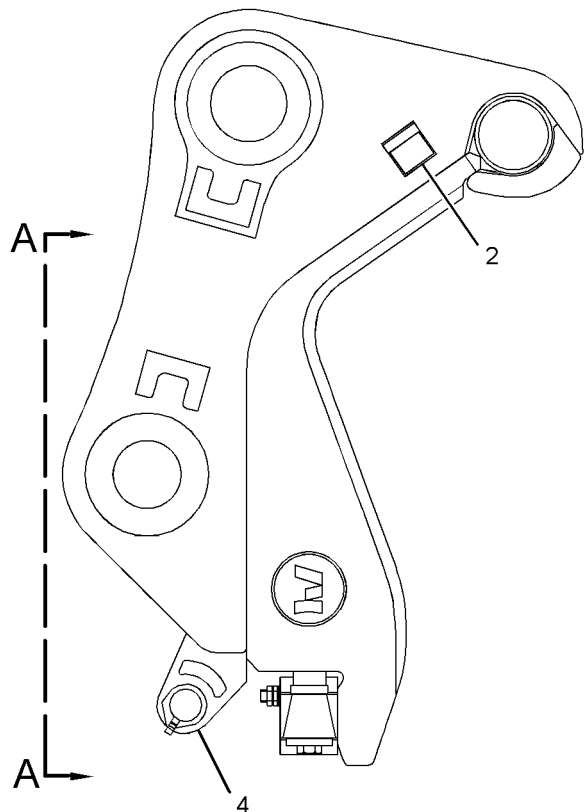
i03829727

NOTE	REF NO	GRAPHIC REF	PART NUMBER	QTY	PART NAME						SEE PAGE
					1	2	3	4	5	6 (PRODUCT LEVEL)	
M	1	1	136-0155	2	SETSCREW (M4X0.7X8-MM)						
	2	1	159-8036	2	FILM-WARNING (READ OMM)						
Y	3	1	169-0762	1	LOCK GP-QUICK COUPLER (HYDRAULIC)						808
Y	4	1	235-5634	1	YOKE GP-LIFTING						846

M-METRIC PART
 Y-SEPARATE ILLUSTRATION



VIEW A-A



GRAPHIC #1

<END>

g01683673

WORK TOOLS

330-8140 COUPLER AR-QUICK-HYDRAULIC

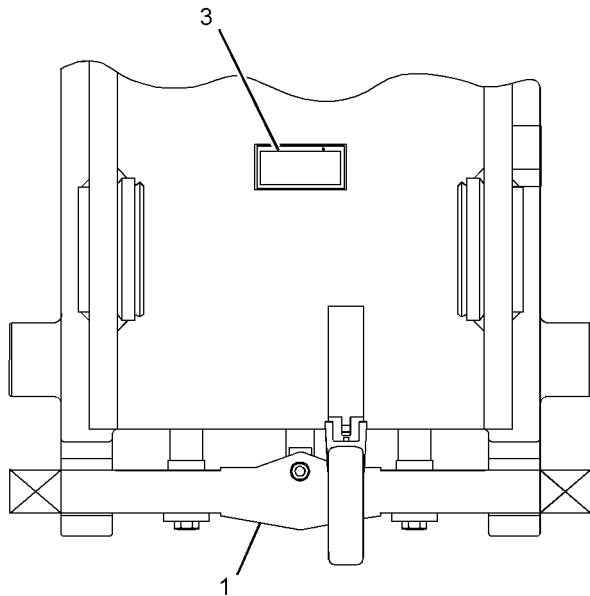
S/N: PAS1-UP
 PART OF 333-7421 COUPLER AR-QUICK
 FOR USE WITH WB-LINKAGE
 AN ATTACHMENT

SMCS-1408, 5057, 6129

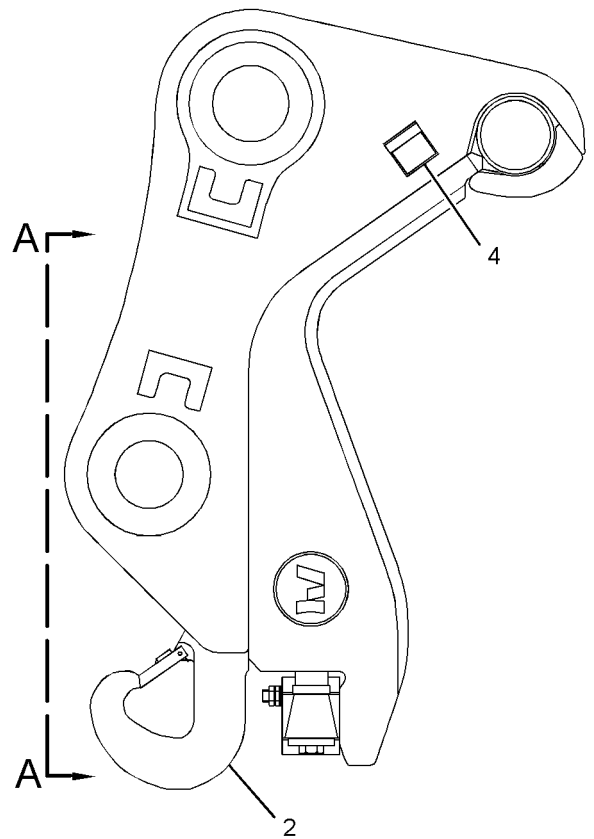
i03828589

NOTE	REF NO	GRAPHIC REF	PART NUMBER	QTY	PART NAME						SEE PAGE
					1	2	3	4	5	6 (PRODUCT LEVEL)	
Y	1	1	169-0762	1	LOCK GP-QUICK COUPLER (HYDRAULIC)						808
Y	2	1	173-9958	1	HOOK GP-LIFTING						807
M	3	1	136-0155	2	SETSCREW (M4X0.7X8-MM)						
	4	1	159-8036	2	FILM-WARNING (READ OMM)						

M-METRIC PART
 Y-SEPARATE ILLUSTRATION



VIEW A-A



GRAPHIC #1

<END>

g01674593

WORK TOOLS

333-7419 COUPLER AR-QUICK-VB-FAMILY

S/N: PAS1-UP
FOR USE WITH CA-70 QUICK-COUPLER HOOKS
AN ATTACHMENT

SMCS-1408, 5057, 6129

i03603620

NOTE	PART NUMBER	QTY	PART NAME						SEE PAGE
			1	2	3	4	5	6 (PRODUCT LEVEL)	
Y	231-7732	1	COUPLER AR-QUICK (HYDRAULIC)						802
Y	342-8073	1	LINES GP-CONNECTING (VB-FAMILY)						488

Y-SEPARATE ILLUSTRATION

<END>

333-7420 COUPLER AR-QUICK-WB-FAMILY

S/N: PAS1-UP
FOR USE WITH CA-70 QUICK-COUPLER HOOKS
AN ATTACHMENT

SMCS-1408, 5057, 6129

i03604073

NOTE	PART NUMBER	QTY	PART NAME						SEE PAGE
			1	2	3	4	5	6 (PRODUCT LEVEL)	
Y	330-8139	1	COUPLER AR-QUICK						804
Y	342-8073	1	LINES GP-CONNECTING						488

Y-SEPARATE ILLUSTRATION

<END>

333-7421 COUPLER AR-QUICK-WB-FAMILY

S/N: PAS1-UP
FOR USE WITH CA-70 QUICK COUPLER HOOKS
AN ATTACHMENT

SMCS-1408, 5057, 6129

i03604081

NOTE	PART NUMBER	QTY	PART NAME						SEE PAGE
			1	2	3	4	5	6 (PRODUCT LEVEL)	
Y	330-8140	1	COUPLER AR-QUICK						805
Y	342-8073	1	LINES GP-CONNECTING						488

Y-SEPARATE ILLUSTRATION

<END>

348-7207 COUPLER AR-QUICK-VB-FAMILY

S/N: PAS1-UP
FOR USE WITH CA-70 QUICK COUPLER HOOKS
AN ATTACHMENT

SMCS-1408, 5057, 6129

i03854339

NOTE	PART NUMBER	QTY	PART NAME						SEE PAGE
			1	2	3	4	5	6 (PRODUCT LEVEL)	
Y	233-0758	1	COUPLER AR-QUICK (VB-FAMILY)						803
Y	342-8073	1	LINES GP-CONNECTING (VB-FAMILY)						488

Y-SEPARATE ILLUSTRATION

<END>

WORK TOOLS

173-9958 HOOK GP-LIFTING

S/N: PAS1-UP

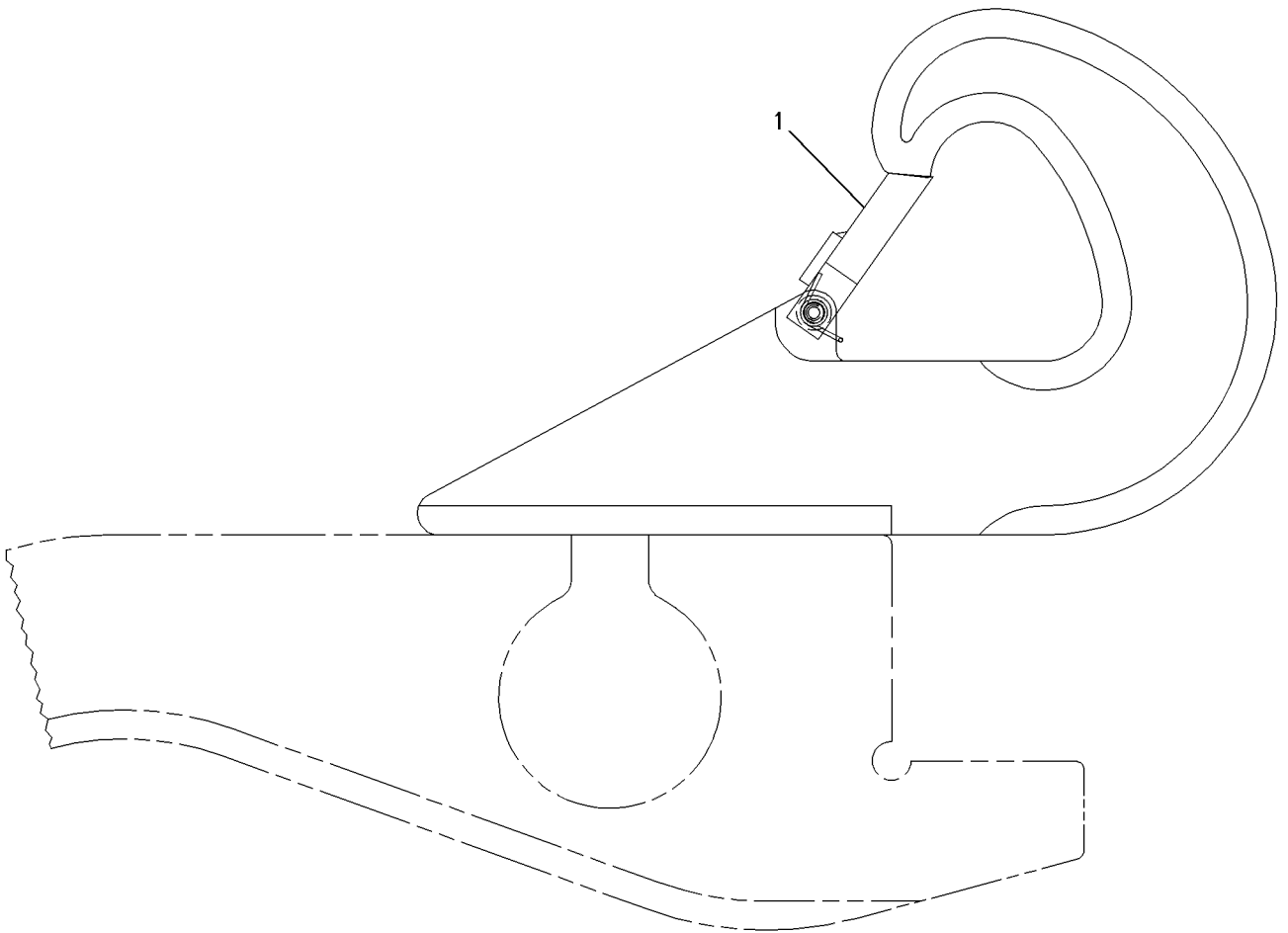
20-TON (18140-KG)

PART OF 233-0758, 330-8140 COUPLER AR-QUICK
AN ATTACHMENT

SMCS-6459

i02834902

NOTE	REF NO	GRAPHIC REF	PART NUMBER	QTY	PART NAME						SEE PAGE
					1	2	3	4	5	6 (PRODUCT LEVEL)	
	1	1	173-9971	1	KIT-LATCH (QUICK COUPLER)						
(INCLUDES PIN, SPRING & LATCH)											



GRAPHIC #1

<END>

g00576284

WORK TOOLS

169-0762 LOCK GP-QUICK COUPLER-HYDRAULIC

S/N: PAS1-UP

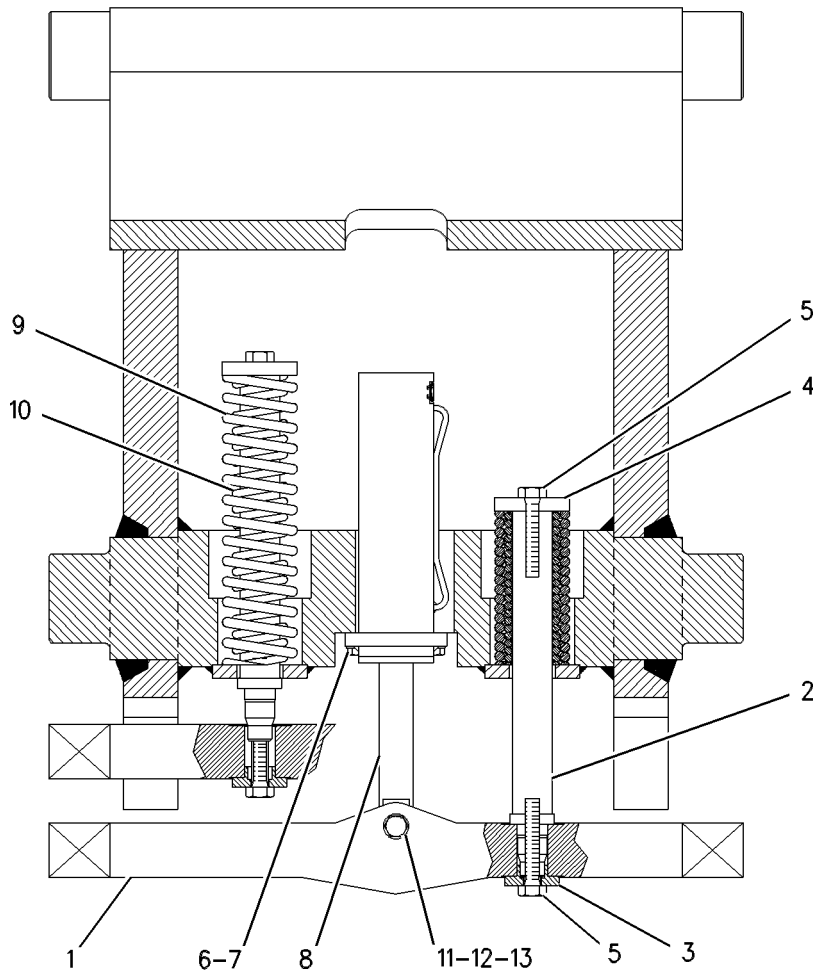
PART OF 231-7732, 233-0758, 330-8139, 330-8140 COUPLER AR-QUICK
AN ATTACHMENT

SMCS-6129

i03828593

NOTE	REF NO	GRAPHIC REF	PART NUMBER	QTY	PART NAME						SEE PAGE
					1	2	3	4	5	6 (PRODUCT LEVEL)	
	1	1	169-0766	1	WEDGE						
	2	1	169-0768	2	SHAFT						
	3	1	169-0774	2	RING						
	4	1	169-0775	2	RING						
M	5	1	152-0191	4	BOLT (M24X3X120-MM)						
M	6	1	8T-4140	4	BOLT (M16X2X60-MM)						
	7	1	9X-8257	4	WASHER (17.5X30X3.5-MM THK)						
Y	8	1	169-0776	1	CYLINDER GP-COUPLER						433
	9	1	169-0777	2	SPRING						
	10	1	169-0778	2	SPRING						
M	11	1	8C-8478	1	BOLT (M20X2.5X140-MM)						
M	12	1	098-6004	2	LOCKNUT (M20X2.5-THD)						
	13	1	8T-4123	2	WASHER (22X35X3.5-MM THK)						

M-METRIC PART
Y-SEPARATE ILLUSTRATION



GRAPHIC #1

<END>

g00560388

WORK TOOLS

347-7258 PLATE-WEAR

S/N: PAS1-UP

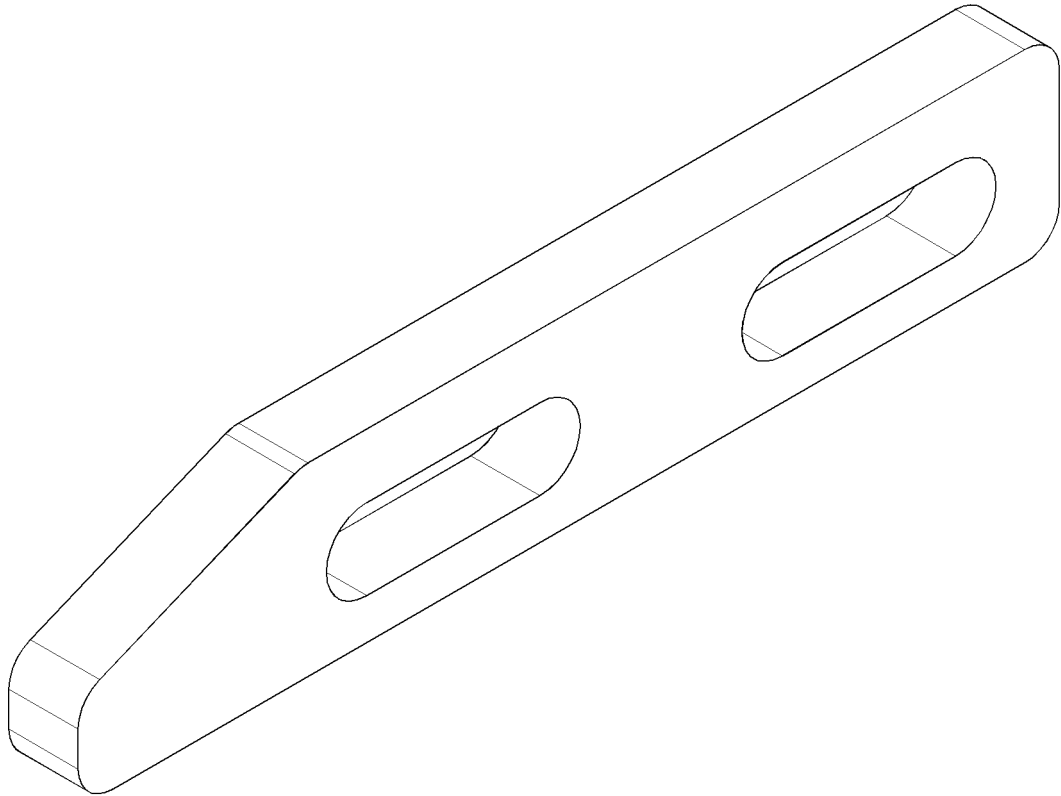
FOR USE WITH 345-2588-PAGE 773

FIELD INSTALLATION

SMCS-6120, 6820

i03819637

NOTE	REF NO	GRAPHIC REF	PART NUMBER	QTY	PART NAME						SEE PAGE
					1	2	3	4	5	6 (PRODUCT LEVEL)	
(NO SERVICED PARTS)											



GRAPHIC #1

<END>

g02129183

WORK TOOLS

357-2686 PROTECTOR GP-BUCKET

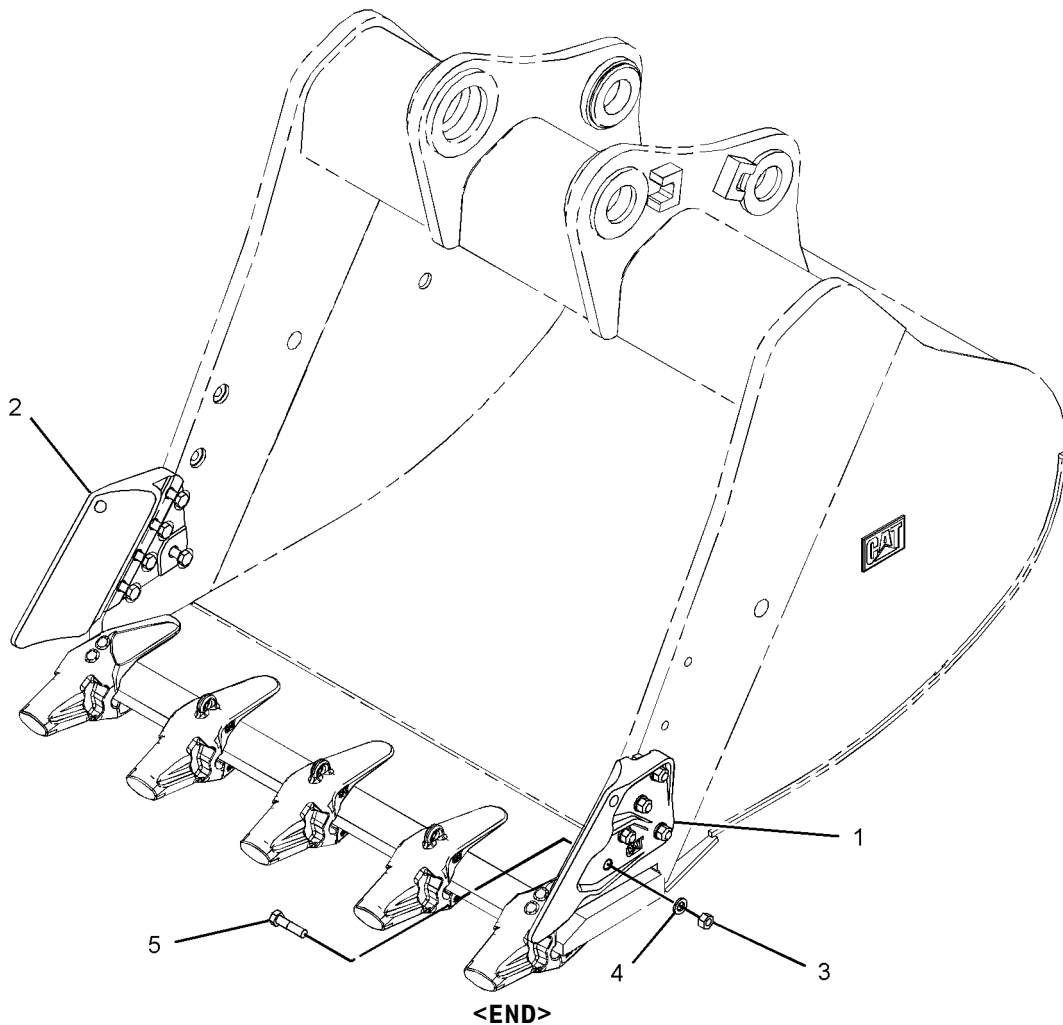
S/N: PAS1-UP

FOR USE WITH VB, WB, & HB FAMILY BUCKETS, 50-MM THICK SIDEBARS
AN ATTACHMENT

SMCS-6817

i03909377

NOTE	REF NO	GRAPHIC REF	PART NUMBER	QTY	PART NAME						SEE PAGE
					1	2	3	4	5	6 (PRODUCT LEVEL)	
1	1	1	326-3405	1	SIDECUTTER-RH						
2	1	1	326-3406	1	SIDECUTTER-LH						
3	1	1	2J-3507	10	NUT-FULL (1-8-THD)						
4	1	1	3K-5234	10	WASHER-HARD (28X49X6-MM THK)						
5	1	1	7X-0410	10	BOLT (1-8X4-IN)						



GRAPHIC #1

<END>

g02149974

WORK TOOLS

112-2491 PROTECTOR GP-SIDE BAR-BUCKET

S/N: PAS1-UP

PART OF 330-4521 BUCKET & ADJUSTER GP, 350-0208 BUCKET GP-EXTREME SERVICE
ROCK
AN ATTACHMENT

SMCS-6817

i02113071

NOTE	PART NUMBER	QTY	PART NAME						SEE PAGE
			1	2	3	4	5	6 (PRODUCT LEVEL)	
	132-1008	4	PIN						
	112-2492	2	PROTECTOR-SIDE BAR						
	132-0999	4	RETAINER AS						
<END>									

166-3511 PROTECTOR GP-SIDE BAR-BUCKET

S/N: PAS1-UP

AN ATTACHMENT

SMCS-6817

i01218298

NOTE	PART NUMBER	QTY	PART NAME						SEE PAGE
			1	2	3	4	5	6 (PRODUCT LEVEL)	
	132-0998	4	PIN-G.E.T.						
	166-2877	2	PROTECTOR-SIDEBAR						
	132-0999	4	RETAINER AS-G.E.T.						
<END>									

WORK TOOLS

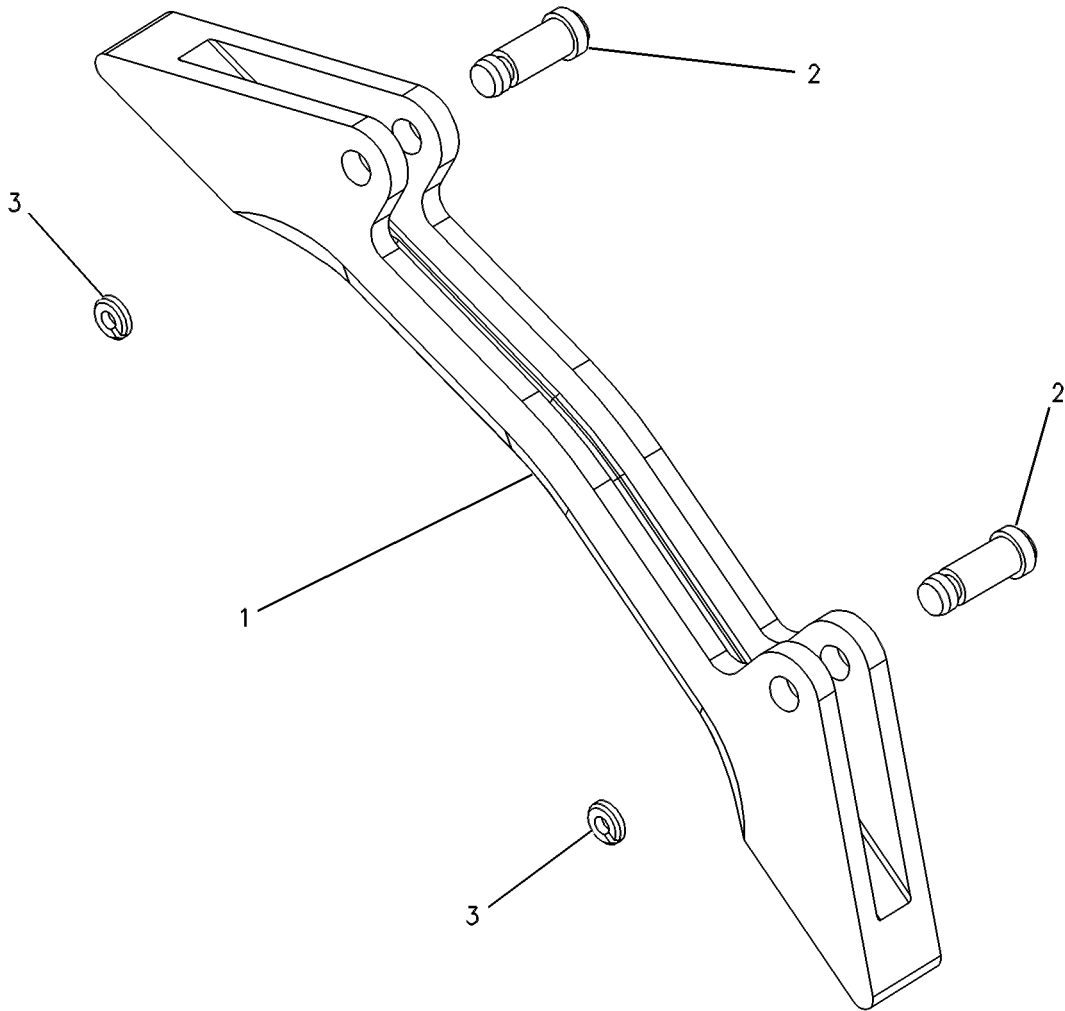
195-7217 PROTECTOR GP-SIDE BAR

S/N: PAS1-UP
AN ATTACHMENT

SMCS-6817

i03586621

NOTE	REF NO	GRAPHIC REF	PART NUMBER	QTY	PART NAME						SEE PAGE
					1	2	3	4	5	6 (PRODUCT LEVEL)	
	1	1	166-2877	4	PROTECTOR-SIDE BAR						
	2	1	132-0998	8	PIN						
	3	1	132-0999	8	RETAINER AS						



GRAPHIC #1

<END>

g00266245

WORK TOOLS

244-5818 RIPPER GP

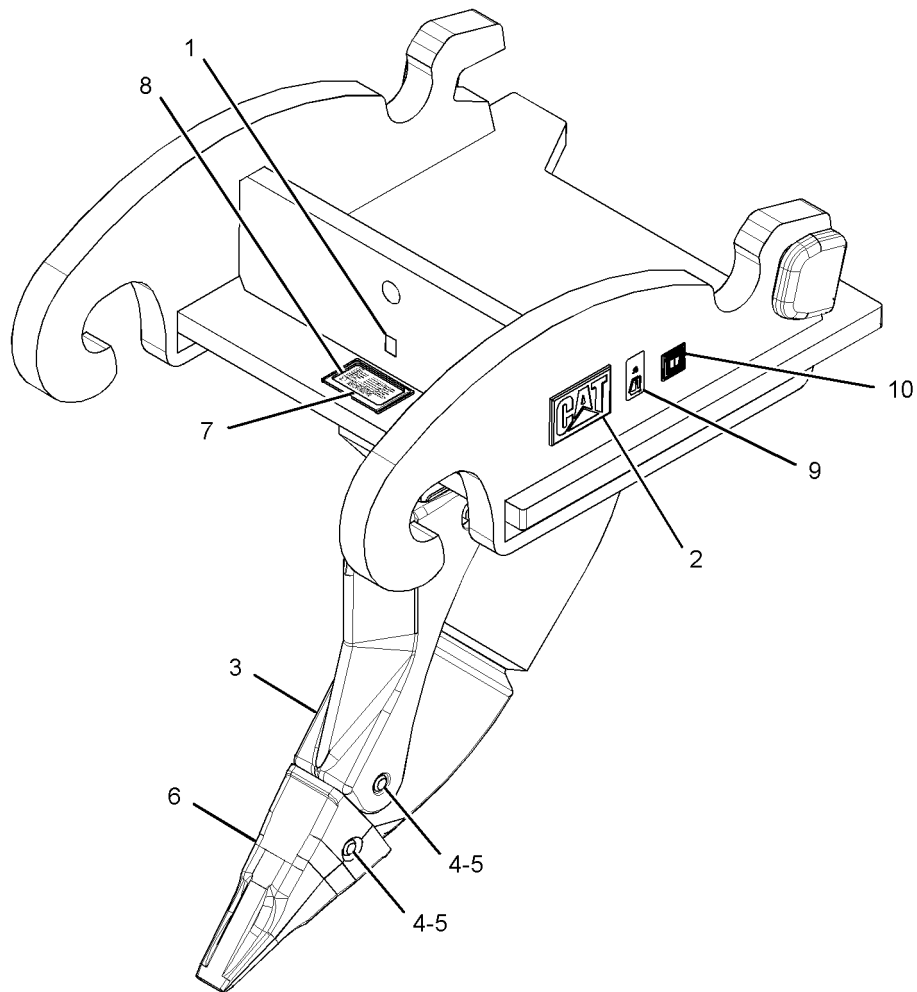
S/N: PAS1-UP
AN ATTACHMENT

SMCS-6310

i03897681

NOTE	REF NO	GRAPHIC REF	PART NUMBER	QTY	PART NAME						SEE PAGE
					1	2	3	4	5	6 (PRODUCT LEVEL)	
	1	1	150-8896	1	FILM-NOTICE (LIFT EYE LOCATION)						
	2	1	2C-9259	2	PLATE-IDENTIFICATION (CAT)						
	3	1	9N-4621	1	PROTECTOR						
	4	1	9N-4245	3	PIN						
	5	1	6Y-1205	3	RETAINER AS						
		1	5H-4907	1	RING-RETAINING						
	6	1	9W-4551	1	TIP-RIPPER						
M	7	1	136-0155	2	SETSCREW (M4X0.7X8-MM)						
	8	1	168-8672	1	PLATE-INFORMATION						
	9	1	241-4221	2	FILM-WARNING (FLYING DEBRIS)						
	10	1	159-8036	2	FILM-WARNING (READ OMM)						

M-METRIC PART



GRAPHIC #1

<END>

g01952091

WORK TOOLS

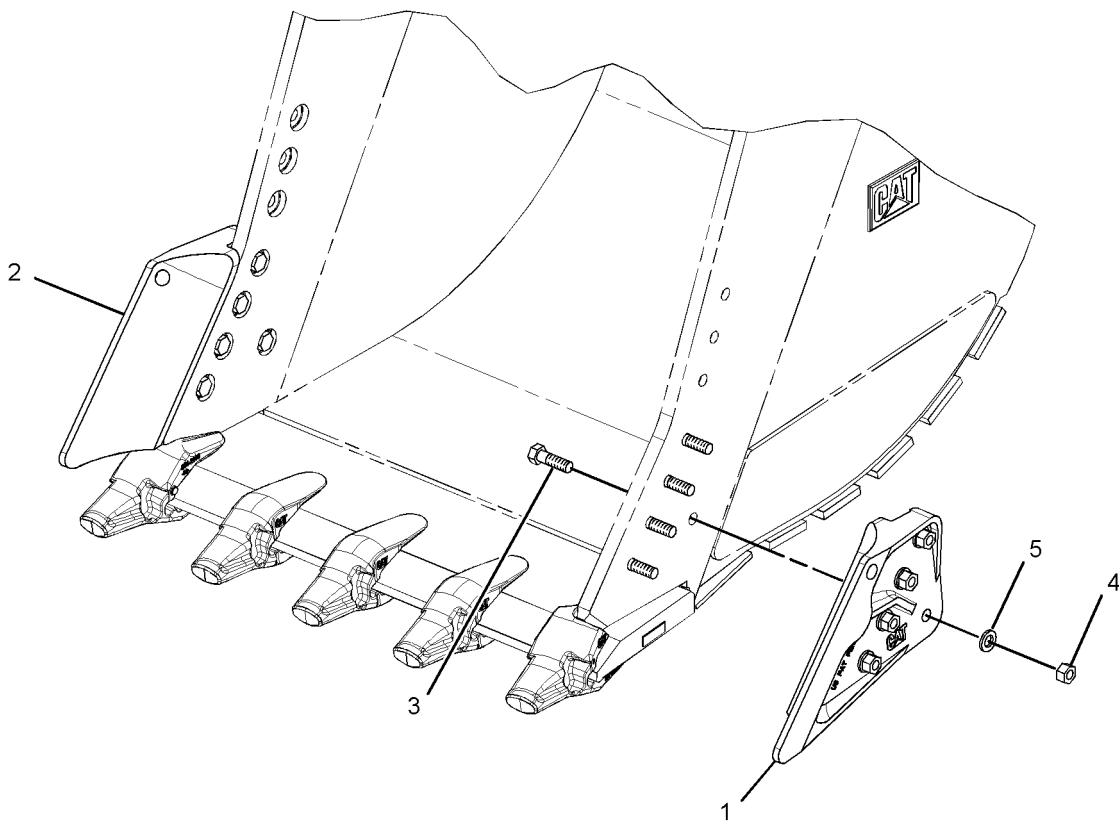
277-5814 SIDECUTTER GP

S/N: PAS1-UP
AN ATTACHMENT

SMCS-6813

i03592484

NOTE	REF NO	GRAPHIC REF	PART NUMBER	QTY	PART NAME						SEE PAGE
					1	2	3	4	5	6 (PRODUCT LEVEL)	
	1	1	256-8690	1	SIDECUTTER (RH)						
	2	1	256-8691	1	SIDECUTTER (LH)						
	3	1	1D-4637	10	BOLT (1-8X3.25-IN)						
	4	1	2J-3507	10	NUT-FULL (1-8-THD)						
	5	1	3K-5234	10	WASHER-HARD (28X49X6-MM THK)						



GRAPHIC #1

<END>

g01427753

WORK TOOLS

309-1080 SIDECUTTER GP

S/N: PAS1-UP

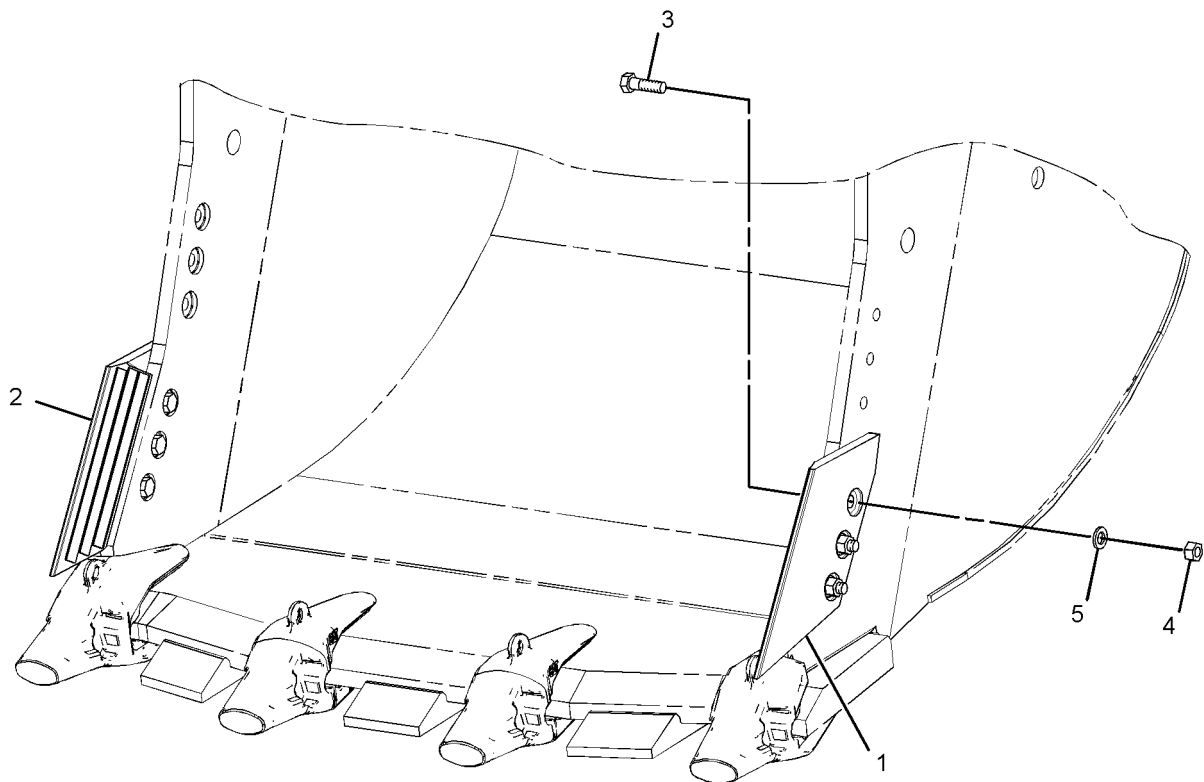
FOR USE WITH 329-2072-PAGE 761

FIELD INSTALLATION

SMCS-6813

i03537277

NOTE	REF NO	GRAPHIC REF	PART NUMBER	QTY	PART NAME						SEE PAGE
					1	2	3	4	5	6 (PRODUCT LEVEL)	
	1	1	335-6203	1	SIDECUTTER (RH)						
	2	1	335-6204	1	SIDECUTTER (LH)						
	3	1	1D-4637	6	BOLT (1-8X3.25-IN)						
	4	1	2J-3507	6	NUT-FULL (1-8-THD)						
	5	1	3K-5234	6	WASHER-HARD (28X49X6-MM THK)						



GRAPHIC #1

<END>

g01870554

WORK TOOLS

309-1081 SIDECUTTER GP

S/N: PAS1-UP

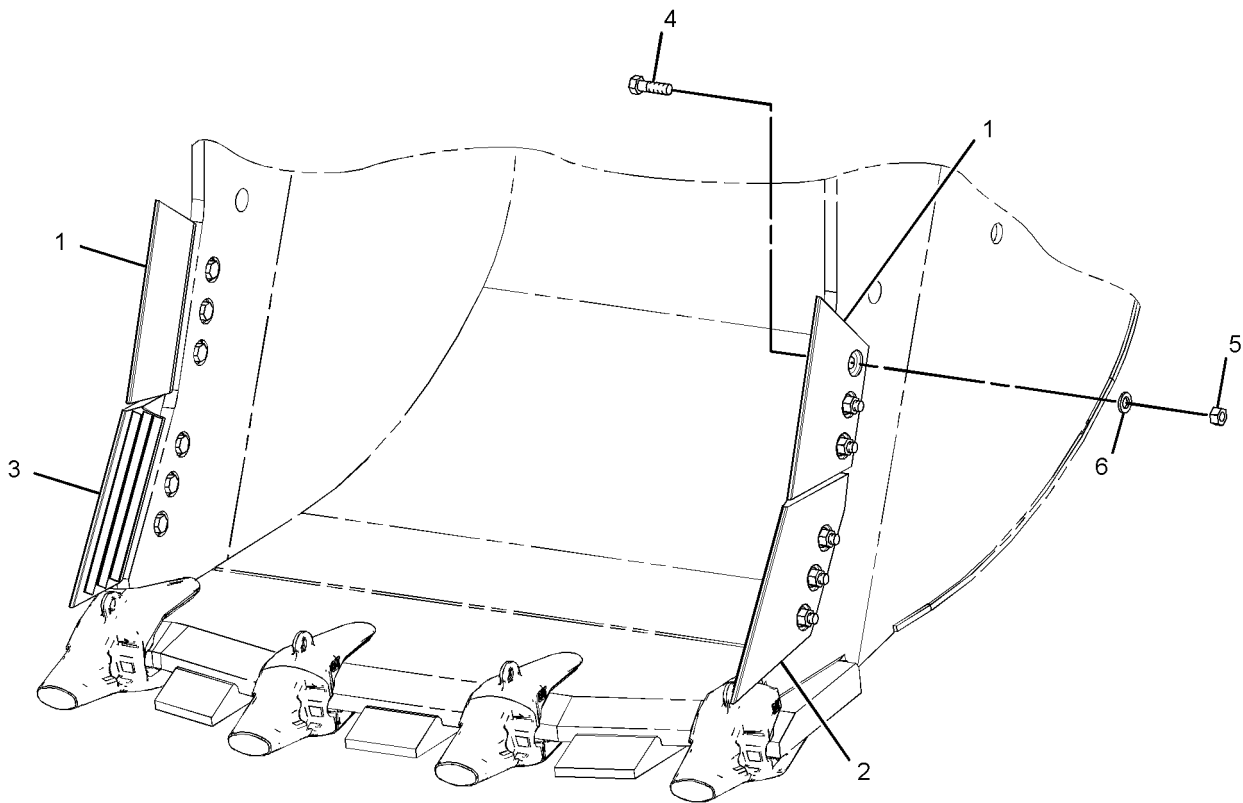
FOR USE WITH 329-2072-PAGE 761

FIELD INSTALLATION

SMCS-6813

i03537280

NOTE	REF NO	GRAPHIC REF	PART NUMBER	QTY	PART NAME						SEE PAGE
					1	2	3	4	5	6 (PRODUCT LEVEL)	
1	1	1	195-5136	2	SIDECUTTER (UPPER)						
2	1	1	335-6203	1	SIDECUTTER (RH)						
3	1	1	335-6204	1	SIDECUTTER (LH)						
4	1	1	1D-4637	12	BOLT (1-8X3.25-IN)						
5	1	1	2J-3507	12	NUT-FULL (1-8-THD)						
6	1	1	3K-5234	12	WASHER-HARD (28X49X6-MM THK)						



GRAPHIC #1

<END>

g01870553

WORK TOOLS

198-8487 TIP GP-J-600

S/N: PAS1-UP
AN ATTACHMENT

SMCS-6800, 6805

i03656931

NOTE	PART NUMBER	QTY	PART NAME						SEE
			1	2	3	4	5	6 (PRODUCT LEVEL)	PAGE
Y	6I-6423	1	TIP GP-PENETRATION						832
Y-SEPARATE ILLUSTRATION									

<END>

WORK TOOLS

6I-6420 TIP GP-ABRASION-J-600, HEAVY-DUTY

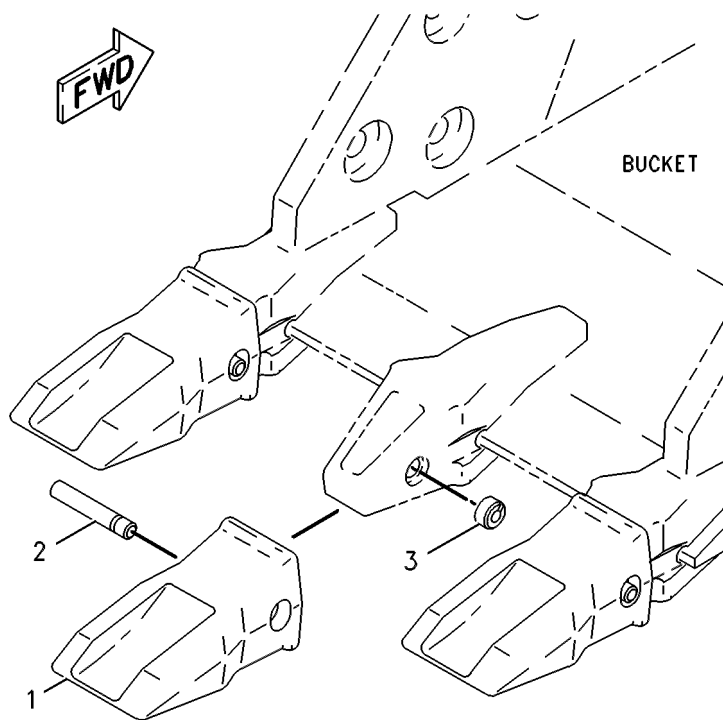
S/N: PAS1-UP

PART OF 198-8486 TIP GP-ABRASION
AN ATTACHMENT

SMCS-6805

i00621195

NOTE	REF NO	GRAPHIC REF	PART NUMBER	QTY	PART NAME						SEE PAGE
					1	2	3	4	5	6 (PRODUCT LEVEL)	
1	1	1	6I-6603	1	TIP-ABRASION						
2	1	1	6I-6608	1	PIN-G.E.T.						
3	1	1	6I-6609	1	RETAINER AS						



GRAPHIC #1

<END>

g00258478

WORK TOOLS

198-8486 TIP GP-ABRASION-J-600

S/N: PAS1-UP
AN ATTACHMENT

SMCS-6805

i03656930

NOTE	PART NUMBER	QTY	PART NAME						SEE PAGE
			1	2	3	4	5	6 (PRODUCT LEVEL)	
Y	6I-6420	1	TIP GP-ABRASION (HEAVY-DUTY)						818
Y-SEPARATE ILLUSTRATION									

<END>

WORK TOOLS

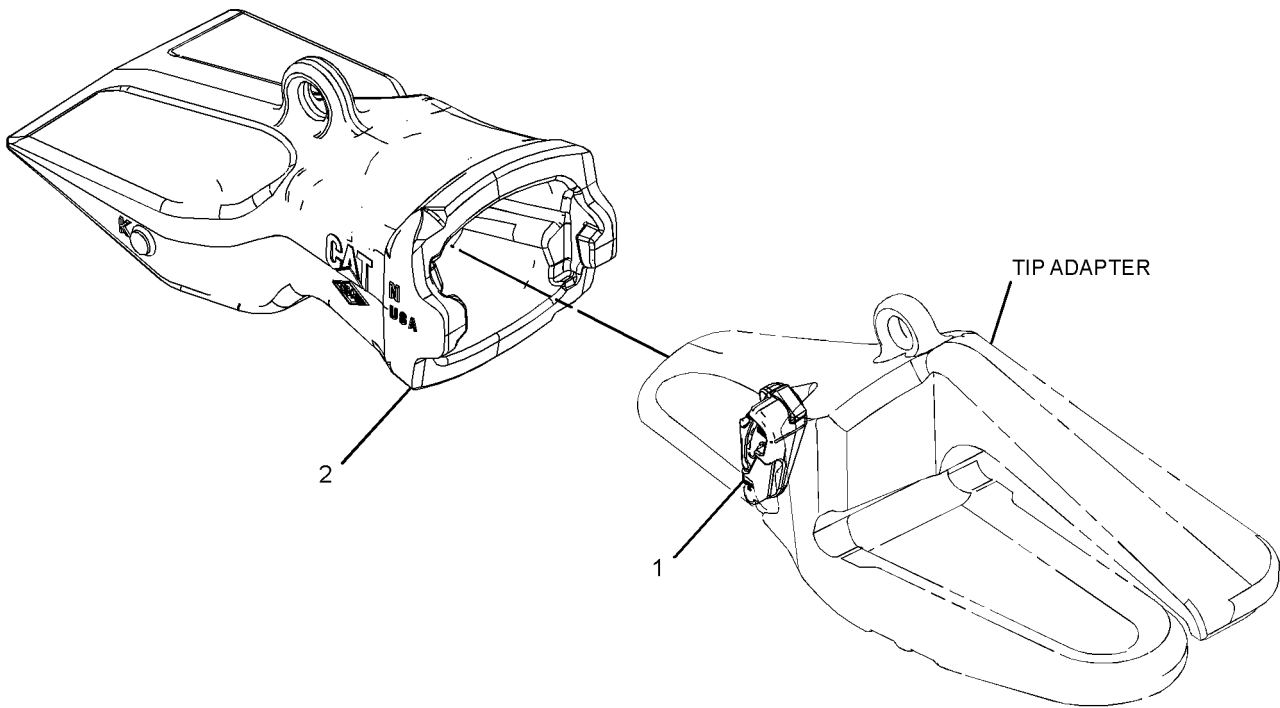
201-1241 TIP GP-ABRASION-K-150, HEAVY-DUTY

S/N: PAS1-UP
AN ATTACHMENT

SMCS-6805

i02497549

NOTE	REF NO	GRAPHIC REF	PART NUMBER	QTY	PART NAME						SEE PAGE
					1	2	3	4	5	6 (PRODUCT LEVEL)	
1	1	1	233-7150	1	RETAINER-G.E.T. (K-150)						
2	1	1	229-7156	1	TIP-ABRASION (K-150, HEAVY-DUTY)						



GRAPHIC #1

<END>

g01235322

WORK TOOLS

232-0078 TIP GP-ABRASION-K-170, HEAVY-DUTY

S/N: PAS1-UP
AN ATTACHMENT

SMCS-6805

i02497560

NOTE	PART NUMBER	QTY	PART NAME						SEE PAGE
			1	2	3	4	5	6 (PRODUCT LEVEL)	
	232-0170	1	RETAINER-G.E.T. (K-170)						
	232-2178	1	TIP-ABRASION (K-170, HEAVY-DUTY)						
<END>									

WORK TOOLS

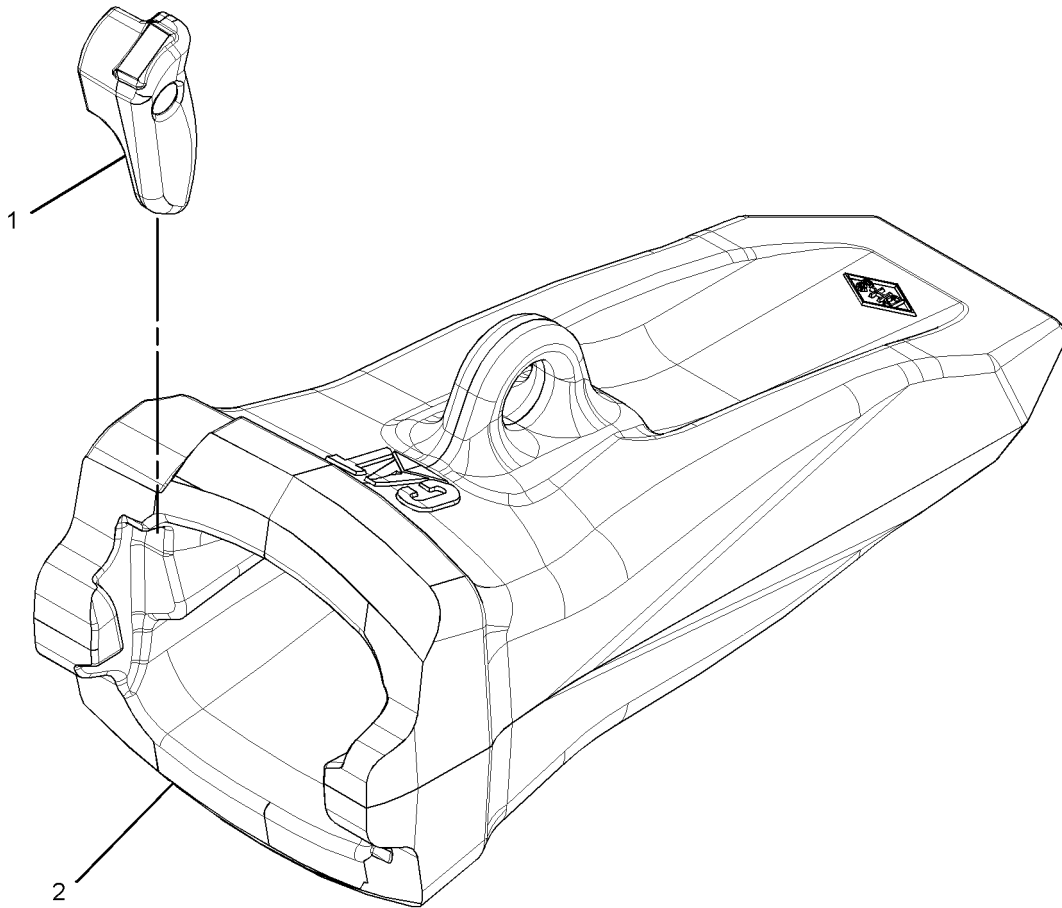
229-7161 TIP GP-BUCKET-K-150, HEAVY-DUTY

S/N: PAS1-UP
AN ATTACHMENT

SMCS-6805

i03591367

NOTE	REF NO	GRAPHIC REF	PART NUMBER	QTY	PART NAME						SEE PAGE
					1	2	3	4	5	6 (PRODUCT LEVEL)	
1	1	1	233-7150	1	RETAINER-G.E.T. (K-150)						
2	1	1	229-7151	1	TIP-BUCKET (K-150, HEAVY-DUTY)						



GRAPHIC #1

<END>

g01377135

WORK TOOLS

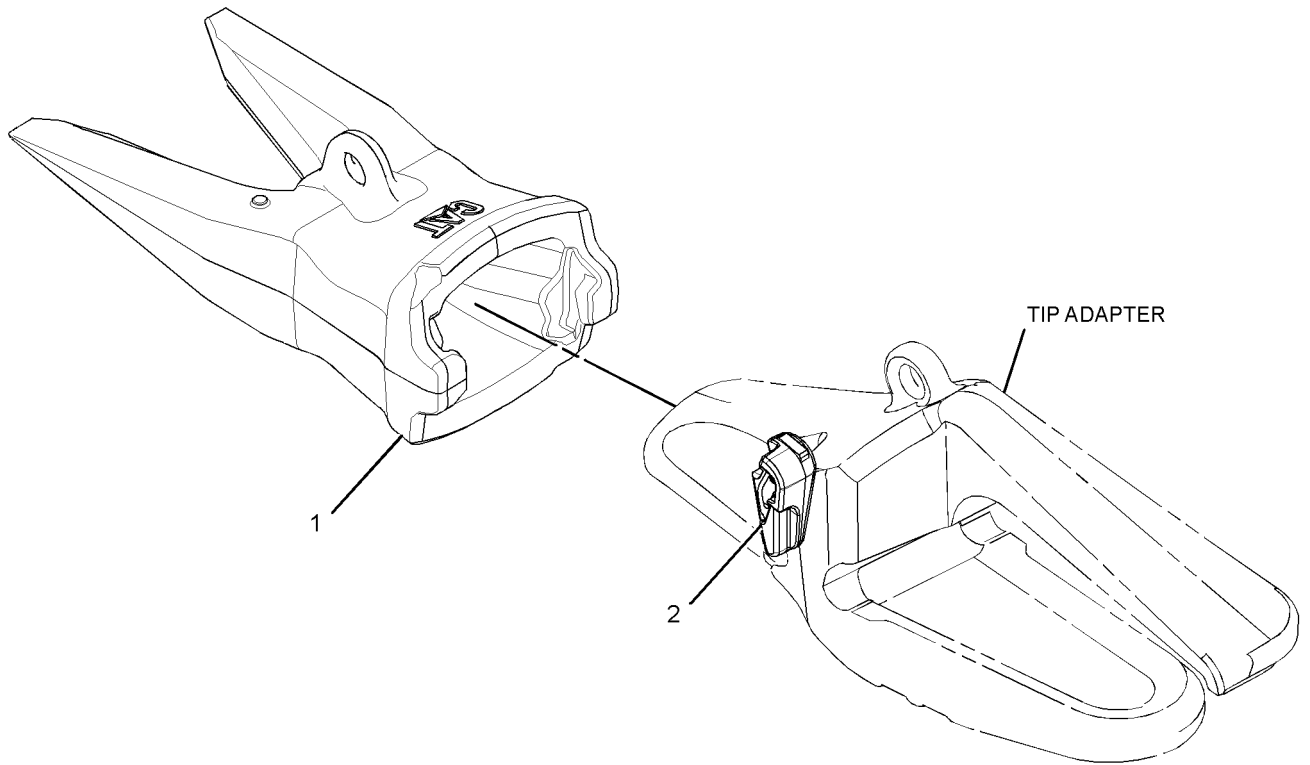
229-7165 TIP GP-DOUBLE SPIKE-K-150

S/N: PAS1-UP
AN ATTACHMENT

SMCS-6805

i03656936

NOTE	REF NO	GRAPHIC REF	PART NUMBER	QTY	PART NAME						SEE PAGE
					1	2	3	4	5	6 (PRODUCT LEVEL)	
	1	1	229-7158	1	TIP GP-DOUBLE SPIKE						
	2	1	233-7150	1	RETAINER-G.E.T. (K-150)						



GRAPHIC #1

<END>

g01347502

WORK TOOLS

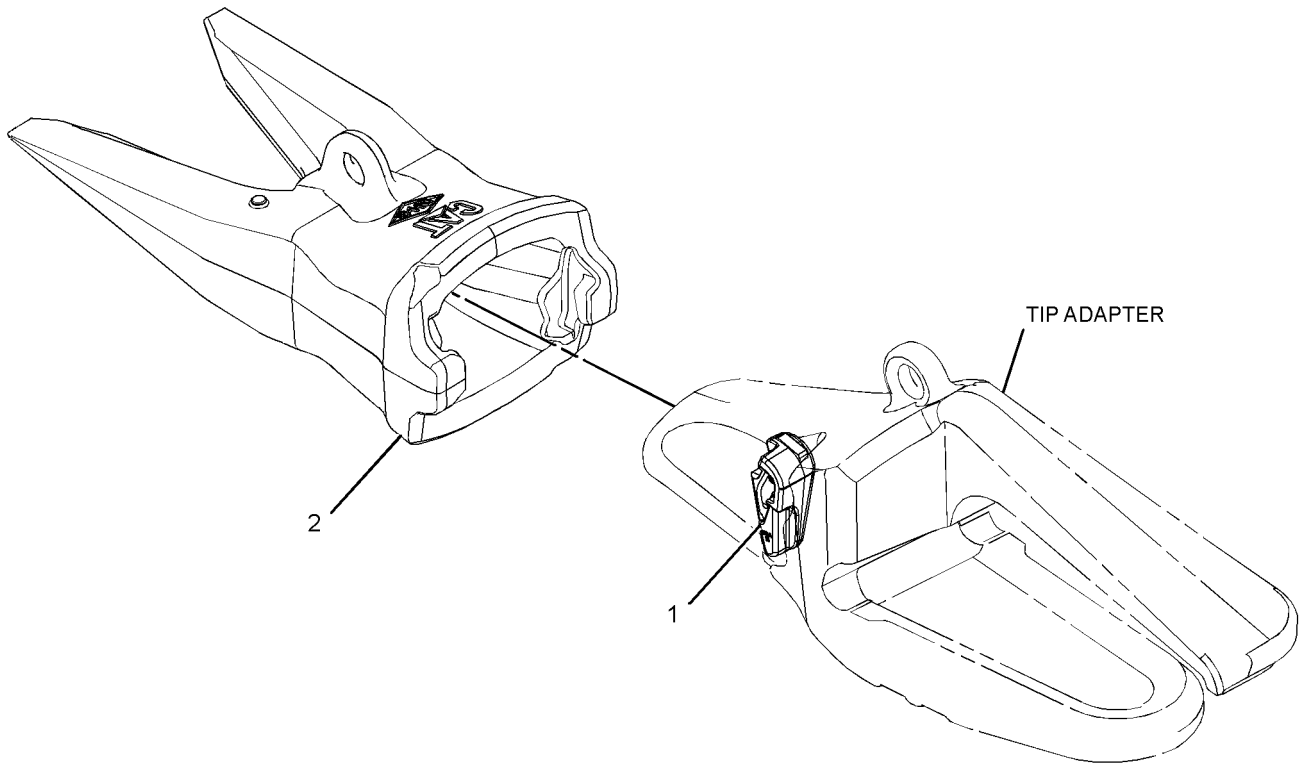
232-0075 TIP GP-DOUBLE SPIKE-K-170

S/N: PAS1-UP
AN ATTACHMENT

SMCS-6805

i03902235

NOTE	REF NO	GRAPHIC REF	PART NUMBER	QTY	PART NAME						SEE PAGE
					1	2	3	4	5	6 (PRODUCT LEVEL)	
	1	1	232-0170	1	RETAINER-G.E.T. (K-170)						
	2	1	232-0178	1	TIP-DOUBLE SPIKE (K-170)						



GRAPHIC #1

<END>

g01195510

WORK TOOLS

232-0071 TIP GP-EXTRA-DUTY-K-170

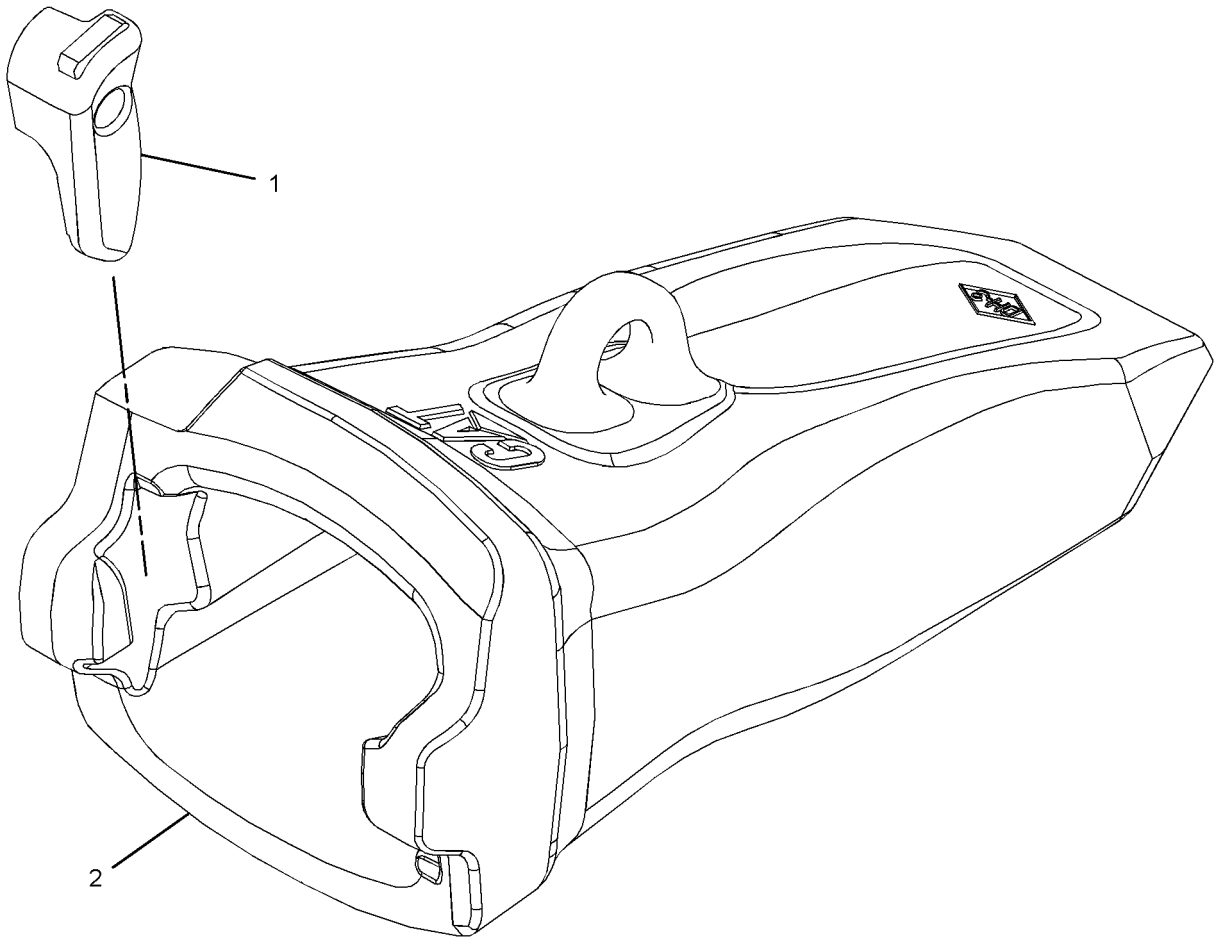
S/N: PAS1-UP

FOR USE WITH BUCKETS WITH K-170 ADAPTERS
AN ATTACHMENT

SMCS-6805

i03888069

NOTE	REF NO	GRAPHIC REF	PART NUMBER	QTY	PART NAME						SEE PAGE
					1	2	3	4	5	6 (PRODUCT LEVEL)	
	1	1	232-0170	1	RETAINER-G.E.T. (K-170)						
	2	1	264-2171	1	TIP-EXTRA-DUTY (K-170)						



GRAPHIC #1

<END>

g01254943

WORK TOOLS

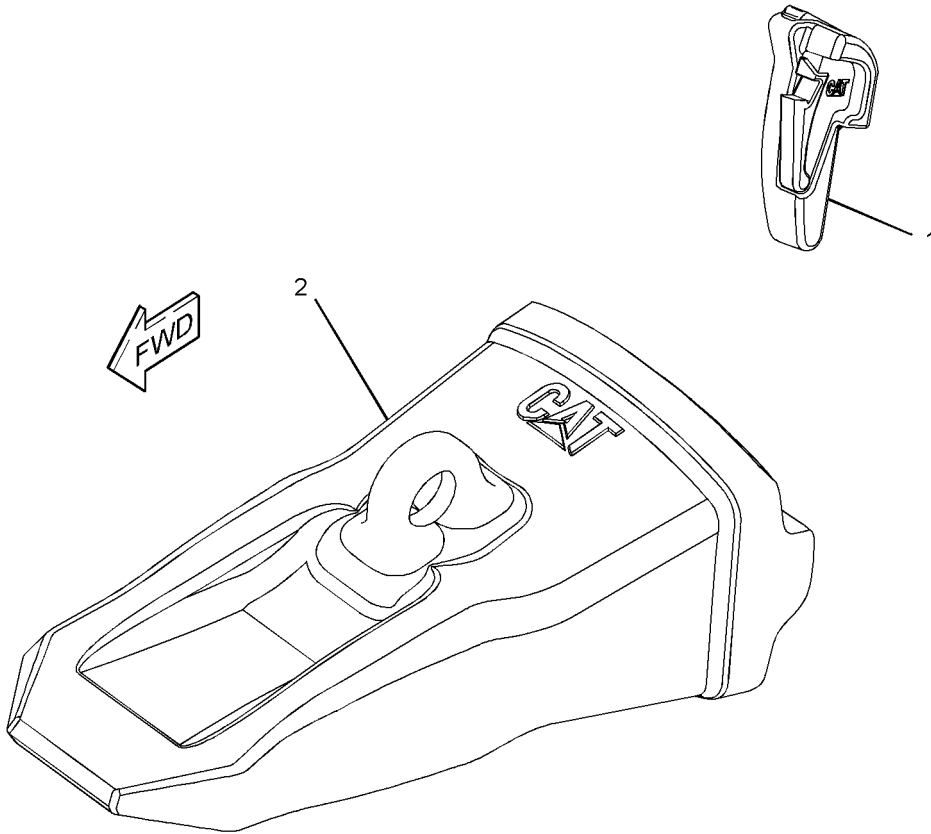
229-7166 TIP GP-GENERAL PURPOSE-K-150

S/N: PAS1-UP
AN ATTACHMENT

SMCS-6805

i03184225

NOTE	REF NO	GRAPHIC REF	PART NUMBER	QTY	PART NAME						SEE PAGE
					1	2	3	4	5	6 (PRODUCT LEVEL)	
1	1	1	233-7150	1	RETAINER-G.E.T. (K-150)						
2	1	1	229-7159	1	TIP GP-GENERAL PURPOSE (K-150)						



GRAPHIC #1

<END>

g01218666

WORK TOOLS

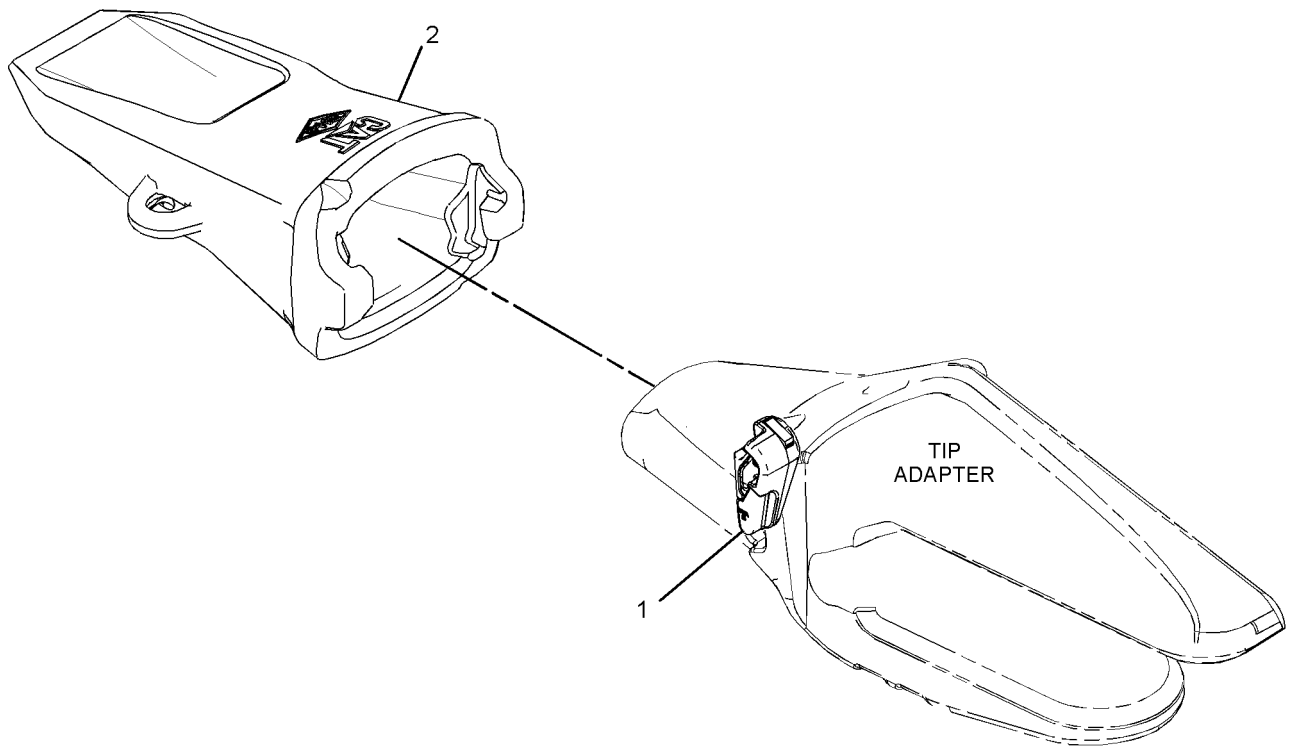
232-0076 TIP GP-GENERAL PURPOSE-K-170

S/N: PAS1-UP
AN ATTACHMENT

SMCS-6805

i03591566

NOTE	REF NO	GRAPHIC REF	PART NUMBER	QTY	PART NAME						SEE PAGE
					1	2	3	4	5	6 (PRODUCT LEVEL)	
	1	1	232-0170	1	RETAINER-G.E.T. (K-170)						
	2	1	232-0179	1	TIP-GENERAL PURPOSE (K-170)						



GRAPHIC #1

<END>

g01310616

WORK TOOLS

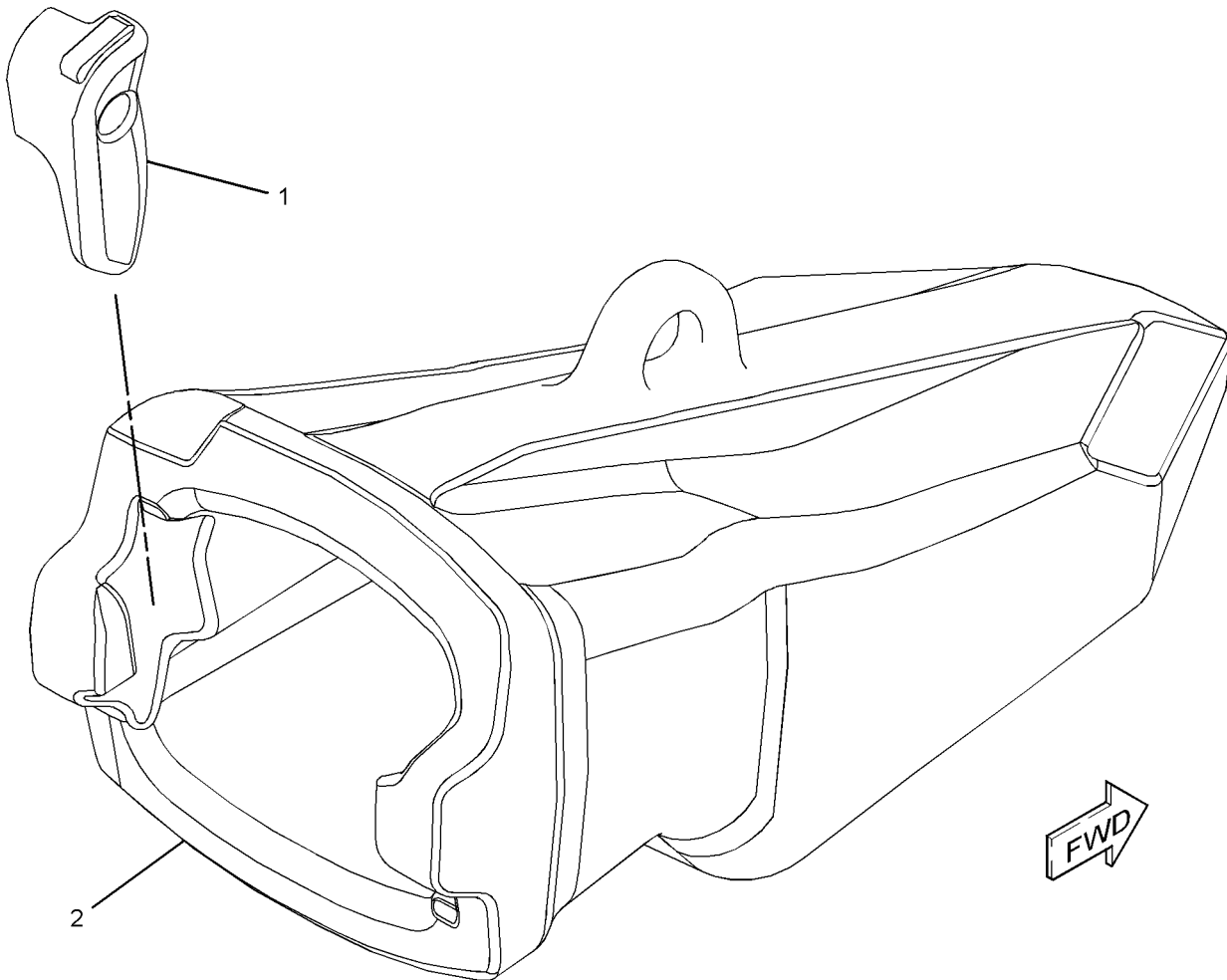
232-0077 TIP GP-HEAVY PENETRATION-K-170

S/N: PAS1-UP
AN ATTACHMENT

SMCS-6805

i03887989

NOTE	REF NO	GRAPHIC REF	PART NUMBER	QTY	PART NAME						SEE PAGE
					1	2	3	4	5	6 (PRODUCT LEVEL)	
1	1	1	232-0170	1	RETAINER-G.E.T. (K-170)						
2	1	1	264-2172	1	TIP-HEAVY PENETRATION (K-170)						



GRAPHIC #1

<END>

g01255415

WORK TOOLS

6I-6314 TIP GP-LONG-J-600

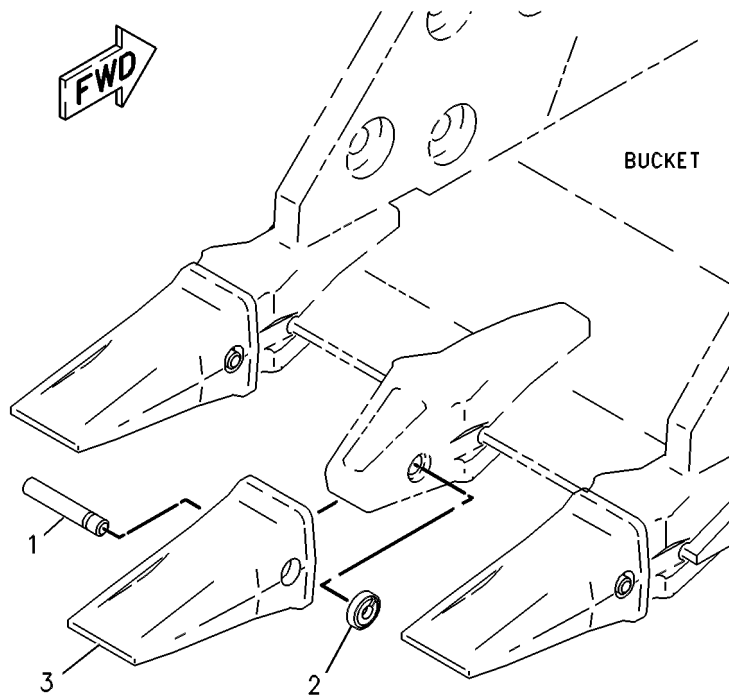
S/N: PAS1-UP

PART OF 198-8483 TIP GP-LONG
AN ATTACHMENT

SMCS-6805

i00621926

NOTE	REF NO	GRAPHIC REF	PART NUMBER	QTY	PART NAME						SEE PAGE
					1	2	3	4	5	6 (PRODUCT LEVEL)	
	1	1	113-9608	1	PIN (G.E.T.)						
	2	1	113-9609	1	RETAINER AS (G.E.T.)						
	3	1	6I-6602	1	TIP-LONG						



GRAPHIC #1

<END>

g00117668

WORK TOOLS

6I-6417 TIP GP-LONG-J-600, HEAVY-DUTY

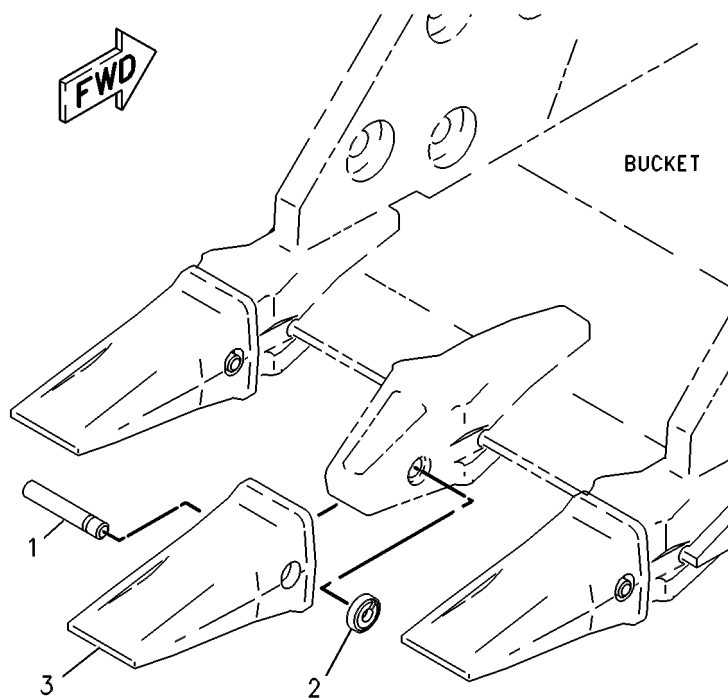
S/N: PAS1-UP

PART OF 198-8484 TIP GP-LONG
AN ATTACHMENT

SMCS-6805

i00621169

NOTE	REF NO	GRAPHIC REF	PART NUMBER	QTY	PART NAME						SEE PAGE
					1	2	3	4	5	6 (PRODUCT LEVEL)	
1	1	1	113-9608	1	PIN (G.E.T.)						
2	1	1	113-9609	1	RETAINER AS (G.E.T.)						
3	1	1	7Y-0602	1	TIP-LONG (HEAVY-DUTY)						



GRAPHIC #1

<END>

g00117668

WORK TOOLS

198-8483 TIP GP-LONG-J-600

S/N: PAS1-UP
AN ATTACHMENT

SMCS-6805

i03656927

NOTE	PART NUMBER	QTY	PART NAME						SEE
			1	2	3	4	5	6 (PRODUCT LEVEL)	PAGE
Y	6I-6314	1	TIP GP-LONG						829
Y-SEPARATE ILLUSTRATION									

<END>

198-8484 TIP GP-LONG-J-600

S/N: PAS1-UP
AN ATTACHMENT

SMCS-6805

i03656928

NOTE	PART NUMBER	QTY	PART NAME						SEE
			1	2	3	4	5	6 (PRODUCT LEVEL)	PAGE
Y	6I-6417	1	TIP GP-LONG (HEAVY-DUTY)						830
Y-SEPARATE ILLUSTRATION									

<END>

WORK TOOLS

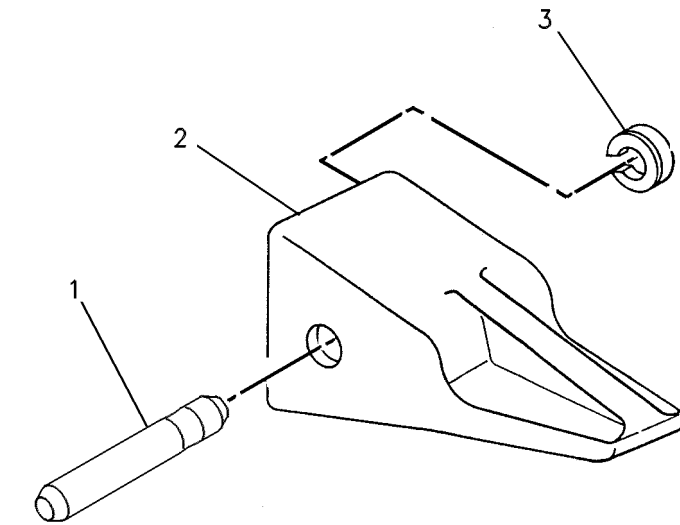
6I-6423 TIP GP-PENETRATION-J-600

S/N: PAS1-UP
PART OF 198-8487 TIP GP
AN ATTACHMENT

SMCS-6805

i01720263

NOTE	REF NO	GRAPHIC REF	PART NUMBER	QTY	PART NAME						SEE PAGE
					1	2	3	4	5	6 (PRODUCT LEVEL)	
	1	1	113-9608	1	PIN (G.E.T.)						
	2	1	7I-7609	1	TIP-PENETRATION						
	3	1	113-9609	1	RETAINER AS (G.E.T.)						



GRAPHIC #1

<END>

g00246912

WORK TOOLS

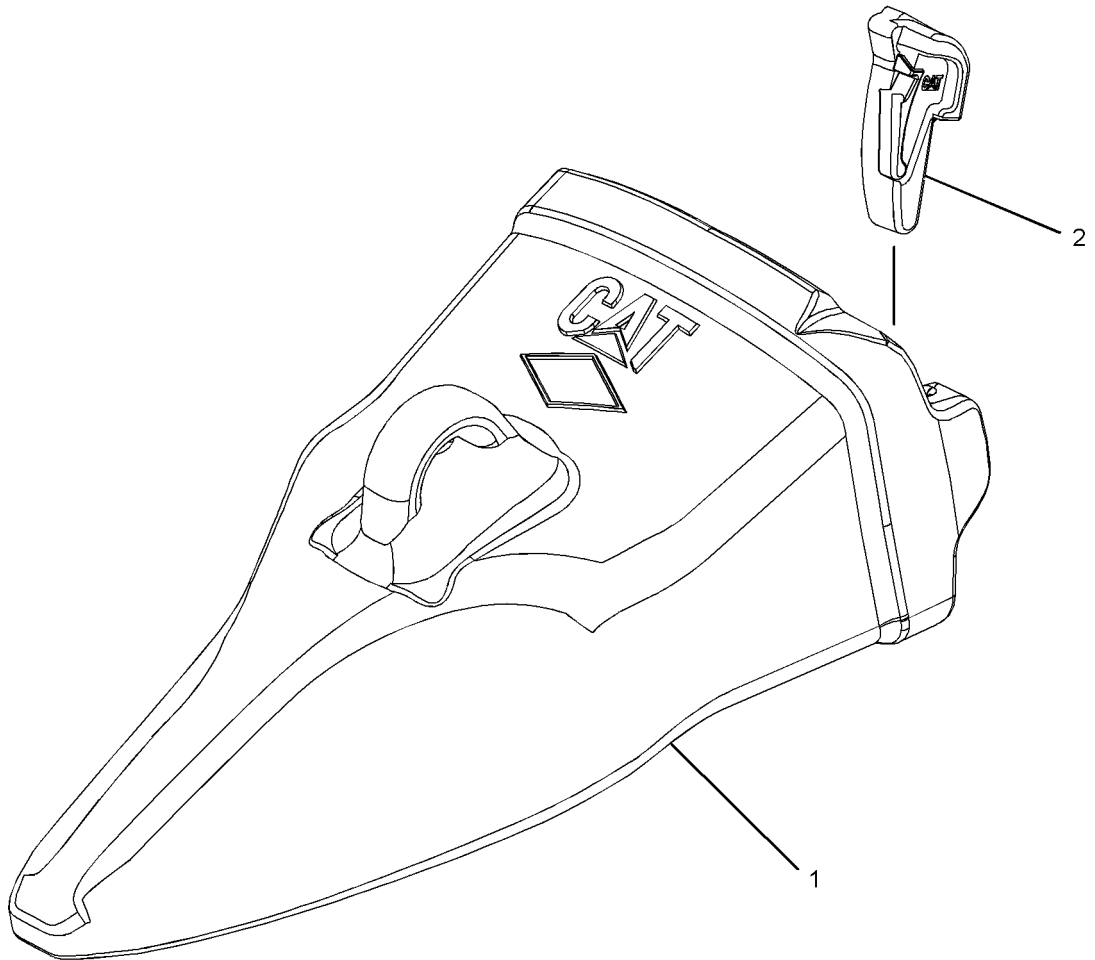
229-7162 TIP GP-PENETRATION-K-150

S/N: PAS1-UP
AN ATTACHMENT

SMCS-6805

i03184270

NOTE	REF NO	GRAPHIC REF	PART NUMBER	QTY	PART NAME						SEE PAGE
					1	2	3	4	5	6 (PRODUCT LEVEL)	
1	1	1	229-7152	1	TIP-PENETRATION (K-150)						
2	1	1	233-7150	1	RETAINER-G.E.T. (K-150)						



GRAPHIC #1

<END>

g01626159

WORK TOOLS

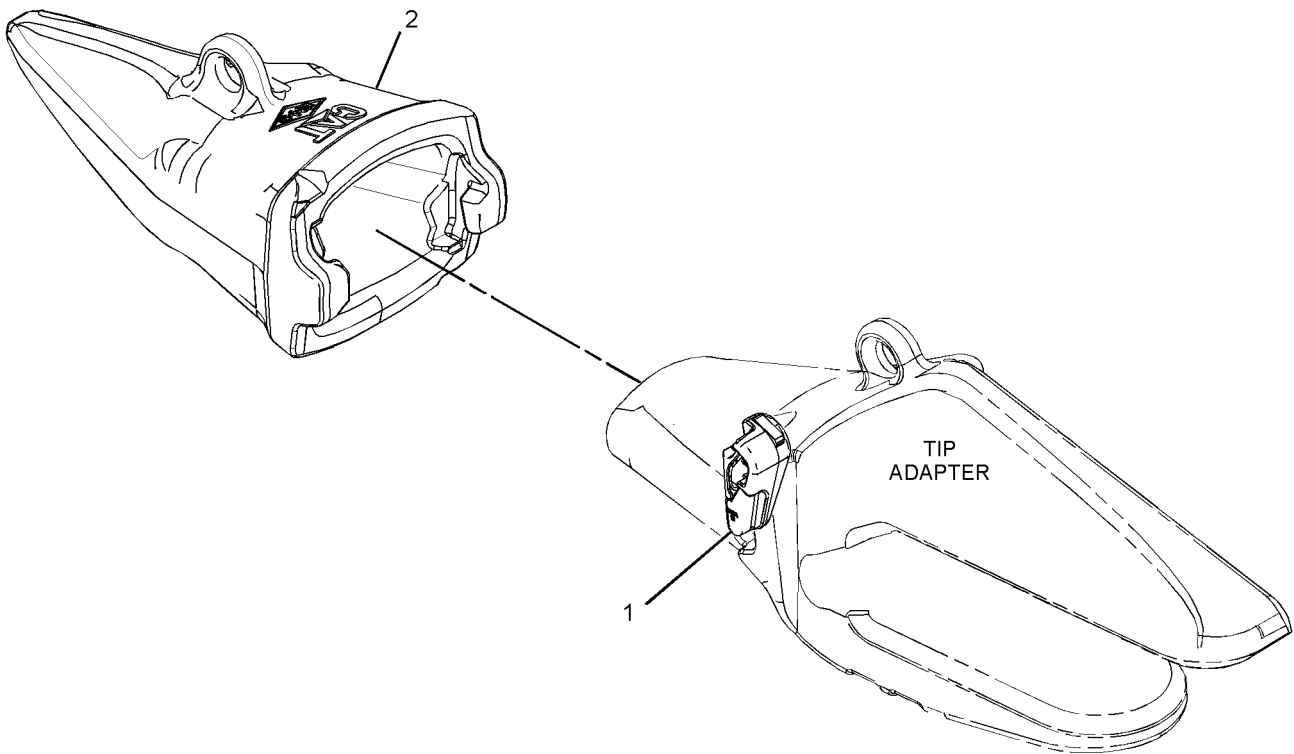
232-0072 TIP GP-PENETRATION-K-170

S/N: PAS1-UP
AN ATTACHMENT

SMCS-6805

i02955265

NOTE	REF NO	GRAPHIC REF	PART NUMBER	QTY	PART NAME						SEE PAGE
					1	2	3	4	5	6 (PRODUCT LEVEL)	
1	1	1	232-0170	1	RETAINER-G.E.T. (K-170)						
2	1	1	232-0172	1	TIP-PENETRATION (K-170)						



GRAPHIC #1

<END>

g01289240

WORK TOOLS

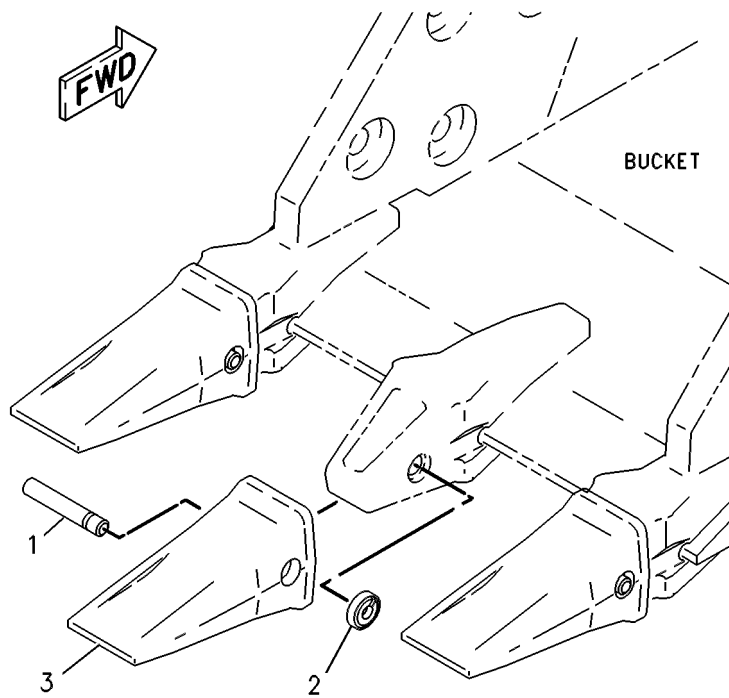
195-9185 TIP GP-PENETRATION PLUS-J-600

S/N: PAS1-UP
AN ATTACHMENT

SMCS-6805

i02955262

NOTE	REF NO	GRAPHIC REF	PART NUMBER	QTY	PART NAME						SEE PAGE
					1	2	3	4	5	6 (PRODUCT LEVEL)	
1	1	1	113-9608	1	PIN (G.E.T.)						
2	1	1	113-9609	1	RETAINER AS (G.E.T.)						
3	1	1	159-0607	1	TIP-PENETRATION						



GRAPHIC #1

<END>

g00117668

WORK TOOLS

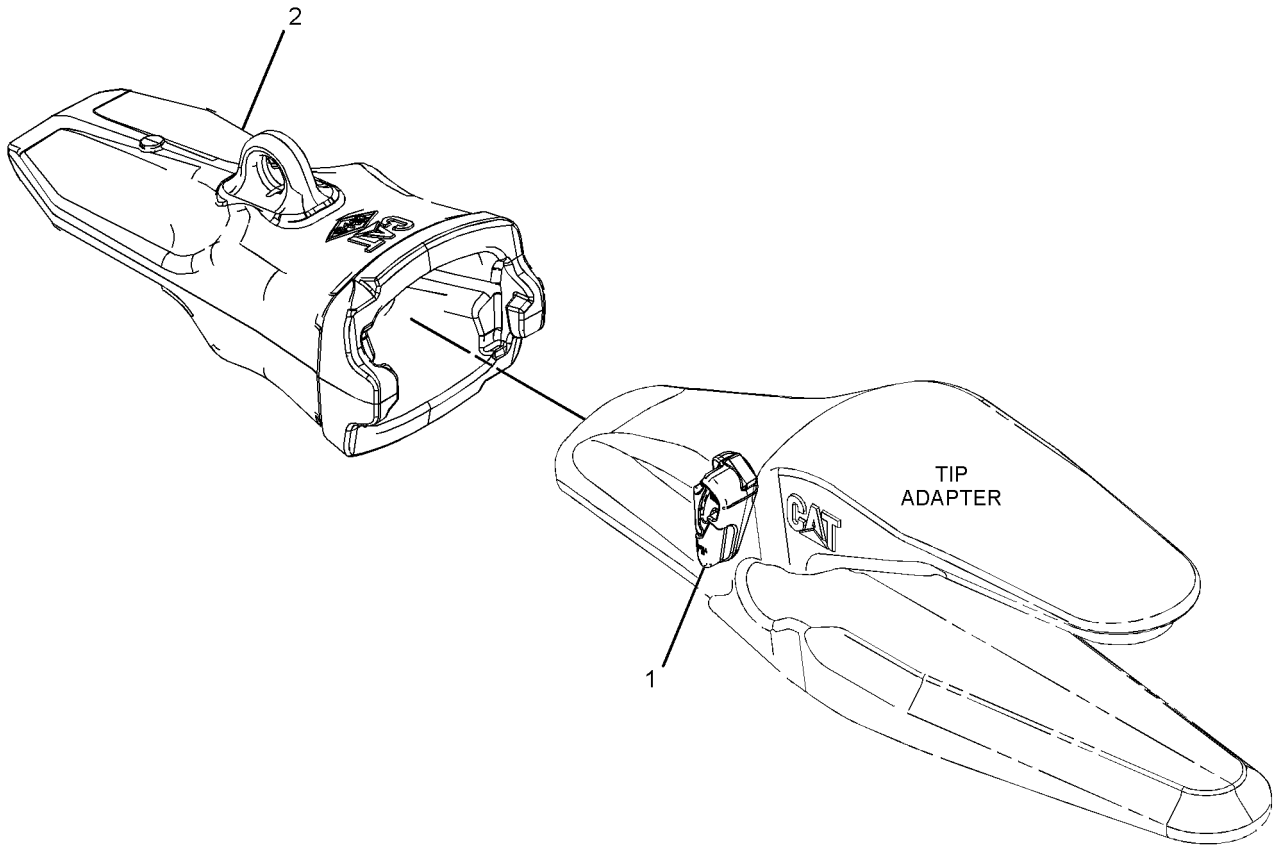
229-7163 TIP GP-PENETRATION PLUS-K-150

S/N: PAS1-UP
AN ATTACHMENT

SMCS-6805

i02514081

NOTE	REF NO	GRAPHIC REF	PART NUMBER	QTY	PART NAME						SEE PAGE
					1	2	3	4	5	6 (PRODUCT LEVEL)	
1	1	1	233-7150	1	RETAINER-G.E.T. (K-150)						
2	1	1	229-7153	1	TIP-PENETRATION PLUS (K-150)						



GRAPHIC #1

<END>

g01258043

WORK TOOLS

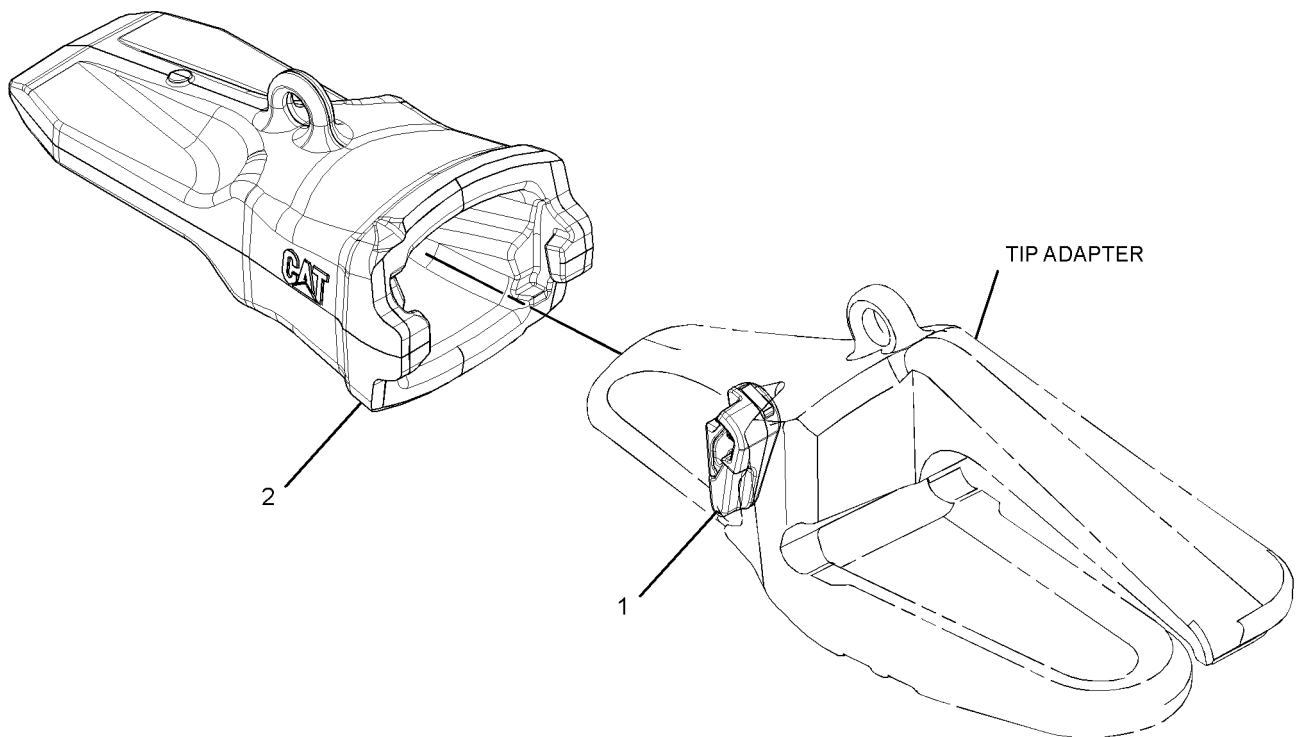
232-0073 TIP GP-PENETRATION PLUS-K-170

S/N: PAS1-UP
AN ATTACHMENT

SMCS-6805

i02955266

NOTE	REF NO	GRAPHIC REF	PART NUMBER	QTY	PART NAME						SEE PAGE
					1	2	3	4	5	6 (PRODUCT LEVEL)	
	1	1	232-0170	1	RETAINER-G.E.T. (K-170)						
	2	1	232-0173	1	TIP-PENETRATION PLUS (K-170)						



GRAPHIC #1

<END>

g01442754

WORK TOOLS

6I-6414 TIP GP-SHORT-J-600

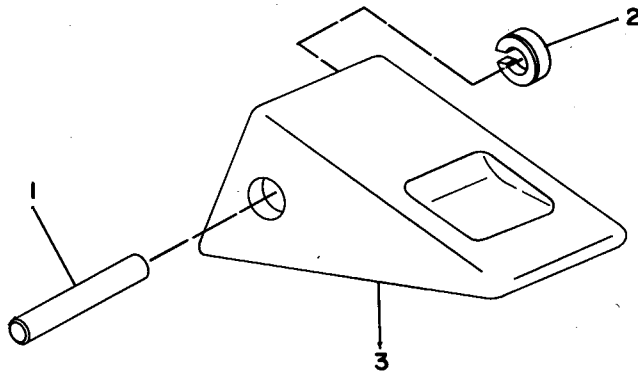
S/N: PAS1-UP

PART OF 198-8485 TIP GP-SHORT
AN ATTACHMENT

SMCS-6805

i00621940

NOTE	REF NO	GRAPHIC REF	PART NUMBER	QTY	PART NAME						SEE PAGE
					1	2	3	4	5	6 (PRODUCT LEVEL)	
1	1	1	113-9608	1	PIN (G.E.T.)						
2	1	1	113-9609	1	RETAINER AS (G.E.T.)						
3	1	1	6I-6601	1	TIP-SHORT						



GRAPHIC #1

<END>

g00118345

WORK TOOLS

198-8485 TIP GP-SHORT-J-600

S/N: PAS1-UP
AN ATTACHMENT

SMCS-6805

i03656929

NOTE	PART NUMBER	QTY	PART NAME						SEE PAGE
			1	2	3	4	5	6 (PRODUCT LEVEL)	
Y	6I-6414	1	TIP	GP-SHORT					838
Y-SEPARATE ILLUSTRATION									

<END>

WORK TOOLS

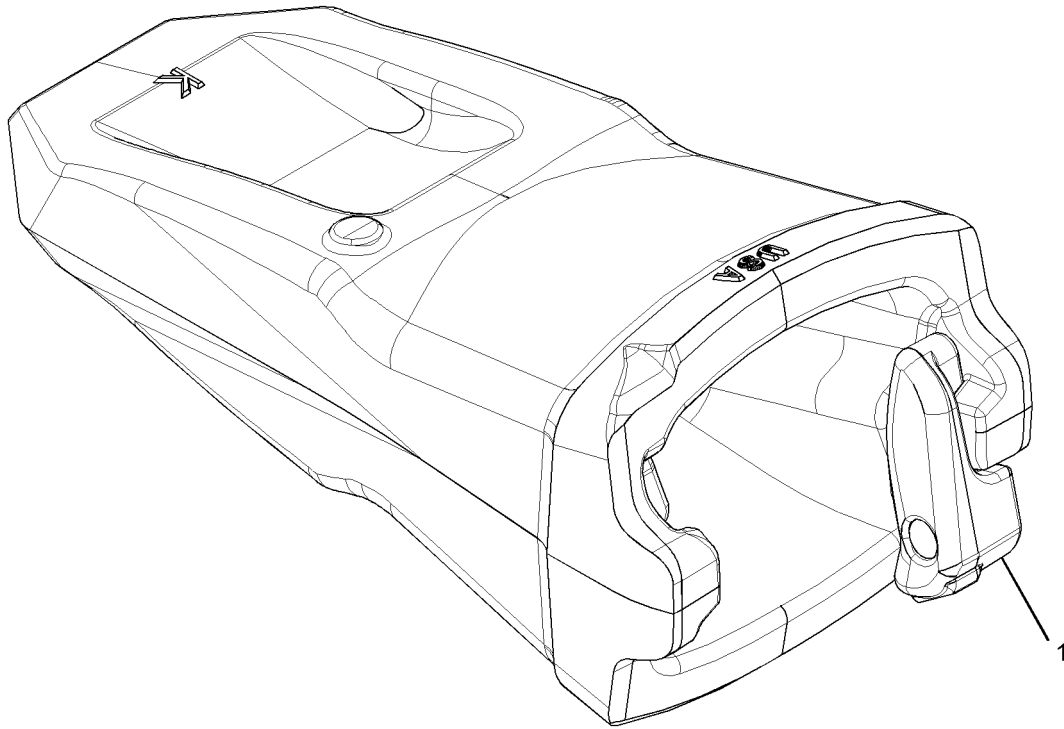
232-2158 TIP GP-SHORT-K-150

S/N: PAS1-UP
AN ATTACHMENT

SMCS-6805

i03601164

NOTE	REF NO	GRAPHIC REF	PART NUMBER	QTY	PART NAME						SEE PAGE
					1	2	3	4	5	6 (PRODUCT LEVEL)	
	1	1	233-7150	1	RETAINER-G.E.T. (K-150)						



GRAPHIC #1

<END>

g01952335

WORK TOOLS

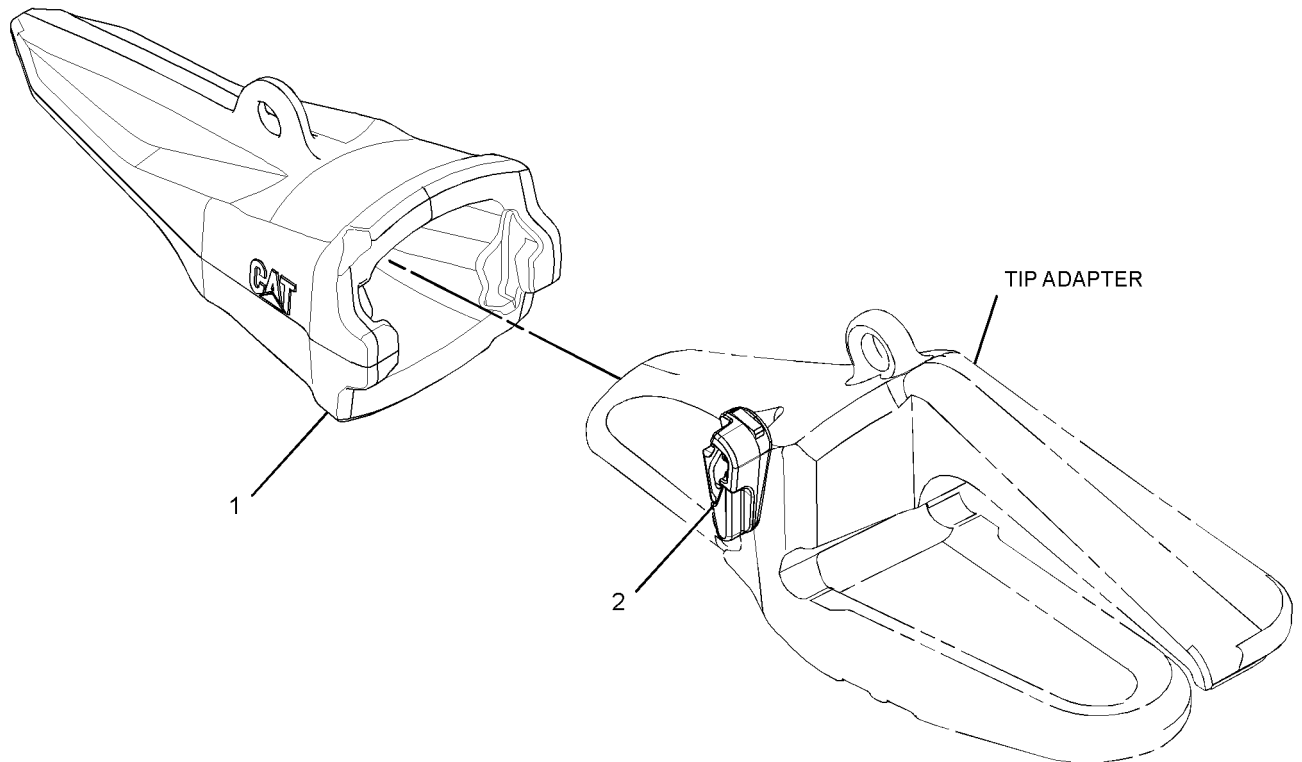
229-7164 TIP GP-SPIKE-K-150

S/N: PAS1-UP
AN ATTACHMENT

SMCS-6805

i03656933

NOTE	REF NO	GRAPHIC REF	PART NUMBER	QTY	PART NAME						SEE PAGE
					1	2	3	4	5	6 (PRODUCT LEVEL)	
	1	1	229-7157	1	TIP-SPIKE						
	2	1	233-7150	1	RETAINER-G.E.T. (K-150)						



GRAPHIC #1

<END>

g01347501

WORK TOOLS

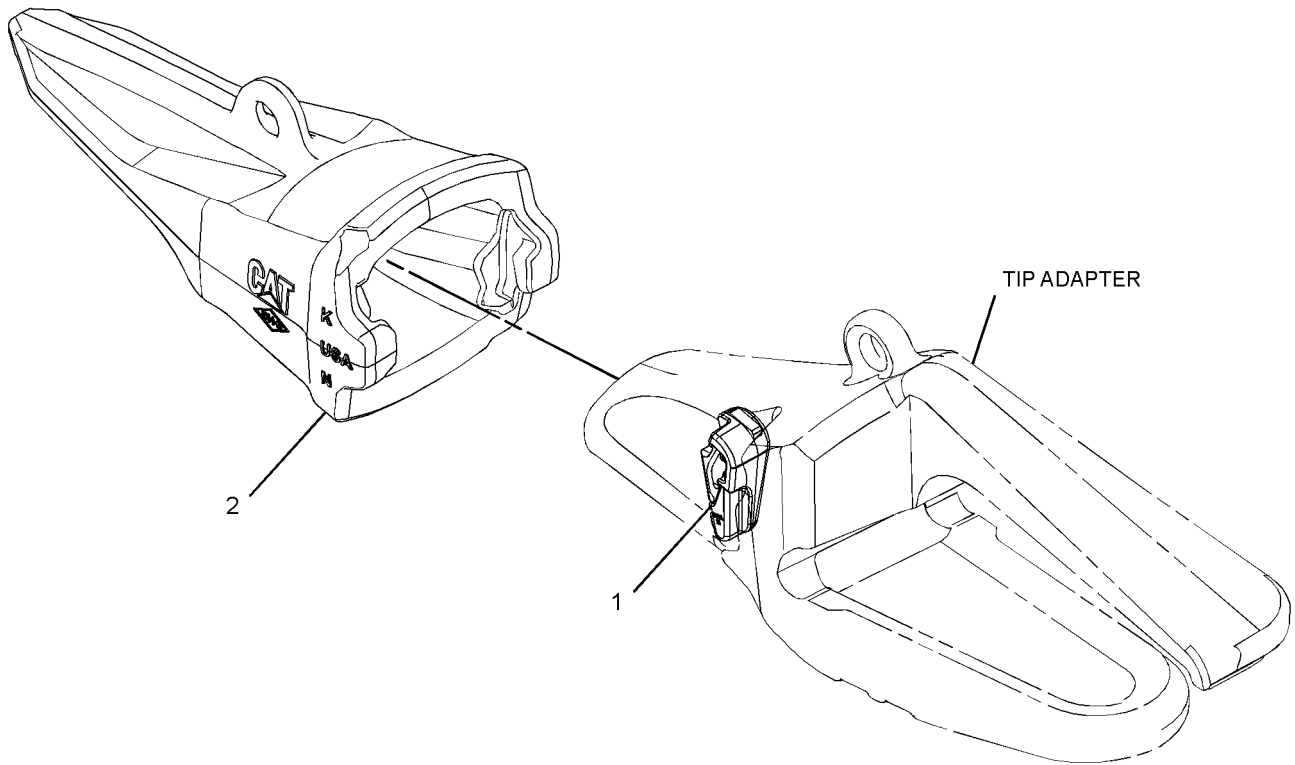
232-0074 TIP GP-SPIKE-K-170

S/N: PAS1-UP
AN ATTACHMENT

SMCS-6805

i03902250

NOTE	REF NO	GRAPHIC REF	PART NUMBER	QTY	PART NAME						SEE PAGE
					1	2	3	4	5	6 (PRODUCT LEVEL)	
1	1	1	232-0170	1	RETAINER-G.E.T. (K-170)						
2	1	1	232-0177	1	TIP-SPIKE (K-170, WITH LIFTING EYE)						



GRAPHIC #1

<END>

g01195454

WORK TOOLS

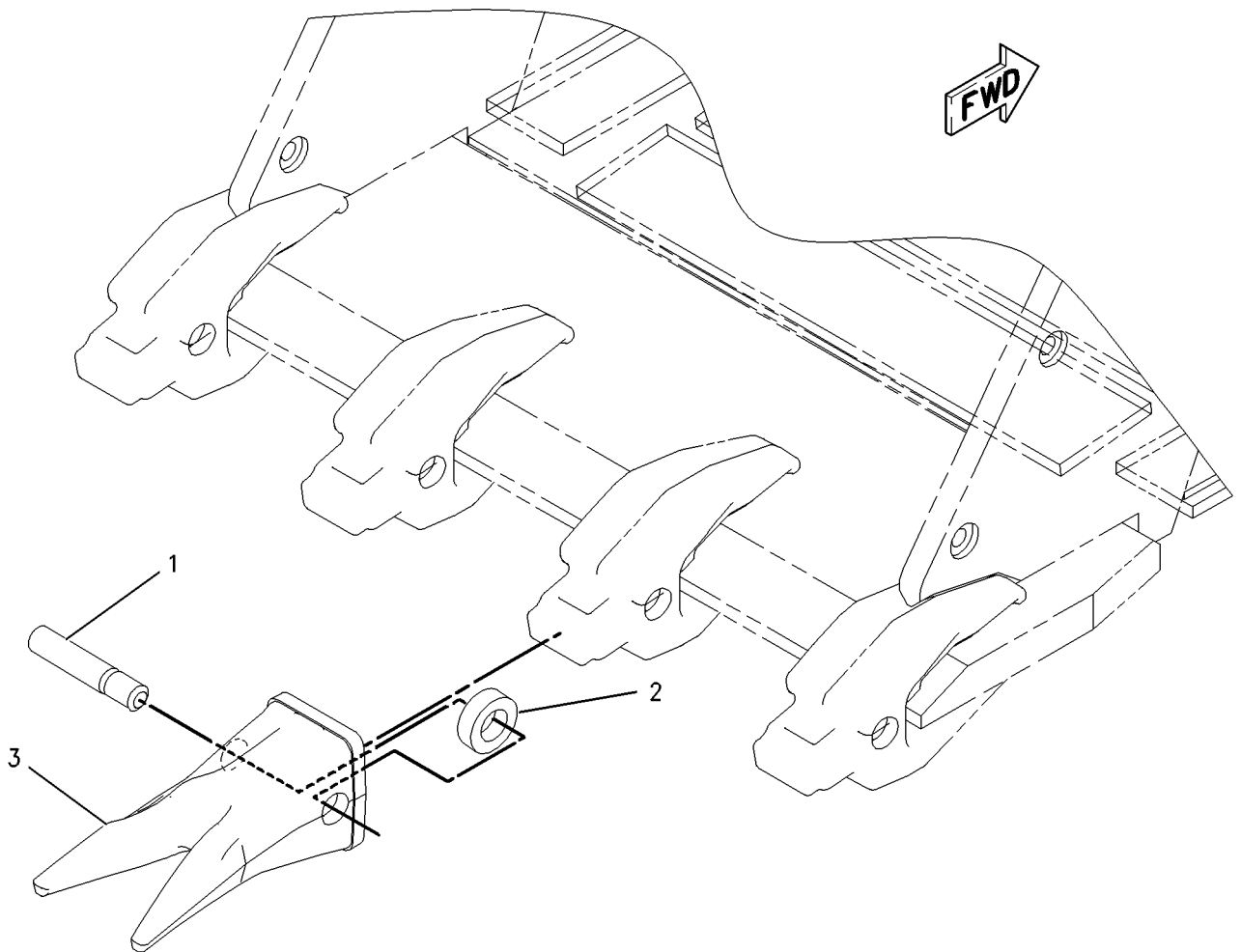
169-4150 TIP GP-TWIN SHARP-J-600

S/N: PAS1-UP
AN ATTACHMENT

SMCS-6805

i03656935

NOTE	REF NO	GRAPHIC REF	PART NUMBER	QTY	PART NAME						SEE PAGE
					1	2	3	4	5	6 (PRODUCT LEVEL)	
1	1	1	113-9608	1	PIN (G.E.T.)						
2	1	1	113-9609	1	RETAINER AS (G.E.T.)						
3	1	1	222-7603	1	TIP-TWIN SHARP						



GRAPHIC #1

<END>

g00791968

WORK TOOLS

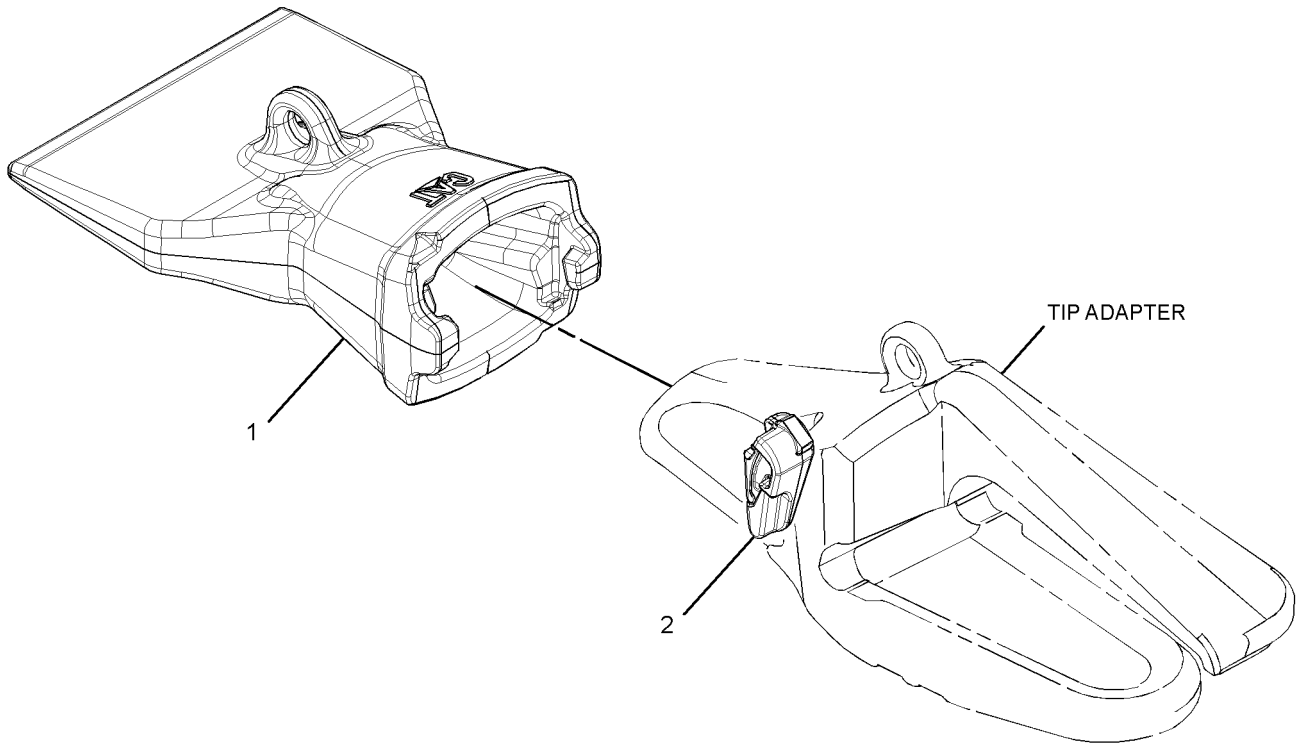
229-7160 TIP GP-WIDE-K-150

S/N: PAS1-UP
AN ATTACHMENT

SMCS-6805

i03656932

NOTE	REF NO	GRAPHIC REF	PART NUMBER	QTY	PART NAME						SEE PAGE
					1	2	3	4	5	6 (PRODUCT LEVEL)	
1	1	1	195-5151	1	TIP-WIDE (K-150, INCLUDES LIFTING EYE)						
2	1	1	233-7150	1	RETAINER-G.E.T. (K-150)						



GRAPHIC #1

<END>

g01343293

WORK TOOLS

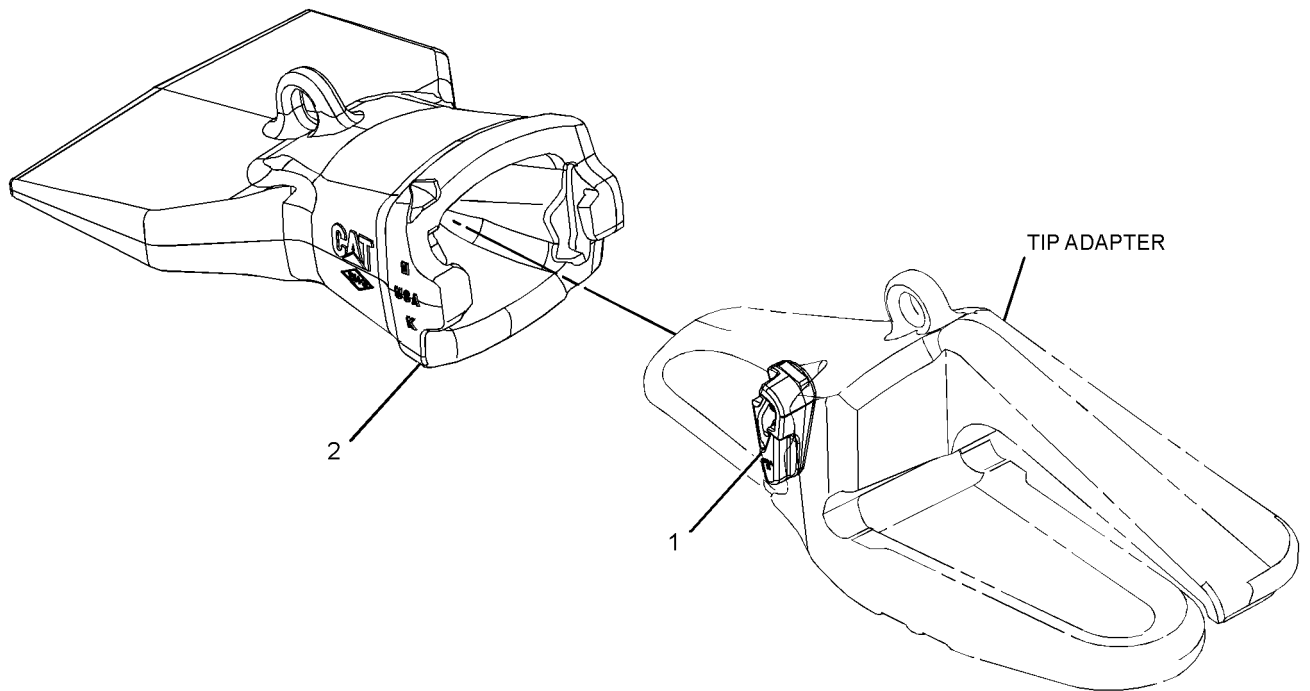
232-0070 TIP GP-WIDE-K-170

S/N: PAS1-UP
AN ATTACHMENT

SMCS-6805

i03887850

NOTE	REF NO	GRAPHIC REF	PART NUMBER	QTY	PART NAME						SEE PAGE
					1	2	3	4	5	6 (PRODUCT LEVEL)	
1	1	1	232-0170	1	RETAINER-G.E.T. (K-170)						
2	1	1	223-8170	1	TIP-WIDE (K-170)						



GRAPHIC #1

<END>

g01195066

WORK TOOLS

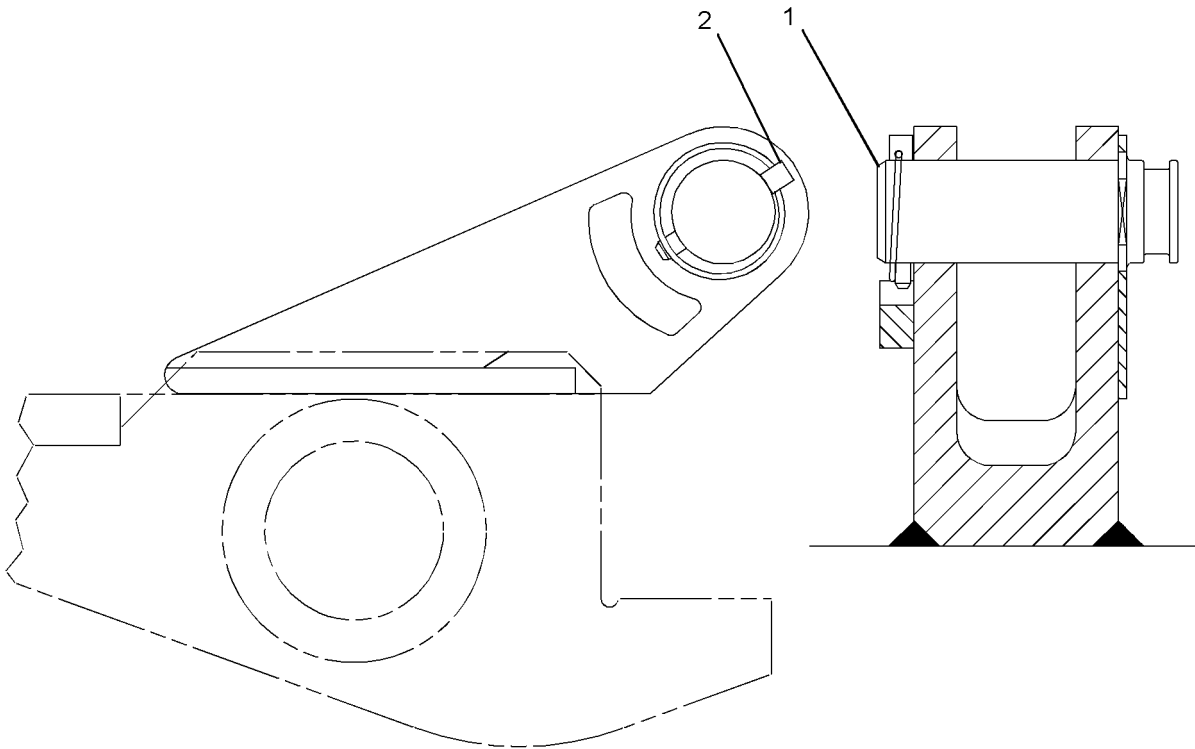
235-5634 YOKE GP-LIFTING

S/N: PAS1-UP
 PART OF 231-7732, 330-8139 COUPLER AR-QUICK
 AN ATTACHMENT

SMCS-6129

i03829731

NOTE	REF NO	GRAPHIC REF	PART NUMBER	QTY	PART NAME						SEE PAGE
					1	2	3	4	5	6 (PRODUCT LEVEL)	
1	1	1	235-5636	1	PIN AS						
2	1	1	235-5637	1	LOCKPIN						



GRAPHIC #1

<END>

g01173558

OPERATOR STATION

229-9080 AIR CONDITIONER & MOUNTING GP

S/N: PAS1-UP

PART OF 229-9079 AIR CONDITIONER AR
AN ATTACHMENT

SMCS-7320

i03484963

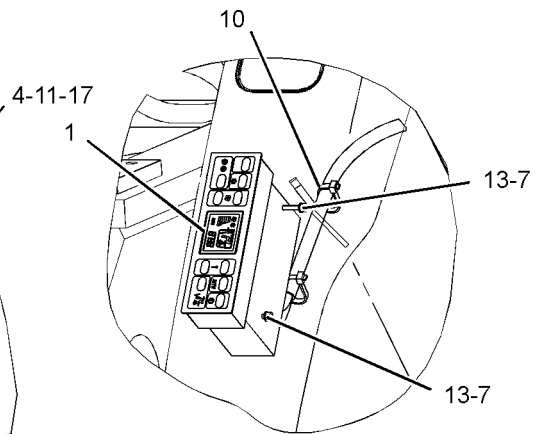
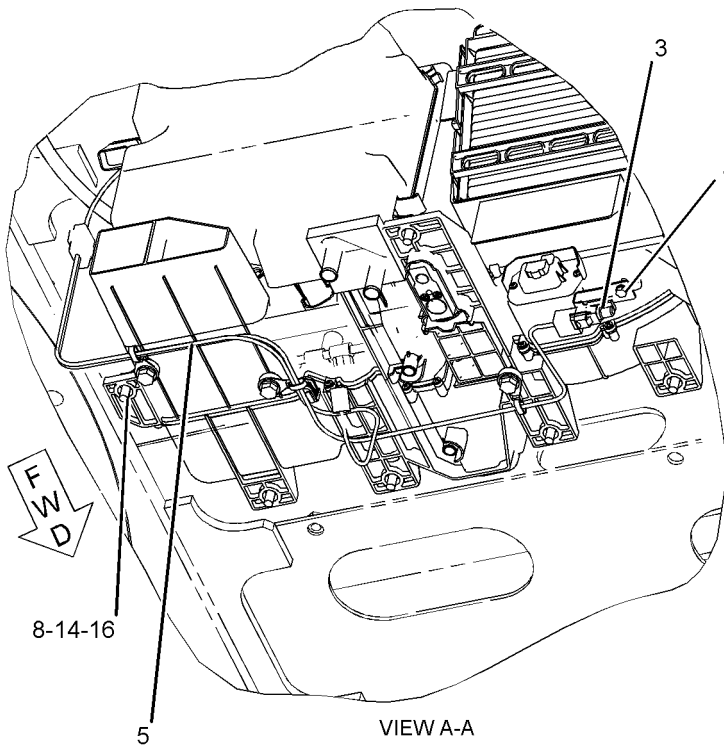
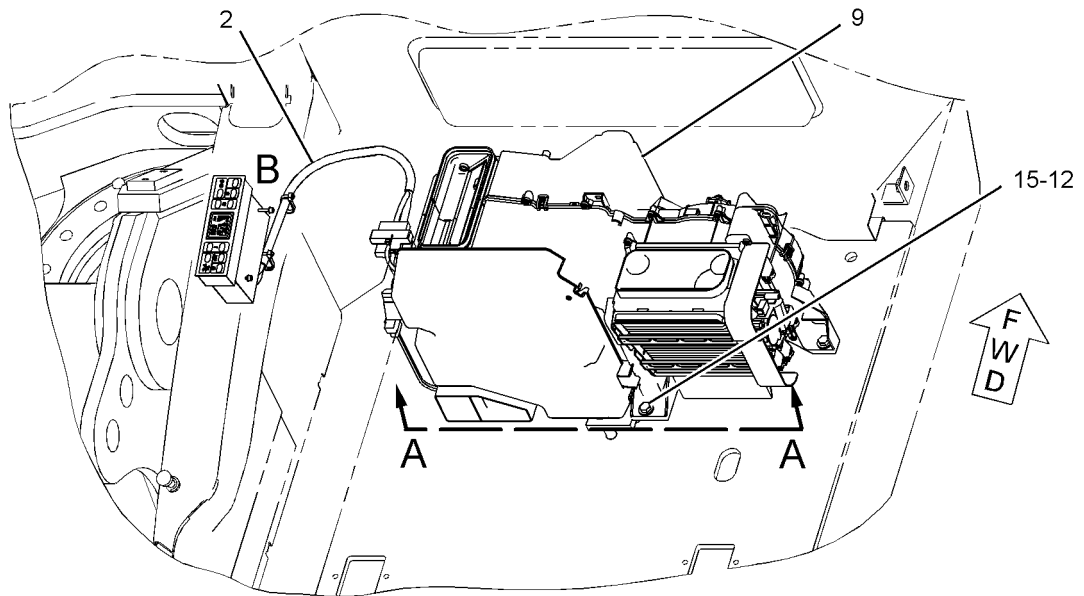
NOTE	REF NO	GRAPHIC REF	PART NUMBER	QTY	PART NAME						SEE PAGE
					1	2	3	4	5	6 (PRODUCT LEVEL)	
	1	1	293-1136	1	PANEL AS-CONTROL						
	2	1	235-8873	1	HARNESS AS-HEATER & AIR COND (CONTROL PANEL SWITCHES)						
	3	1	235-8874	1	SENSOR-TEMPERATURE (AMBIENT AIR)						
	4	1	235-8875	1	BRACKET						
	5	1	235-9006	1	HARNESS AS-HEATER & AIR COND						
M	7	1	099-2374	2	BOLT-SOCKET HEAD (M5X0.8X12-MM)						
	8	1	111-4836	3	CLIP						
CY	9	1	316-8917	1	AIR CONDITIONER GP						850
	10	1	3S-2093	2	STRAP-CABLE						
M	11	1	5C-9553	1	BOLT (M6X1X16-MM)						
	12	1	7X-7729	7	WASHER (11X25X3-MM THK)						
	13	1	8T-0328	2	WASHER-HARD (5.5X10X1-MM THK)						
	14	1	8T-4121	3	WASHER-HARD (11X21X2.5-MM THK)						
M	15	1	8T-4136	7	BOLT (M10X1.5X25-MM)						
M	16	1	8T-4137	3	BOLT (M10X1.5X20-MM)						
	17	1	9X-8256	1	WASHER (6.6X12X2-MM THK)						

C-CHANGE FROM PREVIOUS TYPE
M-METRIC PART
Y-SEPARATE ILLUSTRATION

OPERATOR STATION

229-9080 AIR CONDITIONER & MOUNTING GP (contd.)

i03484963



GRAPHIC #1

<END>

g01401004

OPERATOR STATION

229-9079 AIR CONDITIONER AR

S/N: PAS1-UP

PART OF 340-4002, 340-4003, 340-4004 OPTION AR-CAB
AN ATTACHMENT

SMCS-7320

i02116728

NOTE	PART NUMBER	QTY	PART NAME						SEE PAGE
			1	2	3	4	5	6 (PRODUCT LEVEL)	
Y	229-9080	1	AIR CONDITIONER & MOUNTING GP						847
Y	229-9082	1	DUCT GP-CAB AIR						908

Y-SEPARATE ILLUSTRATION

<END>

OPERATOR STATION

316-8917 AIR CONDITIONER GP

S/N: PAS1-UP

PART OF 229-9080 AIR CONDITIONER & MOUNTING GP
AN ATTACHMENT

SMCS-7320

i03891949

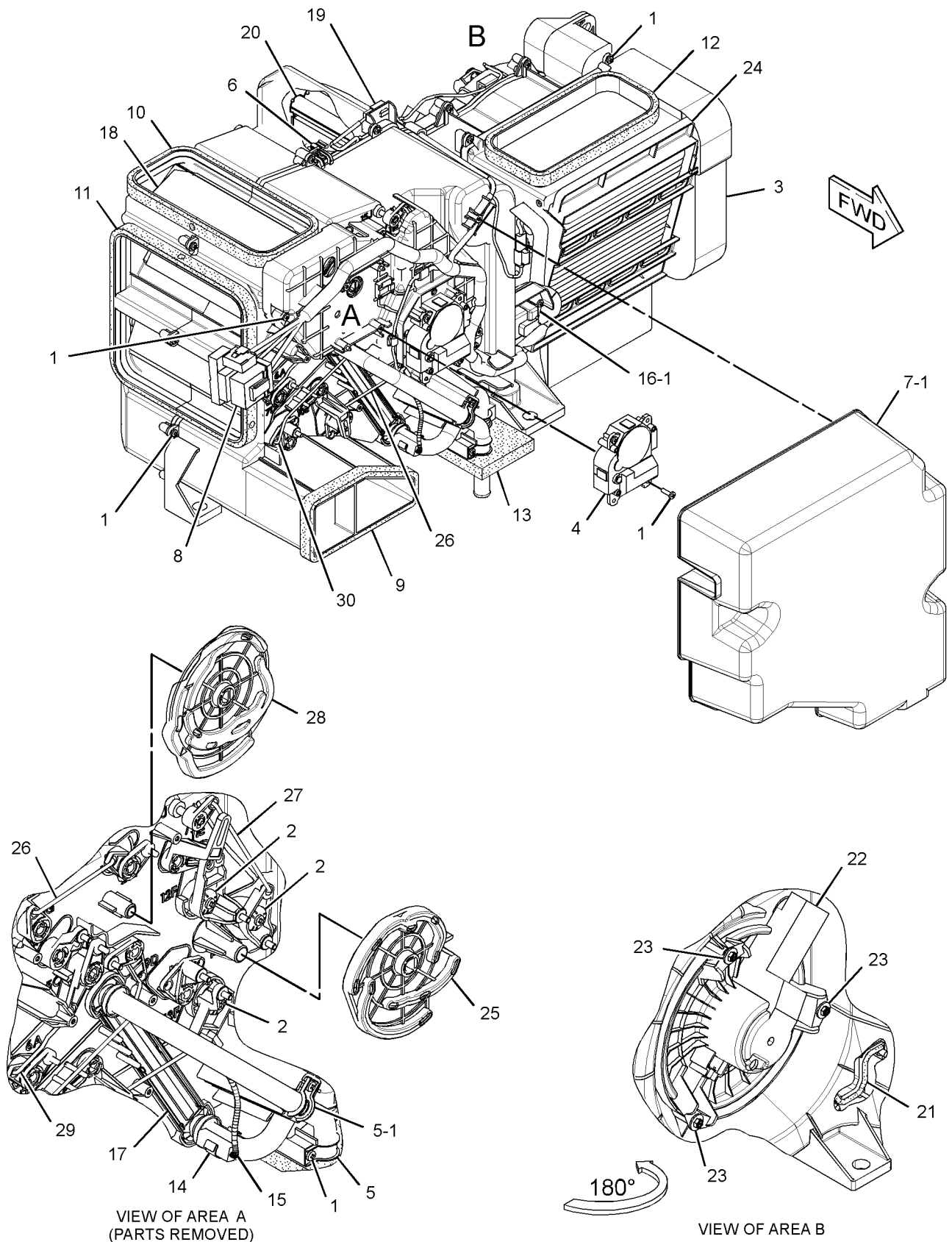
NOTE	REF NO	GRAPHIC REF	PART NUMBER	QTY	PART NAME						SEE PAGE
					1	2	3	4	5	6 (PRODUCT LEVEL)	
	1	1	185-8300	35	SCREW-TAPPING						
	2	1	185-8302	3	SCREW AS-TAPPING						
Y	3	1	245-7812	1	HOUSING GP-AIR CONDITIONER (INLET AIR)						919
	4	1	245-7817	2	MOTOR AS						
	5	1	245-7818	3	CLIP						
	6	1	245-7819	2	CLIP						
	7	1	245-7820	1	COVER-FRONT						
	8	1	245-7821	1	HARNES AS-HEATER & AIR COND						
	9	1	245-7825	1	INSULATOR						
	10	1	245-7826	1	INSULATOR						
	11	1	245-7827	1	INSULATOR						
	12	1	245-7828	1	INSULATOR						
	13	1	245-7829	1	PACKING						
	14	1	245-7830	1	CLIP						
	15	1	245-7831	1	SENSOR AS-TEMPERATURE (COOLANT)						
	16	1	245-7832	1	CONTROL AS (BLOWER FAN)						
	17	1	245-7833	1	CORE AS-HEATER						
	18	1	245-7834	1	DAMPER AS						
	19	1	245-7835	1	SENSOR AS-TEMPERATURE (AMBIENT AIR)						
Y	20	1	245-7836	1	COIL GP-EVAPORATOR						863
	21	1	245-7838	1	PACKING						
	22	1	245-7839	1	MOTOR AS (WITH FAN)						
	23	1	245-7856	3	SCREW AS-TAPPING						
	24	1	293-1137	1	FILTER GP-AIR (AIR CONDITIONER)						
		1	245-7823	1	FILTER ELEMENT-CAB AIR						
		1	245-7824	1	PACKING						
	25	1	316-8846	1	PLATE						
	26	1	316-8847	2	ROD						
	27	1	316-8849	1	ROD						
	28	1	316-8918	1	PLATE						
	29	1	316-8920	1	ROD						
	30	1	316-8921	1	ROD						

Y-SEPARATE ILLUSTRATION

OPERATOR STATION

316-8917 AIR CONDITIONER GP (contd.)

i03891949



VIEW OF AREA A
(PARTS REMOVED)

VIEW OF AREA B

GRAPHIC #1

<END>

g01825495

OPERATOR STATION

259-7346 ARMREST GP-RH

S/N: PAS1-UP

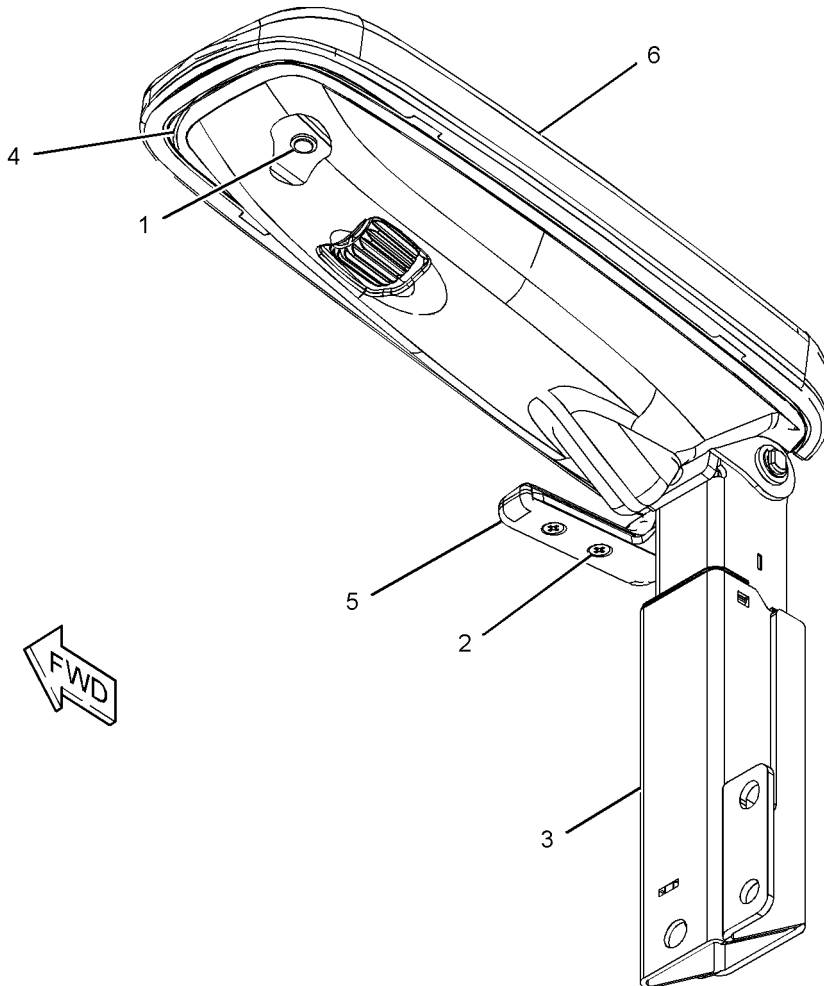
PART OF 259-7348 CONSOLE GP-OPERATOR

SMCS-7307

i02427006

NOTE	REF NO	GRAPHIC REF	PART NUMBER	QTY	PART NAME						SEE PAGE
					1	2	3	4	5	6 (PRODUCT LEVEL)	
M	1	1	171-7325	3	SCREW-TAPPING (M5X0.8-THD)						
M	2	1	185-8286	2	SCREW-MACHINE (M4X0.7X8-MM)						
	3	1	235-8951	1	SUPPORT AS						
	4	1	235-8996	1	COVER						
	5	1	235-8997	1	KNOB						
	6	1	279-3161	1	CUSHION						

M-METRIC PART



GRAPHIC #1

<END>

g01217218

OPERATOR STATION

259-7347 ARMREST GP-LH

S/N: PAS1-UP

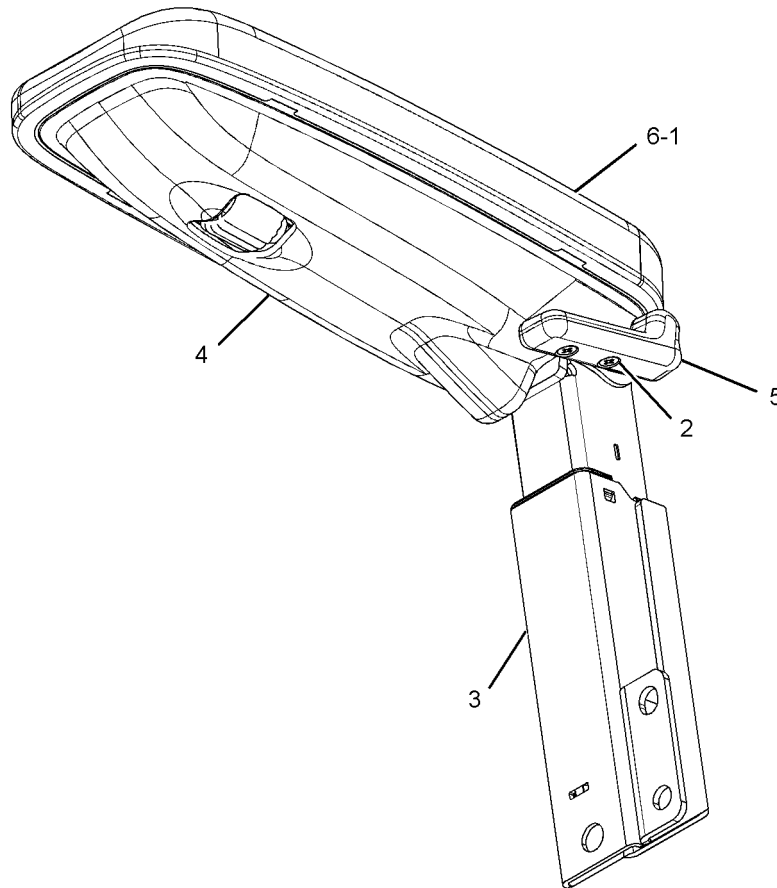
PART OF 259-7349 CONSOLE GP-OPERATOR

SMCS-7307

i02427035

NOTE	REF NO	GRAPHIC REF	PART NUMBER	QTY	PART NAME						SEE PAGE
					1	2	3	4	5	6 (PRODUCT LEVEL)	
M	1	1	171-7325	3	SCREW-TAPPING (M5X0.8-THD)						
M	2	1	185-8286	2	SCREW-MACHINE (M4X0.7X8-MM)						
	3	1	235-8952	1	SUPPORT AS						
	4	1	235-8996	1	COVER						
	5	1	235-8998	1	KNOB						
	6	1	279-3161	1	CUSHION						

M-METRIC PART



GRAPHIC #1

<END>

g01210886

OPERATOR STATION

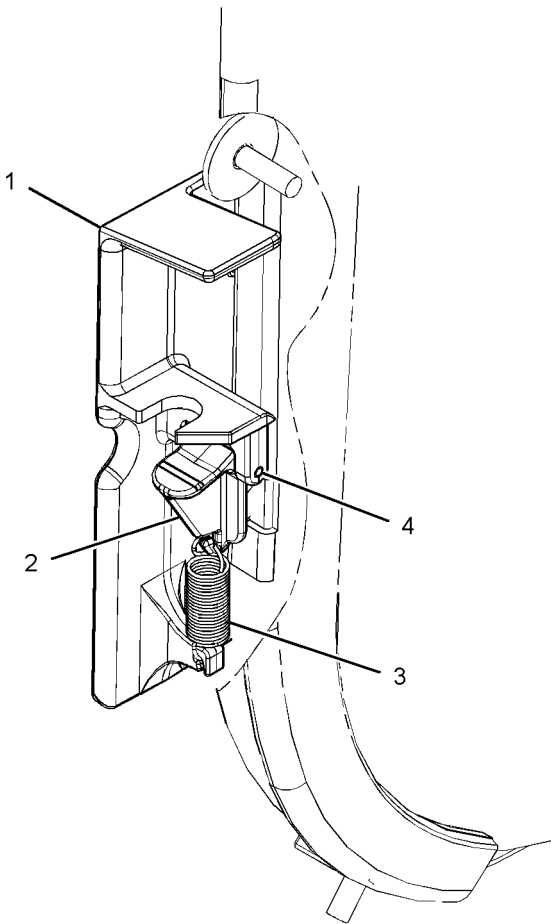
282-6526 BRACKET GP-MOUNTING-WIPER SWITCH

S/N: PAS1-UP
PART OF 282-6532 WINDOW GP-CAB
AN ATTACHMENT

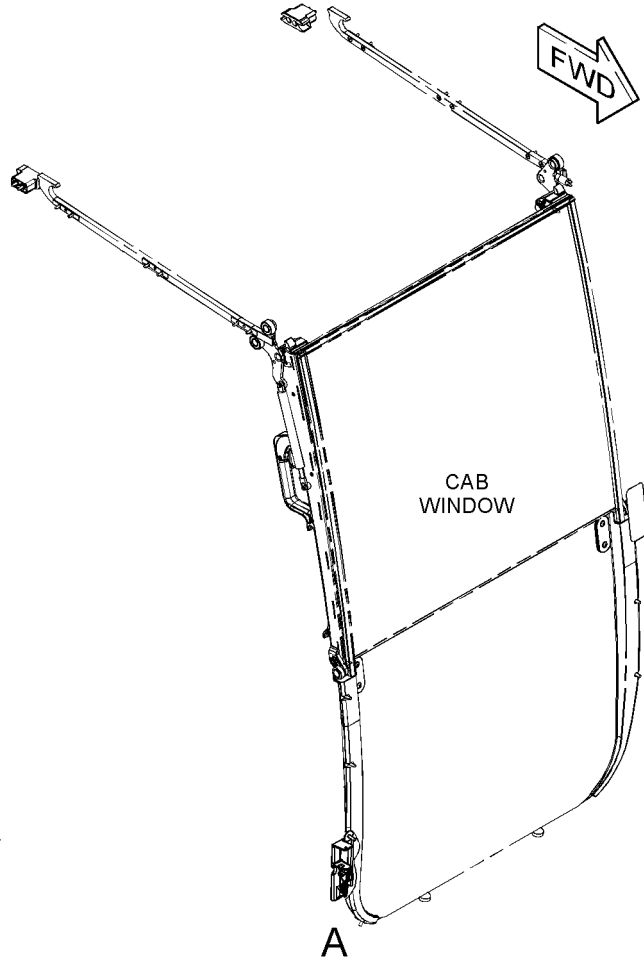
SMCS-0635

i02585874

NOTE	REF NO	GRAPHIC REF	PART NUMBER	QTY	PART NAME						SEE PAGE
					1	2	3	4	5	6 (PRODUCT LEVEL)	
	1	1	282-6527	1	COVER						
	2	1	280-3075	1	LEVER						
	3	1	282-6528	1	SPRING						
	4	1	283-4161	1	PIN						



VIEW OF AREA A



GRAPHIC #1

<END>

g01306882

OPERATOR STATION

308-7020 CAB AR

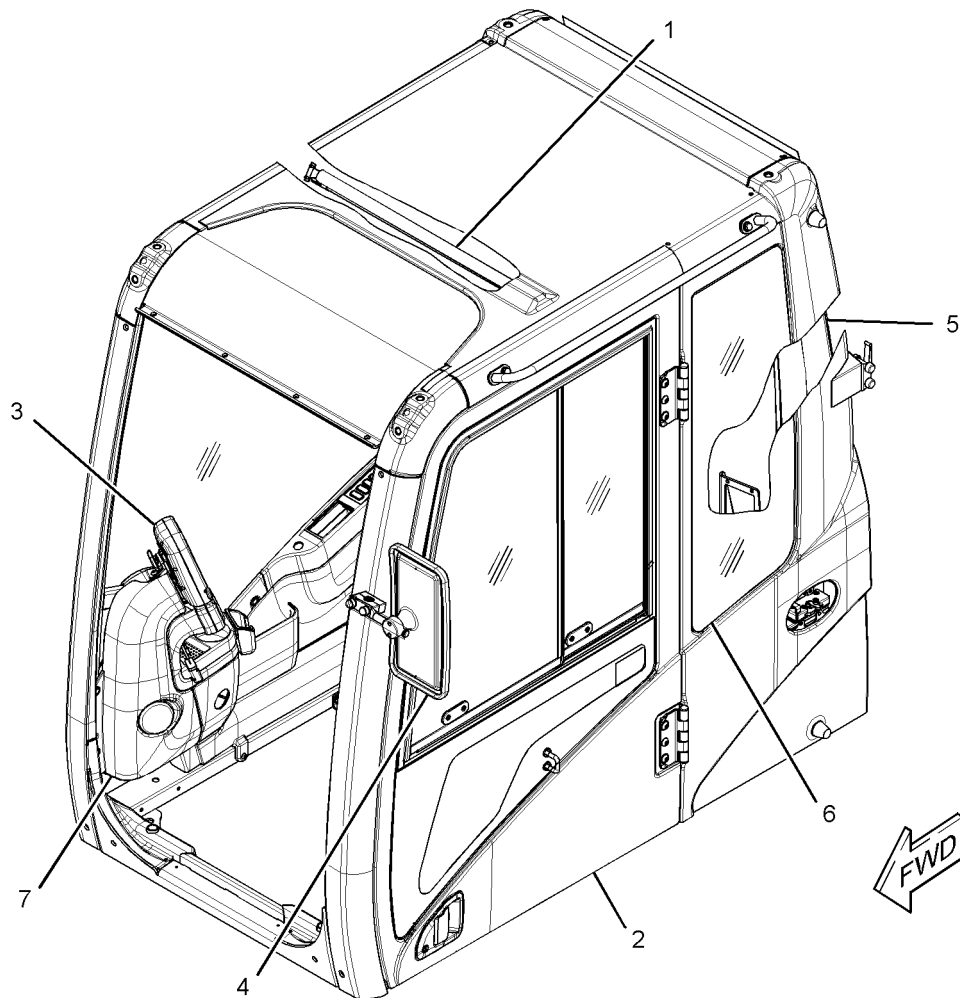
S/N: PAS1-UP
AN ATTACHMENT

SMCS-7301, 7325

i03832809

NOTE	REF NO	GRAPHIC REF	PART NUMBER	QTY	PART NAME						SEE PAGE
					1	2	3	4	5	6 (PRODUCT LEVEL)	
Y	1	1	184-7621	1	SCREEN GP-SUN						951
Y	2	1	189-2768	1	DOOR & MTG GP-CAB						901
Y	3	1	221-8813	1	MONITOR & MTG GP-OPERATOR						931
Y	4	1	237-3567	1	CAB GP (EXTERIOR)						859
Y	5	1	249-2663	1	TRIM GP-CAB (INTERIOR, REAR)						963
Y	6	1	357-6190	1	WINDOW GP-CAB (REAR, SIDE, TOP WINDOWS)						980
Y	7	1	308-7024	1	COVER GP-CAB (INTERIOR, FRONT)						897

Y-SEPARATE ILLUSTRATION



GRAPHIC #1

<END>

g01523477

OPERATOR STATION

308-7021 CAB AR

S/N: PAS1-UP
AN ATTACHMENT

SMCS-7301, 7325

i03902333

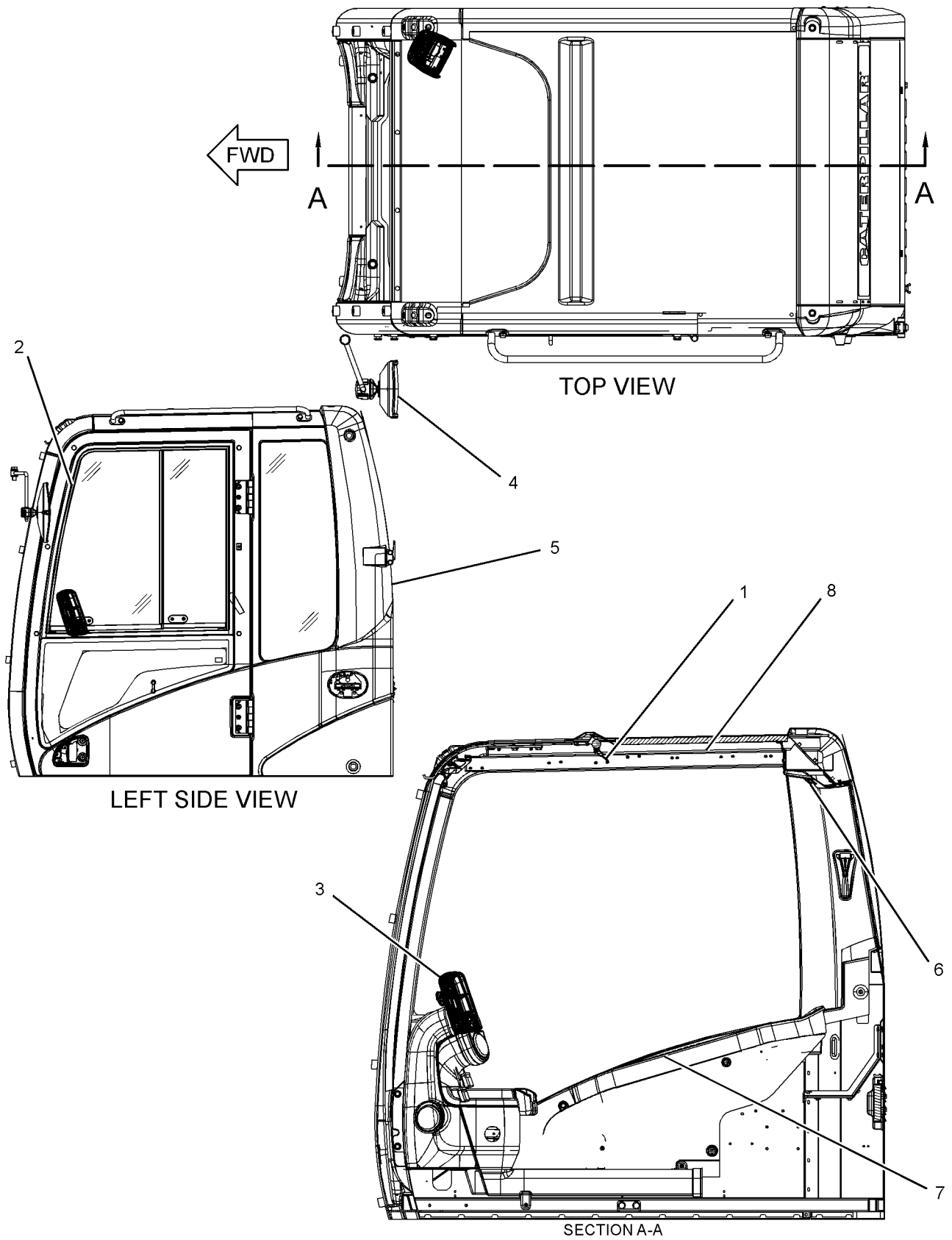
NOTE	REF NO	GRAPHIC REF	PART NUMBER	QTY	PART NAME						SEE PAGE
					1	2	3	4	5	6 (PRODUCT LEVEL)	
Y	1	1	184-7621	1	SCREEN GP-SUN						951
Y	2	1	189-2793	1	DOOR GP-CAB						907
Y	3	1	221-8813	1	MONITOR & MTG GP-OPERATOR						931
Y	4	1	237-3567	1	CAB GP (EXTERIOR)						859
	5	1	237-3568	1	CAB AS						
		1	256-8609	1	HINGE						
Y	6	1	249-2663	1	TRIM GP-CAB (INTERIOR, REAR)						963
Y	7	1	308-7024	1	COVER GP-CAB (INTERIOR, FRONT)						897
Y	8	1	357-6189	1	WINDOW GP-CAB (REAR, SIDE, TOP WINDOWS)						979

Y-SEPARATE ILLUSTRATION

OPERATOR STATION

308-7021 CAB AR (contd.)

i03902333



GRAPHIC #1

<END>

g02134033

OPERATOR STATION

308-7022 CAB AR

S/N: PAS1-UP

PART OF 340-3991 DISTRIBUTION AR, 340-3992 OPTION AR-REGIONAL
AN ATTACHMENT

SMCS-7301, 7325

i03823671

NOTE	PART NUMBER	QTY	PART NAME						SEE PAGE
			1	2	3	4	5	6 (PRODUCT LEVEL)	
Y	237-3567	1	CAB GP (EXTERIOR)						859
Y	308-7024	1	COVER GP-CAB (INTERIOR, FRONT)						897
Y	189-2793	1	DOOR GP-CAB						907
Y	221-8813	1	MONITOR & MTG GP-OPERATOR						931
Y	184-7621	1	SCREEN GP-SUN						951
Y	249-2663	1	TRIM GP-CAB (INTERIOR, REAR)						963
Y	357-6187	1	WINDOW GP-CAB (SIDES, TOP, BACK)						978
	237-3568	1	CAB AS						
	256-8609	1	HINGE						
Y-SEPARATE ILLUSTRATION									
<END>									

OPERATOR STATION

237-3567 CAB GP-EXTERIOR

S/N: PAS1-UP

PART OF 308-7020, 308-7021, 308-7022 CAB AR
AN ATTACHMENT

SMCS-7301, 7325

i03907065

NOTE	REF NO	GRAPHIC REF	PART NUMBER	QTY	PART NAME						SEE PAGE
					1	2	3	4	5	6 (PRODUCT LEVEL)	
	1	2	3Y-2806	1	SPRING						
	2	1	5J-5003	9	PLUG-HOLE						
	3	2	6V-7636	2	PIN AS-SPRING						
M	4	1	129-5167	3	SCREW (M6X1X8-MM)						
	5	1	161-3697	1	GUARD						
Y	6	2	164-0528	1	LEVER GP-CAB DOOR						925
	7	2	171-7426	1	CABLE AS						
	8	2	176-1939	1	LEVER AS						
M		2	9X-2044	1	SCREW-TRUSS HEAD (M6X1X16-MM)						
		2	176-1937	1	BRACKET AS						
		2	176-1938	1	LEVER						
	9	2	176-6417	1	CABLE						
	10	1	176-6418	1	STOP						
	11	2	176-6420	1	SUPPORT						
	12	1	341-0554	2	WASHER (17X30X2-MM THK)						
	13	2	205-6295	1	LATCH AS						
	14	1	215-2913	2	GROMMET						
	15	1	220-4079	3	WASHER (6.25X14X1.2-MM THK)						
C	16	1	220-4081	2	CAP						
	17	1	235-8912	1	HANDLE AS						
	18	2	247-6801	1	COVER AS						
	19	1	252-1230	1	HANDLE AS (UPPER)						
	20	2	252-1234	1	PLATE						
	21	1	262-7954	2	BUMPER						
	22	2	262-7956	1	ROD						
	23	2	262-7957	1	BRACKET AS						
M		2	8T-4137	3	BOLT (M10X1.5X20-MM)						
M	24	2	284-4426	1	BOLT-WING (M8X1.25X15-MM)						
CY	25	1	327-6550	1	MIRROR GP-REAR VIEW						930
C	26	1	331-9934	1	SUPPORT AS						
	27	1	1R-5998	2	LOCKWASHER						
M	28	1	099-0823	1	SCREW-MACHINE (M6X1X6-MM)						
	29	1	156-6599	1	STRIKER						
	30	2	180-9417	2	NUT						
	31	2	180-9418	4	CAP						
M	32	1	188-9644	4	SCREW-FLAT HEAD (M8X1.25X25-MM)						
M	33	1	8C-7581	3	SCREW-MACHINE (M4X0.7X8-MM)						
	34	2	4I-1278	1	FILTER ELEMENT-CAB AIR						
M	35	2	5C-2874	2	NUT (M5X0.8-THD)						
M	36	1	5C-2890	1	NUT (M6X1-THD)						
M	37	1	5C-7261	2	NUT (M8X1.25-THD)						
	38	1	5P-1075	2	WASHER-HARD (10.2X22.5X3-MM THK)						
	39	1	6C-4000	2	SHIM (1-MM THK)						
M	40	2	6C-9058	2	SCREW (M6X1X12-MM)						
	41	2	6C-9087	3	WASHER						
M	42	2	6V-4298	2	BOLT (M5X0.8X16-MM)						
M	43	2	6V-7357	4	BOLT (M6X1X25-MM)						
	44	1	8C-0572	2	WASHER (8.8X25.5X2-MM THK)						
C	45	1,2	8T-4121	5	WASHER-HARD (11X21X2.5-MM THK)						
CM	46	2	8T-4133	3	NUT (M10X1.5-THD)						
M	47	1	8T-4136	4	BOLT (M10X1.5X25-MM)						
CM	48	1	8T-4193	1	BOLT (M16X2X50-MM)						
M	49	2	8T-4200	2	BOLT (M8X1.25X16-MM)						
M	50	2	9X-2044	5	SCREW-TRUSS HEAD (M6X1X16-MM)						
M	52	2	9X-2480	2	BOLT (M6X1X45-MM)						

OPERATOR STATION

237-3567 CAB GP (contd.)

i03907065

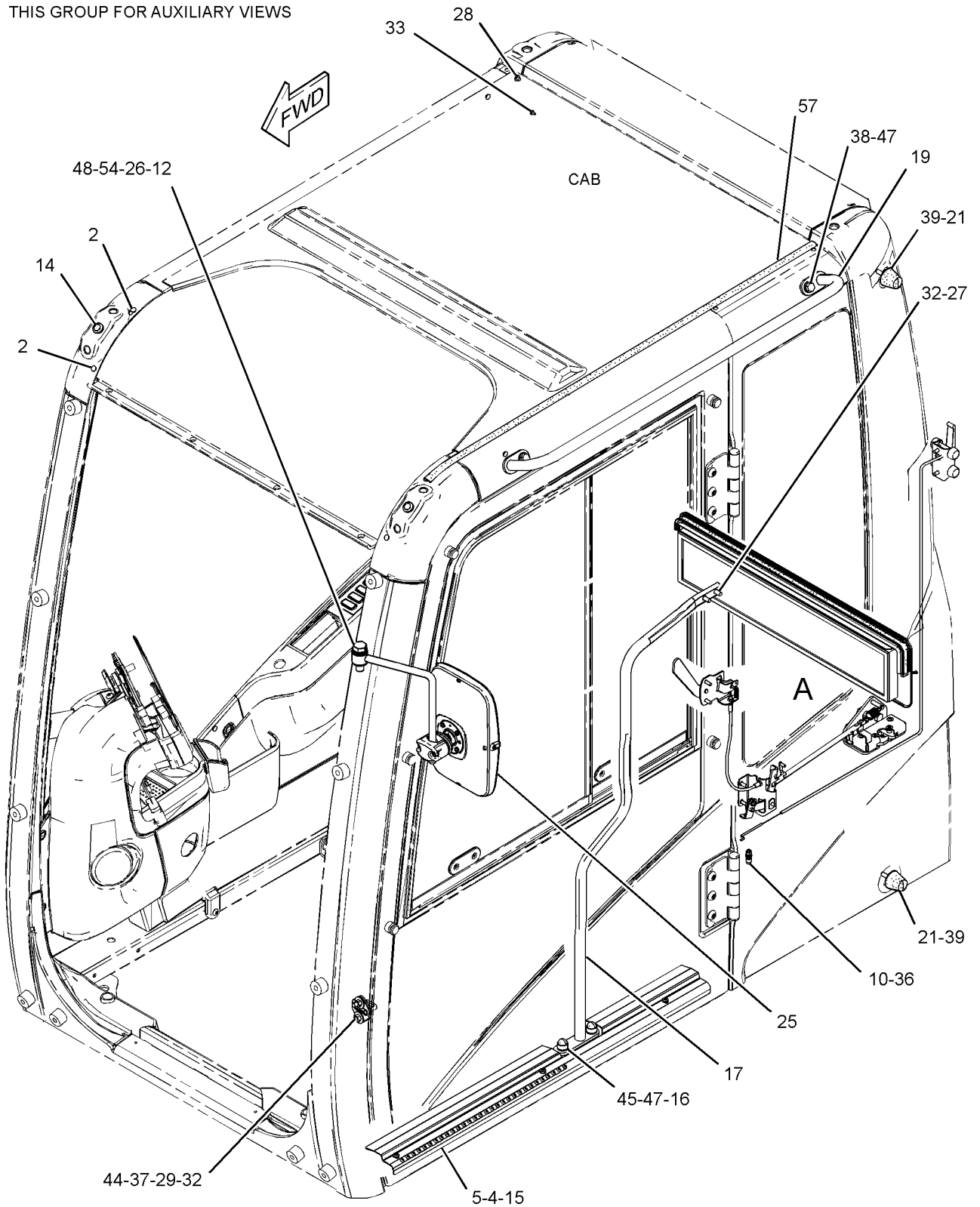
NOTE	REF NO	GRAPHIC REF	PART NUMBER	QTY	PART NAME						SEE PAGE
					1	2	3	4	5	6 (PRODUCT LEVEL)	
	53	2	9X-8256	8	WASHER (6.6X12X2-MM THK)						
C	54	1	9X-8257	1	WASHER (17.5X30X3.5-MM THK)						
E	55	2	260-2649		FOAM (144-CM)						
E	56	2	133-3234		SEAL (74-CM)						
E	57	1	263-0788		SEAL-BULK (112-CM)						
C-CHANGE FROM PREVIOUS TYPE E-ORDER BY THE CENTIMETER M-METRIC PART Y-SEPARATE ILLUSTRATION											

OPERATOR STATION

237-3567 CAB GP (contd.)

i03907065

REFER TO ALL ILLUSTRATIONS OF THIS GROUP FOR AUXILIARY VIEWS



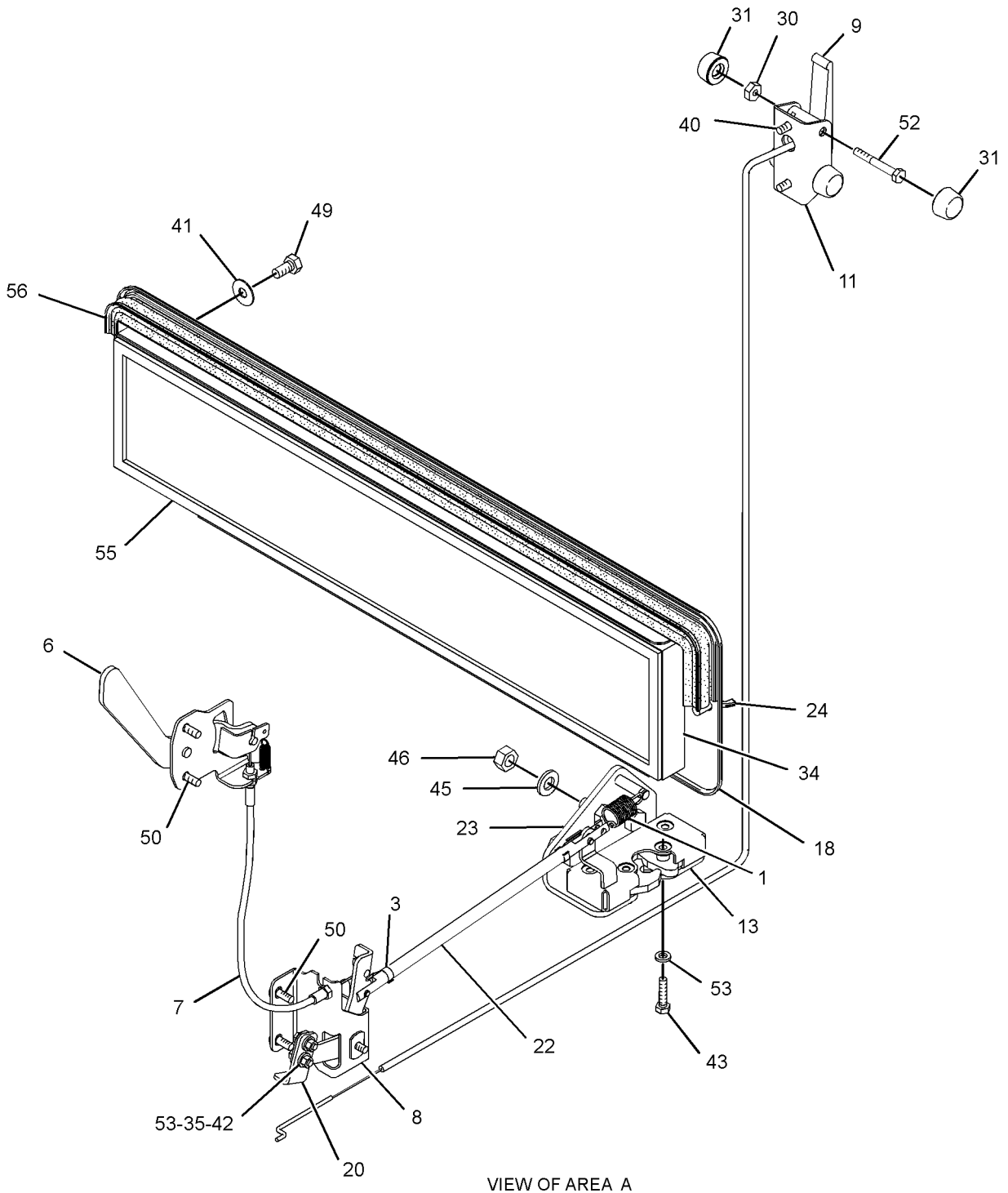
GRAPHIC #1

g02148753

OPERATOR STATION

237-3567 CAB GP (contd.)

i03907065



GRAPHIC #2

<END>

g01716395

OPERATOR STATION

245-7836 COIL GP-EVAPORATOR

S/N: PAS1-UP

PART OF 316-8917 AIR CONDITIONER GP
AN ATTACHMENT

SMCS-7343

i02218172

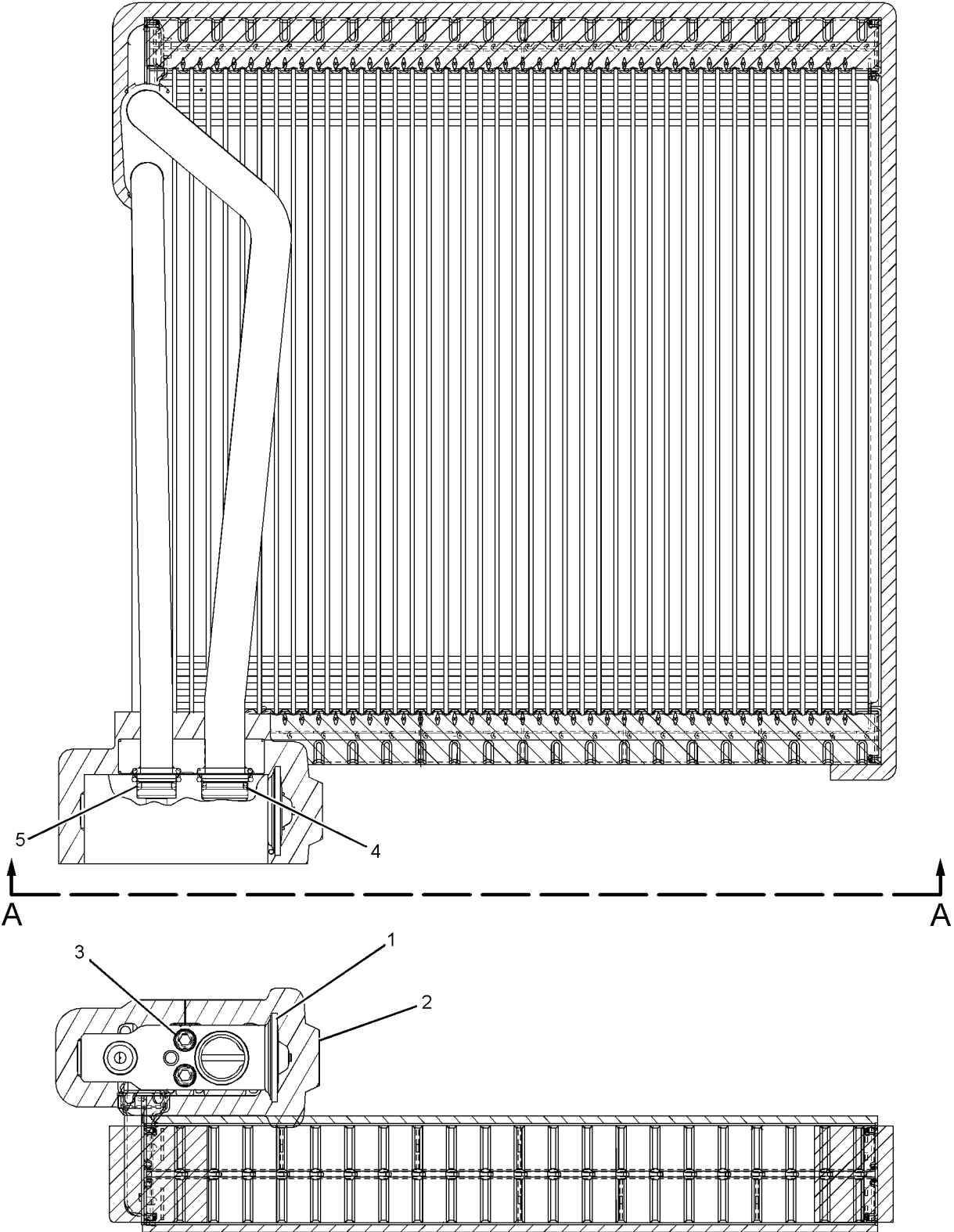
NOTE	REF NO	GRAPHIC REF	PART NUMBER	QTY	PART NAME						SEE PAGE
					1	2	3	4	5	6 (PRODUCT LEVEL)	
	1	1	245-7837	1	VALVE AS-EXPANSION						
	2	1	245-7905	1	INSULATOR						
M	3	1	8T-0266	2	BOLT-SOCKET HEAD (M5X0.8X40-MM)						
	4	1	121-7136	1	SEAL-O-RING						
	5	1	121-7138	1	SEAL-O-RING						

M-METRIC PART

OPERATOR STATION

245-7836 COIL GP-EVAPORATOR (contd.)

i02218172



VIEW A-A

GRAPHIC #1

<END>

g01134658

OPERATOR STATION

353-2151 COIL GP-EVAPORATOR

S/N: PAS1-UP
FIELD INSTALLATION

SMCS-7343

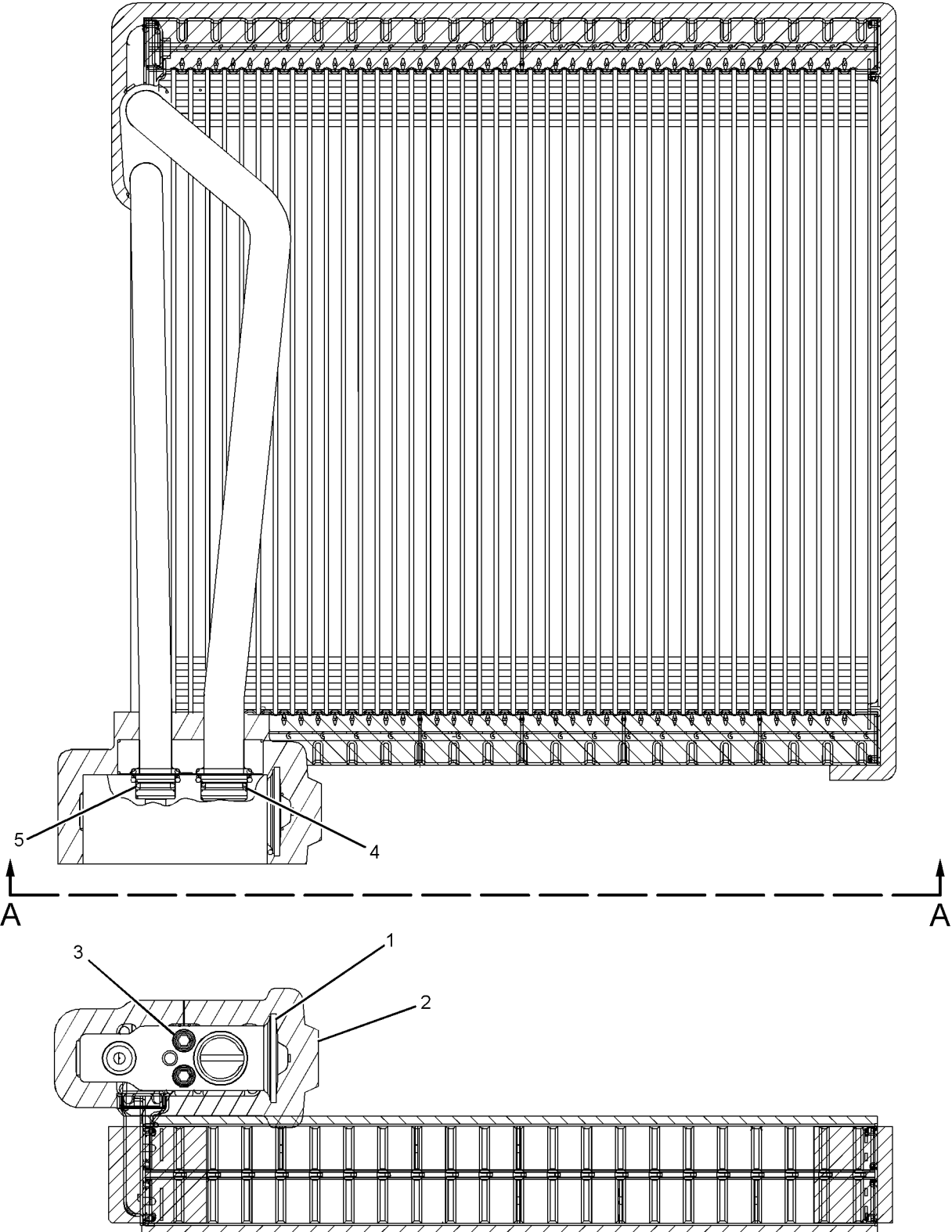
i03909619

NOTE	REF NO	GRAPHIC REF	PART NUMBER	QTY	PART NAME						SEE PAGE
					1	2	3	4	5	6 (PRODUCT LEVEL)	
	1	1	245-7837	1	VALVE AS-EXPANSION						
	2	1	245-7905	1	INSULATOR						
	3	1	281-0791	2	BOLT-SOCKET HEAD (M5X0.8X40-MM)						
	4	1	121-7136	1	SEAL-O-RING						
	5	1	121-7138	1	SEAL-O-RING						

OPERATOR STATION

353-2151 COIL GP-EVAPORATOR (contd.)

i03909619



VIEW A-A

<END>

GRAPHIC #1

g02150001

OPERATOR STATION

275-6470 COMPRESSOR & MTG GP-REFRIG

S/N: LHX19430-UP

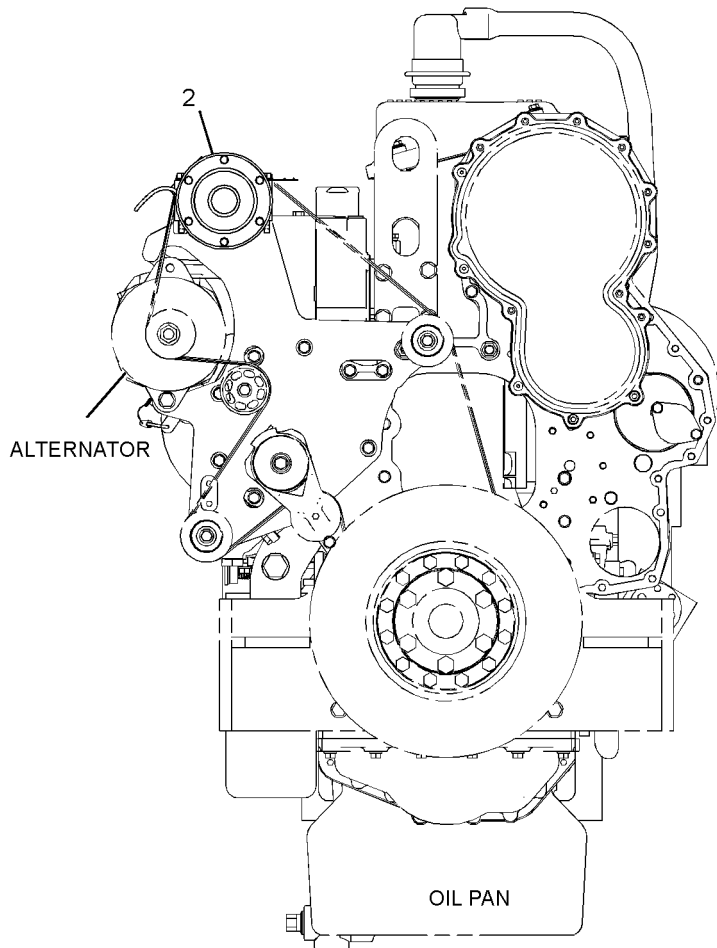
PART OF 288-8156 ENGINE AR-COMPLETE

SMCS-1802

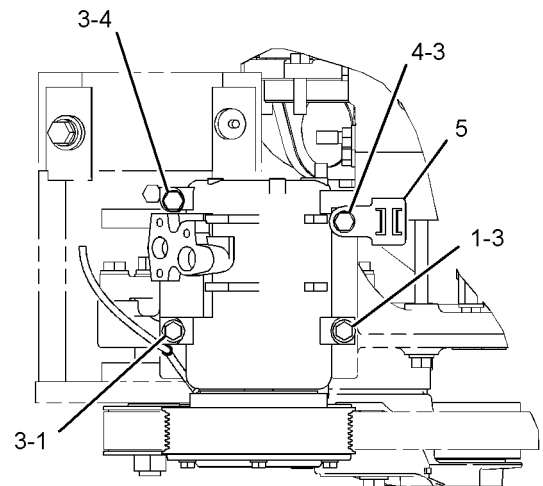
i03129583

NOTE	REF NO	GRAPHIC REF	PART NUMBER	QTY	PART NAME						SEE PAGE
					1	2	3	4	5	6 (PRODUCT LEVEL)	
M	1	1	258-9892	2	BOLT (M8X1.25X80-MM)						
C	2	1	305-0325	1	COMPRESSOR & MTG GP-REFRIG						
	3	1	8T-4224	4	WASHER-HARD (8.8X16X2-MM THK)						
M	4	1	8T-3647	2	BOLT (M8X1.25X80-MM)						
	5	1	130-5300	1	CLIP						

C-CHANGE FROM PREVIOUS TYPE
M-METRIC PART



FRONT VIEW OF ENGINE



TOP VIEW OF ENGINE

GRAPHIC #1

<END>

g01620753

OPERATOR STATION

229-9065 CONDENSER & MTG GP-REFRIGERANT

S/N: PAS1-UP

PART OF 297-7683 INSTALLATION AR-ENGINE

SMCS-1805

i03655427

NOTE	REF NO	GRAPHIC REF	PART NUMBER	QTY	PART NAME						SEE PAGE
					1	2	3	4	5	6 (PRODUCT LEVEL)	
CY	1	1	334-6571	1	CONDENSER GP-REFRIGERANT						870
	2	1	229-9131	1	BRACKET AS						
	3	1	229-9132	1	BRACKET AS						
	4	1	8T-4121	8	WASHER-HARD (11X21X2.5-MM THK)						
M	5	1	8T-4137	8	BOLT (M10X1.5X20-MM)						

C-CHANGE FROM PREVIOUS TYPE

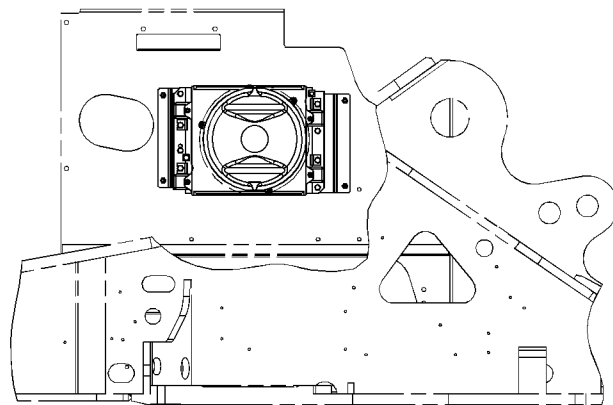
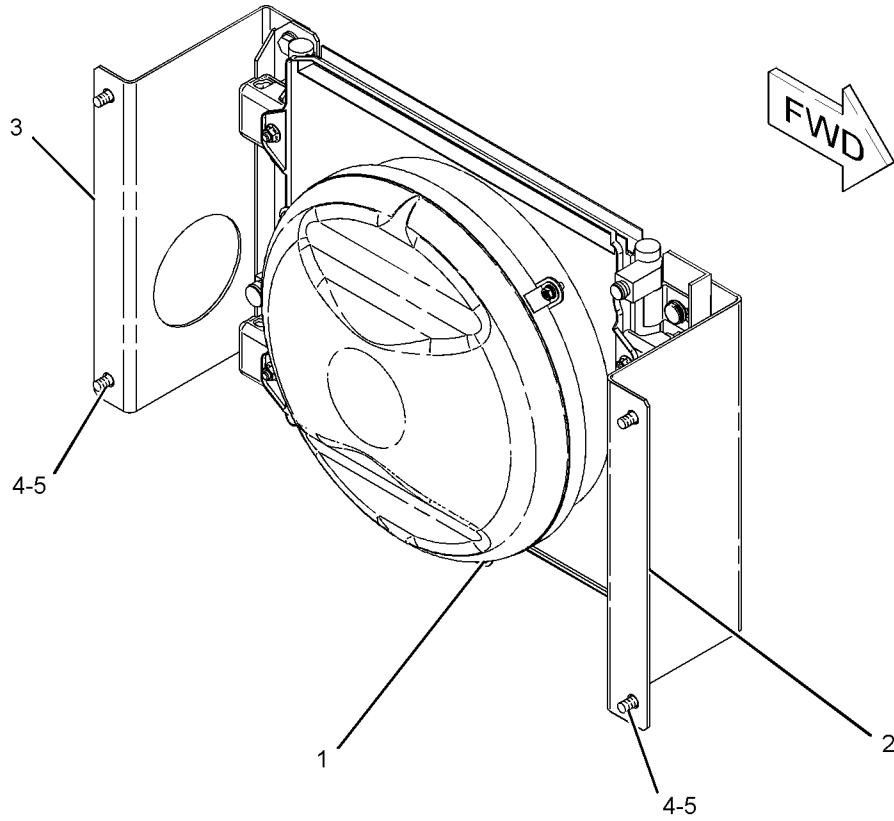
M-METRIC PART

Y-SEPARATE ILLUSTRATION

OPERATOR STATION

229-9065 CONDENSER & MTG GP-REFRIGERANT (contd.)

i03655427



RIGHT SIDE VIEW
<END>

GRAPHIC #1

g01072706

OPERATOR STATION

334-6571 CONDENSER GP-REFRIGERANT

S/N: PAS1-UP

PART OF 229-9065 CONDENSER & MTG GP-REFRIGERANT

SMCS-1805

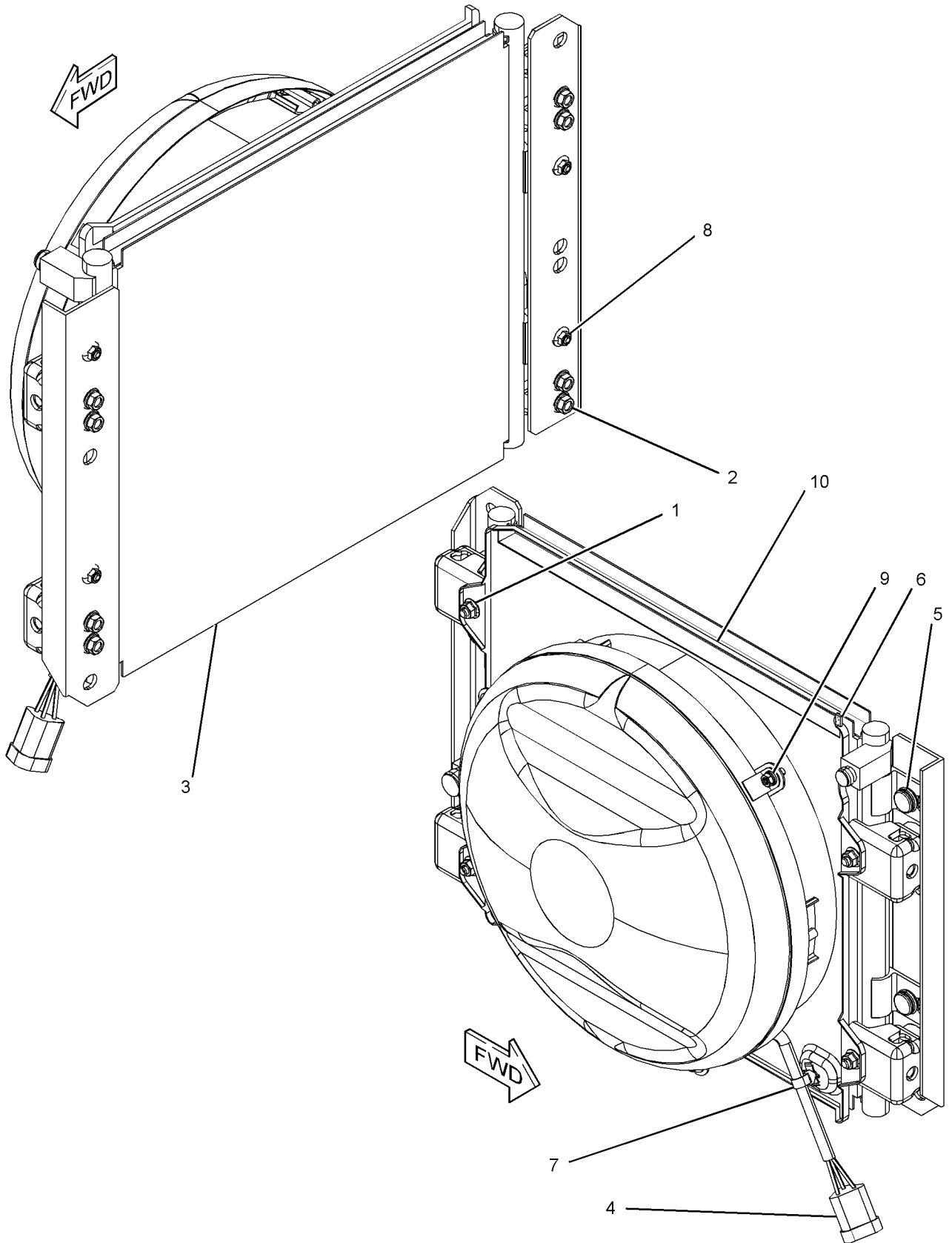
i03655428

NOTE	REF NO	GRAPHIC REF	PART NUMBER	QTY	PART NAME						SEE PAGE
					1	2	3	4	5	6 (PRODUCT LEVEL)	
M	1	1	164-0500	4	NUT-FLANGE (M8X1.25-THD)						
M	2	1	227-6846	8	BOLT AS						
	3	1	245-7866	1	CONDENSER AS						
	4	1	245-7867	1	HARNESS AS-WIRING (CONDENSER FAN MOTOR)						
		1	9W-0852	3	PIN-CONNECTOR (14-GA)						
		1	102-8803	1	KIT-RECEPTACLE (3-PIN)						
					(INCLUDES RECEPTACLE AS & WEDGE)						
	5	1	245-7868	4	BUSHING AS						
	6	1	245-7869	2	PACKING-RUBBER						
	7	1	245-7870	1	STRAP-CABLE						
M	8	1	245-7871	4	NUT-FLANGE (M6X1-THD)						
M	9	1	245-7876	3	BOLT AS						
Y	10	1	336-1157	1	FAN & MOTOR GP (CONDENSER)						92
M-METRIC PART											
Y-SEPARATE ILLUSTRATION											

OPERATOR STATION

334-6571 CONDENSER GP-REFRIGERANT (contd.)

i03655428



GRAPHIC #1

<END>

g02071553

OPERATOR STATION

235-8898 CONSOLE GP-OPERATOR

S/N: PAS1-UP

PART OF 342-3451 OPERATOR AR

SMCS-5258

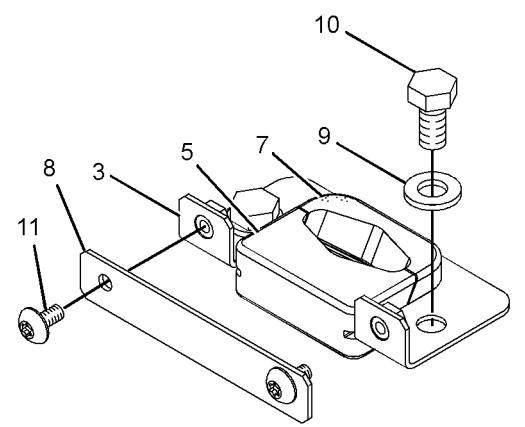
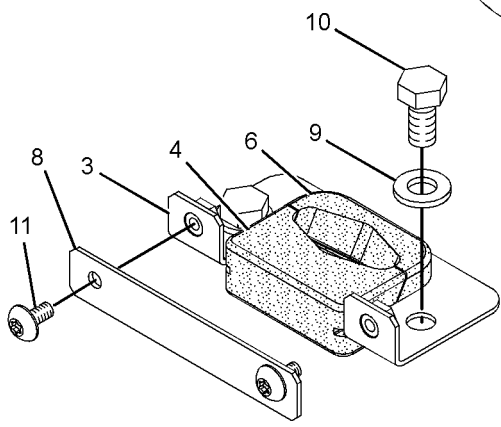
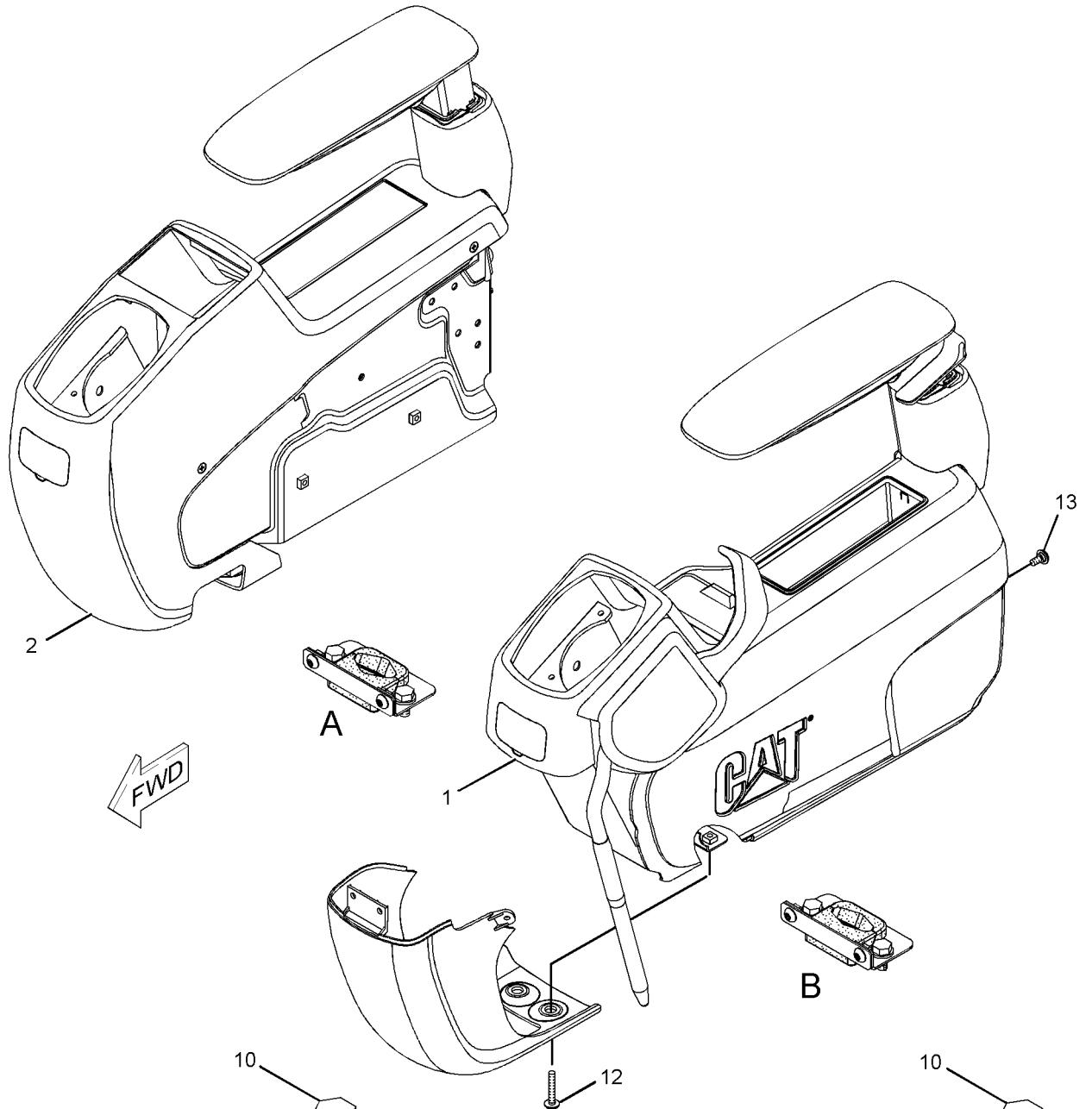
i03547387

NOTE	REF NO	GRAPHIC REF	PART NUMBER	QTY	PART NAME	SEE PAGE
					1 2 3 4 5 6 (PRODUCT LEVEL)	
CY	1	1	259-7349	1	CONSOLE GP-OPERATOR (LH)	876
CY	2	1	259-7348	1	CONSOLE GP-OPERATOR (RH)	874
	3	1	235-8986	2	SUPPORT AS	
	4	1	235-8988	1	GROMMET	
	5	1	235-8989	1	GROMMET	
	6	1	235-8990	1	GROMMET	
	7	1	235-8991	1	GROMMET	
	8	1	235-8994	2	STRIP	
	9	1	8T-4121	4	WASHER-HARD (11X21X2.5-MM THK)	
	10	1	8T-4137	4	BOLT (M10X1.5X20-MM)	
M	11	1	9X-2042	4	SCREW-TRUSS HEAD (M6X1X12-MM)	
M	12	1	9X-2043	8	SCREW-TRUSS HEAD (M6X1X14-MM)	
					-OR-	
M		1	9X-2046	8	SCREW-TRUSS HEAD (M6X1X35-MM)	
M	13	1	9X-2043	8	SCREW-TRUSS HEAD (M6X1X14-MM)	
					-OR-	
M		1	9X-2045	8	SCREW-TRUSS HEAD (M6X1X20-MM)	
C-CHANGE FROM PREVIOUS TYPE						
M-METRIC PART						
Y-SEPARATE ILLUSTRATION						

OPERATOR STATION

235-8898 CONSOLE GP-OPERATOR (contd.)

i03547387



GRAPHIC #1

<END>

g01875393

OPERATOR STATION

259-7348 CONSOLE GP-OPERATOR-RH

S/N: PAS1-UP

PART OF 235-8898 CONSOLE GP-OPERATOR

SMCS-5258

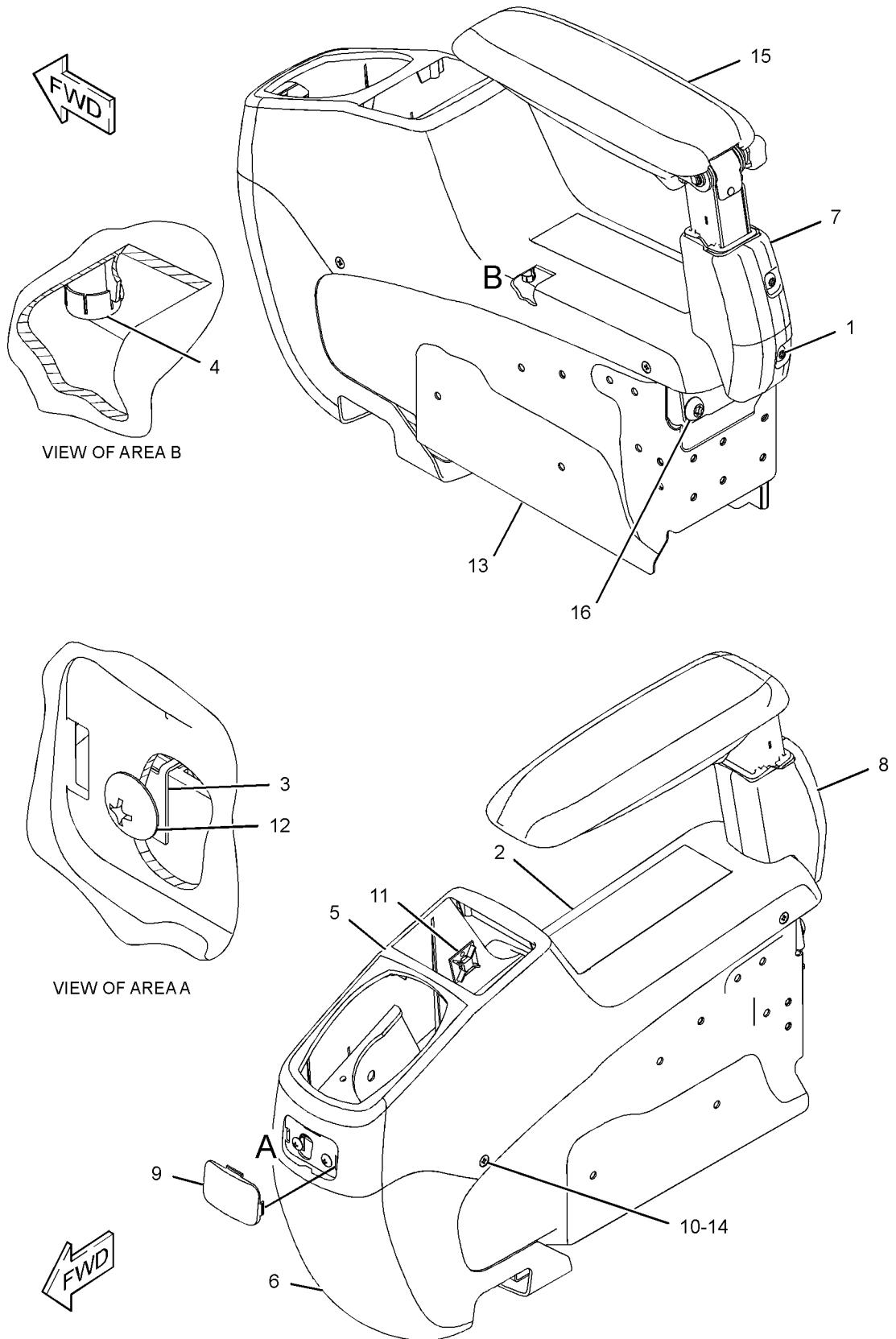
i02426987

NOTE	REF NO	GRAPHIC REF	PART NUMBER	QTY	PART NAME						SEE PAGE
					1	2	3	4	5	6 (PRODUCT LEVEL)	
M	1	1	128-2135	4	SCREW-TRUSS HEAD (M6X1X13-MM)						
	2	1	185-8284	1	COVER						
	3	1	234-6579	2	NUT-SPEED						
	4	1	234-6580	2	CAP						
	5	1	234-6602	1	COVER						
	6	1	234-6604	1	COVER						
	7	1	234-6608	1	COVER						
	8	1	234-6609	1	COVER						
	9	1	234-6610	1	COVER						
	10	1	235-8914	4	NUT-SPEED						
	11	1	235-8966	2	BASE-MOUNTING						
	12	1	245-7790	2	SCREW-TAPPING						
	13	1	245-7926	1	SUPPORT AS						
	14	1	245-7948	4	SCREW-TAPPING						
Y	15	1	259-7346	1	ARMREST GP (RH)						852
M	16	1	9X-2041	3	SCREW-TRUSS HEAD (M10X1.5X20-MM)						
M-METRIC PART											
Y-SEPARATE ILLUSTRATION											

OPERATOR STATION

259-7348 CONSOLE GP-OPERATOR (contd.)

i02426987



GRAPHIC #1

<END>

g01217107

OPERATOR STATION

259-7349 CONSOLE GP-OPERATOR-LH

S/N: PAS1-UP

PART OF 235-8898 CONSOLE GP-OPERATOR

SMCS-5258

i02426998

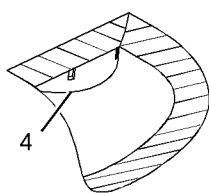
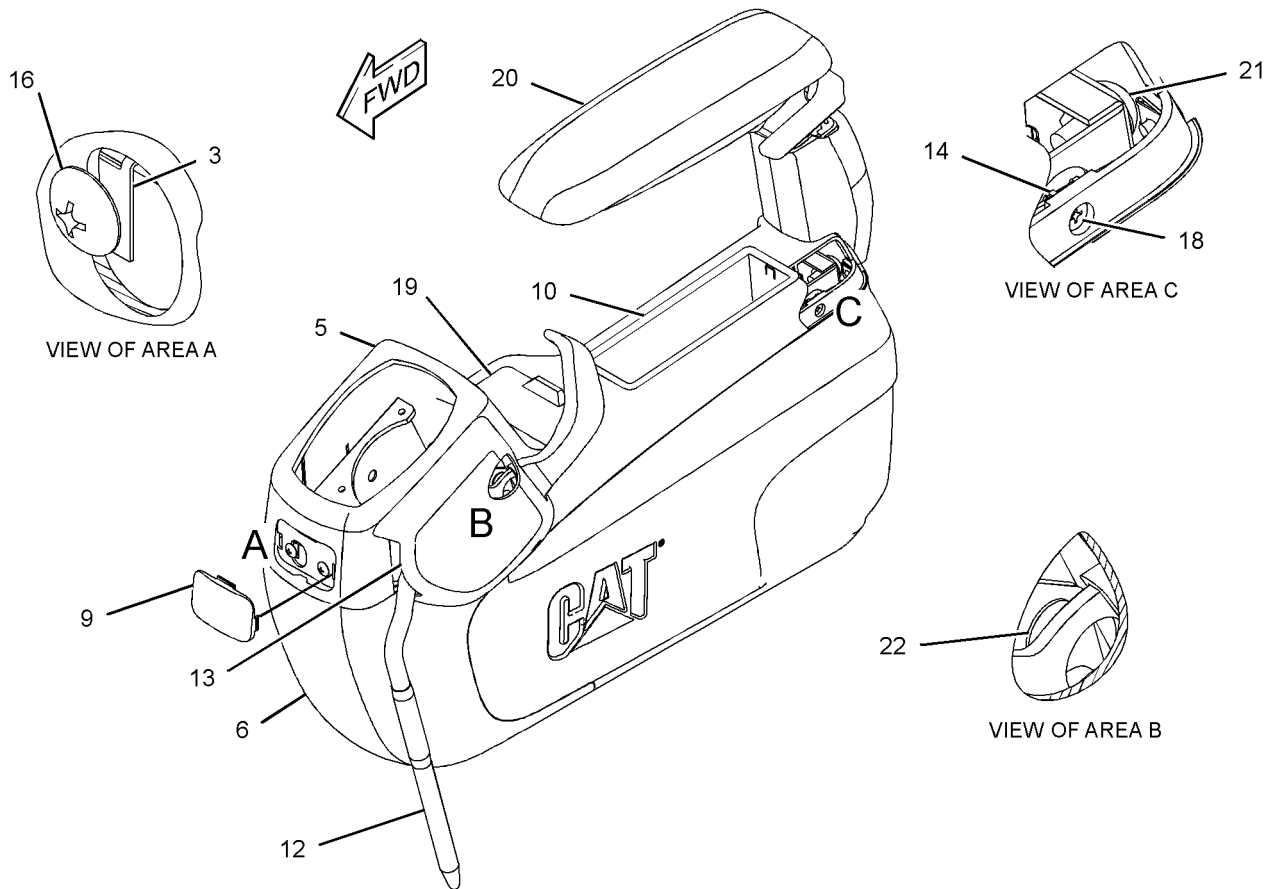
NOTE	REF NO	GRAPHIC REF	PART NUMBER	QTY	PART NAME						SEE PAGE
					1	2	3	4	5	6 (PRODUCT LEVEL)	
M	1	1	128-2135	5	SCREW-TRUSS HEAD (M6X1X13-MM)						
M	2	1	171-7325	3	SCREW-TAPPING (M5X0.8-THD)						
	3	1	234-6579	6	NUT-SPEED						
	4	1	234-6580	4	CAP						
	5	1	234-6603	1	COVER						
	6	1	234-6605	1	COVER						
	7	1	234-6608	1	COVER						
	8	1	234-6609	1	COVER						
	9	1	234-6610	1	COVER						
	10	1	234-6611	1	CASE						
	11	1	234-6612	1	COVER						
Y	12	1	234-6613	1	SWITCH GP-POSITION (HYDRAULIC LOCKOUT)						254
	13	1	234-6614	1	COVER						
	14	1	235-8914	4	NUT-SPEED						
	15	1	235-8965	1	GUARD						
	16	1	245-7790	3	SCREW-TAPPING						
	17	1	245-7925	1	SUPPORT AS						
	18	1	245-7948	7	SCREW-TAPPING						
	19	1	259-7202	1	ASHTRAY						
Y	20	1	259-7347	1	ARMREST GP (LH)						853
M	21	1	9X-2041	3	SCREW-TRUSS HEAD (M10X1.5X20-MM)						
M	22	1	9X-2042	2	SCREW-TRUSS HEAD (M6X1X12-MM)						

M-METRIC PART
Y-SEPARATE ILLUSTRATION

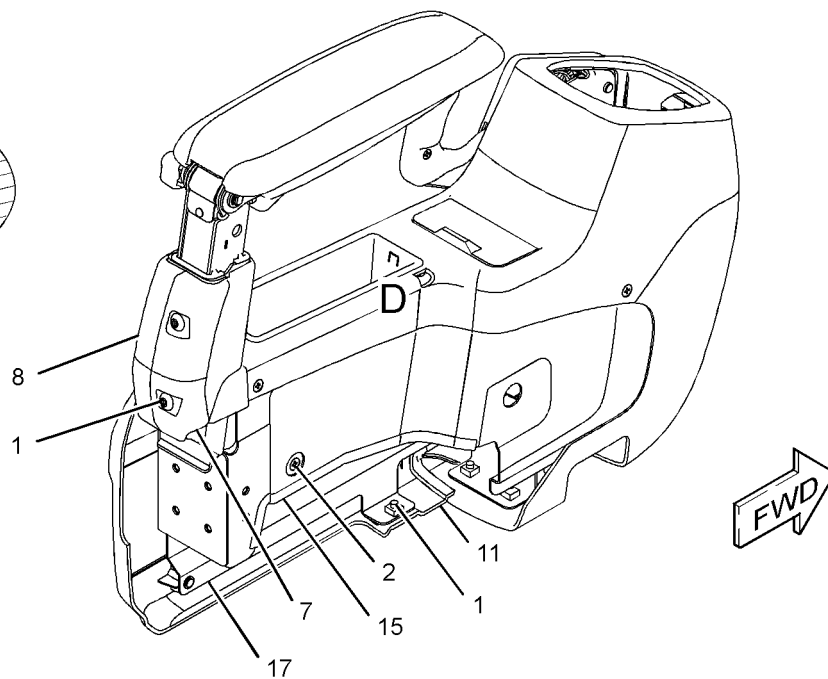
OPERATOR STATION

259-7349 CONSOLE GP-OPERATOR (contd.)

i02426998



VIEW OF AREA D



GRAPHIC #1

<END>

g01217096

OPERATOR STATION

221-8818 CONTROL & MTG GP-JOYSTICK-1-SWITCH

S/N: PAS1-UP

PART OF 263-3762 CONTROL AR-AUXILIARY
AN ATTACHMENT

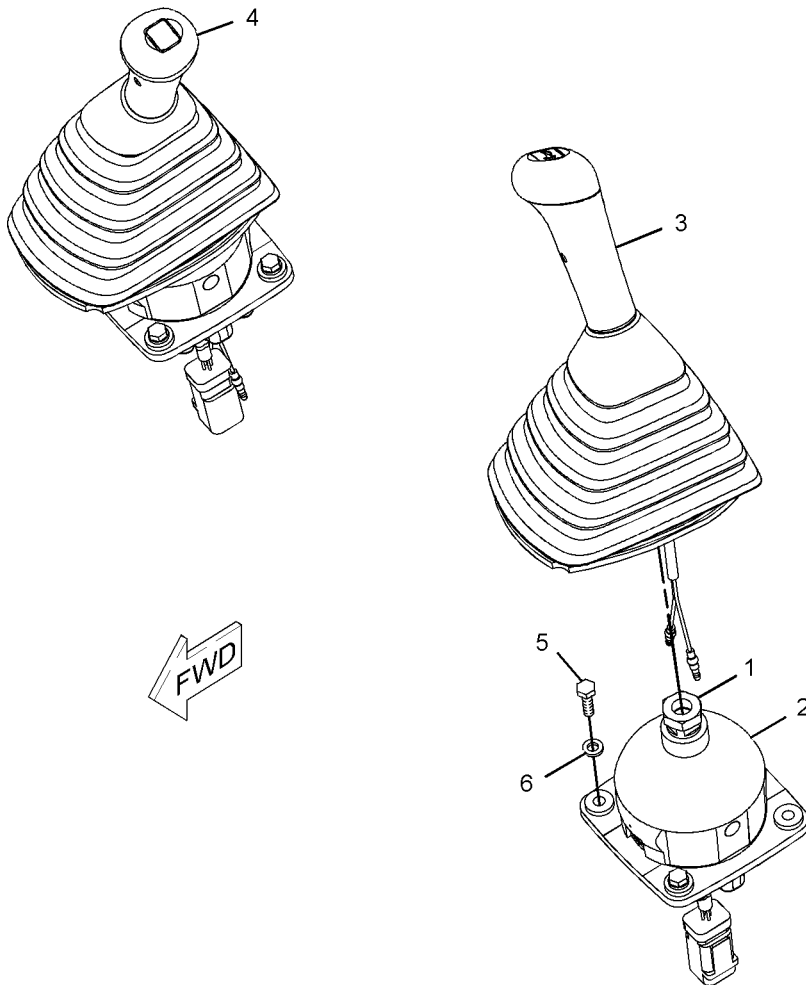
SMCS-5063, 5705

i02489380

NOTE	REF NO	GRAPHIC REF	PART NUMBER	QTY	PART NAME						SEE PAGE
					1	2	3	4	5	6 (PRODUCT LEVEL)	
M	1	1	7Y-8463	2	NUT (M14X2-THD)						
	2	1	270-5620	2	CONTROL GP-JOYSTICK (POSITION SENSOR) (EACH INCLUDES)						
		1	243-4508	1	RECEPTACLE AS-CONNECTOR (6-PIN)						
		1	9X-3401	6	PIN-CONNECTOR (16-GA TO 18-GA) -OR-						
		1	126-1767	6	PIN-CONNECTOR (14-GA)						
Y	3	1	235-8969	1	CONTROL GP-HANDLE (JOYSTICK, LH)						884
Y	4	1	235-8970	1	CONTROL GP-HANDLE (JOYSTICK, RH)						885
M	5	1	8T-4138	6	BOLT (M6X1X20-MM)						
	6	1	9X-8256	6	WASHER (6.6X12X2-MM THK)						

M-METRIC PART

Y-SEPARATE ILLUSTRATION



GRAPHIC #1

<END>

g01079363

OPERATOR STATION

221-8883 CONTROL & MTG GP-JOYSTICK- WITH THUMB SWITCHES

S/N: PAS1-UP

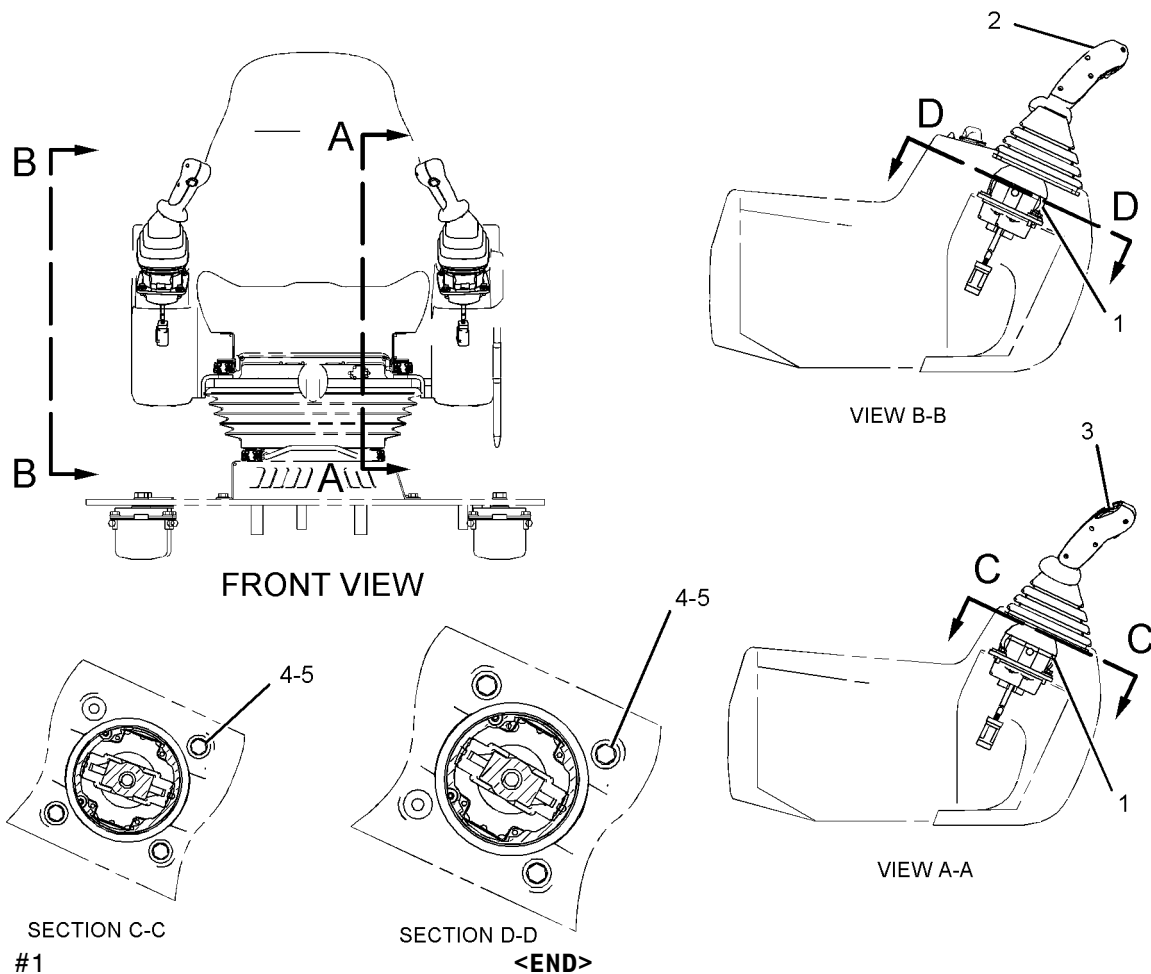
PART OF 352-6875 CONTROL AR-AUXILIARY
AN ATTACHMENT

SMCS-5063, 5705

i02682340

NOTE	REF NO	GRAPHIC REF	PART NUMBER	QTY	PART NAME						SEE PAGE
					1	2	3	4	5	6 (PRODUCT LEVEL)	
C	1	1	270-5620	2	CONTROL GP-JOYSTICK (POSITION SENSOR)						
					(EACH INCLUDES)						
		1	243-4508	1	RECEPTACLE AS-CONNECTOR (6-PIN)						
		1	144-1636	6	PIN-CONNECTOR (14-GA TO 18-GA)						
Y	2	1	260-2109	1	CONTROL GP-HANDLE (JOYSTICK, RH)						886
Y	3	1	260-2110	1	CONTROL GP-HANDLE (JOYSTICK, LH)						887
M	4	1	8T-4138	6	BOLT (M6X1X20-MM)						
	5	1	9X-8256	6	WASHER (6.6X12X2-MM THK)						

C-CHANGE FROM PREVIOUS TYPE
M-METRIC PART
Y-SEPARATE ILLUSTRATION



GRAPHIC #1

<END>

g01079743

OPERATOR STATION

247-5190 CONTROL & MTG GP-JOYSTICK- 3-BUTTON, TRIGGER SWITCH

S/N: PAS1-UP

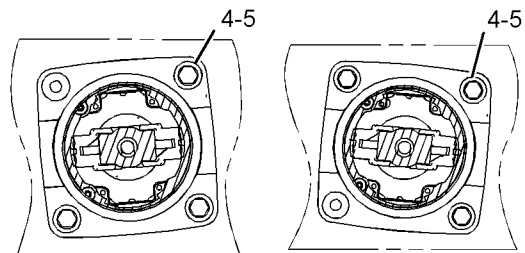
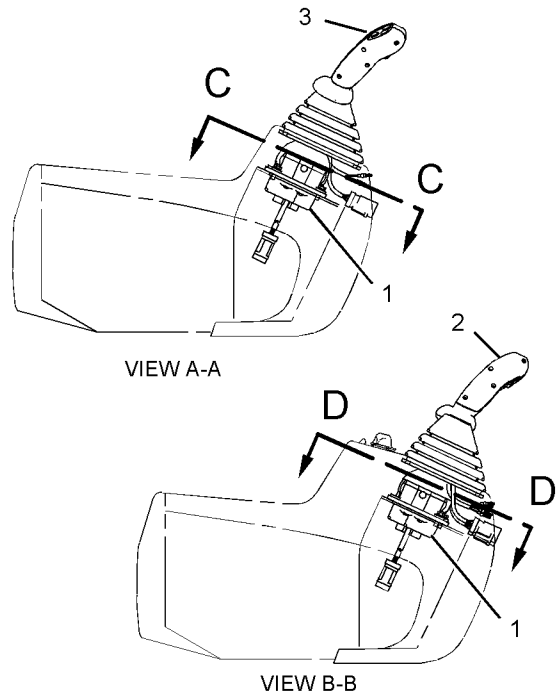
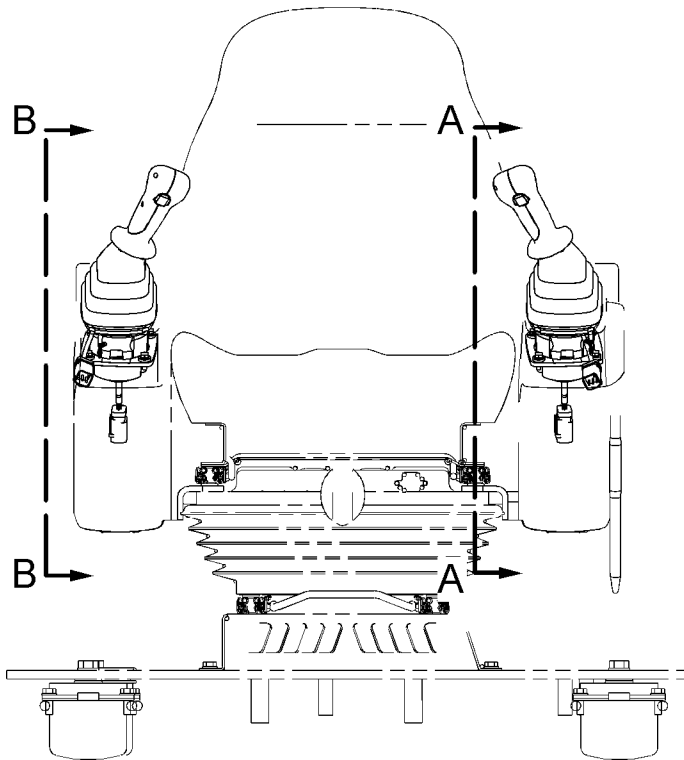
PART OF 352-6876 CONTROL AR-AUXILIARY
AN ATTACHMENT

SMCS-5063, 5705

i02581728

NOTE	REF NO	GRAPHIC REF	PART NUMBER	QTY	PART NAME						SEE PAGE
					1	2	3	4	5	6 (PRODUCT LEVEL)	
	1	1	227-7569	2	SENSOR GP-POSITION (JOYSTICK)						
					(EACH INCLUDES)						
		1	243-4508	1	RECEPTACLE AS-CONNECTOR (6-PIN)						
		1	9X-3401	6	PIN-CONNECTOR (16-GA TO 18-GA)						
					-OR-						
		1	126-1767	6	PIN-CONNECTOR (14-GA)						
Y	2	1	260-2127	1	CONTROL GP-HANDLE (JOYSTICK, RH)						888
Y	3	1	260-2128	1	CONTROL GP-HANDLE (JOYSTICK, LH)						889
M	4	1	8T-4138	6	BOLT (M6X1X20-MM)						
	5	1	9X-8256	6	WASHER (6.6X12X2-MM THK)						

M-METRIC PART
Y-SEPARATE ILLUSTRATION



GRAPHIC #1

<END>

g01089236

OPERATOR STATION

221-8819 CONTROL & MTG GP-PEDAL-TRAVEL

S/N: PAS1-UP

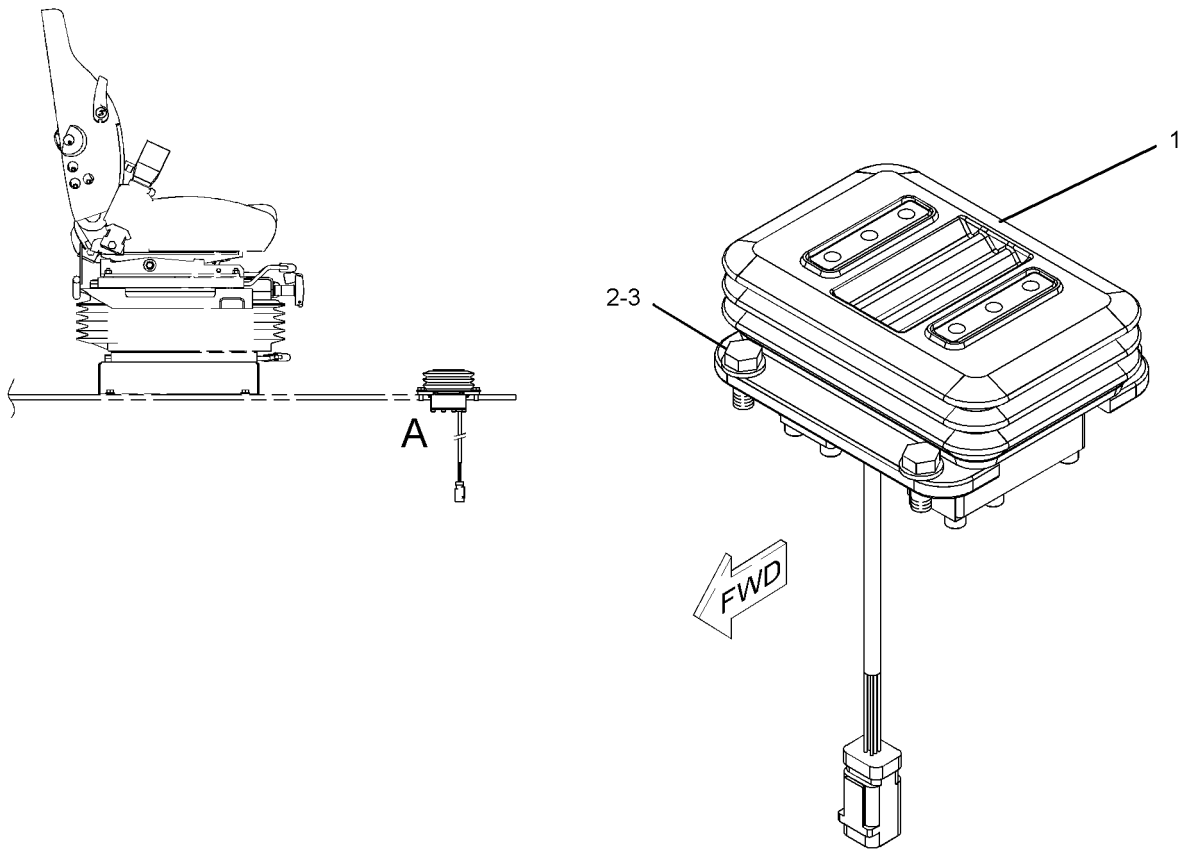
PART OF 342-3451 OPERATOR AR

SMCS-5462

i02495130

NOTE	REF NO	GRAPHIC REF	PART NUMBER	QTY	PART NAME						SEE PAGE
					1	2	3	4	5	6 (PRODUCT LEVEL)	
Y	1	1	247-5275	1	CONTROL GP-PEDAL (TRAVEL)						892
	2	1	8T-4121	4	WASHER-HARD (11X21X2.5-MM THK)						
M	3	1	8T-4136	4	BOLT (M10X1.5X25-MM)						

M-METRIC PART
Y-SEPARATE ILLUSTRATION



EXPLODED VIEW OF AREA A

GRAPHIC #1

<END>

g01247514

OPERATOR STATION

221-8884 CONTROL & MTG GP-PEDAL-LH

S/N: PAS1-UP

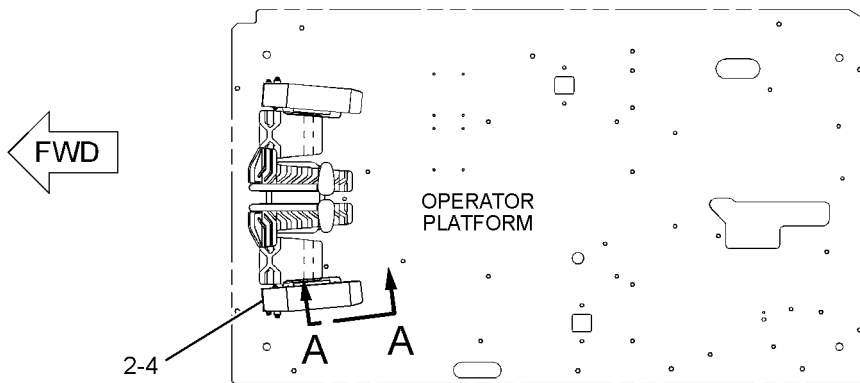
PART OF 310-0001 CONTROL AR-AUXILIARY
AN ATTACHMENT

SMCS-5462

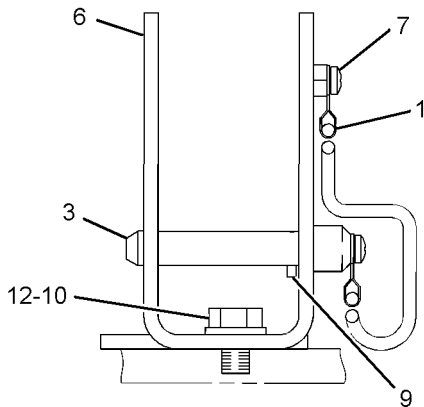
i02981723

NOTE	REF NO	GRAPHIC REF	PART NUMBER	QTY	PART NAME						SEE PAGE
					1	2	3	4	5	6 (PRODUCT LEVEL)	
	1	1	5I-7090	1	CHAIN AS						
	2	1	121-1865	1	PEDAL-RUBBER (LH)						
	3	1	128-2173	1	PIN						
	4	1	153-8723	1	PEDAL AS						
CY	5	1	309-5808	1	CONTROL GP-PEDAL (ELECTRIC)						893
	6	1	227-7625	1	SUPPORT AS						
M	7	1	095-0735	2	SCREW-MACHINE (M5X0.8X8-MM)						
M	8	1	7X-2536	2	BOLT (M8X1.25X14-MM)						
	9	1	8T-0114	1	PIN-SPRING						
	10	1	8T-4121	3	WASHER-HARD (11X21X2.5-MM THK)						
M	11	1	8T-4136	2	BOLT (M10X1.5X25-MM)						
M	12	1	8T-4191	1	BOLT (M10X1.5X16-MM)						
	13	1	8T-4224	2	WASHER-HARD (8.8X16X2-MM THK)						

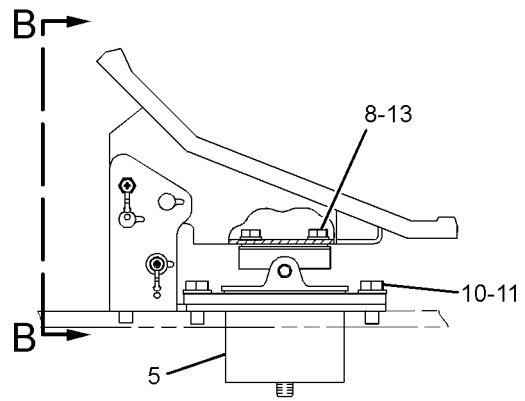
C-CHANGE FROM PREVIOUS TYPE
M-METRIC PART
Y-SEPARATE ILLUSTRATION



TOP VIEW



VIEW B-B



VIEW A-A

GRAPHIC #1

<END>

g01439827

OPERATOR STATION

221-8885 CONTROL & MTG GP-PEDAL-RH

S/N: PAS1-UP

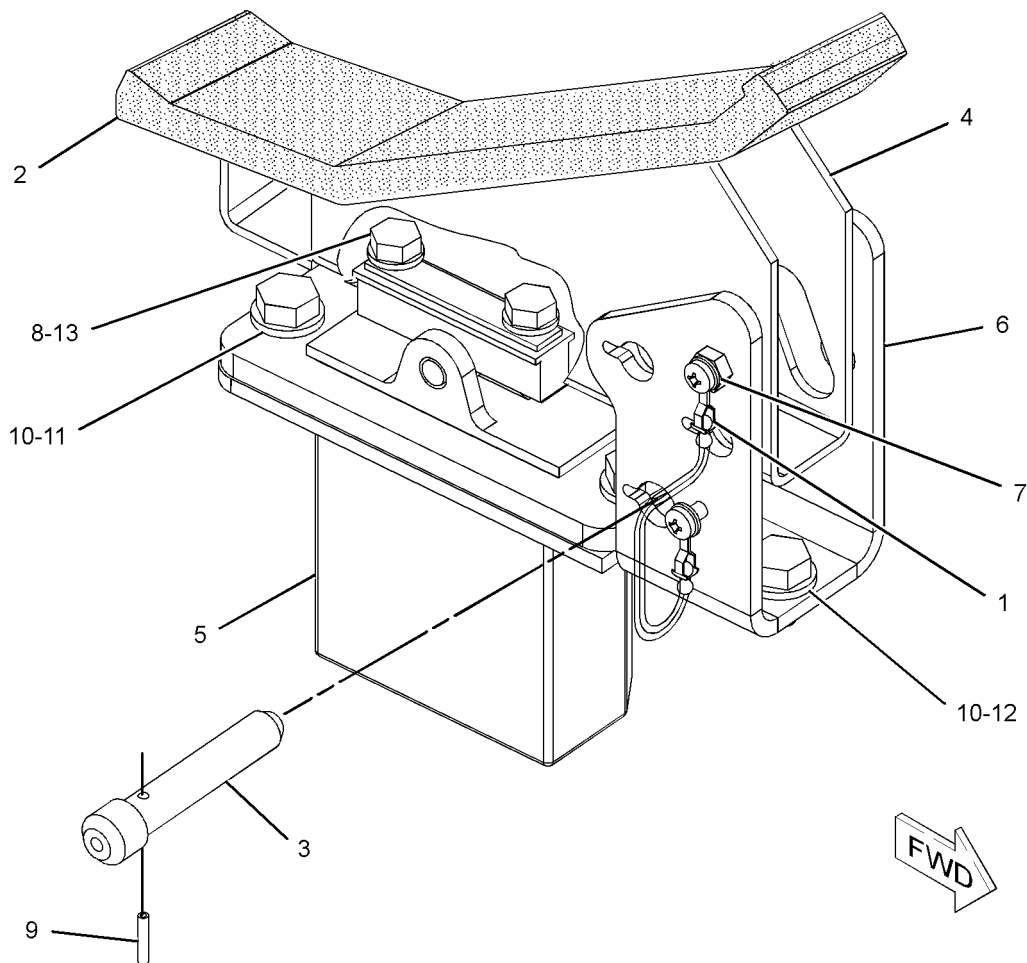
PART OF 310-0002 CONTROL AR-AUXILIARY
CANNOT BE USED WITH 225-5782-PAGE 947
AN ATTACHMENT

SMCS-5462

i03902390

NOTE	REF NO	GRAPHIC REF	PART NUMBER	QTY	PART NAME						SEE PAGE
					1	2	3	4	5	6 (PRODUCT LEVEL)	
	1	1	5I-7090	1	CHAIN AS						
	2	1	122-9611	1	PEDAL-RUBBER (RH)						
	3	1	357-3877	1	PIN						
	4	1	153-8719	1	PEDAL AS						
CY	5	1	309-5808	1	CONTROL GP-PEDAL (ELECTRIC)						893
	6	1	227-7736	1	SUPPORT AS						
M	7	1	095-0735	2	SCREW-MACHINE (M5X0.8X8-MM)						
M	8	1	7X-2536	2	BOLT (M8X1.25X14-MM)						
	9	1	8T-0114	1	PIN-SPRING						
	10	1	8T-4121	3	WASHER-HARD (11X21X2.5-MM THK)						
M	11	1	8T-4136	2	BOLT (M10X1.5X25-MM)						
M	12	1	8T-4191	1	BOLT (M10X1.5X16-MM)						
	13	1	8T-4224	2	WASHER-HARD (8.8X16X2-MM THK)						

C-CHANGE FROM PREVIOUS TYPE
M-METRIC PART
Y-SEPARATE ILLUSTRATION



GRAPHIC #1

<END>

g02144897

OPERATOR STATION

235-8969 CONTROL GP-HANDLE-JOYSTICK, LH

S/N: PAS1-UP

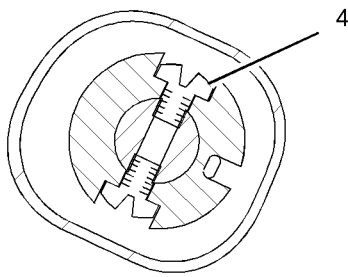
PART OF 221-8818 CONTROL & MTG GP-JOYSTICK
AN ATTACHMENT

SMCS-5705

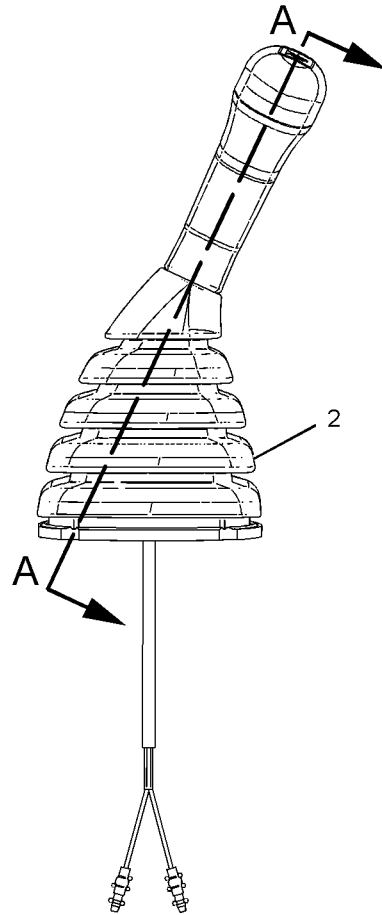
i03896225

NOTE	REF NO	GRAPHIC REF	PART NUMBER	QTY	PART NAME						SEE PAGE
					1	2	3	4	5	6 (PRODUCT LEVEL)	
	1	1	124-4010	1	LEVER						
	2	1	353-2149	1	BOOT						
	3	1	245-7842	1	KNOB AS						
M		1	6I-5298	1	SCREW-TAPPING						
		1	124-4009	1	SHAFT						
		1	222-0225	1	SWITCH AS-PUSH BUTTON (HORN)						
M	4	1	096-2617	2	SCREW-MACHINE (M5X0.8X6-MM)						

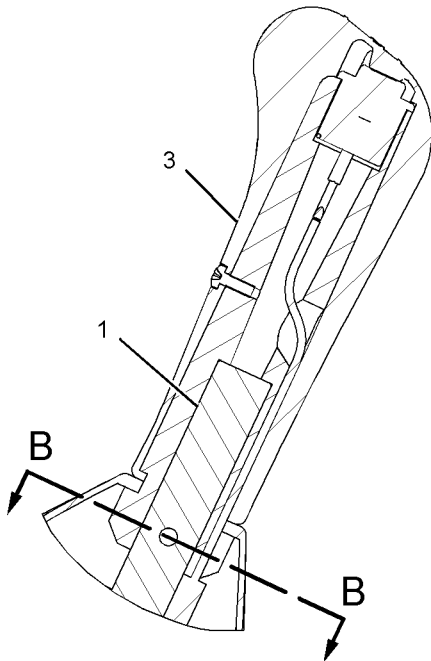
M-METRIC PART



SECTION B-B



LEFT SIDE VIEW



SECTION A-A

GRAPHIC #1

<END>

g01082395

OPERATOR STATION

235-8970 CONTROL GP-HANDLE-JOYSTICK, RH

S/N: PAS1-UP

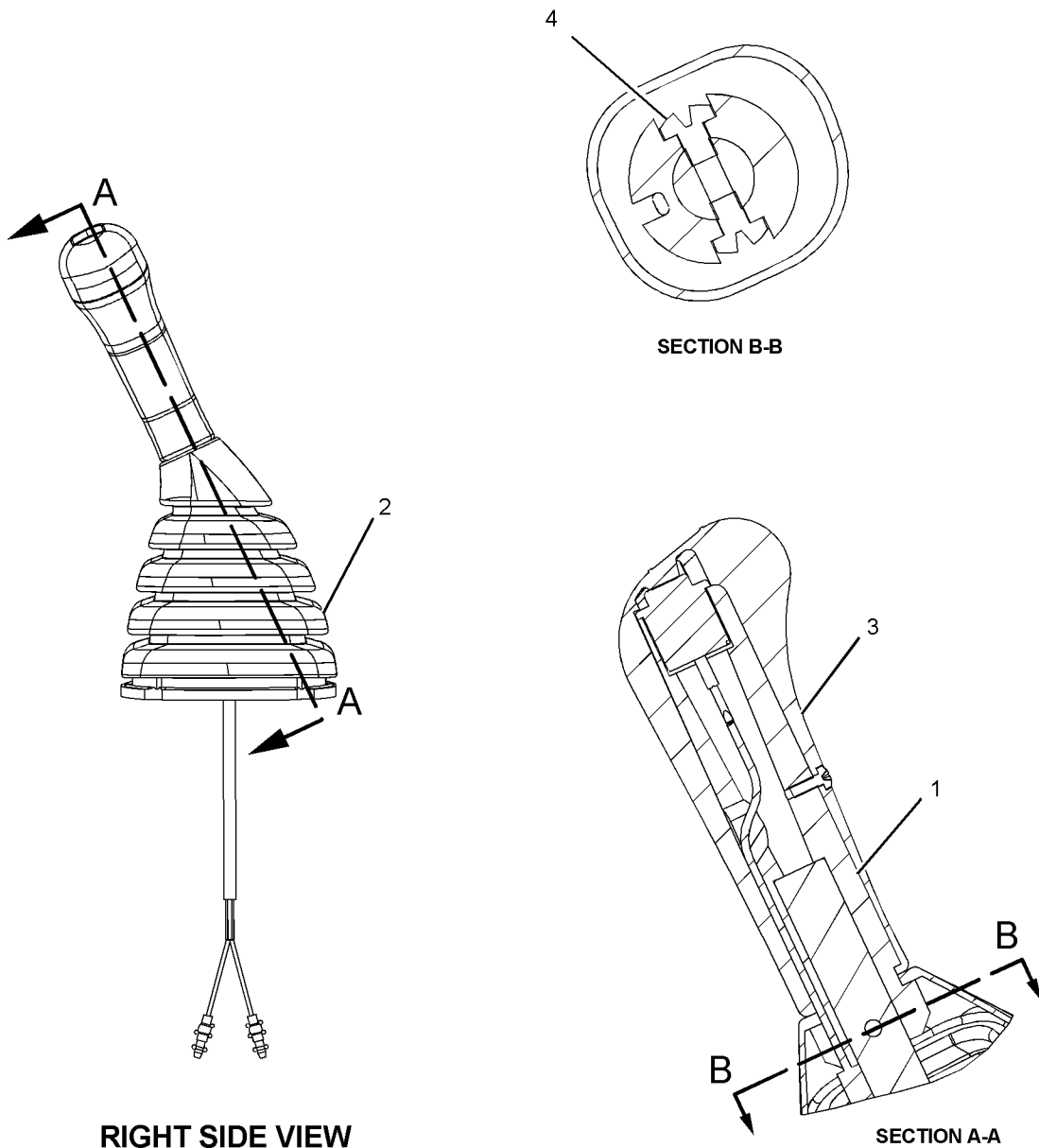
PART OF 221-8818 CONTROL & MTG GP-JOYSTICK
AN ATTACHMENT

SMCS-5705

i03896229

NOTE	REF NO	GRAPHIC REF	PART NUMBER	QTY	PART NAME						SEE PAGE
					1	2	3	4	5	6 (PRODUCT LEVEL)	
	1	1	124-4010	1	LEVER						
	2	1	353-2150	1	BOOT						
	3	1	245-7844	1	KNOB AS						
M		1	6I-5298	1	SCREW-TAPPING						
		1	124-4009	1	SHAFT						
		1	222-0225	1	SWITCH AS-PUSH BUTTON (MANUAL LOW IDLE)						
M	4	1	096-2617	2	SCREW-MACHINE (M5X0.8X6-MM)						

M-METRIC PART



RIGHT SIDE VIEW

SECTION A-A

SECTION B-B

GRAPHIC #1

<END>

g01082427

OPERATOR STATION

260-2109 CONTROL GP-HANDLE-JOYSTICK, RH

S/N: PAS1-UP

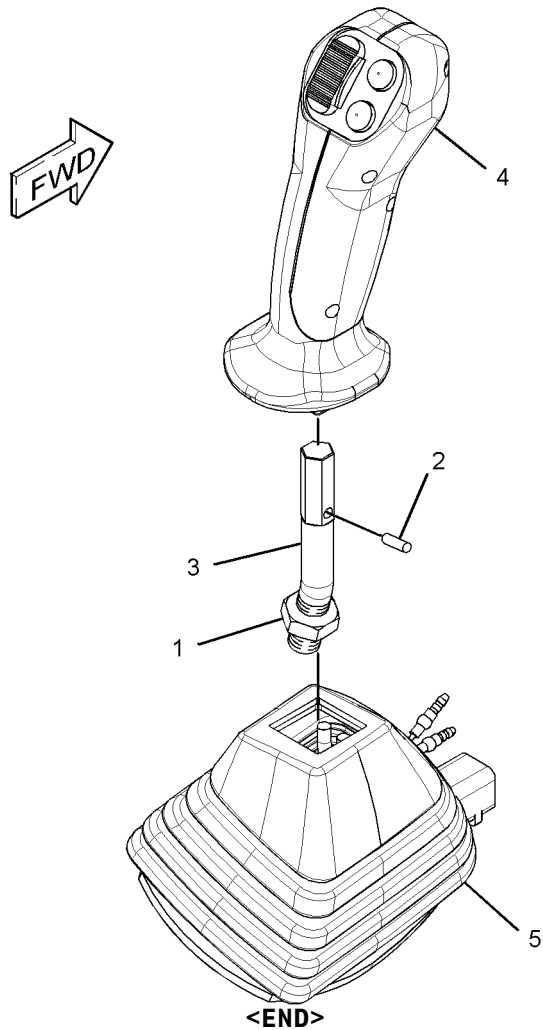
PART OF 221-8883 CONTROL & MTG GP-JOYSTICK
AN ATTACHMENT

SMCS-5705

i02981496

NOTE	REF NO	GRAPHIC REF	PART NUMBER	QTY	PART NAME						SEE PAGE
					1	2	3	4	5	6 (PRODUCT LEVEL)	
M	1	1	7Y-8463	1	NUT (M14X2-THD)						
	2	1	117-8683	1	PIN-SPRING						
	3	1	260-2111	1	LEVER						
	4	1	297-4589	1	CONTROL GP-HANDLE (RH)						
		1	247-2693	1	RECEPTACLE AS-CONNECTOR (6-PIN)						
		1	9X-3401	6	PIN-CONNECTOR (16-GA TO 18-GA)						
					-OR-						
		1	126-1767	6	PIN-CONNECTOR (14-GA)						
	5	1	305-0332	1	BOOT						

M-METRIC PART



GRAPHIC #1

g01436256

OPERATOR STATION

260-2110 CONTROL GP-HANDLE-JOYSTICK, LH

S/N: PAS1-UP

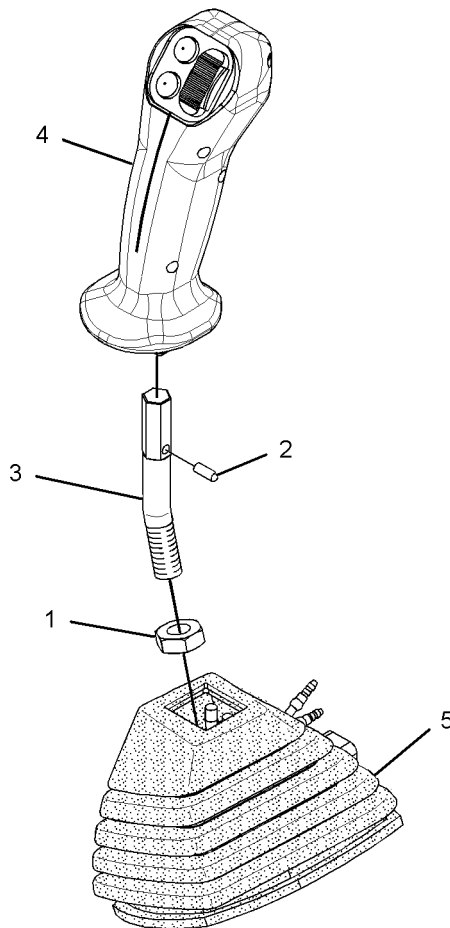
PART OF 221-8883 CONTROL & MTG GP-JOYSTICK
AN ATTACHMENT

SMCS-5705

i02978363

NOTE	REF NO	GRAPHIC REF	PART NUMBER	QTY	PART NAME						SEE PAGE
					1	2	3	4	5	6 (PRODUCT LEVEL)	
M	1	1	7Y-8463	1	NUT (M14X2-THD)						
	2	1	117-8683	1	PIN-SPRING						
	3	1	260-2111	1	LEVER						
CY	4	1	297-4590	1	CONTROL GP-HANDLE (LH)						890
	5	1	305-0331	1	BOOT						

C-CHANGE FROM PREVIOUS TYPE
M-METRIC PART
Y-SEPARATE ILLUSTRATION



GRAPHIC #1

<END>

g01428094

OPERATOR STATION

260-2127 CONTROL GP-HANDLE-JOYSTICK, RH

S/N: PAS1-UP

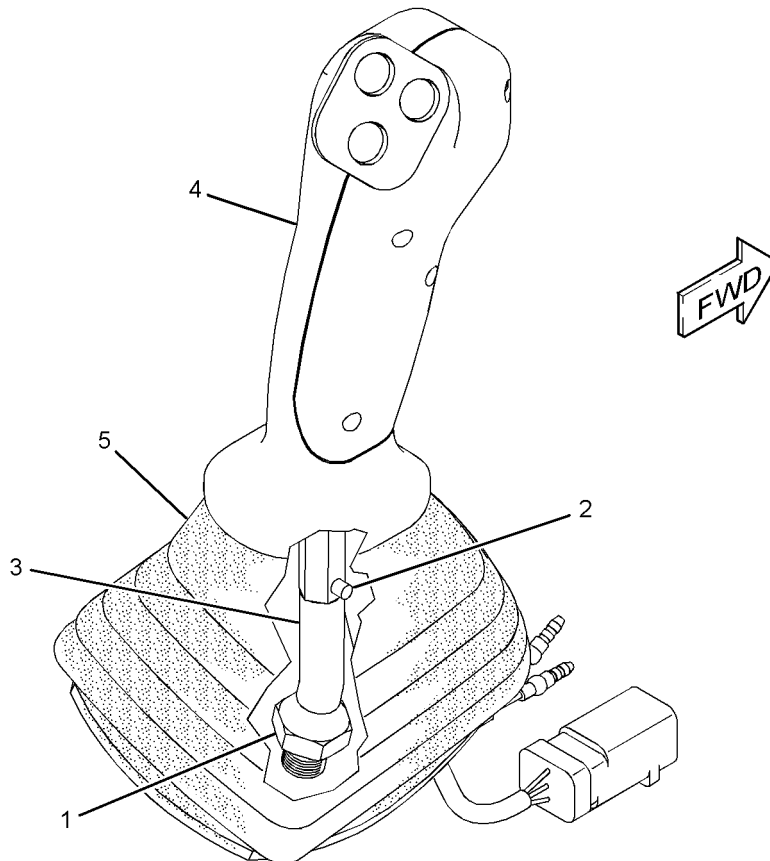
PART OF 247-5190 CONTROL & MTG GP-JOYSTICK
AN ATTACHMENT

SMCS-5705

i02981501

NOTE	REF NO	GRAPHIC REF	PART NUMBER	QTY	PART NAME						SEE PAGE
					1	2	3	4	5	6 (PRODUCT LEVEL)	
M	1	1	7Y-8463	1	NUT (M14X2-THD)						
	2	1	117-8683	1	PIN-SPRING						
	3	1	260-2111	1	LEVER						
	4	1	297-4595	1	CONTROL GP-HANDLE (RH)						
		1	8T-8737	2	PLUG-SEAL						
		1	9X-3401	4	PIN-CONNECTOR (16-GA TO 18-GA)						
					-OR-						
		1	126-1767	4	PIN-CONNECTOR (14-GA)						
		1	247-2693	1	RECEPTACLE AS-CONNECTOR (6-PIN)						
	5	1	305-0332	1	BOOT						

M-METRIC PART



GRAPHIC #1

<END>

g01430928

OPERATOR STATION

260-2128 CONTROL GP-HANDLE-JOYSTICK, LH

S/N: PAS1-UP

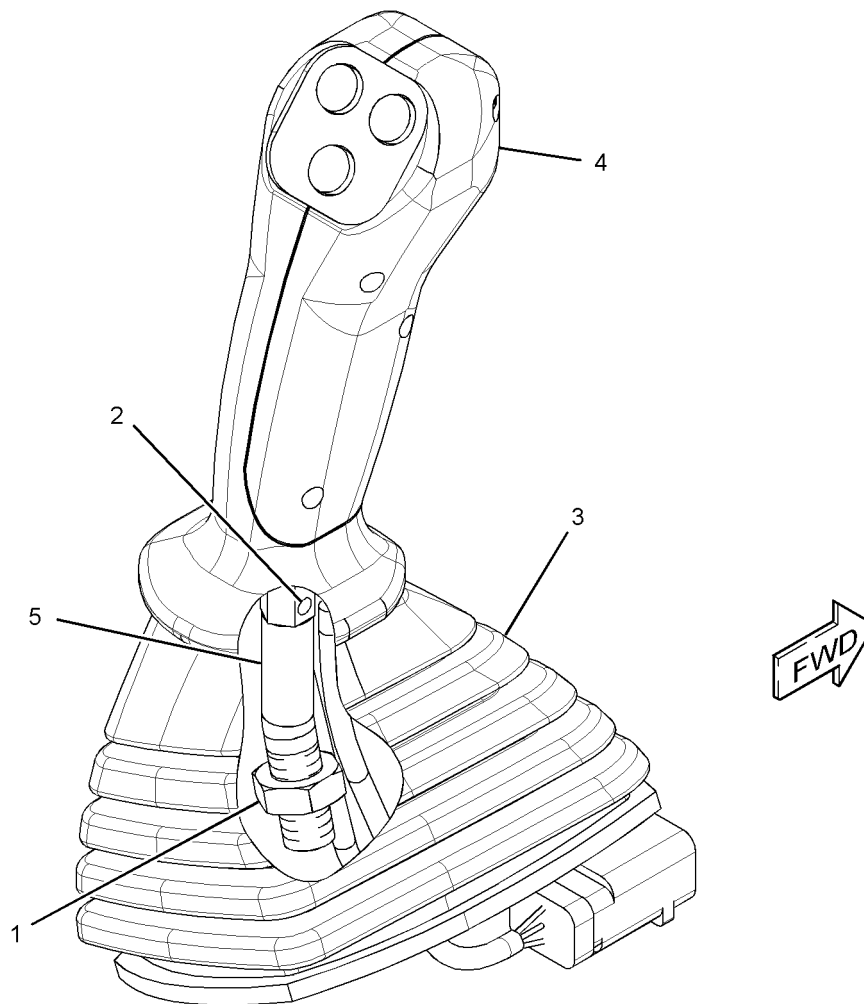
PART OF 247-5190 CONTROL & MTG GP-JOYSTICK
AN ATTACHMENT

SMCS-5705

i02981493

NOTE	REF NO	GRAPHIC REF	PART NUMBER	QTY	PART NAME						SEE PAGE
					1	2	3	4	5	6 (PRODUCT LEVEL)	
M	1	1	7Y-8463	1	NUT (M14X2-THD)						
	2	1	117-8683	1	PIN-SPRING						
	3	1	305-0331	1	BOOT						
	4	1	297-4595	1	CONTROL GP-HANDLE (LH)						
		1	8T-8737	2	PLUG-SEAL						
		1	9X-3401	4	PIN-CONNECTOR (16-GA TO 18-GA)						
					-OR-						
		1	126-1767	4	PIN-CONNECTOR (14-GA)						
		1	247-2693	1	RECEPTACLE AS-CONNECTOR (6-PIN)						
	5	1	260-2111	1	LEVER						

M-METRIC PART



GRAPHIC #1

<END>

g01436267

OPERATOR STATION

297-4590 CONTROL GP-HANDLE-LH

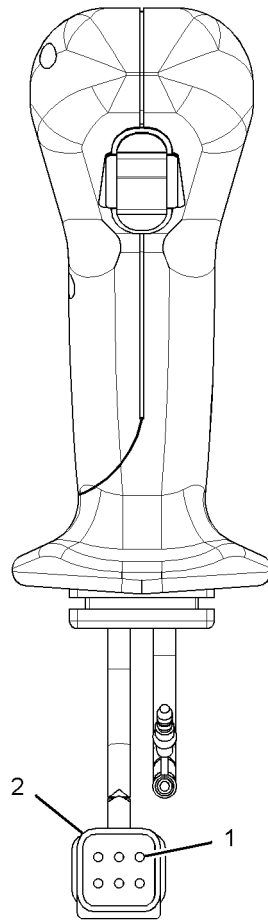
S/N: PAS1-UP

PART OF 260-2110 CONTROL GP-HANDLE
AN ATTACHMENT

SMCS-5705

i02977011

NOTE	REF NO	GRAPHIC REF	PART NUMBER	QTY	PART NAME						SEE PAGE
					1	2	3	4	5	6 (PRODUCT LEVEL)	
	1	1	9X-3401	6	PIN-CONNECTOR (16-GA TO 18-GA)						
					-OR-						
		1	126-1767	6	PIN-CONNECTOR (14-GA)						
	2	1	247-2693	1	RECEPTACLE AS-CONNECTOR (6-PIN)						



REAR VIEW

<END>

GRAPHIC #1

g01508125

OPERATOR STATION

225-5783 CONTROL GP-HYDRAULIC PEDAL

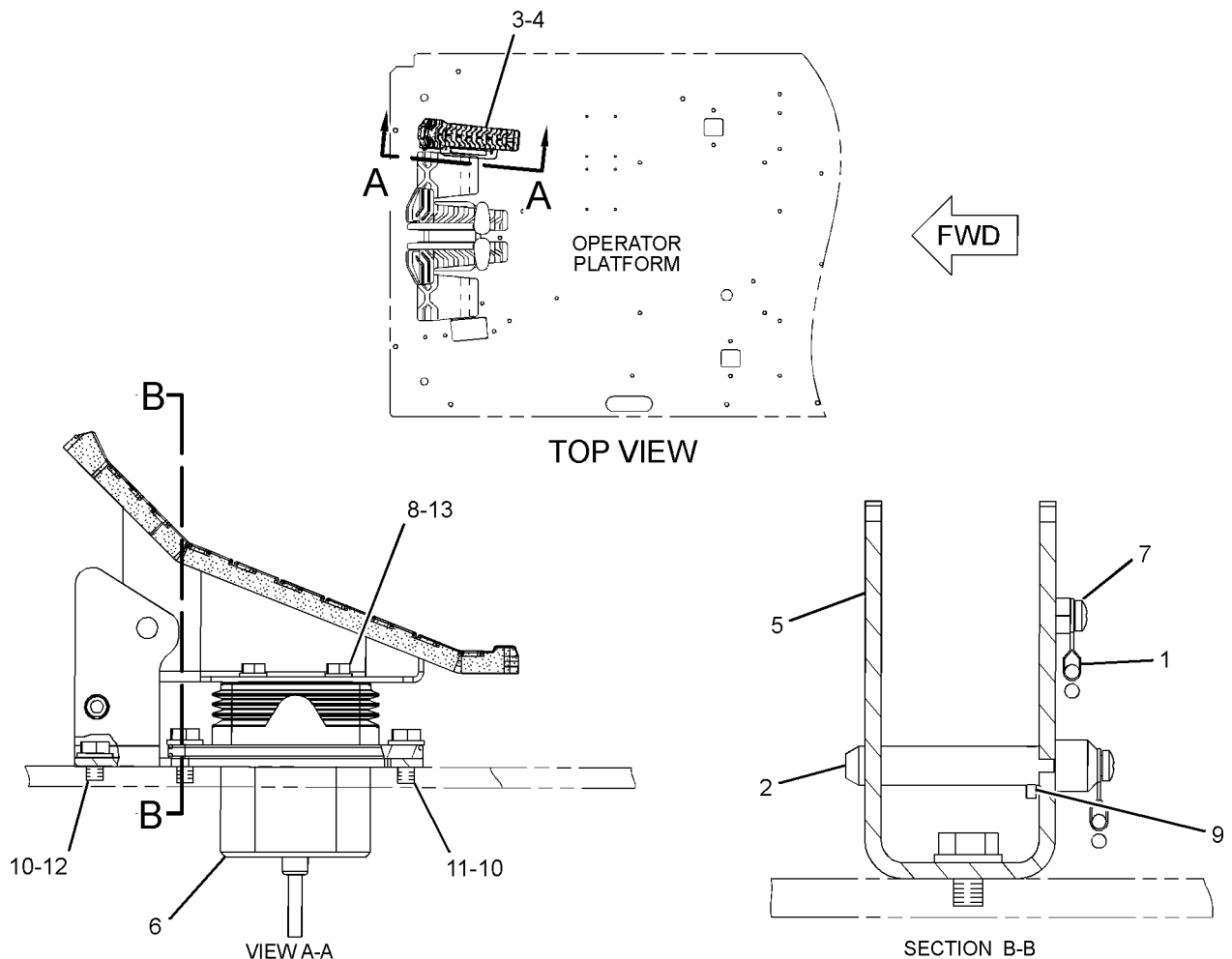
S/N: PAS1-UP
PART OF 225-5782 PEDAL AR-THIRD
AN ATTACHMENT

SMCS-5059, 5063

i03150081

NOTE	REF NO	GRAPHIC REF	PART NUMBER	QTY	PART NAME						SEE PAGE
					1	2	3	4	5	6 (PRODUCT LEVEL)	
	1	1	5I-7090	1	CHAIN AS						
	2	1	128-2173	1	PIN						
	3	1	135-2274	1	PEDAL - RUBBER						
	4	1	156-6512	1	PEDAL AS						
	5	1	235-8992	1	SUPPORT AS						
CY	6	1	309-5808	1	CONTROL GP-PEDAL (ELECTRIC)						893
M	7	1	095-0735	2	SCREW-MACHINE (M5X0.8X8-MM)						
M	8	1	7X-2536	2	BOLT (M8X1.25X14-MM)						
	9	1	8T-0114	1	PIN-SPRING						
	10	1	8T-4121	3	WASHER-HARD (11X21X2.5-MM THK)						
M	11	1	8T-4136	2	BOLT (M10X1.5X25-MM)						
M	12	1	8T-4191	1	BOLT (M10X1.5X16-MM)						
	13	1	8T-4224	2	WASHER-HARD (8.8X16X2-MM THK)						

C-CHANGE FROM PREVIOUS TYPE
M-METRIC PART
Y-SEPARATE ILLUSTRATION



GRAPHIC #1

<END>

g01621179

OPERATOR STATION

247-5275 CONTROL GP-PEDAL-TRAVEL

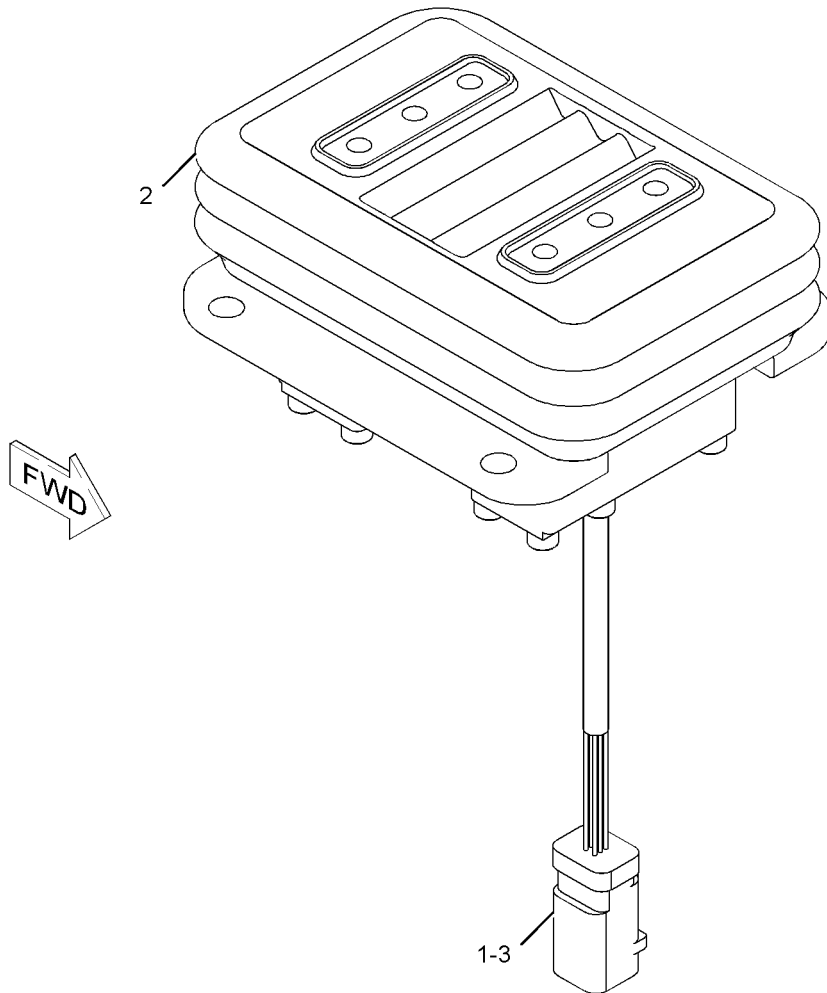
S/N: PAS1-UP

PART OF 221-8819 CONTROL & MTG GP-PEDAL

SMCS-1435, 5702

i02628749

NOTE	REF NO	GRAPHIC REF	PART NUMBER	QTY	PART NAME						SEE PAGE
					1	2	3	4	5	6 (PRODUCT LEVEL)	
	1	1	126-1767	6	PIN-CONNECTOR (14-GA)						
	2	1	227-7571	1	BOOT						
	3	1	247-2693	1	RECEPTACLE AS-CONNECTOR (6-PIN)						



GRAPHIC #1

<END>

g01123856

OPERATOR STATION

309-5808 CONTROL GP-PEDAL-ELECTRIC

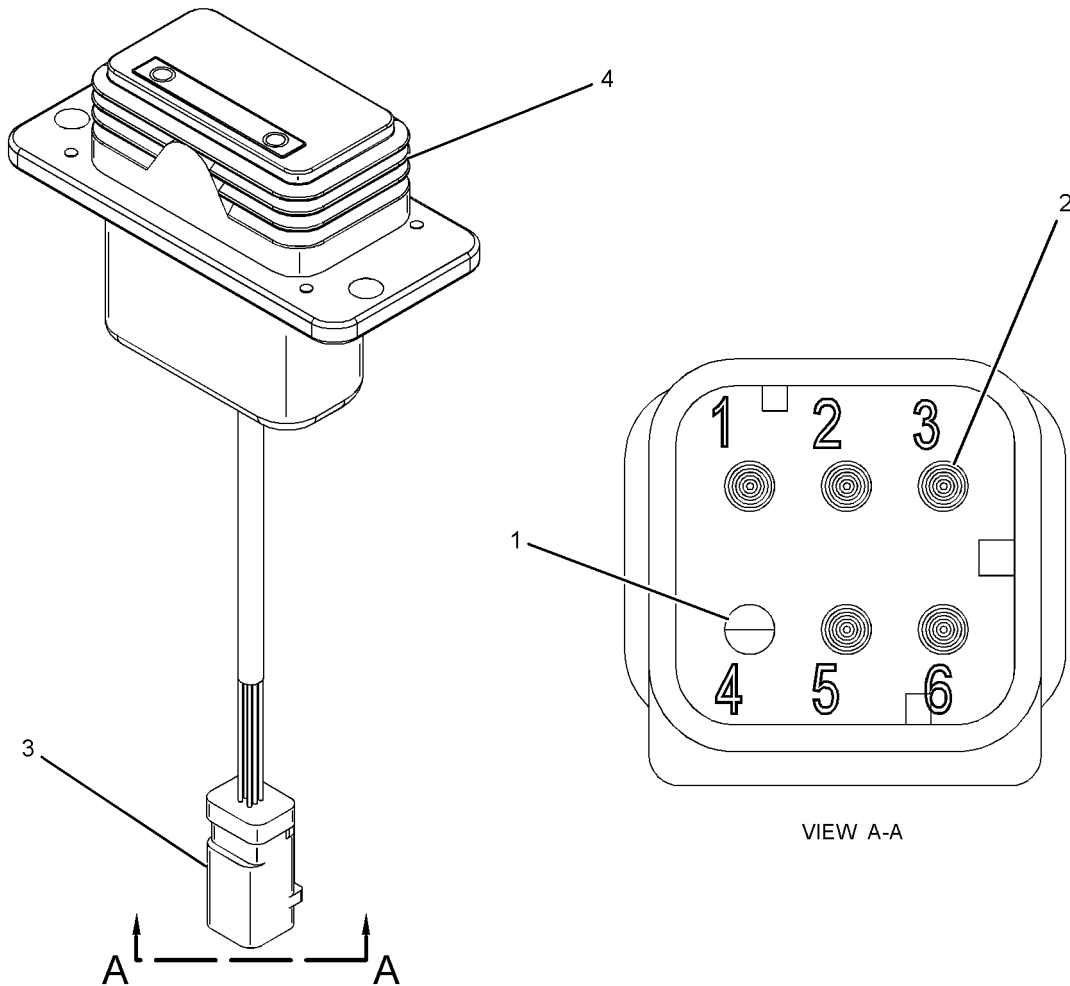
S/N: PAS1-UP

PART OF 221-8884, 221-8885 CONTROL & MTG GP-PEDAL, 225-5783 CONTROL
GP-HYDRAULIC PEDAL
AN ATTACHMENT

SMCS-1435, 5702

i02981742

NOTE	REF NO	GRAPHIC REF	PART NUMBER	QTY	PART NAME						SEE PAGE
					1	2	3	4	5	6 (PRODUCT LEVEL)	
	1	1	8T-8737	1	PLUG-SEAL						
	2	1	9X-3401	5	PIN-CONNECTOR (16-GA TO 18-GA)						
					-OR-						
		1	126-1767	5	PIN-CONNECTOR (14-GA)						
	3	1	247-2693	1	RECEPTACLE AS-CONNECTOR (6-PIN)						
	4	1	247-5112	1	BOOT						



GRAPHIC #1

<END>

g01219365

OPERATOR STATION

235-8899 CONTROL GP-TRAVEL-LEVERS, PEDALS

S/N: PAS1-UP

PART OF 342-3451 OPERATOR AR

SMCS-546S, 5910

i02497561

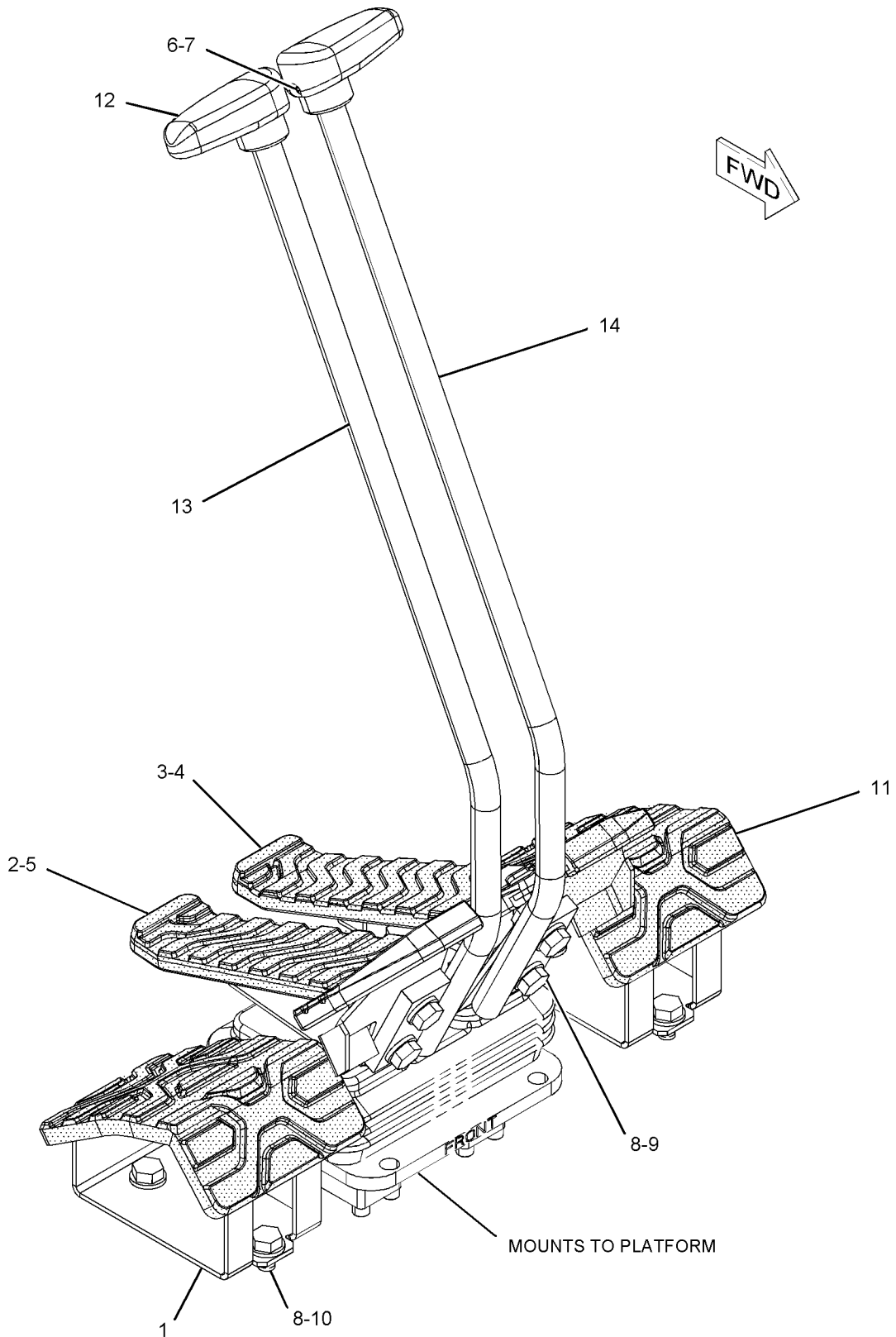
NOTE	REF NO	GRAPHIC REF	PART NUMBER	QTY	PART NAME						SEE PAGE
					1	2	3	4	5	6 (PRODUCT LEVEL)	
	1	1	117-6356	2	STEP AS						
	2	1	122-9608	1	PEDAL - RUBBER						
	3	1	122-9609	1	PEDAL - RUBBER						
	4	1	235-8975	1	PEDAL AS						
	5	1	235-8976	1	PEDAL AS						
M	6	1	095-0728	2	SCREW-MACHINE (M4X0.7X12-MM)						
	7	1	096-6166	2	WASHER-HARD (4.5X9X1-MM THK)						
	8	1	8T-4121	12	WASHER-HARD (11X21X2.5-MM THK)						
M	9	1	8T-4136	4	BOLT (M10X1.5X25-MM)						
M	10	1	8T-4191	8	BOLT (M10X1.5X16-MM)						
	11	1	122-9610	2	STEP						
	12	1	142-5546	2	KNOB						
	13	1	170-9498	1	LEVER AS (RH)						
	14	1	170-9499	1	LEVER AS (LH)						

M-METRIC PART

OPERATOR STATION

235-8899 CONTROL GP-TRAVEL (contd.)

i02497561



GRAPHIC #1

<END>

g01072272

OPERATOR STATION

234-6501 COVER GP-CAB-REAR

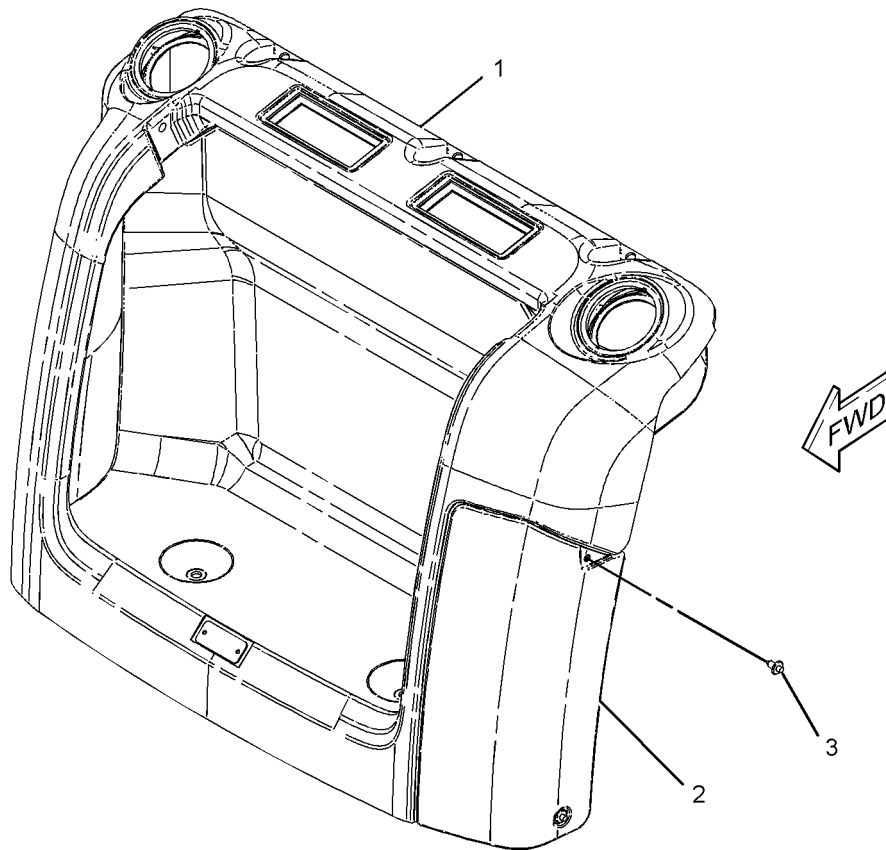
S/N: PAS1-UP

PART OF 225-5765 MOUNTING GP-CAB

SMCS-7301, 7308

i03711500

NOTE	REF NO	GRAPHIC REF	PART NUMBER	QTY	PART NAME						SEE PAGE
					1	2	3	4	5	6 (PRODUCT LEVEL)	
1	1	1	234-6499	1	COVER AS						
2	1	1	234-6502	1	COVER-ACCESS (FUSE-REAR PANEL)						
3	1	1	234-6593	2	FASTENER (USE WITH COVER WITH A 9-MM DIAMETER UPPER MOUNTING HOLE)						
					-OR-						
			245-7929	2	CLIP (USE WITH COVER WITH A 7.6-MM DIAMETER UPPER MOUNTING HOLE)						



GRAPHIC #1

<END>

g01998793

OPERATOR STATION

308-7024 COVER GP-CAB-INTERIOR, FRONT

S/N: PAS1-UP

PART OF 308-7020, 308-7021, 308-7022 CAB AR
AN ATTACHMENT

SMCS-7301, 7308

i02896253

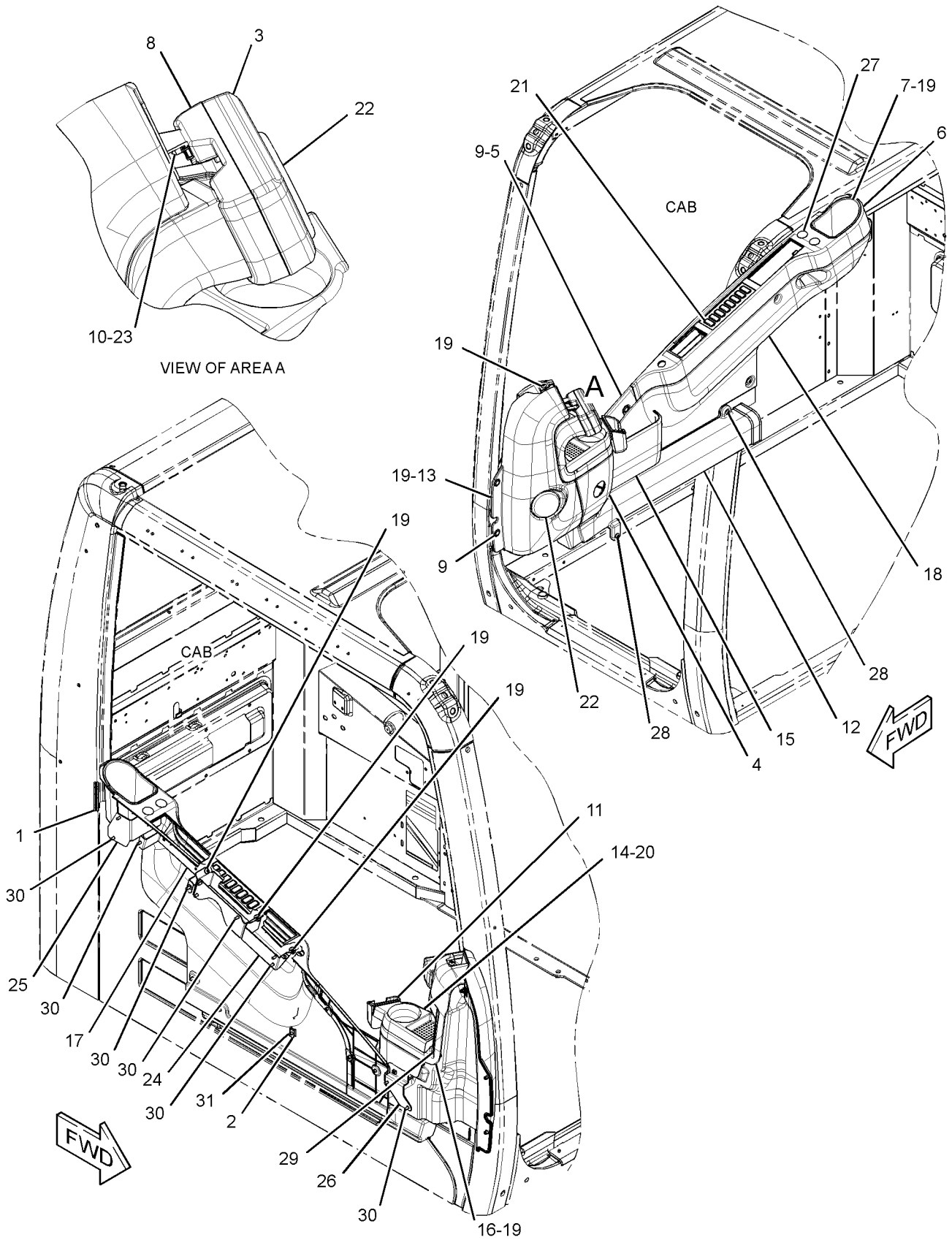
NOTE	REF NO	GRAPHIC REF	PART NUMBER	QTY	PART NAME						SEE PAGE
					1	2	3	4	5	6 (PRODUCT LEVEL)	
	1	1	2S-1647	1	GROMMET						
	2	1	139-6039	1	NUT (U-TYPE RETAINER)						
	3	1	234-6470	1	COVER-MONITOR						
	4	1	234-6471	1	COVER-DUCT						
	5	1	234-6473	1	COVER-FRONT (UPPER, RH)						
	6	1	234-6474	1	COVER (UPPER, RH)						
	7	1	234-6490	1	CUP						
	8	1	234-6497	1	COVER						
	9	1	234-6498	5	RIVET						
	10	1	234-6579	2	NUT-SPEED						
	11	1	253-6915	1	INSERT						
	12	1	282-0045	1	DUCT						
	13	1	282-7758	1	COVER AS						
		1	259-7353	4	CLIP						
	14	1	290-0332	1	CASE						
	15	1	290-0373	1	CASE						
	16	1	302-0455	1	COVER GP-CONSOLE						
		1	234-6469	1	COVER						
		1	234-6521	1	COVER						
	17	1	305-0333	1	BRACKET						
	18	1	306-3970	1	COVER						
M	19	1	128-2135	7	SCREW-TRUSS HEAD (M6X1X13-MM)						
M	20	1	151-6282	1	BOLT-SOCKET HEAD (M6X1X40-MM)						
	21	1	164-0655	1	PANEL-SWITCH (OPERATOR CONSOLE)						
	22	1	164-8474	2	LOUVER AS-VENT						
M	23	1	171-7325	2	SCREW-TAPPING (M5X0.8-THD)						
	24	1	234-6480	1	BRACKET AS						
	25	1	234-6483	1	BRACKET AS						
	26	1	234-6485	1	BRACKET AS						
	27	1	235-8923	2	CAP						
M	28	1	3E-8020	2	SCREW-TRUSS HEAD (M6X1X25-MM)						
	29	1	8Y-6352	1	LOUVER AS						
M	30	1	9X-2042	13	SCREW-TRUSS HEAD (M6X1X12-MM)						
M	31	1	9X-2045	1	SCREW-TRUSS HEAD (M6X1X20-MM)						

M-METRIC PART

OPERATOR STATION

308-7024 COVER GP-CAB (contd.)

i02896253



GRAPHIC #1

<END>

g01526830

OPERATOR STATION

356-0658 COVER GP-CAB-EXTERIOR, LH

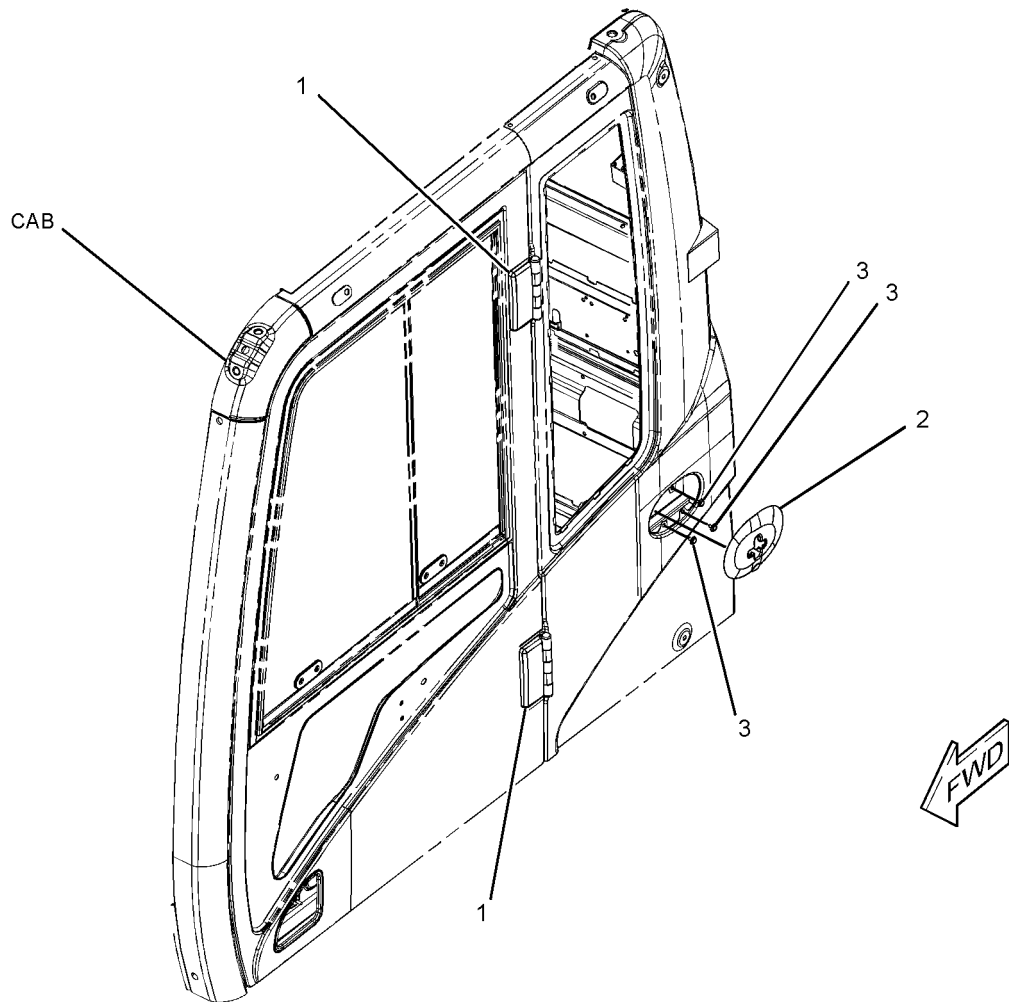
S/N: PAS1-UP

PART OF 342-3451 OPERATOR AR

SMCS-7301, 7308

i03872144

NOTE	REF NO	GRAPHIC REF	PART NUMBER	QTY	PART NAME						SEE PAGE
					1	2	3	4	5	6 (PRODUCT LEVEL)	
	1	1	156-6643	2	COVER						
	2	1	315-5313	1	COVER						
	3	1	4I-4392	3	CLIP						



GRAPHIC #1

<END>

g02134857

OPERATOR STATION

234-6500 COVER GP-STORAGE-CAB, REAR

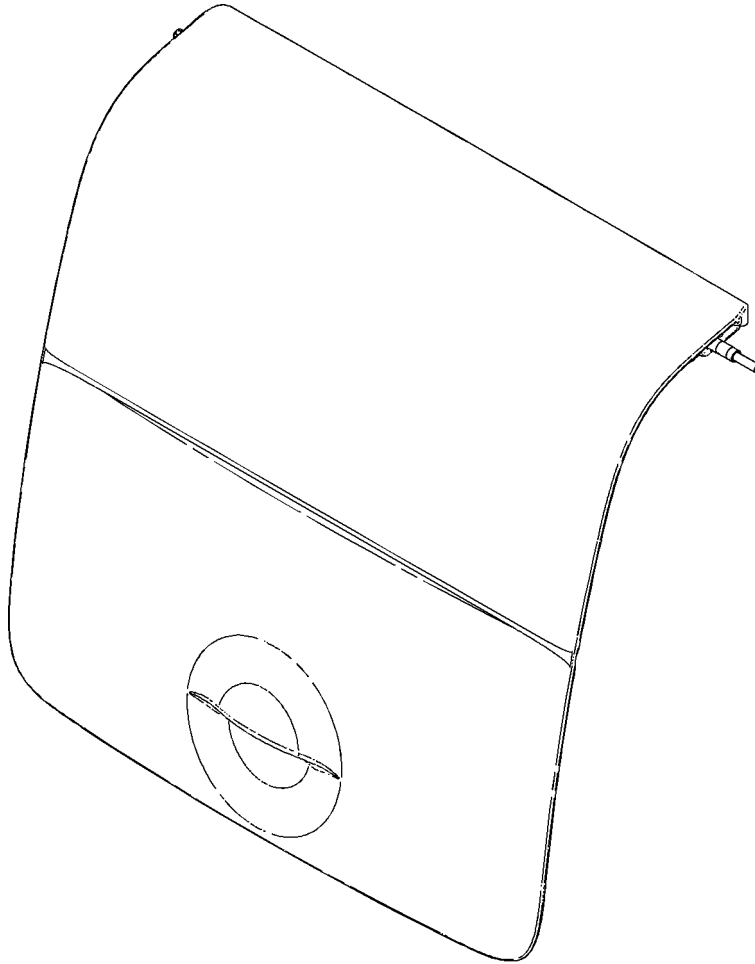
S/N: PAS1-UP

PART OF 340-4002, 340-4003, 340-4004 OPTION AR-CAB
AN ATTACHMENT

SMCS-7268

i02108928

NOTE	REF NO	GRAPHIC REF	PART NUMBER	QTY	PART NAME						SEE PAGE
					1	2	3	4	5	6 (PRODUCT LEVEL)	
(NO SERVICED PARTS)											



GRAPHIC #1

<END>

g01092876

OPERATOR STATION

189-2768 DOOR & MTG GP-CAB

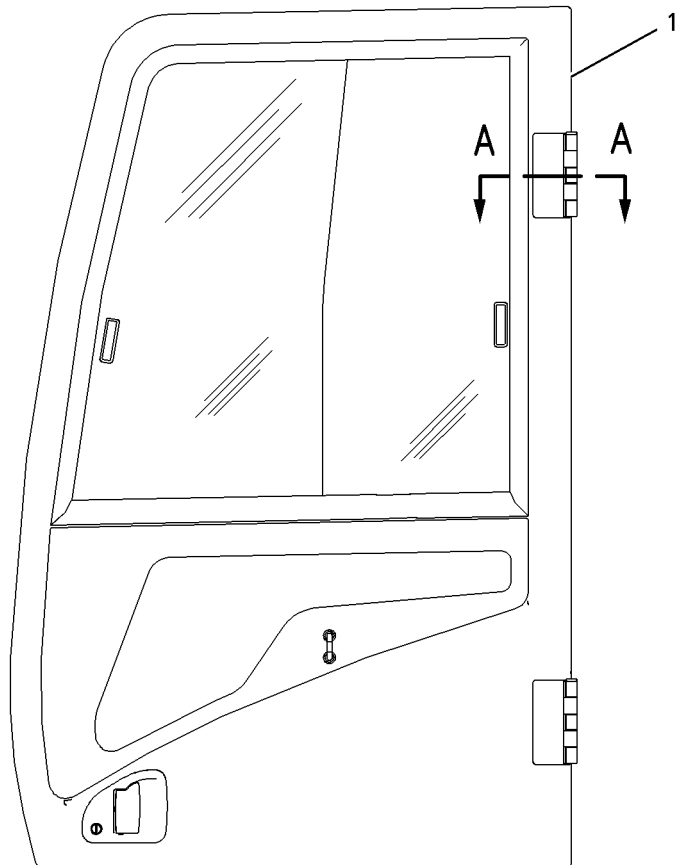
S/N: PAS1-UP
PART OF 308-7020 CAB AR
AN ATTACHMENT

SMCS-7308

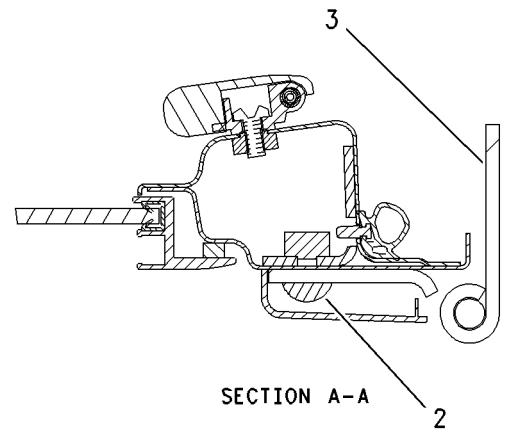
i01898152

NOTE	REF NO	GRAPHIC REF	PART NUMBER	QTY	PART NAME						SEE PAGE
					1	2	3	4	5	6 (PRODUCT LEVEL)	
Y	1	1	139-7100	1	DOOR GP-CAB						902
M	2	1	9X-2041	6	SCREW-TRUSS HEAD (M10X1.5X20-MM)						
	3	1	151-6777	2	HINGE						

M-METRIC PART
Y-SEPARATE ILLUSTRATION



RIGHT SIDE VIEW



SECTION A-A

GRAPHIC #1

<END>

g00987645

OPERATOR STATION

139-7100 DOOR GP-CAB

S/N: PAS1-UP

PART OF 189-2768 DOOR & MTG GP-CAB
AN ATTACHMENT

SMCS-7308

i03478305

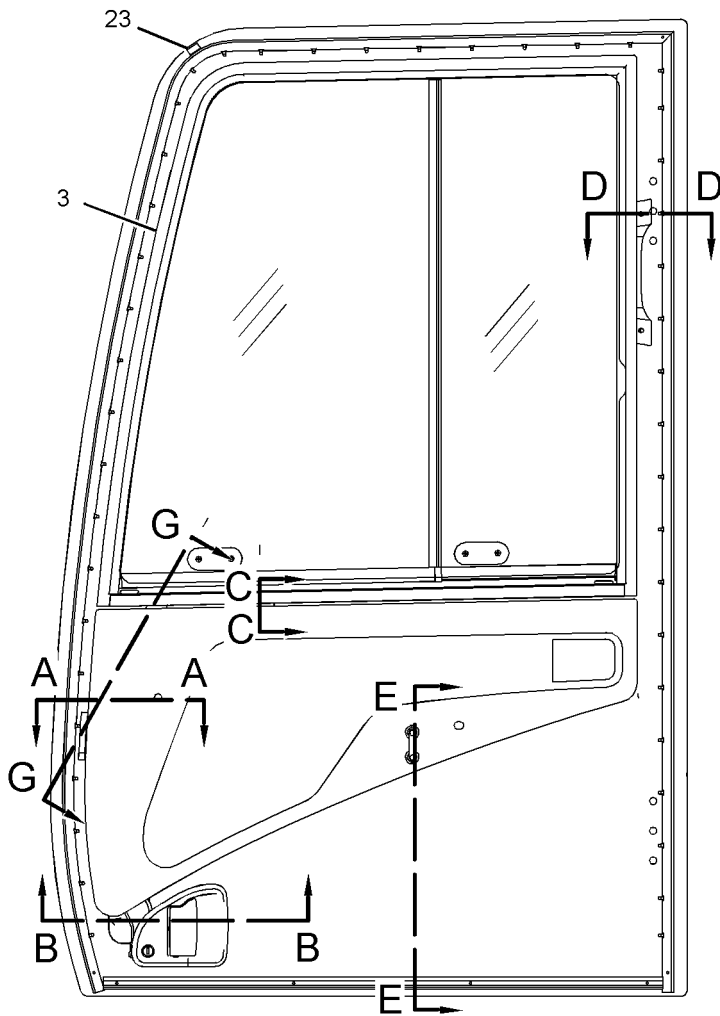
NOTE	REF NO	GRAPHIC REF	PART NUMBER	QTY	PART NAME						SEE PAGE
					1	2	3	4	5	6 (PRODUCT LEVEL)	
	1	1	327-6579	1	HANDLE - PULL						
CY	3	1	286-8861	1	WINDOW GP-DOOR (GLASS)						981
	4	2	156-6471	1	GLASS						
	5	2	156-6598	1	HOOK						
	6	1	156-6600	1	LOCK AS						
		1	164-0514	1	CLIP						
		1	164-0519	1	CLIP						
	7	1	156-6645	1	HANDLE AS						
		1	201-4391	1	CLIP						
J	8	2	161-3639	1	HANDLE AS						
	9	2	161-3650	1	COVER AS						
	10	1	161-3663	1	SEAL AS						
		1	151-9497	45	CLIP						
	11	2	161-3665	1	SEAL						
	12	1	161-3699	1	COVER						
	13	2	164-0515	1	JOINT						
	14	2	167-7039	1	GROMMET						
M	15	1	119-8338	4	SCREW (M6X1X20-MM)						
M	16	1	5C-7423	3	SCREW (M6X1X16-MM)						
	17	2	8T-4224	6	WASHER-HARD (8.8X16X2-MM THK)						
M	18	1,2	9X-2042	10	SCREW-TRUSS HEAD (M6X1X12-MM)						
	19	1	189-2690	1	HANDLE						
	20	2	220-4080	2	SCREW						
	21	2	4I-4286	1	KNOB						
M	22	2	5C-7261	2	NUT (M8X1.25-THD)						
	23	1	315-8672	1	BUMPER						

C-CHANGE FROM PREVIOUS TYPE
J-REQUIRES CORPORATE KEY
M-METRIC PART
Y-SEPARATE ILLUSTRATION

OPERATOR STATION

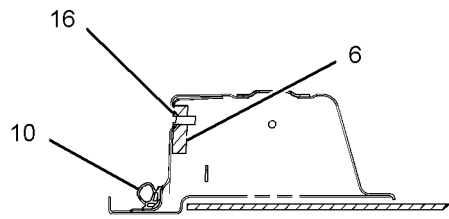
139-7100 DOOR GP-CAB (contd.)

i03478305

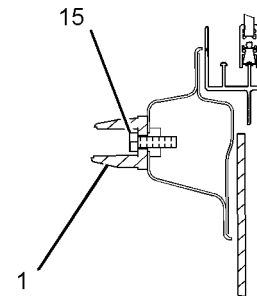


LEFT SIDE VIEW

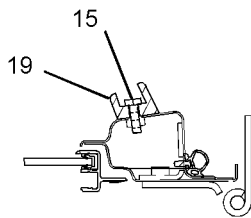
REFER TO ALL ILLUSTRATIONS OF THIS GROUP FOR AUXILIARY VIEWS



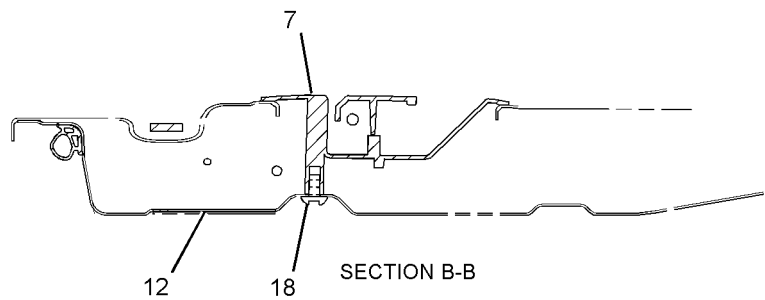
SECTION A-A



SECTION C-C



SECTION D-D



SECTION B-B

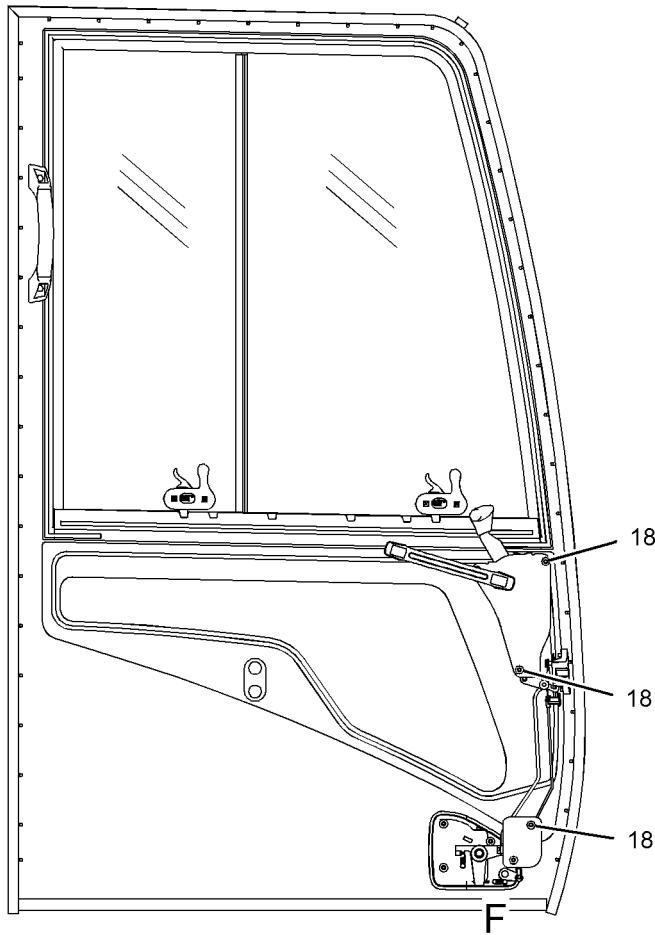
GRAPHIC #1

g01742733

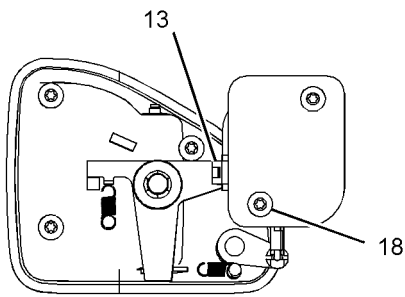
OPERATOR STATION

139-7100 DOOR GP-CAB (contd.)

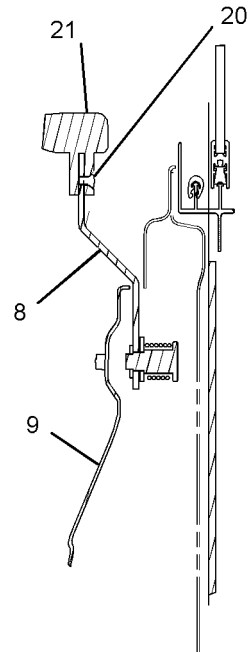
i03478305



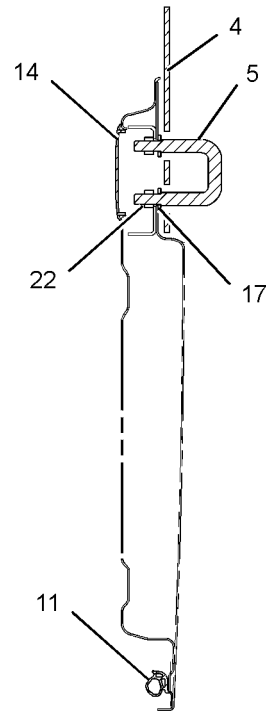
RIGHT SIDE VIEW



VIEW OF AREA F



SECTION G-G



SECTION E-E

OPERATOR STATION

176-1964 DOOR GP-CAB

S/N: PAS1-UP

PART OF 189-2793 DOOR GP-CAB
AN ATTACHMENT

SMCS-7308

i03434842

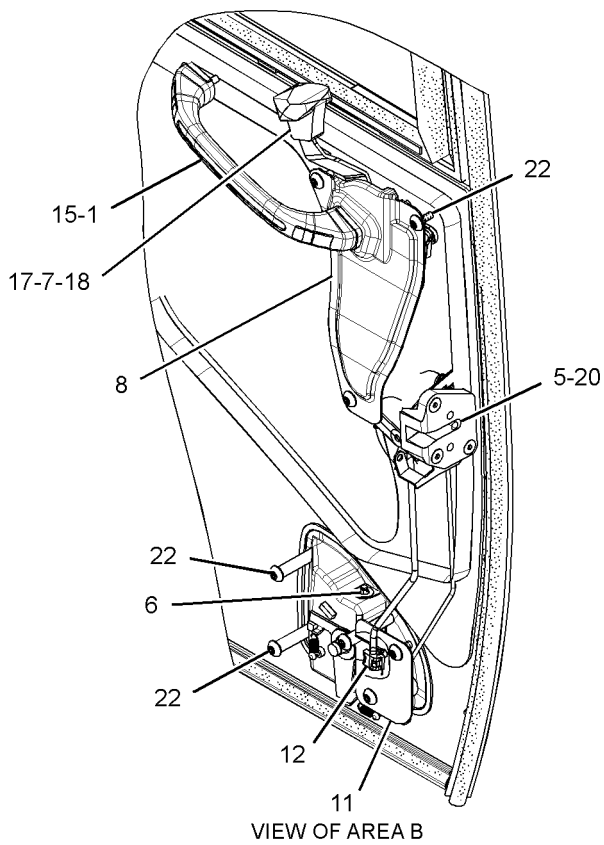
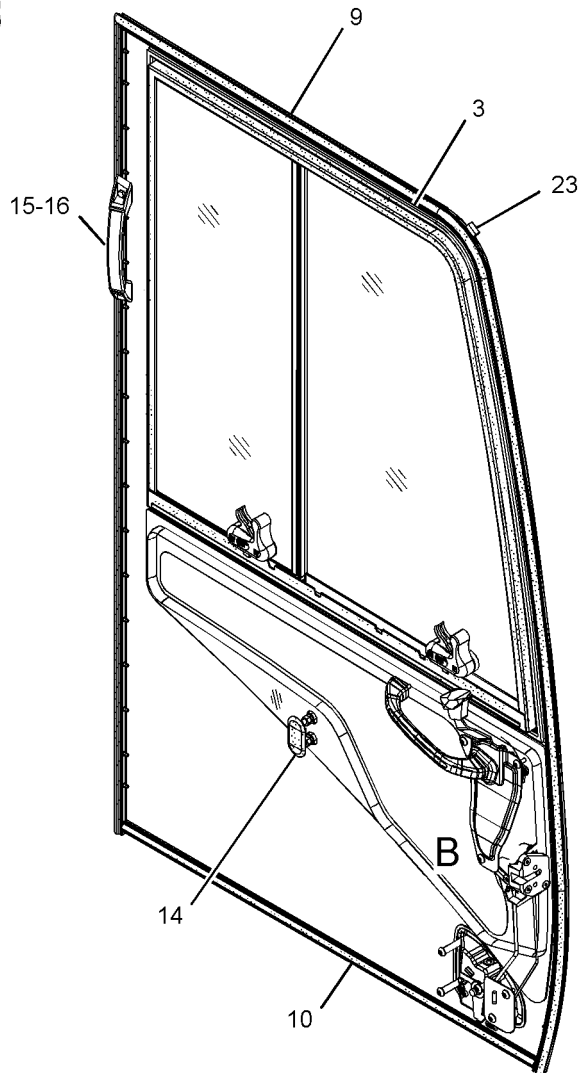
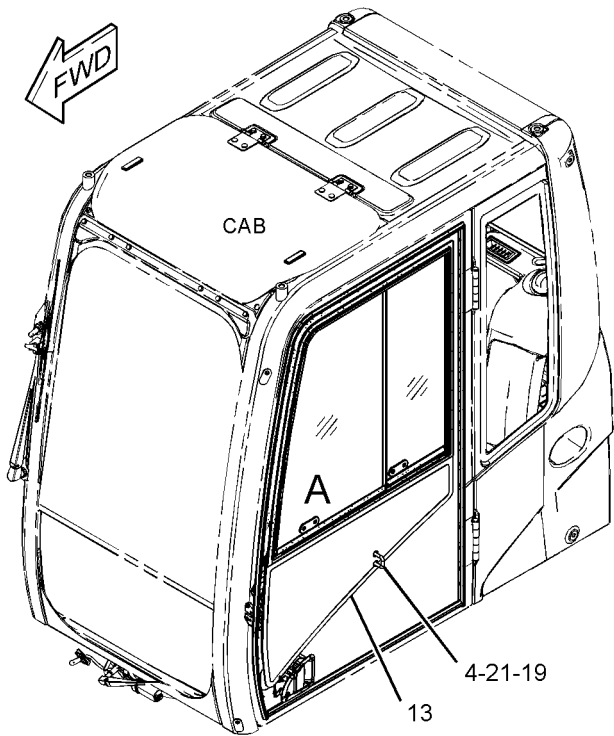
NOTE	REF NO	GRAPHIC REF	PART NUMBER	QTY	PART NAME						SEE PAGE
					1	2	3	4	5	6 (PRODUCT LEVEL)	
C	1	1	327-6579	1	HANDLE - PULL						
Y	3	1	286-8861	1	WINDOW GP-DOOR (GLASS)						981
	4	1	156-6598	1	HOOK						
J	5	1	156-6600	1	LOCK AS						
		1	164-0514	1	CLIP						
		1	164-0519	1	CLIP						
	6	1	156-6645	1	HANDLE AS						
		1	201-4391	1	CLIP						
	7	1	161-3639	1	HANDLE AS						
	8	1	161-3650	1	COVER AS						
	9	1	161-3663	1	SEAL AS						
		1	151-9497	45	CLIP						
	10	1	161-3665	1	SEAL						
	11	1	161-3699	1	COVER						
	12	1	164-0515	1	JOINT						
	13	1	156-6471	1	GLASS						
	14	1	167-7039	1	GROMMET						
M	15	1	119-8338	4	SCREW (M6X1X20-MM)						
	16	1	189-2690	1	HANDLE						
	17	1	220-4080	2	SCREW						
	18	1	4I-4286	1	KNOB						
M	19	1	5C-7261	2	NUT (M8X1.25-THD)						
M	20	1	5C-7423	3	SCREW (M6X1X16-MM)						
	21	1	9M-1974	6	WASHER-HARD (8.8X16X2-MM THK)						
M	22	1	9X-2044	10	SCREW-TRUSS HEAD (M6X1X16-MM)						
	23	1	315-8672	1	BUMPER						

C-CHANGE FROM PREVIOUS TYPE
J-REQUIRES CORPORATE KEY
M-METRIC PART
Y-SEPARATE ILLUSTRATION

OPERATOR STATION

176-1964 DOOR GP-CAB (contd.)

i03434842



VIEW OF AREA A



GRAPHIC #1

<END>

g01742735

OPERATOR STATION

189-2793 DOOR GP-CAB

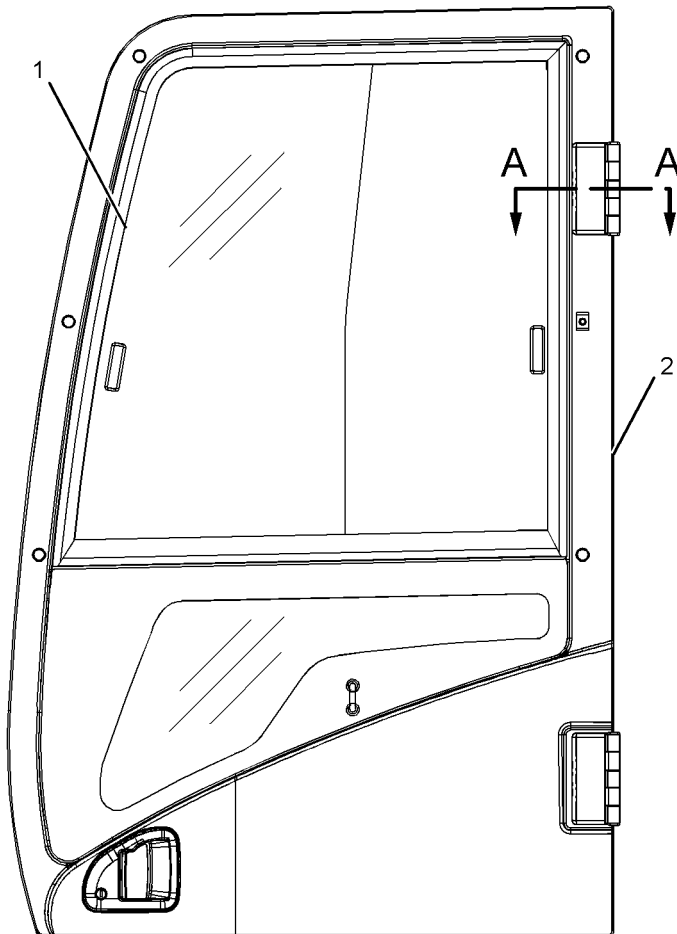
S/N: PAS1-UP
PART OF 308-7021, 308-7022 CAB AR
AN ATTACHMENT

SMCS-7308

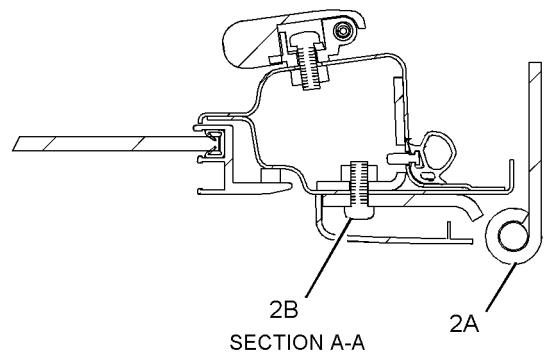
i02518082

NOTE	REF NO	GRAPHIC REF	PART NUMBER	QTY	PART NAME						SEE PAGE
					1	2	3	4	5	6 (PRODUCT LEVEL)	
Y	1	1	176-1964	1	DOOR GP-CAB						905
	2	1	189-2796	1	DOOR AS						
	2A	1	151-6777	2	HINGE						
M	2B	1	9X-2041	6	SCREW-TRUSS HEAD (M10X1.5X20-MM)						

M-METRIC PART
Y-SEPARATE ILLUSTRATION



LEFT SIDE VIEW



SECTION A-A

GRAPHIC #1

<END>

g01121662

OPERATOR STATION

229-9082 DUCT GP-CAB AIR

S/N: PAS1-UP

PART OF 229-9079 AIR CONDITIONER AR
AN ATTACHMENT

SMCS-734D

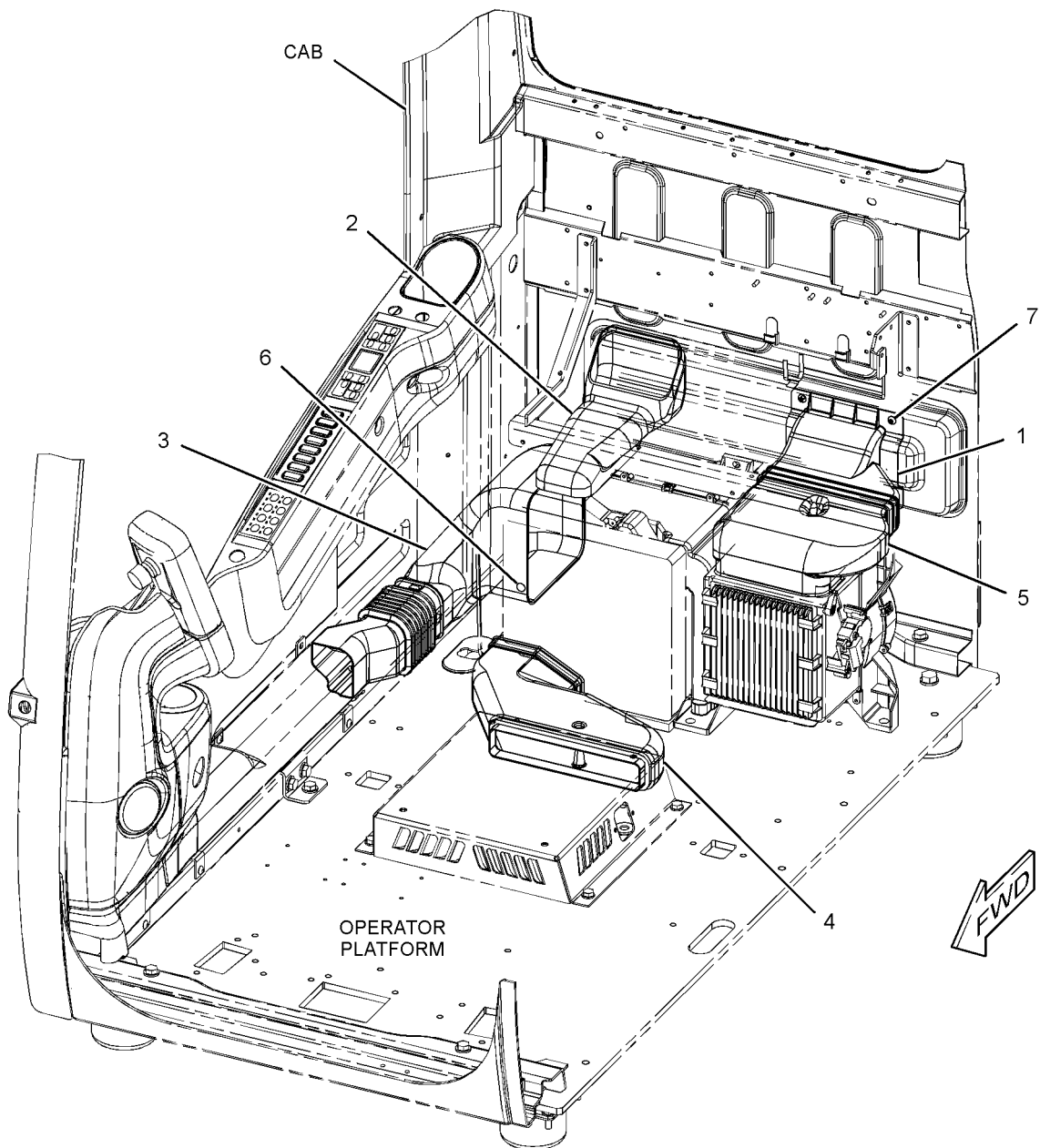
i02623568

NOTE	REF NO	GRAPHIC REF	PART NUMBER	QTY	PART NAME						SEE PAGE
					1	2	3	4	5	6 (PRODUCT LEVEL)	
	1	1	235-8876	1	DUCT AS (FRESH AIR, UPPER)						
		1	245-7872	1	INSULATOR						
	2	1	235-8877	1	DUCT AS (VENT, REAR)						
		1	245-7792	1	INSULATOR						
	3	1	235-8878	1	DUCT AS (VENT, FRONT)						
		1	245-7793	1	INSULATOR						
	4	1	235-8879	1	DUCT AS (FLOOR)						
		1	245-7873	1	INSULATOR						
	5	1	240-5074	1	DUCT AS (FRESH AIR, LOWER)						
		1	245-7791	1	INSULATOR						
	6	1	176-1996	3	CLIP						
M	7	1	9X-2044	4	SCREW-TRUSS HEAD (M6X1X16-MM)						
M-METRIC PART											

OPERATOR STATION

229-9082 DUCT GP-CAB AIR (contd.)

i02623568



GRAPHIC #1

<END>

g01204249

OPERATOR STATION

273-5358 FLOOR MAT GP-ACCUGRADE READY

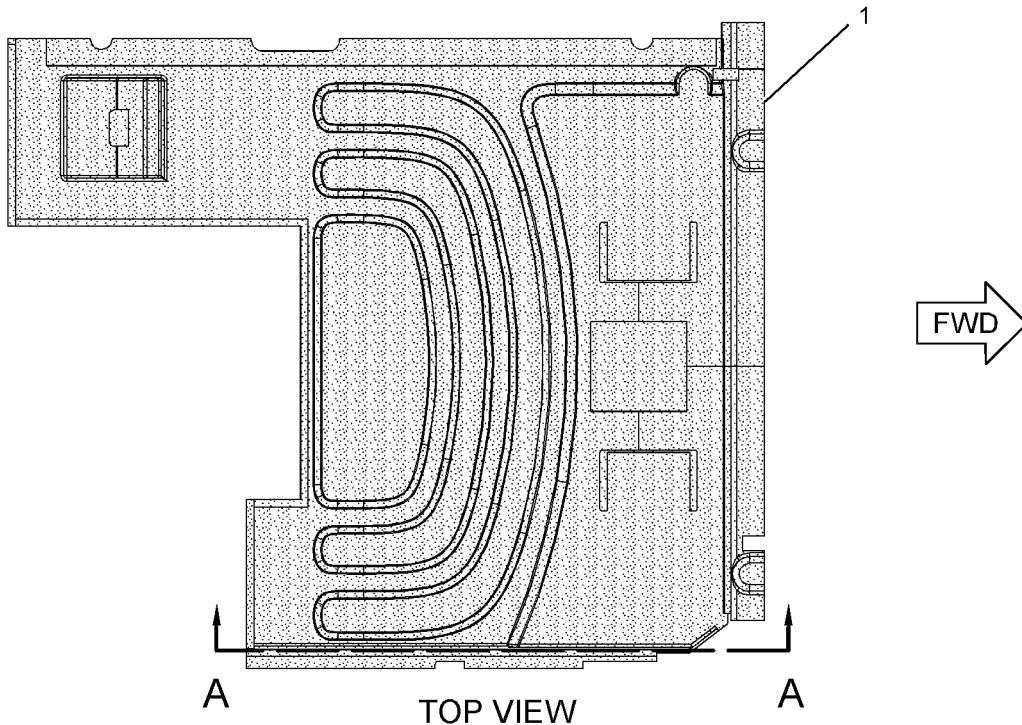
S/N: PAS1-UP

PART OF 319-9126 CAMERA AR, 319-9260 SPECIAL AR
AN ATTACHMENT

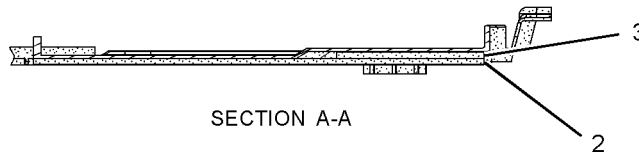
SMCS-7265, 726M

i03861249

NOTE	REF NO	GRAPHIC REF	PART NUMBER	QTY	PART NAME						SEE PAGE
					1	2	3	4	5	6 (PRODUCT LEVEL)	
1	1	1	273-5333	1	FLOOR MAT						
2	1	1	273-5359	1	PLATE-RUBBER						
3	1	1	273-5360	1	PLATE-RUBBER						



TOP VIEW



SECTION A-A

GRAPHIC #1

<END>

g01235480

OPERATOR STATION

249-7109 GUARD AR-OVERHEAD

S/N: PAS1-UP

CANNOT BE USED WITH 249-7107-PAGE 945, 330-3027-PAGE 946, 259-8009-PAGE 912,
250-0712-PAGE 911, 330-3028-PAGE 911, 259-8003-PAGE 916
AN ATTACHMENT

SMCS-7159

i02669553

NOTE	PART NUMBER	QTY	PART NAME						SEE PAGE
			1	2	3	4	5	6 (PRODUCT LEVEL)	
Y	194-3259	1	GUARD GP-OVERHEAD						913
Y	249-7108	1	HANDRAIL GP (CAB)						344
Y	252-1242	1	LIGHTING GP-FLOOD (CAB GUARD)						198
	249-7887	2	SPACER (20.5X38X41-MM THK)						

Y-SEPARATE ILLUSTRATION

<END>

250-0712 GUARD AR-OVERHEAD-WINDOW

S/N: PAS1-UP

CANNOT BE USED WITH 249-7107-PAGE 945, 330-3027-PAGE 946, 259-8009-PAGE 912,
249-7109-PAGE 911, 330-3028-PAGE 911, 259-8003-PAGE 916
AN ATTACHMENT

SMCS-7159

i02109521

NOTE	PART NUMBER	QTY	PART NAME						SEE PAGE
			1	2	3	4	5	6 (PRODUCT LEVEL)	
Y	194-3259	1	GUARD GP-OVERHEAD						913
Y	253-9224	1	GUARD GP-WINDOW						914
Y	252-1242	1	LIGHTING GP-FLOOD (CAB GUARD)						198

Y-SEPARATE ILLUSTRATION

<END>

330-3028 GUARD AR-OVERHEAD

S/N: PAS1-UP

CANNOT BE USED WITH 330-3027-PAGE 946, 249-7107-PAGE 945, 259-8009-PAGE 912,
259-8003 GUARD GP-WINDOW
AN ATTACHMENT

SMCS-7159

i03789989

NOTE	PART NUMBER	QTY	PART NAME						SEE PAGE
			1	2	3	4	5	6 (PRODUCT LEVEL)	
Y	194-3259	1	GUARD GP-OVERHEAD						913
Y	253-9224	1	GUARD GP-WINDOW						914
Y	299-2939	1	LIGHTING GP-FLOOD						200

Y-SEPARATE ILLUSTRATION

<END>

OPERATOR STATION

259-8009 GUARD GP-FRONT WINDOW

S/N: PAS1-UP

CANNOT BE USED WITH 249-7109-PAGE 911, 250-0712-PAGE 911, 249-7107-PAGE 945
AN ATTACHMENT

SMCS-7182, 7315

i02220559

NOTE	PART NUMBER	QTY	PART NAME						SEE PAGE
			1	2	3	4	5	6 (PRODUCT LEVEL)	
Y	259-8003	1	GUARD GP-WINDOW						916
Y	259-8120	1	LIGHTING GP-FLOOD (CAB)						199

Y-SEPARATE ILLUSTRATION

<END>

OPERATOR STATION

194-3259 GUARD GP-OVERHEAD

S/N: PAS1-UP

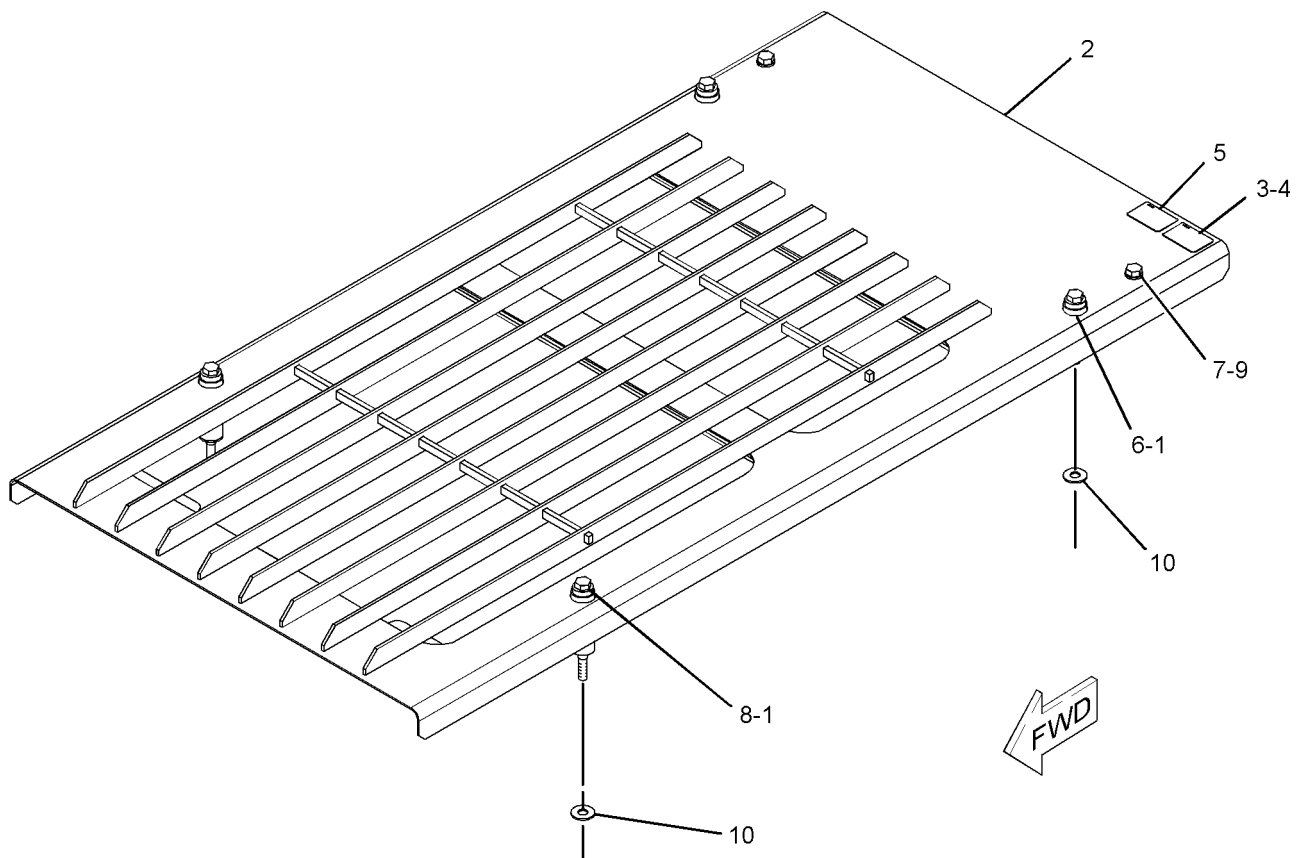
PART OF 249-7109, 250-0712, 330-3028 GUARD AR-OVERHEAD
AN ATTACHMENT

SMCS-7159

i02957719

NOTE	REF NO	GRAPHIC REF	PART NUMBER	QTY	PART NAME						SEE PAGE
					1	2	3	4	5	6 (PRODUCT LEVEL)	
	1	1	6C-8787	4	TUBE						
	2	1	193-2153	1	GUARD AS						
	3	1	227-1086	1	FILM-WARNING (TOP GUARD, READ OMM)						
					-OR-						
	4	1	266-0545	1	FILM-WARNING (TOP GUARD, READ OMM)						
	5	1	219-0305	1	FILM-WARNING (NO WELD, NO DRILL, READ OMM)						
M	6	1	7X-2475	2	BOLT (M16X2X130-MM)						
M	7	1	7X-2552	2	BOLT (M16X2X30-MM)						
M	8	1	7Y-5227	2	BOLT (M16X2X190-MM)						
	9	1	9X-8257	2	WASHER (17.5X30X3.5-MM THK)						
J	10	1	090-8865	3	SPACER (17X40X3-MM THK)						

J-REQUIRED WHEN USED WITH CONTROL AR 303-2723
M-METRIC PART



GRAPHIC #1

<END>

g01526143

OPERATOR STATION

253-9224 GUARD GP-WINDOW

S/N: PAS1-UP

PART OF 250-0712, 330-3028 GUARD AR-OVERHEAD
AN ATTACHMENT

SMCS-7182, 7315

i03532744

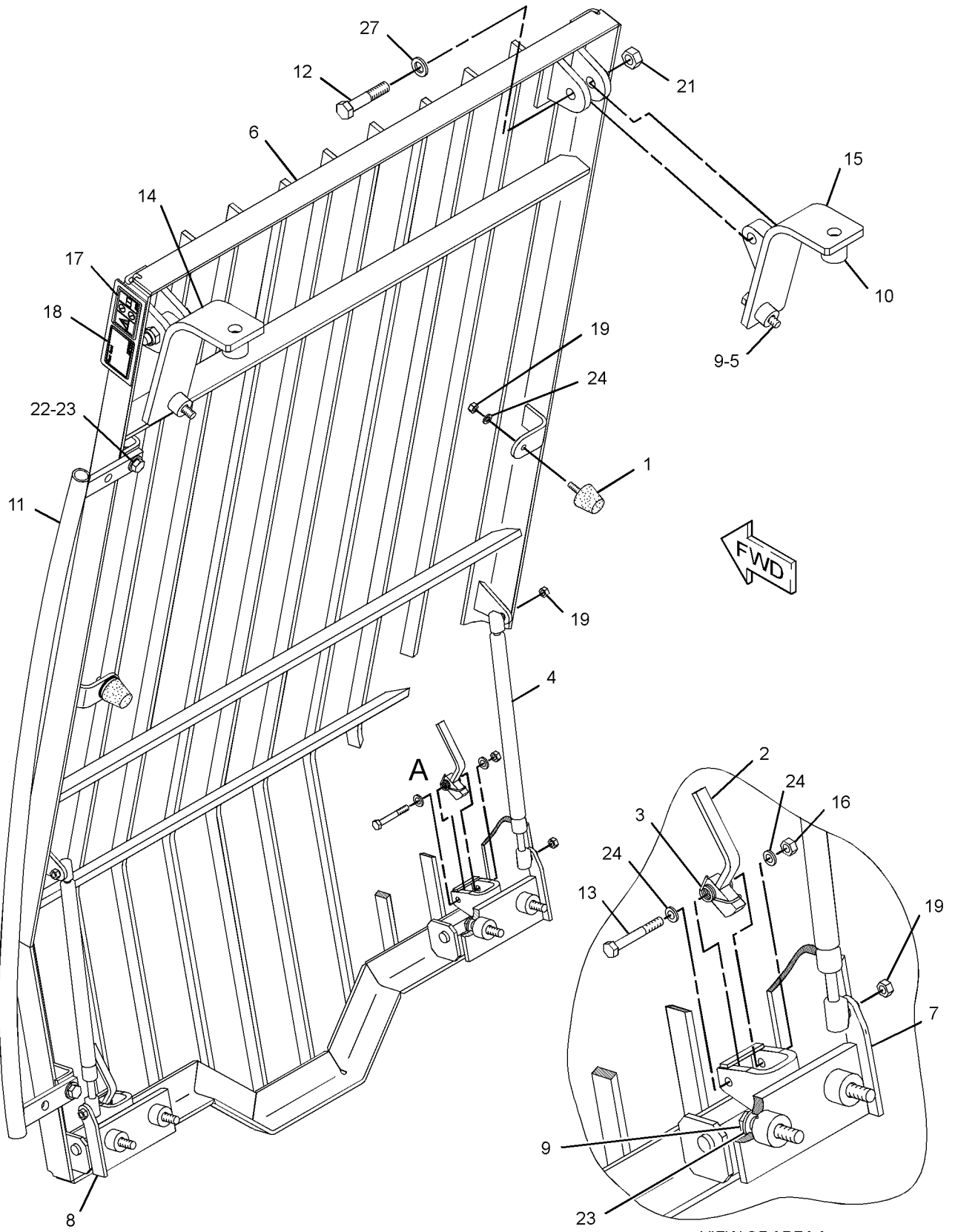
NOTE	REF NO	GRAPHIC REF	PART NUMBER	QTY	PART NAME						SEE PAGE
					1	2	3	4	5	6 (PRODUCT LEVEL)	
	1	1	4E-1384	2	BUMPER-CONICAL						
	2	1	6C-8379	2	LATCH AS						
	3	1	6C-8382	2	SPRING-LATCH						
	4	1	115-1624	2	SPRING AS-GAS						
	5	1	141-6518	2	SPACER (13.5X30X10-MM THK)						
C	6	1	331-9373	1	GUARD AS-WINDOW						
	7	1	191-2752	1	BRACKET AS						
	8	1	191-2753	1	BRACKET AS						
	9	1	191-6243	6	SPACER (13.5X30X20-MM THK) (OUTSIDE NACD)						
M		1	8T-4910	6	BOLT (M12X1.75X60-MM) (OUTSIDE NACD)						
					-OR-						
M		1	8T-4183	6	BOLT (M12X1.75X40-MM) (NACD)						
	10	1	194-0715	2	SPACER (18X38X29-MM THK)						
	11	1	199-3680	1	HANDLE AS						
	12	1	201-4534	2	PIN						
	13	1	201-4535	2	PIN						
	14	1	241-4052	1	SUPPORT AS						
	15	1	241-4053	1	SUPPORT AS						
M	16	1	096-4882	2	LOCKNUT (M8X1.25-THD)						
	17	1	219-0305	1	FILM-WARNING (NO WELD, NO DRILL, READ OMM)						
	18	1	266-0546	1	FILM-WARNING (FRONT GUARD, READ OMM)						
M	19	1	5C-7261	8	NUT (M8X1.25-THD)						
M	21	1	7Y-0623	2	LOCKNUT (M16X2-THD)						
M	22	1	8T-4139	2	BOLT (M12X1.75X30-MM)						
	23	1	8T-4223	6	WASHER-HARD (13.5X25.5X3-MM THK)						
	24	1	8T-4224	6	WASHER-HARD (8.8X16X2-MM THK)						
	27	1	9X-8257	2	WASHER (17.5X30X3.5-MM THK)						

C-CHANGE FROM PREVIOUS TYPE
M-METRIC PART

OPERATOR STATION

253-9224 GUARD GP-WINDOW (contd.)

i03532744



GRAPHIC #1

<END>

g01678433

OPERATOR STATION

259-8003 GUARD GP-WINDOW

S/N: PAS1-UP

PART OF 259-8009 GUARD GP-FRONT WINDOW
AN ATTACHMENT

SMCS-7182, 7315

i03120340

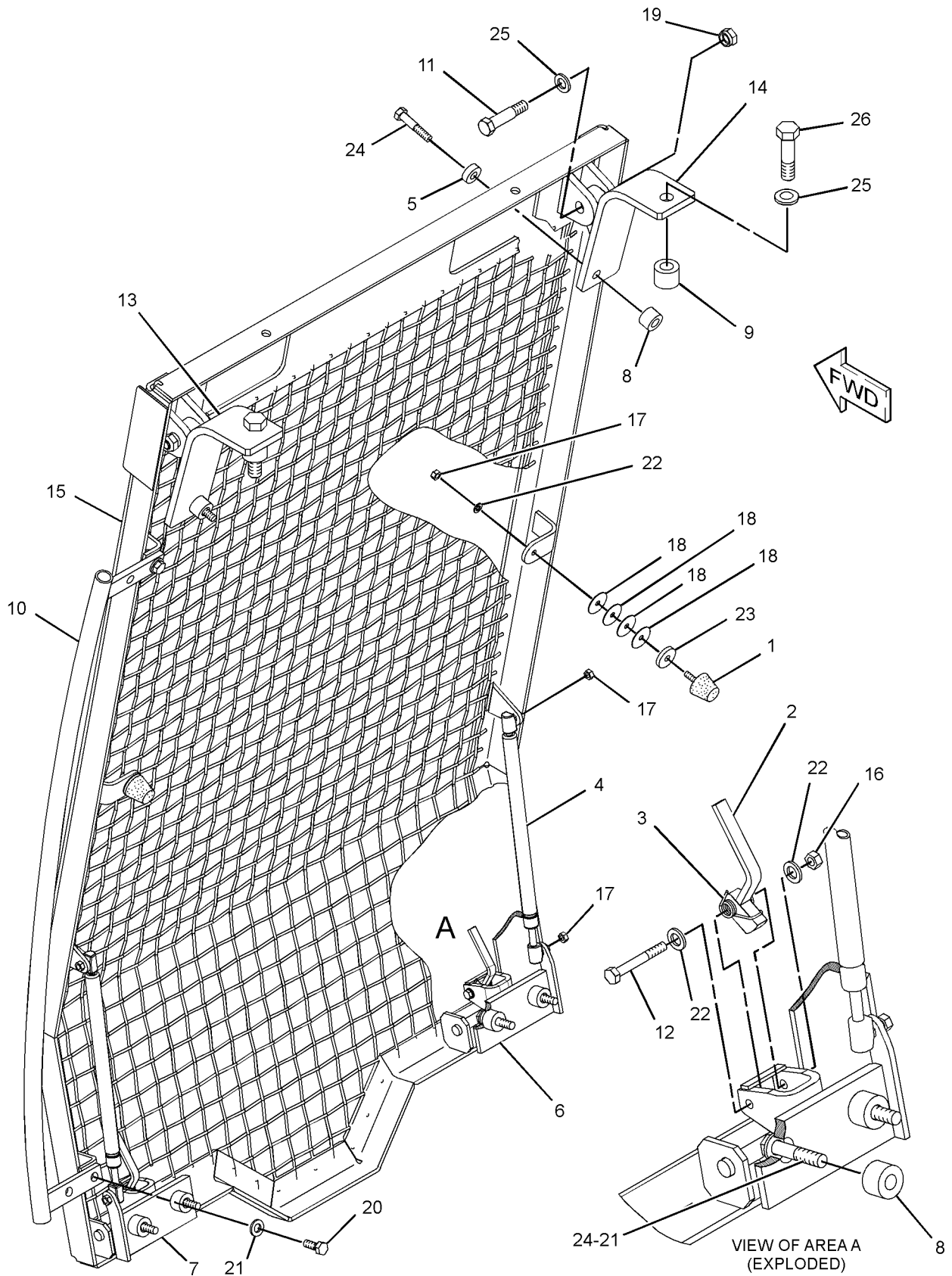
NOTE	REF NO	GRAPHIC REF	PART NUMBER	QTY	PART NAME						SEE PAGE
					1	2	3	4	5	6 (PRODUCT LEVEL)	
	1	1	4E-1384	2	BUMPER-CONICAL						
	2	1	6C-8379	2	LATCH AS						
	3	1	6C-8382	2	SPRING-LATCH						
	4	1	115-1624	2	SPRING AS-GAS						
	5	1	141-6518	2	SPACER (13.5X30X10-MM THK)						
	6	1	191-2752	1	BRACKET AS						
	7	1	191-2753	1	BRACKET AS						
B	8	1	191-6243	6	SPACER (13.5X30X20-MM THK) (OUTSIDE NACD)						
	9	1	194-0715	2	SPACER (18X38X29-MM THK)						
	10	1	199-3680	1	HANDLE AS						
	11	1	201-4534	2	PIN						
	12	1	201-4535	2	PIN						
	13	1	241-4052	1	SUPPORT AS						
	14	1	241-4053	1	SUPPORT AS						
	15	1	332-1454	1	GUARD AS-WINDOW						
M	16	1	096-4882	2	LOCKNUT (M8X1.25-THD)						
M	17	1	5C-7261	6	NUT (M8X1.25-THD)						
B	18	1	6C-4000	8	SHIM (1-MM THK)						
M	19	1	7Y-0623	2	LOCKNUT (M16X2-THD)						
M	20	1	8T-4139	2	BOLT (M12X1.75X30-MM)						
	21	1	8T-4223	6	WASHER-HARD (13.5X25.5X3-MM THK)						
	22	1	8T-4224	6	WASHER-HARD (8.8X16X2-MM THK)						
BC	23	1	8T-4897	2	WASHER (10.2X35X6-MM THK)						
BM	24	1	8T-4910	6	BOLT (M12X1.75X60-MM) (OUTSIDE NACD)						
-OR-											
BCM		1	8T-4183	6	BOLT (M12X1.75X40-MM) (NACD)						
	25	1	9X-8257	4	WASHER (17.5X30X3.5-MM THK)						
M	26	1	118-4977	2	BOLT (M16X2X65-MM)						

B-USE AS REQUIRED
C-CHANGE FROM PREVIOUS TYPE
M-METRIC PART

OPERATOR STATION

259-8003 GUARD GP-WINDOW (contd.)

i03120340



g01378553

OPERATOR STATION

251-0575 HORN GP-ELECTRIC

S/N: PAS1-UP

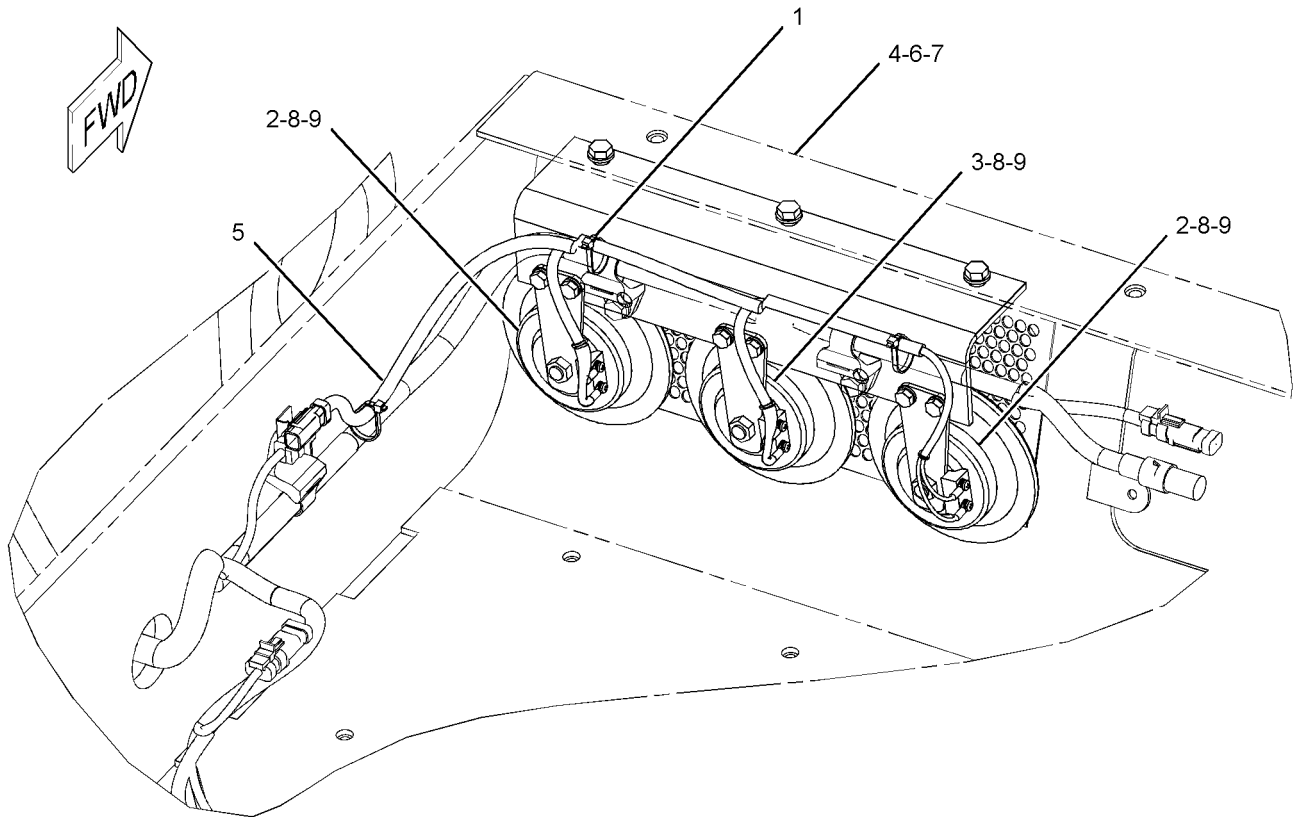
PART OF 294-1232 CHASSIS AR

SMCS-7402

i02371741

NOTE	REF NO	GRAPHIC REF	PART NUMBER	QTY	PART NAME						SEE PAGE
					1	2	3	4	5	6 (PRODUCT LEVEL)	
	1	1	3S-2093	3	STRAP-CABLE						
	2	1	213-0710	2	HORN AS (24-VOLT, LOW TONE)						
					(EACH INCLUDES)						
		1	8H-0878	2	LOCKWASHER						
M		1	8C-7581	2	SCREW-MACHINE (M4X0.7X8-MM)						
		1	8C-9660	2	WASHER (4.6X7.9X0.8-MM THK)						
	3	1	213-0711	1	HORN AS (24-VOLT, HIGH TONE)						
		1	8H-0878	2	LOCKWASHER						
M		1	8C-7581	2	SCREW-MACHINE (M4X0.7X8-MM)						
		1	8C-9660	2	WASHER (4.6X7.9X0.8-MM THK)						
	4	1	224-2940	1	BRACKET AS						
	5	1	251-0576	1	HARNES AS-WIRING (HORN)						
		1	3S-2093	3	STRAP-CABLE						
		1	243-4505	1	RECEPTACLE AS-CONNECTOR (2-PIN)						
	6	1	8T-4121	3	WASHER-HARD (11X21X2.5-MM THK)						
M	7	1	8T-4136	3	BOLT (M10X1.5X25-MM)						
M	8	1	8T-4189	6	BOLT (M8X1.25X20-MM)						
	9	1	8T-4224	6	WASHER-HARD (8.8X16X2-MM THK)						

M-METRIC PART



GRAPHIC #1

<END>

g01120375

OPERATOR STATION

245-7812 HOUSING GP-AIR CONDITIONER-INLET AIR

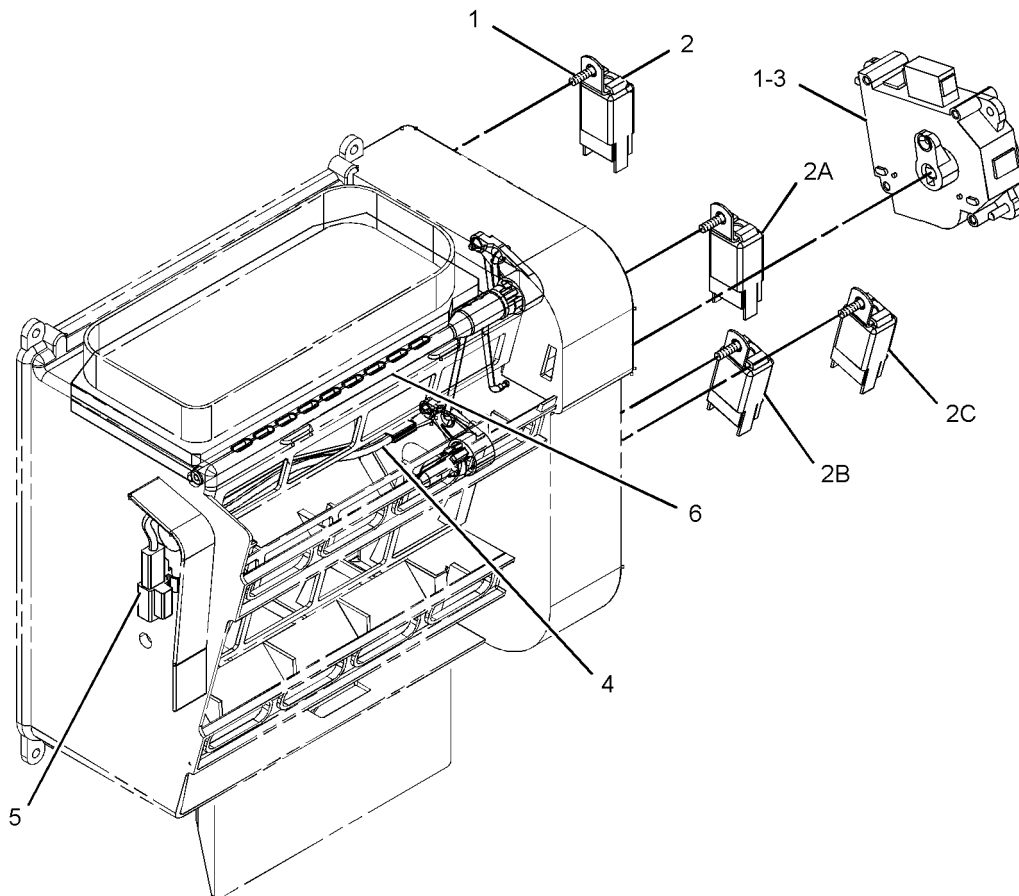
S/N: PAS1-UP

PART OF 316-8917 AIR CONDITIONER GP
AN ATTACHMENT

SMCS-7320

i02503827

NOTE	REF NO	GRAPHIC REF	PART NUMBER	QTY	PART NAME						SEE PAGE
					1	2	3	4	5	6 (PRODUCT LEVEL)	
1	1	1	185-8300	6	SCREW-TAPPING						
2	1	1	196-1666	1	RELAY (COMPRESSOR CLUTCH)						
2A	1	1	196-1666	1	RELAY (BLOWER)						
2B	1	1	196-1666	1	RELAY (CONDENSER)						
2C	1	1	196-1666	1	RELAY (CONDENSER, HIGH)						
3	1	1	245-7813	1	MOTOR AS						
4	1	1	245-7814	1	BRACKET						
5	1	1	245-7815	1	SENSOR AS-TEMPERATURE (AIR)						
6	1	1	245-7816	1	DAMPER AS						



GRAPHIC #1

<END>

g01253121

OPERATOR STATION

303-2632 INSTALLATION AR-RADIO-2-WAY

S/N: PAS1-UP
AN ATTACHMENT

SMCS-1408, 7338

i03666901

NOTE	PART NUMBER	QTY	PART NAME						SEE PAGE
			1	2	3	4	5	6 (PRODUCT LEVEL)	
Y	309-5765	1	MOUNTING GP-ANTENNA (COMMUNICATION RADIO)						936
Y	299-2942	1	WIRING GP-CHASSIS (COMMUNICATION RADIO)						280
Y	299-2636	1	WIRING GP-CONVERTER (COMMUNICATION RADIO)						294

Y-SEPARATE ILLUSTRATION

<END>

OPERATOR STATION

231-1768 INSTALLATION GP-RADIO

S/N: PAS1-UP
AN ATTACHMENT

SMCS-7338

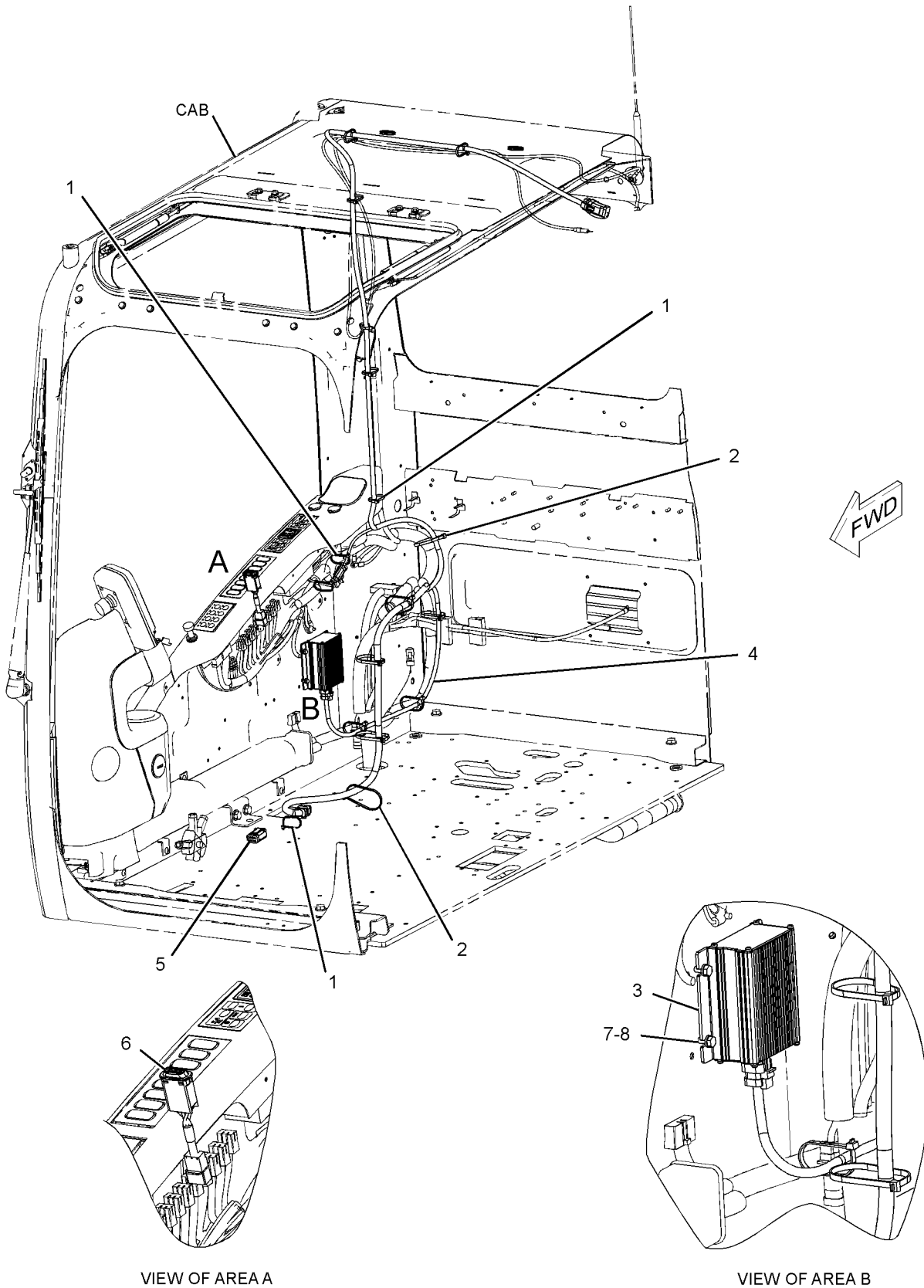
i02538512

NOTE	REF NO	GRAPHIC REF	PART NUMBER	QTY	PART NAME						SEE PAGE
					1	2	3	4	5	6 (PRODUCT LEVEL)	
	1	1	3S-2093	9	STRAP-CABLE						
	2	1	7K-1181	8	STRAP-CABLE						
	3	1	283-2783	1	CONVERTER-POWER (24-VOLT TO 12-VOLT)						
	4	1	234-1124	1	HARNESS AS-RADIO						
		1	3S-2093	15	STRAP-CABLE						
		1	230-5010	1	PLUG AS-CONNECTOR (6-PIN)						
		1	231-2295	2	PLUG AS-CONNECTOR (8-PIN)						
		1	243-4505	1	RECEPTACLE AS-CONNECTOR (2-PIN)						
		1	243-4509	1	RECEPTACLE AS-CONNECTOR (8-PIN)						
	5	1	238-1463	1	RECEPTACLE AS (8-PIN)						
	6	1	238-2216	1	SWITCH AS-ROCKER (RADIO MUTE)						
		1	167-3543	5	TERMINAL (MALE)						
		1	167-3542	1	CONNECTOR-RECEPTACLE						
M	7	1	8T-4171	4	BOLT (M6X1X12-MM)						
	8	1	9X-8256	4	WASHER (6.6X12X2-MM THK)						
M-METRIC PART											

OPERATOR STATION

231-1768 INSTALLATION GP-RADIO (contd.)

i02538512



VIEW OF AREA A

VIEW OF AREA B

GRAPHIC #1

<END>

g0119689

OPERATOR STATION

327-6645 KIT-SEAT SUSPENSION-MECHANICAL

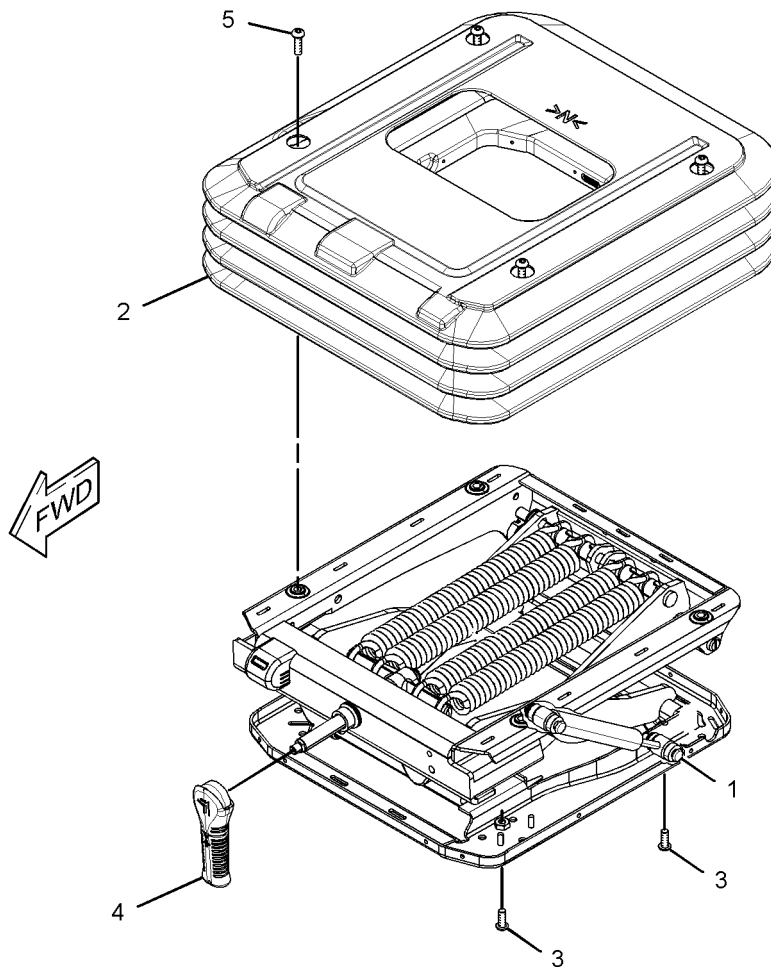
S/N: PAS1-UP

PART OF 327-6520 SUSPENSION GP-SEAT
AN ATTACHMENT

SMCS-7312

i03579304

NOTE	REF NO	GRAPHIC REF	PART NUMBER	QTY	PART NAME						SEE PAGE
					1	2	3	4	5	6 (PRODUCT LEVEL)	
	1	1	327-6646	1	KIT-CYLINDER (DAMPENER)						
J	2	1	327-6647	1	KIT-COVER (SUSPENSION SEAT) (INCLUDES COVER & CLIP KIT)						
	3	1	333-4180	6	SCREW-BUTTON HEAD (M8X1.25X20-MM)						
	4	1	333-4181	1	KIT-HANDLE (SEAT HEIGHT)						
M	5	1	7Y-7394	4	SCREW-BUTTON HEAD (M8X1.25X25-MM)						
PARTS SHOWN IN GRAPHIC(S) WITHOUT A REFERENCE NUMBER ARE NOT SERVICED SEPARATELY											
AVAILABLE REPAIR KIT(S):											
J			245-7895	1	KIT-CLIP (SUSPENSION SEAT) (INCLUDES 28 CLIPS)						
J-KIT MARKED J SERVICES PART(S) MARKED J M-METRIC PART											



GRAPHIC #1

<END>

g01689513

OPERATOR STATION

333-4157 KIT-SEAT SUSPENSION-AIR

S/N: PAS1-UP

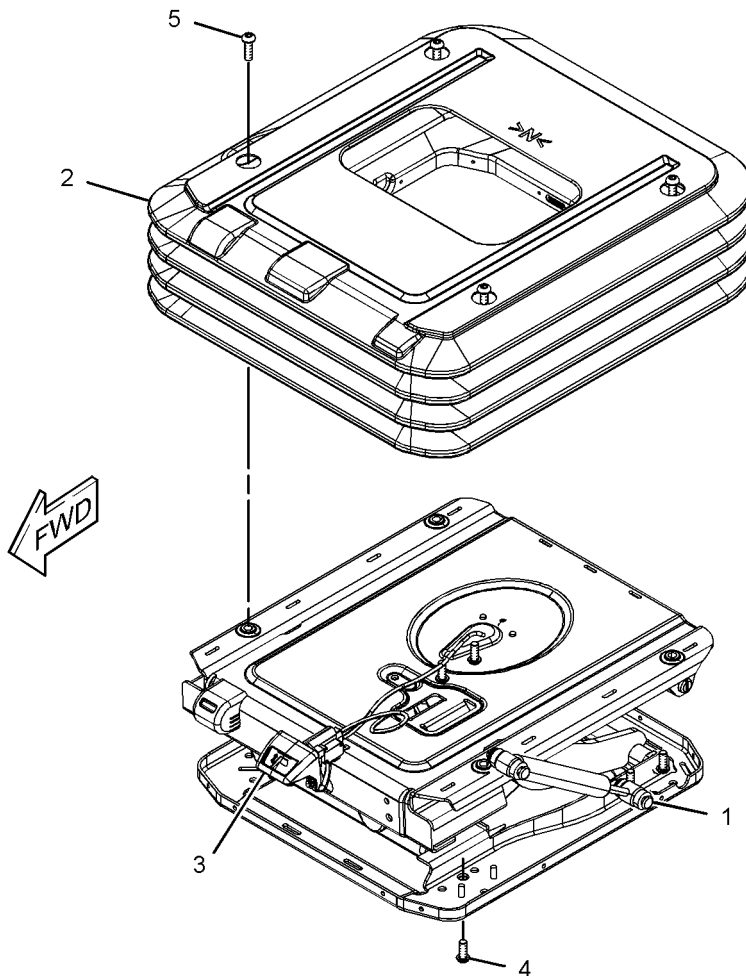
PART OF 327-6521 SUSPENSION GP-SEAT
AN ATTACHMENT

SMCS-7312

i03861192

NOTE	REF NO	GRAPHIC REF	PART NUMBER	QTY	PART NAME						SEE PAGE
					1	2	3	4	5	6 (PRODUCT LEVEL)	
	1	1	327-6646	1	KIT-CYLINDER (DAMPENER)						
J	2	1	333-4158	1	KIT-COVER (AIR SEAT) (INCLUDES COVER & CLIP KIT)						
	3	1	333-4159	1	KIT-VALVE (AIR SEAT)						
		1	333-4178	1	NUT						
	4	1	333-4180	6	SCREW-BUTTON HEAD (M8X1.25X20-MM)						
M	5	1	7Y-7394	4	SCREW-BUTTON HEAD (M8X1.25X25-MM)						
PARTS SHOWN IN GRAPHIC(S) WITHOUT A REFERENCE NUMBER ARE NOT SERVICED SEPARATELY											
AVAILABLE REPAIR KIT(S):											
J			245-7895	1	KIT-CLIP (INCLUDES 28-CLIPS) (INCLUDES 28 CLIPS)						

J-MARKED J SERVICES PART(S) MARKED J
M-METRIC PART



GRAPHIC #1

<END>

g01689529

OPERATOR STATION

164-0528 LEVER GP-CAB DOOR

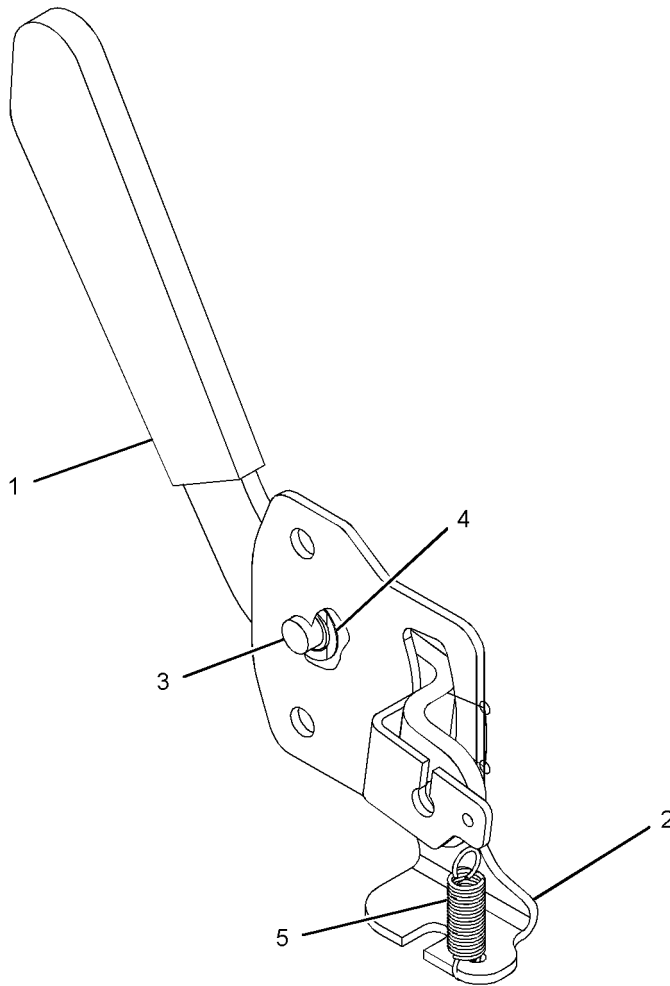
S/N: PAS1-UP

PART OF 237-3567 CAB GP
AN ATTACHMENT

SMCS-7308

i02430902

NOTE	REF NO	GRAPHIC REF	PART NUMBER	QTY	PART NAME						SEE PAGE
					1	2	3	4	5	6 (PRODUCT LEVEL)	
	1	1	156-6642	1	LEVER AS						
	2	1	164-0664	1	BRACKET						
	3	1	176-1941	1	PIN						
	4	1	185-8280	1	WASHER-WAVE (10.5X15X0.3-MM THK)						
	5	1	185-8281	1	SPRING						



GRAPHIC #1

<END>

g01217036

OPERATOR STATION

225-5781 LINES GP-AIR CONDITIONER

S/N: PAS1-UP

PART OF 294-1232 CHASSIS AR

SMCS-1808

i03252021

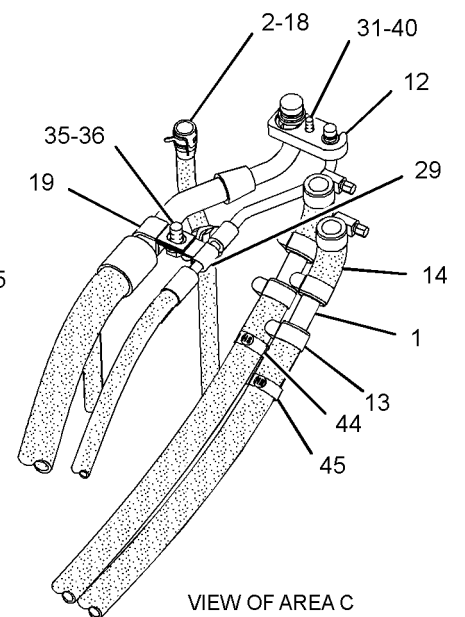
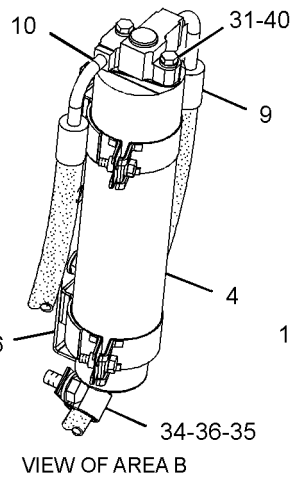
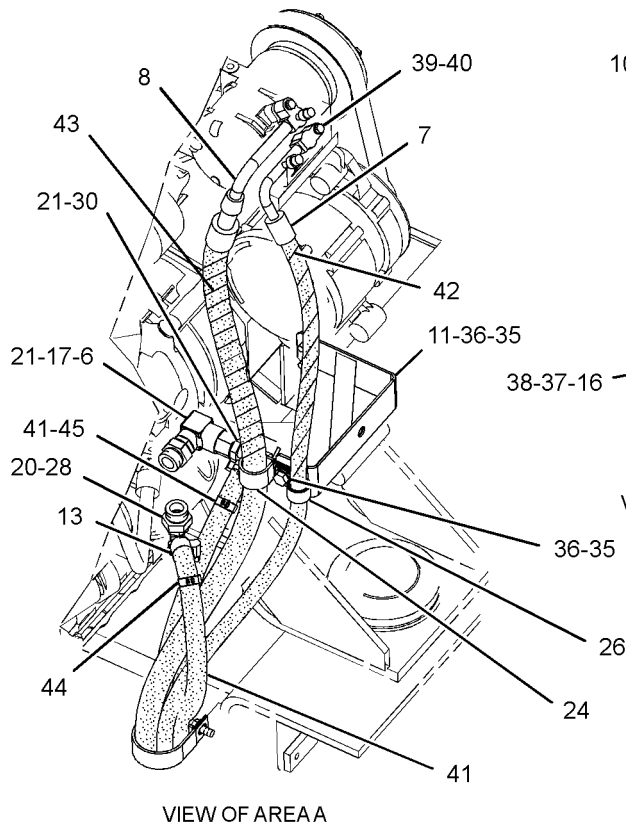
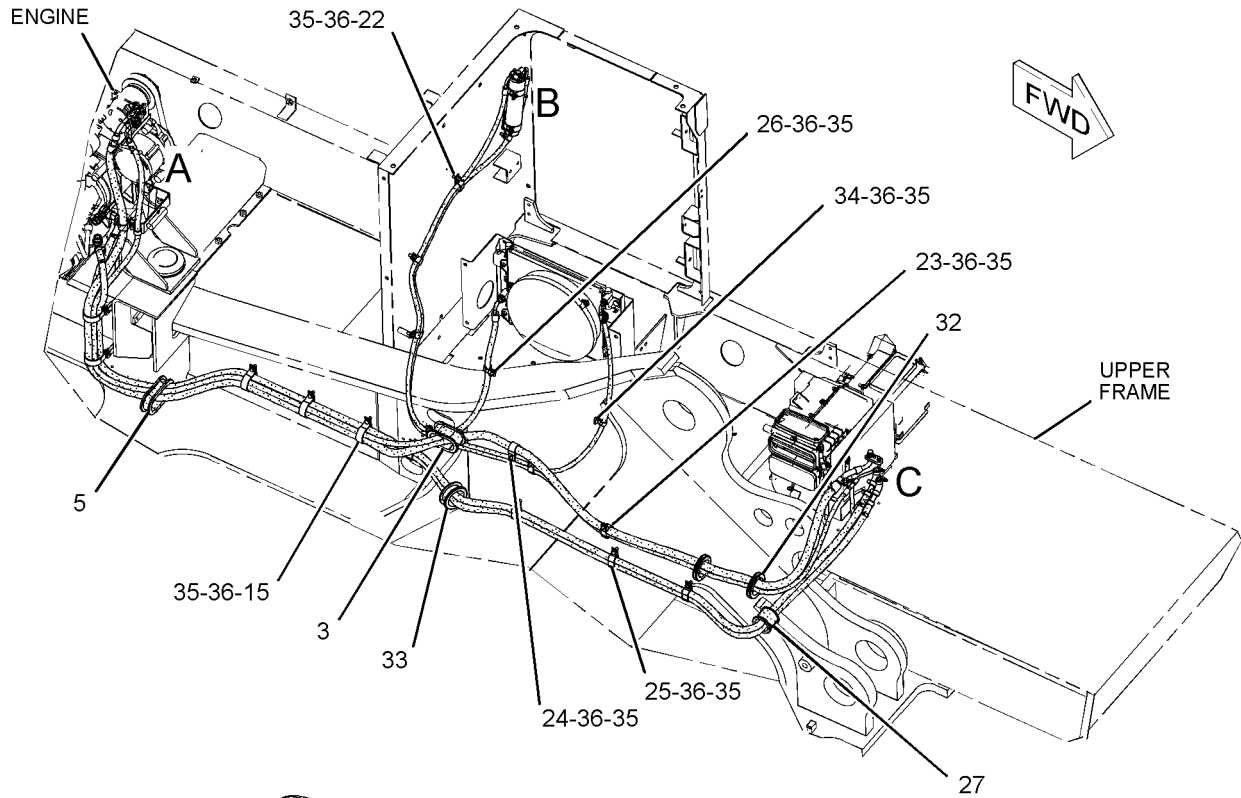
NOTE	REF NO	GRAPHIC REF	PART NUMBER	QTY	PART NAME						SEE PAGE
					1	2	3	4	5	6 (PRODUCT LEVEL)	
	1	1	6P-8855	2	TUBE						
	2	1	122-9657	2	CLAMP						
	3	1	149-5083	1	GROMMET						
	4	1	176-1902	1	RECEIVER-REFRIGERANT DRYER						
	5	1	176-4708	1	GROMMET						
	6	1	189-3434	1	ELBOW						
	7	1	229-9125	1	HOSE AS						
		1	245-7850	1	PLUG						
		1	121-7137	2	SEAL-O-RING						
	8	1	229-9126	1	HOSE AS						
		1	245-7851	1	PLUG						
		1	121-7136	2	SEAL-O-RING						
	9	1	229-9127	1	HOSE AS						
		1	196-1665	1	SWITCH AS-PRESSURE (REFRIGERANT)						
		1	121-7138	2	SEAL-O-RING						
	10	1	229-9128	1	HOSE AS						
		1	121-7138	2	SEAL-O-RING						
	11	1	229-9191	1	BRACKET AS						
M		1	8T-3490	2	NUT-WELD (M10X1.5-THD)						
	12	1	235-8891	1	PLATE						
	13	1	5D-1026	8	CLAMP-BAND						
	14	1	235-9015	2	HOSE						
	15	1	104-3173	5	CLIP						
	16	1	121-7098	1	BRACKET AS						
M		1	8T-4138	2	BOLT (M6X1X20-MM)						
		1	9X-8256	2	WASHER (6.6X12X2-MM THK)						
	17	1	159-5255	1	ADAPTER						
	18	1	161-3718	2	HOSE-DRAIN						
	19	1	1S-0994	1	CLIP						
	20	1	3D-2824	2	SEAL-O-RING						
	21	1	3K-0360	4	SEAL-O-RING						
	22	1	5K-5338	5	CLIP						
	23	1	5P-2369	1	CLIP						
	24	1	5P-7854	2	CLIP						
	25	1	6D-1641	4	CLIP						
	26	1	6D-4244	2	CLIP						
	27	1	6V-1574	1	GROMMET						
	28	1	6V-1722	2	ADAPTER-O-RING						
	29	1	6V-3265	1	CLIP						
	30	1	6V-7238	2	VALVE-SHUTOFF (ENGINE COOLANT)						
M	31	1	6V-7357	3	BOLT (M6X1X25-MM)						
	32	1	7Y-5497	2	GROMMET						
	33	1	7Y-8165	1	GROMMET						
	34	1	8M-2773	2	CLIP						
	35	1	8T-4121	23	WASHER-HARD (11X21X2.5-MM THK)						
M	36	1	8T-4137	23	BOLT (M10X1.5X20-MM)						
M	37	1	8T-4200	2	BOLT (M8X1.25X16-MM)						
	38	1	8T-4224	2	WASHER-HARD (8.8X16X2-MM THK)						
M	39	1	8T-4971	2	BOLT (M6X1X30-MM)						
	40	1	9X-8256	5	WASHER (6.6X12X2-MM THK)						
E	41	1	5P-0767		HOSE (450-CM EACH)						
E	42	1	225-5707		GUARD (39-CM)						
E	43	1	245-7902		GUARD (35-CM)						
	44	1	305-0441	2	BAND-MARKER (HS)						
	45	1	305-0442	2	BAND-MARKER (HR)						

OPERATOR STATION

225-5781 LINES GP-AIR CONDITIONER (contd.)

i03252021

E-ORDER BY THE CENTIMETER
M-METRIC PART



GRAPHIC #1

<END>

g01522554

OPERATOR STATION

7Y-0059 LITERATURE GP

S/N: PAS1-UP

PART OF 294-1232 CHASSIS AR

SMCS-7300

i01853716

NOTE	PART NUMBER	QTY	PART NAME						SEE PAGE
			1	2	3	4	5	6 (PRODUCT LEVEL)	
	099-3645	1	CABLE-LANYARD						
	5P-8500	2	KEY (LITERATURE GP)						
	5P-7958	2	SLEEVE-CABLE SPLICE						

<END>

OPERATOR STATION

223-3074 MIRROR GP-REAR VIEW

S/N: PAS1-UP

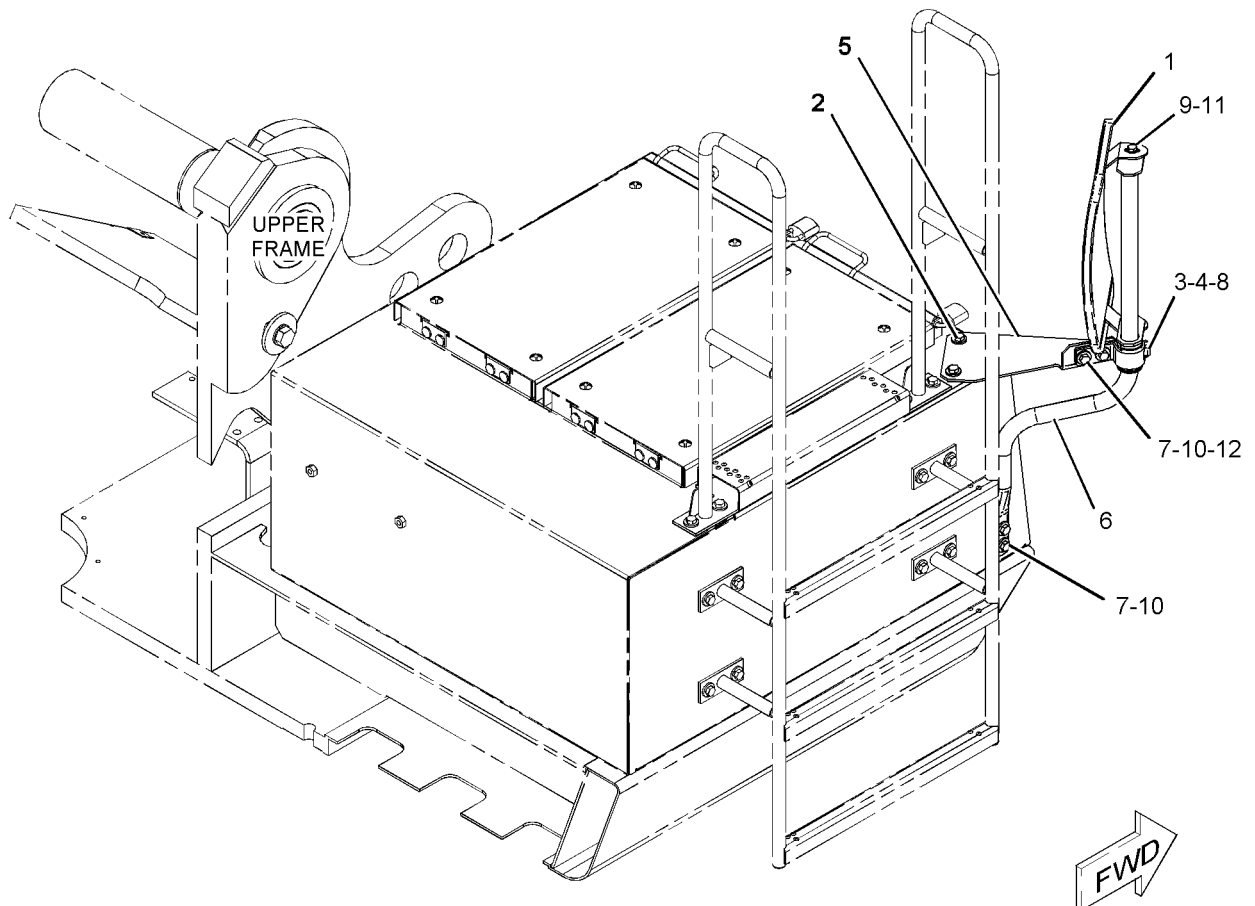
PART OF 294-1232 CHASSIS AR

SMCS-7319

i03649770

NOTE	REF NO	GRAPHIC REF	PART NUMBER	QTY	PART NAME						SEE PAGE
					1	2	3	4	5	6 (PRODUCT LEVEL)	
	1	1	5P-6879	1	MIRROR (RH)						
M	2	1	135-8575	3	BOLT AS						
	3	1	262-2292	1	CLIP						
	4	1	262-2293	1	CLIP						
	5	1	262-2356	1	PLATE						
	6	1	262-2357	1	SUPPORT AS						
	7	1	5P-1076	6	WASHER-HARD (13.5X30X4-MM THK)						
	8	1	5P-8112	1	GROMMET						
	9	1	8T-4121	2	WASHER-HARD (11X21X2.5-MM THK)						
M	10	1	8T-4183	4	BOLT (M12X1.75X40-MM)						
M	11	1	8T-4195	2	BOLT (M10X1.5X30-MM)						
M	12	1	8T-4244	2	NUT (M12X1.75-THD)						

M-METRIC PART



GRAPHIC #1

<END>

g01149973

OPERATOR STATION

327-6550 MIRROR GP-REAR VIEW

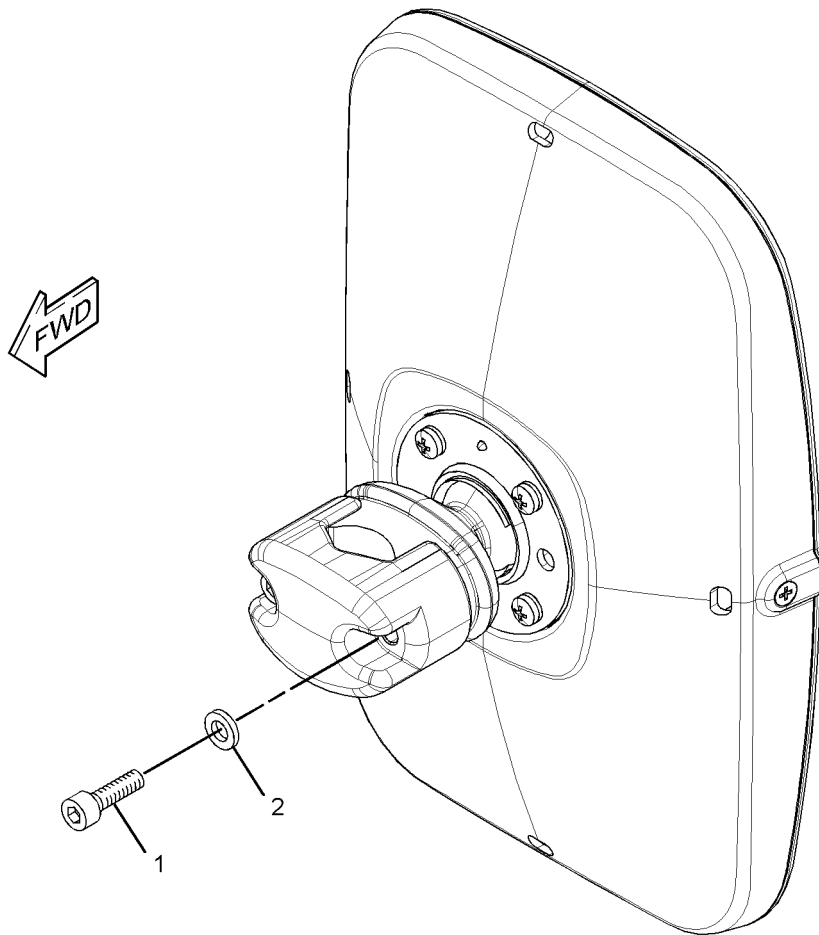
S/N: PAS1-UP
PART OF 237-3567 CAB GP
AN ATTACHMENT

SMCS-7319

i03114210

NOTE	REF NO	GRAPHIC REF	PART NUMBER	QTY	PART NAME						SEE PAGE
					1	2	3	4	5	6 (PRODUCT LEVEL)	
M	1	1	8T-0269	2	BOLT-SOCKET HEAD (M6X1X20-MM)						
	2	1	9X-8256	2	WASHER (6.6X12X2-MM THK)						

M-METRIC PART



GRAPHIC #1

<END>

g01615528

OPERATOR STATION

221-8813 MONITOR & MTG GP-OPERATOR

S/N: PAS1-UP

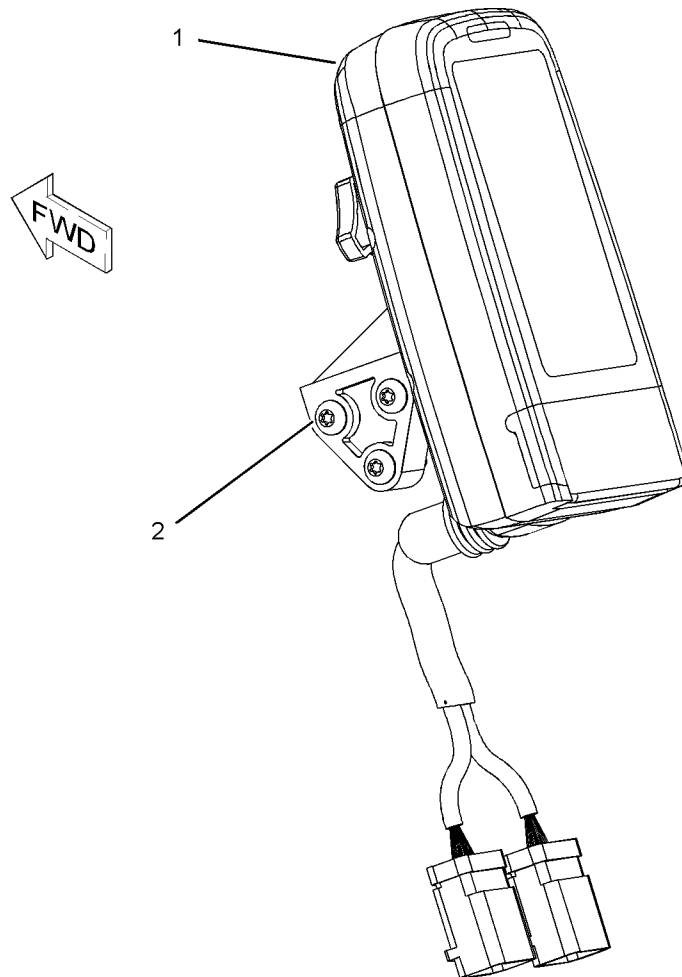
PART OF 308-7020, 308-7021, 308-7022 CAB AR
AN ATTACHMENT

SMCS-7490

i03623393

NOTE	REF NO	GRAPHIC REF	PART NUMBER	QTY	PART NAME						SEE PAGE
					1	2	3	4	5	6 (PRODUCT LEVEL)	
CY	1	1	327-7482	1	MONITOR GP-OPERATOR						932
M	2	1	9X-2046	3	SCREW-TRUSS HEAD (M6X1X35-MM)						

C-CHANGE FROM PREVIOUS TYPE
M-METRIC PART
Y-SEPARATE ILLUSTRATION



GRAPHIC #1

<END>

g01072616

OPERATOR STATION

327-7482 MONITOR GP-OPERATOR

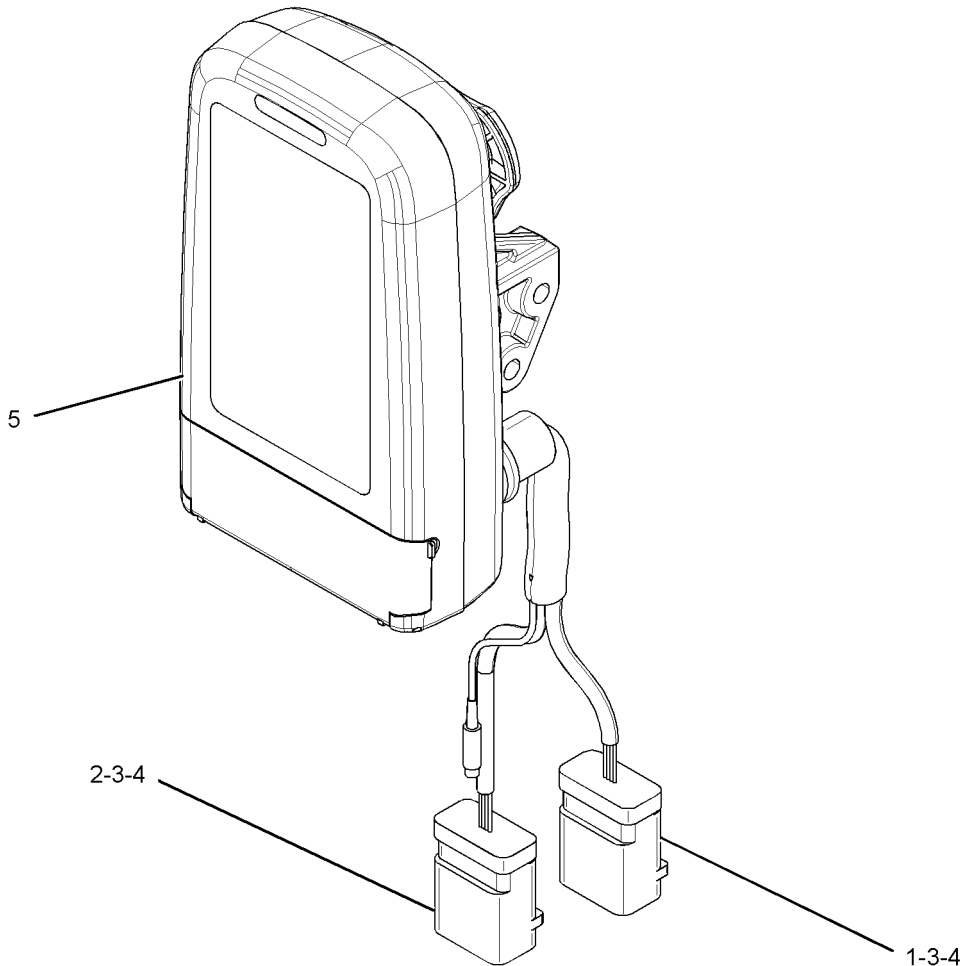
S/N: PAS1-UP

PART OF 221-8813 MONITOR & MTG GP-OPERATOR, 349-5408 MONITOR GP-OPERATOR
ALSO AN ATTACHMENT

SMCS-7490

i03790294

NOTE	REF NO	GRAPHIC REF	PART NUMBER	QTY	PART NAME						SEE PAGE
					1	2	3	4	5	6 (PRODUCT LEVEL)	
1	1	1	247-2694	1	RECEPTACLE AS-CONNECTOR (12-PIN)						
2	1	1	247-2695	1	RECEPTACLE AS-CONNECTOR (12-PIN)						
3	1	1	144-1636	17	PIN-CONNECTOR (14-GA TO 18-GA)						
4	1	1	8T-8737	7	PLUG-SEAL						
5	1	1	327-7594	1	COVER AS-MONITOR						



GRAPHIC #1

<END>

g02046156

OPERATOR STATION

349-5408 MONITOR GP-OPERATOR

S/N: PAS1-UP

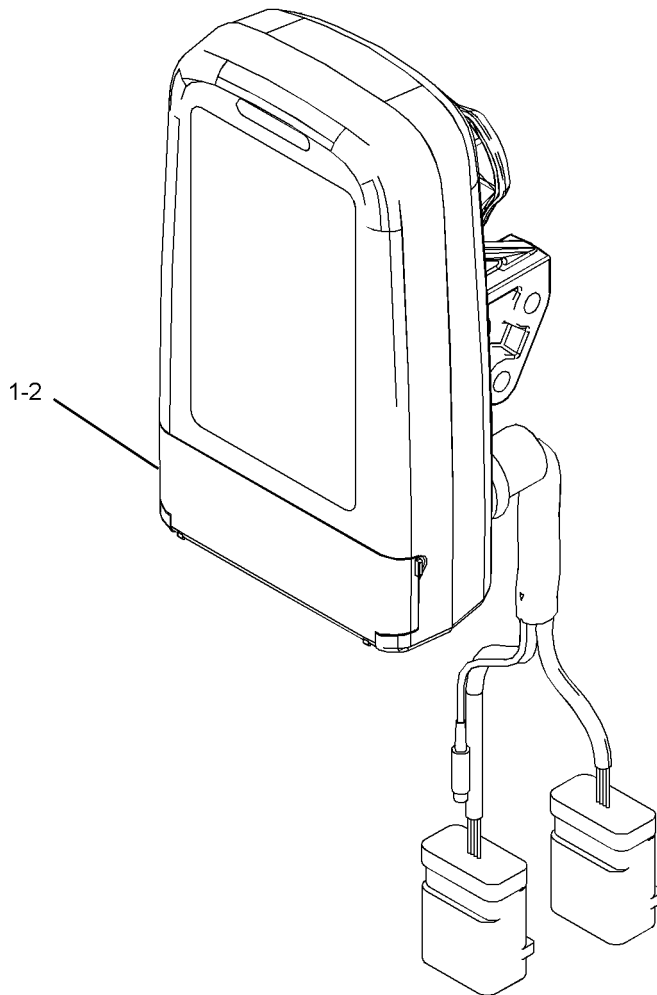
PART OF 221-8861 ELECTRONICS GP-MONITOR

SMCS-7490

i03901162

NOTE	REF NO	GRAPHIC REF	PART NUMBER	QTY	PART NAME						SEE PAGE
					1	2	3	4	5	6 (PRODUCT LEVEL)	
Y	1	1	327-7482	1	MONITOR GP-OPERATOR						932
	2	1	349-5410	1	SOFTWARE GP-MONITOR						

Y-SEPARATE ILLUSTRATION



GRAPHIC #1

<END>

g01993756

OPERATOR STATION

270-5603 MOUNTING GP-ANTENNA-ACCUGRADE READY

S/N: PAS1-UP

PART OF 319-9260 SPECIAL AR
AN ATTACHMENT

SMCS-7338, 7606

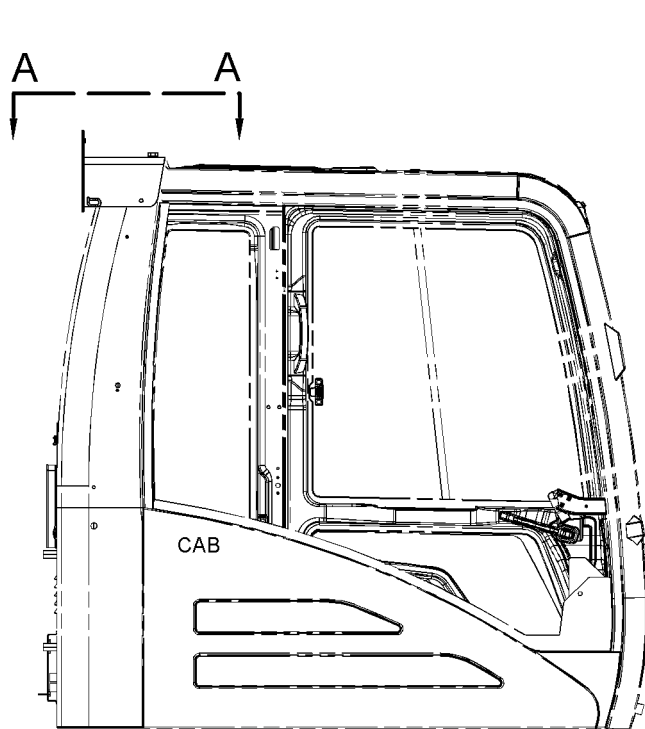
i02897599

NOTE	REF NO	GRAPHIC REF	PART NUMBER	QTY	PART NAME						SEE PAGE
					1	2	3	4	5	6 (PRODUCT LEVEL)	
	1	1	309-5849	1	BRACKET AS						
M	2	1	7X-2552	2	BOLT (M16X2X30-MM)						
	3	1	9X-8257	2	WASHER (17.5X30X3.5-MM THK)						
M-METRIC PART											

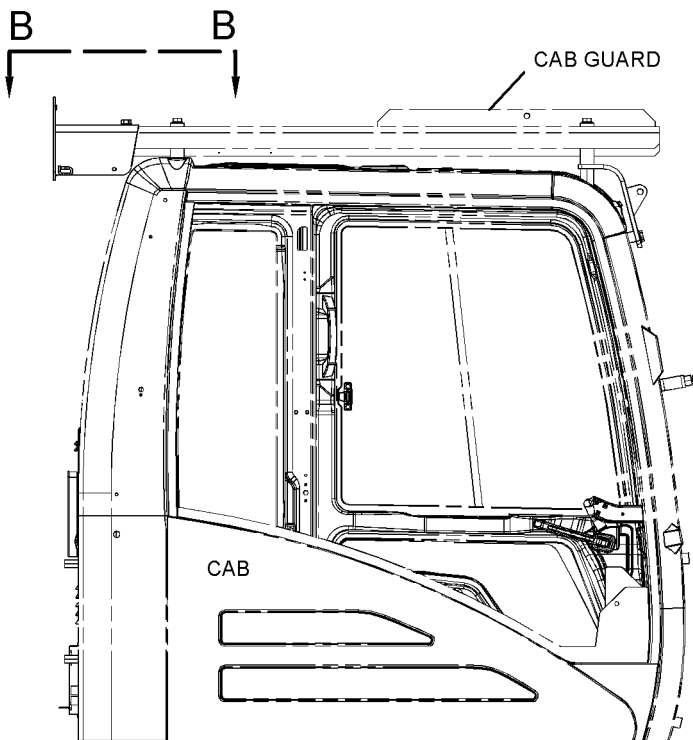
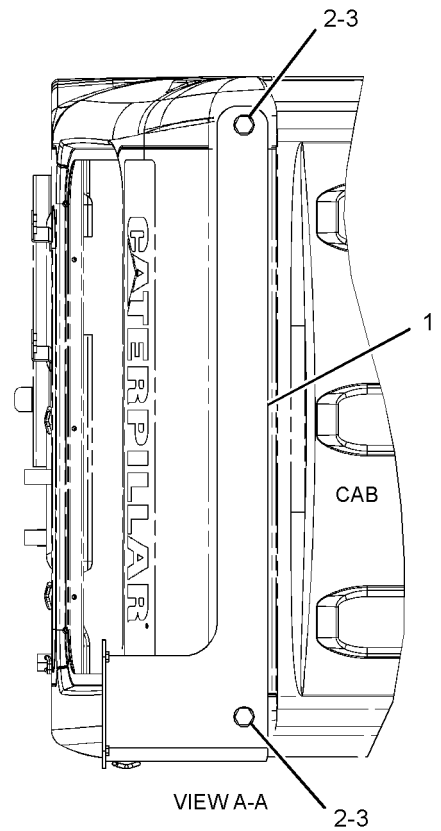
OPERATOR STATION

270-5603 MOUNTING GP-ANTENNA (contd.)

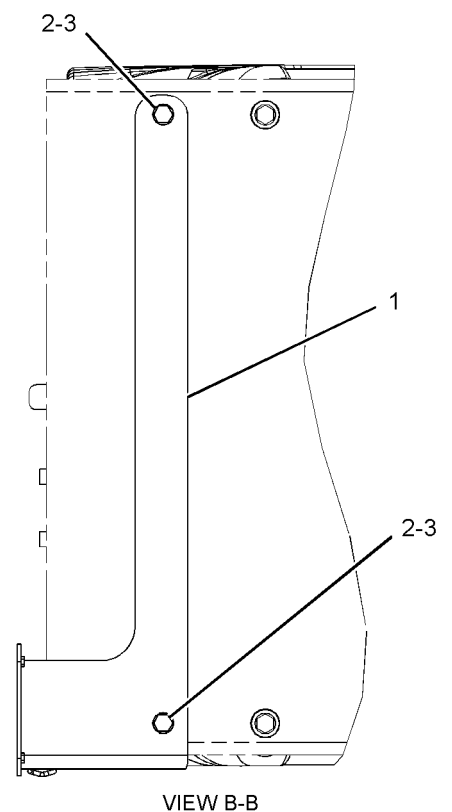
i02897599



RIGHT SIDE VIEW
(WITHOUT CAB GUARD)



RIGHT SIDE VIEW
(WITH CAB GUARD)



GRAPHIC #1

<END>

g01237239

OPERATOR STATION

309-5765 MOUNTING GP-ANTENNA-COMMUNICATION RADIO

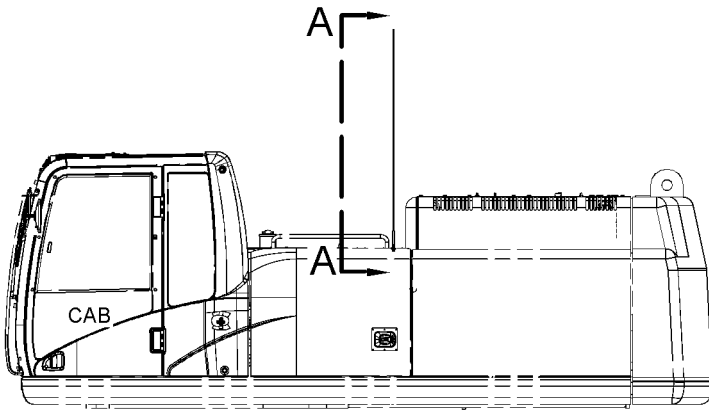
S/N: PAS1-UP

PART OF 303-2632 INSTALLATION AR-RADIO
AN ATTACHMENT

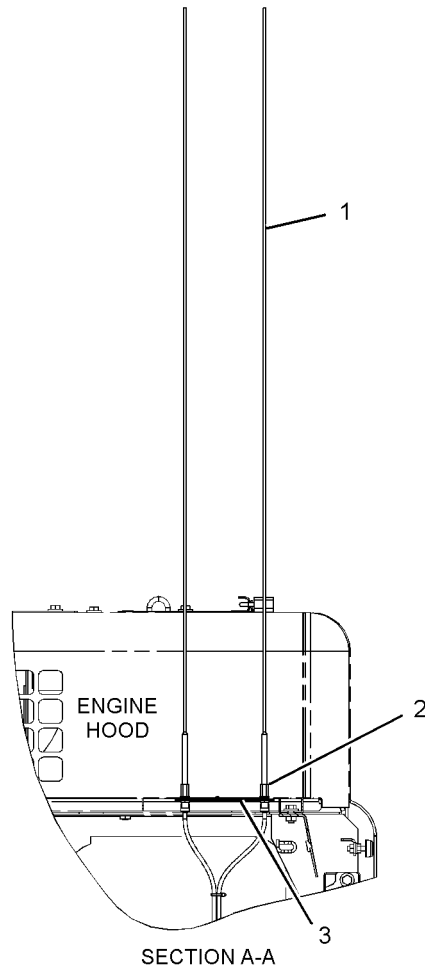
SMCS-7338, 7606

i02960816

NOTE	REF NO	GRAPHIC REF	PART NUMBER	QTY	PART NAME						SEE PAGE
					1	2	3	4	5	6 (PRODUCT LEVEL)	
	1	1	9U-2331	2	ANTENNA AS (COMMUNICATION RADIO)						
	2	1	9U-4431	2	MOUNT-ANTENNA						
	3	1	309-5796	1	PLATE						



LEFT SIDE VIEW



SECTION A-A

GRAPHIC #1

<END>

g01456327

OPERATOR STATION

309-5852 MOUNTING GP-ANTENNA-PRODUCT LINK

S/N: PAS1-UP

PART OF 340-3967 INSTALLATION GP-COMMUNICATION
AN ATTACHMENT

SMCS-7338, 7606

i03839491

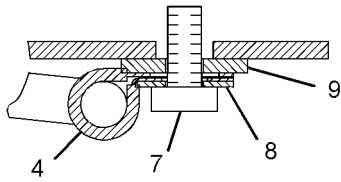
NOTE	REF NO	GRAPHIC REF	PART NUMBER	QTY	PART NAME						SEE PAGE
					1	2	3	4	5	6 (PRODUCT LEVEL)	
M	1	1	143-9397	3	SCREW-PAN HEAD (M4X0.7X12-MM)						
	2	1	309-5751	1	BRACKET						
	3	1	310-2393	1	ANTENNA AS (450-CM)						
		1	301-0589	1	ANTENNA (FLEXIBLE)						
					-OR-						
		1	263-8948	1	ANTENNA AS (600-CM)						
		1	223-4296		ANTENNA (FLEXIBLE)						
	4	1	095-0910	4	CLIP						
	5	1	161-6987	3	WASHER-HARD (5.2X16X1.5-MM THK)						
M	6	1	8T-4190	1	BOLT (M16X2X25-MM)						
M	7	1	8T-4138	1	BOLT (M6X1X20-MM)						
	8	1	9X-2026	1	WASHER (6.5X17X1-MM THK)						
	9	1	9X-6165	1	WASHER (6.5X22X2.5-MM THK)						
	10	1	9X-8257	1	WASHER (17.5X30X3.5-MM THK)						

M-METRIC PART

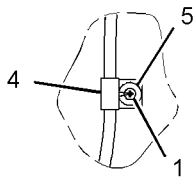
OPERATOR STATION

309-5852 MOUNTING GP-ANTENNA (contd.)

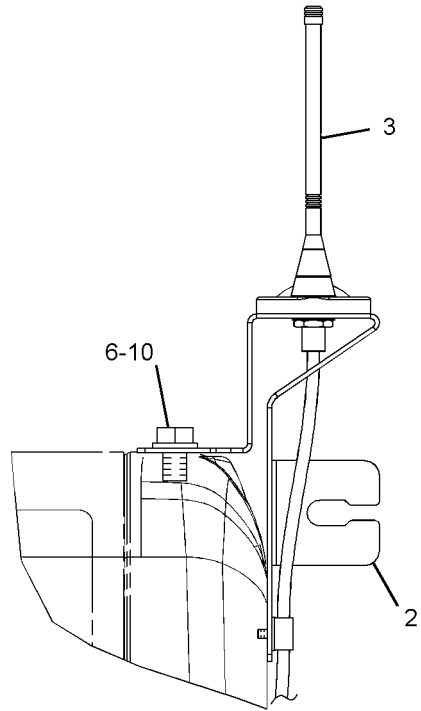
i03839491



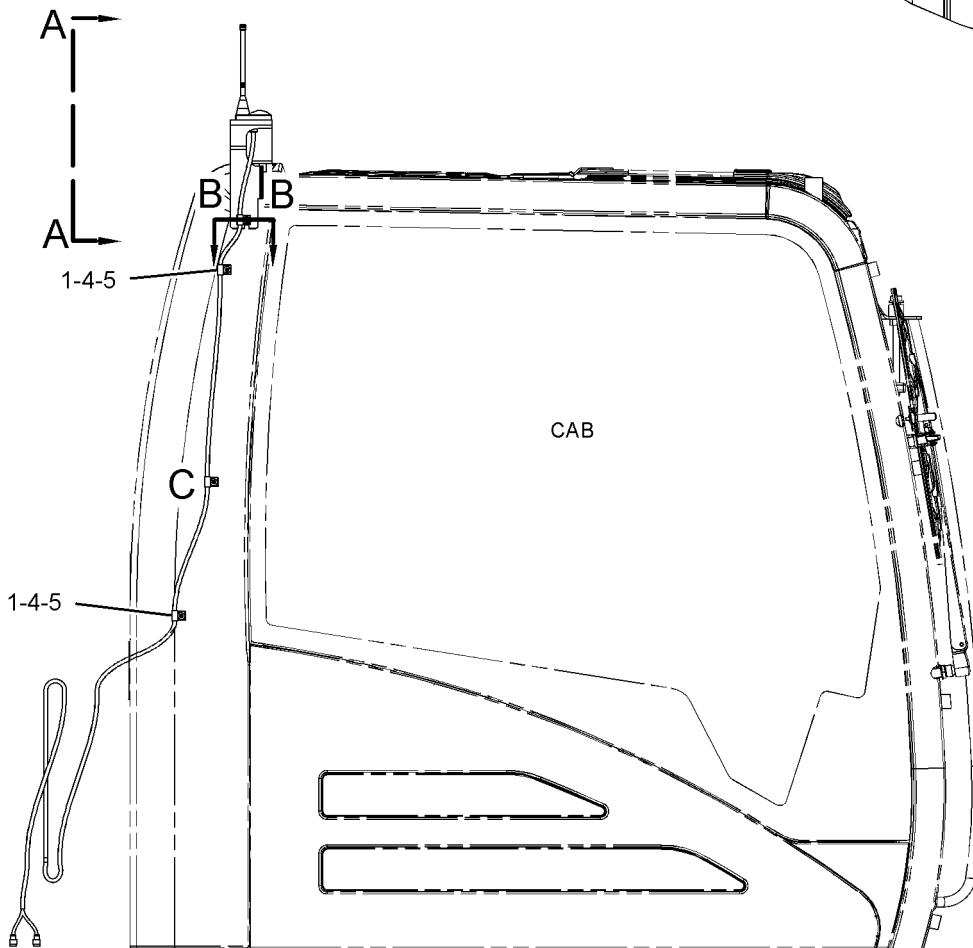
SECTION B-B



VIEW OF AREA C



VIEW A-A



RIGHT SIDE VIEW

GRAPHIC #1

<END>

g01515333

OPERATOR STATION

225-5765 MOUNTING GP-CAB-REAR

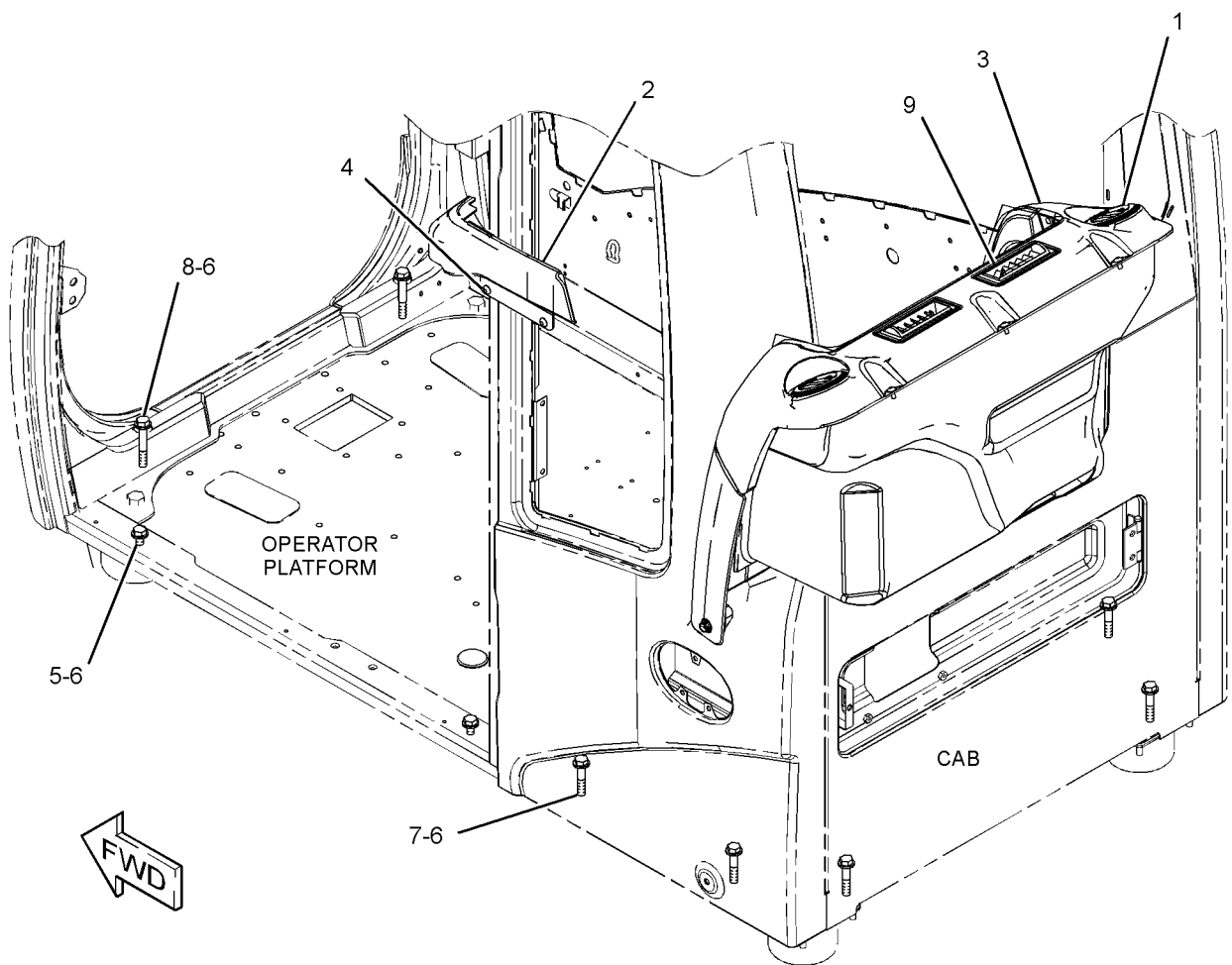
S/N: PAS1-UP

PART OF 342-3451 OPERATOR AR

i02864046

NOTE	REF NO	GRAPHIC REF	PART NUMBER	QTY	PART NAME						SEE PAGE
					1	2	3	4	5	6 (PRODUCT LEVEL)	
	1	1	164-8474	2	LOUVER AS-VENT						
	2	1	234-6472	1	COVER						
Y	3	1	234-6501	1	COVER GP-CAB (REAR)						896
M	4	1	128-2135	7	SCREW-TRUSS HEAD (M6X1X13-MM)						
M	5	1	8T-4179	3	BOLT (M12X1.75X20-MM)						
	6	1	8T-4223	11	WASHER-HARD (13.5X25.5X3-MM THK)						
M	7	1	8T-4910	6	BOLT (M12X1.75X60-MM)						
M	8	1	8T-6868	2	BOLT (M12X1.75X80-MM)						
	9	1	8Y-6967	2	LOUVER AS-VENT						

M-METRIC PART
Y-SEPARATE ILLUSTRATION



GRAPHIC #1

<END>

g01425869

OPERATOR STATION

309-5805 MOUNTING GP-DISPLAY-WORK AREA VISUAL SYSTEM

S/N: PAS1-UP

PART OF 319-9126 CAMERA AR

AN ATTACHMENT

SMCS-7347, 7490

i03656903

NOTE	REF NO	GRAPHIC REF	PART NUMBER	QTY	PART NAME						SEE PAGE
					1	2	3	4	5	6 (PRODUCT LEVEL)	
B	1	1	6I-5976	1	SHIM (1-MM THK)						
	2	1	309-5806	1	BRACKET AS						
	3	1	8T-4121	5	WASHER-HARD (11X21X2.5-MM THK)						
M	4	1	8T-4137	2	BOLT (M10X1.5X20-MM)						
M	5	1	8T-4176	1	BOLT (M12X1.75X90-MM)						
	6	1	8T-4223	3	WASHER-HARD (13.5X25.5X3-MM THK)						

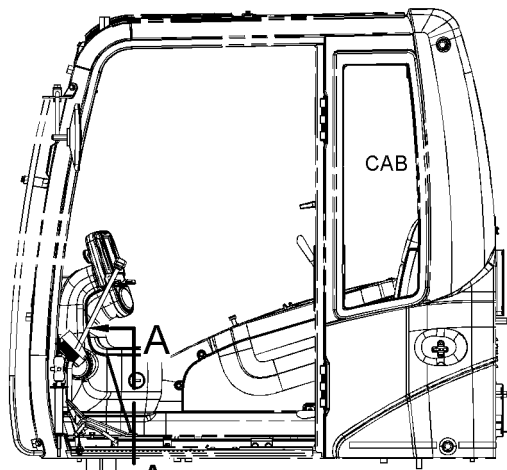
B-USE AS REQUIRED

M-METRIC PART

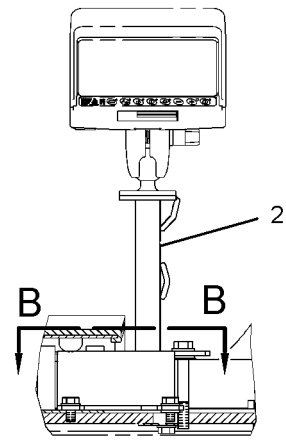
OPERATOR STATION

309-5805 MOUNTING GP-DISPLAY (contd.)

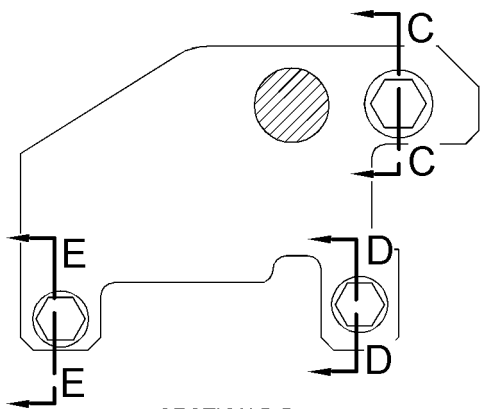
i03656903



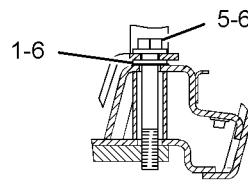
LEFT SIDE VIEW



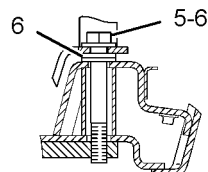
VIEW A-A



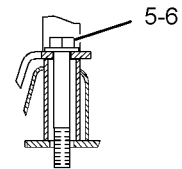
SECTION B-B



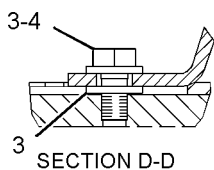
SECTION C-C
(Akashi)



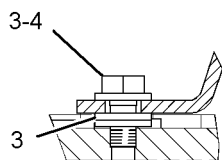
SECTION C-C
(WITH THIRD PEDAL)



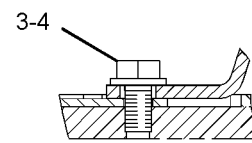
SECTION C-C
(WITH THIRD PEDAL - OPTIONAL DESIGN)



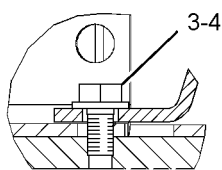
SECTION D-D



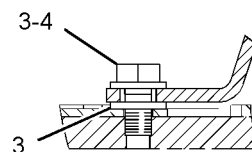
SECTION D-D
(OPTIONAL DESIGN)



SECTION E-E



SECTION D-D
(WITH THIRD PEDAL)



SECTION E-E
(WITH THIRD PEDAL)

GRAPHIC #1

<END>

g02046833

OPERATOR STATION

245-7811 MOUNTING GP-PLATFORM

S/N: PAS1-UP

PART OF 294-1232 CHASSIS AR

SMCS-7253

i02708582

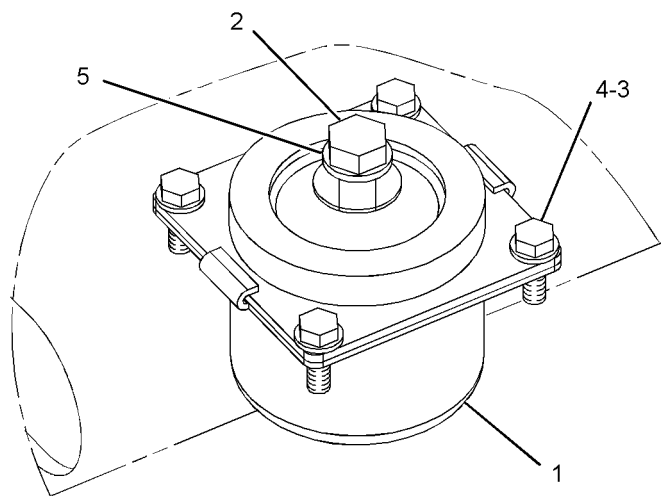
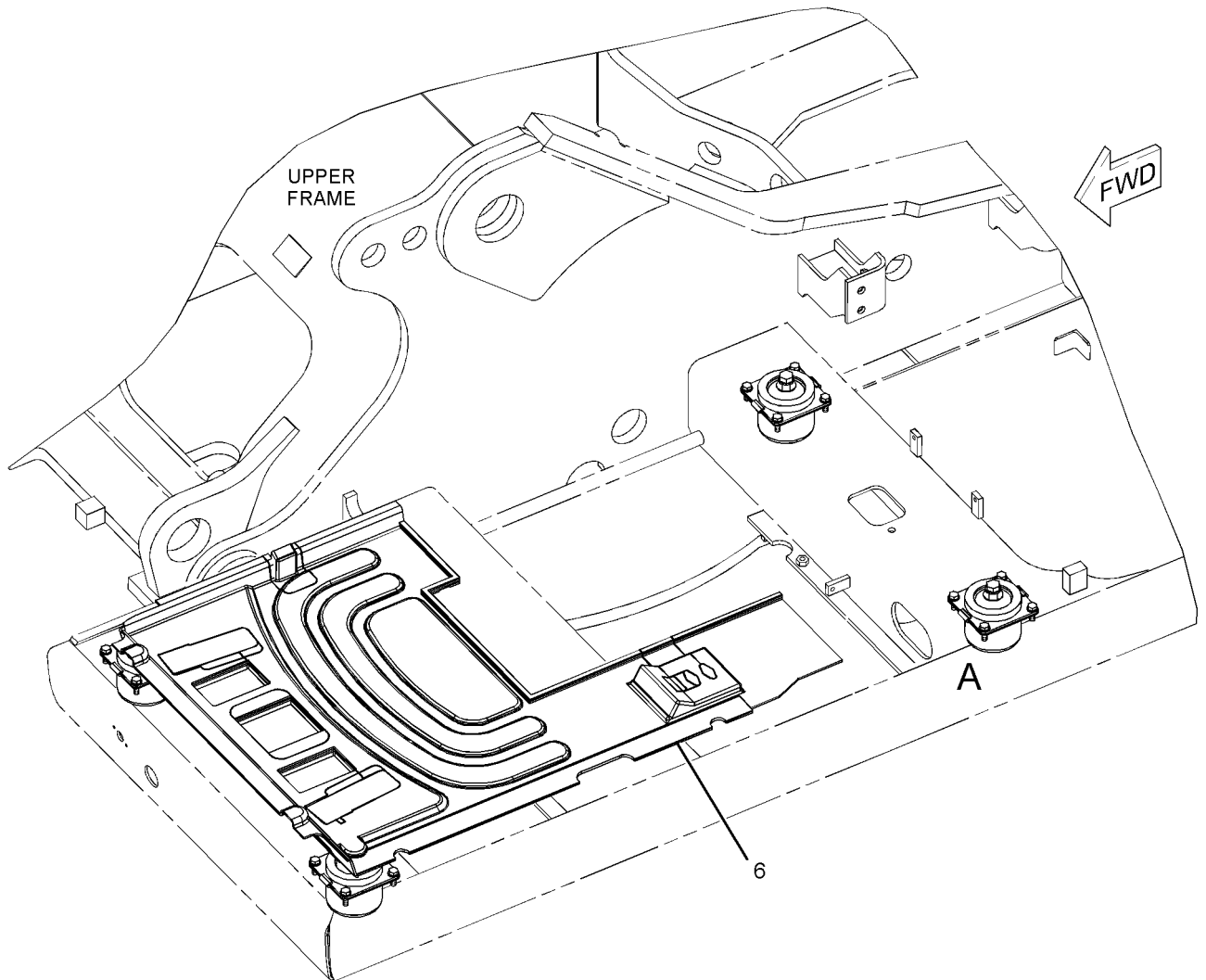
NOTE	REF NO	GRAPHIC REF	PART NUMBER	QTY	PART NAME						SEE PAGE
					1	2	3	4	5	6 (PRODUCT LEVEL)	
	1	1	235-8862	4	MOUNT AS						
M	2	1	7X-2553	4	BOLT (M16X2X40-MM)						
	3	1	8T-4121	16	WASHER-HARD (11X21X2.5-MM THK)						
M	4	1	8T-4195	16	BOLT (M10X1.5X30-MM)						
	5	1	9X-8257	4	WASHER (17.5X30X3.5-MM THK)						
	6	1	257-1110	1	FLOOR MAT						

M-METRIC PART

OPERATOR STATION

245-7811 MOUNTING GP-PLATFORM (contd.)

i02708582



VIEW OF AREA A

GRAPHIC #1

<END>

g01362744

OPERATOR STATION

342-3451 OPERATOR AR

S/N: PAS1-UP

PART OF 294-1232 CHASSIS AR

SMCS-7301

i03872133

NOTE	PART NUMBER	QTY	PART NAME						SEE PAGE
			1	2	3	4	5	6 (PRODUCT LEVEL)	
Y	235-8898	1	CONSOLE GP-OPERATOR						872
Y	221-8819	1	CONTROL & MTG GP-PEDAL (TRAVEL)						881
Y	235-8899	1	CONTROL GP-TRAVEL (LEVERS, PEDALS)						894
Y	356-0658	1	COVER GP-CAB (EXTERIOR, LH)						899
Y	225-5765	1	MOUNTING GP-CAB (REAR)						939
Y	225-5757	1	PLATFORM GP-OPERATOR						948
Y	327-6542	1	SUPPORT GP-SEAT						960
Y	299-2628	1	WIRING GP-CAB						269
Y	342-2887	1	WIRING GP-CONSOLE						290
Y	299-2629	1	WIRING GP-PLATFORM						307

Y-SEPARATE ILLUSTRATION

<END>

OPERATOR STATION

249-7107 PARTS AR-CAB

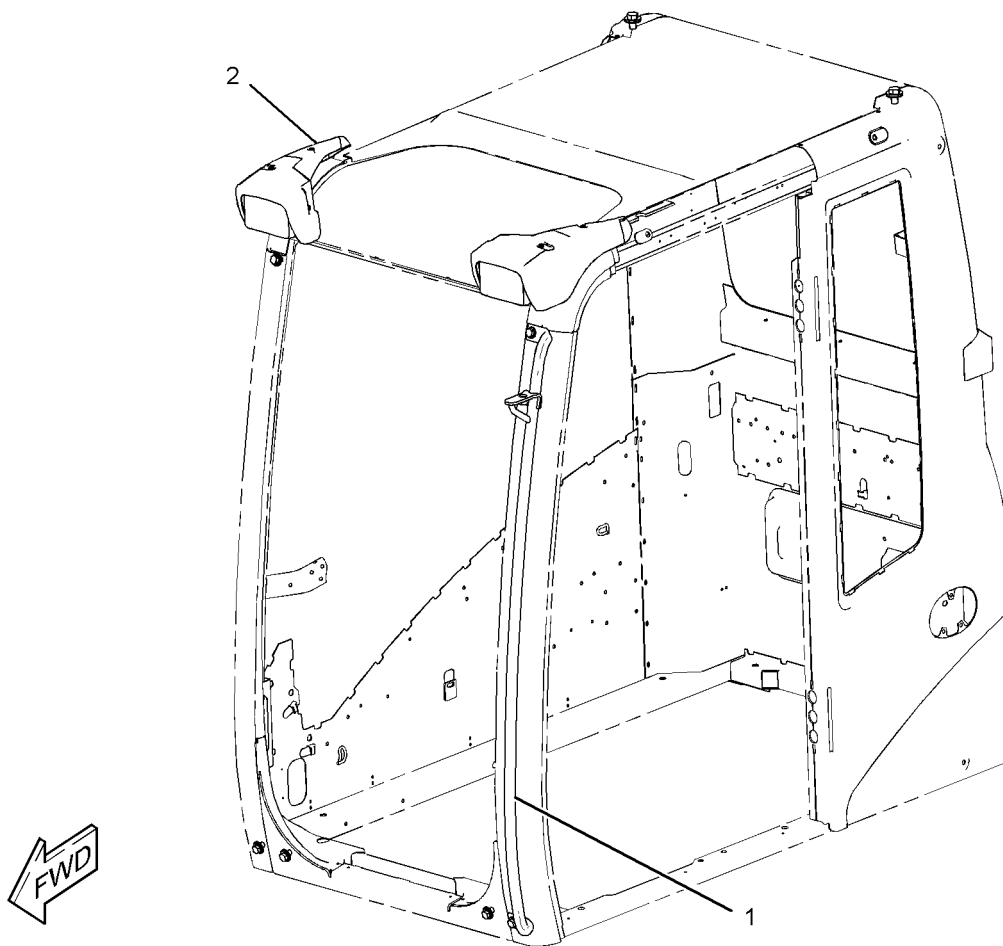
S/N: PAS1-UP
AN ATTACHMENT

SMCS-7301

i03179203

NOTE	REF NO	GRAPHIC REF	PART NUMBER	QTY	PART NAME						SEE PAGE
					1	2	3	4	5	6 (PRODUCT LEVEL)	
Y	1	1	249-7108	1	HANDRAIL GP (CAB)						344
Y	2	1	252-1241	1	LIGHTING GP-FLOOD (CAB)						197

Y-SEPARATE ILLUSTRATION



GRAPHIC #1

<END>

g01625978

OPERATOR STATION

330-3027 PARTS AR-CAB

S/N: PAS1-UP

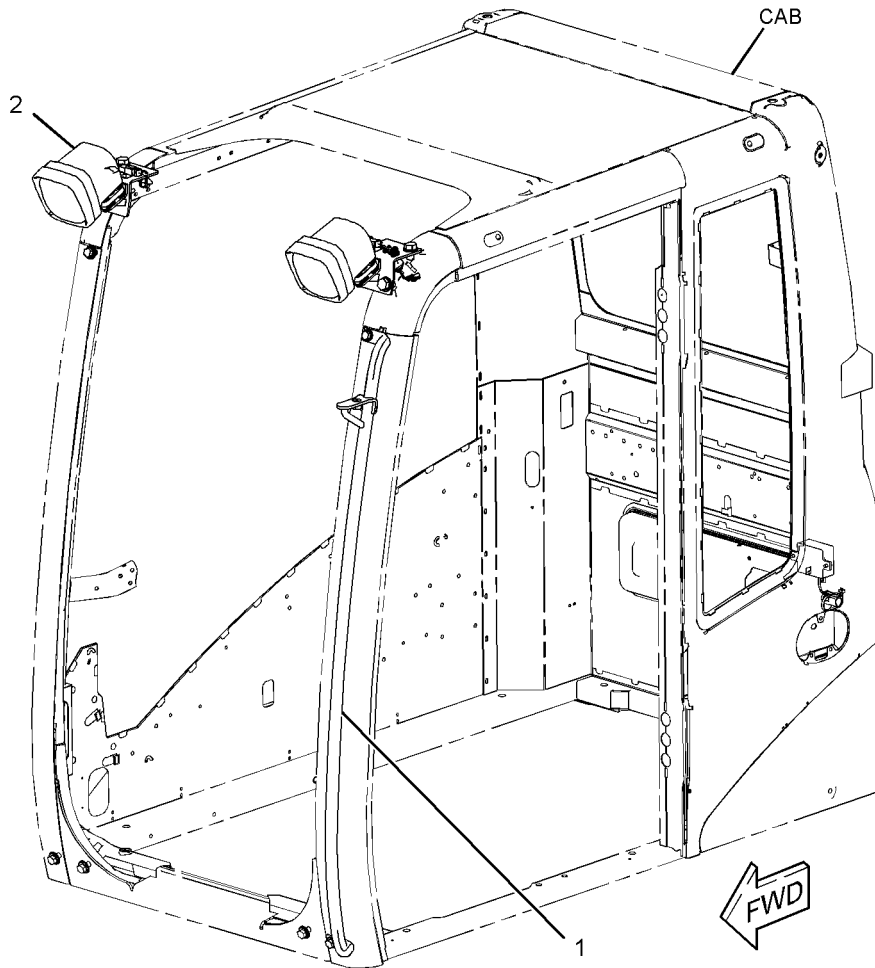
CANNOT BE USED WITH 259-8009-PAGE 912, 249-7109-PAGE 911, 259-8003-PAGE 916,
250-0712-PAGE 911, 249-7107-PAGE 945
AN ATTACHMENT

SMCS-7301

i03601597

NOTE	REF NO	GRAPHIC REF	PART NUMBER	QTY	PART NAME						SEE PAGE
					1	2	3	4	5	6 (PRODUCT LEVEL)	
Y	1	1	249-7108	1	HANDRAIL GP (CAB)						344
Y	2	1	299-2940	1	LIGHTING GP-FLOOD (HID, CAB FRONT)						201

Y-SEPARATE ILLUSTRATION



GRAPHIC #1

<END>

g01931974

OPERATOR STATION

225-5782 PEDAL AR-THIRD

S/N: PAS1-UP
AN ATTACHMENT

SMCS-5059, 5462

i02112936

NOTE	PART NUMBER	QTY	PART NAME						SEE PAGE
			1	2	3	4	5	6 (PRODUCT LEVEL)	
Y	225-5783	1	CONTROL GP-HYDRAULIC PEDAL (STRAIGHT TRAVEL)						891
	127-5250	1	FILM-INSTRUCTION (TRAVEL CONTROLS)						
Y-SEPARATE ILLUSTRATION									
<END>									

OPERATOR STATION

225-5757 PLATFORM GP-OPERATOR

S/N: PAS1-UP

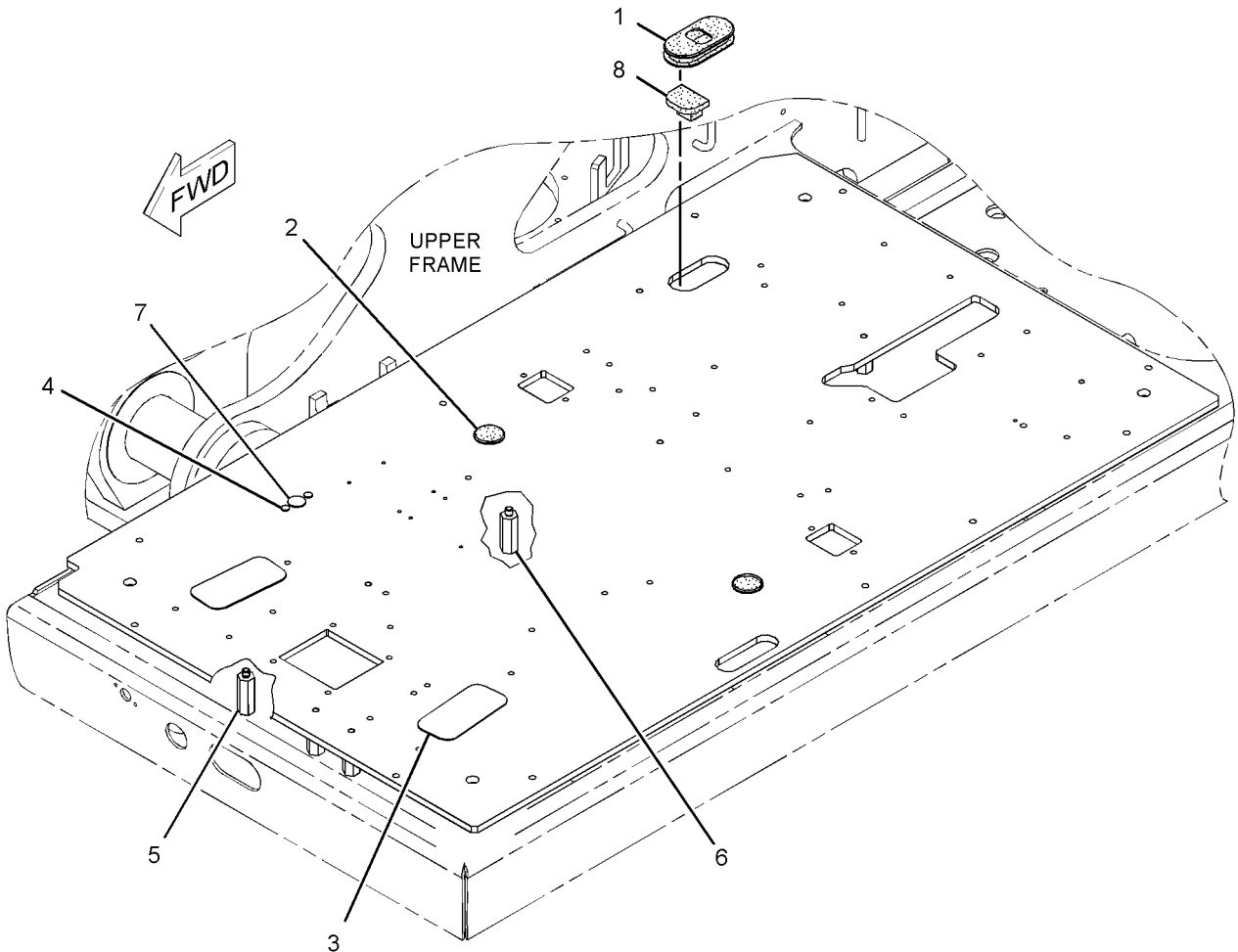
PART OF 342-3451 OPERATOR AR

SMCS-7253

i03897558

NOTE	REF NO	GRAPHIC REF	PART NUMBER	QTY	PART NAME						SEE PAGE
					1	2	3	4	5	6 (PRODUCT LEVEL)	
C	1	1	135-8966	1	GROMMET						
	2	1	147-4960	2	GROMMET						
	3	1	162-0349	2	COVER						
	4	1	296-4908	2	CAP						
	5	1	245-7941	3	BOSS						
C	6	1	274-5048	5	BOSS						
	7	1	296-4907	1	CAP						
	8	1	353-1986	1	INSULATION						

C-CHANGE FROM PREVIOUS TYPE



GRAPHIC #1

<END>

g02126526

OPERATOR STATION

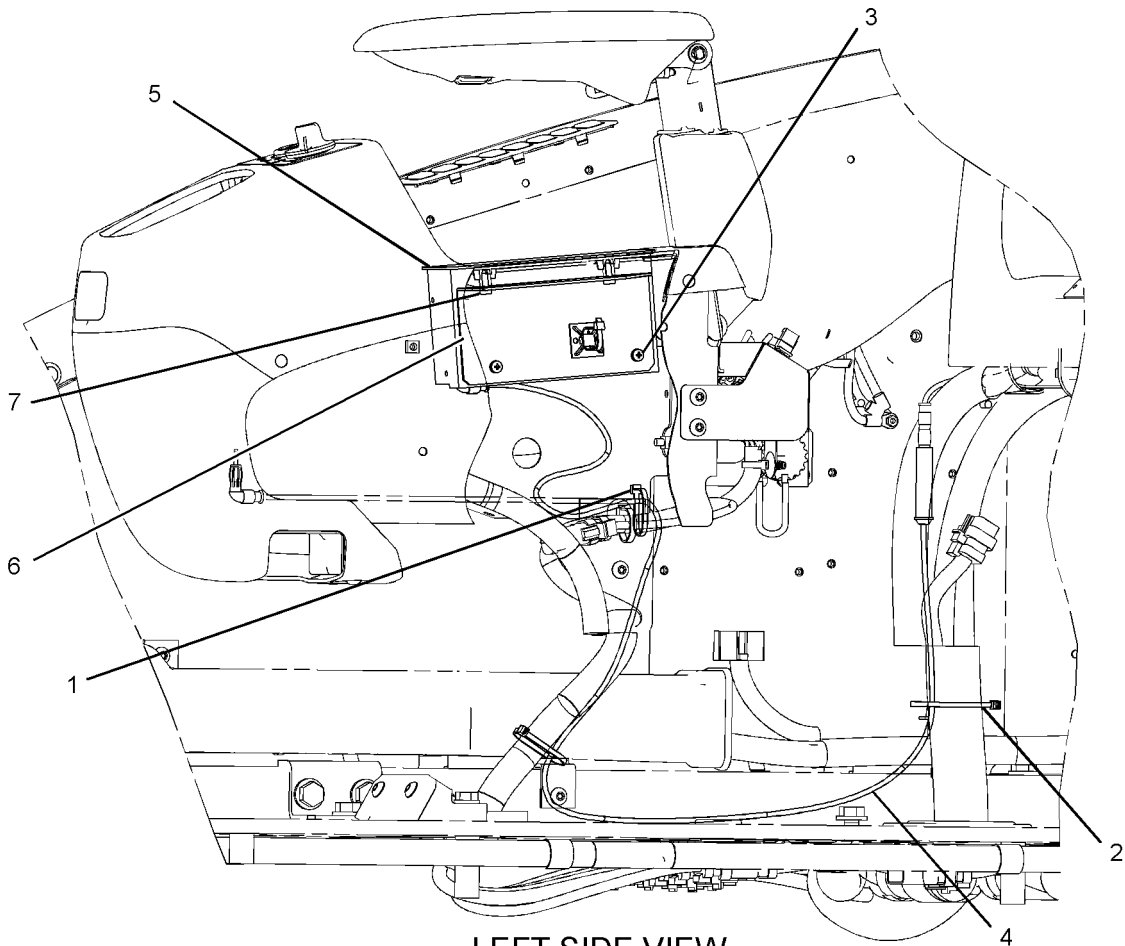
251-0538 RADIO GP-AM/FM

S/N: PAS1-UP
AN ATTACHMENT

SMCS-7338, 733C

i03024523

NOTE	REF NO	GRAPHIC REF	PART NUMBER	QTY	PART NAME						SEE PAGE
					1	2	3	4	5	6 (PRODUCT LEVEL)	
1	1	1	3S-2093	2	STRAP - CABLE						
2	1	1	7K-1181	2	STRAP - CABLE						
3	1	1	106-2704	2	SCREW AS (M5X0.8X10-MM)						
4	1	1	238-2260	1	CABLE						
5	1	1	306-8802	1	RADIO-AM/FM						
6	1	1	259-4914	1	BRACKET AS						
7	1	1	119-5026	2	SCREW-PAN HEAD (10-16X0.63-IN)						



LEFT SIDE VIEW

<END>

GRAPHIC #1

g01225602

OPERATOR STATION

263-9088 RADIO GP-COMMUNICATION-PRODUCT LINK 121SR

S/N: PAS1-UP

PART OF 309-5843 INSTALLATION GP-COMMUNICATION
AN ATTACHMENT

SMCS-733T

i03130503

NOTE	PART NUMBER	QTY	PART NAME						SEE PAGE
			1	2	3	4	5	6 (PRODUCT LEVEL)	
	330-3408	1	SOFTWARE GP-COMMUNICATION (PRODUCT LINK 121SR)						
<END>									

OPERATOR STATION

184-7621 SCREEN GP-SUN

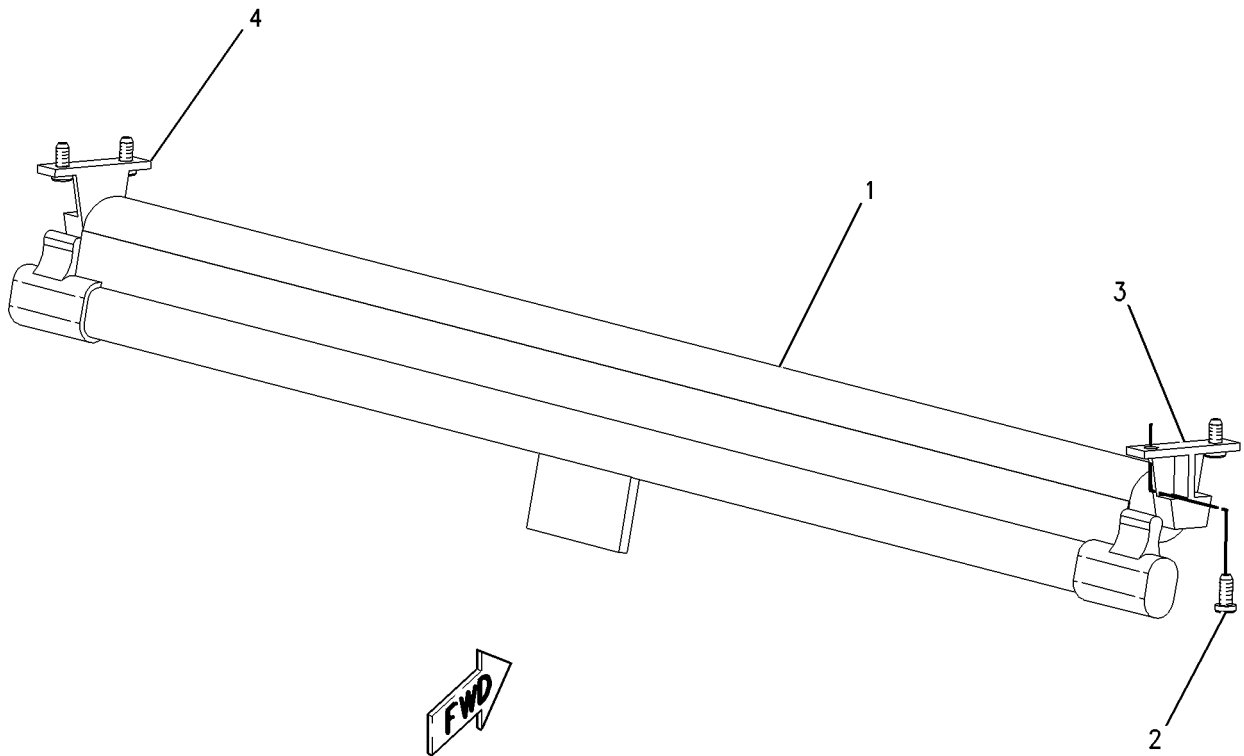
S/N: PAS1-UP

PART OF 308-7020, 308-7021, 308-7022 CAB AR
AN ATTACHMENT

SMCS-7165

i02981808

NOTE	REF NO	GRAPHIC REF	PART NUMBER	QTY	PART NAME						SEE PAGE
					1	2	3	4	5	6 (PRODUCT LEVEL)	
	1	1	229-4818	1	SHADE AS-SUN						
	2	1	6C-9119	4	SCREW (M5X0.8X12-MM)						
					-OR-						
		1	6V-2687	4	SCREW-PAN HEAD (10-24X1-IN)						
	3	1	229-3756	1	SUPPORT						
	4	1	229-3757	1	SUPPORT						



GRAPHIC #1

<END>

g00943485

OPERATOR STATION

327-6501 SEAT & MOUNTING GP-HIGH BACK, TILT

S/N: PAS1-UP

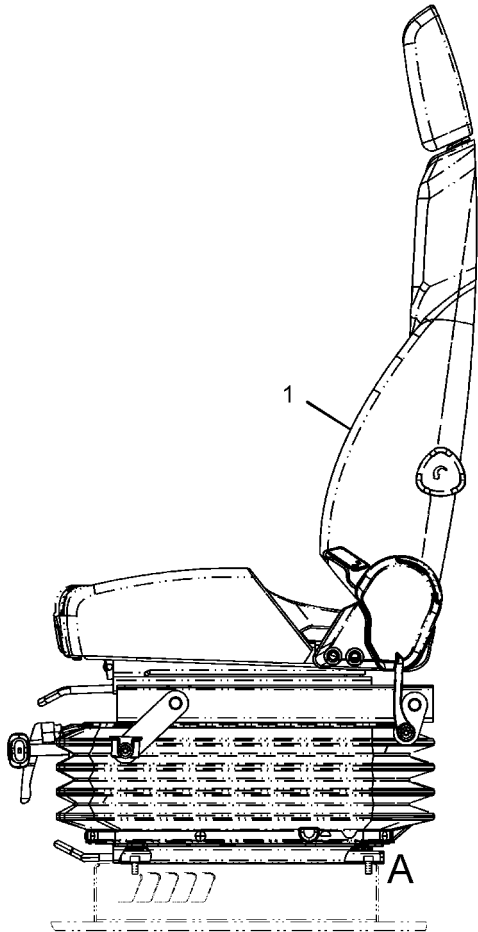
PART OF 340-4004 OPTION AR-CAB
AN ATTACHMENT

SMCS-7312

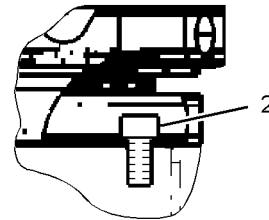
i03636621

NOTE	REF NO	GRAPHIC REF	PART NUMBER	QTY	PART NAME						SEE PAGE
					1	2	3	4	5	6 (PRODUCT LEVEL)	
Y	1	1	327-6507	1	SEAT GP-SUSPENSION (HIGH BACK, TILT)						958
M	2	1	6V-8202	4	BOLT-SOCKET HEAD (M8X1.25X16-MM)						

M-METRIC PART
Y-SEPARATE ILLUSTRATION



LEFT SIDE VIEW



VIEW OF AREA A

GRAPHIC #1

<END>

g01804737

OPERATOR STATION

327-6503 SEAT & MOUNTING GP-HIGH BACK, WITH HEATER

S/N: PAS1-UP

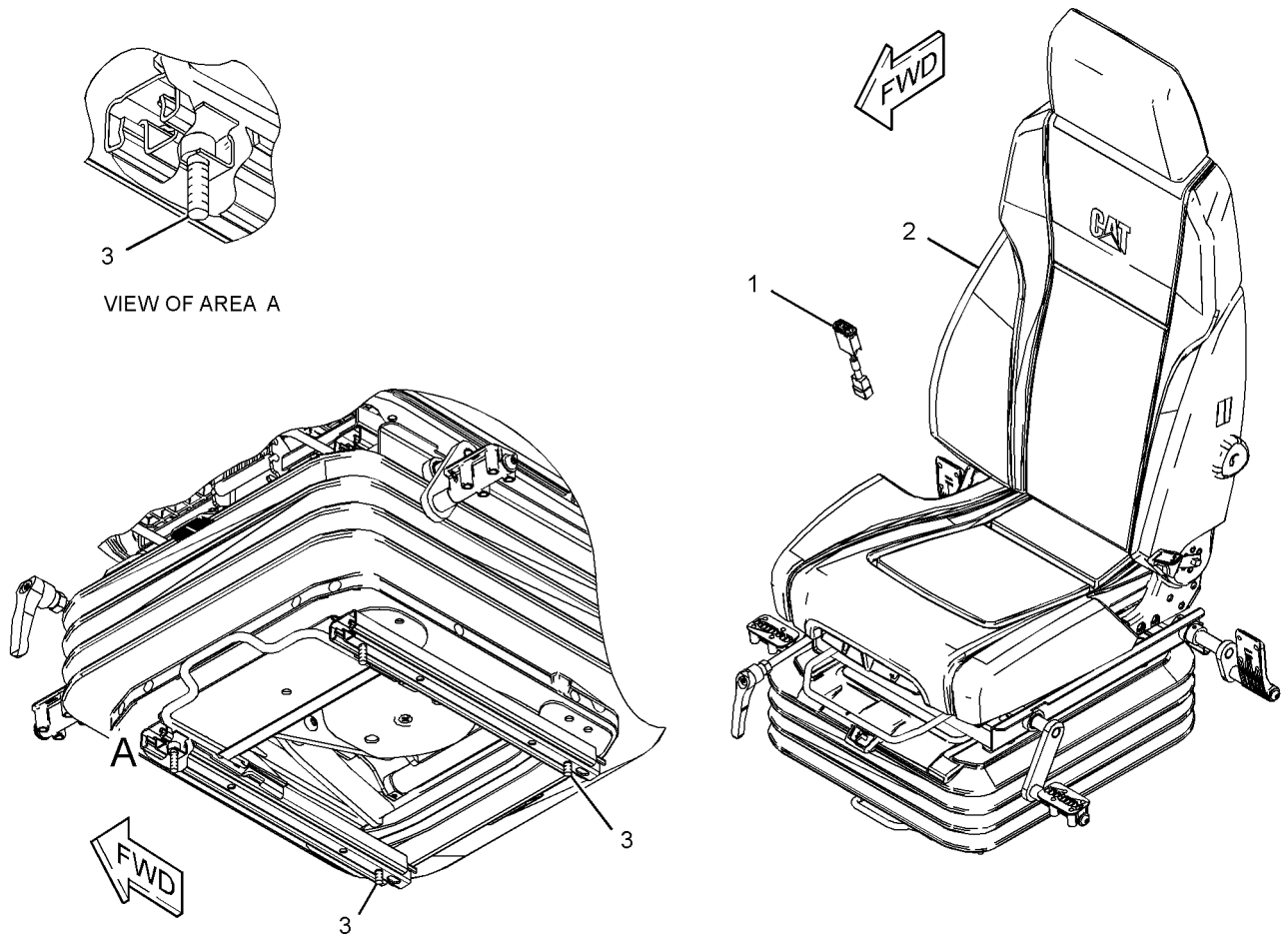
PART OF 340-4002, 340-4003 OPTION AR-CAB
AN ATTACHMENT

SMCS-7312

i03572349

NOTE	REF NO	GRAPHIC REF	PART NUMBER	QTY	PART NAME						SEE PAGE
					1	2	3	4	5	6 (PRODUCT LEVEL)	
	1	1	238-2211	1	SWITCH AS-ROCKER (HEATED SEAT)						
		1	167-3542	1	CONNECTOR-RECEPTACLE						
		1	167-3543	4	TERMINAL (MALE)						
Y	2	1	327-6509	1	SEAT GP-SUSPENSION (HIGH BACK, WITH HEATER)						959
M	3	1	6V-8202	4	BOLT-SOCKET HEAD (M8X1.25X16-MM)						

M-METRIC PART
Y-SEPARATE ILLUSTRATION



GRAPHIC #1

<END>

g01901913

OPERATOR STATION

305-0466 SEAT BELT GP-RETRACTABLE, 76-MM

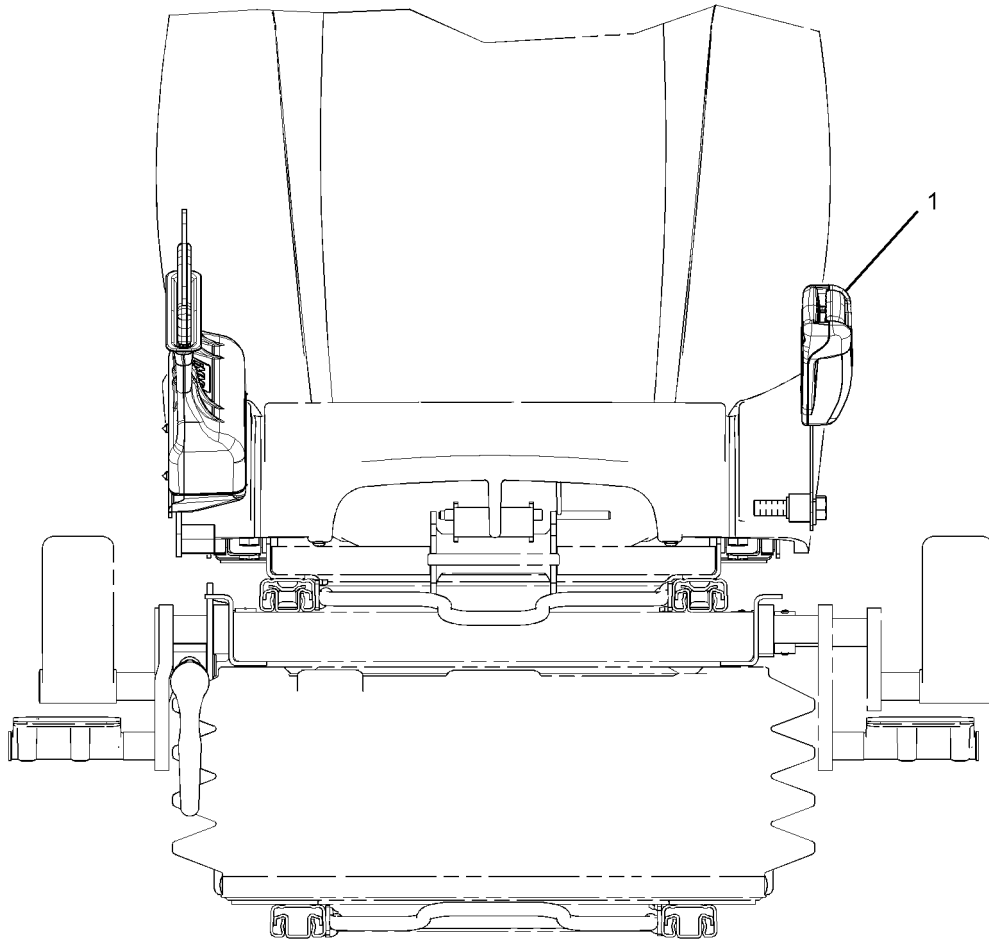
S/N: PAS1-UP

PART OF 340-4002, 340-4003, 340-4004 OPTION AR-CAB
AN ATTACHMENT

SMCS-7327

i03533980

NOTE	REF NO	GRAPHIC REF	PART NUMBER	QTY	PART NAME						SEE PAGE
					1	2	3	4	5	6 (PRODUCT LEVEL)	
	1	1	327-6540	1	SEAT BELT GP (RETRACTABLE, 76-MM)						



FRONT VIEW

<END>

GRAPHIC #1

g01576875

OPERATOR STATION

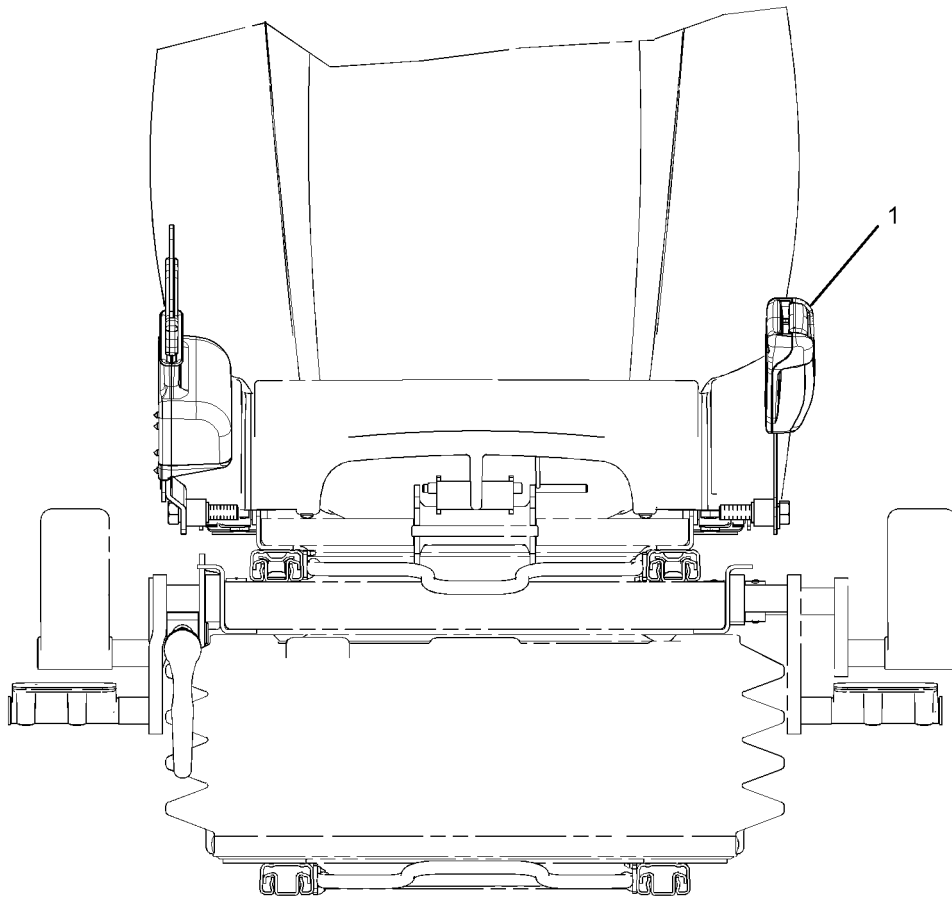
305-0467 SEAT BELT GP-RETRACTABLE, 43-MM

S/N: PAS1-UP
AN ATTACHMENT

SMCS-7327

i03533580

NOTE	REF NO	GRAPHIC REF	PART NUMBER	QTY	PART NAME						SEE PAGE
					1	2	3	4	5	6 (PRODUCT LEVEL)	
	1	1	327-6541	1	SEAT BELT GP (RETRACTABLE, 43-MM)						



FRONT VIEW

GRAPHIC #1

<END>

g01576478

OPERATOR STATION

327-6512 SEAT GP-HIGH BACK, TILT

S/N: PAS1-UP

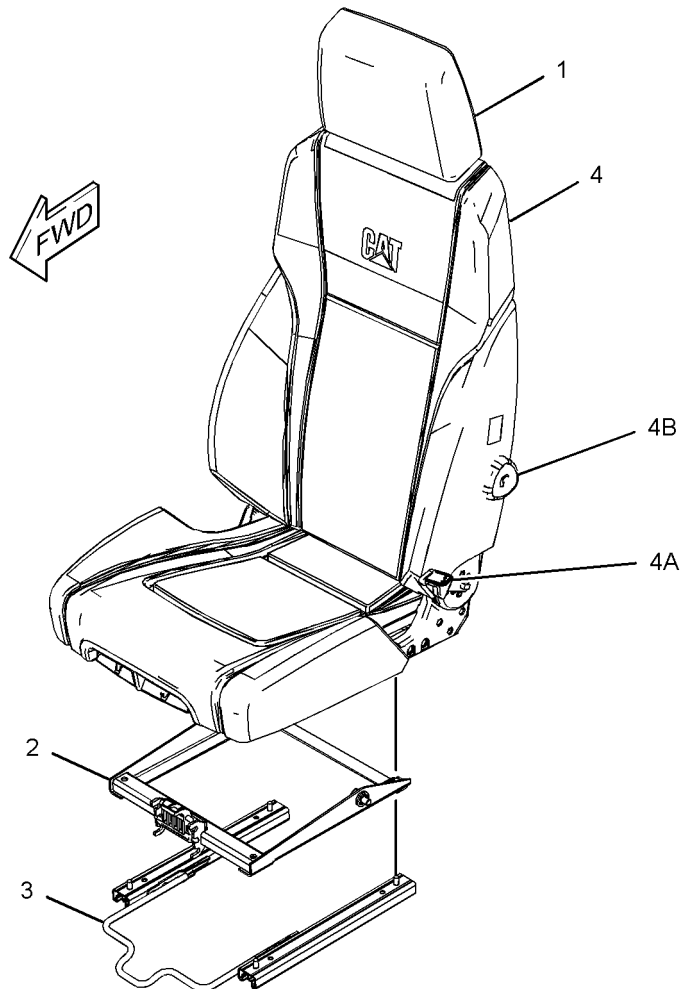
PART OF 327-6507 SEAT GP-SUSPENSION
AN ATTACHMENT

SMCS-7312

i03710782

NOTE	REF NO	GRAPHIC REF	PART NUMBER	QTY	PART NAME						SEE PAGE
					1	2	3	4	5	6 (PRODUCT LEVEL)	
	1	1	327-6515	1	HEADREST AS-SEAT						
	2	1	327-6642	1	KIT-SEAT TILT						
		1	333-4179	2	BOLT-SHOULDER (M10X1.5X26.2-MM)						
		1	333-4180	4	SCREW-BUTTON HEAD (M8X1.25X20-MM)						
	3	1	327-6643	1	KIT-ADJUSTER (CUSHION POSITIONING)						
M		1	9X-2616	4	SCREW-SOCKET (M8X1.25X16-MM)						
		1	316-8987	2	BRACKET						
	4	1	333-4160	1	KIT-SEAT (HIGH BACK, MANUAL)						
	4A	1	178-5659	1	HANDLE (LUMBAR SUPPORT ADJUSTER)						
	4B	1	327-6640	1	KIT-HANDLE (RECLINER)						
		1	333-4179	2	BOLT-SHOULDER (M10X1.5X26.2-MM)						

M-METRIC PART



GRAPHIC #1

<END>

g01997973

OPERATOR STATION

327-6513 SEAT GP-HIGH BACK, WITH HEATER

S/N: PAS1-UP

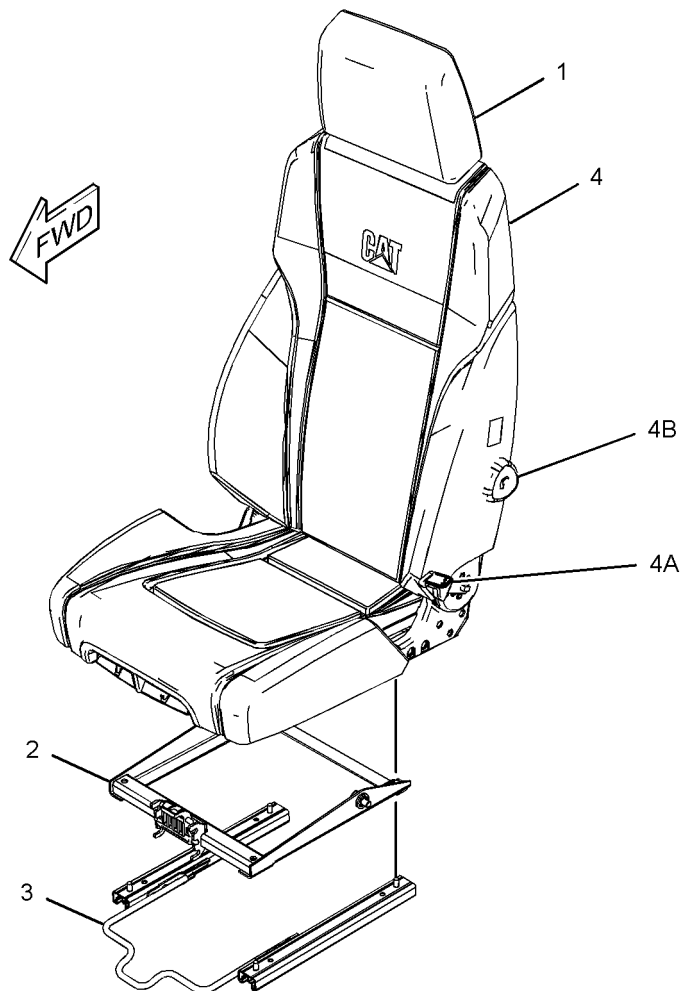
PART OF 327-6509 SEAT GP-SUSPENSION
AN ATTACHMENT

SMCS-7312

i03710850

NOTE	REF NO	GRAPHIC REF	PART NUMBER	QTY	PART NAME						SEE PAGE
					1	2	3	4	5	6 (PRODUCT LEVEL)	
	1	1	327-6515	1	HEADREST AS-SEAT						
	2	1	327-6642	1	KIT-SEAT TILT						
		1	333-4179	2	BOLT-SHOULDER (M10X1.5X26.2-MM)						
		1	333-4180	4	SCREW-BUTTON HEAD (M8X1.25X20-MM)						
	3	1	327-6643	1	KIT-ADJUSTER (CUSHION POSITIONING)						
M		1	9X-2616	4	SCREW-SOCKET (M8X1.25X16-MM)						
		1	316-8987	2	BRACKET						
	4	1	333-4160	1	KIT-SEAT (HIGH BACK, MANUAL)						
	4A	1	178-5659	1	HANDLE (LUMBAR SUPPORT ADJUSTER)						
	4B	1	327-6640	1	KIT-HANDLE (RECLINER)						
		1	333-4179	2	BOLT-SHOULDER (M10X1.5X26.2-MM)						

M-METRIC PART



GRAPHIC #1

<END>

g01997973

OPERATOR STATION

327-6507 SEAT GP-SUSPENSION-HIGH BACK, TILT

S/N: PAS1-UP

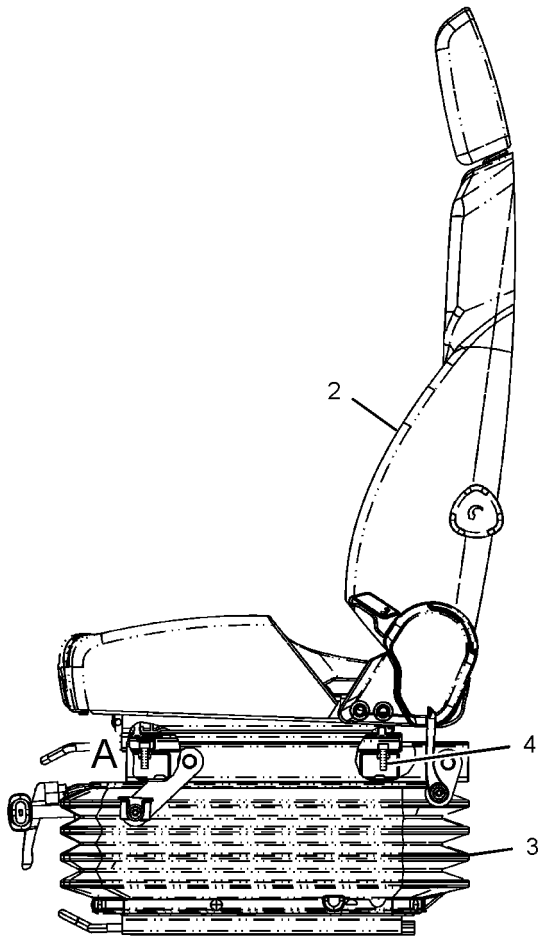
PART OF 327-6501 SEAT & MOUNTING GP
AN ATTACHMENT

SMCS-7324, 7336

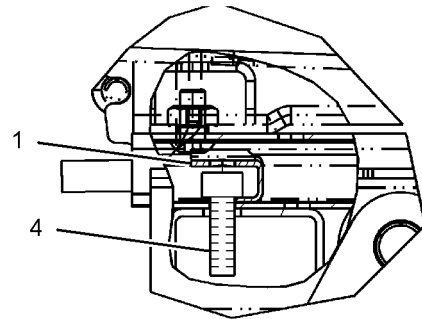
i03572478

NOTE	REF NO	GRAPHIC REF	PART NUMBER	QTY	PART NAME						SEE PAGE
					1	2	3	4	5	6 (PRODUCT LEVEL)	
	1	1	316-8987	2	BRACKET						
Y	2	1	327-6512	1	SEAT GP (HIGH BACK, TILT)						956
Y	3	1	327-6520	1	SUSPENSION GP-SEAT (MECHANICAL)						961
M	4	1	5A-3604	4	BOLT-SOCKET HEAD (M8X1.25X25-MM)						

M-METRIC PART
Y-SEPARATE ILLUSTRATION



LEFT SIDE VIEW



VIEW OF AREA A

GRAPHIC #1

<END>

g01794435

OPERATOR STATION

327-6509 SEAT GP-SUSPENSION-HIGH BACK, WITH HEATER

S/N: PAS1-UP

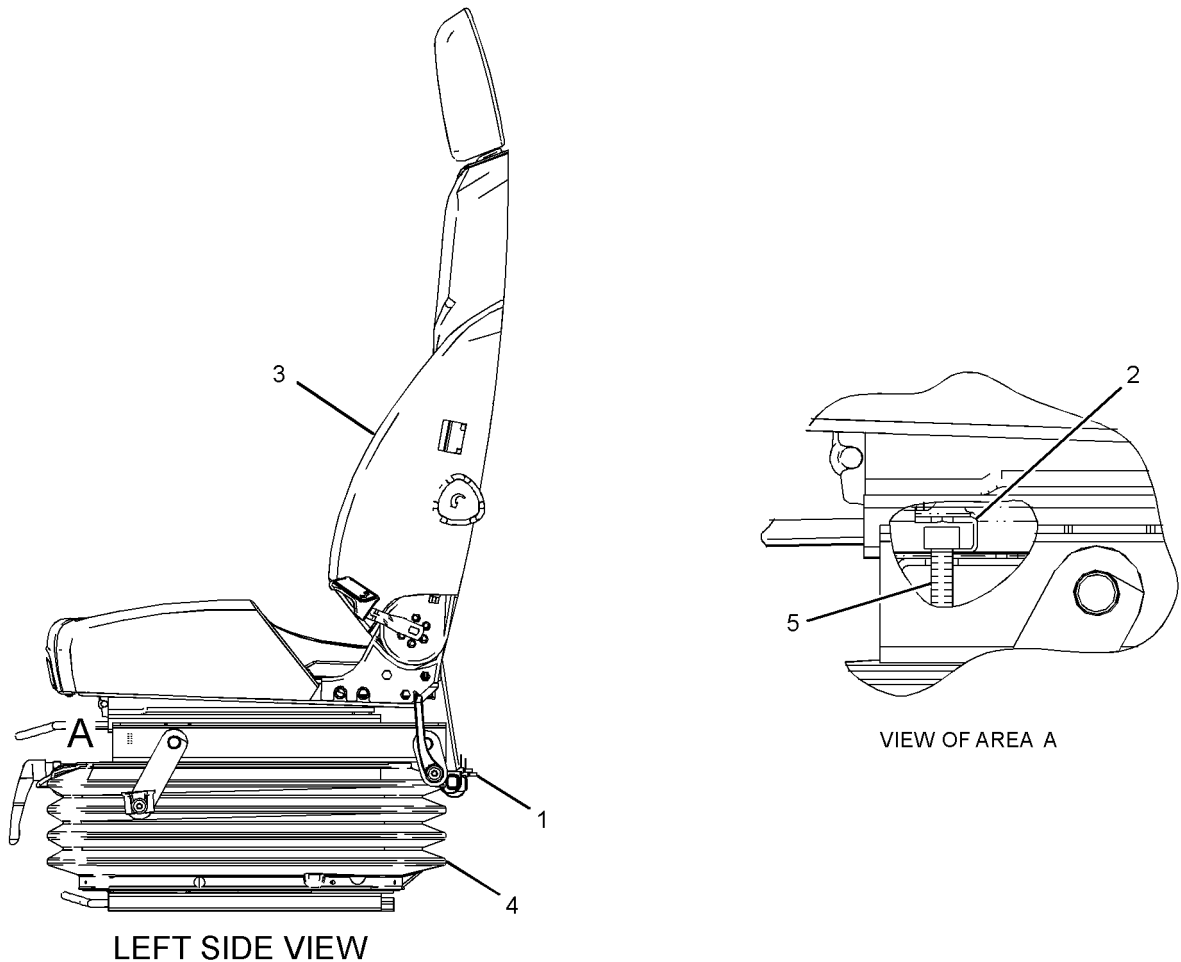
PART OF 327-6503 SEAT & MOUNTING GP
AN ATTACHMENT

SMCS-7324, 7336

i03608343

NOTE	REF NO	GRAPHIC REF	PART NUMBER	QTY	PART NAME						SEE PAGE
					1	2	3	4	5	6 (PRODUCT LEVEL)	
	1	1	7I-2673	1	STRAP-CABLE						
	2	1	316-8987	2	BRACKET						
Y	3	1	327-6513	1	SEAT GP (HIGH BACK, WITH HEATER)						957
Y	4	1	327-6521	1	SUSPENSION GP-SEAT (AIR)						962
M	5	1	5A-3604	4	BOLT-SOCKET HEAD (M8X1.25X25-MM)						

M-METRIC PART
Y-SEPARATE ILLUSTRATION



GRAPHIC #1

<END>

g01810781

OPERATOR STATION

327-6542 SUPPORT GP-SEAT

S/N: PAS1-UP

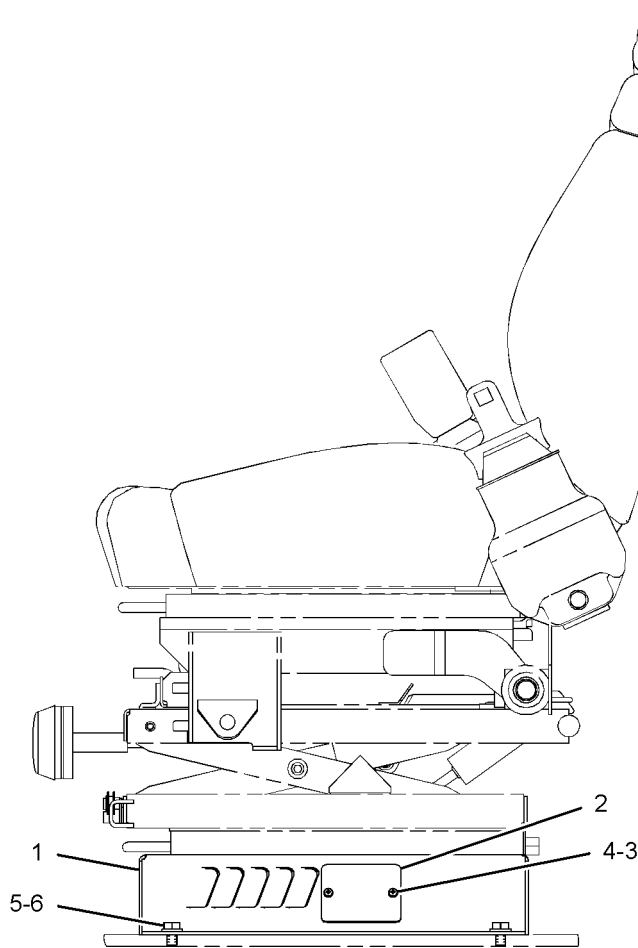
PART OF 342-3451 OPERATOR AR

SMCS-7321

i03619360

NOTE	REF NO	GRAPHIC REF	PART NUMBER	QTY	PART NAME						SEE PAGE
					1	2	3	4	5	6 (PRODUCT LEVEL)	
	1	1	327-6538	1	SUPPORT AS-SEAT						
	2	1	327-6543	1	COVER						
	3	1	096-6166	2	WASHER-HARD (4.5X9X1-MM THK)						
M	4	1	8T-0337	2	SCREW-MACHINE (M4X0.7X12-MM)						
	5	1	8T-4121	4	WASHER-HARD (11X21X2.5-MM THK)						
M	6	1	8T-4191	4	BOLT (M10X1.5X16-MM)						

M-METRIC PART



LEFT SIDE VIEW

<END>

GRAPHIC #1

g01944713

OPERATOR STATION

327-6520 SUSPENSION GP-SEAT-MECHANICAL

S/N: PAS1-UP

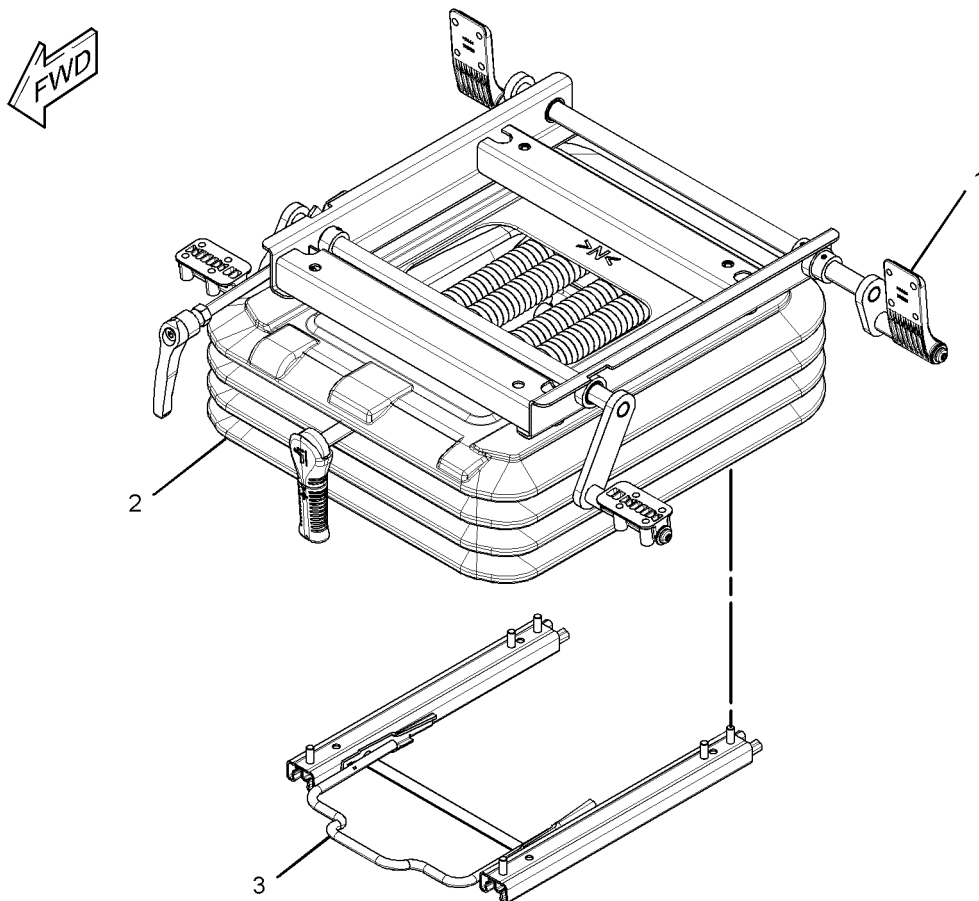
PART OF 327-6507 SEAT GP-SUSPENSION
AN ATTACHMENT

SMCS-7324

i03572405

NOTE	REF NO	GRAPHIC REF	PART NUMBER	QTY	PART NAME						SEE PAGE
					1	2	3	4	5	6 (PRODUCT LEVEL)	
	1	1	327-6644	1	KIT-BRACKET (CONSOLE RAISE, LOWER)						
M		1	7Y-7394	4	SCREW-BUTTON HEAD (M8X1.25X25-MM)						
Y	2	1	327-6645	1	KIT-SEAT SUSPENSION (MECHANICAL)						923
	3	1	327-6648	1	KIT-ADJUSTER (SEAT POSITION)						
		1	333-4180	6	SCREW-BUTTON HEAD (M8X1.25X20-MM)						

M-METRIC PART
Y-SEPARATE ILLUSTRATION



GRAPHIC #1

<END>

g01637856

OPERATOR STATION

327-6521 SUSPENSION GP-SEAT-AIR

S/N: PAS1-UP

PART OF 327-6509 SEAT GP-SUSPENSION
AN ATTACHMENT

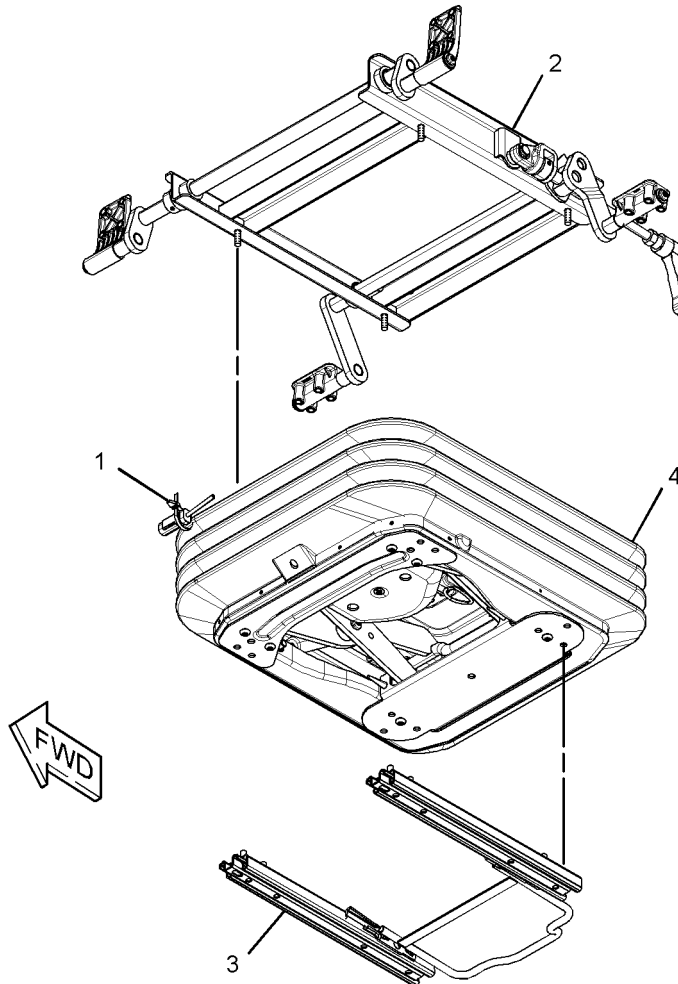
SMCS-7324

i03572209

NOTE	REF NO	GRAPHIC REF	PART NUMBER	QTY	PART NAME						SEE PAGE
					1	2	3	4	5	6 (PRODUCT LEVEL)	
	1	1	7I-2673	1	STRAP-CABLE						
	2	1	327-6644	1	KIT-BRACKET (CONSOLE RAISE, LOWER)						
M		1	7Y-7394	4	SCREW-BUTTON HEAD (M8X1.25X25-MM)						
	3	1	327-6648	1	KIT-ADJUSTER (SEAT POSITION)						
		1	333-4180	6	SCREW-BUTTON HEAD (M8X1.25X20-MM)						
Y	4	1	333-4157	1	KIT-SEAT SUSPENSION (AIR)						924

M-METRIC PART

Y-SEPARATE ILLUSTRATION



GRAPHIC #1

<END>

g01906653

OPERATOR STATION

249-2663 TRIM GP-CAB-INTERIOR, REAR

S/N: PAS1-UP

PART OF 308-7020, 308-7021, 308-7022 CAB AR
AN ATTACHMENT

SMCS-7301, 7329

i03421770

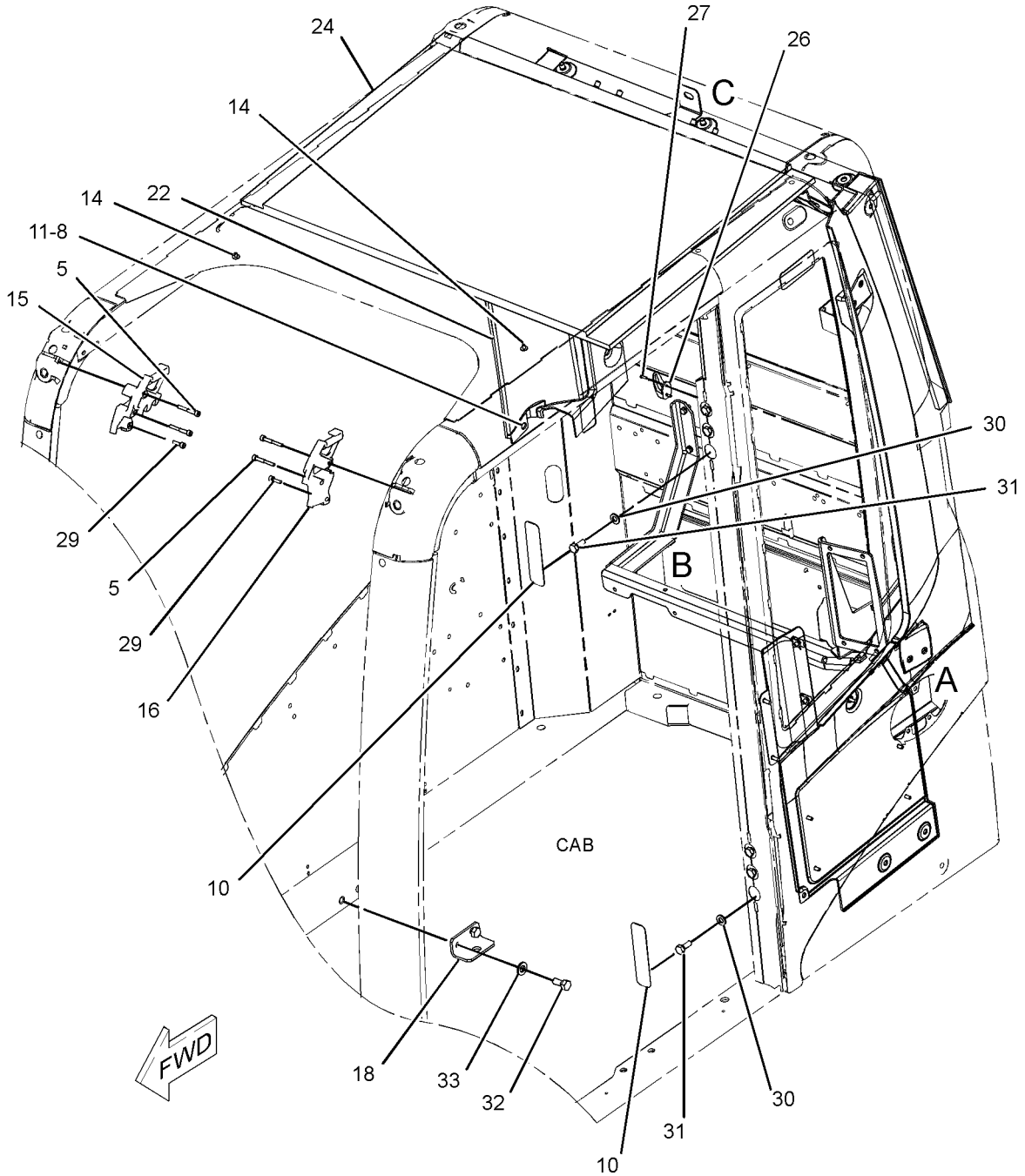
NOTE	REF NO	GRAPHIC REF	PART NUMBER	QTY	PART NAME						SEE PAGE
					1	2	3	4	5	6 (PRODUCT LEVEL)	
M	1	2	5I-3054	8	NUT (M4X0.7-THD)						
	2	2	262-3663	2	COVER-SPEAKER						
M	3	2	096-3772	12	SCREW-MACHINE (M4X0.7X16-MM)						
	4	2	096-6166	8	WASHER-HARD (4.5X9X1-MM THK)						
M	5	1	108-1780	4	BOLT-SOCKET HEAD (M6X1X45-MM)						
M	6	2	111-4627	6	SCREW-MACHINE (M6X1X30-MM)						
	7	2	114-6658	6	WASHER (6.5X17X1-MM THK)						
M	8	1,2	128-2135	12	SCREW-TRUSS HEAD (M6X1X13-MM)						
	9	2	139-6039	7	NUT (U-TYPE RETAINER)						
	10	1	167-7042	2	SEAL						
M	11	1,2	180-1718	11	NUT (M6X1-THD)						
	12	2	191-2764	1	CASE						
	13	2	191-2768	1	COVER						
	14	1	224-2669	2	PLUG-PLASTIC						
	15	1	229-8059	1	STRIKER (RH)						
	16	1	229-8060	1	STRIKER (LH)						
	17	2	234-6477	1	BRACKET AS						
	18	1	235-9001	1	SUPPORT						
	19	2	247-6812	1	PLATE						
	20	2	268-1353	1	COVER (UPPER, LH)						
	21	2	247-6852	1	COVER AS (LOWER, LH)						
	22	1	268-1352	1	COVER (UPPER, RH)						
	23	2	247-6857	1	COVER-RADIO						
	24	1	252-1243	1	LINER						
M	25	2	5C-9553	8	BOLT (M6X1X16-MM)						
	26	1	6C-8972	1	HOOK						
	27	1	6C-9131	2	SCREW-TAPPING						
	28	2	9X-8256	8	WASHER (6.6X12X2-MM THK)						
M	29	1	8T-0269	2	BOLT-SOCKET HEAD (M6X1X20-MM)						
	30	1	8T-4121	6	WASHER-HARD (11X21X2.5-MM THK)						
M	31	1	8T-4136	6	BOLT (M10X1.5X25-MM)						
M	32	1	8T-4192	2	BOLT (M12X1.75X25-MM)						
	33	1	8T-4223	2	WASHER-HARD (13.5X25.5X3-MM THK)						
	34	2	9U-8263	1	COVER						
M	35	2	9X-2044	4	SCREW-TRUSS HEAD (M6X1X16-MM)						

M-METRIC PART

OPERATOR STATION

249-2663 TRIM GP-CAB (contd.)

i03421770



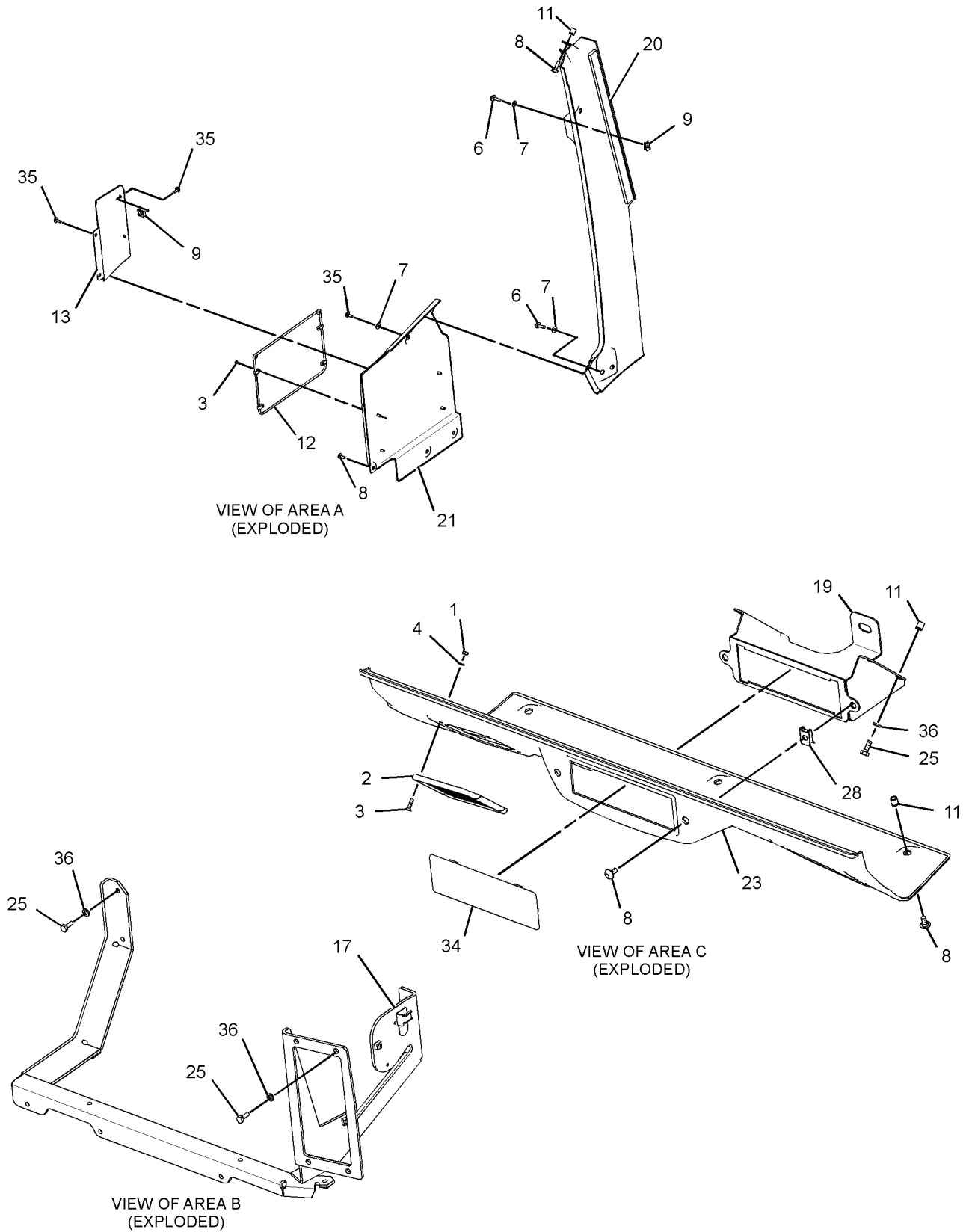
GRAPHIC #1

g01262291

OPERATOR STATION

249-2663 TRIM GP-CAB (contd.)

i03421770



GRAPHIC #2

<END>

g01783296

OPERATOR STATION

265-2816 VISOR GP-CAB-RAIN

S/N: PAS1-UP

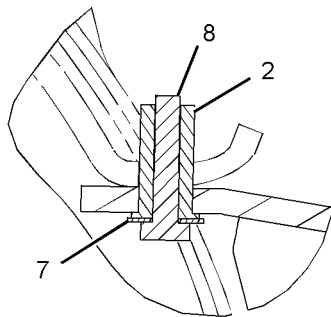
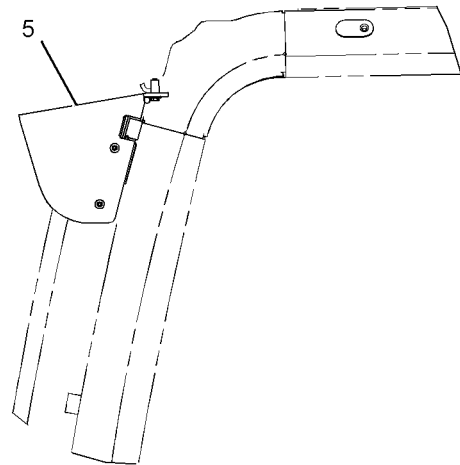
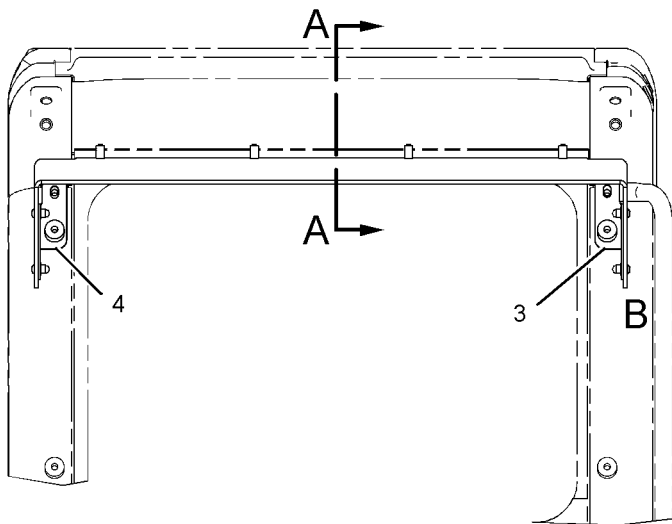
CANNOT BE USED WITH 250-0712-PAGE 911, 259-8009-PAGE 912, 330-3028-PAGE 911
AN ATTACHMENT

SMCS-7301

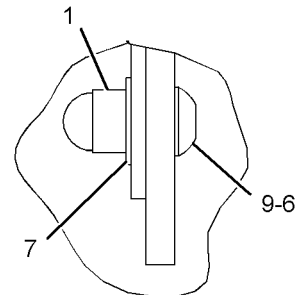
i02233385

NOTE	REF NO	GRAPHIC REF	PART NUMBER	QTY	PART NAME						SEE PAGE
					1	2	3	4	5	6 (PRODUCT LEVEL)	
	1	1	6C-9089	4	NUT - CAP						
M	2	1	146-0218	4	NUT (M6X1 - THD)						
	3	1	265-2819	1	BRACKET AS						
	4	1	265-2821	1	BRACKET AS						
	5	1	265-2824	1	VISOR						
M	6	1	129-3178	4	LOCKNUT (M6X1 - THD)						
	7	1	6C-9130	8	WASHER (6X18X1-MM THK)						
M	8	1	8T-4971	4	BOLT (M6X1X30-MM)						
M	9	1	9X-2045	4	SCREW-TRUSS HEAD (M6X1X20-MM)						

M-METRIC PART



SECTION A-A



VIEW OF AREA B

GRAPHIC #1

<END>

g01129021

OPERATOR STATION

225-5780 WASHER GP-WINDOW

S/N: PAS1-UP

PART OF 294-1232 CHASSIS AR

SMCS-7306

i02098173

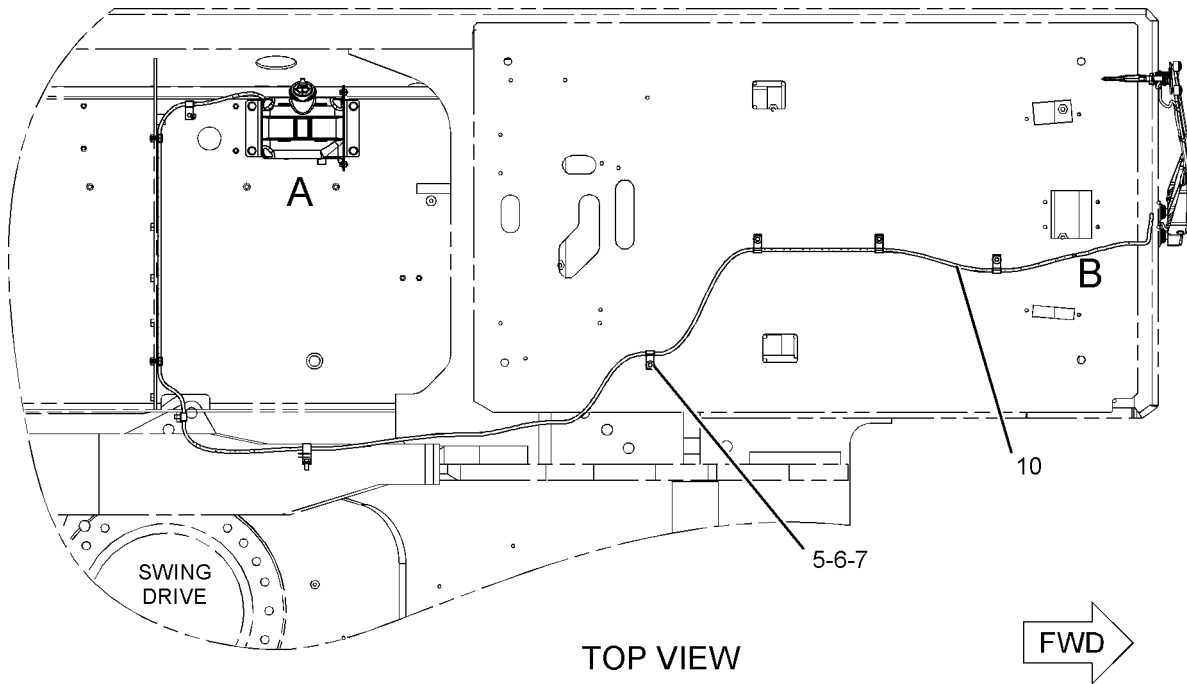
NOTE	REF NO	GRAPHIC REF	PART NUMBER	QTY	PART NAME						SEE PAGE
					1	2	3	4	5	6 (PRODUCT LEVEL)	
	1	1	7Y-3474	1	VALVE AS-CHECK (WINDOW WASHER)						
	2	1	176-1931	1	TANK AS-WINDOW WASHER						
		1	5C-8138	1	GROMMET						
		1	7T-8890	1	PUMP AS-WASHER						
		1	178-5431	1	CAP AS (WINDOW WASHER)						
		1	3W-6399	1	PACKING						
	3	1	229-9189	1	SUPPORT AS						
	4	1	245-7775	1	SUPPORT AS						
	5	1	6V-3265	8	CLIP						
	6	1	8T-4121	11	WASHER-HARD (11X21X2.5-MM THK)						
M	7	1	8T-4137	11	BOLT (M10X1.5X20-MM)						
M	8	1	8T-4970	2	BOLT (M6X1X14-MM)						
	9	1	9X-8256	2	WASHER (6.6X12X2-MM THK)						
E	10	1	144-0195		HOSE (420-CM)						

E-ORDER BY THE CENTIMETER
M-METRIC PART

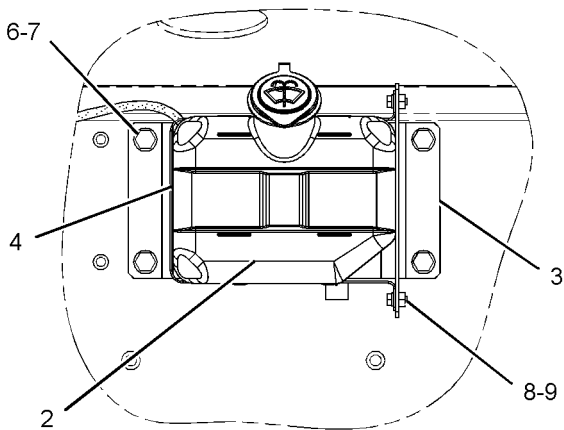
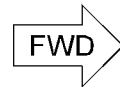
OPERATOR STATION

225-5780 WASHER GP-WINDOW (contd.)

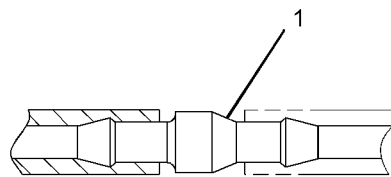
i02098173



TOP VIEW



VIEW OF AREA A



VIEW OF AREA B

GRAPHIC #1

<END>

g01073874

OPERATOR STATION

249-7114 WINDOW GP-CAB-FRONT WINDOW, 1-PIECE

S/N: PAS1-UP

PART OF 249-2759 WIPER & WINDOW AR-CAB
AN ATTACHMENT

SMCS-7310

i02399145

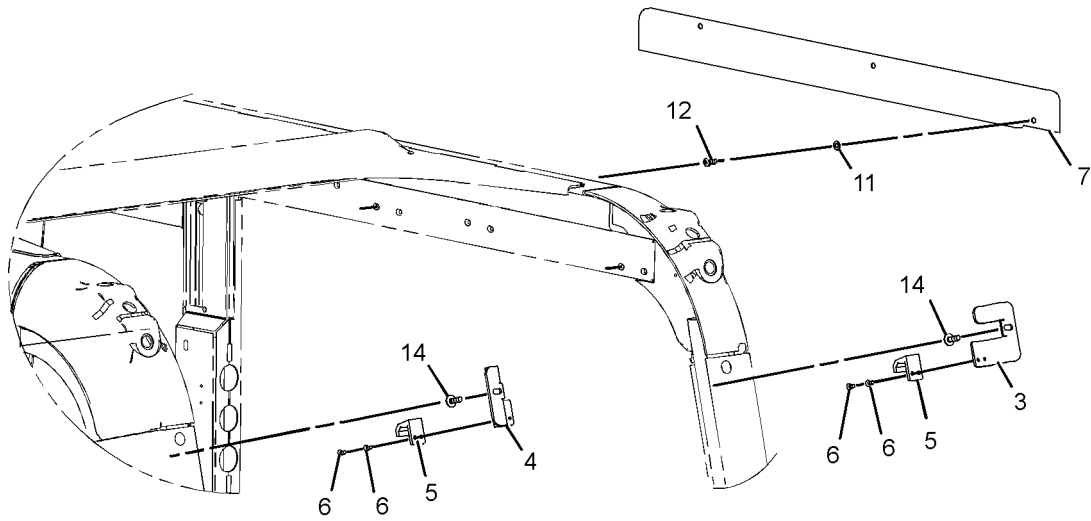
NOTE	REF NO	GRAPHIC REF	PART NUMBER	QTY	PART NAME						SEE PAGE
					1	2	3	4	5	6 (PRODUCT LEVEL)	
	1	1	167-4064	1	GLASS						
	2	1	167-4183	6	BRACKET						
	3	1	191-2757	3	BRACKET						
	4	1	191-2758	3	BRACKET						
	5	1	198-1754	6	HOOK						
	6	1	220-4080	12	SCREW						
	7	1	262-7961	1	PLATE						
	8	1	262-7962	1	PLATE						
	9	1	264-0214	1	SEAL						
	10	1	096-6166	1	WASHER-HARD (4.5X9X1-MM THK)						
	11	1	204-6101	6	WASHER-HARD (5.3X10X1-MM THK)						
M	12	1	6V-9673	6	SCREW-MACHINE (M5X0.8X12-MM)						
M	13	1	8T-0337	1	SCREW-MACHINE (M4X0.7X12-MM)						
M	14	1	9X-2044	12	SCREW-TRUSS HEAD (M6X1X16-MM)						
E	15	1	223-0118		SEAL (370-CM)						
E	16	1	133-3234		SEAL (362-CM)						

E-ORDER BY THE CENTIMETER
M-METRIC PART

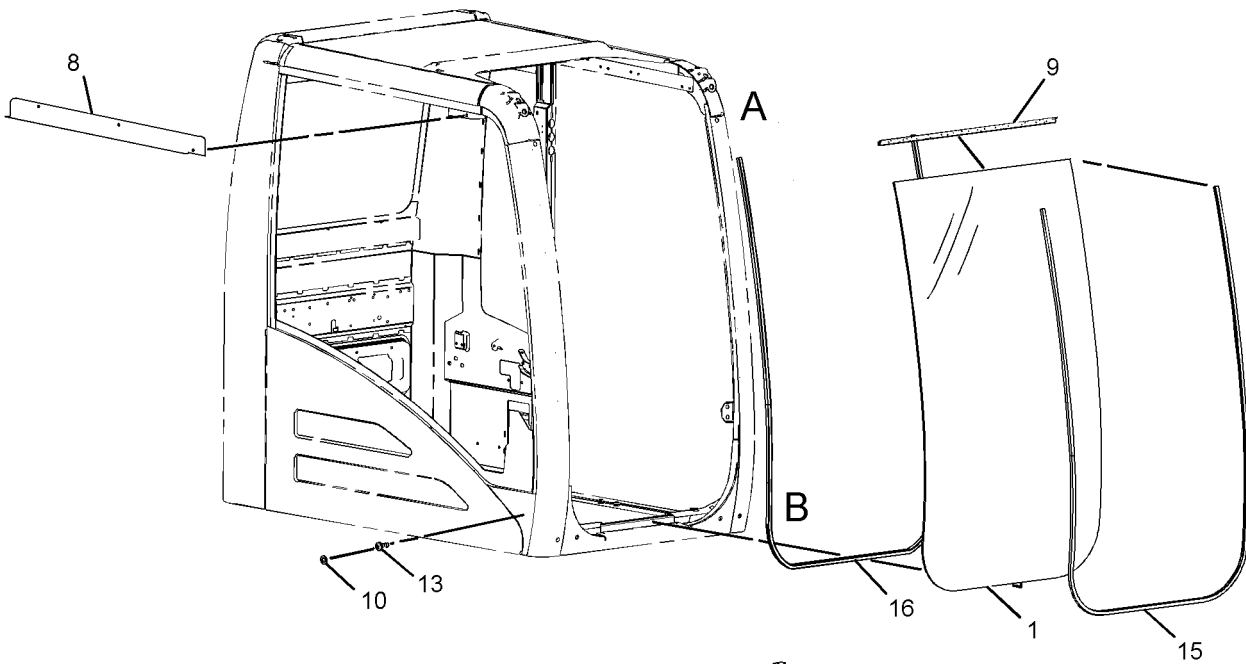
OPERATOR STATION

249-7114 WINDOW GP-CAB (contd.)

i02399145



VIEW OF AREA A



VIEW OF AREA B

<END>

GRAPHIC #1

g01207277

OPERATOR STATION

262-7933 WINDOW GP-CAB-HIGH RESISTANT GLASS

S/N: PAS1-UP

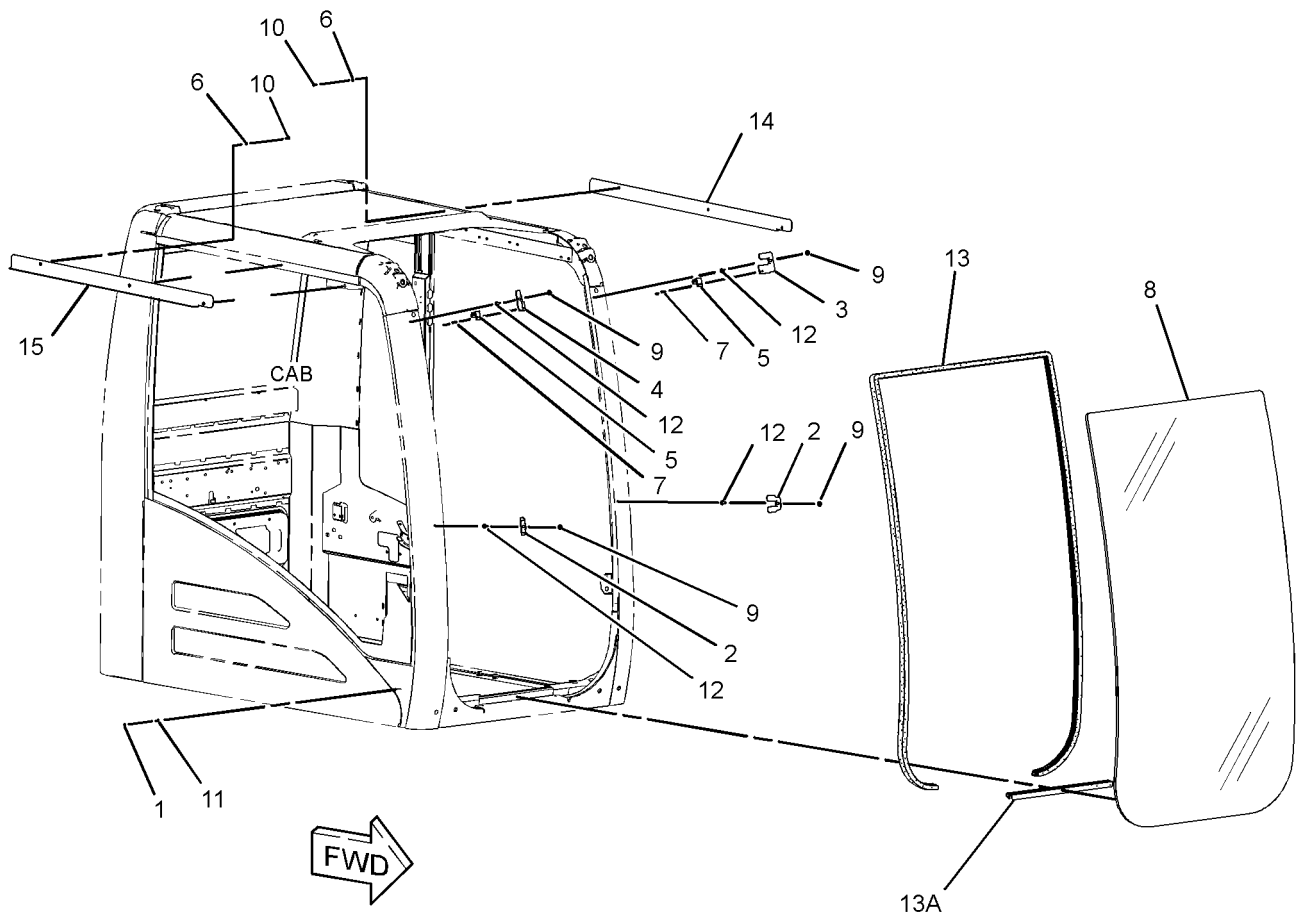
PART OF 263-8848 WIPER & WINDOW AR-CAB
AN ATTACHMENT

SMCS-7310

i02375002

NOTE	REF NO	GRAPHIC REF	PART NUMBER	QTY	PART NAME						SEE PAGE
					1	2	3	4	5	6 (PRODUCT LEVEL)	
	1	1	096-6166	1	WASHER-HARD (4.5X9X1-MM THK)						
	2	1	167-4183	6	BRACKET						
	3	1	191-2757	3	BRACKET						
	4	1	191-2758	3	BRACKET						
	5	1	198-1754	6	HOOK						
	6	1	204-6101	6	WASHER-HARD (5.3X10X1-MM THK)						
	7	1	220-4080	12	SCREW						
	8	1	262-7934	1	GLASS						
	9	1	6J-6478	12	WASHER						
M	10	1	6V-9673	6	SCREW-MACHINE (M5X0.8X12-MM)						
M	11	1	8T-0337	1	SCREW-MACHINE (M4X0.7X12-MM)						
M	12	1	9X-2044	12	SCREW-TRUSS HEAD (M6X1X16-MM)						
E	13	1	262-7935		SEAL (402-CM)						
E	13A	1	262-7935		SEAL (48-CM)						
	14	1	262-7961	1	PLATE						
	15	1	262-7962	1	PLATE						

E-ORDER BY THE CENTIMETER
M-METRIC PART



GRAPHIC #1

<END>

g01203239

OPERATOR STATION

282-6532 WINDOW GP-CAB-FRONT WINDOW, 70/30-SPLIT

S/N: PAS1-UP

PART OF 249-7113 WIPER & WINDOW AR-CAB
AN ATTACHMENT

SMCS-7310

i02796152

NOTE	REF NO	GRAPHIC REF	PART NUMBER	QTY	PART NAME						SEE PAGE
					1	2	3	4	5	6 (PRODUCT LEVEL)	
	1	1	189-2054	2	SWITCH AS (WIPER CUT-OUT)						
					(EACH INCLUDES)						
		1	6T-3631	2	NUT-HEX (15/32-32-THD)						
		1	6V-8373	2	SCREW-MACHINE (6-32X0.187-IN)						
	2	1	192-7512	1	SEAL-O-RING						
	3	1	232-1473	2	WASHER (6X18X1-MM THK)						
Y	4	1	282-6526	1	BRACKET GP-MOUNTING (WIPER SWITCH)						854
Y	5	1	282-6534	1	WINDOW GP-CAB (FRONT WINDOW, 70/30-SPLIT)						974
M	6	1	138-8454	2	SCREW-TRUSS HEAD (M4X0.7X10-MM)						

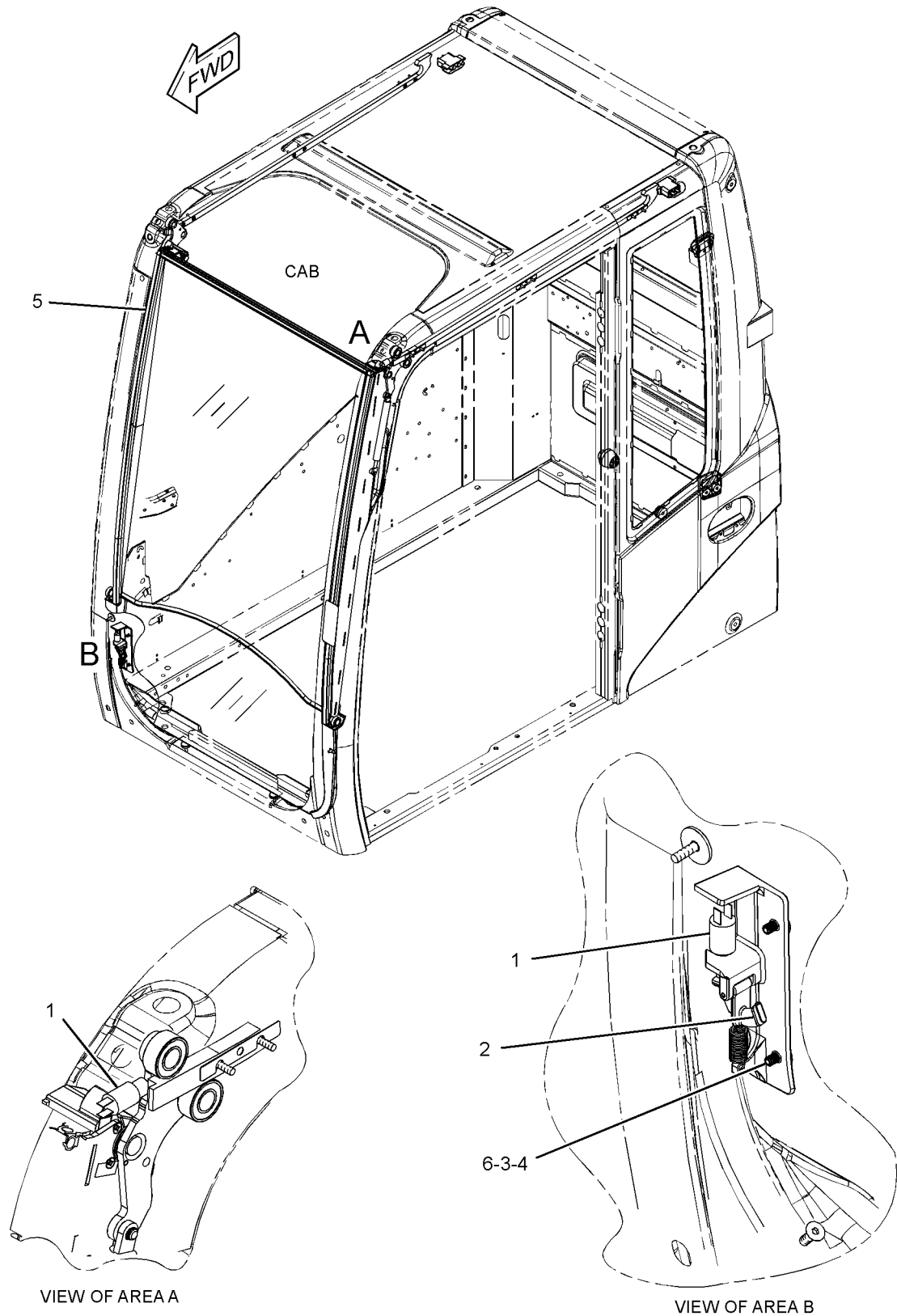
M-METRIC PART

Y-SEPARATE ILLUSTRATION

OPERATOR STATION

282-6532 WINDOW GP-CAB (contd.)

i02796152



VIEW OF AREA A

VIEW OF AREA B

GRAPHIC #1

<END>

g01305149

OPERATOR STATION

282-6534 WINDOW GP-CAB-FRONT WINDOW, 70/30-SPLIT

S/N: PAS1-UP

PART OF 282-6532 WINDOW GP-CAB
AN ATTACHMENT

SMCS-7310

i02796154

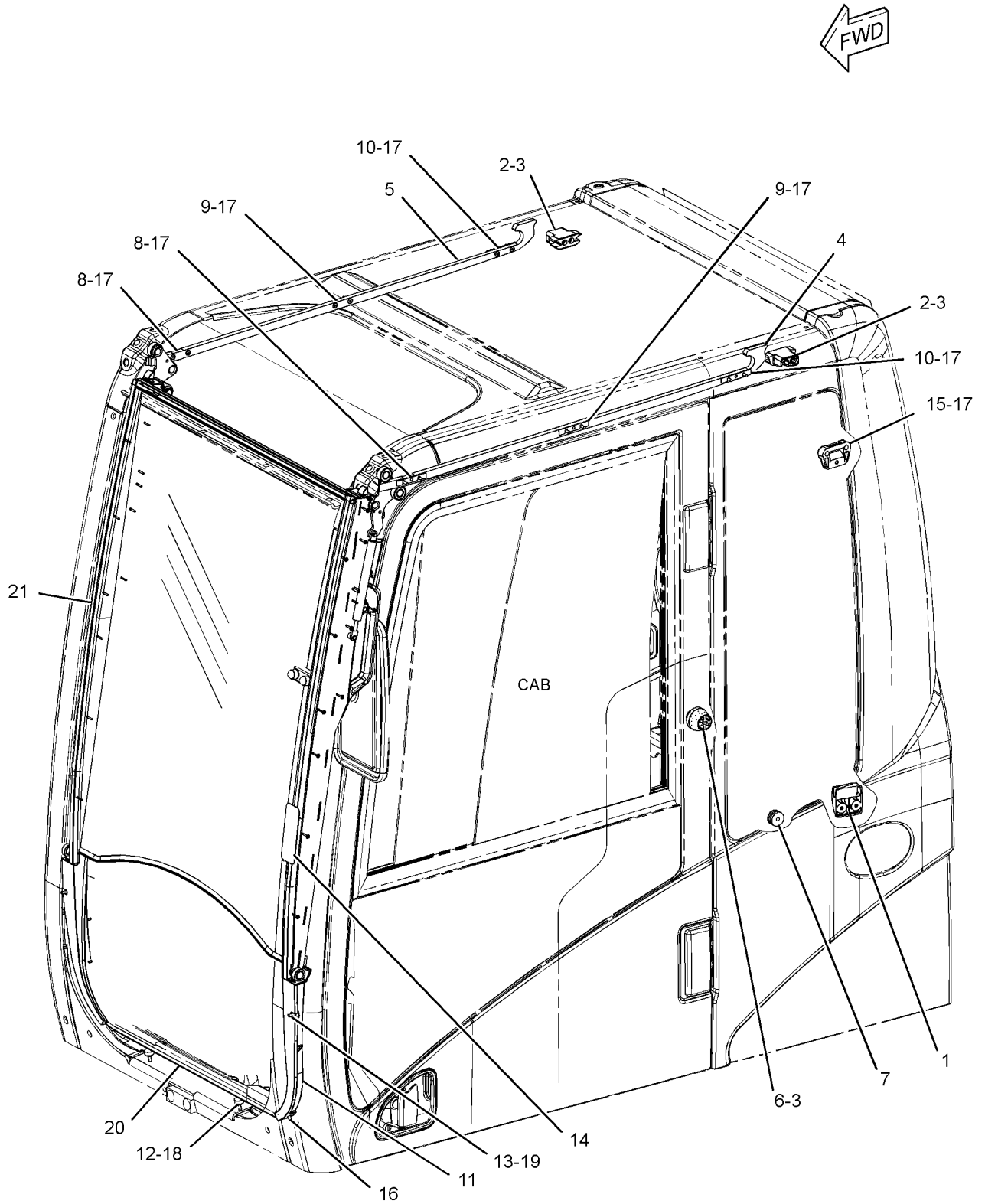
NOTE	REF NO	GRAPHIC REF	PART NUMBER	QTY	PART NAME						SEE PAGE
					1	2	3	4	5	6 (PRODUCT LEVEL)	
	1	1	139-7127	1	HOLDER						
	2	1	167-4084	2	STRIKER						
M	3	1	230-6045	5	BOLT-SOCKET HEAD (M6X50-MM)						
	4	1	247-6847	1	RAIL						
	5	1	247-6848	1	RAIL						
	6	1	247-6849	1	STOP						
	7	1	247-6850	1	RING						
B	8	1	247-6859	2	SPACER						
B	9	1	252-1248	2	SPACER						
B	10	1	252-1249	2	SPACER						
Y	11	1	282-6535	1	WINDOW GP-CAB (FRONT WINDOW, 70/30-SPLIT)						976
	12	1	293-8698	2	BUMPER						
	13	1	101-2867	2	WASHER-HARD (7.2X25X2-MM THK)						
	14	1	217-6421	1	PLATE						
	15	1	4I-4270	1	HOLDER-GLASS						
M	16	1	5C-7423	2	SCREW (M6X1X16-MM)						
M	17	1	8T-1573	12	SCREW-FLAT HEAD (M5X0.8X25-MM)						
M	18	1	8T-7964	2	NUT (M6X1-THD)						
M	19	1	9X-2045	2	SCREW-TRUSS HEAD (M6X1X20-MM)						
E	20	1	172-1681		SEAL (68-CM)						
E	21	1	133-3234		SEAL (111-CM EACH)						

B-USE AS REQUIRED
E-ORDER BY THE CENTIMETER
M-METRIC PART
Y-SEPARATE ILLUSTRATION

OPERATOR STATION

282-6534 WINDOW GP-CAB (contd.)

i02796154



GRAPHIC #1

<END>

g01306689

OPERATOR STATION

282-6535 WINDOW GP-CAB-FRONT WINDOW, 70/30-SPLIT

S/N: PAS1-UP

PART OF 282-6534 WINDOW GP-CAB
AN ATTACHMENT

SMCS-7310

i02612492

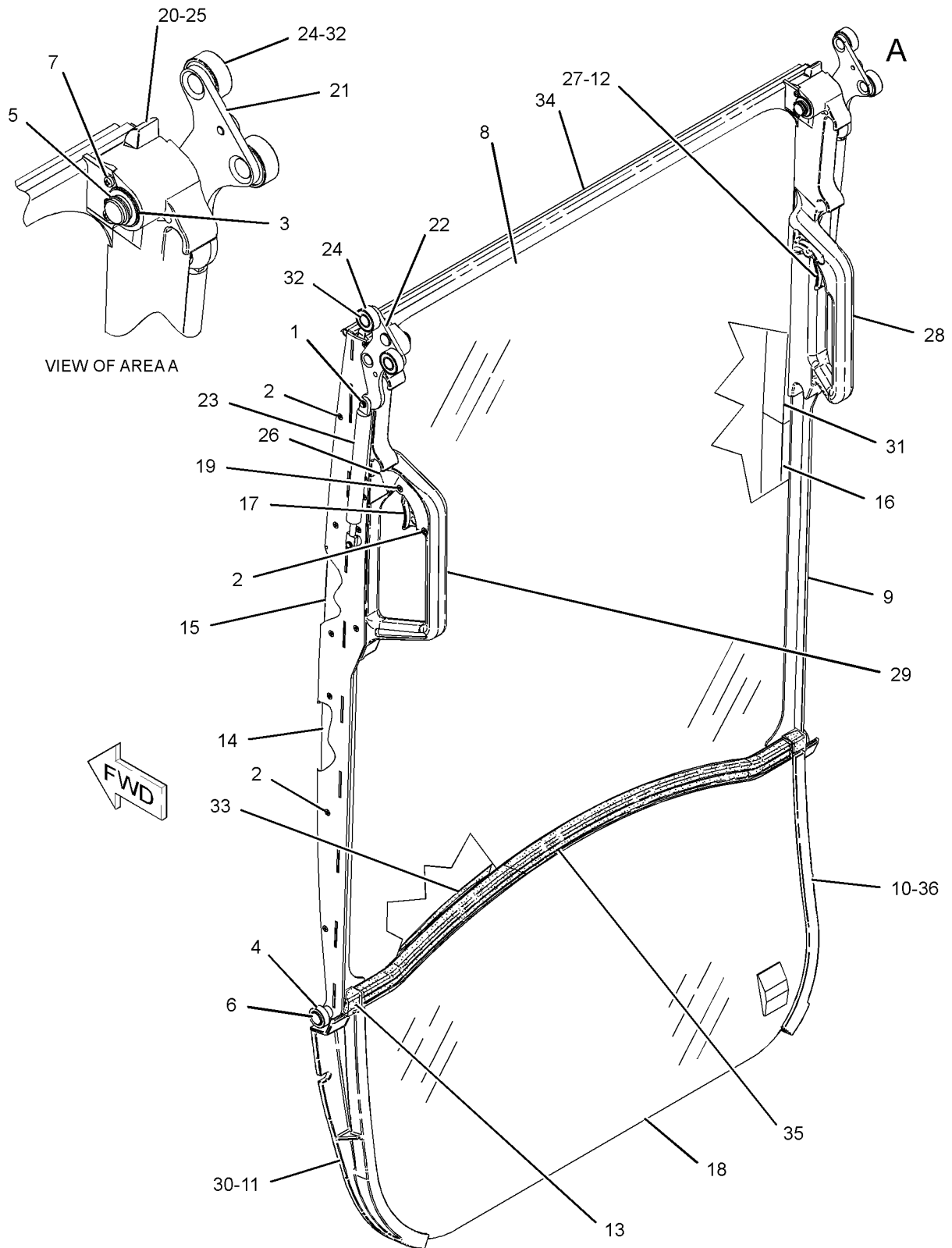
NOTE	REF NO	GRAPHIC REF	PART NUMBER	QTY	PART NAME						SEE PAGE
					1	2	3	4	5	6 (PRODUCT LEVEL)	
	1	1	167-4062	4	RING-RETAINING						
M	2	1	167-4063	30	SCREW (M4X0.7X20-MM)						
	3	1	175-1198	4	PAD						
	4	1	175-1199	2	ROLLER						
	5	1	180-1714	2	CLIP						
	6	1	228-0987	2	BEARING						
M	7	1	260-7522	4	SCREW-MACHINE (M4X1.75X20-MM)						
	8	1	246-9987	1	GLASS						
	9	1	247-6820	1	FRAME AS-WINDOW						
	10	1	280-3079	1	RAIL AS						
	11	1	247-6836	1	RAIL						
	12	1	247-6837	1	LEVER AS						
	13	1	247-6839	2	SEAL						
	14	1	247-6840	1	SPACER (LOWER, LH)						
	15	1	247-6841	1	SPACER (UPPER, LH)						
	16	1	247-6842	1	SPACER (LOWER, RH)						
	17	1	247-6844	1	LEVER AS						
	18	1	282-6536	1	GLASS						
M	19	1	096-3772	2	SCREW-MACHINE (M4X0.7X16-MM)						
	20	1	167-4076	2	LATCH						
	21	1	167-4130	1	SUPPORT AS (RH)						
	22	1	167-4131	1	SUPPORT AS (LH)						
	23	1	167-4179	2	SPRING AS-GAS						
	24	1	167-4180	4	BEARING						
	25	1	167-4181	2	SPRING						
	26	1	247-6831	1	COVER						
	27	1	247-6832	1	COVER						
	28	1	247-6833	1	HANDLE AS (RH)						
	29	1	247-6834	1	HANDLE AS (LH)						
	30	1	247-6838	1	SEAL						
	31	1	247-6843	1	SPACER (UPPER, RH)						
	32	1	6C-9037	2	CATCH						
E	33	1	257-1111		SEAL (81-CM)						
E	34	1	252-1244		SEAL (83-CM)						
E	35	1	247-6845		SEAL (81-CM)						
	36	1	282-6537	1	SEAL						

E-ORDER BY THE CENTIMETER
M-METRIC PART

OPERATOR STATION

282-6535 WINDOW GP-CAB (contd.)

i02612492



GRAPHIC #1

<END>

g01307528

OPERATOR STATION

357-6187 WINDOW GP-CAB-REAR, SIDE, TOP WINDOWS

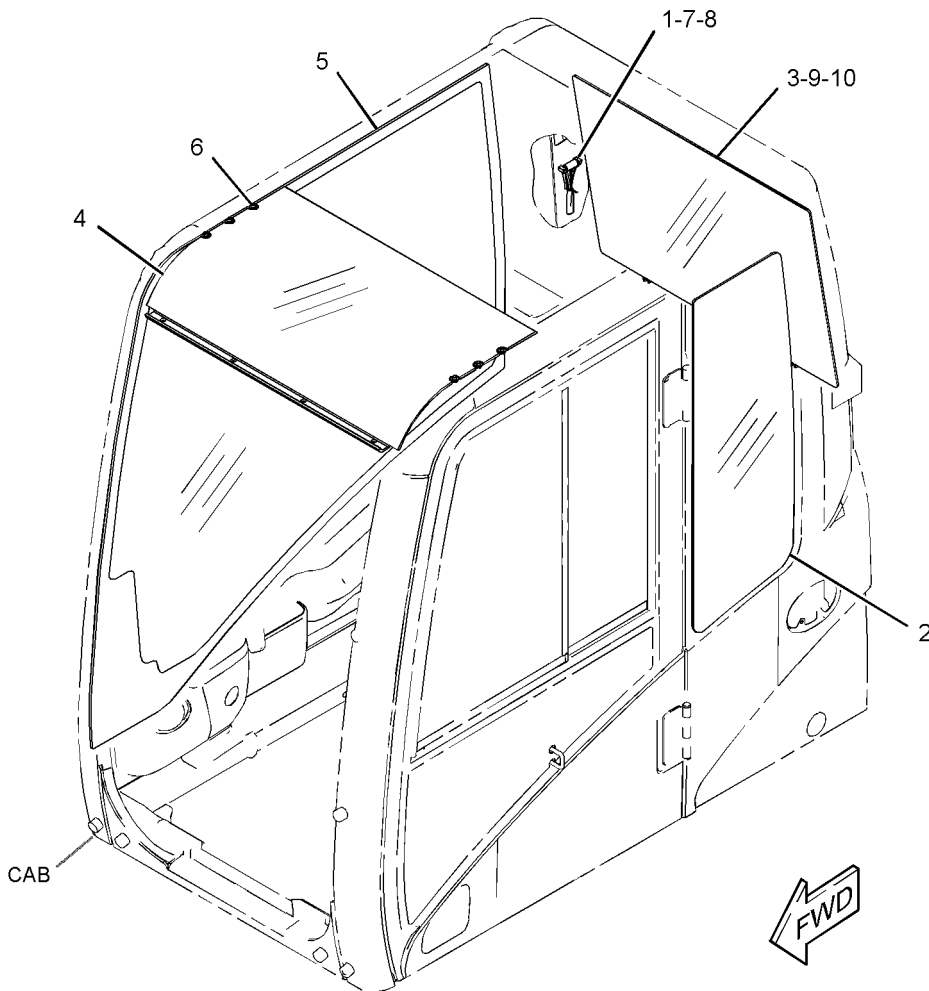
S/N: PAS1-UP

PART OF 308-7022 CAB AR
AN ATTACHMENT

SMCS-7310

i03823673

NOTE	REF NO	GRAPHIC REF	PART NUMBER	QTY	PART NAME						SEE PAGE
					1	2	3	4	5	6 (PRODUCT LEVEL)	
1	1	1	145-3697	1	STRIP						
2	1	1	151-6790	1	GLASS (LH)						
3	1	1	167-4142	1	GLASS (REAR)						
4	1	1	234-9966	1	GLASS (TOP)						
5	1	1	235-8911	1	GLASS (RH)						
6	1	1	247-6854	6	PLUG						
7	1	1	103-8089	2	RIVET-POP						
8	1	1	133-5514	1	HAMMER						
9	1	1	6C-9236	2	RETAINER						
10	1	1	6C-9237	2	RIVET						



GRAPHIC #1

<END>

g02131873

OPERATOR STATION

357-6189 WINDOW GP-CAB-REAR, SIDE, TOP WINDOWS

S/N: PAS1-UP

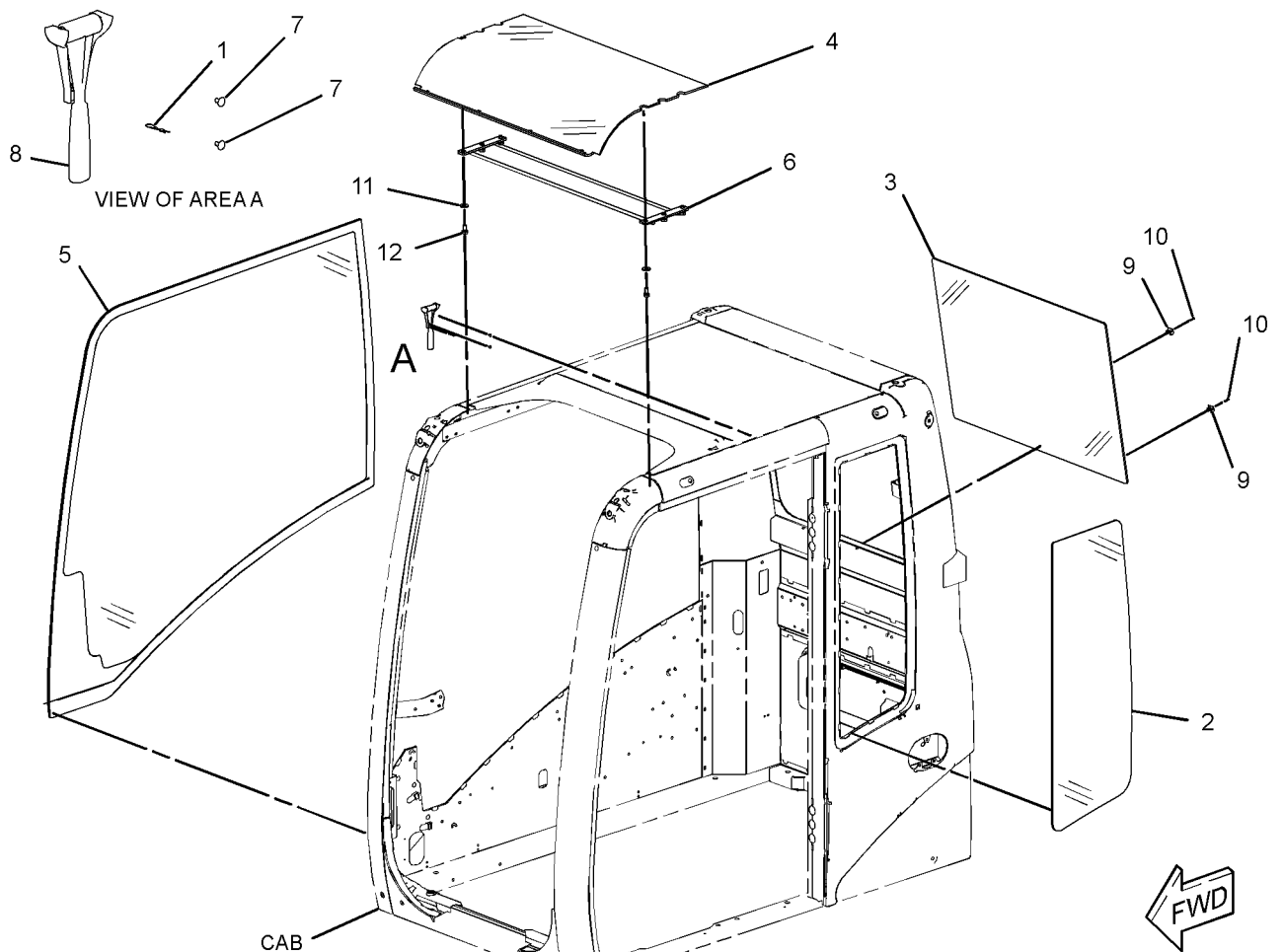
PART OF 308-7021 CAB AR
AN ATTACHMENT

SMCS-7310

i03832707

NOTE	REF NO	GRAPHIC REF	PART NUMBER	QTY	PART NAME						SEE PAGE
					1	2	3	4	5	6 (PRODUCT LEVEL)	
	1	1	145-3697	1	STRIP						
	2	1	151-6790	1	GLASS (LH)						
	3	1	167-4142	1	GLASS (REAR)						
	4	1	234-9966	1	GLASS (TOP)						
	5	1	235-8911	1	GLASS (RH)						
	6	1	252-1235	1	GUARD AS						
	7	1	103-8089	2	RIVET-POP						
	8	1	133-5514	1	HAMMER						
	9	1	6C-9236	2	RETAINER						
	10	1	6C-9237	2	RIVET						
	11	1	7X-7729	6	WASHER (11X25X3-MM THK)						
M	12	1	8T-4137	6	BOLT (M10X1.5X20-MM)						

M-METRIC PART



GRAPHIC #1

<END>

g02126225

OPERATOR STATION

357-6190 WINDOW GP-CAB-REAR, SIDE, TOP WINDOWS

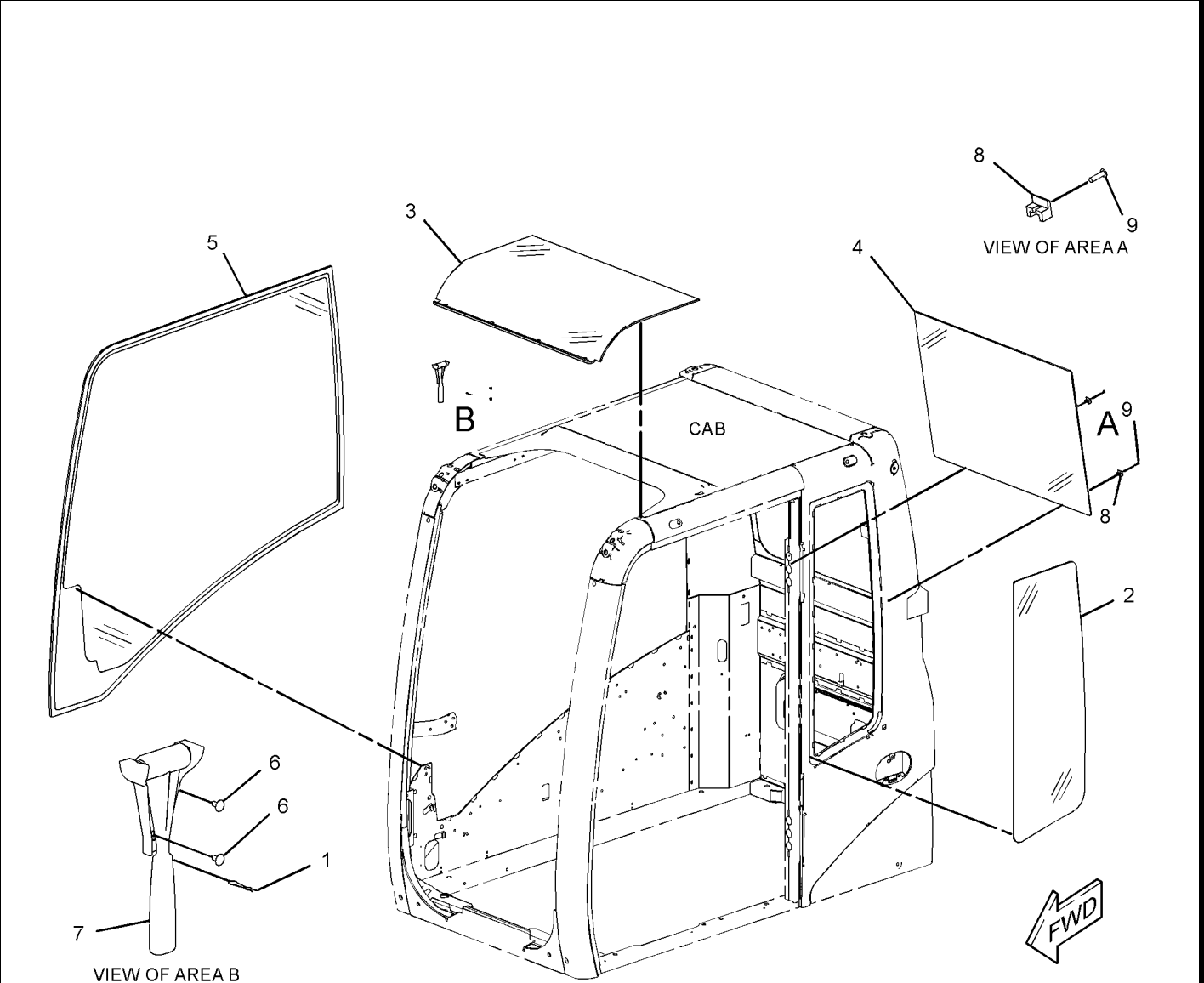
S/N: PAS1-UP

PART OF 308-7020 CAB AR
AN ATTACHMENT

SMCS-7310

i03832850

NOTE	REF NO	GRAPHIC REF	PART NUMBER	QTY	PART NAME						SEE PAGE
					1	2	3	4	5	6 (PRODUCT LEVEL)	
	1	1	145-3697	1	STRIP						
	2	1	151-6790	1	GLASS (LH)						
	3	1	167-4067	1	GLASS (TOP)						
	4	1	167-4142	1	GLASS (REAR)						
	5	1	235-8911	1	GLASS (RH)						
	6	1	103-8089	2	RIVET-POP						
	7	1	133-5514	1	HAMMER						
	8	1	6C-9236	2	RETAINER						
	9	1	6C-9237	2	RIVET						



GRAPHIC #1

<END>

g02131385

OPERATOR STATION

286-8861 WINDOW GP-DOOR

S/N: PAS1-UP

PART OF 139-7100, 176-1964 DOOR GP-CAB
AN ATTACHMENT

SMCS-7308, 7310

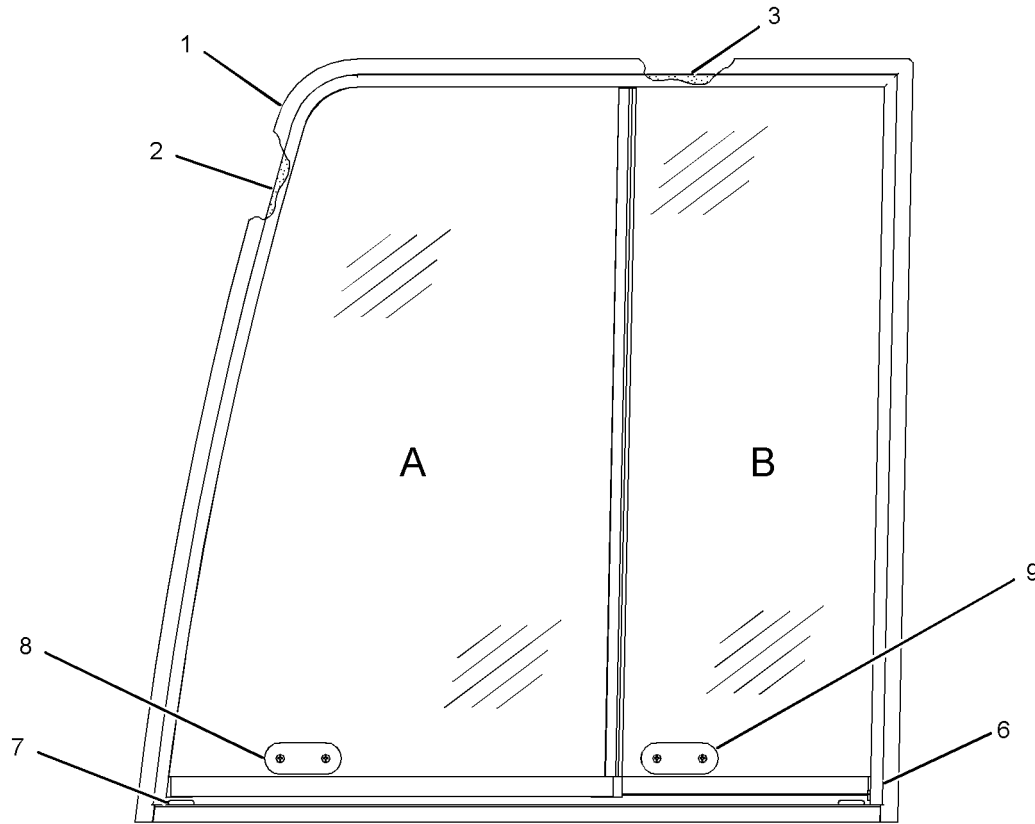
i03637275

NOTE	REF NO	GRAPHIC REF	PART NUMBER	QTY	PART NAME						SEE PAGE
					1	2	3	4	5	6 (PRODUCT LEVEL)	
	1	1	286-8862	1	FRAME						
	2	1	286-8863	1	SEAL						
	3	1	286-8864	1	SEAL						
	4	1	286-8866	1	KIT-GLASS (WINDOW)						
					(INCLUDES GLASS, 2 RAILS, 2 STOPPERS, 3 SEALS & 2 SCREWS)						
	5	1	286-8867	1	KIT-GLASS (WINDOW)						
					(INCLUDES GLASS, 2 RAILS, 2 SEALS, STOPPER & 2 SCREWS)						
	6	1	286-8868	1	STOP						
	7	1	286-8869	1	STOP						
	8	1	286-8870	1	LATCH						
	9	1	286-8871	1	LATCH						

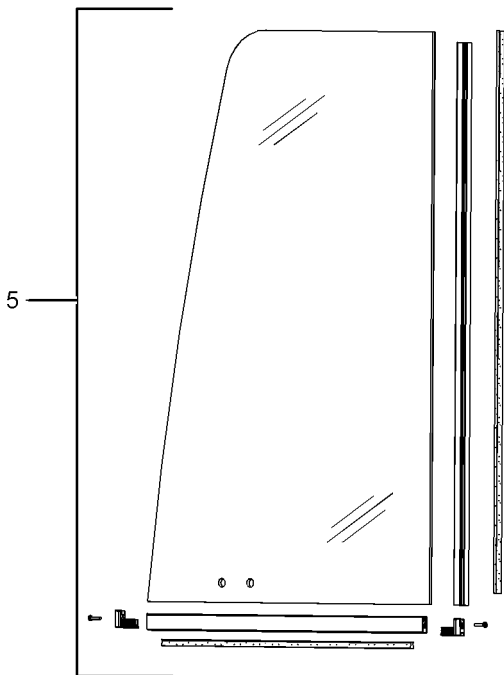
OPERATOR STATION

286-8861 WINDOW GP-D00R (contd.)

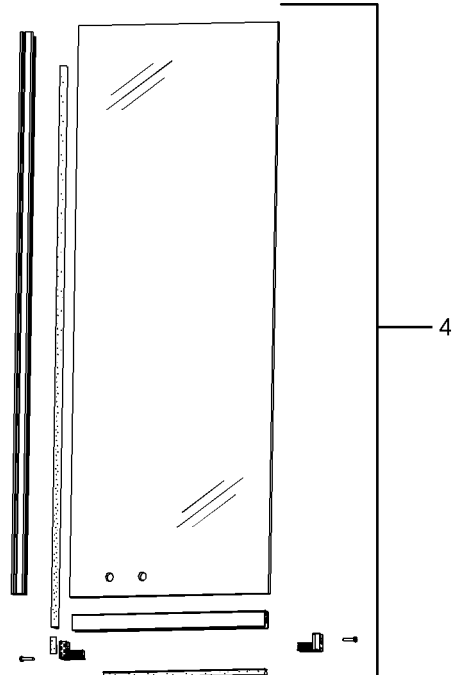
i03637275



LEFT SIDE VIEW



VIEW OF AREA A



VIEW OF AREA B

GRAPHIC #1

<END>

g01306270

OPERATOR STATION

249-2759 WIPER & WINDOW AR-CAB—FRONT WINDOW, 1-PIECE

S/N: PAS1-UP

PART OF 340-4003 OPTION AR-CAB

CANNOT BE USED WITH 249-7113—PAGE 984, 263-8848—PAGE 985
AN ATTACHMENT

SMCS-7305, 7340

i02821903

NOTE	PART NUMBER	QTY	PART NAME						SEE PAGE
			1	2	3	4	5	6 (PRODUCT LEVEL)	
Y	249-7114	1	WINDOW GP-CAB (FRONT WINDOW, 1-PIECE)						969
Y	239-3433	1	WIPER GP-WINDOW (FRONT WINDOW, 1-PIECE)						986

Y-SEPARATE ILLUSTRATION

<END>

OPERATOR STATION

249-7113 WIPER & WINDOW AR-CAB- FRONT WINDOW, 70/30-SPLIT

S/N: PAS1-UP

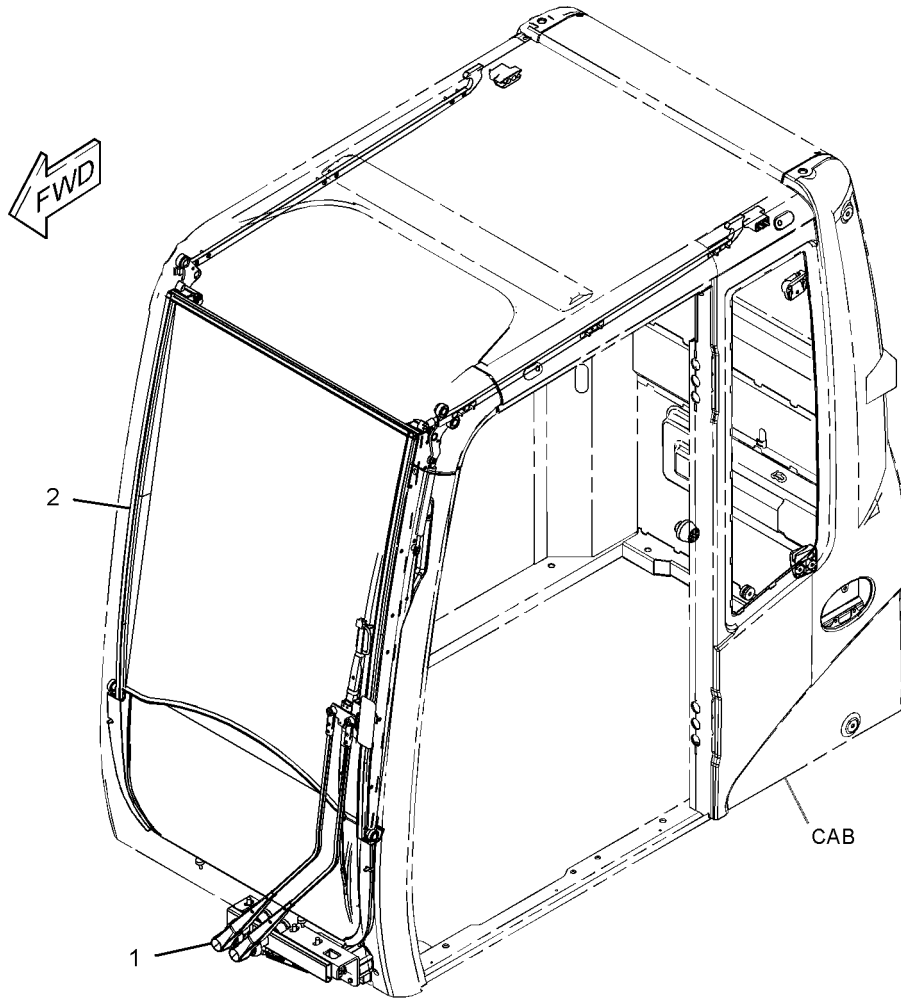
PART OF 340-4002, 340-4004 OPTION AR-CAB
AN ATTACHMENT

SMCS-7305, 7340

i03636758

NOTE	REF NO	GRAPHIC REF	PART NUMBER	QTY	PART NAME						SEE PAGE
					1	2	3	4	5	6 (PRODUCT LEVEL)	
Y	1	1	247-8427	1	WIPER GP-WINDOW (FRONT WINDOW, 70/30-SPLIT)						988
Y	2	1	282-6532	1	WINDOW GP-CAB (FRONT WINDOW, 70/30-SPLIT)						972

Y-SEPARATE ILLUSTRATION



GRAPHIC #1

<END>

g01953210

OPERATOR STATION

263-8848 WIPER & WINDOW AR-CAB-HIGH RESISTANT GLASS

S/N: PAS1-UP

CANNOT BE USED WITH 249-2759-PAGE 983, 249-7113-PAGE 984
AN ATTACHMENT

SMCS-7305, 7340

i02821913

NOTE	PART NUMBER	QTY	PART NAME						SEE PAGE
			1	2	3	4	5	6 (PRODUCT LEVEL)	
Y	262-7933	1	WINDOW GP-CAB (HIGH RESISTANT GLASS)						971
Y	239-3433	1	WIPER GP-WINDOW (FRONT WINDOW, 1-PIECE)						986

Y-SEPARATE ILLUSTRATION

<END>

OPERATOR STATION

239-3433 WIPER GP-WINDOW-FRONT WINDOW, 1-PIECE

S/N: PAS1-UP

PART OF 249-2759, 263-8848 WIPER & WINDOW AR-CAB
AN ATTACHMENT

SMCS-7305

i02992821

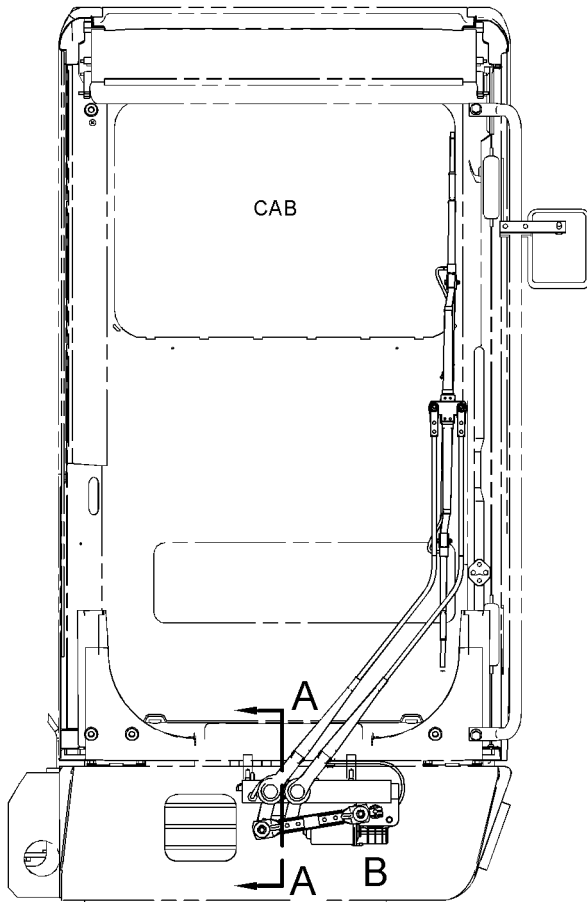
NOTE	REF NO	GRAPHIC REF	PART NUMBER	QTY	PART NAME						SEE PAGE
					1	2	3	4	5	6 (PRODUCT LEVEL)	
	1	1	7Y-3474	1	VALVE AS-CHECK (WINDOW WASHER)						
	2	1	8T-5400	1	CONNECTOR AS						
	3	1	239-3434	1	SUPPORT AS						
	4	1	248-7988	1	LINKAGE AS						
		1	218-2657	2	COVER						
	5	1	326-4465	1	MOTOR AS-WINDOW WIPER						
	6	1	308-1249	1	ARM AS-WIPER						
	7	1	195-3218	1	BLADE AS-WIPER (TWIN BLADE)						
		1	6V-6864	1	BLADE AS-WIPER (600-MM) (LOWER)						
		1	6V-7419	1	BLADE AS-WIPER (700-MM) (UPPER)						
		1	218-2656	1	FITTING						
	8	1	5P-8524	2	GROMMET						
	9	1	8T-4121	3	WASHER-HARD (11X21X2.5-MM THK)						
M	10	1	8T-4137	3	BOLT (M10X1.5X20-MM)						
E	11	1	144-0195		HOSE (40-CM)						
E	11A	1	144-0195		HOSE (3-CM)						

E-ORDER BY THE CENTIMETER
M-METRIC PART

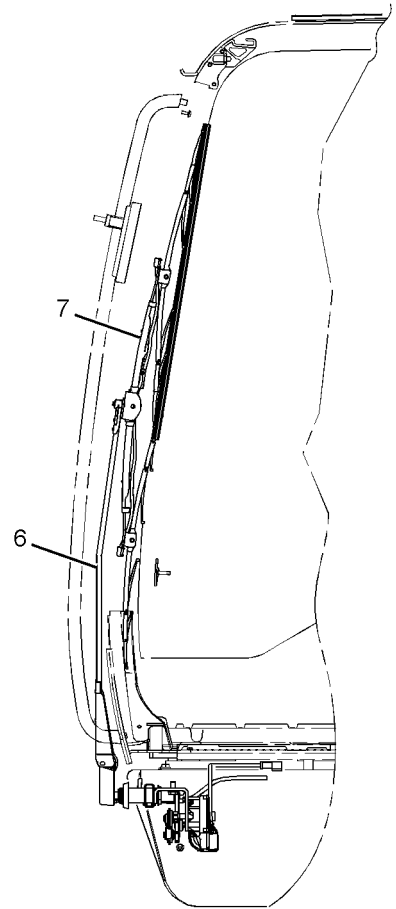
OPERATOR STATION

239-3433 WIPER GP-WINDOW (contd.)

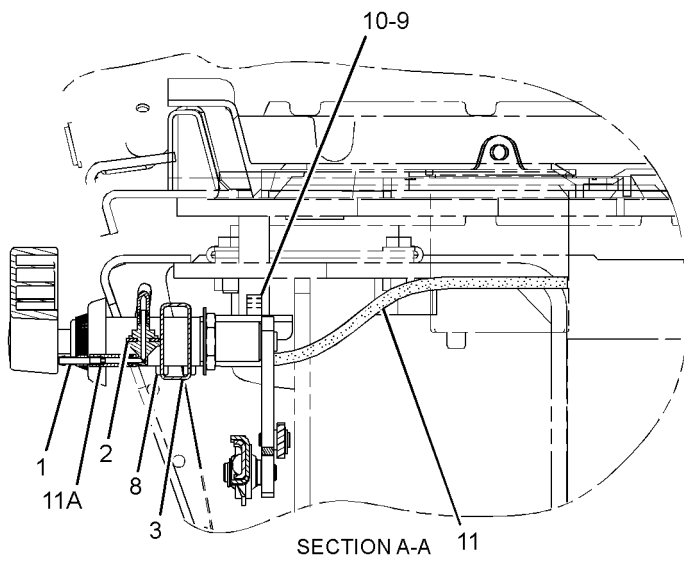
i02992821



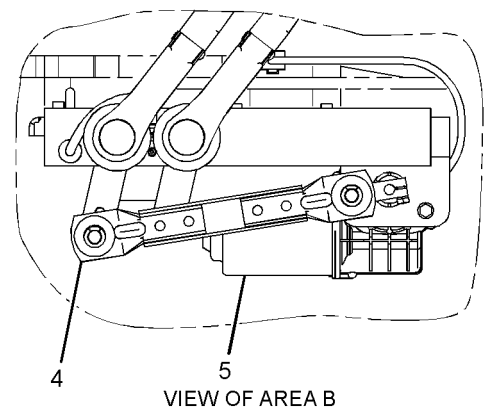
FRONT VIEW



LEFT SIDE VIEW



SECTION A-A



VIEW OF AREA B

GRAPHIC #1

<END>

g01523149

OPERATOR STATION

247-8427 WIPER GP-WINDOW-FRONT WINDOW, 70/30-SPLIT

S/N: PAS1-UP

PART OF 249-7113 WIPER & WINDOW AR-CAB
AN ATTACHMENT

SMCS-7305

i02998134

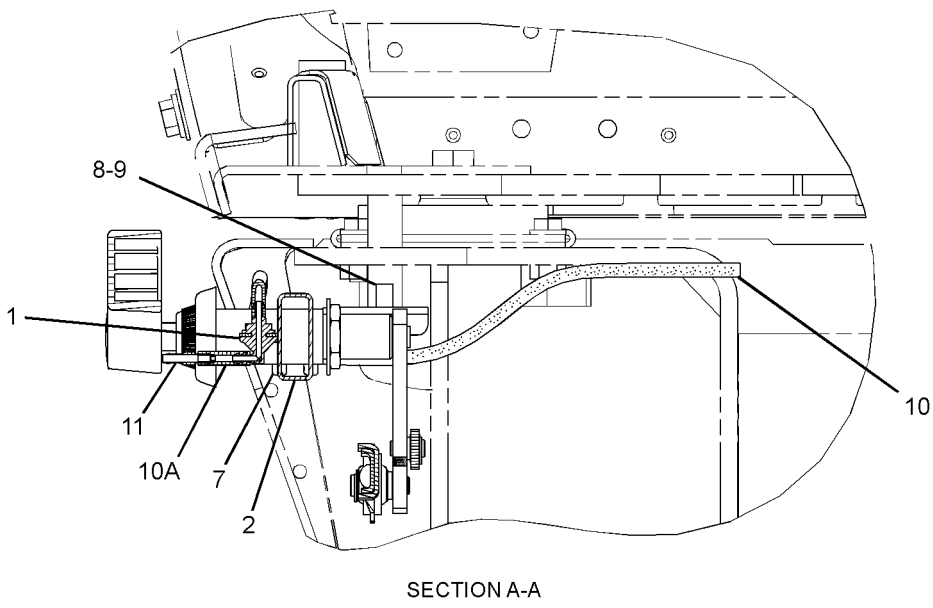
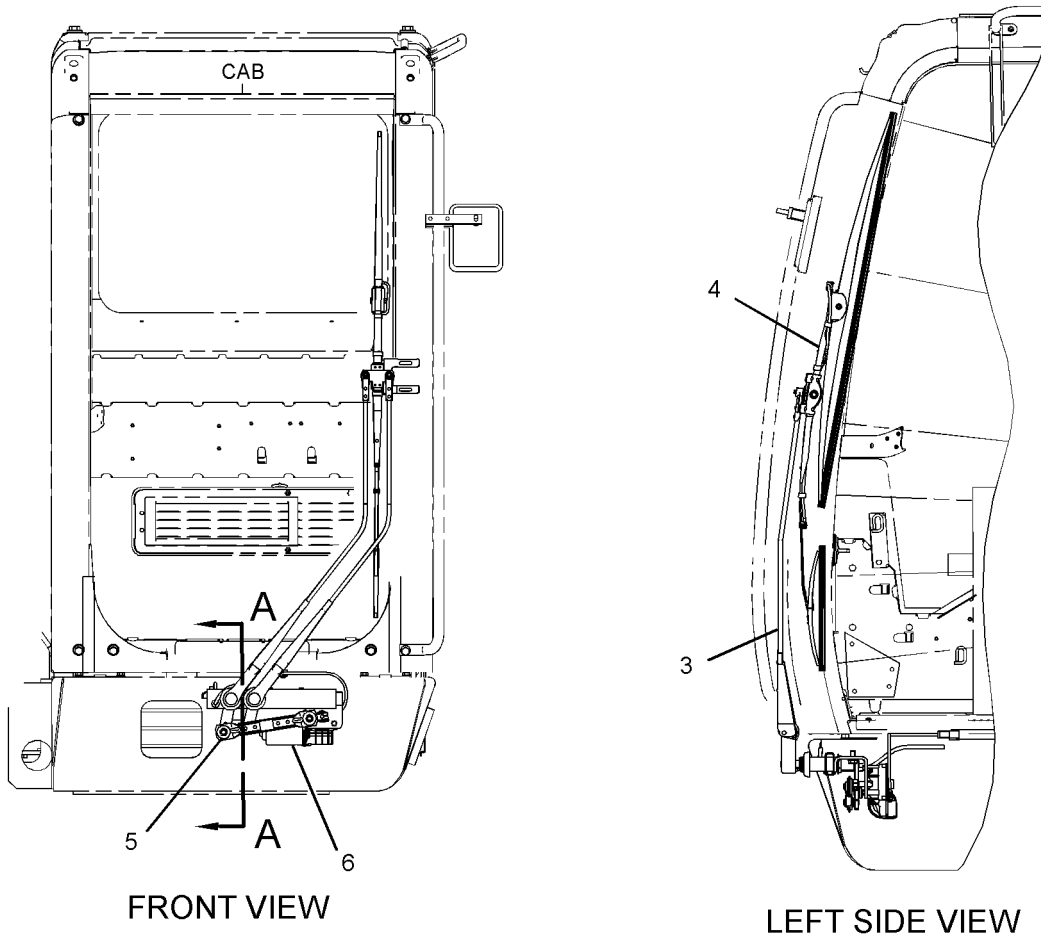
NOTE	REF NO	GRAPHIC REF	PART NUMBER	QTY	PART NAME						SEE PAGE
					1	2	3	4	5	6 (PRODUCT LEVEL)	
	1	1	8T-5400	1	CONNECTOR AS						
	2	1	239-3434	1	SUPPORT AS						
	3	1	308-1249	1	ARM AS-WIPER						
Y	4	1	287-7534	1	WIPER GP-WINDOW (FRONT WINDOW, 70/30-SPLIT)						990
	5	1	248-7988	1	LINKAGE AS						
		1	218-2657	2	COVER						
	6	1	326-4465	1	MOTOR AS-WINDOW WIPER						
	7	1	5P-8524	2	GROMMET						
	8	1	8T-4121	3	WASHER-HARD (11X21X2.5-MM THK)						
M	9	1	8T-4137	3	BOLT (M10X1.5X20-MM)						
E	10	1	144-0195		HOSE (40-CM)						
E	10A	1	144-0195		HOSE (3-CM)						
	11	1	7Y-3474	1	VALVE AS-CHECK (WINDOW WASHER)						

E-ORDER BY THE CENTIMETER
M-METRIC PART
Y-SEPARATE ILLUSTRATION

OPERATOR STATION

247-8427 WIPER GP-WINDOW (contd.)

i02998134



SECTION A-A

GRAPHIC #1

<END>

g01524886

OPERATOR STATION

287-7534 WIPER GP-WINDOW-FRONT WINDOW, 70/30-SPLIT

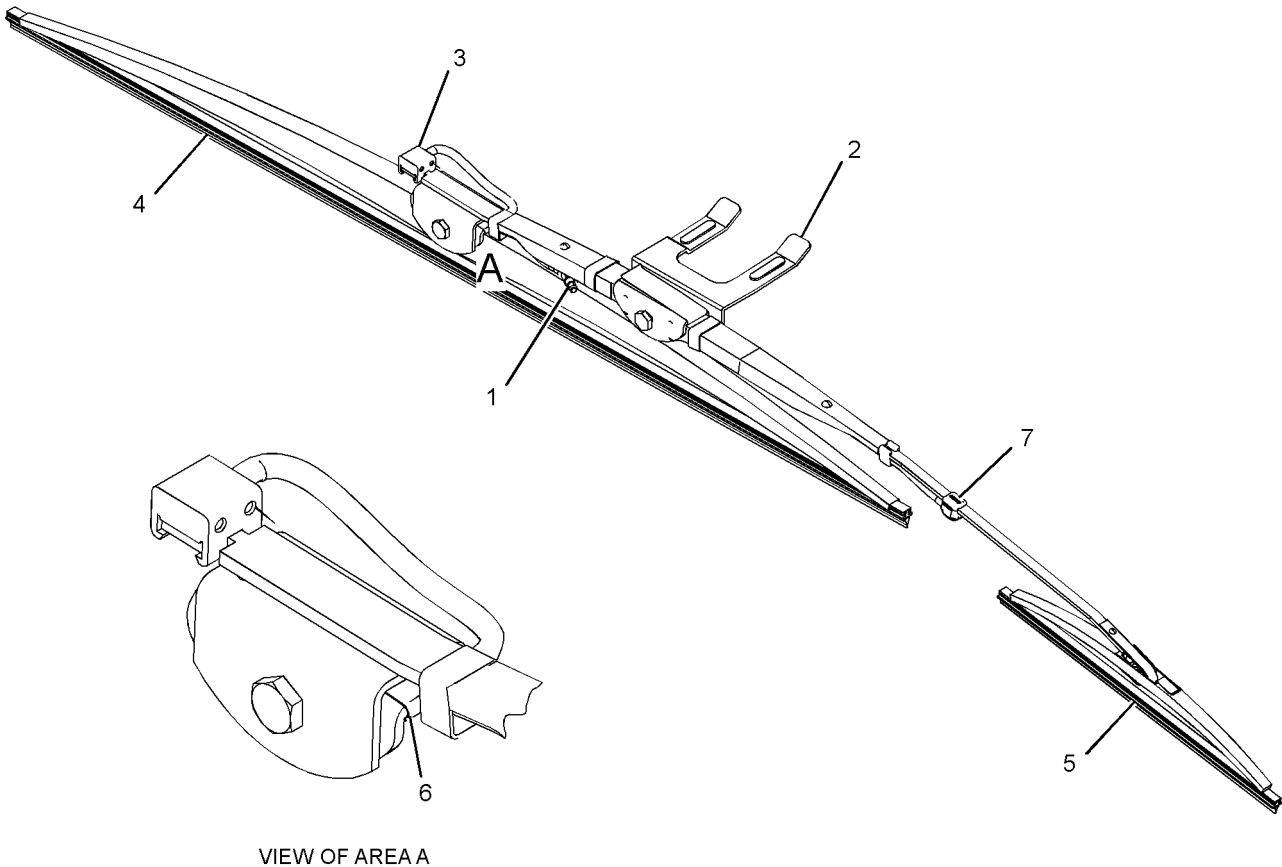
S/N: PAS1-UP

PART OF 247-8427 WIPER GP-WINDOW
AN ATTACHMENT

SMCS-7305

i03067523

NOTE	REF NO	GRAPHIC REF	PART NUMBER	QTY	PART NAME						SEE PAGE
					1	2	3	4	5	6 (PRODUCT LEVEL)	
1	1	1	218-2656	1	FITTING						
2	1	1	233-0806	1	KIT-SUPPORT (WINDOW WIPER) (INCLUDES BOLT, 2 BUMPERS, NUT, SPACER & SUPPORT)						
3	1	1	235-5763	1	NOZZLE						
4	1	1	248-7990	1	BLADE AS-WIPER (900-MM) (UPPER)						
5	1	1	292-6567	1	BLADE AS-WIPER (280-MM) (LOWER)						
6	1	1	302-1835	2	SPRING						
7	1	1	307-4485	1	NOZZLE						



GRAPHIC #1

<END>

g01407988

SERVICE EQUIPMENT AND SUPPLIES

257-4599 FILM GP-REVERSING FAN

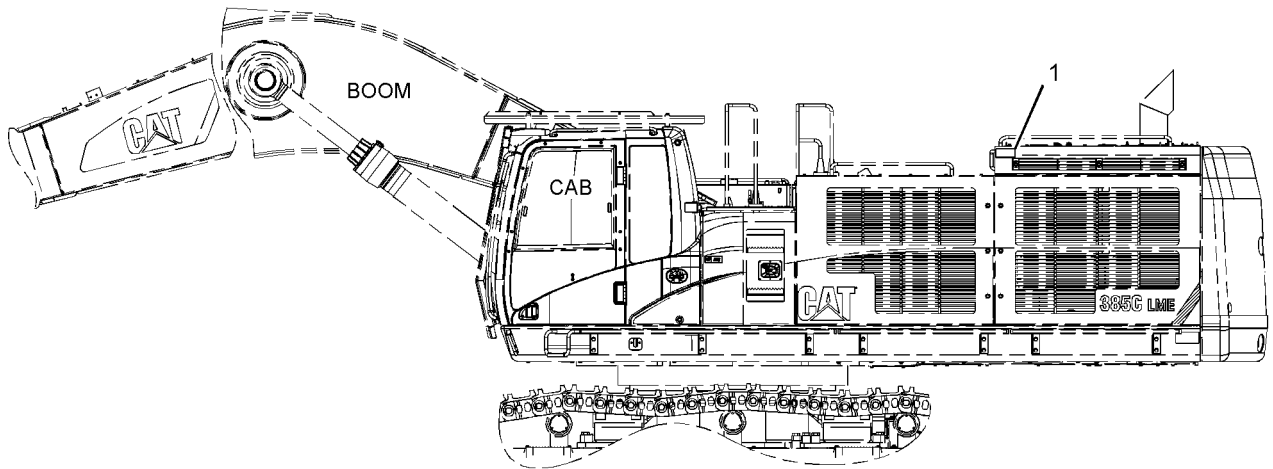
S/N: PAS1-UP

PART OF 303-2628 CONTROL AR-FAN
AN ATTACHMENT

SMCS-7405, 7557

i02954421

NOTE	REF NO	GRAPHIC REF	PART NUMBER	QTY	PART NAME						SEE PAGE
					1	2	3	4	5	6 (PRODUCT LEVEL)	
	1	1	225-4130	1	FILM-WARNING (FLYING DEBRIS, STAY BACK, U.S.)						
					-OR-						
			225-4131	1	FILM-WARNING (FLYING DEBRIS, STAY BACK, INTL)						



LEFT SIDE VIEW

GRAPHIC #1

<END>

g01307690

SERVICE EQUIPMENT AND SUPPLIES

268-6816 FILM GP-QUICK COUPLER

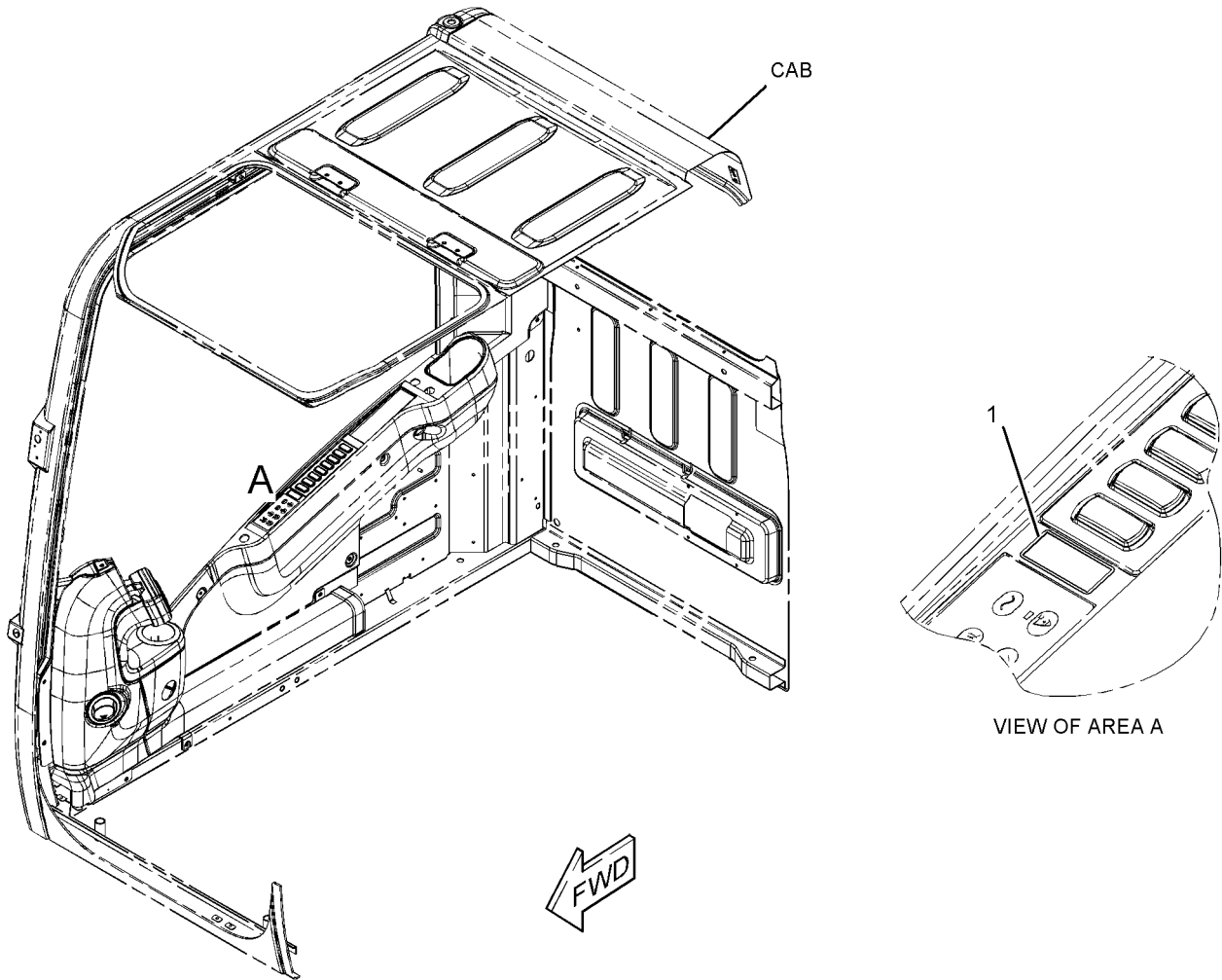
S/N: PAS1-UP

PART OF 302-9440 CONTROL AR-COUPLER
AN ATTACHMENT

SMCS-7405, 7557

i02390035

NOTE	REF NO	GRAPHIC REF	PART NUMBER	QTY	PART NAME						SEE PAGE
					1	2	3	4	5	6 (PRODUCT LEVEL)	
	1	1	268-6817	1	FILM-IDENTIFICATION (QUICK COUPLER)						



GRAPHIC #1

<END>

g01199575

SERVICE EQUIPMENT AND SUPPLIES

303-2678 FILM GP-OPERATOR CONTROLS, HAMMER

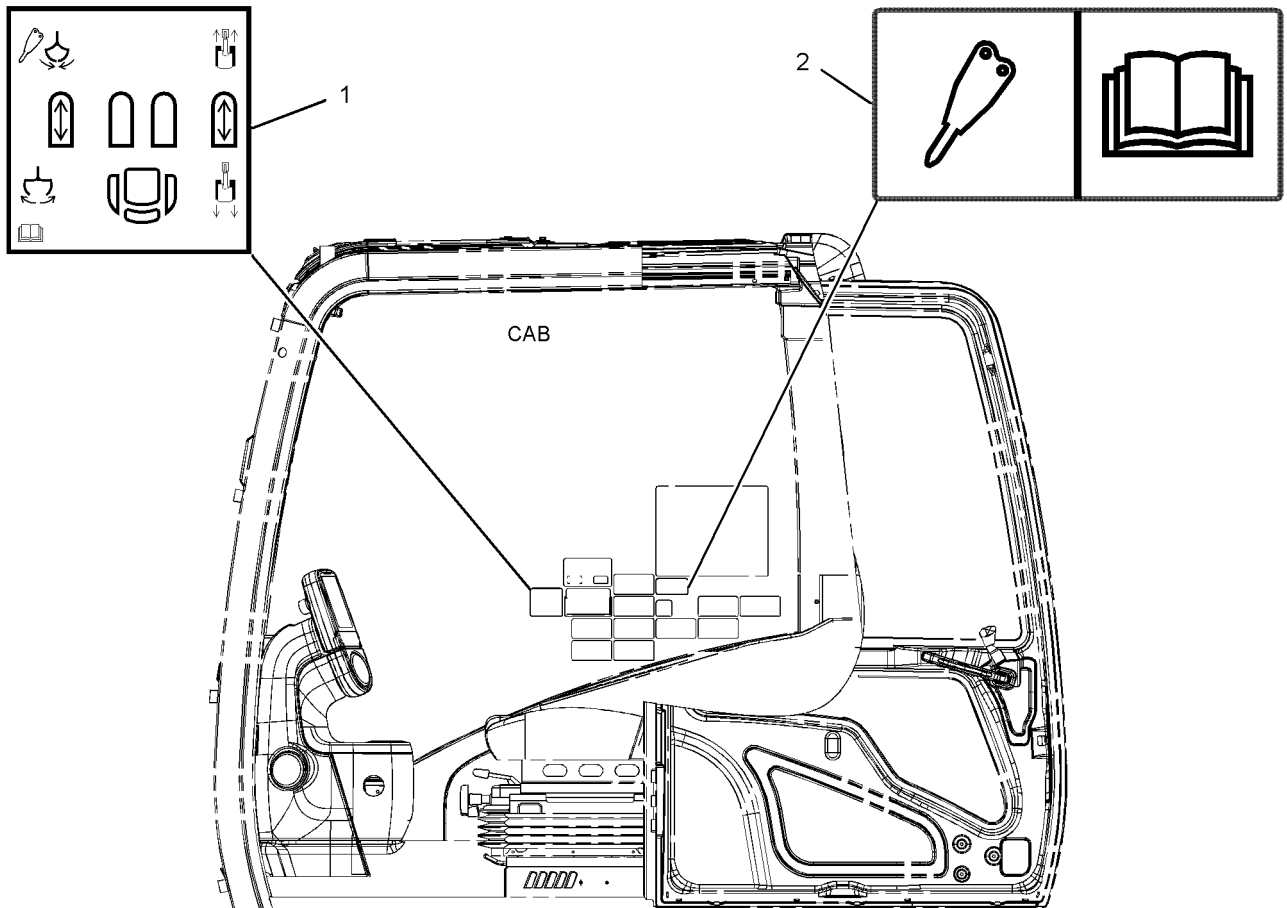
S/N: PAS1-UP

PART OF 310-0001 CONTROL AR-AUXILIARY
AN ATTACHMENT

SMCS-7405, 7557

i03790449

NOTE	REF NO	GRAPHIC REF	PART NUMBER	QTY	PART NAME						SEE PAGE
					1	2	3	4	5	6 (PRODUCT LEVEL)	
1	1	1	319-9304	1	FILM (CONTROLS)						
2	1	1	250-8054	1	FILM-NOTICE (HAMMER, READ OMM)						



LEFT SIDE VIEW

GRAPHIC #1

<END>

g02127094

SERVICE EQUIPMENT AND SUPPLIES

303-2679 FILM GP-OPERATOR CONTROLS, HAMMER

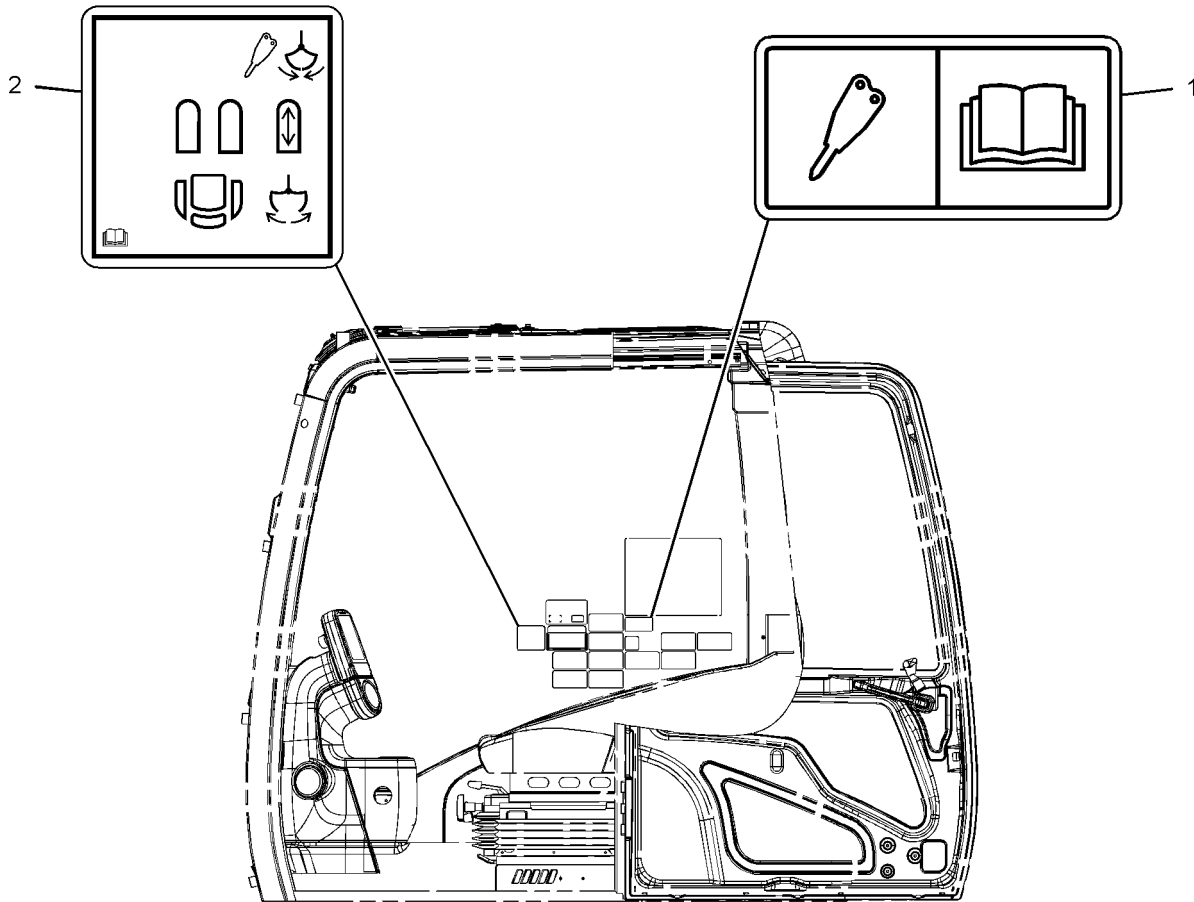
S/N: PAS1-UP

PART OF 310-0002 CONTROL AR-AUXILIARY
AN ATTACHMENT

SMCS-7405, 7557

i03657025

NOTE	REF NO	GRAPHIC REF	PART NUMBER	QTY	PART NAME						SEE PAGE
					1	2	3	4	5	6 (PRODUCT LEVEL)	
1	1	1	250-8054	1	FILM-NOTICE (HAMMER, READ OMM)						
2	1	1	319-9303	1	FILM-INSTRUCTION (OPERATOR CONTROL PEDALS)						



LEFT SIDE VIEW

<END>

GRAPHIC #1

g02084882

SERVICE EQUIPMENT AND SUPPLIES

303-2680 FILM GP-ACCUMULATOR

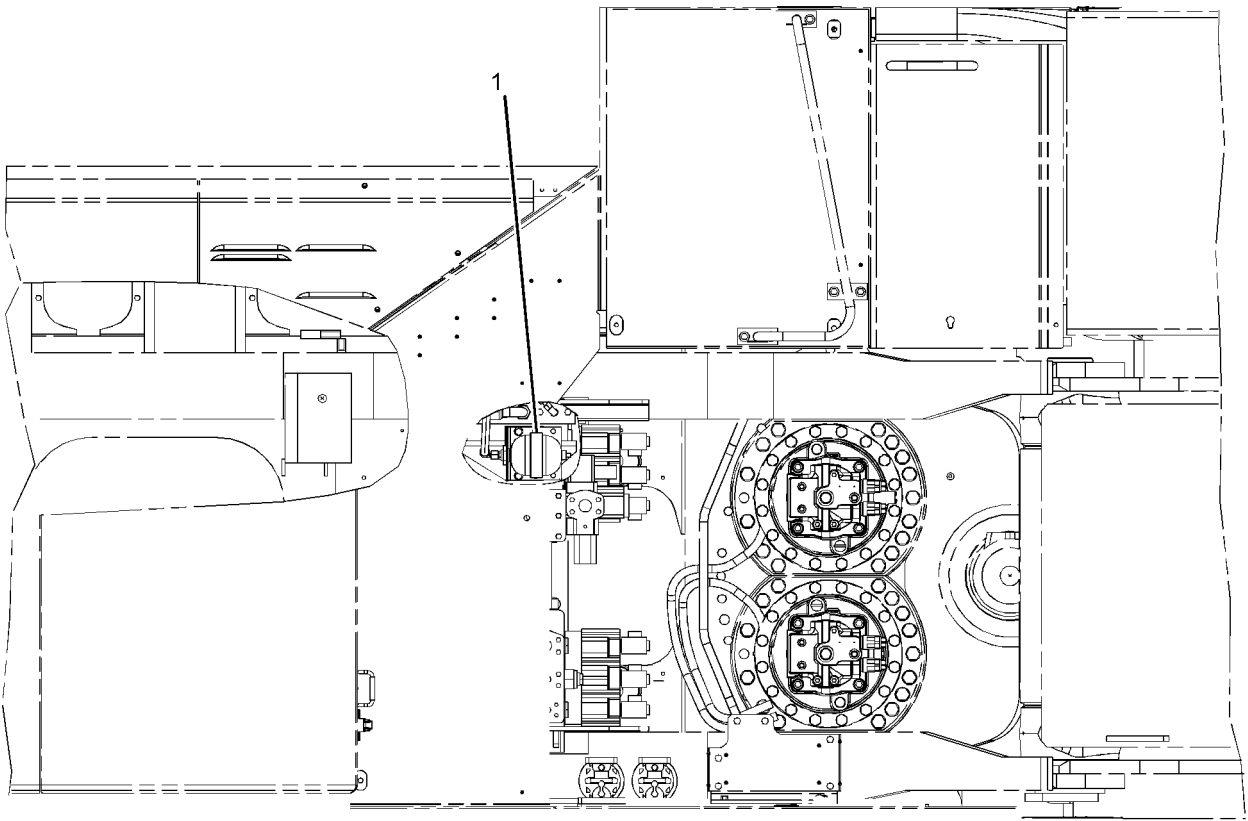
S/N: PAS1-UP

PART OF 297-0420 VALVE AR-BOOM LOWERING CONTROL
AN ATTACHMENT

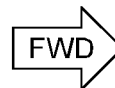
SMCS-7405, 7557

i02871960

NOTE	REF NO	GRAPHIC REF	PART NUMBER	QTY	PART NAME						SEE PAGE
					1	2	3	4	5	6 (PRODUCT LEVEL)	
	1	1	303-2675	1	FILM-WARNING (HIGH PRESSURE, READ MANUAL)						



TOP VIEW



GRAPHIC #1

<END>

g01435477

SERVICE EQUIPMENT AND SUPPLIES

303-2787 FILM GP-WORK AREA VISUAL SYSTEM, REAR

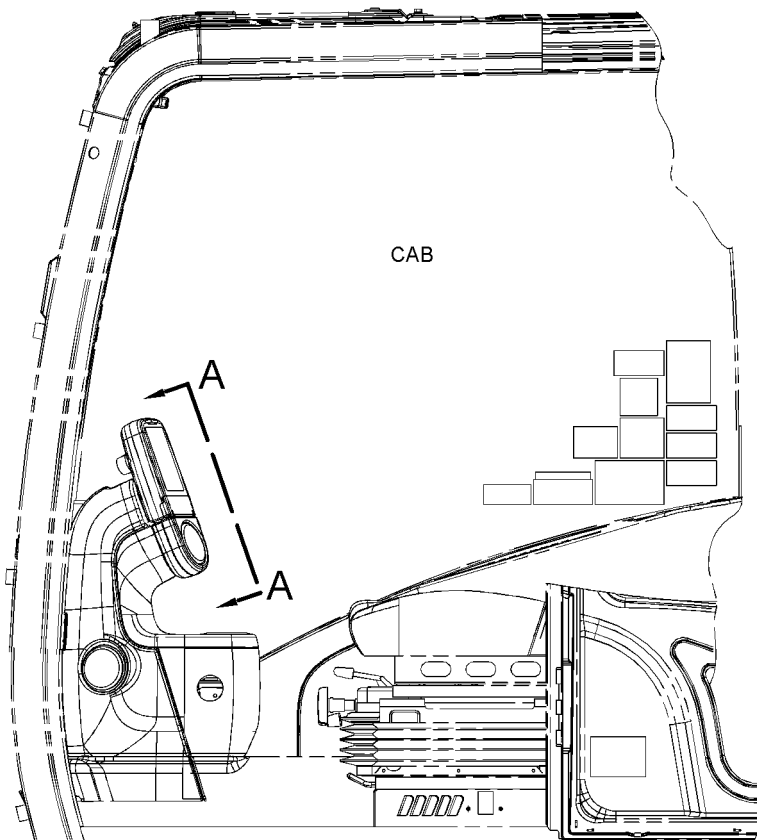
S/N: PAS1-UP

PART OF 319-9157 CAMERA AR
AN ATTACHMENT

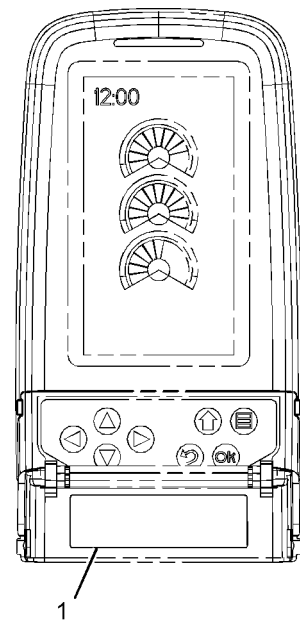
SMCS-7405, 7557

i03023311

NOTE	REF NO	GRAPHIC REF	PART NUMBER	QTY	PART NAME						SEE PAGE
					1	2	3	4	5	6 (PRODUCT LEVEL)	
	1	1	319-9152	1	FILM-INSTRUCTION (BATTERY LIFE, CAMERA)						



LEFT SIDE VIEW



VIEW A-A

GRAPHIC #1

<END>

g01520371

SERVICE EQUIPMENT AND SUPPLIES

319-9228 FILM GP

S/N: PAS1-UP

CHINA

AN ATTACHMENT

SMCS-7405, 7557

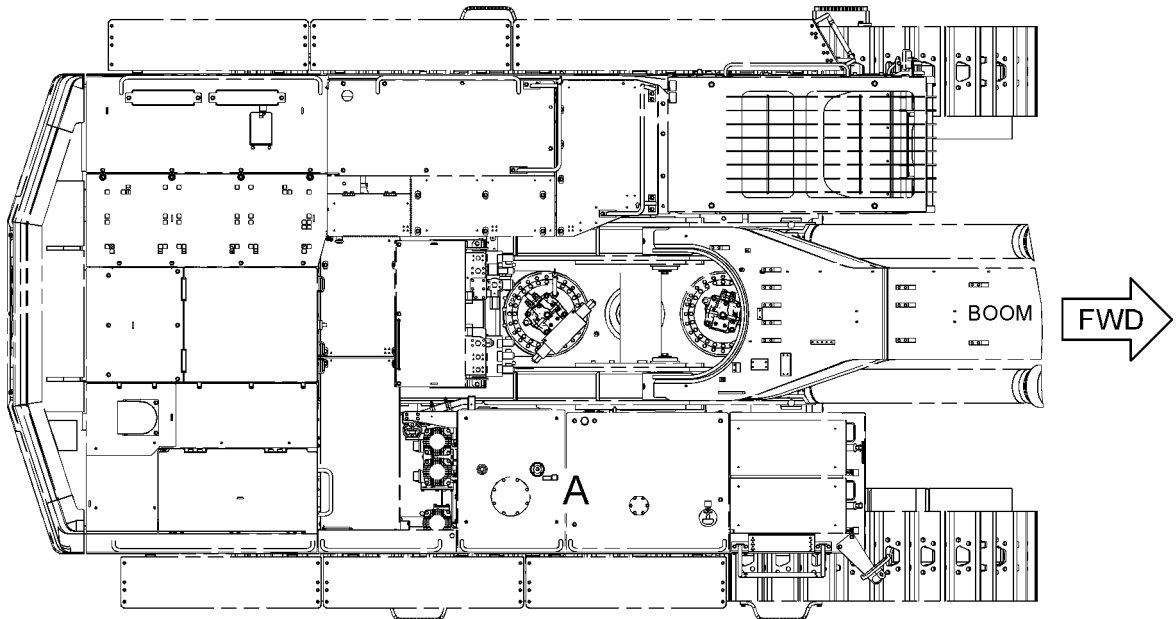
i03242680

NOTE	REF NO	GRAPHIC REF	PART NUMBER	QTY	PART NAME						SEE PAGE
					1	2	3	4	5	6 (PRODUCT LEVEL)	
	1	1	158-7864	1	FILM-IDENTIFICATION (HYDRAULIC OIL)						
	2	1	298-4282	2	FILM-WARNING (CRUSH HAZARD)						

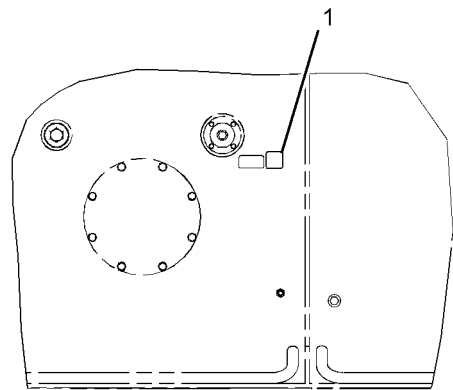
SERVICE EQUIPMENT AND SUPPLIES

319-9228 FILM GP (contd.)

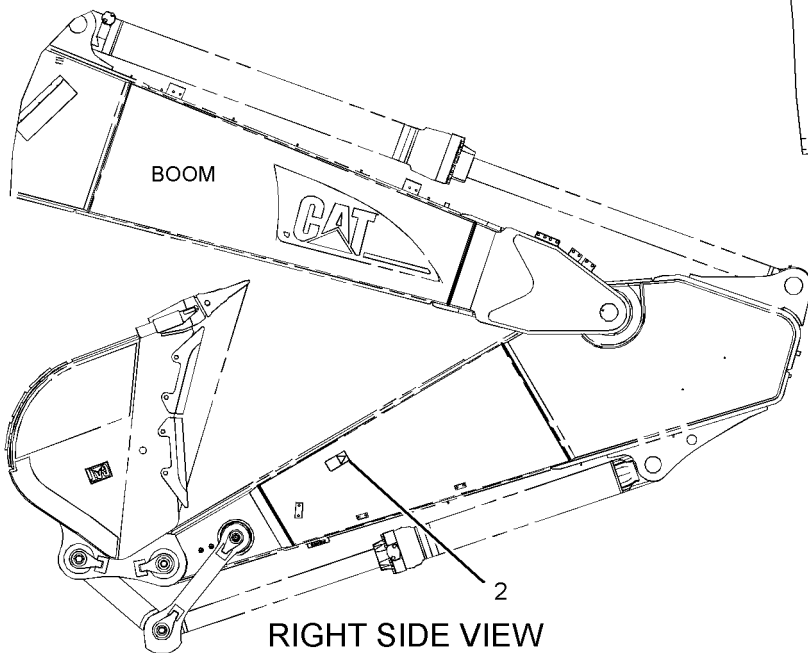
i03242680



TOP VIEW



VIEW OF AREA A



RIGHT SIDE VIEW

GRAPHIC #1

<END>

g01711914

SERVICE EQUIPMENT AND SUPPLIES

319-9236 FILM GP-OVERLOAD WARNING DEVICE

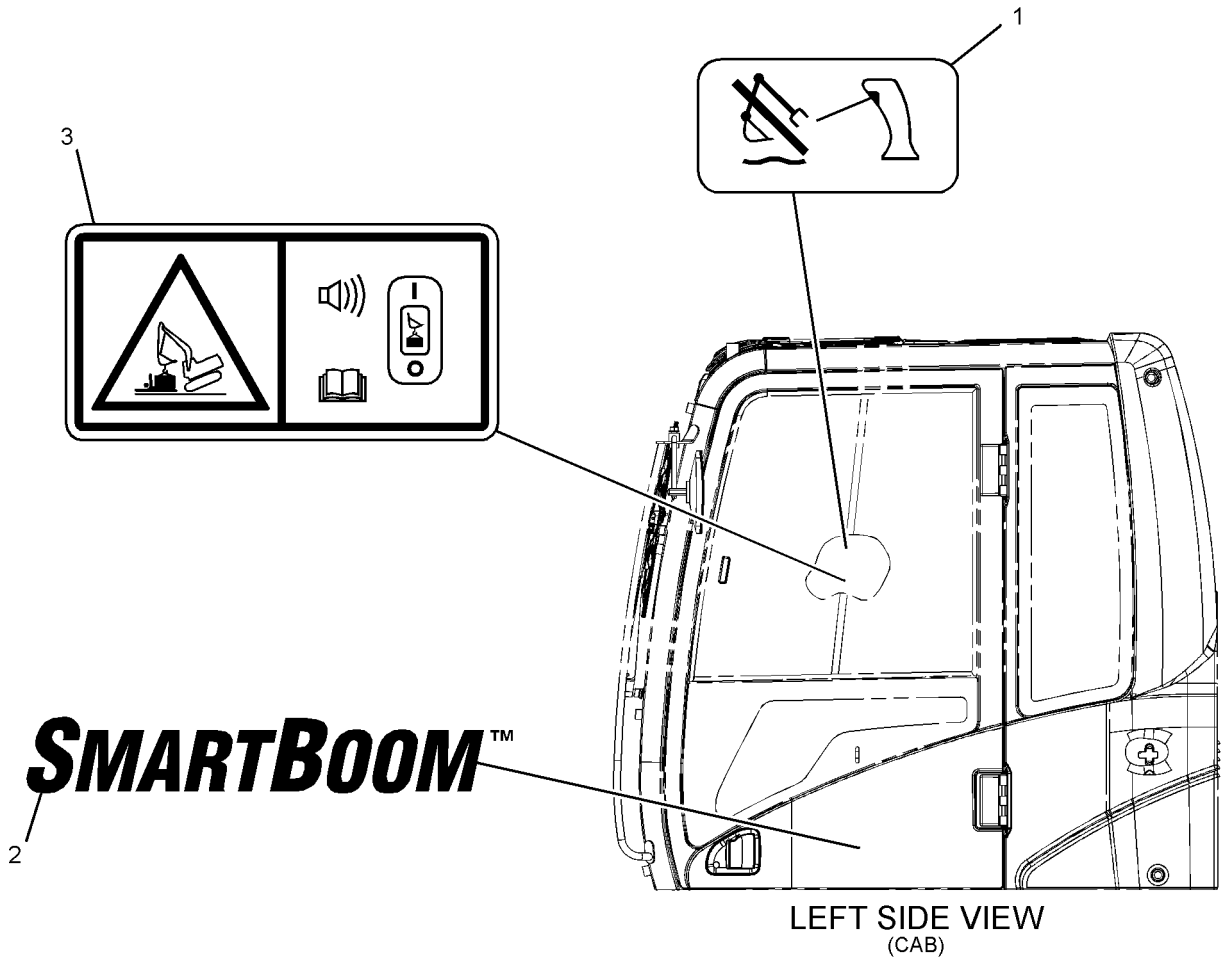
S/N: PAS1-UP

PART OF 297-0420 VALVE AR-BOOM LOWERING CONTROL
AN ATTACHMENT

SMCS-7405, 7557

i03790516

NOTE	REF NO	GRAPHIC REF	PART NUMBER	QTY	PART NAME						SEE PAGE
					1	2	3	4	5	6 (PRODUCT LEVEL)	
1	1	1	260-6944	1	FILM-WARNING (BOOM FLOAT)						
2	1	1	236-0563	1	FILM-IDENTIFICATION (SMARTBOOM)						
3	1	1	322-4582	1	FILM-WARNING (TIPPING HAZARD, READ OMM)						



SMARTBOOM™

GRAPHIC #1

<END>

g02127074

SERVICE EQUIPMENT AND SUPPLIES

319-9324 FILM GP-OPERATOR CONTROLS, HAMMER

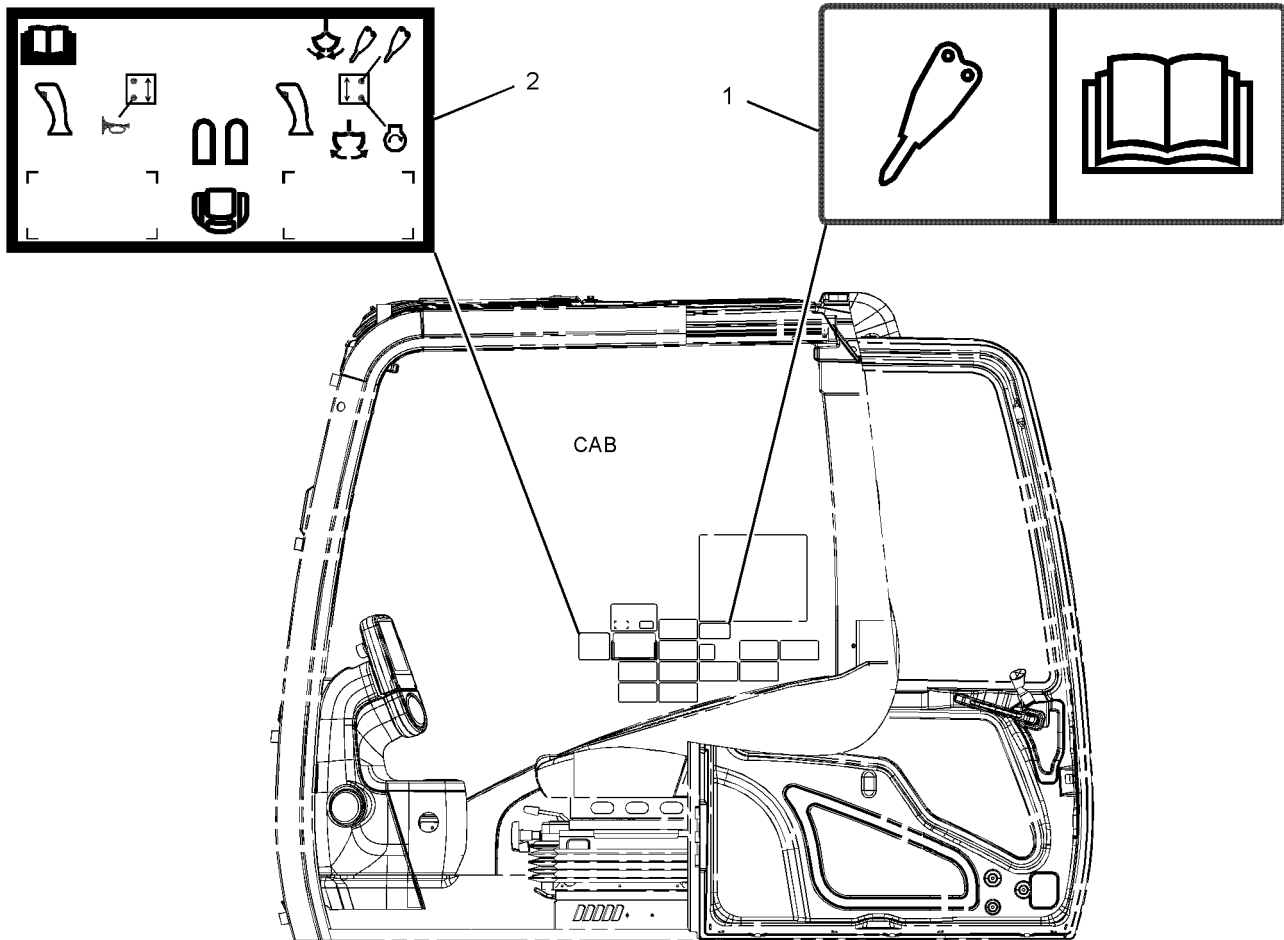
S/N: PAS1-UP

PART OF 352-6875 CONTROL AR-AUXILIARY
AN ATTACHMENT

SMCS-7405, 7557

i03822229

NOTE	REF NO	GRAPHIC REF	PART NUMBER	QTY	PART NAME						SEE PAGE
					1	2	3	4	5	6 (PRODUCT LEVEL)	
1	1	1	250-8054	1	FILM-NOTICE (HAMMER, READ OMM)						
2	1	1	319-9325	1	FILM-INSTRUCTION (OPERATOR CONTROL PEDALS)						



LEFT SIDE VIEW
<END>

GRAPHIC #1

g02129043

SERVICE EQUIPMENT AND SUPPLIES

319-9326 FILM GP-OPERATOR CONTROLS, HAMMER

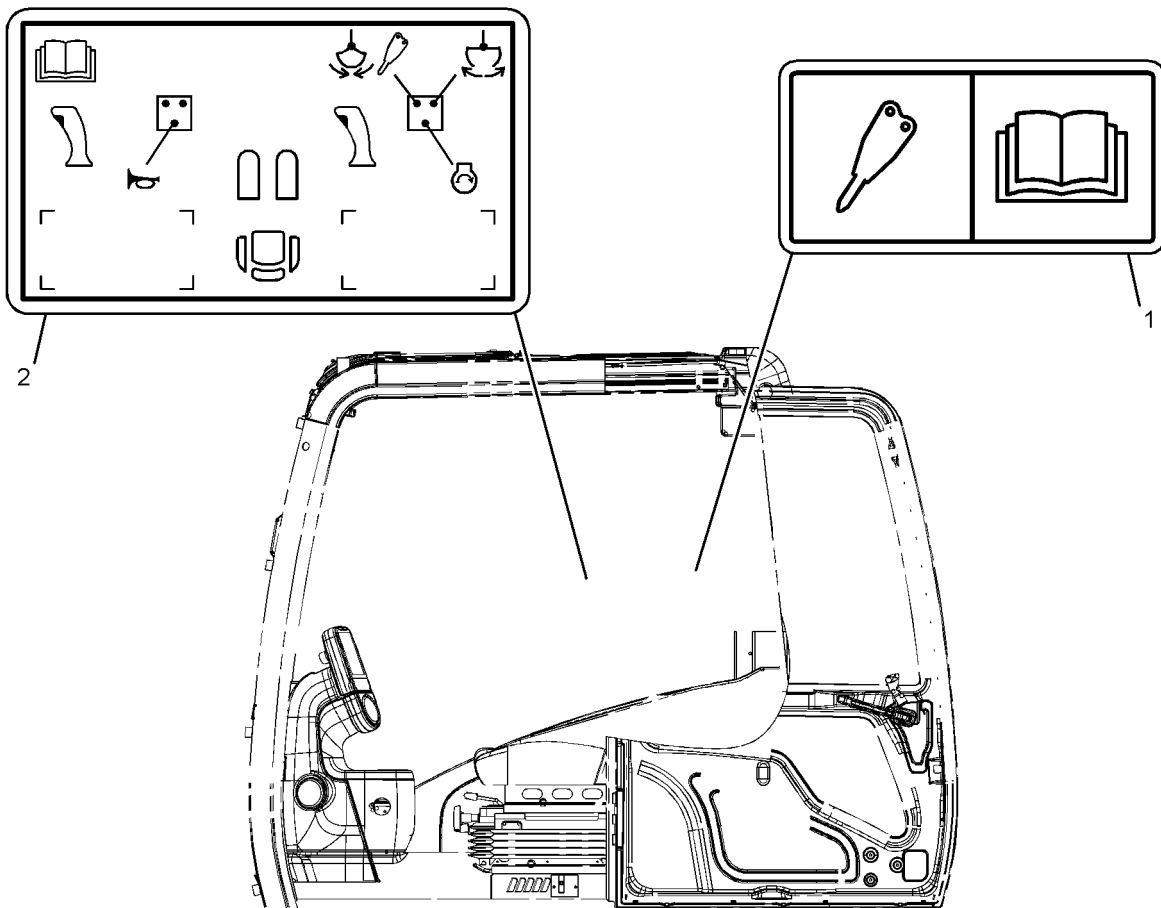
S/N: PAS1-UP

PART OF 352-6876 CONTROL AR-AUXILIARY
AN ATTACHMENT

SMCS-7405, 7557

i03790438

NOTE	REF NO	GRAPHIC REF	PART NUMBER	QTY	PART NAME						SEE PAGE
					1	2	3	4	5	6 (PRODUCT LEVEL)	
1	1	1	250-8054	1	FILM-NOTICE (HAMMER, READ OMM)						
2	1	1	319-9327	1	FILM (CONTROLS)						



LEFT SIDE VIEW
(CAB)

GRAPHIC #1

<END>

g02127041

SERVICE EQUIPMENT AND SUPPLIES

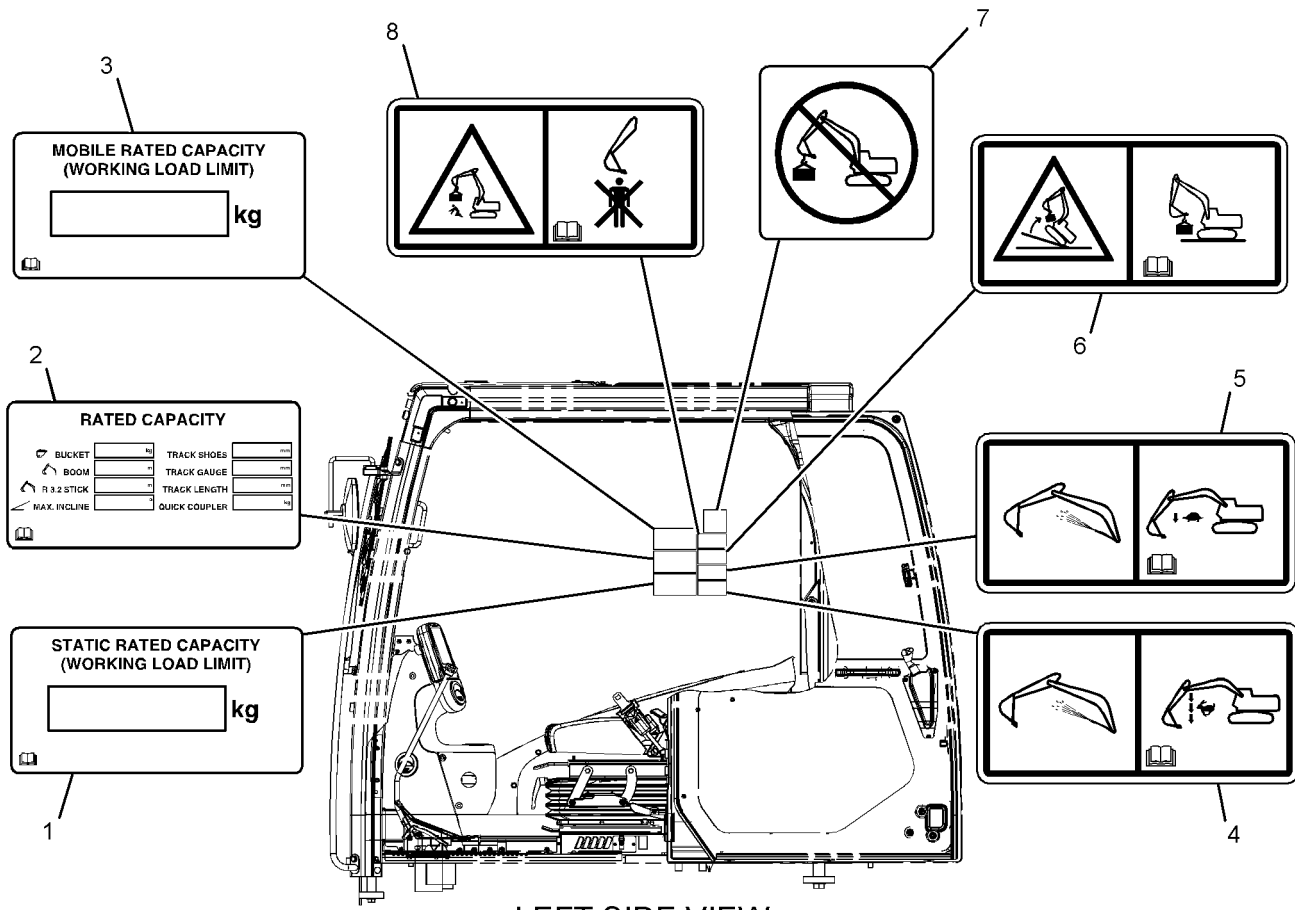
346-4595 FILM GP-LIFTING, READ OMM

S/N: PAS1-UP
AN ATTACHMENT

SMCS-7405, 7557

i03894833

NOTE	REF NO	GRAPHIC REF	PART NUMBER	QTY	PART NAME						SEE PAGE
					1	2	3	4	5	6	
	1	1	343-1150	1	PLATE-INFORMATION (LOAD CAPACITY, READ OMM)						
	2	1	343-1151	1	PLATE-INFORMATION (LOAD CAPACITY, READ OMM)						
	3	1	343-1152	1	PLATE-INFORMATION (LOAD CAPACITY, READ OMM)						
	4	1	343-1153	1	FILM-INFORMATION (READ OMM)						
	5	1	343-1154	1	FILM-INFORMATION (READ OMM)						
	6	1	343-1155	1	FILM-WARNING (TIPPING HAZARD, READ OMM)						
	7	1	343-1156	1	FILM-WARNING (LIFTING, READ OMM)						
	8	1	343-1157	1	FILM-WARNING (CRUSH HAZARD, READ OMM)						



LEFT SIDE VIEW

GRAPHIC #1

<END>

g02138772

SERVICE EQUIPMENT AND SUPPLIES

228-8097 PLATE & FILM GP-BIODEGRADABLE HYDRAULIC OIL

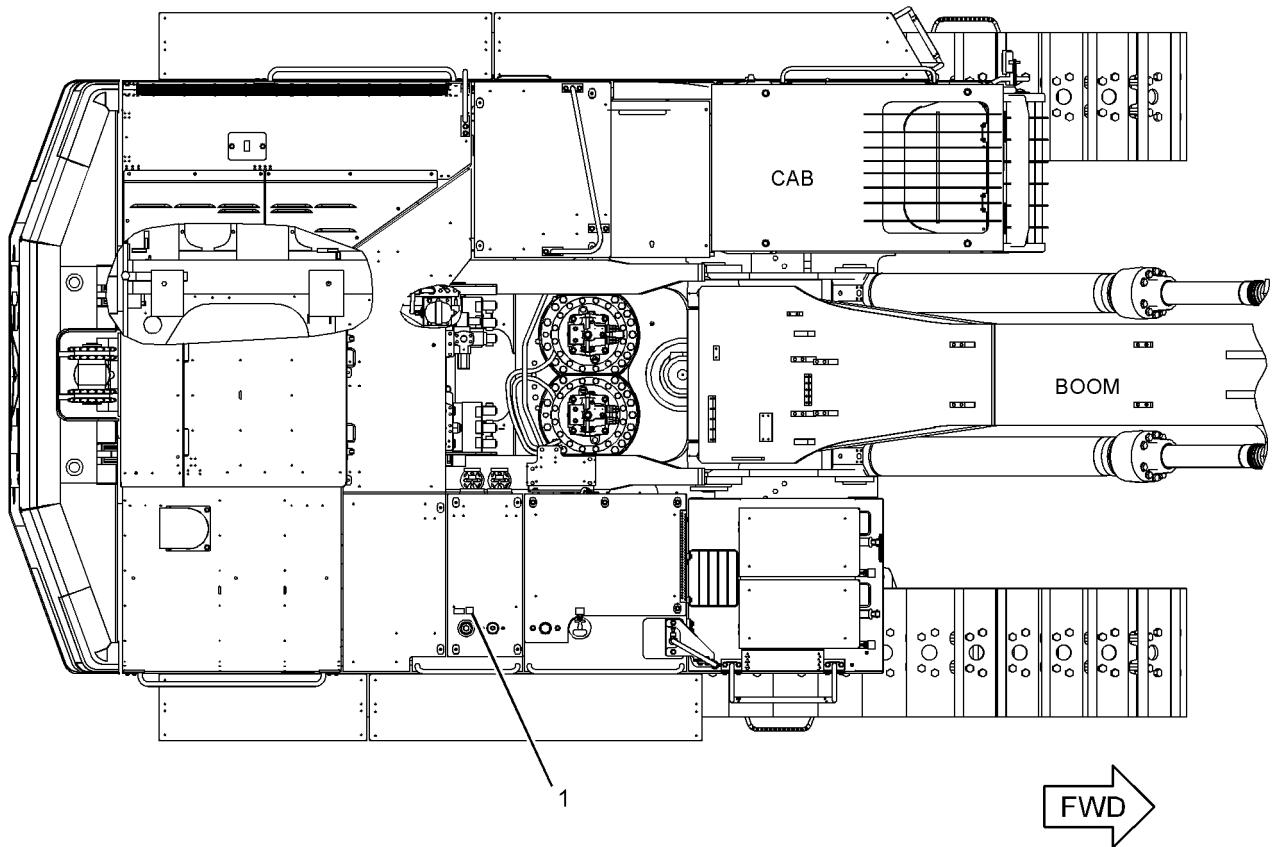
S/N: PAS1-UP

PART OF 340-4024 OPTION AR-SERVICE
AN ATTACHMENT

SMCS-7405, 7557

i03565865

NOTE	REF NO	GRAPHIC REF	PART NUMBER	QTY	PART NAME						SEE PAGE
					1	2	3	4	5	6 (PRODUCT LEVEL)	
	1	1	169-3530	1	FILM-IDENTIFICATION (BIODEGRADABLE HYDRAULIC OIL)						



TOP VIEW

GRAPHIC #1

<END>

g01246532

SERVICE EQUIPMENT AND SUPPLIES

294-1235 PLATE & FILM GP

S/N: PAS1-UP

PART OF 294-1232 CHASSIS AR

SMCS-7405, 7557

i03898038

NOTE	REF NO	GRAPHIC REF	PART NUMBER	QTY	PART NAME						SEE PAGE
					1	2	3	4	5	6 (PRODUCT LEVEL)	
	1	1	143-9536	1	FILM-IDENTIFICATION (MIN-MAX)						
	2	1	134-7258	1	FILM-INFORMATION (EXTENDED LIFE COOLANT)						
	3	1	224-8946	1	FILM-WARNING (NO ETHER SPRAY/AIR INTK, INTL)						
	4	1	229-0887	1	FILM-INFORMATION (AIR CLEANER)						
	5	1	242-6092	1	FILM-WARNING (ACCUMULATOR PRESSURE)						
	6	1	225-4257	2	FILM-WARNING (HOT FLUID UNDER PRESS, INTL)						
	7	1	167-7270	1	FILM-INSTRUCTION (NO STEP)						
BJ	8	1	334-4603	1	FILM-INFORMATION (HYDO ADVANCED 10)						
	9	2,3	7X-7644	3	FILM-INFORMATION (TIE-DOWN)						
	10	1	319-9329	1	FILM-WARNING (HOT SURFACE)						
	11	2	242-1510	1	FILM-INSTRUCTION (HYDRAULIC OIL CHECK)						
	12	2	290-1727	1	FILM-IDENTIFICATION (CAT BOOM, RH)						
	13	2	1P-2807	3	FILM-INFORMATION (LIFT EYE LOCATION)						
	14	2	102-6046	2	FILM-IDENTIFICATION (CAT)						
	15	2	253-0861	2	FILM-INFORMATION (CAT POWER, ACERT TECHNOLOGY)						
	16	2	294-1307		FILM-STRIPE (46.5-CM EACH)						
	17	2	228-2781	2	FILM-WARNING (MACHINE SWING, CRUSHING, INTL)						
	18	2	319-9306	2	FILM-IDENTIFICATION (374D LME)						
	19	3	190-5386	2	FILM-STRIPE (ROUND RED REFLECTIVE)						
	20	3	245-5495	1	FILM-IDENTIFICATION (CAT, REAR)						
	21	3	112-0545	2	FILM-INSTRUCTION (TRACK GAUGE)						
	22	2	290-1728	1	FILM-IDENTIFICATION (CAT, BOOM, LH)						
	23	2	214-7915	1	FILM-INSTRUCTION (ENGINE SHUTOFF)						
	24	3	303-2686	1	FILM-IDENTIFICATION (FUSE PANEL)						
	25	3	225-0312	1	FILM-WARNING (JUMP START, READ OMM, INTL)						
	26	3	146-6747	1	FILM-INFORMATION (24-VOLT)						
	27	1	223-9818	1	FILM-INSTRUCTION (WINDOW CLEANING, READ OMM)						
	28	4	255-3171	1	PLATE-INSTRUCTION (CONTROL PATTERN, READ OMM)						
	29	4	255-3173	1	FILM-WARNING (CRUSH HAZARD, READ OMM, INTL)						
	30	4	224-0554	1	FILM-WARNING (UNIVERSAL, READ OMM, INTL)						
	31	4	266-5431	1	FILM-WARNING (CRUSH HAZARD, READ OMM, INTL)						
	32	4	303-2668	1	PLATE-INSTRUCTION (AIR CONDITIONER, READ OMM)						
	33	4	228-9254	1	FILM-WARNING (ELEC HAZARD, READ OMM, INTL)						
	34	4	221-8045	1	FILM-WARNING (SEAT BELT, INTERNATIONAL)						
	35	4	310-6252	1	FILM-INSTRUCTION (BACKUP CONTROL, READ OMM)						
	36	4	269-0120	1	FILM-WARNING (CRUSH HAZARD, READ OMM, INTL)						
	37	2	100-5612	1	FILM-INSTRUCTION (ALTERNATE EXIT, REMOVE WINDOW)						
	38	4	245-5456	1	FILM-INSTRUCTION (BACKUP CONTROL, RH TRACK, SPD)						
	39	4	245-5458	1	FILM-INSTRUCTION (BACKUP CONTROL, BOOM, LH TRACK)						
	40	4	242-1588	1	FILM-WARNING (FRONT WINDOW, READ OMM, INTL)						
	41	2	172-4950	1	FILM-WARNING (HOT SURFACE)						
	42	2	357-4727	2	FILM-WARNING (CRUSH HAZARD, STAY BACK, INTL)						
AF			3N-3790	1	PLATE-SERIAL NUMBER (ENGINE) (ON RH REAR CORNER OF CYLINDER BLOCK)						

A-NOT PART OF THIS GROUP

B-USE AS REQUIRED

F-NOT SHOWN

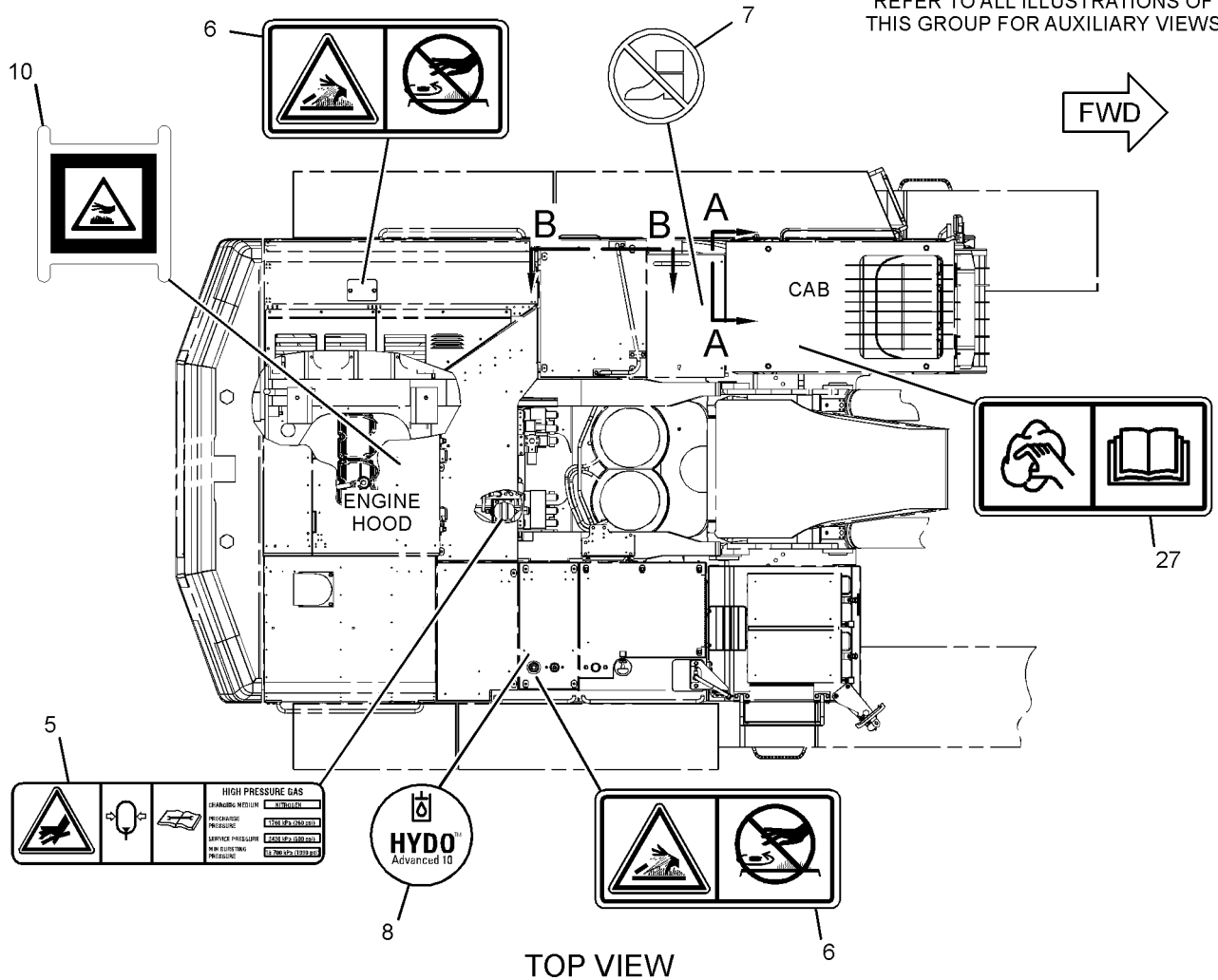
J-REQUIRED WHEN HYDRAULIC TANK IS FILLED WITH HYDO ADVANCE 10 OIL

SERVICE EQUIPMENT AND SUPPLIES

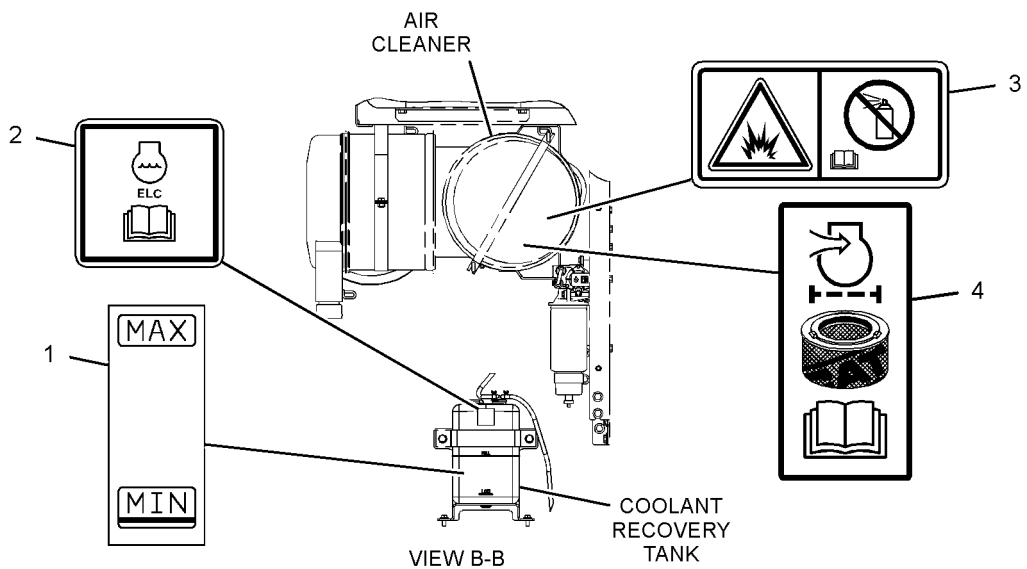
294-1235 PLATE & FILM GP (contd.)

i03898038

REFER TO ALL ILLUSTRATIONS OF THIS GROUP FOR AUXILIARY VIEWS



TOP VIEW



VIEW B-B

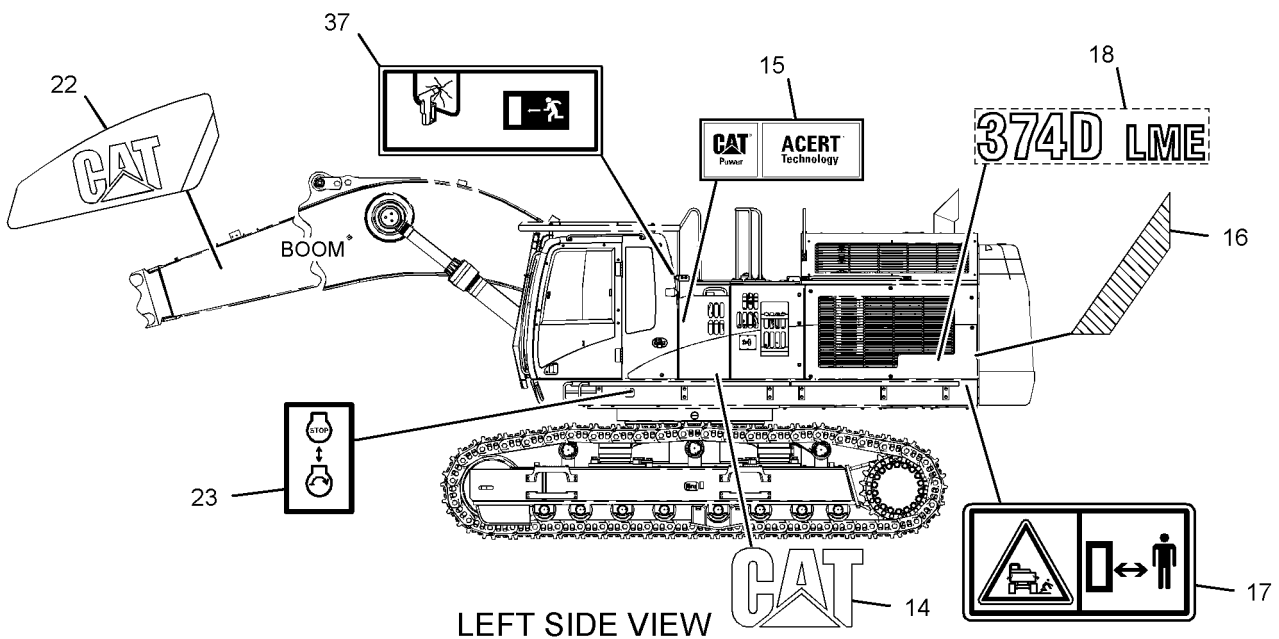
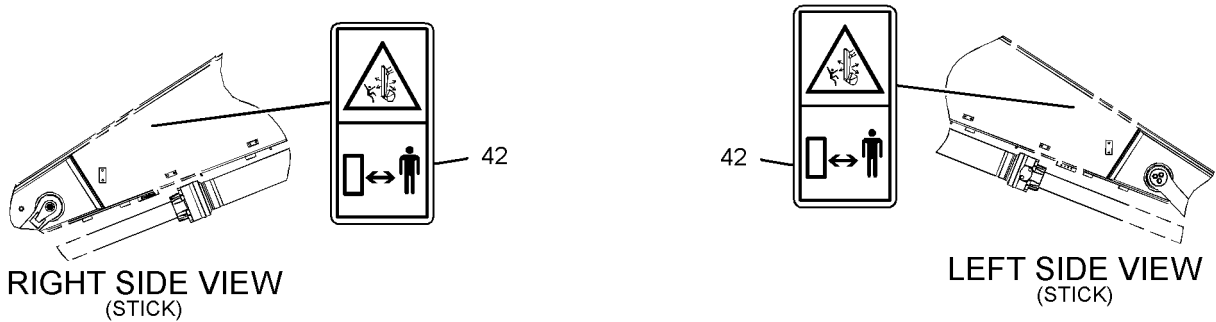
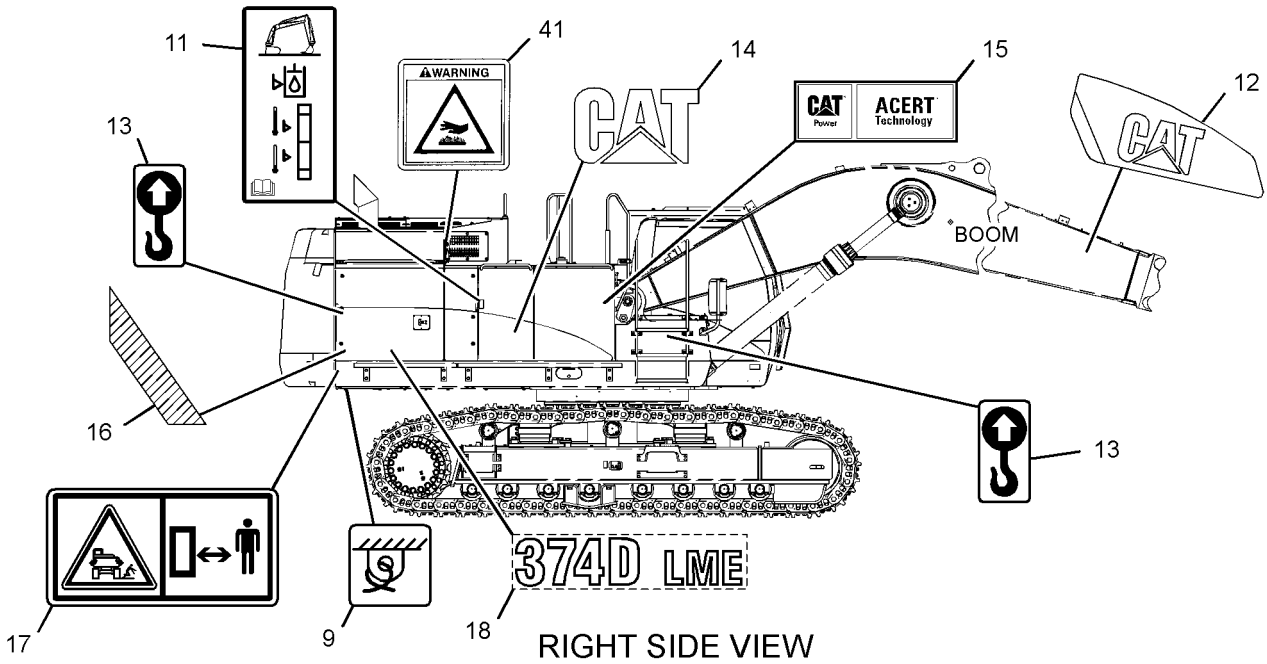
GRAPHIC #1

g02138798

SERVICE EQUIPMENT AND SUPPLIES

294-1235 PLATE & FILM GP (contd.)

i03898038



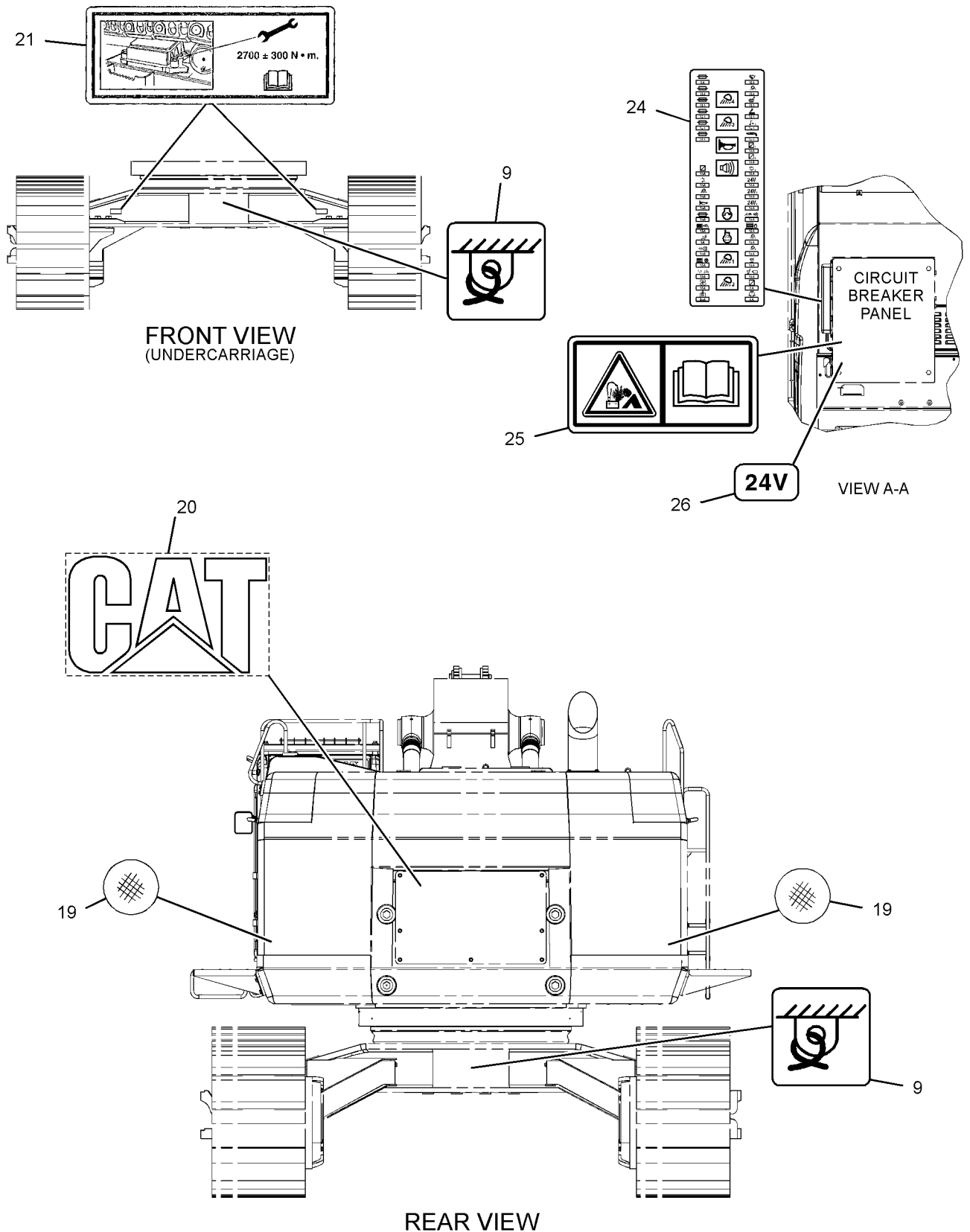
GRAPHIC #2

g02142331

SERVICE EQUIPMENT AND SUPPLIES

294-1235 PLATE & FILM GP (contd.)

i03898038



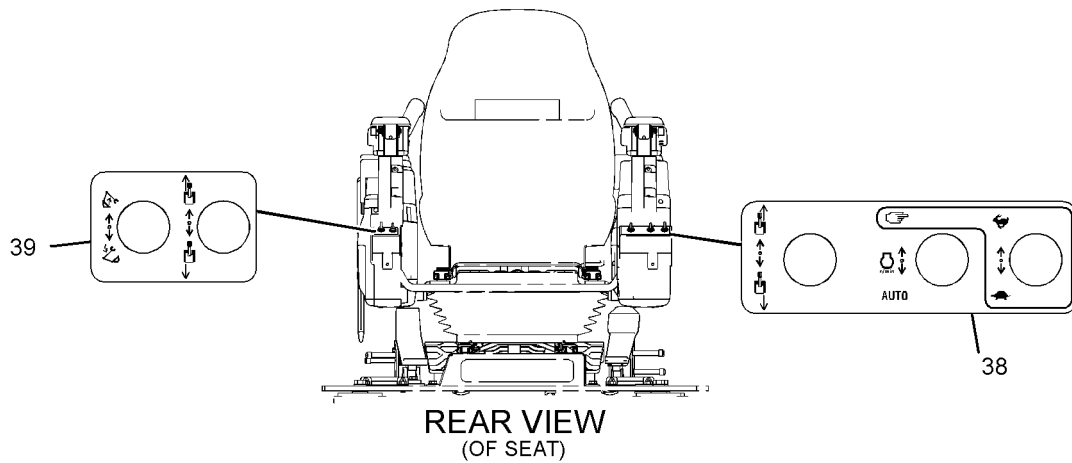
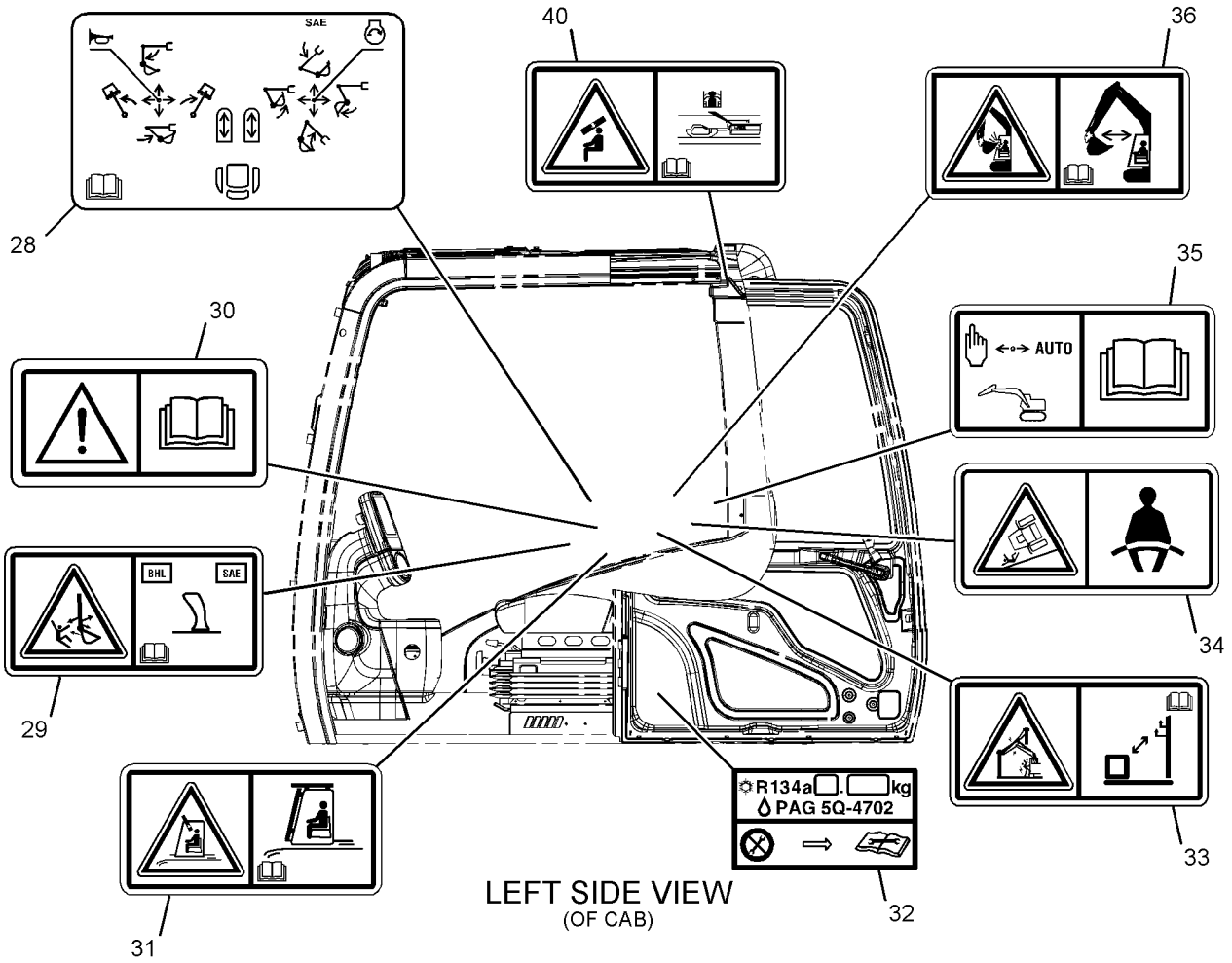
GRAPHIC #3

g02139355

SERVICE EQUIPMENT AND SUPPLIES

294-1235 PLATE & FILM GP (contd.)

i03898038



GRAPHIC #4

<END>

g02139358

PART NUMBER INDEX

Part	Page	Part	Page	Part	Page	Part	Page
0							
		1B-7182	102		482		264
OL-1351	84		103		484	1S-7252	159
	85	1B-8705	42		485		166
OL-1352	98	1D-4637	814		510		250
	133		815		513		251
OL-2070	47		816		516		264
	53	1F-0750	299		535	1S-7446	247
	88	1F-7958	17		537	1S-9540	27
OS-0509	299		38		545	1S-9593	690
OS-1571	42	1H-1023	247		546	1T-0132	569
	57	1H-2629	247		547	1T-0720	209
	74	1H-3244	154		548		210
	96		212		549	1T-0765	143
	133	1H-3338	253		550	1T-0936	570
OS-1576	299	1H-5728	560		556	1U-0322	644
OS-1585	35		562		644	1U-8846	46
OS-1587	57		630		653		314
OS-1588	47		634		655		317
	57	1H-7339	639	1P-3706	463		338
	59		604		466		439
	78	1H-8647	12		475		442
	85	1J-9671	98		477		557
	119		104		486	1V-6341	233
	133		629		487	1W-3136	46
OS-1590	85		634		503	1W-4738	44
	436		638		510	1W-4746	44
OS-1591	60		653		537	1W-6448	222
	73	1K-8850	655		545		
	74		334		546		
	85		336		547		
	96	1L-5081	96		548		
	222	1M-0644	91		551	2A-4429	31
OS-1594	15	1M-3381	133		552	2B-2404	243
	16	1M-6119	158		647	2B-2695	18
	37		159		650		175
	44		166	1P-3707	653	2B-7561	317
	50	1M-6120	158		655	2C-9259	753
	98		159	1P-4578	521		754
OS-1595	51		166		527		755
OS-1608	80	1M-6718	682		542		756
OS-1619	44		683	1P-4579	513		757
	80		684		516		758
	133	1M-9968	248	1P-4582	542		759
OS-1621	44	1M-9971	247	1P-4585	537		760
OT-0055	47	1P-2807	1004	1P-5767	510		762
	60	1P-3702	554		513		763
OT-0065	98	1P-3703	503		516		764
OT-0768	44		510		537		765
OV-0523	40	1P-3704	521		556		799
			503	1P-7346	42		800
			510	1P-7625	133		801
			513	1R-0755	130		813
			516	1R-1808	80	2D-0388	144
			537	1R-5318	622	2D-1683	702
			556	1R-5998	859		705
1A-1460	44	1P-3705	463	1S-0812	256		711
1A-2029	44		466		257		713
	60		468		311		716
	80		470	1S-0994	926	2D-6392	247
1A-4273	299		471	1S-4295	127		630
1A-5964	60		472	1S-5485	113		634
1B-3057	96		473	1S-7251	159		639
	125		474		166	2D-6642	570
1B-3581	243		475		250		662
1B-3623	35		477		251	2D-6648	560
1B-3867	12						
2							

PART NUMBER INDEX

Part	Page	Part	Page	Part	Page	Part	Page
	562		518	3			675
2F-6678	248		521			3D-4245	926
2G-1830	264		570	3B-0551	149	3D-5102	243
2G-8767	157		575	3B-0623	29	3D-9428	324
2H-3429	247		577	3B-0645	29	3E-2306	149
2H-3755	222		590	3B-1915	84	3E-2310	524
2H-3922	252		611		85	3E-2338	314
2H-3928	389		613		133	3E-3365	690
2H-3934	460		616		243	3E-3368	228
2H-3935	578		619		299	3E-3371	226
2H-6338	538		624	3B-4501	186		231
2J-3118	42		626		187		429
2J-3507	810		629	3B-4607	323	3E-3376	429
	814		633	3B-4615	346	3E-3377	181
	815		638	3B-4618	346	3E-3389	451
	816		647	3B-6768	243	3E-4297	598
2J-8163	247		650	3B-8489	338	3E-4334	157
	598		658		420	3E-5169	33
2K-4821	154	2N-2766	123		423	3E-6772	257
2K-4973	85		127		697	3E-7389	311
2K-8199	610	2N-8109	77		699		524
2L-6679	247	2P-1292	135		702	3E-7410	537
2L-8049	159	2P-2772	44		705	3E-7424	84
2L-8050	160	2P-2975	676		707	3E-7445	248
	311		677		709	3E-7771	897
2L-8057	159		680		711	3E-8020	666
2L-8058	160		681		713	3E-8025	669
	311	2P-4304	76		716		49
2L-8064	291		80		720	3E-8044	213
2L-8065	157	2P-7636	135		722	3E-8048	226
	213	2P-9419	390		724		212
	311	2R-1236	570		726	3E-8320	378
2L-8066	213	2R-6806	133		728	3E-9411	386
	269		139		733		154
2L-8067	160	2S-1647	144		735	3F-9556	662
	213		266		737	3H-0442	393
	269		897		739	3H-7654	98
	311	2S-2596	624		741	3J-1907	132
2L-8069	160		644		743		224
	278	2S-2760	91		745		411
	307	2S-4078	144		747		412
2L-8074	288		149	3C-8388	560		445
	291		537		562		482
2L-8075	157		542	3D-2824	67		488
	158		629		96		503
	213		630		98		505
	218		633		445		506
	269		634		481		518
	307		638		513		524
	311		639		516		526
2L-8076	213		676		521		527
2L-8077	272		677		525		531
	277		681		526		533
	281	2S-5926	380		552		535
	285	2S-7905	91		554		537
	294	2T-2695	680		556		552
2L-8079	160	2V-4868	128		570		556
	266	2W-0493	44		604		560
	306	2W-0494	44		629		562
2M-0849	75	2W-0496	44		630		564
	604	2W-4332	583		633		605
2M-5795	323	2W-6225	21		634		609
2M-9780	98				638		616
	135				639		621
	445				644		

PART NUMBER INDEX

Part	Page	Part	Page	Part	Page	Part	Page
	624		621		285	4F-0411	98
	626		628		287	4F-6024	44
	629		653		288	4F-7957	12
	633		655		291		13
	638		674		294	4F-8946	554
	642		926		299		624
	644	3K-0835	256		301	4H-2558	104
	647		257		302	4H-6112	439
	650		311		304		442
	653	3K-4520	622		306	4H-9105	393
	655	3K-5234	810		307	4I-0117	346
	658		814		309	4I-0118	346
	662		815		311	4I-0378	149
	663		816		847	4I-0379	135
	682	3K-8460	46		918	4I-0575	733
	683		629		921		735
	684		634		949		737
	685		638	3S-6049	159		739
	694	3K-9770	754		166		747
3J-3679	98		762	3S-6050	159	4I-0577	733
	653		764		166		735
	655		800	3S-9643	98		737
3J-7354	67	3L-3380	247	3T-3418	247		739
	98	3L-8187	309	3T-3422	247		747
	130	3M-6018	269	3T-3423	247	4I-0924	545
	453	3N-3763	248		248		546
	527	3N-3790	1004	3T-3424	247		547
	560	3P-0650	80		248		548
	562	3P-0760	622	3T-4688	160	4I-1129	733
	604	3P-1155	222	3T-4696	158		735
	624		676	3T-4709	247		737
	630		677	3T-4710	247		739
	633		681	3T-6469	85		747
	634	3P-1323	25	3T-6471	85	4I-1205	346
	638	3R-8797	247	3T-7528	451	4I-1278	859
	639	3R-8801	248	3T-9494	247	4I-1520	427
	644	3R-9965	266		248		429
	647	3S-2093	130	3T-9524	248	4I-1776	609
	650		133	3T-9525	247	4I-2187	323
	653		157	3V-0046	488	4I-2374	346
	655		159	3V-2431	429	4I-2599	346
	674		161	3W-2093	158	4I-2601	331
3K-0360	96		170	3W-6399	967		332
	98		180	3Y-2806	859		333
	135		182			4I-3038	254
	439		193			4I-3183	697
	442		195				699
	481		200				733
	510		201	4B-2049	248		735
	518		206	4B-3665	36		737
	521		212	4B-4043	44		739
	524		213	4B-4158	380		741
	525		218		570		743
	526		220	4B-4276	212		745
	527		225	4B-9782	70		747
	531		254	4B-9783	616	4I-3591	604
	535		262		647	4I-3991	524
	537		266		650	4I-3994	524
	541		269	4D-2297	581	4I-4270	974
	552		272	4D-2886	644	4I-4286	902
	560		276	4D-3704	40		905
	562		278	4D-7388	83	4I-4392	899
	570		280		135	4I-5049	157
	604		281	4E-1384	914		166
	616		283		916	4I-5426	161

PART NUMBER INDEX

Part	Page	Part	Page	Part	Page	Part	Page
4I-5657	658	4J-0524	513		653	4P-9823	8
4I-5734	613		516		655		▶ 44
4I-5900	518		521	4K-1388	98	4S-1962	302
4I-5933	518		527		503	4T-0925	682
4I-5969	664		535		621		683
4I-6054	524		542		675		684
4I-6121	524		604	4K-2039	581	4T-0987	624
4I-6330	431		611	4K-8501	334	4T-1860	505
4I-6397	644		613		336		629
4I-6626	750	4J-0526	513	4K-8864	518		633
	751		516		527		638
4I-6718	720	4J-0527	542	4L-2729	248		653
	728		604	4L-7124	212		655
4I-7576	314		611	4L-9337	125		▶ 682
4I-7690	666		613	4M-0189	44	4T-4207	633
	669	4J-0528	616		93		638
4I-7691	666	4J-2506	624	4M-1827	247	4T-5071	644
	669	4J-5267	518	4M-1828	247	4T-5076	647
4I-7705	664		554	4M-1831	247		650
4I-7739	503		642	4M-1853	247	4T-6788	449
4I-7822	510	4J-5268	663	4M-1854	247	4W-5698	24
	513	4J-5309	622	4M-1896	248	4W-5699	24
4I-7889	135	4J-5351	663	4M-5317	702	4W-5700	24
4I-7924	326		678		705	4W-5701	24
	327	4J-5477	488		707	4W-9160	125
	328		491		709	4W-9890	15
	330		496		711		16
	356		497		713		
	358		498		716		
	359		500	4M-8547	38		
	360		501	4N-0683	27		
	365		502	4N-0684	24		
	366		505		44	5A-3604	336
	367	4J-5573	647	4N-0699	15		958
	368		650		16	5B-0651	720
	369	4J-7533	451	4N-1059	250		722
4I-8472	413		564	4N-1156	98		724
4I-8915	658		615	4N-1230	44		726
4I-8965	616		616	4N-1650	27		728
4I-9521	506		619	4N-2514	40	5B-9318	570
	524		622	4N-5339	91	5C-2874	859
4I-9522	506		624	4N-8150	76	5C-2889	186
	524		626	4N-8410	85		187
4I-9523	524		629	4N-9170	338	5C-2890	253
4I-9524	524		630	4P-0519	57		667
4I-9525	524		633	4P-0947	120		859
4I-9526	506		634	4P-4460	88	5C-7261	148
	524		638	4P-6846	8		161
	535		639		▶ 37		166
4I-9527	505		644	4P-7373	85		506
	524		647	4P-7428	161		667
4I-9528	524		650		266		859
4J-0519	675		653		276		902
4J-0520	527		655		281		905
4J-0521	675		662	4P-7429	281		914
4J-0522	503		691		299		916
	516	4J-8997	622		527	5C-7423	902
	521	4J-9535	560	4P-7581	130		905
	527		562		161		974
	535		630		266	5C-7883	161
	542		634		299	5C-8138	967
	644		639		301	5C-9553	170
	653	4J-9780	629	4P-7582	299		264
	655		633		304		293
4J-0523	628		638	4P-8134	299		294

5

PART NUMBER INDEX

Part	Page	Part	Page	Part	Page	Part	Page
	296		716		513		475
	847	5L-3708	175		516		477
	963	5L-4758	411		538		510
5D-1026	317		412		929		538
	926		581	5P-1420	104		545
5E-8771	42	5L-5032	602	5P-1442	122		546
5F-4899	53	5M-2894	15		136		547
	91		16	5P-2094	87		548
5F-9144	132		37	5P-2321	262		549
5H-1504	33		44		309		550
5H-4907	813		47	5P-2369	926	5P-8112	929
5I-3054	963		50	5P-2566	416	5P-8244	44
5I-3978	533		53	5P-2766	291	5P-8245	17
5I-4275	598		57	5P-2957	269		38
5I-4277	460		59	5P-3108	674		44
5I-4303	406		60	5P-3501	76		46
5I-4306	592		73	5P-4115	125		51
5I-4341	459		74		264	5P-8247	44
	460		78		346		154
5I-4374	460		80	5P-4116	148		174
5I-7090	882		84		153		233
	883		88		161		299
	891		91	5P-4142	42	5P-8309	363
5I-8458	505		96	5P-4255	47		364
5I-8511	616		98	5P-4325	135		365
5I-8748	125		119		522		366
5J-2974	647		133	5P-4961	104		368
	650		143		122		370
	663		209	5P-5602	269		372
	678		210	5P-5623	181	5P-8347	189
5J-5003	859		222	5P-5677	181		190
5J-5004	629		243	5P-5846	85		191
	633		299	5P-5998	254	5P-8361	754
	638		436	5P-6027	327		762
5J-5314	247	5M-3034	247	5P-6298	247		764
5J-5793	46	5M-3062	243	5P-6312	243		800
5J-5794	39	5M-6213	431	5P-6313	243	5P-8439	312
5K-0430	243	5P-0049	475	5P-6314	243	5P-8444	533
5K-2298	705		477	5P-6719	663		535
	711	5P-0537	13	5P-6879	929		542
	713	5P-0746	166	5P-6944	130	5P-8500	148
5K-5338	926	5P-0747	250	5P-7468	503		259
5K-8451	527		251		533		321
	535		264		535		928
5K-9090	479	5P-0761	166		542	5P-8522	276
	481		264	5P-7469	503	5P-8524	986
	503	5P-0767	317		533		988
	525		926		535	5P-9085	707
	526	5P-0840	27		542		709
	533		33	5P-7684	570	5P-9205	144
	535	5P-1075	161	5P-7701	76	5Q-4212	489
	537		166		80		491
	541		350	5P-7814	46		492
	542		859	5P-7854	926		494
	552	5P-1076	93	5P-7958	928		496
5K-9242	705		116	5P-8068	85		497
	711		120		604		498
	713		243	5P-8077	463		500
5K-9243	338		321		466		501
	702		342		468		502
	705		346		470	5S-7349	154
	707		351		471	5S-7383	88
	709		374		472		130
	711		479		473	5V-3854	334
	713		510		474		336

PART NUMBER INDEX

Part	Page	Part	Page	Part	Page	Part	Page
6		6E-5534	▶449 604	6K-8178	130	6V-1574	510
6B-6683	233	6E-6528	667	6L-3314	113	6V-1575	556
6C-4000	859	6F-0253	256	6L-3316	113	6V-1576	556
	916		257	6L-3616	702	6V-1577	556
6C-8379	914		311		705	6V-1722	926
	916	6F-4718	538		707	6V-1846	149
6C-8382	914	6F-4855	458		709	6V-1867	542
	916	6F-5282	75		711	6V-1868	542
6C-8787	913	6F-7045	252		713	6V-1869	542
6C-8972	963	6G-2256	157	6N-1931	91	6V-2687	951
6C-9037	976	6G-2263	89	6N-2343	91	6V-2722	166
6C-9058	269		157	6N-3279	247		169
	859	6H-0406	143	6N-3826	247		264
6C-9081	269	6H-3615	510	6N-6460	113	6V-3251	66
6C-9087	859	6I-0213	141	6N-7654	35	6V-3265	926
6C-9089	966	6I-0723	604	6P-2216	326		967
6C-9119	951	6I-0724	604		327	6V-3382	570
6C-9121	269	6I-0928	31		328	6V-3582	111
6C-9122	269	6I-1055	27		330		120
6C-9130	966	6I-1418	175		356	6V-3677	42
6C-9131	963	6I-3623	42		358	6V-3683	209
6C-9149	104	6I-3624	42		359		210
	579	6I-3625	42		360	6V-3830	57
6C-9236	978	6I-3638	8		365	6V-3831	77
	979		▶436		366	6V-3908	80
	980	6I-3968	73		367	6V-3922	611
6C-9237	978		74		368		613
	979	6I-4025	33		369		644
	980	6I-4421	27	6P-8855	926		647
6D-1641	135	6I-4575	12	6T-0363	247		650
	926	6I-5298	884	6T-0371	247	6V-3965	130
6D-4244	135		885	6T-0372	247		445
	926	6I-5976	940	6T-3631	260		506
6D-5257	266	6I-6314	▶829		261		527
6D-5801	142		831		309	6V-4248	133
6E-0781	434	6I-6414	▶838		972	6V-4298	269
6E-0813	431		839	6T-3632	260		453
6E-2313	642	6I-6417	▶830		261		455
6E-3840	594		831		309		859
	597	6I-6420	▶818	6T-3633	260	6V-4589	147
	598		819		261		255
6E-3869	408	6I-6423	817		309	6V-5043	583
6E-3872	410		▶832	6T-6506	269	6V-5048	46
6E-3873	459	6I-6563	338	6T-9442	256		80
	460	6I-6601	838	6V-0128	13		102
6E-3874	459	6I-6602	829	6V-0301	556		103
6E-3991	629	6I-6603	818	6V-0400	503		210
	633	6I-6608	818		510		222
6E-3993	629	6I-6609	818	6V-0405	488	6V-5049	46
	633	6I-6788	594	6V-0757	468		66
	638		597		545		76
6E-4428	683	6I-6849	445		546		222
6E-4429	633		▶609		547		229
	638	6I-6850	609		548	6V-5065	65
	▶683	6I-6851	609		549	6V-5100	21
6E-5412	666	6J-2680	453		550		22
	669		542	6V-0852	130	6V-5134	85
	671		604		445	6V-5204	567
6E-5431	642	6J-3134	616		506		568
6E-5434	642		647		524	6V-5210	186
6E-5438	642		650	6V-1197	14		187
6E-5439	642	6J-6478	971	6V-1322	247	6V-5266	88
6E-5483	610	6K-0806	479	6V-1572	510	6V-5324	682
6E-5484	610	6K-6307	570	6V-1573	510		683

PART NUMBER INDEX

Part	Page	Part	Page	Part	Page	Part	Page
	684		500	6V-8637	481		541
6V-5326	678		501		554	6V-9168	482
6V-5555	653		502		556	6V-9172	533
	655		503	6V-8638	521	6V-9175	445
6V-5556	573		505	6V-8639	96	6V-9182	526
	574		506		526	6V-9189	189
6V-5590	36		518	6V-8641	505		190
6V-5597	564		524	6V-8642	518		191
6V-5645	213		525		521	6V-9491	218
6V-5839	133		526	6V-8713	521	6V-9509	135
6V-6609	17		527	6V-8714	481	6V-9512	537
	64		531		525	6V-9671	226
	66		533	6V-8716	526	6V-9673	149
	139		535	6V-8721	445		270
	240		552		518		969
6V-6707	611		556		521		971
	613		680	6V-8723	526	6V-9746	445
6V-6864	986	6V-8398	96	6V-8724	482		481
6V-6923	151		135		503		526
6V-7238	439		445		506		527
	442		479		518		533
	926		489		526		541
6V-7357	125		491		531		554
	859		492		556		556
	926		494	6V-8774	527	6V-9836	482
6V-7419	986		496		556		503
6V-7420	135		497	6V-8777	556		505
6V-7609	453		498	6V-8778	535		527
6V-7636	859		500		542		531
6V-7658	411		501	6V-8781	506	6V-9837	135
	451		502		527		506
6V-7666	630		506		535	6V-9840	541
	634		518	6V-8801	174	6V-9846	541
	639		521	6V-8935	488	6V-9850	481
6V-7681	582		524		491		506
	583		525		496		526
6V-7723	596		526		497	6V-9851	526
6V-8076	445		527		498	6V-9853	556
6V-8185	212		531		500	6V-9854	541
6V-8187	212		533		501	6V-9873	445
6V-8188	156		552		502	6V-9875	537
	248		686	6V-8936	491	6V-9877	541
6V-8189	154		687		496	6W-2464	488
6V-8201	567		689		497	6W-6231	133
	568	6V-8554	488		498	6Y-1205	813
6V-8202	952	6V-8625	518		500	6Y-1352	96
	953		521		501	6Y-7599	389
6V-8218	647		526		502	6Y-8171	393
	650		531		506	6Y-8172	393
6V-8223	429	6V-8626	518		533	6Y-8176	393
6V-8237	427		521	6V-8942	445	6Y-9339	393
	429	6V-8633	96		533		
6V-8260	594	6V-8634	88	6V-8945	521		
	597		525	6V-8987	481		
6V-8362	259		552	6V-8991	533		
6V-8373	972	6V-8635	80	6V-9001	506	7C-1445	18
6V-8374	309		503		526	7C-6514	21
6V-8397	88		526		533		22
	481		535		535	7D-7233	83
	482	6V-8636	488	6V-9004	554		89
	488		505	6V-9005	526		506
	491		518	6V-9007	481	7D-9984	133
	496		526		554	7E-4509	85
	497		531	6V-9008	533	7E-4661	57
	498		552		535	7E-5142	85

PART NUMBER INDEX

Part	Page	Part	Page	Part	Page	Part	Page
7E-6508	13		283	7T-6799	259		487
7E-6513	13		285	7T-8890	967		552
7E-8996	8		288	7T-9123	248	7X-2555	475
	►46		291	7V-6571	130		477
7F-0560	169		294		133		630
7F-3488	247		301	7W-0629	113		634
7F-3491	247		302	7W-2297	128		639
7F-3525	247		304	7W-6528	91		650
7G-1060	157		306	7W-7141	91	7X-2556	510
	307		307	7X-0289	125		551
7G-3833	527		309	7X-0314	583	7X-2557	468
7G-3834	527		311	7X-0316	583		470
7H-3171	393		445	7X-0339	156		471
7I-0070	579		481	7X-0410	810		472
7I-0071	579		488	7X-0513	720		473
7I-0072	579		503		722		474
7I-0075	611		505		724		489
7I-0985	579		518		726		492
7I-1090	524		521		728		494
7I-1204	535		524	7X-0562	248		510
7I-2272	531		533	7X-0595	93		552
	533		535	7X-0613	175		647
	535		556	7X-2459	524		650
	642		921	7X-2475	913	7X-2558	510
	647		949	7X-2489	425		545
	650	7L-2894	247	7X-2533	574		546
	658	7M-0324	247	7X-2536	177		547
	691	7M-0325	247		660		548
7I-2673	104	7M-0326	247		661	7X-2559	463
	157	7M-0327	247		882		466
	202	7M-4514	320		883	7X-2563	382
	204	7M-8485	314		891		749
	212		503	7X-2537	445		750
	288		513		583		751
	959		516	7X-2538	177		752
	962		526	7X-2539	135	7X-2564	592
7I-7120	613		527	7X-2546	630	7X-2567	54
7I-7330	678		533		634	7X-2568	579
7I-7331	678		535		639	7X-2569	439
7I-7400	579		541	7X-2548	161		442
7I-7586	694		542		243	7X-2570	569
7I-7609	832		556		281	7X-2573	334
7I-8252	524		615	7X-2549	513		336
7J-7837	610		624		516		697
7J-9108	445		658		604		699
	518		680		619		733
	521	7M-8651	247		622		735
	689	7N-0140	243		626		737
7J-9933	573	7N-0296	243	7X-2550	516		739
	574	7N-0452	37		538		741
7K-1181	89	7N-0719	212		604		743
	104		►252	7X-2552	382		745
	122	7N-2059	243		556		747
	144	7N-2155	91		913	7X-2574	697
	157	7N-2156	91		934		699
	198	7N-2353	262	7X-2553	93		733
	266	7N-5274	159		466		735
	270		166		538		737
	272	7N-7221	269		579		739
	274	7N-7559	88		701		741
	276	7N-7878	96		942		743
	277	7N-8374	44	7X-2554	463		745
	278	7N-9801	263		466		747
	280	7S-5005	24		475	7X-2580	317
	281	7T-0266	299		477	7X-2584	391

PART NUMBER INDEX

Part	Page	Part	Page	Part	Page	Part	Page
	392		754	7Y-5497	926		269
7X-2619	213		755	7Y-5499	212	8C-6358	169
	281		756	7Y-7394	923	8C-6362	54
7X-2621	161		761		924	8C-6561	488
	266		763		961	8C-6871	96
	285		764	7Y-7828	962	8C-7581	213
	297		765		749		859
	298	7Y-3693	269		752		918
	307	7Y-3732	479	7Y-7829	749	8C-8451	184
7X-2622	579		552		752		221
7X-2634	113	7Y-3950	262	7Y-7830	749	8C-8478	808
7X-3373	247	7Y-3951	213		752	8C-8533	527
7X-3391	527		218	7Y-7992	506	8C-8580	666
7X-7644	1004		281	7Y-8165	926		669
7X-7700	149	7Y-3952	213	7Y-8170	135	8C-8723	384
7X-7729	93		218	7Y-8463	878		385
	104		281		886	8C-8989	527
	120	7Y-3953	262		887	8C-9179	431
	122	7Y-3962	160		888	8C-9660	247
	129		200		889		918
	221		201	7Y-8472	481	8C-9987	690
	622		218	7Y-8478	524	8D-8428	80
	847		266	7Y-8838	503	8F-0212	642
	979		269		542	8F-1434	248
7X-7877	323		277	7Y-8942	382	8F-6230	592
7Y-0059	1		278	7Y-9267	697	8F-7219	132
	►928		294		699	8H-0878	918
7Y-0225	439		306		733	8H-5303	252
	442		309		735	8H-5306	252
7Y-0252	439	7Y-3963	160		737	8J-1699	630
	442		200		739		634
7Y-0595	439		201		741		639
	442		213		743	8J-1751	616
7Y-0602	830		218		745		647
7Y-0623	914		288		747		650
	916		291	7Y-9914	741	8J-1752	616
7Y-0667	314	7Y-3993	213		743		647
7Y-0808	314	7Y-4038	556		745		650
7Y-0912	314	7Y-4039	510	7Y-9915	722	8J-2559	570
7Y-1095	338	7Y-4154	541		724	8J-4351	209
7Y-1469	314	7Y-4190	524		726		210
7Y-1493	314	7Y-4359	525			8J-4376	674
7Y-1647	338	7Y-4390	535			8J-6815	644
7Y-1648	338	7Y-4633	380			8J-8343	564
7Y-1976	104	7Y-4796	604			8K-2396	135
	106	7Y-4837	603			8L-2777	69
7Y-2396	733	7Y-4843	603	8C-0564	505	8L-2786	46
	735	7Y-5009	658	8C-0572	859		64
	737	7Y-5010	621	8C-3085	644		88
	739	7Y-5011	621	8C-3089	117		130
	747	7Y-5219	570		247		133
7Y-2853	340		647	8C-3110	586		239
	351		650		590		158
	374	7Y-5226	662	8C-3174	527	8L-8413	159
7Y-2854	340	7Y-5227	913	8C-3411	314		166
	350	7Y-5231	314	8C-3445	80		266
	351	7Y-5245	382	8C-3446	80		272
	374	7Y-5247	542		527		304
7Y-2914	385	7Y-5267	575	8C-3451	524	8M-0505	133
7Y-3196	135		577	8C-5063	291	8M-2772	702
7Y-3281	323		598	8C-5064	133		705
7Y-3474	967	7Y-5272	411	8C-5230	80		707
	986		412	8C-5608	184		709
	988	7Y-5458	258	8C-5917	158		711
7Y-3477	►749	7Y-5464	258	8C-6354	166		713
					213		

PART NUMBER INDEX

Part	Page	Part	Page	Part	Page	Part	Page
	716		847		204		967
8M-2773	926	8T-0337	270		207		986
8M-8489	91		960		213		988
8M-9315	46		969		221	8T-4122	54
8N-0788	96		971		225		197
8N-0869	159	8T-0348	460		243		201
8N-1544	159		616		264	8T-4123	104
8N-1545	160		653		267		382
8N-1725	159		655		276		439
	166	8T-0363	431		285		442
8P-8540	243	8T-0404	521		297		569
8P-9770	766	8T-0706	556		298		582
	767	8T-1482	54		301		583
	768	8T-1573	974		302		720
	769	8T-1685	527		304		722
	770	8T-1715	130		307		724
	771	8T-1887	125		312		726
	772	8T-1888	125		334		728
	773	8T-1889	130		336		749
	778		133		338		750
	779		166		346		751
	780	8T-1890	130		445		752
	781		133		479		808
	782		166		482	8T-4127	312
	783	8T-1905	527		484	8T-4132	93
	784	8T-2501	83		485		466
	785		125		506		475
	786	8T-2525	503		510		477
	787	8T-2920	342		518		538
	788	8T-3008	615		522		611
	789	8T-3490	926		527		613
	790	8T-3518	169		533	8T-4133	89
	791	8T-3519	169		535		130
	792	8T-3647	506		538		135
	793		531		542		144
	794		867		552		193
	795	8T-3957	314		554		195
	796		590		556		198
	797	8T-3998	560		583		199
	798		562		604		200
8S-2332	250	8T-4001	701		647		202
8S-2634	264	8T-4121	53		650		204
8S-6214	675		68		702		302
8S-9191	141		89		705		304
8T-0077	527		93		707		334
8T-0114	882		104		709		336
	883		106		711		346
	891		111		713		479
8T-0119	135		122		716		542
8T-0120	521		125		847		602
8T-0266	863		130		859		658
8T-0269	930		135		868		702
	963		144		872		705
8T-0273	393		161		881		707
	590		167		882		709
8T-0275	133		182		883		711
8T-0288	688		189		891		713
8T-0293	644		190		894		716
8T-0328	149		191		918		859
	213		193		926	8T-4136	104
	248		195		929		106
	270		198		940		111
	312		199		942		120
	453		200		960		122
	455		202		963		125

PART NUMBER INDEX

Part	Page	Part	Page	Part	Page	Part	Page
	129		847		547	8T-4182	161
	130		859		548		527
	161		868		549		552
	167		872		550	8T-4183	93
	182		926		551		342
	198		940		647		439
	221		967		701		442
	264		979		720		445
	281		986		722		453
	301		988		724		482
	338	8T-4138	125		726		510
	445		182		728		513
	482		346		808		516
	506		604	8T-4141	104		535
	527		878		583		538
	533		879		720		542
	535		880		722		557
	538		926		724		604
	542		937		726		653
	583	8T-4139	106		728		655
	603		116	8T-4149	527		914
	619		120	8T-4167	54		916
	626		211		334		929
	847		321		336	8T-4184	479
	859		342		387		503
	881		378		425		511
	882		479		431		538
	883		482		697		542
	891		489		699		557
	894		492		701		611
	918		494		733		613
	963		498		735		644
8T-4137	93		503		737	8T-4185	161
	104		510		739		479
	122		513		741		522
	130		516		743		527
	135		527		745		622
	144		533		747	8T-4186	53
	161		542	8T-4171	214		93
	167		552		312		167
	182		557		921		189
	193		582	8T-4172	68		190
	195		616		522		191
	199		644		647		522
	200		914		650	8T-4187	148
	202		916	8T-4173	486		570
	204	8T-4140	93		489		607
	207		336		492	8T-4189	153
	221		463		494		161
	225		466	8T-4174	510		243
	243		468	8T-4175	487		346
	264		470		489		528
	267		471		492		918
	276		472		494	8T-4190	193
	285		473	8T-4176	482		195
	307		474		513		197
	312		475		516		201
	338		477		940		202
	350		486	8T-4178	554		204
	506		510	8T-4179	243		378
	518		513		344		937
	522		516		355	8T-4191	135
	527		538		479		161
	533		545		527		214
	604		546		939		243

PART NUMBER INDEX

Part	Page	Part	Page	Part	Page	Part	Page
	267		342		211		528
	301		351		243		583
	302		374		281		604
	304		453		299		642
	307		455		323		867
	312		513		334		882
	380		516		336		883
	528		538		344		891
	702		557		378		902
	705		604		439		914
	707		644		442		916
	709		647		453		918
	711		650		455		926
	713	8T-4195	89		479	8T-4240	314
	716		104		482		592
	882		122		484	8T-4244	125
	883		161		485		186
	891		167		489		187
	894		302		491		243
	960		312		492		342
8T-4192	54		506		494		479
	124		511		496		489
	130		528		497		492
	243		557		498		494
	321		611		500		528
	323		613		501		531
	334		616		502		929
	336		642		503	8T-4648	346
	344		929		506		484
	496		942		511		485
	497	8T-4196	130		513		513
	498		144		516		516
	500		200		522		522
	501		338		528		528
	502		482		531	8T-4779	93
	506		484		533		538
	511		485		535	8T-4835	416
	513		522		538	8T-4896	57
	516		528		542		83
	528		542		552		125
	531	8T-4198	267		557		130
	538		503		582		174
	542		542		590		243
	963		564		604	8T-4897	916
8T-4193	93		622		644	8T-4910	489
	463		647		647		492
	466		650		650		494
	468	8T-4199	161		653		914
	470		338		655		916
	471	8T-4200	161		914		939
	472		859		916	8T-4944	578
	473		926		939	8T-4956	93
	474	8T-4205	154		940		106
	475		212		963		125
	477		247	8T-4224	154		243
	486	8T-4223	54		161		321
	487		93		177		344
	538		106		221		453
	551		124		243		489
	552		125		323		491
	653		130		332		492
	655		156		333		494
	701		161		346		496
	859		186		445		497
8T-4194	93		187		506		498

PART NUMBER INDEX

Part	Page	Part	Page	Part	Page	Part	Page
	500		479		285	8T-8902	505
	501		518		288	8T-8915	129
	502	8T-6594	397		291	8T-8917	417
	511	8T-6684	526		301	8T-8920	156
	513	8T-6693	453		307	8T-9393	54
	516	8T-6703	98		311	8T-9405	673
	528	8T-6757	29		503	8T-9522	676
	535		338		690		677
	538		420	8T-8730	158		681
	552		702		159	8T-9527	436
	582		705		161	8T-9655	135
	604		711		213		175
	611		713		257	8T-9757	158
	613		716		266		166
	647		720		269	8V-0622	166
	650		722		272	8X-1386	125
8T-4970	197		724		274	8Y-6352	897
	198		726		278	8Y-6967	939
	214		728		281	8Y-9603	250
	278	8T-6759	560		283		251
	967		562		288		
8T-4971	926		573		291		
	966		574		301		
8T-4984	120		603		307		
8T-4985	104		642		311	9B-7233	259
8T-4986	118		658		312	9F-2167	475
8T-4988	120		688	8T-8732	285		477
8T-4989	120		693	8T-8737	13		510
8T-5005	528	8T-6761	604		130	9F-5599	247
	554	8T-6763	603		157	9F-5644	252
	622	8T-6764	697		158	9G-0003	158
8T-5041	503		699		159		166
	542	8T-6765	76		160	9G-0004	158
	604		119		161		166
8T-5049	578	8T-6868	106		181	9G-4101	247
8T-5092	542		479		213		248
8T-5360	583		939		218	9G-4336	160
8T-5379	336	8T-6869	135		220	9G-4343	160
	697	8T-6870	642		258	9G-7641	218
	699	8T-6876	445		266		▶259
8T-5400	986	8T-6974	573		269	9G-8140	83
	988	8T-7338	93		272	9G-8451	212
8T-5412	542		484		277	9G-8909	159
8T-5413	334		485		283		166
	336		503		285		264
8T-5436	554		511		287	9H-1024	198
	630		538		288	9H-1031	25
	634	8T-7547	604		291	9H-3757	247
	639	8T-7910	488		294	9J-8126	633
8T-5439	104	8T-7964	974		299		638
8T-5878	317	8T-7971	604		301	9K-7290	46
	387	8T-8442	594		302	9L-5854	26
	388		597		304	9L-6770	154
8T-6347	616		598		307	9L-7657	76
8T-6356	533	8T-8729	157		429	9L-7712	616
	541		158		888		647
8T-6382	579		159		889		650
8T-6385	538		161		893	9L-8925	13
	647		213		932	9M-0853	76
	650		255	8T-8748	256	9M-1974	18
8T-6411	214		263		257		175
8T-6412	199		266		311		222
8T-6430	104		272	8T-8827	160		905
8T-6466	89		274	8T-8887	506	9M-2307	359
	135		277	8T-8894	429		360

PART NUMBER INDEX

Part	Page	Part	Page	Part	Page	Part	Page
	365	9S-4185	46		66		200
	367		98		132		201
9M-2904	83		130		616		202
9M-3786	538		510		621		204
9M-3835	323		535		626		213
9M-5732	359		537	9S-8005	17		266
	360		560		46		272
	365		562		64		278
	367		570		66		288
9M-7609	247		653		98		291
9M-7783	174		655		139		294
9M-7958	144	9S-4188	98		562		307
9M-7959	302	9S-4190	98		616		309
9M-8406	135		611		628	9W-0852	158
9N-0869	135		613	9S-8006	27		159
	175		624		66		160
9N-1574	619		629		135		161
	626		633		575		202
	644		638		577		204
9N-1575	619	9S-4191	46		590		212
	626		76	9S-8008	629		213
	644		98		633		266
9N-1756	666		531		638		272
	669		537	9S-8010	65		278
9N-2038	128		560		630		283
9N-4245	813		562		634		285
9N-4621	813		564		639		288
9R-7941	212		605	9S-8178	148		291
9R-7980	212		624		607		294
9S-2437	142		629	9S-8752	42		307
9S-2544	247		633		47		309
9S-4180	451		638		60		870
	564		642		143	9W-1951	213
	629		647		436		269
	633		650	9S-9334	76	9W-2146	389
	638		653	9T-1614	624		394
	653		655	9T-1670	674		395
	655		658	9T-3853	664	9W-4551	813
	662	9S-6130	149		673	9W-7388	54
9S-4181	503		542	9T-3928	587	9X-0196	160
	513	9S-8001	619		592		213
	516		622	9T-3940	666	9X-0262	222
	527		624	9T-4367	587	9X-1386	235
	535		626	9T-7202	674		429
9S-4182	46		630	9T-9529	575		660
	210		634		577		661
	453		639	9T-9992	676	9X-1813	153
	560		691		677		226
	562	9S-8002	17		681		227
	604		64	9U-2331	936		228
	630		98	9U-4431	936		231
	633		102	9U-8263	963		253
	638		103	9V-3659	334		255
	647		117		336	9X-2026	937
	650		142	9W-0335	270	9X-2027	622
	653		209	9W-0625	256	9X-2038	12
	655		624		311	9X-2041	874
9S-4183	67		630	9W-0742	157		876
	98		634		166		901
	513		639		▶ 169		907
	516		667		264	9X-2042	270
	570	9S-8003	98	9W-0844	158		272
	629		653		160		288
	633		655		161		291
	638	9S-8004	33		181		309

PART NUMBER INDEX

Part	Page	Part	Page	Part	Page	Part	Page
	872		213	9X-6395	674		471
	876		218	9X-6458	42		472
	897		266		60		473
	902		269		85		474
9X-2043	872		272		133		475
9X-2044	288		278	9X-6579	522		477
	859		281	9X-6580	445		482
	905		283		533		484
	908		285	9X-6582	491		485
	963		288		496		486
	969		291		497		487
	971		302		498		489
9X-2045	872		304		500		492
	897		306		501		494
	966		307		502		503
	974		312	9X-6618	434		506
9X-2046	872	9X-3463	186	9X-6654	118		511
	931		187	9X-7317	141		513
9X-2205	149		188	9X-7371	44		516
9X-2480	176	9X-3495	285	9X-7430	29		533
	177	9X-4184	257	9X-7680	667		538
	859	9X-4385	266	9X-7737	255		545
9X-2492	525	9X-4597	741	9X-8081	309		546
9X-2616	956		743	9X-8256	161		547
	957		745		170		548
9X-3401	130	9X-4598	421		176		549
	157		422		177		550
	158		720		182		551
	159		728		197		552
	160	9X-4599	421		198		557
	161		422		199		567
	213		423		214		568
	226		720		221		579
	235		722		270		647
	258		724		278		650
	266		726		281		653
	269		728		288		655
	272		733		293		701
	278		735		294		808
	281		737		296		860
	283		739		312		913
	285		747		604		914
	288	9X-4600	423		847		916
	291		424		860		934
	302		722		878		937
	304		724		879		942
	307		726		880	9X-8258	314
	429		733		921		317
	481		735		926		385
	510		737		930		391
	525		739		963		392
	604		741		967		434
	878		743	9X-8257	93	9X-8259	382
	880		745		193	9X-8267	133
	886		747		195	9X-8399	320
	888	9X-4601	420		202	9X-8405	503
	889		697		204	9X-8600	149
	890		699		336	9X-8872	41
	893		741		341	9X-8979	575
9X-3402	130		743		346		577
	157		745		382	9X-9896	184
	158	9X-4813	158		463	9Y-1792	91
	159	9X-6032	628		466	9Y-5373	85
	160	9X-6165	184		468		
	161		937		470		

PART NUMBER INDEX

Part	Page	Part	Page	Part	Page	Part	Page
0							
		087-5767	524	094-0611	439	095-1633	603
		087-5783	524		442	095-1657	615
002-9372	276	087-6583	524	094-1873	609	095-1681	451
003-7764	135	087-8895	321	095-0645	671	095-1687	567
005-4273	87	087-8906	607	095-0690	575		568
005-4362	133	087-8907	607		577	095-1698	573
005-8164	629	087-8909	607	095-0728	894		574
	633	090-8865	913	095-0735	213		693
	638	091-9035	525		882	095-1700	615
006-5490	135	092-7385	521		883	095-1701	556
006-5707	144	093-0074	741		891		694
008-2103	619		743	095-0742	197	095-1706	647
	622		745	095-0759	453		650
	626	093-0076	697	095-0826	604	095-1728	603
012-0380	253		699	095-0843	323	095-1730	425
030-0167	680		733	095-0879	429		427
030-1706	159		735	095-0891	439		429
030-4605	560		737		442	095-1731	431
	562		739	095-0910	937	095-1732	434
030-7947	133		741	095-0929	594	095-1735	604
030-7955	85		743		597	095-1750	686
030-8156	133		745	095-0933	644		687
030-8188	130		747	095-0968	658		694
	133	093-0077	334	095-1280	427	095-1751	686
030-8194	85		336		429		687
031-3185	42		699		431		689
031-4155	19	093-0106	741	095-1314	323	095-1777	525
032-9882	694		743	095-1386	135	095-1780	628
033-5853	64		745	095-1390	87		647
	117	093-0108	697	095-1517	694		650
	667		699	095-1519	458	095-1785	693
033-6033	151		733	095-1572	570	095-1786	619
033-6042	133		735	095-1573	574		626
	139		737	095-1574	573	095-1793	616
033-6043	667		739	095-1576	693		644
036-9821	247		741	095-1579	628	095-2927	380
036-9823	247		743		647	095-6639	602
045-4065	248		745		650	095-6641	602
061-7540	78		747		694	095-7424	36
061-8639	71	093-0109	334	095-1582	658	095-7930	604
061-9413	149		336		694	095-9785	302
061-9455	18		699	095-1585	615	096-0015	595
067-2551	130	093-0373	741	095-1586	581	096-0679	157
	583		743		686	096-1598	621
085-5564	694		745		687	096-2617	884
085-7356	525	093-0377	334		689		885
087-3591	445		336	095-1587	619	096-2653	439
087-3765	334		697		626	096-3044	647
	336		699	095-1592	658		650
087-4405	531	093-0407	148		694	096-3216	314
087-4531	524	093-0408	148	095-1597	647	096-3772	963
087-4683	254	093-1293	479		650		976
087-4772	459	093-1294	479	095-1599	616	096-4035	104
	460		552		644		106
087-4786	570	093-1349	720	095-1601	615	096-4755	317
087-5390	425		728	095-1602	615	096-4833	213
087-5393	425	093-1730	439	095-1607	629	096-4882	332
	427		442		633		333
	429	093-1731	439		638		914
087-5397	425		442	095-1608	604		916
	427	093-2065	166		629	096-4885	336
	429		264		633		537
087-5729	541	094-0574	439		638	096-5572	616
087-5758	524		442	095-1616	616	096-5867	586
087-5765	524	094-0584	314				

PART NUMBER INDEX

Part	Page	Part	Page	Part	Page	Part	Page
096-5916	570	101-7404	521	102-9089	14	108-6717	702
096-5919	570		525	103-0126	41		716
096-5962	213		541	103-1361	505	108-7313	524
	270	102-0786	431	103-1419	475	108-7930	102
096-6166	213	102-0811	673		477		103
	218	102-0814	685	103-2529	158	109-0076	85
	270	102-0883	389		160	109-0077	98
	894	102-1160	521	103-4672	143	109-0861	389
	960	102-2244	429	103-8089	978	109-3203	665
	963	102-5861	42		979	109-5839	57
	969	102-6046	1004		980	109-5840	57
	971	102-7886	266	103-8134	13	109-8040	629
096-8058	587	102-7964	269	103-8236	450	109-8506	382
098-6004	808		291	104-3173	926	109-9985	50
099-0169	537		307	104-6202	299	110-2220	26
099-0724	586	102-7965	269	104-6871	266	110-5499	524
099-0823	859		274	104-8147	382	110-5525	694
099-2374	660		291	104-8586	51	110-7053	439
	661		307	105-3484	457		442
	847		309	105-3485	513	110-7183	338
099-3645	928	102-8801	13		516	110-8769	160
099-4674	323	102-8802	57		535	111-0336	629
	370		149	105-3489	541		▶684
	377		152	105-6203	385	111-0337	684
099-5194	314		153	105-7781	521	111-0343	690
	439		159	105-9983	212	111-2088	8
	442		161	105-9986	212		▶50
099-5845	459		212	106-0193	212	111-4627	963
	460		218	106-0210	258	111-4799	254
099-8111	564		235	106-1792	123	111-4815	269
			236	106-2704	949	111-4836	157
			253	106-3544	88		182
			255	106-3969	113		193
			263	106-3973	113		195
			287	106-5673	33		202
100-3237	125		299	107-0583	42		204
100-3866	386		503	107-3117	664		276
100-4265	8		604		666		285
	▶143		690		669		302
100-4982	341		130	107-3118	665		311
	468	102-8803	159	107-3953	391		847
	470		212		392	111-4837	157
	471		226	107-5769	143		166
	472		231	107-6593	665		193
	473		254	107-6631	524		195
	474		260	107-6736	8		202
100-5072	141		266		▶15		204
100-5612	1004		269	107-6737	8		264
100-5805	158		272		▶16		266
	285		274	107-7068	621		302
100-6211	629		281		658		307
	633		283	107-9403	510	111-4838	157
	638		299	108-1780	963		302
100-7399	27		870	108-1781	521		307
101-2154	722		159		541	111-4839	157
	724	102-8804	159		604		307
	726		224	108-1782	604		307
101-2160	385		294	108-3612	123	111-4874	213
101-2162	385		429	108-3819	481	111-5754	674
101-2867	974		660	108-5914	46	111-9916	647
101-3120	74		661	108-6709	705		650
101-3125	119	102-8805	261		707		658
101-7400	518		277		709		▶686
101-7402	516	102-8806	130		711	111-9959	621
	541		181		713	112-0545	1004
	694		220		716	112-2418	8

1

PART NUMBER INDEX

Part	Page	Part	Page	Part	Page	Part	Page
	►51		311		283	122-5203	324
112-2491	762	116-0128	140		306	122-5335	587
	800		158		307	122-7375	29
	►811		311	119-5026	218	122-7774	616
112-2492	811	116-0255	158		949	122-8612	29
112-3929	427		160	119-5362	658	122-9250	590
	429		311	119-5364	658	122-9608	894
112-4629	587	116-3500	694	119-5365	658	122-9609	894
	671	116-3501	694	119-8338	902	122-9610	894
112-4630	587	116-3503	694		905	122-9611	883
	592	116-3504	694	120-4394	459	122-9657	926
112-4717	673	116-3505	694		460	123-0791	68
112-9217	42	116-3508	694		669	123-2003	453
113-2003	537	116-3509	694		671		455
113-2004	510	116-3510	694	120-4779	269	123-2431	505
	541	116-5263	133	120-5114	144	123-3202	13
113-8490	212	116-7460	762	120-5737	197	123-4750	505
113-8491	212		800	120-5738	197	123-5592	711
	266	116-7461	762	120-9027	189	124-0909	513
113-9608	829		800		190		516
	830	116-7462	762		191	124-0971	484
	832		800		254		485
	835	117-0775	676	120-9847	8	124-1067	537
	838		677		►18	124-1106	475
	843		681	121-0987	293		477
113-9609	829	117-5270	653	121-1022	213	124-1216	481
	830		655		281	124-1253	537
	832		►674	121-1029	370	124-1530	570
	835	117-5272	674	121-1038	140	124-1536	570
	838	117-5274	674		158	124-1537	570
	843	117-5716	587		311	124-1541	570
114-0623	686		592	121-1039	140	124-1554	570
	687	117-6356	894		158	124-1555	570
	689	117-7524	665		311	124-1557	570
114-0741	541	117-8683	886	121-1168	218	124-1561	570
114-0763	425		887		269	124-1854	33
	427		888		307	124-1855	33
	429		889	121-1173	218	124-3548	212
114-2687	85	117-8766	666		269	124-4009	884
	88	117-8801	17		307		885
114-6658	963		42		309	124-4010	884
115-1624	914	118-0589	582	121-1491	642		885
	916	118-3122	590		658	124-9108	157
115-3407	556	118-4977	505		►687		166
115-5637	674		533		688	125-0434	98
115-7087	128		916		691	125-1286	425
115-8645	524	118-5068	84	121-1865	882		427
115-8646	370	118-5085	560	121-2471	►76		429
115-8848	524		562		78	125-1302	212
116-0118	157	118-5086	560	121-7098	926		►253
	193		562	121-7136	863	125-4838	269
	195	118-5087	560		865	125-4841	269
	200		562		926		291
	202	118-5805	570	121-7137	926		307
	204	118-6066	711	121-7138	863	125-5032	119
	266	119-0036	14		865	125-6535	248
	278	119-2265	653		926	125-6536	248
	285		655	122-0447	29	125-6537	248
	297	119-3662	158	122-1472	13	125-7874	158
	298		159	122-3772	100		160
	302		160		101		161
	304		213	122-3979	346		266
	307		226	122-3980	346		269
	311		266	122-4021	144		272
116-0126	158		269	122-4120	346		278

PART NUMBER INDEX

Part	Page	Part	Page	Part	Page	Part	Page
	281		▶174	132-5789	161		929
	283	126-8449	174		182	135-8577	340
	285	127-0929	117		266		342
	288	127-5250	947		270		345
	291	127-5485	160		280		370
	301	127-5486	159	132-9770	222	135-8578	345
	304	127-7678	324	133-0261	236		350
	306	128-2135	874	133-2428	733		351
125-7875	158		876		735	135-8966	948
	160		897		737	135-9044	439
	161		939		739		442
	202		963		747	136-0155	802
	204	128-2173	882	133-2603	713		803
	213		891	133-3234	860		804
	256	128-7514	479		969		805
	257		486		974		813
	266		487	133-3359	123	136-0207	157
	269		510	133-5514	978	136-1107	102
	272		537		979		103
	278		551		980	136-2434	397
	285		552	133-5813	535	136-2435	397
	291		701	133-7023	68	136-2437	397
	294	128-7568	541	133-9906	12	136-2439	380
	307	128-7875	288	133-9907	▶12	136-2440	380
	309	128-8886	157		436	136-2441	380
	311	128-8981	592	134-3196	129	136-2443	380
126-0081	8	128-9001	524	134-3284	193	136-2444	380
	▶117	128-9261	431		195	136-2445	380
126-1756	42	129-3172	80		202	136-2461	319
126-1757	63	129-3178	966		204		▶320
126-1767	160	129-3181	518	134-3296	160	136-2889	439
	161	129-5167	859	134-3297	160		442
	235	129-5427	63	134-6852	130	136-2890	439
	258	129-5428	63	134-7258	1004		442
	283	129-5429	129	134-7489	667	136-2891	439
	481	129-7813	604	135-2274	891		442
	510	129-7815	453	135-3980	489	136-2893	439
	525	129-8034	453		491		442
	878		455		492	136-2894	439
	880	129-8053	▶411		494		442
	886		453		496	136-2896	439
	888	129-8055	453		497		442
	889	129-8056	453		498	136-2897	439
	890	130-4316	716		500		442
	892	130-4317	702		501	136-2898	439
	893		705		502		442
126-1768	159		713	135-8572	148	136-2899	439
	160		716		351		442
	161	130-4701	42	135-8573	108	136-2901	439
	218	130-5300	867		109		442
	283	131-3983	221		144	136-2904	439
126-1774	285	131-3990	148		148		442
126-1971	425	131-4769	113		324	136-2920	314
126-1978	425	131-4770	113		346	136-2921	314
	427	132-0998	754		351	136-2922	314
	429		764		353	136-2923	314
126-2047	425		811	135-8575	148	136-2924	314
126-4002	570		812		340	136-2925	314
126-4003	570	132-0999	754		342	136-2926	314
126-4004	570		764		346	136-2927	314
126-4040	570		811		350	136-2928	314
126-4935	98		812		351	136-2930	314
126-6290	324	132-1008	811		370	136-2931	314
126-6872	505	132-1829	▶152		372	136-2932	314
126-7631	8		269		374	136-2933	314

PART NUMBER INDEX

Part	Page	Part	Page	Part	Page	Part	Page
136-2934	314	139-1398	144		401		743
136-2940	439	139-3550	98	144-1636	57		745
	442	139-6039	897		879	147-4960	948
136-2941	439		963		932	147-5738	431
	442	139-7100	901	144-3935	445	147-5739	431
136-2942	439		▶902	144-7087	▶618	147-5764	434
	442	139-7127	974		633	147-5765	434
136-2943	314	139-8873	54	144-7088	638	147-5766	434
136-2944	314	140-0736	524	144-7092	622	147-5771	431
136-2945	314		▶658	144-7093	622	147-5776	431
136-2946	314	140-0741	658	144-7113	622	147-6603	682
136-2947	314	140-0742	658		629		683
136-2948	314	140-1493	340		633		684
136-2949	314	141-1060	129		638	147-6604	682
136-2957	314	141-2448	578		▶675		683
136-2959	314	141-2759	212	144-8598	398		684
136-2962	314	141-3636	702	144-9298	323	147-6605	682
136-2963	314		711	145-2295	394		683
136-2964	314		713		395		684
136-2965	314		716	145-2970	320	147-6982	54
136-2966	314	141-3637	702	145-3084	212	147-6983	54
136-2967	314	141-3672	702	145-3165	▶406	148-0767	629
136-4055	212		705		592		633
136-4182	93		711	145-3169	587		638
137-3623	451		713		592	148-2350	242
137-3624	451		716	145-3171	587	148-3095	384
137-3625	451	141-3678	707		592	148-3104	385
137-3626	411		709	145-3697	978	148-3111	384
	412	141-3748	▶384		979		385
	451	141-3751	▶385		980	148-3124	385
137-3628	411	141-5497	564	145-3771	598	148-3381	425
	412	141-5498	564	145-3773	598	148-3548	570
	451	141-6518	914	145-3774	598	148-4573	338
137-3630	411		916	145-3775	598	148-4645	439
137-3631	411	141-9655	320	145-3776	598		442
	412	142-0844	624	145-3778	406	148-4646	439
137-3632	411	142-1356	660	145-3780	406		442
137-3639	688		661	145-3780	406	148-4703	338
137-3713	573	142-2329	27	145-3783	406	148-4704	338
	▶688	142-5546	894	145-3792	592	148-4704	338
137-3716	574	142-5867	72	145-3849	98	148-4787	541
137-3749	36	142-5867	72	145-8503	91	148-4958	556
137-5646	570	142-6217	26	145-8747	633	148-4960	556
137-6645	130	142-7072	26		638	148-4964	537
	237	142-8545	198	146-0182	629	148-4977	342
	239	143-1452	434	146-0218	966	148-5055	521
	240	143-4160	463	146-1461	463	148-8315	518
	489		466		466		521
138-0524	492	143-7140	570	146-1462	463	148-8317	481
	494	143-7319	570		466		525
	409	143-8067	556	146-1463	466	148-8318	525
138-4697	510		▶694	146-1466	463		552
138-5312	510	143-9393	98	146-3493	666	148-8321	505
138-5324	537	143-9397	937		669	148-8323	537
138-5555	475	143-9536	1004		671	148-8325	505
138-5708	477	144-0195	967	146-3728	242	148-8327	481
	475		986	146-4647	382		554
138-5709	477		988	146-4936	327		556
	774	144-0367	104	146-6747	264	148-8335	503
	776	144-0805	398		1004		525
138-6529	774		399	146-9290	457		535
	776		400	147-0323	98	148-8336	481
138-6551	685	144-0806	398	147-2001	382		505
	685		399	147-2286	622		518
138-6780	972		400	147-2942	709		526
138-6781				147-3957	741		531
138-8454							

PART NUMBER INDEX

Part	Page	Part	Page	Part	Page	Part	Page
	552		653		281	151-6282	897
148-8339	526		655		311	151-6641	122
148-8340	526	148-8408	67	149-5051	213	151-6777	901
148-8341	521		98		278		907
148-8345	521		513		281	151-6790	978
148-8347	481		516		311		979
	554		629	149-5069	213		980
148-8352	541		633		278	151-9360	212
148-8353	506		638		281	151-9497	902
	526	148-8409	629		311		905
	533		633	149-5070	213	152-0191	808
	535		638		278	152-5550	675
148-8355	526	148-8410	98		281	152-9248	537
148-8357	533		624		311	152-9320	537
	535		629	149-5071	213	152-9321	537
	541		633	149-5083	157	152-9354	346
148-8359	541		638		926	152-9521	541
148-8360	526	148-8411	98	149-5268	38	152-9522	541
148-8362	526		510	149-6547	524	152-9560	144
148-8364	518		535	149-6679	524	153-1256	102
	521		537	149-6805	521		103
	526		560	149-6812	554	153-1731	749
	531		562	149-7378	20	153-2447	157
148-8365	445		653		21		304
148-8366	481		655		22	153-2451	157
148-8367	481	148-8415	491	149-7738	135	153-2521	▶186
	506		496	149-9107	42		192
	526		497	149-9110	42		193
148-8370	526		498	149-9445	741		195
148-8372	445		500		743	153-2523	▶187
	518		501		745		192
	521		502	150-2557	20	153-2540	218
148-8374	526		506	150-3036	506	153-2541	218
148-8378	482		533		527	153-2602	269
	503	148-8418	445	150-3071	521	153-2620	283
	506		533	150-3072	135		307
	518	148-8419	488	150-3073	537	153-2630	283
	526		491	150-3135	▶20	153-2631	269
	531		496		23	153-5134	616
	556		497	150-3136	21	153-5135	616
148-8382	521		498		22	153-5139	616
148-8390	518		500	150-3139	▶21	153-5187	658
	521		501		23	153-5264	616
148-8392	556		502	150-4027	524	153-5265	616
148-8395	98	148-8422	533	150-4033	541	153-5278	616
	562		541	150-4043	445	153-5710	157
	616	148-8424	505	150-4049	527		166
	628	148-8429	541	150-6256	270	153-6232	521
148-8405	629	148-8433	482	150-7033	1	153-6237	554
	634		503		▶192	153-6241	527
	638		505	150-8896	813	153-6249	506
148-8407	98		526	151-0474	334	153-6259	556
	531		531		336	153-6680	78
	537	148-8435	506	151-0605	705	153-7024	31
	560		527	151-0610	702	153-8587	463
	562		535	151-0611	702		466
	564	148-8439	527	151-0612	702	153-8623	644
	604		556	151-0613	702	153-8648	466
	624	148-8442	527	151-0749	707	153-8719	883
	629	148-8443	524		709	153-8723	882
	633	148-8444	135	151-1975	104	153-8800	489
	638		506	151-2898	68		492
	642	149-1207	570	151-2900	68		494
	647	149-5050	212	151-5925	61	154-4133	242
	650		278	151-5966	42	154-9023	67

PART NUMBER INDEX

Part	Page	Part	Page	Part	Page	Part	Page
155-0696	175		679	158-8263	611	160-9185	660
155-0698	175	155-4897	570		613		661
155-2251	560	155-6344	533	158-8267	644	160-9186	660
	562	155-9092	434	158-8936	586		661
155-2255	285	155-9093	434	158-8937	586	160-9187	660
	299	155-9094	434	158-8938	586		661
155-2260	158	155-9095	434	158-8939	586	160-9567	407
	160	155-9096	434	158-8940	586	160-9999	660
	161	155-9098	434	158-9097	587		661
	213	155-9099	434		▶594	161-1309	403
	227	155-9100	434	158-9098	▶459	161-3115	157
	228	155-9103	434		587		166
	266	155-9222	582	158-9100	▶664	161-3117	157
	272		▶585		666		166
	274	155-9224	585		669	161-3128	212
	281		▶586	158-9101	▶665	161-3639	902
	283	155-9524	47		666		905
	288	156-0619	603		669	161-3650	902
	299	156-2525	135	158-9102	▶407		905
	302	156-2829	▶242		666	161-3663	902
155-2265	299		560		669		905
155-2270	130		562	158-9103	▶408	161-3665	902
	157		564		587		905
	158	156-6471	902	158-9105	587	161-3697	859
	159		905		592	161-3699	902
	160	156-6512	891		▶685		905
	161	156-6598	902	159-0607	835	161-3718	926
	200		905	159-1533	42	161-3732	92
	201	156-6599	859	159-5255	926	161-3734	92
	202	156-6600	902	159-6159	8	161-6876	403
	204		905		▶19	161-6879	403
	213	156-6642	925	159-7320	570	161-6880	403
	218	156-6643	899	159-7784	453	161-6958	128
	224	156-6645	902	159-8036	802	161-6963	128
	236		905		803	161-6987	937
	270	157-0670	67		804	161-7204	622
	274	157-4822	157		805	161-7419	175
	278		166		813	162-0177	616
	281	158-1113	564	159-8049	158		626
	283	158-3416	42		159	162-0349	948
	299	158-3852	334		166	162-2266	77
	311		336	159-8050	159	162-6208	113
155-2271	160		699		166	162-9728	130
	294	158-3853	697		264	163-1656	314
	301		699	159-8524	42	163-1657	314
	304		733	159-9322	159	163-2478	31
	307		735		285	163-3717	705
155-2274	277		737	160-0964	516	163-3718	705
	307		739		▶660	163-3719	705
155-3624	560		741	160-3771	690	163-3721	705
	562		743	160-4138	▶403	163-6637	160
	604		745		524	163-6659	270
	629		747	160-5120	24	163-6699	270
	633	158-3864	382	160-5945	104	163-6704	212
	638	158-3960	749	160-6513	382	163-6711	288
	647		752	160-6894	8		291
	650	158-3996	▶702		▶85	163-6759	160
	653		732	160-7271	19		283
	655	158-4007	707	160-7452	▶22	163-6790	270
155-4038	457	158-4105	697		23	163-6795	199
155-4039	457		699	160-7689	159		288
155-4041	457	158-6564	564	160-7690	285		291
155-4800	▶78	158-7864	997	160-8184	44	163-6803	270
	80	158-8261	613	160-8734	516		274
155-4847	▶676	158-8262	611		▶677		309

PART NUMBER INDEX

Part	Page	Part	Page	Part	Page	Part	Page
164-0499	92	165-9364	594		197		803
164-0500	870	165-9365	594		198		804
164-0514	902	165-9367	459		199		805
	905		685	167-3487	270		▶808
164-0515	902	165-9369	459		274	169-0766	808
	905	165-9370	459		309	169-0768	808
164-0519	902	165-9373	666	167-3542	274	169-0774	808
	905		669		309	169-0775	808
164-0528	859	165-9374	666		921	169-0776	▶433
	▶925		669		953		808
164-0655	897	165-9375	664	167-3543	274	169-0777	808
164-0664	925	165-9376	664		921	169-0778	808
164-4180	503	165-9377	664		953	169-3530	1003
	513	165-9378	664	167-3583	157	169-3923	433
	516	165-9379	664	167-3593	212	169-4150	▶843
	527	165-9380	664		269	170-2414	675
	535	165-9382	665	167-3872	570	170-2415	675
164-4187	61	165-9383	665	167-4062	976	170-2512	157
164-5546	524	165-9384	665	167-4063	976		▶261
164-5567	445	165-9385	665	167-4064	969	170-2999	378
	506	165-9386	665	167-4067	980	170-6888	212
	527	165-9387	407	167-4076	976	170-6890	213
164-5578	445	165-9389	407	167-4084	974	170-6891	213
164-5590	527	165-9390	407	167-4130	976		266
164-5616	542	165-9391	407	167-4131	976		281
164-5619	135	165-9392	407	167-4142	978	170-6977	157
164-5628	524	165-9393	407		979	170-6993	186
164-6858	535	165-9395	408		980		187
	542	165-9396	408	167-4179	976	170-8553	516
164-6869	524	165-9397	408	167-4180	976	170-8555	475
164-6874	524	165-9398	408	167-4181	976		477
164-8474	897	165-9399	408	167-4183	969	170-9295	199
	939	165-9400	408		971	170-9324	218
164-8908	527	165-9402	410	167-7039	902	170-9417	186
165-3010	327	165-9403	410		905		187
	330	165-9404	410	167-7042	963	170-9418	186
165-3930	46	165-9405	410	167-7270	1004		187
165-3932	46	165-9407	665	167-8081	25	170-9479	160
165-3936	46	165-9469	616	167-8130	35	170-9480	160
165-4962	▶140	165-9471	616	167-8987	266	170-9498	894
	144	165-9478	616	168-0300	139	170-9499	894
165-5623	653	165-9513	662	168-1968	505	170-9815	460
	655	165-9514	662	168-2203	575	170-9820	673
165-5970	157	166-1495	733	168-3378	596	170-9850	425
	▶260		735	168-3379	596		427
165-6170	84		737	168-3382	596		429
165-9234	694		739	168-3384	596	170-9851	431
165-9243	694		747	168-3385	596	170-9852	434
165-9245	694	166-1504	711	168-5102	675	170-9900	587
165-9293	425		713	168-5103	675		592
	427	166-1505	711	168-5191	675	170-9901	594
	429	166-2877	754	168-7319	575		597
165-9294	431		764		577	170-9903	459
165-9295	434		811	168-7940	595	170-9904	664
165-9353	587		812	168-7941	595	170-9906	673
165-9354	594	166-2904	29	168-7942	595	171-0028	533
	597	166-3511	▶811	168-7944	595		535
165-9357	594	166-4930	401	168-8672	813		▶689
	597	166-4932	399	168-8974	133	171-0049	531
165-9361	599	166-4933	400	168-9352	481	171-0113	531
	600	166-6358	68	168-9688	525		▶581
165-9362	599	166-6693	209	169-0417	221	171-0596	481
	600		210		▶226		510
165-9363	599	166-9144	47	169-0418	226		525
	600	167-3441	▶188	169-0762	802	171-2210	212

PART NUMBER INDEX

Part	Page	Part	Page	Part	Page	Part	Page
171-2212	212	174-3016	160	177-8572	491		630
171-2584	177		266		501		634
171-3370	104		270	177-8588	497		639
171-3684	690		272		502	183-8068	680
171-3685	619		283	177-9953	▶154	183-8404	587
	622	174-7791	186		156	184-5719	334
	626		187	178-2334	224		336
	653	175-1198	976	178-2335	224	184-5720	334
	655	175-1199	976	178-2345	▶224		336
	▶690	175-1366	19		225	184-7621	855
	692	175-1367	19	178-4003	594		856
171-5349	235	175-1814	516		597		858
171-5713	393		▶661	178-5431	967		▶951
171-5811	393	175-3721	44	178-5659	956	184-9159	157
171-7085	660	175-3796	660		957		525
	661	175-3797	660	178-5870	342	184-9203	537
171-7325	852		661	178-5871	342	184-9420	525
	853	175-3800	661	178-7288	391	185-0217	587
	876	175-6796	595		392		▶666
	897	175-7887	570		▶395	185-0235	590
171-7426	859	175-7900	394	178-7289	395		▶595
171-8963	8		395	178-7291	394	185-0236	▶409
	▶233	176-0433	144		395		590
171-9057	54	176-0436	144	178-7292	394	185-0237	590
171-9285	338	176-1363	76		395	185-0238	590
172-1482	226	176-1902	926	178-7540	394	185-0239	590
172-1483	226	176-1913	288		395	185-0240	590
172-1681	974	176-1931	967	179-2348	392	185-0241	590
172-3918	434	176-1937	859		▶394	185-0242	590
172-4432	642	176-1938	859	179-2393	394	185-0243	590
172-4621	556	176-1939	859	179-5857	675	185-0244	590
172-4950	1004	176-1941	925	179-6912	601	185-0246	590
172-8827	85	176-1964	▶905	179-6913	601	185-0248	590
173-3503	▶412		907	179-6918	460	185-0250	595
	455	176-1996	908	179-7400	142	185-0251	595
173-3505	412	176-2265	722	179-9806	451	185-0253	595
173-3506	412		724	180-1714	976	185-0257	409
173-3507	453		726	180-1718	197	185-0258	409
	455	176-2543	251		963	185-0260	409
173-3510	453	176-4347	579	180-3861	186	185-0261	409
	455	176-4708	926		187	185-0262	409
173-3513	451	176-5332	394	180-7350	61	185-0263	590
173-3515	451		395	180-7608	705	185-0265	590
173-3516	451	176-5334	394	180-7609	705	185-0276	577
173-3517	451		395	180-7612	711	185-0277	577
173-3518	453	176-6417	859	180-7613	711	185-0278	575
173-3529	451	176-6418	859	180-9339	13		577
173-3993	619	176-6420	859		231	185-0280	575
	622	176-9299	266	180-9340	227		577
	624		269		228	185-0292	596
	626		272	180-9417	859	185-0295	575
	630		283	180-9418	859		577
	633	177-0359	587	183-1000	213	185-0296	575
	639	177-1403	560	183-3242	587		577
173-4012	564		562	183-3252	587	185-0297	577
173-4675	479	177-1405	560	183-3407	33	185-0336	▶450
173-4939	541		562	183-3408	66		525
173-7849	479	177-2553	451	183-3409	64	185-0337	450
173-7851	479	177-2619	411		117	185-0373	611
173-9958	803		412	183-4888	587		613
	805	177-5025	488	183-7262	630	185-0391	611
	▶807	177-5632	323		634		613
173-9971	807	177-5879	345		639	185-2638	154
174-0503	266	177-5880	345	183-7263	98	185-2639	154
	283	177-7747	673		624	185-2643	154

PART NUMBER INDEX

Part	Page	Part	Page	Part	Page	Part	Page
185-2644	154		▶901		629		784
185-2645	154	189-2793	856		633		785
185-2647	154		858		638		786
185-2648	154		▶907	194-0947	▶562		790
185-2650	154	189-2796	907		629		791
185-2651	154	189-3434	926		633	195-9185	▶835
185-2653	154	189-4717	590		638	196-0711	93
185-2654	154	189-5746	233	194-1155	389	196-1665	926
185-2655	154		▶235	194-1162	389	196-1666	919
185-2658	154	189-9240	133	194-3259	911	196-2036	525
185-8280	925	190-0009	10		▶913	196-5069	71
185-8281	925		▶52	194-6722	▶227	196-5070	71
185-8284	874	190-3009	590		229	196-8088	106
185-8286	254	190-4896	423	194-6725	▶228	196-8089	106
	852	190-5386	1004		230	196-8173	583
	853	190-6063	537	194-7097	8	197-2471	575
185-8300	850	190-6064	537		▶40	197-2472	575
	919	190-6919	350	195-0313	40	197-2474	575
185-8302	850	190-8601	644	195-0319	102	197-4385	311
185-9208	218	190-8602	644		103	197-4971	42
186-2001	31	190-8604	644	195-3218	986	197-7415	8
186-3735	144	190-8970	142	195-4456	570		▶209
	149	191-1782	135	195-5136	816	197-8006	98
	152	191-1783	135	195-5151	844	197-9322	26
	153	191-2752	914	195-5476	722	198-1508	8
	181		916		724		▶91
	212	191-2753	914		726	198-1659	198
	224		916	195-5662	104		199
	253	191-2757	969	195-7217	▶812	198-1754	969
	254		971	195-9154	766		971
	256	191-2758	969		767	198-5529	427
	260		971		768		429
	261	191-2764	963		769		431
	283	191-2768	963		770		722
	660	191-5592	594		771		724
	661		597		772		726
186-3736	181	191-5701	▶678		773	198-5647	720
	224		694		778		722
186-5605	386	191-6243	914		779		724
186-5608	386		916		780		726
186-6592	587	191-7805	133		781		728
187-5420	49	191-8303	237		782	198-6223	198
187-5666	505	191-9253	226		783	198-7070	157
187-6925	525	192-4151	71		784		166
187-8001	587	192-6815	541		785	198-8483	▶831
187-8194	44	192-7470	575		786	198-8484	▶831
187-8202	44		577		787	198-8485	▶839
187-8229	44	192-7512	972		788	198-8486	▶819
187-8230	44	193-1664	663		789	198-8487	▶817
187-9834	466	193-1665	653		790	199-3680	914
188-0210	57		655		791		916
188-2199	429		▶663		792	199-4500	338
188-3365	564	193-2153	913		793	199-4501	338
188-4142	▶451	193-2301	570		794	199-4726	▶314
	453	193-6662	489		795		316
	455		492		796	199-4727	314
188-4143	451		494		797	199-4728	314
188-4192	434	193-6769	135		798	199-7891	154
188-6280	590	193-7404	133	195-9155	783	199-8436	154
188-9644	859		▶139		784		
189-0852	236	194-0715	914		785		
189-2054	972		916		786		
189-2690	902	194-0944	560		790		
	905	194-0945	562		791	200-0957	671
189-2768	855	194-0946	▶560	195-9156	783	200-0961	592

PART NUMBER INDEX

Part	Page	Part	Page	Part	Page	Part	Page
200-2279	68	205-5626	587	212-8530	416		751
200-3507	602	205-6295	859	212-8531	416	217-0751	29
200-3620	425	205-6716	125	212-9580	▶132	217-0752	29
200-4246	78	206-5119	531		142	217-2543	197
200-5363	667	206-5121	531	213-0677	57	217-2544	197
200-7126	610	207-6403	604		604	217-3875	673
200-7127	▶610	207-6404	604	213-0710	918	217-6421	974
	624	207-7899	98	213-0711	918	217-8763	429
201-1241	▶820	208-1922	697	213-0772	212	217-8946	117
201-2771	334		699		311	217-9060	67
	336	208-1923	697	213-3217	61	218-1336	525
	733		699	213-3745	505	218-2656	986
	735	208-1941	334	213-9100	153		990
	737		336	213-9242	667	218-2657	986
	739	208-1964	705	213-9243	667		988
	747	208-1972	334	213-9244	667	218-5433	722
201-4391	902		336	213-9246	667		724
	905	208-1973	334	213-9247	667	218-9894	690
201-4534	914		336	214-1639	429	219-0305	913
	916	208-1974	334	214-2484	222		914
201-4535	914		336		▶237	219-1323	433
	916	208-5033	80	214-7566	17	219-4458	61
201-6617	▶236	208-5034	80		209	219-8204	▶705
	238	208-9490	10		230		731
201-9299	451		▶42		232		732
201-9381	541	209-3569	19	214-7568	33	219-8237	711
	▶611	209-5871	459		85	219-8239	705
201-9382	541	209-5937	590		130	219-8251	713
	▶613		▶667		133	219-8252	713
201-9383	611	209-5939	667		225	219-8253	713
	613	209-5940	667		242	219-8254	713
201-9384	611	209-5941	667		445	220-3490	8
	613	209-5942	667		506		▶88
201-9385	611	209-5943	667		527	220-3493	8
201-9386	613	209-5979	586		583		▶96
202-3572	91	209-5980	586	214-7879	314	220-3496	96
202-3998	525	209-5981	586	214-7880	314	220-4079	859
202-9002	503	209-6004	667	214-7915	1004	220-4080	902
203-3022	644	209-6005	667	214-8310	346		905
203-3831	102	209-6063	575	214-8889	269		969
	103		577	215-1942	429		971
204-0920	104	210-7994	106	215-2913	859	220-4081	859
204-1455	665	210-7995	106	215-9867	425	220-6372	8
204-1611	157	210-8081	106	215-9995	431		▶123
	281	210-8148	11	215-9999	434	220-6420	269
	302		▶118	216-0008	425	220-8678	132
204-1673	157	210-8165	118		427	221-1426	123
	166	211-3122	31		429	221-1428	8
	264	211-4196	644	216-0009	431		▶38
204-1771	157	212-0907	429	216-0010	434	221-3705	8
204-2762	451	212-2086	35	216-1397	673		▶68
204-2763	412	212-2113	8	216-1594	673	221-7630	8
204-2844	425		▶35	216-5582	29		▶80
204-2845	425	212-2896	722	216-5734	▶750	221-8045	1004
	427		724		753	221-8813	855
	429		726		757		856
204-2846	425	212-3086	720		758		858
	427		722		759		▶931
	429		724		760	221-8818	413
204-6101	969		726	216-5736	750		▶878
	971	212-3088	720	216-5738	750	221-8819	▶881
204-8298	541		728		751		944
204-8301	541	212-5467	604	216-5739	750	221-8859	481
204-9316	▶41	212-5595	541		751		510
	42	212-8526	416	216-5740	750		525

PART NUMBER INDEX

Part	Page	Part	Page	Part	Page	Part	Page
221-8861	2	224-5122	33	227-7569	880		▶868
	▶179	224-6809	▶564	227-7571	892	229-9079	2
221-8874	177		624	227-7625	882		3
221-8883	414	224-6830	8	227-7736	883		▶849
	▶879		▶84	227-9495	9	229-9080	▶847
221-8884	413	224-8946	1004		▶73		849
	▶882	225-0312	1004	228-0987	976	229-9082	849
221-8885	414	225-4130	991	228-2775	135		▶908
	▶883	225-4131	991	228-2781	1004	229-9125	926
221-8912	525	225-4257	1004	228-3238	569	229-9126	926
221-9360	24	225-4646	425		▶570	229-9127	926
222-0225	884		427	228-4224	8	229-9128	926
	885		429		▶98	229-9131	868
222-4737	564	225-4794	644	228-4947	237	229-9132	868
	629	225-4796	644		238	229-9189	967
	633	225-4804	615	228-5621	733	229-9191	926
	638		616		735	229-9974	189
	653		644		737		190
	655		647		739		191
	662	225-4818	616	228-6601	9	230-0483	498
222-7603	843		644		▶299	230-1340	182
222-8254	7		647	228-7074	570	230-1341	182
	▶125		650	228-7093	80	230-1434	243
222-8334	11		650	228-8094	▶144	230-2734	525
	▶116	225-4820	644		146	230-2829	104
222-8345	11	225-4821	644	228-8097	5	230-2832	118
	▶122	225-5707	926		▶1003	230-2850	104
222-8346	11	225-5757	944	228-8146	166	230-2851	104
	▶87		▶948	228-8255	144	230-2852	104
222-8347	11	225-5765	▶939	228-9254	1004	230-2853	104
	▶89		944	229-0887	1004	230-2895	118
222-8350	▶417	225-5780	1	229-0887	1004	230-2917	106
	583		▶967	229-1857	144	230-2919	106
222-8351	▶243	225-5781	1	229-1860	144	230-2920	106
	246		▶926	229-1861	144	230-2920	106
222-8352	11	225-5782	▶947	229-2282	98	230-2921	106
	▶129	225-5782	▶947	229-2863	10	230-2923	106
222-8375	▶416	225-5783	▶891		▶61	230-3728	27
	417		947	229-3756	951		141
223-0118	969	225-6287	618	229-3757	951	230-3775	141
223-0533	63		▶619	229-4818	951	230-4009	158
223-3008	1	225-8569	88	229-5509	8		160
	▶342	226-5561	29		▶175		161
223-3064	342	226-6473	571	229-5519	8		213
223-3067	342	226-6544	570		▶17		266
223-3074	1	227-0409	462	229-6259	61		270
	▶929		▶607	229-6709	8		288
223-4296	937	227-0410	▶604		▶64		291
223-4746	98		607	229-7151	822		302
223-7042	518	227-0411	604	229-7152	833		307
223-7962	98	227-0620	▶458	229-7153	836	230-4011	158
223-8170	845		604	229-7156	820		160
223-9252	10	227-0684	604	229-7157	841		213
	▶27	227-0689	604	229-7158	823		257
223-9257	98	227-1086	913	229-7159	826		266
223-9731	10	227-1204	27	229-7160	▶844		270
	▶24	227-3503	8	229-7161	▶822		288
223-9818	1004		▶53	229-7162	▶833		291
224-0554	1004	227-4002	299	229-7163	▶836		294
224-2669	963	227-6064	▶317	229-7164	▶841		306
224-2940	918		319	229-7165	▶823		311
224-3239	8	227-6215	439	229-7166	▶826		312
	▶100		442	229-8059	963	230-4013	158
224-3245	61	227-6221	439	229-8060	963		160
224-3246	61		442	229-8062	344		283
		227-6846	870	229-9065	11	230-5008	158

PART NUMBER INDEX

Part	Page	Part	Page	Part	Page	Part	Page
	272	232-4114	615	234-6470	897		▶67
	281	232-4144	513	234-6471	897	235-6387	133
	309		516	234-6472	939		▶147
230-5010	160		▶679	234-6473	897	235-7516	733
	181	232-4145	679	234-6474	897		735
	218	233-0758	▶803	234-6477	963		737
	272		806	234-6480	897		739
	288	233-0806	990	234-6483	897		741
	291	233-0891	175	234-6485	897		743
	294	233-1153	583	234-6490	897		745
	307	233-1154	583	234-6497	897		747
	921	233-1155	583	234-6498	897	235-8200	8
230-5483	570	233-1170	120	234-6499	896		▶220
230-6045	974	233-1188	125	234-6500	2	235-8862	942
231-1767	▶293	233-1194	583		3	235-8873	847
231-1768	▶921	233-1202	54		▶900	235-8874	847
231-1771	▶153	233-1211	129	234-6501	▶896	235-8875	847
231-1973	8	233-1215	125		939	235-8876	908
	▶222	233-1216	125	234-6502	896	235-8877	908
231-2295	158	233-1271	122	234-6521	897	235-8878	908
	160	233-7150	820	234-6579	874	235-8879	908
	278		822		876	235-8891	926
	291		823		897	235-8898	▶872
	307		826	234-6580	874		944
	921		833		876	235-8899	▶894
231-6550	570		836	234-6593	896		944
231-7732	▶802		840	234-6602	874	235-8911	978
	806		841	234-6603	876		979
232-0070	▶845		844	234-6604	874		980
232-0071	▶825	234-1097	269	234-6605	876	235-8912	859
232-0072	▶834	234-1112	288	234-6608	874	235-8914	874
232-0073	▶837	234-1124	921		876		876
232-0074	▶842	234-1155	288	234-6609	874	235-8923	897
232-0075	▶824	234-1156	218		876	235-8951	852
232-0076	▶827	234-1158	218	234-6610	874	235-8952	853
232-0077	▶828	234-1183	157		876	235-8965	876
232-0078	▶821	234-1194	212	234-6611	876	235-8966	874
232-0170	821	234-1196	212	234-6612	876	235-8969	878
	824	234-1198	212	234-6613	▶254		▶884
	825	234-1199	212		876	235-8970	878
	827	234-2916	▶77	234-6614	876		▶885
	828		83	234-6615	254	235-8975	894
	834	234-3748	425	234-6899	618	235-8976	894
	837		697		▶622	235-8986	872
	842		699	234-7935	10	235-8988	872
	845		741		▶14	235-8989	872
232-0172	834		743	234-8937	44	235-8990	872
232-0173	837		745	234-9503	587	235-8991	872
232-0177	842	234-3749	733	234-9966	978	235-8992	891
232-0178	824		735		979	235-8994	872
232-0179	827		737	235-1401	10	235-8996	852
232-1473	972		739		▶141		853
232-1693	175		741	235-1587	91	235-8997	852
232-2158	▶840		743	235-2470	133	235-8998	853
232-2170	774		747	235-2471	8	235-9001	963
	776	234-4038	697		▶156	235-9006	847
232-2171	774	234-4042	699	235-5634	802	235-9015	926
	776	234-4445	▶602		804	236-0563	999
232-2172	774		604		▶846	236-2802	541
	776	234-4446	602	235-5636	846	236-2805	535
232-2178	821	234-4531	▶453	235-5637	846		541
232-3235	61		604	235-5763	990	236-2808	541
232-3236	61	234-4624	518	235-5805	9	236-2821	541
232-3868	570		▶621		▶74	236-2855	541
232-4113	615	234-6469	897	235-5941	8	236-2859	541

PART NUMBER INDEX

Part	Page	Part	Page	Part	Page	Part	Page
236-3059	525	238-2260	949		307	243-1159	20
236-3060	525	238-2345	157	239-7356	160		21
236-3067	513	238-2363	270		213		22
	516		291		270	243-1276	68
236-3081	513		307	239-7853	120	243-3177	429
	516	238-2366	218	239-8983	644	243-4505	144
236-3257	458		270		▶680		158
236-3258	458		307	240-5074	908		193
236-3259	458	238-2392	212	240-7359	128		195
236-3480	367	238-2420	157	241-0164	8		202
236-3506	377	238-2478	▶262		▶47		204
236-3571	351		272	241-0478	47		213
236-3586	325	238-2479	262		▶49		256
236-3621	374	238-2526	212	241-1975	374		270
236-3658	148	238-2535	157	241-1983	374		272
236-3662	148	238-5078	19	241-2044	360		288
236-3710	342	238-5080	17	241-2211	▶358		291
236-4545	243	238-5081	27		374		294
236-5605	31		85	241-2212	358		311
236-9349	346	238-5082	57	241-2213	358		918
236-9862	83	238-5084	80	241-2249	360		921
237-2706	133	238-5436	53	241-2250	360	243-4506	157
237-3567	855	238-6189	505	241-2252	367		161
	856	238-6801	59	241-2299	▶108		283
	858	238-6802	8	241-2380	340		301
	▶859		▶59	241-2381	340	243-4507	157
237-3568	856	238-8643	53	241-3283	96		158
	858	239-1134	243	241-4007	666		272
	60		▶263		669		274
237-4332	340	239-2009	510	241-4052	914		278
237-8427	340	239-2395	222		916		309
237-8428	340		▶229	241-4053	914	243-4508	159
237-8431	340	239-2396	130		916		161
237-8433	340		222	241-4221	813		258
237-8437	340		▶230	241-5929	8		272
237-8440	340	239-3433	983		▶10		285
237-8441	340		985	241-6186	222		307
237-8497	351		▶986	241-6215	445		878
237-8498	351	239-3434	986	241-6325	8		879
237-8505	358		988		▶83		880
237-8510	135	239-3478	▶231	241-8928	554	243-4509	161
237-8511	135		232		▶624		278
	157	239-5674	222	242-1510	1004		283
237-8551	108		▶232	242-1588	1004		291
	109	239-5928	222	242-3360	128		307
237-8647	351		▶238	242-3374	575		921
237-9307	130	239-5929	299	242-3375	88	243-4510	158
237-9323	130	239-6304	98	242-6092	1004		159
238-1463	921	239-6421	416	242-6844	575		161
238-1594	▶256	239-6422	416	242-6878	▶455		213
	311	239-6423	416		604		266
238-1595	256	239-6458	416	242-6880	518		272
	311	239-6459	416		▶691		288
238-1596	▶257	239-6460	111	242-6882	453		291
	311	239-6463	111		455		302
238-1597	257	239-6644	120	242-6883	453		304
	311	239-6645	111		455		307
238-1637	311	239-6655	243	242-6890	621	243-5362	266
238-1641	288	239-6665	120	242-6891	621		272
238-2162	▶193	239-6666	120	242-6892	621		304
	696	239-6667	120	242-6893	691	243-6718	24
238-2163	▶195	239-6673	243	242-6925	621	244-1697	133
	696	239-7352	287	242-9537	20	244-5818	▶813
238-2211	953		288		21	244-6835	98
238-2214	274		291		22	244-7866	351
238-2216	921						

PART NUMBER INDEX

Part	Page	Part	Page	Part	Page	Part	Page
244-8697	390	245-7876	870		633	248-7990	990
245-3805	390	245-7877	92		638	248-9037	358
245-3806	390	245-7895	923	247-4579	629	248-9038	358
245-3808	390		924	247-4585	629	248-9330	370
245-5172	537	245-7902	926		633	248-9385	370
245-5175	537	245-7903	92		638	248-9440	518
245-5222	541	245-7905	863	247-5112	893	248-9441	518
245-5250	516		865	247-5190	415	248-9442	521
245-5269	513	245-7925	876		▶880	248-9443	518
245-5312	415	245-7926	874	247-5275	881	248-9444	521
	▶518	245-7929	896		▶892	248-9810	525
245-5456	1004	245-7941	948	247-6801	859	249-2663	855
245-5458	1004	245-7948	874	247-6812	963		856
245-5495	1004		876	247-6820	976		858
245-7775	967	245-9186	104	247-6831	976		▶963
245-7790	874	245-9206	104	247-6832	976	249-2759	2
	876	245-9238	▶109	247-6833	976		▶983
245-7791	908		415	247-6834	976	249-4488	▶410
245-7792	908	245-9267	118	247-6836	976		587
245-7793	908	245-9268	106	247-6837	976	249-4489	410
245-7811	1	245-9290	104	247-6838	976	249-7107	▶945
	▶942	245-9319	93	247-6839	976	249-7108	▶344
245-7812	850	245-9320	93	247-6840	976		911
	▶919	245-9323	93	247-6841	976		945
245-7813	919	245-9327	93	247-6842	976		946
245-7814	919	245-9328	93	247-6843	976	249-7109	▶911
245-7815	919	245-9331	93	247-6844	976	249-7113	2
245-7816	919	245-9332	104	247-6845	976		3
245-7817	850	245-9334	106	247-6847	974		▶984
245-7818	850	245-9335	106	247-6848	974	249-7114	▶969
245-7819	850	245-9336	106	247-6849	974		983
245-7820	850	245-9338	106	247-6850	974	249-7887	911
245-7821	850	245-9339	106	247-6852	963	249-8800	503
245-7823	850	245-9342	93	247-6854	978	250-0091	287
245-7824	850	245-9351	104	247-6857	963	250-0103	▶287
245-7825	850	246-2641	148	247-6859	974		608
245-7826	850		321	247-8427	984	250-0712	▶911
245-7827	850	246-3129	102		▶988	250-0729	445
245-7828	850		103	247-8754	▶460		▶457
245-7829	850	246-3130	102		592	250-2940	61
245-7830	850		103	247-8756	592	250-2941	629
245-7831	850	246-4620	8	247-8757	▶578	250-2942	629
245-7832	850		▶133		592		633
245-7833	850	246-5629	8	247-8759	592		638
245-7834	850		▶23	247-8760	598	250-4919	▶361
245-7835	850	246-5984	8	247-8761	460		370
245-7836	850		▶60	247-8764	673	250-4922	361
	▶863	246-9353	220	247-8767	578	250-4923	361
245-7837	863	246-9987	976	247-8775	597	250-4925	361
	865	247-2693	287	247-8785	578		362
245-7838	850		288	247-8968	582	250-4926	▶362
245-7839	850		291		▶590		370
245-7842	884		307	247-9908	31	250-4928	362
245-7844	885		886	248-1537	390	250-4930	362
245-7850	926		888	248-5358	272	250-4933	370
245-7851	926		889	248-5513	98	250-4943	346
245-7856	850		890	248-6875	629	250-4984	▶325
245-7866	870		892		633		351
245-7867	870		893		638	250-4985	325
245-7868	870	247-2694	932	248-7179	380	250-4986	325
245-7869	870	247-2695	932	248-7285	381	250-5051	346
245-7870	870	247-4574	629		▶391	250-5124	374
245-7871	870		633	248-7303	▶392	250-5138	▶331
245-7872	908		638	248-7988	986		415
245-7873	908	247-4577	629		988	250-5139	374

PART NUMBER INDEX

Part	Page	Part	Page	Part	Page	Part	Page
250-5329	332	255-2956	130		858	259-7346	▶852
250-5342	351	255-3067	130	256-8690	814		874
250-5351	327	255-3068	130	256-8691	814	259-7347	▶853
	330	255-3171	1004	257-1110	942		876
250-5352	327	255-3173	1004	257-1111	976	259-7348	872
250-5353	327	255-9074	197	257-4599	415		▶874
	330	255-9075	197		▶991	259-7349	872
250-5354	327	256-1441	374	257-7284	618		▶876
250-5355	327	256-1442	374		▶626	259-7353	897
250-5402	356	256-1443	374	258-0883	130	259-8003	912
250-5413	366	256-1449	▶363		▶255		▶916
250-5414	366		374	258-4524	128	259-8009	▶912
250-5415	366	256-1450	363	258-8721	69	259-8120	▶199
250-5416	366	256-1451	363	258-9892	867		912
250-5417	366	256-1454	▶364	259-0882	599	260-2109	879
250-6967	457		374		600		▶886
250-8054	993	256-1455	364	259-0883	597	260-2110	879
	994	256-1456	364	259-0891	666		▶887
	1000	256-1457	364		669	260-2111	886
	1001	256-1459	374	259-0895	671		887
251-0471	301	256-1461	374		594		888
251-0524	243	256-1462	374		597		889
251-0538	▶949	256-1464	374	259-0898	664	260-2127	880
251-0542	2	256-1465	374	259-0904	598		▶888
	3	256-1470	▶368	259-3482	368	260-2128	880
	▶218		374	259-3485	368		▶889
251-0575	1	256-1481	368	259-3488	374	260-2135	182
	▶918	256-1482	374	259-3491	374	260-2180	525
251-0576	918	256-1495	368	259-3494	354	260-2191	525
251-0577	195	256-1496	▶359		357	260-2649	860
251-0578	193		374	259-3497	354	260-6944	999
251-0602	291	256-1497	359		357	260-7522	976
251-0605	288	256-1499	359	259-3500	354	260-7806	133
251-0606	291	256-1500	359		357	260-7900	505
251-4162	173	256-1501	359	259-3501	374	260-7956	541
251-4169	276	256-1502	359	259-3504	374	261-3223	276
252-1230	859	256-1549	369	259-3525	324	261-3429	29
252-1234	859	256-1550	369	259-3680	324	261-3430	29
252-1235	979	256-1551	369	259-3794	374	262-1421	▶179
252-1241	▶197	256-1552	369	259-3905	342		184
	945		374	259-3906	342	262-2292	929
252-1242	▶198	256-1556	329		▶345	262-2293	929
	911	256-1560	328	259-3907	345	262-2356	929
252-1243	963		356	259-3908	345	262-2357	929
252-1244	976	256-1561	326	259-3919	323	262-2372	144
252-1248	974		328	259-3934	321	262-2374	144
252-1249	974		356	259-3936	321	262-2517	377
253-0615	141	256-1562	326	259-3937	321	262-2879	175
253-0861	1004		328	259-3938	321	262-2943	9
253-1346	380		356	259-3943	324		▶127
253-1752	24	256-1573	354	259-3944	370	262-3390	496
253-2111	212		357		377		500
253-2695	266	256-1574	354	259-4884	309	262-3663	963
	272		357	259-4914	949	262-7933	▶971
	304	256-1628	365	259-5022	269		985
253-6915	897	256-1629	365	259-5081	269	262-7934	971
253-9224	911	256-1633	351	259-5082	269	262-7935	971
	▶914	256-1658	374	259-5104	157	262-7954	859
254-2869	334	256-1717	374	259-5295	▶180	262-7956	859
	336	256-1718	374		414	262-7957	859
255-1720	481	256-1730	346		415	262-7961	969
255-2867	122	256-1732	346	259-6227	324		971
255-2901	116	256-1788	333	259-7202	876	262-7962	969
255-2921	243	256-1790	108	259-7220	272		971
255-2924	54	256-8609	856		309	262-8088	266

PART NUMBER INDEX

Part	Page	Part	Page	Part	Page	Part	Page
	302	264-4297	130	266-7379	278		251
263-0788	860		239	267-4631	▶25	272-7152	247
263-1129	8		240		26	273-1682	9
	▶119	264-4501	84	267-4632	▶26		▶250
263-3762	▶413	264-6344	644		27	273-5307	92
263-4918	481	264-6346	644	267-6785	439	273-5333	910
	▶644	264-7029	158		442	273-5358	6
263-4920	29		160	267-6787	317		172
263-5055	▶31		213	267-6914	439		▶910
	33		257		442	273-5359	910
263-8088	644		266	267-6933	319	273-5360	910
263-8848	▶985		270		▶437	273-7965	331
263-8948	937		288	267-7671	309	274-1252	644
263-9088	182		291	267-7672	309	274-1953	10
	▶950		294	267-7695	272		▶33
264-0214	969		306	267-7976	218	274-4491	69
264-0726	644		311	268-1352	963	274-5048	948
264-2155	766		312	268-1353	963	274-7395	222
	767	264-7030	158	268-1616	98		▶239
	768		160	268-6816	415	274-7396	222
	769	264-7031	158		▶992		▶240
	770		272	268-6817	992	274-8948	▶330
	771		281	269-0120	1004		353
	772		309	269-1601	762	274-8949	330
	773	264-7032	160	269-1603	726	274-8950	353
	778		181	269-9684	554	275-1442	505
	779		272	269-9700	505	275-1443	505
	780		288	269-9947	521	275-1497	525
	781		291	270-5603	6	275-1662	521
	782		294		▶934	275-1818	531
	787	264-7033	158	270-5620	878	275-2898	353
	788		160		879	275-6470	8
	789		278	270-5692	481		▶867
	792		291		▶662	275-6631	80
	793	264-7034	158	270-5693	662	275-6842	266
	794		160	270-5803	633	275-8734	84
	795		161		638	276-4637	61
	796		213		▶647	276-4756	102
	797		266	270-5804	629	276-5317	69
	798		270		▶650	277-0892	▶489
264-2156	766		288	270-5810	▶628	277-0899	3
	767		291		650		▶491
	768		302	270-5816	647	277-3082	189
	769	265-2816	▶966		650		190
	770	265-2819	966	270-5817	647		191
	771	265-2821	966		650	277-5814	▶814
	772	265-2824	966	270-5818	647	278-1365	71
	773	266-0545	913		650	278-5662	10
	778	266-0546	914	270-5819	647		▶13
	779	266-0928	▶445		650	278-6470	505
	780		448	270-5820	647	279-3161	852
	781	266-0929	445		650		853
	782	266-0931	445	270-5821	647	279-4485	80
	787	266-0932	445		650	280-2562	243
	788	266-0938	445	270-5822	647	280-3075	854
	789	266-0989	513		650	280-3079	976
	792		516	271-4068	57	280-3979	29
	793	266-0990	513	271-5761	8	280-8039	8
	794		516		▶57		▶101
	795	266-1001	510	272-0390	13	280-8377	130
	796	266-1003	516	272-4760	125	281-0791	865
	797	266-1068	445	272-5000	213	281-1640	▶29
	798	266-5431	1004		307		31
264-2171	825	266-6038	27	272-7123	▶247	281-2725	147
264-2172	828	266-6160	122		250		▶151

PART NUMBER INDEX

Part	Page	Part	Page	Part	Page	Part	Page
281-3538	104	285-1489	628		413		399
	▶106	285-1490	628	290-9519	179		400
281-3539	106	285-1491	628	290-9520	179		401
281-3551	11	285-1620	628	291-0811	642	294-3061	390
	▶93	285-1621	647	292-5991	570	294-3062	390
281-3553	93	285-1622	628	292-6567	990	295-7734	▶629
281-3562	109	285-2481	541	292-7148	505		653
281-3563	109	286-2126	774	292-7244	541		655
281-3582	93		776	292-7275	537	295-7735	▶633
281-3583	93	286-6769	525	292-7419	503		653
281-3645	93	286-6812	505	292-7446	525	295-7760	▶638
281-8261	33	286-8861	902	292-7752	468		655
282-0045	897		905		470	295-9404	462
282-2593	130		▶981		471		▶582
282-3645	8	286-8862	981		472	295-9405	438
	▶66	286-8863	981		473		▶567
282-4716	747	286-8864	981		474	295-9406	437
282-4717	757	286-8866	981	292-7882	644		▶568
282-4718	751	286-8867	981	292-8517	644	295-9414	567
282-4719	728	286-8868	981	292-9782	85		▶573
282-4740	752	286-8869	981	292-9783	85	295-9416	568
282-5671	494	286-8870	981	293-1136	847		▶574
282-5706	489	286-8871	981	293-1137	850	295-9435	573
	492	287-0204	54	293-6801	148		574
282-5707	489	287-2115	84	293-6887	1	295-9547	575
282-5708	489	287-2352	642		▶346		577
	492	287-7534	988	293-6962	▶369		▶596
282-5709	489		▶990		374	295-9549	596
282-5710	489	287-8404	272	293-8218	389	295-9550	575
	492	288-4881	29	293-8698	974	295-9595	556
282-5842	489	288-4882	29	294-1200	▶2		▶603
	492	288-4883	29	294-1232	▶1	295-9606	603
	494	288-4884	29		2	295-9607	603
282-5843	489	288-7516	491	294-1235	1	295-9609	556
	492	288-7517	491		▶1004	295-9626	556
	494	288-8156	7	294-1281	▶696	295-9676	583
282-6526	▶854		▶8	294-1284	▶696		▶587
	972	289-2492	125	294-1285	▶731	295-9677	582
282-6527	854	289-5298	525	294-1286	▶731		▶592
282-6528	854	289-5670	521	294-1287	▶731	296-4361	390
282-6532	▶972	289-5695	541	294-1288	▶731	296-4362	390
	984	289-5712	537	294-1289	▶732	296-4816	2
282-6534	972	289-5713	537	294-1290	▶732		▶7
	▶974	289-6304	68	294-1297	▶718	296-4907	948
282-6535	974	289-7832	694	294-1299	2	296-4908	948
	▶976	289-8215	13		▶381	296-6145	319
282-6536	976	290-0332	897	294-1307	1004		▶438
282-6537	976	290-0373	897	294-1517	696	296-6146	437
282-7758	897	290-1727	1004		▶697		▶439
283-2783	293	290-1728	1004	294-1518	697	296-6147	438
	294	290-8160	189	294-1525	731		▶442
	921		190		▶733	296-6151	2
283-3074	291		191	294-1526	733		▶319
283-4161	854	290-8996	189	294-1539	720	296-6176	▶338
283-5990	621		190		728		381
283-8144	▶189		191	294-1540	720	296-6211	338
	201	290-9020	75		728	296-6212	338
283-8145	▶190	290-9021	9	294-1545	720	296-6213	338
	200		▶75		728	296-6214	338
284-4426	859	290-9395	1	294-1550	720	296-6229	439
284-7291	▶341		▶176		728		442
	381	290-9479	176	294-1561	720	296-6254	338
284-7292	341	290-9517	▶177		728	296-6303	▶316
284-7293	341		413	294-3060	▶390		319
285-0823	17	290-9518	▶179		398	296-7092	462

PART NUMBER INDEX

Part	Page	Part	Page	Part	Page	Part	Page
	▶579	297-9177	397	300-4525	393	303-2623	5
296-7095	462	297-9178	397	300-4611	391		▶448
	▶524	297-9179	397		392	303-2628	▶415
296-7098	▶481	297-9180	397		▶393	303-2632	▶920
	608	298-3101	346	300-8783	429	303-2668	1004
296-7100	▶531		▶370	300-9652	429	303-2675	995
	608	298-3137	370	301-0091	159	303-2678	413
296-7210	516	298-3139	370	301-0589	937		▶993
296-7211	516	298-3140	370	301-2302	▶399	303-2679	414
297-0212	2	298-3355	351	301-2304	▶400		▶994
	▶462	298-3357	▶332		402	303-2680	608
297-0370	503		351	301-2308	▶401		▶995
	▶615	298-3358	332	301-5241	663	303-2685	3
297-0420	▶608	298-3359	351	301-5242	663		▶246
297-0425	▶608	298-3361	333	301-5243	663	303-2686	1004
297-0616	505	298-3364	▶333	301-7292	269	303-2703	▶718
297-0680	▶404		350	302-0455	897	303-2704	▶718
	531	298-4282	997	302-1791	427	303-2787	172
297-1813	19	298-6017	▶398	302-1835	990		▶996
297-4514	6	299-2626	1	302-2942	510	303-8698	102
	▶221		▶157	302-2947	510		103
297-4589	886	299-2627	157	302-2982	525	303-8946	6
297-4590	887		▶212	302-3012	481		▶336
	▶890	299-2628	▶269	302-3032	481	303-9605	350
297-4595	888		944	302-3056	▶503	303-9608	▶327
	889	299-2629	▶307		608		351
297-6841	439		944	302-3058	415	303-9609	327
	442	299-2636	▶294		▶505	303-9620	356
297-7319	696		920	302-3060	462	303-9933	149
	▶699	299-2754	▶288		▶541	303-9937	149
297-7320	699		290	302-3293	541	305-0325	867
297-7328	731	299-2936	▶278	302-8992	▶753	305-0331	887
	▶735		415	302-8995	▶754		889
297-7329	735	299-2939	▶200	302-8996	754	305-0332	886
297-7333	731		911		▶766		888
	▶737	299-2940	▶201	302-9048	766	305-0333	897
297-7334	737		946	302-9049	766	305-0441	926
297-7338	731	299-2941	▶202	302-9056	766	305-0442	926
	▶739	299-2942	▶280		773	305-0466	2
297-7339	739		920	302-9057	783		3
297-7342	732	299-2943	172	302-9058	766		▶954
	▶741		▶306	302-9059	766	305-0467	▶955
297-7343	741	299-2944	172	302-9060	766	305-1750	▶751
297-7347	732		▶276		771		757
	▶743	299-2997	6	302-9212	472	305-1751	▶752
297-7348	743		▶266		474		762
297-7352	718	299-2999	6	302-9213	473	305-4684	110
	▶720		▶272	302-9214	470		▶111
297-7353	720	299-3001	6	302-9216	468	305-4934	111
	728		▶302	302-9438	4		▶113
297-7537	1	299-3004	6		414	305-9196	27
	▶334		▶304		▶462		▶65
297-7539	334	299-3016	172	302-9440	▶415	306-1355	463
	336		▶277	302-9459	3		466
297-7683	2	299-3054	▶281		4		468
	▶11		608		▶492		470
297-7684	462	299-3055	▶166	302-9483	462		471
	▶583		246		▶463		472
297-9153	▶380	299-3056	3	302-9503	463		473
	387		▶264	302-9506	463		474
297-9158	380			302-9507	463	306-3970	897
297-9174	381			302-9516	492	306-3998	247
	▶387			302-9517	492	306-4014	61
297-9176	388			302-9721	525	306-8313	▶283
	▶397	300-4523	393	303-2004	251		413

PART NUMBER INDEX

Part	Page	Part	Page	Part	Page	Part	Page
306-8412	202	307-8130	135	310-0122	525	315-4383	592
306-8413	▶204	307-8322	70	310-2393	937		▶671
306-8414	204	308-1249	986	310-4188	61	315-4384	671
306-8459	201		988	310-6252	1004		▶673
306-8461	201	308-7020	▶855	310-9504	125	315-4385	673
306-8466	201	308-7021	▶856	310-9563	1	315-4386	673
306-8515	158	308-7022	1		▶225	315-4387	673
306-8524	158		5	310-9602	113	315-4389	592
306-8526	166		▶858	310-9692	125	315-4394	554
306-8534	288	308-7024	855	310-9759	125		▶693
306-8538	▶309		856	311-9549	596	315-4395	693
	415		858	311-9550	93	315-4480	316
306-8555	▶297		▶897		▶575		▶569
	413	308-8758	381	312-2617	135	315-5313	899
306-8566	▶298		▶382		▶142	315-6645	102
	414	308-8759	382	312-2645	144		103
306-8571	200	308-8760	382	313-7796	370	315-8672	902
306-8572	200	308-8761	382	313-7805	346		905
306-8588	277	308-8762	381		▶350	316-6864	143
306-8640	280		▶386	313-7808	350	316-8846	850
306-8641	294	308-8938	733		▶351	316-8847	850
306-8692	172		735	313-7809	1	316-8849	850
	▶206		737		▶340	316-8917	847
306-8693	206		747	313-7820	340		▶850
306-8802	949	308-8952	336	313-7824	378	316-8918	850
307-0047	182	308-8953	336	313-7826	378	316-8920	850
307-2671	17	308-8957	382	313-7833	▶170	316-8921	850
	209	308-8987	386		207	316-8987	956
307-2673	17	308-8988	386	313-7834	351		957
307-4485	990	308-8989	386		▶354		958
307-4849	481	308-8990	386	313-7837	351		959
307-4850	525	309-1080	▶815	313-7841	351	317-4716	510
307-4860	556	309-1081	▶816	313-7843	351	317-4805	477
307-4862	556	309-2658	427	313-8085	148	317-4806	477
307-4875	556		429		▶149	317-4810	477
307-4878	556	309-2664	427	313-8119	351	317-4811	477
307-4890	579		429	313-8266	1	317-8766	24
307-4891	579	309-5131	27		▶148	318-2082	248
307-4892	579	309-5137	80	313-9550	123	319-1434	200
307-4983	▶533	309-5694	221	314-5155	100	319-4420	218
	608	309-5751	937		▶102		▶258
307-4989	533	309-5765	920	314-8096	537	319-7384	189
307-4990	533		▶936	314-8312	644		190
307-4995	525	309-5796	936	315-0829	696		191
307-5037	541	309-5805	172		▶707	319-7401	24
307-5188	462		▶940	315-0830	707		▶72
	▶521	309-5806	940		709	319-9126	▶172
307-5297	521	309-5808	882	315-0831	707	319-9127	▶110
307-5312	525		883		709	319-9152	996
307-5316	525		891	315-0832	707	319-9157	▶172
307-7655	332		▶893		709	319-9194	▶6
	333	309-5843	▶182	315-0833	707	319-9195	▶6
307-7757	172		185		709	319-9196	6
	▶207	309-5844	▶184	315-0849	696		▶732
307-7826	346		185		▶709	319-9197	6
307-7993	1	309-5849	934	315-1025	739		▶732
	▶378	309-5852	185	315-3323	431	319-9198	6
307-8000	1		▶937	315-3344	431		▶718
	▶324	309-9999	▶413	315-4365	▶36	319-9199	6
307-8021	324	310-0000	▶413		93		▶719
307-8122	378	310-0001	▶413	315-4366	36	319-9228	▶997
307-8126	340	310-0002	▶414	315-4367	36	319-9236	608
307-8128	1	310-0018	▶405	315-4368	36		▶999
	▶135	310-0036	653	315-4381	587	319-9260	▶6
307-8129	135		655		▶669	319-9303	994

PART NUMBER INDEX

Part	Page	Part	Page	Part	Page	Part	Page
319-9304	993		787	326-8276	466	327-6642	956
319-9306	1004		789	326-8277	466		957
319-9324	414		795	326-8303	4	327-6643	956
	▶1000	322-4582	999		5		957
319-9325	1000	323-6140	789		462	327-6644	961
319-9326	415		795		▶465		962
	▶1001	323-7776	633	326-8305	465	327-6645	▶923
319-9327	1001		638		▶466		961
319-9329	1004	323-7782	462	326-8306	3	327-6646	923
319-9976	535		608		4		924
319-9995	462		▶653		▶494	327-6647	923
	▶554	323-7784	608	326-8308	4	327-6648	961
			▶655		▶496		962
320-0070	475	324-0965	724	326-8309	3	327-7467	2
320-0071	475		726		▶497		▶241
320-0072	475	324-1120	722	326-8310	▶498	327-7468	241
320-0073	475		724	326-8311	5	327-7469	241
320-0074	475		726		▶468	327-7482	931
320-0075	475	324-1211	732	327-3016	▶353		▶932
320-0076	475		▶745	327-3017	▶326		933
320-0077	475		745		353	327-7594	932
320-0105	525	324-1212	54	327-3087	208	327-8206	434
320-0115	525	324-4047	11	327-3149	148	328-0021	218
320-2677	393	324-4054	▶54	327-3154	▶366	328-0028	274
320-2796	▶69		11		374	328-0102	▶274
	70	324-4065	▶130	327-3155	366		608
320-2797	69		125	327-3156	▶367	328-0213	212
320-5392	170	324-4084	113		374	328-0307	212
320-5396	207	324-4181	11	327-3190	365	328-0308	212
320-5408	370	324-4189	▶120	327-4691	497	328-0333	158
320-5460	370		120	327-4692	497	328-0651	270
320-5464	110	324-4190	120	327-4738	494	328-4236	52
	▶377	324-4191	302	327-4739	494		▶70
320-5470	340	324-5715	304	327-4740	494	328-4238	70
320-5481	346	324-5716	301	327-4741	494		▶71
	▶372	324-5734	296	327-6501	3	328-4315	537
320-5483	372	324-5770	296		▶952	328-4957	4
	▶374	324-5771	158	327-6503	2		▶500
320-5484	▶365	324-5775	516		▶953	329-1974	792
	374	325-8781	510	327-6507	952		793
320-5486	372	325-8832	510		▶958	329-1975	768
320-5530	▶328	325-8835	516	327-6509	953		770
	350	325-8841	525		▶959		794
320-5531	350	325-8986	604	327-6512	▶956	329-1976	771
320-5532	328	325-9044	505		958	329-1977	772
320-5534	356	325-9046	533	327-6513	▶957	329-1982	793
320-5538	6		132		959	329-1983	794
	▶355	326-1643	810	327-6515	956	329-2000	▶755
320-5540	355	326-3405	810		957	329-2002	▶755
	▶356	326-3406	587	327-6520	958	329-2003	▶755
320-5542	356	326-4427	▶597		▶961	329-2004	▶756
320-5544	355		597	327-6521	959	329-2005	▶756
	▶357	326-4428	669		▶962	329-2006	▶756
320-5545	357		592	327-6538	960	329-2010	▶801
320-5621	172	326-4429	▶598	327-6540	954	329-2011	▶801
	▶208		598	327-6541	955	329-2015	▶757
321-2051	718	326-4430	415	327-6542	944	329-2030	▶793
	▶722	326-4438	▶566		▶960		801
321-2136	718		566	327-6543	960	329-2031	▶794
	▶724	326-4439	▶577		859		801
321-8122	11		986	327-6550	▶930	329-2041	769
	▶124	326-4465	988		902		770
321-8123	120		13	327-6579	905		771
321-8124	▶115	326-4512	466		956		772
	124	326-8274	466	327-6640	957		792
321-9775	781	326-8275	466				

PART NUMBER INDEX

Part	Page	Part	Page	Part	Page	Part	Page
	793		▶792	333-5152	1		▶795
	794	331-1292	759		▶321	337-3432	795
329-2042	792		▶787	333-5153	321		796
	793	331-1294	▶778		▶323		797
329-2043	792		799	333-5154	323		798
	793	331-1697	538	333-5156	▶360	338-6009	481
329-2044	770	331-2020	489		374	338-6010	481
	773		492	333-5157	360	338-6012	481
	794		494	333-7419	▶806	338-6013	510
329-2045	770	331-2097	▶501	333-7420	▶806	338-6014	510
	794	331-3610	778	333-7421	▶806	338-6015	510
329-2047	771		780	334-3402	773	338-6016	510
329-2051	792		781	334-3404	773	338-6017	510
	793		786	334-3405	773	338-6018	510
329-2052	770	331-3611	778	334-3410	773	338-6027	477
	794		781	334-4603	1004	338-6028	477
329-2053	771		787	334-6571	868	338-6029	477
329-2054	▶757		789		▶870	338-6030	477
329-2055	▶757		795	334-6572	92	338-6044	556
329-2056	▶758	331-3612	778	334-6832	63	338-6045	556
329-2059	▶758		781	334-8865	792	338-6046	556
329-2060	▶758	331-3613	778	334-9116	768	338-6047	516
329-2061	▶759		781	334-9117	768	338-6048	513
329-2063	▶759	331-3614	778	334-9118	768		516
329-2064	▶759	331-6081	9	334-9119	768	338-6049	537
329-2065	▶760		▶251	334-9120	768	338-6050	537
329-2066	▶760	331-7263	344		770	338-6055	486
329-2067	▶760	331-9373	914		773	338-6057	503
329-2069	▶799	331-9934	859	335-0311	552	338-6126	525
329-2072	▶761	332-1454	916		▶616	338-6157	472
329-5224	505	332-3936	127	335-0498	647		473
	▶642		▶128		650	338-6158	468
329-9776	98	332-6780	8	335-0505	650		470
330-2438	475		▶210	335-2081	▶181	338-6176	462
	477	332-7298	14	335-2317	10		▶510
330-2599	718	333-3009	338		▶39	338-6177	462
	▶726	333-4157	▶924	335-3038	644		▶537
330-2613	732		962	335-4198	96	338-6178	462
	▶747	333-4158	924	335-5131	471		▶556
330-2614	747	333-4159	924	335-6203	815	338-6179	▶475
330-2619	719	333-4160	956		816		696
	▶728		957	335-6204	815	338-6180	▶477
330-2646	720	333-4178	924		816		696
	722	333-4179	956	335-9401	767	338-6181	▶545
	724		957		787		731
	726	333-4180	923		788	338-6182	▶546
	728		924		789		731
330-2766	336		956		790	338-6183	▶547
330-2783	386		957	335-9402	787		731
330-2784	386		961		789		732
330-3027	▶946		962		795	338-6184	▶548
330-3028	▶911	333-4181	923	335-9404	787		731
330-3408	950	333-4516	481		789	338-6185	▶549
330-4521	▶762	333-4520	505		795		732
330-6575	▶763	333-4521	505	336-1157	▶92	338-6186	▶550
330-6576	▶763	333-4522	505		870		732
330-6577	▶763	333-4525	505	336-2213	101	338-6187	413
330-6579	▶764	333-4531	481		▶103		▶513
330-8139	▶804	333-4536	505	336-6337	185	338-6188	413
	806	333-4541	525		▶285		▶516
330-8140	▶805	333-4547	537	336-6684	170	338-6189	▶535
	806	333-4549	521		▶173		608
331-1290	761	333-4551	521	337-2612	505	338-6190	510
	▶768	333-4609	505	337-2615	505	338-6191	463
331-1291	755	333-4616	535	337-3427	760		466

PART NUMBER INDEX

Part	Page	Part	Page	Part	Page	Part	Page
	510		797	342-2847	158	343-2265	758
338-6192	510	340-6397	788	342-2849	159		▶788
338-6193	510		798	342-2854	159	343-2266	759
338-6194	537	340-6398	778	342-2865	159		▶789
338-6197	537		781	342-2866	159	343-2269	767
338-6198	537		787	342-2867	159	343-2270	767
338-6199	537	340-6401	779	342-2869	159	343-2271	767
338-6200	556	340-6403	782	342-2870	146	343-2272	767
338-6201	556	340-6406	769		▶311	343-2274	788
338-6202	556	340-8249	387	342-2873	278		798
338-6203	556		▶388	342-2879	311	343-2275	788
338-6204	475	340-8250	388	342-2882	285	343-2276	788
	477		▶389	342-2886	307	343-2277	788
338-6205	475	340-9238	757	342-2887	▶290		798
338-6206	477		▶780		944	343-2379	135
338-6208	545	340-9239	757	342-2888	290	343-2380	135
338-6209	546		▶781		▶291	343-2381	135
	547	340-9241	780	342-2889	291	343-4855	570
338-6210	474		797	342-2890	212	343-5527	132
	548	340-9242	780	342-2892	283	343-5892	759
338-6211	513	340-9243	780	342-2893	283		▶796
338-6212	516	340-9244	780	342-2896	281	343-5893	760
338-6213	535		797	342-2900	166		▶797
338-6260	556	341-0554	859	342-2901	166	343-5894	760
338-6833	270	341-1842	149	342-2902	166		▶798
338-6978	211	341-5080	713		264	343-5896	796
339-0772	498	341-5081	713	342-2905	281	343-5898	796
339-0773	498	341-5082	713	342-2924	604	343-5899	797
339-4983	143	341-5083	713	342-2925	272	343-5900	796
339-7151	135	341-5084	713	342-2926	272	343-5901	797
339-7152	135	341-5132	711	342-2931	309	343-5902	796
340-2757	758	341-5133	711	342-2932	309	343-5942	570
	▶779	341-5221	▶711	342-2934	306	343-9279	720
340-2766	779		731	342-2935	306		728
340-2767	766	341-5222	711	342-2936	294	343-9283	722
	771	341-5223	711	342-2937	294	343-9866	13
	779	341-5224	711	342-2939	274	344-0694	11
340-2768	779	341-5228	▶713	342-2940	274		▶104
340-2769	779		731	342-2941	281	344-0695	104
340-2770	779	341-5272	720	342-2942	▶301	344-2058	798
340-3966	▶146		722	342-2952	413	344-2060	798
340-3967	▶185		724	342-2953	301	344-3687	488
340-3991	▶1		726	342-3153	159	344-4199	▶502
340-3992	▶5		728		167	344-4200	502
340-4002	1	342-1814	694	342-3182	266	344-4201	502
	▶2	342-1842	597	342-3185	264	344-4340	▶479
340-4003	▶2		▶599	342-3206	166		608
340-4004	▶3	342-1843	599		264	344-4341	479
	5		600	342-3451	1		552
340-4005	▶3	342-1845	599		▶944	344-4343	479
340-4012	▶3		600	342-4005	537	344-4346	479
340-4013	▶4	342-1846	599	342-4049	537	344-4347	479
340-4014	▶4	342-1848	594	342-4171	481	344-4351	552
340-4015	▶3		▶600	342-8073	▶488	344-4352	501
340-4018	▶414	342-1849	600		806	344-4353	501
340-4019	▶4	342-1851	598	343-1150	1002	344-4354	500
340-4020	▶4		▶601	343-1151	1002	344-4355	500
340-4021	▶462	342-1852	601	343-1152	1002	344-4356	496
340-4022	▶5	342-1854	601	343-1153	1002	344-4357	496
340-4023	▶5	342-1855	601	343-1154	1002	344-4567	552
340-4024	▶5	342-1858	601	343-1155	1002	344-4568	552
340-4028	▶402	342-1859	601	343-1156	1002	344-4569	552
340-6394	796	342-1895	338	343-1157	1002	344-4570	552
340-6395	767	342-1896	338	343-2264	758	345-1742	755
340-6396	780	342-2846	158		▶767		▶769

PART NUMBER INDEX

Part	Page	Part	Page	Part	Page	Part	Page
345-1743	756	348-7207	▶806		▶415	354-3696	552
	▶770	348-7743	52	353-0359	783	354-3698	552
345-1744	756	349-4089	6		791	354-5900	783
	▶771		▶701	353-0361	785	354-5901	783
345-1745	756	349-4090	701	353-0365	763	354-5902	784
	▶772	349-4092	701		▶783	354-5903	784
345-2586	769	349-4093	701	353-0366	765	354-5904	785
345-2588	764	349-4095	701		▶784	354-5905	785
	▶773	349-5084	270	353-0367	763	354-5906	783
345-2589	772	349-5085	270		▶785		791
	782	349-5367	6	353-1986	948	354-5907	785
345-2590	769		▶211	353-2149	884	355-5105	179
345-2591	772	349-5408	179	353-2150	885	355-7866	5
345-2592	769		▶933	353-2151	▶865		▶470
345-2594	772	349-5410	179	353-5126	17	355-7867	462
345-2599	769		933	353-5690	434		▶471
345-2606	772	349-5520	221	353-5691	424	355-7868	4
	782	349-5522	221		▶434		▶472
346-3394	481	350-0208	▶800	353-6439	421	355-7869	4
346-4595	▶1002	350-4082	471		▶427		▶473
346-4726	763	350-6444	707	353-6837	422	355-7870	414
	▶782		709		▶429		▶474
346-4732	782	350-6507	716	353-6857	427	355-9764	179
	783	350-6508	716	353-6858	419	356-0658	▶899
	784	350-6509	716		▶424		944
346-5550	434	350-6510	716	353-6859	▶419	356-2093	▶776
346-6616	61	350-6512	▶716		696		800
346-7268	382		732	353-6860	419	356-2094	776
346-7269	382	350-7396	525		▶551	356-8004	▶552
347-1213	510	350-8197	159	353-6871	418		608
347-1214	510	350-8198	161		▶421	356-8942	329
347-1215	537	350-8247	2	353-6872	▶418	356-8945	▶329
347-1216	503		3		718		350
347-1232	537		▶296		719	356-9089	513
347-2076	513	350-8248	269	353-6873	418	356-9091	513
	516	351-4976	525		▶486	356-9099	551
347-2077	513	352-3735	389	353-6874	418		552
	516	352-4226	774		▶422	356-9100	551
			776	353-6875	6		552
347-2082	533		774		▶418	356-9103	513
347-2083	533	352-4227	774	353-6876	419	356-9107	484
347-2086	535		776		▶423		485
347-3234	754	352-4228	774	353-6877	▶419	356-9108	484
	764		776		718		485
347-3235	754	352-4230	762		▶418	356-9110	484
	764		▶774	353-6878	419		484
347-3236	754	352-4232	774		▶487	356-9111	484
	764		776	353-6879	418	356-9112	485
347-3453	785	352-4233	774		▶420	356-9113	485
	791		776	353-6880	▶418	356-9118	486
347-3670	782	352-4240	774		696	356-9119	486
347-3671	782		776	353-6881	▶418		701
347-4425	552	352-4241	774		696	356-9122	487
347-4429	552	352-6819	525	353-6882	418	356-9123	487
347-6072	533		▶692		▶484	356-9124	487
347-6075	533	352-6820	692	353-6883	418	356-9125	487
347-6078	535	352-6869	616		▶485	356-9150	549
347-6123	537		629	353-6902	429	356-9151	550
347-6169	551		633	353-6904	423	357-0998	753
347-7258	▶809		638		▶431		▶786
347-9427	▶191		647	353-6905	431	357-1002	790
	202		650	353-6907	420	357-1003	786
	204		▶681		▶425	357-1011	786
348-0790	▶396	352-6875	▶414	353-6909	425		790
	402	352-6876	1	353-9982	47	357-1013	786
348-0791	396		5		▶63	357-1015	786

PART NUMBER INDEX

Part	Page	Part	Page	Part	Page	Part	Page
357-1017	786						
357-1728	570						
357-2686	▶810						
357-3289	790						
357-3292	790						
357-3877	883						
357-4727	1004						
357-6187	858						
	▶978						
357-6189	856						
	▶979						
357-6190	855						
	▶980						
357-7950	757						
	▶790						
357-7951	790						
358-3905	▶765						
358-3907	784						
358-3909	784						
358-3914	755						
	▶791						
358-3915	791						
358-3916	791						
358-4889	263						
358-6756	785						
358-9661	784						
358-9662	791						
359-5666	334						



© 2010 CATERPILLAR
ALL RIGHTS
RESERVED

CAT, CATERPILLAR, THEIR RESPECTIVE LOGOS, "CATERPILLAR
YELLOW" AND THE POWER EDGE TRADE DRESS, AS WELL AS CORPORATE
AND PRODUCT IDENTITY USED HEREIN, ARE TRADEMARKS OF
CATERPILLAR AND MAY NOT BE USED WITHOUT PERMISSION.

PRINTED IN
U.S.A.